

## **MITSUBISHI MARINE ENGINE**

# **S12R-MPTA**

# **S12R-MPTK**

BASE ENGINE

for MEE

**May 2005**



# CONTENTS

P3770-010	CYLINDER HEAD -----	2
P3770-040	VALVE MECHANISM -----	4
P3770-050	CAMSHAFT TAPPET -----	6
P3770-070-1	CYLINDER CRANKCASE-----	8
P3770-070-2	CYLINDER CRANKCASE-----	10
P3770-071-1	CRANKCASE CON. PARTS -----	12
P3770-071-2	CRANKCASE CON. PARTS -----	14
P3770-090	MAIN BEARING -----	16
P3770-110	TIMING GEAR CASE -----	18
P3770-130	OIL PAN -----	20
P3770-140	ENGINE MOUNTING -----	22
P3770-170	PISTON-----	24
P3770-190	CONNECTING-ROD-----	26
P3770-200	CRANKSHAFT -----	28
P3770-210	FLYWHEEL -----	30
P3770-220	DAMPER -----	32
P3770-230	TIMING GEAR -----	34
P3770-250	FR ACCESSORY DRIVE -----	36
P3770-251	TACHOMETER -----	40
P3770-253	RE ACCESSORY DRIVE -----	42
P3770-255	HOURMETER -----	44
P3770-300-1	INLET SYSTEM -----	46
P3770-300-2	INLET SYSTEM -----	48
P3770-305	AIR HEATER -----	50
P3770-320-1	EXHAUST SYSTEM -----	52
P3770-320-2	EXHAUST SYSTEM -----	54
P3770-323	EXHAUST COVER -----	56

BASE ENGINE FOR MEE

# CONTENTS

P3770-330-1	TURBOCHARGER -----	58
P3770-330-2	TURBOCHARGER -----	60
P3770-350	OIL PUMP -----	62
P3770-360	OIL STRAINER PIPING -----	64
P3770-361	OIL FILTER PIPING -----	66
P3770-362	OIL SYSTEM PARTS -----	68
P3770-390-1	OIL COOLER -----	70
P3770-390-2	OIL COOLER -----	72
P3770-400-1	OIL FILTER -----	74
P3770-400-2	OIL FILTER -----	76
P3770-420	OIL FILLER -----	78
P3770-425	OIL LEVEL GAGE -----	80
P3770-430-1	BREATHER -----	82
P3770-430-2	BREATHER -----	84
P3770-450-1	WATER PUMP -----	86
P3770-450-2	WATER PUMP -----	88
P3770-461-1	COOLING SYSTEM -----	90
P3770-461-2	COOLING SYSTEM -----	92
P3770-461-3	COOLING SYSTEM -----	94
P3770-480-1	FAN -----	96
P3770-480-2	FAN -----	98
P3770-510-1	SEA WATER COOLING -----	100
P3770-510-2	SEA WATER COOLING -----	102
P3770-550-1	AIR COOLER -----	104
P3770-550-2	AIR COOLER -----	106
P3770-610-1	INJECTION PUMP BRACKET -----	108
P3770-610-2	INJECTION PUMP BRACKET -----	110

BASE ENGINE FOR MEE

# CONTENTS

P3770-610-3	INJECTION PUMP BRACKET -----	116
P3770-610-4	INJECTION PUMP BRACKET -----	122
P3770-611	FUEL RACK CONTROL -----	124
P3770-612-1	INJ PIPE NOZZLE -----	128
P3770-612-2	INJ PIPE NOZZLE -----	130
P3770-613	LEAK OFF PIPE ETC -----	134
P3770-620-1	FUEL FILTER -----	136
P3770-620-2	FUEL FILTER -----	138
P3770-621	FUEL FILTER PIPING -----	140
P3770-630	GOVERNOR -----	142
P3770-660	STARTER -----	144
P3770-680-1	DYNAMO -----	146
P3770-680-2	DYNAMO -----	148
P3770-710	TURNING GEAR -----	150
P3770-875	STOP CONTROL HANDLE -----	152
P3770-930	NAME PLATE -----	154

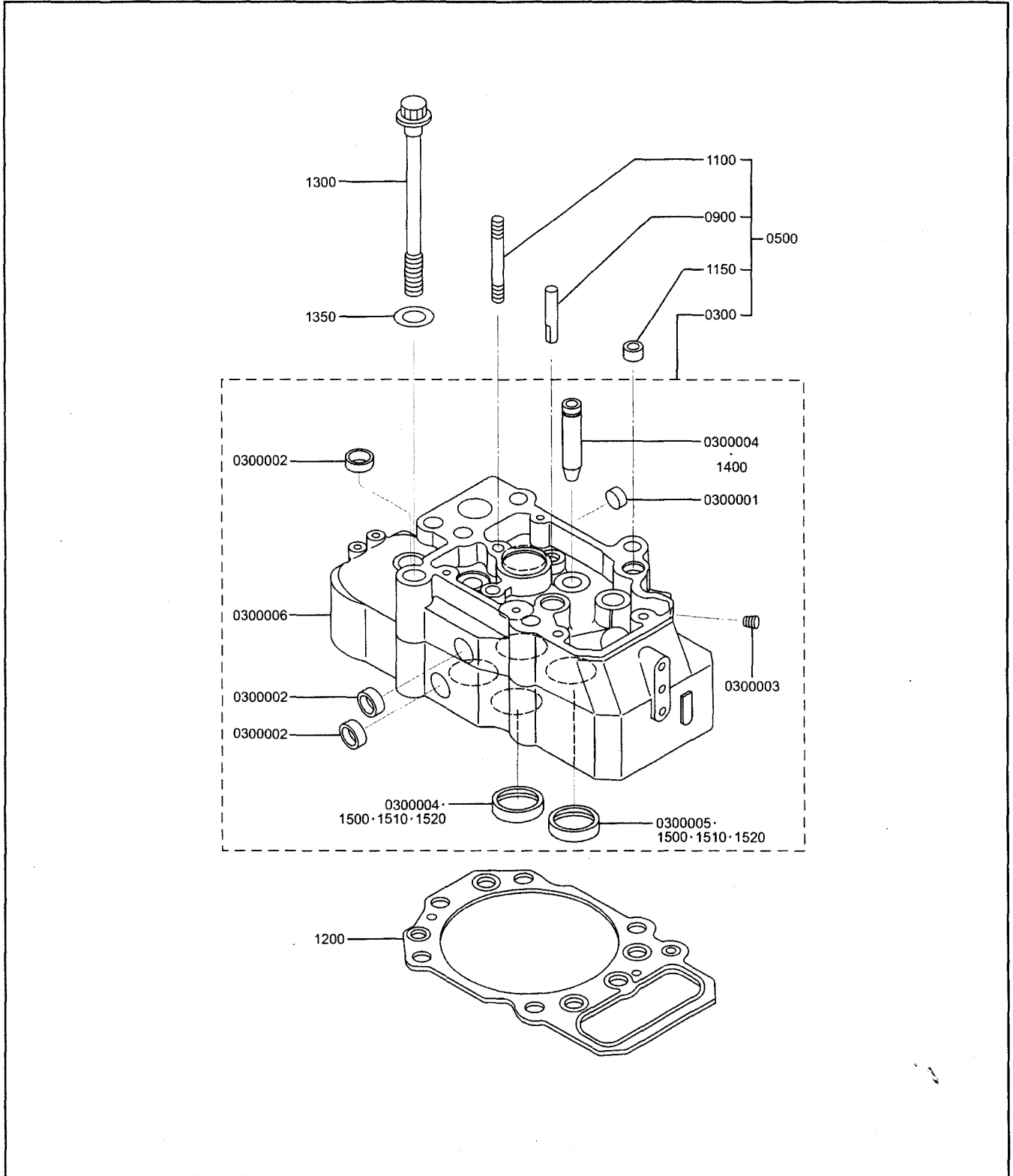
MEMO

---

A series of 30 horizontal dotted lines for writing.

---

# P3770-010 CYLINDER HEAD

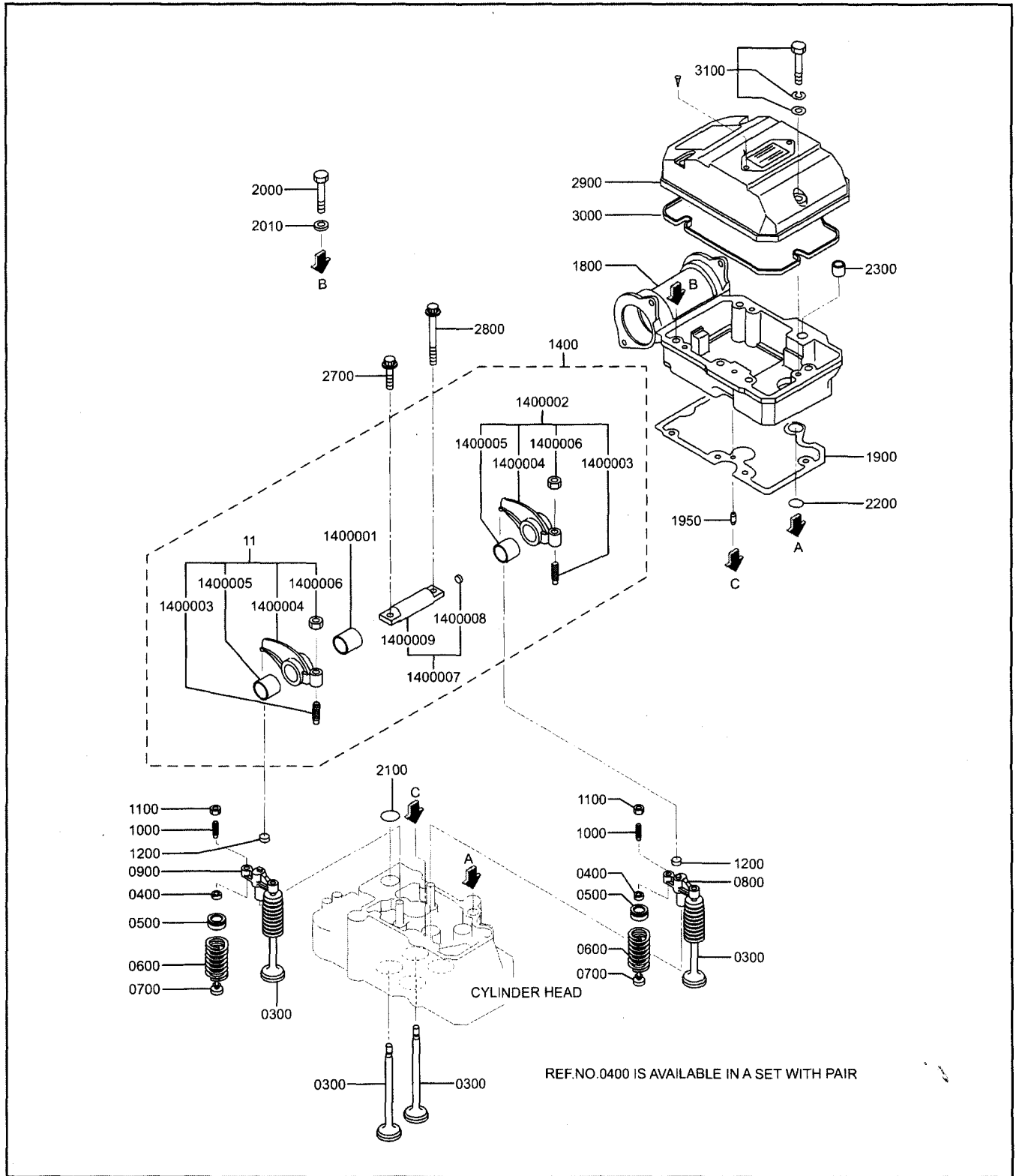


### P3770-010 CYLINDER HEAD

SEQ	NOT AVAILABLE	ITEM	DESCRIPTION	QTY	
				MPTA	MPTK
0300	*	37501-00391	HEAD SUB ASSY,CYLINDER	12	12
0300001		04826-22500	CAP,SEALING	12	12
0300002		04826-22800	CAP,SEALING	84	84
0300003		04827-71000	PLUG,TAPERED	12	12
0300004	*	37101-10500	GUIDE,VALVE (SEMIFINISH)	48	48
0300005	*	37501-01101	SEAT,VALVE (SEMIFINISH)	48	48
0300006	*	37501-80101	HEAD,CYLINDER	12	12
0500		37501-70051	HEAD ASSY,CYLINDER	12	12
0900		33501-13400	GUIDE	24	24
1100		37501-11400	STUD,NOZZLE GLAND	12	12
1150		37501-01501	PIN,DOWEL D18	12	12
1200		37501-02201	GASKET,CYLINDER HEAD	12	12
1300		37501-12501	BOLT,CYLINDER HEAD	72	72
1350		33707-11701	WASHER	72	72
1400		37101-10600	GUIDE,VALVE (FINISH)	48	48
1500		37501-03101	SEAT,VALVE (FINISH)	48	48
1510		37501-04200	SEAT,VALVE (FINISH+3/100)	48	48
1520		37501-04300	SEAT,VALVE (FINISH+6/100)	48	48



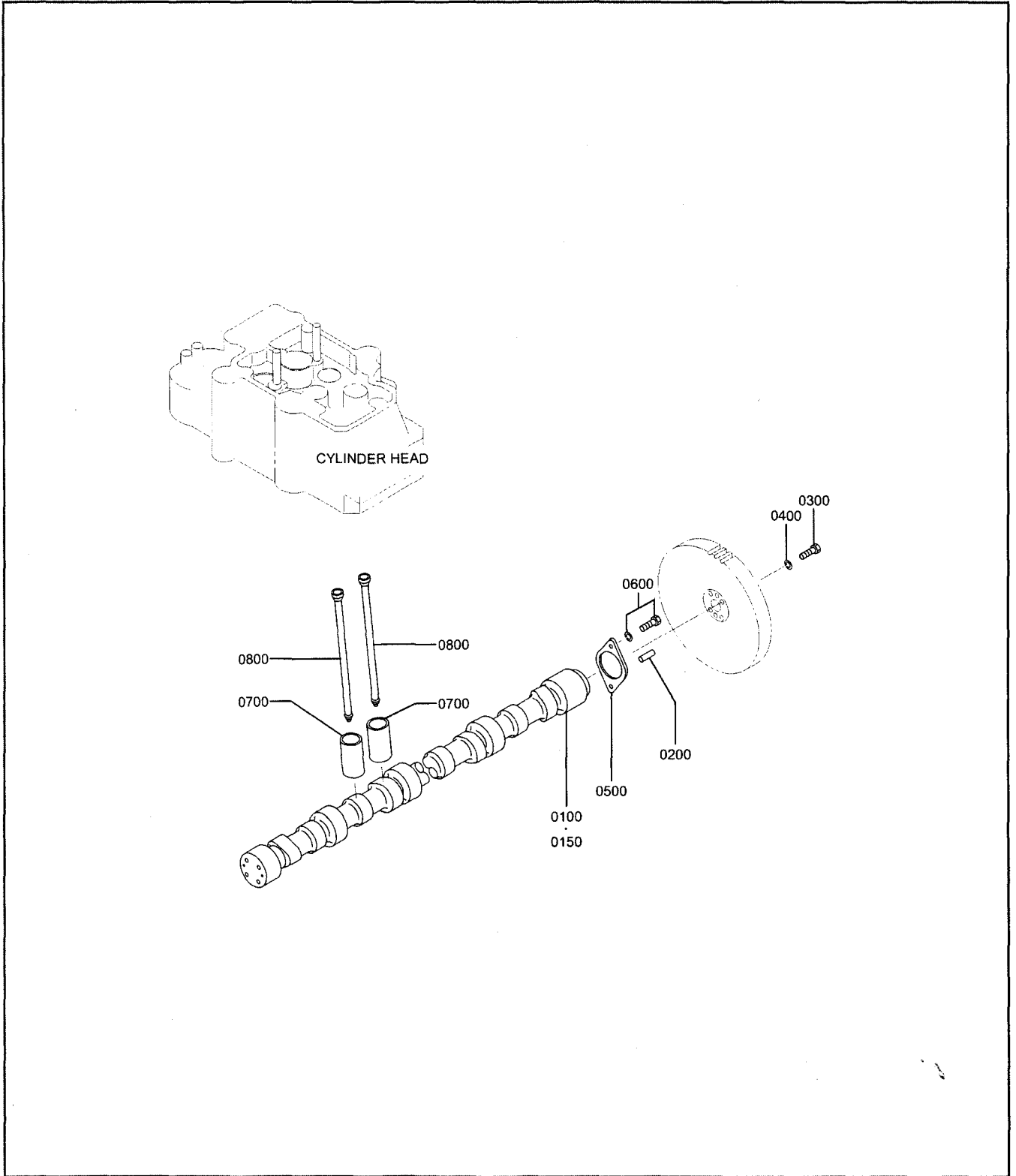
# P3770-040 VALVE MECHANISM



### P3770-040 VALVE MECHANISM

SEQ	NOT AVAILABLE	ITEM	DESCRIPTION	QTY	
				MPTA	MPTK
0300		37504-30200	VALVE,SR	48	48
0400		32504-00400	COTTER	96	96
0500		37504-00300	ROTATOR	48	48
0600		37504-10400	SPRING,VALVE	48	48
0700		33504-10300	SEAL,VALVE STEM	48	48
0800		37504-03400	BRIDGE,EXHAUST	12	12
0900		37504-03500	BRIDGE,INLET	12	12
1000		37104-13300	SCREW,ADJUSTING	24	24
1100		F2305-10000	NUT	24	24
1200		30004-24302	CAP	24	24
1400	*	37504-12080	ROCKER & SHAFT ASSY	12	12
1400001		37504-04201	SPACER,ROCKER	12	12
1400002		37504-22020	ROCKER ASSY	24	24
1400003		37104-02800	SCREW,ADJUSTING	24	24
1400004	*	37504-12200	ROCKER	24	24
1400005		37504-32500	BUSHING,ROCKER	24	24
1400006		F2305-12000	NUT	24	24
1400007		37504-54011	SHAFT ASSY,ROCKER	12	12
1400008		04826-21000	CAP,SEALING	12	12
1400009	*	37504-54101	SHAFT,ROCKER	12	12
1800		37504-51100	CASE,ROCKER	12	12
1900		37504-31200	PACKING,ROCKER CASE	12	12
1950		F2846-06000	PIN,DOWEL	12	12
2000		F1035-12085	BOLT	60	60
2010		37525-07901	WASHER,SK5,M12	60	60
2100		37504-02300	O-RING,G40,S740	12	12
2200		05507-10200	O-RING	12	12
2300		37501-01501	PIN,DOWEL D18	12	12
2700		MH000-854	BOLT,FLANGE	12	12
2800		37504-14600	BOLT,M14	12	12
2900		37504-26100	COVER,ROCKER	12	12
3000		37504-56200	O-RING,ROCKER COVER	12	12
3100		F1825-10065	BOLT WASHER ASSEMBLE	36	36

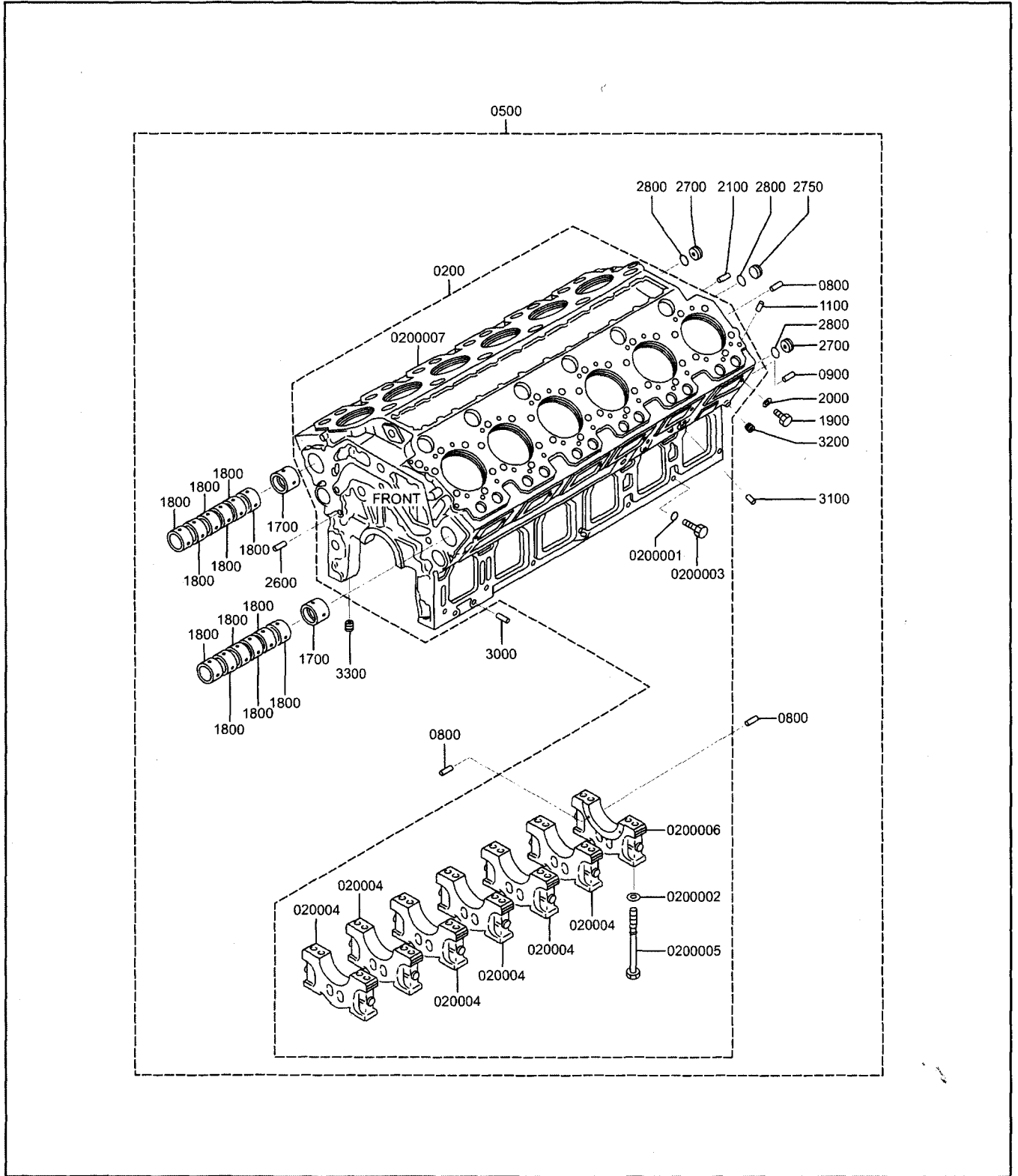
# P3770-050 CAMSHAFT TAPPET



**P3770-050 CAMSHAFT TAPPET**

SEQ	NOT AVAILABLE	ITEM	DESCRIPTION	QTY	
				MPTA	MPTK
0100		37705-20100	CAMSHAFT,R.H	1	1
0150		37705-20200	CAMSHAFT,L.H	1	1
0200		F2846-12000	PIN,DOWEL	4	4
0300		37525-09600	BOLT,12T,M12,L75	8	8
0400		37525-07901	WASHER,SK5,M12	8	8
0500		37505-10800	PLATE,CAM THRUST	2	2
0600		F1805-12030	BOLT WASHER ASSEMBLE	4	4
0700		37505-31100	TAPPET	24	24
0800		37505-13100	PUSHROD	24	24

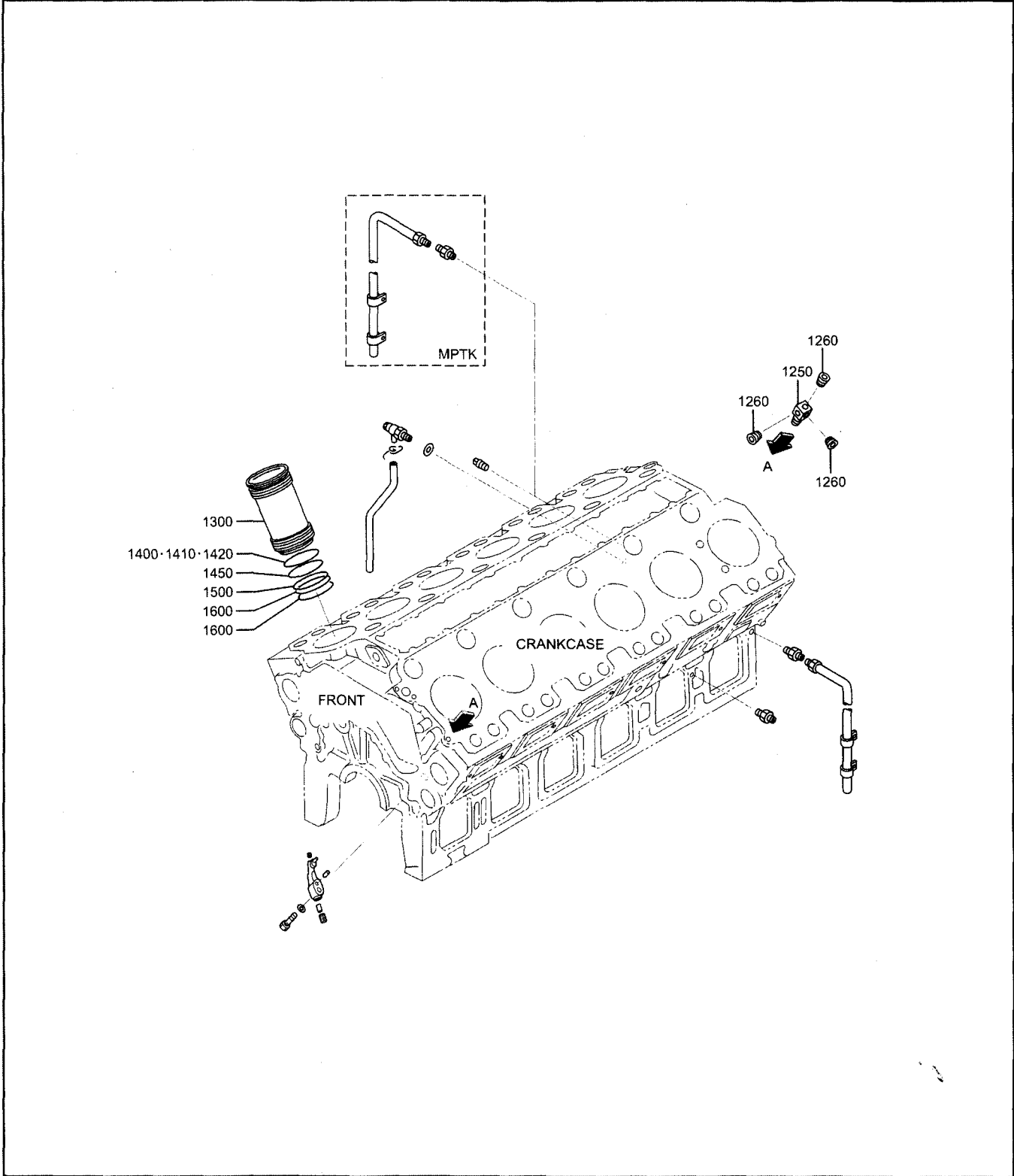
# P3770-070-1 CYLINDER CRANKCASE



### P3770-070-1 CYLINDER CRANKCASE

SEQ	NOT AVAILABLE	ITEM	DESCRIPTION	QTY	
				MPTA	MPTK
0200	*	37707-70191	CRANKCASE SUB ASSY	1	1
0200001		05507-10220	O-RING	14	14
0200002		32507-01400	WASHER	28	28
0200003		37707-01701	BOLT,CAP SIDE	14	14
0200004	*	37707-08100	CAP,BEARING	6	6
0200005		37707-11801	BOLT,BEARING CAP	28	28
0200006	*	37707-18200	CAP,BEARING,REAR	1	1
0200007	*	37707-70101	CRANKCASE,CYLINDER	1	1
0500		37707-50011	CRANKCASE ASSY	1	1
0800		37707-01900	PIN,DOWEL	6	6
0900		F2846-08000	PIN,DOWEL	2	2
1100		32307-02600	PIN	24	24
1700		37507-03100	BUSHING,CAM A	2	2
1800		37507-03200	BUSHING,CAM B	12	12
1900		37507-03900	BOLT,SET	14	14
2000		05946-01201	WASHER,SEALING	14	14
2100		32307-02500	PIN,DOWEL	2	2
2600		32307-02500	PIN,DOWEL	2	2
2700		37507-00701	PLATE,NOZZLE	2	2
2750		32607-10700	PLUG,D40X10.5	1	1
2800		05507-10340	O-RING	3	3
3000		F2846-20000	PIN,DOWEL	4	4
3100		F2846-12000	PIN,DOWEL	4	4
3200		04827-71300	PLUG,TAPERED	2	2
3300		04827-71700	PLUG,TAPERED	1	1

P3770-070-2 CYLINDER CRANKCASE

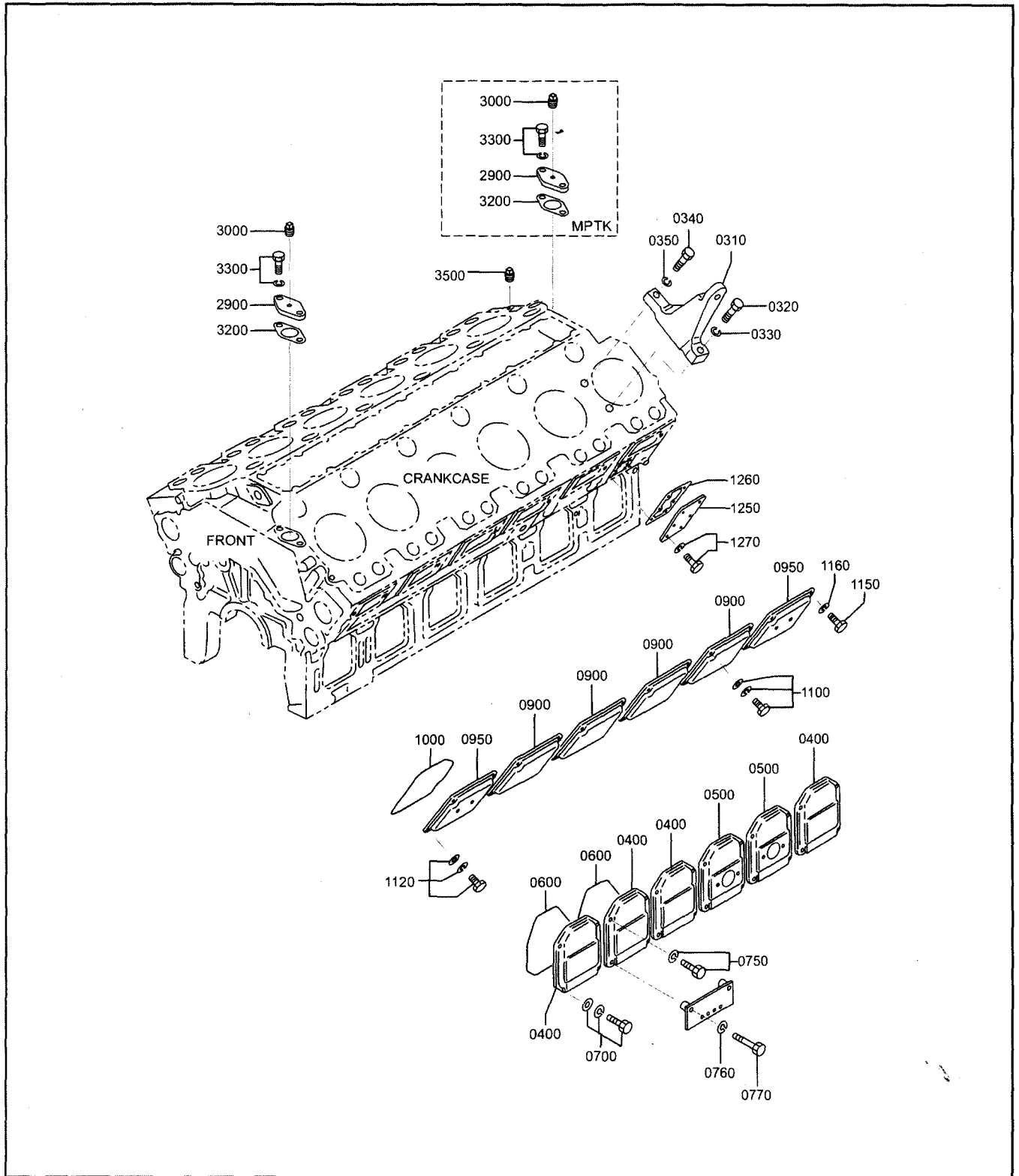


**P3770-070-2 CYLINDER CRANKCASE**

SEQ	NOT AVAILABLE	ITEM	DESCRIPTION	QTY	
				MPTA	MPTK
1250		37736-19300	CONNECTOR	1	1
1260		F5006-10000	PLUG,TAPERED	3	3
1300		37507-82600	LINER,CYLINDER 170X180	12	12
1400		37507-12500	RING,LINER, 0.10	AR	AR
1410		37507-12510	RING,LINER, 0.05	AR	AR
1420		37507-12520	RING,LINER, 0.15	AR	AR
1450		37507-32400	O-RING,CYLINDER LINER	12	12
1500		37107-04200	O-RING,A,LINER(170)	12	12
1600		37107-04300	O-RING,B,LINER(170)	24	24



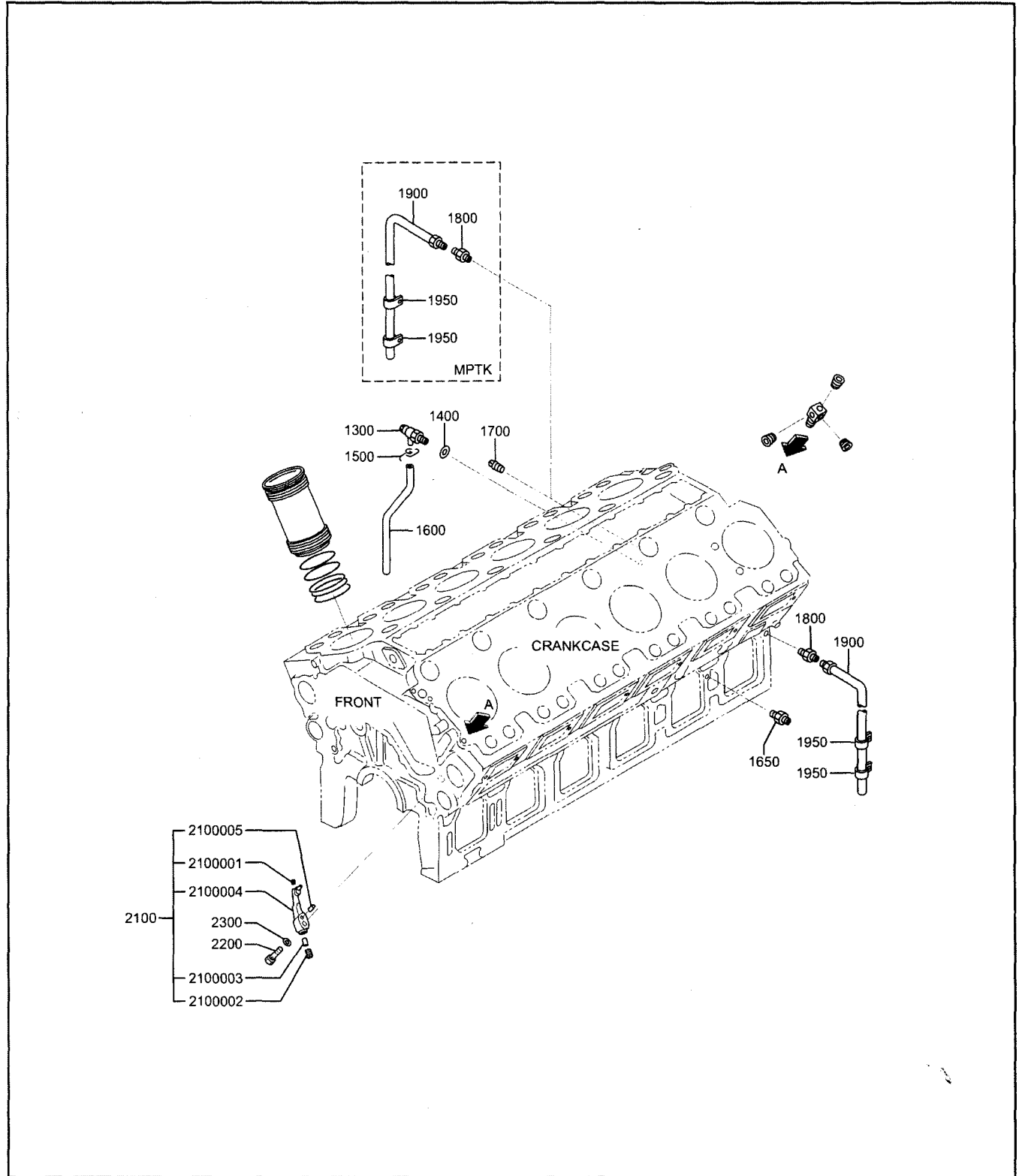
# P3770-071-1 CRANKCASE CON. PARTS



**P3770-071-1 CRANKCASE CON. PARTS**

SEQ <small>1</small>	NOT AVAILABLE	ITEM	DESCRIPTION	QTY	
				MPTA	MPTK
0310		37707-20901	HANGER	4	4
0320		F1035-20075	BOLT	4	4
0330		F2515-20000	WASHER,SPRING	4	4
0340		F1035-16055	BOLT	4	4
0350		F2515-16000	WASHER,SPRING	4	4
0400		37507-27100	COVER,SIDE	10	10
0500		37507-27200	COVER,SIDE	2	2
0600		37507-37300	O-RING,SIDE COVER	12	12
0700		F1825-12030	BOLT WASHER ASSEMBLE	43	43
0750		F1805-12050	BOLT WASHER ASSEMBLE	1	1
0760		F2515-12000	WASHER,SPRING	4	4
0770		F1035-12075	BOLT	4	4
0900		37507-37400	COVER,CAM ROOM	9	9
0950		37507-37800	COVER,CAM ROOM	3	3
1000		37507-37600	O-RING,CAM ROOM	12	12
1100		F1825-12030	BOLT WASHER ASSEMBLE	20	20
1120		F1825-12025	BOLT WASHER ASSEMBLE	24	24
1150		F1035-12065	BOLT	4	4
1160		F2515-12000	WASHER,SPRING	4	4
1250		37807-06100	COVER	2	2
1260		37807-16200	PACKING	2	2
1270		F1805-12025	BOLT WASHER ASSEMBLE	12	12
2900		45731-61700	COVER	1	2
3000		F5006-10000	PLUG,TAPERED	1	2
3200		33336-20500	PACKING	1	2
3300		F1805-12030	BOLT WASHER ASSEMBLE	2	4
3500		F5006-17000	PLUG,TAPERED	1	1

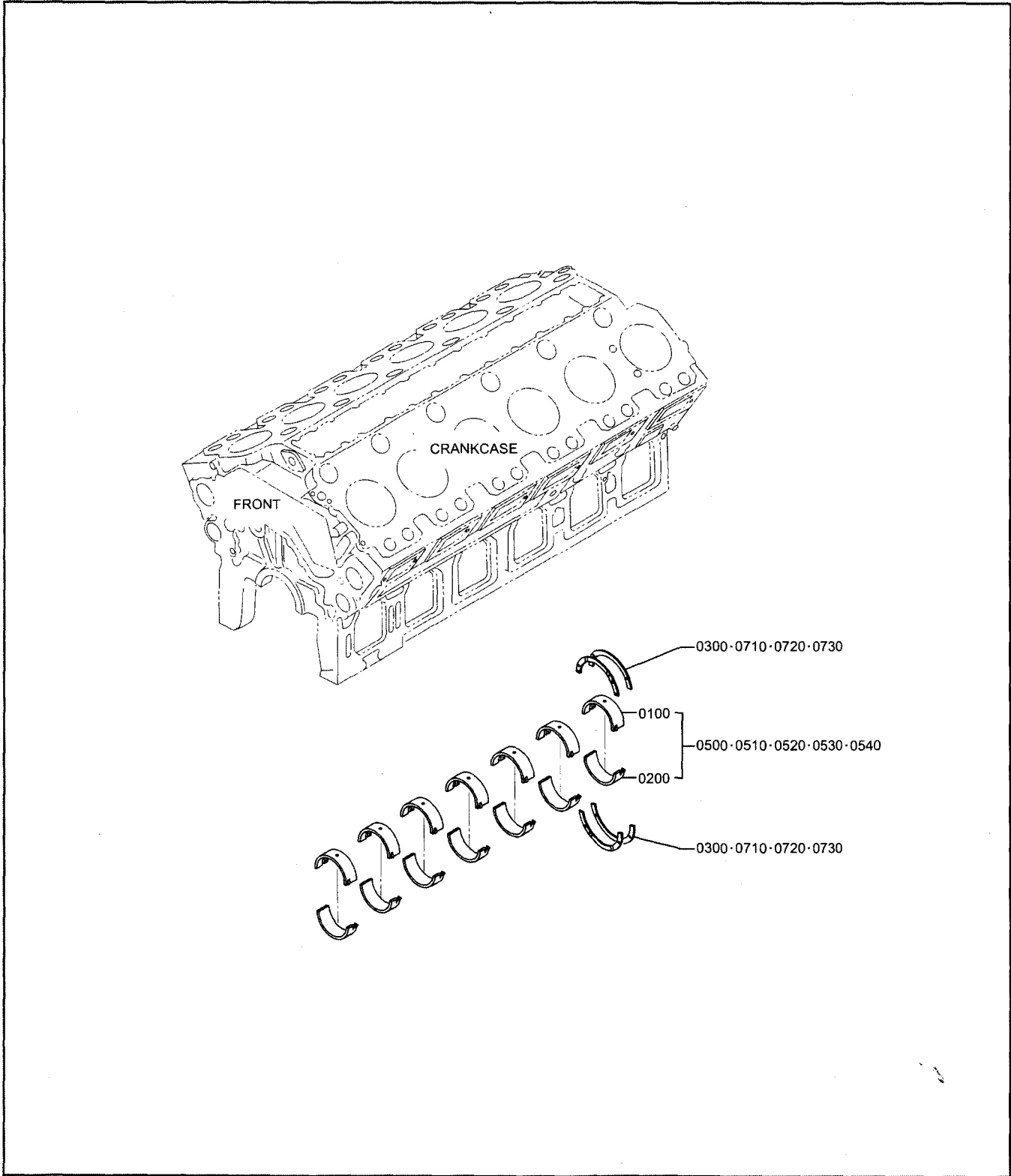
# P3770-071-2 CRANKCASE CON. PARTS



## P3770-071-2 CRANKCASE CON. PARTS

SEQ	NOT AVAILABLE	ITEM	DESCRIPTION	QTY	
				MPTA	MPTK
1300		33407-06100	COCK	2	2
1400		05946-02001	WASHER,SEALING	2	2
1500		30007-05500	CLAMP	2	2
1600		33010-23400	DRAIN,HOSE	2	2
1650		F4540-10000	CONNECTOR	2	2
1700		F5006-10000	PLUG,TAPERED	1	-
1800		F4540-06300	CONNECTOR	1	2
1900		45954-30050	PIPE,OIL	1	2
1950		05317-40600	CLIP	2	4
2100		37707-28040	NOZZLE ASSY,OIL JET	12	12
2100001		05950-04006	SCREW,SET	12	12
2100002		05969-00300	SCREW,SET	12	12
2100003		31119-12201	VALVE	12	12
2100004	*	37707-18400	BODY,NOZZLE	12	12
2100005		F2846-06000	PIN,DOWEL	12	12
2200		37707-08500	BOLT,EYE	12	12
2300		36207-08900	SPRING,CONICAL DISK	12	12

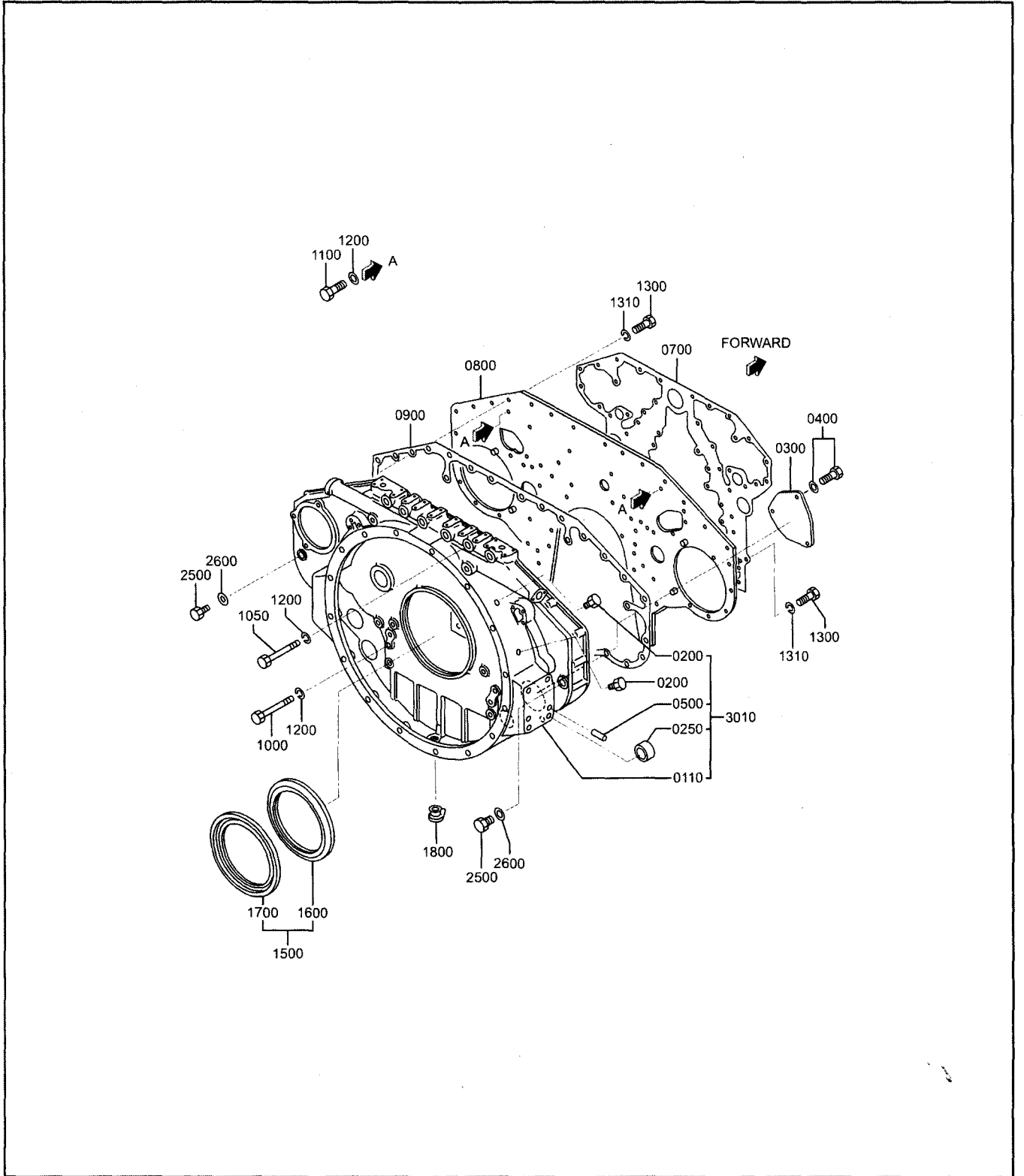
# P3770-090 MAIN BEARING



### P3770-090 MAIN BEARING

SEQ	NOT AVAILABLE	ITEM	DESCRIPTION	QTY	
				MPTA	MPTK
0100	*	37709-12100	BEARING,MAIN,UPPER	7	7
0200	*	37709-13100	BEARING,MAIN,LOWER	7	7
0300		37709-18100	BEARING,THRUST	4	4
0500		37709-12010	METAL SET,MAIN	7	7
0510		37709-12020	METAL SET,MAIN,U.S 0.25	7	7
0520		37709-12030	METAL SET,MAIN,U.S 0.50	7	7
0530		37709-12040	METAL SET,MAIN,U.S 0.75	7	7
0540		37709-12050	METAL SET,MAIN,U.S 1.00	7	7
0710		37709-18200	BEARING,THRUST,O.S 0.25	4	4
0720		37709-18300	BEARING,THRUST,O.S 0.50	4	4
0730		37709-18400	BEARING,THRUST,O.S 0.75	4	4

# P3770-110 TIMING GEAR CASE

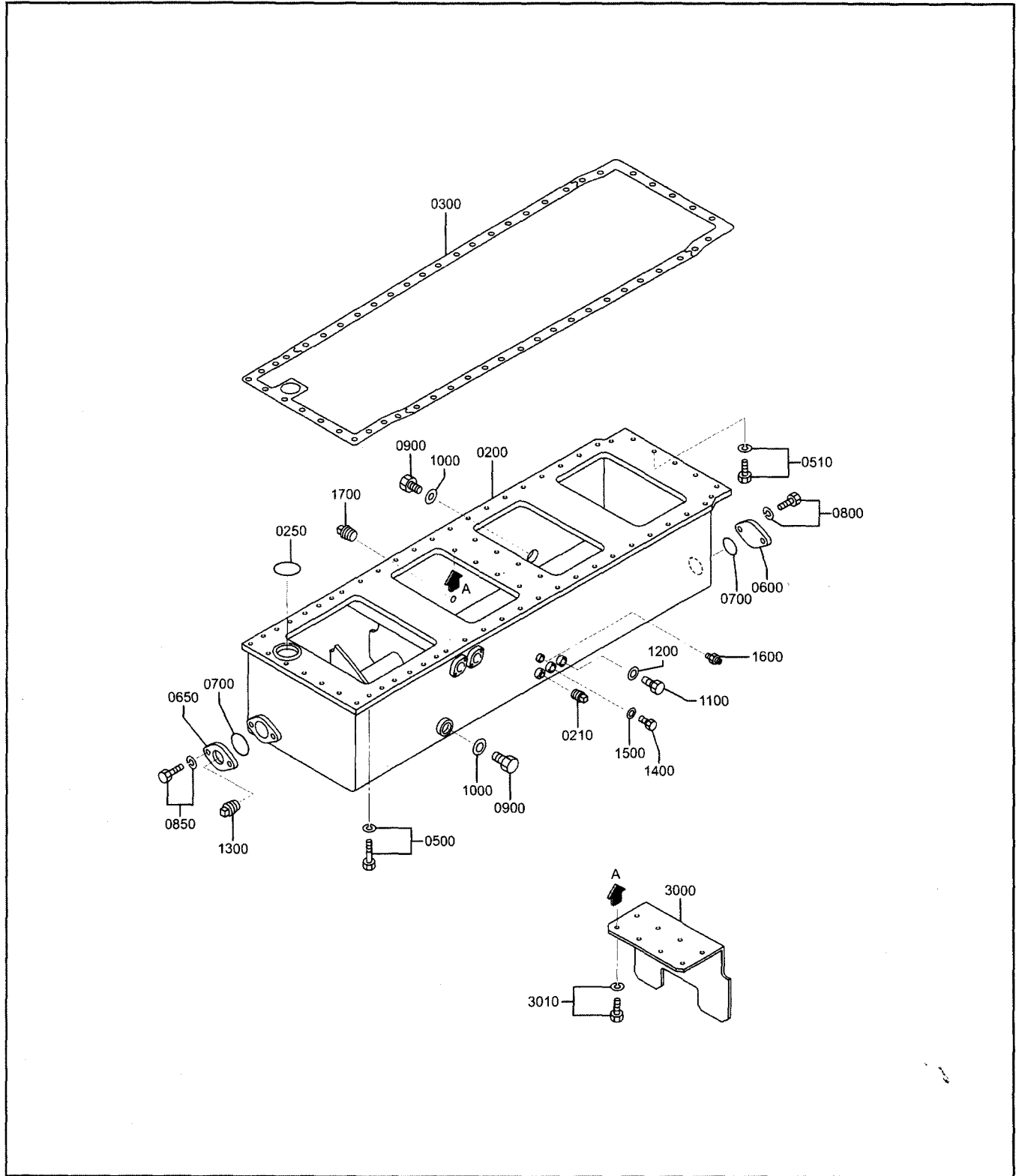


### P3770-110 TIMING GEAR CASE

SEQ	NOT AVAILABLE	ITEM	DESCRIPTION	QTY	
				MPTA	MPTK
0110	*	37711-26200	CASE,TIMING GEAR	1	1
0200		37411-02300	PLUG,UNF 5/8	2	2
0250		05605-05030	BUSHING	1	1
0300		37766-03200	COVER	1	1
0400		F1805-12020	BOLT WASHER ASSEMBLE	3	3
0500		F2846-18000	PIN,DOWEL	4	4
0700		37711-10200	PACKING,REAR,A	1	1
0800		37711-45300	PLATE,REAR	1	1
0900		37711-25400	PACKING,REAR,B	1	1
1000		05978-16155	BOLT	10	10
1050		05978-16115	BOLT	6	6
1100		F1035-16030	BOLT	2	2
1200		31201-71800	WASHER	18	18
1300		F1035-12025	BOLT	34	34
1310		37525-07901	WASHER,SK5,M12	34	34
1500		37711-04000	SEAL ASSY,OIL	1	1
1600		37411-04200	SLINGER	1	1
1700		37711-04300	SEAL,OIL	1	1
1800		30912-01400	PLUG	1	1
2500		F5000-20000	PLUG,DRAIN	2	2
2600		05946-02001	WASHER,SEALING	2	2
3010		37711-26020	CASE ASSY,TIMING GEAR	1	1



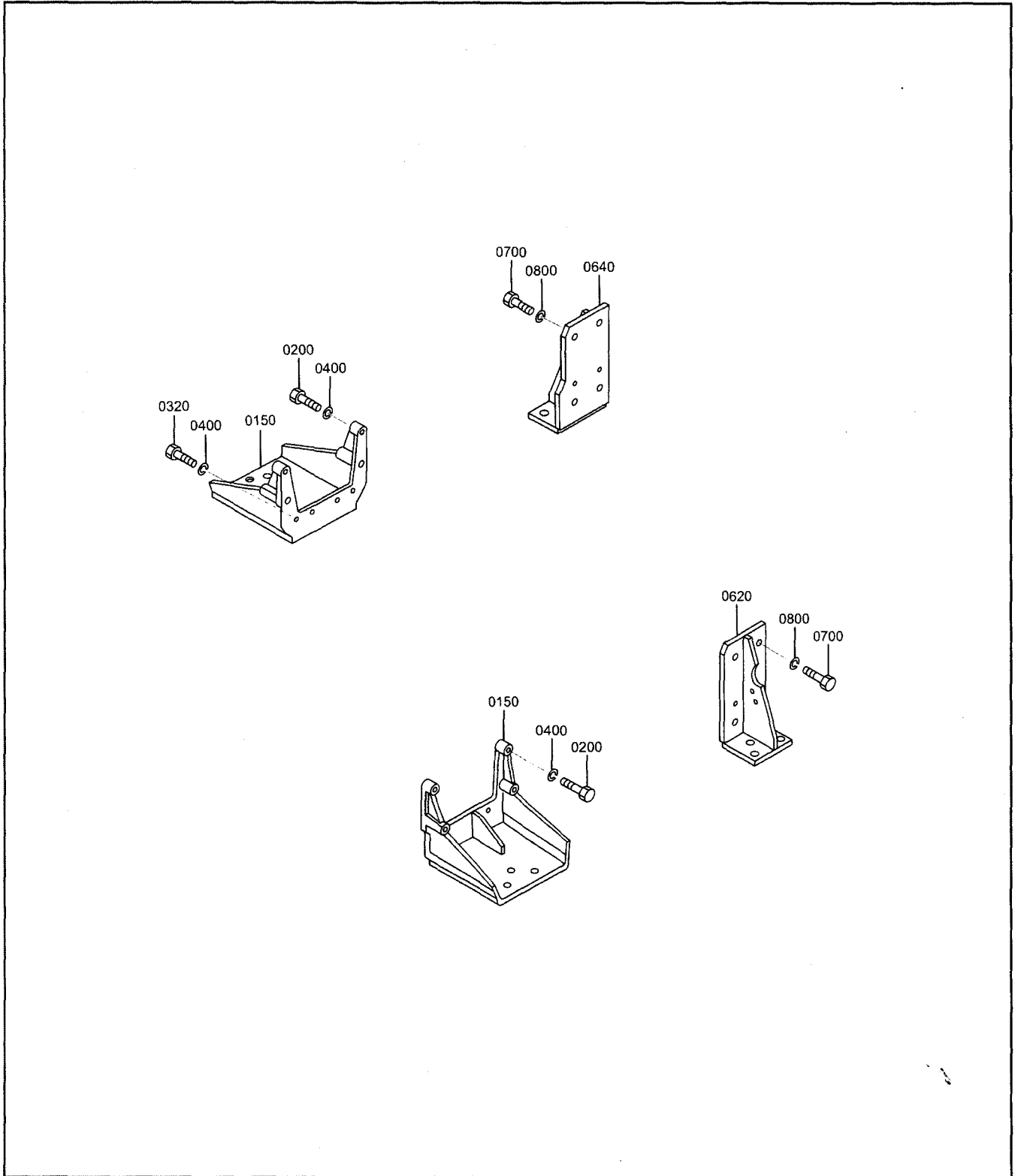
# P3770-130 OIL PAN



### P3770-130 OIL PAN

SEQ	NOT AVAILABLE	ITEM	DESCRIPTION	QTY	
				MPTA	MPTK
0200		37713-12502	PAN,OIL	1	1
0210		F5006-21000	PLUG,TAPERED	1	1
0250		05507-20800	O-RING	1	1
0300		37713-10200	PACKING,OIL PAN	1	1
0500		F1805-12045	BOLT WASHER ASSEMBLE	48	48
0510		F1805-12050	BOLT WASHER ASSEMBLE	6	6
0600		33546-06900	COVER	1	1
0650		45735-51100	FLANGE	1	1
0700		05507-20600	O-RING	2	2
0800		F1805-12025	BOLT WASHER ASSEMBLE	2	2
0850		F1805-12030	BOLT WASHER ASSEMBLE	2	2
0900		F5000-36000	PLUG,DRAIN	2	2
1000		05946-03601	WASHER,SEALING	2	2
1100		F5000-20000	PLUG,DRAIN	1	1
1200		05946-02001	WASHER,SEALING	1	1
1300		F5006-26000	PLUG,TAPERED	1	1
1400		F5000-16000	PLUG,DRAIN	1	1
1500		05946-01601	WASHER,SEALING	1	1
1600		F4540-12000	CONNECTOR	1	1
1700		F5006-17000	PLUG,TAPERED	1	1
3000		37713-03100	PLATE,OIL PAN	1	1
3010		F1805-12030	BOLT WASHER ASSEMBLE	8	8

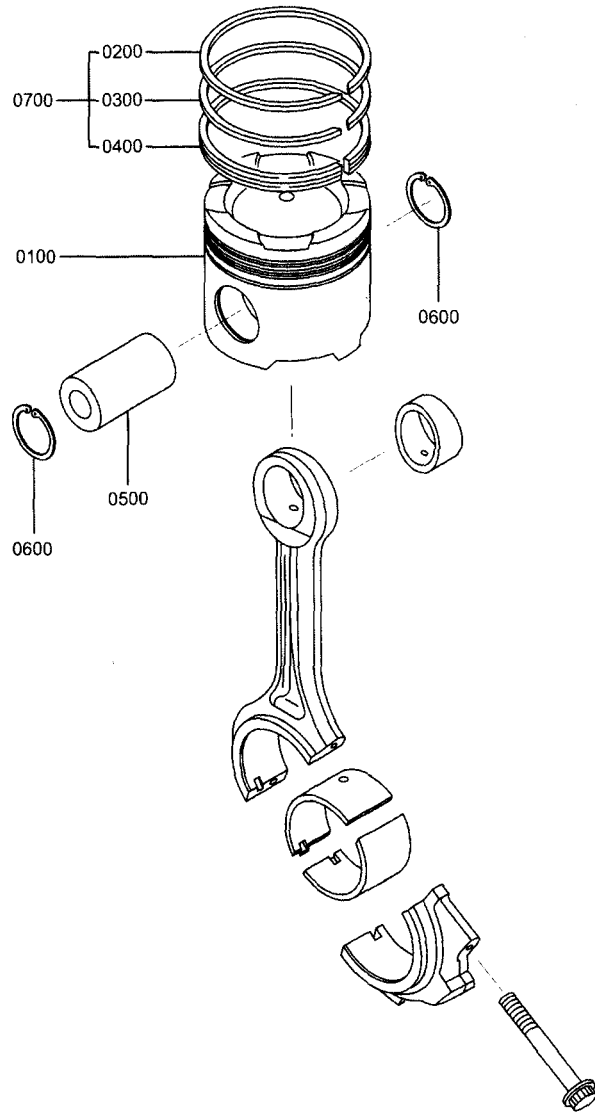
# P3770-140 ENGINE MOUNTING



### P3770-140 ENGINE MOUNTING

SEQ	NOT AVAILABLE	ITEM	DESCRIPTION	QTY	
				MPTA	MPTK
0150		45R14-30100	BRACKET,MOUNTING,FRONT	2	2
0200		F1035-20080	BOLT	7	7
0320		F1035-20065	BOLT	1	1
0400		F2515-20000	WASHER,SPRING	8	8
0620		37714-12601	BRACKET,MOUNTING,REAR L.H	1	1
0640		37714-12501	BRACKET,MOUNTING,REAE R.H	1	1
0700		F1035-20050	BOLT	8	8
0800		F2515-20000	WASHER,SPRING	8	8

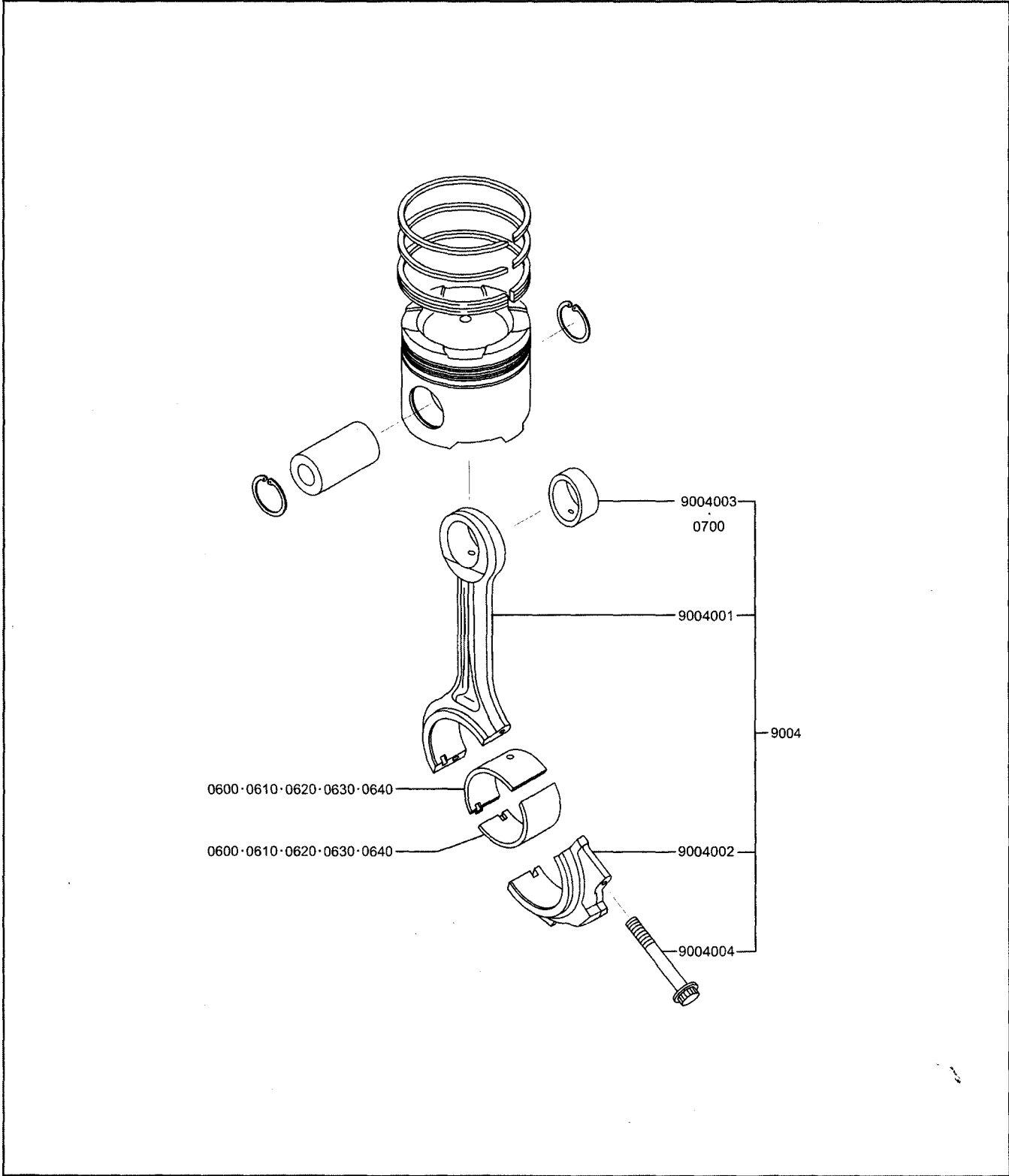
# P3770-170 PISTON



### P3770-170 PISTON

SEQ	NOT AVAILABLE	ITEM	DESCRIPTION	QTY	
				MPTA	MPTK
0100		37517-30101	PISTON,170X180 TWST	12	12
0200	*	37517-11100	RING,COMP.NO.1	12	12
0300	*	37517-02100	RING,COMP.NO.2	12	12
0400	*	37517-03100	RING,OIL (170)	12	12
0500		37517-18100	PIN,PISTON D70.SR	12	12
0600		F3202-07000	RING,SNAP	24	24
0700		37517-10010	RING SET,PISTON	12	12

P3770-190 CONNECTING-ROD

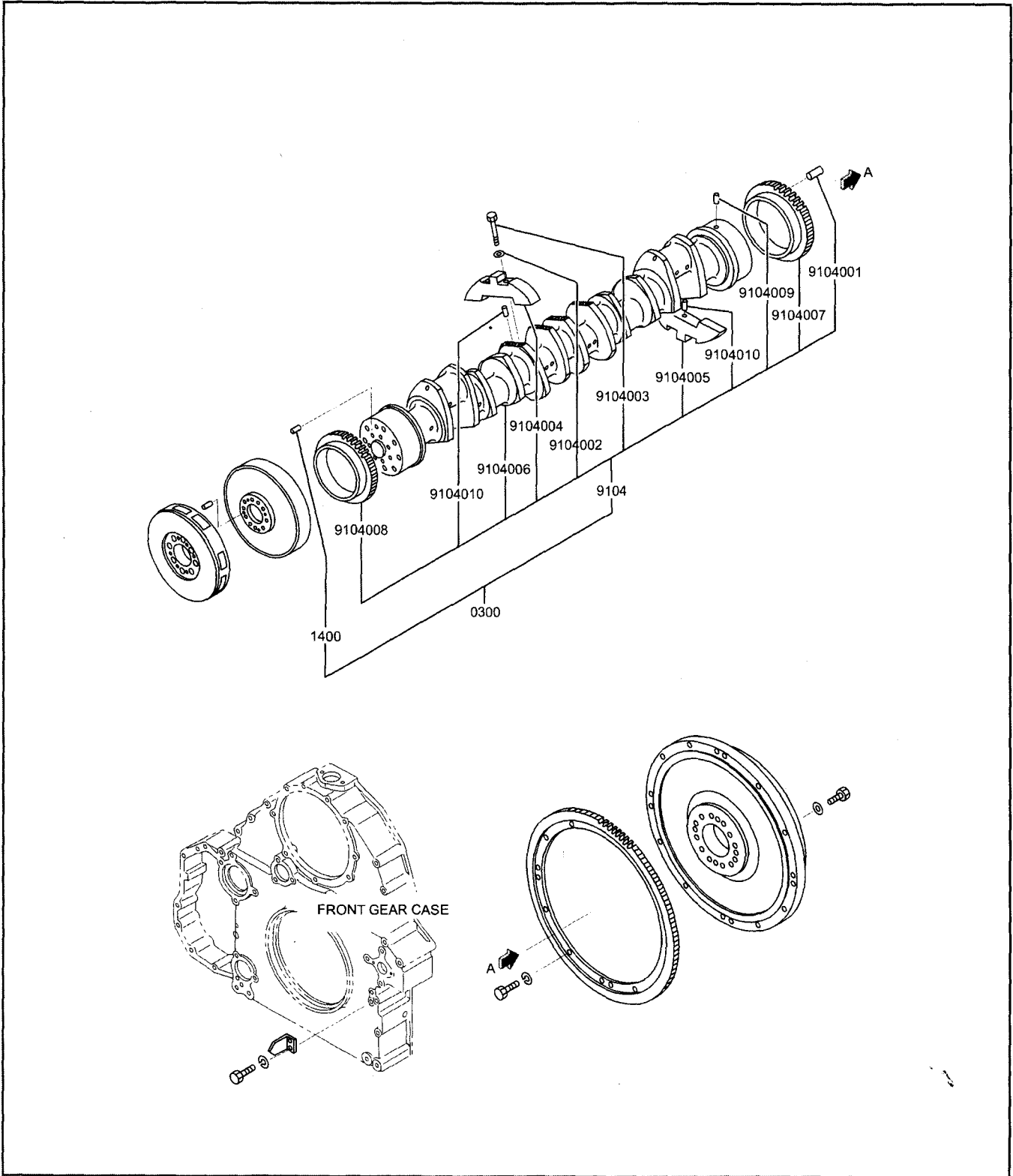


**P3770-190 CONNECTING-ROD**

SEQ	NOT AVAILABLE	ITEM	DESCRIPTION	QTY	
				MPTA	MPTK
0600		37519-13100	BEARING,CON-ROD	24	24
0610		37519-13200	BEARING,CON-ROD,U.S 0.25	24	24
0620		37519-13300	BEARING,CON-ROD,U.S 0.50	24	24
0630		37519-13400	BEARING,CON-ROD,U.S 0.75	24	24
0640		37519-13500	BEARING,CON-ROD,U.S 1.00	24	24
0700		37519-10600	BUSHING,CON-ROD (FINISH)	12	12
9004		37719-60V10	CON-ROD ASSY,NV	12	12
9004001	*	37719-301V0	ROD,CONNECTING,NV	12	12
9004002	*	37719-302V0	CAP,CON-ROD,NV	12	12
9004003	*	37519-10500	BUSHING,CON-ROD (SEMIFINISH)	12	12
9004004		37519-20301	BOLT,CON-ROD	24	24



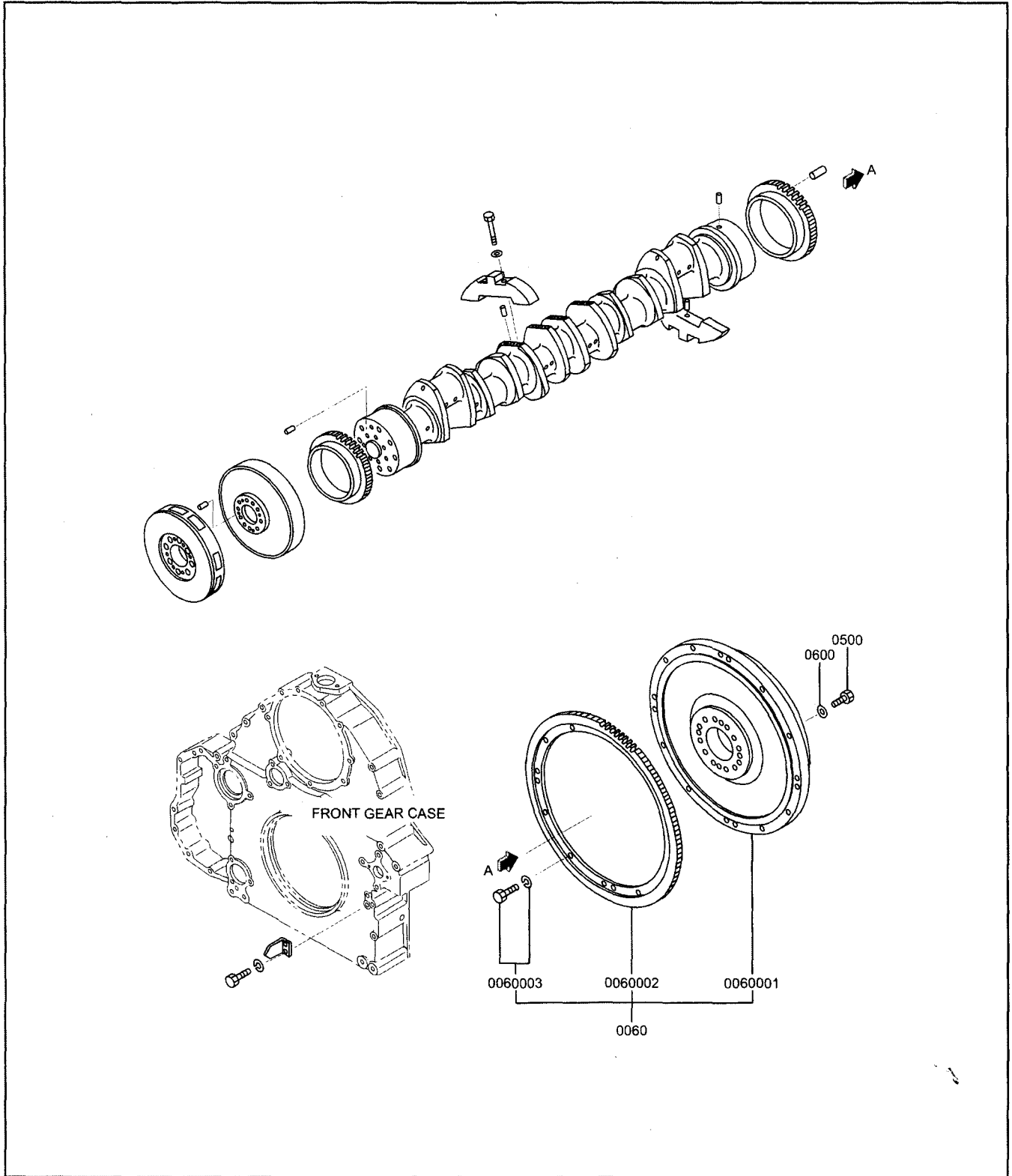
# P3770-200 CRANKSHAFT



### P3770-200 CRANKSHAFT

SEQ	NOT AVAILABLE	ITEM	DESCRIPTION	QTY	
				MPTA	MPTK
0300		37720-10V16	CRANKSHAFT ASSY,NV	1	1
1400		F2846-20000	PIN,DOWEL	2	2
9104	*	37720-10V96	CRANKSHAFT SUB ASSY,NV	1	1
9104001		33320-04701	PIN,DOWEL	2	2
9104002		33707-11701	WASHER	16	16
9104003		37420-10300	BOLT	16	16
9104004	*	37420-11203	WEIGHT,BALANCE	7	7
9104005	*	37720-00301	WEIGHT,BALANCE,REAR	1	1
9104006	*	37720-101V3	CRANKSHAFT,NV	1	1
9104007		37723-10101	GEAR,CRANKSHAFT,REAR	1	1
9104008		37725-12102	GEAR,CRANKSHAFT,FRONT	1	1
9104009		F2846-05000	PIN,DOWEL	1	1
9104010		F2846-20000	PIN,DOWEL	8	8

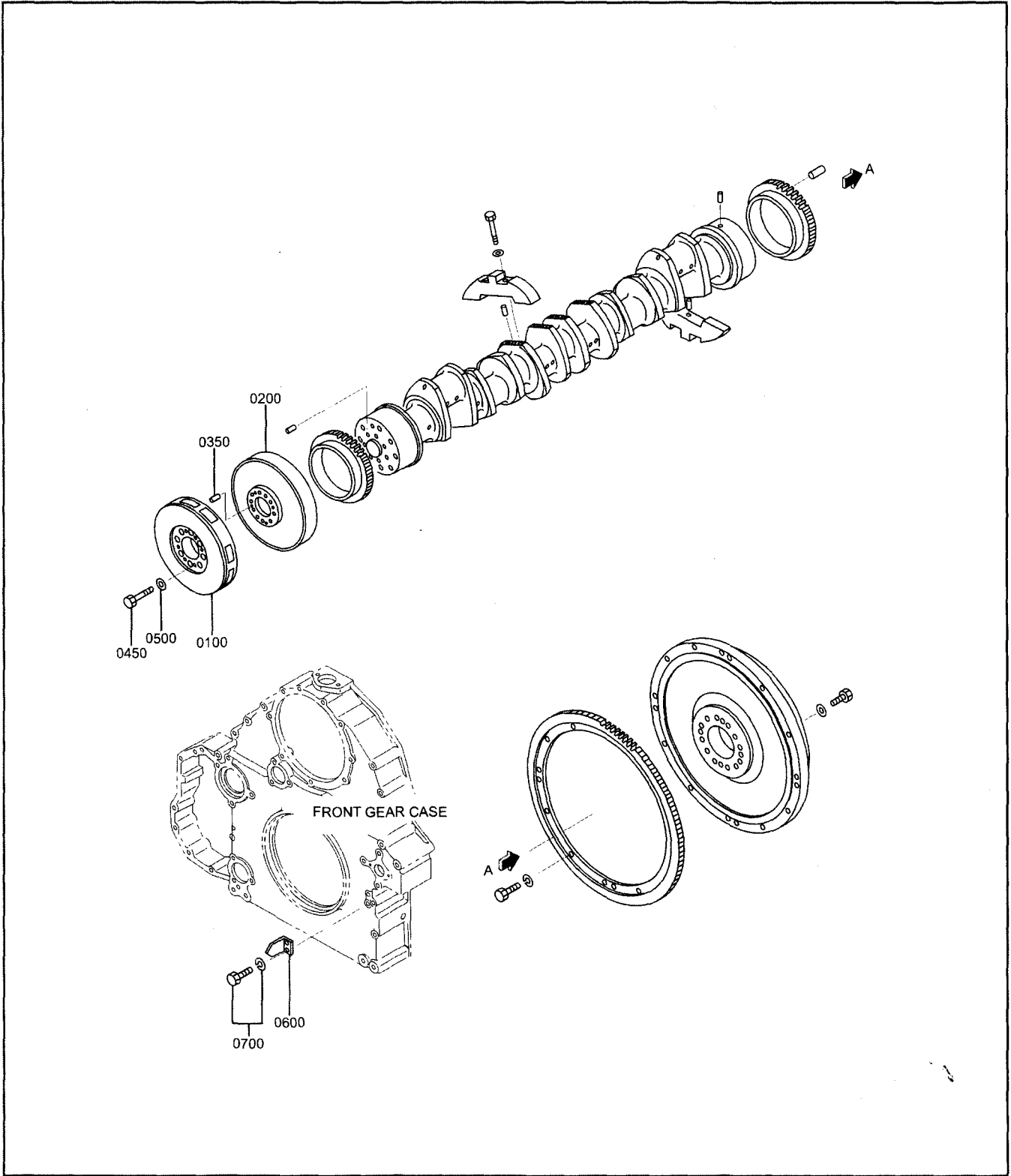
# P3770-210 FLYWHEEL



## P3770-210 FLYWHEEL

SEQ	NOT AVAILABLE	ITEM	DESCRIPTION	QTY	
				MPTA	MPTK
0060		37721-10013	FLYWHEEL ASSY	1	1
0060001	*	37721-20102	FLYWHEEL	1	1
0060002		37721-20201	GEAR,RING	1	1
0060003		F1805-10045	BOLT WASHER ASSEMBLE	12	12
0500		F1035-22090	BOLT	12	12
0600		33707-11701	WASHER	12	12

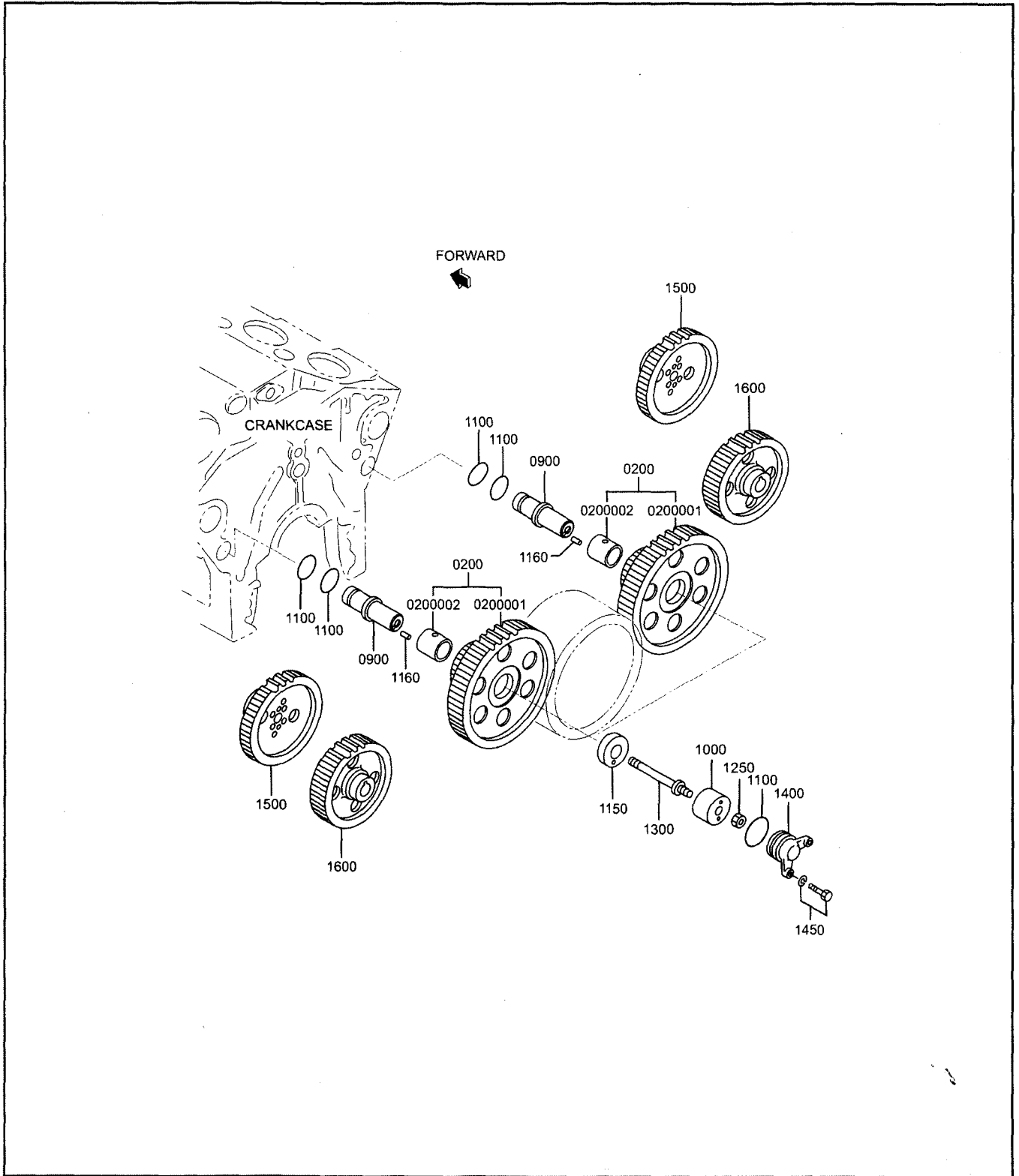
# P3770-220 DAMPER



### P3770-220 DAMPER

SEQ	NOT AVAILABLE	ITEM	DESCRIPTION	QTY	
				MPTA	MPTK
0100		37722-11100	DAMPER,HASSE.FRONT	1	1
0200		37722-01200	DAMPER,HASSE,REAR	1	1
0350		F2846-20000	PIN,DOWEL	2	2
0450		F1035-22090	BOLT	2	2
0500		33707-11701	WASHER	2	2
0600		37722-00801	POINTER	1	1
0700		F1805-12020	BOLT WASHER ASSEMBLE	2	2

# P3770-230 TIMING GEAR

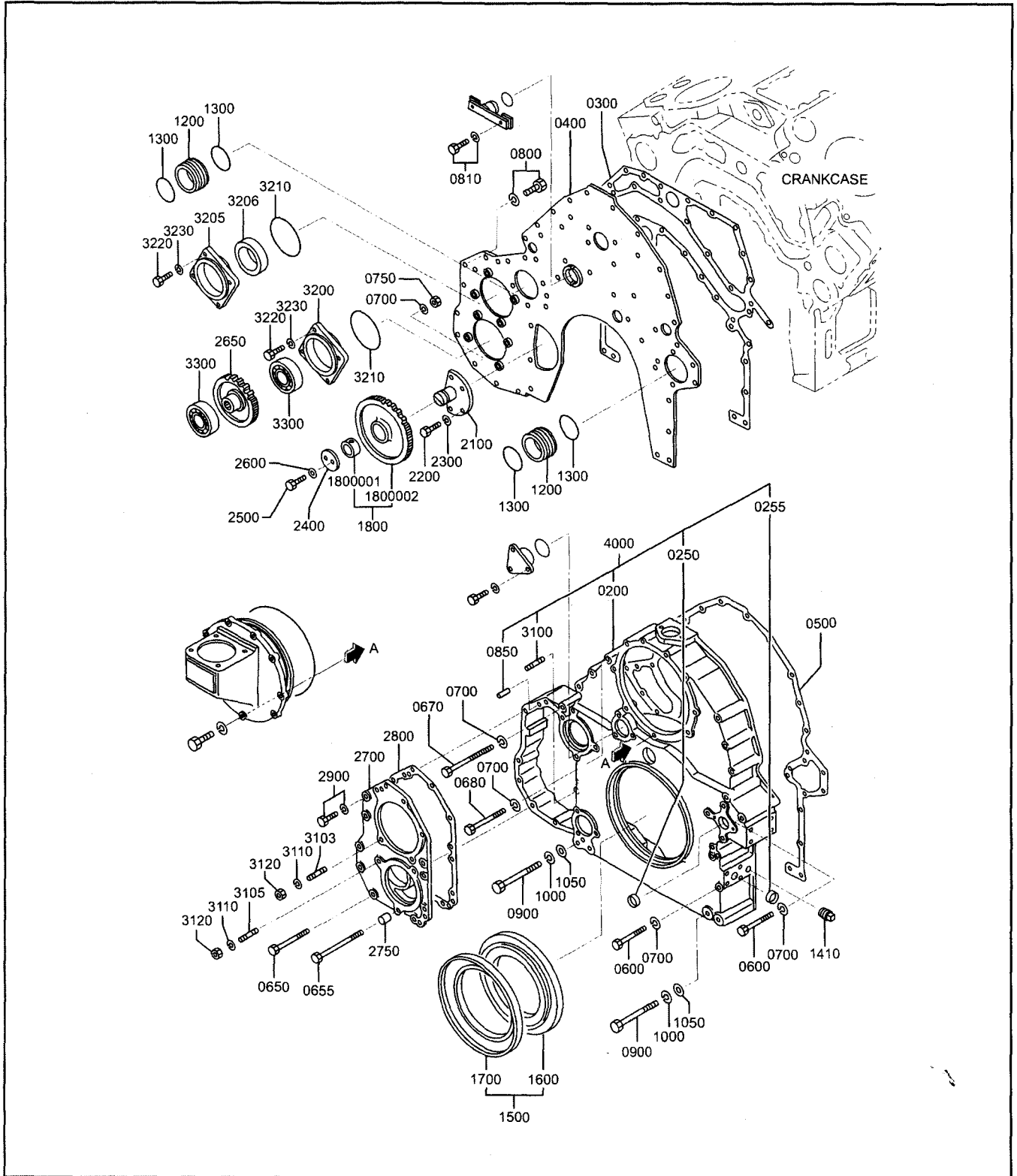


### P3770-230 TIMING GEAR

SEQ	NOT AVAILABLE	ITEM	DESCRIPTION	QTY	
				MPTA	MPTK
0200		37723-33020	GEAR ASSY, IDLER	2	2
0200001	*	37723-23101	GEAR, IDLER	2	2
0200002		37723-23400	BUSHING, IDLER GEAR	2	2
0900		37723-24500	SHAFT, IDLER. 45DEG	2	2
1000		37723-04601	COLLAR	2	2
1100		05507-20600	O-RING	6	6
1150		37723-03800	PLATE, THRUST	2	2
1160		F2846-08000	PIN, DOWEL	2	2
1250		37723-04400	NUT, IDLER COLLAR	2	2
1300		37723-14700	BOLT, IDLER M20-M18	2	2
1400		37723-04900	COVER	2	2
1450		F1805-12030	BOLT WASHER ASSEMBLE	4	4
1500		37723-11100	GEAR, CAMSHAFT	2	2
1600		37723-12100	GEAR, INJECTION PUMP	2	2



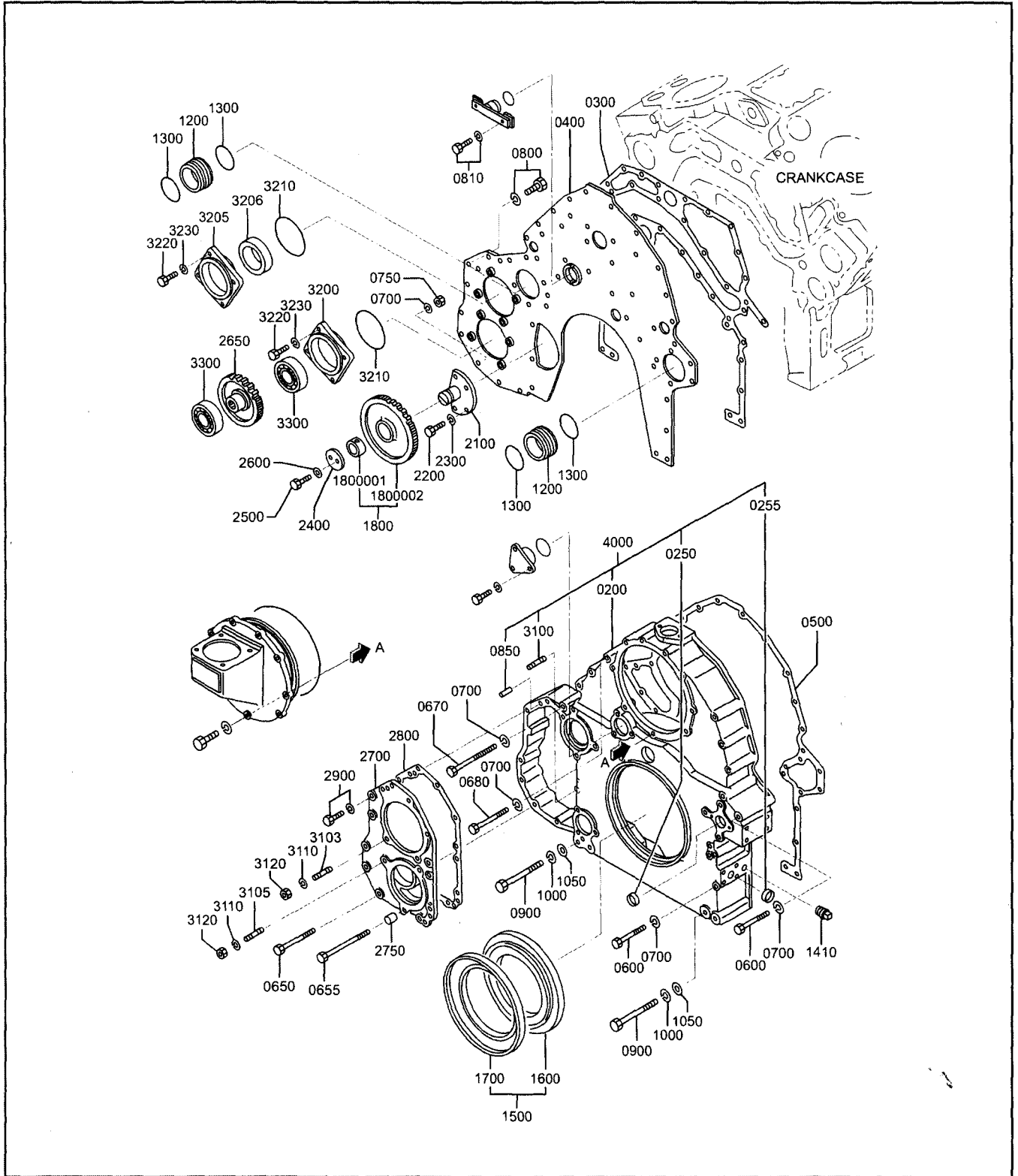
# P3770-250 FR ACCESSORY DRIVE



### P3770-250 FR ACCESSORY DRIVE

SEQ	NOT AVAILABLE	ITEM	DESCRIPTION	QTY	
				MPTA	MPTK
0200	*	37725-80100	CASE,FRONT GEAR	1	1
0250		04826-25000	CAP,SEALING	2	2
0255		04826-21400	CAP,SEALING	1	1
0300		37725-30200	PACKING,FRONT,A	1	1
0400		37725-90300	PLATE,FRONT	1	1
0500		37725-40400	PACKING,FRONT,B	1	1
0600		05978-12155	BOLT	10	10
0650		F1035-12130	BOLT	6	6
0655		05978-12160	BOLT	1	1
0670		F1035-12110	BOLT	3	3
0680		F1035-12100	BOLT	1	1
0700		F2515-12000	WASHER,SPRING	21	21
0750		F2305-12000	NUT	4	4
0800		F1805-12025	BOLT WASHER ASSEMBLE	27	27
0810		F1805-12040	BOLT WASHER ASSEMBLE	2	2
0850		F2846-12000	PIN,DOWEL	2	2
0900		05978-16160	BOLT	4	4
1000		F2515-16000	WASHER,SPRING	4	4
1050		F2500-16000	WASHER,PLAIN	4	4
1200		37746-00501	JOINT,D82X28.5	2	2
1300		F3153-07500	O-RING	4	4
1410		F5006-10000	PLUG,TAPERED	1	1
1500		37525-04001	SEAL ASSY,OIL	1	1
1600		37425-08201	SLINGER,FRONT	1	1
1700		37511-04300	SEAL,OIL	1	1
1800		37725-03010	GEAR ASSY,FRONT IDLER	1	1
1800001		37123-03400	BUSHING	1	1
1800002	*	37725-03100	GEAR,FRONT IDLER	1	1
2100		37725-03502	SHAFT,FRONT IDLER	1	1
2200		F1035-12035	BOLT	4	4
2300		37525-07901	WASHER,SK5,M12	4	4
2400		32423-03800	PLATE	1	1
2500		F1035-10025	BOLT	2	2
2600		34A48-02100	WASHER,SCM435,M10	2	2
2650		37725-22302	GEAR,OIL PUMP	1	1
2700		37725-40500	PLATE,OIL PUMP & WATER PUMP	1	1
2750		37561-01800	PIN,DOWEL D16	1	1
2800		37725-20600	PACKING	1	1
2900		F1805-12035	BOLT WASHER ASSEMBLE	4	4
3100		05977-12030	STUD	2	2
3103		05977-12065	STUD	2	2
3105		05977-12050	STUD	2	2
3110		F2515-12000	WASHER,SPRING	6	6

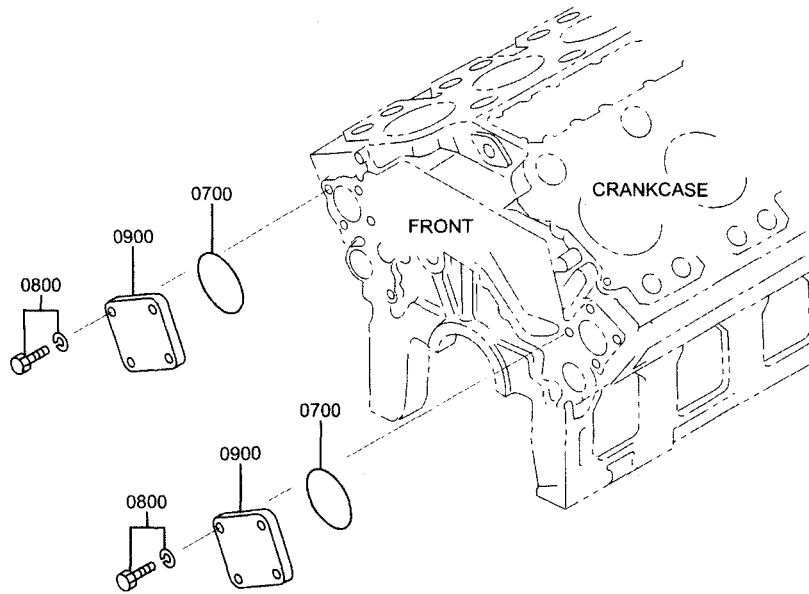
# P3770-250 FR ACCESSORY DRIVE



### P3770-250 FR ACCESSORY DRIVE

SEQ	NOT AVAILABLE	ITEM	DESCRIPTION	QTY	
				MPTA	MPTK
3120		F2300-12000	NUT	6	6
3200		37725-00801	COVER,OIL PUMP BEARING	1	1
3205		37725-10900	COVER,WATER PUMP BEARING	1	1
3206		F3015-06523	SEAL,OIL	1	1
3210		05507-21250	O-RING	2	2
3220		F1035-12025	BOLT	8	8
3230		F2515-12000	WASHER,SPRING	8	8
3300		F8010-06310	BEARING,BALL	2	2
4000		37725-41010	CASE ASSY,FRONT GEAR	1	1

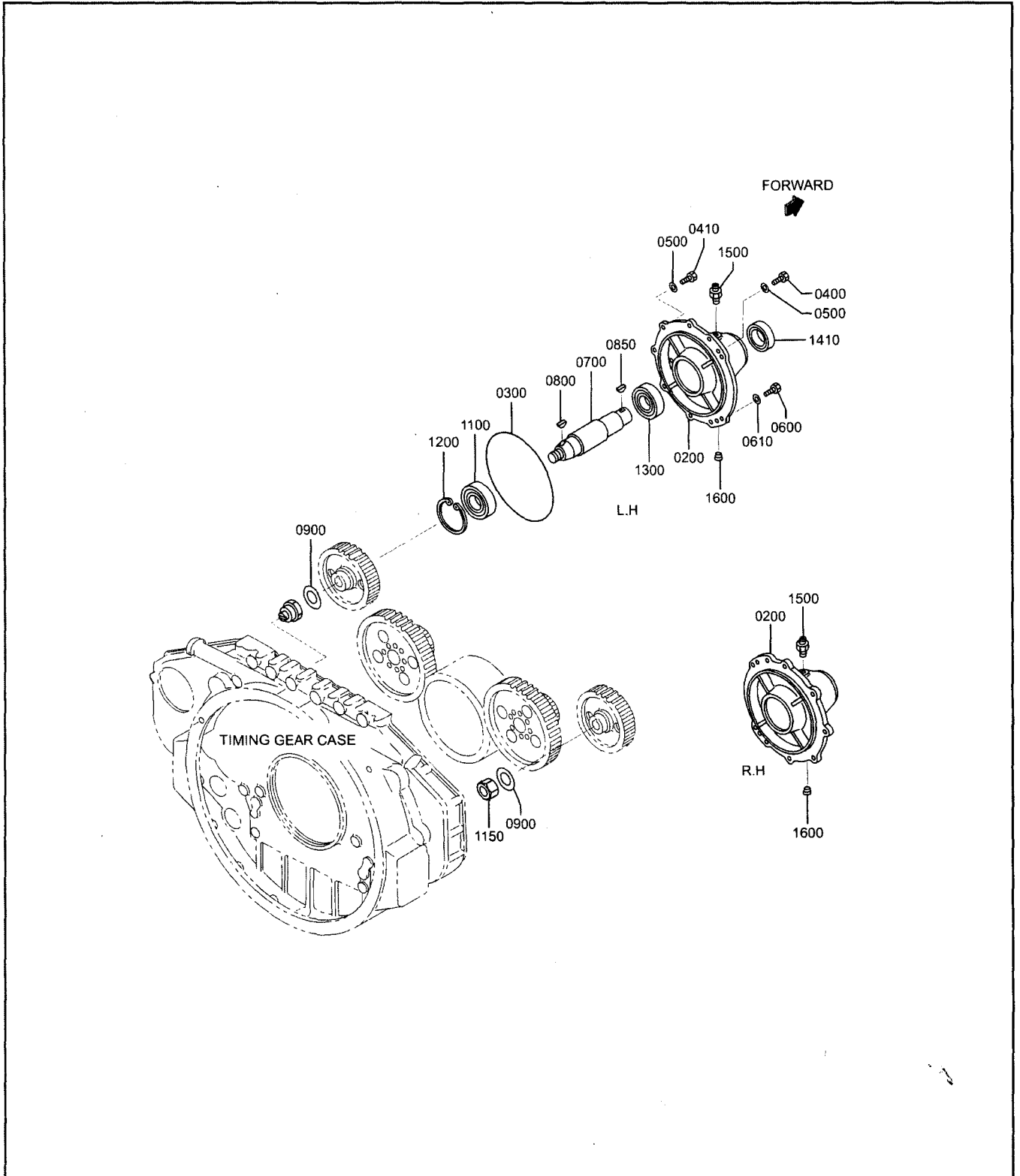
# P3770-251 TACHOMETER



**P3770-251 TACHOMETER**

SEQ	NOT AVAILABLE	ITEM	DESCRIPTION	QTY	
				MPTA	MPTK
0700		05507-20950	O-RING	2	2
0800		F1805-12030	BOLT WASHER ASSEMBLE	8	8
0900		37725-17200	COVER,SQ83M12	2	2

# P3770-253 RE ACCESSORY DRIVE

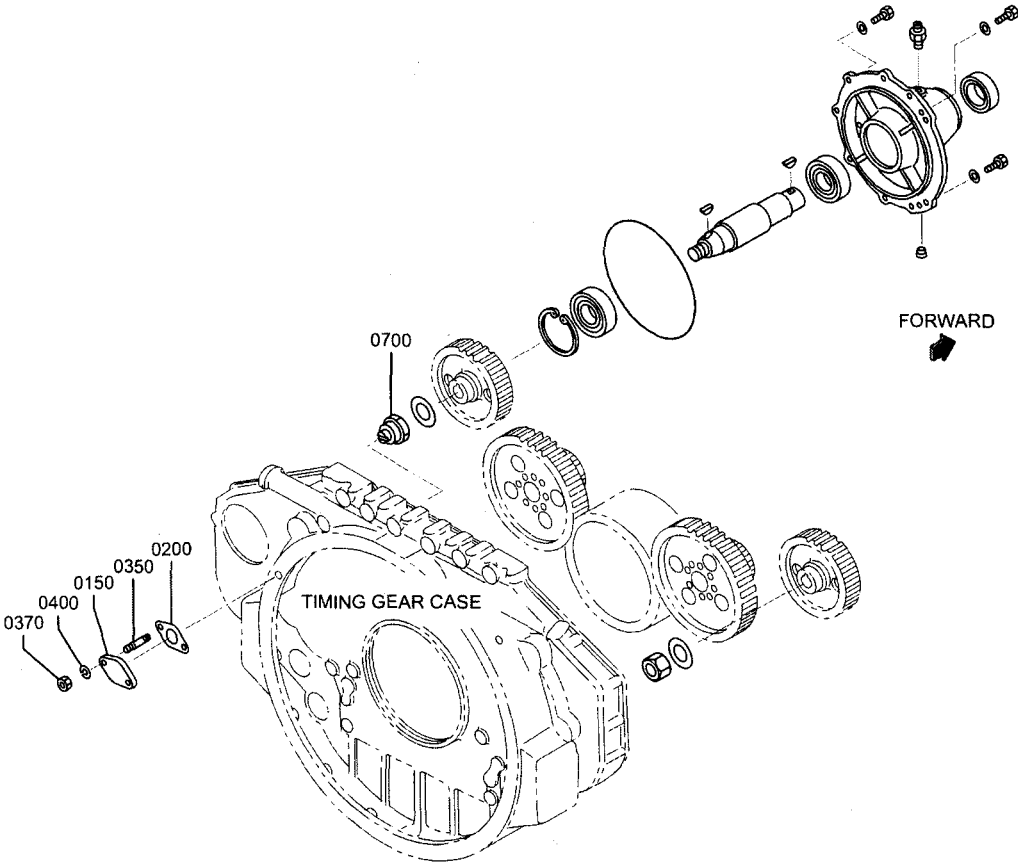


**P3770-253 RE ACCESSORY DRIVE**

SEQ	NOT AVAILABLE	ITEM	DESCRIPTION	QTY	
				MPTA	MPTK
0200		37525-63100	CASE,DRIVE	2	2
0300		37525-03600	O-RING	2	2
0400		F1035-12045	BOLT	8	8
0410		F1035-12050	BOLT	2	2
0500		37525-07901	WASHER,SK5,M12	10	10
0600		F1035-12035	BOLT	4	4
0610		37525-07901	WASHER,SK5,M12	4	4
0700		37725-15300	SHAFT,DRIVE	2	2
0800		F2870-07025	KEY,WOODRUFF	2	2
0850		F2870-10032	KEY,WOODRUFF	2	2
0900		37525-00600	WASHER,DRIVE SHAFT	2	2
1100		F8010-06309	BEARING,BALL	2	2
1150		94104-01100	NUT	1	1
1200		F3202-10000	RING,SNAP	2	2
1300		F8006-06210	BEARING,BALL	2	2
1410		37525-13400	SEAL,OIL W/DUST LIP	2	2
1500		47500-55701	CONNECTOR	2	2
1600		04827-71300	PLUG,TAPERED	2	2



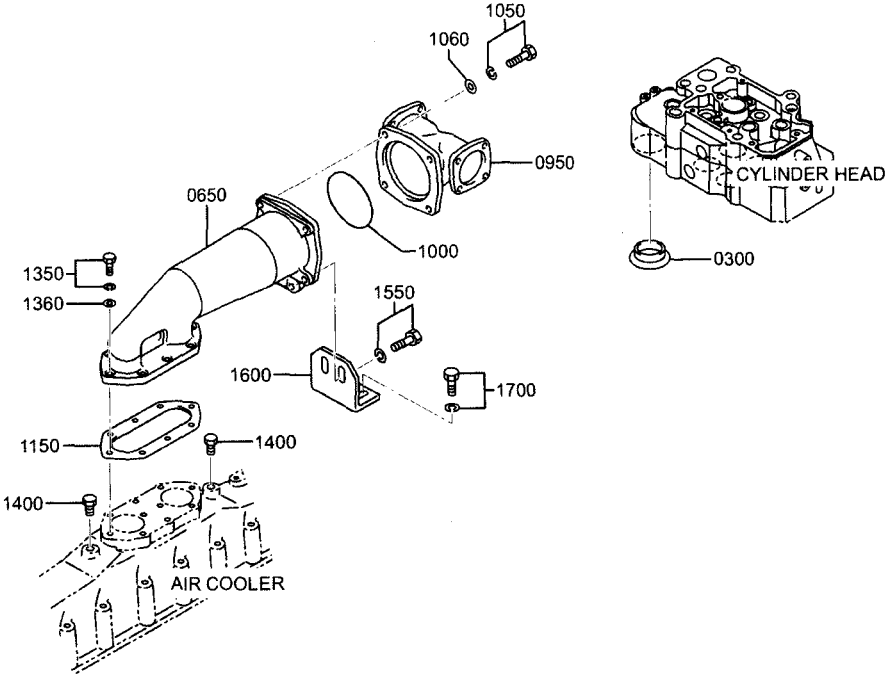
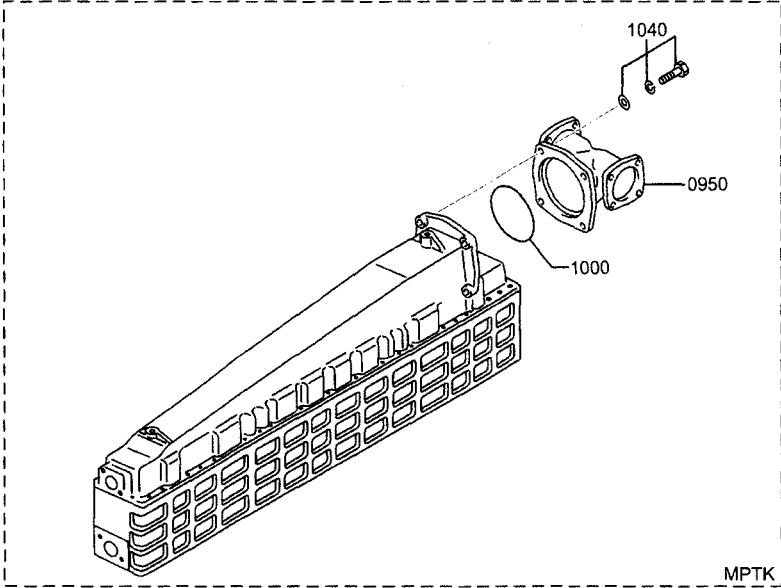
P3770-255 HOURMETER



### P3770-255 HOURMETER

SEQ	NOT AVAILABLE	ITEM	DESCRIPTION	QTY	
				MPTA	MPTK
0150		30407-05600	COVER	1	1
0200		30625-50502	GASKET,TACHO DRIVE	1	1
0350		F1450-08025	STUD	2	2
0370		F2300-08000	NUT	2	2
0400		F2515-08000	WASHER,SPRING	2	2
0700		94104-01100	NUT	1	1

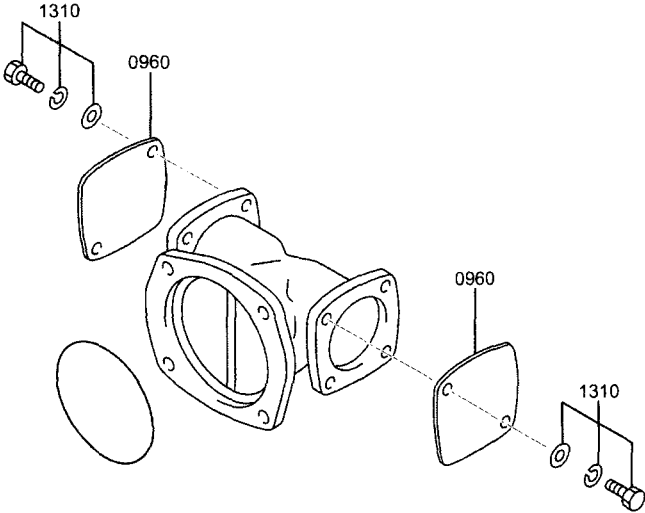
# P3770-300-1 INLET SYSTEM



**P3770-300-1 INLET SYSTEM**

SEQ	NOT AVAILABLE	ITEM	DESCRIPTION	QTY	
				MPTA	MPTK
0300		37530-00200	PACKING,INLET PORT	12	12
0650		37730-36600	DUCT,AIR,FRONT	1	-
0950		37730-16100	DUCT,AIR,REAR	1	1
1000		05507-21900	O-RING	1	1
1040		F1825-12035	BOLT WASHER ASSEMBLE	-	4
1050		F2005-12035	BOLT WASHER ASSEMBLE	4	-
1060		F2500-12000	WASHER,PLAIN	4	-
1150		37730-06501	PACKING,DUCT	1	-
1350		F1805-10040	BOLT WASHER ASSEMBLE	8	-
1360		F2500-10000	WASHER,PLAIN	8	-
1400		92748-02600	PLUG	2	-
1550		F2005-12020	BOLT WASHER ASSEMBLE	2	-
1600		37730-16900	STAY,DUCT	1	-
1700		F1805-10020	BOLT WASHER ASSEMBLE	2	-

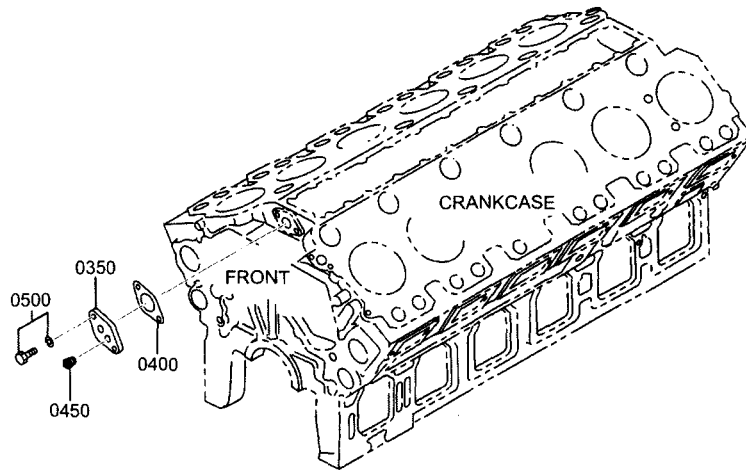
~~P3770-300-2 INLET SYSTEM~~



~~P3770-300-2 INLET SYSTEM~~

SEQ	NOT AVAILABLE	ITEM	DESCRIPTION	QTY	
				MPTA	MPTK
0960		33546-02500	COVER	2	2
1310		F2015-10030	BOLT WASHER ASSEMBLE	4	4

# P3770-305 AIR HEATER

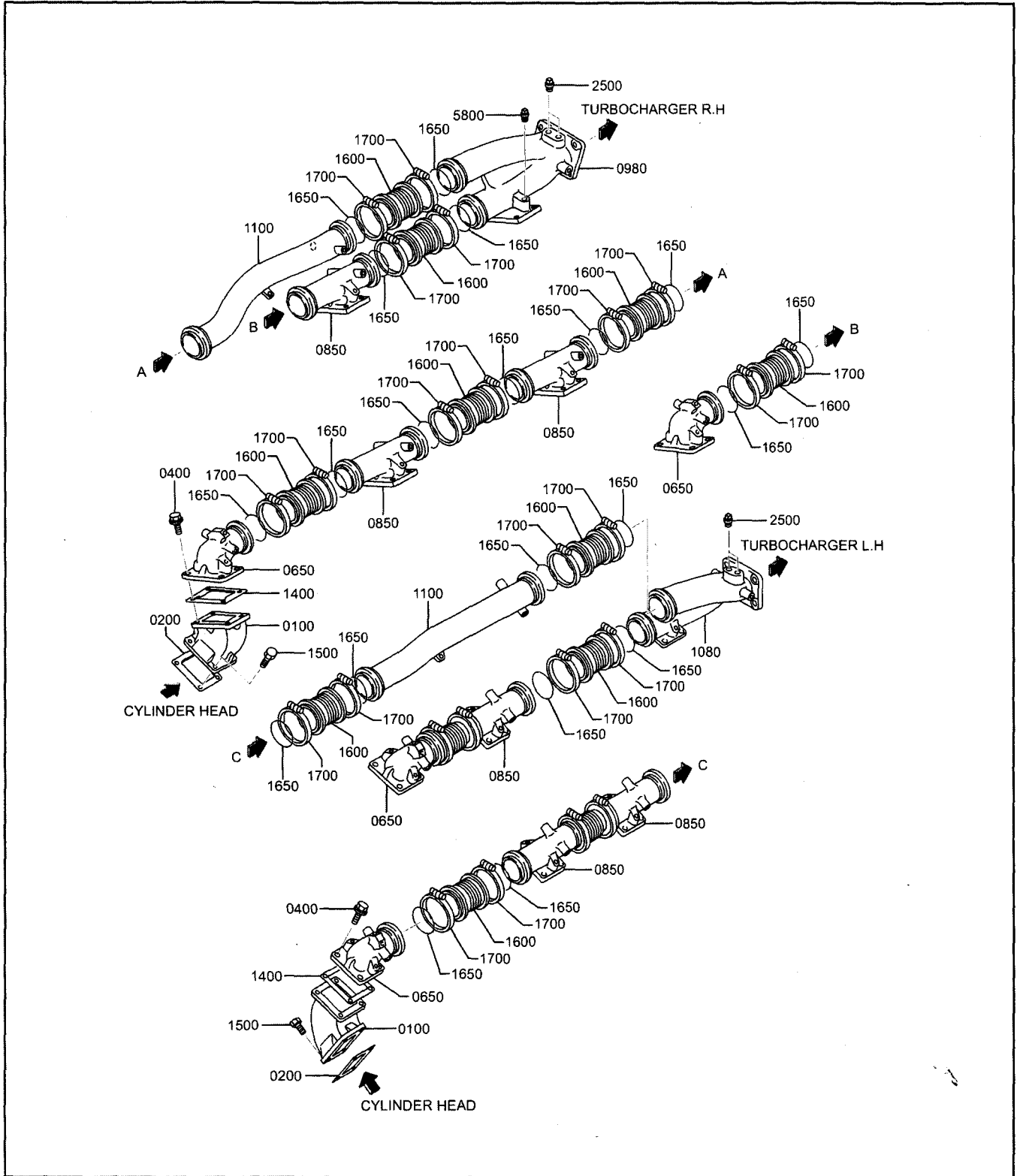


**P3770-305 AIR HEATER**

SEQ	NOT AVAILABLE	ITEM	DESCRIPTION	QTY	
				MPTA	MPTK
0350		37707-09300	COVER	1	1
0400		37555-10600	GASKET	1	1
0450		F5006-10000	PLUG,TAPERED	2	2
0500		F1805-12025	BOLT WASHER ASSEMBLE	2	2



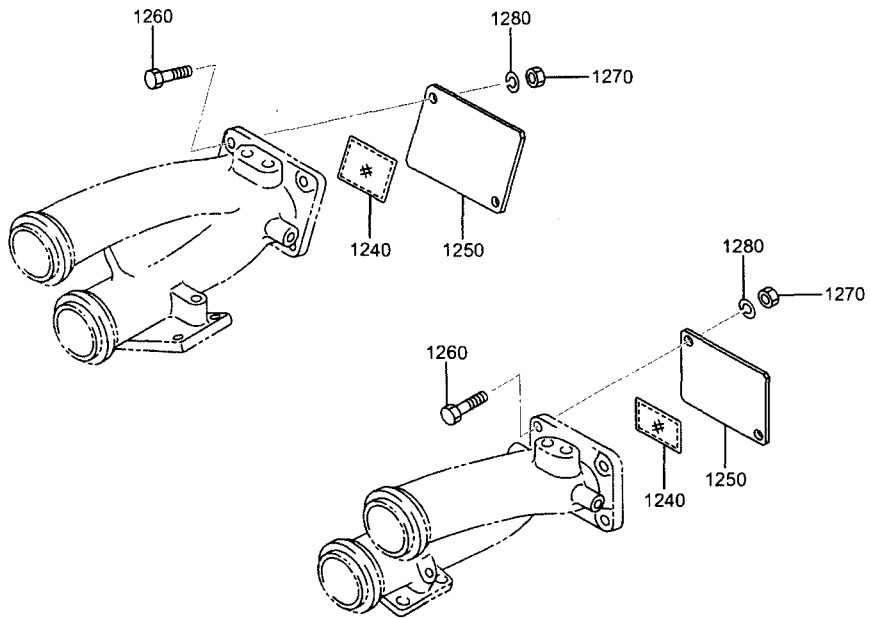
# P3770-320-1 EXHAUST SYSTEM



### P3770-320-1 EXHAUST SYSTEM

SEQ	NOT AVAILABLE	ITEM	DESCRIPTION	QTY	
				MPTA	MPTK
0100		37732-21101	CONNECTOR,EXHAUST	12	12
0200		37532-10500	GASKET,EXHAUST	12	12
0400		37532-00800	BOLT,FLANGE	48	48
0650		37733-04101	MANIFOLD,EXHAUST A	4	4
0850		37733-04201	MANIFOLD,EXHAUST C	6	6
0980		37733-04502	MANIFOLD,EXHAUST D	1	1
1080		37733-04602	MANIFOLD,EXHAUST E	1	1
1100		37732-30602	MANIFOLD,EXHAUST F	2	2
1400		37732-10900	GASKET,EXHAUST	12	12
1500		32532-20800	BOLT	48	48
1600		37532-20600	JOINT,FLEXIBLE	12	12
1650		32532-01700	GASKET,JOINT	24	24
1700		49184-14000	COUPLING ASSY	24	24
2500		F5006-10000	PLUG,TAPERED	4	4
5800		37732-02600	PLUG,TAPERED	22	22

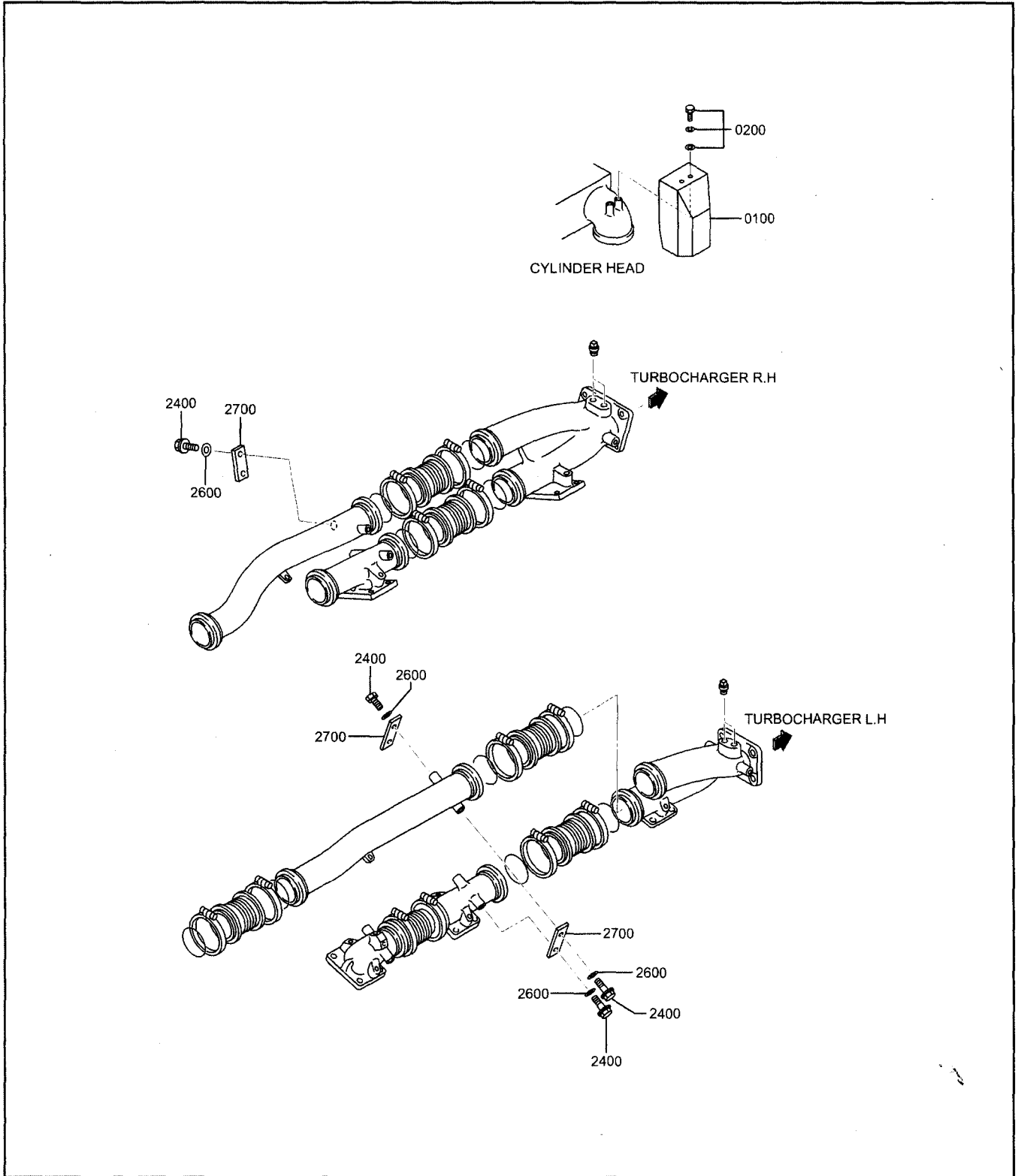
# P3770-320-2 EXHAUST SYSTEM



~~P3770-320-2 EXHAUST SYSTEM~~

SEQ	NOT AVAILABLE	ITEM	DESCRIPTION	QTY	
				MPTA	MPTK
1240		45192-79900	CORROSION,INHIBITOR	2	2
1250		45R32-30800	COVER,EXHAUST	2	2
1260		F1035-12035	BOLT	4	4
1270		F2300-12000	NUT	4	4
1280		F2515-12000	WASHER,SPRING	4	4

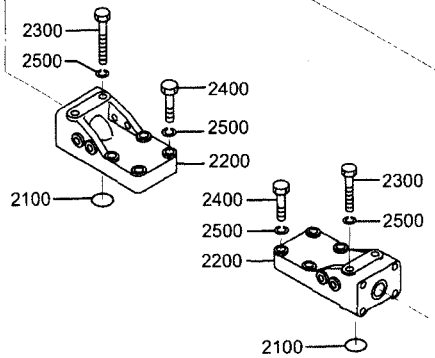
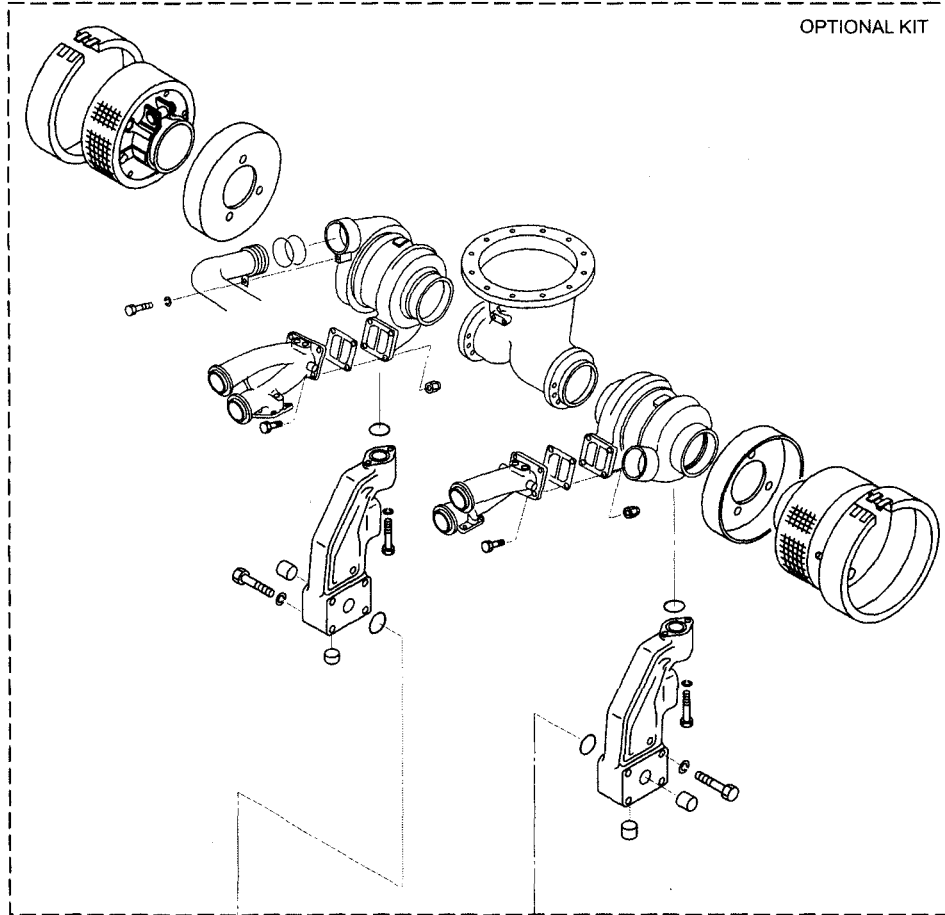
# P3770-323 EXHAUST COVER



## P3770-323 EXHAUST COVER

SEQ	NOT AVAILABLE	ITEM	DESCRIPTION	QTY	
				MPTA	MPTK
0100		37532-27100	INSULATOR A	12	12
0200		F1825-08016	BOLT WASHER ASSY	24	24
2400		32532-20800	BOLT	10	10
2600		58034-04400	WASHER (T2)	10	10
2700		45R32-30500	STAY,MANIFOLD	4	4

# P3770-330-1 TURBO CHARGER

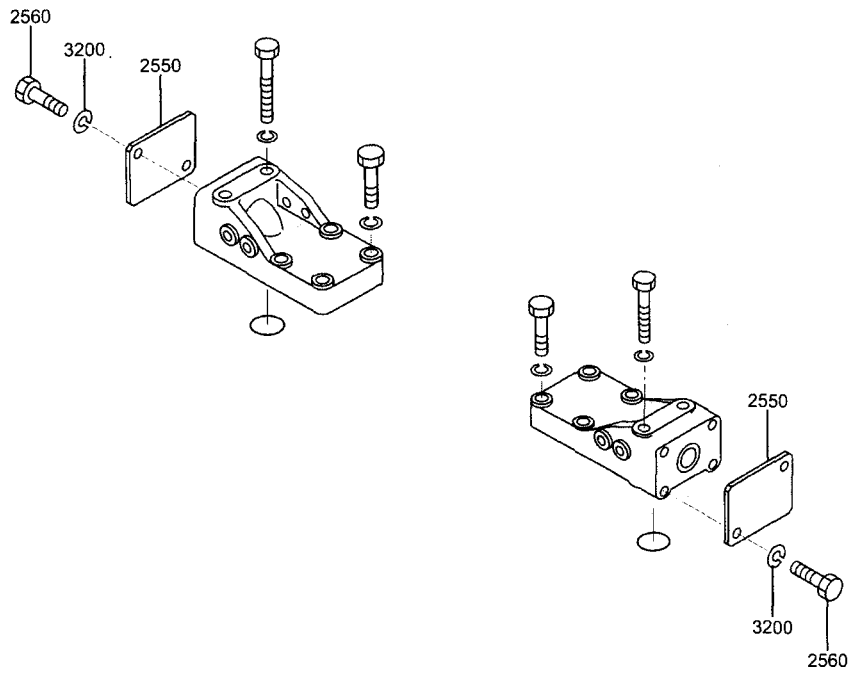


**P3770-330-1 TURBO CHARGER**

SEQ	NOT AVAILABLE	ITEM	DESCRIPTION	QTY	
				MPTA	MPTK
2100		05507-20300	O-RING	2	2
2200		37832-04101	BRACKET,TURBO A	2	2
2300		F1035-12090	BOLT	4	4
2400		F1035-12050	BOLT	8	8
2500		F2515-12000	WASHER,SPRING	12	12



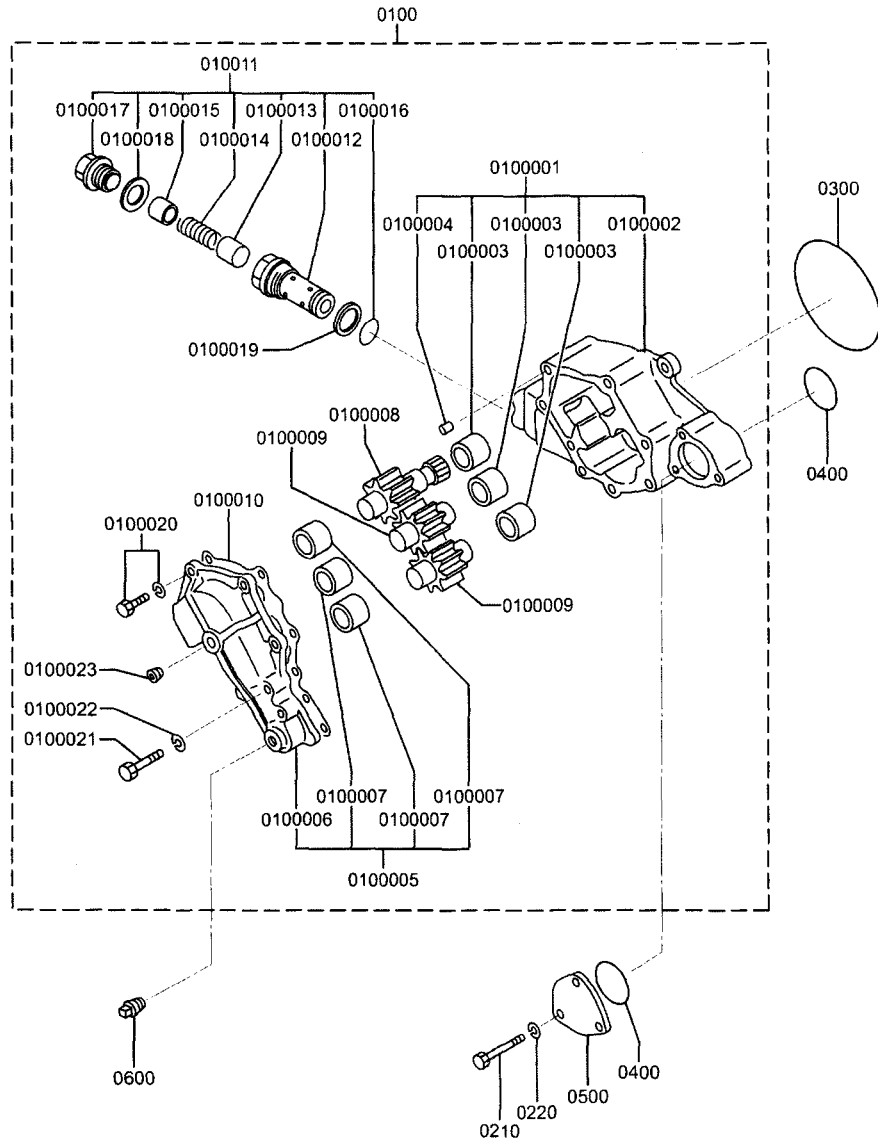
# P3770-330-2 TURBO CHARGER



**P3770-330-2 TURBO CHARGER**

SEQ	NOT AVAILABLE	ITEM	DESCRIPTION	QTY	
				MPTA	MPTK
2550		45R32-30700	COVER	2	2
2560		F1035-16025	BOLT	4	4
3200		F2515-16000	WASHER, SPRING	2	2

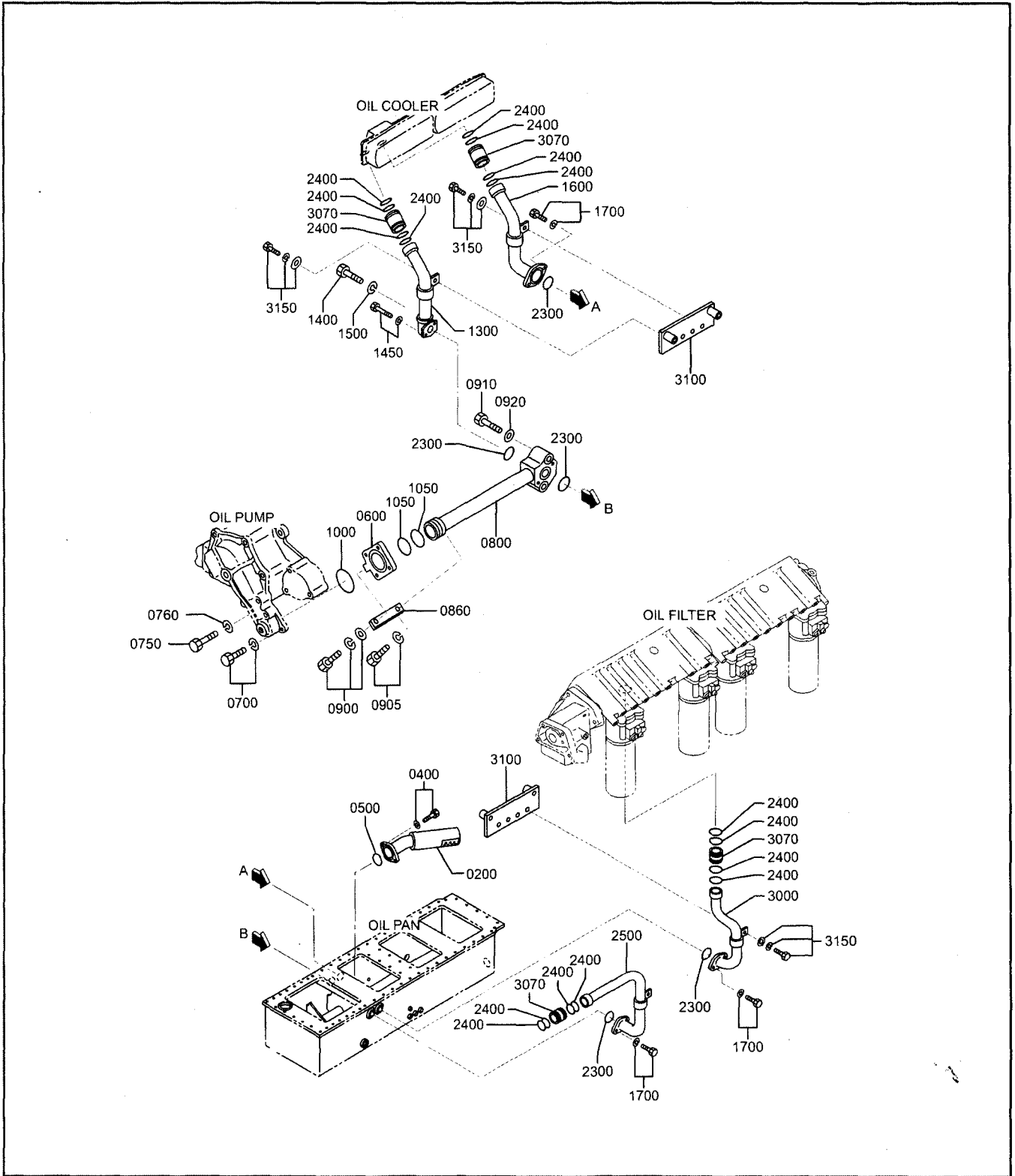
# P3770-350 OIL PUMP



### P3770-350 OIL PUMP

SEQ	NOT AVAILABLE	ITEM	DESCRIPTION	QTY	
				MPTA	MPTK
0100		37735-00030	PUMP ASSY,OIL	1	1
0100001		37735-81000	CASE ASSY	1	1
0100002	*	37735-70100	CASE	1	1
0100003	*	37735-10600	BUSHING	3	3
0100004	*	37535-00900	PIN,DOWEL	2	2
0100005		37735-72000	COVER ASSY,OIL PUMP	1	1
0100006	*	37735-70200	COVER,OIL PUMP	1	1
0100007	*	37735-10600	BUSHING	3	3
0100008		37735-30300	SHAFT & GEAR,DRIVE	1	1
0100009		37735-40400	SHAFT & GEAR,DRIVEN	2	2
0100010		37735-30701	PACKING	1	1
0100011		37735-48020	VALVE ASSY	3	3
0100012	*	37735-30800	CASE,VALVE	3	3
0100013		34A35-01200	VALVE,SAFETY	3	3
0100014		37535-02300	SPRING	3	3
0100015		37535-12200	STOPPER	3	3
0100016		37735-10900	O-RING	3	3
0100017		37735-21800	PLUG	3	3
0100018		05946-02401	WASHER,SEALING	3	3
0100019		05946-03301	WASHER,SEALING	3	3
0100020		F1805-10035	BOLT WASHER ASSEMBLE	6	6
0100021		F1035-10080	BOLT	2	2
0100022		F2515-10000	WASHER,SPRING	2	2
0100023		04827-90330	PLUG,TAPERED MEC.	1	1
0210		F1035-12090	BOLT	3	3
0220		F2515-12000	WASHER,SPRING	3	3
0300		05507-21450	O-RING	1	1
0400		05507-20750	O-RING	2	2
0500		37735-03100	COVER,OIL PUMP	1	1
0600		F5006-26000	PLUG,TAPERED	1	1

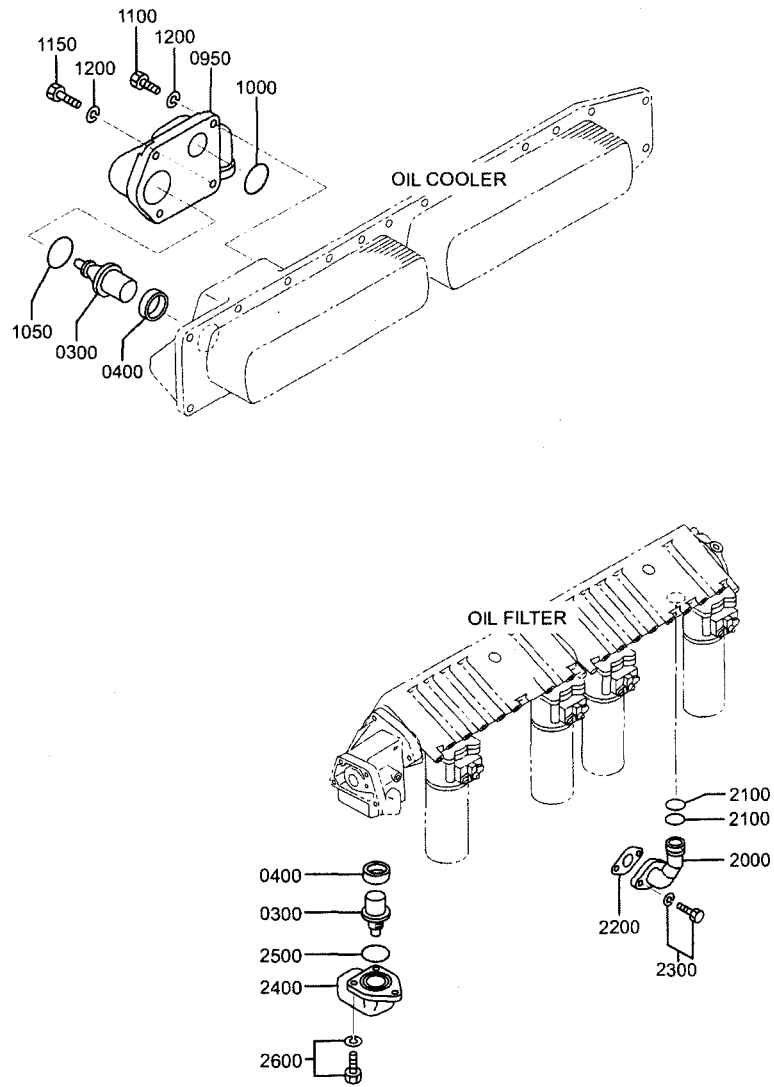
# P3770-360 OIL STRAINER PIPING



### P3770-360 OIL STRAINER PIPING

SEQ	NOT AVAILABLE	ITEM	DESCRIPTION	QTY	
				MPTA	MPTK
0200		37736-10101	STRAINER,OIL	1	1
0400		F1805-12030	BOLT WASHER ASSEMBLE	2	2
0500		05507-20800	O-RING	1	1
0600		37736-03400	CONNECTOR	1	1
0700		F1805-10030	BOLT WASHER ASSEMBLE	2	2
0750		F1035-10080	BOLT	2	2
0760		F2515-10000	WASHER,SPRING	2	2
0800		37836-04500	PIPE,OIL	1	1
0860		32646-08600	STAY	1	1
0900		F1825-10020	BOLT WASHER ASSEMBLE	1	1
0905		F1805-10020	BOLT WASHER ASSEMBLE	1	1
0910		F1035-12080	BOLT	2	2
0920		F2515-12000	WASHER,SPRING	2	2
1000		05507-20800	O-RING	1	1
1050		05507-20650	O-RING	2	2
1300		37836-04601	PIPE,OIL,R.H	1	1
1400		F1035-10065	BOLT	1	1
1450		F1805-10025	BOLT WASHER ASSEMBLE	1	1
1500		F2515-10000	WASHER,SPRING	1	1
1600		37836-04701	PIPE,OIL,R.H	1	1
1700		F1805-10025	BOLT WASHER ASSEMBLE	6	6
2300		05507-20500	O-RING	5	5
2400		05507-20350	O-RING	16	16
2500		37836-04801	PIPE,OIL,L.H	1	1
3000		37836-04901	PIPE,OIL,L.H	1	1
3070		37836-03500	COUPLING	4	4
3100		37836-03300	BRACKET,CLAMP	2	2
3150		F1825-12025	BOLT WASHER ASSEMBLE	4	4

# P3770-361 OIL FILTER PIPING

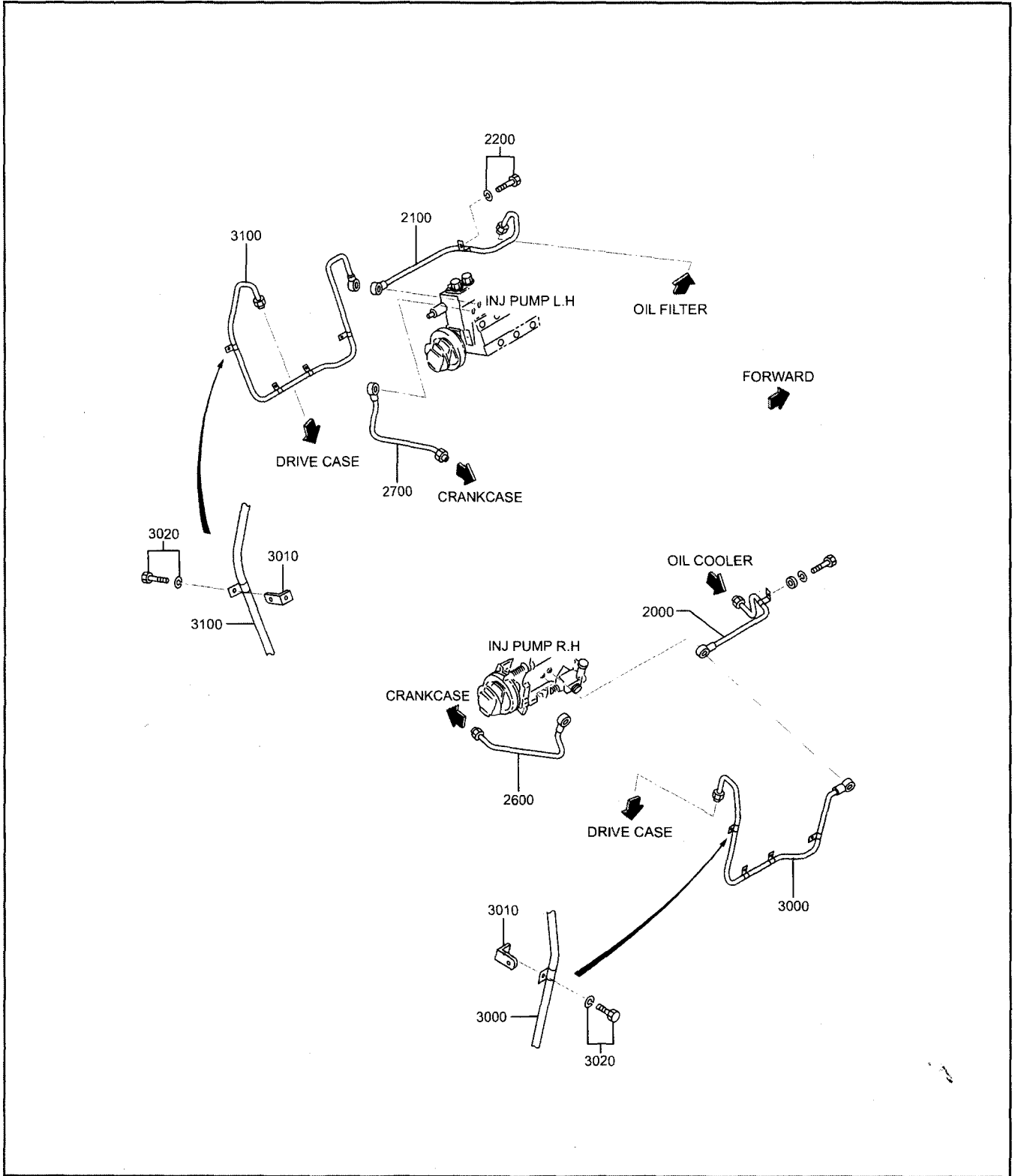


### P3770-361 OIL FILTER PIPING

SEQ	NOT AVAILABLE	ITEM	DESCRIPTION	QTY	
				MPTA	MPTK
0300		37739-20500	THERMOSTAT,OIL	2	2
0400		37546-00800	SEAL,THERMOSTAT	2	2
0950		37736-21203	CONNECTOR,R.H	1	1
1000		05507-20400	O-RING	1	1
1050		05507-20850	O-RING	1	1
1100		F1035-12100	BOLT	3	3
1150		37739-00900	BOLT	1	1
1200		F2515-12000	WASHER,SPRING	4	4
2000		37736-34200	PIPE,OIL DRAIN	1	1
2100		05507-20350	O-RING	2	2
2200		33442-20200	PACKING	1	1
2300		F1805-10020	BOLT WASHER ASSEMBLE	2	2
2400		37736-11301	CONNECTOR,L.H	1	1
2500		05507-20800	O-RING	1	1
2600		F1805-12025	BOLT WASHER ASSEMBLE	3	3



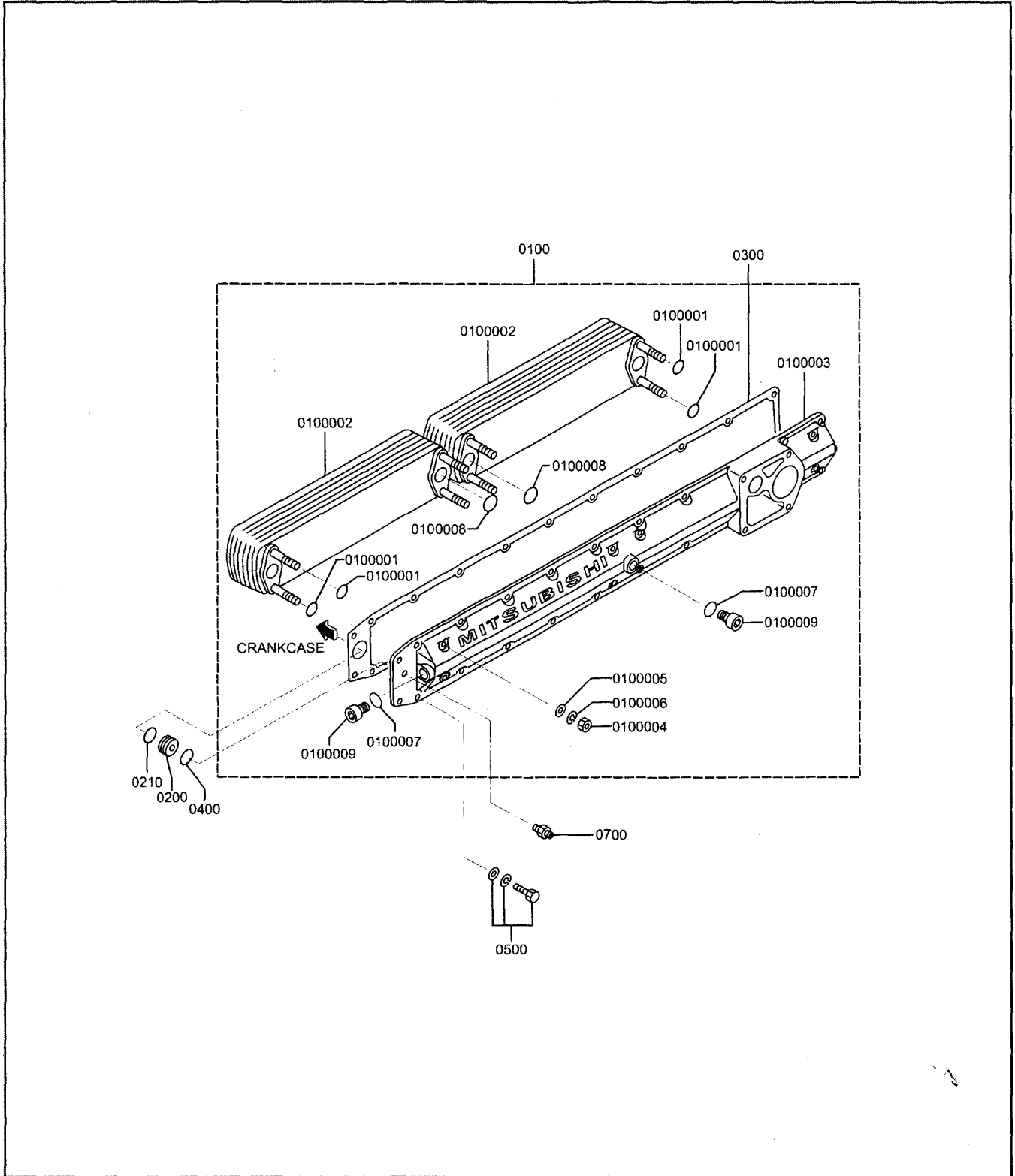
# P3770-362 OIL SYSTEM PARTS



### P3770-362 OIL SYSTEM PARTS

SEQ	NOT AVAILABLE	ITEM	DESCRIPTION	QTY	
				MPTA	MPTK
2000		37736-56100	PIPE,OIL,PS6 R.H	1	1
2100		37736-46200	PIPE,OIL,PS6 L.H	1	1
2200		F1805-08020	BOLT WASHER ASSEMBLE	1	1
2600		37736-27200	PIPE,DRAIN,R.H	1	1
2700		37736-27300	PIPE,DRAIN,L.H	1	1
3000		37736-86400	PIPE,OIL,R.H	1	1
3010		37836-16800	STAY,OIL PIPE	2	2
3020		F1805-08014	BOLT WASHER ASSEMBLE	2	2
3100		37736-96800	PIPE,OIL,L.H	1	1

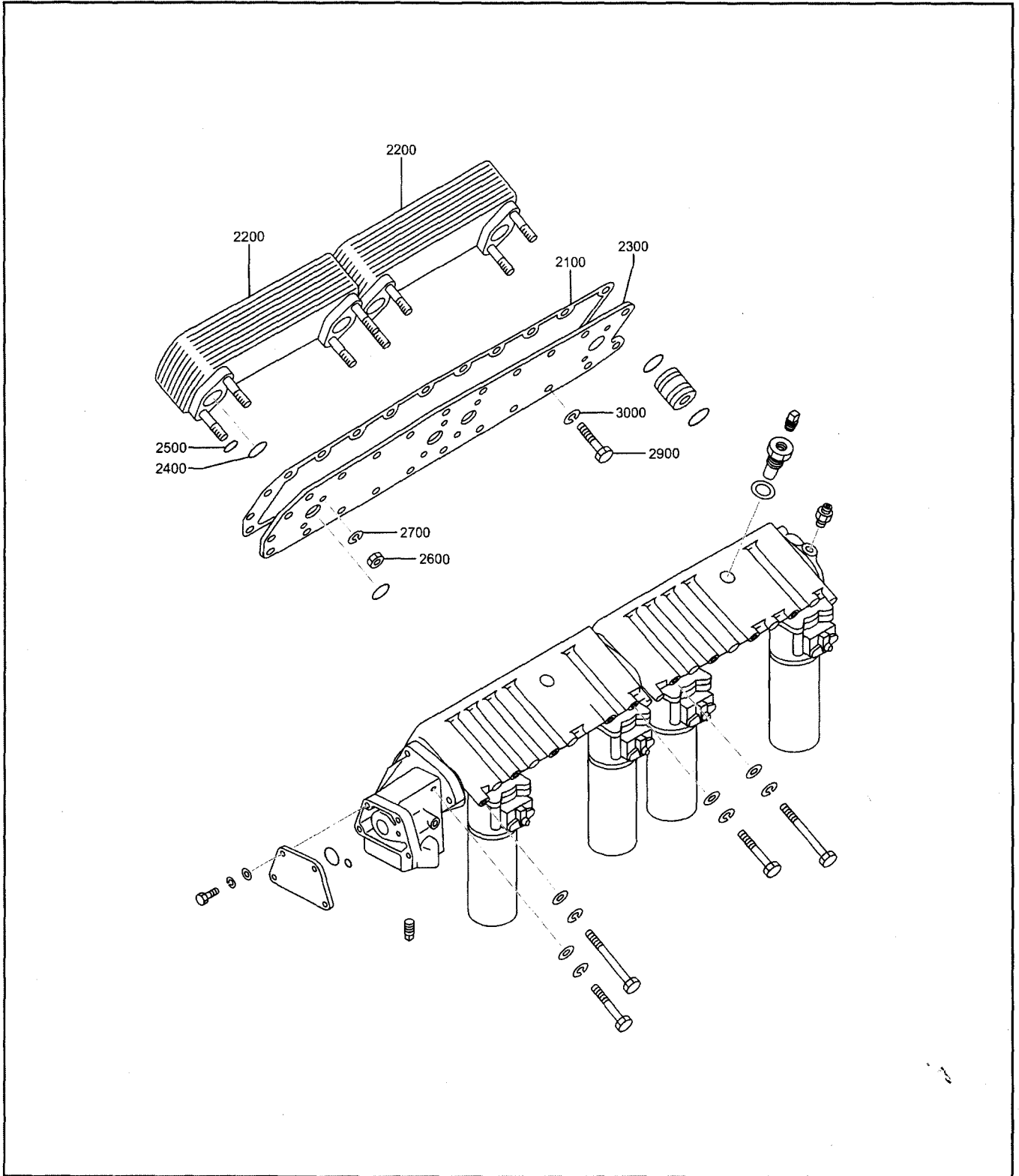
# P3770-390-1 OIL COOLER



### P3770-390-1 OIL COOLER

SEQ	NOT AVAILABLE	ITEM	DESCRIPTION	QTY	
				MPTA	MPTK
0100		37739-40010	COOLEPASSY,OIL	1	1
0100001		05507-10140	O-RING	8	8
0100002		37739-20100	ELEMENT,OILCOOLER	2	2
0100003		37739-30400	COVER,OILCOOLER	1	1
0100004		F2300-10000	NUT,LOCK	8	8
0100005		F2500-10000	WASHER,PLAIN	8	8
0100006		F2515-10000	WASHER,SPRING	8	8
0100007		MH035-093	O-RING	3	3
0100008		MH035-626	O-RING	4	4
0100009		MH064-526	O-RING	3	3
0200		37507-00701	PLATE,NOZZLE	1	1
0210		05507-10340	O-RING	1	1
0300		37739-10200	PACKING,OILCOOLER	1	1
0400		05507-10440	O-RING	1	1
0500		F1825-12035	BOLT,WASHERASSEMBLE	18	18
0700		F4540-08000	CONNECTOR	1	1

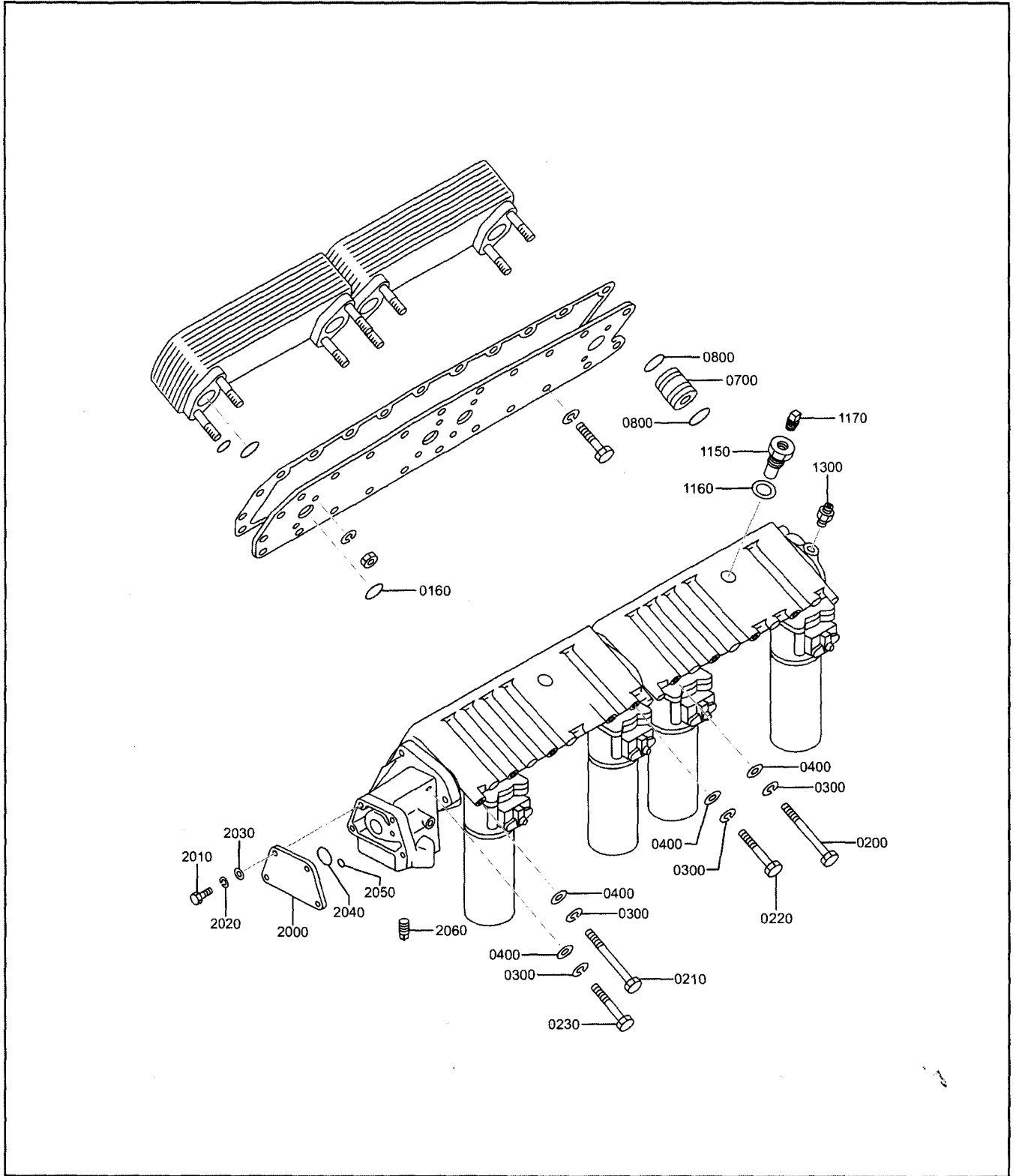
# P3770-390-2 OIL COOLER



## P3770-390-2 OIL COOLER

SEQ	NOT AVAILABLE	ITEM	DESCRIPTION	QTY	
				MPTA	MPTK
2100		37739-22200	GASKET,OILCOOLERWATER	1	1
2200		37739-22100	ELEMENT,OILCOOLER	2	2
2300		37739-22300	PLATE,OILCOOLERL.H	1	1
2400		05507-20300	O-RING	4	4
2500		05507-10140	O-RING	8	8
2600		F2440-10000	NUT,SELF-LOCKING	8	8
2700		F2515-10000	WASHER,SPRING	8	8
2900		F1035-12025	BOLT	3	3
3000		F2515-12000	WASHER,SPRING	3	3

# P3770-400-1 OIL FILTER

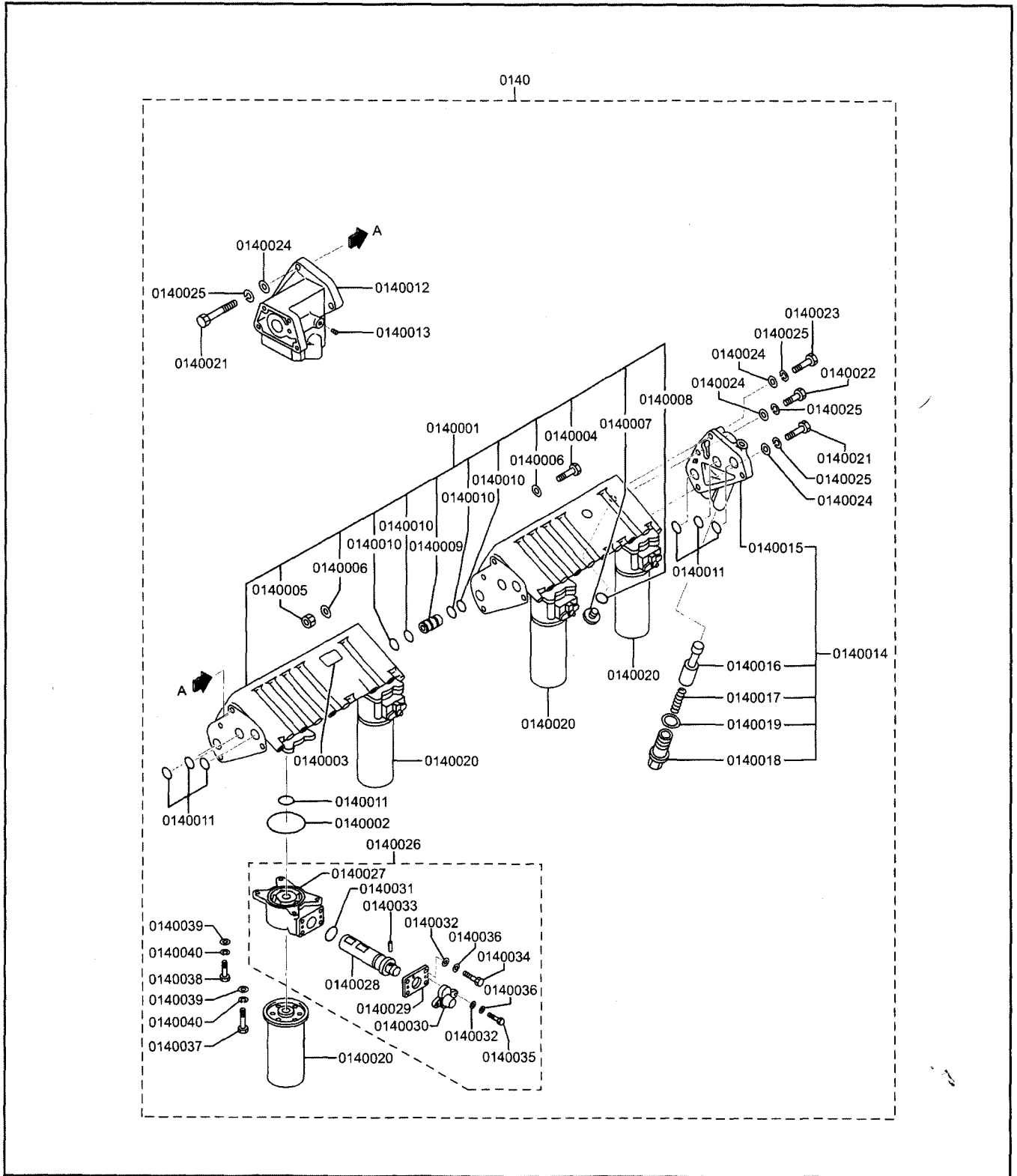


## P3770-400-1 OIL FILTER

SEQ	NOT AVAILABLE	ITEM	DESCRIPTION	QTY	
				MPTA	MPTK
0160		05507-20300	O-RING	4	4
0200		MH000-183	BOLT	8	8
0210		MH000-184	BOLT	2	2
0220		F1035-12100	BOLT	8	8
0230		F1035-12130	BOLT	2	2
0300		F2515-12000	WASHER,SPRING	20	20
0400		F2500-12000	WASHER,PLAIN	20	20
0700		37740-00700	COUPLING	1	1
0800		05507-20350	O-RING	2	2
1150		47521-52700	CONNECTOR	1	1
1160		05946-02401	WASHER,SEALING	1	1
1170		F5006-10000	PLUG,TAPERED	1	1
1300		F4540-08000	CONNECTOR	1	1
2000		35A40-02100	COVER,BY-PASSFILTER	1	1
2010		F1035-10025	BOLT	4	4
2020		F2515-10000	WASHER,SPRING	4	4
2030		F2500-10000	WASHER,PLAIN	4	4
2040		05507-20350	O-RING	1	1
2050		F3150-01100	O-RING	1	1
2060		F5006-10000	PLUG,TAPERED	1	1



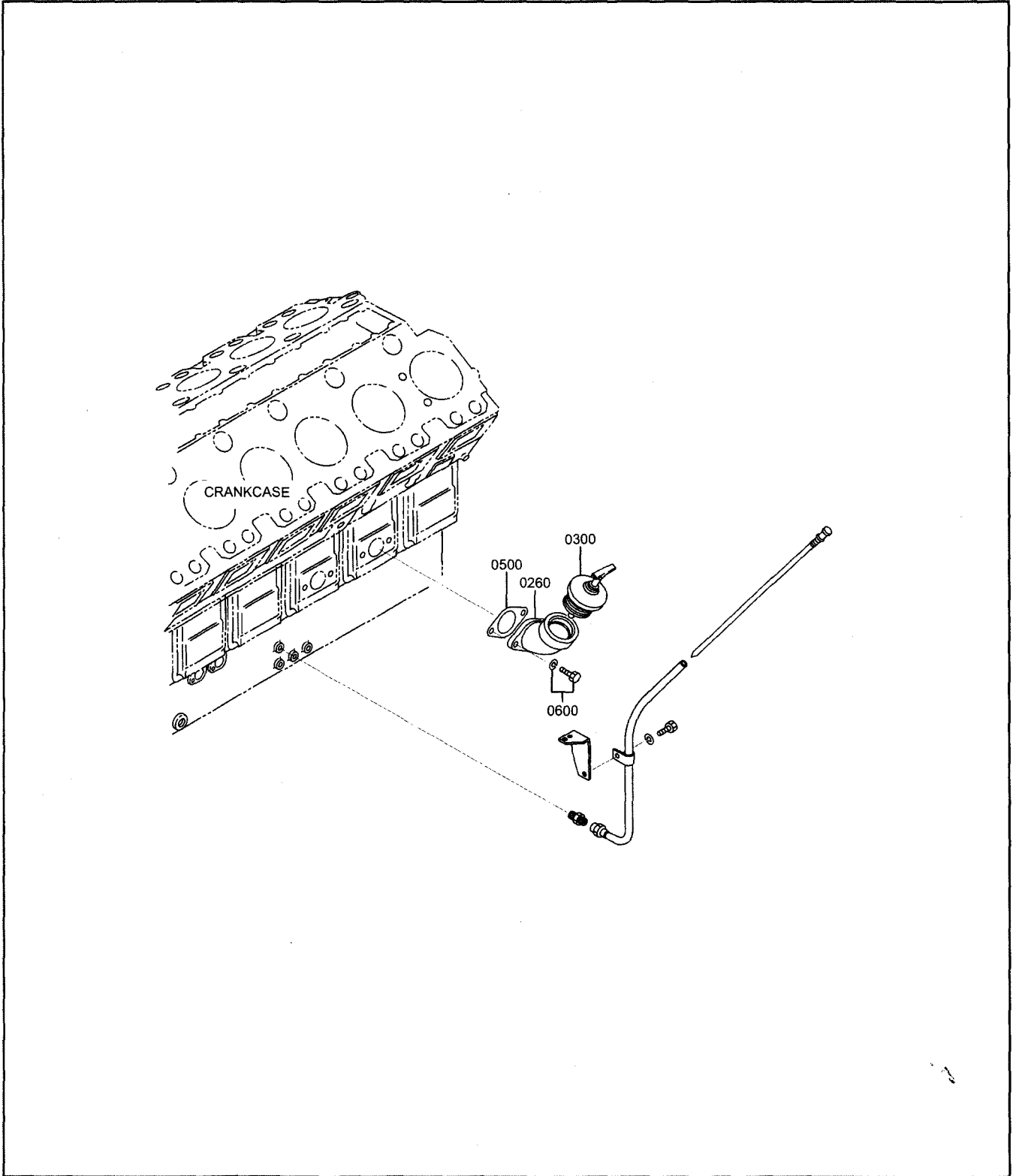
# P3770-400-2 OIL FILTER



### P3770-400-2 OIL FILTER

SEQ	NOT AVAILABLE	ITEM	DESCRIPTION	QTY	
				MPTA	MPTK
0140		37740-12020	FILTER ASSY,OIL L.H	1	1
0140001		37740-55500	BRACKET ASSY	1	1
0140002		05507-21000	O-RING	4	4
0140003		37740-02400	PLATE,CAUTION	1	1
0140004		F1305-08025	BOLT	1	1
0140005		F2300-08000	NUT	1	1
0140006		F2500-08000	WASHER,PLAIN	2	2
0140007		37740-27112	CAP,VALVE	2	2
0140008		37740-27123	O-RING	2	2
0140009		37740-01700	COUPLING	3	3
0140010		05507-20350	O-RING	12	12
0140011		05507-20400	O-RING	10	10
0140012		37740-65400	ADAPTER ASSY	1	1
0140013		F5005-10001	PLUG,TAPERED	4	4
0140014		37740-50300	ADAPTER ASSY	1	1
0140015	*	37740-50311	BODY ASSY	1	1
0140016		37740-50312	VALVE,OIL RELIEF	1	1
0140017		37740-50313	SPRING,VALVE	1	1
0140018		37740-50314	CAP	1	1
0140019		37740-50315	PACKING	1	1
0140020		37740-46100	ELEMENT,OIL FILTER	4	4
0140021		F1035-12040	BOLT	6	6
0140022		F1035-12070	BOLT	1	1
0140023		F1035-12080	BOLT	1	1
0140024		F2500-12000	WASHER,PLAIN	8	8
0140025		F2515-12000	WASHER,SPRING	8	8
0140026		37740-55900	COCK ASSY	4	4
0140027	*	37740-45800	BODY ASSY	4	4
0140028		37740-02212	COCK,DRAIN	4	4
0140029		37740-12213	COVER ASSY	4	4
0140030		37740-02214	COVER	4	4
0140031		05507-10240	O-RING	4	4
0140032		F2500-06000	WASHER,PLAIN	24	24
0140033		37740-12217	PIN,STRAINER	4	4
0140034		F1035-06016	BOLT	16	16
0140035		F1035-06012	BOLT	8	8
0140036		F2515-06000	WASHER,SPRING	24	24
0140037		F1035-10065	BOLT	8	8
0140038		F1035-10035	BOLT	8	8
0140039		F2500-10000	WASHER,PLAIN	20	20
0140040		F2515-10000	WASHER,SPRING	20	20

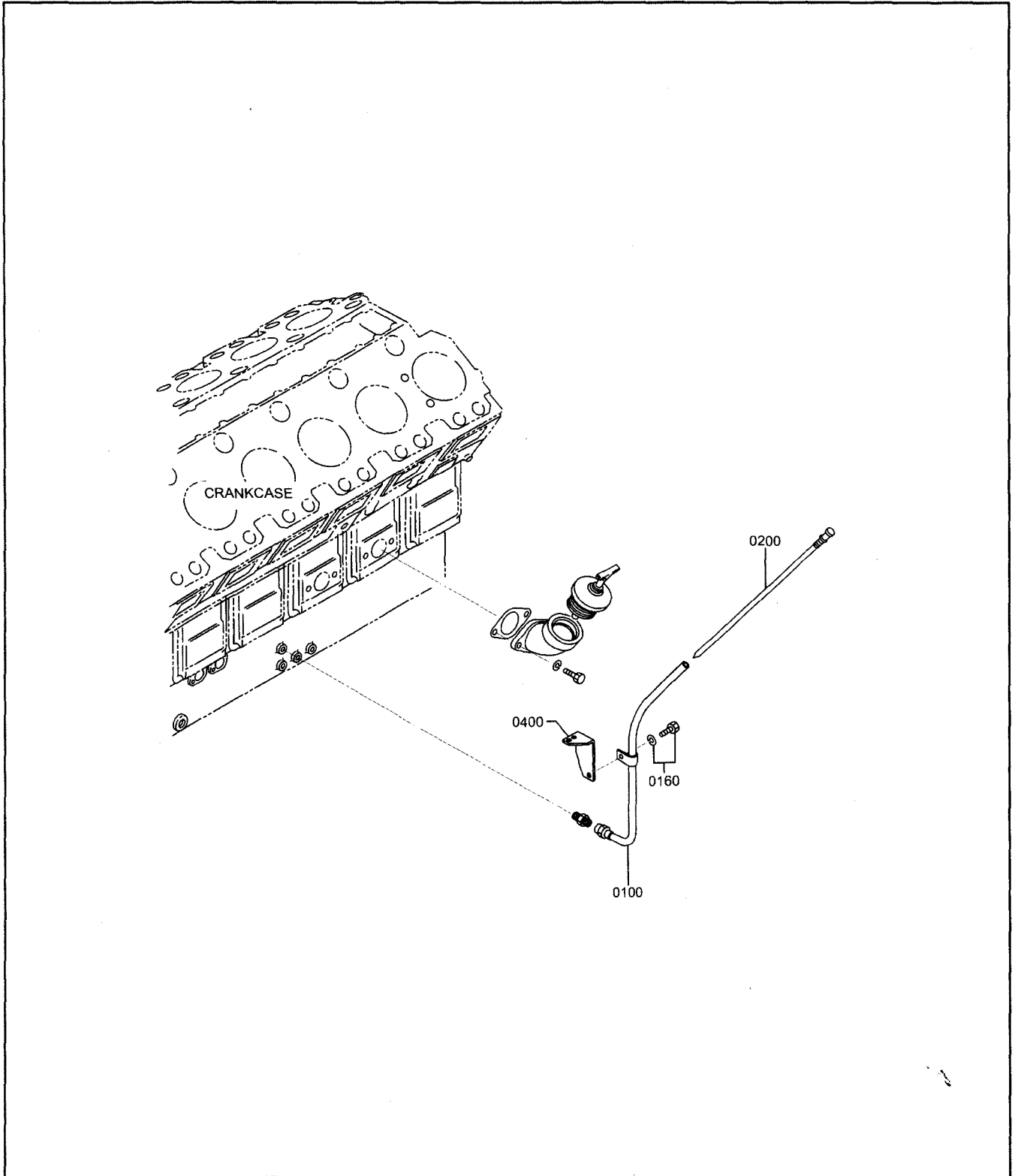
# P3770-420 OIL FILLER



**P3770-420 OIL FILLER**

SEQ	NOT AVAILABLE	ITEM	DESCRIPTION	QTY	
				MPTA	MPTK
0260		32542-20500	FILLER,OIL	1	1
0300		34A42-00500	CAP,OIL FILLER	1	1
0500		33442-20200	PACKING	1	1
0600		F1805-10025	BOLT WASHER ASSEMBLE	2	2

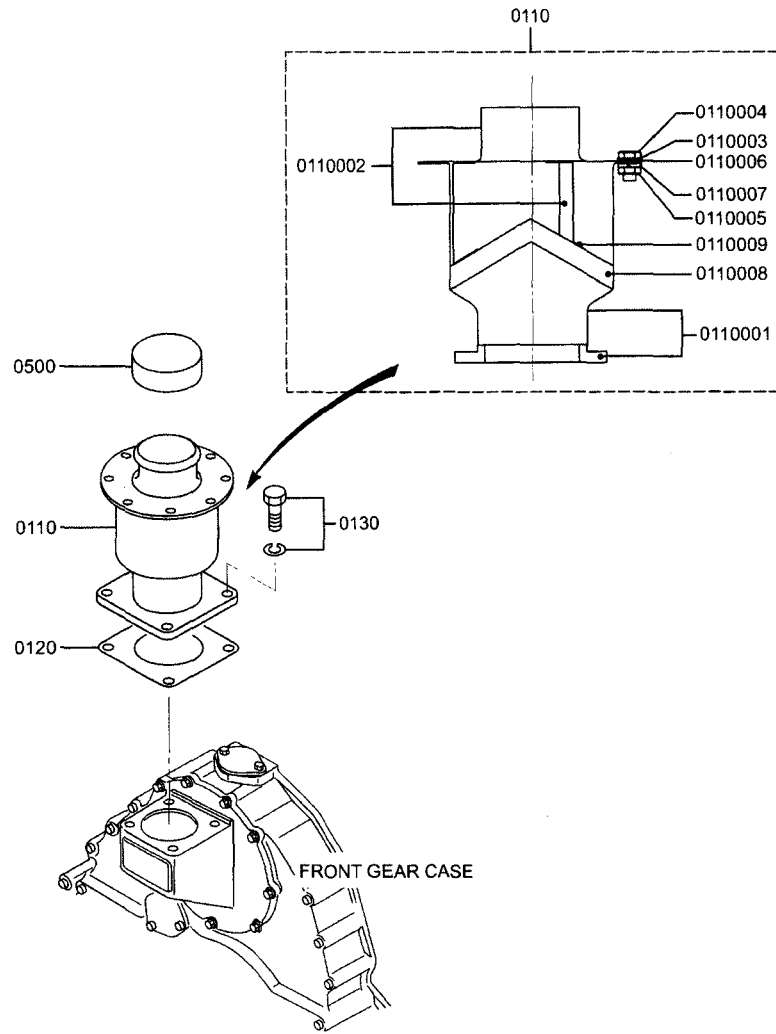
# P3770-425 OIL LEVEL GAGE



### P3770-425 OIL LEVEL GAGE

SEQ	NOT AVAILABLE	ITEM	DESCRIPTION	QTY	
				MPTA	MPTK
0100		37742-33500	GUIDE,OILLEVELGAGE	1	1
0160		F1805-10016	BOLTWASHERASSEMBLE	1	1
0200		37542-03101	GAGE,OILLEVEL	1	1
0400		37742-03200	STAY,GAGEGUIDE	1	1

# P3770-430-1 BREATHER

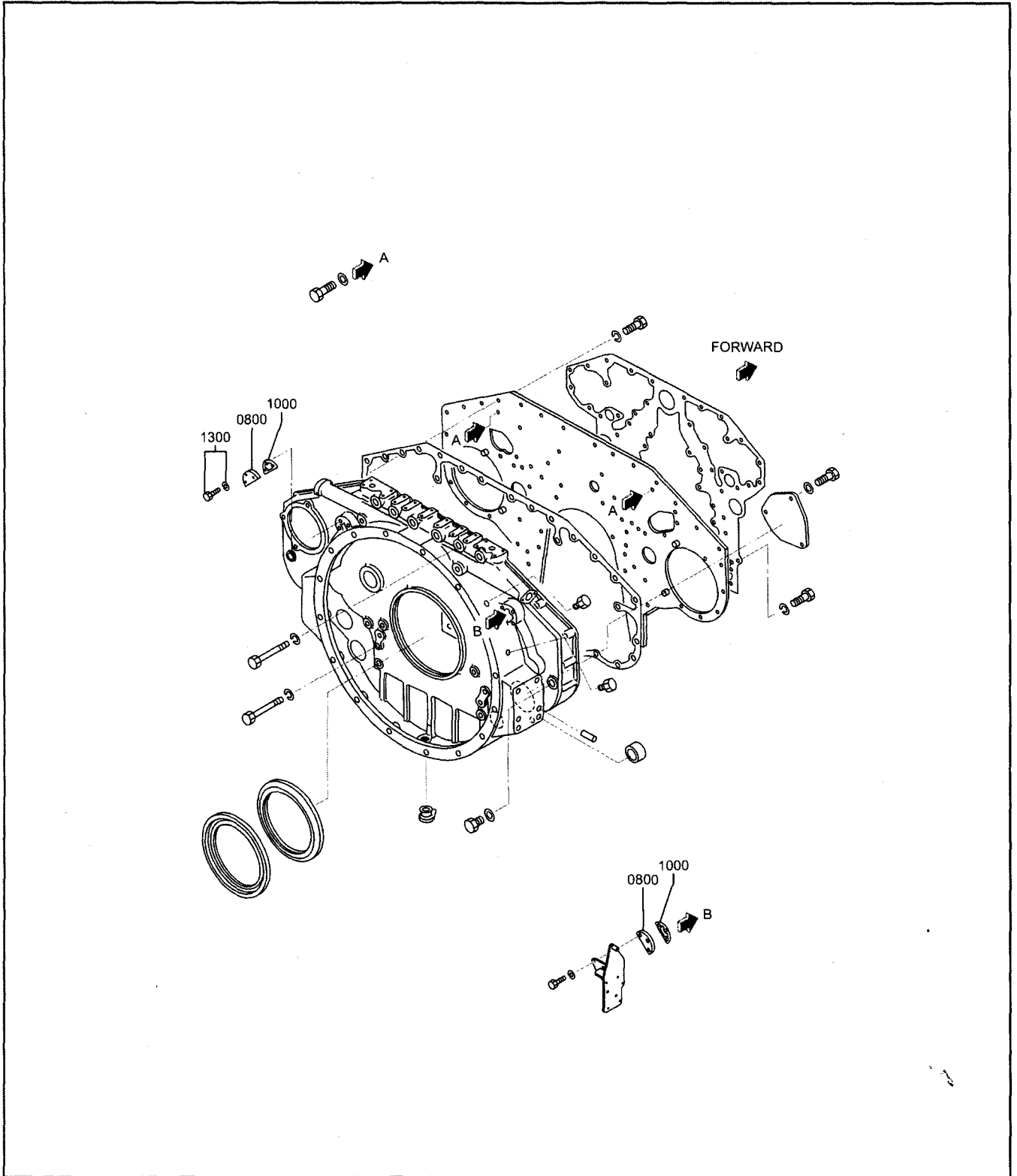


### P3770-430-1 BREATHER

SEQ	NOT AVAILABLE	ITEM	DESCRIPTION	QTY	
				MPTA	MPTK
0110		37743-00501	BREATHERASSY	1	-
0110001		37743-05011	CASEASSY	1	-
0110002		37743-05020	COVERASSY	1	-
0110003		37743-00514	GASKET	1	-
0110004		37743-00515	BOLT	8	-
0110005		37743-00516	NUT	8	-
0110006		37743-00517	WASHER,PLAIN	8	-
0110007		37743-00518	WASHER,SPRING	8	-
0110008		37743-00519	DEMISTER	1	-
0110009		37743-00521	SUPPORT	2	-
0120		35B43-01500	PACKING	1	-
0130		F1805-12025	BOLT,WASHERASSEMBLE	4	-
0500		ME059-936	CAP,DUST	1	-



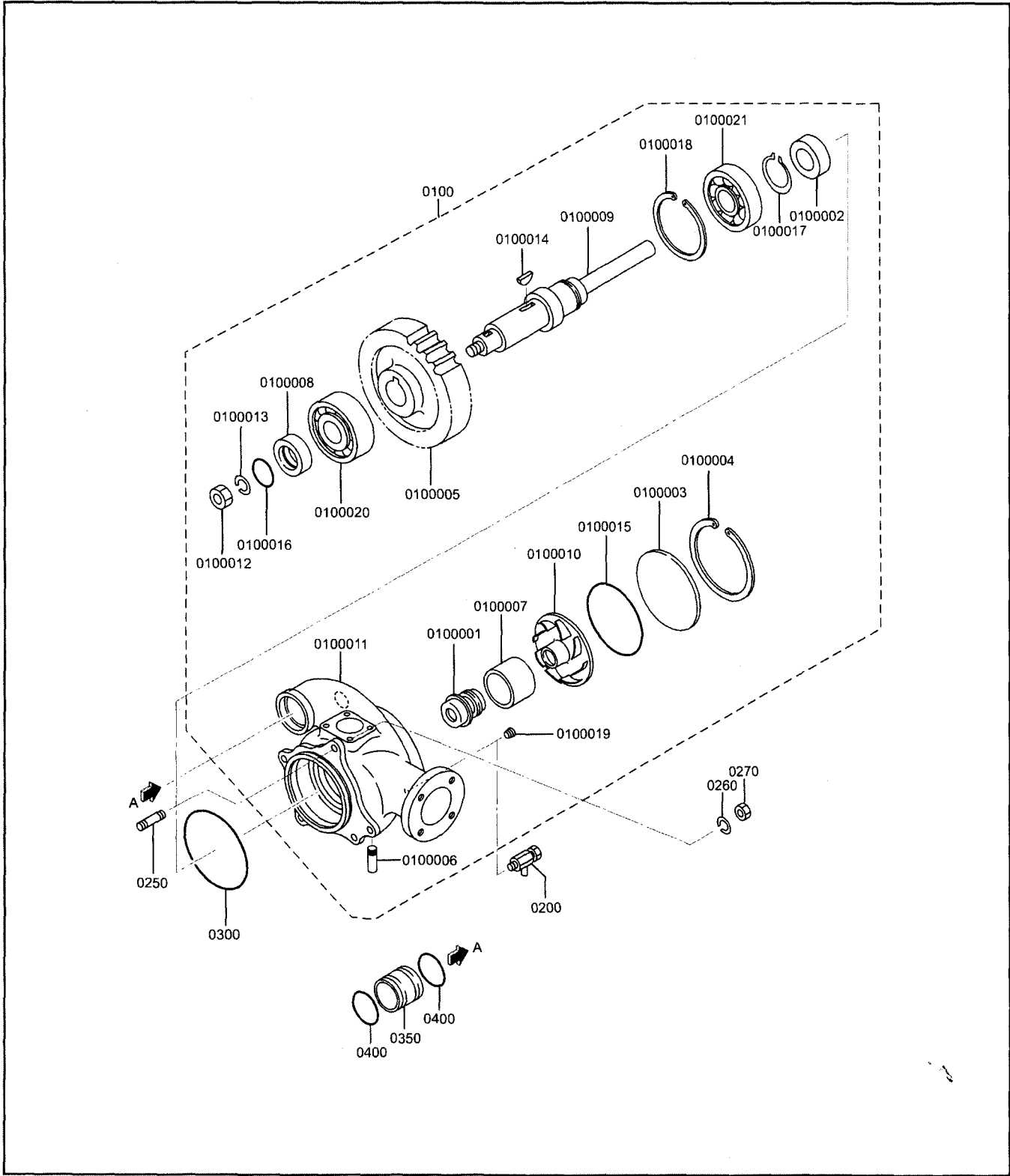
# P3770-430-2 BREATHER



**P3770-430-2 BREATHER**

SEQ	NOT AVAILABLE	ITEM	DESCRIPTION	QTY	
				MPTA	MPTK
0800		37711-13100	COVER	2	2
1000		37711-13200	PACKING	2	2
1300		F1805-12020	BOLTWASHERASSEMBLE	3	3

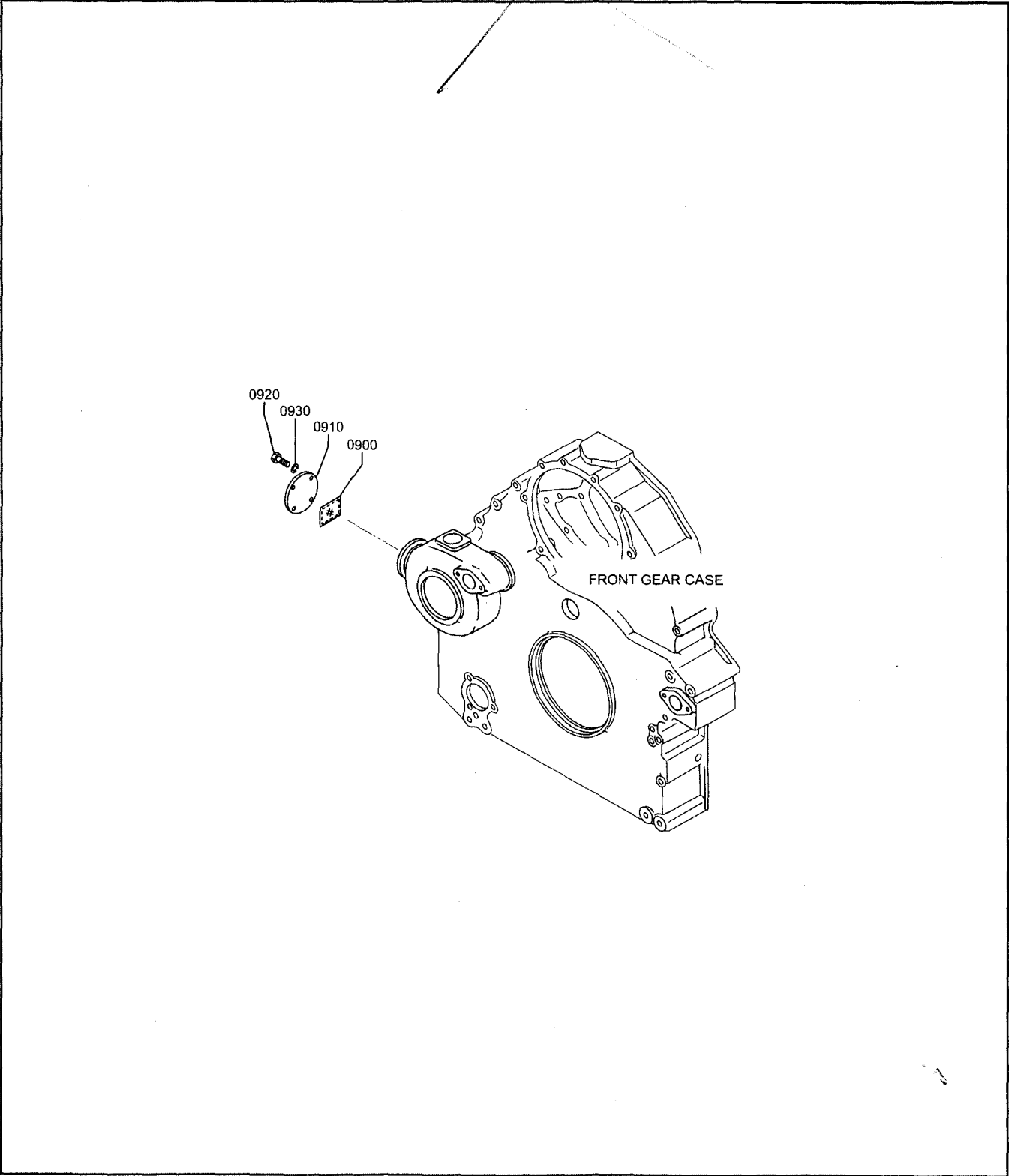
# P3770-450-1 WATER PUMP



### P3770-450-1 WATER PUMP

SEQ	NOT AVAILABLE	ITEM	DESCRIPTION	QTY	
				MPTA	MPTK
0100		37745-60010	PUMP ASSY, WATER	1	1
0100001		32645-01800	SEAL UNIT, D52 25MI	1	1
0100002		37525-03400	SEAL, OIL	1	1
0100003		37545-00200	COVER	1	1
0100004		37545-00300	RING, SNAP	1	1
0100005		37725-02200	GEAR, WATER PUMP	1	1
0100006		37745-00900	PIPE, WATER PUMP	1	1
0100007		37745-10600	RING	1	1
0100008		37745-10700	SLEEVE	1	1
0100009		37745-20400	SHAFT, WATER PUMP	1	1
0100010		37745-20501	IMPELLER	1	1
0100011		37745-40100	CASE, WATER PUMP	1	1
0100012		F2325-30000	NUT, JAM	1	1
0100013		F2515-30000	WASHER, SPRING	1	1
0100014		F2870-10032	KEY, WOODRUFF	1	1
0100015		F3153-17000	O-RING	1	1
0100016		F3156-05000	O-RING	1	1
0100017		F3200-05500	RING, SNAP	1	1
0100018		F3202-12000	RING, SNAP	1	1
0100019		F5005-10001	PLUG, TAPERED	1	1
0100020		F8010-06310	BEARING, BALL	1	1
0100021		F8010-06311	BEARING, BALL	1	1
0200		32545-12901	COCK, R 1/8	1	1
0250		05977-12060	STUD	3	3
0260		F2515-12000	WASHER, SPRING	3	3
0270		F2300-12000	NUT	3	3
0300		05507-21600	O-RING	1	1
0350		37746-00400	JOINT, D110X24	1	1
0400		F3153-10500	O-RING	2	2

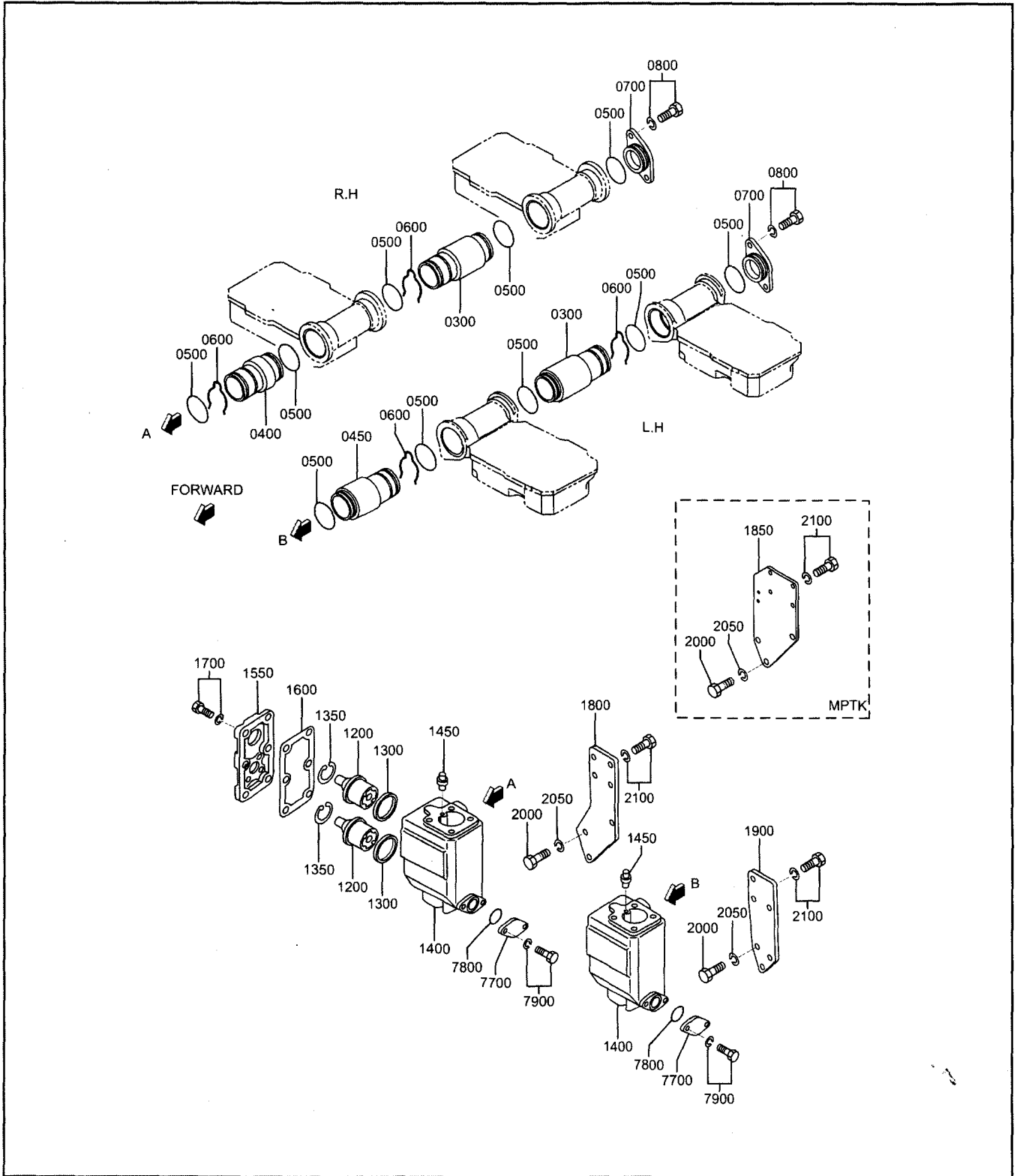
~~P3770-450-2 WATER PUMP~~



~~P3770-450-2 WATER PUMP~~

SEQ	NOT AVAILABLE	ITEM	DESCRIPTION	QTY	
				MPTA	MPTK
0900		45192-79900	CORROSION,INHIBITOR	1	1
0910		04826-50900	COVER	1	1
0920		F1035-16035	BOLT	2	2
0930		F2515-16000	WASHER,SPRING	2	2

# P3770-461-1 COOLING SYSTEM

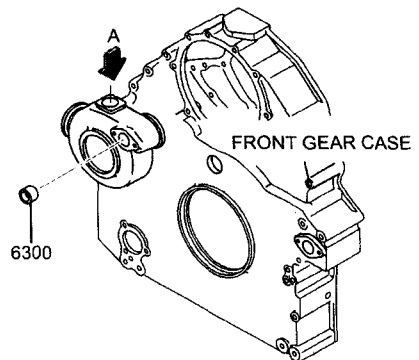
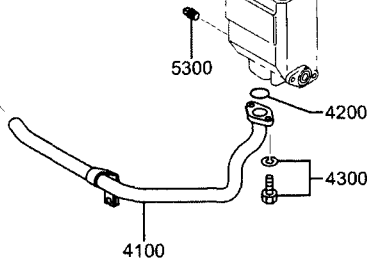
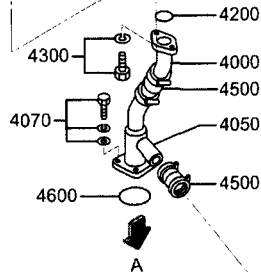
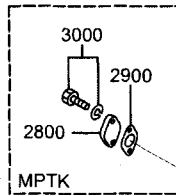
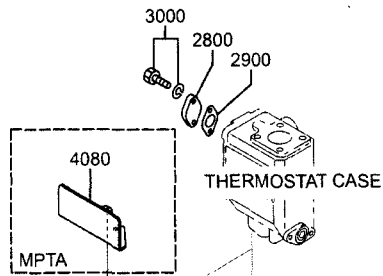
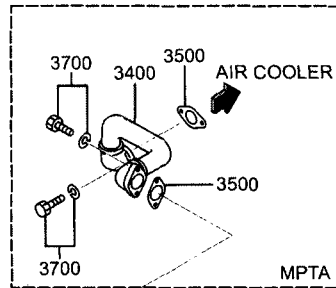
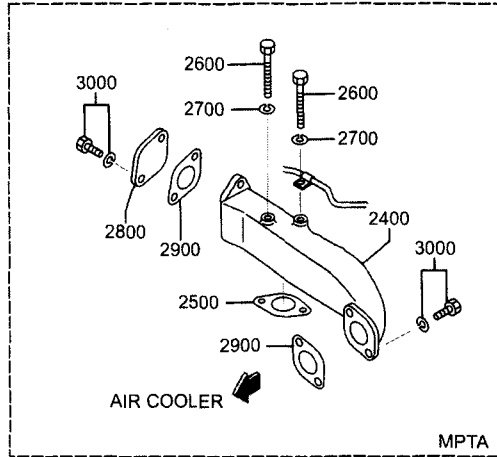


### P3770-461-1 COOLING SYSTEM

SEQ	NOT AVAILABLE	ITEM	DESCRIPTION	QTY	
				MPTA	MPTK
0300		37746-01100	CONNECTOR	10	10
0400		37746-01200	CONNECTOR,RH	1	1
0450		37746-01300	CONNECTOR,LH	1	1
0500		37546-00500	O-RING,G65,S637	24	24
0510		05505-57060	O-RING	2	2
0600		37546-11300	RING,SNAP	12	12
0700		37546-21200	COVER	2	2
0800		F1805-10025	BOLT,WASHERASSEMBLE	4	4
1200		37546-21700	THERMOSTAT,71	4	4
1300		37546-01800	SEAL,THERMOSTAT	4	4
1350		37546-00900	RING,SNAP	4	4
1400		37546-23701	CASE,THERMOSTAT	2	2
1450		36646-00090	VALVEASSY,JIGGLE	2	2
1550		37546-17100	COVER,THERMOSTAT	2	2
1600		37546-23300	PACKING,WATERCOVER	2	2
1700		F1805-10030	BOLT,WASHERASSEMBLE	12	12
1800		37746-13401	BRACKET,THERMOSTAT,RH	1	-
1850		45R46-73200	BRACKET,THERMOSTAT,RH	-	1
1900		37746-13501	BRACKET,THERMOSTAT,LH	1	1
2000		F1035-16040	BOLT	6	4
2050		F2515-16000	WASHER,SPRING	6	6
2100		F1805-10035	BOLT,WASHERASSEMBLE	8	8
7700		37546-03500	COVER	2	2
7800		F3153-06000	O-RING	2	2
7900		F1805-10030	BOLT,WASHERASSEMBLE	4	4



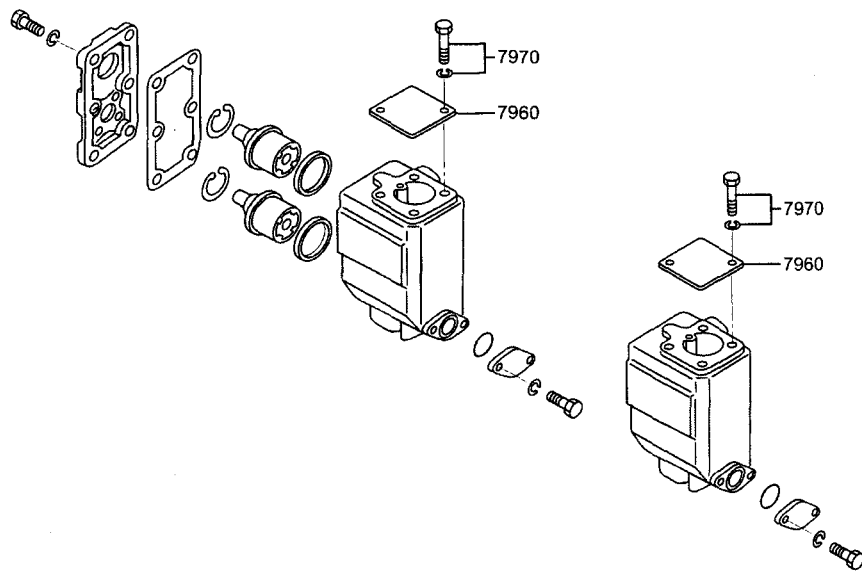
# P3770-461-2 COOLING SYSTEM



### P3770-461-2 COOLING SYSTEM

SEQ	NOT AVAILABLE	ITEM	DESCRIPTION	QTY	
				MPTA	MPTK
2400		37746-14100	CONNECTOR,WATER	1	-
2500		33336-20500	PACKING	1	-
2600		F1035-12110	BOLT	2	-
2700		F2515-12000	WASHER,SPRING	2	-
2800		33546-06900	COVER	2	2
2900		32546-46800	GASKET,SEAWATER	3	2
3000		F1805-12030	BOLT,WASHERASSEMBLE	6	4
3400		37746-14200	PIPE,WATER	1	-
3500		32546-46800	GASKET,SEAWATER	2	-
3700		F1805-12030	BOLT,WASHERASSEMBLE	4	-
4000		37746-24300	PIPE,BY-PASSA,R.H	1	1
4050		37746-04800	PIPE,BY-PASSC,R.H	1	1
4070		F1825-10025	BOLT,WASHERASSEMBLE	4	4
4080		45R93-42400	BRACKET,NAME	1	-
4100		37746-04400	PIPE,BY-PASSB	1	1
4200		F3153-06000	O-RING	2	2
4300		F1805-10025	BOLT,WASHERASSEMBLE	4	4
4500		04826-40032	COUPLING	2	2
4600		F3150-07000	O-RING	1	1
5300		F5005-21001	PLUG,TAPEFED	8	8
6300		04826-25000	CAP,SEALING	1	1

~~X Del~~  
P3770-461-3 COOLING SYSTEM

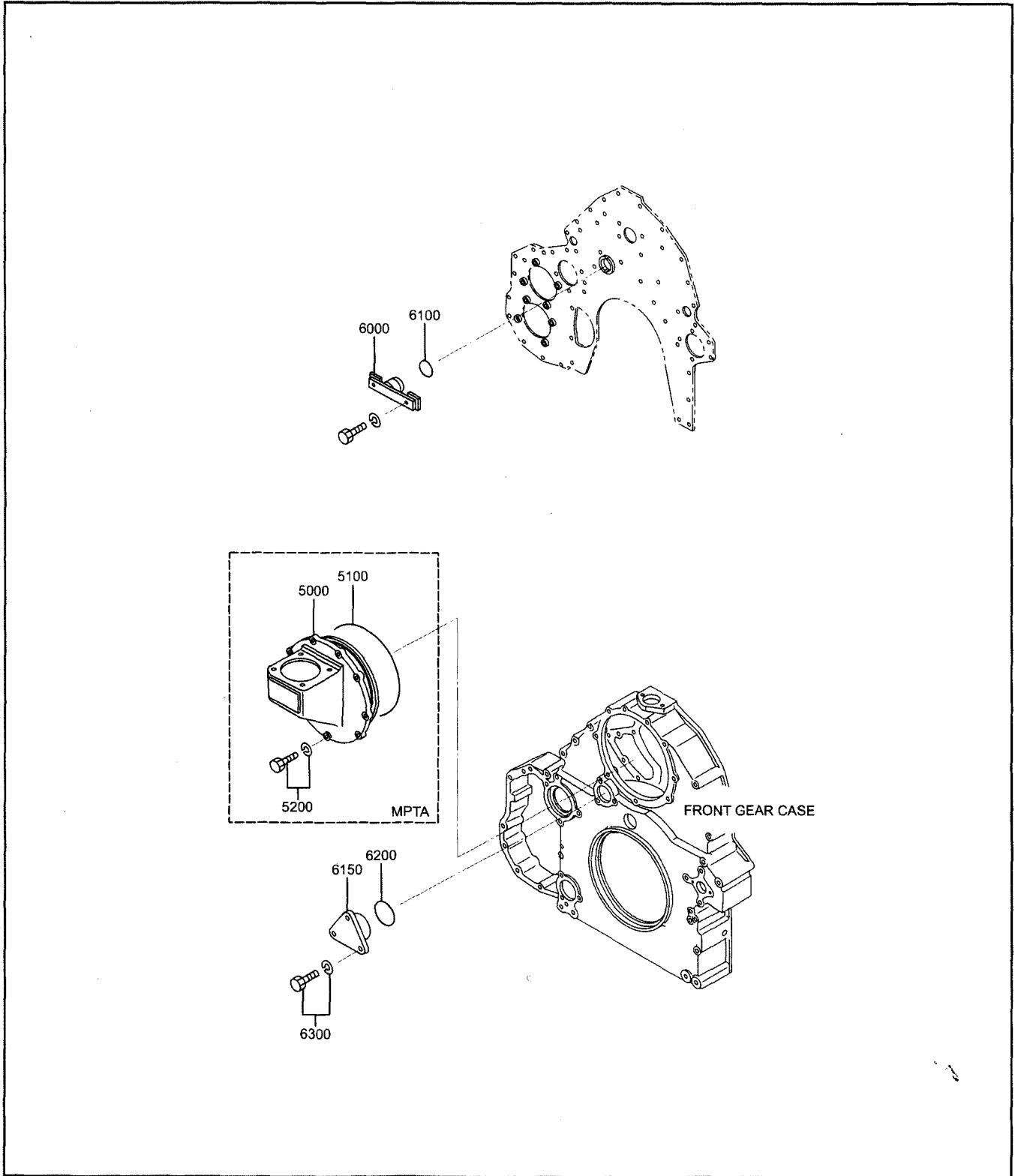


De L

### P3770-461-3 ~~X~~ COOLING SYSTEM

SEQ	NOT AVAILABLE	ITEM	DESCRIPTION	QTY	
				MPTA	MPTK
7960		37446-02900	COVER	2	2
7970		F1805-10025	BOLTWASHERASSEMBLY	4	4

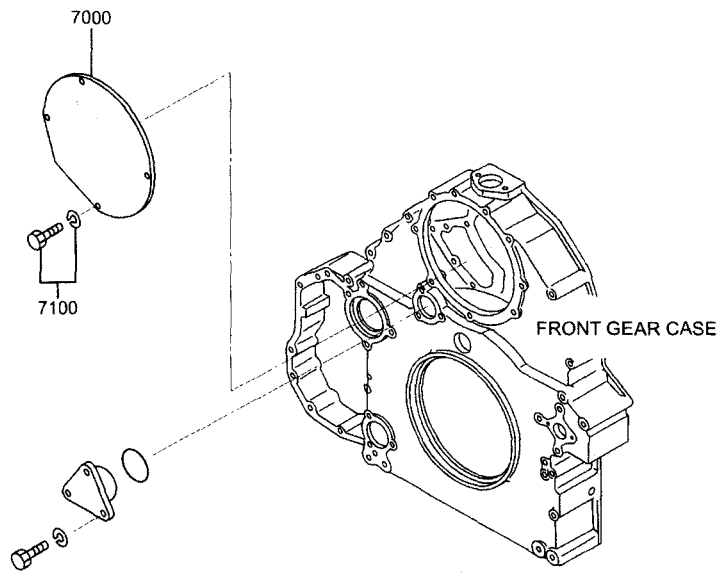
# P3770-480-1 FAN



**P3770-480-1 FAN**

SEQ	NOT AVAILABLE	ITEM	DESCRIPTION	QTY	
				MPTA	MPTK
5000		37743-40100	BRACKET,BREATHER	1	-
5100		05507-22900	O-RING	1	-
5200		F1805-12030	BOLT,WASHER,ASSEMBLE	9	-
6000		37748-11600	PLUG,CASE	1	1
6100		05507-20450	O-RING	1	1
6150		34A25-04400	FLANGE	1	1
6200		05507-20600	O-RING	1	1
6300		F1805-12030	BOLT,WASHER,ASSEMBLE	3	3

~~P3770-480-2 FAN~~

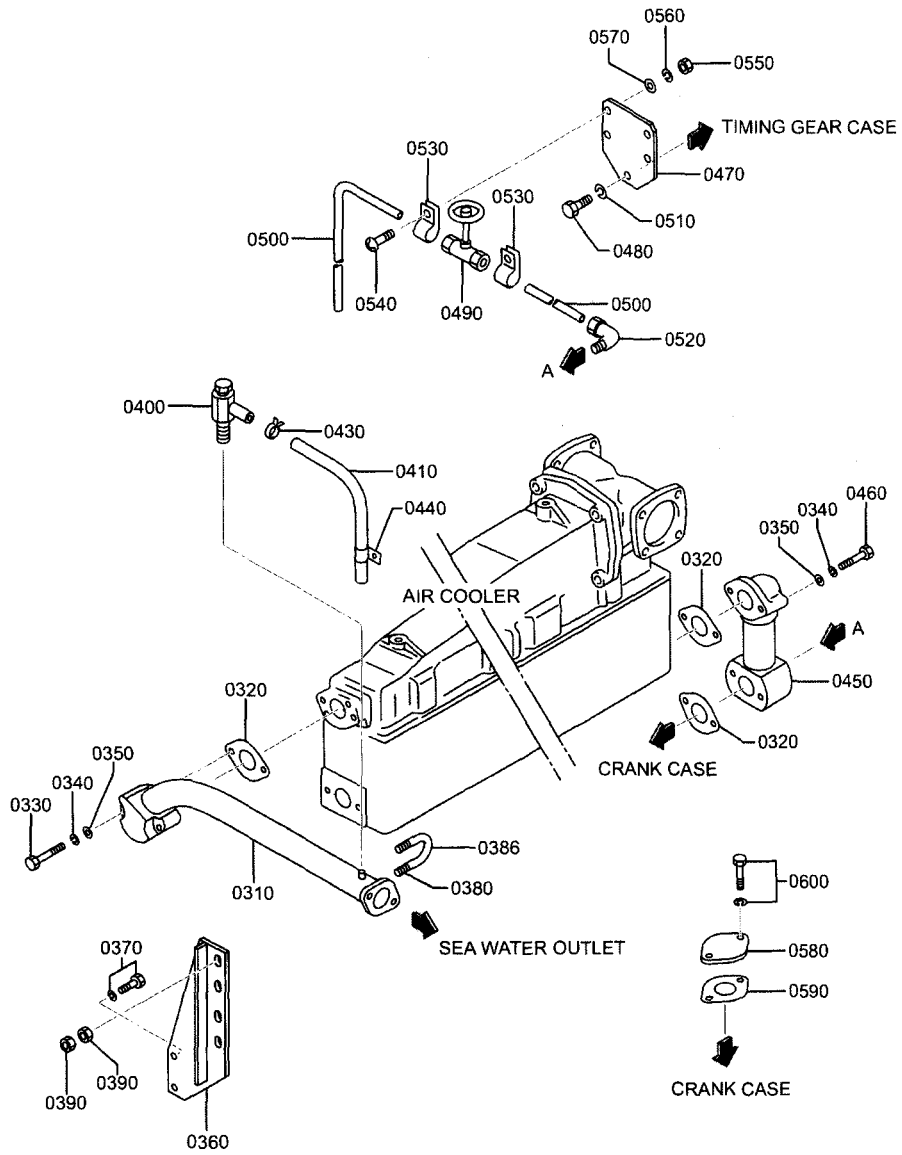


~~P3770-480-2 FAN~~

SEQ	NOT AVAILABLE	ITEM	DESCRIPTION	QTY	
				MPTA	MPTK
7000		45R25-70200	COVER	-	1
7100		F1805-12020	BOLTWASHERASSEMBLY	-	4



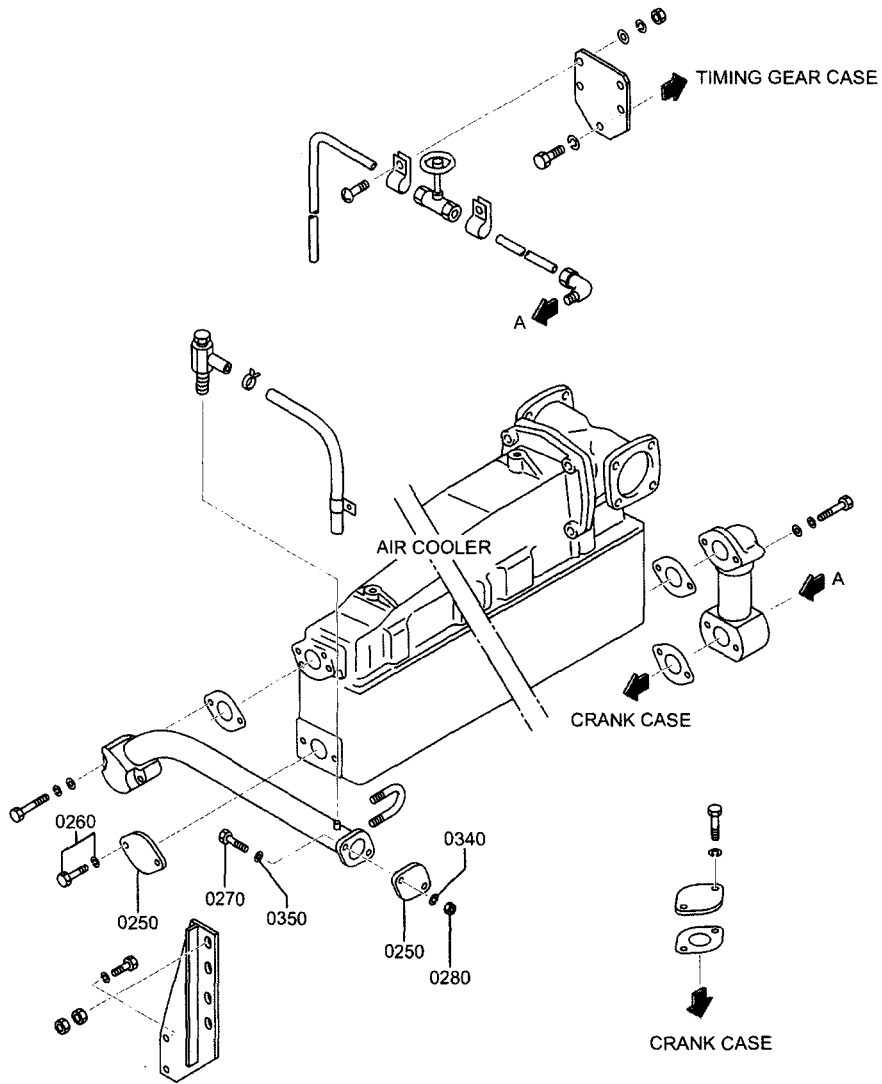
# P3770-510-1 SEA WATER COOLING



### P3770-510-1 SEA WATER COOLING

SEQ	NOT AVAILABLE	ITEM	DESCRIPTION	QTY	
				MPTA	MPTK
0310		45R51-70603	PIPE,SEAWATER	-	1
0320		45151-71900	PACKING	-	3
0330		F1035-12055	BOLT	-	2
0340		F2515-12000	WASHER,SPRING	-	6
0350		F2500-12000	WASHER,PLAIN	-	6
0360		45R51-70800	BRACKET	-	1
0370		F1805-10045	BOLT,WASHERASSEMBLE	-	2
0380		51709-00300	UBOLT	-	1
0386		F4001-12008	TUBE,SOFTVINYL	-	1
0390		F2300-10000	NUT,LOCK	-	4
0400		32545-12901	COCK,R 1/8	-	1
0410		F4002-05100	TUBE,SOFTVINYL	-	1
0430		F4300-00800	CLAMP,HOSE	-	1
0440		05317-41500	CLIP	-	2
0450		45R51-70700	PIPE,SEAWATER	-	1
0460		F1035-12070	BOLT	-	4
0470		45R51-70900	STAY,VALVE	-	1
0480		F1035-12035	BOLT	-	1
0490		45736-97220	VALVE	-	1
0500		45954-01200	PIPE,OIL	-	1
0510		F2515-12000	WASHER,SPRING	-	1
0520		07783-08014	CONNECTOR	-	1
0530		F2882-20000	CLIP	-	2
0540		F1600-04020	SCREW,MACHINE	-	2
0550		F2300-04000	NUT	-	2
0560		F2515-04000	WASHER,SPRING	-	2
0570		F2500-04000	WASHER,PLAIN	-	2
0580		37113-10800	COVER	-	1
0590		33336-20500	PACKING	-	1
0600		F1805-12030	BOLT,WASHERASSEMBLE	-	2

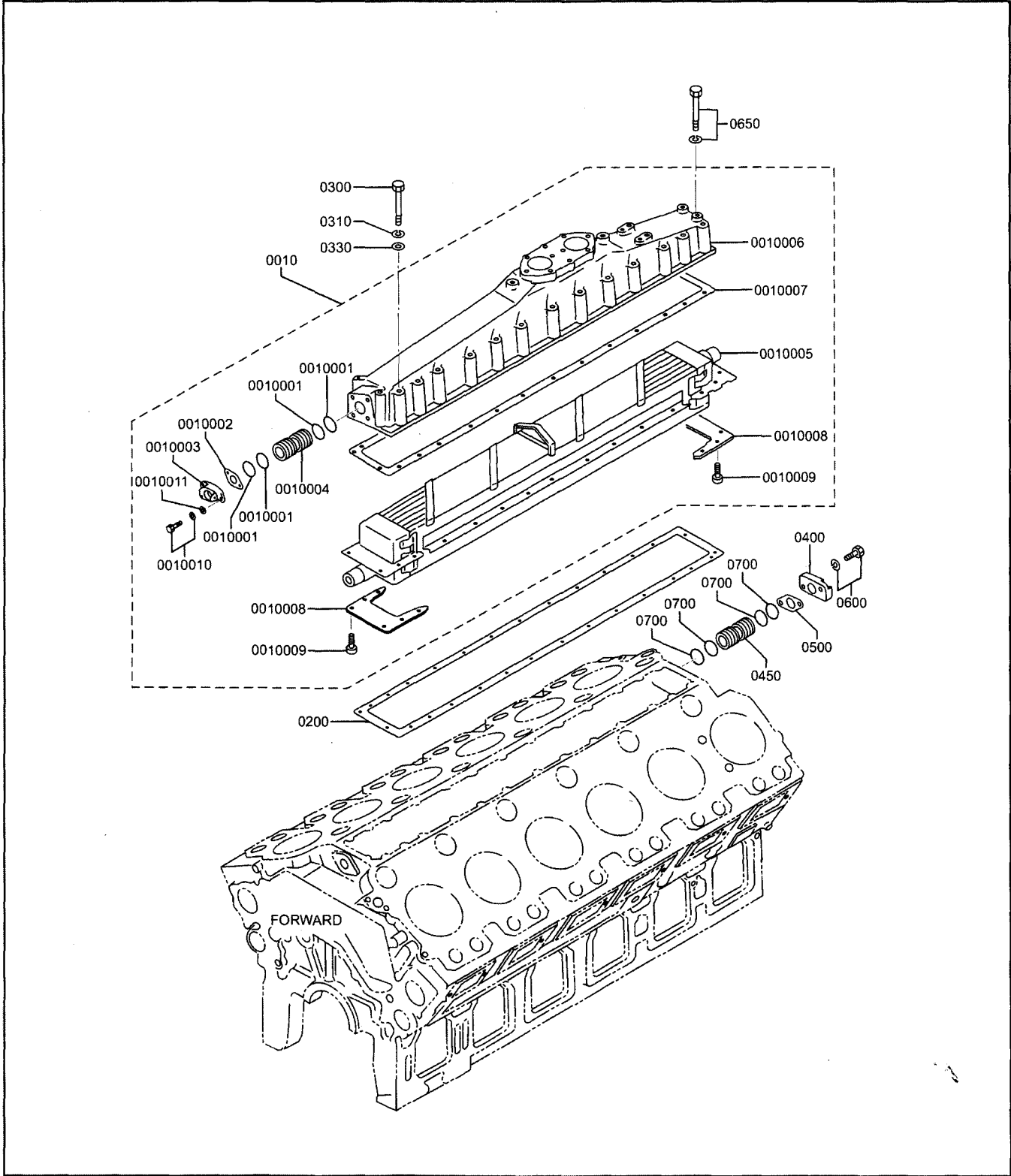
# P3770-510-2 SEA WATER COOLING



**P3770-510-2 SEA WATER COOLING**

SEQ	NOT AVAILABLE	ITEM	DESCRIPTION	QTY	
				MPTA	MPTK
0250		33446-05600	COVER	-	2
0260		F1805-12020	BOLT,WASHERASSEMBLE	-	2
0270		F1035-12035	BOLT	-	2
0280		F2300-12000	NUT	-	2
0340		F2515-12000	WASHER,SPRING	-	2
0350		F2500-12000	WASHER,PLAIN	-	2

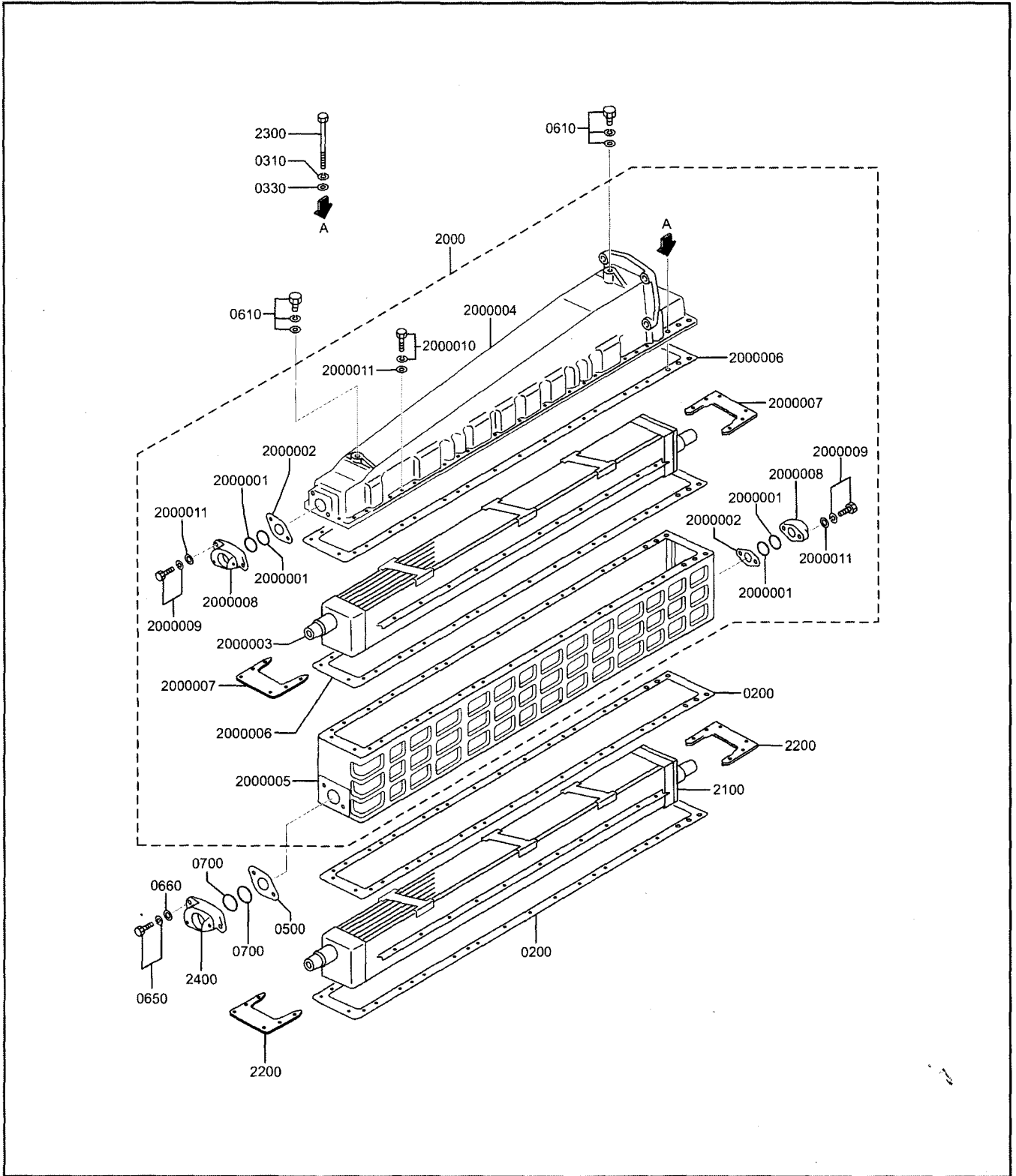
# P3770-550-1 AIR COOLER



**P3770-550-1 AIR COOLER**

SEQ	NOT AVAILABLE	ITEM	DESCRIPTION	QTY	
				MPTA	MPTK
0010		37755-01000	COOLER ASSY, AIR	1	-
0010001		05507-10460	O-RING	4	-
0010002		37555-00600	GASKET	1	-
0010003		37555-04400	CONNECTOR, AIR COOLER	1	-
0010004		37555-04501	PIPE, AIR COOLER	1	-
0010005		37755-01100	ELEMENT, AIR COOLER	1	-
0010006		37755-01200	COVER	1	-
0010007		37755-01300	GASKET	1	-
0010008		37755-01400	PLATE	2	-
0010009		F1620-06012	SCREW/MACHINE	16	-
0010010		F1805-10030	BOLT/WASHER ASSEMBLY	2	-
0010011		F2500-10000	WASHER, PLAIN	2	-
0200		37755-20300	GASKET	1	-
0300		05978-10180	BOLT	30	-
0310		F2515-10000	WASHER, SPRING	30	-
0330		58034-04400	WASHER (T2)	30	-
0400		37555-04400	CONNECTOR, AIR COOLER	1	-
0450		37555-04500	PIPE, AIR COOLER	1	-
0500		37555-10600	GASKET	1	-
0600		F1805-12030	BOLT/WASHER ASSEMBLY	2	-
0650		F1805-10030	BOLT/WASHER ASSEMBLY	2	-
0700		05507-10460	O-RING	4	-

# P3770-550-2 AIR COOLER

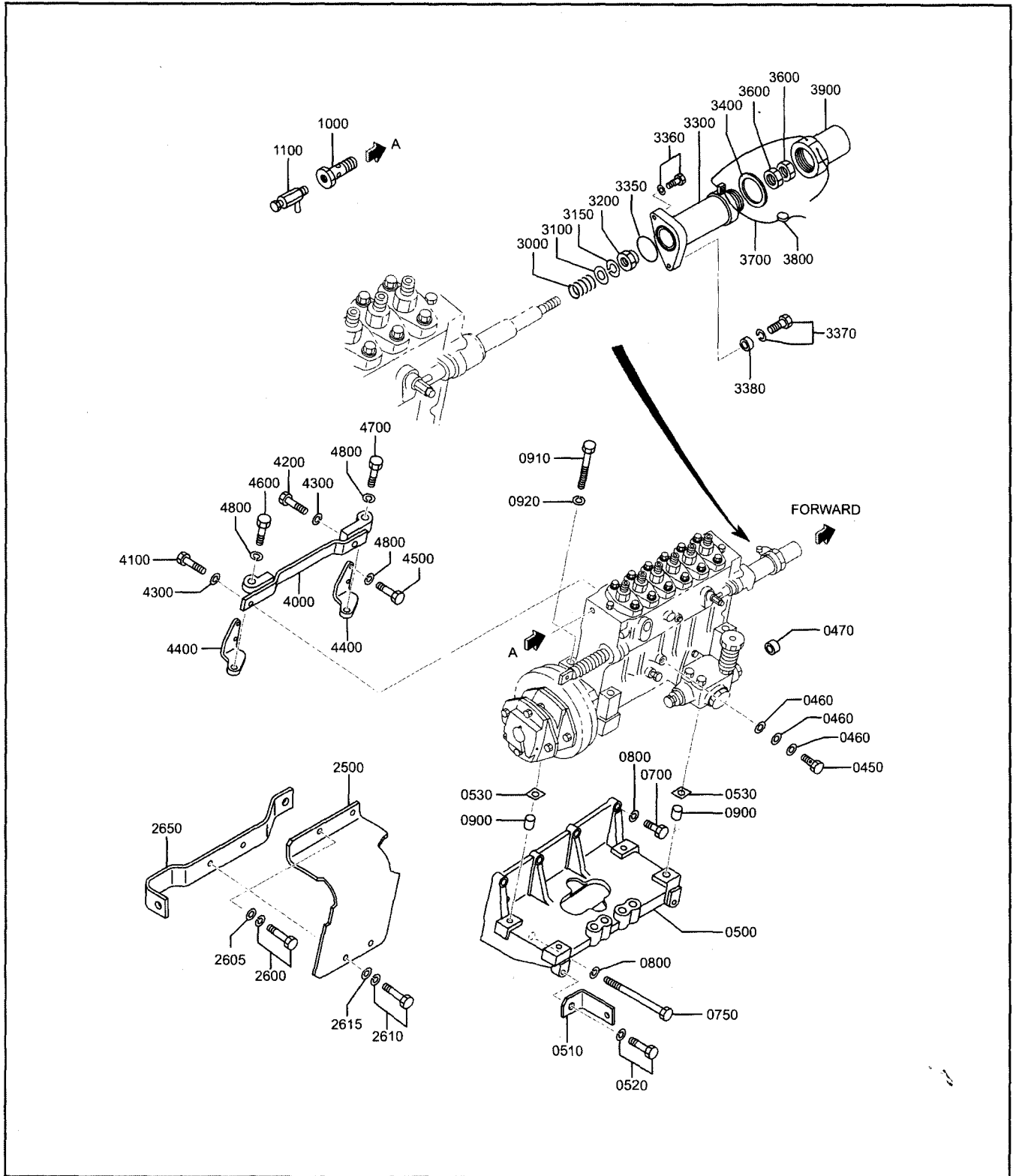


## P3770-550-2 AIR COOLER

SEQ	NOT AVAILABLE	ITEM	DESCRIPTION	QTY	
				MPTA	MPTK
0200		37755-20300	GASKET	-	2
0310		F2515-10000	WASHER,SPRING	-	30
0330		58034-04400	WASHER(T2)	-	30
0500		37555-10600	GASKET	-	2
0610		F1825-12030	BOLT,WASHERASSEMBLE	-	2
0650		F1805-10030	BOLT,WASHERASSEMBLE	-	2
0660		F2500-10000	WASHER,PLAIN	-	2
0700		05507-10460	O-RING	-	4
2000		37755-02011	COOLERASSY,AIR	-	1
2000001		05507-10460	O-RING	-	4
2000002		37555-00600	GASKET	-	2
2000003		37755-02100	ELEMENT,AIRCOOLER	-	1
2000004		37755-02200	COVER,AIRCOOLER	-	1
2000005		37755-02300	CASE,AIRCOOLER	-	1
2000006		37755-02400	GASKET,AIRCOOLER	-	2
2000007		37755-02500	PLATE,AIRCOOLER	-	2
2000008		37755-02600	CONNECTORM	-	2
2000009		F1805-10030	BOLT,WASHERASSEMBLE	-	4
2000010		F2005-10045	BOLT,WASHERASSEMBLE	-	12
2000011		F2500-10000	WASHER,PLAIN	-	16
2100		37755-02100	ELEMENT,AIRCOOLER	-	1
2200		37755-02500	PLATE,AIRCOOLER	-	2
2300		05978-10220	BOLT	-	30
2400		37755-02601	CONNECTORM	-	2



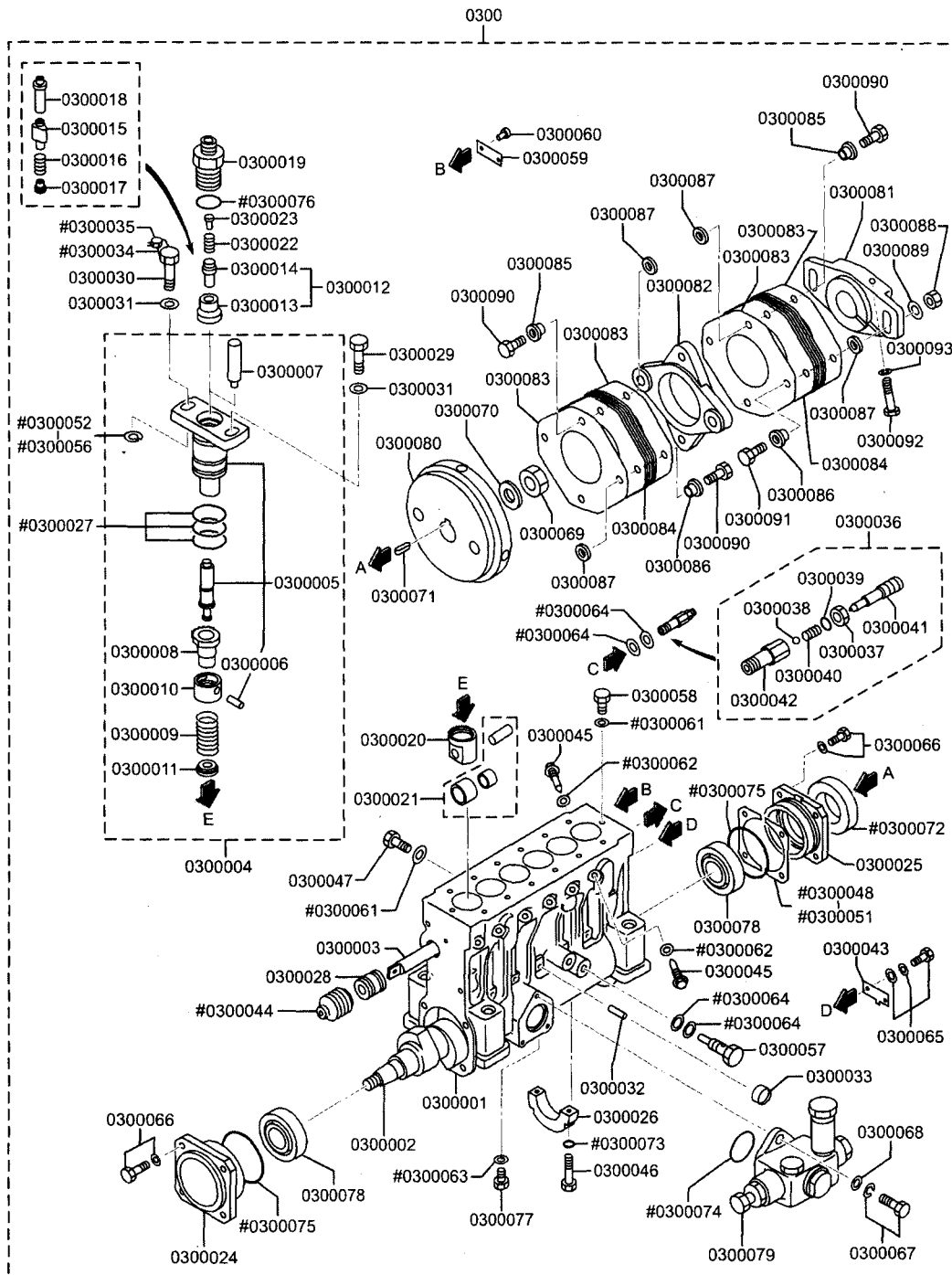
# P3770-610-1 INJECTION PUMP BRACKET



## P3770-610-1 INJECTION PUMP BRACKET

SEQ	NOT AVAILABLE	ITEM	DESCRIPTION	QTY	
				MPTA	MPTK
0450		37136-09100	BOLT,EYE	2	2
0460		05946-01201	WASHER,SEALING	6	6
0470		37561-03700	SPACER	2	2
0500		37761-41100	BRACKET,INJECTIONPUMP	2	2
0510		37762-13100	STAY,LEAK PIPER.H	1	1
0520		F1805-12030	BOLT,WASHERASSEMBLE	1	1
0530		37561-00500	SHIM, 0.25	4	4
0700		F1035-12050	BOLT	10	10
0750		F1035-12130	BOLT	4	4
0800		F2515-12000	WASHER,SPRING	14	14
0900		37561-01800	PIN,DOWELD16	4	4
0910		F1035-12110	BOLT	8	8
0920		F2515-12000	WASHER,SPRING	8	8
1000		48230-05100	BOLT,EYE	2	2
1100		31262-51901	COCK,AIRVENT	2	2
2500		37761-61700	COVER,COUPLING	2	2
2600		F1805-12020	BOLT,WASHERASSEMBLE	4	4
2605		F2500-12000	WASHER,PLAIN	4	4
2610		F1805-10016	BOLT,WASHERASSEMBLE	4	4
2615		F2500-10000	WASHER,PLAIN	4	4
2650		37761-11800	STAY,COVER	2	2
3000		37561-11900	SPRING,RETURN	2	2
3100		F2500-10000	WASHER,PLAIN	2	2
3150		F2515-10000	WASHER,SPRING	2	2
3200		F2445-10000	NUT,SELF-LOCKING	2	2
3300		37561-42800	CASE,SPRING	2	2
3350		05507-10360	O-RING	2	2
3360		F1805-08020	BOLT,WASHERASSEMBLE	3	3
3370		F1805-08030	BOLT,WASHERASSEMBLE	1	1
3380		37736-06300	SPACER	1	1
3400		05946-02701	WASHER,SEALING	2	2
3600		F2325-08000	NUT,JAM	4	4
3700		35A61-19900	WIRE,SEAL	2	2
3800		48000-96600	SEAL	2	2
3900		37561-22901	CAP,RACKSET	2	2
4000		37761-11401	STAY,INJECTIONPUMP	2	2
4100		F1035-14030	BOLT	2	2
4200		F1035-14040	BOLT	2	2
4300		F2515-14000	WASHER,SPRING	4	4
4400		37761-21601	STAY,INJECTIONPUMP	4	4
4500		F1035-12030	BOLT	8	8
4600		F1035-12040	BOLT	2	2
4700		F1035-12050	BOLT	2	2
4800		F2515-12000	WASHER,SPRING	12	12

# P3770-610-2 INJECTION PUMP BRACKET

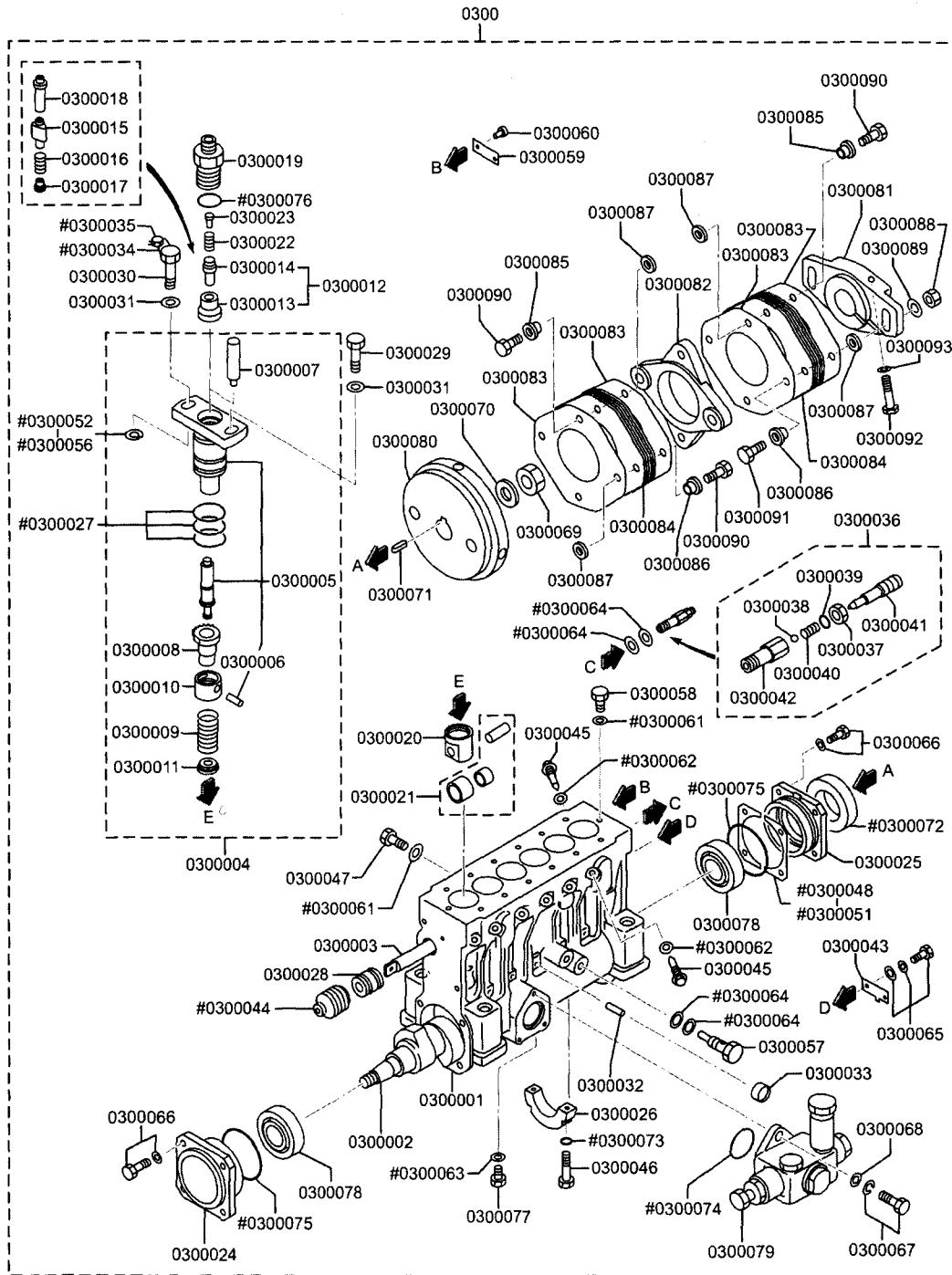


CONSISTS OF THE ITEMS WITH MARK "#" — 6670

## P3770-610-2 INJECTION PUMP BRACKET

SEQ	NOT AVAILABLE	ITEM	DESCRIPTION	QTY	
				MPTA	MPTK
0300		48274-00001	PUMP ASSY, INJECTION	1	1
0300001		48239-10100	CASE PUMP	1	1
0300002		48210-10201	CAV SHAFT	1	1
0300003		48210-10300	RACK	1	1
0300004		48291-07030	BLOCK ASSY, PLUNGER	6	6
0300005	*	48270-01000	PLUNGER ASSY	6	6
0300006	*	49168-18800	PIN, KNOCK	6	6
0300007		48291-00301	HOLDER, PLUNGER	6	6
0300008		48202-28100	PINION	6	6
0300009		48202-11700	SPRING, PLUNGER	6	6
0300010		48202-21201	SEAT, UPPER SPRING	6	6
0300011		48202-21300	SEAT, LOWER SPRING	6	6
0300012		48270-20010	VALVE ASSY, DELIVERY	6	6
0300013	*	48270-10900	SEAT, VALVE	6	6
0300014		48270-21010	VALVE ASSY	6	6
0300015		48270-00101	VALVE, CONE	6	6
0300016		48270-00700	SPRING	6	6
0300017		48270-00800	SEAT, LOWER	6	6
0300018		48270-20200	BODY, VALVE	6	6
0300019		48270-14100	HOLDER	6	6
0300020		48202-35900	TAPPET	6	6
0300021		48210-10030	TAPPET ROLLER ASSY	6	6
0300022		48270-11800	SPRING, DELIVERY VALVE	6	6
0300023		48270-11900	SEAT, SPRING	6	6
0300024		48210-35600	COVER, FRONT	1	1
0300025		48202-22200	COVER, REAR	1	1
0300026		48202-02300	BEARING, CENTER	1	1
0300027		48202-12400	O-RING	18	18
0300028		48202-22500	BUSHING, RACK	2	2
0300029		48202-02600	BOLT, BARREL	6	6
0300030		48202-07600	BOLT, BARREL	6	6
0300031		48202-22800	WASHER, BARREL	12	12
0300032		48202-02900	PIN	7	7
0300033		04826-21000	CAP, SEALING	7	7
0300034		48202-05800	WIFE	1	1
0300035		48000-96600	SEAL	1	1
0300036		48202-44000	VALVE ASSY, CHECK	1	1
0300037		F2320-12000	NUT, JAM	1	1
0300038		F8000-08000	STEEL BALL BEARING	1	1
0300039		05507-10050	O-RING	1	1
0300040		48202-03300	SPRING, VALVE	1	1
0300041		48202-13200	SCREW	1	1
0300042		48202-53100	BODY, VALVE	1	1
0300043		48202-23400	POINTER	1	1
0300044		48202-13500	BELLOWS	1	1

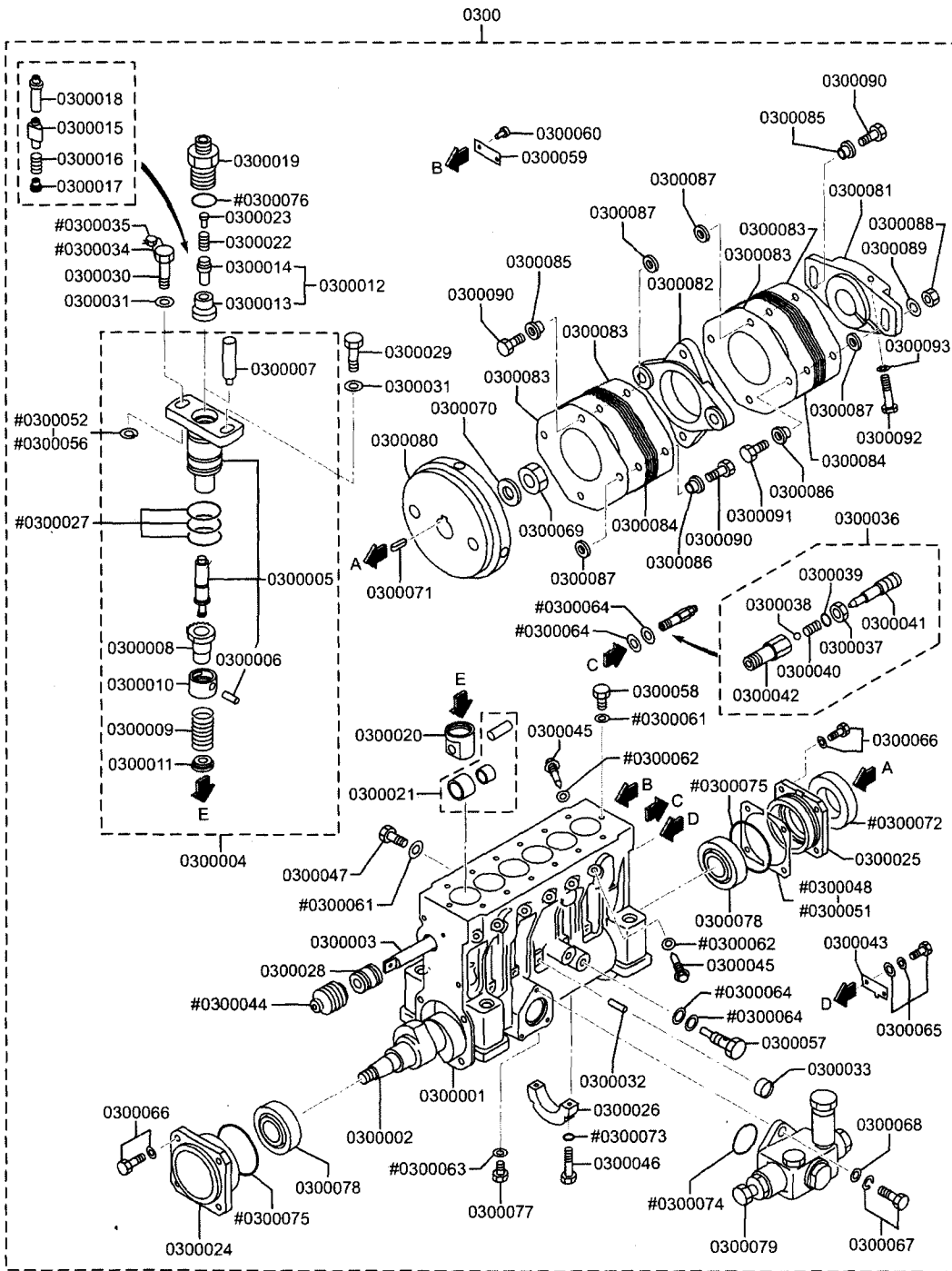
# P3770-610-2 INJECTION PUMP BRACKET



## P3770-610-2 INJECTION PUMP BRACKET

SEQ	NOT AVAILABLE	ITEM	DESCRIPTION	QTY	
				MPTA	MPTK
0300045		48202-33600	BOLT,DEFLECTOR	12	12
0300046		48202-23800	BOLT	2	2
0300047		48202-33900	SCREW,SET	1	1
0300048		48202-14100	SHIM,CASE, 0.50	AR	AR
0300049		48202-14200	SHIM,CASE, 0.10	AR	AR
0300050		48202-14300	SHIM,CASE, 0.15	AR	AR
0300051		48202-14400	SHIM,CASE, 0.30	AR	AR
0300052		48202-04500	SHIM,BARREL, 0.80	AR	AR
0300053		48202-04600	SHIM,BARREL, 0.90	AR	AR
0300054		48202-04700	SHIM,BARREL, 1.00	AR	AR
0300055		48202-04800	SHIM,BARREL, 1.10	AR	AR
0300056		48202-04900	SHIM BARREL, 1.30	AR	AR
0300057		48202-05100	BOLT,EYE	1	1
0300058		48202-05500	BOLT,EYE	2	2
0300059	*	48293-00100	PLATE,NAME	1	1
0300060		00665-02048	RIVET,SCREW	2	2
0300061		05946-00801	WASHER,SEALING	3	3
0300062		05946-01001	WASHER,SEALING	12	12
0300063		05946-01201	WASHER,SEALING	1	1
0300064		05946-01401	WASHER,SEALING	6	6
0300065		F1805-06012	BOLT,WASHER,ASSEMBLE	2	2
0300066		F1805-08025	BOLT,WASHER,ASSEMBLE	8	8
0300067		F1805-06020	BOLT,WASHER,ASSEMBLE	3	3
0300068		F2500-06000	WASHER,PLAIN	3	3
0300069		F2325-24000	NUT,JAM	1	1
0300070		32507-01400	WASHER	1	1
0300071		F2870-07025	KEY,WOODRUFF	1	1
0300072		48202-07100	SEAL,OIL	1	1
0300073		05507-10080	O-RING	2	2
0300074		05507-20350	O-RING	1	1
0300075		05507-20800	O-RING	2	2
0300076		05507-20250	O-RING	6	6
0300077		F5000-12000	PLUG,DRAIN	1	1
0300078		F8143-32207	BEARING,TAPEREDROLL	2	2
0300079		04245-00120	PUMP,FEED	1	1
0300080		48250-06100	FLY,WHEEL	1	1
0300081		48208-11201	COUPLING,D48	1	1
0300082		48250-06600	COUPLING,CROSS	1	1
0300083		48208-01400	PLATE,LAMINATE, 1.0	4	4
0300084		48208-10400	PLATE,LAMINATE	12	12
0300085		48208-50500	BUSHING,LONG	4	4
0300086		48208-50600	BUSHING,SHORT	4	4
0300087		48208-30700	WASHER,COUPLING	8	8
0300088		48250-05700	NUT,FLANGE	2	2
0300089		48250-05600	WASHER,COUPLING,WIDE	2	2

# P3770-610-2 INJECTION PUMP BRACKET



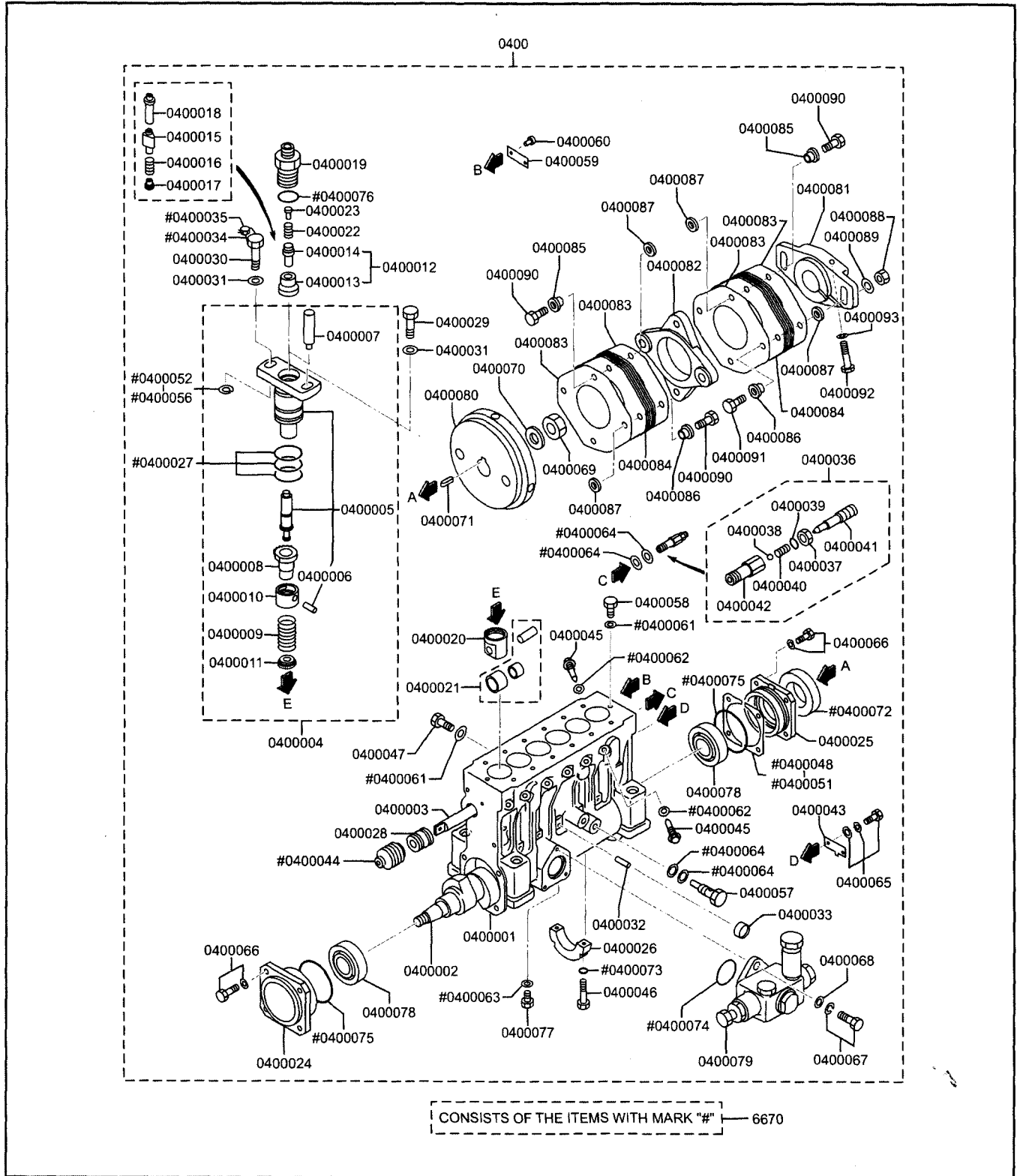
CONSISTS OF THE ITEMS WITH MARK "#" — 6670

**P3770-610-2 INJECTION PUMP BRACKET**

SEQ	NOT AVAILABLE	ITEM	DESCRIPTION	QTY	
				MPTA	MPTK
0300090		48250-05800	BOLT,SHORT	6	6
0300091		48250-05300	BOLT,LONG	2	2
0300092		F1035-14085	BOLT	1	1
0300093		F2515-14000	WASHER,SPRING	1	1
6670		48202-39100	REPAIRKIT	1	1



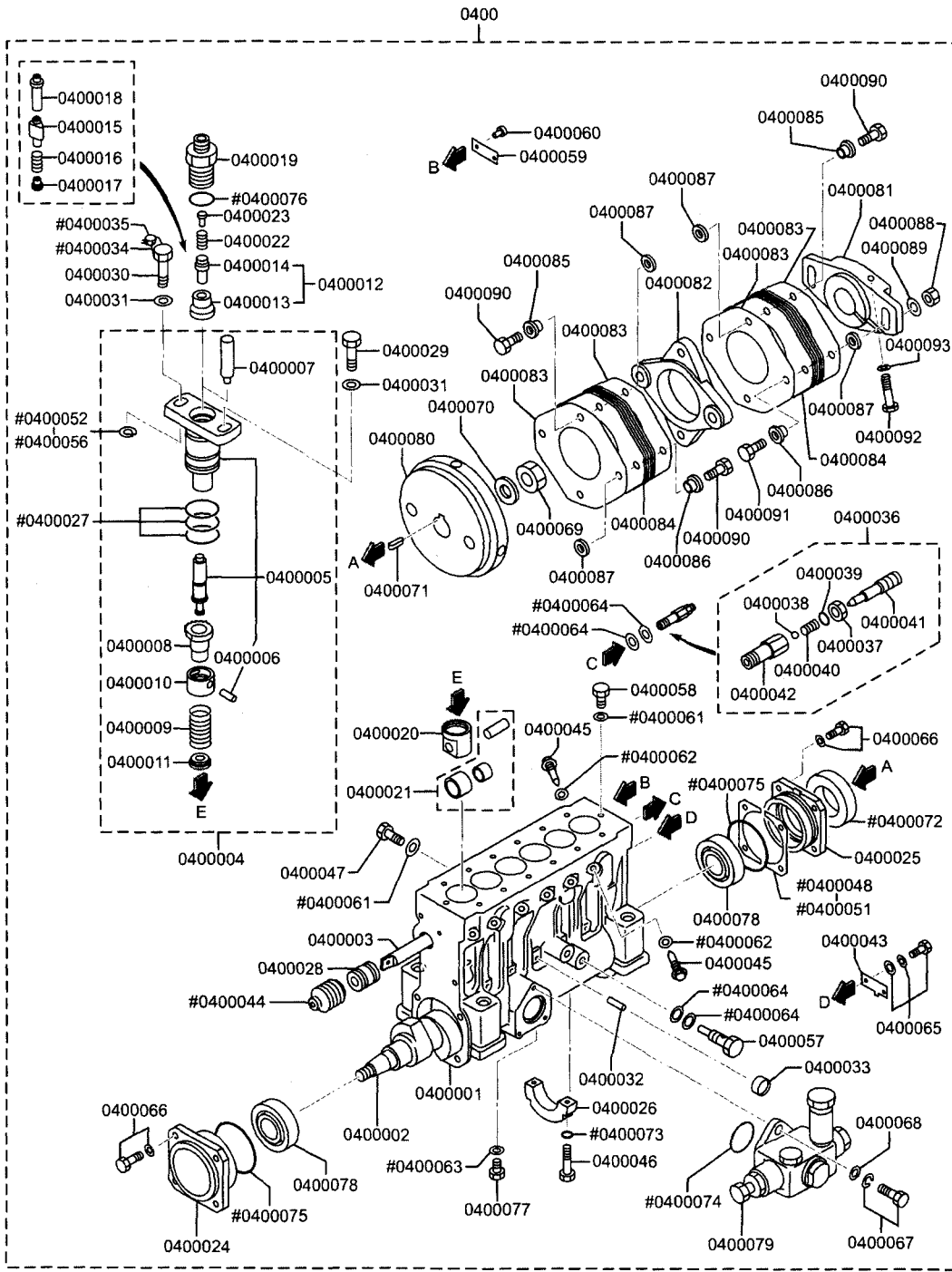
# P3770-610-3 INJECTION PUMP BRACKET



### P3770-610-3 INJECTION PUMP BRACKET

SEQ	NOT AVAILABLE	ITEM	DESCRIPTION	QTY	
				MPTA	MPTK
0400		48273-00001	PUMP ASSY, INJECTION	1	1
0400001		48230-20100	CASE PUMP	1	1
0400002		48210-10201	CAV SHAFT	1	1
0400003		48210-10300	RACK	1	1
0400004		48291-07030	BLOCK ASSY, PLUNGER	6	6
0400005	*	48270-01000	PLUNGER ASSY	6	6
0400006	*	49168-18800	PIN, KNOCK	6	6
0400007		48291-00301	HOLDER, PLUNGER	6	6
0400008		48202-28100	PINION	6	6
0400009		48202-11700	SPRING, PLUNGER	6	6
0400010		48202-21201	SEAT, UPPER SPRING	6	6
0400011		48202-21300	SEAT, LOWER SPRING	6	6
0400012		48270-20010	VALVE ASSY, DELIVERY	6	6
0400013	*	48270-10900	SEAT, VALVE	6	6
0400014		48270-21010	VALVE ASSY	6	6
0400015		48270-00101	VALVE, CONE	6	6
0400016		48270-00700	SPRING	6	6
0400017		48270-00800	SEAT, LOWER	6	6
0400018		48270-20200	BODY, VALVE	6	6
0400019		48270-14100	HOLDER	6	6
0400020		48202-35900	TAPPET	6	6
0400021		48210-10030	TAPPET ROLLER ASSY	6	6
0400022		48270-11800	SPRING, DELIVERY VALVE	6	6
0400023		48270-11900	SEAT, SPRING	6	6
0400024		48210-35600	COVER, FRONT	1	1
0400025		48202-22200	COVER, REAR	1	1
0400026		48202-02300	BEARING, CENTER	1	1
0400027		48202-12400	O-RING	18	18
0400028		48202-22500	BUSHING, RACK	2	2
0400029		48202-02600	BOLT, BARREL	6	6
0400030		48202-07600	BOLT, BARREL	6	6
0400031		48202-22800	WASHER, BARREL	12	12
0400032		48202-02900	PIN	7	7
0400033		04826-21000	CAP, SEALING	7	7
0400034		48202-05800	WIFE	1	1
0400035		48000-96600	SEAL	1	1
0400036		48202-44000	VALVE ASSY, CHECK	1	1
0400037		F2320-12000	NUT, JAM	1	1
0400038		F8000-08000	STEEL BALL BEARING	1	1
0400039		05507-10050	O-RING	1	1
0400040		48202-03300	SPRING, VALVE	1	1
0400041		48202-13200	SCREW	1	1
0400042		48202-53100	BODY, VALVE	1	1
0400043		48202-23400	POINTER	1	1
0400044		48202-13500	BELLOWS	1	1

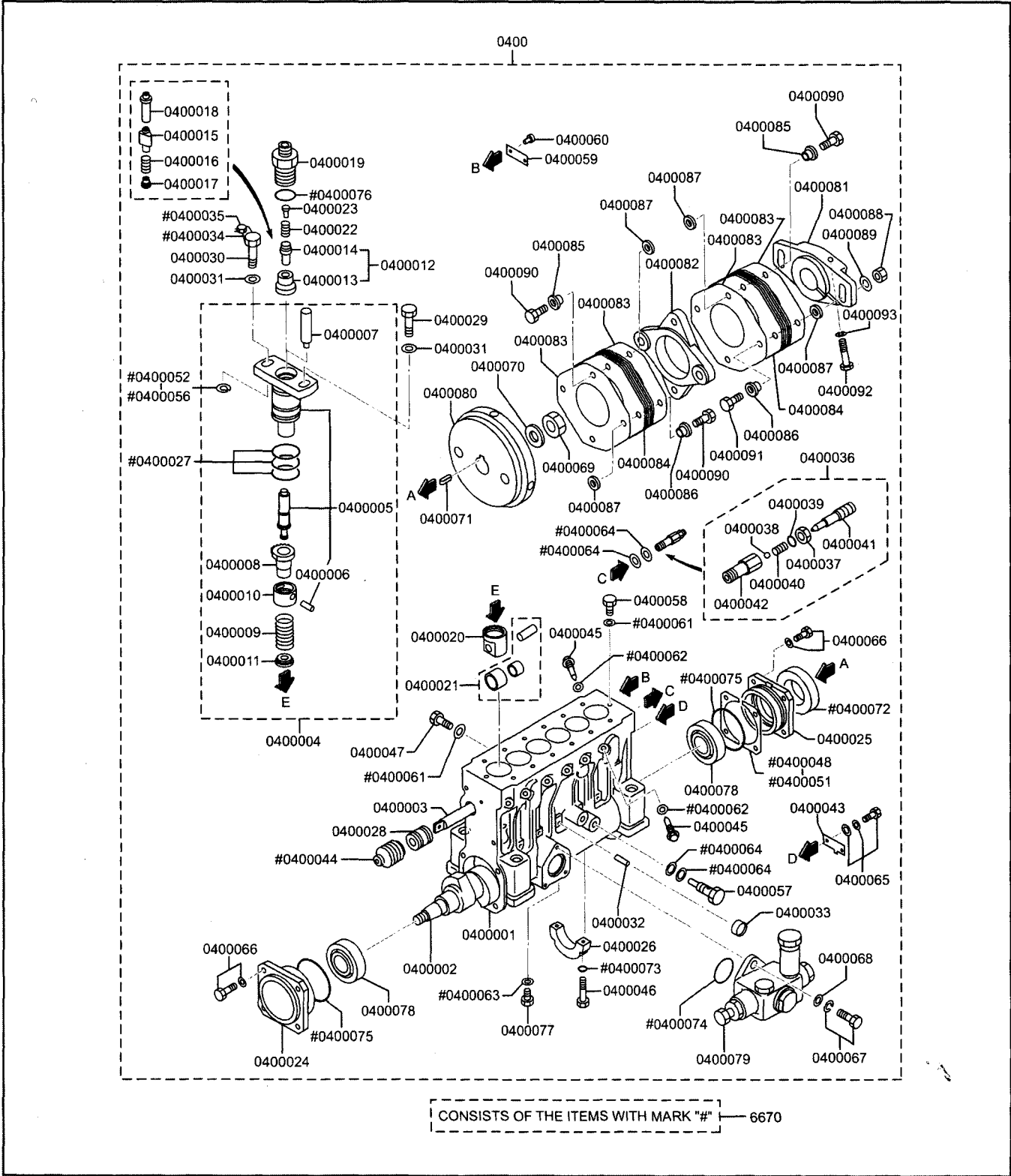
# P3770-610-3 INJECTION PUMP BRACKET



### P3770-610-3 INJECTION PUMP BRACKET

SEQ	NOT AVAILABLE	ITEM	DESCRIPTION	QTY	
				MPTA	MPTK
0400045		48202-33600	BOLT,DEFLECTOR	12	12
0400046		48202-23800	BOLT	2	2
0400047		48202-33900	SCREW,SET	1	1
0400048		48202-14100	SHIM,CASE, 0.50	AR	AR
0400049		48202-14200	SHIM,CASE, 0.10	AR	AR
0400050		48202-14300	SHIM,CASE, 0.15	AR	AR
0400051		48202-14400	SHIM,CASE, 0.30	AR	AR
0400052		48202-04500	SHIM,BARREL, 0.80	AR	AR
0400053		48202-04600	SHIM,BARREL, 0.90	AR	AR
0400054		48202-04700	SHIM,BARREL, 1.00	AR	AR
0400055		48202-04800	SHIM,BARREL, 1.10	AR	AR
0400056		48202-04900	SHIM BARREL, 1.30	AR	AR
0400057		48202-05200	BOLT,EYE	1	1
0400058		48202-05500	BOLT,EYE	2	2
0400059	*	48293-00100	PLATE,NAME	1	1
0400060		00665-02048	RIVET,SCREW	2	2
0400061		05946-00801	WASHER,SEALING	3	3
0400062		05946-01001	WASHER,SEALING	12	12
0400063		05946-01201	WASHER,SEALING	1	1
0400064		05946-01401	WASHER,SEALING	6	6
0400065		F1805-06012	BOLT,WASHER,ASSEMBLE	2	2
0400066		F1805-08025	BOLT,WASHER,ASSEMBLE	8	8
0400067		F1805-06020	BOLT,WASHER,ASSEMBLE	3	3
0400068		F2500-06000	WASHER,PLAIN	3	3
0400069		F2325-24000	NUT,JAM	1	1
0400070		32507-01400	WASHER	1	1
0400071		F2870-07025	KEY,WOODRUFF	1	1
0400072		48202-07100	SEAL,OIL	1	1
0400073		05507-10080	O-RING	2	2
0400074		05507-20350	O-RING	1	1
0400075		05507-20800	O-RING	2	2
0400076		05507-20250	O-RING	6	6
0400077		F5000-12000	PLUG,DRAIN	1	1
0400078		F8143-32207	BEARING,TAPEREDROLL	2	2
0400079		04245-00120	PUMP,FEED	1	1
0400080		48250-06100	FLYWHEEL	1	1
0400081		48208-11201	COUPLING,D48	1	1
0400082		48250-06600	COUPLING,CROSS	1	1
0400083		48208-01400	PLATE,LAMINATE, 1.0	4	4
0400084		48208-10400	PLATE,LAMINATE	12	12
0400085		48208-50500	BUSHING,LONG	4	4
0400086		48208-50600	BUSHING,SHORT	4	4
0400087		48208-30700	WASHER,COUPLING	8	8
0400088		48250-05700	NUT,FLANGE	2	2
0400089		48250-05600	WASHER,COUPLING,WIDE	2	2

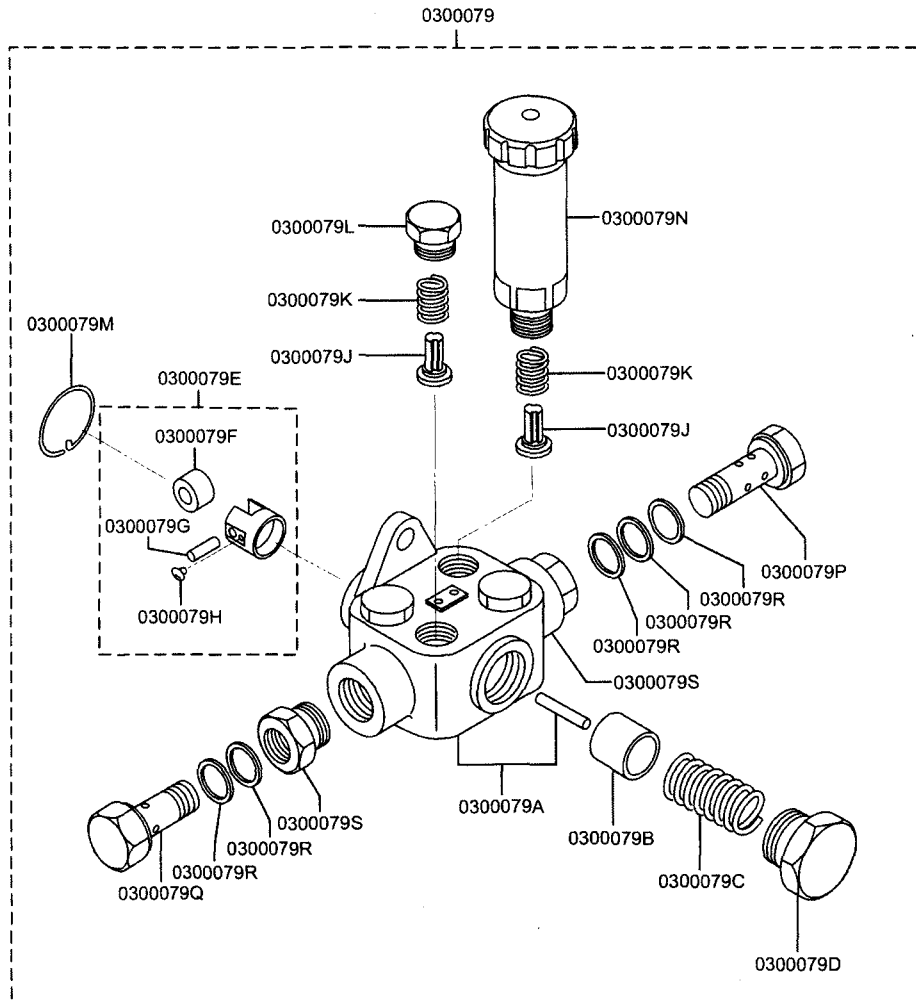
# P3770-610-3 INJECTION PUMP BRACKET



### P3770-610-3 INJECTION PUMP BRACKET

SEQ	NOT AVAILABLE	ITEM	DESCRIPTION	QTY	
				MPTA	MPTK
0400090		48250-05800	BOLT,SHORT	6	6
0400091		48250-05300	BOLT,LONG	2	2
0400092		F1035-14085	BOLT	1	1
0400093		F2515-14000	WASHER,SPRING	1	1
6670		48202-39100	REPAIRKIT	1	1

### P3770-610-4 INJECTION PUMP BRACKET

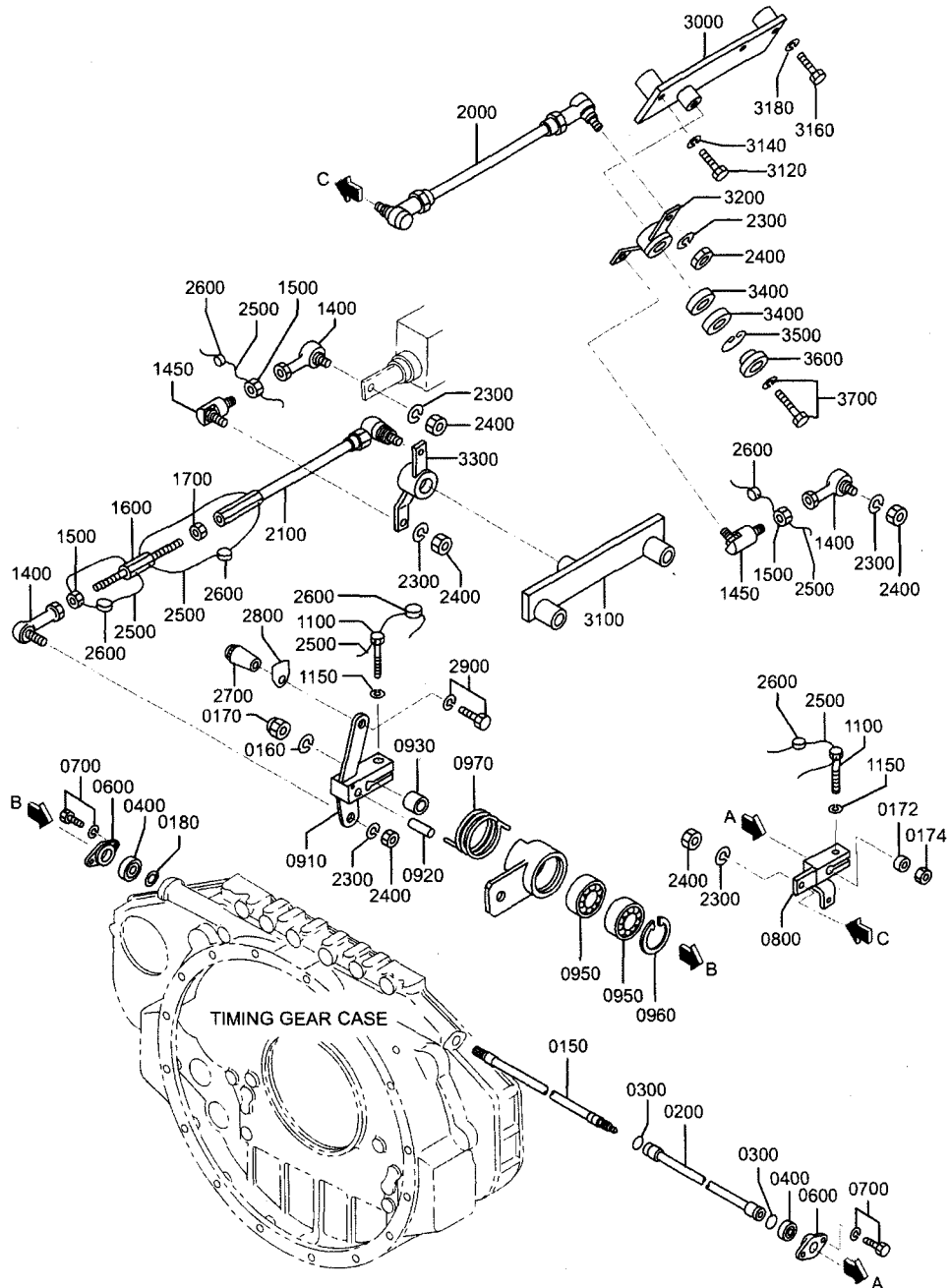


## P3770-610-4 INJECTION PUMP BRACKET

SEQ	NOT AVAILABLE	ITEM	DESCRIPTION	QTY	
				MPTA	MPTK
0300079		04245-00120	PUMP,FEED	2	2
0300079A		15200-21720	HOUSING	2	2
0300079B		15210-01120	PISTON	2	2
0300079C		15210-40100	SPRING,PISTON	2	2
0300079D		15210-50400	FLG	2	2
0300079E		15211-11920	TAPPETASSY	2	2
0300079F		15211-20100	ROLLER	2	2
0300079G		15211-30700	PIN	2	2
0300079H		15211-40400	GUIDE	4	4
0300079J		15211-50200	VALVE	8	8
0300079K		15211-60200	SPRING,PISTON	8	8
0300079L		15211-70100	FLG	6	6
0300079M		15212-10200	RING,SNAP	2	2
0300079N		15220-05620	PUMP,PRIMING	2	2
0300079P		15230-04020	BOLT,EYE	2	2
0300079Q		02973-14570	BOLT,EYE	2	2
0300079R		05946-01401	WASHER,SEALING	10	10
0300079S		15231-01300	ADAPTER	4	4



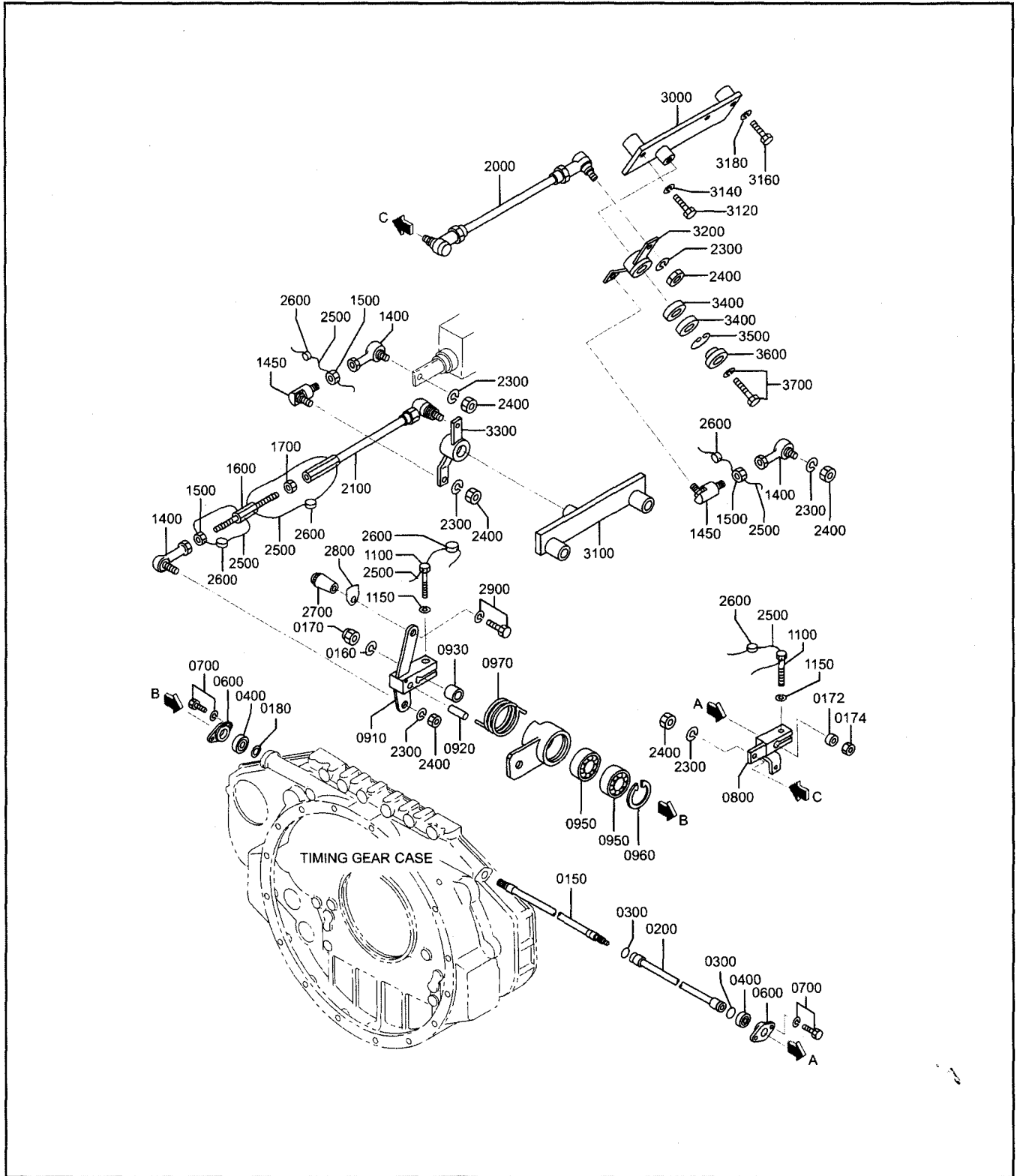
# P3770-611 FUEL RACK CONTROL



### P3770-611 FUEL RACK CONTROL

SEQ	NOT AVAILABLE	ITEM	DESCRIPTION	QTY	
				MPTA	MPTK
0150		37761-27100	SHAFT,CONTROL	1	1
0160		F2515-10000	WASHER,SPRING	1	1
0170		F2445-10000	NUT,SELF-LOCKING	1	1
0172		37763-06200	SPACER	1	1
0174		37763-06400	NUT,LOCKM8	1	1
0180		F3200-01700	RING,SNAP	1	1
0200		37761-16200	PIPE,TIMINGGEARCASE	1	1
0300		32663-06300	O-RING	2	2
0400		32663-16200	BEARING,BALLRUBBER	2	2
0600		37461-00500	COVER,BEARING	2	2
0700		F1805-08016	BOLT,WASHERASSY	4	4
0800		37761-26400	LEVER,R.H.RUN-OFF	1	1
0910		37761-57201	LEVER,L.H	1	1
0920		37761-09800	PIN,DOWEL	1	1
0930		91365-03200	SPACER	1	1
0950		F8007-06201	BEARING,BALL	2	2
0960		F3202-03200	RING,SNAP	1	1
0970		32561-48600	SPRING,TORSION	1	1
1100		F1115-08025	BOLT,LOCKINGWIRE	2	2
1150		F2515-08000	WASHER,SPRING	2	2
1400		35A61-38600	BALLJOINT,PTFE,M8,R	3	3
1450		37563-15400	JOINT,BALLMALE	2	2
1500		37560-04800	NUT,LOCKR	5	5
1600		42061-21800	ROD	1	1
1700		09413-00800	NUT,LOCK	1	1
2000		37761-28700	LINK,R.H	1	1
2100		37761-28800	LINK,L.H	1	1
2300		F2515-08000	WASHER,SPRING	6	6
2400		F2445-08000	NUT,SELF-LOCKING	6	6
2500		35A61-19900	WIRE,SEAL	6	6
2600		48000-96600	SEAL	6	6
2700		51776-03000	GRIP	1	1
2800		45940-30101	PLATE,CAUTION	1	1
2900		F1805-08020	BOLT,WASHERASSEMBLE	1	1
3000		37761-27500	BRACKET,LEVERR.H	1	1
3100		37761-27600	BRACKET,LEVERL.H	1	1
3120		37761-19300	BOLT,LEVERBRACKET	2	2
3140		F2515-14000	WASHER,SPRING	2	2
3160		F1035-12065	BOLT	2	2
3180		F2515-12000	WASHER,SPRING	2	2
3200		37761-07702	LEVER,LINKR.H	1	1
3300		37761-17802	LEVER,LINKL.H	1	1
3400		F8007-06200	BEARING,BALL	4	4
3500		F3202-03000	RING,SNAP	2	2
3600		32561-18300	PLATE,END	2	2

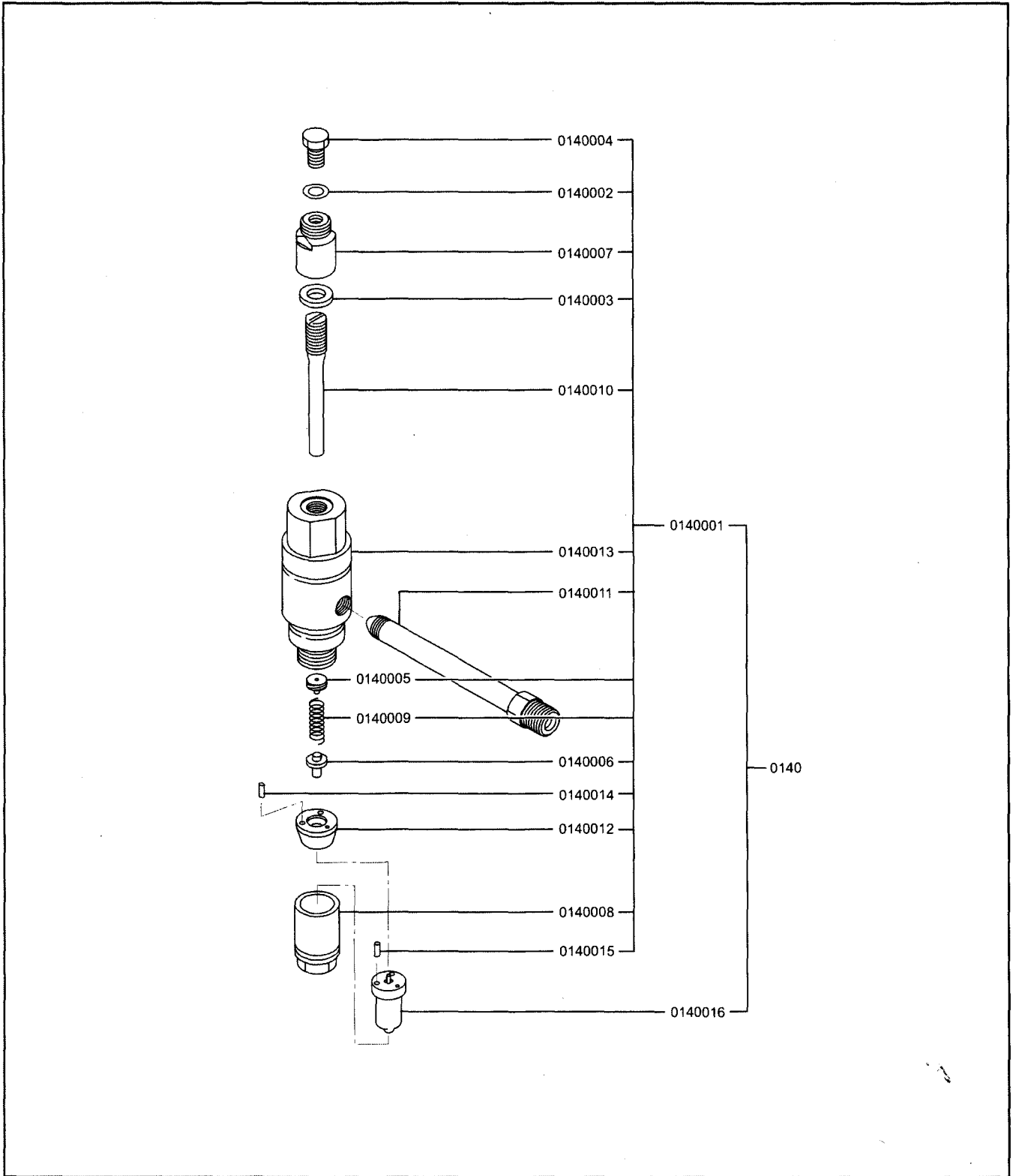
# P3770-611 FUEL RACK CONTROL



## P3770-611 FUEL RACK CONTROL

SEQ	NOT AVAILABLE	ITEM	DESCRIPTION	QTY	
				MPTA	MPTK
3700		F1805-10040	BOLTWASHERASSEMBLE	2	2

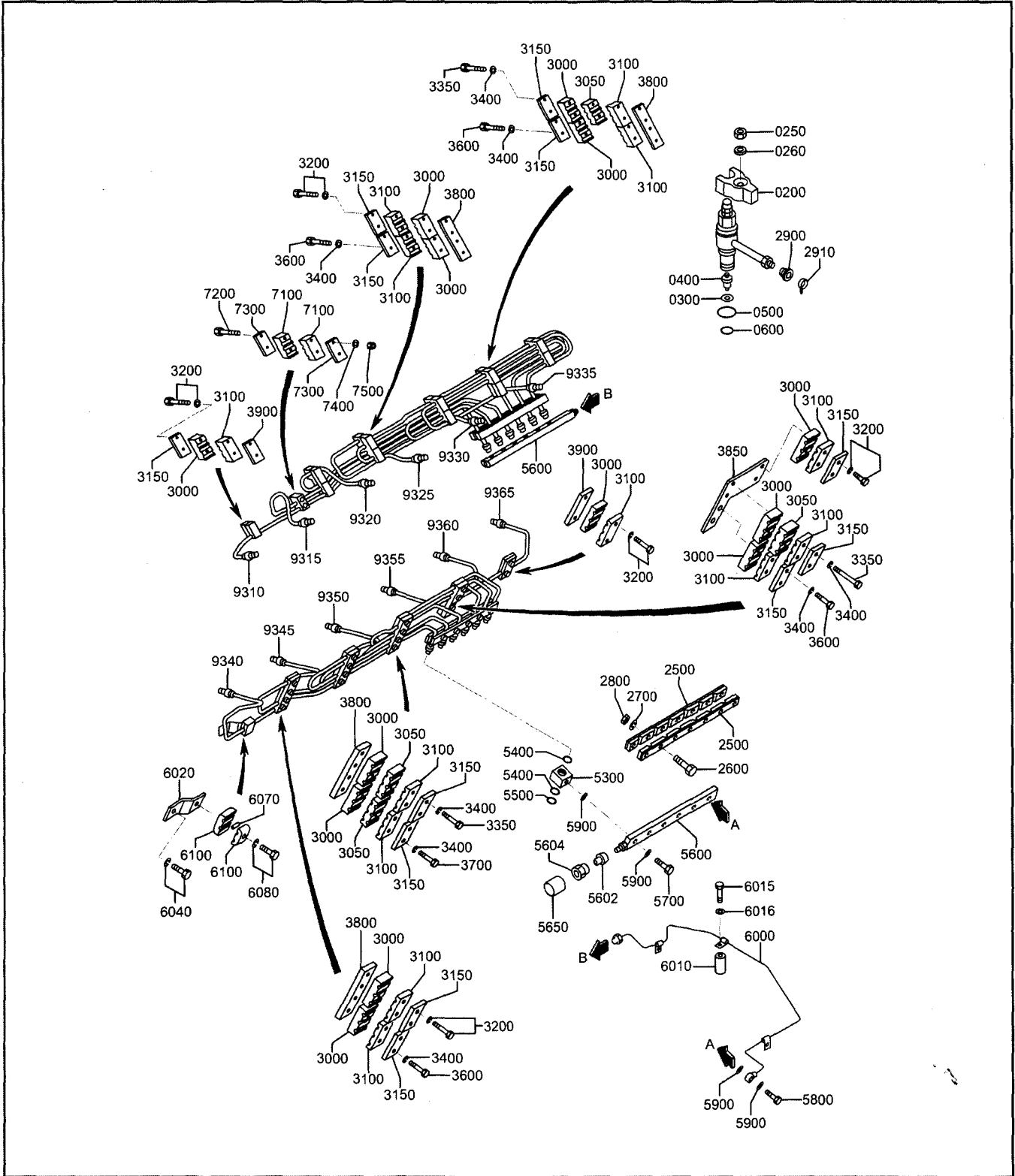
# P3770-612-1 INJ PIPE NOZZLE



**P3770-612-1 INJ PIPE NOZZLE**

SEQ	NOT AVAILABLE	ITEM	DESCRIPTION	QTY	
				MPTA	MPTK
0140		37560-29000	NOZZLE ASSY, INJECTION	12	12
0140001	1	37560-27010	NOZZLE HOLDER ASSY	12	12
0140002	2	05946-01001	WASHER, SEALING	12	12
0140003	2	05946-01401	WASHER, SEALING	12	12
0140004	2	33407-03900	SCREW, SET	12	12
0140005	2	37561-09300	SEAT, SPRING	12	12
0140006	2	37561-13300	PUSH ROD, NOZZLE	12	12
0140007	2	37561-16600	NUT, CAP	12	12
0140008	2	37561-26300	NUT, RETAINING	12	12
0140009	2	37561-26400	SPRING, NOZZLE	12	12
0140010	2	37561-46500	SCREW, ADJUSTING	12	12
0140011	2	37561-46700	CONNECTOR, INLET 8.5	12	12
0140012	2	37561-67013	SPACER, NOZZLE	12	12
0140013	2	37561-86100	BODY, NOZZLE HOLDER	12	12
0140014	2	F8001-30014	ROLLER, BEARING	24	24
0140015	2	F8001-40014	ROLLER, BEARING	24	24
0140016	1	37561-17500	NOZZLE TIP ASSY, N 10-.325	12	12

# P3770-612-2 INJ PIPE NOZZLE

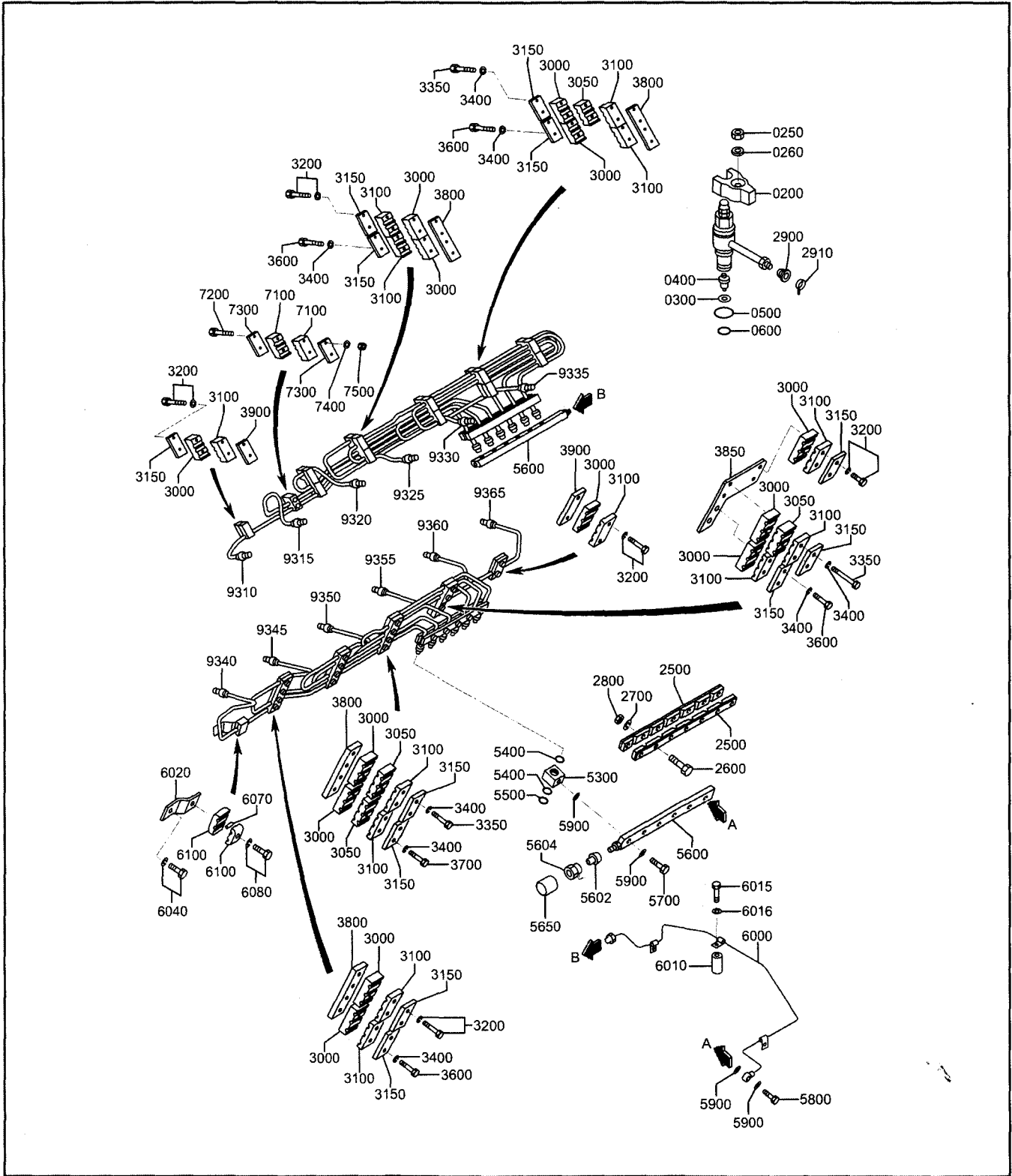


### P3770-612-2 INJ PIPE NOZZLE

SEQ	NOT AVAILABLE	ITEM	DESCRIPTION	QTY	
				MPTA	MPTK
0200		37561-01602	GLAND,NOZZLE	12	12
0250		F2305-14000	NUT	12	12
0260		33561-14500	WASHER,NOZZLEISLAND	12	12
0300		05507-10420	O-RING	12	12
0400		37561-16800	GASKET,NOZZLET2	12	12
0500		05507-10340	O-RING	12	12
0600		05507-10260	O-RING	12	12
2500		37561-04400	CLAMP	4	4
2600		F1035-08030	BOLT	14	14
2700		F2515-08000	WASHER,SPRING	14	14
2800		F2300-08000	NUT	14	14
2900		37561-08800	BUSHING,INJECTIONPIPE	12	12
2910		05318-00300	BAND,CLIP	12	12
3000		37562-13500	SEAT,PIPE,D9	18	18
3050		37761-15400	SEAT,PIPE,D9	6	6
3100		37562-23600	SEAT,PIPE,D9	18	18
3150		37562-15900	PLATE,CLAMP	18	18
3200		F1805-10055	BOLT,WASHERASSEMBLE	6	6
3350		F1035-10080	BOLT	8	8
3400		F2515-10000	WASHER,SPRING	30	30
3600		F1035-10065	BOLT	18	18
3700		F1035-10090	BOLT	4	4
3800		37761-03601	PLATE,CLAMP,6P	5	5
3850		37761-05500	PLATE,CLAMP,6P	1	1
3900		37761-03701	PLATE,CLAMP,3P	5	5
5300		37561-03401	CONNECTOR,LEAK	12	12
5400		37562-04800	O-RING,F/O	24	24
5500		F3200-02500	RING,SNAP	12	12
5600		37561-00600	PIPE,LEAKOFF	2	2
5602		F4510-06000	NIPPLE	1	1
5604		F4521-06300	NUT,UNION	1	1
5650		45R61-52100	CAP,VINYL	1	1
5700		30036-03604	BOLT,EYE	11	11
5800		37761-09400	BOLT,EYE	1	1
5900		05946-00801	WASHER,SEALING	25	25
6000		37761-24400	PIPE,LEAKOFF	1	1
6010		37761-04500	SPACER	-	1
6015		F1035-12110	BOLT	1	1
6016		F2515-12000	WASHER,SPRING	1	1
6020		37761-08300	STAY,INJECTIONPIPE,2W	1	1
6040		F1805-10016	BOLT,WASHERASSEMBLE	1	1
6070		F2846-08000	PIN,DOWEL	1	1
6080		F1805-06030	BOLT,WASHERASSEMBLE	1	1
6100		MH021-219	CLAMP	2	2
7100		37562-23600	SEAT,PIPE,D9	4	4



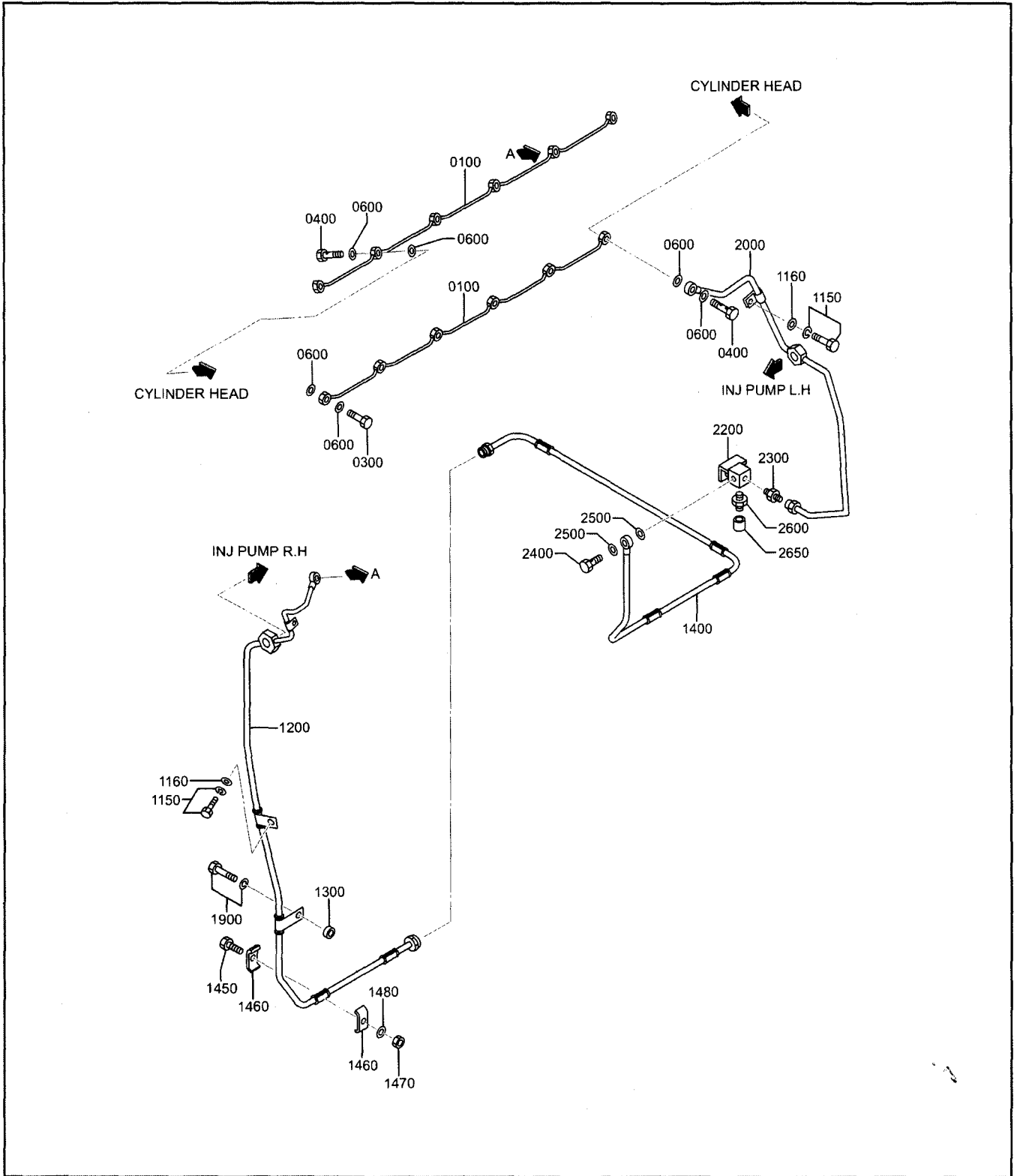
# P3770-612-2 INJ PIPE NOZZLE



### P3770-612-2 INJ PIPE NOZZLE

SEQ	NOT AVAILABLE	ITEM	DESCRIPTION	QTY	
				MPTA	MPTK
7200		F1035-10045	BOLT	4	4
7300		37562-15900	PLATE,CLAMP	4	4
7400		F2515-10000	WASHER,SPRING	4	4
7500		F2300-10000	NUT,LOCK	4	4
9310		37761-72100	PIPE,INJECTION NO.1	1	1
9315		37761-72200	PIPE,INJECTION NO.2	1	1
9320		37761-72300	PIPE,INJECTION NO.3	1	1
9325		37761-72400	PIPE,INJECTION NO.4	1	1
9330		37761-72500	PIPE,INJECTION NO.5	1	1
9335		37761-72600	PIPE,INJECTION NO.6	1	1
9340		37761-72700	PIPE,INJECTION NO.7	1	1
9345		37761-72800	PIPE,INJECTION NO.8	1	1
9350		37761-72900	PIPE,INJECTION NO.9	1	1
9355		37761-73100	PIPE,INJECTION NO.10	1	1
9360		37761-73200	PIPE,INJECTION NO.11	1	1
9365		37761-73300	PIPE,INJECTION NO.12	1	1

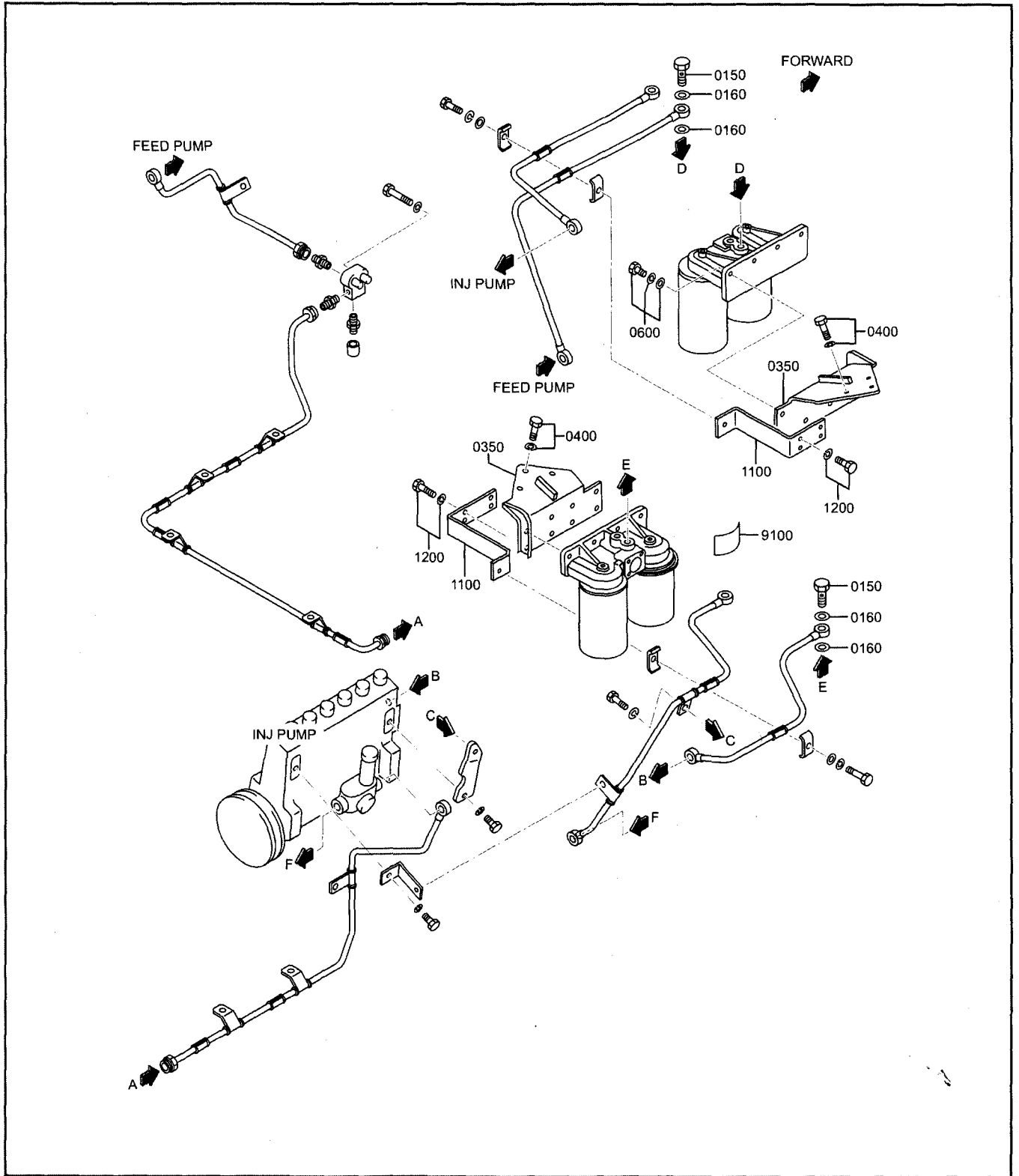
# P3770-613 LEAK OFF PIPE ETC



**P3770-613 LEAK OFF PIPE ETC**

SEQ	NOT AVAILABLE	ITEM	DESCRIPTION	QTY	
				MPTA	MPTK
0100		37761-04100	PIPE,FUELLEAKOFF	2	2
0300		32536-09400	BOLT,EYE	10	10
0400		34A36-26100	BOLT,EYE	2	2
0600		05946-01001	WASHER,SEALING	26	26
1150		F1805-10016	BOLT,WASHERASSEMBLE	2	2
1160		F2500-10000	WASHER,PLAIN	2	2
1200		37762-52501	PIPE,FUELLEAKR.H	1	1
1300		37736-01500	SPACER	1	1
1400		37762-32600	PIPE,LEAK	1	1
1450		F1035-10040	BOLT	6	6
1460		35B62-07100	CLAMP	12	12
1470		F2300-10000	NUT,LOCK	6	6
1480		F2515-10000	WASHER,SPRING	6	6
1900		F1805-12020	BOLT,WASHERASSEMBLE	3	3
2000		37762-22800	PIPE,FUELLEAK L.H	1	1
2200		37762-02900	CONNECTOR,LEAK	1	1
2300		F4540-10000	CONNECTOR	1	1
2400		F4610-14000	BOLT,EYE	1	1
2500		05946-01401	WASHER,SEALING	2	2
2600		F4540-20000	CONNECTOR	1	1
2650		45R61-52300	CAP,VINYL	1	1

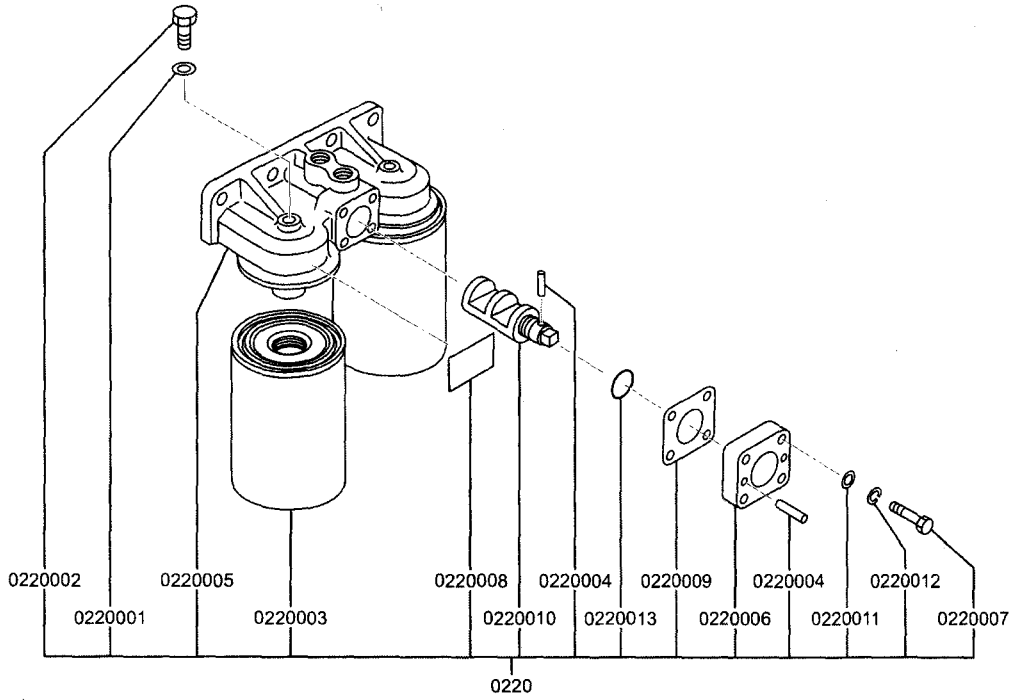
# P3770-620-1 FUEL FILTER



### P3770-620-1 FUEL FILTER

SEQ	NOT AVAILABLE	ITEM	DESCRIPTION	QTY	
				MPTA	MPTK
0150		F4610-14000	BOLT,EYE	4	4
0160		05946-01401	WASHER,SEALING	8	8
0350		37762-20400	BRACKET,FUELFILTER	2	2
0400		F1805-12030	BOLT,WASHERASSEMBLE	6	6
0600		F1825-10025	BOLT,WASHERASSEMBLE	8	8
1100		37762-20300	STAY,PIPE	2	2
1200		F1805-10020	BOLT,WASHERASSEMBLE	4	4
9100		45R93-41700	LABEL,CAUTIONFUELFILTER	1	1

# P3770-620-2 FUEL FILTER

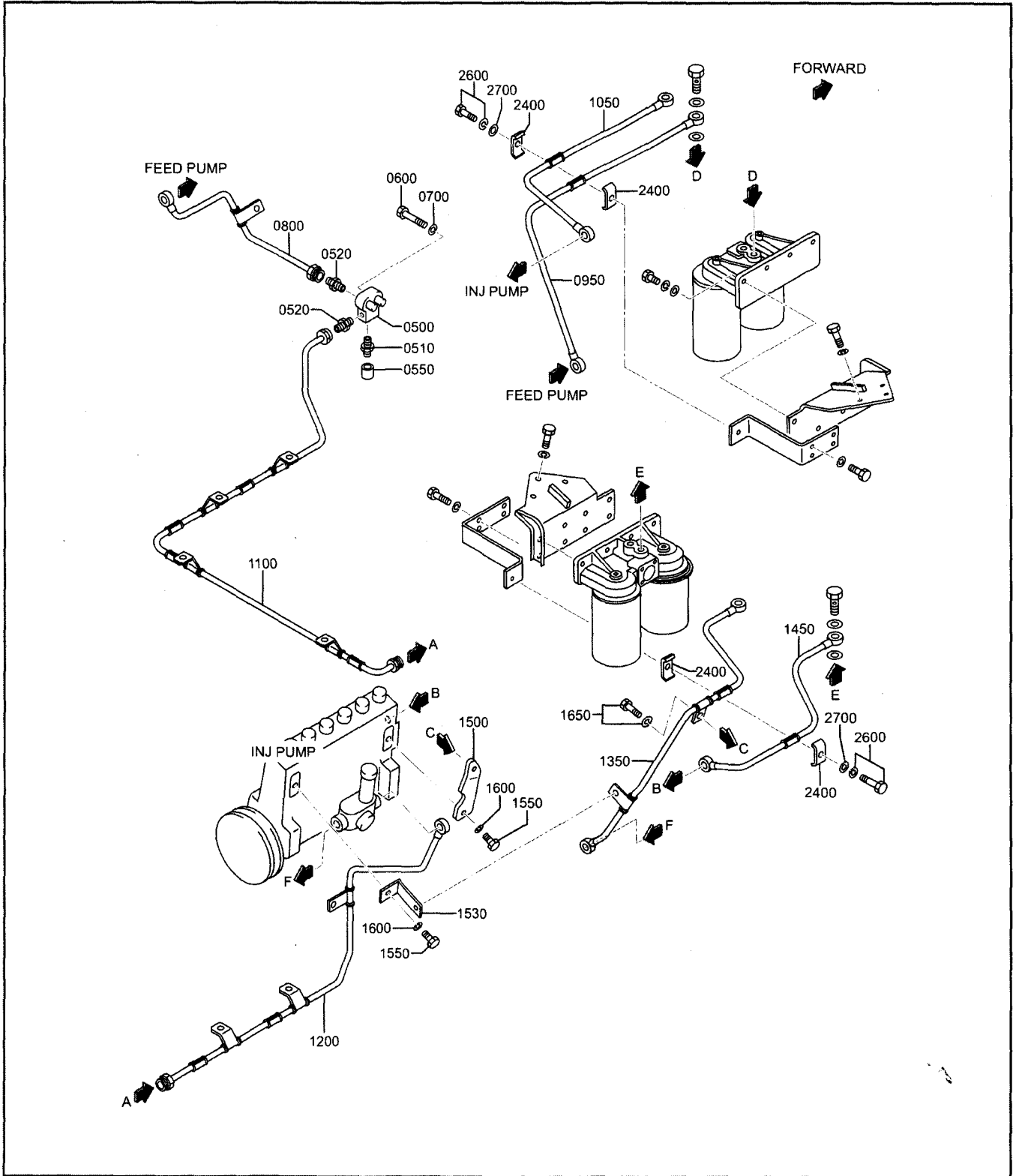


### P3770-620-2 FUEL FILTER

SEQ	NOT AVAILABLE	ITEM	DESCRIPTION	QTY	
				MPTA	MPTK
0220		37562-60800	FILTERASSY,FUEL	2	2
0220001		05946-00801	WASHER,SEALING	4	4
0220002		32562-00115	PLUG	4	4
0220003		32562-60300	ELEMENT,FUELFILTER	4	4
0220004		36240-05800	PIN	6	6
0220005		37562-00811	BRACKET	2	2
0220006		37562-00813	COVER	2	2
0220007		37562-00814	BOLT	8	8
0220008	*	37562-00815	PLATE,CAUTION	2	2
0220009		37562-00816	GASKET	2	2
0220010		37562-20812	COCK	2	2
0220011		F2500-08000	WASHER,PLAIN	8	8
0220012		F2515-08000	WASHER,SPRING	8	8
0220013		F3150-01400	O-RING	2	2



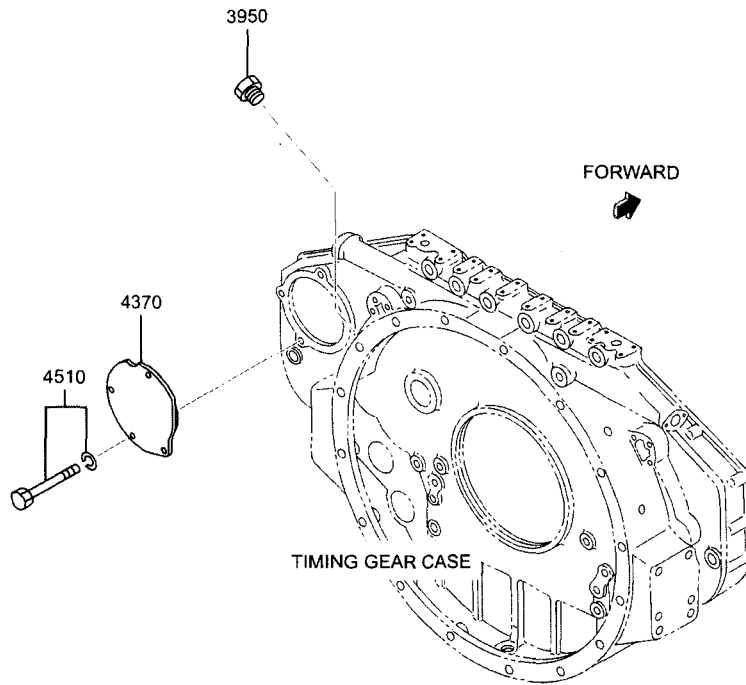
# P3770-621 FUEL FILTER PIPING



### P3770-621 FUEL FILTER PIPING

SEQ	NOT AVAILABLE	ITEM	DESCRIPTION	QTY	
				MPTA	MPTK
0500		37762-00501	CONNECTOR	1	1
0510		F4540-20000	CONNECTOR	1	1
0520		F4540-10000	CONNECTOR	2	2
0550		45R61-52300	CAP,VINYL	1	1
0600		F1035-12090	BOLT	2	2
0700		F2515-12000	WASHER,SPRING	2	2
0800		37762-21100	PIPE,FUELA	1	1
0950		37762-23200	PIPE,FUELB	1	1
1050		37762-33300	PIPE,FUELC	1	1
1100		37762-61400	PIPE,FUELD	1	1
1200		37762-51500	PIPE,FUELE	1	1
1350		37762-53600	PIPE,FUELF	1	1
1450		37762-33700	PIPE,FUELG	1	1
1500		37762-32100	STAY,PIPE	1	1
1530		37762-03400	STAY,PIPE,FUELF	1	1
1550		F1035-14025	BOLT	2	2
1600		F2515-14000	WASHER,SPRING	2	2
1650		F1805-10016	BOLT,WASHER,ASSEMBLE	2	2
2400		37261-01700	CLAMP	4	4
2600		F1805-10030	BOLT,WASHER,ASSEMBLE	2	2
2700		F2500-10000	WASHER,PLAIN	2	2

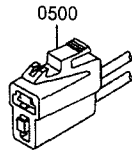
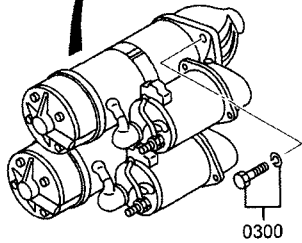
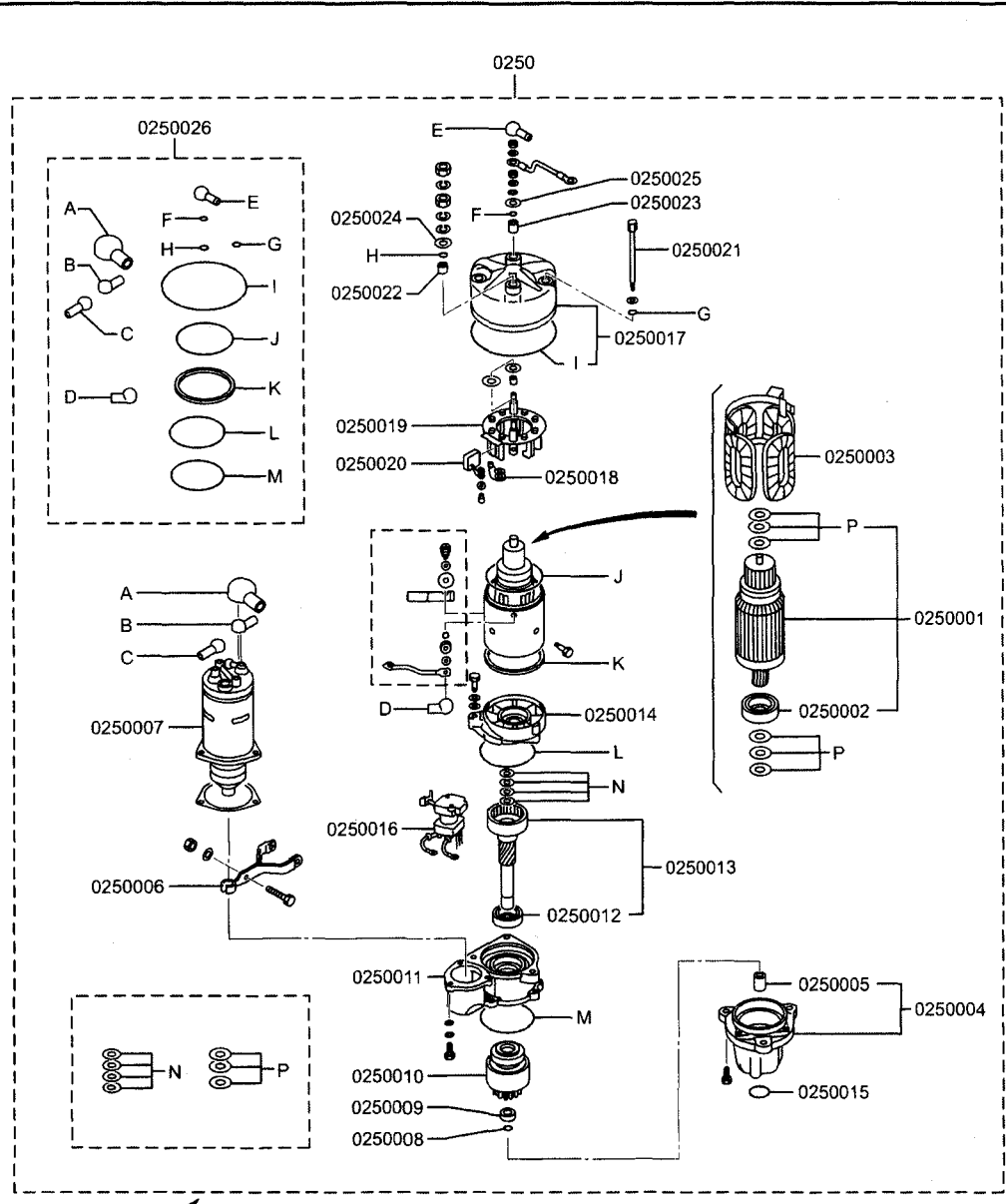
# P3770-630 GOVERNOR



### P3770-630 GOVERNOR

SEQ	NOT AVAILABLE	ITEM	DESCRIPTION	QTY	
				MPTA	MPTK
3950		37411-02300	PLUG,UNF5/8	1	1
4370		47500-39900	COVER	1	1
4510		F1805-12025	BOLTWASHERASSEMBLE	2	2

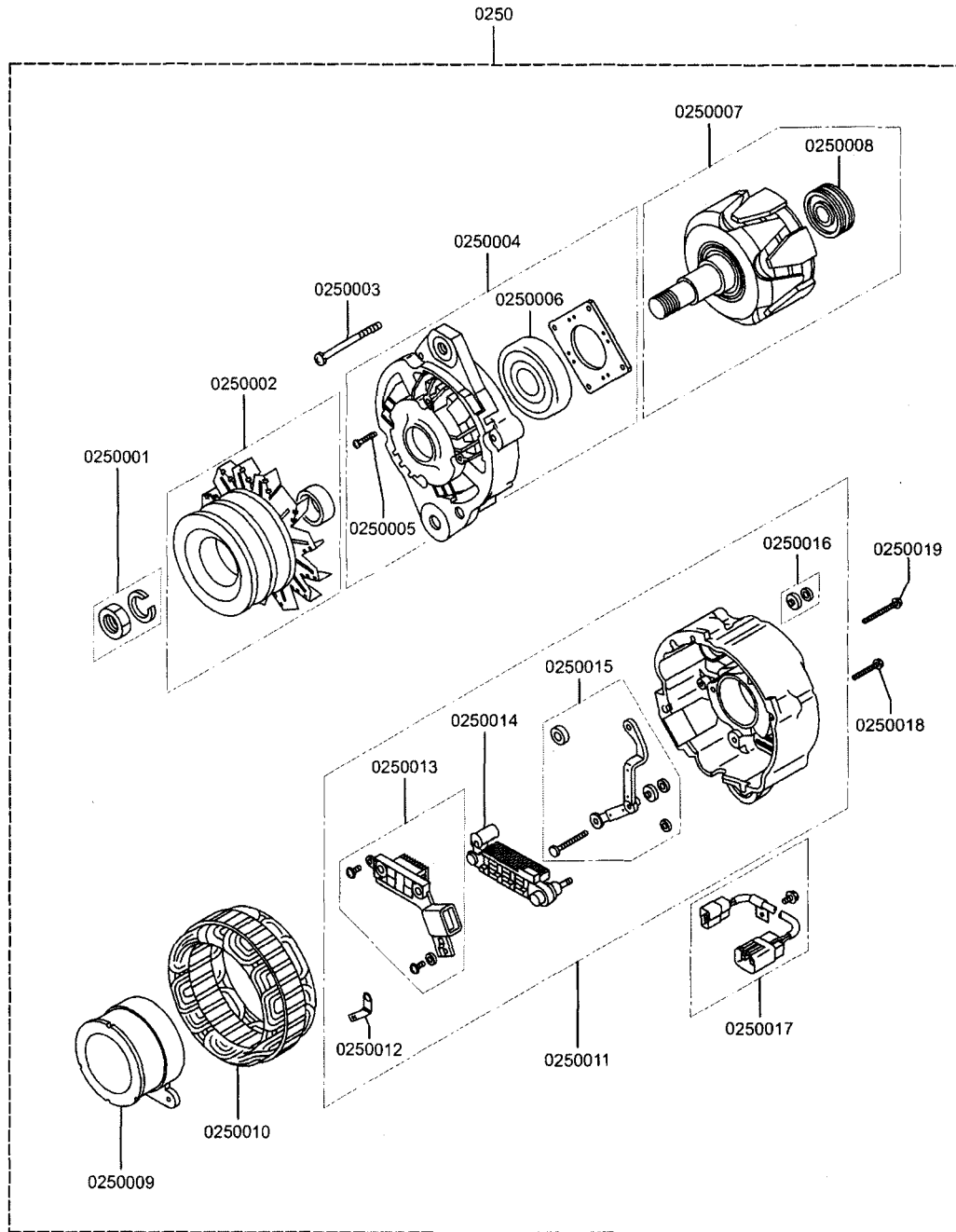
# P3770-660 STARTER



### P3770-660 STARTER

SEQ	NOT AVAILABLE	ITEM	DESCRIPTION	QTY	
				MPTA	MPTK
0250		37766-30300	STARTER,7.5KW	2	2
0250001		02310-00230	ARMATURE ASSY	2	2
0250002		10456-62047	BEARING,BALL	2	2
0250003		02323-00151	COIL, FIELD	2	2
0250004		02331-01290	BRACKET,FRONT	2	2
0250005		72335-10260	METAL	2	2
0250006		12332-00190	LEVER,SHIFT	2	2
0250007		04710-04000	SWITCH ASSY,MAGNETIC	2	2
0250008		12391-40020	RING,CLIP	2	2
0250009		12318-10020	STOPPER,PINION	2	2
0250010		02350-00690	CLUTCH ASSY	2	2
0250011		02361-11034	BRACKET,CENTER	2	2
0250012		10456-60067	BEARING,BALL	2	2
0250013		72312-00090	SHAFT ASSY	2	2
0250014		12361-10081	BRACKET,CENTER	2	2
0250015		12376-10010	COVER	2	2
0250016		37766-30311	RELAY	2	2
0250017		02371-10360	BRACKET,REAR	2	2
0250018		12391-30041	SPRING,BRUSH	8	8
0250019		02375-00190	HOLDER,BRUSH	2	2
0250020		12374-00050	BRUSH	8	8
0250021		00900-14460	BOLT	4	4
0250022		12194-41240	TUBE,INSULATE	2	2
0250023		12394-40050	TUBE,INSULATE	2	2
0250024		12194-10430	WASHER,INSULATE	4	4
0250025		12394-10010	WASHER,INSULATE	4	4
0250026		37766-30312	SEAL ASSY	2	2
0300		F1805-12035	BOLT,WASHER ASSEMBLY	6	6
0500		F8665-02100	CONNECTOR,2-POLES	2	2

# P3770-680-1 DYNAMO



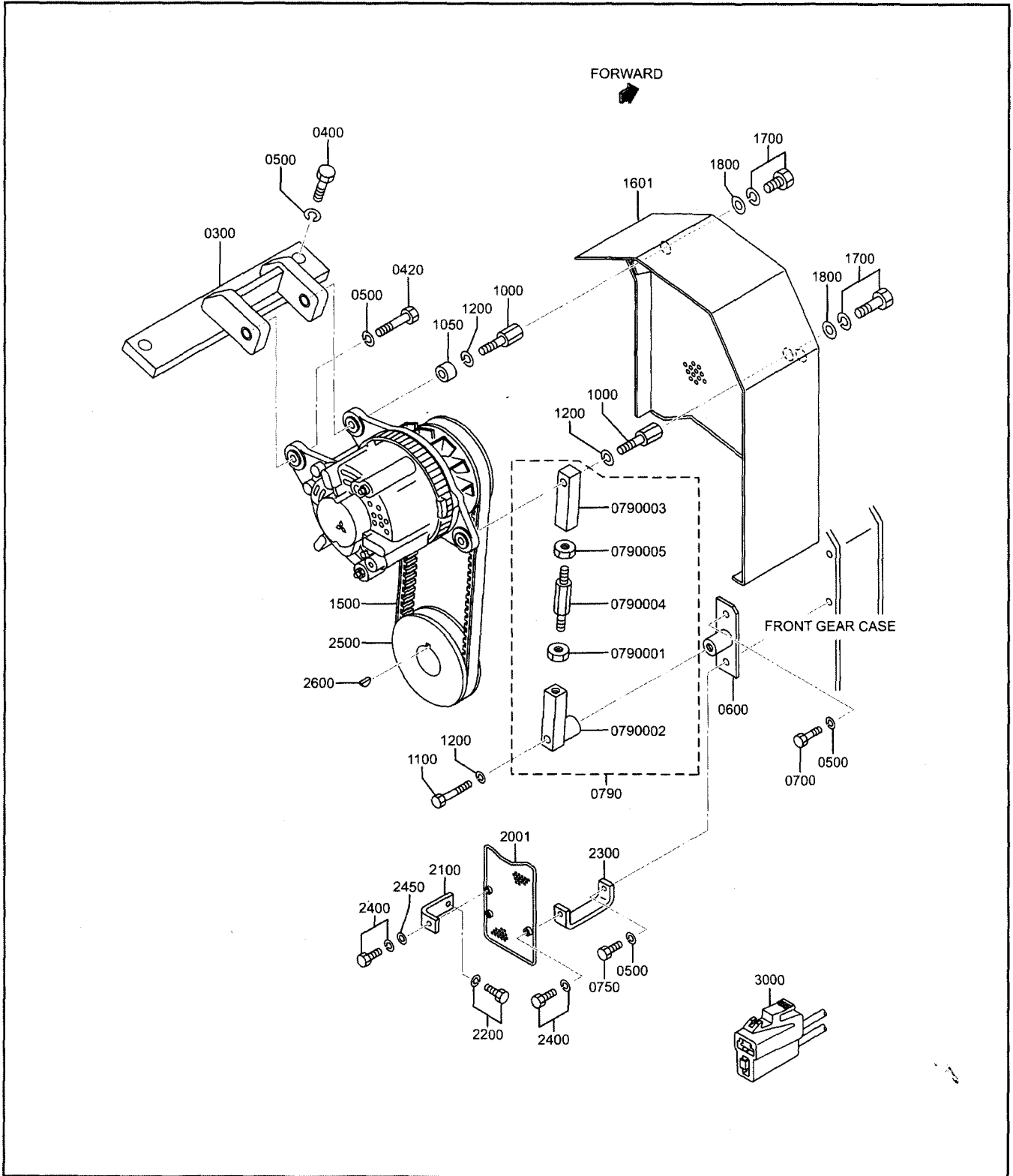
PART WITHOUT REF.NO.WON'T BE SUPPLIED.

### P3770-680-1 DYNAMO

SEQ	NOT AVAILABLE	ITEM	DESCRIPTION	QTY	
				MPTA	MPTK
0250		04343-35500	ALTERNATOR, BRUSHLESS	1	1
0250001		A529X-06571	NUTSET	1	1
0250002		A628X-65770	PULLEY ASSY	1	1
0250003		A414X-19971	SCREWSET	1	1
0250004		A640X-57570	BRACKET ASSY, FRONT	1	1
0250005		A414X-20071	SCREWSET	1	1
0250006		S930P-90670	BEARING	1	1
0250007		A880X-69170	ROTOR ASSY	1	1
0250008		S930P-81170	BEARING	1	1
0250009		A299X-01870	COIL	1	1
0250010		A383X-36270	STATOR	1	1
0250011		A642X-34770	BRACKET ASSY, REAR	1	1
0250012		A666X-82570	PLATE	1	1
0250013		A866X-26072	REGULATOR	1	1
0250014		A860X-53470	RECTIFIER ASSY	1	1
0250015		A450X-24471	TERMINAL	1	1
0250016		A529X-05571	NUTSET	1	1
0250017		A320X-03070	CONNECTOR SET	1	1
0250018		A414X-23371	SCREWSET	1	1
0250019		A414X-21571	SCREWSET	1	1



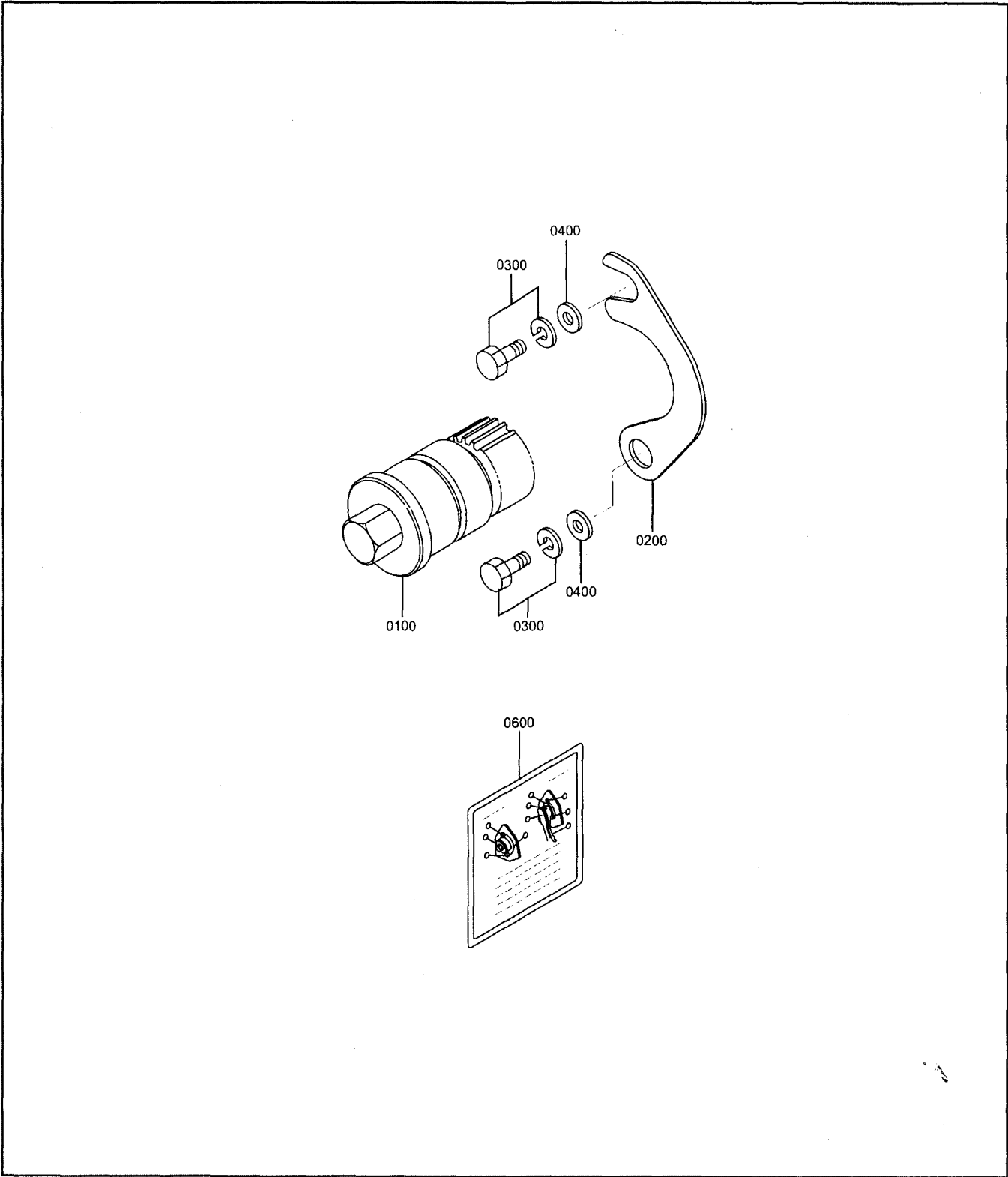
# P3770-680-2 DYNAMO



### P3770-680-2 DYNAMO

SEQ	NOT AVAILABLE	ITEM	DESCRIPTION	QTY	
				MPTA	MPTK
0300		37768-22100	BRACKET,DYNAMOA	1	1
0400		F1035-12030	BOLT	2	2
0420		F1035-12035	BOLT	1	1
0500		F2515-12000	WASHER,SPRING	5	5
0600		37768-12200	BRACKET,DYNAMO B	1	1
0700		F1035-12035	BOLT	1	1
0750		F1035-12040	BOLT	1	1
0790	*	37568-02022	ROD ASSY, ADJUSTING	1	1
0790001		09413-01401	NUT, LOCK	1	1
0790002		37568-22200	ROD, DYNAMOA	1	1
0790003		37568-22300	ROD, DYNAMO B	1	1
0790004		37768-12300	ROD, ADJUSTING	1	1
0790005		F2320-14000	NUT, JAM	1	1
1000		37768-28300	BOLT, DYNAMOA	2	2
1050		37768-02400	SPACER, DYNAMO	1	1
1100		F1035-12060	BOLT	1	1
1200		F2515-12000	WASHER, SPRING	3	3
1500		37768-04200	BELT, ORANGE COG 38	1	1
1601		37768-42500	COVER, DYNAMO BELT	1	1
1700		F1805-10020	BOLT, WASHER ASSEMBLE	2	2
1900		F2500-10000	WASHER, PLAIN	2	2
2001		37768-12600	COVER, BELT	1	1
2100		37768-02700	STAY, COVER A	2	2
2200		F1805-12025	BOLT, WASHER ASSEMBLE	2	2
2300		37768-02800	STAY, COVER B	1	1
2400		F1805-10016	BOLT, WASHER ASSEMBLE	3	3
2450		F2500-10000	WASHER, PLAIN	2	2
2500		37725-14101	PULLEY, DYNAMO	1	1
2600		F2870-10032	KEY, WOODRUFF	1	1
3000		F8665-02100	CONNECTOR, 2 POLES	1	1

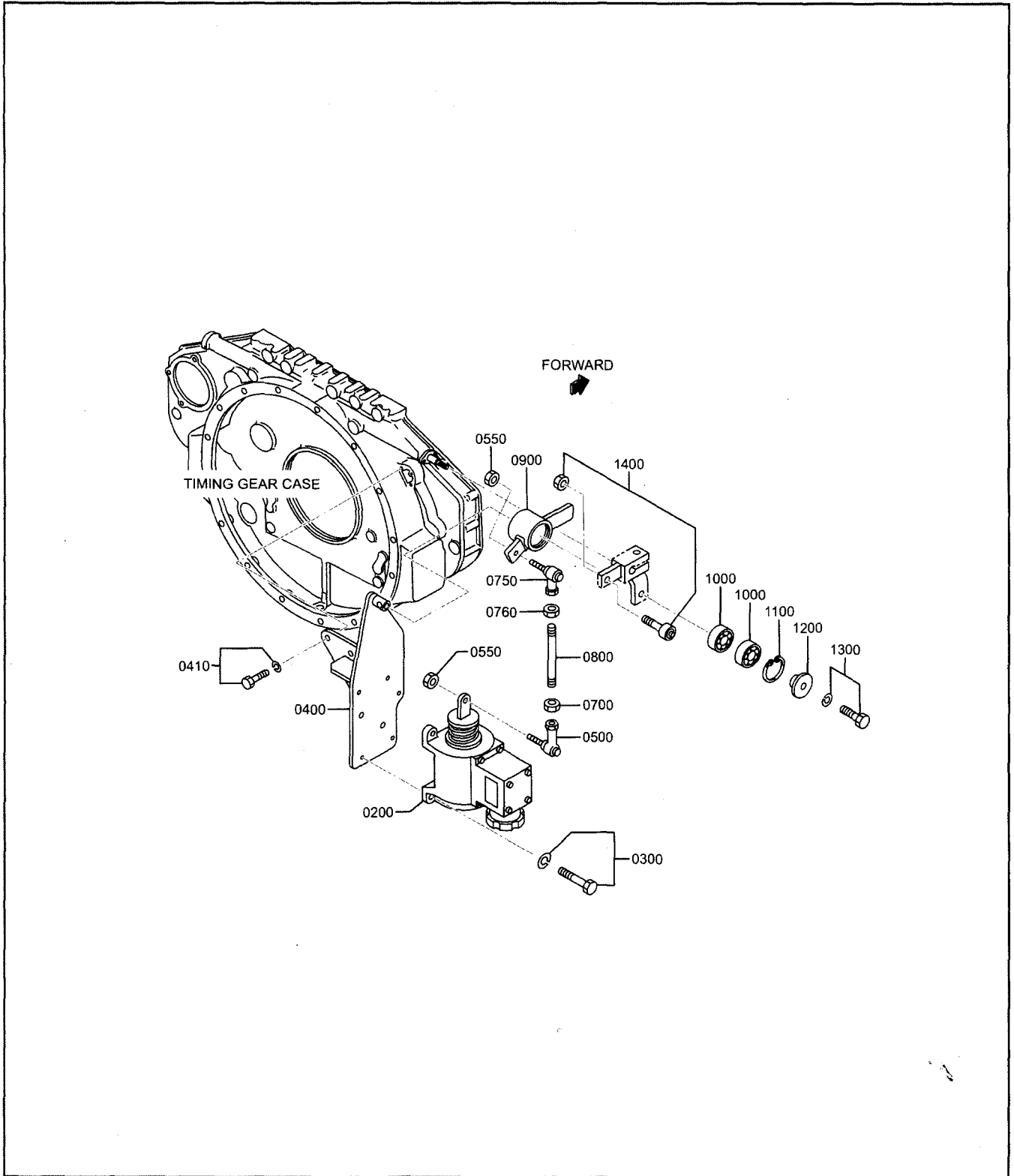
P3770-710 TURNING GEAR



### P3770-710 TURNING GEAR

SEQ	NOT AVAILABLE	ITEM	DESCRIPTION	QTY	
				MPTA	MPTK
0100		37771-00101	GEAR,TURNING	1	1
0200		37571-10300	FLANGE	1	1
0300		F1805-12020	BOLT,WASHER,ASSEMBLE	2	2
0400		F2500-12000	WASHER,PLAIN	2	2
0600		45R93-41600	PLATE,CAUTION	1	1

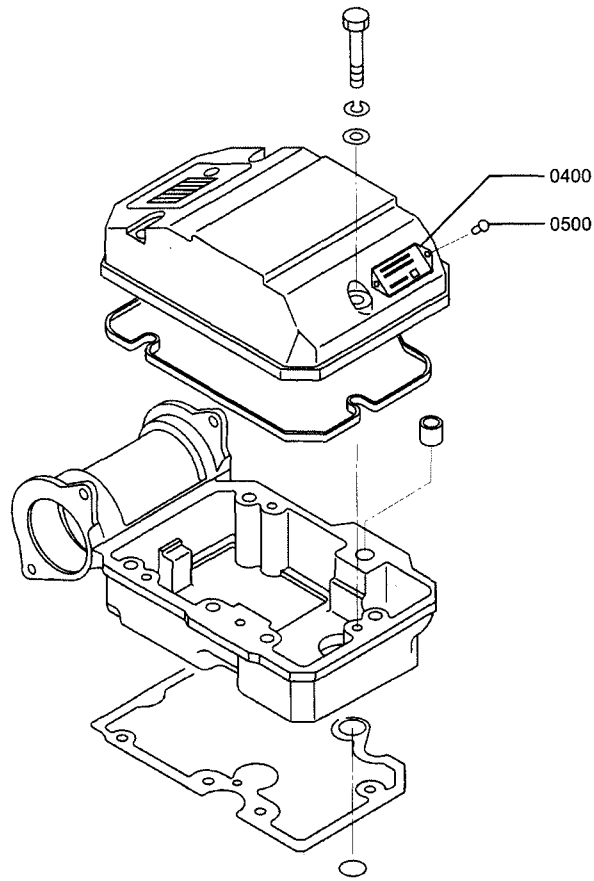
# P3770-875 STOP CONTROL HANDLE



## P3770-875 STOP CONTROL HANDLE

SEQ	NOT AVAILABLE	ITEM	DESCRIPTION	QTY	
				MPTA	MPTK
0200		04400-02000	SOLENOID	1	1
0300		F1805-06020	BOLT,WASHER,ASSEMBLE	4	4
0400		37787-21101	BRACKET,SOLENOID	1	1
0410		F1825-12025	BOLT,WASHER,ASSEMBLE	3	3
0500		35A61-58300	L-JOINT,M6-R	1	1
0550		05634-00610	NUT,SELF-LOCKING	2	2
0700		F2300-06000	NUT	1	1
0750		35A61-58400	L-JOINT,M6-L	1	1
0760		09413-00600	NUT,LOCK	1	1
0800		05902-06090	ROD	1	1
0900		37787-21201	LEVER,STOP,RUN-OFF	1	1
1000		F8007-06200	BEARING,BALL	2	2
1100		F3202-03000	RING,SNAP	1	1
1200		32561-18300	PLATE,END	1	1
1300		F1805-10040	BOLT,WASHER,ASSEMBLE	1	1
1400		45298-20800	FOLLOWER	1	1

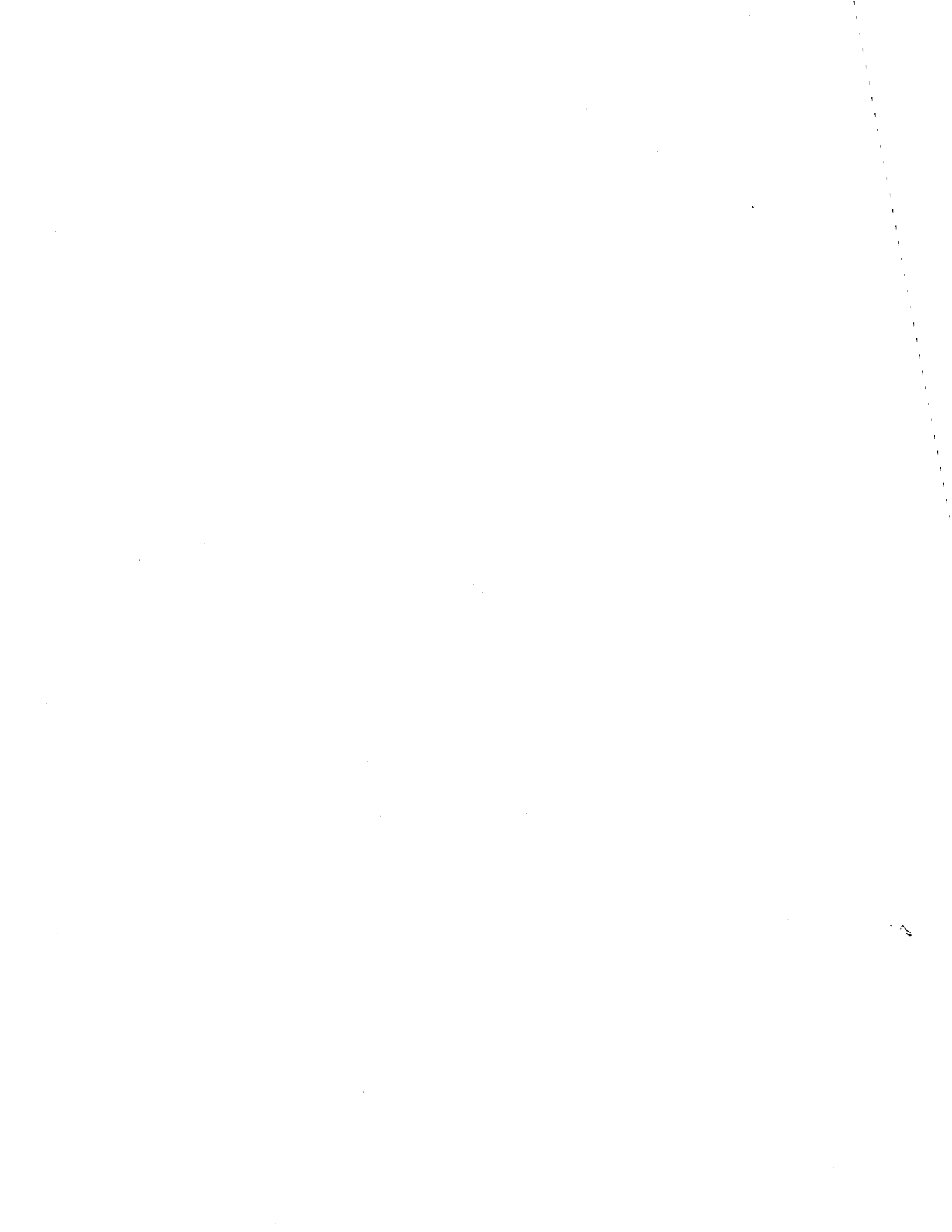
# P3770-930 NAME PLATE



### P3770-930 NAME PLATE

SEQ	NOT AVAILABLE	ITEM	DESCRIPTION	QTY	
				MPTA	MPTK
0400	*	37793-11100	PLATE,CAUTION	1	1
0500		00665-04064	RIVET,SCREW	2	2





### NUMERICAL PARTS INDEX

ITEM	GRP NO	PAGE	SEQ	ITEM	GRP NO	PAGE	SEQ
05950-04006	P3770-071-2	15	2100001	04827-71300	P3770-070-1	9	3200
05969-00300	P3770-071-2	15	2100002	04827-71300	P3770-253	43	1600
09413-01401	P3770-680-2	149	0790001	04827-71700	P3770-070-1	9	3300
31119-12201	P3770-071-2	15	2100003	04827-90330	P3770-350	63	0100023
37568-22200	P3770-680-2	149	0790002	05317-40600	P3770-071-2	15	1950
37568-22300	P3770-680-2	149	0790003	05317-41500	P3770-510-1	101	0440
37707-18400	P3770-071-2	15	2100004	05318-00300	P3770-612-2	131	2910
37768-12300	P3770-680-2	149	0790004	05505-57060	P3770-461-1	91	0510
F2320-14000	P3770-680-2	149	0790005	05507-10050	P3770-610-2	111	0300039
F2846-06000	P3770-071-2	15	2100005	05507-10050	P3770-610-3	117	0400039
00665-02048	P3770-610-2	113	0300060	05507-10080	P3770-610-2	113	0300073
00665-02048	P3770-610-3	119	0400060	05507-10080	P3770-610-3	119	0400073
00665-04064	P3770-930	155	0500	05507-10140	P3770-390-1	71	0100001
00900-14460	P3770-660	145	0250021	05507-10140	P3770-390-2	73	2500
02310-00230	P3770-660	145	0250001	05507-10200	P3770-040	5	2200
02323-00151	P3770-660	145	0250003	05507-10220	P3770-070-1	9	0200001
02331-01290	P3770-660	145	0250004	05507-10240	P3770-400-2	77	0140031
02350-00690	P3770-660	145	0250010	05507-10260	P3770-612-2	131	0600
02361-11034	P3770-660	145	0250011	05507-10340	P3770-070-1	9	2800
02371-10360	P3770-660	145	0250017	05507-10340	P3770-390-1	71	0210
02375-00190	P3770-660	145	0250019	05507-10340	P3770-612-2	131	0500
02973-14570	P3770-610-4	123	0300079Q	05507-10360	P3770-610-1	109	3350
04245-00120	P3770-610-2	113	0300079	05507-10420	P3770-612-2	131	0300
04245-00120	P3770-610-3	119	0400079	05507-10440	P3770-390-1	71	0400
04245-00120	P3770-610-4	123	0300079	05507-10460	P3770-550-1	105	0010001
04343-35500	P3770-680-1	147	0250	05507-10460	P3770-550-1	105	0700
04400-02000	P3770-875	153	0200	05507-10460	P3770-550-2	107	0700
04710-04000	P3770-660	145	0250007	05507-10460	P3770-550-2	107	2000001
04826-21000	P3770-040	5	1400008	05507-20250	P3770-610-2	113	0300076
04826-21000	P3770-610-2	111	0300033	05507-20250	P3770-610-3	119	0400076
04826-21000	P3770-610-3	117	0400033	05507-20300	P3770-330-1	59	2100
04826-22500	P3770-010	3	0300001	05507-20300	P3770-390-2	73	2400
04826-22800	P3770-010	3	0300002	05507-20300	P3770-400-1	75	0160
04826-25000	P3770-461-2	93	6300	05507-20350	P3770-360	65	2400
04826-40032	P3770-461-2	93	4500	05507-20350	P3770-361	67	2100
04826-50900	P3770-450-2	89	0910	05507-20350	P3770-400-1	75	0800
04827-71000	P3770-010	3	0300003	05507-20350	P3770-400-1	75	2040

BASE ENGINE FOR MEE

### NUMERICAL PARTS INDEX

ITEM	GRP NO	PAGE	SEQ	ITEM	GRP NO	PAGE	SEQ
05507-20350	P3770-400-2	77	0140010	05946-01201	P3770-070-1	9	2000
05507-20350	P3770-610-2	113	0300074	05946-01201	P3770-610-1	109	0460
05507-20350	P3770-610-3	119	0400074	05946-01201	P3770-610-2	113	0300063
05507-20400	P3770-361	67	1000	05946-01201	P3770-610-3	119	0400063
05507-20400	P3770-400-2	77	0140011	05946-01401	P3770-610-2	113	0300064
05507-20450	P3770-480-1	97	6100	05946-01401	P3770-610-3	119	0400064
05507-20500	P3770-360	65	2300	05946-01401	P3770-610-4	123	0300079R
05507-20600	P3770-130	21	0700	05946-01401	P3770-612-1	129	0140003
05507-20600	P3770-230	35	1100	05946-01401	P3770-613	135	2500
05507-20600	P3770-480-1	97	6200	05946-01401	P3770-620-1	137	0160
05507-20650	P3770-360	65	1050	05946-01601	P3770-130	21	1500
05507-20750	P3770-350	63	0400	05946-02001	P3770-071-2	15	1400
05507-20800	P3770-130	21	0250	05946-02001	P3770-110	19	2600
05507-20800	P3770-360	65	0500	05946-02001	P3770-130	21	1200
05507-20800	P3770-360	65	1000	05946-02401	P3770-350	63	0100018
05507-20800	P3770-361	67	2500	05946-02401	P3770-400-1	75	1160
05507-20800	P3770-610-2	113	0300075	05946-02701	P3770-610-1	109	3400
05507-20800	P3770-610-3	119	0400075	05946-03301	P3770-350	63	0100019
05507-20850	P3770-361	67	1050	05946-03601	P3770-130	21	1000
05507-20950	P3770-251	41	0700	05977-12030	P3770-250	37	3100
05507-21000	P3770-400-2	77	0140002	05977-12050	P3770-250	37	3105
05507-21250	P3770-250	39	3210	05977-12060	P3770-450-1	87	0250
05507-21450	P3770-350	63	0300	05977-12065	P3770-250	37	3103
05507-21600	P3770-450-1	87	0300	05978-10180	P3770-550-1	105	0300
05507-21900	P3770-300-1	47	1000	05978-10220	P3770-550-2	107	2300
05507-22900	P3770-480-1	97	5100	05978-16115	P3770-110	19	1050
05605-05030	P3770-110	19	0250	05978-16155	P3770-110	19	1000
05634-00610	P3770-875	153	0550	05978-16160	P3770-250	37	0900
05902-06090	P3770-875	153	0800	07783-08014	P3770-510-1	101	0520
05946-00801	P3770-610-2	113	0300061	09413-00600	P3770-875	153	0760
05946-00801	P3770-610-3	119	0400061	09413-00800	P3770-611	125	1700
05946-00801	P3770-612-2	131	5900	10456-60067	P3770-660	145	0250012
05946-00801	P3770-620-2	139	0220001	10456-62047	P3770-660	145	0250002
05946-01001	P3770-610-2	113	0300062	12194-10430	P3770-660	145	0250024
05946-01001	P3770-610-3	119	0400062	12194-41240	P3770-660	145	0250022
05946-01001	P3770-612-1	129	0140002	12318-10020	P3770-660	145	0250009
05946-01001	P3770-613	135	0600	12332-00190	P3770-660	145	0250006

BASE ENGINE FOR MEE

### NUMERICAL PARTS INDEX

ITEM	GRP NO	PAGE	SEQ	ITEM	GRP NO	PAGE	SEQ
12361-10081	P3770-660	145	0250014	32507-01400	P3770-610-3	119	0400070
12374-00050	P3770-660	145	0250020	32532-01700	P3770-320-1	53	1650
12376-10010	P3770-660	145	0250015	32532-20800	P3770-320-1	53	1500
12391-30041	P3770-660	145	0250018	32532-20800	P3770-323	57	2400
12391-40020	P3770-660	145	0250008	32536-09400	P3770-613	135	0300
12394-10010	P3770-660	145	0250025	32542-20500	P3770-420	79	0260
12394-40050	P3770-660	145	0250023	32545-12901	P3770-450-1	87	0200
15200-21720	P3770-610-4	123	0300079A	32545-12901	P3770-510-1	101	0400
15210-01120	P3770-610-4	123	0300079B	32546-46800	P3770-461-2	93	2900
15210-40100	P3770-610-4	123	0300079C	32546-46800	P3770-461-2	93	3500
15210-50400	P3770-610-4	123	0300079D	32561-18300	P3770-611	125	3600
15211-11920	P3770-610-4	123	0300079E	32561-18300	P3770-875	153	1200
15211-20100	P3770-610-4	123	0300079F	32561-48600	P3770-611	125	0970
15211-30700	P3770-610-4	123	0300079G	32562-00115	P3770-620-2	139	0220002
15211-40400	P3770-610-4	123	0300079H	32562-60300	P3770-620-2	139	0220003
15211-50200	P3770-610-4	123	0300079J	32607-10700	P3770-070-1	9	2750
15211-60200	P3770-610-4	123	0300079K	32645-01800	P3770-450-1	87	0100001
15211-70100	P3770-610-4	123	0300079L	32646-08600	P3770-360	65	0860
15212-10200	P3770-610-4	123	0300079M	32663-06300	P3770-611	125	0300
15220-05620	P3770-610-4	123	0300079N	32663-16200	P3770-611	125	0400
15230-04020	P3770-610-4	123	0300079P	33010-23400	P3770-071-2	15	1600
15231-01300	P3770-610-4	123	0300079S	33320-04701	P3770-200	29	9104001
30004-24302	P3770-040	5	1200	33336-20500	P3770-071-1	13	3200
30007-05500	P3770-071-2	15	1500	33336-20500	P3770-461-2	93	2500
30036-03604	P3770-612-2	131	5700	33336-20500	P3770-510-1	101	0590
30407-05600	P3770-255	45	0150	33407-03900	P3770-612-1	129	0140004
30625-50502	P3770-255	45	0200	33407-06100	P3770-071-2	15	1300
30912-01400	P3770-110	19	1800	33442-20200	P3770-361	67	2200
31201-71800	P3770-110	19	1200	33442-20200	P3770-420	79	0500
31262-51901	P3770-610-1	109	1100	33446-05600	P3770-510-2	103	0250
32307-02500	P3770-070-1	9	2100	33501-13400	P3770-010	3	0900
32307-02500	P3770-070-1	9	2600	33504-10300	P3770-040	5	0700
32307-02600	P3770-070-1	9	1100	33546-02500	P3770-300-2	49	0960
32423-03800	P3770-250	37	2400	33546-06900	P3770-130	21	0600
32504-00400	P3770-040	5	0400	33546-06900	P3770-461-2	93	2800
32507-01400	P3770-070-1	9	0200002	33561-14500	P3770-612-2	131	0260
32507-01400	P3770-610-2	113	0300070	33707-11701	P3770-010	3	1350

BASE ENGINE FOR MEE

**NUMERICAL PARTS INDEX**

ITEM	GRP NO	PAGE	SEQ	ITEM	GRP NO	PAGE	SEQ
33707-11701	P3770-200	29	9104002	37501-00391	P3770-010	3	0300
33707-11701	P3770-210	31	0600	37501-01101	P3770-010	3	0300005
33707-11701	P3770-220	33	0500	37501-01501	P3770-010	3	1150
34A25-04400	P3770-480-1	97	6150	37501-01501	P3770-040	5	2300
34A35-01200	P3770-350	63	0100013	37501-02201	P3770-010	3	1200
34A36-26100	P3770-613	135	0400	37501-03101	P3770-010	3	1500
34A42-00500	P3770-420	79	0300	37501-04200	P3770-010	3	1510
34A48-02100	P3770-250	37	2600	37501-04300	P3770-010	3	1520
35A40-02100	P3770-400-1	75	2000	37501-11400	P3770-010	3	1100
35A61-19900	P3770-610-1	109	3700	37501-12501	P3770-010	3	1300
35A61-19900	P3770-611	125	2500	37501-70051	P3770-010	3	0500
35A61-38600	P3770-611	125	1400	37501-80101	P3770-010	3	0300006
35A61-58300	P3770-875	153	0500	37504-00300	P3770-040	5	0500
35A61-58400	P3770-875	153	0750	37504-02300	P3770-040	5	2100
35B43-01500	P3770-430-1	83	0120	37504-03400	P3770-040	5	0800
35B62-07100	P3770-613	135	1460	37504-03500	P3770-040	5	0900
36207-08900	P3770-071-2	15	2300	37504-04201	P3770-040	5	1400001
36240-05800	P3770-620-2	139	0220004	37504-10400	P3770-040	5	0600
36646-00090	P3770-461-1	91	1450	37504-12080	P3770-040	5	1400
37101-10500	P3770-010	3	0300004	37504-12200	P3770-040	5	1400004
37101-10600	P3770-010	3	1400	37504-14600	P3770-040	5	2800
37104-02800	P3770-040	5	1400003	37504-22020	P3770-040	5	1400002
37104-13300	P3770-040	5	1000	37504-26100	P3770-040	5	2900
37107-04200	P3770-070-2	11	1500	37504-30200	P3770-040	5	0300
37107-04300	P3770-070-2	11	1600	37504-31200	P3770-040	5	1900
37113-10800	P3770-510-1	101	0580	37504-32500	P3770-040	5	1400005
37123-03400	P3770-250	37	1800001	37504-51100	P3770-040	5	1800
37136-09100	P3770-610-1	109	0450	37504-54011	P3770-040	5	1400007
37261-01700	P3770-621	141	2400	37504-54101	P3770-040	5	1400009
37411-02300	P3770-110	19	0200	37504-56200	P3770-040	5	3000
37411-02300	P3770-630	143	3950	37505-10800	P3770-050	7	0500
37411-04200	P3770-110	19	1600	37505-13100	P3770-050	7	0800
37420-10300	P3770-200	29	9104003	37505-31100	P3770-050	7	0700
37420-11203	P3770-200	29	9104004	37507-00701	P3770-070-1	9	2700
37425-08201	P3770-250	37	1600	37507-00701	P3770-390-1	71	0200
37446-02900	P3770-461-3	95	7960	37507-03100	P3770-070-1	9	1700
37461-00500	P3770-611	125	0600	37507-03200	P3770-070-1	9	1800

BASE ENGINE FOR MEE

### NUMERICAL PARTS INDEX

ITEM	GRP NO	PAGE	SEQ	ITEM	GRP NO	PAGE	SEQ
37507-03900	P3770-070-1	9	1900	37525-09600	P3770-050	7	0300
37507-12500	P3770-070-2	11	1400	37525-13400	P3770-253	43	1410
37507-12510	P3770-070-2	11	1410	37525-63100	P3770-253	43	0200
37507-12520	P3770-070-2	11	1420	37530-00200	P3770-300-1	47	0300
37507-27100	P3770-071-1	13	0400	37532-00800	P3770-320-1	53	0400
37507-27200	P3770-071-1	13	0500	37532-10500	P3770-320-1	53	0200
37507-32400	P3770-070-2	11	1450	37532-20600	P3770-320-1	53	1600
37507-37300	P3770-071-1	13	0600	37532-27100	P3770-323	57	0100
37507-37400	P3770-071-1	13	0900	37535-00900	P3770-350	63	0100004
37507-37600	P3770-071-1	13	1000	37535-02300	P3770-350	63	0100014
37507-37800	P3770-071-1	13	0950	37535-12200	P3770-350	63	0100015
37507-82600	P3770-070-2	11	1300	37542-03101	P3770-425	81	0200
37511-04300	P3770-250	37	1700	37545-00200	P3770-450-1	87	0100003
37517-02100	P3770-170	25	0300	37545-00300	P3770-450-1	87	0100004
37517-03100	P3770-170	25	0400	37546-00500	P3770-461-1	91	0500
37517-10010	P3770-170	25	0700	37546-00800	P3770-361	67	0400
37517-11100	P3770-170	25	0200	37546-00900	P3770-461-1	91	1350
37517-18100	P3770-170	25	0500	37546-01800	P3770-461-1	91	1300
37517-30101	P3770-170	25	0100	37546-03500	P3770-461-1	91	7700
37519-10500	P3770-190	27	9004003	37546-11300	P3770-461-1	91	0600
37519-10600	P3770-190	27	0700	37546-17100	P3770-461-1	91	1550
37519-13100	P3770-190	27	0600	37546-21200	P3770-461-1	91	0700
37519-13200	P3770-190	27	0610	37546-21700	P3770-461-1	91	1200
37519-13300	P3770-190	27	0620	37546-23300	P3770-461-1	91	1600
37519-13400	P3770-190	27	0630	37546-23701	P3770-461-1	91	1400
37519-13500	P3770-190	27	0640	37555-00600	P3770-550-1	105	0010002
37519-20301	P3770-190	27	9004004	37555-00600	P3770-550-2	107	2000002
37525-00600	P3770-253	43	0900	37555-04400	P3770-550-1	105	0010003
37525-03400	P3770-450-1	87	0100002	37555-04400	P3770-550-1	105	0400
37525-03600	P3770-253	43	0300	37555-04500	P3770-550-1	105	0450
37525-04001	P3770-250	37	1500	37555-04501	P3770-550-1	105	0010004
37525-07901	P3770-040	5	2010	37555-10600	P3770-305	51	0400
37525-07901	P3770-050	7	0400	37555-10600	P3770-550-1	105	0500
37525-07901	P3770-110	19	1310	37555-10600	P3770-550-2	107	0500
37525-07901	P3770-250	37	2300	37560-04800	P3770-611	125	1500
37525-07901	P3770-253	43	0500	37560-27010	P3770-612-1	129	0140001
37525-07901	P3770-253	43	0610	37560-29000	P3770-612-1	129	0140

BASE ENGINE FOR MEE

### NUMERICAL PARTS INDEX

ITEM	GRP NO	PAGE	SEQ	ITEM	GRP NO	PAGE	SEQ
37561-00500	P3770-610-1	109	0530	37568-02022	P3770-680-2	149	0790
37561-00600	P3770-612-2	131	5600	37571-10300	P3770-710	151	0200
37561-01602	P3770-612-2	131	0200	37705-20100	P3770-050	7	0100
37561-01800	P3770-250	37	2750	37705-20200	P3770-050	7	0150
37561-01800	P3770-610-1	109	0900	37707-01701	P3770-070-1	9	0200003
37561-03401	P3770-612-2	131	5300	37707-01900	P3770-070-1	9	0800
37561-03700	P3770-610-1	109	0470	37707-08100	P3770-070-1	9	0200004
37561-04400	P3770-612-2	131	2500	37707-08500	P3770-071-2	15	2200
37561-08800	P3770-612-2	131	2900	37707-09300	P3770-305	51	0350
37561-09300	P3770-612-1	129	0140005	37707-11801	P3770-070-1	9	0200005
37561-11900	P3770-610-1	109	3000	37707-18200	P3770-070-1	9	0200006
37561-13300	P3770-612-1	129	0140006	37707-20901	P3770-071-1	13	0310
37561-16600	P3770-612-1	129	0140007	37707-28040	P3770-071-2	15	2100
37561-16800	P3770-612-2	131	0400	37707-50011	P3770-070-1	9	0500
37561-17500	P3770-612-1	129	0140016	37707-70101	P3770-070-1	9	0200007
37561-22901	P3770-610-1	109	3900	37707-70191	P3770-070-1	9	0200
37561-26300	P3770-612-1	129	0140008	37709-12010	P3770-090	17	0500
37561-26400	P3770-612-1	129	0140009	37709-12020	P3770-090	17	0510
37561-42800	P3770-610-1	109	3300	37709-12030	P3770-090	17	0520
37561-46500	P3770-612-1	129	0140010	37709-12040	P3770-090	17	0530
37561-46700	P3770-612-1	129	0140011	37709-12050	P3770-090	17	0540
37561-67013	P3770-612-1	129	0140012	37709-12100	P3770-090	17	0100
37561-86100	P3770-612-1	129	0140013	37709-13100	P3770-090	17	0200
37562-00811	P3770-620-2	139	0220005	37709-18100	P3770-090	17	0300
37562-00813	P3770-620-2	139	0220006	37709-18200	P3770-090	17	0710
37562-00814	P3770-620-2	139	0220007	37709-18300	P3770-090	17	0720
37562-00815	P3770-620-2	139	0220008	37709-18400	P3770-090	17	0730
37562-00816	P3770-620-2	139	0220009	37711-04000	P3770-110	19	1500
37562-04800	P3770-612-2	131	5400	37711-04300	P3770-110	19	1700
37562-13500	P3770-612-2	131	3000	37711-10200	P3770-110	19	0700
37562-15900	P3770-612-2	131	3150	37711-13100	P3770-430-2	85	0800
37562-15900	P3770-612-2	133	7300	37711-13200	P3770-430-2	85	1000
37562-20812	P3770-620-2	139	0220010	37711-25400	P3770-110	19	0900
37562-23600	P3770-612-2	131	3100	37711-26020	P3770-110	19	3010
37562-23600	P3770-612-2	131	7100	37711-26200	P3770-110	19	0110
37562-60800	P3770-620-2	139	0220	37711-45300	P3770-110	19	0800
37563-15400	P3770-611	125	1450	37713-03100	P3770-130	21	3000

BASE ENGINE FOR MEE

### NUMERICAL PARTS INDEX

ITEM	GRP NO	PAGE	SEQ	ITEM	GRP NO	PAGE	SEQ
37713-10200	P3770-130	21	0300	37725-15300	P3770-253	43	0700
37713-12502	P3770-130	21	0200	37725-17200	P3770-251	41	0900
37714-12501	P3770-140	23	0640	37725-20600	P3770-250	37	2800
37714-12601	P3770-140	23	0620	37725-22302	P3770-250	37	2650
37719-301V0	P3770-190	27	9004001	37725-40500	P3770-250	37	2700
37719-302V0	P3770-190	27	9004002	37725-41010	P3770-250	39	4000
37719-60V10	P3770-190	27	9004	37730-06501	P3770-300-1	47	1150
37720-00301	P3770-200	29	9104005	37730-16100	P3770-300-1	47	0950
37720-101V3	P3770-200	29	9104006	37730-16900	P3770-300-1	47	1600
37720-10V16	P3770-200	29	0300	37730-36600	P3770-300-1	47	0650
37720-10V96	P3770-200	29	9104	37732-02600	P3770-320-1	53	5800
37721-10013	P3770-210	31	0060	37732-10900	P3770-320-1	53	1400
37721-20102	P3770-210	31	0060001	37732-21101	P3770-320-1	53	0100
37721-20201	P3770-210	31	0060002	37732-30602	P3770-320-1	53	1100
37722-00801	P3770-220	33	0600	37733-04101	P3770-320-1	53	0650
37722-01200	P3770-220	33	0200	37733-04201	P3770-320-1	53	0850
37722-11100	P3770-220	33	0100	37733-04502	P3770-320-1	53	0980
37723-03800	P3770-230	35	1150	37733-04602	P3770-320-1	53	1080
37723-04400	P3770-230	35	1250	37735-00030	P3770-350	63	0100
37723-04601	P3770-230	35	1000	37735-03100	P3770-350	63	0500
37723-04900	P3770-230	35	1400	37735-10600	P3770-350	63	0100003
37723-10101	P3770-200	29	9104007	37735-10600	P3770-350	63	0100007
37723-11100	P3770-230	35	1500	37735-10900	P3770-350	63	0100016
37723-12100	P3770-230	35	1600	37735-21800	P3770-350	63	0100017
37723-14700	P3770-230	35	1300	37735-30300	P3770-350	63	0100008
37723-23101	P3770-230	35	0200001	37735-30701	P3770-350	63	0100010
37723-23400	P3770-230	35	0200002	37735-30800	P3770-350	63	0100012
37723-24500	P3770-230	35	0900	37735-40400	P3770-350	63	0100009
37723-33020	P3770-230	35	0200	37735-48020	P3770-350	63	0100011
37725-00801	P3770-250	39	3200	37735-70100	P3770-350	63	0100002
37725-02200	P3770-450-1	87	0100005	37735-70200	P3770-350	63	0100006
37725-03010	P3770-250	37	1800	37735-72000	P3770-350	63	0100005
37725-03100	P3770-250	37	1800002	37735-81000	P3770-350	63	0100001
37725-03502	P3770-250	37	2100	37736-01500	P3770-613	135	1300
37725-10900	P3770-250	39	3205	37736-03400	P3770-360	65	0600
37725-12102	P3770-200	29	9104008	37736-06300	P3770-610-1	109	3380
37725-14101	P3770-680-2	149	2500	37736-10101	P3770-360	65	0200

BASE ENGINE FOR MEE



### NUMERICAL PARTS INDEX

ITEM	GRP NO	PAGE	SEQ	ITEM	GRP NO	PAGE	SEQ
37736-11301	P3770-361	67	2400	37740-55500	P3770-400-2	77	0140001
37736-19300	P3770-070-2	11	1250	37740-55900	P3770-400-2	77	0140026
37736-21203	P3770-361	67	0950	37740-65400	P3770-400-2	77	0140012
37736-27200	P3770-362	69	2600	37742-03200	P3770-425	81	0400
37736-27300	P3770-362	69	2700	37742-33500	P3770-425	81	0100
37736-34200	P3770-361	67	2000	37743-00501	P3770-430-1	83	0110
37736-46200	P3770-362	69	2100	37743-00514	P3770-430-1	83	0110003
37736-56100	P3770-362	69	2000	37743-00515	P3770-430-1	83	0110004
37736-86400	P3770-362	69	3000	37743-00516	P3770-430-1	83	0110005
37736-96800	P3770-362	69	3100	37743-00517	P3770-430-1	83	0110006
37739-00900	P3770-361	67	1150	37743-00518	P3770-430-1	83	0110007
37739-10200	P3770-390-1	71	0300	37743-00519	P3770-430-1	83	0110008
37739-20100	P3770-390-1	71	0100002	37743-00521	P3770-430-1	83	0110009
37739-20500	P3770-361	67	0300	37743-05011	P3770-430-1	83	0110001
37739-22100	P3770-390-2	73	2200	37743-05020	P3770-430-1	83	0110002
37739-22200	P3770-390-2	73	2100	37743-40100	P3770-480-1	97	5000
37739-22300	P3770-390-2	73	2300	37745-00900	P3770-450-1	87	0100006
37739-30400	P3770-390-1	71	0100003	37745-10600	P3770-450-1	87	0100007
37739-40010	P3770-390-1	71	0100	37745-10700	P3770-450-1	87	0100008
37740-00700	P3770-400-1	75	0700	37745-20400	P3770-450-1	87	0100009
37740-01700	P3770-400-2	77	0140009	37745-20501	P3770-450-1	87	0100010
37740-02212	P3770-400-2	77	0140028	37745-40100	P3770-450-1	87	0100011
37740-02214	P3770-400-2	77	0140030	37745-60010	P3770-450-1	87	0100
37740-02400	P3770-400-2	77	0140003	37746-00400	P3770-450-1	87	0350
37740-12020	P3770-400-2	77	0140	37746-00501	P3770-250	37	1200
37740-12213	P3770-400-2	77	0140029	37746-01100	P3770-461-1	91	0300
37740-12217	P3770-400-2	77	0140033	37746-01200	P3770-461-1	91	0400
37740-27112	P3770-400-2	77	0140007	37746-01300	P3770-461-1	91	0450
37740-27123	P3770-400-2	77	0140008	37746-04400	P3770-461-2	93	4100
37740-45800	P3770-400-2	77	0140027	37746-04800	P3770-461-2	93	4050
37740-46100	P3770-400-2	77	0140020	37746-13401	P3770-461-1	91	1800
37740-50300	P3770-400-2	77	0140014	37746-13501	P3770-461-1	91	1900
37740-50311	P3770-400-2	77	0140015	37746-14100	P3770-461-2	93	2400
37740-50312	P3770-400-2	77	0140016	37746-14200	P3770-461-2	93	3400
37740-50313	P3770-400-2	77	0140017	37746-24300	P3770-461-2	93	4000
37740-50314	P3770-400-2	77	0140018	37748-11600	P3770-480-1	97	6000
37740-50315	P3770-400-2	77	0140019	37755-01000	P3770-550-1	105	0010

BASE ENGINE FOR MEE

### NUMERICAL PARTS INDEX

ITEM	GRP NO	PAGE	SEQ	ITEM	GRP NO	PAGE	SEQ
37755-01100	P3770-550-1	105	0010005	37761-28700	P3770-611	125	2000
37755-01200	P3770-550-1	105	0010006	37761-28800	P3770-611	125	2100
37755-01300	P3770-550-1	105	0010007	37761-41100	P3770-610-1	109	0500
37755-01400	P3770-550-1	105	0010008	37761-57201	P3770-611	125	0910
37755-02011	P3770-550-2	107	2000	37761-61700	P3770-610-1	109	2500
37755-02100	P3770-550-2	107	2000003	37761-72100	P3770-612-2	133	9310
37755-02100	P3770-550-2	107	2100	37761-72200	P3770-612-2	133	9315
37755-02200	P3770-550-2	107	2000004	37761-72300	P3770-612-2	133	9320
37755-02300	P3770-550-2	107	2000005	37761-72400	P3770-612-2	133	9325
37755-02400	P3770-550-2	107	2000006	37761-72500	P3770-612-2	133	9330
37755-02500	P3770-550-2	107	2000007	37761-72600	P3770-612-2	133	9335
37755-02500	P3770-550-2	107	2200	37761-72700	P3770-612-2	133	9340
37755-02600	P3770-550-2	107	2000008	37761-72800	P3770-612-2	133	9345
37755-02601	P3770-550-2	107	2400	37761-72900	P3770-612-2	133	9350
37755-20300	P3770-550-1	105	0200	37761-73100	P3770-612-2	133	9355
37755-20300	P3770-550-2	107	0200	37761-73200	P3770-612-2	133	9360
37761-03601	P3770-612-2	131	3800	37761-73300	P3770-612-2	133	9365
37761-03701	P3770-612-2	131	3900	37762-00501	P3770-621	141	0500
37761-04100	P3770-613	135	0100	37762-02900	P3770-613	135	2200
37761-04500	P3770-612-2	131	6010	37762-03400	P3770-621	141	1530
37761-05500	P3770-612-2	131	3850	37762-13100	P3770-610-1	109	0510
37761-07702	P3770-611	125	3200	37762-20300	P3770-620-1	137	1100
37761-08300	P3770-612-2	131	6020	37762-20400	P3770-620-1	137	0350
37761-09400	P3770-612-2	131	5800	37762-21100	P3770-621	141	0800
37761-09800	P3770-611	125	0920	37762-22800	P3770-613	135	2000
37761-11401	P3770-610-1	109	4000	37762-23200	P3770-621	141	0950
37761-11800	P3770-610-1	109	2650	37762-32100	P3770-621	141	1500
37761-15400	P3770-612-2	131	3050	37762-32600	P3770-613	135	1400
37761-16200	P3770-611	125	0200	37762-33300	P3770-621	141	1050
37761-17802	P3770-611	125	3300	37762-33700	P3770-621	141	1450
37761-19300	P3770-611	125	3120	37762-51500	P3770-621	141	1200
37761-21601	P3770-610-1	109	4400	37762-52501	P3770-613	135	1200
37761-24400	P3770-612-2	131	6000	37762-53600	P3770-621	141	1350
37761-26400	P3770-611	125	0800	37762-61400	P3770-621	141	1100
37761-27100	P3770-611	125	0150	37763-06200	P3770-611	125	0172
37761-27500	P3770-611	125	3000	37763-06400	P3770-611	125	0174
37761-27600	P3770-611	125	3100	37766-03200	P3770-110	19	0300

BASE ENGINE FOR MEE

### NUMERICAL PARTS INDEX

ITEM	GRP NO	PAGE	SEQ	ITEM	GRP NO	PAGE	SEQ
37766-30300	P3770-660	145	0250	45954-30050	P3770-071-2	15	1900
37766-30311	P3770-660	145	0250016	45R14-30100	P3770-140	23	0150
37766-30312	P3770-660	145	0250026	45R25-70200	P3770-480-2	99	7000
37768-02400	P3770-680-2	149	1050	45R32-30500	P3770-323	57	2700
37768-02700	P3770-680-2	149	2100	45R32-30700	P3770-330-2	61	2550
37768-02800	P3770-680-2	149	2300	45R32-30800	P3770-320-2	55	1250
37768-04200	P3770-680-2	149	1500	45R46-73200	P3770-461-1	91	1850
37768-12200	P3770-680-2	149	0600	45R51-70603	P3770-510-1	101	0310
37768-12600	P3770-680-2	149	2001	45R51-70700	P3770-510-1	101	0450
37768-22100	P3770-680-2	149	0300	45R51-70800	P3770-510-1	101	0360
37768-28300	P3770-680-2	149	1000	45R51-70900	P3770-510-1	101	0470
37768-42500	P3770-680-2	149	1601	45R61-52100	P3770-612-2	131	5650
37771-00101	P3770-710	151	0100	45R61-52300	P3770-613	135	2650
37787-21101	P3770-875	153	0400	45R61-52300	P3770-621	141	0550
37787-21201	P3770-875	153	0900	45R93-41600	P3770-710	151	0600
37793-11100	P3770-930	155	0400	45R93-41700	P3770-620-1	137	9100
37807-06100	P3770-071-1	13	1250	45R93-42400	P3770-461-2	93	4080
37807-16200	P3770-071-1	13	1260	47500-39900	P3770-630	143	4370
37832-04101	P3770-330-1	59	2200	47500-55701	P3770-253	43	1500
37836-03300	P3770-360	65	3100	47521-52700	P3770-400-1	75	1150
37836-03500	P3770-360	65	3070	48000-96600	P3770-610-1	109	3800
37836-04500	P3770-360	65	0800	48000-96600	P3770-610-2	111	0300035
37836-04601	P3770-360	65	1300	48000-96600	P3770-610-3	117	0400035
37836-04701	P3770-360	65	1600	48000-96600	P3770-611	125	2600
37836-04801	P3770-360	65	2500	48202-02300	P3770-610-2	111	0300026
37836-04901	P3770-360	65	3000	48202-02300	P3770-610-3	117	0400026
37836-16800	P3770-362	69	3010	48202-02600	P3770-610-2	111	0300029
42061-21800	P3770-611	125	1600	48202-02600	P3770-610-3	117	0400029
45151-71900	P3770-510-1	101	0320	48202-02900	P3770-610-2	111	0300032
45192-79900	P3770-320-2	55	1240	48202-02900	P3770-610-3	117	0400032
45192-79900	P3770-450-2	89	0900	48202-03300	P3770-610-2	111	0300040
45298-20800	P3770-875	153	1400	48202-03300	P3770-610-3	117	0400040
45731-61700	P3770-071-1	13	2900	48202-04500	P3770-610-2	113	0300052
45735-51100	P3770-130	21	0650	48202-04500	P3770-610-3	119	0400052
45736-97220	P3770-510-1	101	0490	48202-04600	P3770-610-2	113	0300053
45940-30101	P3770-611	125	2800	48202-04600	P3770-610-3	119	0400053
45954-01200	P3770-510-1	101	0500	48202-04700	P3770-610-2	113	0300054

BASE ENGINE FOR MEE

**NUMERICAL PARTS INDEX**

ITEM	GRP NO	PAGE	SEQ	ITEM	GRP NO	PAGE	SEQ
48202-04700	P3770-610-3	119	0400054	48202-22500	P3770-610-2	111	0300028
48202-04800	P3770-610-2	113	0300055	48202-22500	P3770-610-3	117	0400028
48202-04800	P3770-610-3	119	0400055	48202-22800	P3770-610-2	111	0300031
48202-04900	P3770-610-2	113	0300056	48202-22800	P3770-610-3	117	0400031
48202-04900	P3770-610-3	119	0400056	48202-23400	P3770-610-2	111	0300043
48202-05100	P3770-610-2	113	0300057	48202-23400	P3770-610-3	117	0400043
48202-05200	P3770-610-3	119	0400057	48202-23800	P3770-610-2	113	0300046
48202-05500	P3770-610-2	113	0300058	48202-23800	P3770-610-3	119	0400046
48202-05500	P3770-610-3	119	0400058	48202-28100	P3770-610-2	111	0300008
48202-05800	P3770-610-2	111	0300034	48202-28100	P3770-610-3	117	0400008
48202-05800	P3770-610-3	117	0400034	48202-33600	P3770-610-2	113	0300045
48202-07100	P3770-610-2	113	0300072	48202-33600	P3770-610-3	119	0400045
48202-07100	P3770-610-3	119	0400072	48202-33900	P3770-610-2	113	0300047
48202-07600	P3770-610-2	111	0300030	48202-33900	P3770-610-3	119	0400047
48202-07600	P3770-610-3	117	0400030	48202-35900	P3770-610-2	111	0300020
48202-11700	P3770-610-2	111	0300009	48202-35900	P3770-610-3	117	0400020
48202-11700	P3770-610-3	117	0400009	48202-39100	P3770-610-2	115	6670
48202-12400	P3770-610-2	111	0300027	48202-39100	P3770-610-3	121	6670
48202-12400	P3770-610-3	117	0400027	48202-44000	P3770-610-2	111	0300036
48202-13200	P3770-610-2	111	0300041	48202-44000	P3770-610-3	117	0400036
48202-13200	P3770-610-3	117	0400041	48202-53100	P3770-610-2	111	0300042
48202-13500	P3770-610-2	111	0300044	48202-53100	P3770-610-3	117	0400042
48202-13500	P3770-610-3	117	0400044	48208-01400	P3770-610-2	113	0300083
48202-14100	P3770-610-2	113	0300048	48208-01400	P3770-610-3	119	0400083
48202-14100	P3770-610-3	119	0400048	48208-10400	P3770-610-2	113	0300084
48202-14200	P3770-610-2	113	0300049	48208-10400	P3770-610-3	119	0400084
48202-14200	P3770-610-3	119	0400049	48208-11201	P3770-610-2	113	0300081
48202-14300	P3770-610-2	113	0300050	48208-11201	P3770-610-3	119	0400081
48202-14300	P3770-610-3	119	0400050	48208-30700	P3770-610-2	113	0300087
48202-14400	P3770-610-2	113	0300051	48208-30700	P3770-610-3	119	0400087
48202-14400	P3770-610-3	119	0400051	48208-50500	P3770-610-2	113	0300085
48202-21201	P3770-610-2	111	0300010	48208-50500	P3770-610-3	119	0400085
48202-21201	P3770-610-3	117	0400010	48208-50600	P3770-610-2	113	0300086
48202-21300	P3770-610-2	111	0300011	48208-50600	P3770-610-3	119	0400086
48202-21300	P3770-610-3	117	0400011	48210-10030	P3770-610-2	111	0300021
48202-22200	P3770-610-2	111	0300025	48210-10030	P3770-610-3	117	0400021
48202-22200	P3770-610-3	117	0400025	48210-10201	P3770-610-2	111	0300002

BASE ENGINE FOR MEE

### NUMERICAL PARTS INDEX

ITEM	GRP NO	PAGE	SEQ	ITEM	GRP NO	PAGE	SEQ
48210-10201	P3770-610-3	117	0400002	48270-20010	P3770-610-3	117	0400012
48210-10300	P3770-610-2	111	0300003	48270-20200	P3770-610-2	111	0300018
48210-10300	P3770-610-3	117	0400003	48270-20200	P3770-610-3	117	0400018
48210-35600	P3770-610-2	111	0300024	48270-21010	P3770-610-2	111	0300014
48210-35600	P3770-610-3	117	0400024	48270-21010	P3770-610-3	117	0400014
48230-05100	P3770-610-1	109	1000	48273-00001	P3770-610-3	117	0400
48230-20100	P3770-610-3	117	0400001	48274-00001	P3770-610-2	111	0300
48239-10100	P3770-610-2	111	0300001	48291-00301	P3770-610-2	111	0300007
48250-05300	P3770-610-2	115	0300091	48291-00301	P3770-610-3	117	0400007
48250-05300	P3770-610-3	121	0400091	48291-07030	P3770-610-2	111	0300004
48250-05600	P3770-610-2	113	0300089	48291-07030	P3770-610-3	117	0400004
48250-05600	P3770-610-3	119	0400089	48293-00100	P3770-610-2	113	0300059
48250-05700	P3770-610-2	113	0300088	48293-00100	P3770-610-3	119	0400059
48250-05700	P3770-610-3	119	0400088	49168-18800	P3770-610-2	111	0300006
48250-05800	P3770-610-2	115	0300090	49168-18800	P3770-610-3	117	0400006
48250-05800	P3770-610-3	121	0400090	49184-14000	P3770-320-1	53	1700
48250-06100	P3770-610-2	113	0300080	51709-00300	P3770-510-1	101	0380
48250-06100	P3770-610-3	119	0400080	51776-03000	P3770-611	125	2700
48250-06600	P3770-610-2	113	0300082	58034-04400	P3770-323	57	2600
48250-06600	P3770-610-3	119	0400082	58034-04400	P3770-550-1	105	0330
48270-00101	P3770-610-2	111	0300015	58034-04400	P3770-550-2	107	0330
48270-00101	P3770-610-3	117	0400015	72312-00090	P3770-660	145	0250013
48270-00700	P3770-610-2	111	0300016	72335-10260	P3770-660	145	0250005
48270-00700	P3770-610-3	117	0400016	91365-03200	P3770-611	125	0930
48270-00800	P3770-610-2	111	0300017	92748-02600	P3770-300-1	47	1400
48270-00800	P3770-610-3	117	0400017	94104-01100	P3770-253	43	1150
48270-01000	P3770-610-2	111	0300005	94104-01100	P3770-255	45	0700
48270-01000	P3770-610-3	117	0400005	A299X-01870	P3770-680-1	147	0250009
48270-10900	P3770-610-2	111	0300013	A320X-03070	P3770-680-1	147	0250017
48270-10900	P3770-610-3	117	0400013	A383X-36270	P3770-680-1	147	0250010
48270-11800	P3770-610-2	111	0300022	A414X-19971	P3770-680-1	147	0250003
48270-11800	P3770-610-3	117	0400022	A414X-20071	P3770-680-1	147	0250005
48270-11900	P3770-610-2	111	0300023	A414X-21571	P3770-680-1	147	0250019
48270-11900	P3770-610-3	117	0400023	A414X-23371	P3770-680-1	147	0250018
48270-14100	P3770-610-2	111	0300019	A450X-24471	P3770-680-1	147	0250015
48270-14100	P3770-610-3	117	0400019	A529X-05571	P3770-680-1	147	0250016
48270-20010	P3770-610-2	111	0300012	A529X-06571	P3770-680-1	147	0250001

BASE ENGINE FOR MEE

### NUMERICAL PARTS INDEX

ITEM	GRP NO	PAGE	SEQ	ITEM	GRP NO	PAGE	SEQ
A628X-65770	P3770-680-1	147	0250002	F1035-12045	P3770-253	43	0400
A640X-57570	P3770-680-1	147	0250004	F1035-12050	P3770-253	43	0410
A642X-34770	P3770-680-1	147	0250011	F1035-12050	P3770-330-1	59	2400
A666X-82570	P3770-680-1	147	0250012	F1035-12050	P3770-610-1	109	0700
A860X-53470	P3770-680-1	147	0250014	F1035-12050	P3770-610-1	109	4700
A866X-26072	P3770-680-1	147	0250013	F1035-12055	P3770-510-1	101	0330
A880X-69170	P3770-680-1	147	0250007	F1035-12060	P3770-680-2	149	1100
F1035-06012	P3770-400-2	77	0140035	F1035-12065	P3770-071-1	13	1150
F1035-06016	P3770-400-2	77	0140034	F1035-12065	P3770-611	125	3160
F1035-08030	P3770-612-2	131	2600	F1035-12070	P3770-400-2	77	0140022
F1035-10025	P3770-250	37	2500	F1035-12070	P3770-510-1	101	0460
F1035-10025	P3770-400-1	75	2010	F1035-12075	P3770-071-1	13	0770
F1035-10035	P3770-400-2	77	0140038	F1035-12080	P3770-360	65	0910
F1035-10040	P3770-613	135	1450	F1035-12080	P3770-400-2	77	0140023
F1035-10045	P3770-612-2	133	7200	F1035-12085	P3770-040	5	2000
F1035-10065	P3770-360	65	1400	F1035-12090	P3770-330-1	59	2300
F1035-10065	P3770-400-2	77	0140037	F1035-12090	P3770-350	63	0210
F1035-10065	P3770-612-2	131	3600	F1035-12090	P3770-621	141	0600
F1035-10080	P3770-350	63	0100021	F1035-12100	P3770-361	67	1100
F1035-10080	P3770-360	65	0750	F1035-12100	P3770-400-1	75	0220
F1035-10080	P3770-612-2	131	3350	F1035-12110	P3770-461-2	93	2600
F1035-10090	P3770-612-2	131	3700	F1035-12110	P3770-610-1	109	0910
F1035-12025	P3770-110	19	1300	F1035-12110	P3770-612-2	131	6015
F1035-12025	P3770-250	39	3220	F1035-12130	P3770-400-1	75	0230
F1035-12025	P3770-390-2	73	2900	F1035-12130	P3770-610-1	109	0750
F1035-12030	P3770-610-1	109	4500	F1035-14025	P3770-621	141	1550
F1035-12030	P3770-680-2	149	0400	F1035-14030	P3770-610-1	109	4100
F1035-12035	P3770-250	37	2200	F1035-14040	P3770-610-1	109	4200
F1035-12035	P3770-253	43	0600	F1035-14085	P3770-610-2	115	0300092
F1035-12035	P3770-320-2	55	1260	F1035-14085	P3770-610-3	121	0400092
F1035-12035	P3770-510-1	101	0480	F1035-16025	P3770-330-2	61	2560
F1035-12035	P3770-510-2	103	0270	F1035-16030	P3770-110	19	1100
F1035-12035	P3770-680-2	149	0420	F1035-16035	P3770-450-2	89	0920
F1035-12035	P3770-680-2	149	0700	F1035-16040	P3770-461-1	91	2000
F1035-12040	P3770-400-2	77	0140021	F1035-16055	P3770-071-1	13	0340
F1035-12040	P3770-610-1	109	4600	F1035-20050	P3770-140	23	0700
F1035-12040	P3770-680-2	149	0750	F1035-20065	P3770-140	23	0320

BASE ENGINE FOR MEE

### NUMERICAL PARTS INDEX

ITEM	GRP NO	PAGE	SEQ	ITEM	GRP NO	PAGE	SEQ
F1035-20075	P3770-071-1	13	0320	F1805-10025	P3770-461-1	91	0800
F1035-20080	P3770-140	23	0200	F1805-10025	P3770-461-2	93	4300
F1035-22090	P3770-210	31	0500	F1805-10025	P3770-461-3	95	7970
F1035-22090	P3770-220	33	0450	F1805-10030	P3770-360	65	0700
F1115-08025	P3770-611	125	1100	F1805-10030	P3770-461-1	91	1700
F1305-08025	P3770-400-2	77	0140004	F1805-10030	P3770-461-1	91	7900
F1450-08025	P3770-255	45	0350	F1805-10030	P3770-550-1	105	0010010
F1600-04020	P3770-510-1	101	0540	F1805-10030	P3770-550-1	105	0650
F1620-06012	P3770-550-1	105	0010009	F1805-10030	P3770-550-2	107	0650
F1805-06012	P3770-610-2	113	0300065	F1805-10030	P3770-550-2	107	2000009
F1805-06012	P3770-610-3	119	0400065	F1805-10030	P3770-621	141	2600
F1805-06020	P3770-610-2	113	0300067	F1805-10035	P3770-350	63	0100020
F1805-06020	P3770-610-3	119	0400067	F1805-10035	P3770-461-1	91	2100
F1805-06020	P3770-875	153	0300	F1805-10040	P3770-300-1	47	1350
F1805-06030	P3770-612-2	131	6080	F1805-10040	P3770-611	127	3700
F1805-08014	P3770-362	69	3020	F1805-10040	P3770-875	153	1300
F1805-08016	P3770-611	125	0700	F1805-10045	P3770-210	31	0060003
F1805-08020	P3770-362	69	2200	F1805-10045	P3770-510-1	101	0370
F1805-08020	P3770-610-1	109	3360	F1805-10055	P3770-612-2	131	3200
F1805-08020	P3770-611	125	2900	F1805-12020	P3770-110	19	0400
F1805-08025	P3770-610-2	113	0300066	F1805-12020	P3770-220	33	0700
F1805-08025	P3770-610-3	119	0400066	F1805-12020	P3770-430-2	85	1300
F1805-08030	P3770-610-1	109	3370	F1805-12020	P3770-480-2	99	7100
F1805-10016	P3770-425	81	0160	F1805-12020	P3770-510-2	103	0260
F1805-10016	P3770-610-1	109	2610	F1805-12020	P3770-610-1	109	2600
F1805-10016	P3770-612-2	131	6040	F1805-12020	P3770-613	135	1900
F1805-10016	P3770-613	135	1150	F1805-12020	P3770-710	151	0300
F1805-10016	P3770-621	141	1650	F1805-12025	P3770-071-1	13	1270
F1805-10016	P3770-680-2	149	2400	F1805-12025	P3770-130	21	0800
F1805-10020	P3770-300-1	47	1700	F1805-12025	P3770-305	51	0500
F1805-10020	P3770-360	65	0905	F1805-12025	P3770-361	67	2600
F1805-10020	P3770-361	67	2300	F1805-12025	P3770-430-1	83	0130
F1805-10020	P3770-620-1	137	1200	F1805-12025	P3770-630	143	4510
F1805-10020	P3770-680-2	149	1700	F1805-12025	P3770-680-2	149	2200
F1805-10025	P3770-360	65	1450	F1805-12030	P3770-050	7	0600
F1805-10025	P3770-360	65	1700	F1805-12030	P3770-071-1	13	3300
F1805-10025	P3770-420	79	0600	F1805-12030	P3770-130	21	0850

BASE ENGINE FOR MEE

**NUMERICAL PARTS INDEX**

ITEM	GRP NO	PAGE	SEQ	ITEM	GRP NO	PAGE	SEQ
F1805-12030	P3770-130	21	3010	F2300-08000	P3770-400-2	77	0140005
F1805-12030	P3770-230	35	1450	F2300-08000	P3770-612-2	131	2800
F1805-12030	P3770-251	41	0800	F2300-10000	P3770-390-1	71	0100004
F1805-12030	P3770-360	65	0400	F2300-10000	P3770-510-1	101	0390
F1805-12030	P3770-461-2	93	3000	F2300-10000	P3770-612-2	133	7500
F1805-12030	P3770-461-2	93	3700	F2300-10000	P3770-613	135	1470
F1805-12030	P3770-480-1	97	5200	F2300-12000	P3770-250	39	3120
F1805-12030	P3770-480-1	97	6300	F2300-12000	P3770-320-2	55	1270
F1805-12030	P3770-510-1	101	0600	F2300-12000	P3770-450-1	87	0270
F1805-12030	P3770-550-1	105	0600	F2300-12000	P3770-510-2	103	0280
F1805-12030	P3770-610-1	109	0520	F2305-10000	P3770-040	5	1100
F1805-12030	P3770-620-1	137	0400	F2305-12000	P3770-040	5	1400006
F1805-12035	P3770-250	37	2900	F2305-14000	P3770-612-2	131	0250
F1805-12035	P3770-660	145	0300	F2320-12000	P3770-610-2	111	0300037
F1805-12045	P3770-130	21	0500	F2320-12000	P3770-610-3	117	0400037
F1805-12050	P3770-071-1	13	0750	F2325-08000	P3770-610-1	109	3600
F1805-12050	P3770-130	21	0510	F2325-24000	P3770-610-2	113	0300069
F1825-08016	P3770-323	57	0200	F2325-24000	P3770-610-3	119	0400069
F1825-10020	P3770-360	65	0900	F2325-30000	P3770-450-1	87	0100012
F1825-10025	P3770-461-2	93	4070	F2440-10000	P3770-390-2	73	2600
F1825-10025	P3770-620-1	137	0600	F2445-08000	P3770-611	125	2400
F1825-10065	P3770-040	5	3100	F2445-10000	P3770-610-1	109	3200
F1825-12025	P3770-071-1	13	1120	F2445-10000	P3770-611	125	0170
F1825-12025	P3770-360	65	3150	F2500-04000	P3770-510-1	101	0570
F1825-12025	P3770-875	153	0410	F2500-06000	P3770-400-2	77	0140032
F1825-12030	P3770-071-1	13	0700	F2500-06000	P3770-610-2	113	0300068
F1825-12030	P3770-071-1	13	1100	F2500-06000	P3770-610-3	119	0400068
F1825-12030	P3770-550-2	107	0610	F2500-08000	P3770-400-2	77	0140006
F1825-12035	P3770-300-1	47	1040	F2500-08000	P3770-620-2	139	0220011
F1825-12035	P3770-390-1	71	0500	F2500-10000	P3770-300-1	47	1360
F2005-10045	P3770-550-2	107	2000010	F2500-10000	P3770-390-1	71	0100005
F2005-12020	P3770-300-1	47	1550	F2500-10000	P3770-400-1	75	2030
F2005-12035	P3770-300-1	47	1050	F2500-10000	P3770-400-2	77	0140039
F2015-10030	P3770-300-2	49	1310	F2500-10000	P3770-550-1	105	0010011
F2300-04000	P3770-510-1	101	0550	F2500-10000	P3770-550-2	107	0660
F2300-06000	P3770-875	153	0700	F2500-10000	P3770-550-2	107	2000011
F2300-08000	P3770-255	45	0370	F2500-10000	P3770-610-1	109	2615

BASE ENGINE FOR MEE



**NUMERICAL PARTS INDEX**

ITEM	GRP NO	PAGE	SEQ	ITEM	GRP NO	PAGE	SEQ
F2500-10000	P3770-610-1	109	3100	F2515-12000	P3770-250	39	3230
F2500-10000	P3770-613	135	1160	F2515-12000	P3770-320-2	55	1280
F2500-10000	P3770-621	141	2700	F2515-12000	P3770-330-1	59	2500
F2500-10000	P3770-680-2	149	1900	F2515-12000	P3770-350	63	0220
F2500-10000	P3770-680-2	149	2450	F2515-12000	P3770-360	65	0920
F2500-12000	P3770-300-1	47	1060	F2515-12000	P3770-361	67	1200
F2500-12000	P3770-400-1	75	0400	F2515-12000	P3770-390-2	73	3000
F2500-12000	P3770-400-2	77	0140024	F2515-12000	P3770-400-1	75	0300
F2500-12000	P3770-510-1	101	0350	F2515-12000	P3770-400-2	77	0140025
F2500-12000	P3770-510-2	103	0350	F2515-12000	P3770-450-1	87	0260
F2500-12000	P3770-610-1	109	2605	F2515-12000	P3770-461-2	93	2700
F2500-12000	P3770-710	151	0400	F2515-12000	P3770-510-1	101	0340
F2500-16000	P3770-250	37	1050	F2515-12000	P3770-510-1	101	0510
F2515-04000	P3770-510-1	101	0560	F2515-12000	P3770-510-2	103	0340
F2515-06000	P3770-400-2	77	0140036	F2515-12000	P3770-610-1	109	0800
F2515-08000	P3770-255	45	0400	F2515-12000	P3770-610-1	109	0920
F2515-08000	P3770-611	125	1150	F2515-12000	P3770-610-1	109	4800
F2515-08000	P3770-611	125	2300	F2515-12000	P3770-611	125	3180
F2515-08000	P3770-612-2	131	2700	F2515-12000	P3770-612-2	131	6016
F2515-08000	P3770-620-2	139	0220012	F2515-12000	P3770-621	141	0700
F2515-10000	P3770-350	63	0100022	F2515-12000	P3770-680-2	149	0500
F2515-10000	P3770-360	65	0760	F2515-12000	P3770-680-2	149	1200
F2515-10000	P3770-360	65	1500	F2515-14000	P3770-610-1	109	4300
F2515-10000	P3770-390-1	71	0100006	F2515-14000	P3770-610-2	115	0300093
F2515-10000	P3770-390-2	73	2700	F2515-14000	P3770-610-3	121	0400093
F2515-10000	P3770-400-1	75	2020	F2515-14000	P3770-611	125	3140
F2515-10000	P3770-400-2	77	0140040	F2515-14000	P3770-621	141	1600
F2515-10000	P3770-550-1	105	0310	F2515-16000	P3770-071-1	13	0350
F2515-10000	P3770-550-2	107	0310	F2515-16000	P3770-250	37	1000
F2515-10000	P3770-610-1	109	3150	F2515-16000	P3770-330-2	61	3200
F2515-10000	P3770-611	125	0160	F2515-16000	P3770-450-2	89	0930
F2515-10000	P3770-612-2	131	3400	F2515-16000	P3770-461-1	91	2050
F2515-10000	P3770-612-2	133	7400	F2515-20000	P3770-071-1	13	0330
F2515-10000	P3770-613	135	1480	F2515-20000	P3770-140	23	0400
F2515-12000	P3770-071-1	13	0760	F2515-20000	P3770-140	23	0800
F2515-12000	P3770-071-1	13	1160	F2515-30000	P3770-450-1	87	0100013
F2515-12000	P3770-250	37	3110	F2846-05000	P3770-200	29	9104009

BASE ENGINE FOR MEE

**NUMERICAL PARTS INDEX**

ITEM	GRP NO	PAGE	SEQ	ITEM	GRP NO	PAGE	SEQ
F2846-06000	P3770-040	5	1950	F3202-12000	P3770-450-1	87	0100018
F2846-08000	P3770-070-1	9	0900	F4001-12008	P3770-510-1	101	0386
F2846-08000	P3770-230	35	1160	F4002-05100	P3770-510-1	101	0410
F2846-08000	P3770-612-2	131	6070	F4300-00800	P3770-510-1	101	0430
F2846-12000	P3770-050	7	0200	F4510-06000	P3770-612-2	131	5602
F2846-12000	P3770-070-1	9	3100	F4521-06300	P3770-612-2	131	5604
F2846-12000	P3770-250	37	0850	F4540-06300	P3770-071-2	15	1800
F2846-18000	P3770-110	19	0500	F4540-08000	P3770-390-1	71	0700
F2846-20000	P3770-070-1	9	3000	F4540-08000	P3770-400-1	75	1300
F2846-20000	P3770-200	29	1400	F4540-10000	P3770-071-2	15	1650
F2846-20000	P3770-200	29	9104010	F4540-10000	P3770-613	135	2300
F2846-20000	P3770-220	33	0350	F4540-10000	P3770-621	141	0520
F2870-07025	P3770-253	43	0800	F4540-12000	P3770-130	21	1600
F2870-07025	P3770-610-2	113	0300071	F4540-20000	P3770-613	135	2600
F2870-07025	P3770-610-3	119	0400071	F4540-20000	P3770-621	141	0510
F2870-10032	P3770-253	43	0850	F4610-14000	P3770-613	135	2400
F2870-10032	P3770-450-1	87	0100014	F4610-14000	P3770-620-1	137	0150
F2870-10032	P3770-680-2	149	2600	F5000-12000	P3770-610-2	113	0300077
F2882-20000	P3770-510-1	101	0530	F5000-12000	P3770-610-3	119	0400077
F3015-06523	P3770-250	39	3206	F5000-16000	P3770-130	21	1400
F3150-01100	P3770-400-1	75	2050	F5000-20000	P3770-110	19	2500
F3150-01400	P3770-620-2	139	0220013	F5000-20000	P3770-130	21	1100
F3150-07000	P3770-461-2	93	4600	F5000-36000	P3770-130	21	0900
F3153-06000	P3770-461-1	91	7800	F5005-10001	P3770-400-2	77	0140013
F3153-06000	P3770-461-2	93	4200	F5005-10001	P3770-450-1	87	0100019
F3153-07500	P3770-250	37	1300	F5005-21001	P3770-461-2	93	5300
F3153-10500	P3770-450-1	87	0400	F5006-10000	P3770-070-2	11	1260
F3153-17000	P3770-450-1	87	0100015	F5006-10000	P3770-071-1	13	3000
F3156-05000	P3770-450-1	87	0100016	F5006-10000	P3770-071-2	15	1700
F3200-01700	P3770-611	125	0180	F5006-10000	P3770-250	37	1410
F3200-02500	P3770-612-2	131	5500	F5006-10000	P3770-305	51	0450
F3200-05500	P3770-450-1	87	0100017	F5006-10000	P3770-320-1	53	2500
F3202-03000	P3770-611	125	3500	F5006-10000	P3770-400-1	75	1170
F3202-03000	P3770-875	153	1100	F5006-10000	P3770-400-1	75	2060
F3202-03200	P3770-611	125	0960	F5006-17000	P3770-071-1	13	3500
F3202-07000	P3770-170	25	0600	F5006-17000	P3770-130	21	1700
F3202-10000	P3770-253	43	1200	F5006-21000	P3770-130	21	0210

BASE ENGINE FOR MEE

### NUMERICAL PARTS INDEX

ITEM	GRP NO	PAGE	SEQ	ITEM	GRP NO	PAGE	SEQ
F5006-26000	P3770-130	21	1300				
F5006-26000	P3770-350	63	0600				
F8000-08000	P3770-610-2	111	0300038				
F8000-08000	P3770-610-3	117	0400038				
F8001-30014	P3770-612-1	129	0140014				
F8001-40014	P3770-612-1	129	0140015				
F8006-06210	P3770-253	43	1300				
F8007-06200	P3770-611	125	3400				
F8007-06200	P3770-875	153	1000				
F8007-06201	P3770-611	125	0950				
F8010-06309	P3770-253	43	1100				
F8010-06310	P3770-250	39	3300				
F8010-06310	P3770-450-1	87	0100020				
F8010-06311	P3770-450-1	87	0100021				
F8143-32207	P3770-610-2	113	0300078				
F8143-32207	P3770-610-3	119	0400078				
F8665-02100	P3770-660	145	0500				
F8665-02100	P3770-680-2	149	3000				
ME059-936	P3770-430-1	83	0500				
MH000-183	P3770-400-1	75	0200				
MH000-184	P3770-400-1	75	0210				
MH000-854	P3770-040	5	2700				
MH021-219	P3770-612-2	131	6100				
MH035-093	P3770-390-1	71	0100007				
MH035-626	P3770-390-1	71	0100008				
MH064-526	P3770-390-1	71	0100009				
S930P-81170	P3770-680-1	147	0250008				
S930P-90670	P3770-680-1	147	0250006				

BASE ENGINE FOR MEE



