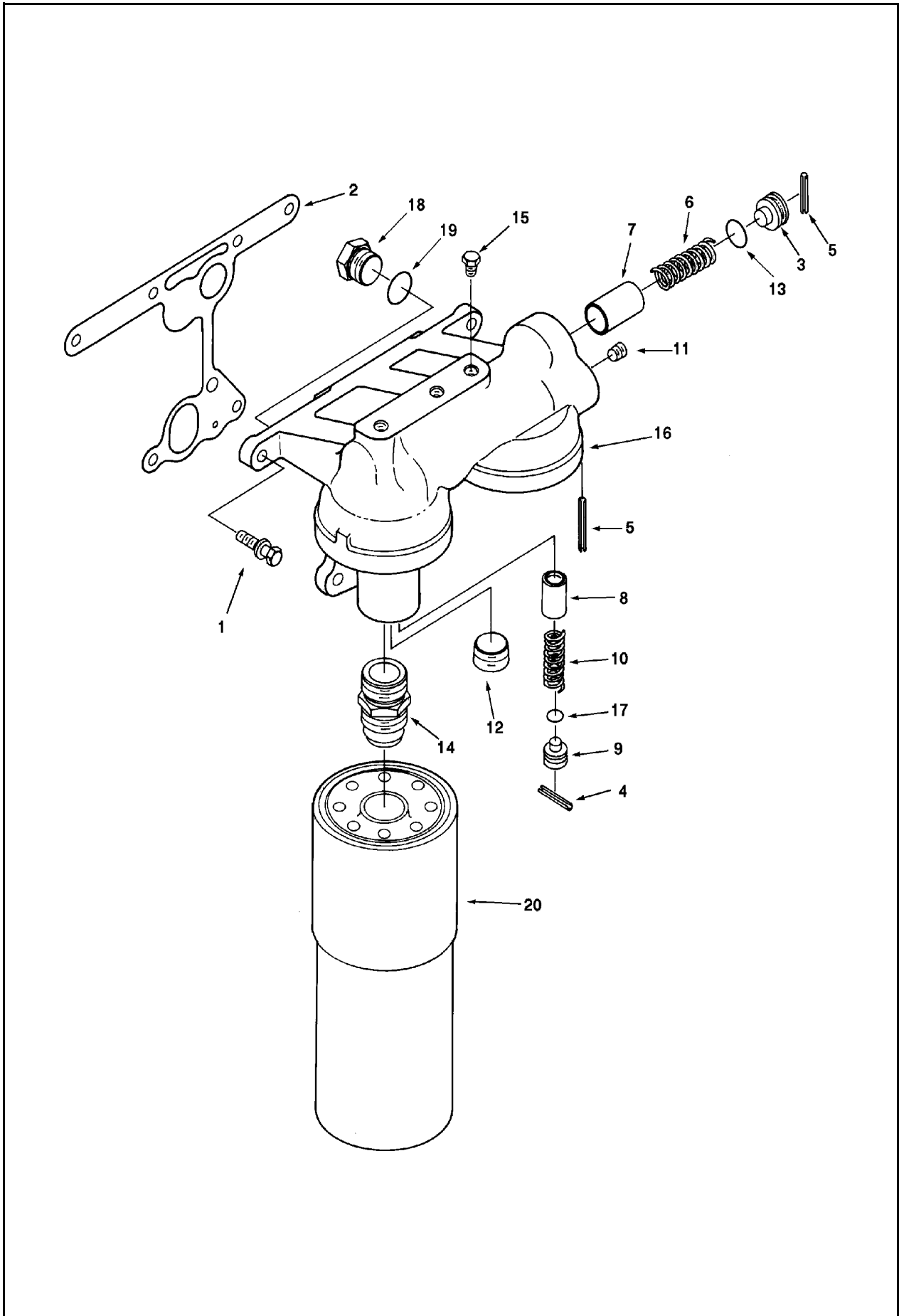
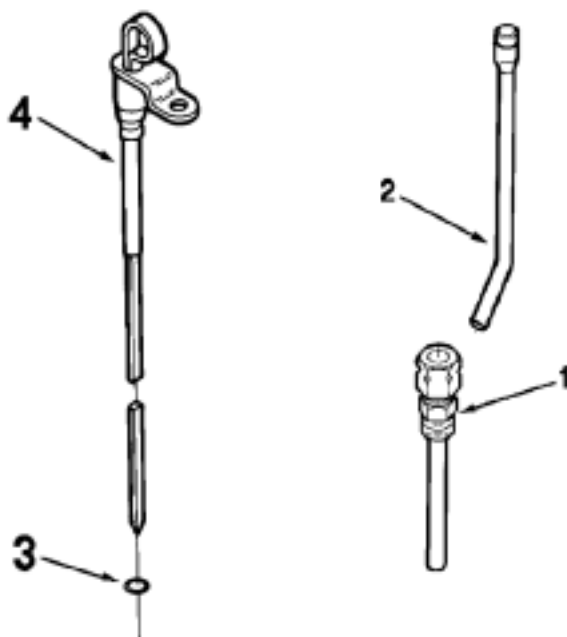


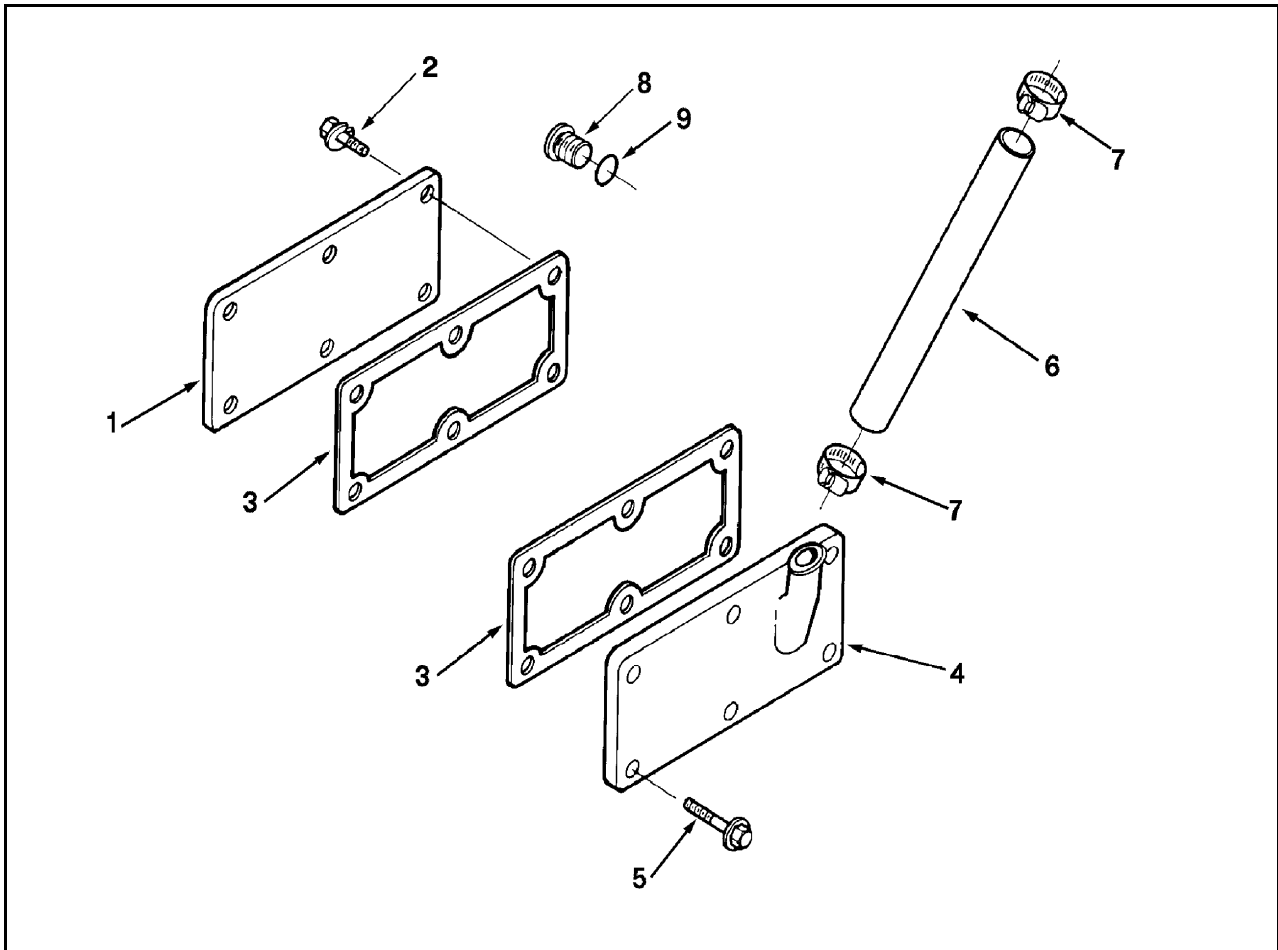
级别 LV	零件号 Part Number	图上标号 Ref No	零件名称 Part Name		数量 Req	备注 Remarks
			中文	英文		
02	3065803		节温器.壳.支架总成	THERMOSTAT HOUSING	1	
03	186780	2	节温器密封圈	SEAL, THERMOSTAT	2	
03	3008468	4	管塞	PLUG, PIPE	4	
03	3008469	5	管塞	PLUG, PIPE	2	
03	3010596	6	带垫圈螺栓	SCREW, CAPTIVE WAS	1	
03	3010597	7	带垫螺栓	SCREW, CAPTIVE WAS	5	
03	3010916	8	节温器壳体支架	SUPPORT, THERMO HSG	1	
03	3010918	9	节温器壳衬垫	GASKET, THERMOSTA	1	
03	3010933	10	节温器壳	HOUSING, THERMOSTAT	1	
03	3076489	3	节温器	THERMOSTAT	2	
03	3165998	1	放水开关	DRAINCOCK	1	



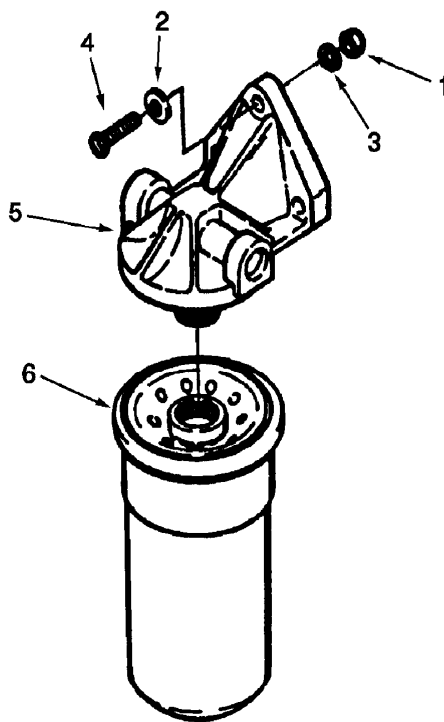
级别 LV	零件号 Part Number	图上标号 Ref No	零件名称 Part Name		数量 Req	备注 Remarks
			中文	英文		
02	MP 5005		机油滤清器座安装	HEAD, LUB FILFER	1	
03	3040838	1	带垫螺栓	SCREW, CAPTIVE WAS	6	
03	3200977	2	机油滤清器衬垫	GASKET, LUB OIL FI	1	
02	3200965		机油滤清器座	LUB, OIL FILTER H	1	
03	69533	3	压力调节器制动器	STOP, PRESSURERE	1	
03	161737	4	滚柱销	PIN, ROLL	1	
03	205345	5	滚柱销	PIN, ROLL	2	
03	205346	6	压缩弹簧	SPRING, COMPRESSIO	1	
03	205347	7	旁通阀柱塞	PLUNGER, BYPASS	1	
03	205348	8	活塞冷却柱塞	PLUNGER, PISTON C	1	
03	205350	9	护圈塞	PLUG, RETAINER	1	
03	3007170	10	活塞冷却器弹簧	SPRING, PISTON CO	1	
03	3008466	11	管塞	PLUG, PUMP	1	
03	3008470	12	管塞	PLUG, PIPE	2	
03	3029820	13	O型密封圈	SEAL, O RING	1	
03	3034578	14	滤清器座接头	ADAPTER, FILTER HE	2	
03	3201125	17	O型密封圈	SEAL ORING	1	
03	3200963		机油滤清器座	LUB, OIL FILTER HEAD	1	
04	3025458	15	管塞	PLUG, PIPE	3	
04	3202156	16	机油滤清器座	HEAD, LUB OIL FILTER	1	
03	3201583		螺塞	PLUG, THREADED	1	
04	3040911	18	螺塞	PLUG, THREADED	1	
04	3201585	19	O型密封圈	SEAL, O RING	1	
02	3889310	20	机油滤清器芯总成	ELEMENT, LUB OIL FILTER	2	



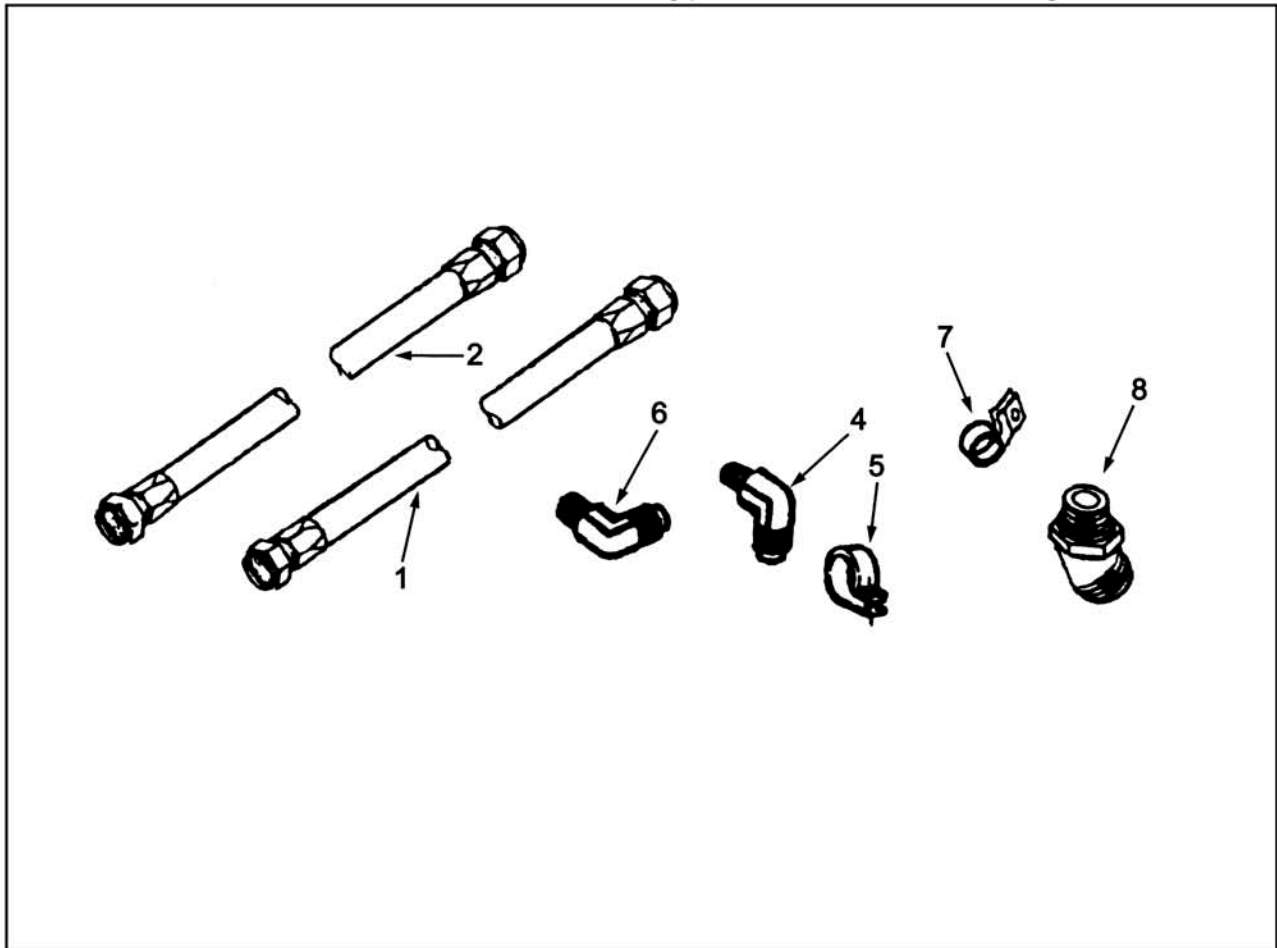
级别 LV	零件号 Part Number	图上标号 Ref No	零件名称 Part Name		数量 Req	备注 Remarks
			中文	英文		
02	3419239	2	机油尺管	TUBE, OIL GAUGE	1	
02	3419241		机油尺管	TUBE, OIL GAUGE	1	
03	3046201		O型圈	SEAL, O RING	1	
03	3655211	1	机油尺管子	TUBE, OIL GAUGE	1	
02	3042083		机油尺	DIPSTICK	1	
03	108172	3	O型密封圈	SEAL, O RING	1	
03	3041136	4	机油尺	DIPSTICK	1	



级别 LV	零件号 Part Number	图上标号 Ref No	零件名称 Part Name		数量 Req	备注 Remarks
			中文	英文		
02	3201060	1	手孔盖	COVER, HAND HOLE	2	
02	3201263	4	手孔盖	COVER, HAND HOLE	1	
02	3046202		螺塞	PLUG, THREADED	2	
03	3040810	8	螺塞	PLUG, THREADED	1	
03	3046201	9	O型密封圈	SEAL, O RING	1	
02	3201081		手孔盖安装	COVER, HAND HOLE MTG	2	
03	3010595	2	六角螺栓	SCREW, CAPTIVE WAS	6	
03	3042586	3	手孔盖衬垫	GASKET, HAND HOLE	1	
02	MP 5090		盖及支架安装	COVER & BRKT MTG	1	
03	3040838	5	带垫螺栓	SCREW, CAPTIVE WASHER CAP	6	
03	3042586	3	手孔盖衬垫	GASKET, HAND HOLE	1	
02	43828	A	抱箍	CLAMP, HOSE	2	
02	AS16020	NF	软管	HOSE, FLEXIBLE	1	

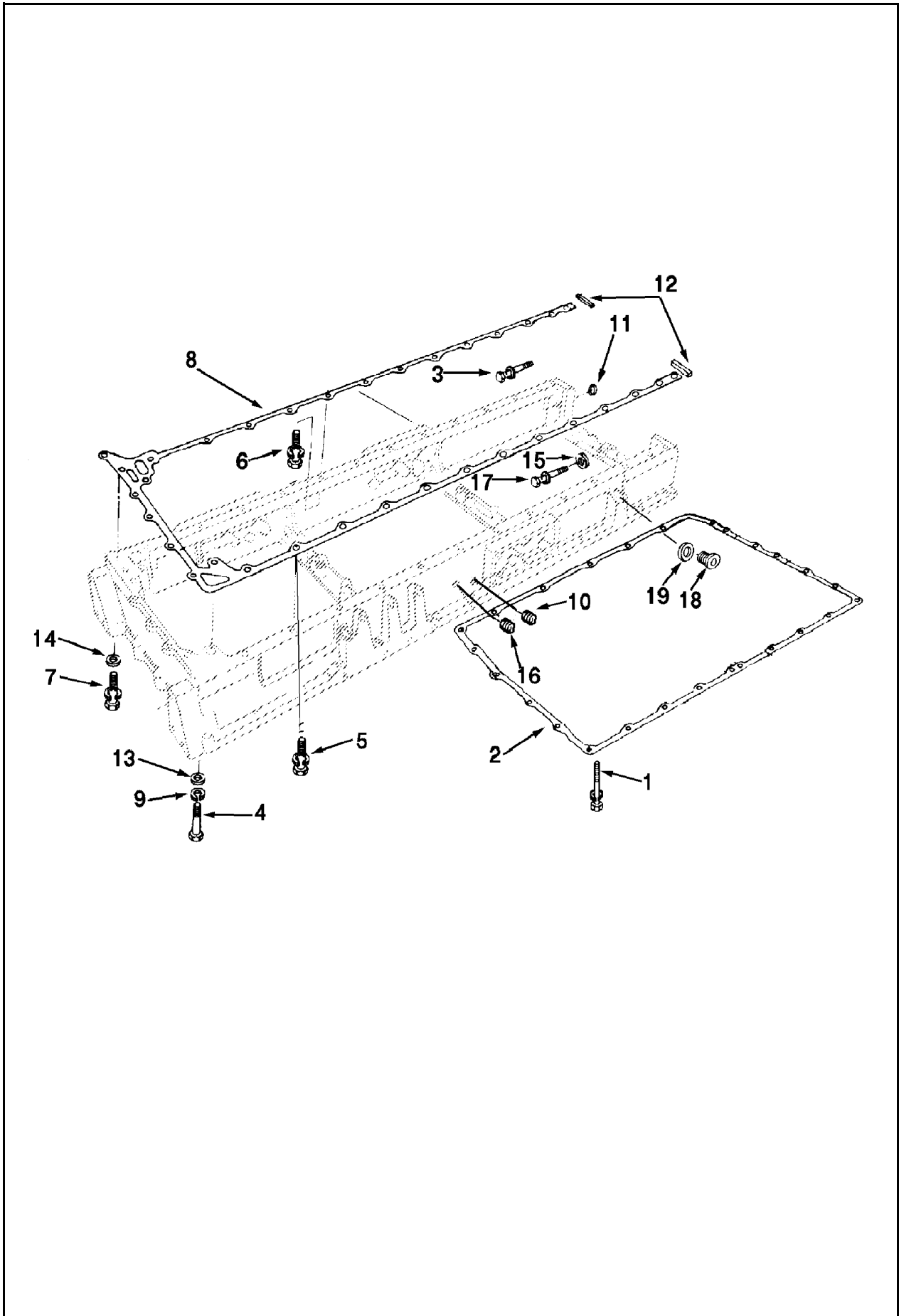


级别 LV	零件号 Part Number	图上标号 Ref No	零件名称 Part Name		数量 Req	备注 Remarks
			中文	英文		
02	3304173	5	机油滤清器座	HEAD, LUB OIL FILTER	1	
02	3889311	6	机油滤清器	ELEMENT, LUB OIL FILTER	1	
02	3035729		机油旁通滤清器安装	MTG, BYPARSS FILTER	1	
03	108707	4	六角螺栓	SCREW, HEXAGON HEAD	3	
03	S 223	1	六角厚螺母	NUT, HEAVY HEXAGON	3	
03	S 604	2	弹簧垫圈	WASHER, LOCK	3	
03	S 602	3	平垫圈	WASHER, PLAIN	6	

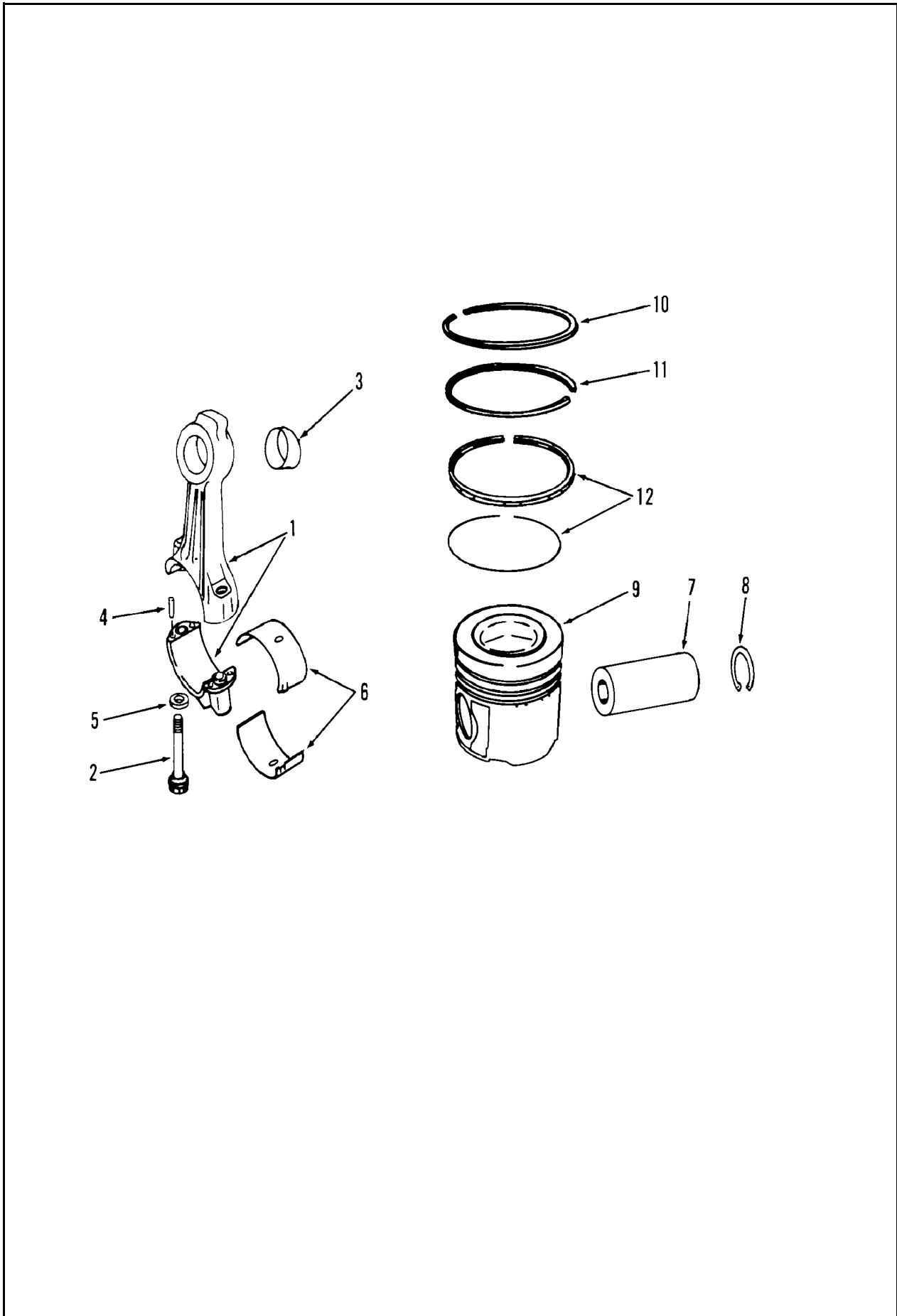


级别 LV	零件号 Part Number		图上标号 Ref No	零件名称 Part Name		数量 Req	备注 Remarks
				中文	英文		
02	3059757			旁滤器安装	MTG, BYPARSS FILTER	1	
03	68645		4	弯接头	ELBOW, MALE ADAPTER	2	
03	100269		5	夹子	CLIP	3	
03	3175687			异径三通接头	TEE, STREET PIPE	1	
03	4061143		3	阳性弯接头	ELBOW, MALE ADAPTER	1	
03	AS 6029	SS	1	软管	HOSE, FLEXIBLE	1	
03	AS 6050	SS	2	软管	HOSE, FLEXIBLE	1	
03	S 1039	A	6	接头	CONNECTOR, MALE	1	

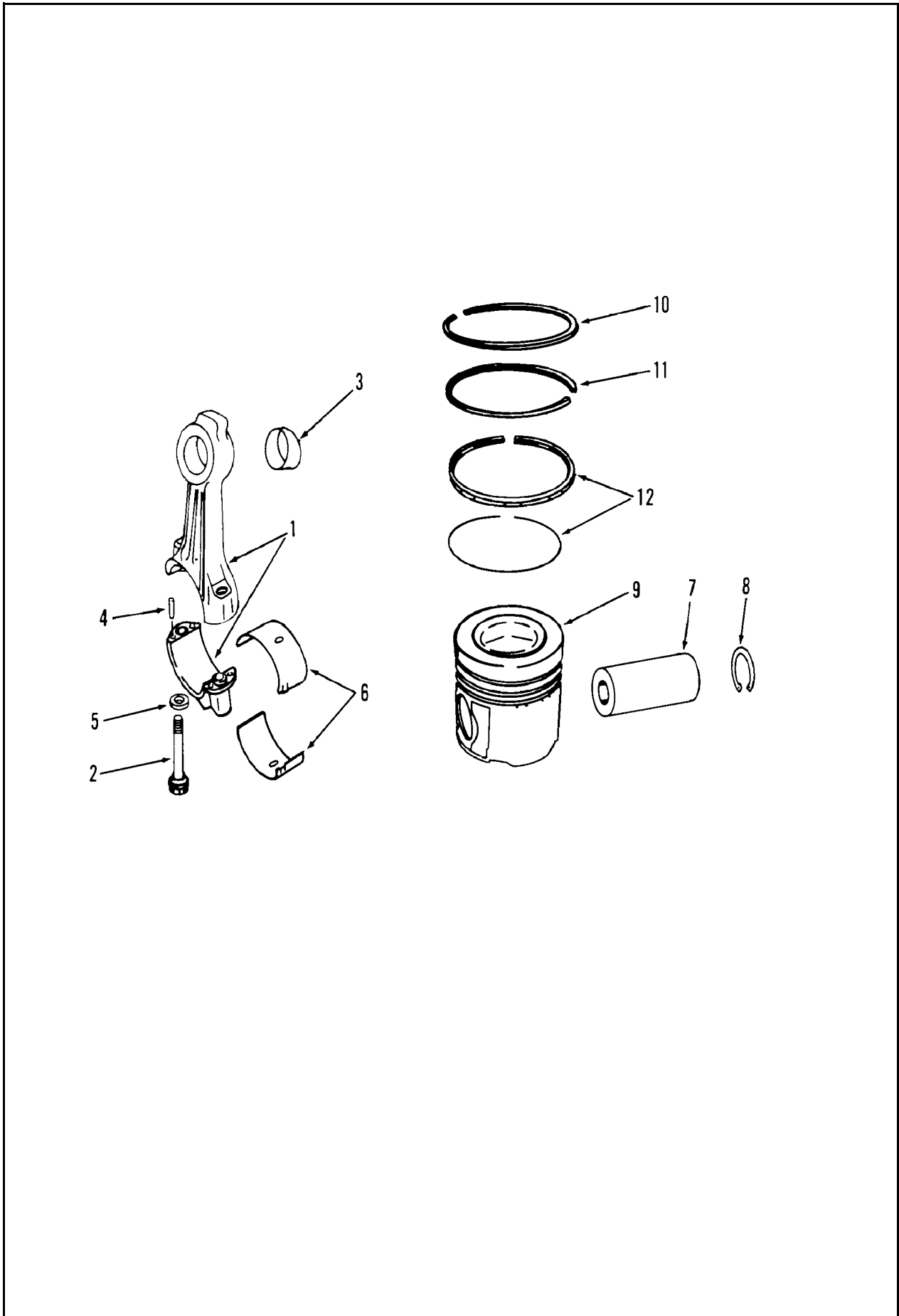
级别 LV	零件号 Part Number	图上标号 Ref No	零件名称 Part Name		数量 Req	备注 Remarks
			中文	英文		
02	3011049	4	机油吸油管	TUBE, LUB OIL SUCTION	1	
02	3012087		机油管安装	TUBE, LUB OIL	1	
03	129069	8	锁紧螺母	NUT, LOCK	1	
03	137890	9	六角螺栓	SCREW, HEXAGON HEAD CAP	2	
03	3008403	10	吸油管衬垫	GASKET, OIL SUCTION	1	
03	3010593	5	带垫螺栓	SCREW, CAPTIVE WAS	1	
03	3010595	11	带垫螺栓	SCREW, CAPTIVE WAS	2	
03	3065707	12	吸油管支架	BRACE, SUCTION CONNECTION	1	
03	3200706	13	夹箍	CLIP	2	
03	S 602	6	平垫圈	WASHER, PLAIN	4	
03	S 610	7	弹簧垫圈	WASHER, LOCK	2	
02	3418862	14	机油盘联接体	ADAPTER, OIL PAN	1	
02	AR12034		机油盘总成	PAN OIL	1	
03	3008468	2	管塞	PLUG, PIPE	2	
03	3008470	3	管塞	PLUG, PIPE	2	
03	3046942		放油塞总成	PLUG, PIPE	2	
04	3046869	22	放油塞	PLUG, THREADED	1	
04	3046943	23	O型密封圈	SEAL, O RING	1	
04	3655222		磁芯	CORE	1	
03	3202152	1	机油盘	PAN OIL	1	
02	AR10695		机油盘联接体盖	COVER, OIL PAN ADAPTER	1	
03	67946		平垫圈	WASHER, PLAIN	1	
03	207306	18	机油盘联接体盖	COVER, OIL PAN ADAPTER	1	
03	3035624	15	带垫螺栓	SCREW, CAPTIVE WASHER	18	
03	3055069		放油塞总成	PLUG, THREADED	1	
03	3073213	19	机油盘联接体盖衬垫	GASKET OIL PAN	1	
02	3000204	21	铜垫圈	WASHER, COPPER	2	
02	S 181 C	20	六角螺栓	SCREW, HEXAGON HEAD CAP	2	



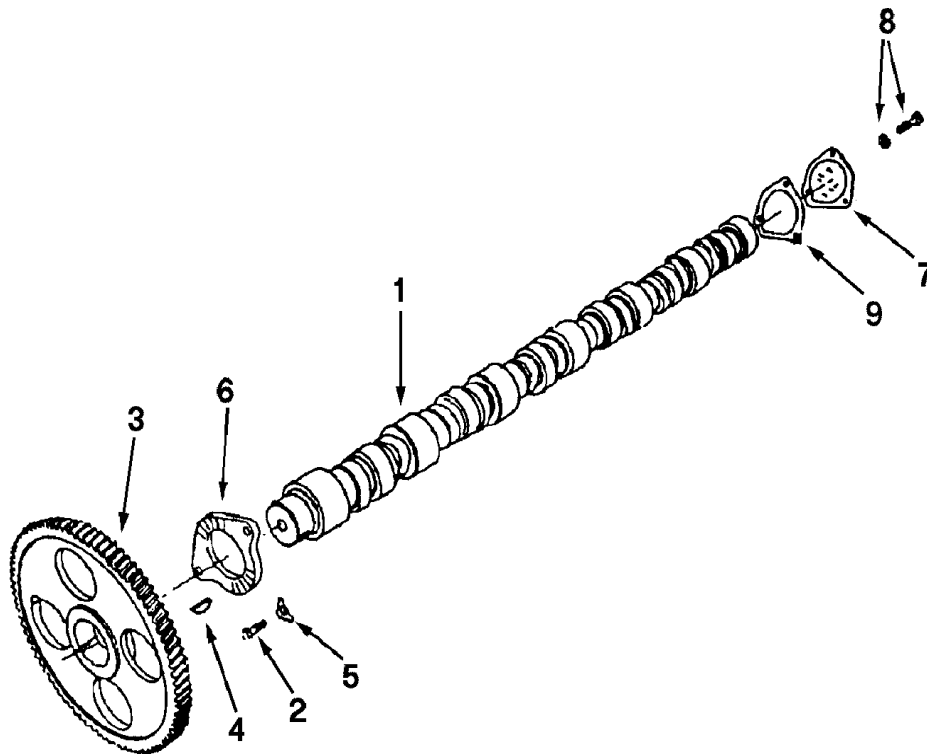
级别 LV	零件号 Part Number	图上标号 Ref No	零件名称 Part Name		数量 Req	备注 Remarks
			中文	英文		
02	3016725		机油盘联接体安装	MTG, OIL PAN ADAPT	1	
03	127362	14	平垫圈	WASHER, PLAIN	2	
03	137980	4	六角螺栓	SCREW, HEXAGON HEAD CAP	1	
03	153518	11	矩形密封圈	SEAL, RECTANGULAR	4	
03	3040837	7	带垫螺栓	SCREW, CAPTIVE WAS	1	
03	3012478	5	带垫螺栓	SCREW, CAPTIVE WASHER	2	
03	3012481	17	六角螺栓	SCREW, HEXAGON HEAD	2	
03	3013786	16	管塞	PLUG, PIPE	1	
03	3025460	10	管塞	PLUG, PIPE	1	
03	3065723	6	带垫螺栓	SCREW, CAPTIVE WASHER	28	
03	3035624	3	带垫螺栓	SCREW, CAPTIVE WASHER	5	
03	3046202		螺塞	PLUG, THREADED	2	
04	3040810	18	螺塞	PLUG, THREADED	1	
04	3046201	19	O型圈	SEAL, O RING	1	
03	3069844	12	矩形带	SEAL, RECTANGULAR STRIP	2	
03	4000595	8	机油盘连接体衬垫	GASKET, OIL PAN	1	
03	S 609	9	弹簧垫圈	WASHER, LOCK	1	
03	S 622	15	平垫圈	WASHER, PLAIN	2	
03	S 689	13	平垫圈	WASHER, PLAIN	1	
02	MP 5012		机油盘安装总成	PAN, OIL MTG	1	
03	3035624	1	带垫螺栓	SCREW, CAPTIVE WASHER	28	
03	3042590	2	机油盘衬垫	GASKET, OIL PAN	1	



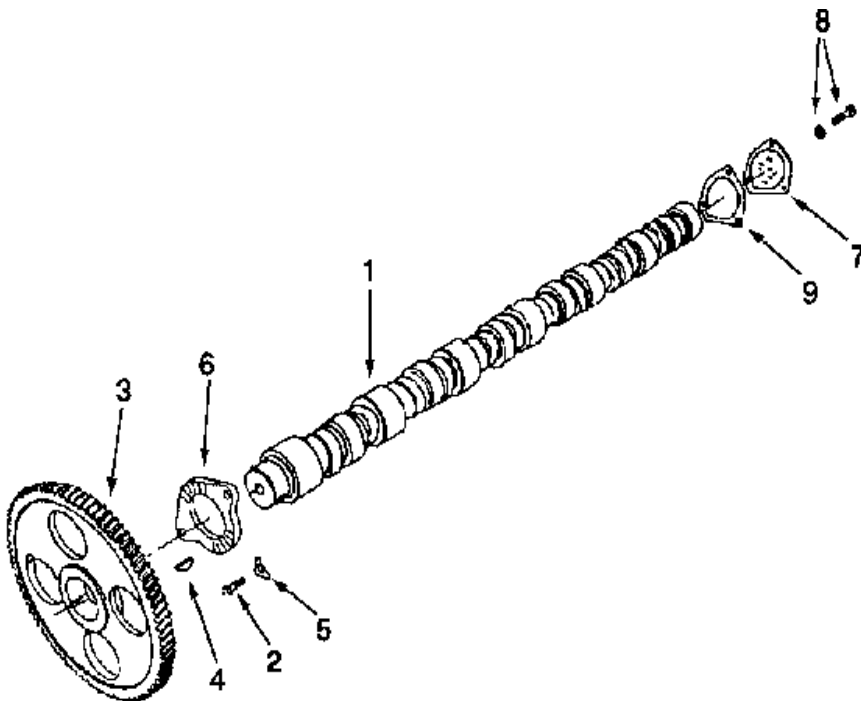
级别 LV	零件号 Part Number	图上标号 Ref No	零件名称 Part Name		数量 Req	备注 Remarks
			中文	英文		
02	3039218		活塞连杆总成	PISTON & CONN ROD	6	适用于: KTA19-G2(M)
03	205200	7	活塞销	PIN, PISTON	1	
03	205269	8	挡圈	RING, RETAININGT	2	
03	205840	6	连杆瓦	BEARINGT, CONNECTING ROD	2	
03	3036073	9	活塞	PISTON, ENGINE	1	
03	3070589	10	压缩环	RING, COMPRESSION PISTON	1	
03	3090450	12	油环	RING OIL PISTON	1	
03	3090460	11	压缩环	RING, COMPRESSION PISTON	1	
03	3811995		发动机连杆	ROD, ENGINE CONNECTING	1	
04	69558	4	定位销	DOWEL, PIN	4	
04	205126	5	平垫圈	WASHER, PLAIN	2	
04	3013265	2	连杆螺栓	SCREW, CONNECTING ROD CAP	2	
04	3043909	3	衬套	BUSHING	1	
04	3811994	1	连杆	ROD, ENGINE CONNECT	1	
03	205841	6	连杆瓦	BEARINGT CONNECTINGROD	2	加厚.001英寸
03	205842	6	连杆瓦	BEARINGT CONNECTINGROD	2	加厚.002英寸
03	205843	6	连杆瓦	BEARINGT CONNECTINGROD	2	加厚.003英寸



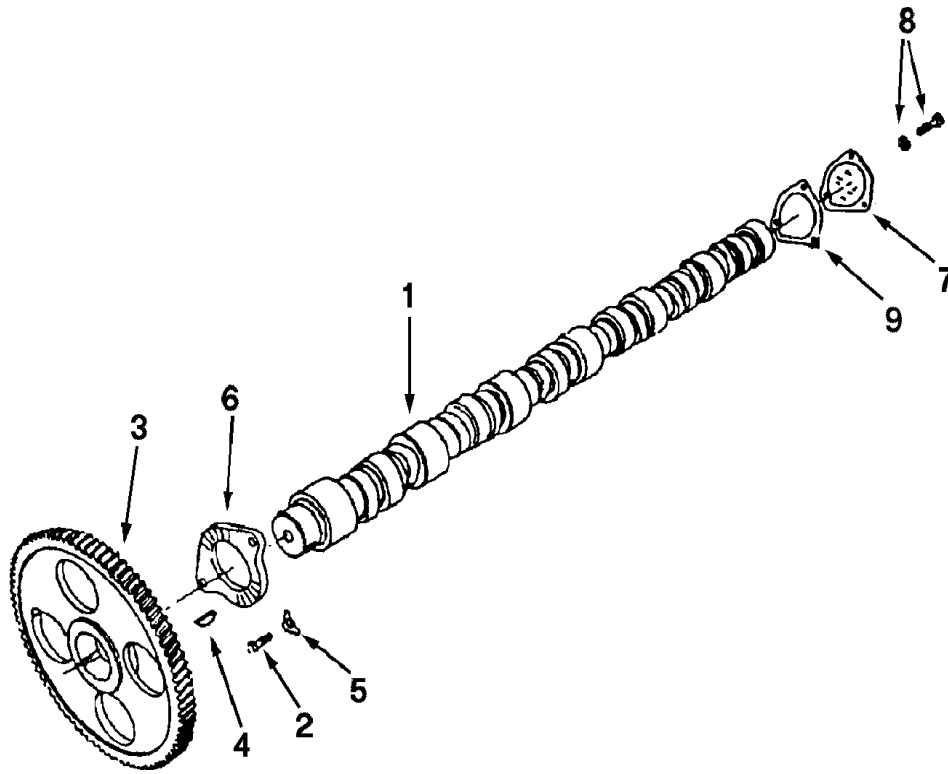
级别 LV	零件号 Part Number	图上标号 Ref No	零件名称 Part Name		数量 Req	备注 Remarks
			中文	英文		
02	3062598		活塞连杆总成	PISTON & CONN ROD	6	适用于:
03	205200	7	活塞销	PIN, PISTON	1	KTA19-G3(M)
03	205269	8	挡圈	RING, RETAININGT	2	/G4(M)
03	205840	6	连杆瓦	BEARINGT, CONNECTING ROD	2	
03	3070589	10	压缩环	RING, COMPRESSION PISTON	1	
03	3090450	12	油环	RING, OIL PISTON	1	
03	3090460	11	压缩环	RING, CPMPRESSION PISTON	1	
03	3096685	9	活塞	PISTON, ENGINE	1	
03	3811995		发动机连杆	ROD, ENGINE CONNECTING	1	
04	69558	4	定位销	DOWEL, PIN	4	
04	205126	5	平垫圈	WASHER, PLAIN	2	
04	3013265	2	连杆螺栓	SCREW, CONNECTING ROD CAP	2	
04	3043909	3	衬套	BUSHING	1	
04	3811994	1	连杆	ROP, ENGIN CONNEC	1	
03	205841	6	连杆瓦	BEARINGT, CONNECTING ROD	2	加厚0.01英寸
03	205842	6	连杆瓦	BEARINGT, CONNECTING ROD	2	加厚0.02英寸
03	205843	6	连杆瓦	BEARINGT, CONNECTING ROD	2	加厚0.03英寸



级别 LV	零件号 Part Number	图上标号 Ref No	零件名称 Part Name		数量 Req	备注 Remarks
			中文	英文		
02	3028960		凸轮轴	CAMSHAFT	1	适用于: KTA19-G2(M)
03	200708	4	半圆键	KEY, OFFSET WOODRUFF	1	
03	207770	1	凸轮轴	CAMSHAFT	1	
03	3007971	6	凸轮轴止推轴承	BEARING, CAMSHAFT THRUST	1	
03	3008970	3	凸轮轴齿轮	GEAR, CAMSHAFT	1	
02	MP 4970		凸轮轴安装	CAMSHAFT, MTG	1	
03	68908	5	螺栓锁紧片	LOCK PLANE CAPSCREW	2	
03	S 112	2	螺栓	SCREW, HEXAGON HEAD CAP	2	
02	207373	7	凸轮轴端盖	COVER, CAMSHAFT	1	
02	MP 4981		凸轮轴盖安装	COVER CAMSHAFT MTG	1	
03	3014766	8	带垫螺栓	SCREW, CAPTIVE WASHER CAP	3	
03	3040722	9	凸轮轴盖衬垫	GASKET, CAMSHAFT COVER	1	



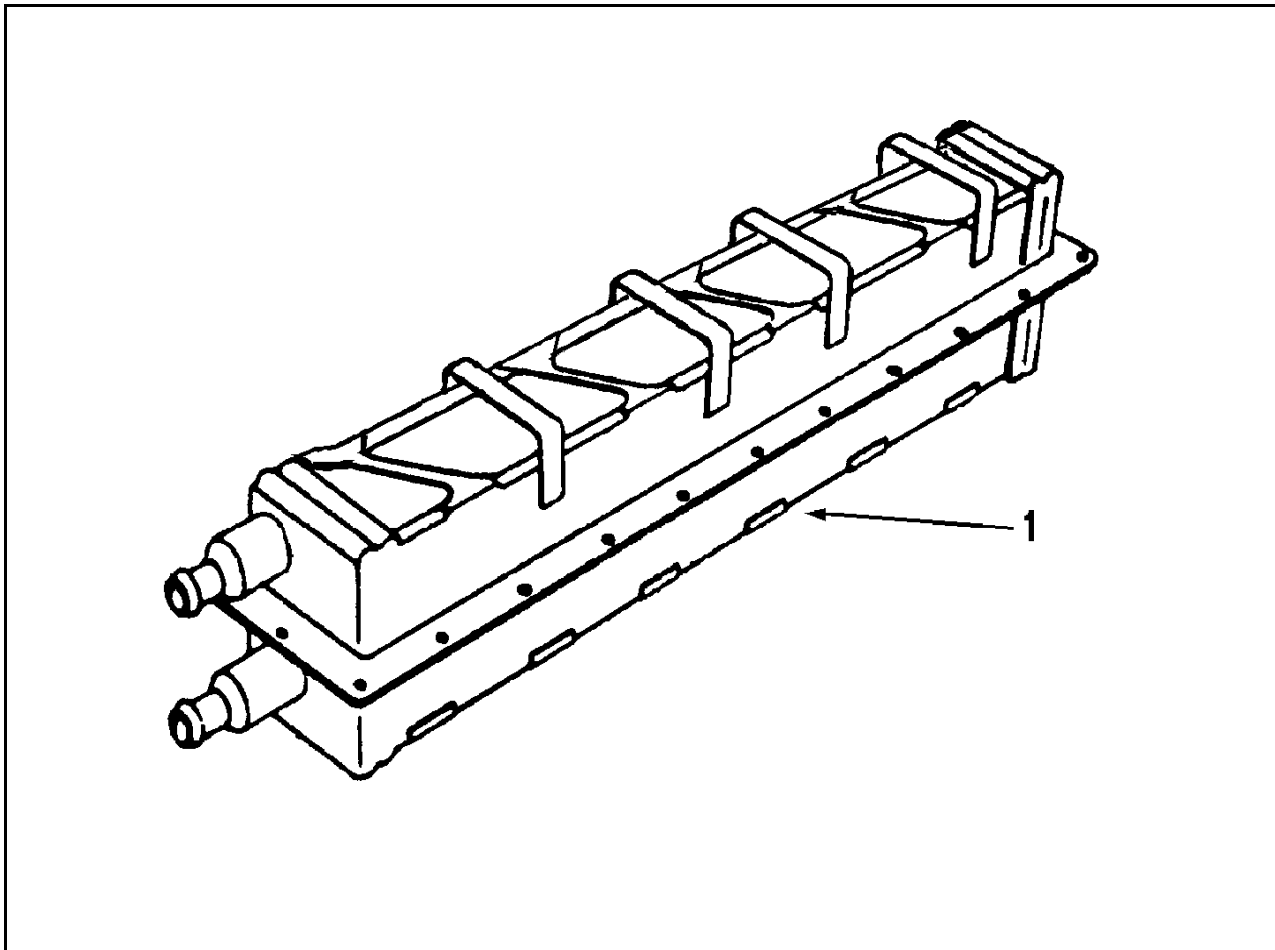
级别 LV	零件号 Part Number	图上标号 Ref No	零件名称 Part Name		数量 Req	备注 Remarks
			中文	英文		
02	3073207		凸轮轴	CAMSHAFT	1	适用于: KTA19-G3(M)
03	200709	4	半圆键	KEY, OFFSET WOODRUFF	1	
03	3066882	1	凸轮轴	CAMSHAFT	1	
03	3007971	6	凸轮轴止推轴承	BEARING, CAMSHAFT THRUST	1	
03	3008970	3	凸轮轴齿轮	GEAR, CAMSHAFT	1	
02	MP 4970		凸轮轴安装	CAMSHAFT, MTG	1	
03	68908	5	螺栓锁紧片	LOCK PLANE CAPSCREW	2	
03	S 112	2	螺栓	SCREW, HEXAGON HEAD CAP	2	
02	207373	7	凸轮轴端盖	COVER, CAMSHAFT	1	
02	MP 4981		凸轮轴盖安装	COVER CAMSHAFT MTG	1	
03	3014766	8	带垫螺栓	SCREW, CAPTIVE WASHER CAP	3	
03	3040722	9	凸轮轴盖衬垫	GASKET, CAMSHAFT COVER	1	



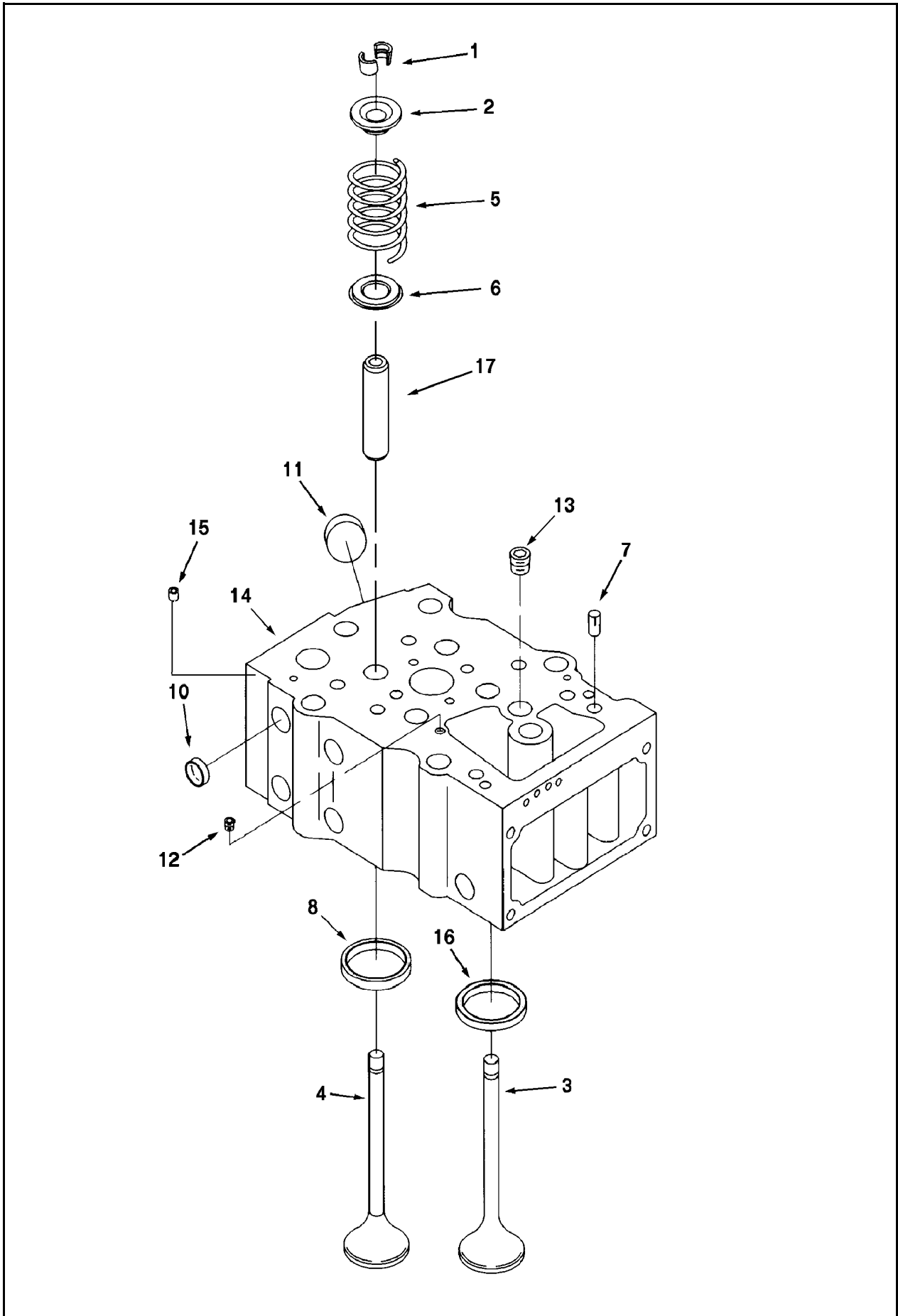
级别 LV	零件号 Part Number	图上标号 Ref No	零件名称 Part Name		数量 Req	备注 Remarks
			中文	英文		
02	3088590		凸轮轴	CAMSHAFT	1	适用于: KTA19-G4(M)
03	216294	4	半圆键	KEY, OFFSET	1	
03	3007971	6	凸轮轴止推轴承	BEARING, CAMSHAFT THRUST	1	
03	3008970	3	凸轮轴齿轮	GEAR, CAMSHAFT	1	
03	3076767	1	凸轮轴	CAMSHAFT	1	
02	MP 4970		凸轮轴安装	CAMSHAFT, MTG	1	
03	68908	5	螺栓锁紧片	LOCK PLANE CAPSCREW	2	
03	S 112	2	螺栓	SCREW, HEXAGON HEAD CAP	2	
02	207373	7	凸轮轴端盖	COVER, CAMSHAFT	1	
02	MP 4981		凸轮轴盖安装	COVER CAMSHAFT MTG	1	
03	3014766	8	带垫螺栓	SCREW, CAPTIVE WASHER CAP	3	
03	3040722	9	凸轮轴盖衬垫	GASKET, CAMSHAFT COVER	1	

图—52

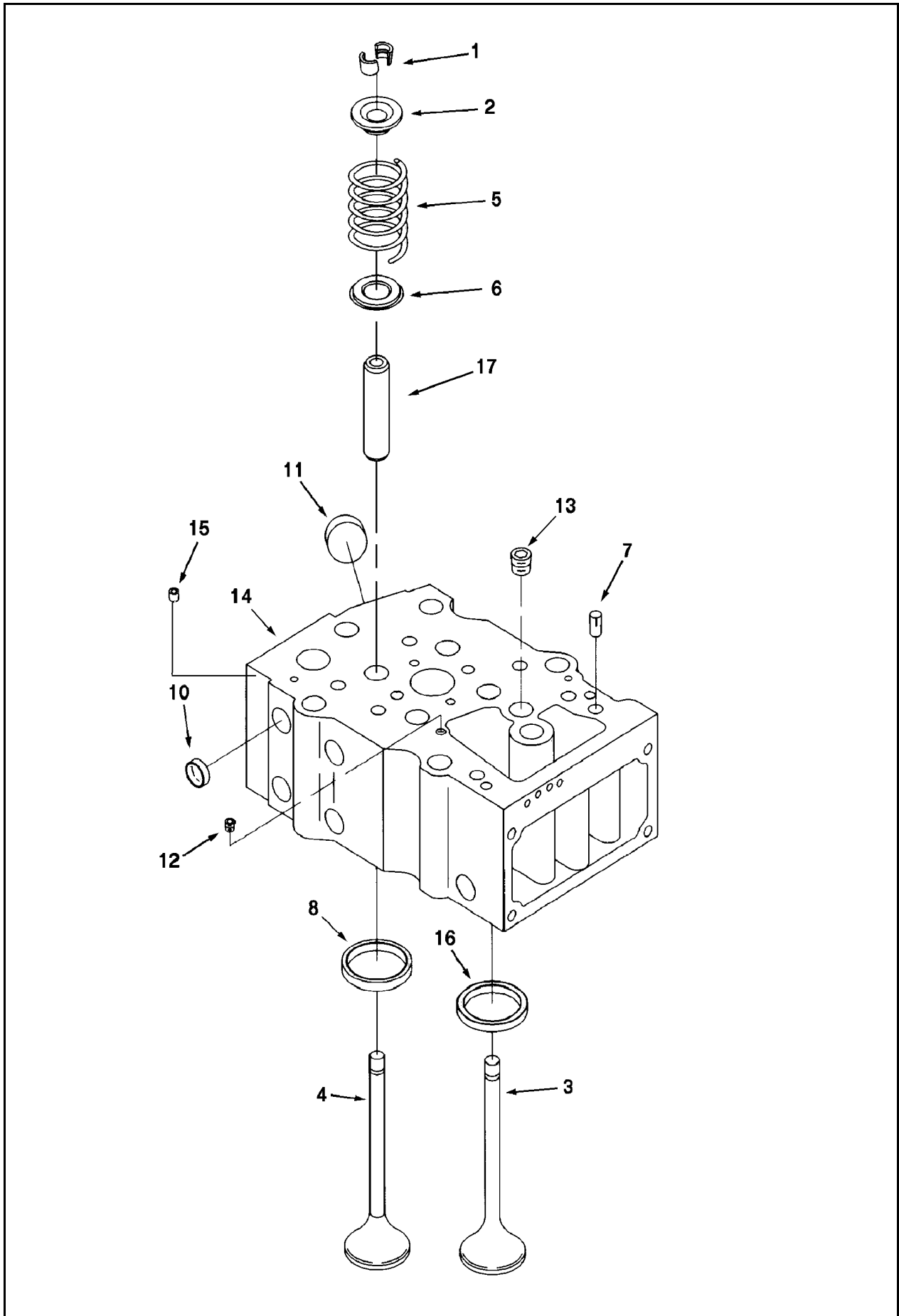
中冷器芯 Aftercooler Code PP 4107.PP 1456.PP 4152



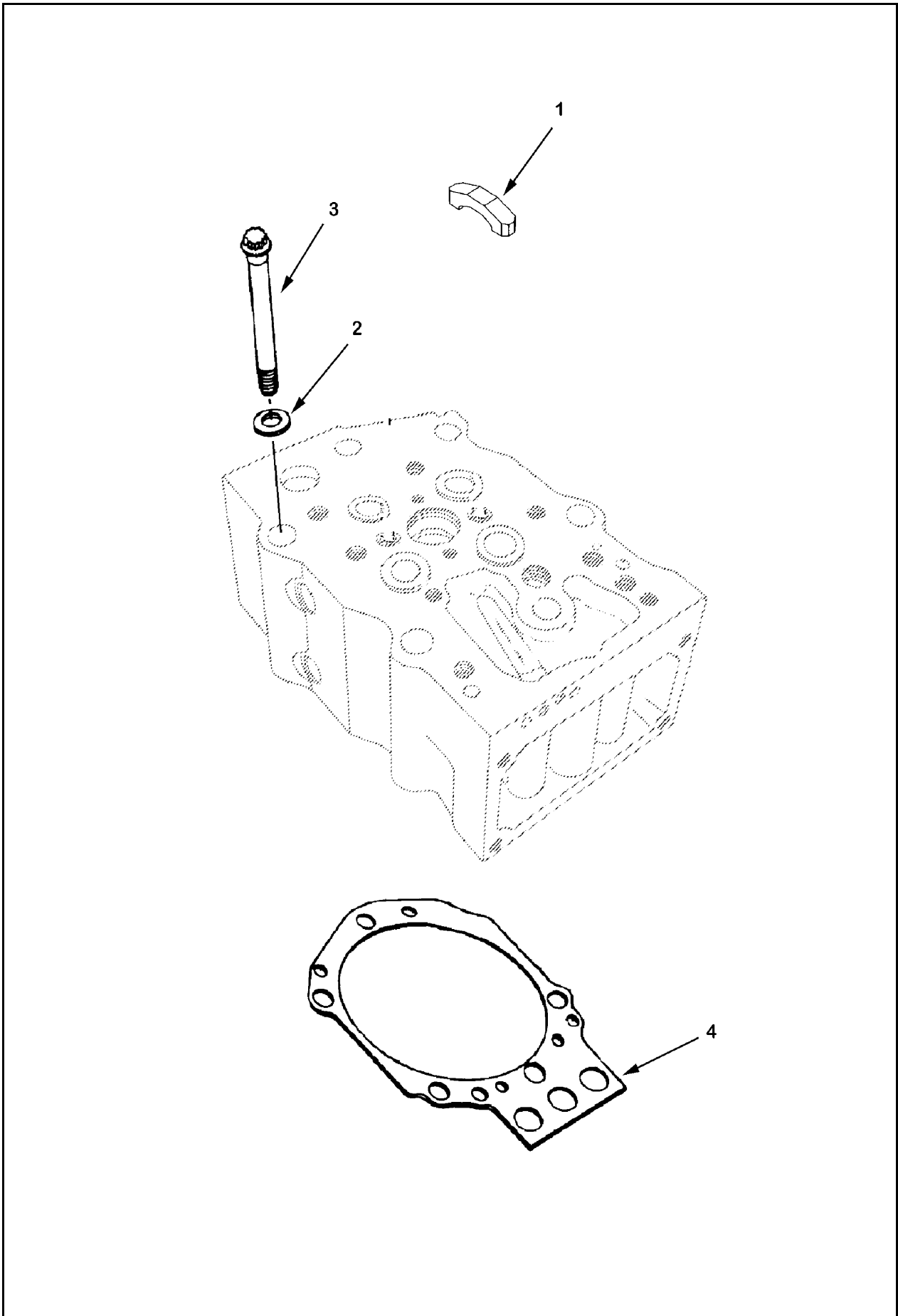
级别 LV	零件号 Part Number	图上标号 Ref No	零件名称 Part Name		数量 Req	备注 Remarks
			中文	英文		
02	3001299	1	中冷器芯	CORE, AFTER COOLER	1	



级别 LV	零件号 Part Number	图上标号 Ref No	零件名称 Part Name		数量 Req	备注 Remarks
			中文	英文		
02	3021692		气缸盖	HEAD, CYLINDER	6	适用于: KTA19-G2(M)
03	205091	1	气门锁夹	COLOLET, VALVE	8	
03	205094	2	气门弹簧上座	RETAINER, VALVE SPRING	4	
03	205208	5	气门弹簧	SPRING, VALVE	4	
03	207241	3	进气门	VALVE, INTAKE	2	
03	3001663	6	气门弹簧下座板	GUIDE, VALVE SPRING	4	
03	3035110	4	排气门	VALVE, EXHAUST	2	
03	3037214		缸盖	HEAD, CYLINDER	1	
04	68445	7	带槽圆柱销	PIN, GROOVE	2	
04	205093	8	排气门镶座	INSERT, VALVE	2	
04	3009089		气缸盖	HEAD, CYLINDER	1	
05	205401	10	碗型塞	PLUG, EXPANSION	8	
05	206224	11	碗型塞	PLUG, EXPANSION	2	
05	S 911 B	12	管塞	PLUG, PIPE	1	
05	3013257	13	管塞	PLUG, PIPE	1	
05	3176619	14	气缸盖	HEAD, CYLINDER	1	
04	3009109		空气偏浇板	PLATE, AIR DEFLEC	2	
04	3026292	16	进气门镶座	INSERT, VALVE	2	
04	3201311	17	气门导管	GUIDE, VALVE STEM	4	



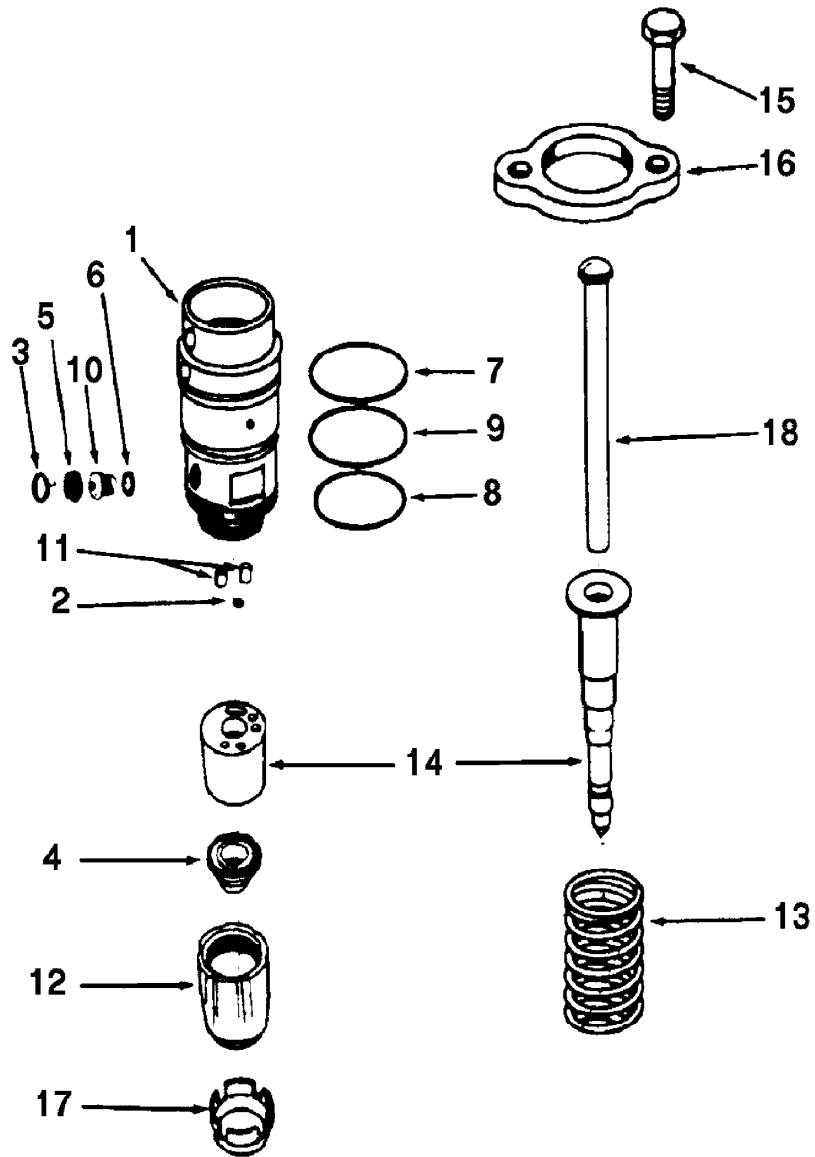
级别 LV	零件号 Part Number	图上标号 Ref No	零件名称 Part Name		数量 Req	备注 Remarks
			中文	英文		
02	3811985		气缸盖	HEAD, CYLINDER	6	适用于:
03	205091	1	气门锁夹	COLLET, VALVE	8	KTA19-G3(M)
03	205094	2	气门弹簧上座	RETAINER, VALVE SPRING	4	/G4(M)
03	3052820	3	进气门	VALVE, INTAKE	2	
03	3081081	6	气门转子	ROTATER	4	
03	3088389	4	排气门	VALVE, EXHAUST	2	
03	3633840	5	气门弹簧	SPRING, VALVE	4	
03	3811981		气缸盖	HEAD, CYLINDER	1	
04	68445	7	带槽圆柱销	PIN, GROOVE	2	
04	205093	8	排气门镶座	INSERT, VALVE	2	
04	3052819	16	气门座圈	INSERT, VALVE	2	
04	3081065		气缸盖	HEAD, CYLINDER	1	
05	3013786	12	管塞	PLUG, PIPE	1	
05	203933	15	碗型塞	PLUG, EXPANSION	1	
05	205401	10	碗型塞	PLUG, EXPANSION	8	
05	206224	11	碗型塞	PLUG, EXPANSION	2	
05	3081064	14	气缸盖	HEAD, CYLINDER	1	
05	3201311	17	气门导管	GUIDE, VALVE STEM	4	
05	S 915	13	管塞	PLUG, PIPE	1	



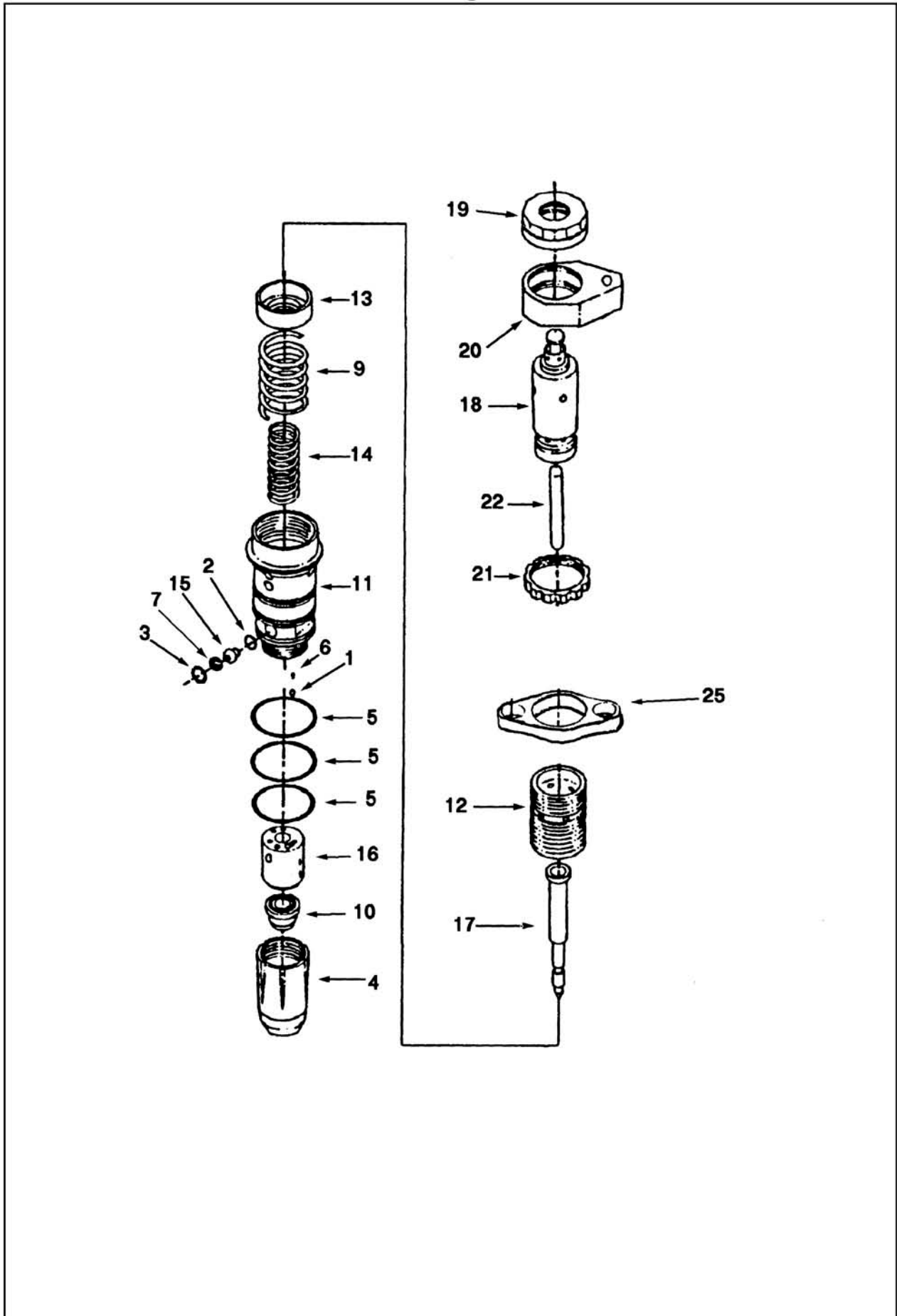
表—55

气缸盖安装 Mtg, Cylinder Head PP 4107. PP 1456. PP 4152

级别 LV	零件号 Part Number	图上标号 Ref No	零件名称 Part Name		数量 Req	备注 Remarks
			中文	英文		
02	3013962		气缸盖安装	HEAD, CYLINDER MTG	6	
03	205059	2	平垫圈	WASHER, CYLINDER	6	
03	3032633	3	十二角螺栓	SCREW, TWELVE POINT CAP	6	
03	3086362	1	丁字压板	CROSSHEAD, VALVE	2	
02	3166289	4	气缸垫	GASKET, CYLINDER H	6	

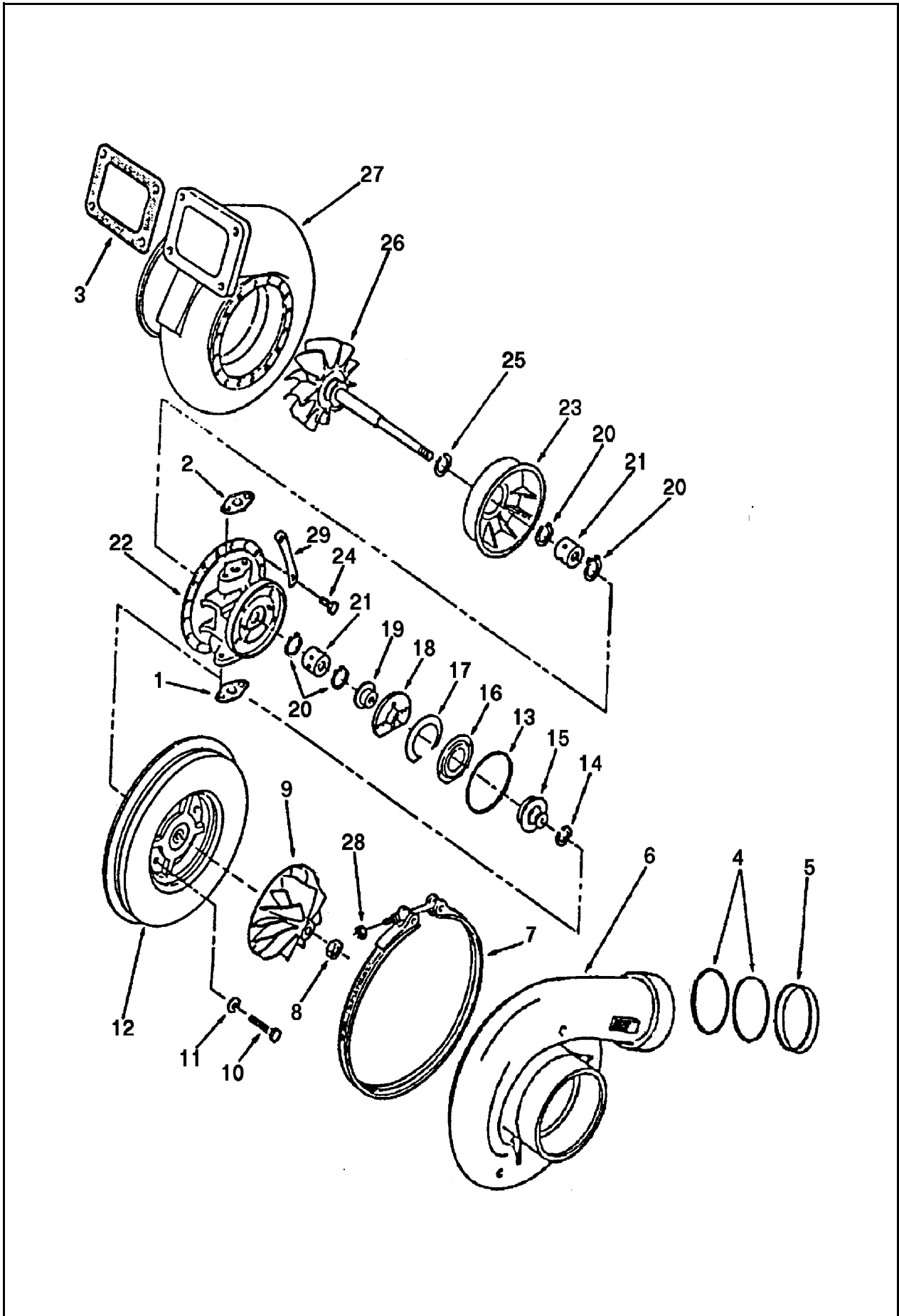


级别 LV	零件号 Part Number	图上标号 Ref No	零件名称 Part Name		数量 Req	备注 Remarks
			中文	英文		
02	3016676		喷油器	INJECTOR	6	适用于: KTA19-G2(M)
	167157	2	止回球阀	BALL, CHECK	1	
	173086	6	衬垫	GASKET, INJECTOR	1	
	174299	3	挡板	RETAINER, SCREEN	1	
	193736	8	O型密封圈	SEAL, O RING	3	
	203426	11	圆柱销	PIN, ROLL	2	
	205463	1	喷油器体	ADAPTER, INJECTOR	1	
	205464	13	压缩弹簧	SPRING, COMPRESSION	1	
	207245	12	螺帽	RETAINER, INJECTOR CUP	1	
	3001314	4	喷油器油环	CUP, INJECTOR	1	
	3008706	5	过滤板	SCREEN, FILTER	1	
	3037292	14	柱塞副总成	BARREL & PLUNGER	1	
	3045047	10	堵塞	PLUG, INJECTOR ORIFICE	1	
02	MP 4991		喷油嘴安装	INJECTOR, MTG	6	
03	165006	15	六角螺栓	SCREW, HEXAGON HEAD	2	
03	205462	18	喷油器连接杆	LINK, INJECTOR PL	1	
03	207244	17	喷油器密封环	RING, INJECTOR SE	1	
03	3006696	16	喷油器压板	CLAMP, INJECTOR	1	

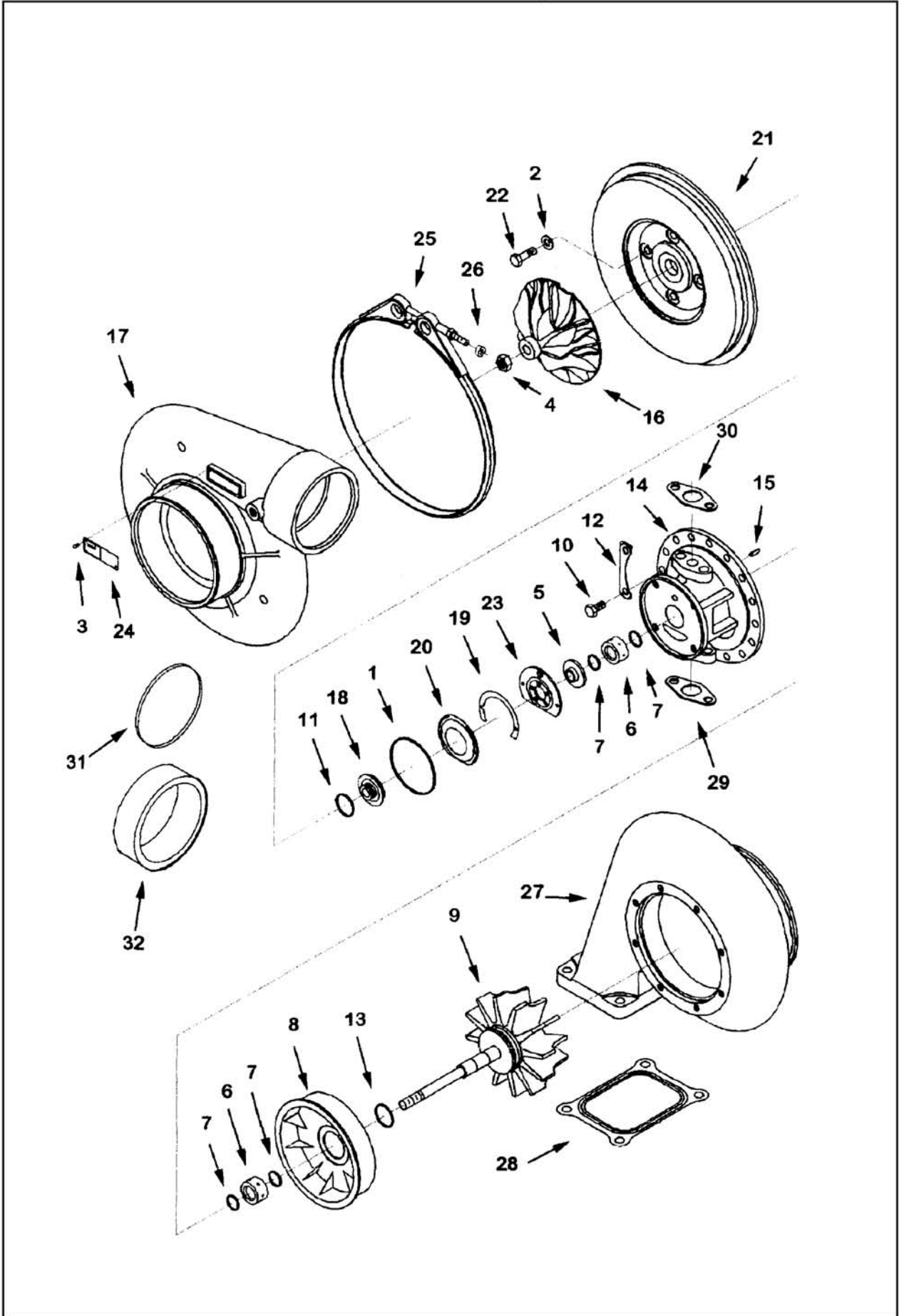


级别 LV	零件号 Part Number	图上标号 Ref No	零件名称 Part Name		数量 Req	备注 Remarks
			中文	英文		
02	3077715		喷油器	INJECTOR	6	总成装配
	167157	1	止回球阀	BALL, CHECK	1	适用于:
	173086	2	衬垫	GASKET, INJECTOR	1	KTA19-G3(M)
	174299	3	挡板	RETAINER, SCREEN	1	
	193736	5	O型密封圈	SEAL, O RING	3	
	203426	6	圆柱销	PIN, ROLL	2	
	3042425	11	喷油器体	ADAPTER, INJECTOR	1	
	3042427	14	喷油器弹簧	SPRING, INJECTOR	1	
	3042428	9	喷油器弹簧	SPRING, INJECTOR	1	
	3042430	4	螺帽	RETAINER, INJECTOR CUP	1	
	3045047	15	堵塞	PLUG, INJECTOR ORIFICE	1	
	3052218	13	弹簧螺帽	RETAINER, INJECTOR SPR	1	
	3054999	7	过滤板	SCREEN, FILTER	1	
	3068859	19	喷油器顶帽	CAP, TAPPET TOP STOP	1	
	3075381	18	HVT挺杆	TAPPET, HYD VAR TIMING	1	
	3076126		柱塞副总成	BARREL & PLUNGER	1	
	(3053504)	16	柱塞套	BARREL, INJECTOR	1	
	(3076124)	17	柱塞	PLUNGER, INJECTOR	1	
	3279720	10	喷油器帽	CUP, INJECTOR	1	
	3279821	12	螺栓	SCREW, INJECTOR STOP	1	
	3279850	20	锁紧螺母	NUT, TAPPET TOP STOP LOC	1	
	3411695	25	喷油器压板	CLAMP, INJECTOR	1	
	3627894	22	喷油器连接杆	LINK, INJECTOR PLUNGER	1	
	3068860	21	锁紧螺母	NUT, LOCK	1	
02	3073205		喷油嘴安装	INJECTOR MTG.	6	
03	131026	25	O型密封圈	SEAL, O RING	1	
03	207244	24	喷油器密封环	SEAL, INJECTOR	1	
03	3023095	27	垫圈	WASHER, SEALING	2	
03	3070962	23	六角螺栓	SCREW, HEXAGON HEAD CAP	2	
03	3179021	26	螺栓	SCREW, BANJO CONNECTOR	1	
03	3627044	28	HVT机油输油管	CONNECTION, OIL TRANSFER	1	

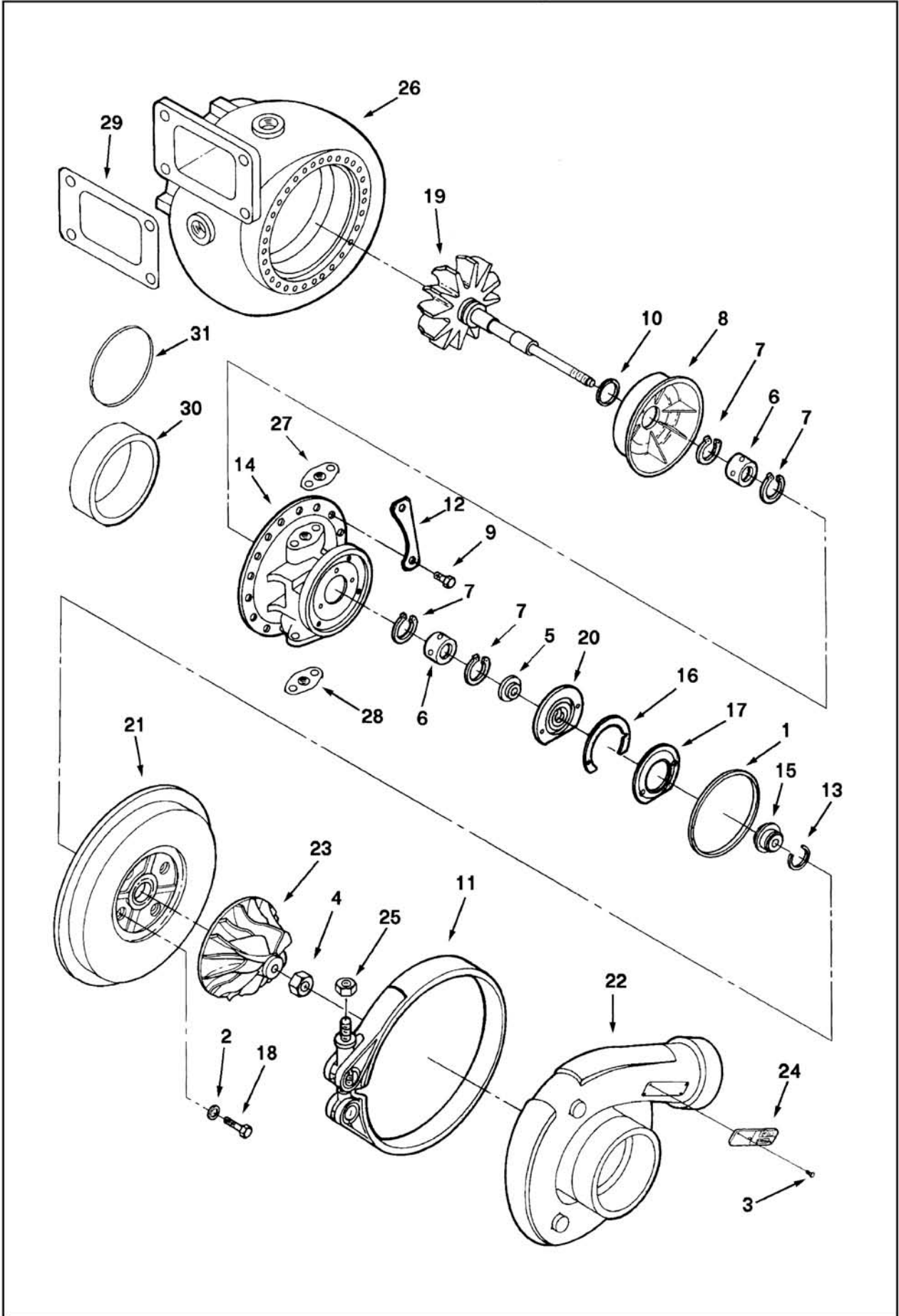
级别 LV	零件号 Part Number	图上标号 Ref No	零件名称 Part Name		数量 Req	备注 Remarks
			中文	英文		
02	3095773		喷油器	INJECTOR	6	总成装配
	167157	1	止回球阀	BALL, CHECK	1	适用于:
	173086	2	衬垫	GASKET, INJECTOR	1	KTA19-G4(M)
	174299	3	挡板	RETAINER, SCREEN	1	
	193736	5	O型密封圈	SEAL, O RING	3	
	203426	6	圆柱销	PIN, ROLL	2	
	3042425	11	喷油器体	ADAPTER, INJECTOR	1	
	3042427	14	喷油器弹簧	SPRING, INJECTOR	1	
	3042428	9	喷油器弹簧	SPRING, INJECTOR	1	
	3042430	4	螺帽	RETAINER, INJECTOR CUP	1	
	3045047	15	堵塞	PLUG, INJECTOR ORIFICE	1	
	3052218	13	弹簧螺帽	RETAINER, INJECTOR SPR	1	
	3054999	7	过滤板	SCREEN, FILTER	1	
	3068859	19	喷油器顶帽	CAP, TAPPET TOP STOP	1	
	3075381	18	HVT挺杆	TAPPET, HYD VAR TIMING	1	
	3076126		柱塞副总成	BARREL & PLUNGER	1	
	(3053504)	16	柱塞套	BARREL, INJECTOR	1	
	(3076124)	17	柱塞	PLUNGER, INJECTOR	1	
	3279720	10	喷油器帽	CUP, INJECTOR	1	
	3279821	12	螺栓	SCREW, INJECTOR STOP	1	
	3279850	20	锁紧螺母	NUT, TAPPET TOP STOP LOC	1	
	3411695	22	喷油器压板	CLAMP, INJECTOR	1	
	3627894	21	喷油器连接杆	LINK, INJECTOR PLUNGER	1	
02	3073205		喷油嘴安装	INJECTOR MTG.	6	
03	131026	25	O型密封圈	SEAL, O RING	1	
03	207244	24	喷油器密封环	SEAL, INJECTOR	1	
03	3023095	27	垫圈	WASHER, SEALING	2	
03	3070962	23	六角螺栓	SCREW, HEXAGON HEAD CAP	2	
03	3179021	26	螺栓	SCREW, BANJO CONNECTOR	1	
03	3627044	28	HVT机油输油管	CONNECTION, OIL TRANSFER	1	



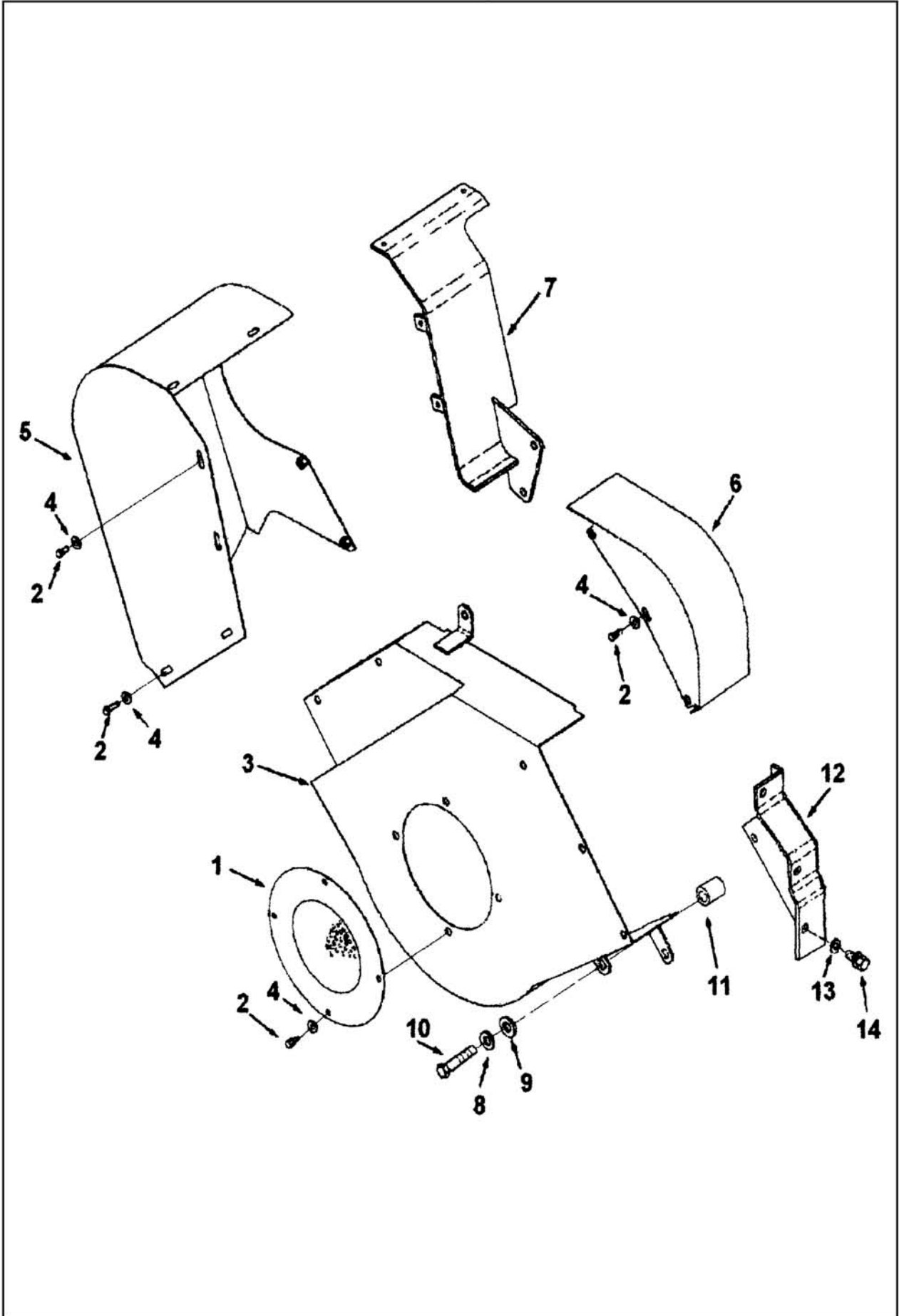
级别 LV	零件号 Part Number	图上标号 Ref No	零件名称 Part Name		数量 Req	备注 Remarks
			中文	英文		
02	3523851		增压器	TURBOCHARGER	1	总成装配 适用于:
	3502449	1	矩形密封圈	SEAL, RECTANGULER RING	1	KTA19-G2(M)
	3504967	2	平垫圈	WASHER, PLAIN	4	
	3519163	3	自攻螺栓	SCREW, DRIVE	2	
	3519135	4	锁紧螺母	NUT, LOCK	1	
	3519623	5	止推环	COLLER, THRUST	1	
	3519627	6	轴承	BEARING, TURBOCHARGER	2	
	3519641	7	挡圈	RING, RETAINING	4	
	3519783	8	隔热板	SHIELD, TURBOCHARGER	1	
	3521225	9	六角螺栓	SCREW, HEXAGON HEAD SET	8	
	3521442	10	密封环	SEAL, SPLIT RING	1	
	3522631	11	V型带卡	GLAMP, V BAND	1	
	3522094	12	锁片	LOCKPLATE	4	
	3523412	13	密封环	SEAL, SPLIT RING	1	
	3523429	14	轴承壳	HOUSHING, TUR BEARING	1	
	3523980	15	抛油环	SINGER, OIL	1	
	3524418	16	调整垫片	SHIM	1	
	3524419	17	挡油板	BAFFLE, HEXAGON HEAD SET	1	
	3525073	18	六角螺栓	SCREW, HEXAGON HEAD SET	4	
	3521033	19	轴和涡轮	SHAFT & WHEEL	1	
	3526985	20	止推轴承	BEARING, TUR THRUST	1	
	3524862	21	扩压板	DIFFUSER, TURBOCHARGER	1	
	3524861	22	压气机壳	HOUSHING, COMPRESSOR	1	
	3521918	23	叶轮	IMPELLER, TUR COMPRESSURE	1	
	3527619	24	铭牌	DATAPLATE	1	
	3529372	25	六角螺母	NUT, REGULAR HEXAGON	1	
	3534201	26	涡壳	HOUSING, TURBINE	1	
	3522904	29	锁紧片	LOCKPLATE	1	
	3523412	14	密封圈	SEAL, SPLIT RING	1	
	3520933	22	轴承套	HOUSHING, TUR BEARING	1	
	3522597		滚轮销	PIN, ROLL	2	



级别 LV	零件号 Part Number	图上标号 Ref No	零件名称 Part Name		数量 Req	备注 Remarks
			中文	英文		
02	3529871		增压器	TURBOCHAGER	1	总成装配
	3502449	1	矩形密封圈	SEAL, RECTANGULAR RING	1	适用于:
	3504967	2	平垫圈	WASHER, PLAIN	4	KTA19-G3(M)
	3519163	3	自攻螺栓	SCREW, DRIVE	2	
	3519535	4	锁紧螺母	NUT, LUCK	1	
	3519623	5	止推环	COLLAR, THRUST	1	
	3519627	6	轴承	BEARING, RURBOCHARGER	2	
	3519641	7	挡圈	RING, RETAINING	4	
	3519783	8	隔热板	SHIELD, TURBOCHARGER	1	
	3521225	9	六角螺栓	SCREW, HEXAGON HEAD CAP	8	
	3521442	10	密封环	SEAL, SPLIT RING	1	
	3522631	11	V型带卡箍	GLAMP, V BAND	1	
	3522904	12	锁片	LOCKPLATE	4	
	3523412	13	密封环	SEAL, SPLIT RING	1	
	3523429	14	轴承壳	HOUSHING, TUR BEARING	1	
	3523980	15	抛油环	SLINGER, OIL	1	
	3524418	16	调整垫片	SHIM	1	
	3524419	17	挡油板	BAFFLE, HEXAGON HEAD SET	1	
	3525073	18	六角螺栓	SCREW, HEXAGON HEAD SET	4	
	3521033	19	轴和涡轮	SHAFT & WHEEL	1	
	3526985	20	止推轴承	BAEARING, TUR THRUST	1	
	3527348	21	扩压板	DIFFUSER, TURBOCHARGER	1	
	3527369	22	压气机壳	HOUSHING, COMPRESSOR	1	
	3533703	23	叶轮	IMPELLER, TUR COMPRESSOR	1	
	3527619	24	铭牌	DATAPLATE	1	
	3529372	25	六角螺母	NUT, REGULAR HEXAGON	1	
	3524753	26	涡壳	HOUSHING, TURBINE	1	
	201048	28	衬垫	GASKET, INJECTOR	1	
	201049	27	衬垫	GASKET, INJECTOR	1	
	206576	29	增压器衬垫	GASKET, TURBOCHAGER	1	
	3023066	31	O型密封圈	SEAL, O RING	2	
	3023129	30	尘封	SEAL, DUST	1	



级别 LV	零件号 Part Number	图上标号 Ref No	零件名称 Part Name		数量 Req	备注 Remarks
			中文	英文		
02	3537570		增压器	TURBOCHAGER	1	总成装配
	3502449	1	矩形密封圈	SEAL, RECTANGULAR RING	1	适用于:
	3504967	2	平垫圈	WASHER, PLAIN	4	KTA19-G4(M)
	3519163	3	自攻螺栓	SCREW, DRIVE	2	
	3519535	4	锁紧螺母	NUT, LUCK	1	
	3519623	5	止推环	COLLAR, THRUST	1	
	3519627	6	轴承	BEARING, RURBOCHARGER	2	
	3519641	7	挡圈	RING, RETAINING	4	
	3519783	8	隔热板	SHIELD, TURBOCHARGER	1	
	3521225	9	六角螺栓	SCREW, HEXAGON HEAD CAP	8	
	3521442	10	密封环	SEAL, SPLIT RING	1	
	3522631	11	V型带卡箍	GLAMP, V BAND	1	
	3522904	12	锁片	LOCKPLATE	4	
	3523412	13	密封环	SEAL, SPLIT RING	1	
	3523429	14	轴承壳	HOUSHING, TUR BEARING	1	
	3523980	15	抛油环	SLINGER, OIL	1	
	3524418	16	调整垫片	SHIM	1	
	3524419	17	挡油板	BAFFLE, HEXAGON HEAD SET	1	
	3525073	18	六角螺栓	SCREW, HEXAGON HEAD SET	4	
	3521033	19	轴和涡轮	SHAFT & WHEEL	1	
	3526985	20	止推轴承	BAEARING, TUR THRUST	1	
	3527348	21	扩压板	DIFFUSER, TURBOCHARGER	1	
	3527369	22	压气机壳	HOUSHING, COMPRESSOR	1	
	3533703	23	叶轮	IMPELLER, TUR COMPRESSOR	1	
	3527619	24	铭牌	DATAPLATE	1	
	3529372	25	六角螺母	NUT, REGULAR HEXAGON	1	
	3524753	26	涡壳	HOUSHING, TURBINE	1	
	201048	28	衬垫	GASKET, INJECTOR	1	
	201049	27	衬垫	GASKET, INJECTOR	1	
	206576	29	增压器衬垫	GASKET, TURBOCHAGER	1	
	3023066	31	O型密封圈	SEAL, O RING	2	
	3023129	30	尘封	SEAL, DUST	1	

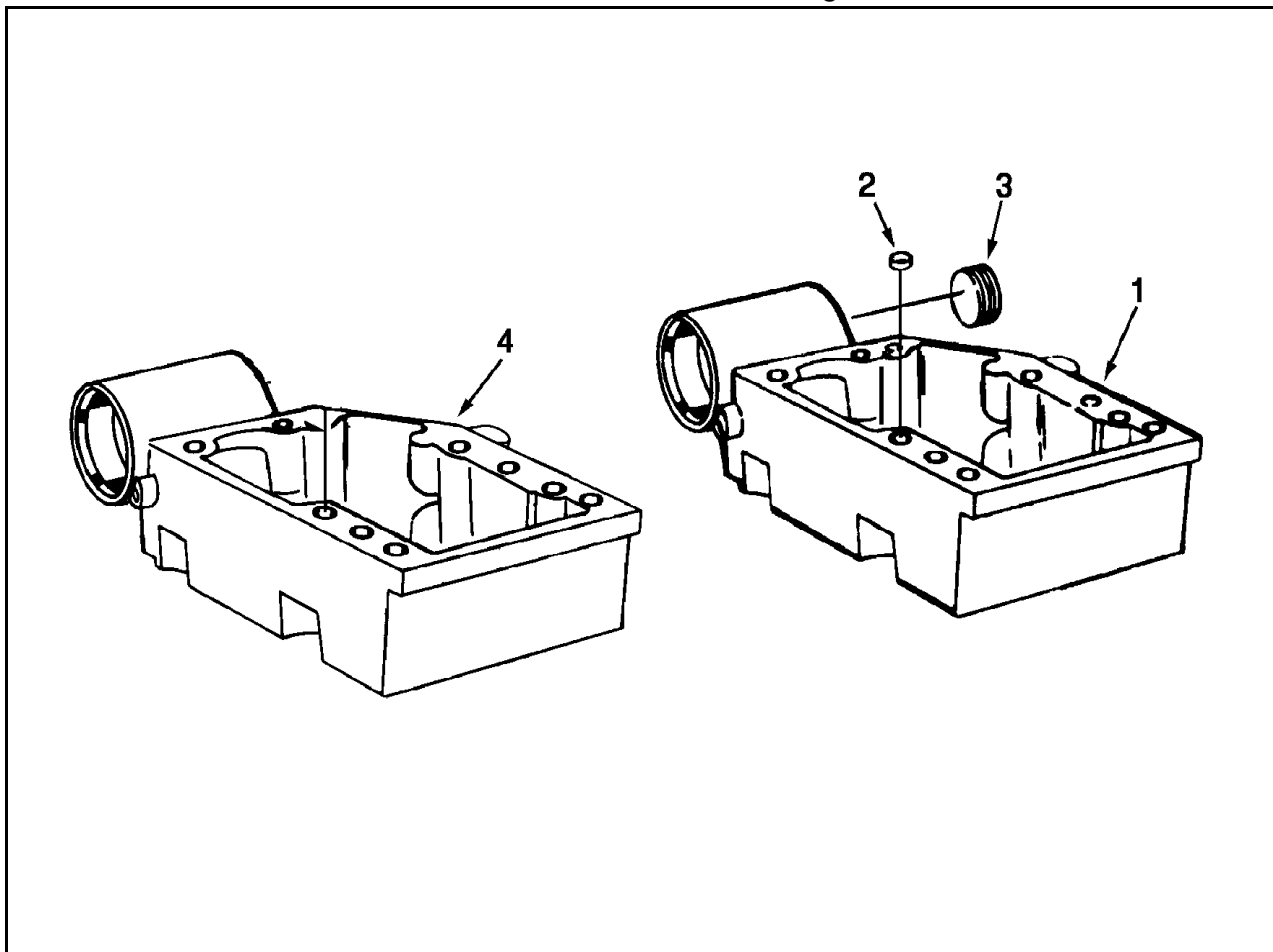


表—62

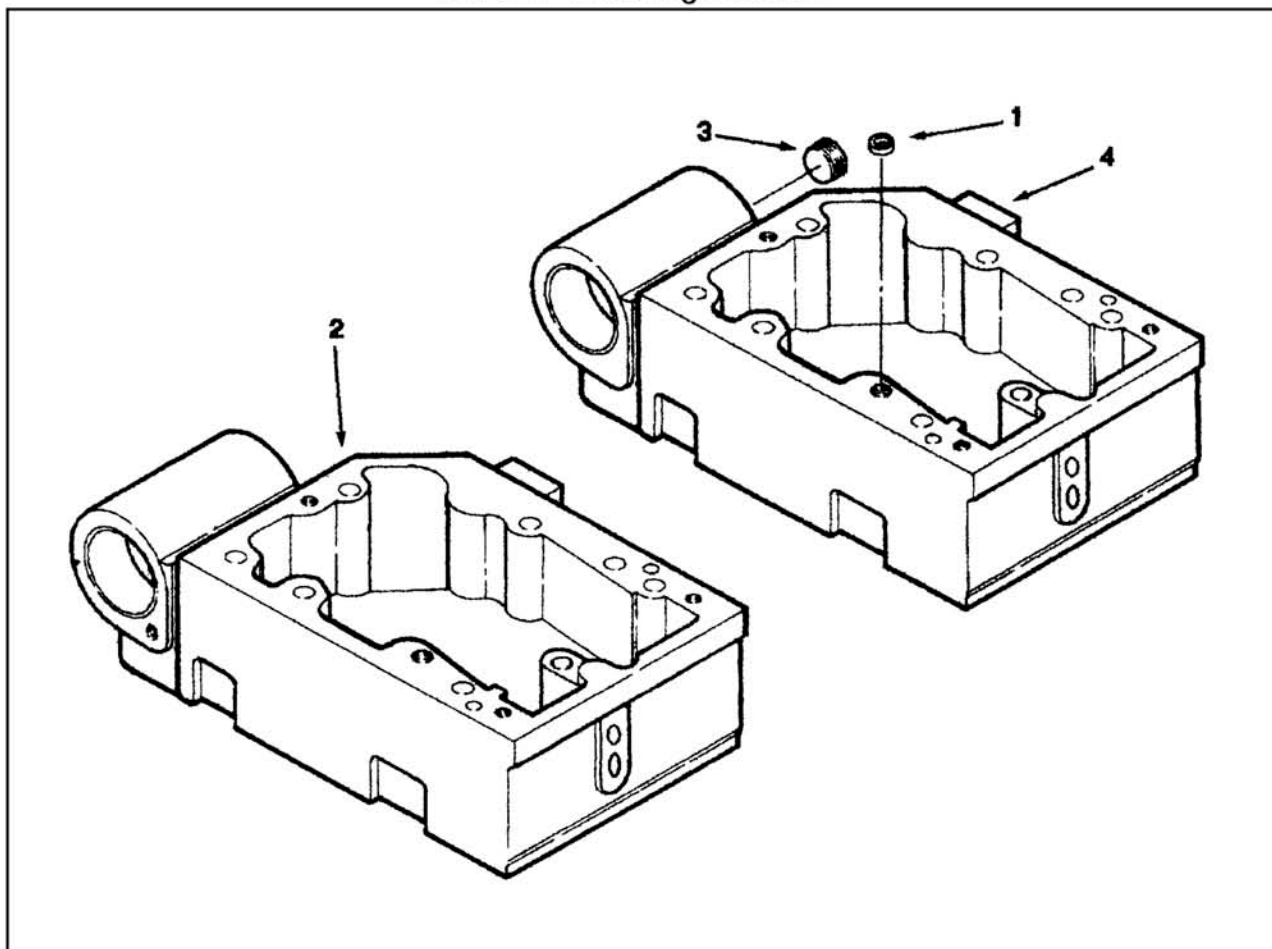
减振器和发电机防护罩 Damper Alternator Guard

SG 4003 CE

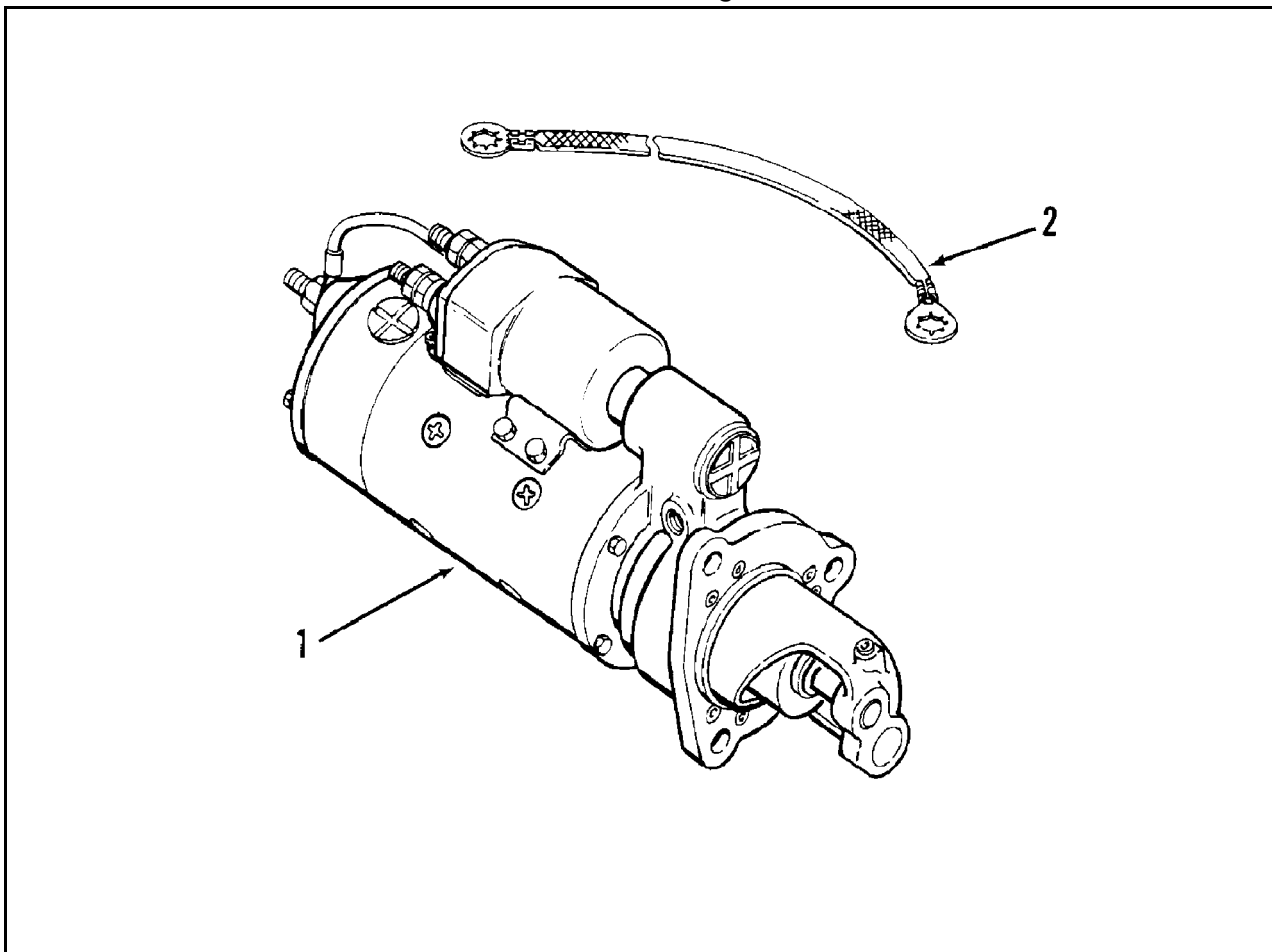
级别 LV	零件号 Part Number	图上标号 Ref No	零件名称 Part Name		数量 Req	备注 Remarks
			中文	英文		
02	3045895		防护罩板	PLANT, DAMPER GUARD	1	
03	3001954	1	减震器防护罩	GUARD, DAMPER	1	
03	3033378	2	带垫螺栓	SCREW, CAPTIVE WASHER CAP	4	
03	S 631	4	平垫圈	WASHER, PLAIN	4	
02	3045896		防护罩	GUARD, PULLEY-L. S.	1	
03	3001924	6	防护罩	GUARD, BELT	1	
03	3033378	2	带垫螺栓	SCREW, CAPTIVE WASHER CAP	4	
03	S 631	4	平垫圈	WASHER, PLAIN	4	
02	3045898		减振器防护罩	GUARD, DAMPER	1	
03	3001926	3	防护罩	GUARD, DAMPER	1	
03	S 125	10	六角螺栓	SCREW, HEXAGON HEAD CAP	2	
03	S 608	9	弹簧垫圈	WASHER, LOCK	2	
03	203310	8	平垫圈	WASHER, PLAIN	2	
03	66945	11	隔套	SPACER, BELT SHIELD	2	
02	3045899		发电机防护罩	GUARD, ALTERNATOR	1	
03	3001903	5	防护罩	GUARD, PROCTIVE	1	
03	3033378	2	带垫螺栓	SCREW, CAPTIVE WASHER CAP	8	
03	S 631	4	平垫圈	WASHER, PLAIN	8	
02	3045900		发电机防护罩支架	BRACKET, ALT. GUARD	1	
03	3001923	7	防护罩支架	BRACKET, PROCTIVE GUARD	1	
02	3045901		发电机防护罩支架	BRACKET, ALT. GUARD	1	
03	3001898	12	支架	BRACKET, BELT GUARD	1	
03	3010595	14	六角螺栓	SCREW, HEXAGON HEAD CAP	1	
03	S 604	13	弹簧垫圈	WASHER, LOCK	1	



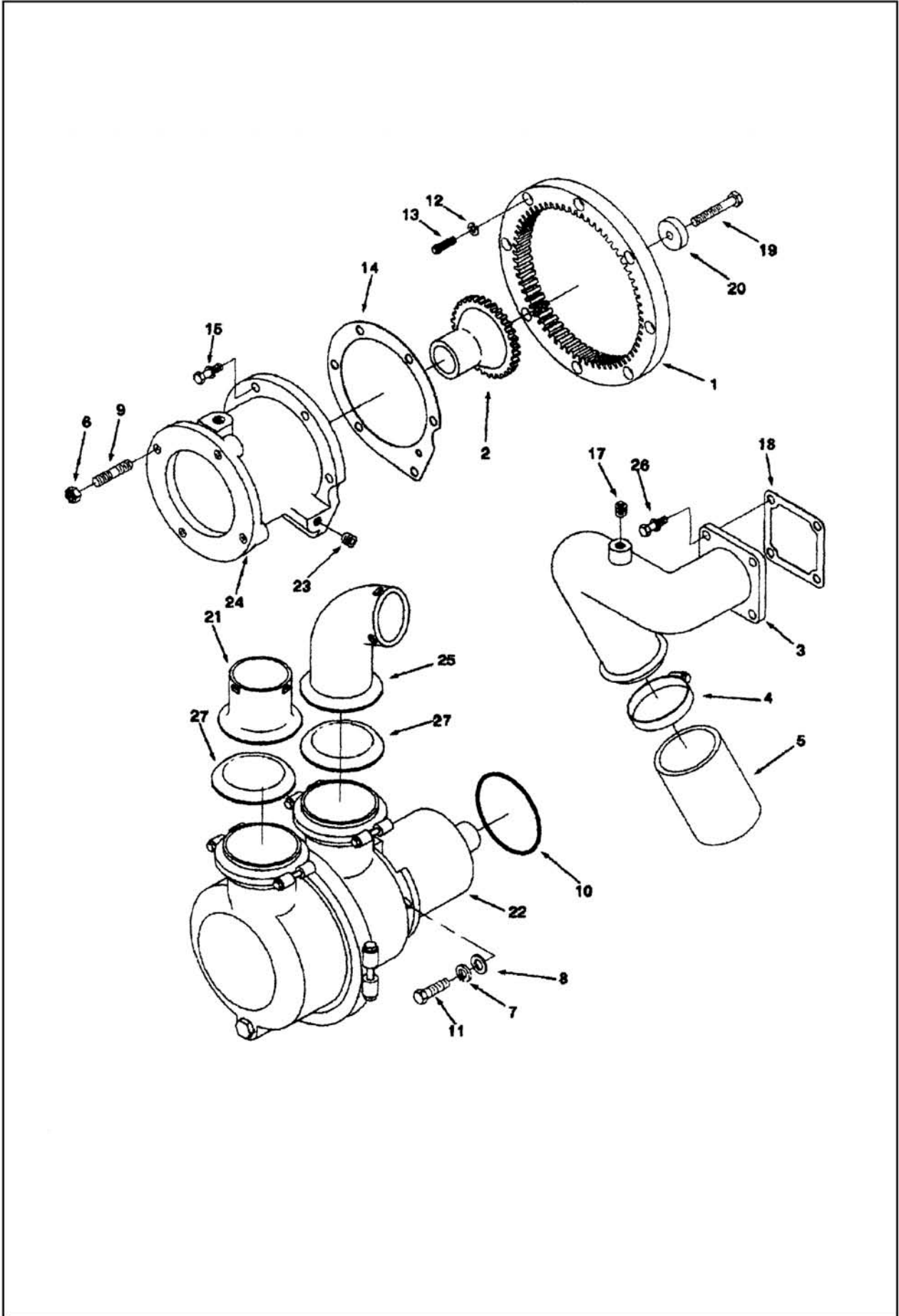
级别 LV	零件号 Part Number	图上标号 Ref No	零件名称 Part Name		数量 Req	备注 Remarks
			中文	英文		
02	3200499		摇臂室	HOUSING, ROCKER	5	适用于: KTA19-G2(M)
03	205129	2	摇臂轴定位环	DOWEL, RING	1	
03	3202193	4	摇臂室	HOUSING, ROCKER LE	1	
02	3200490		摇臂室	HOUSING, ROCKER	1	
03	205129	2	摇臂轴定位环	DOWEL, RING	1	
03	3008469	3	管塞	PLUG, PIPE	1	
03	3202196	1	摇臂室	HOUSING, ROCKER LEVER	1	



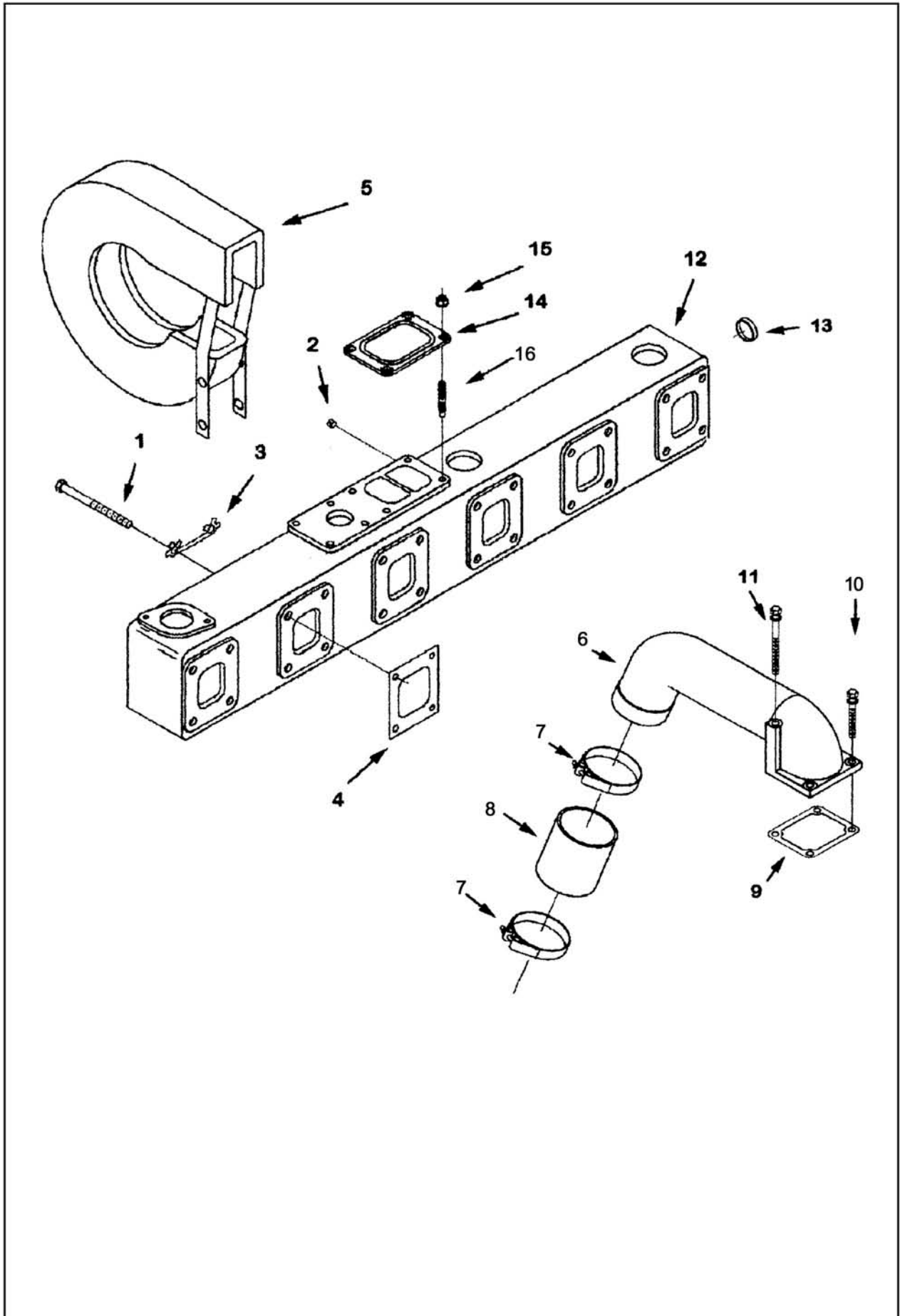
级别 LV	零件号 Part Number	图上标号 Ref No	零件名称 Part Name		数量 Req	备注 Remarks
			中文	英文		
02	3039097		摇臂室	ASSY,ROCKER LEVER HOUSIN	5	适用于:
03	205129	1	摇臂轴定位环	DOWEL, RING	1	KTA19-G3(M)
03	3177713	2	摇臂室	HOUSING,ROCKER LEVER	1	/G4(M)
02	3047708		摇臂室	HOUSING,ROCKER	1	
03	3008469	3	管塞	PLUG,PIPE	1	
03	3039100		摇臂室	ASSY,ROCKER LEVER HOUSIN	1	
04	205129	1	摇臂轴定位环	DOWEL, RING	1	
04	3202198	4	摇臂室	HOUSING,ROCKER LEVER	1	



级别 LV	零件号 Part Number	图上标号 Ref No	零件名称 Part Name		数量 Req	备注 Remarks
			中文	英文		
02	3043578		起动马达	MOTOR STARTING	1	
03	3018924	2	接地线	WI RE, GROUND	1	
03	3021038	1	起动马达	MOTOR, STARTNG	1	



级别 LV	零件号 Part Number	图上标号 Ref No	零件名称 Part Name		数量 Req	备注 Remarks
			中文	英文		
02	3008840	1	海水泵齿圈	GEAR, CAMSHAFT	1	
02	3008874	3	进水接头	CONNECTION, WATER INLET	1	
02	3012090		水管安装	TUBE, MTG WTR	1	
03	43828 F	4	软管夹箍	CLAMP, HOSE	4	
03	3024128	5	普通软管	HOSE, PLAIN	1	
02	3012097		海水泵齿圈安装	INGGEAR, MTG	1	
03	172512	13	十二角螺栓	SCREW, TWELVE POINT CAP	8	
03	S 605	12	弹簧垫圈	WASHER, LOCK	8	
02	3013432		海水泵支承安装	ADAPTER, MTG	1	
03	3008869	14	海水泵衬垫	GASKET, SEA WATER PUMP	1	
03	3010596	15	带垫圈螺栓	SCREW, CAPTIVE WAS	6	
02	3021730		热交换器管子安装	MTG, HX TUBE	1	
03	3010596	15	带垫圈螺栓	SCREW, CAPTIVE WAS	4	
03	3055769	18	海水泵衬垫	GASKET, SEA WATER PUMP	1	
03	S 602		平垫圈	WASHER, PLAIN	4	
03	S 962 A	23	管塞	PLUG, PIPE	1	
02	3050954	21	海水泵接头	CONNECTION, SEA	1	
02	3200884	25	海水泵接头	CONNECTION, SEA WATER	1	
02	3655812		海水泵及支承座总成	ASSY, SEA WATER PUMP&SUPP	1	
03	3008841	2	海水泵齿轮	GEAR, SEA WATER PUMP	1	
03	3012096		海水泵安装	PUMP, WTR MTG SEA	1	
04	9740	9	双头螺栓	STUD	1	
04	145592	10	O型密封圈	SEAL, O RING	1	
04	185804	11	六角螺栓	SCREW, HEXAGON HEAD CAP	3	
04	S 231	6	螺母	NUT, REGULAR HWXAGON	1	
04	S 610	7	弹簧垫圈	WASHER, LOCK	4	
04	S 622	8	平垫圈	WASHER, PLAIN	4	
03	3025084		海水泵驱动齿轮安装	PUMP, DRIVE GEAR MTG	1	
04	177020	19	六角螺栓	SCREW, HEXAGON HEAD CAP	1	
04	3010708	20	平垫圈	WASHER, PLAIN	1	
03	3074540	22	海水泵	PUMP, SEA WATER	1	
03	3074614		海水泵支承座	ADAPTER, RAW WATER PUMP	1	
04	3008466	23	管塞	PLUG, PIPE	2	
04	3034483	24	海水泵支承	SUPPORT, SEA WATER PUMP	1	

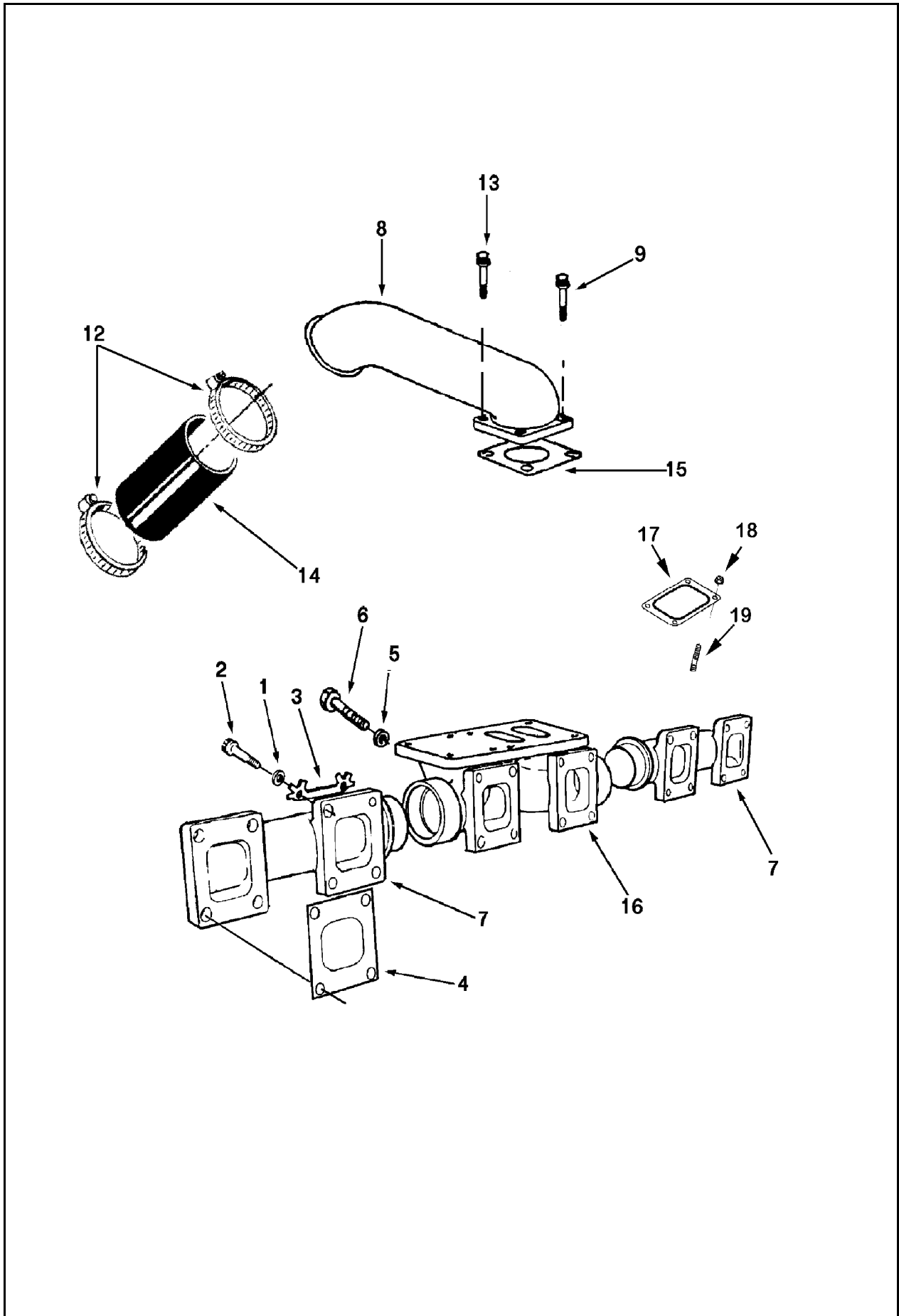


表—67

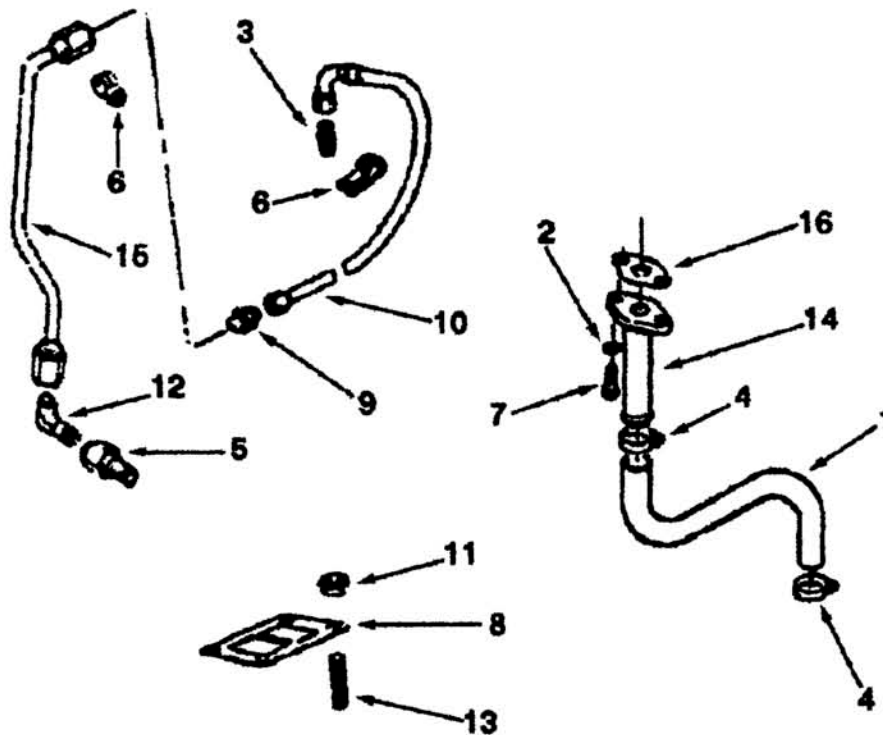
排气管 Exhaust Manifold

TB 4032

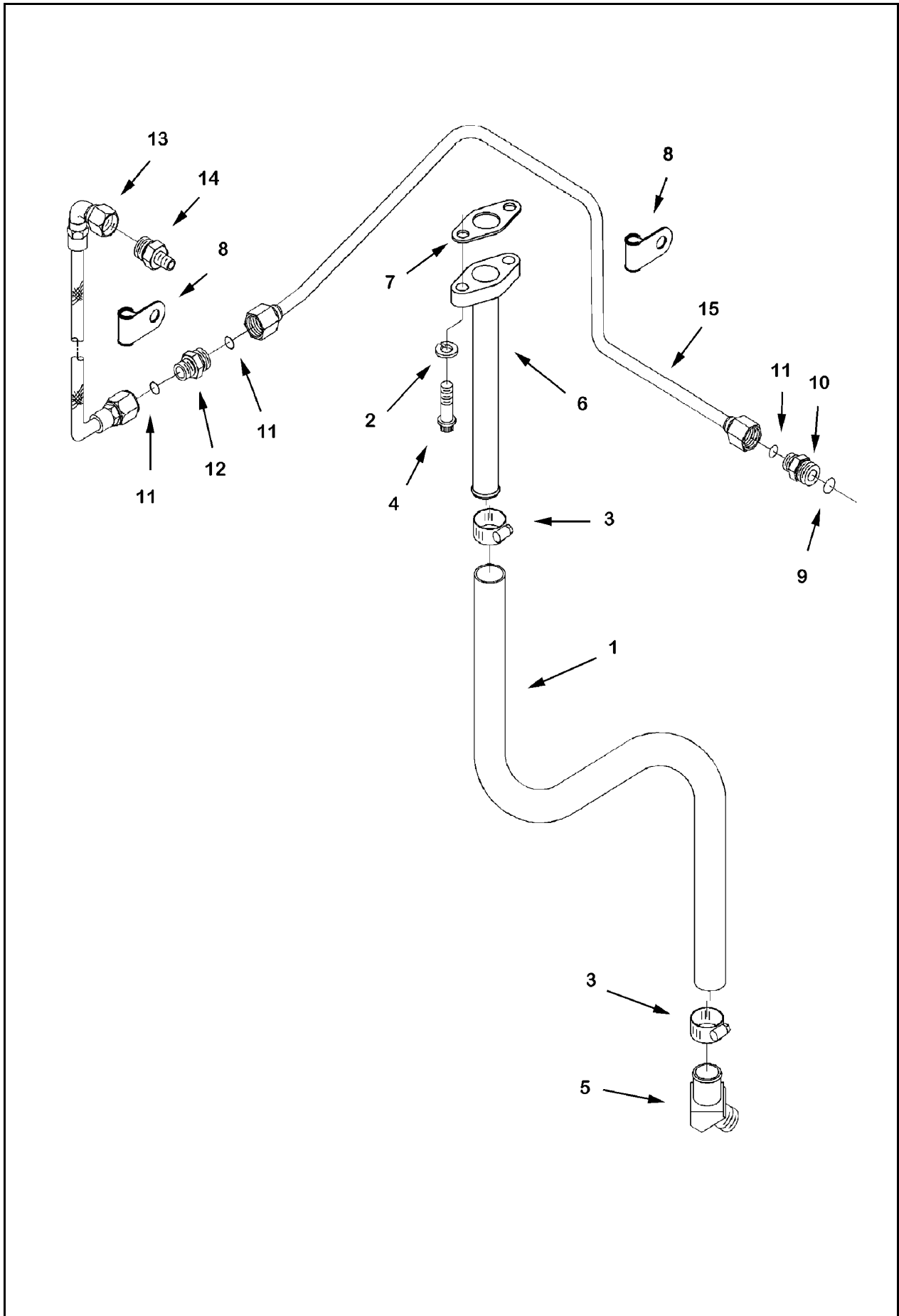
级别 LV	零件号 Part Number	图上标号 Ref No	零件名称 Part Name		数量 Req	备注 Remarks
			中文	英文		
02	3003697	5	增压器隔热罩	BLANKET, TURBOCHARGER HEA	1	适用于: KTA19-G2(M)
02	3016139	6	空气跨越联接管	CONNECTION, AIR CROSSOVER	1	
02	3035952		空气跨越管安装	MTG, AIR CROSSOVER	1	
03	S 602		平垫圈	WASHER, PLAIN	4	
03	140315	7	T型螺栓夹箍	CLAMP, T BOLT	2	
03	3012472	10	带垫螺栓	SCREW, CAPTIVE WASHER CAP	2	
03	3016142	8	普通软管	HOSE, PLAIN	1	
03	3032161	9	接头衬垫	GASKET, CONN	1	
03	S 106 C	11	六角螺栓	SCREW, HEXAGON HEAD	2	
03	S 604		弹簧垫圈	WASHER, LOCK	2	
02	3655046	12	湿式排气管	MANIFOLD EXHAUST, WET	1	
02	MP45146		排气管安装	EXH MFD	1	
03	3001405	3	锁紧片	LOCKPLATE	12	
03	3043097	4	衬垫	GASKET, EXHAUST MANIFOLD	6	
03	S 164 B	1	六角螺栓	SCREW, HEXAGON HEAD CAP	24	
03	S 910 B	2	管塞	PLUG, PIPE	2	



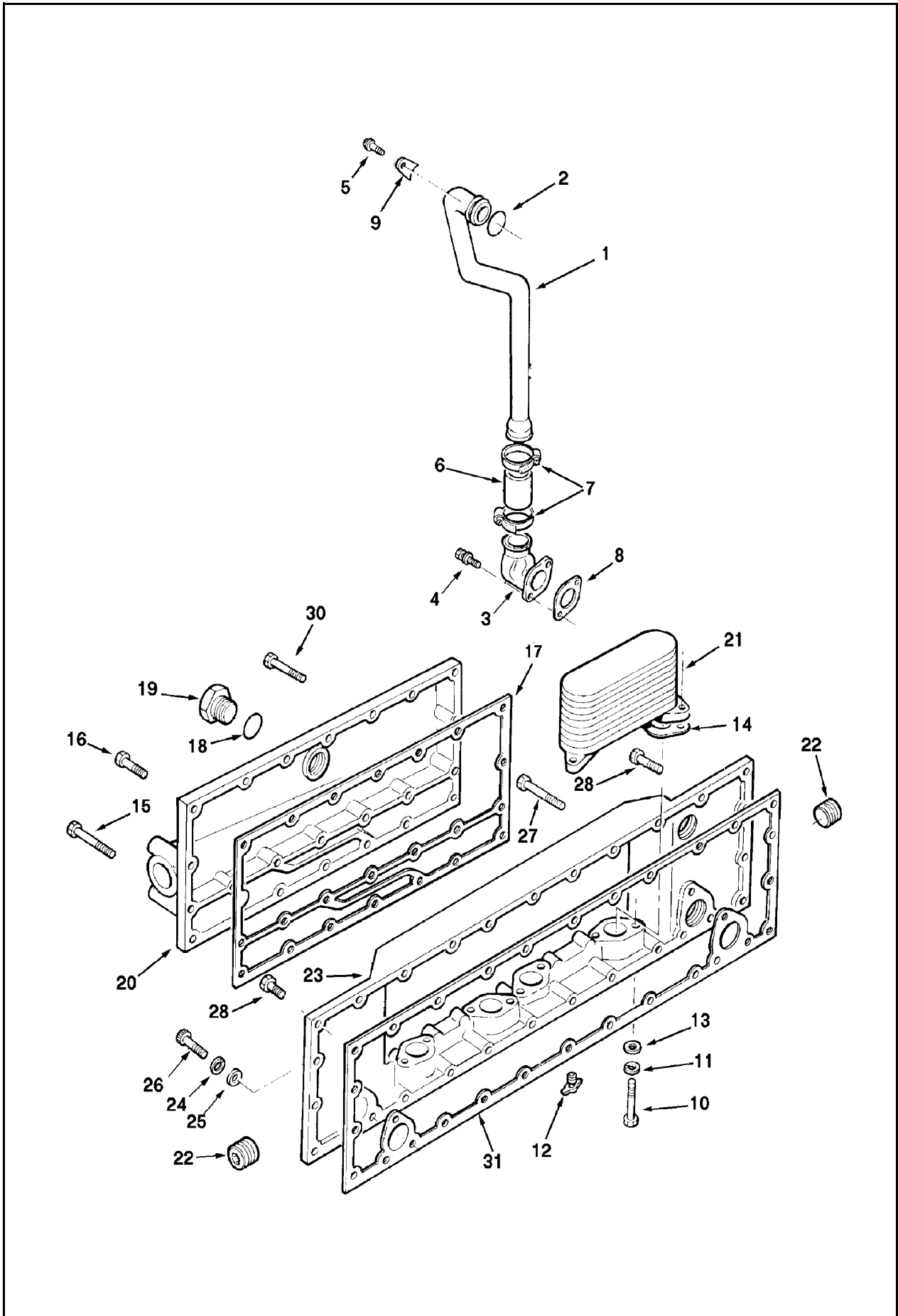
级别 LV	零件号 Part Number	图上标号 Ref No	零件名称 Part Name		数量 Req	备注 Remarks
			中文	英文		
02	3037824	7	排气歧管	MANI FOLD, EXHAUST	2	适用于: KTA19-G3(M) /G4(M)
02	3166256		排气歧管	MANI FLOD, EXHAUST	1	
03	3042353	19	双头螺栓	STUD	4	
03	3080980	16	排气歧管	MANI FLOD, EXHAUST	1	
02	3088319		排气歧管安装	MANI FOLD, EXHAUST	2	
03	3043097	4	衬垫	GASKET, EXHAUST MANI FOLD	2	
03	3046283	2	六角螺栓	SCREW, HEXAGON HEAD	8	
03	3046286	1	隔套	SPACER, MOUNTING	8	
03	3088317	3	锁紧片	LOCKPLATE	4	
02	3088318		排气歧管安装	MANI FOLD, EXHAUST	1	
03	3035310	5	平垫圈	WASHER, PLAIN	4	
03	3043097	4	衬垫	GASKET, EXHAUST MANI FOLD	2	
03	3046283	2	六角螺栓	SCREW, HEXAGON HEAD	4	
03	3046286	1	平垫圈	SPACER, MOUNTING	4	
03	3066497	6	六角螺栓	SCREW, HEX FAANGE HEAD CA	4	
03	3088317	3	锁紧片	LOCKPLATE	4	
02	3096217		增压器安装	TURBO MOUNTING	1	
03	206576	17	增压器衬垫	GASKET, TURBOCHAGER	1	
03	219138	18	六角螺母	NUT, REGULAR HEXAGON	4	
02	3016139	8	空气跨越联接管	CONNECTION, AIR CROSSOVER	1	
02	3035952		空气跨越管安装	MTG, AIR CROSSOVER	1	
03	127362		平垫圈	WASHER, PLAIN	4	
03	140315	12	T型螺栓夹箍	CLAMP, T BOLT	2	
03	3016142	14	普通软管	HOSE, PLAIN	1	
03	3032161	15	接头衬垫	GASKET, CONN	1	
03	3035624	13	带垫螺栓	SCREW, CAPTIVE WASHER CAP	2	
03	S 106 C	9	六角螺栓	SCREW, HEXAGON HEAD	2	
03	S 604		弹簧垫圈	WASHER, LOCK	2	



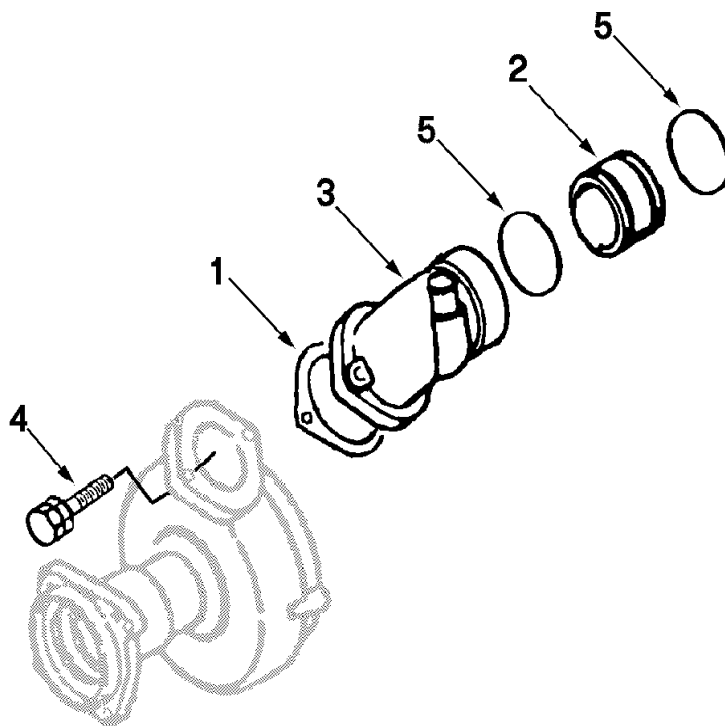
级别 LV	零件号 Part Number		图上标号 Ref No	零件名称 Part Name		数量 Req	备注 Remarks
				中文	英文		
02	3024150			增压器安装	TURBOCHAGER	1	适用于:
03		68425	6	夹子	CLIP	2	KTA19-G2(M)
03		118346	5	接头	UNION, MALE	1	
03		191772	7	十二角螺栓	SCREW, TWELVE POINT CAP	2	
03		206576	8	增压器衬垫	GASKET, TURBOCHARGER	1	
03		206943	9	管接头	UNION, ADAPTER	1	
03		215195	10	柔性软管	HOSE FLEXIBLE	1	
03		219138	11	六角螺母	NUT, REGULAR HEXAGON	4	
03		3003536	12	增压器回油管弯管	COUPLING, ELBOW HOSE	1	
03		3026806	4	抱箍	CLAMP, HOSE	2	
03		3042353	13	双头螺栓	STUD	4	
03		3200178	14	增压器回油管	TUBE, TUR OIL DRAIN	1	
03		3200273	15	增压器供油管	TUBE, TURBO OIL SUPPLY	1	
03		3202117	16	衬垫	GASKET, CONNECTION	1	
03	AS16025	NF	1	软管	HOSE	1	
03	S 604		2	弹簧垫圈	WASHER, LOCK	2	
03	S 1039	A	3	阳性管接头	CONNECTOR, MALE	1	



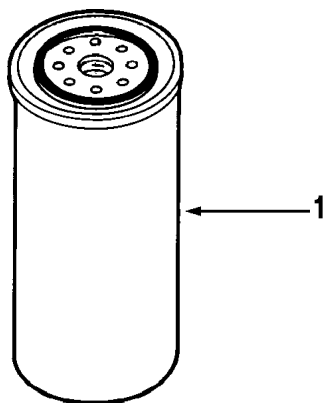
级别 LV	零件号 Part Number	图上标号 Ref No	零件名称 Part Name		数量 Req	备注 Remarks
			中文	英文		
02	3003536	5	增压器回油管	ELBOW, TURBO OIL RETURN	1	总成装配
02	3096213		增压器回油管及安装	TURBO OIL DRAIN	1	适用于:
03	43828 A	3	软管卡箍	CLAMP, HOSE	2	KTA19-G3(M)
03	191772	4	十二角螺栓	SCREW, TWELVE POINT	2	/G4(M)
03	3200178	6	增压器回油管	ASSY, TURBO DRAIN	1	
03	3202117	7	衬垫	GASKET, CONNECTION	1	
03	AS16025 NF	1	软管	HOSE, FLEXIBLE	1	
03	S 604	2	弹簧垫圈	WASHER, LOCK	2	
02	3096220		增压器供油管及安装	TURBO OIL SUPPLY	1	
03	3026793	8	夹子	CLIP	2	
03	3081950		阳性弯接头	UNION, MALE	1	
04	3037537	9	O型密封圈	SEAL, O RING	1	
04	3085824	10	阳性接头	UNION, MALE	1	
04	3922794	11	O型圈	SEAL, O RING	1	
03	3086016		阳性接头	UNION, MALE	1	
04	3086040	12	阳形接头	UNION, MALE	1	
04	3922794	11	O型圈	SEAL, O RING	2	
03	3086055	13	柔性软管	HOSE, FLEXIBLE	1	
03	3627697	14	阳性管接头	UNION, MALE	1	
03	3811992	15	增压器供油管	TUBE LUB OIL SUPPLY	1	



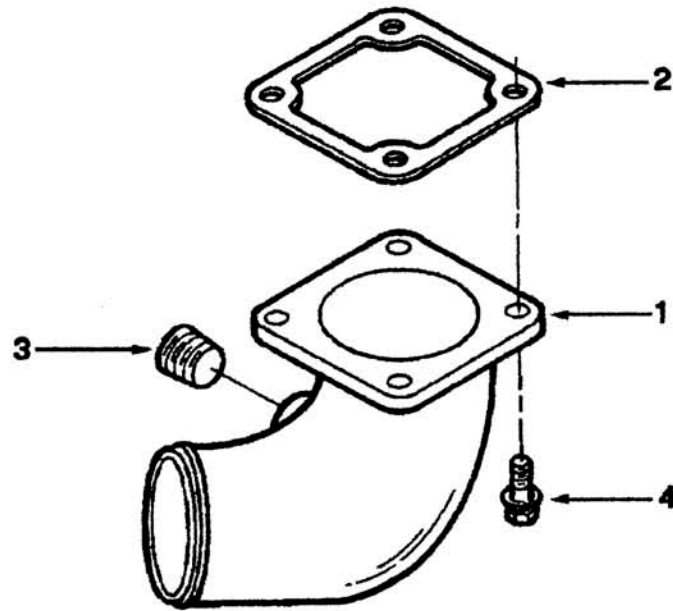
级别 LV	零件号 Part Number	图上标号 Ref No	零件名称 Part Name		数量 Req	备注 Remarks
			中文	英文		
02	3011224	1	旁通水管	TUBE, WATER BYPASS	1	总成装配
02	3011763		旁通水管安装	TUBE, WATER BYPASS MTG	1	
03	43828 D	7	管夹	CLAMP, HOSE	2	
03	70624	2	O型密封圈	SEAL, O RING	1	
03	3010299	3	旁通水管接头	CONNECTION, WATER BYPASS	1	
03	3010596	4	带垫圈螺栓	SCREW, CAPTIVE WAS	2	
03	3015283	5	带垫螺栓	SCREW, CAPTIVE WAS	1	
03	3165360	8	旁通水管接头衬垫	GASKET, CONNECTI	1	
03	3063240	6	软管	HOSE, PLAIN	1	
03	3201287	9	夹子	CLIP	1	
02	3201155		机油冷却器总成	COOLER, ENGINE CAST	1	
03	127362	13	平垫圈	WASHER, PLAIN	10	
03	206973	14	冷却器芯衬垫	GASKET, COOLER ELEMENT	4	
03	3012478	15	带垫螺栓	SCREW, CAPTIVE WASHER	2	
03	3037536		螺塞	PLUG, THREADED	3	
04	3037537		O型密封圈	SEAL, O RING	1	
04	3040813	22	螺塞	PLUG, THREADED	1	
03	3042889	16	螺栓	SCREW, CAPTIVE W	7	
03	3065791	17	变扭器冷却器衬垫	GASKET, TOR CNV OIL COOLE	1	
03	3078053	10	带垫螺栓	SCREW, CAPTIVE WASHER	8	
03	3085955	23	机油冷却器壳	HOUSING, OIL COOLER	1	
03	3090241	20	机油冷却器盖	COVER, LUB OIL COOLER	1	
03	3165999	12	放水开关	DRAIN, COCK	1	
03	3200781		放水塞	PLUG, HEATER HOLE	1	
04	145540	18	O型密封圈	SEAL, O RING	1	
04	206256	19	放水塞	PLUG, DRAIN	1	
03	3202101	22	螺塞	PLUG, THREADED	2	
04	3046943		O型密封圈	SEAL, O RING	1	
04	3050897		螺塞	PLUG, THREADED	1	
03	3331668	21	冷却器芯	CORE, COOLER	2	
02	3201192		机油冷却器安装	COOLER, MTG	1	
03	S 602	25	平垫圈	WASHER, PLAIN	4	
03	205275	26	十二角螺栓	SCREW, TWELVE POINT CAP	4	
03	3033038	27	带垫螺栓	SCREW, CAPTIVE WASHER	2	
03	3040838	28	带垫螺栓	SCREW, CAPTIVE WAS	10	
03	3042890	30	螺栓	SCREW, CAPTIVE W	14	
03	3065790	31	机油冷却器壳衬垫	GASKET, LUB OIL CLR HSG	1	
03	S 604	24	弹簧垫圈	WASHER, LOCK	4	



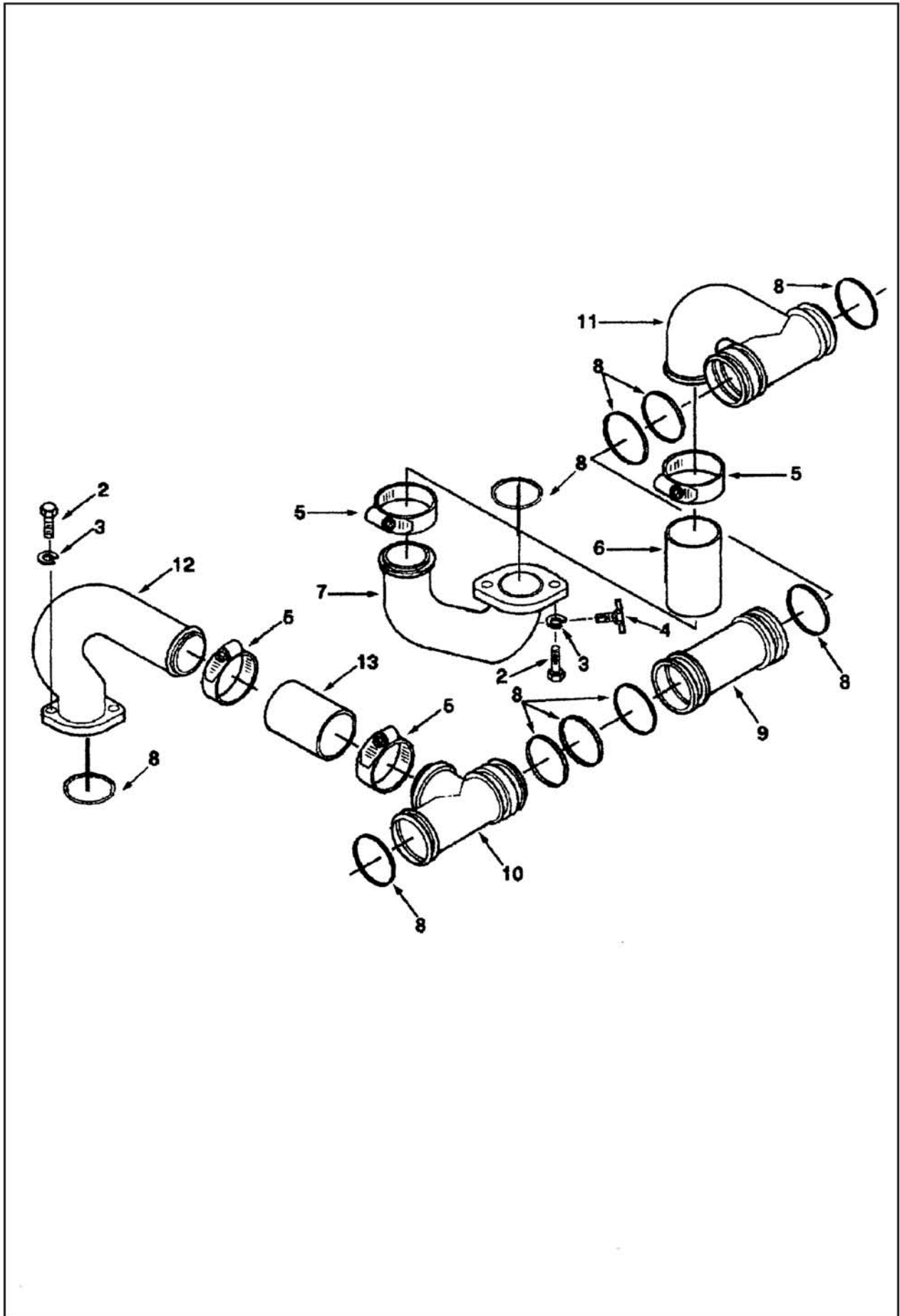
级别 LV	零件号 Part Number	图上标号 Ref No	零件名称 Part Name		数量 Req	备注 Remarks
			中文	英文		
02	AR45710		出水管接头	CONNECTION, WTR OUTLET	1	
03	205289	1	出水接头衬垫	GASKET, WTR OUTLET CONN	1	
03	206998	2	输水管	TUBE, WATER TRANSFER	1	
03	3002192	3	出水管接头	CONNECTION, WATER OUTLET	1	
03	3010596	4	带垫圈螺栓	SCREW, CAPTIVE WAS	2	
03	3028291	5	O型密封圈	SEAL, O RING	2	



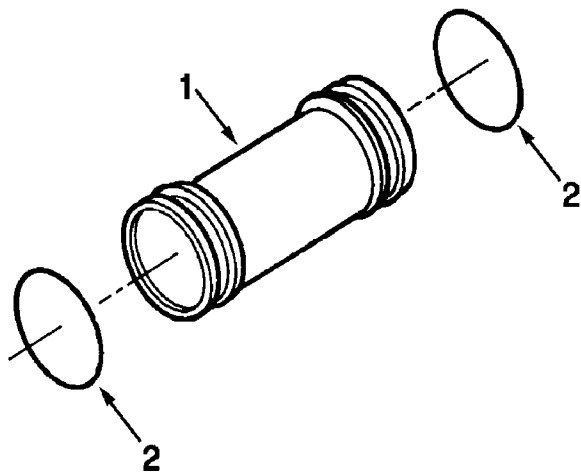
级别 LV	零件号 Part Number	图上标号 Ref No	零件名称 Part Name		数量 Req	备注 Remarks
			中文	英文		
02	4058965	1	水过滤器	ELEMENT, CRN RESISTOR	1	适用于: KTA19-G2(M)
02	3888312		水过滤器防腐剂	INHIBTOR, CORROSION	1	
02	4058965	1	水过滤器	ELEMENT, CRN RESISTOR	1	适用于: KTA19-G3(M)



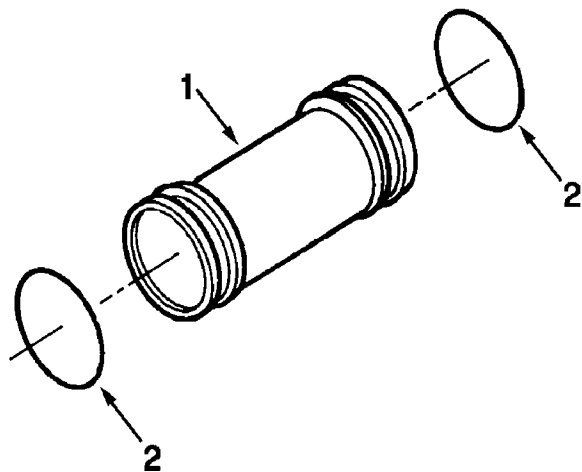
级别 LV	零件号 Part Number	图上标号 Ref No	零件名称 Part Name		数量 Req	备注 Remarks
			中文	英文		
02	3014212	1	进水管接头	CONN, WATER INLET	1	
02	3202339		进水管安装	MTG, WATER INLET	1	
03	205288	2	进水管衬垫	GASKET, WTR INLET	1	
03	3008470	3	管塞	PLUG, PIPE	1	
03	3010595	4	六角螺栓	SCREW, CAPTIVE WAS	4	



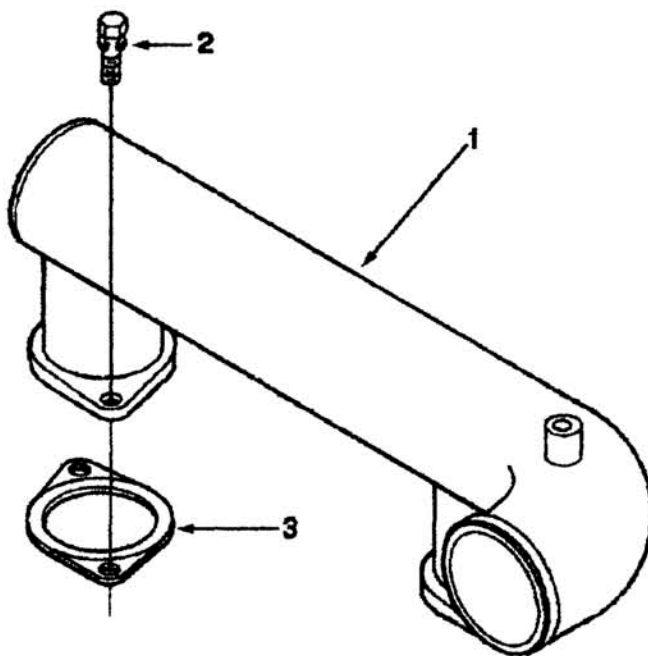
级别 LV	零件号 Part Number		图上标号 Ref No	零件名称 Part Name		数量 Req	备注 Remarks
				中文	英文		
02	3009063			後水管及安装	CONNECTION, REAR WTR CRO	1	适用于: KTA19-G2(M)
03	43828	C	5	软管卡箍	CLAMP, HOSE	2	
03	69793		2	带垫螺栓	SCREW, CAPTIVE WASHER CAP	2	
03	3004718		7	旁通水管接头	CONNECTION, WTR MFD	1	
03	3028291		8	O型密封圈	SEAL, O RING	1	
03	3064697		13	软管	HOSE, PLAIN	1	
03	3165998		4	放水开关	DRAIN COCK	1	
03	S 606	A	3	弹簧垫圈	WASHER, LOCK	2	
02	3009064			水管总成	MANIFOLD, WATER	1	
03	207233		9	输水管	TUBE, WATER TRANSFER	3	
03	3003662		10	输水管	TUBE, WATER TRANSFER	1	
03	3004716		11	输水管	TUBE, WATER TRANSFER	1	
03	3028291		8	O型密封圈	SEAL, O RING	10	
02	3009065			前水管及安装	CONNECTION, FRT WTR CROS	1	
03	43828	C	5	软管卡箍	CLAMP, HOSE	2	
03	3003657		12	旁通水管接头	CONNECTION, WATER TRANSFE	1	
03	3028291		8	O型密封圈	SEAL, O RING	1	
03	3063240		13	软管	HOSE, PLAIN	1	
03	3200281		6	平垫圈	WASHER, PLAIN	2	
03	S 112		2	螺栓	SCREW, HEXAGON HEAD CAP	2	
03	S 604			弹簧垫圈	WASHER, LOCK	2	



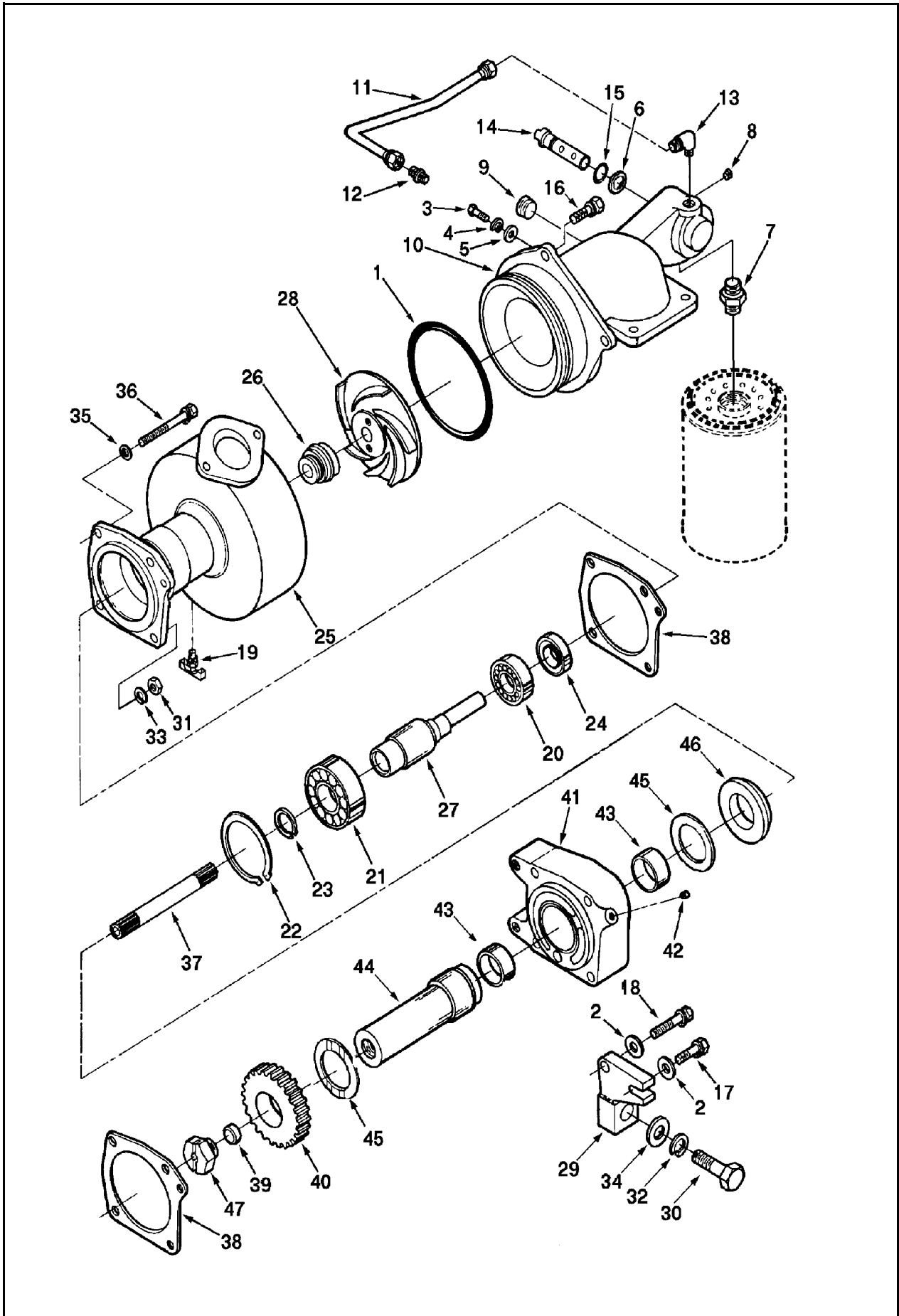
级别 LV	零件号 Part Number	图上标号 Ref No	零件名称 Part Name		数量 Req	备注 Remarks
			中文	英文		
02	AR12333		输水管	TUBE, WATER TRANS	5	适用于:
03	207233	1	输水管	TUBE, WATER TRANSF	1	KTA19-G3(M)
03	3028291	2	O型密封圈	SEAL, O RING	2	/G4(M)



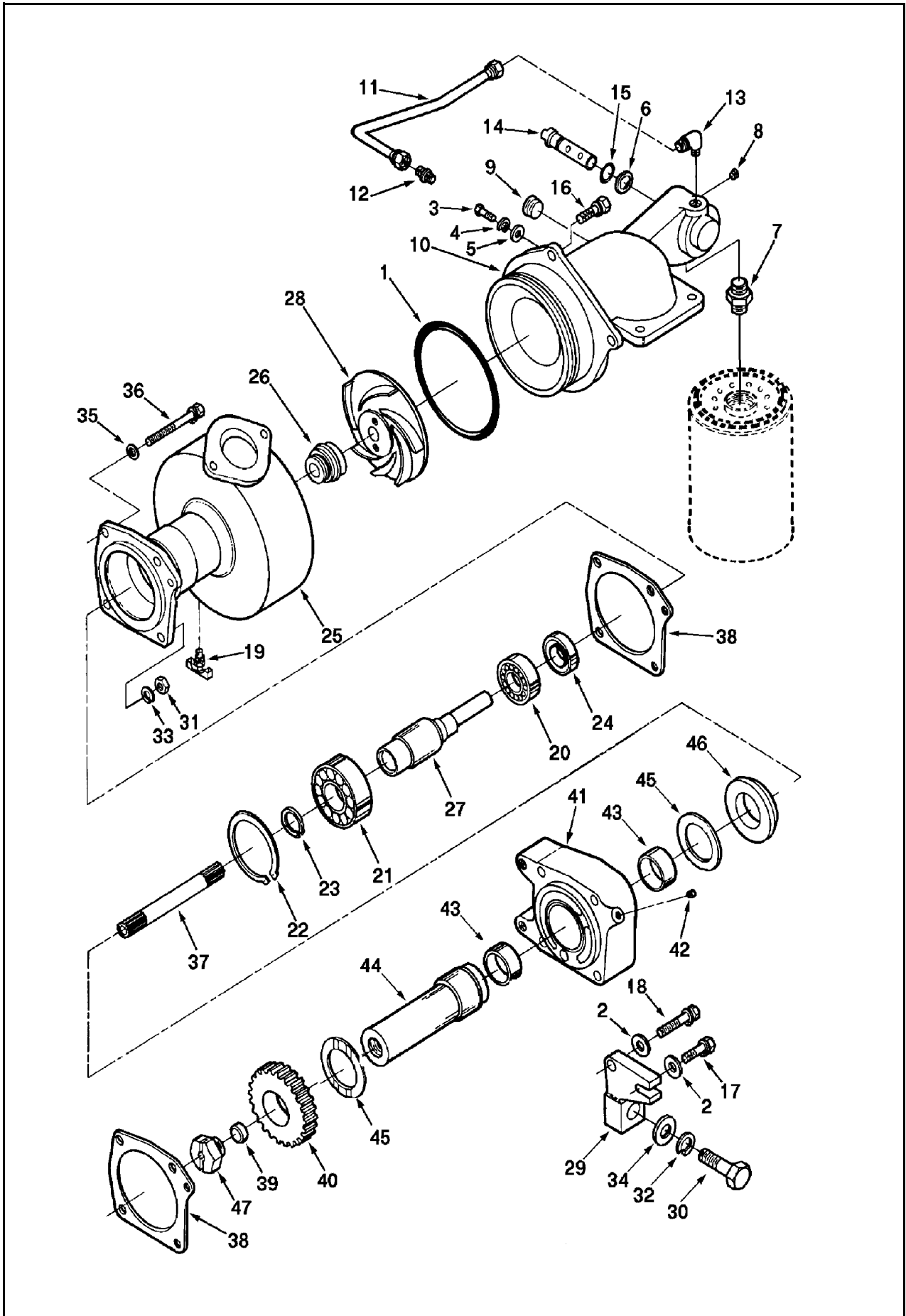
级别 LV	零件号 Part Number	图上标号 Ref No	零件名称 Part Name		数量 Req	备注 Remarks
			中文	英文		
02	AR12333		输水管	TUBE, WATER TRANS	5	适用于:
03	207233	1	输水管	TUBE, WATER TRANSF	1	KTA19-G3(M)
03	3028291	2	O型密封圈	SEAL, O RING	2	/G4(M)



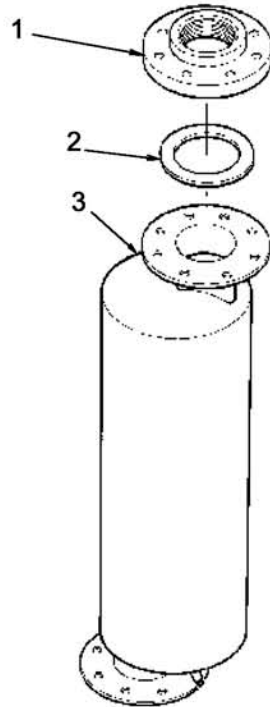
级别 LV	零件号 Part Number	图上标号 Ref No	零件名称 Part Name		数量 Req	备注 Remarks
			中文	英文		
02	3008862	1	出水管接头	CONNECTION, WATER	1	
02	3013434		出水管接头安装	CONNECTION, WATER	1	
03	3010596	2	带垫圈螺栓	SCREW, CAPTIVE WAS	4	
03	3165360	3	出水管接头衬垫	GASKET, CONNECTI	2	



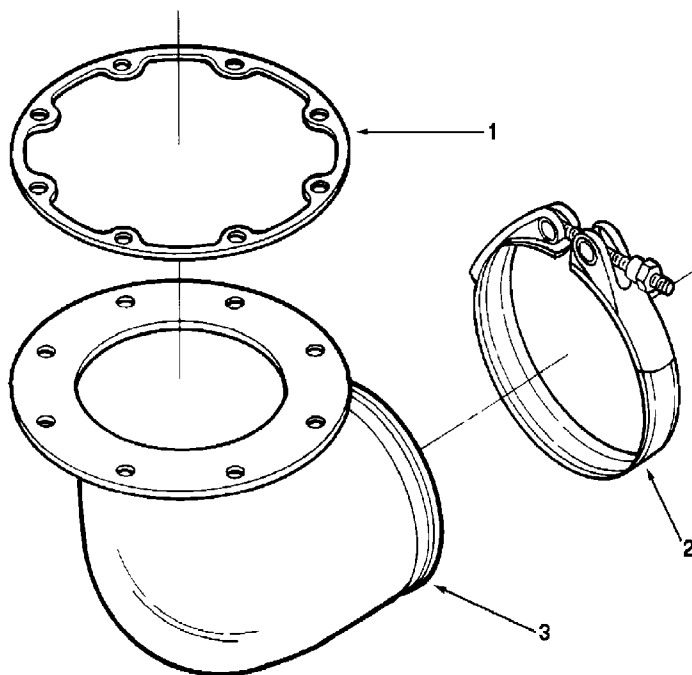
级别 LV	零件号 Part Number	图上标号 Ref No	零件名称 Part Name		数量 Req	备注 Remarks
			中文	英文		
02	3098960		水泵	PUMP, WATER	1	
03	146523	1	O型密封圈	SEAL, O RING	1	
03	3005594	2	平垫圈	WASHER, PLAIN	2	
03	3010529		进水接头	CONNECTION, WATER INLET	1	
04	S 114	3	六角螺栓	SCREW, CAPTIVE WAS	1	
04	S 600	4	弹簧垫圈	WASHER, LOCK	1	
04	S 631	5	平垫圈	WASHER, PLAIN	1	
04	205363	6	弹簧垫圈	WASHER, LOCK	1	
04	206963	7	滤清器连接接头	ADAPTER, FILTER HEAD	1	
04	3008466	8	管塞	PLUG, PIPE	1	
04	3008469	9	管塞	PLUG, PIPE	1	
04	3010181	10	进水接头	CONNECTION, WATER INLET	1	
04	3010536	14	截断阀轴	SHAFT, SHUTOFF VALVE	1	
04	3010784	11	输水管	TUBE, WATER TRANSF	1	
04	3201982	12	阳性接头	CONNECTOR, MALE	1	
04	3201983	13	阳性接头	CONNECTOR, MALE	1	
04	3818885	15	O型密封圈	SEAL, O RING	1	
03	3010596	16	带垫螺栓	SCREW, CAPTIVE WAS	3	
03	3012472	17	带垫螺栓	SCREW, CAPTIVE WAS	1	
03	3012474	18	带垫螺栓	SCREW, CAPTIVE WAS	1	
03	3036096	29	水泵支撑	SUPPORT, WATER PUMP	1	
03	3098961		水泵	PUMP, WATER	1	
04	3165998	19	放水开关	DRAIN COCK	1	
04	S 16062	20	滚珠轴承	BEARING, BALL	1	
04	S 16069	21	滚珠轴承	BEARING, BALL	1	
04	70183	22	卡环	RING, RETAINING	1	
04	205243	28	水泵叶轮	IMPELLER, WATER PUMP	11	
04	205258	23	卡环	RING, RETAINING	1	
04	206948	24	油封	SEAL, OIL	1	
04	206964	25	水泵体	BODY, WATER PUMP	1	
04	3042827	27	水泵轴	SHAFT, WATER PUMP	1	
05	205158		水泵轴	SHAFT, WATER PUMP	1	
05	3040833		水泵轴	SHAFT, WATER PUMP	1	
04	3609826	26	水泵水封	SEAL, WATER PUMP	1	



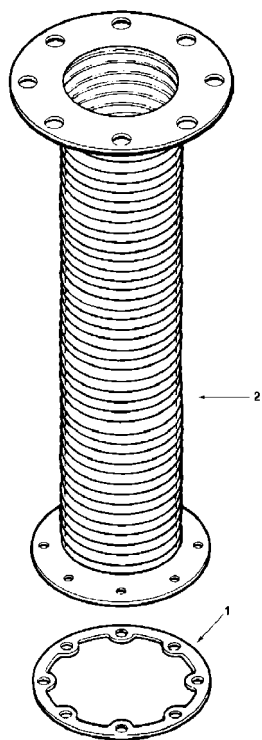
级别 LV	零件号 Part Number	图上标号 Ref No	零件名称 Part Name		数量 Req	备注 Remarks
			中文	英文		
02	3088377		水泵安装	PUMP, WATER MTG	1	
03	S 602	35	平垫圈	WASHER, PLAIN	3	
03	3012476	36	带垫螺栓	SCREW, CAPTIVE WAS	3	
03	3202007	37	水泵轴	SHAFT, WATER PUMP	1	
03	3202283	38	水泵衬垫	CASKET, WATER PUMP	2	
03	S 103 A	30	六角螺栓	SCREW, HEXAGON HEAD	1	
03	S 205	31	六角螺母	NUT, REGULAR HEXAGON	1	
03	S 603	32	弹簧垫圈	WASHER, LOCK	1	
03	S 604	33	弹簧垫圈	WASHER, LOCK	1	
03	S 658	34	平垫圈	WASHER, PLAIN	1	
02	3200968		螺塞	PLUG, THREADED	1	
02	3410054		水泵轴	SHAFT, WATER PUMP	1	
03	205498	39	油塞	PLUG, OIL	1	
03	207251	40	水泵齿轮	GEAR, WATER PUMP	1	
03	3025887	44	水泵轴	SHAFT, WATER PUMP	1	
03	3026556	45	止推轴承	BEARING, THRUST	2	
03	3034721	46	水泵轴轴用卡环	RETAINER, SHAFT	1	
03	3086177		水泵支撑	SUPPORT, WATER PUMP	1	
04	205156	43	衬套	BUSHING	2	
04	3056416		螺塞	PLUG, THREADED	1	
05	3056003		螺塞	PLUG, THREADED	1	
05	3056415		O型密封圈	SEAL, O RING	1	
04	3086178	41	水泵支撑	SUPPORT, WATER PUMP	1	



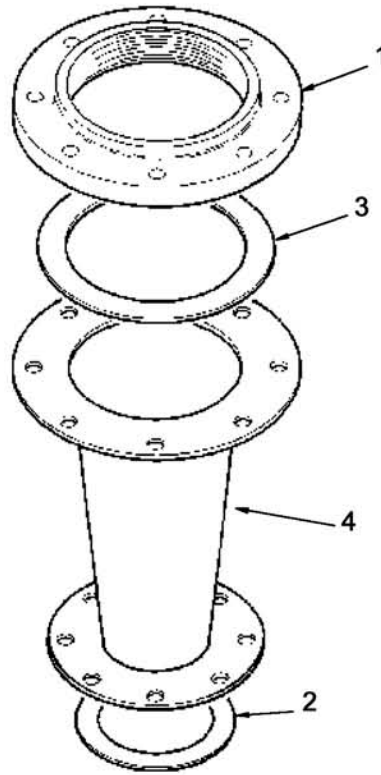
级别 LV	零件号 Part Number	图上标号 Ref No	零件名称 Part Name		数量 Req	备注 Remarks
			中文	英文		
02	3165922	1	六角螺栓	SCREW, HEXAGON HEAD CAP	8	适用于: KTA19-G2(M) /G3(M)
02	3165930		六角螺栓	SCREW, HEXAGON HEAD CAP	24	
02	3165937		六角螺母	NUT, LOCK	8	
02	3165941		六角螺母	NUT, LOCK	24	
02	3165966		平垫圈	WASHER, PLAIN	8	
02	3165970		平垫圈	WASHER, PLAIN	24	
02	3165976		弹簧垫圈	WASHER, LOCK	8	
02	3165981		弹簧垫圈	WASHER, LOCK	24	
02	3418930		消声器总成	ASSY, MUFFLER	1	
02	3418939		衬垫	GASKET	3	
02	3418944		弯管接头	CONNECTION, TUBE	1	
02	3418954		锥度接头	CONNECTION	1	
02	3419000		衬垫	GASKET	1	



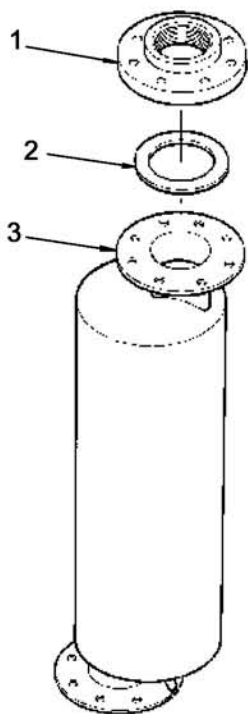
级别 LV	零件号 Part Number	图上标号 Ref No	零件名称 Part Name		数量 Req	备注 Remarks
			中文	英文		
02	106322	1	衬垫	GASKET, TURBOCHARGER	1	
02	3026447		增压器管接头	CONNECTION, TURBO	1	
03	201989	2	V型带卡箍	CLAMP, V BAND	1	
03	3026237	3	排气管接头	CONN, EXHAUST OUTLET	1	



级别 LV	零件号 Part Number	图上标号 Ref No	零件名称 Part Name		数量 Req	备注 Remarks
			中文	英文		
02	106322	1	衬垫	GASKET, TURBOCHARGER	1	
02	203555	2	排气波纹管	CONNECTION, EXHAUST OUTLE	1	



级别 LV	零件号 Part Number	图上标号 Ref No	零件名称 Part Name		数量 Req	备注 Remarks
			中文	英文		
02	119904	1	排气接头	ADAPTER, EXHAUST OUTLET	1	适用于: KTA19-G4(M)
02	3036377	2	对垫	GASKET, FLANGE	1	
02	3036378	3	对垫	GASKET, FLANGE	1	
02	3036381	4	排气连接管	CONNECTION, EXHAUST OUTLET	1	



级别 LV	零件号 Part Number	图上标号 Ref No	零件名称 Part Name		数量 Req	备注 Remarks
			中文	英文		
02	3055653	1	排气消声器	ASSY, MUFFLER	1	适用于: KTA19-G4(M)