



# DONGFENG CUMMINS ENGINE PARTS CATALOG

Configuration Number:

2018年08月23日

D381004GX02

Engine Model: 4B3.9-G12

SO14189

---

---

## 前言

## Foreword

1、本备件目录可为用户了解东风康明斯发动机各部总成机构的零件提供参考。

This parts catalogue provides customers with the reference about DongFeng Cummins engine structure.

2、因产品结构总是在不断的改进和完善，因此，个别零件的结构、尺寸及备件号可能有变化，订购时请以最新的产品结构为准。

Please make sure the order base on the latest engine manufacture when ordering. Because of products promotion, some parts may upgrade the structure, size and P/N .

3、现行备件目录不随产品升级而升级，不作为备件采购时的任何依据。

The current parts catalogue update won't go along with the products promotion. The current parts catalogue doesn't apply to the foundation of the spare parts

东风康明斯发动机有限公司

Dongfeng Cummins Engine Co., Ltd

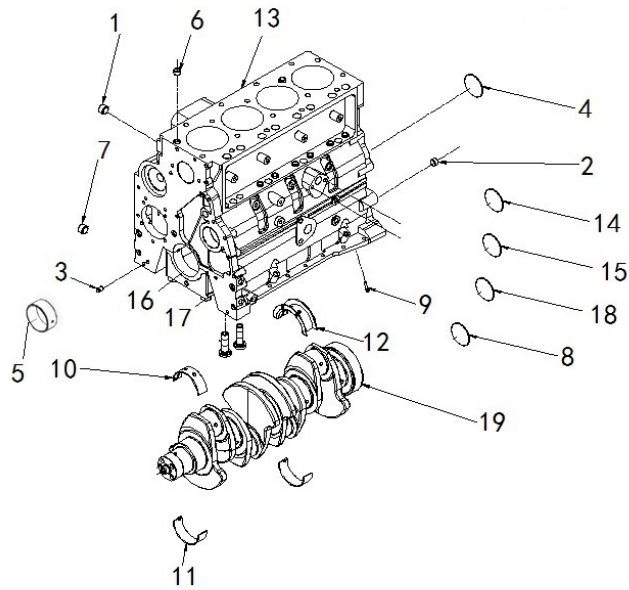












| 标号 | 配件号      | 配件名称   | 数量 | 易损件 | 专用件 |
|----|----------|--------|----|-----|-----|
| 1  | C3008468 | 螺塞     | 1  |     |     |
| 2  | C3900068 | 定位环    | 2  |     |     |
| 3  | C3900257 | 定位销    | 2  |     |     |
| 4  | C3900687 | 碗形塞    | 1  |     |     |
| 5  | C3901306 | 衬套     | 1  |     |     |
| 6  | C3902343 | 定位环    | 2  |     |     |
| 7  | C3906619 | 螺塞     | 1  |     |     |
| 8  | C3920706 | 碗形塞    | 1  |     |     |
| 9  | C3937214 | 活塞冷却喷嘴 | 4  |     |     |
| 10 | C3978818 | 曲轴瓦    | 4  |     |     |
| 11 | C3978820 | 曲轴瓦    | 5  |     |     |
| 12 | C3978822 | 曲轴止推瓦  | 1  |     |     |
| 13 | C4991816 | 缸体     | 1  |     |     |
| 14 | C3900956 | 碗形塞    | 3  |     |     |
| 15 | C3900965 | 碗形塞    | 3  |     |     |
| 16 | C3903492 | 主轴承盖   | 5  |     |     |
| 17 | C3904217 | 六角头螺栓  | 10 |     |     |





































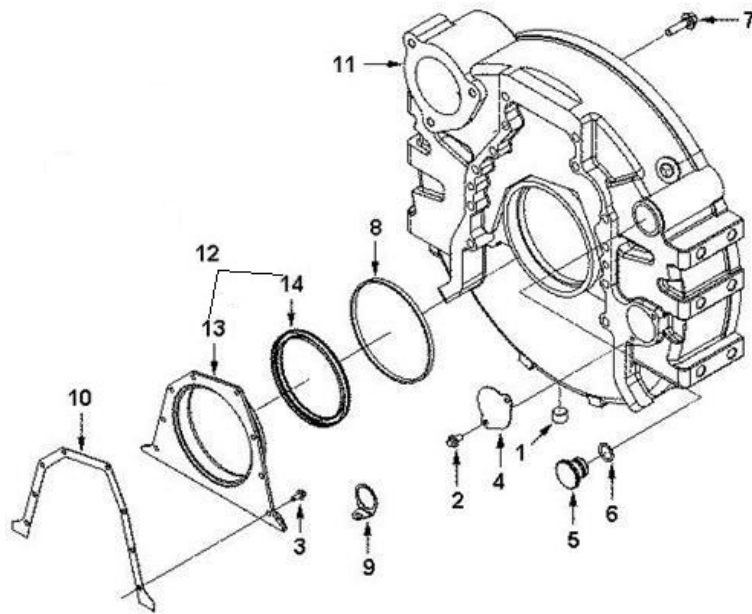












| 标号 | 配件号      | 配件名称    | 数量 | 易损件 | 专用件 |
|----|----------|---------|----|-----|-----|
| 1  | C3008469 | 螺塞      | 1  |     |     |
| 2  | C3900225 | 六角头螺栓   | 2  |     |     |
| 3  | C3900627 | 六角法兰面螺栓 | 6  |     |     |
| 4  | C3908095 | 盖板      | 1  |     |     |
| 5  | C3910248 | 堵塞      | 1  |     |     |
| 6  | C3910260 | O形密封圈   | 1  |     |     |
| 7  | C3910540 | 六角法兰面螺栓 | 8  |     |     |
| 8  | C3912473 | 矩形密封圈   | 1  |     |     |
| 9  | C3928989 | 管夹      | 1  |     |     |
| 10 | C3938159 | 后油封座密封垫 | 1  |     |     |
| 11 | C4947579 | 飞轮壳     | 1  |     |     |
| 12 | C5342017 | 后油封座    | 1  |     |     |
| 13 | C3936904 | 后油封座    | 1  |     |     |
| 14 | C3968563 | 油封      | 1  |     |     |
|    |          |         |    |     |     |
|    |          |         |    |     |     |
|    |          |         |    |     |     |































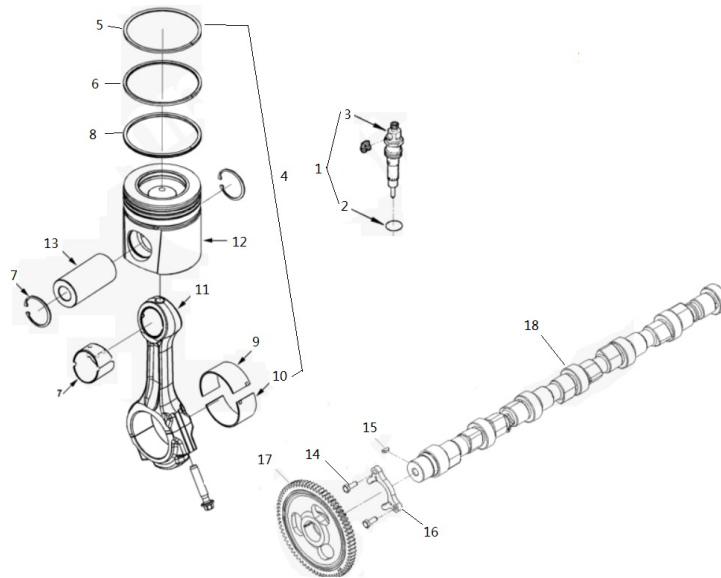










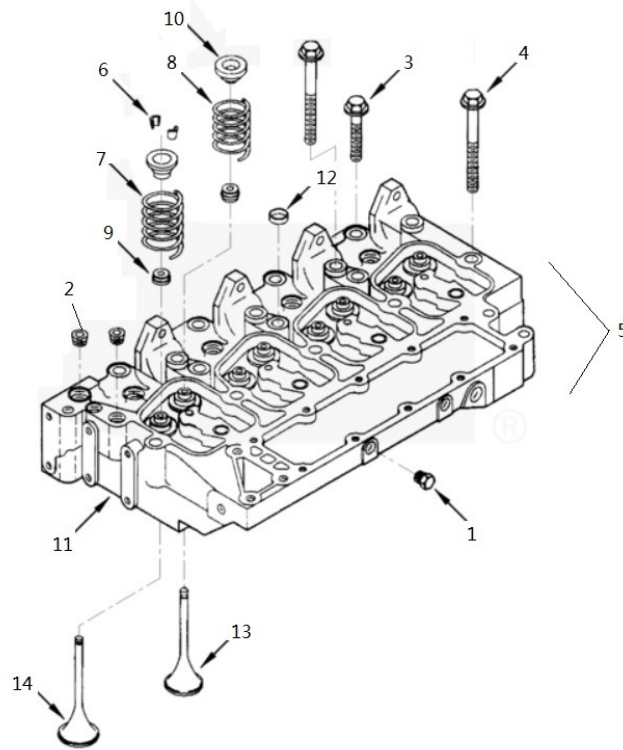


| 标号 | 配件号      | 配件名称   | 数量 | 易损件 | 专用件 |
|----|----------|--------|----|-----|-----|
| 1  | C3960745 | 喷油器    | 1  |     |     |
| 2  | C3909356 | 矩形密封圈  | 4  |     |     |
| 3  | C5342352 | 喷油器    | 4  |     |     |
| 4  | C4990586 | 活塞     | 1  |     |     |
| 5  | C3904531 | 活塞压缩环  | 4  |     |     |
| 6  | C3918315 | 活塞压缩环  | 4  |     |     |
| 7  | C3920691 | 挡圈     | 4  |     |     |
| 8  | C3932520 | 油环     | 4  |     |     |
| 9  | C3969562 | 连杆轴瓦   | 4  |     |     |
| 10 | C4893693 | 连杆轴瓦   | 4  |     |     |
| 11 | C4943979 | 连杆     | 4  |     |     |
| 12 | C4991277 | 活塞     | 4  |     |     |
| 13 | C4991283 | 活塞销    | 4  |     |     |
| 14 | C3900227 | 六角头螺栓  | 2  |     |     |
| 15 | C4990587 | 凸轮轴    | 1  |     |     |
| 16 | C3927155 | 凸轮轴止推片 | 1  |     |     |
| 17 | C3929028 | 凸轮轴齿轮  | 1  |     |     |









| 标号 | 配件号      | 配件名称  | 数量 | 易损件 | 专用件 |
|----|----------|-------|----|-----|-----|
| 1  | C3008465 | 螺塞    | 1  |     |     |
| 2  | C3008468 | 螺塞    | 2  |     |     |
| 3  | C3900250 | 气门锁块  | 16 |     |     |
| 4  | C3916691 | 气门弹簧  | 4  |     |     |
| 5  | C5562568 | 缸盖    | 1  |     |     |
| 6  | C3900250 | 气门锁块  | 16 |     |     |
| 7  | C3916691 | 气门弹簧  | 4  |     |     |
| 8  | C3926700 | 气门弹簧  | 4  |     |     |
| 9  | C3957912 | 气阀杆油封 | 8  |     |     |
| 10 | C3957913 | 气阀弹簧座 | 8  |     |     |
| 11 | C3966450 | 缸盖    | 1  |     |     |
| 12 | C4994143 | 排气阀   | 4  |     |     |
| 13 | C4994143 | 排气阀   | 4  |     |     |
| 14 | C4995554 | 进气阀   | 4  |     |     |
|    |          |       |    |     |     |
|    |          |       |    |     |     |
|    |          |       |    |     |     |



































