



PARTS CATALOG

ENGINE MODEL : KTA50

C P L : 2354



<http://www.cummins.com>

Copyright © 2000 - 2017 Cummins Inc.
All rights reserved.

The QuickServe Online logo, featuring the word 'QuickServe' in a stylized font with red and black horizontal lines to the left, and the word 'Online' in a smaller font below it.

Table of Contents

OPTION	REPAIR GROUP	GROUP NAME	PAGE
4352581	17.02		5
AD6005-02	09.03	Accessory Drive Cover	7
PU6003	09.03	Accessory Drive Pulley	8
FP6771	05.01.6	Actuator	10
PP2354-02	10.01	Aftercooler Core	11
PP2354-04	10.01.1	Aftercooler Plumbing	13
AP6129	01.06.1	Agency Approval	16
IM6726-03	10.01	Air Intake Manifold Mounting	17
EE6065-04	13.02	Alternator	18
EE6021	13.02.3	Alternator Mounting	19
HD6011-01	12.04	Auxiliary Pump Mounting	21
BP6126-12	01.01	Base Parts	23
OB6722	03.02	Breather Mounting	26
BP6126-04	04.03	Cam Follower Housing	27
PP2354-02	01.07	Camshaft And Gear	29
BP6126-01	01.07.2	Camshaft Gear Mounting	31
WF6023-12	08.08	Corrosion Resistor	32
BP6728-05	01.02	Crankshaft	34
PP2354-03	02.01	Cylinder Head	35
PP2354-05	02.01.1	Cylinder Head	36
PP6908-02	01.04	Cylinder Head	38
PP6908	02.01	Cylinder Head	40
AP6705-01	01.06.1	Decorative Of Intercooler Documentation	42
LG6003-02	07.02	Dipstick	43
ES6004-01	13.10	Electric Starting Accessories	45
BP6126-02	16.01	Engine Barring Drive	47
XS6025-04	11.01.1	Exhaust Elbow	49
XM6021-06	11.01	Exhaust Manifold	50
XM6705	10.01	Exhaust Manifold	52
FA6028-02	08.03	Fan Drive	53
OB6179-06	07.02	Filler And Breather	56
OB6787-01	07.02	Filler And Breather	58
FW6009	16.02	Flywheel	59
FH6024-07	16.01	Flywheel Housing	60
EM6001	16.03	Front Engine Support	62
FA6745-01	08.03	Front Gear Housing	63
FS6013-02	06.08	Fuel Block	65
FF6063-08	06.04	Fuel Filter	67
FF6736-01	06.04.1	Fuel Filter Plumbing	69
FP6771	05.01.4	Fuel Gear Pump	71

OPTION	REPAIR GROUP	GROUP NAME	PAGE
BP6739-13	06.01.6	Fuel Manifold	73
FP6180-01	05.01	Fuel Pump	76
FP6771-04	05.01	Fuel Pump	78
FP6771	05.01.3	Fuel Pump And Damper Mounting	80
FP6771	05.01.2	Fuel Pump Front Cover	81
FP6771	05.01.1	Fuel Pump Housing	83
FP6180-01	05.03	Fuel Pump Mounting	86
FR6243	99.01	Fuel Rating	87
FT60072-05	06.03	Fuel Supply Plumbing	88
FV6020-01	05.06	Fuel Valve	90
FV6707-03	05.06	Fuel Valve Mounting	92
3804300	17.02	Gasket Sets	94
4352579	17.02	Gasket Sets	96
FA6703-01	01.06	Gear Cover And Housing	97
OB6723-03	07.02	Hand Hole Cover	99
PP2354-04	06.01	Injector	101
BP6126-02	06.01.5	Injector Mounting	104
IM6021-04	10.01	Intake Manifold	105
PP2354-06	06.03	Left Bank Oil Control Connection	107
BP6126	17.06	Lifting Bracket	109
BP6126-06	07.05	Lubricating Oil Cooler	110
LF6026-06	07.03	Lubricating Oil Filter	111
BP6126-03	07.06	Lubricating Oil Pump	113
OP6710	07.06.1	Lubricating Oil Pump	115
FH8711-02	16.01.1	Magnetic Pickup	117
BP6126-02	01.02.1	Main Bearings	119
PP2354	01.06.1	Nameplate Mounting	122
FP6180	05.13	No Description Available	123
OF6009-06	07.03	Oil Bypass Filter	124
PP2354	06.03.2	Oil Control Connection	126
OP6027-08	07.01	Oil Pan	128
OB6701-01	07.03.1	Oil Pan Plumbing	130
PP2354-01	07.04	Oil Supply Connection	131
LF6705-07	07.04	Oil Transfer Connection	133
SS6033-05	03.01	Paint	135
PP2354-06	01.04	Performance Parts	136
ST6733	13.05	Prelub Plumbing	138
PP2354-04	06.03.1	Right Bank Oil Control Connection	139
PP2354-03	03.01	Rocker Housing	141
BP6126-06	03.01	Rocker Lever	143
BP6126	16.03.1	Shipping Bracket	145
ST6026-02	13.05	Starter	146
ST6705	13.05	Starter Mounting	148

OPTION	REPAIR GROUP	GROUP NAME	PAGE
PP2354-03	06.01.6	Step Oil Manifold	149
PP6818-01	01.04	Step Oil Supply Fitting	152
PP2354-03	06.01.1	Step Valve	154
PP2354-02	06.01.2	Step Valve Mounting	157
PP2354	06.01.3	Tappet	159
PP2354-05	10.06	Turbocharger	161
BP6126-04	10.06.1	Turbocharger Oil Supply Hose	164
4376343	17.01	Upper Engine Gasket Kit	166
DA6070	01.02.2	Vibration Damper	168
PP2354-04	07.05.1	Water Header	170
WI6002-06	08.07.1	Water Inlet Connection	172
WM6016-05	08.07.1	Water Manifold	174
WO6051-07	08.07.1	Water Outlet Connection	176
WO6705	08.07.1	Water Outlet Connection	178
BP6126-16	08.01	Water Pump	179



Parts Catalog - Option Detail

Electronic Parts Catalog - Option Detail				
Option	Group	Graphic	Film Card	Date
4352581	17.02	null	K50	08-APR-14
Engines	G50, K50, K50-DPM, QSK50 CM2150 K107, QSK50 CM2150 MCRS, QSK50 CM2350 K108, QSK50 CM850 MCRS, QSK50 DF CM850/CM2150 MCRS			

Cart	Ref No	Part Number	Part Description	Required	Remarks
<input type="button" value="View My Cart"/>					
<input type="checkbox"/>		4352581	Kit, Upper Engine Gasket	1	
<input type="checkbox"/>		131026	O-Ring Seal	10	
<input type="checkbox"/>		201048	Connection Gasket	4	
<input type="checkbox"/>		201049	Connection Gasket	2	
<input type="checkbox"/>		206277	Intake Manifold Gasket	16	
<input type="checkbox"/>		206443	Thermostat Housing Gasket	2	
<input type="checkbox"/>		206460	Connection Gasket	1	
<input type="checkbox"/>		207515	Connection Gasket	1	
<input type="checkbox"/>		216187	O-Ring Seal	2	
<input type="checkbox"/>		3001340	O-Ring Seal	32	
<input type="checkbox"/>		3003016	O-Ring Seal	10	
<input type="checkbox"/>		3008710	Rectangular Ring Seal	8	
<input type="checkbox"/>		3011580	Aftercooler Cover Gasket	4	
<input type="checkbox"/>		3014304	Rectangular Ring Seal	32	
<input type="checkbox"/>		3014449	Flange Gasket	4	
<input type="checkbox"/>		3023066	O-Ring Seal	4	
<input type="checkbox"/>		3023129	Dust Seal	2	
<input type="checkbox"/>		3023130	Dust Seal	4	
<input type="checkbox"/>		3026421	O-Ring Seal	8	
<input type="checkbox"/>		3028291	O-Ring Seal	32	
<input type="checkbox"/>		3037821	Exhaust Manifold Gasket	16	
<input type="checkbox"/>		3084539	O-Ring Seal	32	
<input type="checkbox"/>		3171368	Turbocharger Gasket	2	
<input type="checkbox"/>		3175517	Flange Gasket	2	
<input type="checkbox"/>		3179026	Connection Gasket	24	
<input type="checkbox"/>		3179026	Connection Gasket	4	
<input type="checkbox"/>		3179027	Connection Gasket	8	

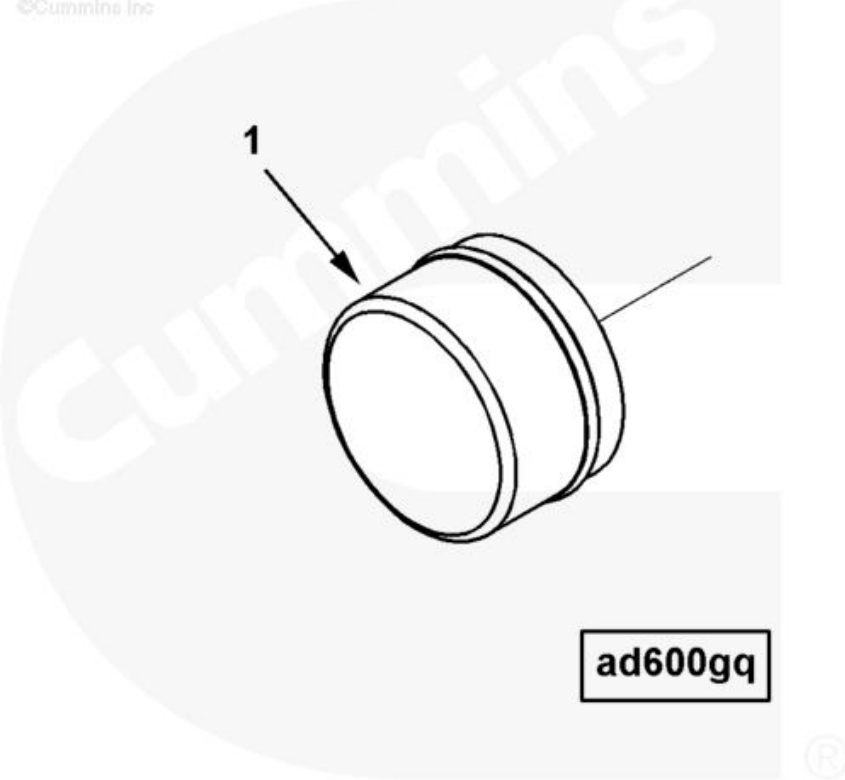
<input type="checkbox"/>		3627961	Thermostat Seal	4	
<input type="checkbox"/>		3630839	Rocker Lever Housing Gasket	16	
<input type="checkbox"/>		3818885	O-Ring Seal	2	
<input type="checkbox"/>		4066112	O-Ring Seal	6	
<input type="checkbox"/>		4334080	Cylinder Head Gasket	16	
<input type="checkbox"/>		4920076	Rocker Lever Cover Gasket	16	

© 2017 Cummins Inc., Box 3005, Columbus, IN 47202-3005 U.S.A.
[Terms of Use and Disclaimers](#) | [Recommended System Requirements](#)
 Need Assistance? Please click on the Contact Us button in the top right corner of any page.



Parts Catalog - Option Detail

Electronic Parts Catalog - Option Detail				
Option	Group	Graphic	Film Card	Date
AD6005-02	09.03	ad600gq	K50	05-APR-06
Engines	G50, K50, K50-DPM, QSK50 CM2150 K107, QSK50 CM2150 MCRS, QSK50 CM2350 K108, QSK50 CM850 MCRS, QSK50 DF CM850/CM2150 MCRS			



[SMALL](#) | [MEDIUM](#) | [LARGE](#)

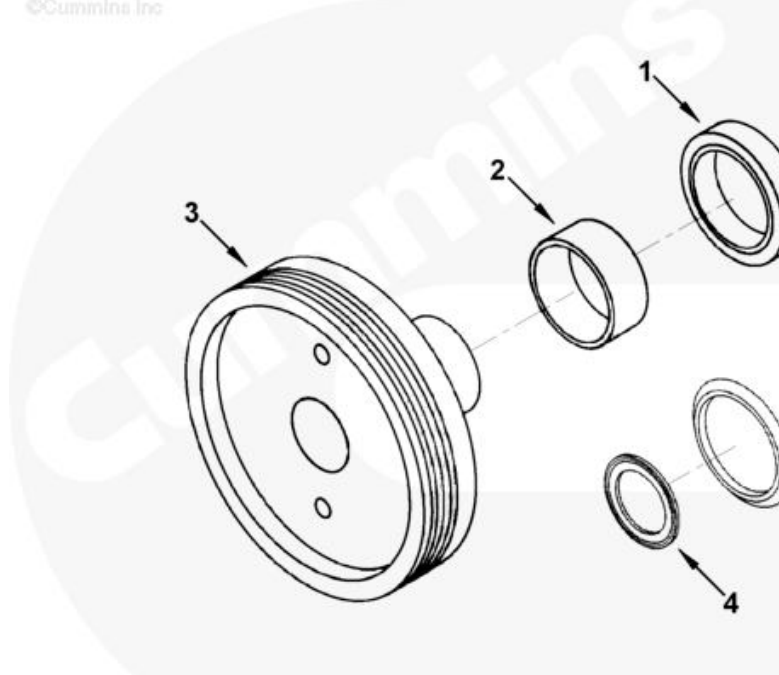
Cart	Ref No	Part Number	Part Description	Required	Remarks
View My Cart					
		AD6005-02	Accessory Drive Cover		Steel cup to seal the opening...(More)
					in the
					Gear cover when an accessory
					drive pulley is not required.
					Mounted through the front
					gear cover, left bank side of
					the engine.
<input type="checkbox"/>	1	3332255	Gear Cover Plug	1	



Parts Catalog - Option Detail

Electronic Parts Catalog - Option Detail				
Option	Group	Graphic	Film Card	Date
PU6003	09.03	ad600gj	K50	30-JAN-96
Engines	G50, K50, K50-DPM, QSK50 CM2150 K107, QSK50 CM2150 MCRS, QSK50 CM2350 K108, QSK50 CM850 MCRS, QSK50 DF CM850/CM2150 MCRS			

©Cummins Inc



ad600gj

SMALL | MEDIUM | LARGE

Cart	Ref No	Part Number	Part Description	Required	Remarks
View My Cart					
		PU6003	Accessory Drive Pulley		Alternator drive pulley...(More)
					4.93 inch (125MM) diameter
					for 5 rib "K" section v-
					ribbed belt. Driven at
					1.68 times engine speed.
					For 2.62:1 ratio alternator
					drives. Mounted through
					the front gear cover,
					right bank side of engine.
<input type="checkbox"/>	1	3628895	Oil Seal	1	
<input type="checkbox"/>		3179944	Accessory Drive Pulley	1	
<input type="checkbox"/>	2	3076346	Wear Sleeve	1	
	3	3628939	Accessory Drive Pulley	1	
<input type="checkbox"/>	4	3200287	Keyway Seal	1	

<input type="checkbox"/>	5	3628894	Dust Seal	1	
<input type="checkbox"/>		3803852	Kit , Kv Pose Seal	1	
<input type="checkbox"/>		190397	Wear Sleeve	1	
<input type="checkbox"/>		3200287	Keyway Seal	1	
<input type="checkbox"/>		3628894	Dust Seal	1	
<input type="checkbox"/>		3628895	Oil Seal	1	

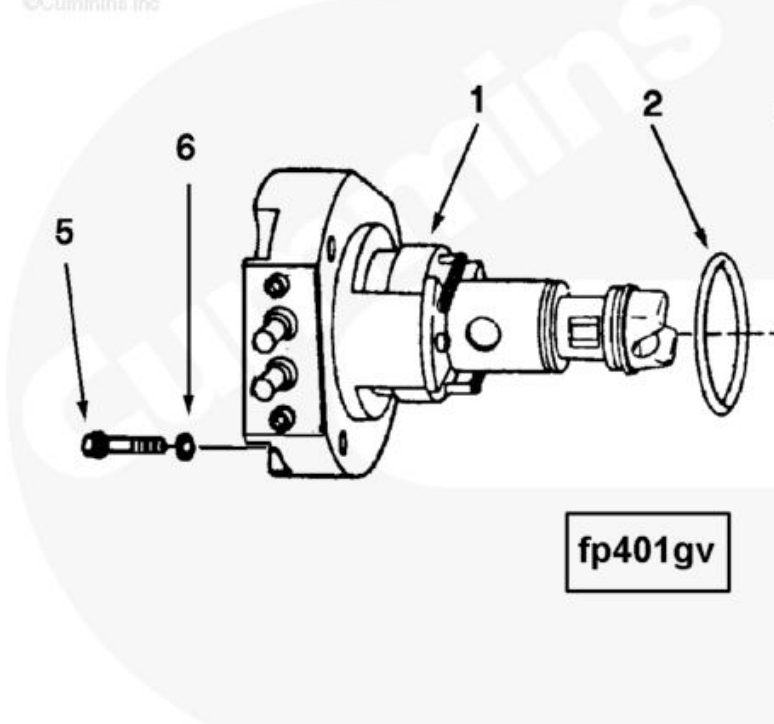
© 2017 Cummins Inc., Box 3005, Columbus, IN 47202-3005 U.S.A.
[Terms of Use and Disclaimers](#) | [Recommended System Requirements](#)
 Need Assistance? Please click on the Contact Us button in the top right corner of any page.



Parts Catalog - Option Detail

Electronic Parts Catalog - Option Detail				
Option	Group	Graphic	Film Card	Date
FP6771	05.01.6	fp401gv	K50	31-DEC-83
Engines	G50, K50, K50-DPM, QSK50 CM2150 K107, QSK50 CM2150 MCRS, QSK50 CM2350 K108, QSK50 CM850 MCRS, QSK50 DF CM850/CM2150 MCRS			

©Cummins Inc



[SMALL](#) | [MEDIUM](#) | [LARGE](#)

Cart	Ref No	Part Number	Part Description	Required	Remarks
View My Cart					
		FP6771	Actuator		
<input type="checkbox"/>	1	3408326	Electronic Fuel Control Actuator	1	
<input type="checkbox"/>	2	3048182	O-Ring Seal	1	
<input type="checkbox"/>	3	3042542	O-Ring Seal	1	
<input type="checkbox"/>	4	3042542	O-Ring Seal	1	
<input type="checkbox"/>	5	3017051	Captive Washer Cap Screw	3	1/4 - 20 X 1 1/8 in.
<input type="checkbox"/>	6	70704	Plain Washer	3	1/4 in.

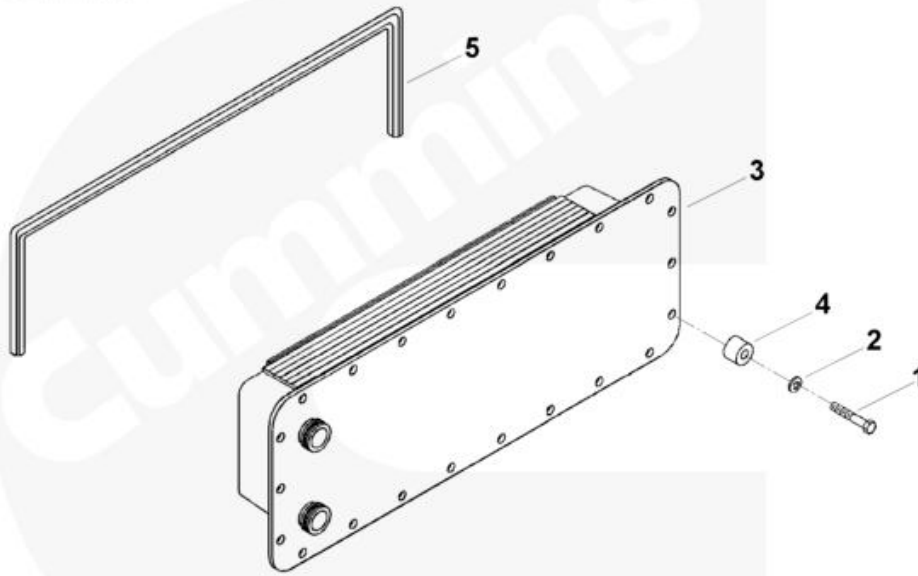
© 2017 Cummins Inc., Box 3005, Columbus, IN 47202-3005 U.S.A.
[Terms of Use and Disclaimers](#) | [Recommended System Requirements](#)
 Need Assistance? Please click on the Contact Us button in the top right corner of any page.



Parts Catalog - Option Detail

Electronic Parts Catalog - Option Detail				
Option	Group	Graphic	Film Card	Date
PP2354-02	10.01	pp613gm	K50	08-AUG-14
Engines	G50, K50, K50-DPM, QSK50 CM2150 K107, QSK50 CM2150 MCRS, QSK50 CM2350 K108, QSK50 CM850 MCRS, QSK50 DF CM850/CM2150 MCRS			

©Cummins Inc



pp613gm

[SMALL](#) | [MEDIUM](#) | [LARGE](#)

Cart	Ref No	Part Number	Part Description	Required	Remarks
View My Cart					
		PP2354-02	Aftercooler Core		Aftercooler Core...(More)
					Certified Model Name:
					KTA50-G8
					CPL: 2354
					Certified By: None
					Engine Aspiration:
					Turbocharger
					Application: Power Generation
					Power Rating: Intermittent
					KTA-50G8 With LTA K-2000
					Technology.
					Less Water Pumps.
					For Standby, Prime and
					Continuous Applications.

<input type="checkbox"/>	1	S 104	Hexagon Head Cap Screw	56	3/8 - 16 X 2 1/4 in.
<input type="checkbox"/>	2	3036460	Spring Washer	56	
<input type="checkbox"/>	3	3638360	Aftercooler Core	4	
<input type="checkbox"/>	4	3626867	Mounting Spacer	50	
<input type="checkbox"/>	5	3627381	Rectangular Strip Seal	4	

© 2017 Cummins Inc., Box 3005, Columbus, IN 47202-3005 U.S.A.
[Terms of Use and Disclaimers](#) | [Recommended System Requirements](#)
 Need Assistance? Please click on the Contact Us button in the top right corner of any page.



Parts Catalog - Option Detail

Electronic Parts Catalog - Option Detail				
Option	Group	Graphic	Film Card	Date
PP2354-04	10.01.1	null	K50	08-AUG-14
Engines	G50, K50, K50-DPM, QSK50 CM2150 K107, QSK50 CM2150 MCRS, QSK50 CM2350 K108, QSK50 CM850 MCRS, QSK50 DF CM850/CM2150 MCRS			

Cart	Ref No	Part Number	Part Description	Required	Remarks
View My Cart					
		PP2354-04	Aftercooler Plumbing		Aftercooler Plumbing...(More)
					Certified Model Name:
					KTA50-G8
					CPL: 2354
					Certified By: None
					Engine Aspiration:
					Turbocharger
					Application: Power Generation
					Power Rating: Intermittent
					KTA-50G8 With LTA K-2000
					Technology.
					Less Water Pumps.
					For Standby, Prime and
					Continuous Applications.
		3013519	Water Connection Mounting Cover	1	
<input type="checkbox"/>		3014766	Captive Washer Cap Screw	2	3/8 - 16 X 1 3/64 in.
<input type="checkbox"/>		3175517	Flange Gasket	1	
<input type="checkbox"/>		3175522	Cover Plate	1	
		3177568	Aftercooler Plumbing	1	
<input type="checkbox"/>		S 105	Hexagon Head Cap Screw	4	3/8 - 16 X 3 1/2 in.
<input type="checkbox"/>		S 109	Hexagon Head Cap Screw	2	3/8 - 16 X 7/8 in.
<input type="checkbox"/>		S 199 B	Hexagon Head Cap Screw	4	3/8 - 16 3 3/4 in.
<input type="checkbox"/>		S 604	Lock Washer	2	3/8 in.
<input type="checkbox"/>		68910	O-Ring Seal	8	
<input type="checkbox"/>		3033915	O-Ring Seal	16	
<input type="checkbox"/>		3036460	Spring Washer	8	
<input type="checkbox"/>		3050953	Water Transfer Tube	4	

<input type="checkbox"/>		3058812	Dust Seal	8	
<input type="checkbox"/>		3175058	Clip	2	
<input type="checkbox"/>		3629821	Tube Brace	2	
<input type="checkbox"/>		3633120	Water Transfer Connection	1	
<input type="checkbox"/>		3633121	Water Transfer Connection	1	
<input type="checkbox"/>		3633122	Water Transfer Connection	1	
<input type="checkbox"/>		3633123	Water Transfer Connection	1	
<input type="checkbox"/>		3633132	Water Transfer Connection	1	
<input type="checkbox"/>		3633133	Water Transfer Connection	1	
<input type="checkbox"/>		3633134	Water Transfer Connection	1	
<input type="checkbox"/>		3633135	Water Transfer Connection	1	
		3630800	Plumbing , Left Bank Aftercooler	1	
<input type="checkbox"/>		S 104	Hexagon Head Cap Screw	2	3/8 - 16 X 2 1/4 in.
<input type="checkbox"/>		68910	O-Ring Seal	4	
<input type="checkbox"/>		3036460	Spring Washer	2	
<input type="checkbox"/>		3058812	Dust Seal	4	
<input type="checkbox"/>		3179850	Water Transfer Tube	1	
<input type="checkbox"/>		3179853	Water Transfer Tube	1	
<input type="checkbox"/>		3644511	Tube Brace	1	
		3630801	Plumbing , Right Bank Aftercooler	1	
<input type="checkbox"/>		S 104	Hexagon Head Cap Screw	2	3/8 - 16 X 2 1/4 in.
<input type="checkbox"/>		68910	O-Ring Seal	4	
<input type="checkbox"/>		3036460	Spring Washer	2	
<input type="checkbox"/>		3058812	Dust Seal	4	
<input type="checkbox"/>		3179856	Water Transfer Tube	1	
<input type="checkbox"/>		3179859	Water Transfer Tube	1	
<input type="checkbox"/>		3644511	Tube Brace	1	
		3633796	Plumbing , Left Bank Aftercooler	1	
<input type="checkbox"/>		3066467	Male Union	3	
<input type="checkbox"/>		3068888	O-Ring Seal	1	
		3100537	Male Union	1	
		3634706	Instruction Tag	2	
<input type="checkbox"/>		3634708	Draincock	2	
<input type="checkbox"/>		3924052	Flexible Hose	1	
		3633824	Plumbing , Right Bank Aftercooler	1	
<input type="checkbox"/>		3066467	Male Union	3	
<input type="checkbox"/>		3068888	O-Ring Seal	1	

		3100537	Male Union	1	
		3634706	Instruction Tag	2	
<input type="checkbox"/>		3634708	Draincock	2	
<input type="checkbox"/>		3924052	Flexible Hose	1	

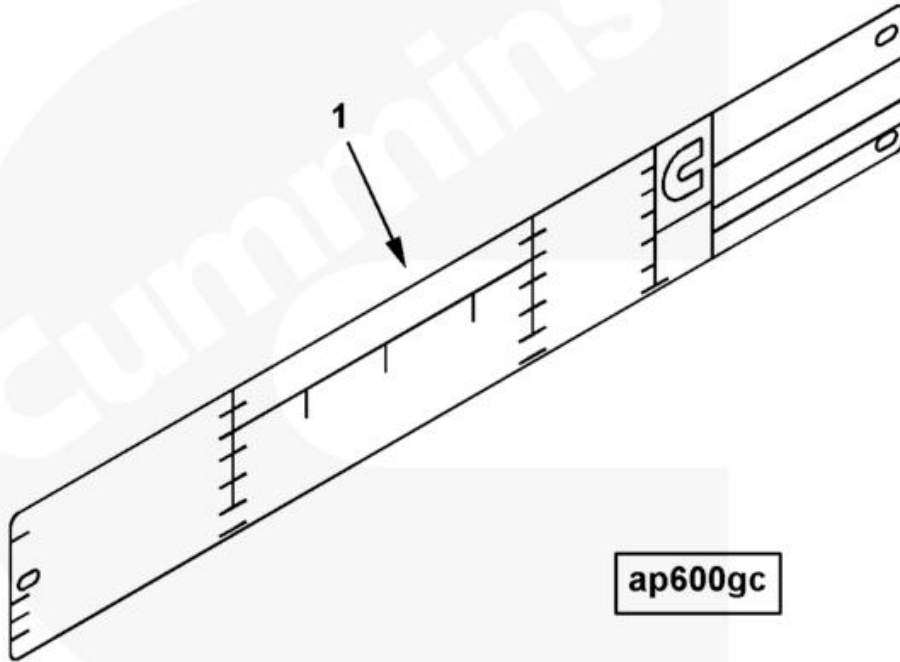
© 2017 Cummins Inc., Box 3005, Columbus, IN 47202-3005 U.S.A.
[Terms of Use and Disclaimers](#) | [Recommended System Requirements](#)
 Need Assistance? Please click on the Contact Us button in the top right corner of any page.



Parts Catalog - Option Detail

Electronic Parts Catalog - Option Detail				
Option	Group	Graphic	Film Card	Date
AP6129	01.06.1	ap600gc	K50	15-JAN-07
Engines	G50, K50, K50-DPM, QSK50 CM2150 K107, QSK50 CM2150 MCRS, QSK50 CM2350 K108, QSK50 CM850 MCRS, QSK50 DF CM850/CM2150 MCRS			

©Cummins Inc



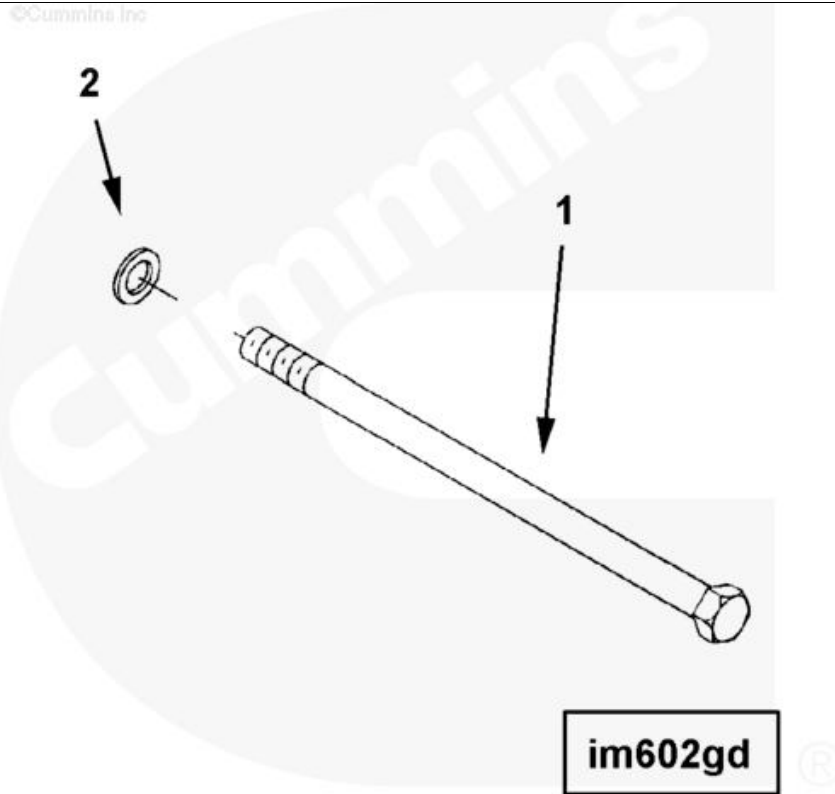
[SMALL](#) | [MEDIUM](#) | [LARGE](#)

Cart	Ref No	Part Number	Part Description	Required	Remarks
View My Cart					
		AP6129	Agency Approval		Agency approval...(More)
					Certified By: None
					Application: Power
					Generation cert level: None
					special allowance: N/A cert
					agent: None comment:
					Fuel Type: Diesel centinel
					provision: No.
<input type="checkbox"/>	1	4970456	Dataplate	1	



Parts Catalog - Option Detail

Electronic Parts Catalog - Option Detail				
Option	Group	Graphic	Film Card	Date
IM6726-03	10.01	im602gd	K50	17-MAY-03
Engines	G50, K50, K50-DPM, QSK50 CM2150 K107, QSK50 CM2150 MCRS, QSK50 CM2350 K108, QSK50 CM850 MCRS, QSK50 DF CM850/CM2150 MCRS			



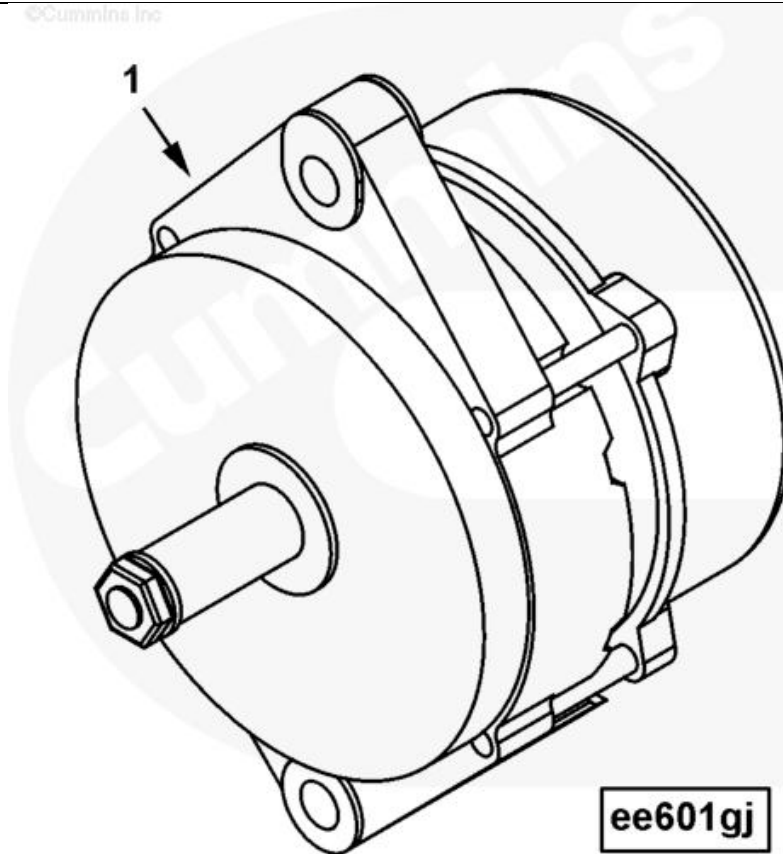
[SMALL](#) | [MEDIUM](#) | [LARGE](#)

Cart	Ref No	Part Number	Part Description	Required	Remarks
View My Cart					
		IM6726-03	Intake Manifold Mounting		Contains intake manifold...(More)
					hardware.
					For use when fuel filter
					block is mounted to fuel
					pump.
					For use with automotive (flat
					top) fuel pumps for LTA
					engines only.
<input type="checkbox"/>	1	S 106 C	Hexagon Head Cap Screw	2	3/8 - 16 X 4 3/4 in.
<input type="checkbox"/>	2	3036460	Spring Washer	2	



Parts Catalog - Option Detail

Electronic Parts Catalog - Option Detail				
Option	Group	Graphic	Film Card	Date
EE6065-04	13.02	ee601gj	K50	01-APR-04
Engines	G50, K50, K50-DPM, QSK50 CM2150 K107, QSK50 CM2150 MCRS, QSK50 CM2350 K108, QSK50 CM850 MCRS, QSK50 DF CM850/CM2150 MCRS			



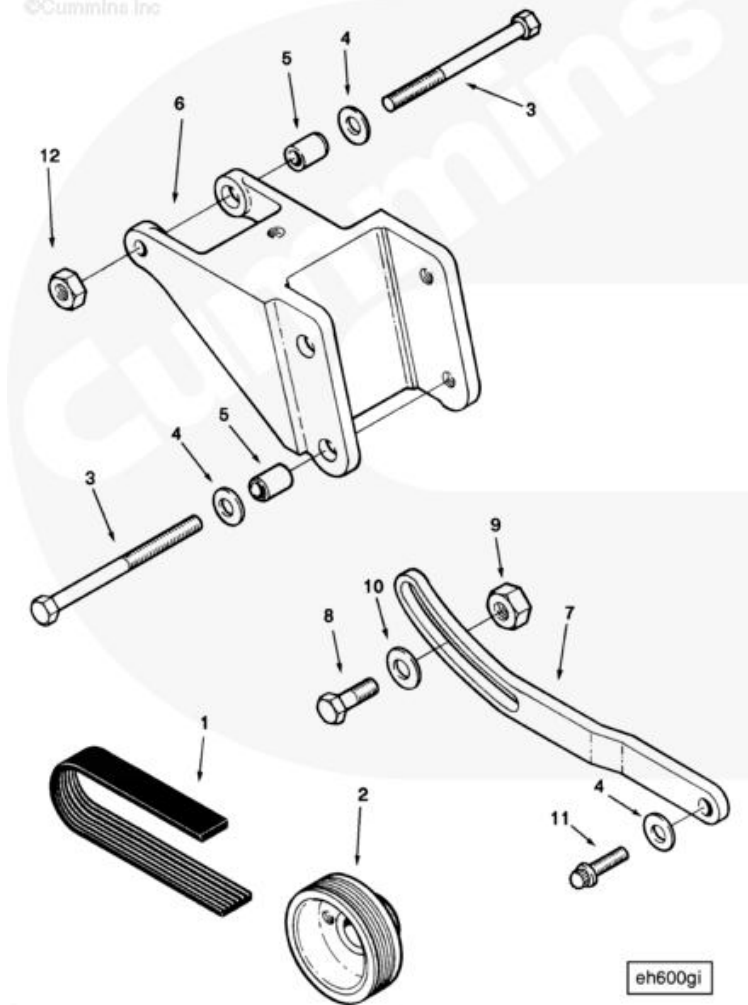
[SMALL](#) | [MEDIUM](#) | [LARGE](#)

Cart	Ref No	Part Number	Part Description	Required	Remarks
View My Cart					
		EE6065-04	Alternator		Prestolite alternator 24volt...(More)
					55 a (Prestolite reference
					Ina4024/8).
<input type="checkbox"/>	1	4094998	Alternator	1	



Parts Catalog - Option Detail

Electronic Parts Catalog - Option Detail				
Option	Group	Graphic	Film Card	Date
EE6021	13.02.3	eh600gi	K50	12-MAR-91
Engines	G50, K50, K50-DPM, QSK50 CM2150 K107, QSK50 CM2150 MCRS, QSK50 CM2350 K108, QSK50 CM850 MCRS, QSK50 DF CM850/CM2150 MCRS			



SMALL | MEDIUM | LARGE

Cart	Ref No	Part Number	Part Description	Required	Remarks
View My Cart					
		EE6021	Alternator Mounting		Mounting and drive for Butec...(More)
					alternators. Includes pulley
					and 5rib "K" section v-ribbed
					belt. Drive ratio is 2.62
					times engine speed.
<input type="checkbox"/>	1	3039376	V Ribbed Belt	1	
<input type="checkbox"/>	2	3179922	Alternator Pulley	1	

<input type="checkbox"/>	3	S 167 B	Hexagon Head Cap Screw	3	7/16 - 14 X 5 1/2 Inch.
<input type="checkbox"/>	4	203760	Plain Washer	5	7/16 in.
<input type="checkbox"/>	5	207509	Sleeve	3	
<input type="checkbox"/>	6	3179866	Alternator Support	1	
<input type="checkbox"/>	7	3626871	Adjusting Link	1	
<input type="checkbox"/>	8	106549	Hexagon Head Cap Screw	1	3/8 - 24 x 1 3/4 in.
<input type="checkbox"/>	9	107534	Lock Nut	1	
<input type="checkbox"/>	10	108330	Plain Washer	1	3/8 in.
<input type="checkbox"/>	11	206326	Twelve Point Cap Screw	1	7/16- 14 X 1 1/4 Inch.
<input type="checkbox"/>	12	555273	Lock Nut	1	

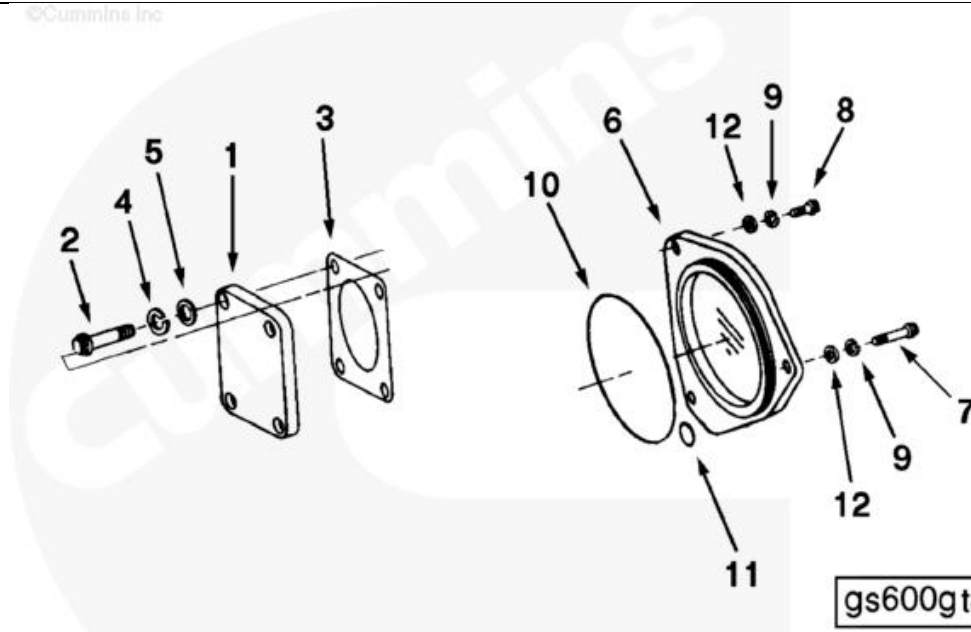
© 2017 Cummins Inc., Box 3005, Columbus, IN 47202-3005 U.S.A.
[Terms of Use and Disclaimers](#) | [Recommended System Requirements](#)
Need Assistance? Please click on the Contact Us button in the top right corner of any page.



Parts Catalog - Option Detail

Electronic Parts Catalog - Option Detail				
Option	Group	Graphic	Film Card	Date
HD6011-01	12.04	gs600gt	K50	19-SEP-96
Engines	G50, K50, K50-DPM, QSK50 CM2150 K107, QSK50 CM2150 MCRS, QSK50 CM2350 K108, QSK50 CM850 MCRS, QSK50 DF CM850/CM2150 MCRS			

©Cummins Inc



SMALL | MEDIUM | LARGE

Cart	Ref No	Part Number	Part Description	Required	Remarks
View My Cart					
		HD6011-01	Hydraulic Pump		Required when fuel... (More)
					transfer pump drive or
					hydraulic pump drive is not
					specified. May be used when
					future upfit of fuel transfer
					pump is anticipated.
<input type="checkbox"/>	1	206406	Flange	1	
<input type="checkbox"/>	2	S 145	Hexagon Head Cap Screw	4	1/2 - 13 X 1 1/4 in.
<input type="checkbox"/>	3	206407	Hand Hole Gasket	1	
<input type="checkbox"/>	4	111445	Lock Washer	4	
<input type="checkbox"/>	5	127571	Plain Washer	4	1/2 in.
<input type="checkbox"/>	6	206158	Hydraulic Pump Flange Cover	1	
<input type="checkbox"/>	7	S 162 A	Hexagon Head Cap Screw	2	7/16 - 14 X 2 3/4 in.
<input type="checkbox"/>	8	103023	Hexagon Head Cap Screw	1	7/16 - 14 X 1 in.
<input type="checkbox"/>	9	135783	Lock Washer	3	7/16 in.

<input type="checkbox"/>	10	145600	O-Ring Seal	1	
<input type="checkbox"/>	11	3818885	O-Ring Seal	1	
<input type="checkbox"/>	12	3175027	Plain Washer	3	

© 2017 Cummins Inc., Box 3005, Columbus, IN 47202-3005 U.S.A.
[Terms of Use and Disclaimers](#) | [Recommended System Requirements](#)
Need Assistance? Please click on the Contact Us button in the top right corner of any page.



Parts Catalog - Option Detail

Electronic Parts Catalog - Option Detail				
Option	Group	Graphic	Film Card	Date
BP6126-12	01.01	null	K50	01-OCT-13
Engines	G50, K50, K50-DPM, QSK50 CM2150 K107, QSK50 CM2150 MCRS, QSK50 CM2350 K108, QSK50 CM850 MCRS, QSK50 DF CM850/CM2150 MCRS			

Cart	Ref No	Part Number	Part Description	Required	Remarks
View My Cart					
		BP6126-12	Cylinder Block		Cylinder Block...(More)
					Fuel Control System: Dual STC
					(Stepped Timing Control)
					Water Pump Included: Yes
<input type="checkbox"/>		3010595	Captive Washer Cap Screw	12	3/8 - 16 X 1 in.
<input type="checkbox"/>		3178947	Hexagon Head Cap Screw	16	5/16 - 18 X 1 1/4 in.
<input type="checkbox"/>		3628604	Pipe Plug	4	
<input type="checkbox"/>		3628605	Pipe Plug	6	
<input type="checkbox"/>		3628609	Pipe Plug	1	
<input type="checkbox"/>		3629168	Expansion Plug	8	
<input type="checkbox"/>		3631471	O-Ring Adapter	6	
		3631472	Seal Retainer	1	
		3631473	Cover Plate	1	
<input type="checkbox"/>		3632840	O-Ring Seal	6	
<input type="checkbox"/>		3638583	Draincock	3	
<input type="checkbox"/>		3645841	Expansion Plug	16	
<input type="checkbox"/>		3879479	Piston Cooling Valve	8	
<input type="checkbox"/>		S 965 E	Pipe Plug	2	1/16 NPT.
<input type="checkbox"/>		3058424	Compression Spring	1	
<input type="checkbox"/>		3179000	Pin Dowel	2	
		3873801	Retaining Ring	1	
		3873802	Oil Control Valve Plunger	1	
<input type="checkbox"/>		3873869	Piston Cooling Valve Body	1	
<input type="checkbox"/>		4017621	Expansion Plug	19	
		4927512	Cylinder Block	1	
<input type="checkbox"/>		139990	Plain Washer	18	3/4 in.
<input type="checkbox"/>		205230	Bushing	2	

<input type="checkbox"/>		205584	Twelve Point Cap Screw	18	3/4 - 10 X 2 1/4 in.
<input type="checkbox"/>		206587	Main Bearing Cap	7	
<input type="checkbox"/>		206588	Main Bearing Cap	2	
<input type="checkbox"/>		3025485	Plain Washer	18	
		4927511	Cylinder Block	1	
<input type="checkbox"/>		3175805	Bushing	32	
<input type="checkbox"/>		3640775	Tamper Proof Seal	9	
<input type="checkbox"/>		3176857	Ring Dowel	9	
<input type="checkbox"/>		3628452	Fracture Resistant Screw	18	
		3006089	Cylinder Liner	16	
<input type="checkbox"/>		3011076	D-Ring Seal	1	
<input type="checkbox"/>		3011884	Liner Insert	1	Thickness: 0.1995 in.
<input type="checkbox"/>		3014668	D-Ring Seal	1	
		3022157	Cylinder Liner	1	
<input type="checkbox"/>		3081489	Oil Seal	1	
<input type="checkbox"/>		4955242	Cylinder Block Kit	A/R	
		3648602	Cylinder Block	1	
<input type="checkbox"/>		S 610	Lock Washer	15	7/16 in.
<input type="checkbox"/>		138912	Pin Dowel	1	
<input type="checkbox"/>		195952	O-Ring Seal	6	
<input type="checkbox"/>		3002993	Ring Dowel	32	
<input type="checkbox"/>		3010595	Captive Washer Cap Screw	12	3/8 - 16 X 1 in.
<input type="checkbox"/>		3014766	Captive Washer Cap Screw	4	3/8 - 16 X 1 3/64 in.
<input type="checkbox"/>		3175522	Cover Plate	2	
<input type="checkbox"/>		3176618	Diamond Dowel	1	
<input type="checkbox"/>		3178947	Hexagon Head Cap Screw	16	5/16 - 18 X 1 1/4 in.
<input type="checkbox"/>		3628605	Pipe Plug	10	
<input type="checkbox"/>		3628607	Pipe Plug	2	
<input type="checkbox"/>		3628609	Pipe Plug	1	
<input type="checkbox"/>		3629168	Expansion Plug	8	
<input type="checkbox"/>		3631471	O-Ring Adapter	6	
<input type="checkbox"/>		3638583	Draincock	3	
<input type="checkbox"/>		3645841	Expansion Plug	16	
<input type="checkbox"/>		4016364	Pin Dowel	32	
<input type="checkbox"/>		4017621	Expansion Plug	19	

<input type="checkbox"/>		2885786	Liner Kit	A/R	
<input type="checkbox"/>		3011076	D-Ring Seal	1	
<input type="checkbox"/>		3011884	Liner Insert	1	Thickness: 0.1995 in.
<input type="checkbox"/>		3014668	D-Ring Seal	1	
		3022157	Cylinder Liner	1	
<input type="checkbox"/>		3081489	Oil Seal	1	
<input type="checkbox"/>		3088385	Liner Seal Ring	A/R	0.46 mm.
<input type="checkbox"/>		3088386	Liner Seal Ring	A/R	0.52 mm.
<input type="checkbox"/>		3088387	Liner Seal Ring	A/R	0.56 mm.
<input type="checkbox"/>		3088388	Liner Seal Ring	A/R	0.79 mm.
<input type="checkbox"/>		3011884	Liner Insert	A/R	Thickness: 0.1995 in.
<input type="checkbox"/>		3019150	Liner Insert	A/R	Thickness: 0.2015 in.
<input type="checkbox"/>		3021148	Liner Insert	A/R	Thickness: 0.2035 in.
<input type="checkbox"/>		3643060	Liner Insert	A/R	

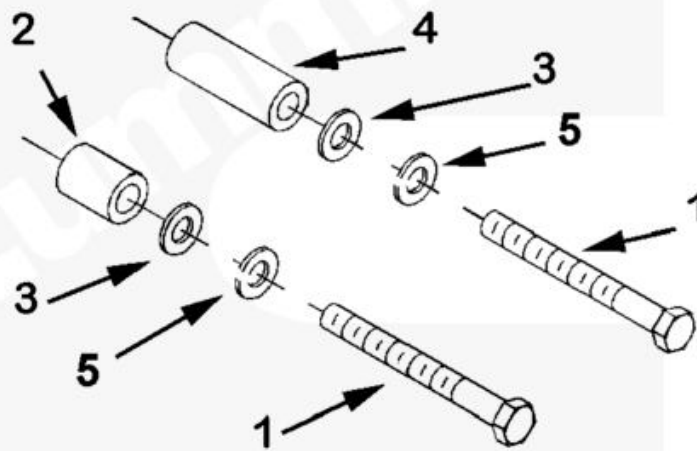
© 2017 Cummins Inc., Box 3005, Columbus, IN 47202-3005 U.S.A.
Terms of Use and Disclaimers | Recommended System Requirements
Need Assistance? Please click on the Contact Us button in the top right corner of any page.



Parts Catalog - Option Detail

Electronic Parts Catalog - Option Detail				
Option	Group	Graphic	Film Card	Date
OB6722	03.02	ob606gg	K50	28-APR-97
Engines	G50, K50, K50-DPM, QSK50 CM2150 K107, QSK50 CM2150 MCRS, QSK50 CM2350 K108, QSK50 CM850 MCRS, QSK50 DF CM850/CM2150 MCRS			

©Cummins Inc



ob606gg

[SMALL](#) | [MEDIUM](#) | [LARGE](#)

Cart	Ref No	Part Number	Part Description	Required	Remarks
View My Cart					
		OB6722	Breather Mounting		Breather box mounting...(More)
					parts, for use when Cense
					engine monitoring system
					is not required.
<input type="checkbox"/>	1	S 105	Hexagon Head Cap Screw	4	3/8 - 16 X 3 1/2 in.
<input type="checkbox"/>	2	64709	Mounting Spacer	2	
<input type="checkbox"/>	3	3628902	Plain Washer	4	
<input type="checkbox"/>	4	3629762	Mounting Spacer	2	
<input type="checkbox"/>	5	S 604	Lock Washer	4	3/8 in.



Parts Catalog - Option Detail

Electronic Parts Catalog - Option Detail				
Option	Group	Graphic	Film Card	Date
BP6126-04	04.03	null	K50	17-JUN-11
Engines	G50, K50, K50-DPM, QSK50 CM2150 K107, QSK50 CM2150 MCRS, QSK50 CM2350 K108, QSK50 CM850 MCRS, QSK50 DF CM850/CM2150 MCRS			

Cart	Ref No	Part Number	Part Description	Required	Remarks
<input type="button" value="View My Cart"/>					
		BP6126-04	Cam Follower Housing		Cam Follower Housing...(More)
					Fuel Control System: Dual STC
					(Stepped Timing Control)
					Water Pump Included: Yes
		3019580	Cam Follower Mounting Cover	1	
<input type="checkbox"/>		S 126	Hexagon Head Cap Screw	28	3/8 - 16 X 2 1/2 in.
<input type="checkbox"/>		S 604	Lock Washer	28	3/8 in.
<input type="checkbox"/>		3010596	Captive Washer Cap Screw	32	3/8 - 16 X 1 1/4 in.
<input type="checkbox"/>		3040721	Cam Follower Housing Gasket	16	
<input type="checkbox"/>		3628902	Plain Washer	60	
<input type="checkbox"/>		3017961	Push Rod	16	
<input type="checkbox"/>		3057139	Push Rod	32	
		3628092	Cam Mounting Follower	16	
<input type="checkbox"/>		127362	Plain Washer	2	3/8 in.
<input type="checkbox"/>		3002993	Ring Dowel	2	
<input type="checkbox"/>		3627945	Twelve Point Cap Screw	2	
<input type="checkbox"/>		3642502	Cam Follower Lever	16	
<input type="checkbox"/>		205439	Retaining Ring	2	
<input type="checkbox"/>		3642503	Cam Follower Lever	1	
		3642504	Cam Follower Lever	1	
<input type="checkbox"/>		4009479	Cam Follower Roller Pin	1	
<input type="checkbox"/>		3642505	Cam Follower Roller	1	
<input type="checkbox"/>		213559	Cam Follower Socket	1	
<input type="checkbox"/>		3039164	Cam Follower Lever	2	
<input type="checkbox"/>		213559	Cam Follower Socket	1	
		205069	Cam Follower Lever	1	
<input type="checkbox"/>		4009248	Cam Follower Roller Pin	1	

<input type="checkbox"/>		3016826	Cam Follower Roller	1	
<input type="checkbox"/>		205438	Tappet Roller Pin Lockwire	1	
<input type="checkbox"/>		3078218	Cam Follower Shaft	1	
<input type="checkbox"/>		205227	Expansion Plug	2	
		3077538	Cam Follower Shaft	1	

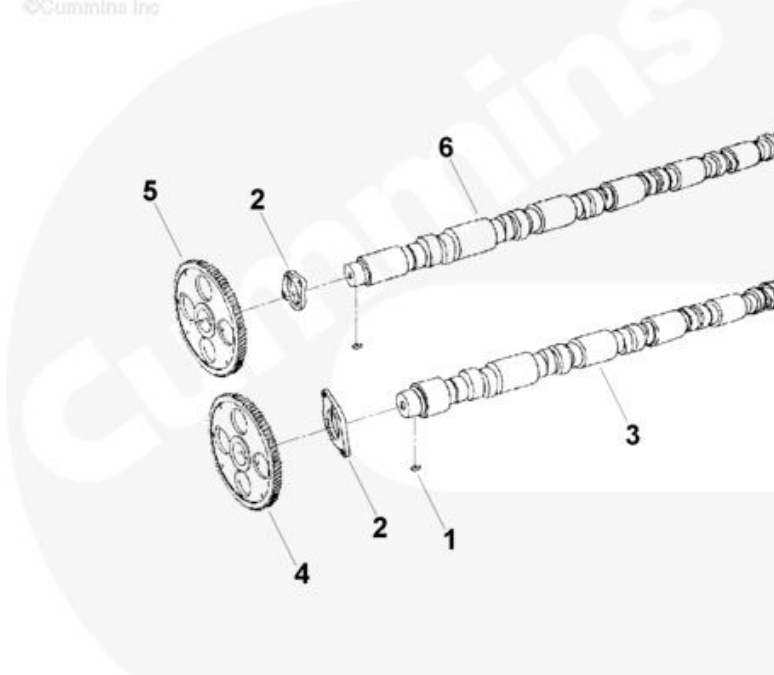
© 2017 Cummins Inc., Box 3005, Columbus, IN 47202-3005 U.S.A.
[Terms of Use and Disclaimers](#) | [Recommended System Requirements](#)
 Need Assistance? Please click on the Contact Us button in the top right corner of any page.



Parts Catalog - Option Detail

Electronic Parts Catalog - Option Detail				
Option	Group	Graphic	Film Card	Date
PP2354-02	01.07	pp613gj	K50	08-AUG-14
Engines	G50, K50, K50-DPM, QSK50 CM2150 K107, QSK50 CM2150 MCRS, QSK50 CM2350 K108, QSK50 CM850 MCRS, QSK50 DF CM850/CM2150 MCRS			

©Cummins Inc



pp613gj

[SMALL](#) | [MEDIUM](#) | [LARGE](#)

Cart	Ref No	Part Number	Part Description	Required	Remarks
View My Cart					
		PP2354-02	Camshaft And Gear		Camshaft and Gear...(More)
					Certified Model Name:
					KTA50-G8
					CPL: 2354
					Certified By: None
					Engine Aspiration:
					Turbocharger
					Application: Power Generation
					Timing gear Code: KA
					Power Rating: Intermittent
					KTA-50G8 With LTA K-2000
					Technology.
					Less Water Pumps.
					For Standby, Prime and

					Continuous Applications.
		3098988	Camshaft Left Bank	1	
<input type="checkbox"/>	1	S 302	Plain Woodruff Key	1	
<input type="checkbox"/>	2	3007971	Camshaft Thrust Bearing	1	
<input type="checkbox"/>	3	3098739	Camshaft	1	
	4	207248	Camshaft Gear	1	
		3098989	Camshaft Right Bank	1	
<input type="checkbox"/>	1	S 302	Plain Woodruff Key	1	
<input type="checkbox"/>	2	3007971	Camshaft Thrust Bearing	1	
<input type="checkbox"/>	5	206747	Camshaft Gear	1	
<input type="checkbox"/>	6	3098738	Camshaft	1	

© 2017 Cummins Inc., Box 3005, Columbus, IN 47202-3005 U.S.A.
[Terms of Use and Disclaimers](#) | [Recommended System Requirements](#)
 Need Assistance? Please click on the Contact Us button in the top right corner of any page.



Parts Catalog - Option Detail

Electronic Parts Catalog - Option Detail				
Option	Group	Graphic	Film Card	Date
BP6126-01	01.07.2	null	K50	02-NOV-04
Engines	G50, K50, K50-DPM, QSK50 CM2150 K107, QSK50 CM2150 MCRS, QSK50 CM2350 K108, QSK50 CM850 MCRS, QSK50 DF CM850/CM2150 MCRS			

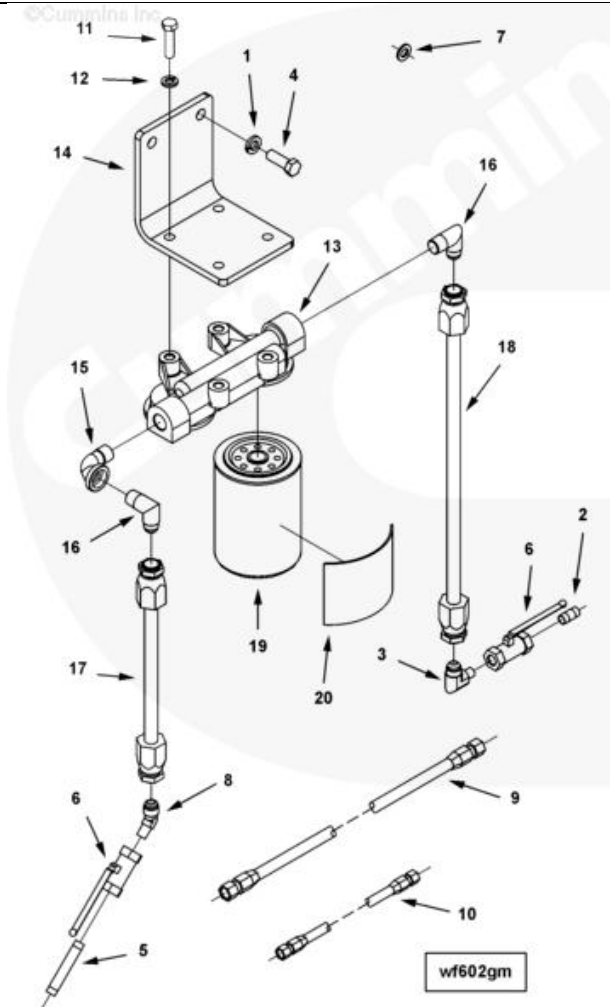
Cart	Ref No	Part Number	Part Description	Required	Remarks
View My Cart					
		BP6126-01	Camshaft Mounting		Camshaft Mounting...(More)
					Fuel Control System: Dual STC
					(Stepped Timing Control)
					Water Pump Included: Yes
<input type="checkbox"/>		207373	Camshaft Cover	2	
		3068865	Camshaft Mounting Cover	2	
<input type="checkbox"/>		3010595	Captive Washer Cap Screw	3	3/8 - 16 X 1 in.
<input type="checkbox"/>		3040722	Camshaft Cover Gasket	1	
<input type="checkbox"/>		3628902	Plain Washer	3	
<input type="checkbox"/>		3628755	Camshaft Cover	14	
		3632011	Camshaft Cover	1	
<input type="checkbox"/>		3628756	Camshaft Cover	2	
		3634289	Mounting Camshaft	1	
<input type="checkbox"/>		S 112	Hexagon Head Cap Screw	4	3/8 - 16 X 1 in.
<input type="checkbox"/>		68908	Lock Plate	4	

© 2017 Cummins Inc., Box 3005, Columbus, IN 47202-3005 U.S.A.
[Terms of Use and Disclaimers](#) | [Recommended System Requirements](#)
 Need Assistance? Please click on the Contact Us button in the top right corner of any page.



Parts Catalog - Option Detail

Electronic Parts Catalog - Option Detail				
Option	Group	Graphic	Film Card	Date
WF6023-12	08.08	wf602gm	K50	04-MAY-11
Engines	G50, K50, K50-DPM, QSK50 CM2150 K107, QSK50 CM2150 MCRS, QSK50 CM2350 K108, QSK50 CM850 MCRS, QSK50 DF CM850/CM2150 MCRS			



SMALL | MEDIUM | LARGE

Cart	Ref No	Part Number	Part Description	Required	Remarks
<input type="button" value="View My Cart"/>					
		WF6023-12	Resistor Corrosion		Single corrosion resistor...(More)
					head with two replaceable
					spin-on cartridges mounted
					On the pan rail right side of
					engine.
					Includes two 23 unit DCA
					filter cartridges 5.4inches

					(137.5mm) in length.
					This option does not contain
					any
					Additional DCA corrosion
					inhibitor.
					Special option for Onan.
<input type="checkbox"/>	1	S 610	Lock Washer	2	7/16 in.
<input type="checkbox"/>	2	550291	Plain Pipe Nipple	1	
<input type="checkbox"/>	3	S 1040 A	Male Adapter Elbow	1	
<input type="checkbox"/>	4	103009	Hexagon Head Cap Screw	2	7/16 - 14 X 1 1/4 in.
<input type="checkbox"/>	5	109660	Plain Pipe Nipple	1	
<input type="checkbox"/>	6	3178837	Shut-Off Valve	2	
<input type="checkbox"/>	7	3628902	Plain Washer	1	
<input type="checkbox"/>	8	3629494	Male Adapter Elbow	1	
		3630338	Corrosion Resistor Head	1	
	9	AK6009 SS	Flexible Hose	1	
	10	AS6018 SS	Flexible Hose	1	
<input type="checkbox"/>	11	S 103 D	Hexagon Head Cap Screw	4	3/8 - 16 x 1 1/4 in.
<input type="checkbox"/>	12	S 604	Lock Washer	4	3/8 in.
<input type="checkbox"/>	13	215617	Corrosion Resistor Head	1	
<input type="checkbox"/>	14	3177591	Corrosion Resistor Bracket	1	
<input type="checkbox"/>	15	3178838	Plain Street Pipe Elbow	1	
<input type="checkbox"/>	16	3629496	Male Adapter Elbow	2	
<input type="checkbox"/>	17	3634299	Flexible Hose	1	
<input type="checkbox"/>	18	3634302	Flexible Hose	1	
<input type="checkbox"/>	19	4058965	Corrosion Resistor	2	Buy from Cummins Filtration
	20	3642788	Information Decal	2	

© 2017 Cummins Inc., Box 3005, Columbus, IN 47202-3005 U.S.A.
[Terms of Use and Disclaimers](#) | [Recommended System Requirements](#)
Need Assistance? Please click on the Contact Us button in the top right corner of any page.



Parts Catalog - Option Detail

Electronic Parts Catalog - Option Detail				
Option	Group	Graphic	Film Card	Date
BP6728-05	01.02	null	K50	02-JUN-16
Engines	G50, K50, K50-DPM, QSK50 CM2150 K107, QSK50 CM2150 MCRS, QSK50 CM2350 K108, QSK50 CM850 MCRS, QSK50 DF CM850/CM2150 MCRS			

Cart	Ref No	Part Number	Part Description	Required	Remarks
View My Cart					
		BP6728-05	Engine Crankshaft		Engine Crankshaft...(More)
					Component Supplied:
					Crankshaft Assembly
					Non-Certified
					Rear Hydraulic Drive
					Provision: No
					Crankshaft Includes:
					Rolled Thread And Round
					Drill Point Cranknose.
					Reduced Pitch Circle For
					Vibration Damper Attachment.
					Application Restrictions: Use
					On Applications Of 1600 BHP
					And Above
<input type="checkbox"/>		3628605	Pipe Plug	2	
		3648617	Engine Crankshaft	1	
<input type="checkbox"/>		206904	Plain Woodruff Key	1	
<input type="checkbox"/>		3175255	Crankshaft Gear	1	
<input type="checkbox"/>		3628798	Crankshaft Gear	1	
<input type="checkbox"/>		3648618	Engine Crankshaft	1	
<input type="checkbox"/>		205126	Plain Washer	16	5/8 in.
<input type="checkbox"/>		219153	Fracture Resistant Screw	16	
<input type="checkbox"/>		3176216	Crankshaft Counter Weight	8	
<input type="checkbox"/>		3642450	Ring Dowel	16	
		3648619	Engine Crankshaft	1	



Parts Catalog - Option Detail

Electronic Parts Catalog - Option Detail				
Option	Group	Graphic	Film Card	Date
PP2354-03	02.01	null	K50	30-MAY-01
Engines	G50, K50, K50-DPM, QSK50 CM2150 K107, QSK50 CM2150 MCRS, QSK50 CM2350 K108, QSK50 CM850 MCRS, QSK50 DF CM850/CM2150 MCRS			

Cart	Ref No	Part Number	Part Description	Required	Remarks
<input type="button" value="View My Cart"/>					
		PP2354-03	Cylinder Head		

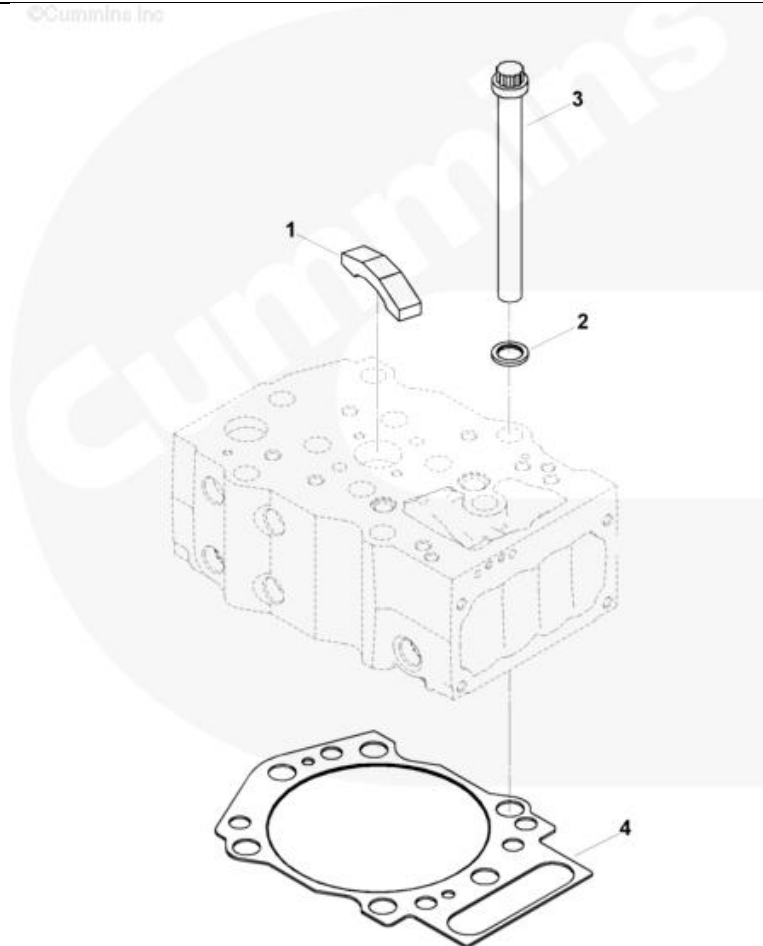
© 2017 Cummins Inc., Box 3005, Columbus, IN 47202-3005 U.S.A.
[Terms of Use and Disclaimers](#) | [Recommended System Requirements](#)
 Need Assistance? Please click on the Contact Us button in the top right corner of any page.



Parts Catalog - Option Detail

Electronic Parts Catalog - Option Detail				
Option	Group	Graphic	Film Card	Date
PP2354-05	02.01.1	kn600gq	K50	11-MAY-15
Engines	G50, K50, K50-DPM, QSK50 CM2150 K107, QSK50 CM2150 MCRS, QSK50 CM2350 K108, QSK50 CM850 MCRS, QSK50 DF CM850/CM2150 MCRS			

©Cummins Inc



kn600gq

[SMALL](#) | [MEDIUM](#) | [LARGE](#)

Cart	Ref No	Part Number	Part Description	Required	Remarks
View My Cart					
		PP2354-05	Cylinder Head Mounting		Cylinder Head Mounting...(More)
					Certified Model Name:
					KTA50-G8
					CPL: 2354
					Certified By: None
					Engine Aspiration:
					Turbocharger

					Application: Power Generation
					Power Rating: Intermittent
					KTA-50G8 With LTA K-2000
					Technology.
					Less Water Pumps.
					Includes:
					Pulse Type Exhaust Manifolds.
					Premium Performance Parts
					Consisting of:
					Valve Rotators.
					Triloboy Valves and Valve
					Seats.
					For Standby, Prime and
					Continuous Applications.
					Variant Content:
					In Place of Cylinder Head
					Gasket 4334080, KCL may use
					4959089.
<input type="checkbox"/>	1	3086362	Valve Crosshead	32	
<input type="checkbox"/>	2	3629962	Plain Washer	96	
<input type="checkbox"/>	3	3032633	Fracture Resistant Screw	96	3/4 - 16 X 8 in.
<input type="checkbox"/>	4	4334080	Cylinder Head Gasket	16	
<input type="checkbox"/>	4	4334081	Cylinder Head Gasket	A/R	0.02 Inch Oversize.

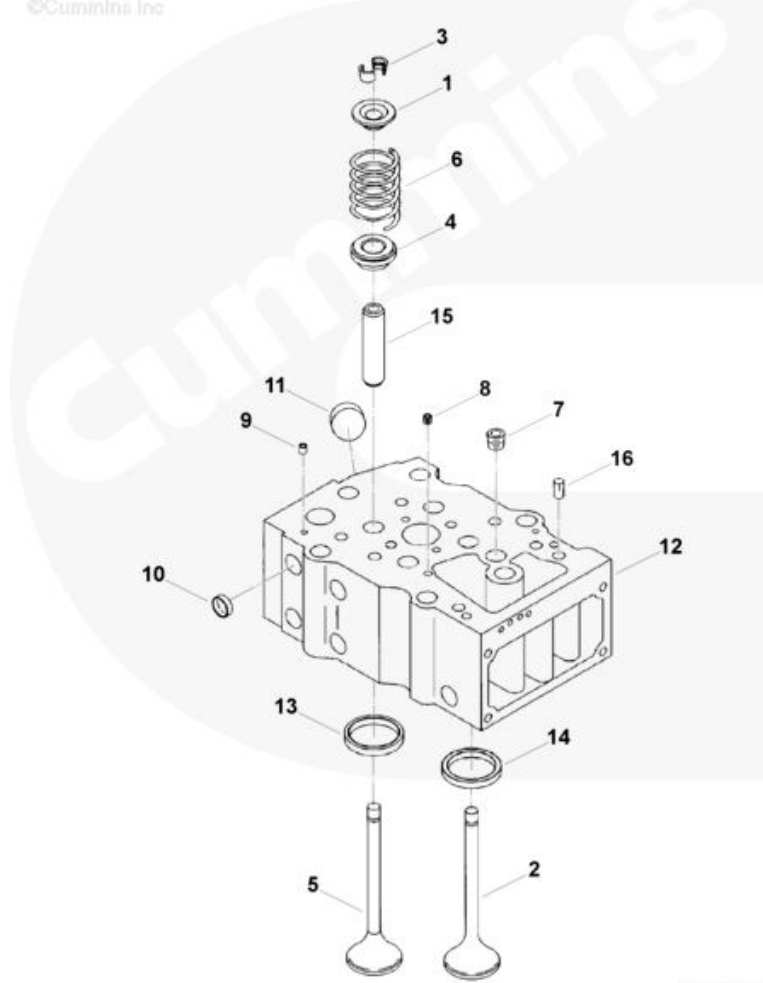
© 2017 Cummins Inc., Box 3005, Columbus, IN 47202-3005 U.S.A.
[Terms of Use and Disclaimers](#) | [Recommended System Requirements](#)
Need Assistance? Please click on the Contact Us button in the top right corner of any page.



Parts Catalog - Option Detail

Electronic Parts Catalog - Option Detail				
Option	Group	Graphic	Film Card	Date
PP6908-02	01.04	pp607gn	K50	27-JUN-12
Engines	G50, K50, K50-DPM, QSK50 CM2150 K107, QSK50 CM2150 MCRS, QSK50 CM2350 K108, QSK50 CM850 MCRS, QSK50 DF CM850/CM2150 MCRS			

©Cummins Inc



pp607gn

[SMALL](#) | [MEDIUM](#) | [LARGE](#)

Cart	Ref No	Part Number	Part Description	Required	Remarks
View My Cart					
		PP6908-02	Cylinder Head		Cylinder head
					Used for premium power applications.
					Engine dataplate to be stamped with DC8003in remarks area.
					Unique Characteristics: With

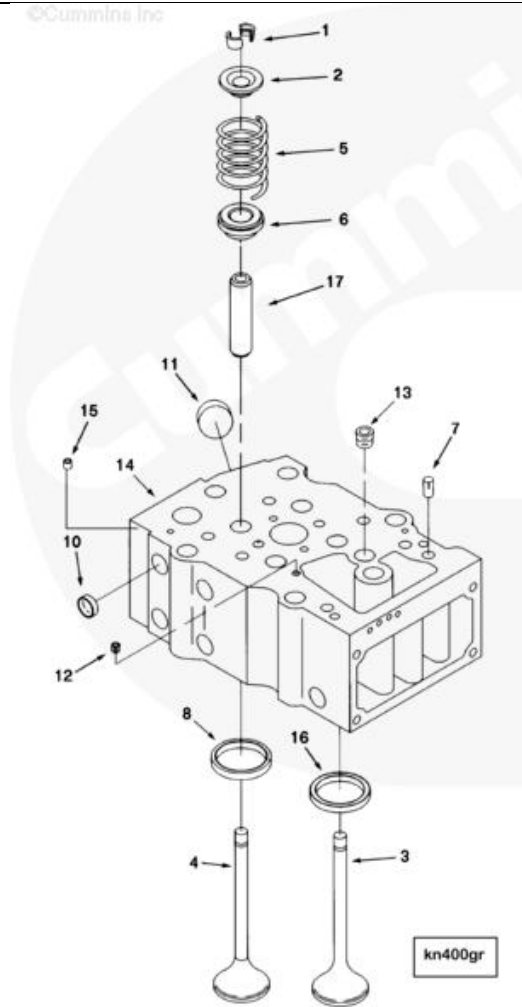
					nitrided intake valves.
<input type="checkbox"/>		3646321	Cylinder Head	16	
<input type="checkbox"/>	1	205094	Valve Spring Retainer	4	
<input type="checkbox"/>		2881836	Intake Valve Kit	2	
	2	4986317	Intake Valve	1	
<input type="checkbox"/>	3	205091	Valve Collet	2	
<input type="checkbox"/>	4	3640315	Valve Rotator	4	
<input type="checkbox"/>		3803528	Exhaust Valve	2	
<input type="checkbox"/>	3	205091	Valve Collet	2	
	5	3088389	Exhaust Valve	1	
<input type="checkbox"/>	6	3633840	Valve Spring	4	
<input type="checkbox"/>		3811981	Cylinder Head	1	
		3081065	Cylinder Head	1	
<input type="checkbox"/>	7	S 915 A	Pipe Plug	1	1/2 NPT.
<input type="checkbox"/>	8	67622	Pipe Plug	1	3/8 NPT.
<input type="checkbox"/>	9	203933	Expansion Plug	1	
<input type="checkbox"/>	10	205401	Expansion Plug	8	
<input type="checkbox"/>	11	206224	Expansion Plug	2	
	12	3081064	Cylinder Head	1	
<input type="checkbox"/>	13	3086192	Valve Insert	2	
<input type="checkbox"/>	14	3086193	Valve Insert	2	
<input type="checkbox"/>	15	3202210	Valve Stem Guide	4	
<input type="checkbox"/>	16	3635250	Groove Pin	2	

© 2017 Cummins Inc., Box 3005, Columbus, IN 47202-3005 U.S.A.
Terms of Use and Disclaimers | Recommended System Requirements
Need Assistance? Please click on the Contact Us button in the top right corner of any page.



Parts Catalog - Option Detail

Electronic Parts Catalog - Option Detail				
Option	Group	Graphic	Film Card	Date
PP6908	02.01	kn400gr	K50	05-JUN-14
Engines	G50, K50, K50-DPM, QSK50 CM2150 K107, QSK50 CM2150 MCRS, QSK50 CM2350 K108, QSK50 CM850 MCRS, QSK50 DF CM850/CM2150 MCRS			



SMALL | MEDIUM | LARGE

Cart	Ref No	Part Number	Part Description	Required	Remarks
View My Cart					
		PP6908	Cylinder Head		
<input type="checkbox"/>		3646323	Cylinder Head	16	
<input type="checkbox"/>	1	205091	Valve Collet	8	
<input type="checkbox"/>	2	205094	Valve Spring Retainer	4	
	3	4986317	Intake Valve	2	
	4	3088389	Exhaust Valve	2	
<input type="checkbox"/>	5	3643725	Valve Spring	4	

<input type="checkbox"/>	6	3640315	Valve Rotator	4	
<input type="checkbox"/>	7	3635250	Groove Pin	2	
<input type="checkbox"/>	8	3086192	Valve Insert	2	
<input type="checkbox"/>	10	205401	Expansion Plug	8	
<input type="checkbox"/>	11	206224	Expansion Plug	2	
<input type="checkbox"/>	12	67622	Pipe Plug	1	3/8 NPT.
<input type="checkbox"/>	13	S 915 A	Pipe Plug	1	1/2 NPT.
	14	3081064	Cylinder Head	1	
<input type="checkbox"/>	15	203933	Expansion Plug	1	
<input type="checkbox"/>	16	3086193	Valve Insert	2	
<input type="checkbox"/>	17	3202210	Valve Stem Guide	4	
<input type="checkbox"/>		2881836	Intake Valve Kit	1	
<input type="checkbox"/>	1	205091	Valve Collet	2	
	3	4986317	Intake Valve	1	
<input type="checkbox"/>		3803528	Exhaust Valve	1	
<input type="checkbox"/>	1	205091	Valve Collet	2	
	4	3088389	Exhaust Valve	2	

© 2017 Cummins Inc., Box 3005, Columbus, IN 47202-3005 U.S.A.
Terms of Use and Disclaimers | Recommended System Requirements
Need Assistance? Please click on the Contact Us button in the top right corner of any page.



Parts Catalog - Option Detail

Electronic Parts Catalog - Option Detail				
Option	Group	Graphic	Film Card	Date
AP6705-01	01.06.1	null	K50	01-AUG-15
Engines	G50, K50, K50-DPM, QSK50 CM2150 K107, QSK50 CM2150 MCRS, QSK50 CM2350 K108, QSK50 CM850 MCRS, QSK50 DF CM850/CM2150 MCRS			

Cart	Ref No	Part Number	Part Description	Required	Remarks
View My Cart					
		AP6705-01	Declaration Of Incorporation Documentation		DCN of IPN Documentation...(More)
					Certification Agency:
					European Commission
					Directive: 2006/42/EC
					Additional Information:
					A Letter of Conformity is
					Supplied With the Engine
					Stating This Product Meets
					the Declaration of
					Incorporation in Accordance
					With E.C, Machinery Directive
					2006/42/EC.
					This Engine Meets the
					Requirements of the
					Directives fr Machines Which
					are to be Incorporated Into
					a Final Product.
<input type="checkbox"/>		3062329	Wire Tie Clamp	1	

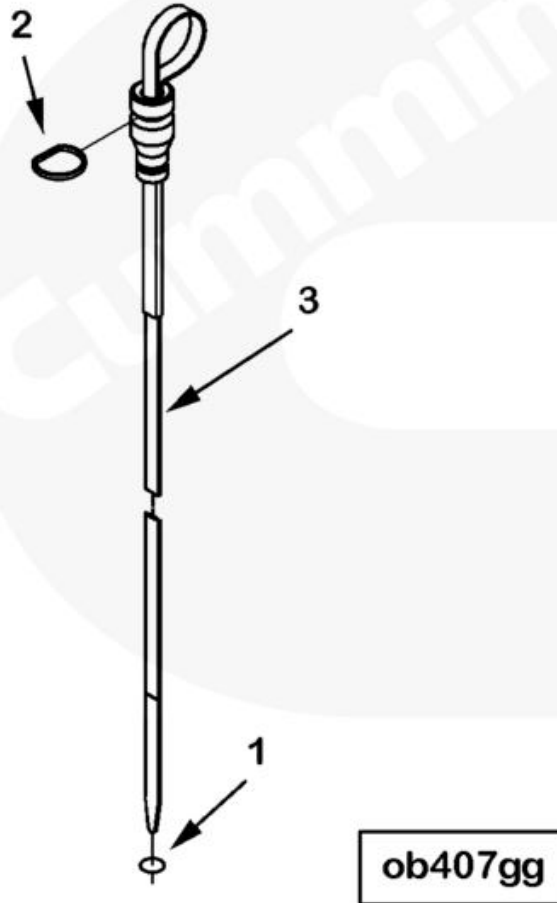
© 2017 Cummins Inc., Box 3005, Columbus, IN 47202-3005 U.S.A.
 Terms of Use and Disclaimers | Recommended System Requirements
 Need Assistance? Please click on the Contact Us button in the top right corner of any page.



Parts Catalog - Option Detail

Electronic Parts Catalog - Option Detail				
Option	Group	Graphic	Film Card	Date
LG6003-02	07.02	ob407gg	K50	04-FEB-15
Engines	G50, K50, K50-DPM, QSK50 CM2150 K107, QSK50 CM2150 MCRS, QSK50 CM2350 K108, QSK50 CM850 MCRS, QSK50 DF CM850/CM2150 MCRS			

©Cummins Inc



[SMALL](#) | [MEDIUM](#) | [LARGE](#)

Cart	Ref No	Part Number	Part Description	Required	Remarks
View My Cart					
		LG6003-02	Dipstick		Dipstick...(More)
					Items Supplied: Tube And
					Dipstick Combination
					Tube Length (mm): 316.7
					(12.5 in)
					Dipstick Quantity: 1
					Dipstick Calibrated:

					Power Angle (Deg): 0
					Tilt (Deg): 0
					Dipstick Location: Exhaust
					Side #5 Cylinder
					Oil Pan Sump: Center, Deep
					Center, Rear Center
					Run Level Check Capability:
					No
					Sight Gauge Included: No
<input type="checkbox"/>	1	131026	O-Ring Seal	1	
<input type="checkbox"/>	2	3030207	Dipstick Retainer	1	
<input type="checkbox"/>	3	3649992	Dipstick	1	

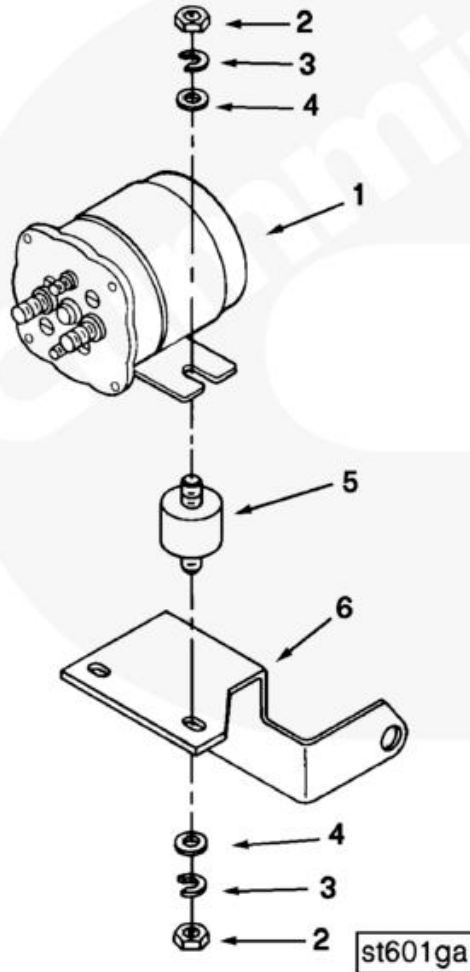
© 2017 Cummins Inc., Box 3005, Columbus, IN 47202-3005 U.S.A.
[Terms of Use and Disclaimers](#) | [Recommended System Requirements](#)
 Need Assistance? Please click on the Contact Us button in the top right corner of any page.



Parts Catalog - Option Detail

Electronic Parts Catalog - Option Detail				
Option	Group	Graphic	Film Card	Date
ES6004-01	13.10	st601ga	K50	31-MAR-97
Engines	G50, K50, K50-DPM, QSK50 CM2150 K107, QSK50 CM2150 MCRS, QSK50 CM2350 K108, QSK50 CM850 MCRS, QSK50 DF CM850/CM2150 MCRS			

©Cummins Inc



SMALL | MEDIUM | LARGE

Cart	Ref No	Part Number	Part Description	Required	Remarks
View My Cart					
		ES6004-01	Magnetic Switch		24volt insulated magnetic...(More)
					switch for use with dual
					positive engagement electric
					starters. Secured to the
					starter mounting flange.
					When engine wiring and
					electric starters are

					specified, this option must
					be selected.
<input type="checkbox"/>	1	3050692	Magnetic Switch	1	
<input type="checkbox"/>	2	S 224	Heavy Hexagon Nut	4	1/4 - 20 UNC.
<input type="checkbox"/>	3	S 600	Lock Washer	4	1/4 in.
<input type="checkbox"/>	4	S 631	Plain Washer	4	1/4 in.
<input type="checkbox"/>	5	3408250	Vibration Isolator	2	
<input type="checkbox"/>	6	3627324	Magnetic Switch Bracket	1	

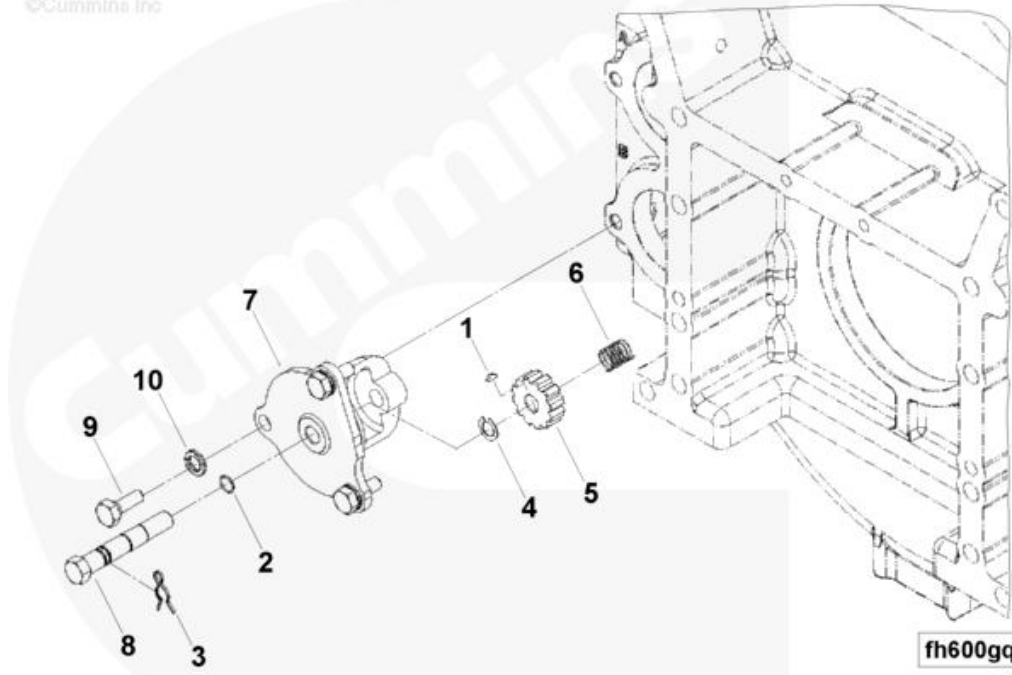
© 2017 Cummins Inc., Box 3005, Columbus, IN 47202-3005 U.S.A.
[Terms of Use and Disclaimers](#) | [Recommended System Requirements](#)
 Need Assistance? Please click on the Contact Us button in the top right corner of any page.



Parts Catalog - Option Detail

Electronic Parts Catalog - Option Detail				
Option	Group	Graphic	Film Card	Date
BP6126-02	16.01	fh600gq	K50	15-JUL-10
Engines	G50, K50, K50-DPM, QSK50 CM2150 K107, QSK50 CM2150 MCRS, QSK50 CM2350 K108, QSK50 CM850 MCRS, QSK50 DF CM850/CM2150 MCRS			

©Cummins Inc



SMALL | MEDIUM | LARGE

Cart	Ref No	Part Number	Part Description	Required	Remarks
<input type="button" value="View My Cart"/>					
		BP6126-02	Engine Barring Drive		Engine Barring Drive...(More)
					Fuel Control System: Dual STC
					(Stepped Timing Control)
					Water Pump Included: Yes
<input type="checkbox"/>		3201740	Barring Drive	1	
<input type="checkbox"/>	1	S 306	Plain Woodruff Key	1	
<input type="checkbox"/>	2	3913994	O-Ring Seal	1	
<input type="checkbox"/>	3	169834	Clip	1	
<input type="checkbox"/>	4	206090	Retaining Ring	1	
<input type="checkbox"/>	5	206091	Barring Drive Gear	1	
<input type="checkbox"/>	6	206092	Compression Spring	1	
<input type="checkbox"/>	7	206093	Barring Drive Housing	1	
<input type="checkbox"/>	8	3332383	Barring Shaft	1	
		3041271	Barring Mounting Mechanism	1	

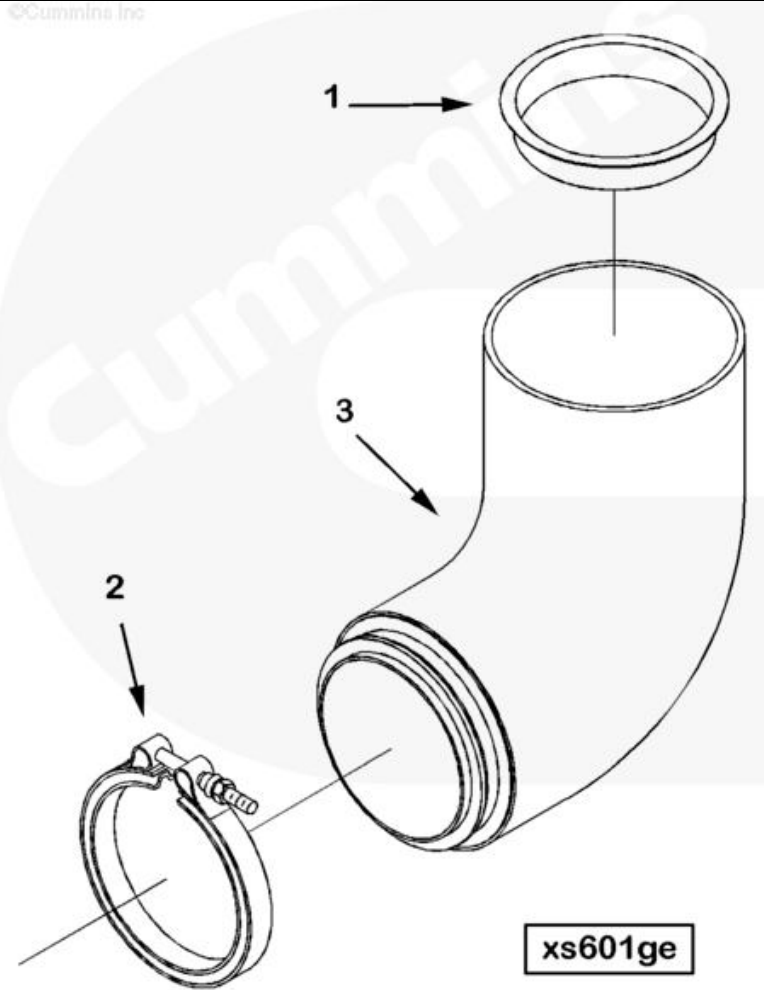
<input type="checkbox"/>	9	S 116	Hexagon Head Cap Screw	3	5/8 - 11 X 1 1/2 in.
<input type="checkbox"/>	10	S 603	Lock Washer	3	5/8 in.

© 2017 Cummins Inc., Box 3005, Columbus, IN 47202-3005 U.S.A.
[Terms of Use and Disclaimers](#) | [Recommended System Requirements](#)
Need Assistance? Please click on the Contact Us button in the top right corner of any page.



Parts Catalog - Option Detail

Electronic Parts Catalog - Option Detail				
Option	Group	Graphic	Film Card	Date
XS6025-04	11.01.1	xs601ge	K50	11-AUG-16
Engines	G50, K50, K50-DPM, QSK50 CM2150 K107, QSK50 CM2150 MCRS, QSK50 CM2350 K108, QSK50 CM850 MCRS, QSK50 DF CM850/CM2150 MCRS			



xs601ge

[SMALL](#) | [MEDIUM](#) | [LARGE](#)

Cart	Ref No	Part Number	Part Description	Required	Remarks
View My Cart					
		XS6025-04			Exhaust Outlet Connection
<input type="checkbox"/>	1	3176534	Protective Cover	2	
<input type="checkbox"/>	2	3029631	V Band Clamp	1	
<input type="checkbox"/>	3	3629518	Exhaust Outlet Connection	1	



Parts Catalog - Option Detail

Electronic Parts Catalog - Option Detail				
Option	Group	Graphic	Film Card	Date
XM6021-06	11.01	null	K50	07-FEB-15
Engines	G50, K50, K50-DPM, QSK50 CM2150 K107, QSK50 CM2150 MCRS, QSK50 CM2350 K108, QSK50 CM850 MCRS, QSK50 DF CM850/CM2150 MCRS			

Cart	Ref No	Part Number	Part Description	Required	Remarks
View My Cart					
		XM6021-06	Exhaust Manifold		Exhaust Manifold...(More)
					Dry Pulse Exhaust Manifolds
					For Use With KTA50 Engines
					With STC And Outboard
					Aftercooling Only.
					Manifolds Mounted To Provide
					For Turbochargers To Be
					Mounted With Exhaust Outlets
					To The Front Of The Engine.
<input type="checkbox"/>		3043032	Exhaust Outlet Pipe	2	
<input type="checkbox"/>		3626804	Lock Nut	8	3/8 - 24 UNF.
<input type="checkbox"/>		3627095	Hexagon Flange Head Cap Screw	8	
<input type="checkbox"/>		4105317	Turbocharger Gasket	2	
<input type="checkbox"/>		S 109	Hexagon Head Cap Screw	3	3/8 - 16 x 7/8 in.
<input type="checkbox"/>		S 117	Hexagon Head Cap Screw	2	3/8 - 16 x 3/4 in.
<input type="checkbox"/>		S 172 B	Hexagon Head Cap Screw	4	3/8 - 16 X 1 1/8 in.
<input type="checkbox"/>		S 604	Lock Washer	8	3/8 in.
<input type="checkbox"/>		216187	O-Ring Seal	2	
<input type="checkbox"/>		3628902	Plain Washer	5	
<input type="checkbox"/>		3629451	Clip	1	
<input type="checkbox"/>		3632336	Flexible Hose	1	
<input type="checkbox"/>		3630742	Connection Gasket	2	
<input type="checkbox"/>		3632337	Flexible Hose	1	
<input type="checkbox"/>		3037821	Exhaust Manifold Gasket	16	
<input type="checkbox"/>		3046287	Mounting Spacer	64	
<input type="checkbox"/>		3628969	Lock Plate	32	
<input type="checkbox"/>		3631163	Hexagon Flange Head Cap Screw	64	

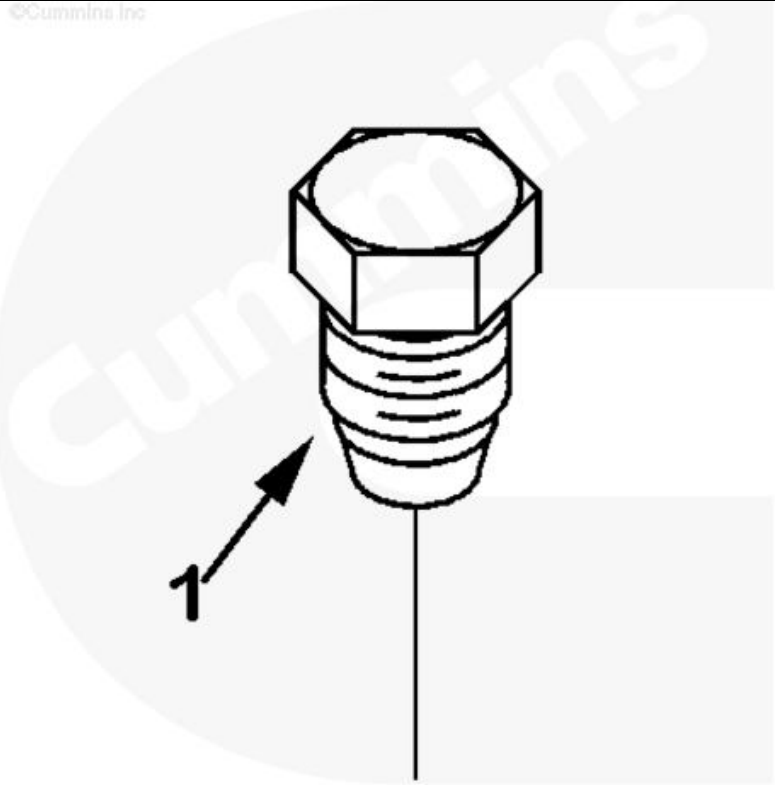
		3630172	Exhaust Manifold	4	
		3630173	Exhaust Manifold	2	
		3630241	Exhaust Manifold	1	
		3630242	Exhaust Manifold	1	

© 2017 Cummins Inc., Box 3005, Columbus, IN 47202-3005 U.S.A.
[Terms of Use and Disclaimers](#) | [Recommended System Requirements](#)
Need Assistance? Please click on the Contact Us button in the top right corner of any page.



Parts Catalog - Option Detail

Electronic Parts Catalog - Option Detail				
Option	Group	Graphic	Film Card	Date
XM6705	10.01	xm602gp	K50	08-DEC-97
Engines	G50, K50, K50-DPM, QSK50 CM2150 K107, QSK50 CM2150 MCRS, QSK50 CM2350 K108, QSK50 CM850 MCRS, QSK50 DF CM850/CM2150 MCRS			



xm602gp

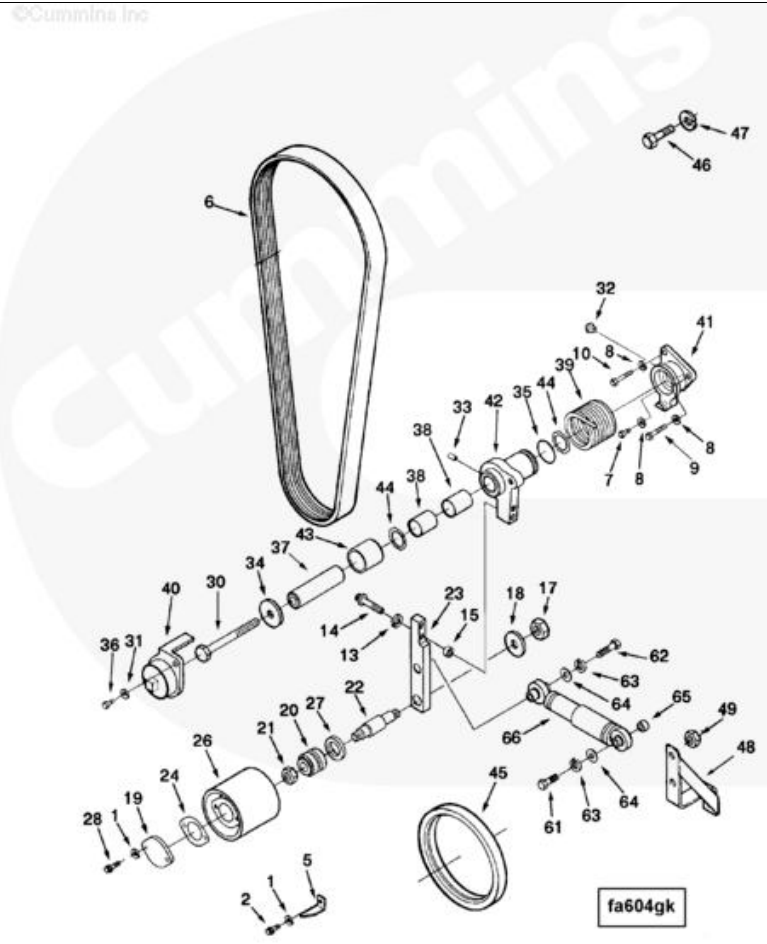
[SMALL](#) | [MEDIUM](#) | [LARGE](#)

Cart	Ref No	Part Number	Part Description	Required	Remarks
View My Cart					
		XM6705	Exhaust Manifold		
<input type="checkbox"/>	1	3630164	Threaded Plug	16	



Parts Catalog - Option Detail

Electronic Parts Catalog - Option Detail				
Option	Group	Graphic	Film Card	Date
FA6028-02	08.03	fa604gk	K50	23-JUN-03
Engines	G50, K50, K50-DPM, QSK50 CM2150 K107, QSK50 CM2150 MCRS, QSK50 CM2350 K108, QSK50 CM850 MCRS, QSK50 DF CM850/CM2150 MCRS			



SMALL | MEDIUM | LARGE

Cart	Ref No	Part Number	Part Description	Required	Remarks
View My Cart					
		FA6028-02	Fan Hub		20 inch fan center with...(More)
					customer supplied
					Bearward radiator. Belt
					is supplied in kit.
<input type="checkbox"/>	1	S 605	Lock Washer	1	5/16 in.
<input type="checkbox"/>	2	206527	Twelve Point Cap Screw	1	5/16 - 18 X 5/8 in.
<input type="checkbox"/>	5	206526	Timing Pointer	1	

<input type="checkbox"/>	6	3003341	V Ribbed Belt	1	
<input type="checkbox"/>	7	S 153	Hexagon Head Cap Screw	1	7/16 - 14 X 5 in.
<input type="checkbox"/>	8	S 610	Lock Washer	4	7/16 in.
<input type="checkbox"/>	9	103009	Hexagon Head Cap Screw	1	7/16 - 14 X 1 1/4 in.
<input type="checkbox"/>	10	3176465	Hexagon Head Cap Screw	2	7/16 - 14 X 5 1/2 Inch.
<input type="checkbox"/>		3017670	Fan Idler		
<input type="checkbox"/>	13	S 604	Lock Washer	2	3/8 in.
<input type="checkbox"/>	14	205375	Twelve Point Cap Screw	2	3/8 - 16 X 2 1/4 Inch.
<input type="checkbox"/>	15	3002993	Ring Dowel	2	
<input type="checkbox"/>		3009480	Idler Pulley	1	
<input type="checkbox"/>	17	S 249	Regular Hexagon Jam Nut	1	3/4 - 16 UNF
<input type="checkbox"/>	18	S 640	Plain Washer	1	3/4 in.
<input type="checkbox"/>	19	207603	Idler Pulley Cover	1	
<input type="checkbox"/>	20	3003354	Roller Bearing	1	
<input type="checkbox"/>	21	3004057	Lock Nut	1	3/4 - 16 UNF.
<input type="checkbox"/>	22	3009481	Idler Shaft	1	
<input type="checkbox"/>	23	3009482	Idler Pulley Bracket	1	
<input type="checkbox"/>	24	3014449	Flange Gasket	1	
<input type="checkbox"/>		3016766	Idler Pulley	1	
<input type="checkbox"/>	26	3009483	Idler Pulley	1	
<input type="checkbox"/>	27	3065830	Oil Seal	1	
<input type="checkbox"/>	28	S 102	Hexagon Head Cap Screw	2	5/16 - 18 X 1 in.
<input type="checkbox"/>	1	S 605	Lock Washer	2	5/16 in.
<input type="checkbox"/>		4101093	Idler Lever	1	
<input type="checkbox"/>	30	3628104	Hexagon Head Cap Screw	1	
<input type="checkbox"/>	31	S 610	Lock Washer	1	7/16 in.
<input type="checkbox"/>	32	S 2268	Grease Fitting	1	
<input type="checkbox"/>	33	68171	Roll Pin	2	
<input type="checkbox"/>	34	127454	Plain Washer	1	5/8 Inch.
<input type="checkbox"/>	35	145581	O-Ring Seal	1	
<input type="checkbox"/>	36	185804	Hexagon Head Cap Screw	1	7/16 - 14 X 1 3/8 in.
<input type="checkbox"/>	37	3009475	Pivot Shaft	1	
<input type="checkbox"/>	38	3009477	Sleeve	2	
<input type="checkbox"/>	39	3019416	Torsion Spring	1	
<input type="checkbox"/>	40	3023499	Idler Lever Cap	1	
<input type="checkbox"/>	41	3177126	Pivot Shaft Support	1	
<input type="checkbox"/>	42	4101094	Idler Lever	1	

<input type="checkbox"/>	43	3177128	Wear Sleeve	1	
<input type="checkbox"/>	44	3177129	Thrust Bearing	2	
<input type="checkbox"/>	45	3016792	Oil Seal	1	
<input type="checkbox"/>	46	S 195 B	Hexagon Head Cap Screw	6	3/4 - 10 X 3 1/4 in.
<input type="checkbox"/>	47	S 611	Lock Washer	6	3/4 in.
<input type="checkbox"/>	48	3016206	Shock Absorber Bracket		
<input type="checkbox"/>	49	S 217	Heavy Hexagon Nut	1	7/16 - 14 UNC.
<input type="checkbox"/>	61	S 121 B	Hexagon Head Cap Screw	1	7/16 - 14 X 2 1/2 in.
<input type="checkbox"/>	62	S 162 A	Hexagon Head Cap Screw	1	7/16 - 14 X 2 3/4 in.
<input type="checkbox"/>	63	S 610	Lock Washer	2	7/16 in.
<input type="checkbox"/>	64	S 622	Plain Washer	2	3/8 in.
<input type="checkbox"/>	65	66747	Mounting Spacer		
<input type="checkbox"/>	66	3008018	Shock Absorber		

© 2017 Cummins Inc., Box 3005, Columbus, IN 47202-3005 U.S.A.
[Terms of Use and Disclaimers](#) | [Recommended System Requirements](#)
Need Assistance? Please click on the Contact Us button in the top right corner of any page.



Parts Catalog - Option Detail

Electronic Parts Catalog - Option Detail				
Option	Group	Graphic	Film Card	Date
OB6179-06	07.02	null	K50	16-DEC-15
Engines	G50, K50, K50-DPM, QSK50 CM2150 K107, QSK50 CM2150 MCRS, QSK50 CM2350 K108, QSK50 CM850 MCRS, QSK50 DF CM850/CM2150 MCRS			

Cart	Ref No	Part Number	Part Description	Required	Remarks
View My Cart					
		OB6179-06	Oil Fill Arrangement		Oil Fill Arrangment...(More)
					Oil Fill Location: Left Bank
					First Opening From Rear
					Dipstick Location: Left Bank
					First Opening From Rear
					Breather Arrangement: Single
					Bank
					Right Bank Breather Drain
					Location: Third Opening From
					Rear
					Crankcase Breather Mounting
					Location: Right Bank In Line
					With #3 Cylinder
					Usage Restriction: With Left
					Bank Mounted Lube Oil
					Filters Only
					Eagle Based OCV System: No
<input type="checkbox"/>		3027935	Decal	1	
<input type="checkbox"/>		S 109	Hexagon Head Cap Screw	13	3/8 - 16 X 7/8 in.
<input type="checkbox"/>		3014766	Captive Washer Cap Screw	89	
<input type="checkbox"/>		3175856	Hand Hole Gasket	7	
<input type="checkbox"/>		3628902	Plain Washer	13	
<input type="checkbox"/>		3628229	Hand Hole Cover	4	
<input type="checkbox"/>		3629112	Filler Cap	1	
<input type="checkbox"/>		3064321	Captive Washer Cap Screw	1	3/8 - 16 X 7/8 in.
<input type="checkbox"/>		3635372	Hand Hole Cover	1	
<input type="checkbox"/>		3178838	Plain Street Pipe Elbow	1	

<input type="checkbox"/>		3630986	Plain Hose Coupling	1	
<input type="checkbox"/>		3642547	Hand Hole Cover	1	
<input type="checkbox"/>		179904	Hose Clamp	2	3/8 - 7/8 in.
<input type="checkbox"/>		3632449	Plain Hose	1	
<input type="checkbox"/>		43828 C	Hose Clamp	3	1 9/16 - 2 1/2 in.
<input type="checkbox"/>		S 604	Lock Washer	1	3/8 in.
<input type="checkbox"/>		3642285	Tube Brace	1	
<input type="checkbox"/>		172558	Clip	1	
<input type="checkbox"/>		3201128	Regular Hexagon Nut	1	3/8 - 16 UNC.
<input type="checkbox"/>		3631572	Molded Hose	1	
<input type="checkbox"/>		4344108	Crankcase Breather	1	
<input type="checkbox"/>		3628604	Pipe Plug	1	
<input type="checkbox"/>		3631539	Crankcase Breather	1	
<input type="checkbox"/>		3631578	Plain Hose	1	

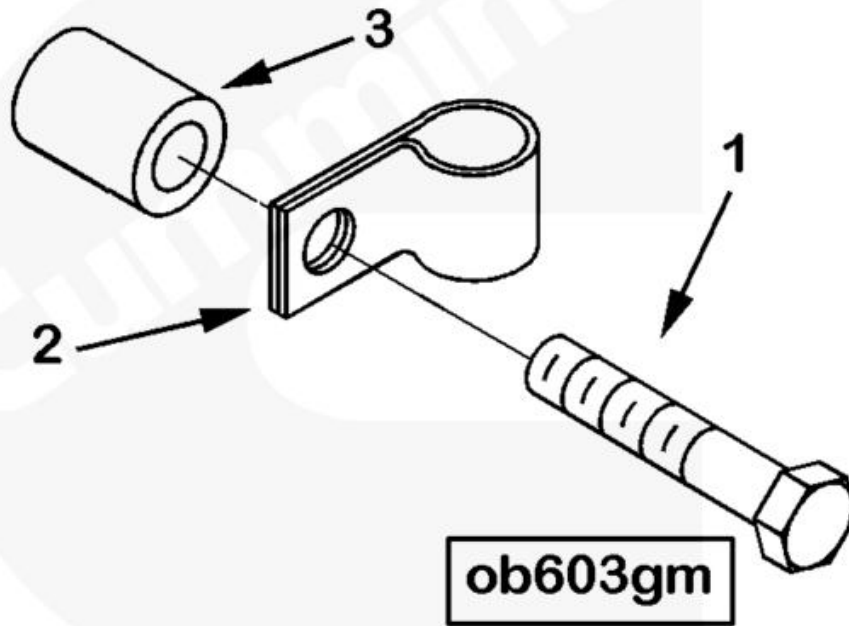
© 2017 Cummins Inc., Box 3005, Columbus, IN 47202-3005 U.S.A.
[Terms of Use and Disclaimers](#) | [Recommended System Requirements](#)
Need Assistance? Please click on the Contact Us button in the top right corner of any page.



Parts Catalog - Option Detail

Electronic Parts Catalog - Option Detail				
Option	Group	Graphic	Film Card	Date
OB6787-01	07.02	ob603gm	K50	03-JUL-00
Engines	G50, K50, K50-DPM, QSK50 CM2150 K107, QSK50 CM2150 MCRS, QSK50 CM2350 K108, QSK50 CM850 MCRS, QSK50 DF CM850/CM2150 MCRS			

©Cummins Inc



[SMALL](#) | [MEDIUM](#) | [LARGE](#)

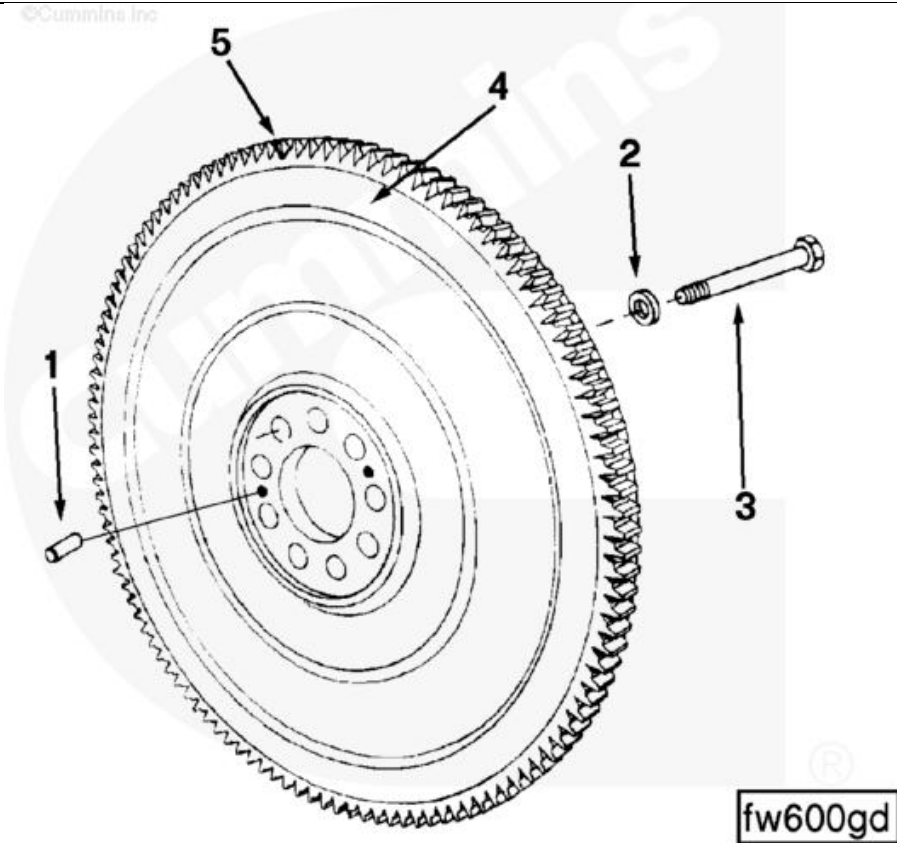
Cart	Ref No	Part Number	Part Description	Required	Remarks
View My Cart					
		OB6787-01	Filler And Breather		Breather vent for use with...(More)
					KTA and KTTA 50 LTA engines
					only.
<input type="checkbox"/>	1	S 166 B	Hexagon Head Cap Screw	1	3/8 - 16 X 5 3/4 Inch.
<input type="checkbox"/>	2	172558	Clip	1	
<input type="checkbox"/>	3	3202032	Mounting Spacer	1	

© 2017 Cummins Inc., Box 3005, Columbus, IN 47202-3005 U.S.A.
[Terms of Use and Disclaimers](#) | [Recommended System Requirements](#)
 Need Assistance? Please click on the Contact Us button in the top right corner of any page.



Parts Catalog - Option Detail

Electronic Parts Catalog - Option Detail				
Option	Group	Graphic	Film Card	Date
FW6009	16.02	fw600gd	K50	30-SEP-89
Engines	G50, K50, K50-DPM, QSK50 CM2150 K107, QSK50 CM2150 MCRS, QSK50 CM2350 K108, QSK50 CM850 MCRS, QSK50 DF CM850/CM2150 MCRS			



SMALL | MEDIUM | LARGE

Cart	Ref No	Part Number	Part Description	Required	Remarks
View My Cart					
		FW6009	Flywheel		Flywheel for 14in. and 18in....(More)
					over center clutch use with
					SAE no. '0' flywheel housing.
<input type="checkbox"/>	1	131584	Roll Pin	1	
<input type="checkbox"/>	2	205059	Plain Washer	12	3/4 Inch.
<input type="checkbox"/>	3	3023536	Fracture Resistant Screw	12	3/4 - 16 X 3 3/4 Inch.
<input type="checkbox"/>		3012603	Flywheel	1	
	4	3006189	Flywheel	1	
<input type="checkbox"/>	5	124507	Flywheel Ring Gear	1	



Parts Catalog - Option Detail

Electronic Parts Catalog - Option Detail				
Option	Group	Graphic	Film Card	Date
FH6024-07	16.01	null	K50	19-OCT-15
Engines	G50, K50, K50-DPM, QSK50 CM2150 K107, QSK50 CM2150 MCRS, QSK50 CM2350 K108, QSK50 CM850 MCRS, QSK50 DF CM850/CM2150 MCRS			

Cart	Ref No	Part Number	Part Description	Required	Remarks
View My Cart					
		FH6024-07	Flywheel Housing		HOUSING,FLYWHEEL...(More)
					Flywheel Housing SAE: SAE 0
					Flywheel Housing Material:
					Grey Cast Iron
					Clutch Type: Dry
					Number Of Starting Positions:
					4
					Starter Motor Flange: SAE #3
					(3 Bolt X 120 Degrees)
					Starter Mounting Hole Thread
					Size: 5/8 - 11 UNC-2B
					Tachometer Sensor Mounting
					Hole Size: 1 X 5/8 - 18 And
					1 X 3/4 - 16
		3177396	Flywheel Housing	1	
<input type="checkbox"/>		S 167 A	Hexagon Head Cap Screw	2	1/4 - 20 X 7/8 in.
<input type="checkbox"/>		S 600	Lock Washer	2	1/4 in.
<input type="checkbox"/>		145539	O-Ring Seal	2	
<input type="checkbox"/>		3010410	Access Hole Cover	2	
<input type="checkbox"/>		3176637	Flywheel Housing	1	
<input type="checkbox"/>		3642365	Oil Seal	1	
		3177397	Flywheel Housing Mounting	1	
<input type="checkbox"/>		3648764	Hexagon Head Cap Screw	10	
<input type="checkbox"/>		S 610	Lock Washer	2	7/16 in.
<input type="checkbox"/>		S 611	Lock Washer	12	3/4 in.
<input type="checkbox"/>		70662	Pin Dowel	1	
<input type="checkbox"/>		205565	Twelve Point Cap Screw	2	3/4 - 10 X 7 in.

<input type="checkbox"/>		3176465	Hexagon Head Cap Screw	2	7/16 - 14 X 5 1/2 in.
<input type="checkbox"/>		3630874	Flywheel Housing Gasket	1	
<input type="checkbox"/>		3634269	Diamond Dowel	1	

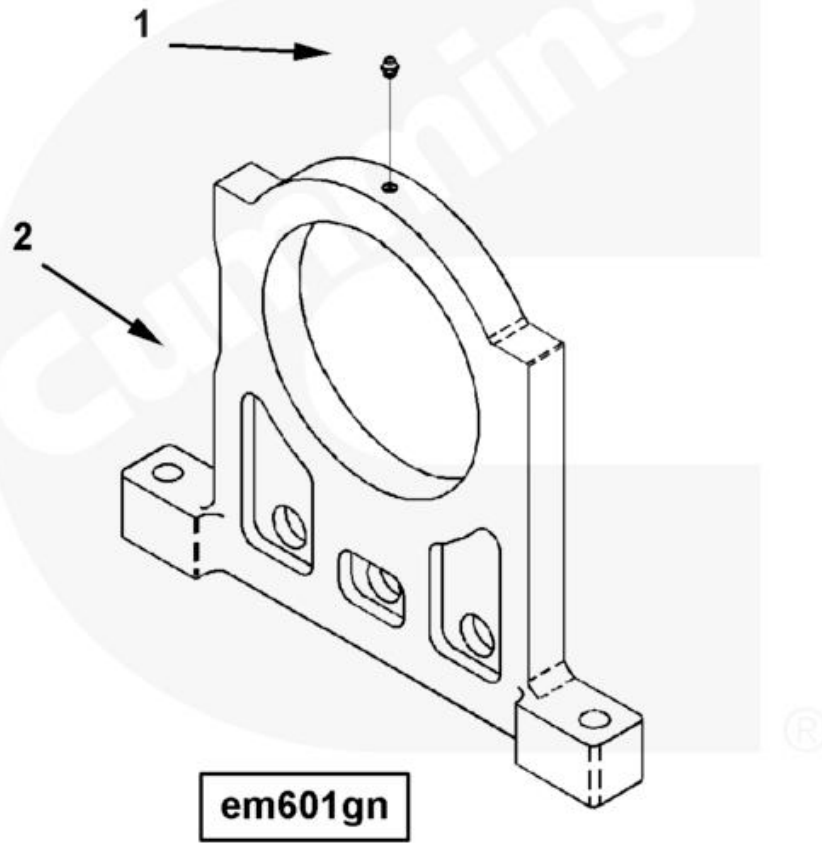
© 2017 Cummins Inc., Box 3005, Columbus, IN 47202-3005 U.S.A.
[Terms of Use and Disclaimers](#) | [Recommended System Requirements](#)
 Need Assistance? Please click on the Contact Us button in the top right corner of any page.



Parts Catalog - Option Detail

Electronic Parts Catalog - Option Detail				
Option	Group	Graphic	Film Card	Date
EM6001	16.03	em601gn	K50	30-SEP-89
Engines	G50, K50, K50-DPM, QSK50 CM2150 K107, QSK50 CM2150 MCRS, QSK50 CM2350 K108, QSK50 CM850 MCRS, QSK50 DF CM850/CM2150 MCRS			

©Cummins Inc.



em601gn

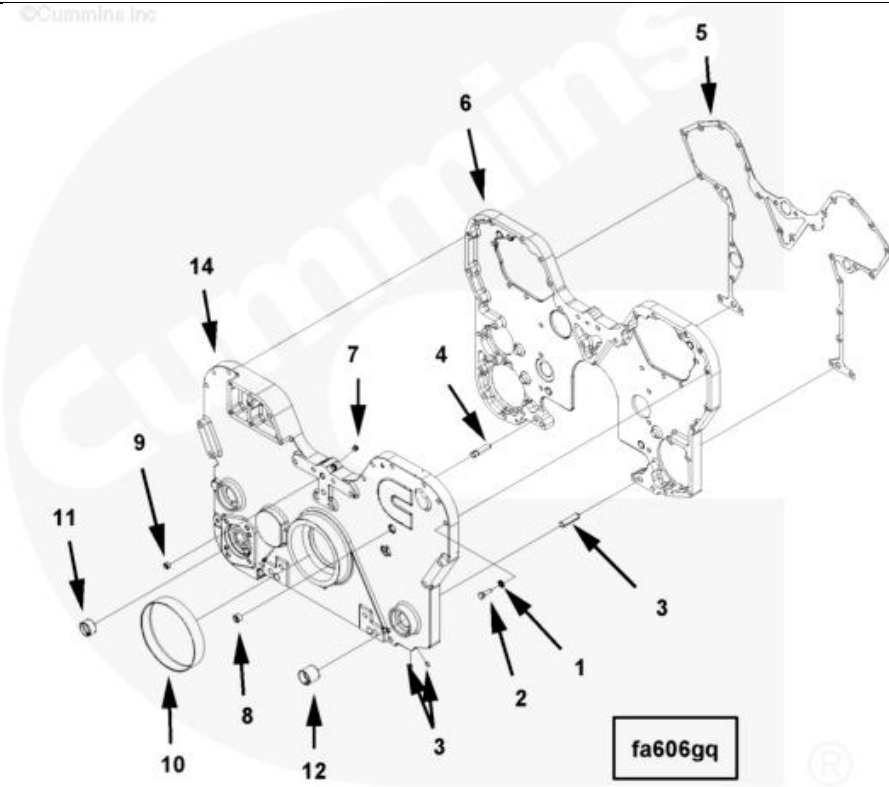
[SMALL](#) | [MEDIUM](#) | [LARGE](#)

Cart	Ref No	Part Number	Part Description	Required	Remarks
View My Cart					
		EM6001	Front Engine Support		Trunnion type front support.
<input type="checkbox"/>		3176012	Front Engine Supply Assembly	1	
<input type="checkbox"/>	1	S 2268	Grease Fitting	1	
<input type="checkbox"/>	2	3177812	Front Engine Support	1	



Parts Catalog - Option Detail

Electronic Parts Catalog - Option Detail				
Option	Group	Graphic	Film Card	Date
FA6745-01	08.03	fa606gq	K50	16-APR-12
Engines	G50, K50, K50-DPM, QSK50 CM2150 K107, QSK50 CM2150 MCRS, QSK50 CM2350 K108, QSK50 CM850 MCRS, QSK50 DF CM850/CM2150 MCRS			



[SMALL](#) | [MEDIUM](#) | [LARGE](#)

Cart	Ref No	Part Number	Part Description	Required	Remarks
View My Cart					
		FA6745-01	Front Gear Housing		Front gear housing...(More)
					Engine Family: K38 And K50
					front hydraulic pump drive
					provision: Yes sea water
					pump provision: No logo
					included: Cummins logo
					location: Front gear cover
					left side.
<input type="checkbox"/>	1	S 610	Lock Washer	15	7/16 in.
<input type="checkbox"/>	2	103009	Hexagon Head Cap Screw	15	7/16 - 14 X 1 1/4 in.
<input type="checkbox"/>	3	138912	Pin Dowel	1	

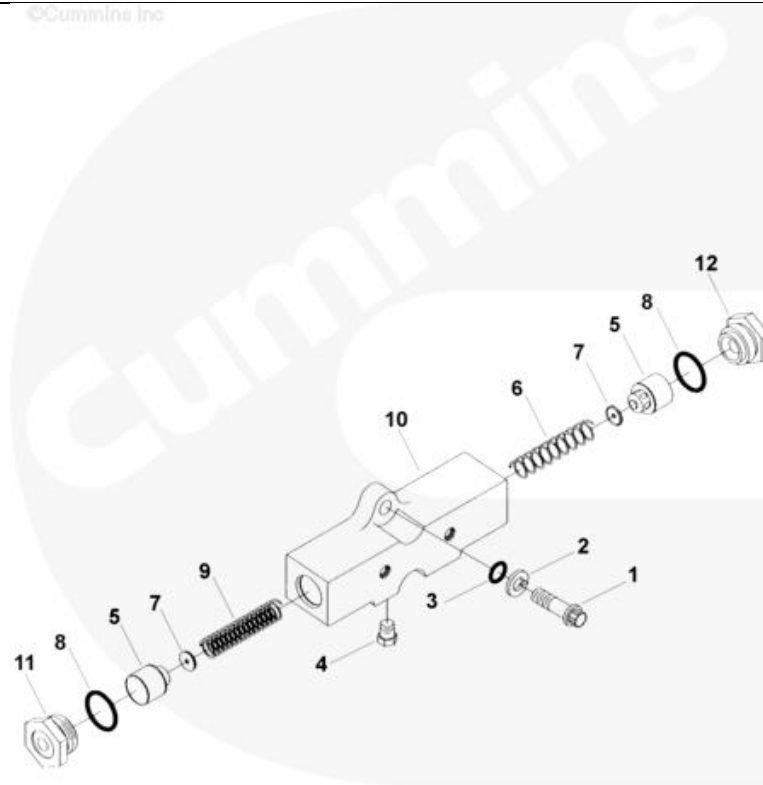
<input type="checkbox"/>	4	3176618	Diamond Dowel	1	
<input type="checkbox"/>	5	3644502	Gear Housing Gasket	1	
<input type="checkbox"/>	6	3176918	Gear Housing	1	
<input type="checkbox"/>		3643233	Gear Cover	1	
<input type="checkbox"/>	7	3628605	Pipe Plug	2	1/4 - 18.
<input type="checkbox"/>	8	3628606	Pipe Plug	1	1/2 - 14.
<input type="checkbox"/>	9	3628609	Pipe Plug	1	3/8-18.
		3643234	Gear Cover	1	
<input type="checkbox"/>	10	205683	Bushing	1	
<input type="checkbox"/>	11	3177509	Bushing	1	
<input type="checkbox"/>	12	3177510	Bushing	2	
<input type="checkbox"/>		3643235	Gear Cover	1	
<input type="checkbox"/>	13	3640775	Tamper Proof Seal	6	
	14	3643236	Gear Cover	1	

© 2017 Cummins Inc., Box 3005, Columbus, IN 47202-3005 U.S.A.
[Terms of Use and Disclaimers](#) | [Recommended System Requirements](#)
Need Assistance? Please click on the Contact Us button in the top right corner of any page.



Parts Catalog - Option Detail

Electronic Parts Catalog - Option Detail				
Option	Group	Graphic	Film Card	Date
FS6013-02	06.08	fs600gn	K50	29-SEP-97
Engines	G50, K50, K50-DPM, QSK50 CM2150 K107, QSK50 CM2150 MCRS, QSK50 CM2350 K108, QSK50 CM850 MCRS, QSK50 DF CM850/CM2150 MCRS			



fs600gn

[SMALL](#) | [MEDIUM](#) | [LARGE](#)

Cart	Ref No	Part Number	Part Description	Required	Remarks
<input type="button" value="View My Cart"/>					
		FS6013-02	Fuel Block		Standard fuel block with...(More)
					integral check valves.
<input type="checkbox"/>	1	S 604	Lock Washer	2	3/8 in.
<input type="checkbox"/>	2	191772	Twelve Point Cap Screw	2	3/8 - 16 X 1 1/4 in.
<input type="checkbox"/>	3	3818885	O-Ring Seal	2	
<input type="checkbox"/>		3629408	Fuel Block Connection	1	
	4	3631805	Pipe Plug	2	

<input type="checkbox"/>	5	650826	Fuel Control Plunger	2	
<input type="checkbox"/>	6	650829	Compression Spring	1	
<input type="checkbox"/>	7	651045	Grommet Seal	2	15/32 in.
<input type="checkbox"/>	8	3046943	O-Ring Seal	2	
<input type="checkbox"/>	9	3277045	Compression Spring	1	
<input type="checkbox"/>	10	3629409	Fuel Block Connection	1	
<input type="checkbox"/>	11	3629410	Spring Retainer	1	
<input type="checkbox"/>	12	3629411	Pressure Regulator Valve Seat	1	

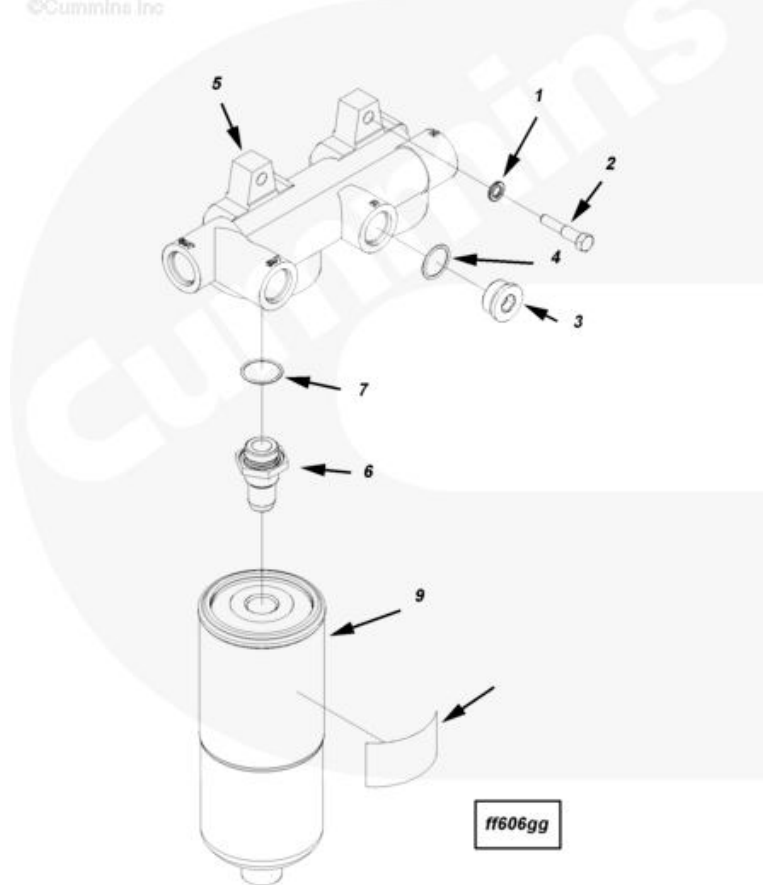
© 2017 Cummins Inc., Box 3005, Columbus, IN 47202-3005 U.S.A.
[Terms of Use and Disclaimers](#) | [Recommended System Requirements](#)
Need Assistance? Please click on the Contact Us button in the top right corner of any page.



Parts Catalog - Option Detail

Electronic Parts Catalog - Option Detail				
Option	Group	Graphic	Film Card	Date
FF6063-08	06.04	ff606gg	K50	03-MAY-11
Engines	G50, K50, K50-DPM, QSK50 CM2150 K107, QSK50 CM2150 MCRS, QSK50 CM2350 K108, QSK50 CM850 MCRS, QSK50 DF CM850/CM2150 MCRS			

©Cummins Inc



[SMALL](#) | [MEDIUM](#) | [LARGE](#)

Cart	Ref No	Part Number	Part Description	Required	Remarks
View My Cart					
		FF6063-08	Fuel Filter		Fuel filter...(More)
					dual element 10 micron fuel
					filter/water separator with
					replaceable spin-on
					cartridges
					Mounted on left bank side of
					the engine below the fuel

					pump.
		3004920	Fuel Filter Mounting	1	
<input type="checkbox"/>	1	S 610	Lock Washer	2	7/16 in.
<input type="checkbox"/>	2	106069	Hexagon Head Cap Screw	2	7/16 - 14 X 2 in.
<input type="checkbox"/>		3640338	Fuel Filter Head	1	
<input type="checkbox"/>		3201583	Threaded Plug	2	1 5/16 - 12 UNF.
	3	3040911	Threaded Plug	1	
<input type="checkbox"/>	4	3201585	O-Ring Seal	1	
<input type="checkbox"/>	5	3630741	Fuel Filter Head	1	
<input type="checkbox"/>	6	4916693	Filter Head Adapter	2	
<input type="checkbox"/>	7	4975427	O-Ring Seal	2	
	8	3642787	Information Decal	2	
	9	4095189	Fuel Water Separator	2	

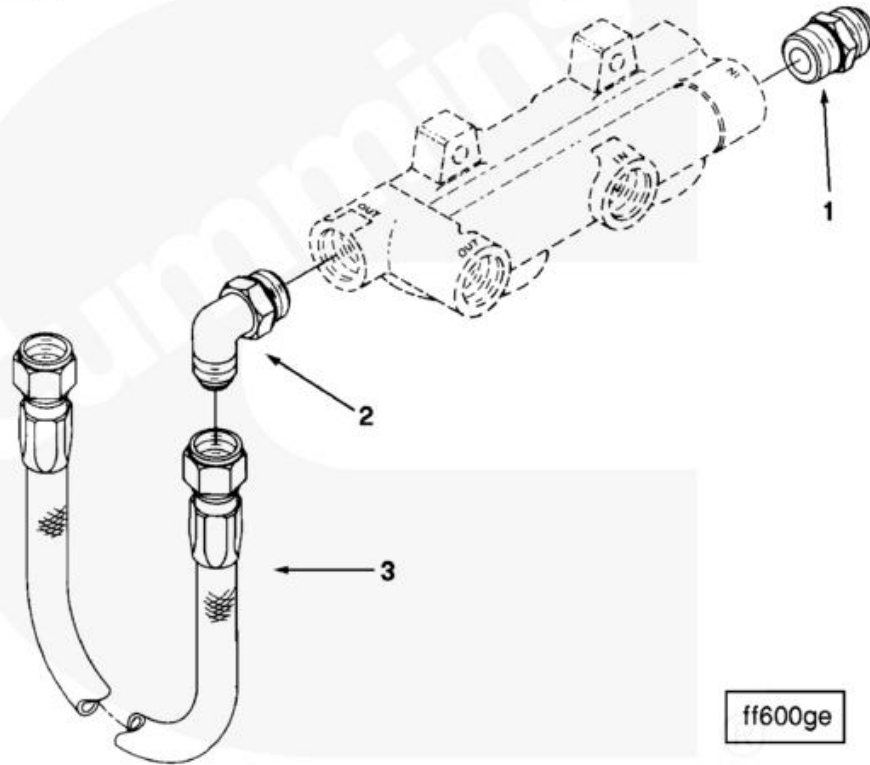
© 2017 Cummins Inc., Box 3005, Columbus, IN 47202-3005 U.S.A.
Terms of Use and Disclaimers | Recommended System Requirements
Need Assistance? Please click on the Contact Us button in the top right corner of any page.



Parts Catalog - Option Detail

Electronic Parts Catalog - Option Detail				
Option	Group	Graphic	Film Card	Date
FF6736-01	06.04.1	ff600ge	K50	28-JAN-02
Engines	G50, K50, K50-DPM, QSK50 CM2150 K107, QSK50 CM2150 MCRS, QSK50 CM2350 K108, QSK50 CM850 MCRS, QSK50 DF CM850/CM2150 MCRS			

©Cummins Inc



[SMALL](#) | [MEDIUM](#) | [LARGE](#)

Cart	Ref No	Part Number	Part Description	Required	Remarks
View My Cart					
		FF6736-01	Fuel Connection		Fuel filter plumbing for dual...(More)
					element fuel filter or fuel
					filter/water separator
					mounted on the left bank side
					of the engine below the fuel
					pump. Includes straight 1
					5/16inch 12JIC fuel inlet
					fitting. For use with KTA38-
					G2 D233020DX02 (special for
					Fermont only) KTTA38, KTA50,
					and KTTA50.

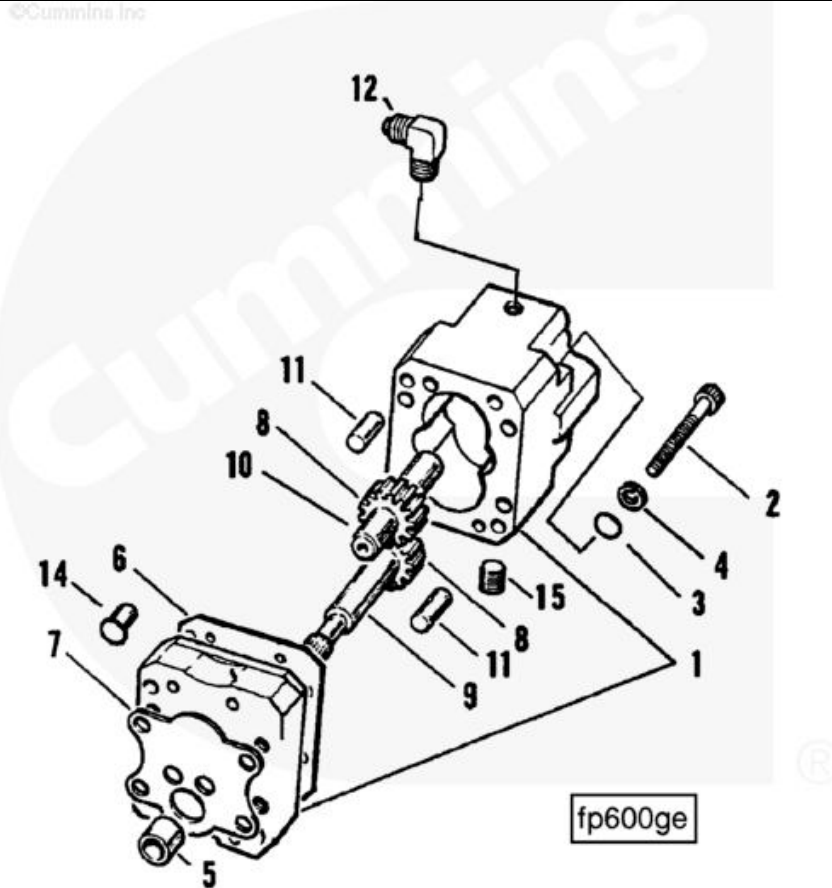
<input type="checkbox"/>	1	3032627	Male Union	1	
		3100524	Male Union	1	
<input type="checkbox"/>		3201585	O-Ring Seal	1	
<input type="checkbox"/>	2	3032628	Male Union Elbow	1	
<input type="checkbox"/>	3	3634522	Flexible Hose	1	

© 2017 Cummins Inc., Box 3005, Columbus, IN 47202-3005 U.S.A.
[Terms of Use and Disclaimers](#) | [Recommended System Requirements](#)
 Need Assistance? Please click on the Contact Us button in the top right corner of any page.



Parts Catalog - Option Detail

Electronic Parts Catalog - Option Detail				
Option	Group	Graphic	Film Card	Date
FP6771	05.01.4	fp600ge	K50	20-JAN-94
Engines	G50, K50, K50-DPM, QSK50 CM2150 K107, QSK50 CM2150 MCRS, QSK50 CM2350 K108, QSK50 CM850 MCRS, QSK50 DF CM850/CM2150 MCRS			



[SMALL](#) | [MEDIUM](#) | [LARGE](#)

Cart	Ref No	Part Number	Part Description	Required	Remarks
View My Cart					
		FP6771	Fuel Gear Pump		
<input type="checkbox"/>		3034221	Gear Fuel Pump		
	1	3033739	Gear Fuel Pump	1	
<input type="checkbox"/>	2	100129	Socket Head Cap Screw	6	1/4 - 20 X 3 Inch.
<input type="checkbox"/>	3	70704	Plain Washer	6	1/4 in.
<input type="checkbox"/>	4	181466	Lock Washer	6	1/4 in.
<input type="checkbox"/>	5	3033719	Ring Dowel	1	
<input type="checkbox"/>	6	110855	Fuel Pump Gasket	1	
<input type="checkbox"/>	7	3026163	Fuel Pump Gasket	1	

<input type="checkbox"/>		3016611	Gear And Shaft	1	
<input type="checkbox"/>	8	119364	Fuel Pumping Gear	1	
<input type="checkbox"/>	9	100217	Fuel Pump Drive Shaft	1	
<input type="checkbox"/>		3019617	Gear And Shaft	1	
<input type="checkbox"/>	8	119364	Fuel Pumping Gear	1	
<input type="checkbox"/>	10	175865	Fuel Pump Shaft	1	
<input type="checkbox"/>	11	64816 A	Pin Dowel	2	
<input type="checkbox"/>	14	3050624	Pressure Regulator Valve	1	
<input type="checkbox"/>	15	3033742	Threaded Plug	2	
<input type="checkbox"/>	12	3033740	Check Valve	1	

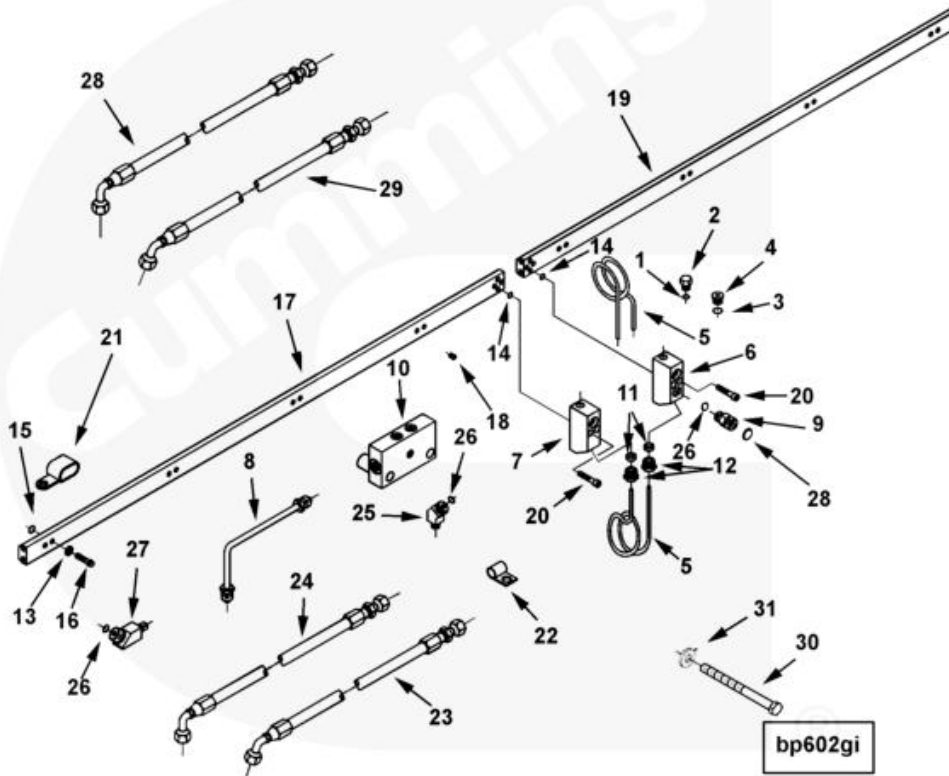
© 2017 Cummins Inc., Box 3005, Columbus, IN 47202-3005 U.S.A.
[Terms of Use and Disclaimers](#) | [Recommended System Requirements](#)
Need Assistance? Please click on the Contact Us button in the top right corner of any page.



Parts Catalog - Option Detail

Electronic Parts Catalog - Option Detail				
Option	Group	Graphic	Film Card	Date
BP6739-13	06.01.6	bp602gi	K50	19-JUN-13
Engines	G50, K50, K50-DPM, QSK50 CM2150 K107, QSK50 CM2150 MCRS, QSK50 CM2350 K108, QSK50 CM850 MCRS, QSK50 DF CM850/CM2150 MCRS			

©Cummins Inc



SMALL | MEDIUM | LARGE

Cart	Ref No	Part Number	Part Description	Required	Remarks
View My Cart					
		BP6739-13	Fuel Tubing		Fuel manifold for...(More)
					KTA50-C/KTTA50-C with
					side mounted aftercoolers.
					(LTA and outboard) KTA50-L
					/KTTA50-L with side mounted
					aftercoolers. (LTA and
					outboard) KTA50-G with low
					temperature aftercoolers
					dual STC engines only.
					Includes commercial hose.
<input type="checkbox"/>		3023217	Threaded Plug	4	7/16 - 20 UNF

<input type="checkbox"/>	1	3036666	O-Ring Seal	4	
	2	3630034	Threaded Plug	4	
<input type="checkbox"/>		3067424	Threaded Plug	4	1/2 - 20 UNF
<input type="checkbox"/>	3	3037236	O-Ring Seal	4	Ref. SPT 97T10
	4	3067347	Threaded Plug	4	1/2-20 Thd
<input type="checkbox"/>	5	3176710	Fuel Supply Tube	2	
<input type="checkbox"/>	6	3628517	Fuel Block Connection	2	
<input type="checkbox"/>	7	3628518	Fuel Block Connection	2	
<input type="checkbox"/>	8	3628931	Fuel Supply Tube	4	
<input type="checkbox"/>		3630364	Fuel Block Connection	2	
<input type="checkbox"/>		3634685	Male Union	2	
<input type="checkbox"/>	28	3037537	O-Ring Seal	1	
	9	3634687	Male Union	1	
<input type="checkbox"/>	26	3922794	O-Ring Seal	1	
	10	3630358	Fuel Block Connection	2	
<input type="checkbox"/>		3633045	Tube Connector	12	
<input type="checkbox"/>	11	3633046	Ferrule Seal	12	
<input type="checkbox"/>	12	3633047	Tube Nut	12	
<input type="checkbox"/>	13	127018	Plain Washer	32	1/4 in.
<input type="checkbox"/>	14	131026	O-Ring Seal	8	
<input type="checkbox"/>	15	3001340	O-Ring Seal	32	
<input type="checkbox"/>	16	3001811	Twelve Point Cap Screw	32	1/4 - 20 X 1 Inch.
<input type="checkbox"/>		3633216	Fuel Manifold	2	
	17	3633212	Fuel Manifold	2	
<input type="checkbox"/>	18	3628610	Pipe Plug	8	
<input type="checkbox"/>		3633217	Fuel Manifold	2	
	19	3633213	Fuel Manifold	2	
<input type="checkbox"/>	18	3628610	Pipe Plug	8	
<input type="checkbox"/>	20	3175074	Socket Head Cap Screw	8	1/4 - 20 X 1 1/4 Inch.
<input type="checkbox"/>	21	3629516	Clip	6	
<input type="checkbox"/>	22	3627412	Clip	2	
<input type="checkbox"/>	23	3634389	Flexible Hose	2	
<input type="checkbox"/>	24	3634395	Flexible Hose	2	
<input type="checkbox"/>		3095292	Male Adapter Elbow	4	
	25	3628633	Male Adapter Elbow	4	

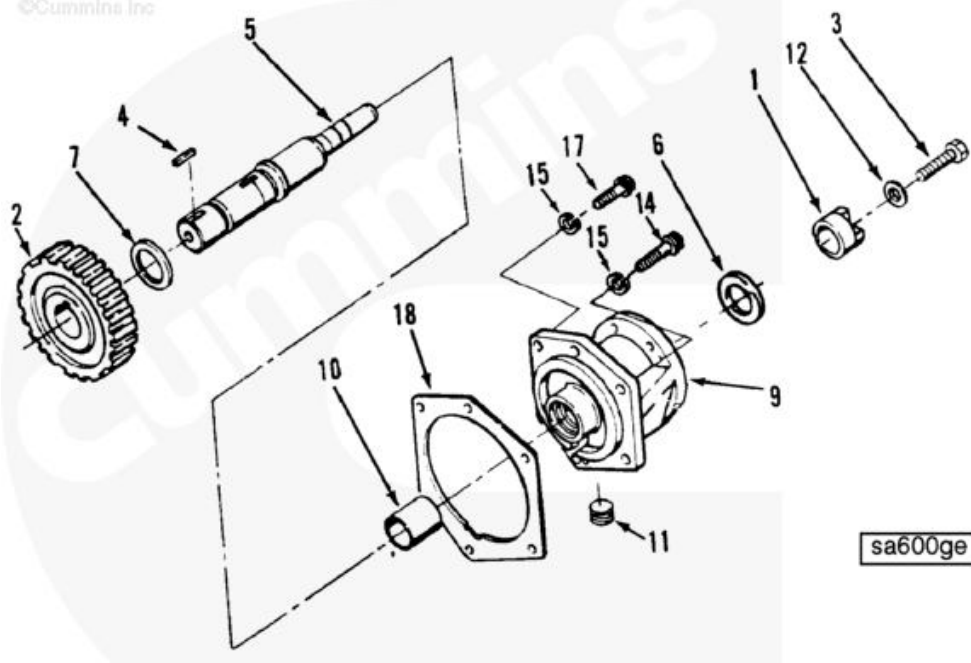
<input type="checkbox"/>	26	3922794	O-Ring Seal	4	
<input type="checkbox"/>		3630764	Male Union Tee	2	
	27	3630765	Plain Adapter Tee	2	
<input type="checkbox"/>	26	3922794	O-Ring Seal	2	
<input type="checkbox"/>	28	3634390	Flexible Hose	1	
<input type="checkbox"/>	29	3634396	Flexible Hose	1	
<input type="checkbox"/>	30	S 169 A	Hexagon Head Cap Screw	4	3/8 - 16 X 4 1/2 Inch.
<input type="checkbox"/>	31	108330	Plain Washer	4	3/8 in.

© 2017 Cummins Inc., Box 3005, Columbus, IN 47202-3005 U.S.A.
[Terms of Use and Disclaimers](#) | [Recommended System Requirements](#)
 Need Assistance? Please click on the Contact Us button in the top right corner of any page.



Parts Catalog - Option Detail

Electronic Parts Catalog - Option Detail				
Option	Group	Graphic	Film Card	Date
FP6180-01	05.01	sa600ge	K50	25-DEC-09
Engines	G50, K50, K50-DPM, QSK50 CM2150 K107, QSK50 CM2150 MCRS, QSK50 CM2350 K108, QSK50 CM850 MCRS, QSK50 DF CM850/CM2150 MCRS			



SMALL | MEDIUM | LARGE

Cart	Ref No	Part Number	Part Description	Required	Remarks
View My Cart					
		FP6180-01	Fuel Pump		
<input type="checkbox"/>		3022725	Fuel Pump Support	1	
<input type="checkbox"/>	1	158826	Jaw Coupling Hub	1	
<input type="checkbox"/>	2	4953332	Accessory Drive Gear	1	
<input type="checkbox"/>	3	129510	Hexagon Head Cap Screw	1	3/8 - 16 X 1 Inch.
<input type="checkbox"/>	4	S 316	Plain Woodruff Key	2	
<input type="checkbox"/>	5	206646	Fuel Pump Drive Shaft	1	
<input type="checkbox"/>	6	3014103	Plain Washer	1	1 1/32 Inch.
<input type="checkbox"/>	7	3026557	Thrust Bearing	1	
<input type="checkbox"/>	9	3631005	Fuel Pump Support	1	
<input type="checkbox"/>	10	3629856	Bushing	1	
<input type="checkbox"/>		3629857	Bushing	1	
<input type="checkbox"/>		3640773	Tamper Proof Seal	1	
		3629858	Fuel Pump Support	1	

<input type="checkbox"/>	12	170664	Plain Washer	1	3/8 Inch.
<input type="checkbox"/>	13	206664	Gear Spacer	1	
<input type="checkbox"/>	14	S 162 A	Hexagon Head Cap Screw	4	7/16 - 14 X 2 3/4 in.
<input type="checkbox"/>	15	S 610	Lock Washer	6	7/16 in.
<input type="checkbox"/>	17	103023	Hexagon Head Cap Screw	2	7/16 - 14 X 1 in.
<input type="checkbox"/>	18	3046852	Accessory Drive Support Gasket	1	

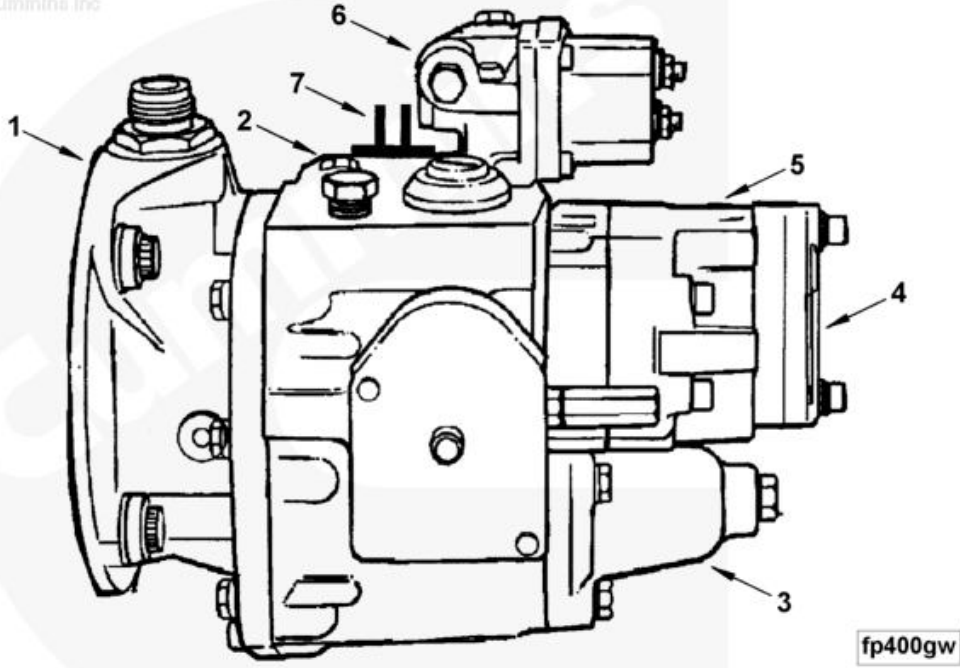
© 2017 Cummins Inc., Box 3005, Columbus, IN 47202-3005 U.S.A.
[Terms of Use and Disclaimers](#) | [Recommended System Requirements](#)
 Need Assistance? Please click on the Contact Us button in the top right corner of any page.



Parts Catalog - Option Detail

Electronic Parts Catalog - Option Detail				
Option	Group	Graphic	Film Card	Date
FP6771-04	05.01	fp400gw	K50	17-FEB-11
Engines	G50, K50, K50-DPM, QSK50 CM2150 K107, QSK50 CM2150 MCRS, QSK50 CM2350 K108, QSK50 CM850 MCRS, QSK50 DF CM850/CM2150 MCRS			

©Cummins Inc



SMALL | MEDIUM | LARGE

Cart	Ref No	Part Number	Part Description	Required	Remarks
View My Cart					
		FP6771-04	Fuel Pump		Cummins electric fuel control...(More)
					governor. (24 volt DC
					normally closed) system.
					Fuel pump: PT type G.
					Fuel pump governor: Limiting
					speed. EFC governor actuator
					is installed in the fuel
					pump AFC cavity. Includes
					fuel pump and accessory drive
					for use with Cummins electric
					fuel control governor.
					Includes 'High Flow' actuator
					and dedicated housing.
					Note: The governor actuator

					moves to the fully closed
					position with electrical
					failure, or shutdown.
<input type="checkbox"/>		3075537	Fuel Pump	1	
<input type="checkbox"/>	1	3030267	Fuel Pump Front Cover	1	
<input type="checkbox"/>	2	3279620	Fuel Pump Housing	1	
<input type="checkbox"/>	3	3021977	Spring Cover	1	
<input type="checkbox"/>	5	3034221	Gear Fuel Pump	1	
<input type="checkbox"/>	7	3085220	Electronic Fuel Control Actuator	1	
<input type="checkbox"/>	4	AR12112	Fuel Pump And Mounting Damper	1	
6				1	Reference FV8036

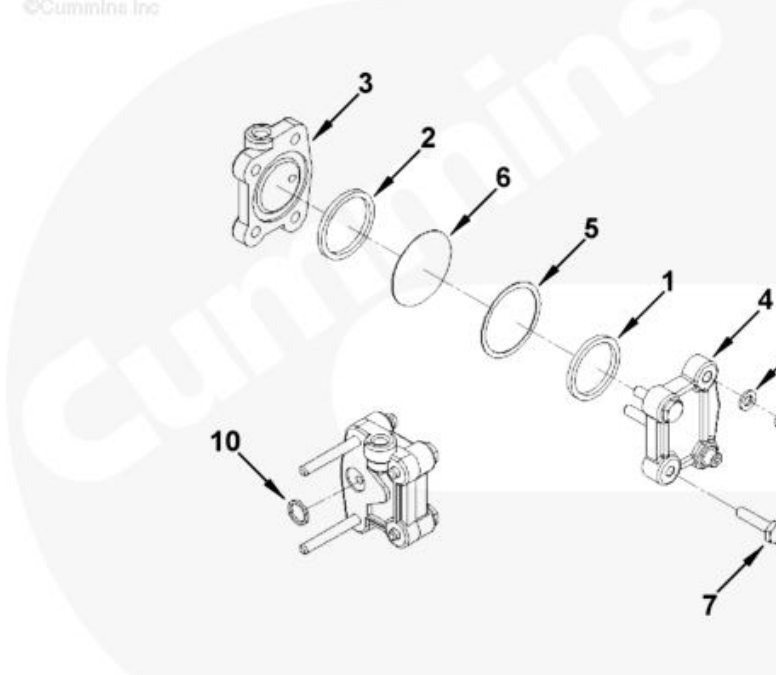
© 2017 Cummins Inc., Box 3005, Columbus, IN 47202-3005 U.S.A.
[Terms of Use and Disclaimers](#) | [Recommended System Requirements](#)
 Need Assistance? Please click on the Contact Us button in the top right corner of any page.



Parts Catalog - Option Detail

Electronic Parts Catalog - Option Detail				
Option	Group	Graphic	Film Card	Date
FP6771	05.01.3	fp401ge	K50	08-SEP-93
Engines	G50, K50, K50-DPM, QSK50 CM2150 K107, QSK50 CM2150 MCRS, QSK50 CM2350 K108, QSK50 CM850 MCRS, QSK50 DF CM850/CM2150 MCRS			

©Cummins Inc



fp401ge

SMALL | MEDIUM | LARGE

Cart	Ref No	Part Number	Part Description	Required	Remarks
View My Cart					
		FP6771	Fuel Pump And Damper Mounting		
<input type="checkbox"/>		AR12112	Fuel Pump And Mounting Damper		
<input type="checkbox"/>		BM76340	Fuel Pump Damper	1	
<input type="checkbox"/>	1	100099	Rectangular Ring Seal	1	
<input type="checkbox"/>	2	139988	Rectangular Ring Seal	1	
<input type="checkbox"/>	3	153336	Fuel Pump Damper Body	1	
<input type="checkbox"/>	4	153338	Fuel Pump Damper Cover	1	
<input type="checkbox"/>	5	160514	Plain Washer	1	1 11/16 in.
<input type="checkbox"/>	6	202897	Fuel Pump Damper Diaphragm	1	
<input type="checkbox"/>	7	3017051	Captive Washer Cap Screw	2	1/4 - 20 X 1 1/8 in.
<input type="checkbox"/>	8	153346	Socket Head Cap Screw	2	1/4 - 20 X 4 in.
<input type="checkbox"/>	9	70704	Plain Washer	2	1/4 in.
<input type="checkbox"/>	10	151900	Rectangular Ring Seal	1	
<input type="checkbox"/>	11	181466	Lock Washer	2	1/4 in.



Parts Catalog - Option Detail

Electronic Parts Catalog - Option Detail				
Option	Group	Graphic	Film Card	Date
FP6771	05.01.2	null	K50	08-SEP-93
Engines	G50, K50, K50-DPM, QSK50 CM2150 K107, QSK50 CM2150 MCRS, QSK50 CM2350 K108, QSK50 CM850 MCRS, QSK50 DF CM850/CM2150 MCRS			

Cart	Ref No	Part Number	Part Description	Required	Remarks
View My Cart					
		FP6771	Fuel Pump Front Cover		
<input type="checkbox"/>		3030267	Fuel Pump Front Cover	1	
<input type="checkbox"/>		3030267	Fuel Pump Front Cover	1	
<input type="checkbox"/>		146160	Plain Washer	1	5/16 in.
<input type="checkbox"/>		163944	Bushing	1	
<input type="checkbox"/>		212602	Tachometer Drive Gear	1	
<input type="checkbox"/>		212603	Oil Seal	1	
<input type="checkbox"/>		212613	Jaw Coupling Hub	1	
<input type="checkbox"/>		212668	Square Key	1	
<input type="checkbox"/>		3002110	Male Connector	1	
<input type="checkbox"/>		3004724	Seal Spacer	1	
<input type="checkbox"/>		3015665	Tachometer Drive Shaft	1	
<input type="checkbox"/>		212607	Tachometer Drive Shaft	1	
<input type="checkbox"/>		212609	Tachometer Drive Bushing	1	
<input type="checkbox"/>		212610	Tachometer Drive Gear	1	
<input type="checkbox"/>		3028372	Main Drive Assembly	1	
<input type="checkbox"/>		S 16052	Ball Bearing	1	
<input type="checkbox"/>		212601	Fuel Pump Drive Shaft	1	
<input type="checkbox"/>		212604	Retaining Ring	1	
<input type="checkbox"/>		212605	Fuel Pump Gear	1	
<input type="checkbox"/>		212639	Spline Adapter	1	
		3081372	Fuel Pump Cover	1	
<input type="checkbox"/>		3062676	Oil Seal	1	
		3075523	Oil Seal	1	
		3075524	Fuel Pump Cover	1	
		3069103	Fuel Pump Gasket	1	

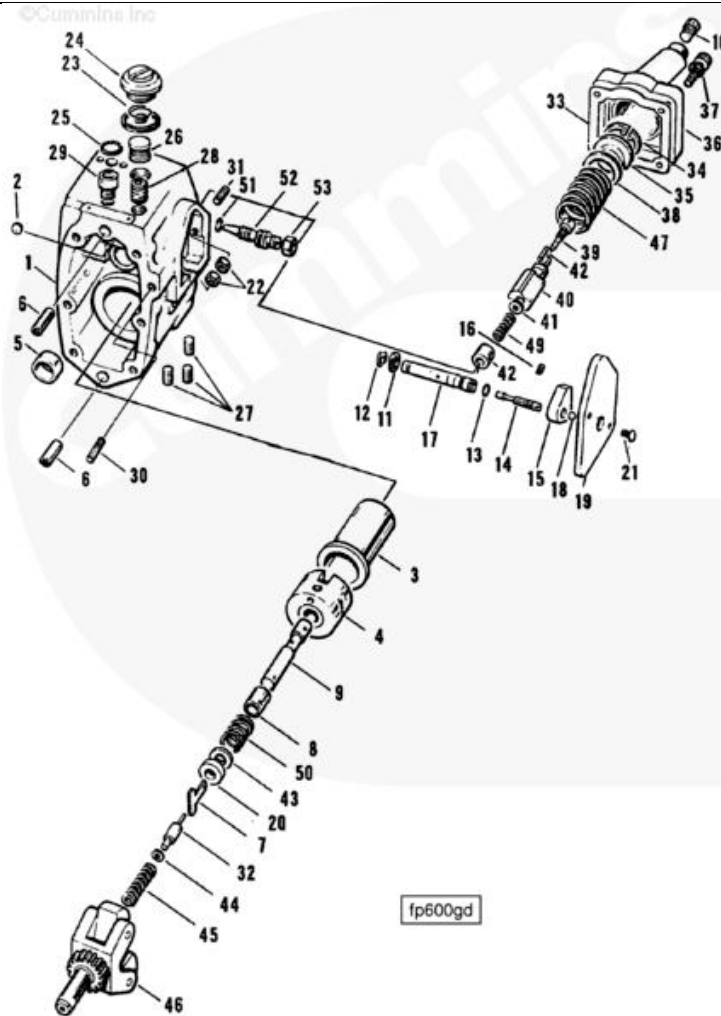
<input type="checkbox"/>		3018682	Hexagon Head Cap Screw	1	1/4 - 20 X 1 Inch.
<input type="checkbox"/>		70704	Plain Washer	3	1/4 in.
<input type="checkbox"/>		3017051	Captive Washer Cap Screw	5	1/4 - 20 X 1 1/8 in.
<input type="checkbox"/>		118226	Socket Head Cap Screw	1	#10 - 24 x 1 1/4 in.
<input type="checkbox"/>		S 606	Lock Washer	1	#12.
<input type="checkbox"/>		103089	Plain Washer	1	1/8 in.
<input type="checkbox"/>		3063052	Fuel Pump Gasket	1	
<input type="checkbox"/>		3017052	Captive Washer Cap Screw	2	1/4 - 20 x 1 1/8 in.
<input type="checkbox"/>		3002110	Male Connector	1	
<input type="checkbox"/>		212603	Oil Seal	1	
<input type="checkbox"/>		3015665	Tachometer Drive Shaft	1	
<input type="checkbox"/>		212607	Tachometer Drive Shaft	1	
<input type="checkbox"/>		212609	Tachometer Drive Bushing	1	
<input type="checkbox"/>		212610	Tachometer Drive Gear	1	
<input type="checkbox"/>		212602	Tachometer Drive Gear	1	
<input type="checkbox"/>		3803615	Seal Kit	A/R	
		3075523	Oil Seal	1	

© 2017 Cummins Inc., Box 3005, Columbus, IN 47202-3005 U.S.A.
[Terms of Use and Disclaimers](#) | [Recommended System Requirements](#)
Need Assistance? Please click on the Contact Us button in the top right corner of any page.



Parts Catalog - Option Detail

Electronic Parts Catalog - Option Detail				
Option	Group	Graphic	Film Card	Date
FP6771	05.01.1	fp600gd	K50	08-SEP-93
Engines	G50, K50, K50-DPM, QSK50 CM2150 K107, QSK50 CM2150 MCRS, QSK50 CM2350 K108, QSK50 CM850 MCRS, QSK50 DF CM850/CM2150 MCRS			



[SMALL](#) | [MEDIUM](#) | [LARGE](#)

Cart	Ref No	Part Number	Part Description	Required	Remarks
View My Cart					
		FP6771	Fuel Pump Housing		
<input type="checkbox"/>		3279620	Fuel Pump Housing	1	
	1	3279691	Fuel Pump Body	1	
<input type="checkbox"/>	2	214139	Ball Plug	3	
<input type="checkbox"/>	3	3036970	Spring Pack Housing	1	
<input type="checkbox"/>	4	3058559	Governor Barrel	1	

<input type="checkbox"/>	5	100193	Tachometer Drive Bushing	1	
<input type="checkbox"/>	6	118227	Ring Dowel	2	
<input type="checkbox"/>		3010810	Governor Plunger	1	
<input type="checkbox"/>	7	70690	Governor Plunger Driver	1	
<input type="checkbox"/>	8	3048557	Bearing Spacer	1	
<input type="checkbox"/>	9	3009380	Governor Plunger	1	
<input type="checkbox"/>	10	3025459	Pipe Plug	3	
<input type="checkbox"/>	11	100478	O-Ring Seal	1	
<input type="checkbox"/>	12	163945	Retaining Ring	1	
<input type="checkbox"/>	13	213768	O-Ring Seal	1	
<input type="checkbox"/>	14	3006175	Fuel Pump Adjusting Screw	1	
<input type="checkbox"/>		3006440	Throttle Shaft	1	
<input type="checkbox"/>	15	3006343	Throttle Lever Stop	1	
<input type="checkbox"/>	16	3006344	Socket Set Screw	2	
<input type="checkbox"/>	17	3046690	Throttle Shaft	1	
<input type="checkbox"/>	18	213769	Ball Plug	1	
<input type="checkbox"/>	19	3000446	Fuel Control Cover	1	
<input type="checkbox"/>	20	3027633	Thrust Bearing	1	
<input type="checkbox"/>	21	S 2286	Drive Screw	4	3/16 in.
<input type="checkbox"/>	22	S 270	Regular Hexagon Nut	2	1/4 - 28 UNF.
<input type="checkbox"/>	23	70700	Compression Spring	1	
<input type="checkbox"/>	24	157088	Fuel Pump Filter Cap	1	
<input type="checkbox"/>	25	154088	Rectangular Ring Seal	1	
<input type="checkbox"/>	26	146483	Filter Screen	1	
<input type="checkbox"/>	27	3025460	Pipe Plug	4	1/8 NPT.
<input type="checkbox"/>	28	195265	Pipe Plug	1	1/4 NPT.
<input type="checkbox"/>	30	3046407	Socket Set Screw	2	
<input type="checkbox"/>	31	110058	Fuel Pump Adjusting Nut	1	1/4 - 28 UNF.
<input type="checkbox"/>	32	144178	Governor Weight Assist Plunger	1	
<input type="checkbox"/>	33	70705	Flange Gasket	1	
<input type="checkbox"/>	34	S 16240	Retaining Ring	2	
<input type="checkbox"/>	35	70713	Spring Retainer	1	
<input type="checkbox"/>	36	44678	Spring Pack Cover	1	
<input type="checkbox"/>	37	3017051	Captive Washer Cap Screw	2	1/4 - 20 X 1 1/8 in.
<input type="checkbox"/>	38	70717	Fuel Pump Governor Shim	6	
<input type="checkbox"/>	38	70717 A	Fuel Pump Governor Shim	1	
<input type="checkbox"/>	38	70717 B	Fuel Pump Governor Shim	1	

<input type="checkbox"/>	39	70716	Knurled Screw	1	
<input type="checkbox"/>	40	3036473	Idle Spring Plunger Guide	1	
<input type="checkbox"/>	41	70715	Plain Washer	1	1/8 Inch.
<input type="checkbox"/>	42	211635	Governor Weight Pin	2	
<input type="checkbox"/>	43	101841	Shim	A/R	.005 in.
<input type="checkbox"/>	43	101842	Shim	A/R	.010 in.
<input type="checkbox"/>	43	101843	Shim	A/R	.020 in.
<input type="checkbox"/>	44	144179	Shim	7	
<input type="checkbox"/>	45	143854	Compression Spring	1	
<input type="checkbox"/>	46	3024991	Governor Weight Carrier	1	Recon equivalent 3024991 RX
	47	3004957	Spring , Governor . Max .	1	
<input type="checkbox"/>	48	141629	Idle Spring Plunger	1	
<input type="checkbox"/>	49	3032014	Compression Spring	1	
<input type="checkbox"/>	50	3018767	Compression Spring	1	
<input type="checkbox"/>	51	68061 A	O-Ring Seal	1	

© 2017 Cummins Inc., Box 3005, Columbus, IN 47202-3005 U.S.A.
[Terms of Use and Disclaimers](#) | [Recommended System Requirements](#)
Need Assistance? Please click on the Contact Us button in the top right corner of any page.



Parts Catalog - Option Detail

Electronic Parts Catalog - Option Detail				
Option	Group	Graphic	Film Card	Date
FP6180-01	05.03	null	K50	21-JUN-08
Engines	G50, K50, K50-DPM, QSK50 CM2150 K107, QSK50 CM2150 MCRS, QSK50 CM2350 K108, QSK50 CM850 MCRS, QSK50 DF CM850/CM2150 MCRS			

Cart	Ref No	Part Number	Part Description	Required	Remarks
View My Cart					
		FP6180-01	Fuel Pump Mounting		Cummins EFC governor system....(More)
					Includes:
					* Normally closed actuator
					mounted in fuel pump AFC
					cavity
					* AFC style PTG/AUTO fuel
					pump
					Requires: 24volt, Insulated
					Or Negative ground power
					supply.
					For Use With:
					* Customer supplied governor
					Control module and magnetic
					pick-up. KCL to use
					accessory drive gear part
					number 4952020 in place of
					part number 4953332.
		MP5288	Accessory Mounting Drive	1	
<input type="checkbox"/>		3003156	Wire Seal	2	
<input type="checkbox"/>		3022725	Fuel Pump Support	1	
		3175550	Protective Cover	1	
		3176080	Fuel Pump Mounting	1	
<input type="checkbox"/>		3379231	Governor Bulletin	1	



Parts Catalog - Option Detail

Electronic Parts Catalog - Option Detail				
Option	Group	Graphic	Film Card	Date
FR6243	99.01	null	K50	09-JUL-17
Engines	G50, K50, K50-DPM, QSK50 CM2150 K107, QSK50 CM2150 MCRS, QSK50 CM2350 K108, QSK50 CM850 MCRS, QSK50 DF CM850/CM2150 MCRS			

Cart	Ref No	Part Number	Part Description	Required	Remarks
View My Cart					
		FR6243	Fuel Rating		1915 BHP at 1500 RPM...(More)
					For stand-by duty application
					CPL: 2354.

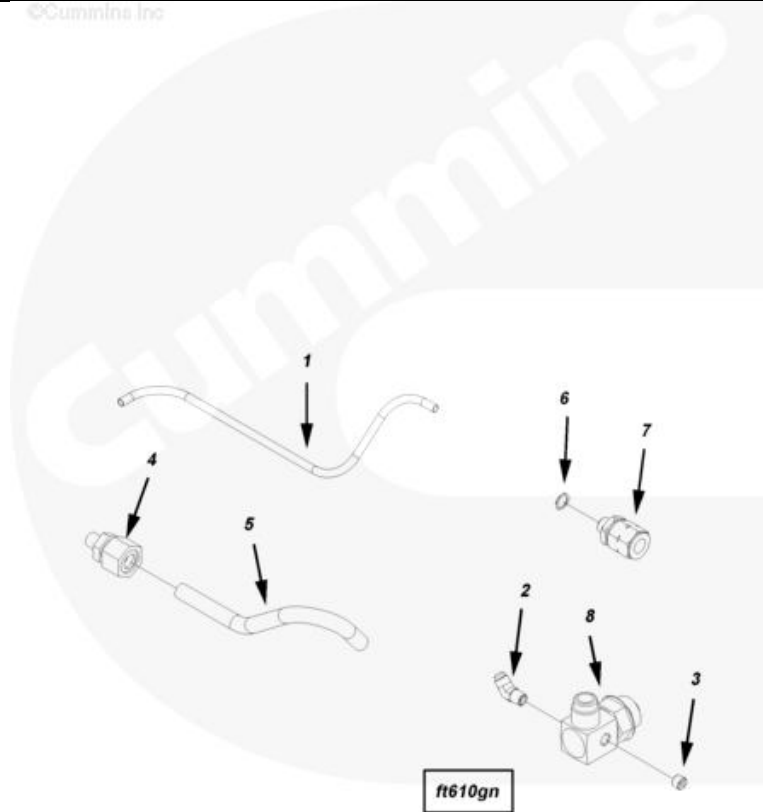
© 2017 Cummins Inc., Box 3005, Columbus, IN 47202-3005 U.S.A.
[Terms of Use and Disclaimers](#) | [Recommended System Requirements](#)
 Need Assistance? Please click on the Contact Us button in the top right corner of any page.



Parts Catalog - Option Detail

Electronic Parts Catalog - Option Detail				
Option	Group	Graphic	Film Card	Date
FT60072-05	06.03	ft610gn	K50	10-OCT-14
Engines	G50, K50, K50-DPM, QSK50 CM2150 K107, QSK50 CM2150 MCRS, QSK50 CM2350 K108, QSK50 CM850 MCRS, QSK50 DF CM850/CM2150 MCRS			

©Cummins Inc



[SMALL](#) | [MEDIUM](#) | [LARGE](#)

Cart	Ref No	Part Number	Part Description	Required	Remarks
<input type="button" value="View My Cart"/>					
		FT60072-05	Fuel Supply Plumbing		Fuel supply plumbing...(More)
					Engine Model: K38/ K50
					aftercooler type: Top
					box/outboard/LTA
					Pump Type: AUTO Governor:
					EFC Governor fuel block:
					Standard fuel filter block:

					Pump mounted. Compressor
					type: Less compressor
					AFC: No skinner valve: No.
	1	AS401440S S		1	
<input type="checkbox"/>	2	S 1047 A	Male Adapter Elbow	1	1/8 NPTF x 7/16-20 (45)
<input type="checkbox"/>	3	3628604	Pipe Plug	1	1/8 - 27 X 0.3 in.
<input type="checkbox"/>	4	3629437	Tube Connector	1	
<input type="checkbox"/>	5	3630792	Fuel Supply Tube	1	
<input type="checkbox"/>		3630840	Tube Connector	1	
<input type="checkbox"/>	6	3037236	O-Ring Seal	1	Ref. SPT 97T10
	7	3630841	Tube Connector	1	
		3632151		1	
	8	4345902	Male Adapter Elbow	1	

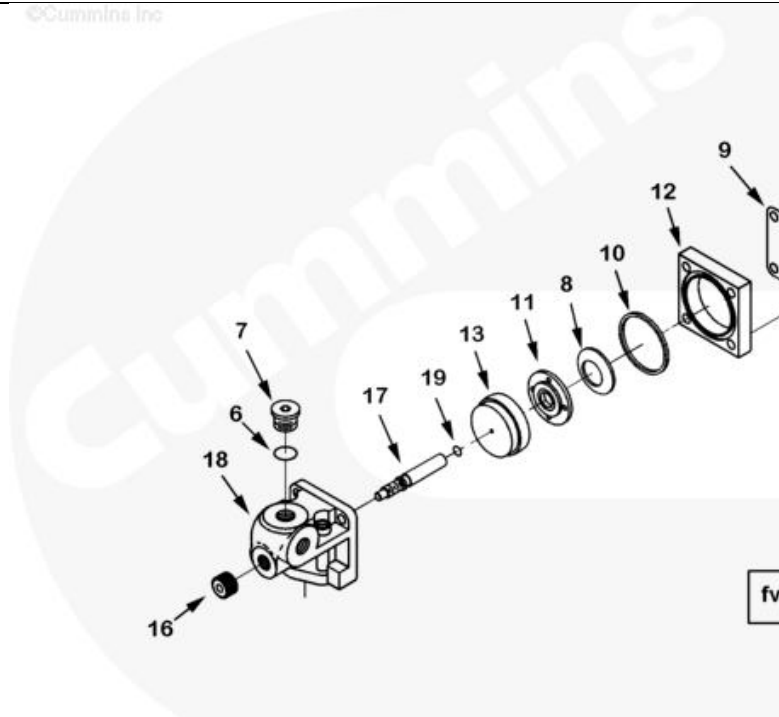
© 2017 Cummins Inc., Box 3005, Columbus, IN 47202-3005 U.S.A.
[Terms of Use and Disclaimers](#) | [Recommended System Requirements](#)
 Need Assistance? Please click on the Contact Us button in the top right corner of any page.



Parts Catalog - Option Detail

Electronic Parts Catalog - Option Detail				
Option	Group	Graphic	Film Card	Date
FV6020-01	05.06	fv601gu	K50	25-JUN-98
Engines	G50, K50, K50-DPM, QSK50 CM2150 K107, QSK50 CM2150 MCRS, QSK50 CM2350 K108, QSK50 CM850 MCRS, QSK50 DF CM850/CM2150 MCRS			

©Cummins Inc



[SMALL](#) | [MEDIUM](#) | [LARGE](#)

Cart	Ref No	Part Number	Part Description	Required	Remarks
View My Cart					
		FV6020-01	Fuel Valve		Fuel shutoff valve...(More)
					for use with remote mounted
					rapid restart fuel filter
					screen. 24volt DC heavy duty
					1 terminal internal ground.
					2 port 1/2 inch straight
					thread o-ring. Manual
					override.
					For use with centry fuel
					pumps.
					When used on PTG fuel pump
					with top mounted mvs gov omit
					2 s189 c capscrews add 2

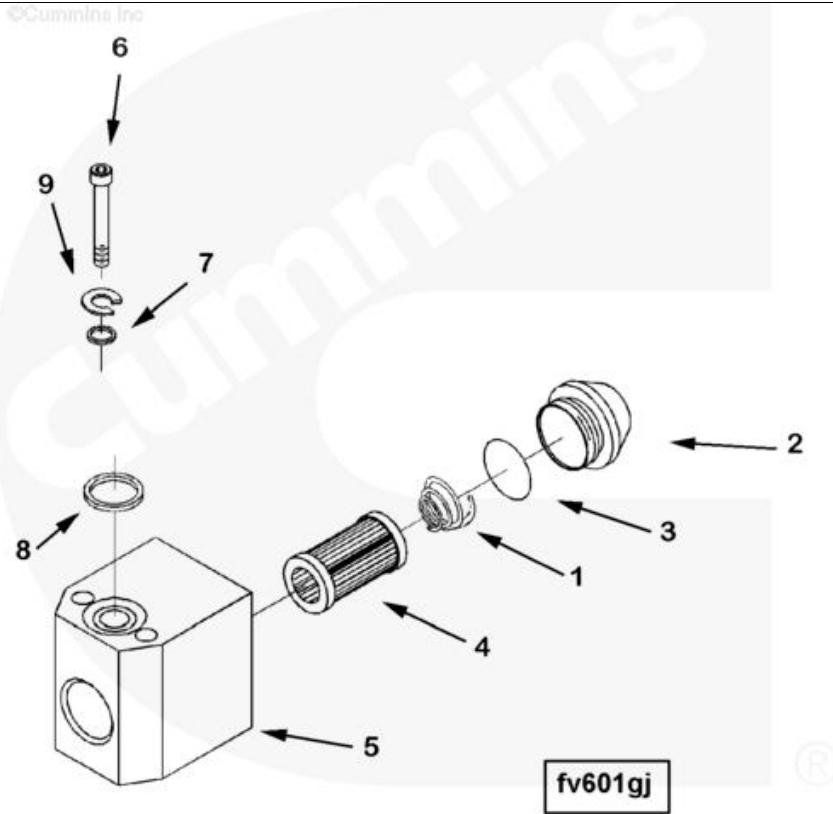
					100129 capscrews.
<input type="checkbox"/>		3096857	Shut-Off Valve	1	
<input type="checkbox"/>		3067424	Threaded Plug	1	1/2 - 20 UNF.
<input type="checkbox"/>	6	3037236	O-Ring Seal	1	Ref. SPT 97T10
	7	3067347	Threaded Plug	1	1/2-20 Thd
		3096856	Fuel Shut-Off Valve	1	
<input type="checkbox"/>	8	129768	Valve Spring	1	
<input type="checkbox"/>	9	129839	Shut-Off Valve Shield	1	
<input type="checkbox"/>	10	129888	Rectangular Ring Seal	2	
<input type="checkbox"/>	11	196057	Valve Disc	1	
<input type="checkbox"/>	12	3034451	Actuator Housing	1	
<input type="checkbox"/>	13	3034452	Actuator Disc	1	
	14	3054609	Solenoid	1	
<input type="checkbox"/>	15	3065944	Captive Washer Cap Screw	4	#10 - 24 X 1 Inch.
<input type="checkbox"/>		3073890	Fuel Shut-Off Valve Body	1	
<input type="checkbox"/>	16	129838	Knob	1	
<input type="checkbox"/>	17	3013036	Shut-Off Valve Shaft	1	
	18	3073891	Shut-Off Valve Body	1	
<input type="checkbox"/>	19	3279794	O-Ring Seal	1	
<input type="checkbox"/>		4024809	Fuel Solenoid Kit	1	
<input type="checkbox"/>		129888	Rectangular Ring Seal	1	
		3054609	Solenoid	1	

© 2017 Cummins Inc., Box 3005, Columbus, IN 47202-3005 U.S.A.
Terms of Use and Disclaimers | Recommended System Requirements
Need Assistance? Please click on the Contact Us button in the top right corner of any page.



Parts Catalog - Option Detail

Electronic Parts Catalog - Option Detail				
Option	Group	Graphic	Film Card	Date
FV6707-03	05.06	fv601gj	K50	11-OCT-99
Engines	G50, K50, K50-DPM, QSK50 CM2150 K107, QSK50 CM2150 MCRS, QSK50 CM2350 K108, QSK50 CM850 MCRS, QSK50 DF CM850/CM2150 MCRS			



[SMALL](#) | [MEDIUM](#) | [LARGE](#)

Cart	Ref No	Part Number	Part Description	Required	Remarks
View My Cart					
		FV6707-03	Fuel Valve Mounting		Fuel Valve Mounting...(More)
					Fuel Pump Type: AUTO fuel
					filter block: Pump mounted
					straight thread o ring: Yes.
<input type="checkbox"/>		3096078	Fuel Filter	1	
<input type="checkbox"/>	1	70700	Compression Spring	1	
<input type="checkbox"/>	2	3014575	Fuel Pump Filter Cap	1	
<input type="checkbox"/>	3	3021123	O-Ring Seal	1	
<input type="checkbox"/>	4	3090769	Filter Screen	1	
<input type="checkbox"/>	5	3090770	Filter Housing	1	

<input type="checkbox"/>	6	S 189 C	Socket Head Cap Screw	4	1/4 - 20 X 1 3/4 Inch.
<input type="checkbox"/>	7	67684	Plain Washer	4	1/4 Inch.
<input type="checkbox"/>	8	154087	Rectangular Ring Seal	2	
<input type="checkbox"/>	9	181466	Lock Washer	4	1/4 in.

© 2017 Cummins Inc., Box 3005, Columbus, IN 47202-3005 U.S.A.
[Terms of Use and Disclaimers](#) | [Recommended System Requirements](#)
 Need Assistance? Please click on the Contact Us button in the top right corner of any page.



Parts Catalog - Option Detail

Electronic Parts Catalog - Option Detail				
Option	Group	Graphic	Film Card	Date
3804300	17.02	null	K50	30-SEP-89
Engines	G50, K50, K50-DPM, QSK50 CM2150 K107, QSK50 CM2150 MCRS, QSK50 CM2350 K108, QSK50 CM850 MCRS, QSK50 DF CM850/CM2150 MCRS			

Cart	Ref No	Part Number	Part Description	Required	Remarks
<input type="button" value="View My Cart"/>					
<input type="checkbox"/>		3804300	Kit, Lower Engine Gasket	1	
<input type="checkbox"/>		S 1003 A	Grommet Seal	4	
<input type="checkbox"/>		43696 A	O-Ring Seal	2	
<input type="checkbox"/>		67946	Plain Washer	4	1 1/32 in.
<input type="checkbox"/>		68908	Lock Plate	14	
<input type="checkbox"/>		70415	O-Ring Seal	2	
<input type="checkbox"/>		108172	O-Ring Seal	1	
<input type="checkbox"/>		145507	O-Ring Seal	2	
<input type="checkbox"/>		145528	O-Ring Seal	2	
<input type="checkbox"/>		145529	O-Ring Seal	1	
<input type="checkbox"/>		145530	O-Ring Seal	1	
<input type="checkbox"/>		145550	O-Ring Seal	2	
<input type="checkbox"/>		145581	O-Ring Seal	1	
<input type="checkbox"/>		145586	O-Ring Seal	1	
<input type="checkbox"/>		145600	O-Ring Seal	1	
<input type="checkbox"/>		145613	O-Ring Seal	1	
<input type="checkbox"/>		151355	Lock Plate	2	
<input type="checkbox"/>		205571	Oil Slinger Gasket	1	
<input type="checkbox"/>		206193	Water Pump Gasket	1	
<input type="checkbox"/>		206407	Hand Hole Gasket	1	
<input type="checkbox"/>		206416	Support Gasket	1	
<input type="checkbox"/>		206421	Gear Housing Gasket	1	
<input type="checkbox"/>		206455	Water Pump Gasket	1	
<input type="checkbox"/>		206457	O-Ring Seal	1	
<input type="checkbox"/>		207551	O-Ring Seal	1	
<input type="checkbox"/>		212161	O-Ring Seal	16	
<input type="checkbox"/>		3007441	O-Ring Seal	16	

<input type="checkbox"/>		3000632	Connection Gasket	1	
<input type="checkbox"/>		3005939	Cover Plate Gasket	1	
<input type="checkbox"/>		3005940	Gear Housing Gasket	1	
<input type="checkbox"/>		3007512	O-Ring Seal	1	
<input type="checkbox"/>		3008921	Relief Valve Body Gasket	1	
<input type="checkbox"/>		3009323	Water Header Cover Gasket	1	
<input type="checkbox"/>		3009324	Water Header Cover Gasket	4	
<input type="checkbox"/>		3014449	Flange Gasket	1	
<input type="checkbox"/>		3016792	Oil Seal	1	
<input type="checkbox"/>		3026391	Rectangular Ring Seal	1	
<input type="checkbox"/>		3026392	Rectangular Ring Seal	2	
<input type="checkbox"/>		3031544	Rectangular Ring Seal	1	
<input type="checkbox"/>		3040721	Cam Follower Housing Gasket	16	
<input type="checkbox"/>		3040722	Camshaft Cover Gasket	2	
<input type="checkbox"/>		3043211	Oil Pan Gasket	4	
<input type="checkbox"/>		3043213	Oil Pan Gasket	1	
<input type="checkbox"/>		3046852	Accessory Drive Support Gasket	1	
<input type="checkbox"/>		3069102	Air Compressor Gasket	1	
<input type="checkbox"/>		4026171	Fuel Pump Gasket	1	
<input type="checkbox"/>		3160924	Dust Seal	1	
<input type="checkbox"/>		3175032	Crankcase Breather Gasket	2	
<input type="checkbox"/>		3175856	Hand Hole Gasket	8	
<input type="checkbox"/>		3177108	Filter Head Gasket	2	
<input type="checkbox"/>		3177160	Gear Cover Gasket	1	
<input type="checkbox"/>		3178076	Gear Housing Gasket	1	
<input type="checkbox"/>		3179035	Water Transfer Connection Gasket	1	
<input type="checkbox"/>		3200287	Keyway Seal	2	
<input type="checkbox"/>		3201125	O-Ring Seal	2	
<input type="checkbox"/>		3331663	Dust Seal	1	
<input type="checkbox"/>		3628894	Dust Seal	1	
<input type="checkbox"/>		3628895	Oil Seal	1	
<input type="checkbox"/>		3628973	Cover Plate Gasket	1	
<input type="checkbox"/>		3629141	Lubricating Oil Filter Cover Gasket	1	



Parts Catalog - Option Detail

Electronic Parts Catalog - Option Detail				
Option	Group	Graphic	Film Card	Date
4352579	17.02	null	K50	08-APR-14
Engines	G50, K50, K50-DPM, QSK50 CM2150 K107, QSK50 CM2150 MCRS, QSK50 CM2350 K108, QSK50 CM850 MCRS, QSK50 DF CM850/CM2150 MCRS			

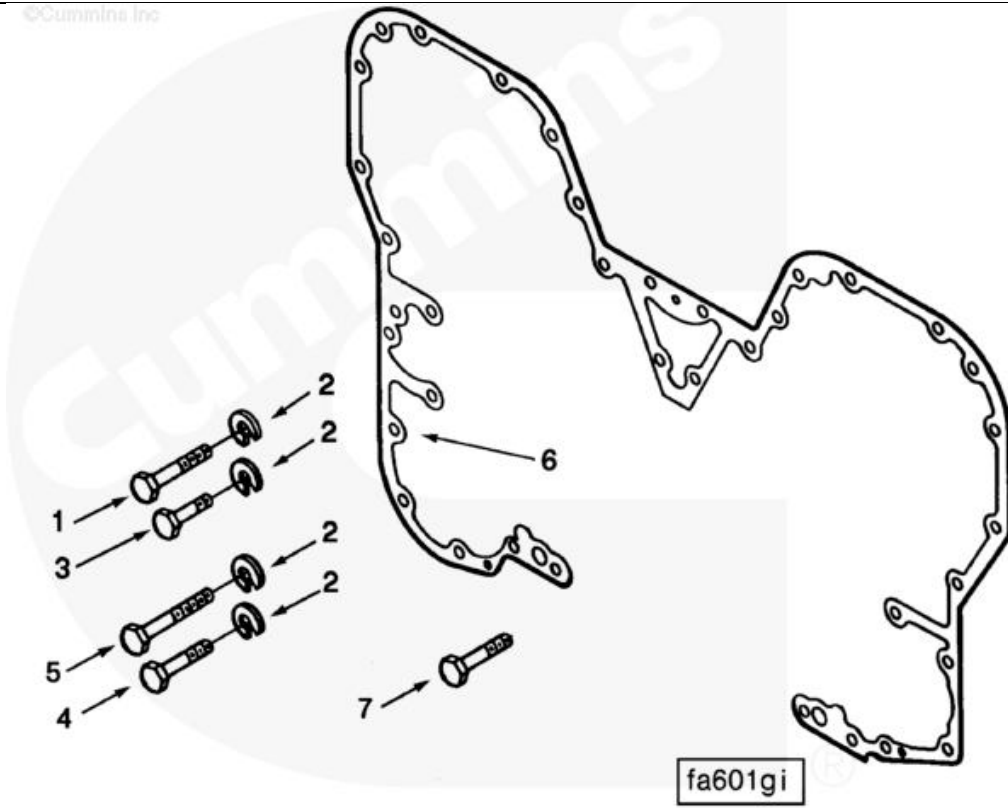
Cart	Ref No	Part Number	Part Description	Required	Remarks
View My Cart					
<input type="checkbox"/>		4352579	Kit, Single Head Gasket	1	
<input type="checkbox"/>		100478	O-Ring Seal	12	
<input type="checkbox"/>		131026	O-Ring Seal	12	
<input type="checkbox"/>		206277	Intake Manifold Gasket	6	
<input type="checkbox"/>		206279	Connection Gasket	1	
<input type="checkbox"/>		206446	Water Transfer Connection Gasket	1	
<input type="checkbox"/>		206576	Turbocharger Gasket	1	
<input type="checkbox"/>		207038	O-Ring Seal	1	
<input type="checkbox"/>		207244	Injector Seal	1	
<input type="checkbox"/>		3001340	O-Ring Seal	12	
<input type="checkbox"/>		3023066	O-Ring Seal	4	
<input type="checkbox"/>		3026421	O-Ring Seal	2	
<input type="checkbox"/>		3028291	O-Ring Seal	5	
<input type="checkbox"/>		3037821	Exhaust Manifold Gasket	6	
<input type="checkbox"/>		3084539	O-Ring Seal	12	
		3170927		3	
<input type="checkbox"/>		3630839	Rocker Lever Housing Gasket	1	
<input type="checkbox"/>		3818885	O-Ring Seal	2	
<input type="checkbox"/>		4334080	Cylinder Head Gasket	1	
<input type="checkbox"/>		4920076	Rocker Lever Cover Gasket	1	



Parts Catalog - Option Detail

Electronic Parts Catalog - Option Detail				
Option	Group	Graphic	Film Card	Date
FA6703-01	01.06	fa601gi	K50	19-SEP-96
Engines	G50, K50, K50-DPM, QSK50 CM2150 K107, QSK50 CM2150 MCRS, QSK50 CM2350 K108, QSK50 CM850 MCRS, QSK50 DF CM850/CM2150 MCRS			

©Cummins Inc



fa601gi

[SMALL](#) | [MEDIUM](#) | [LARGE](#)

Cart	Ref No	Part Number	Part Description	Required	Remarks
View My Cart					
		FA6703-01	Gear Cover And Housing		Gear cover mounting for use...(More)
					with alternator, less freon
					compressor. Use only with
					gear cover less cam cover
					openings.
<input type="checkbox"/>	1	S 127	Hexagon Head Cap Screw	2	7/16 - 14 X 3 3/4 in.
<input type="checkbox"/>	2	S 610	Lock Washer	22	7/16 in.
<input type="checkbox"/>	3	102020	Hexagon Head Cap Screw	7	7/16 - 14 X 2 1/4 in.
<input type="checkbox"/>	4	108767	Hexagon Head Cap Screw	5	7/16 - 14 X 3 1/2 in.
<input type="checkbox"/>	5	110266	Hexagon Head Cap Screw	6	7/16 - 14 X 4 in.
<input type="checkbox"/>	6	3177160	Gear Cover Gasket	1	

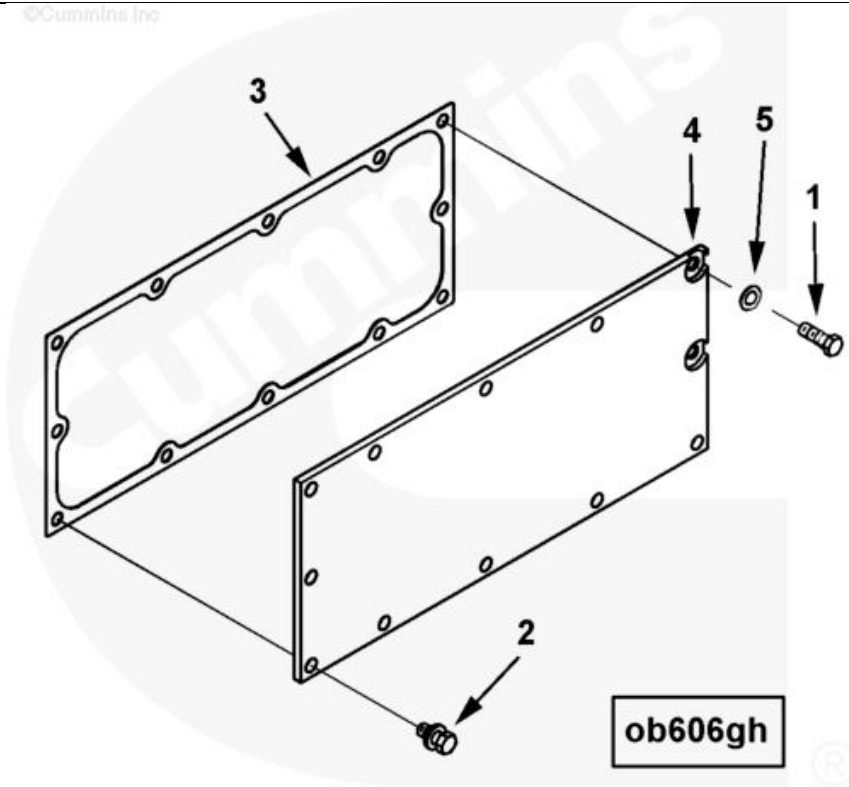
<input type="checkbox"/>	7	3069026	Socket Head Cap Screw	2	7/16 - 14 X 3 1/2 in.
--------------------------	---	-------------------------	-----------------------	---	-----------------------

© 2017 Cummins Inc., Box 3005, Columbus, IN 47202-3005 U.S.A.
[Terms of Use and Disclaimers](#) | [Recommended System Requirements](#)
Need Assistance? Please click on the Contact Us button in the top right corner of any page.



Parts Catalog - Option Detail

Electronic Parts Catalog - Option Detail				
Option	Group	Graphic	Film Card	Date
OB6723-03	07.02	ob606gh	K50	07-JUL-03
Engines	G50, K50, K50-DPM, QSK50 CM2150 K107, QSK50 CM2150 MCRS, QSK50 CM2350 K108, QSK50 CM850 MCRS, QSK50 DF CM850/CM2150 MCRS			



SMALL | MEDIUM | LARGE

Cart	Ref No	Part Number	Part Description	Required	Remarks
View My Cart					
		OB6723-03	Hand Hole Cover		Hand hole cover for use when...(More)
					crankcase explosion valve is
					not required.
					When used behind bypass
					filter omit 2 S-606-A
					lockwashers and 2 205354
					capscrew.
<input type="checkbox"/>	1	S 109	Hexagon Head Cap Screw	2	3/8 - 16 x 7/8 in.
<input type="checkbox"/>	2	3014766	Captive Washer Cap Screw	10	3/8 - 16 x 1 3/64 in.
<input type="checkbox"/>	3	3175856	Hand Hole Gasket	1	
<input type="checkbox"/>	4	3628229	Hand Hole Cover	1	

<input type="checkbox"/>	5	3628902	Plain Washer	2	
--------------------------	---	-------------------------	--------------	---	--

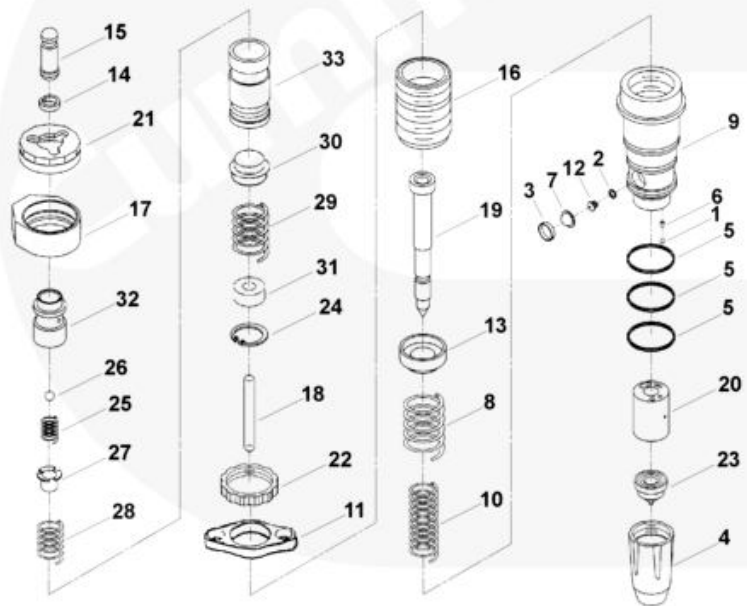
© 2017 Cummins Inc., Box 3005, Columbus, IN 47202-3005 U.S.A.
[Terms of Use and Disclaimers](#) | [Recommended System Requirements](#)
Need Assistance? Please click on the Contact Us button in the top right corner of any page.



Parts Catalog - Option Detail

Electronic Parts Catalog - Option Detail				
Option	Group	Graphic	Film Card	Date
PP2354-04	06.01	pp613gq	K50	08-AUG-14
Engines	G50, K50, K50-DPM, QSK50 CM2150 K107, QSK50 CM2150 MCRS, QSK50 CM2350 K108, QSK50 CM850 MCRS, QSK50 DF CM850/CM2150 MCRS			

©Cummins Inc



pp613gq

[SMALL](#) | [MEDIUM](#) | [LARGE](#)

Cart	Ref No	Part Number	Part Description	Required	Remarks
View My Cart					
		PP2354-04	Injector		Injector...(More)
					Certified Model Name:
					KTA50-G8
					CPL: 2354
					Certified By: None
					Engine Aspiration:
					Turbocharger

					Application: Power Generation
					Power Rating: Intermittent
					KTA-50G8 With LTA K-2000
					Technology.
					Less Water Pumps.
					Includes:
					Reduced Drain Flow Injectors.
					For Standby, Prime and
					Continuous Applications.
<input type="checkbox"/>		3349860	Injector	16	
<input type="checkbox"/>	1	167157	Check Ball	1	
<input type="checkbox"/>	2	173086	Injector Gasket	1	
<input type="checkbox"/>	3	174299	Screen Retainer	1	
<input type="checkbox"/>	4	3042430	Injector Cup Retainer	1	
<input type="checkbox"/>	5	193736	O-Ring Seal	3	Orange
<input type="checkbox"/>	6	203426	Roll Pin	2	
<input type="checkbox"/>	7	3054999	Filter Screen	1	
<input type="checkbox"/>	8	3042427	Injector Spring	1	
<input type="checkbox"/>	9	4307427	Injector Adapter	1	
<input type="checkbox"/>	10	3042428	Injector Spring	1	
<input type="checkbox"/>	11	3411695	Injector Clamp	1	
	12	3045047	Injector Orifice Plug	1	
<input type="checkbox"/>	13	3052218	Injector Spring Retainer	1	
<input type="checkbox"/>	14	3052231	Injector Link Retainer	1	
<input type="checkbox"/>	15	3052233	Injector Plunger Link	1	
<input type="checkbox"/>	16	3279821	Injector Stop Screw	1	
<input type="checkbox"/>	17	3279850	Tappet Top Stop Lock Nut	1	
<input type="checkbox"/>	18	3627894	Injector Plunger Link	1	
<input type="checkbox"/>		3076126	Barrel And Plunger	1	
	19	3076124	Injector Plunger	1	
	20	3053504	Injector Barrel	1	
<input type="checkbox"/>	21	3068859	Tappet Top Stop Cap	1	
<input type="checkbox"/>	22	3068860	Lock Nut	1	1 5/16 - 18 UNF.
<input type="checkbox"/>	23	3609841	Injector Cup	1	
<input type="checkbox"/>		3075381	Hydraulic Variable Timing Tappet	1	
<input type="checkbox"/>	24	3027988	Retaining Ring	1	
	25	3027994	Compression Spring	1	

	26	3027996	Check Ball	1	
<input type="checkbox"/>	27	3076033	Ball Guide	1	
<input type="checkbox"/>	28	3054852	Injector Spring	1	
	29	4077027	Injector Spring	1	
	30	3085344	Ball Guide	1	
	31	3085345	Tappet Socket	1	
		3075391	Sleeve And Plunger	1	
	32	3053772	Tappet Plunger	1	
	33	3075386	Tappet Sleeve	1	

© 2017 Cummins Inc., Box 3005, Columbus, IN 47202-3005 U.S.A.
[Terms of Use and Disclaimers](#) | [Recommended System Requirements](#)
 Need Assistance? Please click on the Contact Us button in the top right corner of any page.



Parts Catalog - Option Detail

Electronic Parts Catalog - Option Detail				
Option	Group	Graphic	Film Card	Date
BP6126-02	06.01.5	null	K50	15-JUL-10
Engines	G50, K50, K50-DPM, QSK50 CM2150 K107, QSK50 CM2150 MCRS, QSK50 CM2350 K108, QSK50 CM850 MCRS, QSK50 DF CM850/CM2150 MCRS			

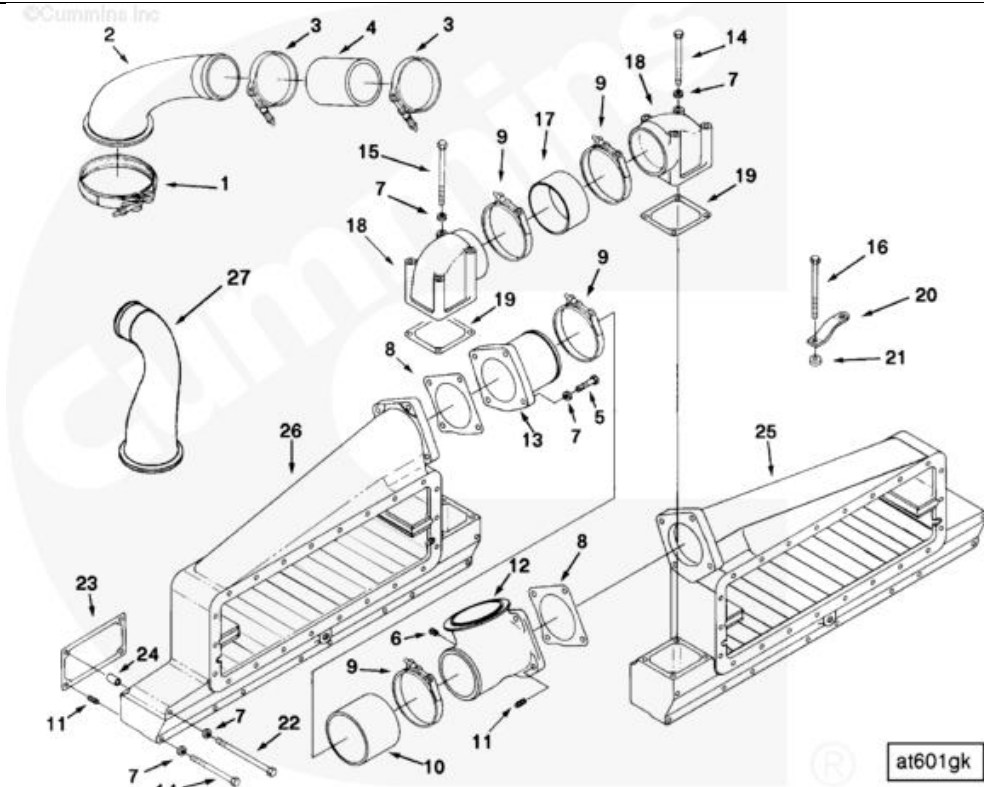
Cart	Ref No	Part Number	Part Description	Required	Remarks
View My Cart					
		BP6126-02	Injector Mounting		Injector Mounting...(More)
					Fuel Control System: Dual STC
					(Stepped Timing Control)
					Water Pump Included: Yes
		2893881	Mounting Injector	16	
<input type="checkbox"/>		131026	O-Ring Seal	1	
<input type="checkbox"/>		207244	Injector Seal	1	
<input type="checkbox"/>		2885618	Oil Transfer Connection	1	
<input type="checkbox"/>		3023095	Sealing Washer	2	
<input type="checkbox"/>		3070962	Hexagon Head Cap Screw	2	
<input type="checkbox"/>		3179021	Banjo Connector Screw	1	

© 2017 Cummins Inc., Box 3005, Columbus, IN 47202-3005 U.S.A.
[Terms of Use and Disclaimers](#) | [Recommended System Requirements](#)
 Need Assistance? Please click on the Contact Us button in the top right corner of any page.



Parts Catalog - Option Detail

Electronic Parts Catalog - Option Detail				
Option	Group	Graphic	Film Card	Date
IM6021-04	10.01	at601gk	K50	09-AUG-04
Engines	G50, K50, K50-DPM, QSK50 CM2150 K107, QSK50 CM2150 MCRS, QSK50 CM2350 K108, QSK50 CM850 MCRS, QSK50 DF CM850/CM2150 MCRS			



SMALL | MEDIUM | LARGE

Cart	Ref No	Part Number	Part Description	Required	Remarks
View My Cart					
		IM6021-04	Intake Manifold		Air intake manifolds for use...(More)
					with KTA50-G3/G4 single stage
					uprate engines with K-2000
					technology.
<input type="checkbox"/>	1	3633805	V Band Clamp	2	
<input type="checkbox"/>	2	3058809	Air Crossover Connection	1	
	3	3633974	T-Bolt Clamp	4	3.69-3.94 in.
<input type="checkbox"/>	4	3630125	Plain Hose	2	
<input type="checkbox"/>	5	3065723	Captive Washer Cap Screw	16	3/8 - 16 X 1 3/4 in.
<input type="checkbox"/>	6	3628605	Pipe Plug	2	1/4 - 18.
<input type="checkbox"/>	7	3036460	Spring Washer	96	

<input type="checkbox"/>	8	3047665	Connection Gasket	4	
<input type="checkbox"/>	9	3633975	T-Bolt Clamp	8	4 3/4 in.
<input type="checkbox"/>	10	3634116	Hump Hose	2	
<input type="checkbox"/>		3072040	Air Crossover Connection	2	
<input type="checkbox"/>	11	67184 B	Threaded Insert	4	
	12	3629545	Air Crossover Connection	2	
<input type="checkbox"/>	13	3630249	Air Transfer Connection	2	
<input type="checkbox"/>	14	S 106 C	Hexagon Head Cap Screw	40	3/8 - 16 X 4 3/4 in.
<input type="checkbox"/>	15	S 166 B	Hexagon Head Cap Screw	8	3/8 - 16 X 5 3/4 Inch.
<input type="checkbox"/>	16	S 170 A	Hexagon Head Cap Screw	2	3/8 - 16 X 6 Inch.
<input type="checkbox"/>	17	3049565	Plain Hose	2	
<input type="checkbox"/>	18	3058814	Air Intake Connection	4	
<input type="checkbox"/>	19	3179028	Connection Gasket	4	
<input type="checkbox"/>	20	3626479	Connection Bracket	2	
<input type="checkbox"/>	21	62279	Mounting Spacer	8	
<input type="checkbox"/>	22	69028	Hexagon Head Cap Screw	32	
<input type="checkbox"/>	23	206277	Intake Manifold Gasket	16	
<input type="checkbox"/>	24	3014304	Rectangular Ring Seal	32	
<input type="checkbox"/>	25	3627393	Air Intake Manifold	2	
<input type="checkbox"/>	26	3627392	Air Intake Manifold	2	
<input type="checkbox"/>	27	3179585	Air Crossover Connection	1	

© 2017 Cummins Inc., Box 3005, Columbus, IN 47202-3005 U.S.A.
[Terms of Use and Disclaimers](#) | [Recommended System Requirements](#)
Need Assistance? Please click on the Contact Us button in the top right corner of any page.



Parts Catalog - Option Detail

Electronic Parts Catalog - Option Detail				
Option	Group	Graphic	Film Card	Date
PP2354-06	06.03	null	K50	08-AUG-14
Engines	G50, K50, K50-DPM, QSK50 CM2150 K107, QSK50 CM2150 MCRS, QSK50 CM2350 K108, QSK50 CM850 MCRS, QSK50 DF CM850/CM2150 MCRS			

Cart	Ref No	Part Number	Part Description	Required	Remarks
View My Cart					
		PP2354-06			LB Oil Control Connection...(More)
					Certified Model Name:
					KTA50-G8
					CPL: 2354
					Certified By: None
					Engine Aspiration:
					Turbocharger
					Application: Power Generation
					Power Rating: Intermittent
					KTA-50G8 With LTA K-2000
					Technology.
					Less Water Pumps.
					For Standby, Prime and
					Continuous Applicaitons.
		3631368	Connection , Left Bank Oil Control	1	
<input type="checkbox"/>		3037662	Male Union Elbow	2	
		3630525	Check Valve	1	
<input type="checkbox"/>		178079	Check Valve	1	
<input type="checkbox"/>		3046201	O-Ring Seal	1	
		3063019	Male Connector	1	
<input type="checkbox"/>		3630736	Male Union Elbow	1	
<input type="checkbox"/>		3046201	O-Ring Seal	1	
		3630737	Male Adapter Elbow	1	
<input type="checkbox"/>		3630740	O-Ring Seal	1	
<input type="checkbox"/>		3634701	Male Adapter Elbow	1	
<input type="checkbox"/>		3630740	O-Ring Seal	1	
		3634700	Male Adapter Elbow	1	

		3631668	Connection , Left Bank Fuel Block	1	
<input type="checkbox"/>		AS 4054 40SL		1	
<input type="checkbox"/>		AS 4056 40SL		1	
<input type="checkbox"/>		3178520	Clip	6	
<input type="checkbox"/>		3647528	Male Connector	1	

© 2017 Cummins Inc., Box 3005, Columbus, IN 47202-3005 U.S.A.
[Terms of Use and Disclaimers](#) | [Recommended System Requirements](#)
 Need Assistance? Please click on the Contact Us button in the top right corner of any page.



Parts Catalog - Option Detail

Electronic Parts Catalog - Option Detail				
Option	Group	Graphic	Film Card	Date
BP6126	17.06	bp603gt	K50	15-JUL-10
Engines	G50, K50, K50-DPM, QSK50 CM2150 K107, QSK50 CM2150 MCRS, QSK50 CM2350 K108, QSK50 CM850 MCRS, QSK50 DF CM850/CM2150 MCRS			



SMALL | MEDIUM | LARGE

Cart	Ref No	Part Number	Part Description	Required	Remarks
View My Cart					
		BP6126	Lifting Bracket		Lifting Bracket...(More)
					Fuel Control System: Dual STC
					(Stepped Timing Control)
					Water Pump Included: Yes
		AR11441	Lifting Bracket	4	
<input type="checkbox"/>	1	205684	Engine Lifting Bracket	1	
<input type="checkbox"/>	2	206028	Socket Head Cap Screw	1	3/4 - 10 X 2 1/4 in.
<input type="checkbox"/>	3	3629962	Plain Washer	1	



Parts Catalog - Option Detail

Electronic Parts Catalog - Option Detail				
Option	Group	Graphic	Film Card	Date
BP6126-06	07.05	null	K50	16-OCT-14
Engines	G50, K50, K50-DPM, QSK50 CM2150 K107, QSK50 CM2150 MCRS, QSK50 CM2350 K108, QSK50 CM850 MCRS, QSK50 DF CM850/CM2150 MCRS			

Cart	Ref No	Part Number	Part Description	Required	Remarks
View My Cart					
		BP6126-06	Lubricating Oil Cooler		Lube Oil Cooler...(More)
					Fuel Control System: Dual STC
					(Stepped Timing Control)
					Water Pump Included: Yes
		3635564	Lubricating Oil Cooler	4	
<input type="checkbox"/>		3635563	Lubricating Oil Cooler	1	
<input type="checkbox"/>		212161	O-Ring Seal	4	
<input type="checkbox"/>		3635074	Cooler Core	1	
<input type="checkbox"/>		3645029	Lock Nut	2	

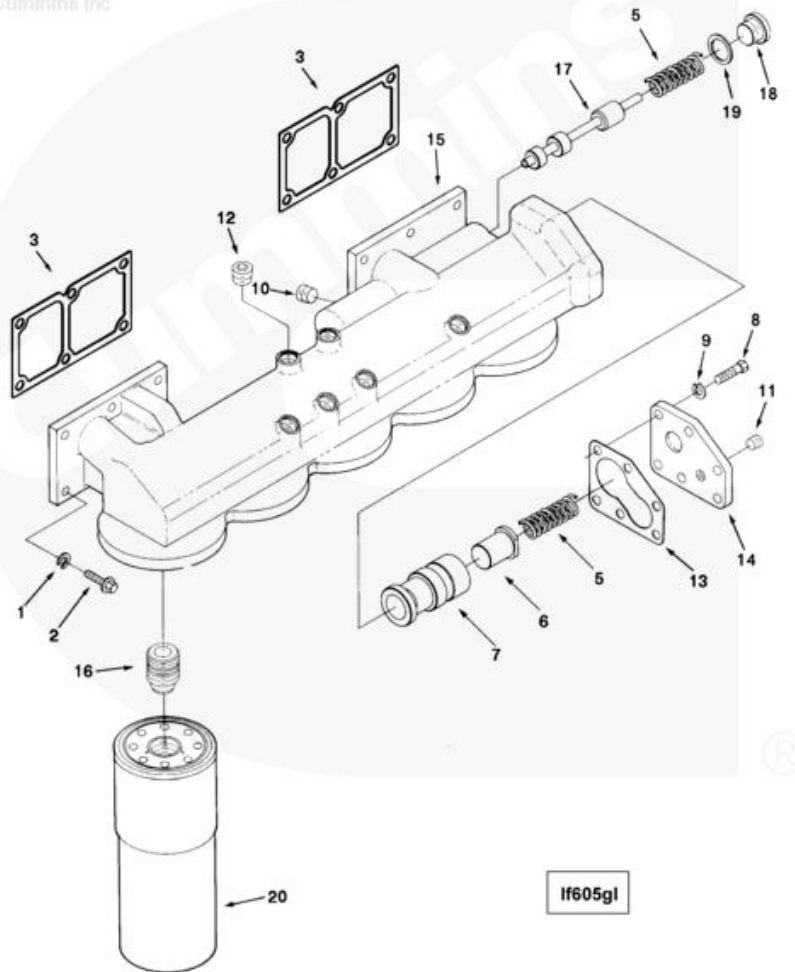
© 2017 Cummins Inc., Box 3005, Columbus, IN 47202-3005 U.S.A.
[Terms of Use and Disclaimers](#) | [Recommended System Requirements](#)
 Need Assistance? Please click on the Contact Us button in the top right corner of any page.



Parts Catalog - Option Detail

Electronic Parts Catalog - Option Detail				
Option	Group	Graphic	Film Card	Date
LF6026-06	07.03	lf605gl	K50	09-OCT-12
Engines	G50, K50, K50-DPM, QSK50 CM2150 K107, QSK50 CM2150 MCRS, QSK50 CM2350 K108, QSK50 CM850 MCRS, QSK50 DF CM850/CM2150 MCRS			

©Cummins Inc



[SMALL](#) | [MEDIUM](#) | [LARGE](#)

Cart	Ref No	Part Number	Part Description	Required	Remarks
View My Cart					
		LF6026-06	Lubricating Oil Filter		Five element lube oil filter...(More)
					with replaceable spin-on
					cartridges mounted on left
					bank (port) side of engine.
<input type="checkbox"/>	1	127362	Plain Washer	12	3/8 in.
<input type="checkbox"/>	2	191772	Twelve Point Cap Screw	12	3/8 - 16 X 1 1/4 in.
<input type="checkbox"/>	3	3629387	Filter Head Gasket	2	
<input type="checkbox"/>	5	205659	Compression Spring	2	

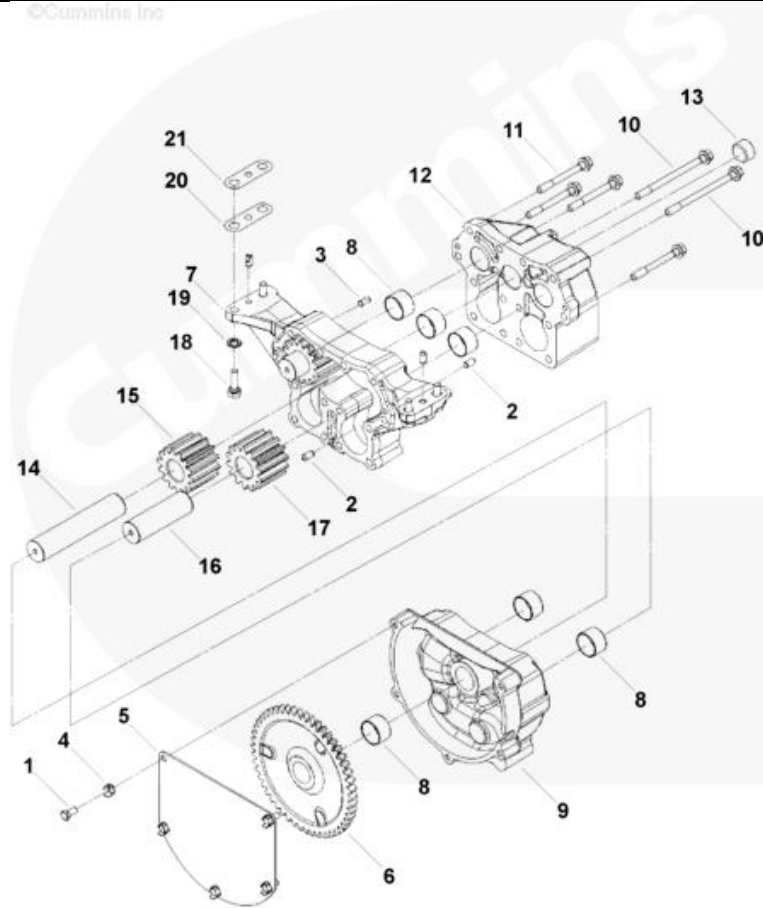
<input type="checkbox"/>	6	3021618	Pressure Regulator Plunger	1	
<input type="checkbox"/>	7	3028552	Bypass Valve Body	1	
<input type="checkbox"/>	8	S 103 D	Hexagon Head Cap Screw	6	3/8 - 16 x 1 1/4 in.
<input type="checkbox"/>	9	S 604	Lock Washer	6	3/8 in.
<input type="checkbox"/>	10	S 910 B	Pipe Plug	1	1/4 NPT.
<input type="checkbox"/>	11	3628604	Pipe Plug	1	1/8 - 27 X 0.3 in.
<input type="checkbox"/>	12	3628605	Pipe Plug	8	1/4 - 18.
<input type="checkbox"/>	13	3629141	Lubricating Oil Filter Cover Gasket	1	
<input type="checkbox"/>	14	3177433	Cover Plate	1	
<input type="checkbox"/>	15	3629541	Lubricating Oil Filter Head	1	
<input type="checkbox"/>	16	3627309	Filter Head Adapter	5	
<input type="checkbox"/>	17	3627927	Pressure Regulator Plunger	1	
<input type="checkbox"/>		3040818	Threaded Plug	1	1 3/16 - 12 UN
	18	3040819	Threaded Plug	1	
<input type="checkbox"/>	19	3035228	O-Ring Seal	1	
<input type="checkbox"/>	20	3310169	Lubricating Oil Filter Element	5	

© 2017 Cummins Inc., Box 3005, Columbus, IN 47202-3005 U.S.A.
Terms of Use and Disclaimers | Recommended System Requirements
Need Assistance? Please click on the Contact Us button in the top right corner of any page.



Parts Catalog - Option Detail

Electronic Parts Catalog - Option Detail				
Option	Group	Graphic	Film Card	Date
BP6126-03	07.06	bp603gz	K50	24-JAN-11
Engines	G50, K50, K50-DPM, QSK50 CM2150 K107, QSK50 CM2150 MCRS, QSK50 CM2350 K108, QSK50 CM850 MCRS, QSK50 DF CM850/CM2150 MCRS			



bp603gz

[SMALL](#) | [MEDIUM](#) | [LARGE](#)

Cart	Ref No	Part Number	Part Description	Required	Remarks
View My Cart					
		BP6126-03	Lubricating Oil Pump		Lube Oil Pump...(More)
					Fuel Control System: Dual STC
					(Stepped Timing Control)
					Water Pump Included: Yes
<input type="checkbox"/>		3634643	Lubricating Oil Pump	1	
<input type="checkbox"/>	1	S 117	Hexagon Head Cap Screw	5	3/8 - 16 X 3/4 in.
<input type="checkbox"/>	2	69519	Pin Dowel	3	

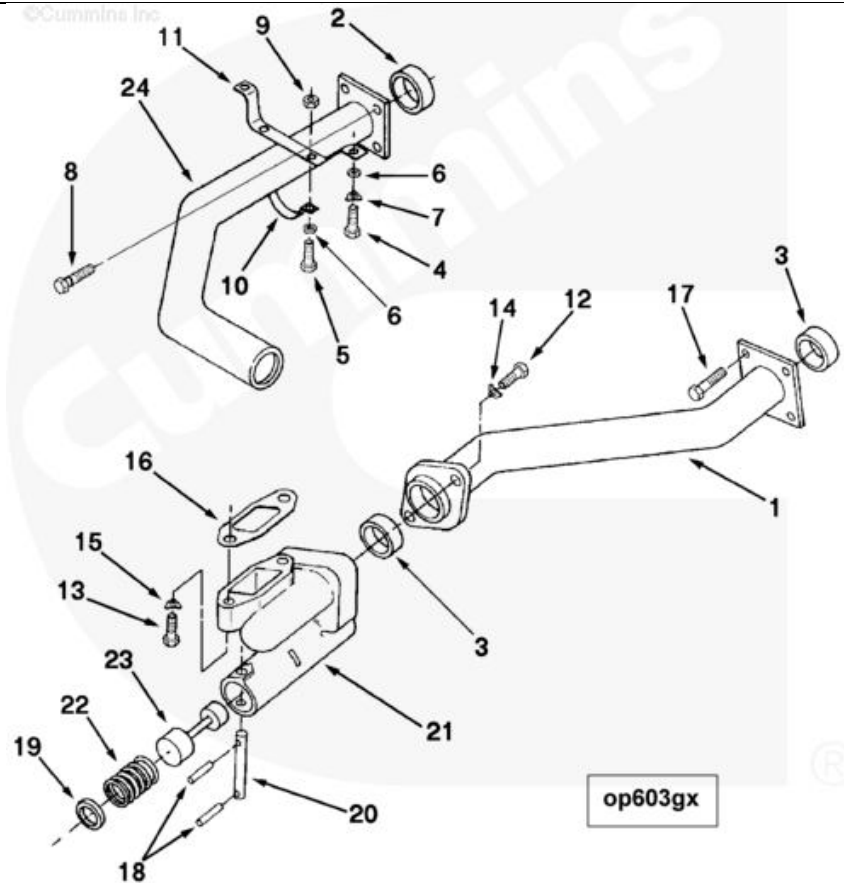
<input type="checkbox"/>	3	107948	Diamond Dowel	3	
<input type="checkbox"/>	4	109319	Lock Plate	5	
<input type="checkbox"/>	5	205546	Lubricating Oil Pump Cover	1	
<input type="checkbox"/>	6	206756	Lubricating Oil Pump Gear	1	
<input type="checkbox"/>	7	3634642	Lubricating Oil Pump Body	1	
<input type="checkbox"/>		3025294	Lubricating Oil Pump Cover	1	
<input type="checkbox"/>	8	205548	Bushing	3	
<input type="checkbox"/>	9	3025284	Lubricating Oil Pump Cover	1	
<input type="checkbox"/>	10	3026677	Hexagon Flange Head Cap Screw	2	7/16 - 14 X 6 in.
<input type="checkbox"/>	11	3026678	Hexagon Flange Head Cap Screw	4	7/16 - 14 X 4 in.
<input type="checkbox"/>		3175985	Lubricating Oil Pump Cover	1	
		3029415	Lubricating Oil Pump Cover	1	
<input type="checkbox"/>	8	205548	Bushing	3	
	12	3175984	Lubricating Oil Pump Cover	1	
<input type="checkbox"/>	13	3628608	Pipe Plug	1	
<input type="checkbox"/>		3178224	Gear And Shaft	1	
<input type="checkbox"/>	14	205544	Lubricating Oil Pump Shaft	1	
	15	3178223	Lubricating Oil Pump Gear	1	
<input type="checkbox"/>		3178225	Gear And Shaft	2	
	16	3000624	Lubricating Oil Pump Shaft	1	
	17	3178223	Lubricating Oil Pump Gear	1	
		3634561	Lubrication Oil Pump Mounting .	1	
<input type="checkbox"/>	18	S 113	Hexagon Head Cap Screw	4	1/2 - 13 X 1 1/2 in.
<input type="checkbox"/>	19	S 608	Lock Washer	4	1/2 in.
<input type="checkbox"/>	20	3026312	Shim	2	
<input type="checkbox"/>	21	3026313	Shim	2	

© 2017 Cummins Inc., Box 3005, Columbus, IN 47202-3005 U.S.A.
[Terms of Use and Disclaimers](#) | [Recommended System Requirements](#)
Need Assistance? Please click on the Contact Us button in the top right corner of any page.



Parts Catalog - Option Detail

Electronic Parts Catalog - Option Detail				
Option	Group	Graphic	Film Card	Date
OP6710	07.06.1	op603gx	K50	04-JUN-95
Engines	G50, K50, K50-DPM, QSK50 CM2150 K107, QSK50 CM2150 MCRS, QSK50 CM2350 K108, QSK50 CM850 MCRS, QSK50 DF CM850/CM2150 MCRS			



[SMALL](#) | [MEDIUM](#) | [LARGE](#)

Cart	Ref No	Part Number	Part Description	Required	Remarks
View My Cart					
		OP6710	Lubricating Oil Pump		Lube oil pump tubing required...(More) for rear center sump oil pan with lube oil filter located on left bank. Includes capscrews in structure for use with three gear lube pump on K50 only. Adequate for ratings up to 1800 RPM only.
<input type="checkbox"/>	1	3025292	Lubricating Oil Supply Tube	1	
<input type="checkbox"/>	2	3026391	Rectangular Ring Seal	1	

<input type="checkbox"/>	3	3026392	Rectangular Ring Seal	2	
<input type="checkbox"/>	4	S 103 D	Hexagon Head Cap Screw	2	3/8 - 16 x 1 1/4 in.
<input type="checkbox"/>	5	S 112	Hexagon Head Cap Screw	2	3/8 - 16 X 1 in.
<input type="checkbox"/>	6	3628902	Plain Washer	4	
<input type="checkbox"/>	7	S 604	Lock Washer	2	3/8 in.
<input type="checkbox"/>	8	3026676	Hexagon Flange Head Cap Screw	4	7/16 - 14 X 7 1/2 Inch.
<input type="checkbox"/>	9	3175239	Lock Nut	2	3/8 - 16 Inch.
<input type="checkbox"/>	10	3175584	Tube Clamp	1	
<input type="checkbox"/>	11	3175585	Oil Tube Bracket	1	
<input type="checkbox"/>	12	S 112	Hexagon Head Cap Screw	2	3/8 - 16 X 1 in.
<input type="checkbox"/>	13	S 121 B	Hexagon Head Cap Screw	2	7/16 - 14 X 2 1/2 in.
<input type="checkbox"/>	14	68908	Lock Plate	2	
<input type="checkbox"/>	15	151355	Lock Plate	2	
<input type="checkbox"/>	16	3000632	Connection Gasket	1	
<input type="checkbox"/>	17	3026676	Hexagon Flange Head Cap Screw	4	7/16 - 14 X 7 1/2 Inch.
<input type="checkbox"/>		3031385	Pressure Relief Valve	1	
<input type="checkbox"/>	18	107695	Roll Pin	2	
<input type="checkbox"/>	19	127316	Plain Washer	1	5/8 in.
<input type="checkbox"/>	20	3001719	Straight Pin	1	
<input type="checkbox"/>	21	3026925	Oil Transfer Connection	1	
<input type="checkbox"/>	22	3026926	Compression Spring	1	
<input type="checkbox"/>	23	3026927	Pressure Regulator Plunger	1	
<input type="checkbox"/>	24	3177089	Lubricating Oil Suction Tube	1	

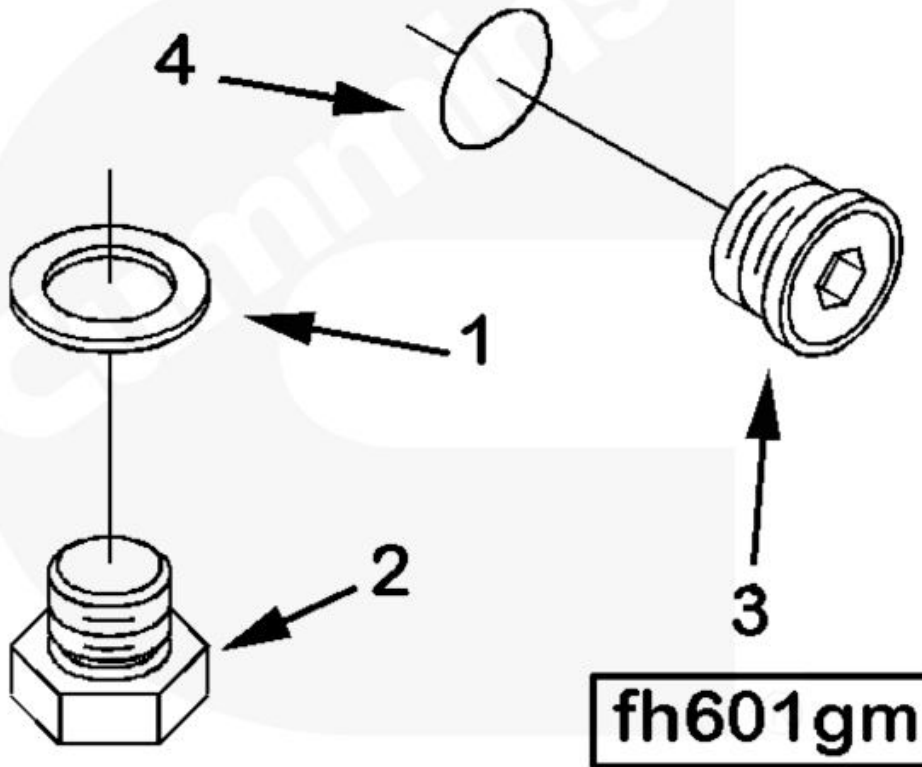
© 2017 Cummins Inc., Box 3005, Columbus, IN 47202-3005 U.S.A.
[Terms of Use and Disclaimers](#) | [Recommended System Requirements](#)
Need Assistance? Please click on the Contact Us button in the top right corner of any page.



Parts Catalog - Option Detail

Electronic Parts Catalog - Option Detail				
Option	Group	Graphic	Film Card	Date
FH8711-02	16.01.1	fh601gm	K50	30-AUG-90
Engines	G50, K50, K50-DPM, QSK50 CM2150 K107, QSK50 CM2150 MCRS, QSK50 CM2350 K108, QSK50 CM850 MCRS, QSK50 DF CM850/CM2150 MCRS			

©Cummins Inc



SMALL | MEDIUM | LARGE

Cart	Ref No	Part Number	Part Description	Required	Remarks
View My Cart					
		FH8711-02	Magnetic Pickup Location Plug		5/8-18 UNF and 3/4-16 UNF...(More)
					plugs for the magnetic pick-
					up locations in the
					Flywheel housing.
					For use with both wet or dry
					flywheel housings. Required
					when Woodward 2301 electro-
					hydraulic governor, American
					Bosch governor, Cummins EFC
					governor,
					Tachometer, or speed switch

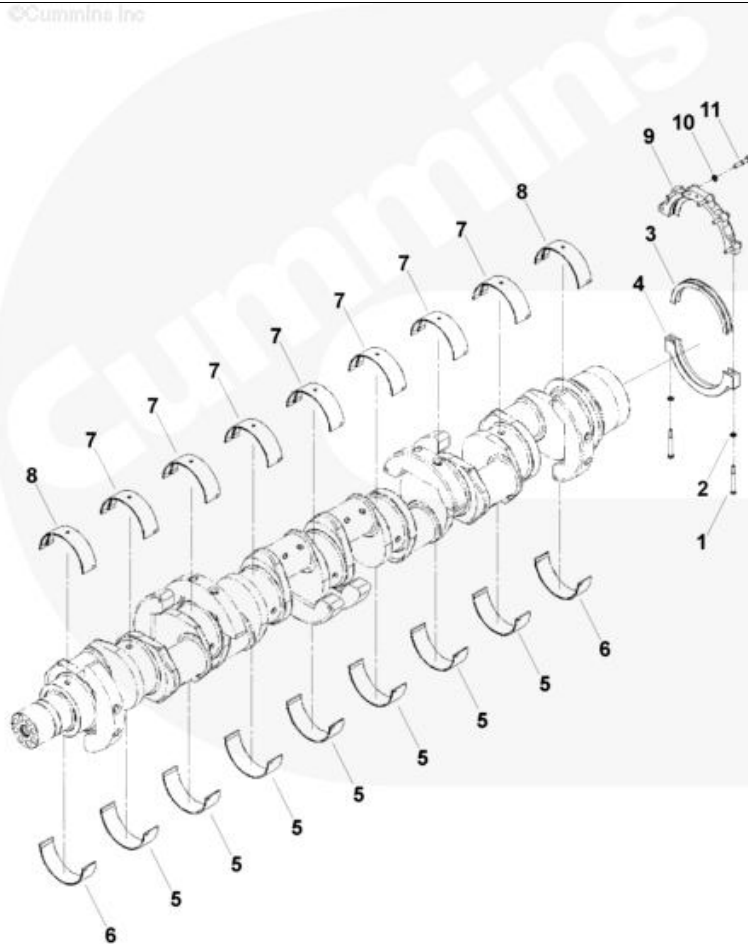
					is not specified.
<input type="checkbox"/>	1	8265	Plain Washer	1	5/8 in.
<input type="checkbox"/>	2	163086	Threaded Plug	1	
<input type="checkbox"/>		3046202	Threaded Plug	1	3/4 - 16 UNF.
	3	3040810	Threaded Plug	1	
<input type="checkbox"/>	4	3046201	O-Ring Seal	1	

© 2017 Cummins Inc., Box 3005, Columbus, IN 47202-3005 U.S.A.
[Terms of Use and Disclaimers](#) | [Recommended System Requirements](#)
 Need Assistance? Please click on the Contact Us button in the top right corner of any page.



Parts Catalog - Option Detail

Electronic Parts Catalog - Option Detail				
Option	Group	Graphic	Film Card	Date
BP6126-02	01.02.1	bb603gd	K50	01-NOV-15
Engines	G50, K50, K50-DPM, QSK50 CM2150 K107, QSK50 CM2150 MCRS, QSK50 CM2350 K108, QSK50 CM850 MCRS, QSK50 DF CM850/CM2150 MCRS			



bb603gd

[SMALL](#) | [MEDIUM](#) | [LARGE](#)

Cart	Ref No	Part Number	Part Description	Required	Remarks
View My Cart					
		BP6126-02	Main Bearings		Main Bearing Shell...(More)
					Fuel Control System: Dual STC
					(Stepped Timing Control)
<input type="checkbox"/>	1	S 105	Hexagon Head Cap Screw	2	3/8 - 16 X 3 1/2 in.
<input type="checkbox"/>	2	S 604	Lock Washer	2	3/8 in.
<input type="checkbox"/>	3	3000139	Thrust Bearing	2	
<input type="checkbox"/>	4	3175281	Bearing Support	1	

<input type="checkbox"/>	5	3650905	Main Bearing	7	
<input type="checkbox"/>	6	3650910	Main Bearing	2	
<input type="checkbox"/>	7	3650915	Main Bearing	7	
<input type="checkbox"/>	8	3650920	Main Bearing	2	
<input type="checkbox"/>	9	3000138	Bearing Support	1	
<input type="checkbox"/>	10	S 610	Lock Washer	6	7/16 in.
<input type="checkbox"/>	11	106069	Hexagon Head Cap Screw	6	7/16 - 14 X 2 in.
<input type="checkbox"/>		3018210	Main Bearing Kit	A/R	Standard.
<input type="checkbox"/>	3	3000139	Thrust Bearing	2	Standard.
<input type="checkbox"/>	5	3650905	Main Bearing	7	
<input type="checkbox"/>	6	3650910	Main Bearing	2	
<input type="checkbox"/>	7	3650915	Main Bearing	7	
<input type="checkbox"/>	8	3650920	Main Bearing	2	
<input type="checkbox"/>		3018211	Main Bearing Kit	A/R	.010 in Oversize.
<input type="checkbox"/>	3	3000139	Thrust Bearing	2	Standard.
<input type="checkbox"/>	5	3650906	Main Bearing	7	.010 in Oversize.
<input type="checkbox"/>	6	3650911	Main Bearing	2	.010 in Oversize.
<input type="checkbox"/>	7	3650916	Main Bearing	7	.010 in Oversize.
<input type="checkbox"/>	8	3650921	Main Bearing	2	.010 in Oversize.
<input type="checkbox"/>		3018212	Main Bearing Kit	A/R	.020 in Oversize.
<input type="checkbox"/>	3	3000139	Thrust Bearing	2	Standard.
<input type="checkbox"/>	5	3650907	Main Bearing	7	.020 in Oversize.
<input type="checkbox"/>	6	3650912	Main Bearing	2	.020 in Oversize.
<input type="checkbox"/>	7	3650917	Main Bearing	7	.020 in Oversize.
<input type="checkbox"/>	8	3650922	Main Bearing	2	.020 in Oversize.
<input type="checkbox"/>		3018213	Main Bearing Kit	A/R	.030 in Oversize.
<input type="checkbox"/>	3	3000139	Thrust Bearing	2	Standard.
<input type="checkbox"/>	5	3650908	Main Bearing	7	.030 in Oversize.
<input type="checkbox"/>	6	3650913	Main Bearing	2	.030 in Oversize.
<input type="checkbox"/>	7	3650918	Main Bearing	7	.030 in Oversize.
<input type="checkbox"/>	8	3650923	Main Bearing	2	.030 in Oversize.
<input type="checkbox"/>	3	3001708	Thrust Bearing	A/R	.010 in Oversize.

<input type="checkbox"/>	3	3001709	Thrust Bearing	A/R	.020 in Oversize.
<input type="checkbox"/>	3	3034075	Thrust Bearing	A/R	.030 in Oversize.
<input type="checkbox"/>	3	3034076	Thrust Bearing	A/R	.040 in Oversize.
<input type="checkbox"/>	5	3650909	Main Bearing	A/R	.040 in Oversize.
<input type="checkbox"/>	6	3650914	Main Bearing	A/R	.040 in Oversize.
<input type="checkbox"/>	7	3650919	Main Bearing	A/R	.040 in Oversize.
<input type="checkbox"/>	8	3650924	Main Bearing	A/R	.040 in Oversize.

© 2017 Cummins Inc., Box 3005, Columbus, IN 47202-3005 U.S.A.
[Terms of Use and Disclaimers](#) | [Recommended System Requirements](#)
 Need Assistance? Please click on the Contact Us button in the top right corner of any page.



Parts Catalog - Option Detail

Electronic Parts Catalog - Option Detail				
Option	Group	Graphic	Film Card	Date
PP2354	01.06.1	null	K50	08-AUG-14
Engines	G50, K50, K50-DPM, QSK50 CM2150 K107, QSK50 CM2150 MCRS, QSK50 CM2350 K108, QSK50 CM850 MCRS, QSK50 DF CM850/CM2150 MCRS			

Cart	Ref No	Part Number	Part Description	Required	Remarks
View My Cart					
		PP2354	Nameplate Mounting		Nameplate Mounting...(More)
					Certified Model Name:
					KTA50-G8
					CPL: 2354
					Certified By: None
					Engine Aspiration:
					Turbocharger
					Application: Power Generation
					Timing gear Code: KA
					Power Rating: Intermittent
					KTA-50G8 With LTA K-2000
					Technology.
					Less Water Pumps.
					For Standby, Prime and
					Continuous Applications.
					Datapate to be Stamped:
					Revised Firing Order
<input type="checkbox"/>		3628129	Decal	2	
		3629668	Nameplate Mounting	1	
<input type="checkbox"/>		3633720	Drive Screw	4	
		3629946	Instruction Tag	1	



Parts Catalog - Option Detail

Electronic Parts Catalog - Option Detail				
Option	Group	Graphic	Film Card	Date
FP6180	05.13	null	K50	12-AUG-91
Engines	G50, K50, K50-DPM, QSK50 CM2150 K107, QSK50 CM2150 MCRS, QSK50 CM2350 K108, QSK50 CM850 MCRS, QSK50 DF CM850/CM2150 MCRS			

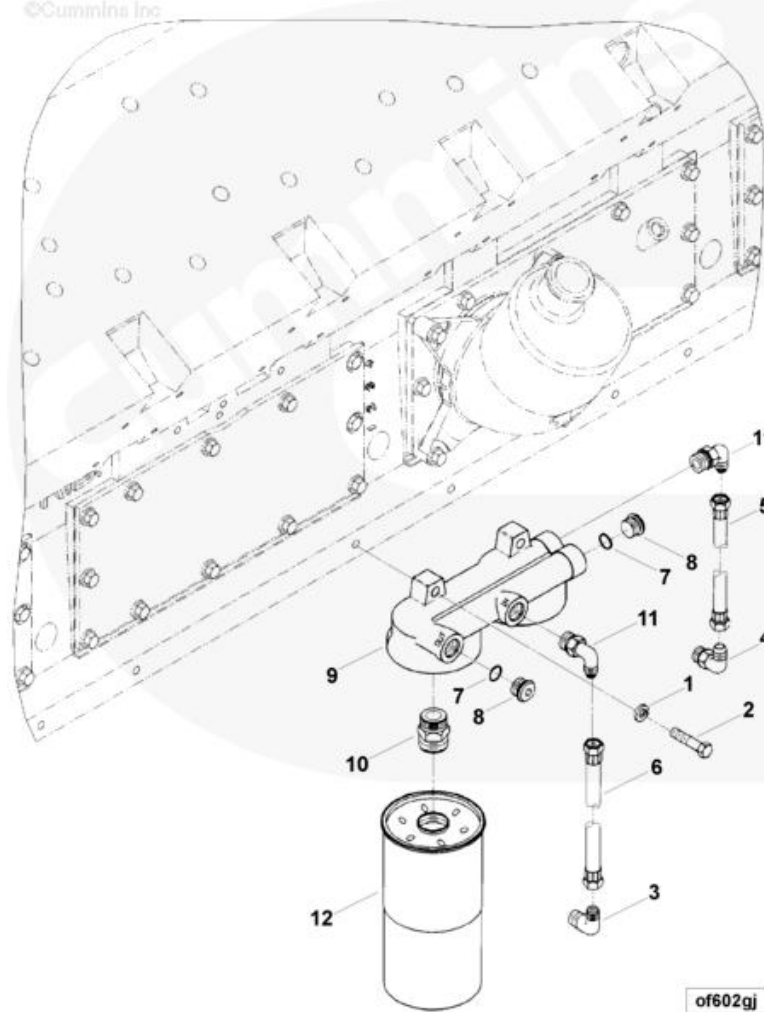
Cart	Ref No	Part Number	Part Description	Required	Remarks
View My Cart					
		FP6180			Cummins EFC governor system....(More)
					Includes:
					* Normally closed actuator
					mounted in fuel pump AFC
					cavity
					* AFC style PTG/AUTO fuel
					pump
					Requires: 24volt, Insulated
					Or Negative ground power
					supply.
					For Use With:
					* Customer supplied governor
					Control module and magnetic
					pick-up.
<input type="checkbox"/>		3379231	Governor Bulletin	1	Revision 03
					print date 09/86.

© 2017 Cummins Inc., Box 3005, Columbus, IN 47202-3005 U.S.A.
[Terms of Use and Disclaimers](#) | [Recommended System Requirements](#)
 Need Assistance? Please click on the Contact Us button in the top right corner of any page.



Parts Catalog - Option Detail

Electronic Parts Catalog - Option Detail				
Option	Group	Graphic	Film Card	Date
OF6009-06	07.03	of602gj	K50	02-MAR-15
Engines	G50, K50, K50-DPM, QSK50 CM2150 K107, QSK50 CM2150 MCRS, QSK50 CM2350 K108, QSK50 CM850 MCRS, QSK50 DF CM850/CM2150 MCRS			



[SMALL](#) | [MEDIUM](#) | [LARGE](#)

Cart	Ref No	Part Number	Part Description	Required	Remarks
View My Cart					
		OF6009-06	Bypass Oil Filter		Bypass Oil Filter...(More)
					Filter Manufacturer/Model:
					Cummins Filtration LF0777
					Cartridge Type: Replaceable
					Spin-on
					Element Quantity: 2
					Mounting Location: Remote

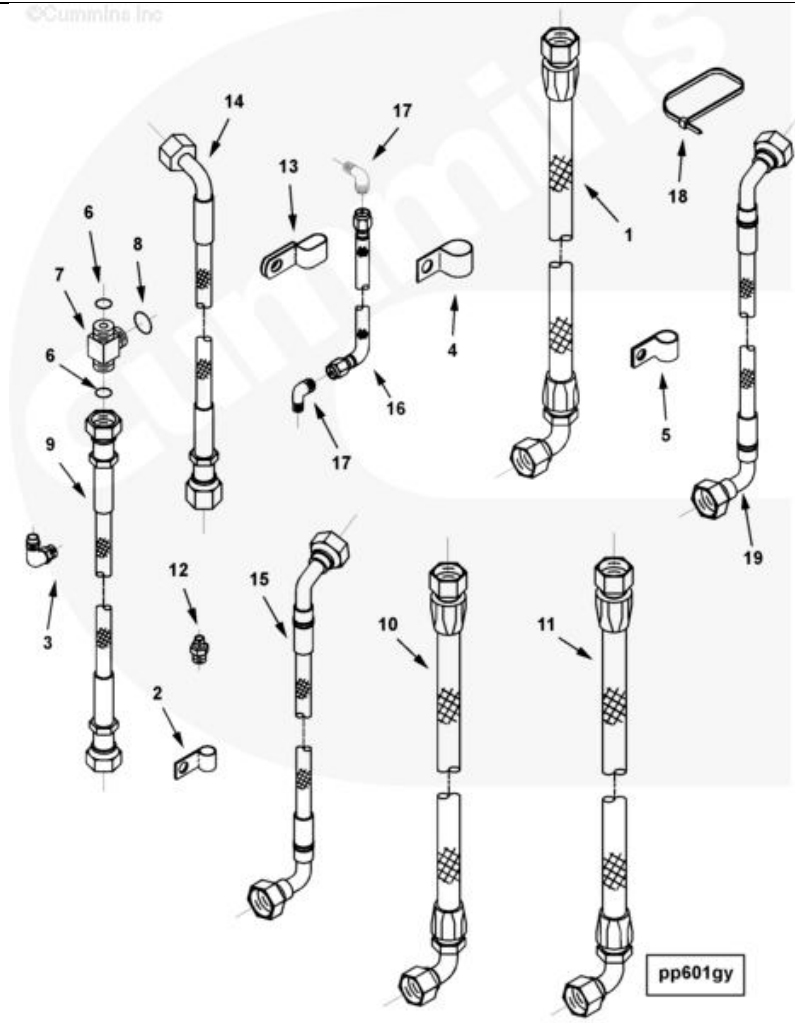
					Plumbing Supplied: Yes
<input type="checkbox"/>	1	S 610	Lock Washer	2	7/16 in.
<input type="checkbox"/>	2	106069	Hexagon Head Cap Screw	2	7/16 - 14 X 2 in.
<input type="checkbox"/>	3	3629496	Male Adapter Elbow	1	
	4	4345903	Male Union Elbow	1	
<input type="checkbox"/>	5	AK 6015 SS	Flexible Hose	1	
<input type="checkbox"/>	6	AK 6018 SS	Flexible Hose	1	
<input type="checkbox"/>		4381247	Oil Bypass Filter	1	
<input type="checkbox"/>		3021658	Lubricating Oil Filter Head	1	
<input type="checkbox"/>	7	43696 A	O-Ring Seal	2	
<input type="checkbox"/>	8	139473	O-Ring Plug	2	7/8 - 14 UNF.
<input type="checkbox"/>		3033405	Lubricating Oil Filter Head	1	
<input type="checkbox"/>	9	3010636	Fuel Filter Head	1	
<input type="checkbox"/>	10	3037219	Filter Head Insert	2	
<input type="checkbox"/>	11	3177198	Male Union Elbow	2	
<input type="checkbox"/>	12	3889311	Oil Bypass Filter Element	2	
		3889382	Decal	2	Not Shown in Art

© 2017 Cummins Inc., Box 3005, Columbus, IN 47202-3005 U.S.A.
[Terms of Use and Disclaimers](#) | [Recommended System Requirements](#)
 Need Assistance? Please click on the Contact Us button in the top right corner of any page.



Parts Catalog - Option Detail

Electronic Parts Catalog - Option Detail				
Option	Group	Graphic	Film Card	Date
PP2354	06.03.2	pp601gy	K50	25-MAR-02
Engines	G50, K50, K50-DPM, QSK50 CM2150 K107, QSK50 CM2150 MCRS, QSK50 CM2350 K108, QSK50 CM850 MCRS, QSK50 DF CM850/CM2150 MCRS			



SMALL | MEDIUM | LARGE

Cart	Ref No	Part Number	Part Description	Required	Remarks
View My Cart					
		PP2354	Oil Control Connection		
		3631666	Step Oil Drain Connection		
<input type="checkbox"/>	1	AS 4016 SL	Flexible Hose	2	
<input type="checkbox"/>	2	108722	Clip	2	
<input type="checkbox"/>	3	3037662	Male Union Elbow	2	
		3631667	Connection , Left Bank Oil Supply		
<input type="checkbox"/>	4	69465	Clip	2	

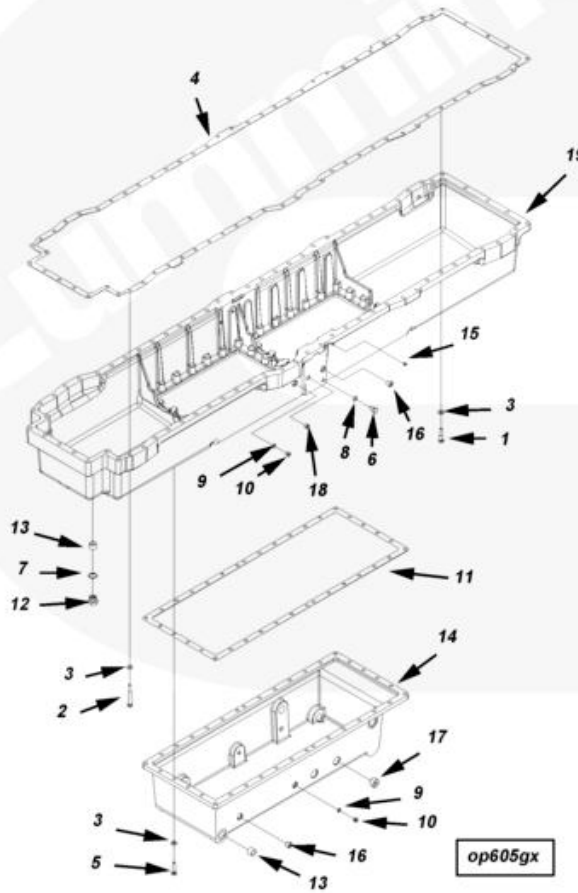
<input type="checkbox"/>	5	69911 A	Clip	2	
<input type="checkbox"/>		3630734	Male Union Tee	1	
<input type="checkbox"/>	6	3627695	O-Ring Seal	2	
	7	3630735	Male Union Tee	1	
<input type="checkbox"/>	8	3630740	O-Ring Seal	1	
<input type="checkbox"/>	9	3632028	Flexible Hose	2	
		3631668	Connection , Left Bank Fuel Block		
<input type="checkbox"/>	10	AS 4054 40SL		1	
<input type="checkbox"/>	11	AS 4056 40SL		1	
<input type="checkbox"/>	12	68138	Male Connector	2	1/8 NPTF x 7/16-20
<input type="checkbox"/>	13	3178520	Clip	6	
		3631669	Connection , Left Bank Oil Supply		
<input type="checkbox"/>	5	69911 A	Clip	3	
<input type="checkbox"/>	14	3630864	Flexible Hose	1	
<input type="checkbox"/>	15	3631438	Flexible Hose	1	
		3631671	Connection , Right Bank Fuel Block	1	
<input type="checkbox"/>	16	AS 4057 SS	Flexible Hose	2	
<input type="checkbox"/>	17	68139	Male Adapter Elbow	2	1/8 NPTF X 7/16 - 20 (90).
<input type="checkbox"/>	18	3018920	Wire Tie Clamp	1	
<input type="checkbox"/>	13	3178520	Clip	5	
		3631672	Connection , Right Bank Oil Supply		
<input type="checkbox"/>	5	69911 A	Clip	2	
<input type="checkbox"/>	14	3630864	Flexible Hose	1	
<input type="checkbox"/>	19	3631437	Flexible Hose	1	
		3631673	Connection , Right Bank Oil Supply		
<input type="checkbox"/>	4	69465	Clip	2	
<input type="checkbox"/>	5	69911 A	Clip	2	
<input type="checkbox"/>		3630734	Male Union Tee	1	
<input type="checkbox"/>	6	3627695	O-Ring Seal	2	
	7	3630735	Male Union Tee	1	
<input type="checkbox"/>	8	3630740	O-Ring Seal	1	
<input type="checkbox"/>	9	3632028	Flexible Hose	2	



Parts Catalog - Option Detail

Electronic Parts Catalog - Option Detail				
Option	Group	Graphic	Film Card	Date
OP6027-08	07.01	op605gx	K50	17-DEC-12
Engines	G50, K50, K50-DPM, QSK50 CM2150 K107, QSK50 CM2150 MCRS, QSK50 CM2350 K108, QSK50 CM850 MCRS, QSK50 DF CM850/CM2150 MCRS			

©Cummins Inc



[SMALL](#) | [MEDIUM](#) | [LARGE](#)

Cart	Ref No	Part Number	Part Description	Required	Remarks
<input type="button" value="View My Cart"/>					
		OP6027-08	Oil Pan		High capacity center sump oil...(More)
					pan. Oil pan adapter with
					both end openings cast closed
					and removable center sump.
					Angularity: (Unknown) oil pan
					capacity:
					* High Level: 47 US Gallon

					* Low Level: 39 US Gallon.
		3011523	Oil Pan Mounting Adapter	1	
<input type="checkbox"/>	1	106069	Hexagon Head Cap Screw	46	7/16 - 14 X 2 in.
<input type="checkbox"/>	2	108767	Hexagon Head Cap Screw	28	7/16 - 14 X 3 1/2 in.
<input type="checkbox"/>	3	3000082	Plain Washer	74	15/32 in.
<input type="checkbox"/>	4	3043213	Oil Pan Gasket	1	
<input type="checkbox"/>		3644167	Oil Pan	1	
<input type="checkbox"/>	5	S 140	Hexagon Head Cap Screw	36	7/16 - 14 x 1 3/4 in.
<input type="checkbox"/>	6	S 181 C	Hexagon Head Cap Screw	4	1/2 - 20 X 3/4 in.
<input type="checkbox"/>	7	67946	Plain Washer	2	1 1/32 in.
<input type="checkbox"/>	3	3000082	Plain Washer	36	15/32 in.
<input type="checkbox"/>	8	3000204	Plain Washer	4	
<input type="checkbox"/>		3037536	Threaded Plug	3	9/16 - 18 UNF
<input type="checkbox"/>	9	3037537	O-Ring Seal	3	
	10	3040813	Threaded Plug	3	9/16 - 18 UNF
<input type="checkbox"/>	11	3043214	Oil Pan Gasket	1	
<input type="checkbox"/>	12	3055069	Threaded Plug	2	1 - 18 UNS.
		3087562	Oil Pan	1	
<input type="checkbox"/>	13	200845	Threaded Insert	2	
	14	3630256	Oil Pan	1	
<input type="checkbox"/>	15	3628604	Pipe Plug	2	1/8 - 27 X 0.3 in.
<input type="checkbox"/>	16	3628606	Pipe Plug	3	1/2 - 14.
<input type="checkbox"/>	17	3628608	Pipe Plug	3	
<input type="checkbox"/>	18	3628609	Pipe Plug	2	3/8-18.
<input type="checkbox"/>		3642791	Oil Pan Adapter	1	
<input type="checkbox"/>	13	200845	Threaded Insert	2	
	19	3642665	Oil Pan Adapter	1	

© 2017 Cummins Inc., Box 3005, Columbus, IN 47202-3005 U.S.A.
[Terms of Use and Disclaimers](#) | [Recommended System Requirements](#)
Need Assistance? Please click on the Contact Us button in the top right corner of any page.



Parts Catalog - Option Detail

Electronic Parts Catalog - Option Detail				
Option	Group	Graphic	Film Card	Date
OB6701-01	07.03.1	null	K50	17-JUL-00
Engines	G50, K50, K50-DPM, QSK50 CM2150 K107, QSK50 CM2150 MCRS, QSK50 CM2350 K108, QSK50 CM850 MCRS, QSK50 DF CM850/CM2150 MCRS			

Cart	Ref No	Part Number	Part Description	Required	Remarks
View My Cart					
		OB6701-01	Sight Glass Location Plugs		Plugs for the sight glass...(More)
					mounting locations in the oil
					pan adapter when the sight
					glass is not specified.
					Cannot be used with subbase
					oil pans on KT38/KTA38 and
					KTA50 engines.
<input type="checkbox"/>	1	3000204	Plain Washer	4	
<input type="checkbox"/>	2	S 181 C	Hexagon Head Cap Screw	4	1/2 - 20 X 3/4 in.

© 2017 Cummins Inc., Box 3005, Columbus, IN 47202-3005 U.S.A.
[Terms of Use and Disclaimers](#) | [Recommended System Requirements](#)
 Need Assistance? Please click on the Contact Us button in the top right corner of any page.



Parts Catalog - Option Detail

Electronic Parts Catalog - Option Detail				
Option	Group	Graphic	Film Card	Date
PP2354-01	07.04	null	K50	08-AUG-14
Engines	G50, K50, K50-DPM, QSK50 CM2150 K107, QSK50 CM2150 MCRS, QSK50 CM2350 K108, QSK50 CM850 MCRS, QSK50 DF CM850/CM2150 MCRS			

Cart	Ref No	Part Number	Part Description	Required	Remarks
View My Cart					
		PP2354-01	Oil Supply Connection		Oil Supply Connection...(More)
					Certified Model Name:
					KTA50-G8
					CPL: 2354
					Certified By: None
					Engine Aspiration:
					Turbocharger
					Application: Power Generation
					Power Rating: Intermittent
					KTA-50G8 With LTA K-2000
					Technology.
					Less Water Pumps.
					For Standby, Prime and
					Continuous Applications.
		3630849	Oil Supply Connection	1	
<input type="checkbox"/>		3084539	O-Ring Seal	4	
<input type="checkbox"/>		3178257	Socket Head Cap Screw	8	1/4 - 20 X 7/8 in.
<input type="checkbox"/>		3630738	Male Union Elbow	4	
<input type="checkbox"/>		3046201	O-Ring Seal	1	
<input type="checkbox"/>		3627695	O-Ring Seal	1	
		3630739	Male Adapter Elbow	1	
<input type="checkbox"/>		3630829	Oil Supply Connection	4	
		3631666	Step Oil Drain Connection	2	
<input type="checkbox"/>		AS 4016 SL	Flexible Hose	1	
<input type="checkbox"/>		108722	Clip	1	
<input type="checkbox"/>		3037662	Male Union Elbow	1	
		3631667	Connection , Left Bank Oil Supply	1	

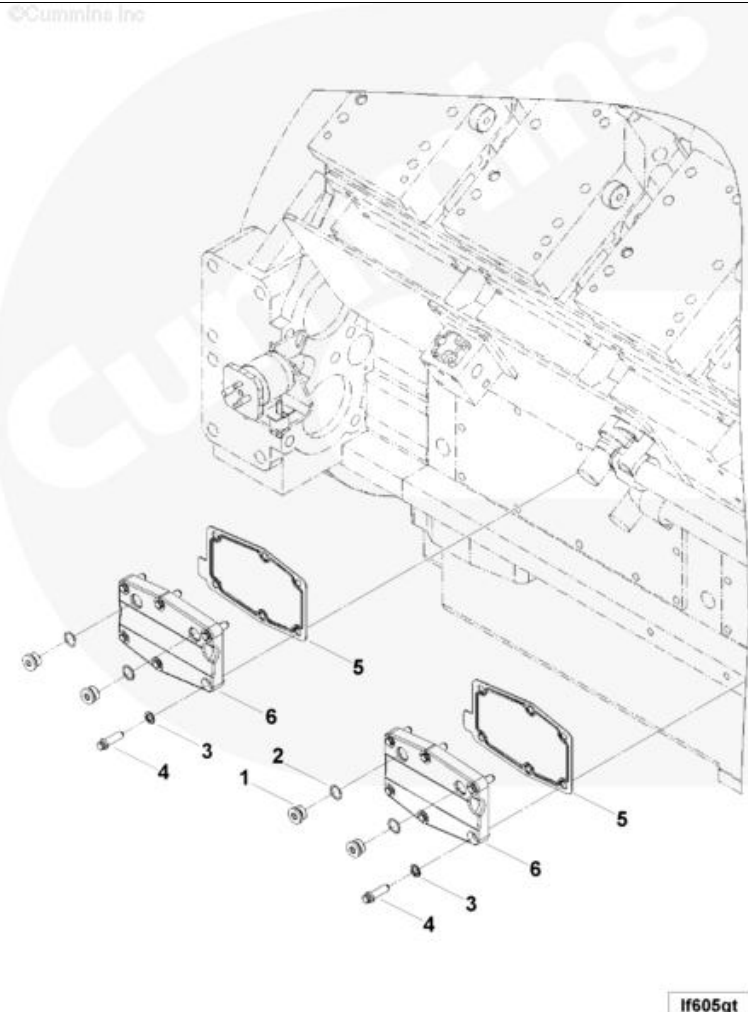
<input type="checkbox"/>		69911 A	Clip	2	
<input type="checkbox"/>		3630734	Male Union Tee	1	
<input type="checkbox"/>		3627695	O-Ring Seal	2	
		3630735	Male Union Tee	1	
<input type="checkbox"/>		3630740	O-Ring Seal	1	
<input type="checkbox"/>		3632028	Flexible Hose	2	
		3631669	Connection , Left Bank Oil Supply	1	
<input type="checkbox"/>		69911 A	Clip	3	
<input type="checkbox"/>		3630864	Flexible Hose	1	
<input type="checkbox"/>		3634749	Flexible Hose	1	
		3631672	Connection , Right Bank Oil Supply	1	
<input type="checkbox"/>		69911 A	Clip	2	
<input type="checkbox"/>		3630864	Flexible Hose	1	
<input type="checkbox"/>		3631437	Flexible Hose	1	
		3631673	Connection , Right Bank Oil Supply	1	
<input type="checkbox"/>		69911 A	Clip	2	
<input type="checkbox"/>		3630734	Male Union Tee	1	
<input type="checkbox"/>		3627695	O-Ring Seal	1	
		3630735	Male Union Tee	1	
<input type="checkbox"/>		3630740	O-Ring Seal	1	
<input type="checkbox"/>		3632028	Flexible Hose	2	

© 2017 Cummins Inc., Box 3005, Columbus, IN 47202-3005 U.S.A.
[Terms of Use and Disclaimers](#) | [Recommended System Requirements](#)
Need Assistance? Please click on the Contact Us button in the top right corner of any page.



Parts Catalog - Option Detail

Electronic Parts Catalog - Option Detail				
Option	Group	Graphic	Film Card	Date
LF6705-07	07.04	lf605gt	K50	06-NOV-15
Engines	G50, K50, K50-DPM, QSK50 CM2150 K107, QSK50 CM2150 MCRS, QSK50 CM2350 K108, QSK50 CM850 MCRS, QSK50 DF CM850/CM2150 MCRS			



lf605gt

[SMALL](#) | [MEDIUM](#) | [LARGE](#)

Cart	Ref No	Part Number	Part Description	Required	Remarks
View My Cart					
		LF6705-07	Oil Transfer Connection		CONNECTION,OIL TRANSFER...(More)
					Component Supplied: Oil
					Transfer Connection
					Intended Lube Oil Filter
					Mounting Location: Left Bank
					Side Of Engine
					Oil Bypass filter Usage:

					1) Can Not use When Factory
					Mounted Bypass Filter is Not
					Specified.
					2) Can Not Use When Bypass
					Filter Is Mounted On The Same
					Side As The Main Oil Filter.
					Prelube Pump Port Provided:
					No
<input type="checkbox"/>		3046202	Threaded Plug	1	3/4 - 16 UNF.
	1	3040810	Threaded Plug	1	
<input type="checkbox"/>	2	3046201	O-Ring Seal	1	
		3628228	Oil Transfer Connection	1	
<input type="checkbox"/>	3	S 604	Lock Washer	12	3/8 in.
<input type="checkbox"/>	4	191772	Twelve Point Cap Screw	12	3/8 - 16 X 1 1/4 in.
<input type="checkbox"/>		3046202	Threaded Plug	3	3/4 - 16 UNF.
	1	3040810	Threaded Plug	1	
<input type="checkbox"/>	2	3046201	O-Ring Seal	1	
<input type="checkbox"/>	5	3648607	Cover Plate Gasket	2	
<input type="checkbox"/>	6	3645045	Oil Transfer Connection	2	

© 2017 Cummins Inc., Box 3005, Columbus, IN 47202-3005 U.S.A.
[Terms of Use and Disclaimers](#) | [Recommended System Requirements](#)
Need Assistance? Please click on the Contact Us button in the top right corner of any page.



Parts Catalog - Option Detail

Electronic Parts Catalog - Option Detail				
Option	Group	Graphic	Film Card	Date
SS6033-05	03.01	null	K50	13-JUN-15
Engines	G50, K50, K50-DPM, QSK50 CM2150 K107, QSK50 CM2150 MCRS, QSK50 CM2350 K108, QSK50 CM850 MCRS, QSK50 DF CM850/CM2150 MCRS			

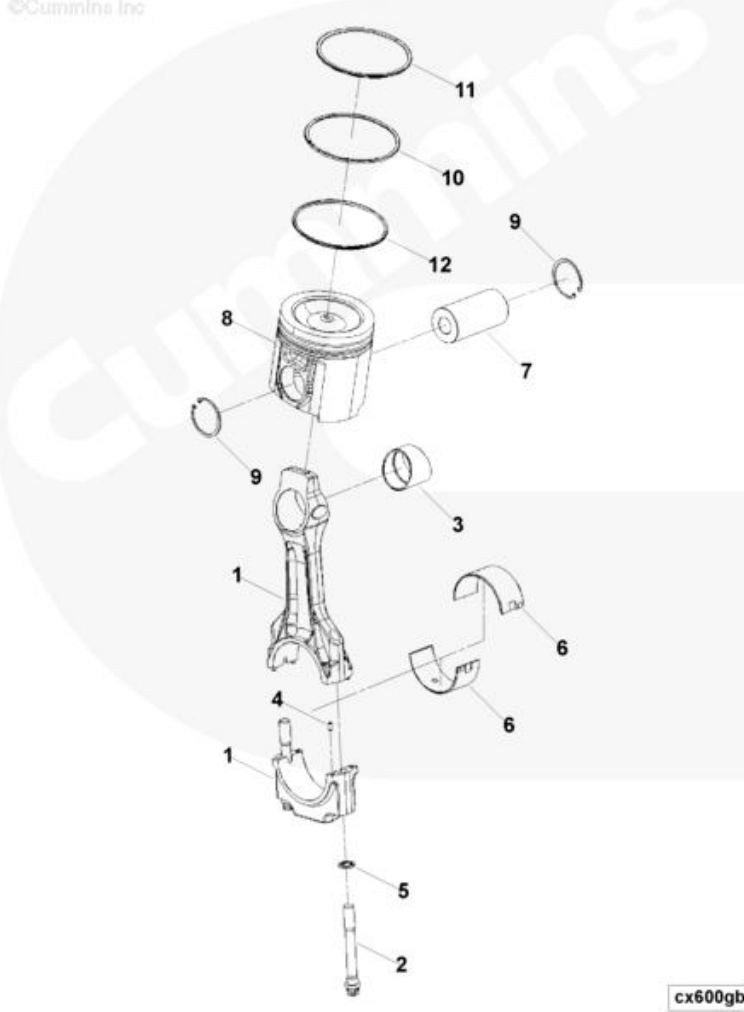
Cart	Ref No	Part Number	Part Description	Required	Remarks
View My Cart					
		SS6033-05	Paint		Paint...(More)
					Color: Onan Green and Primer
					Color Coat: One Primer and
					one Green
					Items Included: Instruction
					Tag
		3643480	Instruction Tag	1	
		3991084	Nameplate	2	

© 2017 Cummins Inc., Box 3005, Columbus, IN 47202-3005 U.S.A.
[Terms of Use and Disclaimers](#) | [Recommended System Requirements](#)
 Need Assistance? Please click on the Contact Us button in the top right corner of any page.



Parts Catalog - Option Detail

Electronic Parts Catalog - Option Detail				
Option	Group	Graphic	Film Card	Date
PP2354-06	01.04	cx600gb	K50	30-NOV-15
Engines	G50, K50, K50-DPM, QSK50 CM2150 K107, QSK50 CM2150 MCRS, QSK50 CM2350 K108, QSK50 CM850 MCRS, QSK50 DF CM850/CM2150 MCRS			



cx600gb

[SMALL](#) | [MEDIUM](#) | [LARGE](#)

Cart	Ref No	Part Number	Part Description	Required	Remarks
<input type="button" value="View My Cart"/>					
		PP2354-06	Connecting Rod And Piston		Connecting Rod And Piston...(More)
					Certified Model Name:
					KTA50-G8
					CPL: 2354
					Certified By: None
					Engine Aspiration:
					Turbocharger

					Application: Power Generation
					Power Rating: Intermittent
					KTA-50G8 With LTA K-2000
					Technology.
					Less Water Pumps.
					Includes:
					Premium Performance Parts
					Consisting Of:
					Dual NI-Resist Pistons With
					Off-Set Piston Pin.
					For Standby, Prime, And
					Continuous Applications.
<input type="checkbox"/>		3632225	Engine Connecting Rod	16	
	1	3632169	Engine Connecting Rod	1	
<input type="checkbox"/>	2	3013266	Fracture Resistant Screw	2	
<input type="checkbox"/>	3	3043909	Bushing	1	
<input type="checkbox"/>	4	69558	Pin Dowel	4	
<input type="checkbox"/>	5	205126	Plain Washer	2	5/8 in.
<input type="checkbox"/>	6	3650900	Connecting Rod Bearing	32	
<input type="checkbox"/>	7	4095009	Piston Pin	16	
	8	3630916	Engine Piston	16	
<input type="checkbox"/>	9	205269	Retaining Ring	32	
	10	4924584	Compression Piston Ring	16	
<input type="checkbox"/>	11	4958913	Compression Piston Ring	16	
<input type="checkbox"/>	12	4958914	Oil Piston Ring	16	
<input type="checkbox"/>	6	3650901	Connecting Rod Bearing	A/R	0.254 mm Oversized
<input type="checkbox"/>	6	3650902	Connecting Rod Bearing	A/R	0.508 mm Oversized
<input type="checkbox"/>	6	3650903	Connecting Rod Bearing	A/R	0.762 mm Oversized
<input type="checkbox"/>	6	3650904	Connecting Rod Bearing	A/R	1.016 mm Oversized
<input type="checkbox"/>		3804885	Engine Piston Kit	A/R	Standard.
<input type="checkbox"/>	7	4095009	Piston Pin	1	
	8	3630916	Engine Piston	1	
<input type="checkbox"/>	9	205269	Retaining Ring	2	



Parts Catalog - Option Detail

Electronic Parts Catalog - Option Detail				
Option	Group	Graphic	Film Card	Date
ST6733	13.05	st604gd	K50	01-SEP-03
Engines	G50, K50, K50-DPM, QSK50 CM2150 K107, QSK50 CM2150 MCRS, QSK50 CM2350 K108, QSK50 CM850 MCRS, QSK50 DF CM850/CM2150 MCRS			

©Cummins Inc



st604gd

[SMALL](#) | [MEDIUM](#) | [LARGE](#)

Cart	Ref No	Part Number	Part Description	Required	Remarks
View My Cart					
		ST6733	Prelub Plumbing		Prelub plumbing...(More)
					plug to be fitted in oil pan
					when prelub plumbing is not
					required, or is supplied by
					the customer.
<input type="checkbox"/>	1	3032629	Threaded Plug	1	1 5/16 - 12 UNF.



Parts Catalog - Option Detail

Electronic Parts Catalog - Option Detail				
Option	Group	Graphic	Film Card	Date
PP2354-04	06.03.1	null	K50	08-AUG-14
Engines	G50, K50, K50-DPM, QSK50 CM2150 K107, QSK50 CM2150 MCRS, QSK50 CM2350 K108, QSK50 CM850 MCRS, QSK50 DF CM850/CM2150 MCRS			

Cart	Ref No	Part Number	Part Description	Required	Remarks
View My Cart					
		PP2354-04			RB Oil Control Connection...(More)
					Certified Model Name:
					KTA50-G8
					CPL: 2354
					Certified By: None
					Engine Aspiration:
					Turbocharger
					Application: Power Generation
					Power Rating: Intermittent
					KTA-50G8 With LTA K-2000
					Technology.
					Less Water Pumps.
					For Standby, Prime and
					Continuous Applications.
		3631369	Connection , Right Bank Oil Control	1	
<input type="checkbox"/>		3037662	Male Union Elbow	2	
		3630525	Check Valve	1	
<input type="checkbox"/>		178079	Check Valve	1	
<input type="checkbox"/>		3046201	O-Ring Seal	1	
		3063019	Male Connector	1	
<input type="checkbox"/>		3630736	Male Union Elbow	1	
<input type="checkbox"/>		3046201	O-Ring Seal	1	
		3630737	Male Adapter Elbow	1	
<input type="checkbox"/>		3630740	O-Ring Seal	1	
<input type="checkbox"/>		3634701	Male Adapter Elbow	1	
<input type="checkbox"/>		3630740	O-Ring Seal	1	
		3634700	Male Adapter Elbow	1	

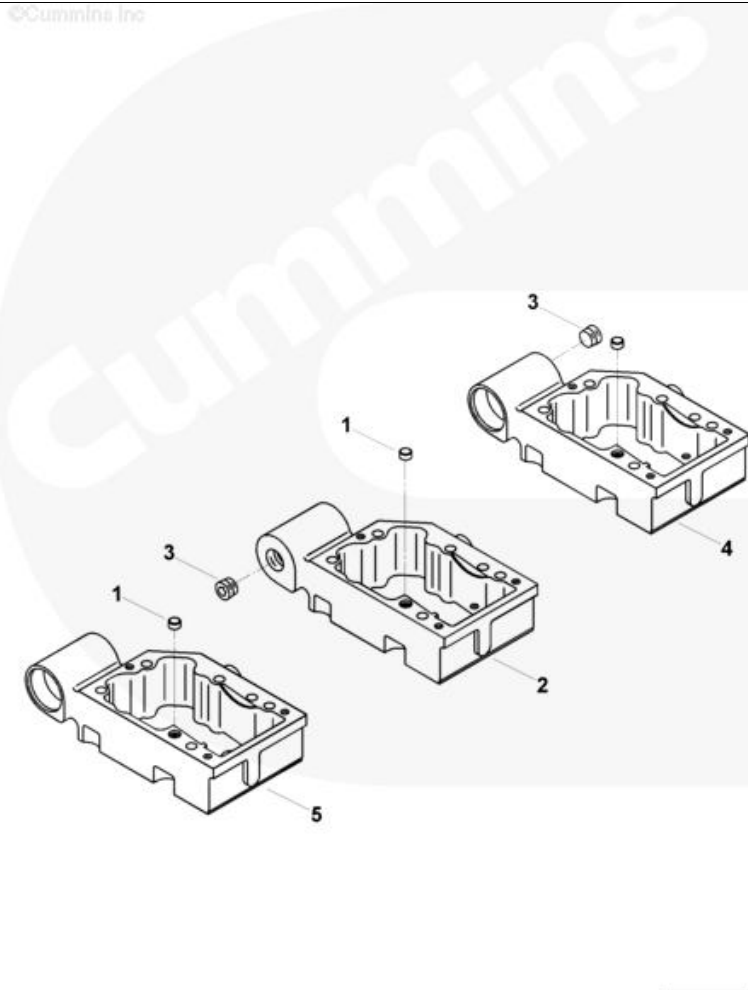
		3631671	Connection , Right Bank Fuel Block	1	
<input type="checkbox"/>		3018920	Wire Tie Clamp	1	
<input type="checkbox"/>		3037662	Male Union Elbow	1	
<input type="checkbox"/>		3178520	Clip	5	
<input type="checkbox"/>		3638079	Flexible Hose	2	
<input type="checkbox"/>		3647528	Male Connector	1	

© 2017 Cummins Inc., Box 3005, Columbus, IN 47202-3005 U.S.A.
[Terms of Use and Disclaimers](#) | [Recommended System Requirements](#)
 Need Assistance? Please click on the Contact Us button in the top right corner of any page.



Parts Catalog - Option Detail

Electronic Parts Catalog - Option Detail				
Option	Group	Graphic	Film Card	Date
PP2354-03	03.01	pp602gf	K50	08-AUG-14
Engines	G50, K50, K50-DPM, QSK50 CM2150 K107, QSK50 CM2150 MCRS, QSK50 CM2350 K108, QSK50 CM850 MCRS, QSK50 DF CM850/CM2150 MCRS			



pp602gf

[SMALL](#) | [MEDIUM](#) | [LARGE](#)

Cart	Ref No	Part Number	Part Description	Required	Remarks
View My Cart					
		PP2354-03	Rocker Lever Housing		Rocker Lever Housing...(More)
					Certified Model Name:
					KTA50-G8
					CPL: 2354
					Certified By: None
					Engine Aspiration:
					Turbocharger

					Application: Power Generation
					Power Rating: Intermittent
					KTA-50G8 With LTA K-2000
					Technology.
					Less Water Pumps.
					For Standby, Prime and
					Continuous Applications.
		3627648	Rocker Lever Housing Assembly	1	
<input type="checkbox"/>	1	205129	Ring Dowel	1	
<input type="checkbox"/>	2	3629538	Rocker Lever Housing	1	
<input type="checkbox"/>	3	3628607	Pipe Plug	2	3/4-14.
		3627647	Rocker Lever Housing Assembly	1	
<input type="checkbox"/>	1	205129	Ring Dowel	1	
<input type="checkbox"/>	4	3202199	Rocker Lever Housing	1	
		3039097	Rocker Lever Housing Assembly	14	
<input type="checkbox"/>	1	205129	Ring Dowel	1	
<input type="checkbox"/>	5	3177713	Rocker Lever Housing	1	

© 2017 Cummins Inc., Box 3005, Columbus, IN 47202-3005 U.S.A.
[Terms of Use and Disclaimers](#) | [Recommended System Requirements](#)
Need Assistance? Please click on the Contact Us button in the top right corner of any page.



Parts Catalog - Option Detail

Electronic Parts Catalog - Option Detail				
Option	Group	Graphic	Film Card	Date
BP6126-06	03.01	null	K50	19-OCT-13
Engines	G50, K50, K50-DPM, QSK50 CM2150 K107, QSK50 CM2150 MCRS, QSK50 CM2350 K108, QSK50 CM850 MCRS, QSK50 DF CM850/CM2150 MCRS			

Cart	Ref No	Part Number	Part Description	Required	Remarks
View My Cart					
		BP6126-06	Rocker Lever And Cover		Rocker Lever...(More)
					Fuel Control System: Dual STC
					(Stepped Timing Control)
					Water Pump Included: Yes
		3010248	Valve Mounting Cover	16	
<input type="checkbox"/>		3628194	Hexagon Head Cap Screw	2	3/8 - 16 X 4 1/2 in.
<input type="checkbox"/>		3628196	Hexagon Head Cap Screw	1	3/8 - 16 X 2 in.
<input type="checkbox"/>		3628902	Plain Washer	3	
<input type="checkbox"/>		4920076	Rocker Lever Cover Gasket	1	
		3010388	Rocker Lever Cover	15	
<input type="checkbox"/>		205128	Plain Washer	32	1/2 in.
<input type="checkbox"/>		205393	Twelve Point Cap Screw	16	1/2 - 13 X 2 in.
<input type="checkbox"/>		205394	Twelve Point Cap Screw	16	1/2 - 13 X 4 1/2 in.
<input type="checkbox"/>		4913488	Rocker Lever	16	
<input type="checkbox"/>		S 212	Regular Hexagon Nut	3	1/2 - 20 UNF.
<input type="checkbox"/>		168306	Slotted Set Screw	3	
<input type="checkbox"/>		3053476	Rocker Lever	1	
<input type="checkbox"/>		207344	Bushing	1	
<input type="checkbox"/>		208084	Rivet	1	
		3049438	Rocker Lever	1	
<input type="checkbox"/>		3053478	Rocker Lever	1	
<input type="checkbox"/>		194037	Rocker Lever Socket	1	
<input type="checkbox"/>		207226	Bushing	1	
<input type="checkbox"/>		208084	Rivet	1	
		3049437	Rocker Lever	1	
<input type="checkbox"/>		3053479	Rocker Lever	1	
<input type="checkbox"/>		207344	Bushing	1	

		3049432	Rocker Lever	1	
<input type="checkbox"/>		3176772	Rocker Lever Shaft	1	
<input type="checkbox"/>		203933	Expansion Plug	1	
		3049164	Rocker Lever Shaft	1	
		3628772	Rocker Lever Cover	1	
<input type="checkbox"/>		3038938	Rocker Lever Cover	1	
<input type="checkbox"/>		3628604	Pipe Plug	1	
		4987350	Rocker Arm Mounting Housing	16	
<input type="checkbox"/>		205128	Plain Washer	6	1/2 in.
<input type="checkbox"/>		205357	Twelve Point Cap Screw	5	1/2 - 13 X 3 3/4 in.
<input type="checkbox"/>		205393	Twelve Point Cap Screw	1	1/2 - 13 X 2 in.
<input type="checkbox"/>		4959090	Rocker Lever Housing Gasket	1	
<input type="checkbox"/>		3628605	Pipe Plug	1	

© 2017 Cummins Inc., Box 3005, Columbus, IN 47202-3005 U.S.A.
[Terms of Use and Disclaimers](#) | [Recommended System Requirements](#)
Need Assistance? Please click on the Contact Us button in the top right corner of any page.



Parts Catalog - Option Detail

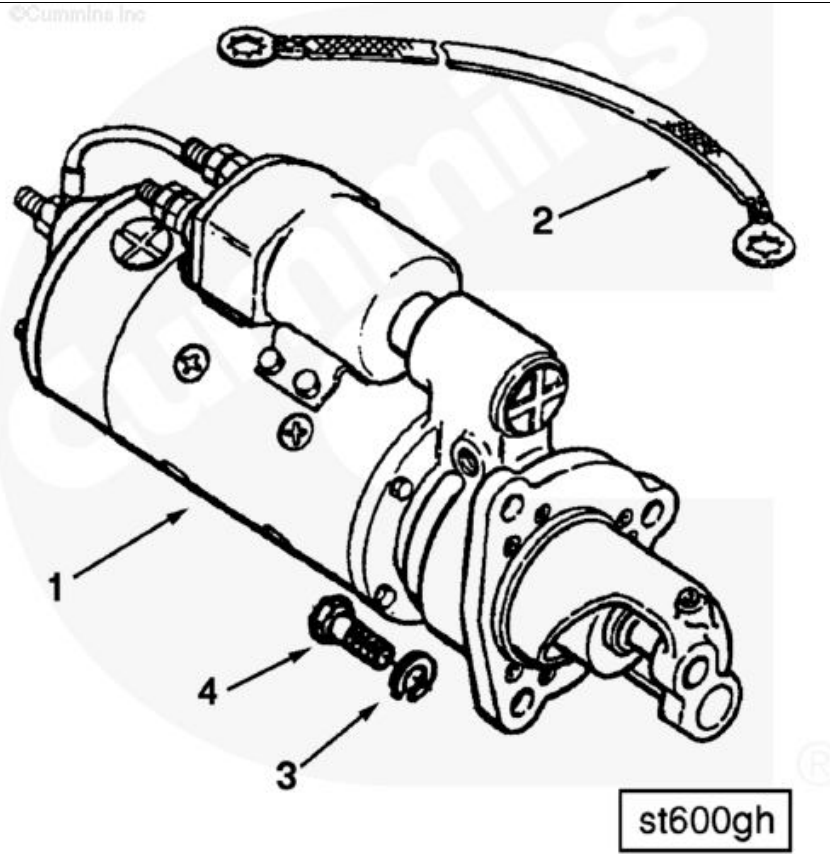
Electronic Parts Catalog - Option Detail				
Option	Group	Graphic	Film Card	Date
BP6126	16.03.1	null	K50	15-JUL-10
Engines	G50, K50, K50-DPM, QSK50 CM2150 K107, QSK50 CM2150 MCRS, QSK50 CM2350 K108, QSK50 CM850 MCRS, QSK50 DF CM850/CM2150 MCRS			

Cart	Ref No	Part Number	Part Description	Required	Remarks
View My Cart					
		BP6126	Shipping Bracket		Shipping Bracket...(More)
					Fuel Control System: Dual STC
					(Stepped Timing Control)
					Water Pump Included: Yes
		3175300	Shipping Bracket	1	
<input type="checkbox"/>		S 152 A	Hexagon Head Cap Screw	8	3/4 - 10 X 2 in.
<input type="checkbox"/>		S 611	Lock Washer	8	3/4 in.
<input type="checkbox"/>		3175861	Shipping Bracket	2	
		3014696	Protective Cover	1	
<input type="checkbox"/>		44092 F	Protective Cover	4	
<input type="checkbox"/>		44092 G	Protective Cover	2	
		3175400	Protective Cover	2	
		3175547	Protective Cover	1	
		3175549	Protective Cover	1	
		3175550	Protective Cover	4	
		3175552	Protective Cover	1	
		3175553	Protective Cover	4	
		3175554	Protective Cover	1	
		3175555	Protective Cover	1	
		3175607	Protective Cover	3	
		3175608	Protective Cover	2	
		3177018	Protective Cover	4	
		3175554	Protective Cover	1	



Parts Catalog - Option Detail

Electronic Parts Catalog - Option Detail				
Option	Group	Graphic	Film Card	Date
ST6026-02	13.05	st600gh	K50	14-MAY-01
Engines	G50, K50, K50-DPM, QSK50 CM2150 K107, QSK50 CM2150 MCRS, QSK50 CM2350 K108, QSK50 CM850 MCRS, QSK50 DF CM850/CM2150 MCRS			



[SMALL](#) | [MEDIUM](#) | [LARGE](#)

Cart	Ref No	Part Number	Part Description	Required	Remarks
View My Cart					
		ST6026-02	Starter		Starting motor...(More)
					starter motor count: 2
					manufacturer:
					Prestolite
					Model: MS7
					Power Supply: Electric
					mounting location(s): RB
					quad 1, RB quad 2 qsk 50:
					Over cylinders 7-8 qsk 38:
					Over cylinders 5-6 pinion

					diametral pitch: 6/8 pinion
					gear outside diameter(mm):
					57.1 (2.25in) mounting flange
					type: SAE #3 (3 bolt x 120
					degrees) frame size
					diameter(mm): 130.17
					(5.125in) pilot diameter(mm):
					92 (3.62in)
					Starting Motor Length(mm):
					383 (15.1in)
					Voltage: 24.
<input type="checkbox"/>	1	3632273	Starting Motor	2	
<input type="checkbox"/>	2	3018924	Ground Wire	2	
<input type="checkbox"/>	3	S 603	Lock Washer	6	5/8 in.
<input type="checkbox"/>	4	158250	Twelve Point Cap Screw	6	5/8 - 11 X 1 3/4 Inch.

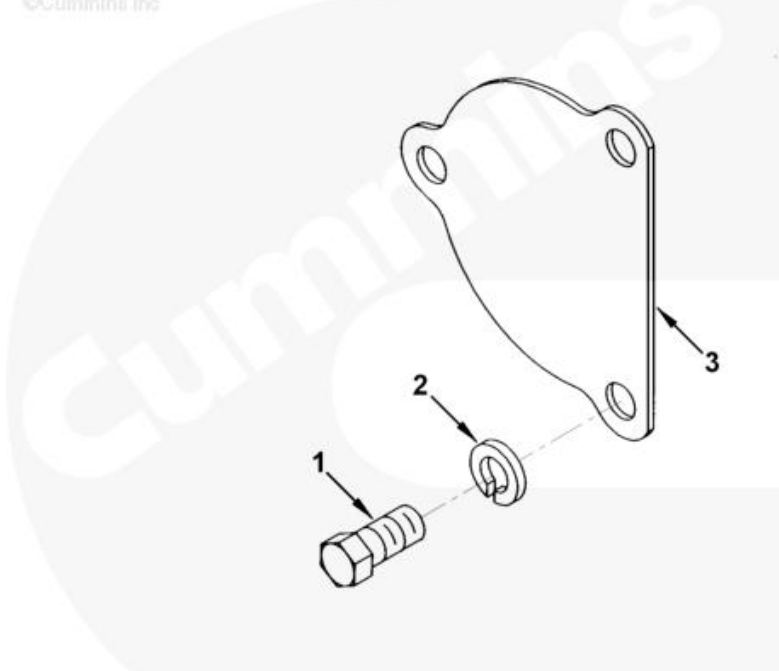
© 2017 Cummins Inc., Box 3005, Columbus, IN 47202-3005 U.S.A.
[Terms of Use and Disclaimers](#) | [Recommended System Requirements](#)
 Need Assistance? Please click on the Contact Us button in the top right corner of any page.



Parts Catalog - Option Detail

Electronic Parts Catalog - Option Detail				
Option	Group	Graphic	Film Card	Date
ST6705	13.05	st401gb	K50	06-NOV-95
Engines	G50, K50, K50-DPM, QSK50 CM2150 K107, QSK50 CM2150 MCRS, QSK50 CM2350 K108, QSK50 CM850 MCRS, QSK50 DF CM850/CM2150 MCRS			

©Cummins Inc



st401gb

[SMALL](#) | [MEDIUM](#) | [LARGE](#)

Cart	Ref No	Part Number	Part Description	Required	Remarks
View My Cart					
		ST6705	Starter Mounting		Starter hole cover for use...(More)
					with dry flywheel housing and
					electric starters.
<input type="checkbox"/>	1	S 181	Hexagon Head Cap Screw	3	5/8 - 11 X 1 1/4 in.
<input type="checkbox"/>	2	S 603	Lock Washer	3	5/8 in.
<input type="checkbox"/>	3	3628411	Starter Flange Cover	1	

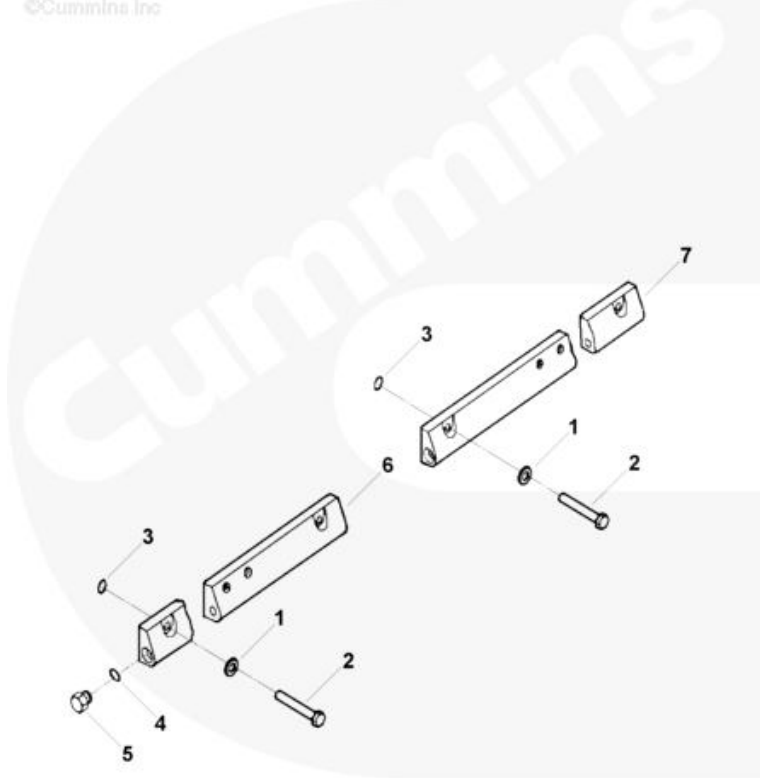
© 2017 Cummins Inc., Box 3005, Columbus, IN 47202-3005 U.S.A.
[Terms of Use and Disclaimers](#) | [Recommended System Requirements](#)
 Need Assistance? Please click on the Contact Us button in the top right corner of any page.



Parts Catalog - Option Detail

Electronic Parts Catalog - Option Detail				
Option	Group	Graphic	Film Card	Date
PP2354-03	06.01.6	pp613gl	K50	08-AUG-14
Engines	G50, K50, K50-DPM, QSK50 CM2150 K107, QSK50 CM2150 MCRS, QSK50 CM2350 K108, QSK50 CM850 MCRS, QSK50 DF CM850/CM2150 MCRS			

©Cummins Inc



pp613gl

[SMALL](#) | [MEDIUM](#) | [LARGE](#)

Cart	Ref No	Part Number	Part Description	Required	Remarks
View My Cart					
		PP2354-03	Step Oil Manifold		STC Oil Manifold...(More)
					Certified Model Name:
					KTA50-G8
					CPL: 2354
					Certified By: None
					Engine Aspiration:
					Turbocharger

					Application: Power Generation
					Power Rating: Intermittent
					KTA-50G8 With LTA K-2000
					Technology.
					Less Water Pumps.
					Includes:
					Dual STC Stepped Timing
					Control.
					ORS Hoses for STC and
					Turbocharger Supply.
					For Standby, Prime and
					Continuous Applications.
		3040159	Manifold , Oil Right Bank	1	
<input type="checkbox"/>	1	127018	Plain Washer	8	1/4 in.
<input type="checkbox"/>	2	3001811	Twelve Point Cap Screw	8	1/4 - 20 X 1 in.
<input type="checkbox"/>	3	3084539	O-Ring Seal	8	
		3040157	Oil Manifold	1	
<input type="checkbox"/>		3023217	Threaded Plug	2	7/16 - 20 UNF.
<input type="checkbox"/>	4	3036666	O-Ring Seal	1	
	5	3630034	Threaded Plug	1	
<input type="checkbox"/>	6	3084623	Oil Manifold	1	
		3040158	Oil Manifold	1	
<input type="checkbox"/>		3023217	Threaded Plug	2	7/16 - 20 UNF.
<input type="checkbox"/>	4	3036666	O-Ring Seal	1	
	5	3630034	Threaded Plug	1	
<input type="checkbox"/>	7	3084624	Oil Manifold	1	
		3040160	Manifold , Oil Left Bank	1	
<input type="checkbox"/>	1	127018	Plain Washer	8	1/4 in.
<input type="checkbox"/>	2	3001811	Twelve Point Cap Screw	8	1/4 - 20 X 1 in.
<input type="checkbox"/>	3	3084539	O-Ring Seal	8	
		3040157	Oil Manifold	1	
<input type="checkbox"/>		3023217	Threaded Plug	2	7/16 - 20 UNF.
<input type="checkbox"/>	4	3036666	O-Ring Seal	1	
	5	3630034	Threaded Plug	1	
<input type="checkbox"/>	6	3084623	Oil Manifold	1	
		3040158	Oil Manifold	1	
<input type="checkbox"/>		3023217	Threaded Plug	2	7/16 - 20 UNF.

<input type="checkbox"/>	4	3036666	O-Ring Seal	1	
	5	3630034	Threaded Plug	1	
<input type="checkbox"/>	7	3084624	Oil Manifold	1	

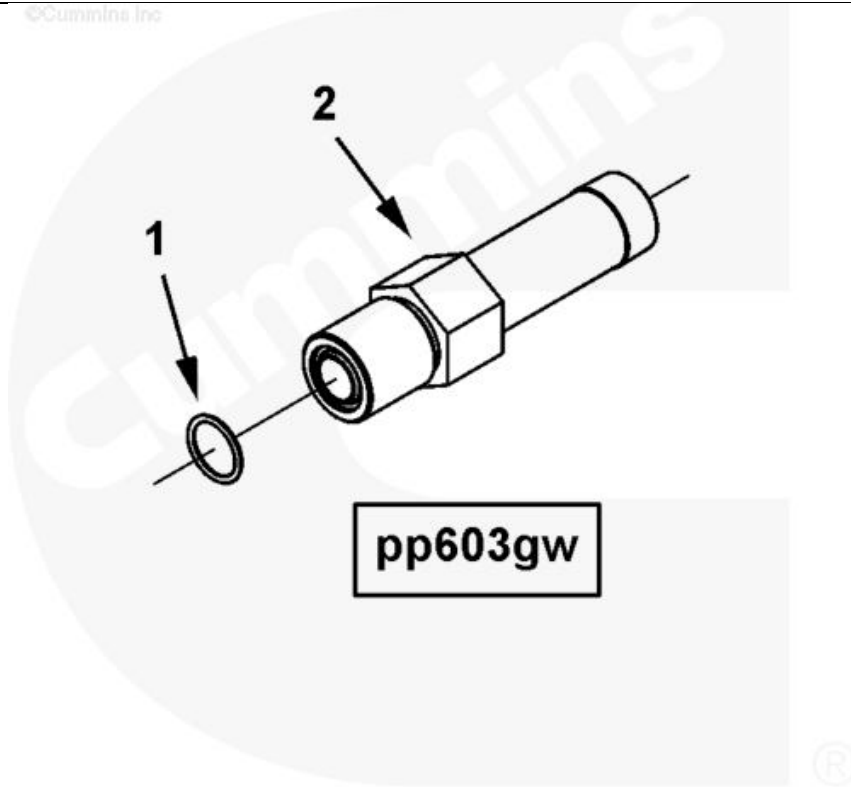
© 2017 Cummins Inc., Box 3005, Columbus, IN 47202-3005 U.S.A.
[Terms of Use and Disclaimers](#) | [Recommended System Requirements](#)
Need Assistance? Please click on the Contact Us button in the top right corner of any page.



Parts Catalog - Option Detail

Electronic Parts Catalog - Option Detail				
Option	Group	Graphic	Film Card	Date
PP6818-01	01.04	pp603gw	K50	13-OCT-03
Engines	G50, K50, K50-DPM, QSK50 CM2150 K107, QSK50 CM2150 MCRS, QSK50 CM2350 K108, QSK50 CM850 MCRS, QSK50 DF CM850/CM2150 MCRS			

©Cummins Inc



pp603gw

[SMALL](#) | [MEDIUM](#) | [LARGE](#)

Cart	Ref No	Part Number	Part Description	Required	Remarks
<input type="button" value="View My Cart"/>					
		PP6818-01	Step Oil Supply Fitting		Fittings for dual raised STC...(More)
					oil supply.
					For Use With: A) SAE "00"
					flywheel housing, right bank
					mounted lube oil filters and
					left bank mounted starters or
					no starters. B) SAE "0"
					flywheel housing and left, or
					right bank mounted starters
					or no starters.
<input type="checkbox"/>		3630877	Male Union	2	

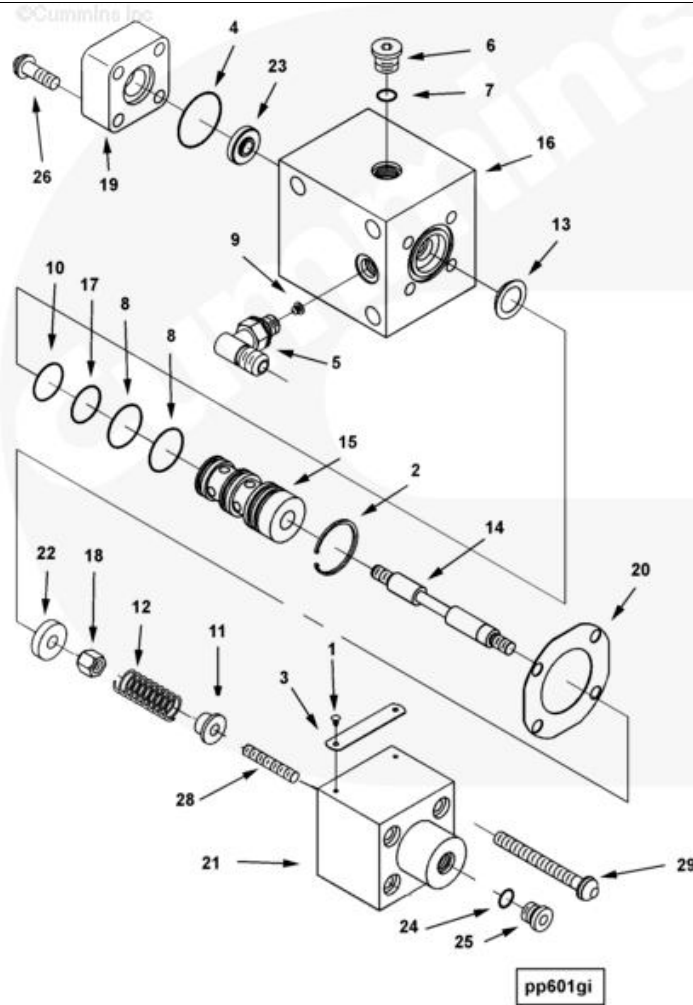
<input type="checkbox"/>	1	3630740	O-Ring Seal	1	
	2	3630878	Male Connector	1	

© 2017 Cummins Inc., Box 3005, Columbus, IN 47202-3005 U.S.A.
[Terms of Use and Disclaimers](#) | [Recommended System Requirements](#)
Need Assistance? Please click on the Contact Us button in the top right corner of any page.



Parts Catalog - Option Detail

Electronic Parts Catalog - Option Detail				
Option	Group	Graphic	Film Card	Date
PP2354-03	06.01.1	pp601gi	K50	08-AUG-14
Engines	G50, K50, K50-DPM, QSK50 CM2150 K107, QSK50 CM2150 MCRS, QSK50 CM2350 K108, QSK50 CM850 MCRS, QSK50 DF CM850/CM2150 MCRS			



[SMALL](#) | [MEDIUM](#) | [LARGE](#)

Cart	Ref No	Part Number	Part Description	Required	Remarks
View My Cart					
		PP2354-03	Oil Control Valve		Oil Control Valve...(More)
					Certified Model Name:
					KTA50-G8
					CPL: 2354
					Certified By: None
					Engine Aspiration:
					Turbocharger

					Application: Power Generation
					Power Rating: Intermittent
					KTA-50G8 With LTA K-2000
					Technology.
					Less Water Pumps.
					For Standby, Prime and
					Continuous Applications.
<input type="checkbox"/>		3633381	Oil Control Valve	1	
<input type="checkbox"/>	1	S 2286	Drive Screw	2	3/16 in.
<input type="checkbox"/>	2	S 16240	Retaining Ring	1	
<input type="checkbox"/>	3	105375	Nameplate	1	
<input type="checkbox"/>	4	3034408	O-Ring Seal	1	
<input type="checkbox"/>	5	3038743	Check Valve	1	
<input type="checkbox"/>		3040814	Threaded Plug	1	7/16 - 20 UNF.
	6	3036665	Threaded Plug	1	7/16 - 20 UNF.
<input type="checkbox"/>	7	3036666	O-Ring Seal	1	
<input type="checkbox"/>	8	3042542	O-Ring Seal	2	
<input type="checkbox"/>	9	3044993	Injector Orifice Plug	1	
<input type="checkbox"/>	10	3045986	O-Ring Seal	1	
<input type="checkbox"/>	11	3049041	Spring Retainer	1	
<input type="checkbox"/>	12	3056072	Compression Spring	1	
<input type="checkbox"/>	13	3054411	Leaf Spring	1	
<input type="checkbox"/>		3060605	Barrel And Plunger	1	
	14	3053667	Oil Control Valve Plunger	1	
	15	3060604	Oil Control Valve Barrel	1	
<input type="checkbox"/>	16	3060606	Oil Control Valve Body	1	
<input type="checkbox"/>	17	3066914	O-Ring Seal	1	
<input type="checkbox"/>	18	3069015	Lock Nut	2	1/4 - 28 UNF.
<input type="checkbox"/>	19	3069989	Oil Control Valve Cover	1	
<input type="checkbox"/>	20	3070108	Control Valve Body Gasket	1	
	21	4009927	Diaphragm Cover	1	
<input type="checkbox"/>	22	3070186	Plain Washer	1	1/4 in.
<input type="checkbox"/>	23	3073998	Valve Disc	1	
<input type="checkbox"/>		3417076	Threaded Plug	1	
<input type="checkbox"/>	24	3034412	O-Ring Seal	1	
	25	3417103	Threaded Plug	1	
<input type="checkbox"/>	26	3417077	Socket Head Cap Screw	4	

<input type="checkbox"/>	28	3417096	Socket Set Screw	1	
<input type="checkbox"/>	29	3417098	Socket Head Cap Screw	4	

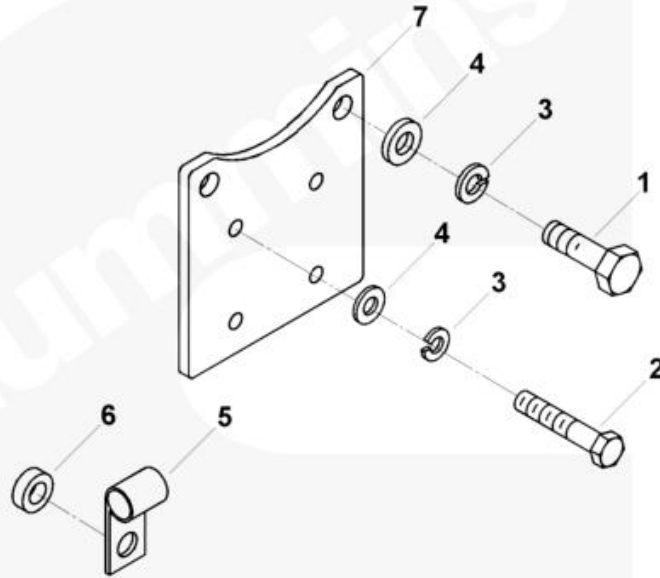
© 2017 Cummins Inc., Box 3005, Columbus, IN 47202-3005 U.S.A.
[Terms of Use and Disclaimers](#) | [Recommended System Requirements](#)
Need Assistance? Please click on the Contact Us button in the top right corner of any page.



Parts Catalog - Option Detail

Electronic Parts Catalog - Option Detail				
Option	Group	Graphic	Film Card	Date
PP2354-02	06.01.2	pp613gn	K50	08-AUG-14
Engines	G50, K50, K50-DPM, QSK50 CM2150 K107, QSK50 CM2150 MCRS, QSK50 CM2350 K108, QSK50 CM850 MCRS, QSK50 DF CM850/CM2150 MCRS			

©Cummins Inc



pp613gn

[SMALL](#) | [MEDIUM](#) | [LARGE](#)

Cart	Ref No	Part Number	Part Description	Required	Remarks
View My Cart					
		PP2354-02	Oil Control Mounting		Oil Control Valve Mounting...(More)
					Certified Model Name:
					KTA50-G8
					CPL: 2354
					Certified By: None
					Engine Aspiration:
					Turbocharger
					Application: Power Generation
					Power Rating: Intermittent
					KTA-50G8 With LTA K-2000
					Technology.
					Less Water Pumps.
					For Standby, Prime and
					Continuous Applications.

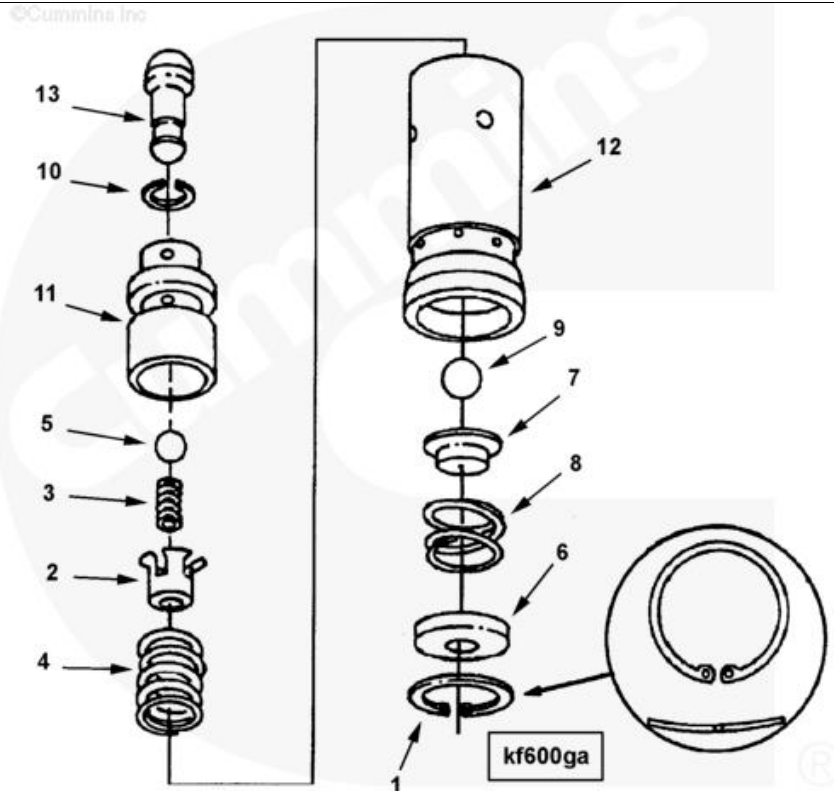
		3631670	Oil Control Valve Mounting	2	
<input type="checkbox"/>	1	S 108 B	Hexagon Head Cap Screw	1	5/16 - 24 X 3 1/4 in.
<input type="checkbox"/>	2	S 164	Hexagon Head Cap Screw	2	5/16 - 24 X 3 in.
<input type="checkbox"/>	3	S 605	Lock Washer	3	5/16 in.
<input type="checkbox"/>	4	S 626	Plain Washer	3	5/16 in.
<input type="checkbox"/>	5	3627412	Clip	1	
<input type="checkbox"/>	6	3632879	Mounting Spacer	1	
<input type="checkbox"/>	7	3634172	Valve Bracket	1	

© 2017 Cummins Inc., Box 3005, Columbus, IN 47202-3005 U.S.A.
[Terms of Use and Disclaimers](#) | [Recommended System Requirements](#)
Need Assistance? Please click on the Contact Us button in the top right corner of any page.



Parts Catalog - Option Detail

Electronic Parts Catalog - Option Detail				
Option	Group	Graphic	Film Card	Date
PP2354	06.01.3	kf600ga	K50	06-JUN-97
Engines	G50, K50, K50-DPM, QSK50 CM2150 K107, QSK50 CM2150 MCRS, QSK50 CM2350 K108, QSK50 CM850 MCRS, QSK50 DF CM850/CM2150 MCRS			



[SMALL](#) | [MEDIUM](#) | [LARGE](#)

Cart	Ref No	Part Number	Part Description	Required	Remarks
View My Cart					
		PP2354	Tappet		
<input type="checkbox"/>		3075381	Hydraulic Variable Timing Tappet	16	
<input type="checkbox"/>	1	3027988	Retaining Ring	1	
<input type="checkbox"/>	2	3076033	Ball Guide	1	
	3	3027994	Compression Spring	1	
<input type="checkbox"/>	4	3054852	Injector Spring	1	
	5	3027996	Check Ball	1	
	6	3085345	Tappet Socket	1	
	7	3085344	Ball Guide	1	
	8	4077027	Injector Spring	1	
<input type="checkbox"/>	9	3062119	Check Ball	1	

<input type="checkbox"/>	10	3052231	Injector Link Retainer	1	
	11	3053772	Tappet Plunger	1	
	12	3075386	Tappet Sleeve	1	
<input type="checkbox"/>	13	3052233	Injector Plunger Link	1	
<input type="checkbox"/>		3804700	Step Tappet Repair Kit	1	
<input type="checkbox"/>	1	3027988	Retaining Ring	1	
<input type="checkbox"/>	2	3076033	Ball Guide	1	
	3	3027994	Compression Spring	1	
<input type="checkbox"/>	4	3054852	Injector Spring	1	
	5	3027996	Check Ball	1	
	6	3085345	Tappet Socket	1	
	7	3085344	Ball Guide	1	
	8	4077027	Injector Spring	1	

© 2017 Cummins Inc., Box 3005, Columbus, IN 47202-3005 U.S.A.
[Terms of Use and Disclaimers](#) | [Recommended System Requirements](#)
Need Assistance? Please click on the Contact Us button in the top right corner of any page.



Parts Catalog - Option Detail

Electronic Parts Catalog - Option Detail				
Option	Group	Graphic	Film Card	Date
PP2354-05	10.06	null	K50	30-NOV-15
Engines	G50, K50, K50-DPM, QSK50 CM2150 K107, QSK50 CM2150 MCRS, QSK50 CM2350 K108, QSK50 CM850 MCRS, QSK50 DF CM850/CM2150 MCRS			

Cart	Ref No	Part Number	Part Description	Required	Remarks
View My Cart					
		PP2354-05	Turbocharger		Turbocharger...(More)
					Certified Model Name:
					KTA50-G8
					CPL: 2354
					Certified By: None
					Engine Aspiration:
					Turbocharger
					Application: Power Generation
					Power Rating: Intermittent
					KTA-50G8 With LTA K-2000
					Technology.
					Less Water Pumps.
					For Standby, Prime and
					Continuous Applications.
		3594164	Turbocharger	1	
		3527619	Dataplate	1	
		3767950	Turbocharger	1	
<input type="checkbox"/>		2841902	Turbocharger Diffuser	1	
<input type="checkbox"/>		3502449	Rectangular Ring Seal	1	
<input type="checkbox"/>		3504967	Plain Washer	4	
<input type="checkbox"/>		3519163	Drive Screw	2	
<input type="checkbox"/>		3519627	Turbocharger Bearing	2	
<input type="checkbox"/>		3519641	Retaining Ring	4	
<input type="checkbox"/>		3521032	Shaft Wheel Rotor	1	
<input type="checkbox"/>		3521225	Hexagon Head Set Screw	8	M8 X 1.25 X 16.
<input type="checkbox"/>		3521442	Split Ring Seal	1	
		3522597	Roll Pin	2	

<input type="checkbox"/>		3522904	Lock Plate	4	
<input type="checkbox"/>		3523412	Split Ring Seal	1	
<input type="checkbox"/>		3524418	Shim	1	
<input type="checkbox"/>		3524419	Oil Baffle	1	
<input type="checkbox"/>		3525073	Hexagon Head Set Screw	4	M8 X 1.25 X 25.
<input type="checkbox"/>		3528109	V Band Clamp	1	
<input type="checkbox"/>		3529372	Regular Hexagon Nut	1	1/4 - 28 UNF
<input type="checkbox"/>		3536588	Turbocharger Heat Shield	1	
<input type="checkbox"/>		3536914	Turbocharger Thrust Bearing	1	
<input type="checkbox"/>		3539268	Compressor Housing	1	
<input type="checkbox"/>		3591522	Thrust Collar	1	
<input type="checkbox"/>		3594555	Turbocharger Bearing Housing	1	
<input type="checkbox"/>		3771005	Lock Nut	1	
<input type="checkbox"/>		4036307	Oil Slinger	1	
<input type="checkbox"/>		4043604	Turbine Housing	1	
<input type="checkbox"/>		5323925	Turbocharger Compressor Impeller	1	
		3594165	Turbocharger	1	
		3527619	Dataplate	1	
		3767950	Turbocharger	1	
<input type="checkbox"/>		2841902	Turbocharger Diffuser	1	
<input type="checkbox"/>		3502449	Rectangular Ring Seal	1	
<input type="checkbox"/>		3504967	Plain Washer	4	
<input type="checkbox"/>		3519163	Drive Screw	2	
<input type="checkbox"/>		3519627	Turbocharger Bearing	2	
<input type="checkbox"/>		3519641	Retaining Ring	4	
<input type="checkbox"/>		3521032	Shaft Wheel Rotor	1	
<input type="checkbox"/>		3521225	Hexagon Head Set Screw	8	M8 X 1.25 X 16.
<input type="checkbox"/>		3521442	Split Ring Seal	1	
		3522597	Roll Pin	2	
<input type="checkbox"/>		3522904	Lock Plate	4	
<input type="checkbox"/>		3523412	Split Ring Seal	1	
<input type="checkbox"/>		3524418	Shim	1	
<input type="checkbox"/>		3524419	Oil Baffle	1	
<input type="checkbox"/>		3525073	Hexagon Head Set Screw	4	M8 X 1.25 X 25.
<input type="checkbox"/>		3528109	V Band Clamp	1	
<input type="checkbox"/>		3529372	Regular Hexagon Nut	1	1/4 - 28 UNF
<input type="checkbox"/>		3536588	Turbocharger Heat Shield	1	

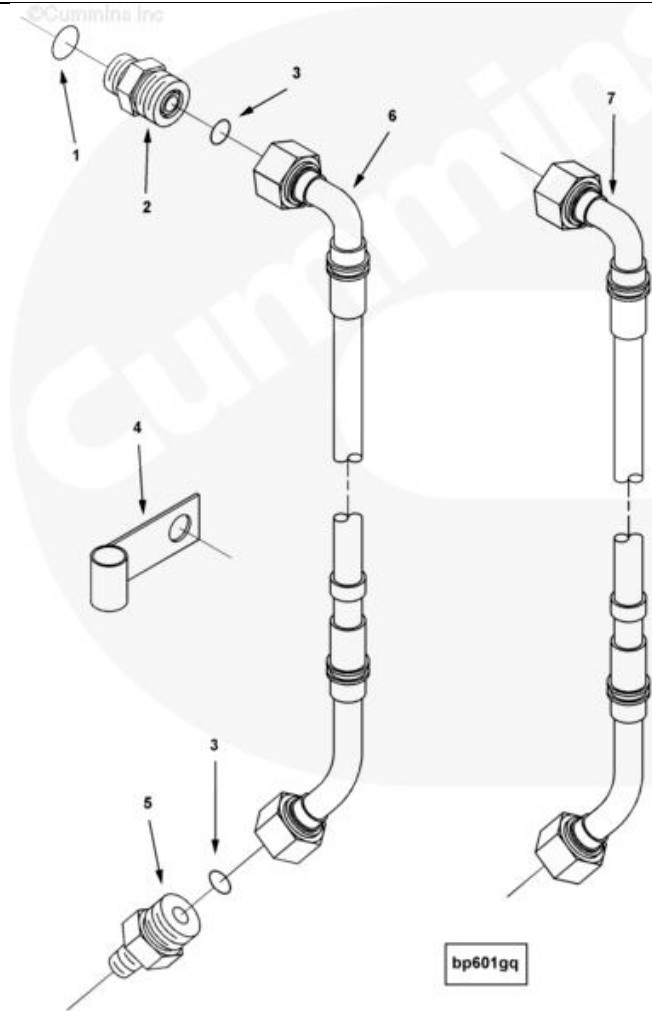
<input type="checkbox"/>		3536914	Turbocharger Thrust Bearing	1	
<input type="checkbox"/>		3539268	Compressor Housing	1	
<input type="checkbox"/>		3591522	Thrust Collar	1	
<input type="checkbox"/>		3594555	Turbocharger Bearing Housing	1	
<input type="checkbox"/>		3771005	Lock Nut	1	
<input type="checkbox"/>		4036307	Oil Slinger	1	
<input type="checkbox"/>		4043604	Turbine Housing	1	
<input type="checkbox"/>		5323925	Turbocharger Compressor Impeller	1	
<input type="checkbox"/>		2882102	Turbocharger Kit	A/R	
		4033450	Aftermarket Turbocharger	1	
		3767950	Turbocharger	1	
		4032456	Turbocharger Gasket Kit	1	
<input type="checkbox"/>		201048	Connection Gasket	1	
<input type="checkbox"/>		3037537	O-Ring Seal	1	
<input type="checkbox"/>		3177942	Turbocharger Gasket	1	

© 2017 Cummins Inc., Box 3005, Columbus, IN 47202-3005 U.S.A.
[Terms of Use and Disclaimers](#) | [Recommended System Requirements](#)
Need Assistance? Please click on the Contact Us button in the top right corner of any page.



Parts Catalog - Option Detail

Electronic Parts Catalog - Option Detail				
Option	Group	Graphic	Film Card	Date
BP6126-04	10.06.1	bp601gq	K50	02-NOV-04
Engines	G50, K50, K50-DPM, QSK50 CM2150 K107, QSK50 CM2150 MCRS, QSK50 CM2350 K108, QSK50 CM850 MCRS, QSK50 DF CM850/CM2150 MCRS			



SMALL | MEDIUM | LARGE

Cart	Ref No	Part Number	Part Description	Required	Remarks
View My Cart					
		BP6126-04	Turbocharger Oil Supply Hose		TUR Oil Supply Hose...(More)
					Fuel Control System: Dual STC
					(Stepped Timing Control)
					Water Pump Included: Yes
		3628097	Turbocharger Oil Supply Union	1	
<input type="checkbox"/>		3634685	Male Union	1	
<input type="checkbox"/>	1	3037537	O-Ring Seal	1	

	2	3634687	Male Union	1	
<input type="checkbox"/>	3	3922794	O-Ring Seal	1	
<input type="checkbox"/>	4	3175058	Clip	2	
		3628098	Turbocharger Oil Supply Union	1	
<input type="checkbox"/>		3634685	Male Union	1	
<input type="checkbox"/>	1	3037537	O-Ring Seal	1	
	2	3634687	Male Union	1	
<input type="checkbox"/>	3	3922794	O-Ring Seal	1	
<input type="checkbox"/>	4	3175058	Clip	3	
		3628720	Turbocharger Oil Supply Hose	1	
<input type="checkbox"/>		3634690	Male Union	1	
	5	3634692	Male Union	1	
<input type="checkbox"/>	3	3922794	O-Ring Seal	1	
<input type="checkbox"/>	6	3635032	Flexible Hose	1	
		3628722	Turbocharger Oil Supply Hose	1	
<input type="checkbox"/>		3634690	Male Union	1	
	5	3634692	Male Union	1	
<input type="checkbox"/>	3	3922794	O-Ring Seal	1	
<input type="checkbox"/>	7	3635033	Flexible Hose	1	

© 2017 Cummins Inc., Box 3005, Columbus, IN 47202-3005 U.S.A.
[Terms of Use and Disclaimers](#) | [Recommended System Requirements](#)
Need Assistance? Please click on the Contact Us button in the top right corner of any page.



Parts Catalog - Option Detail

Electronic Parts Catalog - Option Detail				
Option	Group	Graphic	Film Card	Date
4376343	17.01	null	K50	02-JUL-15
Engines	G50, K50, K50-DPM, QSK50 CM2150 K107, QSK50 CM2150 MCRS, QSK50 CM2350 K108, QSK50 CM850 MCRS, QSK50 DF CM850/CM2150 MCRS			

Cart	Ref No	Part Number	Part Description	Required	Remarks
<input type="button" value="View My Cart"/>					
<input type="checkbox"/>		4376343	Kit, Upper Engine Gasket	A/R	
<input type="checkbox"/>		68910	O-Ring Seal	34	
<input type="checkbox"/>		70415	O-Ring Seal	2	
<input type="checkbox"/>		106143	O-Ring Seal	4	
<input type="checkbox"/>		131026	O-Ring Seal	40	
<input type="checkbox"/>		145528	O-Ring Seal	4	
<input type="checkbox"/>		206277	Intake Manifold Gasket	16	
<input type="checkbox"/>		207244	Injector Seal	16	
<input type="checkbox"/>		216187	O-Ring Seal	2	
<input type="checkbox"/>		3001340	O-Ring Seal	50	
<input type="checkbox"/>		3014304	Rectangular Ring Seal	32	
<input type="checkbox"/>		3023095	Sealing Washer	32	
<input type="checkbox"/>		3028291	O-Ring Seal	32	
<input type="checkbox"/>		3037537	O-Ring Seal	2	
<input type="checkbox"/>		3046201	O-Ring Seal	18	
<input type="checkbox"/>		3047665	Connection Gasket	4	
<input type="checkbox"/>		3049364	Connection Gasket	2	
<input type="checkbox"/>		3049368	Connection Gasket	1	
<input type="checkbox"/>		3052906	Thermostat Housing Gasket	1	
<input type="checkbox"/>		3052908	Water Transfer Connection Gasket	1	
<input type="checkbox"/>		3058812	Dust Seal	20	
<input type="checkbox"/>		3063294	Grommet Seal	8	
<input type="checkbox"/>		3166288	Cylinder Head Gasket	16	
<input type="checkbox"/>		3171368	Turbocharger Gasket	2	
<input type="checkbox"/>		3201585	O-Ring Seal	16	
<input type="checkbox"/>		3348860	Ferrule Seal	12	

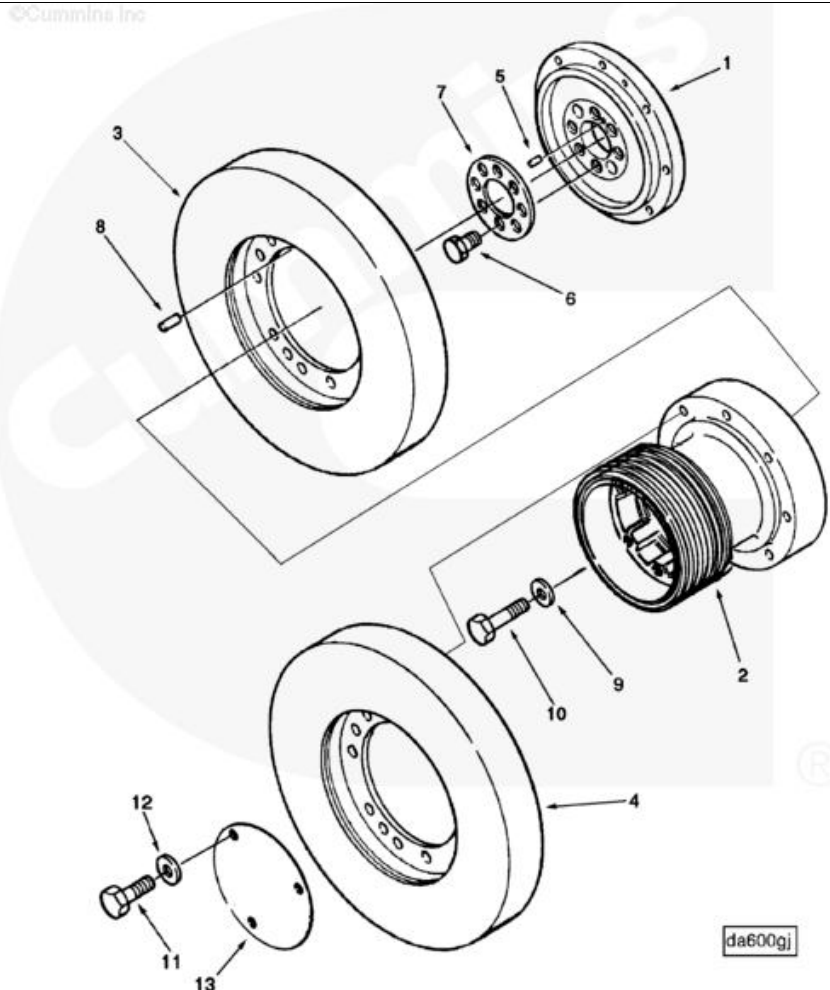
<input type="checkbox"/>		3627695	O-Ring Seal	12	
<input type="checkbox"/>		3627961	Thermostat Seal	5	
<input type="checkbox"/>		3628969	Lock Plate	32	
<input type="checkbox"/>		3630742	Connection Gasket	2	
<input type="checkbox"/>		3630839	Rocker Lever Housing Gasket	16	
<input type="checkbox"/>		3633046	Ferrule Seal	16	
<input type="checkbox"/>		3865994	Rectangular Strip Seal	4	
<input type="checkbox"/>		3966349	Exhaust Manifold Gasket	16	
<input type="checkbox"/>		3966350	Exhaust Clamp Seal	8	
<input type="checkbox"/>		4066112	O-Ring Seal	14	
<input type="checkbox"/>		4920076	Rocker Lever Cover Gasket	16	

© 2017 Cummins Inc., Box 3005, Columbus, IN 47202-3005 U.S.A.
[Terms of Use and Disclaimers](#) | [Recommended System Requirements](#)
Need Assistance? Please click on the Contact Us button in the top right corner of any page.



Parts Catalog - Option Detail

Electronic Parts Catalog - Option Detail				
Option	Group	Graphic	Film Card	Date
DA6070	01.02.2	da600gj	K50	22-NOV-93
Engines	G50, K50, K50-DPM, QSK50 CM2150 K107, QSK50 CM2150 MCRS, QSK50 CM2350 K108, QSK50 CM850 MCRS, QSK50 DF CM850/CM2150 MCRS			



SMALL | MEDIUM | LARGE

Cart	Ref No	Part Number	Part Description	Required	Remarks
<input type="button" value="View My Cart"/>					
		DA6070	Vibration Damper		Dual standard viscosity...(More)
					vibration dampers with press
					fit crankshaft adapter and
					crankshaft fan drive pulley,
					8 inches in diameter, for 23
					rib 'K' section v-ribbed
					belt. Must be used with
					Cummins radiator cooling

					and fan drive systems, or
					with customer supplied
					cooling systems. Crank pulley
					has provisions for mounting
					an additional front power
					take-off pulley or take-off
					adapter. For KTA/KTTA50 with
					no restrictions on
					applications, but general
					application is for full
					torque below torque peak.
					Pitch circle diameter of
					crank attachment holes is
					3.050 inches.
<input type="checkbox"/>	1	3069776	Crankshaft Adapter	1	
<input type="checkbox"/>	2	3031737	Crankshaft Pulley	1	
<input type="checkbox"/>	3	3628649	Viscous Vibration Damper	1	Yellow new improved 12 pad
<input type="checkbox"/>	4	3628650	Viscous Vibration Damper	1	Blue new improved 12 pad
<input type="checkbox"/>	5	3033629	Roll Pin	1	
<input type="checkbox"/>	6	3069779	Fracture Resistant Screw	8	3/4 - 16 X 4 Inch.
<input type="checkbox"/>	7	3069781	Crankshaft Spacer	1	
<input type="checkbox"/>	8	131584	Roll Pin	1	
<input type="checkbox"/>	9	3033627	Plain Washer	8	1/2 Inch.
<input type="checkbox"/>	10	3033630	Hexagon Flange Head Cap Screw	8	9/16 - 18 X 4 7/16 Inch.
<input type="checkbox"/>	11	S 169	Hexagon Head Cap Screw	3	1/2 - 13 x 1 in.
<input type="checkbox"/>	12	S 608	Lock Washer	3	1/2 in.
<input type="checkbox"/>	13	3036115	Protective Cover	1	

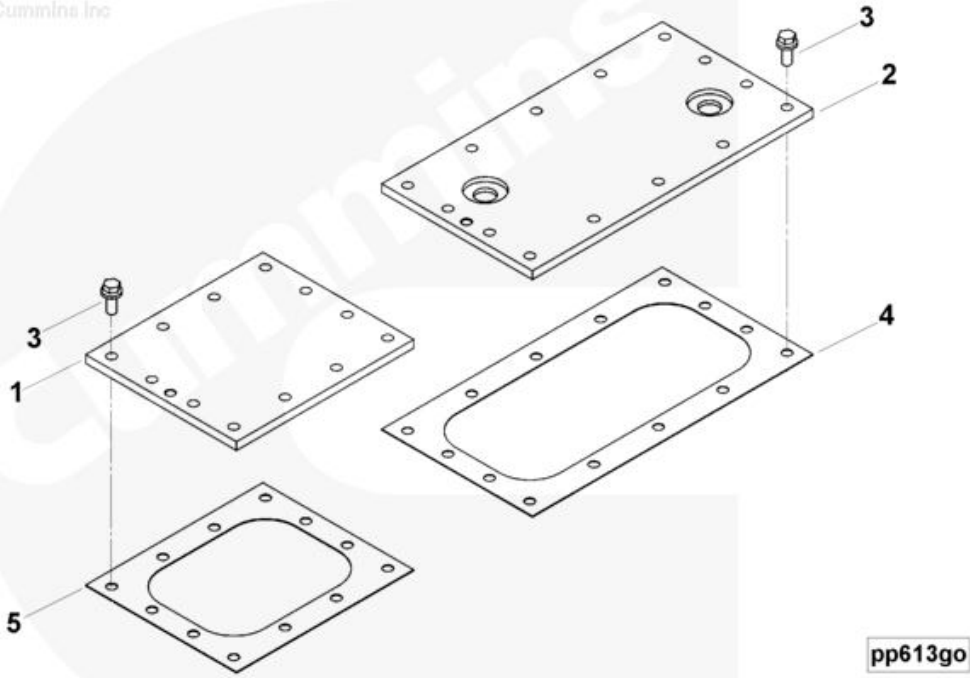
© 2017 Cummins Inc., Box 3005, Columbus, IN 47202-3005 U.S.A.
[Terms of Use and Disclaimers](#) | [Recommended System Requirements](#)
Need Assistance? Please click on the Contact Us button in the top right corner of any page.



Parts Catalog - Option Detail

Electronic Parts Catalog - Option Detail				
Option	Group	Graphic	Film Card	Date
PP2354-04	07.05.1	pp613go	K50	07-JUL-15
Engines	G50, K50, K50-DPM, QSK50 CM2150 K107, QSK50 CM2150 MCRS, QSK50 CM2350 K108, QSK50 CM850 MCRS, QSK50 DF CM850/CM2150 MCRS			

©Cummins Inc



[SMALL](#) | [MEDIUM](#) | [LARGE](#)

Cart	Ref No	Part Number	Part Description	Required	Remarks
View My Cart					
		PP2354-04	Water Header		Water Header...(More)
					Certified Model Name:
					KTA50-G8
					CPL: 2354
					Certified By: None
					Engine Aspiration:
					Turbocharger
					Application: Power Generation
					Power Rating: Intermittent
					KTA-50G8 With LTA K-2000
					Technology.
					Less Water Pumps.
					For Standby, Prime and
					Continuous Applications.

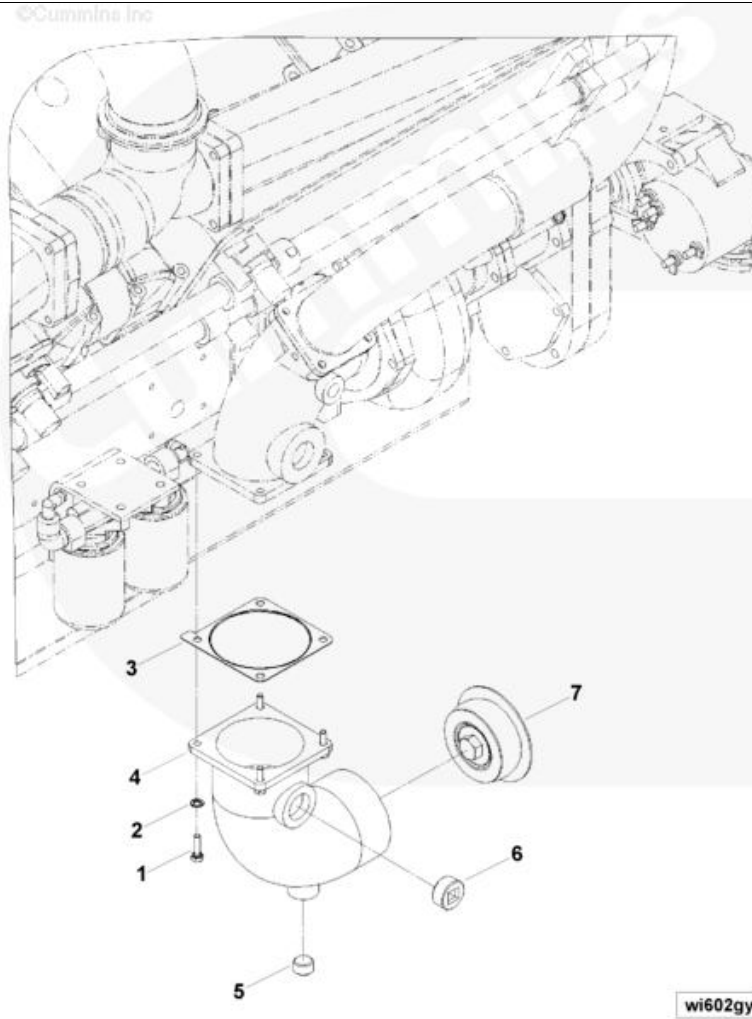
<input type="checkbox"/>	1	3648233	Water Header Cover	1	
<input type="checkbox"/>	2	3648236	Water Header Cover	4	
		4347387	Water Header Cover	4	
<input type="checkbox"/>	3	3011715	Captive Washer Cap Screw	14	3/8 - 16 X 1 3/16 in.
<input type="checkbox"/>	4	5278644	Water Header Cover Gasket	1	
		4347388	Water Header Cover	1	
<input type="checkbox"/>	3	3011715	Captive Washer Cap Screw	12	3/8 - 16 X 1 3/16 in.
<input type="checkbox"/>	5	5278643	Water Header Cover Gasket	1	

© 2017 Cummins Inc., Box 3005, Columbus, IN 47202-3005 U.S.A.
[Terms of Use and Disclaimers](#) | [Recommended System Requirements](#)
 Need Assistance? Please click on the Contact Us button in the top right corner of any page.



Parts Catalog - Option Detail

Electronic Parts Catalog - Option Detail				
Option	Group	Graphic	Film Card	Date
WI6002-06	08.07.1	wi602gy	K50	17-NOV-14
Engines	G50, K50, K50-DPM, QSK50 CM2150 K107, QSK50 CM2150 MCRS, QSK50 CM2350 K108, QSK50 CM850 MCRS, QSK50 DF CM850/CM2150 MCRS			



wi602gy

[SMALL](#) | [MEDIUM](#) | [LARGE](#)

Cart	Ref No	Part Number	Part Description	Required	Remarks
<input type="button" value="View My Cart"/>					
		WI6002-06	Water Inlet Connection		Water Inlet Connection...(More)
					Inlet Connection Type:
					90 Degree
					Inlet Connection OD (mm):
					127 (5.0 in)
					Engine Interface: 4 Bolt
					Flange

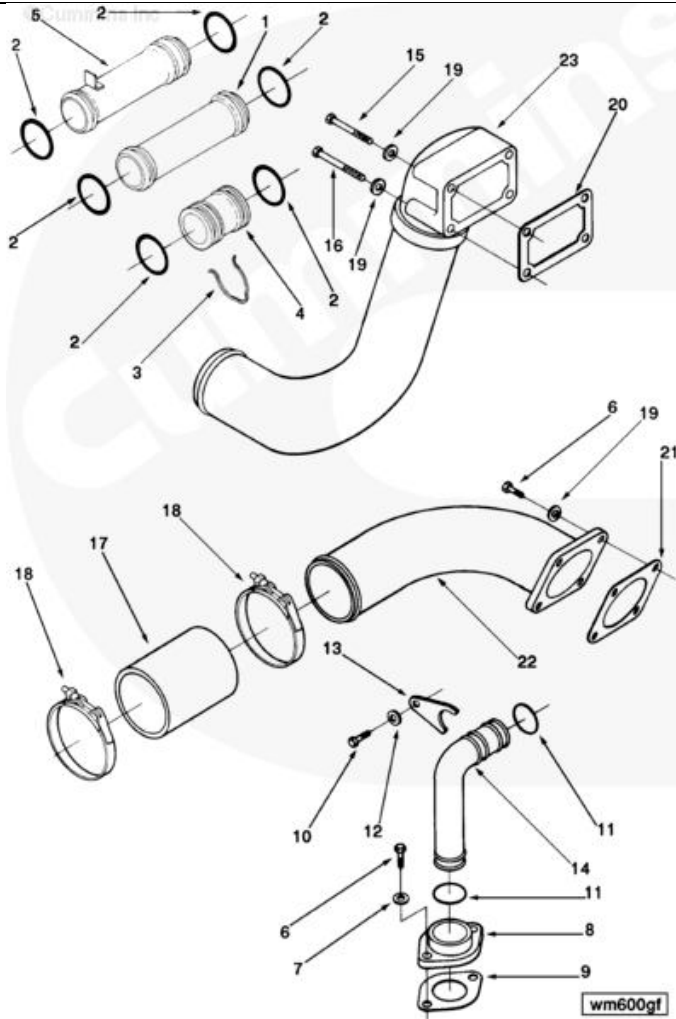
					Supply Method: Mounted
<input type="checkbox"/>	1	S 103 D	Hexagon Head Cap Screw	4	3/8 - 16 x 1 1/4 in.
<input type="checkbox"/>	2	S 604	Lock Washer	4	3/8 in.
<input type="checkbox"/>	3	3649463	Water Transfer Connection Gasket	1	
<input type="checkbox"/>	4	207538	Water Inlet Connection	1	
<input type="checkbox"/>	5	3628607	Pipe Plug	1	3/4-14.
	6	S 907		1	
<input type="checkbox"/>	7	4100771	Orifice Plug	1	

© 2017 Cummins Inc., Box 3005, Columbus, IN 47202-3005 U.S.A.
[Terms of Use and Disclaimers](#) | [Recommended System Requirements](#)
 Need Assistance? Please click on the Contact Us button in the top right corner of any page.



Parts Catalog - Option Detail

Electronic Parts Catalog - Option Detail				
Option	Group	Graphic	Film Card	Date
WM6016-05	08.07.1	wm600gf	K50	21-JUL-14
Engines	G50, K50, K50-DPM, QSK50 CM2150 K107, QSK50 CM2150 MCRS, QSK50 CM2350 K108, QSK50 CM850 MCRS, QSK50 DF CM850/CM2150 MCRS			



SMALL | MEDIUM | LARGE

Cart	Ref No	Part Number	Part Description	Required	Remarks
View My Cart					
		WM6016-05	Water Manifold		Water transfer tubes for use...(More)
					with dry exhaust manifolds.
					For KTTA50-C (2000).
<input type="checkbox"/>	1	206709	Water Transfer Tube	14	
<input type="checkbox"/>	2	3028291	O-Ring Seal	28	
<input type="checkbox"/>	3	205976	Retaining Ring	1	
<input type="checkbox"/>	4	3002956	Water Transfer Tube	1	

<input type="checkbox"/>	2	3028291	O-Ring Seal	4	
<input type="checkbox"/>	5	3642036	Water Transfer Tube	1	
<input type="checkbox"/>	6	S 103 D	Hexagon Head Cap Screw	6	3/8 - 16 x 1 1/4 in.
<input type="checkbox"/>	7	3036460	Spring Washer	2	
<input type="checkbox"/>	8	3054518	Water Transfer Connection	1	
<input type="checkbox"/>	9	3175517	Flange Gasket	1	
<input type="checkbox"/>	10	S 109	Hexagon Head Cap Screw	1	3/8 - 16 x 7/8 in.
	11	3175545	O-Ring Seal	2	
<input type="checkbox"/>	12	3036460	Spring Washer	1	
<input type="checkbox"/>	13	3054519	Tube Brace	1	
<input type="checkbox"/>	14	3628967	Water Transfer Tube	1	
<input type="checkbox"/>	15	S 102 D	Hexagon Head Cap Screw	2	3/8 - 16 x 3 in.
<input type="checkbox"/>	16	S 105	Hexagon Head Cap Screw	2	3/8 - 16 X 3 1/2 in.
<input type="checkbox"/>	17	60985	Plain Hose	1	
<input type="checkbox"/>	18	3633972	T-Bolt Clamp	2	
<input type="checkbox"/>	19	3036460	Spring Washer	8	
<input type="checkbox"/>	20	3049368	Connection Gasket	1	
<input type="checkbox"/>	21	3050944	Flange Gasket	1	
<input type="checkbox"/>	22	3055710	Water Bypass Tube	1	
<input type="checkbox"/>	23	3055712	Water Bypass Connection	1	

© 2017 Cummins Inc., Box 3005, Columbus, IN 47202-3005 U.S.A.
[Terms of Use and Disclaimers](#) | [Recommended System Requirements](#)
Need Assistance? Please click on the Contact Us button in the top right corner of any page.



Parts Catalog - Option Detail

Electronic Parts Catalog - Option Detail				
Option	Group	Graphic	Film Card	Date
WO6051-07	08.07.1	null	K50	28-MAR-16
Engines	G50, K50, K50-DPM, QSK50 CM2150 K107, QSK50 CM2150 MCRS, QSK50 CM2350 K108, QSK50 CM850 MCRS, QSK50 DF CM850/CM2150 MCRS			

Cart	Ref No	Part Number	Part Description	Required	Remarks
View My Cart					
		WO6051-07	Water Outlet Connection		Water Outlet Connection
		3630372	Hose Vent	1	
<input type="checkbox"/>		AS 4057 SS	Flexible Hose	1	
<input type="checkbox"/>		S 109	Hexagon Head Cap Screw	4	3/8 - 16 X 7/8 in.
<input type="checkbox"/>		S 604	Lock Washer	4	3/8 in.
<input type="checkbox"/>		69461	Male Connector	2	
<input type="checkbox"/>		108722	Clip	5	
<input type="checkbox"/>		109895	Oil Tube Bracket	2	
<input type="checkbox"/>		2870393	Flexible Hose	1	
<input type="checkbox"/>		3013786	Pipe Plug	1	3/8 NPT.
<input type="checkbox"/>		3175058	Clip	7	
<input type="checkbox"/>		3201128	Regular Hexagon Nut	4	3/8 - 16 UNC.
<input type="checkbox"/>		3626660	Male Union Cross	1	
<input type="checkbox"/>		3628902	Plain Washer	4	
		3633051	Thermostat And Support Assembly Housing	1	
<input type="checkbox"/>		S 103 D	Hexagon Head Cap Screw	8	3/8 - 16 X 1 1/4 in.
<input type="checkbox"/>		S 106 C	Hexagon Head Cap Screw	2	3/8 - 16 X 4 3/4 in.
<input type="checkbox"/>		S 141 C	Hexagon Head Cap Screw	4	3/8 - 16 X 6 3/4 in.
<input type="checkbox"/>		S 197	Hexagon Head Cap Screw	6	3/8 - 16 X 4 1/4 in.
<input type="checkbox"/>		3036460	Spring Washer	20	
<input type="checkbox"/>		3049364	Connection Gasket	2	
<input type="checkbox"/>		3052906	Thermostat Housing Gasket	1	
<input type="checkbox"/>		3052907	Water Transfer Connection	1	
<input type="checkbox"/>		3052908	Water Transfer Connection Gasket	1	
<input type="checkbox"/>		3060889	Thermostat Housing	1	
<input type="checkbox"/>		3349225	Thermostat	1	

<input type="checkbox"/>		3627961	Thermostat Seal	5	
<input type="checkbox"/>		3628604	Pipe Plug	1	1/8 - 27 X 0.3 in.
<input type="checkbox"/>		3628606	Pipe Plug	5	1/2 - 14.
<input type="checkbox"/>		3628607	Pipe Plug	2	3/4-14.
<input type="checkbox"/>		3628968	Thermostat Housing Support	1	
<input type="checkbox"/>		3629205	Thermostat	4	
<input type="checkbox"/>		3629729	Water Tube Bracket	1	
<input type="checkbox"/>		3630248	Water Outlet Connection	2	

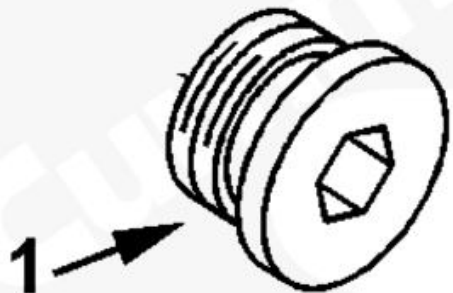
© 2017 Cummins Inc., Box 3005, Columbus, IN 47202-3005 U.S.A.
[Terms of Use and Disclaimers](#) | [Recommended System Requirements](#)
 Need Assistance? Please click on the Contact Us button in the top right corner of any page.



Parts Catalog - Option Detail

Electronic Parts Catalog - Option Detail				
Option	Group	Graphic	Film Card	Date
WO6705	08.07.1	wo602ga	K50	14-MAY-01
Engines	G50, K50, K50-DPM, QSK50 CM2150 K107, QSK50 CM2150 MCRS, QSK50 CM2350 K108, QSK50 CM850 MCRS, QSK50 DF CM850/CM2150 MCRS			

©Cummins Inc



wo602ga

[SMALL](#) | [MEDIUM](#) | [LARGE](#)

Cart	Ref No	Part Number	Part Description	Required	Remarks
View My Cart					
		WO6705	Water Outlet Connection		Pipe plug...(More)
					To be used when no compressor
					fitted.
<input type="checkbox"/>	1	3628609	Pipe Plug	1	3/8-18.

© 2017 Cummins Inc., Box 3005, Columbus, IN 47202-3005 U.S.A.
 Terms of Use and Disclaimers | Recommended System Requirements
 Need Assistance? Please click on the Contact Us button in the top right corner of any page.



Parts Catalog - Option Detail

Electronic Parts Catalog - Option Detail				
Option	Group	Graphic	Film Card	Date
BP6126-16	08.01	null	K50	01-JUL-16
Engines	G50, K50, K50-DPM, QSK50 CM2150 K107, QSK50 CM2150 MCRS, QSK50 CM2350 K108, QSK50 CM850 MCRS, QSK50 DF CM850/CM2150 MCRS			

Cart	Ref No	Part Number	Part Description	Required	Remarks
View My Cart					
		BP6126-16	Water Pump		Water Pump
		MP 5267	Water Pump Connection	1	
<input type="checkbox"/>		S 604	Lock Washer	2	3/8 in.
<input type="checkbox"/>		S 907 A	Pipe Plug	1	1 1/4 NPT.
<input type="checkbox"/>		108330	Plain Washer	4	3/8 in.
<input type="checkbox"/>		108707	Hexagon Head Cap Screw	2	3/8 - 16 X 1 1/2 in.
<input type="checkbox"/>		206457	O-Ring Seal	1	
<input type="checkbox"/>		3010596	Captive Washer Cap Screw	4	3/8 - 16 X 1 1/4 in.
<input type="checkbox"/>		3175857	Water Pump Support	1	
<input type="checkbox"/>		3628605	Pipe Plug	2	
<input type="checkbox"/>		3628606	Pipe Plug	1	
		MP 5273	Water Pump Mounting Support	1	
<input type="checkbox"/>		S 162 A	Hexagon Head Cap Screw	3	7/16 - 14 X 2 3/4 in.
<input type="checkbox"/>		S 610	Lock Washer	4	7/16 in.
<input type="checkbox"/>		103009	Hexagon Head Cap Screw	1	7/16 - 14 X 1 1/4 in.
<input type="checkbox"/>		206416	Support Gasket	1	
		MP 5274	Water Mounting Pump	1	
<input type="checkbox"/>		S 604	Lock Washer	4	3/8 in.
<input type="checkbox"/>		S 610	Lock Washer	4	7/16 in.
<input type="checkbox"/>		103009	Hexagon Head Cap Screw	4	7/16 - 14 X 1 1/4 in.
<input type="checkbox"/>		199919	Twelve Point Cap Screw	4	3/8 - 16 X 1 1/2 in.
<input type="checkbox"/>		206193	Water Pump Gasket	1	
<input type="checkbox"/>		206455	Water Pump Gasket	1	
<input type="checkbox"/>		3007512	O-Ring Seal	1	
<input type="checkbox"/>		3640685	O-Ring Adapter	1	
<input type="checkbox"/>		3050945	Water Inlet Connection	1	

<input type="checkbox"/>		3634065	Water Pump Support	1	
<input type="checkbox"/>		3628639	Water Pump Shaft	1	
<input type="checkbox"/>		68193	Pipe Plug	1	1/8 NPT.
		3627723	Shaft Retainer	1	
		3628187	Water Pump Shaft	1	
		3631805	Pipe Plug	1	
<input type="checkbox"/>		3634019	Expansion Plug	1	
		3634066	Water Pump Support	1	
<input type="checkbox"/>		3629855	Bushing	2	
		3631805	Pipe Plug	1	
		3634067	Water Pump Support	1	
<input type="checkbox"/>		4953334	Water Pump Gear	1	
		4372339	Water Pump	1	
<input type="checkbox"/>		S 16054	Ball Bearing	1	
<input type="checkbox"/>		S 16069	Ball Bearing	1	
<input type="checkbox"/>		70183	Retaining Ring	1	
<input type="checkbox"/>		206195	Spline Coupling Sleeve	1	
<input type="checkbox"/>		206196	Retaining Ring	1	
<input type="checkbox"/>		3004259	Expansion Plug	1	
<input type="checkbox"/>		3008466	Pipe Plug	1	1/4 NPT.
<input type="checkbox"/>		3030487	Bearing Spacer	1	
<input type="checkbox"/>		3050454	Water Pump Impeller	1	
<input type="checkbox"/>		3175573	Retaining Ring	1	
<input type="checkbox"/>		3634007	Water Pump Seal	1	
<input type="checkbox"/>		3638582	Draincock	1	
<input type="checkbox"/>		3643960	Oil Seal	1	
<input type="checkbox"/>		3643961	Water Pump Shaft	1	
<input type="checkbox"/>		4372333	Water Pump Body	1	
<input type="checkbox"/>		3678921	Threaded Plug	1	
<input type="checkbox"/>		3678912	O-Ring Seal	1	
		3678922	Threaded Plug	1	
<input type="checkbox"/>		4376118	Water Pump Kit	A/R	
<input type="checkbox"/>		206193	Water Pump Gasket	1	
<input type="checkbox"/>		206455	Water Pump Gasket	1	
<input type="checkbox"/>		206457	O-Ring Seal	1	
<input type="checkbox"/>		3007512	O-Ring Seal	1	

<input type="checkbox"/>		3252438	Tube Connector	1	
<input type="checkbox"/>		3650016	Water Drain Tube	1	
		4372339	Water Pump	1	

© 2017 Cummins Inc., Box 3005, Columbus, IN 47202-3005 U.S.A.
[Terms of Use and Disclaimers](#) | [Recommended System Requirements](#)
 Need Assistance? Please click on the Contact Us button in the top right corner of any page.