

# Parts Manual



See "General Information"  
for New Parts Manual  
Features.

---

## **3512C Engine**

---

LLA1-Up (Engine)

This Parts Manual is also available on Compact Disc (CD-ROM)-Caterpillar  
Form No. SERP4364



# Product and Dealer Information

Note: For product identification plate locations, see the section "Product Identification Information" in the Operation and Maintenance Manual.

Delivery Date: \_\_\_\_\_

## Product Information

Model: \_\_\_\_\_

Product Identification Number: \_\_\_\_\_

Engine Serial Number: \_\_\_\_\_

Transmission Serial Number: \_\_\_\_\_

Generator Serial Number: \_\_\_\_\_

Attachment Serial Numbers: \_\_\_\_\_

Attachment Information: \_\_\_\_\_

Customer Equipment Number: \_\_\_\_\_

Dealer Equipment Number: \_\_\_\_\_

## Dealer Information

Name: \_\_\_\_\_ Branch: \_\_\_\_\_

Address: \_\_\_\_\_

\_\_\_\_\_

\_\_\_\_\_

Dealer Contact

Phone Number

Hours

Sales: \_\_\_\_\_

Parts: \_\_\_\_\_

Service: \_\_\_\_\_

# MEMORANDA

# TABLE OF CONTENTS

Name	Page	Name	Page
<b>GENERAL INFORMATION</b> .....	A3	FILLER GP-ENGINE OIL .....	96
<b>REPAIR ALTERNATIVES</b> .....	A5	FILTER GP-CENTRIFUGAL .....	97
<b>SUPPLEMENTAL COOLANT ADDITIVES</b> .....	A6	FILTER GP-ENGINE OIL .....	99
<b>MAINTENANCE PARTS</b> .....	A7	FILTER GP-FUMES .....	107
<b>INDEX</b> .....	A9	FILTER GP-FUMES DISPOSAL .....	109
<b>ENGINE ARRANGEMENT</b> .....	1	FUMES DISPOSAL GP .....	112
ENGINE AR .....	1	GAUGE GP-OIL LEVEL (DIPSTICK) .....	114
<b>BASIC ENGINE</b> .....	3	LINES GP-CENTRIFUGAL FILTER .....	115
BARRING GP .....	3	LINES GP-ENGINE OIL .....	116
BASE GP-VALVE COVER .....	5	LINES GP-TURBOCHARGER OIL .....	122
CAMSHAFT GP .....	6	PUMP GP-ENGINE OIL .....	124
COUPLING GP-FLEXIBLE .....	7	PUMP GP-SUMP .....	127
COVER GP-CYLINDER BLOCK .....	11	REGULATOR GP-OIL LEVEL .....	128
COVER GP-ENGINE LIFTING EYE .....	12	<b>COOLING SYSTEM</b> .....	132
COVER GP-FLYWHEEL HOUSING .....	13	CONNECTION GP-WATER .....	132
COVER GP-FRONT HOUSING .....	15	COOLER GP-ENGINE OIL .....	134
COVER GP-OIL PAN .....	16	CORE GP-OIL COOLER .....	135
COVER GP-VALVE MECHANISM .....	17	FAN GP-BLOWER .....	136
CRANKSHAFT GP .....	18	HOUSING & REGULATOR GP .....	137
CYLINDER BLOCK AS .....	20	LINES GP-WATER .....	139
CYLINDER BLOCK GP .....	24	PUMP GP-AUXILIARY WATER .....	157
CYLINDER HEAD AS .....	31	PUMP GP-WATER .....	163
CYLINDER HEAD GP .....	35	<b>AIR INLET AND EXHAUST SYSTEM</b> .....	167
DAMPER GP .....	46	ADAPTER GP-AIR CLEANER .....	167
DRAIN GP-ENGINE OIL .....	48	AFTERCOOLER GP-TREATED	
DRIVE GP-ACCESSORY .....	50	WATER .....	169
DRIVE GP-FAN .....	54	AIR CLEANER GP .....	170
FASTENER GP-COUPLING .....	55	DAMPER GP-AIR SHUTOFF .....	186
FLYWHEEL GP .....	56	ELBOW-EXHAUST .....	187
GEAR GP-FRONT .....	57	FITTING GP-EXHAUST .....	189
GEAR GP-REAR .....	59	FLANGE GP-EXHAUST .....	192
GUARD GP-BELT .....	61	INDICATOR GP-AIR FILTER CHANGE .....	195
GUARD GP-COUPLING .....	64	LINES GP-AIR .....	197
GUARD GP-DAMPER .....	68	MANIFOLD GP-EXHAUST .....	199
HOUSING GP-FLYWHEEL .....	70	MOUNTING GP-AIR CLEANER .....	201
HOUSING GP-FRONT .....	71	MUFFLER .....	211
HUB-FLEXIBLE COUPLING .....	72	MUFFLER GP-SPARK ARRESTOR .....	212
LIFTING GP-ENGINE .....	74	PRECLEANER GP .....	214
MOUNTING GP-ALTERNATOR .....	75	SHUTOFF AS-AIR .....	215
MOUNTING GP-ENGINE .....	79	SHUTOFF GP-AIR .....	216
PAN GP-OIL .....	80	TURBOCHARGER GP .....	232
PISTON & ROD GP .....	83	VALVE GP-AIR CONTROL .....	234
PULLEY AS-CRANKSHAFT .....	85	<b>FUEL SYSTEM</b> .....	235
SEAL GP-CRANKSHAFT .....	87	CONTROL AS-GOVERNOR .....	235
VALVE GP-EXPLOSION RELIEF .....	88	FILTER GP-FUEL .....	238
VALVE MECHANISM GP .....	89	FILTER GP-PRIMARY FUEL .....	250
<b>LUBRICATION SYSTEM</b> .....	93	LINES GP-FLEXIBLE FUEL .....	251
BREATHER GP .....	93	LINES GP-FUEL INJECTION .....	252
		MANIFOLD GP-FUEL .....	258
		PUMP GP-FUEL INJECTION .....	260
		PUMP GP-FUEL PRIMING .....	261
		PUMP GP-FUEL TRANSFER .....	264

# TABLE OF CONTENTS

Name	Page	Name	Page
SEPARATOR GP-WATER .....	266	WIRING GP-PANEL .....	380
		WIRING GP-PYROMETER .....	383
		WIRING GP-SENSOR .....	384
<b>ELECTRICAL AND STARTING SYSTEM</b> .....	<b>267</b>	<b>ENCLOSURES, GUARDS AND BASES</b> .....	<b>385</b>
ALTERNATOR GP-CHARGING .....	267	BASE AS .....	385
BATTERY CHARGER .....	280	GUARD GP-EXTENSION .....	386
BOX & MOUNTING GP .....	281	RAIL GP-ENGINE SUPPORT .....	388
BOX GP-CONTROL .....	282	SUPPORT GP-POWER MODULE .....	389
BOX GP-GENERATOR CONNECTION .....	286	<b>GENERATORS</b> .....	<b>390</b>
BOX GP-JUNCTION .....	288	MOUNTING GP-GENERATOR .....	390
CABLE AS-COMMUNICATION .....	290	<b>OPERATOR STATION</b> .....	<b>392</b>
CONNECTION GP-ELECTRICAL .....	291	BOX GP-INSTRUMENT PANEL .....	392
CONTACTOR GP .....	292	CONTROL GP-ENGINE MONITORING .....	400
CONTACTOR-PRESSURE .....	293	MODULE GP-ALARM .....	407
CONTACTOR-TEMPERATURE .....	294	MODULE GP-QUAD GAUGE .....	408
CONTROL & MTG GP-ENGINE ELEK .....	295	MODULE GP-SYSTEM	
CONTROL GP-AIR STARTING .....	296	COMMUNICATION .....	411
CONTROL GP-COMMUNICATION .....	297	MOUNTING GP-CONTROL PANEL .....	413
CONTROL GP-CONVERTER .....	298	MOUNTING GP-INSTRUMENT PANEL .....	414
CONTROL GP-ELECTRONIC .....	299	PANEL GP-ANNUNCIATOR .....	416
CONTROL GP-ENGINE ELECTRONIC .....	300	PYROMETER GP .....	421
CONTROL GP-JACKET WATER		<b>SERVICE EQUIPMENT AND SUPPLIES</b> .....	<b>423</b>
HEATER .....	304	CHART-PLATE & FILM .....	423
CONVERTER GP-ELECTRICAL .....	305	FILM GP .....	423
ENCLOSURE GP-WIRING .....	306	KIT-SENSOR POCKET .....	424
FRAME GP-GENERATOR		SHIM PACK .....	425
CONNECTION .....	308	<b>PART NUMBER INDEX</b> .....	<b>B1</b>
GROUND GP-ELECTRICAL .....	309		
HARNESS AS-CONTROL .....	310		
HARNESS AS-ENGINE .....	311		
HARNESS AS-PANEL .....	312		
HEATER GP-JACKET WATER .....	314		
LINES GP-AIR STARTING .....	318		
LUBRICATOR GP-AIR MOTOR .....	324		
MOUNTING GP-BOX .....	327		
MOUNTING GP-CONTACTOR .....	328		
MOUNTING GP-JACKET WTR			
HEATER .....	330		
RESISTOR GP .....	342		
SENSOR & MTG GP-ELECTRIC .....	343		
SENSOR GP-COOLANT LEVEL .....	344		
SENSOR GP-EXHAUST			
TEMPERATURE .....	345		
SENSOR GP-LIQUID LEVEL .....	346		
SENSOR GP-PARTICLE .....	348		
SENSOR GP-PRESSURE .....	349		
SENSOR GP-SPEED .....	352		
SENSOR GP-TEMPERATURE .....	358		
SILENCER GP-AIR STARTING .....	360		
STARTING MOTOR GP-AIR .....	362		
SWITCH AS-TOGGLE .....	368		
THERMOCOUPLE GP .....	369		
VALVE AS-SOLENOID .....	370		
VALVE GP-PRESSURE REDUCING .....	371		
WIRE AS .....	372		
WIRING GP-ENGINE .....	373		

# GENERAL INFORMATION

## 1. ENGINE IDENTIFICATION

Caterpillar engines are identified with Serial Numbers and Arrangement Numbers. In some cases, Modification Numbers are also used. The serial number plate which shows these numbers is mounted on the engine.

Caterpillar dealers need this information to determine which components were included on the engine when it was assembled at the factory. This permits accurate identification of replacement part numbers.

## 2. ORDERING PARTS



**When replacement parts are required for this product Caterpillar recommends using Caterpillar replacement parts or parts with equivalent specifications including, but not limited to, physical dimensions, type, strength and material.**

**Failure to heed this warning can lead to premature failures, product damage, personal injury or death.**

Quality Caterpillar replacement parts are available from Caterpillar dealers throughout the world. Their parts inventories are up to date and include all parts normally required to protect your investment in Caterpillar Engines. Dealers may offer repair kits or remanufactured parts to allow selection of the most effective repair alternative for a particular situation. When ordering parts, your order should specify the quantity, part number, part name, and the serial number/product identification number of the engine for which the parts are needed.

## 3. PARTS MANUAL ORGANIZATION

Product information in this manual is presented as "information elements" that represent all of the components for the specific model. An Engine Arrangement is an example of an information element. The information elements are organized alphabetically by part name and secondarily by part number within each major section of the manual.

## 4. TABLE OF CONTENTS

A table of contents (TOC) is found at the beginning of the manual. The TOC lists each section of the manual with a complete list of all information elements organized as they appear in the manual. Page numbers are provided for quick reference to detailed parts identification illustrations and serviceable consist lists.

## 5. MAINTENANCE PARTS INDEX

The Maintenance Parts Index, located near the beginning of the manual, references most frequently used maintenance part numbers, providing description, quantity, usage and page number. This information is organized alphabetically by part description.

## 6. INDEX

The index located near the front of the manual is an alphabetical listing of all information elements included in the manual. Page numbers are provided for quick reference to detailed parts identification illustrations and serviceable consist lists.

## 7. PART NUMBER INDEX

A numerical index listing all part numbers and the corresponding page number(s) appears at the back of the manual.

## 8. CAPTIONS

Captions located at the beginning each information element identify the part number and part name along with additional descriptive information. S/N information found in each caption should be used to select correct information for a specific engine. Field replacement options, identification of optional attachment components, and where used ("part of") information is also provided.

The first line of a caption is shown in larger type font to indicate the beginning of an information element. Captions for additional pages that may be required to illustrate an information element will be shown in standard type font and will include the term (*contd.*) .

## 9. NON-SERVICED PARTS

In some instances it is necessary to display non-serviced parts that are a link to lower level serviceable consist lists. These non-serviced part numbers are shown in *italic* type indicating that they are not available. All consist lists have not been converted to reflect this enhancement.

# GENERAL INFORMATION

## 10. PARTS LIST REFERENCE NUMBERS

Numbers shown in the Ref No column correspond to numbers used in the associated graphic(s). An alphabetic suffix may be added to a reference number to identify lower level consist items. Numbers shown in the Graphic Ref column refer to the graphic number identifier displayed in the lower left corner of each illustration. The Graphic Ref number may be used in combination with the item Ref No to determine the correct part number. There may be intentional omission of a Ref No in a consist list as information is updated to reflect the latest serviceable part numbers.

## 11. INDENTED PART NAMES

When a part name is indented in a parts list, it is part of (included in) the group or assembly under which it is indented.

## 12. ILLUSTRATION REFERENCE LETTERS

When necessary, illustrations contain reference letters (A, B, C etc.) that are intended to track lines and harnesses from one point to another. They are also used to show where to reconnect illustrations that have been separated.

## 13. ABBREVIATIONS AND SYMBOLS

**O.D.** – Outside Diameter  
**I.D.** – Inside Diameter  
**A** – Not Part Of This Group  
**B** – Use As Required  
**C** – Change From Previous Type  
**D** – Order By The Meter  
**E** – Order By The Centimeter  
**F** – Not Shown  
**G** – Order By The Inch  
**I** – Refer To Hydraulic Information System  
**M** – Metric Part  
**R** – Remfg Part May Be Available  
**Y** – Separate Illustration  
**Z** – Not Serviced Separately



## 14. DESCRIPTION OF TYPE CHANGES

Type - A type is defined as any configuration change that requires an additional Information Element for an Arrangement, Group, or Assembly. If serial number breaks for types are not available, a type # ( Type 1, Type 2, etc.) will be displayed in the caption. These "type" changes are identified with a "C" note (change from previous type) in the Parts List. Only the "types" that apply to this Parts Manual will be included. Additional types may exist causing "C" notes to appear on an Information Element when no other types are shown.

## 15. <END>

This symbol indicates the end of an information element.

### NOTE:

**Continuing improvement and advancement of product design may cause changes to your engine which may not be included in this publication. Whenever a question arises regarding your Caterpillar product or this publication, please consult your Caterpillar dealer for the latest available information.**



# REPAIR ALTERNATIVES

## REMANUFACTURED COMPONENTS

As an option when making repairs consider Caterpillar Remanufactured Components. Components that are available through the Caterpillar Remanufactured Program are identified three ways in the parts book:

- with the letter R in the note field of the parts list
- with an R\* at the beginning of the first line of the caption
- with an \*R at the end of the first line of the caption

Typical components included in the Remanufacturing Program include:

ALTERNATORS  
CONNECTING RODS  
CRANKSHAFTS - UNDERSIZE  
CRANKSHAFTS - UPGRADE TO NEW  
CYLINDER HEADS  
ELECTRONIC CONTROL MODULES (ECM)  
ELECTRONIC SENSORS  
FUEL INJECTORS  
FUEL NOZZLES  
FUEL PUMPS  
GOVERNORS  
OIL PUMPS  
PISTONS  
SHORT BLOCKS  
STARTERS  
TURBOCHARGERS - COMPLETE  
TURBOCHARGER CARTRIDGES  
WATER PUMPS

Caterpillar Remanufactured engines for many engine arrangements are also available.

# SUPPLEMENTAL COOLANT ADDITIVES

**CUSTOMER BENEFITS:**

Protects against cavitation, foam, erosion, corrosion, and scale buildup in cooling systems.

- Provides measured coolant conditioner.

**DESCRIPTION:**

Additives deplete from the coolant with normal operation. For this reason, Supplemental Coolant Additives (SCA) must be added to all heavy duty coolants at regular intervals. In addition, when not using a fully formulated, pre-charged antifreeze, like Caterpillar's DEAC, an initial charge of SCA must be added to the cooling system. The amount of SCA added to the system is dependent on the capacity of the system.

The SCA for initial fill is provided as a liquid. SCA's for maintenance intervals are available in liquid form and as a spin-on element. (No Spin-on available for 3600 Family of Engines)

**NOTE:**

The amount of SCA added at initial fill is not the same as the amount added at maintenance intervals.

The coolant additive elements can be used with any ethylene or propylene glycol type antifreeze which meets ASTM D4985 or ASTM D5345 Specifications.

**NOTE:**

For use with standard heavy duty coolant only, not for use with Extended Life Coolant.

**PARTS NEEDED:**

Cooling System Capacity		Liquid SCA at Initial Fill	Liquid SCA at Maintenance*	Spin-on SCA Maintenance Element*
Liters	Gallons			
22-30	(6-8)	3P-2044 (1)	6V-3542 (1)	111-2370 (1)
30-38	(8-10)	3P-2044 (1) 6V-3542 (1)	111-2372 (1)	111-2369 (1)
38-49	(10-13)	3P-2044 (1) 8T-1589 (1)	111-2372 (1)	111-2369 (1)
49-64	(13-17)	3P-2044 (2)	8T-1589 (1)	9N-3368 (1)
64-83	(17-22)	3P-2044 (2) 8T-1589 (1)	111-2372 (1) 6V-3542 (1)	111-2371 (1)
83-114	(22-30)	3P-2044 (3) 8T-1589 (1)	3P-2044 (1)	9N-3718 (1)
114-163	(30-43)	3P-2044 (5)	3P-2044 (1) 6V-3542 (1)	111-2371 (2)
163-242	(43-64)	3P-2044 (8)	3P-2044 (2)	9N-3718 (2)

\* Normal maintenance period is 250 hrs. See your Operation and Maintenance Manual for complete coolant maintenance instructions.

( ) Indicates quantity required.

# MAINTENANCE PARTS

DESCRIPTION	PART NUMBER	QTY	WHERE USED	PAGE
<b>AIR INLET AND EXHAUST SYSTEM</b>				
FILTER ELEMENT AS-AIR (PRIMARY)	8N-6309	1	AIR CLEANER GP	170
		1	AIR CLEANER GP	171
		1	AIR CLEANER GP	173
FILTER ELEMENT AS-AIR (SECONDARY)	8N-2556	1	AIR CLEANER GP	170
FILTER-SOOT (AIR CLEANER)	8N-2555	2	AIR CLEANER GP	174
<b>BASIC ENGINE</b>				
BELT-SERPENTINE (ALTERNATOR)	141-7116	1	MOUNTING GP-ALTERNATOR	75
		1	MOUNTING GP-ALTERNATOR	77
BOLT (3/8-16X2-IN)	0S-1590	4	MOUNTING GP-ALTERNATOR	77
		2	VALVE MECHANISM GP	91
PLUG-OIL DRAIN (ENGINE OIL PAN)	4B-2363	2	PAN GP-OIL	81
SCREEN AS-SUCTION (ENGINE OIL PAN)	1W-1564	1	PAN GP-OIL	81
SEAL-VALVE COVER (BASE)	272-0760	1	COVER GP-VALVE MECHANISM	17
<b>COOLING SYSTEM</b>				
PLUG-DRAIN (OIL COOLER) (OIL COOLER)	9M-4202	1	LINES GP-WATER	141
		1	LINES GP-WATER	143
REGULATOR-TEMPERATURE (30-DEG C)	219-3240	2	HOUSING & REGULATOR GP	138
REGULATOR-TEMPERATURE (92-DEG C) (WATER)	248-5513	4	HOUSING & REGULATOR GP	137
<b>ELECTRICAL AND STARTING SYSTEM</b>				
BOLT (3/8-16X2-IN)	0S-1590	1	WIRING GP-ENGINE	374
		1	WIRING GP-ENGINE	377
BREATHER (ATMOSPHERIC AIR)	9G-5127	1	WIRING GP-ENGINE	374
		1	WIRING GP-ENGINE	377
CIRCUIT BREAKER AS (5-AMPERE)	138-4959	1	BOX GP-CONTROL	282
CIRCUIT BREAKER AS (63-AMPERE)	125-7096	1	WIRING GP-PANEL	381
SCREEN AS (AIR INLET)	128-7262	1	BOX GP-GENERATOR CONNECTION	286
SCREEN-STRAINER (PRESSURE REDUCING VALVE)	252-9298	1	VALVE GP-PRESSURE REDUCING	371
<b>FUEL SYSTEM</b>				
BOLT (3/8-16X2-IN)	0S-1590	1	FILTER GP-FUEL	244
FILTER ELEMENT-FUEL (ADVANCED EFFICIENCY)	1R-0756	5	FILTER GP-FUEL	238
		5	FILTER GP-FUEL	240
		5	FILTER GP-FUEL	242
		5	FILTER GP-FUEL	244
		5	FILTER GP-FUEL	246
		5	FILTER GP-FUEL	248
FILTER ELEMENT-FUEL (PRIMARY)	9M-2342	1	FILTER GP-PRIMARY FUEL	250
FILTER ELEMENT-FUEL (WATER SEPARATOR)	134-6307	2	SEPARATOR GP-WATER	266
GASKET (FUEL PRIMING PUMP)	9Y-8389	1	PUMP GP-FUEL PRIMING	261
GASKET (PRIMING PUMP/COVER)	9Y-8389	1	FILTER GP-FUEL	246

# MAINTENANCE PARTS

DESCRIPTION	PART NUMBER	QTY	WHERE USED	PAGE
<b>LUBRICATION SYSTEM</b>				
BOLT (3/8-16X2-IN)	0S - 1590	2	LINES GP-TURBOCHARGER OIL	122
BREATHER AS (CRANKCASE)	4W - 3027	3	BREATHER GP	93
		6	BREATHER GP	95
CAP AS-ENGINE OIL FILLER	7L - 4447	1	FILLER GP-ENGINE OIL	96
ELEMENT-BREATHER (FUMES DISPOSAL)	275 - 2276	1	FILTER GP-FUMES	107
		1	FILTER GP-FUMES	108
FILTER ELEMENT AS-ENGINE OIL (STANDARD EFFICIENCY)	1R - 0726	3	FILTER GP-ENGINE OIL	99
		3	FILTER GP-ENGINE OIL	101
		3	FILTER GP-ENGINE OIL	104
SEAL-VALVE COVER	272 - 0760	6	BREATHER GP	95
SEAL-VALVE COVER (BREATHER)	272 - 0760	3	BREATHER GP	93
<b>OPERATOR STATION</b>				
BATTERY (LITHIUM) (3-VOLT)	101 - 1785	1	MODULE GP-SYSTEM COMMUNICATION	412
CIRCUIT BREAKER AS (10-AMPERE)	114 - 1142	4	BOX GP-INSTRUMENT PANEL	392
		4	BOX GP-INSTRUMENT PANEL	397
CIRCUIT BREAKER AS (16-AMPERE)	114 - 1143	1	BOX GP-INSTRUMENT PANEL	392
		1	BOX GP-INSTRUMENT PANEL	397
CIRCUIT BREAKER AS (32-AMPERE)	107 - 5857	1	BOX GP-INSTRUMENT PANEL	393
		1	BOX GP-INSTRUMENT PANEL	397
CIRCUIT BREAKER AS (5-AMPERE)	138 - 4959	1	PANEL GP-ANNUNCIATOR	416
		1	PANEL GP-ANNUNCIATOR	418
CIRCUIT BREAKER AS (50-AMPERE)	116 - 7655	1	BOX GP-INSTRUMENT PANEL	393
		1	BOX GP-INSTRUMENT PANEL	397
CIRCUIT BREAKER AS (63-AMPERE)	107 - 5856	1	BOX GP-INSTRUMENT PANEL	392
		1	BOX GP-INSTRUMENT PANEL	396
FLASHER AS (CONTROL)	131 - 5377	1	PANEL GP-ANNUNCIATOR	416
		1	PANEL GP-ANNUNCIATOR	418
FUSE (10-AMPERE)	3K - 8782	10	CONTROL GP-ENGINE MONITORING	400
LAMP-LED (24-VOLT, AMBER)	125 - 9956	2	PANEL GP-ANNUNCIATOR	416
		2	PANEL GP-ANNUNCIATOR	418

# INDEX

Name	Page	Name	Page
<b>A</b>		BREATHER GP-CRANKCASE .....	95
ADAPTER GP-AIR CLEANER .....	167	<b>C</b>	
	168	CABLE AS-COMMUNICATION .....	290
AFTERCOOLER GP-TREATED WATER .....	169	CAMSHAFT GP .....	6
AIR CLEANER GP .....	170	CAP AS-ENGINE OIL FILLER .....	96
	171	CHART-PLATE & FILM .....	423
	172	CIRCUIT BREAKER AS (10-AMPERE) .....	392
	173		397
	174	CIRCUIT BREAKER AS (16-AMPERE) .....	392
	175		397
	177	CIRCUIT BREAKER AS (32-AMPERE) .....	393
	178		397
	180	CIRCUIT BREAKER AS (5-AMPERE) .....	282
AIR CLEANER GP-PRECLEANER .....	182		416
	184		418
ALTERNATOR GP-CHARGING .....	267	CIRCUIT BREAKER AS (50-AMPERE) .....	393
	270		397
	273	CIRCUIT BREAKER AS (63-AMPERE) .....	381
	274		392
	276		396
	278	CONNECTION GP-ELECTRICAL .....	291
<b>B</b>		CONNECTION GP-WATER-OUTLET .....	132
BARRING GP-LH .....	3		133
BARRING GP-RH .....	4	CONTACTOR GP .....	292
BASE AS .....	385	CONTACTOR-PRESSURE .....	293
BASE GP-VALVE COVER-ROCKER ARM .....	5	CONTACTOR-TEMPERATURE-COOLANT .....	294
BATTERY (LITHIUM) (3-VOLT) .....	412	CONTROL & MTG GP-ENGINE ELEK- PRIMARY .....	295
BATTERY CHARGER .....	280	CONTROL AS-GOVERNOR-LOAD SHARE .....	236
BELT-SERPENTINE (ALTERNATOR) .....	75		237
	77	CONTROL AS-GOVERNOR- LOAD SHARE MODULE .....	235
BOLT (3/8-16X2-IN) .....	77	CONTROL GP-AIR STARTING .....	296
	91	CONTROL GP-COMMUNICATION-PL1000E .....	297
	122	CONTROL GP-COMMUNICATION-PL1000T .....	297
	244	CONTROL GP-CONVERTER .....	298
	374	CONTROL GP-ELECTRONIC .....	299
	377	CONTROL GP-ENGINE ELECTRONIC .....	301
BOX & MOUNTING GP- POWER DISTRIBUTION .....	281		302
BOX GP-CONTROL-OVERSPEED .....	282		303
	285	CONTROL GP-ENGINE ELECTRONIC- RELAY .....	300
BOX GP-GENERATOR CONNECTION .....	286	CONTROL GP-ENGINE MONITORING .....	402
BOX GP-INSTRUMENT PANEL .....	392		403
	396		404
	399	CONTROL GP-ENGINE MONITORING- DISCRETE INPUT/OUTPUT .....	405
BOX GP-JUNCTION- JACKET WATER HEATER .....	288		406
BREATHER (ATMOSPHERIC AIR) .....	374	CONTROL GP-ENGINE MONITORING- PROGRAMMABLE RELAY .....	400
	377	CONTROL GP-ENGINE MONITORING- PROGRAMMABLE RELAY CONTROL MODULE .....	401
BREATHER AS (CRANKCASE) .....	93		
	95		
BREATHER GP .....	93		



# INDEX

Name	Page	Name	Page
<b>H</b>			
FILTER ELEMENT-FUEL (WATER SEPARATOR) .....	266	HARNESS AS-CONTROL-PL1000E .....	310
FILTER GP-CENTRIFUGAL .....	97	HARNESS AS-CONTROL-PL1000T .....	310
	98	HARNESS AS-ENGINE .....	311
FILTER GP-ENGINE OIL-LH .....	101		374
	104		377
FILTER GP-ENGINE OIL-RH .....	99	HARNESS AS-PANEL .....	418
FILTER GP-FUEL-LH .....	238	HARNESS AS-PANEL (CUSTOMER CONNECTION) .....	393
	244		397
	246	HARNESS AS-PANEL (INSTRUMENT) .....	393
	248		397
FILTER GP-FUEL-RH .....	240	HARNESS AS-PANEL (PYROMETER) (LH) .....	422
	242	HARNESS AS-PANEL (PYROMETER) (RH) .....	421
FILTER GP-FUMES .....	107	HARNESS AS-PANEL (QUAD GAUGE MODULE) .....	393
	108		396
FILTER GP-FUMES DISPOSAL .....	109		397
FILTER GP-PRIMARY FUEL .....	250	HARNESS AS-PANEL-INSTRUMENT .....	313
FILTER-SOOT (AIR CLEANER) .....	174	HARNESS AS-PANEL-INTERCONNECT .....	312
FITTING GP-EXHAUST .....	189	HARNESS AS-PANEL- PYROMETER INTERCONNECT .....	312
FITTING GP-EXHAUST-FLEXIBLE .....	190	HARNESS AS-SENSOR .....	384
	191	HARNESS AS-SENSOR (SPEED) .....	282
FLANGE GP-EXHAUST .....	192	HARNESS AS-SENSOR (TEMPERATURE) .....	373
	193	HARNESS AS-WIRING (AIR SHUTOFF) .....	380
	194	HARNESS AS-WIRING (ALTERNATOR) .....	381
FLASHER AS (CONTROL) .....	416	HARNESS AS-WIRING (CONVERTER) .....	298
	418	HARNESS AS-WIRING (ELECTRONIC CONTROL MODULE) .....	282
FLYWHEEL GP .....	56	HARNESS AS-WIRING (INTERNAL COMPONENTS) .....	282
FRAME GP-GENERATOR CONNECTION .....	308	HARNESS AS-WIRING (JACKET WATER HEATER, LH) .....	288
FUMES DISPOSAL GP .....	112	HARNESS AS-WIRING (JACKET WATER HEATER, RH) .....	288
	113	HARNESS AS-WIRING (POWER) .....	282
FUSE (10-AMPERE) .....	400	HARNESS AS-WIRING (PYROMETER) .....	383
		HARNESS AS-WIRING (SPEED CONTROL) .....	382
		HARNESS AS-WIRING (VALVE MECHANISM) .....	89
			91
		HEATER GP-JACKET WATER .....	314
			315
			316
			317
		HOUSING & REGULATOR GP .....	138
		HOUSING & REGULATOR GP- OUTLET CONTROL .....	137
		HOUSING GP-FLYWHEEL-REAR MOUNT .....	70
		HOUSING GP-FRONT-ACCESSORY DRIVE .....	71
		HUB-FLEXIBLE COUPLING .....	72
			73

## G

GASKET (FUEL PRIMING PUMP) .....	261
GASKET (PRIMING PUMP/COVER) .....	246
GAUGE AS-OIL LEVEL (DIPSTICK) .....	114
GAUGE GP-OIL LEVEL (DIPSTICK) .....	114
GEAR GP-FRONT- LOW SPEED, STANDARD ROTATION .....	57
GEAR GP-REAR-CAMSHAFT DRIVE .....	59
GROUND GP-ELECTRICAL-ALTERNATOR .....	309
GUARD GP-BELT-ALTERNATOR .....	61
	62
	63
GUARD GP-COUPLING-FLYWHEEL .....	64
	65
	66
	67
GUARD GP-DAMPER .....	68
	69
GUARD GP-EXTENSION .....	386
	387

# INDEX

Name	Page	Name	Page
<b>I</b>			
INDICATOR GP-AIR FILTER CHANGE .....	195	MOUNTING GP-AIR CLEANER .....	201
	196		202
INDICATOR-AIR FILTER SERVICE .....	195		206
	196	MOUNTING GP-ALTERNATOR .....	75
INJECTOR GP-FUEL .....	260		77
<b>K</b>			
KIT-SENSOR POCKET- TEMPERATURE CONTACTOR .....	424	MOUNTING GP-BOX- JACKET WATER HEATER .....	327
<b>L</b>			
LAMP-LED (24-VOLT, AMBER) .....	416	MOUNTING GP-CONTACTOR- ALARM OR SHUTOFF .....	328
	418	MOUNTING GP-CONTROL PANEL .....	413
LIFTING GP-ENGINE .....	74	MOUNTING GP-ENGINE .....	79
LINES GP-AIR .....	197	MOUNTING GP-GENERATOR .....	390
LINES GP-AIR STARTING .....	322		391
LINES GP-AIR STARTING-RH .....	318	MOUNTING GP-INSTRUMENT PANEL-LH .....	414
	320	MOUNTING GP-JACKET WTR HEATER-LH .....	330
LINES GP-CENTRIFUGAL FILTER .....	115		334
LINES GP-ENGINE OIL-COOLER .....	116		340
	119	MOUNTING GP-JACKET WTR HEATER-RH .....	332
LINES GP-FLEXIBLE FUEL .....	251		336
LINES GP-FUEL INJECTION .....	252		338
	255	MUFFLER .....	211
LINES GP-TURBOCHARGER OIL .....	122	MUFFLER GP-SPARK ARRESTOR .....	212
LINES GP-WATER-AFTERCOOLER .....	150		213
	154	<b>P</b>	
LINES GP-WATER-BYPASS .....	139	PAN GP-OIL .....	80
	140		81
LINES GP-WATER-LOWER .....	141	PANEL GP-ANNUNCIATOR .....	416
	143		418
LINES GP-WATER-TURBOCHARGER .....	147	PISTON & ROD GP .....	83
LINES GP-WATER-UPPER .....	145	PLUG-DRAIN (OIL COOLER) (OIL COOLER) .....	141
LUBRICATOR GP-AIR MOTOR .....	318		143
	320	PLUG-OIL DRAIN (ENGINE OIL PAN) .....	81
	322	PRECLEANER GP .....	214
	324	PULLEY AS-CRANKSHAFT .....	85
	325		86
	326	PUMP GP-AUXILIARY WATER .....	157
<b>M</b>			
MANIFOLD GP-EXHAUST .....	199		158
MANIFOLD GP-FUEL-LH .....	259		159
MANIFOLD GP-FUEL-RH .....	258		160
MODULE GP-ALARM .....	407		161
MODULE GP-QUAD GAUGE .....	408	PUMP GP-ENGINE OIL-2-SECTION GEAR .....	124
	409		126
	410	PUMP GP-ENGINE OIL- MANUAL LUBRICATION .....	125
MODULE GP-SYSTEM COMMUNICATION .....	411	PUMP GP-FUEL INJECTION .....	260
	412	PUMP GP-FUEL PRIMING .....	261
		PUMP GP-FUEL PRIMING-LH .....	262
		PUMP GP-FUEL TRANSFER .....	264
			265
		PUMP GP-SUMP .....	127
		PUMP GP-WATER .....	163
			164



# INDEX

Name	Page	Name	Page
PUMP GP-WATER-AFTERCOOLER . . . . .	165		
	166	SENSOR GP-PRESSURE (CRANKCASE) . . . . .	377
PYROMETER GP (LH) . . . . .	422		374
PYROMETER GP-PANEL, LH . . . . .	422	SENSOR GP-PRESSURE (FILTERED FUEL) . . . . .	377
PYROMETER GP-PANEL, RH . . . . .	421		374
		SENSOR GP-PRESSURE (FILTERED OIL) . . . . .	377
			374
		SENSOR GP-PRESSURE	
		(TURBOCHARGER INLET, LH) . . . . .	374
			377
		SENSOR GP-PRESSURE	
		(TURBOCHARGER INLET, RH) . . . . .	374
			377
		SENSOR GP-PRESSURE	
		(TURBOCHARGER OUTLET) . . . . .	374
			377
		SENSOR GP-PRESSURE	
		(UNFILTERED FUEL) . . . . .	374
			377
		SENSOR GP-PRESSURE (UNFILTERED OIL) . . . . .	374
			377
		SENSOR GP-SPEED . . . . .	352
			353
			354
			355
			356
			357
		SENSOR GP-SPEED (ENGINE TIMING) . . . . .	374
			377
		SENSOR GP-TEMPERATURE . . . . .	358
			359
		SENSOR GP-TEMPERATURE	
		(AFTERCOOLER) . . . . .	377
		SENSOR GP-TEMPERATURE (AIR) . . . . .	373
		SENSOR GP-TEMPERATURE (COOLANT) . . . . .	343
		SENSOR GP-TEMPERATURE	
		(CYLINDER EXHAUST) . . . . .	369
		SENSOR GP-TEMPERATURE	
		(ENGINE COOLANT) . . . . .	374
			377
		SENSOR GP-TEMPERATURE (ENGINE OIL) . . . . .	373
		SEPARATOR GP-WATER-	
		PRIMARY FUEL FILTER . . . . .	266
		SHIM PACK . . . . .	425
		SHUTOFF AS-AIR-INLET . . . . .	215
		SHUTOFF GP-AIR-INLET . . . . .	222
			224
		SHUTOFF GP-AIR-INLET, LH . . . . .	217
			220
		SHUTOFF GP-AIR-INLET, RH . . . . .	216
			218
		SHUTOFF GP-AIR-LH . . . . .	227
			230
		SHUTOFF GP-AIR-RH . . . . .	226
			228

## R

## S

# INDEX

Name	Page	Name	Page
SILENCER GP-AIR STARTING .....	360	VALVE GP-EXPLOSION RELIEF .....	88
	361	VALVE GP-PRESSURE REDUCING-RH .....	371
SOLENOID AS (AIR SHUTOFF) .....	216	VALVE GP-RELAY (AIR STARTING) .....	318
	217		320
	226		322
	227	VALVE MECHANISM GP .....	89
STARTING MOTOR GP-AIR .....	362		91
	365		
STARTING MOTOR GP-AIR-RH .....	367		
STARTING MOTOR GP-AIR-SINGLE .....	364		
SUPPORT GP-POWER MODULE .....	389		
SWITCH (2-POSITION) (RESET) .....	282		
SWITCH (OVERSPEED) .....	282		
SWITCH AS-LIMIT (AIR SHUTOFF) .....	222		
	224		
SWITCH AS-MAGNETIC (24-VOLT) (STARTING MOTOR) .....	392		
	396		
SWITCH AS-PUSH BUTTON (ALARM SILENCE) .....	313		
SWITCH AS-PUSH BUTTON (EMERGENCY STOP) .....	392		
	396		
SWITCH AS-ROTARY (ENGINE CONTROL) . . . .	392		
	396		
SWITCH AS-TOGGLE .....	368		
SWITCH AS-TOGGLE (CLEAR, MODE) .....	392		
	396		
SWITCH AS-TOGGLE (ENGINE PARAMETER, RH, LH) .....	392		
	396		
SWITCH AS-TOGGLE (LOW IDLE) .....	382		
	393		
	397		
SWITCH AS-TOGGLE (MANUAL START) .....	393		
	397		
SWITCH AS-TOGGLE (STARTING AID) .....	392		
	396		
SWITCH-PUSH BUTTON (ENGINE OVERSPEED) .....	282		
SWITCH-PUSH BUTTON (ENGINE SPEED) . . . .	282		
SWITCH-ROTARY (3-POSITION, MOMENTARY) (ALARM) .....	416		
	418		

## T

THERMOCOUPLE GP .....	369
TURBOCHARGER GP .....	232
	233

## V

VALVE AS-SOLENOID-AIR START .....	370
VALVE GP-AIR CONTROL-RH .....	234

## W

WIRE AS-PRODUCT LINK, SPLICE .....	372
WIRE GP (CONTROL PANEL) (ANNUNCIATOR) .....	416
WIRING GP-ENGINE-LH .....	373
	374
	377
WIRING GP-PANEL-AIR SHUTOFF .....	380
WIRING GP-PANEL-ALTERNATOR .....	381
WIRING GP-PANEL-SPEED CONTROL .....	382
WIRING GP-PYROMETER .....	383
WIRING GP-SENSOR-PARTICLE .....	384

# ENGINE ARRANGEMENT

## 250-7623 ENGINE AR

RATED SPEED 1200-RPM

SMCS - 1000

i03909617

NOTE	PART NUMBER	QTY	PART NAME						SEE PAGE
			1	2	3	4	5	6 (PRODUCT LEVEL)	
Y	258-1086	1	AFTERCOOLER GP-TREATED WATER						169
Y	124-5512	1	BREATHER GP (CRANKCASE)						93
Y	283-7639	1	CAMSHAFT GP						6
Y	8N-9161	1	CONNECTION GP-WATER						133
Y	220-2677	1	CONTROL & MTG GP-ENGINE ELEK (PRIMARY)						295
Y	4W-5892	1	COOLER GP-ENGINE OIL						134
Y	121-3555	1	COVER GP-CYLINDER BLOCK (CENTRAL STRUCTURE)						11
Y	4W-1529	1	COVER GP-FLYWHEEL HOUSING (REAR STRUCTURE)						13
Y	107-0278	1	COVER GP-FRONT HOUSING						15
Y	101-0831	9	COVER GP-VALVE MECHANISM						17
Y	8N-7103	1	CRANKSHAFT GP						18
			S/N: LLA1-1143						
Y	323-2865	1	CRANKSHAFT GP						19
			S/N: LLA1144-UP						
Y	240-6651	1	CYLINDER BLOCK GP						25
Y	274-8568	12	CYLINDER HEAD GP						38
			S/N: LLA1-382						
Y	101-0830	12	CYLINDER HEAD GP						35
			S/N: LLA383-398						
Y	299-3521	12	CYLINDER HEAD GP						42
			S/N: LLA399-UP						
Y	8N-0339	1	DAMPER GP						46
Y	179-1511	1	DRIVE GP-ACCESSORY (LOWER, LH)						52
Y	7N-1875	1	FILLER GP-ENGINE OIL						96
Y	112-4921	1	FILTER GP-ENGINE OIL (RH)						99
Y	112-4922	1	FILTER GP-FUEL (RH)						240
Y	7N-4851	1	FLYWHEEL GP						56
Y	7C-6366	1	GAUGE GP-OIL LEVEL (DIPSTICK)						114
Y	122-9281	1	GEAR GP-FRONT						57
Y	124-8395	1	GEAR GP-REAR						59
Y	9Y-9171	1	HOUSING & REGULATOR GP (OUTLET CONTROL)						137
Y	101-0836	1	HOUSING GP-FLYWHEEL						70
Y	4P-5426	1	HOUSING GP-FRONT (ACCESSORY DRIVE)						71
Y	7E-6872	1	LIFTING GP-ENGINE						74
Y	244-1856	1	LINES GP-AIR						197
Y	115-7860	1	LINES GP-ENGINE OIL						116
			S/N: LLA1-1178						
Y	262-0338	1	LINES GP-ENGINE OIL						119
			S/N: LLA1179-UP						
Y	262-6760	1	LINES GP-FUEL INJECTION						252
Y	162-5719	1	LINES GP-TURBOCHARGER OIL						122
Y	246-3218	1	LINES GP-WATER (AFTERCOOLER)						150
Y	7C-8122	1	LINES GP-WATER (BYPASS)						139
Y	114-3376	1	LINES GP-WATER (LOWER)						141
Y	135-1072	1	LINES GP-WATER (UPPER)						145
Y	161-4087	1	LINES GP-WATER (TURBOCHARGER)						147
Y	172-0921	1	MANIFOLD GP-EXHAUST						199
Y	7C-6752	1	PAN GP-OIL						80
Y	281-6141	12	PISTON & ROD GP						83
Y	8N-6152	1	PUMP GP-ENGINE OIL (2-SECTION GEAR)						126
Y	254-1417	12	PUMP GP-FUEL INJECTION						260
Y	8N-6151	1	PUMP GP-FUEL TRANSFER (1-SECTION GEAR)						264
Y	2W-9726	1	PUMP GP-WATER						163
Y	9Y-8175	1	PUMP GP-AUXILIARY WATER						157
			S/N: LLA1-102, 185-225, 381-UP						
Y	288-6646	1	PUMP GP-WATER (AFTERCOOLER)						165
			S/N: LLA103-184						

# ENGINE ARRANGEMENT

250-7623 ENGINE AR (contd.)

i03909617

NOTE	PART NUMBER	QTY	PART NAME						SEE PAGE
			1	2	3	4	5	6 (PRODUCT LEVEL)	
Y	291-1067	1	PUMP GP-WATER (AFTERCOOLER)						166
			S/N: LLA226-380						
Y	7W-3813	1	SEAL GP-CRANKSHAFT						87
Y	250-6111	1	TURBOCHARGER GP						233
Y	281-6160	12	VALVE MECHANISM GP						91
			S/N: LLA1-1178						
Y	224-9869	12	VALVE MECHANISM GP						89
			S/N: LLA1179-UP						
	355-5369	1	ELECTRONICS GP-ENGINE RATINGS						

PLEASE USE THE GASKET KIT LINK IN SIS OR  
CONTACT YOUR LOCAL DEALER FOR THE LATEST  
GASKET KIT INFORMATION

Y-SEPARATE ILLUSTRATION

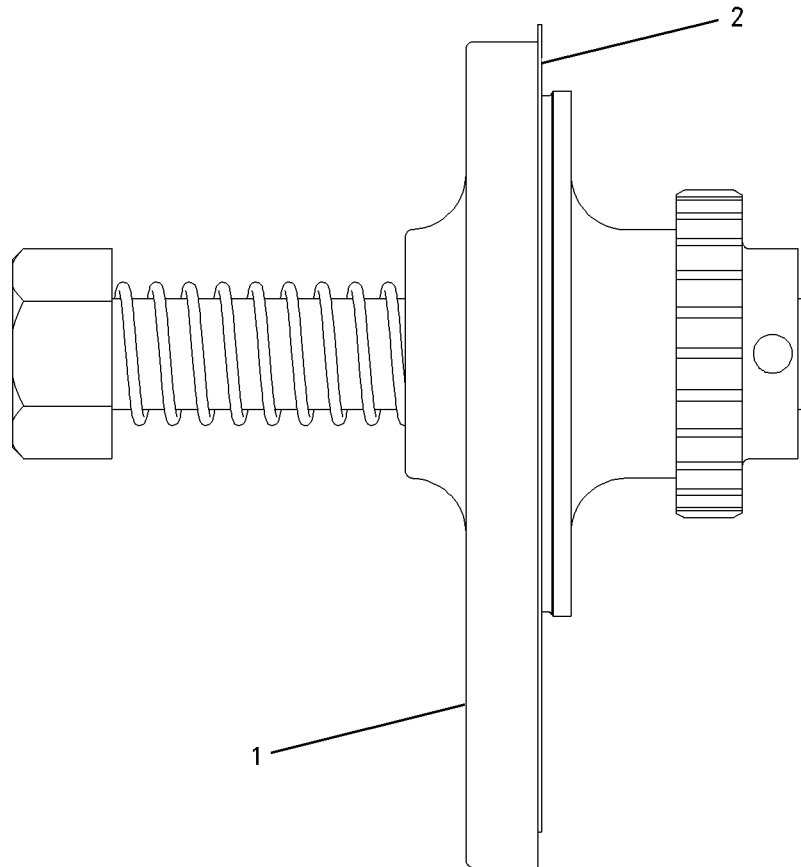
# BASIC ENGINE

## 5R-7425 BARRING GP-LH AN ATTACHMENT

SMCS - 1235

i01581694

NOTE	REF NO	GRAPHIC REF	PART NUMBER	QTY	PART NAME						SEE PAGE
					1	2	3	4	5	6 (PRODUCT LEVEL)	
	1	1	3R-1937	1	TOOL - BARRING						
	2	1	4H-7869	1	GASKET						



GRAPHIC #1

<END>

g00824462

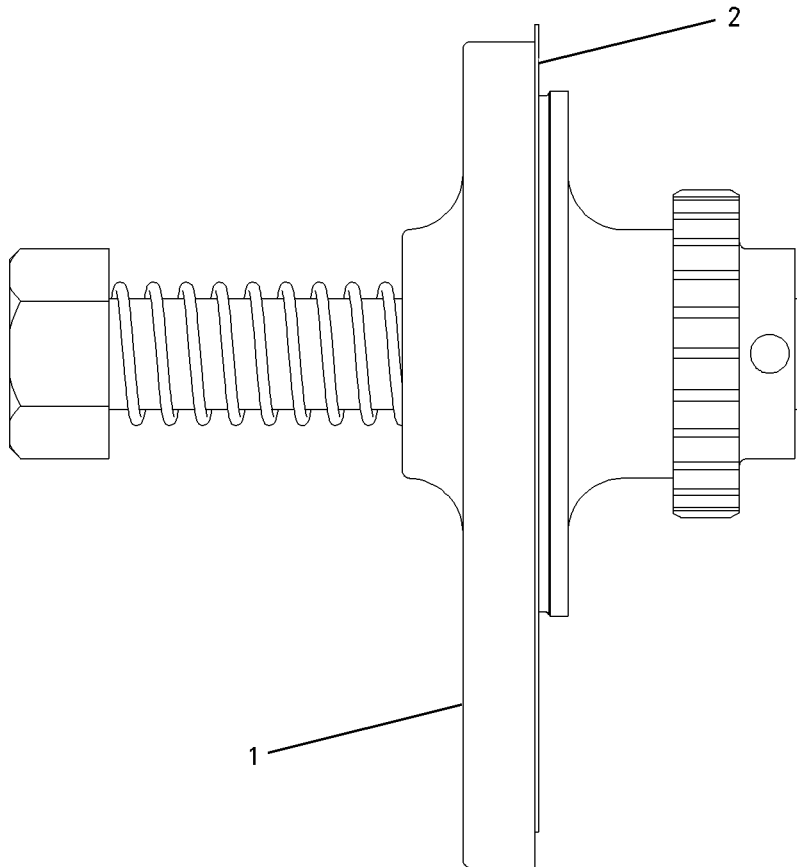
# BASIC ENGINE

## 253-2468 BARRING GP-RH AN ATTACHMENT

SMCS-1235

i02113355

NOTE	REF NO	GRAPHIC REF	PART NUMBER	QTY	PART NAME						SEE PAGE
					1	2	3	4	5	6 (PRODUCT LEVEL)	
	1	1	3R-1937	1	TOOL - BARRING						
	2	1	4H-7869	1	GASKET						



GRAPHIC #1

<END>

g00824462

# BASIC ENGINE

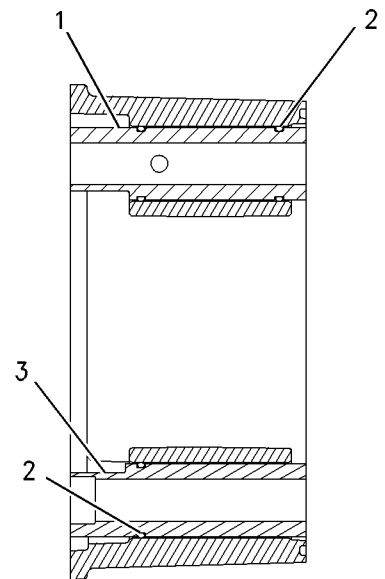
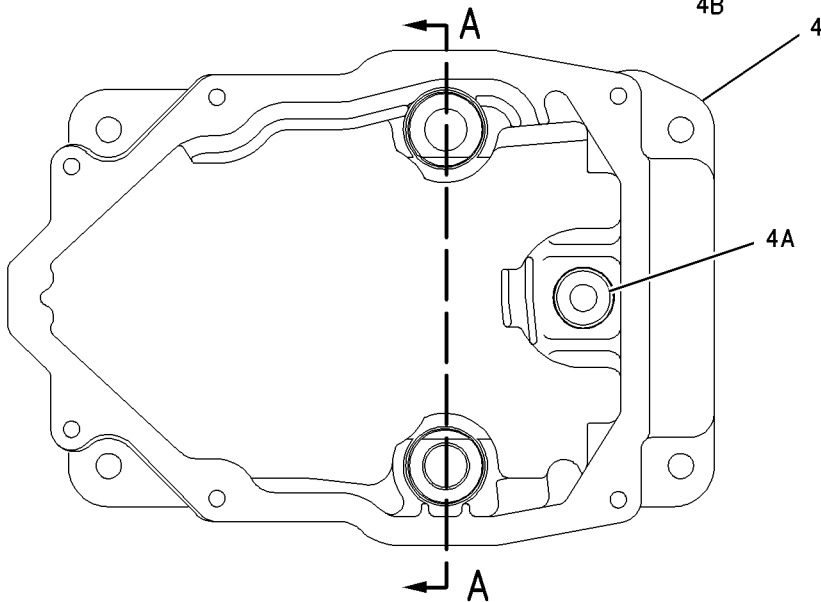
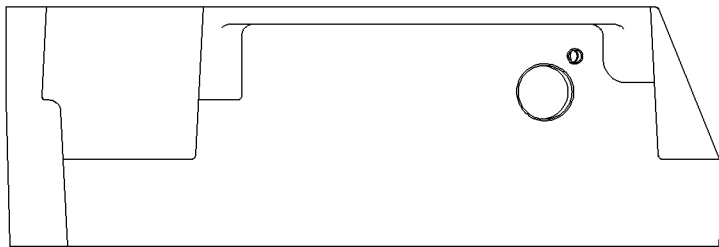
## 247-8341 BASE GP-VALVE COVER-ROCKER ARM

PART OF 224-9869, 281-6160 VALVE MECHANISM GP

SMCS-1120

i02685870

NOTE	REF NO	GRAPHIC REF	PART NUMBER	QTY	PART NAME						SEE PAGE
					1	2	3	4	5	6 (PRODUCT LEVEL)	
	1	1	119-0839	1	SPACER (17.5X30.94X98-MM)						
	2	1	6V-6228	3	SEAL-O-RING						
	3	1	119-0838	1	SPACER (17.5X30.94X98-MM)						
	4	1	247-8340	1	BASE AS						
	4A	1	120-4339	1	WASHER-SPRING						
	4B	1	261-0195	1	DOWEL-HOLLOW						



SECTION A-A

GRAPHIC #1

<END>

g00842340

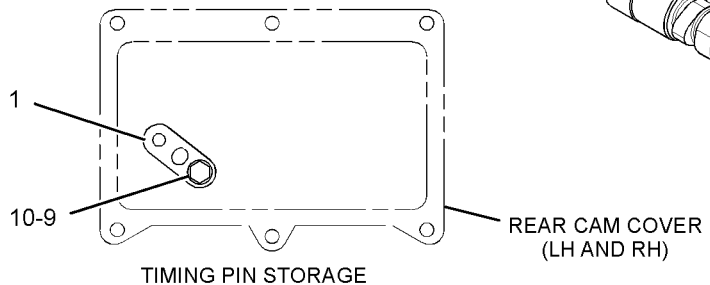
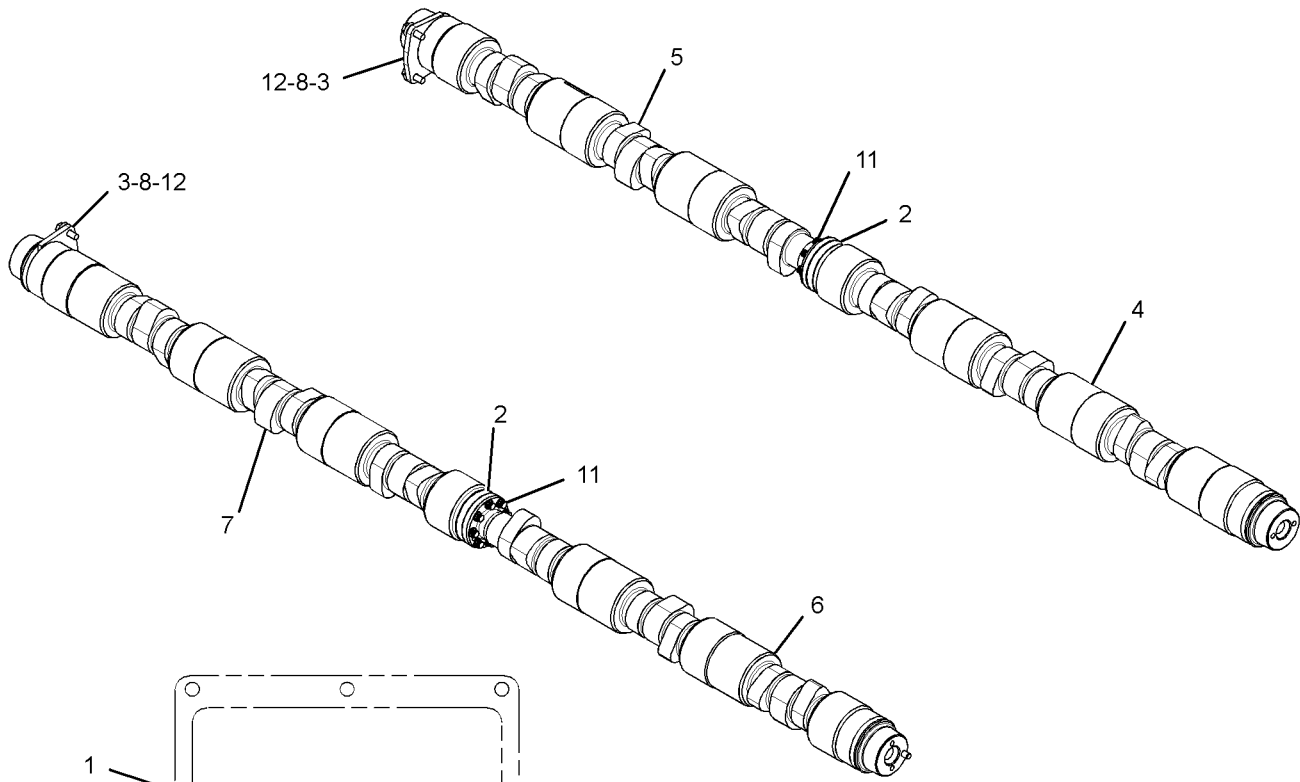
# BASIC ENGINE

## 283-7639 CAMSHAFT GP

SMCS-1210

i03579914

NOTE	REF NO	GRAPHIC REF	PART NUMBER	QTY	PART NAME						SEE PAGE
					1	2	3	4	5	6 (PRODUCT LEVEL)	
	1	1	4W-6664	2	PLATE AS-TIMING						
	2	1	7N-3216	2	SPACER (35.035X84X12-MM THK)						
	3	1	7N-3218	2	WASHER-THRUST						
	4	1	283-7632	1	CAMSHAFT AS (FRONT, LH)						
		1	4N-1650	1	DOWEL						
	5	1	283-7634	1	CAMSHAFT AS (REAR LH)						
		1	5B-5821	1	DOWEL						
	6	1	283-7636	1	CAMSHAFT AS (FRONT, RH)						
		1	5B-5821	1	DOWEL						
	7	1	283-7638	1	CAMSHAFT AS (REAR RH)						
		1	4N-1650	1	DOWEL						
	8	1	1A-2029	4	BOLT (3/8-16X1.125-IN)						
	9	1	0S-0509	2	BOLT (3/8-16X0.75-IN)						
	10	1	5M-2894	2	WASHER-HARD (10.2X18.5X2.5-MM THK)						
	11	1	5P-0076	16	BOLT-12 POINT HEAD (3/8-16X1.5-IN)						
	12	1	8M-9024	4	WASHER-HARD (10.2X22.5X5-MM THK)						



GRAPHIC #1

<END>

g01914515



# BASIC ENGINE

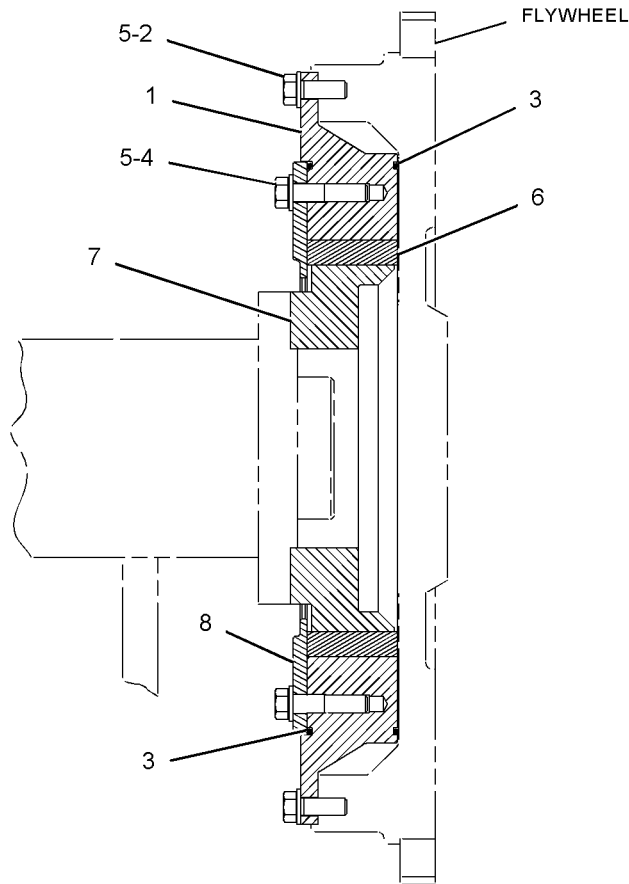
## 5N-3765 COUPLING GP-FLEXIBLE-VISCOUS DAMPENED AN ATTACHMENT

SMCS-3252

i02196472

NOTE	REF NO	GRAPHIC REF	PART NUMBER	QTY	PART NAME						SEE PAGE
					1	2	3	4	5	6 (PRODUCT LEVEL)	
	1	1	<b>5N-3284</b>	1	COUPLING-OUTER						
	2	1	<b>0S-1589</b>	12	BOLT (5/8-11X1.75-IN)						
	3	1	<b>9H-0846</b>	2	SEAL-O-RING						
	4	1	<b>1A-8537</b>	12	BOLT (5/8-11X2.75-IN)						
	5	1	<b>4D-3704</b>	24	WASHER-HARD (17X30X5-MM THK)						
	6	1	<b>5N-3272</b>	3	BOOT-RUBBER COUPLING						
	7	1	<b>3N-6666</b>	1	COUPLING-DRIVE						
	8	1	<b>5N-3274</b>	1	PLATE						
BF		1	<b>5N-5561</b>		LUBRICANT-SILICONE						

B-USE AS REQUIRED  
F-NOT SHOWN



RIGHT SIDE VIEW

GRAPHIC #1

<END>

g01109406

# BASIC ENGINE

## 247-0308 COUPLING GP-FLEXIBLE-GENERATOR

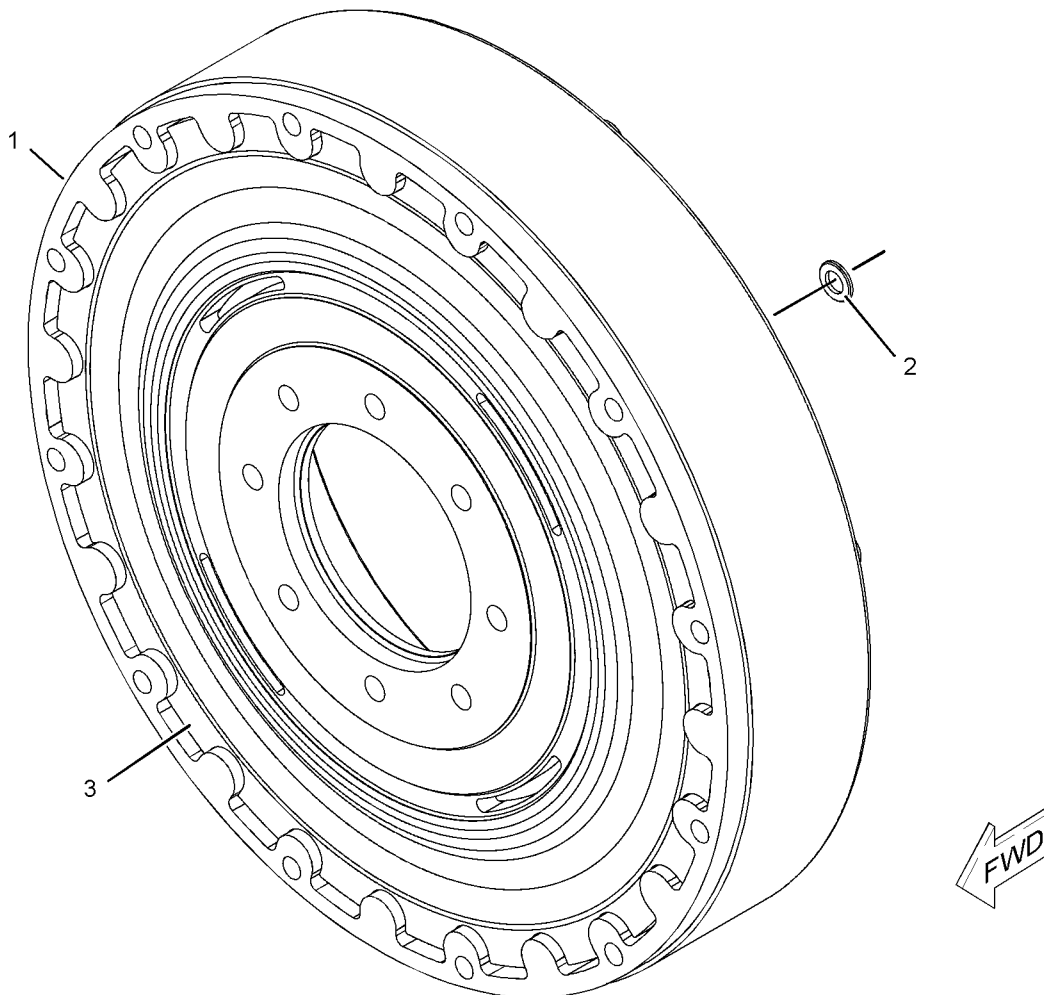
72-SHORE HARDNESS. 18000-SERIES

PART OF 268-6475, 282-9522 COUPLING GP-FLEXIBLE  
AN ATTACHMENT

SMCS-3252

i02230849

NOTE	REF NO	GRAPHIC REF	PART NUMBER	QTY	PART NAME						SEE PAGE
					1	2	3	4	5	6 (PRODUCT LEVEL)	
	1	1	244-7191	1	COUPLING-OUTER						
	2	1	248-2432	12	WASHER (17X30X3-MM THK)						
	3	1	249-0059	1	COUPLING-INNER						



GRAPHIC #1

<END>

g01125779

# BASIC ENGINE

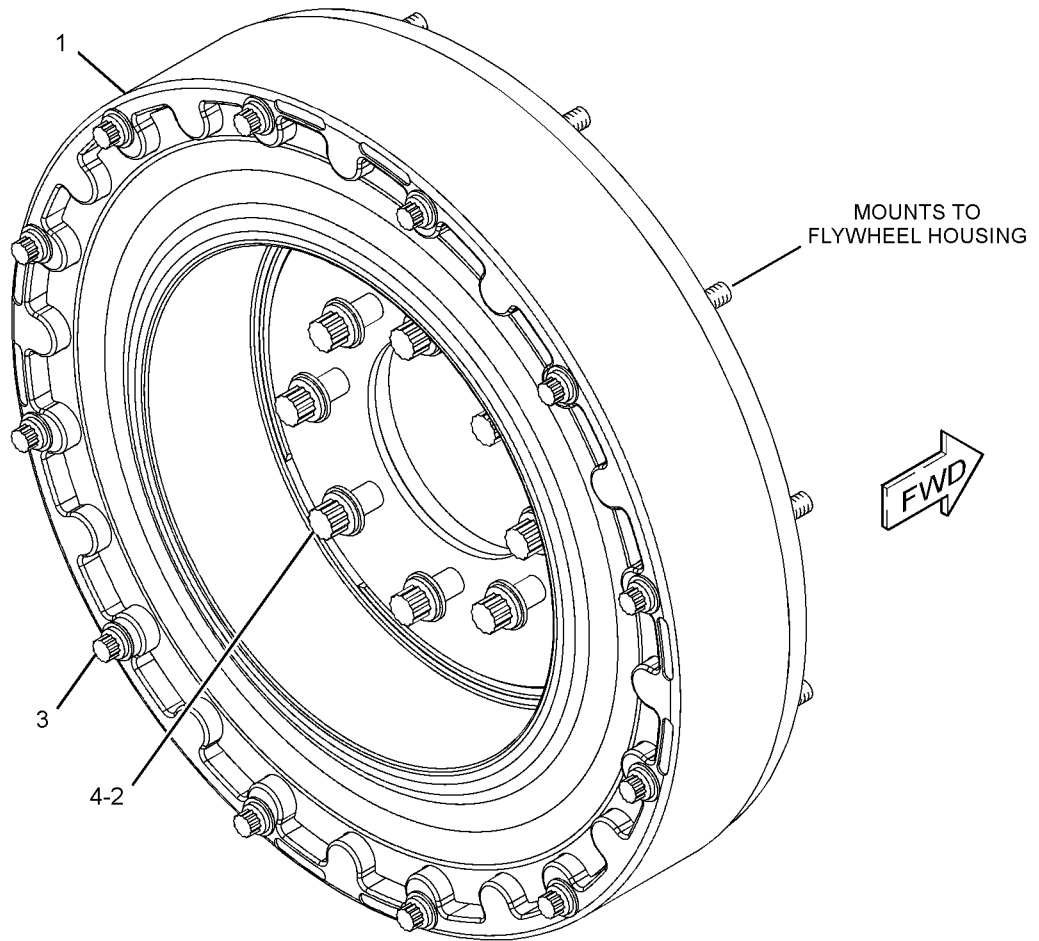
## 268-6475 COUPLING GP-FLEXIBLE-GENERATOR AN ATTACHMENT

SMCS-3252

i02305975

NOTE	REF NO	GRAPHIC REF	PART NUMBER	QTY	PART NAME						SEE PAGE
					1	2	3	4	5	6 (PRODUCT LEVEL)	
Y	1	1	247-0308	1	COUPLING GP-FLEXIBLE						8
	2	1	4M-6953	8	WASHER-HARD (24X38X3.5-MM THK)						
	3	1	8D-7942	12	BOLT-12 POINT HEAD (5/8-11X6.5-IN)						
	4	1	9X-2119	8	BOLT-12 POINT HEAD (7/8-9X2.5-IN)						

Y-SEPARATE ILLUSTRATION



GRAPHIC #1

<END>

g01156363

# BASIC ENGINE

## 282-9522 COUPLING GP-FLEXIBLE

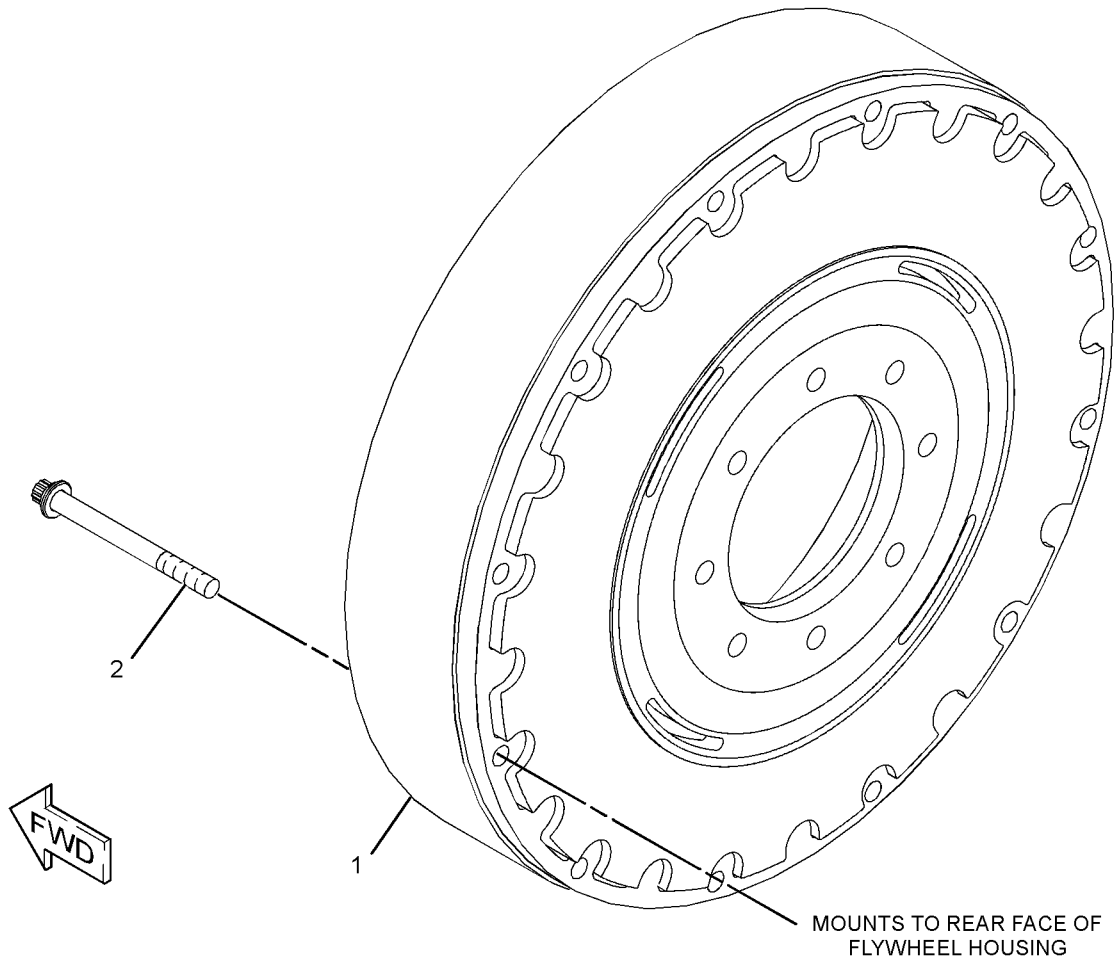
FOR USE WITH 2 BEARING GENERATORS  
AN ATTACHMENT

SMCS-3252

i02433601

NOTE	REF NO	GRAPHIC REF	PART NUMBER	QTY	PART NAME						SEE PAGE
					1	2	3	4	5	6 (PRODUCT LEVEL)	
	1	1	8D-7942	12	BOLT-12 POINT HEAD (5/8-11X6.5-IN)						
Y	2	1	247-0308	1	COUPLING GP-FLEXIBLE						8

Y-SEPARATE ILLUSTRATION



GRAPHIC #1

<END>

g01218810

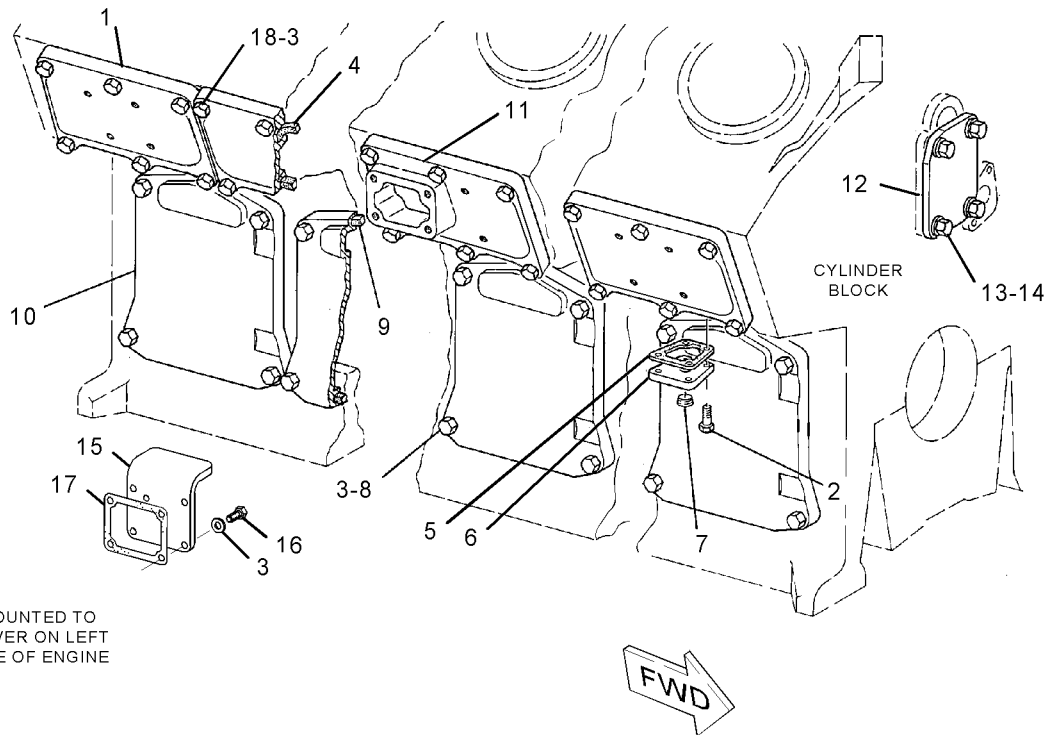
# BASIC ENGINE

## 121-3555 COVER GP-CYLINDER BLOCK-CENTRAL STRUCTURE

SMCS-1201

i03657705

NOTE	REF NO	GRAPHIC REF	PART NUMBER	QTY	PART NAME						SEE PAGE
					1	2	3	4	5	6 (PRODUCT LEVEL)	
	1	1	8N-9992	10	COVER-CAMSHAFT						
	2	1	0S-1594	12	BOLT (3/8-16X1-IN)						
	3	1	5M-2894	124	WASHER-HARD (10.2X18.5X2.5-MM THK)						
	4	1	272-0758	12	SEAL						
	5	1	7N-4945	3	GASKET						
	6	1	7N-3298	3	COVER-BLOCK						
	7	1	8T-6761	3	PLUG-PIPE						
	8	1	9X-8872	48	BOLT-LOCKING (3/8-16X0.875-IN)						
	9	1	272-0759	12	SEAL						
	10	1	1N-2914	12	COVER-CYLINDER BLOCK SIDE						
	11	1	8N-9993	2	COVER-CAMSHAFT						
	12	1	4W-5015	1	COVER						
	13	1	0S-1595	4	BOLT (1/2-13X1.25-IN)						
	14	1	5P-8245	4	WASHER-HARD (13.5X25.5X3-MM THK)						
	15	1	117-0066	1	BRACKET-MOUNTING						
	16	1	0S-1588	4	BOLT (3/8-16X1.25-IN)						
	17	1	2W-0752	1	GASKET						
	18	1	1A-2029	72	BOLT (3/8-16X1.125-IN)						



GRAPHIC #1

<END>

g01066621

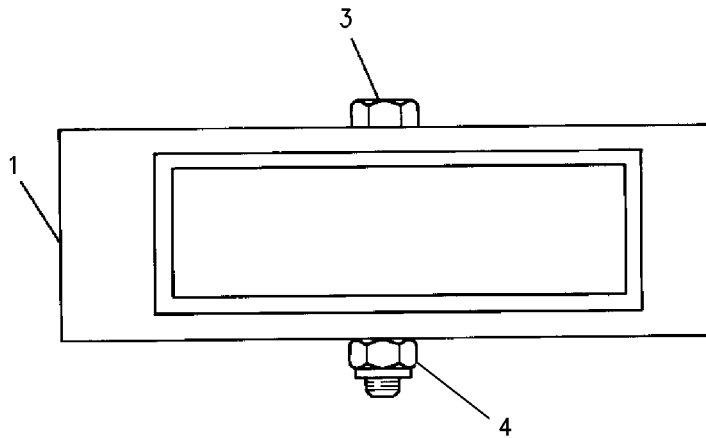
# BASIC ENGINE

## 3N-8594 COVER GP-ENGINE LIFTING EYE AN ATTACHMENT

SMCS-1122

i02459381

NOTE	REF NO	GRAPHIC REF	PART NUMBER	QTY	PART NAME						SEE PAGE
					1	2	3	4	5	6 (PRODUCT LEVEL)	
	1	1	<b>3N-8593</b>	1	COVER-EYE						
	3	1	<b>8T-9368</b>	1	BOLT (1/4-20X2.25-IN)						
	4	1	<b>3E-9865</b>	1	LOCKNUT (1/4-20-THD)						



GRAPHIC #1

<END>

g00720602

# BASIC ENGINE

## 4W-1529 COVER GP-FLYWHEEL HOUSING-REAR STRUCTURE

SMCS-1157

i02493850

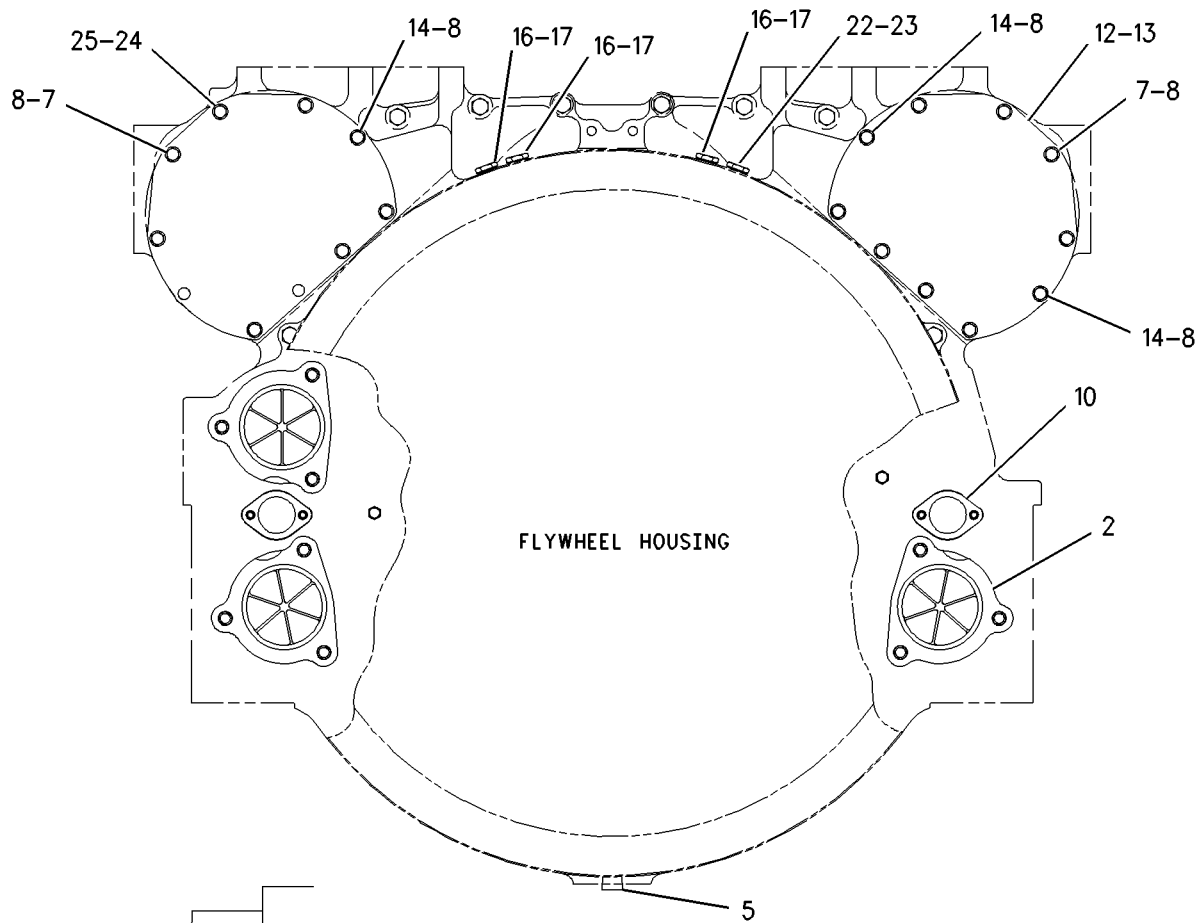
NOTE	REF NO	GRAPHIC REF	PART NUMBER	QTY	PART NAME						SEE PAGE
					1	2	3	4	5	6 (PRODUCT LEVEL)	
	1	1	4N-1114	3	COVER						
	2	1	4H-7869	3	GASKET						
	3	1	4B-4043	9	BOLT (5/8-11X1.375-IN)						
	4	1	5P-8247	9	WASHER-HARD (17X32X3.5-MM THK)						
	5	1	8T-6761	1	PLUG-PIPE						
	7	1	0S-1594	16	BOLT (3/8-16X1-IN)						
	8	1	5M-2894	21	WASHER-HARD (10.2X18.5X2.5-MM THK)						
	9	1	2P-2772	2	COVER						
	10	1	234-8937	2	SEAL-INTEGRAL						
	11	1	0L-1352	2	BOLT (3/8-16X3.25-IN)						
	12	1	7N-4319	2	COVER						
	13	1	7N-4320	2	GASKET						
	14	1	0S-1591	3	BOLT (3/8-16X1.5-IN)						
	15	1	8T-6765	1	PLUG-PIPE						
B	16	1	5F-0304	3	PLUG						
B	17	1	4B-8407	3	GASKET-COPPER						
	22	1	5F-0304	1	PLUG						
	23	1	4B-8407	1	GASKET-COPPER						
B	24	1	0S-1594	1	BOLT (3/8-16X1-IN)						
B	25	1	5M-2894	1	WASHER-HARD (10.2X18.5X2.5-MM THK)						
B	30	1	8T-6765	1	PLUG-PIPE						

B-USE AS REQUIRED

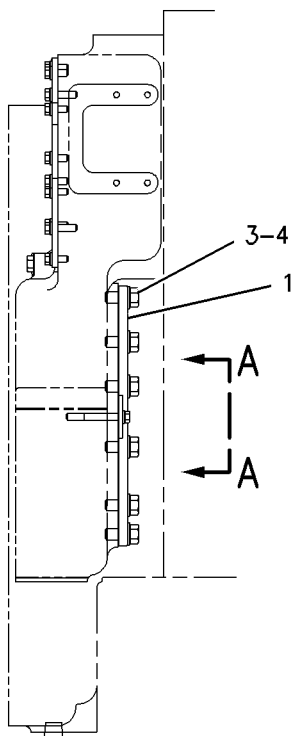
# BASIC ENGINE

4W-1529 COVER GP-FLYWHEEL HOUSING (contd.)

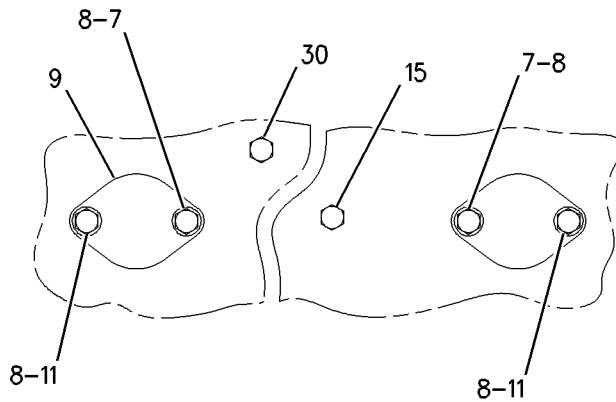
i02493850



REAR VIEW



RIGHT SIDE VIEW



VIEW A-A



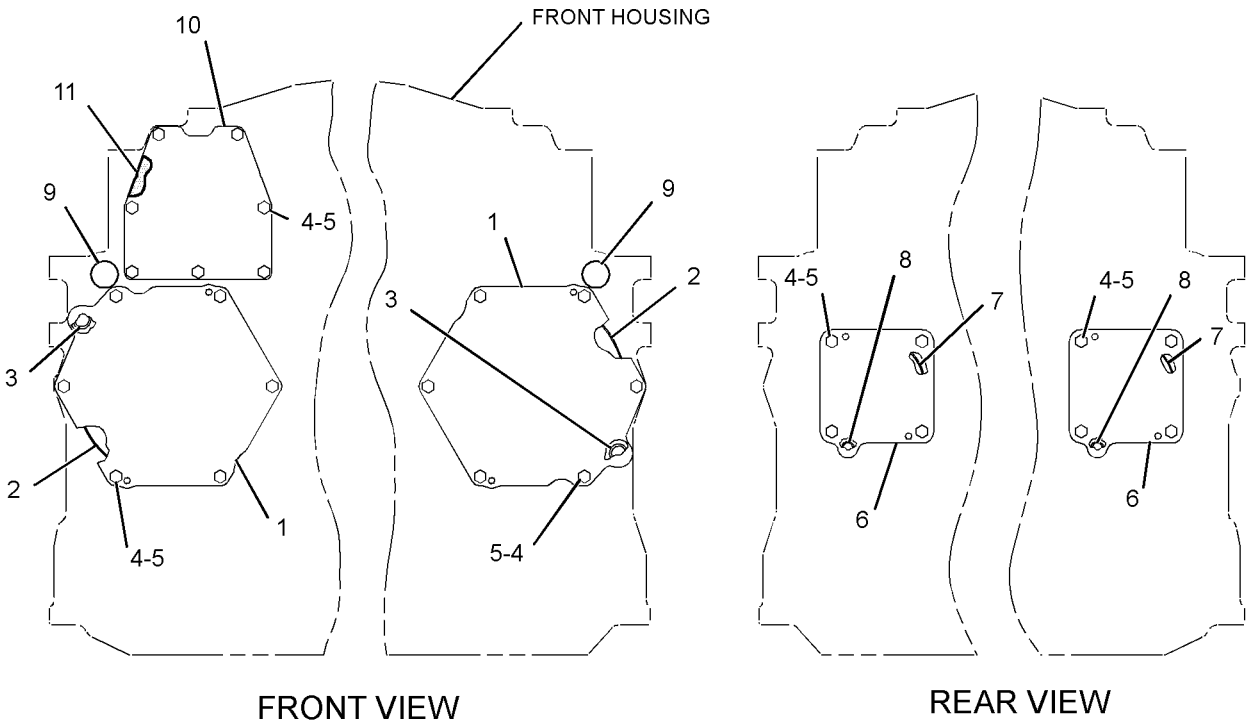
# BASIC ENGINE

## 107-0278 COVER GP-FRONT HOUSING

SMCS-1151, 1166

i03825733

NOTE	REF NO	GRAPHIC REF	PART NUMBER	QTY	PART NAME						SEE PAGE
					1	2	3	4	5	6 (PRODUCT LEVEL)	
	1	1	7N-4951	2	COVER						
	2	1	235-3546	2	SEAL-O-RING						
	3	1	6V-3348	2	SEAL-O-RING						
	4	1	1A-2029	27	BOLT (3/8-16X1.125-IN)						
	5	1	5M-2894	27	WASHER-HARD (10.2X18.5X2.5-MM THK)						
	6	1	7N-4952	2	COVER						
	7	1	259-4598	2	SEAL-O-RING						
	8	1	5P-0840	2	SEAL-O-RING						
	9	1	3P-1896	2	PLUG-CUP						
	10	1	2W-5285	1	COVER						
	11	1	8N-9885	1	GASKET-COVER						



GRAPHIC #1

<END>

g01173129

# BASIC ENGINE

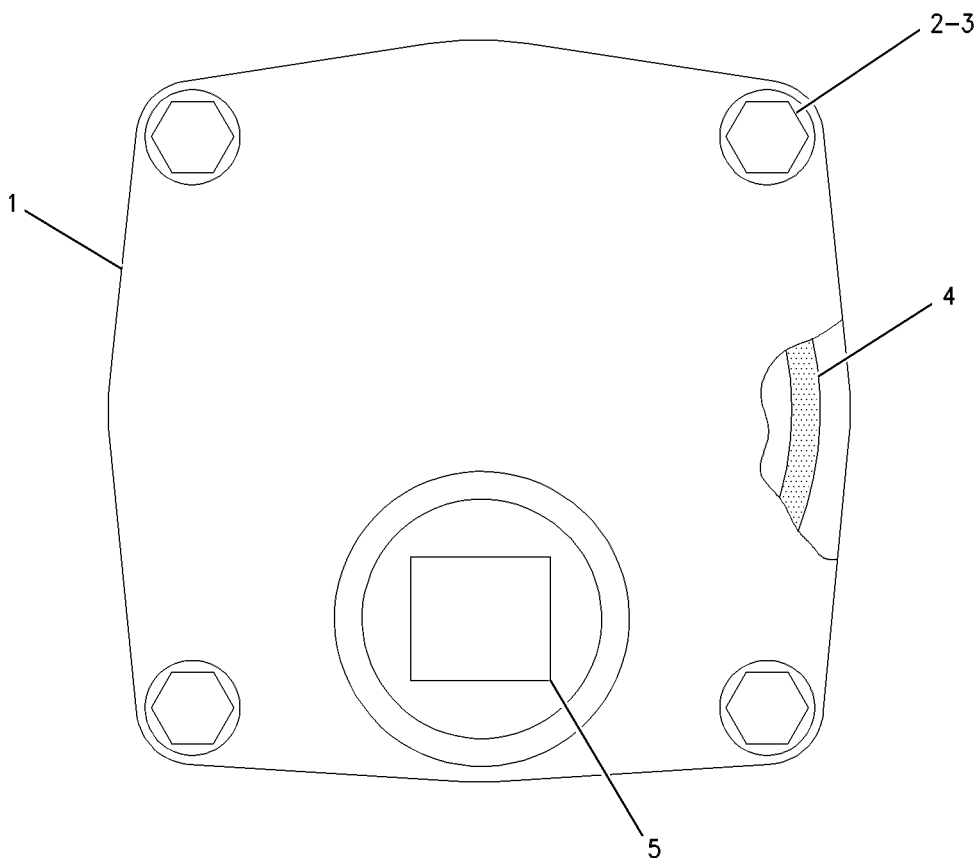
## 2W-5616 COVER GP-OIL PAN AN ATTACHMENT

SMCS-1302

i02776823

NOTE	REF NO	GRAPHIC REF	PART NUMBER	QTY	PART NAME						SEE PAGE
					1	2	3	4	5	6 (PRODUCT LEVEL)	
C	1	1	<b>151-9264</b>	1	COVER AS						
C	2	1	<b>0S-1588</b>	4	BOLT (3/8-16X1.25-IN)						
C	3	1	<b>8M-9024</b>	4	WASHER-HARD (10.2X22.5X5-MM THK)						
C	4	1	<b>6V-7351</b>	1	SEAL-O-RING						
	5	1	<b>9X-6138</b>	1	PLUG-PIPE (ENGINE OIL DRAIN)						

C-CHANGE FROM PREVIOUS TYPE



GRAPHIC #1

<END>

g00617879

# BASIC ENGINE

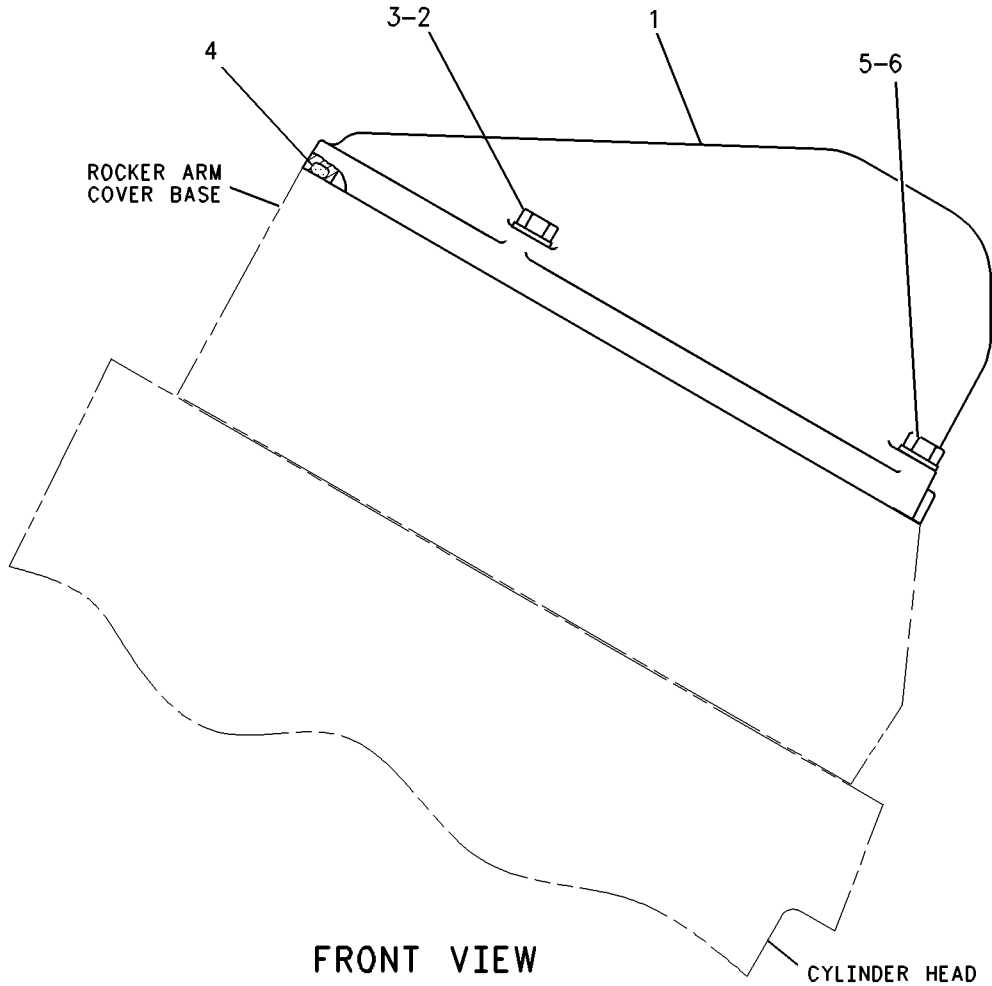
## 101-0831 COVER GP-VALVE MECHANISM

SMCS-1107

i03863189

NOTE	REF NO	GRAPHIC REF	PART NUMBER	QTY	PART NAME						SEE PAGE
					1	2	3	4	5	6 (PRODUCT LEVEL)	
	1	1	101-4197	1	COVER						
	2	1	1A-9579	3	BOLT (5/16-18X1.5-IN)						
	3	1	9M-1974	3	WASHER-HARD (8.8X16X2-MM THK)						
	4	1	272-0760	1	SEAL-VALVE COVER (BASE)						
B	5	1	1A-9579	1	BOLT (5/16-18X1.5-IN)						
B	6	1	9M-1974	1	WASHER-HARD (8.8X16X2-MM THK)						

B-USE AS REQUIRED



GRAPHIC #1

<END>

g00773092

# BASIC ENGINE

## 8N-7103 CRANKSHAFT GP

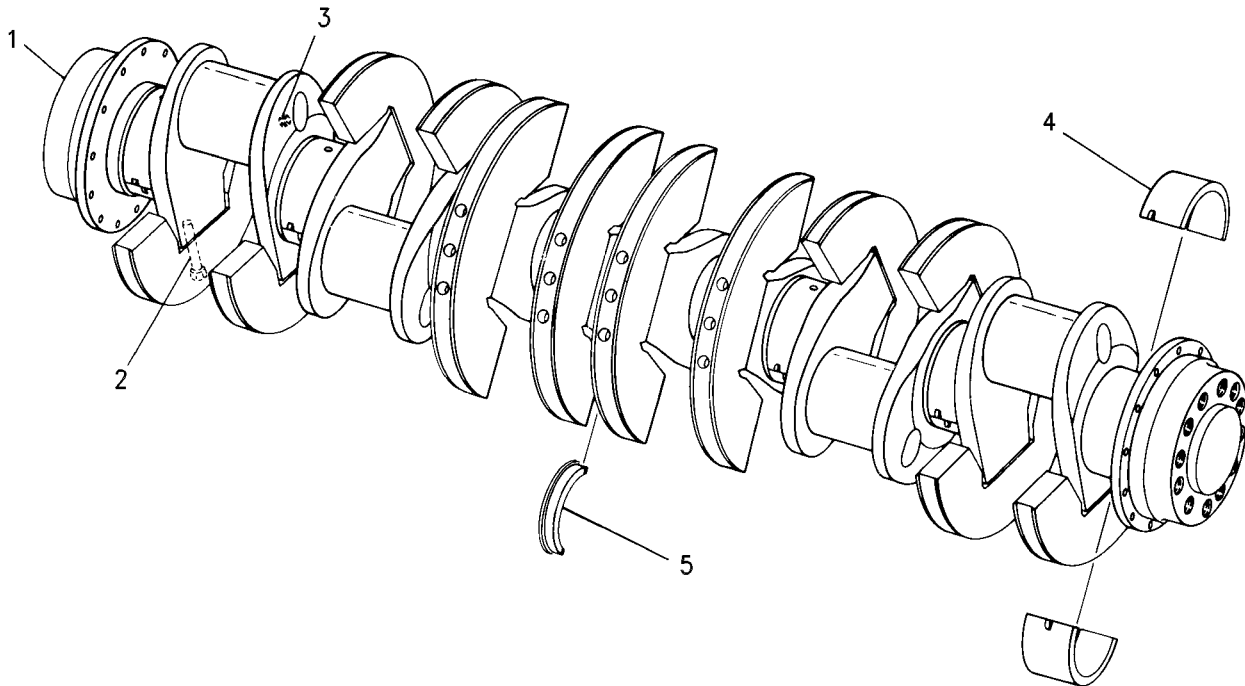
S/N: LLA1-1143

SMCS-1202

i02730783

NOTE	REF NO	GRAPHIC REF	PART NUMBER	QTY	PART NAME						SEE PAGE
					1	2	3	4	5	6 (PRODUCT LEVEL)	
R	1	1	<b>128-6786</b>	1	CRANKSHAFT AS						
		1	<b>7N-2003</b>	24	DOWEL						
	2	1	<b>128-4845</b>	36	BOLT AS						
	3	1	<b>2W-2288</b>	6	PLUG						
CJ	4	1	<b>149-6031</b>	7	BEARING AS-MAIN (STANDARD)						
ABC		1	<b>149-6032</b>		BEARING-MAIN (0.63-MM US ID)						
ABC		1	<b>149-6033</b>		BEARING-MAIN (1.27-MM US ID)						
ABC		1	<b>149-6034</b>		BEARING-MAIN (0.63-MM OS OD)						
ABC		1	<b>149-6035</b>		BEARING-MAIN (0.63-MM US ID - 0.63-MM OS OD)						
J	5	1	<b>7C-6209</b>	2	PLATE-THRUST						
					AVAILABLE REPAIR KIT(S):						
J			<b>196-9530</b>		KIT-BASIC ENGINE REPAIR (MAIN BEARING) (INCLUDES THRUST PLATES AND MAIN BEARINGS)						

A-NOT PART OF THIS GROUP  
 B-USE AS REQUIRED  
 C-CHANGE FROM PREVIOUS TYPE  
 J-KIT MARKED J INCLUDES PARTS MARKED J  
 R-REMFG PART MAY BE AVAILABLE



GRAPHIC #1

<END>

g00358114

# BASIC ENGINE

## 323-2865 CRANKSHAFT GP

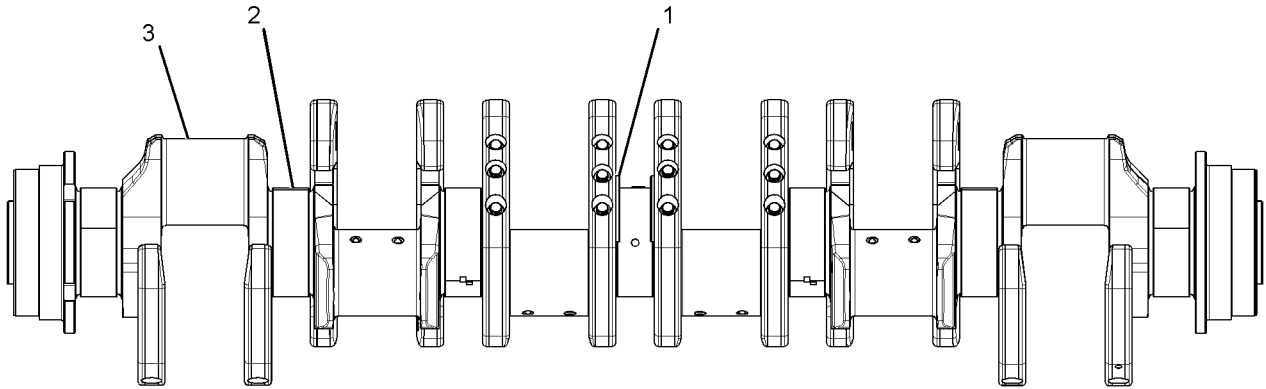
S/N: LLA1144-UP

SMCS - 1202

i03301682

NOTE	REF NO	GRAPHIC REF	PART NUMBER	QTY	PART NAME						SEE PAGE
					1	2	3	4	5	6 (PRODUCT LEVEL)	
	1	1	<b>7C-6209</b>	2	PLATE - THRUST						
	2	1	<b>149-6031</b>	7	BEARING AS-MAIN (STANDARD)						
AB		1	<b>149-6032</b>		BEARING-MAIN (0.63-MM US ID)						
AB		1	<b>149-6033</b>		BEARING-MAIN (1.27-MM US ID)						
AB		1	<b>149-6034</b>		BEARING-MAIN (0.63-MM OS OD)						
AB		1	<b>149-6035</b>		BEARING-MAIN (0.63-MM US ID - 0.63-MM OS OD)						
	3	1	<b>322-9879</b>	1	CRANKSHAFT AS						
		1	<b>2W-2288</b>	6	PLUG						
		1	<b>7N-2003</b>	24	DOWEL						
		1	<b>128-4845</b>	36	BOLT AS						
		1	<b>322-9878</b>	1	CRANKSHAFT AS						

A-NOT PART OF THIS GROUP  
B-USE AS REQUIRED



GRAPHIC #1

<END>

g01449191

# BASIC ENGINE

## 100-8026 CYLINDER BLOCK AS

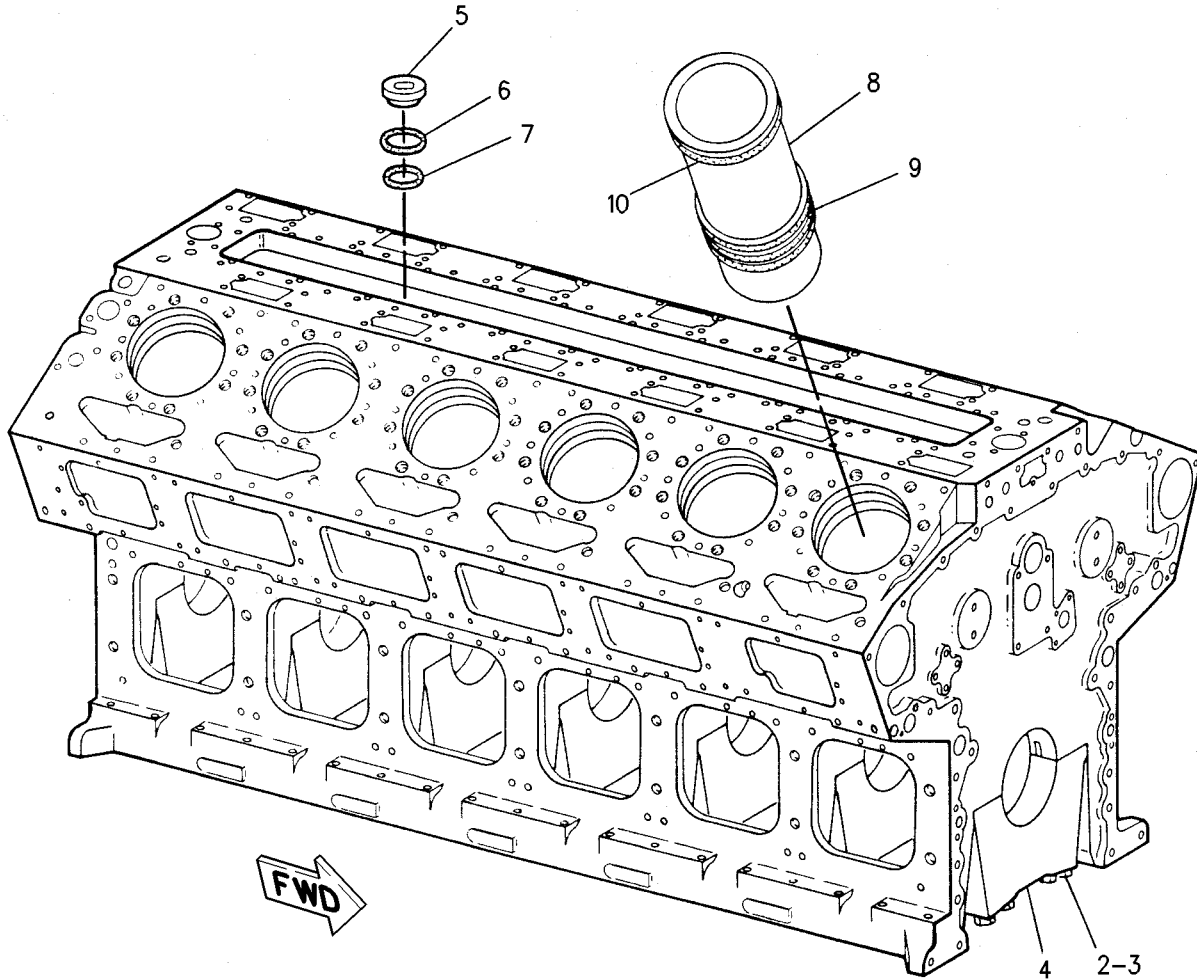
S/N: LLA1-2285

PART OF 240-6651 CYLINDER BLOCK GP  
FIELD REPLACEMENT ORDER 115-5154-PAGE 24

SMCS-1201

i02554263

NOTE	REF NO	GRAPHIC REF	PART NUMBER	QTY	PART NAME						SEE PAGE
					1	2	3	4	5	6 (PRODUCT LEVEL)	
	2	1	5P-8249	28	WASHER-HARD (24X41.5X4-MM THK)						
	3	1	7X-7925	28	BOLT (7/8-14X11-IN)						
	4	1	223-1696	7	CAP-CRANKSHAFT BEARING						
	5	1	4W-4813	3	PLUG						
	6	1	8T-2929	3	SEAL-O-RING						
	7	1	8T-2928	3	SEAL-O-RING						
	8	1	211-7826	12	LINER-CYLINDER						
	9	1	7N-2046	36	SEAL-O-RING						
	10	1	8N-4707	12	BAND-FILLER						



GRAPHIC #1

<END>

g00913079

# BASIC ENGINE

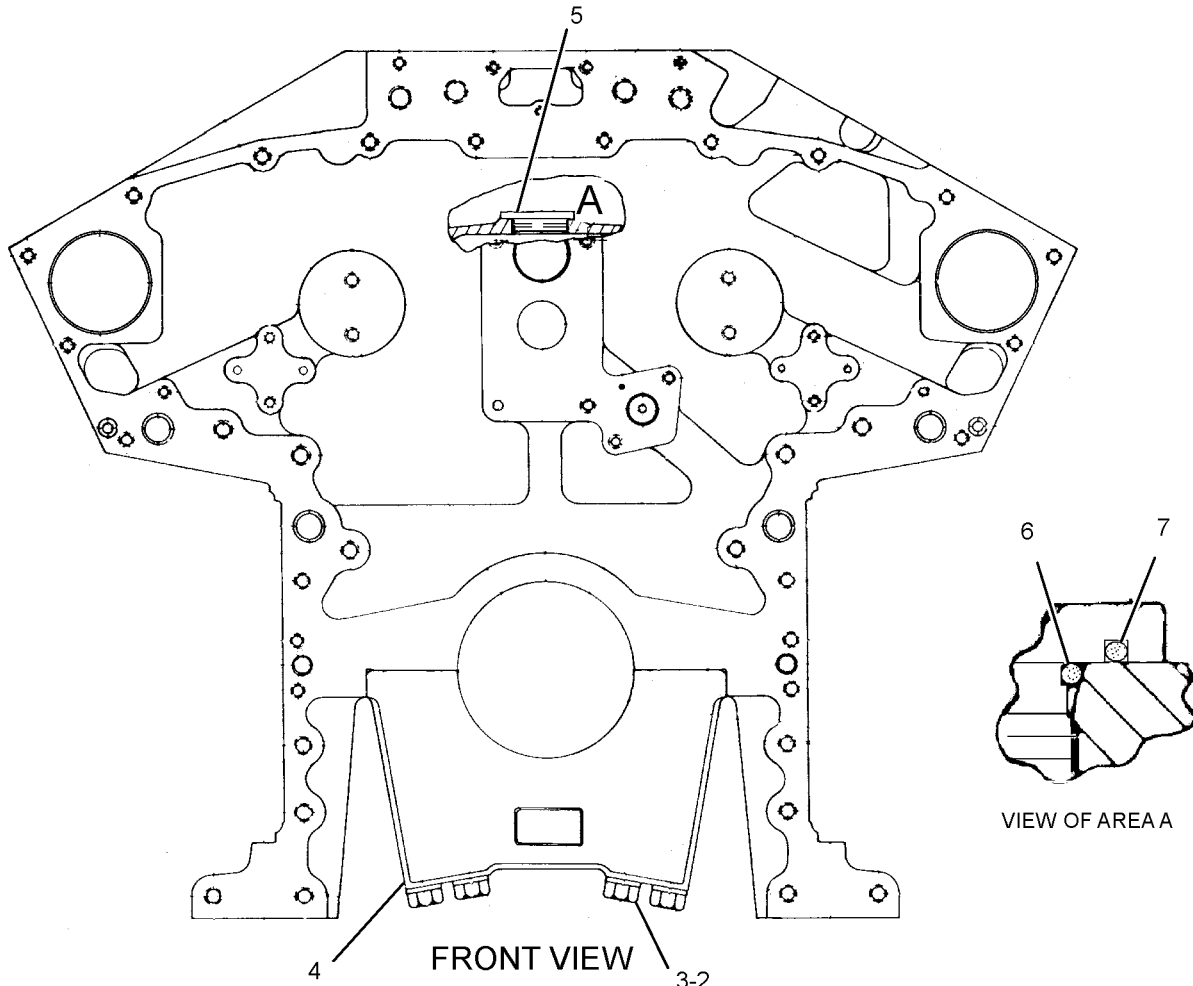
## 106-2779 CYLINDER BLOCK AS

PART OF 115-5154 CYLINDER BLOCK GP

SMCS-1201

i02478951

NOTE	REF NO	GRAPHIC REF	PART NUMBER	QTY	PART NAME						SEE PAGE
					1	2	3	4	5	6 (PRODUCT LEVEL)	
	2	1	5P-8249	28	WASHER-HARD (24X41.5X4-MM THK)						
	3	1	7X-7925	28	BOLT (7/8-14X11-IN)						
	4	1	223-1696	7	CAP-CRANKSHAFT BEARING						
	5	1	4W-4813	3	PLUG						
	6	1	8T-2928	3	SEAL-O-RING						
	7	1	8T-2929	3	SEAL-O-RING						



GRAPHIC #1

<END>

g01266119

# BASIC ENGINE

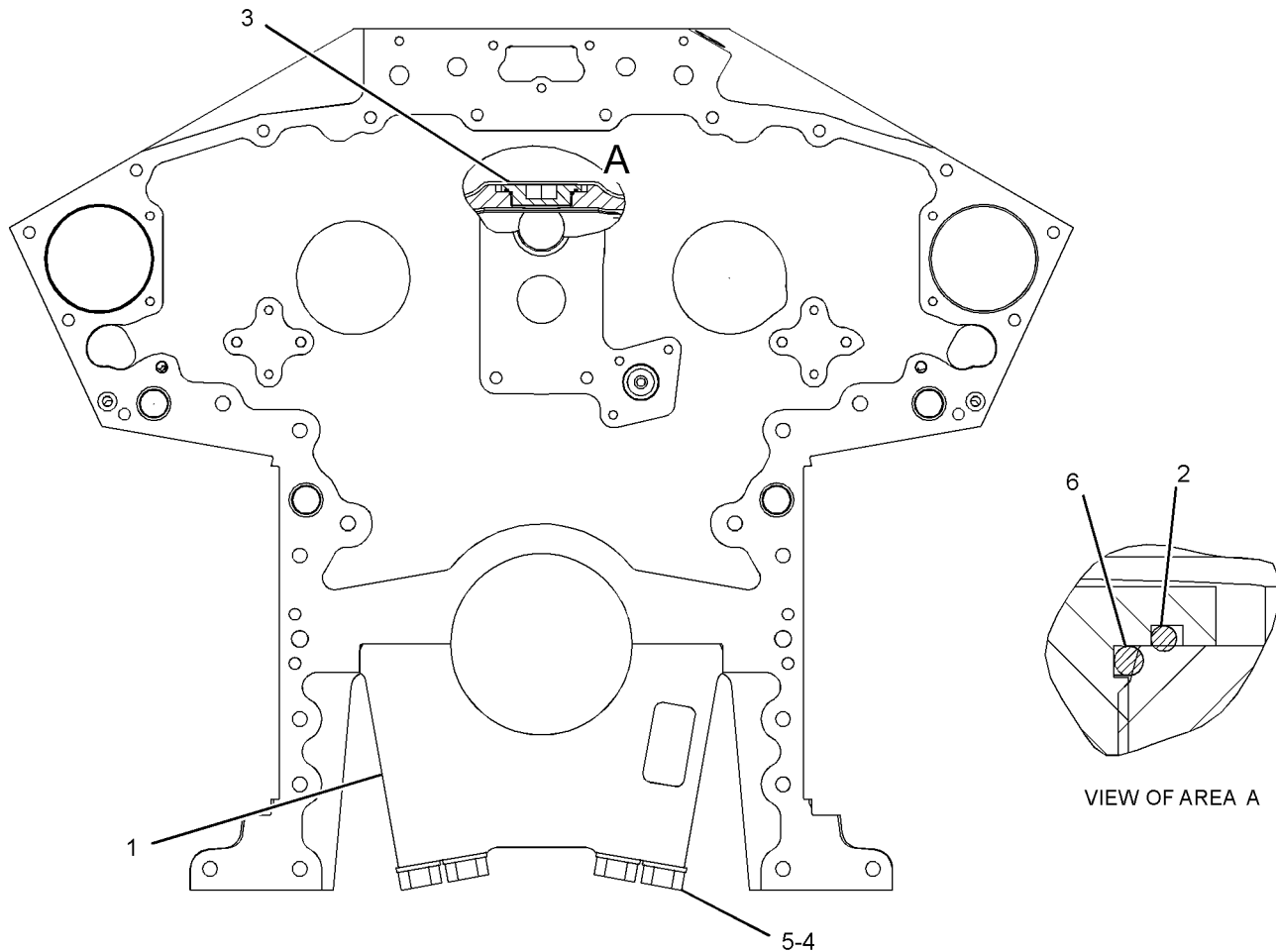
## 350-1392 CYLINDER BLOCK AS

PART OF 353-3970 CYLINDER BLOCK GP

SMCS-1201

i03810951

NOTE	REF NO	GRAPHIC REF	PART NUMBER	QTY	PART NAME						SEE PAGE
					1	2	3	4	5	6 (PRODUCT LEVEL)	
	1	1	223-1696	7	CAP-CRANKSHAFT BEARING						
	2	1	8T-2929	3	SEAL-O-RING						
	3	1	4W-4813	3	PLUG						
	4	1	5P-8249	28	WASHER-HARD (24X41.5X4-MM THK)						
	5	1	7X-7925	28	BOLT (7/8-14X11-IN)						
	6	1	8T-2928	3	SEAL-O-RING						



FRONT VIEW OF ENGINE

<END>

GRAPHIC #1

g02061775



# BASIC ENGINE

## 350-1413 CYLINDER BLOCK AS

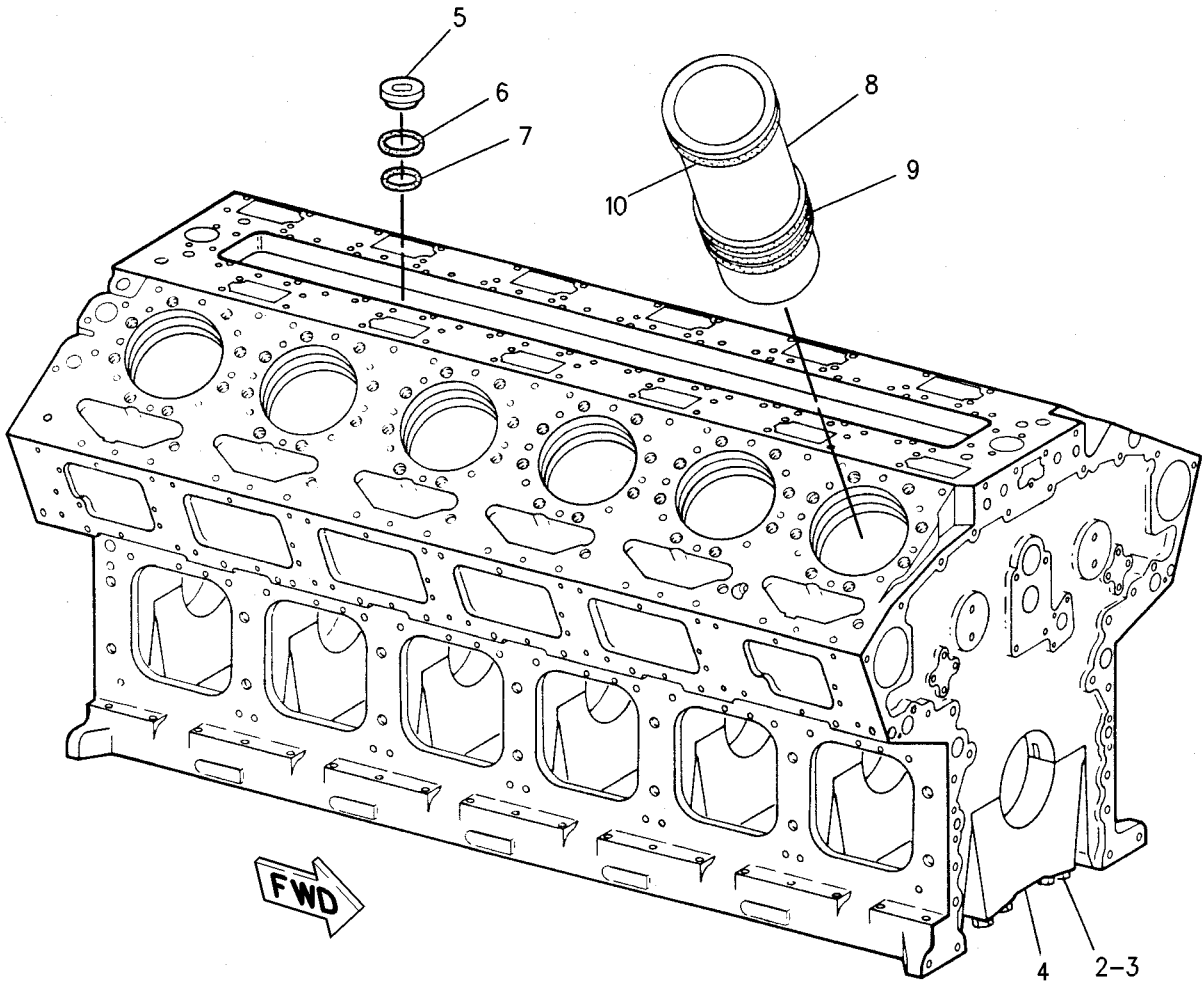
S/N: LLA2286-UP

PART OF 240-6651 CYLINDER BLOCK GP

SMCS-1201

i03831410

NOTE	REF NO	GRAPHIC REF	PART NUMBER	QTY	PART NAME						SEE PAGE
					1	2	3	4	5	6 (PRODUCT LEVEL)	
	2	1	5P-8249	28	WASHER-HARD (24X41.5X4-MM THK)						
	3	1	7X-7925	28	BOLT (7/8-14X11-IN)						
	4	1	223-1696	7	CAP-CRANKSHAFT BEARING						
	5	1	4W-4813	3	PLUG						
	6	1	8T-2929	3	SEAL-O-RING						
	7	1	8T-2928	3	SEAL-O-RING						
	8	1	211-7826	12	LINER-CYLINDER BLOCK						
	9	1	7N-2046	36	SEAL-O-RING						
	10	1	339-4950	12	SEAL-LINER						



GRAPHIC #1

<END>

g00913079

# BASIC ENGINE

## 115-5154 CYLINDER BLOCK GP\*R

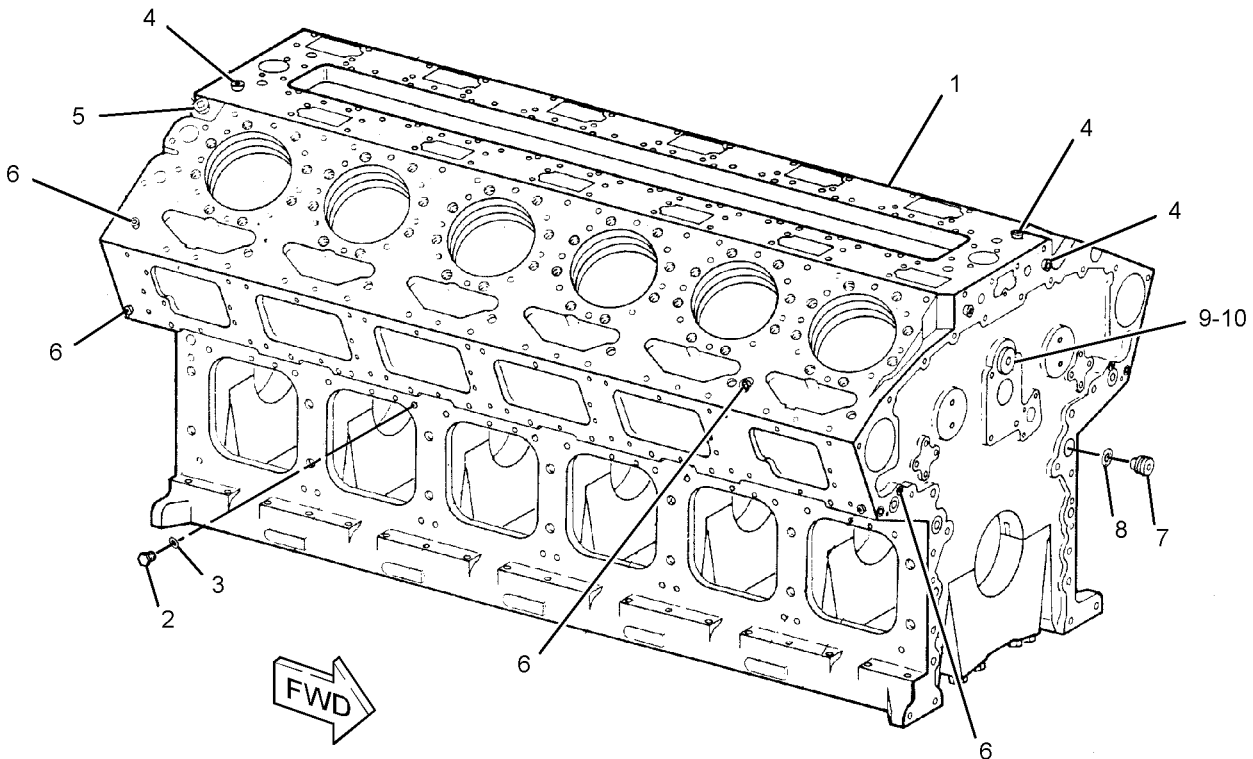
FIELD REPLACEMENT FOR 100-8026-PAGE 20

SMCS-1201

i02795477

NOTE	REF NO	GRAPHIC REF	PART NUMBER	QTY	PART NAME						SEE PAGE
					1	2	3	4	5	6 (PRODUCT LEVEL)	
Y	1	1	106-2779	1	CYLINDER BLOCK AS						21
	2	1	9S-4191	6	PLUG-O-RING						
	3	1	033-6042	6	SEAL-O-RING						
	4	1	8T-6762	4	PLUG-PIPE						
	5	1	7X-7731	2	PLUG-PIPE						
	6	1	8T-6763	22	PLUG-PIPE						
	7	1	2W-2940	8	PLUG						
	8	1	6V-3348	8	SEAL-O-RING						
	9	1	7N-5641	2	PLUG-MANIFOLD						
	10	1	5F-9657	4	SEAL-O-RING						

Y-SEPARATE ILLUSTRATION



GRAPHIC #1

<END>

g01395923

# BASIC ENGINE

## 240-6651 CYLINDER BLOCK GP

S/N: LLA1-2285

SMCS-1201

i03799798

NOTE	REF NO	GRAPHIC REF	PART NUMBER	QTY	PART NAME						SEE PAGE
					1	2	3	4	5	6 (PRODUCT LEVEL)	
Y	1	1	100-8026	1	CYLINDER BLOCK AS						20
	3	1	101-1198	14	BEARING-CAMSHAFT						
	4	1	1A-2029	1	BOLT (3/8-16X1.125-IN)						
	5	1	7X-7731	1	PLUG-PIPE						
	6	1	9S-4191	6	PLUG-O-RING						
	7	1	2W-2940	8	PLUG						
	8	1	7N-2044	2	DOWEL						
	9	1	8T-6762	4	PLUG-PIPE						
	10	1	5M-2894	1	WASHER-HARD (10.2X18.5X2.5-MM THK)						
	11	1	7N-2047	3	DOWEL						
	12	1	7X-4805	3	SEAL-O-RING						
	16	1	4N-0683	2	DOWEL						
	17	1	8T-6763	22	PLUG-PIPE						
	19	1	8T-0099	24	DOWEL						
	20	1	7N-5641	2	PLUG-MANIFOLD						
	21	1	197-7008	12	DOWEL						
	22	1	5P-0840	24	SEAL-O-RING						
	23	1	144-5692	12	GASKET-PLATE						
	24	1	110-6994	12	PLATE-SPACER						
	25	1	5F-9657	4	SEAL-O-RING						
	26	1	5P-8210	1	SEAL-O-RING						
	27	1	0S-1595	1	BOLT (1/2-13X1.25-IN)						
	28	1	5P-8245	1	WASHER-HARD (13.5X25.5X3-MM THK)						
	29	1	8N-8056	1	COVER						
	30	1	6V-3348	8	SEAL-O-RING						
	34	1	153-4906	6	SEAL-O-RING						
B	35	1	0S-1595	1	BOLT (1/2-13X1.25-IN)						
B	36	1	1A-2029	1	BOLT (3/8-16X1.125-IN)						
B	37	1	5M-2894	1	WASHER-HARD (10.2X18.5X2.5-MM THK)						
B	38	1	5P-8210	1	SEAL-O-RING						
B	39	1	5P-8245	1	WASHER-HARD (13.5X25.5X3-MM THK)						
B	40	1	7X-7731	1	PLUG-PIPE						
B	41	1	8N-8056	1	COVER						

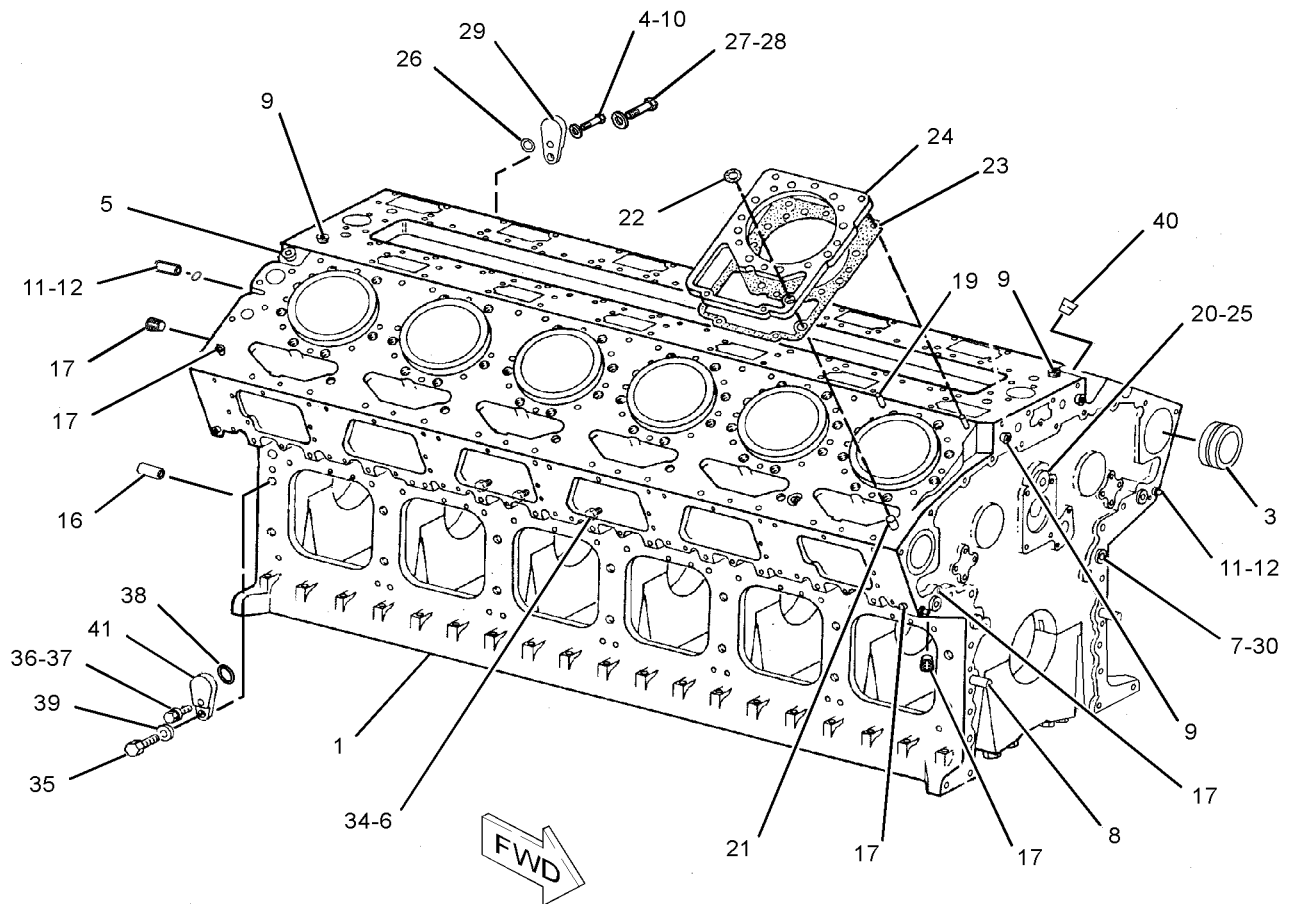
B-USE AS REQUIRED

Y-SEPARATE ILLUSTRATION

# BASIC ENGINE

240-6651 CYLINDER BLOCK GP (contd.)

i03799798



GRAPHIC #1

<END>

g01260443

# BASIC ENGINE

## 240-6651 CYLINDER BLOCK GP

S/N: LLA2286-UP

SMCS-1201

i03800836

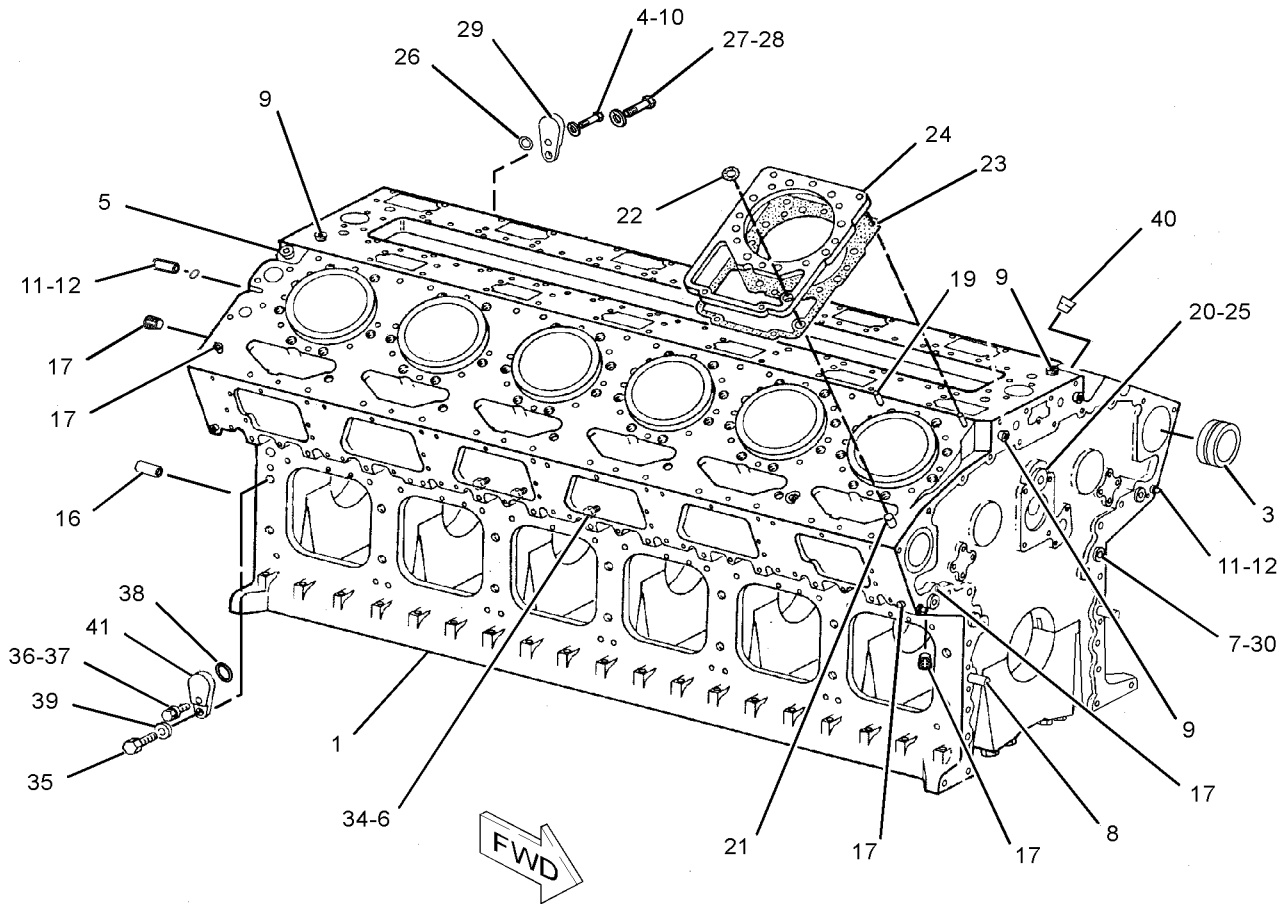
NOTE	REF NO	GRAPHIC REF	PART NUMBER	QTY	PART NAME						SEE PAGE
					1	2	3	4	5	6 (PRODUCT LEVEL)	
CY	1	1	350-1413	1	CYLINDER BLOCK AS						23
	3	1	101-1198	14	BEARING-CAMSHAFT						
	4	1	1A-2029	1	BOLT (3/8-16X1.125-IN)						
	5	1	7X-7731	1	PLUG-PIPE						
	6	1	9S-4191	6	PLUG-O-RING						
	7	1	2W-2940	8	PLUG						
	8	1	7N-2044	2	DOWEL						
	9	1	8T-6762	4	PLUG-PIPE						
	10	1	5M-2894	1	WASHER-HARD (10.2X18.5X2.5-MM THK)						
	11	1	7N-2047	3	DOWEL						
	12	1	7X-4805	3	SEAL-O-RING						
	16	1	4N-0683	2	DOWEL						
	17	1	8T-6763	22	PLUG-PIPE						
	19	1	8T-0099	24	DOWEL						
	20	1	7N-5641	2	PLUG-MANIFOLD						
	21	1	197-7008	12	DOWEL						
	22	1	5P-0840	24	SEAL-O-RING						
	23	1	144-5692	12	GASKET-PLATE						
	24	1	110-6994	12	PLATE-SPACER						
	25	1	5F-9657	4	SEAL-O-RING						
	26	1	5P-8210	1	SEAL-O-RING						
	27	1	0S-1595	1	BOLT (1/2-13X1.25-IN)						
	28	1	5P-8245	1	WASHER-HARD (13.5X25.5X3-MM THK)						
	29	1	8N-8056	1	COVER						
	30	1	6V-3348	8	SEAL-O-RING						
	34	1	214-7568	6	SEAL-O-RING						
B	35	1	0S-1595	1	BOLT (1/2-13X1.25-IN)						
B	36	1	1A-2029	1	BOLT (3/8-16X1.125-IN)						
B	37	1	5M-2894	1	WASHER-HARD (10.2X18.5X2.5-MM THK)						
B	38	1	5P-8210	1	SEAL-O-RING						
B	39	1	5P-8245	1	WASHER-HARD (13.5X25.5X3-MM THK)						
B	40	1	7X-7731	1	PLUG-PIPE						
B	41	1	8N-8056	1	COVER						

B-USE AS REQUIRED  
 C-CHANGE FROM PREVIOUS TYPE  
 Y-SEPARATE ILLUSTRATION

# BASIC ENGINE

240-6651 CYLINDER BLOCK GP (contd.)

i03800836



GRAPHIC #1

<END>

g01260443

# BASIC ENGINE

## 353-3970 CYLINDER BLOCK GP FIELD INSTALLATION

SMCS-1201

i03893109

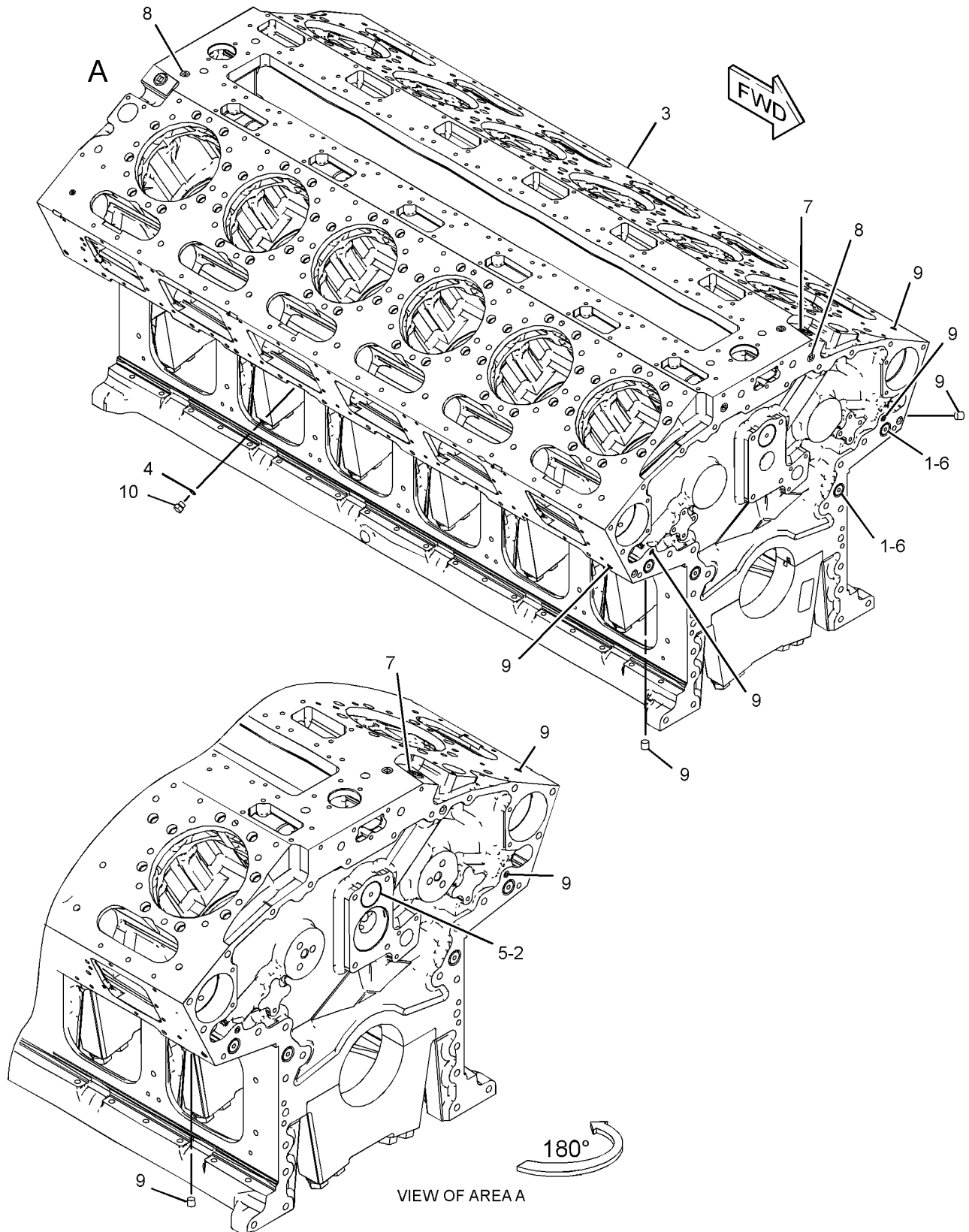
NOTE	REF NO	GRAPHIC REF	PART NUMBER	QTY	PART NAME						SEE PAGE
					1	2	3	4	5	6 (PRODUCT LEVEL)	
	1	1	<b>2W-2940</b>	8	PLUG						
	2	1	<b>7N-5641</b>	2	PLUG-MANIFOLD						
Y	3	1	<i>350-1392</i>	1	CYLINDER BLOCK AS						22
	4	1	<b>214-7568</b>	6	SEAL-O-RING						
	5	1	<b>5F-9657</b>	4	SEAL-O-RING						
	6	1	<b>6V-3348</b>	8	SEAL-O-RING						
	7	1	<b>7X-7731</b>	2	PLUG-PIPE						
	8	1	<b>8T-6762</b>	4	PLUG-PIPE						
	9	1	<b>8T-6763</b>	22	PLUG-PIPE						
	10	1	<b>9S-4191</b>	6	PLUG-O-RING						

Y-SEPARATE ILLUSTRATION

# BASIC ENGINE

353-3970 CYLINDER BLOCK GP (contd.)

i03893109



GRAPHIC #1

<END>

g02052555



# BASIC ENGINE

## 154-1612 CYLINDER HEAD AS

S/N: LLA1-398

PART OF 201-4257 CYLINDER HEAD GP

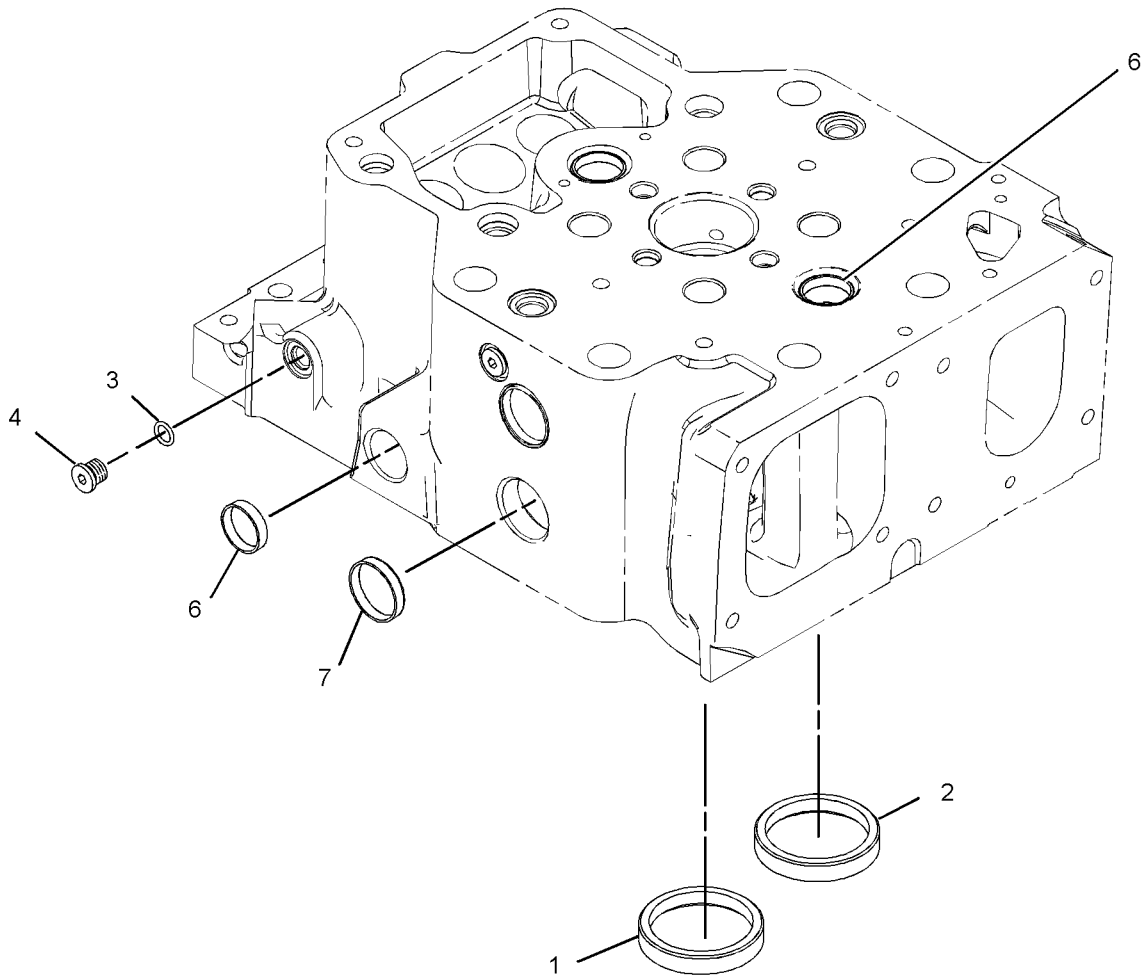
FIELD REPLACEMENT ORDER 242-5328-PAGE 32

SMCS-1100, 1101

i02405927

NOTE	REF NO	GRAPHIC REF	PART NUMBER	QTY	PART NAME						SEE PAGE
					1	2	3	4	5	6 (PRODUCT LEVEL)	
	1	1	130-2607	2	INSERT-VALVE SEAT (STANDARD) (INTAKE)						
AB			149-1981		INSERT-VALVE SEAT (0.51-MM OS OD) (INTAKE)						
R	2	1	130-2608	2	INSERT-VALVE SEAT (STANDARD) (EXHAUST)						
AB			166-5945		INSERT-VALVE SEAT (0.508-MM OS OD) (EXHAUST)						
	3	1	3J-7354	4	SEAL-O-RING						
	4	1	9S-8002	4	PLUG-O-RING						
	6	1	3B-0623	5	PLUG-CUP						
	7	1	3B-0645	5	PLUG-CUP						

A-NOT PART OF THIS GROUP  
 B-USE AS REQUIRED  
 R-REMFG PART MAY BE AVAILABLE



GRAPHIC #1

<END>

g01205314

# BASIC ENGINE

## 242-5328 CYLINDER HEAD AS

S/N: LLA1-398

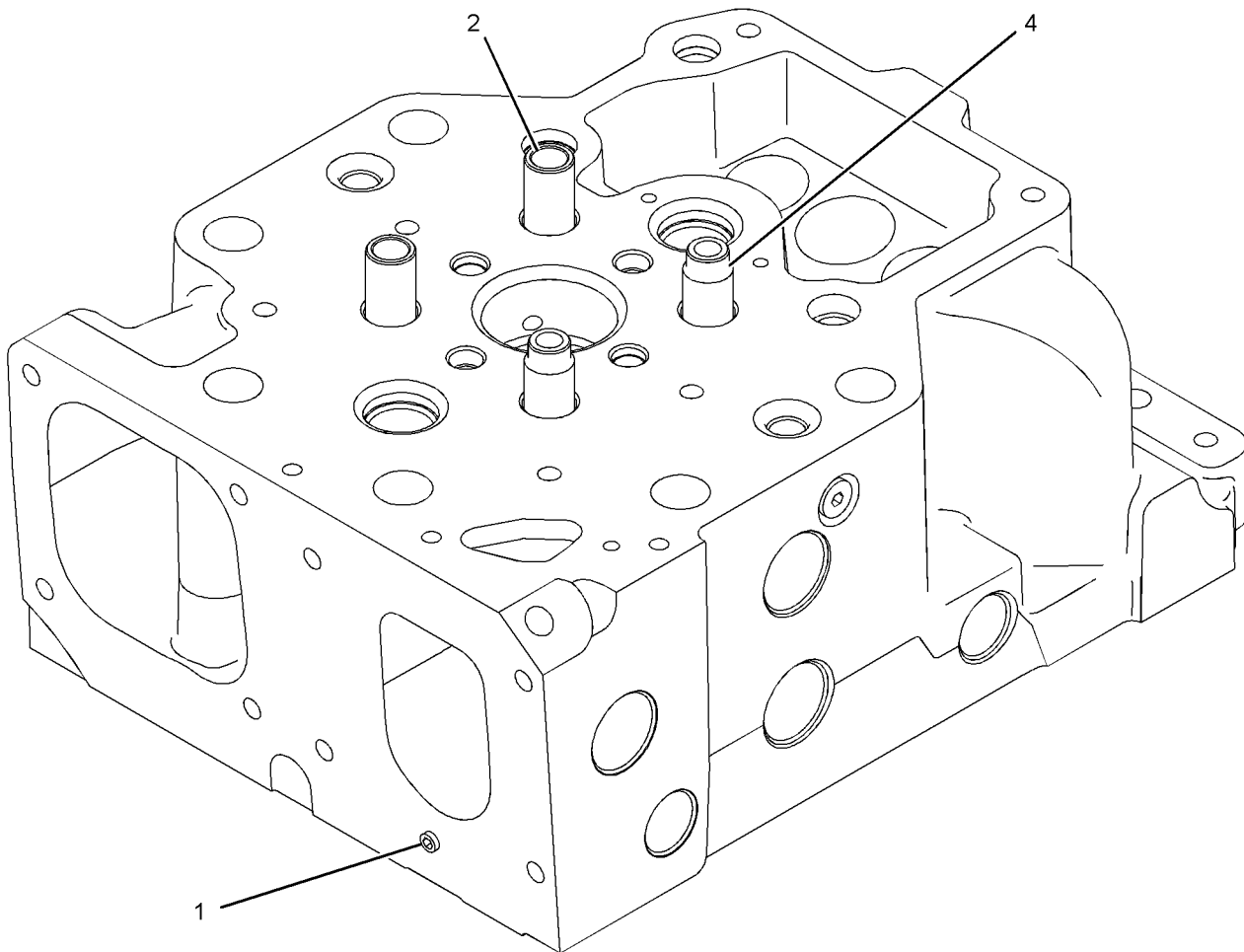
FIELD REPLACEMENT FOR 154-1612-PAGE 31

SMCS-1100, 1101

i02780745

NOTE	REF NO	GRAPHIC REF	PART NUMBER	QTY	PART NAME	1 2 3 4 5 6 (PRODUCT LEVEL)						SEE PAGE
	1	1	<b>8T-6757</b>	1	PLUG-PIPE							
R	2	1	<b>133-9306</b>	2	GUIDE-VALVE (STANDARD) (INLET)							
AB		1	<b>273-3553</b>		GUIDE-VALVE (0.127-MM OS OD) (INLET)							
AB		1	<b>273-3554</b>		GUIDE-VALVE (0.254-MM OS OD) (INLET)							
AB		1	<b>301-9248</b>		GUIDE-VALVE (0.381-MM OS OD) (INLET)							
AB		1	<b>149-1982</b>		GUIDE-VALVE (0.508-MM OS OD) (INLET)							
R	4	1	<b>197-6995</b>	2	GUIDE-VALVE (STANDARD) (EXHAUST)							
AB			<b>276-3875</b>		GUIDE-VALVE (0.127-MM OS OD) (EXHAUST)							
AB			<b>276-3876</b>		GUIDE-VALVE (0.254-MM OS OD) (EXHAUST)							

A - NOT PART OF THIS GROUP  
 B - USE AS REQUIRED  
 R - REMFG PART MAY BE AVAILABLE



GRAPHIC #1

<END>

g01219513

# BASIC ENGINE

## 290-1351 CYLINDER HEAD AS

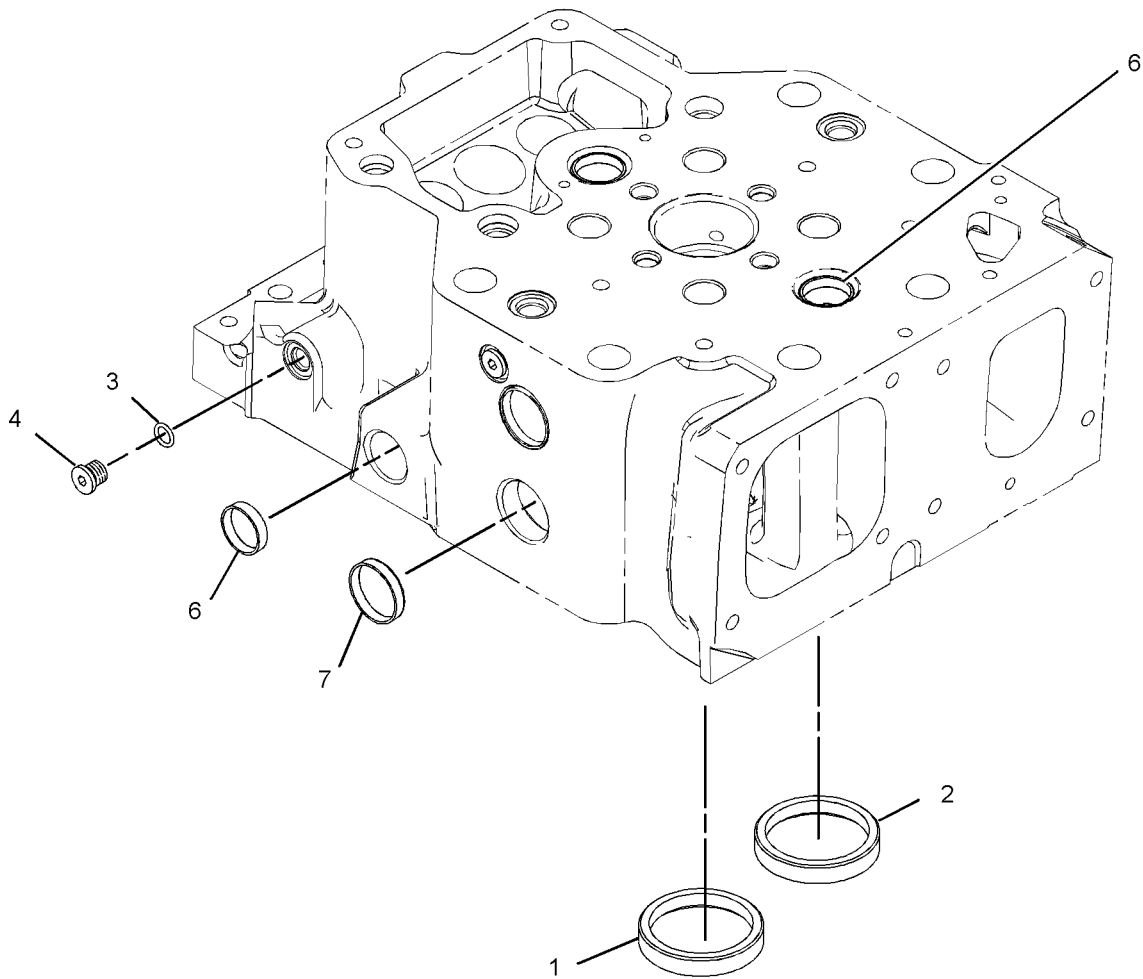
S/N: LLA399-UP

PART OF 299-3519 CYLINDER HEAD AS, 290-1352, 335-6220 CYLINDER HEAD GP  
FIELD REPLACEMENT ORDER 299-3519-PAGE 34

SMCS-1100, 1101

i02625615

NOTE	REF NO	GRAPHIC REF	PART NUMBER	QTY	PART NAME						SEE PAGE
					1	2	3	4	5	6 (PRODUCT LEVEL)	
	1	1	<b>183-8809</b>	2	INSERT-VALVE SEAT (INTAKE)						
	2	1	<b>289-9745</b>	2	INSERT-VALVE SEAT (EXHAUST)						
	3	1	<b>3J-7354</b>	4	SEAL-O-RING						
	4	1	<b>9S-8002</b>	4	PLUG-O-RING						
	6	1	<b>3B-0623</b>	5	PLUG-CUP						
	7	1	<b>3B-0645</b>	5	PLUG-CUP						



GRAPHIC #1

<END>

g01205314

# BASIC ENGINE

## 299-3519 CYLINDER HEAD AS

S/N: LLA399-UP

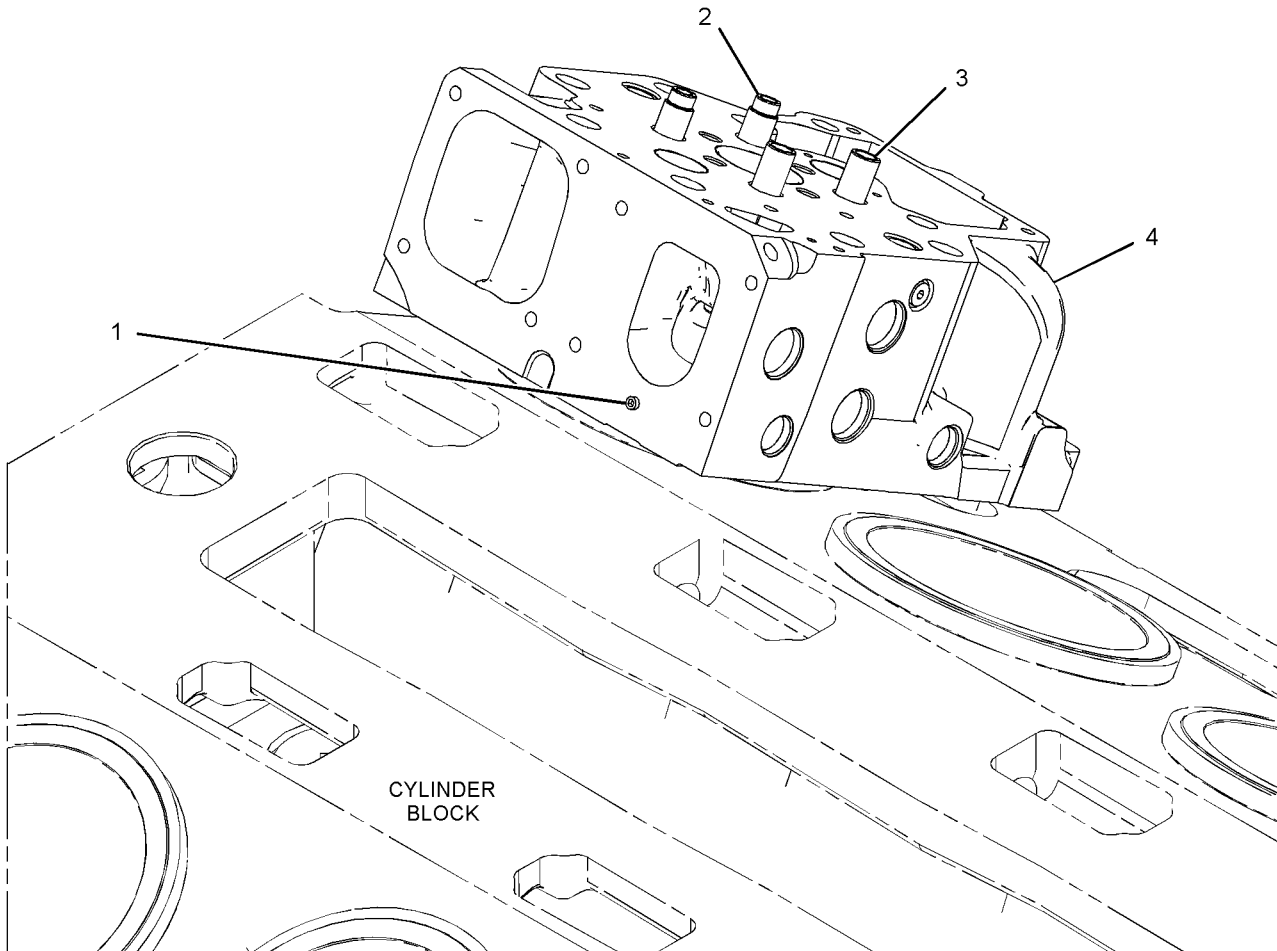
FIELD REPLACEMENT FOR 290-1351-PAGE 33

SMCS-1100, 1101

i03652271

NOTE	REF NO	GRAPHIC REF	PART NUMBER	QTY	PART NAME						SEE PAGE
					1	2	3	4	5	6 (PRODUCT LEVEL)	
	1	1	<b>8T-6759</b>	1	PLUG-PIPE						
R	2	1	<b>133-9306</b>	2	GUIDE-VALVE (STANDARD) (INTAKE)						
AB		1	<b>149-1982</b>		GUIDE-VALVE (0.508-MM OS OD) (INLET)						
AB		1	<b>273-3553</b>		GUIDE-VALVE (0.127-MM OS OD) (INLET)						
AB		1	<b>273-3554</b>		GUIDE-VALVE (0.254-MM OS OD) (INLET)						
AB		1	<b>301-9248</b>		GUIDE-VALVE (0.381-MM OS OD) (INLET)						
R	3	1	<b>197-6995</b>	2	GUIDE-VALVE (STANDARD) (EXHAUST)						
AB		1	<b>276-3875</b>		GUIDE-VALVE (0.127-MM OS OD) (EXHAUST)						
AB		1	<b>276-3876</b>		GUIDE-VALVE (0.254-MM OS OD) (EXHAUST)						
Y	4	1	<i>290-1351</i>	1	CYLINDER HEAD AS						33

A-NOT PART OF THIS GROUP  
 B-USE AS REQUIRED  
 R-REMG PART MAY BE AVAILABLE  
 Y-SEPARATE ILLUSTRATION



GRAPHIC #1

<END>

g01959832

# BASIC ENGINE

## 101-0830 CYLINDER HEAD GP

S/N: LLA383-398

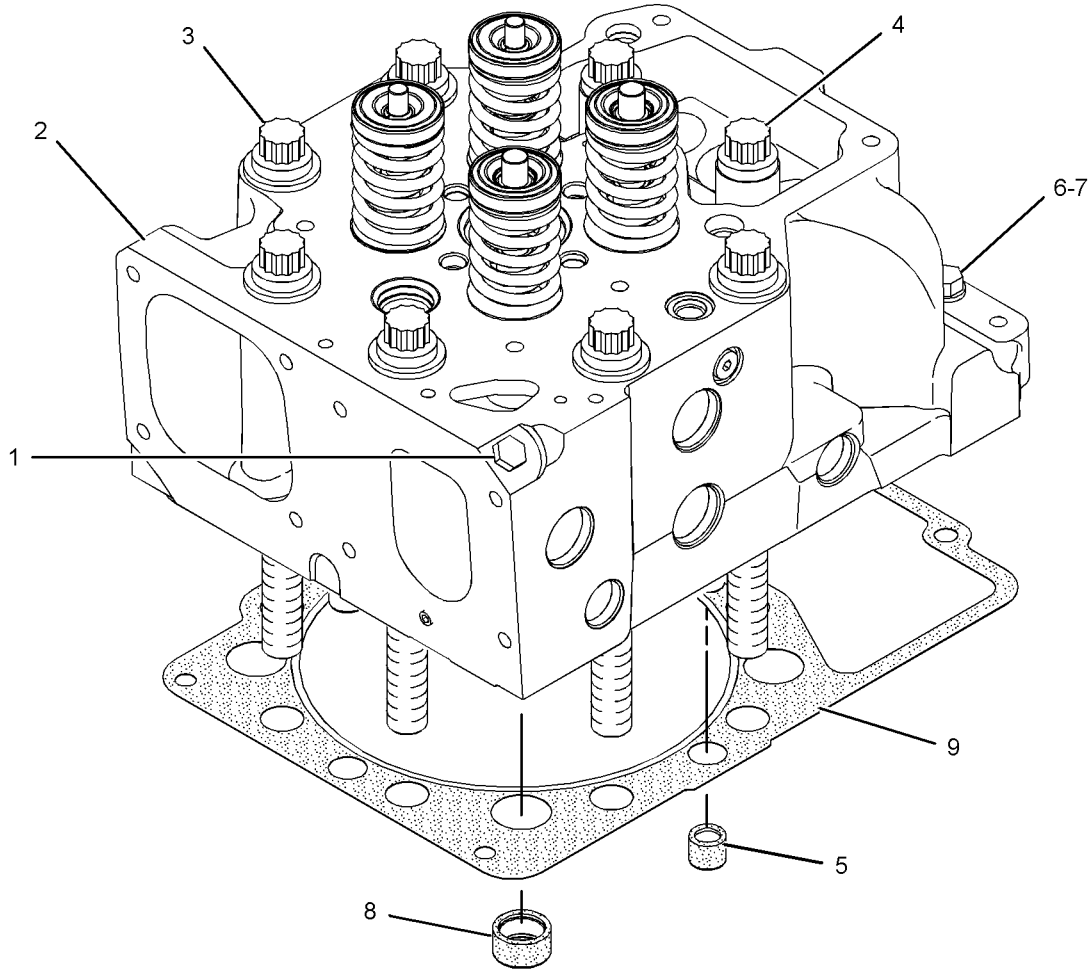
FIELD REPLACEMENT FOR 274-8568—PAGE 38

SMCS-1100

i02979811

NOTE	REF NO	GRAPHIC REF	PART NUMBER	QTY	PART NAME						SEE PAGE
					1	2	3	4	5	6 (PRODUCT LEVEL)	
B	1	1	5B-7890	1	PLUG-PIPE						
CYR	2	1	201-4257	1	CYLINDER HEAD GP						36
	3	1	131-0420	6	FASTENER GP-CYLINDER HEAD (EACH INCLUDES)						
		1	7N-1961	1	BOLT-12 POINT HEAD (3/4-16X8.5-IN)						
		1	187-7738	1	WASHER-HARD (21X36.5X3.5-MM THK)						
	4	1	131-0421	2	FASTENER GP-CYLINDER HEAD (EACH INCLUDES)						
		1	7N-1961	1	BOLT-12 POINT HEAD (3/4-16X8.5-IN)						
		1	9Y-0635	1	SPACER (19.35X30.18X45-MM THK)						
		1	187-7738	1	WASHER-HARD (21X36.5X3.5-MM THK)						
	5	1	204-5426	4	SEAL (WATER)						
	6	1	5B-0213	2	BOLT (3/8-16X2.375-IN)						
	7	1	5M-2894	2	WASHER-HARD (10.2X18.5X2.5-MM THK)						
	8	1	204-5427	4	SEAL (WATER)						
	9	1	110-6991	1	GASKET-CYLINDER HEAD						

B-USE AS REQUIRED  
 C-CHANGE FROM PREVIOUS TYPE  
 R-REMG PART MAY BE AVAILABLE  
 Y-SEPARATE ILLUSTRATION



GRAPHIC #1

<END>

g01248586

# BASIC ENGINE

## 201-4257 CYLINDER HEAD GP\*R PART OF 101-0830, 274-8568 CYLINDER HEAD GP

SMCS-1100

i02780805

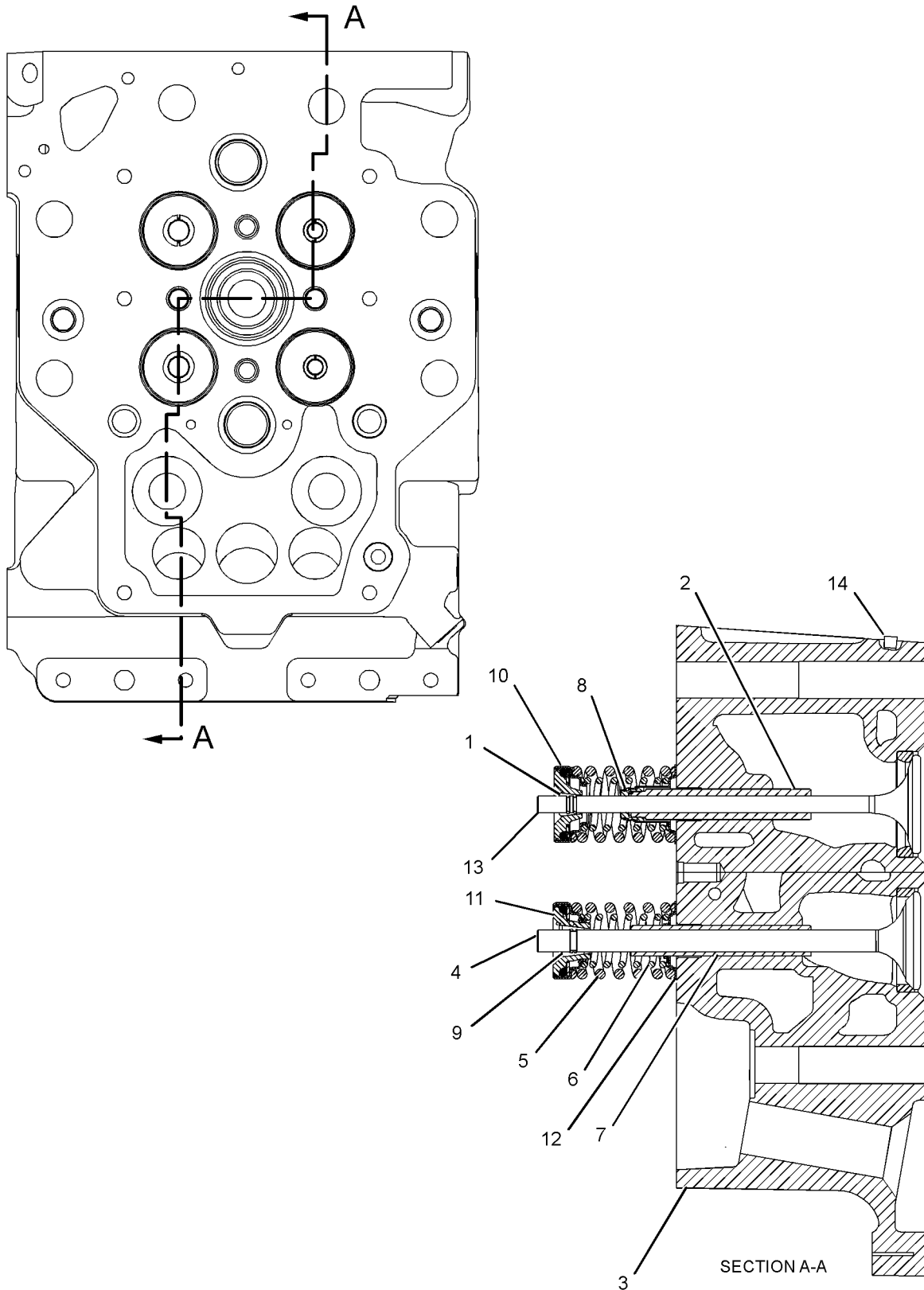
NOTE	REF NO	GRAPHIC REF	PART NUMBER	QTY	PART NAME						SEE PAGE
					1	2	3	4	5	6 (PRODUCT LEVEL)	
	1	1	<b>2A-4429</b>	4	LOCK-RETAINER (INLET)						
R	2	1	<b>133-9306</b>	2	GUIDE-VALVE (STANDARD) (INLET)						
AB		1	<b>273-3553</b>		GUIDE-VALVE (0.127-MM OS OD) (INLET)						
AB		1	<b>273-3554</b>		GUIDE-VALVE (0.254-MM OS OD) (INLET)						
AB		1	<b>301-9248</b>		GUIDE-VALVE (0.381-MM OS OD) (INLET)						
AB		1	<b>149-1982</b>		GUIDE-VALVE (0.508-MM OS OD) (INLET)						
Y	3	1	<b>154-1612</b>	1	CYLINDER HEAD AS						31
	4	1	<b>194-4897</b>	2	VALVE-EXHAUST						
	5	1	<b>281-6157</b>	4	SPRING (OUTER)						
	6	1	<b>194-4902</b>	4	SPRING-VALVE (INNER)						
R	7	1	<b>197-6995</b>	2	GUIDE-VALVE (STANDARD) (EXHAUST)						
AB		1	<b>276-3875</b>	1	GUIDE-VALVE (0.127-MM OS OD) (EXHAUST)						
AB		1	<b>276-3876</b>	1	GUIDE-VALVE (0.254-MM OS OD) (EXHAUST)						
	8	1	<b>197-7006</b>	2	SEAL-VALVE STEM (INLET)						
	9	1	<b>197-7055</b>	4	LOCK-RETAINER (EXHAUST)						
	10	1	<b>197-7062</b>	2	ROTOCOIL AS (INLET)						
	11	1	<b>197-7063</b>	2	ROTOCOIL AS (EXHAUST)						
	12	1	<b>209-0962</b>	2	WASHER (17.8X45X7.29-MM THK)						
	13	1	<b>210-2542</b>	2	VALVE-INLET						
	14	1	<b>8T-6759</b>	1	PLUG-PIPE						

A-NOT PART OF THIS GROUP  
 B-USE AS REQUIRED  
 R-REMG PART MAY BE AVAILABLE  
 Y-SEPARATE ILLUSTRATION

# BASIC ENGINE

201-4257 CYLINDER HEAD GP (contd.)

i02780805



GRAPHIC #1

<END>

g01202855

# BASIC ENGINE

## 274-8568 CYLINDER HEAD GP

S/N: LLA1-382

FIELD REPLACEMENT FOR 101-0830-PAGE 35

SMCS-1100

i03014100

NOTE	REF NO	GRAPHIC REF	PART NUMBER	QTY	PART NAME						SEE PAGE
					1	2	3	4	5	6 (PRODUCT LEVEL)	
B	1	1	<b>5B-7890</b>	1	PLUG-PIPE						
YR	2	1	<b>201-4257</b>	1	CYLINDER HEAD GP						36
	3	1	<b>131-0420</b>	6	FASTENER GP-CYLINDER HEAD						
					(EACH INCLUDES)						
		1	<b>7N-1961</b>	1	BOLT-12 POINT HEAD (3/4-16X8.5-IN)						
		1	<b>187-7738</b>	1	WASHER-HARD (21X36.5X3.5-MM THK)						
	4	1	<b>131-0421</b>	2	FASTENER GP-CYLINDER HEAD						
					(EACH INCLUDES)						
		1	<b>7N-1961</b>	1	BOLT-12 POINT HEAD (3/4-16X8.5-IN)						
		1	<b>9Y-0635</b>	1	SPACER (19.35X30.18X45-MM THK)						
		1	<b>187-7738</b>	1	WASHER-HARD (21X36.5X3.5-MM THK)						
	5	1	<b>204-5426</b>	4	SEAL (WATER)						
	6	1	<b>5B-0213</b>	2	BOLT (3/8-16X2.375-IN)						
	7	1	<b>5M-2894</b>	2	WASHER-HARD (10.2X18.5X2.5-MM THK)						
	8	1	<b>204-5427</b>	4	SEAL (WATER)						
	9	1	<b>110-6991</b>	1	GASKET-CYLINDER HEAD						

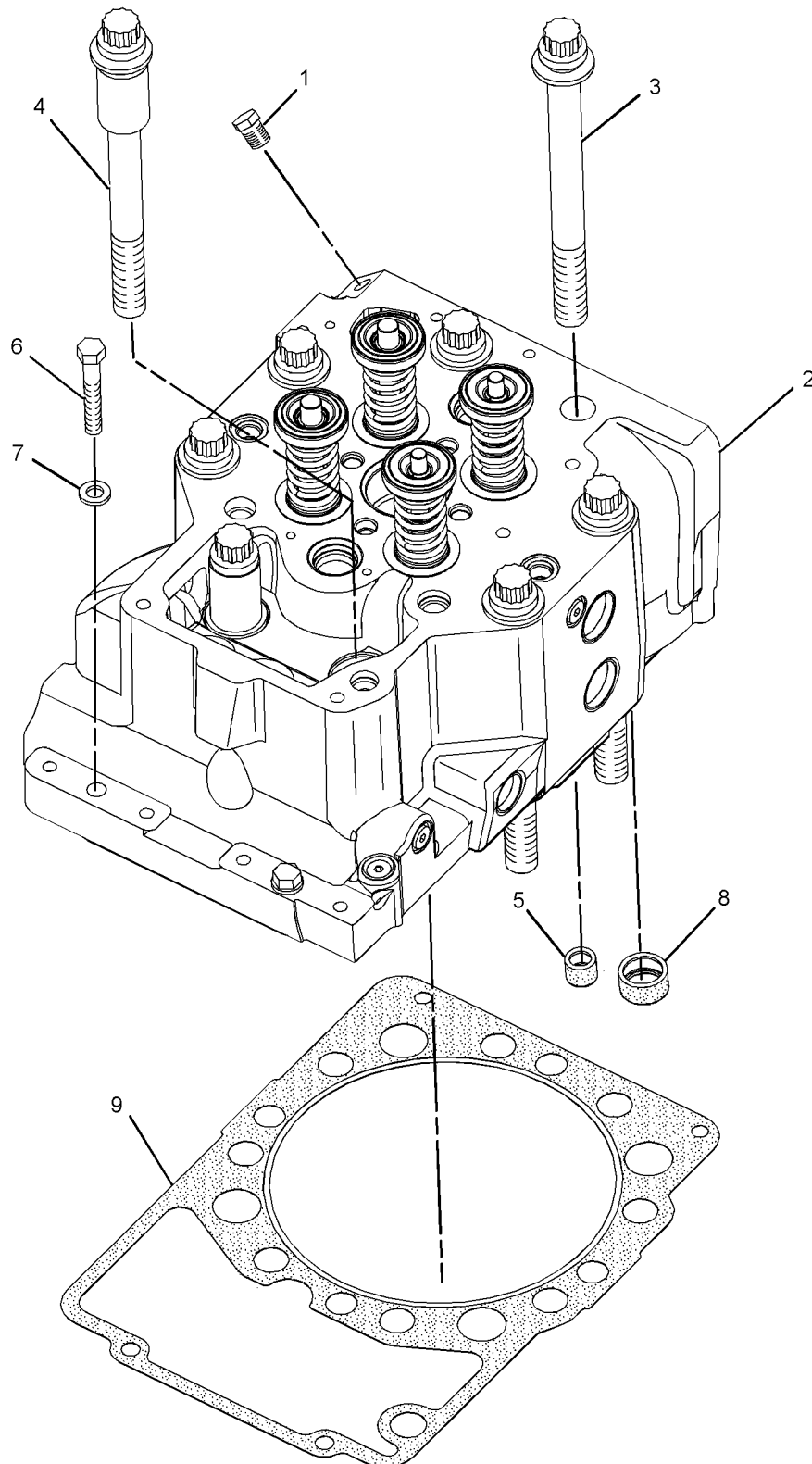
B-USE AS REQUIRED  
R-REMG PART MAY BE AVAILABLE  
Y-SEPARATE ILLUSTRATION



# BASIC ENGINE

274-8568 CYLINDER HEAD GP (contd.)

i03014100



GRAPHIC #1

<END>

g01219924

# BASIC ENGINE

## 290-1352 CYLINDER HEAD GP

S/N: LLA399-UP

PART OF 299-3521 CYLINDER HEAD GP

SMCS-1100

i02625612

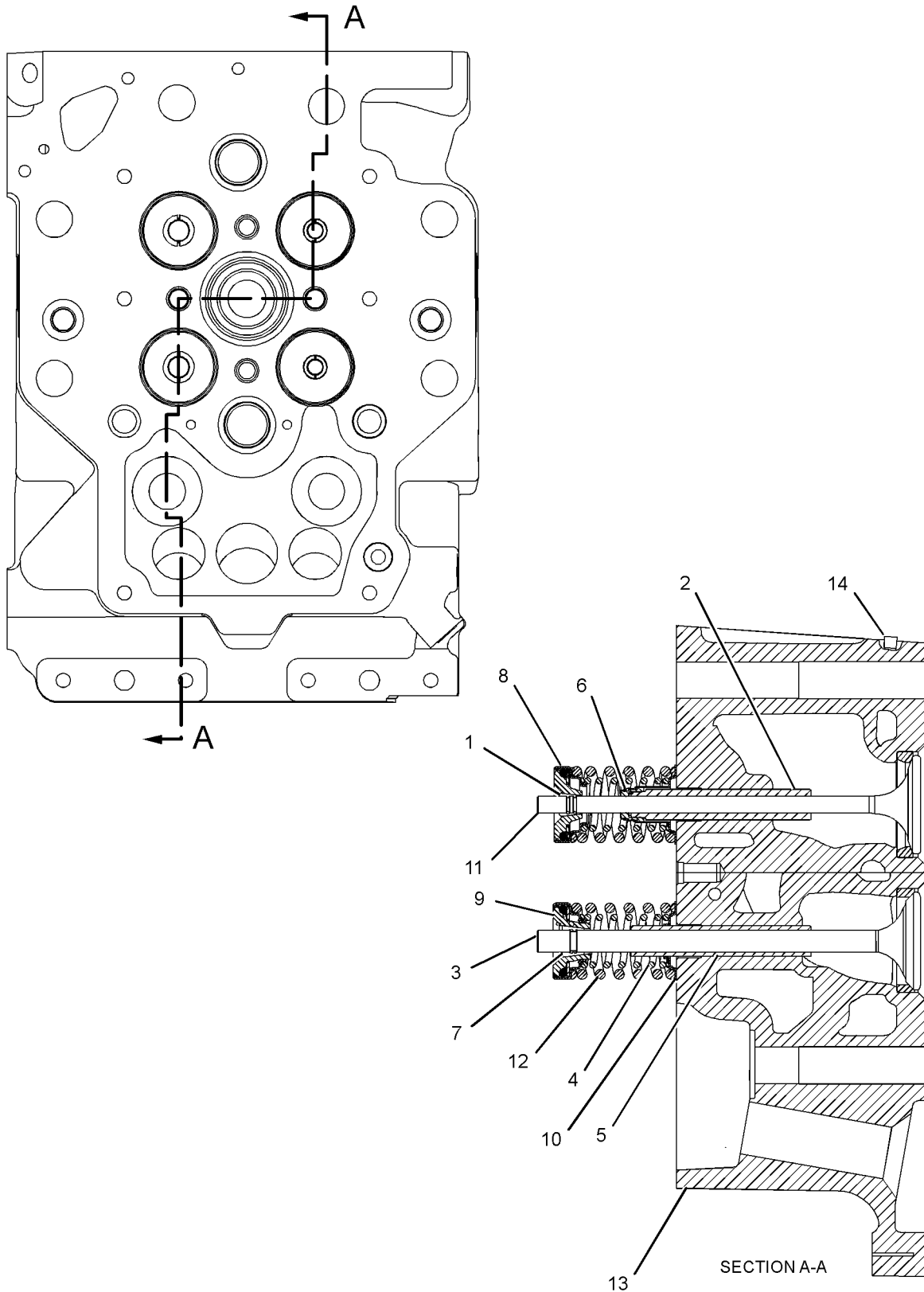
NOTE	REF NO	GRAPHIC REF	PART NUMBER	QTY	PART NAME	SEE PAGE
					1 2 3 4 5 6 (PRODUCT LEVEL)	
	1	1	2A-4429	4	LOCK-RETAINER	
R	2	1	133-9306	2	GUIDE-VALVE (STANDARD) (INLET)	
AB		1	149-1982	2	GUIDE-VALVE (0.508-MM OS OD) (INLET)	
AB		1	273-3553	1	GUIDE-VALVE (0.127-MM OS OD) (INLET)	
AB		1	273-3554	1	GUIDE-VALVE (0.254-MM OS OD) (INLET)	
AB		1	301-9248	1	GUIDE-VALVE (0.381-MM OS OD) (INLET)	
	3	1	194-4897	2	VALVE-EXHAUST	
	4	1	194-4902	4	SPRING-VALVE	
R	5	1	197-6995	2	GUIDE-VALVE (STANDARD) (EXHAUST)	
AB		1	276-3875	1	GUIDE-VALVE (0.127-MM OS OD) (EXHAUST)	
AB		1	276-3876	1	GUIDE-VALVE (0.254-MM OS OD) (EXHAUST)	
	6	1	197-7006	2	SEAL-VALVE STEM	
	7	1	197-7055	4	LOCK-RETAINER	
	8	1	197-7062	2	ROTOCOIL AS	
	9	1	197-7063	2	ROTOCOIL AS	
	10	1	209-0962	2	WASHER (17.8X45X7.29-MM THK)	
	11	1	210-2542	2	VALVE-INLET	
	12	1	281-6157	4	SPRING	
Y	13	1	290-1351	1	CYLINDER HEAD AS	33
	14	1	8T-6759	1	PLUG-PIPE	

A-NOT PART OF THIS GROUP  
 B-USE AS REQUIRED  
 R-REMG PART MAY BE AVAILABLE  
 Y-SEPARATE ILLUSTRATION

# BASIC ENGINE

290-1352 CYLINDER HEAD GP (contd.)

i02625612



GRAPHIC #1

<END>

g01324364

# BASIC ENGINE

## 299-3521 CYLINDER HEAD GP

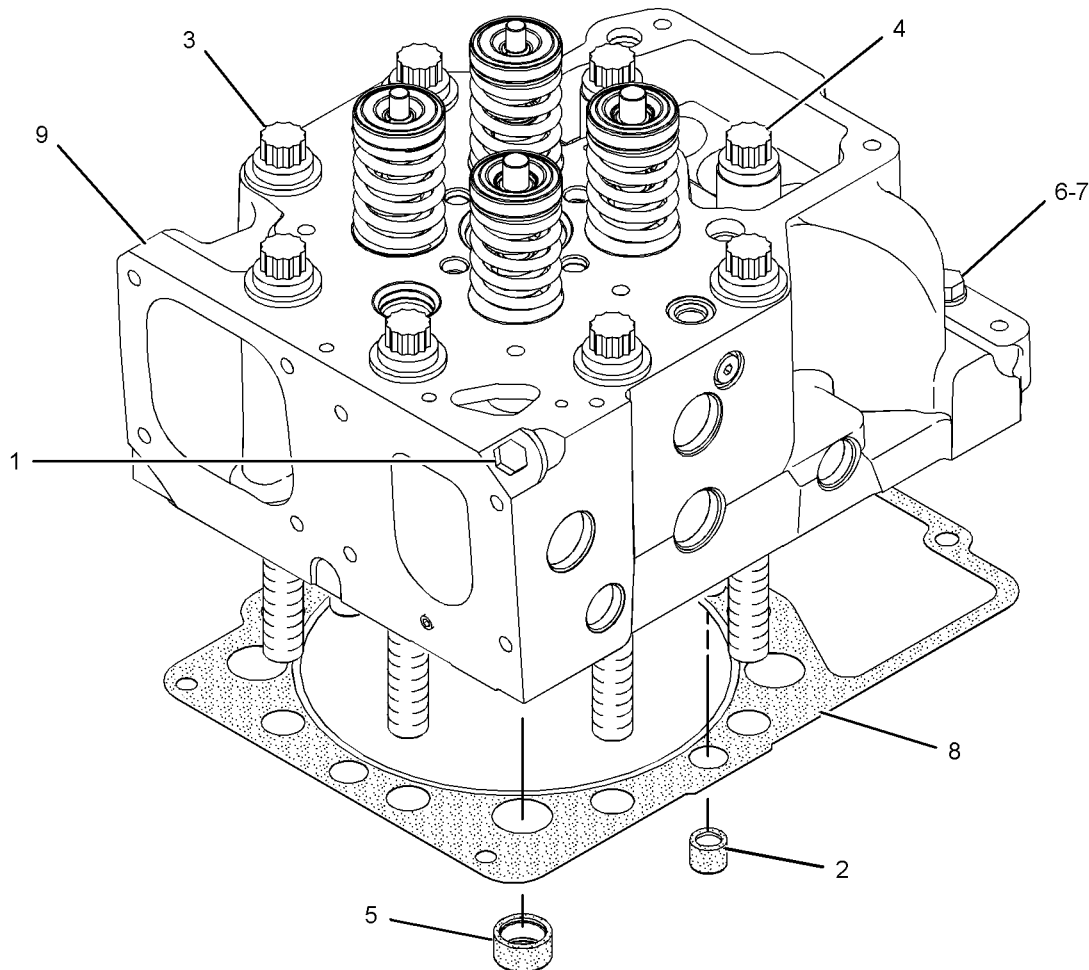
S/N: LLA399-1860

SMCS-1100

i03054778

NOTE	REF NO	GRAPHIC REF	PART NUMBER	QTY	PART NAME						SEE PAGE
					1	2	3	4	5	6 (PRODUCT LEVEL)	
B	1	1	5B-7890	1	PLUG-PIPE						40
	2	1	204-5426	4	SEAL (WATER)						
	3	1	131-0420	6	FASTENER GP-CYLINDER HEAD (EACH INCLUDES)						
		1	7N-1961	1	BOLT-12 POINT HEAD (3/4-16X8.5-IN)						
		1	187-7738	1	WASHER-HARD (21X36.5X3.5-MM THK)						
	4	1	131-0421	2	FASTENER GP-CYLINDER HEAD (EACH INCLUDES)						
		1	7N-1961	1	BOLT-12 POINT HEAD (3/4-16X8.5-IN)						
		1	9Y-0635	1	SPACER (19.35X30.18X45-MM THK)						
		1	187-7738	1	WASHER-HARD (21X36.5X3.5-MM THK)						
	5	1	204-5427	4	SEAL (WATER)						
	6	1	5B-0213	2	BOLT (3/8-16X2.375-IN)						
	7	1	5M-2894	2	WASHER-HARD (10.2X18.5X2.5-MM THK)						
	8	1	110-6991	1	GASKET-CYLINDER HEAD						
Y	9	1	290-1352	1	CYLINDER HEAD GP						

B-USE AS REQUIRED  
Y-SEPARATE ILLUSTRATION



GRAPHIC #1

<END>

g01324449

# BASIC ENGINE

## 299-3521 CYLINDER HEAD GP

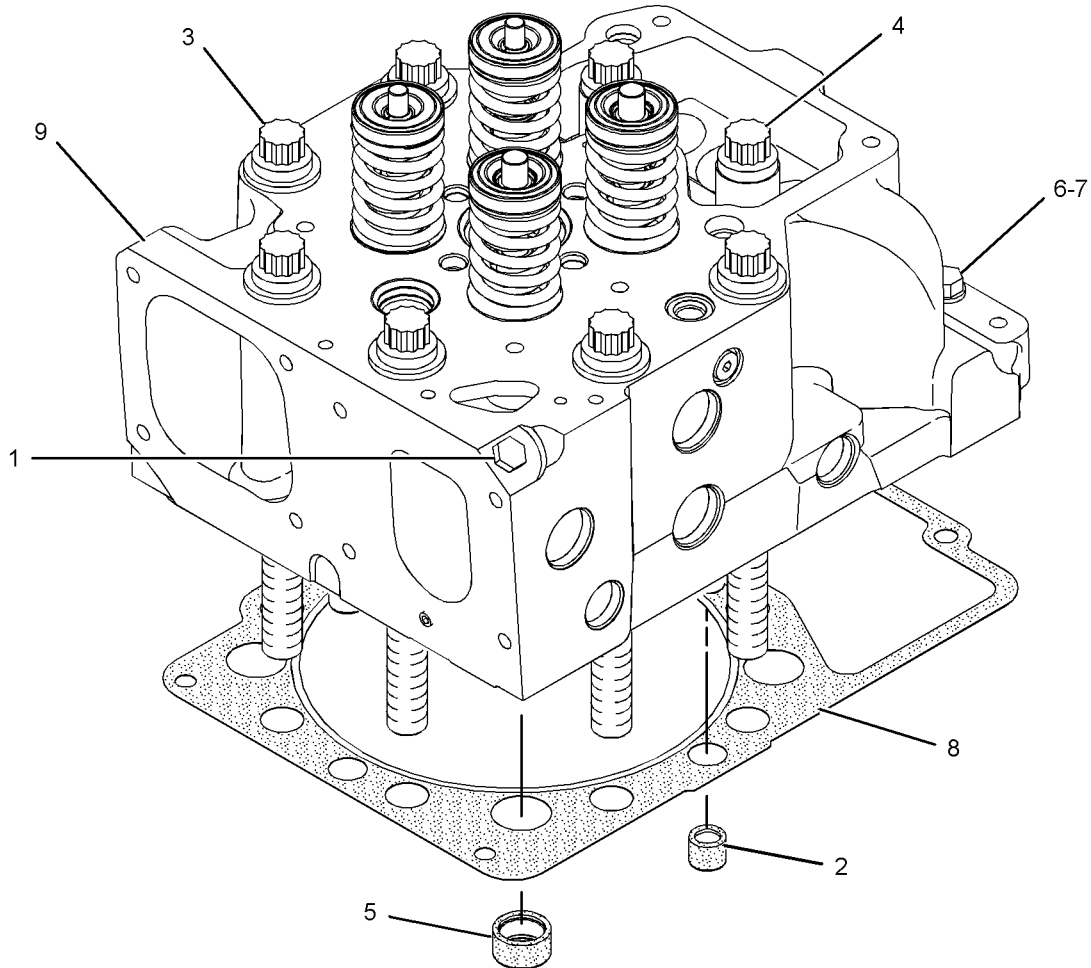
S/N: LLA1861-UP

SMCS-1100

i03862945

NOTE	REF NO	GRAPHIC REF	PART NUMBER	QTY	PART NAME						SEE PAGE
					1	2	3	4	5	6 (PRODUCT LEVEL)	
B	1	1	<b>5B-7890</b>	1	PLUG-PIPE						
	2	1	<b>325-1412</b>	4	SEAL AS-WATER						
	3	1	<b>131-0420</b>	6	FASTENER GP-CYLINDER HEAD						
					(EACH INCLUDES)						
		1	<b>7N-1961</b>	1	BOLT-12 POINT HEAD (3/4-16X8.5-IN)						
		1	<b>187-7738</b>	1	WASHER-HARD (21X36.5X3.5-MM THK)						
	4	1	<b>131-0421</b>	2	FASTENER GP-CYLINDER HEAD						
					(EACH INCLUDES)						
		1	<b>7N-1961</b>	1	BOLT-12 POINT HEAD (3/4-16X8.5-IN)						
		1	<b>9Y-0635</b>	1	SPACER (19.35X30.18X45-MM THK)						
		1	<b>187-7738</b>	1	WASHER-HARD (21X36.5X3.5-MM THK)						
	5	1	<b>325-1410</b>	4	SEAL AS-WATER						
	6	1	<b>5B-0213</b>	2	BOLT (3/8-16X2.375-IN)						
	7	1	<b>5M-2894</b>	2	WASHER-HARD (10.2X18.5X2.5-MM THK)						
	8	1	<b>110-6991</b>	1	GASKET-CYLINDER HEAD						
CYR	9	1	<b>335-6220</b>	1	CYLINDER HEAD GP						44

B-USE AS REQUIRED  
 C-CHANGE FROM PREVIOUS TYPE  
 R-REMG PART MAY BE AVAILABLE  
 Y-SEPARATE ILLUSTRATION



GRAPHIC #1

<END>

g01324449

# BASIC ENGINE

## 335-6220 CYLINDER HEAD GP

S/N: LLA1861-UP

PART OF 299-3521 CYLINDER HEAD GP

SMCS-1100

i03588680

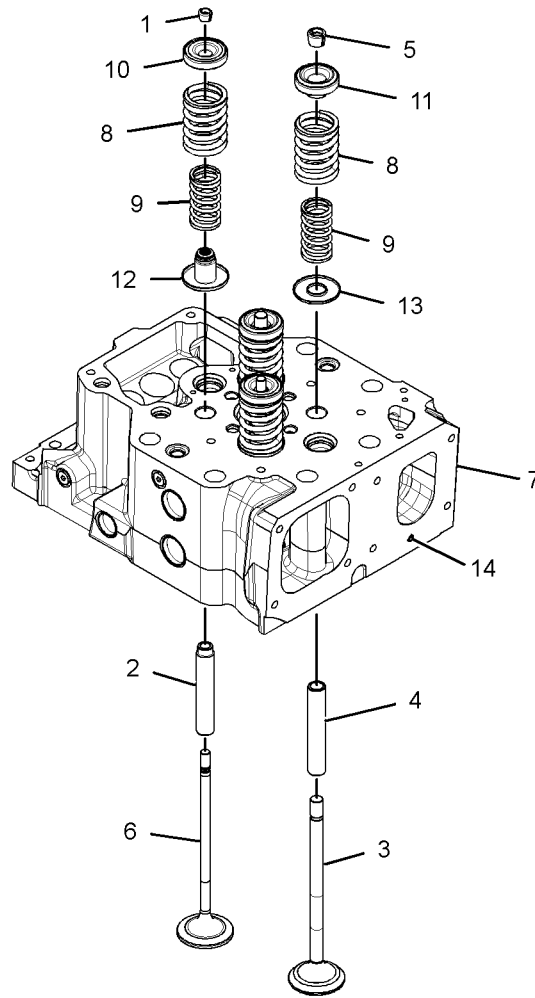
NOTE	REF NO	GRAPHIC REF	PART NUMBER	QTY	PART NAME						SEE PAGE
					1	2	3	4	5	6 (PRODUCT LEVEL)	
	1	1	2A-4429	4	LOCK-RETAINER						
R	2	1	133-9306	2	GUIDE-VALVE (STANDARD) (INLET)						
AB		1	149-1982		GUIDE-VALVE (0.508-MM OS OD) (INLET)						
AB		1	273-3553		GUIDE-VALVE (0.127-MM OS OD) (INLET)						
AB		1	273-3554		GUIDE-VALVE (0.254-MM OS OD) (INLET)						
AB		1	301-9248		GUIDE-VALVE (0.381-MM OS OD) (INLET)						
	3	1	194-4897	2	VALVE-EXHAUST						
R	4	1	197-6995	2	GUIDE-VALVE (STANDARD) (EXHAUST)						
AB		1	276-3875		GUIDE-VALVE (0.127-MM OS OD) (EXHAUST)						
AB		1	276-3876		GUIDE-VALVE (0.254-MM OS OD) (EXHAUST)						
	5	1	197-7055	4	LOCK-RETAINER						
	6	1	210-2542	2	VALVE-INLET						
Y	7	1	290-1351	1	CYLINDER HEAD AS						33
	8	1	316-5976	4	SPRING (OUTER)						
	9	1	316-5977	4	SPRING (INNER)						
	10	1	316-5978	2	ROTOCOIL AS (INLET)						
	11	1	316-5979	2	ROTOCOIL AS (EXHAUST)						
	12	1	316-5980	2	SEAL-VALVE STEM						
	13	1	316-5981	2	WASHER						
	14	1	8T-6759	1	PLUG-PIPE						

A-NOT PART OF THIS GROUP  
 B-USE AS REQUIRED  
 R-REMG PART MAY BE AVAILABLE  
 Y-SEPARATE ILLUSTRATION

# BASIC ENGINE

335-6220 CYLINDER HEAD GP (contd.)

i03588680



GRAPHIC #1

<END>

g01835055

# BASIC ENGINE

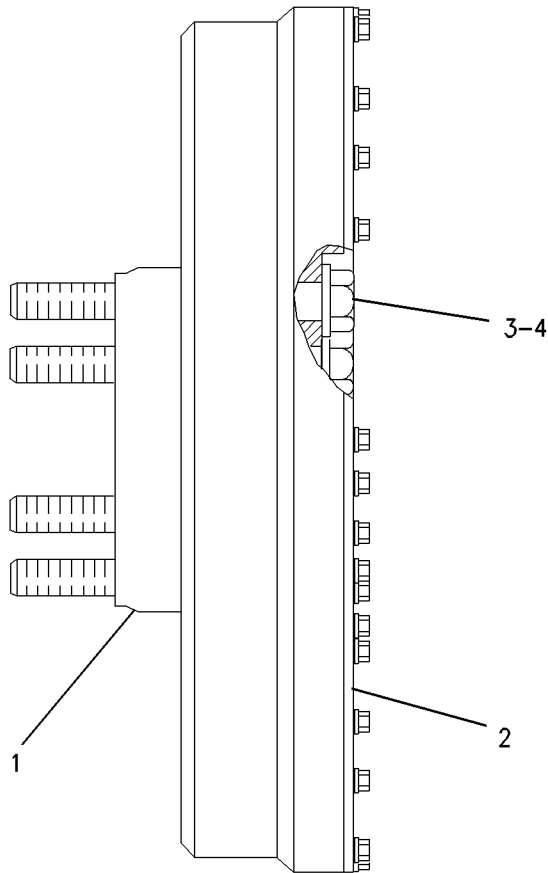
## 8N-0339 DAMPER GP ALSO AN ATTACHMENT

SMCS - 1205

i02327580

NOTE	REF NO	GRAPHIC REF	PART NUMBER	QTY	PART NAME						SEE PAGE
					1	2	3	4	5	6 (PRODUCT LEVEL)	
	1	1	<b>1N-3482</b>	1	ADAPTER						
CYR	2	1	<b>146-3740</b>	1	DAMPER GP						47
	3	1	<b>8S-4757</b>	6	BOLT (1-14X8-IN)						
	4	1	<b>5P-8250</b>	6	WASHER (28X49X5-MM THK)						

C-CHANGE FROM PREVIOUS TYPE  
R-REMG PART MAY BE AVAILABLE  
Y-SEPARATE ILLUSTRATION



RIGHT SIDE VIEW

GRAPHIC #1

<END>

g00995293



# BASIC ENGINE

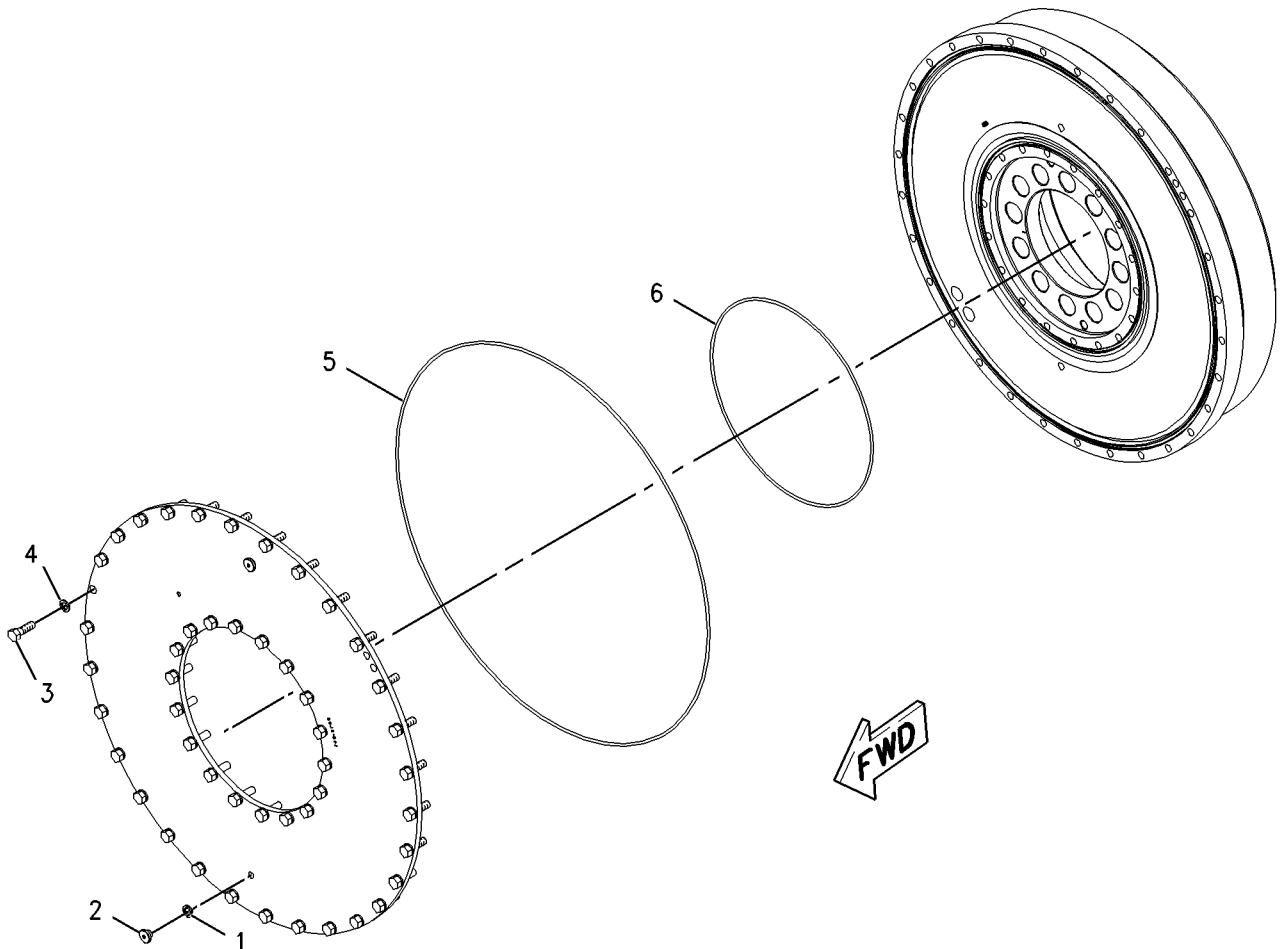
## 146-3740 DAMPER GP\*R

PART OF 8N-0339 DAMPER GP  
ALSO AN ATTACHMENT

SMCS-1205

i02327548

NOTE	REF NO	GRAPHIC REF	PART NUMBER	QTY	PART NAME						SEE PAGE
					1	2	3	4	5	6 (PRODUCT LEVEL)	
	1	1	151-9263	2	WASHER (10.35X16X2-MM THK)						
	2	1	227-3801	2	PLUG						
	3	1	1A-2029	48	BOLT (3/8-16X1.125-IN)						
	4	1	3V-2431	48	WASHER (10.2X16X2-MM THK)						
	5	1	4D-0449	1	SEAL-O-RING						
	6	1	6V-7991	1	SEAL-O-RING						



GRAPHIC #1

<END>

g00995286

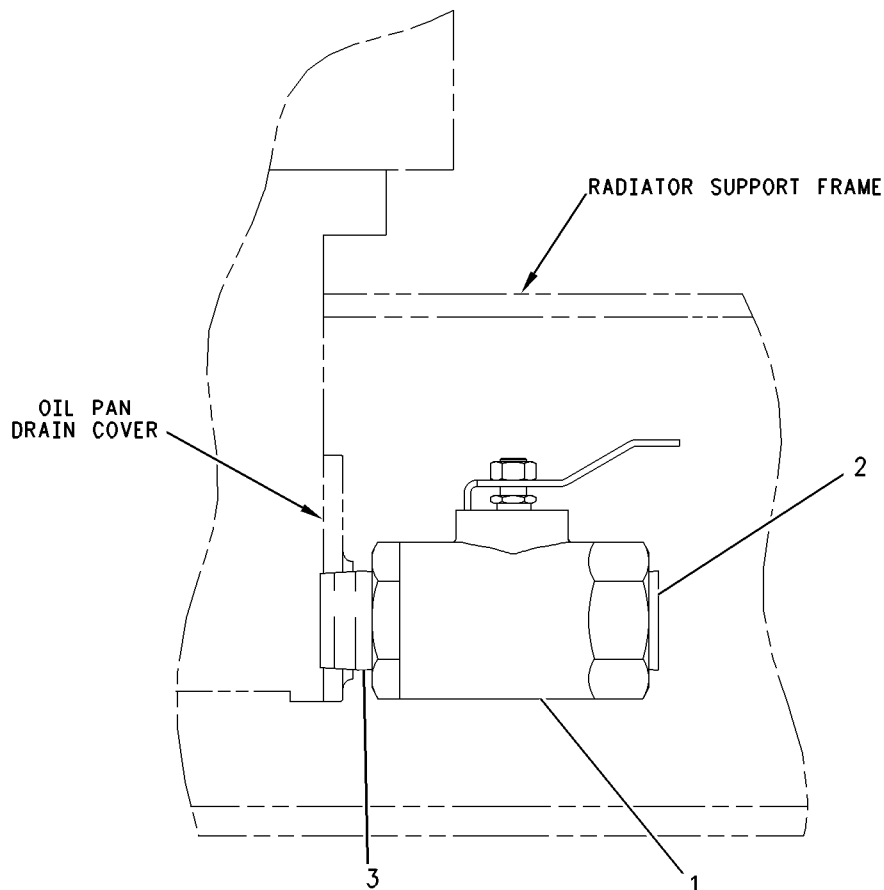
# BASIC ENGINE

## 110-6206 DRAIN GP-ENGINE OIL AN ATTACHMENT

SMCS-1302

i02776826

NOTE	REF NO	GRAPHIC REF	PART NUMBER	QTY	PART NAME						SEE PAGE
					1	2	3	4	5	6 (PRODUCT LEVEL)	
	1	1	110-6207	1	VALVE (ENGINE OIL DRAIN)						
	2	1	9X-6138	1	PLUG-PIPE (ENGINE OIL DRAIN)						
	3	1	3B-7296	1	FITTING (NIPPLE)						



GRAPHIC #1

<END>

g00759274

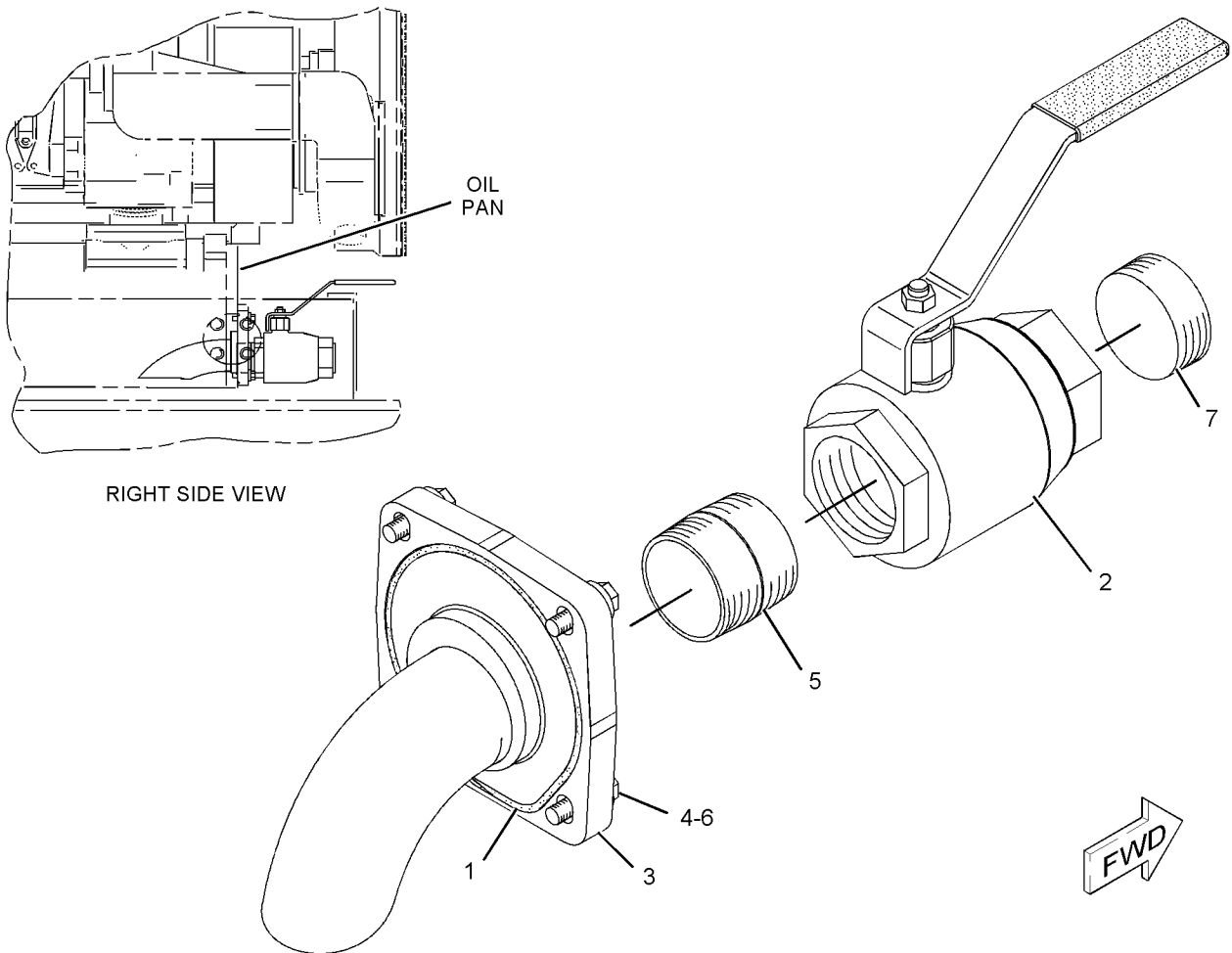
# BASIC ENGINE

## 210-6112 DRAIN GP-ENGINE OIL-PAN AN ATTACHMENT

SMCS-1302

i01913243

NOTE	REF NO	GRAPHIC REF	PART NUMBER	QTY	PART NAME						SEE PAGE
					1	2	3	4	5	6 (PRODUCT LEVEL)	
	1	1	6V-7351	1	SEAL-O-RING						
	2	1	150-0229	1	VALVE (STAINLESS STEEL)						
	3	1	151-9264	1	COVER AS						
	4	1	0S-1588	4	BOLT (3/8-16X1.25-IN)						
	5	1	3B-7296	1	FITTING (NIPPLE)						
	6	1	8M-9024	4	WASHER-HARD (10.2X22.5X5-MM THK)						
	7	1	9X-6138	1	PLUG-PIPE						



GRAPHIC #1

<END>

g01045615

# BASIC ENGINE

## 166-4357 DRIVE GP-ACCESSORY-UPPER, RH

STANDARD ROTATION

CANNOT BE USED WITH RIGHT HAND GOVERNOR  
AN ATTACHMENT

SMCS-1207

i03814231

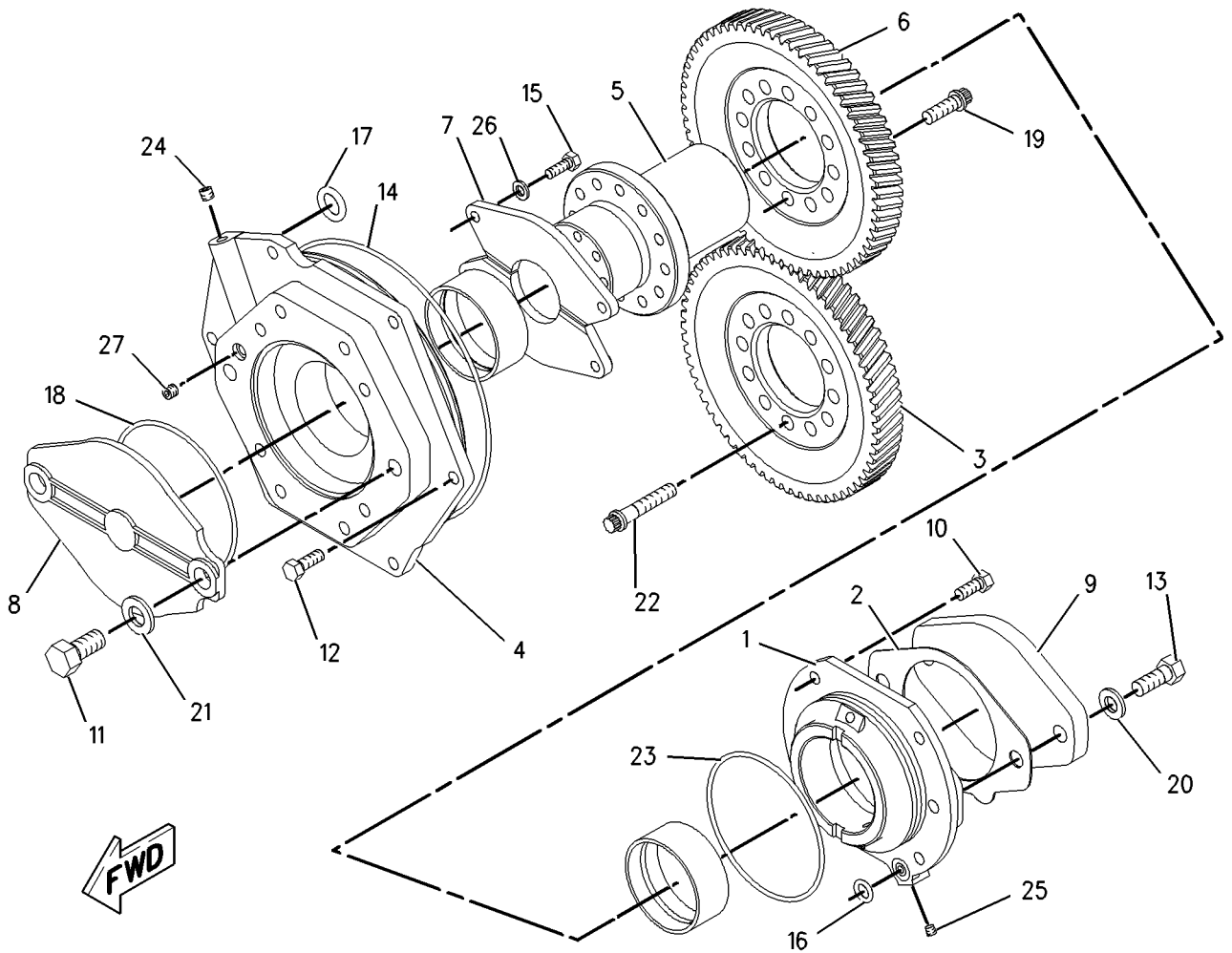
NOTE	REF NO	GRAPHIC REF	PART NUMBER	QTY	PART NAME						SEE PAGE
					1	2	3	4	5	6 (PRODUCT LEVEL)	
	1	1	7C-4165	1	ADAPTER AS						
		1	127-5400	1	BEARING-SLEEVE						
	2	1	7J-8114	1	GASKET						
	3	1	7N-5248	1	GEAR-AUXILIARY DRIVE (63-TEETH)						
	4	1	7N-5279	1	ADAPTER AS						
		1	127-5400	1	BEARING-SLEEVE						
	5	1	7N-5874	1	SHAFT-AUXILIARY DRIVE						
	6	1	7N-5875	1	GEAR-AUXILIARY DRIVE (63-TEETH)						
	7	1	7N-7539	2	WASHER-THRUST						
	8	1	7N-8374	1	COVER-PUMP						
	9	1	8P-1438	1	COVER						
	10	1	0L-1351	4	BOLT (3/8-16X0.875-IN)						
	11	1	0S-1592	2	BOLT (5/8-11X1.25-IN)						
	12	1	0S-1594	6	BOLT (3/8-16X1-IN)						
	13	1	0S-1595	2	BOLT (1/2-13X1.25-IN)						
	14	1	235-3546	1	SEAL-O-RING						
	15	1	2B-2695	4	BOLT (5/16-18X0.875-IN)						
	16	1	5P-0840	1	SEAL-O-RING						
	17	1	6V-3348	1	SEAL-O-RING						
	18	1	9X-7371	1	SEAL-O-RING						
	19	1	5P-2546	12	BOLT-12 POINT HEAD (7/16-14X1.25-IN)						
	20	1	5P-8245	2	WASHER-HARD (13.5X25.5X3-MM THK)						
	21	1	5P-8247	2	WASHER-HARD (17X32X3.5-MM THK)						
	22	1	6K-3772	12	BOLT-12 POINT HEAD (7/16-14X2.25-IN)						
	23	1	259-4598	1	SEAL-O-RING						
	24	1	8T-6757	1	PLUG-PIPE						
	25	1	8T-6759	1	PLUG-PIPE						
	26	1	9M-1974	4	WASHER-HARD (8.8X16X2-MM THK)						
B	27	1	8T-6757	1	PLUG-PIPE						

B-USE AS REQUIRED

# BASIC ENGINE

166-4357 DRIVE GP-ACCESSORY (contd.)

i03814231



GRAPHIC #1

<END>

g00760768

# BASIC ENGINE

## 179-1511 DRIVE GP-ACCESSORY-LOWER, LH STANDARD ROTATION

SMCS-1207

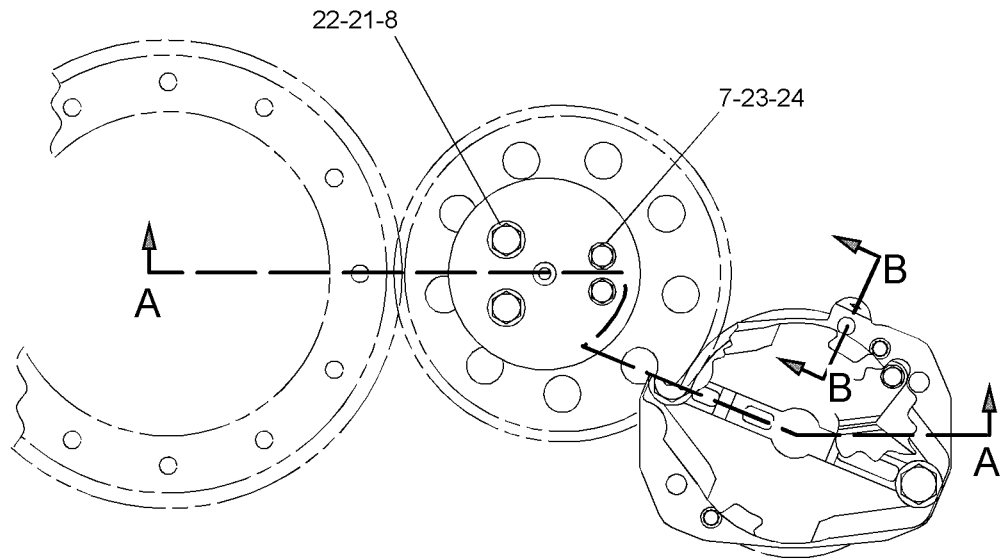
i03852734

NOTE	REF NO	GRAPHIC REF	PART NUMBER	QTY	PART NAME						SEE PAGE
					1	2	3	4	5	6 (PRODUCT LEVEL)	
	1	1	<b>5P-0840</b>	1	SEAL-O-RING						
	2	1	<b>7C-3259</b>	1	SHAFT						
	3	1	<b>116-3242</b>	1	GEAR AS-IDLER (66-TEETH)						
		1	<b>116-1365</b>	1	BEARING						
	4	1	<b>235-3548</b>	1	SEAL-O-RING						
	5	1	<b>7C-3258</b>	1	WASHER AS-THRUST						
		1	<b>7N-2047</b>	1	DOWEL						
	6	1	<b>2W-7320</b>	1	GEAR-ACCESSORY DRIVE (46-TEETH)						
	7	1	<b>0T-0055</b>	2	BOLT (3/8-16X4.25-IN)						
	8	1	<b>9X-8879</b>	2	BOLT (1/2-13X5.5-IN)						
	9	1	<b>6K-3771</b>	12	BOLT-12 POINT HEAD (7/16-14X1.5-IN)						
	10	1	<b>7N-5874</b>	1	SHAFT-AUXILIARY DRIVE						
	11	1	<b>7N-7539</b>	2	WASHER-THRUST						
	12	1	<b>2B-2695</b>	4	BOLT (5/16-18X0.875-IN)						
	13	1	<b>8N-8210</b>	1	ADAPTER AS						
		1	<b>127-5400</b>	1	BEARING-SLEEVE						
	14	1	<b>7N-8374</b>	1	COVER-PUMP						
	15	1	<b>9X-7371</b>	1	SEAL-O-RING						
	16	1	<b>0S-1592</b>	2	BOLT (5/8-11X1.25-IN)						
	17	1	<b>5P-8247</b>	2	WASHER-HARD (17X32X3.5-MM THK)						
	18	1	<b>1T-0765</b>	6	BOLT (3/8-16X1-IN)						
	19	1	<b>9M-1974</b>	4	WASHER-HARD (8.8X16X2-MM THK)						
	20	1	<b>8T-6759</b>	2	PLUG-PIPE						
	21	1	<b>5P-8245</b>	2	WASHER-HARD (13.5X25.5X3-MM THK)						
	22	1	<b>5R-7137</b>	2	WASHER-SEALING						
	23	1	<b>5M-2894</b>	2	WASHER-HARD (10.2X18.5X2.5-MM THK)						
	24	1	<b>5R-7136</b>	2	WASHER-SEALING						
	25	1	<b>259-4598</b>	1	SEAL-O-RING						

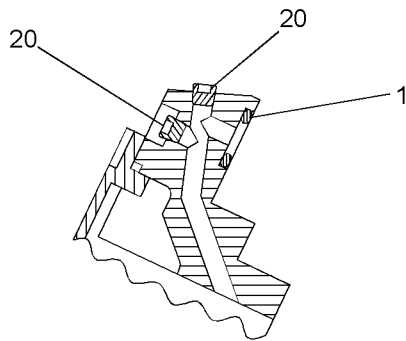
# BASIC ENGINE

179-1511 DRIVE GP-ACCESSORY (contd.)

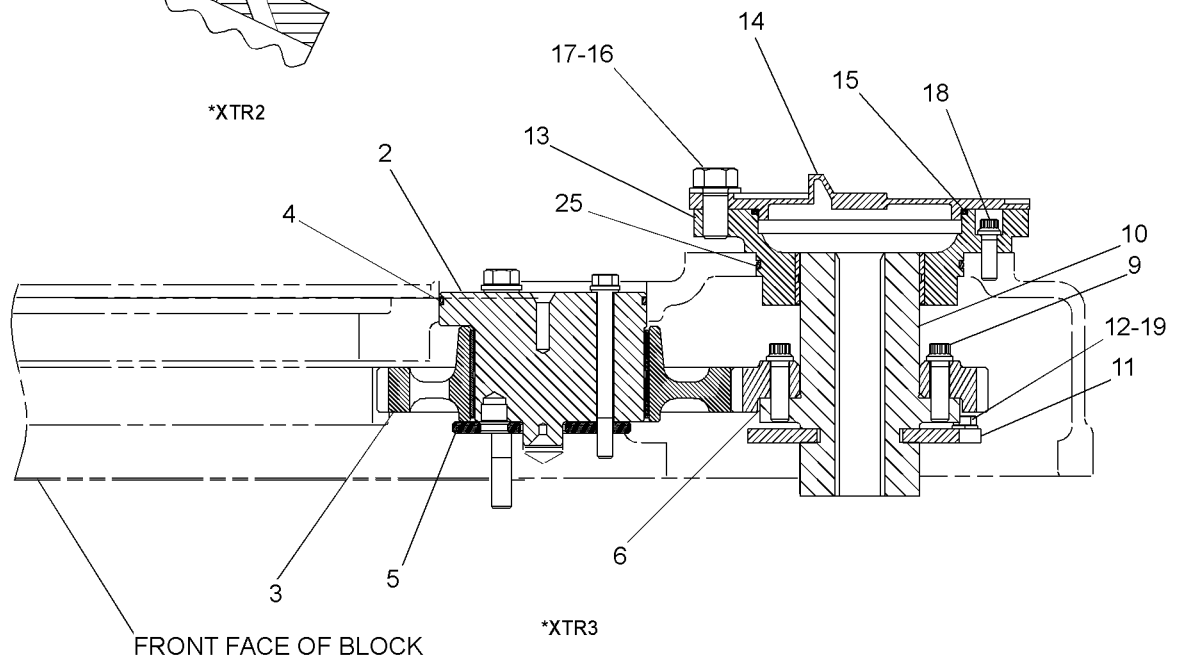
i03852734



\*XTR1



\*XTR2



GRAPHIC #1

<END>

g02096536

# BASIC ENGINE

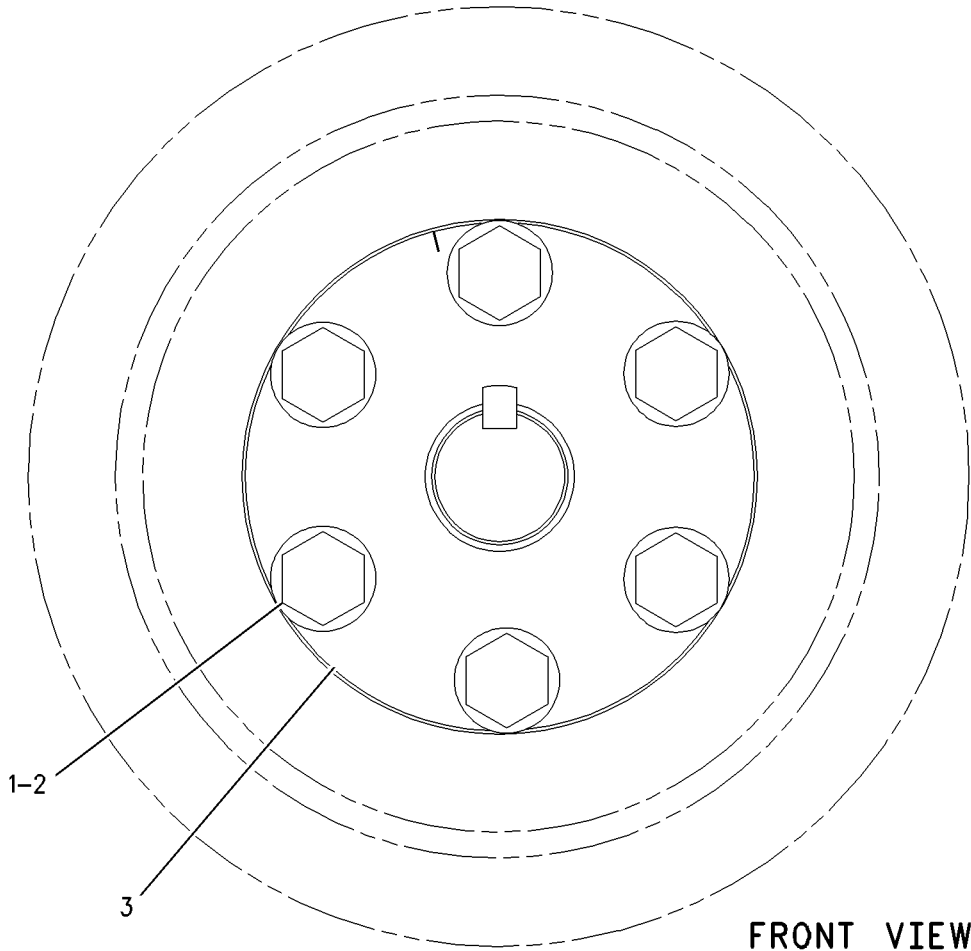
## 7N-7660 DRIVE GP-FAN

LOW KILOWATT  
AN ATTACHMENT

SMCS-1359

i02220725

NOTE	REF NO	GRAPHIC REF	PART NUMBER	QTY	PART NAME						SEE PAGE
					1	2	3	4	5	6 (PRODUCT LEVEL)	
	1	1	5P-8250	6	WASHER (28X49X5-MM THK)						
	2	1	9F-8122	6	BOLT (1-14X9-IN)						
	3	1	7N-7057	1	SHAFT-STUB						



GRAPHIC #1

<END>

g00994930



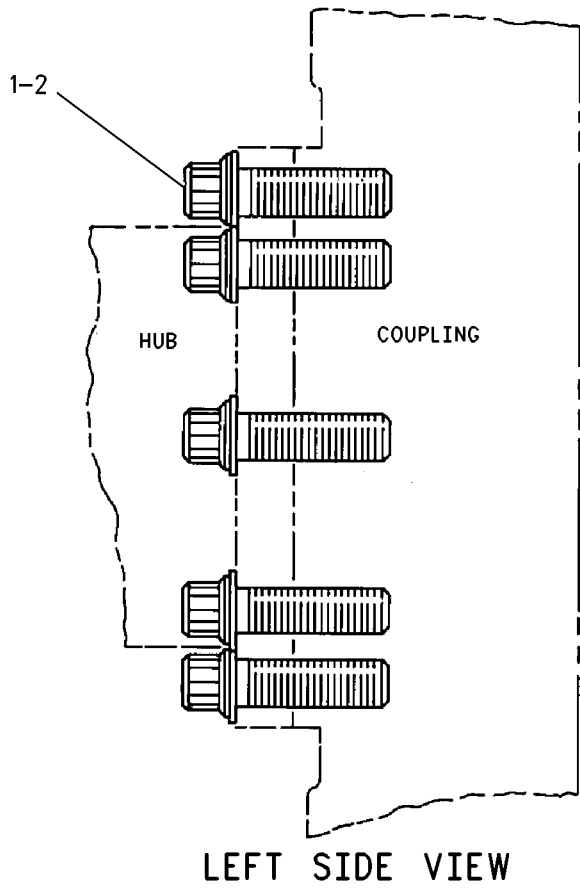
# BASIC ENGINE

## 3N-8647 FASTENER GP-COUPLING AN ATTACHMENT

SMCS-3279, 4456

i02220681

NOTE	REF NO	GRAPHIC REF	PART NUMBER	QTY	PART NAME						SEE PAGE
					1	2	3	4	5	6 (PRODUCT LEVEL)	
	1	1	201-8899	8	BOLT-12 POINT HEAD (7/8-9X3-IN)						
	2	1	8C-6913	8	WASHER-HARD (24X41.5X4-MM THK)						



LEFT SIDE VIEW

GRAPHIC #1

<END>

g00899192

# BASIC ENGINE

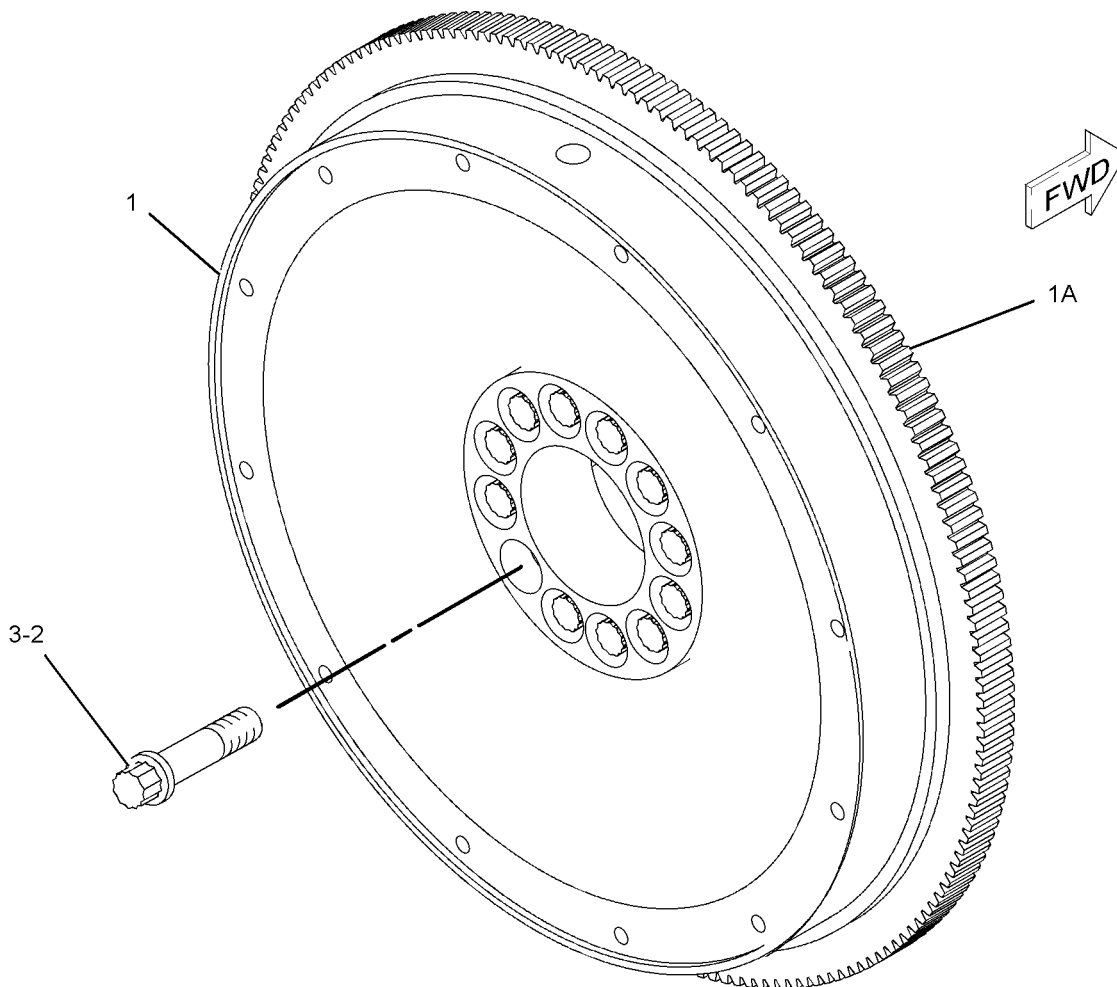
## 7N-4851 FLYWHEEL GP

SMCS-1156

i02189120

NOTE	REF NO	GRAPHIC REF	PART NUMBER	QTY	PART NAME						SEE PAGE
					1	2	3	4	5	6 (PRODUCT LEVEL)	
C	1	1	<b>243-3216</b>	1	FLYWHEEL AS						
	1A	1	<b>233-0643</b>	1	GEAR-FLYWHEEL (183-TEETH)						
	2	1	<b>9S-8893</b>	12	BOLT-12 POINT HEAD (1-14X101.6-MM)						
	3	1	<b>5P-8839</b>	12	WASHER-HARD (28X42X4-MM THK)						

C-CHANGE FROM PREVIOUS TYPE



GRAPHIC #1

<END>

g01109106

# BASIC ENGINE

## 122-9281 GEAR GP-FRONT-LOW SPEED, STANDARD ROTATION

SMCS-1151, 1162, 1206

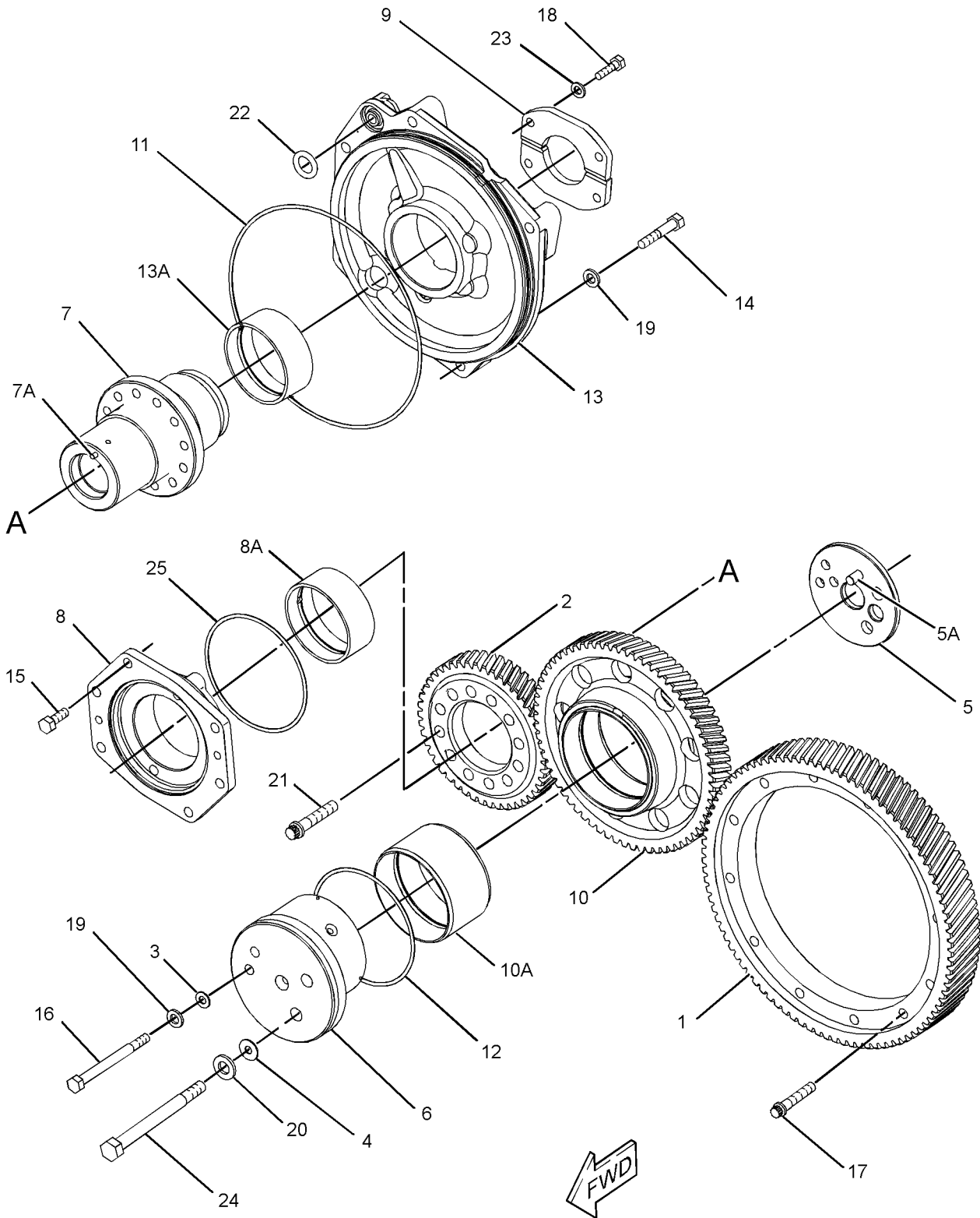
i03755944

NOTE	REF NO	GRAPHIC REF	PART NUMBER	QTY	PART NAME						SEE PAGE
					1	2	3	4	5	6 (PRODUCT LEVEL)	
	1	1	2W-2895	1	GEAR-CRANKSHAFT (92-TEETH)						
	2	1	2W-7320	1	GEAR-ACCESSORY DRIVE (46-TEETH)						
	3	1	5R-7136	2	WASHER-SEALING						
	4	1	5R-7137	2	WASHER-SEALING						
	5	1	7C-3258	1	WASHER AS-THRUST						
	5A	1	7N-2047	1	DOWEL						
	6	1	7C-3259	1	SHAFT						
	7	1	7N-5239	1	SHAFT AS-PUMP DRIVE						
	7A	1	8T-2153	1	SETSCREW-SOCKET (1/4-28X0.31-IN)						
	8	1	7N-5245	1	ADAPTER AS-PUMP						
	8A	1	127-5400	1	BEARING-SLEEVE						
	9	1	7N-5246	2	WASHER-THRUST						
	10	1	116-3242	1	GEAR AS-IDLER (66-TEETH)						
	10A	1	116-1365	1	BEARING						
	11	1	235-3546	1	SEAL-O-RING						
	12	1	235-3548	1	SEAL-O-RING						
	13	1	278-4287	1	ADAPTER AS-PUMP						
	13A	1	127-5400	1	BEARING-SLEEVE						
	14	1	OS-1590	5	BOLT (3/8-16X2-IN)						
	15	1	OS-1594	2	BOLT (3/8-16X1-IN)						
	16	1	OT-0055	2	BOLT (3/8-16X4.25-IN)						
	17	1	3S-1307	12	BOLT-12 POINT HEAD (3/8-16X2-IN)						
	18	1	4B-3388	4	BOLT (5/16-18X1.125-IN)						
	19	1	5M-2894	7	WASHER-HARD (10.2X18.5X2.5-MM THK)						
	20	1	5P-8245	2	WASHER-HARD (13.5X25.5X3-MM THK)						
	21	1	6K-3772	12	BOLT-12 POINT HEAD (7/16-14X2.25-IN)						
	22	1	6V-3348	1	SEAL-O-RING						
	23	1	9M-1974	4	WASHER-HARD (8.8X16X2-MM THK)						
	24	1	9X-8879	2	BOLT (1/2-13X5.5-IN)						
	25	1	259-4598	1	SEAL-O-RING						

# BASIC ENGINE

122-9281 GEAR GP-FRONT (contd.)

i03755944



GRAPHIC #1

<END>

g02028678

# BASIC ENGINE

## 124-8395 GEAR GP-REAR-CAMSHAFT DRIVE

SMCS-1204

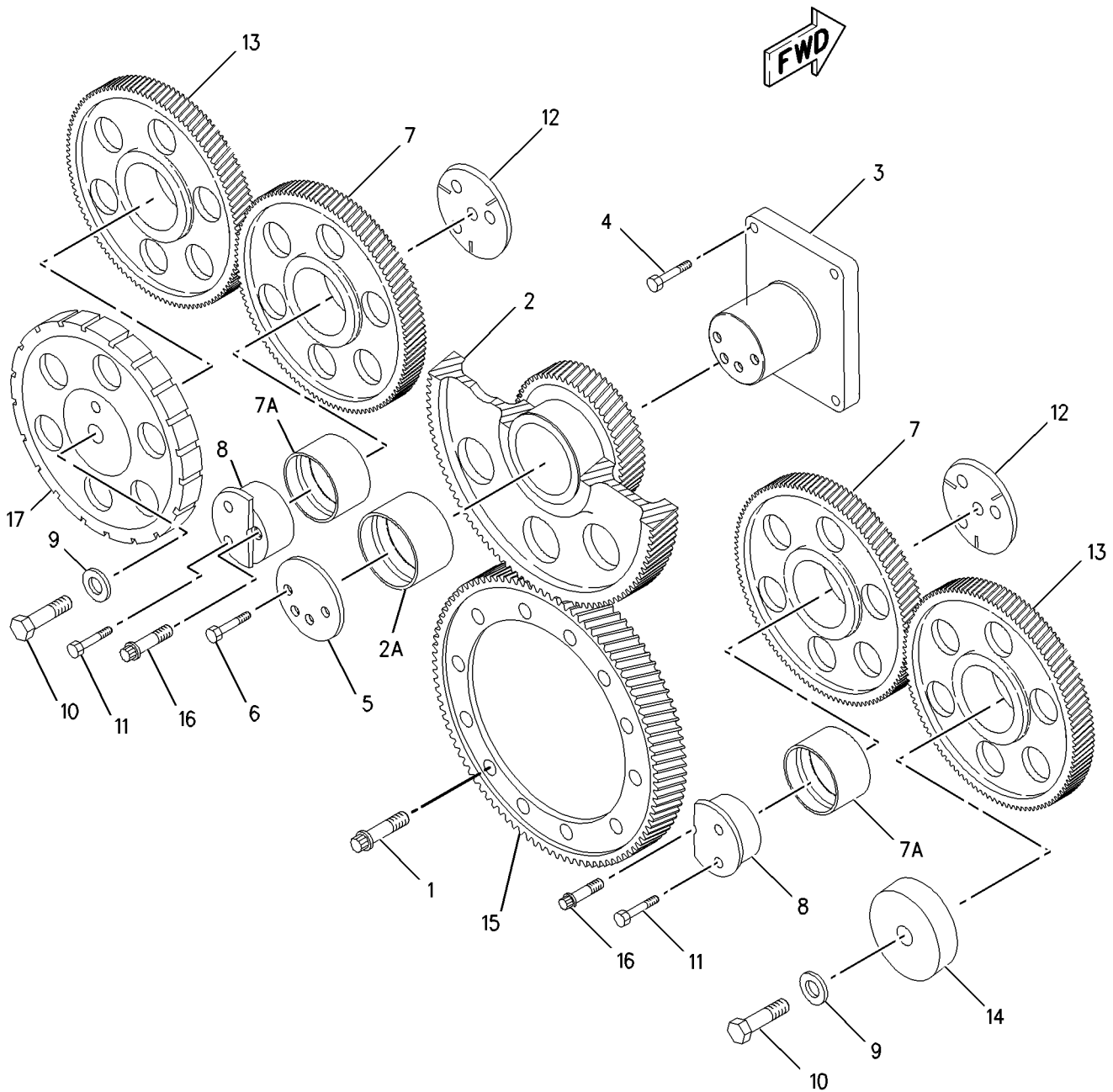
i01546653

NOTE	REF NO	GRAPHIC REF	PART NUMBER	QTY	PART NAME						SEE PAGE
					1	2	3	4	5	6 (PRODUCT LEVEL)	
	1	1	<b>3S-1307</b>	12	BOLT-12 POINT HEAD (3/8-16X2-IN)						
	2	1	<b>114-3372</b>	1	GEAR AS-CLUSTER (92/35-TEETH)						
	2A	1	<b>101-1372</b>	1	BEARING-SLEEVE						
	3	1	<b>101-1366</b>	1	SHAFT-GEAR (CLUSTER)						
	4	1	<b>8M-2530</b>	4	BOLT-12 POINT HEAD (1/2-13X1.25-IN)						
	5	1	<b>101-1365</b>	1	PLATE-THRUST						
	6	1	<b>0L-1351</b>	4	BOLT (3/8-16X0.875-IN)						
	7	1	<b>101-1364</b>	2	GEAR AS-IDLER (69-TEETH)						
					(EACH INCLUDES)						
	7A	1	<b>125-9751</b>	1	BEARING-SLEEVE						
	8	1	<b>101-1367</b>	2	SHAFT-IDLER						
	9	1	<b>5P-8248</b>	2	WASHER-HARD (20X36.5X3.5-MM THK)						
	10	1	<b>9X-8887</b>	2	BOLT (3/4-10X3-IN)						
	11	1	<b>1B-4367</b>	4	BOLT (5/8-11X3-IN)						
	12	1	<b>101-1368</b>	2	WASHER-THRUST (19.5X106X1.9-MM THK)						
	13	1	<b>101-1369</b>	2	GEAR-CAMSHAFT DRIVE (70-TEETH)						
	14	1	<b>4W-4586</b>	1	PLATE						
	15	1	<b>101-1370</b>	1	GEAR-CRANKSHAFT (92-TEETH)						
	16	1	<b>8S-2331</b>	2	BOLT-12 POINT HEAD (5/8-11X2-IN)						
	17	1	<b>7E-5324</b>	1	RING						

# BASIC ENGINE

124-8395 GEAR GP-REAR (contd.)

i01546653



GRAPHIC #1

<END>

g00663140

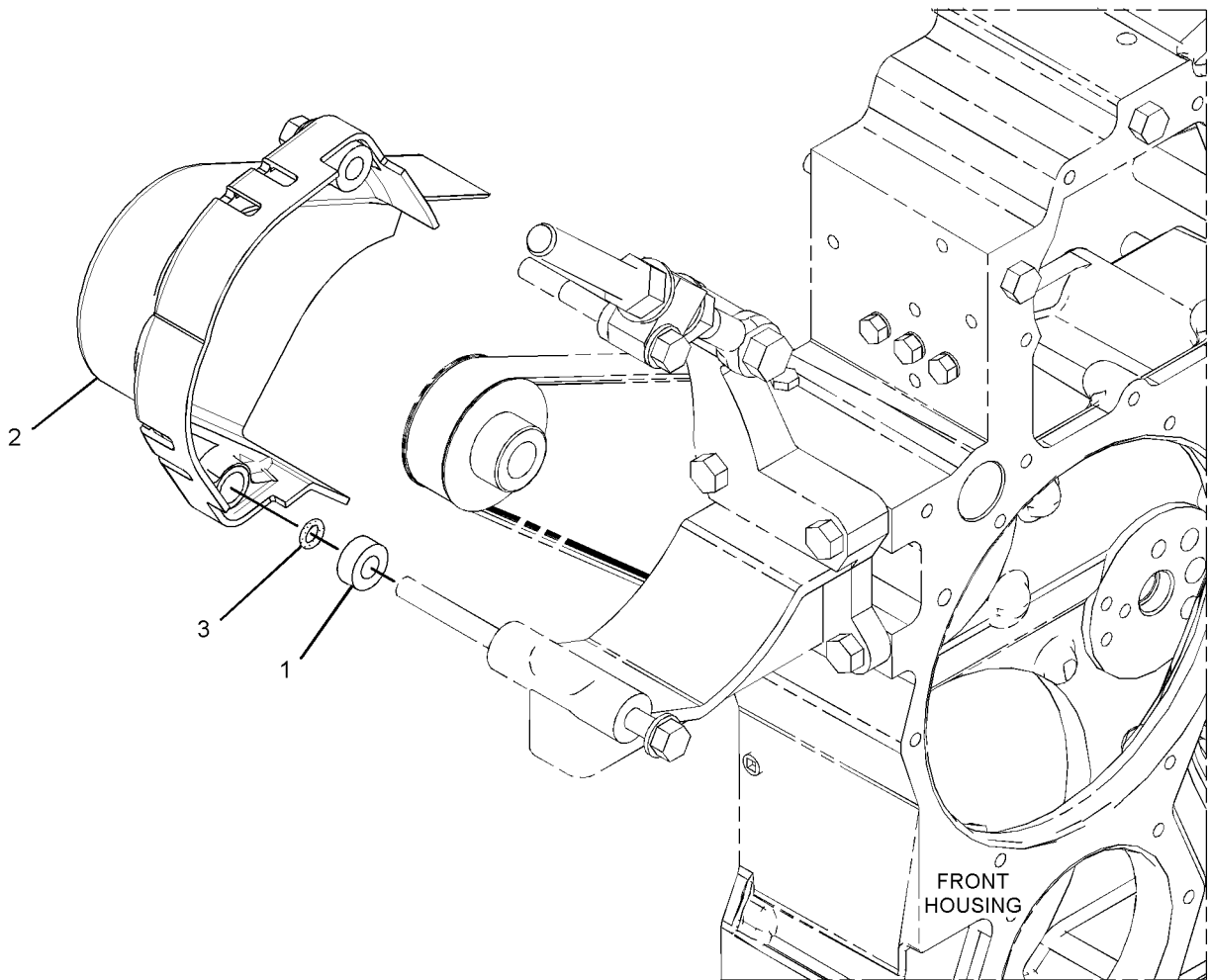
# BASIC ENGINE

## 7W-5780 GUARD GP-BELT-ALTERNATOR AN ATTACHMENT

SMCS-7174

i03902260

NOTE	REF NO	GRAPHIC REF	PART NUMBER	QTY	PART NAME						SEE PAGE
					1	2	3	4	5	6 (PRODUCT LEVEL)	
	1	1	9V-4924	2	SPACER (13.8X28X11.5-MM THK)						
	2	1	288-6174	1	GUARD AS-ALTERNATOR						
	3	1	119-9443	2	SEAL-O-RING						



GRAPHIC #1

<END>

g02146113

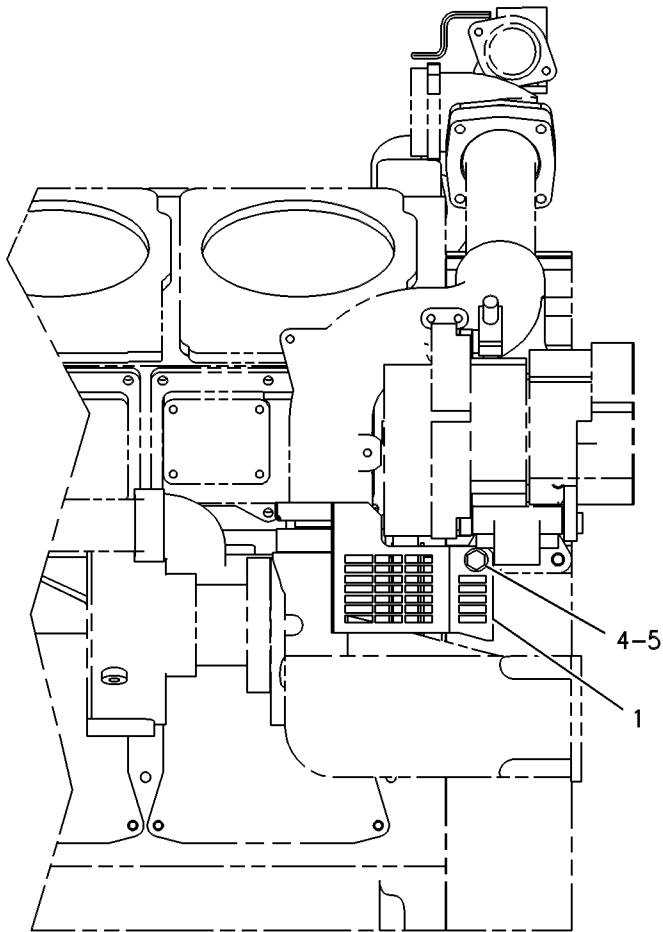
# BASIC ENGINE

## 151-9228 GUARD GP-BELT-ALTERNATOR AN ATTACHMENT

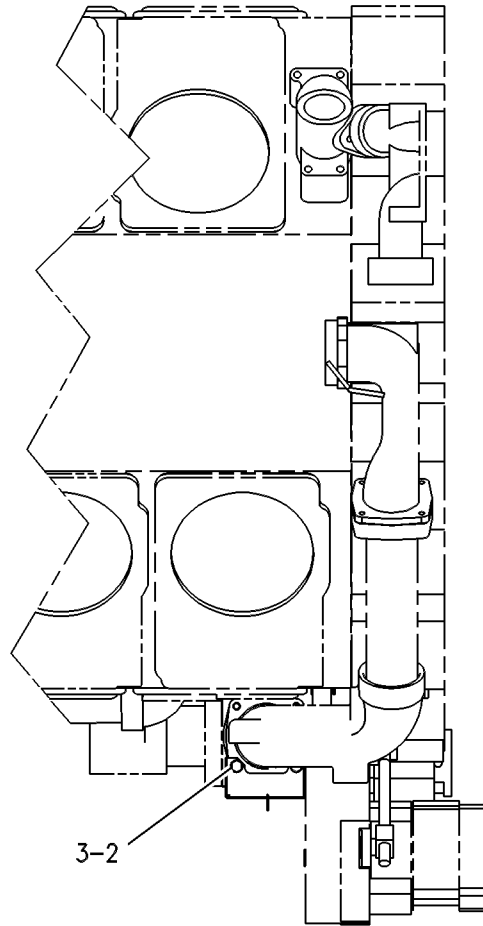
SMCS-7174

i03886310

NOTE	REF NO	GRAPHIC REF	PART NUMBER	QTY	PART NAME						SEE PAGE
					1	2	3	4	5	6 (PRODUCT LEVEL)	
	1	1	171-1359	1	GUARD AS-BELT (ALTERNATOR)						
	2	1	8T-2501	2	BOLT (3/8-16X2-IN)						
	3	1	8T-4896	2	WASHER-HARD (10.2X18.5X2.5-MM THK)						
	4	1	5P-2566	1	BOLT (1/2-13X1.5-IN)						
	5	1	8T-4223	1	WASHER-HARD (13.5X25.5X3-MM THK)						



RIGHT SIDE VIEW



TOP VIEW

GRAPHIC #1

<END>

g00333482



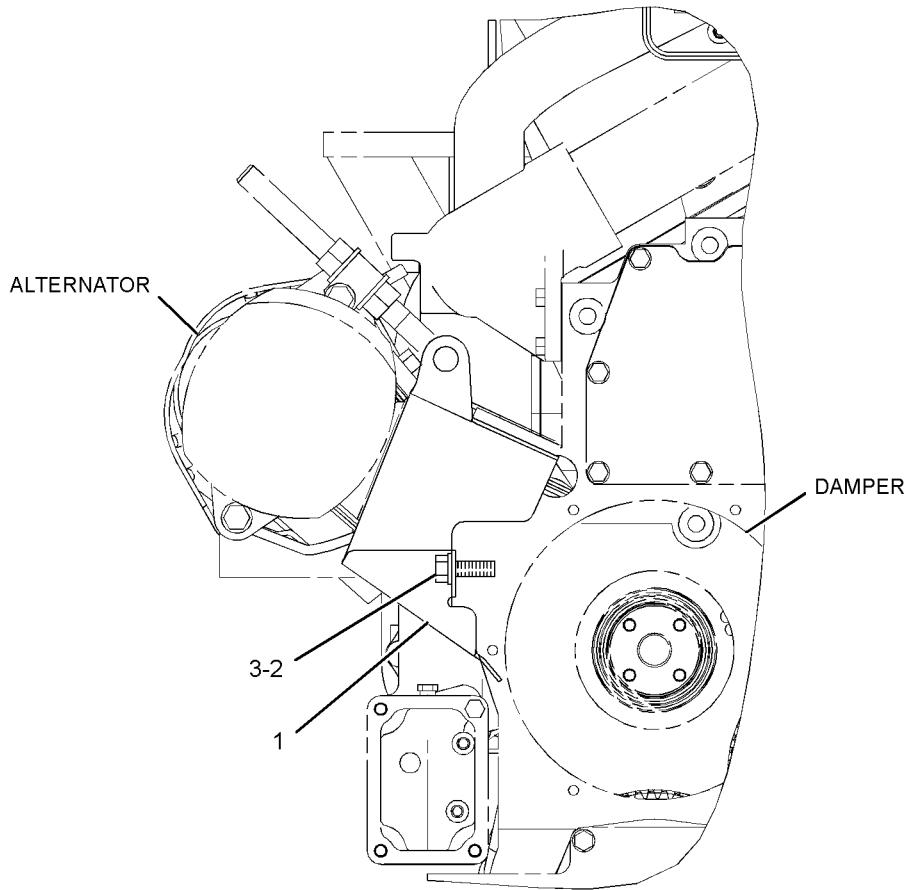
# BASIC ENGINE

## 307-1569 GUARD GP-BELT-ALTERNATOR AN ATTACHMENT

SMCS-7174

i02680449

NOTE	REF NO	GRAPHIC REF	PART NUMBER	QTY	PART NAME						SEE PAGE
					1	2	3	4	5	6 (PRODUCT LEVEL)	
	1	1	302-7332	1	GUARD-ALTERNATOR						
	2	1	5P-2566	1	BOLT (1/2-13X1.5-IN)						
	3	1	8T-4223	1	WASHER-HARD (13.5X25.5X3-MM THK)						



FRONT VIEW OF ENGINE

<END>

GRAPHIC #1

g01346871

# BASIC ENGINE

## 3N-5765 GUARD GP-COUPLING-FLYWHEEL

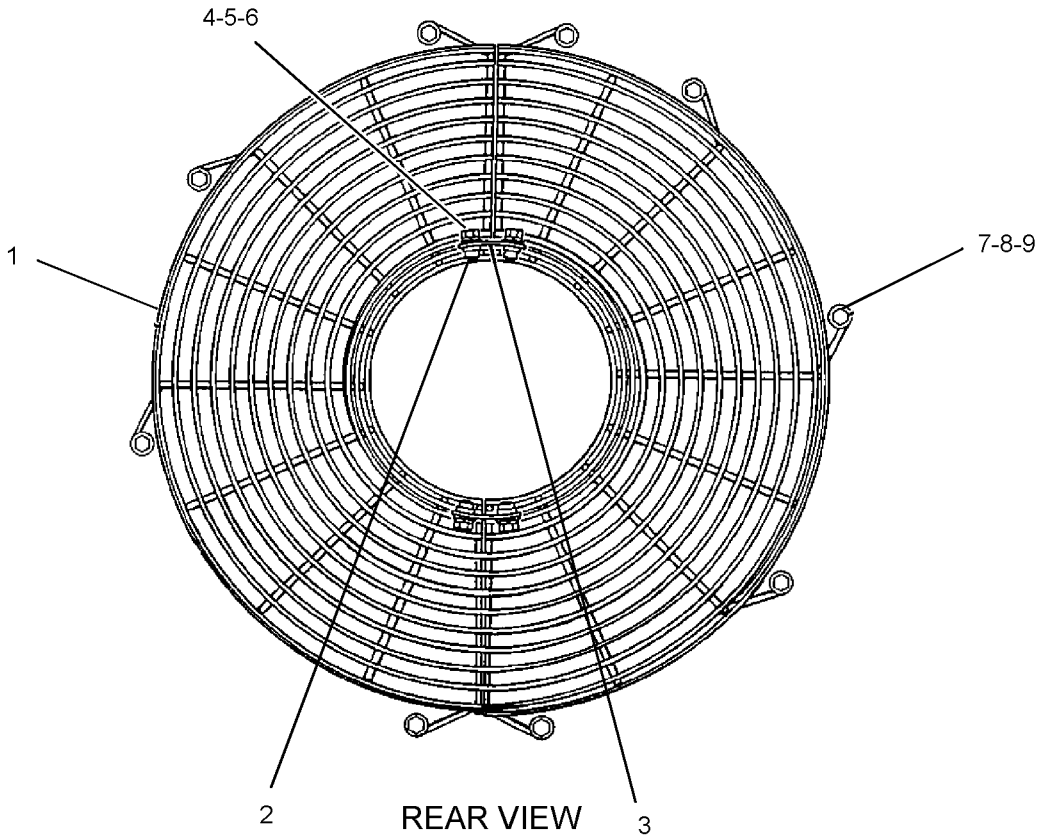
S/N: LLA1-2285  
AN ATTACHMENT

SMCS-3279

i02468312

NOTE	REF NO	GRAPHIC REF	PART NUMBER	QTY	PART NAME						SEE PAGE
					1	2	3	4	5	6 (PRODUCT LEVEL)	
C	1	1	5N-4817	1	GUARD AS-COUPLING						
	2	1	2N-3385	4	NUT-CLIP (3/8-16-THD)						
	3	1	1V-0623	2	PLATE						
C	4	1	3L-9689	4	WASHER (10.5X25.4X5-MM THK)						
	5	1	3B-4506	4	LOCKWASHER						
	6	1	0S-1594	4	BOLT (3/8-16X1-IN)						
	7	1	4B-4280	10	WASHER (13.5X27X2.5-MM THK)						
	8	1	3B-4508	10	LOCKWASHER						
C	9	1	0S-1621	10	BOLT (1/2-13X1-IN)						

C-CHANGE FROM PREVIOUS TYPE



GRAPHIC #1

<END>

g01230975

# BASIC ENGINE

## 3N-5765 GUARD GP-COUPLING-FLYWHEEL

S/N: LLA2286-UP

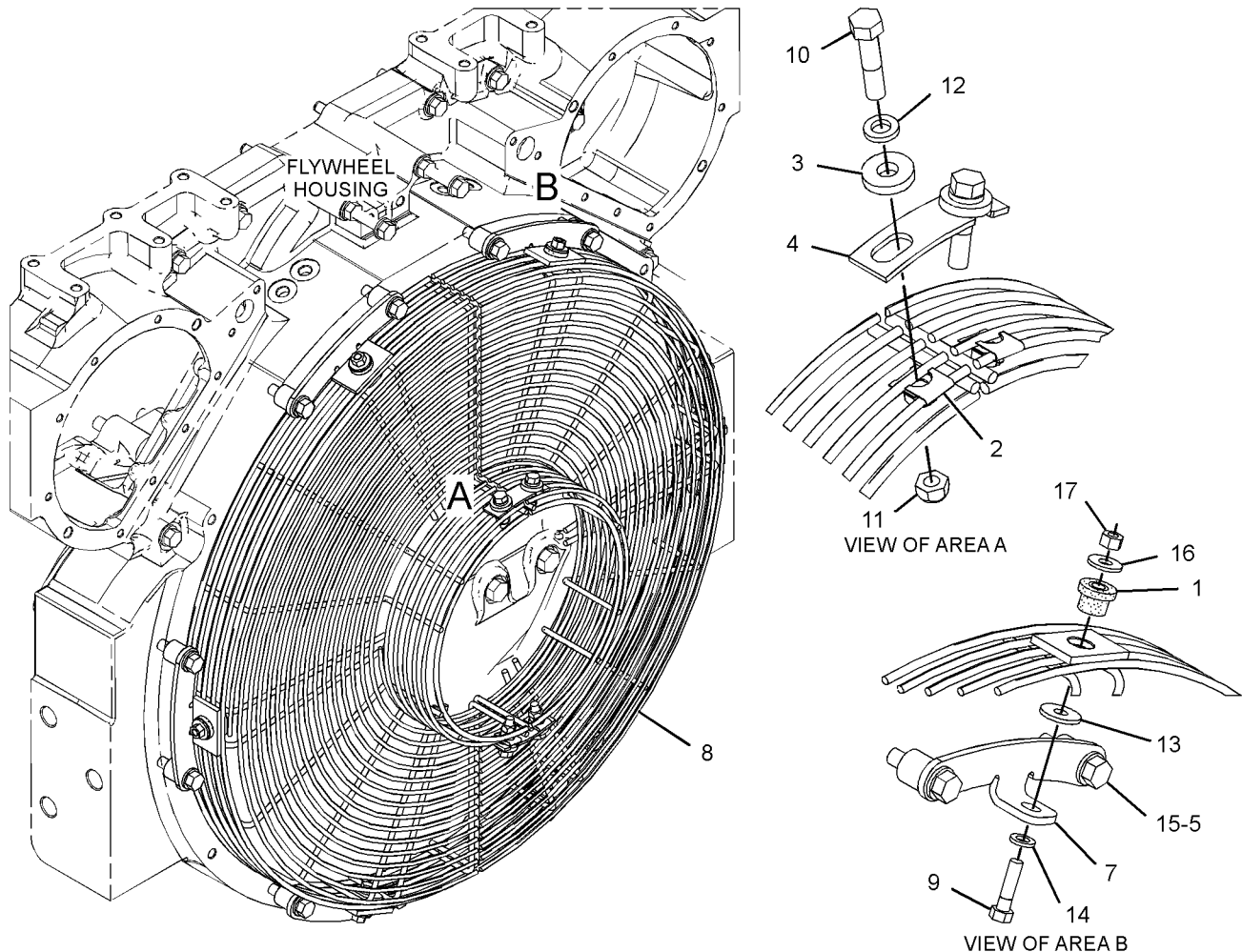
AN ATTACHMENT

SMCS-3279

i03907275

NOTE	REF NO	GRAPHIC REF	PART NUMBER	QTY	PART NAME						SEE PAGE
					1	2	3	4	5	6 (PRODUCT LEVEL)	
C	1	1	1P-7115	6	GROMMET AS						
	2	1	2N-3385	4	NUT-CLIP (3/8-16-THD)						
	3	1	3L-9689	4	WASHER (10.5X25.4X5-MM THK)						
C	4	1	350-8624	2	PLATE						
C	5	1	351-2245	12	BOLT-SPECIAL (1/2-13X2-IN)						
C	7	1	355-4899	6	BRACKET						
C	8	1	356-5022	1	GUARD AS-COUPLING						
C	9	1	0S-1591	6	BOLT (3/8-16X1.5-IN)						
C	10	1	2A-4639	4	BOLT (3/8-16X1.625-IN)						
C	11	1	2K-4973	4	LOCKNUT (3/8-16-THD)						
	12	1	3B-4506	4	LOCKWASHER						
C	13	1	3F-1417	6	WASHER (10.3X30.2X3-MM THK)						
C	14	1	5M-2894	6	WASHER-HARD (10.2X18.5X2.5-MM THK)						
C	15	1	5P-8245	12	WASHER-HARD (13.5X25.5X3-MM THK)						
C	16	1	9L-9132	6	WASHER (10.2X25.5X2.5-MM THK)						
C	17	1	9S-8752	6	NUT-FULL (3/8-16-THD)						

C-CHANGE FROM PREVIOUS TYPE



GRAPHIC #1

<END>

g02138876

# BASIC ENGINE

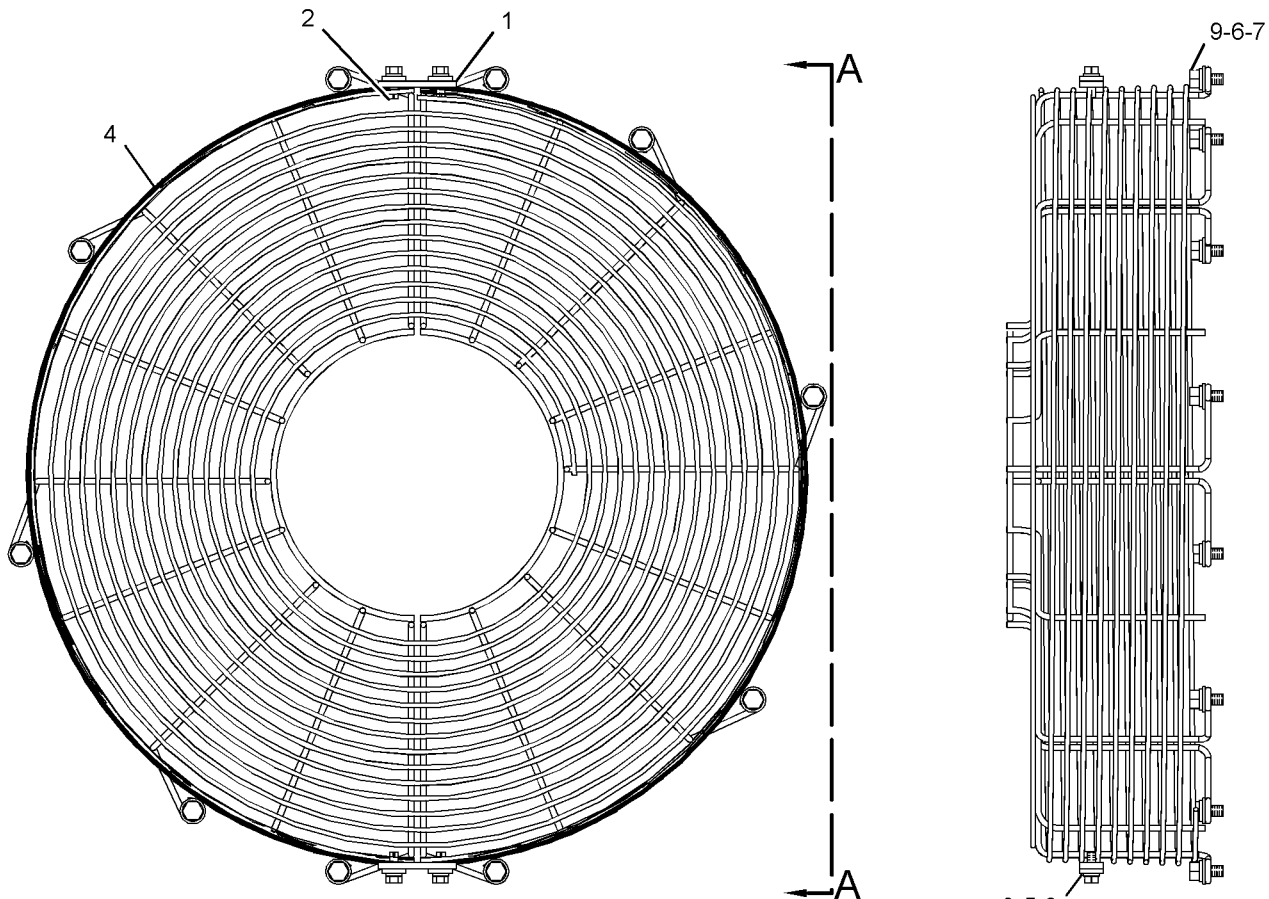
## 244-6010 GUARD GP-COUPLING-FLYWHEEL

S/N: LLA1-2285  
AN ATTACHMENT

SMCS-3279

i02458825

NOTE	REF NO	GRAPHIC REF	PART NUMBER	QTY	PART NAME						SEE PAGE
					1	2	3	4	5	6 (PRODUCT LEVEL)	
	1	1	1V-0623	2	PLATE						
	2	1	2N-3385	4	NUT-CLIP (3/8-16-THD)						
	3	1	3L-9689	4	WASHER (10.5X25.4X5-MM THK)						
	4	1	244-6011	1	GUARD AS						
	5	1	3B-4506	4	LOCKWASHER						
	6	1	3B-4508	10	LOCKWASHER						
	7	1	4B-4280	10	WASHER (13.5X27X2.5-MM THK)						
	8	1	4L-6454	4	BOLT (3/8-16X1-IN)						
	9	1	5P-2228	10	BOLT (1/2-13X1-IN)						



FRONT VIEW

VIEW A-A

GRAPHIC #1

<END>

g01228858

# BASIC ENGINE

## 244-6010 GUARD GP-COUPLING-FLYWHEEL

S/N: LLA2286-UP

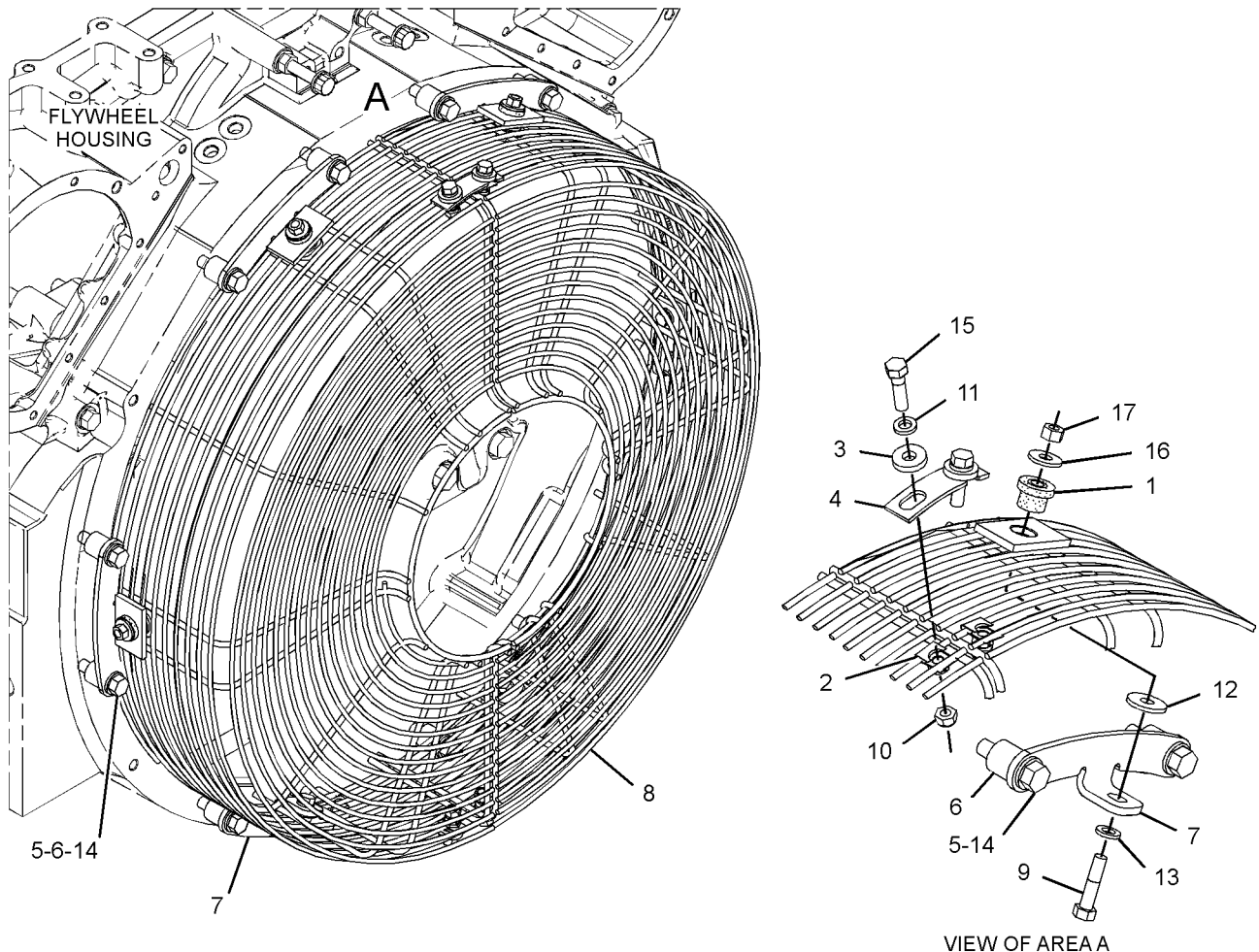
AN ATTACHMENT

SMCS-3279

i03903093

NOTE	REF NO	GRAPHIC REF	PART NUMBER	QTY	PART NAME	1 2 3 4 5 6 (PRODUCT LEVEL)						SEE PAGE
C	1	1	1P-7115	6	GROMMET AS							
	2	1	2N-3385	4	NUT-CLIP (3/8-16-THD)							
	3	1	3L-9689	4	WASHER (10.5X25.4X5-MM THK)							
C	4	1	350-8624	2	PLATE							
C	5	1	351-2245	12	BOLT-SPECIAL (1/2-13X2-IN)							
C	6	1	351-9006	12	BOSS-WELD							
C	7	1	355-4899	6	BRACKET							
C	8	1	356-4973	1	GUARD AS-COUPLING							
C	9	1	2A-4639	6	BOLT (3/8-16X1.625-IN)							
C	10	1	2K-4973	4	LOCKNUT (3/8-16-THD)							
	11	1	3B-4506	4	LOCKWASHER							
C	12	1	3F-1417	6	WASHER (10.3X30.2X3-MM THK)							
C	13	1	5M-2894	6	WASHER-HARD (10.2X18.5X2.5-MM THK)							
C	14	1	5P-8245	12	WASHER-HARD (13.5X25.5X3-MM THK)							
C	15	1	5S-7382	4	BOLT (3/8-16X1.375-IN)							
C	16	1	9L-9132	6	WASHER (10.2X25.5X2.5-MM THK)							
C	17	1	9S-8752	6	NUT-FULL (3/8-16-THD)							

C-CHANGE FROM PREVIOUS TYPE



GRAPHIC #1

<END>

g02145933

# BASIC ENGINE

## 8N-9639 GUARD GP-DAMPER

S/N: LLA1-2284

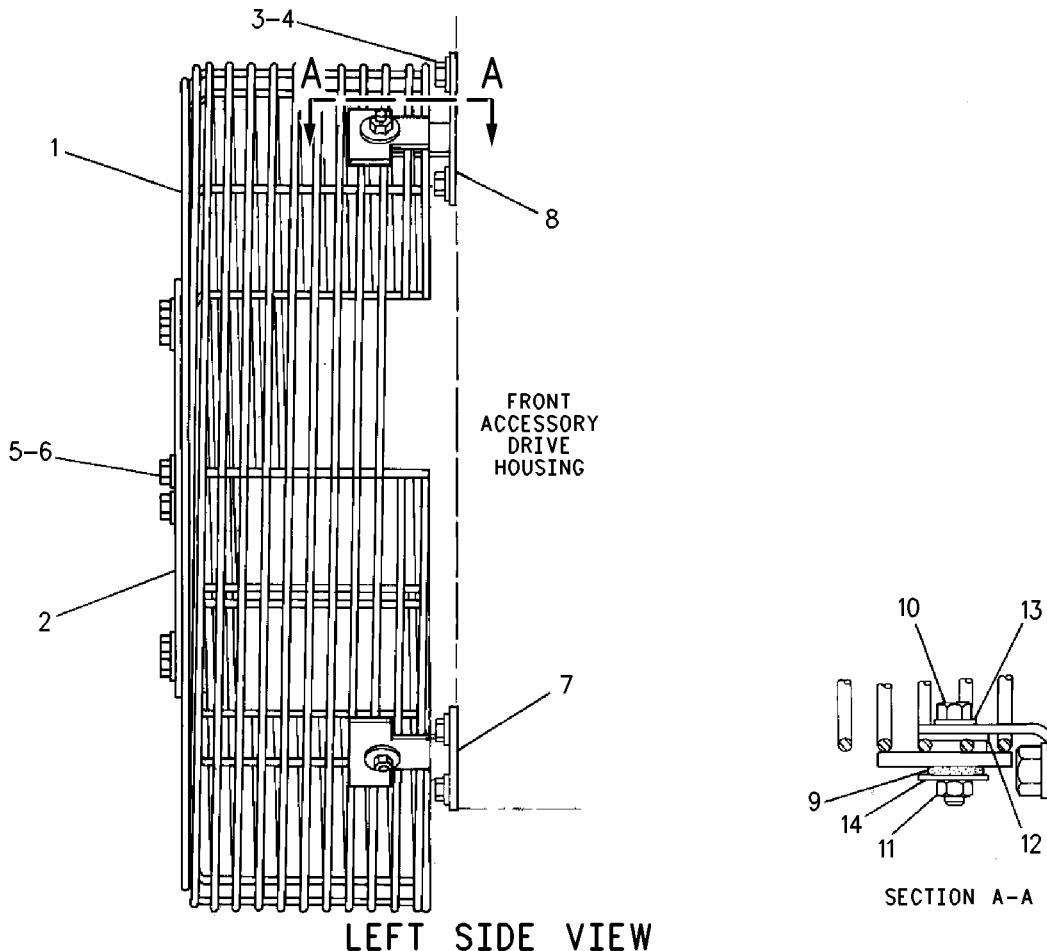
FOR USE WITH FRONT ACCESSORY DRIVE HOUSING  
AN ATTACHMENT

SMCS-1205

i03373021

NOTE	REF NO	GRAPHIC REF	PART NUMBER	QTY	PART NAME						SEE PAGE
					1	2	3	4	5	6 (PRODUCT LEVEL)	
	1	1	1W-4923	1	DAMPER & GUARD AS						
		1	1V-8638	6	NUT (3/8-16-THD)						
	2	1	8J-8919	1	COVER						
	3	1	0S-1621	8	BOLT (1/2-13X1-IN)						
	4	1	5P-8245	8	WASHER-HARD (13.5X25.5X3-MM THK)						
	5	1	030-8535	6	BOLT-LOCKING (3/8-16X0.875-IN)						
	6	1	5P-1075	6	WASHER-HARD (10.2X22.5X3-MM THK)						
C	7	1	7W-3031	2	BRACKET						
C	8	1	7W-3032	2	BRACKET						
C	9	1	1P-7115	4	GROMMET AS						
C	10	1	0S-1591	4	BOLT (3/8-16X1.5-IN)						
C	11	1	9S-8752	4	NUT-FULL (3/8-16-THD)						
C	12	1	3F-1417	4	WASHER (10.3X30.2X3-MM THK)						
C	13	1	5M-2894	4	WASHER-HARD (10.2X18.5X2.5-MM THK)						
C	14	1	9L-9132	4	WASHER (10.2X25.5X2.5-MM THK)						

C-CHANGE FROM PREVIOUS TYPE



GRAPHIC #1

<END>

g00908882

# BASIC ENGINE

## 8N-9639 GUARD GP-DAMPER

S/N: LLA2285-UP

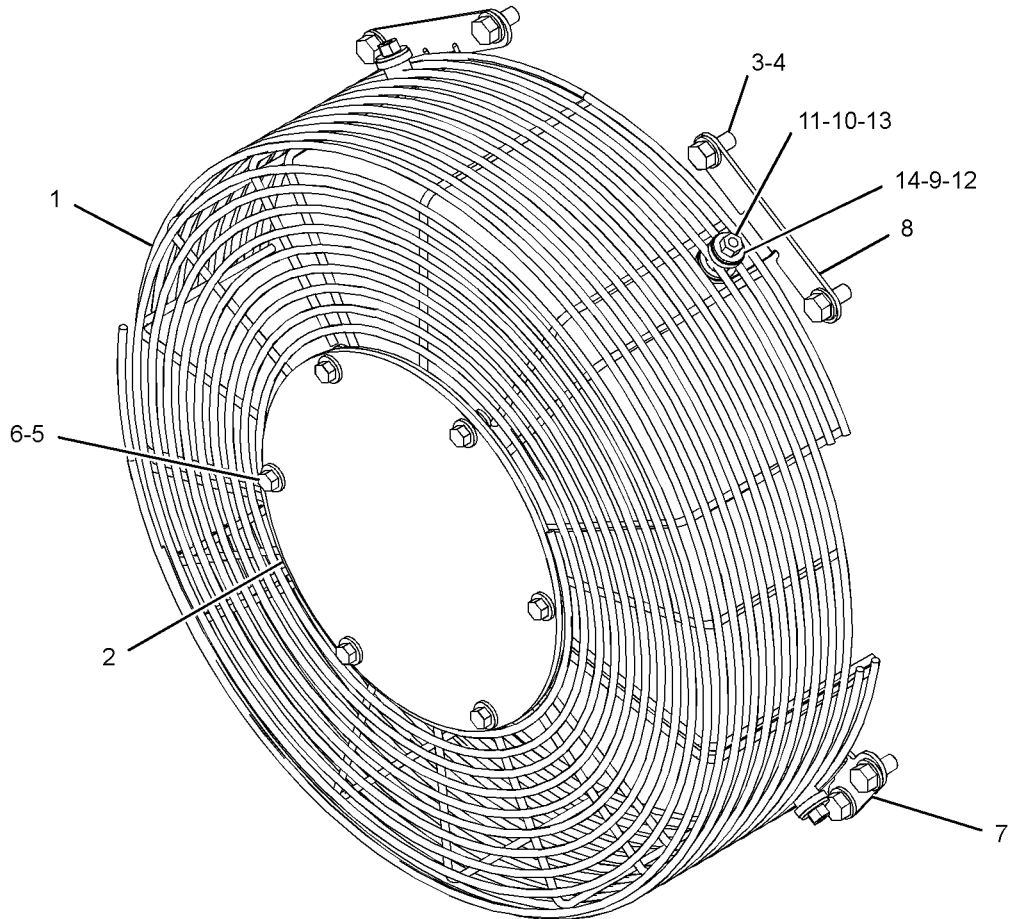
FOR USE WITH FRONT ACCESSORY DRIVE HOUSING  
AN ATTACHMENT

SMCS-1205

i03772723

NOTE	REF NO	GRAPHIC REF	PART NUMBER	QTY	PART NAME						SEE PAGE
					1	2	3	4	5	6 (PRODUCT LEVEL)	
	1	1	1W-4923	1	DAMPER & GUARD AS						
		1	1V-8638	6	NUT (3/8-16-THD)						
	2	1	8J-8919	1	COVER						
C	3	1	351-2245	8	BOLT-SPECIAL (1/2-13X2-IN)						
	4	1	5P-8245	8	WASHER-HARD (13.5X25.5X3-MM THK)						
	5	1	030-8535	6	BOLT-LOCKING (3/8-16X0.875-IN)						
	6	1	5P-1075	6	WASHER-HARD (10.2X22.5X3-MM THK)						
C	7	1	351-9005	2	BRACKET AS						
C	8	1	351-9004	2	BRACKET AS						
	9	1	1P-7115	4	GROMMET AS						
	10	1	0S-1591	4	BOLT (3/8-16X1.5-IN)						
	11	1	9S-8752	4	NUT-FULL (3/8-16-THD)						
	12	1	3F-1417	4	WASHER (10.3X30.2X3-MM THK)						
	13	1	5M-2894	4	WASHER-HARD (10.2X18.5X2.5-MM THK)						
	14	1	9L-9132	4	WASHER (10.2X25.5X2.5-MM THK)						

C-CHANGE FROM PREVIOUS TYPE



GRAPHIC #1

<END>

g02038858

# BASIC ENGINE

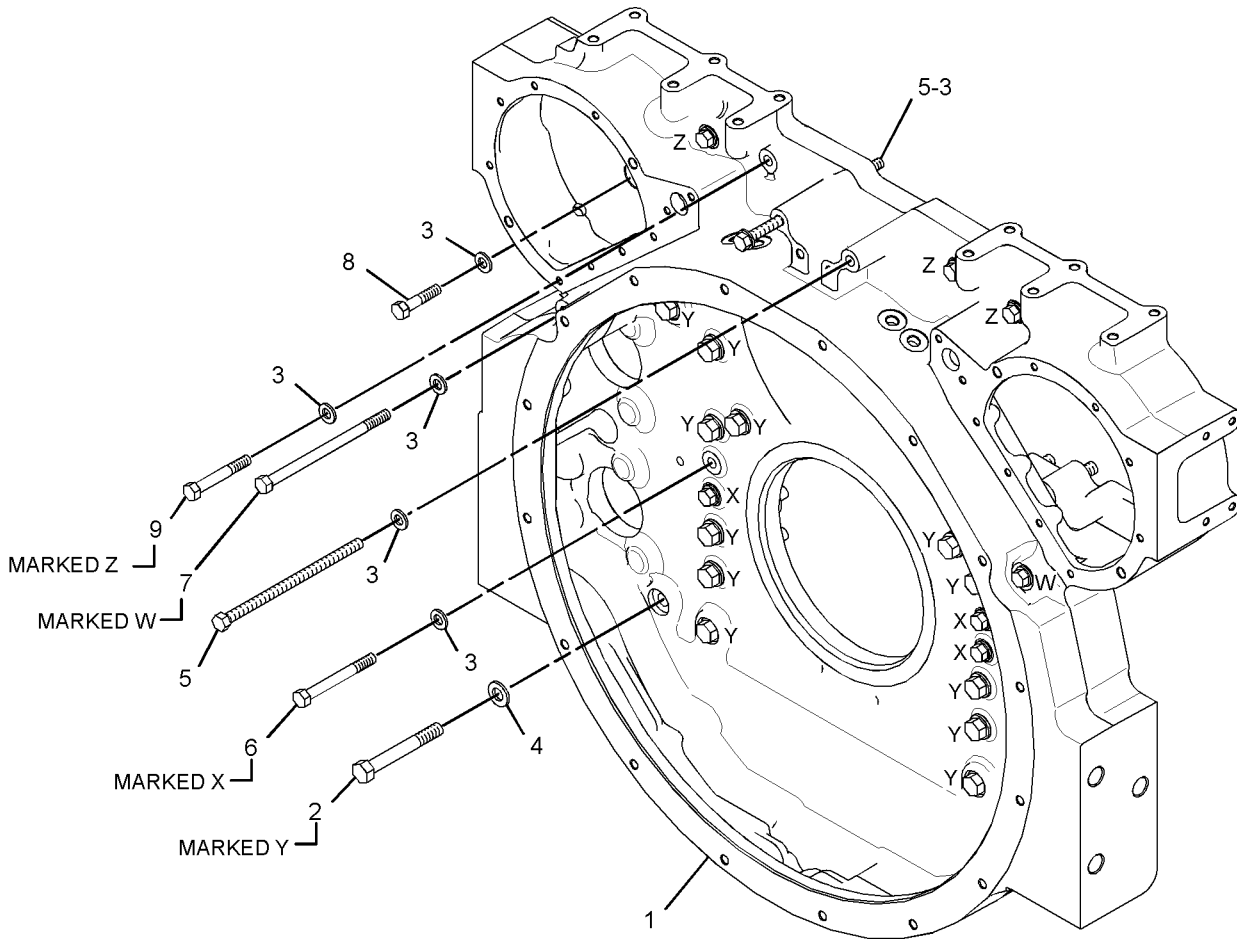
## 101-0836 HOUSING GP-FLYWHEEL-REAR MOUNT

SMCS-1157

i02639098

NOTE	REF NO	GRAPHIC REF	PART NUMBER	QTY	PART NAME						SEE PAGE
					1	2	3	4	5	6 (PRODUCT LEVEL)	
	1	1	222-9920	1	HOUSING-FLYWHEEL						
	2	1	1D-4590	16	BOLT (5/8-11X4.75-IN)						
C	3	1	5P-8245	18	WASHER-HARD (13.5X25.5X3-MM THK)						
C	4	1	5P-8247	16	WASHER-HARD (17X32X3.5-MM THK)						
	5	1	6M-9613	2	BOLT (1/2-13X9-IN)						
	6	1	8S-9089	4	BOLT (1/2-13X4.5-IN)						
	7	1	9S-1374	2	BOLT (1/2-13X8-IN)						
C	8	1	9X-8873	6	BOLT (1/2-13X2.25-IN)						
	9	1	9X-8875	4	BOLT (1/2-13X3.5-IN)						

C-CHANGE FROM PREVIOUS TYPE



GRAPHIC #1

<END>

g01323931



# BASIC ENGINE

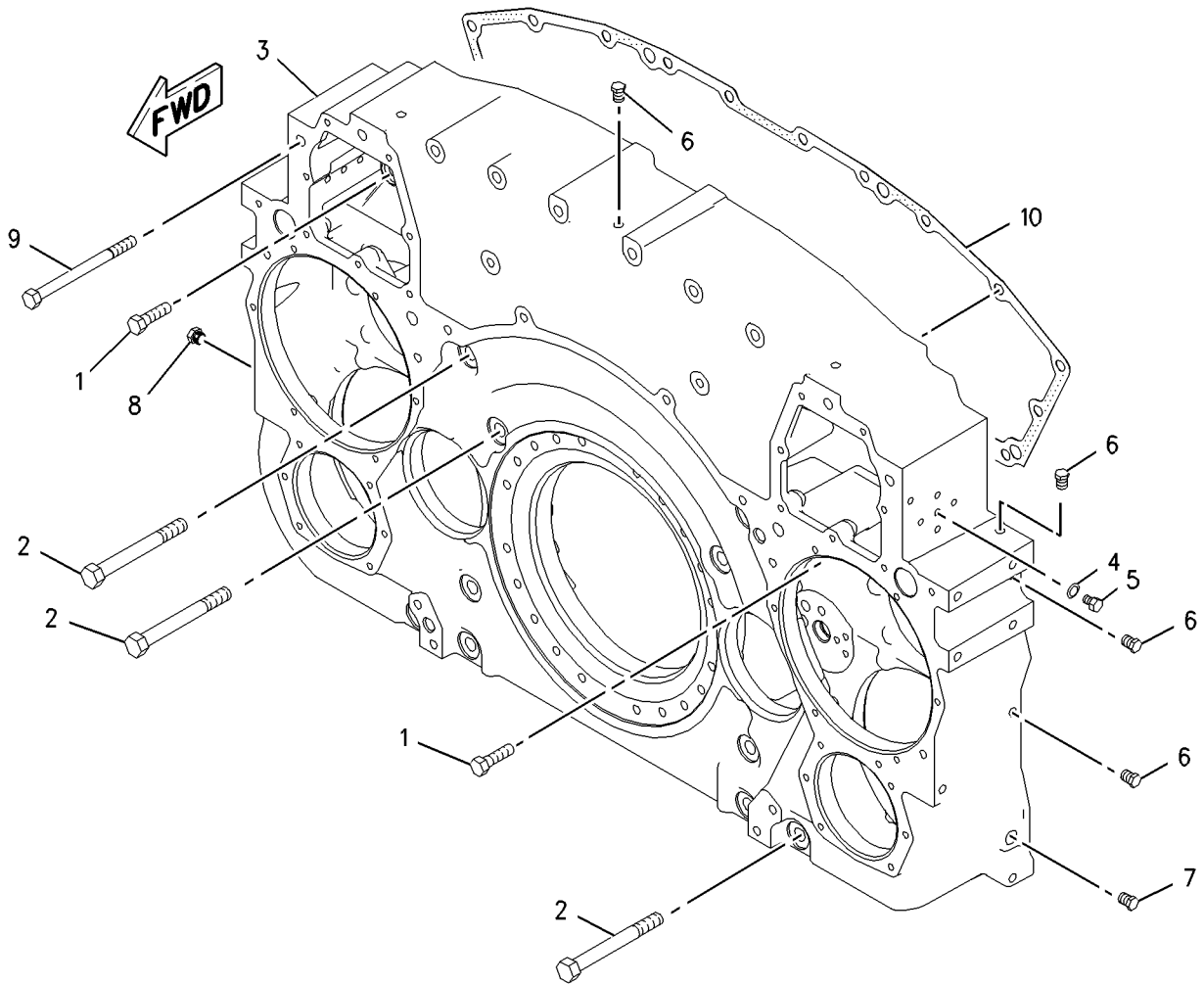
## 4P-5426 HOUSING GP-FRONT-ACCESSORY DRIVE

SMCS-1151, 1162, 1206

i02809441

NOTE	REF NO	GRAPHIC REF	PART NUMBER	QTY	PART NAME						SEE PAGE
					1	2	3	4	5	6 (PRODUCT LEVEL)	
	1	1	0S-1587	4	BOLT (1/2-13X1.75-IN)						
	2	1	1D-4593	10	BOLT (5/8-11X5.5-IN)						
	3	1	102-8634	1	HOUSING-ACCESSORY DRIVE						
	4	1	1B-4218	6	WASHER (0.39X0.625X0.064-IN THK)						
	5	1	2A-5220	6	PLUG						
B	6	1	8T-6765	7	PLUG-PIPE						
	7	1	8T-6762	1	PLUG-PIPE						
	8	1	8T-6758	1	PLUG-PIPE						
	9	1	9H-8260	4	BOLT (1/2-13X6.25-IN)						
	10	1	7N-3049	1	GASKET						

B-USE AS REQUIRED



GRAPHIC #1

<END>

g00995169

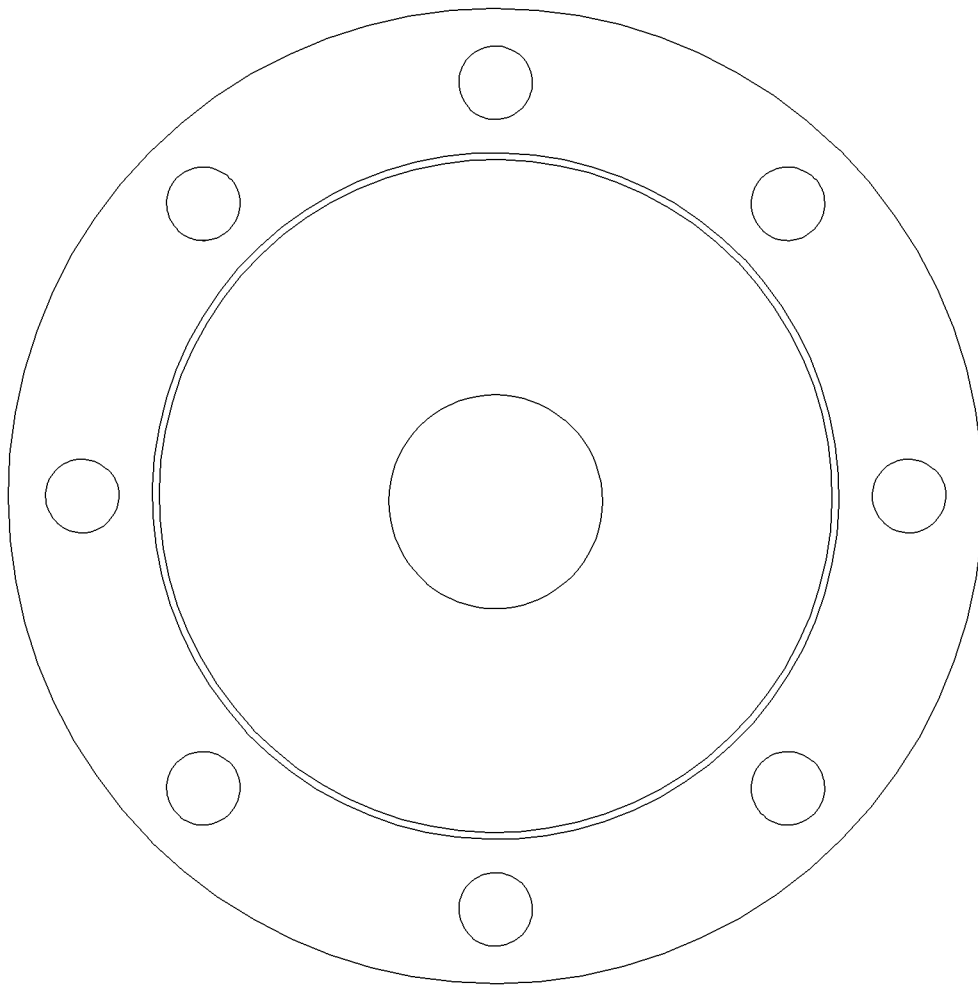
# BASIC ENGINE

## 3N-5596 HUB-FLEXIBLE COUPLING AN ATTACHMENT

SMCS-3252

i01212954

NOTE	REF NO	GRAPHIC REF	PART NUMBER	QTY	PART NAME						SEE PAGE
					1	2	3	4	5	6 (PRODUCT LEVEL)	
(NO SERVICED PARTS)											



GRAPHIC #1

<END>

g00648379

# BASIC ENGINE

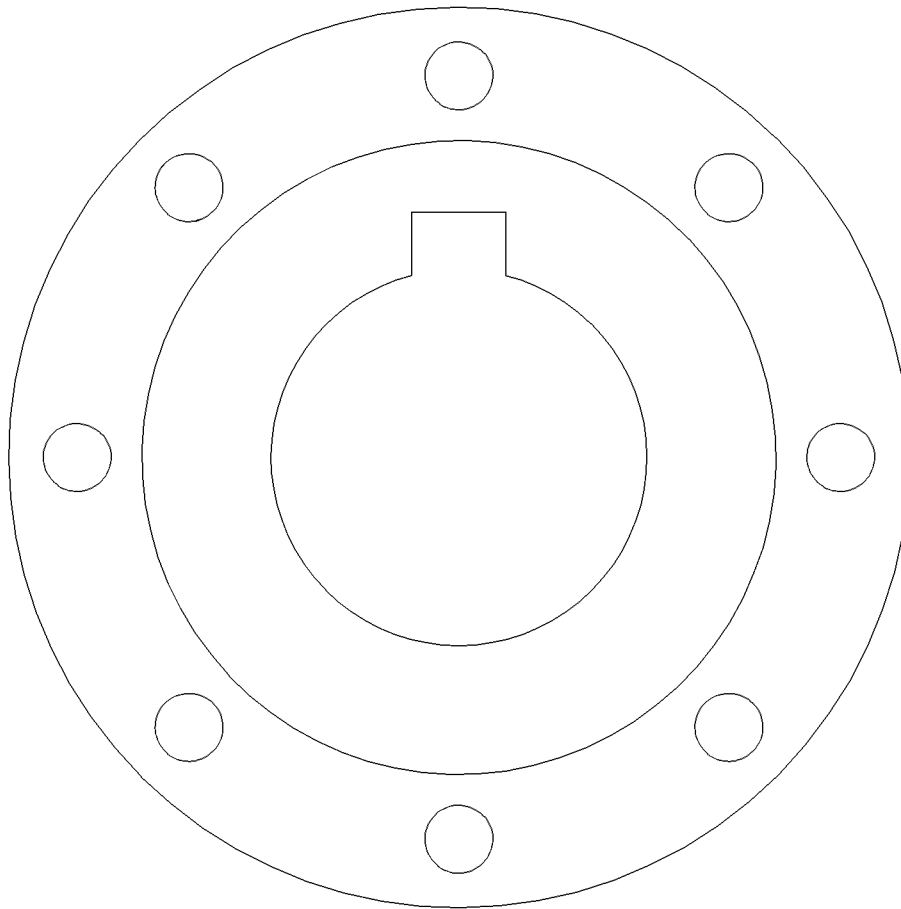
## 7E-4271 HUB-FLEXIBLE COUPLING

AN ATTACHMENT

SMCS-3252

i01151742

NOTE	REF NO	GRAPHIC REF	PART NUMBER	QTY	PART NAME						SEE PAGE
					1	2	3	4	5	6 (PRODUCT LEVEL)	
(NO SERVICED PARTS)											



GRAPHIC #1

<END>

g00611177

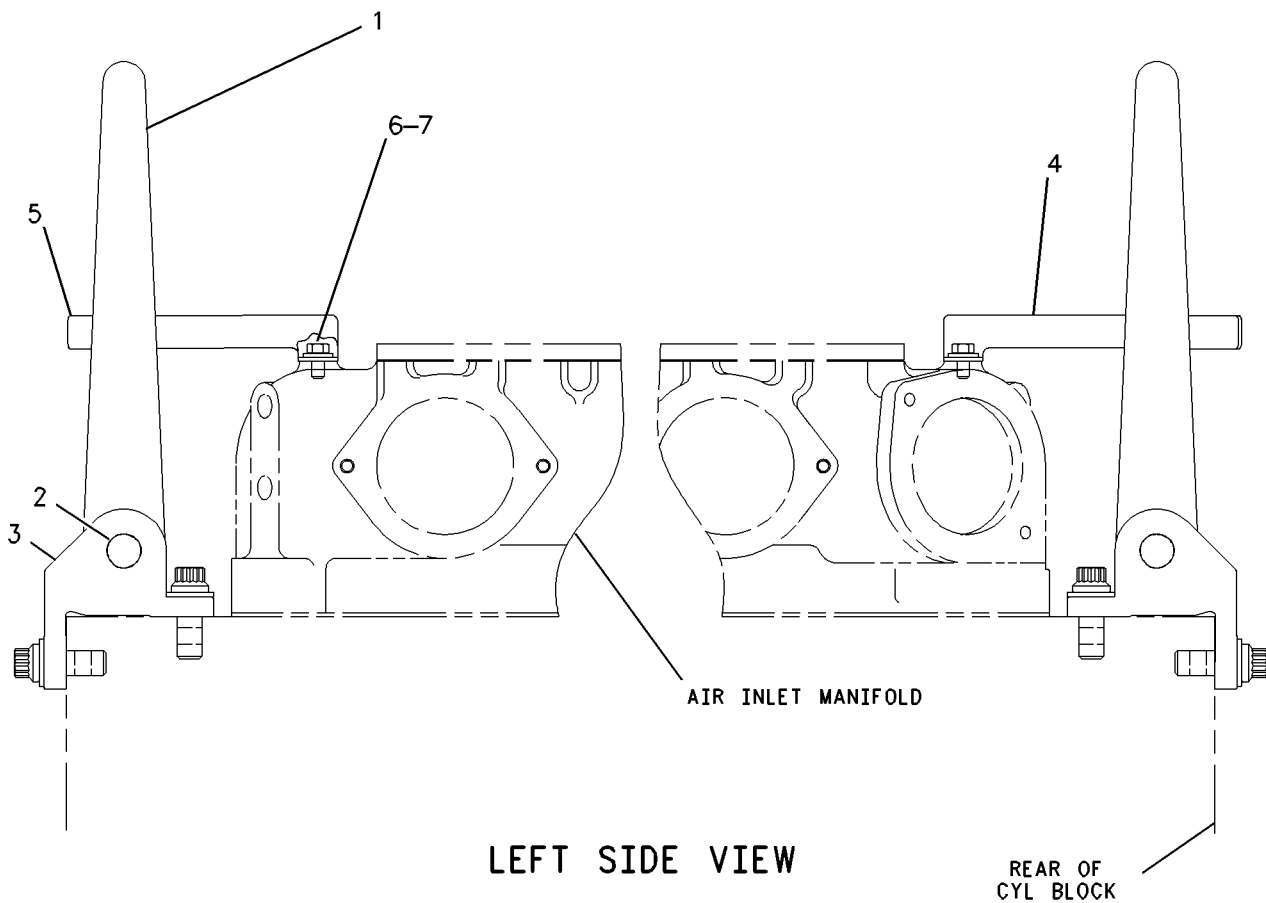
# BASIC ENGINE

## 7E-6872 LIFTING GP-ENGINE

SMCS-1122

i02900513

NOTE	REF NO	GRAPHIC REF	PART NUMBER	QTY	PART NAME						SEE PAGE
					1	2	3	4	5	6 (PRODUCT LEVEL)	
	1	1	7N-2326	2	EYE-LIFTING						
	2	1	7N-2328	4	DOWEL						
	3	1	155-0726	2	BRACKET AS						
					(EACH INCLUDES)						
		1	5P-8248	4	WASHER-HARD (20X36.5X3.5-MM THK)						
		1	5P-8291	2	BOLT (3/4-16X2-IN)						
		1	6V-9995	2	BOLT-12 POINT HEAD (3/4-16X2.5-IN)						
	4	1	193-3286	1	RETAINER-EYE (REAR)						
	5	1	4P-4642	1	RETAINER-EYE (FRONT)						
	6	1	OS-0509	4	BOLT (3/8-16X0.75-IN)						
	7	1	5P-1075	4	WASHER-HARD (10.2X22.5X3-MM THK)						



GRAPHIC #1

<END>

g00799817

# BASIC ENGINE

## 7E-4836 MOUNTING GP-ALTERNATOR

S/N: LLA1-750

AN ATTACHMENT

SMCS-1154, 1405

i03628504

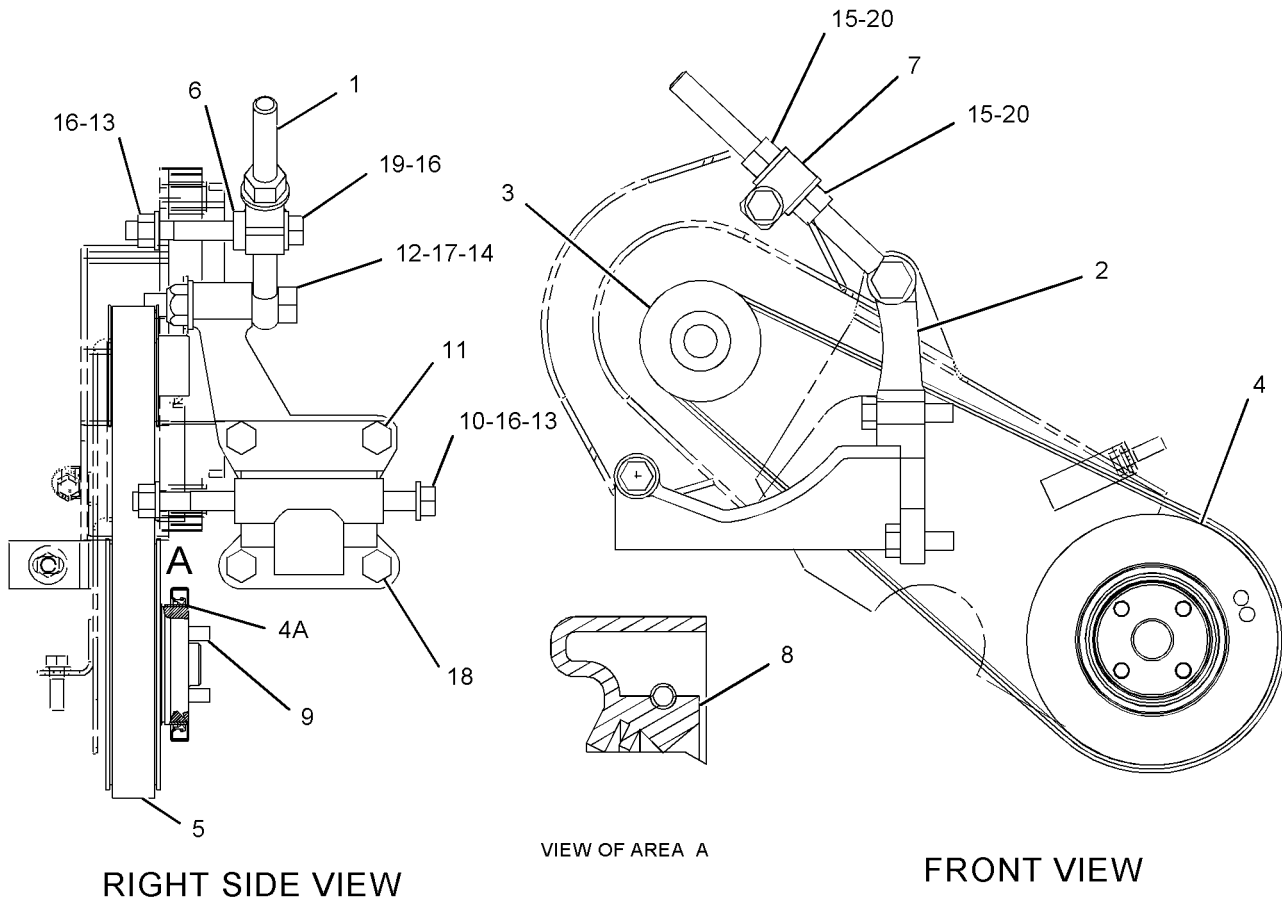
NOTE	REF NO	GRAPHIC REF	PART NUMBER	QTY	PART NAME						SEE PAGE
					1	2	3	4	5	6 (PRODUCT LEVEL)	
C	1	1	252-6498	1	ROD						
	2	1	4P-5211	1	SUPPORT-ALTERNATOR						
	3	1	7E-4839	1	PULLEY (8-GROOVE)						
	4	1	7E-4838	1	PULLEY (8-GROOVE)						
	4A	1	053-5065	1	SLEEVE						
	5	1	141-7116	1	BELT-SERPENTINE (ALTERNATOR)						
	6	1	7N-2597	1	SPACER (13.5X25.4X8.08-MM THK)						
C	7	1	252-6464	1	BLOCK						
	8	1	235-2484	1	SEAL-LIP TYPE						
	9	1	0S-1571	4	BOLT (3/8-16X1.75-IN)						
	10	1	1A-0168	1	BOLT (1/2-13X7.5-IN)						
	11	1	1A-1460	2	BOLT (1/2-13X2-IN)						
	12	1	1D-4586	1	BOLT (5/8-11X3.5-IN)						
	13	1	1F-7958	2	NUT-FULL (1/2-13-THD)						
	14	1	3K-2889	1	LOCKNUT (5/8-11-THD)						
C	15	1	2J-3506	2	NUT-FULL (3/4-10-THD)						
	16	1	5P-8245	4	WASHER-HARD (13.5X25.5X3-MM THK)						
C	17	1	5P-8247	1	WASHER-HARD (17X32X3.5-MM THK)						
	18	1	7B-3235	2	BOLT (1/2-13X1.375-IN)						
	19	1	7D-9766	1	BOLT (1/2-13X4.25-IN)						
C	20	1	5P-8248	2	WASHER-HARD (20X36.5X3.5-MM THK)						

C-CHANGE FROM PREVIOUS TYPE

# BASIC ENGINE

7E-4836 MOUNTING GP-ALTERNATOR (contd.)

i03628504



GRAPHIC #1

<END>

g01109005

# BASIC ENGINE

## 7E-4836 MOUNTING GP-ALTERNATOR

S/N: LLA751-UP  
AN ATTACHMENT

SMCS-1154, 1405

i03996278

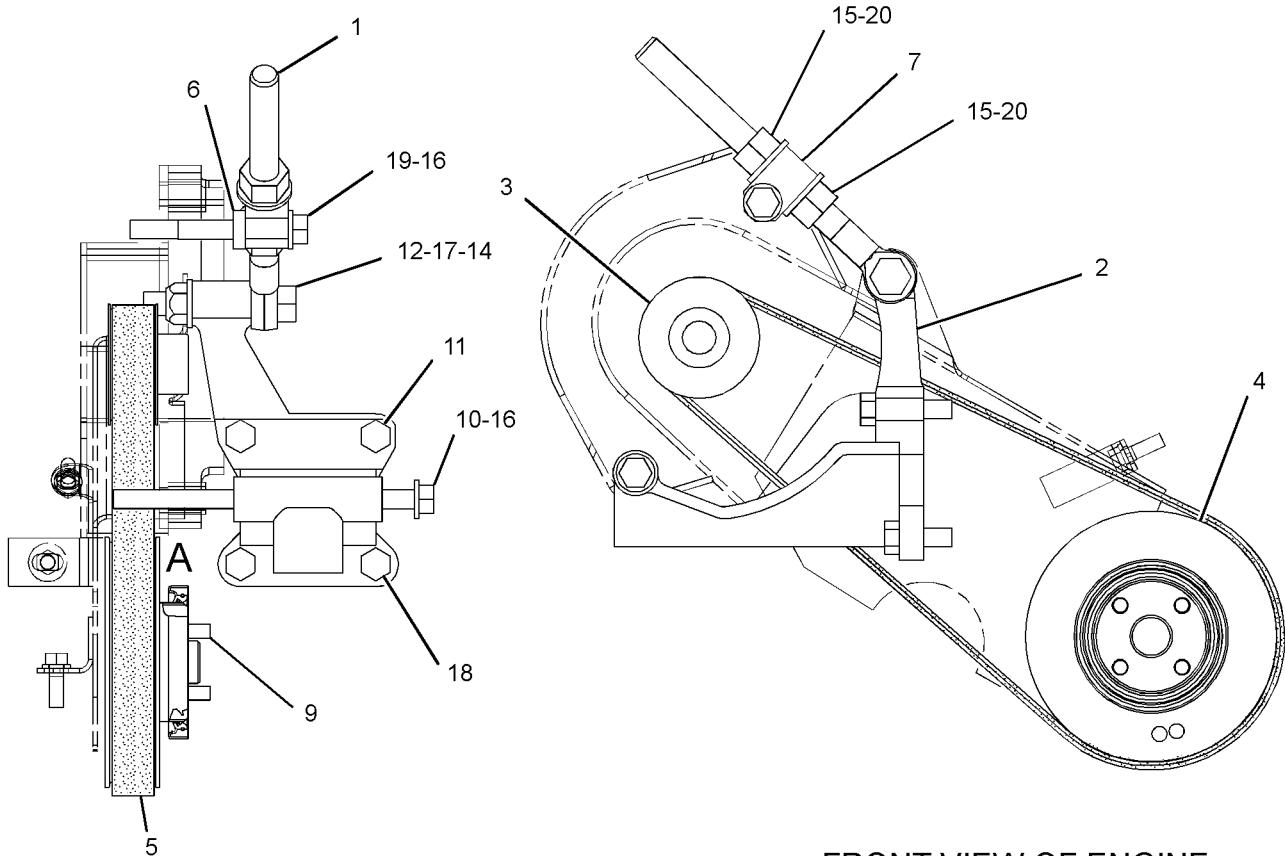
NOTE	REF NO	GRAPHIC REF	PART NUMBER	QTY	PART NAME						SEE PAGE
					1	2	3	4	5	6 (PRODUCT LEVEL)	
	1	1	252-6498	1	ROD						
	2	1	4P-5211	1	SUPPORT-ALTERNATOR						
	3	1	7E-4839	1	PULLEY (8-GROOVE)						
C	4	1	300-8570	1	PULLEY AS						
		1	300-8567	1	SLEEVE						
		1	300-8569	1	PULLEY (8-GROOVE)						
	5	1	141-7116	1	BELT-SERPENTINE (ALTERNATOR)						
	6	1	7N-2597	1	SPACER (13.5X25.4X8.08-MM THK)						
	7	1	252-6464	1	BLOCK						
	8	1	235-2484	1	SEAL-LIP TYPE						
C	9	1	0S-1590	4	BOLT (3/8-16X2-IN)						
	10	1	6V-6633	1	BOLT (1/2-13X8-IN)						
	11	1	1A-1460	2	BOLT (1/2-13X2-IN)						
	12	1	1D-4586	1	BOLT (5/8-11X3.5-IN)						
	14	1	3K-2889	1	LOCKNUT (5/8-11-THD)						
	15	1	2J-3506	2	NUT-FULL (3/4-10-THD)						
	16	1	5P-8245	2	WASHER-HARD (13.5X25.5X3-MM THK)						
	17	1	5P-8247	1	WASHER-HARD (17X32X3.5-MM THK)						
	18	1	7B-3235	2	BOLT (1/2-13X1.375-IN)						
	19	1	7D-9766	1	BOLT (1/2-13X4.25-IN)						
	20	1	5P-8248	2	WASHER-HARD (20X36.5X3.5-MM THK)						

C-CHANGE FROM PREVIOUS TYPE

# BASIC ENGINE

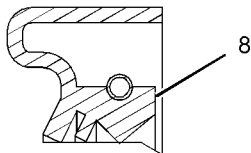
7E-4836 MOUNTING GP-ALTERNATOR (contd.)

i03996278



RIGHT SIDE VIEW OF ENGINE

FRONT VIEW OF ENGINE



VIEW OF AREA A



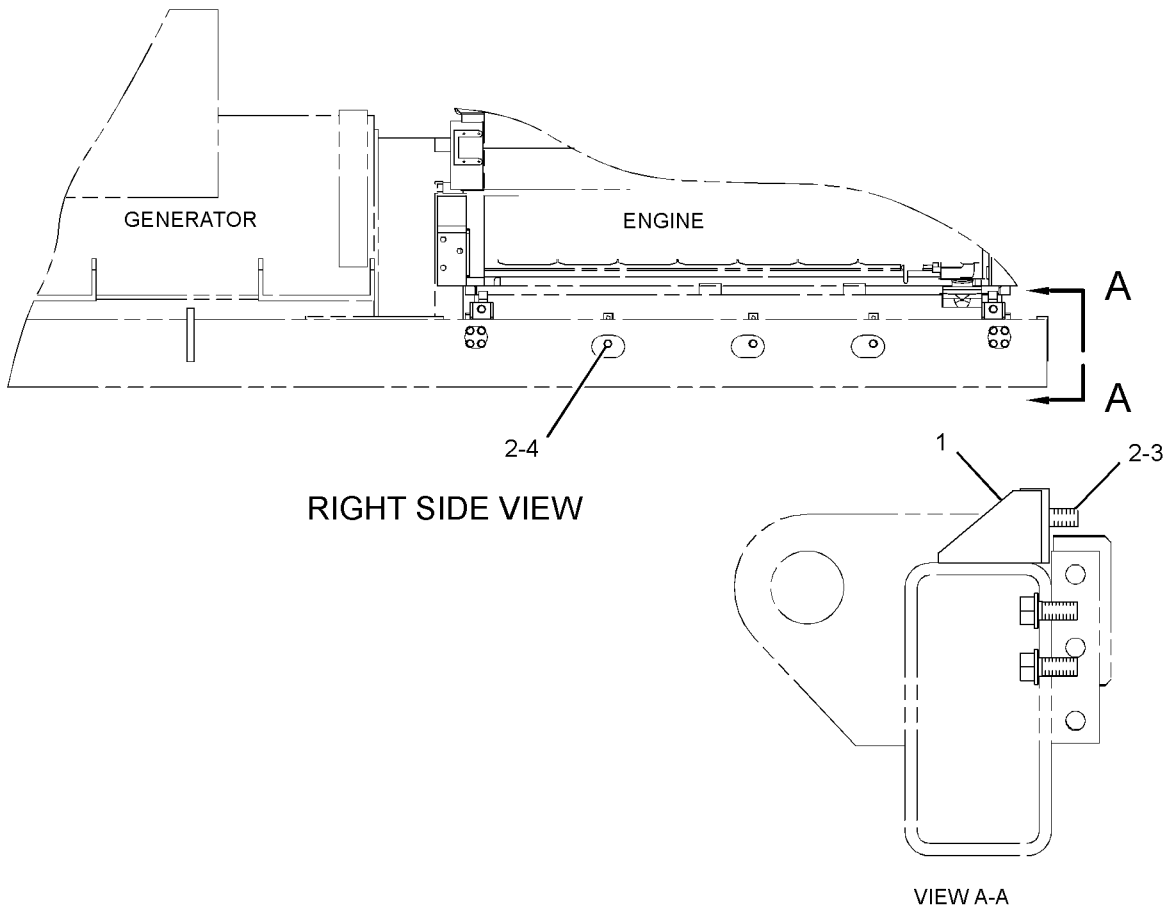
# BASIC ENGINE

## 2W-8532 MOUNTING GP-ENGINE AN ATTACHMENT

SMCS-1152, 1153, 1154

i02528872

NOTE	REF NO	GRAPHIC REF	PART NUMBER	QTY	PART NAME						SEE PAGE
					1	2	3	4	5	6 (PRODUCT LEVEL)	
	1	1	<b>2W-8530</b>	4	SUPPORT AS						
	2	1	<b>8T-4994</b>	26	WASHER-HARD (20X36.5X3.5-MM THK)						
	3	1	<b>8T-8924</b>	4	BOLT (3/4-10X2.5-IN)						
	4	1	<b>8T-9398</b>	22	BOLT (3/4-10X1.75-IN)						



GRAPHIC #1

<END>

g01278604

# BASIC ENGINE

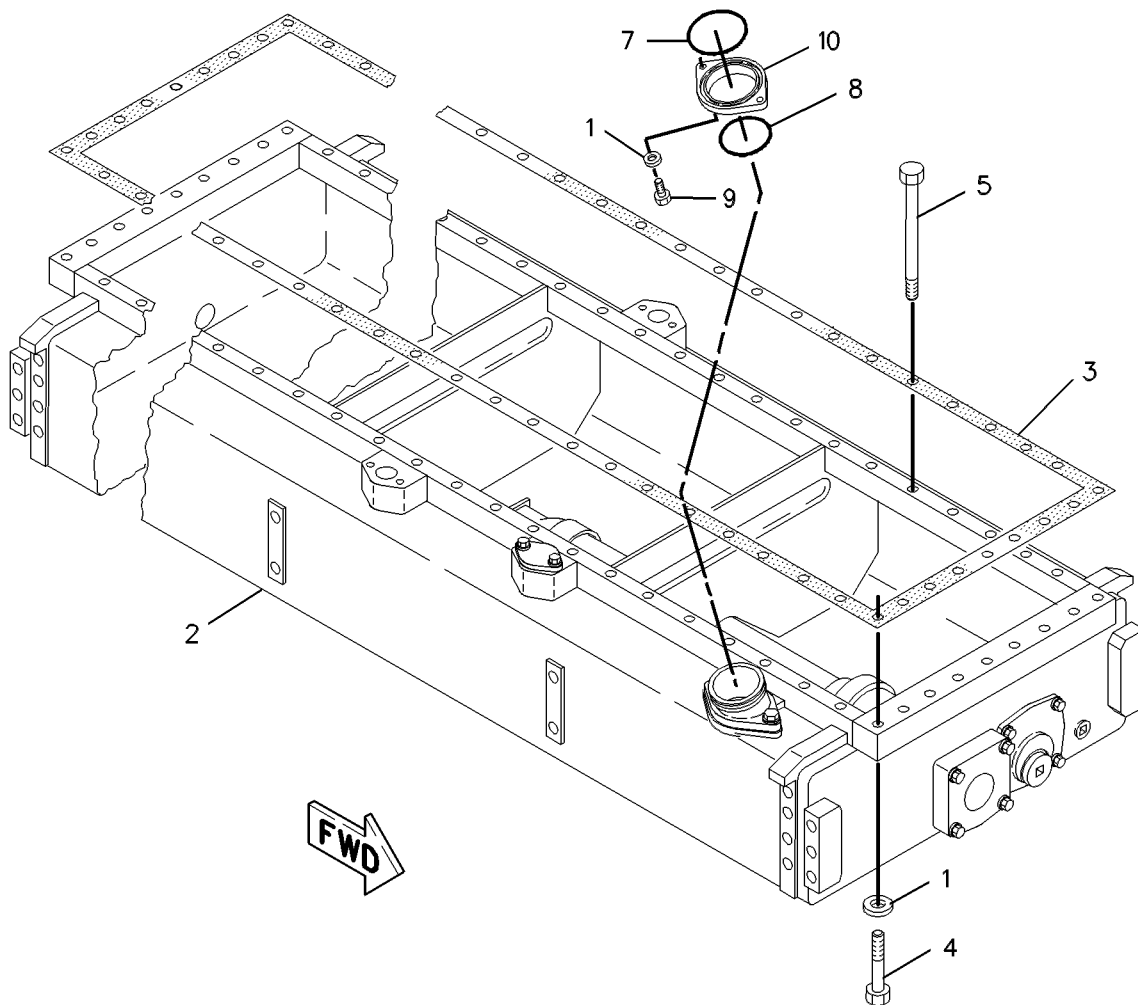
## 7C-6752 PAN GP-OIL

SMCS-1302

i02430929

NOTE	REF NO	GRAPHIC REF	PART NUMBER	QTY	PART NAME						SEE PAGE
					1	2	3	4	5	6 (PRODUCT LEVEL)	
	1	1	<b>5M-2894</b>	20	WASHER-HARD (10.2X18.5X2.5-MM THK)						
Y	2	1	<b>9Y-3087</b>	1	PAN GP-OIL (ENGINE)						81
	3	1	<b>7E-2630</b>	1	GASKET-OIL PAN (ENGINE)						
	4	1	<b>0L-2070</b>	18	BOLT (3/8-16X2.25-IN)						
	5	1	<b>0T-0065</b>	38	BOLT (3/8-16X3.5-IN)						
	7	1	<b>6V-5101</b>	1	SEAL-O-RING						
	8	1	<b>3P-0654</b>	1	SEAL-O-RING						
	9	1	<b>0S-1588</b>	2	BOLT (3/8-16X1.25-IN)						
	10	1	<b>7W-0129</b>	1	FLANGE						

Y-SEPARATE ILLUSTRATION



GRAPHIC #1

<END>

g00627287

# BASIC ENGINE

## 9Y-3087 PAN GP-OIL

PART OF 7C-6752 PAN GP-OIL

SMCS-1302

i03116342

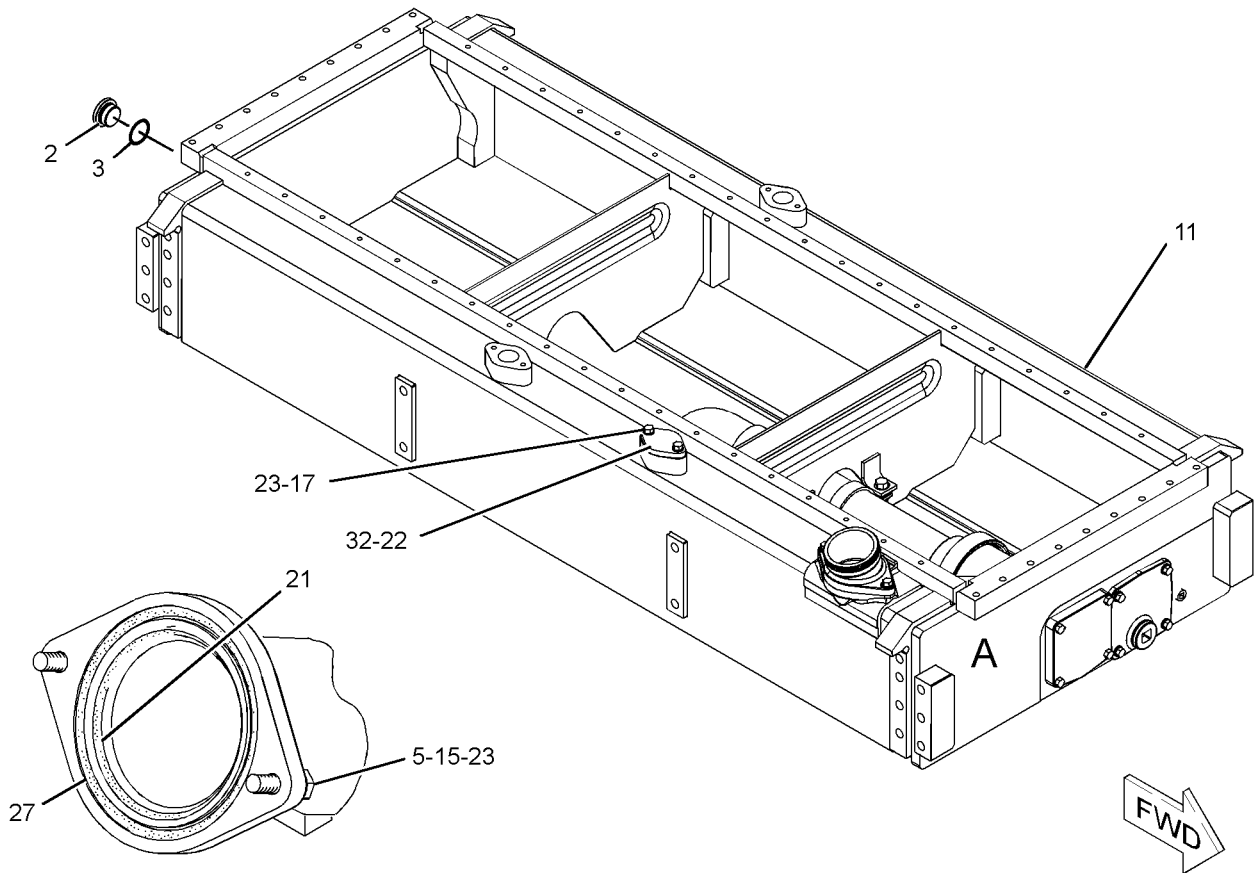
NOTE	REF NO	GRAPHIC REF	PART NUMBER	QTY	PART NAME						SEE PAGE
					1	2	3	4	5	6 (PRODUCT LEVEL)	
C	1	1	1W-1564	1	SCREEN AS-SUCTION (ENGINE OIL PAN)						
	2	1	4B-2363	2	PLUG-OIL DRAIN (ENGINE OIL PAN)						
	3	1	6F-4868	2	GASKET						
	4	1	7C-4715	1	CONNECTOR						
	5	1	7W-0129	1	FLANGE						
	6	1	111-2081	1	HOUSING-OIL						
	7	1	114-2414	1	TUBE AS						
	8	1	149-9298	1	COVER						
C	9	1	228-8926	1	ADAPTER						
C	10	1	229-8875	1	TUBE-SUCTION						
C	11	1	229-8876	1	PAN AS-OIL						
C	12	1	231-5867	4	CLAMP						
C	13	1	0L-1351	5	BOLT (3/8-16X0.875-IN)						
C	14	1	0S-1585	2	BOLT (1/2-13X1.5-IN)						
	15	1	0S-1588	4	BOLT (3/8-16X1.25-IN)						
	16	1	0S-1590	2	BOLT (3/8-16X2-IN)						
	17	1	0S-1594	2	BOLT (3/8-16X1-IN)						
	18	1	125-9794	1	SEAL-O-RING						
C	19	1	1A-2029	4	BOLT (3/8-16X1.125-IN)						
C	20	1	1K-6872	2	LOCKNUT (1/2-13-THD)						
C	21	1	3P-0654	2	SEAL-O-RING						
	22	1	4B-3140	1	COVER						
C	23	1	5M-2894	11	WASHER-HARD (10.2X18.5X2.5-MM THK)						
	24	1	5P-7818	1	SEAL-O-RING						
C	25	1	5P-8245	6	WASHER-HARD (13.5X25.5X3-MM THK)						
	26	1	5P-8872	1	SEAL-O-RING						
	27	1	6V-5101	1	SEAL-O-RING						
C	28	1	7B-3235	2	BOLT (1/2-13X1.375-IN)						
	29	1	7X-1547	2	SEAL-O-RING						
	30	1	8M-9024	2	WASHER-HARD (10.2X22.5X5-MM THK)						
	31	1	8T-6762	1	PLUG-PIPE						
	32	1	9L-1480	1	GASKET						

C-CHANGE FROM PREVIOUS TYPE

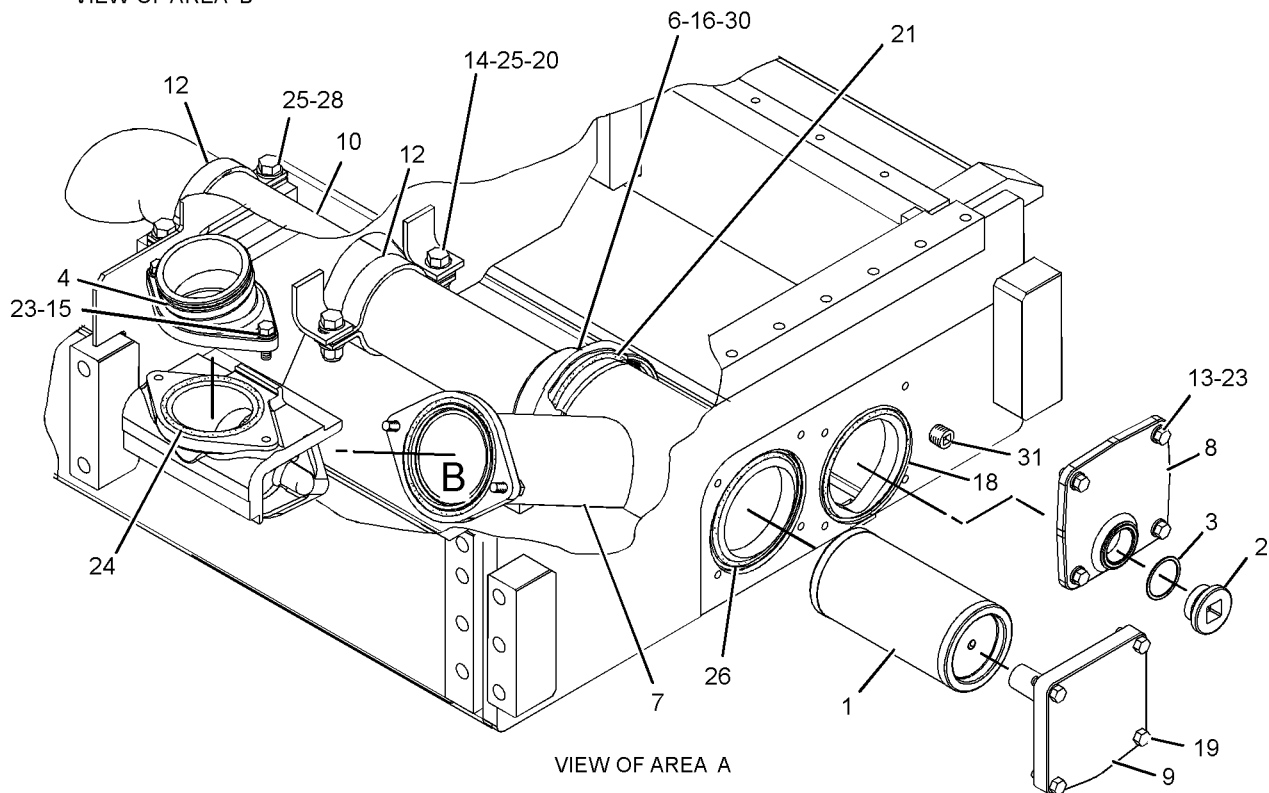
# BASIC ENGINE

9Y-3087 PAN GP-OIL (contd.)

i03116342



VIEW OF AREA B



VIEW OF AREA A

GRAPHIC #1

<END>

g01255514

# BASIC ENGINE

## 281-6141 PISTON & ROD GP

SMCS-1225

i03036725

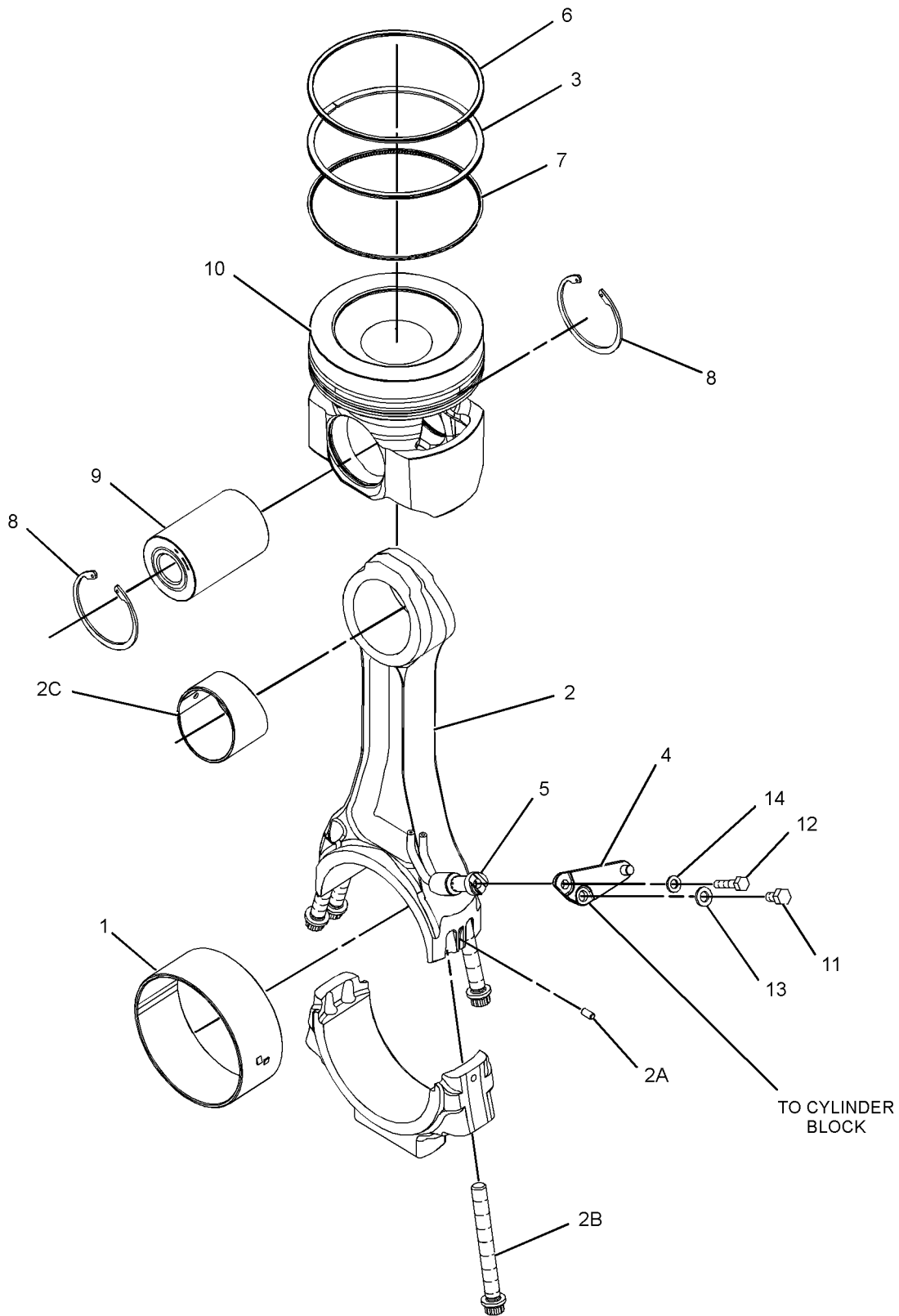
NOTE	REF NO	GRAPHIC REF	PART NUMBER	QTY	PART NAME						SEE PAGE
					1	2	3	4	5	6 (PRODUCT LEVEL)	
	1	1	<b>107-7330</b>	1	BEARING-CONNECTING ROD (STANDARD)						
AB		1	<b>107-7331</b>	1	BEARING-CONNECTING ROD (0.63-MM US)						
AB		1	<b>107-7332</b>	1	BEARING-CONNECTING ROD (1.27-MM US)						
AB		1	<b>107-7333</b>	1	BEARING-CONNECTING ROD (0.25-MM OS)						
AB		1	<b>107-7334</b>	1	BEARING-CONNECTING ROD (0.25-MM OS, 0.63-MM US)						
AB		1	<b>107-7335</b>	1	BEARING-CONNECTING ROD (0.25-MM OS, 1.27-MM US)						
R	2	1	<b>144-0725</b>	1	ROD AS						
	2A	1	<b>7N-2043</b>	1	DOWEL						
	2B	1	<b>7N-2405</b>	4	BOLT-CONNECTING ROD						
	2C	1	<b>118-1655</b>	1	BUSHING						
	3	1	<b>144-5695</b>	1	RING-PISTON (INTERMEDIATE)						
	4	1	<b>193-3282</b>	1	RETAINER AS (FOR USE WITH 1-PC PISTON ONLY)						
		1	<b>6V-3537</b>	1	DOWEL						
	5	1	<b>204-5447</b>	1	JET AS-PISTON COOLING (FOR USE WITH 1-PC PISTON ONLY)						
	6	1	<b>214-6066</b>	1	RING-PISTON (TOP)						
	7	1	<b>223-6361</b>	1	RING-PISTON (OIL)						
	8	1	<b>253-1238</b>	2	RETAINER-PIN						
	9	1	<b>263-8955</b>	1	PIN-PISTON						
R	10	1	<b>314-5006</b>	1	PISTON AS						
	11	1	<b>0T-0102</b>	1	BOLT (3/8-16X0.625-IN)						
	12	1	<b>1B-2790</b>	1	BOLT (5/16-18X1.375-IN)						
	13	1	<b>5M-2894</b>	1	WASHER-HARD (10.2X18.5X2.5-MM THK)						
	14	1	<b>9M-1974</b>	1	WASHER-HARD (8.8X16X2-MM THK)						

A-NOT PART OF THIS GROUP  
 B-USE AS REQUIRED  
 R-REMFG PART MAY BE AVAILABLE

# BASIC ENGINE

281-6141 PISTON & ROD GP (contd.)

i03036725



GRAPHIC #1

<END>

g01212022

# BASIC ENGINE

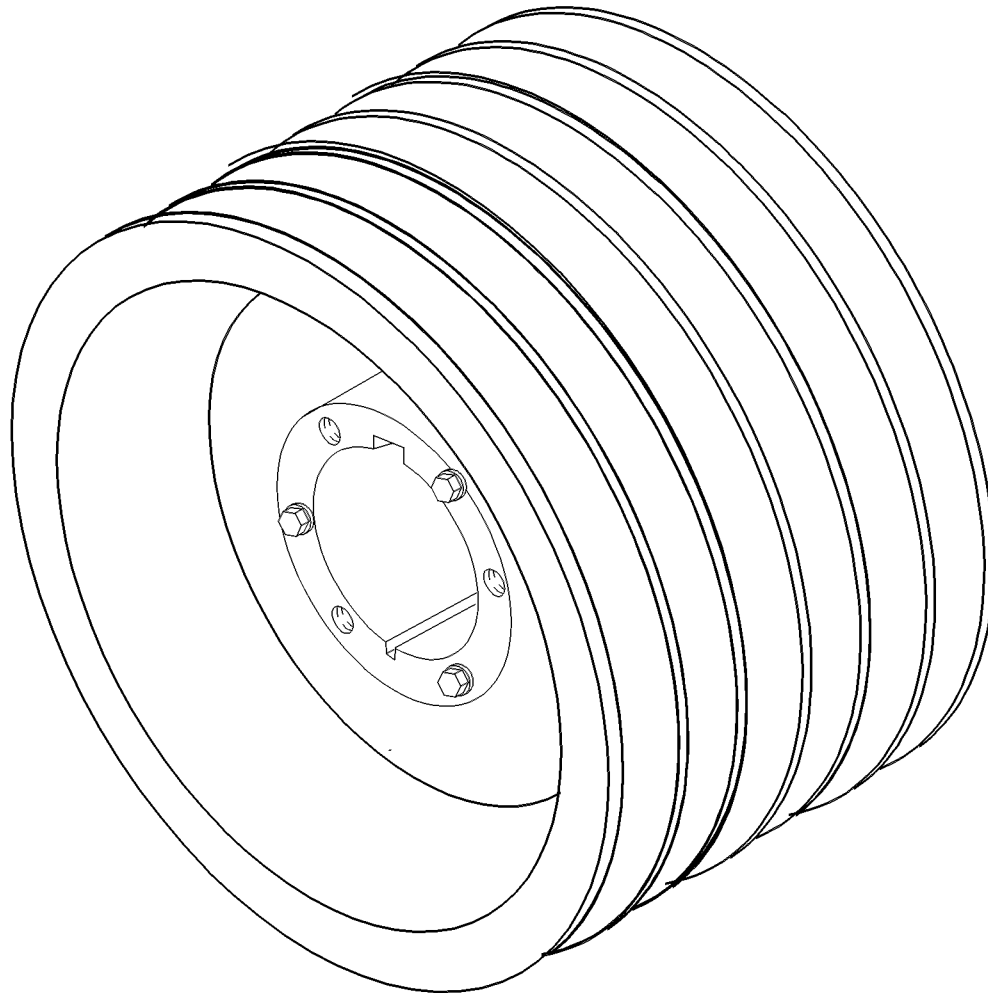
## 7N-4106 PULLEY AS-CRANKSHAFT

196.85-MM DIAMETER (7.75-IN)  
FOR USE WITH LOW KW STUB SHAFT GP  
AN ATTACHMENT

SMCS-1205

i02656382

NOTE	REF NO	GRAPHIC REF	PART NUMBER	QTY	PART NAME 1 2 3 4 5 6 (PRODUCT LEVEL)	SEE PAGE
					AVAILABLE REPAIR KIT(S):	
			4W-0335	1	KIT-BUSHING (CRANKSHAFT PULLEY) (INCLUDES BUSHING, BOLTS, LOCKWASHER, SET SCREW AND KEY)	



GRAPHIC #1

<END>

g00621997

# BASIC ENGINE

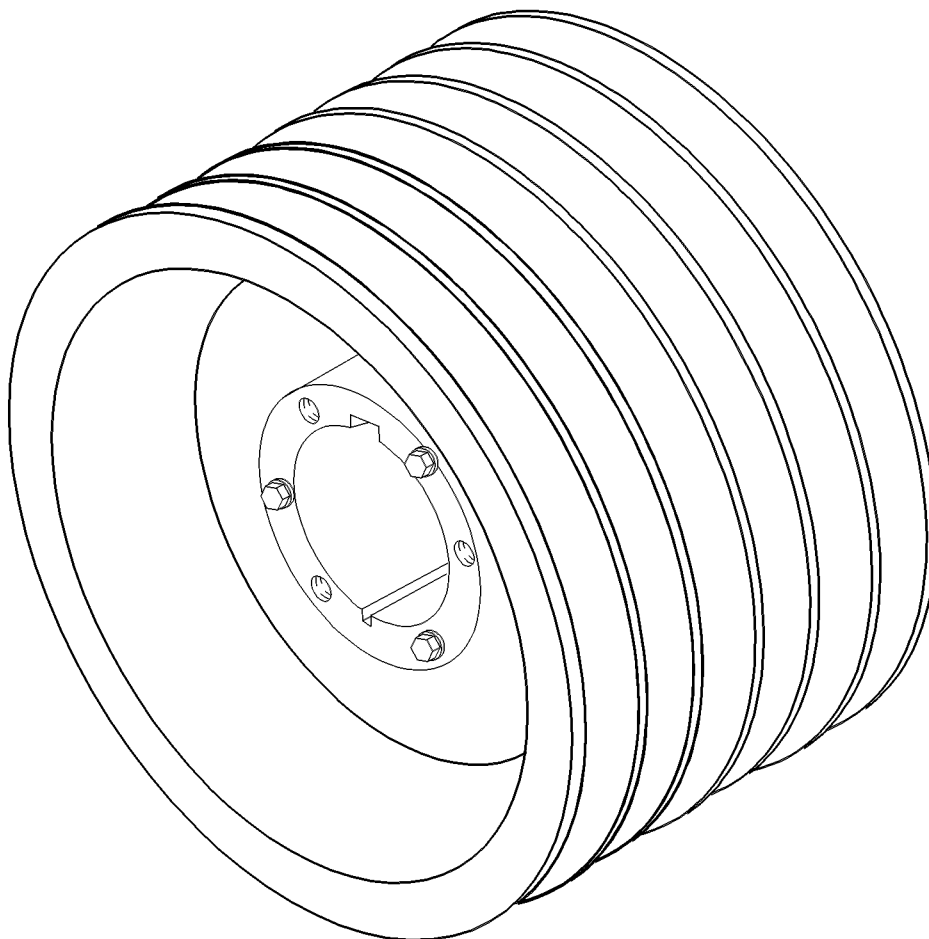
## 8N-6564 PULLEY AS-CRANKSHAFT

247.65-MM DIAMETER (9.75-IN)  
FOR USE WITH LOW KW STUB SHAFT GP  
AN ATTACHMENT

SMCS-1205

i02774996

NOTE	REF NO	GRAPHIC REF	PART NUMBER	QTY	PART NAME						SEE PAGE
					1	2	3	4	5	6 (PRODUCT LEVEL)	
					AVAILABLE REPAIR KIT(S):						
			4W-0335	1	KIT-BUSHING (CRANKSHAFT PULLEY)						
					(INCLUDES BUSHING, BOLTS, LOCKWASHER, SET SCREW AND KEY)						



GRAPHIC #1

<END>

g00625097



# BASIC ENGINE

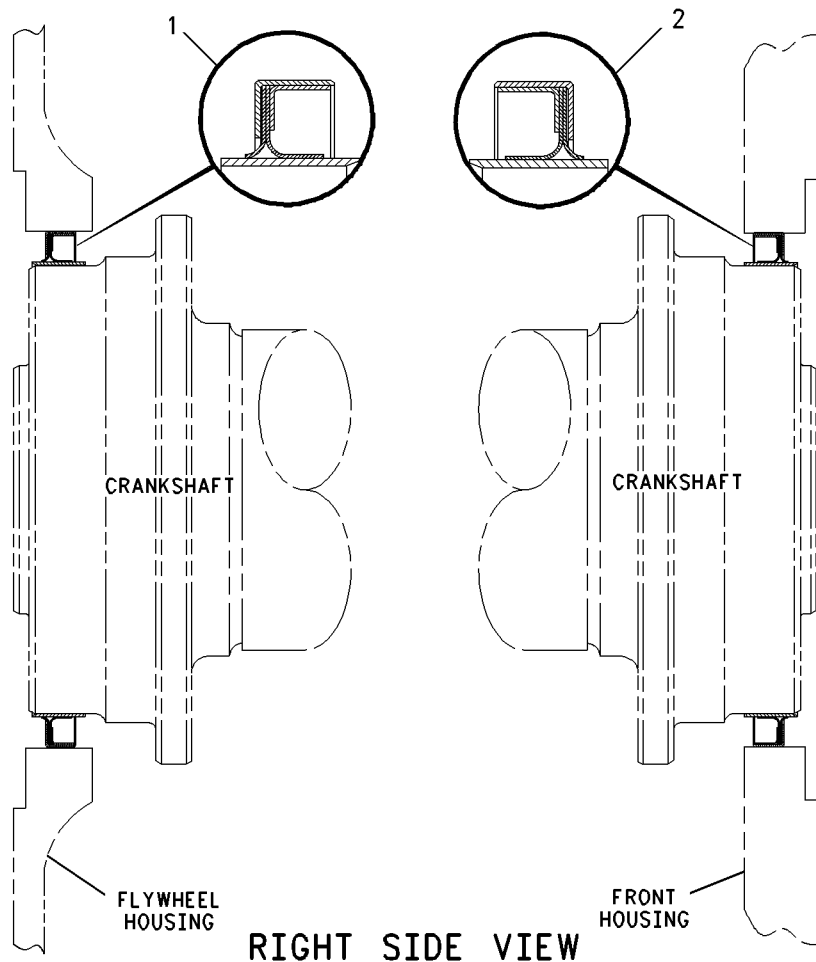
## 7W-3813 SEAL GP-CRANKSHAFT

SMCS-1160, 1161

i02390835

NOTE	REF NO	GRAPHIC REF	PART NUMBER	QTY	PART NAME						SEE PAGE
					1	2	3	4	5	6 (PRODUCT LEVEL)	
C	1	1	113-8433	1	SEAL GP-CRANKSHAFT (CCW ROTATION)						
(INSTALL IN FLYWHEEL HOUSING ON STANDARD ROTATION ENGINES & IN FRONT HOUSING ON REVERSE ROTATION ENGINES)											
C	2	1	113-8432	1	SEAL GP-CRANKSHAFT (CW ROTATION)						
(INSTALL IN FRONT HOUSING ON STANDARD ROTATION ENGINES & IN FLYWHEEL HOUSING ON REVERSE ROTATION ENGINES)											

C-CHANGE FROM PREVIOUS TYPE



GRAPHIC #1

<END>

g00899342

# BASIC ENGINE

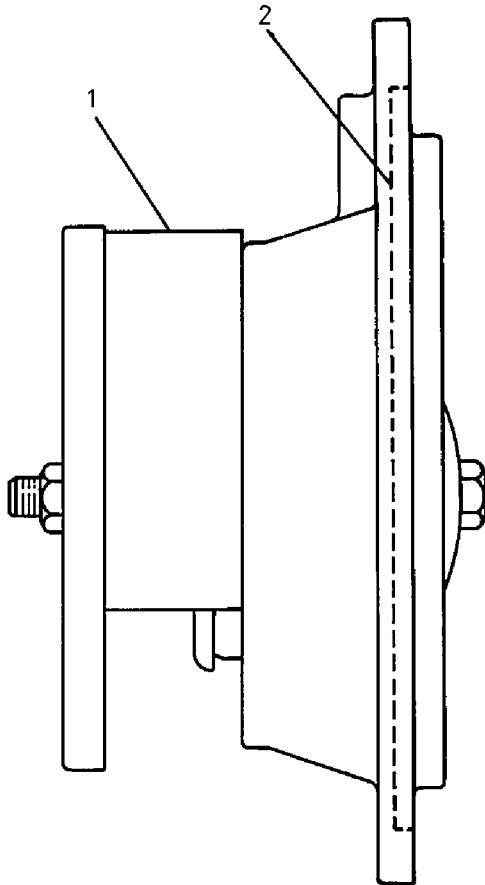
## 8N-8510 VALVE GP-EXPLOSION RELIEF

AN ATTACHMENT

SMCS-1233

i02656760

NOTE	REF NO	GRAPHIC REF	PART NUMBER	QTY	PART NAME						SEE PAGE
					1	2	3	4	5	6 (PRODUCT LEVEL)	
J	1	1	<b>8N-8509</b>	2	VALVE GP-EXPLOSION RELIEF (CRANKCASE)						
	2	1	<b>272-0759</b>	2	SEAL						
AVAILABLE REPAIR KIT(S):											
J			<b>2W-3584</b>	1	KIT-REPAIR (EXPLOSION RELIEF) (CRANKCASE) (INCLUDES VALVE PLATE AND SPINDLE O-RINGS)						
J-KIT MARKED J SERVICES PART MARKED J											



GRAPHIC #1

<END>

g00637870

# BASIC ENGINE

## 224-9869 VALVE MECHANISM GP

S/N: LLA1179-UP

SMCS-1102, 1121, 1123, 1209

i03601604

NOTE	REF NO	GRAPHIC REF	PART NUMBER	QTY	PART NAME						SEE PAGE
					1	2	3	4	5	6 (PRODUCT LEVEL)	
	1	1	3J-9196	2	NUT-JAM (1/2-20-THD)						
	2	1	7E-6508	1	CAP AS						
	3	1	7N-4782	2	SPRING-LIFTER GUIDE						
	4	1	9F-7707	3	RING-RETAINING						
	5	1	317-1121	1	NUT-JAM						
	6	1	9X-0352	1	RECEPTACLE AS						
	7	1	100-3877	1	RETAINER-SPRING						
	8	1	100-3878	1	SPRING-INJECTOR						
	9	1	100-3879	1	PUSHROD-INJECTOR						
	10	1	100-3880	2	PUSHROD-VALVE						
	11	1	132-6469	1	HARNES AS-WIRING (VALVE MECHANISM)						
		1	155-2270	1	KIT-CONNECTING PLUG (2-PIN) (INCLUDES PLUG AS AND WEDGE)						
		1	7E-6513	1	CONNECTOR AS						
		1	186-3736	2	SOCKET-CONNECTOR (16-GA TO 18-GA)						
E		1	124-0284		TUBE-HEAT SHRINK (3.2-MM DIA) (6-CM)						
	12	1	154-6389	3	BUTTON						
	13	1	200-2003	2	SCREW-ADJUSTMENT (1/2-20X2-IN)						
	14	1	230-2619	1	SCREW-ADJUSTMENT						
R	15	1	230-2621	2	ROCKER ARM AS (EACH INCLUDES)						
		1	8N-7197	1	SOCKET-ARM						
		1	230-2620	1	BEARING-SLEEVE						
	16	1	230-2633	1	SHAFT AS (ROCKER ARM)						
		1	155-4094	1	PIN-SPRING						
C	17	1	240-7032	1	SEAL						
CY	18	1	247-8341	1	BASE GP-VALVE COVER						5
R	19	1	263-6674	2	LIFTER AS-VALVE						
	20	1	265-7537	1	BRIDGE (INLET)						
	21	1	265-7538	1	BRIDGE (EXHAUST)						
R	22	1	281-6159	1	ROCKER ARM AS (EACH INCLUDES)						
		1	8N-7197	1	SOCKET-ARM						
		1	230-2620	1	BEARING-SLEEVE						
R	23	1	282-7944	1	LIFTER AS-INJECTOR						
	24	1	0L-2070	2	BOLT (3/8-16X2.25-IN)						
	25	1	334-1626	2	BOLT						
	26	1	0S-1615	1	BOLT (1/4-20X0.75-IN)						
	27	1	5M-2894	4	WASHER-HARD (10.2X18.5X2.5-MM THK)						
	28	1	5P-0537	1	WASHER-HARD (7.2X14.5X2-MM THK)						
	29	1	5P-7530	1	SEAL-O-RING						
	30	1	6J-2245	1	SEAL-O-RING						
	31	1	8D-7942	2	BOLT-12 POINT HEAD (5/8-11X6.5-IN)						

C-CHANGE FROM PREVIOUS TYPE  
 E-ORDER BY THE CENTIMETER  
 R-REMFG PART MAY BE AVAILABLE  
 Y-SEPARATE ILLUSTRATION



# BASIC ENGINE

## 281-6160 VALVE MECHANISM GP

S/N: LLA1-1178

SMCS-1102, 1121, 1123, 1209

i03996668

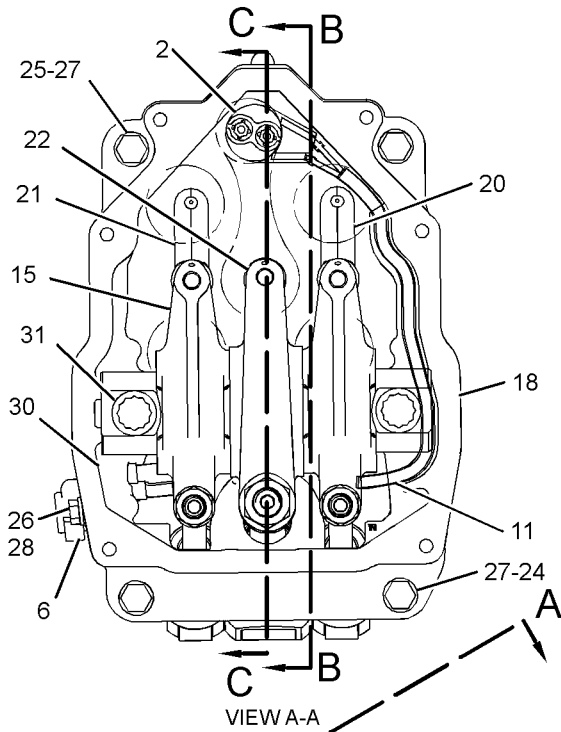
NOTE	REF NO	GRAPHIC REF	PART NUMBER	QTY	PART NAME						SEE PAGE
					1	2	3	4	5	6 (PRODUCT LEVEL)	
	1	1	3J-9196	2	NUT-JAM (1/2-20-THD)						
	2	1	7E-6508	1	CAP AS						
	3	1	7N-4782	2	SPRING-LIFTER GUIDE						
	4	1	9F-7707	3	RING-RETAINING						
	5	1	9S-1354	1	NUT (5/8-18-THD)						
	6	1	9X-0352	1	RECEPTACLE AS						
	7	1	100-3877	1	RETAINER-SPRING						
	8	1	100-3878	1	SPRING-INJECTOR						
	9	1	100-3879	1	PUSHROD-INJECTOR						
	10	1	100-3880	2	PUSHROD-VALVE						
	11	1	132-6469	1	HARNES AS-WIRING (VALVE MECHANISM)						
		1	7E-6513	1	CONNECTOR AS						
		1	186-3736	2	SOCKET-CONNECTOR (16-GA TO 18-GA)						
		1	124-0284		TUBE-HEAT SHRINK (3.2-MM DIA) (6-CM)						
		1	155-2270	1	KIT-CONNECTING PLUG (2-PIN) (INCLUDES PLUG AS AND WEDGE)						
	12	1	154-6389	3	BUTTON						
	13	1	200-2003	2	SCREW-ADJUSTMENT (1/2-20X2-IN)						
	14	1	230-2619	1	SCREW-ADJUSTMENT						
R	15	1	230-2621	2	ROCKER ARM AS (EACH INCLUDES)						
		1	8N-7197	1	SOCKET-ARM						
		1	230-2620	1	BUSHING						
	16	1	230-2633	1	SHAFT AS (ROCKER ARM)						
		1	155-4094	1	PIN-SPRING						
	17	1	240-7032	1	SEAL						
Y	18	1	247-8341	1	BASE GP-VALVE COVER						5
R	19	1	263-6674	2	LIFTER AS-VALVE						
	20	1	265-7537	1	BRIDGE (INLET)						
	21	1	265-7538	1	BRIDGE (EXHAUST)						
R	22	1	281-6159	1	ROCKER ARM AS						
		1	8N-7197	1	SOCKET-ARM						
		1	230-2620	1	BUSHING						
R	23	1	282-7944	1	LIFTER AS-INJECTOR						
	24	1	0L-2070	2	BOLT (3/8-16X2.25-IN)						
	25	1	0S-1590	2	BOLT (3/8-16X2-IN)						
	26	1	0S-1615	1	BOLT (1/4-20X0.75-IN)						
	27	1	5M-2894	4	WASHER-HARD (10.2X18.5X2.5-MM THK)						
	28	1	5P-0537	1	WASHER-HARD (7.2X14.5X2-MM THK)						
	29	1	5P-7530	1	SEAL-O-RING						
	30	1	6J-2245	1	SEAL-O-RING						
	31	1	8D-7942	2	BOLT-12 POINT HEAD (5/8-11X6.5-IN)						

R-REMFG PART MAY BE AVAILABLE  
Y-SEPARATE ILLUSTRATION

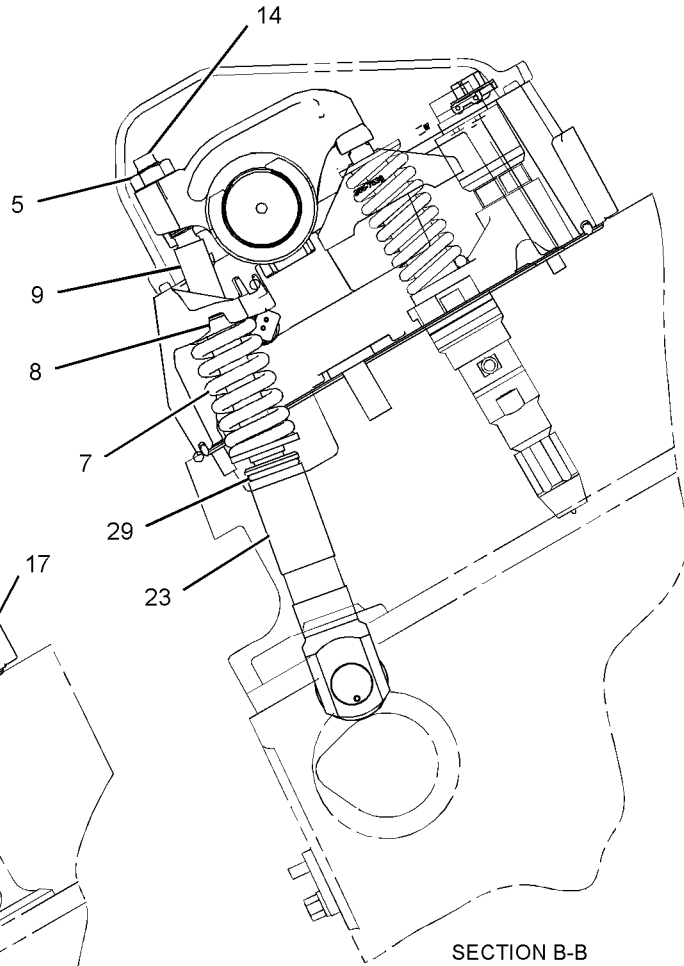
# BASIC ENGINE

281-6160 VALVE MECHANISM GP (contd.)

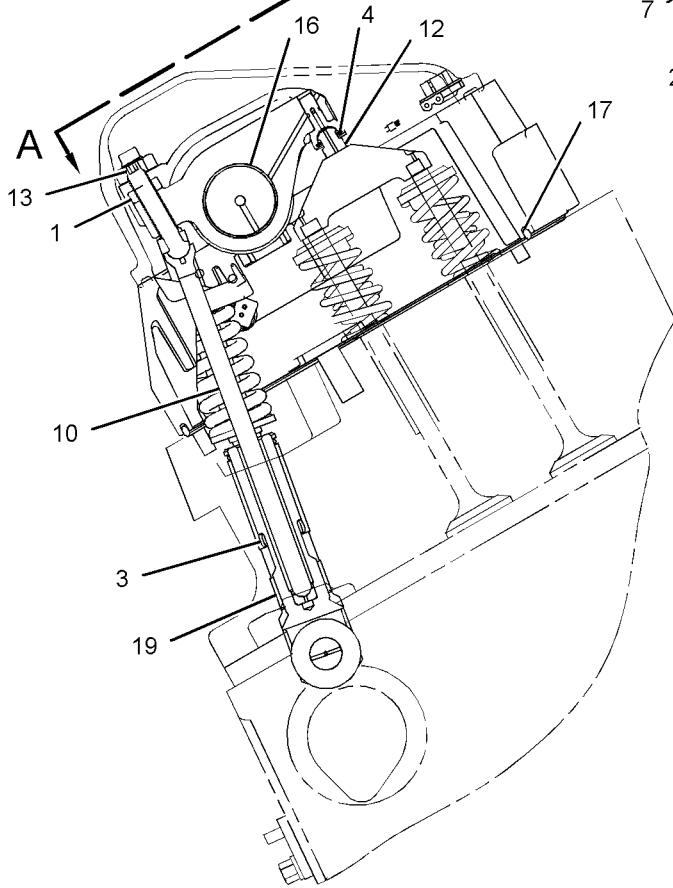
i03996668



VIEW A-A



SECTION B-B



SECTION C-C

GRAPHIC #1

<END>

g01214471

# LUBRICATION SYSTEM

## 124-5512 BREATHER GP

SMCS-1317

i03862936

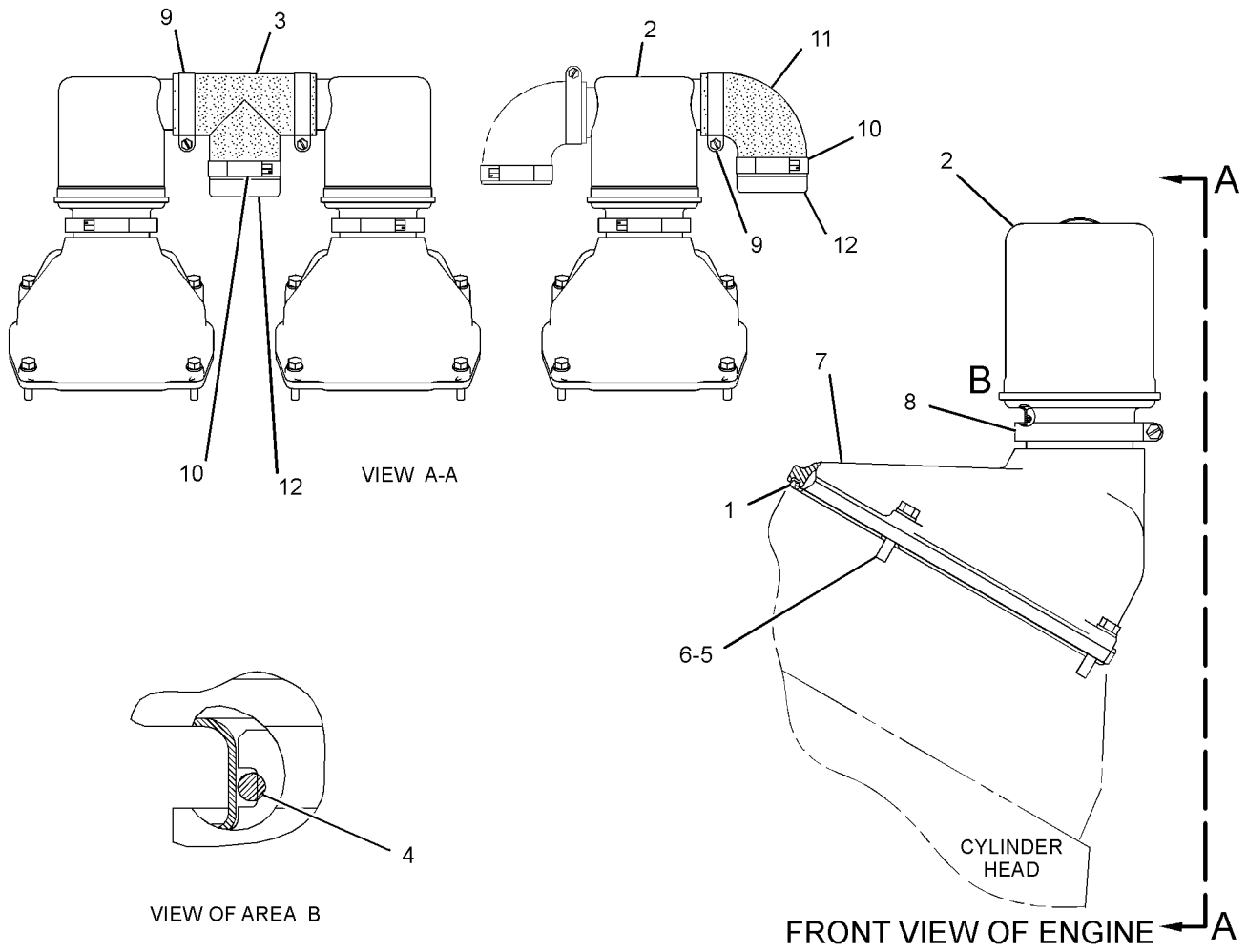
NOTE	REF NO	GRAPHIC REF	PART NUMBER	QTY	PART NAME						SEE PAGE
					1	2	3	4	5	6 (PRODUCT LEVEL)	
	1	1	<b>272-0760</b>	3	SEAL-VALVE COVER (BREATHER)						
	2	1	<b>4W-3027</b>	3	BREATHER AS (CRANKCASE)						
	3	1	<b>217-6692</b>	1	HOSE-TEE						
	4	1	<b>033-6031</b>	3	SEAL-O-RING						
	5	1	<b>1A-9579</b>	12	BOLT (5/16-18X1.5-IN)						
	6	1	<b>9M-1974</b>	12	WASHER-HARD (8.8X16X2-MM THK)						
	7	1	<b>101-4199</b>	3	COVER AS						
	8	1	<b>4W-3034</b>	3	CLAMP-HOSE						
	9	1	<b>5P-0597</b>	3	CLAMP-HOSE						
	10	1	<b>180-3007</b>	2	CLAMP-HOSE						
	11	1	<b>141-7143</b>	1	HOSE-ELBOW						
B	12	1	<b>7N-7820</b>	2	BOOT						

B-USE AS REQUIRED

# LUBRICATION SYSTEM

124-5512 BREATHER GP (contd.)

i03862936



GRAPHIC #1

<END>

g02108644



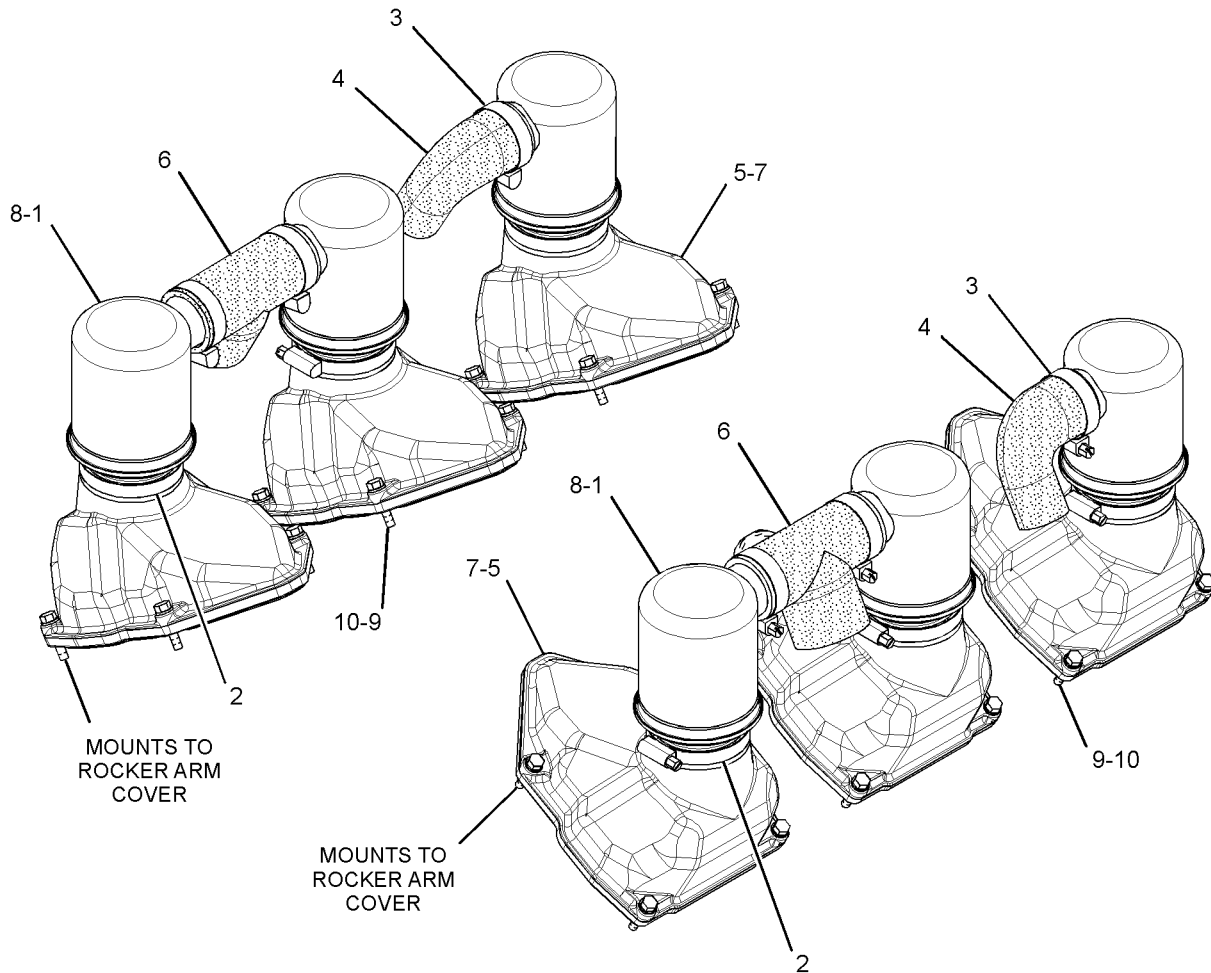
# LUBRICATION SYSTEM

## 286-7219 BREATHER GP-CRANKCASE PART OF 288-5483 FILTER GP-FUMES DISPOSAL AN ATTACHMENT

SMCS-1317

i03167511

NOTE	REF NO	GRAPHIC REF	PART NUMBER	QTY	PART NAME						SEE PAGE
					1	2	3	4	5	6 (PRODUCT LEVEL)	
	1	1	4W-3027	6	BREATHER AS (CRANKCASE)						
	2	1	4W-3034	6	CLAMP-HOSE						
	3	1	5P-0597	6	CLAMP-HOSE						
	4	1	7E-8736	2	HOSE						
	5	1	101-4199	6	COVER AS						
	6	1	217-6692	2	HOSE-TEE						
	7	1	272-0760	6	SEAL-VALVE COVER						
	8	1	033-6031	6	SEAL-O-RING						
	9	1	1A-9579	24	BOLT (5/16-18X1.5-IN)						
	10	1	9M-1974	24	WASHER-HARD (8.8X16X2-MM THK)						



GRAPHIC #1

<END>

g01454670

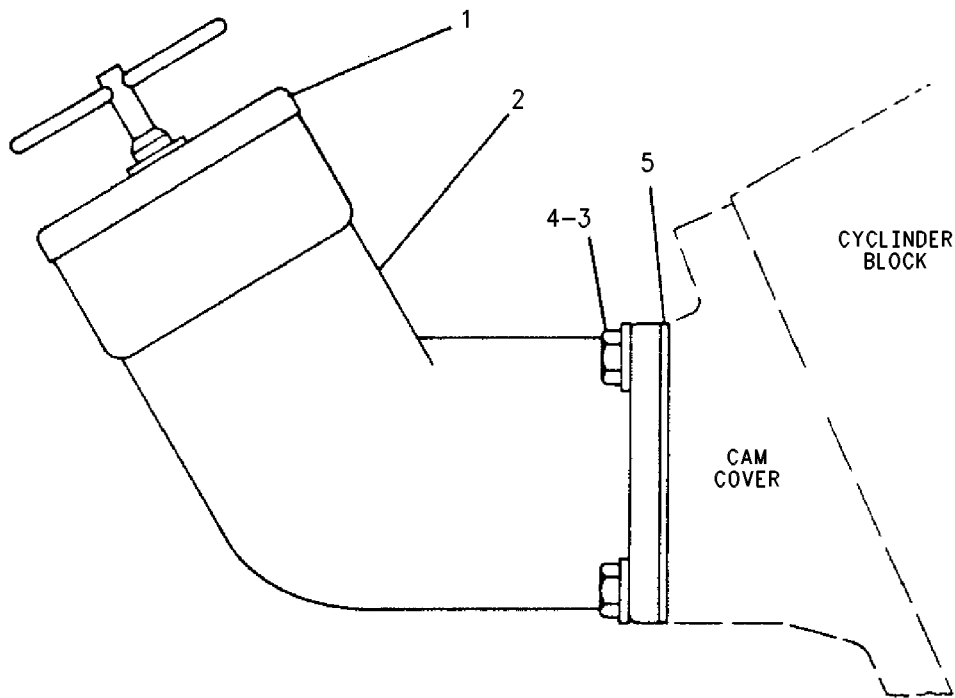
# LUBRICATION SYSTEM

## 7N-1875 FILLER GP-ENGINE OIL-CYLINDER BLOCK

SMCS-1316

i03473645

NOTE	REF NO	GRAPHIC REF	PART NUMBER	QTY	PART NAME						SEE PAGE
					1	2	3	4	5	6 (PRODUCT LEVEL)	
	1	1	7L-4447	1	CAP AS-ENGINE OIL FILLER						
	2	1	7N-5336	1	ELBOW-OIL FILLER						
	3	1	0S-1588	4	BOLT (3/8-16X1.25-IN)						
	4	1	5M-2894	4	WASHER-HARD (10.2X18.5X2.5-MM THK)						
	5	1	2W-0752	1	GASKET						



GRAPHIC #1

<END>

g00621988

# LUBRICATION SYSTEM

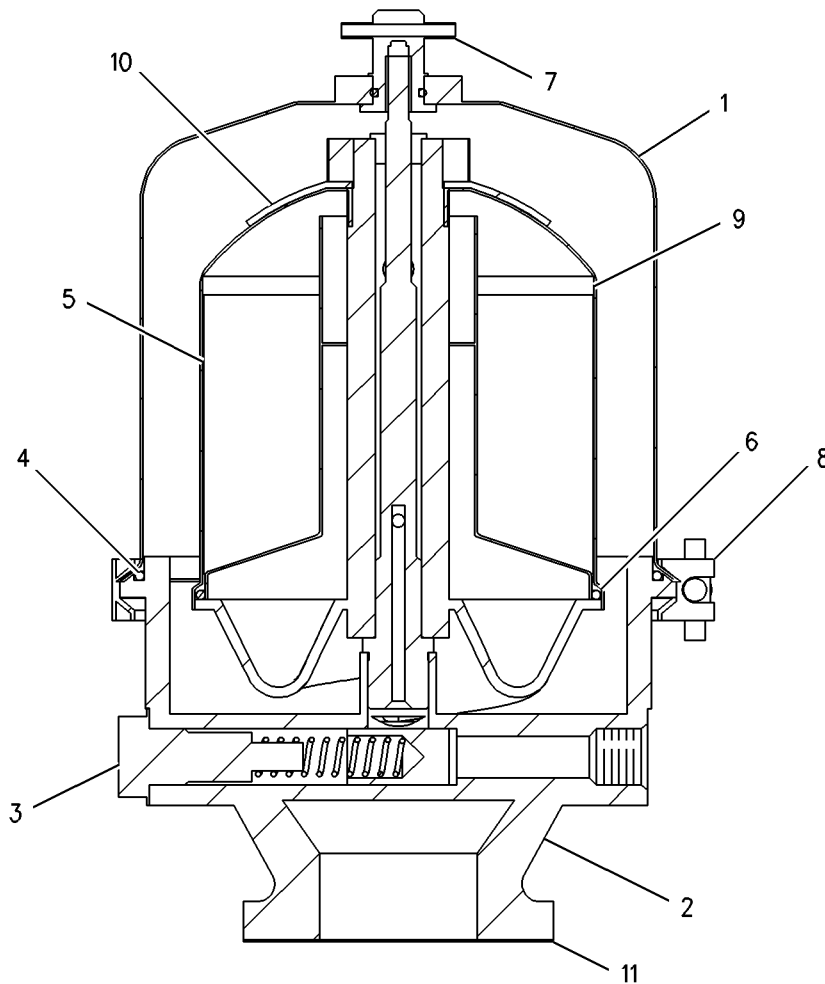
## 1W-4191 FILTER GP-CENTRIFUGAL

PART OF 133-6461 FILTER GP-CENTRIFUGAL  
AN ATTACHMENT

SMCS-1328

i03096360

NOTE	REF NO	GRAPHIC REF	PART NUMBER	QTY	PART NAME						SEE PAGE
					1	2	3	4	5	6 (PRODUCT LEVEL)	
	1	1	7C-4415	1	COVER AS-FILTER						
	2	1	7C-4416	1	BODY-FILTER						
	3	1	7C-4417	1	KIT-VALVE CUTOFF (OIL FILTER) (INCLUDES SHUTTLE, PLUG, SPRING & WASHER)						
	4	1	7C-4419	1	SEAL-O-RING						
	5	1	7C-4420	1	ROTOR AS						
	6	1	7C-4421	1	SEAL-O-RING						
	7	1	7C-4422	1	KIT-COVER-FILTER (OIL FILTER) (INCLUDES COVER, PIN, SEAL & CLIP)						
	8	1	7C-4423	1	CLAMP						
	9	1	7C-8390	1	LINER-ROTOR						
	10	1	168-6357	1	PLATE-STIFFENER						
	11	1	7C-5485	1	GASKET-FLANGE (CENTRIFUGAL FILTER)						



GRAPHIC #1

<END>

g00627726

# LUBRICATION SYSTEM

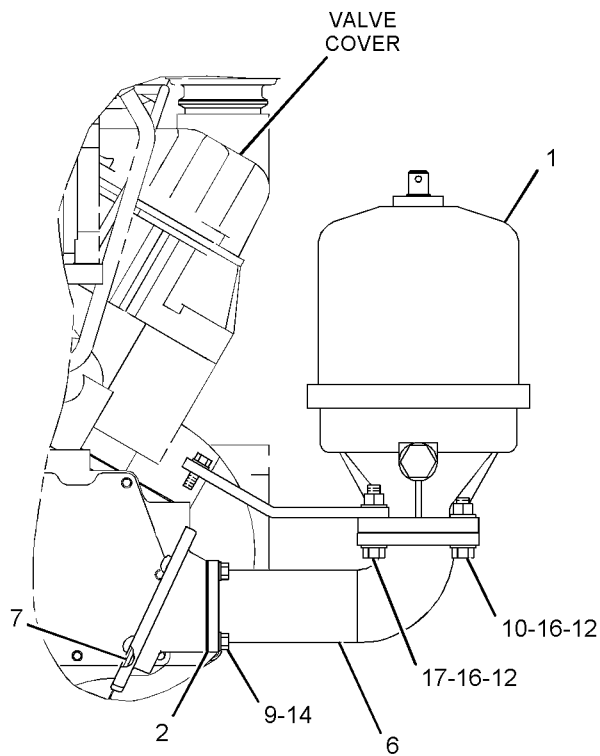
## 133-6461 FILTER GP-CENTRIFUGAL AN ATTACHMENT

SMCS-1328

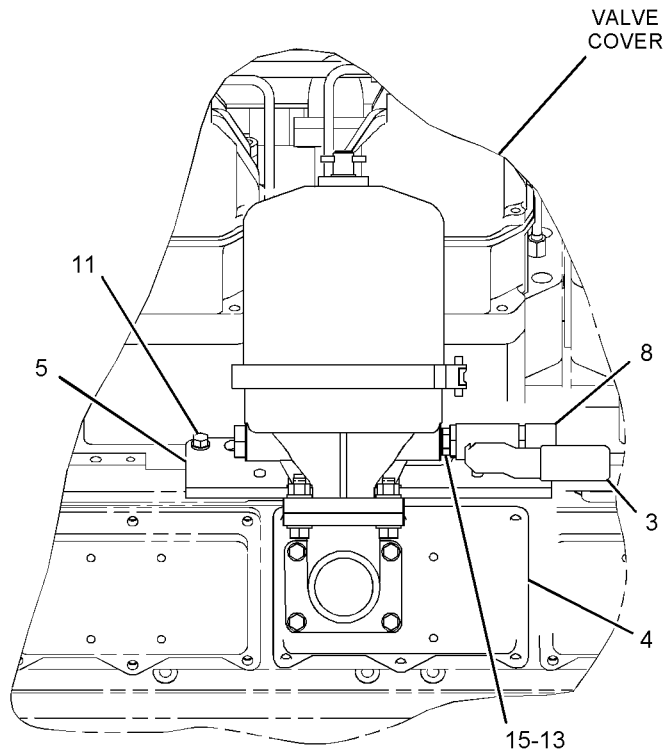
i02645543

NOTE	REF NO	GRAPHIC REF	PART NUMBER	QTY	PART NAME						SEE PAGE
					1	2	3	4	5	6 (PRODUCT LEVEL)	
Y	1	1	1W-4191	1	FILTER GP-CENTRIFUGAL						97
	2	1	2W-0752	1	GASKET						
	3	1	4R-8658	1	VALVE AS-MANUAL						
	4	1	8N-9993	1	COVER-CAMSHAFT						
	5	1	118-5542	1	SUPPORT						
	6	1	123-6868	1	ELBOW AS						
	7	1	272-0758	1	SEAL						
	8	1	032-1269	1	ELBOW						
	9	1	0S-1588	4	BOLT (3/8-16X1.25-IN)						
	10	1	1A-1460	2	BOLT (1/2-13X2-IN)						
	11	1	1A-2029	4	BOLT (3/8-16X1.125-IN)						
	12	1	1F-7958	4	NUT-FULL (1/2-13-THD)						
	13	1	2M-9780	1	SEAL-O-RING						
	14	1	5M-2894	8	WASHER-HARD (10.2X18.5X2.5-MM THK)						
	15	1	5P-5877	1	CONNECTOR						
	16	1	5P-8245	8	WASHER-HARD (13.5X25.5X3-MM THK)						
	17	1	9S-1366	2	BOLT (1/2-13X2.5-IN)						

Y-SEPARATE ILLUSTRATION



FRONT VIEW OF ENGINE



LEFT SIDE VIEW OF ENGINE

GRAPHIC #1

<END>

g01330095

# LUBRICATION SYSTEM

## 112-4921 FILTER GP-ENGINE OIL-RH

SMCS-1306, 1308

i03886385

NOTE	REF NO	GRAPHIC REF	PART NUMBER	QTY	PART NAME						SEE PAGE
					1	2	3	4	5	6 (PRODUCT LEVEL)	
	1	1	8N-9482	1	SUPPORT-OIL FILTER						
	2	1	5P-4624	2	BOLT (3/4-10X11.5-IN)						
	3	1	4S-5882	2	BOLT (1/2-13X7.25-IN)						
	4	1	278-1082	1	HOUSING AS-FILTER (ENGINE OIL)						
		1	4V-7412	1	BOSS (3/8-16-THD)						
	5	1	0S-1588	8	BOLT (3/8-16X1.25-IN)						
	6	1	2S-5100	1	VALVE-MANUAL (ENGINE OIL DRAIN)						
C	7	1	4W-5592	1	COVER						
	8	1	4W-8459	1	COVER						
C	9	1	4W-6387	1	HOUSING AS (BYPASS)						
		1	7N-2043	3	DOWEL						
	10	1	133-9313	1	PLATE						
	11	1	0L-1351	3	BOLT (3/8-16X0.875-IN)						
	12	1	5M-2894	15	WASHER-HARD (10.2X18.5X2.5-MM THK)						
C	13	1	2W-1969	1	VALVE-BYPASS (ENGINE OIL)						
C	14	1	155-1690	1	ADAPTER AS						
		1	154-1581	1	RING-RETAINING						
	15	1	2W-1635	1	SPRING						
	16	1	1R-0726	3	FILTER ELEMENT AS-ENGINE OIL (STANDARD EFFICIENCY)						
C	17	1	5P-4892	4	SEAL-O-RING						
	18	1	0S-1571	2	BOLT (3/8-16X1.75-IN)						
	19	1	9S-8752	2	NUT-FULL (3/8-16-THD)						
	20	1	6V-3907	4	SEAL-O-RING						
	21	1	157-0443	1	COVER AS						
		1	7N-2043	1	DOWEL						
	22	1	7F-0192	3	BOLT (3/8-16X2-IN)						
	24	1	5D-5957	1	SEAL-O-RING						
	25	1	8T-6762	1	PLUG-PIPE						
	26	1	4W-6960	1	SUPPORT-HOUSING						
C	27	1	6V-5048	6	SEAL-O-RING						
C	28	1	9S-4182	6	PLUG-O-RING						
C	29	1	1M-0644	3	BOLT (3/8-16X2.25-IN)						
C	30	1	0S-1619	2	BOLT (3/8-16X3-IN)						
C	31	1	6V-8001	1	SEAL-O-RING						
C	32	1	111-8639	1	COVER-BYPASS VALVE						
	33	1	0T-0573	3	BOLT (3/8-16X2.75-IN)						
B	34	1	0T-0573	1	BOLT (3/8-16X2.75-IN)						
B	35	1	1D-4574	2	BOLT (1/2-13X6-IN)						
B	36	1	5M-2894	2	WASHER-HARD (10.2X18.5X2.5-MM THK)						
B	37	1	5P-5421	4	BOLT (1/2-13X11.5-IN)						
B	38	1	9S-8752	1	NUT-FULL (3/8-16-THD)						
	39	1	165-3931	3	BOLT (3/8-16X1.75-IN)						

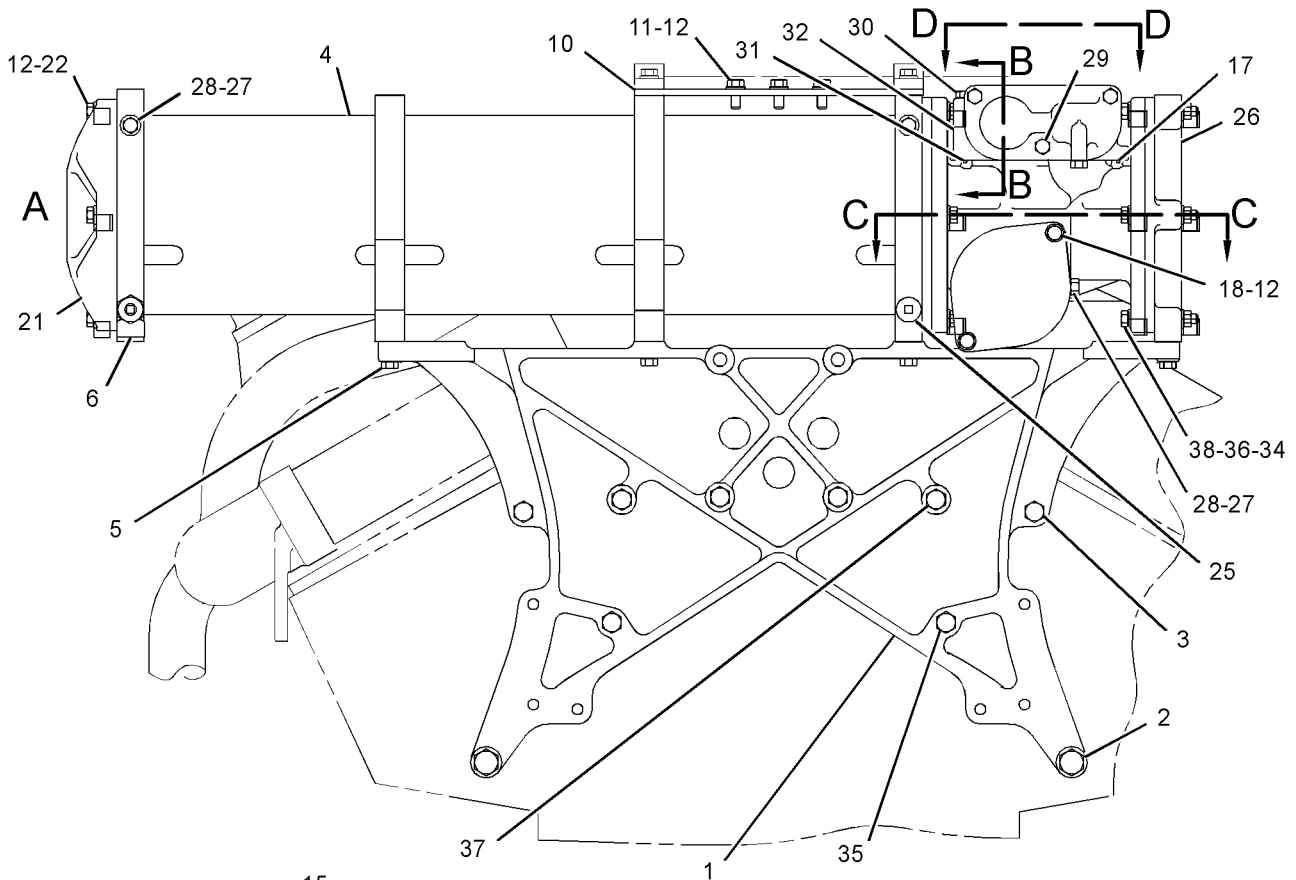
B-USE AS REQUIRED

C-CHANGE FROM PREVIOUS TYPE

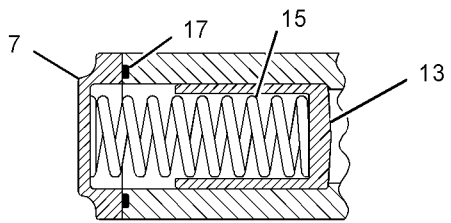
# LUBRICATION SYSTEM

112-4921 FILTER GP-ENGINE OIL (contd.)

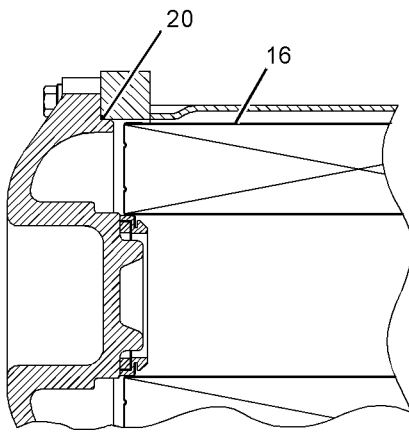
i03886385



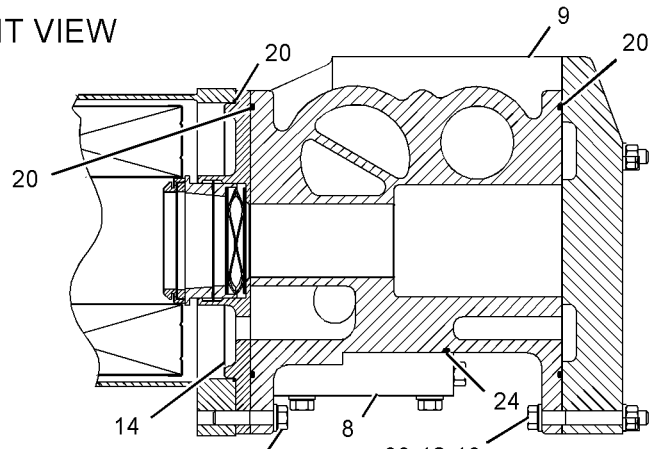
FRONT VIEW



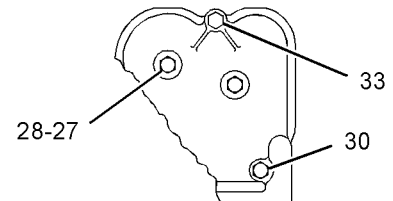
SECTION B-B



SECTION VIEW OF AREA A



SECTION C-C



VIEW D-D

GRAPHIC #1

<END>

g01277752

# LUBRICATION SYSTEM

## 115-7841 FILTER GP-ENGINE OIL-LH

AN ATTACHMENT

TYPE 1

SMCS-1306, 1308

i03996282

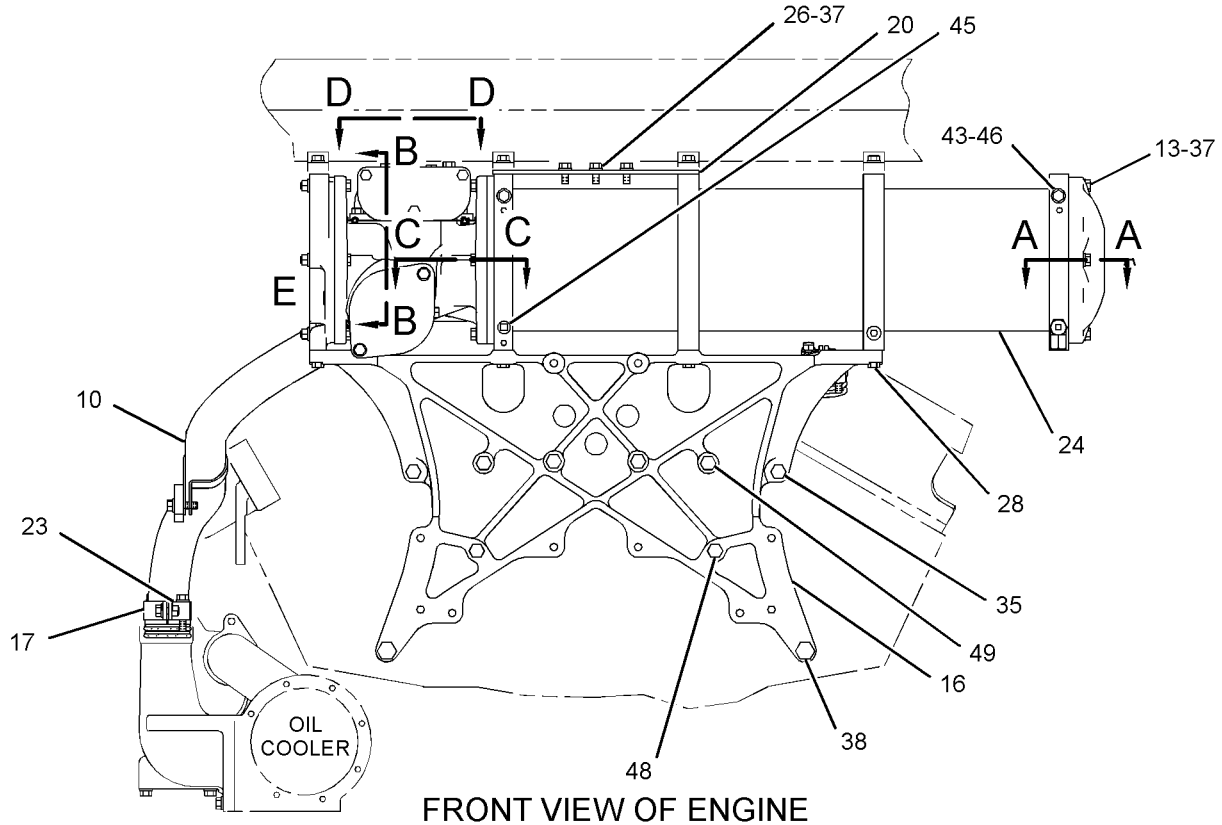
NOTE	REF NO	GRAPHIC REF	PART NUMBER	QTY	PART NAME	SEE PAGE
	1	1	1R-0726	3	FILTER ELEMENT AS-ENGINE OIL (STANDARD EFFICIENCY)	
	2	1	2S-5100	1	VALVE-MANUAL	
	3	2	2W-1635	1	SPRING	
C	4	2	2W-1969	1	VALVE-BYPASS	
B	5	2	3H-7131	1	LUG	
C	6	2	4W-5592	1	COVER	
C	7	2	4W-6387	1	HOUSING AS (BYPASS)	
		2	7N-2043	3	DOWEL	
	8	1	4W-6491	1	SUPPORT-HOUSING	
C	9	2	4W-6492	1	ADAPTER	
	10	1	4W-7192	1	TUBE	
C	11	1	4W-8459	1	COVER	
	12	1	4W-8467	1	TUBE	
	13	1	7F-0192	3	BOLT (3/8-16X2-IN)	
	14	2	8N-1991	1	RING-RETAINING	
	15	2	8N-1992	2	RETAINER	
	16	1	8N-9482	1	SUPPORT-OIL FILTER	
	17	1	100-8075	2	CLAMP AS	
	18	1,2	111-3820	2	RING-RETAINING	
C	19	1	111-8639	1	COVER-BYPASS VALVE	
	20	1	133-9313	1	PLATE	
C	21	2	155-1690	1	ADAPTER AS	
		2	154-1581	1	RING-RETAINING	
C	22	1	157-0443	1	COVER AS	
		1	7N-2043	1	DOWEL	
	23	1	264-0450	2	CLAMP AS	
C	24	1	278-1082	1	HOUSING AS-FILTER (ENGINE OIL)	
		1	4V-7412	1	BOSS (3/8-16-THD)	
C	25	2	0L-1143	4	BOLT (3/8-16X2.5-IN)	
	26	1	0L-1351	3	BOLT (3/8-16X0.875-IN)	
	27	1,2	0S-1571	6	BOLT (3/8-16X1.75-IN)	
	28	1	0S-1588	8	BOLT (3/8-16X1.25-IN)	
C	29	2	0S-1594	6	BOLT (3/8-16X1-IN)	
C	30	1,2	0S-1619	5	BOLT (3/8-16X3-IN)	
	31	1,2	109-2332	4	SEAL-O-RING	
	32	2	165-3931	3	BOLT (3/8-16X1.75-IN)	
C	33	1	1M-0644	3	BOLT (3/8-16X2.25-IN)	
B	34	2	3B-1915	1	BOLT (3/8-16X1.375-IN)	
	35	1	4S-5882	2	BOLT (1/2-13X7.25-IN)	
	36	2	5D-5957	1	SEAL-O-RING	
	37	1,2	5M-2894	27	WASHER-HARD (10.2X18.5X2.5-MM THK)	
	38	1	5P-4624	2	BOLT (3/4-10X11.5-IN)	
C	39	1,2	5P-4892	6	SEAL-O-RING	
B	40	2	6V-0267	1	CLIP (TAB)	
B	41	2	6V-0268	1	CLIP (SLOT)	
	42	1,2	6V-3907	4	SEAL-O-RING	
C	43	1,2	6V-5048	6	SEAL-O-RING	
C	44	1	6V-8001	1	SEAL-O-RING	
	45	1	8T-6762	1	PLUG-PIPE	
C	46	1,2	9S-4182	6	PLUG-O-RING	
	47	2	9S-8752	3	NUT-FULL (3/8-16-THD)	
B	48	1	1D-4574	2	BOLT (1/2-13X6-IN)	
B	49	1	5P-5421	4	BOLT (1/2-13X11.5-IN)	
B	50	2	5M-2894	1	WASHER-HARD (10.2X18.5X2.5-MM THK)	

# LUBRICATION SYSTEM

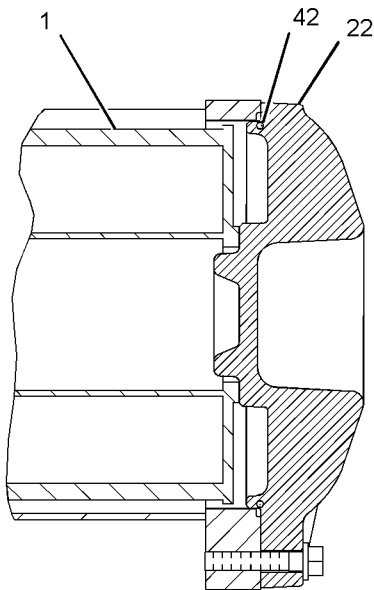
115-7841 FILTER GP-ENGINE OIL (contd.)

i03996282

B-USE AS REQUIRED  
C-CHANGE FROM PREVIOUS TYPE

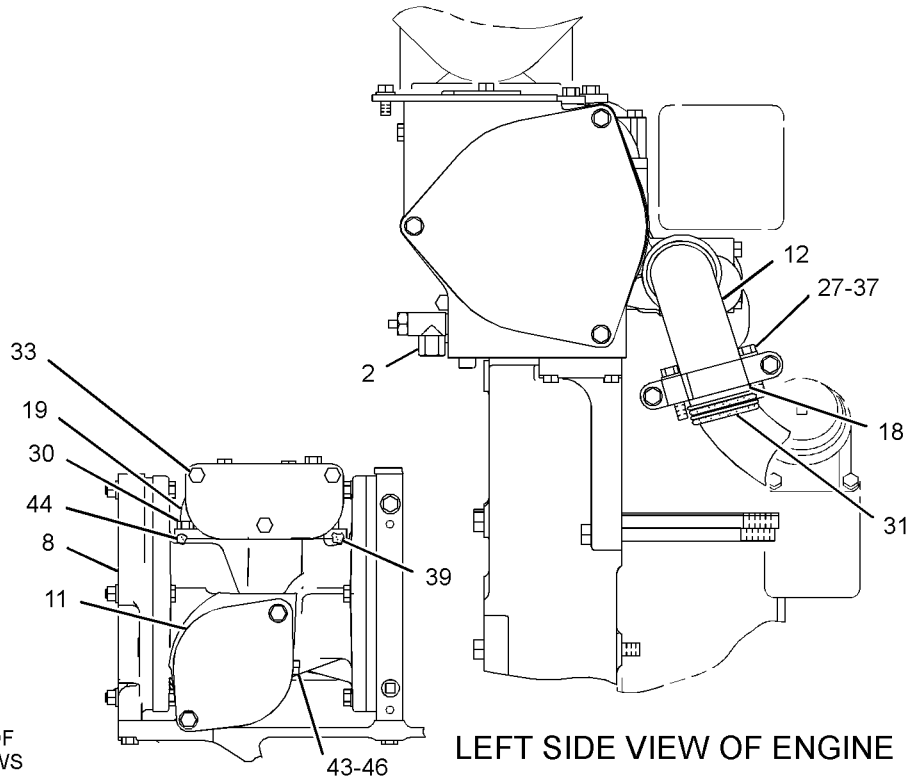


FRONT VIEW OF ENGINE



SECTION A-A

REFER TO ALL ILLUSTRATIONS OF THIS GROUP FOR AUXILIARY VIEWS



LEFT SIDE VIEW OF ENGINE

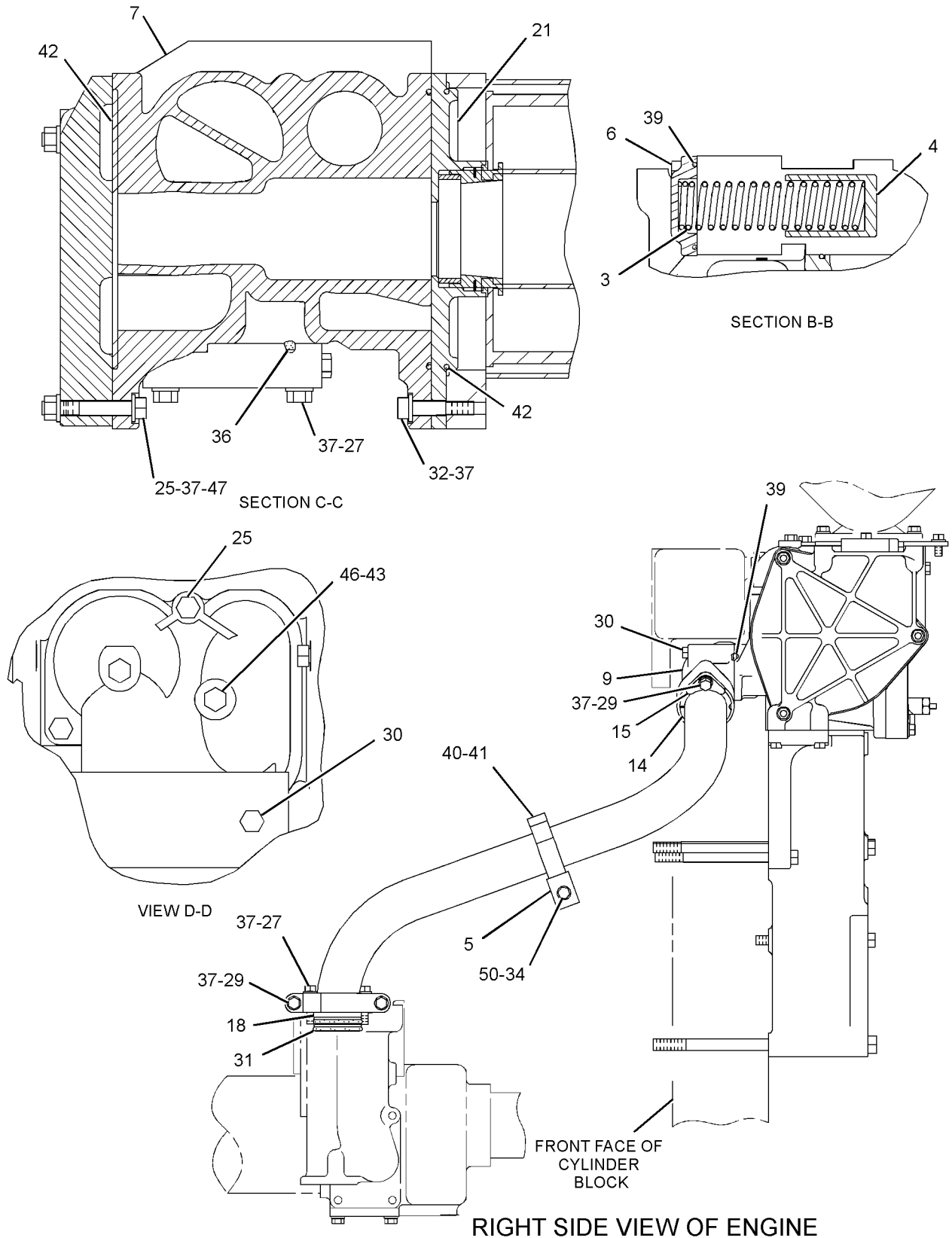
VIEW OF AREA E



# LUBRICATION SYSTEM

115-7841 FILTER GP-ENGINE OIL (contd.)

i03996282



GRAPHIC #2

<END>

g01278971

# LUBRICATION SYSTEM

## 115-7841 FILTER GP-ENGINE OIL-LH

AN ATTACHMENT

TYPE 2

SMCS-1306, 1308

i03996283

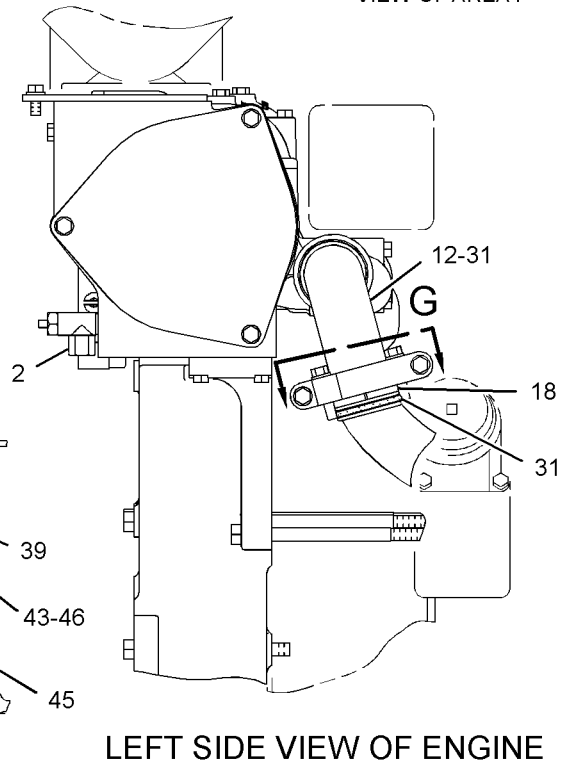
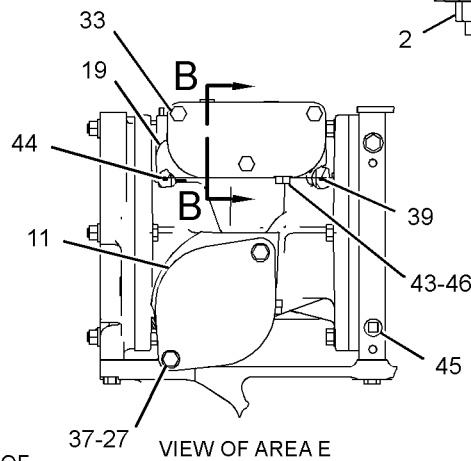
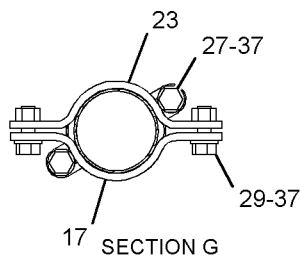
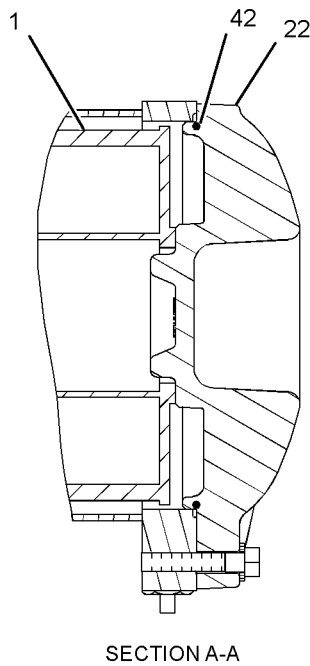
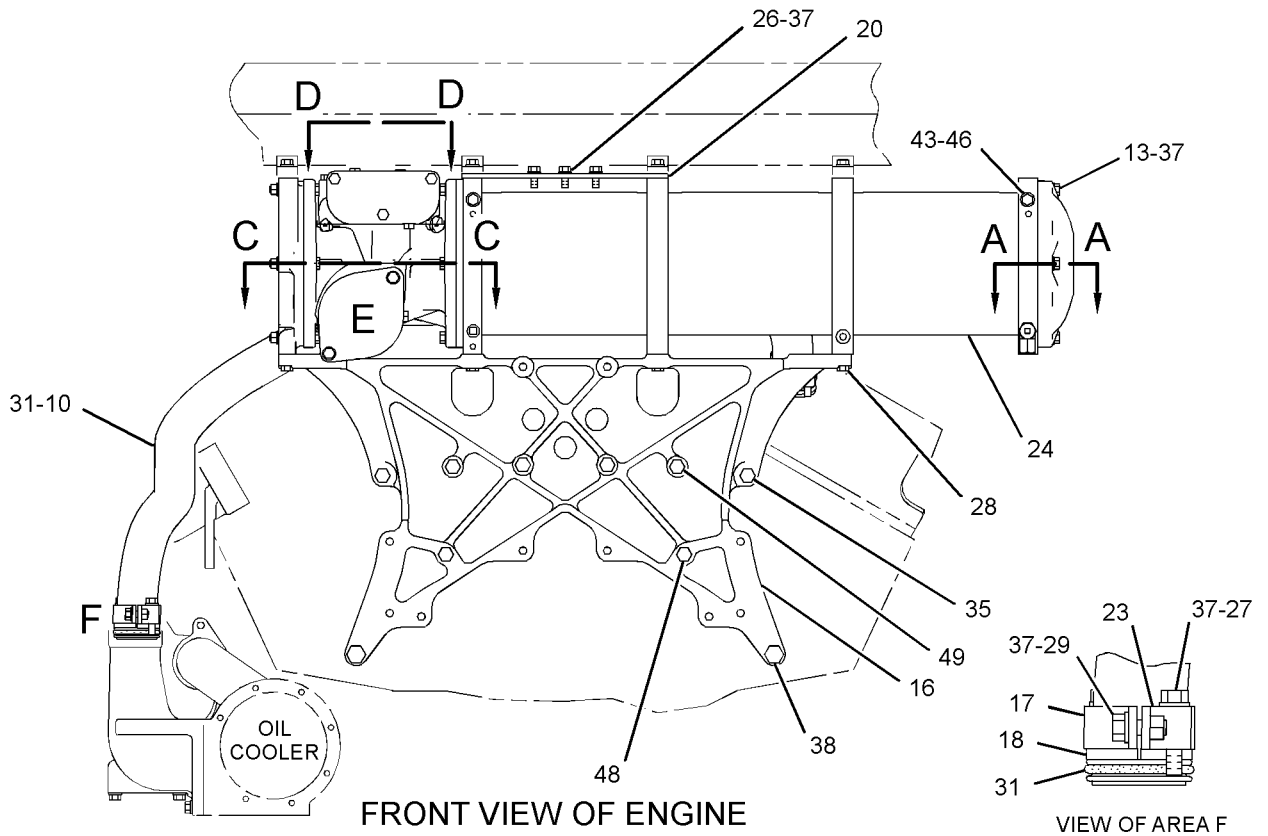
NOTE	REF NO	GRAPHIC REF	PART NUMBER	QTY	PART NAME 1 2 3 4 5 6 (PRODUCT LEVEL)	SEE PAGE
	1	1	1R-0726	3	FILTER ELEMENT AS-ENGINE OIL (STANDARD EFFICIENCY)	
	2	1	2S-5100	1	VALVE-MANUAL	
	3	2	2W-1635	1	SPRING	
	4	2	2W-1969	1	VALVE-BYPASS	
	6	2	4W-5592	1	COVER	
	7	2	4W-6387	1	HOUSING AS (BYPASS)	
		2	7N-2043	3	DOWEL	
	8	2	4W-6491	1	SUPPORT-HOUSING	
	9	2	4W-6492	1	ADAPTER	
	10	1	4W-7192	1	TUBE	
	11	1	4W-8459	1	COVER	
	12	1	4W-8467	1	TUBE	
	13	1	7F-0192	3	BOLT (3/8-16X2-IN)	
	14	2	8N-1991	1	RING-RETAINING	
	15	2	8N-1992	2	RETAINER	
	16	1	8N-9482	1	SUPPORT-OIL FILTER	
	17	1	100-8075	2	CLAMP AS	
	18	1	111-3820	2	RING-RETAINING	
	19	1	111-8639	1	COVER-BYPASS VALVE	
	20	1	133-9313	1	PLATE	
	21	2	155-1690	1	ADAPTER AS	
		2	154-1581	1	RING-RETAINING	
	22	1	157-0443	1	COVER AS	
	23	1	264-0450	2	CLAMP AS	
	24	1	278-1082	1	HOUSING AS-FILTER (ENGINE OIL)	
		1	4V-7412	1	BOSS (3/8-16-THD)	
	25	2	0L-1143	4	BOLT (3/8-16X2.5-IN)	
	26	1	0L-1351	3	BOLT (3/8-16X0.875-IN)	
	27	1	0S-1571	6	BOLT (3/8-16X1.75-IN)	
	28	1	0S-1588	8	BOLT (3/8-16X1.25-IN)	
	29	1,2	0S-1594	6	BOLT (3/8-16X1-IN)	
	30	2	0S-1619	5	BOLT (3/8-16X3-IN)	
	31	1	109-2332	4	SEAL-O-RING	
	32	2	165-3931	3	BOLT (3/8-16X1.75-IN)	
	33	1	1M-0644	3	BOLT (3/8-16X2.25-IN)	
	35	1	4S-5882	2	BOLT (1/2-13X7.25-IN)	
	36	2	5D-5957	1	SEAL-O-RING	
	37	1,2	5M-2894	27	WASHER-HARD (10.2X18.5X2.5-MM THK)	
	38	1	5P-4624	2	BOLT (3/4-10X11.5-IN)	
	39	1,2	5P-4892	6	SEAL-O-RING	
	42	1,2	6V-3907	4	SEAL-O-RING	
	43	1,2	6V-5048	6	SEAL-O-RING	
	44	1	6V-8001	1	SEAL-O-RING	
	45	1	8T-6762	1	PLUG-PIPE	
	46	1,2	9S-4182	6	PLUG-O-RING	
	47	2	9S-8752	3	NUT-FULL (3/8-16-THD)	
B	48	1	1D-4574	2	BOLT (1/2-13X6-IN)	
B	49	1	5P-5421	4	BOLT (1/2-13X11.5-IN)	

B-USE AS REQUIRED

# LUBRICATION SYSTEM

115-7841 FILTER GP-ENGINE OIL (contd.)

i03996283



REFER TO ALL ILLUSTRATIONS OF THIS GROUP FOR AUXILIARY VIEWS

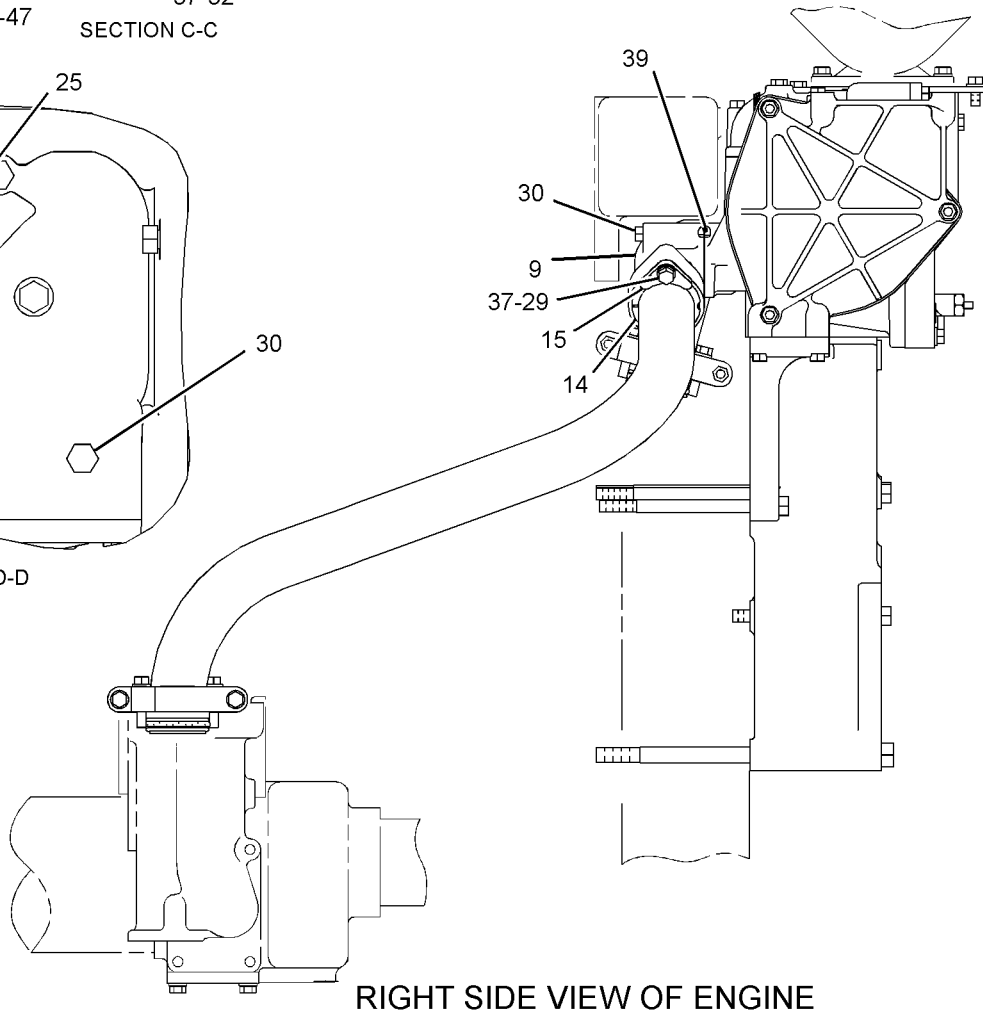
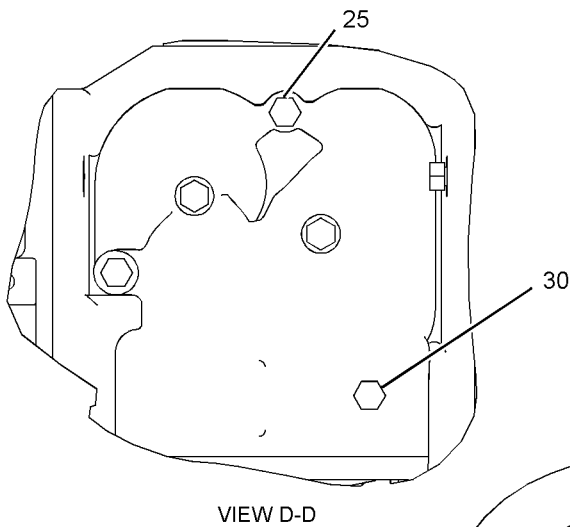
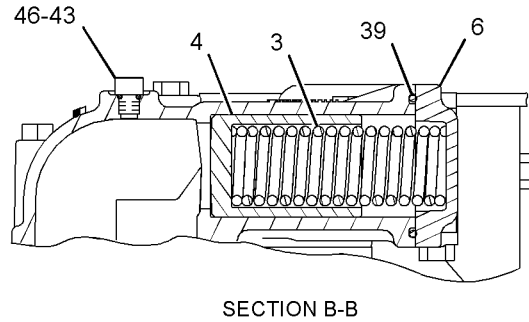
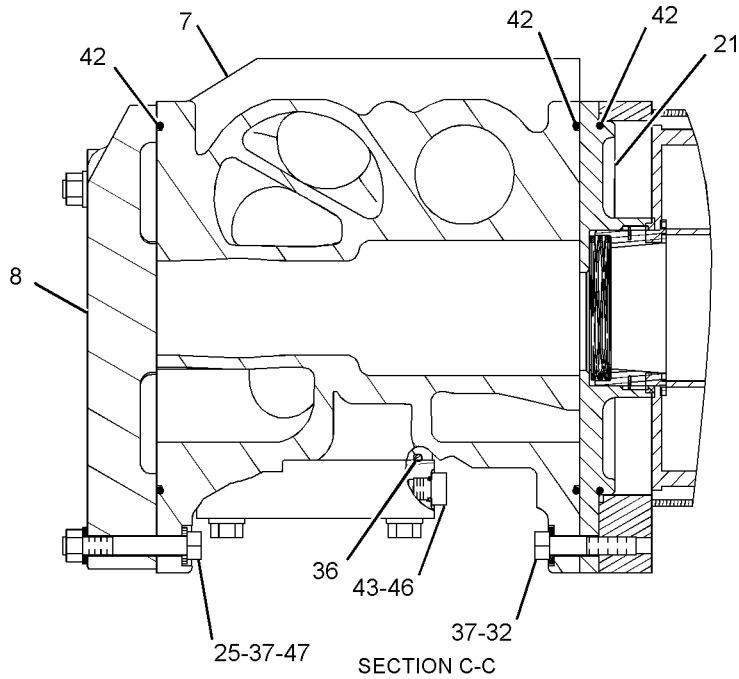
GRAPHIC #1

g01516688

# LUBRICATION SYSTEM

115-7841 FILTER GP-ENGINE OIL (contd.)

i03996283



GRAPHIC #2

<END>

g01516689

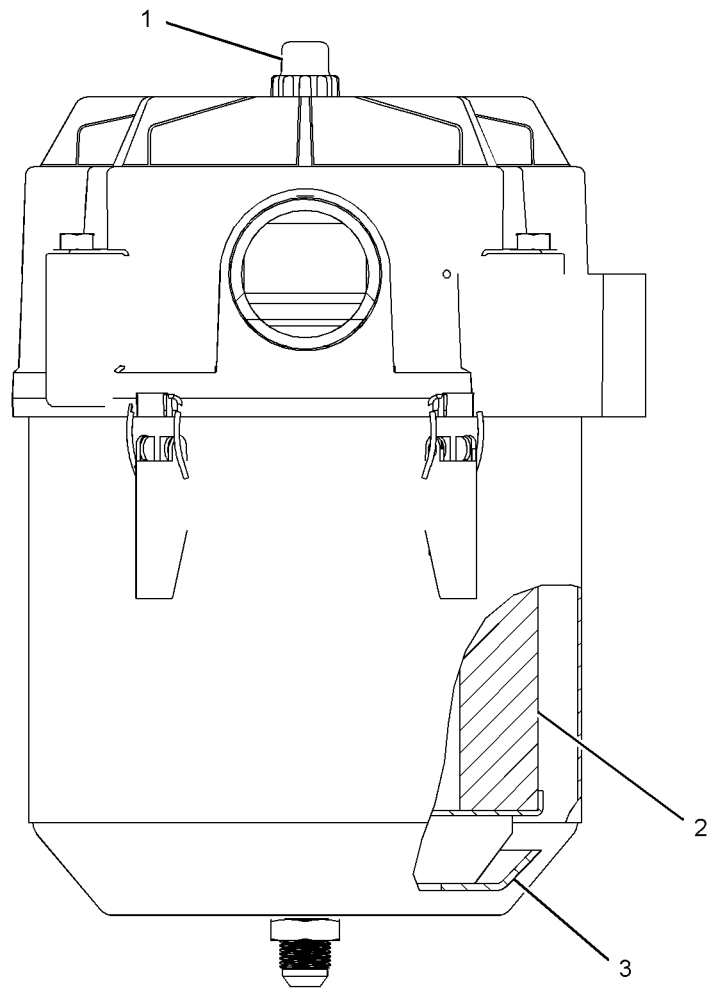
# LUBRICATION SYSTEM

## 279-2475 FILTER GP-FUMES PART OF 288-5483 FILTER GP-FUMES DISPOSAL AN ATTACHMENT

SMCS-1074

i02710353

NOTE	REF NO	GRAPHIC REF	PART NUMBER	QTY	PART NAME						SEE PAGE
					1	2	3	4	5	6 (PRODUCT LEVEL)	
	1	1	195-4550	1	CAP						
	2	1	275-2276	1	ELEMENT-BREATHER (FUMES DISPOSAL)						
	3	1	291-9125	1	PAD						



GRAPHIC #1

<END>

g01303885

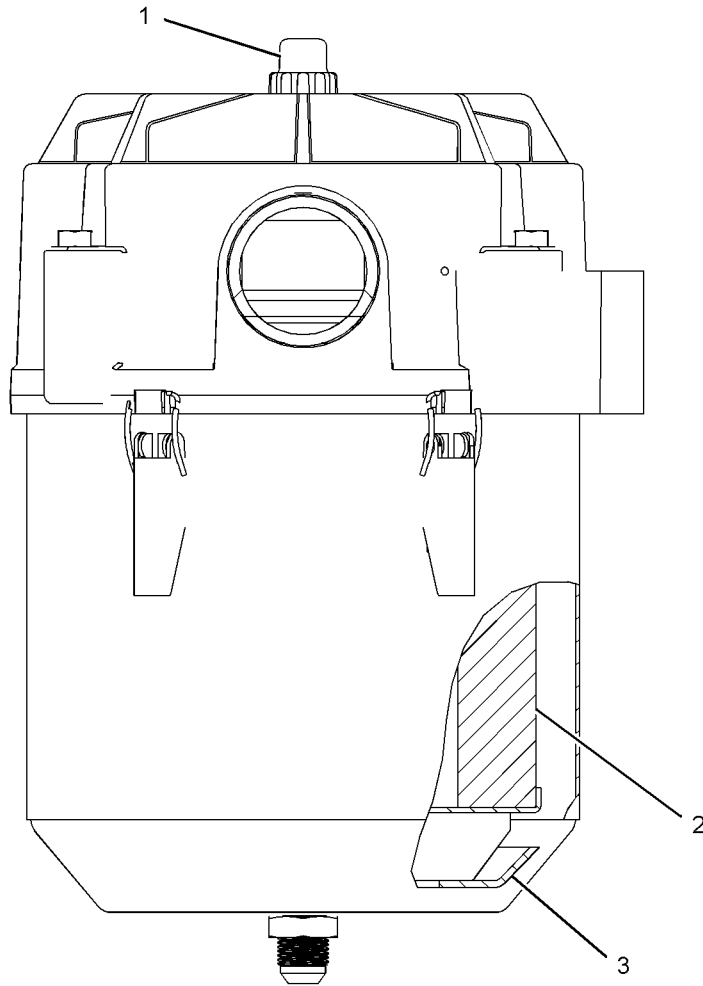
# LUBRICATION SYSTEM

## 282-5367 FILTER GP-FUMES PART OF 288-5483 FILTER GP-FUMES DISPOSAL AN ATTACHMENT

SMCS-1074

i02710354

NOTE	REF NO	GRAPHIC REF	PART NUMBER	QTY	PART NAME						SEE PAGE
					1	2	3	4	5	6 (PRODUCT LEVEL)	
	1	1	195-4550	1	CAP						
	2	1	275-2276	1	ELEMENT-BREATHER (FUMES DISPOSAL)						
	3	1	291-9125	1	PAD						



GRAPHIC #1

<END>

g01303885

# LUBRICATION SYSTEM

## 288-5483 FILTER GP-FUMES DISPOSAL

FOR USE WITH 301-4900-PAGE 177

AN ATTACHMENT

SMCS-1074

i03714960

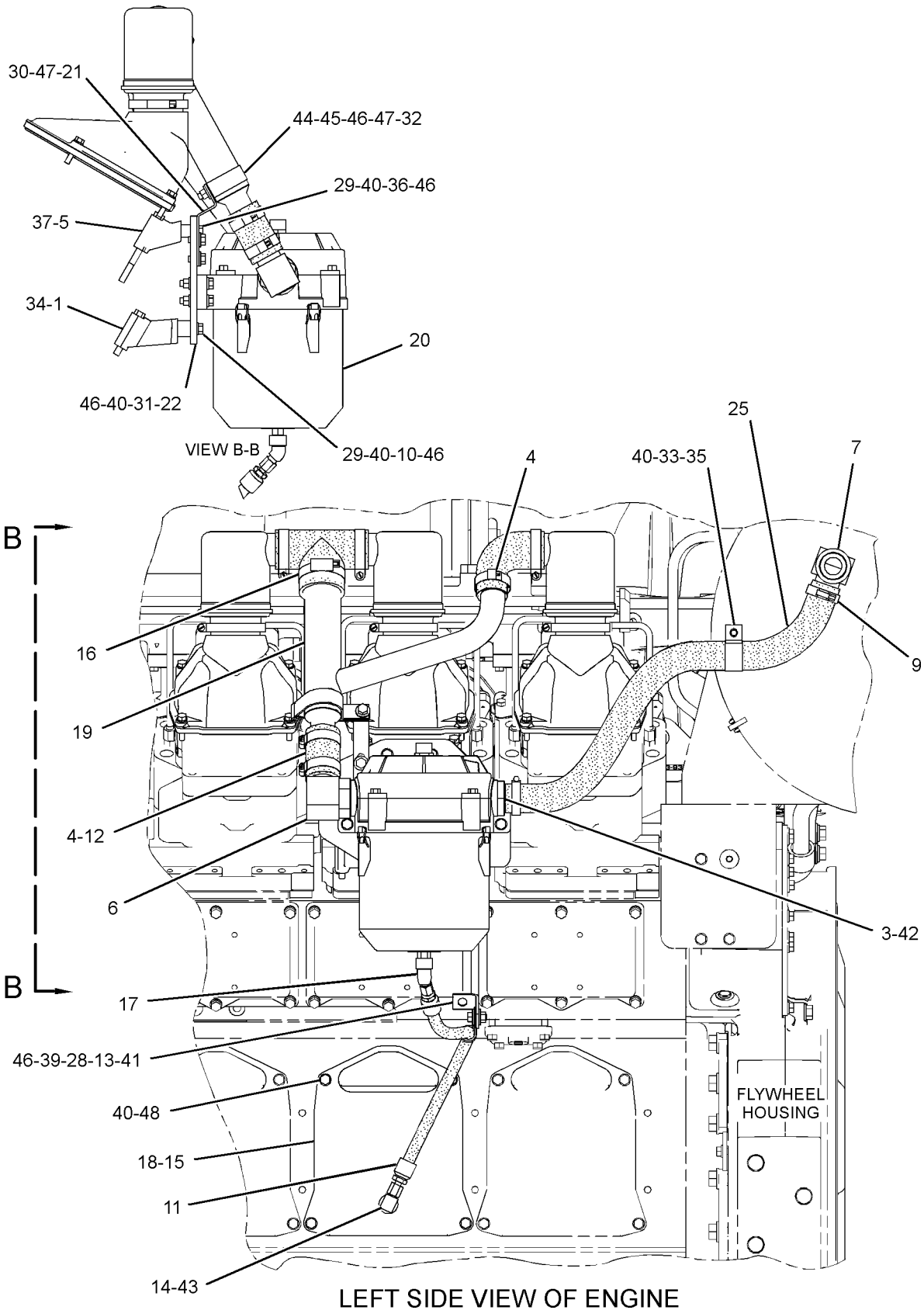
NOTE	REF NO	GRAPHIC REF	PART NUMBER	QTY	PART NAME						SEE PAGE
					1	2	3	4	5	6 (PRODUCT LEVEL)	
	1	1,2	1W-8129	2	SUPPORT						
I	2	2	3N-4847	1	HOSE AS						
	3	1,2	5P-1947	2	CONNECTOR						
	4	1,2	5P-2230	6	CLAMP-HOSE						
	5	1,2	7N-6986	2	SUPPORT						
	6	1,2	8C-9020	2	ELBOW AS						
	7	1,2	297-7917	2	ELBOW AS						
	8	2	9L-1775	1	BRACKET						
	9	1,2	9M-2904	4	CLAMP-HOSE						
	10	1,2	091-9035	4	SPACER (11X25X20-MM THK)						
I	11	1	106-4303	1	HOSE AS						
	12	1,2	113-9533	2	HOSE						
	13	1	124-6998	1	PLATE						
	14	1,2	158-6457	2	VALVE-CHECK						
	15	1,2	333-5943	2	COVER-CYLINDER BLOCK						
	16	1,2	180-3007	2	CLAMP-HOSE						
	17	1,2	224-0682	2	ELBOW						
	18	1,2	272-0759	2	SEAL						
	19	1,2	278-0155	2	TUBE AS						
Y	20	1	279-2475	1	FILTER GP-FUMES DISPOSAL						107
	21	1,2	280-1797	2	BRACKET						
	22	1,2	280-1798	2	PLATE						
Y	23	2	282-5367	1	FILTER GP-FUMES DISPOSAL						108
Y	24	2	286-7219	1	BREATHER GP						95
	25	1	300-6670	1	HOSE						
	26	2	300-6671	1	HOSE						
	27	2	030-7962	1	ELBOW						
	28	1,2	0L-1351	2	BOLT (3/8-16X0.875-IN)						
	29	1,2	0L-2070	8	BOLT (3/8-16X2.25-IN)						
	30	1,2	0S-0509	4	BOLT (3/8-16X0.75-IN)						
	31	1,2	0S-1571	8	BOLT (3/8-16X1.75-IN)						
	32	1,2	0S-1588	2	BOLT (3/8-16X1.25-IN)						
	33	1,2	0S-1594	3	BOLT (3/8-16X1-IN)						
	34	1,2	0T-0573	4	BOLT (3/8-16X2.75-IN)						
	35	1,2	139-1398	3	CLIP						
	36	1,2	154-2302	4	SPACER (11X20X15-MM THK)						
	37	1,2	1A-5964	4	BOLT (3/8-16X4.5-IN)						
	39	1	3E-4353	2	WASHER-HARD (11X25X3-MM THK)						
	40	1,2	5M-2894	45	WASHER-HARD (10.2X18.5X2.5-MM THK)						
	41	1,2	5P-4295	2	CLIP						
	42	1	6K-6307	2	SEAL-O-RING						
	43	1	6K-9194	1	ELBOW-FLARED						
	44	1,2	6V-0267	2	CLIP (TAB)						
	45	1,2	6V-0268	2	CLIP (SLOT)						
	46	1,2	9S-8752	20	NUT-FULL (3/8-16-THD)						
	47	1,2	9X-6458	8	WASHER-HARD (10.2X22.5X3-MM THK)						
	48	1,2	9X-8872	8	BOLT-LOCKING (3/8-16X0.875-IN)						

I-REFER TO HYDRAULIC INFORMATION SYSTEM  
Y-SEPARATE ILLUSTRATION

# LUBRICATION SYSTEM

288-5483 FILTER GP-FUMES DISPOSAL (contd.)

i03714960



GRAPHIC #1

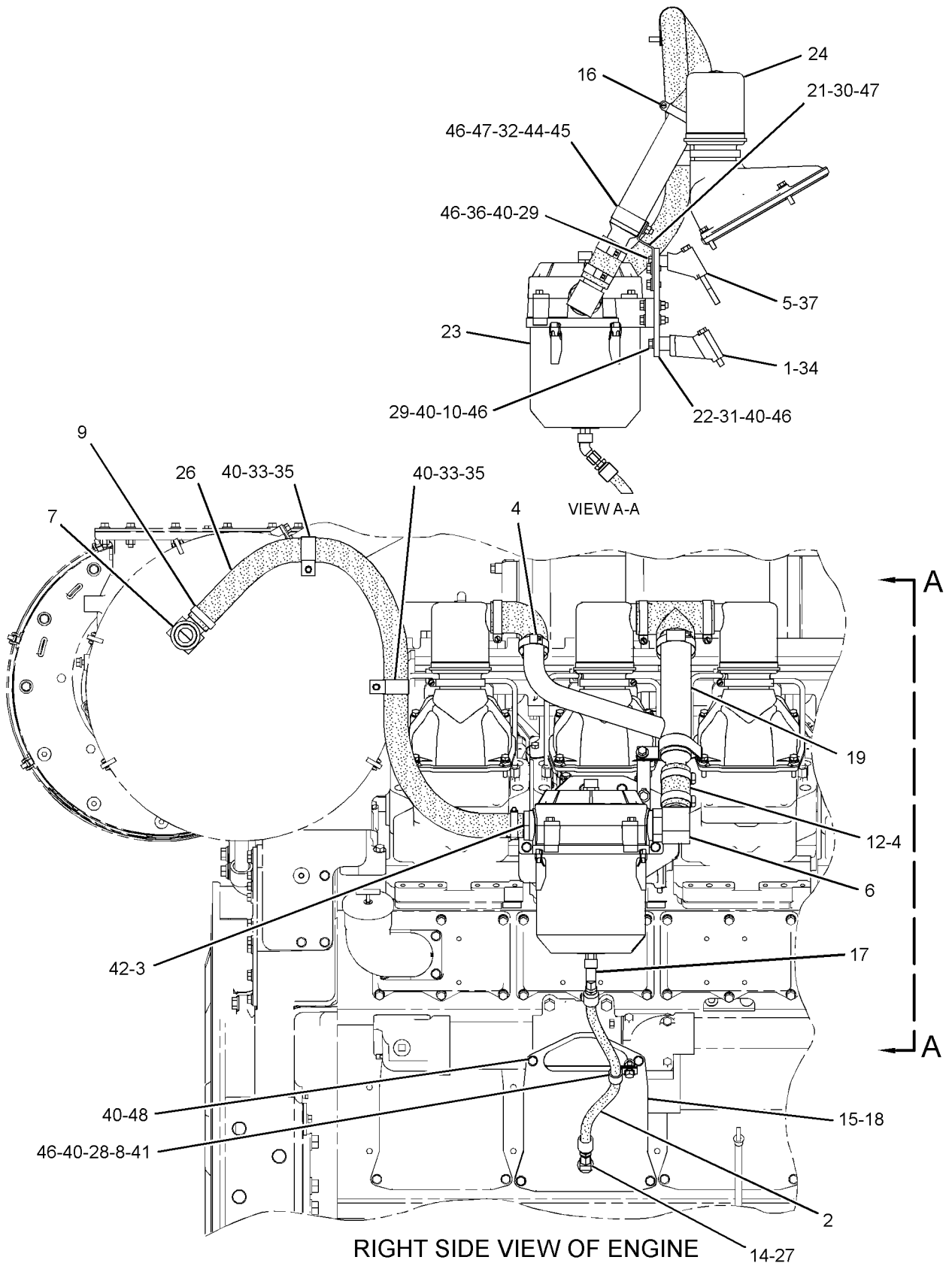
g02141222



# LUBRICATION SYSTEM

288-5483 FILTER GP-FUMES DISPOSAL (contd.)

i03714960



GRAPHIC #2

<END>

g02141223

# LUBRICATION SYSTEM

## 9Y-5563 FUMES DISPOSAL GP

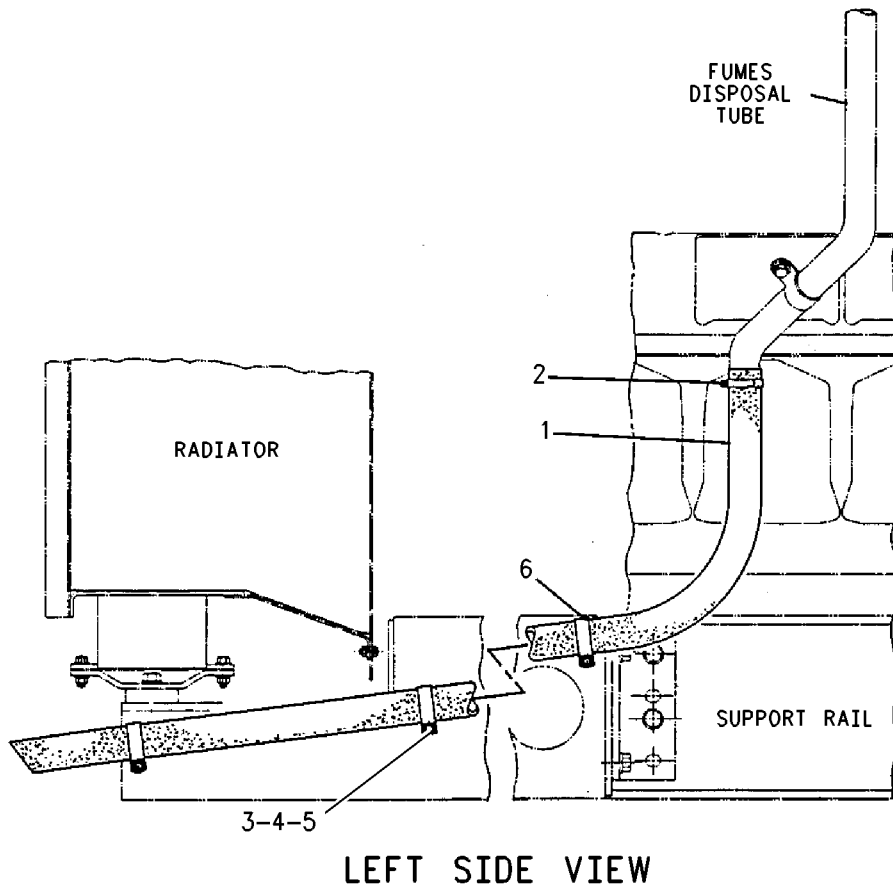
FOR USE WITH ENGINE-MOUNTED FOLDED CORE RADIATOR WITH BLOWER FAN. CANNOT BE  
USED WITH SUCTION FAN  
AN ATTACHMENT

SMCS-1317

i02157454

NOTE	REF NO	GRAPHIC REF	PART NUMBER	QTY	PART NAME						SEE PAGE
					1	2	3	4	5	6 (PRODUCT LEVEL)	
E	1	1	5P-1472		HOSE (290-CM)						
	2	1	5P-0597	1	CLAMP-HOSE						
	3	1	9B-7237	4	BOLT (3/8-16X1.25-IN)						
	4	1	8T-4896	8	WASHER-HARD (10.2X18.5X2.5-MM THK)						
	5	1	6V-8801	4	NUT (3/8-16-THD)						
	6	1	2N-8928	4	CLIP						

E-ORDER BY THE CENTIMETER



LEFT SIDE VIEW

GRAPHIC #1

<END>

g00688723

# LUBRICATION SYSTEM

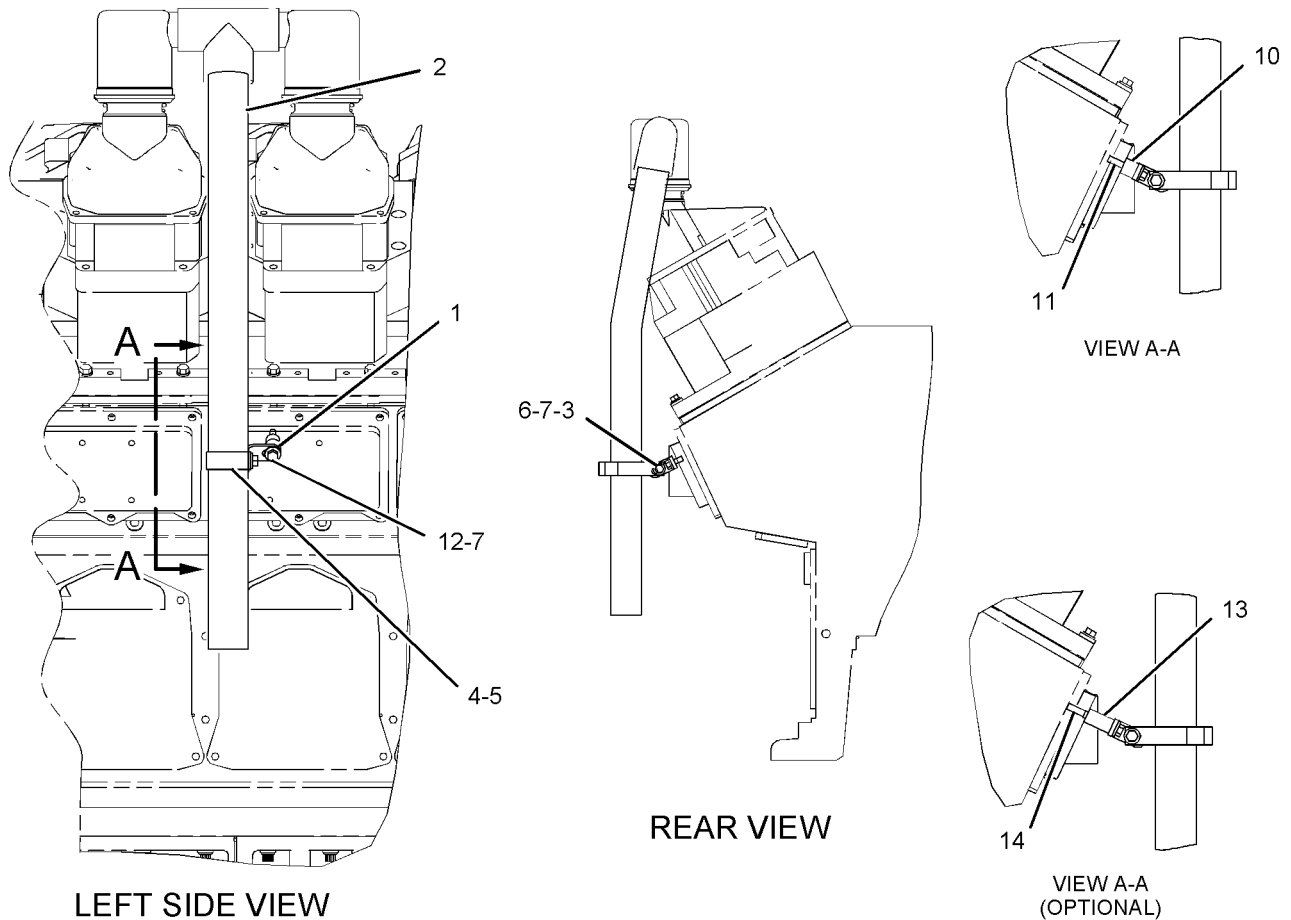
## 120-9818 FUMES DISPOSAL GP AN ATTACHMENT

SMCS-1317

i02219564

NOTE	REF NO	GRAPHIC REF	PART NUMBER	QTY	PART NAME						SEE PAGE
					1	2	3	4	5	6 (PRODUCT LEVEL)	
	1	1	4P-8097	1	BRACKET						
	2	1	118-4614	1	TUBE (FUMES DISPOSAL)						
	3	1	1A-2029	1	BOLT (3/8-16X1.125-IN)						
	4	1	6V-0267	1	CLIP (TAB)						
	5	1	6V-0268	1	CLIP (SLOT)						
	6	1	9S-8752	1	NUT-FULL (3/8-16-THD)						
	7	1	9X-6458	3	WASHER-HARD (10.2X22.5X3-MM THK)						
B	10	1	9M-4594	1	SPACER (0.406X0.875X0.75-IN THK)						
B	11	1	OS-1590	1	BOLT (3/8-16X2-IN)						
B	12	1	OS-1594	1	BOLT (3/8-16X1-IN)						
B	13	1	6W-6672	1	SPACER (10.5X20X38-MM THK)						
B	14	1	OS-1619	1	BOLT (3/8-16X3-IN)						

B-USE AS REQUIRED



GRAPHIC #1

<END>

g01120983

# LUBRICATION SYSTEM

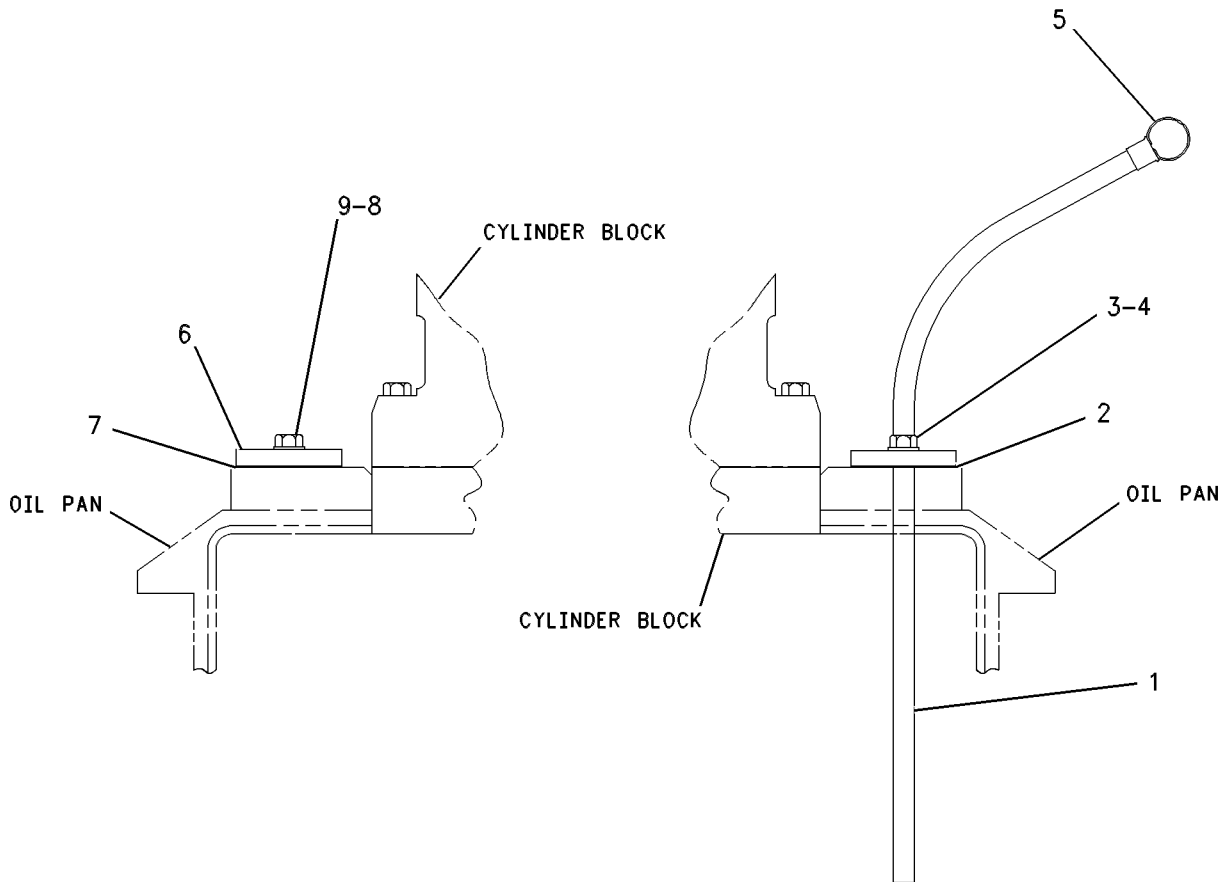
## 7C-6366 GAUGE GP-OIL LEVEL (DIPSTICK)

SMCS-1326

i02449728

NOTE	REF NO	GRAPHIC REF	PART NUMBER	QTY	PART NAME						SEE PAGE
					1	2	3	4	5	6 (PRODUCT LEVEL)	
	1	1	7E-0467	1	TUBE AS-OIL LEVEL						
	2	1	9L-1480	1	GASKET						
	3	1	0S-1594	2	BOLT (3/8-16X1-IN)						
	4	1	5M-2894	2	WASHER-HARD (10.2X18.5X2.5-MM THK)						
	5	1	4P-3784	1	GAUGE AS-OIL LEVEL (DIPSTICK)						
B	6	1	4B-3140	1	COVER						
B	7	1	9L-1480	1	GASKET						
B	8	1	0S-1594	2	BOLT (3/8-16X1-IN)						
B	9	1	5M-2894	2	WASHER-HARD (10.2X18.5X2.5-MM THK)						

B-USE AS REQUIRED



GRAPHIC #1

<END>

g00614582

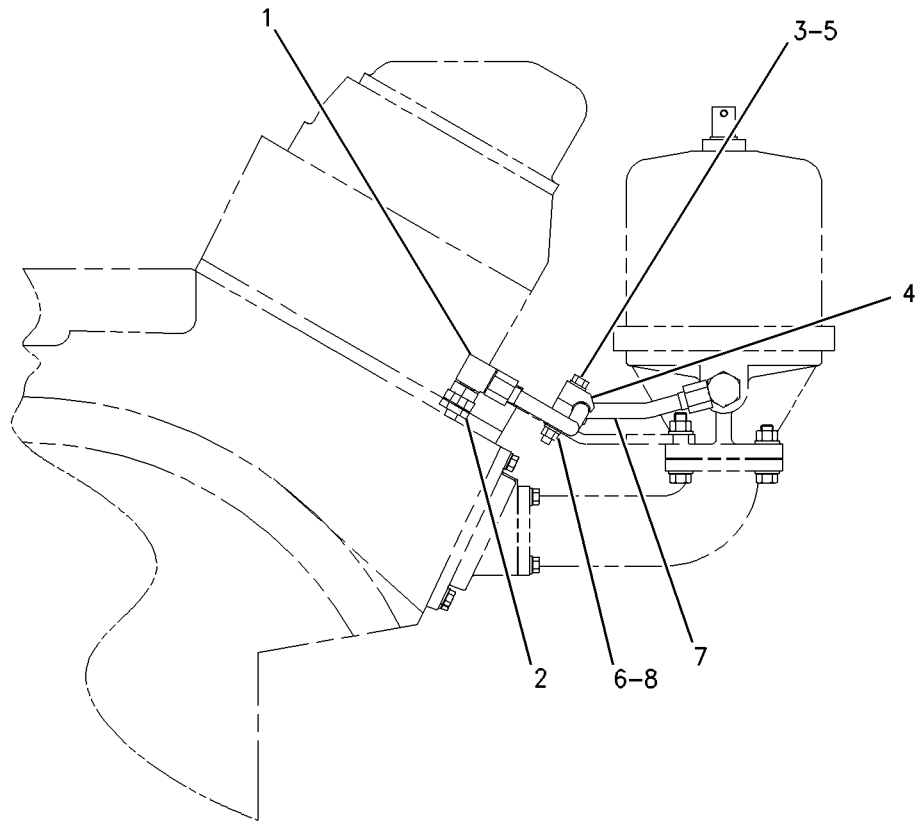
# LUBRICATION SYSTEM

## 148-8007 LINES GP-CENTRIFUGAL FILTER AN ATTACHMENT

SMCS-1328

i01759535

NOTE	REF NO	GRAPHIC REF	PART NUMBER	QTY	PART NAME						SEE PAGE
					1	2	3	4	5	6 (PRODUCT LEVEL)	
	1	1	<b>8K-2396</b>	1	ELBOW-FLARED						
	2	1	<b>061-9463</b>	1	CONNECTOR						
	3	1	<b>0T-0573</b>	2	BOLT (3/8-16X2.75-IN)						
	4	1	<b>4P-0692</b>	4	CLAMP AS						
					(EACH INCLUDES)						
		1	<b>108-1434</b>	1	GROMMET						
	5	1	<b>5M-2894</b>	2	WASHER-HARD (10.2X18.5X2.5-MM THK)						
	6	1	<b>9S-8752</b>	2	NUT-FULL (3/8-16-THD)						
	7	1	<b>150-4157</b>	1	TUBE AS						
	8	1	<b>9X-6458</b>	2	WASHER-HARD (10.2X22.5X3-MM THK)						



FRONT VIEW

GRAPHIC #1

<END>

g00812862

# LUBRICATION SYSTEM

## 115-7860 LINES GP-ENGINE OIL-COOLER

S/N: LLA1-1178

SMCS-1307

i02911558

NOTE	REF NO	GRAPHIC REF	PART NUMBER	QTY	PART NAME						SEE PAGE
					1	2	3	4	5	6 (PRODUCT LEVEL)	
	1	1	1N-3333	1	TUBE						
	2	1	2W-1635	1	SPRING						
	3	1	2W-1969	1	VALVE-BYPASS						
	4	1	2W-7226	1	ADAPTER						
	5	1	4W-4313	1	ADAPTER						
	6	1	4W-4677	1	TUBE						
	7	1	4W-5597	1	COVER						
C	8	1	253-4775	1	TUBE AS						
	9	1	6B-9202	2	SPRING						
	10	1	7C-9217	1	ELBOW						
	11	1	7N-5413	1	ELBOW						
	12	1	7N-5416	1	ELBOW						
	13	1	7N-7697	2	PLUNGER AS						
					(EACH INCLUDES)						
		1	7M-1808	1	DOWEL						
	14	1	8N-1991	1	RING-RETAINING						
	15	1	8N-1992	2	RETAINER						
	16	1	8N-2929	2	COVER						
	17	1	100-8075	1	CLAMP AS						
	18	1	111-3820	1	RING-RETAINING						
	19	1	116-1352	1	ADAPTER						
	20	1	061-9456	4	SEAL-O-RING						
	21	1	0L-1143	4	BOLT (3/8-16X2.5-IN)						
	22	1	0L-1352	1	BOLT (3/8-16X3.25-IN)						
	23	1	0S-1571	2	BOLT (3/8-16X1.75-IN)						
	24	1	0S-1588	10	BOLT (3/8-16X1.25-IN)						
	25	1	0S-1590	2	BOLT (3/8-16X2-IN)						
	26	1	0S-1591	2	BOLT (3/8-16X1.5-IN)						
	27	1	0S-1594	14	BOLT (3/8-16X1-IN)						
	28	1	0T-0065	4	BOLT (3/8-16X3.5-IN)						
	29	1	109-2332	6	SEAL-O-RING						
	30	1	3P-0655	3	SEAL-O-RING						
	31	1	4B-3140	1	COVER						
	32	1	4W-5596	1	COVER						
	33	1	5F-4899	1	BOLT (3/8-16X5.5-IN)						
	34	1	5M-2894	14	WASHER-HARD (10.2X18.5X2.5-MM THK)						
	35	1	5P-4892	3	SEAL-O-RING						
	36	1	5P-5846	1	SEAL-O-RING						
	37	1	5P-7817	1	SEAL-O-RING						
	38	1	6V-3908	1	SEAL-O-RING						
	39	1	6V-4589	1	SEAL-O-RING						
	40	1	6V-5048	2	SEAL-O-RING						
	41	1	8T-6765	1	PLUG-PIPE						
	42	1	9S-4182	1	PLUG-O-RING						
	43	1	9S-4190	1	PLUG-O-RING						
B	45	1	2W-1053	1	PLUG						
B	47	1	3H-7131	1	LUG						
B	48	1	3B-1915	1	BOLT (3/8-16X1.375-IN)						
B	49	1	5M-2894	1	WASHER-HARD (10.2X18.5X2.5-MM THK)						
B	51	1	6V-0267	1	CLIP (TAB)						
B	52	1	6V-0268	1	CLIP (SLOT)						
B	53	1	6V-4589	2	SEAL-O-RING						
B	55	1	8T-6762	1	PLUG-PIPE						
B	56	1	9S-4190	2	PLUG-O-RING						
C	57	1	8C-3445	1	CAP-DUST						
C	59	1	8C-3446	1	VALVE-FLUID SAMPLING						
	60	1	264-0450	1	CLAMP AS						

# LUBRICATION SYSTEM

115-7860 LINES GP-ENGINE OIL (contd.)

i02911558

NOTE	REF NO	GRAPHIC REF	PART NUMBER	QTY	PART NAME						SEE PAGE
					1	2	3	4	5	6 (PRODUCT LEVEL)	
	61	1	6B-0933	4	SPACER (10.31X19.05X6.35-MM THK)						

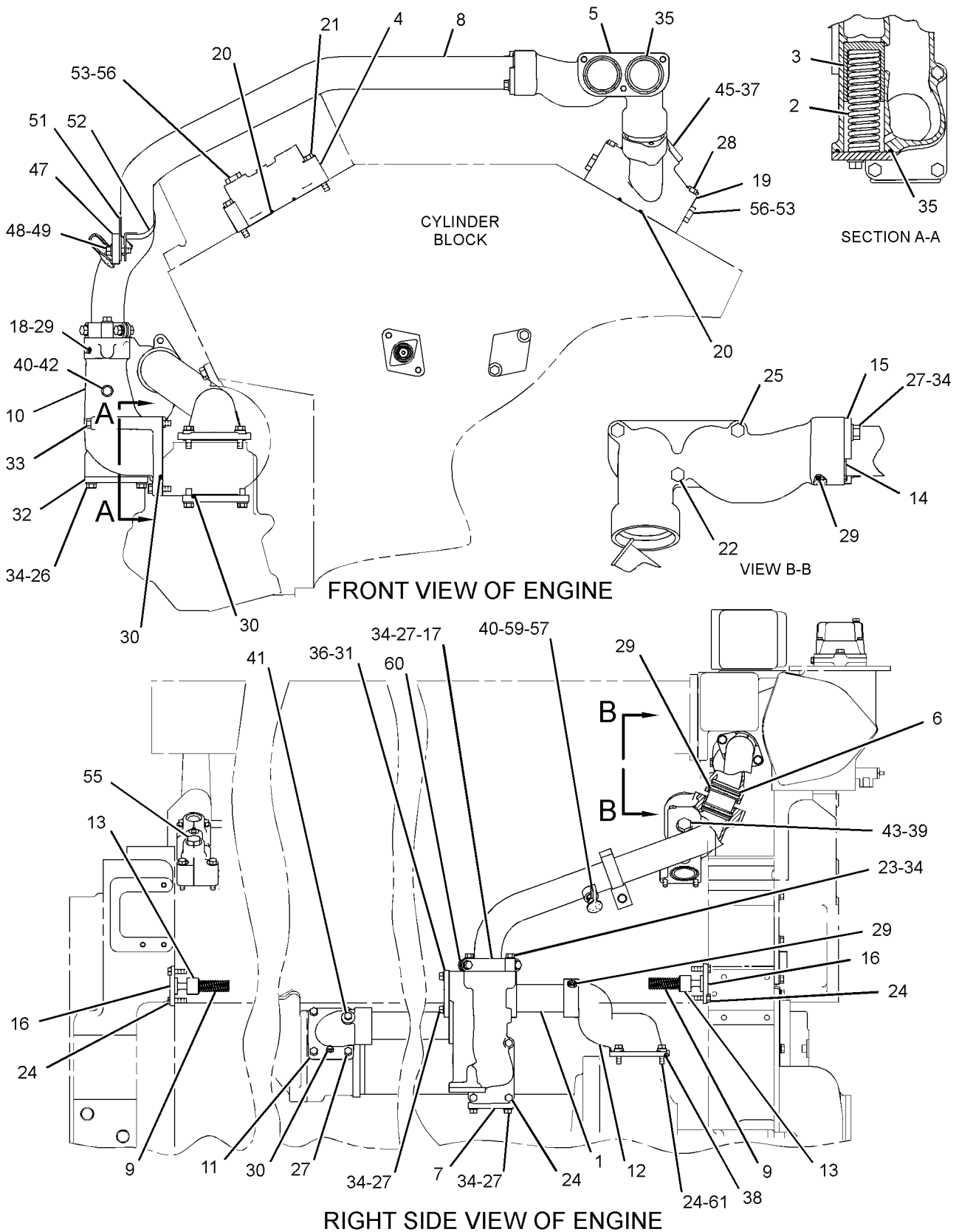
B- USE AS REQUIRED

C- CHANGE FROM PREVIOUS TYPE

# LUBRICATION SYSTEM

115-7860 LINES GP-ENGINE OIL (contd.)

i02911558



GRAPHIC #1

<END>

g01451357



# LUBRICATION SYSTEM

## 262-0338 LINES GP-ENGINE OIL-COOLER

S/N: LLA1178-UP

SMCS-1307

i03316005

NOTE	REF NO	GRAPHIC REF	PART NUMBER	QTY	PART NAME						SEE PAGE
					1	2	3	4	5	6 (PRODUCT LEVEL)	
	1	1	1N-3333	1	TUBE						
	2	2	2W-1635	1	SPRING						
	3	2	2W-1969	1	VALVE-BYPASS						
	4	2	2W-7226	1	ADAPTER						
	5	2	3H-7131	1	LUG						
	6	2	4W-4313	1	ADAPTER						
	7	1	4W-4677	1	TUBE						
	8	1	4W-5597	1	COVER						
	9	1	6B-0933	4	SPACER (10.31X19.05X6.35-MM THK)						
	10	1	6B-9202	2	SPRING						
	11	2	7C-9217	1	ELBOW						
	12	1	7N-5413	1	ELBOW						
	13	1	7N-5416	1	ELBOW						
	14	1	7N-7697	2	PLUNGER AS						
					(EACH INCLUDES)						
		1	7M-1808	1	DOWEL						
	15	1	8C-3445	1	CAP-DUST						
	16	2	8N-1991	1	RING-RETAINING						
	17	2	8N-1992	2	RETAINER						
	18	1	8N-2929	2	COVER						
	19	1	100-8075	1	CLAMP AS						
	20	2	111-3820	1	RING-RETAINING						
	21	2	116-1352	1	ADAPTER						
	22	1	253-4775	1	TUBE AS						
	23	1	264-0450	1	CLAMP AS						
	24	2	061-9456	4	SEAL-O-RING						
	25	2	0L-1143	4	BOLT (3/8-16X2.5-IN)						
	26	2	0L-1352	1	BOLT (3/8-16X3.25-IN)						
	27	1	0S-1571	2	BOLT (3/8-16X1.75-IN)						
	28	1	0S-1588	10	BOLT (3/8-16X1.25-IN)						
	29	2	0S-1590	2	BOLT (3/8-16X2-IN)						
	30	2	0S-1591	2	BOLT (3/8-16X1.5-IN)						
	31	1,2	0S-1594	14	BOLT (3/8-16X1-IN)						
	32	2	0T-0065	4	BOLT (3/8-16X3.5-IN)						
	33	1,2	109-2332	6	SEAL-O-RING						
	34	2	3B-1915	1	BOLT (3/8-16X1.375-IN)						
	36	1,2	3P-0655	3	SEAL-O-RING						
	37	1	4B-3140	1	COVER						
	38	2	4W-5596	1	COVER						
	39	2	5F-4899	1	BOLT (3/8-16X5.5-IN)						
	40	1,2	5M-2894	15	WASHER-HARD (10.2X18.5X2.5-MM THK)						
	41	2	5P-4892	3	SEAL-O-RING						
	42	1	5P-5846	1	SEAL-O-RING						
	43	2	5P-7817	2	SEAL-O-RING						
	44	2	6V-0267	1	CLIP (TAB)						
	45	2	6V-0268	1	CLIP (SLOT)						
	46	1	6V-3908	1	SEAL-O-RING						
	47	1,2	6V-4589	2	SEAL-O-RING						
	48	1,2	6V-5048	2	SEAL-O-RING						
	49	1	8C-3446	1	VALVE-FLUID SAMPLING						
B	50	1	8T-6762	1	PLUG-PIPE						
	51	1	8T-6765	1	PLUG-PIPE						
	52	2	9S-4182	1	PLUG-O-RING						
	53	1,2	9S-4190	2	PLUG-O-RING						

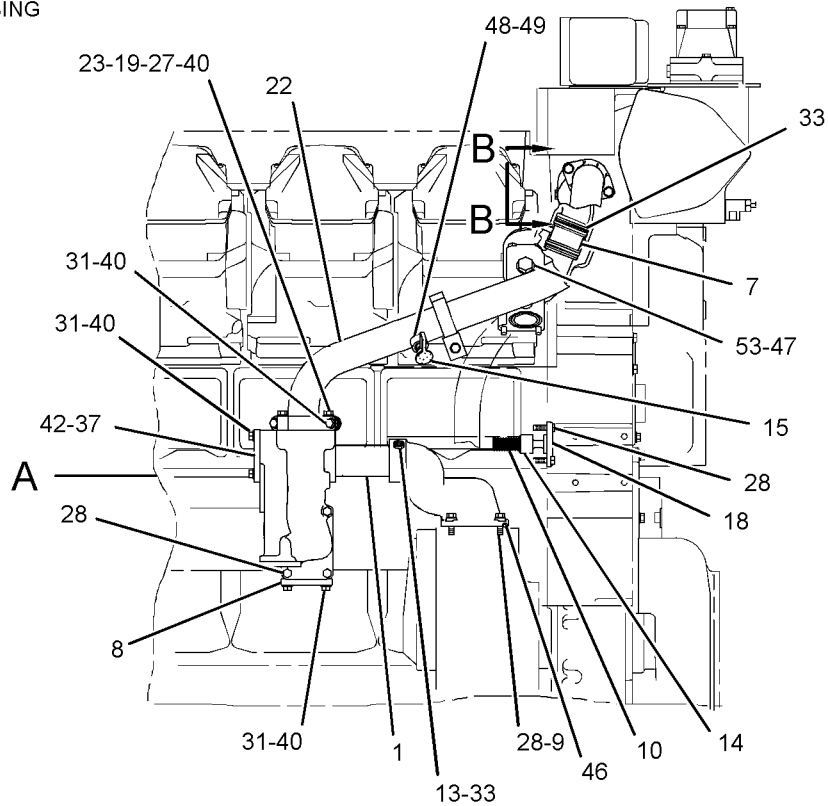
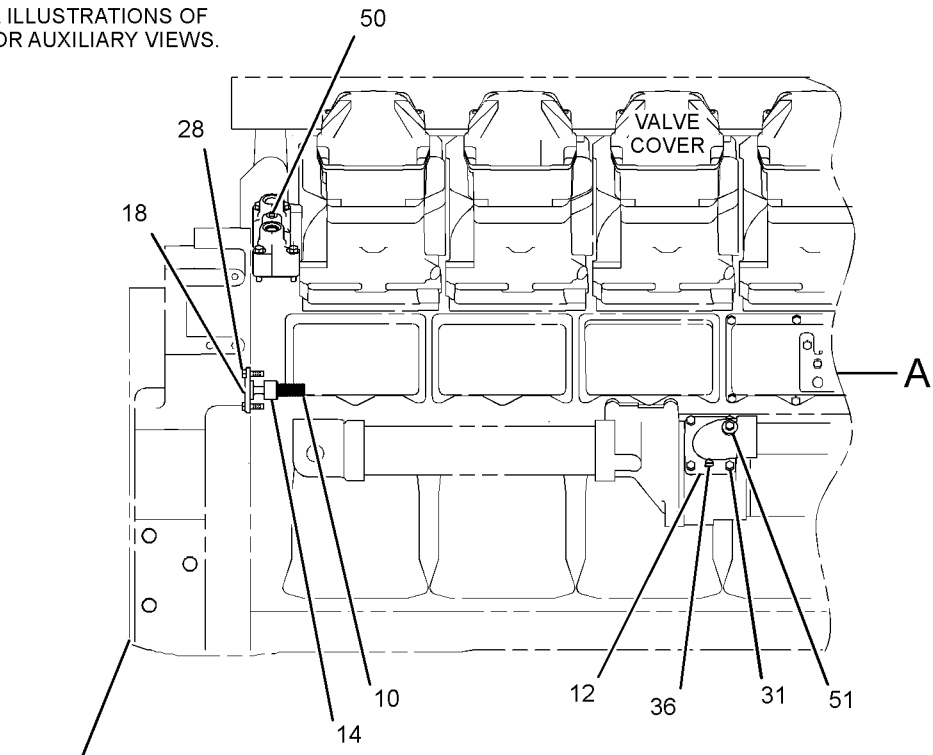
B-USE AS REQUIRED

# LUBRICATION SYSTEM

262-0338 LINES GP-ENGINE OIL (contd.)

i03316005

REFER TO ALL ILLUSTRATIONS OF THIS GROUP FOR AUXILIARY VIEWS.



RIGHT SIDE VIEW OF ENGINE

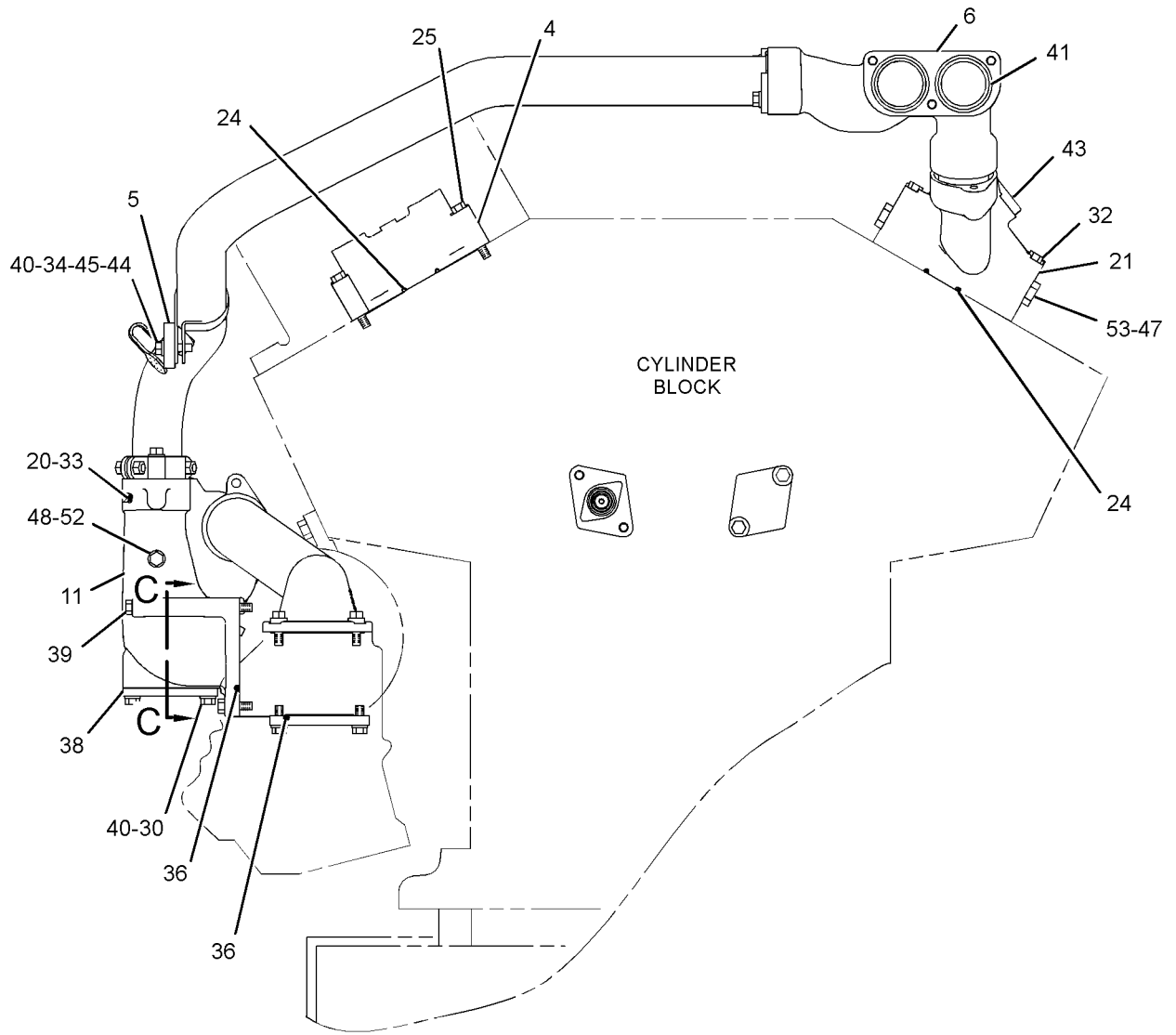
GRAPHIC #1

g01727300

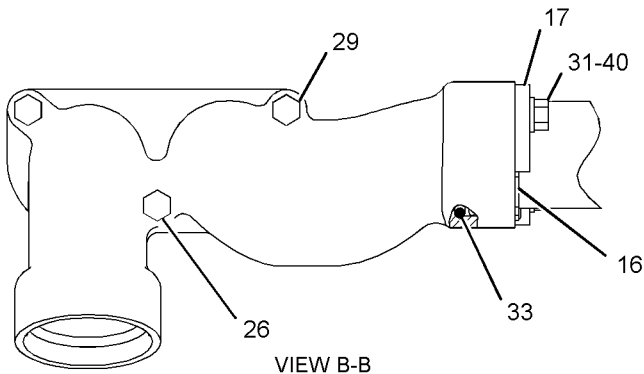
# LUBRICATION SYSTEM

262-0338 LINES GP-ENGINE OIL (contd.)

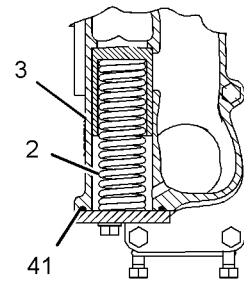
i03316005



FRONT VIEW OF ENGINE



VIEW B-B



SECTION C-C

GRAPHIC #2

<END>

g01727301

# LUBRICATION SYSTEM

## 162-5719 LINES GP-TURBOCHARGER OIL

SMCS-1052, 1307

i02696927

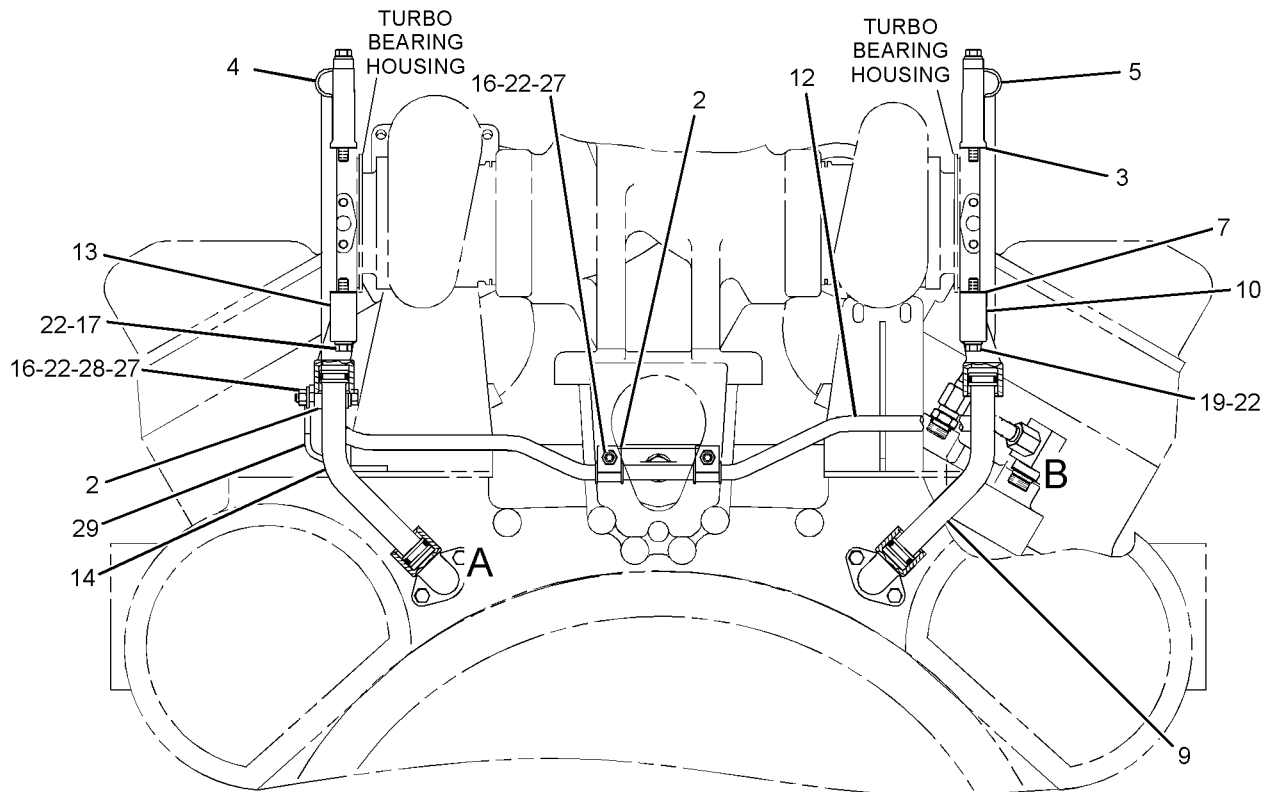
NOTE	REF NO	GRAPHIC REF	PART NUMBER	QTY	PART NAME						SEE PAGE
					1	2	3	4	5	6 (PRODUCT LEVEL)	
	1	1	1W-7214	2	ELBOW-DRAIN						
	2	1	4P-0692	6	CLAMP AS						
					(EACH INCLUDES)						
		1	108-1434	1	GROMMET						
	3	1	4P-4460	2	GASKET						
	4	1	6I-0804	1	ADAPTER-TURBOCHARGER OIL						
	5	1	6I-0805	1	ADAPTER-TURBOCHARGER OIL						
	6	1	252-8374	2	GASKET						
	7	1	7N-7559	2	GASKET						
	8	1	7W-6333	4	SPACER (10.5X20X10.7-MM THK)						
	9	1	113-4646	1	TUBE AS						
C	10	1	113-4648	1	ELBOW						
	11	1	130-2602	1	TUBE AS						
	12	1	166-5932	1	TUBE AS						
C	13	1	179-1508	1	ELBOW						
C	14	1	185-5855	1	TUBE						
	15	1	250-1498	1	ELBOW AS						
		1	6V-4589	1	SEAL-O-RING						
		1	250-1497	1	ELBOW						
	16	1	0L-1143	3	BOLT (3/8-16X2.5-IN)						
C	17	1	0S-1590	2	BOLT (3/8-16X2-IN)						
	18	1	0S-1594	4	BOLT (3/8-16X1-IN)						
C	19	1	0T-0573	2	BOLT (3/8-16X2.75-IN)						
	20	1	1A-5964	4	BOLT (3/8-16X4.5-IN)						
	21	1	2P-7636	2	CONNECTOR						
	22	1	5M-2894	11	WASHER-HARD (10.2X18.5X2.5-MM THK)						
	23	1	5P-9890	4	SEAL-O-RING						
	24	1	6V-4589	1	SEAL-O-RING						
	25	1	8L-2786	2	SEAL-O-RING						
	26	1	9M-4584	1	CONNECTOR						
	27	1	9S-8752	3	NUT-FULL (3/8-16-THD)						
	28	1	9X-6458	1	WASHER-HARD (10.2X22.5X3-MM THK)						
	29	1	116-9863	1	BRACKET						

C-CHANGE FROM PREVIOUS TYPE

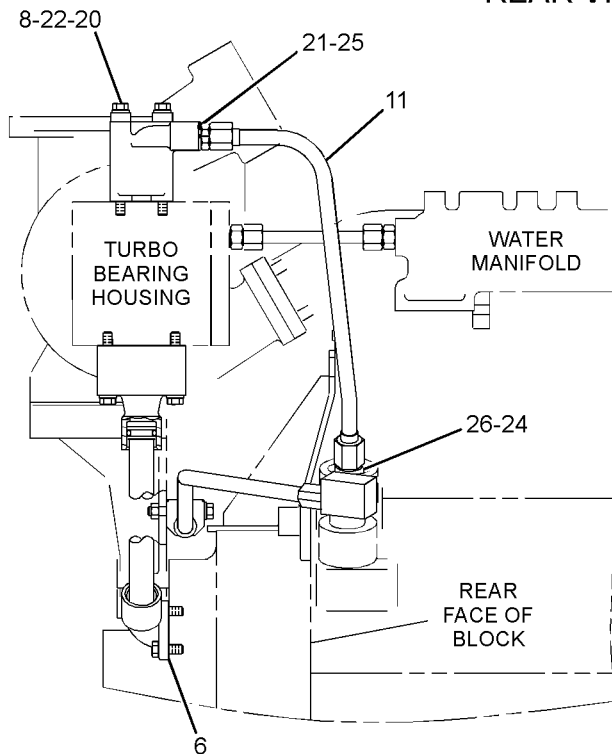
# LUBRICATION SYSTEM

162-5719 LINES GP-TURBOCHARGER OIL (contd.)

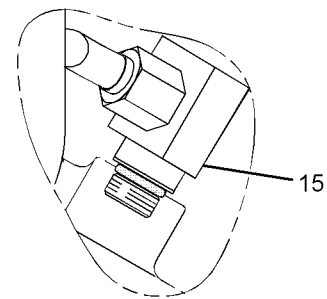
i02696927



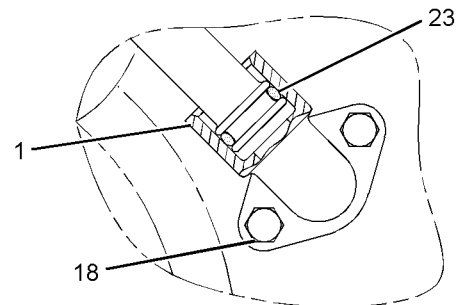
REAR VIEW



RIGHT SIDE VIEW



VIEW OF AREA B



VIEW OF AREA A

GRAPHIC #1

<END>

g01360438

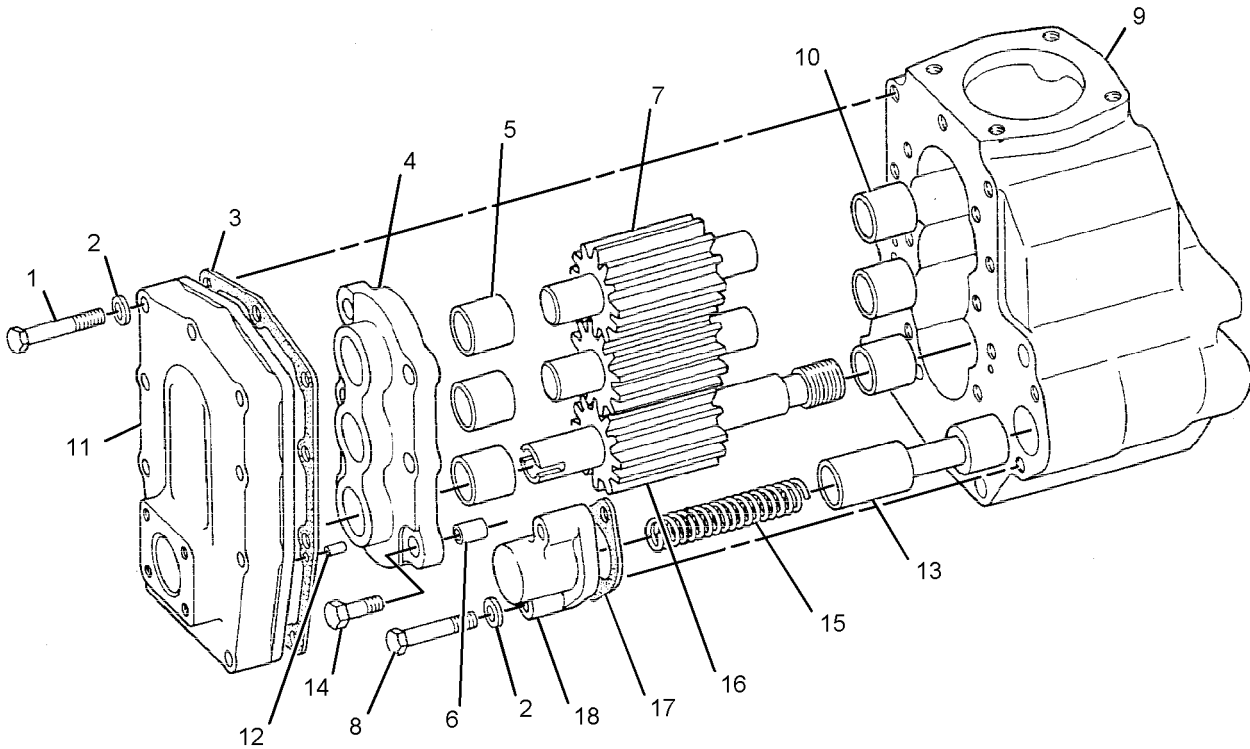
# LUBRICATION SYSTEM

## 4P-5638 PUMP GP-ENGINE OIL-2-SECTION GEAR\*R PART OF 8N-6152 PUMP GP-ENGINE OIL

SMCS-1304, 1315

i03694980

NOTE	REF NO	GRAPHIC REF	PART NUMBER	QTY	PART NAME						SEE PAGE
					1	2	3	4	5	6 (PRODUCT LEVEL)	
	1	1	0S-1590	9	BOLT (3/8-16X2-IN)						
	2	1	5M-2894	11	WASHER-HARD (10.2X18.5X2.5-MM THK)						
	3	1	7N-5057	1	GASKET						
	4	1	7W-0050	1	COVER AS-PUMP						
	5	1	1W-6005	3	BEARING-SLEEVE						
	6	1	4M-3248	2	DOWEL-HOLLOW						
	7	1	2W-5479	2	SHAFT AS-PUMP						
	8	1	7F-1866	2	BOLT (3/8-16X3-IN)						
	9	1	4P-5637	1	BODY AS-OIL PUMP						
	10	1	1W-6005	3	BEARING-SLEEVE						
	11	1	1N-4637	1	COVER AS-PUMP						
	12	1	7N-2043	2	DOWEL						
	13	1	7N-5449	1	SPOOL-PRESSURE RELIEF						
	14	1	0S-1585	6	BOLT (1/2-13X1.5-IN)						
	15	1	2S-2760	1	SPRING						
	16	1	2W-6618	1	SHAFT AS-PUMP DRIVE						
	17	1	111-1349	1	GASKET						
	18	1	7N-5049	1	COVER-RELIEF VALVE						



GRAPHIC #1

<END>

g01123381

# LUBRICATION SYSTEM

## 5N-6237 PUMP GP-ENGINE OIL-MANUAL LUBRICATION

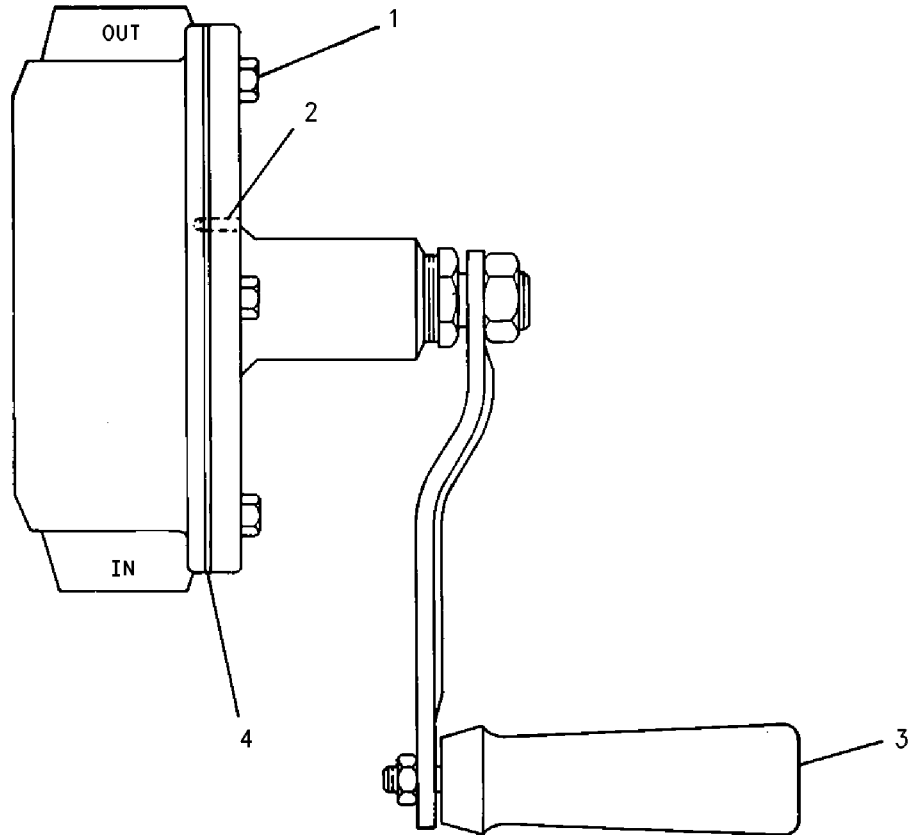
PART OF 7W-9704 PUMP GP-SUMP  
AN ATTACHMENT

SMCS-1304, 1315

i03645887

NOTE	REF NO	GRAPHIC REF	PART NUMBER	QTY	PART NAME						SEE PAGE
					1	2	3	4	5	6 (PRODUCT LEVEL)	
	1	1	2A-0762	2	BOLT (1/4-20X0.625-IN)						
	2	1	3N-3297	2	PIN-TAPERED						
	3	1	5N-6255	1	HANDLE AS						
B	4	1	3N-3299	1	GASKET SET (INCLUDES 4 GASKETS)						
					AVAILABLE REPAIR KIT(S):						
					3N-3300	1	KIT-PUMP (SUMP)				
					(INCLUDES VANE, SPRING, PACKING, NUT & GASKET)						

B-USE AS REQUIRED



GRAPHIC #1

<END>

g00621010

# LUBRICATION SYSTEM

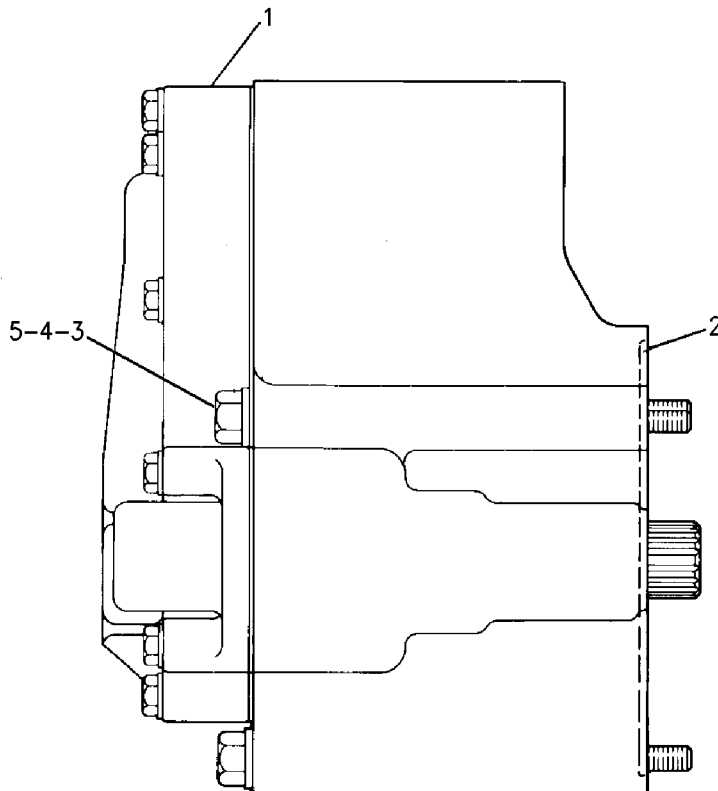
## 8N-6152 PUMP GP-ENGINE OIL-2-SECTION GEAR

SMCS-1304, 1315

i02639836

NOTE	REF NO	GRAPHIC REF	PART NUMBER	QTY	PART NAME						SEE PAGE
					1	2	3	4	5	6 (PRODUCT LEVEL)	
C YR	1	1	<b>4P-5638</b>	1	PUMP GP-ENGINE OIL						124
	2	1	<b>298-6387</b>	1	SEAL-O-RING						
	3	1	<b>4S-5882</b>	3	BOLT (1/2-13X7.25-IN)						
	4	1	<b>5P-8245</b>	3	WASHER-HARD (13.5X25.5X3-MM THK)						
C	5	1	<b>9M-4355</b>	3	DAMPER-BOLT						

C-CHANGE FROM PREVIOUS TYPE  
R-REMG PART MAY BE AVAILABLE  
Y-SEPARATE ILLUSTRATION



GRAPHIC #1

<END>

g00637724



# LUBRICATION SYSTEM

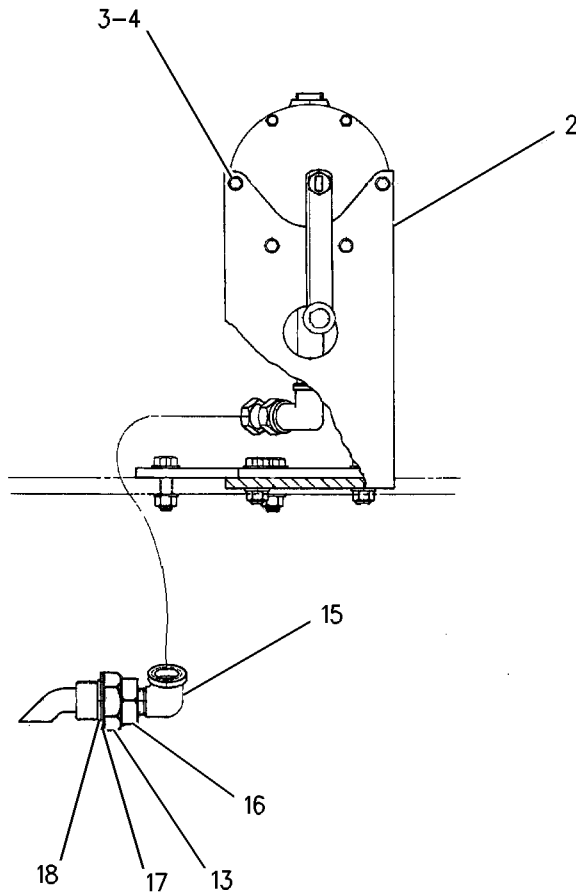
## 7W-9704 PUMP GP-SUMP AN ATTACHMENT

SMCS-1324

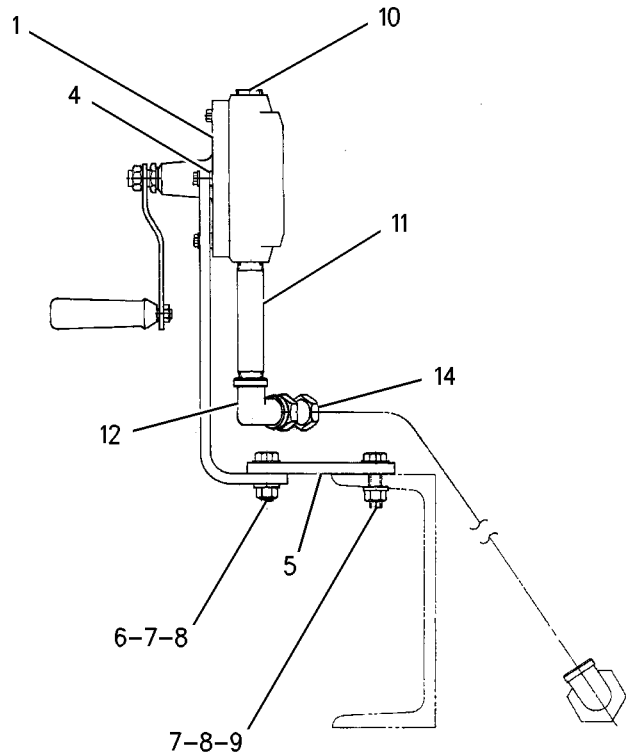
i01496567

NOTE	REF NO	GRAPHIC REF	PART NUMBER	QTY	PART NAME						SEE PAGE
					1	2	3	4	5	6 (PRODUCT LEVEL)	
Y	1	1	5N-6237	1	PUMP GP-ENGINE OIL						125
	2	1	5N-6236	1	BRACKET						
	3	1	7X-2501	4	BOLT (1/4-20X1.25-IN)						
	4	1	8T-4205	8	WASHER-HARD (7.2X14.5X2-MM THK)						
	5	1	5N-6235	1	PLATE						
	6	1	5P-2566	2	BOLT (1/2-13X1.5-IN)						
	7	1	8T-4223	8	WASHER-HARD (13.5X25.5X3-MM THK)						
	8	1	6V-8188	4	NUT (1/2-13-THD)						
	9	1	8T-8919	2	BOLT (1/2-13X1.75-IN)						
	10	1	7X-7731	1	PLUG-PIPE						
	11	1	3B-7265	1	NIPPLE-PIPE						
	12	1	1K-6937	1	ELBOW-PIPE						
C	13	1	0L-0701	1	NUT (1-1/2-12-THD)						
	14	1	5F-6371	1	CONNECTOR						
	15	1	003-9163	1	ELBOW						
C	16	1	4P-5242	1	PICKUP AS-OIL						
C	17	1	1U-4738	1	WASHER (39.3X60X6-MM THK)						
C	18	1	4J-0521	1	SEAL-O-RING						

C-CHANGE FROM PREVIOUS TYPE  
Y-SEPARATE ILLUSTRATION



LEFT SIDE VIEW



REAR VIEW

GRAPHIC #1

<END>

g00776889

# LUBRICATION SYSTEM

## 5N-4659 REGULATOR GP-OIL LEVEL

S/N: LLA1-1023

AN ATTACHMENT

SMCS-1334

i03167557

NOTE	REF NO	GRAPHIC REF	PART NUMBER	QTY	PART NAME	SEE PAGE
					1 2 3 4 5 6 (PRODUCT LEVEL)	
C	1	1	<b>3L-6008</b>	1	SPACER (10.5X19X28.6-MM THK)	
C	2	1	<b>7D-8793</b>	1	ELBOW-FLARED	
	3	1	<b>7W-4979</b>	1	VALVE-CHECK	
CI	4	1	<b>113-9001</b>	1	HOSE AS	
	5	1	<b>169-7326</b>	1	VALVE-BALL (SHUTOFF, OIL)	
C	6	1	<b>213-6133</b>	1	REGULATOR AS (ENGINE OIL LEVEL)	
C	7	1	<b>214-3091</b>	1	BRACKET AS	
		1	<b>1F-0750</b>	2	NUT-WELD (3/8-16-THD)	
CI	8	1	<b>216-8359</b>	1	HOSE AS	
C	9	1	<b>032-1267</b>	1	CONNECTOR	
	10	1	<b>0L-1143</b>	2	BOLT (3/8-16X2.5-IN)	
C	11	1	<b>0L-2070</b>	1	BOLT (3/8-16X2.25-IN)	
	12	1	<b>0S-1594</b>	2	BOLT (3/8-16X1-IN)	
C	13	1	<b>2N-8037</b>	1	ELBOW	
	14	1	<b>3B-7255</b>	1	BUSHING-REDUCING	
	15	1	<b>3B-7741</b>	2	NIPPLE-PIPE (CLOSE)	
C	16	1	<b>5M-2894</b>	5	WASHER-HARD (10.2X18.5X2.5-MM THK)	
C	18	1	<b>8L-3282</b>	1	CONNECTOR	
C	19	1	<b>8M-2773</b>	1	CLIP	
BC	20	1	<b>6K-9194</b>	1	ELBOW-FLARED	
B	21	1	<b>7D-5363</b>	1	CONNECTOR	

B-USE AS REQUIRED

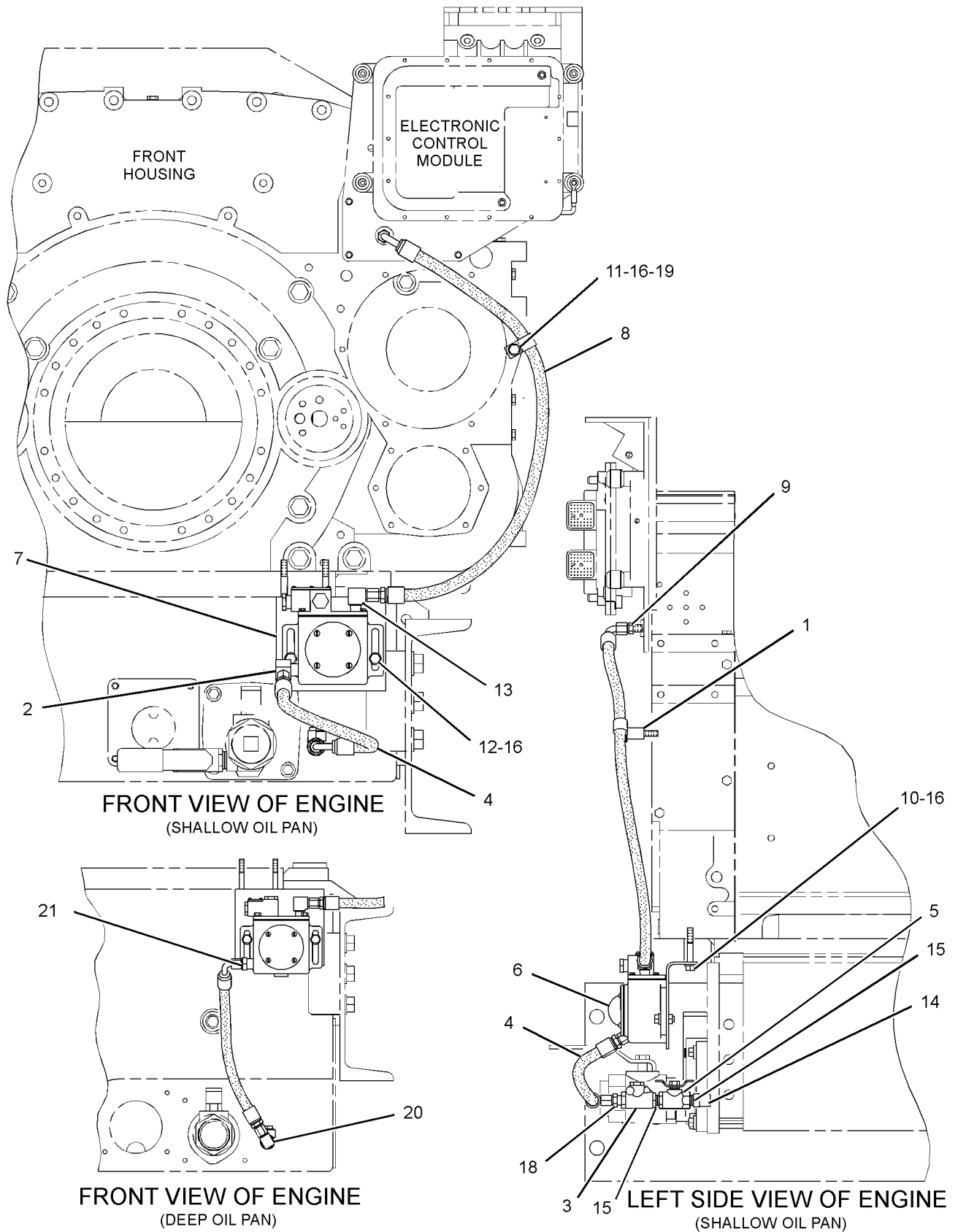
C-CHANGE FROM PREVIOUS TYPE

I-REFER TO HYDRAULIC INFORMATION SYSTEM

# LUBRICATION SYSTEM

5N-4659 REGULATOR GP-OIL LEVEL (contd.)

i03167557



GRAPHIC #1

<END>

g01292552

# LUBRICATION SYSTEM

## 5N-4659 REGULATOR GP-OIL LEVEL

S/N: LLA1024-UP  
AN ATTACHMENT

SMCS-1334

i03167556

NOTE	REF NO	GRAPHIC REF	PART NUMBER	QTY	PART NAME	SEE PAGE
					1 2 3 4 5 6 (PRODUCT LEVEL)	
	1	1	<b>3L-6008</b>	1	SPACER (10.5X19X28.6-MM THK)	
	2	1	<b>7D-8793</b>	1	ELBOW-FLARED	
	3	1	<b>7W-4979</b>	1	VALVE-CHECK	
I	4	1	<b>113-9001</b>	1	HOSE AS	
	5	1	<b>169-7326</b>	1	VALVE-BALL (SHUTOFF, OIL)	
	6	1	<b>213-6133</b>	1	REGULATOR AS (ENGINE OIL LEVEL)	
	7	1	<b>214-3091</b>	1	BRACKET AS	
		1	<b>1F-0750</b>	2	NUT-WELD (3/8-16-THD)	
I	8	1	<b>216-8359</b>	1	HOSE AS	
	9	1	<b>032-1267</b>	1	CONNECTOR	
	10	1	<b>0L-1143</b>	2	BOLT (3/8-16X2.5-IN)	
	11	1	<b>0L-2070</b>	1	BOLT (3/8-16X2.25-IN)	
	12	1	<b>0S-1594</b>	2	BOLT (3/8-16X1-IN)	
C	13	1	<b>2N-8037</b>	2	ELBOW	
	14	1	<b>3B-7255</b>	1	BUSHING-REDUCING	
	15	1	<b>3B-7741</b>	2	NIPPLE-PIPE (CLOSE)	
	16	1	<b>5M-2894</b>	5	WASHER-HARD (10.2X18.5X2.5-MM THK)	
	19	1	<b>8M-2773</b>	1	CLIP	

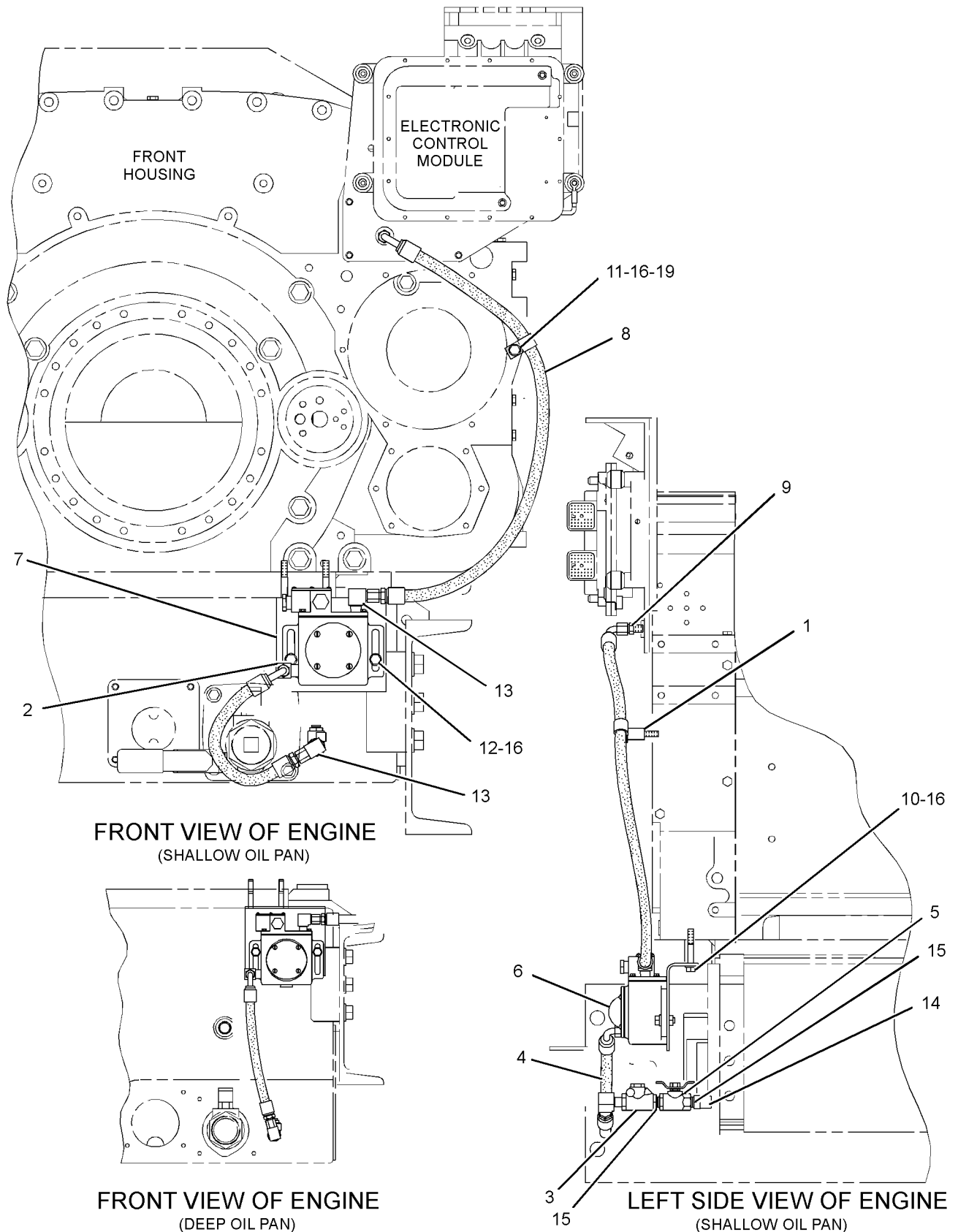
C-CHANGE FROM PREVIOUS TYPE

I-REFER TO HYDRAULIC INFORMATION SYSTEM

# LUBRICATION SYSTEM

5N-4659 REGULATOR GP-OIL LEVEL (contd.)

i03167556



GRAPHIC #1

<END>

g01435283

# COOLING SYSTEM

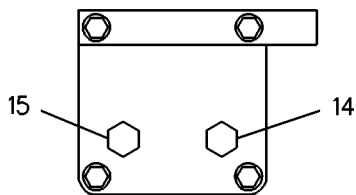
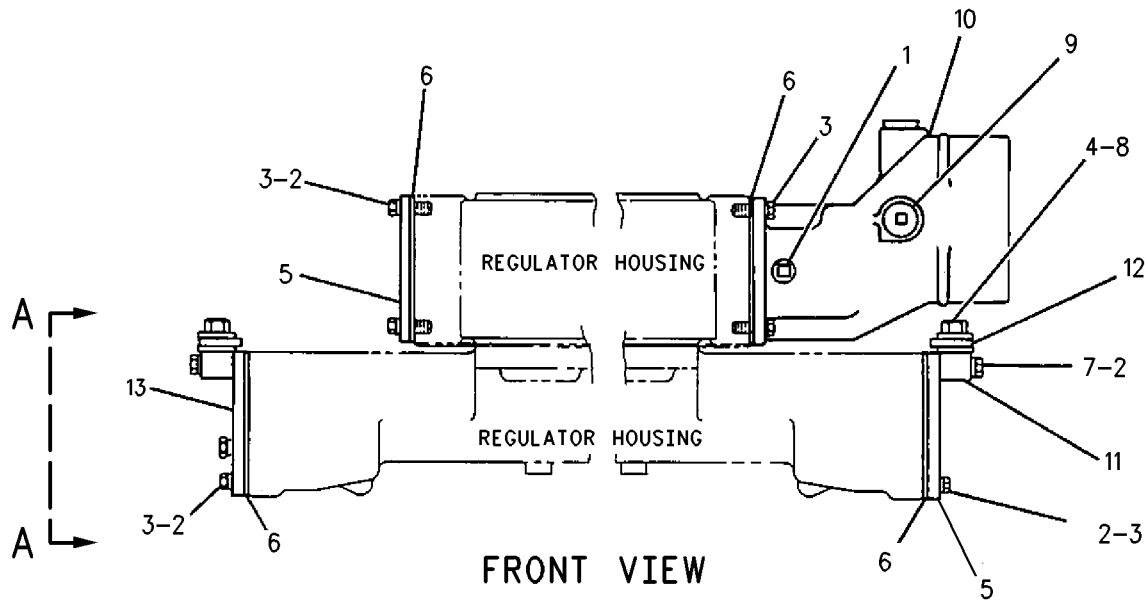
## 7W-6372 CONNECTION GP-WATER-OUTLET

CANNOT BE USED WITH SPIN-ON FUEL FILTERS  
AN ATTACHMENT

SMCS-1380

i02220734

NOTE	REF NO	GRAPHIC REF	PART NUMBER	QTY	PART NAME						SEE PAGE
					1	2	3	4	5	6 (PRODUCT LEVEL)	
	1	1	8T-6758	2	PLUG-PIPE						
	2	1	5M-2894	12	WASHER-HARD (10.2X18.5X2.5-MM THK)						
	3	1	0S-1594	12	BOLT (3/8-16X1-IN)						
	4	1	0S-1585	2	BOLT (1/2-13X1.5-IN)						
	5	1	7E-6017	2	COVER						
	6	1	7E-6016	4	GASKET						
	7	1	0S-1590	4	BOLT (3/8-16X2-IN)						
	8	1	5P-1076	4	WASHER-HARD (13.5X30X4-MM THK)						
	9	1	8T-6762	3	PLUG-PIPE						
	10	1	7N-6560	1	ADAPTER-CONNECTOR						
	11	1	2W-4334	2	BAR						
	12	1	7E-6334	2	PLATE						
	13	1	119-6294	1	COVER						
	14	1	7W-6492	1	PLUG-PIPE						
	15	1	3E-7430	1	PLUG-PIPE						



GRAPHIC #1

<END>

g00715443

# COOLING SYSTEM

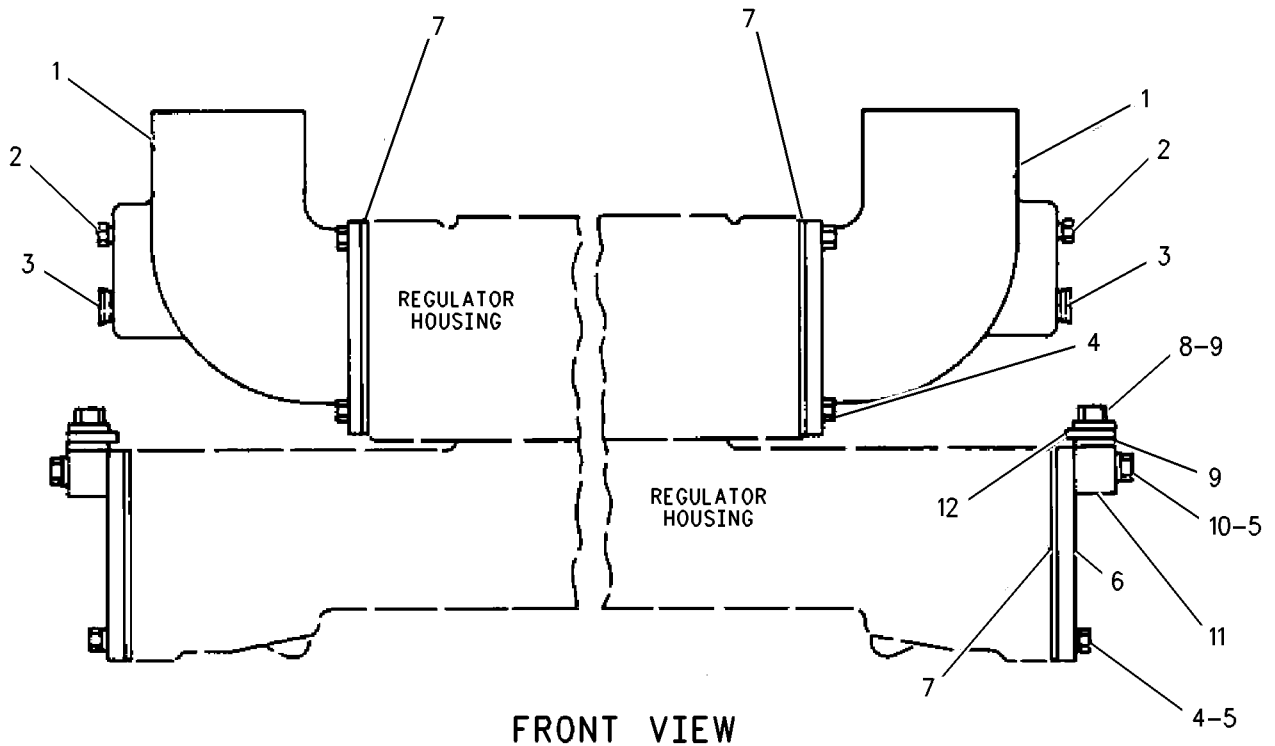
## 8N-9161 CONNECTION GP-WATER-OUTLET

SMCS-1380

i02160305

NOTE	REF NO	GRAPHIC REF	PART NUMBER	QTY	PART NAME						SEE PAGE
					1	2	3	4	5	6 (PRODUCT LEVEL)	
C	1	1	7N-4930	2	ELBOW-OUTLET						
	2	1	8T-6765	2	PLUG-PIPE						
	3	1	8T-6762	2	PLUG-PIPE						
	4	1	0S-1594	12	BOLT (3/8-16X1-IN)						
C	5	1	5M-2894	8	WASHER-HARD (10.2X18.5X2.5-MM THK)						
	6	1	7E-6017	2	COVER						
	7	1	7E-6016	4	GASKET						
	8	1	0S-1585	2	BOLT (1/2-13X1.5-IN)						
	9	1	5P-1076	4	WASHER-HARD (13.5X30X4-MM THK)						
	10	1	0S-1590	4	BOLT (3/8-16X2-IN)						
	11	1	2W-4334	2	BAR						
	12	1	7E-6334	2	PLATE						

C-CHANGE FROM PREVIOUS TYPE



FRONT VIEW

GRAPHIC #1

<END>

g00865253

# COOLING SYSTEM

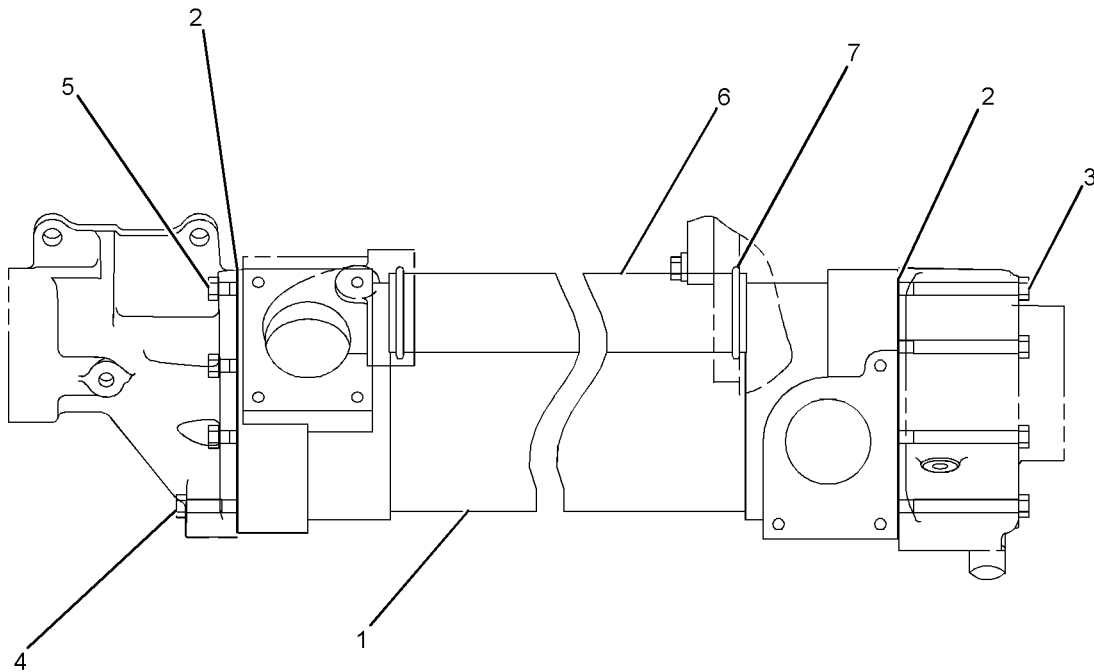
## 4W-5892 COOLER GP-ENGINE OIL

SMCS-1378

i02041688

NOTE	REF NO	GRAPHIC REF	PART NUMBER	QTY	PART NAME						SEE PAGE
					1	2	3	4	5	6 (PRODUCT LEVEL)	
YR	1	1	<b>4W-4980</b>	1	CORE GP-OIL COOLER (ENGINE)						135
	2	1	<b>247-3796</b>	2	GASKET						
	3	1	<b>8S-9191</b>	8	BOLT (3/8-16X4-IN)						
	4	1	<b>0S-1590</b>	2	BOLT (3/8-16X2-IN)						
	5	1	<b>1A-2029</b>	6	BOLT (3/8-16X1.125-IN)						
	6	1	<b>7W-1929</b>	1	TUBE						
	7	1	<b>109-2332</b>	2	SEAL-O-RING						

R-REMFG PART MAY BE AVAILABLE  
Y-SEPARATE ILLUSTRATION



GRAPHIC #1

<END>

g01050193



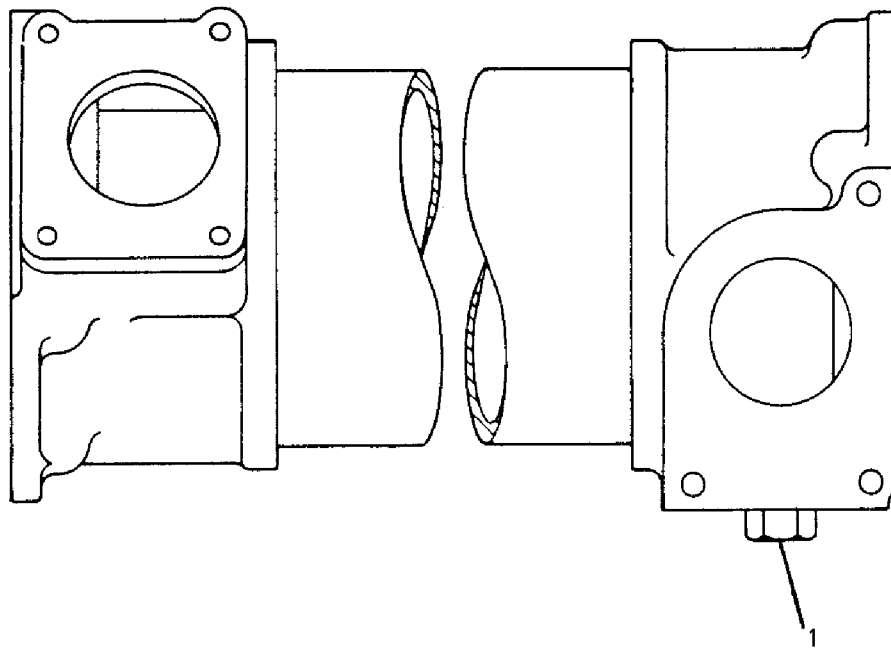
# COOLING SYSTEM

## 4W-4980 CORE GP-OIL COOLER-ENGINE\*R PART OF 4W-5892 COOLER GP-ENGINE OIL

SMCS-1378

i01953186

NOTE	REF NO	GRAPHIC REF	PART NUMBER	QTY	PART NAME						SEE PAGE
					1	2	3	4	5	6 (PRODUCT LEVEL)	
	1	1	9S-4185	1	PLUG-O-RING						
		1	8L-2786	1	SEAL-O-RING						



GRAPHIC #1

<END>

g00637090

# COOLING SYSTEM

## 128-7404 FAN GP-BLOWER

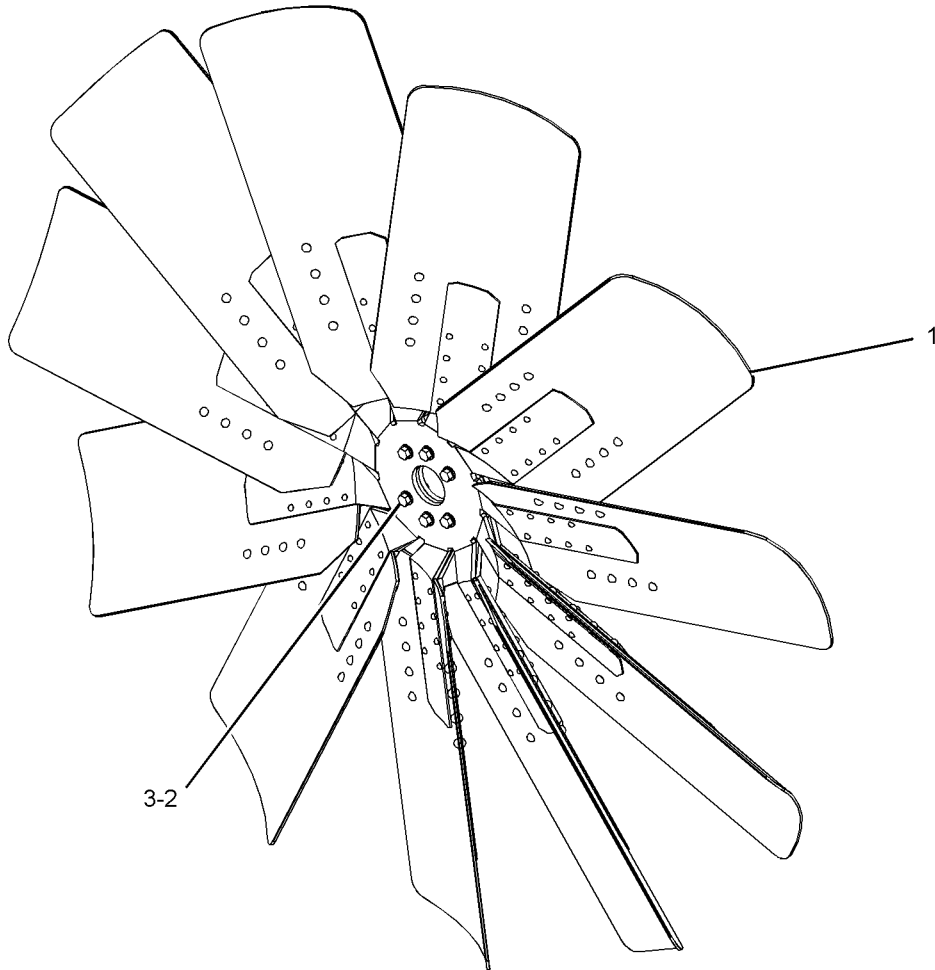
6-FT DIAMETER

FOR USE WITH 46CV OR 72/25 RADIATORS  
AN ATTACHMENT

SMCS-1356, 1360

i03638536

NOTE	REF NO	GRAPHIC REF	PART NUMBER	QTY	PART NAME						SEE PAGE
					1	2	3	4	5	6 (PRODUCT LEVEL)	
	1	1	128-5631	1	FAN AS-BLOWER (11-BLADE)						
	2	1	8T-4835	6	BOLT (1/2-13X2-IN)						
	3	1	8T-4223	6	WASHER-HARD (13.5X25.5X3-MM THK)						



GRAPHIC #1

<END>

g01953033

# COOLING SYSTEM

## 9Y-9171 HOUSING & REGULATOR GP-OUTLET CONTROL

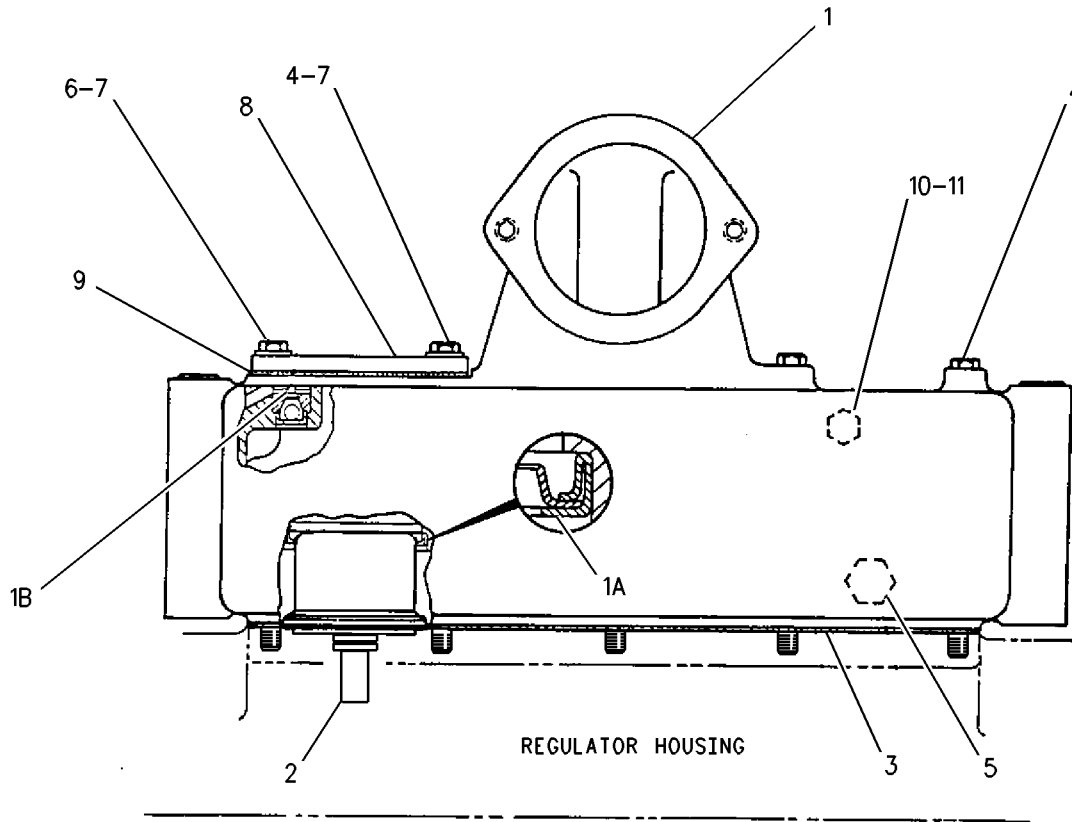
SMCS-1355, 1393

i03870113

NOTE	REF NO	GRAPHIC REF	PART NUMBER	QTY	PART NAME						SEE PAGE
					1	2	3	4	5	6 (PRODUCT LEVEL)	
C	1	1	7E-2748	1	HOUSING AS						
	1A	1	3S-9643	4	SEAL-LIP TYPE (WATER TEMPERATURE REGULATOR)						
	1B	1	111-4374	1	VALVE AS-VENT LINE						
	2	1	248-5513	4	REGULATOR-TEMPERATURE (92-DEG C) (WATER)						
	3	1	7N-4927	1	GASKET-HOUSING COVER						
	4	1	7F-3425	5	BOLT (3/8-16X5.75-IN)						
	5	1	7W-6492	1	PLUG-PIPE						
	6	1	0S-1594	2	BOLT (3/8-16X1-IN)						
	7	1	5M-2894	4	WASHER-HARD (10.2X18.5X2.5-MM THK)						
	8	1	7N-4928	1	COVER						
	9	1	4W-3100	1	GASKET						
B	10	1	9S-4182	1	PLUG-O-RING						
B	11	1	6V-9027	1	SEAL-O-RING						

B-USE AS REQUIRED

C-CHANGE FROM PREVIOUS TYPE



FRONT VIEW

GRAPHIC #1

<END>

g00715825

# COOLING SYSTEM

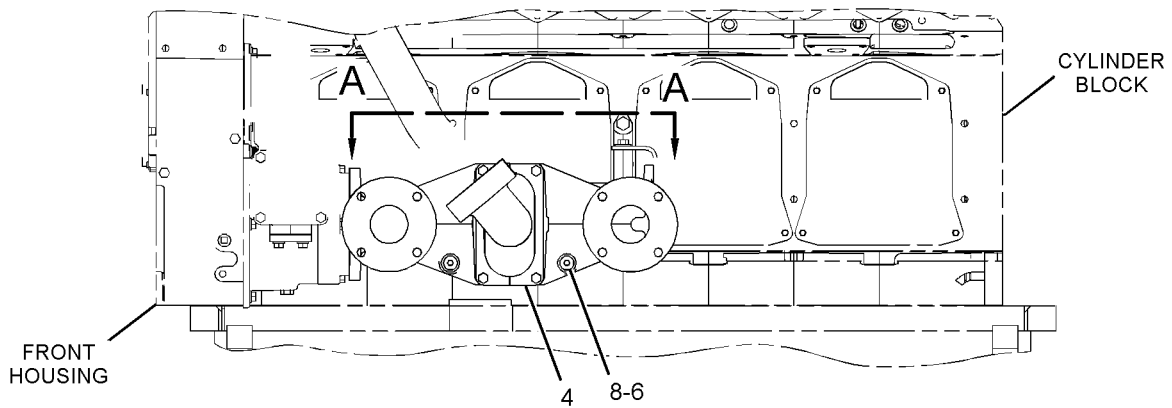
## 292-6969 HOUSING & REGULATOR GP

S/N: LLA168-UP  
PART OF 246-3218 LINES GP-WATER  
ALSO AN ATTACHMENT

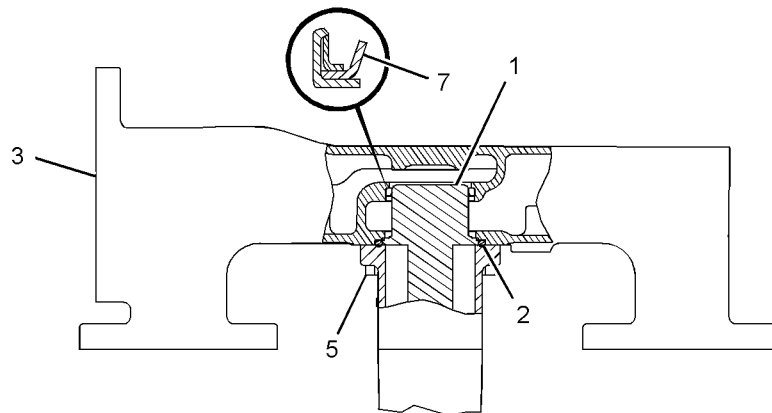
SMCS-1355, 1393

i03202469

NOTE	REF NO	GRAPHIC REF	PART NUMBER	QTY	PART NAME						SEE PAGE
					1	2	3	4	5	6 (PRODUCT LEVEL)	
	1	1	219-3240	2	REGULATOR-TEMPERATURE (30-DEG C)						
	2	1	6V-1454	2	SEAL-O-RING						
	3	1	214-0728	1	HOUSING						
	4	1	264-3073	1	ADAPTER						
	5	1	1A-2029	4	BOLT (3/8-16X1.125-IN)						
	6	1	3K-0360	2	SEAL-O-RING						
	7	1	3S-9643	2	SEAL-LIP TYPE						
	8	1	9S-8005	2	PLUG-O-RING						



LEFT SIDE VIEW OF ENGINE



VIEW A-A

GRAPHIC #1

<END>

g01842996

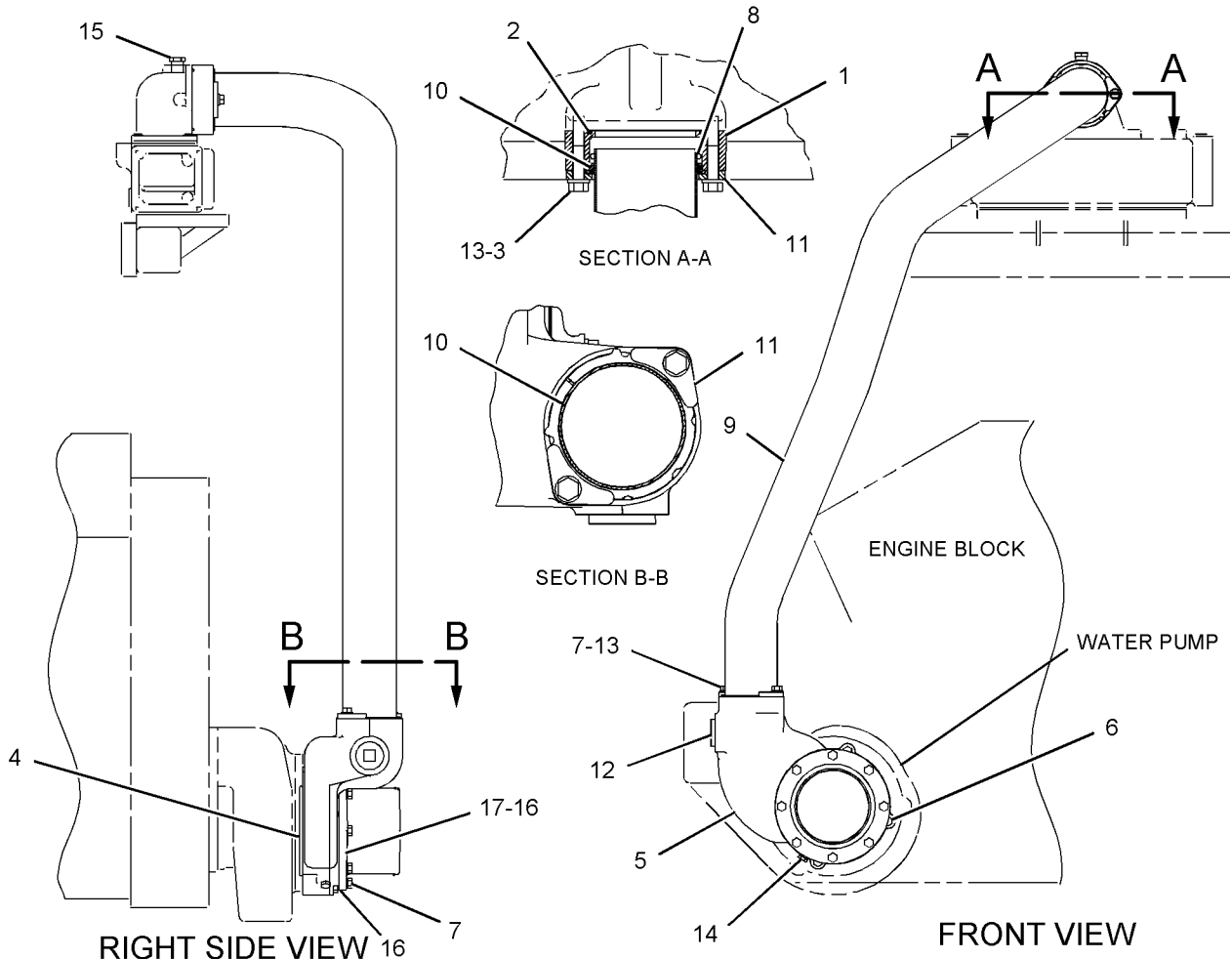
# COOLING SYSTEM

## 7C-8122 LINES GP-WATER-BYPASS

SMCS-1355, 1380, 1393

i02096444

NOTE	REF NO	GRAPHIC REF	PART NUMBER	QTY	PART NAME						SEE PAGE
					1	2	3	4	5	6 (PRODUCT LEVEL)	
	1	1	7C-8535	1	FLANGE						
	2	1	5P-6302	1	SEAL-O-RING						
	3	1	0L-2070	2	BOLT (3/8-16X2.25-IN)						
	4	1	6V-6809	1	SEAL-O-RING						
	5	1	8N-8380	1	ELBOW						
	6	1	0L-1143	3	BOLT (3/8-16X2.5-IN)						
	7	1	0S-1594	10	BOLT (3/8-16X1-IN)						
	8	1	6V-5066	2	SEAL-O-RING						
	9	1	8N-6406	1	TUBE						
	10	1	8N-3640	2	RING-RETAINING						
	11	1	8N-3639	4	RETAINER						
	12	1	8T-6760	1	PLUG-PIPE						
	13	1	5M-2894	4	WASHER-HARD (10.2X18.5X2.5-MM THK)						
	14	1	8T-6765	1	PLUG-PIPE						
	15	1	7W-6492	1	PLUG-PIPE						
	16	1	1S-5772	1	GASKET						
	17	1	8N-6432	1	ADAPTER						



GRAPHIC #1

<END>

g01068810

# COOLING SYSTEM

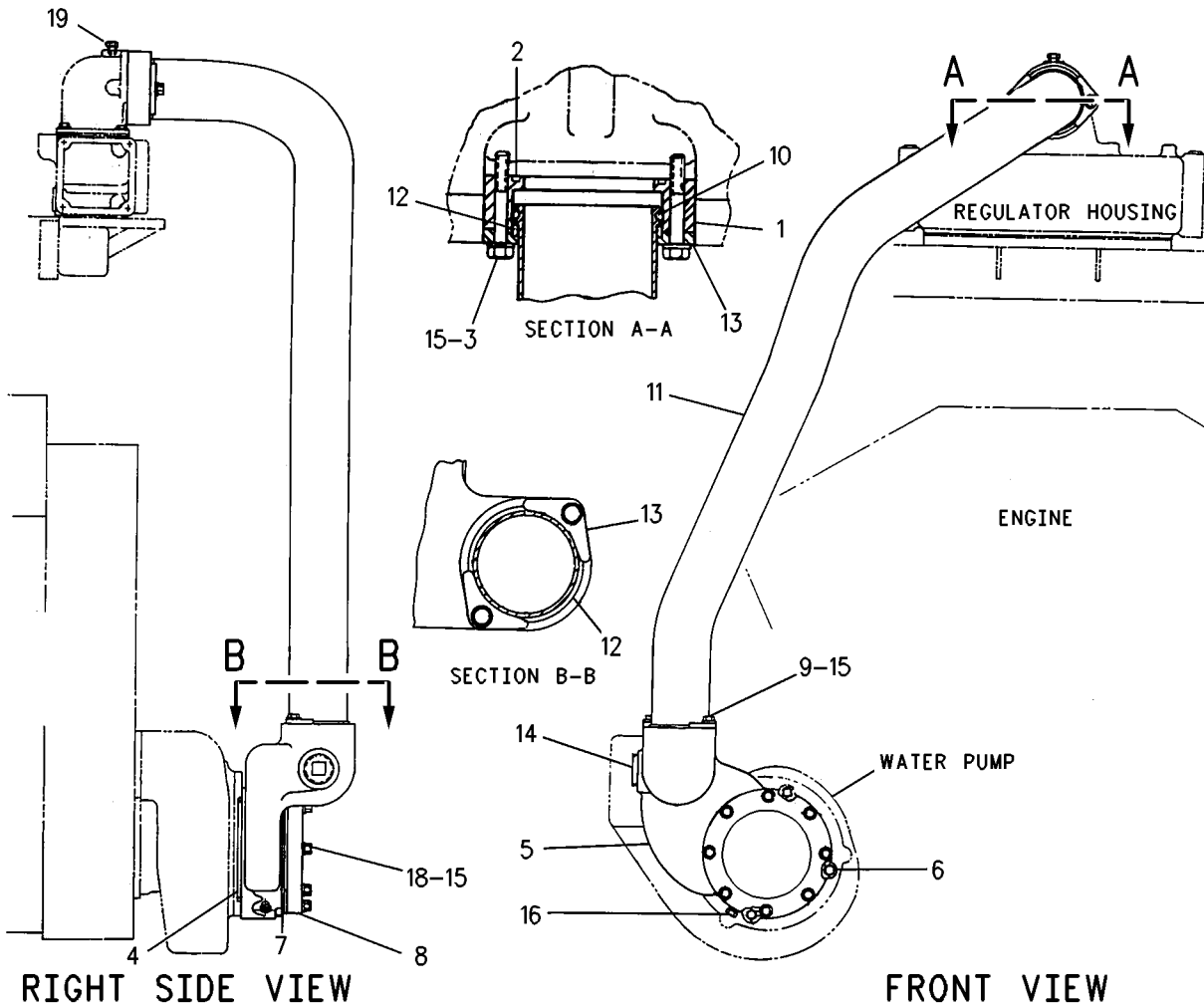
## 9Y-9173 LINES GP-WATER-BYPASS

CANNOT BE USED WITH EXPANSION TANK  
AN ATTACHMENT

SMCS-1355, 1380, 1393

i01590353

NOTE	REF NO	GRAPHIC REF	PART NUMBER	QTY	PART NAME						SEE PAGE
					1	2	3	4	5	6 (PRODUCT LEVEL)	
	1	1	7C-8535	1	FLANGE						
	2	1	5P-6302	1	SEAL-O-RING						
	3	1	0L-2070	2	BOLT (3/8-16X2.25-IN)						
	4	1	6V-6809	1	SEAL-O-RING						
	5	1	8N-8380	1	ELBOW						
	6	1	0L-1143	3	BOLT (3/8-16X2.5-IN)						
	7	1	1S-5772	1	GASKET						
	8	1	8N-6424	1	FLANGE						
	9	1	0S-1594	2	BOLT (3/8-16X1-IN)						
	10	1	6V-5066	2	SEAL-O-RING						
	11	1	8N-6406	1	TUBE						
	12	1	8N-3640	2	RING-RETAINING						
	13	1	8N-3639	4	RETAINER						
	14	1	8T-6760	1	PLUG-PIPE						
	15	1	5M-2894	12	WASHER-HARD (10.2X18.5X2.5-MM THK)						
	16	1	8T-6765	1	PLUG-PIPE						
	18	1	2A-4639	8	BOLT (3/8-16X1.625-IN)						
	19	1	7W-6492	1	PLUG-PIPE						



GRAPHIC #1

g00779755

# COOLING SYSTEM

## 114-3376 LINES GP-WATER-LOWER

S/N: LLA1-641

SMCS-1355, 1380, 1393

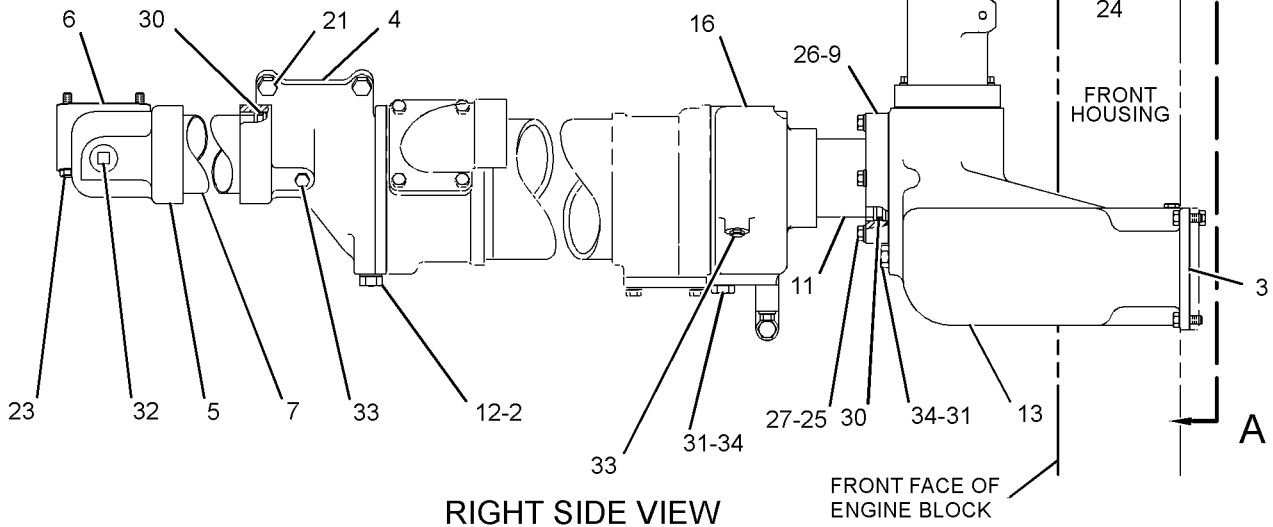
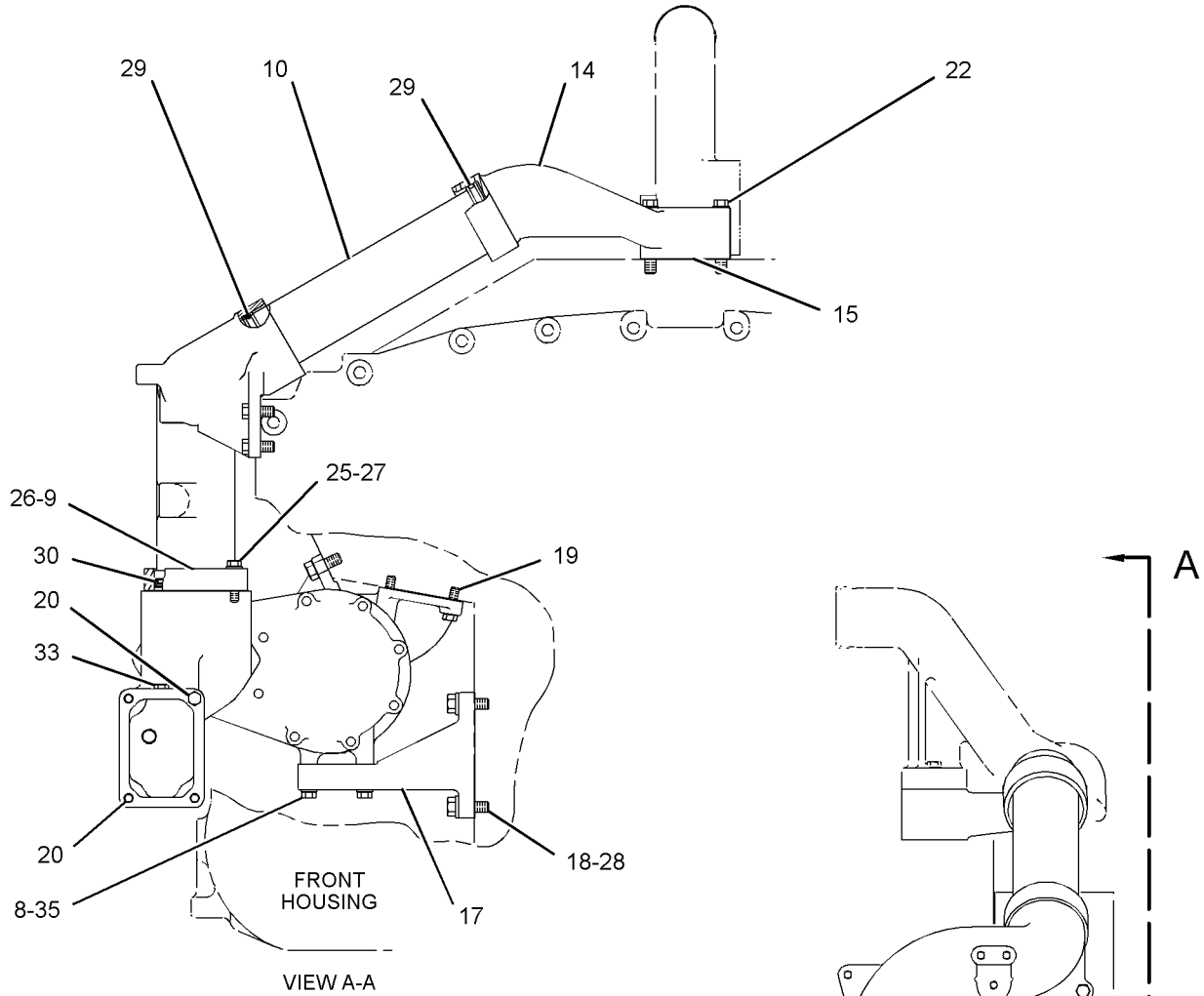
i02715945

NOTE	REF NO	GRAPHIC REF	PART NUMBER	QTY	PART NAME						SEE PAGE
					1	2	3	4	5	6 (PRODUCT LEVEL)	
	1	1	1N-4087	1	ELBOW						
	2	1	4B-8407	1	GASKET-COPPER						
	3	1	7N-4932	1	GASKET						
	4	1	7N-4941	1	BONNET-OIL COOLER						
	5	1	7N-4944	1	ELBOW						
	6	1	7N-4945	1	GASKET						
	7	1	7N-9044	1	TUBE						
	8	1	8B-9725	2	BOSS						
	9	1	8N-0386	2	FLANGE						
	10	1	8N-1989	1	TUBE						
	11	1	8N-7641	1	TUBE						
	12	1	9M-4202	1	PLUG-DRAIN (OIL COOLER) (OIL COOLER)						
	13	1	120-7421	1	ADAPTER						
	14	1	141-9285	1	ELBOW						
	15	1	230-1072	1	GASKET						
	16	1	278-0539	1	HOUSING-OIL COOLER						
	17	1	278-0540	1	BRACKET						
	18	1	0S-1585	2	BOLT (1/2-13X1.5-IN)						
	19	1	0S-1588	2	BOLT (3/8-16X1.25-IN)						
	20	1	0S-1594	4	BOLT (3/8-16X1-IN)						
	21	1	0S-1595	2	BOLT (1/2-13X1.25-IN)						
	22	1	0S-1619	2	BOLT (3/8-16X3-IN)						
	23	1	0T-0065	2	BOLT (3/8-16X3.5-IN)						
	24	1	1A-2029	2	BOLT (3/8-16X1.125-IN)						
	25	1	2A-4639	6	BOLT (3/8-16X1.625-IN)						
	26	1	4N-1320	2	GASKET						
	27	1	5M-2894	8	WASHER-HARD (10.2X18.5X2.5-MM THK)						
	28	1	5P-8245	2	WASHER-HARD (13.5X25.5X3-MM THK)						
	29	1	6V-1454	2	SEAL-O-RING						
	30	1	6V-5066	5	SEAL-O-RING						
	31	1	6V-6609	2	SEAL-O-RING						
	32	1	8T-6761	1	PLUG-PIPE						
	33	1	8T-6765	3	PLUG-PIPE						
	34	1	9S-4185	2	PLUG-O-RING						
	35	1	9X-8873	2	BOLT (1/2-13X2.25-IN)						

# COOLING SYSTEM

114-3376 LINES GP-WATER (contd.)

i02715945



GRAPHIC #1

<END>

g01371321



# COOLING SYSTEM

## 114-3376 LINES GP-WATER-LOWER

S/N: LLA642-UP

SMCS-1355, 1380, 1393

i02807274

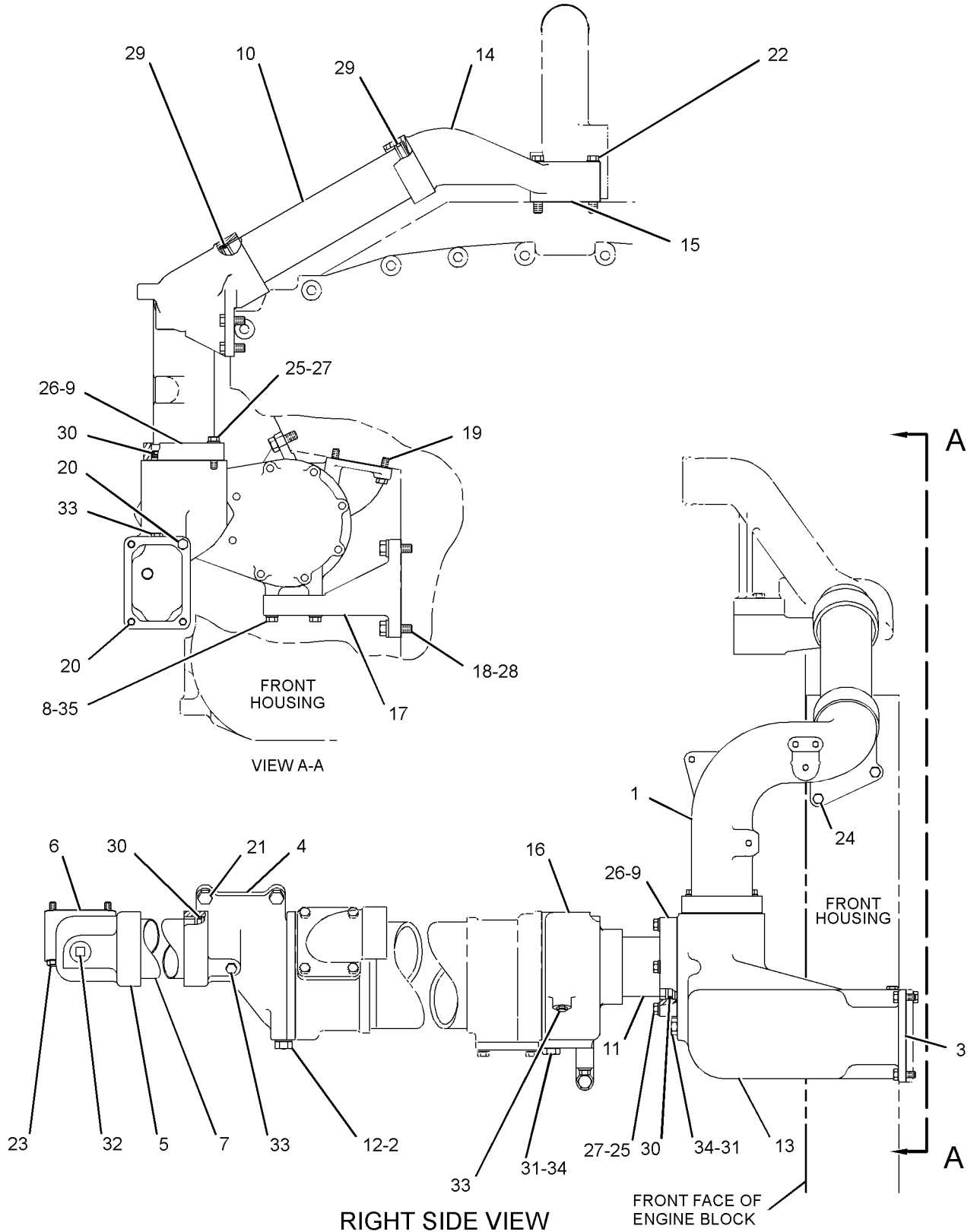
NOTE	REF NO	GRAPHIC REF	PART NUMBER	QTY	PART NAME						SEE PAGE
					1	2	3	4	5	6 (PRODUCT LEVEL)	
	1	1	1N-4087	1	ELBOW						
	2	1	4B-8407	1	GASKET-COPPER						
	3	1	7N-4932	1	GASKET						
	4	1	7N-4941	1	BONNET-OIL COOLER						
	5	1	7N-4944	1	ELBOW						
	6	1	7N-4945	1	GASKET						
	7	1	7N-9044	1	TUBE						
	8	1	8B-9725	2	BOSS						
	9	1	8N-0386	2	FLANGE						
	10	1	8N-1989	1	TUBE						
	11	1	8N-7641	1	TUBE						
	12	1	9M-4202	1	PLUG-DRAIN (OIL COOLER) (OIL COOLER)						
	13	1	120-7421	1	ADAPTER						
	14	1	141-9285	1	ELBOW						
	15	1	230-1072	1	GASKET						
C	16	1	278-0539	1	HOUSING-OIL COOLER						
C	17	1	278-0540	1	BRACKET						
	18	1	0S-1585	2	BOLT (1/2-13X1.5-IN)						
	19	1	0S-1588	2	BOLT (3/8-16X1.25-IN)						
	20	1	0S-1594	4	BOLT (3/8-16X1-IN)						
	21	1	0S-1595	2	BOLT (1/2-13X1.25-IN)						
	22	1	0S-1619	2	BOLT (3/8-16X3-IN)						
	23	1	0T-0065	2	BOLT (3/8-16X3.5-IN)						
	24	1	1A-2029	2	BOLT (3/8-16X1.125-IN)						
	25	1	2A-4639	6	BOLT (3/8-16X1.625-IN)						
	26	1	4N-1320	2	GASKET						
C	27	1	5M-2894	8	WASHER-HARD (10.2X18.5X2.5-MM THK)						
	28	1	5P-8245	2	WASHER-HARD (13.5X25.5X3-MM THK)						
	29	1	6V-1454	2	SEAL-O-RING						
	30	1	6V-5066	5	SEAL-O-RING						
	31	1	6V-6609	2	SEAL-O-RING						
	32	1	8T-6761	1	PLUG-PIPE						
	33	1	8T-6765	3	PLUG-PIPE						
	34	1	9S-4185	2	PLUG-O-RING						
C	35	1	9X-8873	2	BOLT (1/2-13X2.25-IN)						

C-CHANGE FROM PREVIOUS TYPE

# COOLING SYSTEM

114-3376 LINES GP-WATER (contd.)

i02807274



GRAPHIC #1

<END>

g01371321

# COOLING SYSTEM

## 135-1072 LINES GP-WATER-UPPER

SMCS-1355, 1380, 1393

i03526125

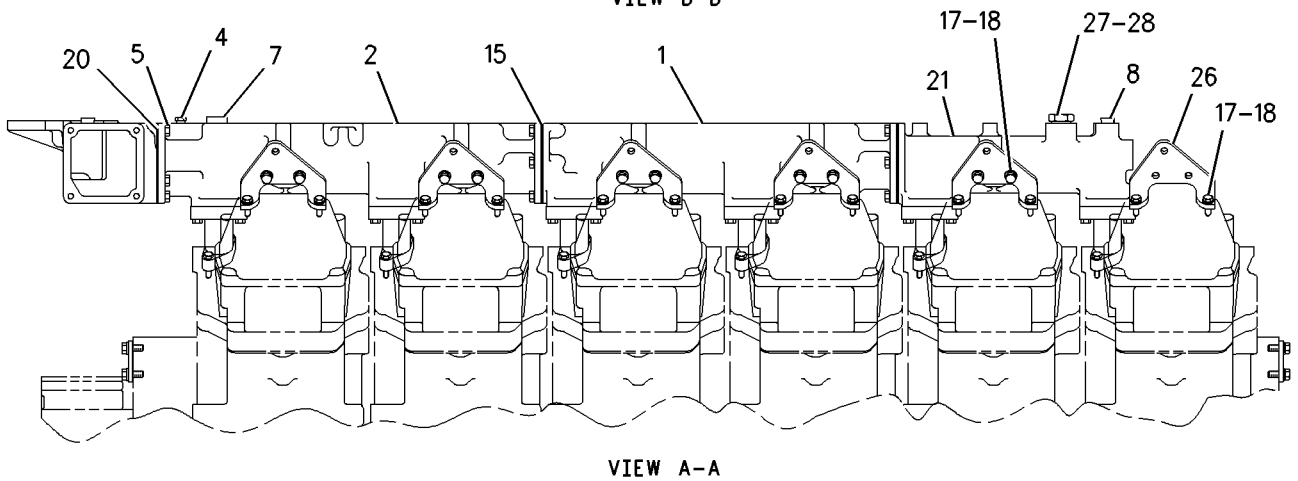
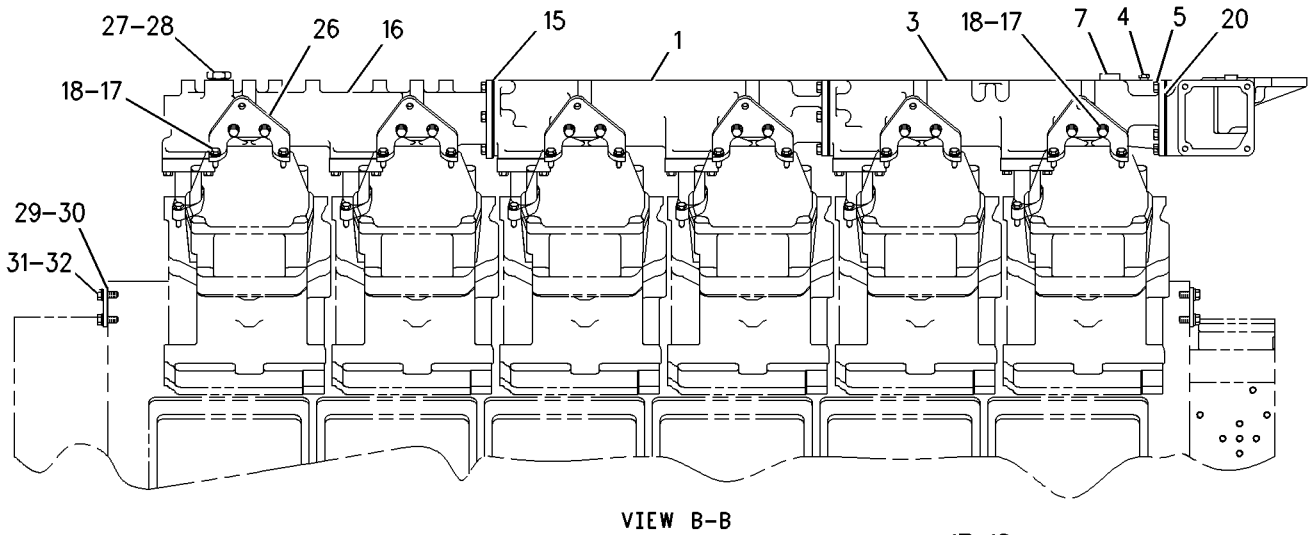
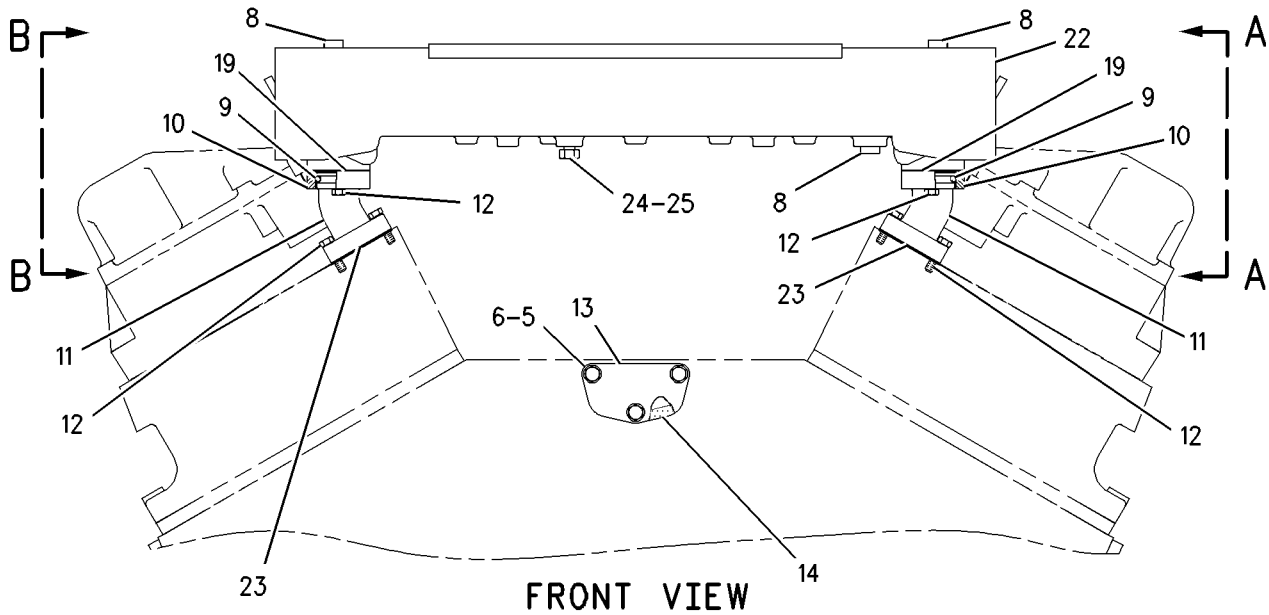
NOTE	REF NO	GRAPHIC REF	PART NUMBER	QTY	PART NAME						SEE PAGE
					1	2	3	4	5	6 (PRODUCT LEVEL)	
	1	1	4P-3897	2	MANIFOLD (INTERMEDIATE)						
	2	1	154-1616	1	MANIFOLD (FRONT, LH)						
	3	1	154-1617	1	MANIFOLD (FRONT, RH)						
	4	1	8T-6765	2	PLUG-PIPE						
	5	1	0S-1594	27	BOLT (3/8-16X1-IN)						
	6	1	5M-2894	3	WASHER-HARD (10.2X18.5X2.5-MM THK)						
	7	1	8T-6761	2	PLUG-PIPE						
	8	1	8T-6762	4	PLUG-PIPE						
	9	1	6V-9769	12	SEAL-O-RING						
	10	1	2W-3146	12	FLANGE						
	11	1	8N-7639	12	ELBOW						
	12	1	1B-7182	48	BOLT (5/16-18X1.25-IN)						
	13	1	7N-3297	1	COVER						
	14	1	7N-3368	1	GASKET						
	15	1	243-2288	4	GASKET						
	16	1	111-8277	1	MANIFOLD (REAR, RH)						
	17	1	0S-1618	46	BOLT (5/16-18X1-IN)						
	18	1	9M-1974	46	WASHER-HARD (8.8X16X2-MM THK)						
	19	1	241-5928	12	GASKET						
	20	1	122-8856	2	GASKET						
	21	1	111-8276	1	MANIFOLD (REAR, LH)						
	22	1	111-9375	1	HOUSING (REGULATOR)						
	23	1	127-2176	12	SEAL-INTEGRAL						
	24	1	9S-4182	1	PLUG-O-RING						
	25	1	6V-9027	1	SEAL-O-RING						
	26	1	133-8382	12	BRACKET						
	27	1	6V-5064	2	SEAL-O-RING						
	28	1	9S-4181	2	PLUG-O-RING						
B	29	1	7N-3297	1	COVER						
B	30	1	7N-3368	1	GASKET						
B	31	1	0S-1594	3	BOLT (3/8-16X1-IN)						
B	32	1	5M-2894	3	WASHER-HARD (10.2X18.5X2.5-MM THK)						

B-USE AS REQUIRED

# COOLING SYSTEM

135-1072 LINES GP-WATER (contd.)

i03526125



GRAPHIC #1

<END>

g00638094

# COOLING SYSTEM

## 161-4087 LINES GP-WATER-TURBOCHARGER

SMCS-1355, 1380, 1393

i03706479

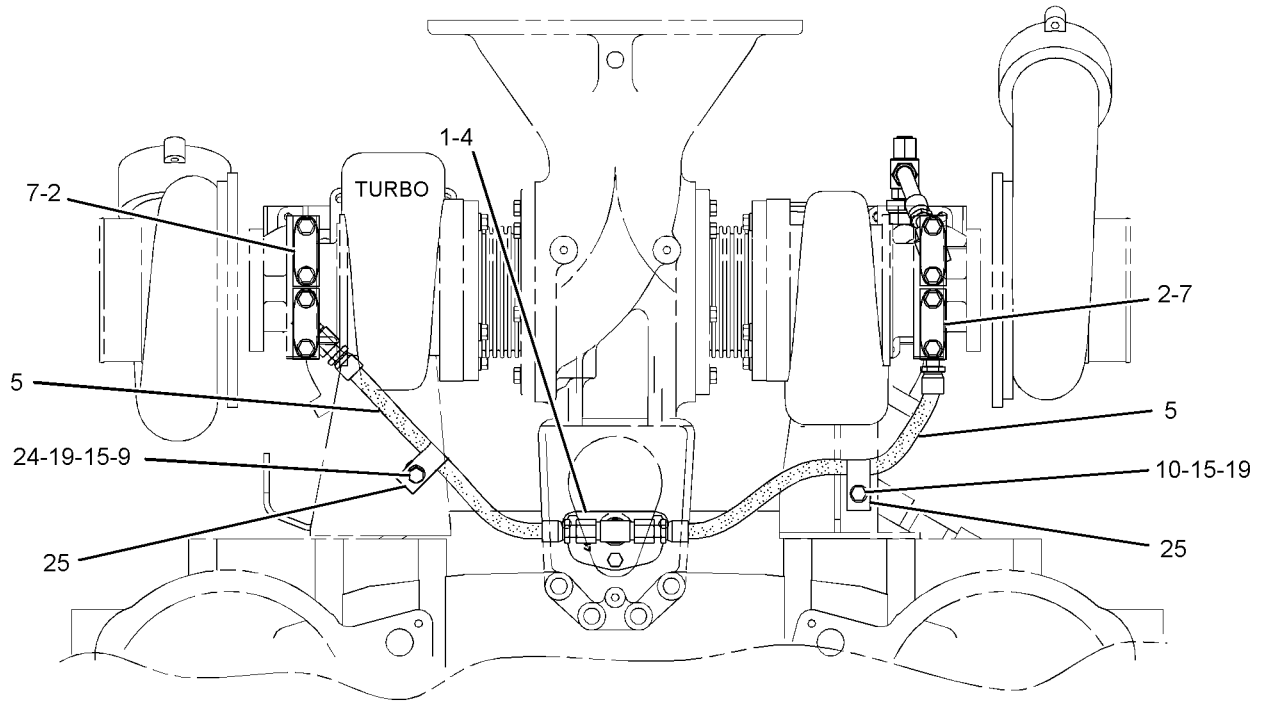
NOTE	REF NO	GRAPHIC REF	PART NUMBER	QTY	PART NAME						SEE PAGE
					1	2	3	4	5	6 (PRODUCT LEVEL)	
	1	1	7N-3368	1	GASKET						
	2	1	7N-7878	4	PLATE-COVER						
	3	1	107-0744	4	BLOCK						
	4	1	113-4647	1	ADAPTER						
	5	1	252-5658	3	HOSE AS						
CI	6	1	341-8890	1	HOSE AS						
	7	1	341-9211	8	GASKET						
C	8	2	118-4728	2	ELBOW						
	9	1	0S-1591	9	BOLT (3/8-16X1.5-IN)						
	10	1,2	0S-1594	4	BOLT (3/8-16X1-IN)						
	11	1	1L-5081	8	SPACER (0.41X0.75X0.56-IN THK)						
	12	2	3B-1915	8	BOLT (3/8-16X1.375-IN)						
C	13	1,2	3K-0360	7	SEAL-O-RING						
	14	1	4S-4869	1	TEE						
	15	1,2	5M-2894	12	WASHER-HARD (10.2X18.5X2.5-MM THK)						
	16	2	5P-5777	1	ADAPTER-O-RING						
C	17	2	6V-8398	3	SEAL-O-RING						
C	18	2	6V-8782	1	TEE						
	19	1	6V-8801	2	NUT (3/8-16-THD)						
C	20	2	6V-9002	1	ELBOW						
	21	2	6V-9830	1	CAP AS						
	22	2	7M-8485	1	SEAL-O-RING						
	23	1,2	8M-0505	2	CONNECTOR						
	24	1	9G-8140	1	SPACER (10.5X25X15-MM THK)						
	25	1	9X-8606	2	CLIP						

C-CHANGE FROM PREVIOUS TYPE  
I-REFER TO HYDRAULIC INFORMATION SYSTEM

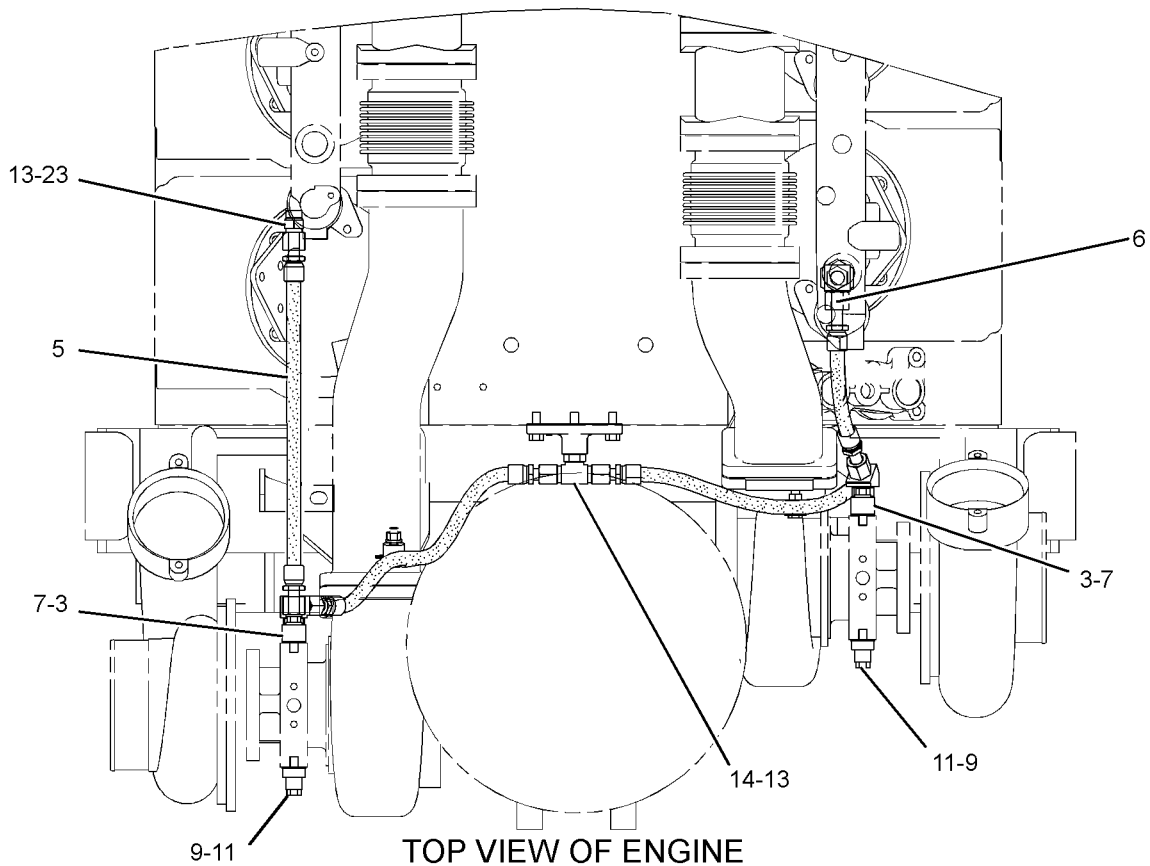
# COOLING SYSTEM

161-4087 LINES GP-WATER (contd.)

i03706479



REAR VIEW OF ENGINE



TOP VIEW OF ENGINE

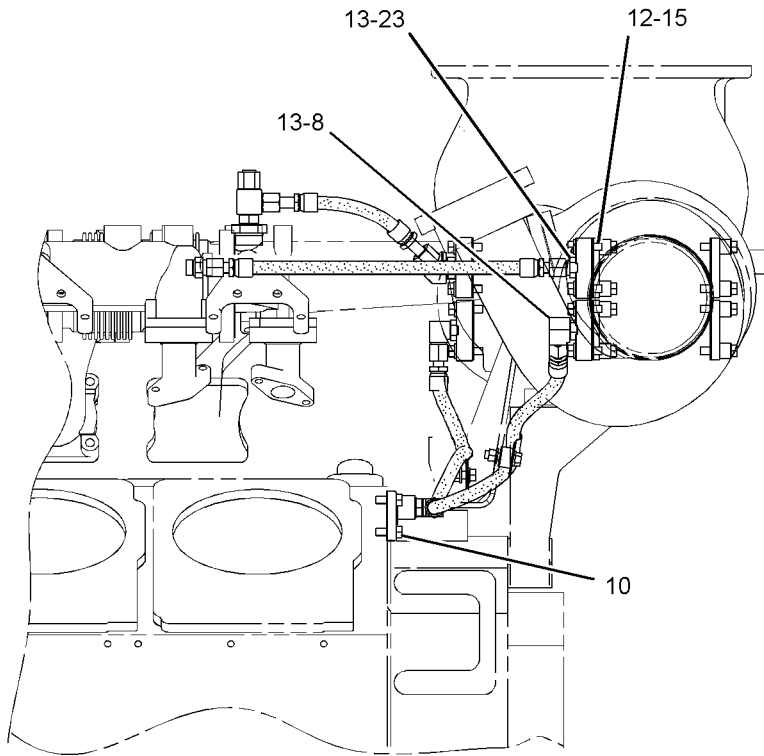
GRAPHIC #1

g02024008

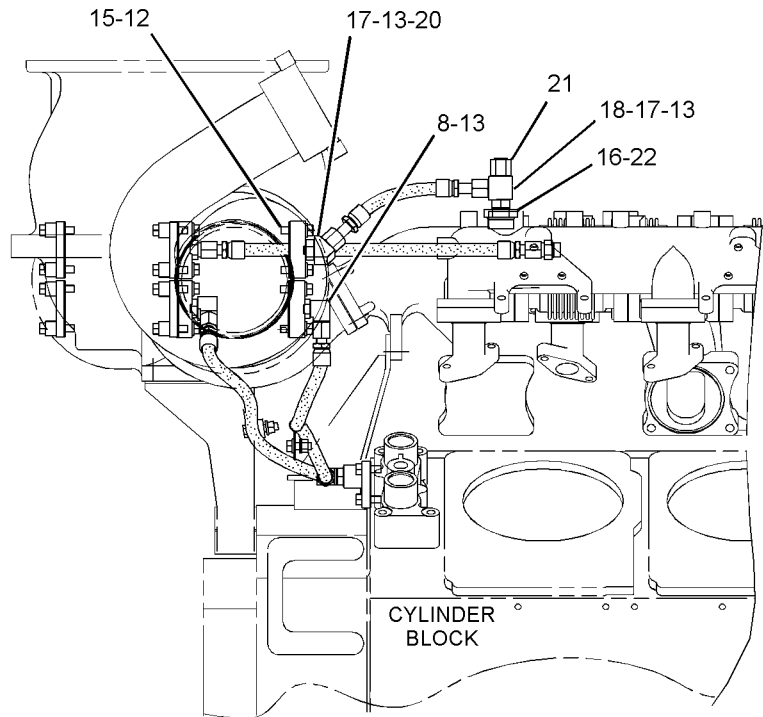
# COOLING SYSTEM

161-4087 LINES GP-WATER (contd.)

i03706479



LEFT SIDE VIEW OF ENGINE



RIGHT SIDE VIEW OF ENGINE

GRAPHIC #2

<END>

g02024007

# COOLING SYSTEM

## 246-3218 LINES GP-WATER-AFTERCOOLER

S/N: LLA1-910

ALSO AN ATTACHMENT

SMCS-1355, 1380, 1393

i02588646

NOTE	REF NO	GRAPHIC REF	PART NUMBER	QTY	PART NAME						SEE PAGE
					1	2	3	4	5	6 (PRODUCT LEVEL)	
	1	1	1N-3872	1	SUPPORT						
	2	1	2W-5225	2	FLANGE						
	3	1	3P-6061	1	GASKET						
	4	2	4W-0531	6	RETAINER						
	5	1,2	7C-9597	2	FLANGE						
	7	2	7N-6986	1	SUPPORT						
	8	2	109-0642	1	BRACKET						
	9	2	110-6995	1	PLATE						
	10	2	110-9538	1	TUBE						
	11	1	111-5056	1	CONNECTOR						
	12	2	288-4654	1	ELBOW						
	13	1	129-3083	1	ELBOW						
	14	1	137-8219	1	ELBOW						
	15	2	153-9481	2	CLAMP AS						
	16	2	153-9963	1	RING						
	17	2	214-0731	1	BRACKET						
	18	2	230-1072	1	GASKET						
	19	2	261-7296	1	BRACKET AS						
	20	1	268-0028	1	TUBE						
Y	21	2	292-6969	1	HOUSING & REGULATOR GP						138
	22	2	0L-1351	8	BOLT (3/8-16X0.875-IN)						
	23	2	0L-2070	2	BOLT (3/8-16X2.25-IN)						
	24	2	0S-1571	2	BOLT (3/8-16X1.75-IN)						
	25	1,2	0S-1588	2	BOLT (3/8-16X1.25-IN)						
	26	1,2	0S-1591	3	BOLT (3/8-16X1.5-IN)						
	27	2	0S-1594	10	BOLT (3/8-16X1-IN)						
	28	1	0T-0055	2	BOLT (3/8-16X4.25-IN)						
	29	2	0T-0065	2	BOLT (3/8-16X3.5-IN)						
	30	2	1A-2029	2	BOLT (3/8-16X1.125-IN)						
	31	1	1A-5822	2	BOLT (1/2-13X2.75-IN)						
	32	1	1C-2251	2	BOLT (3/8-16X1.87-IN)						
	33	2	1F-7958	8	NUT-FULL (1/2-13-THD)						
	34	1	3J-1907	1	SEAL-O-RING						
	35	2	3V-3308	2	WASHER-HARD (10.2X20.5X2.5-MM THK)						
	36	2	4F-7387	1	SEAL-O-RING						
	37	1	4W-0530	3	RING-RETAINING						
	38	2	5B-0841	4	BOLT (5/8-18X1.75-IN)						
	39	2	5B-2638	2	BOLT (3/8-16X5.25-IN)						
	40	2	5B-4399	1	SEAL-O-RING						
	41	1,2	5M-2894	18	WASHER-HARD (10.2X18.5X2.5-MM THK)						
	42	2	5P-8245	8	WASHER-HARD (13.5X25.5X3-MM THK)						
	43	2	6H-6698	1	COVER						
	44	1,2	6J-2680	4	SEAL-O-RING						
	45	2	6V-1581	2	CLIP (SLOT)						
	46	2	6V-1582	2	CLIP (TAB)						
	47	2	6V-8397	1	SEAL-O-RING						
	48	2	6V-9829	1	CAP AS						
	49	2	7W-6492	2	PLUG-PIPE						
	50	1	8S-9191	2	BOLT (3/8-16X4-IN)						
	51	1,2	8T-1919	4	SEAL-O-RING						
	52	2	9L-9132	2	WASHER (10.2X25.5X2.5-MM THK)						
	53	1	9S-4191	1	PLUG-O-RING						
	54	1,2	9S-8752	9	NUT-FULL (3/8-16-THD)						
	55	1,2	9X-6458	8	WASHER-HARD (10.2X22.5X3-MM THK)						
	56	2	9X-8873	8	BOLT (1/2-13X2.25-IN)						
	57	1	9Y-6893	2	GASKET						



# COOLING SYSTEM

246-3218 LINES GP-WATER (contd.)

i02588646

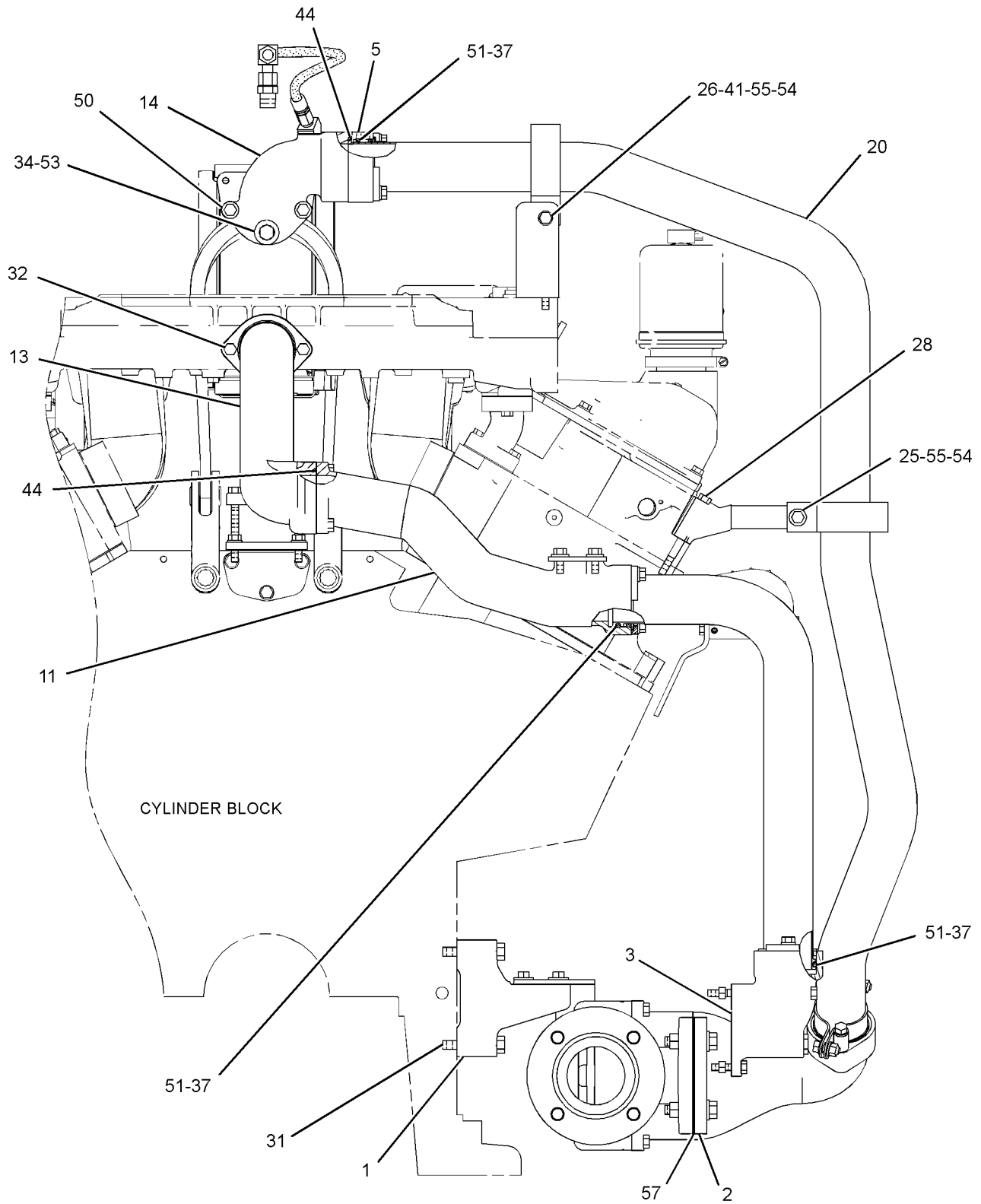
NOTE	REF NO	GRAPHIC REF	PART NUMBER	QTY	PART NAME						SEE PAGE
					1	2	3	4	5	6 (PRODUCT LEVEL)	
	58	2	8C-7310	1	ADAPTER						
	59	2	187-4606	1	HOSE AS						
	60	2	4W-4076	1	ELBOW						
	61	2	6V-9843	1	TEE - SWIVEL						
	62	2	8C-6870	1	CONNECTOR						

Y-SEPARATE ILLUSTRATION

# COOLING SYSTEM

246-3218 LINES GP-WATER (contd.)

i02588646



FRONT VIEW OF ENGINE

GRAPHIC #1

g01315879



# COOLING SYSTEM

## 246-3218 LINES GP-WATER-AFTERCOOLER

S/N: LLA911-UP

ALSO AN ATTACHMENT

SMCS-1355, 1380, 1393

i03276399

NOTE	REF NO	GRAPHIC REF	PART NUMBER	QTY	PART NAME						SEE PAGE
					1	2	3	4	5	6 (PRODUCT LEVEL)	
	1	2	1N-3872	1	SUPPORT						
	2	2	2W-5225	2	FLANGE						
	3	2	3P-6061	1	GASKET						
	4	2	4W-0530	2	RING-RETAINING						
C	5	1,2	4W-0531	4	RETAINER						
	6	2	7C-9597	2	FLANGE						
	7	2	7N-6986	1	SUPPORT						
	8	1	8C-7310	1	ADAPTER						
	9	1	110-6995	1	PLATE						
	10	1	110-9538	1	TUBE						
C	11	1	111-5052	1	BRACKET						
	12	2	111-5056	1	CONNECTOR						
	13	1	129-3083	1	ELBOW						
	14	2	137-8219	1	ELBOW						
C	15	1	153-9481	4	CLAMP AS						
	16	1,2	153-9963	2	RING						
	17	1	187-4606	1	HOSE AS						
	18	2	214-0731	1	BRACKET						
	19	1	230-1072	1	GASKET						
	20	2	261-7296	1	BRACKET AS						
	21	2	268-0028	1	TUBE						
	22	2	288-4654	1	ELBOW						
Y	23	2	292-6969	1	HOUSING & REGULATOR GP						138
C	24	2	322-6347	1	BRACKET						
	25	1,2	0L-1351	8	BOLT (3/8-16X0.875-IN)						
	26	2	0L-2070	2	BOLT (3/8-16X2.25-IN)						
C	27	1	0S-1571	4	BOLT (3/8-16X1.75-IN)						
C	28	1,2	0S-1591	4	BOLT (3/8-16X1.5-IN)						
	29	1,2	0S-1594	10	BOLT (3/8-16X1-IN)						
	30	2	0T-0055	2	BOLT (3/8-16X4.25-IN)						
	31	1	0T-0065	2	BOLT (3/8-16X3.5-IN)						
C	32	1,2	193-2120	3	GROMMET						
	33	1	1A-2029	2	BOLT (3/8-16X1.125-IN)						
	34	2	1A-5822	2	BOLT (1/2-13X2.75-IN)						
	35	2	1C-2251	2	BOLT (3/8-16X1.87-IN)						
	36	2	1F-7958	8	NUT-FULL (1/2-13-THD)						
C	37	2	2A-4639	1	BOLT (3/8-16X1.625-IN)						
C	38	2	2M-0849	1	WASHER-HARD (13.5X25.5X5-MM THK)						
C	39	2	3B-1915	1	BOLT (3/8-16X1.375-IN)						
	40	2	3J-1907	1	SEAL-O-RING						
C	41	2	3V-3308	2	WASHER-HARD (10.2X20.5X2.5-MM THK)						
	42	1	4F-7387	1	SEAL-O-RING						
	43	2	4W-4076	1	ELBOW						
	44	2	5B-0841	4	BOLT (5/8-18X1.75-IN)						
	45	1	5B-2638	2	BOLT (3/8-16X5.25-IN)						
	46	2	5B-4399	1	SEAL-O-RING						
C	47	1,2	5M-2894	20	WASHER-HARD (10.2X18.5X2.5-MM THK)						
	48	2	5P-8245	8	WASHER-HARD (13.5X25.5X3-MM THK)						
C	49	2	6H-1717	1	BOLT (1/2-13X1.125-IN)						
	50	1	6H-6698	1	COVER						
	51	2	6J-2680	4	SEAL-O-RING						
C	52	1,2	6V-1867	3	CLIP (SLOT)						
C	53	1,2	6V-1868	1	CLIP (TAB)						
	54	1	6V-8397	1	SEAL-O-RING						
	55	1	6V-9829	1	CAP AS						
	56	1	6V-9843	1	TEE-SWIVEL						

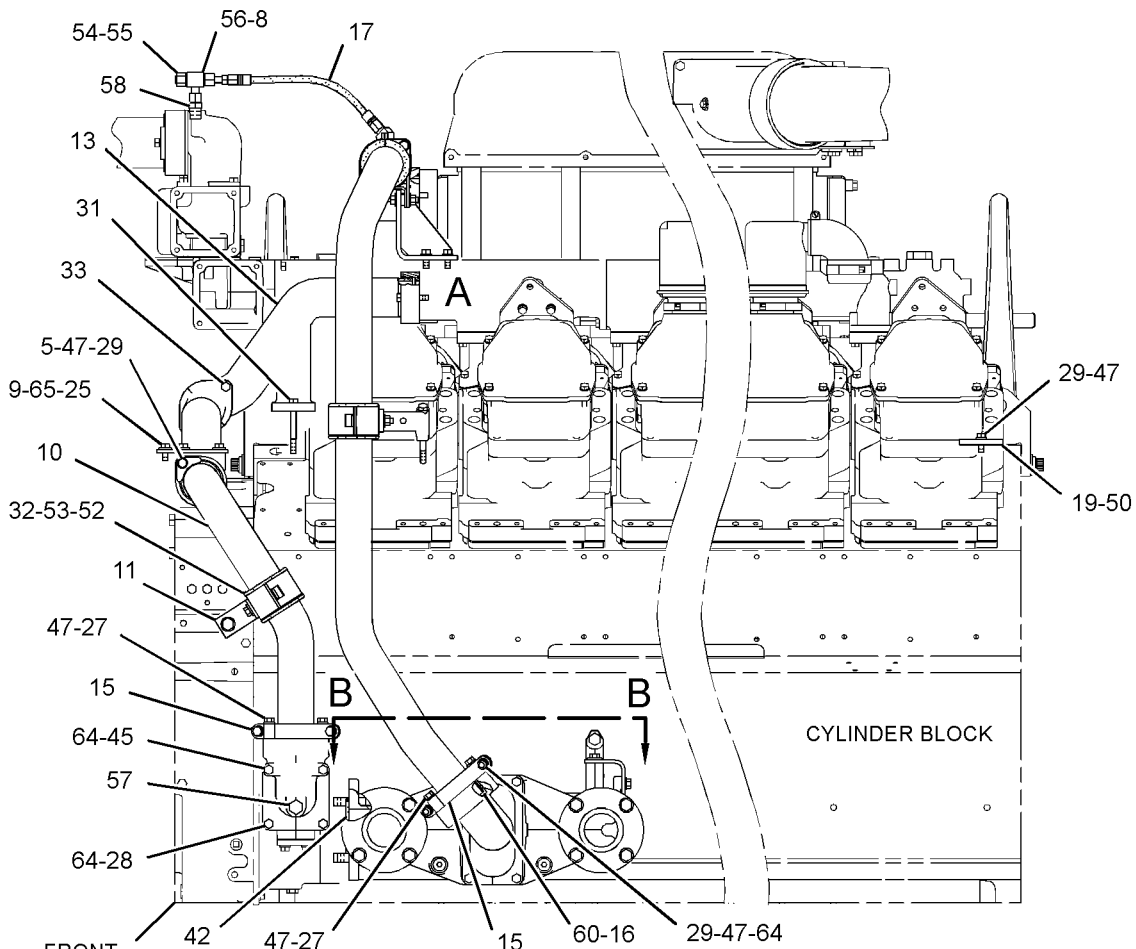
# COOLING SYSTEM

246-3218 LINES GP-WATER (contd.)

i03276399

NOTE	REF NO	GRAPHIC REF	PART NUMBER	QTY	PART NAME						SEE PAGE
					1	2	3	4	5	6 (PRODUCT LEVEL)	
	57	1	7W-6492	2	PLUG-PIPE						
	58	1	8C-6870	1	CONNECTOR						
	59	2	8S-9191	2	BOLT (3/8-16X4-IN)						
	60	1,2	8T-1919	4	SEAL-O-RING						
	61	2	9L-9132	2	WASHER (10.2X25.5X2.5-MM THK)						
C	62	2	9R-5008	1	SPACER (11X20X6-MM THK)						
	63	2	9S-4191	1	PLUG-O-RING						
C	64	1,2	9S-8752	12	NUT-FULL (3/8-16-THD)						
C	65	1,2	9X-6458	12	WASHER-HARD (10.2X22.5X3-MM THK)						
	66	2	9X-8873	8	BOLT (1/2-13X2.25-IN)						
	67	2	9Y-6893	2	GASKET						

C-CHANGE FROM PREVIOUS TYPE  
Y-SEPARATE ILLUSTRATION



**LEFT SIDE VIEW OF ENGINE**

REFER TO ALL ILLUSTRATIONS OF THIS GROUP FOR AUXILIARY VIEWS

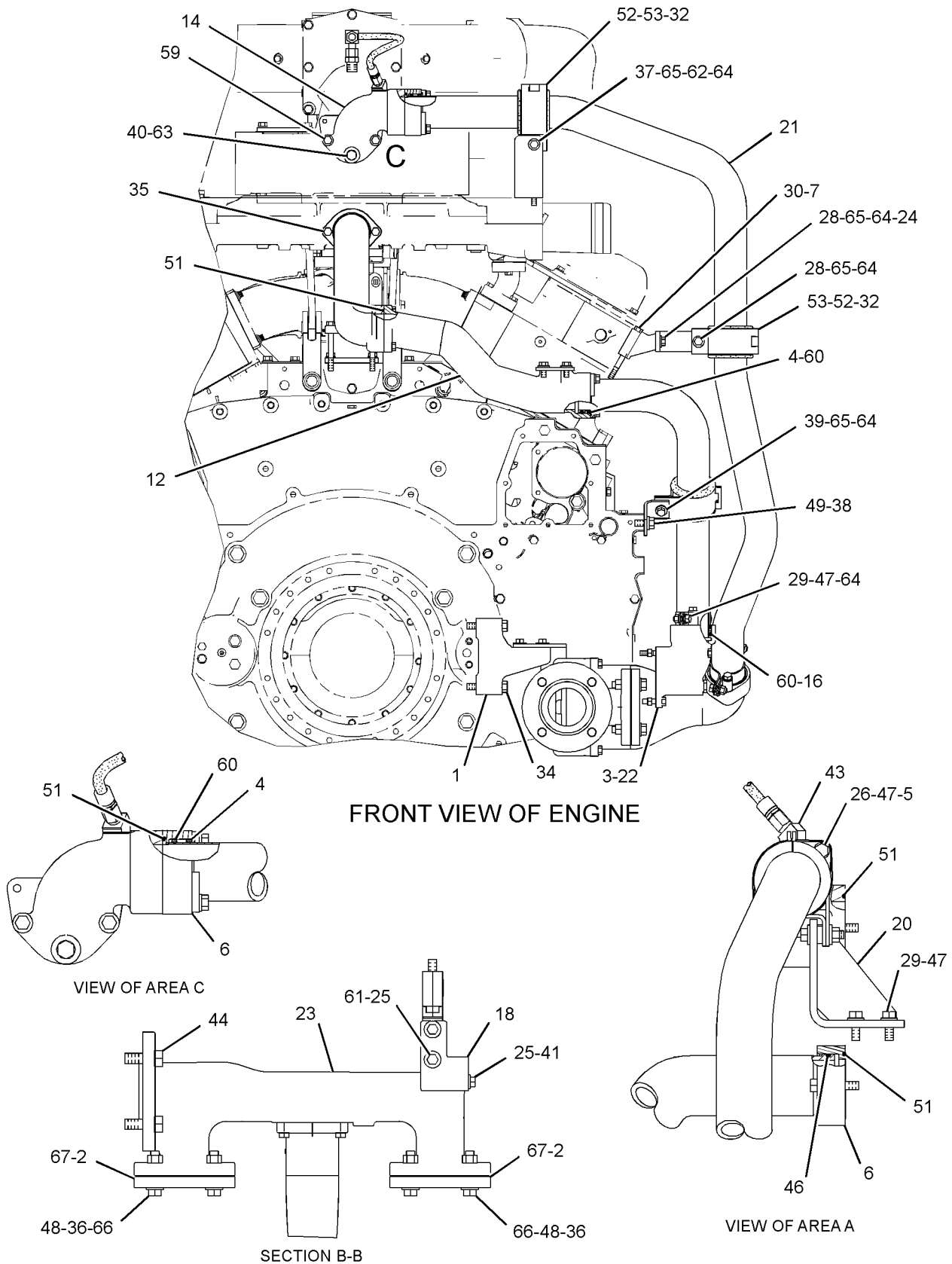
GRAPHIC #1

g01709581

# COOLING SYSTEM

246-3218 LINES GP-WATER (contd.)

i03276399



FRONT VIEW OF ENGINE

VIEW OF AREA C

VIEW OF AREA A

SECTION B-B

GRAPHIC #2

<END>

g01709579

# COOLING SYSTEM

## 9Y-8175 PUMP GP-AUXILIARY WATER

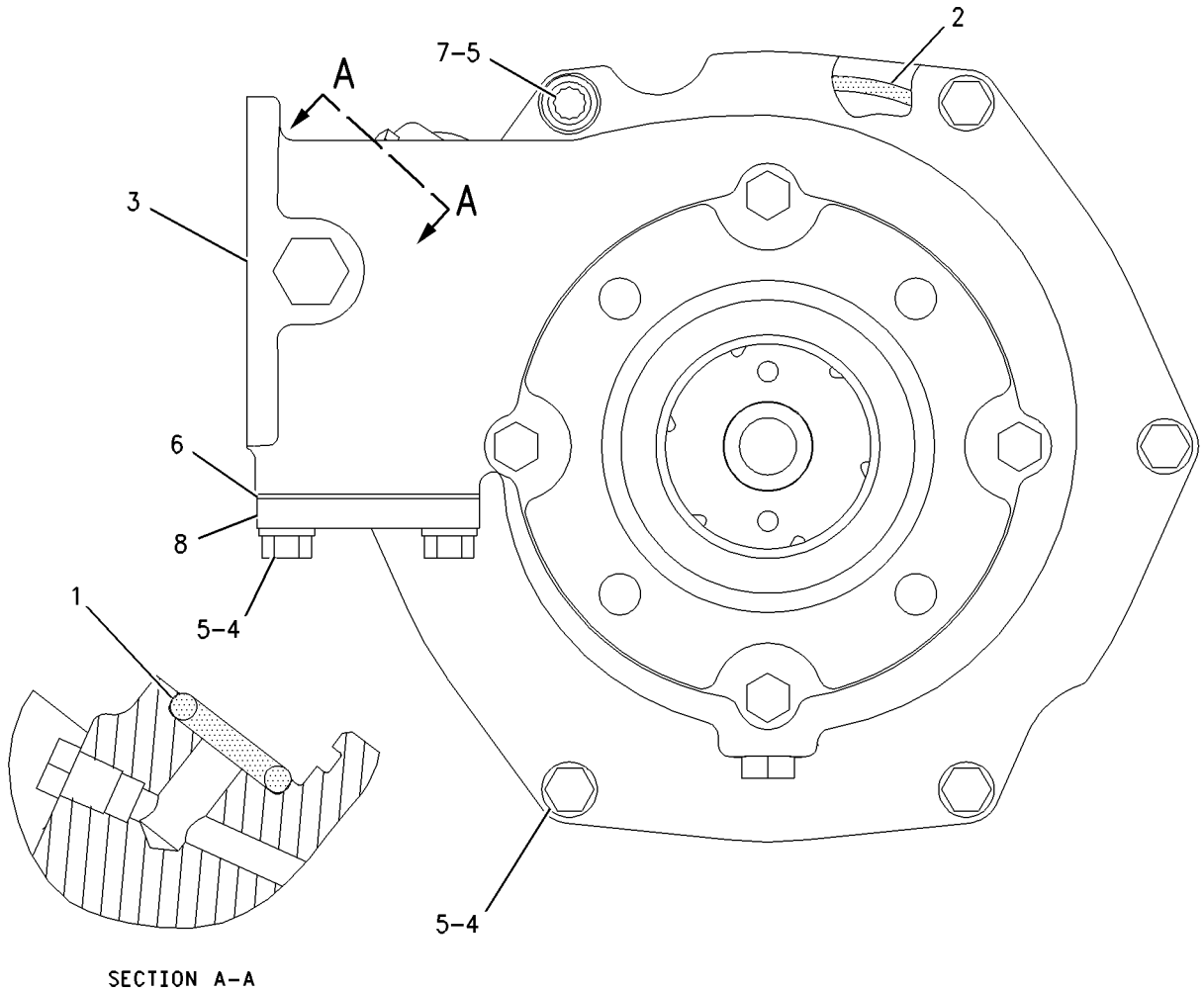
S/N: LLA1-102, 145-380

SMCS-1371

i02593795

NOTE	REF NO	GRAPHIC REF	PART NUMBER	QTY	PART NAME						SEE PAGE
					1	2	3	4	5	6 (PRODUCT LEVEL)	
	1	1	3B-8453	1	SEAL-O-RING						
	2	1	235-3546	1	SEAL-O-RING						
CYR	3	1	212-8166	1	PUMP GP-AUXILIARY WATER						159
	4	1	0S-1594	7	BOLT (3/8-16X1-IN)						
	5	1	5M-2894	8	WASHER-HARD (10.2X18.5X2.5-MM THK)						
	6	1	5N-1940	1	GASKET						
	7	1	1T-0765	1	BOLT (3/8-16X1-IN)						
	8	1	5N-1939	1	COVER						

C-CHANGE FROM PREVIOUS TYPE  
R-REMFG PART MAY BE AVAILABLE  
Y-SEPARATE ILLUSTRATION



GRAPHIC #1

<END>

g00912687

# COOLING SYSTEM

## 9Y-8175 PUMP GP-AUXILIARY WATER

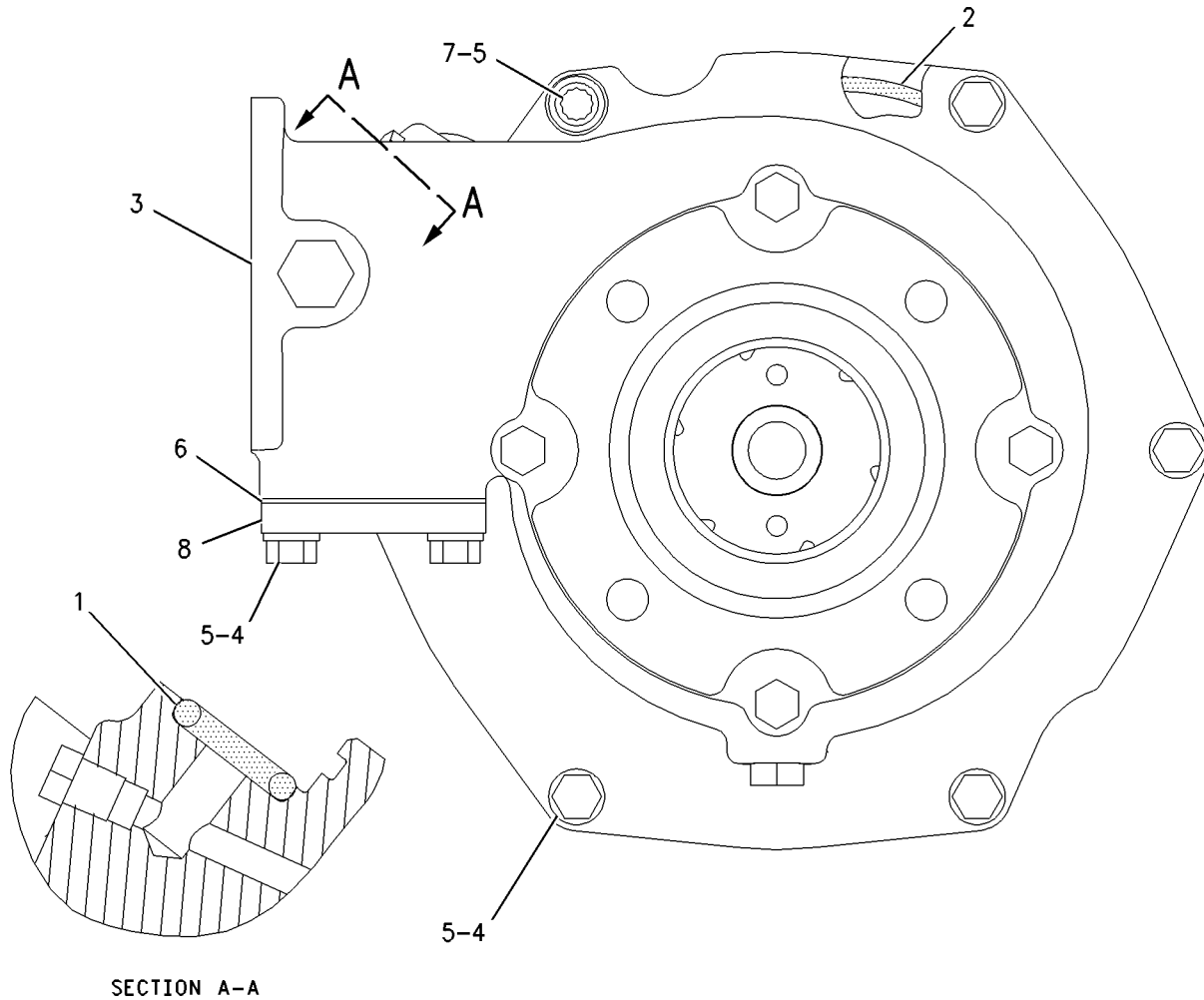
S/N: LLA381-UP

SMCS-1371

i03875454

NOTE	REF NO	GRAPHIC REF	PART NUMBER	QTY	PART NAME						SEE PAGE
					1	2	3	4	5	6 (PRODUCT LEVEL)	
	1	1	6V-3348	1	SEAL-O-RING						
	2	1	235-3546	1	SEAL-O-RING						
CYR	3	1	291-4311	1	PUMP GP-AUXILIARY WATER						161
	4	1	0S-1594	7	BOLT (3/8-16X1-IN)						
	5	1	5M-2894	8	WASHER-HARD (10.2X18.5X2.5-MM THK)						
	6	1	5N-1940	1	GASKET						
	7	1	1T-0765	1	BOLT (3/8-16X1-IN)						
	8	1	5N-1939	1	COVER						

C-CHANGE FROM PREVIOUS TYPE  
R-REMG PART MAY BE AVAILABLE  
Y-SEPARATE ILLUSTRATION



GRAPHIC #1

<END>

g00912687



# COOLING SYSTEM

## 212-8166 PUMP GP-AUXILIARY WATER\*R

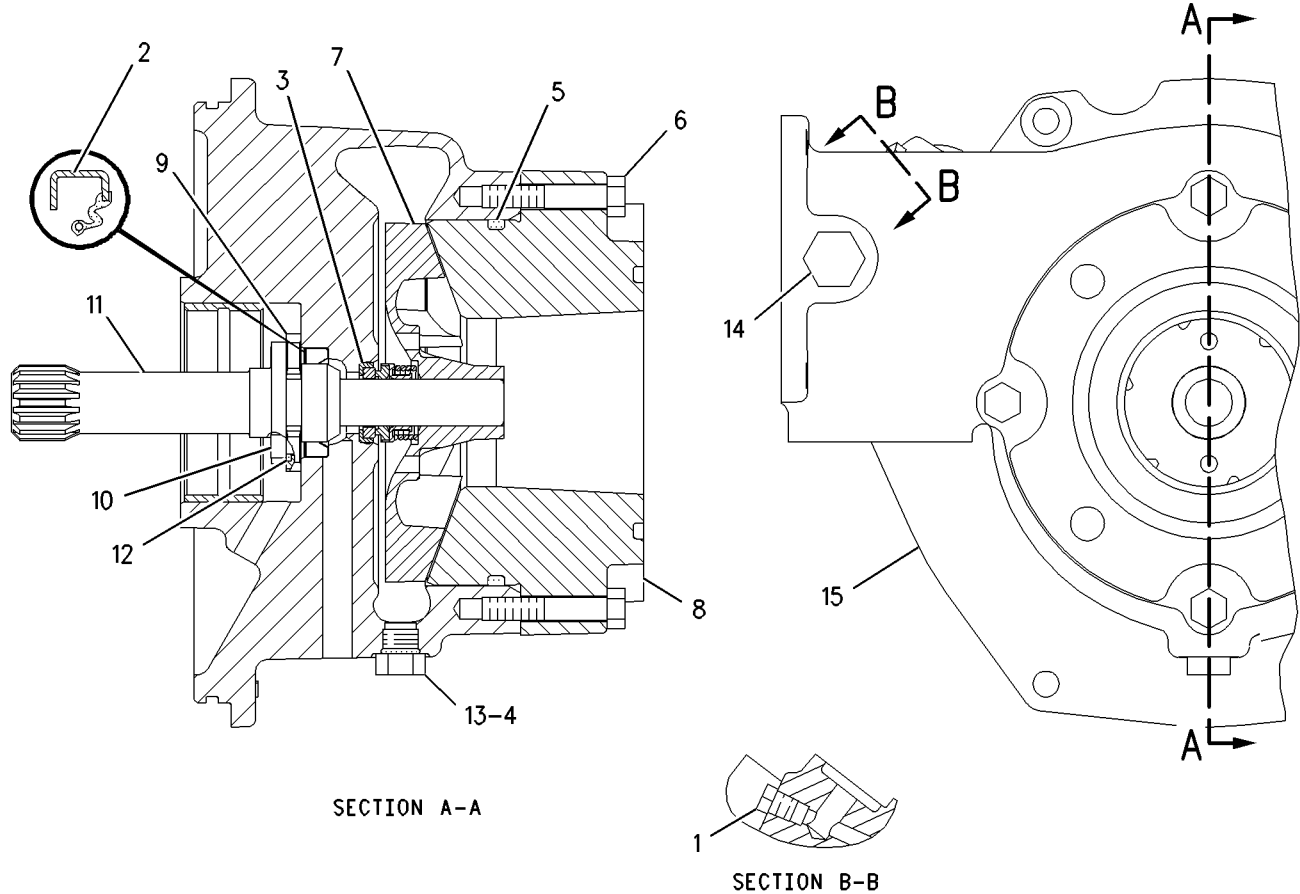
S/N: LLA1-380

PART OF 9Y-8175 PUMP GP-AUXILIARY WATER

SMCS-1371

i03613285

NOTE	REF NO	GRAPHIC REF	PART NUMBER	QTY	PART NAME						SEE PAGE
					1	2	3	4	5	6 (PRODUCT LEVEL)	
	1	1	8T-6764	1	PLUG-PIPE (1/8-27-THD)						
J	2	1	9X-4594	1	SEAL-LIP TYPE						
J	3	1	262-4378	1	SEAL AS-WATER PUMP						
	4	1	3J-1907	1	SEAL-O-RING						
	5	1	9M-3786	1	SEAL-O-RING						
	6	1	0S-1590	4	BOLT (3/8-16X2-IN)						
J	7	1	212-8183	1	IMPELLER						
	8	1	9Y-8067	1	ADAPTER						
J	9	1	5N-4383	2	WASHER-THRUST						
J	10	1	8H-3128	4	BOLT-SOCKET HEAD (1/4-20X0.625-IN)						
J	11	1	212-8179	1	SHAFT						
J	12	1	8M-2933	4	SHIM-CARRIER (0.078-IN THK)						
	13	1	9S-4191	1	PLUG-O-RING						
	14	1	7W-6492	1	PLUG-PIPE						
	15	1	7E-9780	1	HOUSING AS						
J		1	127-5400	1	BUSHING						
AVAILABLE REPAIR KIT(S):											
J			294-4935		KIT-REBUILD (AUXILIARY WATER PUMP)						
J-KIT MARKED J INCLUDES PARTS MARKED J											



GRAPHIC #1

<END>

g00912893

# COOLING SYSTEM

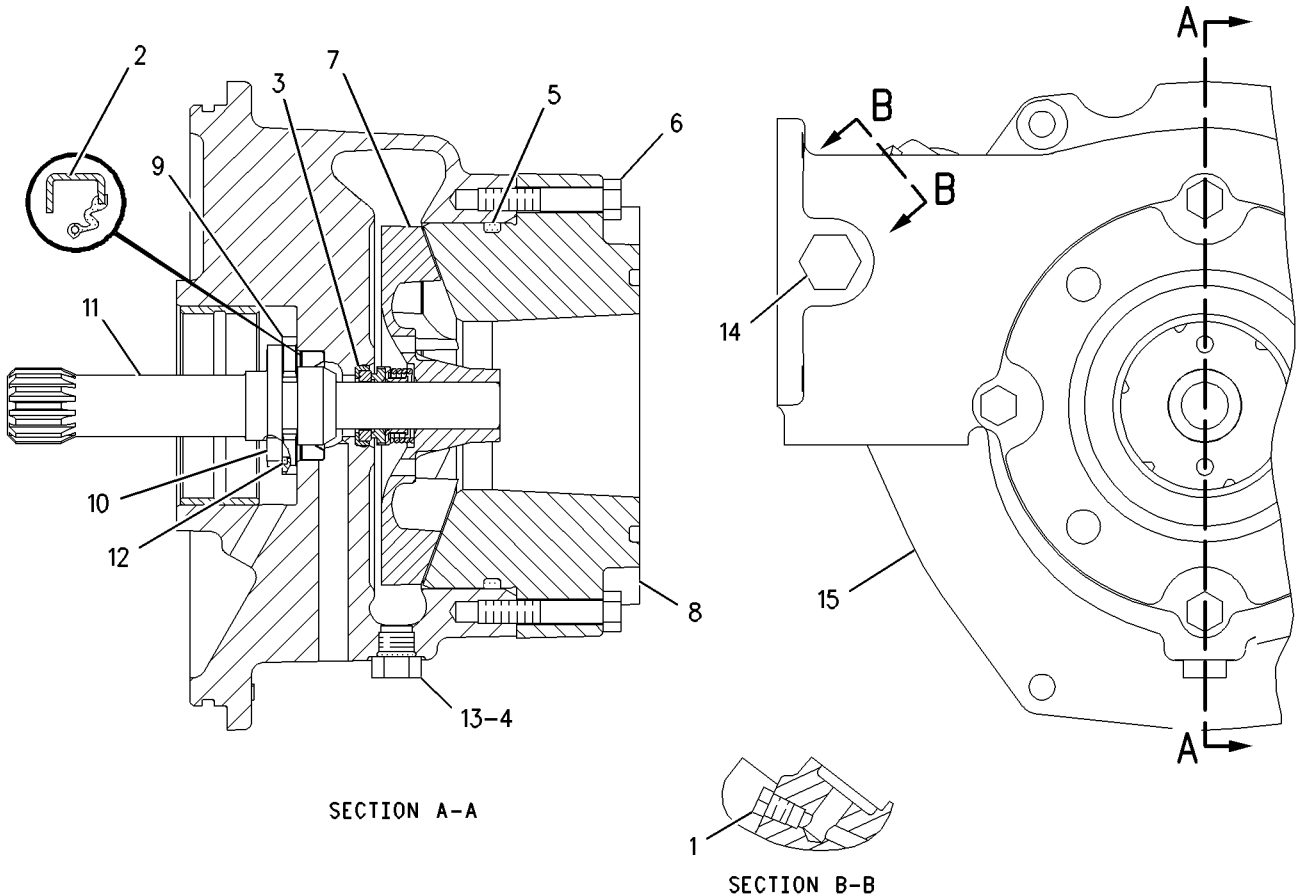
## 288-6647 PUMP GP-AUXILIARY WATER

PART OF 288-6646 PUMP GP-WATER

SMCS-1371

i03615221

NOTE	REF NO	GRAPHIC REF	PART NUMBER	QTY	PART NAME	1 2 3 4 5 6 (PRODUCT LEVEL)						SEE PAGE
	1	1	<b>8T-6764</b>	1	PLUG-PIPE (1/8-27-THD)							
J	2	1	<b>9X-4594</b>	1	SEAL-LIP TYPE							
J	3	1	<b>262-4378</b>	1	SEAL AS-WATER PUMP							
	4	1	<b>3J-1907</b>	1	SEAL-O-RING							
	5	1	<b>9M-3786</b>	1	SEAL-O-RING							
	6	1	<b>0S-1590</b>	4	BOLT (3/8-16X2-IN)							
J	7	1	<b>212-8183</b>	1	IMPELLER							
	8	1	<b>9Y-8067</b>	1	ADAPTER							
J	9	1	<b>5N-4383</b>	2	WASHER-THRUST							
J	10	1	<b>8H-3128</b>	4	BOLT-SOCKET HEAD (1/4-20X0.625-IN)							
J	11	1	<b>212-8179</b>	1	SHAFT							
J	12	1	<b>8M-2933</b>	4	SHIM-CARRIER (0.078-IN THK)							
	13	1	<b>9S-4191</b>	1	PLUG-O-RING							
	14	1	<b>7W-6492</b>	1	PLUG-PIPE							
	15	1	<b>7E-9780</b>	1	HOUSING AS							
J		1	<b>127-5400</b>	1	BUSHING							
AVAILABLE REPAIR KIT(S):												
J			<b>294-4935</b>		KIT-REBUILD (AUXILIARY WATER PUMP)							
J-KIT MARKED J INCLUDES PARTS MARKED J												



GRAPHIC #1

<END>

g00912893

# COOLING SYSTEM

## 291-4311 PUMP GP-AUXILIARY WATER\*R

S/N: LLA226-UP

PART OF 9Y-8175 PUMP GP-AUXILIARY WATER, 291-1067 PUMP GP-WATER

SMCS-1371

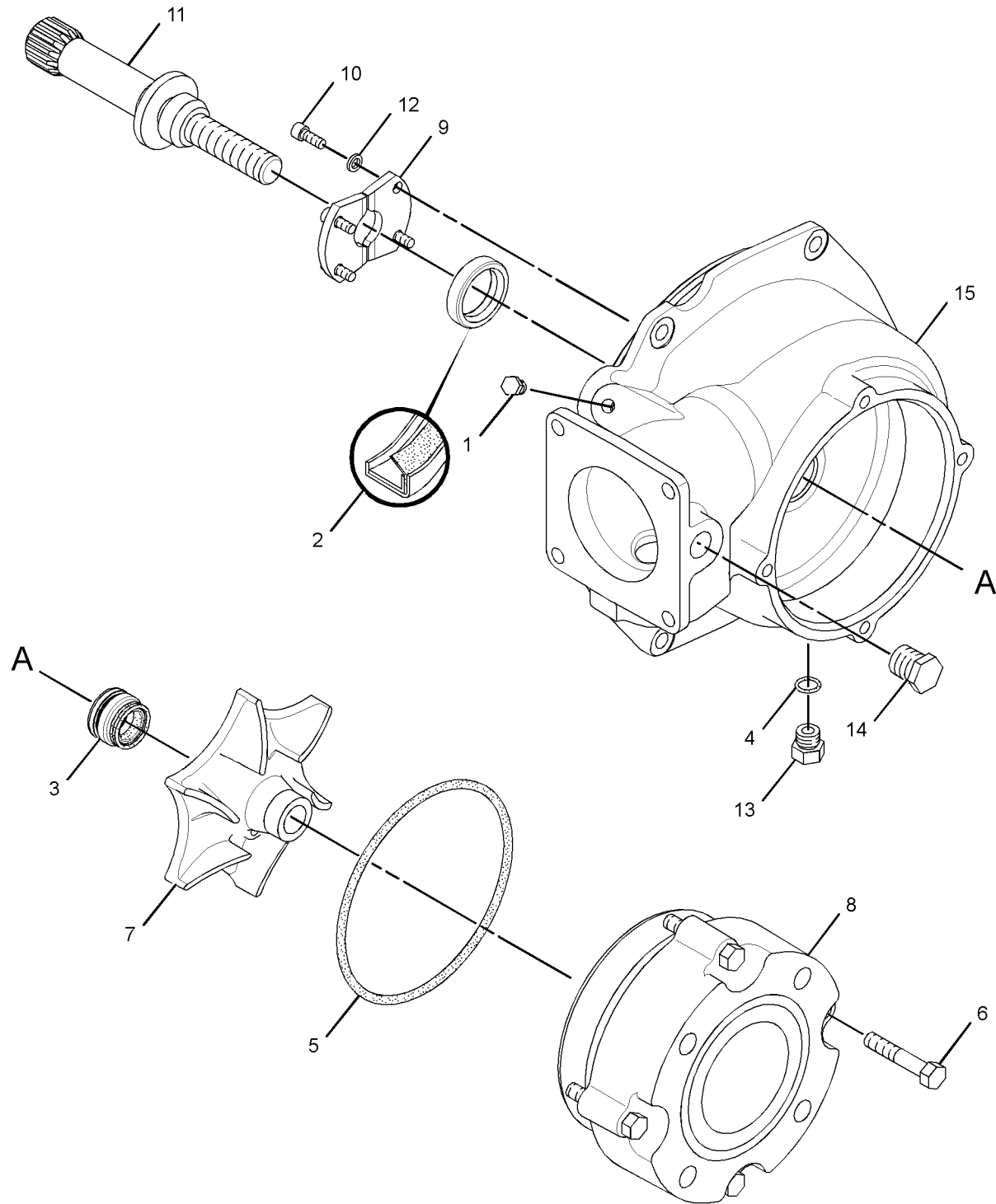
i03615189

NOTE	REF NO	GRAPHIC REF	PART NUMBER	QTY	PART NAME						SEE PAGE
					1	2	3	4	5	6 (PRODUCT LEVEL)	
	1	1	<b>8T-6764</b>	1	PLUG-PIPE (1/8-27-THD)						
J	2	1	<b>9X-4594</b>	1	SEAL-LIP TYPE						
J	3	1	<b>262-4378</b>	1	SEAL AS-WATER PUMP						
	4	1	<b>3J-1907</b>	1	SEAL-O-RING						
	5	1	<b>9M-3786</b>	1	SEAL-O-RING						
	6	1	<b>0S-1590</b>	4	BOLT (3/8-16X2-IN)						
J	7	1	<b>212-8183</b>	1	IMPELLER						
	8	1	<b>9Y-8067</b>	1	ADAPTER						
J	9	1	<b>5N-4383</b>	2	WASHER-THRUST						
J	10	1	<b>8H-3128</b>	4	BOLT-SOCKET HEAD (1/4-20X0.625-IN)						
J	11	1	<b>212-8179</b>	1	SHAFT (14-TEETH)						
J	12	1	<b>8M-2933</b>	4	SHIM-CARRIER (0.078-IN THK)						
	13	1	<b>9S-4191</b>	1	PLUG-O-RING						
	14	1	<b>7W-6492</b>	1	PLUG-PIPE						
	15	1	<b>291-4309</b>	1	HOUSING AS						
		1	<b>8T-6759</b>	1	PLUG-PIPE						
J		1	<b>127-5400</b>	1	BUSHING						
AVAILABLE REPAIR KIT(S):											
J			<b>294-4935</b>		KIT-REBUILD (AUXILIARY WATER PUMP)						
J-KIT MARKED J INCLUDES PARTS MARKED J											

# COOLING SYSTEM

291-4311 PUMP GP-AUXILIARY WATER (contd.)

i03615189



GRAPHIC #1

<END>

g01286255

# COOLING SYSTEM

## 2W-9726 PUMP GP-WATER

SMCS-1361

i02684453

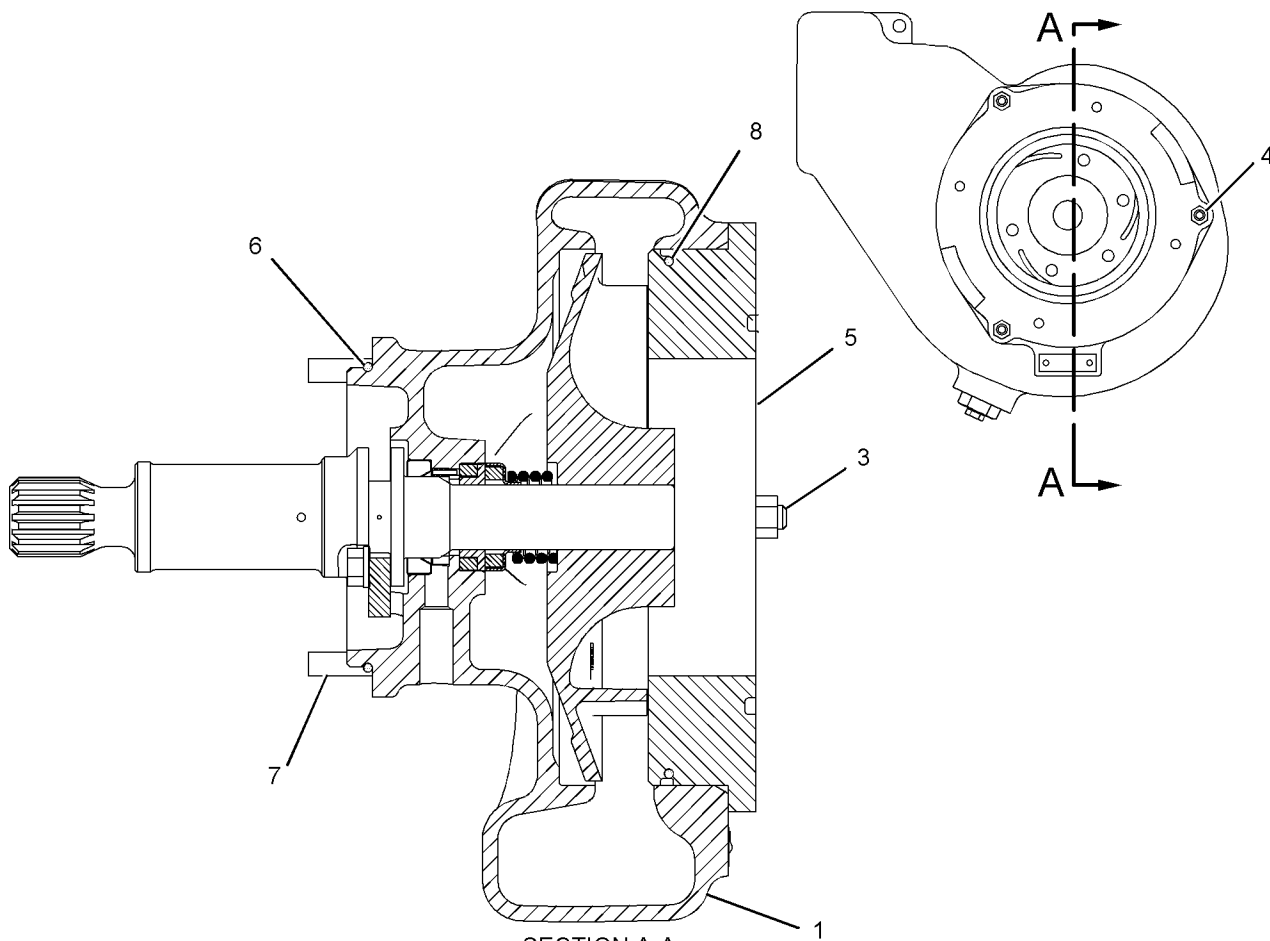
NOTE	REF NO	GRAPHIC REF	PART NUMBER	QTY	PART NAME						SEE PAGE
					1	2	3	4	5	6 (PRODUCT LEVEL)	
CYR	1	1	212-8176	1	PUMP GP-WATER						164
	3	1	9M-2151	3	STUD-TAPERLOCK (3/8-16X1.378-IN)						
	4	1	9S-8752	3	NUT-FULL (3/8-16-THD)						
	5	1	8N-6423	1	COVER (WATER INLET)						
	6	1	5H-6734	1	SEAL-O-RING						
	7	1	3B-1915	4	BOLT (3/8-16X1.375-IN)						
	8	1	149-5462	1	SEAL-O-RING						

AVAILABLE REPAIR KIT(S):

**222-5153**

KIT-REBUILD (WATER PUMP)  
 (INCLUDES BOLTS, SEAL-O-RING, FILTERS, WASHERS, SEAL-LIP TYPE, WASHERS, RING AS, SEAL GP, PUMP SHAFT, AND IMPELLER)

C-CHANGE FROM PREVIOUS TYPE  
 R-REMG PART MAY BE AVAILABLE  
 Y-SEPARATE ILLUSTRATION



SECTION A-A  
 <END>

GRAPHIC #1

g01028209



# COOLING SYSTEM

## 288-6646 PUMP GP-WATER-AFTERCooler

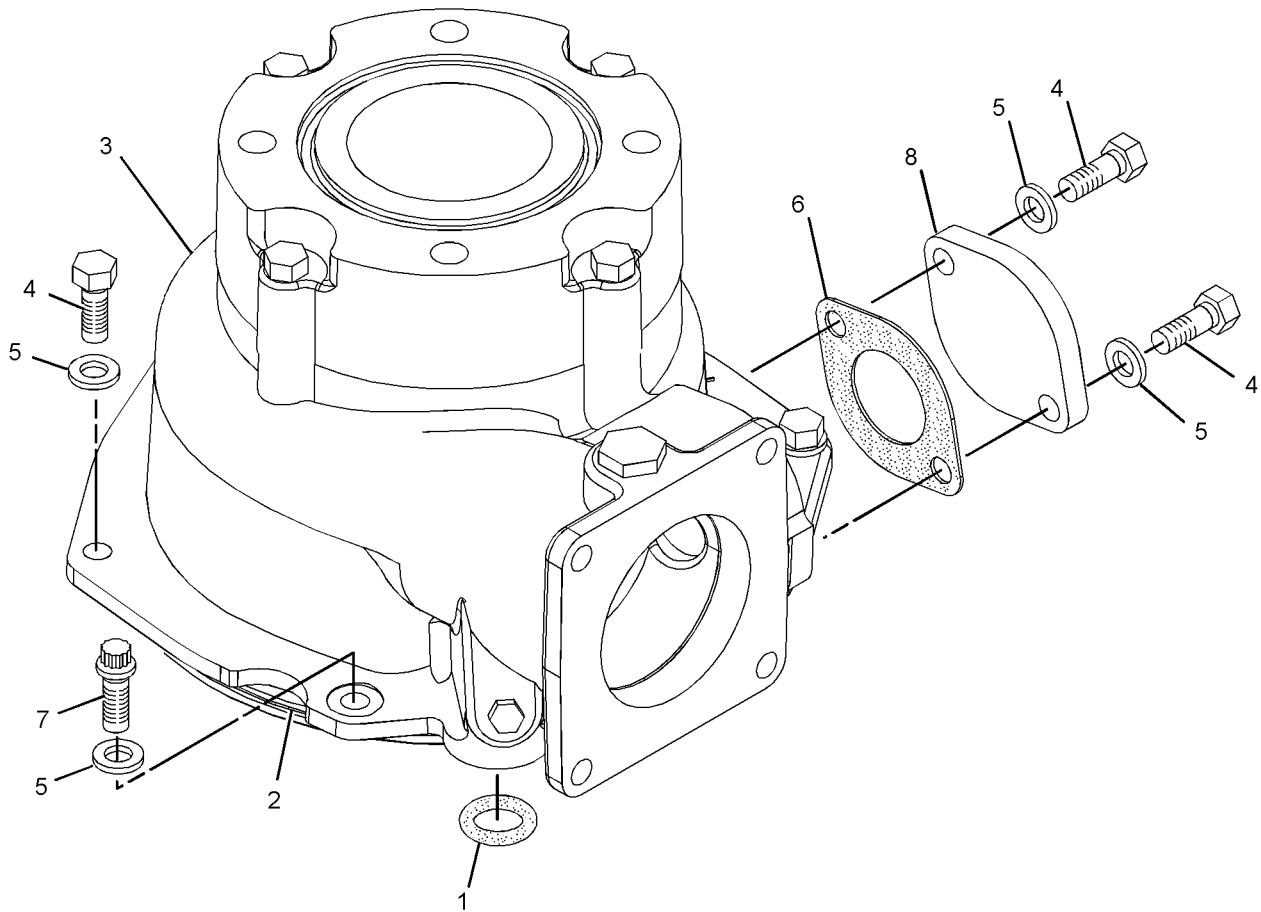
S/N: LLA103-184

SMCS-1361

i02485182

NOTE	REF NO	GRAPHIC REF	PART NUMBER	QTY	PART NAME						SEE PAGE
					1	2	3	4	5	6 (PRODUCT LEVEL)	
	1	1	<b>3B-8453</b>	1	SEAL-O-RING						
	2	1	<b>1T-0132</b>	1	SEAL-O-RING						
Y	3	1	<b>288-6647</b>	1	PUMP GP-AUXILIARY WATER						160
	4	1	<b>0S-1594</b>	7	BOLT (3/8-16X1-IN)						
	5	1	<b>5M-2894</b>	8	WASHER-HARD (10.2X18.5X2.5-MM THK)						
	6	1	<b>5N-1940</b>	1	GASKET						
	7	1	<b>1T-0765</b>	1	BOLT (3/8-16X1-IN)						
	8	1	<b>5N-1939</b>	1	COVER						

Y-SEPARATE ILLUSTRATION



GRAPHIC #1

<END>

g01403422

# COOLING SYSTEM

## 291-1067 PUMP GP-WATER-AFTERCooler

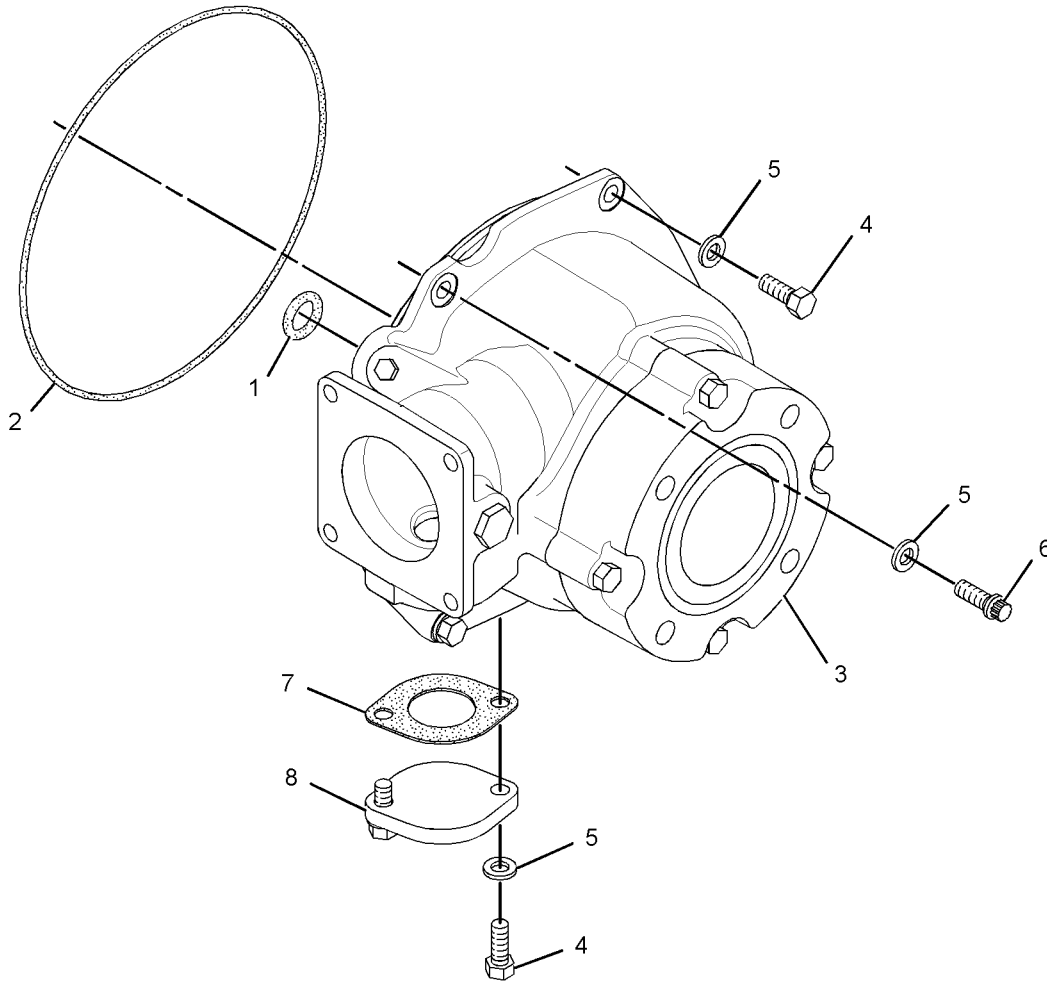
S/N: LLA226-380

SMCS-1361

i02610826

NOTE	REF NO	GRAPHIC REF	PART NUMBER	QTY	PART NAME						SEE PAGE
					1	2	3	4	5	6 (PRODUCT LEVEL)	
	1	1	<b>3B-8453</b>	1	SEAL-O-RING						
	2	1	<b>235-3546</b>	1	SEAL-O-RING						
YR	3	1	<b>291-4311</b>	1	PUMP GP-AUXILIARY WATER						161
	4	1	<b>0S-1594</b>	7	BOLT (3/8-16X1-IN)						
	5	1	<b>5M-2894</b>	8	WASHER-HARD (10.2X18.5X2.5-MM THK)						
	6	1	<b>1T-0765</b>	1	BOLT (3/8-16X1-IN)						
	7	1	<b>5N-1940</b>	1	GASKET						
	8	1	<b>5N-1939</b>	1	COVER						

R-REMG PART MAY BE AVAILABLE  
Y-SEPARATE ILLUSTRATION



GRAPHIC #1

<END>

g01286215



# AIR INLET AND EXHAUST SYSTEM

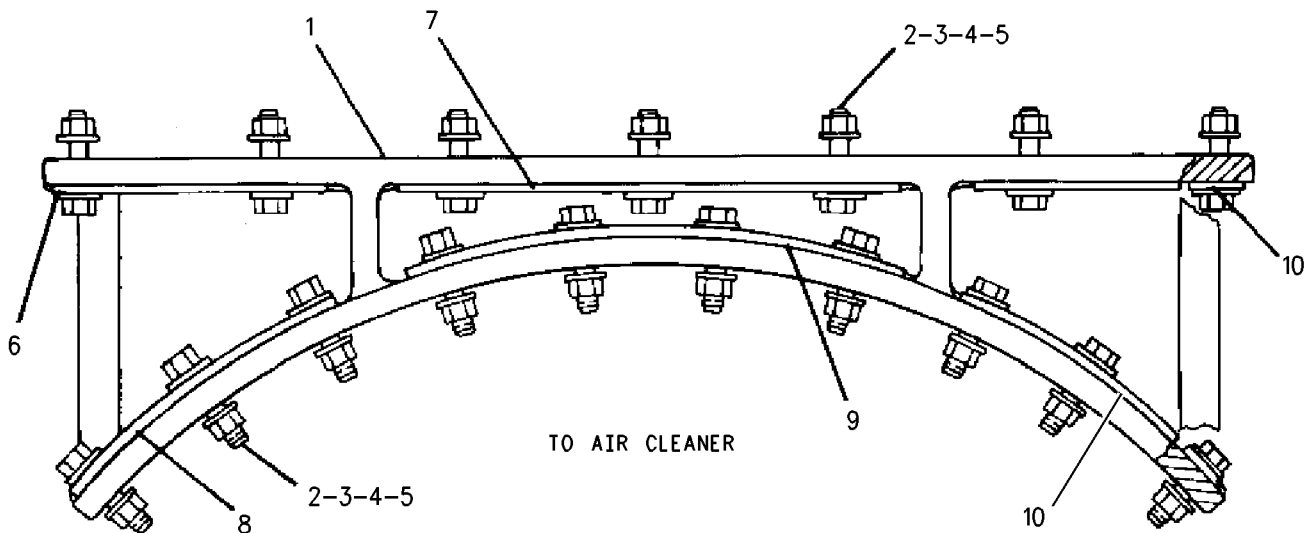
## 7N-8549 ADAPTER GP-AIR CLEANER

FOR USE WITH 10-INCH AIR CLEANER  
AN ATTACHMENT

SMCS-1051

i02220726

NOTE	REF NO	GRAPHIC REF	PART NUMBER	QTY	PART NAME						SEE PAGE
					1	2	3	4	5	6 (PRODUCT LEVEL)	
	1	1	7N-7416	2	ADAPTER-AIR CLEANER						
	2	1	4M-6425	84	BOLT (5/16-18X1-IN)						
	3	1	8T-4224	168	WASHER-HARD (8.8X16X2-MM THK)						
	4	1	7D-4493	84	TUBE						
	5	1	6V-8189	84	NUT (5/16-18-THD)						
	6	1	1W-0431	8	STRIP						
	7	1	1W-0432	4	STRIP						
	8	1	1W-0433	8	STRIP						
	9	1	1W-0434	4	STRIP						
	10	1	1W-0494	8	STRIP						



GRAPHIC #1

<END>

g00820859

# AIR INLET AND EXHAUST SYSTEM

## 7W-9828 ADAPTER GP-AIR CLEANER

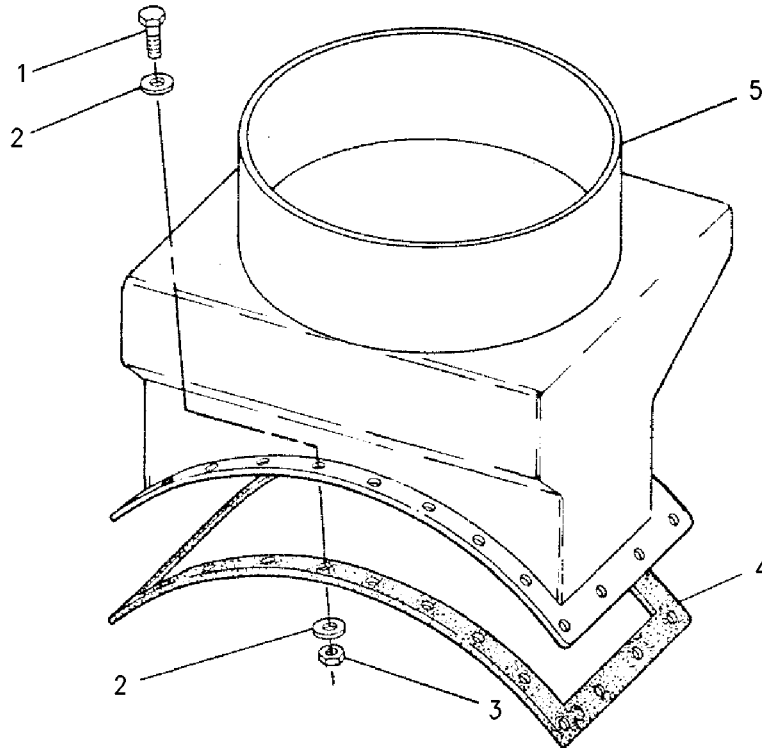
FOR USE WITH 12-INCH INNER DIAMETER DUCTING  
AN ATTACHMENT

SMCS-1051

i02220736

NOTE	REF NO	GRAPHIC REF	PART NUMBER	QTY	PART NAME						SEE PAGE
					1	2	3	4	5	6 (PRODUCT LEVEL)	
	1	1	<b>8T-9043</b>	48	BOLT (5/16-18X0.875-IN)						
	2	1	<b>8T-4224</b>	96	WASHER-HARD (8.8X16X2-MM THK)						
	3	1	<b>031-4155</b>	48	LOCKNUT (5/16-18-THD)						
	4	1	<b>5N-7830</b>	2	GASKET						
	5	1	<b>7W-9829</b>	2	ADAPTER AS						

QUANTITIES SHOWN ARE THOSE REQUIRED FOR BOTH LH AND RH SIDES



GRAPHIC #1

<END>

g00826427

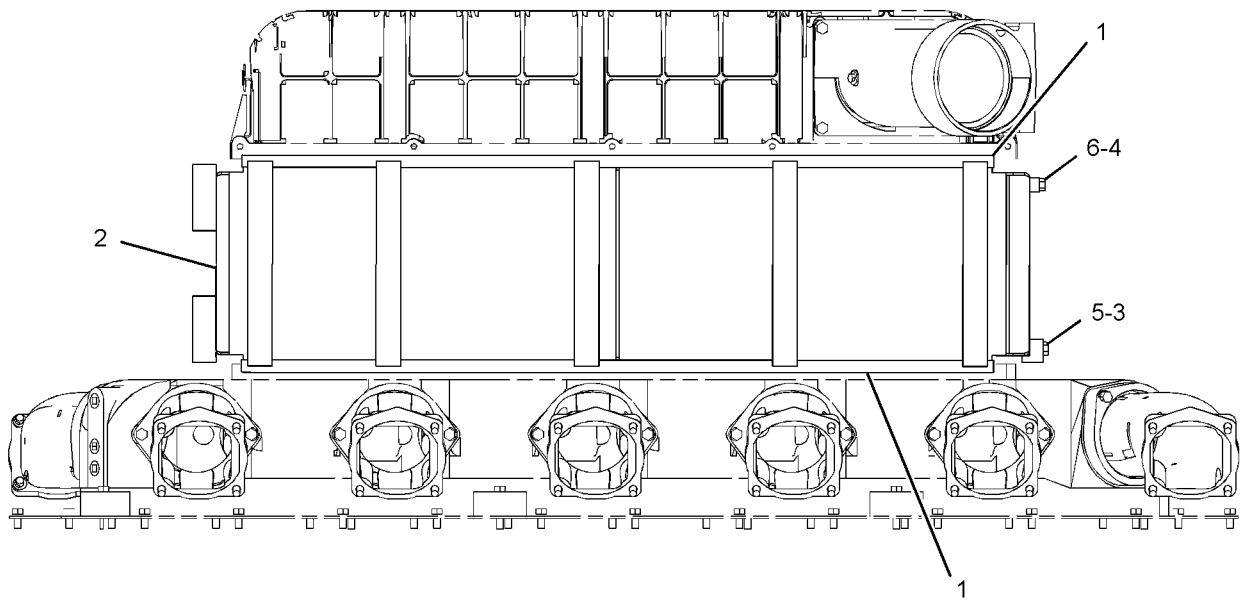
# AIR INLET AND EXHAUST SYSTEM

## 258-1086 AFTERCOOLER GP-TREATED WATER

SMCS-1063

i02281047

NOTE	REF NO	GRAPHIC REF	PART NUMBER	QTY	PART NAME						SEE PAGE
					1	2	3	4	5	6 (PRODUCT LEVEL)	
	1	1	107-3759	2	SEAL						
	2	1	245-4622	1	CORE AS-AFTERCOOLER						
	3	1	1J-9671	1	SEAL-O-RING						
	4	1	3J-7354	1	SEAL-O-RING						
	5	1	3K-8460	1	PLUG						
	6	1	9S-4182	1	PLUG-O RING						



LEFT SIDE VIEW

GRAPHIC #1

<END>

g01164514

# AIR INLET AND EXHAUST SYSTEM

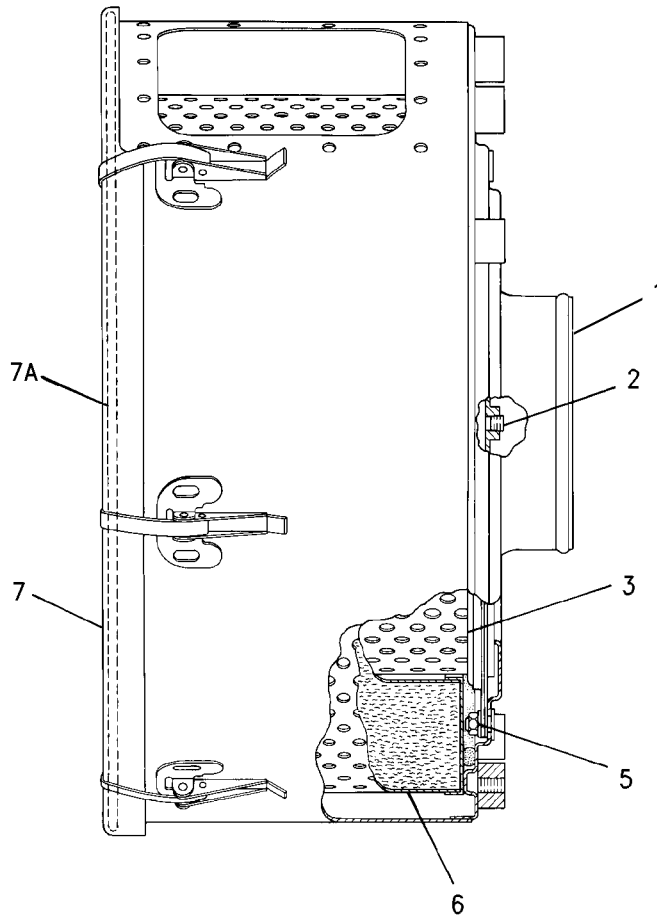
## 5N-7822 AIR CLEANER GP

PART OF 273-1089, 307-4575, 308-7314, 328-5303 AIR CLEANER GP, 331-5166,  
336-1547 MOUNTING GP-AIR CLEANER  
AN ATTACHMENT

SMCS-1051, 1054

i02667693

NOTE	REF NO	GRAPHIC REF	PART NUMBER	QTY	PART NAME						SEE PAGE
					1	2	3	4	5	6 (PRODUCT LEVEL)	
	1	1	8N-2562	1	HOUSING AS-AIR CLEANER						
	2	1	8T-6757	2	PLUG-PIPE						
	3	1	8N-2556	1	FILTER ELEMENT AS-AIR (SECONDARY)						
	5	1	9S-8752	8	NUT-FULL (3/8-16-THD)						
	6	1	8N-6309	1	FILTER ELEMENT AS-AIR (PRIMARY)						
	7	1	8N-6534	1	COVER AS						
	7A	1	8N-2559	1	GASKET						



GRAPHIC #1

<END>

g00891410

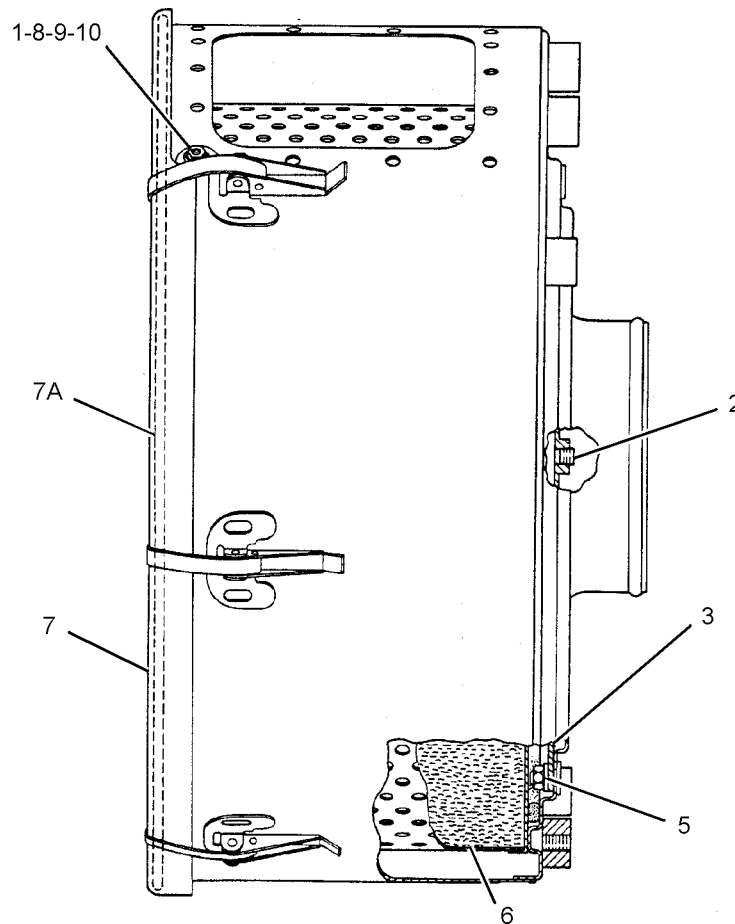
# AIR INLET AND EXHAUST SYSTEM

## 8N-3378 AIR CLEANER GP PART OF 216-8312, 272-1029 AIR CLEANER GP AN ATTACHMENT

SMCS-1051, 1054

i03969949

NOTE	REF NO	GRAPHIC REF	PART NUMBER	QTY	PART NAME						SEE PAGE
					1	2	3	4	5	6 (PRODUCT LEVEL)	
	1	1	5S-0003	2	NUT (5/16-18-THD)						
	2	1	8T-6757	2	PLUG-PIPE						
	3	1	7W-0495	1	GUIDE AS						
	5	1	2K-4973	4	LOCKNUT (3/8-16-THD)						
	6	1	8N-6309	1	FILTER ELEMENT AS-AIR (PRIMARY)						
	7	1	8N-6534	1	COVER AS						
	7A	1	8N-2559	1	GASKET						
	8	1	1B-7182	2	BOLT (5/16-18X1.25-IN)						
	9	1	7K-3215	2	BOSS (0.413X1X0.630-IN THK)						
	10	1	9M-1974	2	WASHER-HARD (8.8X16X2-MM THK)						



GRAPHIC #1

<END>

g02162187

# AIR INLET AND EXHAUST SYSTEM

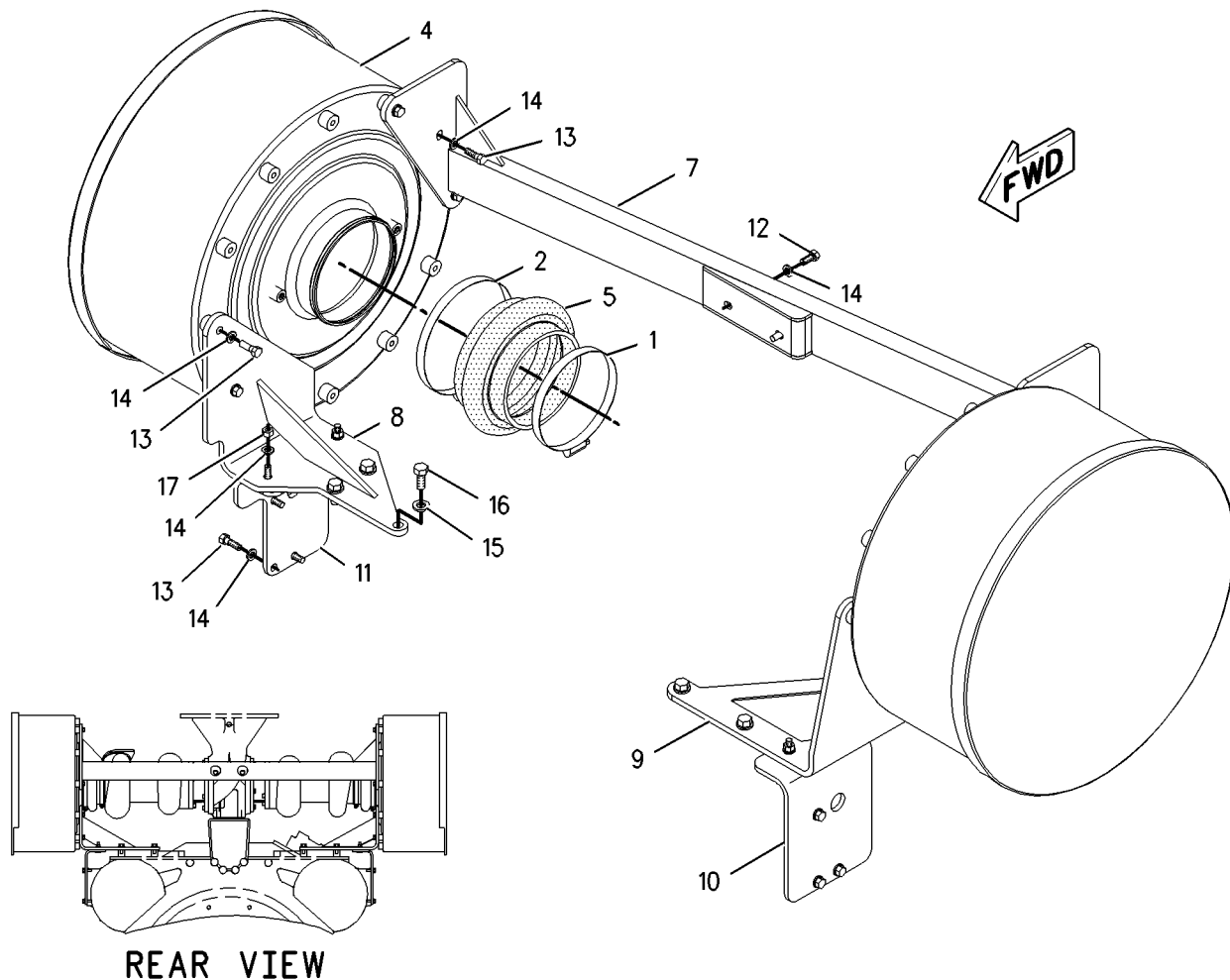
## 216-8312 AIR CLEANER GP AN ATTACHMENT

SMCS-1051, 1054

i03996284

NOTE	REF NO	GRAPHIC REF	PART NUMBER	QTY	PART NAME						SEE PAGE
					1	2	3	4	5	6 (PRODUCT LEVEL)	
	1	1	5P-3860	2	CLAMP-HOSE						
	2	1	5P-4869	2	CLAMP-HOSE						
Y	4	1	8N-3378	2	AIR CLEANER GP						171
	5	1	8N-5254	2	HOSE-REDUCER						
	7	1	162-7689	1	SUPPORT AS						
	8	1	195-9735	1	BRACKET AS (RH)						
	9	1	195-9738	1	BRACKET AS (LH)						
	10	1	195-9746	1	BRACKET AS (LH)						
	11	1	195-9747	1	BRACKET AS (RH)						
	12	1	0L-1351	2	BOLT (3/8-16X0.875-IN)						
	13	1	1A-2029	18	BOLT (3/8-16X1.125-IN)						
	14	1	5M-2894	24	WASHER-HARD (10.2X18.5X2.5-MM THK)						
	15	1	5P-8245	6	WASHER-HARD (13.5X25.5X3-MM THK)						
	16	1	6H-1717	6	BOLT (1/2-13X1.125-IN)						
	17	1	9S-8752	4	NUT-FULL (3/8-16-THD)						

Y-SEPARATE ILLUSTRATION



REAR VIEW

GRAPHIC #1

<END>

g00891702

# AIR INLET AND EXHAUST SYSTEM

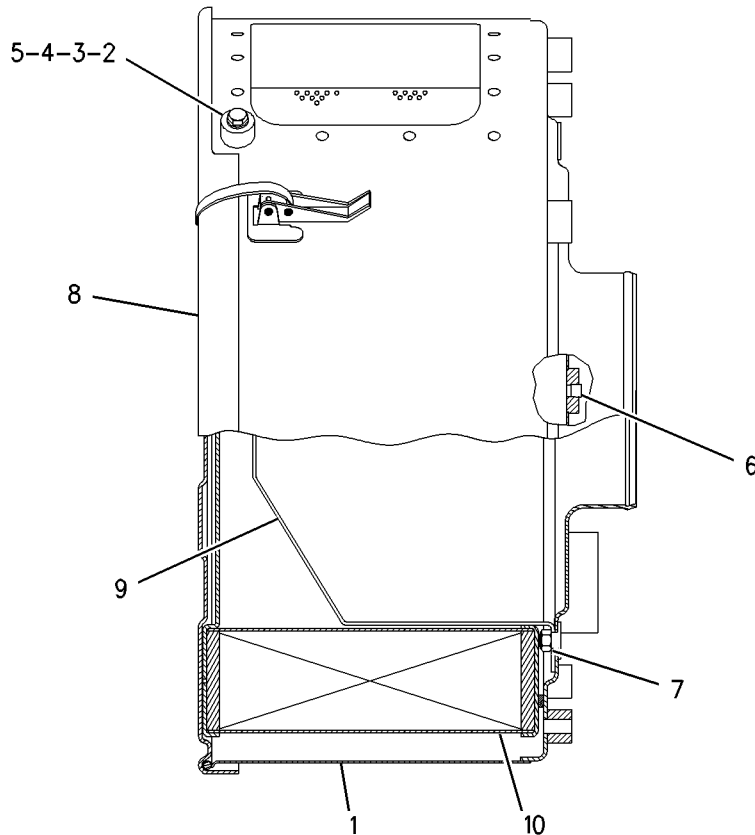
## 235-8133 AIR CLEANER GP

PART OF 301-4900 AIR CLEANER GP  
AN ATTACHMENT

SMCS-1051, 1054

i01968350

NOTE	REF NO	GRAPHIC REF	PART NUMBER	QTY	PART NAME						SEE PAGE
					1	2	3	4	5	6 (PRODUCT LEVEL)	
	1	1	235-8177	1	HOUSING AS						
	2	1	1B-7182	2	BOLT (5/16-18X1.25-IN)						
	3	1	7K-3215	2	BOSS (0.413X1X0.630-IN THK)						
	4	1	9M-1974	2	WASHER-HARD (8.8X16X2-MM THK)						
	5	1	5S-0003	2	NUT (5/16-18-THD)						
	6	1	8T-6757	2	PLUG-PIPE						
	7	1	2K-4973	4	LOCKNUT (3/8-16-THD)						
	8	1	8N-6534	1	COVER AS						
		1	8N-2559	1	GASKET						
	9	1	7W-0495	1	GUIDE AS						
	10	1	8N-6309	1	FILTER ELEMENT AS-AIR (PRIMARY)						



GRAPHIC #1

<END>

g00669366

# AIR INLET AND EXHAUST SYSTEM

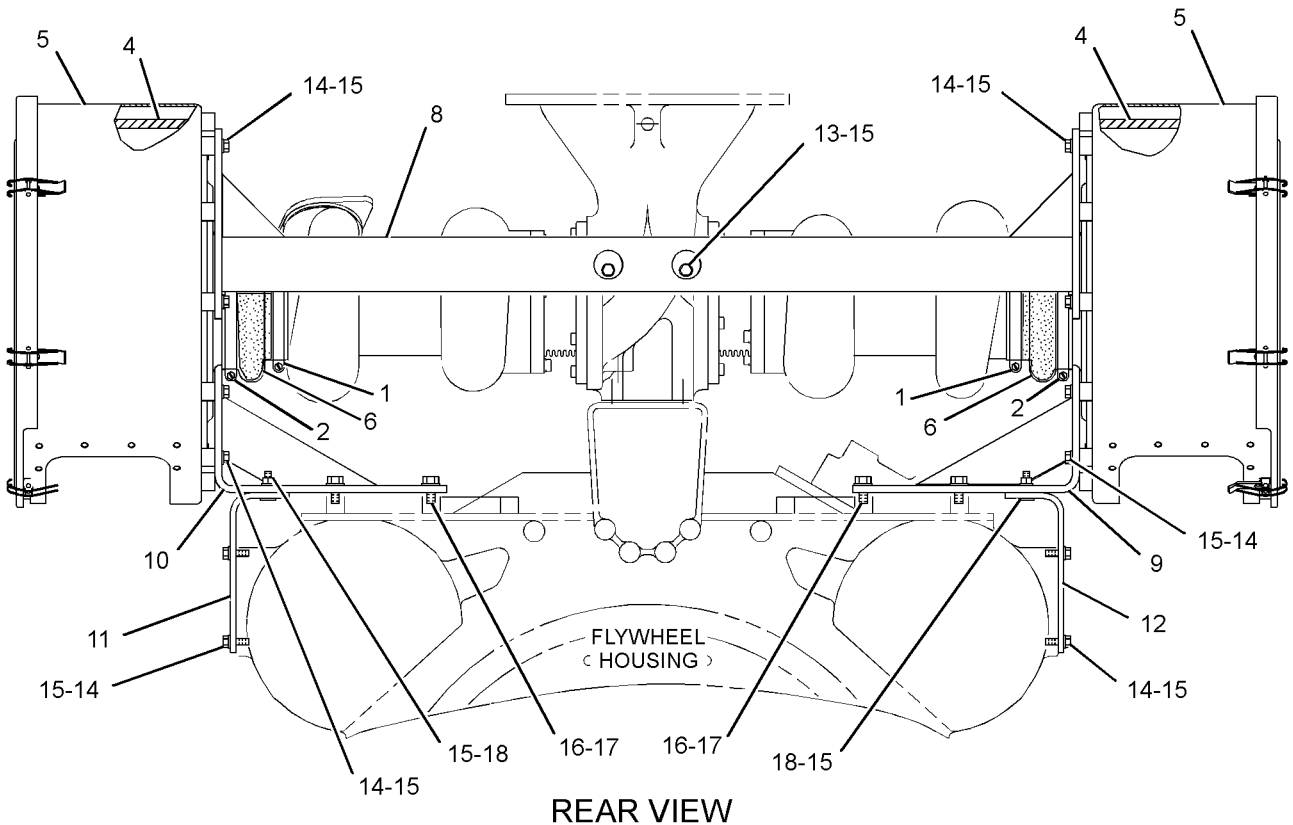
## 272-1029 AIR CLEANER GP AN ATTACHMENT

SMCS-1051, 1054

i02440948

NOTE	REF NO	GRAPHIC REF	PART NUMBER	QTY	PART NAME						SEE PAGE
					1	2	3	4	5	6 (PRODUCT LEVEL)	
	1	1	5P-3860	2	CLAMP-HOSE						
	2	1	5P-4869	2	CLAMP-HOSE						
	4	1	8N-2555	2	FILTER-SOOT (AIR CLEANER)						
Y	5	1	8N-3378	2	AIR CLEANER GP						171
	6	1	8N-5254	2	HOSE-REDUCER						
	8	1	162-7689	1	SUPPORT AS						
	9	1	195-9735	1	BRACKET AS (RH)						
	10	1	195-9738	1	BRACKET AS (LH)						
	11	1	195-9746	1	BRACKET AS (LH)						
		1	4M-0200	2	STUD-WELD (3/8-16X1.5-IN)						
	12	1	195-9747	1	BRACKET AS (RH)						
		1	4M-0200	2	STUD-WELD (3/8-16X1.5-IN)						
	13	1	0L-1351	2	BOLT (3/8-16X0.875-IN)						
	14	1	1A-2029	18	BOLT (3/8-16X1.125-IN)						
	15	1	5M-2894	24	WASHER-HARD (10.2X18.5X2.5-MM THK)						
	16	1	5P-8245	6	WASHER-HARD (13.5X25.5X3-MM THK)						
	17	1	6H-1717	6	BOLT (1/2-13X1.125-IN)						
	18	1	9S-8752	4	NUT-FULL (3/8-16-THD)						

Y-SEPARATE ILLUSTRATION



REAR VIEW

GRAPHIC #1

<END>

g01217820



# AIR INLET AND EXHAUST SYSTEM

## 273-1089 AIR CLEANER GP

WITH PRECLEANER  
AN ATTACHMENT

SMCS-1051, 1054

i03006818

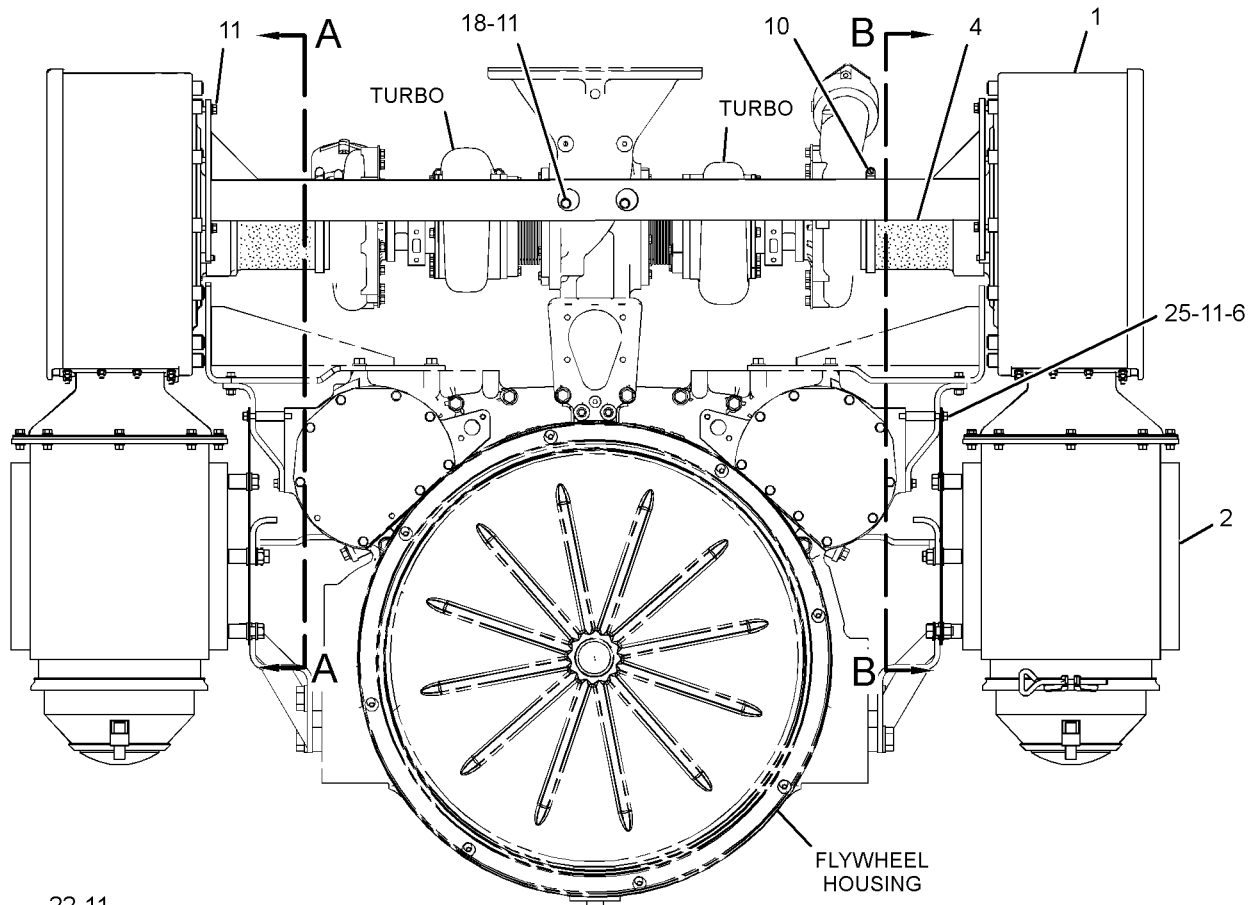
NOTE	REF NO	GRAPHIC REF	PART NUMBER	QTY	PART NAME						SEE PAGE
					1	2	3	4	5	6 (PRODUCT LEVEL)	
Y	1	1	5N-7822	2	AIR CLEANER GP						170
Y	2	1	5N-7831	2	PRECLEANER GP						214
	3	1	5N-7832	2	GASKET						
	4	1	309-1854	2	HOSE						
	5	1	5N-7915	2	ANGLE						
	6	1	5N-7917	4	SPACER (10.74X17.14X54.4-MM THK)						
	7	1	5N-7918	1	PLATE						
	8	1	5N-7919	12	SPACER (18.85X26.67X33-MM THK)						
	9	1	5N-7920	2	ADAPTER AS						
	10	1	5P-4869	2	CLAMP-HOSE						
	11	1	8T-4896	86	WASHER-HARD (10.2X18.5X2.5-MM THK)						
	12	1	201-7354	6	BOLT (5/8-11X2.5-IN)						
	13	1	201-7355	5	BOLT (5/8-11X2.75-IN)						
	14	1	277-2262	1	PLATE						
	15	1	277-2265	1	SUPPORT AS						
	16	1	031-4155	48	LOCKNUT (5/16-18-THD)						
	17	1	4L-6454	28	BOLT (3/8-16X1-IN)						
	18	1	5S-7379	2	BOLT (3/8-16X0.875-IN)						
	19	1	6V-8801	28	NUT (3/8-16-THD)						
	20	1	8T-4835	1	BOLT (1/2-13X2-IN)						
	21	1	7X-0448	2	NUT (5/8-11-THD)						
	22	1	8T-2502	6	BOLT (3/8-16X1.125-IN)						
	23	1	8T-4122	28	WASHER-HARD (17X32X3.5-MM THK)						
	24	1	8T-4224	96	WASHER-HARD (8.8X16X2-MM THK)						
	25	1	8T-8915	4	BOLT (3/8-16X3.25-IN)						
	26	1	8T-9043	48	BOLT (5/16-18X0.875-IN)						
	27	1	8T-9393	2	BOLT (5/8-11X1.5-IN)						
	28	1	8T-9396	1	BOLT (5/8-11X3.25-IN)						
	29	1	8T-4223	2	WASHER-HARD (13.5X25.5X3-MM THK)						
	30	1	6V-8188	1	NUT (1/2-13-THD)						
	31	1	5N-7830	2	GASKET						

Y-SEPARATE ILLUSTRATION

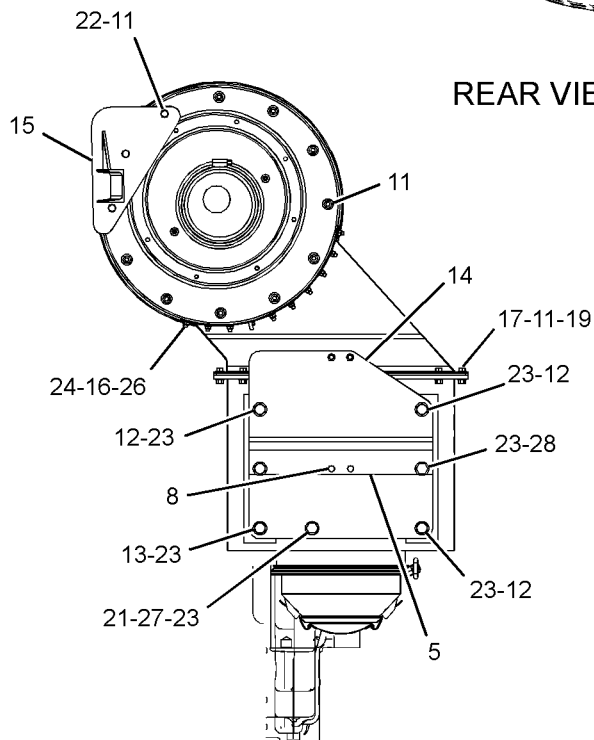
# AIR INLET AND EXHAUST SYSTEM

273-1089 AIR CLEANER GP (contd.)

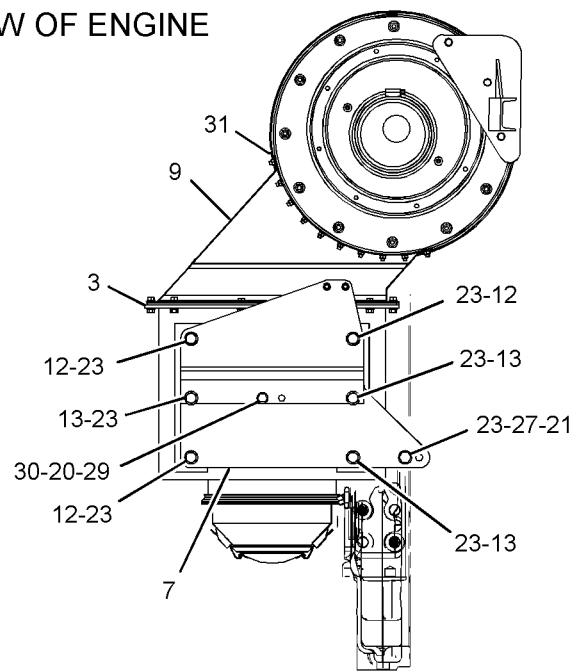
i03006818



## REAR VIEW OF ENGINE



SECTION A-A



SECTION B-B

GRAPHIC #1

<END>

g01605793

# AIR INLET AND EXHAUST SYSTEM

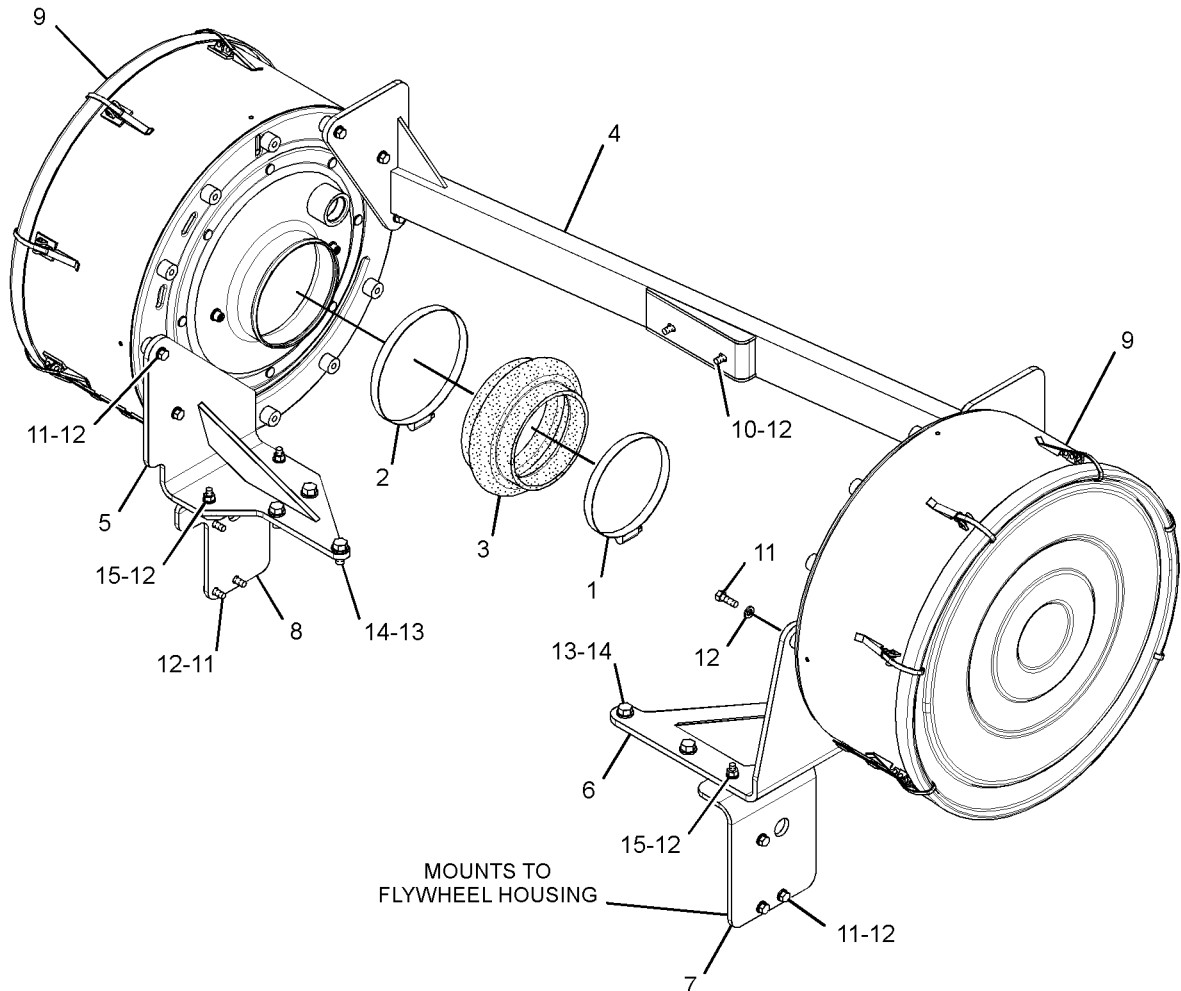
## 301-4900 AIR CLEANER GP AN ATTACHMENT

SMCS-1051, 1054

i02687006

NOTE	REF NO	GRAPHIC REF	PART NUMBER	QTY	PART NAME						SEE PAGE
					1	2	3	4	5	6 (PRODUCT LEVEL)	
	1	1	<b>5P-3860</b>	2	CLAMP-HOSE						
	2	1	<b>5P-4869</b>	2	CLAMP-HOSE						
	3	1	<b>8N-5254</b>	2	HOSE-REDUCER						
	4	1	<b>162-7689</b>	1	SUPPORT AS						
	5	1	<b>195-9735</b>	1	BRACKET AS (RH)						
	6	1	<b>195-9738</b>	1	BRACKET AS (LH)						
	7	1	<b>195-9746</b>	1	BRACKET AS (LH)						
	8	1	<b>4M-0200</b>	2	STUD-WELD (3/8-16X1.5-IN)						
	8	1	<b>195-9747</b>	1	BRACKET AS (RH)						
Y	9	1	<b>235-8133</b>	2	AIR CLEANER GP						173
	10	1	<b>0L-1351</b>	2	BOLT (3/8-16X0.875-IN)						
	11	1	<b>1A-2029</b>	18	BOLT (3/8-16X1.125-IN)						
	12	1	<b>5M-2894</b>	24	WASHER-HARD (10.2X18.5X2.5-MM THK)						
	13	1	<b>5P-8245</b>	6	WASHER-HARD (13.5X25.5X3-MM THK)						
	14	1	<b>6H-1717</b>	6	BOLT (1/2-13X1.125-IN)						
	15	1	<b>9S-8752</b>	4	NUT-FULL (3/8-16-THD)						

Y-SEPARATE ILLUSTRATION



GRAPHIC #1

<END>

g01352360

# AIR INLET AND EXHAUST SYSTEM

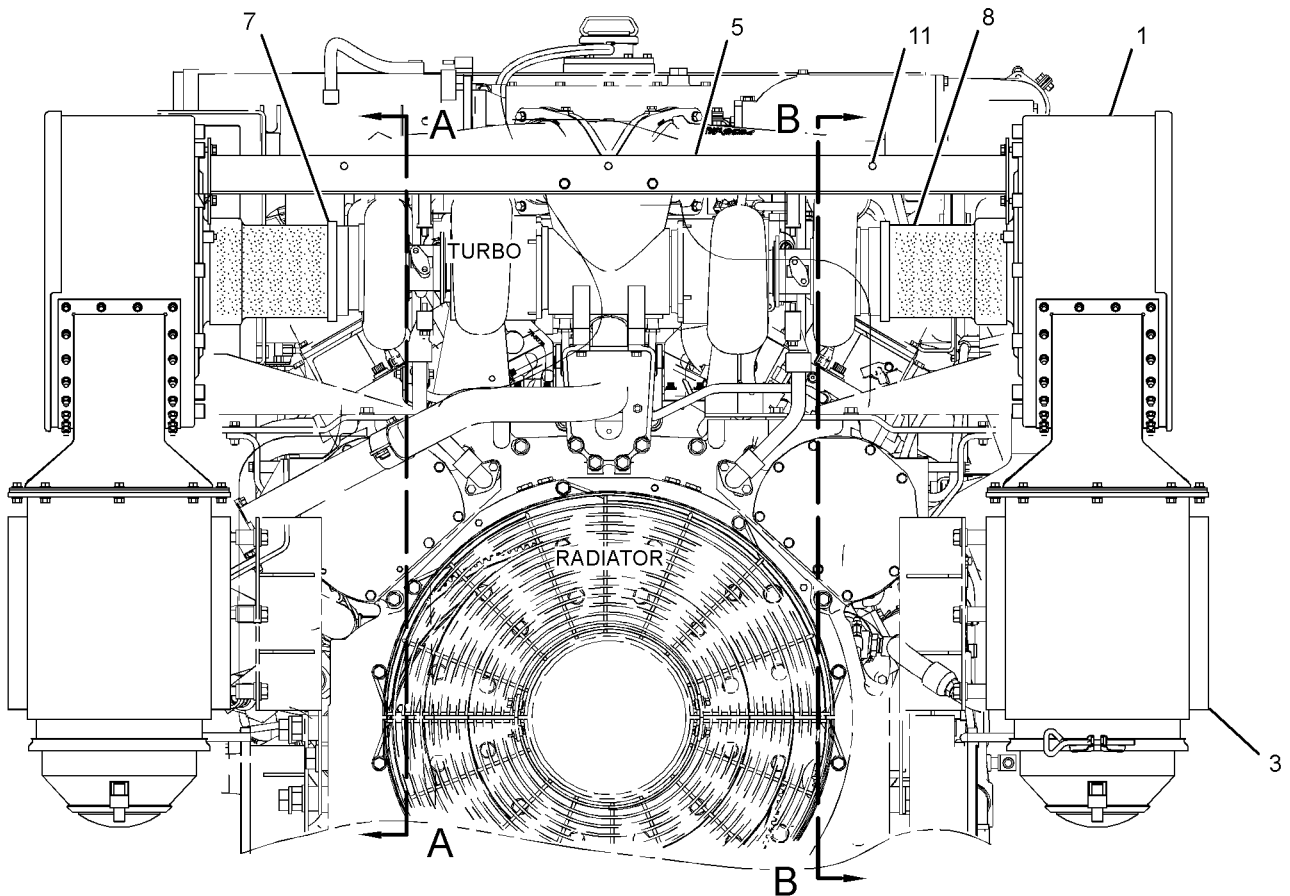
## 307-4575 AIR CLEANER GP AN ATTACHMENT

SMCS-1051, 1054

i03091872

NOTE	REF NO	GRAPHIC REF	PART NUMBER	QTY	PART NAME						SEE PAGE
					1	2	3	4	5	6 (PRODUCT LEVEL)	
Y	1	1	5N-7822	2	AIR CLEANER GP						170
	2	2	5N-7830	2	GASKET						
Y	3	1	5N-7831	2	PRECLEANER GP						214
	4	2	5N-7832	2	GASKET						
	5	1	5N-7906	1	SUPPORT AS						
	6	2	5N-7920	2	ADAPTER AS						
	7	1	5P-4869	2	CLAMP-HOSE						
	8	1	309-1854	2	HOSE						
	9	2	031-4155	48	LOCKNUT (5/16-18-THD)						
	10	2	4L-6454	28	BOLT (3/8-16X1-IN)						
	11	1	5S-7379	2	BOLT (3/8-16X0.875-IN)						
	12	2	6V-8801	28	NUT (3/8-16-THD)						
13	2	8T-2502	4	BOLT (3/8-16X1.125-IN)							
14	2	8T-4224	96	WASHER-HARD (8.8X16X2-MM THK)							
15	2	8T-4896	62	WASHER-HARD (10.2X18.5X2.5-MM THK)							
16	2	8T-9043	48	BOLT (5/16-18X0.875-IN)							

Y-SEPARATE ILLUSTRATION



REAR VIEW OF ENGINE

REFER TO ALL ILLUSTRATIONS OF THIS GROUP FOR AUXILIARY VIEWS

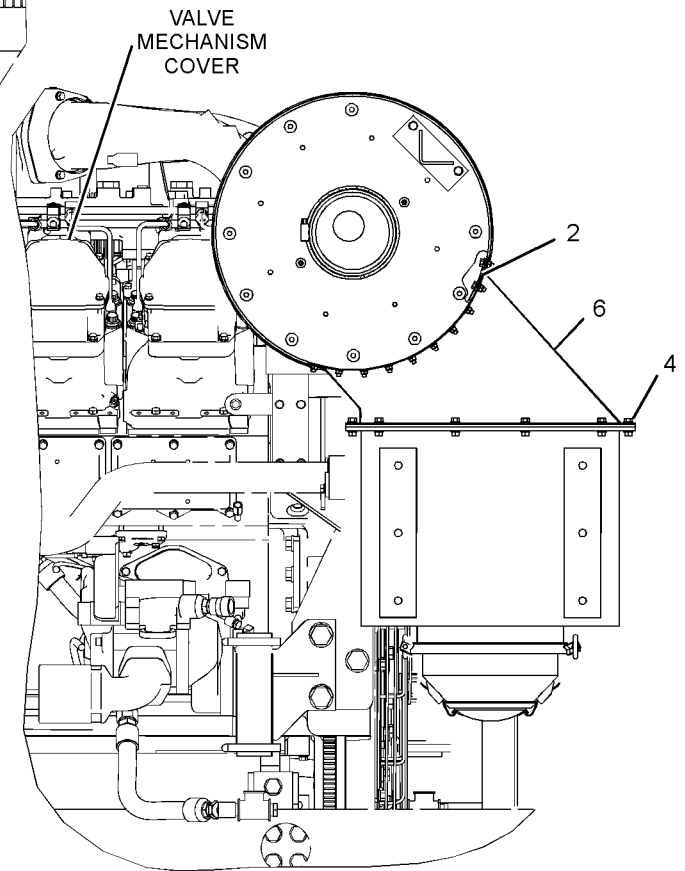
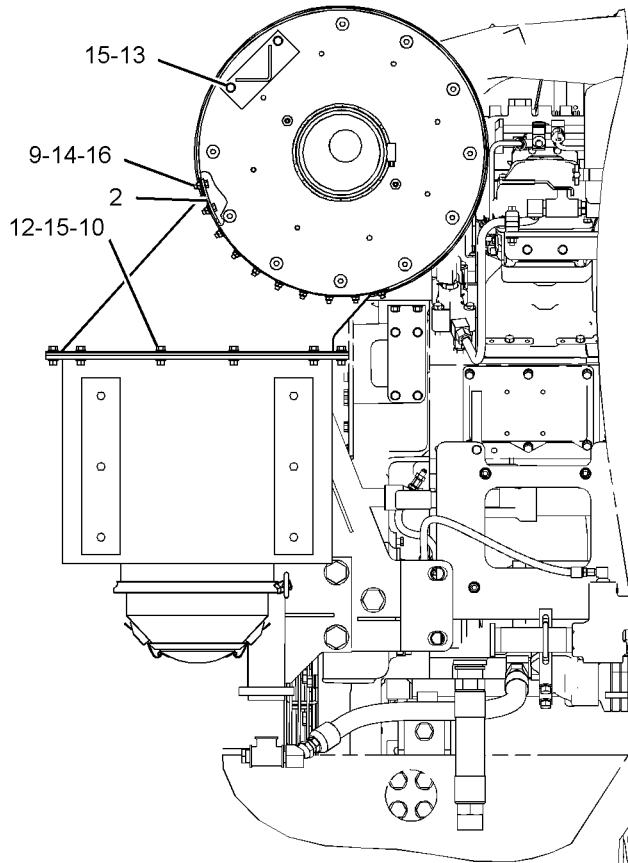
GRAPHIC #1

g01643835

# AIR INLET AND EXHAUST SYSTEM

307-4575 AIR CLEANER GP (contd.)

i03091872



GRAPHIC #2

<END>

g01643836

# AIR INLET AND EXHAUST SYSTEM

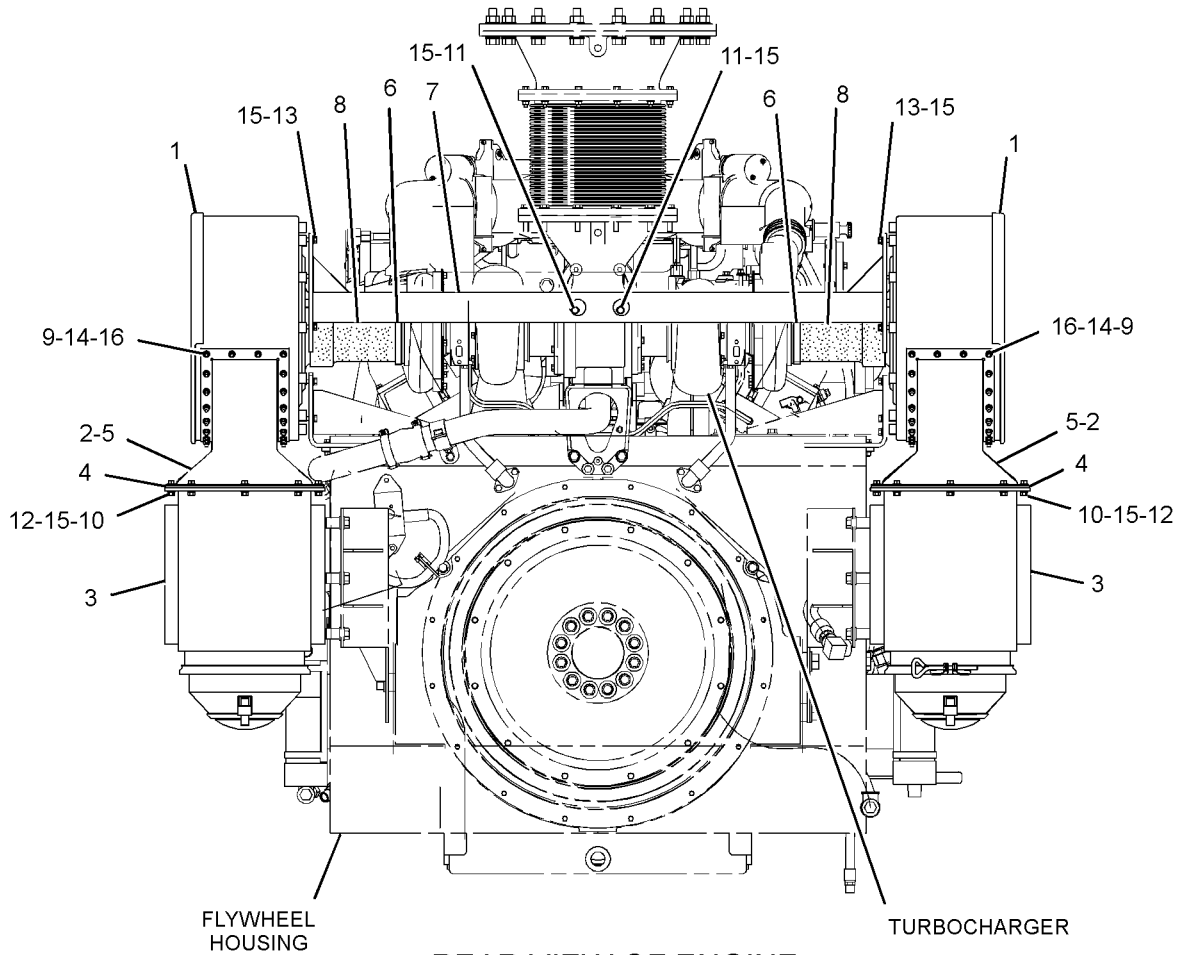
## 308-7314 AIR CLEANER GP AN ATTACHMENT

SMCS-1051, 1054

i03706474

NOTE	REF NO	GRAPHIC REF	PART NUMBER	QTY	PART NAME						SEE PAGE
					1	2	3	4	5	6 (PRODUCT LEVEL)	
Y	1	1	5N-7822	2	AIR CLEANER GP						170
	2	1	5N-7830	2	GASKET						
Y	3	1	5N-7831	2	PRECLEANER GP						214
	4	1	5N-7832	2	GASKET						
	5	1	5N-7920	2	ADAPTER AS						
	6	1	5P-4869	2	CLAMP-HOSE						
	7	1	277-2265	1	SUPPORT AS						
	8	1	309-1854	2	HOSE						
	9	1	031-4155	48	LOCKNUT (5/16-18-THD)						
	10	1	4L-6454	28	BOLT (3/8-16X1-IN)						
	11	1	5S-7379	2	BOLT (3/8-16X0.875-IN)						
	12	1	6V-8801	28	NUT (3/8-16-THD)						
	13	1	8T-2502	6	BOLT (3/8-16X1.125-IN)						
	14	1	8T-4224	96	WASHER-HARD (8.8X16X2-MM THK)						
	15	1	8T-4896	64	WASHER-HARD (10.2X18.5X2.5-MM THK)						
	16	1	8T-9043	48	BOLT (5/16-18X0.875-IN)						

Y-SEPARATE ILLUSTRATION



REAR VIEW OF ENGINE

GRAPHIC #1

<END>

g02043033

# AIR INLET AND EXHAUST SYSTEM

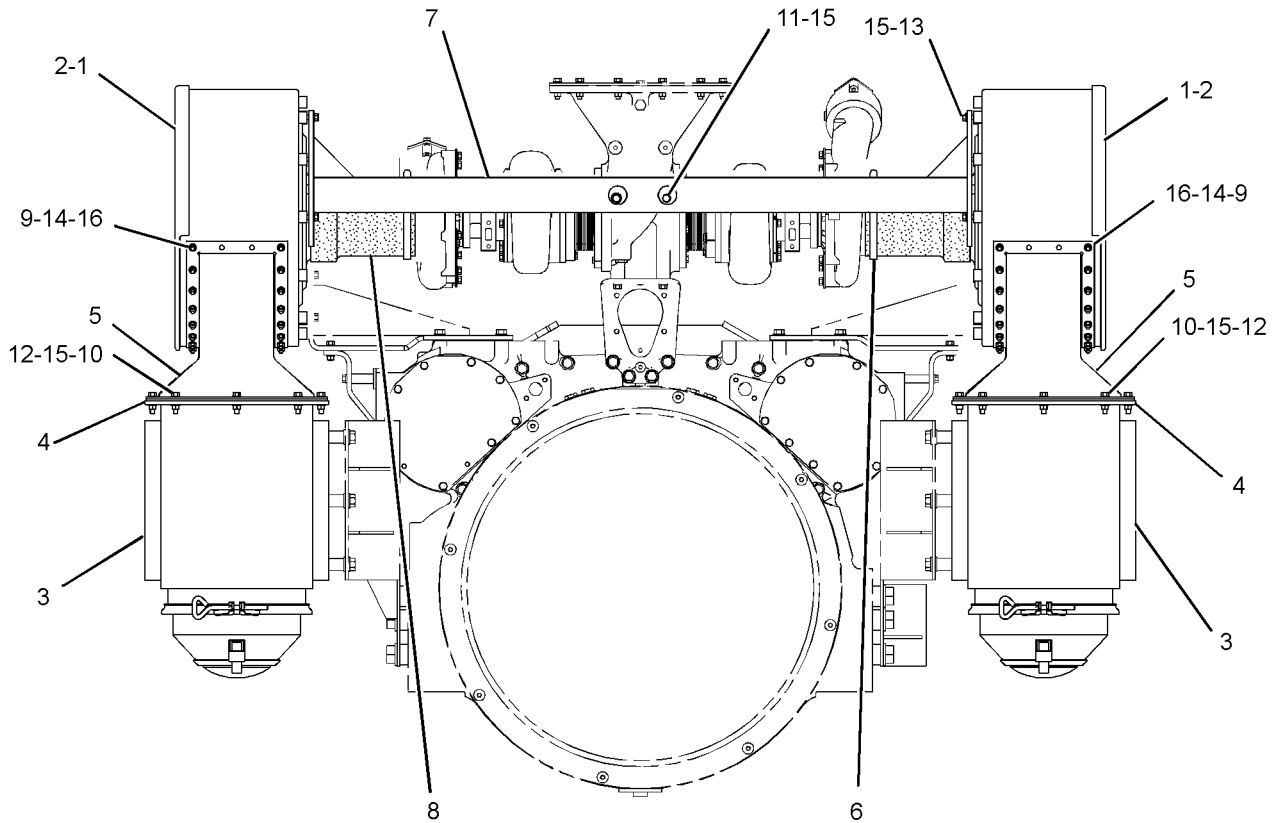
## 328-5303 AIR CLEANER GP AN ATTACHMENT

SMCS-1051, 1054

i03462085

NOTE	REF NO	GRAPHIC REF	PART NUMBER	QTY	PART NAME						SEE PAGE
					1	2	3	4	5	6 (PRODUCT LEVEL)	
Y	1	1	5N-7822	2	AIR CLEANER GP						170
	2	1	5N-7830	2	GASKET						
Y	3	1	5N-7831	2	PRECLEANER GP						214
	4	1	5N-7832	2	GASKET						
	5	1	5N-7920	2	ADAPTER AS						
	6	1	5P-4869	2	CLAMP-HOSE						
	7	1	277-2265	1	SUPPORT AS						
	8	1	309-1854	2	HOSE						
	9	1	031-4155	40	LOCKNUT (5/16-18-THD)						
	10	1	4L-9337	28	BOLT (3/8-16X1.5-IN)						
	11	1	5S-7379	2	BOLT (3/8-16X0.875-IN)						
	12	1	6V-8801	28	NUT (3/8-16-THD)						
	13	1	8T-2502	6	BOLT (3/8-16X1.125-IN)						
	14	1	8T-4224	80	WASHER-HARD (8.8X16X2-MM THK)						
	15	1	8T-4896	64	WASHER-HARD (10.2X18.5X2.5-MM THK)						
	16	1	8T-9043	40	BOLT (5/16-18X0.875-IN)						

Y-SEPARATE ILLUSTRATION



REAR VIEW OF ENGINE

GRAPHIC #1

<END>

g01898913

# AIR INLET AND EXHAUST SYSTEM

## 331-5167 AIR CLEANER GP-PRECLEANER

CANNOT BE USED WITH JACKET WATER HEATERS

AN ATTACHMENT

SMCS-1051, 1054

i03461820

NOTE	REF NO	GRAPHIC REF	PART NUMBER	QTY	PART NAME						SEE PAGE
					1	2	3	4	5	6 (PRODUCT LEVEL)	
Y	1	1	5N-7831	2	PRECLEANER GP						214
	2	1	5N-7832	2	GASKET						
	3	1	5N-7915	2	ANGLE						
	4	1	5N-7918	1	PLATE						
	5	1	5N-7919	12	SPACER (18.85X26.67X33-MM THK)						
	6	1	5N-7920	2	ADAPTER AS						
	7	1	277-2262	1	PLATE						
	8	1	031-4155	48	LOCKNUT (5/16-18-THD)						
	9	1	4L-6454	28	BOLT (3/8-16X1-IN)						
	10	1	5N-7917	4	SPACER (10.74X17.14X54.4-MM THK)						
	11	1	6V-8188	1	NUT (1/2-13-THD)						
	12	1	6V-8801	28	NUT (3/8-16-THD)						
	13	1	7X-0448	2	NUT (5/8-11-THD)						
	14	1	8C-6362	5	BOLT (5/8-11X2.75-IN)						
	15	1	8T-4122	16	WASHER-HARD (17X32X3.5-MM THK)						
	16	1	8T-4223	2	WASHER-HARD (13.5X25.5X3-MM THK)						
	17	1	8T-4224	96	WASHER-HARD (8.8X16X2-MM THK)						
	18	1	8T-4835	1	BOLT (1/2-13X2-IN)						
	19	1	8T-4896	60	WASHER-HARD (10.2X18.5X2.5-MM THK)						
	20	1	8T-6871	6	BOLT (5/8-11X2.5-IN)						
	21	1	8T-8915	4	BOLT (3/8-16X3.25-IN)						
	22	1	8T-9043	48	BOLT (5/16-18X0.875-IN)						
	23	1	8T-9393	2	BOLT (5/8-11X1.5-IN)						
	24	1	8T-9396	1	BOLT (5/8-11X3.25-IN)						
B	25	1	8T-4122	12	WASHER-HARD (17X32X3.5-MM THK)						

B-USE AS REQUIRED

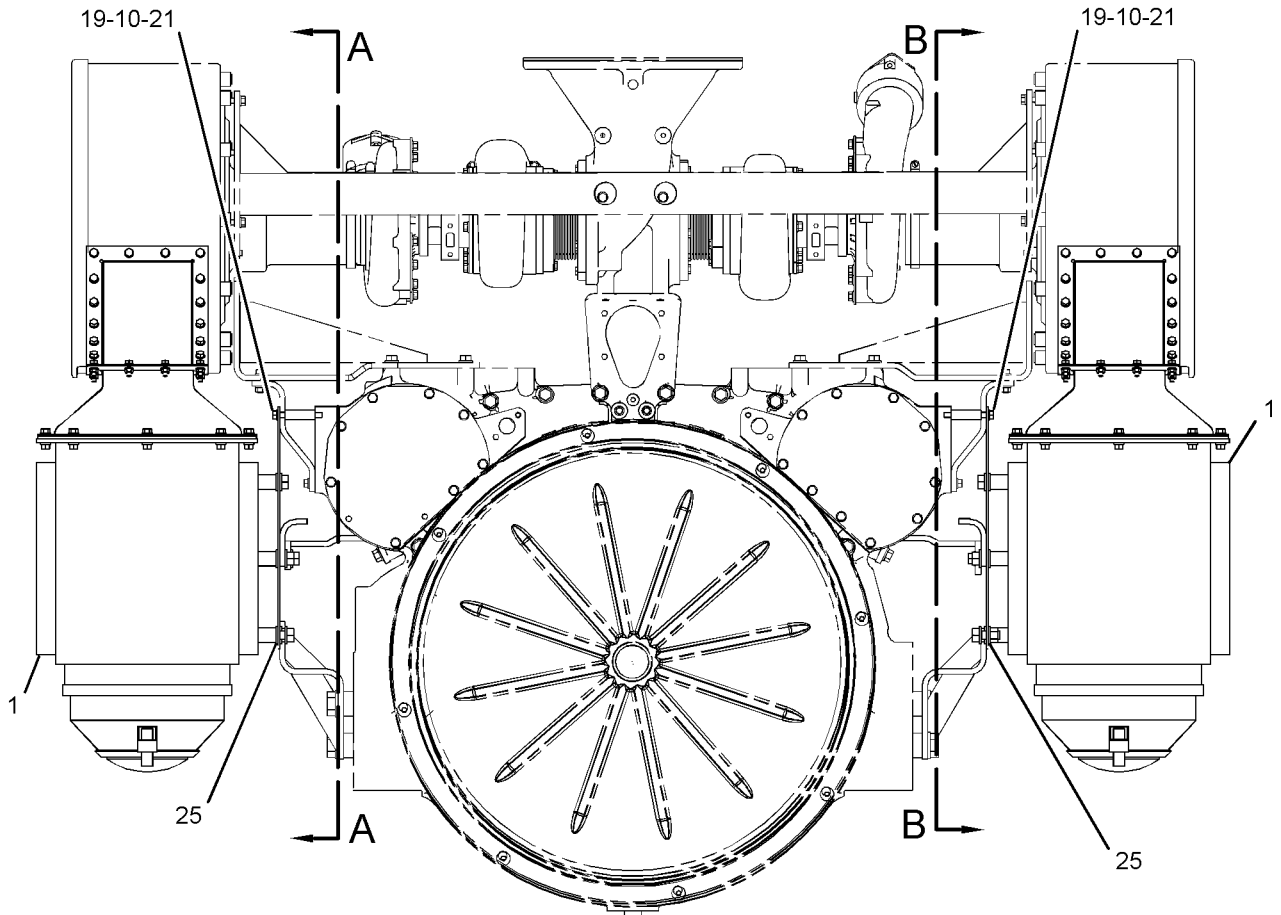
Y-SEPARATE ILLUSTRATION



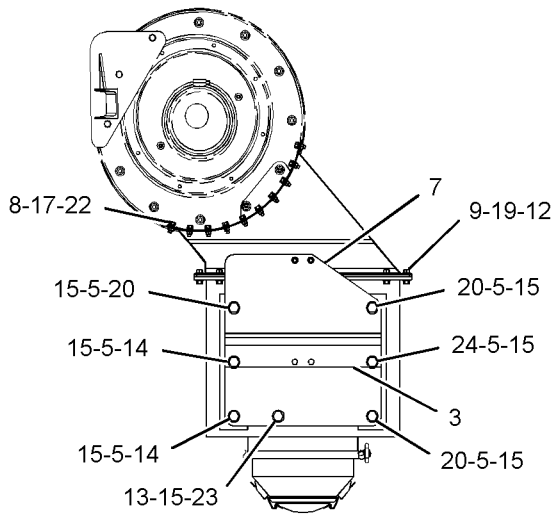
# AIR INLET AND EXHAUST SYSTEM

331-5167 AIR CLEANER GP (contd.)

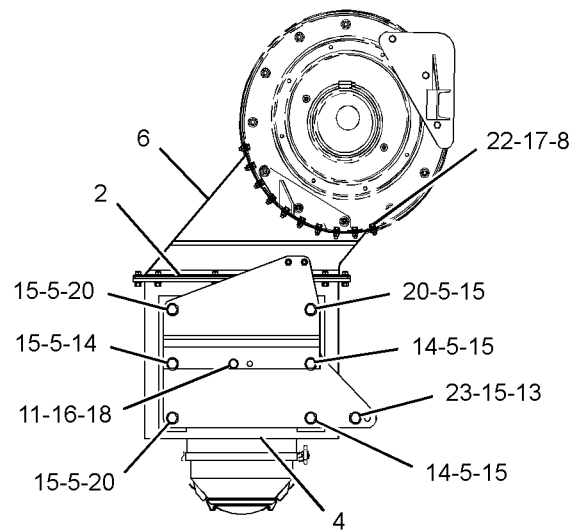
i03461820



REAR VIEW



VIEW A-A



VIEW B-B

GRAPHIC #1

<END>

g01844834

# AIR INLET AND EXHAUST SYSTEM

## 336-1548 AIR CLEANER GP-PRECLEANER AN ATTACHMENT

SMCS-1051, 1054

i03786598

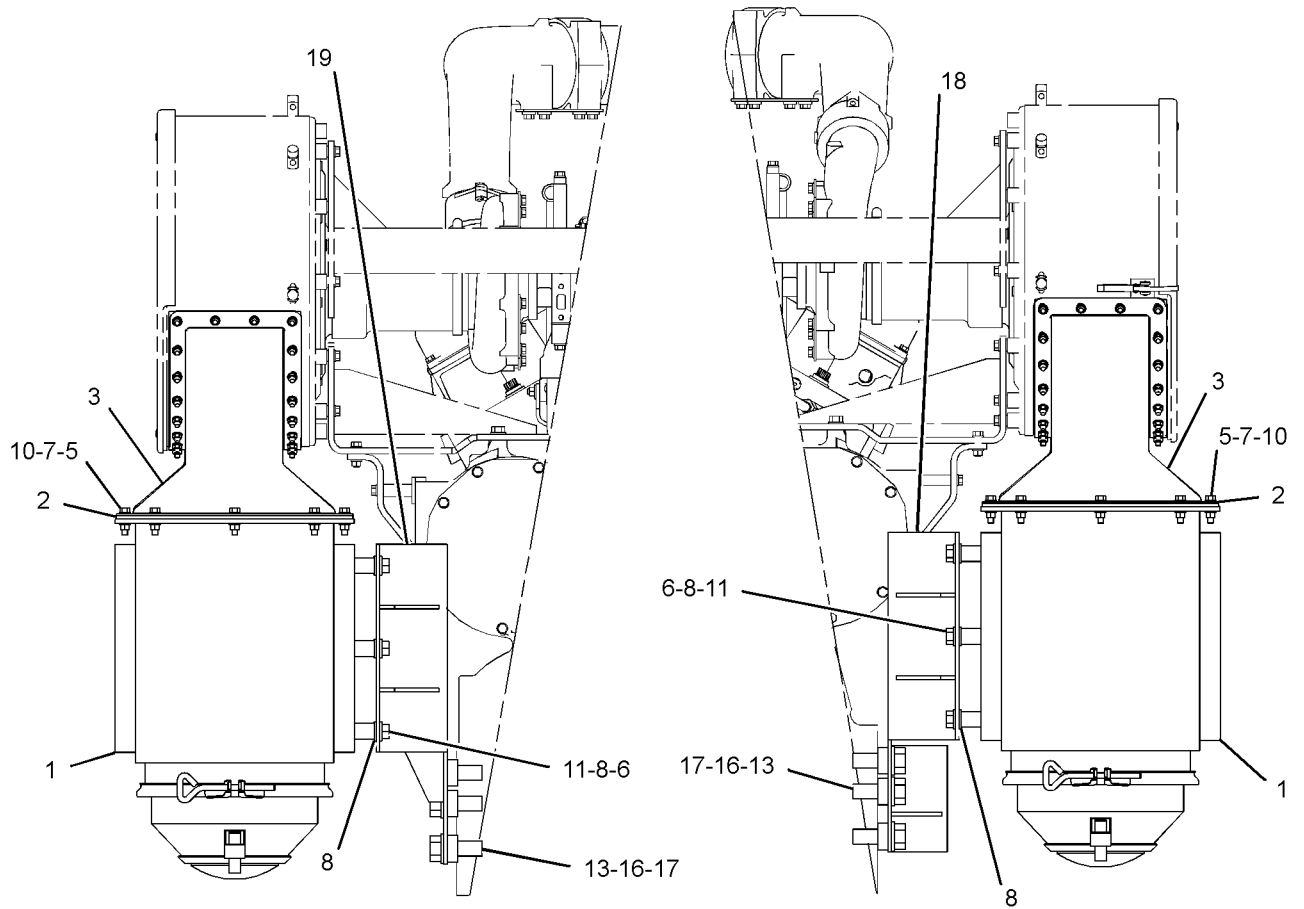
NOTE	REF NO	GRAPHIC REF	PART NUMBER	QTY	PART NAME						SEE PAGE
					1	2	3	4	5	6 (PRODUCT LEVEL)	
Y	1	1	5N-7831	2	PRECLEANER GP						214
	2	1	5N-7832	2	GASKET						
	3	1	5N-7920	2	ADAPTER AS						
	4	1	031-4155	48	LOCKNUT (5/16-18-THD)						
	5	1	4L-9337	28	BOLT (3/8-16X1.5-IN)						
	6	1	5N-7919	12	SPACER (18.85X26.67X33-MM THK)						
	7	1	6V-8801	28	NUT (3/8-16-THD)						
B	8	1	8T-4122	24	WASHER-HARD (17X32X3.5-MM THK)						
	9	1	8T-4224	96	WASHER-HARD (8.8X16X2-MM THK)						
	10	1	8T-4896	56	WASHER-HARD (10.2X18.5X2.5-MM THK)						
	11	1	8T-6871	12	BOLT (5/8-11X2.5-IN)						
	12	1	8T-9043	48	BOLT (5/16-18X0.875-IN)						
	13	1	2H-3745	6	BOLT (1-14X2.75-IN)						
	14	1	2M-5656	2	NUT (1-14-THD)						
	15	1	5N-7830	2	GASKET						
	16	1	5P-8250	8	WASHER (28X49X5-MM THK)						
	17	1	8G-2077	6	SPACER (26X45X17.5-MM THK)						
	18	1	308-7311	1	BRACKET AS						
	19	1	308-7312	1	BRACKET AS						

B-USE AS REQUIRED  
Y-SEPARATE ILLUSTRATION

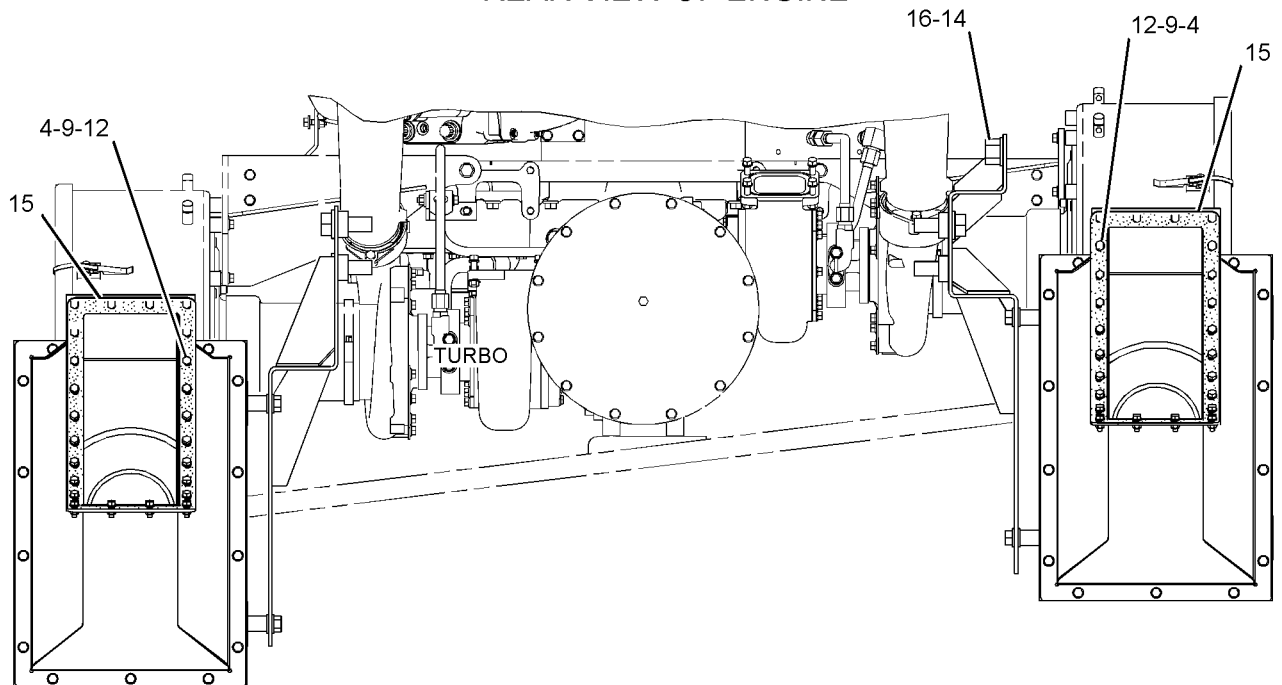
# AIR INLET AND EXHAUST SYSTEM

336-1548 AIR CLEANER GP (contd.)

i03786598



REAR VIEW OF ENGINE



TOP VIEW OF ENGINE

GRAPHIC #1

<END>

g02096019

# AIR INLET AND EXHAUST SYSTEM

## 289-8498 DAMPER GP-AIR SHUTOFF

S/N: LLA311-UP

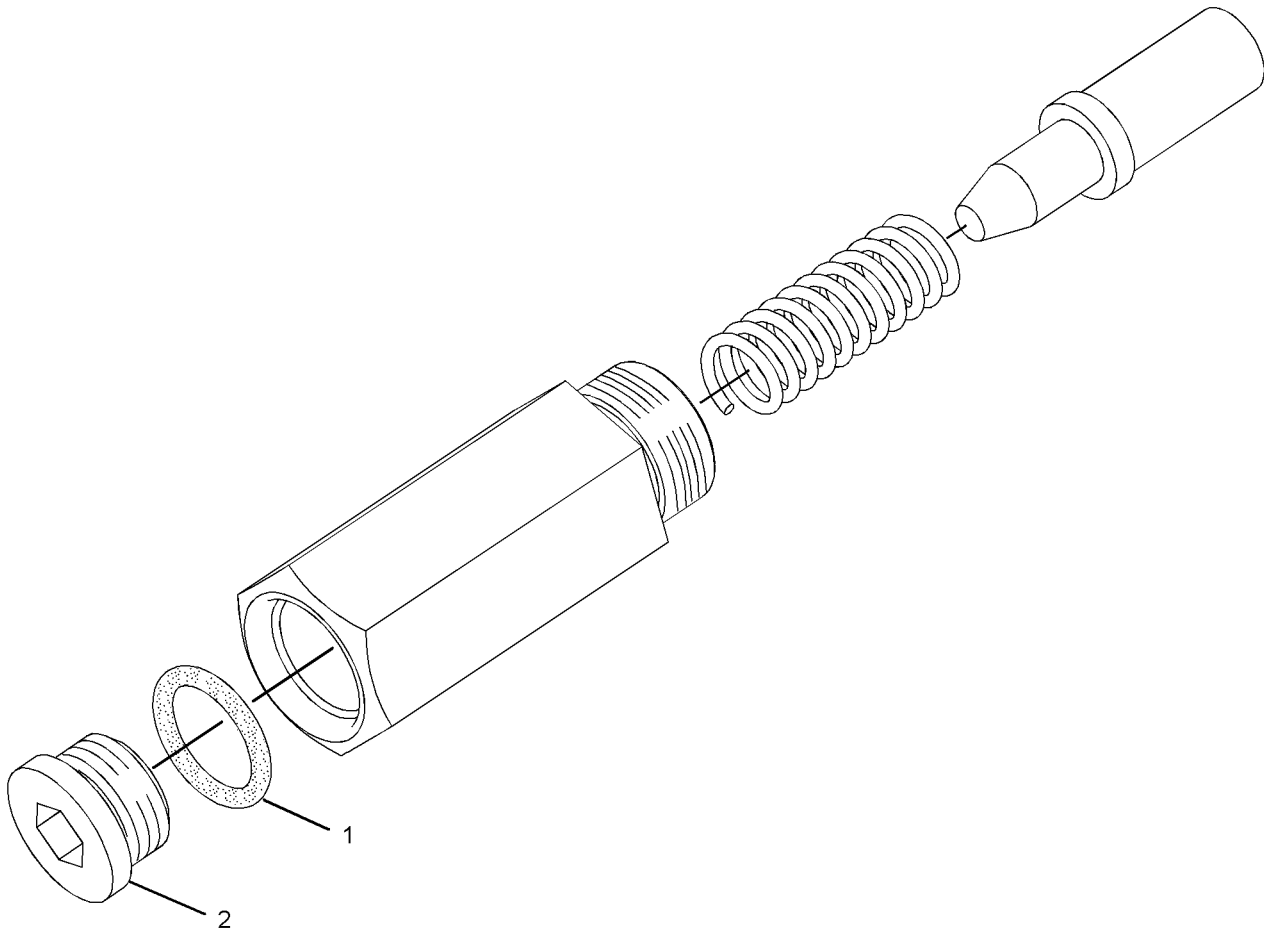
PART OF 288-2758, 288-2759 SHUTOFF GP-AIR  
AN ATTACHMENT

SMCS-1078

i02674033

NOTE	REF NO	GRAPHIC REF	PART NUMBER	QTY	PART NAME						SEE PAGE
					1	2	3	4	5	6 (PRODUCT LEVEL)	
	1	1	6V-5049	1	SEAL-O-RING						
	2	1	9S-8004	1	PLUG-O-RING						

PARTS SHOWN IN GRAPHIC(S) WITHOUT A REFERENCE NUMBER ARE NOT SERVICED SEPARATELY



GRAPHIC #1

<END>

g01360451

# AIR INLET AND EXHAUST SYSTEM

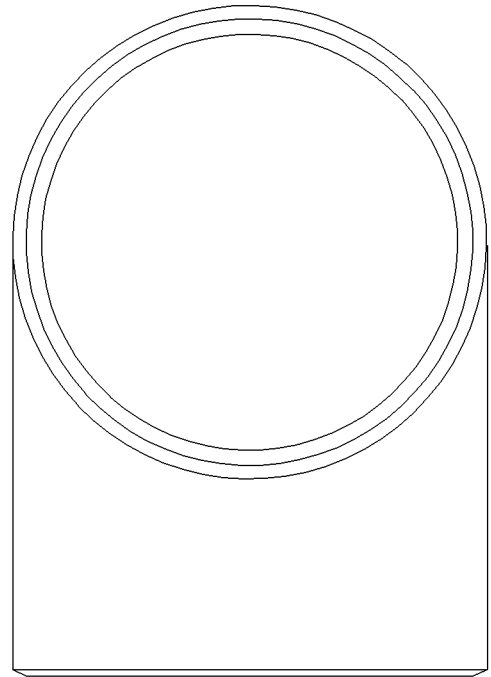
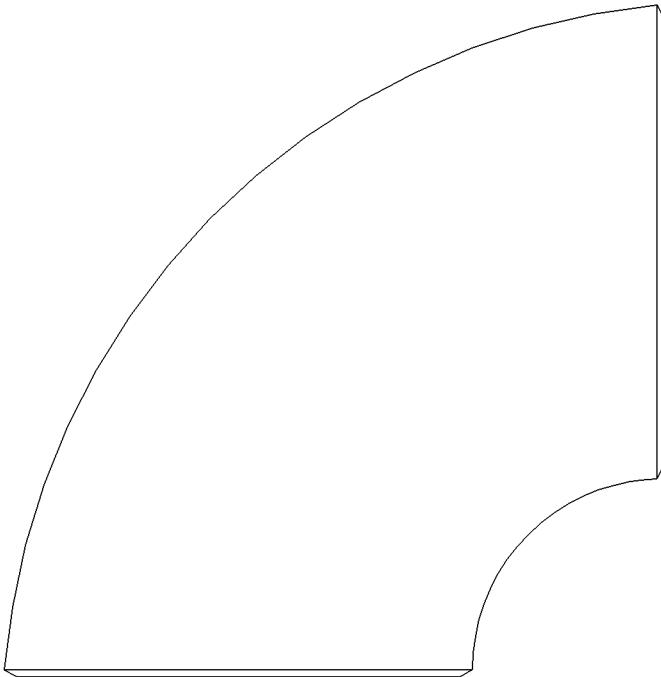
## 5L-6954 ELBOW-EXHAUST

12-IN  
AN ATTACHMENT

SMCS-1061

i01213269

NOTE	REF NO	GRAPHIC REF	PART NUMBER	QTY	PART NAME	SEE PAGE
					1 2 3 4 5 6 (PRODUCT LEVEL)	
(NO SERVICED PARTS)						



GRAPHIC #1

<END>

g00648631

# AIR INLET AND EXHAUST SYSTEM

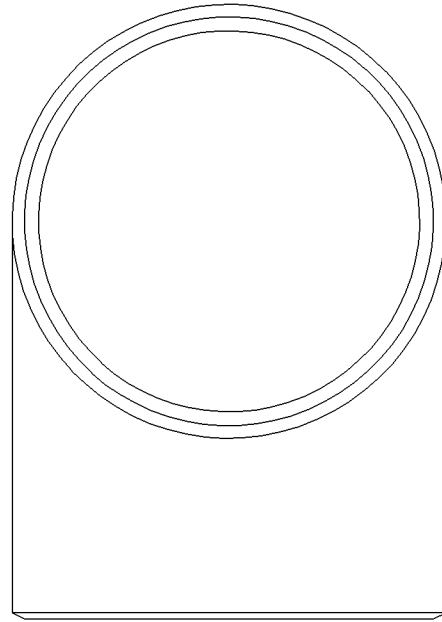
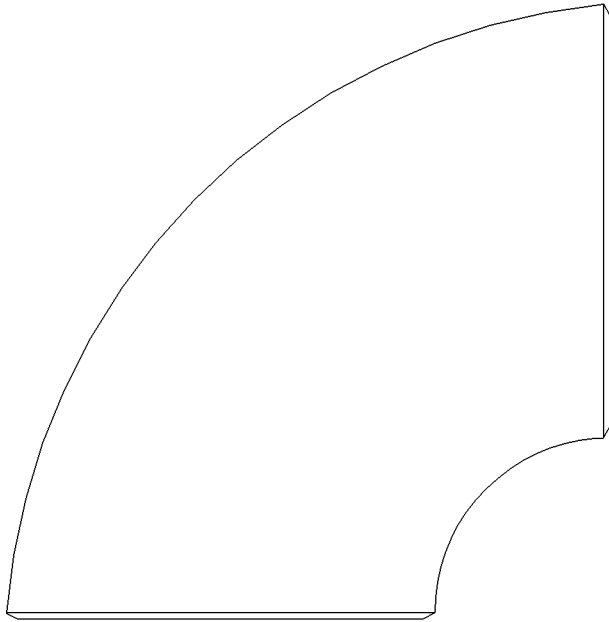
## 5N-8529 ELBOW-EXHAUST

14-IN  
AN ATTACHMENT

SMCS-1061

i01450754

NOTE	REF NO	GRAPHIC REF	PART NUMBER	QTY	PART NAME	SEE PAGE
					1 2 3 4 5 6 (PRODUCT LEVEL)	
(NO SERVICED PARTS)						



GRAPHIC #1

<END>

g00658604

# AIR INLET AND EXHAUST SYSTEM

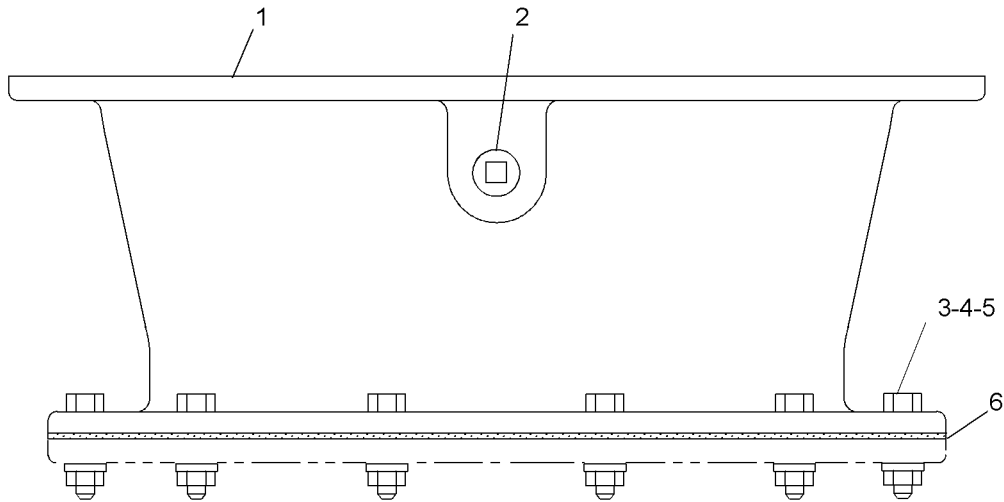
## 1W-9487 FITTING GP-EXHAUST

355.6-MM  
AN ATTACHMENT

SMCS-1061

i02428050

NOTE	REF NO	GRAPHIC REF	PART NUMBER	QTY	PART NAME						SEE PAGE
					1	2	3	4	5	6 (PRODUCT LEVEL)	
	1	1	1W-7996	1	ADAPTER						
	2	1	8T-6762	1	PLUG-PIPE						
	3	1	0S-1591	12	BOLT (3/8-16X1.5-IN)						
	4	1	9S-8752	12	NUT-FULL (3/8-16-THD)						
	5	1	5M-2894	12	WASHER-HARD (10.2X18.5X2.5-MM THK)						
	6	1	1W-6356	1	GASKET						



GRAPHIC #1

<END>

g01215216

# AIR INLET AND EXHAUST SYSTEM

## 5N-9527 FITTING GP-EXHAUST-FLEXIBLE

305-MM

FOR USE WITH WATERCOOLED, HOT EXHAUST STACKS  
AN ATTACHMENT

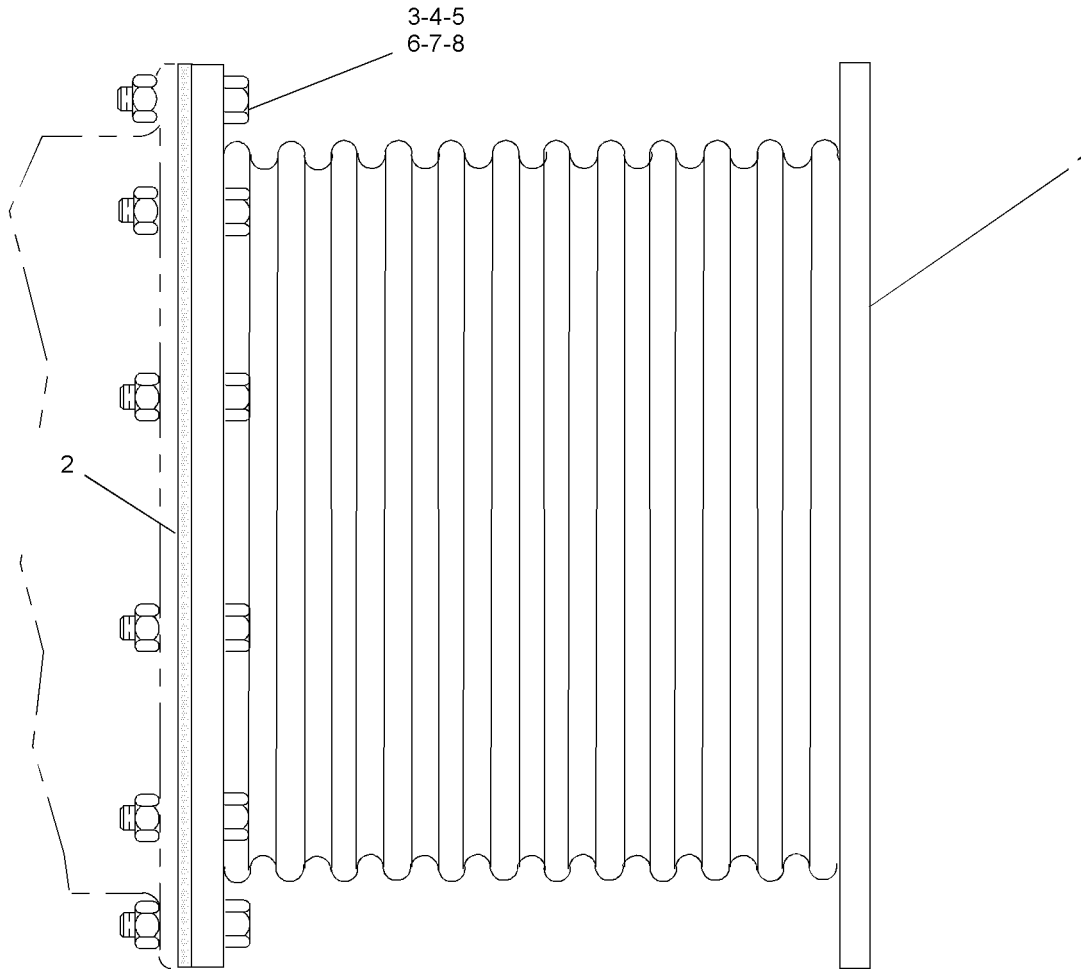
SMCS-1061

i02219329

NOTE	REF NO	GRAPHIC REF	PART NUMBER	QTY	PART NAME						SEE PAGE
					1	2	3	4	5	6 (PRODUCT LEVEL)	
	1	1	<b>207-1332</b>	1	BELLOWS AS						
	2	1	<b>2W-7873</b>	1	GASKET-EXHAUST						
B	3	1	<b>5L-4398</b>	12	BOLT (1/2-13X2.25-IN)						
B	4	1	<b>1B-5357</b>	12	NUT-FULL (1/2-13-THD)						
B	5	1	<b>5P-8245</b>	24	WASHER-HARD (13.5X25.5X3-MM THK)						
BJ	6	1	<b>0S-1571</b>	12	BOLT (3/8-16X1.75-IN)						
BJ	7	1	<b>1B-5355</b>	12	NUT-FULL (3/8-16-THD)						
BJ	8	1	<b>5M-2894</b>	12	WASHER-HARD (10.2X18.5X2.5-MM THK)						

B-USE AS REQUIRED

J-FOR USE WITH 1W5532 ELBOW OR 7N6959 ADAPTER



GRAPHIC #1

<END>

g01109652



# AIR INLET AND EXHAUST SYSTEM

## 7N-6967 FITTING GP-EXHAUST-FLEXIBLE

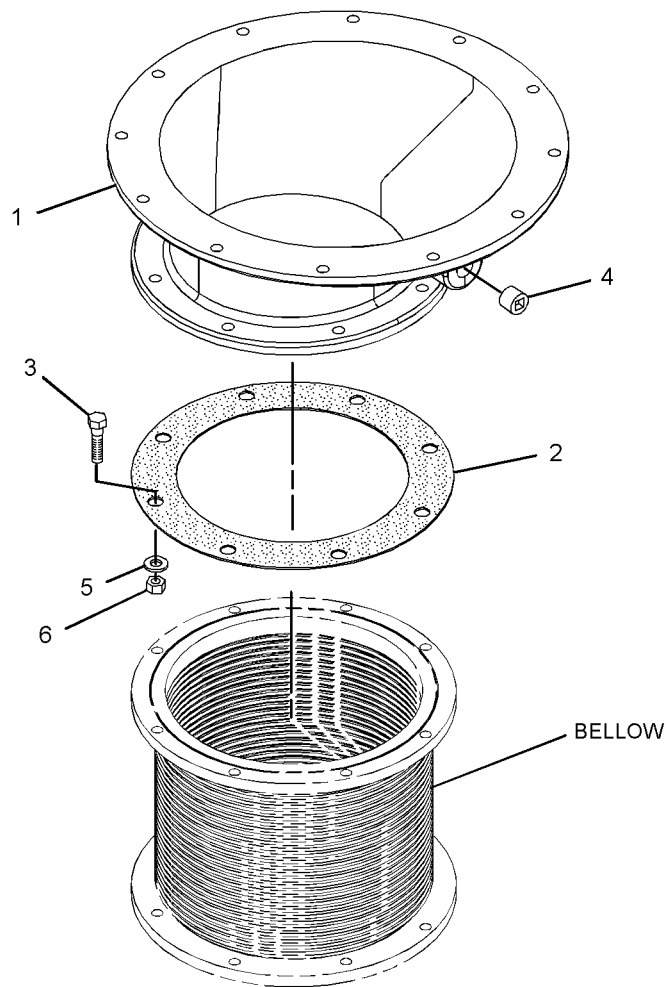
305-MM  
AN ATTACHMENT

SMCS-1061

i03168082

NOTE	REF NO	GRAPHIC REF	PART NUMBER	QTY	PART NAME						SEE PAGE
					1	2	3	4	5	6 (PRODUCT LEVEL)	
	1	1	7N-6959	1	ADAPTER						
	2	1	245-3512	1	GASKET (EXHAUST)						
B	3	1	0S-1591	8	BOLT (3/8-16X1.5-IN)						
	4	1	2B-0858	1	PLUG-PIPE						
B	5	1	3V-3308	8	WASHER-HARD (10.2X20.5X2.5-MM THK)						
	6	1	9S-8752	8	NUT-FULL (3/8-16-THD)						

B-USE AS REQUIRED



GRAPHIC #1

<END>

g01353098

# AIR INLET AND EXHAUST SYSTEM

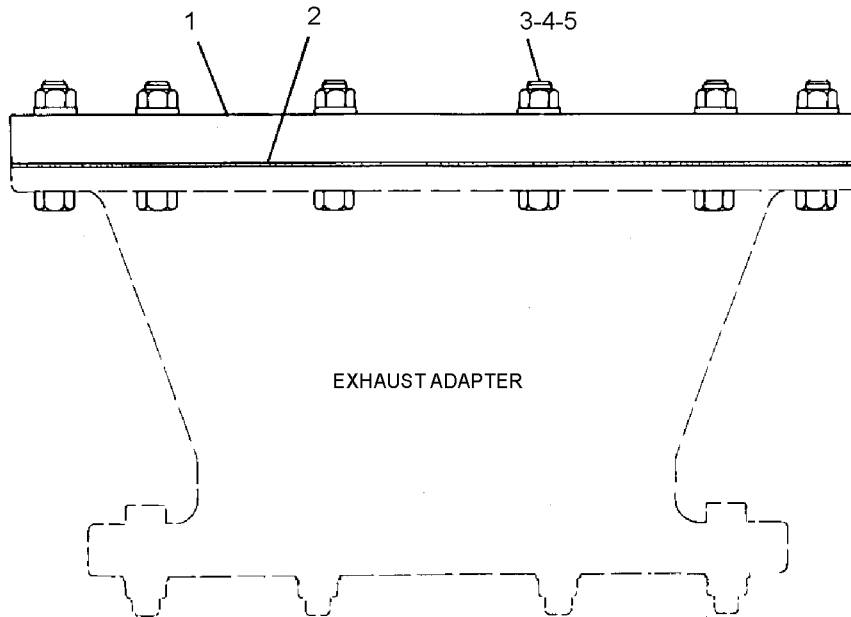
## 1W-9488 FLANGE GP-EXHAUST

355.6-MM  
AN ATTACHMENT

SMCS-1061

i02617064

NOTE	REF NO	GRAPHIC REF	PART NUMBER	QTY	PART NAME						SEE PAGE
					1	2	3	4	5	6 (PRODUCT LEVEL)	
	1	1	1W-7579	1	FLANGE						
	2	1	1W-7580	1	GASKET						
	3	1	0S-1571	12	BOLT (3/8-16X1.75-IN)						
	4	1	9S-8752	12	NUT-FULL (3/8-16-THD)						
	5	1	5M-2894	12	WASHER-HARD (10.2X18.5X2.5-MM THK)						



GRAPHIC #1

<END>

g01301072

# AIR INLET AND EXHAUST SYSTEM

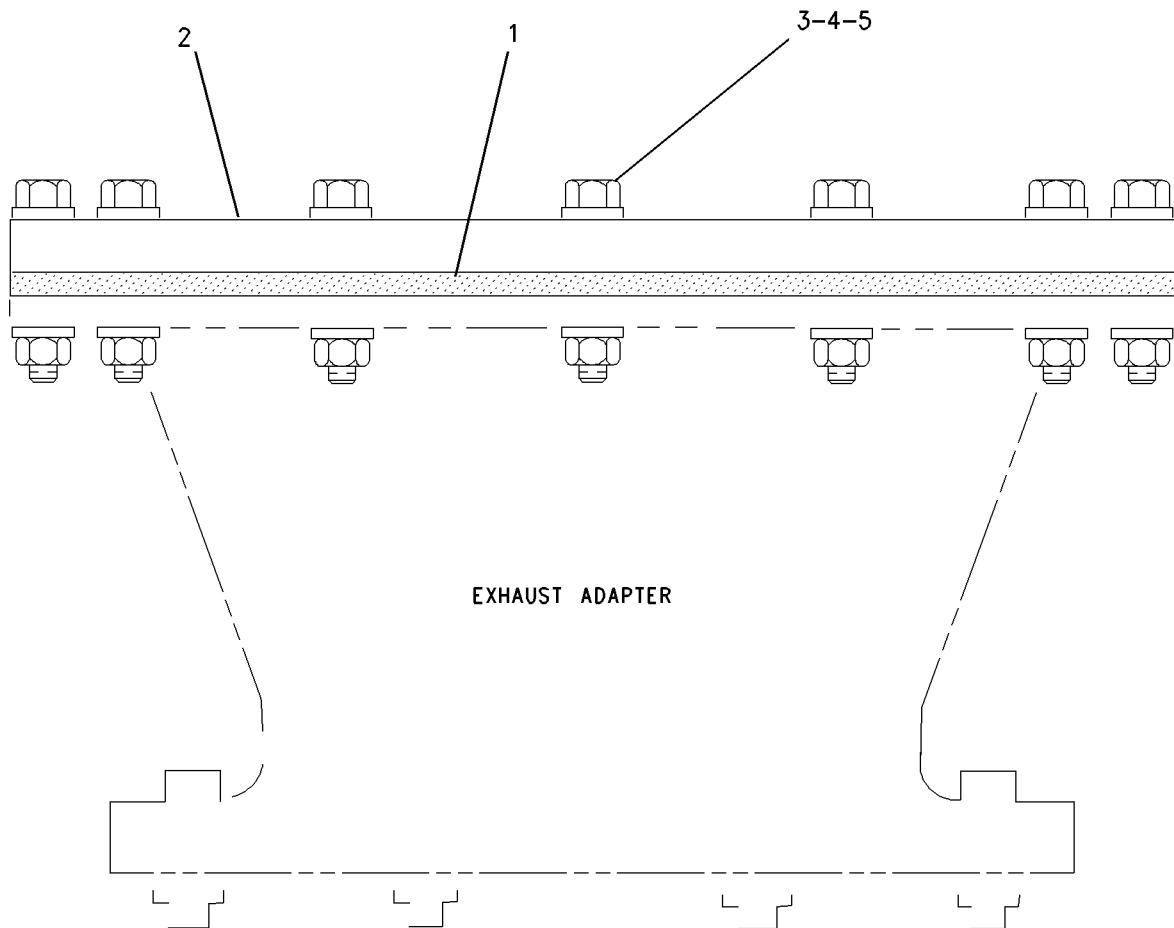
## 2W-7756 FLANGE GP-EXHAUST

355.61-MM  
AN ATTACHMENT

SMCS-1061

i02179545

NOTE	REF NO	GRAPHIC REF	PART NUMBER	QTY	PART NAME						SEE PAGE
					1	2	3	4	5	6 (PRODUCT LEVEL)	
	1	1	111-5822	1	GASKET - EXHAUST						
	2	1	2W-7755	1	FLANGE - EXHAUST						
	3	1	9X-8873	12	BOLT (1/2-13X2.25-IN)						
	4	1	5P-8245	24	WASHER-HARD (13.5X25.5X3-MM THK)						
	5	1	1B-5357	12	NUT-FULL (1/2-13-THD)						



GRAPHIC #1

<END>

g00788150

# AIR INLET AND EXHAUST SYSTEM

## 2W-7871 FLANGE GP-EXHAUST

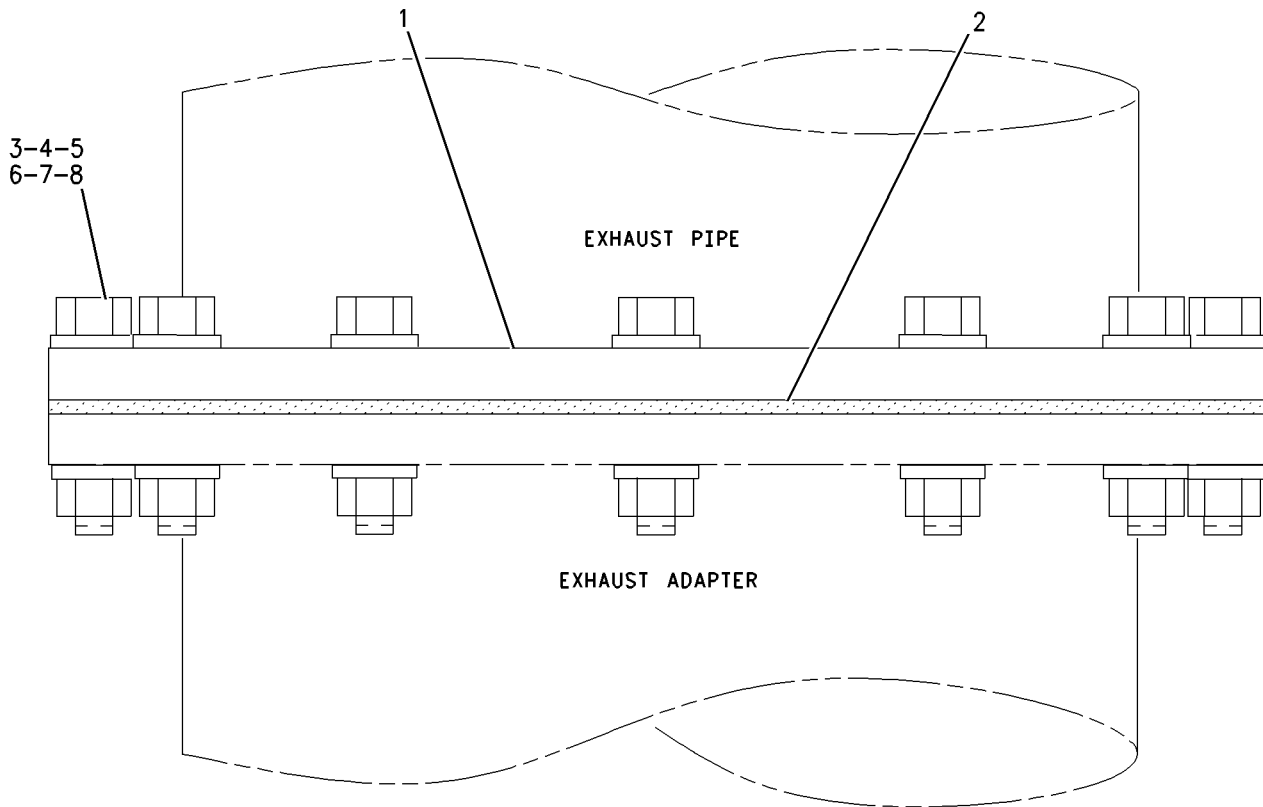
323.9-MM  
AN ATTACHMENT

SMCS-1061

i02153824

NOTE	REF NO	GRAPHIC REF	PART NUMBER	QTY	PART NAME	1 2 3 4 5 6 (PRODUCT LEVEL)						SEE PAGE
	1	1	2W-7872	1	FLANGE - EXHAUST							
	2	1	2W-7873	1	GASKET - EXHAUST							
BL	3	1	5L-4398	12	BOLT (1/2-13X2.25-IN)							
BL	4	1	1B-5357	12	NUT-FULL (1/2-13-THD)							
BL	5	1	5P-8245	24	WASHER-HARD (13.5X25.5X3-MM THK)							
BJ	6	1	0S-1571	12	BOLT (3/8-16X1.75-IN)							
BJ	7	1	1B-5355	12	NUT-FULL (3/8-16-THD)							
BJ	8	1	9L-9132	24	WASHER (10.2X25.5X2.5-MM THK)							

B-USE AS REQUIRED  
 J-FOR USE WITH ENGINE EXHAUST ELBOW OR EXPANDER FITTING GP  
 L-FOR USE WITH FLEXIBLE FITTING GP OR MUFFLER GP



GRAPHIC #1

<END>

g00705447

# AIR INLET AND EXHAUST SYSTEM

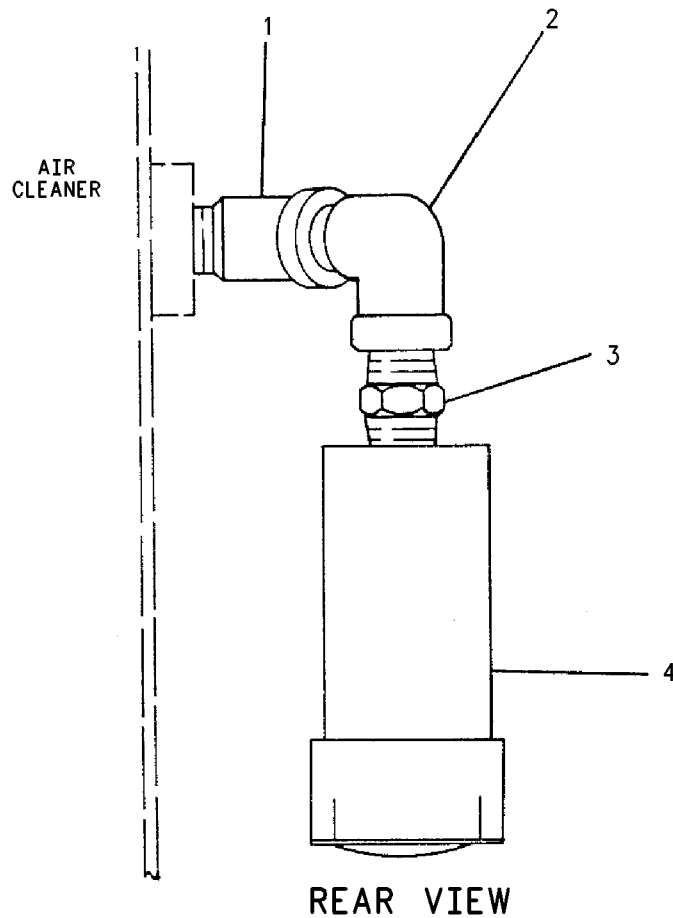
## 7N-6782 INDICATOR GP-AIR FILTER CHANGE

CANNOT BE USED WITH PREMIUM INSTRUMENT PANEL  
AN ATTACHMENT

SMCS-7452

i02230819

NOTE	REF NO	GRAPHIC REF	PART NUMBER	QTY	PART NAME						SEE PAGE
					1	2	3	4	5	6 (PRODUCT LEVEL)	
	1	1	8L-5008	2	ELBOW-PIPE						
	2	1	3B-6552	2	ELBOW-PIPE						
	3	1	5L-3233	2	FITTING						
	4	1	6I-2933	2	INDICATOR-AIR FILTER SERVICE						



GRAPHIC #1

<END>

g00622080

# AIR INLET AND EXHAUST SYSTEM

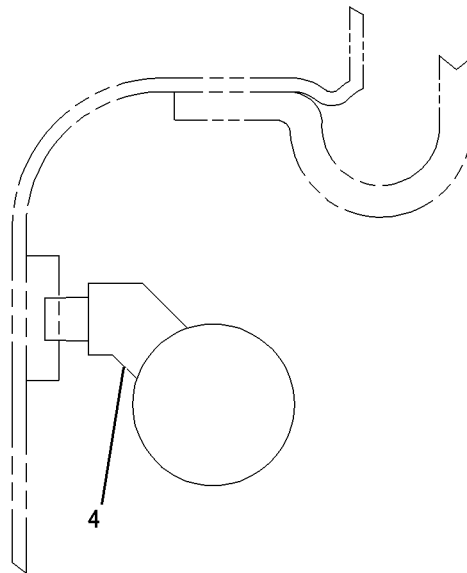
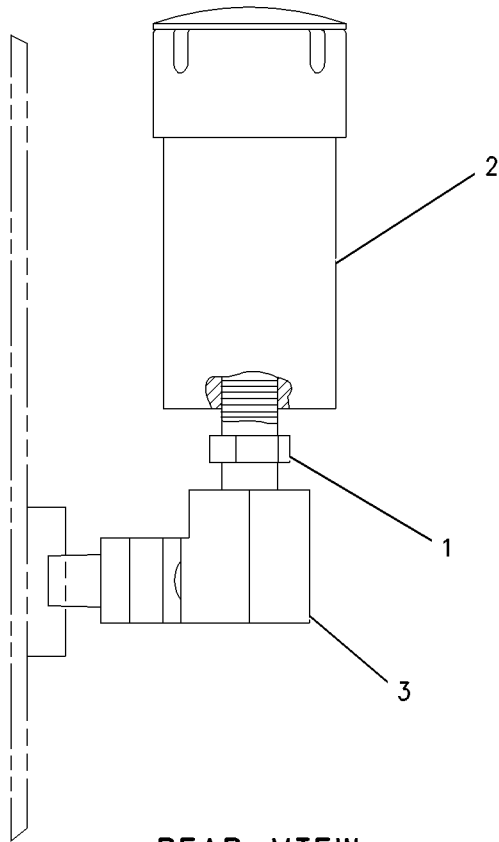
## 213-1412 INDICATOR GP-AIR FILTER CHANGE

AN ATTACHMENT

SMCS-7452

i02230845

NOTE	REF NO	GRAPHIC REF	PART NUMBER	QTY	PART NAME						SEE PAGE
					1	2	3	4	5	6 (PRODUCT LEVEL)	
	1	1	5L-3233	2	FITTING						
	2	1	6I-2933	2	INDICATOR-AIR FILTER SERVICE						
	3	1	3B-6552	2	ELBOW-PIPE						
	4	1	8L-5008	2	ELBOW-PIPE						



GRAPHIC #1

<END>

g00833429

# AIR INLET AND EXHAUST SYSTEM

## 244-1856 LINES GP-AIR

SMCS-1071

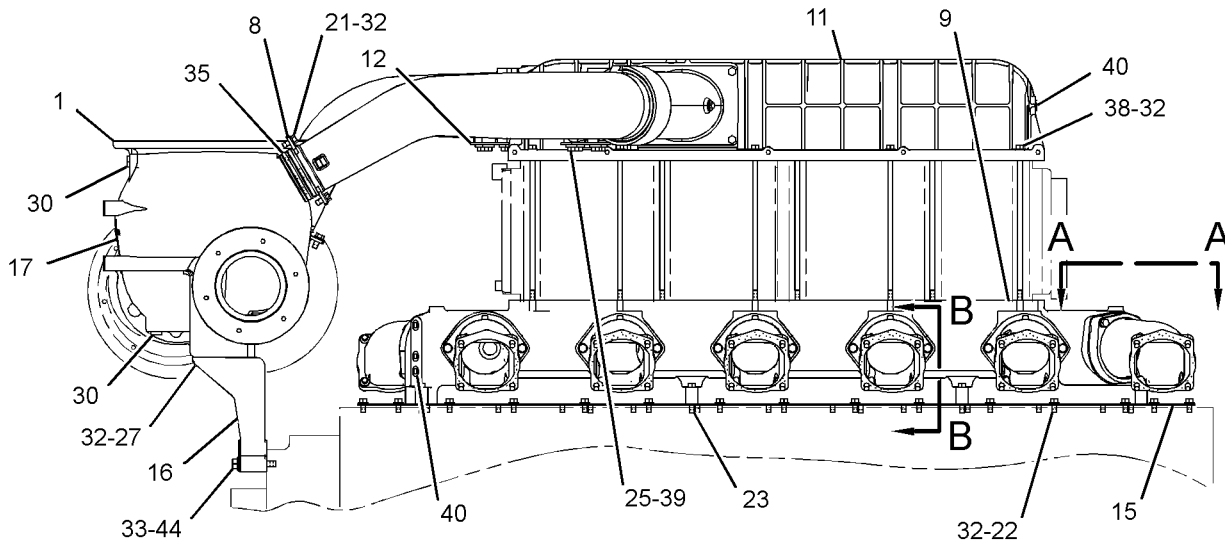
i02875161

NOTE	REF NO	GRAPHIC REF	PART NUMBER	QTY	PART NAME						SEE PAGE
					1	2	3	4	5	6 (PRODUCT LEVEL)	
	1	1	1W-6356	1	GASKET						
	4	1	7C-7909	10	ELBOW (AIR INLET)						
	5	1	7C-7910	2	ELBOW (AIR INLET)						
	6	1	7C-8199	12	FLANGE						
	7	1	7N-5080	12	GASKET-MANIFOLD						
	8	1	7W-3145	4	PLATE						
	9	1	283-9599	1	MANIFOLD						
	10	1	109-7411	4	SEAL-O-RING						
	11	1	285-8436	1	COVER						
	12	1	112-1567	2	STRAP						
	13	1	122-3374	2	ELBOW (AIR INLET)						
	14	1	127-7103	2	SPACER (FLANGE)						
	15	1	129-9528	1	PLATE						
	16	1	140-6458	1	BRACKET						
	17	1	162-8864	1	ELBOW-TURBOCHARGER EXHAUST						
	19	1	244-1890	1	TUBE-AIR (RH)						
	20	1	244-1891	1	TUBE-AIR (LH)						
	21	1	0L-1351	4	BOLT (3/8-16X0.875-IN)						
	22	1	0S-0509	30	BOLT (3/8-16X0.75-IN)						
	23	1	0S-1590	6	BOLT (3/8-16X2-IN)						
	25	1	0S-1594	8	BOLT (3/8-16X1-IN)						
	26	1	0T-0573	4	BOLT (3/8-16X2.75-IN)						
	27	1	1A-2029	4	BOLT (3/8-16X1.125-IN)						
	28	1	1T-0720	48	BOLT-12 POINT HEAD (3/8-16X1.25-IN)						
	29	1	2A-4639	24	BOLT (3/8-16X1.625-IN)						
	30	1	3J-5389	3	PLUG						
	31	1	4S-5898	12	SEAL-O-RING						
	32	1	5M-2894	120	WASHER-HARD (10.2X18.5X2.5-MM THK)						
	33	1	5P-8245	2	WASHER-HARD (13.5X25.5X3-MM THK)						
	34	1	6V-2605	4	STUD-TAPERLOCK						
	35	1	6V-3917	4	SEAL-O-RING						
	36	1	6V-5101	12	SEAL-O-RING						
	37	1	6V-5103	4	SEAL-O-RING						
	38	1	8J-5985	10	BOLT (3/8-16X12.375-IN)						
	39	1	8M-9024	8	WASHER-HARD (10.2X22.5X5-MM THK)						
	40	1	8T-6762	8	PLUG-PIPE						
	41	1	8T-6764	2	PLUG-PIPE						
	43	1	9S-8752	4	NUT-FULL (3/8-16-THD)						
	44	1	9X-8874	2	BOLT (1/2-13X3-IN)						

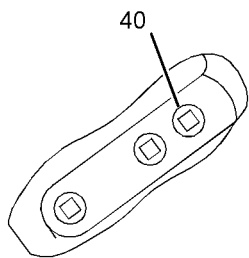
# AIR INLET AND EXHAUST SYSTEM

244-1856 LINES GP-AIR (contd.)

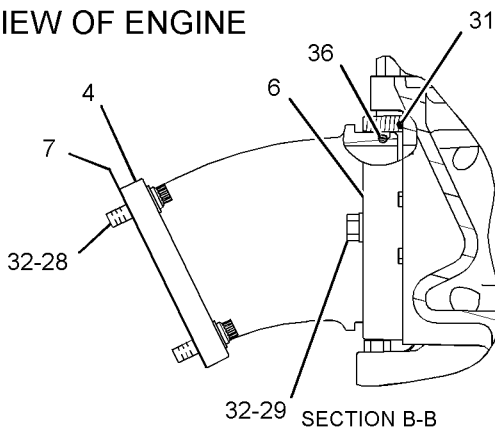
i02875161



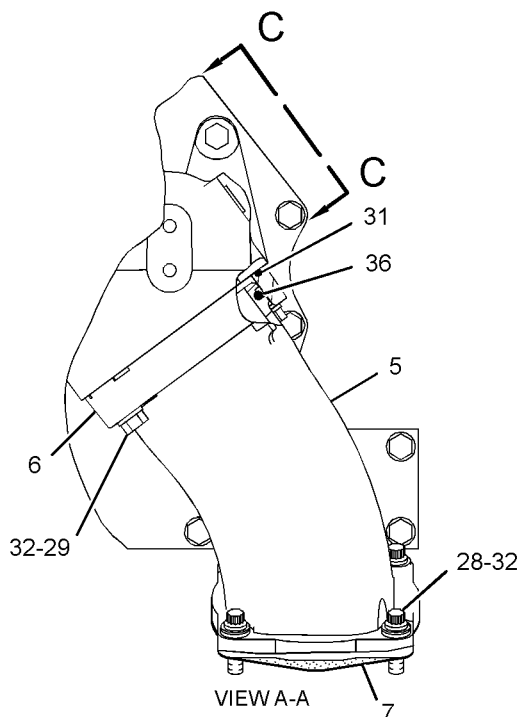
RIGHT SIDE VIEW OF ENGINE



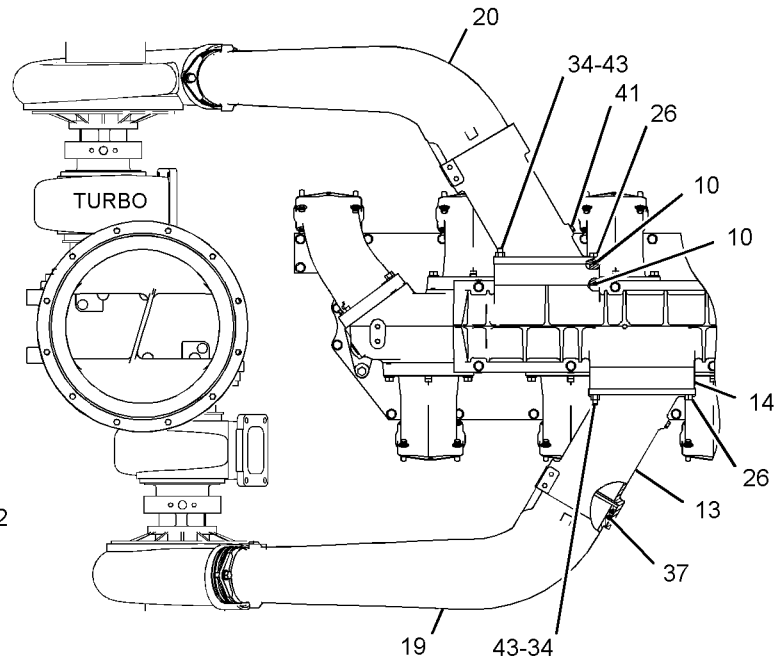
VIEW C-C



SECTION B-B



VIEW A-A



TOP VIEW OF ENGINE

GRAPHIC #1

<END>

g01623599



# AIR INLET AND EXHAUST SYSTEM

## 172-0921 MANIFOLD GP-EXHAUST

SMCS - 1059

i03996285

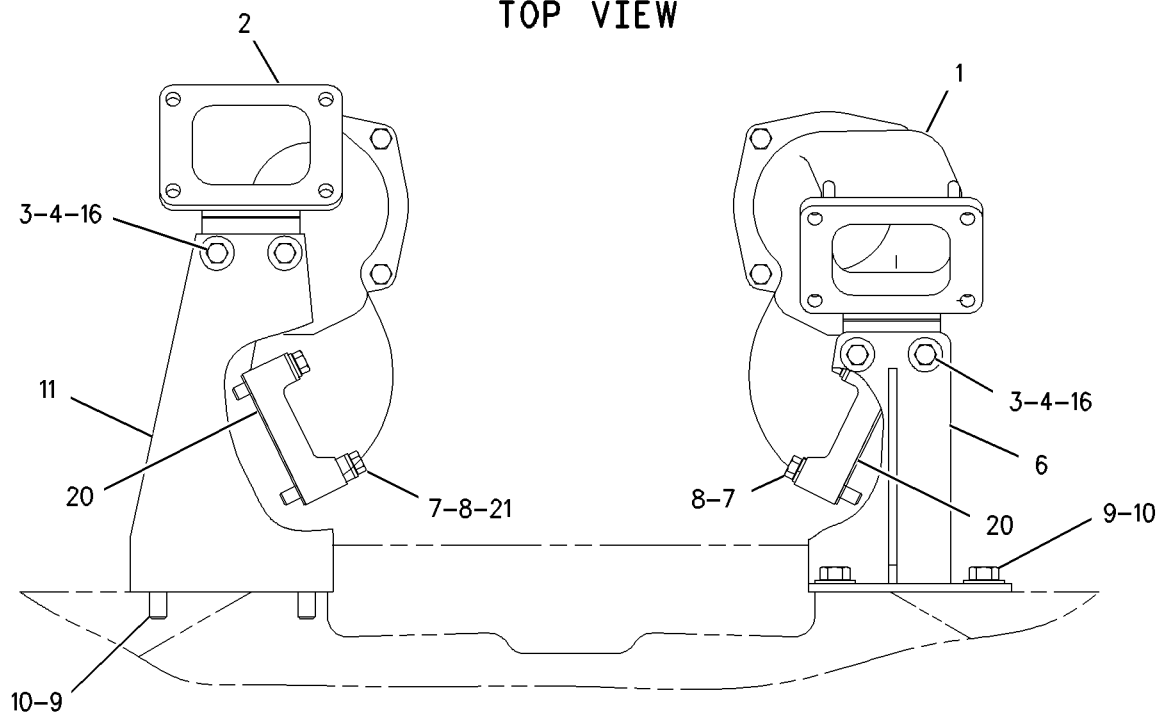
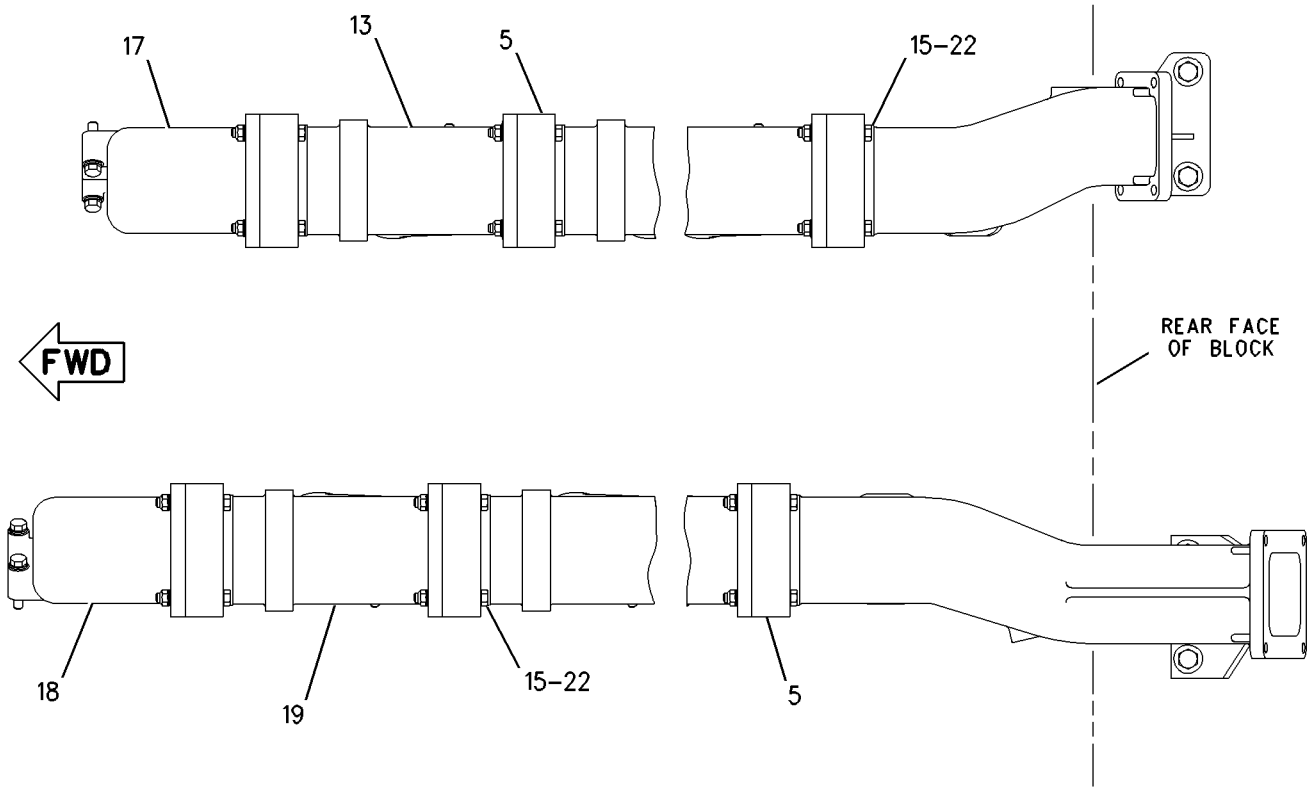
NOTE	REF NO	GRAPHIC REF	PART NUMBER	QTY	PART NAME						SEE PAGE
					1	2	3	4	5	6 (PRODUCT LEVEL)	
	1	1	144-0723	1	MANIFOLD-EXHAUST (REAR, RH)						
	2	1	172-0828	1	MANIFOLD-EXHAUST (REAR, LH)						
	3	1	3B-1915	4	BOLT (3/8-16X1.375-IN)						
	4	1	9L-9132	8	WASHER (10.2X25.5X2.5-MM THK)						
	5	1	204-5455	10	SLEEVE-EXHAUST MANIFOLD						
	6	1	254-3261	1	BRACKET AS (RH) (RH)						
	7	1	9L-7373	48	BOLT-HIGH TEMPERATURE (3/8-16X2-IN)						
	8	1	5M-2894	48	WASHER-HARD (10.2X18.5X2.5-MM THK)						
C	9	1	6H-1717	4	BOLT (1/2-13X1.125-IN)						
	10	1	5P-1076	4	WASHER-HARD (13.5X30X4-MM THK)						
	11	1	254-3262	1	BRACKET AS (LH) (LH)						
	13	1	7C-7791	4	MANIFOLD-EXHAUST (INTERMEDIATE) (RH)						
	15	1	7L-6443	40	BOLT-HIGH TEMPERATURE (3/8-16X2.25-IN)						
C	16	1	9S-8752	4	NUT-FULL (3/8-16-THD)						
	17	1	7C-7790	1	MANIFOLD-EXHAUST (FRONT, RH)						
	18	1	7C-7793	1	MANIFOLD-EXHAUST (FRONT, LH)						
	19	1	7C-7794	4	MANIFOLD-EXHAUST (INTERMEDIATE) (LH)						
	20	1	7W-8145	12	GASKET-EXHAUST MANIFOLD						
	21	1	4P-7680	1	SPACER (10.5X22.5X15-MM THK)						
C	22	1	2N-2766	40	LOCKNUT (3/8-16-THD)						

C-CHANGE FROM PREVIOUS TYPE

# AIR INLET AND EXHAUST SYSTEM

172-0921 MANIFOLD GP-EXHAUST (contd.)

i03996285



GRAPHIC #1

<END>

g00868112

# AIR INLET AND EXHAUST SYSTEM

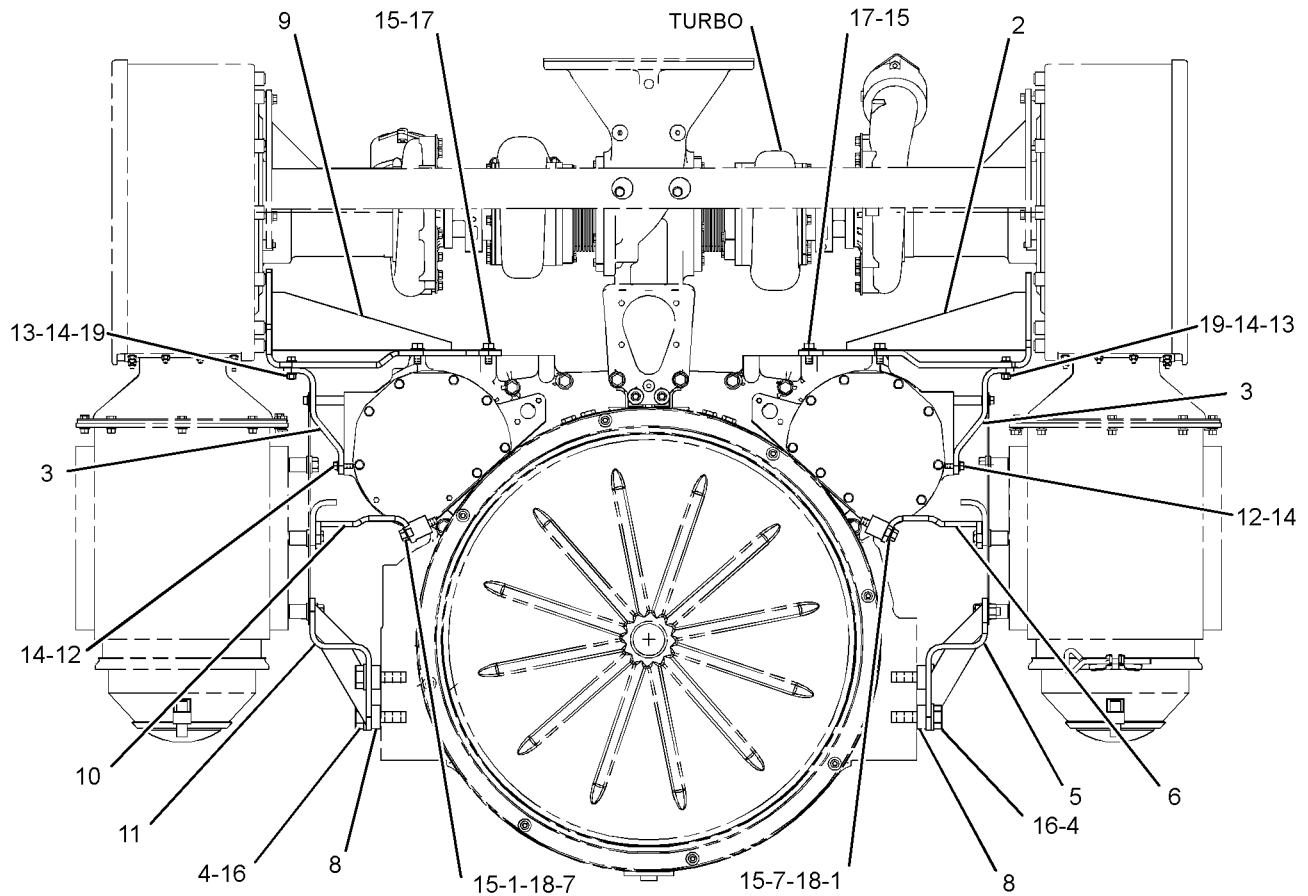
## 273-1088 MOUNTING GP-AIR CLEANER

WITH PRECLEANER  
AN ATTACHMENT

SMCS-1051

i02897263

NOTE	REF NO	GRAPHIC REF	PART NUMBER	QTY	PART NAME						SEE PAGE
					1	2	3	4	5	6 (PRODUCT LEVEL)	
	1	1	1K-4649	2	SPACER (0.516X1X1-IN THK)						
	2	1	5N-7908	1	BRACKET AS						
	3	1	5N-7916	2	BRACKET						
	4	1	2H-3745	4	BOLT (1-14X2.75-IN)						
	5	1	7C-0799	1	BRACKET AS						
	6	1	7E-9762	1	BRACKET AS						
	7	1	7N-3674	2	BLOCK						
	8	1	8G-2077	4	SPACER (26X45X17.5-MM THK)						
	9	1	276-8230	1	BRACKET AS						
	10	1	276-8231	1	BRACKET AS						
	11	1	276-8232	1	BRACKET AS						
	12	1	1A-2029	4	BOLT (3/8-16X1.125-IN)						
	13	1	3B-1915	4	BOLT (3/8-16X1.375-IN)						
	14	1	5M-2894	12	WASHER-HARD (10.2X18.5X2.5-MM THK)						
	15	1	5P-8245	8	WASHER-HARD (13.5X25.5X3-MM THK)						
	16	1	5P-8250	4	WASHER (28X49X5-MM THK)						
	17	1	6H-1717	6	BOLT (1/2-13X1.125-IN)						
	18	1	9S-1366	2	BOLT (1/2-13X2.5-IN)						
	19	1	9S-8752	4	NUT-FULL (3/8-16-THD)						



REAR VIEW

<END>

GRAPHIC #1

g01212071

# AIR INLET AND EXHAUST SYSTEM

## 321-2577 MOUNTING GP-AIR CLEANER

WITH PRECLEANER  
AN ATTACHMENT

SMCS-1051

i03547520

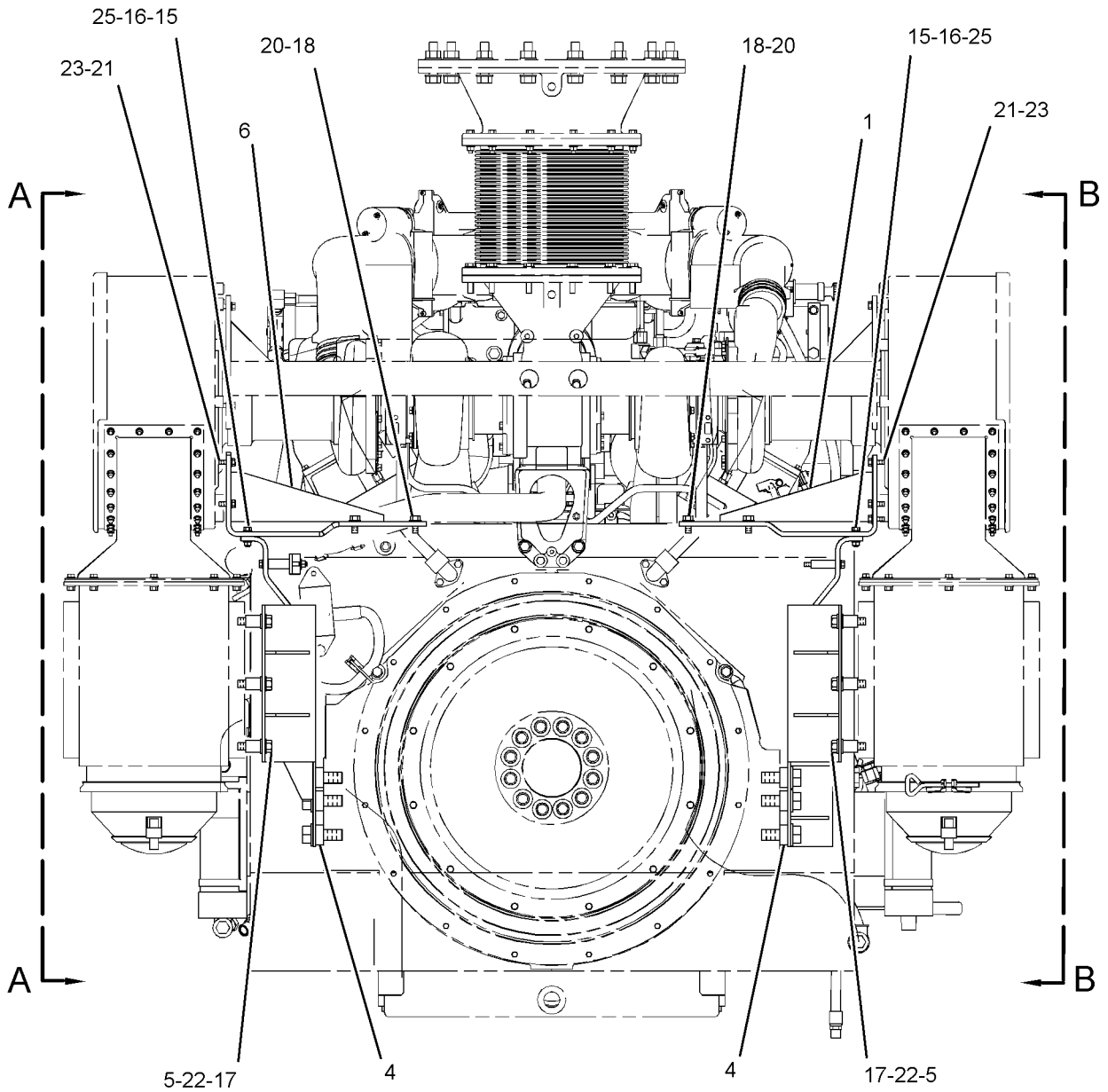
NOTE	REF NO	GRAPHIC REF	PART NUMBER	QTY	PART NAME						SEE PAGE
					1	2	3	4	5	6 (PRODUCT LEVEL)	
	1	1	5N-7908	1	BRACKET AS (RH)						
	2	2,3	5N-7916	2	BRACKET						
	3	3	5N-7917	2	SPACER (10.74X17.14X54.4-MM THK)						
	4	1	8G-2077	6	SPACER (26X45X17.5-MM THK)						
	5	1	201-7354	12	BOLT (5/8-11X2.5-IN)						
	6	1	276-8230	1	BRACKET AS						
	7	3	308-7311	1	BRACKET AS						
	8	2	308-7312	1	BRACKET AS						
	9	2	309-4591	1	BRACKET						
	10	2	087-3796	2	SPACER (17.61X21.34X48-MM THK)						
	11	2	0S-1588	1	BOLT (3/8-16X1.25-IN)						
	12	2,3	1A-2029	4	BOLT (3/8-16X1.125-IN)						
	13	2,3	2H-3745	6	BOLT (1-14X2.75-IN)						
	14	3	2M-5656	2	NUT (1-14-THD)						
	15	1	3B-1915	4	BOLT (3/8-16X1.375-IN)						
	16	1,2,3	5M-2894	12	WASHER-HARD (10.2X18.5X2.5-MM THK)						
	17	1	5N-7919	12	SPACER (18.85X26.67X33-MM THK)						
	18	1	5P-8245	6	WASHER-HARD (13.5X25.5X3-MM THK)						
	19	2,3	5P-8250	8	WASHER (28X49X5-MM THK)						
	20	1	6H-1717	6	BOLT (1/2-13X1.125-IN)						
	21	1	8T-2502	5	BOLT (3/8-16X1.125-IN)						
	22	1	8T-4122	24	WASHER-HARD (17X32X3.5-MM THK)						
	23	1,2,3	8T-4896	9	WASHER-HARD (10.2X18.5X2.5-MM THK)						
	24	2,3	8T-8915	4	BOLT (3/8-16X3.25-IN)						
	25	1,2	9S-8752	5	NUT-FULL (3/8-16-THD)						
	26	2	9X-6458	2	WASHER-HARD (10.2X22.5X3-MM THK)						

# AIR INLET AND EXHAUST SYSTEM

321-2577 MOUNTING GP-AIR CLEANER (contd.)

i03547520

REFER TO ALL ILLUSTRATIONS OF THIS GROUP  
FOR AUXILLARY VIEWS



REAR VIEW OF ENGINE

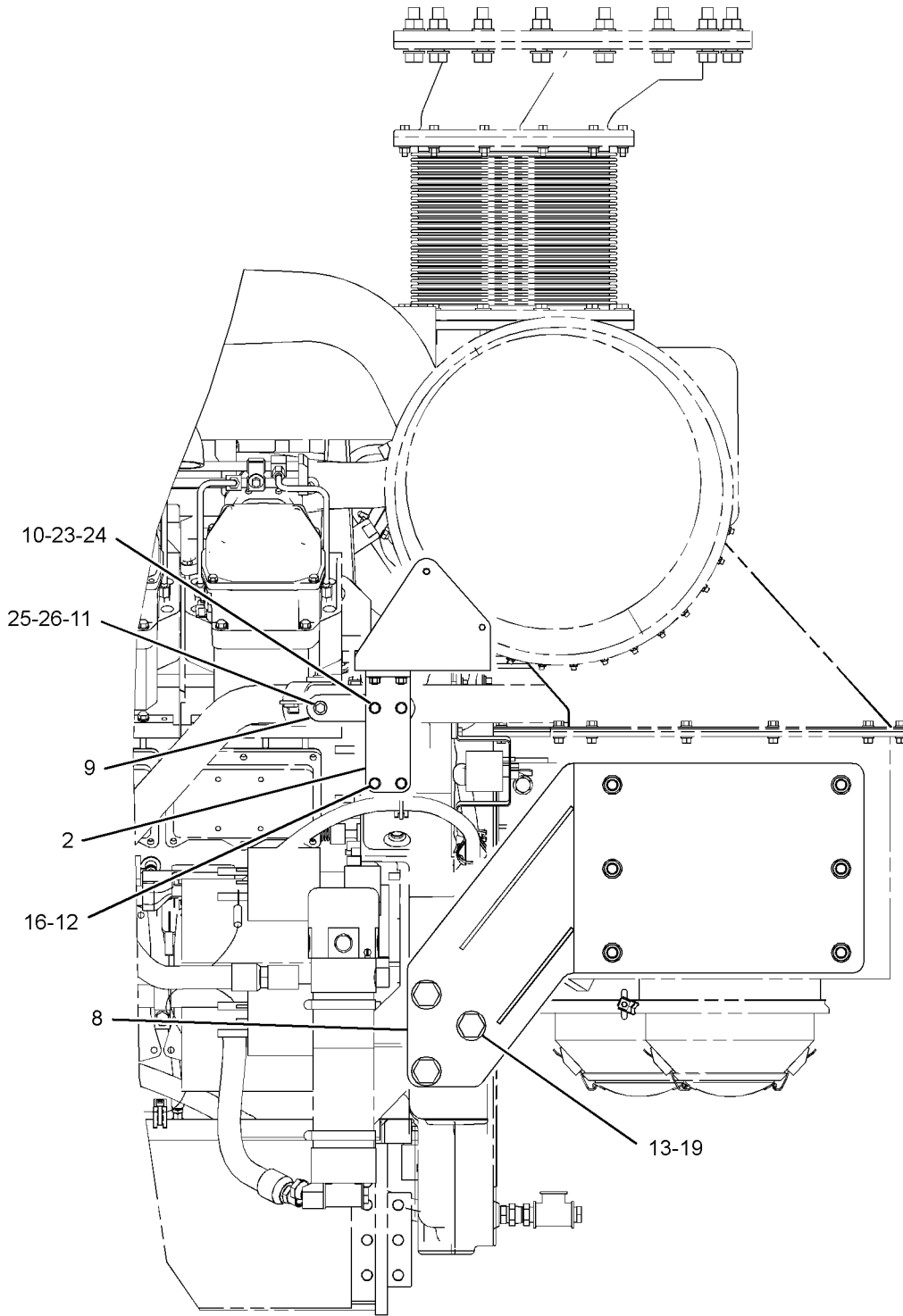
GRAPHIC #1

g01954600

# AIR INLET AND EXHAUST SYSTEM

321-2577 MOUNTING GP-AIR CLEANER (contd.)

i03547520



VIEW A-A

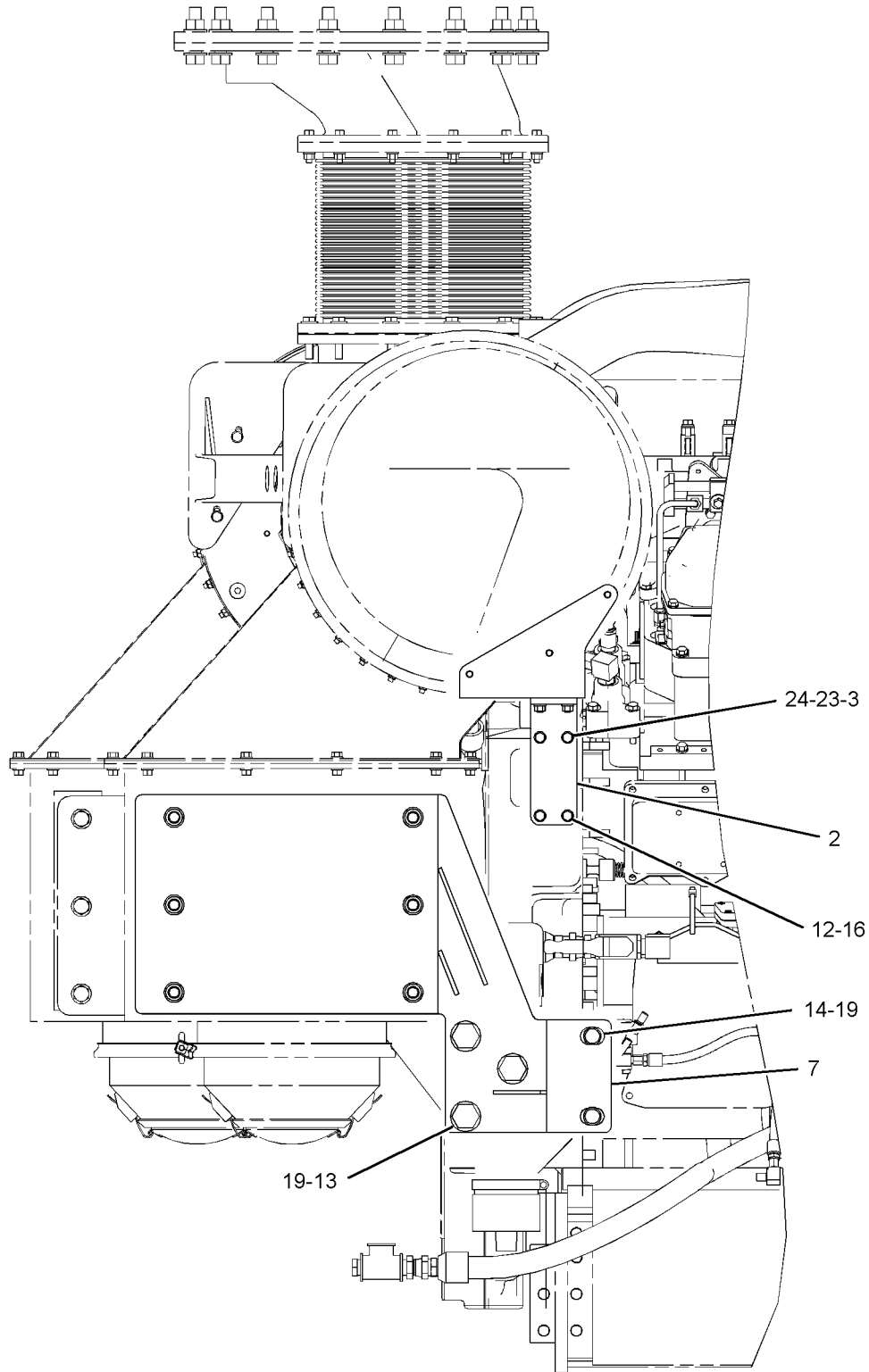
GRAPHIC #2

g01954678

# AIR INLET AND EXHAUST SYSTEM

321-2577 MOUNTING GP-AIR CLEANER (contd.)

i03547520



VIEW B-B

GRAPHIC #3

<END>

g01954688

# AIR INLET AND EXHAUST SYSTEM

## 331-5166 MOUNTING GP-AIR CLEANER

CANNOT BE USED WITH JACKET WATER HEATERS  
AN ATTACHMENT

SMCS-1051

i03461803

NOTE	REF NO	GRAPHIC REF	PART NUMBER	QTY	PART NAME						SEE PAGE
					1	2	3	4	5	6 (PRODUCT LEVEL)	
	1	1	1K-4649	2	SPACER (0.516X1X1-IN THK)						
Y	2	1	5N-7822	2	AIR CLEANER GP						170
	3	1	5N-7830	2	GASKET						
	4	1	5N-7908	1	BRACKET AS						
	5	1	5N-7916	2	BRACKET						
	6	1	5P-4869	2	CLAMP-HOSE						
	7	1	7C-0799	1	BRACKET AS						
	8	1	7E-9762	1	BRACKET AS						
	9	1	7N-3674	2	BLOCK						
	10	1	8G-2077	4	SPACER (26X45X17.5-MM THK)						
	11	1	276-8230	1	BRACKET AS						
	12	1	276-8231	1	BRACKET AS						
	13	1	276-8232	1	BRACKET AS						
	14	1	277-2265	1	SUPPORT AS						
	15	1	309-1854	2	HOSE						
	16	1	1A-2029	4	BOLT (3/8-16X1.125-IN)						
	17	1	2H-3745	4	BOLT (1-14X2.75-IN)						
	18	1	3B-1915	4	BOLT (3/8-16X1.375-IN)						
	19	1	5M-2894	12	WASHER-HARD (10.2X18.5X2.5-MM THK)						
	20	1	5P-8245	8	WASHER-HARD (13.5X25.5X3-MM THK)						
	21	1	5P-8250	4	WASHER (28X49X5-MM THK)						
	22	1	5S-7379	2	BOLT (3/8-16X0.875-IN)						
	23	1	6H-1717	6	BOLT (1/2-13X1.125-IN)						
	24	1	8T-2502	11	BOLT (3/8-16X1.125-IN)						
	25	1	8T-4896	13	WASHER-HARD (10.2X18.5X2.5-MM THK)						
	26	1	9S-1366	2	BOLT (1/2-13X2.5-IN)						
	27	1	9S-8752	4	NUT-FULL (3/8-16-THD)						
B	28	1	8T-4896	11	WASHER-HARD (10.2X18.5X2.5-MM THK)						

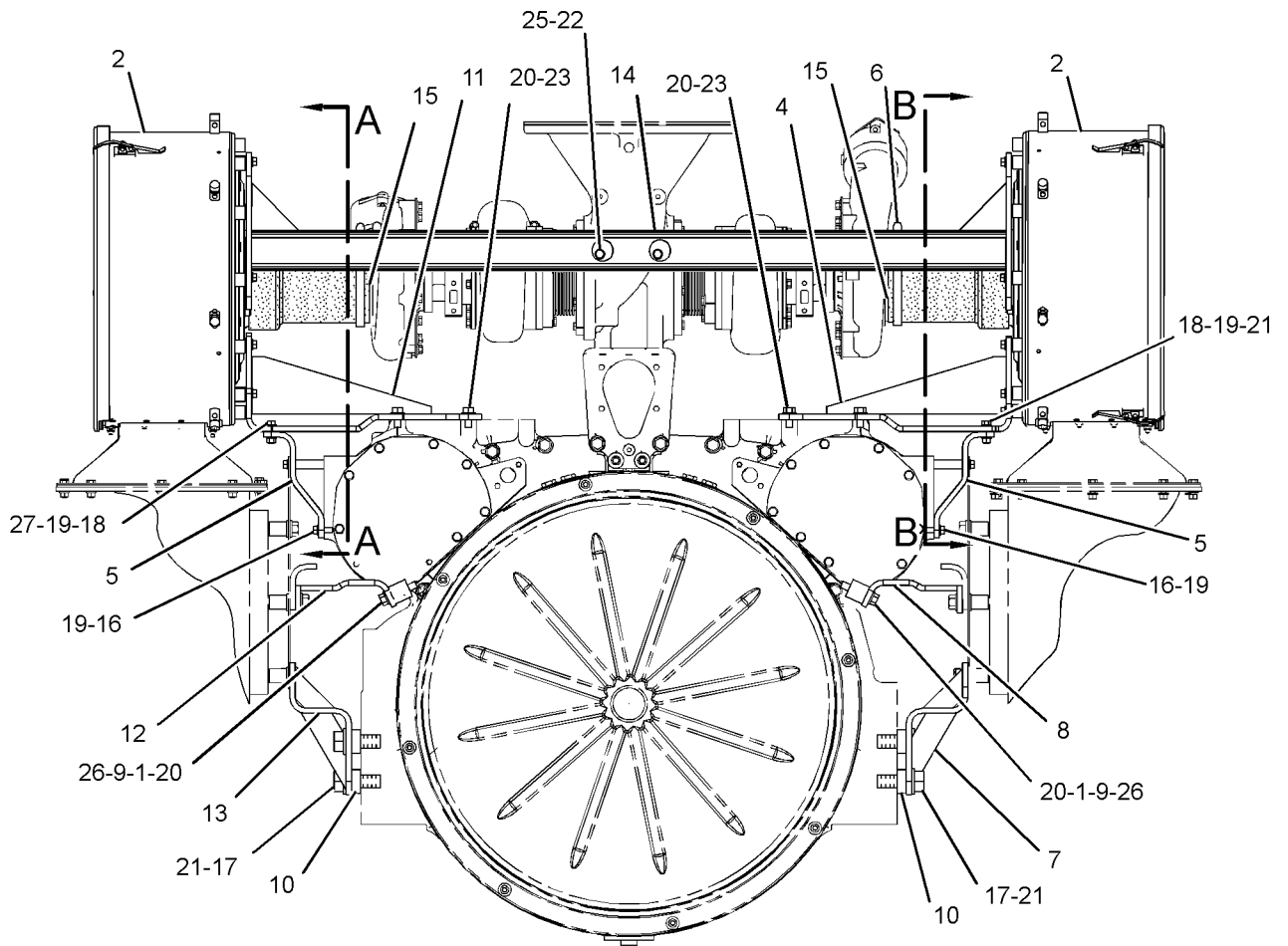
B-USE AS REQUIRED  
Y-SEPARATE ILLUSTRATION



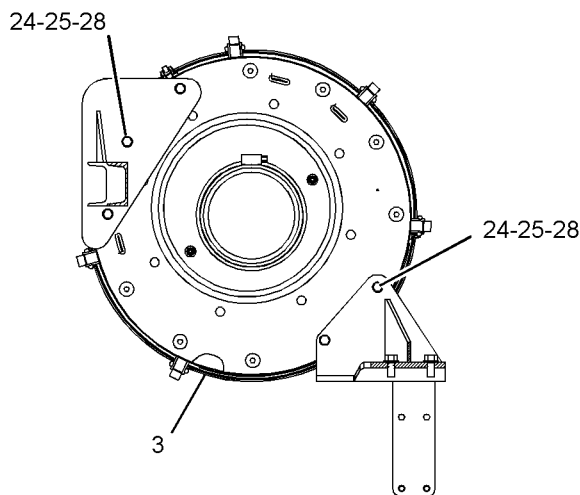
# AIR INLET AND EXHAUST SYSTEM

331-5166 MOUNTING GP-AIR CLEANER (contd.)

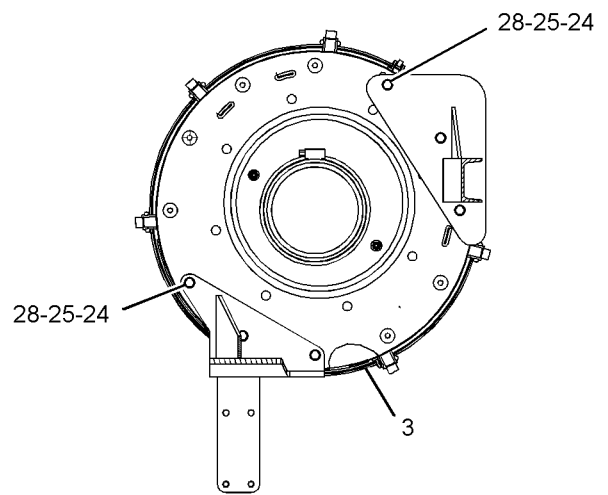
i03461803



REAR VIEW OF ENGINE



SECTION A-A



SECTION B-B

GRAPHIC #1

<END>

g01845034

# AIR INLET AND EXHAUST SYSTEM

## 336-1547 MOUNTING GP-AIR CLEANER

AN ATTACHMENT

SMCS-1051

i03786671

NOTE	REF NO	GRAPHIC REF	PART NUMBER	QTY	PART NAME						SEE PAGE
					1	2	3	4	5	6 (PRODUCT LEVEL)	
Y	1	2	5N-7822	2	AIR CLEANER GP						170
	2	2	5N-7908	1	BRACKET AS (RH)						
	3	2	5N-7916	2	BRACKET						
	4	2	5N-7917	2	SPACER (10.74X17.14X54.4-MM THK)						
	5	2	5P-4869	2	CLAMP-HOSE						
B	6	2	7W-5760	20	FASTENER						
B	7	2	8N-9729	2	COVER-AIR CLEANER HOUSING						
	8	2	276-8230	1	BRACKET AS						
	9	2	277-2265	1	SUPPORT AS						
	10	2	309-1854	2	HOSE						
	11	1	309-4591	1	BRACKET						
	12	2	087-3796	2	SPACER (17.61X21.34X48-MM THK)						
	13	1	0S-1588	1	BOLT (3/8-16X1.25-IN)						
	14	1	1A-2029	4	BOLT (3/8-16X1.125-IN)						
	15	2	3B-1915	4	BOLT (3/8-16X1.375-IN)						
	16	1,2	5M-2894	12	WASHER-HARD (10.2X18.5X2.5-MM THK)						
	17	2	5P-8245	6	WASHER-HARD (13.5X25.5X3-MM THK)						
	18	2	5S-7379	2	BOLT (3/8-16X0.875-IN)						
	19	2	6H-1717	6	BOLT (1/2-13X1.125-IN)						
	20	1	8T-2502	11	BOLT (3/8-16X1.125-IN)						
B	21	1,2	8T-4896	28	WASHER-HARD (10.2X18.5X2.5-MM THK)						
	22	2	8T-8915	4	BOLT (3/8-16X3.25-IN)						
	23	1,2	9S-8752	5	NUT-FULL (3/8-16-THD)						
	24	1	9X-6458	2	WASHER-HARD (10.2X22.5X3-MM THK)						

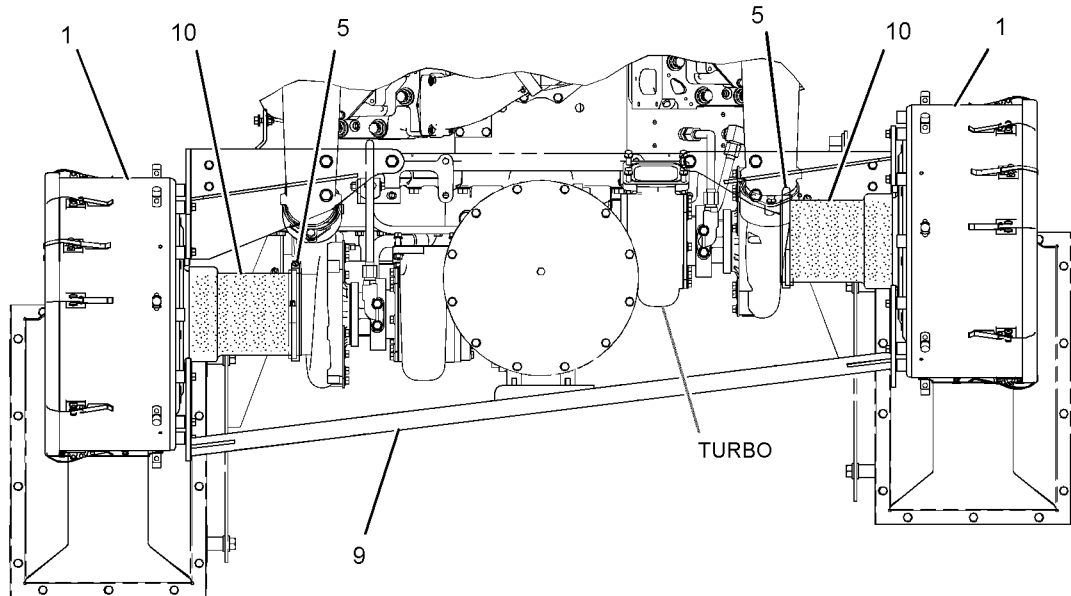
B-USE AS REQUIRED  
Y-SEPARATE ILLUSTRATION

# AIR INLET AND EXHAUST SYSTEM

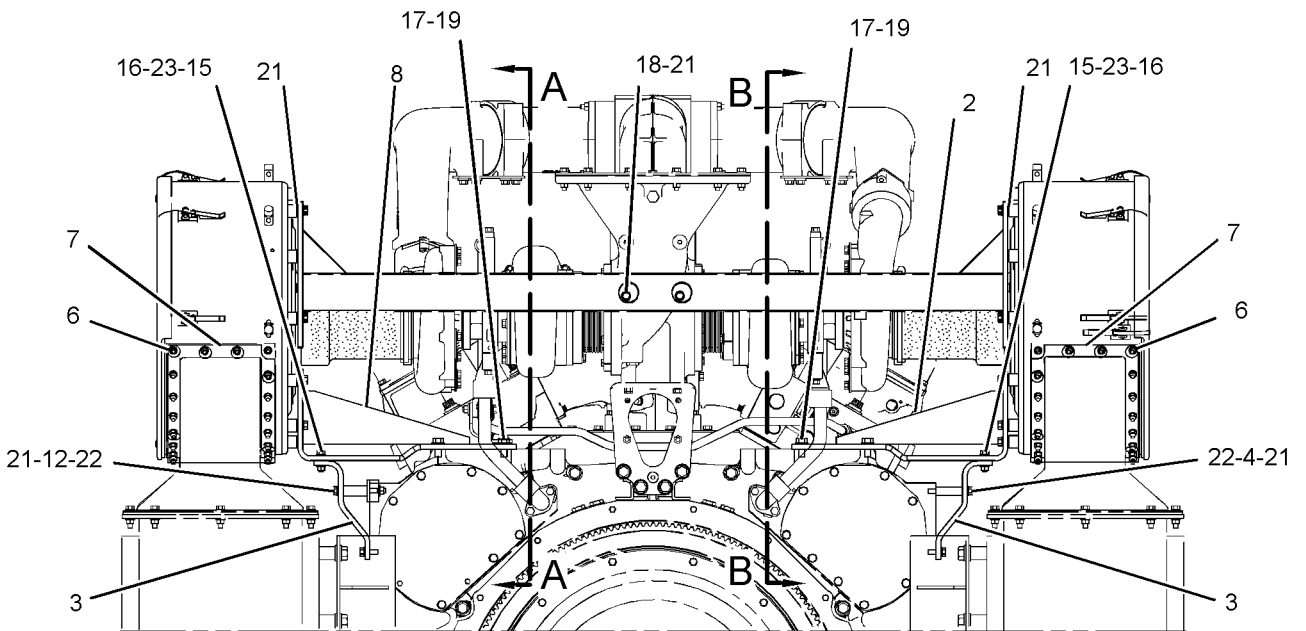
336-1547 MOUNTING GP-AIR CLEANER (contd.)

i03786671

REFER TO ALL ILLUSTRATIONS OF THIS GROUP FOR AUXILIARY VIEWS



TOP VIEW OF ENGINE



REAR VIEW OF ENGINE

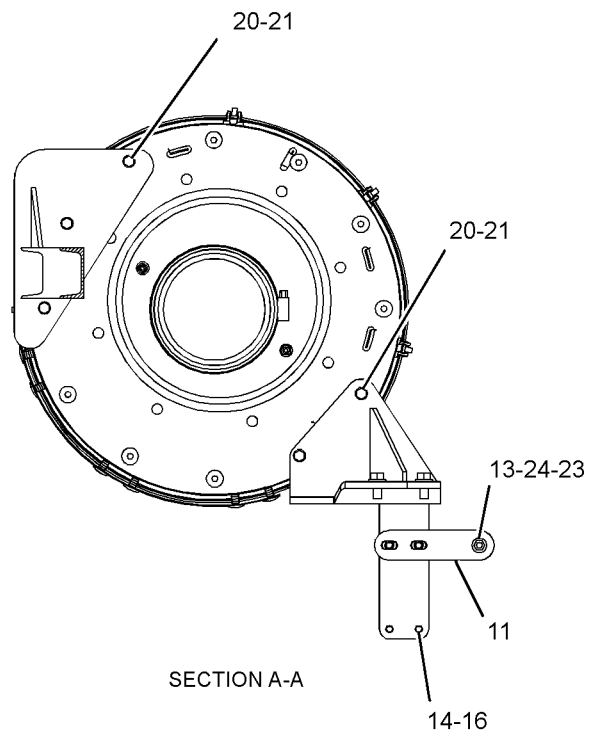
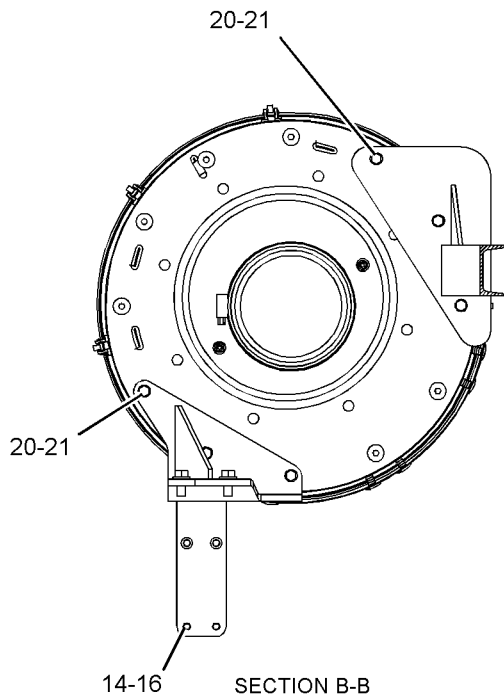
GRAPHIC #1

g02093234

# AIR INLET AND EXHAUST SYSTEM

336-1547 MOUNTING GP-AIR CLEANER (contd.)

i03786671



GRAPHIC #2

<END>

g02092846

# AIR INLET AND EXHAUST SYSTEM

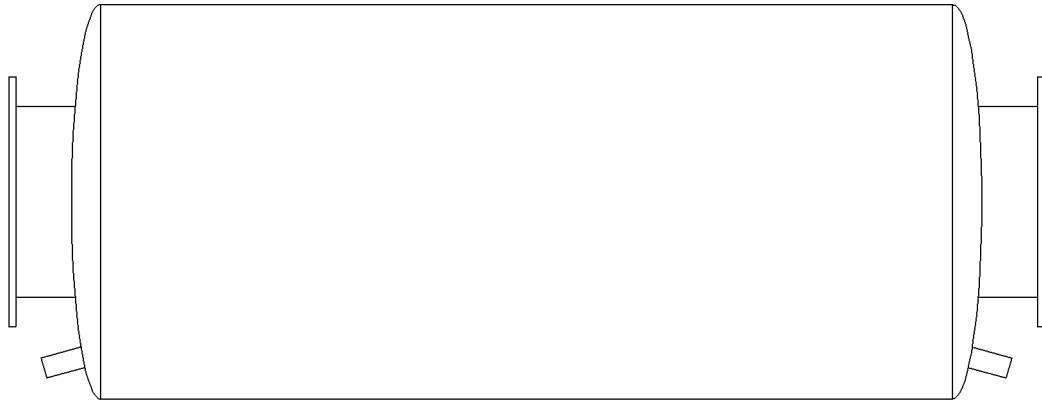
## 141-7047 MUFFLER

304.8-MM ID  
AN ATTACHMENT

SMCS-1062

i01333885

NOTE	REF NO	GRAPHIC REF	PART NUMBER	QTY	PART NAME						SEE PAGE
					1	2	3	4	5	6 (PRODUCT LEVEL)	
(NO SERVICED PARTS)											



GRAPHIC #1

<END>

g00705396

# AIR INLET AND EXHAUST SYSTEM

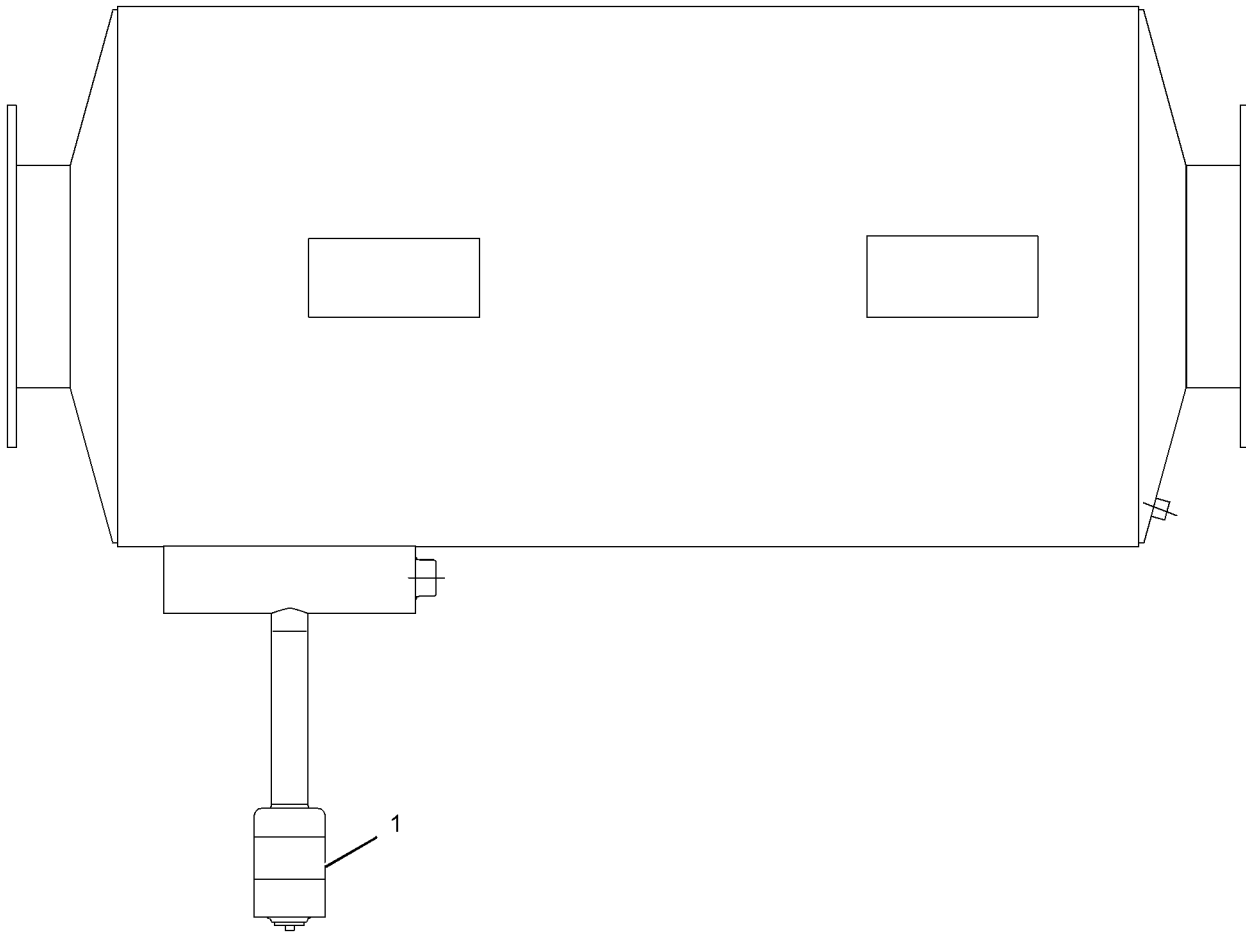
## 264-0023 MUFFLER GP-SPARK ARRESTOR

12-INCH  
AN ATTACHMENT

SMCS-1062

i03745221

NOTE	REF NO	GRAPHIC REF	PART NUMBER	QTY	PART NAME						SEE PAGE
					1	2	3	4	5	6 (PRODUCT LEVEL)	
	1	1	346-9090	1	ARRESTOR-SPARK						



GRAPHIC #1

<END>

g02049594

# AIR INLET AND EXHAUST SYSTEM

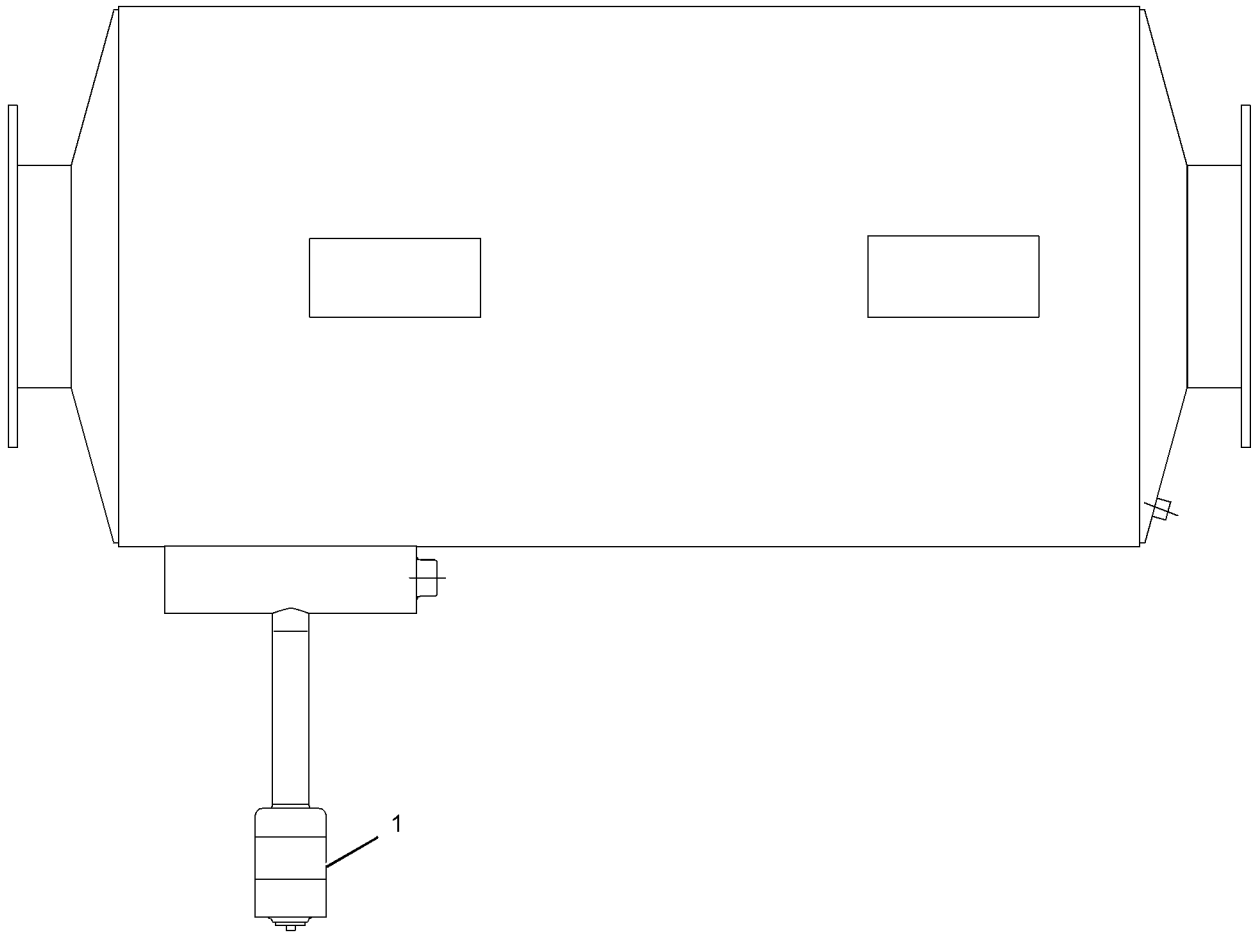
## 264-0025 MUFFLER GP-SPARK ARRESTOR

14-INCH  
AN ATTACHMENT

SMCS-1062

i03758792

NOTE	REF NO	GRAPHIC REF	PART NUMBER	QTY	PART NAME						SEE PAGE
					1	2	3	4	5	6 (PRODUCT LEVEL)	
	1	1	346-9090	1	ARRESTOR-SPARK						



GRAPHIC #1

<END>

g02049594

# AIR INLET AND EXHAUST SYSTEM

## 5N-7831 PRECLEANER GP

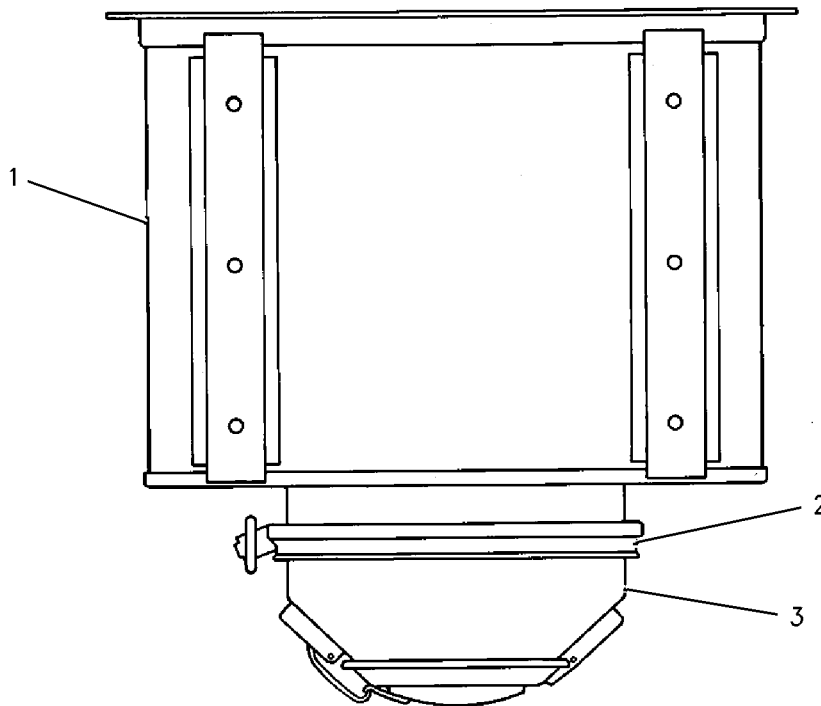
PART OF 273-1089, 307-4575, 308-7314, 328-5303, 331-5167, 336-1548 AIR  
CLEANER GP

CANNOT BE USED WITH LIGHT DUTY AIR CLEANERS  
AN ATTACHMENT

SMCS-1055

i01460162

NOTE	REF NO	GRAPHIC REF	PART NUMBER	QTY	PART NAME						SEE PAGE
					1	2	3	4	5	6 (PRODUCT LEVEL)	
	1	1	5N-7833	1	BODY AS						
	2	1	5N-7834	1	CLAMP AS						
		1	2M-0879	1	SEAL-O-RING						
	3	1	5N-7835	1	CUP AS						



GRAPHIC #1

<END>

g00763080



# AIR INLET AND EXHAUST SYSTEM

## 215-2706 SHUTOFF AS-AIR-INLET

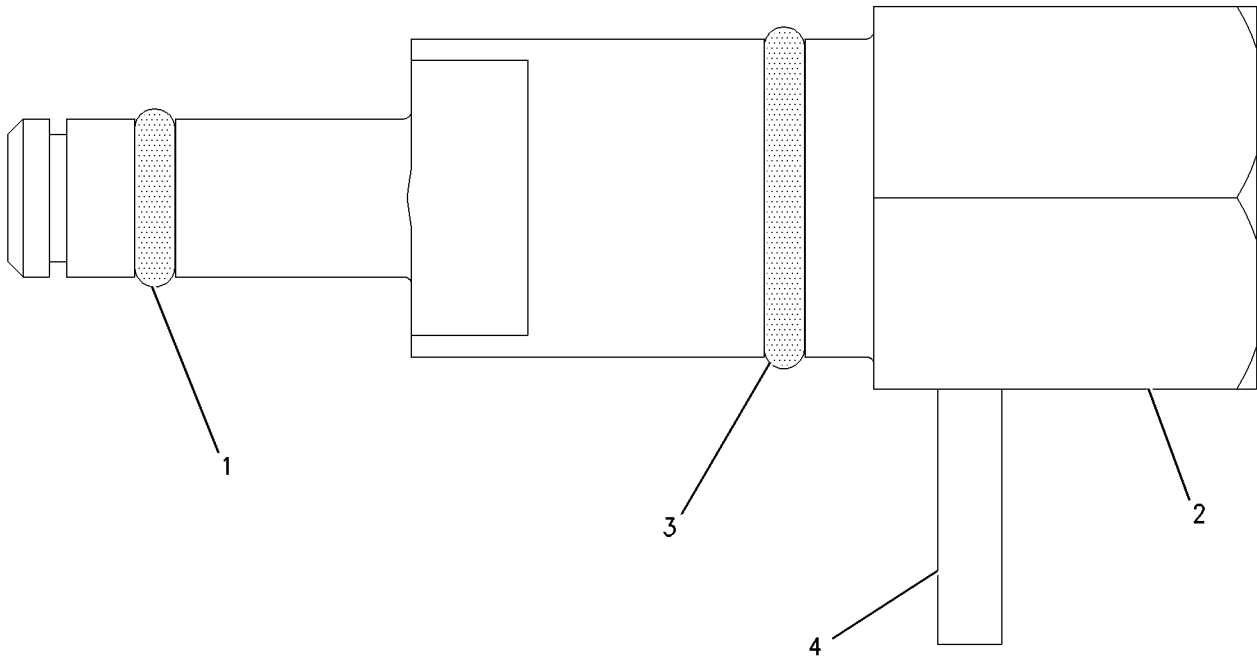
VALVE POSITION INDICATOR

PART OF 272-7098, 272-7099, 288-2762, 288-2763 SHUTOFF GP-AIR  
AN ATTACHMENT

SMCS-1078

i02067236

NOTE	REF NO	GRAPHIC REF	PART NUMBER	QTY	PART NAME						SEE PAGE
					1	2	3	4	5	6 (PRODUCT LEVEL)	
	1	1	150-8698	1	SEAL-O-RING						
	2	1	215-2327	1	SHAFT						
	3	1	213-9250	1	SEAL-O-RING						
	4	1	3K-4897	1	PIN-SPRING						



GRAPHIC #1

<END>

g00899556

# AIR INLET AND EXHAUST SYSTEM

## 272-7094 SHUTOFF GP-AIR-INLET, RH

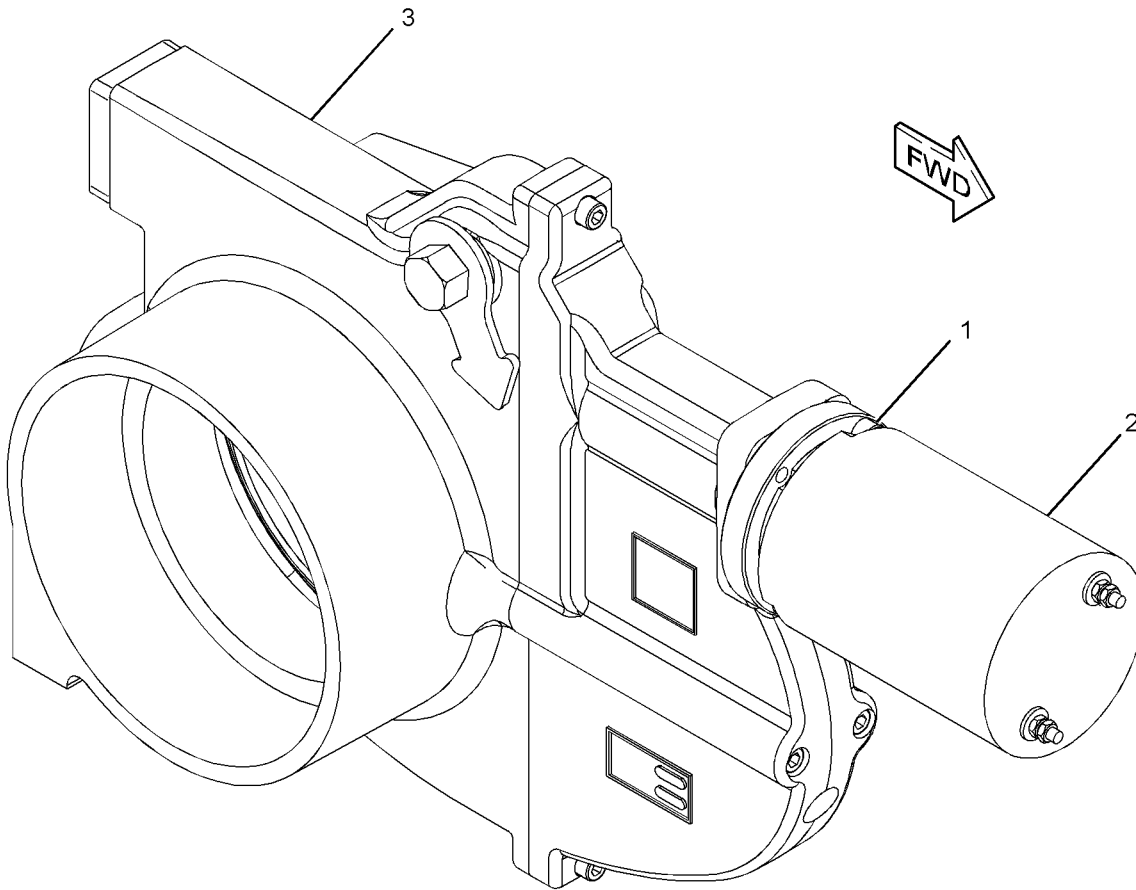
PART OF 274-5749 SHUTOFF GP-AIR  
AN ATTACHMENT

SMCS-1078

i03870161

NOTE	REF NO	GRAPHIC REF	PART NUMBER	QTY	PART NAME						SEE PAGE
					1	2	3	4	5	6 (PRODUCT LEVEL)	
	1	1	215-2587	2	BOLT (1/4-20X0.75-IN)						
	2	1	230-4073	1	SOLENOID AS (AIR SHUTOFF)						
Y	3	1	272-7098	1	SHUTOFF GP-AIR (RH)						218

Y-SEPARATE ILLUSTRATION



GRAPHIC #1

<END>

g01204967

# AIR INLET AND EXHAUST SYSTEM

## 272-7095 SHUTOFF GP-AIR-INLET, LH

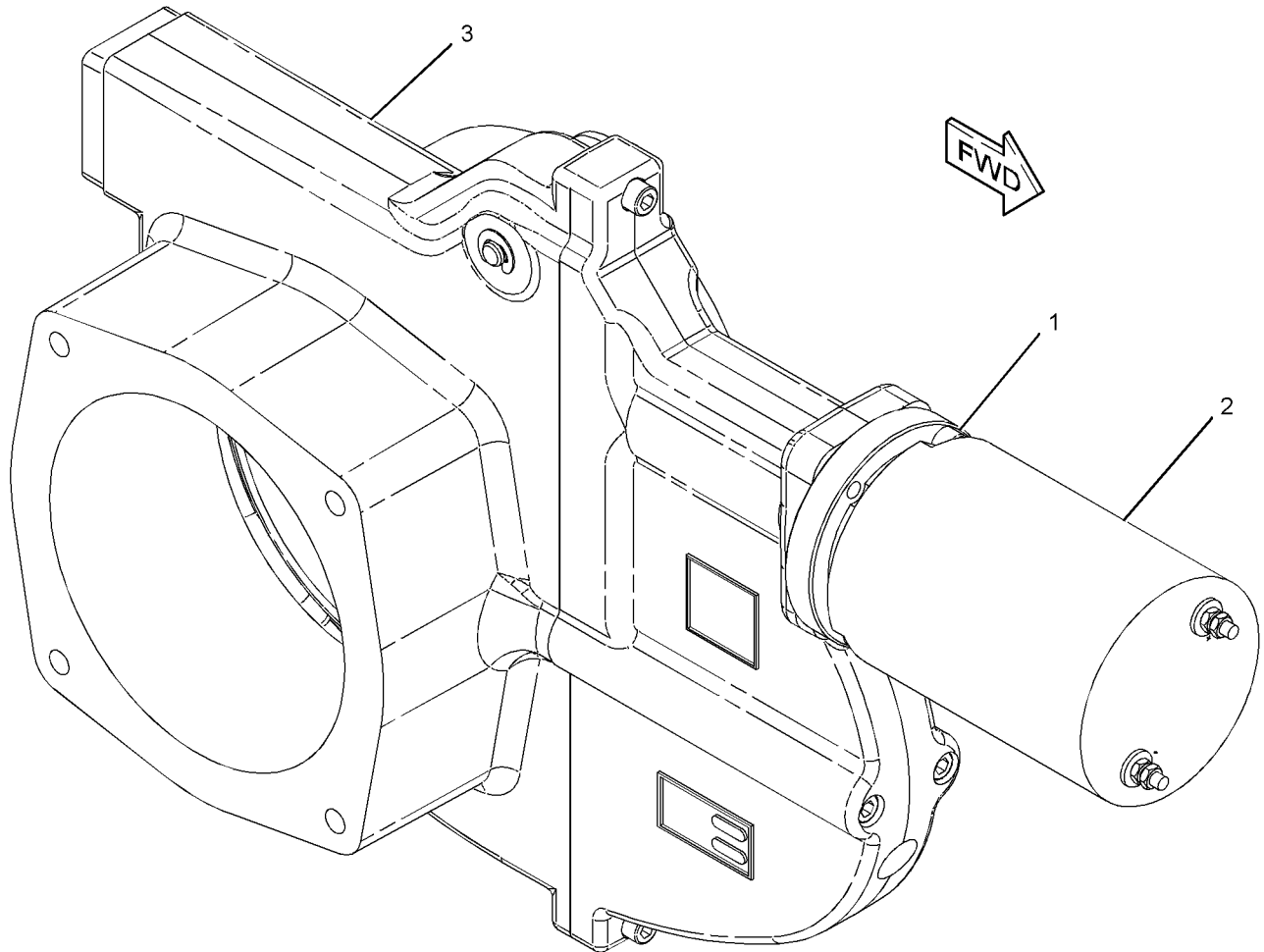
PART OF 274-5749 SHUTOFF GP-AIR  
AN ATTACHMENT

SMCS-1078

i03870160

NOTE	REF NO	GRAPHIC REF	PART NUMBER	QTY	PART NAME						SEE PAGE
					1	2	3	4	5	6 (PRODUCT LEVEL)	
	1	1	215-2587	2	BOLT (1/4-20X0.75-IN)						
	2	1	230-4073	1	SOLENOID AS (AIR SHUTOFF)						
Y	3	1	272-7099	1	SHUTOFF GP-AIR (LH)						220

Y-SEPARATE ILLUSTRATION



GRAPHIC #1

<END>

g01205000

# AIR INLET AND EXHAUST SYSTEM

## 272-7098 SHUTOFF GP-AIR-INLET, RH

PART OF 272-7094 SHUTOFF GP-AIR  
AN ATTACHMENT

SMCS-1078

i03870165

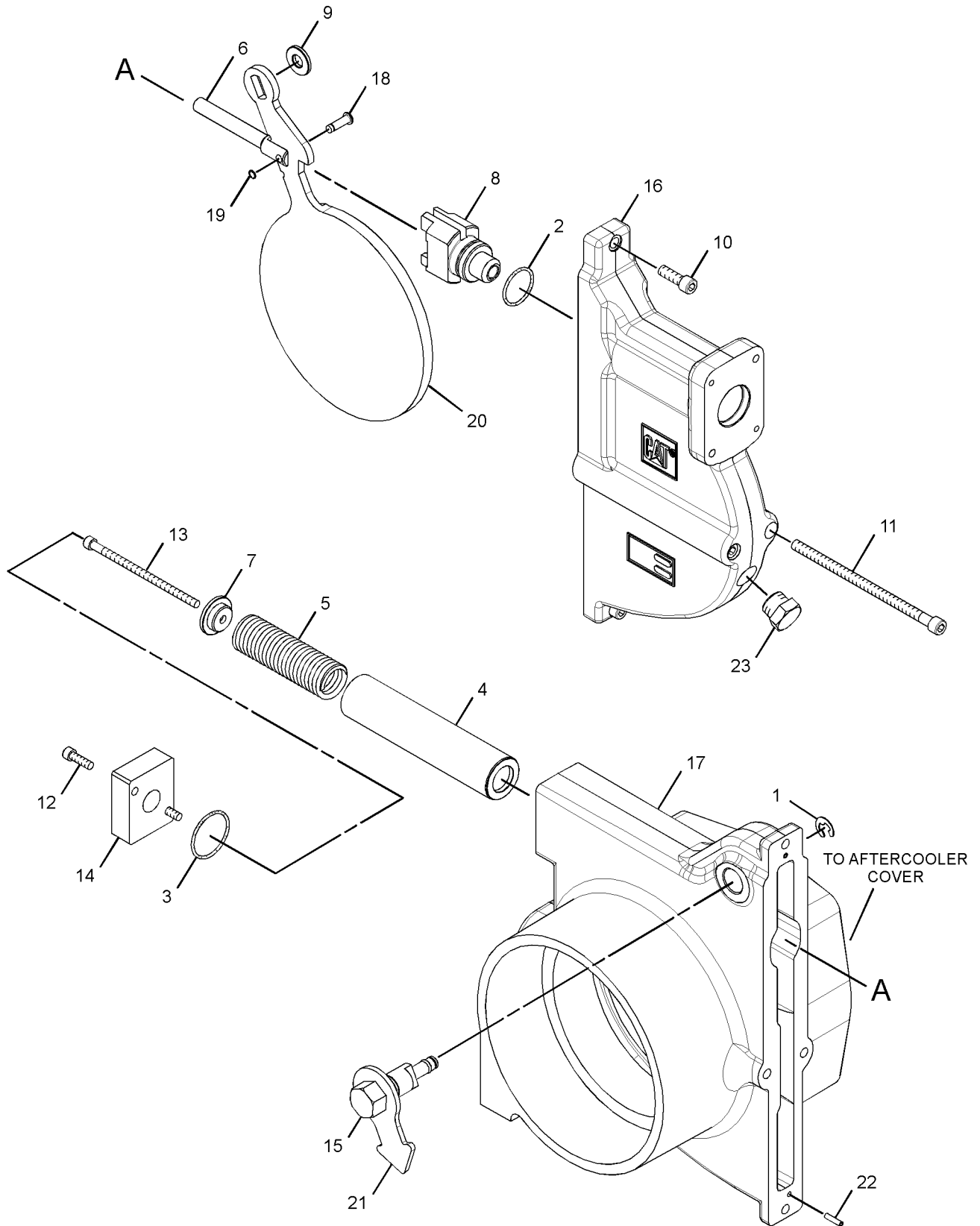
NOTE	REF NO	GRAPHIC REF	PART NUMBER	QTY	PART NAME						SEE PAGE
					1	2	3	4	5	6 (PRODUCT LEVEL)	
	1	1	150-7915	1	RING-RETAINING						
	2	1	5P-5599	1	SEAL-O-RING						
	3	1	5P-5600	1	SEAL-O-RING						
	4	1	215-2328	1	SLEEVE AS						
	5	1	215-2329	1	SPRING						
	6	1	215-2330	1	CLEVIS						
	7	1	215-2331	1	RETAINER						
	8	1	215-2419	1	GUIDE						
	9	1	215-2586	1	SPACER (8X19.1X2.5-MM THK)						
	10	1	215-2587	2	BOLT (1/4-20X0.75-IN)						
	11	1	215-2588	2	BOLT (1/4-20X5.25-IN)						
	12	1	215-2589	2	BOLT (10-24X0.626-IN)						
	13	1	215-2590	1	BOLT (10-24X3.5-IN)						
	14	1	272-7102	1	CAP						
Y	15	1	215-2706	1	SHUTOFF AS-AIR (INLET)						215
	16	1	215-2707	1	COVER						
	17	1	215-2708	1	BODY						
	18	1	215-2710	1	PIN						
	19	1	215-2711	1	RING-RETAINING						
	20	1	229-6247	1	GATE						
	21	1	230-4177	1	INDICATOR (VALVE POSITION)						
	22	1	3H-9675	2	PIN-SPRING						
	23	1	261-6624	1	PLUG						

Y-SEPARATE ILLUSTRATION

# AIR INLET AND EXHAUST SYSTEM

272-7098 SHUTOFF GP-AIR (contd.)

i03870165



GRAPHIC #1

<END>

g01288228

# AIR INLET AND EXHAUST SYSTEM

## 272-7099 SHUTOFF GP-AIR-INLET, LH

PART OF 272-7095 SHUTOFF GP-AIR  
AN ATTACHMENT

SMCS-1078

i03870174

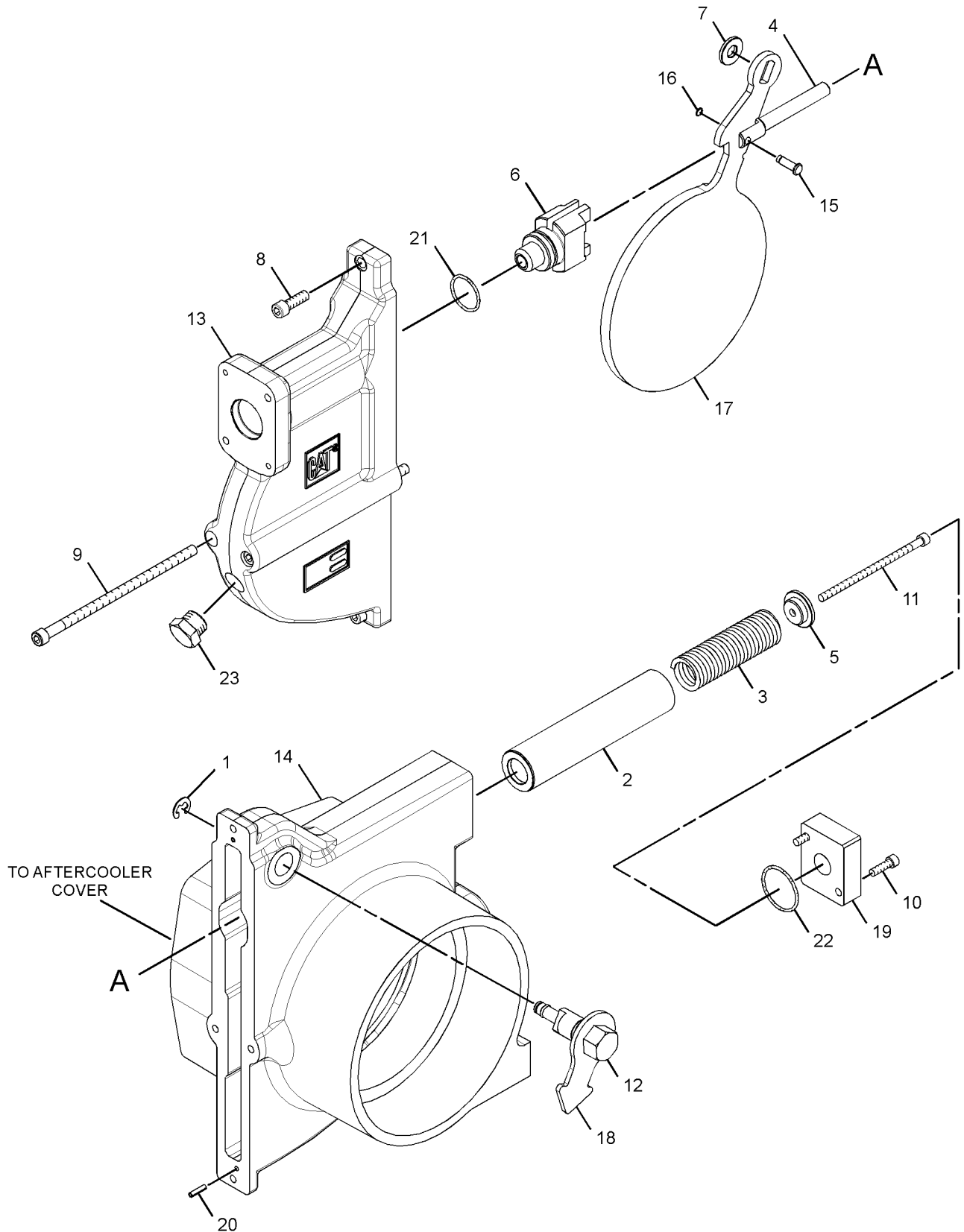
NOTE	REF NO	GRAPHIC REF	PART NUMBER	QTY	PART NAME						SEE PAGE
					1	2	3	4	5	6 (PRODUCT LEVEL)	
	1	1	150-7915	1	RING-RETAINING						
	2	1	215-2328	1	SLEEVE AS						
	3	1	215-2329	1	SPRING						
	4	1	215-2330	1	CLEVIS						
	5	1	215-2331	1	RETAINER						
	6	1	215-2419	1	GUIDE						
	7	1	215-2586	1	SPACER (8X19.1X2.5-MM THK)						
	8	1	215-2587	2	BOLT (1/4-20X0.75-IN)						
	9	1	215-2588	2	BOLT (1/4-20X5.25-IN)						
	10	1	215-2589	2	BOLT (10-24X0.626-IN)						
	11	1	215-2590	1	BOLT (10-24X3.5-IN)						
Y	12	1	215-2706	1	SHUTOFF AS-AIR (INLET)						215
	13	1	215-2707	1	COVER						
	14	1	215-2709	1	BODY						
	15	1	215-2710	1	PIN						
	16	1	215-2711	1	RING-RETAINING						
	17	1	229-6249	1	GATE						
	18	1	230-4177	1	INDICATOR (VALVE POSITION)						
	19	1	272-7102	1	CAP						
	20	1	3H-9675	2	PIN-SPRING						
	21	1	5P-5599	1	SEAL-O-RING						
	22	1	5P-5600	1	SEAL-O-RING						
	23	1	261-6624	1	PLUG						

Y-SEPARATE ILLUSTRATION

# AIR INLET AND EXHAUST SYSTEM

272-7099 SHUTOFF GP-AIR (contd.)

i03870174



GRAPHIC #1

<END>

g01288229

# AIR INLET AND EXHAUST SYSTEM

## 274-5749 SHUTOFF GP-AIR-INLET

S/N: LLA1-310  
AN ATTACHMENT

SMCS-1078

i02538805

NOTE	REF NO	GRAPHIC REF	PART NUMBER	QTY	PART NAME						SEE PAGE
					1	2	3	4	5	6 (PRODUCT LEVEL)	
	1	1	1W-9070	2	DIODE AS						
	2	1	9X-6772	6	STRAP-CABLE						
	3	1	118-1649	1	STRAP						
	4	1	118-1650	1	BRACKET						
	5	1	118-1651	2	ELBOW (AIR INLET)						
	6	1	263-2905	2	SWITCH AS-LIMIT (AIR SHUTOFF)						
Y	7	1	272-7094	1	SHUTOFF GP-AIR (RH)						216
Y	8	1	272-7095	1	SHUTOFF GP-AIR (LH)						217
	9	1	0S-0509	1	BOLT (3/8-16X0.75-IN)						
	10	1	0S-1588	9	BOLT (3/8-16X1.25-IN)						
	11	1	4P-8134	6	CLIP						
	12	1	5M-2894	2	WASHER-HARD (10.2X18.5X2.5-MM THK)						
	13	1	6V-5054	2	SEAL-O-RING						
	14	1	8T-6764	2	PLUG-PIPE						

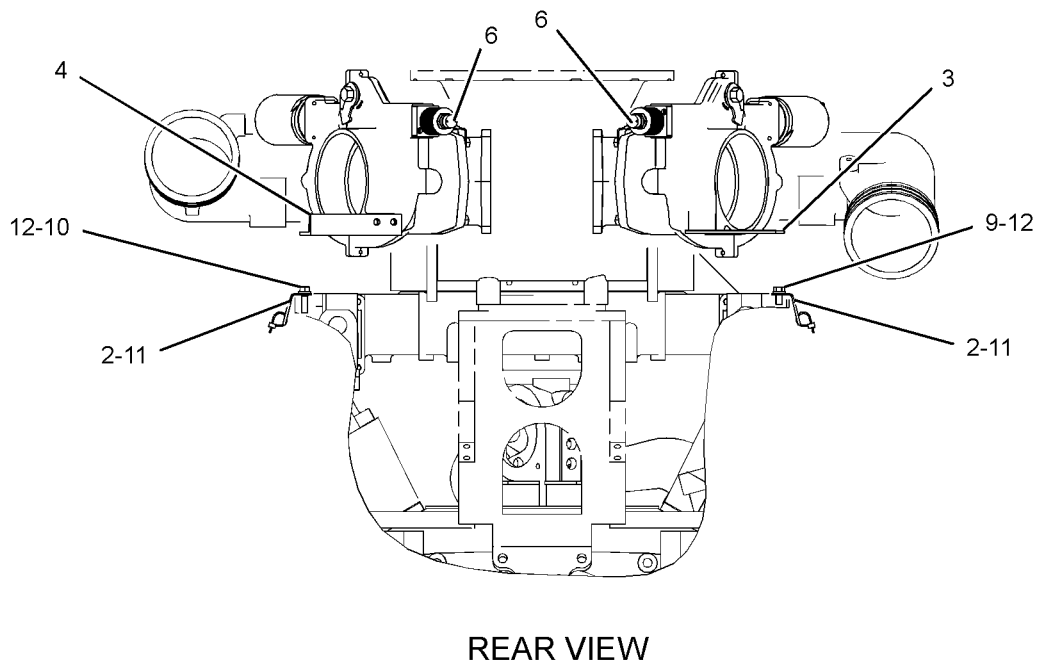
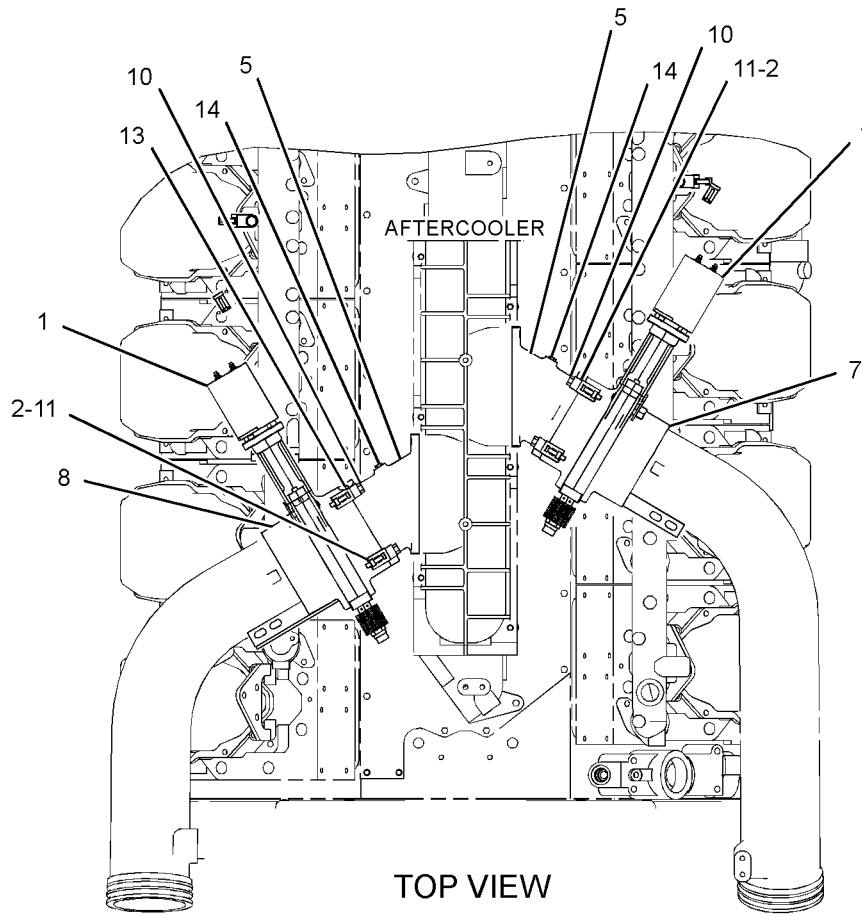
Y-SEPARATE ILLUSTRATION



# AIR INLET AND EXHAUST SYSTEM

274-5749 SHUTOFF GP-AIR (contd.)

i02538805



GRAPHIC #1

<END>

g01276605

# AIR INLET AND EXHAUST SYSTEM

## 274-5749 SHUTOFF GP-AIR-INLET

S/N: LLA311-UP  
AN ATTACHMENT

SMCS-1078

i03091861

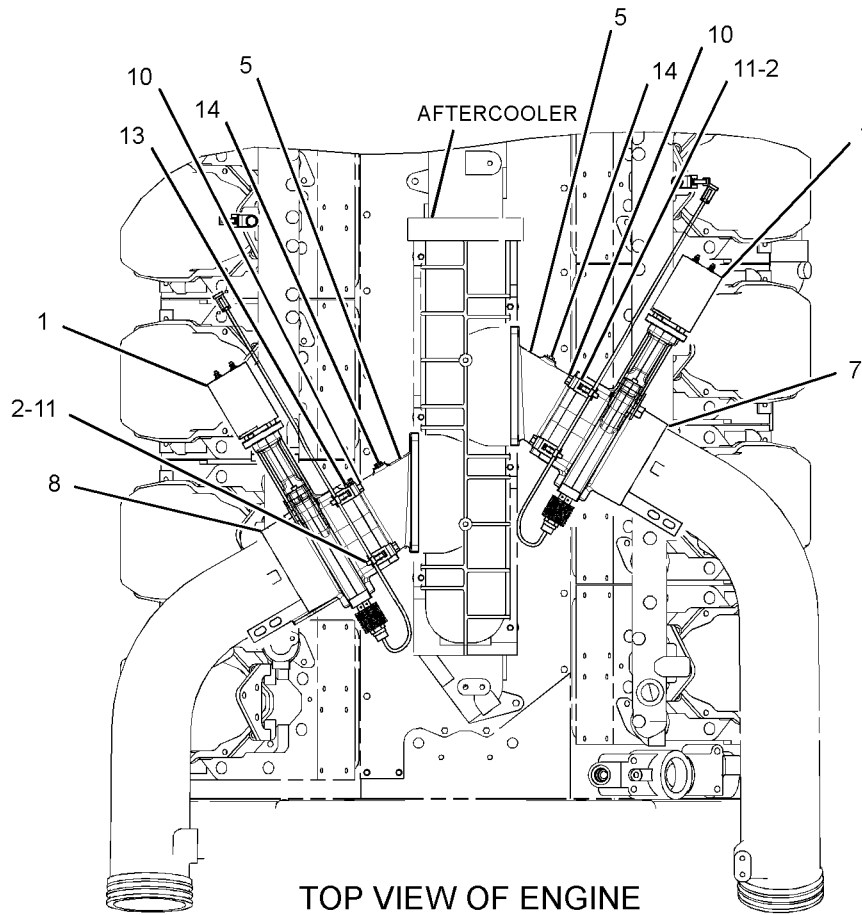
NOTE	REF NO	GRAPHIC REF	PART NUMBER	QTY	PART NAME						SEE PAGE
					1	2	3	4	5	6 (PRODUCT LEVEL)	
	1	1	<b>1W-9070</b>	2	DIODE AS						
	2	1	<b>9X-6772</b>	6	STRAP-CABLE						
	3	1	<b>118-1649</b>	1	STRAP						
	4	1	<b>326-1373</b>	1	BRACKET						
	5	1	<b>118-1651</b>	2	ELBOW (AIR INLET)						
	6	1	<b>263-2905</b>	2	SWITCH AS-LIMIT (AIR SHUTOFF)						
CY	7	1	<b>288-2758</b>	1	SHUTOFF GP-AIR (RH)						226
CY	8	1	<b>288-2759</b>	1	SHUTOFF GP-AIR (LH)						227
	9	1	<b>0S-0509</b>	1	BOLT (3/8-16X0.75-IN)						
	10	1	<b>0S-1588</b>	9	BOLT (3/8-16X1.25-IN)						
	11	1	<b>4P-8134</b>	6	CLIP						
	12	1	<b>5M-2894</b>	2	WASHER-HARD (10.2X18.5X2.5-MM THK)						
	13	1	<b>6V-5054</b>	2	SEAL-O-RING						
	14	1	<b>8T-6764</b>	2	PLUG-PIPE						

C-CHANGE FROM PREVIOUS TYPE  
Y-SEPARATE ILLUSTRATION

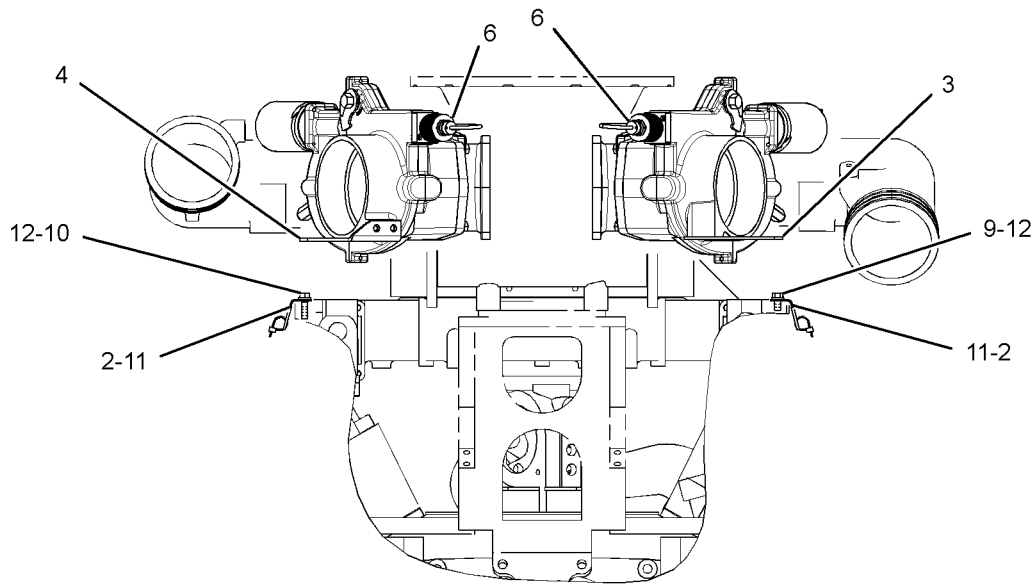
# AIR INLET AND EXHAUST SYSTEM

274-5749 SHUTOFF GP-AIR (contd.)

i03091861



TOP VIEW OF ENGINE



REAR VIEW OF ENGINE

GRAPHIC #1

<END>

g01672033

# AIR INLET AND EXHAUST SYSTEM

## 288-2758 SHUTOFF GP-AIR-RH

S/N: LLA311-UP

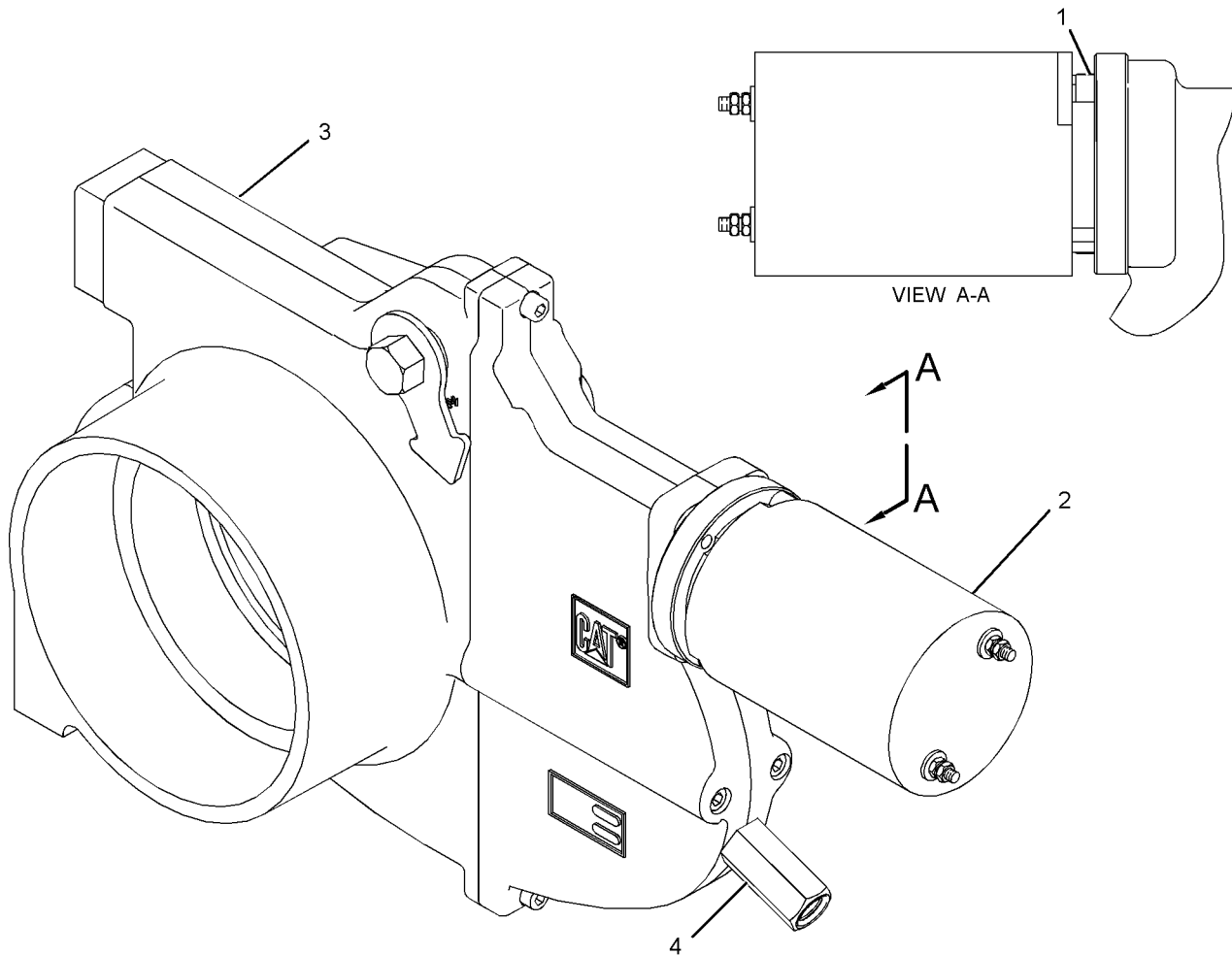
PART OF 274-5749 SHUTOFF GP-AIR  
AN ATTACHMENT

SMCS-1078

i03870180

NOTE	REF NO	GRAPHIC REF	PART NUMBER	QTY	PART NAME						SEE PAGE
					1	2	3	4	5	6 (PRODUCT LEVEL)	
	1	1	215-2587	2	BOLT (1/4-20X0.75-IN)						
	2	1	230-4073	1	SOLENOID AS (AIR SHUTOFF)						
Y	3	1	288-2762	1	SHUTOFF GP-AIR (RH)						228
Y	4	1	289-8498	1	DAMPER GP-AIR SHUTOFF						186

Y-SEPARATE ILLUSTRATION



GRAPHIC #1

<END>

g01275330

# AIR INLET AND EXHAUST SYSTEM

## 288-2759 SHUTOFF GP-AIR-LH

S/N: LLA311-UP

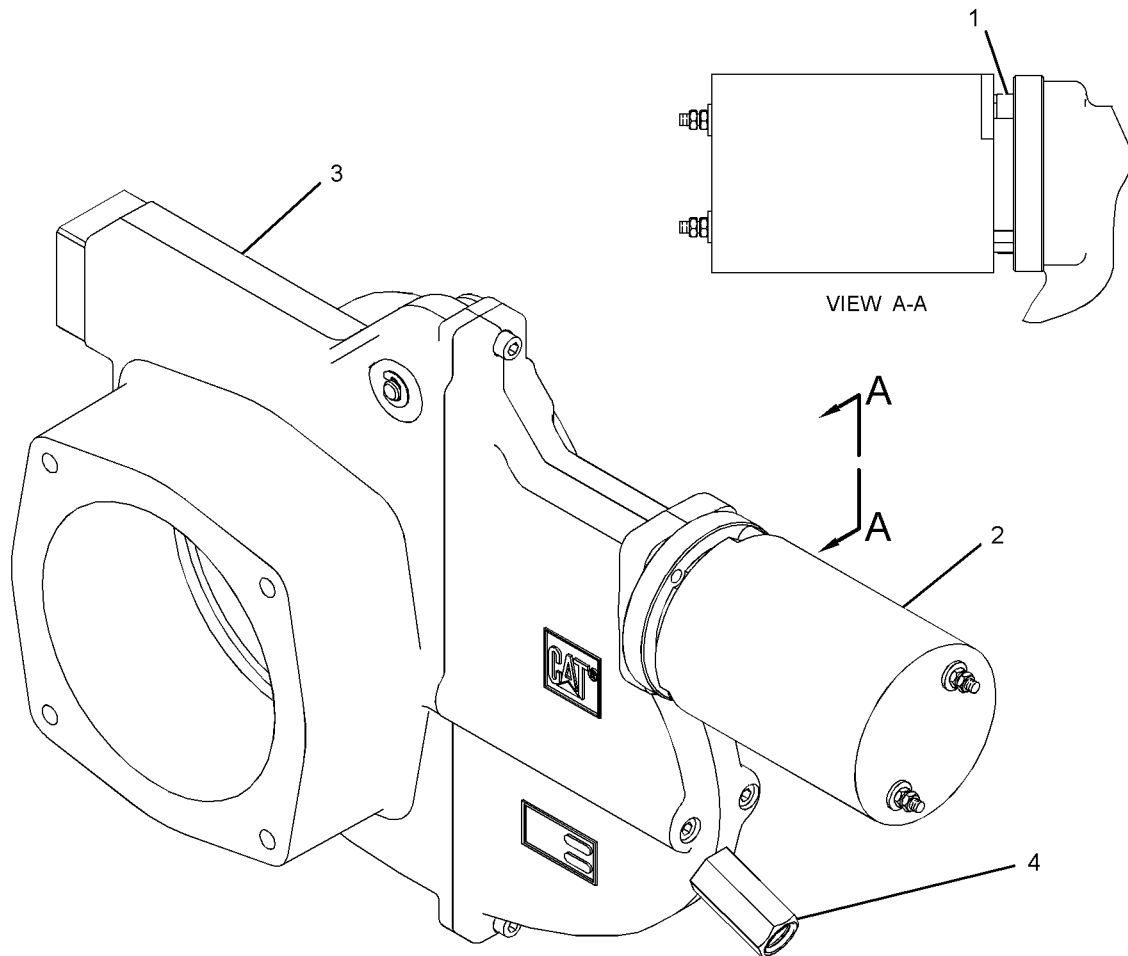
PART OF 274-5749 SHUTOFF GP-AIR  
AN ATTACHMENT

SMCS-1078

i03870181

NOTE	REF NO	GRAPHIC REF	PART NUMBER	QTY	PART NAME						SEE PAGE
					1	2	3	4	5	6 (PRODUCT LEVEL)	
	1	1	215-2587	2	BOLT (1/4-20X0.75-IN)						
	2	1	230-4073	1	SOLENOID AS (AIR SHUTOFF)						
Y	3	1	288-2763	1	SHUTOFF GP-AIR (LH)						230
Y	4	1	289-8498	1	DAMPER GP-AIR SHUTOFF						186

Y-SEPARATE ILLUSTRATION



GRAPHIC #1

<END>

g01275406

# AIR INLET AND EXHAUST SYSTEM

## 288-2762 SHUTOFF GP-AIR-RH

S/N: LLA311-UP

PART OF 288-2758 SHUTOFF GP-AIR  
AN ATTACHMENT

SMCS-1078

i03870187

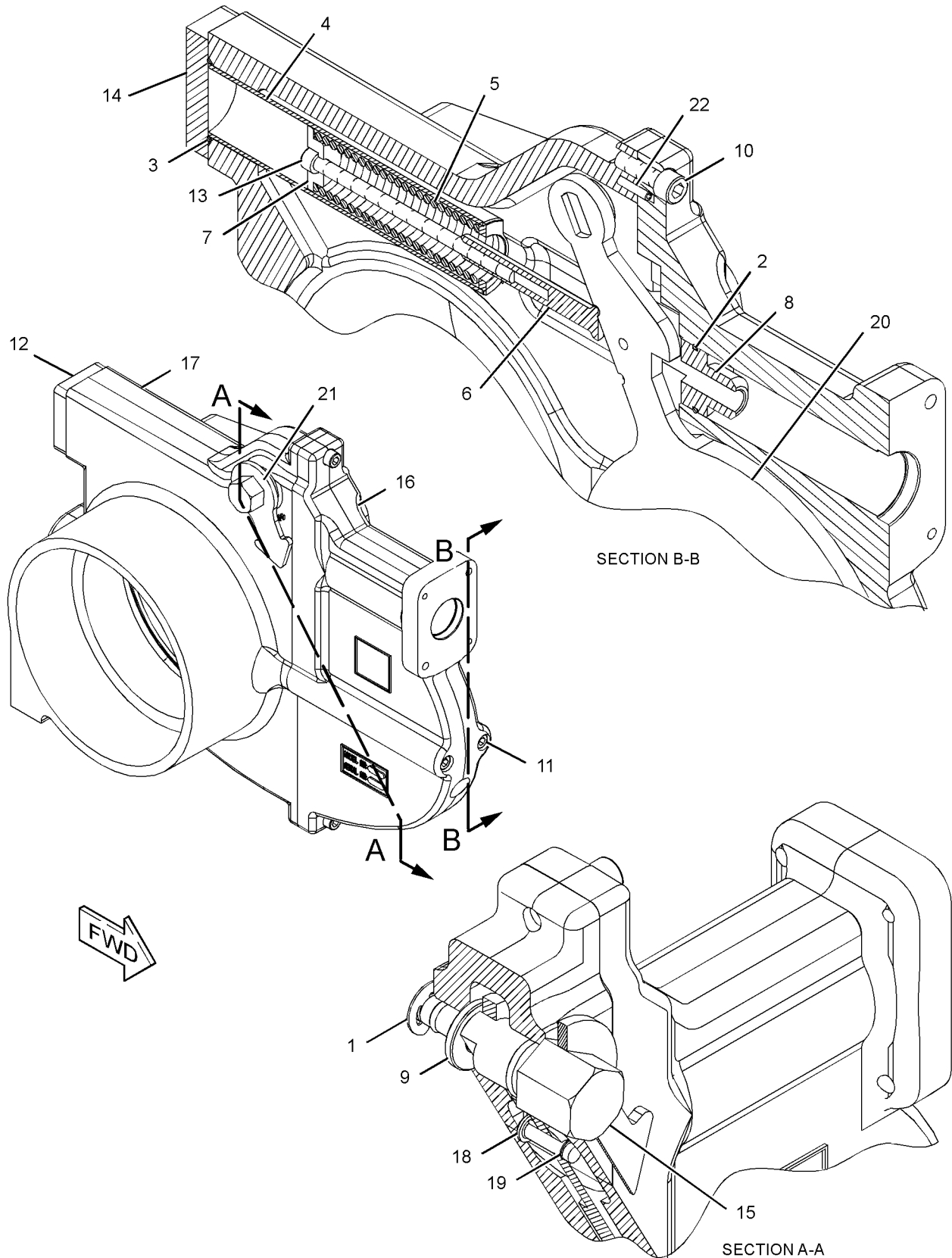
NOTE	REF NO	GRAPHIC REF	PART NUMBER	QTY	PART NAME						SEE PAGE
					1	2	3	4	5	6 (PRODUCT LEVEL)	
	1	1	150-7915	1	RING-RETAINING						
	2	1	5P-5599	1	SEAL-O-RING						
	3	1	5P-5600	1	SEAL-O-RING						
	4	1	215-2328	1	SLEEVE AS						
	5	1	215-2329	1	SPRING						
	6	1	215-2330	1	CLEVIS						
	7	1	215-2331	1	RETAINER						
	8	1	215-2419	1	GUIDE						
	9	1	215-2586	1	SPACER (8X19.1X2.5-MM THK)						
	10	1	215-2587	2	BOLT (1/4-20X0.75-IN)						
	11	1	215-2588	2	BOLT (1/4-20X5.25-IN)						
	12	1	215-2589	2	BOLT (10-24X0.626-IN)						
	13	1	215-2590	1	BOLT (10-24X3.5-IN)						
	14	1	272-7102	1	CAP						
Y	15	1	215-2706	1	SHUTOFF AS-AIR (INLET)						215
	16	1	215-2707	1	COVER						
	17	1	289-9132	1	BODY						
	18	1	215-2710	1	PIN						
	19	1	215-2711	1	RING-RETAINING						
	20	1	289-9115	1	GATE						
	21	1	230-4177	1	INDICATOR (VALVE POSITION)						
	22	1	3H-9675	2	PIN-SPRING						

Y-SEPARATE ILLUSTRATION

# AIR INLET AND EXHAUST SYSTEM

288-2762 SHUTOFF GP-AIR (contd.)

i03870187



GRAPHIC #1

<END>

g01205436

# AIR INLET AND EXHAUST SYSTEM

## 288-2763 SHUTOFF GP-AIR-LH

S/N: LLA311-UP

PART OF 288-2759 SHUTOFF GP-AIR  
AN ATTACHMENT

SMCS-1078

i03870189

NOTE	REF NO	GRAPHIC REF	PART NUMBER	QTY	PART NAME						SEE PAGE
					1	2	3	4	5	6 (PRODUCT LEVEL)	
	1	1	150-7915	1	RING-RETAINING						
	2	1	215-2328	1	SLEEVE AS						
	3	1	215-2329	1	SPRING						
	4	1	215-2330	1	CLEVIS						
	5	1	215-2331	1	RETAINER						
	6	1	215-2419	1	GUIDE						
	7	1	215-2586	1	SPACER (8X19.1X2.5-MM THK)						
	8	1	215-2587	2	BOLT (1/4-20X0.75-IN)						
	9	1	215-2588	2	BOLT (1/4-20X5.25-IN)						
	10	1	215-2589	2	BOLT (10-24X0.626-IN)						
	11	1	215-2590	1	BOLT (10-24X3.5-IN)						
Y	12	1	215-2706	1	SHUTOFF AS-AIR (INLET)						215
	13	1	215-2707	1	COVER						
	14	1	289-9133	1	BODY						
	15	1	215-2710	1	PIN						
	16	1	215-2711	1	RING-RETAINING						
	17	1	289-9116	1	GATE						
	18	1	230-4177	1	INDICATOR (VALVE POSITION)						
	19	1	272-7102	1	CAP						
	20	1	3H-9675	2	PIN-SPRING						
	21	1	5P-5599	1	SEAL-O-RING						
	22	1	5P-5600	1	SEAL-O-RING						

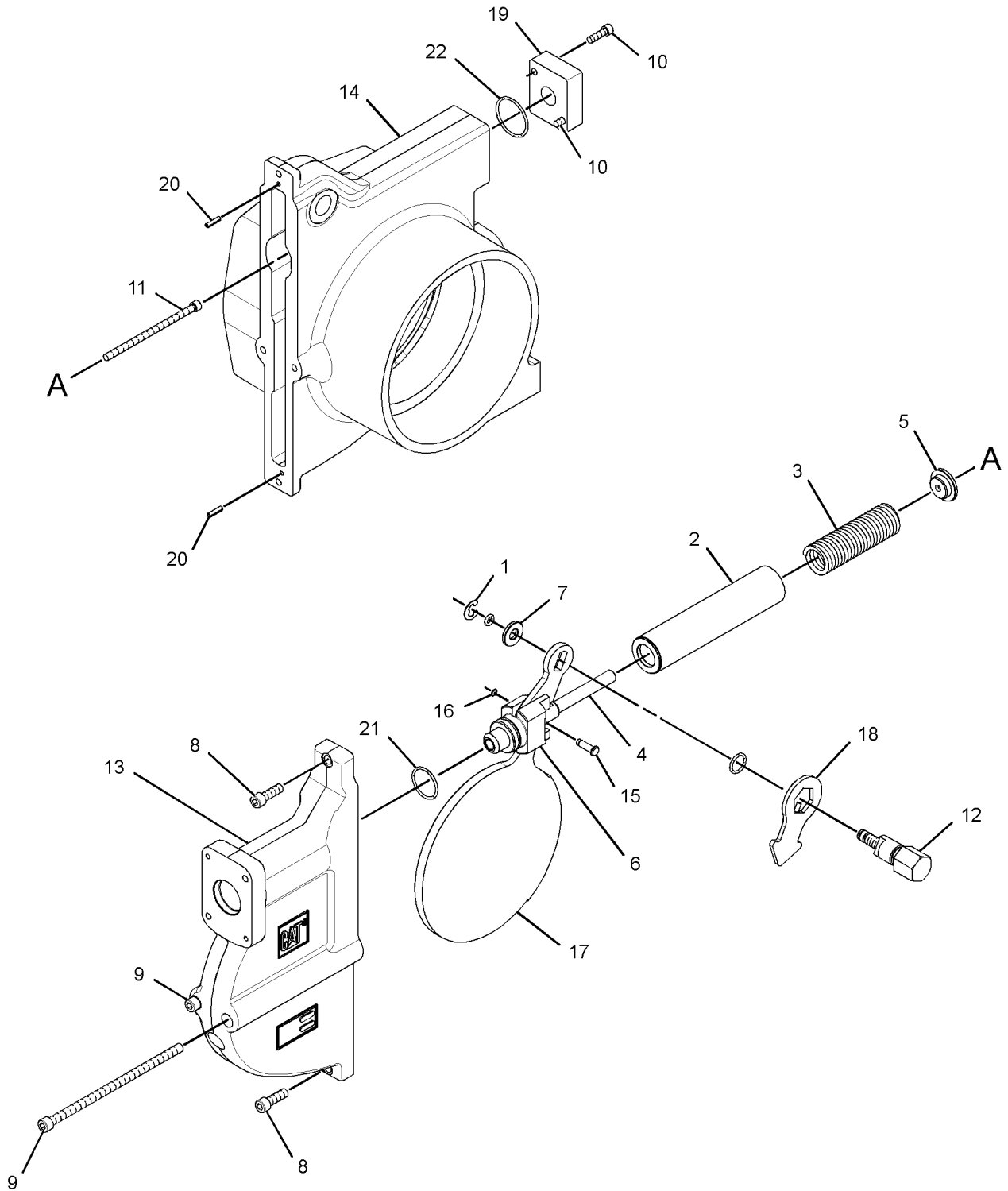
Y-SEPARATE ILLUSTRATION



# AIR INLET AND EXHAUST SYSTEM

288-2763 SHUTOFF GP-AIR (contd.)

i03870189



GRAPHIC #1

<END>

g01283747

# AIR INLET AND EXHAUST SYSTEM

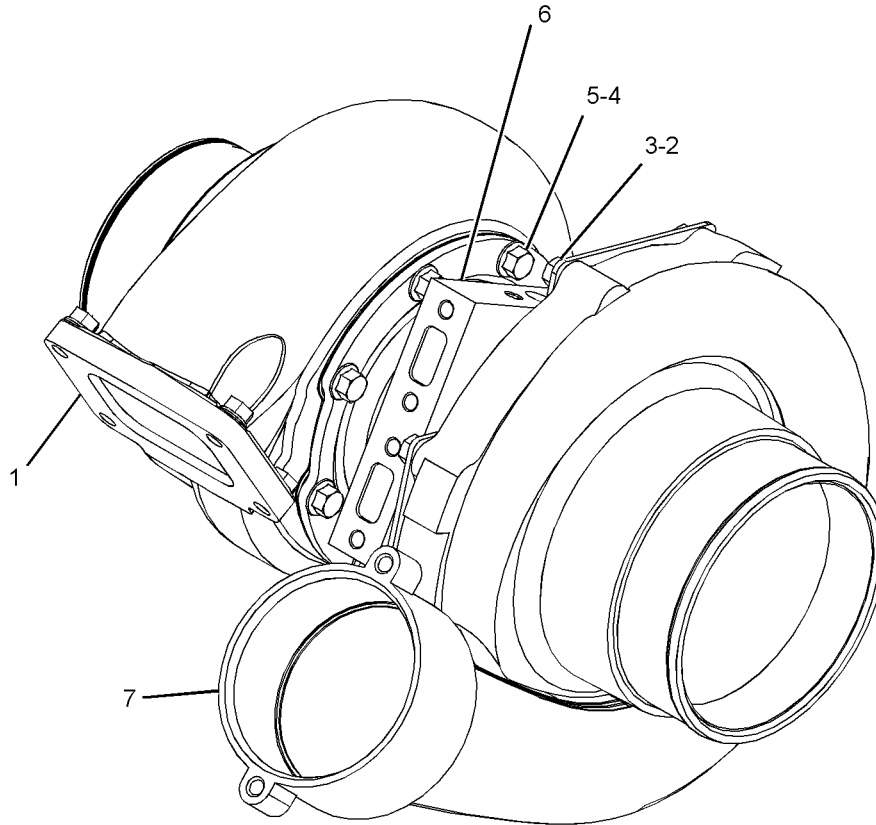
## 250-6110 TURBOCHARGER GP\*R

PART OF 250-6111 TURBOCHARGER GP

SMCS-1052, 1053

i02985483

NOTE	REF NO	GRAPHIC REF	PART NUMBER	QTY	PART NAME						SEE PAGE
					1	2	3	4	5	6 (PRODUCT LEVEL)	
	1	1	<b>262-7108</b>	1	HOUSING						
	2	1	<b>125-5375</b>	8	BOLT (3/8-16X1.75-IN)						
	3	1	<b>125-5376</b>	4	PLATE-CLAMP (COMPRESSOR)						
	4	1	<b>188-8617</b>	8	BOLT-HIGH TEMPERATURE						
	5	1	<b>188-8618</b>	2	CLAMP (TURBINE)						
	6	1	<b>258-6595</b>	1	CARTRIDGE GP-TURBOCHARGER						
	7	1	<b>262-7109</b>	1	HOUSING-COMPRESSOR						



GRAPHIC #1

<END>

g01522629

# AIR INLET AND EXHAUST SYSTEM

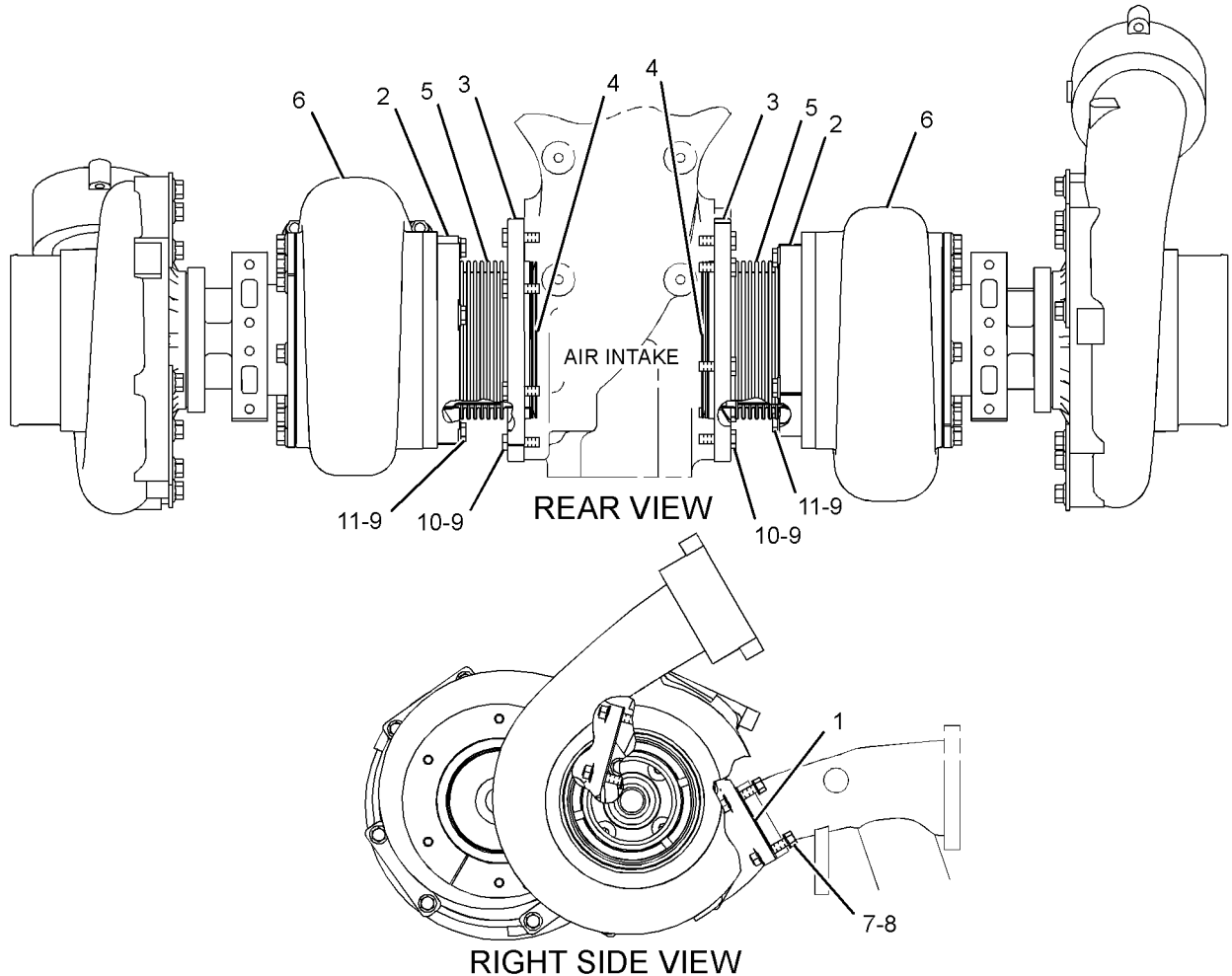
## 250-6111 TURBOCHARGER GP

SMCS-1052, 1053

i03328255

NOTE	REF NO	GRAPHIC REF	PART NUMBER	QTY	PART NAME						SEE PAGE
					1	2	3	4	5	6 (PRODUCT LEVEL)	
	1	1	121-5736	2	GASKET (TURBOCHARGER)						
	2	1	188-0471	4	FLANGE - HALF						
	3	1	329-3716	4	FLANGE - HALF						
	4	1	207-1382	4	GASKET - EXHAUST						
	5	1	207-1390	2	BELLOWS AS						
YR	6	1	250-6110	2	TURBOCHARGER GP						232
	7	1	2N-2765	8	BOLT-HIGH TEMPERATURE (3/8-16X1.75-IN)						
	8	1	2N-2766	8	LOCKNUT (3/8-16-THD)						
	9	1	5M-2894	20	WASHER-HARD (10.2X18.5X2.5-MM THK)						
	10	1	6V-1943	12	BOLT-HIGH TEMPERATURE (3/8-16X1.125-IN)						
	11	1	6V-6753	8	BOLT-HIGH TEMPERATURE (3/8X16X1.375-IN)						

R-REMG PART MAY BE AVAILABLE  
Y-SEPARATE ILLUSTRATION



GRAPHIC #1

<END>

g01217759

# AIR INLET AND EXHAUST SYSTEM

## 8N-8483 VALVE GP-AIR CONTROL-RH

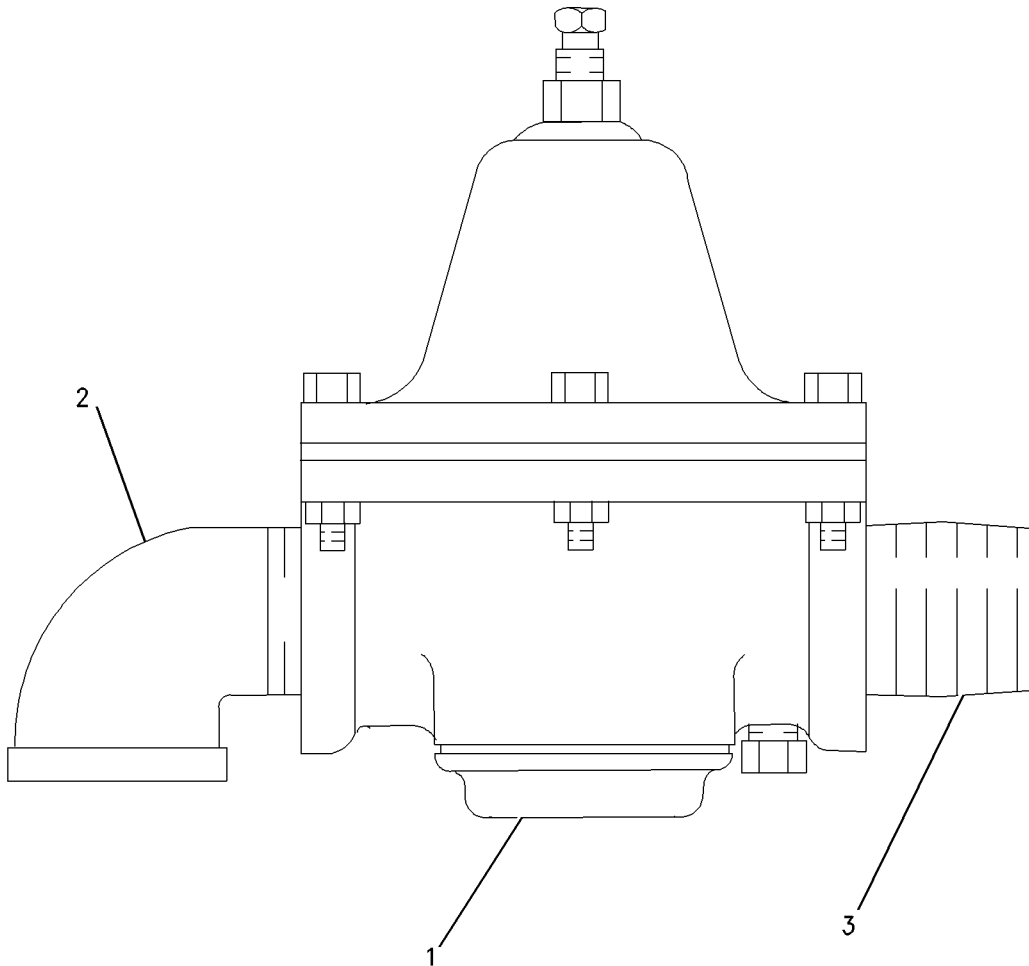
FOR USE WITH AIR START SYSTEM  
AN ATTACHMENT

SMCS-108A, 1462

i03869158

NOTE	REF NO	GRAPHIC REF	PART NUMBER	QTY	PART NAME	SEE PAGE
					1 2 3 4 5 6 (PRODUCT LEVEL)	
Y	1	1	1L-2073	1	VALVE GP-PRESSURE REDUCING (AIR STARTING) (RH)	371
	2	1	5B-7666	1	ELBOW	
	3	1	3L-8993	1	FITTING	

Y-SEPARATE ILLUSTRATION



GRAPHIC #1

<END>

g00637864

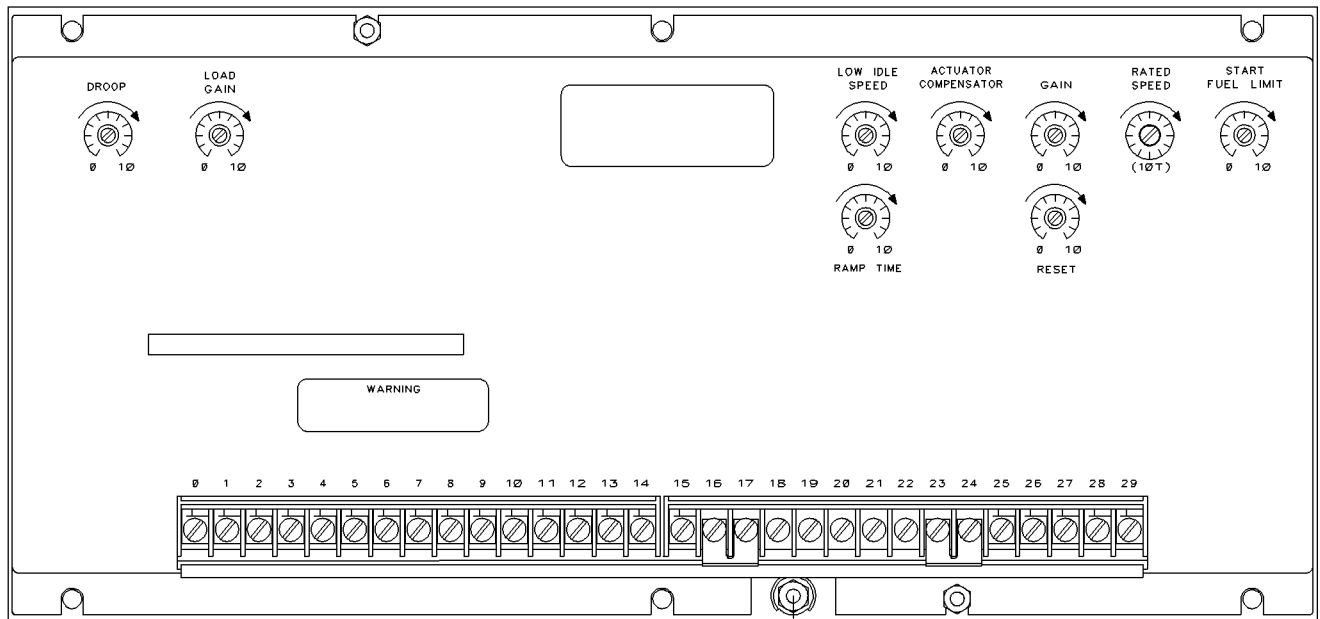
# FUEL SYSTEM

## 131-5454 CONTROL AS-GOVERNOR-LOAD SHARE MODULE AN ATTACHMENT

SMCS-1264

i01817423

NOTE	REF NO	GRAPHIC REF	PART NUMBER	QTY	PART NAME	SEE PAGE
					1 2 3 4 5 6 (PRODUCT LEVEL) (NO SERVICED PARTS)	



GRAPHIC #1

<END>

g00928056

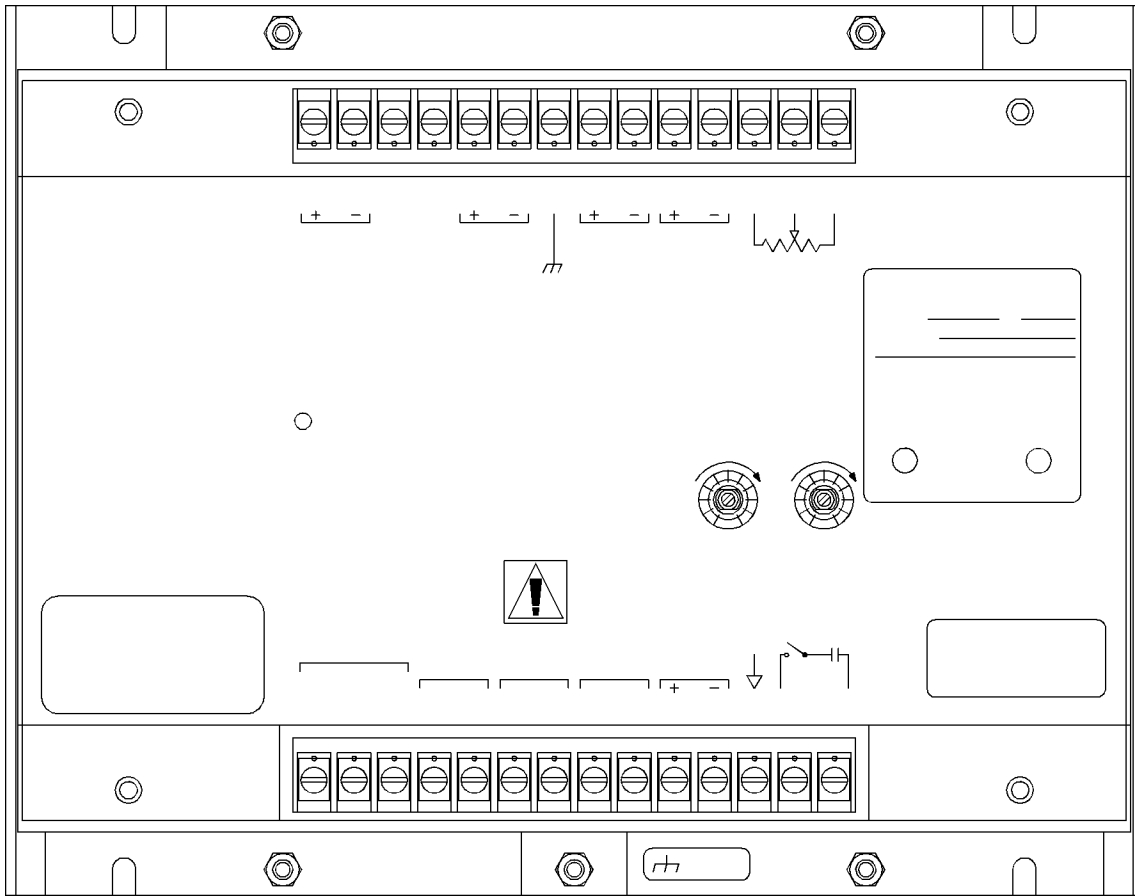
# FUEL SYSTEM

## 161-0797 CONTROL AS-GOVERNOR-LOAD SHARE AN ATTACHMENT

SMCS-1264

i01979207

NOTE	REF NO	GRAPHIC REF	PART NUMBER	QTY	PART NAME						SEE PAGE
					1	2	3	4	5	6 (PRODUCT LEVEL)	
(NO SERVICED PARTS)											



GRAPHIC #1

<END>

g01026187

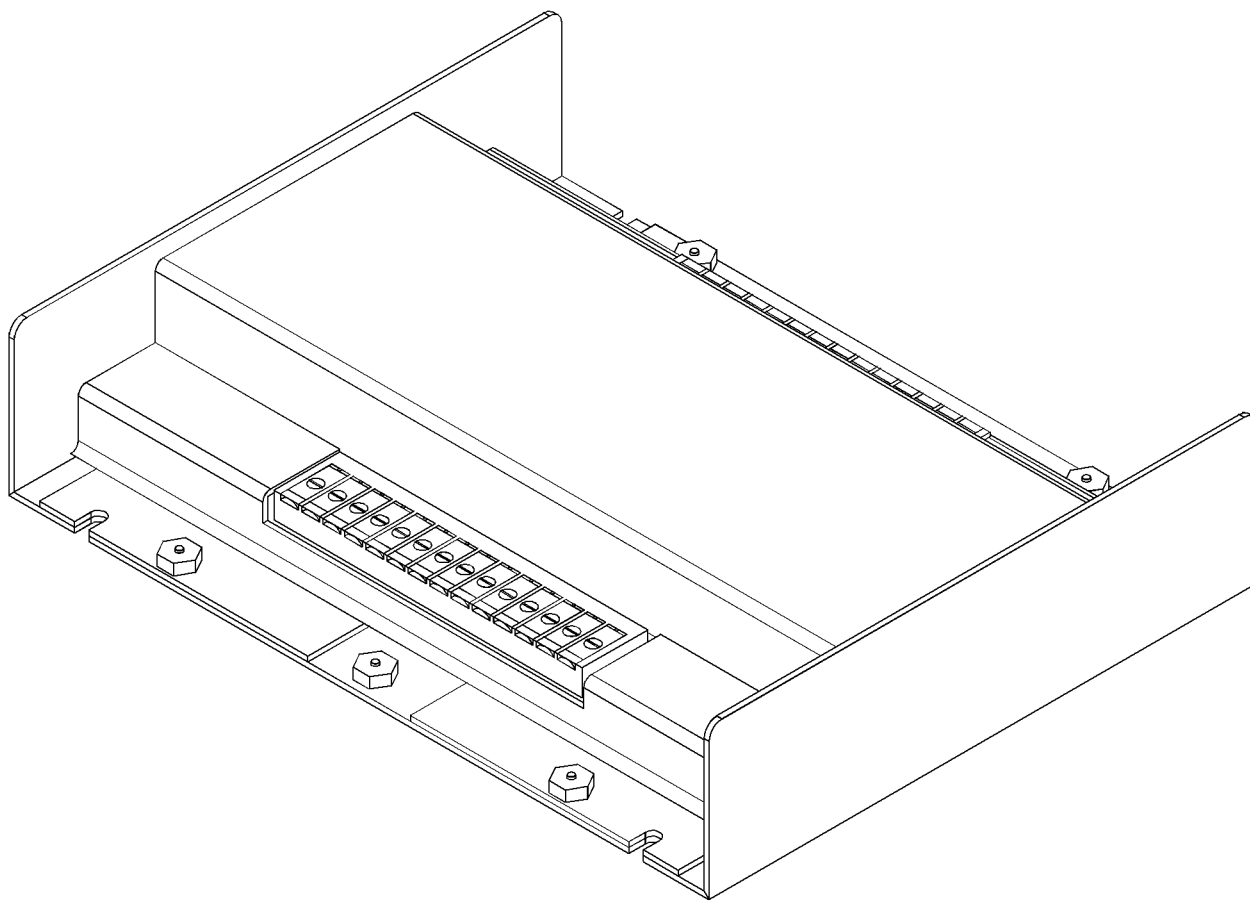
# FUEL SYSTEM

## 309-1583 CONTROL AS-GOVERNOR-LOAD SHARE AN ATTACHMENT

SMCS-1264

i02775402

NOTE	REF NO	GRAPHIC REF	PART NUMBER	QTY	PART NAME						SEE PAGE
					1	2	3	4	5	6 (PRODUCT LEVEL)	
(NO SERVICED PARTS)											



GRAPHIC #1

<END>

g01388304

# FUEL SYSTEM

## 7W-9742 FILTER GP-FUEL-LH AN ATTACHMENT

SMCS-1261

i03996289

NOTE	REF NO	GRAPHIC REF	PART NUMBER	QTY	PART NAME						SEE PAGE
					1	2	3	4	5	6 (PRODUCT LEVEL)	
	1	1	1N-2895	1	SPRING						
	2	1	1R-0756	5	FILTER ELEMENT-FUEL (ADVANCED EFFICIENCY)						
	3	1	1W-7548	1	TUBE AS						
	4	1	2S-5100	1	VALVE-MANUAL						
	5	1	2W-9300	1	COVER-FILTER HOUSING						
	6	1	4P-0692	4	CLAMP AS						
					(EACH INCLUDES)						
		1	108-1434	1	GROMMET						
	7	1	6I-3754	1	RETAINER-FILTER						
	8	1	6N-4414	1	COVER-FILTER BASE						
C	9	1	7F-0192	2	BOLT (3/8-16X2-IN)						
	10	1	8T-6766	1	PLUG-PIPE						
	11	1	9Y-8389	1	GASKET (FUEL FILTER)						
	12	1	237-2719	1	TUBE AS						
	13	1	267-9689	1	COVER-FILTER HOUSING						
	14	1	278-1776	1	HOUSING AS-FUEL FILTER						
	15	1	250-1498	3	ELBOW AS						
					(EACH INCLUDES)						
		1	6V-4589	1	SEAL-O-RING						
		1	250-1497	1	ELBOW						
	16	1	031-4136	1	TEE-FLARED						
	17	1	0S-1588	2	BOLT (3/8-16X1.25-IN)						
	18	1	0S-1608	2	BOLT (3/8-16X3.75-IN)						
C	19	1	1B-7182	1	BOLT (5/16-18X1.25-IN)						
	20	1	2M-9780	2	SEAL-O-RING						
C	21	1	3B-1915	8	BOLT (3/8-16X1.375-IN)						
	22	1	3K-0360	1	SEAL-O-RING						
	23	1	5D-5957	2	SEAL-O-RING						
	24	1	5M-2894	4	WASHER-HARD (10.2X18.5X2.5-MM THK)						
	25	1	5P-0537	1	WASHER-HARD (7.2X14.5X2-MM THK)						
	27	1	6V-5048	5	SEAL-O-RING						
	28	1	6V-5049	1	SEAL-O-RING						
	29	1	7B-2742	1	BOLT (1/4-20X1.25-IN)						
	30	1	8M-9024	8	WASHER-HARD (10.2X22.5X5-MM THK)						
	31	1	9M-1974	1	WASHER-HARD (8.8X16X2-MM THK)						
	32	1	9S-4182	5	PLUG-O-RING						
	33	1	9S-4185	1	PLUG-O-RING						
	34	1	9S-4190	1	PLUG-O-RING						
	35	1	9S-4191	1	PLUG-O-RING						

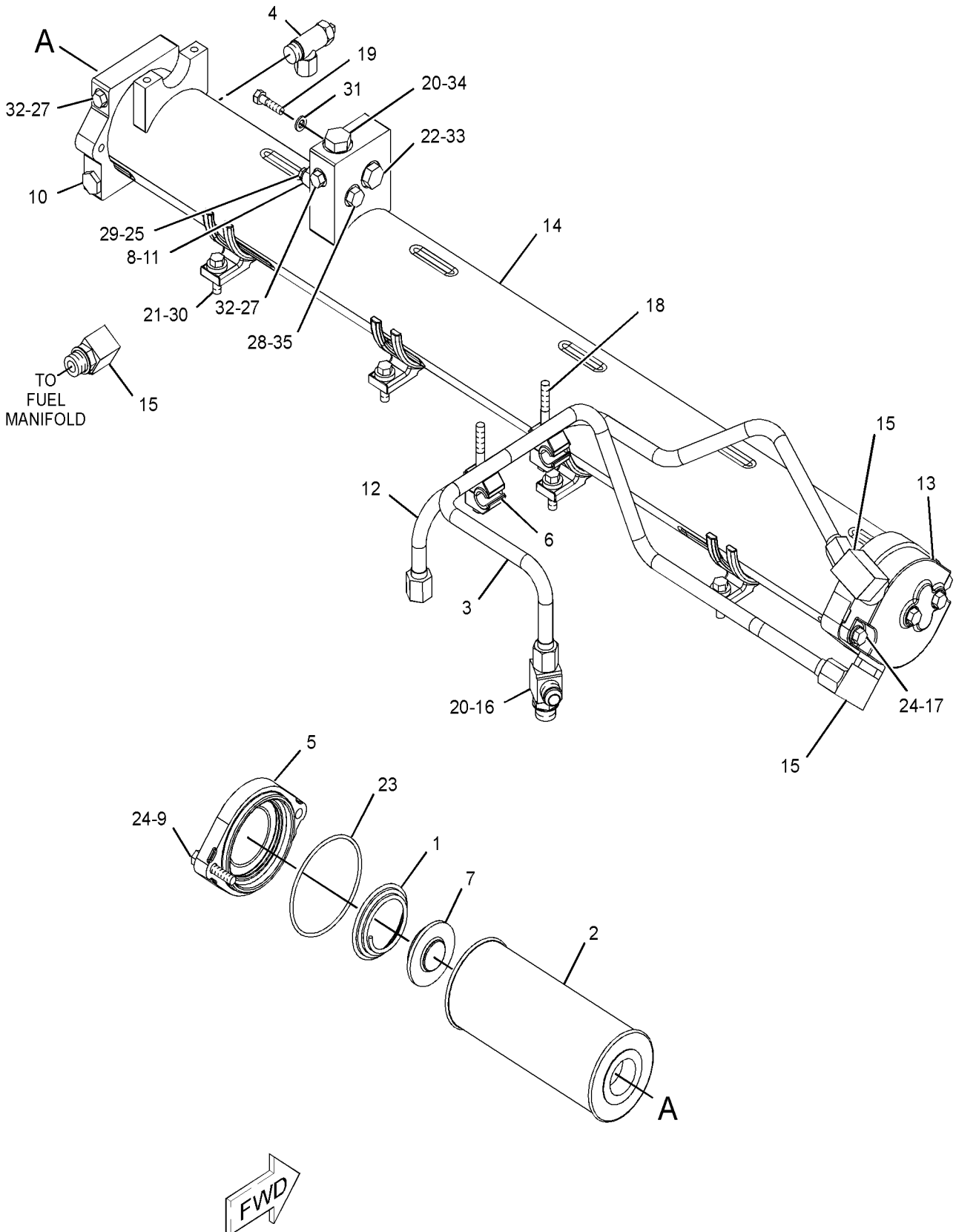
C-CHANGE FROM PREVIOUS TYPE



# FUEL SYSTEM

7W-9742 FILTER GP-FUEL (contd.)

i03996289



GRAPHIC #1

<END>

g01341896

# FUEL SYSTEM

## 112-4922 FILTER GP-FUEL-RH

S/N: LLA1-2285

SMCS-1261

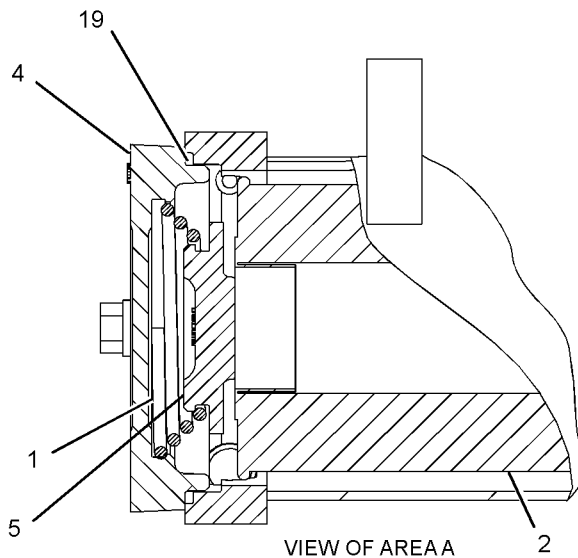
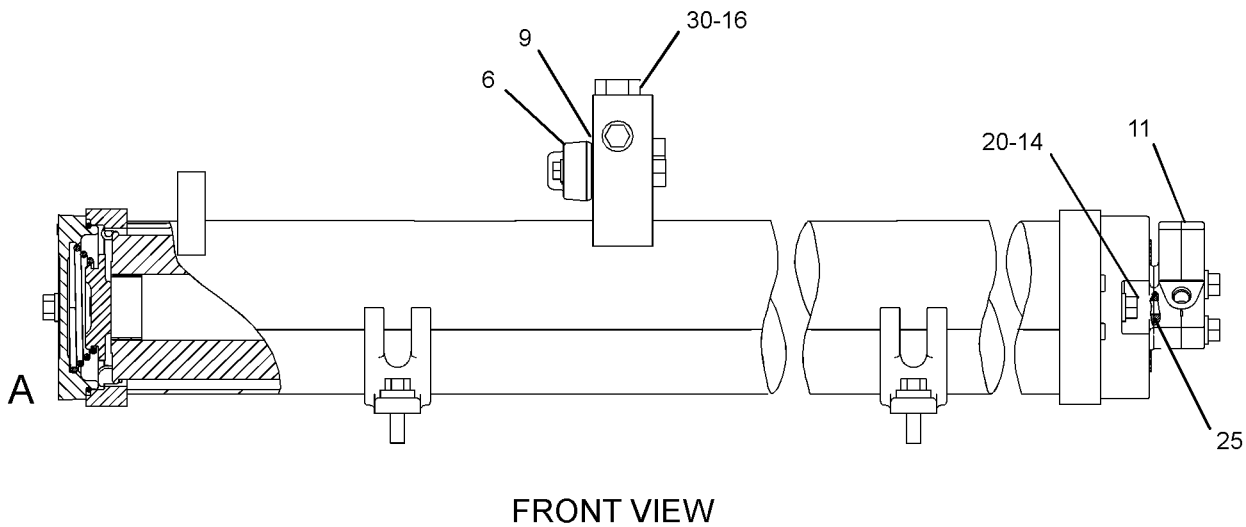
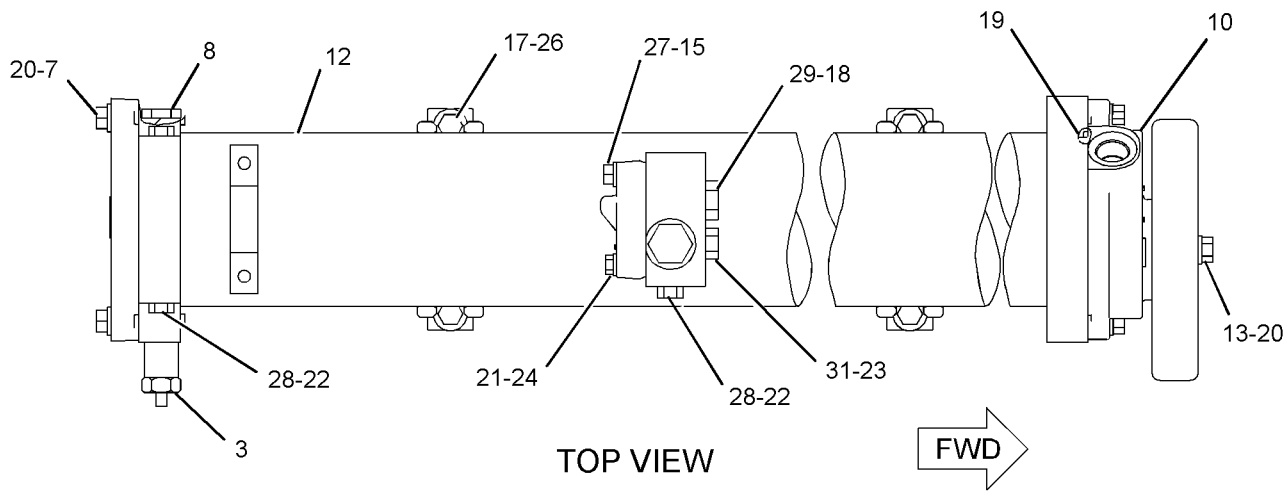
i03996290

NOTE	REF NO	GRAPHIC REF	PART NUMBER	QTY	PART NAME						SEE PAGE
					1	2	3	4	5	6 (PRODUCT LEVEL)	
	1	1	1N-2895	1	SPRING						
	2	1	1R-0756	5	FILTER ELEMENT-FUEL (ADVANCED EFFICIENCY)						
	3	1	2S-5100	1	VALVE-MANUAL						
	4	1	2W-9300	1	COVER-FILTER HOUSING						
	5	1	6I-3754	1	RETAINER-FILTER						
	6	1	6N-4414	1	COVER-FILTER BASE						
	7	1	7F-0192	2	BOLT (3/8-16X2-IN)						
	8	1	8T-6766	1	PLUG-PIPE						
	9	1	9Y-8389	1	GASKET (FUEL FILTER)						
	10	1	267-9690	1	COVER-FUEL FILTER HOUSING						
	11	1	111-5055	1	BLOCK-SENSOR MOUNTING						
	12	1	278-1776	1	HOUSING AS-FUEL FILTER						
	13	1	0L-2070	2	BOLT (3/8-16X2.25-IN)						
	14	1	0S-1588	2	BOLT (3/8-16X1.25-IN)						
	15	1	1B-7182	1	BOLT (5/16-18X1.25-IN)						
	16	1	6V-4589	1	SEAL-O-RING						
	17	1	3B-1915	10	BOLT (3/8-16X1.375-IN)						
	18	1	8L-2786	1	SEAL-O-RING						
	19	1	5D-5957	2	SEAL-O-RING						
	20	1	5M-2894	6	WASHER-HARD (10.2X18.5X2.5-MM THK)						
	21	1	5P-0537	1	WASHER-HARD (7.2X14.5X2-MM THK)						
	22	1	6V-5048	3	SEAL-O-RING						
	23	1	6V-5049	1	SEAL-O-RING						
	24	1	7B-2742	1	BOLT (1/4-20X1.25-IN)						
	25	1	8L-2746	2	SEAL-O-RING						
	26	1	8M-9024	8	WASHER-HARD (10.2X22.5X5-MM THK)						
	27	1	9M-1974	1	WASHER-HARD (8.8X16X2-MM THK)						
	28	1	9S-4182	3	PLUG-O-RING						
	29	1	9S-4185	1	PLUG-O-RING						
	30	1	9S-4190	1	PLUG-O-RING						
	31	1	9S-4191	1	PLUG-O-RING						

# FUEL SYSTEM

112-4922 FILTER GP-FUEL (contd.)

i03996290



GRAPHIC #1

<END>

g01154875

# FUEL SYSTEM

## 112-4922 FILTER GP-FUEL-RH

S/N: LLA2286-UP

SMCS-1261

i03996291

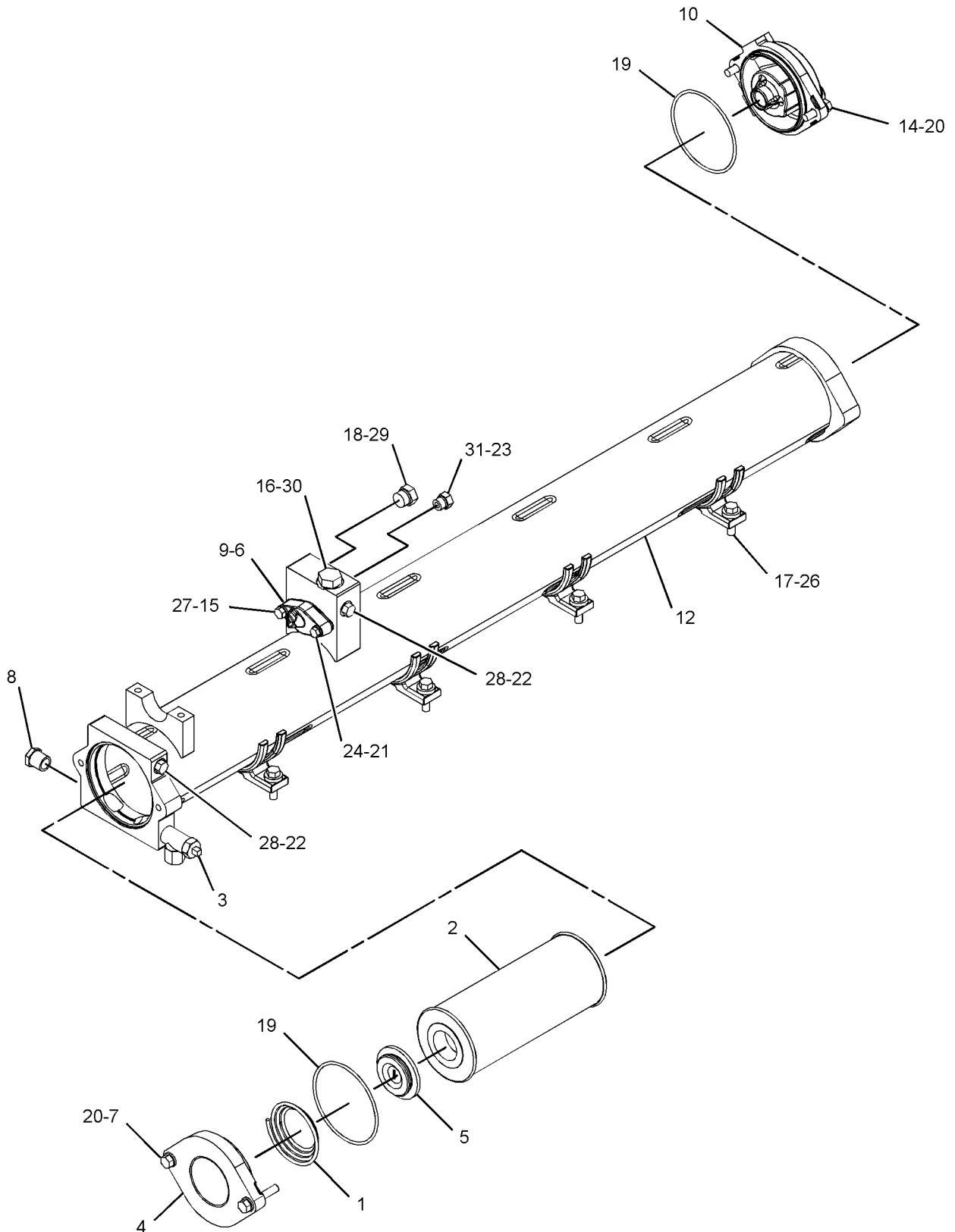
NOTE	REF NO	GRAPHIC REF	PART NUMBER	QTY	PART NAME						SEE PAGE
					1	2	3	4	5	6 (PRODUCT LEVEL)	
	1	1	<b>1N-2895</b>	1	SPRING						
	2	1	<b>1R-0756</b>	5	FILTER ELEMENT-FUEL (ADVANCED EFFICIENCY)						
	3	1	<b>2S-5100</b>	1	VALVE-MANUAL						
	4	1	<b>2W-9300</b>	1	COVER-FILTER HOUSING						
	5	1	<b>6I-3754</b>	1	RETAINER-FILTER						
	6	1	<b>6N-4414</b>	1	COVER-FILTER BASE						
	7	1	<b>7F-0192</b>	2	BOLT (3/8-16X2-IN)						
	8	1	<b>8T-6766</b>	1	PLUG-PIPE						
	9	1	<b>9Y-8389</b>	1	GASKET (FUEL FILTER)						
C	10	1	<b>267-9689</b>	1	COVER-FILTER HOUSING						
	12	1	<b>278-1776</b>	1	HOUSING AS-FUEL FILTER						
	14	1	<b>0S-1588</b>	2	BOLT (3/8-16X1.25-IN)						
	15	1	<b>1B-7182</b>	1	BOLT (5/16-18X1.25-IN)						
	16	1	<b>6V-4589</b>	1	SEAL-O-RING						
	17	1	<b>3B-1915</b>	10	BOLT (3/8-16X1.375-IN)						
	18	1	<b>8L-2786</b>	1	SEAL-O-RING						
	19	1	<b>5D-5957</b>	2	SEAL-O-RING						
C	20	1	<b>5M-2894</b>	4	WASHER-HARD (10.2X18.5X2.5-MM THK)						
	21	1	<b>5P-0537</b>	1	WASHER-HARD (7.2X14.5X2-MM THK)						
	22	1	<b>6V-5048</b>	3	SEAL-O-RING						
	23	1	<b>6V-5049</b>	1	SEAL-O-RING						
	24	1	<b>7B-2742</b>	1	BOLT (1/4-20X1.25-IN)						
	26	1	<b>8M-9024</b>	8	WASHER-HARD (10.2X22.5X5-MM THK)						
	27	1	<b>9M-1974</b>	1	WASHER-HARD (8.8X16X2-MM THK)						
	28	1	<b>9S-4182</b>	3	PLUG-O-RING						
	29	1	<b>9S-4185</b>	1	PLUG-O-RING						
	30	1	<b>9S-4190</b>	1	PLUG-O-RING						
	31	1	<b>9S-4191</b>	1	PLUG-O-RING						

C-CHANGE FROM PREVIOUS TYPE

# FUEL SYSTEM

112-4922 FILTER GP-FUEL (contd.)

i03996291



GRAPHIC #1

<END>

g02110944

# FUEL SYSTEM

## 263-6853 FILTER GP-FUEL-LH AN ATTACHMENT

SMCS-1261

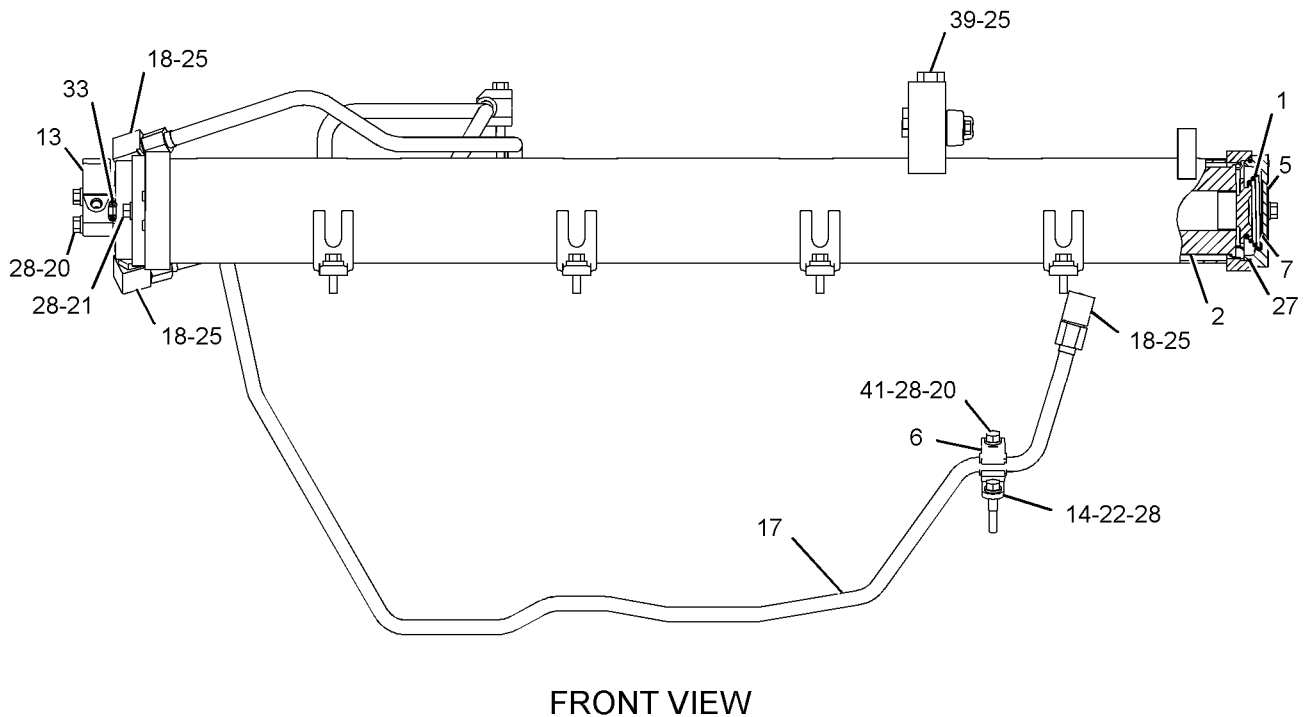
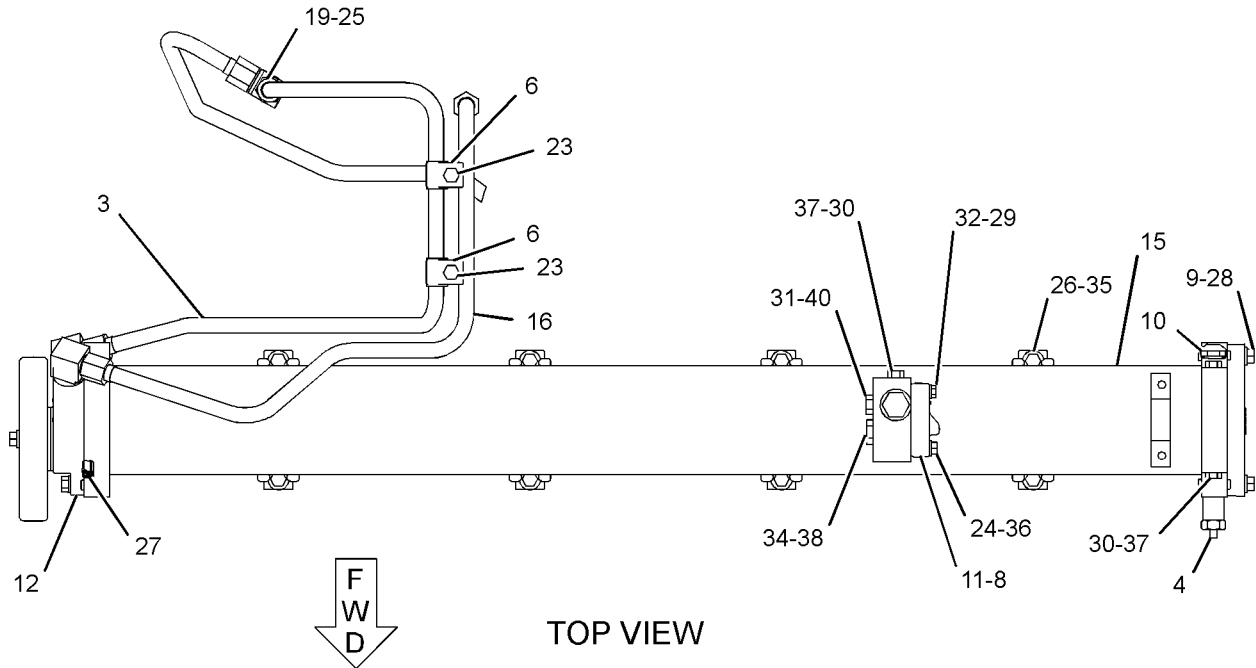
i03996294

NOTE	REF NO	GRAPHIC REF	PART NUMBER	QTY	PART NAME						SEE PAGE
					1	2	3	4	5	6 (PRODUCT LEVEL)	
	1	1	1N-2895	1	SPRING						
	2	1	1R-0756	5	FILTER ELEMENT-FUEL (ADVANCED EFFICIENCY)						
	3	1	1W-7548	1	TUBE AS						
	4	1	2S-5100	1	VALVE-MANUAL						
	5	1	2W-9300	1	COVER-FILTER HOUSING						
	6	1	4P-0692	6	CLAMP AS						
					(EACH INCLUDES)						
		1	108-1434	1	GROMMET						
	7	1	6I-3754	1	RETAINER-FILTER						
	8	1	6N-4414	1	COVER-FILTER BASE						
	9	1	7F-0192	2	BOLT (3/8-16X2-IN)						
	10	1	8T-6766	1	PLUG-PIPE						
	11	1	9Y-8389	1	GASKET (FUEL FILTER)						
	12	1	267-9690	1	COVER-FUEL FILTER HOUSING						
	13	1	111-5055	1	BLOCK-SENSOR MOUNTING						
	14	1	120-4351	1	PLATE						
	15	1	278-1776	1	HOUSING AS-FUEL FILTER						
	16	1	237-2719	1	TUBE AS						
	17	1	264-8859	1	TUBE AS						
	18	1	030-7949	3	ELBOW						
	19	1	031-4136	1	TEE-FLARED						
	20	1	0L-2070	3	BOLT (3/8-16X2.25-IN)						
	21	1	0S-1588	2	BOLT (3/8-16X1.25-IN)						
	22	1	0S-1590	1	BOLT (3/8-16X2-IN)						
	23	1	0S-1608	2	BOLT (3/8-16X3.75-IN)						
	24	1	1B-7182	1	BOLT (5/16-18X1.25-IN)						
	25	1	2M-9780	5	SEAL-O-RING						
	26	1	3B-1915	8	BOLT (3/8-16X1.375-IN)						
	27	1	5D-5957	2	SEAL-O-RING						
	28	1	5M-2894	9	WASHER-HARD (10.2X18.5X2.5-MM THK)						
	29	1	5P-0537	1	WASHER-HARD (7.2X14.5X2-MM THK)						
	30	1	6V-5048	3	SEAL-O-RING						
	31	1	6V-5049	1	SEAL-O-RING						
	32	1	7B-2742	1	BOLT (1/4-20X1.25-IN)						
	33	1	8L-2746	2	SEAL-O-RING						
	34	1	8L-2786	1	SEAL-O-RING						
	35	1	8M-9024	8	WASHER-HARD (10.2X22.5X5-MM THK)						
	36	1	9M-1974	1	WASHER-HARD (8.8X16X2-MM THK)						
	37	1	9S-4182	3	PLUG-O-RING						
	38	1	9S-4185	1	PLUG-O-RING						
	39	1	9S-4190	1	PLUG-O-RING						
	40	1	9S-4191	1	PLUG-O-RING						
	41	1	9S-8752	1	NUT-FULL (3/8-16-THD)						

# FUEL SYSTEM

263-6853 FILTER GP-FUEL (contd.)

i03996294



GRAPHIC #1

<END>

g01158640

# FUEL SYSTEM

## 263-6853 FILTER GP-FUEL-LH

S/N: LLA1-2285

AN ATTACHMENT

SMCS-1261

i03996370

NOTE	REF NO	GRAPHIC REF	PART NUMBER	QTY	PART NAME						SEE PAGE
					1	2	3	4	5	6 (PRODUCT LEVEL)	
	1	1	1N-2895	1	SPRING						
	2	1	1R-0756	5	FILTER ELEMENT-FUEL (ADVANCED EFFICIENCY)						
	3	1	1W-7548	1	TUBE AS						
	4	1	2S-5100	1	VALVE-MANUAL						
	5	1	2W-9300	1	COVER-FILTER HOUSING						
C	6	1	4P-0692	2	CLAMP AS						
					(EACH INCLUDES)						
		1	108-1434	1	GROMMET						
	7	1	6I-3754	1	RETAINER-FILTER						
	8	1	6N-4414	1	COVER-FILTER BASE						
	9	1	7F-0192	2	BOLT (3/8-16X2-IN)						
	10	1	8T-6766	1	PLUG-PIPE						
	11	1	9Y-8389	1	GASKET (PRIMING PUMP/COVER)						
	12	1	267-9690	1	COVER-FUEL FILTER HOUSING						
	13	1	111-5055	1	BLOCK-SENSOR MOUNTING						
	15	1	278-1776	1	HOUSING AS-FUEL FILTER						
	16	1	237-2719	1	TUBE AS						
	18	1	250-1498	3	ELBOW AS						
					(EACH INCLUDES)						
		1	6V-4589	1	SEAL-O-RING						
		1	250-1497	1	ELBOW						
	19	1	031-4136	1	TEE-FLARED						
C	20	1	0L-2070	1	BOLT (3/8-16X2.25-IN)						
	21	1	0S-1588	2	BOLT (3/8-16X1.25-IN)						
	23	1	0S-1608	2	BOLT (3/8-16X3.75-IN)						
	24	1	1B-7182	1	BOLT (5/16-18X1.25-IN)						
	25	1	2M-9780	2	SEAL-O-RING						
	26	1	3B-1915	8	BOLT (3/8-16X1.375-IN)						
	27	1	5D-5957	2	SEAL-O-RING						
C	28	1	5M-2894	6	WASHER-HARD (10.2X18.5X2.5-MM THK)						
	29	1	5P-0537	1	WASHER-HARD (7.2X14.5X2-MM THK)						
	30	1	6V-5048	3	SEAL-O-RING (FUEL FILTER)						
	31	1	6V-5049	1	SEAL-O-RING						
	32	1	7B-2742	1	BOLT (1/4-20X1.25-IN)						
	33	1	8L-2746	2	SEAL-O-RING						
	34	1	8L-2786	1	SEAL-O-RING						
	35	1	8M-9024	8	WASHER-HARD (10.2X22.5X5-MM THK)						
	36	1	9M-1974	1	WASHER-HARD (8.8X16X2-MM THK)						
	37	1	9S-4182	3	PLUG-O-RING						
	38	1	9S-4185	1	PLUG-O-RING						
	39	1	9S-4190	1	PLUG-O-RING						
	40	1	9S-4191	1	PLUG-O-RING						

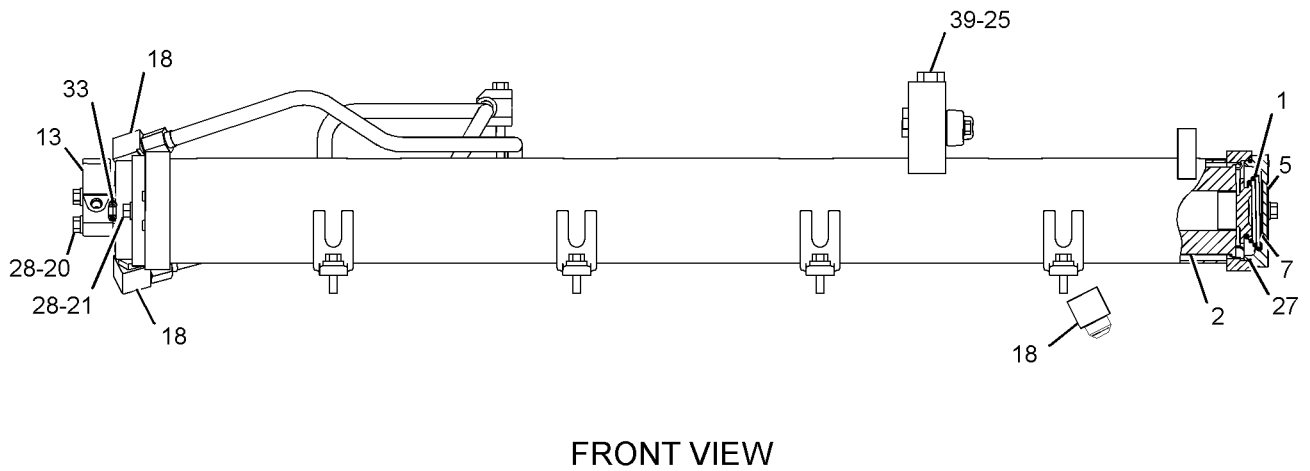
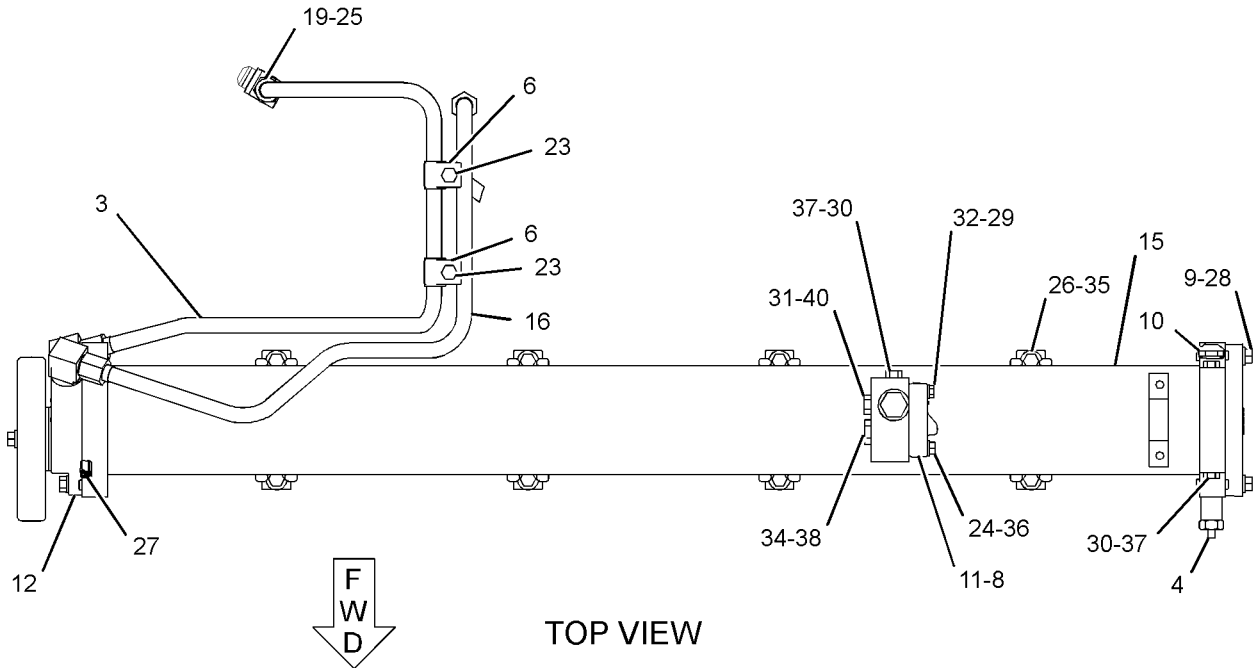
C-CHANGE FROM PREVIOUS TYPE



# FUEL SYSTEM

263-6853 FILTER GP-FUEL (contd.)

i03996370



GRAPHIC #1

<END>

g01360418

# FUEL SYSTEM

## 263-6853 FILTER GP-FUEL-LH

S/N: LLA2286-UP

AN ATTACHMENT

SMCS-1261

i03996293

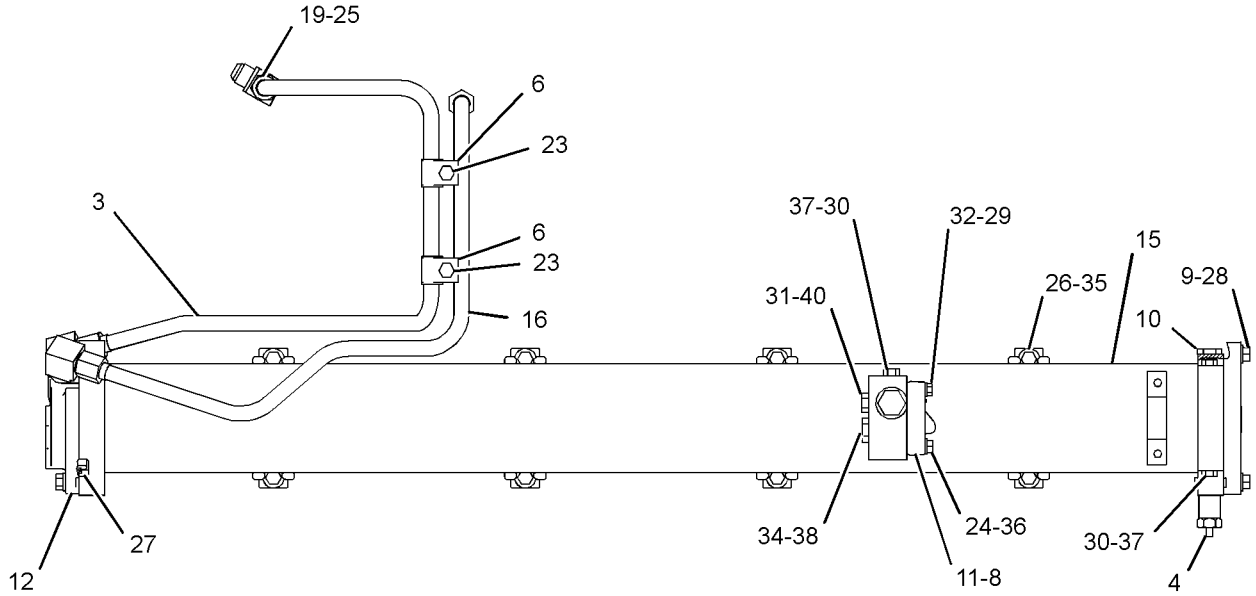
NOTE	REF NO	GRAPHIC REF	PART NUMBER	QTY	PART NAME						SEE PAGE
					1	2	3	4	5	6 (PRODUCT LEVEL)	
	1	1	1N-2895	1	SPRING						
	2	1	1R-0756	5	FILTER ELEMENT-FUEL (ADVANCED EFFICIENCY)						
	3	1	1W-7548	1	TUBE AS						
	4	1	2S-5100	1	VALVE-MANUAL						
	5	1	2W-9300	1	COVER-FILTER HOUSING						
	6	1	4P-0692	2	CLAMP AS						
					(EACH INCLUDES)						
		1	108-1434	1	GROMMET						
	7	1	6I-3754	1	RETAINER-FILTER						
	8	1	6N-4414	1	COVER-FILTER BASE						
	9	1	7F-0192	2	BOLT (3/8-16X2-IN)						
	10	1	8T-6766	1	PLUG-PIPE						
	11	1	9Y-8389	1	GASKET						
C	12	1	267-9689	1	COVER-FILTER HOUSING						
	15	1	278-1776	1	HOUSING AS-FUEL FILTER						
	16	1	237-2719	1	TUBE AS						
	18	1	250-1498	3	ELBOW AS						
					(EACH INCLUDES)						
		1	6V-4589	1	SEAL-O-RING						
		1	250-1497	1	ELBOW						
	19	1	031-4136	1	TEE-FLARED						
	21	1	0S-1588	2	BOLT (3/8-16X1.25-IN)						
	23	1	0S-1608	2	BOLT (3/8-16X3.75-IN)						
	24	1	1B-7182	1	BOLT (5/16-18X1.25-IN)						
	25	1	2M-9780	2	SEAL-O-RING						
	26	1	3B-1915	8	BOLT (3/8-16X1.375-IN)						
	27	1	5D-5957	2	SEAL-O-RING						
C	28	1	5M-2894	4	WASHER-HARD (10.2X18.5X2.5-MM THK)						
	29	1	5P-0537	1	WASHER-HARD (7.2X14.5X2-MM THK)						
	30	1	6V-5048	3	SEAL-O-RING (FUEL FILTER)						
	31	1	6V-5049	1	SEAL-O-RING						
	32	1	7B-2742	1	BOLT (1/4-20X1.25-IN)						
	34	1	8L-2786	1	SEAL-O-RING						
	35	1	8M-9024	8	WASHER-HARD (10.2X22.5X5-MM THK)						
	36	1	9M-1974	1	WASHER-HARD (8.8X16X2-MM THK)						
	37	1	9S-4182	3	PLUG-O-RING						
	38	1	9S-4185	1	PLUG-O-RING						
	39	1	9S-4190	1	PLUG-O-RING						
	40	1	9S-4191	1	PLUG-O-RING						

C-CHANGE FROM PREVIOUS TYPE

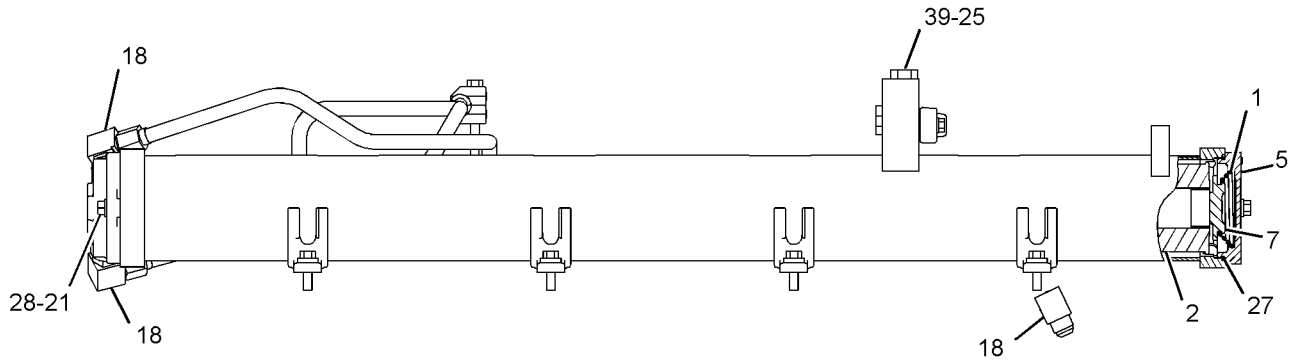
# FUEL SYSTEM

263-6853 FILTER GP-FUEL (contd.)

i03996293



TOP VIEW OF ENGINE



FRONT VIEW OF ENGINE

GRAPHIC #1

<END>

g02096215

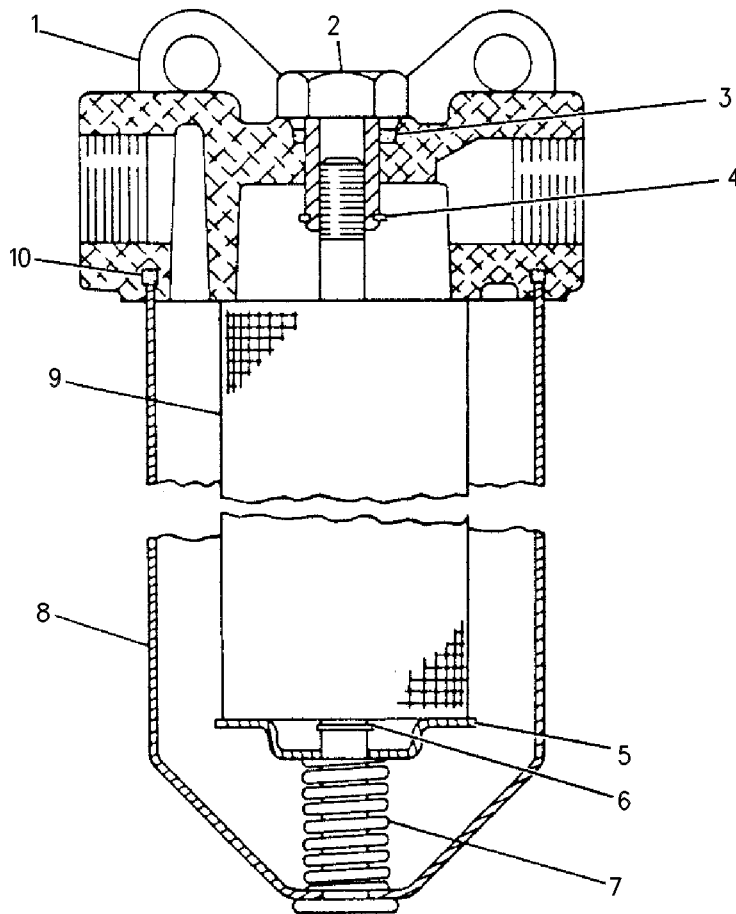
# FUEL SYSTEM

## 8N-6435 FILTER GP-PRIMARY FUEL AN ATTACHMENT

SMCS-1260, 1261

i02205253

NOTE	REF NO	GRAPHIC REF	PART NUMBER	QTY	PART NAME						SEE PAGE
					1	2	3	4	5	6 (PRODUCT LEVEL)	
	1	1	1W-0531	1	BASE-PRIMARY FUEL FILTER						
	2	1	7N-1628	1	NUT (3/8-24-THD)						
	3	1	2J-0157	1	SEAL-O-RING						
	4	1	1L-3769	1	RING-RETAINING						
	5	1	7H-9678	1	RETAINER-ELEMENT						
	6	1	2H-3429	1	RING-RETAINING						
	7	1	7S-9323	1	SPRING						
	8	1	8H-7202	1	CASE AS-FUEL FILTER						
	9	1	9M-2342	1	FILTER ELEMENT-FUEL (PRIMARY)						
	10	1	8H-2778	1	SEAL-RING (FUEL FILTER)						



GRAPHIC #1

<END>

g00625270

# FUEL SYSTEM

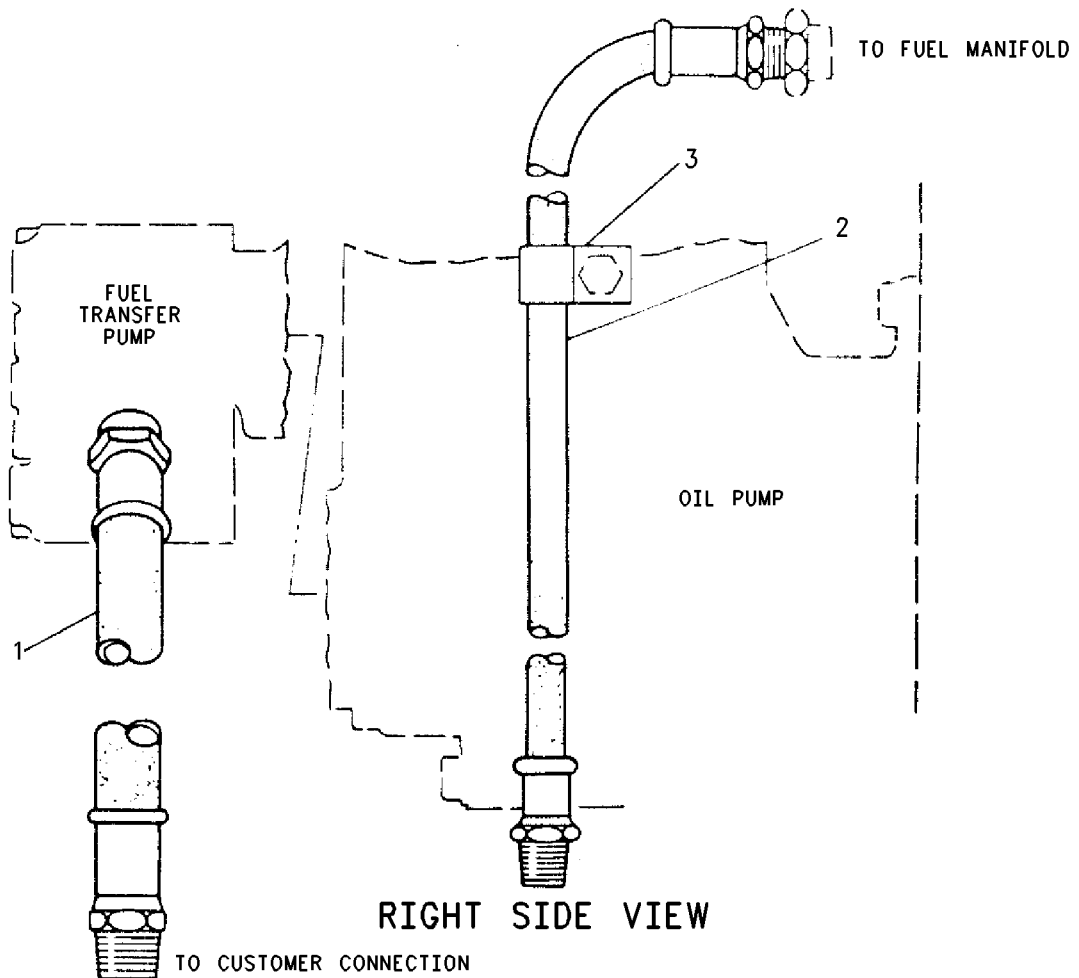
## 5N-2438 LINES GP-FLEXIBLE FUEL AN ATTACHMENT

SMCS-1274

i01979418

NOTE	REF NO	GRAPHIC REF	PART NUMBER	QTY	PART NAME						SEE PAGE
					1	2	3	4	5	6 (PRODUCT LEVEL)	
I	1	1	3N-6504	1	HOSE AS						
I	2	1	8N-1186	1	HOSE AS						
B	3	1	5F-5990	2	CLIP						

B-USE AS REQUIRED  
I-REFER TO HYDRAULIC INFORMATION SYSTEM



RIGHT SIDE VIEW

GRAPHIC #1

<END>

g00995187

# FUEL SYSTEM

## 262-6760 LINES GP-FUEL INJECTION

TYPE 1

SMCS-1252, 1254

i02436691

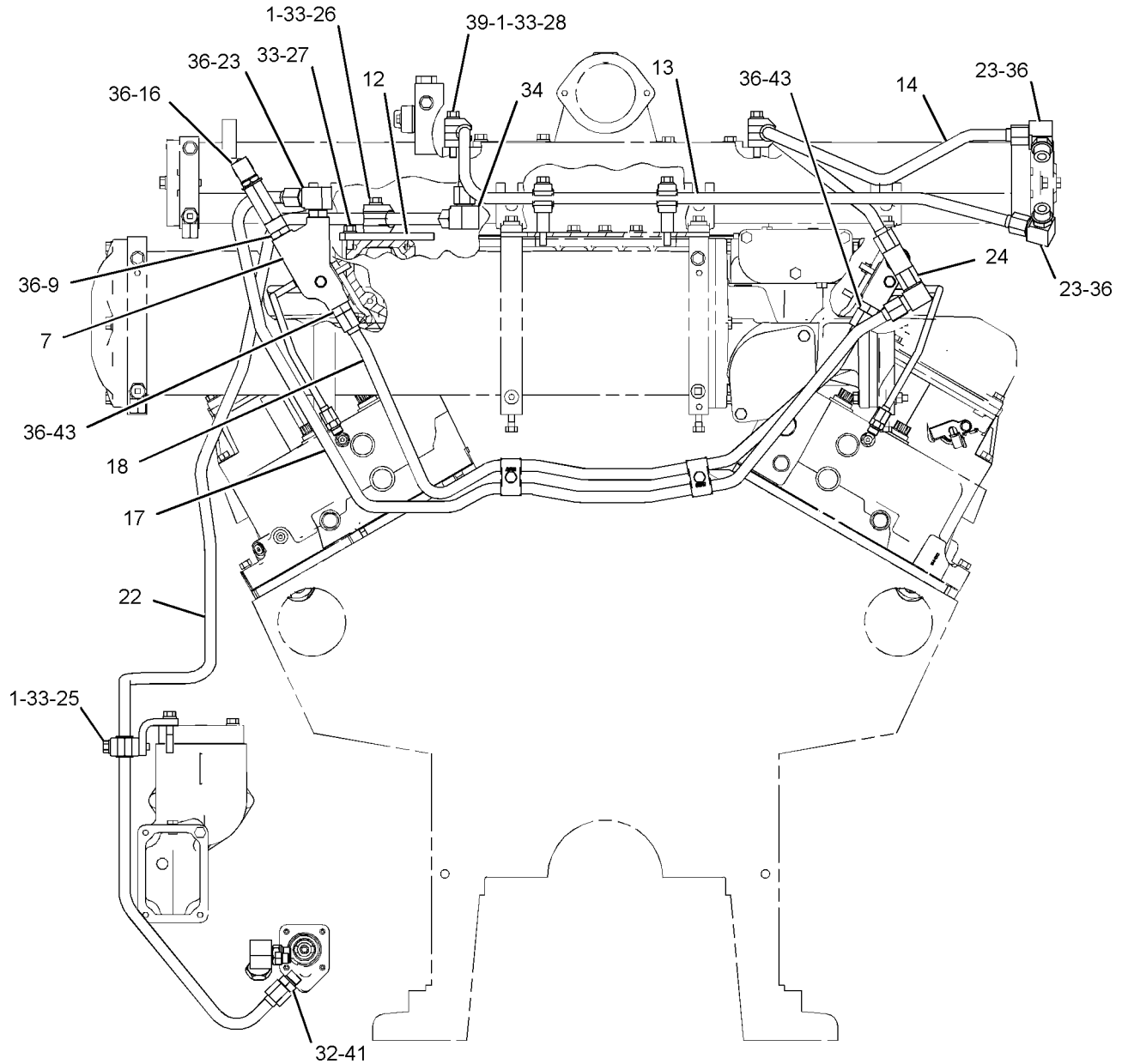
NOTE	REF NO	GRAPHIC REF	PART NUMBER	QTY	PART NAME						SEE PAGE
					1	2	3	4	5	6 (PRODUCT LEVEL)	
	1	1,2	4P-0692	16	CLAMP AS						
					(EACH INCLUDES)						
		1,2	108-1434	1	GROMMET						
	2	2	4P-0693	4	CLAMP AS						
					(EACH INCLUDES)						
		2	108-1434	2	GROMMET						
	3	2	6B-6205	2	SPACER (0.438X0.875X1.281-IN THK)						
	4	2	6V-4363	1	ELBOW (SPL)						
	5	2	7C-7677	12	TUBE AS						
	6	2	7C-7678	12	TUBE AS						
	7	1	7C-7682	1	ADAPTER-FUEL MANIFOLD (RH)						
	8	2	7C-7683	1	ADAPTER-FUEL MANIFOLD (LH)						
	9	1	7E-3921	1	VALVE-CHECK						
	10	2	7W-2122	24	CONNECTOR-PORT						
	11	2	8N-6210	1	BRACKET-LINE SUPPORT						
	12	1	8N-6211	1	PLATE-LINE SUPPORT						
	13	1	8N-6326	1	TUBE AS						
	14	1	8N-6327	1	TUBE AS						
	15	1	9N-4053	1	SPRING						
	16	1	030-7977	1	ELBOW						
	17	1	111-3388	1	TUBE AS						
	18	1	111-3389	1	TUBE AS						
	19	1	114-5477	1	PLUNGER-VALVE						
Y	20	2	156-9753	1	MANIFOLD GP-FUEL (RH)						258
Y	21	2	156-9754	1	MANIFOLD GP-FUEL (LH)						259
	22	1	237-2713	1	TUBE AS						
	23	1	030-7949	3	ELBOW						
	24	1	030-7972	1	ELBOW						
	25	1,2	0L-2070	5	BOLT (3/8-16X2.25-IN)						
	26	1,2	0S-1590	3	BOLT (3/8-16X2-IN)						
	27	1	0S-1594	1	BOLT (3/8-16X1-IN)						
	28	1,2	0T-0065	4	BOLT (3/8-16X3.5-IN)						
	29	2	1D-4539	1	BOLT (5/16-18X2.5-IN)						
	30	2	1D-4541	1	BOLT (5/16-18X3-IN)						
	31	2	2P-1296	1	TEE						
	32	1	2P-7636	1	CONNECTOR						
	33	1,2	5M-2894	13	WASHER-HARD (10.2X18.5X2.5-MM THK)						
	34	1	5P-4900	1	ELBOW-FLARED						
	35	1	5S-0003	1	NUT (5/16-18-THD)						
	36	1,2	6V-4589	9	SEAL-O-RING						
	37	2	6V-5048	1	SEAL-O-RING						
	38	2	6V-5049	25	SEAL-O-RING						
	39	1	7K-3377	2	PIPE						
	40	2	7N-6806	4	SEAL-RECTANGULAR						
	41	1	8L-2786	1	SEAL-O-RING						
	42	1,2	9M-1974	3	WASHER-HARD (8.8X16X2-MM THK)						
	43	1	9M-4584	2	CONNECTOR						
	44	2	9S-4182	1	PLUG-O-RING						
	45	2	9S-4191	1	PLUG-O-RING						

Y-SEPARATE ILLUSTRATION

# FUEL SYSTEM

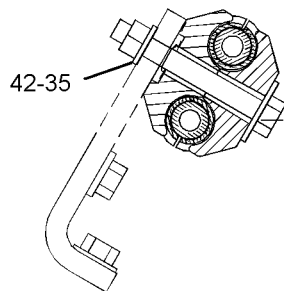
262-6760 LINES GP-FUEL INJECTION (contd.)

i02436691

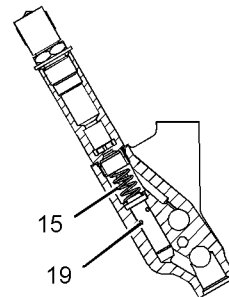


FRONT VIEW

REFER TO ALL ILLUSTRATIONS OF THIS GROUP FOR AUXILIARY VIEWS



SECTION B-B



SECTION A-A

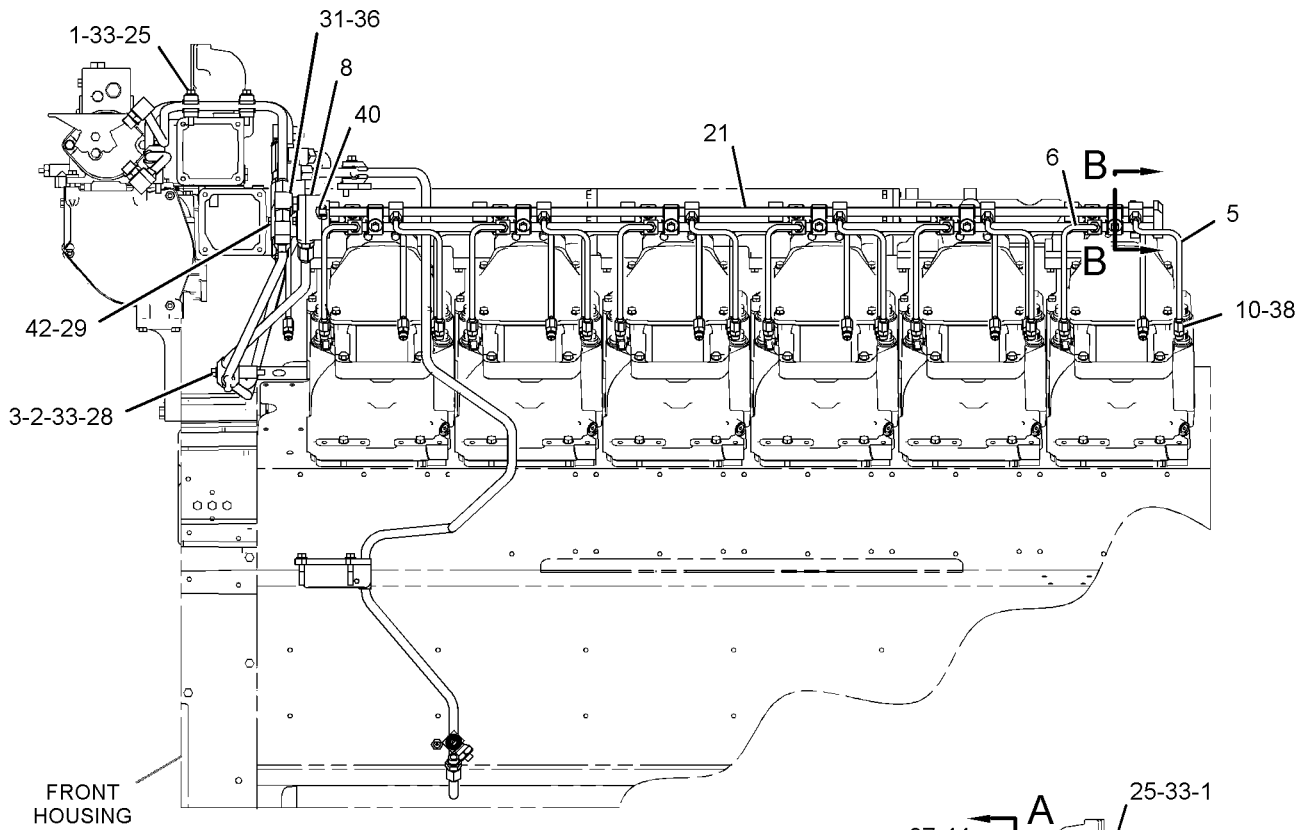
GRAPHIC #1

g01156506

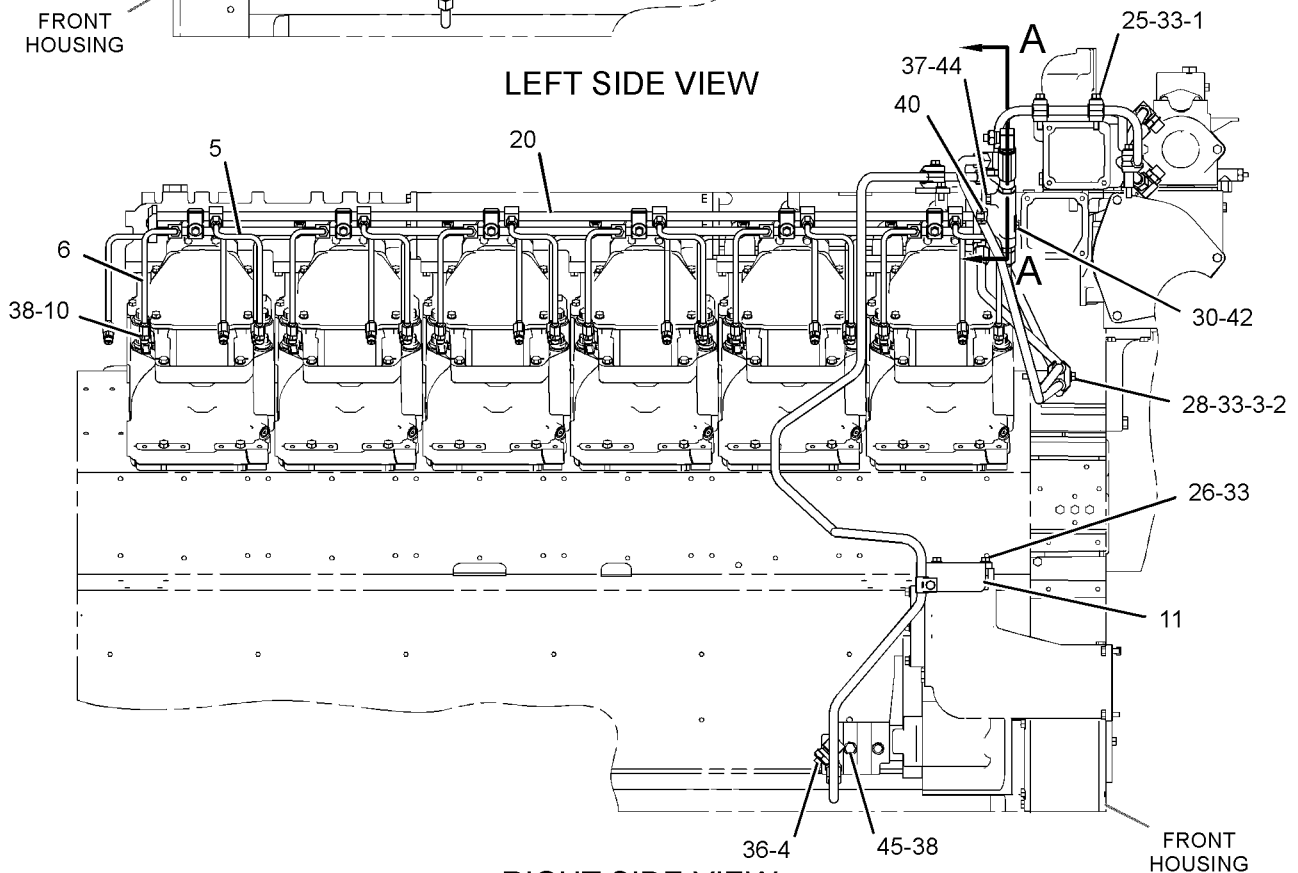
# FUEL SYSTEM

262-6760 LINES GP-FUEL INJECTION (contd.)

i02436691



LEFT SIDE VIEW



RIGHT SIDE VIEW

GRAPHIC #2

<END>

g01156507



# FUEL SYSTEM

## 262-6760 LINES GP-FUEL INJECTION

TYPE 2

SMCS-1252, 1254

i02815355

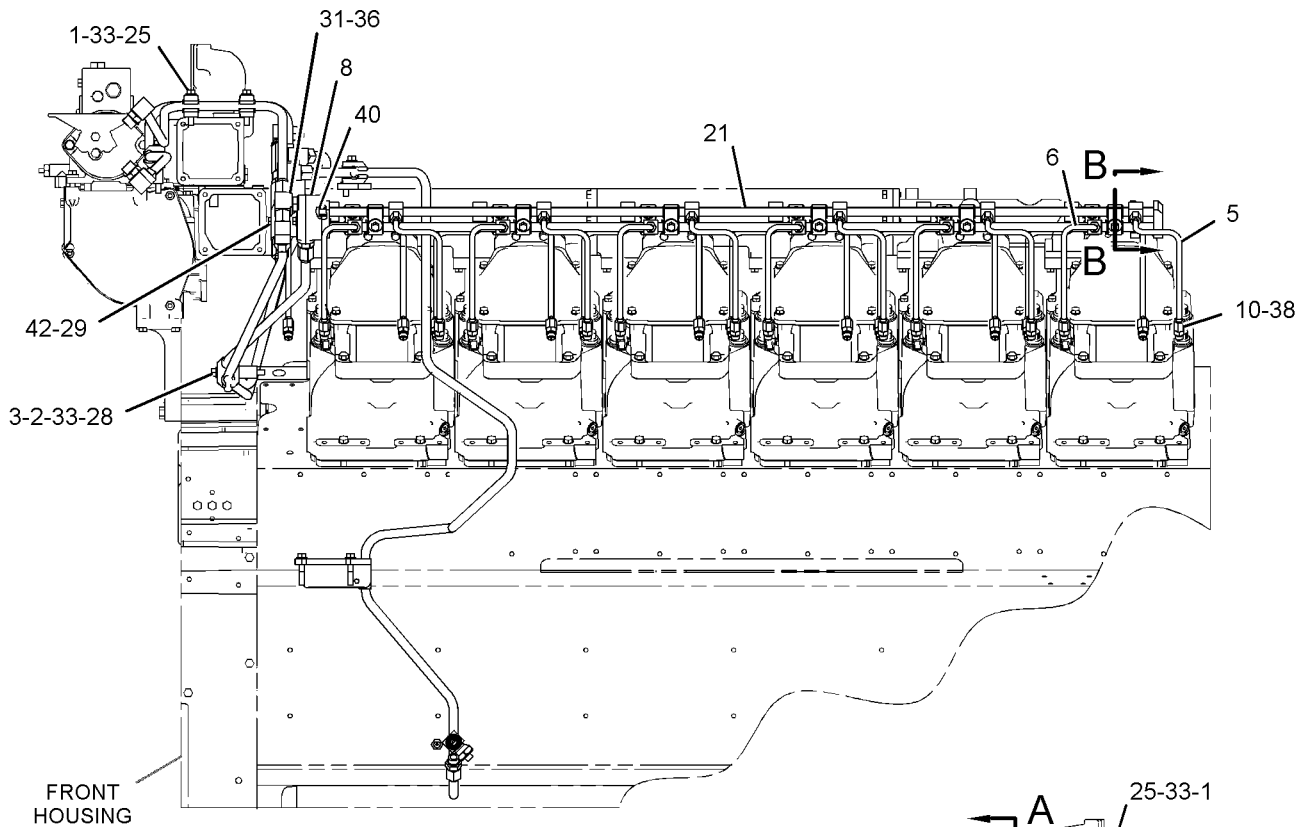
NOTE	REF NO	GRAPHIC REF	PART NUMBER	QTY	PART NAME						SEE PAGE
					1	2	3	4	5	6 (PRODUCT LEVEL)	
	1	1,2	4P-0692	16	CLAMP AS						
					(EACH INCLUDES)						
		1,2	108-1434	1	GROMMET						
	2	1	4P-0693	4	CLAMP AS						
					(EACH INCLUDES)						
		1	108-1434	2	GROMMET						
	3	1	6B-6205	2	SPACER (0.438X0.875X1.281-IN THK)						
	4	1	6V-4363	1	ELBOW (SPL)						
	5	1	7C-7677	12	TUBE AS						
	6	1	7C-7678	12	TUBE AS						
	7	2	7C-7682	1	ADAPTER-FUEL MANIFOLD (RH)						
	8	1	7C-7683	1	ADAPTER-FUEL MANIFOLD (LH)						
	9	2	7E-3921	1	VALVE-CHECK						
	10	1	7W-2122	24	CONNECTOR-PORT						
	11	1	8N-6210	1	BRACKET-LINE SUPPORT						
	12	2	8N-6211	1	PLATE-LINE SUPPORT						
	13	2	8N-6326	1	TUBE AS						
	14	2	8N-6327	1	TUBE AS						
	15	2	9N-4053	1	SPRING						
	16	2	030-7977	1	ELBOW						
	17	2	111-3388	1	TUBE AS						
	18	2	111-3389	1	TUBE AS						
	19	2	114-5477	1	PLUNGER-VALVE						
Y	20	1	156-9753	1	MANIFOLD GP-FUEL (RH)						258
Y	21	1	156-9754	1	MANIFOLD GP-FUEL (LH)						259
	22	2	237-2713	1	TUBE AS						
C	23	2	250-1498	3	ELBOW AS						
					(EACH INCLUDES)						
		2	250-1497	1	ELBOW						
		2	6V-4589	1	SEAL-O-RING						
	24	2	030-7972	1	ELBOW						
	25	1,2	0L-2070	5	BOLT (3/8-16X2.25-IN)						
	26	1,2	0S-1590	3	BOLT (3/8-16X2-IN)						
	27	2	0S-1594	1	BOLT (3/8-16X1-IN)						
	28	1,2	0T-0065	4	BOLT (3/8-16X3.5-IN)						
	29	1	1D-4539	1	BOLT (5/16-18X2.5-IN)						
	30	1	1D-4541	1	BOLT (5/16-18X3-IN)						
	31	1	250-1499	1	TEE						
	32	2	2P-7636	1	CONNECTOR						
	33	1,2	5M-2894	13	WASHER-HARD (10.2X18.5X2.5-MM THK)						
C	34	2	250-1496	1	ELBOW						
	35	2	5S-0003	1	NUT (5/16-18-THD)						
C	36	1,2	6V-4589	6	SEAL-O-RING						
	37	1	6V-5048	1	SEAL-O-RING						
	38	1	6V-5049	25	SEAL-O-RING						
	39	2	7K-3377	2	PIPE						
	40	1	7N-6806	4	SEAL-RECTANGULAR						
	41	2	8L-2786	1	SEAL-O-RING						
	42	1,2	9M-1974	3	WASHER-HARD (8.8X16X2-MM THK)						
	43	2	9M-4584	2	CONNECTOR						
	44	1	9S-4182	1	PLUG-O-RING						
	45	1	9S-4191	1	PLUG-O-RING						

C-CHANGE FROM PREVIOUS TYPE  
Y-SEPARATE ILLUSTRATION

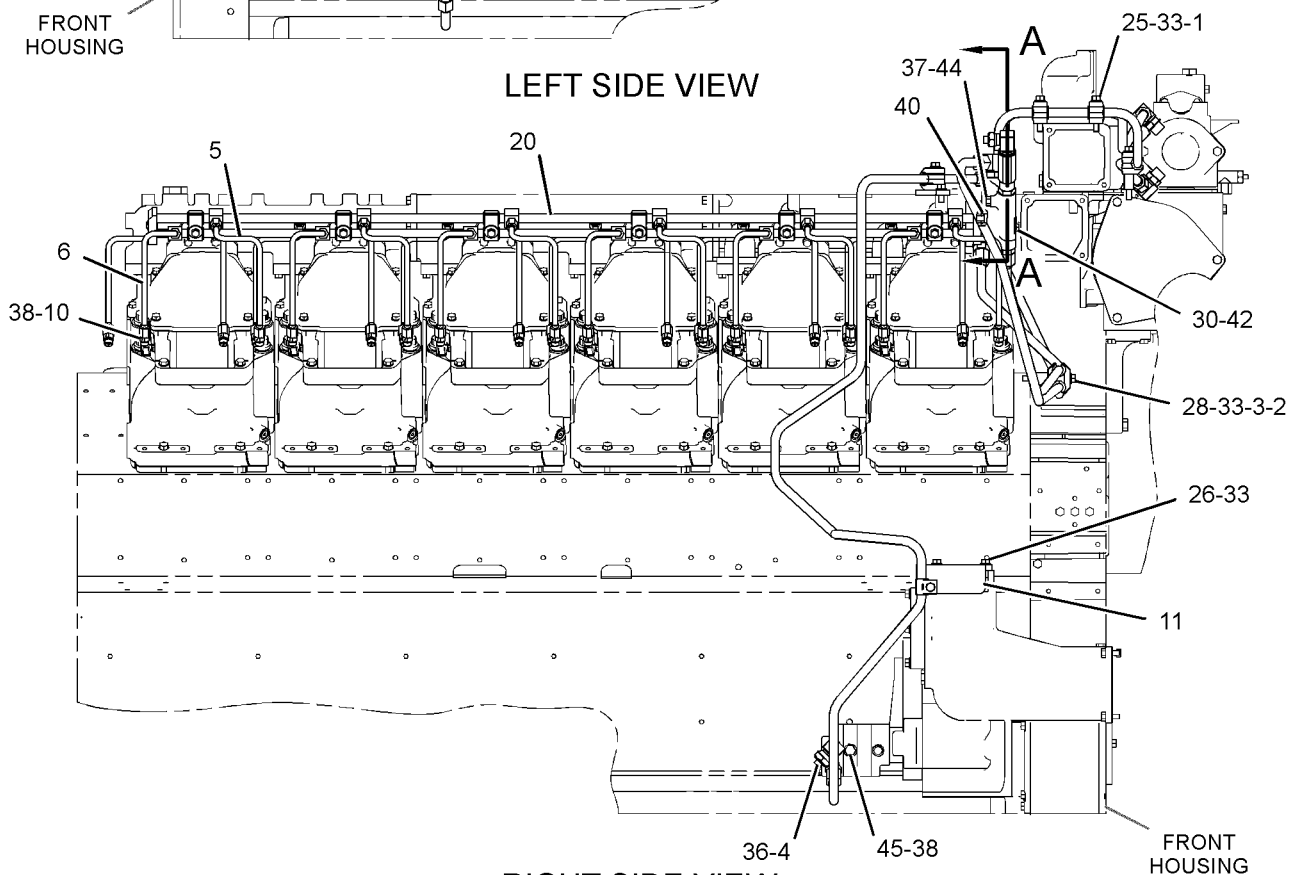
# FUEL SYSTEM

262-6760 LINES GP-FUEL INJECTION (contd.)

i02815355



LEFT SIDE VIEW



RIGHT SIDE VIEW

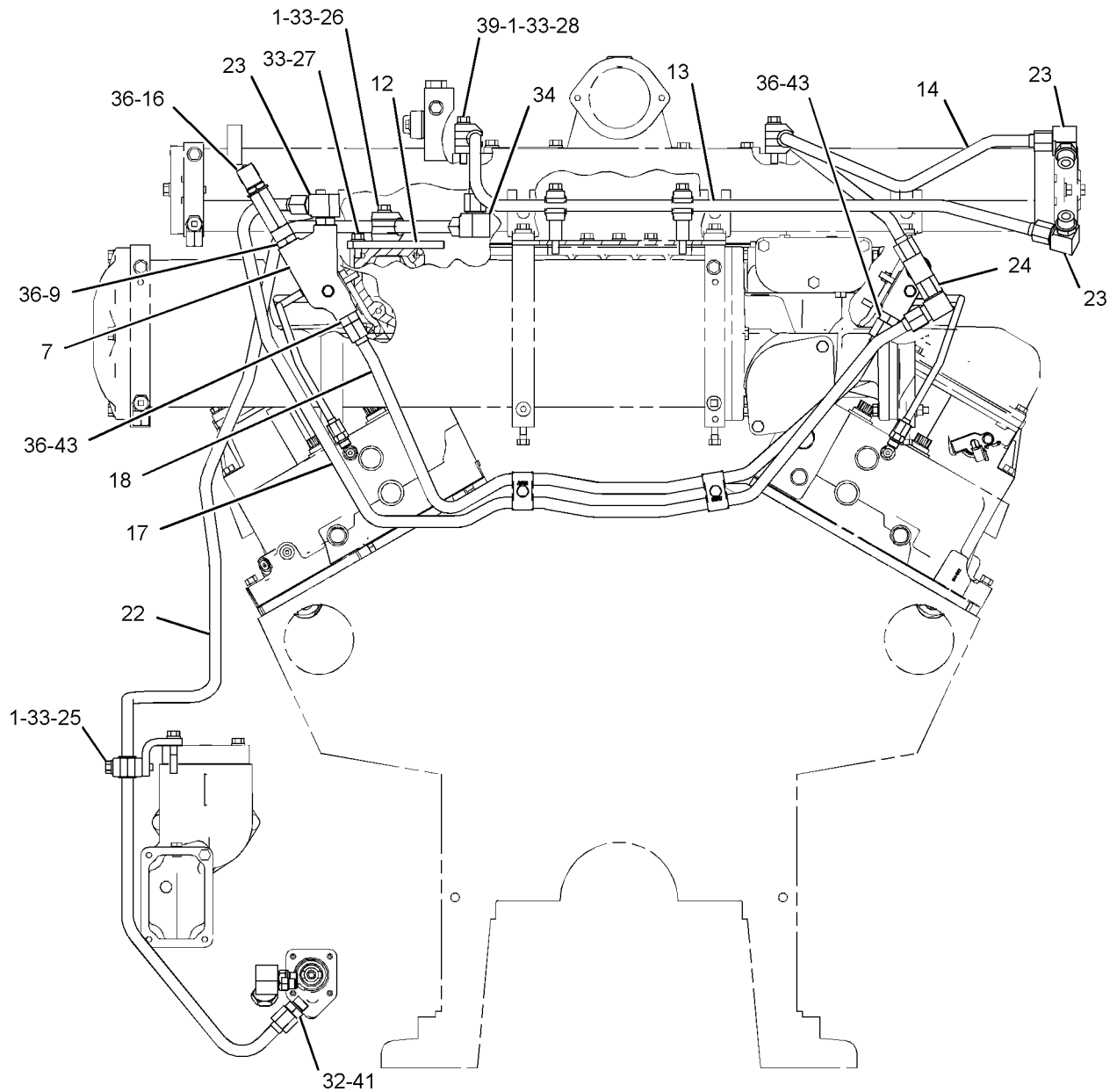
GRAPHIC #1

g01156507

# FUEL SYSTEM

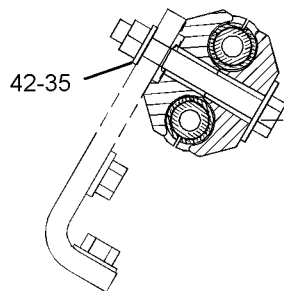
262-6760 LINES GP-FUEL INJECTION (contd.)

i02815355

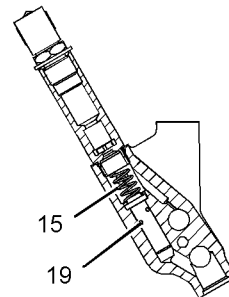


FRONT VIEW

REFER TO ALL ILLUSTRATIONS OF THIS GROUP FOR AUXILIARY VIEWS



SECTION B-B



SECTION A-A

GRAPHIC #2

<END>

g01342041

# FUEL SYSTEM

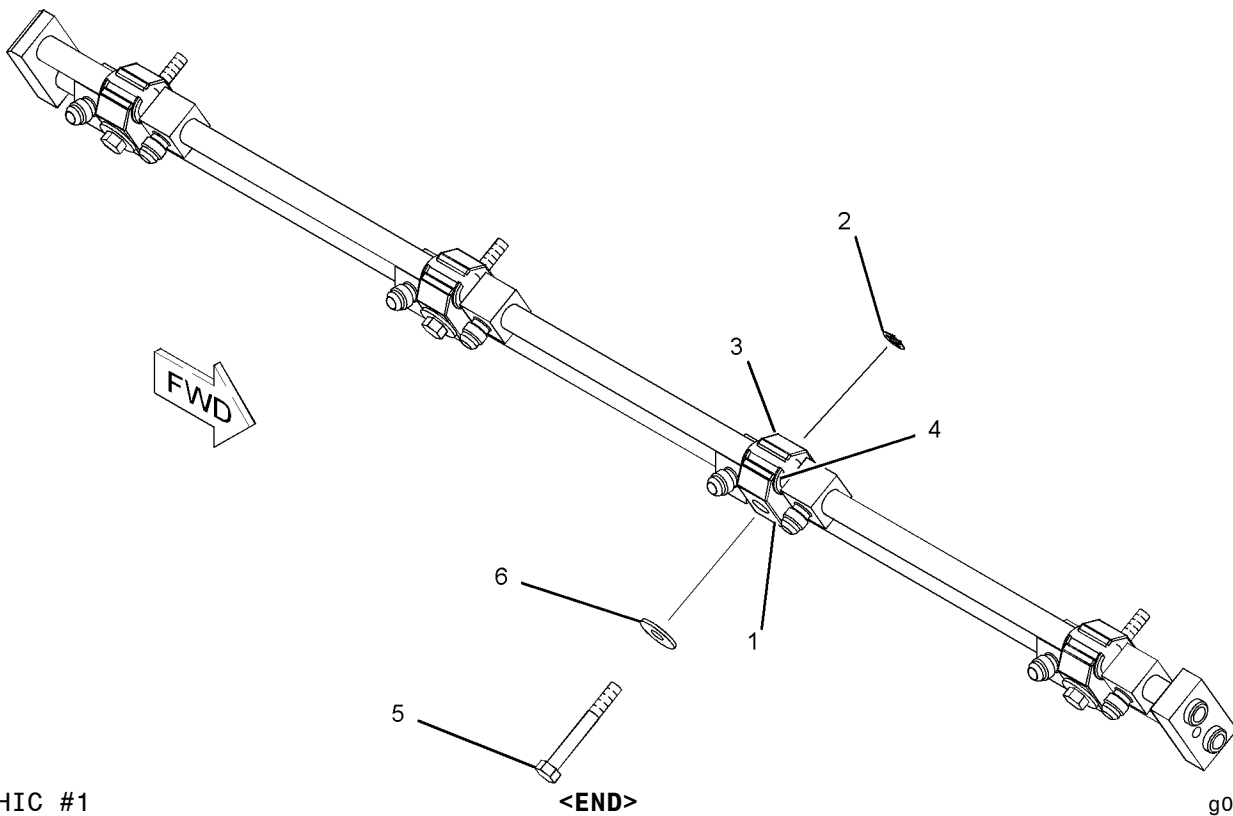
## 156-9753 MANIFOLD GP-FUEL-RH

PART OF 262-6760 LINES GP-FUEL INJECTION

SMCS-1274, 1380, 1702

i02178657

NOTE	REF NO	GRAPHIC REF	PART NUMBER	QTY	PART NAME						SEE PAGE
					1	2	3	4	5	6 (PRODUCT LEVEL)	
	1	1	9Y-0047	6	CLAMP						
	2	1	147-3745	6	WASHER-RETAINING						
	3	1	156-9748	6	CLAMP						
	4	1	100-3237	12	GROMMET						
	5	1	1D-4539	6	BOLT (5/16-18X2.5-IN)						
	6	1	9N-0869	6	WASHER-HARD (8.8X25.5X2-MM THK)						



GRAPHIC #1

g01102832

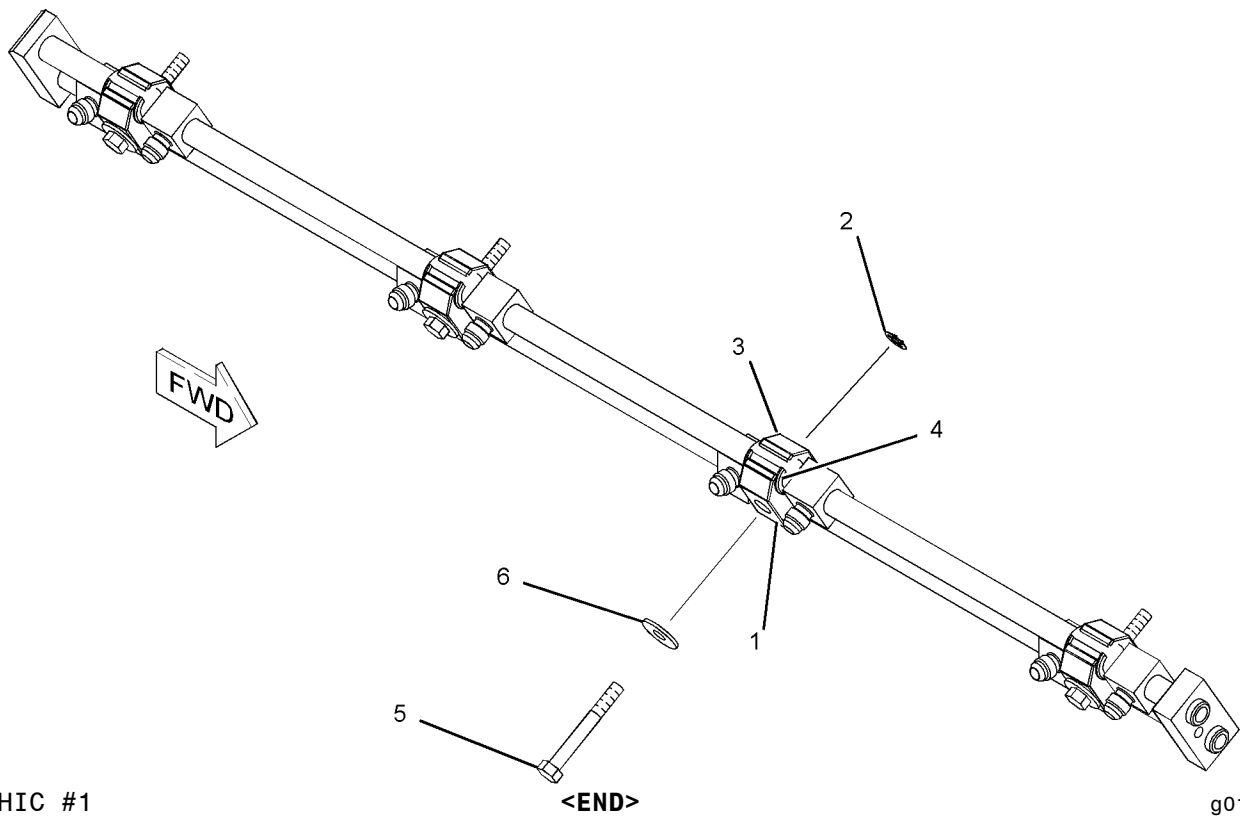
# FUEL SYSTEM

## 156-9754 MANIFOLD GP-FUEL-LH PART OF 262-6760 LINES GP-FUEL INJECTION

SMCS-1274, 1380, 1702

i02178668

NOTE	REF NO	GRAPHIC REF	PART NUMBER	QTY	PART NAME						SEE PAGE
					1	2	3	4	5	6 (PRODUCT LEVEL)	
	1	1	9Y-0047	6	CLAMP						
	2	1	147-3745	6	WASHER-RETAINING						
	3	1	156-9748	6	CLAMP						
	4	1	100-3237	12	GROMMET						
	5	1	1D-4539	6	BOLT (5/16-18X2.5-IN)						
	6	1	9N-0869	6	WASHER-HARD (8.8X25.5X2-MM THK)						



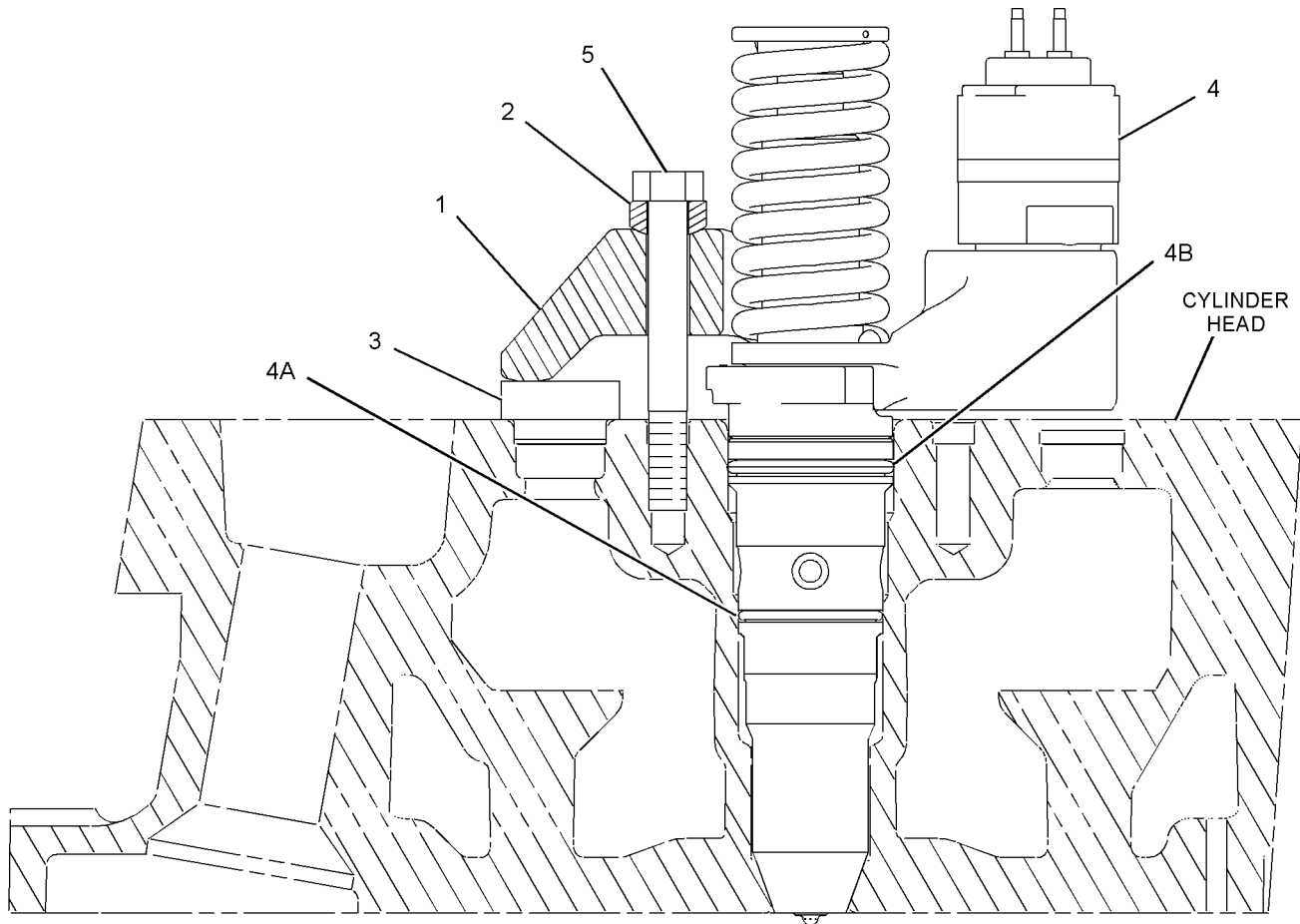
# FUEL SYSTEM

## 254-1417 PUMP GP-FUEL INJECTION

SMCS-1251, 1290

i02270226

NOTE	REF NO	GRAPHIC REF	PART NUMBER	QTY	PART NAME						SEE PAGE
					1	2	3	4	5	6 (PRODUCT LEVEL)	
	1	1	7E-2580	1	CLAMP-INJECTOR						
	2	1	7N-5487	1	WASHER (12X22X9.5-MM THK)						
	3	1	234-4182	1	PLUG						
	4	1	246-1854	1	INJECTOR GP-FUEL						
	4A	1	245-4907	1	SEAL-O-RING						
	4B	1	245-4908	1	SEAL-O-RING						
	5	1	7F-8698	1	BOLT (7/16-14X3.5-IN)						



GRAPHIC #1

<END>

g01137489

# FUEL SYSTEM

## 7N-8599 PUMP GP-FUEL PRIMING

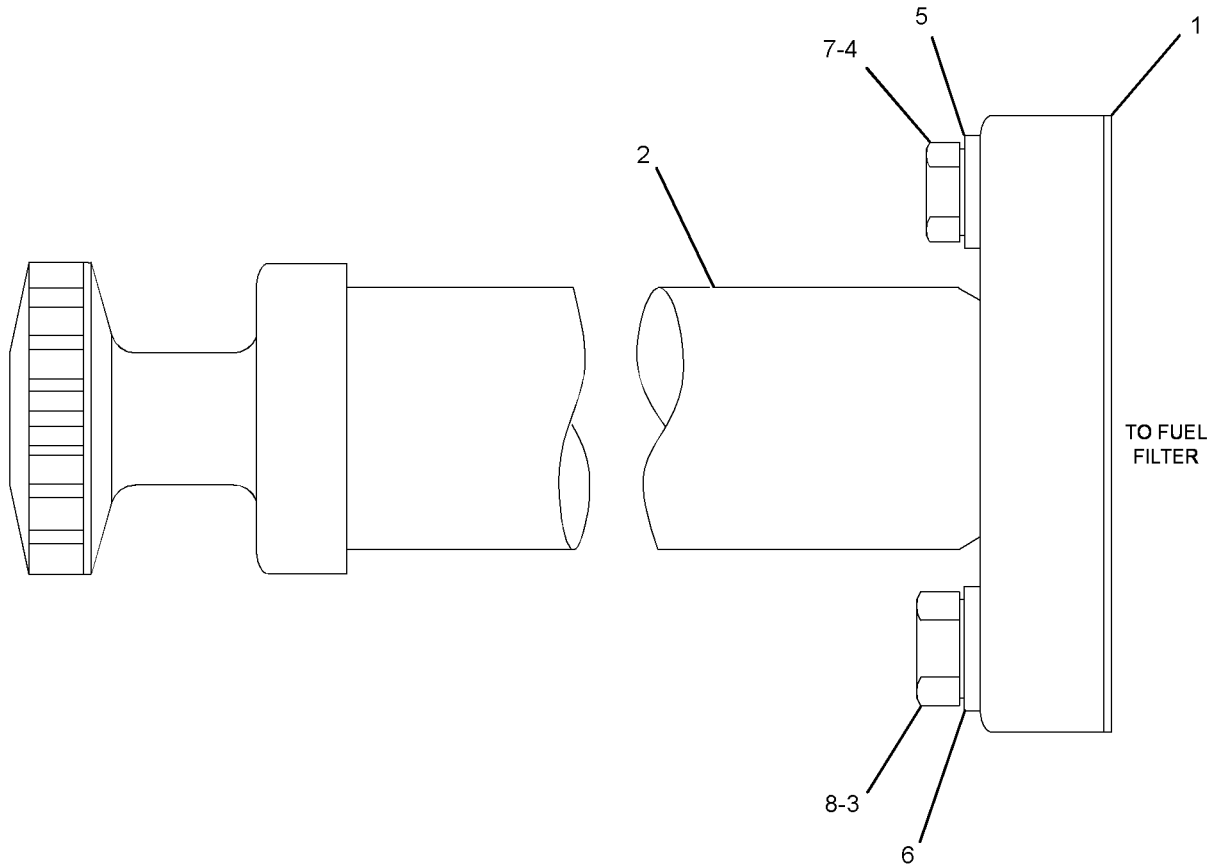
PART OF 115-1064 PUMP GP-FUEL PRIMING  
AN ATTACHMENT

SMCS-1258

i02822496

NOTE	REF NO	GRAPHIC REF	PART NUMBER	QTY	PART NAME						SEE PAGE
					1	2	3	4	5	6 (PRODUCT LEVEL)	
	1	1	9Y-8389	1	GASKET (FUEL PRIMING PUMP)						
C	2	1	162-3906	1	PUMP AS-FUEL PRIMING						
		1	061-7539	1	SEAL-O-RING						
		1	229-3218	2	VALVE AS						
B	3	1	6V-8918	1	BOLT (5/16-18X1.25-IN)						
B	4	1	7X-2501	1	BOLT (1/4-20X1.25-IN)						
	5	1	8T-4205	1	WASHER-HARD (7.2X14.5X2-MM THK)						
	6	1	8T-4224	1	WASHER-HARD (8.8X16X2-MM THK)						
BM	7	1	8T-4971	1	BOLT (M6X1X30-MM)						
BM	8	1	8T-7547	1	BOLT (M8X1.25X30-MM)						

B- USE AS REQUIRED  
C- CHANGE FROM PREVIOUS TYPE  
M- METRIC PART



GRAPHIC #1

<END>

g01258253

# FUEL SYSTEM

## 115-1064 PUMP GP-FUEL PRIMING-LH

CANNOT BE USED WITH DUPLEX FUEL FILTER  
AN ATTACHMENT

SMCS - 1258

i02719338

NOTE	REF NO	GRAPHIC REF	PART NUMBER	QTY	PART NAME						SEE PAGE
					1	2	3	4	5	6 (PRODUCT LEVEL)	
Y	1	1	7N-8599	1	PUMP GP-FUEL PRIMING						261
	2	1	2H-9523	1	GROMMET						
	3	1	8N-3480	1	CLIP						
	4	1	0L-1351	2	BOLT (3/8-16X0.875-IN)						
	5	1	5M-2894	4	WASHER-HARD (10.2X18.5X2.5-MM THK)						
	6	1	1P-7625	1	ELBOW						
	7	1	8L-2786	1	SEAL-O-RING						
	8	1	0T-0065	2	BOLT (3/8-16X3.5-IN)						
	9	1	4P-0692	4	CLAMP AS						
					(EACH INCLUDES)						
		1	108-1434	1	GROMMET						
	10	1	7K-3377	2	PIPE						
	11	1	4P-0693	10	CLAMP AS						
					(EACH INCLUDES)						
		1	108-1434	2	GROMMET						
	12	1	250-1496	1	ELBOW						
	13	1	237-2718	1	TUBE AS						
	14	1	0L-2070	1	BOLT (3/8-16X2.25-IN)						
	15	1	9S-8752	1	NUT-FULL (3/8-16-THD)						
	16	1	237-2714	1	TUBE AS						
	17	1	6V-4362	1	CONNECTOR						
	19	1	9S-4191	1	PLUG-O-RING						
	20	1	6V-5049	2	SEAL-O-RING						
	21	1	9N-1752	1	SPRING						
	22	1	4B-9782	1	BALL						

Y-SEPARATE ILLUSTRATION





# FUEL SYSTEM

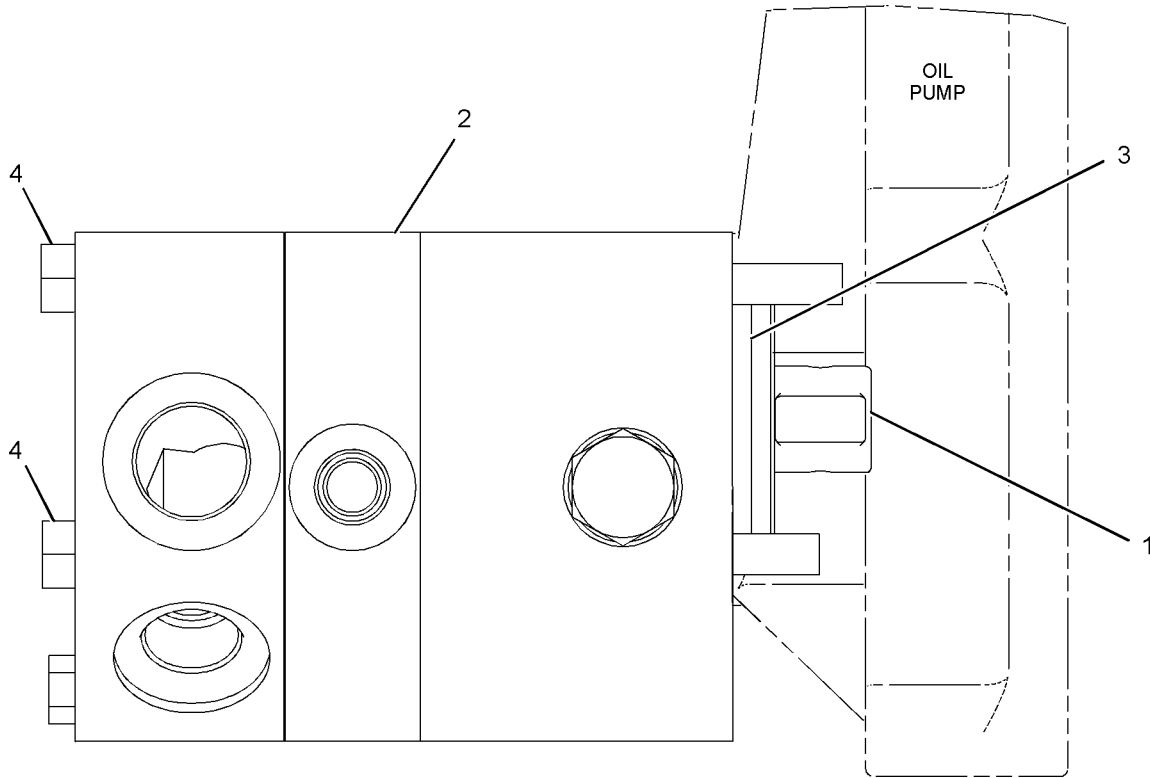
## 8N-6151 PUMP GP-FUEL TRANSFER ONE SECTION GEAR

SMCS-1256

i03479481

NOTE	REF NO	GRAPHIC REF	PART NUMBER	QTY	PART NAME						SEE PAGE
					1	2	3	4	5	6 (PRODUCT LEVEL)	
	1	1	<b>1N-4636</b>	1	COUPLING-DRIVE						
CYR	2	1	<b>313-7770</b>	1	PUMP GP-FUEL TRANSFER (1-SECTION GEAR)						265
	3	1	<b>1H-9696</b>	1	SEAL-O-RING						
C	4	1	<b>5L-1761</b>	4	BOLT (5/16-18X5.5-IN)						

C-CHANGE FROM PREVIOUS TYPE  
R-REMG PART MAY BE AVAILABLE  
Y-SEPARATE ILLUSTRATION



GRAPHIC #1

<END>

g01184091

# FUEL SYSTEM

## 313-7770 PUMP GP-FUEL TRANSFER\*R

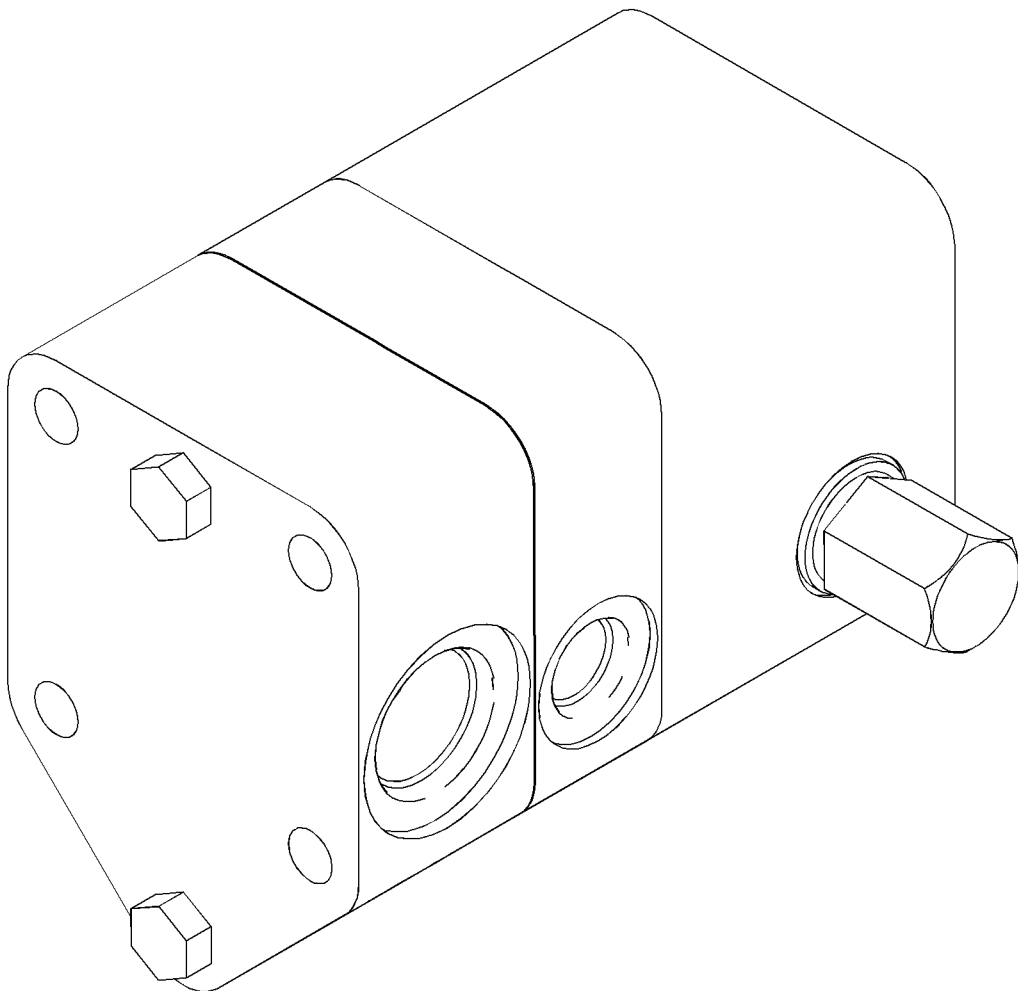
ONE SECTION GEAR

PART OF 8N-6151 PUMP GP-FUEL TRANSFER

SMCS-1256

i03674701

NOTE	REF NO	GRAPHIC REF	PART NUMBER	QTY	PART NAME						SEE PAGE
					1	2	3	4	5	6 (PRODUCT LEVEL)	
					AVAILABLE REPAIR KIT(S):						
			255-8691	1	KIT-SEAL (KIT INCLUDES GASKET AND SEALS)						
			255-8692	1	KIT-REPAIR (GEAR, SHAFT) (KIT INCLUDES GEAR AS, BUSHINGS, AND SHAFT AS)						



GRAPHIC #1

<END>

g01975973

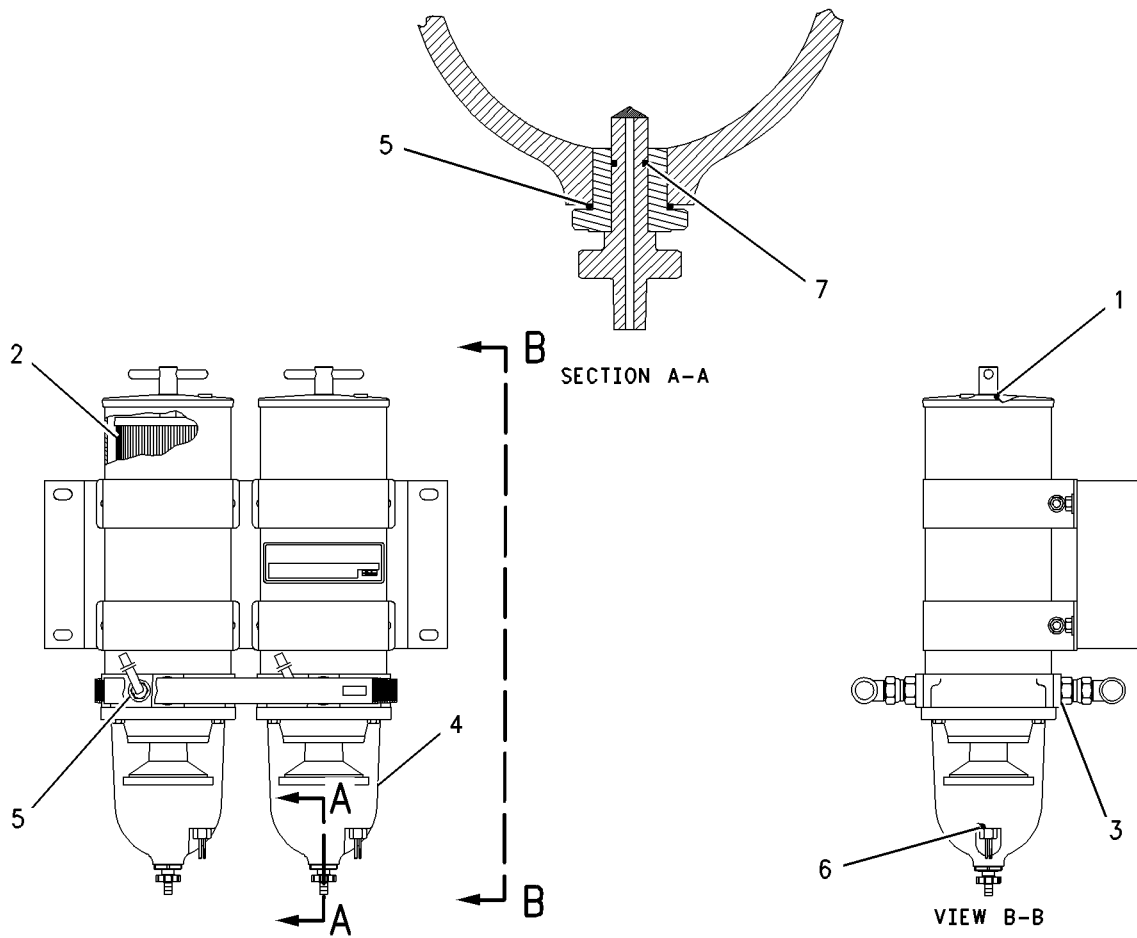
# FUEL SYSTEM

## 233-7973 SEPARATOR GP-WATER-PRIMARY FUEL FILTER AN ATTACHMENT

SMCS-1263

i02929430

NOTE	REF NO	GRAPHIC REF	PART NUMBER	QTY	PART NAME						SEE PAGE
					1	2	3	4	5	6	
	1	1	3J-1907	2	SEAL-O-RING						
	2	1	134-6307	2	FILTER ELEMENT-FUEL (WATER SEPARATOR)						
	3	1	4P-7383	6	GASKET						
	4	1	4P-7381	2	BOWL AS						
	5	1	2M-9780	4	SEAL-O-RING						
	6	1	1J-9671	2	SEAL-O-RING						
	7	1	4J-5477	2	SEAL-O-RING						



GRAPHIC #1

<END>

g00894701

# ELECTRICAL AND STARTING SYSTEM

## 4N-3986 ALTERNATOR GP-CHARGING\*R

24-VOLT, 60-AMPERE

PART OF 7E-2858 ALTERNATOR GP-CHARGING

FIELD REPLACEMENT ORDER 266-7227-PAGE 274, 331-5717-PAGE 276,

333-1184-PAGE 278

AN ATTACHMENT

TYPE 1

SMCS-1405

i02858057

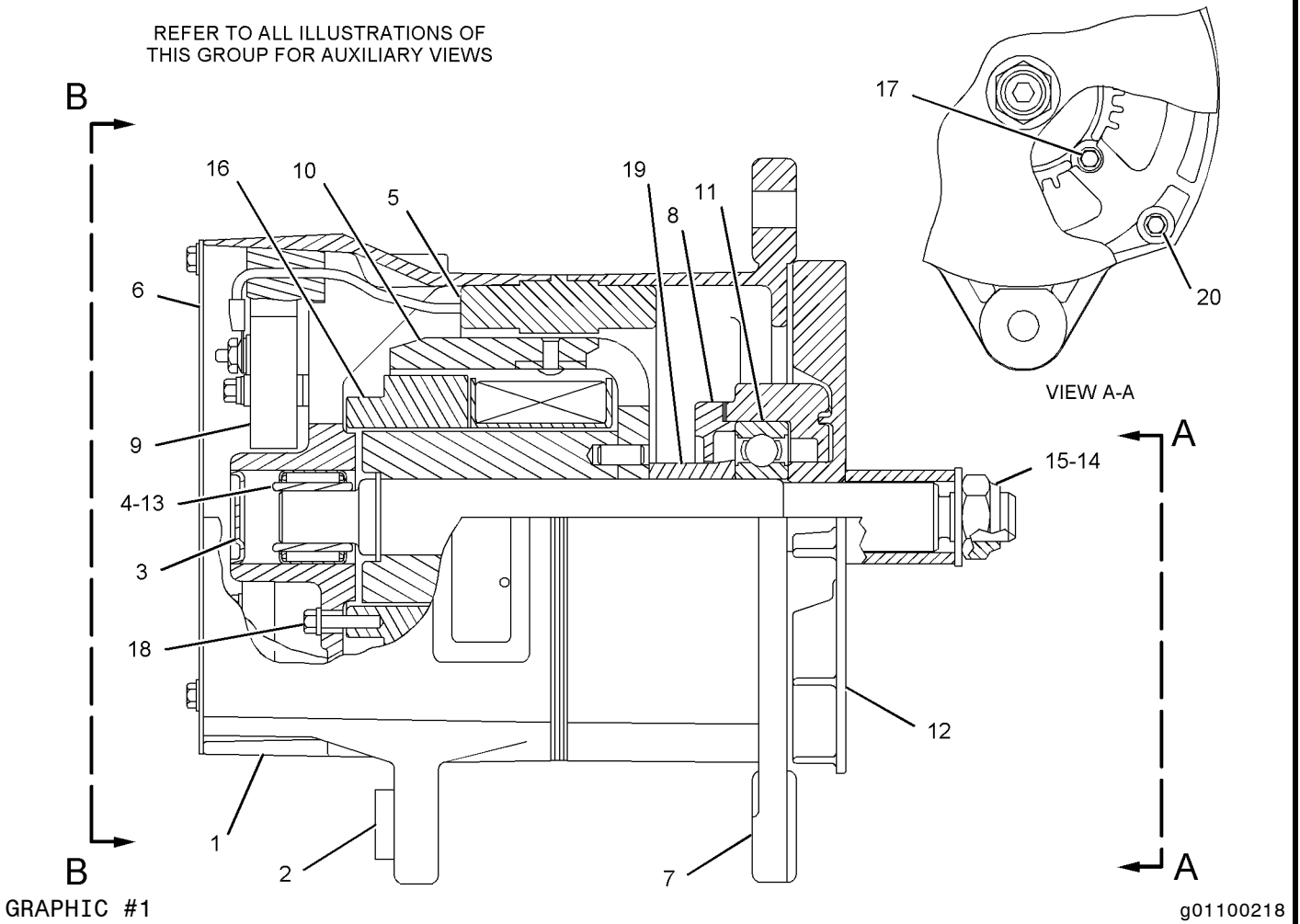
NOTE	REF NO	GRAPHIC REF	PART NUMBER	QTY	PART NAME						SEE PAGE
					1	2	3	4	5	6 (PRODUCT LEVEL)	
	1	1	6N-1876	1	HOUSING AS (RECTIFIER)						
	2	1	9S-2396	1	BUSHING-TERMINAL						
	3	1	9N-0943	1	PLUG-BEARING WELL						
	4	1	5P-3418	1	BEARING-ROLLER						
	5	1	6N-1968	1	STATOR AS						
		1	2L-8075	3	TERMINAL-RING (14-GA TO 16-GA, NO. 8 SCREW)						
		1	9N-0939	1	GROMMET						
	6	1	9N-0942	1	PLATE-COVER						
	7	1	2P-5616	1	FRAME-DRIVE END						
	8	1	9S-2390	1	RETAINER						
	9	1	9N-0937	1	RECTIFIER AS						
	10	1	9S-2302	1	ROTOR AS						
	11	1	5P-7807	1	BALL BEARING						
	12	1	100-6531	1	FAN-ALTERNATOR (11-BLADE)						
	13	1	5P-3419	1	RACE-BEARING INNER						
	14	1	7F-7621	1	WASHER (0.635X1.25X0.09-IN THK)						
	15	1	2K-4821	1	LOCKNUT (5/8-18-THD)						
	16	1	6N-1945	1	COIL AS-FIELD						
	17	1	9X-2500	4	SCREW-HEX FLANGE (10-24X38.1-MM)						
	18	1	9N-3388	5	BOLT (10-24X0.75-IN)						
	19	1	100-6532	1	COLLAR-ALTERNATOR						
	20	1	9S-2009	4	BOLT-FLANGE HEAD (10-24X3.625-IN)						
	21	2	6N-1944	1	DIODE AS						
	22	2	6N-1870	2	SCREW AS (8-32X34-MM)						
	23	2	8T-0328	2	WASHER-HARD (5.5X10X1-MM THK)						
	24	2	9S-2544	7	SCREW-HEX HEAD (8-32X11.13-MM)						
	25	2	9B-7233	11	LOCKWASHER						
	26	2	4B-2043	4	NUT (8-32-THD)						
	27	2	6V-8187	2	NUT (1/4-28-THD)						
	28	2	1H-3244	2	LOCKWASHER						
	29	2	6N-1925	1	BRACKET						
	30	2	6N-1946	1	CAPACITOR AS						
	31	2	6N-1872	3	SCREW AS (8-32X1.25-IN)						
	32	2	3T-6354	1	REGULATOR AS-VOLTAGE (24-VOLT) (ALTERNATOR)						
	33	2	6N-1873	1	LEAD AS						
	34	2	2L-8075	3	TERMINAL-RING (14-GA TO 16-GA, NO. 8 SCREW)						
	35	2	8T-4205	2	WASHER-HARD (7.2X14.5X2-MM THK)						
	36	2	6N-1871	1	LEAD AS						
	37	2	8M-6701	3	WASHER (0.281X0.5X0.032-IN THK)						
	38	2	6N-1856	4	BUSHING-TERMINAL						
					AVAILABLE REPAIR KIT(S):						
			6N-1875	1	KIT-OUTPUT TERMINAL (ALTERNATOR) (INCLUDES TERMINAL, LEAD ASSEMBLY, BUSHING, WASHERS, NUTS AND LOCKWASHERS)						
			105-3762	1	KIT-ALTERNATOR TERMINAL (INCLUDES TERMINAL ASSEMBLY, INSULATOR, BUSHING, WASHER, NUTS AND LOCKWASHERS)						

# ELECTRICAL AND STARTING SYSTEM

4N-3986 ALTERNATOR GP-CHARGING (contd.)

i02858057

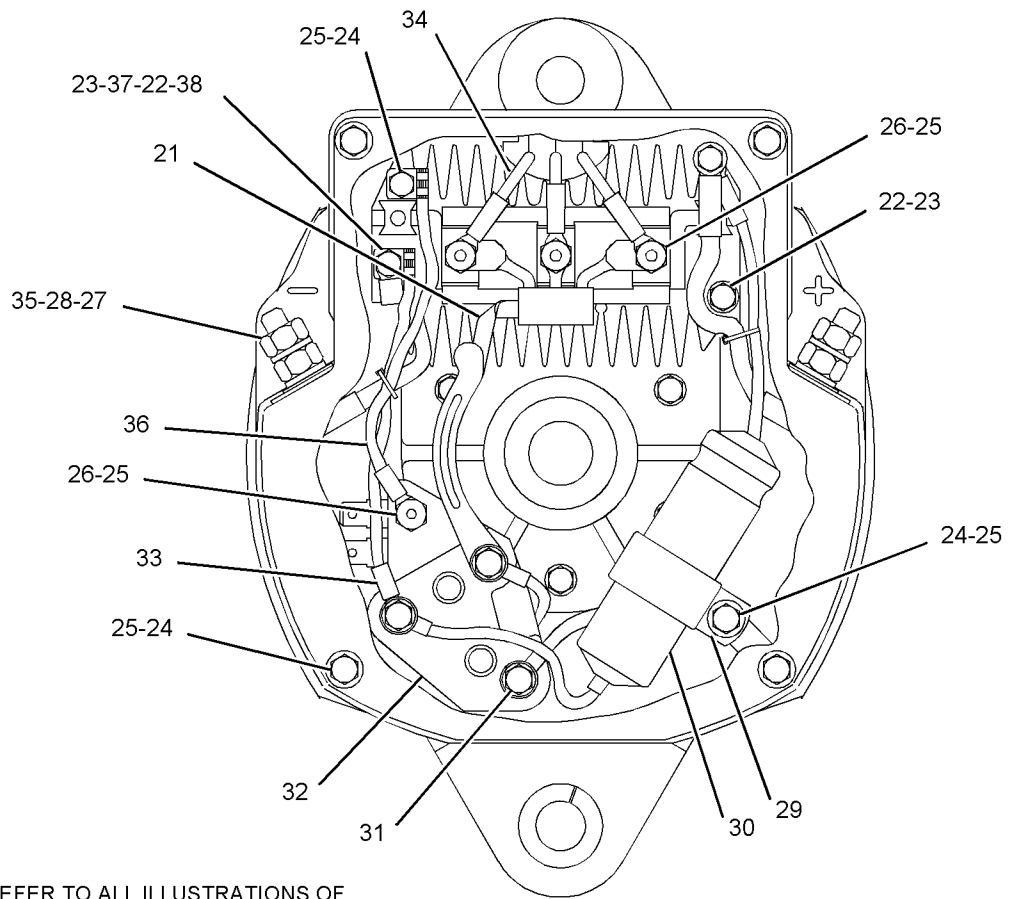
REFER TO ALL ILLUSTRATIONS OF THIS GROUP FOR AUXILIARY VIEWS



# ELECTRICAL AND STARTING SYSTEM

4N-3986 ALTERNATOR GP-CHARGING (contd.)

i02858057



REFER TO ALL ILLUSTRATIONS OF  
THIS GROUP FOR AUXILIARY VIEWS

VIEW B-B

<END>

GRAPHIC #2

g01117023

# ELECTRICAL AND STARTING SYSTEM

## 4N-3986 ALTERNATOR GP-CHARGING\*R

24-VOLT, 60-AMPERE

PART OF 7E-2858 ALTERNATOR GP-CHARGING

FIELD REPLACEMENT ORDER 266-7227-PAGE 274, 331-5717-PAGE 276,

333-1184-PAGE 278

AN ATTACHMENT

TYPE 2

SMCS-1405

i03507497

NOTE	REF NO	GRAPHIC REF	PART NUMBER	QTY	PART NAME						SEE PAGE
					1	2	3	4	5	6 (PRODUCT LEVEL)	
	1	1	6N-1876	1	HOUSING AS (RECTIFIER)						
	2	1	9S-2396	1	BUSHING-TERMINAL						
	3	1	9N-0943	1	PLUG-BEARING WELL						
	4	1	5P-3418	1	BEARING-ROLLER						
	5	1	6N-1968	1	STATOR AS						
		1	2L-8075	3	TERMINAL-RING (14-GA TO 16-GA, NO. 8 SCREW)						
		1	9N-0939	1	GROMMET						
	6	1	9N-0942	1	PLATE-COVER						
	7	1	2P-5616	1	FRAME-DRIVE END						
	8	1	9S-2390	1	RETAINER						
	9	1	9N-0937	1	RECTIFIER AS						
	10	1	9S-2302	1	ROTOR AS						
	11	1	5P-7807	1	BALL BEARING						
	12	1	100-6531	1	FAN-ALTERNATOR (11-BLADE)						
	13	1	5P-3419	1	RACE-BEARING INNER						
	15	1	2K-4821	1	LOCKNUT (5/8-18-THD)						
	16	1	6N-1945	1	COIL AS-FIELD						
	17	1	9X-2500	4	SCREW-HEX FLANGE (10-24X38.1-MM)						
	18	1	9N-3388	5	BOLT (10-24X0.75-IN)						
	19	1	100-6532	1	COLLAR-ALTERNATOR						
	20	1	9S-2009	4	BOLT-FLANGE HEAD (10-24X3.625-IN)						
	21	2	6N-1944	1	DIODE AS						
	22	2	6N-1870	2	SCREW AS (8-32X34-MM)						
	23	2	8T-0328	2	WASHER-HARD (5.5X10X1-MM THK)						
	24	2	9S-2544	7	SCREW-HEX HEAD (8-32X11.13-MM)						
	25	2	9B-7233	11	LOCKWASHER						
	26	2	4B-2043	4	NUT (8-32-THD)						
	27	2	6V-8187	2	NUT (1/4-28-THD)						
	28	2	1H-3244	2	LOCKWASHER						
	29	2	6N-1925	1	BRACKET						
	30	2	6N-1946	1	CAPACITOR AS						
	31	2	6N-1872	3	SCREW AS (8-32X1.25-IN)						
	32	2	3T-6354	1	REGULATOR AS-VOLTAGE (24-VOLT) (ALTERNATOR)						
	33	2	6N-1873	1	LEAD AS						
	34	2	2L-8075	3	TERMINAL-RING (14-GA TO 16-GA, NO. 8 SCREW)						
	35	2	8T-4205	2	WASHER-HARD (7.2X14.5X2-MM THK)						
	36	2	6N-1871	1	LEAD AS						
	37	2	8M-6701	3	WASHER (0.281X0.5X0.032-IN THK)						
	38	2	6N-1856	4	BUSHING-TERMINAL						
					AVAILABLE REPAIR KIT(S):						
			6N-1875	1	KIT-OUTPUT TERMINAL (ALTERNATOR) (INCLUDES TERMINAL, LEAD ASSEMBLY, BUSHING, WASHERS, NUTS AND LOCKWASHERS)						
			105-3762	1	KIT-ALTERNATOR TERMINAL (INCLUDES TERMINAL ASSEMBLY, INSULATOR, BUSHING, WASHER, NUTS AND LOCKWASHERS)						

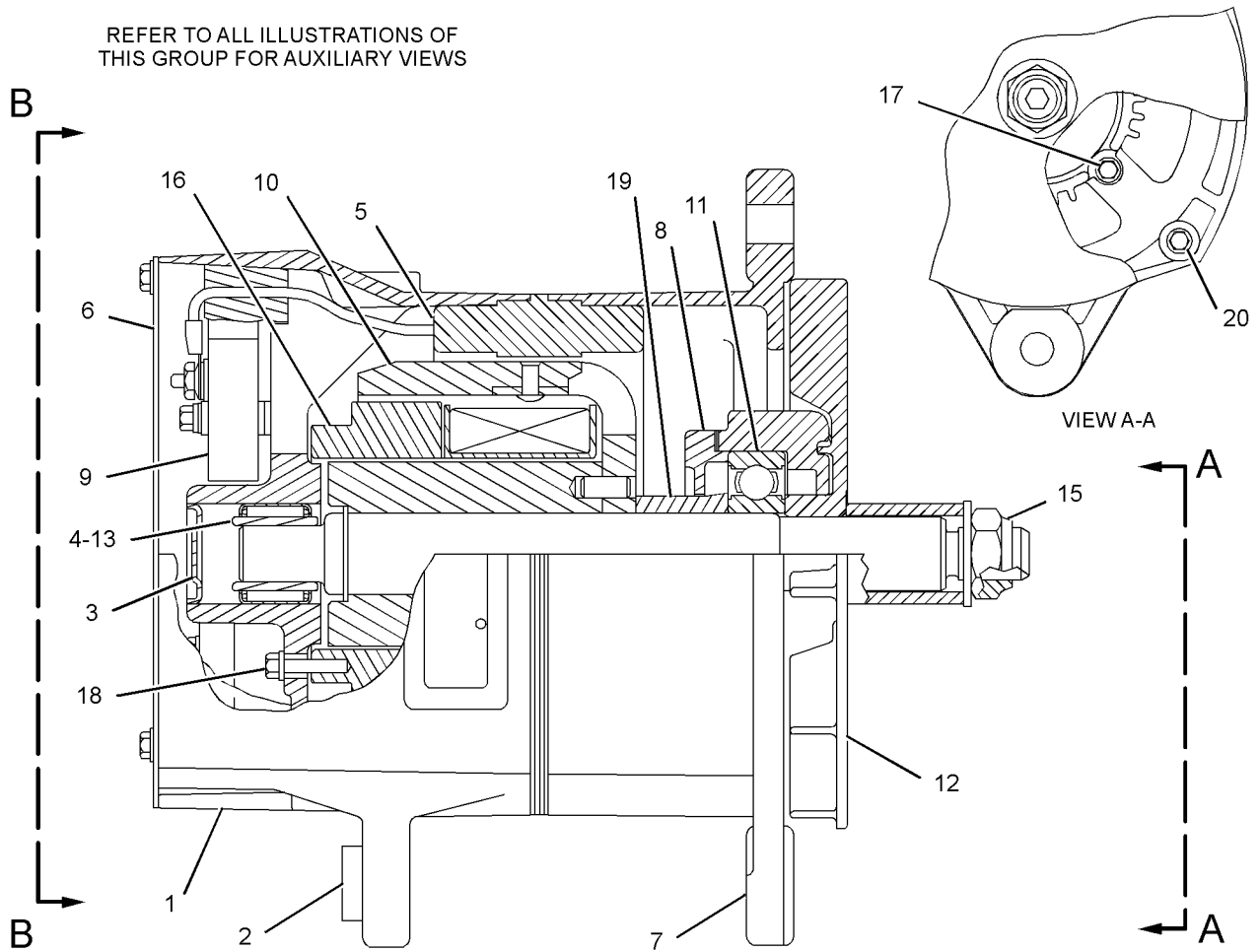


# ELECTRICAL AND STARTING SYSTEM

4N-3986 ALTERNATOR GP-CHARGING (contd.)

i03507497

REFER TO ALL ILLUSTRATIONS OF THIS GROUP FOR AUXILIARY VIEWS



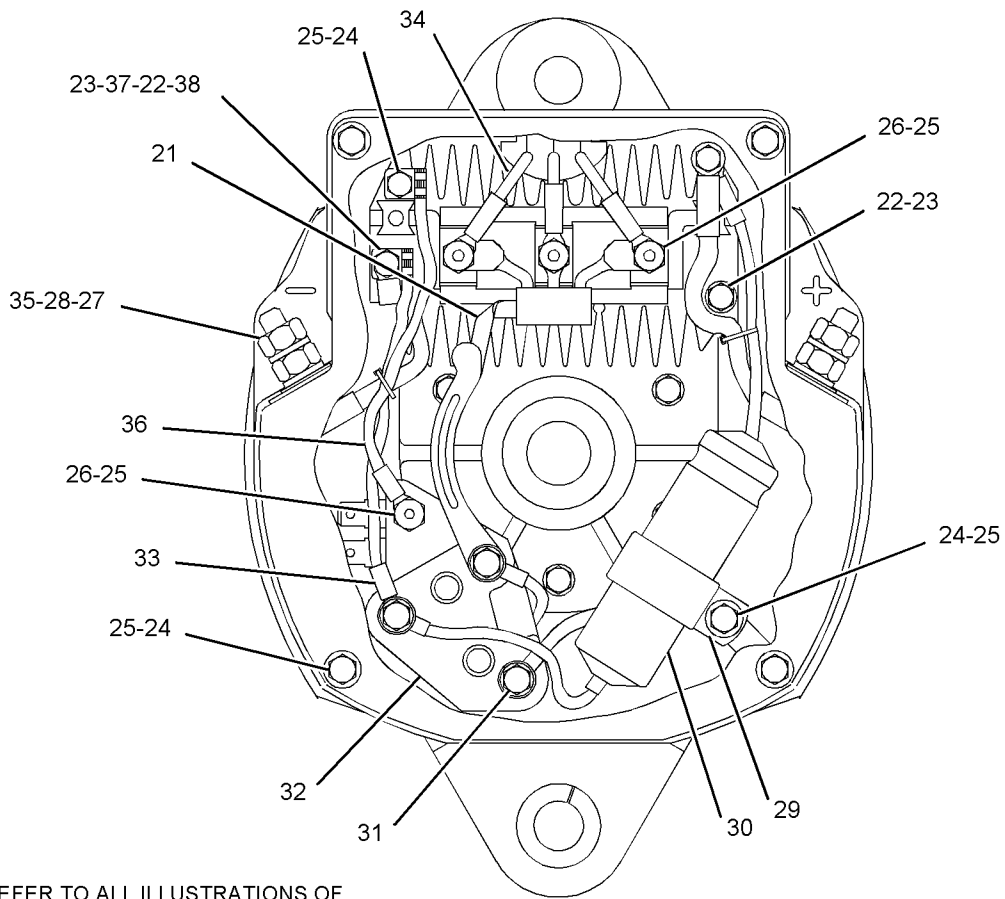
GRAPHIC #1

g01852654

# ELECTRICAL AND STARTING SYSTEM

4N-3986 ALTERNATOR GP-CHARGING (contd.)

i03507497



REFER TO ALL ILLUSTRATIONS OF THIS GROUP FOR AUXILIARY VIEWS

VIEW B-B

<END>

GRAPHIC #2

g01117023

# ELECTRICAL AND STARTING SYSTEM

## 7E-2858 ALTERNATOR GP-CHARGING

24-VOLT, 60-AMPERE  
AN ATTACHMENT

SMCS - 1405

i01752076

NOTE	PART NUMBER	QTY	PART NAME						SEE PAGE
			1	2	3	4	5	6 (PRODUCT LEVEL)	
YR	4N-3986	1	ALTERNATOR GP-CHARGING (24-VOLT, 60-AMPERE)						267

R-REMFG PART MAY BE AVAILABLE  
Y-SEPARATE ILLUSTRATION

<END>

# ELECTRICAL AND STARTING SYSTEM

## 266-7227 ALTERNATOR GP-CHARGING

24-VOLT, 60-AMPERE

FIELD REPLACEMENT ORDER 333-1184-PAGE 278. FIELD REPLACEMENT FOR  
4N-3986-PAGE 267  
FIELD INSTALLATION

SMCS-1405

i03642348

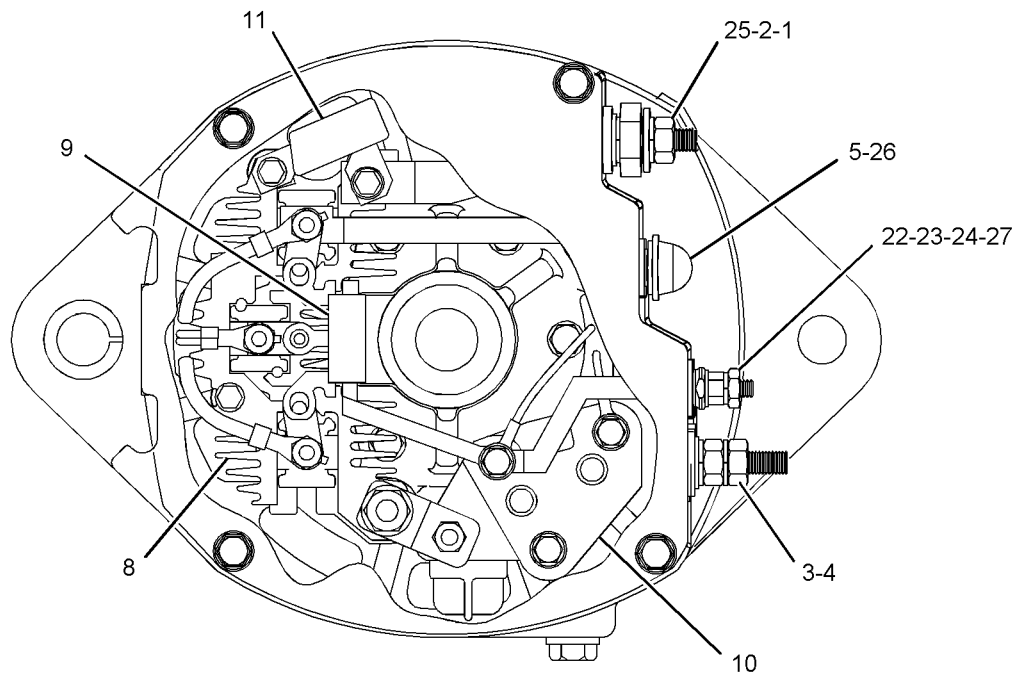
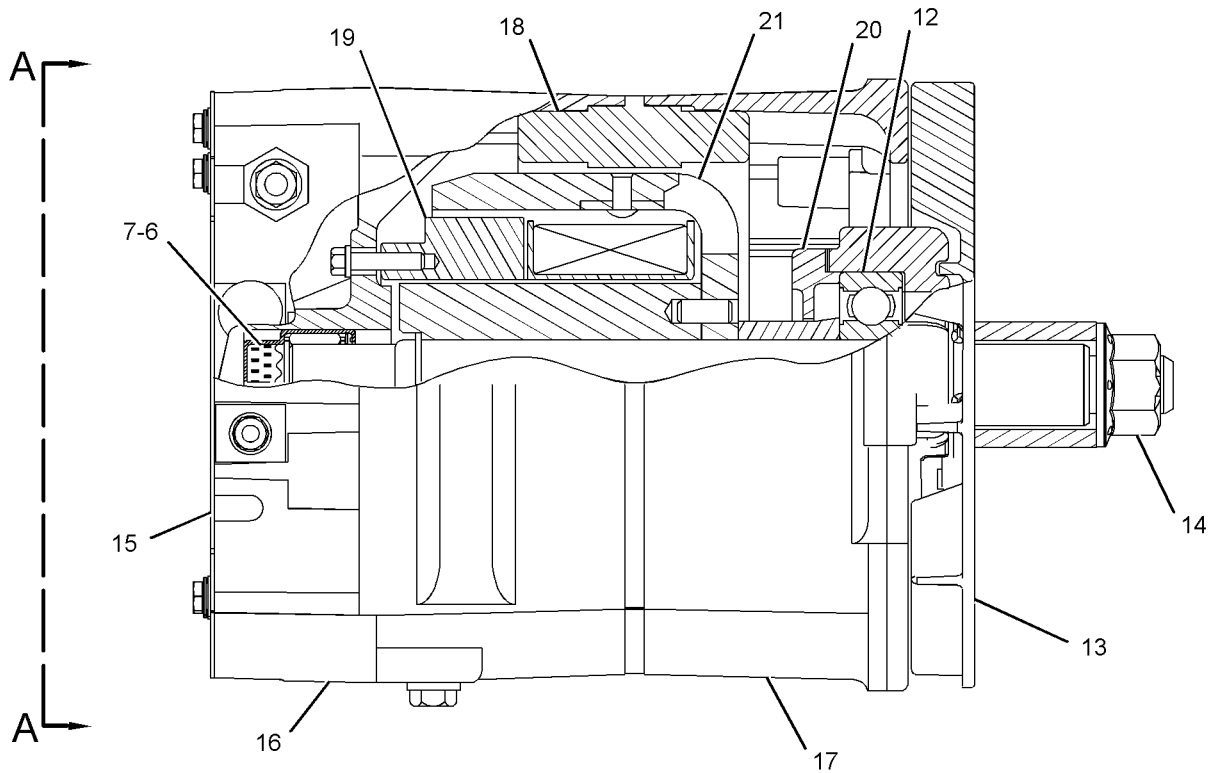
NOTE	REF NO	GRAPHIC REF	PART NUMBER	QTY	PART NAME						SEE PAGE
					1	2	3	4	5	6 (PRODUCT LEVEL)	
	1	1	8T-4205	1	WASHER-HARD (7.2X14.5X2-MM THK)						
	2	1	1H-3244	1	LOCKWASHER						
	3	1	6V-8187	1	NUT (1/4-28-THD)						
	4	1	292-3815	2	KIT-TERMINAL						
	5	1	9L-6770	1	CAP-DUST						
	6	1	5P-3418	1	BEARING-ROLLER						
	7	1	5P-3419	1	RACE-BEARING INNER						
	8	1	291-8247	1	RECTIFIER AS						
	9	1	202-2708	1	DIODE AS						
	10	1	3T-6354	1	REGULATOR AS-VOLTAGE (24-VOLT) (ALTERNATOR)						
	11	1	291-8253	1	CAPACITOR AS						
	12	1	202-9897	1	BEARING-SPECIAL BALL						
	13	1	100-6531	1	FAN-ALTERNATOR (11-BLADE)						
	14	1	187-2034	1	NUT-FLANGE (5/8-18-THD)						
	15	1	291-8274	1	PLATE						
	16	1	291-8271	1	HOUSING AS						
	17	1	202-2700	1	FRAME						
	18	1	291-8263	1	STATOR AS						
	19	1	6N-1945	1	COIL AS-FIELD						
	20	1	9S-2390	1	RETAINER						
	21	1	9S-2302	1	ROTOR AS						
	22	1	4B-2047	1	NUT (10-24-THD)						
	23	1	8T-0328	1	WASHER-HARD (5.5X10X1-MM THK)						
	24	1	8F-1434	1	LOCKWASHER						
	25	1	202-2784	1	KIT-ALTERNATOR TERMINAL						
					(KIT INCLUDES NUT, WASHERS, INSULATORS, CONNECTORS, ADAPTER, AND SCREW)						
	26	1	202-2785	1	KIT-ALTERNATOR TERMINAL						
					(KIT INCLUDES STUD, BUSHINGS, CONNECTOR, AND NUT)						
	27	1	202-2786	1	KIT-ALTERNATOR TERMINAL						
					(KIT INCLUDES NUTS, WASHERS, BUSHINGS, AND CONNECTOR)						
F			202-2787	1	KIT-HARDWARE						
					(KIT INCLUDES NUTS, SCREWS, WASHER, BOOT, COLLAR, AND CONNECTOR)						

F-NOT SHOWN

# ELECTRICAL AND STARTING SYSTEM

266-7227 ALTERNATOR GP-CHARGING (contd.)

i03642348



VIEW A-A

GRAPHIC #1

<END>

g01394690

# ELECTRICAL AND STARTING SYSTEM

## 331-5717 ALTERNATOR GP-CHARGING

24-VOLT, 105-AMPERE

FIELD REPLACEMENT FOR 266-7227 ALTERNATOR GP-CHARGING  
FIELD INSTALLATION

SMCS-1405

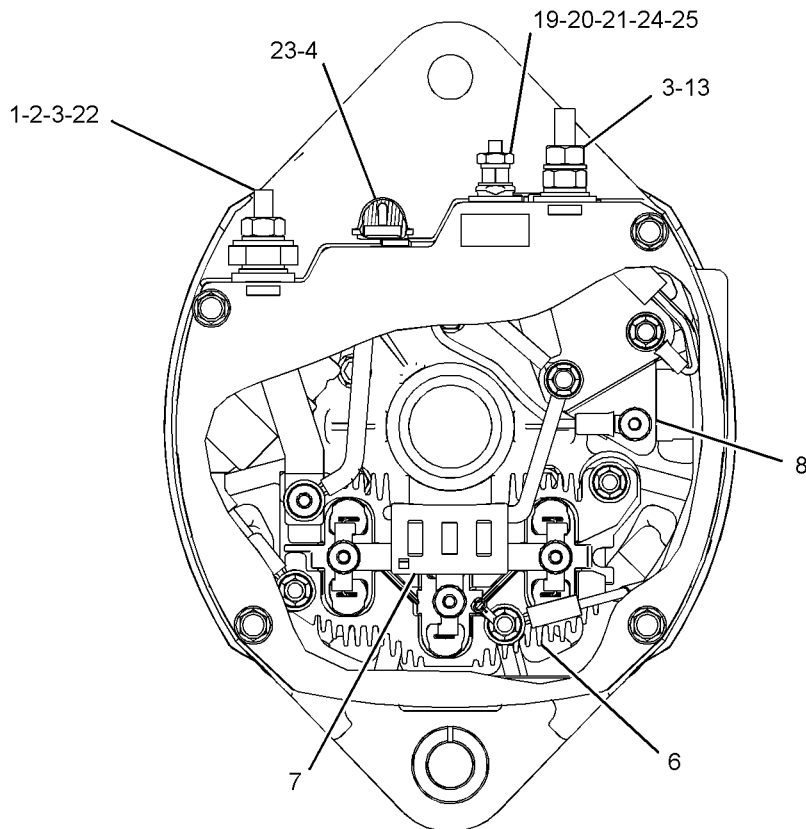
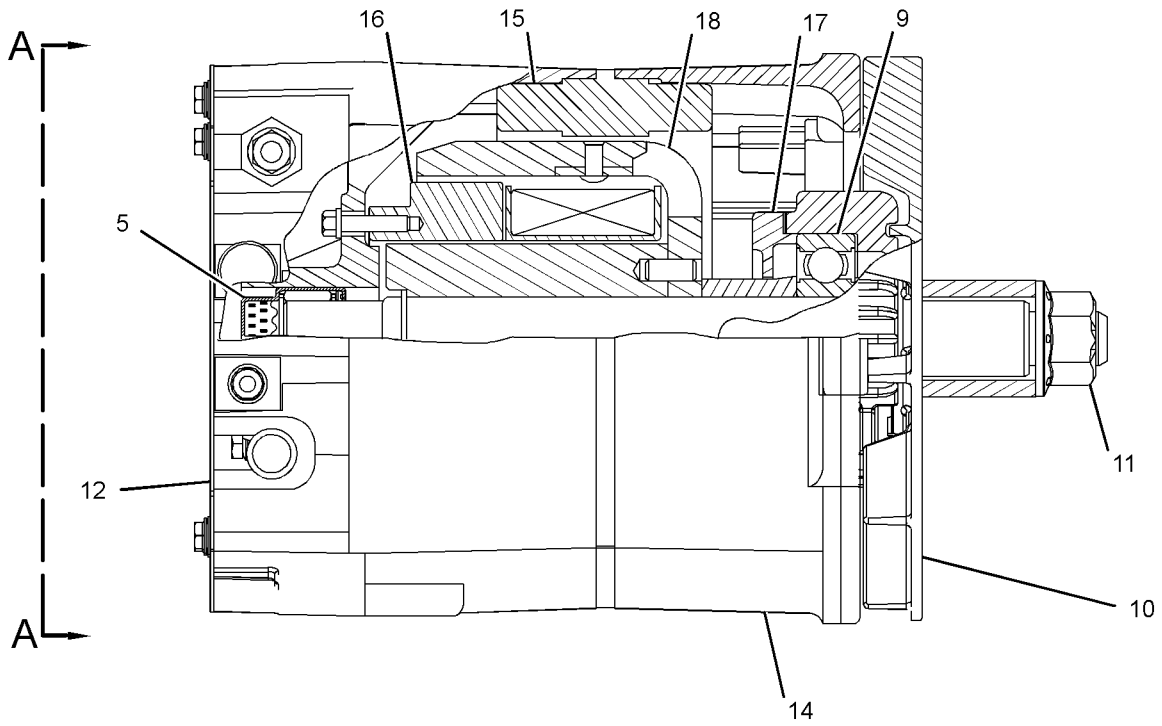
i03883890

NOTE	REF NO	GRAPHIC REF	PART NUMBER	QTY	PART NAME						SEE PAGE
					1	2	3	4	5	6 (PRODUCT LEVEL)	
	1	1	8T-4205	1	WASHER-HARD (7.2X14.5X2-MM THK)						
	2	1	1H-3244	1	LOCKWASHER						
	3	1	6V-8187	2	NUT (1/4-28-THD)						
	4	1	9L-6770	1	CAP-DUST						
	5	1	231-6133	1	KIT-BEARING (ALTERNATOR)						
		1	5P-3419	1	RACE-BEARING INNER						
		1	229-9407	1	BEARING AS						
	6	1	308-1362	1	RECTIFIER AS						
	7	1	202-2708	1	DIODE AS (ALTERNATOR)						
	8	1	3T-6354	1	REGULATOR AS-VOLTAGE (24-VOLT) (ALTERNATOR)						
	9	1	202-9897	1	BEARING-SPECIAL BALL						
	10	1	100-6531	1	FAN-ALTERNATOR (11-BLADE)						
	11	1	187-2034	1	NUT-FLANGE (5/8-18-THD)						
	12	1	202-2783	1	PLATE						
	13	1	292-3815	1	KIT-TERMINAL						
	14	1	202-2700	1	FRAME (ALTERNATOR)						
	15	1	308-1365	1	STATOR AS (ALTERNATOR)						
	16	1	308-1366	1	COIL AS (ALTERNATOR)						
	17	1	9S-2390	1	RETAINER						
	18	1	299-1761	1	ROTOR AS						
	19	1	4B-2047	1	NUT (10-24-THD)						
	20	1	8T-0328	1	WASHER-HARD (5.5X10X1-MM THK)						
	21	1	8F-1434	1	LOCKWASHER						
	22	1	202-2784	1	KIT-ALTERNATOR TERMINAL (INCLUDES NUT, LOCKWASHERS, WASHERS, INSULATORS, SCREW, CONNECTORS, AND ADAPTER)						
	23	1	202-2785	1	KIT-ALTERNATOR TERMINAL (INCLUDES STUD, BUSHINGS, WASHERS, CONNECTOR, AND NUT)						
	24	1	202-2787	1	KIT-HARDWARE (ALTERNATOR) (INCLUDES NUT AS, SCREW AS, SCREW, PLUG, LOCKWASHER, NUT, CONNECTOR, BOLT, COLLAR AND BOOT)						
	25	1	328-8410	1	KIT-TERMINAL						

# ELECTRICAL AND STARTING SYSTEM

331-5717 ALTERNATOR GP-CHARGING (contd.)

i03883890



VIEW A-A

<END>

GRAPHIC #1

g02141298

# ELECTRICAL AND STARTING SYSTEM

## 333-1184 ALTERNATOR GP-CHARGING

24-VOLT, 68-AMPERE

FIELD REPLACEMENT FOR 4N-3986—PAGE 267, 266-7227—PAGE 274

SMCS-1405

i03862949

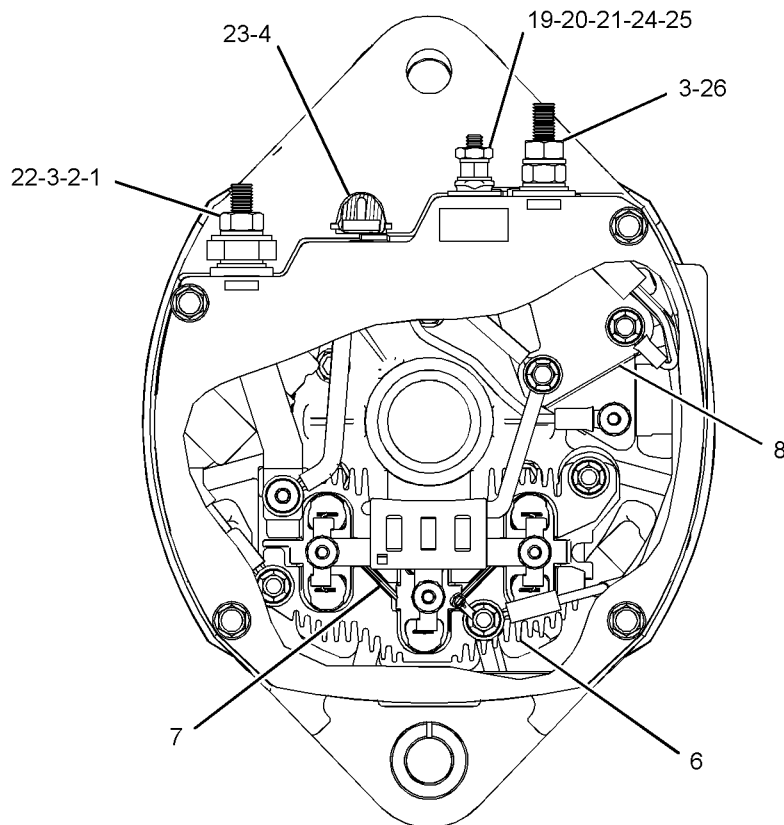
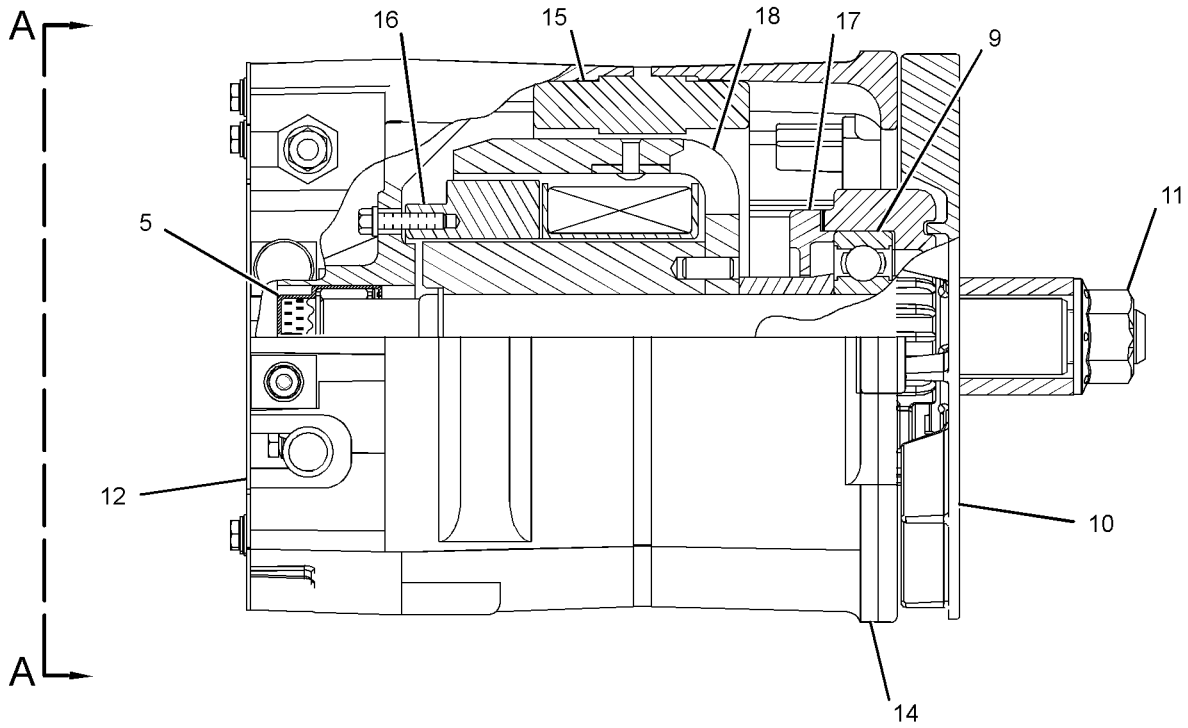
NOTE	REF NO	GRAPHIC REF	PART NUMBER	QTY	PART NAME						SEE PAGE
					1	2	3	4	5	6 (PRODUCT LEVEL)	
	1	1	8T-4205	1	WASHER-HARD (7.2X14.5X2-MM THK)						
	2	1	1H-3244	1	LOCKWASHER						
	3	1	6V-8187	2	NUT (1/4-28-THD)						
	4	1	9L-6770	1	CAP-DUST						
	5	1	231-6133	1	KIT-BEARING (INCLUDES BEARING AS & RACE-BEARING INNER)						
	6	1	308-1362	1	RECTIFIER AS						
	7	1	202-2708	1	DIODE AS						
	8	1	3T-6354	1	REGULATOR AS-VOLTAGE (24-VOLT) (ALTERNATOR)						
	9	1	202-9897	1	BEARING-SPECIAL BALL						
	10	1	100-6531	1	FAN-ALTERNATOR (11-BLADE)						
	11	1	187-2034	1	NUT-FLANGE (5/8-18-THD)						
	12	1	202-2783	1	PLATE						
	14	1	202-2700	1	FRAME						
	15	1	308-1365	1	STATOR AS						
	16	1	308-1366	1	COIL AS						
	17	1	9S-2390	1	RETAINER						
	18	1	299-1761	1	ROTOR AS						
	19	1	4B-2047	1	NUT (10-24-THD)						
	20	1	8T-0328	1	WASHER-HARD (5.5X10X1-MM THK)						
	21	1	8F-1434	1	LOCKWASHER						
	22	1	202-2784	1	KIT-ALTERNATOR TERMINAL (INCLUDES NUT, LOCKWASHERS, WASHERS, INSULATORS, SCREW, CONNECTORS, AND ADAPTER)						
	23	1	202-2785	1	KIT-ALTERNATOR TERMINAL (INCLUDES STUD, BUSHINGS, WASHERS, CONNECTOR, AND NUT)						
	24	1	202-2787	1	KIT-HARDWARE (INCLUDES NUT AS, SCREW AS, SCREW, PLUG, LOCKWASHER, NUT, CONNECTOR, BOLT, COLLAR & BOOT)						
	25	1	328-8410	1	KIT-TERMINAL						
	26	1	292-3815	1	KIT-TERMINAL						



# ELECTRICAL AND STARTING SYSTEM

333-1184 ALTERNATOR GP-CHARGING (contd.)

i03862949



VIEW A-A

<END>

GRAPHIC #1

g02109864

# ELECTRICAL AND STARTING SYSTEM

## 7W-0408 BATTERY CHARGER

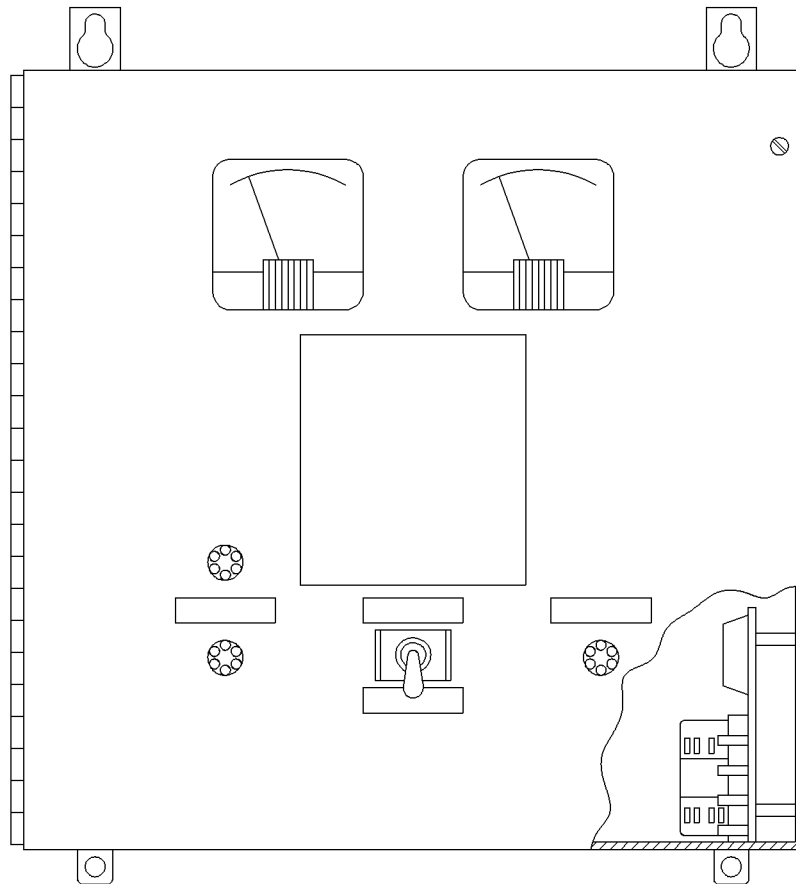
24-VOLT

FOR USE WITH LEAD ACID OR NICAD BATTERY  
AN ATTACHMENT

SMCS-1401, 1406

i01505530

NOTE	REF NO	GRAPHIC REF	PART NUMBER	QTY	PART NAME	SEE PAGE
					1 2 3 4 5 6 (PRODUCT LEVEL)	
(NO SERVICED PARTS)						



GRAPHIC #1

<END>

g00746505

# ELECTRICAL AND STARTING SYSTEM

## 115-5164 BOX & MOUNTING GP-POWER DISTRIBUTION

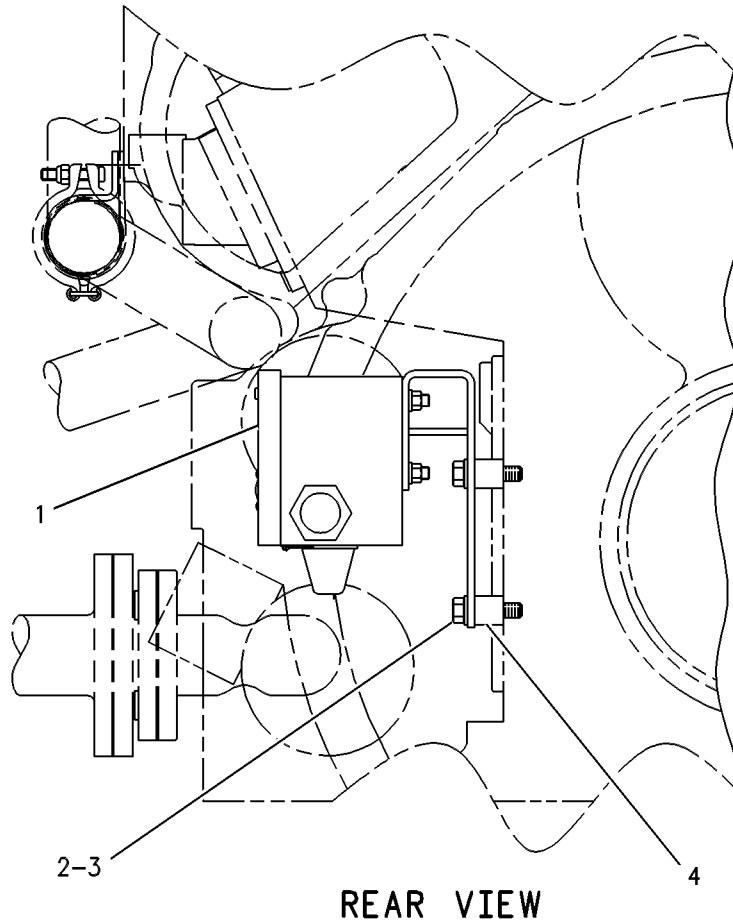
CANNOT BE USED WITH ELECTRIC STARTERS  
AN ATTACHMENT

SMCS-4460, 7426

i02175327

NOTE	REF NO	GRAPHIC REF	PART NUMBER	QTY	PART NAME						SEE PAGE
					1	2	3	4	5	6 (PRODUCT LEVEL)	
Y	1	1	115-5163	1	ENCLOSURE GP-WIRING						306
	2	1	5P-8245	4	WASHER-HARD (13.5X25.5X3-MM THK)						
	3	1	9X-8874	4	BOLT (1/2-13X3-IN)						
	4	1	1V-7753	4	SPACER (0.546X0.841X1.75-IN THK)						

Y-SEPARATE ILLUSTRATION



GRAPHIC #1

<END>

g00248710

# ELECTRICAL AND STARTING SYSTEM

## 234-8721 BOX GP-CONTROL-OVERSPEED

PART OF 236-2104 BOX GP-CONTROL

AN ATTACHMENT

SMCS-4460, 7426

i03862941

NOTE	REF NO	GRAPHIC REF	PART NUMBER	QTY	PART NAME						SEE PAGE
					1	2	3	4	5	6 (PRODUCT LEVEL)	
	1	1	3E-0357	2	DIODE AS						
	2	1	7E-7731	4	MOUNT						
	3	1	8L-8413	8	STRAP-CABLE						
	4	1	173-5413	2	CLAMP						
	5	1	9Y-2921	1	RELAY (24-VOLT) (ECM ENERGIZE)						
	6	1	115-1322	8	TERMINAL (DOUBLE)						
	7	1	119-1840	1	LOCKNUT (3/4-14-THD)						
	8	1	121-0275	1	CONNECTOR						
	9	1	123-6574	1	BUSHING						
	10	1	125-7858	1	LOCKNUT-SEALING (1/2-14 THD)						
	11	1	134-0957	1	COVER-BLOCK						
	12	1	135-6740	2	BLOCK-DIODE						
	13	1	138-4959	1	CIRCUIT BREAKER AS (5-AMPERE)						
	14	1	146-6775	2	MARKER						
	15	1	308-9770	1	SWITCH (2-POSITION) (RESET)						
	16	1	308-9775	1	LATCH-MOUNTING						
	17	1	308-9776	2	BLOCK-CONTACT						
	18	1	163-1209	1	BUSHING (1/2-IN)						
	19	1	200-8951	1	SEAL						
	20	1	208-6170	1	FITTING-CABLE						
	21	1	234-8716	1	ENCLOSURE AS						
	22	1	234-8717	1	SWITCH (OVERSPEED)						
	23	1	237-2224	1	SWITCH-PUSH BUTTON (ENGINE SPEED)						
	24	1	237-2225	1	SWITCH-PUSH BUTTON (ENGINE OVERSPEED)						
	25	1	237-2245	1	HARNESS AS-WIRING (INTERNAL COMPONENTS)						
B		1	8L-8413	13	STRAP-CABLE						
		1	109-3038	15	END-WIRE (16-GA)						
		1	109-3039	4	END-WIRE (12-GA)						
		1	5P-4571	2	TERMINAL-BLADE (14-GA TO 16-GA)						
					-OR-						
		1	5P-5618	2	TERMINAL-BLADE (10-GA TO 12-GA)						
E		1	6V-9023		TUBE-HEAT SHRINK (12.7-MM DIA) (4-CM)						
		1	5P-4571	10	TERMINAL-BLADE (14-GA TO 16-GA)						
					-OR-						
		1	7N-7221	10	TERMINAL-BLADE (18-GA TO 22-GA)						
		1	6V-2689		TUBE-HEAT SHRINK (6.35-MM DIA) (1-M)						
		1	211-9909	9	END-WIRE						
	26	1	237-5333	1	HARNESS AS-SENSOR (SPEED)						
		1	109-3038	4	END-WIRE (16-GA)						
J		1	137-8055		CABLE (16-GA) (80-DM)						
		1	237-5337	1	SENSOR AS-SPEED (ENGINE)						
	27	1	237-5334	1	HARNESS AS-WIRING (POWER)						
		1	102-8805	1	KIT-RECEPTACLE (6-PIN)						
					(INCLUDES RECEPTACLE AS & WEDGE)						
		1	112-7497	4	END-WIRE (14-GA)						
		1	197-7017	1	END-WIRE						
		1	9W-0852	6	PIN-CONNECTOR (14-GA)						
J		1	237-5336		CABLE (80-DM)						
	28	1	237-5335	1	HARNESS AS-WIRING (ELECTRONIC CONTROL MODULE)						
		1	9W-0844	6	SOCKET-CONNECTOR (14-GA)						
		1	8T-8737	3	PLUG-SEAL						
		1	155-2274	1	KIT-CONNECTING PLUG (6-PIN)						
					(INCLUDES PLUG AS, WEDGE, & INTERFACE SEAL)						
	29	1	237-2869	1	FILM-PANEL (SPEED SWITCH)						
	30	1	249-7314	1	RAIL						
	31	1	6V-8185	4	NUT (1/4-20-THD)						

# ELECTRICAL AND STARTING SYSTEM

234-8721 BOX GP-CONTROL (contd.)

i03862941

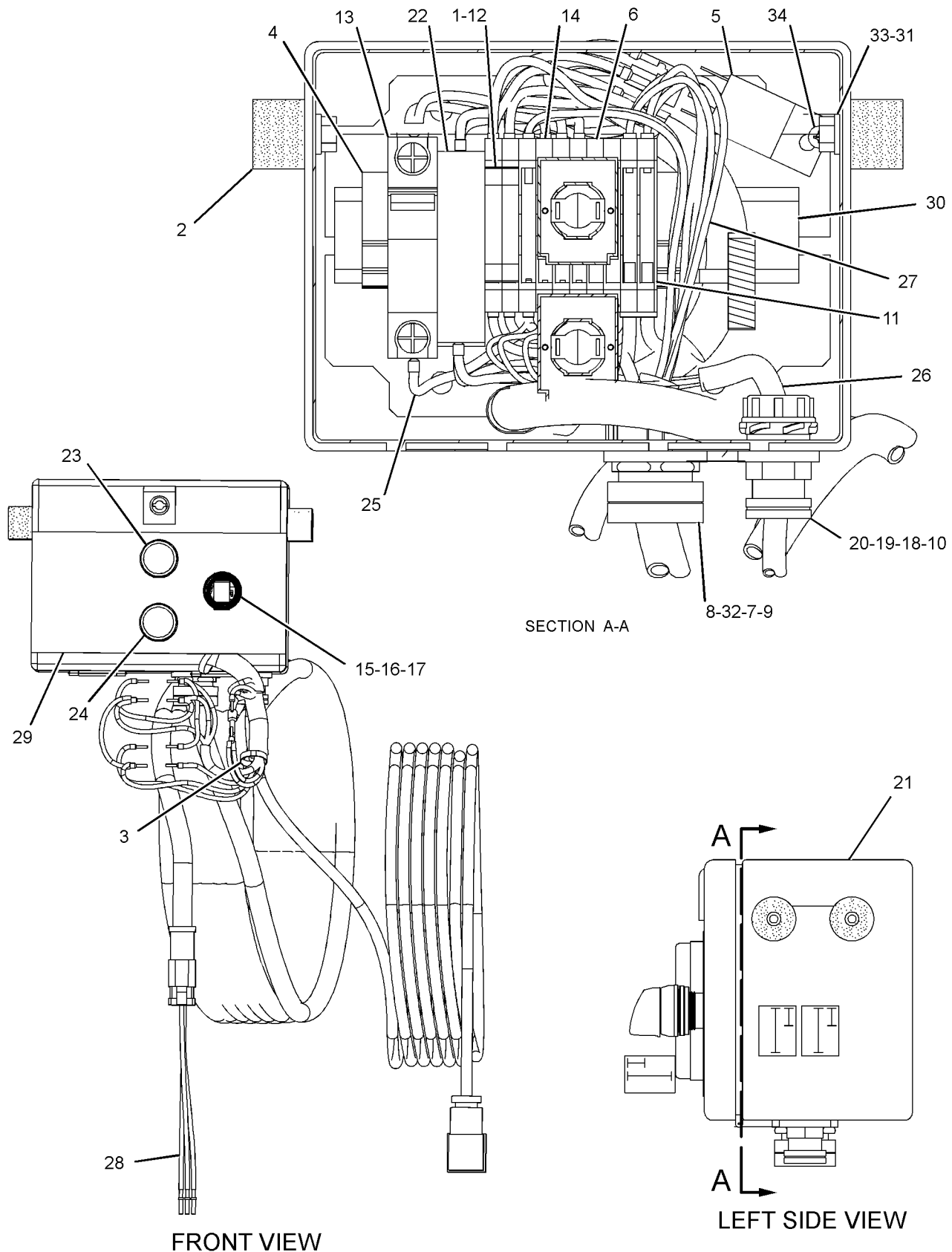
NOTE	REF NO	GRAPHIC REF	PART NUMBER	QTY	PART NAME	SEE PAGE
					1 2 3 4 5 6 (PRODUCT LEVEL)	
	32	1	7E-8350	1	SEAL	
	33	1	8T-4205	4	WASHER-HARD (7.2X14.5X2-MM THK)	
	34	1	8C-8514	1	SCREW-MACHINE (8-32X0.375-IN)	

B-USE AS REQUIRED  
E-ORDER BY THE CENTIMETER  
J-ORDER BY THE DECIMETER

# ELECTRICAL AND STARTING SYSTEM

234-8721 BOX GP-CONTROL (contd.)

i03862941



GRAPHIC #1

<END>

g02123195

# ELECTRICAL AND STARTING SYSTEM

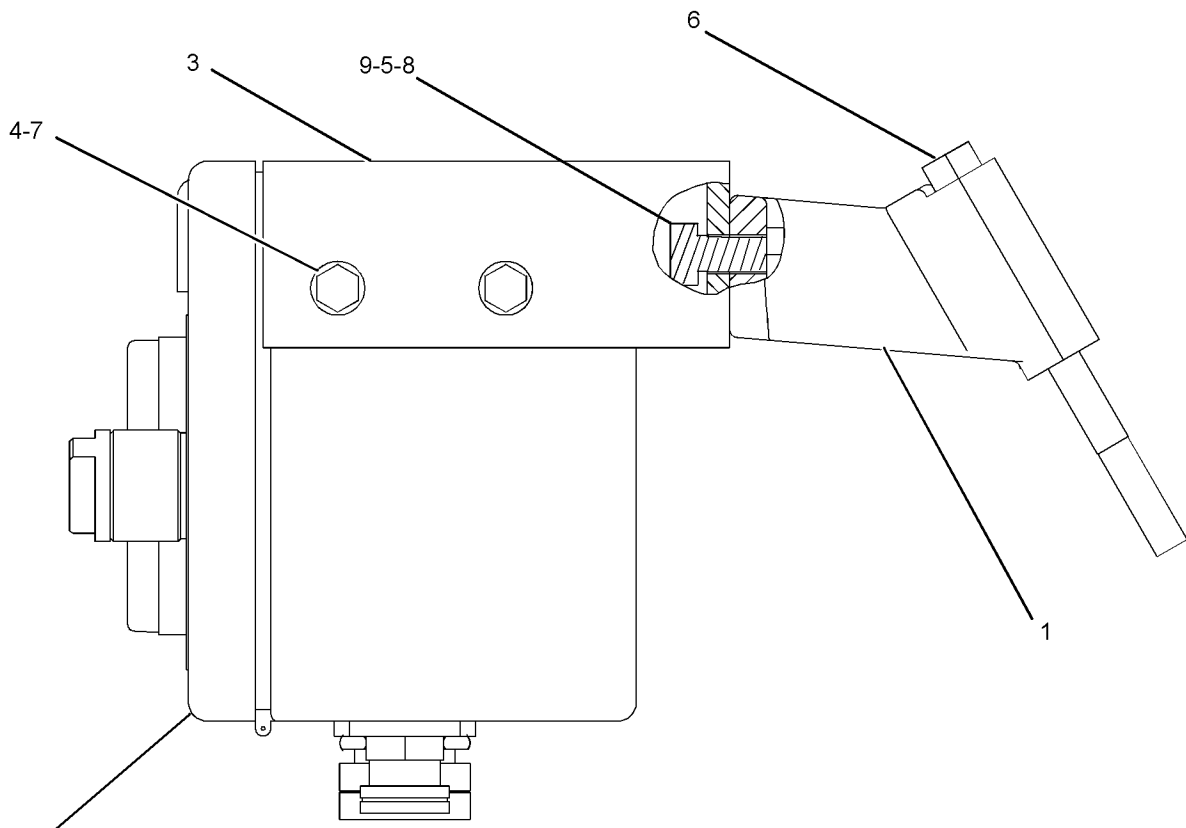
## 236-2104 BOX GP-CONTROL-OVERSPEED AN ATTACHMENT

SMCS-4460, 7426

i02156788

NOTE	REF NO	GRAPHIC REF	PART NUMBER	QTY	PART NAME						SEE PAGE
					1	2	3	4	5	6 (PRODUCT LEVEL)	
	1	1	1W-8129	1	SUPPORT						
Y	2	1	234-8721	1	BOX GP-CONTROL (OVERSPEED)						282
	3	1	236-1143	1	BRACKET						
	4	1	5S-7349	4	BOLT (1/4-20X0.5-IN)						
	5	1	6V-8801	2	NUT (3/8-16-THD)						
	6	1	7X-0292	2	BOLT (3/8-16X4.5-IN)						
	7	1	8T-4205	4	WASHER-HARD (7.2X14.5X2-MM THK)						
	8	1	8T-4896	2	WASHER-HARD (10.2X18.5X2.5-MM THK)						
	9	1	9B-7237	2	BOLT (3/8-16X1.25-IN)						

Y-SEPARATE ILLUSTRATION



2  
GRAPHIC #1

<END>

g01093986

# ELECTRICAL AND STARTING SYSTEM

## 357-3045 BOX GP-GENERATOR CONNECTION

FOR USE WITH 820-FRAME GENERATORS  
AN ATTACHMENT

SMCS-4460

i03948231

NOTE	REF NO	GRAPHIC REF	PART NUMBER	QTY	PART NAME						SEE PAGE
					1	2	3	4	5	6 (PRODUCT LEVEL)	
	1	1	<b>357-3044</b>	1	PANEL-LOWER						
	2	1	<b>8T-0023</b>	60	BOLT-HEAD LOCKING (5/16-18X1-IN)						
	3	1	<b>115-9550</b>	1	BRACKET						
	4	1	<b>116-9991</b>	1	COVER AS-TOP						
		1	<b>5N-3167</b>	3	SEAL-RING						
		1	<b>5N-3176</b>	3	PLUG-BUTTON						
		1	<b>6D-7128</b>	4	SEAL-O-RING						
		1	<b>8P-7065</b>	2	PLUG-BUTTON						
		1	<b>8T-9587</b>	2	SEAL-O-RING						
		1	<b>030-2284</b>	4	PLUG-BUTTON						
	5	1	<b>121-9641</b>	1	BRACKET						
	7	1	<b>128-7260</b>	1	PANEL AS						
		1	<b>4F-8711</b>	2	BUTTON-PLUG						
		1	<b>5P-0537</b>	8	WASHER-HARD (7.2X14.5X2-MM THK)						
		1	<b>5V-0770</b>	8	BOLT-CARRIAGE (1/4-20X0.74-IN)						
		1	<b>6V-8185</b>	8	NUT (1/4-20-THD)						
	8	1	<b>128-7262</b>	1	SCREEN AS (AIR INLET)						
	9	1	<b>141-4812</b>	1	BRACKET-MOUNTING (RH)						
	10	1	<b>141-4813</b>	1	BRACKET-MOUNTING (LH)						
	11	1	<b>155-2001</b>	16	RETAINER						
	12	1	<b>308-9260</b>	16	FASTENER-SPECIAL						
Y	13	1	<b>357-3041</b>	1	FRAME GP-GENERATOR CONNECTION						308
	14	1	<b>357-3042</b>	2	PANEL						
	15	1	<b>357-3043</b>	1	PANEL-BACK						
	16	1	<b>0S-0509</b>	6	BOLT (3/8-16X0.75-IN)						
	17	1	<b>0S-1594</b>	18	BOLT (3/8-16X1-IN)						
	18	1	<b>0S-1616</b>	2	BOLT (1/4-20X1-IN)						
	19	1	<b>2A-0762</b>	3	BOLT (1/4-20X0.625-IN)						
	20	1	<b>5M-2894</b>	24	WASHER-HARD (10.2X18.5X2.5-MM THK)						
	21	1	<b>5P-0537</b>	5	WASHER-HARD (7.2X14.5X2-MM THK)						

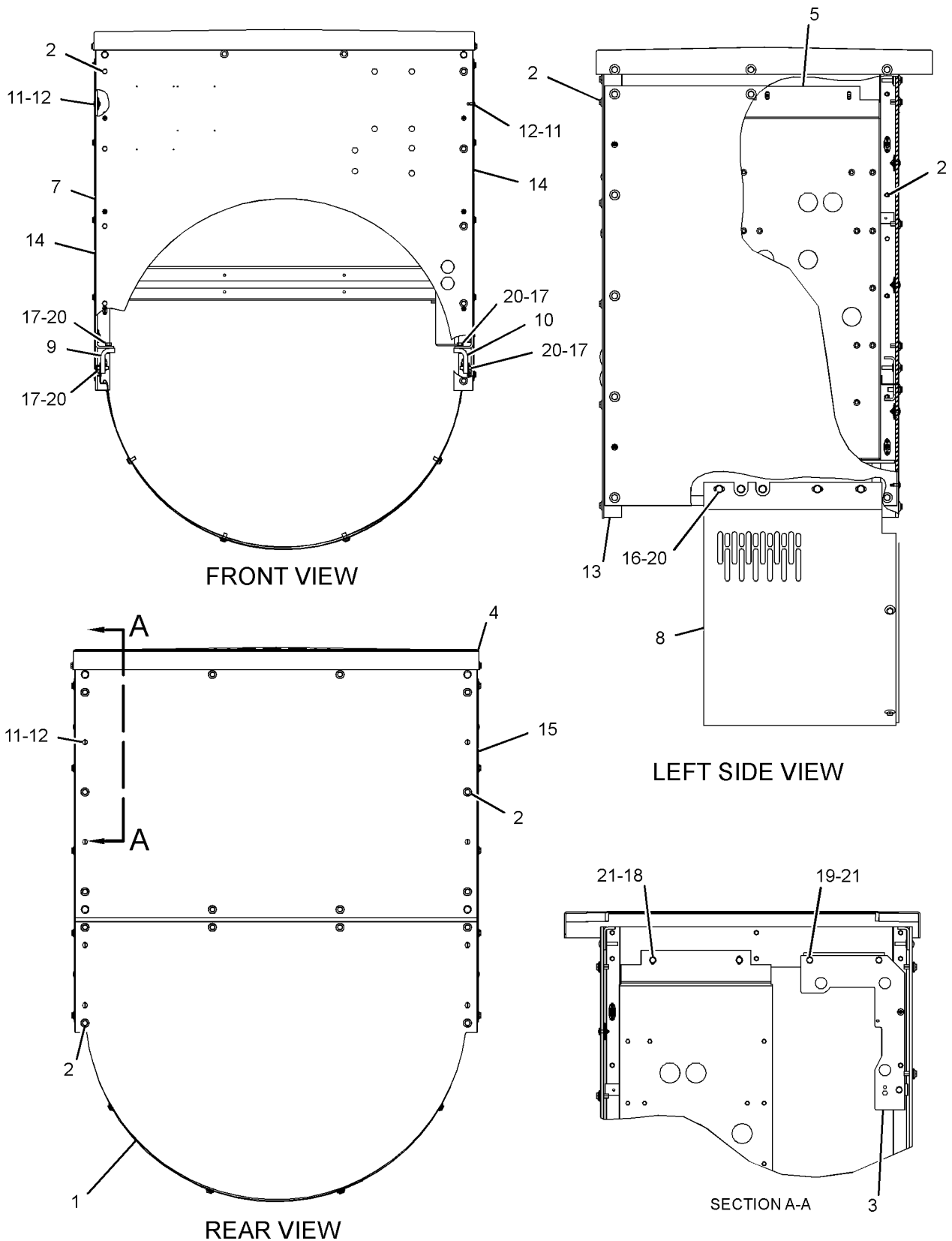
Y-SEPARATE ILLUSTRATION



# ELECTRICAL AND STARTING SYSTEM

357-3045 BOX GP-GENERATOR CONNECTION (contd.)

i03948231



GRAPHIC #1

<END>

g02162556

# ELECTRICAL AND STARTING SYSTEM

## 276-0450 BOX GP-JUNCTION-JACKET WATER HEATER PART OF 276-0447 CONTROL GP-JACKET WATER HEATER AN ATTACHMENT

SMCS-7426

i02716375

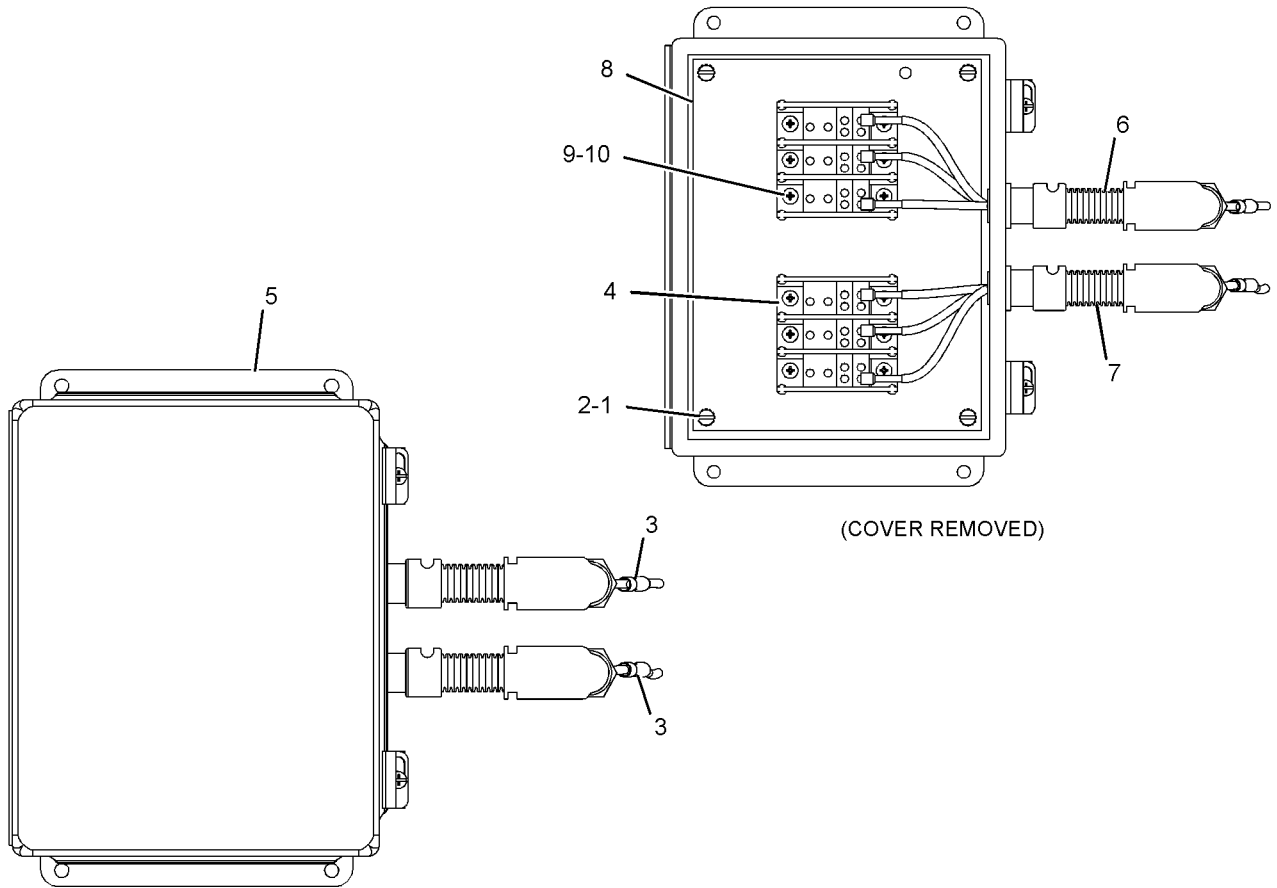
NOTE	REF NO	GRAPHIC REF	PART NUMBER	QTY	PART NAME						SEE PAGE
					1	2	3	4	5	6 (PRODUCT LEVEL)	
	1	1	8F-1315	4	SCREW AS-MACHINE (10-32X0.375-IN)						
	2	1	9F-8125	4	LOCKWASHER (EXTERNAL TOOTH)						
	3	1	136-4876	4	CONNECTOR-WIRE (10-GA TO 12-GA)						
	4	1	177-7205	2	TERMINAL (POWER DISTRIBUTION)						
	5	1	276-0451	1	BOX AS-JUNCTION						
		1	7R-9741	1	JUNCTION BOX						
	6	1	276-0567	1	HARNESS AS-WIRING (JACKET WATER HEATER, LH)						
		1	113-8961	3	END-WIRE (10-GA)						
E		1	232-0897		CONDUIT-FLEXIBLE (16.2-MM ID) (525-CM)						
		1	263-6463	2	NUT (M20X1.5-THD)						
		1	263-6463	2	NUT (M20X1.5-THD)						
		1	276-1380	1	FITTING-ELBOW						
	7	1	276-0568	1	HARNESS AS-WIRING (JACKET WATER HEATER, RH)						
		1	113-8961	3	END-WIRE (10-GA)						
E		1	232-0897		CONDUIT-FLEXIBLE (16.2-MM ID) (355-CM)						
		1	263-6462	1	CONNECTOR (CONDUIT)						
		1	263-6463	2	NUT (M20X1.5-THD)						
		1	276-1380	1	FITTING-ELBOW						
	8	1	276-1363	1	PLATE						
M	9	1	179-4324	12	LOCKNUT (M5X0.8-THD)						
M	10	1	6V-9673	12	SCREW-MACHINE (M5X0.8X12-MM)						

E-ORDER BY THE CENTIMETER  
M-METRIC PART

# ELECTRICAL AND STARTING SYSTEM

276-0450 BOX GP-JUNCTION (contd.)

i02716375



GRAPHIC #1

<END>

g01368406

# ELECTRICAL AND STARTING SYSTEM

## 228-6559 CABLE AS-COMMUNICATION

FOR USE WITH 276-0785-PAGE 310  
AN ATTACHMENT

SMCS-7556

i02525035

NOTE	PART NUMBER	QTY	PART NAME						SEE PAGE
			1	2	3	4	5	6 (PRODUCT LEVEL)	
(NO SERVICED PARTS)									
<b>&lt;END&gt;</b>									

# ELECTRICAL AND STARTING SYSTEM

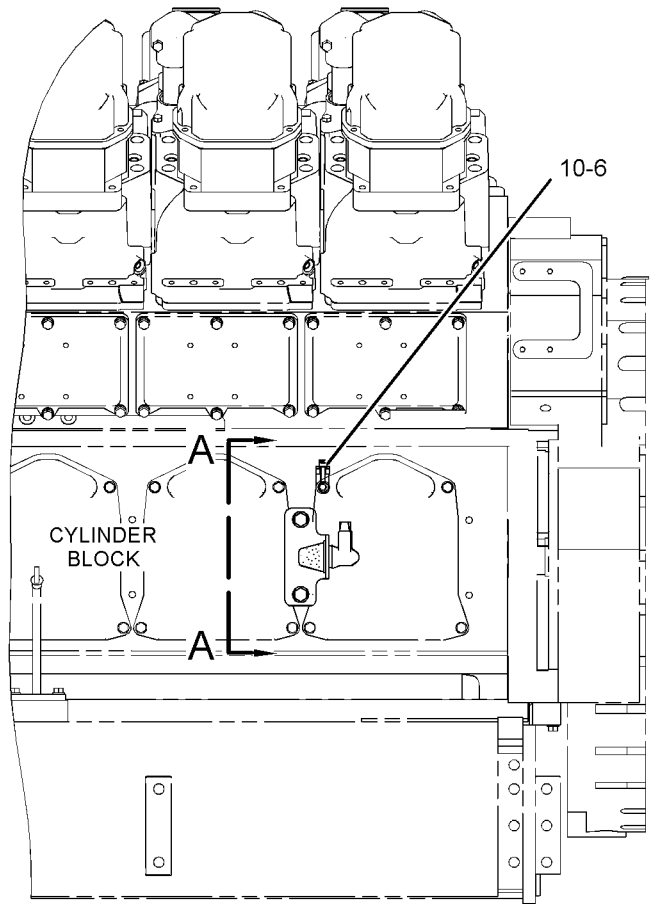
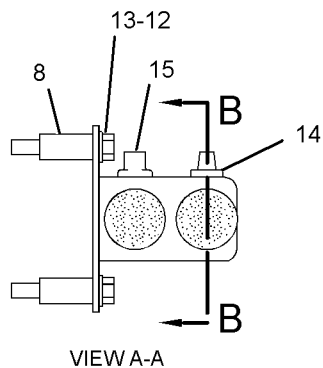
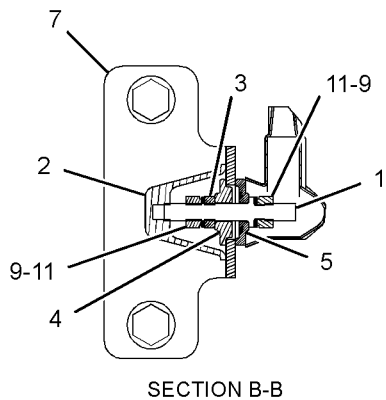
## 347-8033 CONNECTION GP-ELECTRICAL

AN ATTACHMENT

SMCS - 1408

i03853178

NOTE	REF NO	GRAPHIC REF	PART NUMBER	QTY	PART NAME						SEE PAGE
					1	2	3	4	5	6 (PRODUCT LEVEL)	
	1	1	5N-7510	2	STUD (3/8-16, 3/8-16X2.76-IN)						
	2	1	5N-8998	2	BOOT						
	3	1	6H-5431	2	NUT-BRASS JAM (3/8-16-THD)						
	4	1	7W-2709	2	INSULATOR						
	5	1	7W-2710	2	INSULATOR						
	6	1	9X-6772	1	STRAP-CABLE						
	7	1	347-8330	1	BRACKET						
	8	1	1V-7753	2	SPACER (0.546X0.841X1.75-IN THK)						
	9	1	3L-7314	8	WASHER (0.406X0.62X0.032-IN THK)						
	10	1	4P-8134	1	CLIP						
	11	1	5P-7751	4	NUT-BRONZE (3/8-16-THD)						
	12	1	5P-8245	2	WASHER-HARD (13.5X25.5X3-MM THK)						
	13	1	9X-8874	2	BOLT (1/2-13X3-IN)						
	14	1	8T-8827	1	BOOT (RED)						
	15	1	121-1110	1	BOOT (BLACK)						



GRAPHIC #1

<END>

g02051495

# ELECTRICAL AND STARTING SYSTEM

## 4W-2767 CONTACTOR GP OIL PRESSURE, COOLANT TEMPERATURE AN ATTACHMENT

SMCS-1400, 7400

i03873143

NOTE	PART NUMBER	QTY	PART NAME						SEE PAGE
			1	2	3	4	5	6 (PRODUCT LEVEL)	
Y	4W-2642	1	CONTACTOR-PRESSURE (ALARM)						293
Y	4W-2637	1	CONTACTOR-TEMPERATURE (COOLANT)						294
Y-SEPARATE ILLUSTRATION									

<END>

# ELECTRICAL AND STARTING SYSTEM

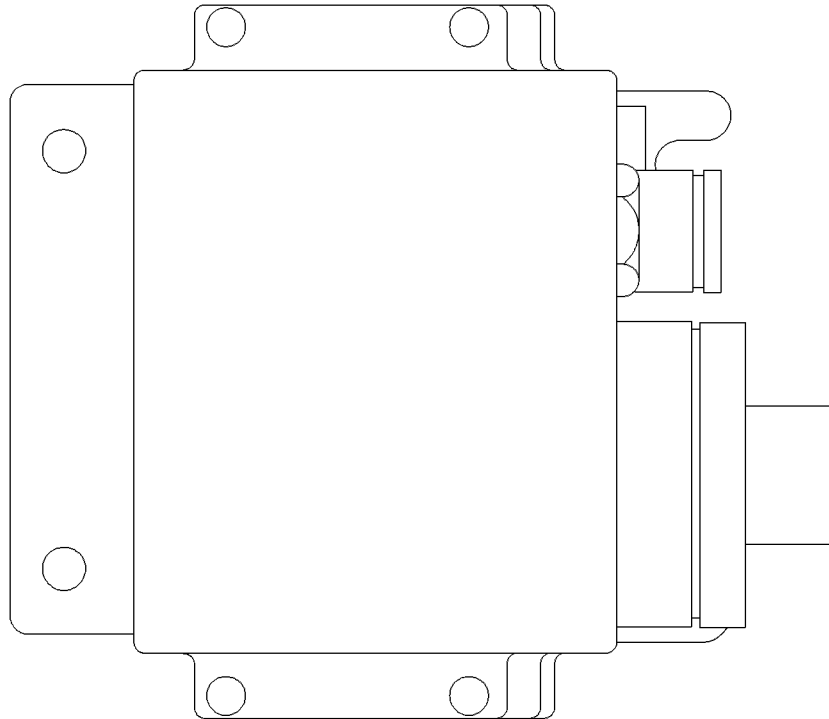
## 4W-2642 CONTACTOR - PRESSURE

PART OF 4W-2767 CONTACTOR GP  
AN ATTACHMENT

SMCS-7454, 7455, 7456, 7461, 7465, 7485

i01450670

NOTE	REF NO	GRAPHIC REF	PART NUMBER	QTY	PART NAME						SEE PAGE
					1	2	3	4	5	6 (PRODUCT LEVEL)	
(NO SERVICED PARTS)											



GRAPHIC #1

<END>

g00580022

# ELECTRICAL AND STARTING SYSTEM

## 4W-2637 CONTACTOR-TEMPERATURE-COOLANT

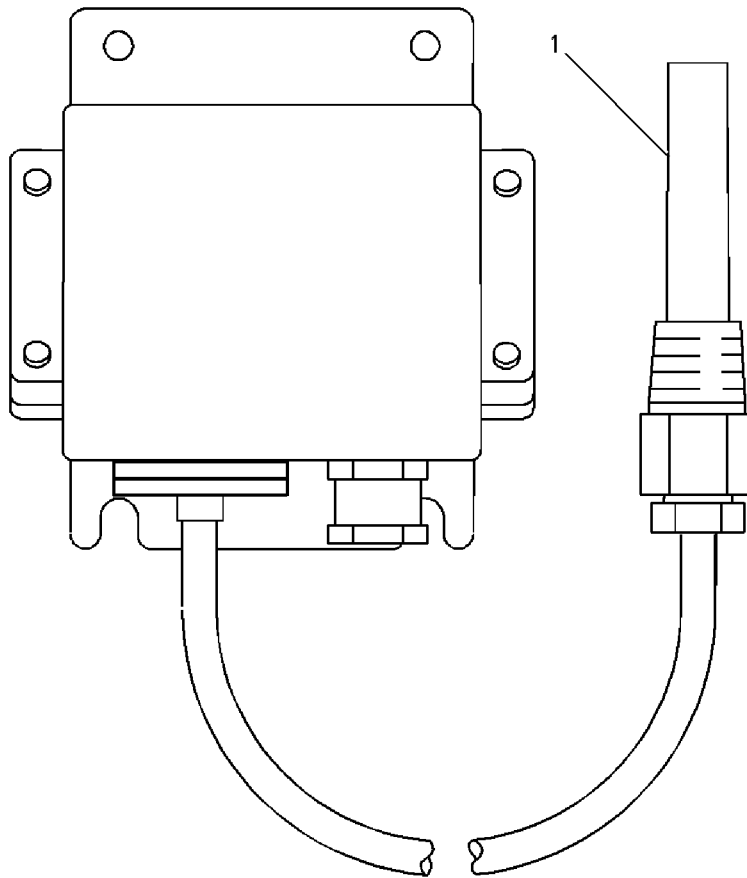
PART OF 4W-2767 CONTACTOR GP  
AN ATTACHMENT

SMCS-7400, 7403, 7453, 7484

i02655877

NOTE	REF NO	GRAPHIC REF	PART NUMBER	QTY	PART NAME	SEE PAGE
					1 2 3 4 5 6 (PRODUCT LEVEL)	
Y	1	1	7E-3127	1	KIT-SENSOR POCKET (TEMPERATURE CONTACTOR) (KIT INCLUDES POCKET, RETAINERS, WASHERS, RING, ADAPTER & GAUGE STRIP)	424

Y-SEPARATE ILLUSTRATION



GRAPHIC #1

<END>

g00620113



# ELECTRICAL AND STARTING SYSTEM

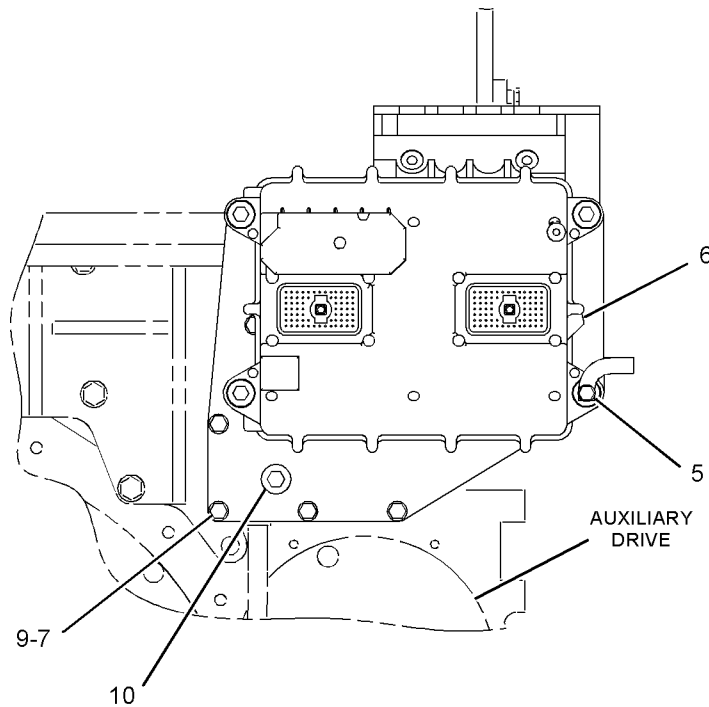
## 220-2677 CONTROL & MTG GP-ENGINE ELEK-PRIMARY FOR USE WITH AIR COOLED ADEM III

SMCS-1900, 1901

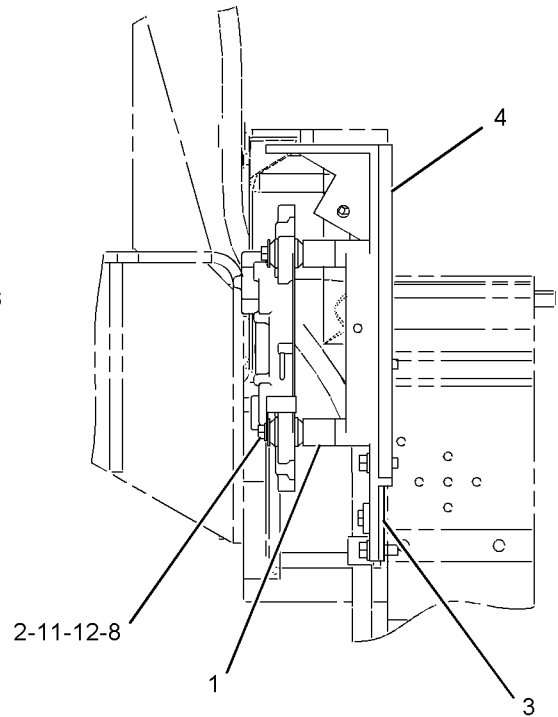
i03514244

NOTE	REF NO	GRAPHIC REF	PART NUMBER	QTY	PART NAME						SEE PAGE
					1	2	3	4	5	6 (PRODUCT LEVEL)	
	1	1	<b>2V-4387</b>	4	SPACER (10.312X25.4X23.11-MM THK)						
	2	1	<b>6I-1418</b>	4	SPACER (8.2X12.7X28.7-MM THK)						
	3	1	<b>8N-9885</b>	1	GASKET-COVER						
	4	1	<b>111-0349</b>	1	BRACKET-MODULE						
	5	1	<b>155-0576</b>	8	MOUNT-ISOLATION						
Y	6	1	<b>206-2711</b>	1	CONTROL GP-ENGINE ELECTRONIC						302
	7	1	<b>1A-2029</b>	7	BOLT (3/8-16X1.125-IN)						
	8	1	<b>1D-4540</b>	4	BOLT (5/16-18X2.75-IN)						
	9	1	<b>5M-2894</b>	7	WASHER-HARD (10.2X18.5X2.5-MM THK)						
	10	1	<b>8T-6765</b>	1	PLUG-PIPE						
	11	1	<b>9M-1974</b>	1	WASHER-HARD (8.8X16X2-MM THK)						
	12	1	<b>9N-0869</b>	4	WASHER-HARD (8.8X25.5X2-MM THK)						

Y-SEPARATE ILLUSTRATION



FRONT VIEW



LEFT SIDE VIEW

GRAPHIC #1

<END>

g01120936

# ELECTRICAL AND STARTING SYSTEM

## 7C-0330 CONTROL GP-AIR STARTING

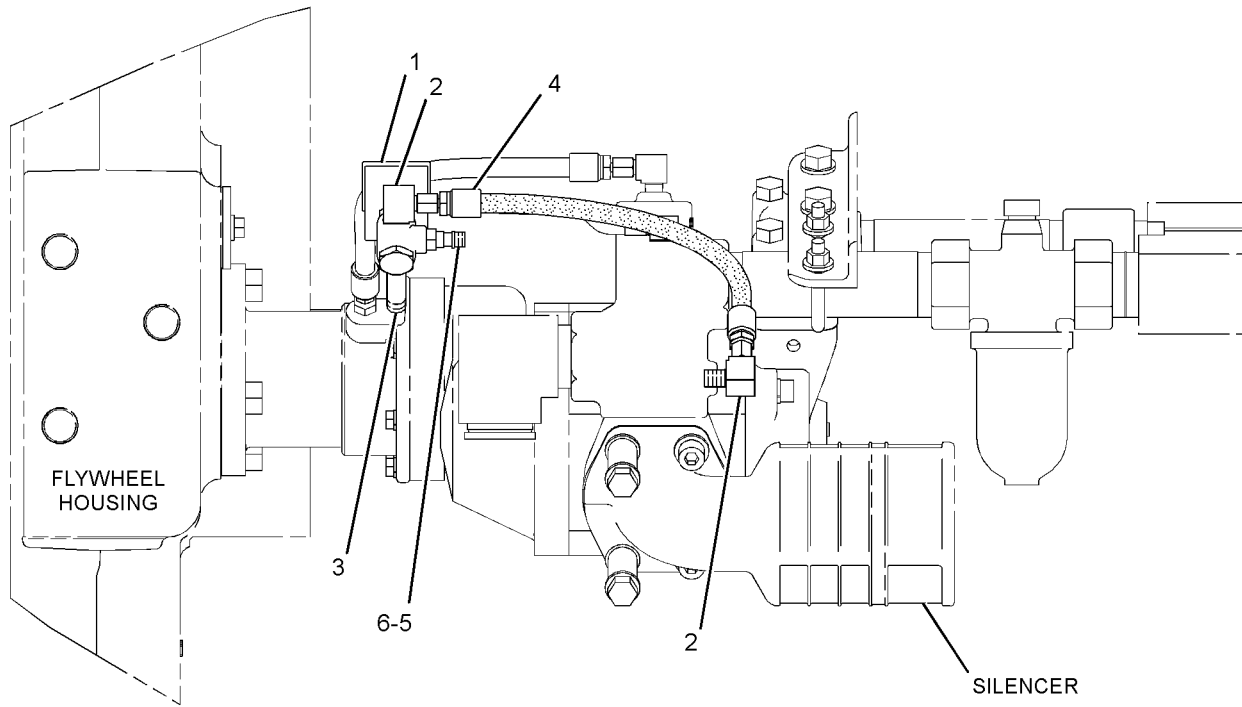
24/32-VOLT  
AN ATTACHMENT

SMCS-1462

i02548870

NOTE	REF NO	GRAPHIC REF	PART NUMBER	QTY	PART NAME						SEE PAGE
					1	2	3	4	5	6 (PRODUCT LEVEL)	
Y	1	1	5N-8980	1	VALVE AS-SOLENOID (AIR START)						370
C	2	1	6K-1972	2	ELBOW-FLARED						
	3	1	5H-7598	1	NIPPLE-PIPE						
CI	4	1	2V-5956	1	HOSE AS						
	5	1	4M-5317	1	BUSHING-REDUCING						
	6	1	5F-5434	1	VALVE AS-VENT						

C-CHANGE FROM PREVIOUS TYPE  
I-REFER TO HYDRAULIC INFORMATION SYSTEM  
Y-SEPARATE ILLUSTRATION



GRAPHIC #1

<END>

g01279185

# ELECTRICAL AND STARTING SYSTEM

## 256-7511 CONTROL GP-COMMUNICATION-PL1000T

FOR USE WITH 270-1732-PAGE 310

AN ATTACHMENT

SMCS-7606, 7610, 7620

i03888719

NOTE	PART NUMBER	QTY	PART NAME						SEE PAGE
			1	2	3	4	5	6 (PRODUCT LEVEL)	
	335-6885	1	FILM-WARNING (CSA CONTROL PANEL APPROVAL)						
	126-7574	1	SCREW-PAN HEAD (8-32X9.52-MM)						
	7X-6315	1	STRAP AS-GROUND						
	134-4126	1	WASHER (4.52X8.28X0.76-MM THK)						
<END>									

## 256-7512 CONTROL GP-COMMUNICATION-PL1000E

AN ATTACHMENT

SMCS-7606, 7610, 7620

i03462832

NOTE	PART NUMBER	QTY	PART NAME						SEE PAGE
			1	2	3	4	5	6 (PRODUCT LEVEL)	
	335-6885	1	FILM-WARNING (CSA CONTROL PANEL APPROVAL)						
<END>									

# ELECTRICAL AND STARTING SYSTEM

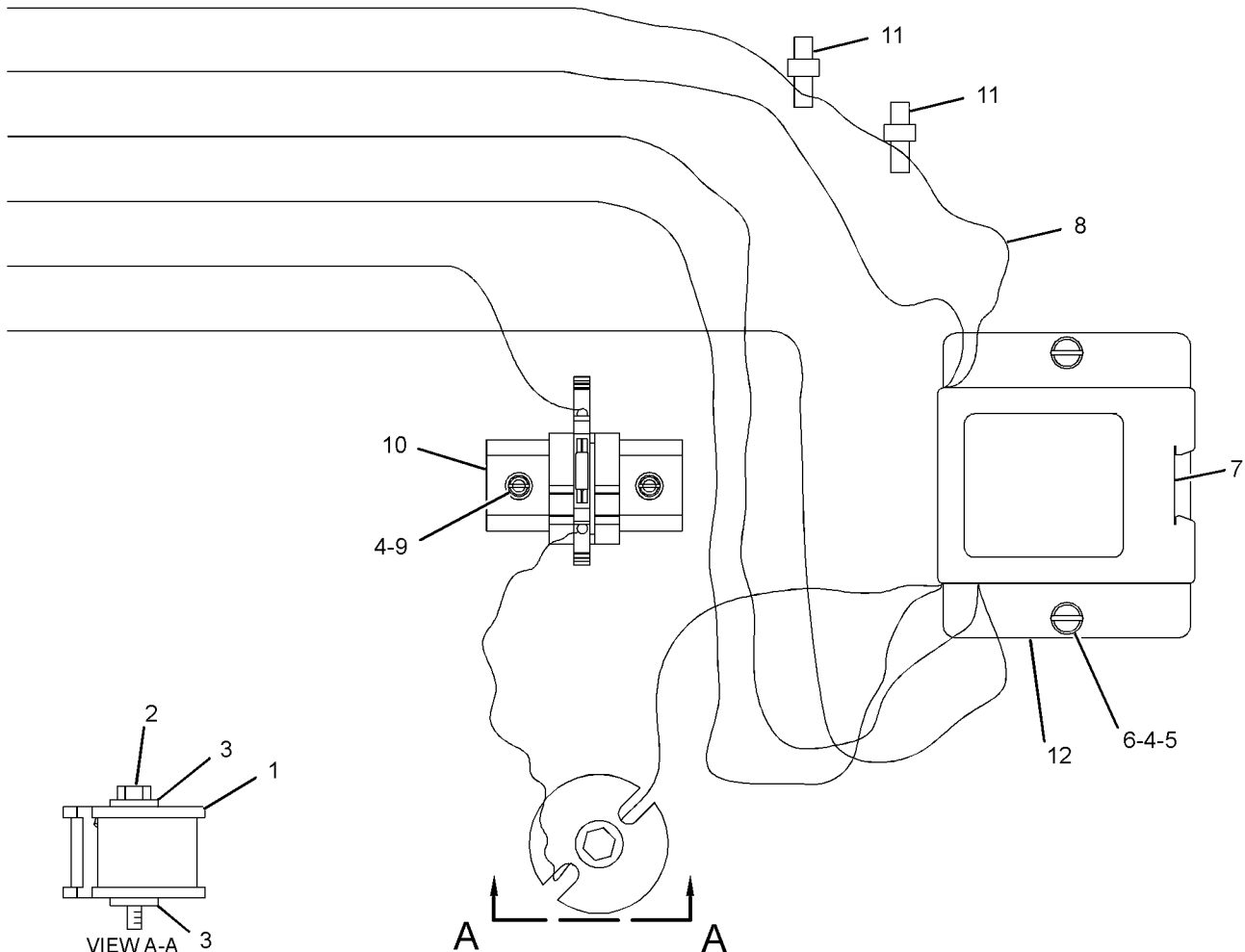
## 180-7385 CONTROL GP-CONVERTER AN ATTACHMENT

SMCS-1926

i03624901

NOTE	REF NO	GRAPHIC REF	PART NUMBER	QTY	PART NAME						SEE PAGE
					1	2	3	4	5	6 (PRODUCT LEVEL)	
	1	1	174-1433	1	INDUCTOR (50-MH)						
	2	1	8B-2377	1	BOLT (1/4-20X2-IN)						
	3	1	133-1645	2	WASHER (7.2X19.1X3.1-MM THK)						
	4	1	4B-4863	4	WASHER (4.7X11X1.2-MM THK)						
	5	1	3B-4501	2	LOCKWASHER						
	6	1	7S-1198	2	SCREW-MACHINE (8-32X1.5-IN)						
	7	1	175-4998	1	CONVERTER-SIGNAL						
	8	1	180-7357	1	HARNES AS-WIRING (CONVERTER)						
		1	186-3735	2	PIN-CONNECTOR (16-GA TO 18-GA)						
		1	9X-6857	1	SOCKET-CONNECTOR (16-GA TO 18-GA)						
		1	109-3038	9	END-WIRE (16-GA)						
B		1	8L-8413	15	STRAP-CABLE						
	9	1	7S-1197	2	SCREW-MACHINE (8-32X0.5-IN)						
Y	10	1	180-7359	1	RESISTOR GP						342
B	11	1	6K-0806	10	STRAP-CABLE						
	12	1	178-1660	1	PLATE						

B-USE AS REQUIRED  
Y-SEPARATE ILLUSTRATION



GRAPHIC #1

<END>

g01948307

# ELECTRICAL AND STARTING SYSTEM

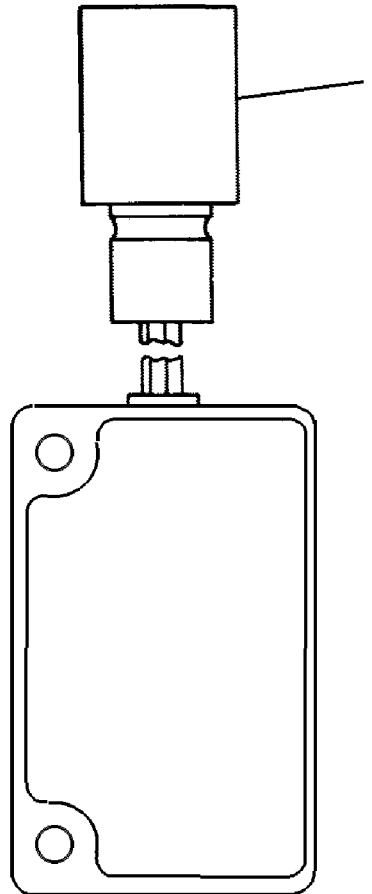
## 9X-3207 CONTROL GP-ELECTRONIC

PART OF 134-6315 WIRING GP-PANEL  
AN ATTACHMENT

SMCS-1917, 1924

i01538395

NOTE	REF NO	GRAPHIC REF	PART NUMBER	QTY	PART NAME						SEE PAGE
					1	2	3	4	5	6 (PRODUCT LEVEL)	
	1	1	7N-7781	1	HOUSING-RECEPTACLE (14-GA TO 18-GA)						
		1	7N-7779	1	SOCKET-CONNECTOR (14-GA TO 18-GA)						
		1	7N-7780	2	PIN-CONNECTOR (14-GA TO 18-GA)						



GRAPHIC #1

<END>

g00638308

# ELECTRICAL AND STARTING SYSTEM

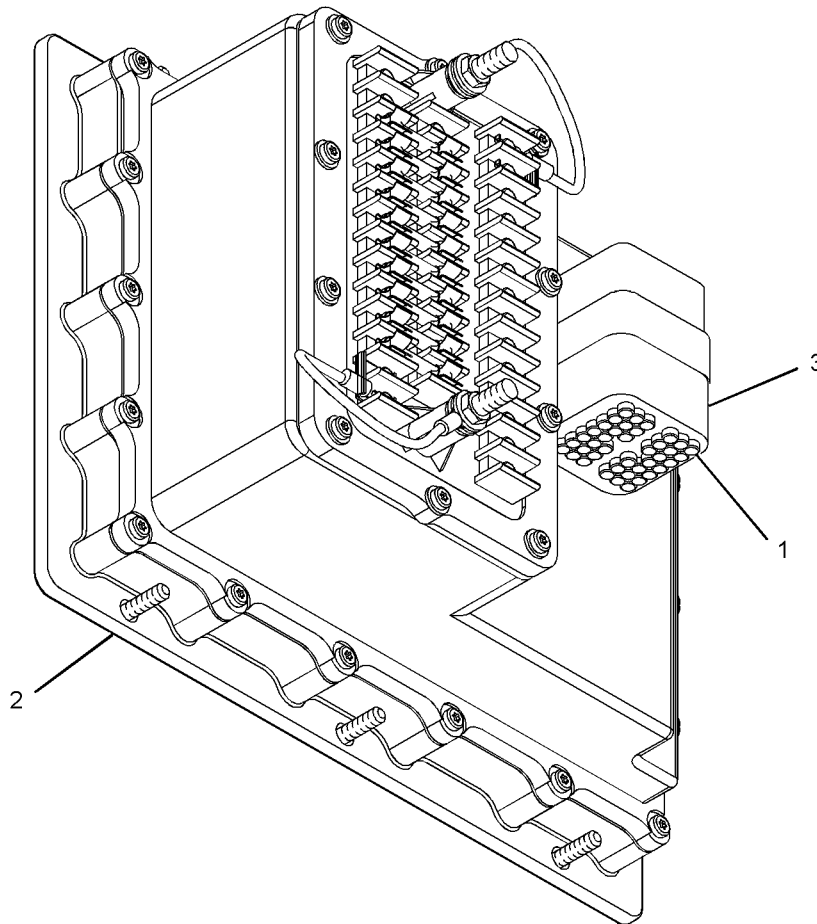
## 133-9300 CONTROL GP-ENGINE ELECTRONIC-RELAY AN ATTACHMENT

SMCS-1901

i03869192

NOTE	REF NO	GRAPHIC REF	PART NUMBER	QTY	PART NAME						SEE PAGE
					1	2	3	4	5	6 (PRODUCT LEVEL)	
	1	1	<b>8T-8737</b>	40	PLUG-SEAL						
CY	2	1	144-1624	1	CONTROL GP-ENGINE MONITORING (PROGRAMMABLE RELAY CONTROL MOD)						401
	3	1	<b>110-6845</b>	1	PLUG AS-CONNECTOR (40-PIN)						

C-CHANGE FROM PREVIOUS TYPE  
Y-SEPARATE ILLUSTRATION



GRAPHIC #1

<END>

g01277079

# ELECTRICAL AND STARTING SYSTEM

## 206-2710 CONTROL GP-ENGINE ELECTRONIC\*R

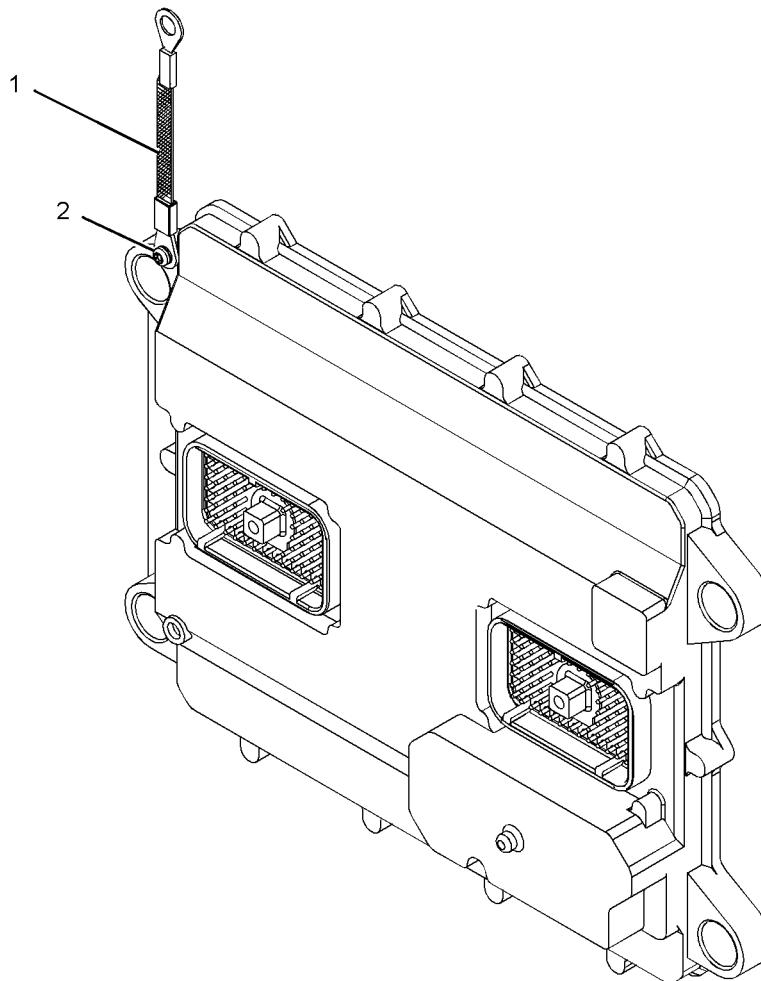
PART OF 206-2711 CONTROL GP-ENGINE ELECTRONIC

SMCS-1901

i03811988

NOTE	REF NO	GRAPHIC REF	PART NUMBER	QTY	PART NAME						SEE PAGE
					1	2	3	4	5	6 (PRODUCT LEVEL)	
	1	1	<b>7X-6315</b>	1	STRAP AS-GROUND						
	2	1	<b>184-2472</b>	1	SCREW-PAN HEAD (8-32X0.375-IN)						
AFR		1	<b>322-3612</b>	1	CONTROL GP-ENGINE ELECTRONIC (OPTIONAL SERVICE REPLACEMENT)						

A-NOT PART OF THIS GROUP  
 F-NOT SHOWN  
 R-REMG PART MAY BE AVAILABLE



GRAPHIC #1

<END>

g01180180

# ELECTRICAL AND STARTING SYSTEM

## 206-2711 CONTROL GP-ENGINE ELECTRONIC

ADEMIII - 16

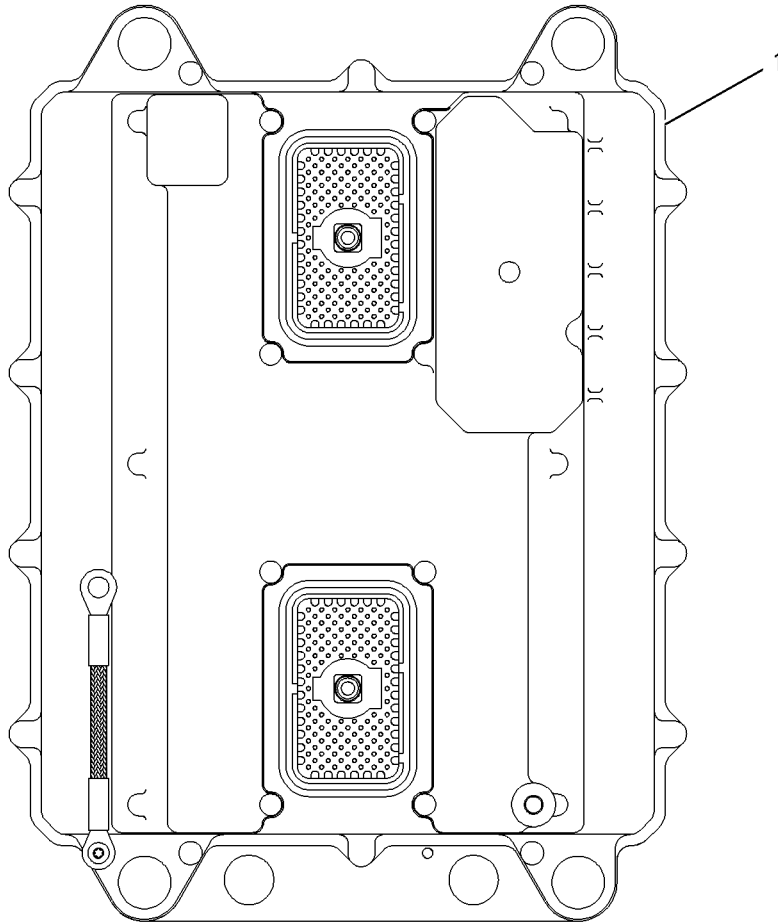
PART OF 220-2677 CONTROL & MTG GP-ENGINE ELEK

SMCS-1901

i01931782

NOTE	REF NO	GRAPHIC REF	PART NUMBER	QTY	PART NAME						SEE PAGE
					1	2	3	4	5	6 (PRODUCT LEVEL)	
Y	1	1	206-2710	1	CONTROL GP-ENGINE ELECTRONIC						301

Y-SEPARATE ILLUSTRATION



GRAPHIC #1

<END>

g00892529



# ELECTRICAL AND STARTING SYSTEM

## 206-2711 CONTROL GP-ENGINE ELECTRONIC

S/N: LLA1914-UP

ADEMIII - 16

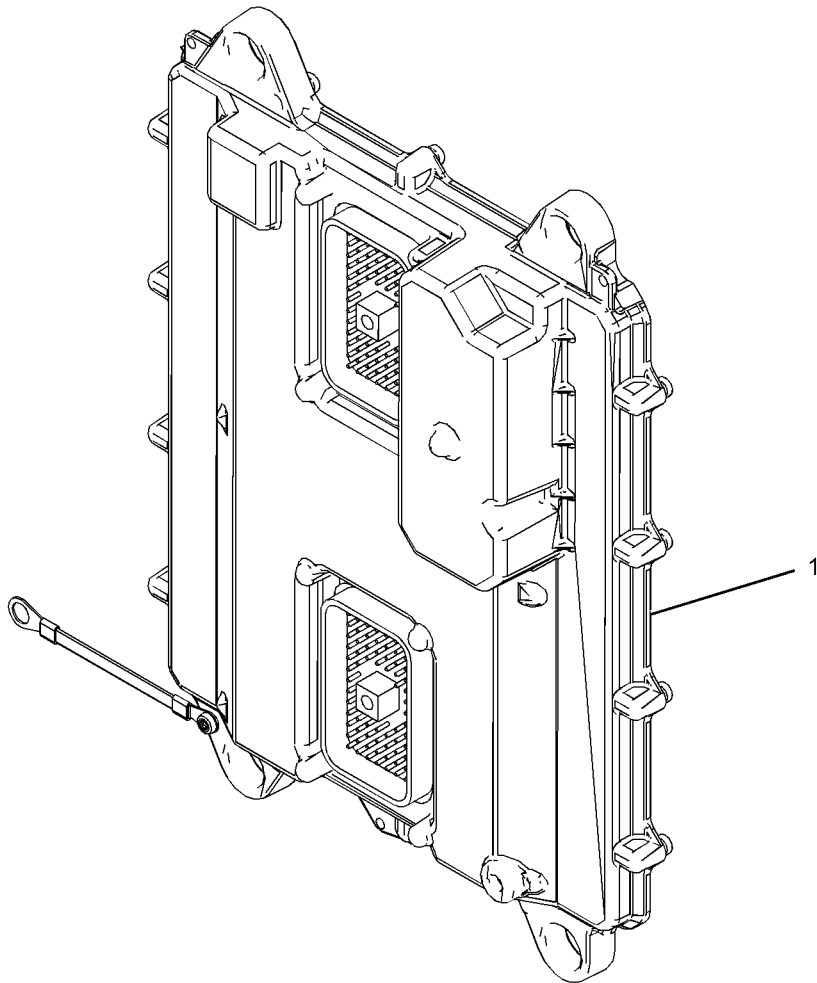
PART OF 220-2677 CONTROL & MTG GP-ENGINE ELEK

SMCS-1901

i03870046

NOTE	REF NO	GRAPHIC REF	PART NUMBER	QTY	PART NAME						SEE PAGE
					1	2	3	4	5	6 (PRODUCT LEVEL)	
R	1	1	322-3612	1	CONTROL GP-ENGINE ELECTRONIC						
		1	7X-6315	1	STRAP AS-GROUND						
		1	184-2472	1	SCREW-PAN HEAD (8-32X0.375-IN)						

R-REMFG PART MAY BE AVAILABLE



GRAPHIC #1

<END>

g01797137

# ELECTRICAL AND STARTING SYSTEM

## 276-0447 CONTROL GP-JACKET WATER HEATER

AN ATTACHMENT

SMCS - 1383

i02716357

NOTE	PART NUMBER	QTY	PART NAME						SEE PAGE
			1	2	3	4	5	6 (PRODUCT LEVEL)	
Y	276-0450	1	BOX	GP	-	JUNCTION		288	
Y	276-0448	1	MOUNTING	GP	-	BOX		327	

Y-SEPARATE ILLUSTRATION

<END>

# ELECTRICAL AND STARTING SYSTEM

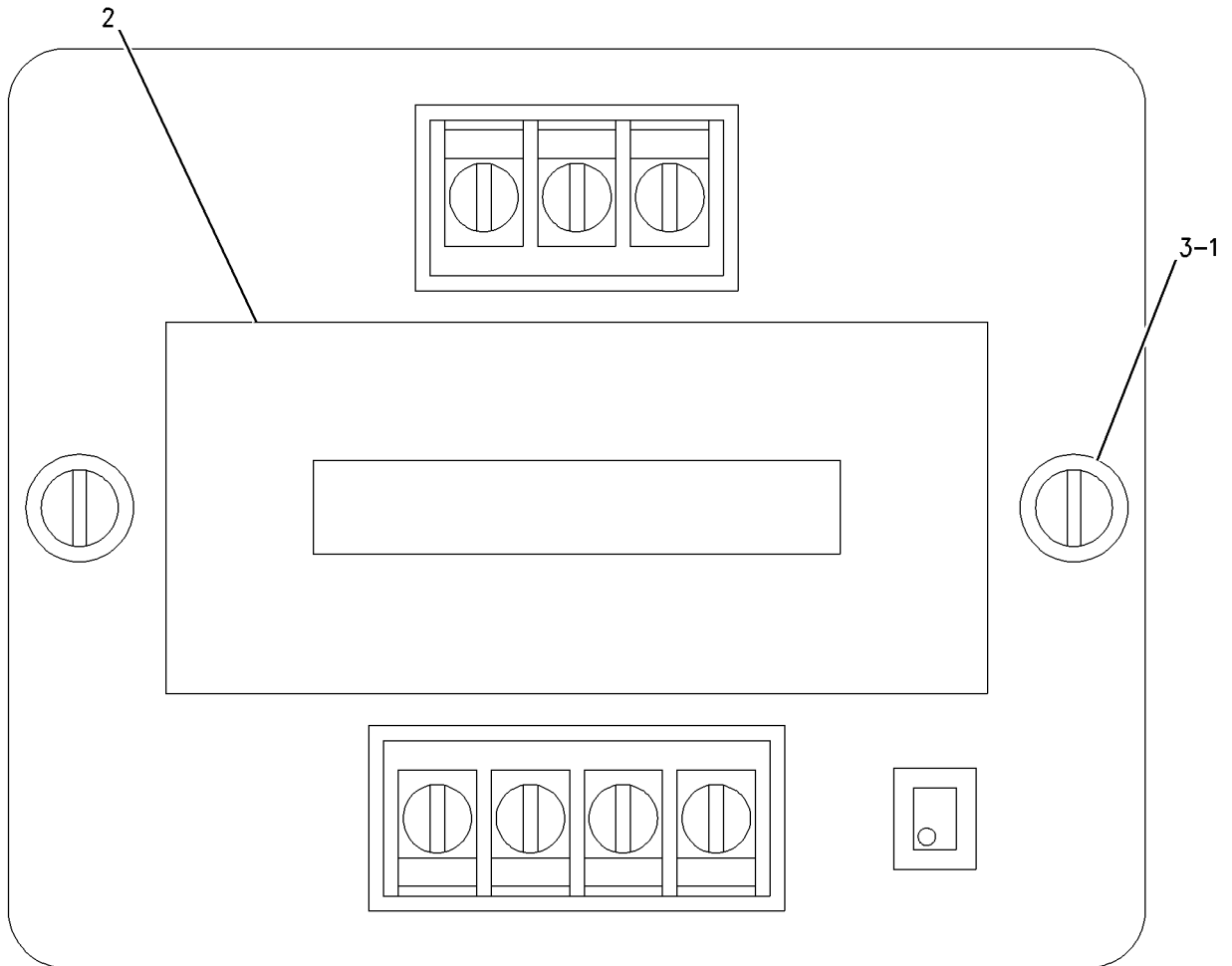
## 9X-9591 CONVERTER GP-ELECTRICAL

PULSE WIDTH MODULATED  
PART OF 134-6323 WIRING GP-PANEL  
AN ATTACHMENT

SMCS-1421

i03686440

NOTE	REF NO	GRAPHIC REF	PART NUMBER	QTY	PART NAME						SEE PAGE
					1	2	3	4	5	6 (PRODUCT LEVEL)	
	1	1	4B-4863	2	WASHER (4.7X11X1.2-MM THK)						
	2	1	9X-9857	1	FILM-IDENTIFICATION (CATERPILLAR)						
	3	1	3K-8106	2	SCREW-MACHINE (8-32X1-IN)						



GRAPHIC #1

<END>

g00774430

# ELECTRICAL AND STARTING SYSTEM

## 115-5163 ENCLOSURE GP-WIRING

PART OF 115-5164 BOX & MOUNTING GP

AN ATTACHMENT

SMCS-1408

i02469612

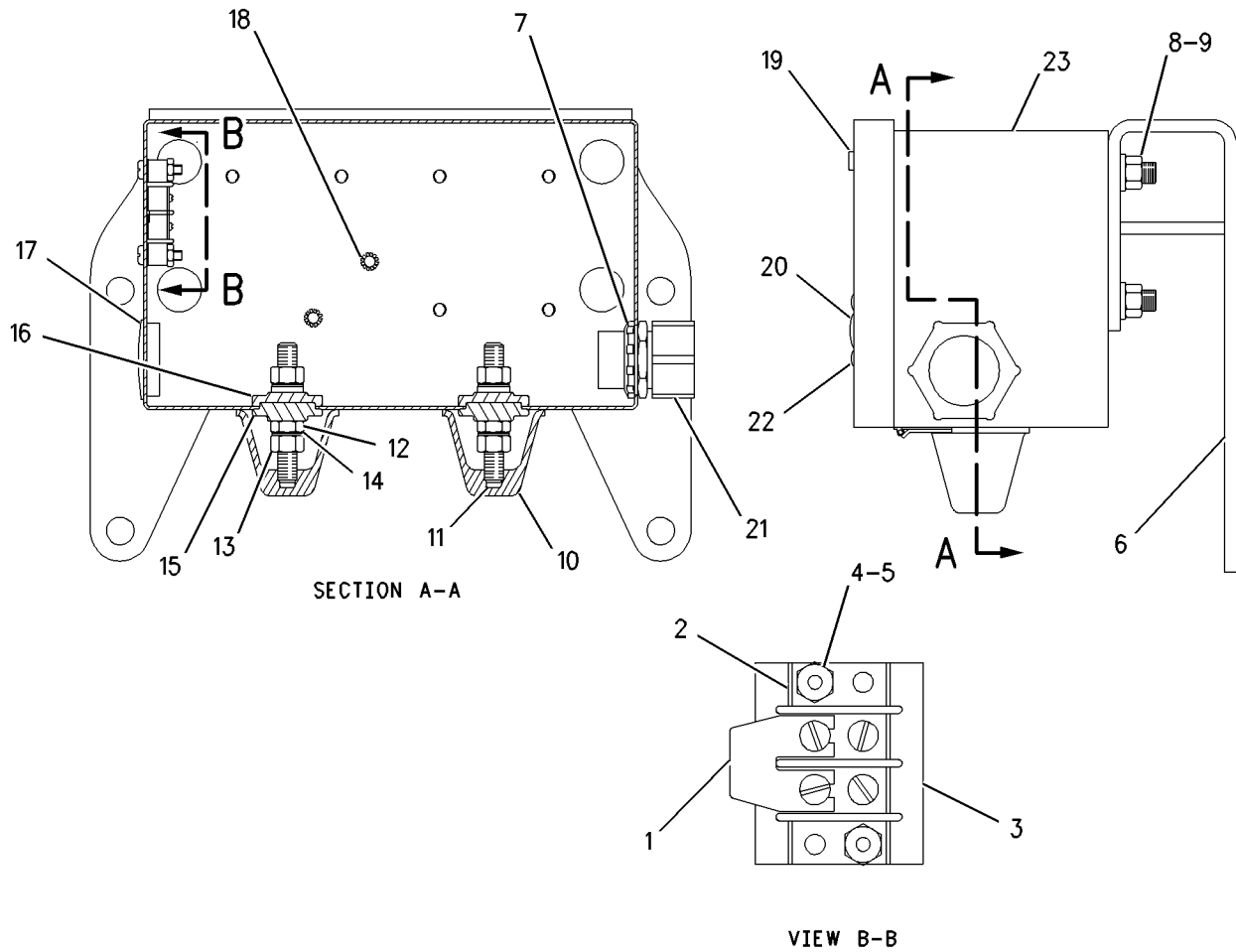
NOTE	REF NO	GRAPHIC REF	PART NUMBER	QTY	PART NAME						SEE PAGE
					1	2	3	4	5	6 (PRODUCT LEVEL)	
	1	1	6L-8150	1	JUMPER-STRIP (TERMINAL)						
	2	1	6L-5855	1	STRIP-TERMINAL						
	3	1	5N-0367	1	FILM-IDENTIFICATION (TERMINAL MARKER)						
	4	1	4B-2047	2	NUT (10-24-THD)						
	5	1	2N-3480	2	SCREW-MACHINE (10-24X0.75-IN)						
	6	1	115-5161	1	BRACKET AS						
C	7	1	104-3649	1	LOCKNUT (1-1/4-11-1/2 NPTF-THD)						
	8	1	5M-2894	4	WASHER-HARD (10.2X18.5X2.5-MM THK)						
	9	1	9S-8752	4	NUT-FULL (3/8-16-THD)						
	10	1	5N-8998	2	BOOT						
	11	1	5N-7510	2	STUD (3/8-16, 3/8-16X2.76-IN)						
	12	1	6H-5431	2	NUT-BRASS JAM (3/8-16-THD)						
	13	1	5P-7751	4	NUT-BRONZE (3/8-16-THD)						
	14	1	3L-7314	8	WASHER (0.406X0.62X0.032-IN THK)						
	15	1	7W-2709	2	INSULATOR						
	16	1	7W-2710	2	INSULATOR						
C	17	1	1V-9020	1	PLUG-BUTTON						
	18	1	5N-3174	2	PLUG-BUTTON						
	19	1	9M-5520	2	SCREW-TAPPING (10-24X0.5-IN)						
	20	1	3L-4566	3	PLUG-BUTTON						
C	21	1	190-9372	1	CONNECTOR						
	22	1	6K-9591	6	PLUG-BUTTON						
C	23	1	191-8394	1	ENCLOSURE AS						

C-CHANGE FROM PREVIOUS TYPE

# ELECTRICAL AND STARTING SYSTEM

115-5163 ENCLOSURE GP-WIRING (contd.)

i02469612



GRAPHIC #1

<END>

g00780537

# ELECTRICAL AND STARTING SYSTEM

## 357-3041 FRAME GP-GENERATOR CONNECTION

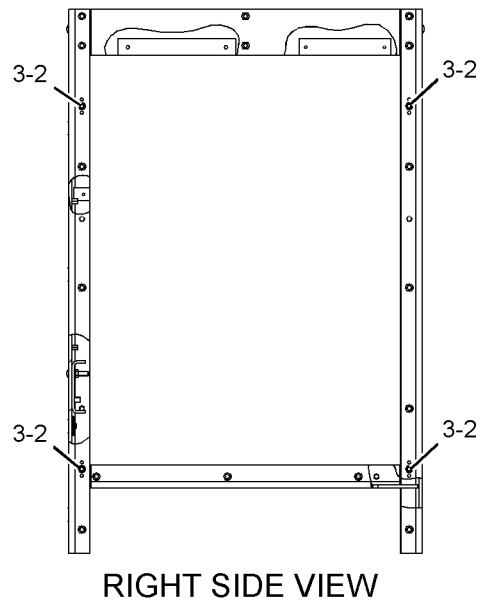
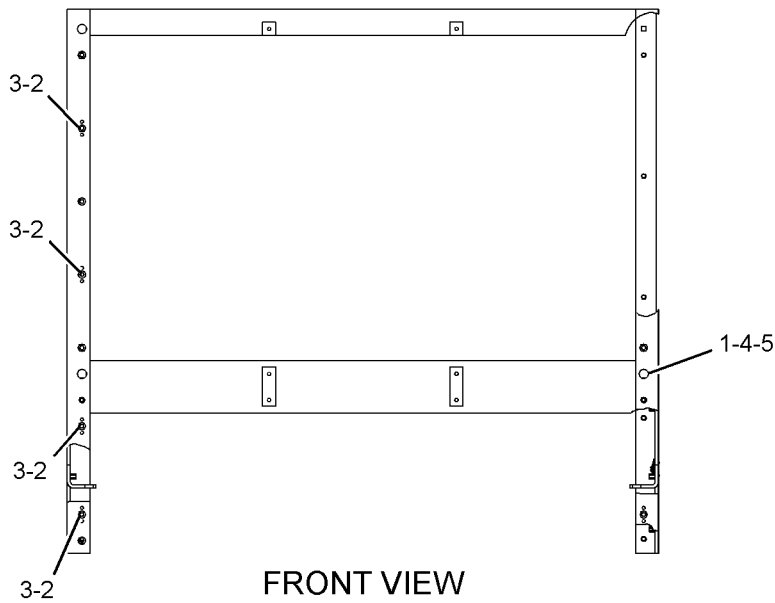
820-FRAME

PART OF 357-3045 BOX GP-GENERATOR CONNECTION  
AN ATTACHMENT

SMCS-4460, 7050

i03862849

NOTE	REF NO	GRAPHIC REF	PART NUMBER	QTY	PART NAME						SEE PAGE
					1	2	3	4	5	6 (PRODUCT LEVEL)	
	1	1	<b>1D-4672</b>	6	BOLT-CARRIAGE (1/2-13X5.5-IN)						
	2	1	<b>235-8354</b>	12	FASTENER						
	3	1	<b>3E-4337</b>	24	RIVET-POP						
	4	1	<b>5S-0003</b>	6	NUT (5/16-18-THD)						
	5	1	<b>9M-1974</b>	6	WASHER-HARD (8.8X16X2-MM THK)						



GRAPHIC #1

<END>

g02113153

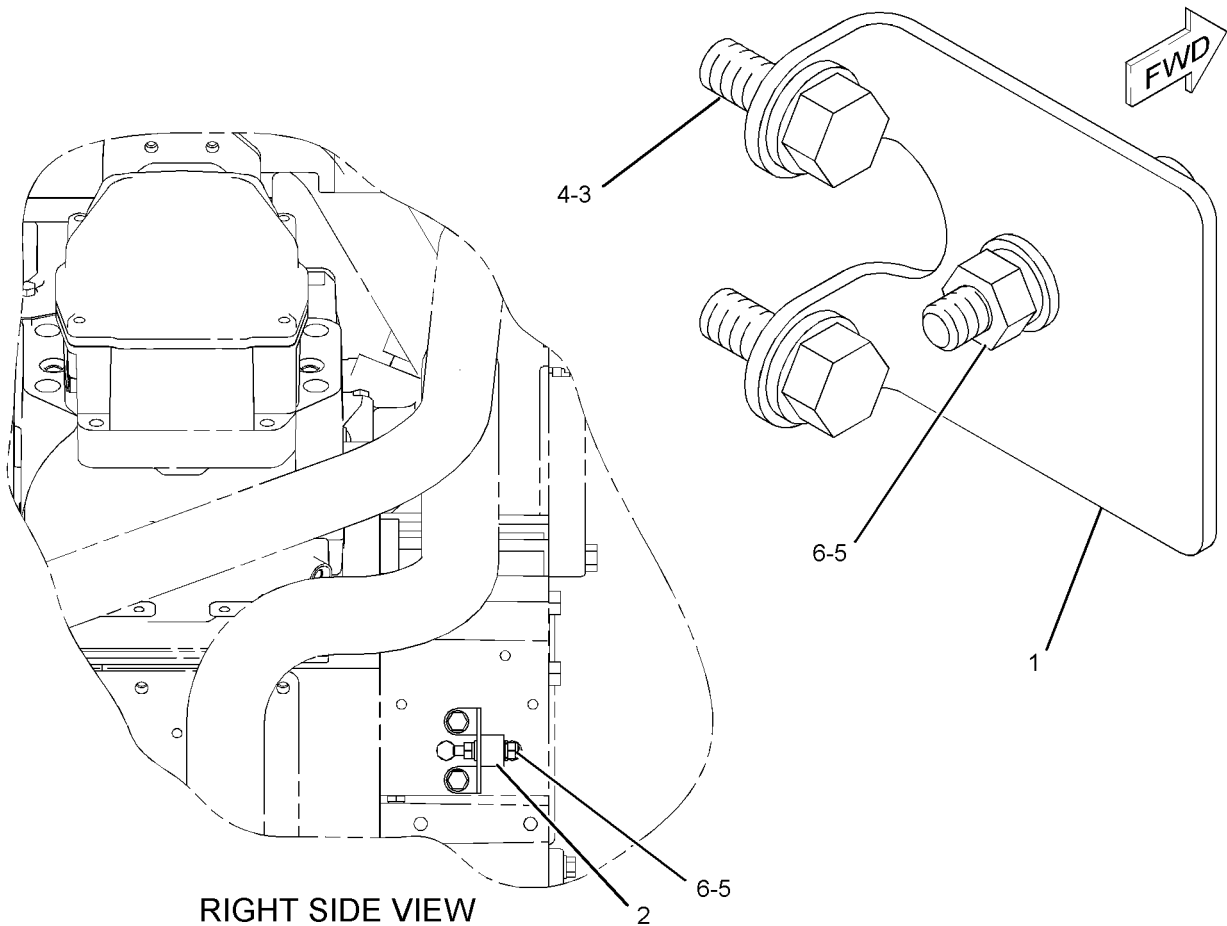
# ELECTRICAL AND STARTING SYSTEM

## 126-9191 GROUND GP-ELECTRICAL-ALTERNATOR AN ATTACHMENT

SMCS-1405

i02246577

NOTE	REF NO	GRAPHIC REF	PART NUMBER	QTY	PART NAME						SEE PAGE
					1	2	3	4	5	6 (PRODUCT LEVEL)	
	1	1	126-9188	1	BRACKET						
	2	1	126-9187	1	MOUNT-FLEXIBLE						
	3	1	5M-2894	2	WASHER-HARD (10.2X18.5X2.5-MM THK)						
	4	1	0L-1351	2	BOLT (3/8-16X0.875-IN)						
	5	1	9M-1974	2	WASHER-HARD (8.8X16X2-MM THK)						
	6	1	3E-9860	2	LOCKNUT (5/16-18-THD)						



GRAPHIC #1

<END>

g01132300

# ELECTRICAL AND STARTING SYSTEM

## 270-1732 HARNESS AS-CONTROL-PL1000T

FOR USE WITH 256-7511-PAGE 297

AN ATTACHMENT

SMCS-1408

i02417749

NOTE	PART NUMBER	QTY	PART NAME						SEE PAGE
			1	2	3	4	5	6 (PRODUCT LEVEL)	
	126-1774	1	COVER-CONNECTOR						
	155-2270	4	KIT-CONNECTING PLUG (2-PIN)						
			(EACH INCLUDES PLUG AS AND WEDGE)						
	102-8804	1	KIT-RECEPTACLE (4-PIN)						
			(INCLUDES RECEPTACLE AS AND WEDGE)						
	257-2719	1	PLUG AS						
	160-7690	1	PLUG AS-CONNECTOR (70-PIN)						
	159-9322	1	SEAL-O-RING						
	8T-8735	1	PLUG-CONNECTOR						
	7K-1181	1	STRAP-CABLE						
	9X-6772	2	STRAP-CABLE						
	218-4935	2	SUPPRESSOR-ARC						
E	119-3662		TUBE-HEAT SHRINK (10.85-MM DIA) (20-CM)						
E	125-7874		TUBE-HEAT SHRINK (5.72-MM DIA) (5-CM)						
	3E-3377	1	WEDGE-RECEPTACLE LOCK (4-PIN)						

E-ORDER BY THE CENTIMETER

<END>

## 276-0785 HARNESS AS-CONTROL-PL1000E

AN ATTACHMENT

SMCS-1408

i02384488

NOTE	PART NUMBER	QTY	PART NAME						SEE PAGE
			1	2	3	4	5	6 (PRODUCT LEVEL)	
	8C-6354	1	CAP-RECEPTACLE						
	126-1774	1	COVER-CONNECTOR						
	155-2270	2	KIT-CONNECTING PLUG (2-PIN)						
			(EACH INCLUDES PLUG ASSEMBLY AND WEDGE)						
	102-8804	1	KIT-RECEPTACLE (4-PIN)						
			(INCLUDES RECEPTACLE ASSEMBLY AND WEDGE)						
	171-5349	1	STRAP-MARKER						
	186-3735	7	PIN-CONNECTOR (16-GA TO 18-GA)						
	257-2719	1	PLUG AS						
	160-7690	1	PLUG AS-CONNECTOR (70-PIN)						
	159-9322	1	SEAL-O-RING						
	8T-8735	1	PLUG-CONNECTOR						
	8T-8737	65	PLUG-SEAL						
	9W-1951	1	RECEPTACLE-CONNECTOR (9-PIN)						
	186-3736	10	SOCKET-CONNECTOR (16-GA TO 18-GA)						
	9X-3402	14	SOCKET-CONNECTOR (16-GA TO 18-GA)						
	126-1768	14	SOCKET-CONNECTOR (14-GA)						
	7K-1181	1	STRAP-CABLE						
	9X-6772	2	STRAP-CABLE						
	218-4935	2	SUPPRESSOR-ARC						
E	119-3662		TUBE-HEAT SHRINK (10.85-MM DIA) (20-CM)						
E	125-7875		TUBE-HEAT SHRINK (7.44-MM DIA) (5-CM)						

E-ORDER BY THE CENTIMETER

<END>



# ELECTRICAL AND STARTING SYSTEM

## 253-7340 HARNESS AS-ENGINE

PART OF 253-7391 WIRING GP-ENGINE  
AN ATTACHMENT

SMCS-1408

i02553092

NOTE	PART NUMBER	QTY	PART NAME						SEE PAGE
			1	2	3	4	5	6 (PRODUCT LEVEL)	
	8N-1521	2	BELL AS-END						
	8T-8827	1	BOOT (RED)						
	037-5197	4	BOOT						
	8C-6354	1	CAP-RECEPTACLE						
	3T-3048	1	CLIP AS						
	126-1774	2	COVER-CONNECTOR						
	9G-8909	1	COVER-TERMINAL (BLACK)						
	3B-3638	6	BOOT						
	7N-9737	1	HOUSING-RECEPTACLE (14-GA TO 18-GA)						
	7N-9738	1	HOUSING-RECEPTACLE (14-GA TO 18-GA)						
	155-2270	30	KIT-CONNECTING PLUG (2-PIN)						
	155-2260	15	KIT-CONNECTING PLUG (3-PIN)						
	174-0503	1	KIT-CONNECTING PLUG (3-PIN) (EACH KIT INCLUDES PLUG AS AND WEDGE)						
	102-8802	6	KIT-RECEPTACLE (2-PIN)						
	102-8803	12	KIT-RECEPTACLE (3-PIN) (EACH KIT INCLUDES RECEPTACLE AS AND WEDGE)						
	8N-1542	3	PIN-CONNECTOR (10-GA)						
	8N-1546	2	PIN-CONNECTOR (6-GA)						
	8N-1540	4	PIN-CONNECTOR (12-GA TO 14-GA)						
	7N-7780	1	PIN-CONNECTOR (14-GA TO 18-GA)						
	9X-6856	14	PIN-CONNECTOR (16-GA TO 18-GA)						
	186-3735	34	PIN-CONNECTOR (16-GA TO 18-GA)						
	9G-3695	77	PLUG-SEAL						
	174-3016	1	PLUG AS-CONNECTOR (3-PIN)						
	3T-3044	1	PLUG AS-CONNECTOR (25-PIN)						
	8N-1518	1	PLUG AS-CONNECTOR (25-PIN)						
	147-1443	1	PLUG AS-CONNECTOR (70-PIN)						
	159-9322	1	SEAL-O-RING						
	160-7690	1	PLUG AS-CONNECTOR (70-PIN)						
	159-9322	1	SEAL-O-RING						
	7G-7918	2	PLUG-SEAL						
	7G-7920	2	PLUG-SEAL						
	7G-7917	6	PLUG-SEAL						
	7G-7919	2	PLUG-SEAL						
	133-0970	1	RECEPTACLE AS (TEE)						
	9X-6857	12	SOCKET-CONNECTOR (16-GA TO 18-GA)						
	186-3736	123	SOCKET-CONNECTOR (16-GA TO 18-GA)						
	8N-1541	4	SOCKET-CONNECTOR (12-GA TO 14-GA)						
	8N-1543	1	SOCKET-CONNECTOR (10-GA)						
	7N-7779	1	SOCKET-CONNECTOR (14-GA TO 18-GA)						
	9W-0844	6	SOCKET-CONNECTOR (14-GA)						
	9X-6772	2	STRAP-CABLE						
E	8T-6342		TUBE-HEAT SHRINK (3.2-MM DIA) (25-CM)						
	3E-3371	10	WEDGE-RECEPTACLE LOCK (3-PIN)						
E-ORDER BY THE CENTIMETER									
<b>&lt;END&gt;</b>									

# ELECTRICAL AND STARTING SYSTEM

## 121-4112 HARNESS AS-PANEL-PYROMETER INTERCONNECT 25-FT LENGTH AN ATTACHMENT

SMCS-1408, 7451

i01304825

NOTE	PART NUMBER	QTY	PART NAME	SEE PAGE
			1 2 3 4 5 6 (PRODUCT LEVEL)	
			(NO SERVICED PARTS)	
			<END>	

## 141-0717 HARNESS AS-PANEL-INTERCONNECT 25-FT LENGTH FOR USE WITH SWITCHGEAR CONVERSION AN ATTACHMENT

SMCS-1408, 7451

i01304840

NOTE	PART NUMBER	QTY	PART NAME	SEE PAGE
			1 2 3 4 5 6 (PRODUCT LEVEL)	
			(NO SERVICED PARTS)	
			<END>	

# ELECTRICAL AND STARTING SYSTEM

## 174-1436 HARNESS AS-PANEL-INSTRUMENT

PART OF 125-7089, 125-9745 BOX GP-INSTRUMENT PANEL  
AN ATTACHMENT

SMCS-1408, 7451

i03660521

NOTE	PART NUMBER	QTY	PART NAME						SEE PAGE
			1	2	3	4	5	6 (PRODUCT LEVEL)	
	109-3038	49	END-WIRE (16-GA)						
	112-7497	10	END-WIRE (14-GA)						
	120-4510	15	END-WIRE (14-GA)						
	126-2211	6	END-WIRE (4-GA)						
	155-2265	1	KIT-CONNECTING PLUG (8-PIN) (INCLUDES PLUG AS AND WEDGE)						
	9X-6856	6	PIN-CONNECTOR (16-GA TO 18-GA)						
	8N-1540	1	PIN-CONNECTOR (12-GA TO 14-GA)						
	186-3735	37	PIN-CONNECTOR (16-GA TO 18-GA)						
	9W-0852	5	PIN-CONNECTOR (14-GA)						
	8T-9834	1	PLUG AS-CONNECTOR (40-PIN)						
	3E-4367	1	RING-RETAINING						
M	3E-8557	1	BOLT (M5X0.8X39.37-MM)						
	9X-3132	2	SEAL-CONNECTOR (40-PIN)						
	8N-1517	1	RECEPTACLE AS-CONNECTOR (25-PIN)						
	8N-1522	1	NUT (2-1/4-16-THD)						
	3T-3043	1	RECEPTACLE AS-CONNECTOR (25-PIN)						
	8N-1522	1	NUT (2-1/4-16-THD)						
	9X-0145	1	RECEPTACLE AS-CONNECTOR (24-PIN)						
	9X-1343	1	RECEPTACLE AS-CONNECTOR (40-PIN)						
	9W-1951	1	RECEPTACLE-CONNECTOR (9-PIN)						
	8N-1541	4	SOCKET-CONNECTOR (12-GA TO 14-GA)						
	8N-1543	3	SOCKET-CONNECTOR (10-GA)						
	8N-1547	2	SOCKET-CONNECTOR (6-GA)						
	9X-6857	13	SOCKET-CONNECTOR (16-GA TO 18-GA)						
	186-3736	30	SOCKET-CONNECTOR (16-GA TO 18-GA)						
	8L-8413	46	STRAP-CABLE						
	9W-0073	1	SWITCH AS-PUSH BUTTON (ALARM SILENCE)						
	7E-8866	18	TERMINAL-BLADE (14-GA TO 16-GA) (14-GA TO 16-GA)						
	5P-5618	11	TERMINAL-BLADE (10-GA TO 12-GA)						
	5P-2321	7	TERMINAL-FORK (14-GA TO 16-GA, NO. 6 SCREW)						
	2L-8067	4	TERMINAL-RING (10-GA TO 12-GA, 1/4-IN SCREW)						
	2L-8075	54	TERMINAL-RING (14-GA TO 16-GA, NO. 8 SCREW)						
D	6V-2689		TUBE-HEAT SHRINK (6.35-MM DIA) (0.1-M)						
D-ORDER BY THE METER M-METRIC PART									

<END>

# ELECTRICAL AND STARTING SYSTEM

## 7E-6247 HEATER GP-JACKET WATER

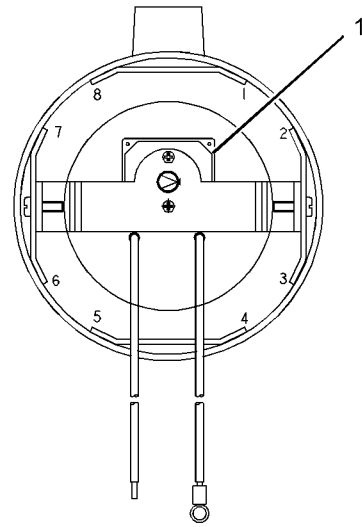
120-VOLT TO 240-VOLT, 3-KILOWATT  
AN ATTACHMENT  
TYPE 1

SMCS-1383

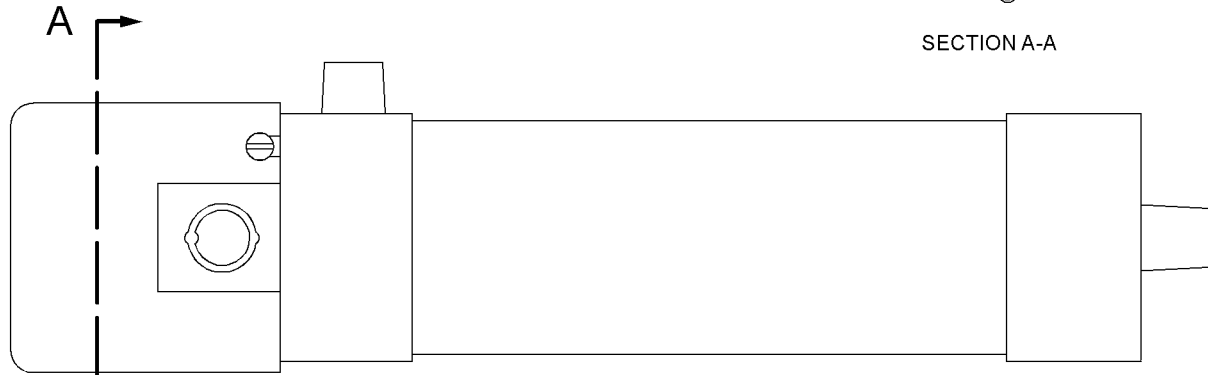
i03021944

NOTE	REF NO	GRAPHIC REF	PART NUMBER	QTY	PART NAME	SEE PAGE
C	1	1	127-6260	1	THERMOSTAT AS (20-DEG C TO 80-DEG C) (JACKET WATER HEATER)	

C-CHANGE FROM PREVIOUS TYPE



SECTION A-A



GRAPHIC #1

<END>

g01397474

# ELECTRICAL AND STARTING SYSTEM

## 7E-6247 HEATER GP-JACKET WATER

120-VOLT TO 240-VOLT, 3-KILOWATT

AN ATTACHMENT

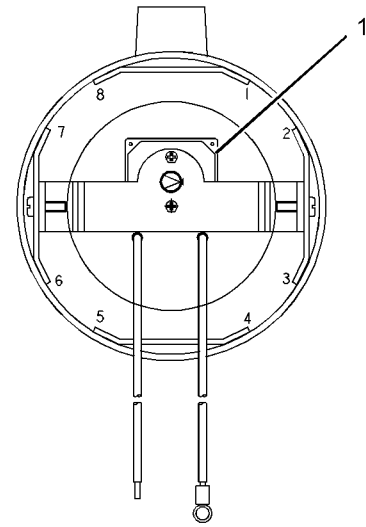
TYPE 2

SMCS-1383

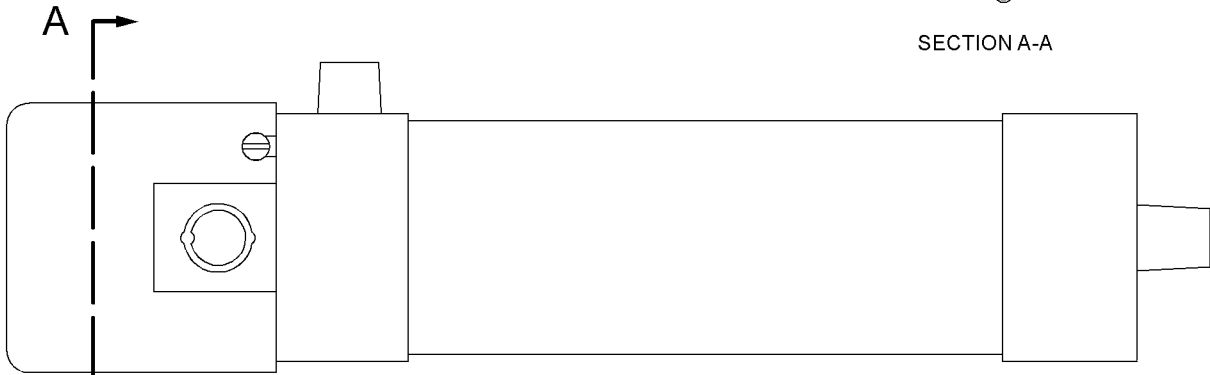
i03167895

NOTE	REF NO	GRAPHIC REF	PART NUMBER	QTY	PART NAME 1 2 3 4 5 6 (PRODUCT LEVEL)	SEE PAGE
C	1	1	109-8932	1	THERMOSTAT (60 DEG F TO 160 DEG F) (JACKET WATER HEATER)	

C-CHANGE FROM PREVIOUS TYPE



SECTION A-A



GRAPHIC #1

<END>

g01397474

# ELECTRICAL AND STARTING SYSTEM

## 200-6504 HEATER GP-JACKET WATER

240-VOLT TO 480-VOLT AC, 6-KILOWATT

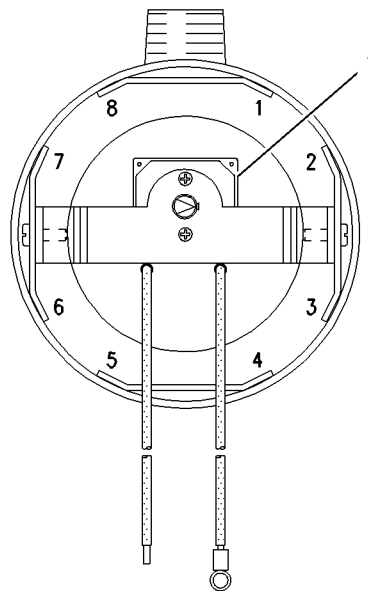
AN ATTACHMENT

TYPE 1

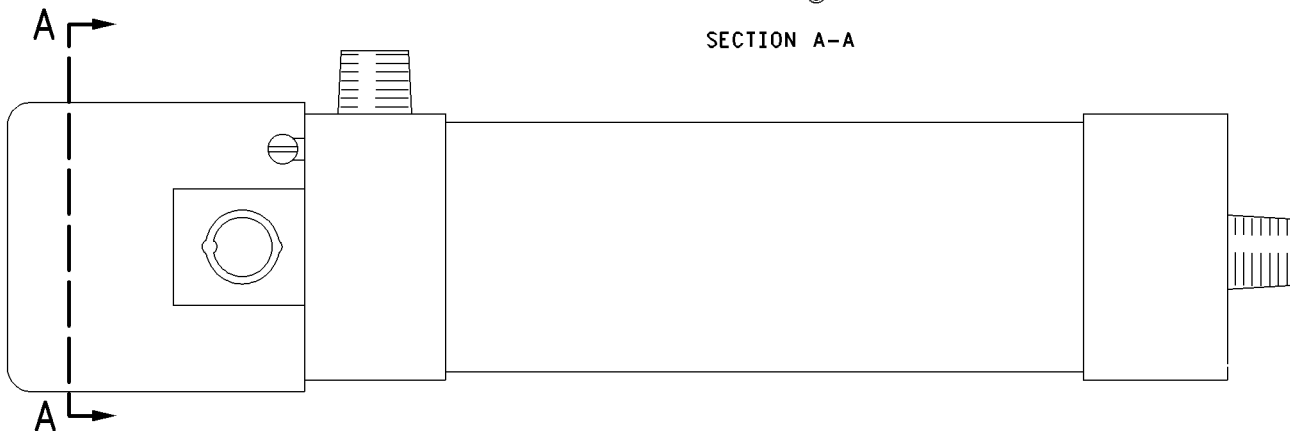
SMCS-1383

i03021477

NOTE	REF NO	GRAPHIC REF	PART NUMBER	QTY	PART NAME	SEE PAGE
	1	1	127-6260	1	1 2 3 4 5 6 (PRODUCT LEVEL) THERMOSTAT AS (20-DEG C TO 80-DEG C) (JACKET WATER HEATER)	



SECTION A-A



GRAPHIC #1

<END>

g01000471

# ELECTRICAL AND STARTING SYSTEM

## 200-6504 HEATER GP-JACKET WATER

240-VOLT TO 480-VOLT AC, 6-KILOWATT

AN ATTACHMENT

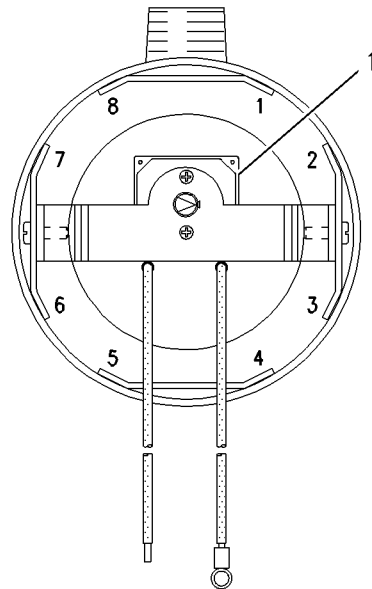
TYPE 2

SMCS-1383

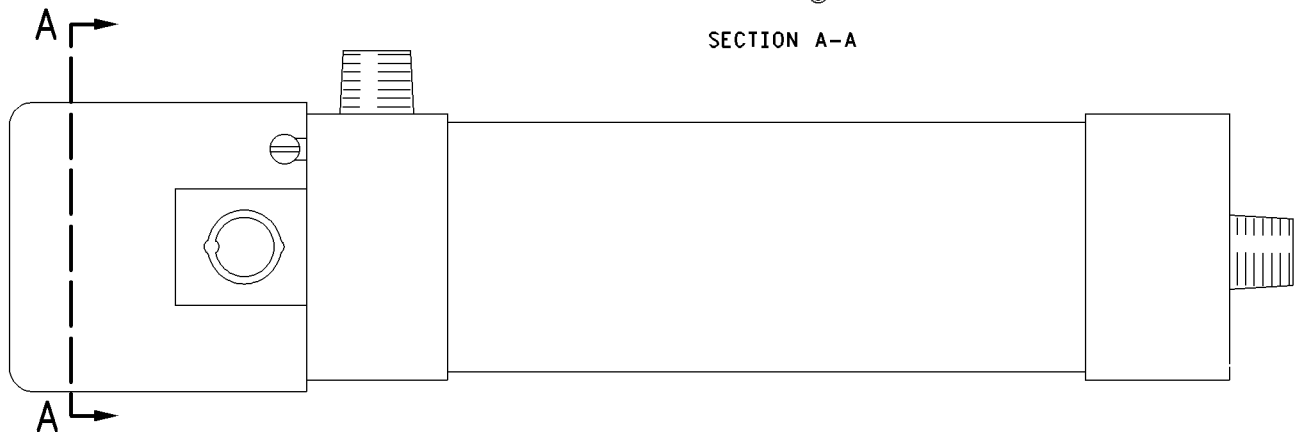
i03167554

NOTE	REF NO	GRAPHIC REF	PART NUMBER	QTY	PART NAME						SEE PAGE
					1	2	3	4	5	6 (PRODUCT LEVEL)	
C	1	1	109-8932	1	THERMOSTAT (60 DEG F TO 160 DEG F) (JACKET WATER HEATER)						

C-CHANGE FROM PREVIOUS TYPE



SECTION A-A



GRAPHIC #1

<END>

g01000471

# ELECTRICAL AND STARTING SYSTEM

## 7W-9269 LINES GP-AIR STARTING-RH FOR USE WITH MANUAL AND ELECTRIC AIR START AN ATTACHMENT TYPE 1

SMCS-1451

i02765752

NOTE	REF NO	GRAPHIC REF	PART NUMBER	QTY	PART NAME						SEE PAGE
					1	2	3	4	5	6 (PRODUCT LEVEL)	
	1	1	4M-5317	1	BUSHING-REDUCING						
I	2	1	4W-4536	1	HOSE AS						
	3	1	6K-1972	2	ELBOW-FLARED						
J	4	1	4N-3411	1	VALVE GP-RELAY (AIR STARTING)						
	5	1	5P-1075	2	WASHER-HARD (10.2X22.5X3-MM THK)						
	6	1	9S-8752	2	NUT-FULL (3/8-16-THD)						
	7	1	5L-2534	1	U-BOLT						
	8	1	7C-2946	1	BRACKET						
	9	1	7X-0332	2	BOLT (1/2-13X4.5-IN)						
	10	1	8T-4223	2	WASHER-HARD (13.5X25.5X3-MM THK)						
	11	1	9S-9238	2	SPACER (13.49X23.88X16.13-MM THK)						
	12	1	5B-7666	3	ELBOW						
C	13	1	2L-2811	2	FITTING						
	14	1	3J-7355	2	UNION-FLARED						
C	15	1	3L-8993	1	FITTING						
	16	1	030-7961	1	ELBOW						
C	18	1	3B-6492	1	COUPLING-PIPE						
CY	19	1	119-6284	1	LUBRICATOR GP-AIR MOTOR						326
I	20	1	3N-4622	1	HOSE AS						
I	21	1	2V-5956	1	HOSE AS						
I	22	1	6F-5985	1	HOSE AS						
					AVAILABLE REPAIR KIT(S):						
J			7C-5105	KIT-VALVE SEAL (AIR STARTING)							
					(INCLUDES SEALS, BUMPER AND RETAINER)						

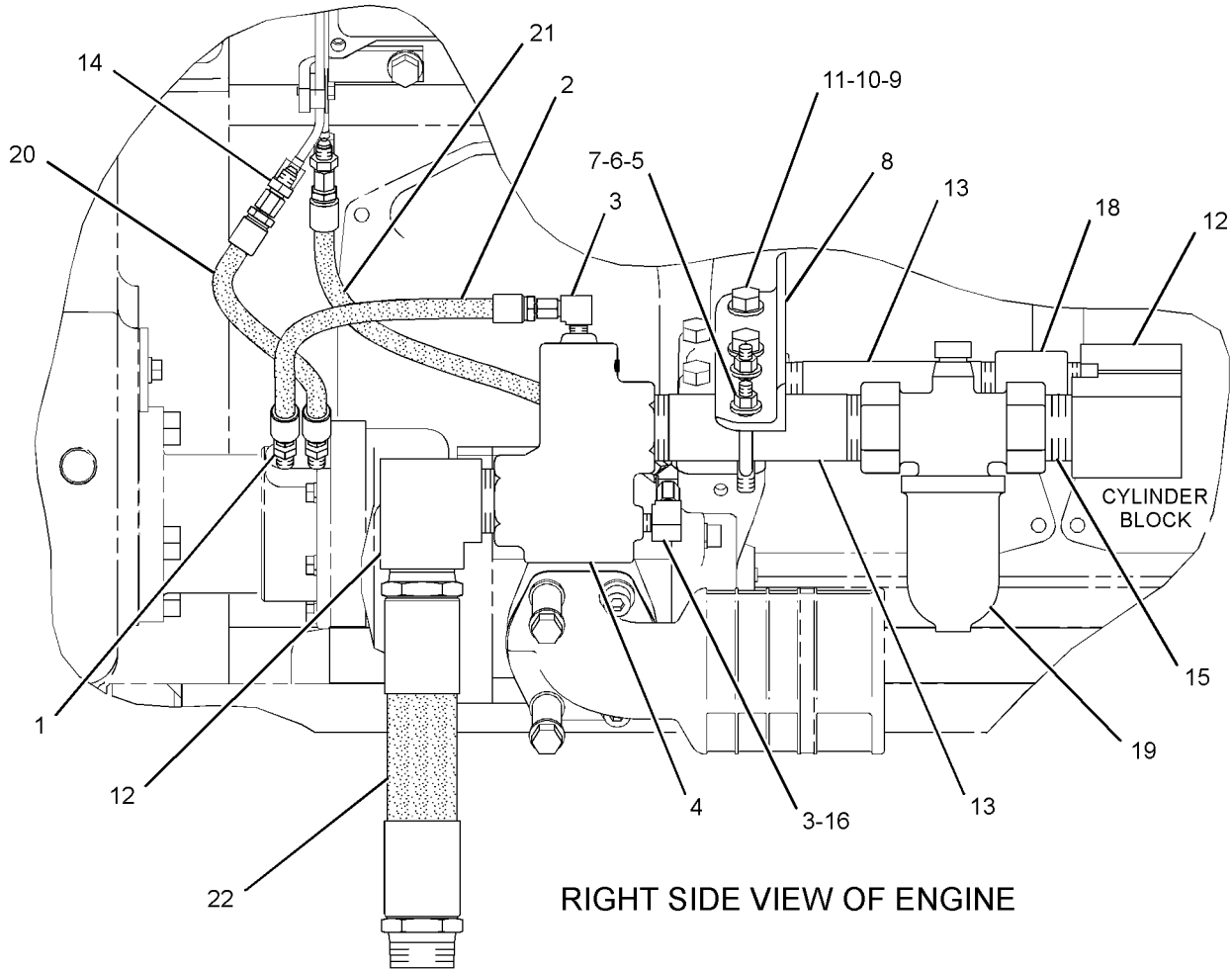
C-CHANGE FROM PREVIOUS TYPE  
I-REFER TO HYDRAULIC INFORMATION SYSTEM  
J-KIT MARKED J SERVICES PART MARKED J  
Y-SEPARATE ILLUSTRATION



# ELECTRICAL AND STARTING SYSTEM

7W-9269 LINES GP-AIR STARTING (contd.)

i02765752



RIGHT SIDE VIEW OF ENGINE

GRAPHIC #1

<END>

g01288249

# ELECTRICAL AND STARTING SYSTEM

## 7W-9269 LINES GP-AIR STARTING-RH FOR USE WITH MANUAL AND ELECTRIC AIR START AN ATTACHMENT TYPE 2

SMCS-1451

i03861073

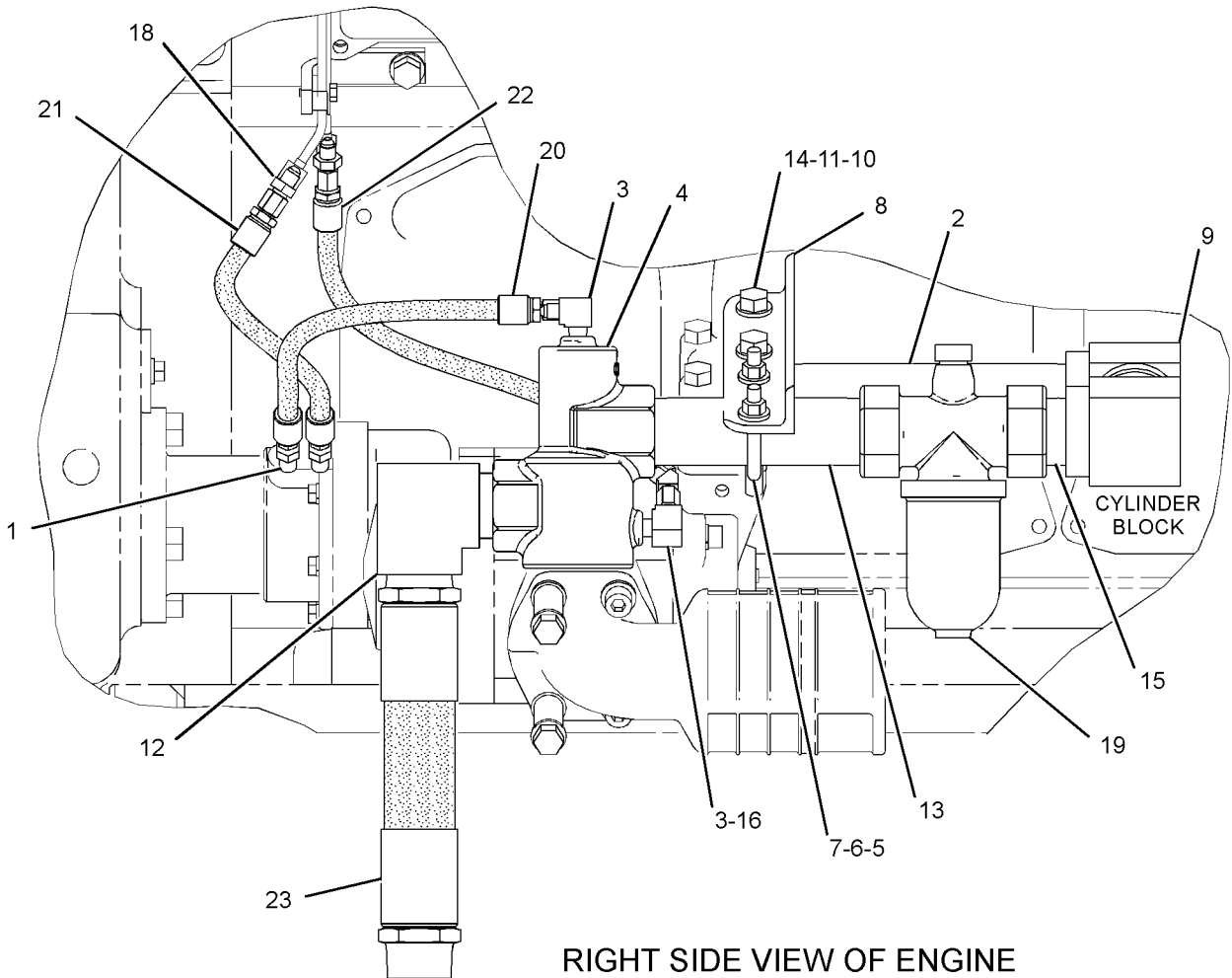
NOTE	REF NO	GRAPHIC REF	PART NUMBER	QTY	PART NAME						SEE PAGE
					1	2	3	4	5	6 (PRODUCT LEVEL)	
	1	1	4M-5317	1	BUSHING-REDUCING						
C	2	1	149-3996	1	NIPPLE-PIPE						
	3	1	6K-1972	2	ELBOW-FLARED						
J	4	1	4N-3411	1	VALVE GP-RELAY (AIR STARTING)						
	5	1	5P-1075	2	WASHER-HARD (10.2X22.5X3-MM THK)						
	6	1	9S-8752	2	NUT-FULL (3/8-16-THD)						
	7	1	5L-2534	1	U-BOLT						
	8	1	7C-2946	1	BRACKET						
C	9	1	6B-3685	2	ELBOW						
	10	1	8T-4223	2	WASHER-HARD (13.5X25.5X3-MM THK)						
	11	1	9S-9238	2	SPACER (13.49X23.88X16.13-MM THK)						
C	12	1	5B-7666	1	ELBOW						
C	13	1	2L-2811	1	FITTING						
	14	1	7X-0332	2	BOLT (1/2-13X4.5-IN)						
C	15	1	3L-8993	2	FITTING						
	16	1	030-7961	1	ELBOW						
	18	1	3J-7355	2	UNION-FLARED						
Y	19	1	119-6284	1	LUBRICATOR GP-AIR MOTOR						326
I	20	1	4W-4536	1	HOSE AS						
I	21	1	3N-4622	1	HOSE AS						
I	22	1	2V-5956	1	HOSE AS						
I	23	1	6F-5985	1	HOSE AS						
					AVAILABLE REPAIR KIT(S):						
J			7C-5105	KIT-VALVE SEAL (AIR STARTING)							
					(INCLUDES SEALS, BUMPER AND RETAINER)						

C-CHANGE FROM PREVIOUS TYPE  
I-REFER TO HYDRAULIC INFORMATION SYSTEM  
J-KIT MARKED J SERVICES PART MARKED J  
Y-SEPARATE ILLUSTRATION

# ELECTRICAL AND STARTING SYSTEM

7W-9269 LINES GP-AIR STARTING (contd.)

i03861073



RIGHT SIDE VIEW OF ENGINE

<END>

g02111453

GRAPHIC #1

# ELECTRICAL AND STARTING SYSTEM

## 8N-8481 LINES GP-AIR STARTING

FOR USE WITH AIR START OR AIR START WITH ELECTRIC PRELUBRICATION. CANNOT BE  
USED WITH NATURAL GAS WITH GREATER THAN 0.1 PERCENT HYDROGEN SULFIDE  
AN ATTACHMENT

SMCS-1451

i03122145

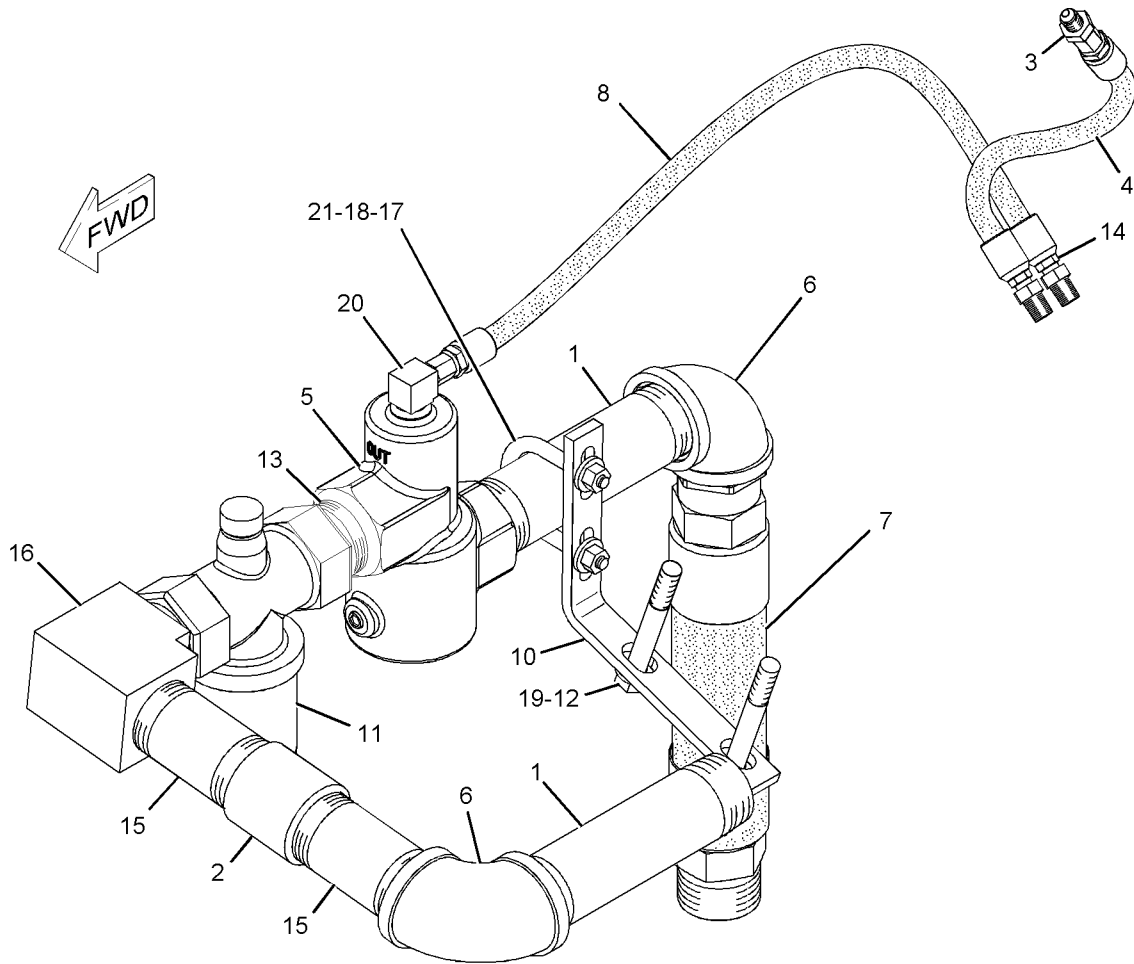
NOTE	REF NO	GRAPHIC REF	PART NUMBER	QTY	PART NAME						SEE PAGE
					1	2	3	4	5	6 (PRODUCT LEVEL)	
C	1	1	2L-2811	2	FITTING						
	2	1	3B-6492	1	COUPLING-PIPE						
	3	1	3J-7355	1	UNION-FLARED						
CI	4	1	3N-4622	1	HOSE AS						
J	5	1	4N-3411	1	VALVE GP-RELAY (AIR STARTING)						
C	6	1	6B-3685	2	ELBOW						
I	7	1	6F-5985	1	HOSE AS						
CI	8	1	6N-3170	1	HOSE AS						
	10	1	8N-8449	1	BRACKET						
Y	11	1	119-6284	1	LUBRICATOR GP-AIR MOTOR						326
	12	1	1B-2886	2	BOLT (1/2-13X3.75-IN)						
C	13	1	3L-8993	1	FITTING						
	14	1	4M-5317	2	BUSHING-REDUCING						
	15	1	5B-7643	2	NIPPLE-PIPE						
C	16	1	5B-7666	1	ELBOW						
	17	1	5L-2534	1	U-BOLT						
	18	1	5P-1075	2	WASHER-HARD (10.2X22.5X3-MM THK)						
C	19	1	5P-8245	2	WASHER-HARD (13.5X25.5X3-MM THK)						
	20	1	6K-1972	1	ELBOW-FLARED						
	21	1	9S-8752	2	NUT-FULL (3/8-16-THD)						
					AVAILABLE REPAIR KIT(S):						
BJ			7C-5105	KIT-VALVE SEAL (AIR STARTING)							
					(INCLUDES SEALS, BUMPER AND RETAINER)						

B-USE AS REQUIRED  
C-CHANGE FROM PREVIOUS TYPE  
I-REFER TO HYDRAULIC INFORMATION SYSTEM  
J-KIT MARKED J AVAILABLE FOR PART MARKED J  
Y-SEPARATE ILLUSTRATION

# ELECTRICAL AND STARTING SYSTEM

8N-8481 LINES GP-AIR STARTING (contd.)

i03122145



GRAPHIC #1

<END>

g01045916

# ELECTRICAL AND STARTING SYSTEM

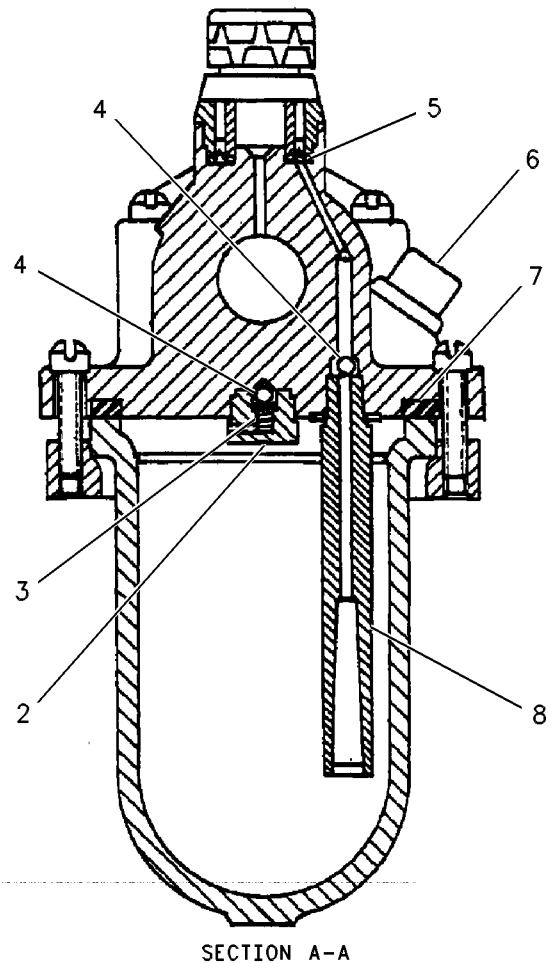
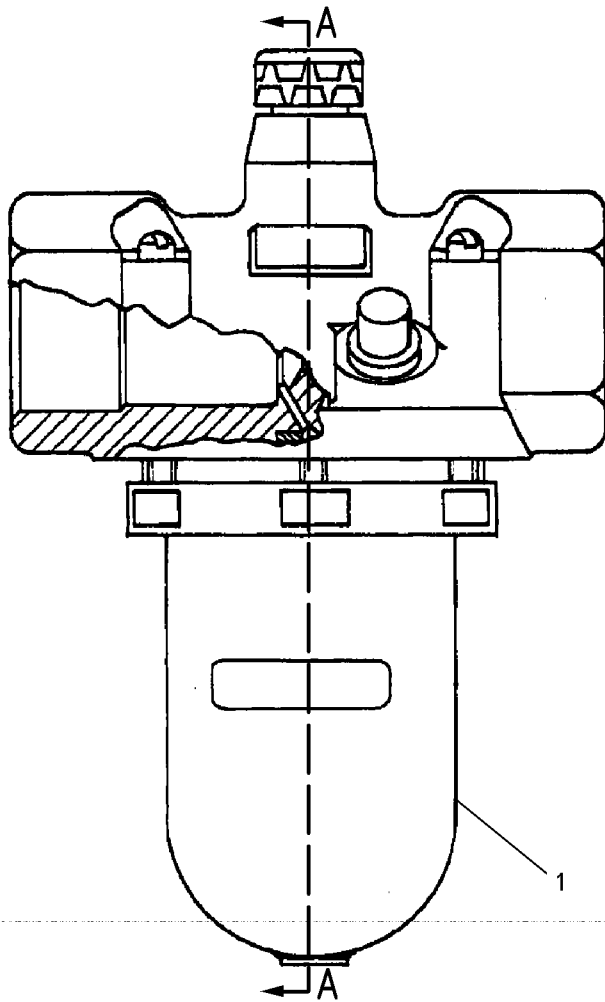
## 119-6282 LUBRICATOR GP-AIR MOTOR

PART OF 119-6284 LUBRICATOR GP-AIR MOTOR  
 FIELD REPLACEMENT ORDER 119-6284—PAGE 326  
 AN ATTACHMENT

SMCS-1451

i01889307

NOTE	REF NO	GRAPHIC REF	PART NUMBER	QTY	PART NAME						SEE PAGE
					1	2	3	4	5	6 (PRODUCT LEVEL)	
	1	1	6N-2192	1	BOWL						
	2	1	6N-2191	1	SEAT						
	3	1	6N-2190	1	SPRING						
	4	1	6N-2188	2	BALL						
	5	1	7C-4429	1	SEAL						
	6	1	6N-2185	2	PLUG-FILLER						
	7	1	6N-2184	1	GASKET						
	8	1	6N-2193	1	TUBE-SIPHON						



GRAPHIC #1

<END>

g00103878

# ELECTRICAL AND STARTING SYSTEM

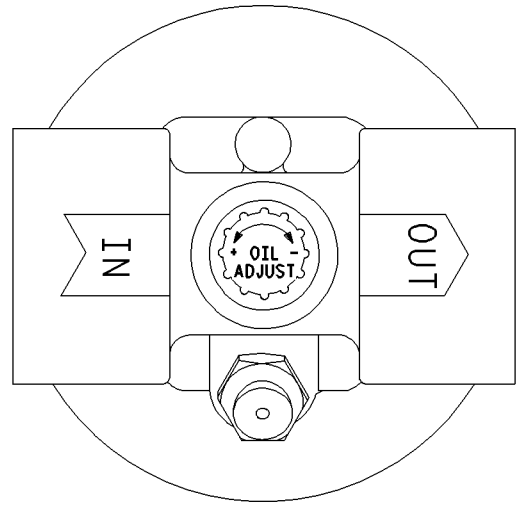
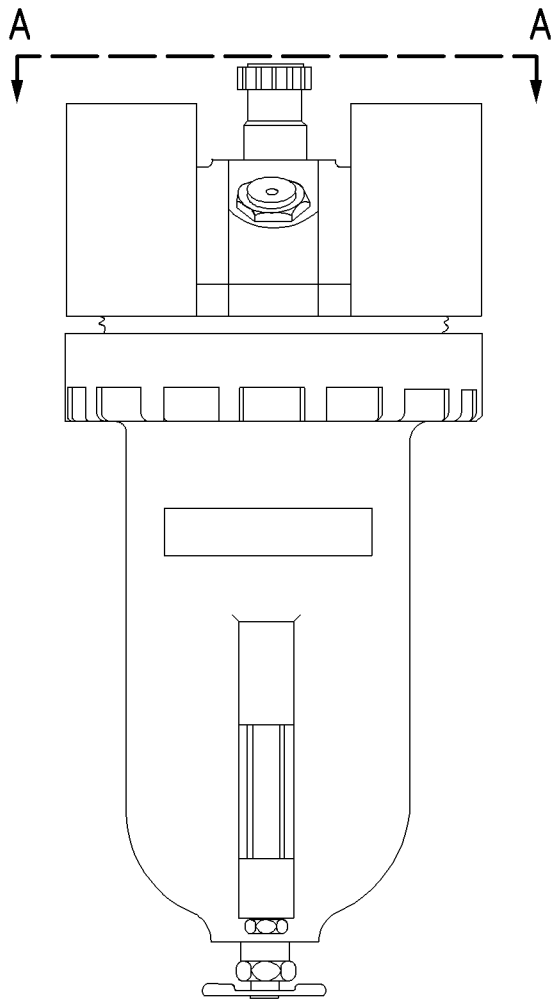
## 119-6283 LUBRICATOR GP-AIR MOTOR

PART OF 119-6284 LUBRICATOR GP-AIR MOTOR  
 FIELD REPLACEMENT ORDER 119-6284—PAGE 326  
 AN ATTACHMENT

SMCS-1451

i01491135

NOTE	REF NO	GRAPHIC REF	PART NUMBER	QTY	PART NAME	SEE PAGE
					1 2 3 4 5 6 (PRODUCT LEVEL) (NO SERVICED PARTS)	



VIEW A-A

GRAPHIC #1

<END>

g00774411

# ELECTRICAL AND STARTING SYSTEM

## 119-6284 LUBRICATOR GP-AIR MOTOR

PART OF 7W-9269, 8N-8481 LINES GP-AIR STARTING  
FIELD REPLACEMENT FOR 119-6282-PAGE 324: FOR 119-6283-PAGE 325  
AN ATTACHMENT

SMCS-1451

i01168549

NOTE	PART NUMBER	QTY	PART NAME						SEE PAGE
			1	2	3	4	5	6 (PRODUCT LEVEL)	
Y	119-6282	1	LUBRICATOR GP-AIR MOTOR						324
			-OR-						
Y	119-6283	1	LUBRICATOR GP-AIR MOTOR						325
Y-SEPARATE ILLUSTRATION									

<END>



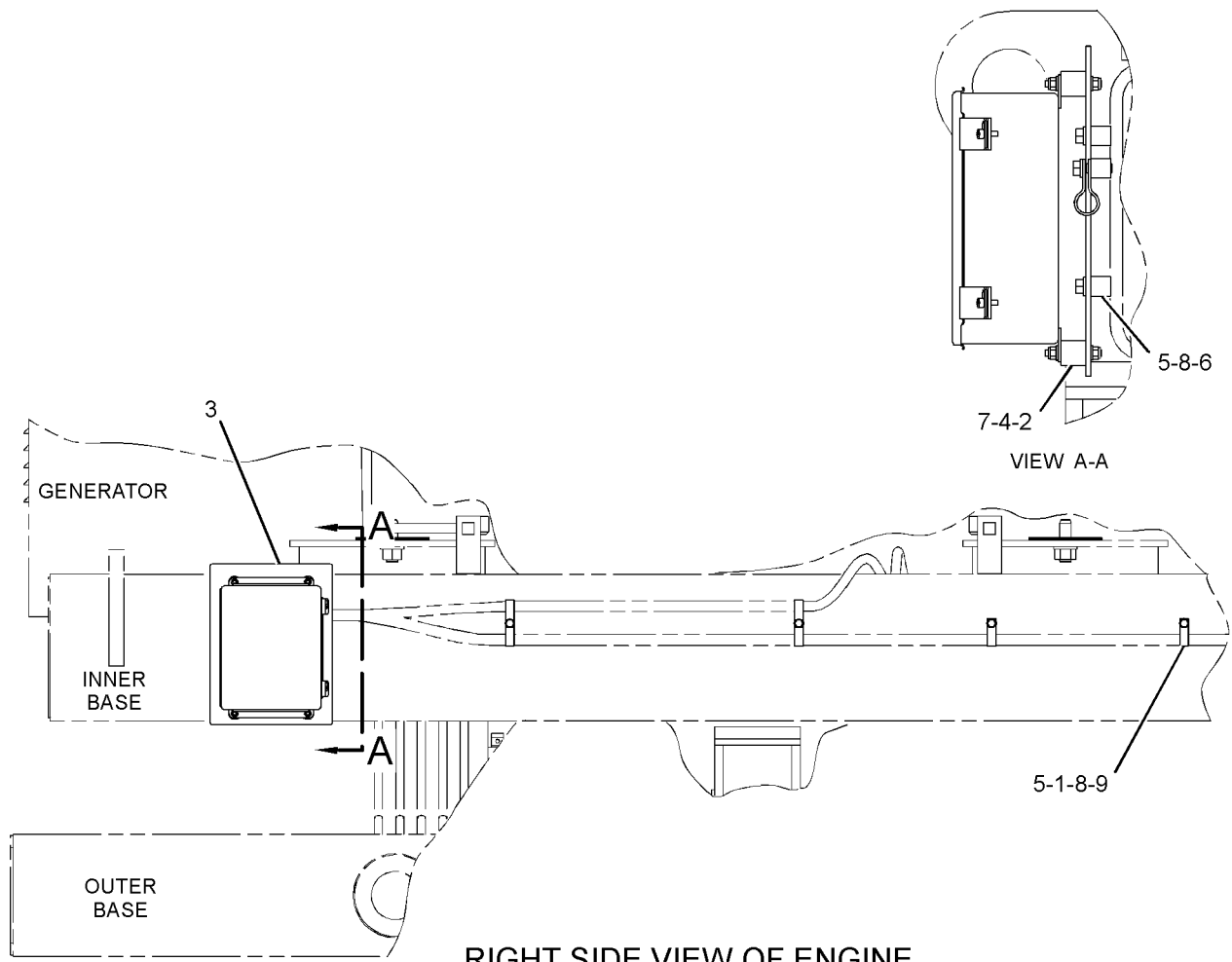
# ELECTRICAL AND STARTING SYSTEM

## 276-0448 MOUNTING GP-BOX-JACKET WATER HEATER PART OF 276-0447 CONTROL GP-JACKET WATER HEATER AN ATTACHMENT

SMCS-7426

i02716350

NOTE	REF NO	GRAPHIC REF	PART NUMBER	QTY	PART NAME						SEE PAGE
					1	2	3	4	5	6 (PRODUCT LEVEL)	
	1	1	9M-9738	10	CLIP						
	2	1	183-8023	4	MOUNTING-SHOCK						
	3	1	276-0449	1	PLATE						
	4	1	3E-9865	8	LOCKNUT (1/4-20-THD)						
	5	1	4V-7412	12	BOSS (3/8-16-THD)						
	6	1	5M-3062	4	BOLT (3/8-16X0.75-IN)						
	7	1	8T-4205	8	WASHER-HARD (7.2X14.5X2-MM THK)						
	8	1	8T-4896	12	WASHER-HARD (10.2X18.5X2.5-MM THK)						
	9	1	9B-7237	8	BOLT (3/8-16X1.25-IN)						



GRAPHIC #1

RIGHT SIDE VIEW OF ENGINE  
<END>

g01368015

# ELECTRICAL AND STARTING SYSTEM

## 7E-6469 MOUNTING GP-CONTACTOR-ALARM OR SHUTOFF AN ATTACHMENT

SMCS-7400

i02549070

NOTE	REF NO	GRAPHIC REF	PART NUMBER	QTY	PART NAME						SEE PAGE
					1	2	3	4	5	6 (PRODUCT LEVEL)	
	1	1	1W-8129	1	SUPPORT						
	2	1	0T-0573	2	BOLT (3/8-16X2.75-IN)						
	3	1	7W-7431	1	BRACKET						
	4	1	3N-1968	8	MOUNT-FLEXIBLE						
	5	1	9S-8750	16	NUT-FULL (1/4-20-THD)						
	6	1	0S-1571	2	BOLT (3/8-16X1.75-IN)						
	7	1	9S-8752	2	NUT-FULL (3/8-16-THD)						
	8	1	5M-2894	14	WASHER-HARD (10.2X18.5X2.5-MM THK)						
	9	1	4W-2648	1	ADAPTER AS						
	10	1	7K-9197	1	ELBOW						
	11	1	0S-0509	7	BOLT (3/8-16X0.75-IN)						
	12	1	6S-5992	1	CLIP						
I	13	1	3V-6153	1	HOSE AS						
	14	1	5P-9617	1	ADAPTER						
	15	1	5P-9085	11	CLIP						
B	16	1	5P-8937	1	COMPOUND-JOINT (THERMAL)						
	17	1	9M-4594	2	SPACER (0.406X0.875X0.75-IN THK)						
	18	1	153-4906	1	SEAL-O-RING						
	19	1	6V-5048	1	SEAL-O-RING						
	20	1	030-7941	1	ELBOW (45-DEG)						

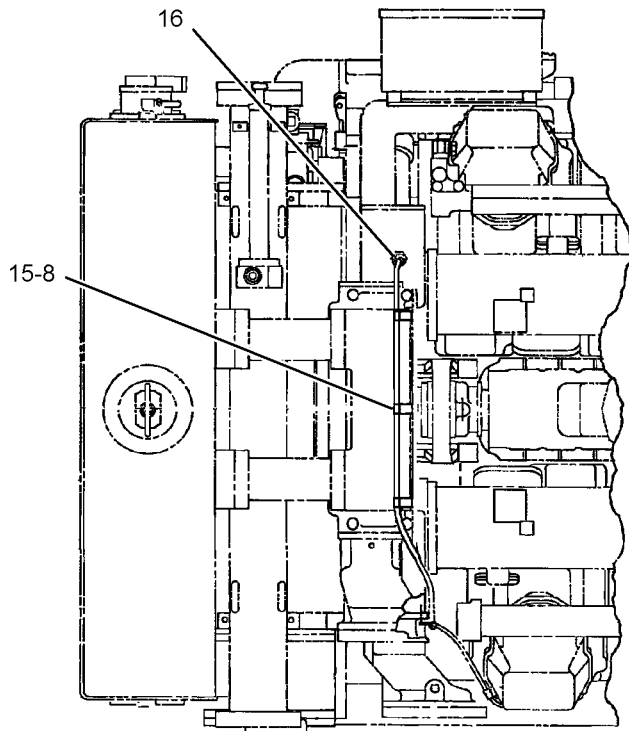
B-USE AS REQUIRED

I-REFER TO HYDRAULIC INFORMATION SYSTEM

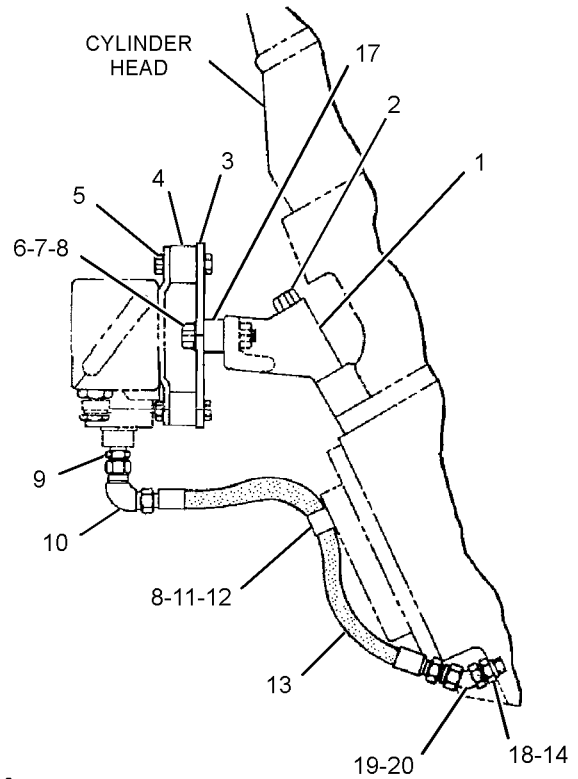
# ELECTRICAL AND STARTING SYSTEM

7E-6469 MOUNTING GP-CONTACTOR (contd.)

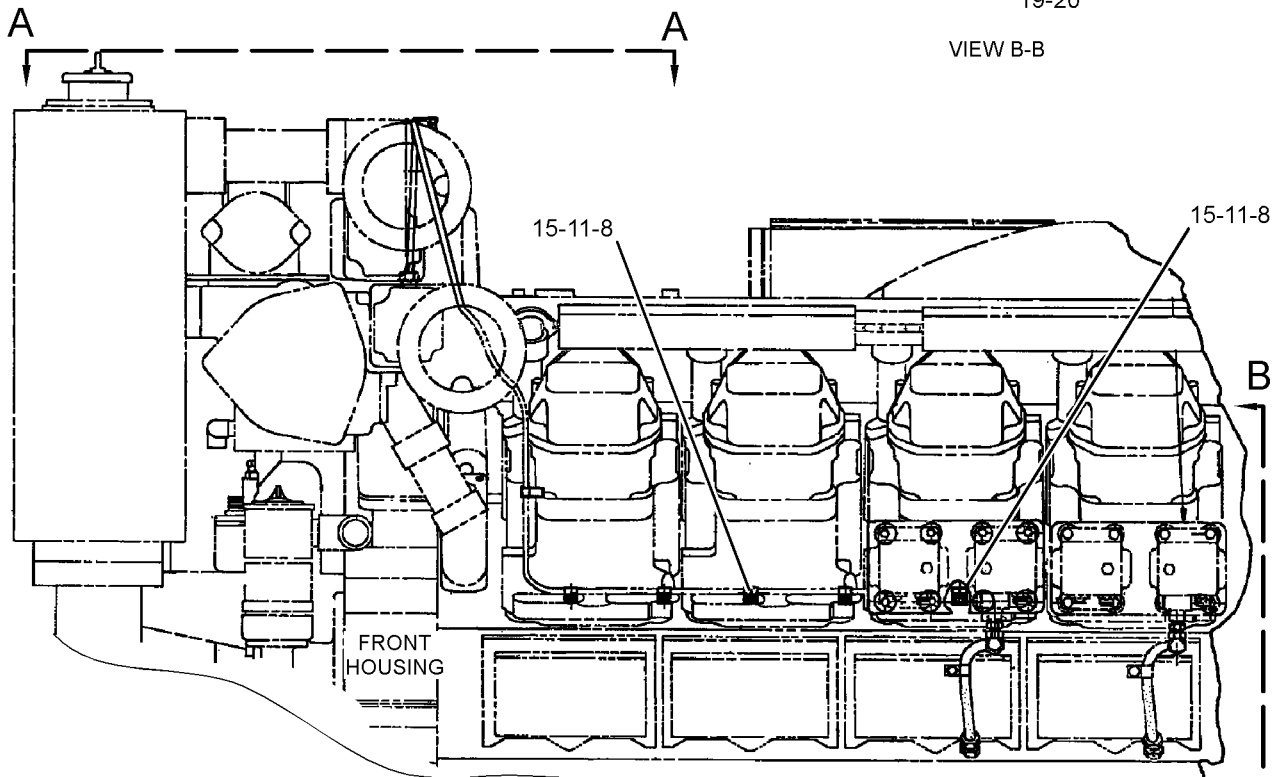
i02549070



VIEW A-A



VIEW B-B



LEFT SIDE VIEW OF ENGINE

GRAPHIC #1

<END>

g01314784

# ELECTRICAL AND STARTING SYSTEM

## 6I-1041 MOUNTING GP-JACKET WTR HEATER-LH AN ATTACHMENT

SMCS-1383

i03772622

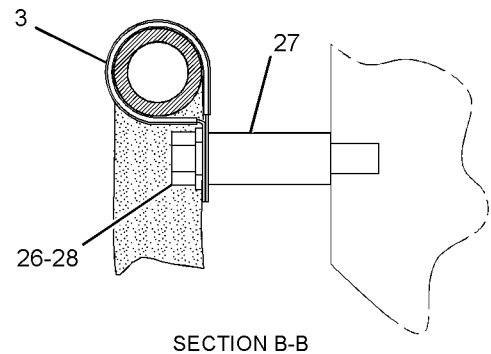
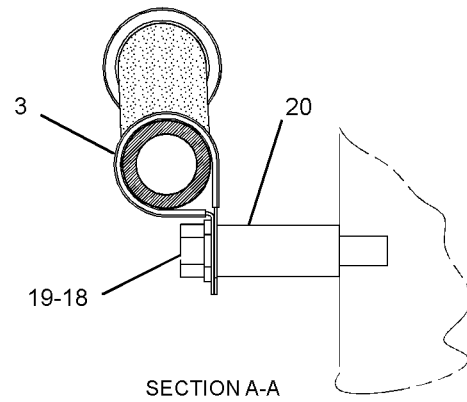
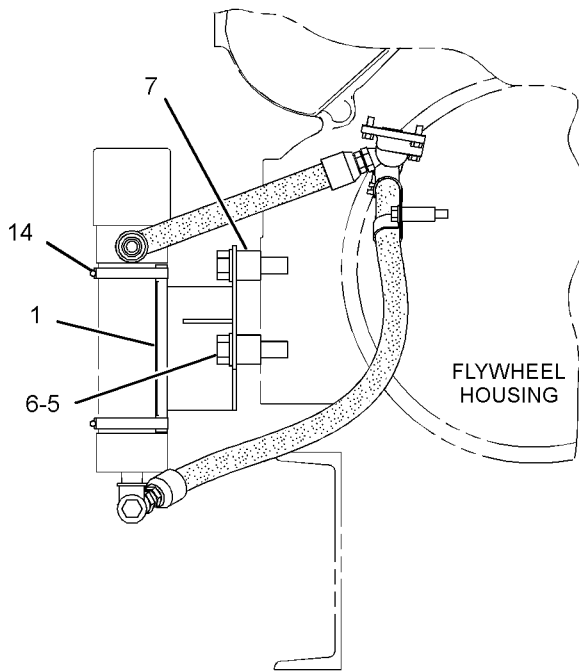
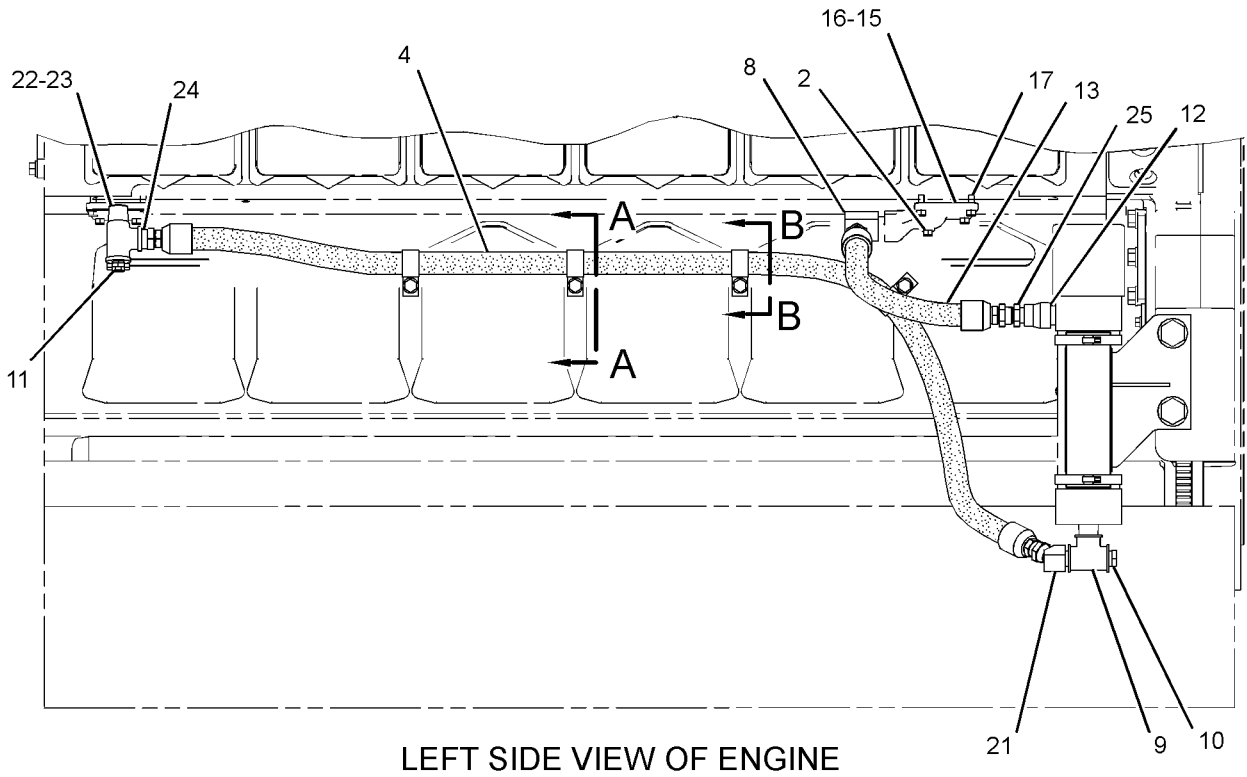
NOTE	REF NO	GRAPHIC REF	PART NUMBER	QTY	PART NAME						SEE PAGE
					1	2	3	4	5	6 (PRODUCT LEVEL)	
	1	1	7C-1707	1	BRACKET AS						
	2	1	0S-1571	1	BOLT (3/8-16X1.75-IN)						
C	3	1	053-0558	4	CLIP						
C	4	1	233-4243	1	HOSE AS						
	5	1	5P-8250	2	WASHER (28X49X5-MM THK)						
	6	1	9S-1368	2	BOLT (1-14X3.5-IN)						
	7	1	1S-2303	2	SPACER (1.062X1.75X1.44-IN THK)						
	8	1	004-3935	1	ELBOW						
	9	1	6F-0496	1	TEE-PIPE						
	10	1	3E-7430	1	PLUG-PIPE						
	11	1	8T-6762	1	PLUG-PIPE						
	12	1	2R-7712	1	COUPLING (REDUCING)						
C	13	1	233-4241	1	HOSE AS						
	14	1	8T-6726	2	CLAMP-HOSE						
	15	1	8N-8550	1	ELBOW						
	16	1	7N-4945	1	GASKET						
	17	1	0S-1594	3	BOLT (3/8-16X1-IN)						
	18	1	9X-8874	2	BOLT (1/2-13X3-IN)						
	19	1	5P-8245	2	WASHER-HARD (13.5X25.5X3-MM THK)						
	20	1	8S-5107	2	SPACER (0.622X0.84X2-IN THK)						
	21	1	6H-8297	1	ELBOW						
C	22	1	118-1656	1	BUSHING-REDUCER						
	23	1	1L-4031	1	TEE-SERVICE						
	24	1	6B-9081	1	BUSHING-REDUCING						
	25	1	5F-6371	1	CONNECTOR						
B	26	1	5P-8245	2	WASHER-HARD (13.5X25.5X3-MM THK)						
B	27	1	8S-5107	2	SPACER (0.622X0.84X2-IN THK)						
B	28	1	9X-8874	2	BOLT (1/2-13X3-IN)						

B-USE AS REQUIRED  
C-CHANGE FROM PREVIOUS TYPE

# ELECTRICAL AND STARTING SYSTEM

6I-1041 MOUNTING GP-JACKET WTR HEATER (contd.)

i03772622



GRAPHIC #1

<END>

g02047314

# ELECTRICAL AND STARTING SYSTEM

## 6I-1042 MOUNTING GP-JACKET WTR HEATER-RH AN ATTACHMENT

SMCS-1383

i03772619

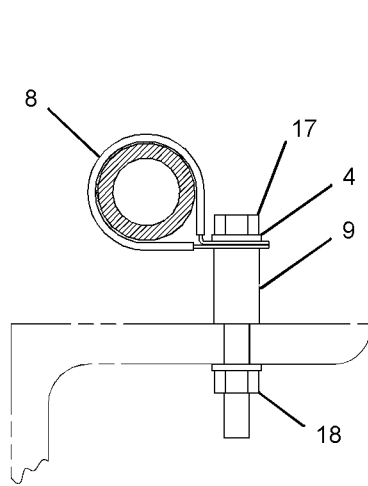
NOTE	REF NO	GRAPHIC REF	PART NUMBER	QTY	PART NAME						SEE PAGE
					1	2	3	4	5	6 (PRODUCT LEVEL)	
	1	1	7L-8074	1	ELBOW-REDUCING						
C	2	1	233-4241	1	HOSE AS						
	3	1	1S-2303	2	SPACER (1.062X1.75X1.44-IN THK)						
	4	1	5M-2894	4	WASHER-HARD (10.2X18.5X2.5-MM THK)						
	5	1	5P-8250	2	WASHER (28X49X5-MM THK)						
	6	1	6B-9081	2	BUSHING-REDUCING						
	7	1	6H-8297	1	ELBOW						
C	8	1	7D-7233	2	CLIP						
	9	1	7K-3377	2	PIPE						
C	10	1	166-6519	1	HOSE AS						
	11	1	6F-0496	1	TEE-PIPE						
	12	1	3E-7430	1	PLUG-PIPE						
	13	1	8T-6726	2	CLAMP-HOSE						
C	14	1	3B-7270	1	NIPPLE-PIPE						
	15	1	9S-1368	2	BOLT (1-14X3.5-IN)						
	16	1	7C-1707	1	BRACKET AS						
	17	1	0S-1619	2	BOLT (3/8-16X3-IN)						
	18	1	9S-8752	2	NUT-FULL (3/8-16-THD)						
	19	1	1K-6937	1	ELBOW-PIPE						
	20	1	5F-6371	1	CONNECTOR						

C-CHANGE FROM PREVIOUS TYPE

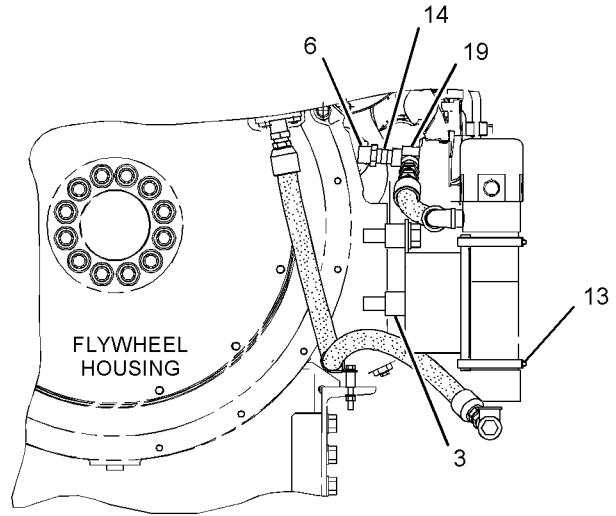
# ELECTRICAL AND STARTING SYSTEM

6I-1042 MOUNTING GP-JACKET WTR HEATER (contd.)

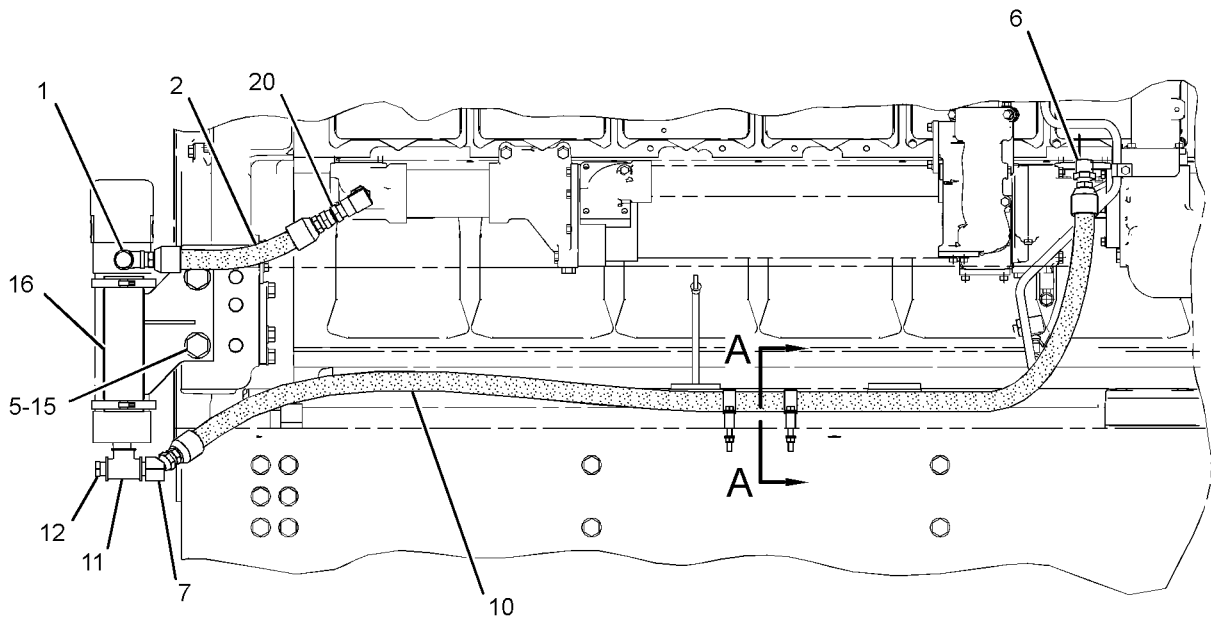
i03772619



SECTION A-A



REAR VIEW OF ENGINE



RIGHT SIDE VIEW OF ENGINE

GRAPHIC #1

<END>

g02050593

# ELECTRICAL AND STARTING SYSTEM

## 266-7484 MOUNTING GP-JACKET WTR HEATER-LH AN ATTACHMENT

SMCS-1383

i03312002

NOTE	REF NO	GRAPHIC REF	PART NUMBER	QTY	PART NAME						SEE PAGE
					1	2	3	4	5	6 (PRODUCT LEVEL)	
	1	1	1L-4031	1	TEE-SERVICE						
	2	1	1S-2303	2	SPACER (1.062X1.75X1.44-IN THK)						
	3	1	2H-3939	2	ELBOW						
	4	1	6F-0496	1	TEE-PIPE						
	5	1	7C-1707	1	BRACKET AS						
		1	5P-2251	1	GUSSET						
	6	1	7N-4945	1	GASKET						
	7	1	8C-1358	2	VALVE-BALL						
	8	1	8N-8550	1	ELBOW						
	9	1	8T-6726	2	CLAMP-HOSE						
	10	1	9S-1368	2	BOLT (1-14X3.5-IN)						
	11	1	116-3266	2	BRACKET						
	12	1	259-2607	1	HOSE AS						
	13	1	266-7485	1	TUBE AS						
I	14	1	267-7346	1	HOSE AS						
	15	1	003-9163	1	ELBOW						
	16	1	030-8307	1	CONNECTOR						
	17	1	031-5744	1	ELBOW						
	18	1	0S-1571	1	BOLT (3/8-16X1.75-IN)						
	19	1	0S-1594	5	BOLT (3/8-16X1-IN)						
	20	1	118-1656	1	BUSHING-REDUCER						
	21	1	2R-7712	1	COUPLING (REDUCING)						
	22	1	3B-7745	2	NIPPLE-PIPE						
	23	1	3E-7430	1	PLUG-PIPE						
	24	1	5M-2894	6	WASHER-HARD (10.2X18.5X2.5-MM THK)						
	25	1	5P-8250	2	WASHER (28X49X5-MM THK)						
	26	1	6B-9081	2	BUSHING-REDUCING						
	27	1	6H-8297	1	ELBOW						
	28	1	7J-0728	2	CLIP (TAB)						
	29	1	7J-0729	2	CLIP (SLOT)						
	30	1	8T-6762	1	PLUG-PIPE						
	31	1	9S-8752	2	NUT-FULL (3/8-16-THD)						
	32	1	0S-1608	2	BOLT (3/8-16X3.75-IN)						

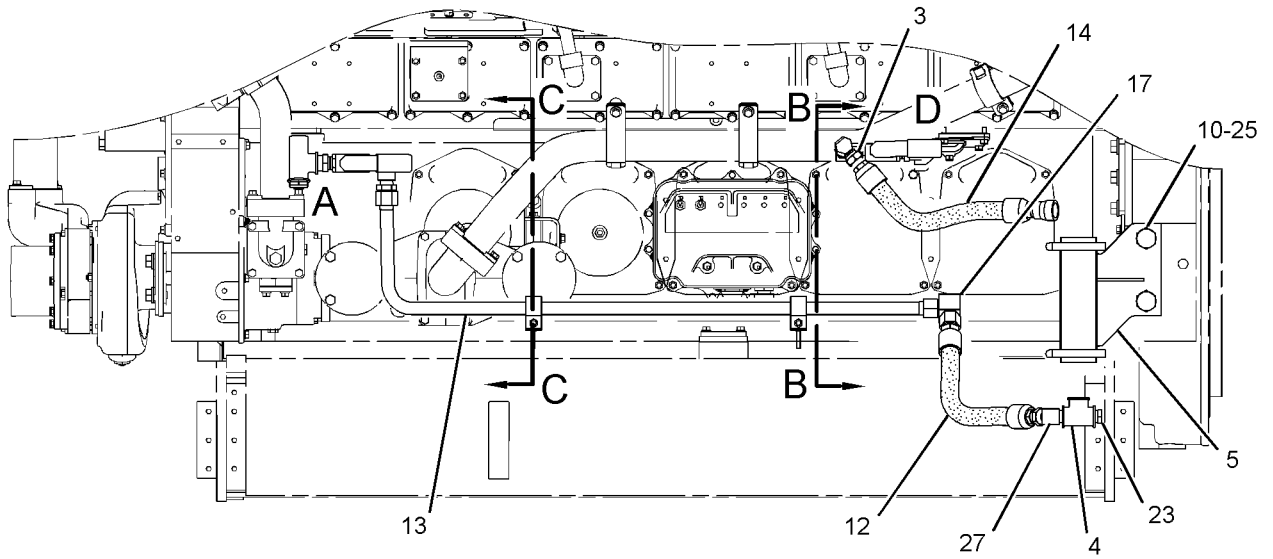
I-REFER TO HYDRAULIC INFORMATION SYSTEM



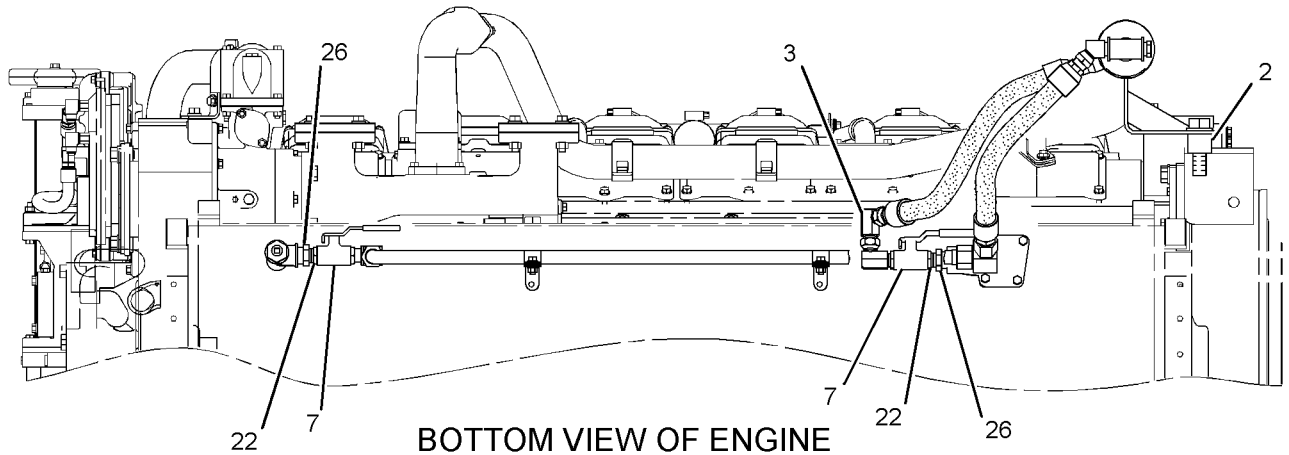
# ELECTRICAL AND STARTING SYSTEM

266-7484 MOUNTING GP-JACKET WTR HEATER (contd.)

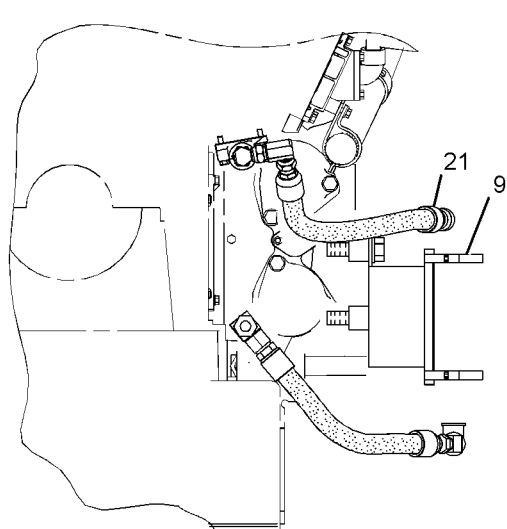
i03312002



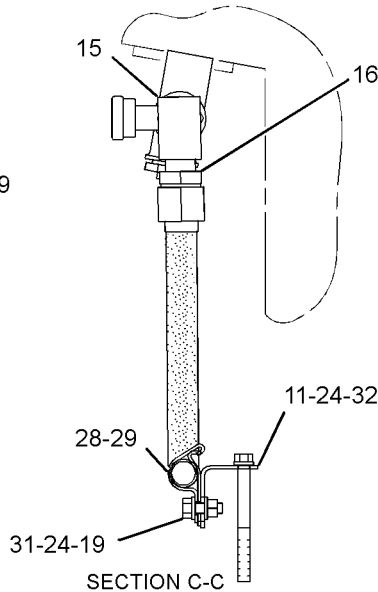
LEFT SIDE VIEW OF ENGINE



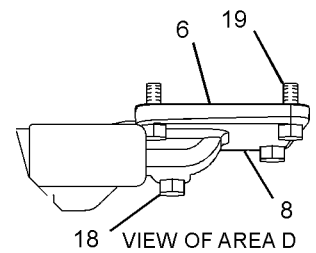
BOTTOM VIEW OF ENGINE



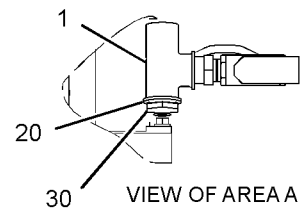
SECTION B-B



SECTION C-C



VIEW OF AREA D



VIEW OF AREA A

GRAPHIC #1

<END>

g01841194

# ELECTRICAL AND STARTING SYSTEM

## 316-8256 MOUNTING GP-JACKET WTR HEATER-RH AN ATTACHMENT

SMCS-1383

i03790139

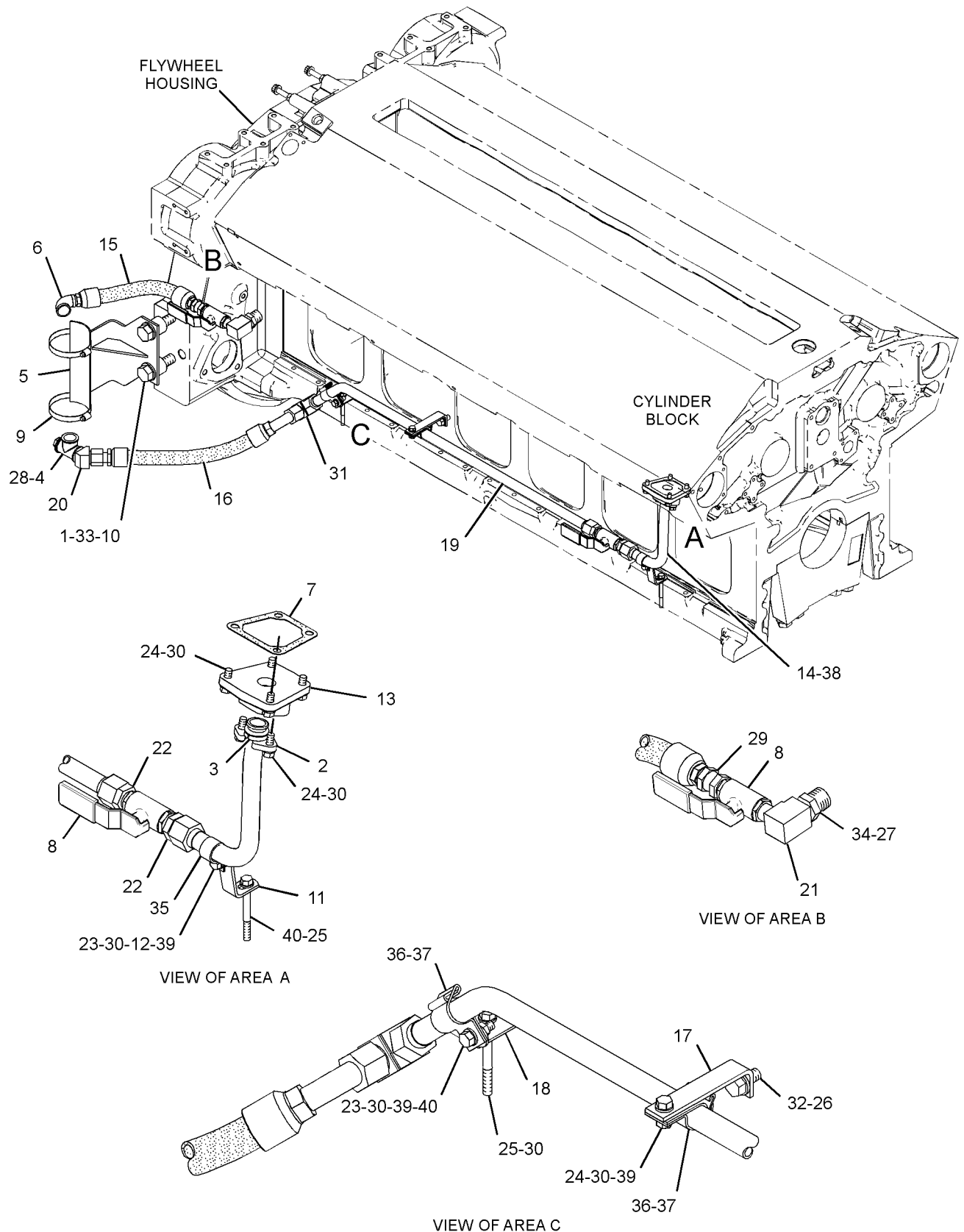
NOTE	REF NO	GRAPHIC REF	PART NUMBER	QTY	PART NAME						SEE PAGE
					1	2	3	4	5	6 (PRODUCT LEVEL)	
	1	1	1S-2303	2	SPACER (1.062X1.75X1.44-IN THK)						
	2	1	4W-2109	2	RETAINER						
	3	1	4W-2110	1	RING-RETAINING						
	4	1	6F-0496	1	TEE-PIPE						
	5	1	7C-1707	1	BRACKET AS						
	6	1	7L-8074	1	ELBOW-REDUCING						
	7	1	7N-4945	1	GASKET						
	8	1	8C-1358	2	VALVE-BALL						
	9	1	8T-6726	2	CLAMP-HOSE						
	10	1	9S-1368	2	BOLT (1-14X3.5-IN)						
	11	1	9Y-3108	1	BRACKET						
	12	1	6W-2928	1	BOSS						
	13	1	134-3100	1	FLANGE						
	14	1	258-8952	1	TUBE AS						
	15	1	259-2608	1	HOSE AS						
I	16	1	312-8762	1	HOSE AS						
	17	1	314-7965	1	BRACKET						
	18	1	314-7966	1	BRACKET						
	19	1	316-8633	1	TUBE AS						
	20	1	001-7042	1	ELBOW						
	21	1	003-9163	1	ELBOW						
	22	1	030-8307	2	CONNECTOR						
	23	1	0S-1588	2	BOLT (3/8-16X1.25-IN)						
	24	1	0S-1594	7	BOLT (3/8-16X1-IN)						
	25	1	0S-1608	2	BOLT (3/8-16X3.75-IN)						
	26	1	0S-1621	1	BOLT (1/2-13X1-IN)						
	27	1	3B-7745	1	NIPPLE-PIPE						
	28	1	3E-7430	1	PLUG-PIPE						
	29	1	5F-6371	1	CONNECTOR						
	30	1	5M-2894	8	WASHER-HARD (10.2X18.5X2.5-MM THK)						
	31	1	5P-0912	1	ELBOW						
	32	1	5P-8245	1	WASHER-HARD (13.5X25.5X3-MM THK)						
	33	1	5P-8250	2	WASHER (28X49X5-MM THK)						
	34	1	6B-9081	1	BUSHING-REDUCING						
	35	1	7C-4354	1	CLIP						
	36	1	7J-0728	2	CLIP (TAB)						
	37	1	7J-0729	2	CLIP (SLOT)						
	38	1	9M-4849	1	SEAL-O-RING						
	39	1	9S-8752	3	NUT-FULL (3/8-16-THD)						
	40	1	9X-6458	2	WASHER-HARD (10.2X22.5X3-MM THK)						

I-REFER TO HYDRAULIC INFORMATION SYSTEM

# ELECTRICAL AND STARTING SYSTEM

316-8256 MOUNTING GP-JACKET WTR HEATER (contd.)

i03790139



GRAPHIC #1

<END>

g02087213

# ELECTRICAL AND STARTING SYSTEM

## 323-1217 MOUNTING GP-JACKET WTR HEATER-RH

FOR USE WITH PRECLEANERS  
AN ATTACHMENT

SMCS-1383

i03772617

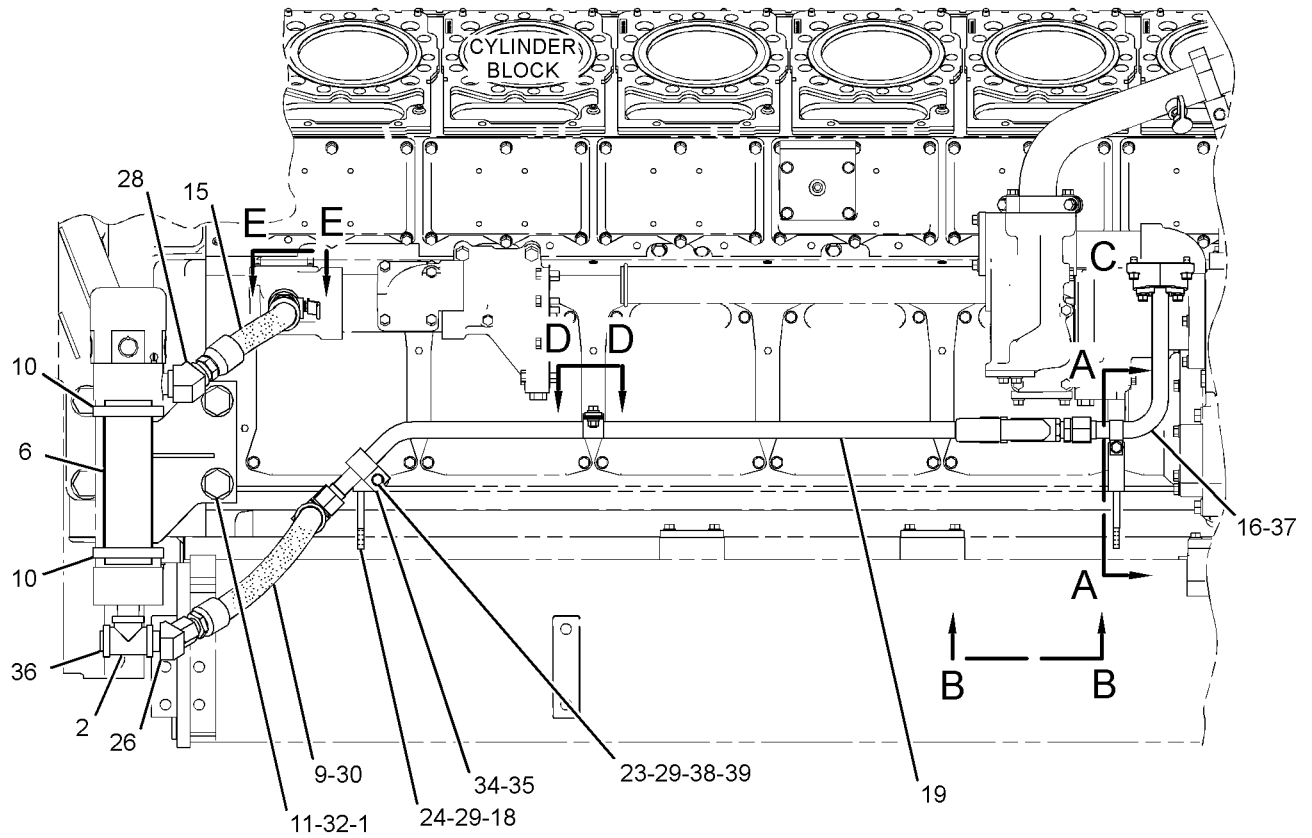
NOTE	REF NO	GRAPHIC REF	PART NUMBER	QTY	PART NAME						SEE PAGE
					1	2	3	4	5	6 (PRODUCT LEVEL)	
	1	1	1S-2303	2	SPACER (1.062X1.75X1.44-IN THK)						
	2	1	4B-7770	1	TEE						
	3	1	4P-3117	1	VALVE-BALL						
	4	1	4W-2109	2	RETAINER						
	5	1	4W-2110	1	RING-RETAINING						
	6	1	7C-1707	1	BRACKET AS						
		1	5P-2251	1	GUSSET						
	7	1	7N-4945	1	GASKET						
	8	1	8C-1358	1	VALVE-BALL						
I	9	1	8K-4024	1	HOSE AS						
	10	1	8T-6726	2	CLAMP-HOSE						
	11	1	9S-1368	2	BOLT (1-14X3.5-IN)						
	12	1	9Y-3108	1	BRACKET						
	13	1	6W-2928	1	BOSS						
	14	1	134-3100	1	FLANGE						
I	15	1	140-8402	1	HOSE AS						
	16	1	258-8952	1	TUBE AS						
	17	1	314-7965	1	BRACKET						
	18	1	314-7966	1	BRACKET						
	19	1	316-8633	1	TUBE AS						
	20	1	009-4440	1	CONNECTOR						
	21	1	030-8307	2	CONNECTOR						
	22	1	0S-1588	1	BOLT (3/8-16X1.25-IN)						
	23	1	0S-1594	8	BOLT (3/8-16X1-IN)						
	24	1	0S-1608	2	BOLT (3/8-16X3.75-IN)						
	25	1	0S-1621	1	BOLT (1/2-13X1-IN)						
	26	1	2P-1312	1	ELBOW						
	27	1	3B-7749	1	NIPPLE-PIPE						
	28	1	4B-9030	1	ELBOW						
	29	1	5M-2894	8	WASHER-HARD (10.2X18.5X2.5-MM THK)						
	30	1	5P-0912	1	ELBOW						
	31	1	5P-8245	1	WASHER-HARD (13.5X25.5X3-MM THK)						
	32	1	5P-8250	2	WASHER (28X49X5-MM THK)						
	33	1	7C-4354	1	CLIP						
	34	1	7J-0728	2	CLIP (TAB)						
	35	1	7J-0729	2	CLIP (SLOT)						
	36	1	8T-6761	1	PLUG-PIPE						
	37	1	9M-4849	1	SEAL-O-RING						
	38	1	9S-8752	3	NUT-FULL (3/8-16-THD)						
	39	1	9X-6458	2	WASHER-HARD (10.2X22.5X3-MM THK)						

I-REFER TO HYDRAULIC INFORMATION SYSTEM

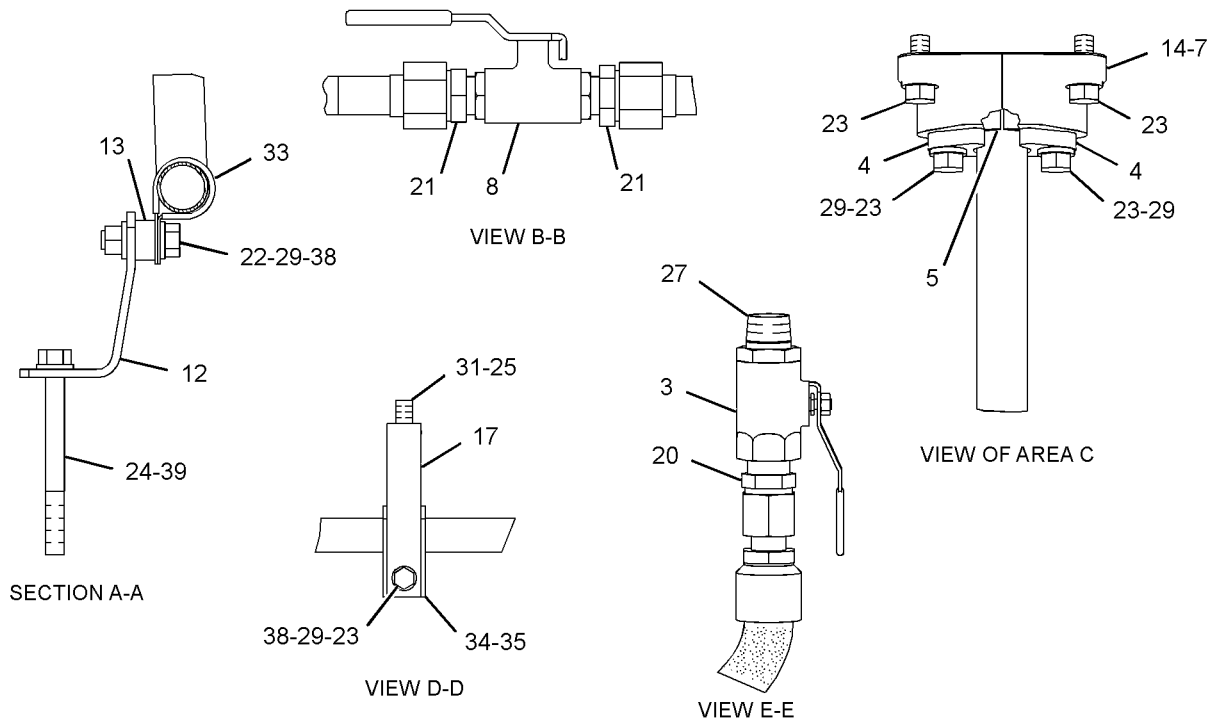
# ELECTRICAL AND STARTING SYSTEM

323-1217 MOUNTING GP-JACKET WTR HEATER (contd.)

i03772617



RIGHT SIDE VIEW OF ENGINE



GRAPHIC #1

<END>

g02141077

# ELECTRICAL AND STARTING SYSTEM

## 323-1840 MOUNTING GP-JACKET WTR HEATER-LH

FOR USE WITH PRECLEANERS  
AN ATTACHMENT

SMCS-1383

i03007648

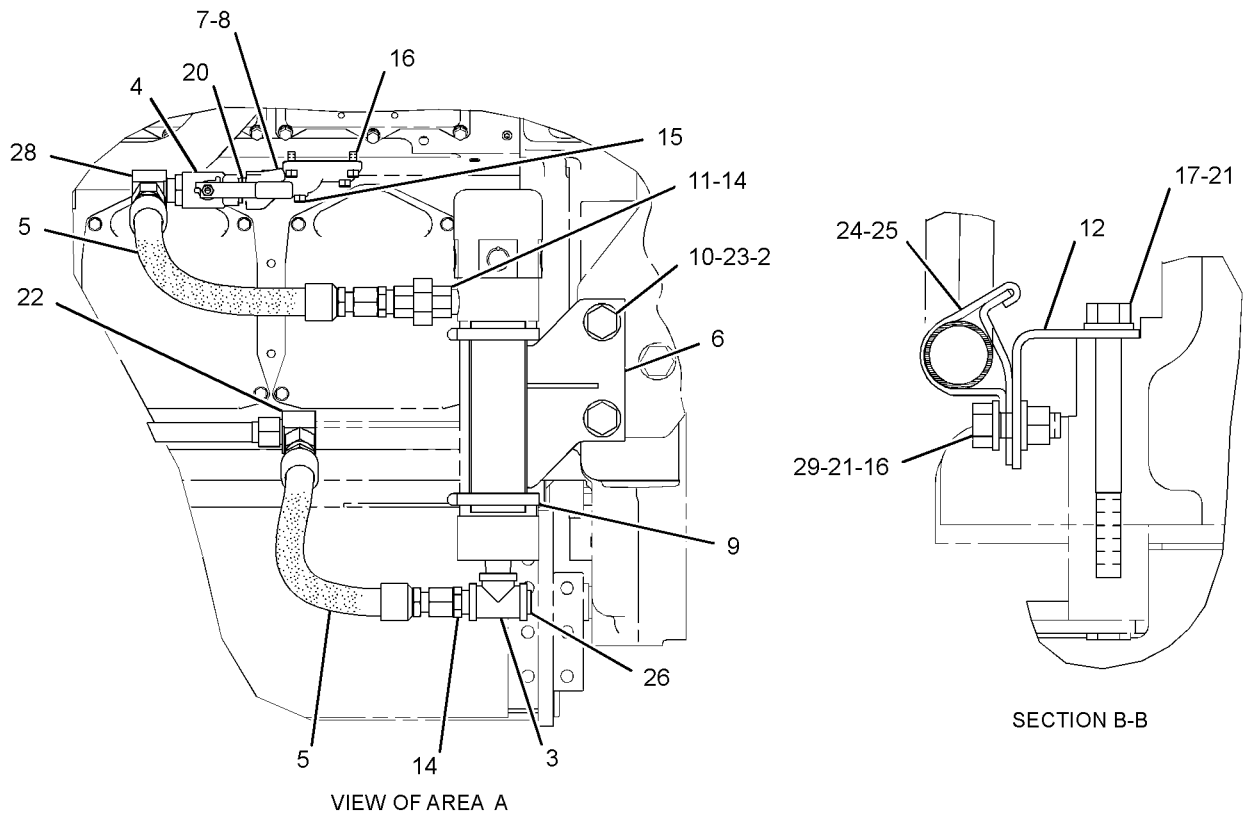
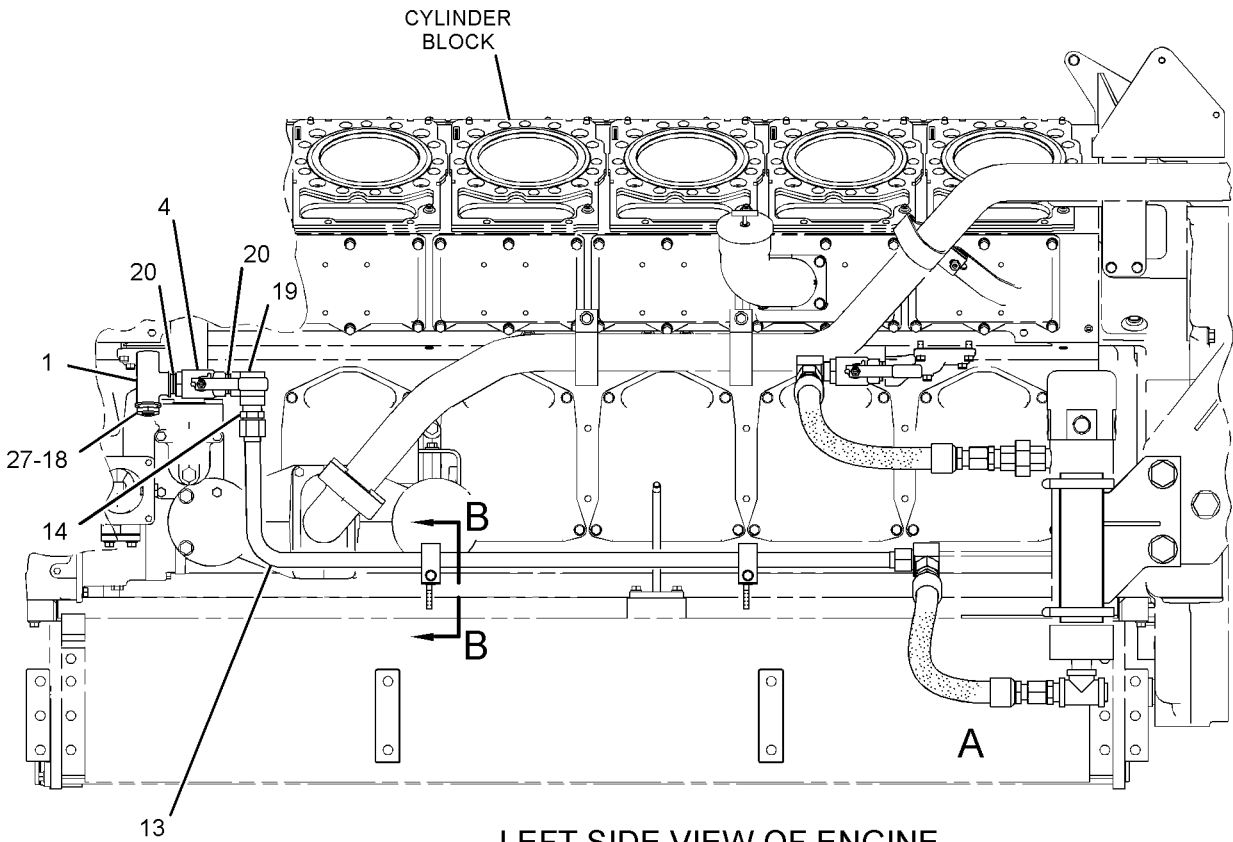
NOTE	REF NO	GRAPHIC REF	PART NUMBER	QTY	PART NAME						SEE PAGE
					1	2	3	4	5	6 (PRODUCT LEVEL)	
	1	1	1L-4031	1	TEE-SERVICE						
	2	1	1S-2303	2	SPACER (1.062X1.75X1.44-IN THK)						
	3	1	4B-7770	1	TEE						
	4	1	4P-3117	2	VALVE-BALL						
I	5	1	6T-1065	2	HOSE AS						
	6	1	7C-1707	1	BRACKET AS						
	7	1	7N-4945	1	GASKET						
	8	1	8N-8550	1	ELBOW						
	9	1	8T-6726	2	CLAMP-HOSE						
	10	1	9S-1368	2	BOLT (1-14X3.5-IN)						
	11	1	109-9866	1	UNION						
	12	1	116-3266	2	BRACKET						
	13	1	266-7485	1	TUBE AS						
	14	1	009-4440	3	CONNECTOR						
	15	1	0S-1571	1	BOLT (3/8-16X1.75-IN)						
	16	1	0S-1594	5	BOLT (3/8-16X1-IN)						
	17	1	0S-1608	2	BOLT (3/8-16X3.75-IN)						
	18	1	118-1656	1	BUSHING-REDUCER						
	19	1	3B-6498	1	ELBOW						
	20	1	3B-7749	3	NIPPLE-PIPE						
	21	1	5M-2894	6	WASHER-HARD (10.2X18.5X2.5-MM THK)						
	22	1	5P-0912	1	ELBOW						
	23	1	5P-8250	2	WASHER (28X49X5-MM THK)						
	24	1	7J-0728	2	CLIP (TAB)						
	25	1	7J-0729	2	CLIP (SLOT)						
	26	1	8T-6761	1	PLUG-PIPE						
	27	1	8T-6762	1	PLUG-PIPE						
	28	1	9S-7296	1	ELBOW-FLARED						
	29	1	9S-8752	2	NUT-FULL (3/8-16-THD)						

I-REFER TO HYDRAULIC INFORMATION SYSTEM

# ELECTRICAL AND STARTING SYSTEM

323-1840 MOUNTING GP-JACKET WTR HEATER (contd.)

i03007648



GRAPHIC #1

<END>

g01524812

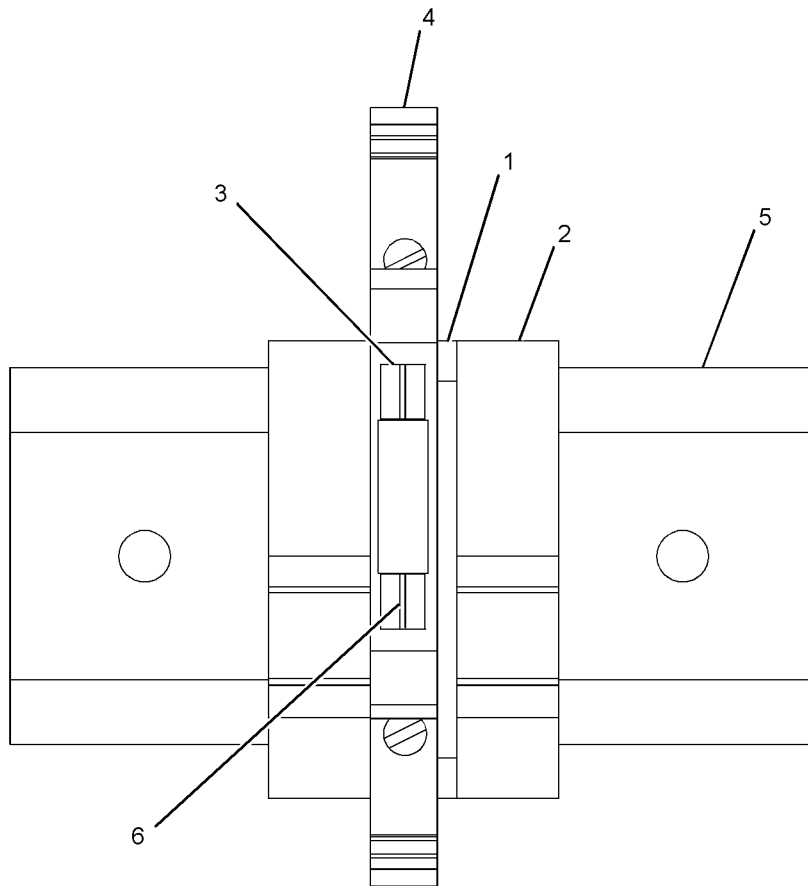
# ELECTRICAL AND STARTING SYSTEM

## 180-7359 RESISTOR GP PART OF 180-7385 CONTROL GP-CONVERTER AN ATTACHMENT

SMCS-1437

i02580144

NOTE	REF NO	GRAPHIC REF	PART NUMBER	QTY	PART NAME						SEE PAGE
					1	2	3	4	5	6 (PRODUCT LEVEL)	
	1	1	9X-9616	1	COVER-END						
	2	1	9X-9675	2	BRACKET-END						
	3	1	115-2542	1	PLUG						
	4	1	135-6740	1	BLOCK-DIODE						
	5	1	174-1424	1	RAIL						
	6	1	180-7384	1	RESISTOR-FIXED						



GRAPHIC #1

<END>

g01303959



# ELECTRICAL AND STARTING SYSTEM

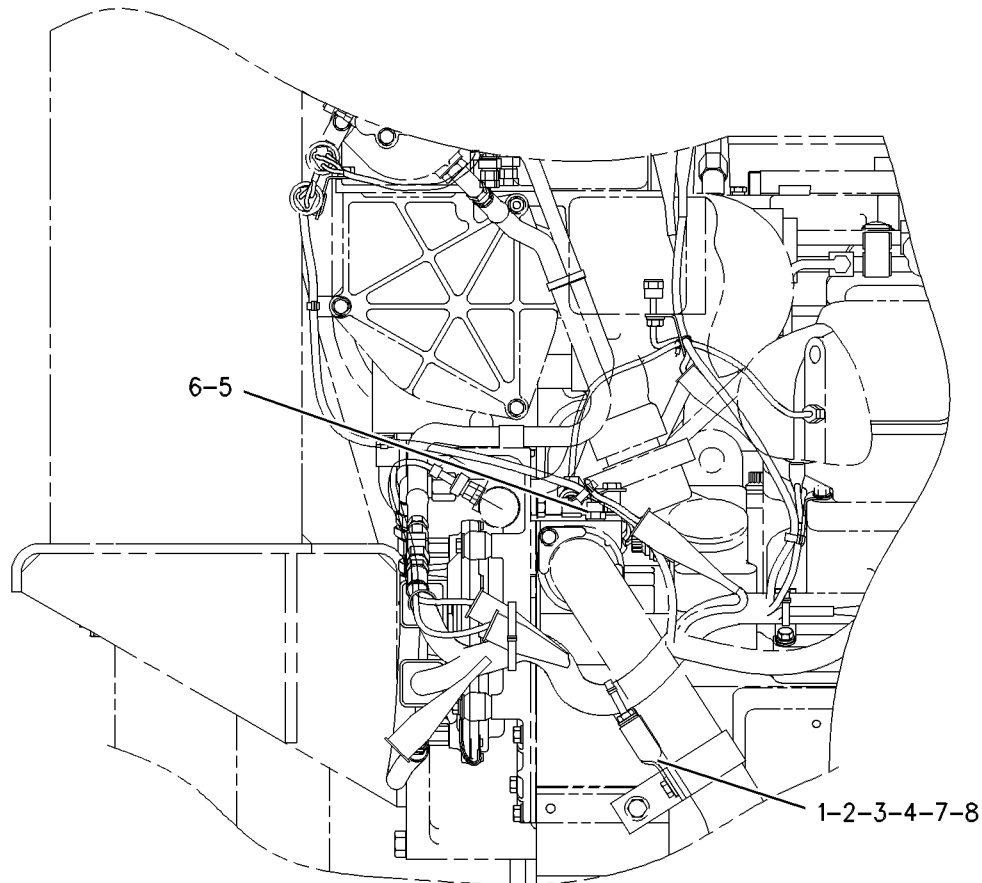
## 163-1462 SENSOR & MTG GP-ELECTRIC-COOLANT FOR USE WITH SEPARATE CIRCUIT AFTERCOOLER AN ATTACHMENT

SMCS-1408, 7400

i03641623

NOTE	REF NO	GRAPHIC REF	PART NUMBER	QTY	PART NAME						SEE PAGE
					1	2	3	4	5	6 (PRODUCT LEVEL)	
	1	1	9X-6772	1	STRAP-CABLE						
	2	1	5M-2894	2	WASHER-HARD (10.2X18.5X2.5-MM THK)						
	3	1	0S-1588	1	BOLT (3/8-16X1.25-IN)						
	4	1	4P-8134	1	CLIP						
	5	1	102-2240	1	SENSOR GP-TEMPERATURE (COOLANT)						
		1	186-3735	3	PIN-CONNECTOR (16-GA TO 18-GA)						
E		1	9X-1813		SLEEVE (31-CM)						
		1	102-8803	1	KIT-RECEPTACLE (3-PIN)						
					(INCLUDES RECEPTACLE AS AND WEDGE)						
	6	1	3K-0360	1	SEAL-O-RING						
	7	1	4P-7068	1	BRACKET						
	8	1	9S-8752	1	NUT-FULL (3/8-16-THD)						

E-ORDER BY THE CENTIMETER



LEFT SIDE VIEW

GRAPHIC #1

<END>

g00536931

# ELECTRICAL AND STARTING SYSTEM

## 165-6634 SENSOR GP-COOLANT LEVEL

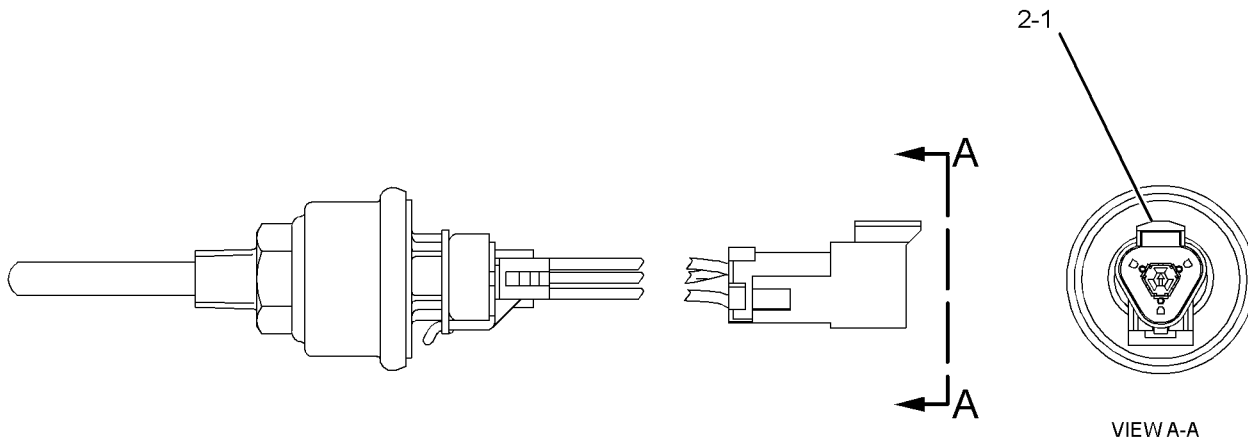
FIELD REPLACEMENT ORDER 239-9957-PAGE 347

AN ATTACHMENT

SMCS-7422

i02591033

NOTE	REF NO	GRAPHIC REF	PART NUMBER	QTY	PART NAME						SEE PAGE
					1	2	3	4	5	6 (PRODUCT LEVEL)	
	1	1	102-8803	1	KIT-RECEPTACLE (3-PIN)						
					(INCLUDES RECEPTACLE AS AND WEDGE)						
	2	1	186-3735	3	PIN-CONNECTOR (16-GA TO 18-GA)						



GRAPHIC #1

<END>

g01278073

# ELECTRICAL AND STARTING SYSTEM

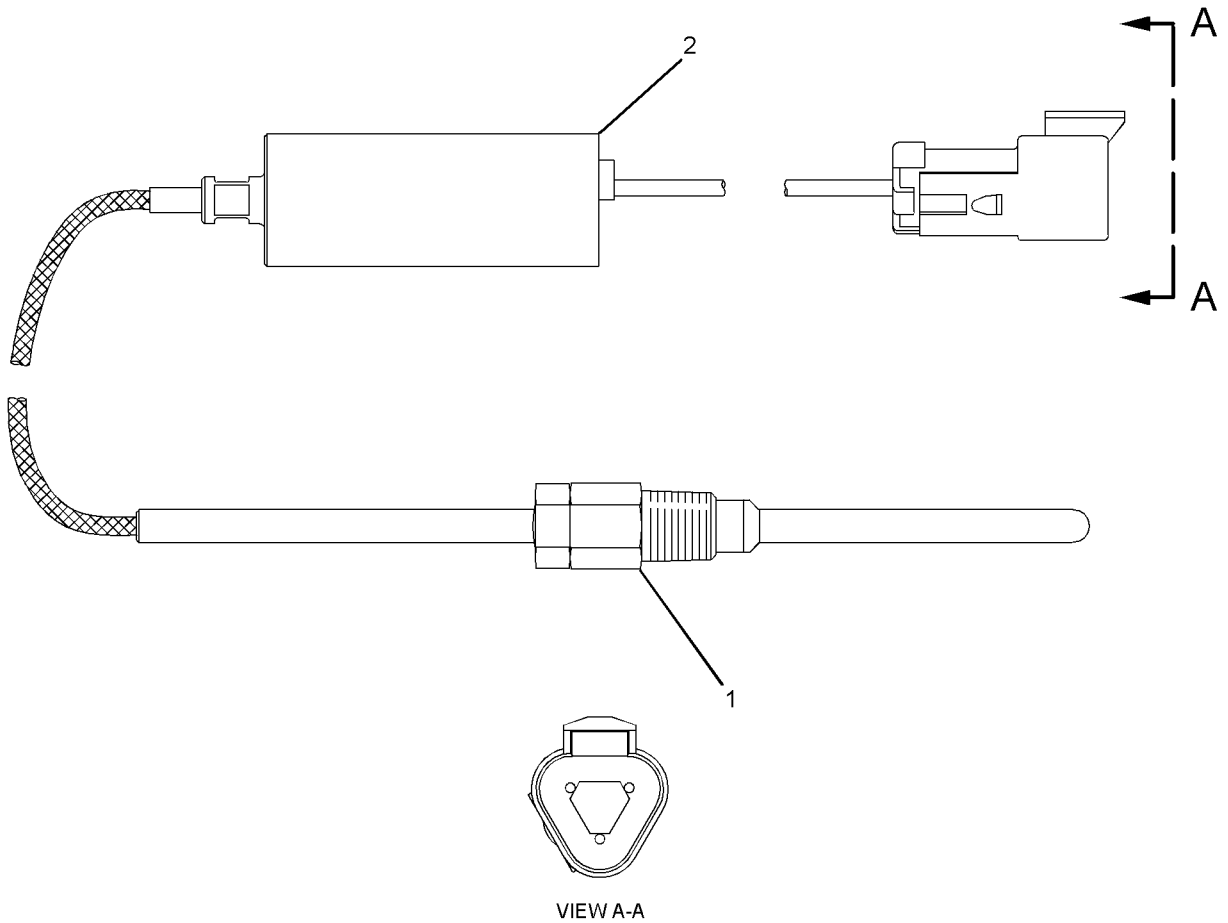
## 163-7882 SENSOR GP-EXHAUST TEMPERATURE

PART OF 253-7391 WIRING GP-ENGINE  
AN ATTACHMENT

SMCS-1919

i03480080

NOTE	REF NO	GRAPHIC REF	PART NUMBER	QTY	PART NAME						SEE PAGE
					1	2	3	4	5	6 (PRODUCT LEVEL)	
	1	1	261-6847	1	ADAPTER						
	2	1	261-6848	1	SENSOR GP-EXHAUST TEMPERATURE						



GRAPHIC #1

<END>

g01353943

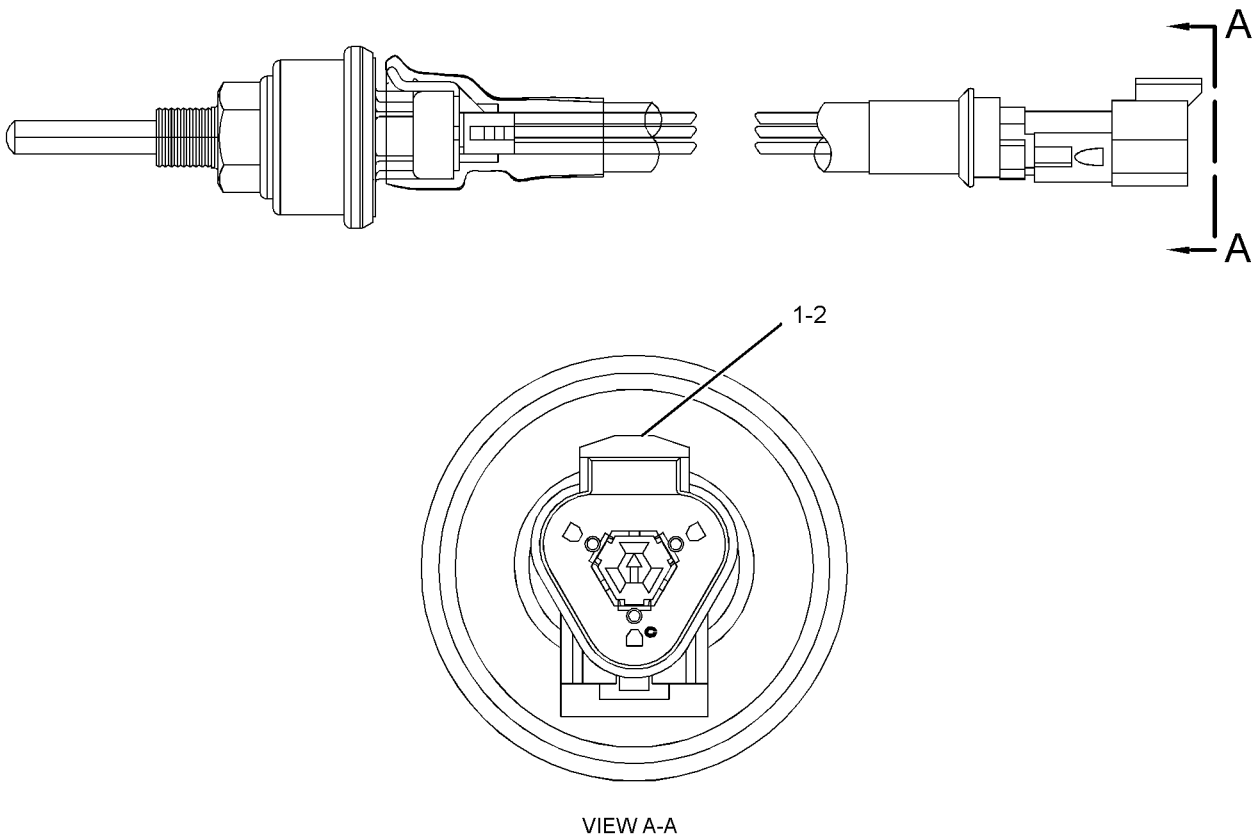
# ELECTRICAL AND STARTING SYSTEM

## 204-2518 SENSOR GP-LIQUID LEVEL AN ATTACHMENT

SMCS-7422

i02585904

NOTE	REF NO	GRAPHIC REF	PART NUMBER	QTY	PART NAME						SEE PAGE
					1	2	3	4	5	6 (PRODUCT LEVEL)	
	1	1	186-3735	3	PIN-CONNECTOR (16-GA TO 18-GA)						
	2	1	102-8803	1	KIT-RECEPTACLE (3-PIN) (INCLUDES RECEPTACLE AS & WEDGE)						



GRAPHIC #1

<END>

g01203130

# ELECTRICAL AND STARTING SYSTEM

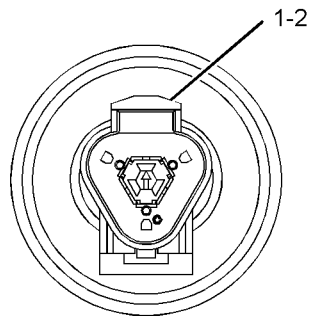
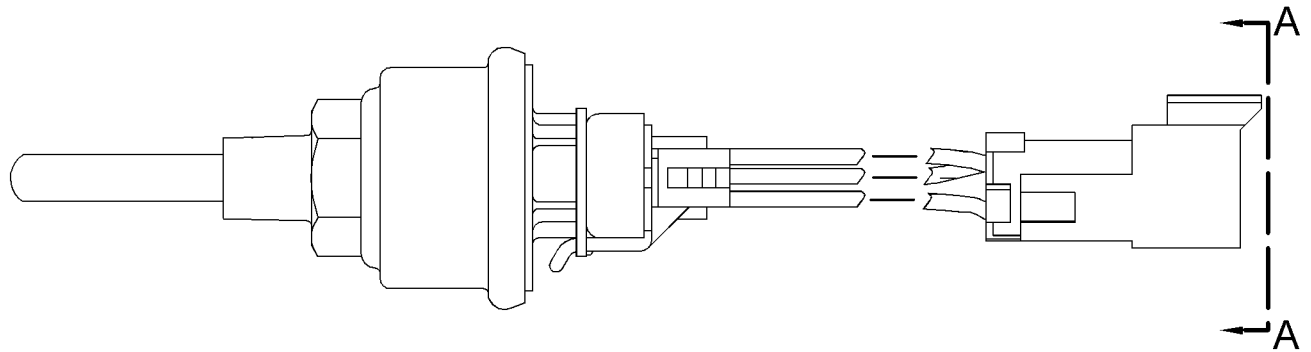
## 239-9957 SENSOR GP-LIQUID LEVEL

FIELD REPLACEMENT FOR 165-6634-PAGE 344

SMCS-7422

i03325600

NOTE	REF NO	GRAPHIC REF	PART NUMBER	QTY	PART NAME						SEE PAGE
					1	2	3	4	5	6 (PRODUCT LEVEL)	
	1	1	102-8803	1	KIT-RECEPTACLE (3-PIN) (INCLUDES RECEPTACLE AS & WEDGE)						
	2	1	186-3735	3	PIN-CONNECTOR (16-GA TO 18-GA)						



VIEW A-A

GRAPHIC #1

<END>

g01281047

# ELECTRICAL AND STARTING SYSTEM

## 152-8466 SENSOR GP-PARTICLE

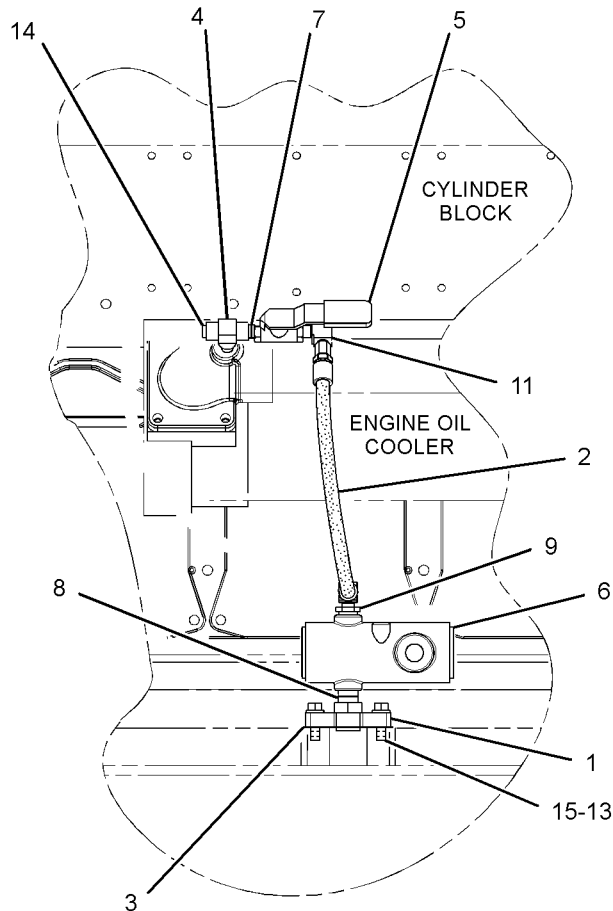
PART OF 293-2926 WIRING GP-SENSOR  
AN ATTACHMENT

SMCS-1308

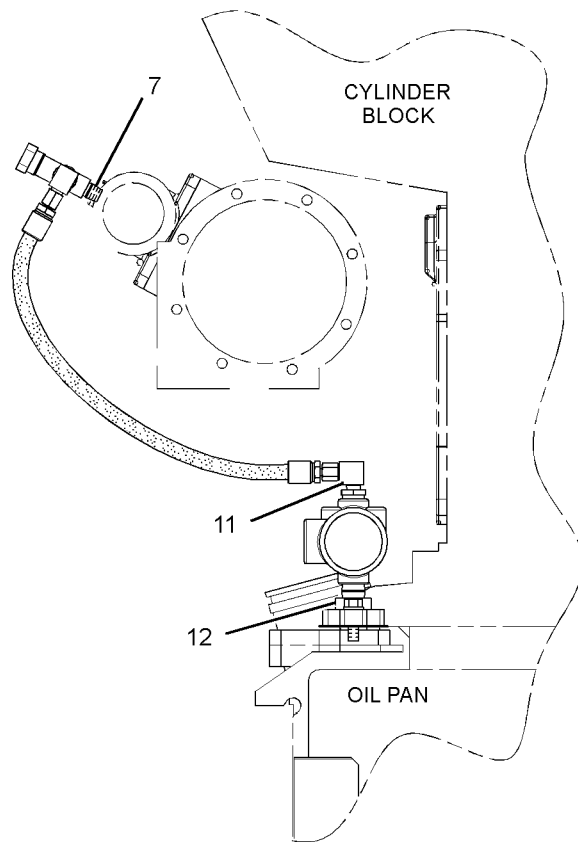
i02887958

NOTE	REF NO	GRAPHIC REF	PART NUMBER	QTY	PART NAME						SEE PAGE
					1	2	3	4	5	6 (PRODUCT LEVEL)	
	1	1	<b>3R-1059</b>	1	FLANGE						
I	2	1	<b>3V-6153</b>	1	HOSE AS						
	3	1	<b>9L-1480</b>	1	GASKET						
	4	1	<b>006-0210</b>	1	TEE-PIPE						
	5	1	<b>224-1228</b>	1	VALVE-BALL						
J	6	1	<b>123-4526</b>	1	SENSOR GP-PARTICLE (ENGINE OIL)						
	7	1	<b>008-0728</b>	2	FITTING (CLOSE)						
	8	1	<b>3B-7744</b>	1	FITTING (CLOSE)						
	9	1	<b>3B-7764</b>	1	BUSHING (REDUCING)						
	11	1	<b>6K-1972</b>	2	ELBOW-FLARED						
	12	1	<b>8B-2664</b>	1	BUSHING-REDUCER						
	13	1	<b>8T-4896</b>	2	WASHER-HARD (10.2X18.5X2.5-MM THK)						
	14	1	<b>8T-6763</b>	1	PLUG-PIPE						
	15	1	<b>9B-7237</b>	2	BOLT (3/8-16X1.25-IN)						
	J			<b>129-2915</b>	1	AVAILABLE REPAIR KIT(S): KIT-PARTICLE DETECTOR (INCLUDES GRID, END CAP O-SEALS, AND GRID O-SEAL)					

I-REFER TO HYDRAULIC INFORMATION SYSTEM  
J-KIT MARKED J SERVICES PART MARKED J



RIGHT SIDE VIEW OF ENGINE



FRONT VIEW OF ENGINE

GRAPHIC #1

<END>

g01469795

# ELECTRICAL AND STARTING SYSTEM

## 161-9926 SENSOR GP-PRESSURE

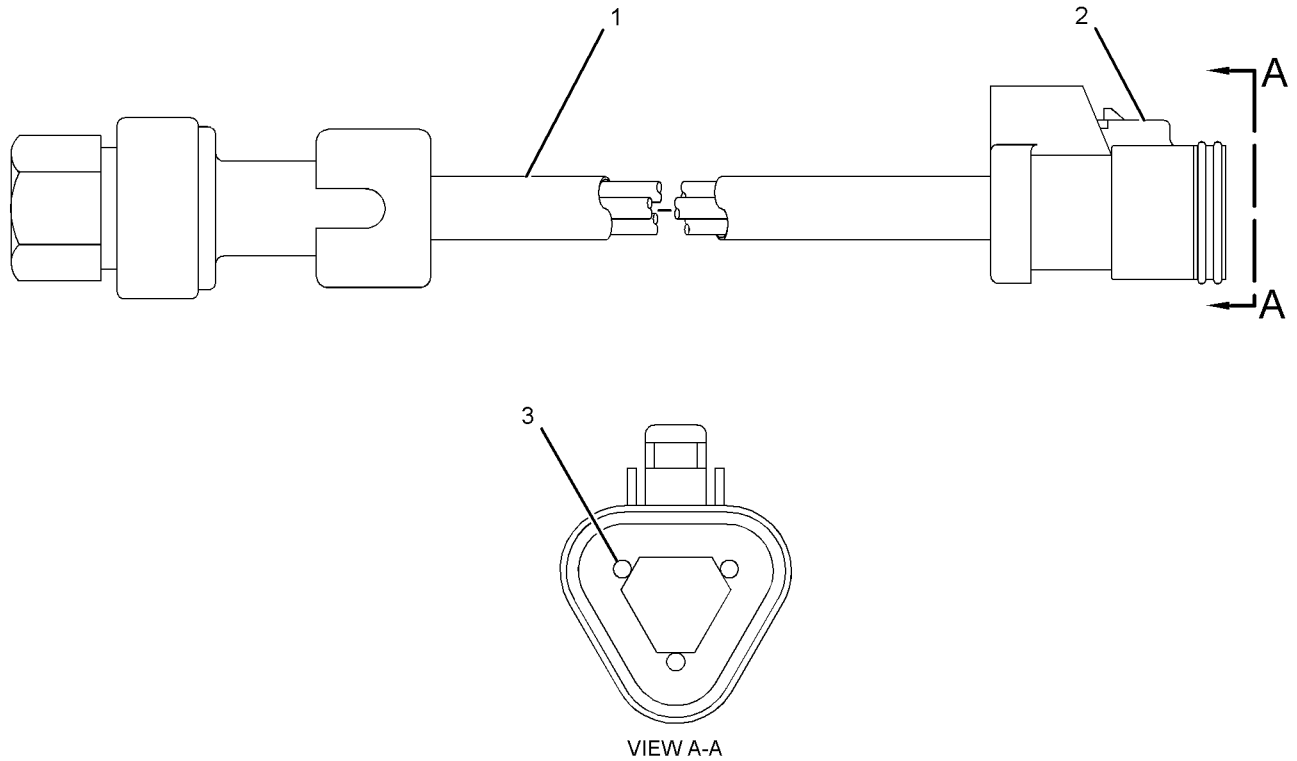
PART OF 253-7391 WIRING GP-ENGINE  
AN ATTACHMENT

SMCS-1718, 1916, 1917, 1923, 1924, 1925

i03480370

NOTE	REF NO	GRAPHIC REF	PART NUMBER	QTY	PART NAME						SEE PAGE
					1	2	3	4	5	6 (PRODUCT LEVEL)	
E	1	1	9X-1813		SLEEVE (34-CM)						
	2	1	155-2260	1	KIT-CONNECTING PLUG (3-PIN) (INCLUDES PLUG AS, WEDGE & INTERFACE SEAL)						
	3	1	180-9340	3	SOCKET-CONNECTOR (14-GA TO 18-GA)						

E-ORDER BY THE CENTIMETER



GRAPHIC #1

<END>

g01820867

# ELECTRICAL AND STARTING SYSTEM

## 194-6724 SENSOR GP-PRESSURE

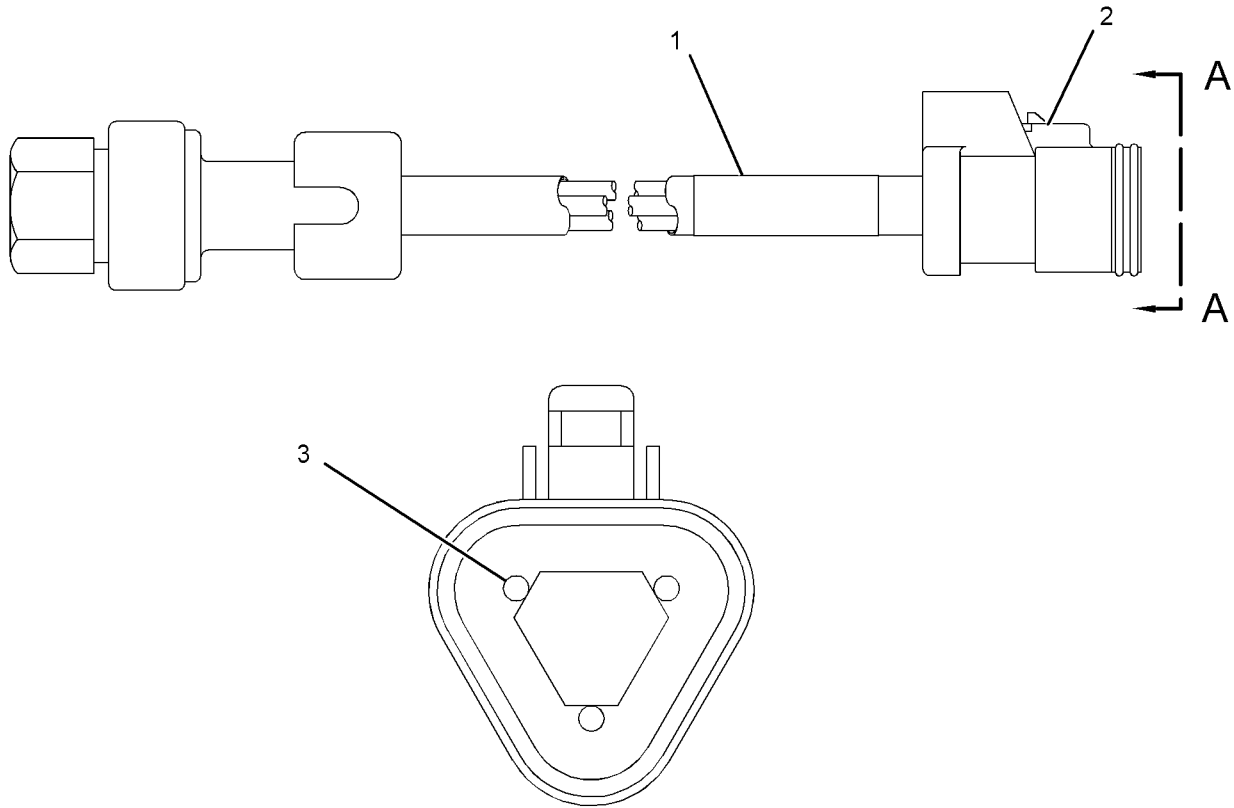
PART OF 253-7391 WIRING GP-ENGINE  
AN ATTACHMENT

SMCS-1718, 1916, 1917, 1923, 1924, 1925

i03260181

NOTE	REF NO	GRAPHIC REF	PART NUMBER	QTY	PART NAME						SEE PAGE
					1	2	3	4	5	6 (PRODUCT LEVEL)	
E	1	1	9X-1813		SLEEVE (34-CM)						
	2	1	155-2260	1	KIT-CONNECTING PLUG (3-PIN) (INCLUDES PLUG AS, WEDGE & INTERFACE SEAL)						
	3	1	194-5226	3	WIRE AS						

E-ORDER BY THE CENTIMETER



VIEW A-A

GRAPHIC #1

<END>

g01662018



# ELECTRICAL AND STARTING SYSTEM

## 194-6725 SENSOR GP-PRESSURE

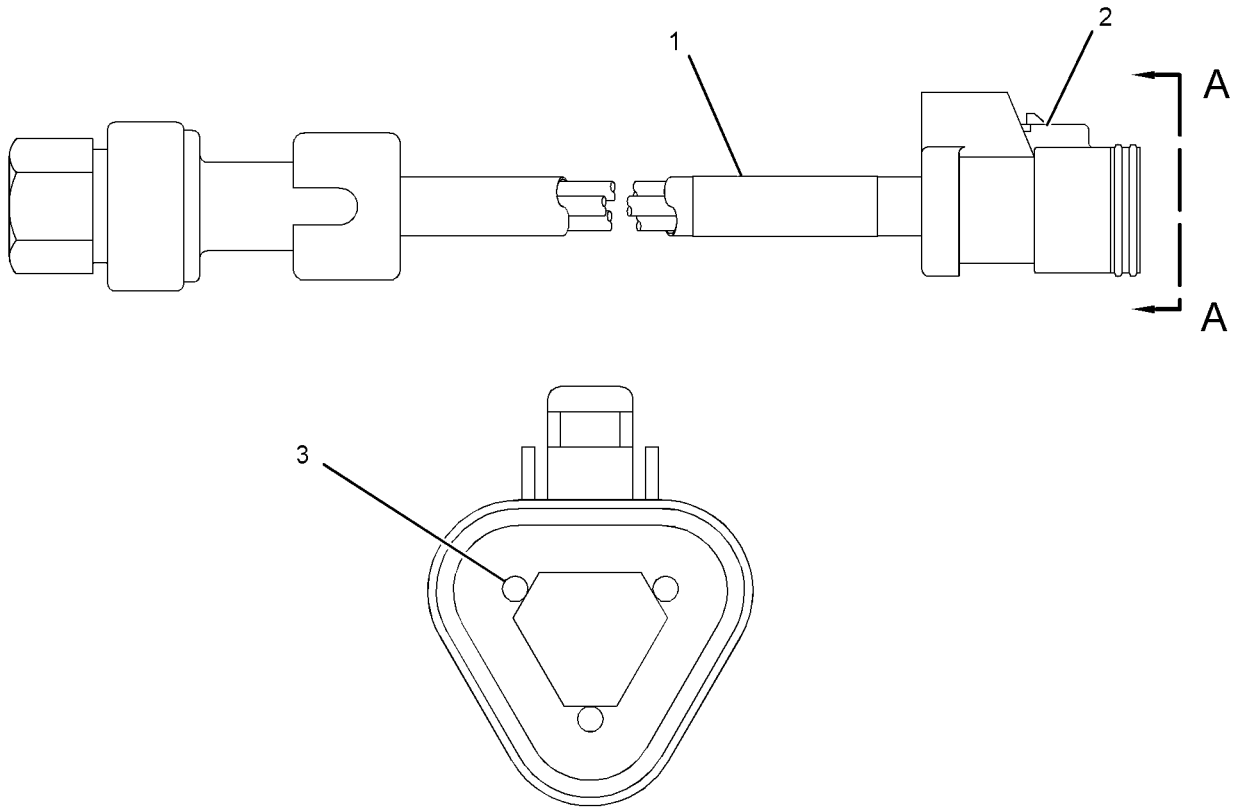
PART OF 253-7391 WIRING GP-ENGINE  
AN ATTACHMENT

SMCS-1718, 1916, 1917, 1923, 1924, 1925

i03642385

NOTE	REF NO	GRAPHIC REF	PART NUMBER	QTY	PART NAME						SEE PAGE
					1	2	3	4	5	6 (PRODUCT LEVEL)	
E	1	1	9X-1813		SLEEVE (34-CM)						
	2	1	155-2260	1	KIT-CONNECTING PLUG (3-PIN) (INCLUDES PLUG AS, INTERFACE SEAL & WEDGE)						
	3	1	180-9340	3	SOCKET-CONNECTOR (14-GA TO 18-GA)						

E-ORDER BY THE CENTIMETER



VIEW A-A

GRAPHIC #1

<END>

g01662003

# ELECTRICAL AND STARTING SYSTEM

## 3E-7886 SENSOR GP-SPEED

PART OF 7W-3355 SENSOR GP-SPEED

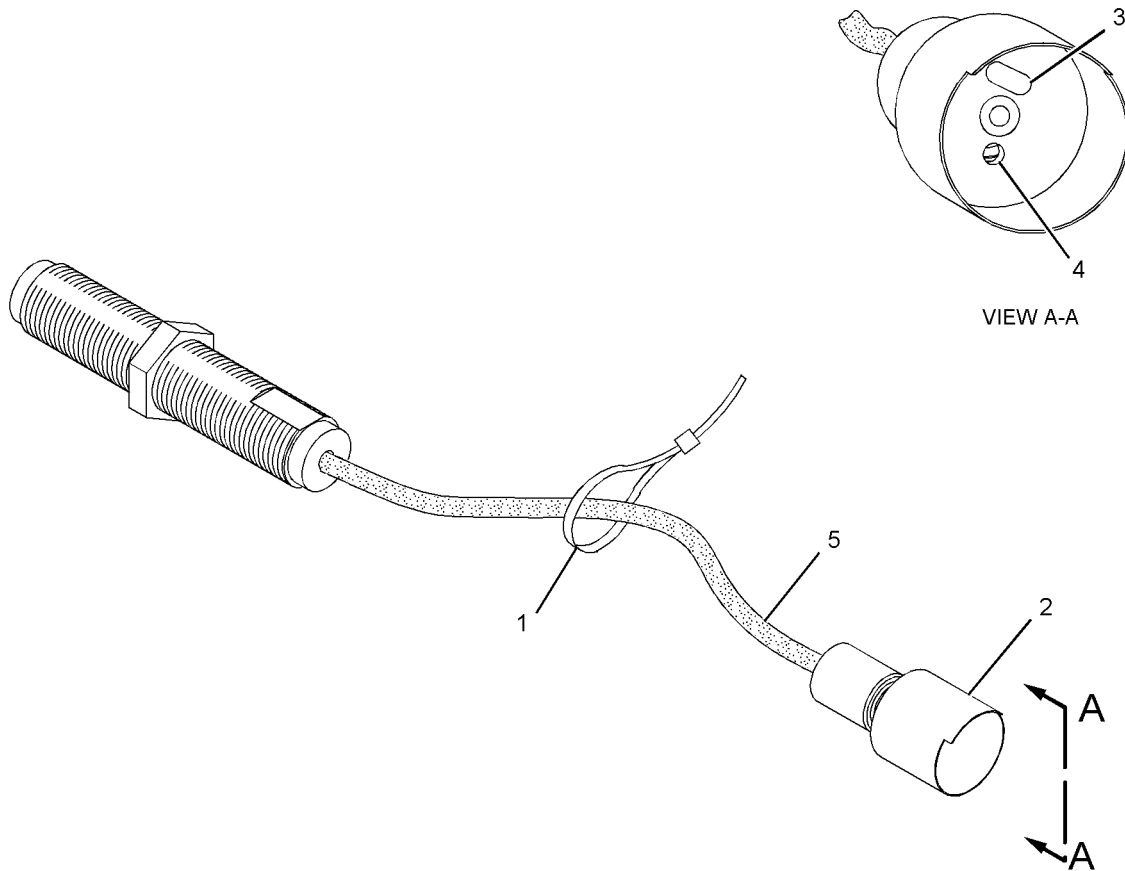
FIELD REPLACEMENT ORDER 189-5746-PAGE 355, 1-155-2270 KIT-CONNECTING PLUG,  
2-186-3736 SOCKET-CONNECTOR  
AN ATTACHMENT

SMCS-1907

i02707363

NOTE	REF NO	GRAPHIC REF	PART NUMBER	QTY	PART NAME						SEE PAGE
					1	2	3	4	5	6 (PRODUCT LEVEL)	
	1	1	171-5349	1	STRAP-MARKER						
	2	1	7N-9738	1	HOUSING-RECEPTACLE (14-GA TO 18-GA)						
	3	1	7N-7780	1	PIN-CONNECTOR (14-GA TO 18-GA)						
	4	1	7N-7779	1	SOCKET-CONNECTOR (14-GA TO 18-GA)						
E	5	1	9X-1386		SLEEVE (14-CM)						

E-ORDER BY THE CENTIMETER



GRAPHIC #1

<END>

g01123339

# ELECTRICAL AND STARTING SYSTEM

## 7W-3355 SENSOR GP-SPEED

FOR USE WITH ENGINE MOUNTED INSTRUMENT PANEL  
AN ATTACHMENT

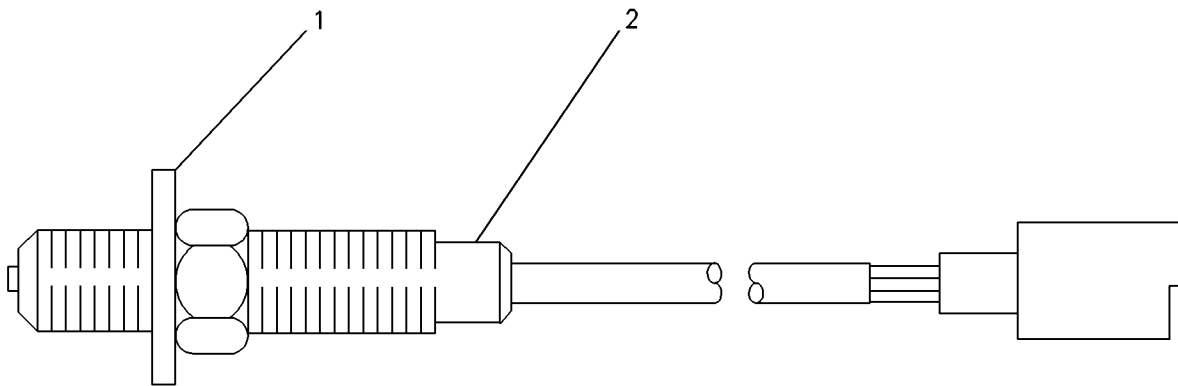
SMCS-1907

i03213382

NOTE	REF NO	GRAPHIC REF	PART NUMBER	QTY	PART NAME						SEE PAGE
					1	2	3	4	5	6 (PRODUCT LEVEL)	
B	1	1	4B-4281	1	WASHER (16.8X33X2.5-MM THK)						
Y	2	1	3E-7886	1	SENSOR GP-SPEED						352

B-USE AS REQUIRED

Y-SEPARATE ILLUSTRATION



GRAPHIC #1

<END>

g00065532

# ELECTRICAL AND STARTING SYSTEM

## 129-6628 SENSOR GP-SPEED

S/N: LLA1-193

PART OF 253-7391 WIRING GP-ENGINE

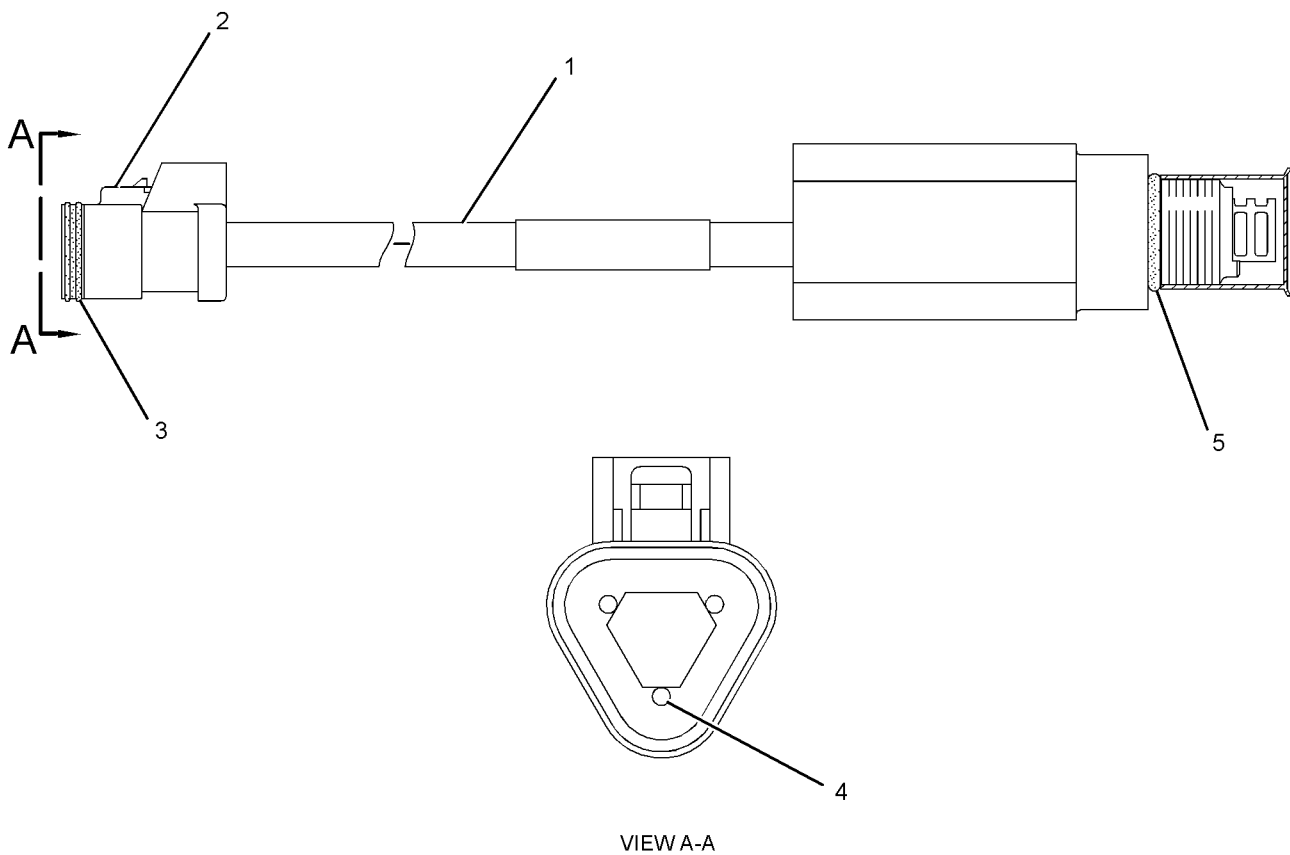
FIELD REPLACEMENT ORDER 265-9033-PAGE 356, 273-5041-PAGE 357  
AN ATTACHMENT

SMCS-1907

i03480400

NOTE	REF NO	GRAPHIC REF	PART NUMBER	QTY	PART NAME						SEE PAGE
					1	2	3	4	5	6 (PRODUCT LEVEL)	
BE	1	1	<b>9X-1813</b>		SLEEVE (31-CM)						
	2	1	<b>155-2260</b>	1	KIT-CONNECTING PLUG (3-PIN) (INCLUDES PLUG AS AND WEDGE)						
	3	1	<b>102-8813</b>	1	SEAL						
	4	1	<b>186-3736</b>	3	SOCKET-CONNECTOR (16-GA TO 18-GA)						
	5	1	<b>8L-2786</b>	1	SEAL-O-RING						

B-USE AS REQUIRED  
E-ORDER BY THE CENTIMETER



GRAPHIC #1

<END>

g01820882

# ELECTRICAL AND STARTING SYSTEM

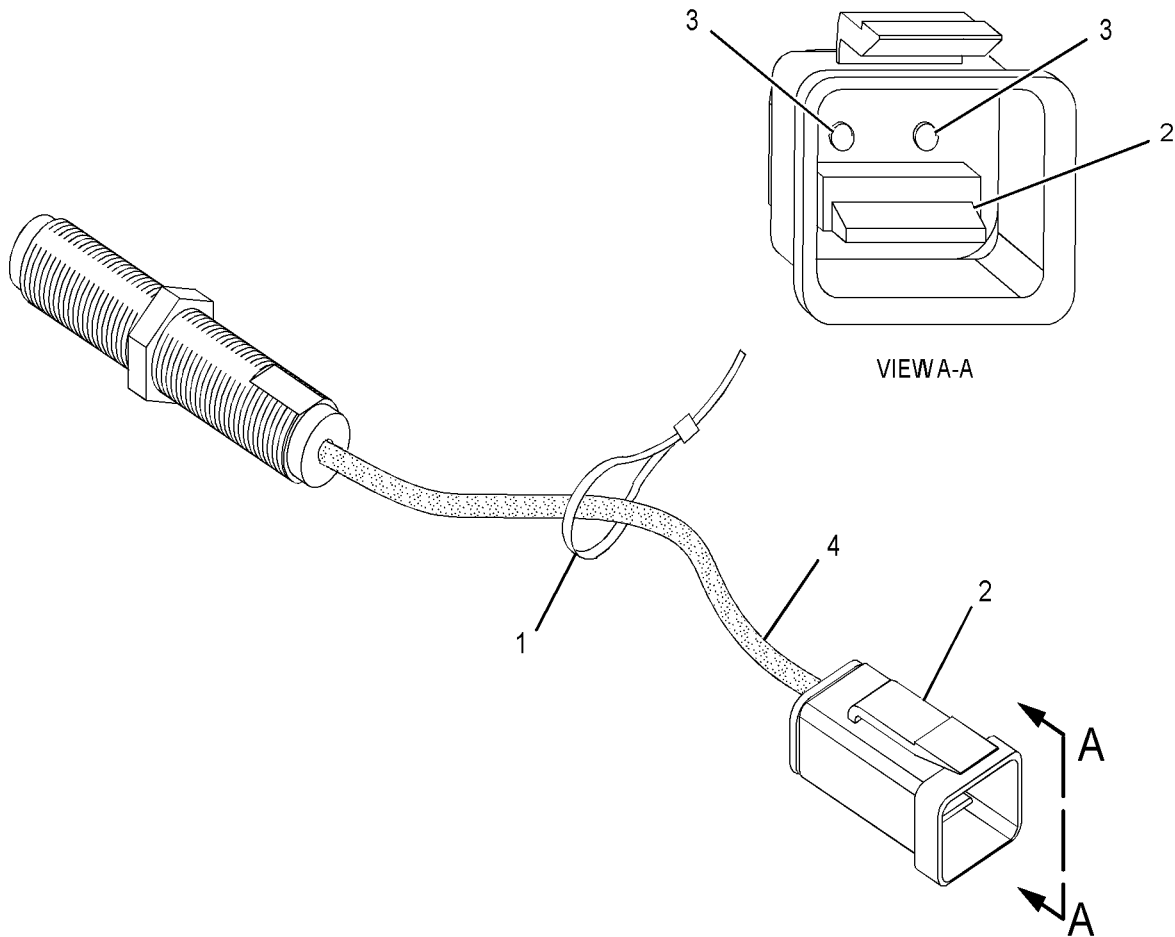
## 189-5746 SENSOR GP-SPEED FIELD REPLACEMENT FOR 3E-7886-PAGE 352

SMCS-1907

i03276881

NOTE	REF NO	GRAPHIC REF	PART NUMBER	QTY	PART NAME						SEE PAGE
					1	2	3	4	5	6 (PRODUCT LEVEL)	
	1	1	171-5349	1	STRAP-MARKER						
	2	1	102-8802	1	KIT-RECEPTACLE (2-PIN) (INCLUDES RECEPTACLE AS & WEDGE)						
	3	1	144-1636	2	PIN-CONNECTOR (14-GA TO 18-GA)						
E	4	1	9X-1386		SLEEVE (14-CM)						

E-ORDER BY THE CENTIMETER



GRAPHIC #1

<END>

g01353977

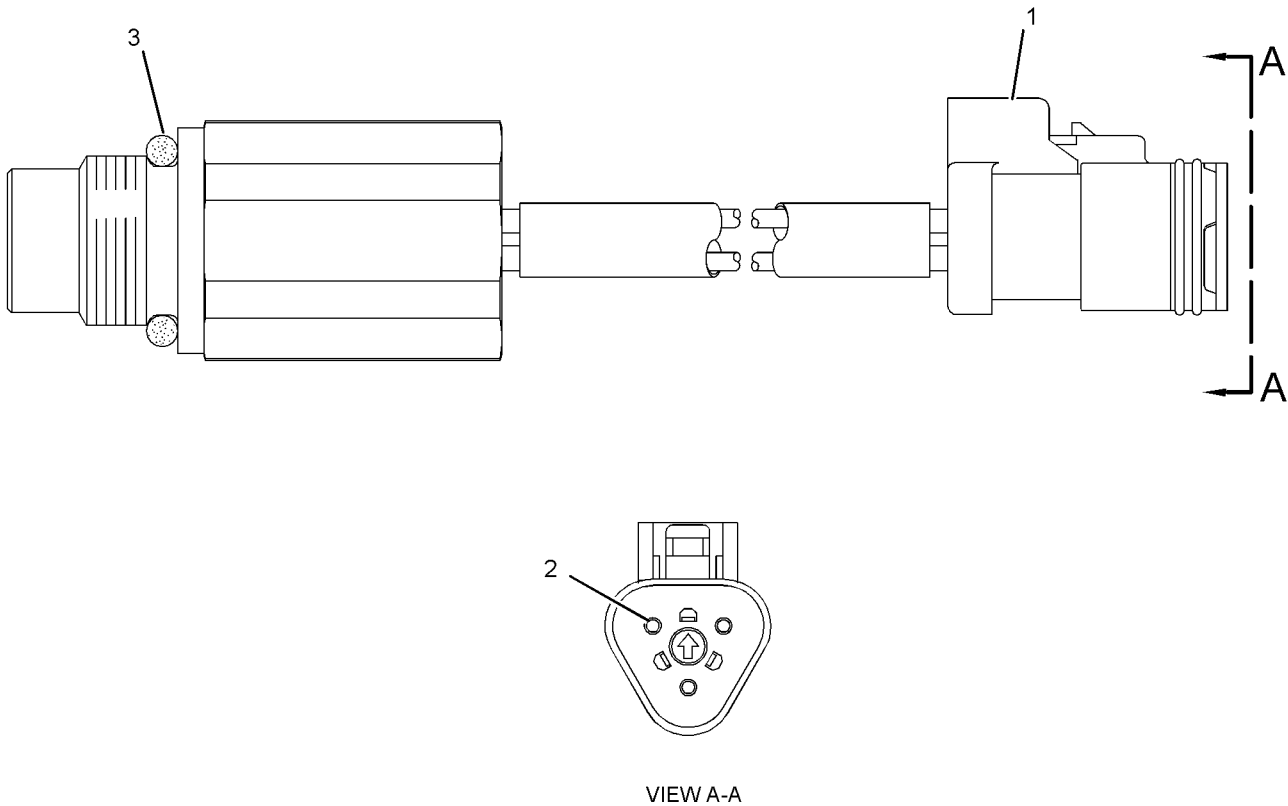
# ELECTRICAL AND STARTING SYSTEM

## 265-9033 SENSOR GP-SPEED FIELD REPLACEMENT FOR 129-6628—PAGE 354

SMCS-1907

i02729672

NOTE	REF NO	GRAPHIC REF	PART NUMBER	QTY	PART NAME						SEE PAGE
					1	2	3	4	5	6 (PRODUCT LEVEL)	
	1	1	155-2260	2	KIT-CONNECTING PLUG (3-PIN)						
					(EACH INCLUDES PLUG AS & WEDGE)						
	2	1	194-5226	3	WIRE AS						
					-OR-						
		1	194-5227	3	WIRE AS (14-GA)						
	3	1	8L-2786	1	SEAL-O-RING						



GRAPHIC #1

<END>

g01370251

# ELECTRICAL AND STARTING SYSTEM

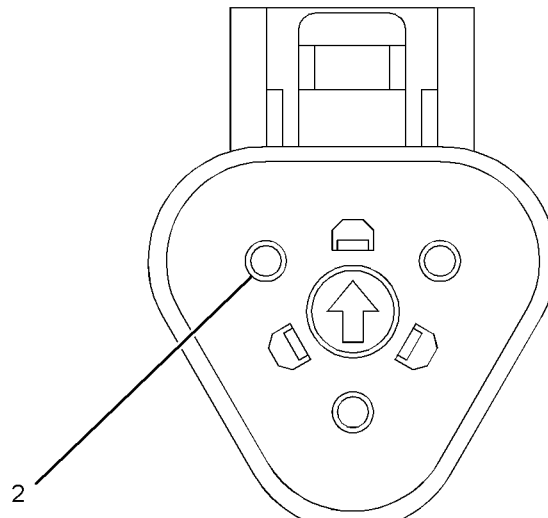
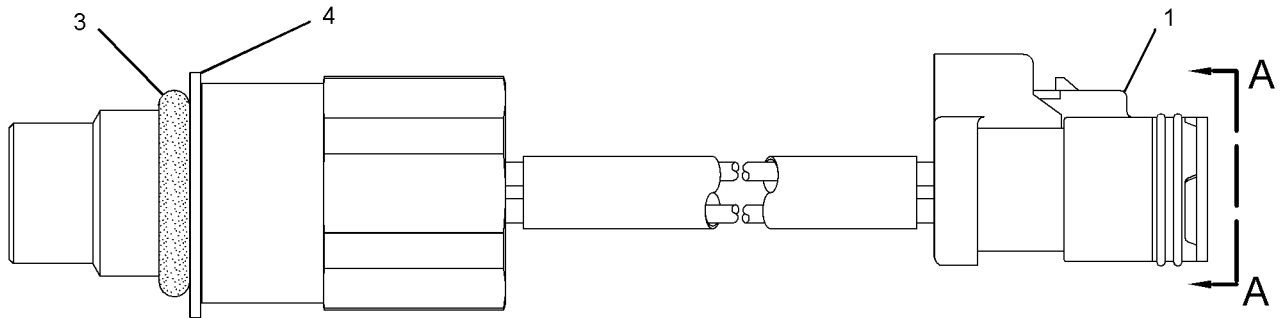
## 273-5041 SENSOR GP-SPEED

PART OF 129-6628 SENSOR GP-SPEED, 253-7391 WIRING GP-ENGINE  
 FIELD REPLACEMENT FOR 129-6628—PAGE 354  
 AN ATTACHMENT

SMCS-1907

i02645905

NOTE	REF NO	GRAPHIC REF	PART NUMBER	QTY	PART NAME						SEE PAGE
					1	2	3	4	5	6 (PRODUCT LEVEL)	
	1	1	155-2260	1	KIT-CONNECTING PLUG (3-PIN)						
					(INCLUDES PLUG AS AND WEDGE)						
	2	1	180-9340	3	SOCKET-CONNECTOR (14-GA TO 18-GA)						
					(14-GA TO 18-GA)						
	3	1	117-8766	1	SEAL-O-RING						
	4	1	133-1207	1	WASHER (21.1X28.1X0.9-MM THK)						



VIEW A-A

GRAPHIC #1

<END>

g01281337

# ELECTRICAL AND STARTING SYSTEM

## 102-2240 SENSOR GP-TEMPERATURE

S/N: LLA194-UP

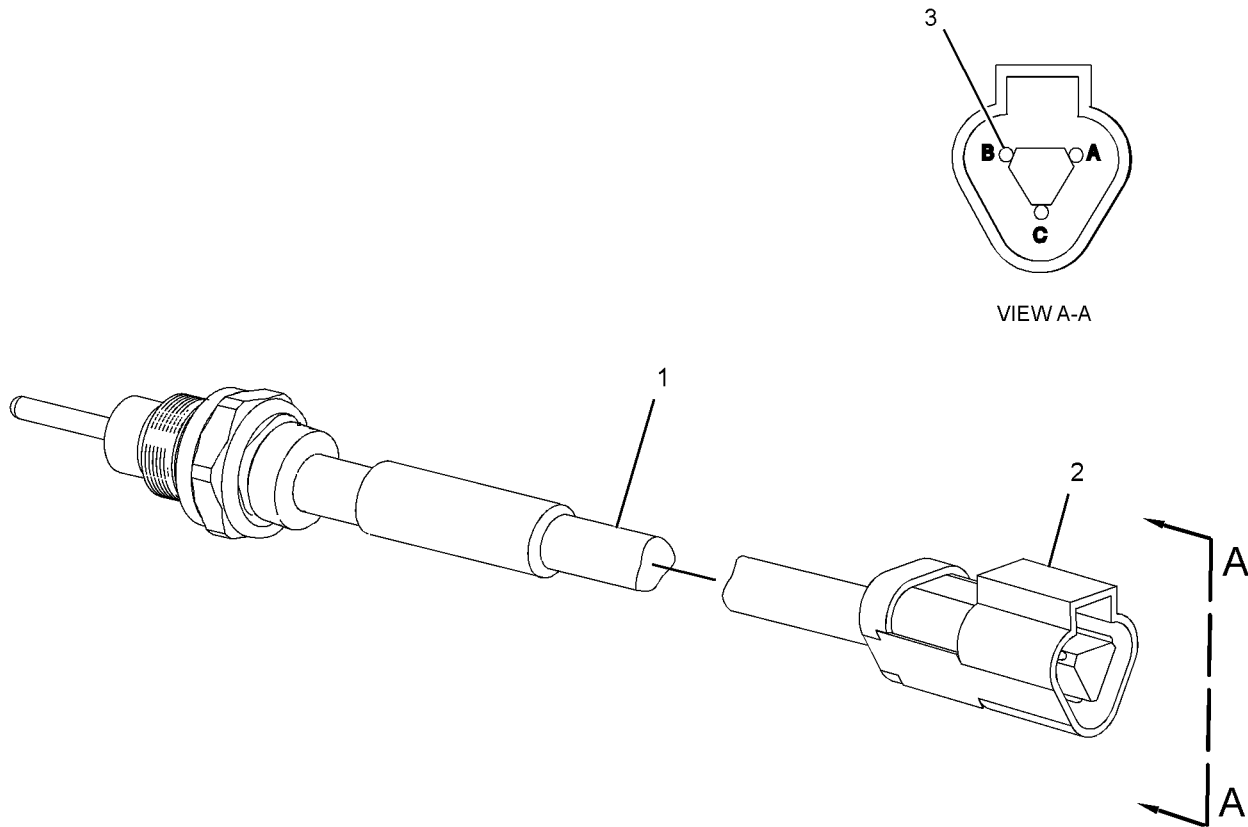
PART OF 253-7391 WIRING GP-ENGINE  
AN ATTACHMENT

SMCS-1906, 1919, 1921, 1922, 1928, 1929

i03772736

NOTE	REF NO	GRAPHIC REF	PART NUMBER	QTY	PART NAME						SEE PAGE
					1	2	3	4	5	6 (PRODUCT LEVEL)	
E	1	1	9X-1813		SLEEVE (31-CM)						
	2	1	102-8803	1	KIT-RECEPTACLE (3-PIN) (INCLUDES RECEPTACLE AS & WEDGE)						
	3	1	186-3735	3	PIN-CONNECTOR (16-GA TO 18-GA)						

E-ORDER BY THE CENTIMETER



GRAPHIC #1

<END>

g01965958



# ELECTRICAL AND STARTING SYSTEM

## 195-2150 SENSOR GP-TEMPERATURE

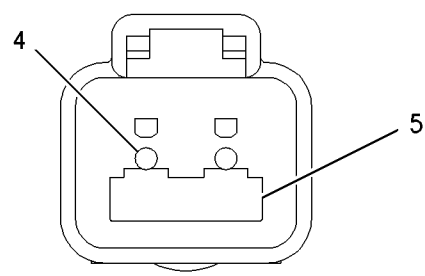
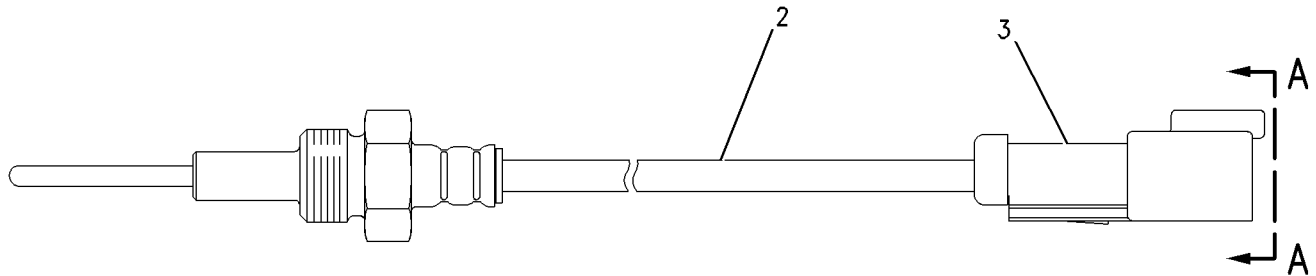
PART OF 128-2858 WIRING GP-ENGINE  
AN ATTACHMENT

SMCS-1906, 1919, 1921, 1922, 1928, 1929

i02231071

NOTE	REF NO	GRAPHIC REF	PART NUMBER	QTY	PART NAME						SEE PAGE
					1	2	3	4	5	6 (PRODUCT LEVEL)	
BH	2	1	153-5043		SLEEVE (4-DM)						
	3	1	102-8802	1	KIT-RECEPTACLE (2-PIN) (INCLUDES RECEPTACLE AS AND WEDGE)						
	4	1	186-3735	2	PIN-CONNECTOR (16-GA TO 18-GA)						
	5	1	3E-3365	1	WEDGE-RECEPTACLE LOCK (2-PIN)						

B-USE AS REQUIRED  
H-ORDER BY THE DECIMETER



VIEW A-A

GRAPHIC #1

<END>

g00857794

# ELECTRICAL AND STARTING SYSTEM

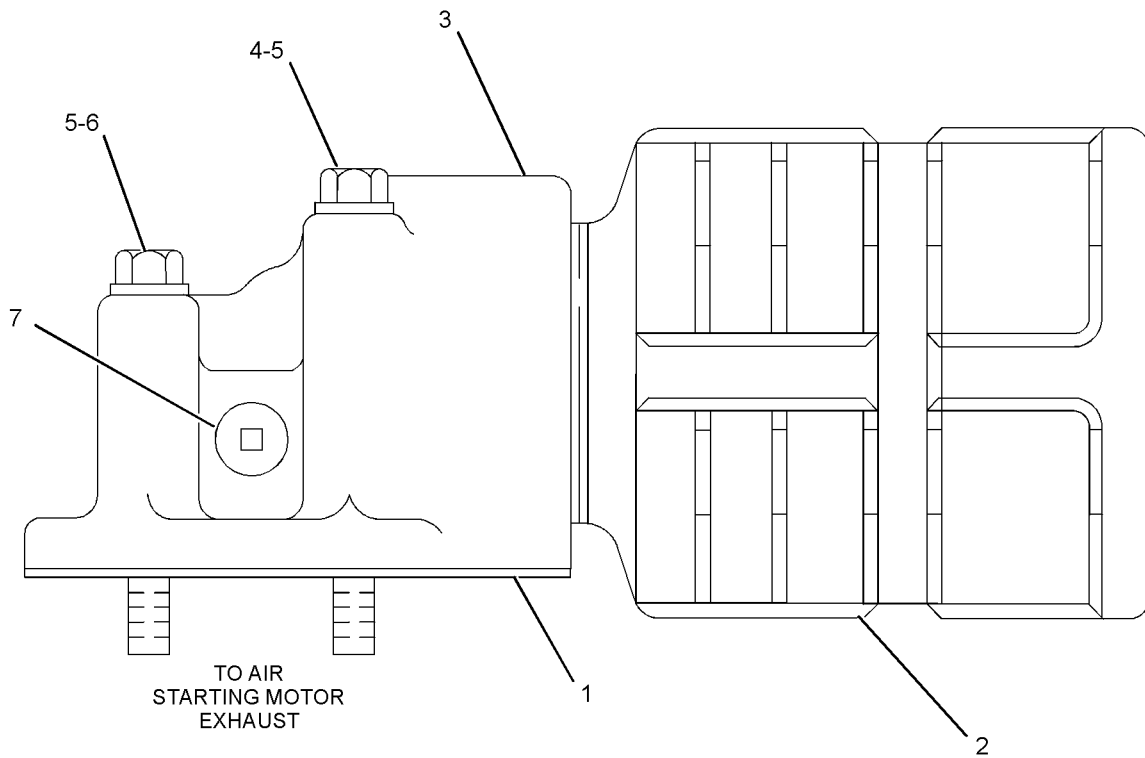
## 8N-8486 SILENCER GP-AIR STARTING

FOR USE WITH AIR PRELUBRICATION  
AN ATTACHMENT

SMCS-1468

i02797308

NOTE	REF NO	GRAPHIC REF	PART NUMBER	QTY	PART NAME						SEE PAGE
					1	2	3	4	5	6 (PRODUCT LEVEL)	
	1	1	8N-8452	1	GASKET						
	2	1	8N-8488	1	SILENCER-AIR STARTING						
	3	1	8N-8447	1	ELBOW						
	4	1	1D-4569	2	BOLT (1/2-13X4.25-IN)						
	5	1	5P-8245	4	WASHER-HARD (13.5X25.5X3-MM THK)						
	6	1	1D-4566	2	BOLT (1/2-13X3.5-IN)						
	7	1	8T-6762	1	PLUG-PIPE						



GRAPHIC #1

<END>

g01397487

# ELECTRICAL AND STARTING SYSTEM

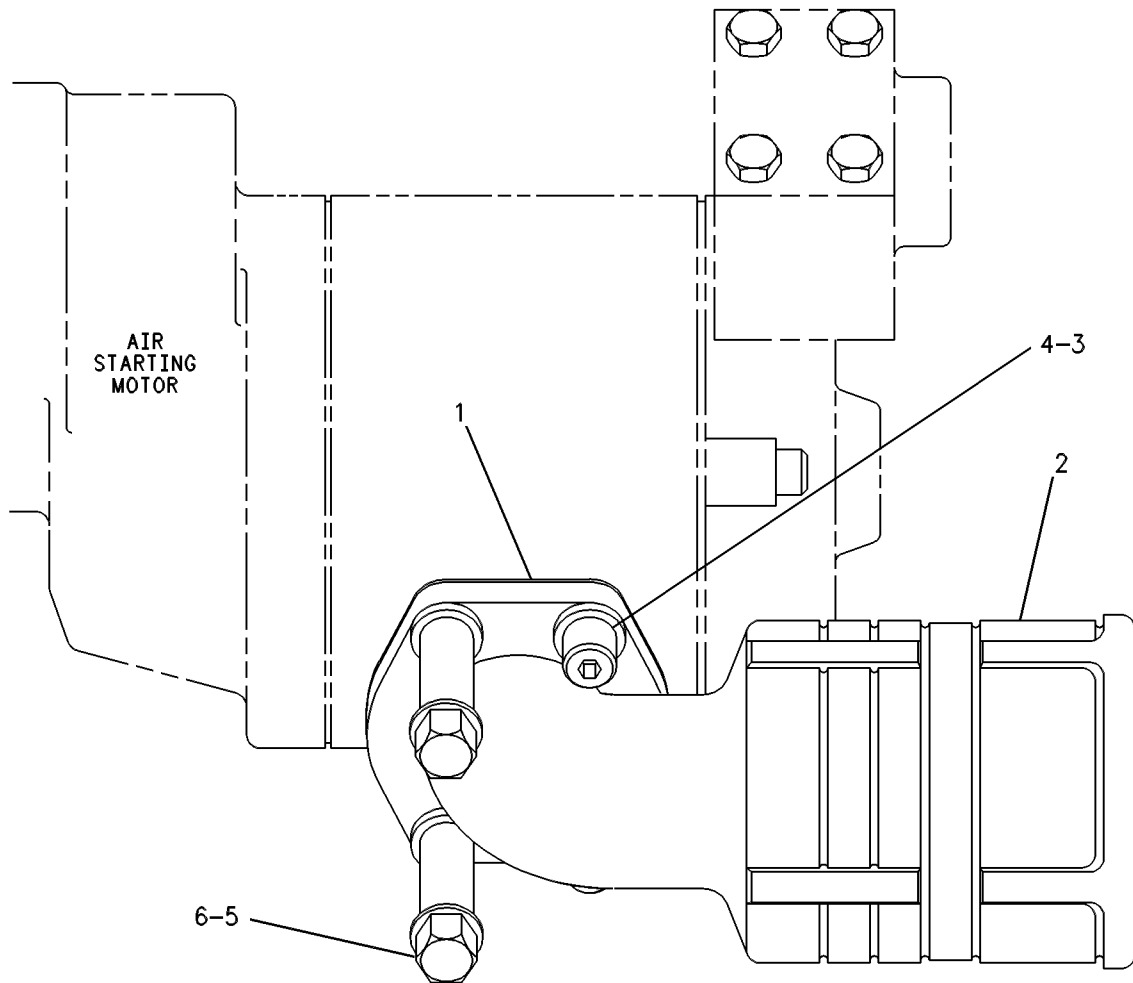
## 112-6597 SILENCER GP-AIR STARTING

AN ATTACHMENT

SMCS-1468

i02183290

NOTE	REF NO	GRAPHIC REF	PART NUMBER	QTY	PART NAME						SEE PAGE
					1	2	3	4	5	6 (PRODUCT LEVEL)	
	1	1	<b>8N-8452</b>	1	GASKET						
	2	1	<b>107-8769</b>	1	SILENCER-AIR STARTING						
	3	1	<b>5P-8245</b>	6	WASHER-HARD (13.5X25.5X3-MM THK)						
	4	1	<b>141-8596</b>	2	BOLT-SOCKET HEAD (1/2-13X1.25-IN)						
	5	1	<b>1D-4566</b>	2	BOLT (1/2-13X3.5-IN)						
	6	1	<b>1V-7753</b>	2	SPACER (0.546X0.841X1.75-IN THK)						



GRAPHIC #1

<END>

g00261122

# ELECTRICAL AND STARTING SYSTEM

## 4W-5107 STARTING MOTOR GP-AIR

PART OF 8N-8477 STARTING MOTOR GP-AIR  
FIELD REPLACEMENT ORDER 7C-3372-PAGE 365  
AN ATTACHMENT

SMCS-1451

i03501680

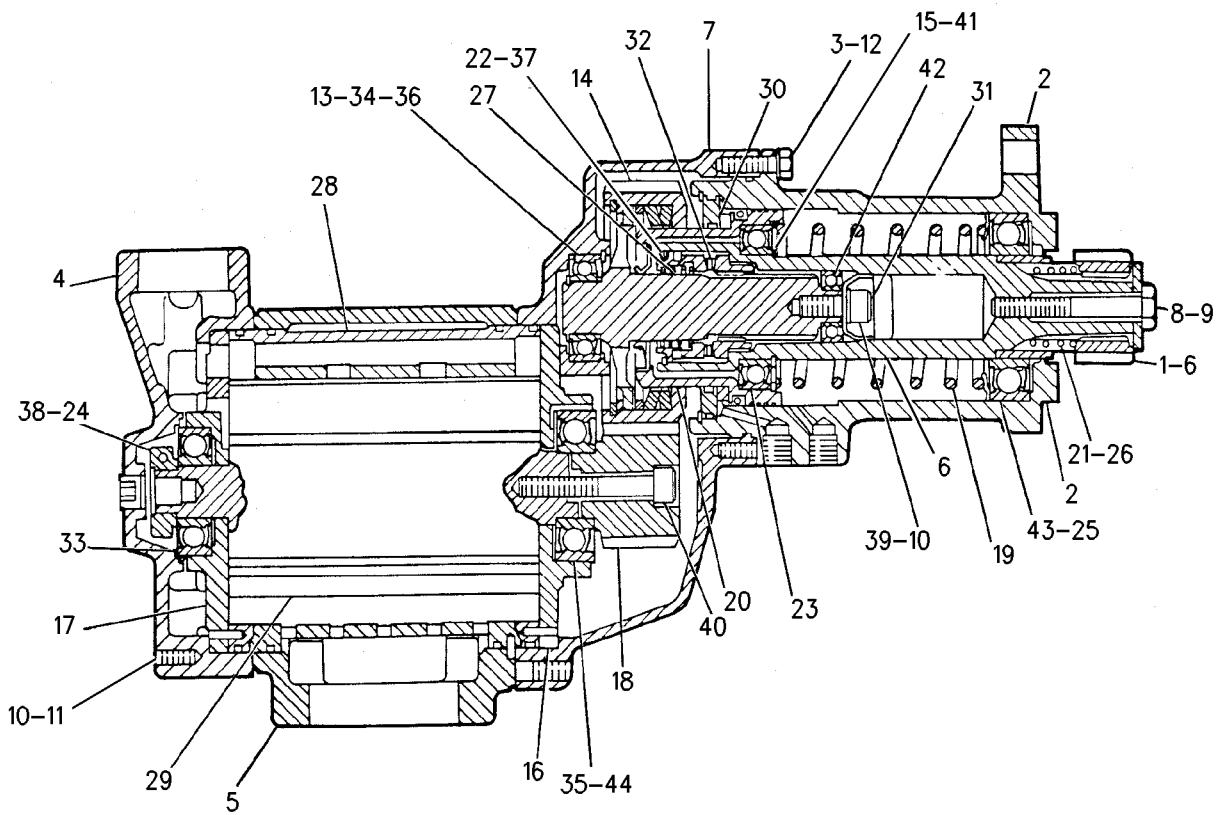
NOTE	REF NO	GRAPHIC REF	PART NUMBER	QTY	PART NAME						SEE PAGE
					1	2	3	4	5	6 (PRODUCT LEVEL)	
	1	1	2W-6078	1	PINION-DRIVE (12-TEETH)						
	2	1	2W-6082	1	KIT-DRIVE (AIR STARTING MOTOR) (INCLUDES O-RING, HOUSING, BEARING, SEAL & VENT)						
	3	1	3B-4505	8	LOCKWASHER						
	4	1	5N-8363	1	COVER AS						
		1	4D-3118	3	PLUG-PIPE						
	5	1	5N-8364	1	HOUSING-MOTOR						
	6	1	5N-8384	1	SHAFT-DRIVE						
	7	1	5N-8387	1	CASE-GEAR						
M	8	1	5N-8403	1	SCREW-PINION (M12X1.25X70-MM)						
	9	1	5N-8425	1	WASHER (12.2X41.5X4.5-MM THK)						
	10	1	6V-3959	5	LOCKWASHER						
M	11	1	5N-8427	4	BOLT-MOTOR (M10X1.5X180-MM)						
M	12	1	6V-3940	8	BOLT (M8X1.25X25-MM)						
	13	1	1L-8497	1	RING-SNAP (SMALL)						
	14	1	2W-6081	1	GEAR AS-DRIVE (37-TEETH)						
	15	1	3J-7719	1	RING-RETAINING (INNER)						
	16	1	5N-8365	1	PLATE-FRONT END						
	17	1	5N-8367	1	PLATE-REAR END						
	18	1	5N-8368	1	PINION-ROTOR (17-TEETH)						
	19	1	5N-8372	1	SPRING-RETURN						
	20	1	5N-8373	1	PISTON						
	21	1	5N-8374	1	SLEEVE-SPRING						
	22	1	5N-8375	1	CUP-SPRING						
	23	1	5N-8377	1	BEARING-DRIVE SHAFT						
	24	1	5N-8378	1	NUT-ROTOR CLAMP (M5X0.8-THD)						
	25	1	5N-8379	1	SEAT-SPRING						
	26	1	5N-8380	1	SPRING-PINION						
	27	1	5N-8381	1	SPRING-CLUTCH						
	28	1	5N-8383	1	CYLINDER						
	29	1	5N-8388	1	ROTOR						
	30	1	5N-8424	1	BULKHEAD						
	31	1	5N-8428	1	WASHER-GEAR (10.1X34X15.5-MM THK)						
	32	1	5N-9574	1	JAW AS-CLUTCH						
	33	1	5P-9514	1	BALL BEARING						
	34	1	6J-7855	1	RING-LOCK (LARGE)						
	35	1	6V-1394	1	BALL BEARING						
	36	1	6V-3916	1	BALL BEARING						
	37	1	6V-3935	1	RING-RETAINING						
M	38	1	096-4833	1	BOLT-SOCKET HEAD (M5X0.8X20-MM)						
M	39	1	6V-3938	1	BOLT (M10X1.5X20-MM)						
M	40	1	6V-3939	1	BOLT (M12X1.75X60-MM)						
	41	1	6V-3971	1	RING-RETAINING (OUTER)						
	42	1	7F-8671	1	BALL BEARING						
	43	1	8B-7624	1	BALL BEARING						
	44	1	039-4317	2	WASHER-SPRING						
					AVAILABLE REPAIR KIT(S):						
			5N-8390	1	KIT-SEAL & VANE (AIR STARTING MOTOR) (INCLUDES PINS, RINGS, SEALS & VANE)						

M-METRIC PART

# ELECTRICAL AND STARTING SYSTEM

4W-5107 STARTING MOTOR GP-AIR (contd.)

i03501680



GRAPHIC #1

<END>

g00827191

# ELECTRICAL AND STARTING SYSTEM

## 7C-3371 STARTING MOTOR GP-AIR-SINGLE

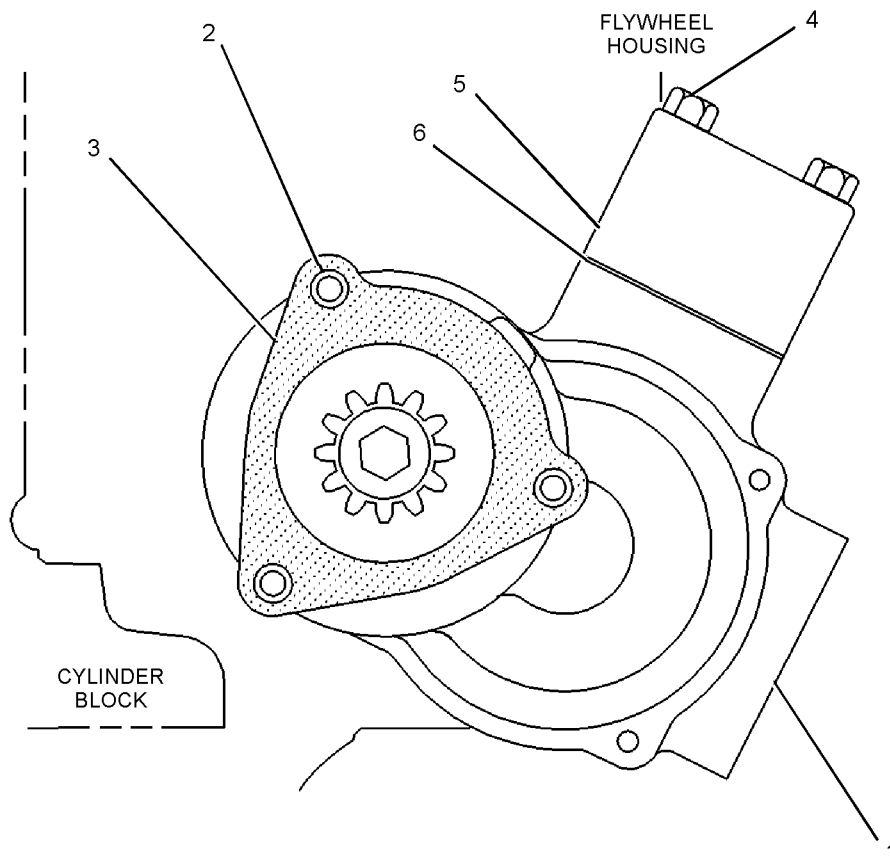
STANDARD ENGINE ROTATION  
FOR USE WITH SAE "00" FLYWHEEL HOUSING  
AN ATTACHMENT

SMCS-1451

i02436750

NOTE	REF NO	GRAPHIC REF	PART NUMBER	QTY	PART NAME						SEE PAGE
					1	2	3	4	5	6 (PRODUCT LEVEL)	
YR	1	1	7C-3372	1	STARTING MOTOR GP-AIR						365
	2	1	0S-1566	3	BOLT (5/8-11X1.5-IN)						
	3	1	4H-7869	1	GASKET						
	4	1	1D-4566	4	BOLT (1/2-13X3.5-IN)						
	5	1	8N-8446	1	ELBOW						
	6	1	8N-8451	1	GASKET						

R-REMFG PART MAY BE AVAILABLE  
Y-SEPARATE ILLUSTRATION



REAR VIEW

GRAPHIC #1

<END>

g01217301

# ELECTRICAL AND STARTING SYSTEM

## 7C-3372 STARTING MOTOR GP-AIR\*R

PART OF 7C-3371 STARTING MOTOR GP-AIR  
FIELD REPLACEMENT FOR 4W-5107-PAGE 362  
AN ATTACHMENT

SMCS-1451

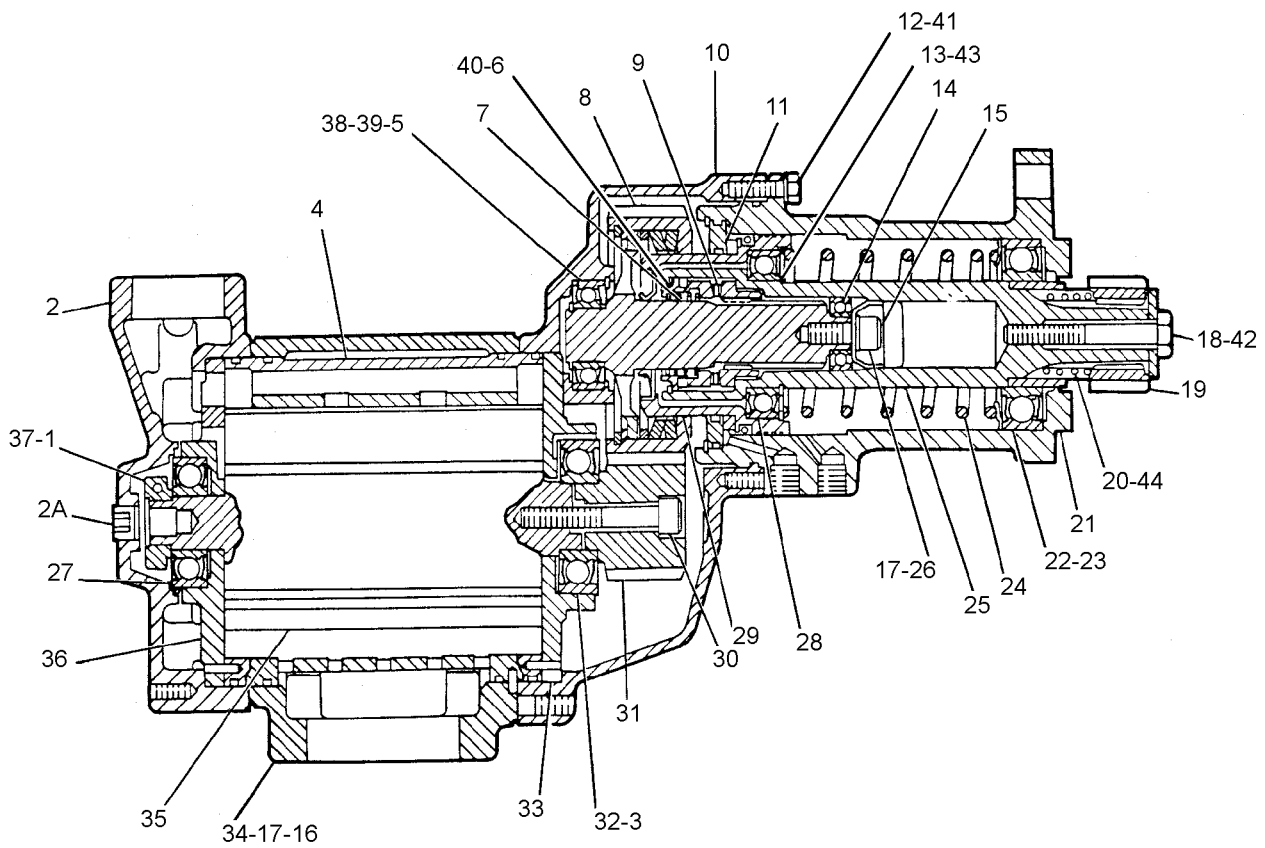
i03401096

NOTE	REF NO	GRAPHIC REF	PART NUMBER	QTY	PART NAME						SEE PAGE
					1	2	3	4	5	6 (PRODUCT LEVEL)	
M	1	1	096-4833	1	BOLT-SOCKET HEAD (M5X0.8X20-MM)						
	2	1	5N-8363	1	COVER AS						
	2A	1	4D-3118	3	PLUG-PIPE						
	3	1	039-4317	2	WASHER-SPRING						
	4	1	5N-8383	1	CYLINDER						
	5	1	6V-3916	1	BALL BEARING						
	6	1	5N-8375	1	CUP-SPRING						
	7	1	5N-8381	1	SPRING-CLUTCH						
	8	1	2W-6081	1	GEAR AS-DRIVE (37-TEETH)						
	9	1	5N-9574	1	JAW AS-CLUTCH						
	10	1	5N-8387	1	CASE-GEAR						
	11	1	5N-8424	1	BULKHEAD						
M	12	1	6V-3940	8	BOLT (M8X1.25X25-MM)						
	13	1	3J-7719	1	RING-RETAINING (INNER)						
	14	1	7F-8671	1	BALL BEARING						
	15	1	5N-8428	1	WASHER-GEAR (10.1X34X15.5-MM THK)						
M	16	1	5N-8427	4	BOLT-MOTOR (M10X1.5X180-MM)						
	17	1	6V-3959	5	LOCKWASHER						
M	18	1	5N-8403	1	SCREW-PINION (M12X1.25X70-MM)						
	19	1	2W-6078	1	PINION-DRIVE (12-TEETH)						
	20	1	5N-8380	1	SPRING-PINION						
	21	1	2W-6082	1	KIT-DRIVE (AIR STARTING MOTOR)						
					(INCLUDES O-RING, HOUSING, BEARING, SEAL & VENT)						
	22	1	8B-7624	1	BALL BEARING						
	23	1	5N-8379	1	SEAT-SPRING						
	24	1	5N-8372	1	SPRING-RETURN						
	25	1	5N-8384	1	SHAFT-DRIVE						
M	26	1	6V-3938	1	BOLT (M10X1.5X20-MM)						
	27	1	5P-9514	1	BALL BEARING						
	28	1	5N-8377	1	BEARING-DRIVE SHAFT						
	29	1	5N-8373	1	PISTON						
M	30	1	6V-3939	1	BOLT (M12X1.75X60-MM)						
	31	1	5N-8368	1	PINION-ROTOR (17-TEETH)						
	32	1	6V-1394	1	BALL BEARING						
	33	1	5N-8365	1	PLATE-FRONT END						
	34	1	111-4399	1	HOUSING-MOTOR						
	35	1	5N-8388	1	ROTOR						
	36	1	5N-8367	1	PLATE-REAR END						
	37	1	5N-8378	1	NUT-ROTOR CLAMP (M5X0.8-THD)						
	38	1	1L-8497	1	RING-SNAP						
	39	1	6J-7855	1	RING-LOCK						
	40	1	6V-3935	1	RING-RETAINING						
	41	1	3B-4505	8	LOCKWASHER						
	42	1	5N-8425	1	WASHER (12.2X41.5X4.5-MM THK)						
	43	1	6V-3971	1	RING-RETAINING (OUTER)						
	44	1	5N-8374	1	SLEEVE-SPRING						
					AVAILABLE REPAIR KIT(S):						
			5N-8390	1	KIT-SEAL & VANE (AIR STARTING MOTOR)						
					(INCLUDES PINS, O-RINGS, SEALS, VANE, RETAINER & PISTON BUMPERS)						
M-METRIC PART											

# ELECTRICAL AND STARTING SYSTEM

7C-3372 STARTING MOTOR GP-AIR (contd.)

i03401096



GRAPHIC #1

<END>

g01454609



# ELECTRICAL AND STARTING SYSTEM

## 8N-8477 STARTING MOTOR GP-AIR-RH

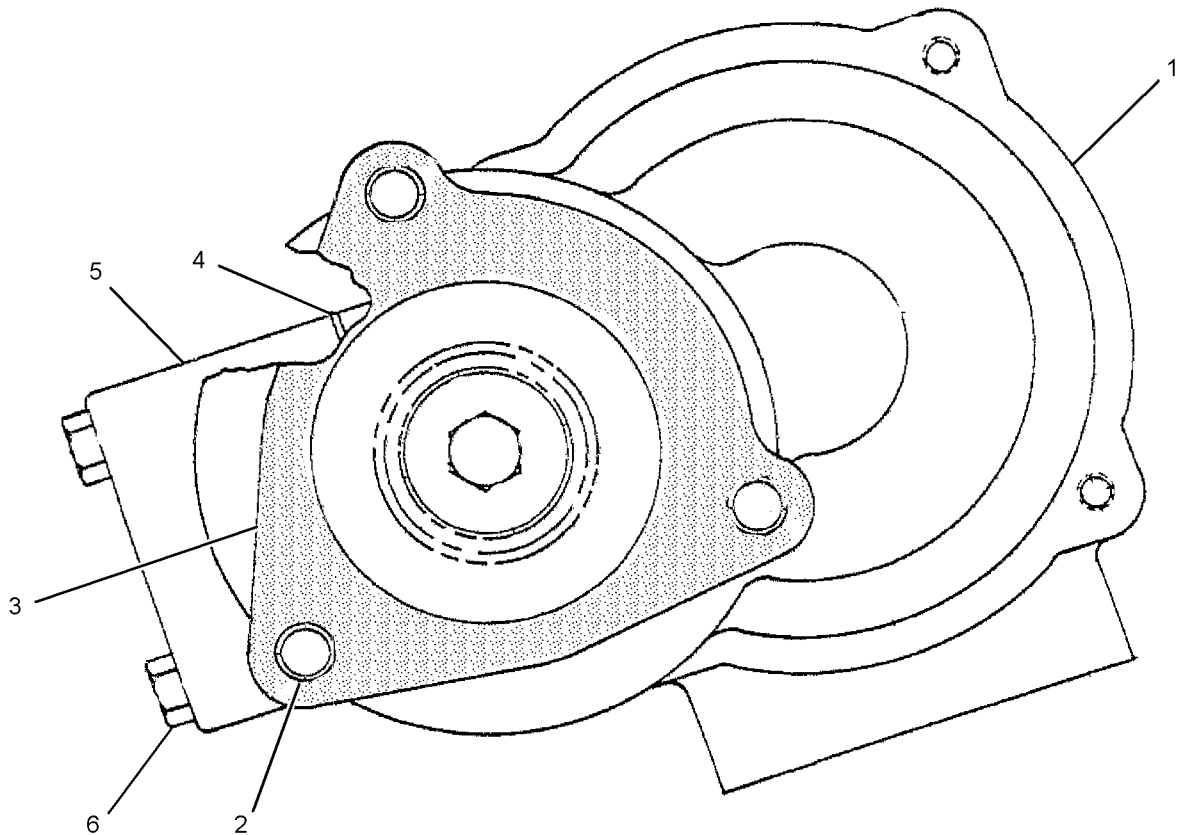
STANDARD ENGINE ROTATION  
FOR USE WITH SAE NO. 00 FLYWHEEL HOUSING  
AN ATTACHMENT

SMCS-1451

i02532980

NOTE	REF NO	GRAPHIC REF	PART NUMBER	QTY	PART NAME						SEE PAGE
					1	2	3	4	5	6 (PRODUCT LEVEL)	
Y	1	1	4W-5107	1	STARTING MOTOR GP-AIR						362
	2	1	0S-1566	3	BOLT (5/8-11X1.5-IN)						
	3	1	4H-7869	1	GASKET						
	4	1	8N-8451	1	GASKET						
	5	1	8N-8446	1	ELBOW						
	6	1	1D-4566	4	BOLT (1/2-13X3.5-IN)						

Y-SEPARATE ILLUSTRATION



GRAPHIC #1

<END>

g01273606

# ELECTRICAL AND STARTING SYSTEM

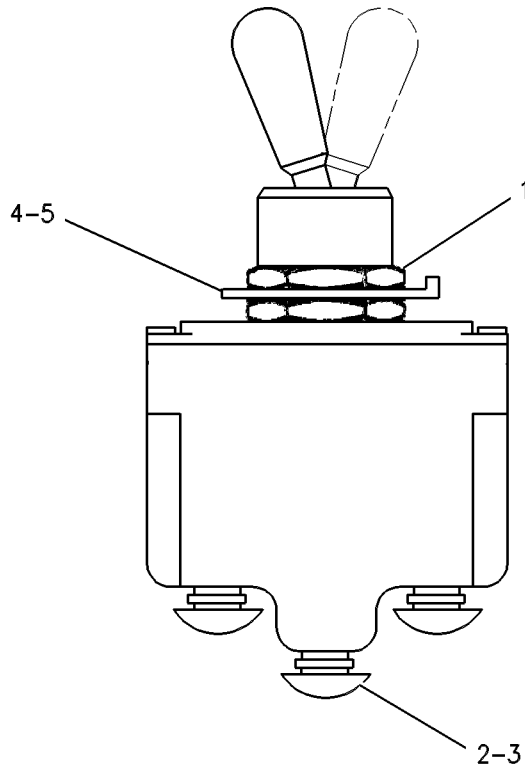
## 8N-0694 SWITCH AS-TOGGLE

PART OF 125-7089, 125-9745 BOX GP-INSTRUMENT PANEL  
AN ATTACHMENT

SMCS-1435, 7332

i01951858

NOTE	REF NO	GRAPHIC REF	PART NUMBER	QTY	PART NAME						SEE PAGE
					1	2	3	4	5	6 (PRODUCT LEVEL)	
	1	1	6T-3631	2	NUT-HEX (15/32-32-THD)						
	2	1	6V-8374	3	SCREW-MACHINE (6-32X0.25-IN)						
	3	1	3L-8187	3	LOCKWASHER						
	4	1	6T-3632	1	LOCKWASHER						
	5	1	6T-3633	1	RING-LOCKING						



GRAPHIC #1

<END>

g00470120

# ELECTRICAL AND STARTING SYSTEM

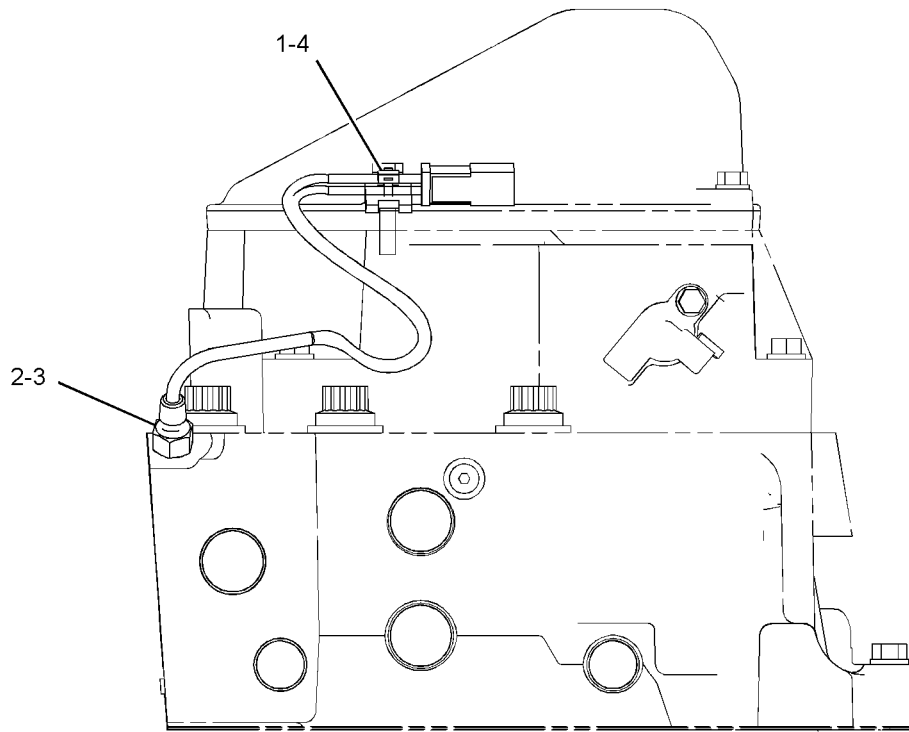
## 120-4498 THERMOCOUPLE GP

FOR USE WITH MONITORING SYSTEM PANEL AND PYROMETER GROUP  
AN ATTACHMENT

SMCS-7498

i03396201

NOTE	REF NO	GRAPHIC REF	PART NUMBER	QTY	PART NAME						SEE PAGE
					1	2	3	4	5	6 (PRODUCT LEVEL)	
	1	1	3S-2093	1	STRAP-CABLE						
	2	1	5N-2126	1	CONNECTOR (THERMOCOUPLE)						
	3	1	243-5752	1	SENSOR GP-TEMPERATURE (CYLINDER EXHAUST)						
		1	186-3735	2	PIN-CONNECTOR (16-GA TO 18-GA)						
		1	102-8802	2	KIT-RECEPTACLE (2-PIN)						
					(EACH INCLUDES RECEPTACLE AS AND WEDGE)						
	4	1	4P-7581	1	CLIP						



FRONT VIEW

GRAPHIC #1

<END>

g01277880

# ELECTRICAL AND STARTING SYSTEM

## 5N-8980 VALVE AS-SOLENOID-AIR START

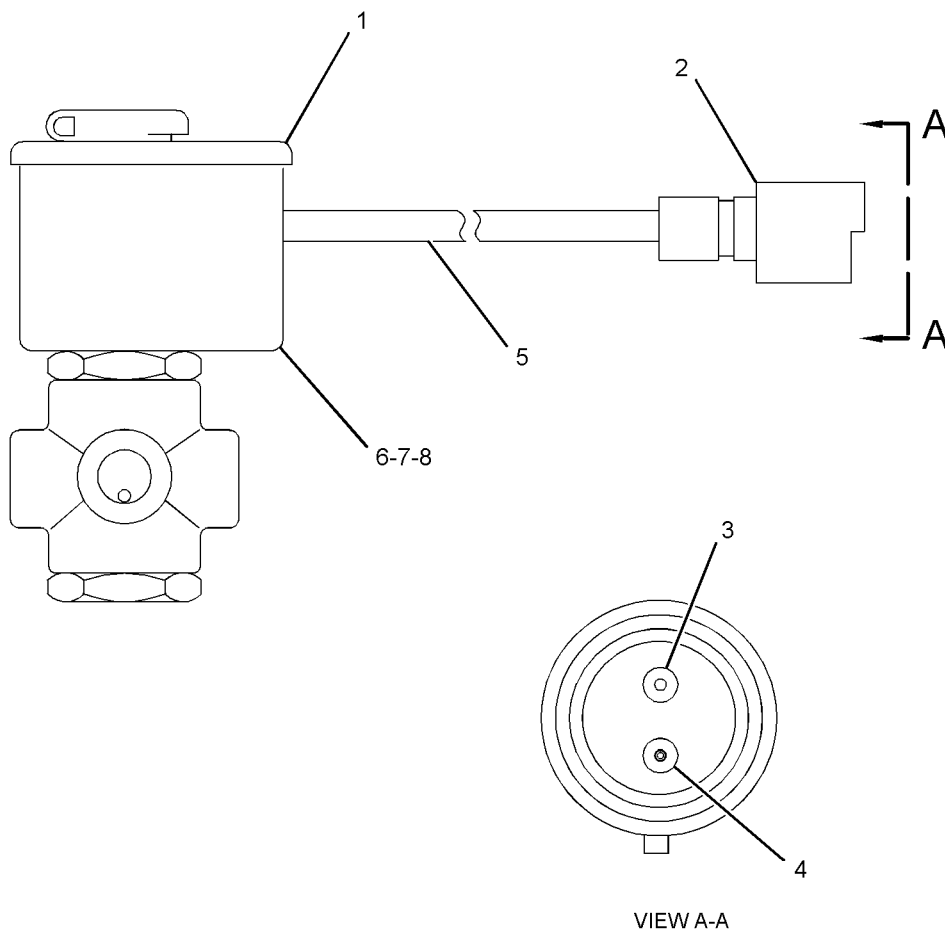
PART OF 7C-0330 CONTROL GP-AIR STARTING  
AN ATTACHMENT

SMCS-5479

i02871444

NOTE	REF NO	GRAPHIC REF	PART NUMBER	QTY	PART NAME						SEE PAGE
					1	2	3	4	5	6 (PRODUCT LEVEL)	
	1	1	7G-8765	1	VALVE-SOLENOID						
	2	1	7N-9738	1	HOUSING-RECEPTACLE (14-GA TO 18-GA)						
	3	1	7N-7779	1	SOCKET-CONNECTOR (14-GA TO 18-GA)						
	4	1	7N-7780	1	PIN-CONNECTOR (14-GA TO 18-GA)						
E	5	1	9X-1813		SLEEVE (21-CM)						
	6	1	5N-9073	1	CLIP						
	7	1	3F-2065	1	LOCKNUT (1/2-14-NPTF-THD)						
	8	1	5N-8943	1	ADAPTER						

E-ORDER BY THE CENTIMETER



GRAPHIC #1

<END>

g01441571

# ELECTRICAL AND STARTING SYSTEM

## 1L-2073 VALVE GP-PRESSURE REDUCING-RH

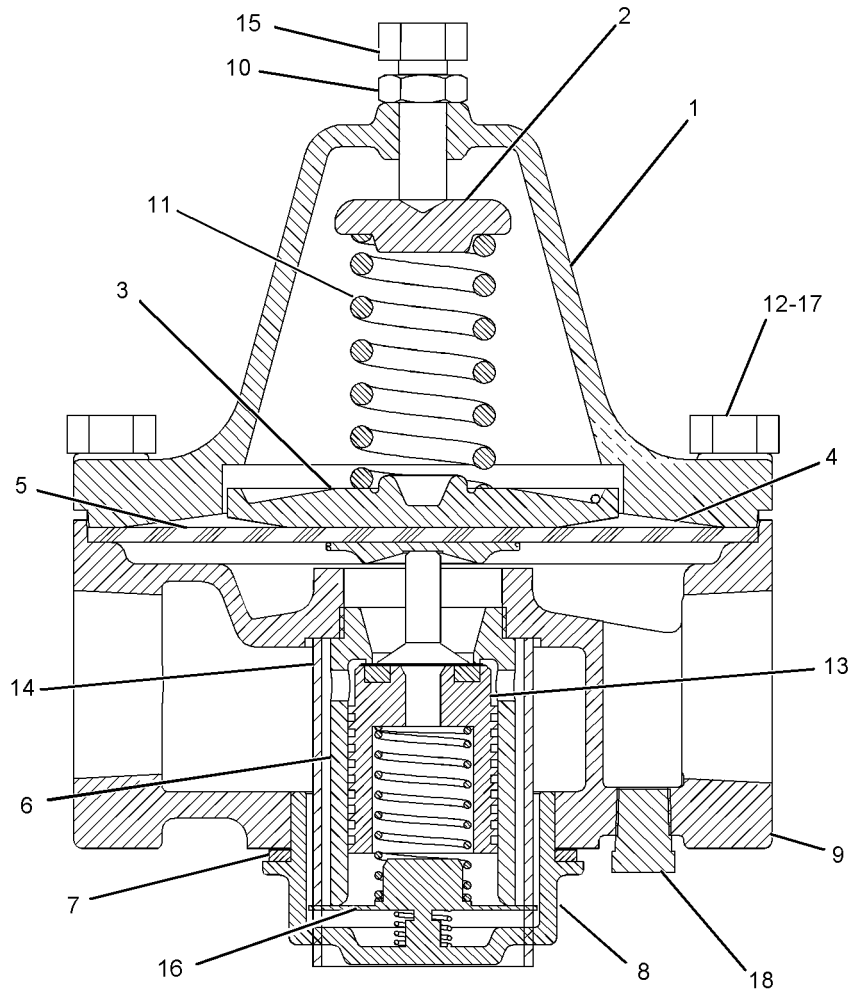
AIR CONTROL

PART OF 8N-8483 VALVE GP-AIR CONTROL  
AN ATTACHMENT

SMCS-1462

i02698945

NOTE	REF NO	GRAPHIC REF	PART NUMBER	QTY	PART NAME						SEE PAGE
					1	2	3	4	5	6 (PRODUCT LEVEL)	
	1	1	1H-9570	1	CHAMBER						
	2	1	1H-9569	1	BUTTON-SPRING						
	3	1	1H-9572	1	PLATE-PRESSURE						
	4	1	1H-9573	1	DIAPHRAGM						
	5	1	1H-9574	1	BUTTON						
	6	1	1H-9575	1	CYLINDER						
	7	1	1H-9580	1	GASKET-PLUG						
	8	1	1H-9581	1	PLUG AS						
	9	1	1L-2072	1	BODY-VALVE						
	10	1	1L-9048	1	NUT-PLATED JAM (7/16-14-THD)						
	11	1	1L-9049	1	SPRING-PRESSURE						
	12	1	1L-9079	6	NUT-PLATED FULL (7/16-20-THD)						
	13	1	5N-6942	1	PISTON AS						
	14	1	252-9298	1	SCREEN-STRAINER (PRESSURE REDUCING VALVE)						
	15	1	0T-0320	1	BOLT (7/16-14X1.25-IN)						
	16	1	1H-9578	1	SPRING-PISTON						
	17	1	1L-9080	6	BOLT (7/16-20X1.5-IN)						
	18	1	5B-7890	1	PLUG-PIPE						



GRAPHIC #1

<END>

g01069160

# ELECTRICAL AND STARTING SYSTEM

**207-3814 WIRE AS-PRODUCT LINK, SPLICE**  
FIELD INSTALLATION

SMCS-1408

i02417225

NOTE	PART NUMBER	QTY	PART NAME						SEE PAGE
			1	2	3	4	5	6 (PRODUCT LEVEL)	
			(NO SERVICED PARTS)						
			<b>&lt;END&gt;</b>						

# ELECTRICAL AND STARTING SYSTEM

## 128-2858 WIRING GP-ENGINE-LH

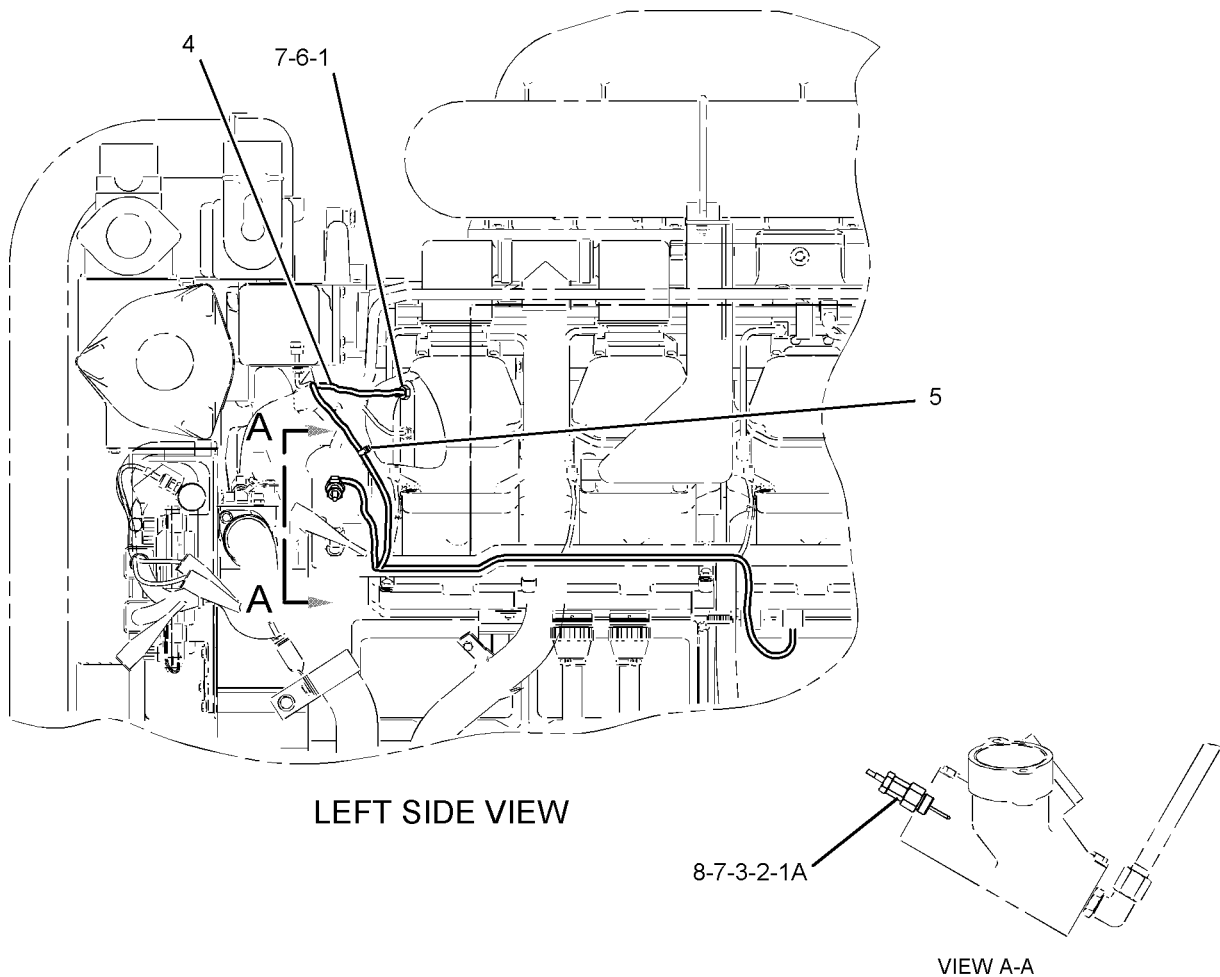
AN ATTACHMENT

SMCS-1000, 1408

i03661333

NOTE	REF NO	GRAPHIC REF	PART NUMBER	QTY	PART NAME						SEE PAGE
					1	2	3	4	5	6 (PRODUCT LEVEL)	
CY	1	1	<b>195-2150</b>	1	SENSOR GP-TEMPERATURE (AIR)						359
CY	1A	1	<b>195-2150</b>	1	SENSOR GP-TEMPERATURE (ENGINE OIL)						359
	2	1	<b>5P-1404</b>	1	ADAPTER-O-RING						
	3	1	<b>6V-4589</b>	1	SEAL-O-RING						
	4	1	<b>132-9434</b>	1	HARNESS AS-SENSOR (TEMPERATURE)						
		1	<b>102-8807</b>	1	KIT-CONNECTING PLUG (2-PIN) (INCLUDES PLUG AS AND WEDGE)						
	5	1	<b>9X-6772</b>	1	STRAP-CABLE						
	6	1	<b>9X-3271</b>	1	ADAPTER (1/2-14-NPTF-THD)						
	7	1	<b>6V-5049</b>	3	SEAL-O-RING						
	8	1	<b>8T-0151</b>	1	ADAPTER						

C-CHANGE FROM PREVIOUS TYPE  
Y-SEPARATE ILLUSTRATION



GRAPHIC #1

<END>

g01066951

# ELECTRICAL AND STARTING SYSTEM

## 253-7391 WIRING GP-ENGINE-LH

S/N: LLA1-193

AN ATTACHMENT

SMCS-1000, 1408

i03323840

NOTE	REF NO	GRAPHIC REF	PART NUMBER	QTY	PART NAME 1 2 3 4 5 6 (PRODUCT LEVEL)	SEE PAGE
Y	1A	2	161-9926	1	SENSOR GP-PRESSURE (TURBOCHARGER INLET, LH)	349
Y	1B	2	161-9926	1	SENSOR GP-PRESSURE (CRANKCASE)	349
Y	1C	2	161-9926	1	SENSOR GP-PRESSURE (TURBOCHARGER INLET, RH)	349
Y	1D	1	161-9926	1	SENSOR GP-PRESSURE (ATMOSPHERIC)	349
	2	2	9X-0263	2	ADAPTER	
	3	1,2	6V-5048	17	SEAL-O-RING	
	4	2	163-7882	2	SENSOR GP-EXHAUST TEMPERATURE (TURBOCHARGER, RH, LH)	
					(EACH INCLUDES)	
		2	8T-8729	3	PIN-CONNECTOR (16-GA TO 18-GA)	
BE		2	9X-1813		SLEEVE	
		2	102-8803	1	KIT-RECEPTACLE (3-PIN)	
					(INCLUDES RECEPTACLE AS AND WEDGE)	
	5	2	124-0289	2	CLIP	
	6	1,2	4P-8134	39	CLIP	
	7	1,2	9X-6772	54	STRAP-CABLE	
	8	2	0S-1590	1	BOLT (3/8-16X2-IN)	
	9	1,2	5M-2894	29	WASHER-HARD (10.2X18.5X2.5-MM THK)	
	10	2	6W-6672	1	SPACER (10.5X20X38-MM THK)	
	11	1,2	4P-7581	19	CLIP	
Y	12	2	129-6628	1	SENSOR GP-SPEED (ENGINE TIMING)	354
	13	2	8L-2786	1	SEAL-O-RING	
	14	1,2	0S-1594	10	BOLT (3/8-16X1-IN)	
	15	2	7K-1181	11	STRAP-CABLE	
	16	2	0S-1591	3	BOLT (3/8-16X1.5-IN)	
	17	2	9M-4594	3	SPACER (0.406X0.875X0.75-IN THK)	
	18	2	5P-3426	1	ELBOW	
	19	2	001-9440	1	CONNECTOR	
	20	2	102-2240	1	SENSOR GP-TEMPERATURE (ENGINE COOLANT)	
		2	102-8803	1	KIT-RECEPTACLE (3-PIN)	
					(KIT INCLUDES RECEPTACLE AS AND WEDGE)	
		2	186-3735	3	PIN-CONNECTOR (16-GA TO 18-GA)	
		2	3E-3371	1	WEDGE-RECEPTACLE LOCK (3-PIN)	
BE		2	9X-1813		SLEEVE	
	21	2	3K-0360	1	SEAL-O-RING	
	22	2	111-3684	1	HOSE AS	
Y	23	2	253-7340	1	HARNESS AS-ENGINE	311
Y	24A	2	194-6725	1	SENSOR GP-PRESSURE (FILTERED OIL)	351
Y	24B	2	194-6725	1	SENSOR GP-PRESSURE (FILTERED FUEL)	351
Y	24C	2	194-6725	1	SENSOR GP-PRESSURE (UNFILTERED FUEL)	351
Y	24D	1	194-6725	1	SENSOR GP-PRESSURE (UNFILTERED OIL)	351
	25	1,2	9X-0262	6	ADAPTER	
	26	2	117-0067	1	ELBOW	
Y	27	1	194-6724	1	SENSOR GP-PRESSURE (TURBOCHARGER OUTLET)	350
	28	1	9G-5127	1	BREATHER (ATMOSPHERIC AIR)	
	29	2	0S-0509	13	BOLT (3/8-16X0.75-IN)	
	30	1	3B-1915	2	BOLT (3/8-16X1.375-IN)	

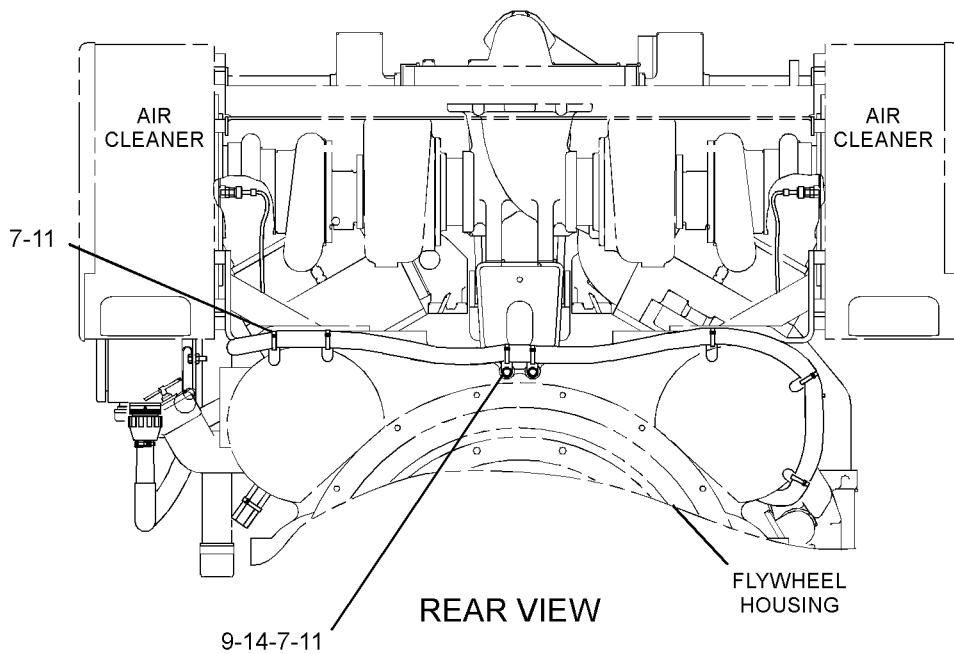
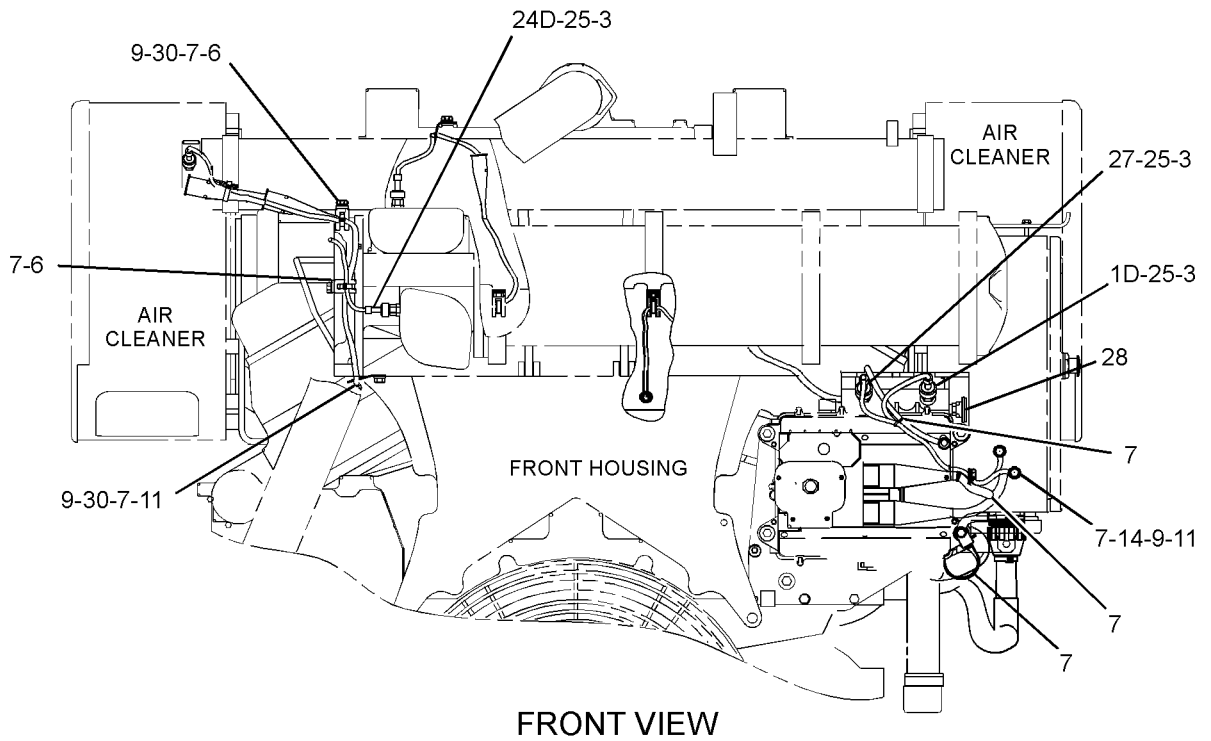
B-USE AS REQUIRED  
E-ORDER BY THE CENTIMETER  
Y-SEPARATE ILLUSTRATION



# ELECTRICAL AND STARTING SYSTEM

253-7391 WIRING GP-ENGINE (contd.)

i03323840



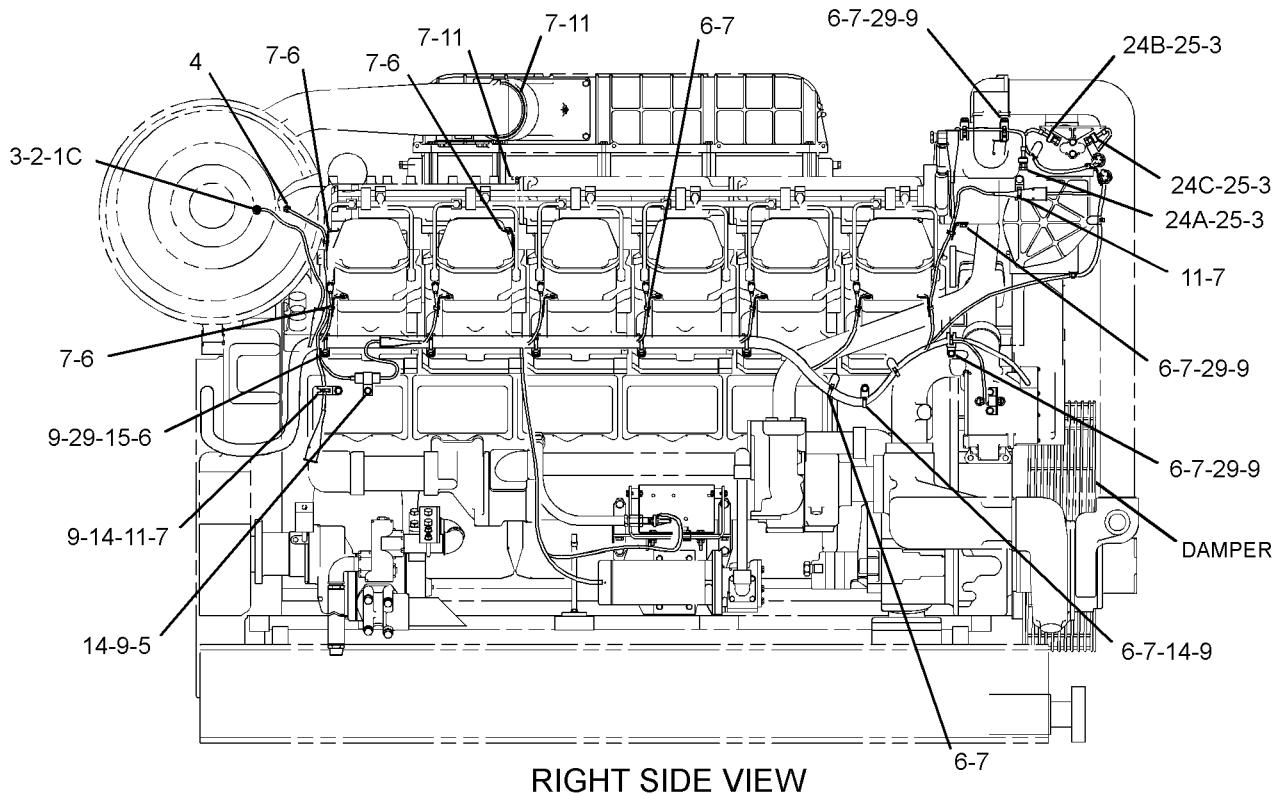
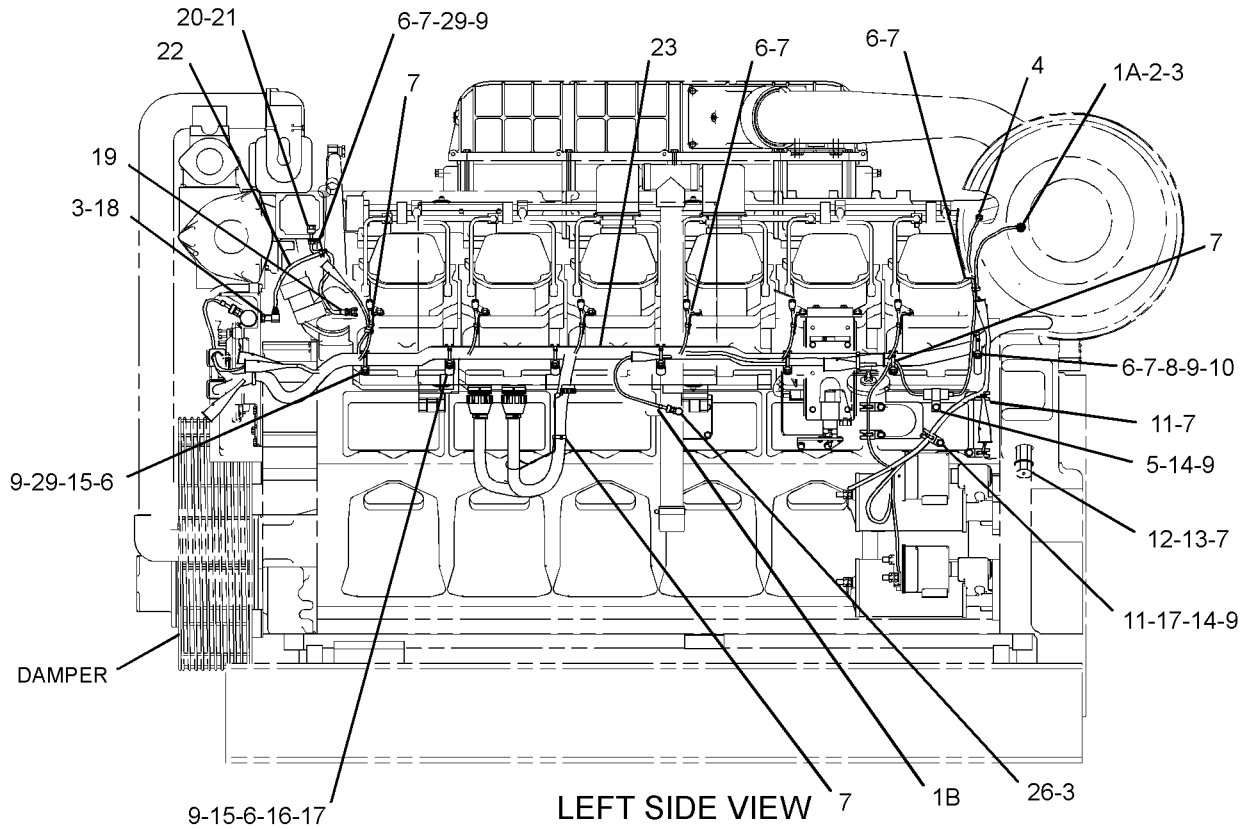
GRAPHIC #1

g01218147

# ELECTRICAL AND STARTING SYSTEM

253-7391 WIRING GP-ENGINE (contd.)

i03323840



GRAPHIC #2

<END>

g01218146

# ELECTRICAL AND STARTING SYSTEM

## 253-7391 WIRING GP-ENGINE-LH

S/N: LLA194-UP

AN ATTACHMENT

SMCS-1000, 1408

i03811290

NOTE	REF NO	GRAPHIC REF	PART NUMBER	QTY	PART NAME						SEE PAGE
					1	2	3	4	5	6 (PRODUCT LEVEL)	
Y	1	2	161-9926	1	SENSOR GP-PRESSURE (TURBOCHARGER INLET, LH)						349
Y	1A	2	161-9926	1	SENSOR GP-PRESSURE (CRANKCASE)						349
Y	1B	2	161-9926	1	SENSOR GP-PRESSURE (TURBOCHARGER INLET, RH)						349
Y	1C	1	161-9926	1	SENSOR GP-PRESSURE (ATMOSPHERIC)						349
	2	2	9X-0263	2	ADAPTER						
	3	1,2	6V-5048	17	SEAL-O-RING						
Y	4	2	163-7882	2	SENSOR GP-EXHAUST TEMPERATURE (TURBOCHARGER, RH, LH)						345
	5	2	124-0289	2	CLIP						
	6	1,2	4P-8134	37	CLIP						
	7	1,2	9X-6772	52	STRAP-CABLE						
	8	2	0S-1590	1	BOLT (3/8-16X2-IN)						
	9	1,2	5M-2894	29	WASHER-HARD (10.2X18.5X2.5-MM THK)						
	10	2	6W-6672	1	SPACER (10.5X20X38-MM THK)						
	11	1,2	4P-7581	19	CLIP						
CY	12	2	273-5041	1	SENSOR GP-SPEED (ENGINE TIMING)						357
	13	1,2	0S-1594	10	BOLT (3/8-16X1-IN)						
	14	2	7K-1181	11	STRAP-CABLE						
	15	2	0S-1591	3	BOLT (3/8-16X1.5-IN)						
	16	2	9M-4594	3	SPACER (0.406X0.875X0.75-IN THK)						
	17	2	5P-3426	1	ELBOW						
	18	2	001-9440	1	CONNECTOR						
Y	19	2	102-2240	1	SENSOR GP-TEMPERATURE (ENGINE COOLANT)						358
Y	19A	2	102-2240	1	SENSOR GP-TEMPERATURE (AFTERCOOLER)						358
	20	2	3K-0360	2	SEAL-O-RING						
	21	2	111-3684	1	HOSE AS						
Y	22	2	253-7340	1	HARNESS AS-ENGINE						311
Y	23	2	194-6725	1	SENSOR GP-PRESSURE (FILTERED OIL)						351
Y	23A	2	194-6725	1	SENSOR GP-PRESSURE (FILTERED FUEL)						351
Y	23B	2	194-6725	1	SENSOR GP-PRESSURE (UNFILTERED FUEL)						351
Y	23C	1	194-6725	1	SENSOR GP-PRESSURE (UNFILTERED OIL)						351
	24	1,2	9X-0262	4	ADAPTER						
	25	2	117-0067	3	ELBOW						
Y	26	1	194-6724	1	SENSOR GP-PRESSURE (TURBOCHARGER OUTLET)						350
	27	1	9G-5127	1	BREATHER (ATMOSPHERIC AIR)						
	28	2	0S-0509	13	BOLT (3/8-16X0.75-IN)						
	29	1	3B-1915	2	BOLT (3/8-16X1.375-IN)						

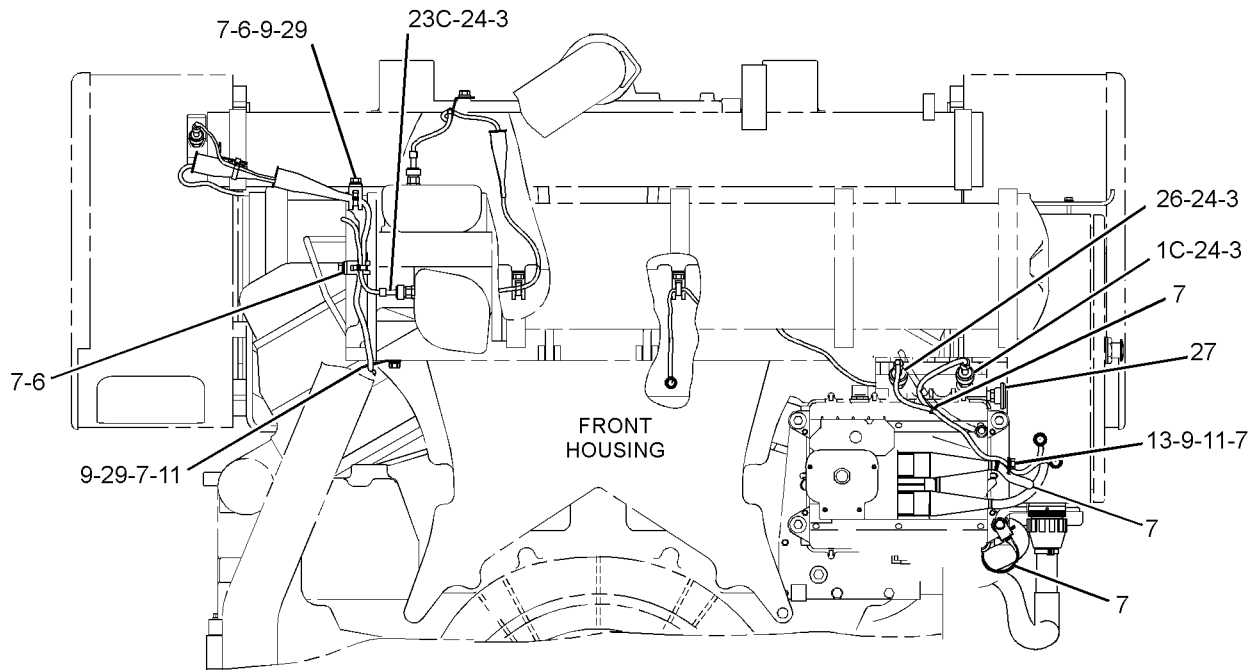
C- CHANGE FROM PREVIOUS TYPE

Y- SEPARATE ILLUSTRATION

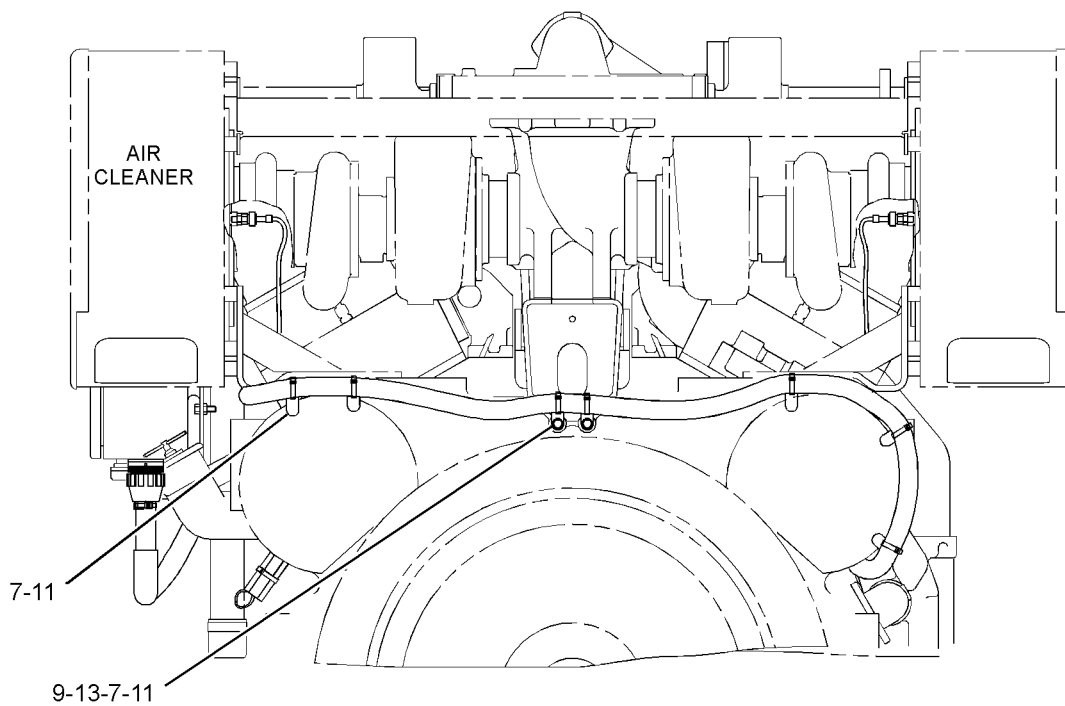
# ELECTRICAL AND STARTING SYSTEM

253-7391 WIRING GP-ENGINE (contd.)

i03811290



FRONT VIEW OF ENGINE



REAR VIEW OF ENGINE

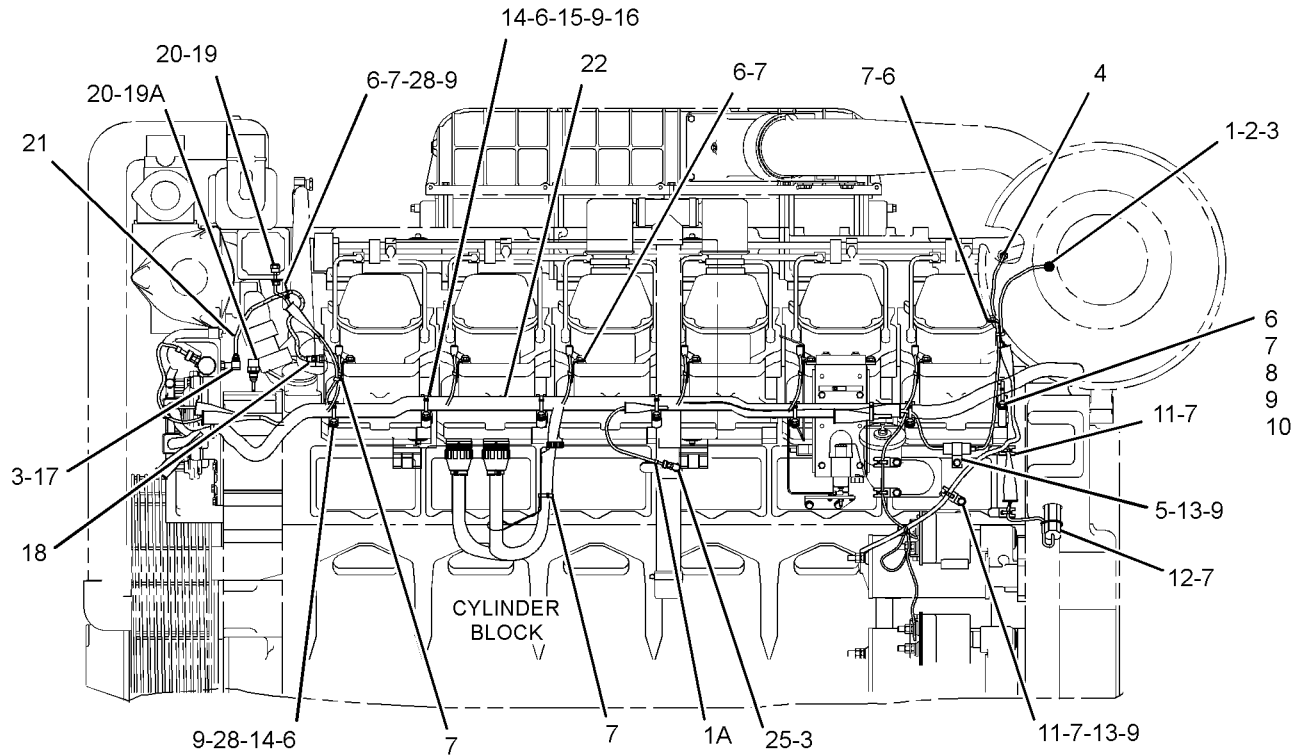
GRAPHIC #1

g02096533

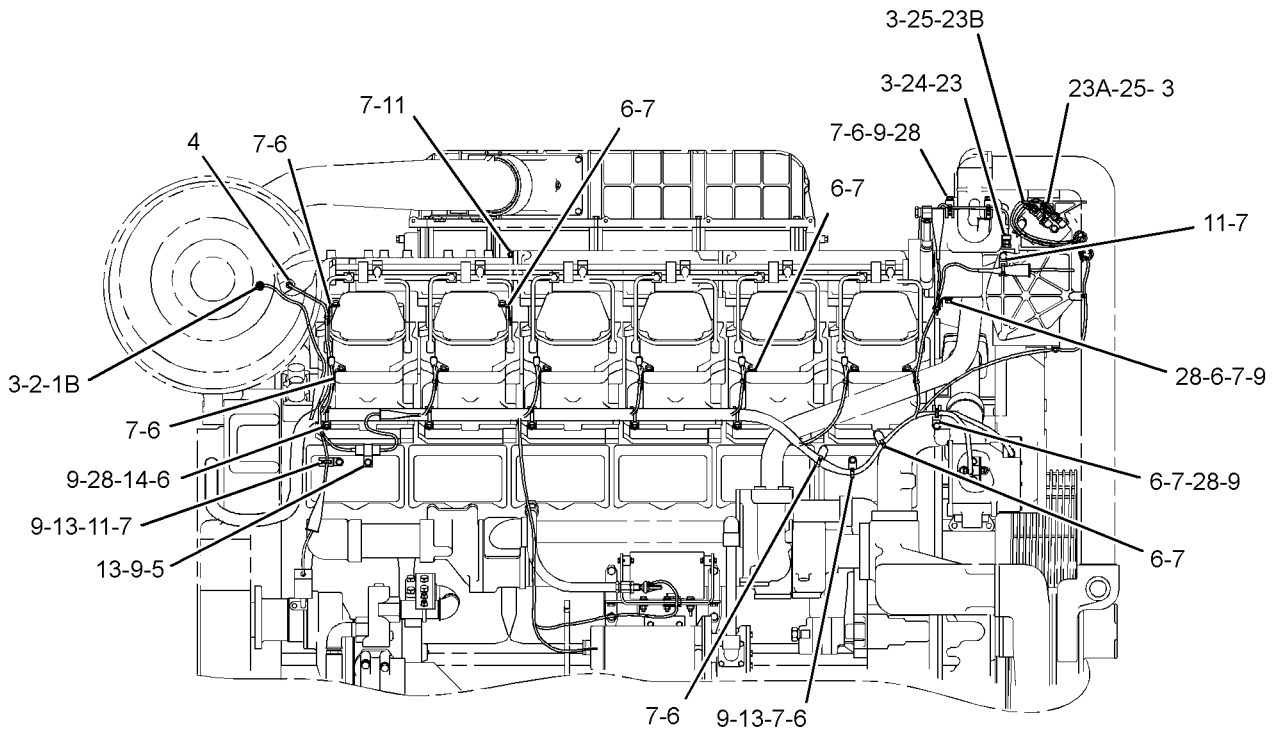
# ELECTRICAL AND STARTING SYSTEM

253-7391 WIRING GP-ENGINE (contd.)

i03811290



LEFT SIDE VIEW OF ENGINE



RIGHT SIDE VIEW OF ENGINE

GRAPHIC #2

<END>

g02096534

# ELECTRICAL AND STARTING SYSTEM

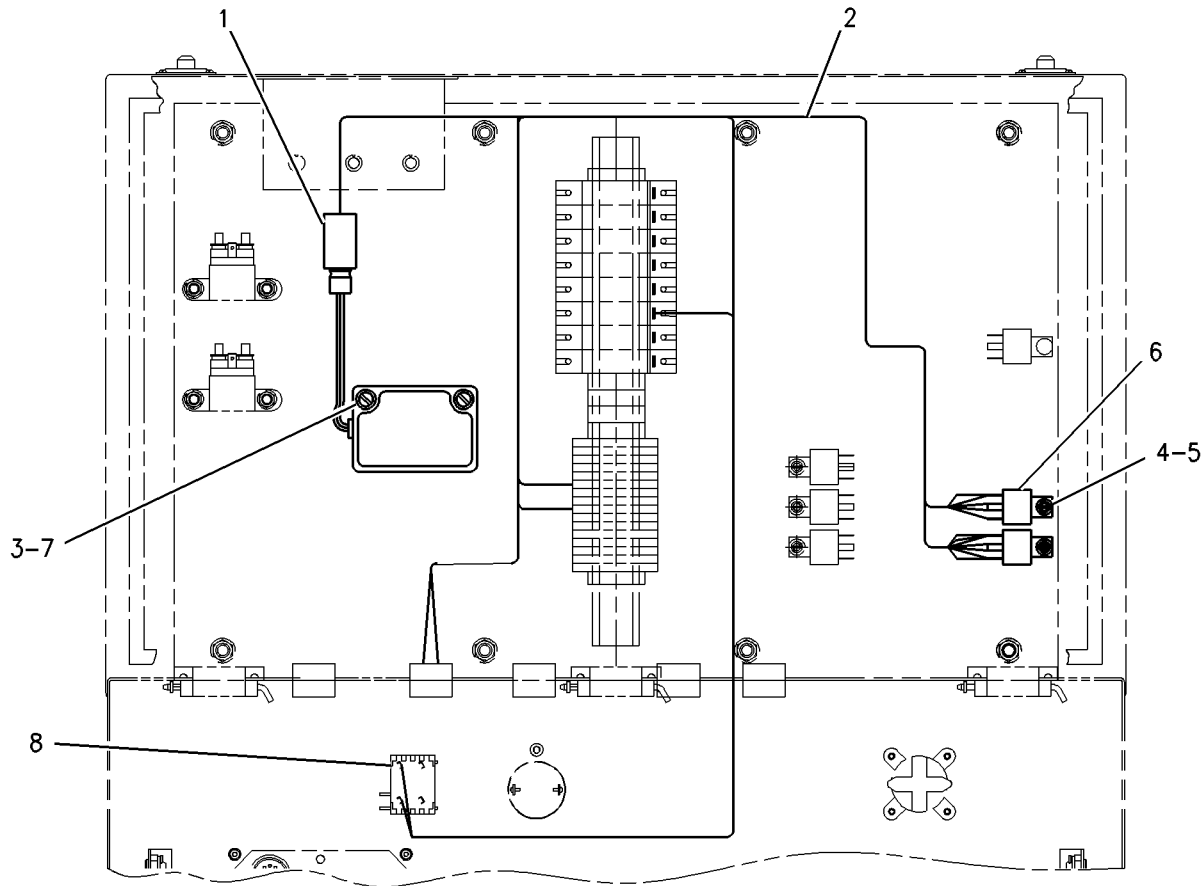
## 134-6315 WIRING GP-PANEL-AIR SHUTOFF AN ATTACHMENT

SMCS-4459

i02239770

NOTE	REF NO	GRAPHIC REF	PART NUMBER	QTY	PART NAME						SEE PAGE
					1	2	3	4	5	6 (PRODUCT LEVEL)	
Y	1	1	9X-3207	1	CONTROL GP-ELECTRONIC (AIR SHUTOFF)						299
	2	1	134-6316	1	HARNESS AS-WIRING (AIR SHUTOFF)						
	3	1	8B-2377	2	BOLT (1/4-20X2-IN)						
	4	1	4B-4863	2	WASHER (4.7X11X1.2-MM THK)						
	5	1	7S-1197	2	SCREW-MACHINE (8-32X0.5-IN)						
	6	1	9Y-2921	2	RELAY (24-VOLT) (AIR SHUTOFF)						
	7	1	5P-0537	2	WASHER-HARD (7.2X14.5X2-MM THK)						
	8	1	111-1323	1	BLOCK-CONTACT (1-POLE)						

Y-SEPARATE ILLUSTRATION



GRAPHIC #1

<END>

g00944957

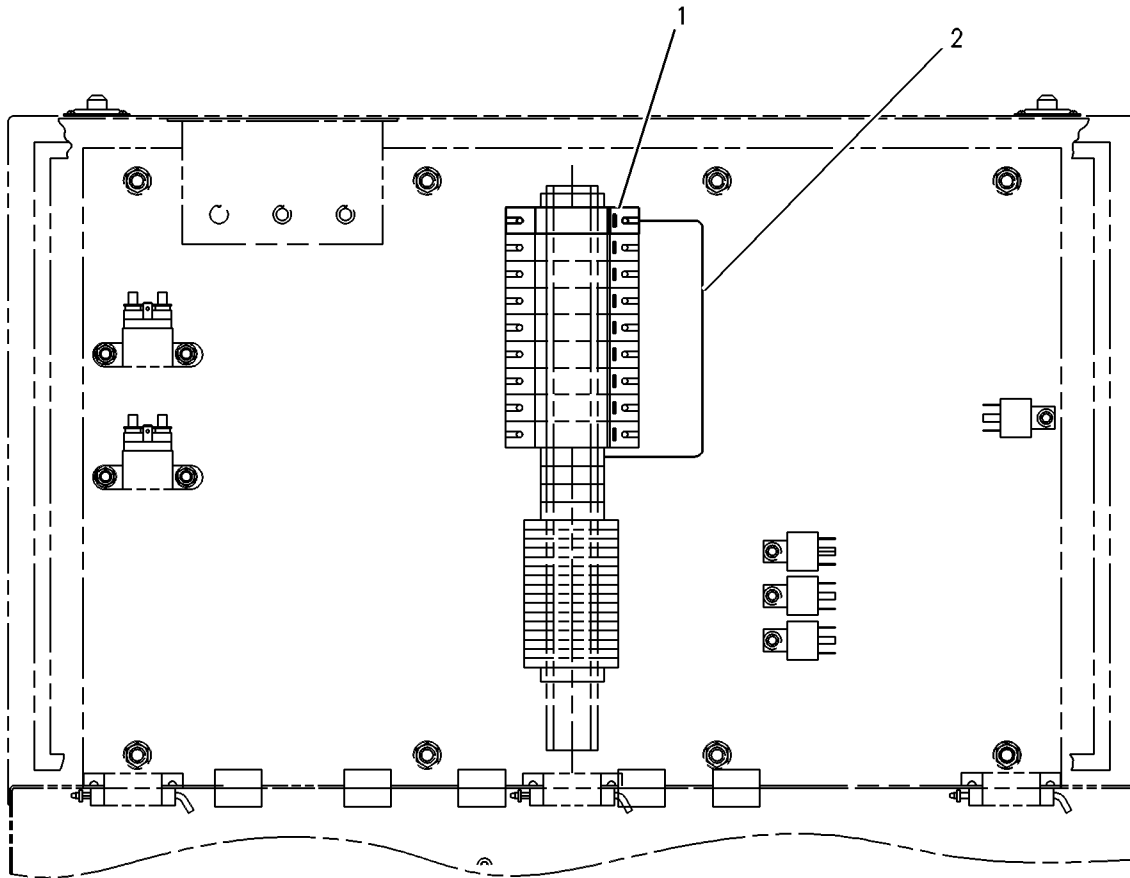
# ELECTRICAL AND STARTING SYSTEM

## 134-6317 WIRING GP-PANEL-ALTERNATOR AN ATTACHMENT

SMCS-4459

i02205312

NOTE	REF NO	GRAPHIC REF	PART NUMBER	QTY	PART NAME						SEE PAGE
					1	2	3	4	5	6 (PRODUCT LEVEL)	
	1	1	125-7096	1	CIRCUIT BREAKER AS (63-AMPERE)						
	2	1	134-6318	1	HARNESS AS-WIRING (ALTERNATOR)						



GRAPHIC #1

<END>

g00269435

# ELECTRICAL AND STARTING SYSTEM

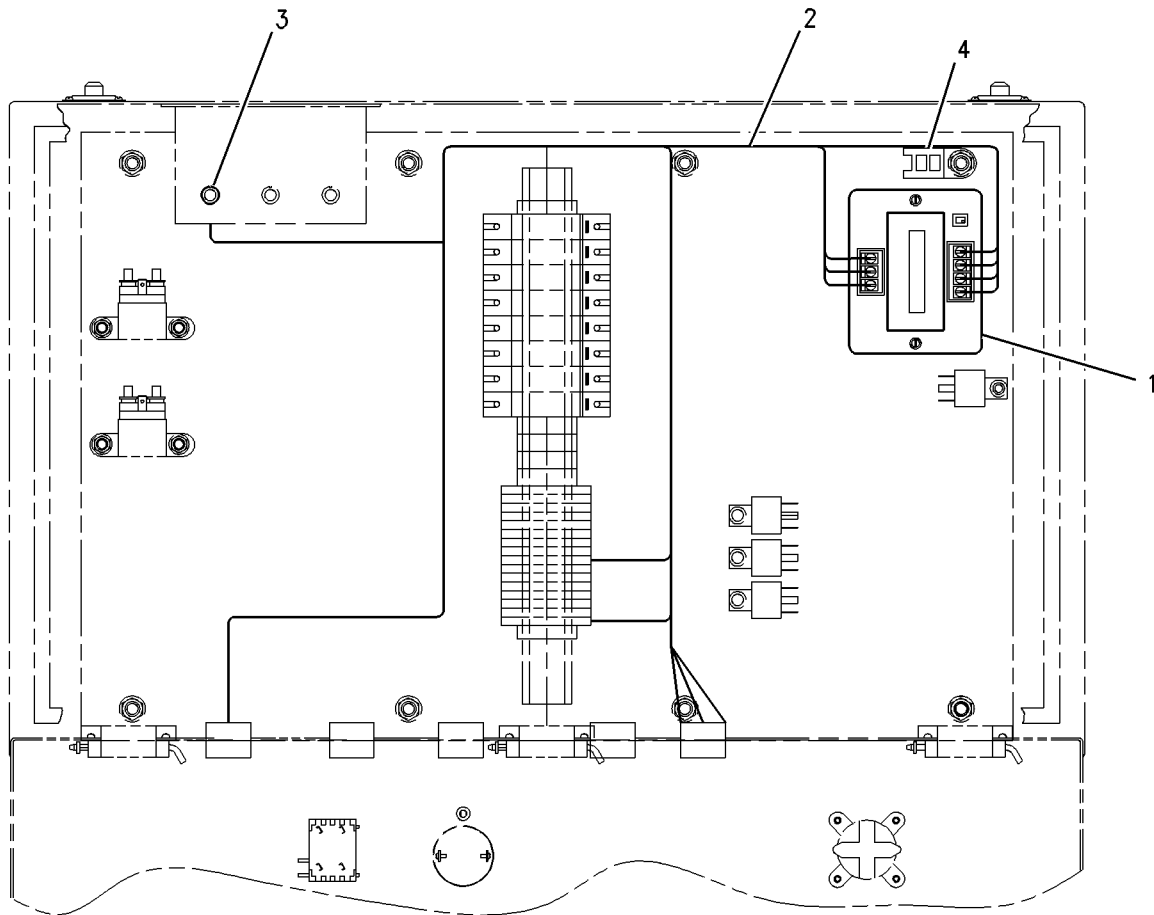
## 134-6323 WIRING GP-PANEL-SPEED CONTROL AN ATTACHMENT

SMCS-4459

i02235141

NOTE	REF NO	GRAPHIC REF	PART NUMBER	QTY	PART NAME						SEE PAGE
					1	2	3	4	5	6 (PRODUCT LEVEL)	
YR	1	1	9X-9591	1	CONVERTER GP-ELECTRICAL (PULSE WIDTH MODULATED)						305
	2	1	134-6324	1	HARNESS AS-WIRING (SPEED CONTROL)						
	3	1	4D-1836	1	SWITCH AS-TOGGLE (LOW IDLE)						
	4	1	4P-7581	1	CLIP						

R-REMFG PART MAY BE AVAILABLE  
Y-SEPARATE ILLUSTRATION



GRAPHIC #1

<END>

g00894047



# ELECTRICAL AND STARTING SYSTEM

## 120-4493 WIRING GP-PYROMETER

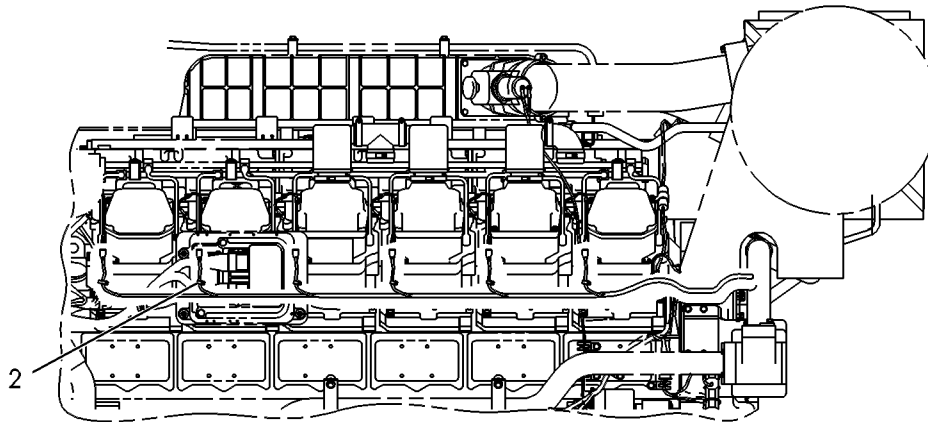
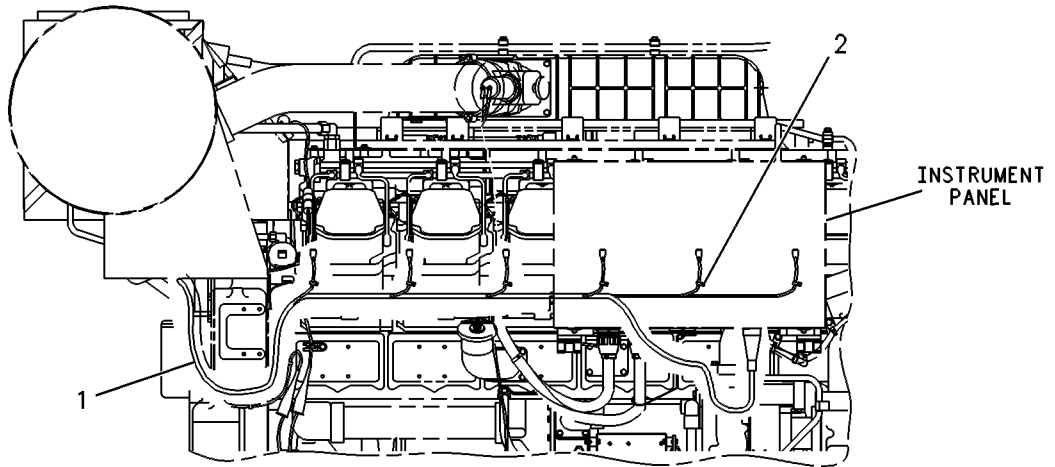
AN ATTACHMENT

SMCS-1408, 7466

i02764808

NOTE	REF NO	GRAPHIC REF	PART NUMBER	QTY	PART NAME						SEE PAGE
					1	2	3	4	5	6 (PRODUCT LEVEL)	
	1	1	120-0568	1	HARNES AS-WIRING (PYROMETER)						
B	2	1	3S-2093	12	STRAP-CABLE						

B-USE AS REQUIRED



GRAPHIC #1

<END>

g00249642

# ELECTRICAL AND STARTING SYSTEM

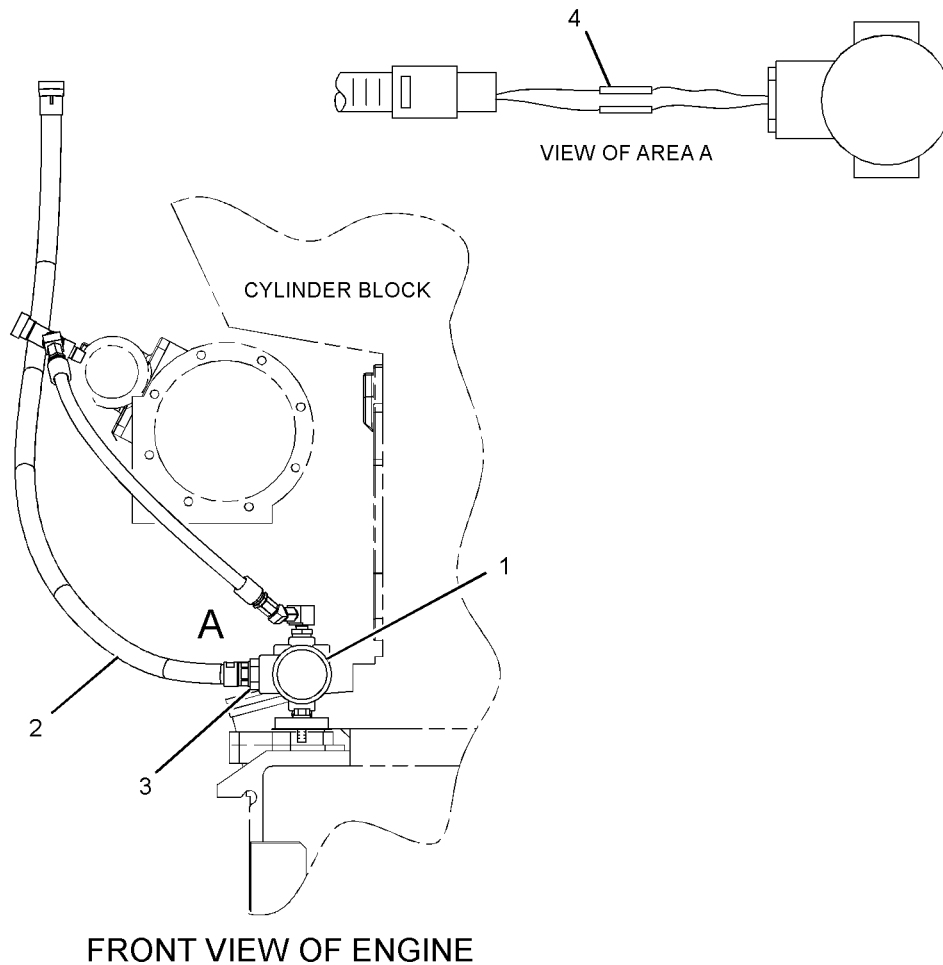
## 293-2926 WIRING GP-SENSOR-PARTICLE AN ATTACHMENT

SMCS-1408, 1900

i03391824

NOTE	REF NO	GRAPHIC REF	PART NUMBER	QTY	PART NAME						SEE PAGE
					1	2	3	4	5	6 (PRODUCT LEVEL)	
Y	1	1	152-8466	1	SENSOR GP-PARTICLE (ENGINE OIL)						348
	2	1	293-2927	1	HARNESS AS-SENSOR						
E		1	240-5877		CONDUIT-FLEXIBLE (12-MM ID) (87-CM)						
		1	293-4159	1	CONNECTOR-STRAIGHT						
		1	8T-8731	1	PLUG-CONNECTOR (3-PIN)						
		1	186-3736	2	SOCKET-CONNECTOR (16-GA TO 18-GA)						
		1	8T-8737	2	PLUG-SEAL						
E		1	114-8843		SLEEVE-PLASTIC (20-CM)						
	3	1	281-5832	1	BUSHING-PIPE						
D	4	1	6V-2689		TUBE-HEAT SHRINK (6.35-MM DIA) (0.1-M EACH)						

D-ORDER BY THE METER  
E-ORDER BY THE CENTIMETER  
Y-SEPARATE ILLUSTRATION



GRAPHIC #1

<END>

g01952731

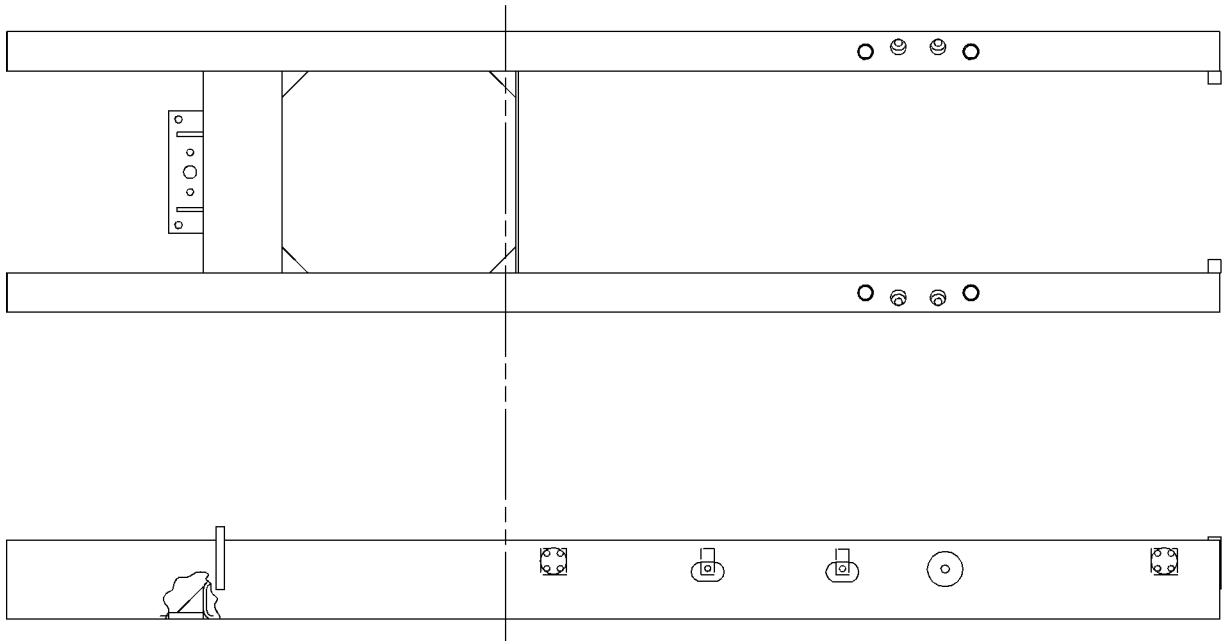
# ENCLOSURES, GUARDS AND BASES

## 7W-7915 BASE AS AN ATTACHMENT

SMCS-7060

i02325084

NOTE	REF NO	GRAPHIC REF	PART NUMBER	QTY	PART NAME						SEE PAGE
					1	2	3	4	5	6 (PRODUCT LEVEL)	
(NO SERVICED PARTS)											



GRAPHIC #1

<END>

g01176183

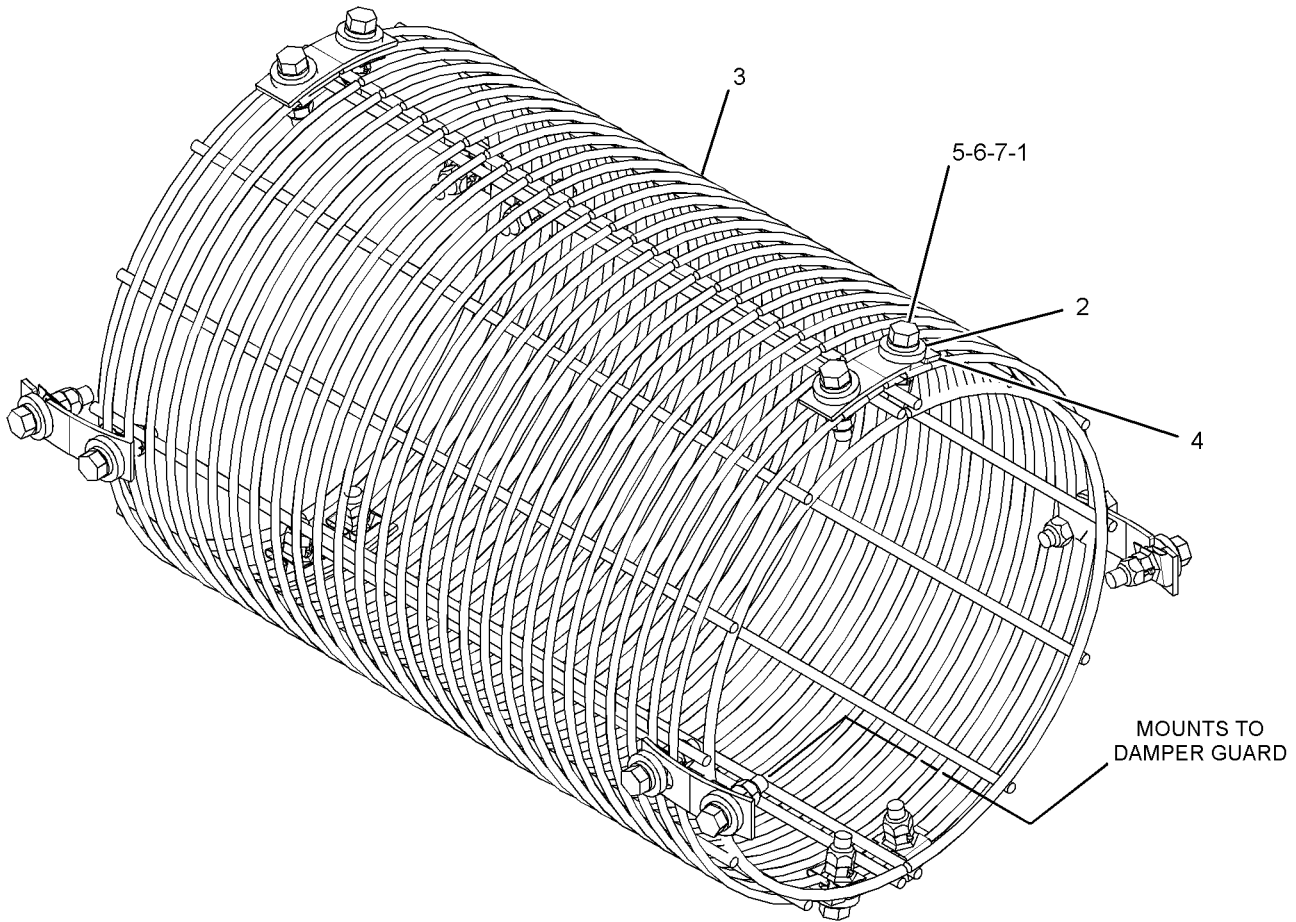
# ENCLOSURES, GUARDS AND BASES

## 3N-5764 GUARD GP-EXTENSION AN ATTACHMENT

SMCS-7154

i03896603

NOTE	REF NO	GRAPHIC REF	PART NUMBER	QTY	PART NAME						SEE PAGE
					1	2	3	4	5	6 (PRODUCT LEVEL)	
	1	1	2N-3385	16	NUT-CLIP (3/8-16-THD)						
	2	1	3L-9689	16	WASHER (10.5X25.4X5-MM THK)						
	3	1	3N-5708	1	GUARD AS-EXTENSION						
	4	1	350-8624	8	PLATE						
	5	1	2A-4639	16	BOLT (3/8-16X1.625-IN)						
	6	1	2K-4973	16	LOCKNUT (3/8-16-THD)						
	7	1	3B-4506	16	LOCKWASHER						



GRAPHIC #1

<END>

g02141630

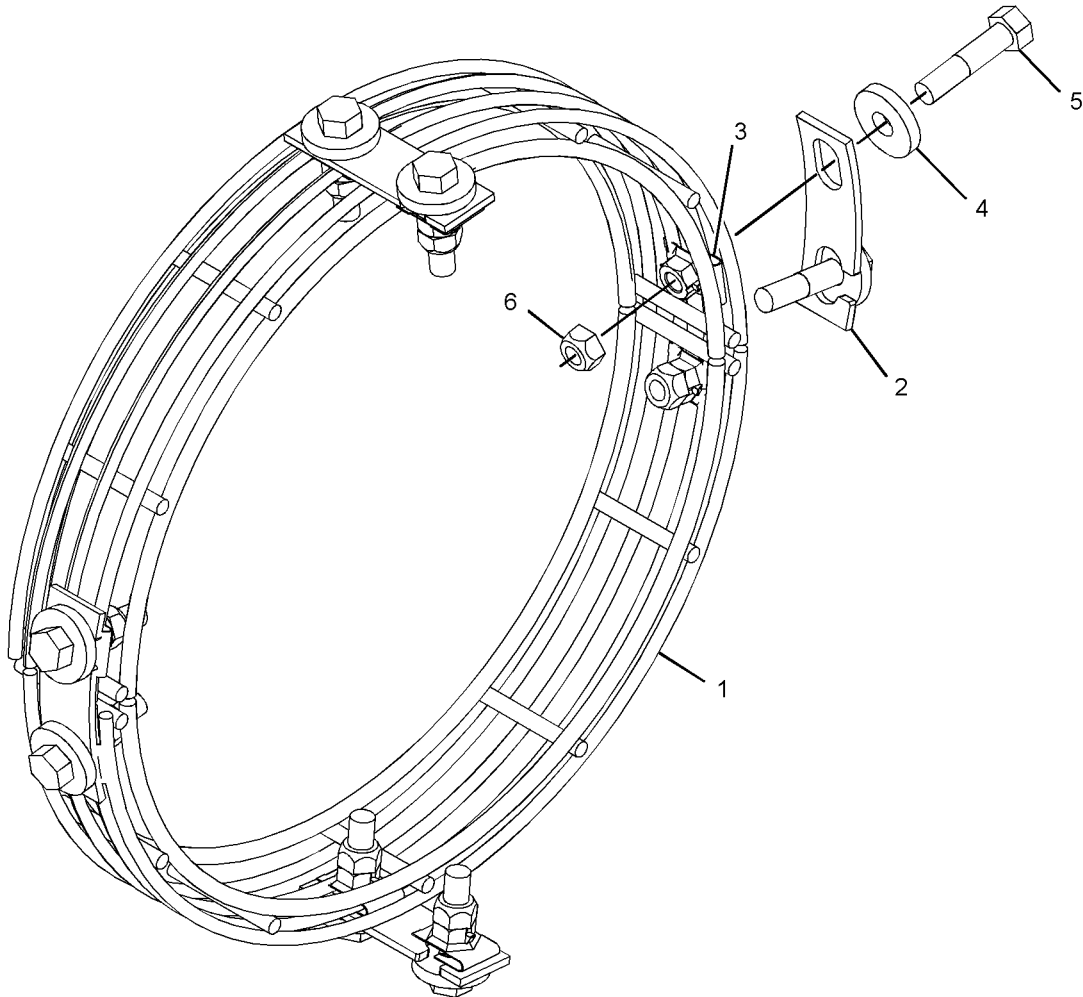
# ENCLOSURES, GUARDS AND BASES

## 4P-9064 GUARD GP-EXTENSION AN ATTACHMENT

SMCS-7154

i03902253

NOTE	REF NO	GRAPHIC REF	PART NUMBER	QTY	PART NAME						SEE PAGE
					1	2	3	4	5	6 (PRODUCT LEVEL)	
	1	1	<b>4P-9063</b>	1	GUARD AS-EXTENSION						
	2	1	<b>350-8624</b>	4	PLATE						
	3	1	<b>2N-3385</b>	8	NUT-CLIP (3/8-16-THD)						
	4	1	<b>4V-8198</b>	8	SPACER (10.2X28.5X5-MM THK)						
	5	1	<b>2A-4639</b>	8	BOLT (3/8-16X1.625-IN)						
	6	1	<b>2K-4973</b>	8	LOCKNUT (3/8-16-THD)						



GRAPHIC #1

<END>

g02146034

# ENCLOSURES, GUARDS AND BASES

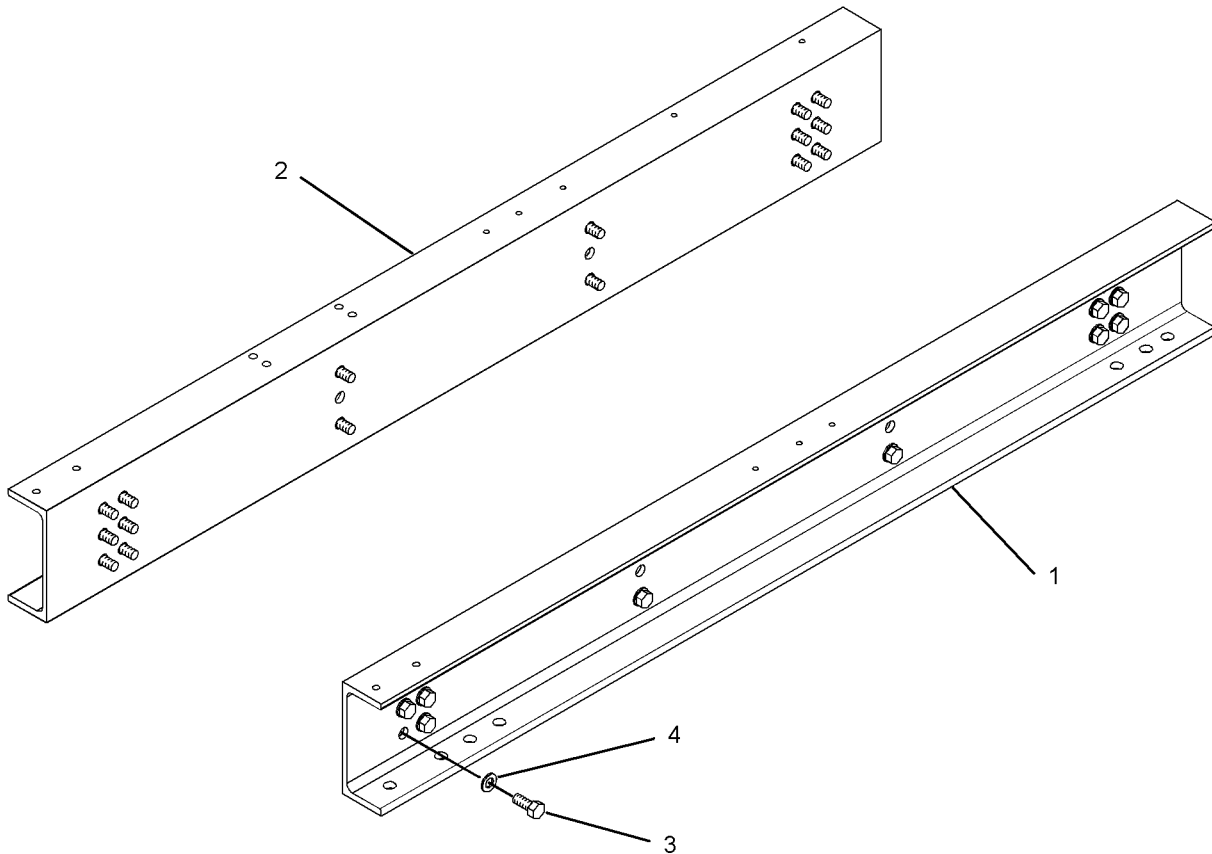
## 9Y-0848 RAIL GP-ENGINE SUPPORT

CANNOT BE USED WITH ENGINE MOUNTED RADIATOR  
AN ATTACHMENT

SMCS-7060

i03557048

NOTE	REF NO	GRAPHIC REF	PART NUMBER	QTY	PART NAME						SEE PAGE
					1	2	3	4	5	6 (PRODUCT LEVEL)	
	1	1	<b>9Y-0849</b>	1	SUPPORT-ENGINE (RH)						
	2	1	<b>342-4500</b>	1	SUPPORT-ENGINE (LH)						
	3	1	<b>8T-9398</b>	32	BOLT (3/4-10X1.75-IN)						
	4	1	<b>8T-4994</b>	32	WASHER-HARD (20X36.5X3.5-MM THK)						



GRAPHIC #1

<END>

g01891073

# ENCLOSURES, GUARDS AND BASES

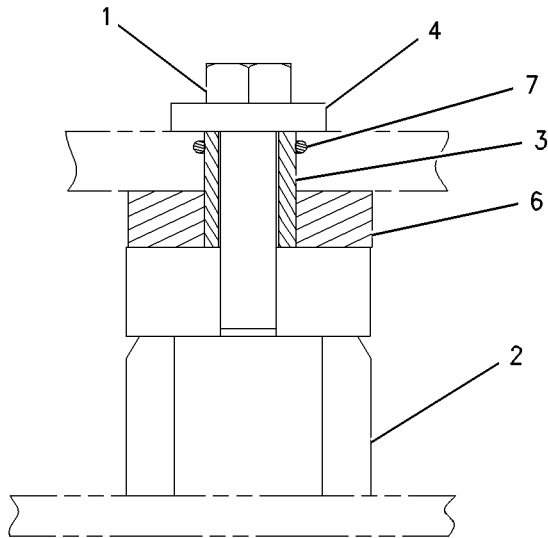
## 5N-9129 SUPPORT GP-POWER MODULE

AN ATTACHMENT

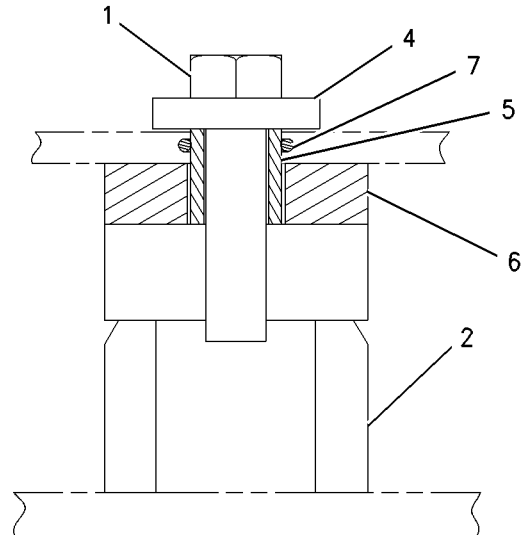
SMCS-7263, 7274

i02765247

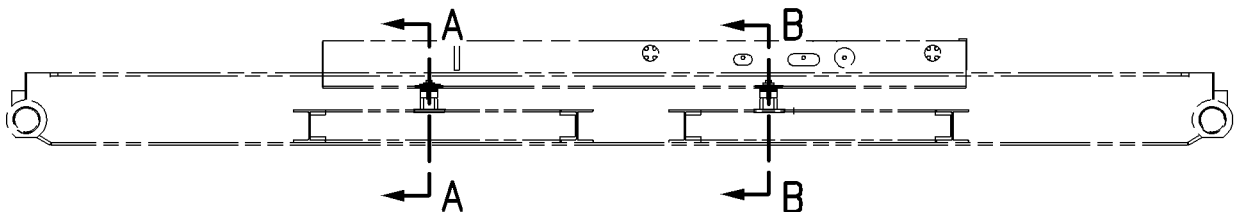
NOTE	REF NO	GRAPHIC REF	PART NUMBER	QTY	PART NAME						SEE PAGE
					1	2	3	4	5	6 (PRODUCT LEVEL)	
	1	1	1F-7464	3	BOLT (1-14X4-IN)						
	2	1	2W-6250	3	SUPPORT AS						
	3	1	5N-9314	1	SPACER (27X38X53-MM THK)						
	4	1	6F-6225	3	WASHER (1.031X2.75X0.5-IN THK)						
	5	1	213-6679	2	SPACER (27X38X40-MM THK)						
	6	1	2W-6249	3	PAD (41X110X25.4MM THK)						
	7	1	9M-7002	3	SEAL-O-RING						



SECTION A-A



SECTION B-B



LEFT SIDE VIEW

GRAPHIC #1

<END>

g00875966

# GENERATORS

## 7C-7123 MOUNTING GP-GENERATOR

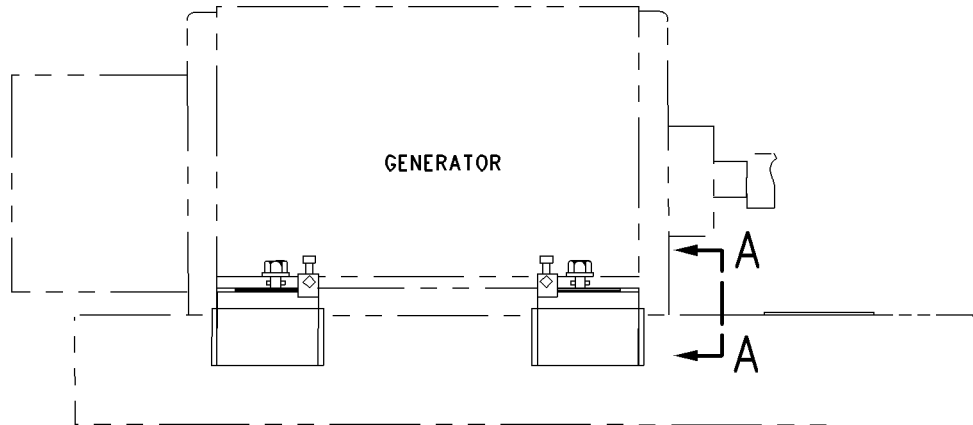
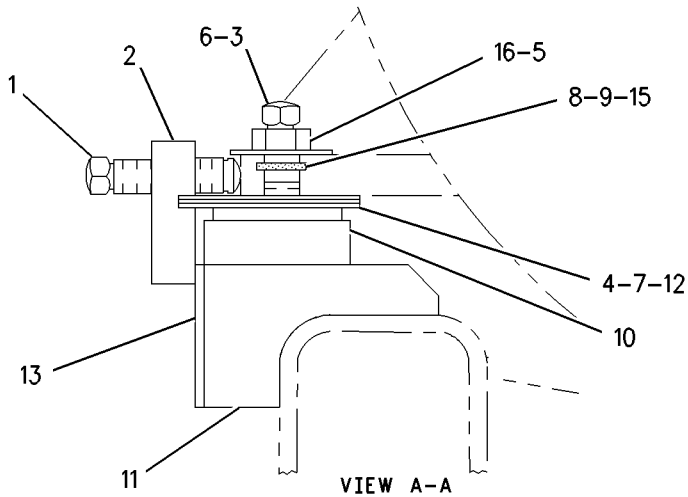
AN ATTACHMENT  
TYPE 1

SMCS-4450, 7060

i02239547

NOTE	REF NO	GRAPHIC REF	PART NUMBER	QTY	PART NAME	1 2 3 4 5 6 (PRODUCT LEVEL)						SEE PAGE
	1	1	4L-6665	4	SETSCREW (1-14X3.88-IN)							
	2	1	166-9042	4	LUG							
B	3	1	2H-3892	4	SETSCREW-SQUARE HEAD (3/4-10X2.25-IN)							
B	4	1	4P-7526	4	SHIM (0.315-IN THK)							
	5	1	5P-8250	4	WASHER (28X49X5-MM THK)							
B	6	1	2H-3895	4	SETSCREW (7/8-9X5-IN)							
B	7	1	132-9514	4	SHIM (0.157-IN THK)							
B	8	1	5F-1678	8	SEAL-O-RING							
B	9	1	8M-5266	8	SEAL-O-RING							
	10	1	5N-9196	4	BLOCK							
	11	1	1W-6393	8	PLATE							
BY	12	1	137-8533	1	SHIM PACK (INCLUDES 13-SHIMS)							425
	13	1	1W-6442	4	PLATE							
B	15	1	5K-9090	8	SEAL-O-RING							
	16	1	9S-1368	4	BOLT (1-14X3.5-IN)							

B-USE AS REQUIRED  
Y-SEPARATE ILLUSTRATION



GRAPHIC #1

<END>

g00942929



# GENERATORS

## 7C-7123 MOUNTING GP-GENERATOR

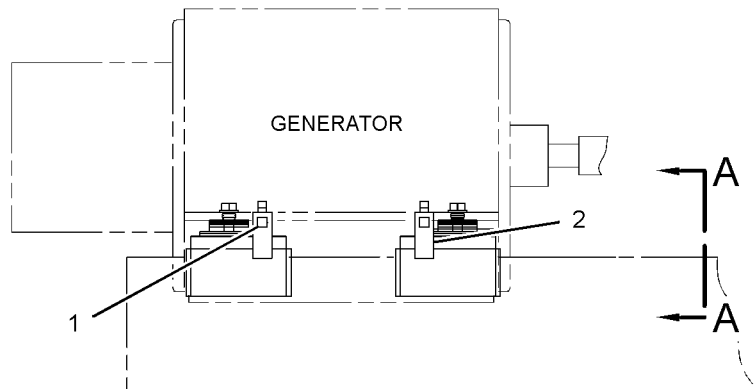
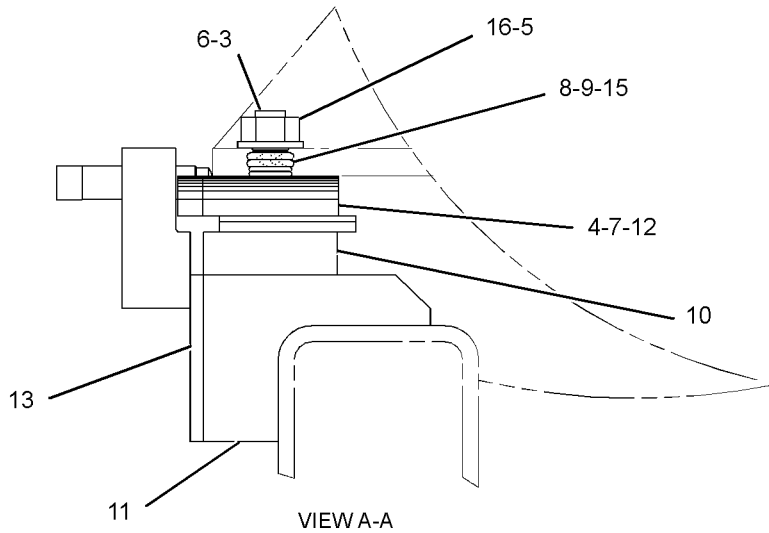
AN ATTACHMENT  
TYPE 2

SMCS-4450, 7060

i03561360

NOTE	REF NO	GRAPHIC REF	PART NUMBER	QTY	PART NAME	1 2 3 4 5 6 (PRODUCT LEVEL)						SEE PAGE
	1	1	4L-6665	4	SETSCREW (1-14X3.88-IN)							
	2	1	166-9042	4	LUG							
B	3	1	2H-3892	4	SETSCREW-SQUARE HEAD (3/4-10X2.25-IN)							
B	4	1	4P-7526	4	SHIM (0.315-IN THK)							
	5	1	5P-8250	4	WASHER (28X49X5-MM THK)							
B	6	1	2H-3895	4	SETSCREW (7/8-9X5-IN)							
B	7	1	132-9514	4	SHIM (0.157-IN THK)							
B	8	1	5F-1678	8	SEAL-O-RING							
B	9	1	8M-5266	8	SEAL-O-RING							
	10	1	5N-9196	4	BLOCK							
	11	1	1W-6393	8	PLATE							
BCY	12	1	333-9113	4	SHIM PACK (INCLUDES 15-SHIMS)							425
	13	1	1W-6442	4	PLATE							
B	15	1	5K-9090	8	SEAL-O-RING							
	16	1	9S-1368	4	BOLT (1-14X3.5-IN)							

B-USE AS REQUIRED  
C-CHANGE FROM PREVIOUS TYPE  
Y-SEPARATE ILLUSTRATION



GRAPHIC #1

<END>

g01889553

# OPERATOR STATION

## 125-7089 BOX GP-INSTRUMENT PANEL

AN ATTACHMENT

SMCS-7451, 7490

i03298385

NOTE	REF NO	GRAPHIC REF	PART NUMBER	QTY	PART NAME						SEE PAGE
					1	2	3	4	5	6 (PRODUCT LEVEL)	
Y	1	2	162-7662	1	BOX GP-INSTRUMENT PANEL						399
	2	1	109-6507	1	SWITCH AS-PUSH BUTTON (EMERGENCY STOP)						
	3	1	110-8909	8	MOUNT-FLEXIBLE						
	4	1	283-3428	1	FILM-IDENTIFICATION (INSTRUMENT PANEL) (GENERATOR TERMINAL BOX)						
	5	1,2	4B-4863	18	WASHER (4.7X11X1.2-MM THK)						
	6	2	133-9308	1	PLATE AS						
	7	2	9Y-2921	6	RELAY (24-VOLT) (INSTRUMENT PANEL)						
	8	1	127-2331	1	SWITCH AS-ROTARY (ENGINE CONTROL)						
	9	1,2	3B-4501	38	LOCKWASHER						
	10	1	6D-5801	32	LOCKNUT (8-32-THD)						
	11	2	9S-8750	5	NUT-FULL (1/4-20-THD)						
	12	1,2	7S-1197	38	SCREW-MACHINE (8-32X0.5-IN)						
	13	2	5P-0537	5	WASHER-HARD (7.2X14.5X2-MM THK)						
	14	2	7N-8008	1	SWITCH AS-TOGGLE (CLEAR, MODE)						
		2	3L-8187	6	LOCKWASHER						
		2	6T-3631	2	NUT-HEX (15/32-32-THD)						
		2	6T-3632	1	LOCKWASHER						
		2	6T-3633	1	RING-LOCKING						
		2	6V-8374	6	SCREW-MACHINE (6-32X0.25-IN)						
	15	2	115-2538	1	COVER-END						
	16	2	115-1322	21	TERMINAL (DOUBLE)						
Y	17	1	158-6255	1	CONTROL GP-ENGINE MONITORING						402
Y	18	1	166-6936	1	MODULE GP-QUAD GAUGE (ENGINE MONITORING)						409
Y	19	1	166-6929	1	MODULE GP-QUAD GAUGE (ENGINE MONITORING)						408
	20	1	112-3588	1	PLATE						
	22	1	2W-4480	1	BOOT-SWITCH						
	23	1	8C-6123	1	NUT (1/4X40-THD)						
Y	24	2	8N-0694	1	SWITCH AS-TOGGLE (STARTING AID)						368
	25	1	132-8276	1	DOOR AS						
		1	030-8967	2	STUD-WELD (3/8-16X0.75-IN OAL)						
		1	128-8545	2	LATCH AS						
	26	2	8D-2676	1	SWITCH AS-TOGGLE (ENGINE PARAMETER, RH, LH)						
		2	3L-8187	2	LOCKWASHER						
		2	6T-3631	2	NUT-HEX (15/32-32-THD)						
		2	6T-3632	1	LOCKWASHER						
		2	6T-3633	1	RING-LOCKING						
		2	6V-8374	2	SCREW-MACHINE (6-32X0.25-IN)						
	27	2	9X-9675	2	BRACKET-END						
	28	1	113-7884	1	FILM-IDENTIFICATION (ENGINE MONITORING) (CONTROL)						
	29	2	4P-7581	6	CLIP						
	30	2	105-7542	1	STRIP-CONTACT						
E	31	2	186-3166		TUBE-HEAT SHRINK (6.35-MM DIA) (31-CM)						
	32	2	107-5856	1	CIRCUIT BREAKER AS (63-AMPERE)						
	33	2	9X-8124	2	SWITCH AS-MAGNETIC (24-VOLT) (STARTING MOTOR)						
	34	1	100-5566	3	BEZEL						
	35	1	7U-4891	12	SCREW (10-32X1-IN)						
	36	2	9S-8752	18	NUT-FULL (3/8-16-THD)						
	37	2	4B-4274	12	WASHER (5.5X13X1.2-MM THK)						
	38	2	6V-8378	12	NUT (10-32-THD)						
	39	1	107-2482	8	GASKET						
	40	2	121-3328	1	KIT-MARKER (INSTRUMENT PANEL) (INCLUDES 7 VERTICAL LABELS)						
	41	2	5M-2894	18	WASHER-HARD (10.2X18.5X2.5-MM THK)						
	42	2	114-1142	4	CIRCUIT BREAKER AS (10-AMPERE)						
	43	2	114-1143	1	CIRCUIT BREAKER AS (16-AMPERE)						

# OPERATOR STATION

125-7089 BOX GP-INSTRUMENT PANEL (contd.)

i03298385

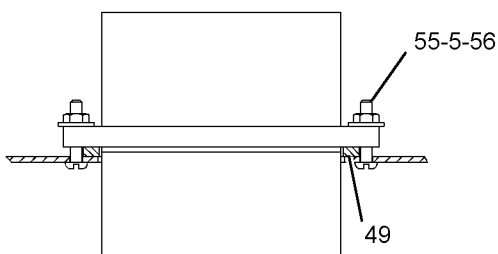
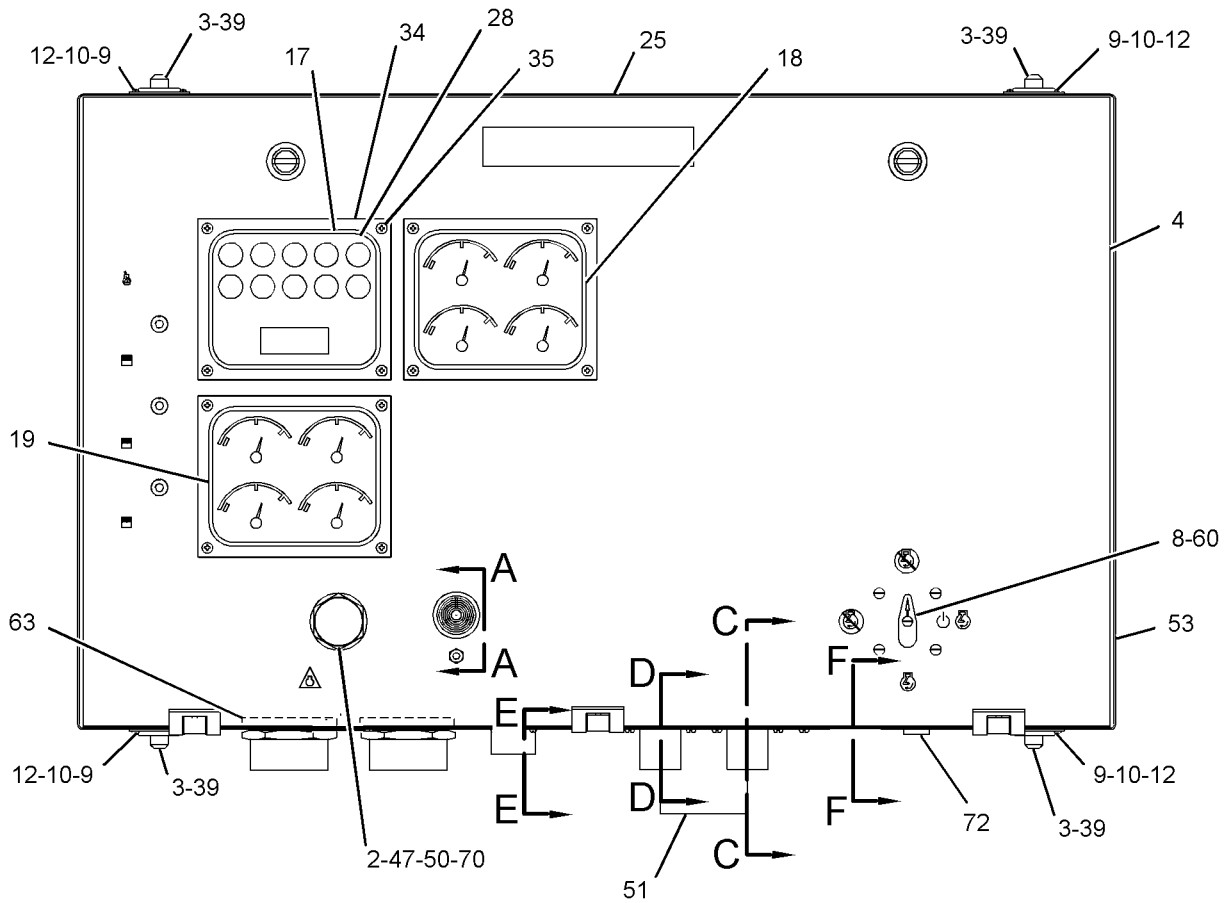
NOTE	REF NO	GRAPHIC REF	PART NUMBER	QTY	PART NAME						SEE PAGE
					1	2	3	4	5	6 (PRODUCT LEVEL)	
	44	2	106-9819	4	TERMINAL						
	45	2	8T-9637	1	SWITCH AS-TOGGLE (MANUAL START)						
		2	3L-8187	4	LOCKWASHER						
		2	6T-3631	2	NUT-HEX (15/32-32-THD)						
		2	6T-3632	1	LOCKWASHER						
		2	6T-3633	1	RING-LOCKING						
		2	6V-8374	4	SCREW-MACHINE (6-32X0.25-IN)						
M	46	2	8T-4134	4	NUT (M6X1-THD)						
	47	1	111-1324	2	BLOCK-CONTACT (1-POLE)						
	48	1	123-9694	1	HORN						
	49	1	8C-6024	2	SEAL-CONNECTOR						
	50	1	124-3176	1	COVER						
	51	1	126-2210	1	HARNESS AS-PANEL (CUSTOMER CONNECTION)						
		1	7X-6222	1	PLUG AS-CONNECTOR (24-PIN)						
		1	8T-9834	1	PLUG AS-CONNECTOR (40-PIN)						
Y	52	2	174-1436	1	HARNESS AS-PANEL (INSTRUMENT)						313
	53	1	123-3395	1	FILM-IDENTIFICATION (WIRE)						
	54	2	122-3202	1	HARNESS AS-PANEL (QUAD GAUGE MODULE)						
		2	155-2265	1	KIT-CONNECTING PLUG (8-PIN) (INCLUDES PLUG AS AND WEDGE)						
		2	8L-8413	10	STRAP-CABLE						
		2	109-3038	6	END-WIRE (16-GA)						
	55	1	2N-3476	12	SCREW-MACHINE (6-32X0.75-IN)						
	56	1	4B-2041	12	NUT (6-32-THD)						
	57	1	5S-4245	4	SCREW-MACHINE (4-40X0.5-IN)						
	58	1	6B-4542	4	LOCKWASHER						
	59	1	6B-4540	4	NUT (4-40-THD)						
	60	1	7C-4910	1	SEAL						
	61	2	9X-6772	7	STRAP-CABLE						
	62	1	9X-1365	1	SEAL-CONNECTOR						
	63	1	9D-2734	2	GASKET						
	64	1	6T-0453	1	GASKET						
	65	2	116-7655	1	CIRCUIT BREAKER AS (50-AMPERE)						
	66	2	107-5857	1	CIRCUIT BREAKER AS (32-AMPERE)						
	67	2	3E-5503	2	BAR-FIXED BRIDGE						
	68	2	4D-1836	1	SWITCH AS-TOGGLE (LOW IDLE)						
B	69	2	6K-0806	20	STRAP-CABLE						
	70	1	111-1323	1	BLOCK-CONTACT (1-POLE)						
	71	2	4P-8134	1	CLIP						
	72	1	8M-3839	1	BUTTON-PLUG						

B-USE AS REQUIRED  
 E-ORDER BY THE CENTIMETER  
 M-METRIC PART  
 Y-SEPARATE ILLUSTRATION

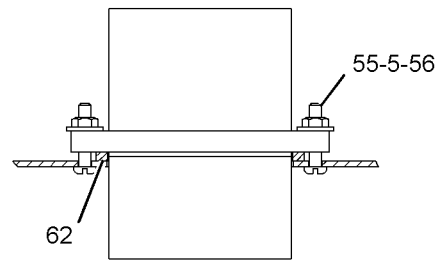
# OPERATOR STATION

125-7089 BOX GP-INSTRUMENT PANEL (contd.)

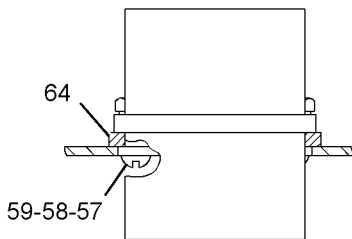
i03298385



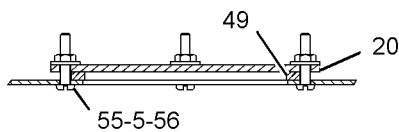
SECTION C-C



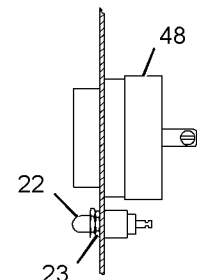
SECTION D-D



SECTION E-E



SECTION F-F



SECTION A-A

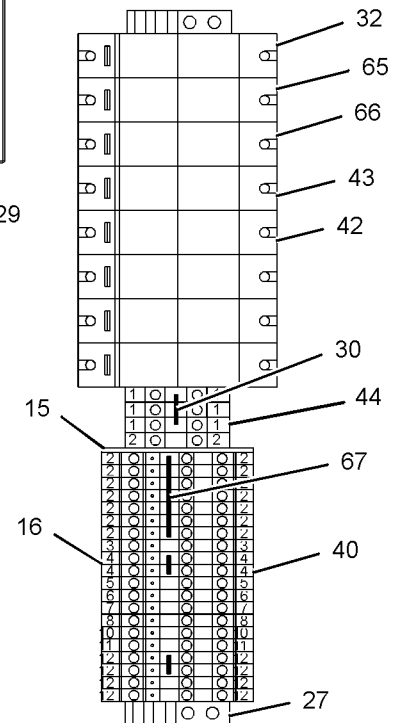
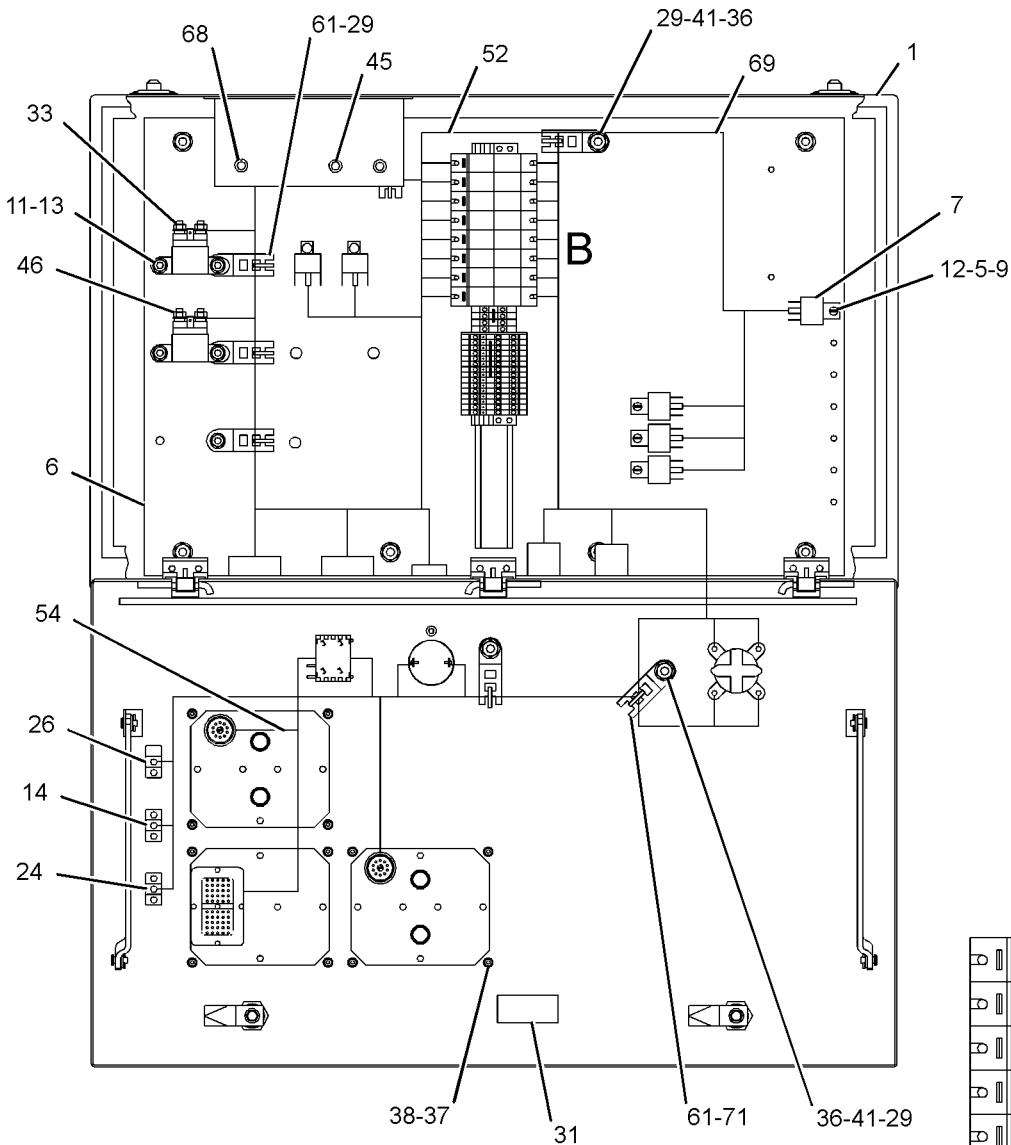
GRAPHIC #1

g01360413

# OPERATOR STATION

125-7089 BOX GP-INSTRUMENT PANEL (contd.)

i03298385



VIEW OF AREA B

GRAPHIC #2

<END>

g01311694

# OPERATOR STATION

## 125-9745 BOX GP-INSTRUMENT PANEL

FOR USE WITH PREMIUM INSTRUMENT PANEL  
AN ATTACHMENT

SMCS-7451, 7490

i03996295

NOTE	REF NO	GRAPHIC REF	PART NUMBER	QTY	PART NAME						SEE PAGE
					1	2	3	4	5	6 (PRODUCT LEVEL)	
Y	1	1	162-7662	1	BOX GP-INSTRUMENT PANEL						399
	2	1	109-6507	1	SWITCH AS-PUSH BUTTON (EMERGENCY STOP)						
	3	1	110-8909	8	MOUNT-FLEXIBLE						
	4	1	283-3428	1	FILM-IDENTIFICATION (INSTRUMENT PANEL)						
	5	1	4B-4863	14	WASHER (4.7X11X1.2-MM THK)						
	6	1	133-9308	1	PLATE AS						
	7	1	9Y-2921	6	RELAY (24-VOLT) (INSTRUMENT PANEL)						
	8	1	127-2331	1	SWITCH AS-ROTARY (ENGINE CONTROL)						
	9	1	3B-4501	38	LOCKWASHER						
	10	1	6D-5801	32	LOCKNUT (8-32-THD)						
	11	1	9S-8750	5	NUT-FULL (1/4-20-THD)						
	12	1	7S-1197	38	SCREW-MACHINE (8-32X0.5-IN)						
	13	1	5P-0537	5	WASHER-HARD (7.2X14.5X2-MM THK)						
	14	1	7N-8008	1	SWITCH AS-TOGGLE (CLEAR, MODE)						
			3L-8187	6	LOCKWASHER						
			6T-3631	2	NUT-HEX (15/32-32-THD)						
			6T-3632	1	LOCKWASHER						
			6T-3633	1	RING-LOCKING						
			6V-8374	6	SCREW-MACHINE (6-32X0.25-IN)						
	15	1	115-2538	1	COVER-END						
	16	1	115-1322	21	TERMINAL (DOUBLE)						
Y	17	1	158-6255	1	CONTROL GP-ENGINE MONITORING (LINE)						402
Y	18	1	166-6936	1	MODULE GP-QUAD GAUGE (ENGINE MONITORING)						409
Y	19	1	166-6929	1	MODULE GP-QUAD GAUGE (ENGINE MONITORING)						408
	20	1	133-3822	1	DOOR AS						
			030-8967	2	STUD-WELD (3/8-16X0.75-IN OAL)						
			128-8545	2	LATCH AS						
	22	1	2W-4480	1	BOOT-SWITCH						
	23	1	8C-6123	1	NUT (1/4X40-THD)						
Y	24	1	8N-0694	1	SWITCH AS-TOGGLE (STARTING AID)						368
	25	1	122-3203	1	HARNESS AS-PANEL (QUAD GAUGE MODULE)						
			155-2265	1	KIT-CONNECTING PLUG (8-PIN) (INCLUDES PLUG AS AND WEDGE)						
			8L-8413	10	STRAP-CABLE						
	26	1	8D-2676	1	SWITCH AS-TOGGLE (ENGINE PARAMETER, RH, LH)						
			3L-8187	2	LOCKWASHER						
			6T-3631	2	NUT-HEX (15/32-32-THD)						
			6T-3632	1	LOCKWASHER						
			6T-3633	1	RING-LOCKING						
			6V-8374	2	SCREW-MACHINE (6-32X0.25-IN)						
	27	1	9X-9675	2	BRACKET-END						
	28	1	113-7884	1	FILM-IDENTIFICATION (ENGINE MONITORING)						
	29	1	4P-7581	6	CLIP						
	30	1	105-7542	1	STRIP-CONTACT						
	32	1	107-5856	1	CIRCUIT BREAKER AS (63-AMPERE)						
	33	1	9X-8124	2	SWITCH AS-MAGNETIC (24-VOLT) (STARTING MOTOR) (EACH INCLUDES)						
M			8T-4134	2	NUT (M6X1-THD)						
	34	1	100-5566	4	BEZEL						
	35	1	7U-4891	16	SCREW (10-32X1-IN)						
	36	1	9S-8752	18	NUT-FULL (3/8-16-THD)						
	37	1	4B-4274	16	WASHER (5.5X13X1.2-MM THK)						
	38	1	6V-8378	16	NUT (10-32-THD)						
	39	1	107-2482	8	GASKET						
	40	1	121-3328	1	KIT-MARKER (TERMINAL) (INCLUDES 7 VERTICAL LABELS)						

# OPERATOR STATION

125-9745 BOX GP-INSTRUMENT PANEL (contd.)

i03996295

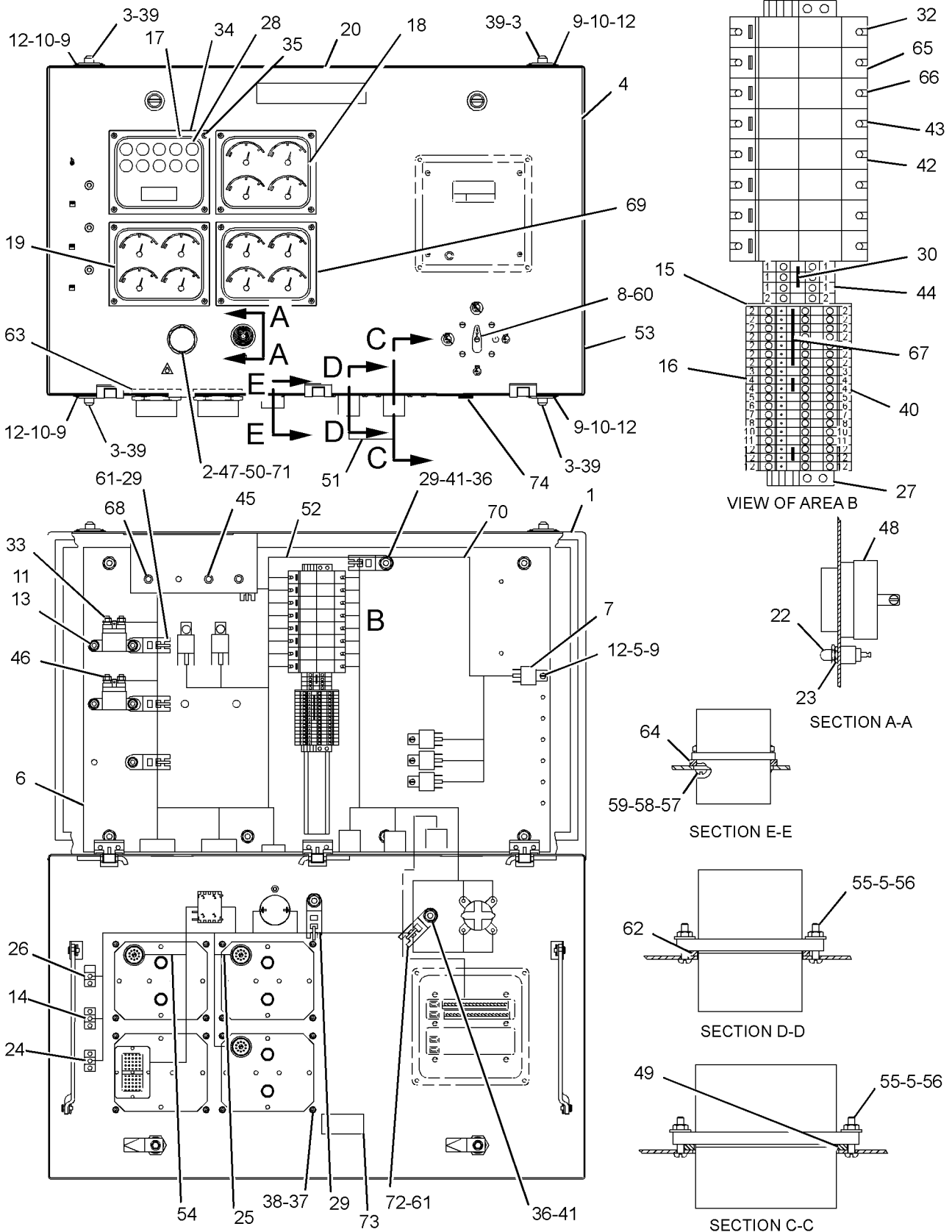
NOTE	REF NO	GRAPHIC REF	PART NUMBER	QTY	PART NAME						SEE PAGE
					1	2	3	4	5	6 (PRODUCT LEVEL)	
	41	1	5M-2894	18	WASHER-HARD (10.2X18.5X2.5-MM THK)						
	42	1	114-1142	4	CIRCUIT BREAKER AS (10-AMPERE)						
	43	1	114-1143	1	CIRCUIT BREAKER AS (16-AMPERE)						
	44	1	106-9819	4	TERMINAL						
	45	1	8T-9637	1	SWITCH AS-TOGGLE (MANUAL START)						
		1	3L-8187	4	LOCKWASHER						
		1	6T-3631	2	NUT-HEX (15/32-32-THD)						
		1	6T-3632	1	LOCKWASHER						
		1	6T-3633	1	RING-LOCKING						
		1	6V-8374	4	SCREW-MACHINE (6-32X0.25-IN)						
M	46	1	8T-4134	4	NUT (M6X1-THD)						
	47	1	111-1324	2	BLOCK-CONTACT (1-POLE)						
	48	1	123-9694	1	HORN						
	49	1	8C-6024	1	SEAL-CONNECTOR						
	50	1	124-3176	1	COVER						
	51	1	126-2210	1	HARNES AS-PANEL (CUSTOMER CONNECTION)						
		1	7X-6222	1	PLUG AS-CONNECTOR (24-PIN)						
		1	8T-9834	1	PLUG AS-CONNECTOR (40-PIN)						
Y	52	1	174-1436	1	HARNES AS-PANEL (INSTRUMENT)						313
	53	1	123-3395	1	FILM-IDENTIFICATION (WIRE)						
	54	1	122-3202	1	HARNES AS-PANEL (QUAD GAUGE MODULE)						
	55	1	2N-3476	8	SCREW-MACHINE (6-32X0.75-IN)						
	56	1	4B-2041	8	NUT (6-32-THD)						
	57	1	5S-4245	4	SCREW-MACHINE (4-40X0.5-IN)						
	58	1	6B-4542	4	LOCKWASHER						
	59	1	6B-4540	4	NUT (4-40-THD)						
	60	1	7C-4910	1	SEAL						
	61	1	9X-6772	7	STRAP-CABLE						
	62	1	9X-1365	1	SEAL-CONNECTOR						
	63	1	9D-2734	2	GASKET						
	64	1	6T-0453	1	GASKET						
	65	1	116-7655	1	CIRCUIT BREAKER AS (50-AMPERE)						
	66	1	107-5857	1	CIRCUIT BREAKER AS (32-AMPERE)						
B	67	1	3E-5503	2	BAR-FIXED BRIDGE						
	68	1	4D-1836	1	SWITCH AS-TOGGLE (LOW IDLE)						
Y	69	1	166-6937	1	MODULE GP-QUAD GAUGE (ENGINE MONITORING)						410
B	70	1	6K-0806	20	STRAP-CABLE						
	71	1	111-1323	1	BLOCK-CONTACT (1-POLE)						
	72	1	4P-8134	1	CLIP						
BE	73	1	186-3166		TUBE-HEAT SHRINK (6.35-MM DIA) (31-CM)						
	74	1	8M-3839	1	BUTTON-PLUG						

B-USE AS REQUIRED  
 E-ORDER BY THE CENTIMETER  
 M-METRIC PART  
 Y-SEPARATE ILLUSTRATION

# OPERATOR STATION

125-9745 BOX GP-INSTRUMENT PANEL (contd.)

i03996295



GRAPHIC #1

<END>

g01316332



# OPERATOR STATION

## 162-7662 BOX GP-INSTRUMENT PANEL

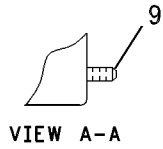
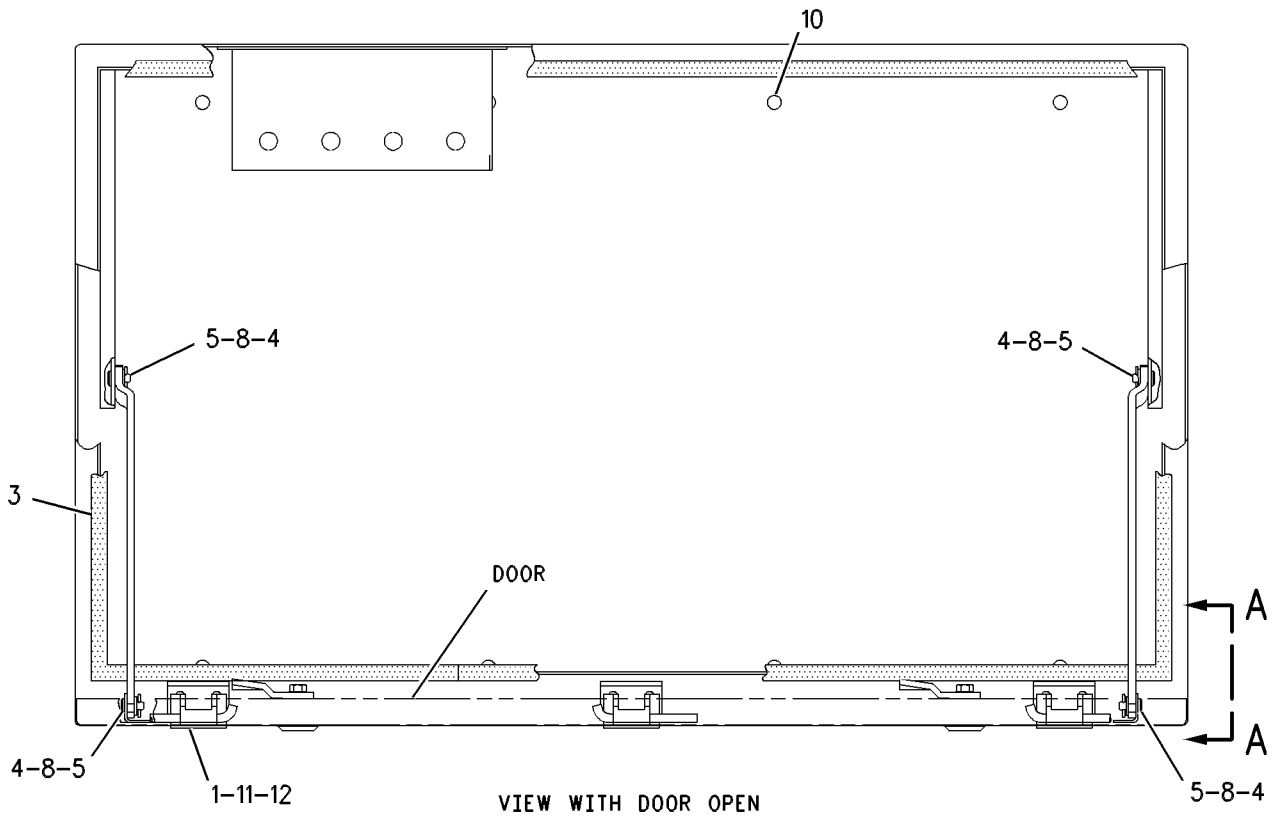
PART OF 125-7089, 125-9745 BOX GP-INSTRUMENT PANEL  
AN ATTACHMENT

SMCS-7451, 7490

i02329853

NOTE	REF NO	GRAPHIC REF	PART NUMBER	QTY	PART NAME						SEE PAGE
					1	2	3	4	5	6 (PRODUCT LEVEL)	
	1	1	128-2507	3	HINGE AS						
BE	3	1	126-8472		SEAL						
	4	1	9X-6381	4	WASHER (6.5X12.5X1.6-MM THK)						
	5	1	9P-6895	4	PIN						
	8	1	3B-4605	4	PIN-COTTER						
	9	1	3H-5366	1	STUD-WELD (1/4-20X0.625-IN)						
	10	1	4M-0200	8	STUD-WELD (3/8-16X1.5-IN)						
	11	1	128-3147	3	GASKET						
M	12	1	2W-9513	6	BOLT (M6X1X10-MM)						

B-USE AS REQUIRED  
E-ORDER BY THE CENTIMETER  
M-METRIC PART



VIEW A-A

GRAPHIC #1

<END>

g00521288

# OPERATOR STATION

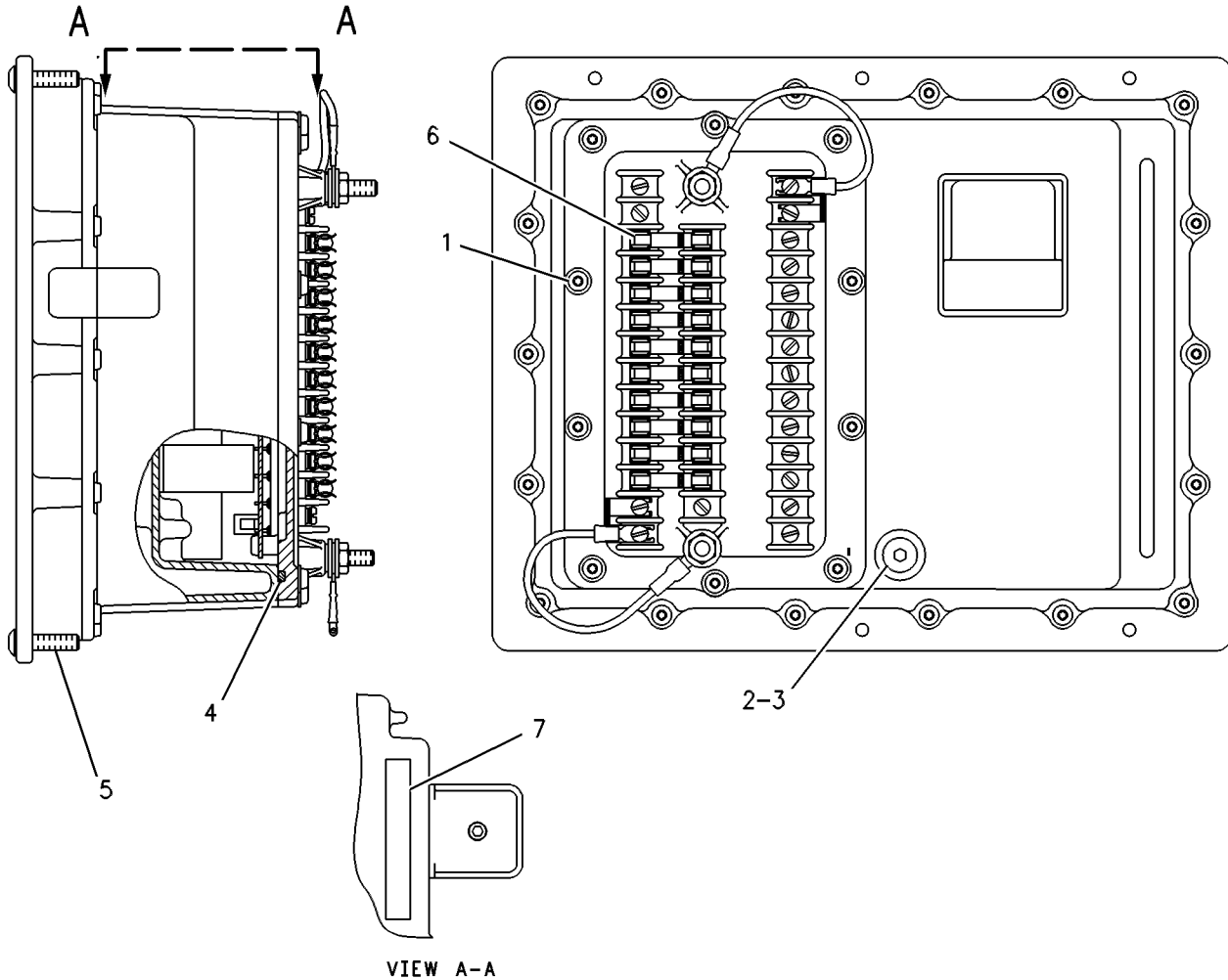
## 144-1623 CONTROL GP-ENGINE MONITORING- PROGRAMMABLE RELAY\*R

PART OF 144-1624 CONTROL GP-ENGINE MONITORING  
AN ATTACHMENT

SMCS-1901, 7490

i02400706

NOTE	REF NO	GRAPHIC REF	PART NUMBER	QTY	PART NAME						SEE PAGE
					1	2	3	4	5	6 (PRODUCT LEVEL)	
	1	1	4B-4863	10	WASHER (4.7X11X1.2-MM THK)						
	2	1	9S-8002	1	PLUG-O-RING						
	3	1	3J-7354	1	SEAL-O-RING						
	4	1	1S-4974	1	SEAL-O-RING						
	5	1	9W-1464	6	SCREW (1/4-20X1-IN)						
	6	1	3K-8782	10	FUSE (10-AMPERE)						
	7	1	9Y-9782	1	FILM-IDENTIFICATION (10-AMPERE FUSE)						



GRAPHIC #1

<END>

g00275386

# OPERATOR STATION

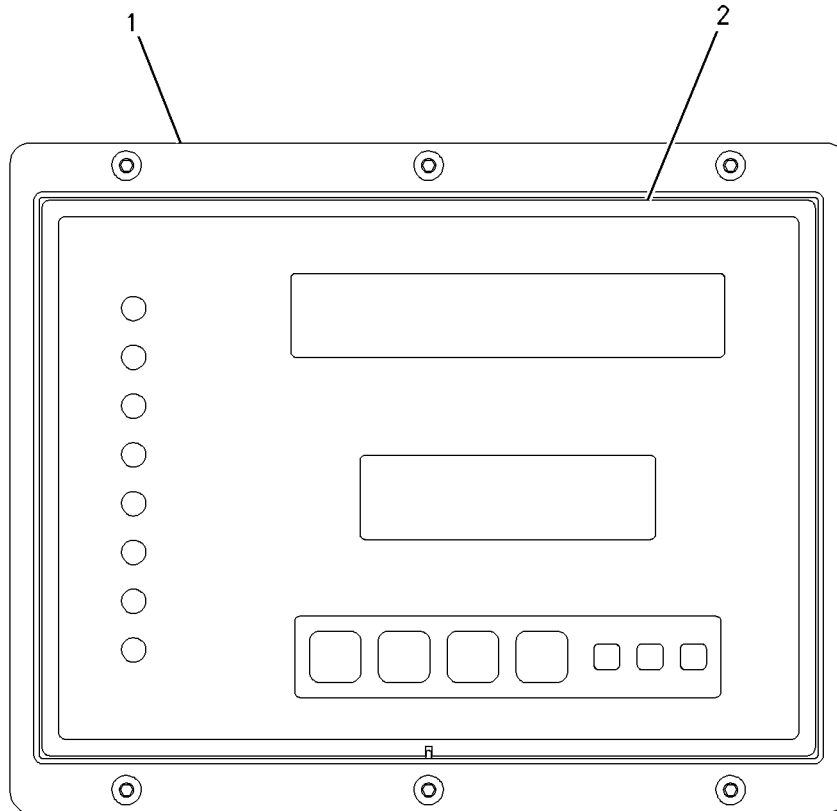
## 144-1624 CONTROL GP-ENGINE MONITORING- PROGRAMMABLE RELAY CONTROL MODULE PART OF 133-9300 CONTROL GP-ENGINE ELECTRONIC AN ATTACHMENT

SMCS-1901, 7490

i01905810

NOTE	REF NO	GRAPHIC REF	PART NUMBER	QTY	PART NAME						SEE PAGE
					1	2	3	4	5	6 (PRODUCT LEVEL)	
YR	1	1	144-1623	1	CONTROL GP-ENGINE MONITORING (PROGRAMMABLE RELAY CONTROL MOD)						400
	2	1	123-3932	1	FILM-CONTROL PANEL (EMCP II, PRCM)						
	F		126-9246	1	FILM-INFORMATION (EMCP II, PRCM)						

F-NOT SHOWN  
R-REMFG PART MAY BE AVAILABLE  
Y-SEPARATE ILLUSTRATION



GRAPHIC #1

<END>

g00763036

# OPERATOR STATION

## 158-6255 CONTROL GP-ENGINE MONITORING

EMSII

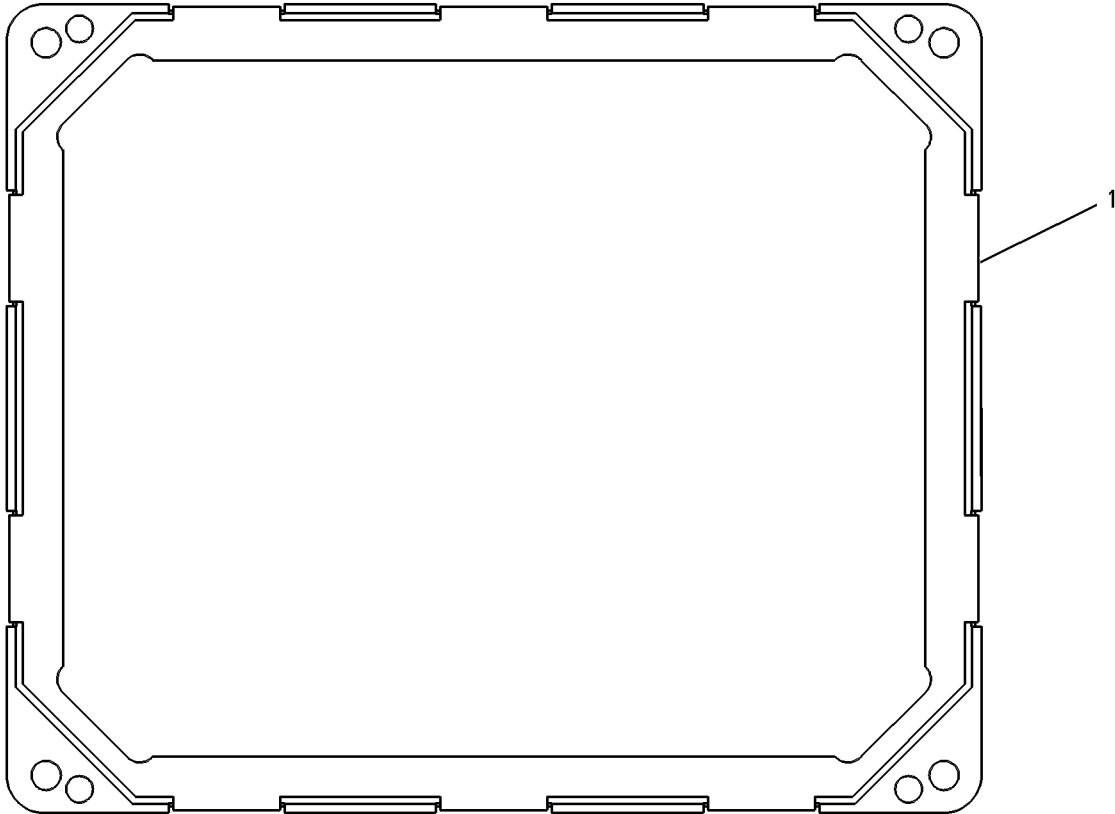
PART OF 125-7089, 125-9745 BOX GP-INSTRUMENT PANEL  
AN ATTACHMENT

SMCS-1901, 7490

i01381034

NOTE	REF NO	GRAPHIC REF	PART NUMBER	QTY	PART NAME						SEE PAGE
					1	2	3	4	5	6 (PRODUCT LEVEL)	
YR	1	1	165-4099	1	CONTROL GP-ENGINE MONITORING						403

R-REMG PART MAY BE AVAILABLE  
Y-SEPARATE ILLUSTRATION



GRAPHIC #1

<END>

g00623268

# OPERATOR STATION

## 165-4099 CONTROL GP-ENGINE MONITORING\*R

PART OF 158-6255 CONTROL GP-ENGINE MONITORING

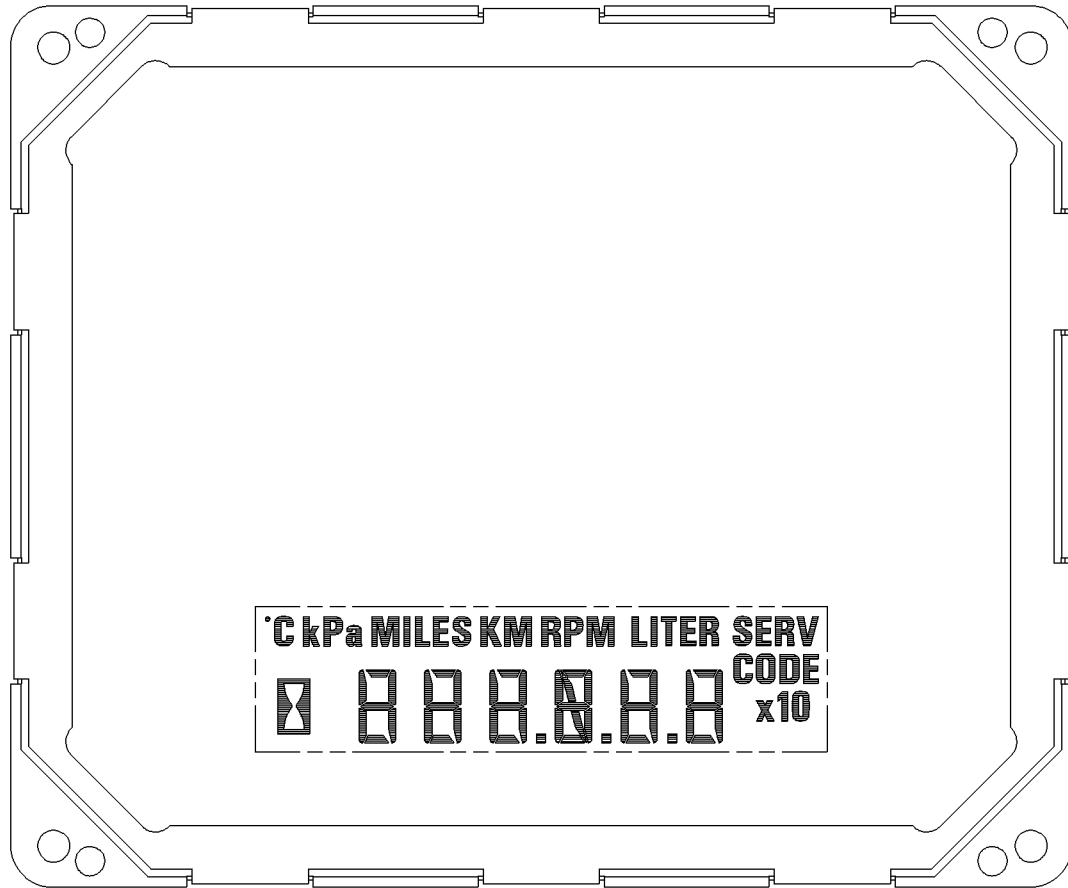
FIELD REPLACEMENT ORDER 198-9728—PAGE 404

AN ATTACHMENT

SMCS-1901, 7490

i01044286

NOTE	REF NO	GRAPHIC REF	PART NUMBER	QTY	PART NAME	SEE PAGE
					1 2 3 4 5 6 (PRODUCT LEVEL)	
(NO SERVICED PARTS)						



GRAPHIC #1

<END>

g00678716

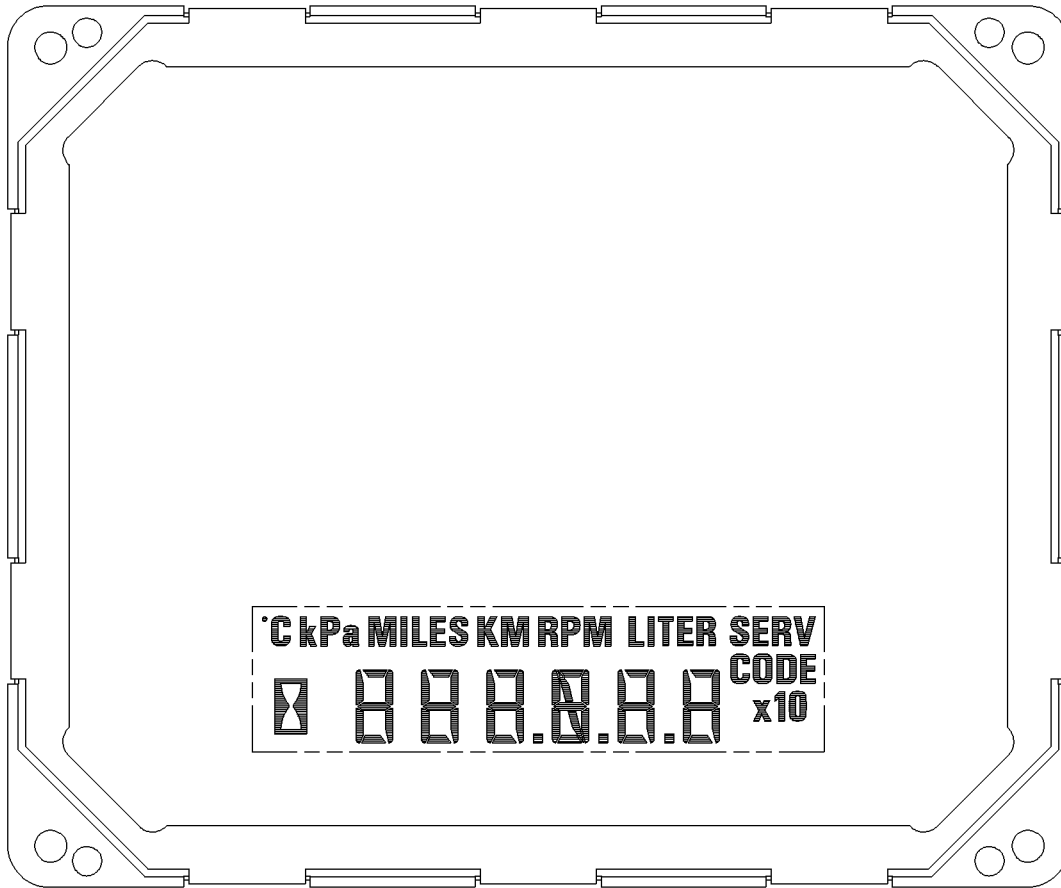
# OPERATOR STATION

## 198-9728 CONTROL GP-ENGINE MONITORING\*R FIELD REPLACEMENT FOR 165-4099-PAGE 403

SMCS-1901, 7490

i01440208

NOTE	REF NO	GRAPHIC REF	PART NUMBER	QTY	PART NAME						SEE PAGE
					1	2	3	4	5	6 (PRODUCT LEVEL)	
(NO SERVICED PARTS)											



GRAPHIC #1

<END>

g00678716

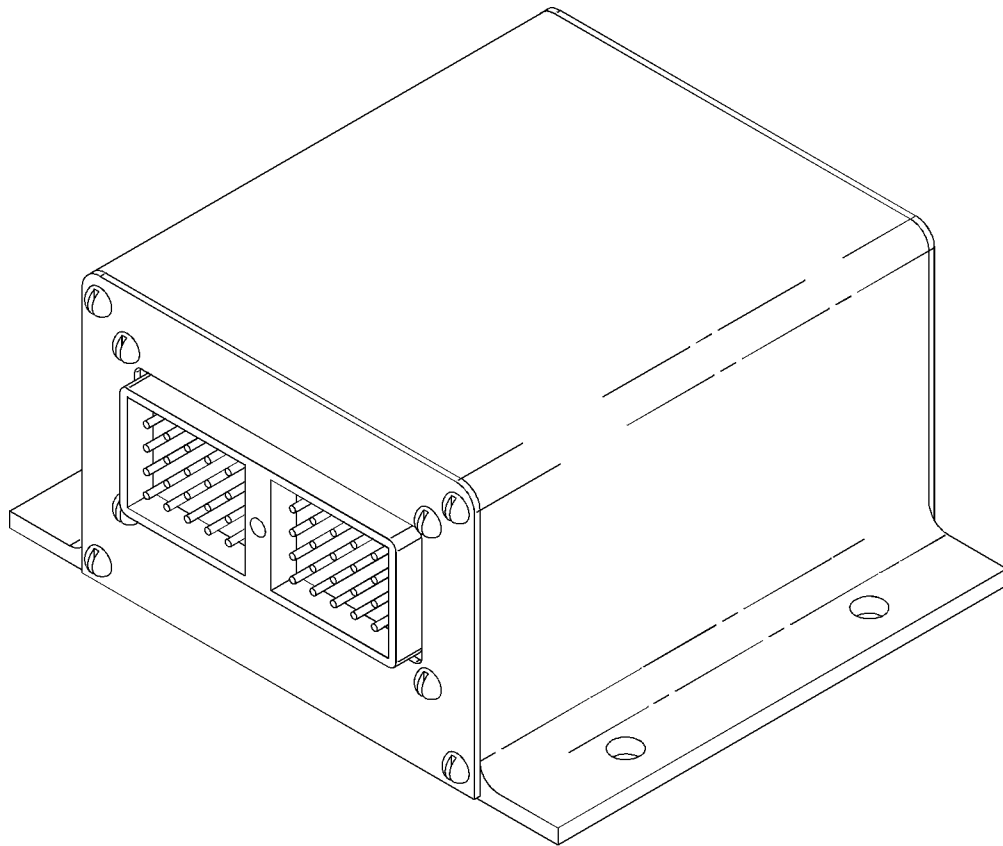
# OPERATOR STATION

## 234-0275 CONTROL GP-ENGINE MONITORING- DISCRETE INPUT/OUTPUT PART OF 341-2532 CONTROL GP-ENGINE MONITORING AN ATTACHMENT

SMCS-1901, 7490

i02105063

NOTE	REF NO	GRAPHIC REF	PART NUMBER	QTY	PART NAME						SEE PAGE
					1	2	3	4	5	6 (PRODUCT LEVEL)	
(NO SERVICED PARTS)											



GRAPHIC #1

<END>

g01072402

# OPERATOR STATION

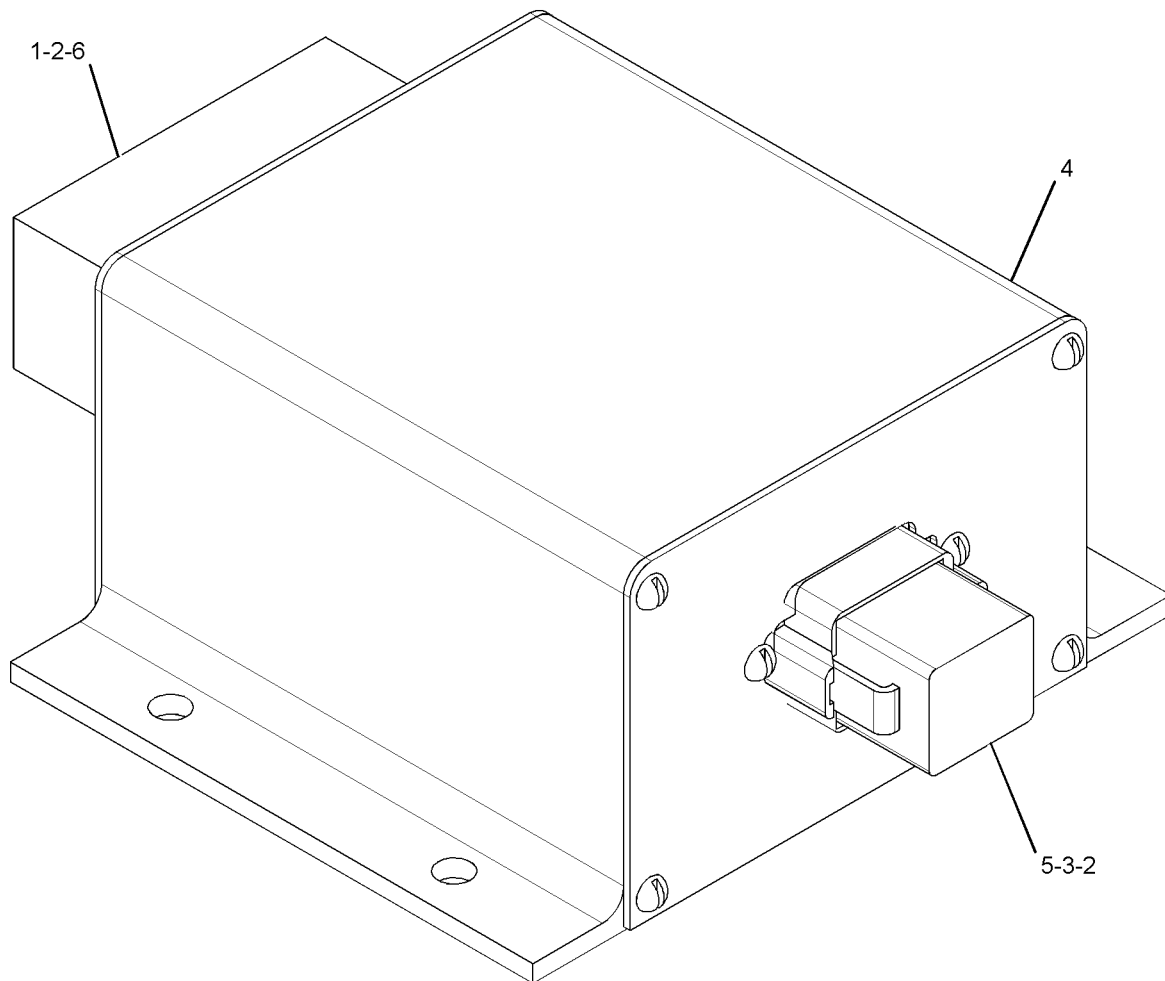
## 341-2532 CONTROL GP-ENGINE MONITORING- DISCRETE INPUT/OUTPUT AN ATTACHMENT

SMCS-1901, 7490

i03495625

NOTE	REF NO	GRAPHIC REF	PART NUMBER	QTY	PART NAME						SEE PAGE
					1	2	3	4	5	6 (PRODUCT LEVEL)	
	1	1	8T-8737	20	PLUG-SEAL						
	2	1	9X-3402	48	SOCKET-CONNECTOR (16-GA TO 18-GA)						
	3	1	155-2259	1	WEDGE-PLUG LOCK (8-PIN)						
Y	4	1	234-0275	1	CONTROL GP-ENGINE MONITORING (DISCRETE INPUT/OUTPUT)						405
	5	1	155-2265	1	KIT-CONNECTING PLUG (8-PIN) (INCLUDES PLUG AS AND WEDGE)						
	6	1	9X-7147	1	PLUG AS-CONNECTOR (40-PIN)						
		1	3E-4367	1	RING-RETAINING						
M		1	3E-8557	1	BOLT (M5X0.8X39.37-MM)						
		1	9X-3490	2	SEAL-CONNECTOR (40-PIN)						

M-METRIC PART  
Y-SEPARATE ILLUSTRATION



GRAPHIC #1

<END>

g01836454



# OPERATOR STATION

## 345-2374 MODULE GP-ALARM

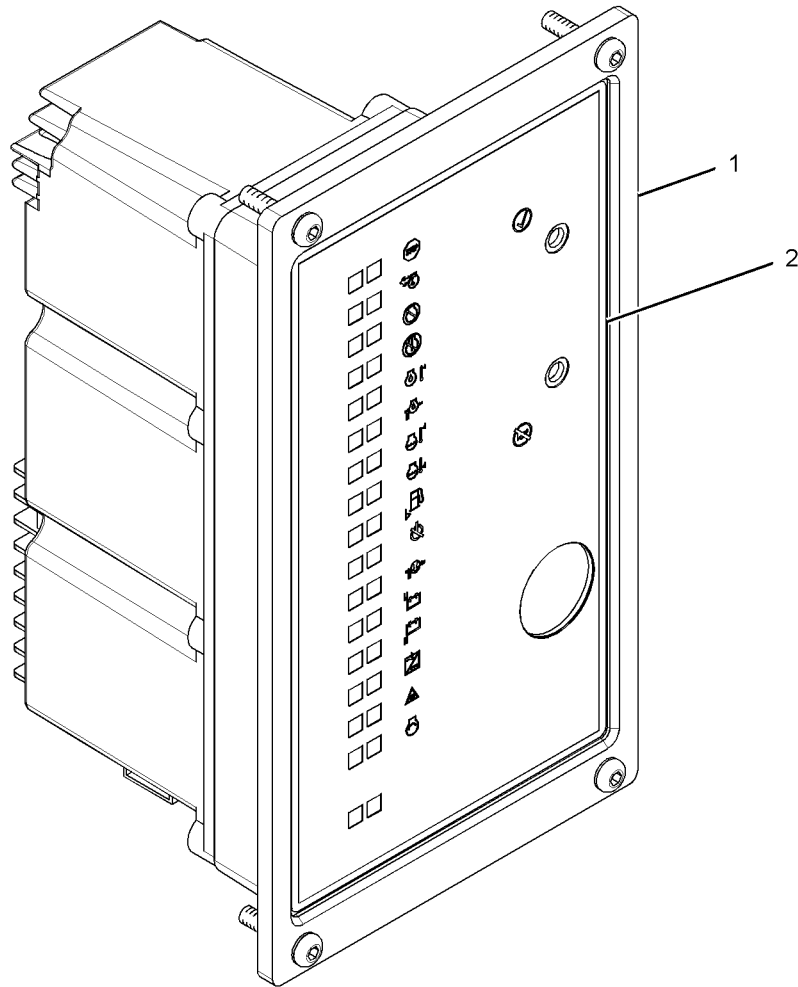
EMCP 3 ANNUNCIATOR  
AN ATTACHMENT

SMCS-7400

i03589140

NOTE	REF NO	GRAPHIC REF	PART NUMBER	QTY	PART NAME						SEE PAGE
					1	2	3	4	5	6 (PRODUCT LEVEL)	
	1	1	236-1158	1	MODULE GP-ALARM						
M		1	166-3777	4	SCREW-BUTTON HEAD (M6X1X28-MM)						
	2	1	260-6898	1	KIT-FILM (CATERPILLAR)						
					(INCLUDES FILMS & DISKETTE)						

M-METRIC PART



GRAPHIC #1

<END>

g01922033

# OPERATOR STATION

## 166-6929 MODULE GP-QUAD GAUGE

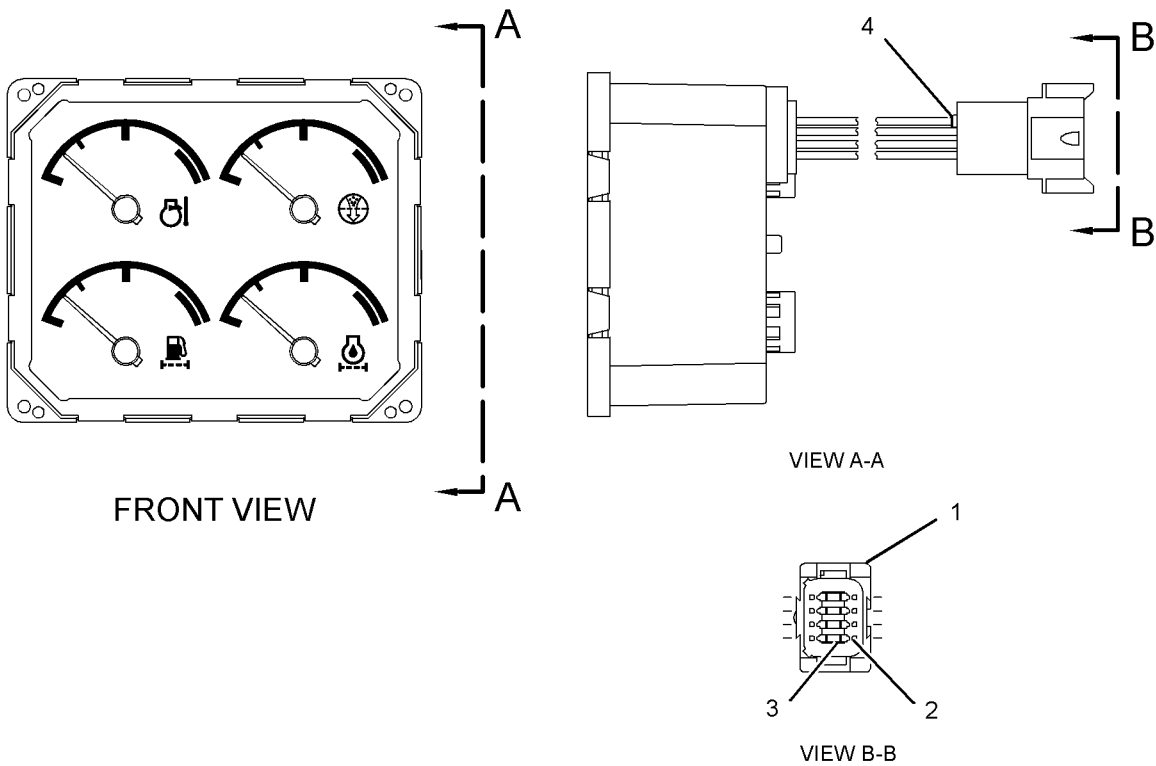
CATERPILLAR MONITORING SYSTEM

PART OF 125-7089, 125-9745 BOX GP-INSTRUMENT PANEL  
AN ATTACHMENT

SMCS-7450, 7451, 7490

i02348693

NOTE	REF NO	GRAPHIC REF	PART NUMBER	QTY	PART NAME						SEE PAGE
					1	2	3	4	5	6 (PRODUCT LEVEL)	
	1	1	102-8806	1	KIT-RECEPTACLE (8-PIN) (INCLUDES RECEPTACLE AS AND WEDGE)						
	2	1	186-3735	7	PIN-CONNECTOR (16-GA TO 18-GA)						
	3	1	3E-3389	1	WEDGE-RECEPTACLE LOCK (8-PIN)						
	4	1	8T-8737	1	PLUG-SEAL						



GRAPHIC #1

<END>

g01173371

# OPERATOR STATION

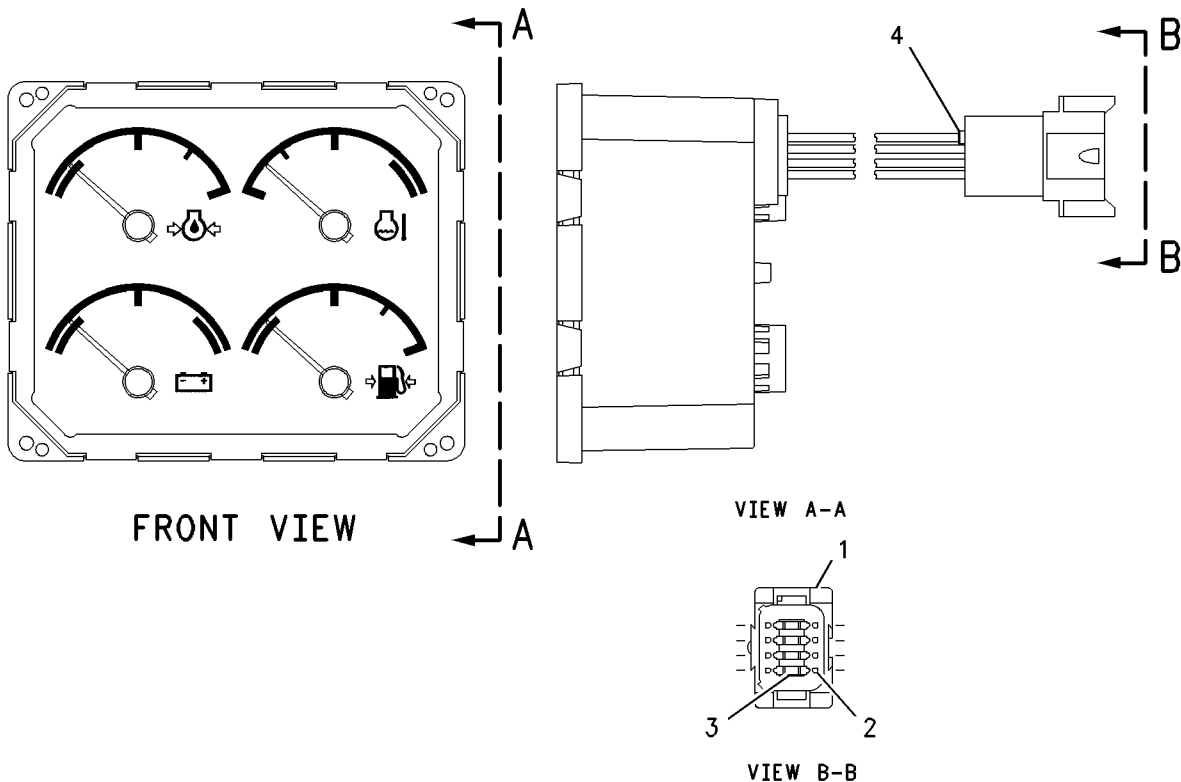
## 166-6936 MODULE GP-QUAD GAUGE

ENGINE OIL PRESSURE, COOLANT TEMPERATURE, BATTERY, FUEL PRESSURE  
PART OF 125-7089, 125-9745 BOX GP-INSTRUMENT PANEL  
AN ATTACHMENT

SMCS-7450, 7451, 7490

i02252066

NOTE	REF NO	GRAPHIC REF	PART NUMBER	QTY	PART NAME						SEE PAGE
					1	2	3	4	5	6 (PRODUCT LEVEL)	
	1	1	102-8806	1	KIT-RECEPTACLE (8-PIN)						
(INCLUDES RECEPTACLE ASSEMBLY AND WEDGE)											
	2	1	186-3735	7	PIN-CONNECTOR (16-GA TO 18-GA)						
	3	1	3E-3389	1	WEDGE-RECEPTACLE LOCK (8-PIN)						
	4	1	8T-8737	1	PLUG-SEAL						



GRAPHIC #1

<END>

g00814003

# OPERATOR STATION

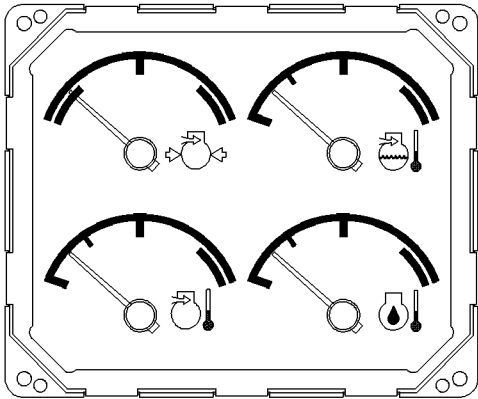
## 166-6937 MODULE GP-QUAD GAUGE

CATERPILLAR MONITORING SYSTEM  
PART OF 125-9745 BOX GP-INSTRUMENT PANEL  
AN ATTACHMENT

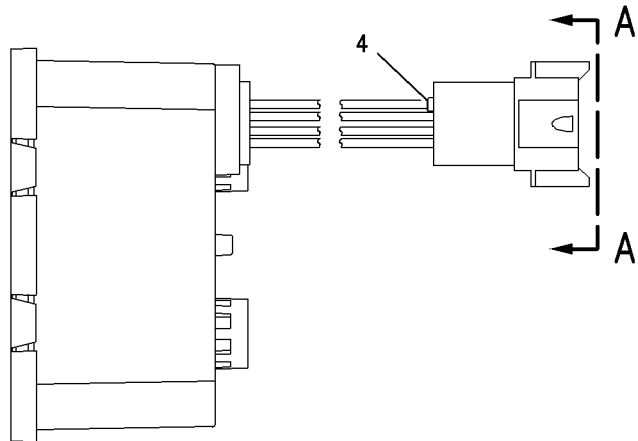
SMCS-7450, 7451, 7490

i01863096

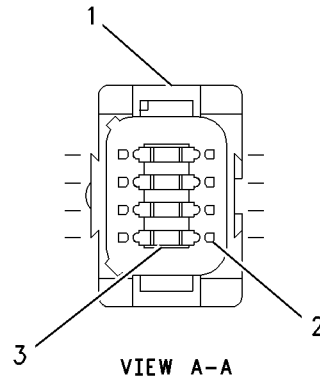
NOTE	REF NO	GRAPHIC REF	PART NUMBER	QTY	PART NAME						SEE PAGE
					1	2	3	4	5	6 (PRODUCT LEVEL)	
	1	1	102-8806	1	KIT-RECEPTACLE (8-PIN)						
(INCLUDES RECEPTACLE ASSEMBLY & WEDGE)											
	2	1	186-3735	7	PIN-CONNECTOR (16-GA TO 18-GA)						
	3	1	3E-3389	1	WEDGE-RECEPTACLE LOCK (8-PIN)						
	4	1	8T-8737	1	PLUG-SEAL						



FRONT VIEW



LEFT SIDE VIEW



VIEW A-A

GRAPHIC #1

<END>

g00644750

# OPERATOR STATION

## 102-8627 MODULE GP-SYSTEM COMMUNICATION

AN ATTACHMENT

SMCS - 1926

i02357677

NOTE	REF NO	GRAPHIC REF	PART NUMBER	QTY	PART NAME						SEE PAGE
					1	2	3	4	5	6 (PRODUCT LEVEL)	
Y	1	1	164-8940	1	MODULE GP-SYSTEM COMMUNICATION						412
Y-SEPARATE ILLUSTRATION											



GRAPHIC #1

<END>

g00535441

# OPERATOR STATION

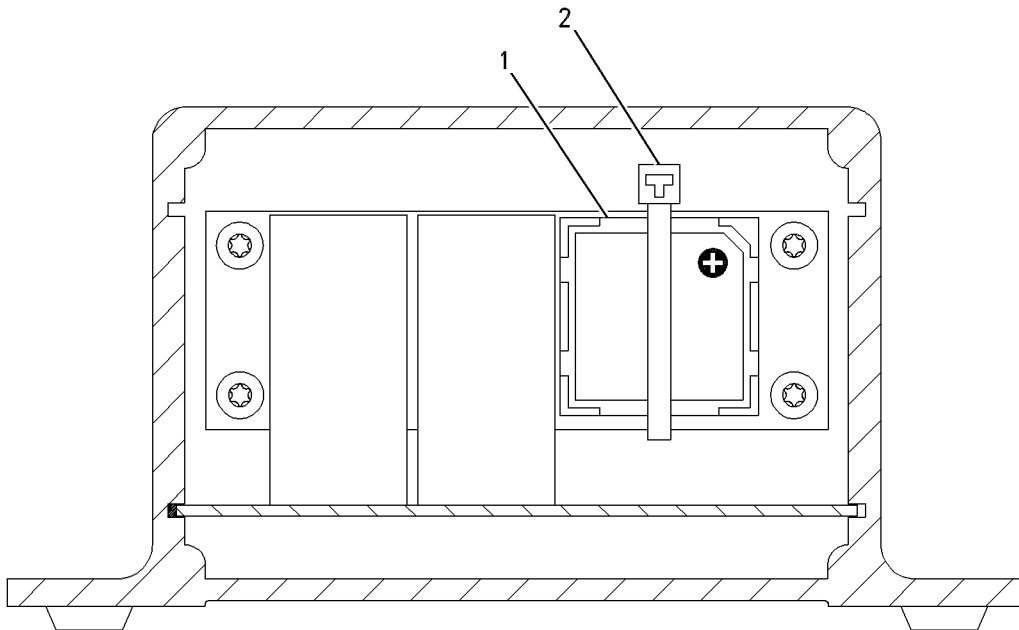
## 164-8940 MODULE GP-SYSTEM COMMUNICATION

PART OF 102-8627 MODULE GP-SYSTEM COMMUNICATION  
AN ATTACHMENT

SMCS-1926

i02394585

NOTE	REF NO	GRAPHIC REF	PART NUMBER	QTY	PART NAME	SEE PAGE
					1 2 3 4 5 6 (PRODUCT LEVEL)	
	1	1	101-1785	1	BATTERY (LITHIUM) (3-VOLT)	
	2	1	8L-8413	1	STRAP-CABLE	
F		1	109-5737	1	FILM-DISPLAY (COMMUNICATION MODULE)	
F		1	109-5738	1	FILM-INTERFACE (COMMUNICATION MODULE)	
F-NOT SHOWN						



GRAPHIC #1

<END>

g00536597

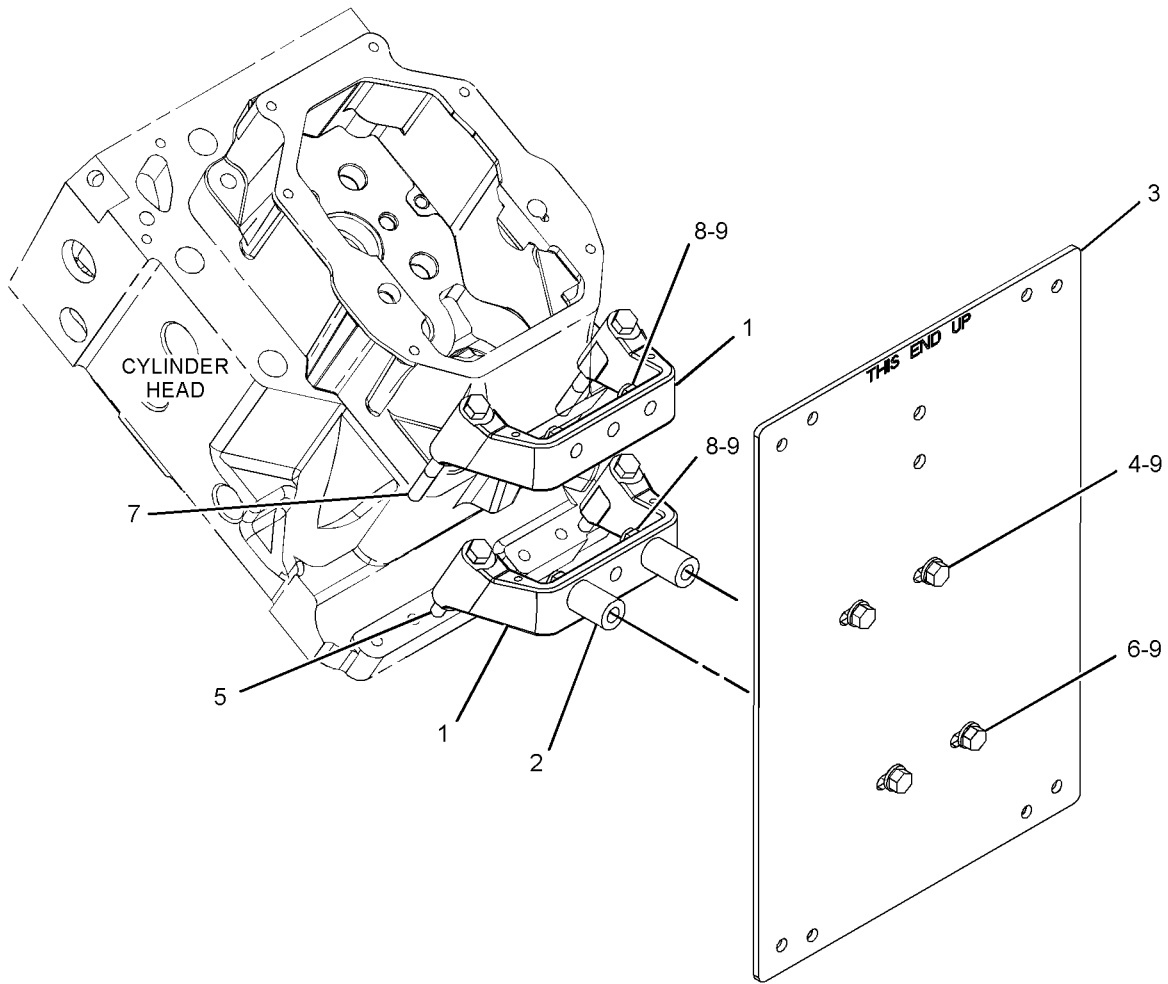
# OPERATOR STATION

## 330-6781 MOUNTING GP-CONTROL PANEL AN ATTACHMENT

SMCS-7451

i03888731

NOTE	REF NO	GRAPHIC REF	PART NUMBER	QTY	PART NAME						SEE PAGE
					1	2	3	4	5	6 (PRODUCT LEVEL)	
	1	1	<b>1W-8129</b>	2	SUPPORT						
	2	1	<b>6B-6205</b>	2	SPACER (0.438X0.875X1.281-IN THK)						
	3	1	<b>180-4677</b>	1	PLATE-MOUNTING						
	4	1	<b>0S-1591</b>	2	BOLT (3/8-16X1.5-IN)						
	5	1	<b>0S-1619</b>	2	BOLT (3/8-16X3-IN)						
	6	1	<b>0T-0573</b>	2	BOLT (3/8-16X2.75-IN)						
	7	1	<b>1A-5964</b>	2	BOLT (3/8-16X4.5-IN)						
	8	1	<b>3K-6060</b>	4	LOCKNUT (3/8-16-THD)						
	9	1	<b>5M-2894</b>	8	WASHER-HARD (10.2X18.5X2.5-MM THK)						



GRAPHIC #1

<END>

g02138864

# OPERATOR STATION

## 107-2855 MOUNTING GP-INSTRUMENT PANEL-LH AN ATTACHMENT

SMCS-7451

i02956523

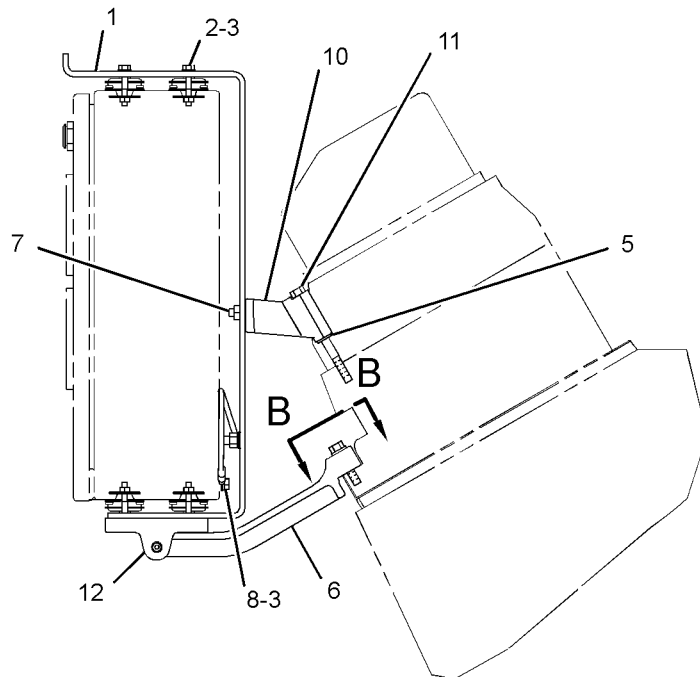
NOTE	REF NO	GRAPHIC REF	PART NUMBER	QTY	PART NAME						SEE PAGE
					1	2	3	4	5	6 (PRODUCT LEVEL)	
	1	1	<b>107-2853</b>	1	BRACKET AS						
		1	<b>1F-0750</b>	4	NUT-WELD (3/8-16-THD)						
		1	<b>030-8967</b>	1	STUD-WELD (3/8-16X0.75-IN OAL)						
	2	1	<b>7B-8167</b>	4	BOLT (1/4-20X1.625-IN)						
	3	1	<b>5P-0537</b>	9	WASHER-HARD (7.2X14.5X2-MM THK)						
	4	1	<b>2W-8604</b>	8	WASHER (6.5X35X1.5-MM THK)						
	5	1	<b>5M-2894</b>	7	WASHER-HARD (10.2X18.5X2.5-MM THK)						
	6	1	<b>119-5659</b>	2	BRACKET						
	7	1	<b>1A-2029</b>	4	BOLT (3/8-16X1.125-IN)						
	8	1	<b>9S-8750</b>	9	NUT-FULL (1/4-20-THD)						
	9	1	<b>1H-6936</b>	1	WIRE AS						
	10	1	<b>1W-8129</b>	2	SUPPORT						
	11	1	<b>1A-5964</b>	4	BOLT (3/8-16X4.5-IN)						
	12	1	<b>136-5923</b>	2	HINGE AS						
	13	1	<b>9S-8752</b>	1	NUT-FULL (3/8-16-THD)						
	14	1	<b>0S-1571</b>	4	BOLT (3/8-16X1.75-IN)						
	15	1	<b>8B-2377</b>	4	BOLT (1/4-20X2-IN)						



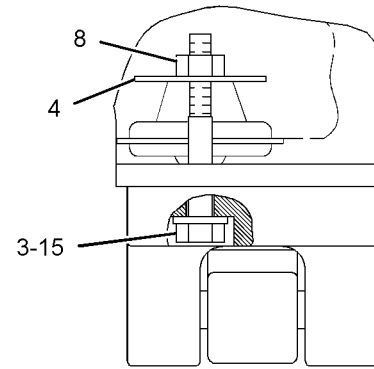
# OPERATOR STATION

107-2855 MOUNTING GP-INSTRUMENT PANEL (contd.)

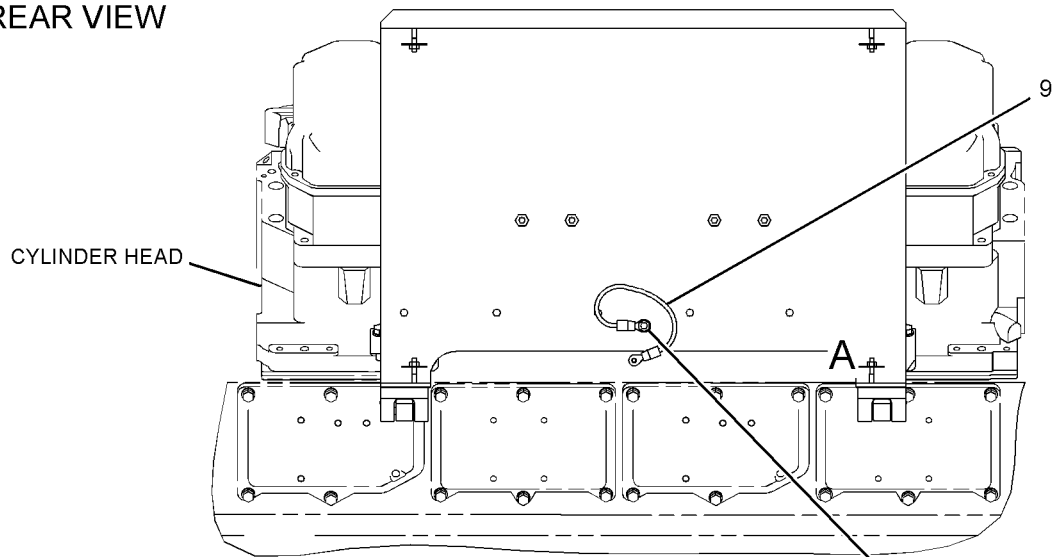
i02956523



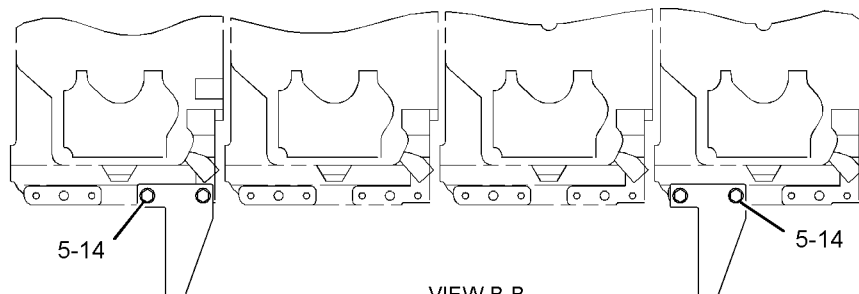
REAR VIEW



VIEW OF AREA A



LEFT SIDE VIEW



VIEW B-B

GRAPHIC #1

<END>

g01488914

# OPERATOR STATION

## 309-0031 PANEL GP-ANNUNCIATOR AN ATTACHMENT

SMCS-4490

i03807670

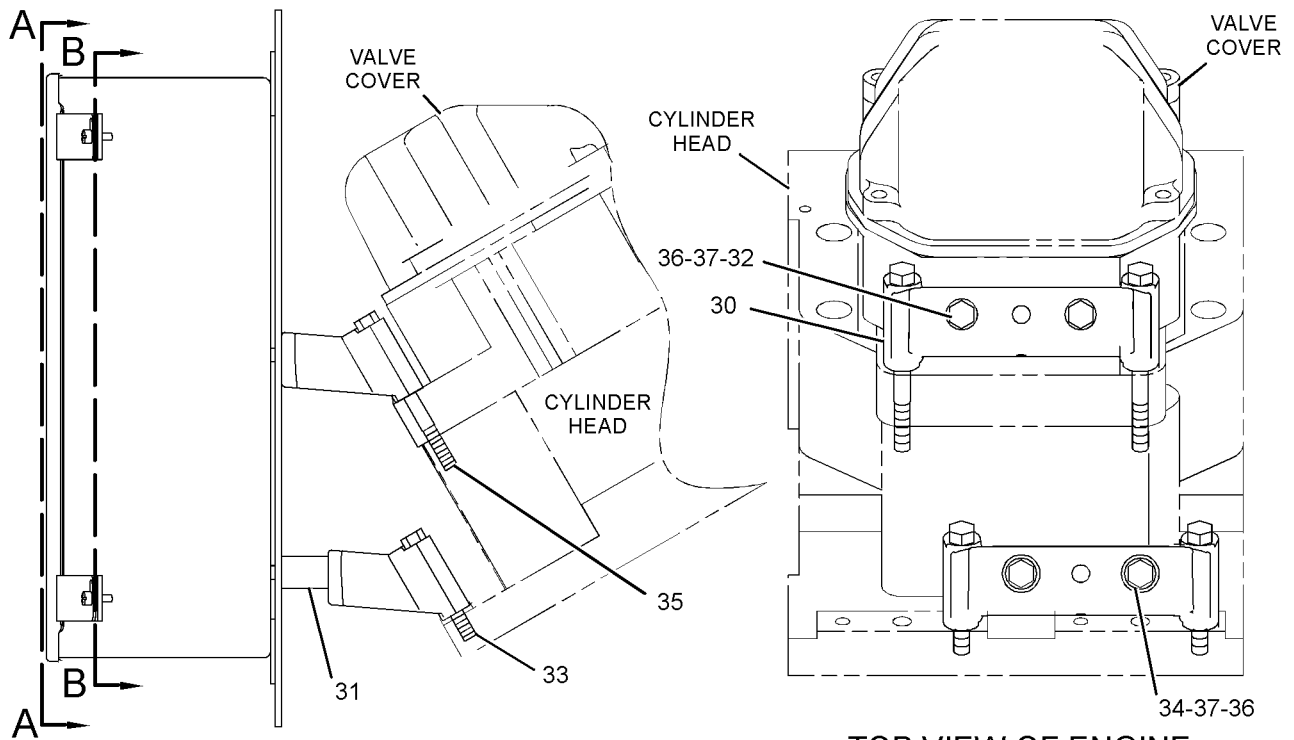
NOTE	REF NO	GRAPHIC REF	PART NUMBER	QTY	PART NAME						SEE PAGE
					1	2	3	4	5	6 (PRODUCT LEVEL)	
	1	1	199-7763	1	ENCLOSURE AS						
	2	1	180-4543	1	PANEL						
	3	1	125-9969	1	RAIL (PERFORATED)						
	4	1	115-2538	1	COVER-END						
	5	1	195-5820	1	RELAY (VOLTAGE SENSING)						
	6	1	189-4774	1	BASE-RELAY						
	7	1	9X-9675	4	BRACKET-END						
	8	1	9X-9614	25	TERMINAL (SINGLE)						
	9	1	135-6740	1	BLOCK-DIODE						
	10	1	3E-0357	1	DIODE AS						
	11	1	183-8023	2	MOUNTING-SHOCK						
	12	1	8T-4205	8	WASHER-HARD (7.2X14.5X2-MM THK)						
	13	1	3E-9865	8	LOCKNUT (1/4-20-THD)						
	14	1	180-4677	1	PLATE-MOUNTING						
	15	1	7C-6121	2	MOUNT-FLEXIBLE						
	16	1	131-5374	2	MODULE AS (ANNUNCIATOR)						
	17	1	131-5377	1	FLASHER AS (CONTROL)						
	18	1	125-9941	2	BASE-LAMP						
	19	1	125-9942	2	LENS (AMBER)						
	20	1	125-9956	2	LAMP-LED (24-VOLT, AMBER)						
	21	1	125-9945	1	SWITCH-ROTARY (3-POSITION, MOMENTARY) (ALARM)						
	22	1	111-1324	1	BLOCK-CONTACT (1-POLE) (NORMALLY CLOSED)						
	23	1	111-1323	1	BLOCK-CONTACT (1-POLE) (NORMALLY OPEN)						
	24	1	138-4959	1	CIRCUIT BREAKER AS (5-AMPERE)						
	25	1	134-0957	1	COVER-BLOCK						
	26	1	3E-5504	3	BAR-FIXED BRIDGE						
	27	1	109-6539	5	PLATE-SEPARATOR						
	28	1	240-1733	1	WIRE GP (CONTROL PANEL) (ANNUNCIATOR)						
		1	110-8714	50	END-WIRE (18-GA)						
		1	151-4906	50	END-WIRE (18-GA)						
		1	160-9231	2	TERMINAL-BLADE (18-GA TO 22-GA)						
E		1	151-4908		WIRE-ELECTRICAL (18-GA, WHITE) (660-CM)						
	30	1	1W-8129	2	SUPPORT						
	31	1	6B-6205	2	SPACER (0.438X0.875X1.281-IN THK)						
	32	1	0S-1591	2	BOLT (3/8-16X1.5-IN)						
	33	1	0S-1619	2	BOLT (3/8-16X3-IN)						
	34	1	0T-0573	2	BOLT (3/8-16X2.75-IN)						
	35	1	1A-5964	2	BOLT (3/8-16X4.5-IN)						
	36	1	3K-6060	4	LOCKNUT (3/8-16-THD)						
	37	1	5M-2894	8	WASHER-HARD (10.2X18.5X2.5-MM THK)						

E-ORDER BY THE CENTIMETER

# OPERATOR STATION

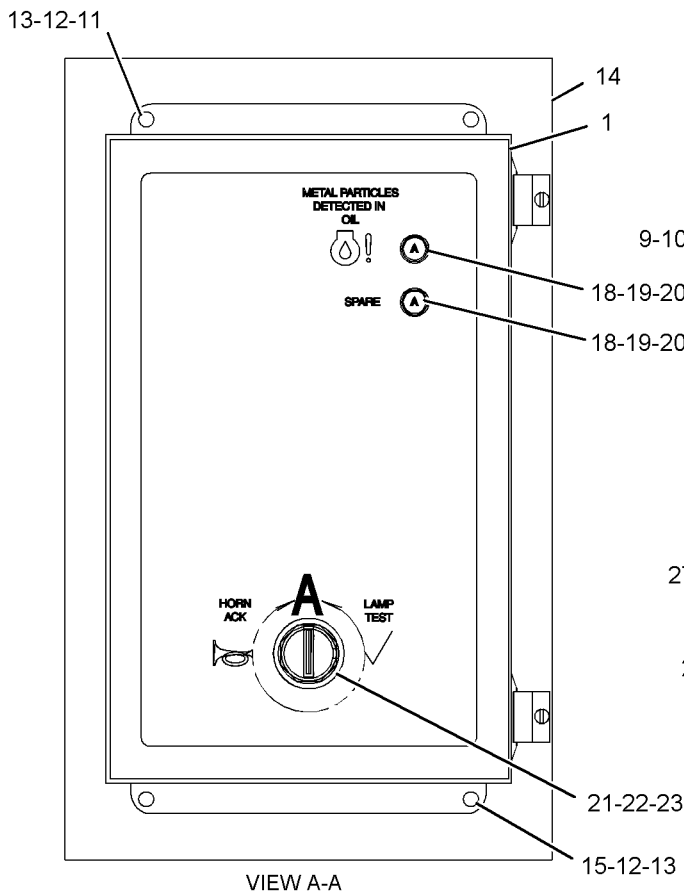
309-0031 PANEL GP-ANNUNCIATOR (contd.)

i03807670

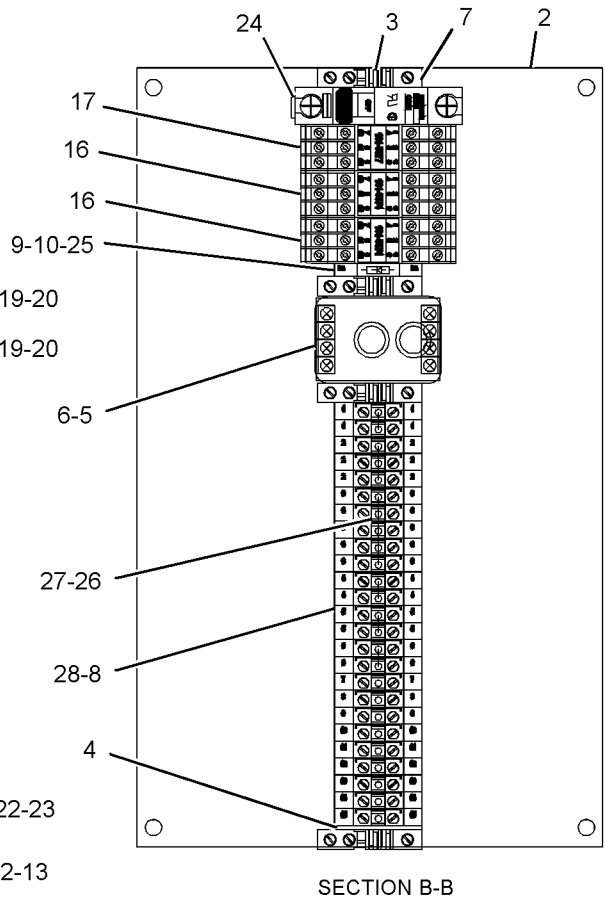


FRONT VIEW OF ENGINE

TOP VIEW OF ENGINE



VIEW A-A



SECTION B-B

GRAPHIC #1

<END>

g01366379

# OPERATOR STATION

## 320-1336 PANEL GP-ANNUNCIATOR

ENGINE MOUNTED

AN ATTACHMENT

SMCS-4490

i03327462

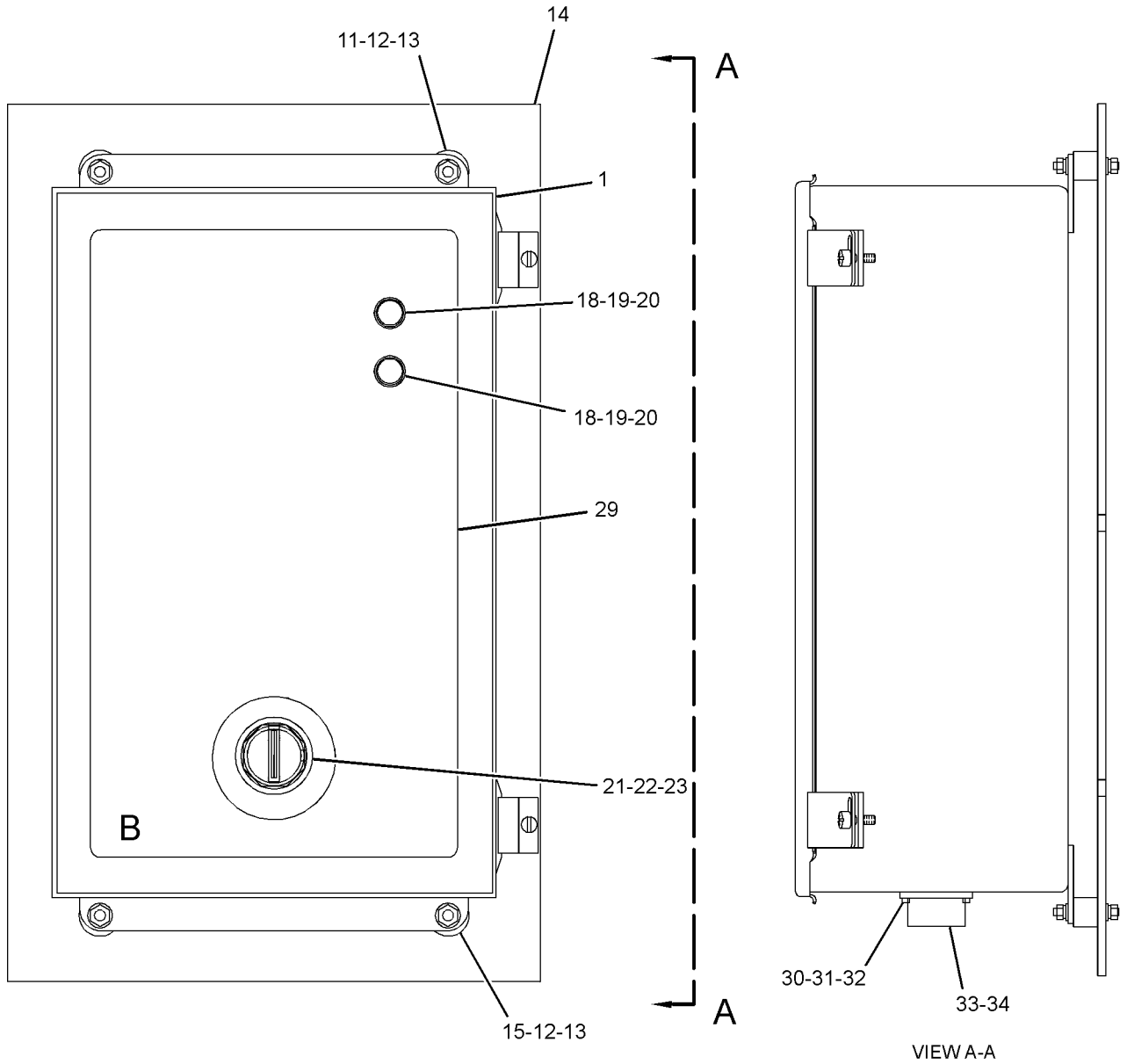
NOTE	REF NO	GRAPHIC REF	PART NUMBER	QTY	PART NAME						SEE PAGE
					1	2	3	4	5	6 (PRODUCT LEVEL)	
	1	1	325-4735	1	ENCLOSURE AS						
	2	2	180-4543	1	PANEL						
E	3	2	147-1960		RAIL (37.5-CM)						
	4	2	9X-9616	1	COVER-END						
	5	2	195-5820	1	RELAY (VOLTAGE SENSING)						
	6	2	189-4774	1	BASE-RELAY						
	7	2	206-1576	4	BRACKET						
	8	2	9X-9614	25	TERMINAL (SINGLE)						
	9	2	135-6740	1	BLOCK-DIODE						
	10	2	3E-0357	1	DIODE AS						
	11	1	183-8023	2	MOUNTING-SHOCK						
	12	1	8T-4205	8	WASHER-HARD (7.2X14.5X2-MM THK)						
	13	1	3E-9865	8	LOCKNUT (1/4-20-THD)						
	14	1	180-4677	1	PLATE-MOUNTING						
	15	1	7C-6121	2	MOUNT-FLEXIBLE						
	16	2	131-5374	2	MODULE AS (ANNUNCIATOR)						
	17	2	131-5377	1	FLASHER AS (CONTROL)						
	18	1	125-9941	2	BASE-LAMP						
	19	1	125-9942	2	LENS (AMBER)						
	20	1	125-9956	2	LAMP-LED (24-VOLT, AMBER)						
	21	1	125-9945	1	SWITCH-ROTARY (3-POSITION, MOMENTARY) (ALARM)						
	22	1	111-1324	1	BLOCK-CONTACT (1-POLE)						
	23	1	111-1323	1	BLOCK-CONTACT (1-POLE)						
	24	2	138-4959	1	CIRCUIT BREAKER AS (5-AMPERE)						
	25	2	134-0957	1	COVER-BLOCK						
	26	2	3E-5504	2	BAR-FIXED BRIDGE						
	27	2	109-6539	5	PLATE-SEPARATOR						
	28	2	320-1337	1	HARNESS AS-PANEL						
	29	1	304-5240	1	FILM-PANEL (ANNUNCIATOR)						
	30	1	5S-4245	4	SCREW-MACHINE (4-40X0.5-IN)						
	31	1	6B-4540	4	NUT (4-40-THD)						
	32	1	6B-4542	4	LOCKWASHER						
	33	1	203-8944	1	GASKET						
	34	1	8T-8737	1	PLUG-SEAL						
	35	2	276-4138	2	FILM-IDENTIFICATION (TERMINAL MARKER)						
	36	2	325-2876	2	MARKER-TERMINAL						
	37	2	325-2877	2	MARKER-TERMINAL						
	38	2	1H-4393	4	LOCKWASHER						
	39	2	4B-4863	4	WASHER (4.7X11X1.2-MM THK)						
	40	2	178-3339	4	SCREW (8-32X0.5-IN)						

E-ORDER BY THE CENTIMETER

# OPERATOR STATION

320-1336 PANEL GP-ANNUNCIATOR (contd.)

i03327462



REFER TO ALL ILLUSTRATIONS OF THIS GROUP FOR AUXILIARY VIEWS

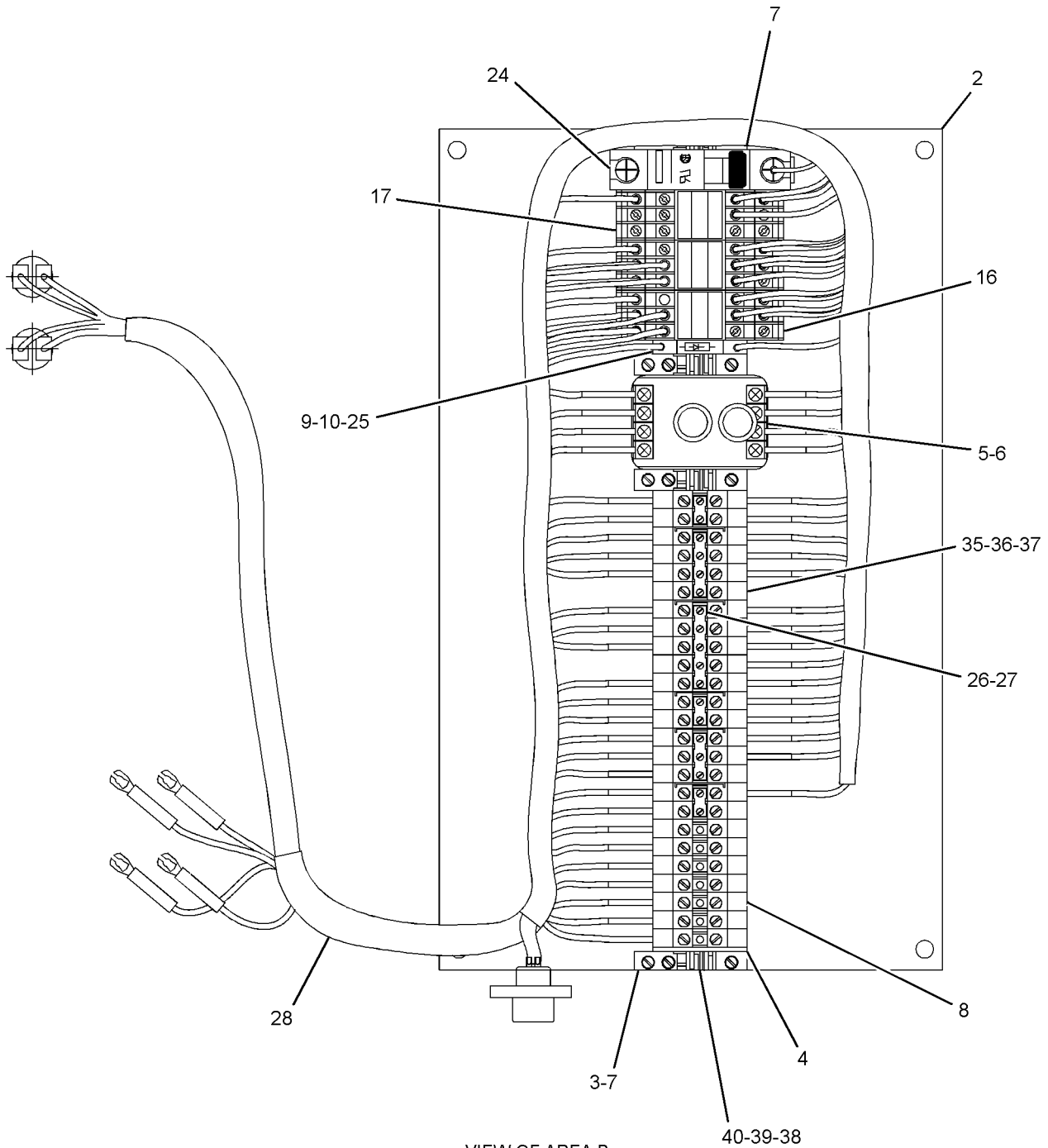
GRAPHIC #1

g01519385

# OPERATOR STATION

320-1336 PANEL GP-ANNUNCIATOR (contd.)

i03327462



VIEW OF AREA B  
(ENCLOSURE REMOVED FOR CLARITY)

GRAPHIC #2

<END>

g01519386

# OPERATOR STATION

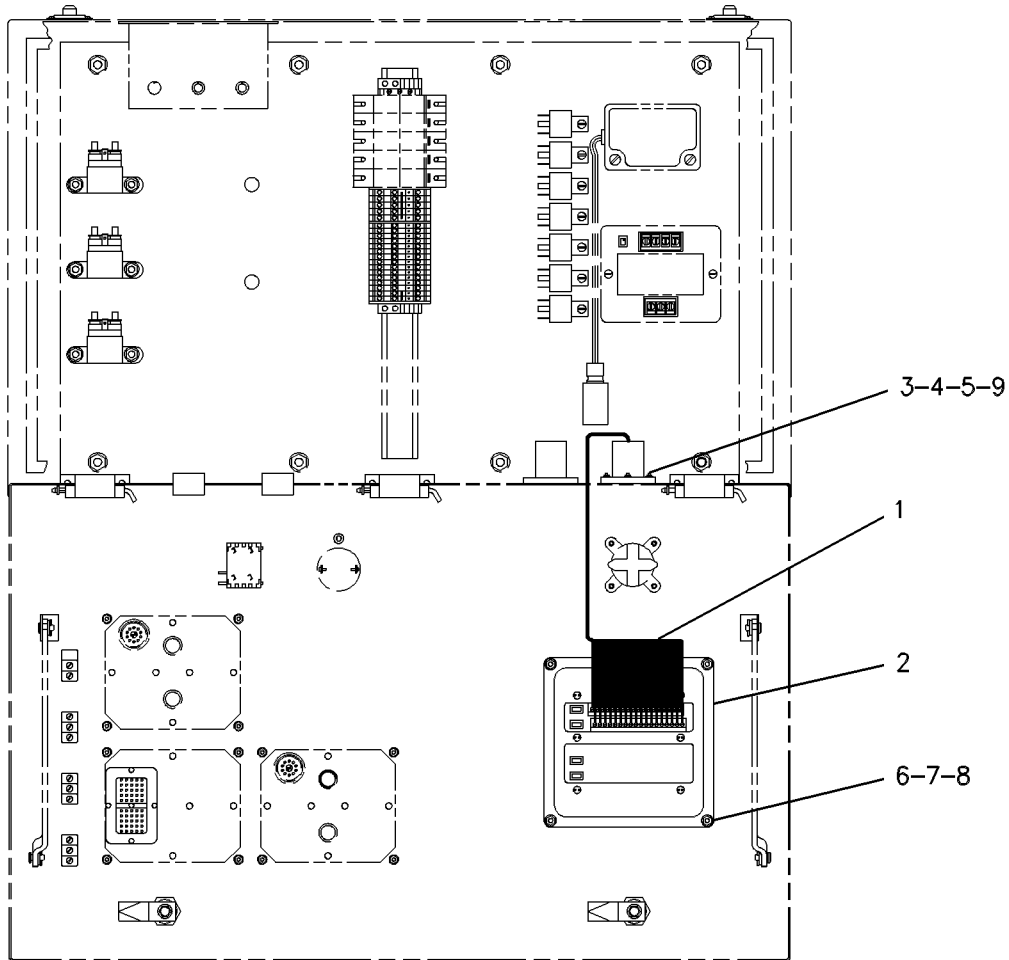
## 120-4503 PYROMETER GP-PANEL, RH AN ATTACHMENT

SMCS-7466

i02235360

NOTE	REF NO	GRAPHIC REF	PART NUMBER	QTY	PART NAME						SEE PAGE
					1	2	3	4	5	6 (PRODUCT LEVEL)	
	1	1	121-4101	1	HARNES AS-PANEL (PYROMETER) (RH)						
	2	1	114-2410	1	PYROMETER GP (RH)						
	3	1	2N-3476	4	SCREW-MACHINE (6-32X0.75-IN)						
	4	1	4B-4863	4	WASHER (4.7X11X1.2-MM THK)						
	5	1	4B-2041	4	NUT (6-32-THD)						
M	6	1	7Y-7389	4	SCREW (M5X0.8X16-MM)						
M	7	1	5C-2874	4	NUT (M5X0.8 THD)						
	8	1	3B-4504	4	LOCKWASHER						
	9	1	8C-6024	1	SEAL-CONNECTOR						

M-METRIC PART



GRAPHIC #1

<END>

g00596117

# OPERATOR STATION

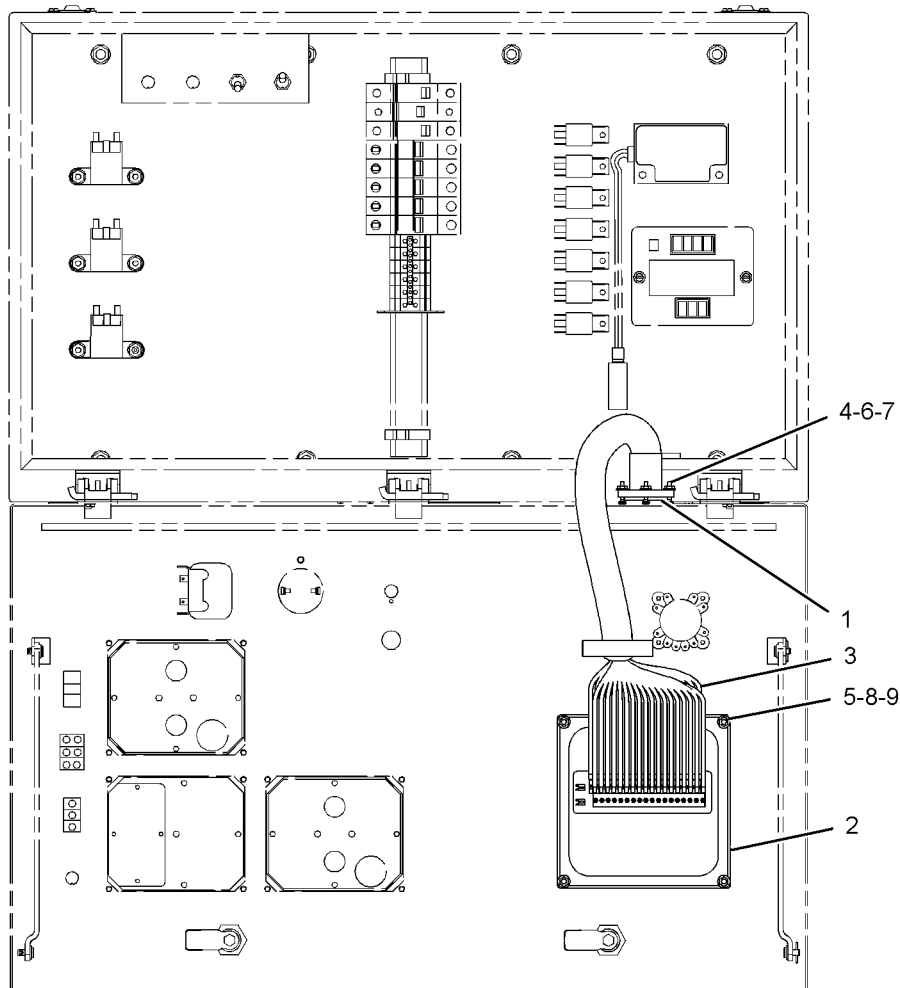
## 120-4504 PYROMETER GP-PANEL, LH AN ATTACHMENT

SMCS-7466

i03660675

NOTE	REF NO	GRAPHIC REF	PART NUMBER	QTY	PART NAME						SEE PAGE
					1	2	3	4	5	6 (PRODUCT LEVEL)	
	1	1	8C-6024	1	SEAL-CONNECTOR						
	2	1	114-2410	1	PYROMETER GP (LH)						
	3	1	121-4102	1	HARNESS AS-PANEL (PYROMETER) (LH)						
		1	8L-8413	4	STRAP-CABLE						
		1	8T-8729	36	PIN-CONNECTOR (16-GA TO 18-GA)						
		1	9X-1343	1	RECEPTACLE AS-CONNECTOR (40-PIN)						
		1	110-8714	36	END-WIRE (18-GA)						
4	1		2N-3476	4	SCREW-MACHINE (6-32X0.75-IN)						
5	1		3B-4504	4	LOCKWASHER						
6	1		4B-2041	4	NUT (6-32-THD)						
7	1		4B-4863	4	WASHER (4.7X11X1.2-MM THK)						
M	8	1	5C-2874	4	NUT (M5X0.8-THD)						
M	9	1	7Y-7389	4	SCREW (M5X0.8X16-MM)						

M-METRIC PART



GRAPHIC #1

<END>

g02018333



# SERVICE EQUIPMENT AND SUPPLIES

## 6L-4502 CHART-PLATE & FILM ALSO AN ATTACHMENT

SMCS-7557

i02432095

NOTE	PART NUMBER	QTY	PART NAME 1 2 3 4 5 6 (PRODUCT LEVEL)	SEE PAGE
	8L-9765	1	FILM-FUEL RETURN (EXCESS) ON FUEL RETURN VALVE OR FUEL FILTER HOUSING	
	250-3444	1	FILM-INFORMATION (STANDARD ROTATION) ON LH CAM GEAR COVER IN A VISIBLE LOCATION IF THAT COVER IS NOT AVAILABLE MOVE TO RH CAM GEAR COVER	
	228-3581	5	FILM-WARNING (DO NOT OPERATE, READ OMM) ON CYLINDERS #1, #2, #11 AND #12 VALVE COVER BASES, OR NEXT VISIBLE VALVE COVER BASE, ALSO ON FRONT OF ELECTRONIC CONROL MODULE	
	115-5852	1	PLATE & FILM GP (ENGINE INFORMATION) ON LH, FRONT, LOWER HEAD FACE OF BLOCK BETWEEN CYLINDER #2 AND FRONT HOUSING, READABLE FROM REAR OF ENGINE	
	7E-2681	2	PLATE-IDENTIFICATION (CATERPILLAR) ON RH REAR CAM COVER AND ON LH FRONT CAM COVER IF VISIBLE IF EITHER PRIMARY LOCATION IS NOT VISIBLE INSTALL PLATE ON NEXT VISIBLE CAM COVER LOCATION ON THAT SIDE OF ENGINE	
	3N-3790	1	PLATE-SERIAL NUMBER (ENGINE) ON LH SIDE OF BLOCK NEAR REAR FACE ON CAMSHAFT COMPARTMENT USING 4B4158 DRIVE SCREWS	
	4B-4158	2	SCREW-DRIVE (NO 4X0.25-IN) ENGINE SERIAL NUMBER PLATE	
<b>&lt;END&gt;</b>				

## 352-9860 FILM GP AN ATTACHMENT

SMCS-7405, 7557

i03792252

NOTE	PART NUMBER	QTY	PART NAME 1 2 3 4 5 6 (PRODUCT LEVEL)	SEE PAGE
	8L-8413	2	STRAP-CABLE	
	353-2691	1	TAG	
<b>&lt;END&gt;</b>				

# SERVICE EQUIPMENT AND SUPPLIES

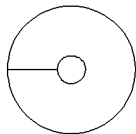
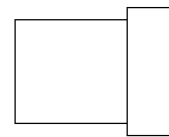
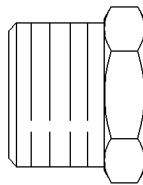
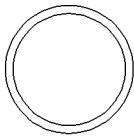
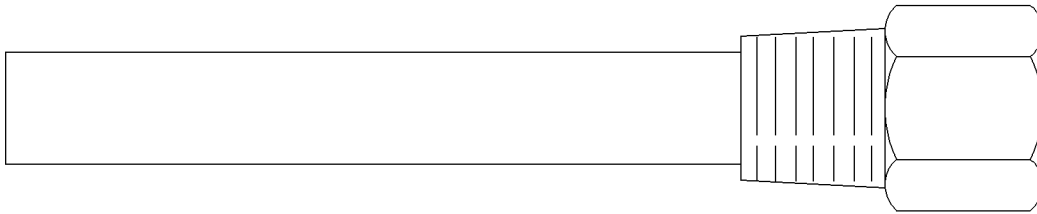
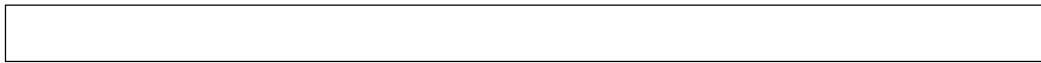
## 7E-3127 KIT-SENSOR POCKET-TEMPERATURE CONTACTOR

PART OF 4W-2637 CONTACTOR-TEMPERATURE  
AN ATTACHMENT

SMCS-1900, 7400

i02419883

NOTE	REF NO	GRAPHIC REF	PART NUMBER	QTY	PART NAME	SEE PAGE
					1 2 3 4 5 6 (PRODUCT LEVEL) (INCLUDES POCKET-SENSOR, RETAINERS, RING-ADAPTER, STRIP GAUGE AND WASHERS)	



GRAPHIC #1

<END>

g00768771

# SERVICE EQUIPMENT AND SUPPLIES

## 137-8533 SHIM PACK

PART OF 7C-7123 MOUNTING GP-GENERATOR  
FOR USE WITH ALIGNMENT OF GENERATOR AND INDUSTRIAL PACKAGES  
AN ATTACHMENT

SMCS-1306, 4450

i02213909

NOTE	PART NUMBER	QTY	PART NAME						SEE PAGE
			1	2	3	4	5	6 (PRODUCT LEVEL)	
B	137-8534	1	SHIM (0.025-MM THK)						
B	137-8535	1	SHIM (0.0508-MM THK)						
B	137-8536	1	SHIM (0.076-MM THK)						
B	137-8537	1	SHIM (0.102-MM THK)						
B	137-8538	1	SHIM (0.127-MM THK)						
B	137-8539	1	SHIM (0.254-MM THK)						
B	137-8540	1	SHIM (0.381-MM THK)						
B	137-8541	1	SHIM (0.508-MM THK)						
B	137-8542	1	SHIM (0.635-MM THK)						
B	137-8543	1	SHIM (1.27-MM THK)						
B	137-8544	1	SHIM (1.91-MM THK)						
B	137-8545	1	SHIM (2.54-MM THK)						
B	137-8546	1	SHIM (3.05-MM THK)						

B-USE AS REQUIRED

<END>

## 333-9113 SHIM PACK

PART OF 7C-7123 MOUNTING GP-GENERATOR  
AN ATTACHMENT

SMCS-1306, 4450

i03561321

NOTE	PART NUMBER	QTY	PART NAME						SEE PAGE
			1	2	3	4	5	6 (PRODUCT LEVEL)	
	137-8534	1	SHIM (0.025-MM THK)						
	137-8535	1	SHIM (0.0508-MM THK)						
	137-8536	1	SHIM (0.076-MM THK)						
	137-8537	1	SHIM (0.102-MM THK)						
	137-8538	1	SHIM (0.127-MM THK)						
	137-8539	1	SHIM (0.254-MM THK)						
	137-8540	1	SHIM (0.381-MM THK)						
	137-8541	1	SHIM (0.508-MM THK)						
	137-8542	1	SHIM (0.635-MM THK)						
	137-8543	1	SHIM (1.27-MM THK)						
	137-8544	1	SHIM (1.91-MM THK)						
	137-8545	1	SHIM (2.54-MM THK)						
	137-8546	1	SHIM (3.05-MM THK)						
	331-6585	1	SHIM (0.25-IN THK)						

<END>

# MEMORANDA

# PART NUMBER INDEX

Part	Page	Part	Page	Part	Page	Part	Page
<b>0</b>							
			150		255		50
			154		374		141
OL-0701 . . . . .	127		190		377		143
OL-1143 . . . . .	101		192	OS-1591 . . . . .	13	OS-1608 . . . . .	238
	104		194		65		244
	116		328		68		246
	119		330		69		248
	122		334		116		334
	128		340		119		336
	130		414		147		338
	139	OS-1585 . . . . .	81		150		340
	140		124		154	OS-1615 . . . . .	89
OL-1351 . . . . .	50		132		189		91
	59		133		191	OS-1616 . . . . .	286
	81		141		374	OS-1618 . . . . .	145
	99		143		377		164
	101	OS-1587 . . . . .	71		413	OS-1619 . . . . .	99
	104	OS-1588 . . . . .	11		416		101
	109		16	OS-1592 . . . . .	50		104
	150		49		52		113
	154		80	OS-1594 . . . . .	11		141
	172		81		13		143
	174		96		50		332
	177		98		57		413
	197		99		64		416
	262		101		81	OS-1621 . . . . .	64
	309		104		101		68
OL-1352 . . . . .	13		109		104		336
	116		116		109		338
	119		119		113	OT-0055 . . . . .	52
OL-2070 . . . . .	80		141		114		57
	89		143		116		150
	91		150		119		154
	109		202		122	OT-0065 . . . . .	80
	128		208		128		116
	130		222		130		119
	139		224		132		141
	140		238		133		143
	150		240		137		150
	154		242		139		154
	240		244		140		252
	244		246		141		255
	246		248		143		262
	252		336		145	OT-0102 . . . . .	83
	255		338		147	OT-0320 . . . . .	371
	262		343		150	OT-0573 . . . . .	99
OS-0509 . . . . .	6	OS-1589 . . . . .	7		154		109
	74	OS-1590 . . . . .	57		157		115
	109		77		158		122
	197		81		165		197
	222		91		166		328
	224		113		197		413
	286		116		252		416
	328		119		255		
	374		122		286		
	377		124		330		
OS-1566 . . . . .	364		132		334		
	367		133		336		
OS-1571 . . . . .	75		134		338	1A-0168 . . . . .	75
	99		159		340	1A-1460 . . . . .	77
	101		160		374		98
	104		161		377	1A-2029 . . . . .	6
	109		197	OS-1595 . . . . .	11		11
	116		244		25		15
	119		252		27		25

# 1

# PART NUMBER INDEX

Part	Page	Part	Page	Part	Page	Part	Page
	27		101		119	1W-7214 . . . . .	122
	47		104	1N-3482 . . . . .	46	1W-7548 . . . . .	238
	81	1D-4586 . . . . .	75	1N-3872 . . . . .	150		244
	98		77		154		246
	113	1D-4590 . . . . .	70	1N-4087 . . . . .	141		248
	134	1D-4593 . . . . .	71		143	1W-7579 . . . . .	192
	138	1D-4672 . . . . .	308	1N-4636 . . . . .	264	1W-7580 . . . . .	192
	141	1F-0750 . . . . .	128	1N-4637 . . . . .	124	1W-7996 . . . . .	189
	143		130	1P-7115 . . . . .	65	1W-8129 . . . . .	109
	150		414		67		285
	154	1F-7464 . . . . .	389		68		328
	172	1F-7958 . . . . .	75		69		413
	174		98	1P-7625 . . . . .	262		414
	177		150	1R-0726 . . . . .	99		416
	197		154		101	1W-9070 . . . . .	222
	201	1H-3244 . . . . .	267		104		224
	202		270	1R-0756 . . . . .	238	1W-9487 . . . . .	▶189
	206		274		240	1W-9488 . . . . .	▶192
	208		276		242		
	295		278		244		
	414	1H-4393 . . . . .	418		246		
1A-5822 . . . . .	150	1H-6936 . . . . .	414		248		
	154	1H-9569 . . . . .	371	1S-2303 . . . . .	330	2A-0762 . . . . .	125
1A-5964 . . . . .	109	1H-9570 . . . . .	371		332		286
	122	1H-9572 . . . . .	371		334	2A-4429 . . . . .	36
	413	1H-9573 . . . . .	371		336		40
	414	1H-9574 . . . . .	371		338		44
	416	1H-9575 . . . . .	371		340	2A-4639 . . . . .	65
1A-8537 . . . . .	7	1H-9578 . . . . .	371	1S-4974 . . . . .	400		67
1A-9579 . . . . .	17	1H-9580 . . . . .	371	1S-5772 . . . . .	139		140
	93	1H-9581 . . . . .	371		140		141
	95	1H-9696 . . . . .	264	1T-0132 . . . . .	165		143
1B-2790 . . . . .	83	1J-9671 . . . . .	169	1T-0720 . . . . .	197		154
1B-2886 . . . . .	322		266	1T-0765 . . . . .	52		197
1B-4218 . . . . .	71	1K-4649 . . . . .	201		157		386
1B-4367 . . . . .	59		206		158		387
1B-5355 . . . . .	190	1K-6872 . . . . .	81		165	2A-5220 . . . . .	71
	194	1K-6937 . . . . .	127		166	2B-0858 . . . . .	191
1B-5357 . . . . .	190		332	1U-4738 . . . . .	127	2B-2695 . . . . .	50
	193	1L-2072 . . . . .	371	1V-0623 . . . . .	64		52
	194	1L-2073 . . . . .	234		66	2H-3429 . . . . .	250
1B-7182 . . . . .	145		▶371	1V-7753 . . . . .	281	2H-3745 . . . . .	184
	171	1L-3769 . . . . .	250		291		201
	173	1L-4031 . . . . .	330		361		202
	238		334	1V-8638 . . . . .	68		206
	240		340		69	2H-3892 . . . . .	390
	242	1L-5081 . . . . .	147	1V-9020 . . . . .	306		391
	244	1L-5316 . . . . .	164	1W-0431 . . . . .	167	2H-3895 . . . . .	390
	246	1L-8497 . . . . .	362	1W-0432 . . . . .	167		391
	248		365	1W-0433 . . . . .	167	2H-3939 . . . . .	334
1C-2251 . . . . .	150	1L-9048 . . . . .	371	1W-0434 . . . . .	167	2H-9523 . . . . .	262
	154	1L-9049 . . . . .	371	1W-0494 . . . . .	167	2J-0157 . . . . .	250
1D-4539 . . . . .	252	1L-9079 . . . . .	371	1W-0531 . . . . .	250	2J-3506 . . . . .	75
	255	1L-9080 . . . . .	371	1W-1564 . . . . .	81		77
	258	1M-0644 . . . . .	99	1W-4191 . . . . .	▶97	2K-4821 . . . . .	267
	259		101		98		270
1D-4540 . . . . .	295		104	1W-4923 . . . . .	68	2K-4973 . . . . .	65
1D-4541 . . . . .	252	1N-2895 . . . . .	238		69		67
	255		240	1W-6005 . . . . .	124		171
1D-4566 . . . . .	360		242	1W-6356 . . . . .	189		173
	361		244		197		386
	364		246	1W-6393 . . . . .	390		387
	367		248		391	2L-2811 . . . . .	318
1D-4569 . . . . .	360	1N-2914 . . . . .	11	1W-6442 . . . . .	390		320
1D-4574 . . . . .	99	1N-3333 . . . . .	116		391		322

# PART NUMBER INDEX

Part	Page	Part	Page	Part	Page	Part	Page
2L-8067 . . . . .	313		101		154	3E-4353 . . . . .	109
2L-8075 . . . . .	267		104		163	3E-4367 . . . . .	313
	270		116		199		406
	313		119		201	3E-5503 . . . . .	393
2M-0849 . . . . .	154	2W-2288 . . . . .	18		202		397
2M-0879 . . . . .	214		19		206	3E-5504 . . . . .	416
2M-5656 . . . . .	184	2W-2895 . . . . .	57		208		418
	202	2W-2940 . . . . .	24		238	3E-7430 . . . . .	132
2M-9780 . . . . .	98		25		240		330
	238		27		242		332
	244		29		244		334
	246	2W-3146 . . . . .	145		246		336
	248	2W-3584 . . . . .	88		248	3E-7886 . . . . .	▶352
	266	2W-4334 . . . . .	132		374		353
2N-2765 . . . . .	233		133		377	3E-8557 . . . . .	313
2N-2766 . . . . .	199	2W-4480 . . . . .	392	3B-3638 . . . . .	311		406
	233		396	3B-4501 . . . . .	298	3E-9860 . . . . .	309
2N-3385 . . . . .	64	2W-5225 . . . . .	150		392	3E-9865 . . . . .	12
	65		154		396		327
	66	2W-5285 . . . . .	15	3B-4504 . . . . .	421		416
	67	2W-5479 . . . . .	124		422		418
	386	2W-5616 . . . . .	▶16	3B-4505 . . . . .	362	3F-1417 . . . . .	65
	387	2W-6078 . . . . .	362		365		67
2N-3476 . . . . .	393		365	3B-4506 . . . . .	64		68
	397	2W-6081 . . . . .	362		65		69
	421		365		66	3F-2065 . . . . .	370
	422	2W-6082 . . . . .	362		67	3H-5366 . . . . .	399
2N-3480 . . . . .	306		365		386	3H-7131 . . . . .	101
2N-8037 . . . . .	128	2W-6249 . . . . .	389	3B-4508 . . . . .	64		116
	130	2W-6250 . . . . .	389		66		119
2N-8928 . . . . .	112	2W-6618 . . . . .	124	3B-4605 . . . . .	399	3H-9675 . . . . .	218
2P-1296 . . . . .	252	2W-7226 . . . . .	116	3B-6492 . . . . .	318		220
2P-1312 . . . . .	338		119		322		228
2P-2772 . . . . .	13	2W-7320 . . . . .	52	3B-6498 . . . . .	340		230
2P-5616 . . . . .	267		57	3B-6552 . . . . .	195	3J-1907 . . . . .	150
	270	2W-7755 . . . . .	193		196		154
2P-7636 . . . . .	122	2W-7756 . . . . .	▶193	3B-7255 . . . . .	128		159
	252	2W-7871 . . . . .	▶194		130		160
	255	2W-7872 . . . . .	194	3B-7265 . . . . .	127		161
2R-7712 . . . . .	330	2W-7873 . . . . .	190	3B-7270 . . . . .	332		266
	334		194	3B-7296 . . . . .	48	3J-5389 . . . . .	197
2S-2760 . . . . .	124	2W-8530 . . . . .	79		49	3J-7354 . . . . .	31
2S-5100 . . . . .	99	2W-8532 . . . . .	▶79	3B-7741 . . . . .	128		33
	101	2W-8604 . . . . .	414		130		169
	104	2W-9300 . . . . .	238	3B-7744 . . . . .	348		400
	238		240	3B-7745 . . . . .	334	3J-7355 . . . . .	318
	240		242		336		320
	242		244	3B-7749 . . . . .	338		322
	244		246		340	3J-7719 . . . . .	362
	246		248	3B-7764 . . . . .	348		365
	248	2W-9513 . . . . .	399	3B-8453 . . . . .	157	3J-9196 . . . . .	89
2V-4387 . . . . .	295	2W-9726 . . . . .	1		165		91
2V-5956 . . . . .	296		▶163		166	3K-0360 . . . . .	138
	318			3D-2824 . . . . .	164		147
	320			3E-0357 . . . . .	282		238
2W-0752 . . . . .	11				416		343
	96				418		374
	98	3B-0623 . . . . .	31	3E-3365 . . . . .	359		377
2W-1053 . . . . .	116		33	3E-3371 . . . . .	311	3K-2889 . . . . .	75
2W-1635 . . . . .	99	3B-0645 . . . . .	31		374		77
	101		33	3E-3377 . . . . .	310	3K-4897 . . . . .	215
	104	3B-1915 . . . . .	101	3E-3389 . . . . .	408	3K-6060 . . . . .	413
	116		116		409		416
	119		119		410	3K-8106 . . . . .	305
2W-1969 . . . . .	99		147	3E-4337 . . . . .	308	3K-8460 . . . . .	169

**3**

# PART NUMBER INDEX

Part	Page	Part	Page	Part	Page	Part	Page
3K-8782 . . . . .	400		154	4L-6454 . . . . .	66		377
3L-4566 . . . . .	306		191		175		382
3L-6008 . . . . .	128	3V-6153 . . . . .	328		178		392
	130		348		180		396
3L-7314 . . . . .	291				182	4P-7680 . . . . .	199
	306			4L-6665 . . . . .	390	4P-8097 . . . . .	113
3L-8187 . . . . .	368	<b>4</b>			391	4P-8134 . . . . .	222
	392			4L-9337 . . . . .	181		224
	393	4B-2041 . . . . .	393		184		291
	396		397	4M-0200 . . . . .	174		343
	397		421		177		374
3L-8993 . . . . .	234		422		399		377
	318	4B-2043 . . . . .	267	4M-3248 . . . . .	124		393
	320		270	4M-5317 . . . . .	296		397
	322	4B-2047 . . . . .	274		318	4P-9063 . . . . .	387
3L-9689 . . . . .	64		276		320	4P-9064 . . . . .	▶387
	65		278		322	4R-8658 . . . . .	98
	66		306	4M-6425 . . . . .	167	4S-4869 . . . . .	147
	67	4B-2363 . . . . .	81	4M-6953 . . . . .	9	4S-5882 . . . . .	99
	386	4B-3140 . . . . .	81	4N-0683 . . . . .	25		101
3N-1968 . . . . .	328		114		27		104
3N-3297 . . . . .	125		116	4N-1114 . . . . .	13		126
3N-3299 . . . . .	125		119	4N-1320 . . . . .	141	4S-5898 . . . . .	197
3N-3300 . . . . .	125	4B-3388 . . . . .	57		143	4V-7412 . . . . .	99
3N-3790 . . . . .	423	4B-4043 . . . . .	13	4N-1650 . . . . .	6		101
3N-4622 . . . . .	318	4B-4158 . . . . .	423	4N-3411 . . . . .	318		104
	320	4B-4274 . . . . .	392		320		327
	322		396		322	4V-8198 . . . . .	387
3N-4847 . . . . .	109	4B-4280 . . . . .	64	4N-3986 . . . . .	▶267	4W-0335 . . . . .	85
3N-5596 . . . . .	▶72		66		▶270		86
3N-5708 . . . . .	386	4B-4281 . . . . .	353		273	4W-0530 . . . . .	150
3N-5764 . . . . .	▶386	4B-4863 . . . . .	298	4N-5834 . . . . .	164		154
3N-5765 . . . . .	▶64		305	4P-0692 . . . . .	115	4W-0531 . . . . .	150
	▶65		380		122		154
3N-6504 . . . . .	251		392		238	4W-1529 . . . . .	1
3N-6666 . . . . .	7		396		244		▶13
3N-8593 . . . . .	12		400		246	4W-2109 . . . . .	336
3N-8594 . . . . .	▶12		418		248		338
3N-8647 . . . . .	▶55		421		252	4W-2110 . . . . .	336
3P-0654 . . . . .	80		422		255		338
	81	4B-7770 . . . . .	338		262	4W-2637 . . . . .	292
3P-0655 . . . . .	116		340	4P-0693 . . . . .	252		▶294
	119	4B-8407 . . . . .	13		255	4W-2642 . . . . .	292
	15		141		262		▶293
3P-1896 . . . . .	150		143	4P-3117 . . . . .	338	4W-2648 . . . . .	328
3P-6061 . . . . .	154	4B-9030 . . . . .	338		340	4W-2767 . . . . .	▶292
3R-1059 . . . . .	348	4B-9782 . . . . .	164	4P-3784 . . . . .	114	4W-3027 . . . . .	93
3R-1937 . . . . .	3		262	4P-3897 . . . . .	145		95
	4	4D-0449 . . . . .	47	4P-4460 . . . . .	122	4W-3034 . . . . .	93
3S-1307 . . . . .	57	4D-1836 . . . . .	382	4P-4642 . . . . .	74		95
	59		393	4P-5211 . . . . .	75	4W-3100 . . . . .	137
3S-2093 . . . . .	369		397		77	4W-4076 . . . . .	151
	383	4D-3118 . . . . .	362	4P-5242 . . . . .	127		154
3S-9643 . . . . .	137		365	4P-5426 . . . . .	1	4W-4313 . . . . .	116
	138	4D-3704 . . . . .	7		▶71		119
3T-3043 . . . . .	313	4F-7387 . . . . .	150	4P-5637 . . . . .	124	4W-4536 . . . . .	318
3T-3044 . . . . .	311		154	4P-5638 . . . . .	▶124		320
3T-3048 . . . . .	311	4F-8711 . . . . .	286		126	4W-4586 . . . . .	59
3T-6354 . . . . .	267	4H-7869 . . . . .	3	4P-7068 . . . . .	343	4W-4677 . . . . .	116
	270		4	4P-7381 . . . . .	266		119
	274		13	4P-7383 . . . . .	266	4W-4813 . . . . .	20
	276		364	4P-7526 . . . . .	390		21
	278		367		391		22
3V-2431 . . . . .	47	4J-0521 . . . . .	127	4P-7581 . . . . .	369		23
3V-3308 . . . . .	150	4J-5477 . . . . .	266		374	4W-4980 . . . . .	134



# PART NUMBER INDEX

Part	Page	Part	Page	Part	Page	Part	Page
	▶135	5F-0304 . . . . .	13		137	5N-2126 . . . . .	369
4W-5015 . . . . .	11	5F-1678 . . . . .	390		139	5N-2438 . . . . .	▶251
4W-5107 . . . . .	▶362		391		140	5N-3167 . . . . .	286
	367	5F-4899 . . . . .	116		141	5N-3174 . . . . .	306
4W-5592 . . . . .	99		119		143	5N-3176 . . . . .	286
	101	5F-5434 . . . . .	296		145	5N-3272 . . . . .	7
	104	5F-5990 . . . . .	251		147	5N-3274 . . . . .	7
4W-5596 . . . . .	116	5F-6371 . . . . .	127		150	5N-3284 . . . . .	7
	119		330		154	5N-3765 . . . . .	▶7
4W-5597 . . . . .	116		332		157	5N-4383 . . . . .	159
	119		336		158		160
4W-5892 . . . . .	1	5F-9657 . . . . .	24		165		161
	▶134		25		166	5N-4659 . . . . .	▶128
4W-6387 . . . . .	99		27		172		▶130
	101		29		174	5N-4817 . . . . .	64
	104	5H-6734 . . . . .	163		177	5N-5561 . . . . .	7
4W-6491 . . . . .	101	5H-7598 . . . . .	296		189	5N-6235 . . . . .	127
	104	5K-9090 . . . . .	390		190	5N-6236 . . . . .	127
4W-6492 . . . . .	101		391		192	5N-6237 . . . . .	▶125
	104	5L-1761 . . . . .	264		197		127
4W-6664 . . . . .	6	5L-2534 . . . . .	318		199	5N-6255 . . . . .	125
4W-6960 . . . . .	99		320		201	5N-6942 . . . . .	371
4W-7192 . . . . .	101		322		202	5N-7510 . . . . .	291
	104	5L-3233 . . . . .	195		206		306
4W-8459 . . . . .	99		196		208	5N-7822 . . . . .	▶170
	101	5L-4398 . . . . .	190		222		175
	104		194		224		178
4W-8467 . . . . .	101	5L-6954 . . . . .	▶187		233		180
	104	5M-2894 . . . . .	6		238		181
			11		240		206
			13		242		208
			15		244	5N-7830 . . . . .	168
			25		246		175
			27		248		178
			35		252		180
			38		255		181
			42		262		184
			42		286		206
			43		295	5N-7831 . . . . .	175
5B-0213 . . . . .	35		52		306		178
	38		57		309		180
	42		65		328		181
	43		67		332		182
5B-0841 . . . . .	150		68		334		184
	154		69		336		▶214
5B-2638 . . . . .	150		80		338	5N-7832 . . . . .	175
	154		81		340		178
5B-4399 . . . . .	150		83		343		180
	154		89		374		181
			91		377		182
5B-5821 . . . . .	6		96		392		184
5B-7643 . . . . .	322		98		397	5N-7833 . . . . .	214
5B-7666 . . . . .	234		99		413	5N-7834 . . . . .	214
	318		101		414	5N-7835 . . . . .	214
	320		104		416	5N-7906 . . . . .	178
	322		109		327	5N-7908 . . . . .	201
5B-7890 . . . . .	35		114	5M-3062 . . . . .	306		202
	38		115	5N-0367 . . . . .	157		206
	42		116	5N-1939 . . . . .	158		208
	43		119		165	5N-7915 . . . . .	175
	371		122		166		182
5C-2874 . . . . .	421		124	5N-1940 . . . . .	157	5N-7916 . . . . .	201
	422		128		158		202
5D-5957 . . . . .	99		130		165		206
	101		132		166		208
	104		133				
	238						
	240						
	242						
	244						
	246						
	248						

**5**

# PART NUMBER INDEX

Part	Page	Part	Page	Part	Page	Part	Page
5N-7917 . . . . .	175	5N-8980 . . . . .	296	5P-3426 . . . . .	374		70
	182		▶370		377		75
	202	5N-8998 . . . . .	291	5P-3860 . . . . .	172		77
	208		306		174		81
5N-7918 . . . . .	175	5N-9073 . . . . .	370		177		98
	182	5N-9129 . . . . .	▶389	5P-4295 . . . . .	109		126
5N-7919 . . . . .	175	5N-9196 . . . . .	390	5P-4571 . . . . .	282		141
	182		391	5P-4624 . . . . .	99		143
	184	5N-9314 . . . . .	389		101		150
	202	5N-9527 . . . . .	▶190		104		154
5N-7920 . . . . .	175	5N-9574 . . . . .	362	5P-4869 . . . . .	172		172
	178		365		174		174
	180	5P-0076 . . . . .	6		175		177
	181	5P-0537 . . . . .	89		177		190
	182		91		178		193
	184		238		180		194
5N-8363 . . . . .	362		240		181		197
	365		242		206		201
5N-8364 . . . . .	362		244		208		202
5N-8365 . . . . .	362		246	5P-4892 . . . . .	99		206
	365		248		101		208
5N-8367 . . . . .	362		286		104		281
	365		380		116		291
5N-8368 . . . . .	362		392		119		322
	365		396	5P-4900 . . . . .	252		330
5N-8372 . . . . .	362		414	5P-5421 . . . . .	99		336
	365	5P-0597 . . . . .	93		101		338
5N-8373 . . . . .	362		95		104		360
	365		112	5P-5599 . . . . .	218		361
5N-8374 . . . . .	362	5P-0840 . . . . .	15		220	5P-8247 . . . . .	13
	365		25		228		50
5N-8375 . . . . .	362		27		230		52
	365		50	5P-5600 . . . . .	218		70
5N-8377 . . . . .	362		52		220		75
	365	5P-0912 . . . . .	336		228		77
5N-8378 . . . . .	362		338		230	5P-8248 . . . . .	59
	365		340	5P-5618 . . . . .	282		74
5N-8379 . . . . .	362	5P-1075 . . . . .	68		313		75
	365		69	5P-5777 . . . . .	147		77
5N-8380 . . . . .	362		74	5P-5846 . . . . .	116	5P-8249 . . . . .	20
	365		318		119		21
5N-8381 . . . . .	362		320	5P-5877 . . . . .	98		22
	365		322	5P-6302 . . . . .	139		23
5N-8383 . . . . .	362	5P-1076 . . . . .	132		140	5P-8250 . . . . .	46
	365		133	5P-7530 . . . . .	89		54
5N-8384 . . . . .	362		199		91		184
	365	5P-1404 . . . . .	373	5P-7751 . . . . .	291		201
5N-8387 . . . . .	362	5P-1472 . . . . .	112		306		202
	365	5P-1947 . . . . .	109	5P-7807 . . . . .	267		206
5N-8388 . . . . .	362	5P-2228 . . . . .	66		270		330
	365	5P-2230 . . . . .	109	5P-7817 . . . . .	116		332
5N-8390 . . . . .	362	5P-2251 . . . . .	334		119		334
	365		338	5P-7818 . . . . .	81		336
5N-8403 . . . . .	362	5P-2321 . . . . .	313	5P-8210 . . . . .	25		338
	365	5P-2546 . . . . .	50		27		340
5N-8424 . . . . .	362	5P-2566 . . . . .	62	5P-8245 . . . . .	11		390
	365		63		25		391
5N-8425 . . . . .	362		127		27	5P-8291 . . . . .	74
	365	5P-3418 . . . . .	267		50	5P-8839 . . . . .	56
5N-8427 . . . . .	362		270		52	5P-8872 . . . . .	81
	365		274		57	5P-8937 . . . . .	328
5N-8428 . . . . .	362	5P-3419 . . . . .	267		65	5P-9085 . . . . .	328
	365		270		67	5P-9514 . . . . .	362
5N-8529 . . . . .	▶188		274		68		365
5N-8943 . . . . .	370		276		69	5P-9617 . . . . .	328

# PART NUMBER INDEX

Part	Page	Part	Page	Part	Page	Part	Page
5P-9890 . . . . .	122		202		270	6V-3348 . . . . .	15
5R-7136 . . . . .	52		206	6N-1945 . . . . .	267		24
	57		208		270		25
5R-7137 . . . . .	52	6H-5431 . . . . .	291		274		27
	57		306	6N-1946 . . . . .	267		29
5R-7425 . . . . .	▶3	6H-6698 . . . . .	150		270		50
5S-0003 . . . . .	171		154	6N-1968 . . . . .	267		57
	173	6H-8297 . . . . .	330		270		158
	252		332	6N-2184 . . . . .	324	6V-3537 . . . . .	83
	255		334	6N-2185 . . . . .	324	6V-3907 . . . . .	99
	308	6I-0804 . . . . .	122	6N-2188 . . . . .	324		101
5S-4245 . . . . .	393	6I-0805 . . . . .	122	6N-2190 . . . . .	324		104
	397	6I-1041 . . . . .	▶330	6N-2191 . . . . .	324	6V-3908 . . . . .	116
	418	6I-1042 . . . . .	▶332	6N-2192 . . . . .	324		119
5S-7349 . . . . .	285	6I-1418 . . . . .	295	6N-2193 . . . . .	324	6V-3916 . . . . .	362
5S-7379 . . . . .	175	6I-2933 . . . . .	195	6N-3170 . . . . .	322		365
	178		196	6N-4414 . . . . .	238	6V-3917 . . . . .	197
	180	6I-3754 . . . . .	238		240	6V-3935 . . . . .	362
	181		240		242		365
	206		242		244	6V-3938 . . . . .	362
	208		244		246		365
5S-7382 . . . . .	67		246		248	6V-3939 . . . . .	362
5V-0770 . . . . .	286		248	6S-5992 . . . . .	328		365
		6J-2245 . . . . .	89	6T-0453 . . . . .	393	6V-3940 . . . . .	362
			91		397		365
		6J-2680 . . . . .	150	6T-1065 . . . . .	340	6V-3959 . . . . .	362
			154	6T-3631 . . . . .	368		365
6B-0933 . . . . .	117	6J-7855 . . . . .	362		392	6V-3971 . . . . .	362
	119		365		393		365
6B-3685 . . . . .	320	6K-0806 . . . . .	298		396	6V-4362 . . . . .	262
	322		393		397	6V-4363 . . . . .	252
6B-4540 . . . . .	393		397	6T-3632 . . . . .	368		255
	397	6K-1972 . . . . .	296		392	6V-4589 . . . . .	116
	418		318		393		119
6B-4542 . . . . .	393		320		396		122
	397		322		397		238
	418		348	6T-3633 . . . . .	368		240
6B-6205 . . . . .	252	6K-3771 . . . . .	52		392		242
	255	6K-3772 . . . . .	50		393		246
	413		57		396		248
	416	6K-6307 . . . . .	109		397		252
6B-9081 . . . . .	330	6K-9194 . . . . .	109	6V-0267 . . . . .	101		255
	332		128		109		373
	334	6K-9591 . . . . .	306		113	6V-5048 . . . . .	99
	336	6L-4502 . . . . .	▶423		116		101
6B-9202 . . . . .	116	6L-5855 . . . . .	306		119		104
	119	6L-8150 . . . . .	306	6V-0268 . . . . .	101		116
6D-5801 . . . . .	392	6M-9613 . . . . .	70		109		119
	396	6N-1856 . . . . .	267		113		238
			270		116		240
6D-7128 . . . . .	286		270		119		242
6F-0496 . . . . .	330	6N-1870 . . . . .	267		362		244
	332		270	6V-1394 . . . . .	365		246
	334	6N-1871 . . . . .	267		365		246
	336		270	6V-1454 . . . . .	138		248
6F-4868 . . . . .	81	6N-1872 . . . . .	267		141		252
6F-5985 . . . . .	318		270		143		255
	320	6N-1873 . . . . .	267	6V-1581 . . . . .	150		328
	322		270	6V-1582 . . . . .	150		374
6F-6225 . . . . .	389	6N-1875 . . . . .	267	6V-1867 . . . . .	154		377
6H-1717 . . . . .	154		270	6V-1868 . . . . .	154	6V-5049 . . . . .	186
	172	6N-1876 . . . . .	267		233		238
	174		270	6V-1943 . . . . .	197		240
	177		270	6V-2605 . . . . .	197		242
	199	6N-1925 . . . . .	267	6V-2689 . . . . .	282		244
	201		270		313		244
		6N-1944 . . . . .	267		384		246

## 6

# PART NUMBER INDEX

Part	Page	Part	Page	Part	Page	Part	Page
	248	6V-9673 . . . . .	288		418	7E-6469 . . . . .	▶328
	252	6V-9769 . . . . .	145	7C-6209 . . . . .	18	7E-6508 . . . . .	89
	255	6V-9829 . . . . .	150		19		91
	262		154	7C-6366 . . . . .	1	7E-6513 . . . . .	89
	373	6V-9830 . . . . .	147		▶114		91
6V-5054 . . . . .	222	6V-9843 . . . . .	151	7C-6752 . . . . .	1	7E-6872 . . . . .	1
	224		154		▶80		▶74
6V-5064 . . . . .	145	6V-9995 . . . . .	74	7C-7123 . . . . .	▶390	7E-7731 . . . . .	282
6V-5066 . . . . .	139	6W-2928 . . . . .	336		▶391	7E-8350 . . . . .	283
	140		338	7C-7677 . . . . .	252	7E-8736 . . . . .	95
	141	6W-6672 . . . . .	113		255	7E-8866 . . . . .	313
	143		374	7C-7678 . . . . .	252	7E-9762 . . . . .	201
6V-5101 . . . . .	80		377		255		206
	81			7C-7682 . . . . .	252	7E-9780 . . . . .	159
	197				255		160
6V-5103 . . . . .	197	<b>7</b>		7C-7683 . . . . .	252	7F-0192 . . . . .	99
6V-6228 . . . . .	5				255		101
6V-6609 . . . . .	141	7B-2742 . . . . .	238	7C-7790 . . . . .	199		104
	143		240	7C-7791 . . . . .	199		238
6V-6633 . . . . .	77		242	7C-7793 . . . . .	199		240
6V-6753 . . . . .	233		244	7C-7794 . . . . .	199		242
6V-6809 . . . . .	139		246	7C-7909 . . . . .	197		244
	140		248	7C-7910 . . . . .	197		246
6V-7351 . . . . .	16	7B-3235 . . . . .	75	7C-8122 . . . . .	1		248
	49		77		▶139	7F-1866 . . . . .	124
6V-7991 . . . . .	47		81	7C-8199 . . . . .	197	7F-3425 . . . . .	137
6V-8001 . . . . .	99	7B-8167 . . . . .	414	7C-8390 . . . . .	97	7F-7621 . . . . .	267
	101	7C-0330 . . . . .	▶296	7C-8535 . . . . .	139	7F-8671 . . . . .	362
	104	7C-0799 . . . . .	201		140		365
6V-8185 . . . . .	282		206	7C-9217 . . . . .	116	7F-8698 . . . . .	260
	286	7C-1707 . . . . .	330		119	7G-7917 . . . . .	311
6V-8187 . . . . .	267		332	7C-9597 . . . . .	150	7G-7918 . . . . .	311
	270		334		154	7G-7919 . . . . .	311
	274		336	7D-4493 . . . . .	167	7G-7920 . . . . .	311
	276		338	7D-5363 . . . . .	128	7G-8478 . . . . .	164
	278		340	7D-7233 . . . . .	332	7G-8765 . . . . .	370
6V-8188 . . . . .	127	7C-2946 . . . . .	318	7D-8793 . . . . .	128	7H-9678 . . . . .	250
	175		320		130	7J-0728 . . . . .	334
	182	7C-3258 . . . . .	52	7D-9766 . . . . .	75		336
6V-8189 . . . . .	167		57		77		338
6V-8374 . . . . .	368	7C-3259 . . . . .	52	7E-0467 . . . . .	114		340
	392		57	7E-2580 . . . . .	260	7J-0729 . . . . .	334
	393	7C-3371 . . . . .	▶364	7E-2630 . . . . .	80		336
	396	7C-3372 . . . . .	364	7E-2681 . . . . .	423		338
	397		▶365	7E-2748 . . . . .	137		340
6V-8378 . . . . .	392	7C-4165 . . . . .	50	7E-2858 . . . . .	▶273	7J-8114 . . . . .	50
	396	7C-4354 . . . . .	336	7E-3127 . . . . .	294	7K-1181 . . . . .	310
6V-8397 . . . . .	150		338		▶424		374
	154	7C-4415 . . . . .	97	7E-3921 . . . . .	252		377
6V-8398 . . . . .	147	7C-4416 . . . . .	97		255	7K-3215 . . . . .	171
6V-8782 . . . . .	147	7C-4417 . . . . .	97	7E-4271 . . . . .	▶73		173
6V-8801 . . . . .	112	7C-4419 . . . . .	97	7E-4836 . . . . .	▶75	7K-3377 . . . . .	252
	147	7C-4420 . . . . .	97		▶77		255
	175	7C-4421 . . . . .	97	7E-4838 . . . . .	75		262
	178	7C-4422 . . . . .	97	7E-4839 . . . . .	75		332
	180	7C-4423 . . . . .	97		77	7K-9197 . . . . .	328
	181	7C-4429 . . . . .	324	7E-5324 . . . . .	59	7L-4447 . . . . .	96
	182	7C-4715 . . . . .	81	7E-6016 . . . . .	132	7L-6443 . . . . .	199
	184	7C-4910 . . . . .	393		133	7L-8074 . . . . .	332
	285		397	7E-6017 . . . . .	132		336
6V-8918 . . . . .	261	7C-5105 . . . . .	318		133	7M-1808 . . . . .	116
6V-9002 . . . . .	147		320	7E-6247 . . . . .	▶314		119
6V-9023 . . . . .	282		322		▶315	7M-8485 . . . . .	147
6V-9027 . . . . .	137	7C-5485 . . . . .	97	7E-6334 . . . . .	132	7N-1628 . . . . .	250
	145	7C-6121 . . . . .	416		133	7N-1875 . . . . .	1

# PART NUMBER INDEX

Part	Page	Part	Page	Part	Page	Part	Page
	▶96	7N-5239 . . . . .	57		396		27
7N-1961 . . . . .	35	7N-5245 . . . . .	57	7S-1198 . . . . .	298		29
	38	7N-5246 . . . . .	57	7S-9323 . . . . .	250		127
	42	7N-5248 . . . . .	50	7U-4891 . . . . .	392	7X-7925 . . . . .	20
	43	7N-5279 . . . . .	50		396		21
7N-2003 . . . . .	18	7N-5336 . . . . .	96	7W-0050 . . . . .	124		22
	19	7N-5413 . . . . .	116	7W-0129 . . . . .	80		23
7N-2043 . . . . .	83		119		81	7Y-7389 . . . . .	421
	99	7N-5416 . . . . .	116	7W-0408 . . . . .	▶280		422
	101		119	7W-0495 . . . . .	171		
	104	7N-5449 . . . . .	124		173		
	124	7N-5487 . . . . .	260	7W-1929 . . . . .	134		
7N-2044 . . . . .	25	7N-5641 . . . . .	24	7W-2122 . . . . .	252		
	27		25		255		
7N-2046 . . . . .	20		27	7W-2709 . . . . .	291	8B-2377 . . . . .	298
	23		29		306		380
7N-2047 . . . . .	25	7N-5874 . . . . .	50	7W-2710 . . . . .	291	8B-2664 . . . . .	414
	27		52		306	8B-7624 . . . . .	348
	52	7N-5875 . . . . .	50	7W-3031 . . . . .	68		362
	57	7N-6560 . . . . .	132	7W-3032 . . . . .	68	8B-9725 . . . . .	365
7N-2326 . . . . .	74	7N-6782 . . . . .	▶195	7W-3145 . . . . .	197		141
7N-2328 . . . . .	74	7N-6806 . . . . .	252	7W-3355 . . . . .	▶353	8C-1358 . . . . .	143
7N-2405 . . . . .	83		255	7W-3813 . . . . .	2		334
7N-2597 . . . . .	75	7N-6959 . . . . .	191		▶87		336
	77	7N-6967 . . . . .	▶191	7W-4979 . . . . .	128	8C-3445 . . . . .	338
7N-3049 . . . . .	71	7N-6986 . . . . .	109		130		116
7N-3216 . . . . .	6		150	7W-5760 . . . . .	208	8C-3446 . . . . .	119
7N-3218 . . . . .	6		154	7W-5780 . . . . .	▶61		116
7N-3297 . . . . .	145	7N-7057 . . . . .	54	7W-6333 . . . . .	122	8C-5236 . . . . .	119
7N-3298 . . . . .	11	7N-7221 . . . . .	282	7W-6372 . . . . .	▶132	8C-6024 . . . . .	164
7N-3368 . . . . .	145	7N-7416 . . . . .	167	7W-6492 . . . . .	132		393
	147	7N-7539 . . . . .	50		137		397
7N-3674 . . . . .	201		52		139		421
	206	7N-7559 . . . . .	122		140	8C-6123 . . . . .	422
7N-4106 . . . . .	▶85	7N-7660 . . . . .	▶54		150		392
7N-4319 . . . . .	13	7N-7697 . . . . .	116		155	8C-6354 . . . . .	396
7N-4320 . . . . .	13		119		159		310
7N-4756 . . . . .	164	7N-7779 . . . . .	299		160	8C-6362 . . . . .	311
7N-4758 . . . . .	164		311		161	8C-6362 . . . . .	182
7N-4782 . . . . .	89		352	7W-7431 . . . . .	328	8C-6870 . . . . .	151
	91		370	7W-7915 . . . . .	▶385		155
7N-4851 . . . . .	1	7N-7780 . . . . .	299	7W-8145 . . . . .	199	8C-6913 . . . . .	55
	▶56		311	7W-9269 . . . . .	▶318	8C-7310 . . . . .	151
7N-4927 . . . . .	137		352		▶320		154
7N-4928 . . . . .	137		370	7W-9704 . . . . .	▶127	8C-8514 . . . . .	283
7N-4930 . . . . .	133	7N-7781 . . . . .	299	7W-9742 . . . . .	▶238	8C-9020 . . . . .	109
7N-4932 . . . . .	141	7N-7820 . . . . .	93	7W-9828 . . . . .	▶168	8D-2676 . . . . .	392
	143	7N-7878 . . . . .	147	7W-9829 . . . . .	168		396
7N-4941 . . . . .	141	7N-8008 . . . . .	392	7X-0292 . . . . .	285	8D-7942 . . . . .	9
	143		396	7X-0332 . . . . .	318		10
7N-4944 . . . . .	141	7N-8374 . . . . .	50		320		89
	143		52	7X-0448 . . . . .	175		91
7N-4945 . . . . .	11	7N-8549 . . . . .	▶167		182	8F-1315 . . . . .	288
	141	7N-8599 . . . . .	▶261	7X-1547 . . . . .	81	8F-1434 . . . . .	274
	143		262	7X-2501 . . . . .	127		276
	330	7N-9044 . . . . .	141		261	8G-2077 . . . . .	278
	334		143	7X-4805 . . . . .	25		184
	336	7N-9737 . . . . .	311		27		201
	338	7N-9738 . . . . .	311	7X-6222 . . . . .	393		202
	340		352		397	8H-2778 . . . . .	206
7N-4951 . . . . .	15		370	7X-6315 . . . . .	297		250
7N-4952 . . . . .	15	7R-9741 . . . . .	288		301	8H-3128 . . . . .	159
7N-5049 . . . . .	124	7S-1197 . . . . .	298		303		160
7N-5057 . . . . .	124		380	7X-7731 . . . . .	24	8H-7202 . . . . .	161
7N-5080 . . . . .	197		392		25	8J-5985 . . . . .	250
							197

8

# PART NUMBER INDEX

Part	Page	Part	Page	Part	Page	Part	Page
8J-8919	68	8N-1518	311		173	8T-2153	57
	69	8N-1521	311	8N-6564	▶86	8T-2501	62
8K-2396	115	8N-1522	313	8N-7103	1	8T-2502	175
8K-4024	338	8N-1540	311		▶18		178
8L-2746	240		313	8N-7197	89		180
	244	8N-1541	311		91		181
	246		313	8N-7639	145		202
8L-2786	122	8N-1542	311	8N-7641	141		206
	135	8N-1543	311		143		208
	240		313	8N-8056	25	8T-2928	20
	242	8N-1546	311		27		21
	244	8N-1547	313	8N-8210	52		22
	246	8N-1989	141	8N-8380	139		23
	248		143		140	8T-2929	20
	252	8N-1991	101	8N-8446	364		21
	255		104		367		22
	262		116	8N-8447	360		23
	354		119	8N-8449	322	8T-4122	175
	356	8N-1992	101	8N-8451	364		182
	374		104		367		184
8L-3282	128		116	8N-8452	360		202
8L-5008	195		119		361	8T-4134	393
	196	8N-2555	174	8N-8477	▶367		396
8L-8413	282	8N-2556	170	8N-8481	▶322		397
	298	8N-2559	170	8N-8483	▶234	8T-4205	127
	313		171	8N-8486	▶360		261
	393		173	8N-8488	360		267
	396	8N-2562	170	8N-8509	88		270
	412	8N-2929	116	8N-8510	▶88		274
	422		119	8N-8550	330		276
	423	8N-3378	▶171		334		278
8L-9765	423		172		340		283
8M-0505	147		174	8N-9161	1		285
8M-2530	59	8N-3480	262		▶133		327
8M-2773	128	8N-3639	139	8N-9482	99		416
	130		140		101		418
8M-2933	159	8N-3640	139		104	8T-4223	62
	160		140	8N-9639	▶68		63
	161	8N-4707	20		▶69		127
8M-3839	393	8N-5254	172	8N-9729	208		136
	397		174	8N-9885	15		175
	390		177		295		182
8M-5266	391	8N-6151	1	8N-9992	11		318
	391		▶264	8N-9993	11		320
8M-6701	267	8N-6152	1		98	8T-4224	167
	270		▶126	8P-1438	50		168
8M-9024	6	8N-6210	252	8P-7065	286		175
	16		255	8S-2331	59		178
	49	8N-6211	252	8S-4757	46		180
	81		255	8S-5107	330		181
	197	8N-6309	170	8S-9089	70		182
	238		171	8S-9191	134		184
	240		173		150		261
	242	8N-6326	252		155	8T-4835	136
	244		255	8T-0023	286		175
	246	8N-6327	252	8T-0099	25		182
	248		255		27	8T-4896	62
8N-0339	1	8N-6406	139	8T-0151	373		112
	▶46		140	8T-0328	267		175
8N-0386	141		163		270		178
	143	8N-6423	163		274		180
8N-0694	▶368	8N-6424	140		276		181
	392	8N-6432	139		278		182
	396	8N-6435	▶250		278		182
8N-1186	251	8N-6534	170	8T-1919	150		184
8N-1517	313		171		155		202

# PART NUMBER INDEX

Part	Page	Part	Page	Part	Page	Part	Page
	206		161		397	9M-3786 . . . . .	159
	208		197				160
	285		222				161
	327		224			9M-4202 . . . . .	141
	348	8T-6765 . . . . .	13	<b>9</b>			143
8T-4971 . . . . .	261		71	9B-7233 . . . . .	267	9M-4355 . . . . .	126
8T-4994 . . . . .	79		116		270	9M-4584 . . . . .	122
	388		119	9B-7237 . . . . .	112		252
8T-6342 . . . . .	311		133		285		255
8T-6726 . . . . .	330		139		327	9M-4594 . . . . .	113
	332		140		348		328
	334		141	9D-2734 . . . . .	393		374
	336		143		397		377
	338		145	9F-7707 . . . . .	89	9M-4849 . . . . .	336
	340		164		91		338
8T-6757 . . . . .	32		295	9F-8122 . . . . .	54	9M-5520 . . . . .	306
	50	8T-6766 . . . . .	238	9F-8125 . . . . .	288	9M-7002 . . . . .	389
	170		240	9G-3695 . . . . .	311	9M-9738 . . . . .	327
	171		242	9G-5127 . . . . .	374	9N-0869 . . . . .	258
	173		244		377		259
8T-6758 . . . . .	71		246	9G-8140 . . . . .	147		295
	132		248	9G-8909 . . . . .	311	9N-0937 . . . . .	267
8T-6759 . . . . .	34	8T-6871 . . . . .	182	9H-0846 . . . . .	7		270
	36		184	9H-8260 . . . . .	71	9N-0939 . . . . .	267
	40	8T-7547 . . . . .	261	9L-1480 . . . . .	81		270
	44	8T-8729 . . . . .	374		114	9N-0942 . . . . .	267
	50		422		348		270
	52	8T-8731 . . . . .	384	9L-1775 . . . . .	109	9N-0943 . . . . .	267
	161	8T-8735 . . . . .	310	9L-6770 . . . . .	274		270
8T-6760 . . . . .	139	8T-8737 . . . . .	282		276	9N-1752 . . . . .	262
	140		300		278	9N-3388 . . . . .	267
8T-6761 . . . . .	11		310	9L-7373 . . . . .	199		270
	13		384	9L-9132 . . . . .	65	9N-4053 . . . . .	252
	141		406		67		255
	143		408		68	9P-6895 . . . . .	399
	145		409		69	9R-5008 . . . . .	155
	338		410		150	9S-1354 . . . . .	91
	340		418		155	9S-1366 . . . . .	98
8T-6762 . . . . .	24	8T-8827 . . . . .	291		194		201
	25		311		199		206
	27	8T-8915 . . . . .	175	9M-1974 . . . . .	17	9S-1368 . . . . .	330
	29		182		50		332
	71		202		52		334
	81		208		57		336
	99	8T-8919 . . . . .	127		83		338
	101	8T-8924 . . . . .	79		93		340
	104	8T-9043 . . . . .	168		95		390
	116		175		145		391
	119		178		164	9S-1374 . . . . .	70
	132		180		171	9S-2009 . . . . .	267
	133		181		173		270
	145		182		238	9S-2302 . . . . .	267
	189		184		240		270
	197	8T-9368 . . . . .	12		242		274
	330	8T-9393 . . . . .	175		244	9S-2390 . . . . .	267
	334		182		246		270
	340	8T-9396 . . . . .	175		248		274
	360		182		252		276
8T-6763 . . . . .	24	8T-9398 . . . . .	79		255		278
	25		388		295	9S-2396 . . . . .	267
	27	8T-9587 . . . . .	286		308		270
	29	8T-9637 . . . . .	393		309	9S-2544 . . . . .	267
	348		397	9M-2151 . . . . .	163		270
8T-6764 . . . . .	159	8T-9834 . . . . .	313	9M-2342 . . . . .	250	9S-4181 . . . . .	145
	160		393	9M-2904 . . . . .	109	9S-4182 . . . . .	99

# PART NUMBER INDEX

Part	Page	Part	Page	Part	Page	Part	Page
	101		101		350		291
	104		104		351		330
	116		109		354	9X-8875 . . . . .	70
	119		113		358	9X-8879 . . . . .	52
	137		115		370		57
	145		122		374	9X-8887 . . . . .	59
	169		150	9X-2119 . . . . .	9	9X-9591 . . . . .	▶305
	238		155	9X-2500 . . . . .	267		382
	240		163		270	9X-9614 . . . . .	416
	242		170	9X-3132 . . . . .	313		418
	244		172	9X-3207 . . . . .	▶299	9X-9616 . . . . .	342
	246		174		380		418
	248		177	9X-3271 . . . . .	373	9X-9675 . . . . .	342
	252		189	9X-3402 . . . . .	310		392
	255		191		406		396
9S-4185 . . . . .	135		192	9X-3490 . . . . .	406		416
	141		197	9X-4594 . . . . .	159	9X-9857 . . . . .	305
	143		199		160	9Y-0047 . . . . .	258
	238		201		161		259
	240		202	9X-6138 . . . . .	16	9Y-0635 . . . . .	35
	242		206		48		38
	244		208		49		42
	246		244	9X-6381 . . . . .	399		43
	248		262	9X-6458 . . . . .	109	9Y-0848 . . . . .	▶388
9S-4190 . . . . .	116		306		113	9Y-0849 . . . . .	388
	119		318		115	9Y-2921 . . . . .	282
	238		320		122		380
	240		322		150		392
	242		328		155		396
	244		332		202	9Y-3087 . . . . .	80
	246		334		208		▶81
	248		336		336	9Y-3108 . . . . .	336
9S-4191 . . . . .	24		338		338		338
	25		340	9X-6772 . . . . .	222	9Y-5563 . . . . .	▶112
	27		343		224	9Y-6893 . . . . .	150
	29		392		291		155
	150		396		310	9Y-8067 . . . . .	159
	155		414		311		160
	159	9S-8893 . . . . .	56		343		161
	160	9S-9238 . . . . .	318		373	9Y-8175 . . . . .	1
	161		320		374		▶157
	238	9V-4924 . . . . .	61		377		▶158
	240	9W-0073 . . . . .	313		393	9Y-8389 . . . . .	238
	242	9W-0844 . . . . .	282		397		240
	244		311	9X-6856 . . . . .	311		242
	246	9W-0852 . . . . .	282		313		244
	248		313	9X-6857 . . . . .	298		246
	252	9W-1464 . . . . .	400		311		248
	255	9W-1951 . . . . .	310		313		261
	262		313	9X-7147 . . . . .	406	9Y-9171 . . . . .	1
9S-7296 . . . . .	340	9X-0145 . . . . .	313	9X-7371 . . . . .	50		▶137
9S-8002 . . . . .	31	9X-0262 . . . . .	374		52	9Y-9173 . . . . .	▶140
	33		377	9X-8124 . . . . .	392	9Y-9782 . . . . .	400
	400	9X-0263 . . . . .	374		396		
9S-8004 . . . . .	186		377	9X-8606 . . . . .	147		
9S-8005 . . . . .	138	9X-0352 . . . . .	89	9X-8872 . . . . .	11		
9S-8750 . . . . .	328		91		109		
	392	9X-1343 . . . . .	313	9X-8873 . . . . .	70	001-7042 . . . . .	336
	396		422		141	001-9440 . . . . .	374
	414	9X-1365 . . . . .	393		143		377
9S-8752 . . . . .	65		397		150	003-9163 . . . . .	127
	67	9X-1386 . . . . .	352		155		334
	68		355		193		336
	69	9X-1813 . . . . .	343	9X-8874 . . . . .	197	004-3935 . . . . .	330
	99		349		281	006-0210 . . . . .	348

0



# PART NUMBER INDEX

Part	Page	Part	Page	Part	Page	Part	Page
008-0728 . . . . .	348		91	105-7542 . . . . .	392	110-6995 . . . . .	150
009-4440 . . . . .	338	100-3880 . . . . .	89		396		154
	340		91	106-2779 . . . . .	▶21	110-8714 . . . . .	416
030-2284 . . . . .	286	100-5566 . . . . .	392		24		422
030-7941 . . . . .	328		396	106-4303 . . . . .	109	110-8909 . . . . .	392
030-7949 . . . . .	244	100-6531 . . . . .	267	106-9819 . . . . .	393		396
	252		270		397	110-9538 . . . . .	150
030-7961 . . . . .	318		274	107-0278 . . . . .	1		154
	320		276		▶15	111-0349 . . . . .	295
030-7962 . . . . .	109		278	107-0744 . . . . .	147	111-1323 . . . . .	380
030-7972 . . . . .	252	100-6532 . . . . .	267	107-2482 . . . . .	392		393
	255		270		396		397
030-7977 . . . . .	252	100-8026 . . . . .	▶20	107-2853 . . . . .	414		416
	255		25	107-2855 . . . . .	▶414		418
030-8307 . . . . .	334	100-8075 . . . . .	101	107-3759 . . . . .	169	111-1324 . . . . .	393
	336		104	107-5856 . . . . .	392		397
	338		116		396		416
030-8535 . . . . .	68		119	107-5857 . . . . .	393		418
	69	101-0830 . . . . .	1		397	111-1349 . . . . .	124
030-8967 . . . . .	392		▶35	107-7330 . . . . .	83	111-2081 . . . . .	81
	396	101-0831 . . . . .	1	107-7331 . . . . .	83	111-3388 . . . . .	252
	414		▶17	107-7332 . . . . .	83		255
031-4136 . . . . .	238	101-0836 . . . . .	1	107-7333 . . . . .	83	111-3389 . . . . .	252
	244		▶70	107-7334 . . . . .	83		255
	246	101-1198 . . . . .	25	107-7335 . . . . .	83	111-3684 . . . . .	374
	248		27	107-8769 . . . . .	361		377
031-4155 . . . . .	168	101-1364 . . . . .	59	108-1434 . . . . .	115	111-3820 . . . . .	101
	175	101-1365 . . . . .	59		122		104
	178	101-1366 . . . . .	59		238		116
	180	101-1367 . . . . .	59		244		119
	181	101-1368 . . . . .	59		246	111-4374 . . . . .	137
	182	101-1369 . . . . .	59		248	111-4399 . . . . .	365
	184	101-1370 . . . . .	59		252	111-5052 . . . . .	154
031-5744 . . . . .	334	101-1372 . . . . .	59		255	111-5055 . . . . .	240
032-1267 . . . . .	128	101-1785 . . . . .	412		262		244
	130	101-4197 . . . . .	17	109-0642 . . . . .	150		246
032-1269 . . . . .	98	101-4199 . . . . .	93	109-2332 . . . . .	101	111-5056 . . . . .	150
033-6031 . . . . .	93		95		104		154
	95	102-2240 . . . . .	343		116	111-5822 . . . . .	193
033-6042 . . . . .	24		▶358		119	111-8276 . . . . .	145
037-5197 . . . . .	311		374		134	111-8277 . . . . .	145
039-4317 . . . . .	362		377	109-3038 . . . . .	282	111-8639 . . . . .	99
	365	102-8627 . . . . .	▶411		298		101
053-0558 . . . . .	330	102-8634 . . . . .	71		313		104
053-5065 . . . . .	75	102-8802 . . . . .	311		393	111-9375 . . . . .	145
061-7539 . . . . .	261		355	109-3039 . . . . .	282	112-1567 . . . . .	197
061-9456 . . . . .	116		359	109-5737 . . . . .	412	112-3588 . . . . .	392
	119		369	109-5738 . . . . .	412	112-4921 . . . . .	1
061-9463 . . . . .	115	102-8803 . . . . .	311	109-6507 . . . . .	392		▶99
087-3796 . . . . .	202		343		396	112-4922 . . . . .	1
	208		344	109-6539 . . . . .	416		▶240
091-9035 . . . . .	109		346		418		▶242
096-4833 . . . . .	362		347	109-7411 . . . . .	197	112-6597 . . . . .	▶361
	365		358	109-8932 . . . . .	315	112-7497 . . . . .	282
			374		317		313
		102-8804 . . . . .	310	109-9866 . . . . .	340	113-4646 . . . . .	122
		102-8805 . . . . .	282	110-6206 . . . . .	▶48	113-4647 . . . . .	147
		102-8806 . . . . .	408	110-6207 . . . . .	48	113-4648 . . . . .	122
100-3237 . . . . .	258		409	110-6845 . . . . .	300	113-7884 . . . . .	392
	259		410	110-6991 . . . . .	35		396
100-3877 . . . . .	89	102-8807 . . . . .	373		38	113-8432 . . . . .	87
	91	102-8813 . . . . .	354		42	113-8433 . . . . .	87
100-3878 . . . . .	89	104-3649 . . . . .	306		43	113-8961 . . . . .	288
	91	105-3762 . . . . .	267	110-6994 . . . . .	25	113-9001 . . . . .	128
100-3879 . . . . .	89		270		27		130

1

# PART NUMBER INDEX

Part	Page	Part	Page	Part	Page	Part	Page
113-9533	109	119-3662	310	125-7874	310		42
114-1142	392	119-5659	414	125-7875	310		43
	397	119-6282	▶324	125-9745	▶396	131-5374	416
114-1143	392		326	125-9751	59		418
	397	119-6283	▶325	125-9794	81	131-5377	416
114-2410	421		326	125-9941	416		418
	422	119-6284	318		418	131-5454	▶235
114-2414	81		320	125-9942	416	132-6469	89
114-3372	59		322		418		91
114-3376	1		▶326	125-9945	416	132-8276	392
	▶141	119-6294	132		418	132-9434	373
	▶143	119-9443	61	125-9956	416	132-9514	390
114-5477	252	120-0568	383		418		391
	255	120-4339	5	125-9969	416	133-0970	311
114-8843	384	120-4351	244	126-1768	310	133-1207	357
115-1064	▶262	120-4493	▶383	126-1774	310	133-1645	298
115-1322	282	120-4498	▶369		311	133-3822	396
	392	120-4503	▶421	126-2210	393	133-6461	▶98
	396	120-4504	▶422		397	133-8382	145
115-2538	392	120-4510	313	126-2211	313	133-9300	▶300
	396	120-7421	141	126-7574	297	133-9306	32
	416		143	126-8472	399		34
115-2542	342	120-9818	▶113	126-9187	309		36
115-5154	▶24	121-0275	282	126-9188	309		40
115-5161	306	121-1110	291	126-9191	▶309		44
115-5163	281	121-3328	392	126-9246	401	133-9308	392
	▶306		396	127-2176	145		396
115-5164	▶281	121-3555	1	127-2331	392	133-9313	99
115-5852	423		▶11		396		101
115-7841	▶101	121-4101	421	127-5400	50		104
	▶104	121-4102	422		52	134-0957	282
115-7860	1	121-4112	▶312		57		416
	▶116	121-5736	233		159		418
115-9550	286	121-9641	286		160	134-3100	336
116-1352	116	122-3202	393		161		338
	119		397	127-6260	314	134-4126	297
116-1365	52	122-3203	396		316	134-6307	266
	57	122-3374	197	127-7103	197	134-6315	▶380
116-3242	52	122-8856	145	128-2507	399	134-6316	380
	57	122-9281	1	128-2858	▶373	134-6317	▶381
116-3266	334		▶57	128-3147	399	134-6318	381
	340	123-3395	393	128-4845	18	134-6323	▶382
116-7655	393		397		19	134-6324	382
	397	123-3932	401	128-5631	136	135-1072	1
116-9863	122	123-4526	348	128-6786	18		▶145
116-9991	286	123-6574	282	128-7260	286	135-6740	282
117-0066	11	123-6868	98	128-7262	286		342
117-0067	374	123-9694	393	128-7404	▶136		416
	377		397	128-8545	392		418
117-8766	357	124-0284	89		396	136-4876	288
118-1649	222		91	129-2915	348	136-5923	414
	224	124-0289	374	129-3083	150	137-8055	282
118-1650	222		377		154	137-8219	150
118-1651	222	124-3176	393	129-6628	▶354		154
	224		397		374	137-8533	390
118-1655	83	124-5512	1	129-9528	197		▶425
118-1656	330		▶93	130-2602	122	137-8534	425
	334	124-6998	109	130-2607	31	137-8535	425
	340	124-8395	1	130-2608	31	137-8536	425
118-4614	113		▶59	131-0420	35	137-8537	425
118-4728	147	125-5375	232		38	137-8538	425
118-5542	98	125-5376	232		42	137-8539	425
119-0838	5	125-7089	▶392		43	137-8540	425
119-0839	5	125-7096	381	131-0421	35	137-8541	425
119-1840	282	125-7858	282		38	137-8542	425

# PART NUMBER INDEX

Part	Page	Part	Page	Part	Page	Part	Page
137-8543	425	151-4908	416		311		393
137-8544	425	151-9228	▶62	160-7690	310		397
137-8545	425	151-9263	47		311	174-3016	311
137-8546	425	151-9264	16	160-9231	416	175-4998	298
138-4959	282		49	161-0797	▶236	177-7205	288
	416	152-8466	▶348	161-4087	1	178-1660	298
	418		384		▶147	178-3339	418
139-1398	109	153-4906	25	161-9926	▶349	179-1508	122
140-6458	197		328		374	179-1511	1
140-8402	338	153-5043	359		377		▶52
141-0717	▶312	153-9481	150	162-3906	261	179-4324	288
141-4812	286		154	162-5719	1	180-3007	93
141-4813	286	153-9963	150		▶122		109
141-7047	▶211		154	162-7662	392	180-4543	416
141-7116	75	154-1581	99		396		418
	77		101		▶399	180-4677	413
141-7143	93		104	162-7689	172		416
141-8596	361	154-1612	▶31		174		418
141-9285	141		36		177	180-7357	298
	143	154-1616	145	162-8864	197	180-7359	298
144-0723	199	154-1617	145	163-1209	282		▶342
144-0725	83	154-2302	109	163-1462	▶343	180-7384	342
144-1623	▶400	154-6389	89	163-7882	▶345	180-7385	▶298
	401		91		374	180-9340	349
144-1624	300	155-0576	295		377		351
	▶401	155-0726	74	164-8940	411		357
144-1636	355	155-1690	99		▶412	183-8023	327
144-5692	25		101	165-3931	99		416
	27		104		101		418
144-5695	83	155-2001	286		104	183-8809	33
146-3740	46	155-2259	406	165-4099	402	184-2472	301
	▶47	155-2260	311		▶403		303
146-6775	282		349	165-6634	▶344	185-5855	122
147-1443	311		350	166-3777	407	186-3166	392
147-1960	418		351	166-4357	▶50		397
147-3745	258		354	166-4374	164	186-3735	298
	259		356	166-4376	164		310
	▶115		357	166-5932	122		311
148-8007	▶115	155-2265	313	166-5945	31		313
149-1981	31		393	166-6519	332		343
149-1982	32		396	166-6929	392		344
	34		406		396		346
	36	155-2270	89		▶408		347
	40		91	166-6936	392		358
	44		310		396		359
149-3996	320		311		▶409		369
149-5462	163	155-2274	282	166-6937	397		374
149-6031	18	155-4094	89		▶410		408
	19		91	166-9042	390		409
149-6032	18		258		391		410
	19	156-9748	259	168-6357	97	186-3736	89
149-6033	18	156-9753	252	169-7326	128		91
	19		255		130		310
149-6034	18		▶258	171-1359	62		311
	19	156-9754	252	171-5349	310		313
149-6035	18		255		352		354
	19		▶259		355		384
149-9298	81	157-0443	99	172-0828	199	187-2034	274
150-0229	49		101	172-0921	1		276
150-4157	115		104		▶199		278
150-7915	218	158-6255	392	173-5413	282	187-4606	151
	220		396	174-0503	311		154
	228		▶402	174-1424	342	187-7738	35
	230	158-6457	109	174-1433	298		38
150-8698	215	159-9322	310	174-1436	▶313		42
151-4906	416						

# PART NUMBER INDEX

Part	Page	Part	Page	Part	Page	Part	Page
	43	<b>2</b>		212-8166 . . . . .	157		230
188-0471 . . . . .	233				▶159	215-2590 . . . . .	218
188-8617 . . . . .	232	200-2003 . . . . .	89	212-8176 . . . . .	163		220
188-8618 . . . . .	232		91		▶164		228
189-4774 . . . . .	416	200-6504 . . . . .	▶316	212-8179 . . . . .	159		230
	418		▶317		160	215-2706 . . . . .	▶215
189-5746 . . . . .	▶355	200-8951 . . . . .	282		161		218
190-9372 . . . . .	306	201-4257 . . . . .	35	212-8180 . . . . .	164		220
191-8394 . . . . .	306		▶36	212-8183 . . . . .	159		228
193-2120 . . . . .	154		38		160		230
193-3282 . . . . .	83	201-7354 . . . . .	175		161	215-2707 . . . . .	218
193-3286 . . . . .	74		202	212-8187 . . . . .	164		220
194-4897 . . . . .	36	201-7355 . . . . .	175	213-1412 . . . . .	▶196		228
	40	201-8899 . . . . .	55	213-6133 . . . . .	128		230
	44	202-2700 . . . . .	274		130	215-2708 . . . . .	218
194-4902 . . . . .	36		276	213-6679 . . . . .	389	215-2709 . . . . .	220
	40		278	213-9250 . . . . .	215	215-2710 . . . . .	218
194-5226 . . . . .	350	202-2708 . . . . .	274	214-0728 . . . . .	138		220
	356		276	214-0731 . . . . .	150		228
194-5227 . . . . .	356		278		154		230
194-6724 . . . . .	▶350	202-2783 . . . . .	276	214-3091 . . . . .	128	215-2711 . . . . .	218
	374		278		130		220
	377	202-2784 . . . . .	274	214-6066 . . . . .	83		228
194-6725 . . . . .	▶351		276	214-7568 . . . . .	27		230
	374		278		29	216-8312 . . . . .	▶172
	377	202-2785 . . . . .	274	215-2327 . . . . .	215	216-8359 . . . . .	128
195-2150 . . . . .	▶359		276	215-2328 . . . . .	218		130
	373		278		220	217-6692 . . . . .	93
195-4550 . . . . .	107	202-2786 . . . . .	274		228		95
	108	202-2787 . . . . .	274		230	218-4935 . . . . .	310
195-5820 . . . . .	416		276	215-2329 . . . . .	218	219-3240 . . . . .	138
	418		278		220	220-2677 . . . . .	1
195-9735 . . . . .	172	202-9897 . . . . .	274		228		▶295
	174		276		230	222-5153 . . . . .	163
	177		278	215-2330 . . . . .	218		164
195-9738 . . . . .	172	203-8944 . . . . .	418		220	222-9920 . . . . .	70
	174	204-2518 . . . . .	▶346		228	223-1696 . . . . .	20
	177	204-5426 . . . . .	35		230		21
195-9746 . . . . .	172		38	215-2331 . . . . .	218		22
	174		42		220		23
	177	204-5427 . . . . .	35		228	223-6361 . . . . .	83
195-9747 . . . . .	172		38		230	224-0682 . . . . .	109
	174		42	215-2419 . . . . .	218	224-1228 . . . . .	348
	177	204-5447 . . . . .	83		220	224-9869 . . . . .	2
196-9530 . . . . .	18	204-5455 . . . . .	199		228		▶89
197-6995 . . . . .	32	206-1576 . . . . .	418		230	227-3801 . . . . .	47
	34	206-2710 . . . . .	▶301	215-2586 . . . . .	218	228-3581 . . . . .	423
	36		302		220	228-6559 . . . . .	▶290
	40	206-2711 . . . . .	295		228	228-8926 . . . . .	81
	44		▶302		230	229-3218 . . . . .	261
197-7006 . . . . .	36		▶303	215-2587 . . . . .	216	229-6247 . . . . .	218
	40	207-1332 . . . . .	190		217	229-6249 . . . . .	220
197-7008 . . . . .	25	207-1382 . . . . .	233		218	229-8875 . . . . .	81
	27	207-1390 . . . . .	233		220	229-8876 . . . . .	81
197-7017 . . . . .	282	207-3814 . . . . .	▶372		226	229-9407 . . . . .	276
197-7055 . . . . .	36	208-6170 . . . . .	282		227	230-1072 . . . . .	141
	40	209-0962 . . . . .	36		228		143
	44		40		230		150
197-7062 . . . . .	36	210-2542 . . . . .	36	215-2588 . . . . .	218		154
	40		40		220	230-2619 . . . . .	89
197-7063 . . . . .	36		44		228		91
	40	210-6112 . . . . .	▶49		230	230-2620 . . . . .	89
198-9728 . . . . .	▶404	211-7826 . . . . .	20	215-2589 . . . . .	218		91
199-7763 . . . . .	416		23		220	230-2621 . . . . .	89
		211-9909 . . . . .	282		228		91

# PART NUMBER INDEX

Part	Page	Part	Page	Part	Page	Part	Page
230-2633	89		▶25	253-4775	116	265-7538	89
	91		▶27		119		91
230-4073	216	240-7032	89	253-7340	▶311	265-9033	▶356
	217		91		374	266-7227	▶274
	226	241-5928	145		377	266-7484	▶334
	227	242-5328	▶32	253-7391	▶374	266-7485	334
230-4177	218	243-2288	145		▶377		340
	220	243-3216	56	254-1417	1	267-7346	334
	228	243-5752	369		▶260	267-9689	238
	230	244-1856	1	254-3261	199		242
231-5867	81		▶197	254-3262	199		248
231-6133	276	244-1890	197	255-8691	265	267-9690	240
	278	244-1891	197	255-8692	265		244
232-0897	288	244-6010	▶66	256-7511	▶297		246
233-0643	56		▶67	256-7512	▶297	268-0028	150
233-4241	330	244-6011	66	257-2719	310		154
	332	244-7191	8	258-1086	1	268-6475	▶9
233-4243	330	245-3512	191		▶169	270-1732	▶310
233-7973	▶266	245-4622	169	258-6595	232	272-0758	11
234-0275	▶405	245-4907	260	258-8952	336		98
	406	245-4908	260		338	272-0759	11
234-4182	260	246-1854	260	259-2607	334		88
234-8716	282	246-3218	1	259-2608	336		109
234-8717	282		▶150	259-4598	15	272-0760	17
234-8721	▶282		▶154		50		93
	285	247-0308	▶8		52		95
234-8937	13		9		57	272-1029	▶174
235-2484	75		10	260-6898	407	272-7094	▶216
	77	247-3796	134	261-0195	5		222
235-3546	15	247-8340	5	261-6624	218	272-7095	▶217
	50	247-8341	▶5		220		222
	57		89	261-6847	345	272-7098	216
	157		91	261-6848	345		▶218
	158	248-2432	8	261-7296	150	272-7099	217
	166	248-5513	137		154		▶220
235-3548	52	249-0059	8	262-0338	1	272-7102	218
	57	249-7314	282		▶119		220
235-8133	▶173	250-1496	255	262-4378	159		228
	177		262		160		230
235-8177	173	250-1497	122		161	273-1088	▶201
235-8354	308		238	262-6760	1	273-1089	▶175
236-1143	285		246		▶252	273-3553	32
236-1158	407		248		▶255		34
236-2104	▶285		255	262-7108	232		36
237-2224	282	250-1498	122	262-7109	232		40
237-2225	282		238	263-2905	222		44
237-2245	282		246		224	273-3554	32
237-2713	252		248	263-6462	288		34
	255		255	263-6463	288		36
237-2714	262	250-1499	255	263-6674	89		40
237-2718	262	250-3444	423		91		44
237-2719	238	250-6110	▶232	263-6853	▶244	273-5041	▶357
	244		233		▶246		377
	246	250-6111	2		▶248	274-5749	▶222
	248		▶233	263-8955	83		▶224
237-2869	282	250-7623	▶1	264-0023	▶212	274-8568	1
237-5333	282	252-5658	147	264-0025	▶213		▶38
237-5334	282	252-6464	75	264-0450	101	275-2276	107
237-5335	282		77		104		108
237-5336	282	252-6498	75		116	276-0447	▶304
237-5337	282		77		119	276-0448	304
239-9957	▶347	252-8374	122	264-3073	138		▶327
240-1733	416	252-9298	371	264-8859	244	276-0449	327
240-5877	384	253-1238	83	265-7537	89	276-0450	▶288
240-6651	1	253-2468	▶4		91		304

# PART NUMBER INDEX

Part	Page	Part	Page	Part	Page	Part	Page
276-0451	288	283-3428	392		160	316-5979	44
276-0567	288		396		161	316-5980	44
276-0568	288	283-7632	6	297-7917	109	316-5981	44
276-0785	▶310	283-7634	6	298-6387	126	316-8256	▶336
276-1363	288	283-7636	6	299-1761	276	316-8633	336
276-1380	288	283-7638	6		278		338
276-3875	32	283-7639	1	299-3519	▶34	317-1121	89
	34		▶6	299-3521	1	320-1336	▶418
	36	283-9599	197		▶42	320-1337	418
	40	285-8436	197		▶43	321-2577	▶202
	44	286-7219	▶95			322-3612	301
276-3876	32		109				303
	34	288-2758	224			322-6347	154
	36		▶226			322-9878	19
	40	288-2759	224			322-9879	19
	44		▶227	300-6670	109	323-1217	▶338
276-4138	418	288-2762	226	300-6671	109	323-1840	▶340
276-8230	201		▶228	300-8567	77	323-2865	1
	202	288-2763	227	300-8569	77		▶19
	206		▶230	300-8570	77		43
	208	288-4654	150	301-4900	▶177	325-1410	43
276-8231	201		154	301-9248	32	325-1412	43
	206	288-5483	▶109		34	325-2876	418
276-8232	201	288-6174	61		36	325-2877	418
	206	288-6646	1		40	325-4735	418
					44	326-1373	224
277-2262	175		▶165	302-7332	63	328-5303	▶181
	182	288-6647	▶160	304-5240	418	328-8410	276
277-2265	175		165	307-1569	▶63		278
	180	289-8498	▶186	307-4575	▶178	329-3716	233
	181		226	308-1362	276	330-6781	▶413
	206		227		278	331-5166	▶206
	208	289-9115	228	308-1365	276	331-5167	▶182
278-0155	109	289-9116	230		278	331-5717	▶276
278-0539	141	289-9132	228	308-1366	276	331-6585	425
	143	289-9133	230		278	333-1184	▶278
278-0540	141	289-9745	33	308-7311	184	333-5943	109
	143	290-1351	▶33		202	333-9113	391
278-1082	99		34	308-7312	184		▶425
	101		40		202	334-1626	89
	104		44	308-7314	▶180	335-6220	43
278-1776	238	290-1352	▶40	308-9260	286		▶44
	240		42	308-9770	282	335-6885	297
	242	291-1067	2	308-9775	282	336-1547	▶208
	244		▶166	308-9776	282	336-1548	▶184
	246	291-4309	161	309-0031	▶416	339-4950	23
	248	291-4311	158	309-1583	▶237	341-2532	▶406
278-4287	57		▶161	309-1854	175	341-8890	147
279-2475	▶107		166		178	341-9211	147
	109	291-8247	274		180	342-4500	388
280-1797	109	291-8253	274		181	345-2374	▶407
280-1798	109	291-8263	274		206	346-9090	212
281-5832	384	291-8271	274		208		213
281-6141	1	291-8274	274	309-4591	202	347-8033	▶291
	▶83	291-9125	107		208	347-8330	291
281-6157	36		108	312-8762	336	350-1392	▶22
	40	292-3815	274	313-7770	264		29
281-6159	89		276		▶265	350-1413	▶23
	91		278	314-5006	83		27
281-6160	2	292-6969	▶138	314-7965	336	350-8624	65
	▶91		150		338		67
282-5367	▶108		154	314-7966	336		386
	109	293-2926	▶384		338		387
282-7944	89	293-2927	384	316-5976	44	351-2245	65
	91	293-4159	384	316-5977	44		67
282-9522	▶10	294-4935	159	316-5978	44		69

**3**

# PART NUMBER INDEX

Part	Page	Part	Page	Part	Page	Part	Page
351-9004 . . . . .	69						
351-9005 . . . . .	69						
351-9006 . . . . .	67						
352-9860 . . . . .	▶423						
353-2691 . . . . .	423						
353-3970 . . . . .	▶29						
355-4899 . . . . .	65						
	67						
355-5369 . . . . .	2						
356-4973 . . . . .	67						
356-5022 . . . . .	65						
357-3041 . . . . .	286						
	▶308						
357-3042 . . . . .	286						
357-3043 . . . . .	286						
357-3044 . . . . .	286						
357-3045 . . . . .	▶286						

# MEMORANDA







**SEBP4364-16**

**3512C Engine**

**LLA1-Up**