

Parts Manual



See "General Information"
for New Parts Manual
Features.

3516C Marine Auxiliary

JTS1-Up (Engine)

This Parts Manual is also available in .PDF Format on Compact Disc
(CD-ROM)-Caterpillar Form No. SERP4550

Product and Dealer Information

Note: For product identification plate locations, see the section "Product Identification Information" in the Operation and Maintenance Manual.

Delivery Date: _____

Product Information

Model: _____

Product Identification Number: _____

Engine Serial Number: _____

Transmission Serial Number: _____

Generator Serial Number: _____

Attachment Serial Numbers: _____

Attachment Information: _____

Customer Equipment Number: _____

Dealer Equipment Number: _____

Dealer Information

Name: _____ Branch: _____

Address: _____

Dealer Contact

Phone Number

Hours

Sales: _____

Parts: _____

Service: _____

MEMORANDA

TABLE OF CONTENTS

Name	Page	Name	Page
GENERAL INFORMATION	A4	VALVE MECHANISM GP	102
REPAIR ALTERNATIVES	A6	LUBRICATION SYSTEM	106
SUPPLEMENTAL COOLANT ADDITIVES	A7	BREATHER GP	106
MAINTENANCE PARTS	A8	CONNECTION GP-OIL	109
INDEX	A11	FILLER GP-ENGINE OIL	110
ENGINE ARRANGEMENT	1	FILTER GP-CENTRIFUGAL	112
ENGINE AR	1	FILTER GP-ENGINE OIL	115
BASIC ENGINE	5	FILTER GP-FUMES	125
BARRING GP	5	FILTER GP-FUMES DISPOSAL	127
BASE GP-VALVE COVER	6	FUMES DISPOSAL GP	129
CAMSHAFT GP	7	GAUGE GP-OIL LEVEL (DIPSTICK)	131
COUPLING GP-FLEXIBLE	8	HOSE AS	132
COVER GP-CAMSHAFT	9	LINES GP-CENTRIFUGAL FILTER	135
COVER GP-CYLINDER BLOCK	11	LINES GP-ENGINE OIL	136
COVER GP-FLYWHEEL HOUSING	14	LINES GP-OIL SUPPLY	139
COVER GP-FRONT HOUSING	16	LINES GP-PRELUBRICATION	143
COVER GP-OIL PAN	17	LINES GP-TURBOCHARGER OIL	144
COVER GP-VALVE MECHANISM	18	PUMP GP-ENGINE OIL	146
CRANKSHAFT GP	20	PUMP GP-PRELUBRICATION	149
CYLINDER BLOCK AS	21	PUMP GP-SUMP	153
CYLINDER BLOCK GP	26	SHIELD GP-ENGINE OIL LINES	155
CYLINDER HEAD AS	33	VALVE GP-FLUID CONTROL	159
CYLINDER HEAD GP	35	COOLING SYSTEM	160
DAMPER GP	41	CONNECTION GP-EXPANSION TANK	160
DRAIN GP-ENGINE OIL	44	CONNECTION GP-WATER	161
DRIVE GP-ACCESSORY	45	COOLER GP-ENGINE OIL	164
DRIVE GP-AUXILIARY	54	HEAT EXCHANGER GP	166
DRIVE GP-FAN	56	HOUSING & REGULATOR GP	167
ELBOW-PIPE	57	LINES GP-WATER	169
FLYWHEEL GP	58	MOUNTING GP-RADIATOR	191
GEAR GP-FRONT	59	PUMP GP-AUXILIARY SEA WATER	192
GEAR GP-REAR	61	PUMP GP-AUXILIARY WATER	211
GUARD GP-BELT	63	PUMP GP-WATER	214
GUARD GP-COUPLING	66	SEPARATOR GP-AIR	218
GUARD GP-DAMPER	67	SWITCH GP-COOLANT LEVEL	220
HOUSING GP-FLYWHEEL	72	TANK GP-EXPANSION	221
HOUSING GP-FRONT	73	VALVE GP-CHECK	226
LIFTING GP-ENGINE	74	AIR INLET AND EXHAUST SYSTEM	227
MOUNTING GP-ALTERNATOR	75	ADAPTER GP-AIR CLEANER	227
MOUNTING GP-ENGINE	77	AFTERCOOLER GP-WATER	230
MOUNTING GP-ENGINE FLEXIBLE	78	AIR CLEANER GP	231
PAN GP-OIL	80	DAMPER GP-AIR SHUTOFF	237
PISTON & ROD GP	83	ELBOW-EXHAUST	238
PULLEY AS-CRANKSHAFT	85	FITTING GP-EXHAUST	241
PULLEY GP-AUXILIARY DRIVE	87	FLANGE GP-EXHAUST	244
SEAL GP-CRANKSHAFT	90	LINES GP-AIR	247
SHAFT GP-AUXILIARY DRIVE	91	LINES GP-PCV	253
SHAFT GP-STUB	99	MANIFOLD GP-EXHAUST	256
VALVE GP-EXPLOSION RELIEF	100	MOUNTING GP-AIR CLEANER	261
		MUFFLER	266
		SHIELD GP-HEAT	269
		SHIELD GP-TURBOCHARGER	273

TABLE OF CONTENTS

Name	Page	Name	Page
SHUTOFF AS-AIR	275	HARNESS AS-WIRING	446
SHUTOFF GP-AIR	276	HEATER GP-JACKET WATER	448
TURBOCHARGER GP	284	LUBRICATOR GP-AIR MOTOR	452
VALVE GP-AIR CONTROL	288	MOUNTING GP-BOX	455
		MOUNTING GP-CONTACTOR	456
FUEL SYSTEM	289	MOUNTING GP-JACKET WTR	
CONTROL AS-GOVERNOR	289	HEATER	464
CONTROL GP-FUEL	291	MOUNTING GP-TERMINAL STRIP	472
COOLER GP-FUEL	292	MOUNTING GP-TRANSFORMER	473
FILTER GP-FUEL	293	PLUG GP-BOX	476
FILTER GP-PRIMARY FUEL	299	PROTECTION GP-ENGINE	478
LINES GP-FLEXIBLE FUEL	300	SENSOR & MTG GP-EXPANSION	
LINES GP-FUEL	301	TANK	479
LINES GP-FUEL INJECTION	302	SENSOR GP-EXHAUST	
MANIFOLD GP-FUEL	305	TEMPERATURE	480
PUMP GP-FUEL INJECTION	307	SENSOR GP-LIQUID LEVEL	482
PUMP GP-FUEL PRIMING	308	SENSOR GP-PRESSURE	483
PUMP GP-FUEL TRANSFER	313	SENSOR GP-SPEED	489
SEPARATOR GP-WATER	317	SENSOR GP-TEMPERATURE	494
SHIELD GP-FUEL LINES	318	STARTING MOTOR GP-AIR	497
		STARTING MOTOR GP-ELECTRIC	505
ELECTRICAL AND STARTING SYSTEM	326	STRIP GP-TERMINAL	517
ALTERNATOR GP-CHARGING	326	SUPPORT GP-BATTERY	522
BATTERY CHARGER	339	SWITCH GP-DISCONNECT	523
BATTERY GP	340	SWITCH GP-LIQUID LEVEL	525
BOX AS-CONTROL	343	SWITCH GP-TOGGLE	526
BOX GP-ELECTRONIC	345	THERMOCOUPLE GP	527
BOX GP-EXTENSION TERMINAL	353	TRANSFORMER GP-CURRENT	528
BOX GP-JUNCTION	357	VALVE AS-SOLENOID	530
BRACKET GP-TERMINAL	368	VALVE GP-PRESSURE REDUCING	531
BUS BAR AS	369	WIRING GP-AIR SHUTOFF	532
BUS BAR GP-BOX	371	WIRING GP-ALTERNATOR	534
CABLE AS-COMMUNICATION	375	WIRING GP-ELECTRIC STARTING	535
CONTACTOR GP	375	WIRING GP-ENGINE	536
CONTACTOR-PRESSURE	376	WIRING GP-ENGINE ELECTRONIC	549
CONTACTOR-TEMPERATURE	378	WIRING GP-GENERATOR	557
CONTROL & MTG GP-ENGINE ELEK	380	WIRING GP-INSTRUMENT PANEL	562
CONTROL GP-AIR STARTING	381	WIRING GP-PANEL	563
CONTROL GP-COMMUNICATION	382	WIRING GP-PRELUBRICATION	564
CONTROL GP-ENGINE ELECTRONIC	383	WIRING GP-SENSOR	565
CONTROL GP-VOLTAGE	387	WIRING GP-SHUTOFF	573
CONVERSION GP-WIRING	390		
CONVERTER GP-ELECTRICAL	392	ENCLOSURES, GUARDS AND BASES	574
COVER GP-EXTENSION BOX	393	COVER GP-ENCLOSURE	574
COVER GP-MODULE CONNECTOR	396	COVER GP-GENERATOR	576
DETECTOR GP-OIL MIST	397	MOUNTING GP-RAIL	584
FASTENER GP-WIRING HARNESS	413	MOUNTING GP-VIBRATION	
GROUND GP-ELECTRICAL	414	ISOLATOR	585
HARNESS AS-BOX	416	RAIL GP-ENGINE & GEN SUPPORT	586
HARNESS AS-CONTROL	419	RAIL GP-ENGINE SUPPORT	587
HARNESS AS-ENGINE	420		
HARNESS AS-MOTOR	431	GENERATORS	591
HARNESS AS-PANEL	432	ADAPTER GP-GENERATOR	
HARNESS AS-SENSOR	435	COUPLING	591
HARNESS AS-SOLENOID	445	BRACKET GP-MOUNTING	592

TABLE OF CONTENTS

Name	Page	Name	Page
CONNECTION GP-GENERATOR			
LEADS	594		
EXCITER GP	596		
GENERATOR AR	598		
GENERATOR GP	600		
INSTALLATION AR-GENERATOR	602		
RECTIFIER GP-REVOLVING	603		
REGULATOR AS-VOLTAGE	604		
ROTOR GP-GENERATOR	605		
SCREEN GP-AIR	606		
STATOR GP-MAIN	608		
OPERATOR STATION			
BOARD AS-RELAY	609		
BOX AS-INSTRUMENT	610		
BOX GP-CONTROL PANEL	611		
BOX GP-INSTRUMENT PANEL	614		
CONTROL GP-ENGINE MONITORING	639		
CONTROL GP-GENERATOR SET	643		
CONTROL GP-LOAD SHARE MODULE	647		
COVER GP-CONTROL PANEL	649		
DISPLAY GP-MONITOR	652		
MODULE GP-ALARM	655		
MODULE-EXHAUST TEMPERATURE	656		
MOUNTING GP-CONTROL PANEL	657		
MOUNTING GP-INSTRUMENT PANEL	658		
PANEL GP-CONTROL	660		
PLATE GP-COVER	663		
PYROMETER GP	664		
SERVICE EQUIPMENT AND SUPPLIES			
CHART-PLATE & FILM	665		
FILM GP	666		
KIT-OIL MIST DETECTOR TOOL	666		
KIT-SENSOR POCKET	667		
SHIM PACK	668		
PART NUMBER INDEX			
	B1		

GENERAL INFORMATION

1. ENGINE IDENTIFICATION

Caterpillar engines are identified with Serial Numbers and Arrangement Numbers. In some cases, Modification Numbers are also used. The serial number plate which shows these numbers is mounted on the engine.

Caterpillar dealers need this information to determine which components were included on the engine when it was assembled at the factory. This permits accurate identification of replacement part numbers.

2. ORDERING PARTS

WARNING

When replacement parts are required for this product Caterpillar recommends using Caterpillar replacement parts or parts with equivalent specifications including, but not limited to, physical dimensions, type, strength and material.

Failure to heed this warning can lead to premature failures, product damage, personal injury or death.

Quality Caterpillar replacement parts are available from Caterpillar dealers throughout the world. Their parts inventories are up to date and include all parts normally required to protect your investment in Caterpillar Engines. Dealers may offer repair kits or remanufactured parts to allow selection of the most effective repair alternative for a particular situation. When ordering parts, your order should specify the quantity, part number, part name, and the serial number/product identification number of the engine for which the parts are needed.

3. PARTS MANUAL ORGANIZATION

Product information in this manual is presented as "information elements" that represent all of the components for the specific model. An Engine Arrangement is an example of an information element. The information elements are organized alphabetically by part name and secondarily by part number within each major section of the manual.

4. TABLE OF CONTENTS

A table of contents (TOC) is found at the beginning of the manual. The TOC lists each section of the manual with a complete list of all information elements organized as they appear in the manual. Page numbers are provided for quick reference to detailed parts identification illustrations and serviceable consist lists.

5. MAINTENANCE PARTS INDEX

The Maintenance Parts Index, located near the beginning of the manual, references most frequently used maintenance part numbers, providing description, quantity, usage and page number. This information is organized alphabetically by part description.

6. INDEX

The index located near the front of the manual is an alphabetical listing of all information elements included in the manual. Page numbers are provided for quick reference to detailed parts identification illustrations and serviceable consist lists.

7. PART NUMBER INDEX

A numerical index listing all part numbers and the corresponding page number(s) appears at the back of the manual.

8. CAPTIONS

Captions located at the beginning each information element identify the part number and part name along with additional descriptive information. S/N information found in each caption should be used to select correct information for a specific engine. Field replacement options, identification of optional attachment components, and where used ("part of") information is also provided.

The first line of a caption is shown in larger type font to indicate the beginning of an information element. Captions for additional pages that may be required to illustrate an information element will be shown in standard type font and will include the term (*contd.*) .

9. NON-SERVICED PARTS

In some instances it is necessary to display non-serviced parts that are a link to lower level serviceable consist lists. These non-serviced part numbers are shown in *italic* type indicating that they are not available. All consist lists have not been converted to reflect this enhancement.

GENERAL INFORMATION

10. PARTS LIST REFERENCE NUMBERS

Numbers shown in the Ref No column correspond to numbers used in the associated graphic(s). An alphabetic suffix may be added to a reference number to identify lower level consist items. Numbers shown in the Graphic Ref column refer to the graphic number identifier displayed in the lower left corner of each illustration. The Graphic Ref number may be used in combination with the item Ref No to determine the correct part number. There may be intentional omission of a Ref No in a consist list as information is updated to reflect the latest serviceable part numbers.

11. INDENTED PART NAMES

When a part name is indented in a parts list, it is part of (included in) the group or assembly under which it is indented.

12. ILLUSTRATION REFERENCE LETTERS

When necessary, illustrations contain reference letters (A, B, C etc.) that are intended to track lines and harnesses from one point to another. They are also used to show where to reconnect illustrations that have been separated.

13. ABBREVIATIONS AND SYMBOLS

O.D. – Outside Diameter
I.D. – Inside Diameter
A – Not Part Of This Group
B – Use As Required
C – Change From Previous Type
D – Order By The Meter
E – Order By The Centimeter
F – Not Shown
G – Order By The Inch
I – Refer To Hydraulic Information System
M – Metric Part
R – Remfg Part May Be Available
Y – Separate Illustration
Z – Not Serviced Separately



14. DESCRIPTION OF TYPE CHANGES

Type - A type is defined as any configuration change that requires an additional Information Element for an Arrangement, Group, or Assembly. If serial number breaks for types are not available, a type # (Type 1, Type 2, etc.) will be displayed in the caption. These "type" changes are identified with a "C" note (change from previous type) in the Parts List. Only the "types" that apply to this Parts Manual will be included. Additional types may exist causing "C" notes to appear on an Information Element when no other types are shown.

15. <END>

This symbol indicates the end of an information element.

NOTE:

Continuing improvement and advancement of product design may cause changes to your engine which may not be included in this publication. Whenever a question arises regarding your Caterpillar product or this publication, please consult your Caterpillar dealer for the latest available information.

REPAIR ALTERNATIVES

REMANUFACTURED COMPONENTS

As an option when making repairs consider Caterpillar Remanufactured Components. Components that are available through the Caterpillar Remanufactured Program are identified three ways in the parts book:

- with the letter R in the note field of the parts list
- with an R* at the beginning of the first line of the caption
- with an *R at the end of the first line of the caption

Typical components included in the Remanufacturing Program include:

ALTERNATORS
CONNECTING RODS
CRANKSHAFTS - UNDERSIZE
CRANKSHAFTS - UPGRADE TO NEW
CYLINDER HEADS
ELECTRONIC CONTROL MODULES (ECM)
ELECTRONIC SENSORS
FUEL INJECTORS
FUEL NOZZLES
FUEL PUMPS
GOVERNORS
OIL PUMPS
PISTONS
SHORT BLOCKS
STARTERS
TURBOCHARGERS - COMPLETE
TURBOCHARGER CARTRIDGES
WATER PUMPS

Caterpillar Remanufactured engines for many engine arrangements are also available.

SUPPLEMENTAL COOLANT ADDITIVES

CUSTOMER BENEFITS:

Protects against cavitation, foam, erosion, corrosion, and scale buildup in cooling systems.

- Provides measured coolant conditioner.

DESCRIPTION:

Additives deplete from the coolant with normal operation. For this reason, Supplemental Coolant Additives (SCA) must be added to all heavy duty coolants at regular intervals. In addition, when not using a fully formulated, pre-charged antifreeze, like Caterpillar's DEAC, an initial charge of SCA must be added to the cooling system. The amount of SCA added to the system is dependent on the capacity of the system.

The SCA for initial fill is provided as a liquid. SCA's for maintenance intervals are available in liquid form and as a spin-on element. (No Spin-on available for 3600 Family of Engines)

NOTE:

The amount of SCA added at initial fill is not the same as the amount added at maintenance intervals.

The coolant additive elements can be used with any ethylene or propylene glycol type antifreeze which meets ASTM D4985 or ASTM D5345 Specifications.

NOTE:

For use with standard heavy duty coolant only, not for use with Extended Life Coolant.

PARTS NEEDED:

Cooling System Capacity		Liquid SCA at Initial Fill	Liquid SCA at Maintenance*	Spin-on SCA Maintenance Element*
Liters	Gallons			
22-30	(6-8)	3P-2044 (1)	6V-3542 (1)	111-2370 (1)
30-38	(8-10)	3P-2044 (1) 6V-3542 (1)	111-2372 (1)	111-2369 (1)
38-49	(10-13)	3P-2044 (1) 8T-1589 (1)	111-2372 (1)	111-2369 (1)
49-64	(13-17)	3P-2044 (2)	8T-1589 (1)	9N-3368 (1)
64-83	(17-22)	3P-2044 (2) 8T-1589 (1)	111-2372 (1) 6V-3542 (1)	111-2371 (1)
83-114	(22-30)	3P-2044 (3) 8T-1589 (1)	3P-2044 (1)	9N-3718 (1)
114-163	(30-43)	3P-2044 (5)	3P-2044 (1) 6V-3542 (1)	111-2371 (2)
163-242	(43-64)	3P-2044 (8)	3P-2044 (2)	9N-3718 (2)

* Normal maintenance period is 250 hrs. See your Operation and Maintenance Manual for complete coolant maintenance instructions.

() Indicates quantity required.

MAINTENANCE PARTS

DESCRIPTION	PART NUMBER	QTY	WHERE USED	PAGE
AIR INLET AND EXHAUST SYSTEM				
FILTER ELEMENT AS-AIR (PRIMARY)	208 - 9065	1	AIR CLEANER GP	231
		1	AIR CLEANER GP	233
		1	AIR CLEANER GP	235
	226 - 2779	1	AIR CLEANER GP	232
		1	AIR CLEANER GP	234
		1	AIR CLEANER GP	236
BASIC ENGINE				
BELT-SERPENTINE (ALTERNATOR)	141 - 7116	1	MOUNTING GP-ALTERNATOR	75
PLUG-OIL DRAIN (PAN)	4B - 2363	2	PAN GP-OIL	81
SCREEN AS-SUCTION (OIL PAN)	1W - 1564	1	PAN GP-OIL	81
SEAL-VALVE COVER (BASE)	272 - 0760	1	COVER GP-VALVE MECHANISM	18
		1	COVER GP-VALVE MECHANISM	19
COOLING SYSTEM				
CAP-PRESSURE (14-PSI) (EXPANSION TANK)	127 - 8660	1	TANK GP-EXPANSION	221
		1	TANK GP-EXPANSION	223
KIT-RADIATOR CAP (EXPANSION TANK)	294 - 9052	1	TANK GP-EXPANSION	221
		1	TANK GP-EXPANSION	223
		1	TANK GP-EXPANSION	223
	295 - 5458		TANK GP-EXPANSION	221
			TANK GP-EXPANSION	223
PLUG-DRAIN (AUXILIARY SEA WATER PUMP)	3F - 1358	1	PUMP GP-AUXILIARY SEA WATER	205
REGULATOR-TEMPERATURE (30-DEG C) (WATER)	219 - 3240	2	HOUSING & REGULATOR GP	168
REGULATOR-TEMPERATURE (92-DEG C)	248 - 5513	4	HOUSING & REGULATOR GP	167
ROD AS-ZINC (HEAT EXCHANGER)	116 - 7011	2	LINES GP-WATER	181
ROD-ZINC (AUXILIARY SEA WATER PUMP)	6L - 2280	1	PUMP GP-AUXILIARY SEA WATER	194
		1	PUMP GP-AUXILIARY SEA WATER	196
		1	PUMP GP-AUXILIARY SEA WATER	203
SEAL-LIP TYPE (WATER TEMPERATURE REGULATOR)	3S - 9643	4	HOUSING & REGULATOR GP	167
		2	HOUSING & REGULATOR GP	168

MAINTENANCE PARTS

DESCRIPTION	PART NUMBER	QTY	WHERE USED	PAGE
ELECTRICAL AND STARTING SYSTEM				
BATTERY (12-VOLT) (DRY)	9X-9720	2	BATTERY GP	340
BREATHER (EXHAUST BYPASS) (ATMOSPHERIC AIR)	9G-5127	1	WIRING GP-ENGINE	540
		1	WIRING GP-ENGINE	544
CIRCUIT BREAKER (10-AMPERE)	307-2056	1	STRIP GP-TERMINAL	517
CIRCUIT BREAKER AS (10-AMPERE)	128-8065	1	STRIP GP-TERMINAL	517
CIRCUIT BREAKER AS (20-AMPERE, DOUBLE POLE)	231-9866	3	BOX GP-JUNCTION	359
		3	BOX GP-JUNCTION	362
CIRCUIT BREAKER AS (40-AMPERE, DOUBLE POLE)	231-9864	1	BOX GP-JUNCTION	359
		1	BOX GP-JUNCTION	362
CIRCUIT BREAKER AS (70-AMPERE, DOUBLE POLE)	231-9863	1	BOX GP-JUNCTION	359
		1	BOX GP-JUNCTION	362
FUSE (0.5-AMPERE)	272-5835	3	STRIP GP-TERMINAL	517
FUSE (10-AMPERE)	155-8755	3	STRIP GP-TERMINAL	517
FUSE (2-AMPERE)	8D-8724	1	STRIP GP-TERMINAL	519
KEY (BATTERY DISCONNECT)	8H-5306	1	SWITCH GP-DISCONNECT	523
SCREEN-STRAINER (PRESSURE REDUCING VALVE)	252-9298	1	VALVE GP-PRESSURE REDUCING	531
FUEL SYSTEM				
FILTER ELEMENT-FUEL (ADVANCED EFFICIENCY)	1R-0756	5	FILTER GP-FUEL	293
		5	FILTER GP-FUEL	295
		7	FILTER GP-FUEL	297
FILTER ELEMENT-FUEL (PRIMARY)	9M-2342	1	FILTER GP-PRIMARY FUEL	299
FILTER ELEMENT-FUEL (WATER SEPARATOR)	134-6307	2	SEPARATOR GP-WATER	317
GASKET (FUEL FILTER)	9Y-8389	1	FILTER GP-FUEL	293
		1	FILTER GP-FUEL	295
		1	FILTER GP-FUEL	297
GASKET (FUEL PRIMING PUMP)	9Y-8389	1	PUMP GP-FUEL PRIMING	308

MAINTENANCE PARTS

DESCRIPTION	PART NUMBER	QTY	WHERE USED	PAGE
LUBRICATION SYSTEM				
BREATHER AS (CHROME) (CRANKCASE)	126-0577	1	BREATHER GP	106
BREATHER AS (CRANKCASE)	4W-3027	6	BREATHER GP	107
CAP AS-ENGINE OIL FILLER	128-5988	1	FILLER GP-ENGINE OIL	111
	262-6104	1	FILLER GP-ENGINE OIL	110
ELEMENT-BREATHER (FUMES DISPOSAL)	275-2276	1	FILTER GP-FUMES	125
		1	FILTER GP-FUMES	126
FILTER ELEMENT AS-ENGINE OIL (STANDARD EFFICIENCY)	1R-0726	3	FILTER GP-ENGINE OIL	115
		4	FILTER GP-ENGINE OIL	117
		3	FILTER GP-ENGINE OIL	122
SCREEN AS-SUCTION (ENGINE OIL PAN)	7C-4716	1	CONNECTION GP-OIL	109
SEAL-VALVE COVER (BREATHER)	272-0760	1	BREATHER GP	106
		6	BREATHER GP	107
SEAL-VALVE COVER (OIL FILLER)	272-0760	1	FILLER GP-ENGINE OIL	110
		1	FILLER GP-ENGINE OIL	111
STRAINER AS (PRELUBRICATION PUMP)	2G-6304	1	PUMP GP-PRELUBRICATION	149
OPERATOR STATION				
FUSE (1-AMPERE)	8K-4644	10	BOARD AS-RELAY	609
FUSE (10-AMPERE)	3K-8782	10	CONTROL GP-ENGINE MONITORING	639
LAMP-LED (24-VOLT, RED)	125-9955	2	BOX GP-INSTRUMENT PANEL	614
		2	BOX GP-INSTRUMENT PANEL	626
		2	BOX GP-INSTRUMENT PANEL	630
		2	BOX GP-INSTRUMENT PANEL	634
LAMP-LED (24-VOLT, RED) (OVERSPEED)	125-9955	2	BOX GP-INSTRUMENT PANEL	618
		2	BOX GP-INSTRUMENT PANEL	622

INDEX

Name	Page	Name	Page
A			
ADAPTER GP-AIR CLEANER	227	BOX GP-JUNCTION- CUSTOMER INTERFACE	358
	228	BOX GP-JUNCTION-POWER DISTRIBUTION	359
	229		362
ADAPTER GP-GENERATOR COUPLING	591	BOX GP-JUNCTION-PRELUBRICATION	357
AFTERCOOLER GP-WATER	230	BRACKET GP-MOUNTING-DRIVE END	593
AIR CLEANER GP	231	BRACKET GP-MOUNTING- OPPOSITE DRIVE END	592
	232	BRACKET GP-TERMINAL	368
	233	BREATHER (EXHAUST BYPASS) (ATMOSPHERIC AIR)	540
	234		544
	235	BREATHER AS (CHROME) (CRANKCASE)	106
	236	BREATHER AS (CRANKCASE)	107
ALTERNATOR GP-CHARGING	326	BREATHER GP	107
	329	BREATHER GP-CRANKCASE	106
	332	BUS BAR AS-LOWER	370
	333	BUS BAR AS-UPPER	369
	335	BUS BAR GP-BOX-SIDE EXTENSION	371
	337		373
B			
BARRING GP-RH	5		
BASE GP-VALVE COVER-ROCKER ARM	6		
BATTERY (12-VOLT) (DRY)	340	CABLE AS-COMMUNICATION	375
BATTERY CHARGER	339	CAMSHAFT GP	7
BATTERY GP	340	CAP AS-ENGINE OIL FILLER	110
	341		111
	341	CAP-PRESSURE (14-PSI) (EXPANSION TANK)	221
BATTERY GP (12-VOLT) (DRY)	341		223
BATTERY GP-DRY	342	CARTRIDGE GP-TURBOCHARGER	287
BELT-SERPENTINE (ALTERNATOR)	75	CHART-PLATE & FILM	665
BOARD AS-RELAY	609	CIRCUIT BREAKER (10-AMPERE)	517
BOX AS-CONTROL	343	CIRCUIT BREAKER AS (10-AMPERE)	517
	344	CIRCUIT BREAKER AS (20-AMPERE, DOUBLE POLE)	359
BOX AS-INSTRUMENT	610		362
BOX GP-CONTROL PANEL	611	CIRCUIT BREAKER AS (40-AMPERE, DOUBLE POLE)	359
	612		362
BOX GP-ELECTRONIC	345	CIRCUIT BREAKER AS (70-AMPERE, DOUBLE POLE)	359
	349		362
BOX GP-EXTENSION TERMINAL	355	CONNECTION GP-EXPANSION TANK- AUXILIARY	160
	356	CONNECTION GP-GENERATOR LEADS- EXTENSION BOX, LH, RH, REAR	594
BOX GP-EXTENSION TERMINAL-SIDE	353	CONNECTION GP-OIL	109
	354	CONNECTION GP-WATER-INLET	161
BOX GP-INSTRUMENT PANEL	614	CONNECTION GP-WATER-INLET, LH	163
	618	CONNECTION GP-WATER-INLET, RH	162
	622	CONTACTOR GP	375
BOX GP-INSTRUMENT PANEL- PYROMETER	626	CONTACTOR-PRESSURE	376
	630		377
	634	CONTACTOR-TEMPERATURE-COOLANT	378
BOX GP-JUNCTION	364		
	365		
	366		
	367		
C			

INDEX

Name	Page	Name	Page
E			
ELBOW-EXHAUST	238	FILTER ELEMENT AS-ENGINE OIL (STANDARD EFFICIENCY)	115
	239		117
	240		122
ELBOW-PIPE	57	FILTER ELEMENT-FUEL (ADVANCED EFFICIENCY)	293
ELEMENT-BREATHER (FUMES DISPOSAL)	125		295
	126		297
ENGINE AR	1	FILTER ELEMENT-FUEL (PRIMARY)	299
	3	FILTER ELEMENT-FUEL (WATER SEPARATOR)	317
EXCITER GP-PERMANENT MAGNET	597	FILTER GP-CENTRIFUGAL	112
EXCITER GP-POWER	596		113
F			
FASTENER GP-CYLINDER HEAD	37	FILTER GP-ENGINE OIL-DUPLEX	117
	38	FILTER GP-ENGINE OIL-LH	122
FASTENER GP-WIRING HARNESS- MEDIUM VOLTAGE	413	FILTER GP-ENGINE OIL-RH	115
FILLER GP-ENGINE OIL	110	FILTER GP-FUEL	297
	111	FILTER GP-FUEL-LH	295
FILM (FUSE BLOCK)	517	FILTER GP-FUEL-RH	293
FILM (TERMINAL STRIP)	371	FILTER GP-FUMES	125
	373		126
FILM GP	666	FILTER GP-FUMES DISPOSAL	127
FILM-CERTIFICATION (EMCP 3)	646	FILTER GP-PRIMARY FUEL	299
FILM-CONTROL PANEL (EMCP II, PRCM)	640	FITTING GP-EXHAUST	241
FILM-CONTROL PANEL (STOP, STARTING AID, SPEED)	660		242
FILM-IDENTIFICATION (10-AMPERE FUSE)	639	FITTING GP-EXHAUST-FLEXIBLE	243
FILM-IDENTIFICATION (CAT)	660	FLANGE GP-EXHAUST	244
FILM-IDENTIFICATION (CATERPILLAR)	392		245
FILM-IDENTIFICATION (EMCP 3.3)	660		246
FILM-IDENTIFICATION (POWER DISTRIBUTION)	360	FLYWHEEL GP	58
FILM-IDENTIFICATION (SERVICE CONNECTOR)	345	FUMES DISPOSAL GP	129
	349	FUSE (0.5-AMPERE)	517
FILM-IDENTIFICATION (WIRE)	345	FUSE (1-AMPERE)	609
	349	FUSE (10-AMPERE)	517
	434		639
FILM-INFORMATION (EMCP II, PRCM)	640	FUSE (2-AMPERE)	519
FILM-INFORMATION (GENERATOR GROUND)	414	G	
FILM-WARNING (CSA CONTROL PANEL APPROVAL)	382	GASKET (FUEL FILTER)	293
FILM-WARNING (SHOCK, ELECTROCUTION HAZARD)	604		295
	645		297
FILTER ELEMENT AS-AIR (PRIMARY)	231	GASKET (FUEL PRIMING PUMP)	308
	232	GAUGE AS-OIL LEVEL (DIPSTICK) (DEEP SUMP)	131
	233	GAUGE GP-OIL LEVEL (DIPSTICK)- DEEP SUMP	131
	234	GEAR GP-FRONT-STANDARD ROTATION	59
	235	GEAR GP-REAR	61
	236	GENERATOR AR	598
		GENERATOR GP	600
			601
		GROUND GP-ELECTRICAL	414
		GUARD GP-BELT-ALTERNATOR	63
			64

INDEX

Name	Page	Name	Page
	65	HARNES AS-PANEL (HEATER).....	345
GUARD GP-COUPLING-FLYWHEEL	66		349
GUARD GP-DAMPER	67	HARNES AS-PANEL (INTERFACE)	
	68	(EMCP 3, EUI).....	660
	69	HARNES AS-PANEL	
	70	(MARINE POWER DISPLAY).....	614
	71		618
			626
			630
H			
HARNES AS-BOX	359	HARNES AS-PANEL	
	362	(MARINE POWER DISPLAY, EXT).....	550
HARNES AS-BOX (INTERCONNECT)	364		551
	365	HARNES AS-PANEL (POWER MODULE)	622
	366		635
HARNES AS-BOX-INTERCONNECT	416	HARNES AS-PANEL (SPEED CONTROL)	291
	417	HARNES AS-PANEL (START SELECTOR)	562
	418	HARNES AS-PANEL-INTERFACE	434
HARNES AS-CONTROL		HARNES AS-PANEL-	
(LOAD SHARE MODULE)	647	MARINE POWER DISPLAY, EXTENSION	433
HARNES AS-CONTROL-PL1000E	419	HARNES AS-PANEL-SPEED CONTROL	432
HARNES AS-CONTROL-PL1000T	419	HARNES AS-POWER	359
HARNES AS-ENGINE	424		362
HARNES AS-ENGINE (AIR SHUTOFF)	532	HARNES AS-SENSOR	
HARNES AS-ENGINE (ALTERNATOR)	534	(ENGINE OIL TEMPERATURE).....	565
HARNES AS-ENGINE (EXTENSION).....	554	HARNES AS-SENSOR	
	555	(MANIFOLD AIR TEMPERATURE).....	566
HARNES AS-ENGINE (EXTENSION)		HARNES AS-SENSOR	
(30-METER)	367	(OIL FILTER, FUEL FILTER)	570
HARNES AS-ENGINE (LH)	540	HARNES AS-SENSOR	
	544	(OIL, FUEL PRESSURE).....	567
HARNES AS-ENGINE			568
(MARINE POWER DISPLAY).....	536	HARNES AS-SENSOR	
	549	(OIL, FUEL PRESSURE, LH SERVICE).....	572
	556	HARNES AS-SENSOR	
	563	(THERMOCOUPLE EXTENSION, LH)	553
HARNES AS-ENGINE		HARNES AS-SENSOR (THERMOCOUPLE) ...	551
(MARINE POWER DISPLAY, EXT)	552		553
	553		555
HARNES AS-ENGINE (PRELUBRICATION)	564		626
HARNES AS-ENGINE (RH)	540		630
	548		634
HARNES AS-ENGINE-AIR SHUTOFF	421	HARNES AS-SENSOR	
HARNES AS-ENGINE-LH	425	(THERMOCOUPLE, LH)	536
HARNES AS-ENGINE-			563
MARINE POWER DISPLAY	422	HARNES AS-SENSOR	
	423	(THERMOCOUPLE, RH)	536
HARNES AS-ENGINE-PRELUBRICATION	420		563
HARNES AS-ENGINE-RH	428	HARNES AS-SENSOR-	
HARNES AS-MOTOR (ENGINE START)	535	OIL, FUEL PRESSURE	445
HARNES AS-MOTOR-ENGINE START	431	HARNES AS-SENSOR-	
HARNES AS-PANEL (AC, DC INTERFACE)	345	OIL, FUEL PRESSURE, LH SERVICE	435
	349	HARNES AS-SENSOR-THERMOCOUPLE	436
HARNES AS-PANEL (DATA LINK)	345		439
	349		440
			441

INDEX

Name	Page	Name	Page
SENSOR & MTG GP-EXPANSION TANK– COOLANT LEVEL	479	SENSOR GP-SPEED	489
SENSOR AS-SPEED (TIMING CALIBRATION) ...	540		490
	544		491
SENSOR GP-EXHAUST TEMPERATURE	480		492
	481	SENSOR GP-SPEED (ENGINE)	493
SENSOR GP-EXHAUST TEMPERATURE (LH)	540		540
	544	SENSOR GP-SPEED (PRIMARY, TIMING)	544
SENSOR GP-EXHAUST TEMPERATURE (RH)	540		544
	544	SENSOR GP-SPEED (TIMING)	540
SENSOR GP-LIQUID LEVEL	479		544
	482	SENSOR GP-TEMPERATURE	494
SENSOR GP-PRESSURE	483	SENSOR GP-TEMPERATURE (AFTERCOOLER COOLANT)	540
	484		544
	485	SENSOR GP-TEMPERATURE (AIR INLET)	566
	486	SENSOR GP-TEMPERATURE (COOLANT)	495
	487	SENSOR GP-TEMPERATURE (CYLINDER EXHAUST)	527
	488	SENSOR GP-TEMPERATURE (ENGINE COOLANT)	540
SENSOR GP-PRESSURE (ATMOSPHERIC) ...	540		544
	544	SENSOR GP-TEMPERATURE (ENGINE OIL) ...	496
SENSOR GP-PRESSURE (CRANKCASE PRESSURE)	486		565
SENSOR GP-PRESSURE (CRANKCASE)	540	SENSOR GP-TEMPERATURE–COOLANT	495
	544	SENSOR GP-TEMPERATURE–ENGINE OIL	496
SENSOR GP-PRESSURE (ENGINE OIL, FUEL)	488	SEPARATOR GP-AIR	218
SENSOR GP-PRESSURE (FILTERED FUEL) ...	567	SEPARATOR GP-WATER– PRIMARY FUEL FILTER	317
	568	SHAFT GP-AUXILIARY DRIVE– LOWER FRONT, LH	91
	570	SHAFT GP-AUXILIARY DRIVE– UPPER FRONT, LH	97
	572	SHAFT GP-AUXILIARY DRIVE– UPPER FRONT, RH	93
SENSOR GP-PRESSURE (FILTERED OIL)	567	SHAFT GP-AUXILIARY DRIVE– UPPER REAR, LH	95
	568	SHAFT GP-STUB–FRONT	99
	570	SHIELD GP-ENGINE OIL LINES	155
	572		156
SENSOR GP-PRESSURE (TURBOCHARGER INLET, LH)	540		157
	544	SHIELD GP-FUEL LINES	320
SENSOR GP-PRESSURE (TURBOCHARGER INLET, RH)	540		321
	544	SHIELD GP-FUEL LINES–FUEL MANIFOLD ...	324
SENSOR GP-PRESSURE (TURBOCHARGER OUTLET)	487	SHIELD GP-FUEL LINES– FUEL PRIMING PUMP	318
	540	SHIELD GP-FUEL LINES–FUEL RETURN	325
	544	SHIELD GP-HEAT–EXHAUST	269
SENSOR GP-PRESSURE (UNFILTERED FUEL)	567		271
	568	SHIELD GP-HEAT–EXHAUST MANIFOLD	272
	570	SHIELD GP-TURBOCHARGER	273
	572		274
SENSOR GP-PRESSURE (UNFILTERED OIL) ...	567	SHIM PACK	668
	568	SHUTOFF AS-AIR–INLET	275
	570	SHUTOFF GP-AIR–INLET	276
	572		

INDEX

Name	Page	Name	Page
SHUTOFF GP-AIR-LH	279		630
	282		634
SHUTOFF GP-AIR-RH	278	SWITCH AS-TOGGLE	
	280	(ENGINE PROTECTION OVERRIDE)	615
SOLENOID AS (AIR SHUTOFF)	278		619
	279		623
SOLENOID AS-STARTING MOTOR (24-VOLT) ...	506		627
	515		631
STARTING MOTOR GP-AIR	497	SWITCH AS-TOGGLE (LOW IDLE)	615
	501		619
STARTING MOTOR GP-AIR-MOUNTED, LH	499		623
	503		627
STARTING MOTOR GP-ELECTRIC	505		631
	510		635
	512	SWITCH GP-COOLANT LEVEL	220
	514	SWITCH GP-DISCONNECT-BATTERY	523
STARTING MOTOR GP-ELECTRIC-DUAL	508		524
	509	SWITCH GP-LIQUID LEVEL	525
STATOR GP-MAIN	608	SWITCH GP-TOGGLE	526
STRAINER AS (PRELUBRICATION PUMP)	149	SWITCH GP-TOGGLE (CRANK OVERRIDE)	615
STRIP GP-TERMINAL-AC	517		619
STRIP GP-TERMINAL-DC	519		623
STRIP GP-TERMINAL-LOAD SHARE	521		627
STRIP GP-TERMINAL-SWITCHGEAR	520		631
SUPPORT GP-BATTERY	522		635
SWITCH	622	SWITCH GP-TOGGLE	
SWITCH (OVERSPEED)	614	(PRELUBRICATION OVERRIDE)	615
	618		619
	626		623
	630		627
	634		631
SWITCH AS-LIMIT (AIR SHUTOFF)	276		635
SWITCH AS-MAGNETIC (24-VOLT)		SWITCH-LIQUID LEVEL (COOLANT)	220
(AIR SHUTOFF)	359		
	362		
SWITCH AS-MAGNETIC (24-VOLT)			
(PRELUBRICATION PUMP)	359		
	362		
SWITCH AS-MAGNETIC (24-VOLT)			
(STARTING MOTOR)	359		
	362		
SWITCH AS-PRESSURE			
(PRELUBRICATION)	357		
SWITCH AS-PUSH BUTTON			
(EMERGENCY STOP)	573		
	614		
	618		
	622		
	626		
	630		
	634		
SWITCH AS-ROTARY (ENGINE CONTROL)	614		
	618		
	622		
	626		

T

TANK GP-EXPANSION	221
	223
THERMOCOUPLE GP	527
TRANSFORMER GP-CURRENT	528
TRANSFORMER GP-CURRENT-	
MEDIUM VOLTAGE	529
TURBOCHARGER GP	284
	285
	286
	287

V

VALVE AS-SOLENOID-AIR START	530
VALVE GP-AIR CONTROL-RH	288
VALVE GP-CHECK-	
AUXILIARY WATER PUMP	226
VALVE GP-EXPLOSION RELIEF	100

INDEX

Name	Page	Name	Page
	101		
VALVE GP-FLUID CONTROL-DUPLEX OIL	159		
VALVE GP-PRESSURE REDUCING-RH	531		
VALVE GP-RELAY (AIR STARTING MOTOR)	499		
	503		
VALVE MECHANISM GP	102		
	104		
W			
WIRING GP-AIR SHUTOFF	532		
WIRING GP-ALTERNATOR	534		
WIRING GP-ELECTRIC STARTING	535		
WIRING GP-ENGINE	540		
	544		
	548		
WIRING GP-ENGINE ELECTRONIC- MARINE POWER DISPLAY	549		
	556		
WIRING GP-ENGINE ELECTRONIC- MARINE POWER DISPLAY, EXT	550		
	551		
	552		
	553		
	554		
	555		
WIRING GP-ENGINE-INTERCONNECT	538		
WIRING GP-ENGINE- MARINE POWER DISPLAY	536		
WIRING GP-GENERATOR- CURRENT TRANSFORMER	561		
WIRING GP-GENERATOR-MAIN	557		
WIRING GP-GENERATOR- VOLTAGE SENSING	559		
WIRING GP-INSTRUMENT PANEL- START SELECTOR	562		
WIRING GP-PANEL- MARINE POWER DISPLAY	563		
WIRING GP-PRELUBRICATION	564		
WIRING GP-SENSOR- ENGINE OIL TEMPERATURE	565		
WIRING GP-SENSOR- MANIFOLD AIR TEMPERATURE	566		
WIRING GP-SENSOR- OIL, FUEL PRESSURE, LH SERVICE	568		
	570		
	572		
WIRING GP-SENSOR- OIL, FUEL PRESSURE, RH SERVICE	567		
WIRING GP-SHUTOFF-EMERGENCY STOP	573		

ENGINE ARRANGEMENT

277-2930 ENGINE AR

RATED SPEED 1800-RPM

SMCS - 1000

i03886270

NOTE	PART NUMBER	QTY	PART NAME						SEE PAGE
			1	2	3	4	5	6 (PRODUCT LEVEL)	
Y	255-2288	1	AFTERCOOLER GP-WATER						230
Y	284-4153	1	BREATHER GP (CRANKCASE)						107
Y	273-5713	1	CAMSHAFT GP						7
Y	8N-8993	1	CONNECTION GP-WATER (INLET, LH)						163
Y	220-2677	1	CONTROL & MTG GP-ENGINE ELEK (PRIMARY)						380
Y	312-6192	1	COOLER GP-ENGINE OIL						164
Y	271-7785	1	COVER GP-CYLINDER BLOCK (CENTRAL STRUCTURE)						12
Y	285-5929	1	COVER GP-FLYWHEEL HOUSING						14
Y	107-0278	1	COVER GP-FRONT HOUSING						16
Y	101-0831	9	COVER GP-VALVE MECHANISM						18
Y	161-6928	1	CRANKSHAFT GP						20
Y	240-6653	1	CYLINDER BLOCK GP						27
Y	299-3521	16	CYLINDER HEAD GP						37
Y	248-0197	1	DAMPER GP						43
Y	308-3565	1	DRIVE GP-AUXILIARY (LOWER, LH)						54
Y	112-6033	1	FILLER GP-ENGINE OIL						110
Y	112-4921	1	FILTER GP-ENGINE OIL (RH)						115
Y	7W-9741	1	FILTER GP-FUEL (RH)						293
Y	7N-4851	1	FLYWHEEL GP						58
Y	7C-9784	1	GAUGE GP-OIL LEVEL (DIPSTICK) (DEEP SUMP)						131
Y	8N-7174	1	GEAR GP-FRONT						59
Y	175-5203	1	GEAR GP-REAR						61
Y	8N-7643	1	HOUSING & REGULATOR GP (INLET CONTROL)						167
Y	101-1269	1	HOUSING GP-FLYWHEEL						72
Y	4P-5426	1	HOUSING GP-FRONT (ACCESSORY DRIVE)						73
Y	7E-6872	1	LIFTING GP-ENGINE						74
Y	282-4176	1	LINES GP-AIR						247
Y	312-6298	1	LINES GP-ENGINE OIL						136
Y	240-0031	1	LINES GP-FUEL INJECTION						302
Y	282-4201	1	LINES GP-TURBOCHARGER OIL						144
Y	107-0474	1	LINES GP-WATER (UPPER)						169
			S/N: JTS1-101						
Y	261-7697	1	LINES GP-WATER (UPPER)						173
			S/N: JTS102-UP						
Y	210-2575	1	LINES GP-WATER (LOWER)						171
Y	308-6816	1	LINES GP-WATER (TURBOCHARGER)						186
Y	289-2089	1	LINES GP-WATER (AFTERCOOLER)						177
Y	282-4180	1	MANIFOLD GP-EXHAUST						256
Y	7C-7178	1	PAN GP-OIL (DEEP SUMP)						80
Y	283-0246	16	PISTON & ROD GP						83
Y	9Y-8909	1	PUMP GP-AUXILIARY WATER						211
			S/N: JTS1-105						
Y	297-6833	1	PUMP GP-AUXILIARY WATER						212
			S/N: JTS106-UP						
Y	231-4915	1	PUMP GP-ENGINE OIL						147
Y	274-0054	16	PUMP GP-FUEL INJECTION						307
Y	207-1349	1	PUMP GP-FUEL TRANSFER (1-SECTION GEAR)						314
Y	2W-9729	1	PUMP GP-WATER						214
Y	7W-3813	1	SEAL GP-CRANKSHAFT						90
Y	305-6259	1	SHIELD GP-HEAT (AIR LINES)						272
Y	270-7277	1	SHIELD GP-HEAT (EXHAUST MANIFOLD)						269
Y	296-0620	1	SHIELD GP-HEAT (EXHAUST) (WRAP)						271
Y	119-7334	1	TANK GP-EXPANSION						221
Y	297-3198	1	TURBOCHARGER GP						284
Y	281-6160	16	VALVE MECHANISM GP						104
			S/N: JTS1-101						

ENGINE ARRANGEMENT

277-2930 ENGINE AR (contd.)

i03886270

NOTE	PART NUMBER	QTY	PART NAME						SEE PAGE
			1	2	3	4	5	6 (PRODUCT LEVEL)	
Y	224-9869	16	VALVE MECHANISM GP						102
			S/N: JTS102-UP						
	303-5956	1	ELECTRONICS GP-ENGINE RATINGS						
			PLEASE USE THE GASKET KIT LINK IN SIS OR CONTACT YOUR LOCAL DEALER FOR THE LATEST GASKET KIT INFORMATION						
Y-SEPARATE ILLUSTRATION									

ENGINE ARRANGEMENT

306-5148 ENGINE AR

RATED SPEED 1800-RPM

SMCS - 1000

i03886275

NOTE	PART NUMBER	QTY	PART NAME						SEE PAGE
			1	2	3	4	5	6 (PRODUCT LEVEL)	
Y	255-2288	1	AFTERCOOLER GP-WATER						230
Y	284-4153	1	BREATHER GP (CRANKCASE)						107
Y	273-5713	1	CAMSHAFT GP						7
Y	8N-8993	1	CONNECTION GP-WATER (INLET, LH)						163
Y	220-2677	1	CONTROL & MTG GP-ENGINE ELEK (PRIMARY)						380
Y	312-6192	1	COOLER GP-ENGINE OIL						164
Y	271-7785	1	COVER GP-CYLINDER BLOCK (CENTRAL STRUCTURE)						12
Y	285-5929	1	COVER GP-FLYWHEEL HOUSING						14
Y	107-0278	1	COVER GP-FRONT HOUSING						16
Y	101-0831	9	COVER GP-VALVE MECHANISM						18
Y	161-6928	1	CRANKSHAFT GP						20
Y	240-6653	1	CYLINDER BLOCK GP						27
Y	299-3521	16	CYLINDER HEAD GP						37
Y	248-0197	1	DAMPER GP						43
Y	308-3565	1	DRIVE GP-AUXILIARY (LOWER, LH)						54
Y	112-6033	1	FILLER GP-ENGINE OIL						110
Y	112-4921	1	FILTER GP-ENGINE OIL (RH)						115
Y	7W-9741	1	FILTER GP-FUEL (RH)						293
Y	7N-4851	1	FLYWHEEL GP						58
Y	7C-9784	1	GAUGE GP-OIL LEVEL (DIPSTICK) (DEEP SUMP)						131
Y	8N-7174	1	GEAR GP-FRONT						59
Y	175-5203	1	GEAR GP-REAR						61
Y	8N-7643	1	HOUSING & REGULATOR GP (INLET CONTROL)						167
Y	101-1269	1	HOUSING GP-FLYWHEEL						72
Y	4P-5426	1	HOUSING GP-FRONT (ACCESSORY DRIVE)						73
Y	7E-6872	1	LIFTING GP-ENGINE						74
Y	282-4176	1	LINES GP-AIR (TURBOCHARGER)						247
Y	312-6298	1	LINES GP-ENGINE OIL						136
Y	240-0031	1	LINES GP-FUEL INJECTION						302
Y	282-4201	1	LINES GP-TURBOCHARGER OIL						144
Y	107-0474	1	LINES GP-WATER (UPPER)						169
			S/N: JTS1-101						
Y	261-7697	1	LINES GP-WATER (UPPER)						173
			S/N: JTS102-UP						
Y	210-2575	1	LINES GP-WATER (LOWER)						171
Y	308-6816	1	LINES GP-WATER (TURBOCHARGER)						186
Y	289-2089	1	LINES GP-WATER (AFTERCOOLER)						177
Y	282-4180	1	MANIFOLD GP-EXHAUST						256
Y	7C-7178	1	PAN GP-OIL (DEEP SUMP)						80
Y	283-0246	16	PISTON & ROD GP						83
Y	9Y-8909	1	PUMP GP-AUXILIARY WATER						211
			S/N: JTS1-107						
Y	297-6833	1	PUMP GP-AUXILIARY WATER						212
			S/N: JTS108-UP						
Y	231-4915	1	PUMP GP-ENGINE OIL						147
Y	274-0054	16	PUMP GP-FUEL INJECTION						307
Y	207-1349	1	PUMP GP-FUEL TRANSFER (1-SECTION GEAR)						314
Y	2W-9729	1	PUMP GP-WATER						214
Y	7W-3813	1	SEAL GP-CRANKSHAFT						90
Y	270-7277	1	SHIELD GP-HEAT (EXHAUST MANIFOLD)						269
Y	296-0620	1	SHIELD GP-HEAT (EXHAUST) (WRAP)						271
Y	305-6259	1	SHIELD GP-HEAT (AIR LINES)						272
			S/N: JTS102-UP						
Y	119-7334	1	TANK GP-EXPANSION						221
Y	297-3198	1	TURBOCHARGER GP						284
Y	281-6160	16	VALVE MECHANISM GP						104
			S/N: JTS1-107						

ENGINE ARRANGEMENT

306-5148 ENGINE AR (contd.)

i03886275

NOTE	PART NUMBER	QTY	PART NAME						SEE PAGE
			1	2	3	4	5	6 (PRODUCT LEVEL)	
Y	224-9869	16	VALVE MECHANISM GP						102
			S/N: JTS108-UP						

PLEASE USE THE GASKET KIT LINK IN SIS OR
CONTACT YOUR LOCAL DEALER FOR THE LATEST
GASKET KIT INFORMATION

Y-SEPARATE ILLUSTRATION

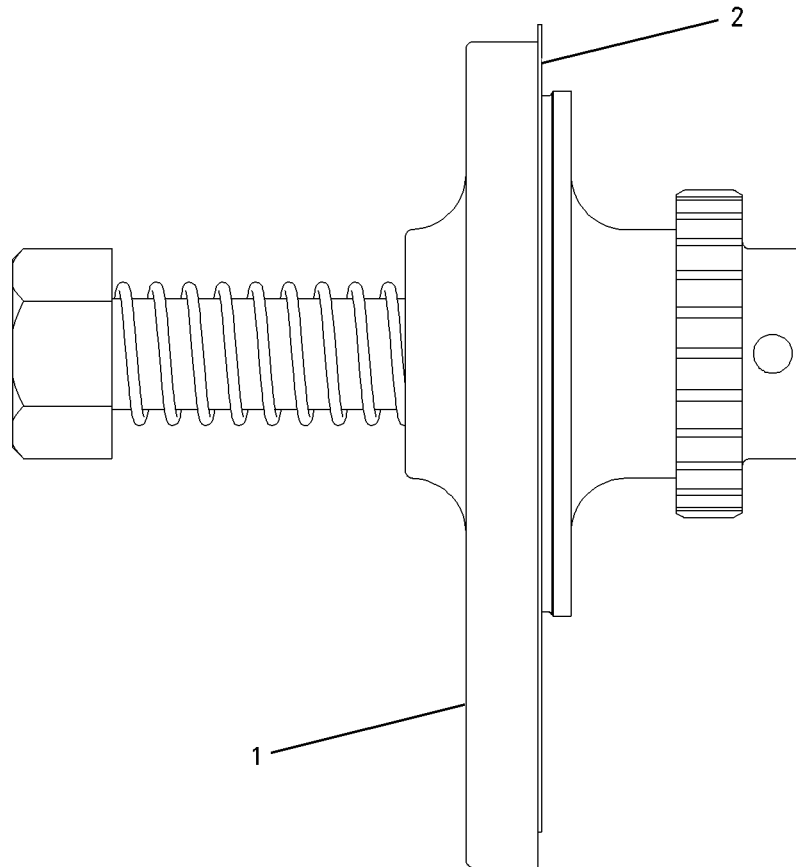
BASIC ENGINE

253-2468 BARRING GP-RH AN ATTACHMENT

SMCS - 1235

i02113355

NOTE	REF NO	GRAPHIC REF	PART NUMBER	QTY	PART NAME						SEE PAGE
					1	2	3	4	5	6 (PRODUCT LEVEL)	
	1	1	3R-1937	1	TOOL - BARRING						
	2	1	4H-7869	1	GASKET						



GRAPHIC #1

<END>

g00824462

BASIC ENGINE

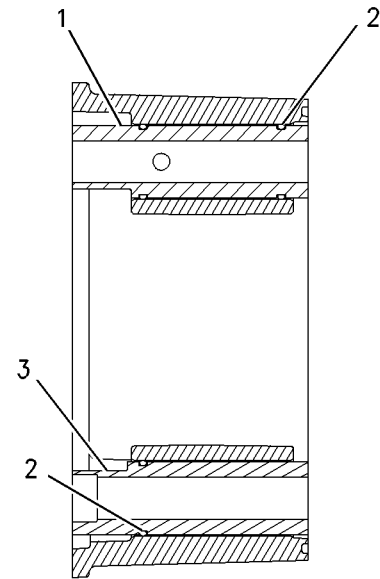
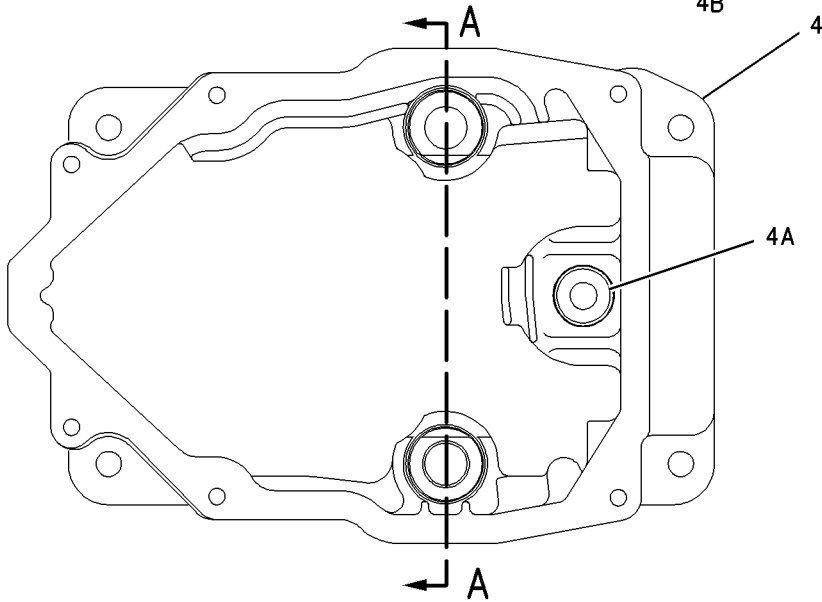
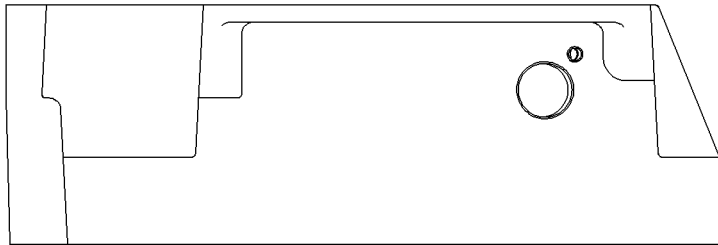
247-8341 BASE GP-VALVE COVER-ROCKER ARM

PART OF 224-9869, 281-6160 VALVE MECHANISM GP

SMCS-1120

i02685870

NOTE	REF NO	GRAPHIC REF	PART NUMBER	QTY	PART NAME						SEE PAGE
					1	2	3	4	5	6 (PRODUCT LEVEL)	
	1	1	119-0839	1	SPACER (17.5X30.94X98-MM)						
	2	1	6V-6228	3	SEAL-O-RING						
	3	1	119-0838	1	SPACER (17.5X30.94X98-MM)						
	4	1	247-8340	1	BASE AS						
	4A	1	120-4339	1	WASHER-SPRING						
	4B	1	261-0195	1	DOWEL-HOLLOW						



SECTION A-A

GRAPHIC #1

<END>

g00842340

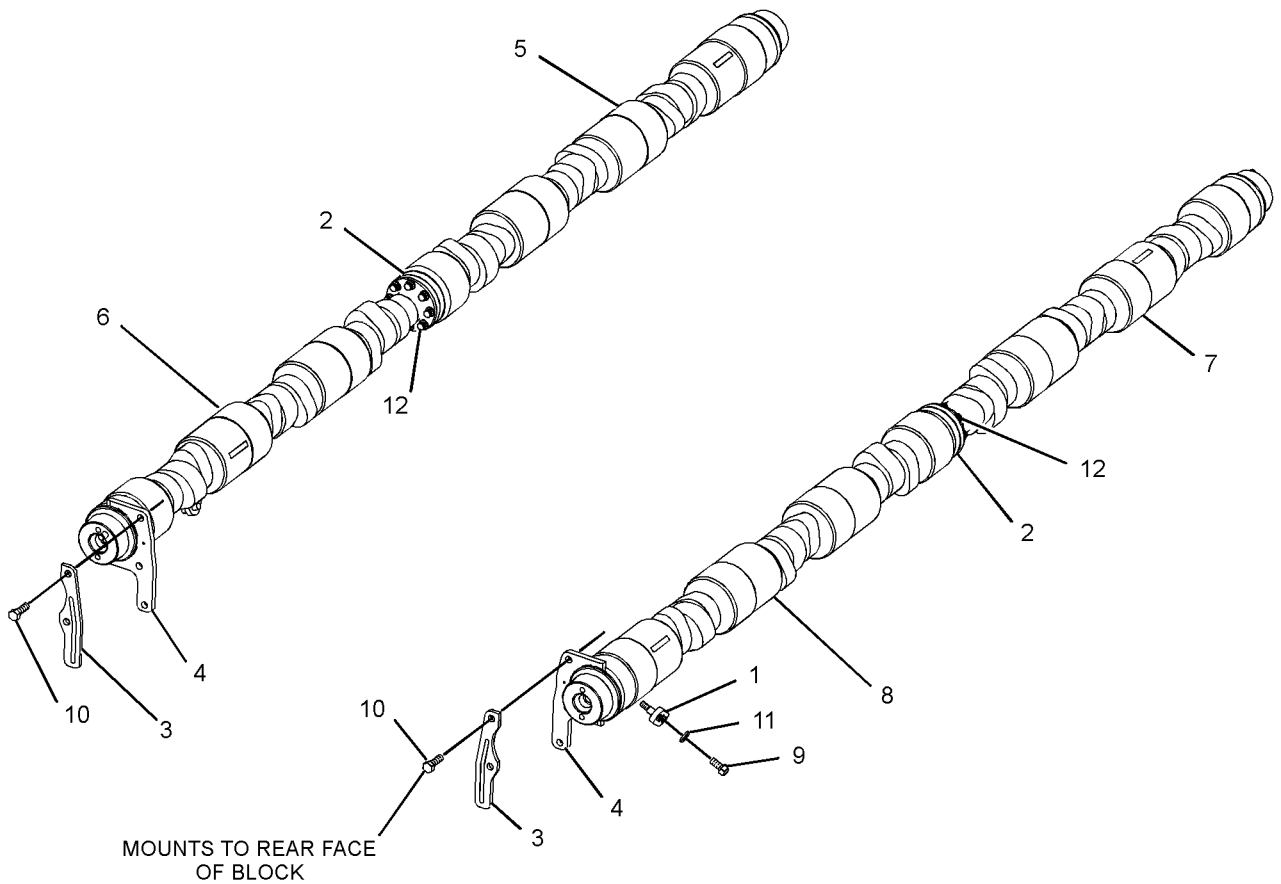
BASIC ENGINE

273-5713 CAMSHAFT GP

SMCS-1210

i02427763

NOTE	REF NO	GRAPHIC REF	PART NUMBER	QTY	PART NAME						SEE PAGE
					1	2	3	4	5	6 (PRODUCT LEVEL)	
	1	1	4W-6664	2	PLATE AS-TIMING						
	2	1	7N-3216	2	SPACER (35.035X84X12-MM THK)						
	3	1	117-9308	2	PLATE						
	4	1	128-5993	2	WASHER-THRUST						
	5	1	283-5740	1	CAMSHAFT AS						
		1	4N-1650	1	DOWEL						
	6	1	283-5742	1	CAMSHAFT AS						
		1	5B-5821	1	DOWEL						
	7	1	283-5744	1	CAMSHAFT AS						
		1	5B-5821	1	DOWEL						
	8	1	283-5787	1	CAMSHAFT AS						
		1	4N-1650	1	DOWEL						
	9	1	0S-0509	2	BOLT (3/8-16X0.75-IN)						
	10	1	1A-2029	4	BOLT (3/8-16X1.125-IN)						
	11	1	5M-2894	2	WASHER-HARD (10.2X18.5X2.5-MM THK)						
	12	1	5P-0076	16	BOLT-12 POINT HEAD (3/8-16X1.5-IN)						



GRAPHIC #1

<END>

g01222883

BASIC ENGINE

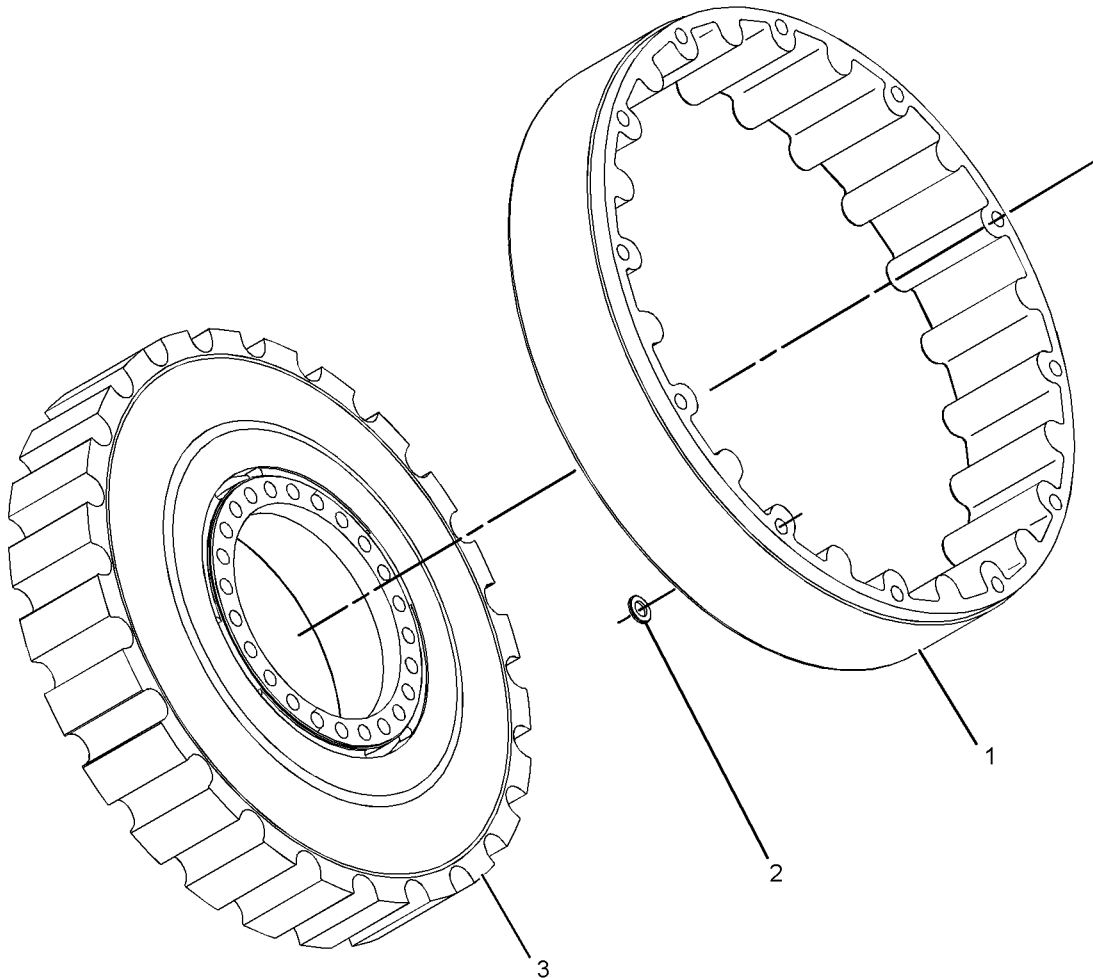
278-9668 COUPLING GP-FLEXIBLE-GENERATOR

PART OF 279-1303 INSTALLATION AR-GENERATOR
AN ATTACHMENT

SMCS-3252

i02539509

NOTE	REF NO	GRAPHIC REF	PART NUMBER	QTY	PART NAME	SEE PAGE
					1 2 3 4 5 6 (PRODUCT LEVEL)	
	1	1	244-7191	1	COUPLING-OUTER	
	2	1	248-2432	12	WASHER (17X30X3-MM THK)	
	3	1	278-9669	1	COUPLING-INNER	



GRAPHIC #1

<END>

g01279220

BASIC ENGINE

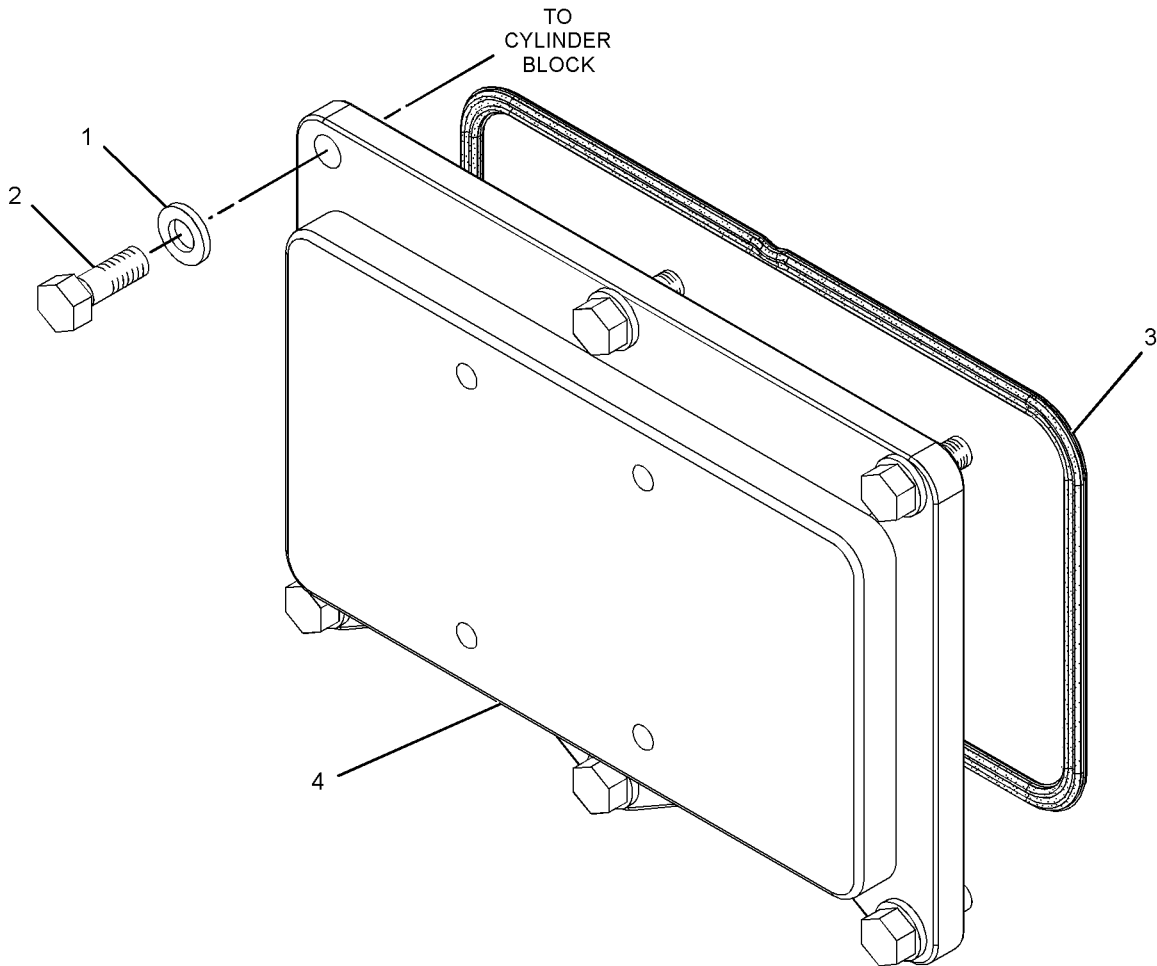
155-2564 COVER GP-CAMSHAFT

CHROME PLATED
AN ATTACHMENT

SMCS-1210

i02625637

NOTE	REF NO	GRAPHIC REF	PART NUMBER	QTY	PART NAME						SEE PAGE
					1	2	3	4	5	6 (PRODUCT LEVEL)	
	1	1	133-6261	6	WASHER (M10.2X18.5X2.5 THK)						
	2	1	133-6269	6	BOLT (3/8-16X1-IN)						
	3	1	272-0758	1	SEAL						
	4	1	155-2573	1	COVER-CAMSHAFT						



GRAPHIC #1

<END>

g01317508

BASIC ENGINE

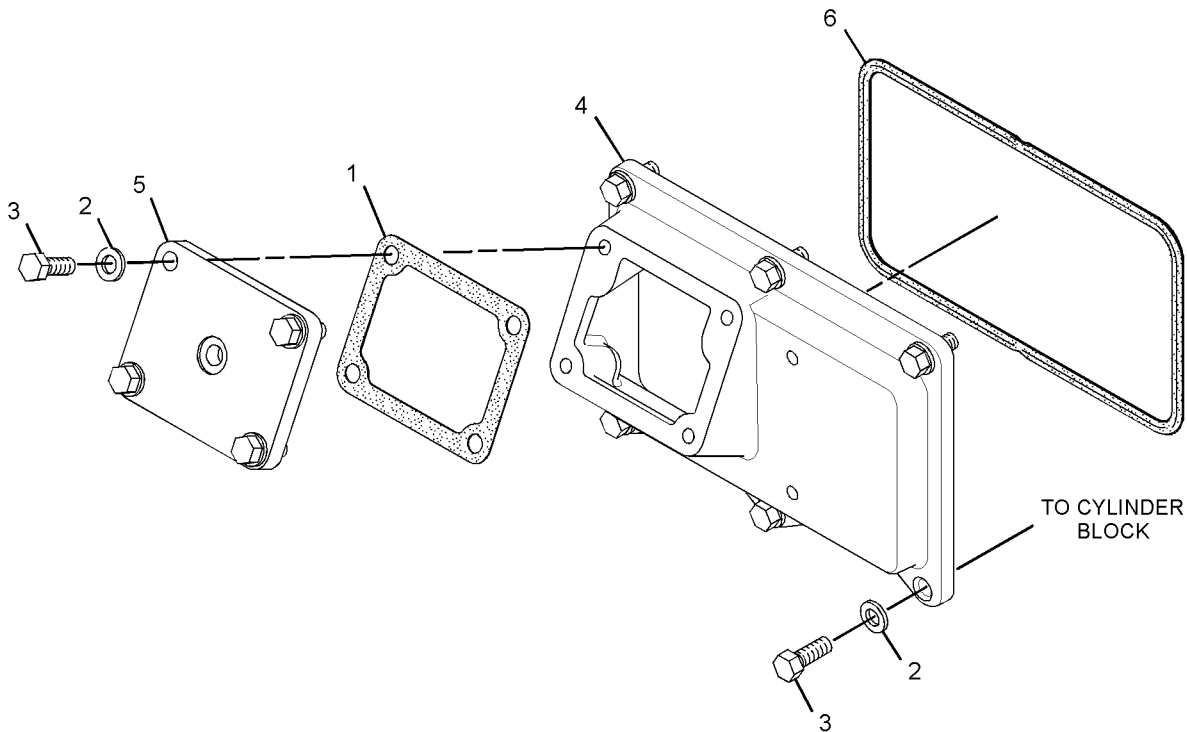
155-2583 COVER GP-CAMSHAFT

CHROME PLATED
AN ATTACHMENT

SMCS-1210

i02625635

NOTE	REF NO	GRAPHIC REF	PART NUMBER	QTY	PART NAME						SEE PAGE
					1	2	3	4	5	6 (PRODUCT LEVEL)	
	1	1	2W-0752	1	GASKET						
	2	1	133-6261	10	WASHER (10.2X18.5X2.5-MM THK)						
	3	1	133-6269	10	BOLT (3/8-16X1-IN)						
	4	1	155-2574	1	COVER-CAMSHAFT						
	5	1	222-4059	1	COVER (SENSOR)						
	6	1	272-0758	1	SEAL						



GRAPHIC #1

<END>

g01317336

BASIC ENGINE

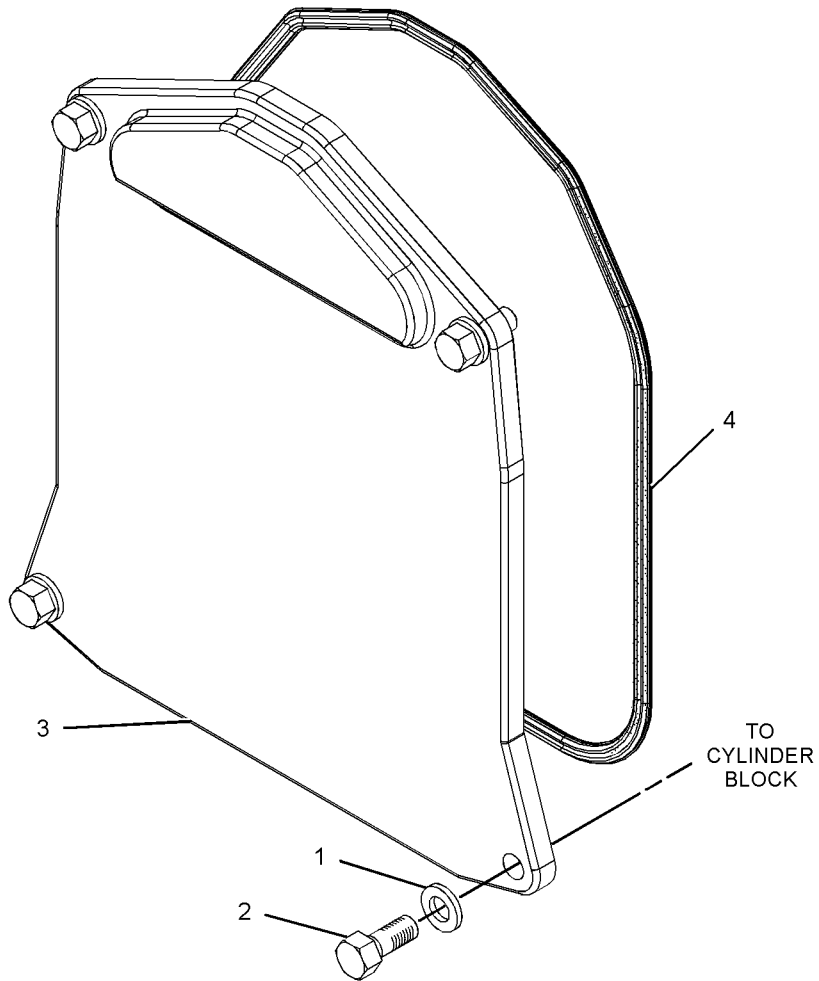
155-2563 COVER GP-CYLINDER BLOCK-CRANKCASE

CHROME PLATED
AN ATTACHMENT

SMCS-1201

i02625634

NOTE	REF NO	GRAPHIC REF	PART NUMBER	QTY	PART NAME						SEE PAGE
					1	2	3	4	5	6 (PRODUCT LEVEL)	
	1	1	133-6261	4	WASHER (M10.2X18.5X2.5 THK)						
	2	1	133-6268	4	BOLT (3/8-16X1-IN)						
	3	1	155-2575	1	COVER						
	4	1	272-0759	1	SEAL						



GRAPHIC #1

<END>

g01317501

BASIC ENGINE

271-7785 COVER GP-CYLINDER BLOCK-CENTRAL STRUCTURE

SMCS-1201

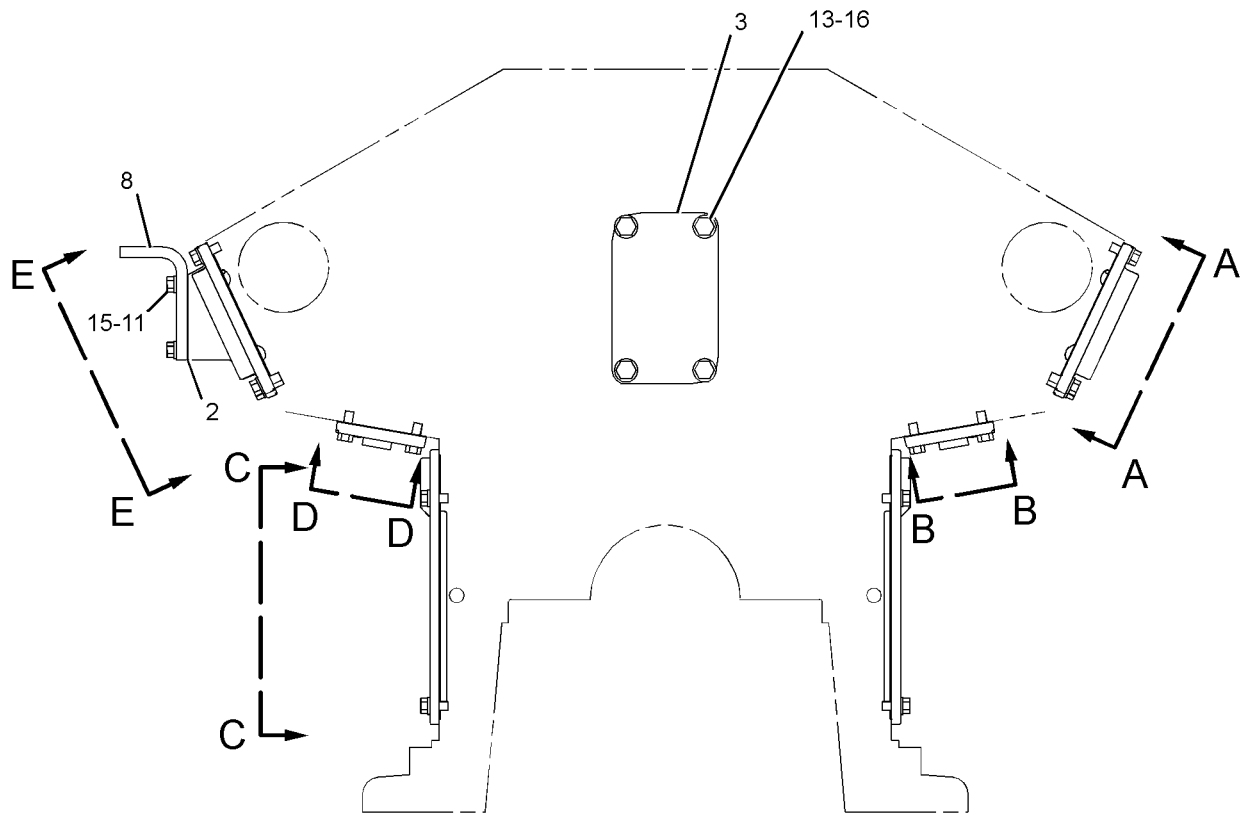
i03870051

NOTE	REF NO	GRAPHIC REF	PART NUMBER	QTY	PART NAME						SEE PAGE
					1	2	3	4	5	6 (PRODUCT LEVEL)	
	1	1	1N-2914	16	COVER-CYLINDER BLOCK SIDE						
	2	1	2W-0752	1	GASKET						
	3	1	4W-5015	1	COVER						
	4	1	7N-3298	3	COVER-BLOCK						
	5	1	7N-4945	3	GASKET						
	6	1	8N-9992	15	COVER-CAMSHAFT						
	7	1	8N-9993	1	COVER-CAMSHAFT						
	8	1	117-0066	1	BRACKET-MOUNTING						
	9	1	272-0758	16	SEAL						
	10	1	272-0759	16	SEAL						
	11	1	0S-1588	4	BOLT (3/8-16X1.25-IN)						
	12	1	0S-1594	12	BOLT (3/8-16X1-IN)						
	13	1	0S-1595	4	BOLT (1/2-13X1.25-IN)						
	14	1	1A-2029	96	BOLT (3/8-16X1.125-IN)						
	15	1	5M-2894	164	WASHER-HARD (10.2X18.5X2.5-MM THK)						
	16	1	5P-8245	4	WASHER-HARD (13.5X25.5X3-MM THK)						
	17	1	8T-6761	2	PLUG-PIPE						
	18	1	9X-8872	64	BOLT-LOCKING (3/8-16X0.875-IN)						

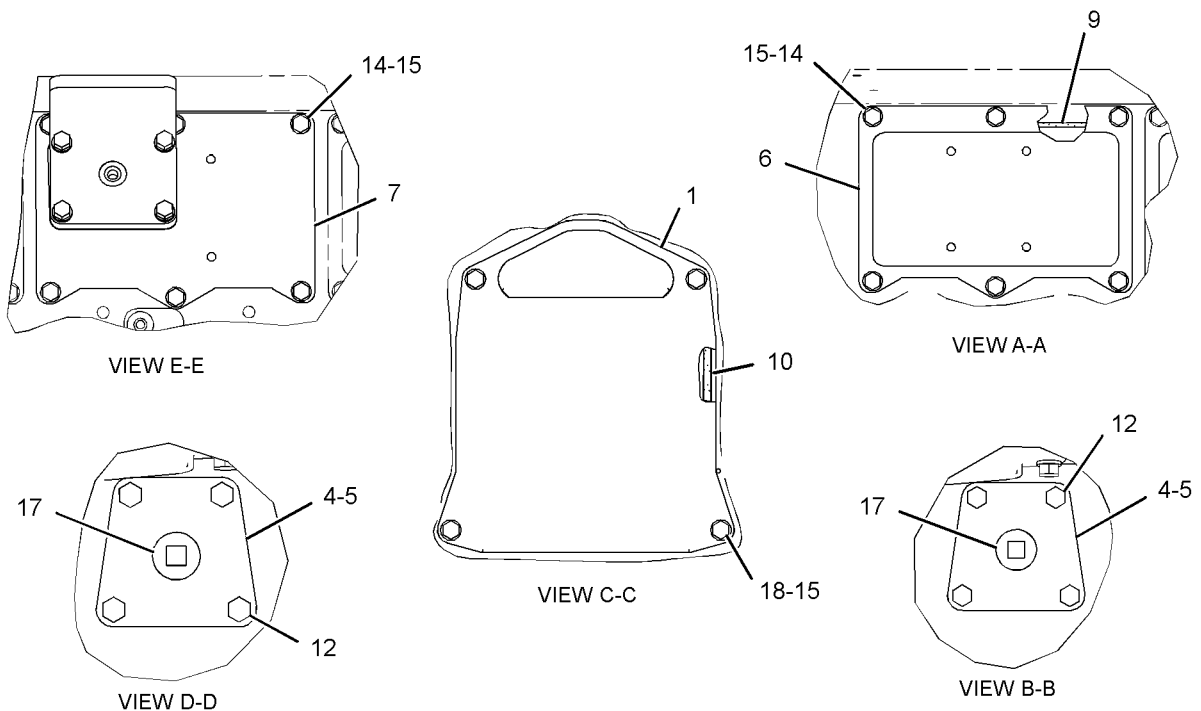
BASIC ENGINE

271-7785 COVER GP-CYLINDER BLOCK (contd.)

i03870051



FRONT VIEW



GRAPHIC #1

<END>

g01189185

BASIC ENGINE

285-5929 COVER GP-FLYWHEEL HOUSING

SMCS-1157

i02578620

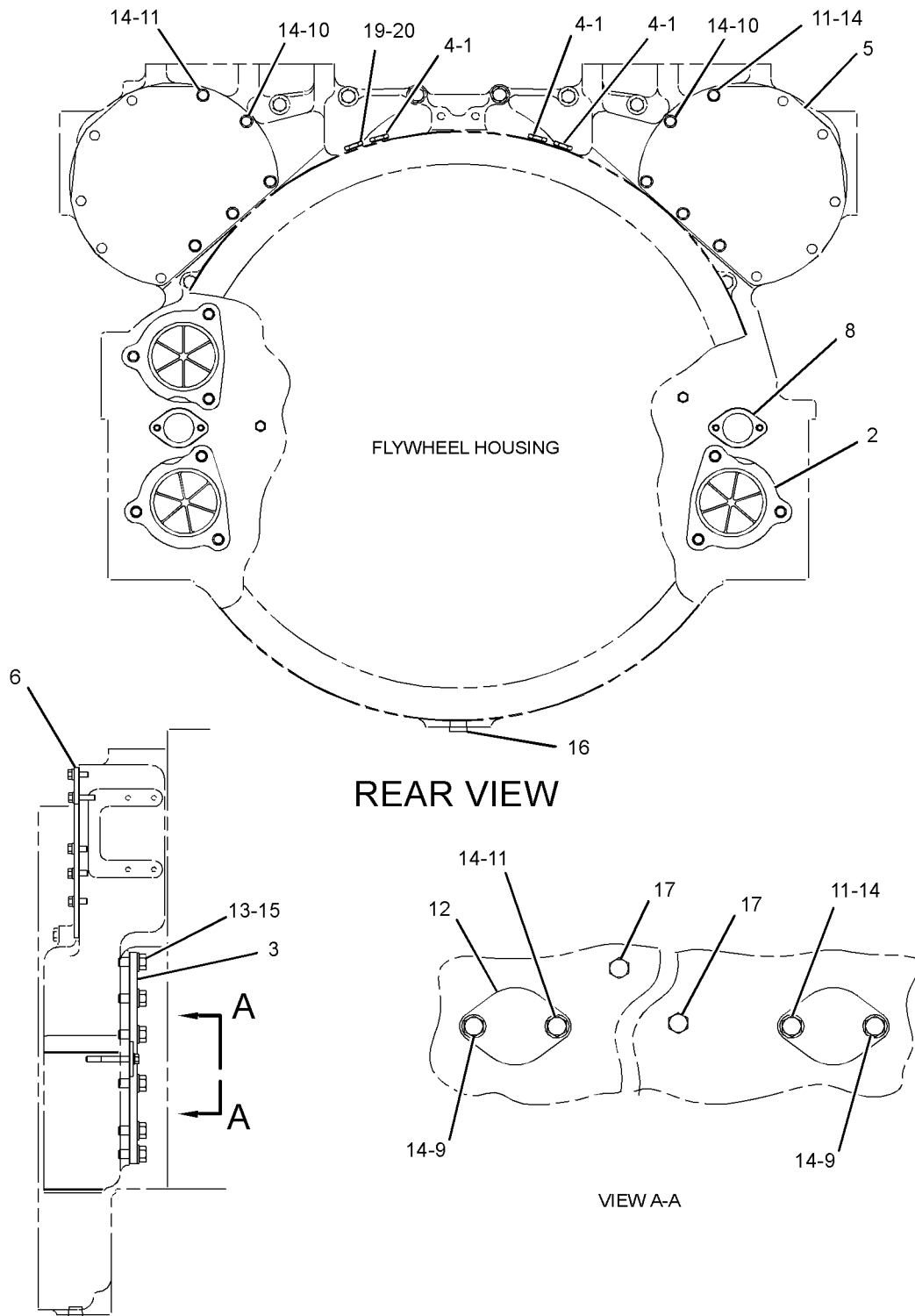
NOTE	REF NO	GRAPHIC REF	PART NUMBER	QTY	PART NAME						SEE PAGE
					1	2	3	4	5	6 (PRODUCT LEVEL)	
	1	1	4B-8407	3	GASKET - COPPER						
	2	1	4H-7869	3	GASKET						
	3	1	4N-1114	3	COVER						
	4	1	5F-0304	3	PLUG						
	5	1	7N-4319	2	COVER						
	6	1	7N-4320	2	GASKET						
	8	1	234-8937	2	SEAL - INTEGRAL						
	9	1	0L-1352	2	BOLT (3/8-16X3.25-IN)						
	10	1	0S-1591	2	BOLT (3/8-16X1.5-IN)						
	11	1	0S-1594	10	BOLT (3/8-16X1-IN)						
	12	1	2P-2772	2	COVER						
	13	1	4B-4043	9	BOLT (5/8-11X1.375-IN)						
	14	1	5M-2894	14	WASHER-HARD (10.2X18.5X2.5-MM THK)						
	15	1	5P-8247	9	WASHER-HARD (17X32X3.5-MM THK)						
	16	1	8T-6761	1	PLUG-PIPE						
	17	1	8T-6765	2	PLUG-PIPE						
B	19	1	4B-8407	1	GASKET - COPPER						
B	20	1	5F-0304	1	PLUG						

B-USE AS REQUIRED

BASIC ENGINE

285-5929 COVER GP-FLYWHEEL HOUSING (contd.)

i02578620



RIGHT SIDE VIEW

REAR VIEW

VIEW A-A

GRAPHIC #1

<END>

g01293307

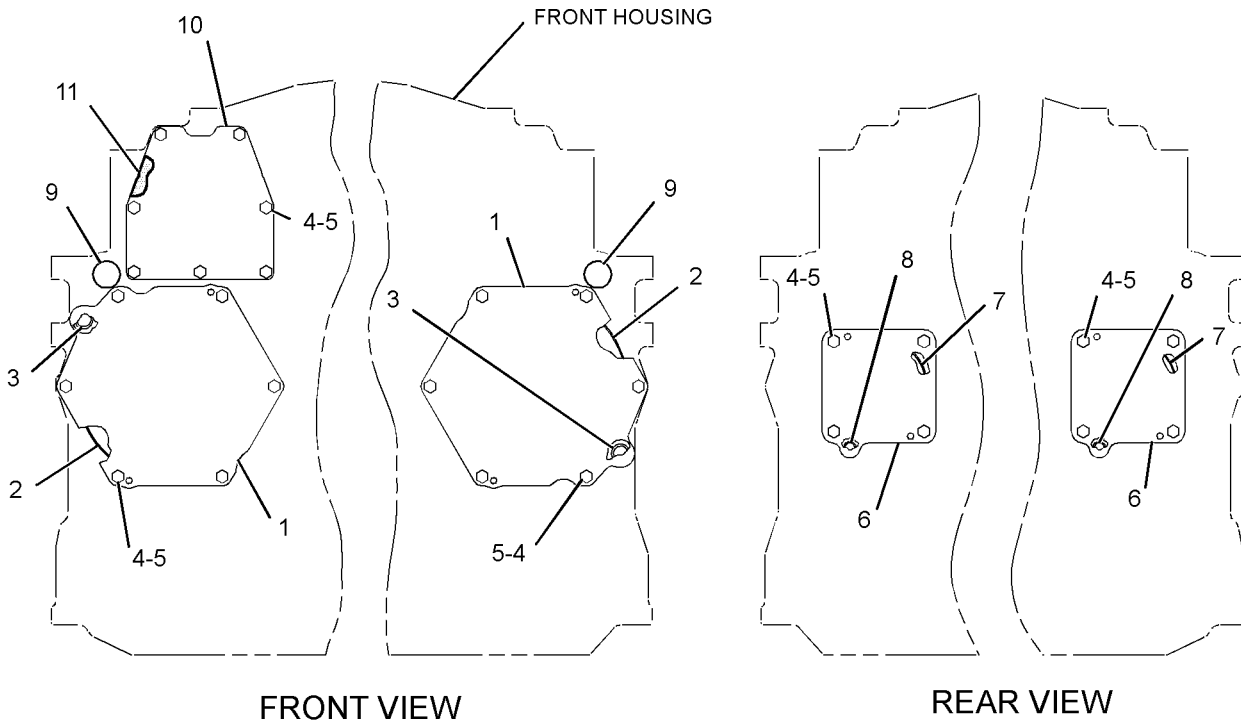
BASIC ENGINE

107-0278 COVER GP-FRONT HOUSING

SMCS-1151, 1166

i03825733

NOTE	REF NO	GRAPHIC REF	PART NUMBER	QTY	PART NAME						SEE PAGE
					1	2	3	4	5	6 (PRODUCT LEVEL)	
	1	1	7N-4951	2	COVER						
	2	1	235-3546	2	SEAL-O-RING						
	3	1	6V-3348	2	SEAL-O-RING						
	4	1	1A-2029	27	BOLT (3/8-16X1.125-IN)						
	5	1	5M-2894	27	WASHER-HARD (10.2X18.5X2.5-MM THK)						
	6	1	7N-4952	2	COVER						
	7	1	259-4598	2	SEAL-O-RING						
	8	1	5P-0840	2	SEAL-O-RING						
	9	1	3P-1896	2	PLUG-CUP						
	10	1	2W-5285	1	COVER						
	11	1	8N-9885	1	GASKET-COVER						



GRAPHIC #1

<END>

g01173129

BASIC ENGINE

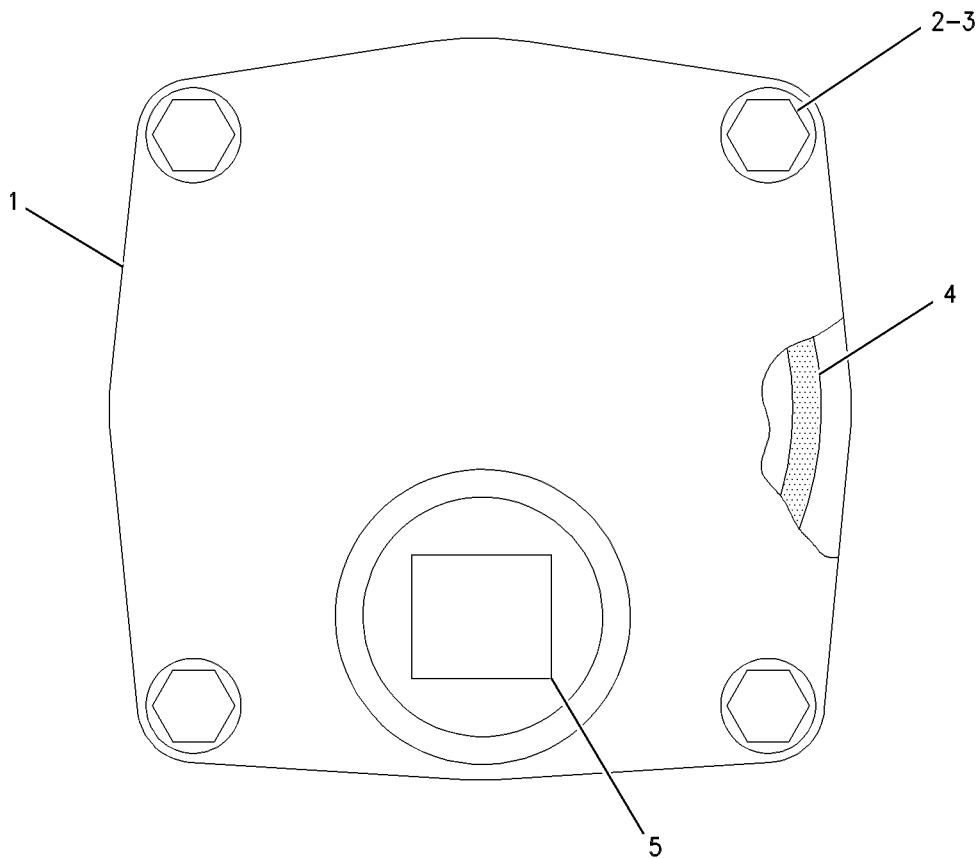
2W-5616 COVER GP-OIL PAN AN ATTACHMENT

SMCS-1302

i02776823

NOTE	REF NO	GRAPHIC REF	PART NUMBER	QTY	PART NAME						SEE PAGE
					1	2	3	4	5	6 (PRODUCT LEVEL)	
C	1	1	151-9264	1	COVER AS						
C	2	1	0S-1588	4	BOLT (3/8-16X1.25-IN)						
C	3	1	8M-9024	4	WASHER-HARD (10.2X22.5X5-MM THK)						
C	4	1	6V-7351	1	SEAL-O-RING						
	5	1	9X-6138	1	PLUG-PIPE (ENGINE OIL DRAIN)						

C-CHANGE FROM PREVIOUS TYPE



GRAPHIC #1

<END>

g00617879

BASIC ENGINE

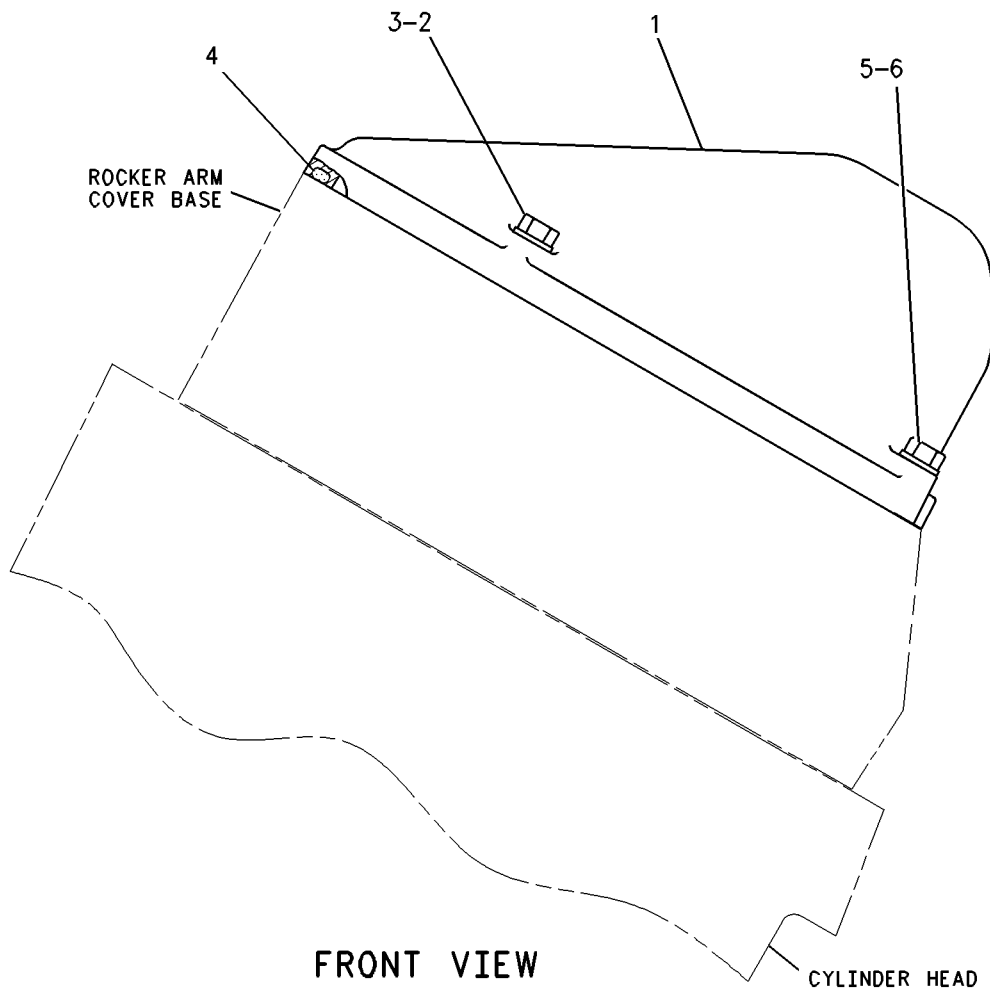
101-0831 COVER GP-VALVE MECHANISM

SMCS-1107

i03863189

NOTE	REF NO	GRAPHIC REF	PART NUMBER	QTY	PART NAME						SEE PAGE
					1	2	3	4	5	6 (PRODUCT LEVEL)	
	1	1	101-4197	1	COVER						
	2	1	1A-9579	3	BOLT (5/16-18X1.5-IN)						
	3	1	9M-1974	3	WASHER-HARD (8.8X16X2-MM THK)						
	4	1	272-0760	1	SEAL-VALVE COVER (BASE)						
B	5	1	1A-9579	1	BOLT (5/16-18X1.5-IN)						
B	6	1	9M-1974	1	WASHER-HARD (8.8X16X2-MM THK)						

B-USE AS REQUIRED



GRAPHIC #1

<END>

g00773092

BASIC ENGINE

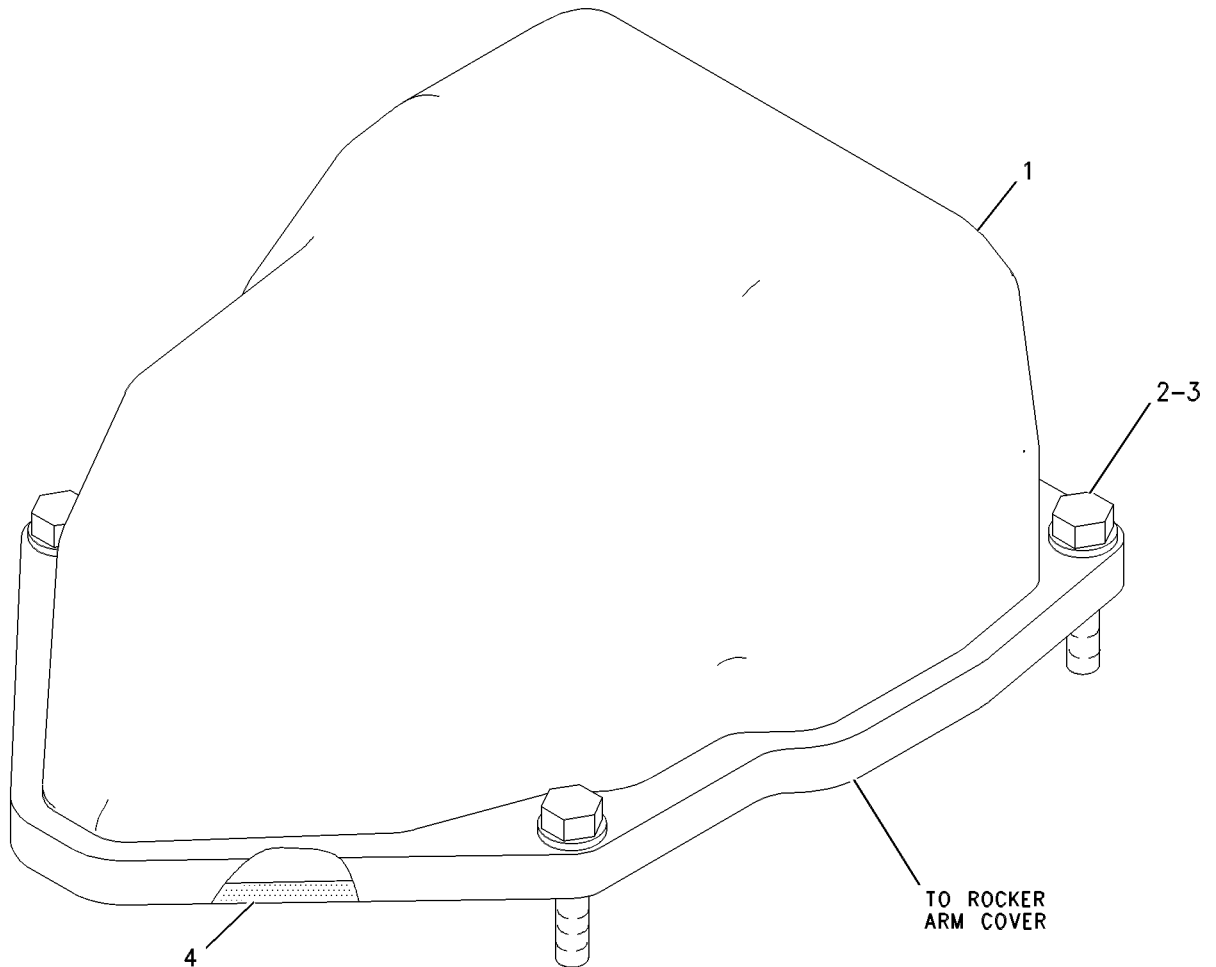
155-2566 COVER GP-VALVE MECHANISM

CHROME PLATED
FOR USE WITH EUI ENGINE
AN ATTACHMENT

SMCS-1107

i03627555

NOTE	REF NO	GRAPHIC REF	PART NUMBER	QTY	PART NAME						SEE PAGE
					1	2	3	4	5	6 (PRODUCT LEVEL)	
	1	1	155-2571	1	COVER						
	2	1	133-6270	4	BOLT (5/16-18X1.5-IN)						
	3	1	133-6265	4	WASHER (8.8X16X2-MM THK)						
	4	1	272-0760	1	SEAL-VALVE COVER (BASE)						



GRAPHIC #1

<END>

g00536865

BASIC ENGINE

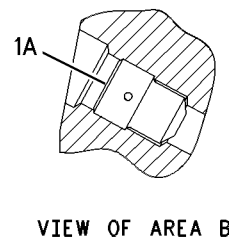
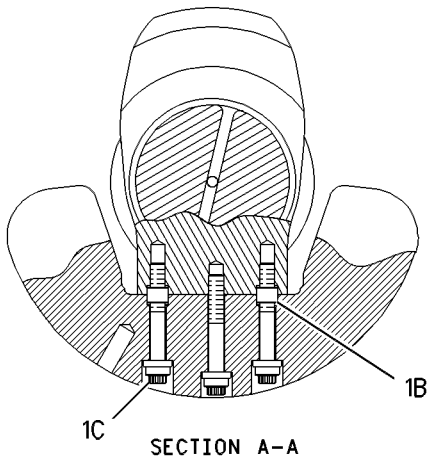
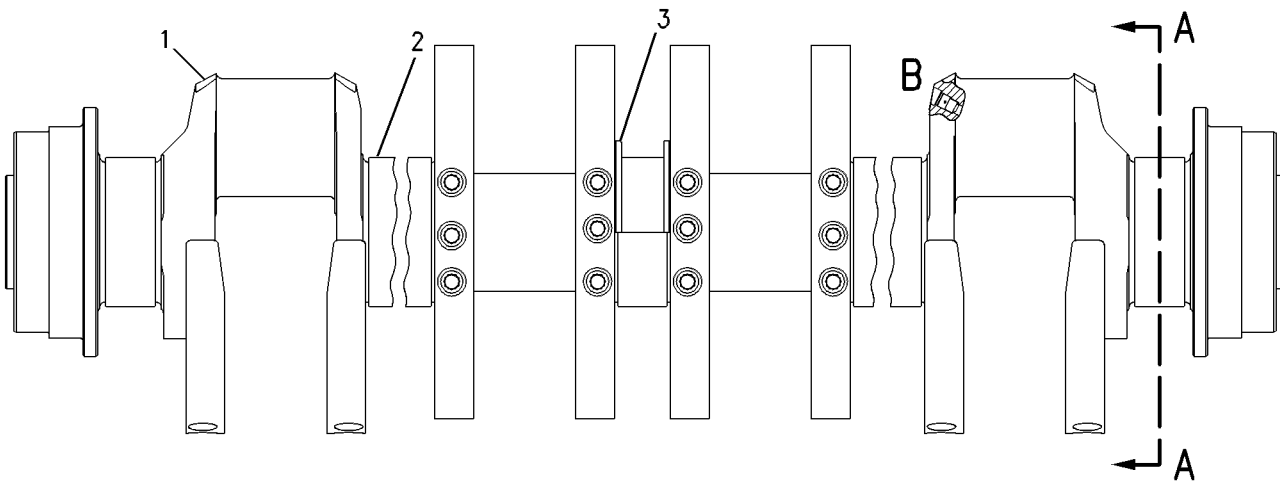
161-6928 CRANKSHAFT GP

SMCS-1202

i03354842

NOTE	REF NO	GRAPHIC REF	PART NUMBER	QTY	PART NAME						SEE PAGE
					1	2	3	4	5	6 (PRODUCT LEVEL)	
	1	1	172-0916	1	CRANKSHAFT AS						
	1A	1	2W-2288	8	PLUG						
	1B	1	7N-2003	32	DOWEL						
	1C	1	128-4845	48	BOLT AS						
	2	1	149-6031	9	BEARING AS-MAIN (STANDARD) (CRANKSHAFT)						
AB		1	149-6032		BEARING-MAIN (0.63-MM US ID) (CRANKSHAFT)						
AB		1	149-6033		BEARING-MAIN (1.27-MM US ID) (CRANKSHAFT)						
AB		1	149-6034		BEARING-MAIN (0.63-MM OS OD) (CRANKSHAFT)						
AB		1	149-6035		BEARING-MAIN (0.63-MM US ID - 0.63-MM OS OD) (CRANKSHAFT)						
	3	1	7C-6209	2	PLATE-THRUST						

A-NOT PART OF THIS GROUP
B-USE AS REQUIRED



GRAPHIC #1

<END>

g00614916

BASIC ENGINE

101-1173 CYLINDER BLOCK AS

S/N: JTS1-153

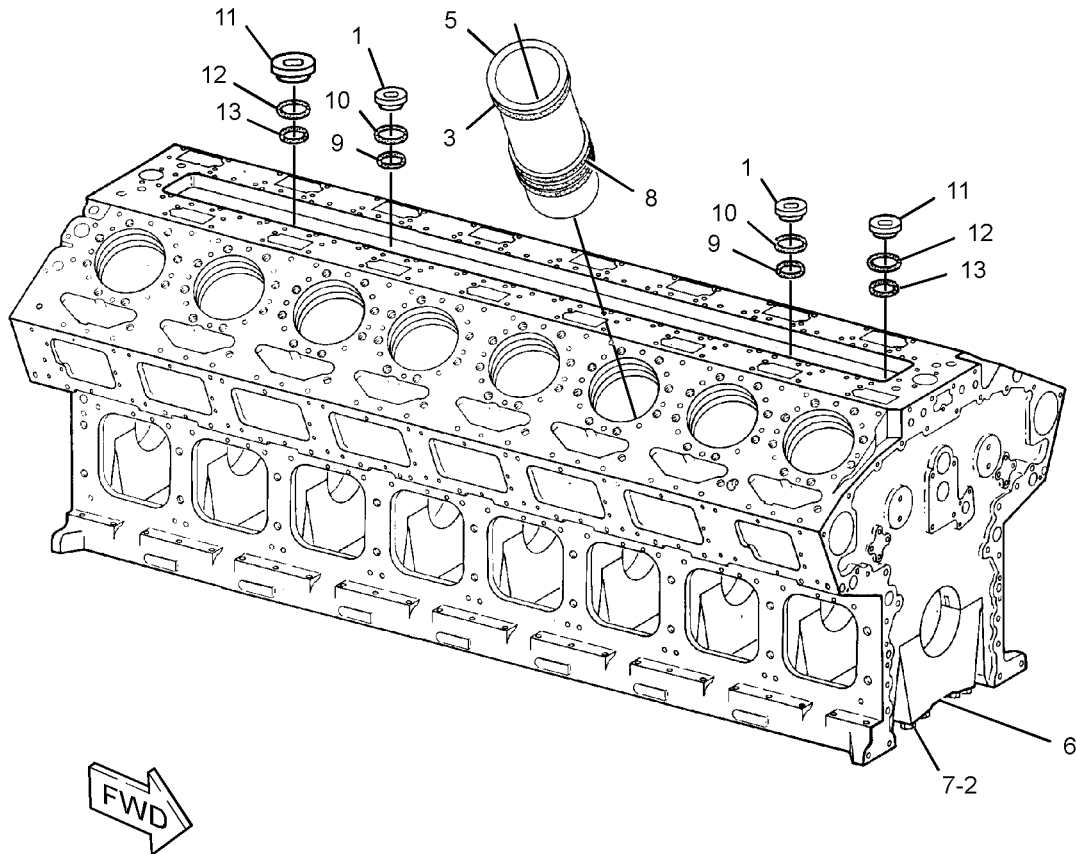
PART OF 240-6653 CYLINDER BLOCK GP
FIELD REPLACEMENT ORDER 115-5160-PAGE 26

SMCS-1201

i02629910

NOTE	REF NO	GRAPHIC REF	PART NUMBER	QTY	PART NAME						SEE PAGE
					1	2	3	4	5	6 (PRODUCT LEVEL)	
	1	1	4W-4813	2	PLUG						
	2	1	7X-7925	36	BOLT (7/8-14X11-IN)						
	3	1	8N-4707	16	BAND-FILLER						
	5	1	211-7826	16	LINER-CYLINDER						
	6	1	223-1696	9	CAP-CRANKSHAFT BEARING						
	7	1	5P-8249	36	WASHER-HARD (24X41.5X4-MM THK)						
	8	1	7N-2046	48	SEAL-O-RING						
	9	1	8T-2928	2	SEAL-O-RING						
	10	1	8T-2929	2	SEAL-O-RING						
B	11	1	4W-4813	2	PLUG						
B	12	1	8T-2928	2	SEAL-O-RING						
B	13	1	8T-2929	2	SEAL-O-RING						

B-USE AS REQUIRED



GRAPHIC #1

<END>

g01318852

BASIC ENGINE

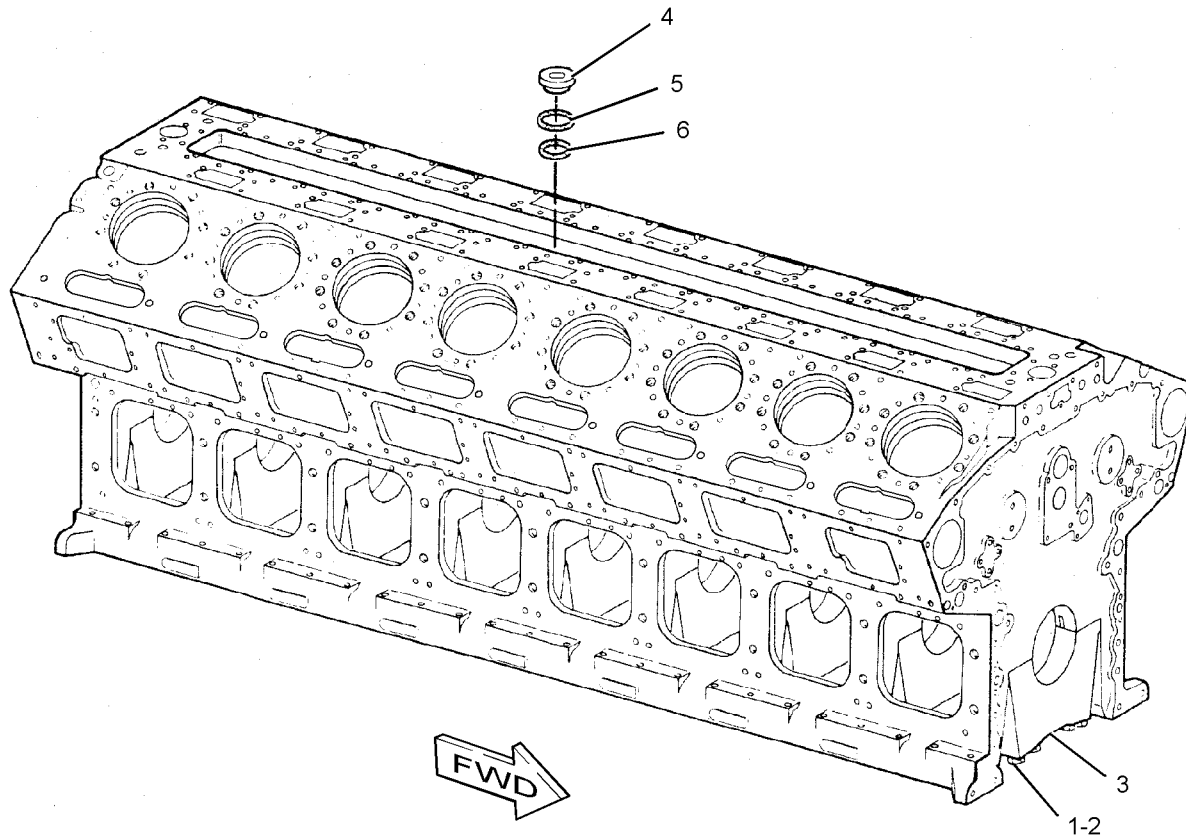
106-2780 CYLINDER BLOCK AS

PART OF 115-5160 CYLINDER BLOCK GP

SMCS-1201

i02768067

NOTE	REF NO	GRAPHIC REF	PART NUMBER	QTY	PART NAME						SEE PAGE
					1	2	3	4	5	6 (PRODUCT LEVEL)	
	1	1	5P-8249	36	WASHER-HARD (24X41.5X4-MM THK)						
	2	1	7X-7925	36	BOLT (7/8-14X11-IN)						
	3	1	223-1696	9	CAP-CRANKSHAFT BEARING						
	4	1	4W-4813	4	PLUG						
	5	1	8T-2929	4	SEAL-O-RING						
	6	1	8T-2928	4	SEAL-O-RING						



GRAPHIC #1

<END>

g01384705

BASIC ENGINE

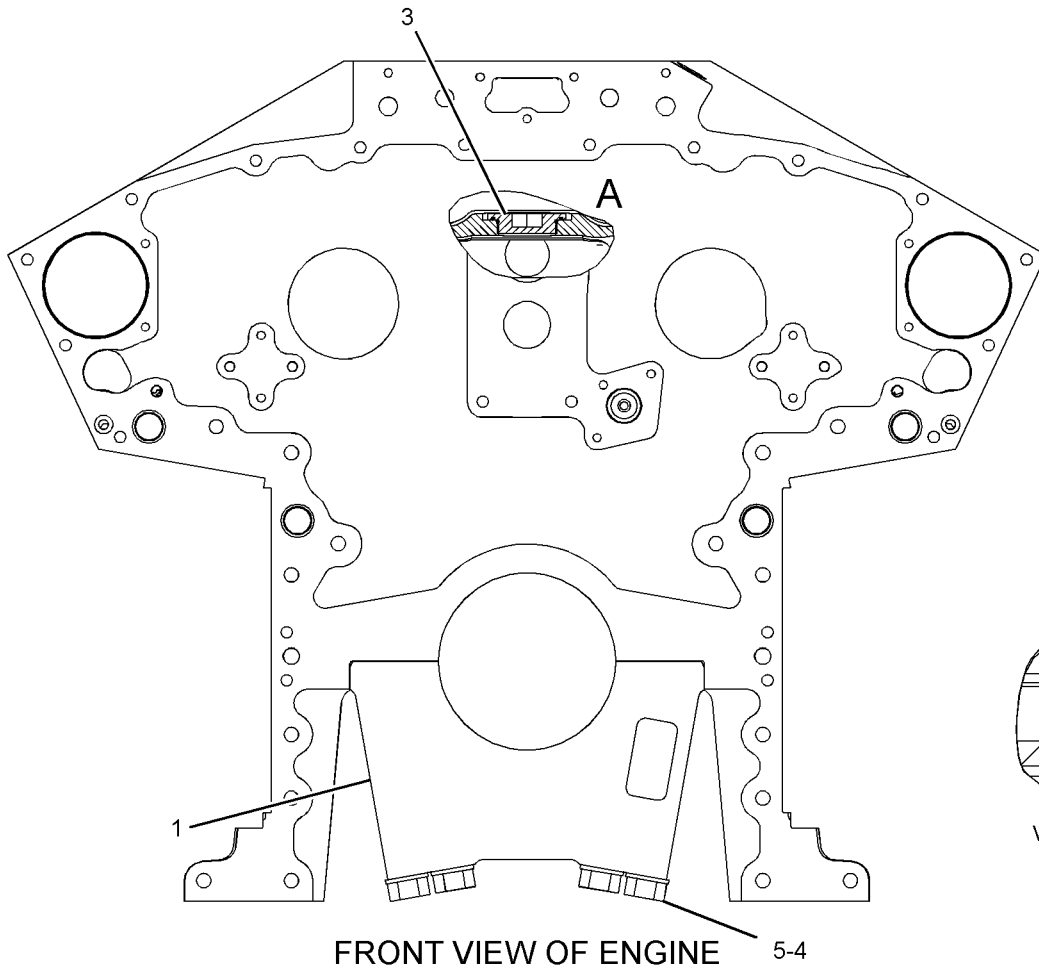
350-1393 CYLINDER BLOCK AS

PART OF 353-3971 CYLINDER BLOCK GP

SMCS-1201

i03811114

NOTE	REF NO	GRAPHIC REF	PART NUMBER	QTY	PART NAME						SEE PAGE
					1	2	3	4	5	6 (PRODUCT LEVEL)	
	1	1	223-1696	9	CAP-CRANKSHAFT BEARING						
	2	1	8T-2929	4	SEAL-O-RING						
	3	1	4W-4813	4	PLUG						
	4	1	5P-8249	36	WASHER-HARD (24X41.5X4-MM THK)						
	5	1	7X-7925	36	BOLT (7/8-14X11-IN)						
	6	1	8T-2928	4	SEAL-O-RING						



FRONT VIEW OF ENGINE 5-4

VIEW OF AREA A

GRAPHIC #1

<END>

g02066073

BASIC ENGINE

350-1417 CYLINDER BLOCK AS

S/N: JTS154-UP

PART OF 240-6653 CYLINDER BLOCK GP

SMCS-1201

i03812852

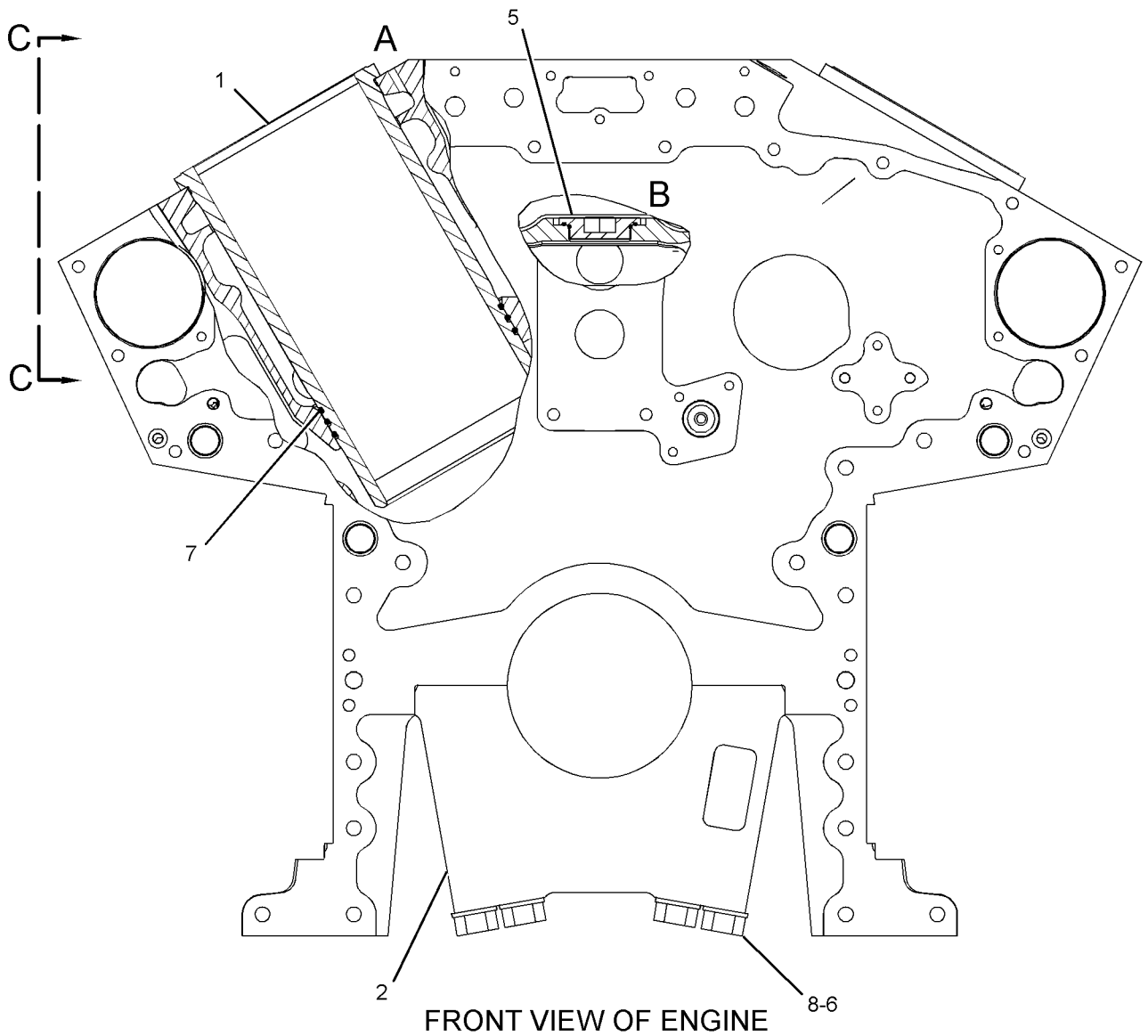
NOTE	REF NO	GRAPHIC REF	PART NUMBER	QTY	PART NAME						SEE PAGE
					1	2	3	4	5	6 (PRODUCT LEVEL)	
	1	1	211-7826	16	LINER-CYLINDER BLOCK						
	2	1	223-1696	9	CAP-CRANKSHAFT BEARING						
	3	1	339-4950	16	SEAL-LINER						
	5	1	4W-4813	2	PLUG						
	6	1	5P-8249	36	WASHER-HARD (24X41.5X4-MM THK)						
	7	1	7N-2046	48	SEAL-O-RING						
	8	1	7X-7925	36	BOLT (7/8-14X11-IN)						
	9	1	8T-2928	2	SEAL-O-RING						
	10	1	8T-2929	2	SEAL-O-RING						
B	11	1	4W-4813	2	PLUG						
B	12	1	8T-2928	2	SEAL-O-RING						
B	13	1	8T-2929	2	SEAL-O-RING						

B-USE AS REQUIRED

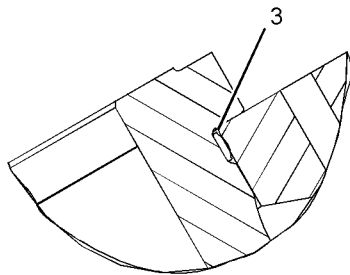
BASIC ENGINE

350-1417 CYLINDER BLOCK AS (contd.)

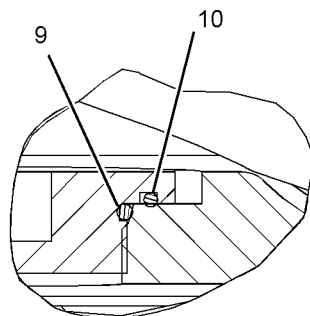
i03812852



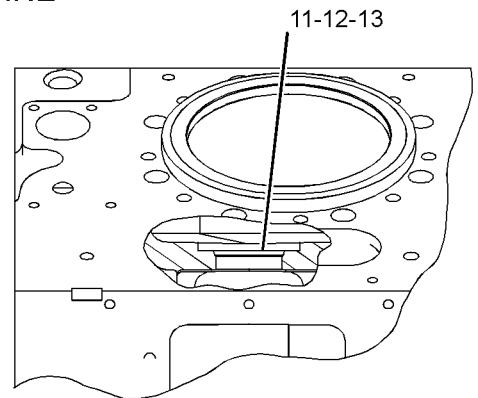
FRONT VIEW OF ENGINE



VIEW OF AREA A



VIEW OF AREA B



VIEW C-C

GRAPHIC #1

<END>

g02068235

BASIC ENGINE

115-5160 CYLINDER BLOCK GP*R

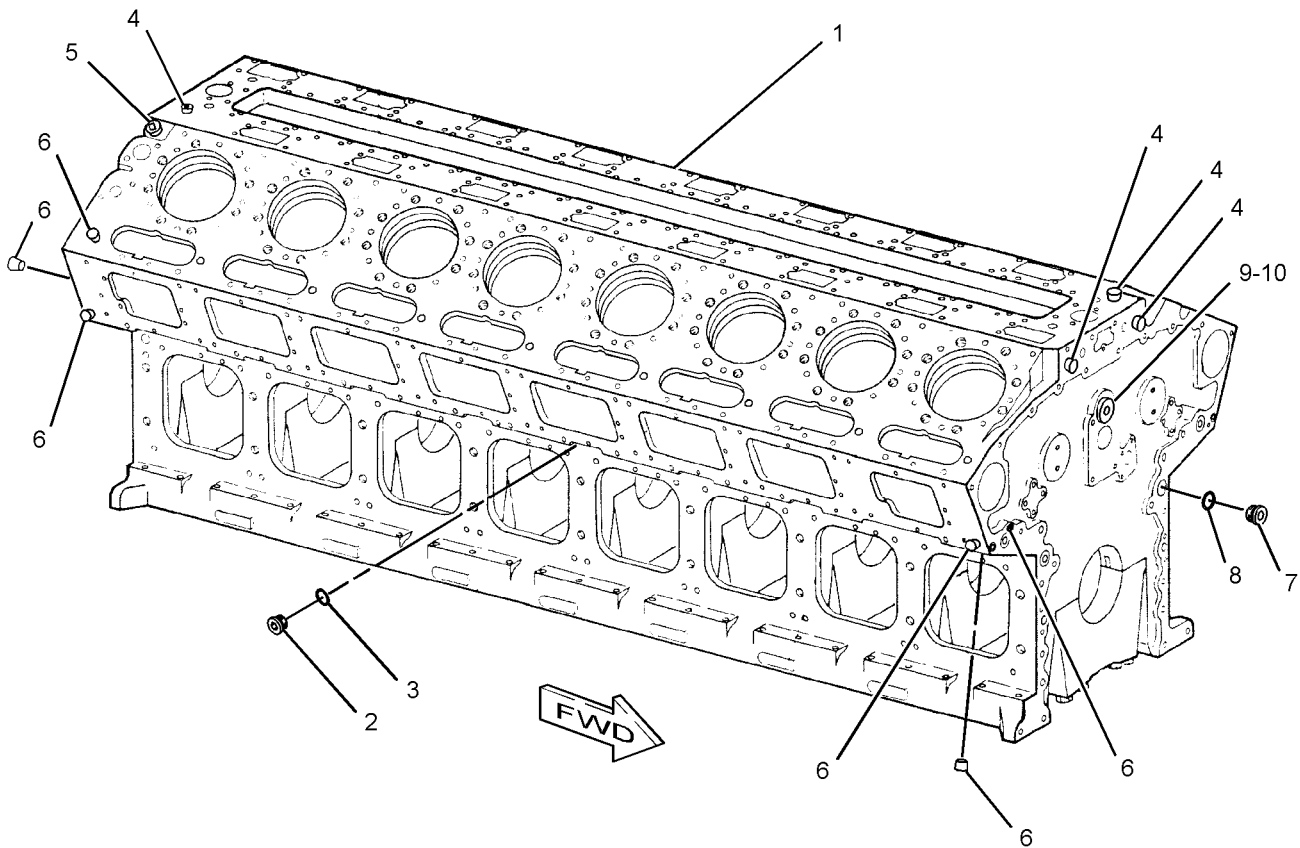
FIELD REPLACEMENT FOR 101-1173-PAGE 21

SMCS-1201

i03357180

NOTE	REF NO	GRAPHIC REF	PART NUMBER	QTY	PART NAME						SEE PAGE
					1	2	3	4	5	6 (PRODUCT LEVEL)	
Y	1	1	106-2780	1	CYLINDER BLOCK AS						22
	2	1	9S-4191	6	PLUG-O-RING						
	3	1	033-6042	6	SEAL-O-RING						
	4	1	8T-6762	4	PLUG-PIPE						
	5	1	7X-7731	2	PLUG-PIPE						
	6	1	8T-6763	26	PLUG-PIPE						
	7	1	2W-2940	8	PLUG						
	8	1	6V-3348	8	SEAL-O-RING						
	9	1	7N-5641	2	PLUG-MANIFOLD						
	10	1	5F-9657	4	SEAL-O-RING						

Y-SEPARATE ILLUSTRATION



GRAPHIC #1

<END>

g01384720

BASIC ENGINE

240-6653 CYLINDER BLOCK GP

S/N: JTS1-153

SMCS-1201

i03357281

NOTE	REF NO	GRAPHIC REF	PART NUMBER	QTY	PART NAME						SEE PAGE
					1	2	3	4	5	6 (PRODUCT LEVEL)	
	1	1	2W-2940	8	PLUG						
	2	1	7N-2047	3	DOWEL						
	3	1	7N-5641	2	PLUG-MANIFOLD						
	4	1	8N-8056	2	COVER						
Y	5	1	<i>101-1173</i>	1	CYLINDER BLOCK AS						21
	6	1	101-1198	18	BEARING-CAMSHAFT						
	7	1	110-6994	16	PLATE-SPACER						
	8	1	144-5692	16	GASKET-PLATE						
	9	1	197-7008	16	DOWEL						
	10	1	0S-1595	2	BOLT (1/2-13X1.25-IN)						
	11	1	153-4906	6	SEAL-O-RING						
	12	1	1A-2029	2	BOLT (3/8-16X1.125-IN)						
	13	1	4N-0683	2	DOWEL						
	14	1	5F-9657	4	SEAL-O-RING						
	15	1	5M-2894	2	WASHER-HARD (10.2X18.5X2.5-MM THK)						
	16	1	5P-0840	32	SEAL-O-RING						
	17	1	5P-8210	2	SEAL-O-RING						
	18	1	5P-8245	2	WASHER-HARD (13.5X25.5X3-MM THK)						
	19	1	6V-3348	8	SEAL-O-RING						
	20	1	7N-2044	2	DOWEL						
	21	1	7X-4805	3	SEAL-O-RING						
	22	1	7X-7731	1	PLUG-PIPE						
	23	1	8T-0099	32	DOWEL						
	24	1	8T-6762	4	PLUG-PIPE						
	25	1	8T-6763	26	PLUG-PIPE						
	26	1	9S-4191	6	PLUG-O-RING						
B	27	1	7X-7731	1	PLUG-PIPE						

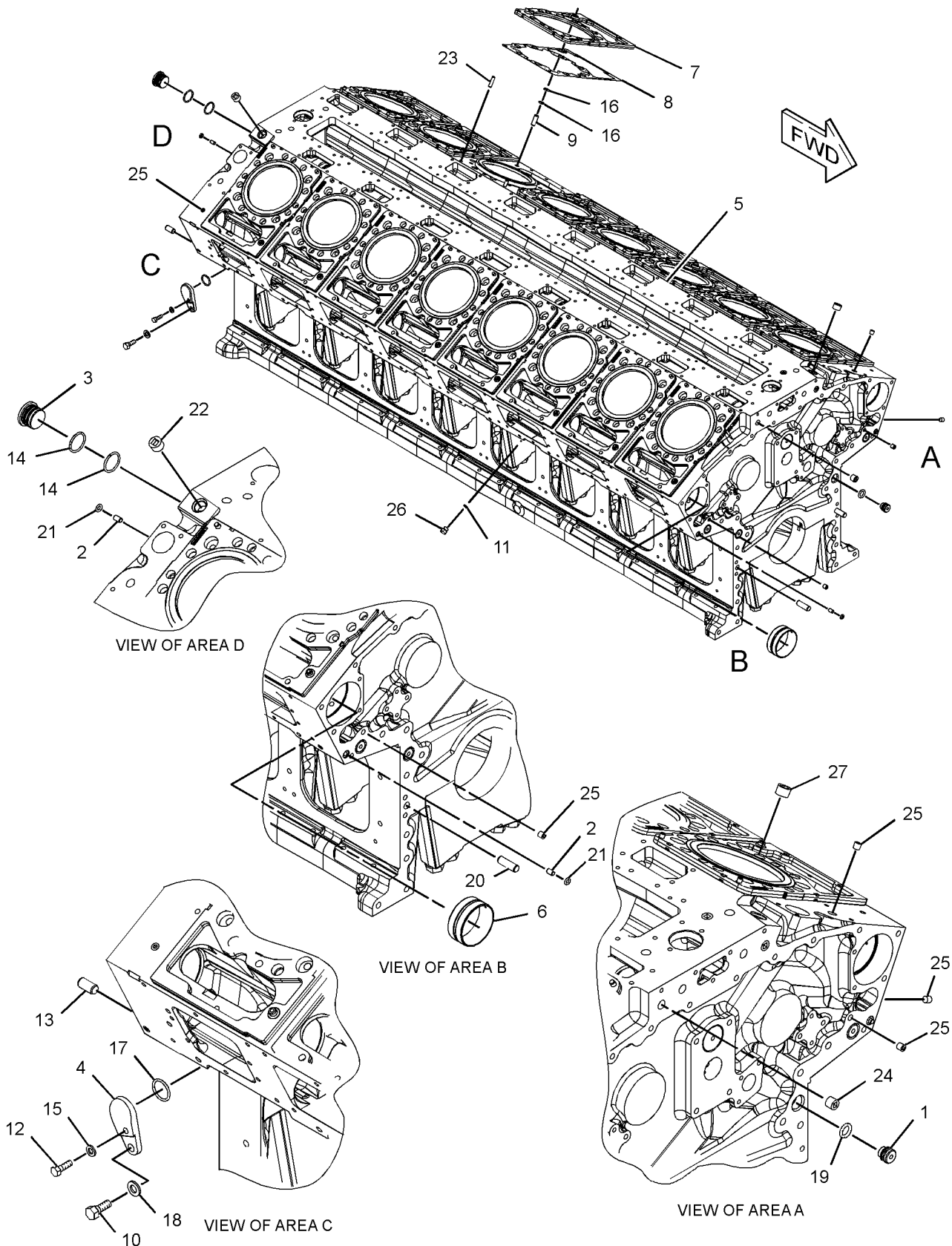
B-USE AS REQUIRED

Y-SEPARATE ILLUSTRATION

BASIC ENGINE

240-6653 CYLINDER BLOCK GP (contd.)

i03357281



GRAPHIC #1

<END>

g01229064

BASIC ENGINE

240-6653 CYLINDER BLOCK GP

S/N: JTS154-UP

SMCS-1201

i03842910

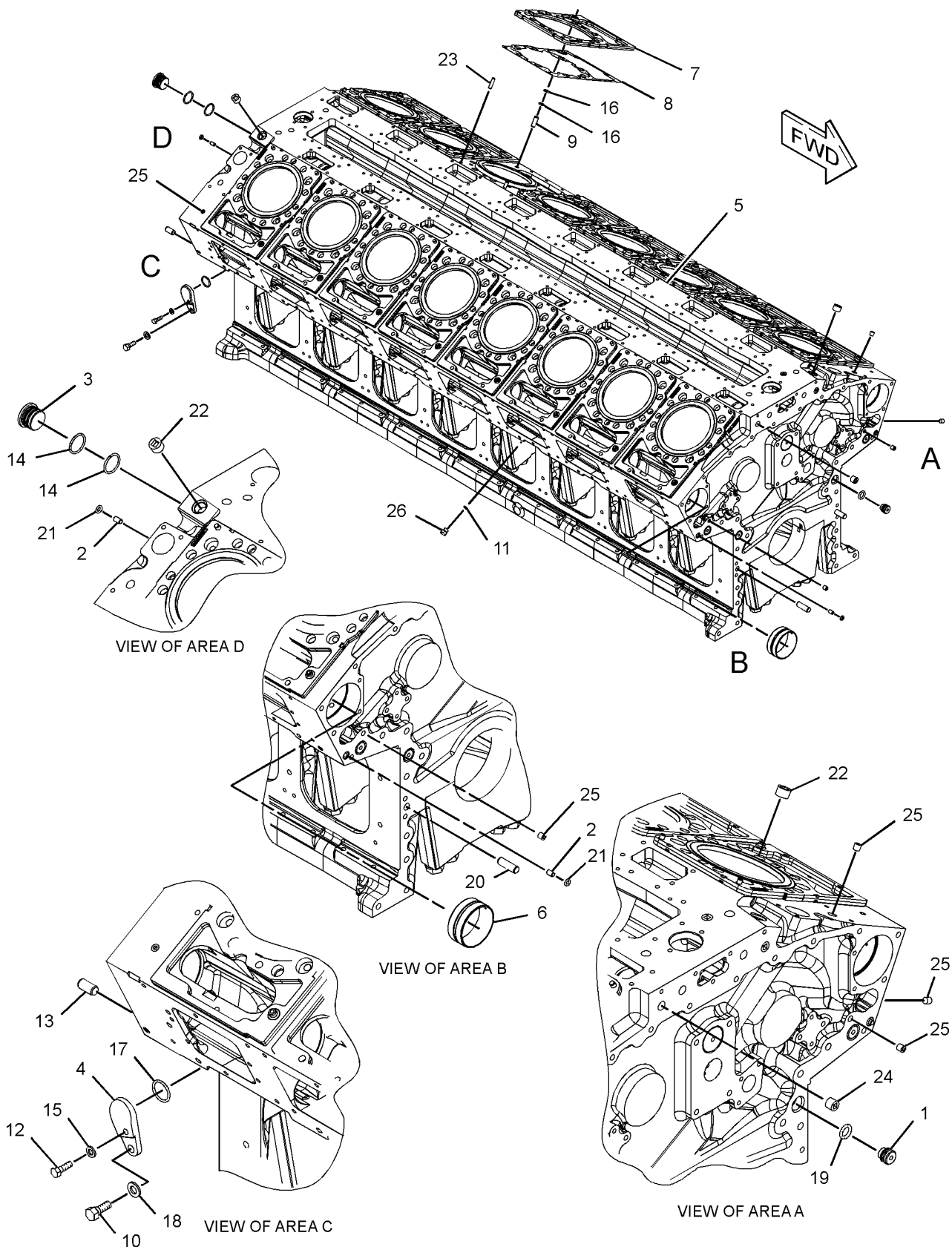
NOTE	REF NO	GRAPHIC REF	PART NUMBER	QTY	PART NAME						SEE PAGE
					1	2	3	4	5	6 (PRODUCT LEVEL)	
	1	1	2W-2940	8	PLUG						
	2	1	7N-2047	3	DOWEL						
	3	1	7N-5641	2	PLUG-MANIFOLD						
	4	1	8N-8056	2	COVER						
CY	5	1	350-1417	1	CYLINDER BLOCK AS						24
	6	1	101-1198	18	BEARING-CAMSHAFT						
	7	1	110-6994	16	PLATE-SPACER						
	8	1	144-5692	16	GASKET-PLATE						
	9	1	197-7008	16	DOWEL						
	10	1	0S-1595	2	BOLT (1/2-13X1.25-IN)						
C	11	1	214-7568	6	SEAL-O-RING						
	12	1	1A-2029	2	BOLT (3/8-16X1.125-IN)						
	13	1	4N-0683	2	DOWEL						
	14	1	5F-9657	4	SEAL-O-RING						
	15	1	5M-2894	2	WASHER-HARD (10.2X18.5X2.5-MM THK)						
	16	1	5P-0840	32	SEAL-O-RING						
	17	1	5P-8210	2	SEAL-O-RING						
	18	1	5P-8245	2	WASHER-HARD (13.5X25.5X3-MM THK)						
	19	1	6V-3348	8	SEAL-O-RING						
	20	1	7N-2044	2	DOWEL						
	21	1	7X-4805	3	SEAL-O-RING						
B	22	1	7X-7731	2	PLUG-PIPE						
	23	1	8T-0099	32	DOWEL						
	24	1	8T-6762	4	PLUG-PIPE						
	25	1	8T-6763	26	PLUG-PIPE						
	26	1	9S-4191	6	PLUG-O-RING						

B-USE AS REQUIRED
 C-CHANGE FROM PREVIOUS TYPE
 Y-SEPARATE ILLUSTRATION

BASIC ENGINE

240-6653 CYLINDER BLOCK GP (contd.)

i03842910



GRAPHIC #1

<END>

g02091813

BASIC ENGINE

353-3971 CYLINDER BLOCK GP FIELD INSTALLATION

SMCS-1201

i03811038

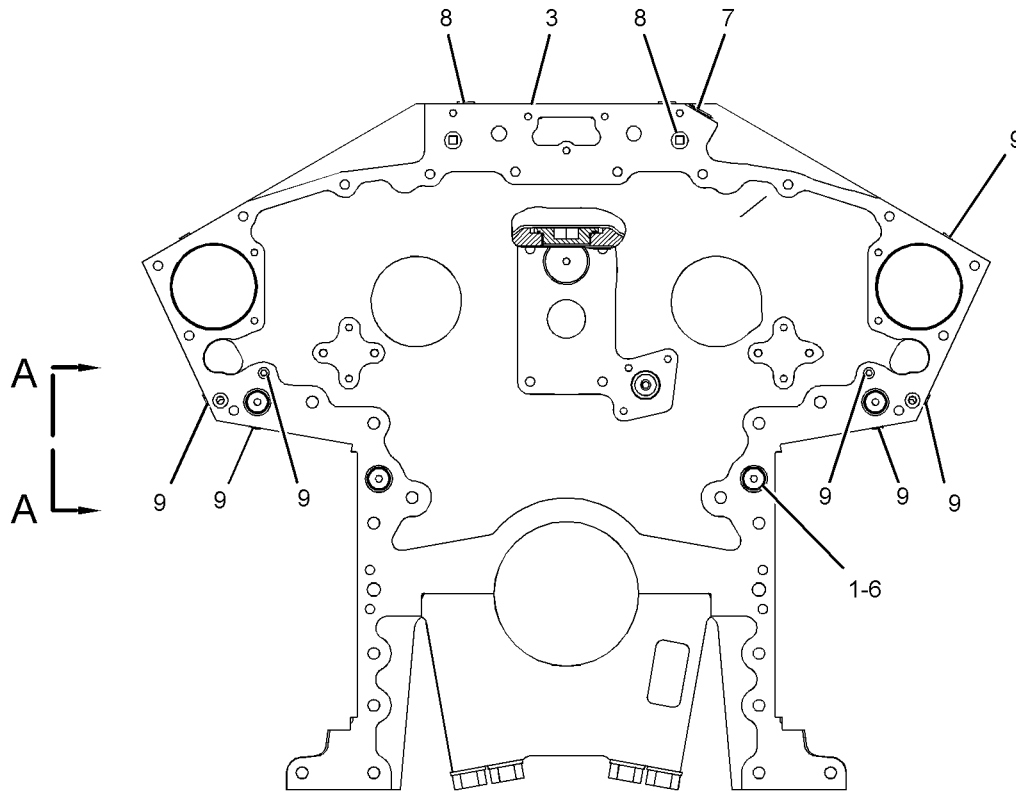
NOTE	REF NO	GRAPHIC REF	PART NUMBER	QTY	PART NAME						SEE PAGE
					1	2	3	4	5	6 (PRODUCT LEVEL)	
	1	1	2W-2940	8	PLUG						
	2	1	7N-5641	2	PLUG-MANIFOLD						
Y	3	1	<i>350-1393</i>	1	CYLINDER BLOCK AS						23
	4	1	214-7568	6	SEAL-O-RING						
	5	1	5F-9657	4	SEAL-O-RING						
	6	1	6V-3348	8	SEAL-O-RING						
	7	1	7X-7731	2	PLUG-PIPE						
	8	1	8T-6762	4	PLUG-PIPE						
	9	1	8T-6763	26	PLUG-PIPE						
	10	1	9S-4191	6	PLUG-O-RING						

Y-SEPARATE ILLUSTRATION

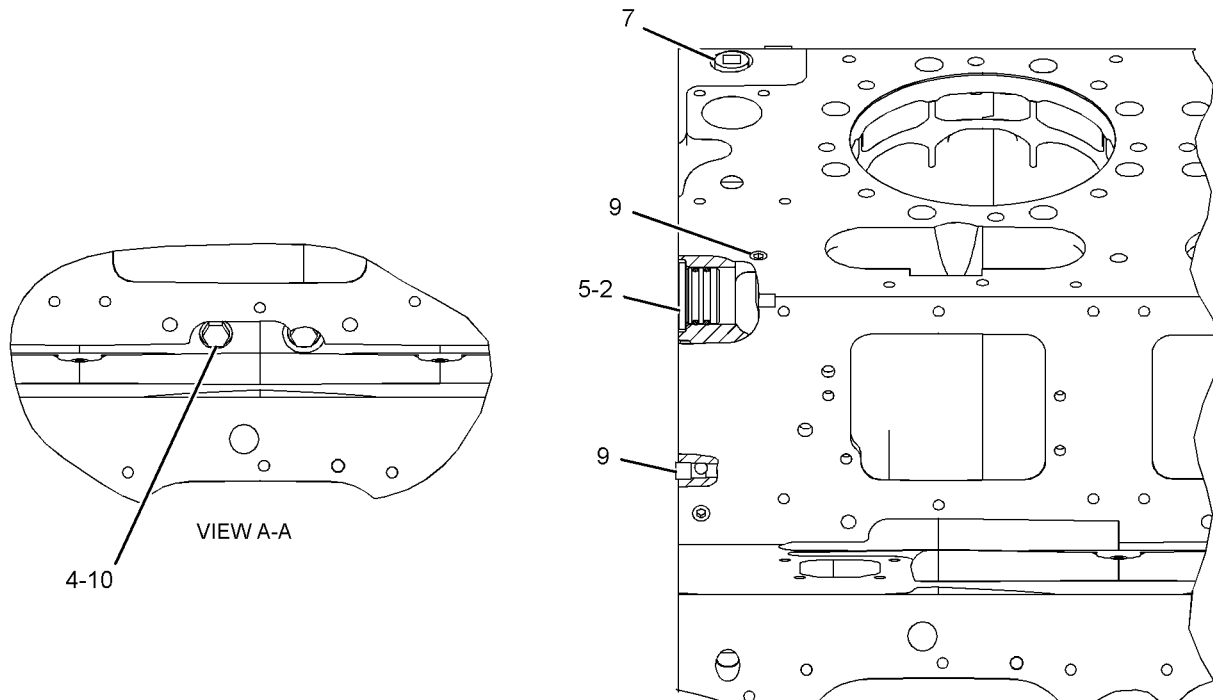
BASIC ENGINE

353-3971 CYLINDER BLOCK GP (contd.)

i03811038



FRONT VIEW OF ENGINE



RIGHT SIDE VIEW OF ENGINE

GRAPHIC #1

<END>

g02065574

BASIC ENGINE

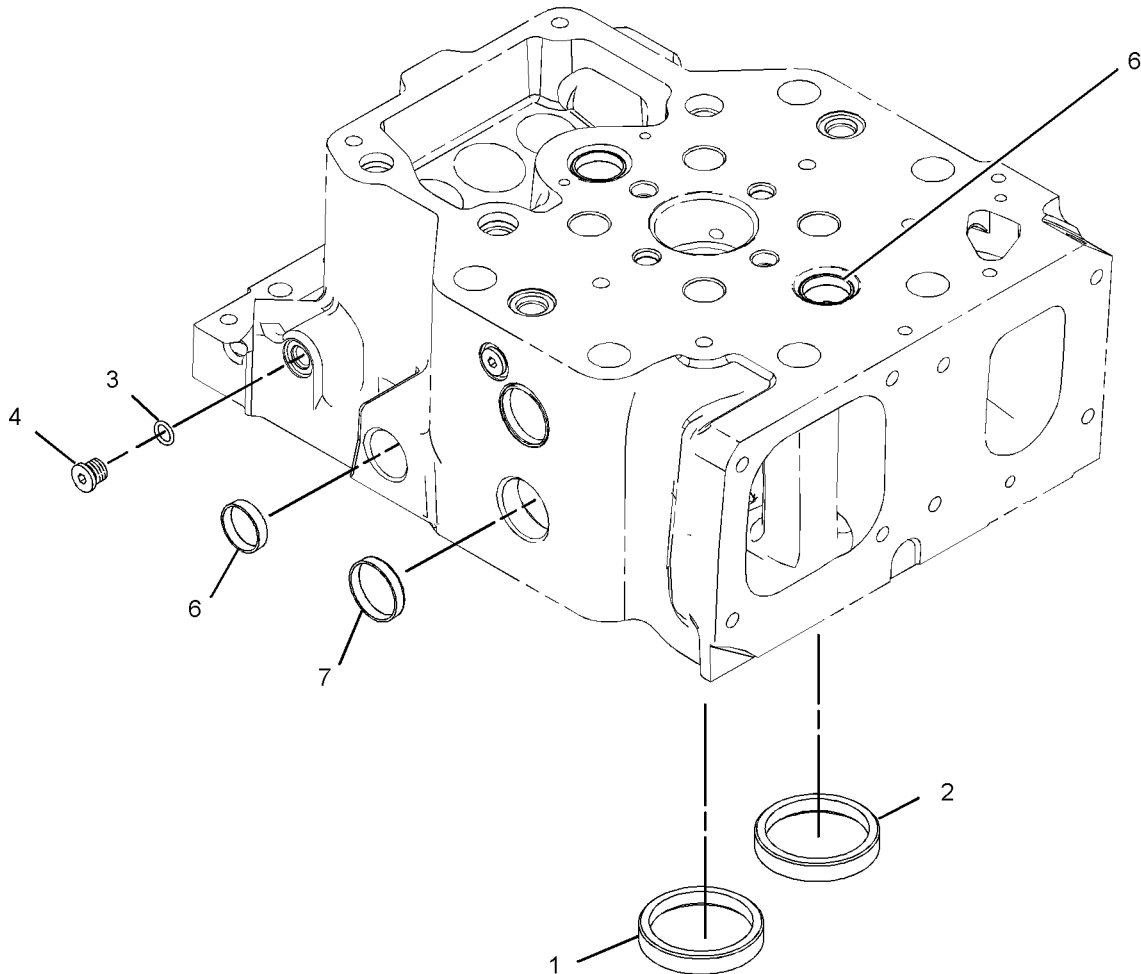
290-1351 CYLINDER HEAD AS

PART OF 299-3519 CYLINDER HEAD AS, 290-1352, 335-6220 CYLINDER HEAD GP
FIELD REPLACEMENT ORDER 299-3519-PAGE 34

SMCS-1100, 1101

i02625615

NOTE	REF NO	GRAPHIC REF	PART NUMBER	QTY	PART NAME						SEE PAGE
					1	2	3	4	5	6 (PRODUCT LEVEL)	
	1	1	183-8809	2	INSERT-VALVE SEAT (INTAKE)						
	2	1	289-9745	2	INSERT-VALVE SEAT (EXHAUST)						
	3	1	3J-7354	4	SEAL-O-RING						
	4	1	9S-8002	4	PLUG-O-RING						
	6	1	3B-0623	5	PLUG-CUP						
	7	1	3B-0645	5	PLUG-CUP						



GRAPHIC #1

<END>

g01205314

BASIC ENGINE

299-3519 CYLINDER HEAD AS

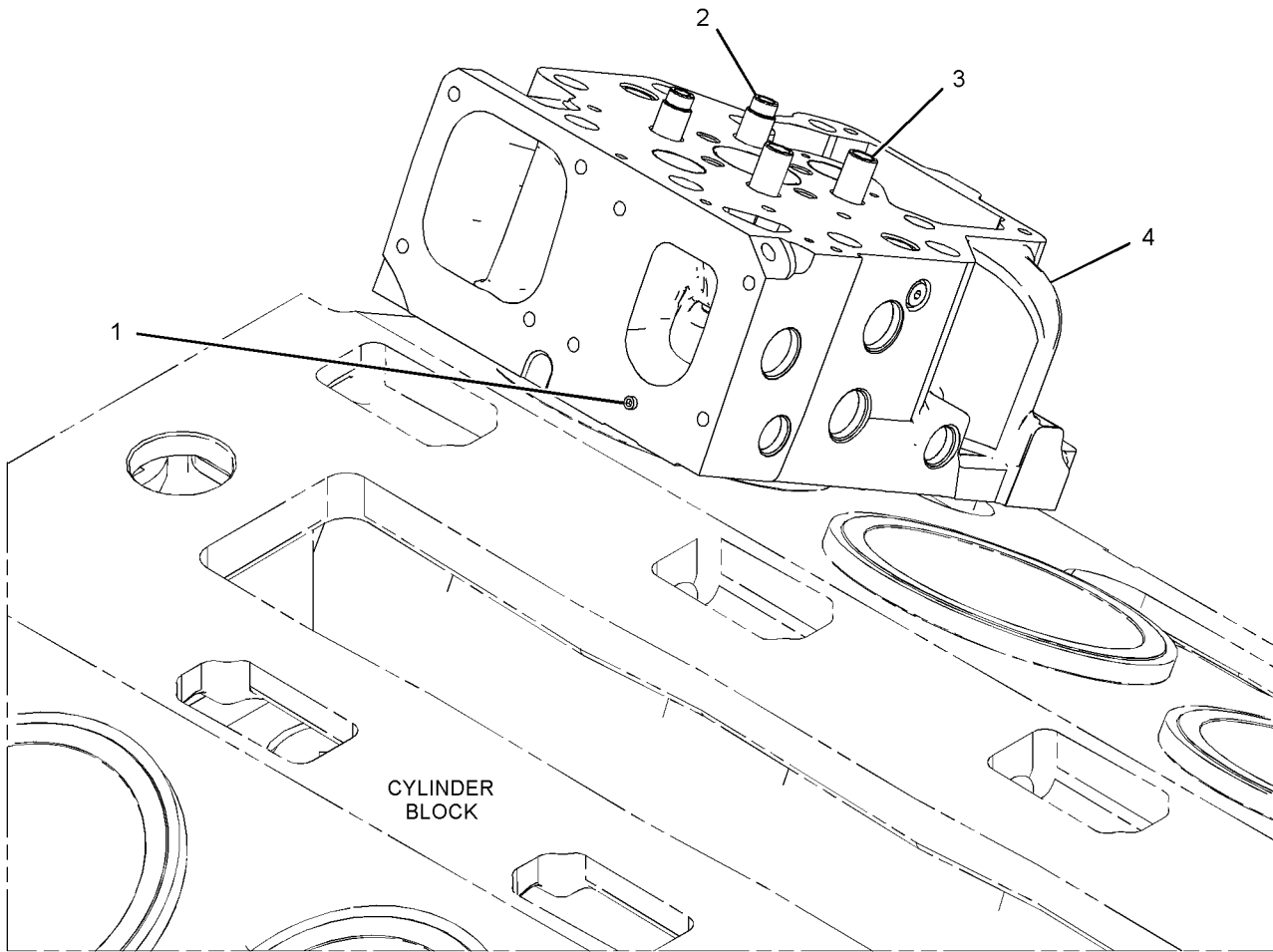
FIELD REPLACEMENT FOR 290-1351-PAGE 33

SMCS-1100, 1101

i03652271

NOTE	REF NO	GRAPHIC REF	PART NUMBER	QTY	PART NAME						SEE PAGE
					1	2	3	4	5	6 (PRODUCT LEVEL)	
	1	1	8T-6759	1	PLUG-PIPE						
R	2	1	133-9306	2	GUIDE-VALVE (STANDARD) (INTAKE)						
AB		1	149-1982		GUIDE-VALVE (0.508-MM OS OD) (INLET)						
AB		1	273-3553		GUIDE-VALVE (0.127-MM OS OD) (INLET)						
AB		1	273-3554		GUIDE-VALVE (0.254-MM OS OD) (INLET)						
AB		1	301-9248		GUIDE-VALVE (0.381-MM OS OD) (INLET)						
R	3	1	197-6995	2	GUIDE-VALVE (STANDARD) (EXHAUST)						
AB		1	276-3875		GUIDE-VALVE (0.127-MM OS OD) (EXHAUST)						
AB		1	276-3876		GUIDE-VALVE (0.254-MM OS OD) (EXHAUST)						
Y	4	1	<i>290-1351</i>	1	CYLINDER HEAD AS						33

A-NOT PART OF THIS GROUP
 B-USE AS REQUIRED
 R-REMG PART MAY BE AVAILABLE
 Y-SEPARATE ILLUSTRATION



GRAPHIC #1

<END>

g01959832

BASIC ENGINE

290-1352 CYLINDER HEAD GP

PART OF 299-3521 CYLINDER HEAD GP

SMCS-1100

i02625612

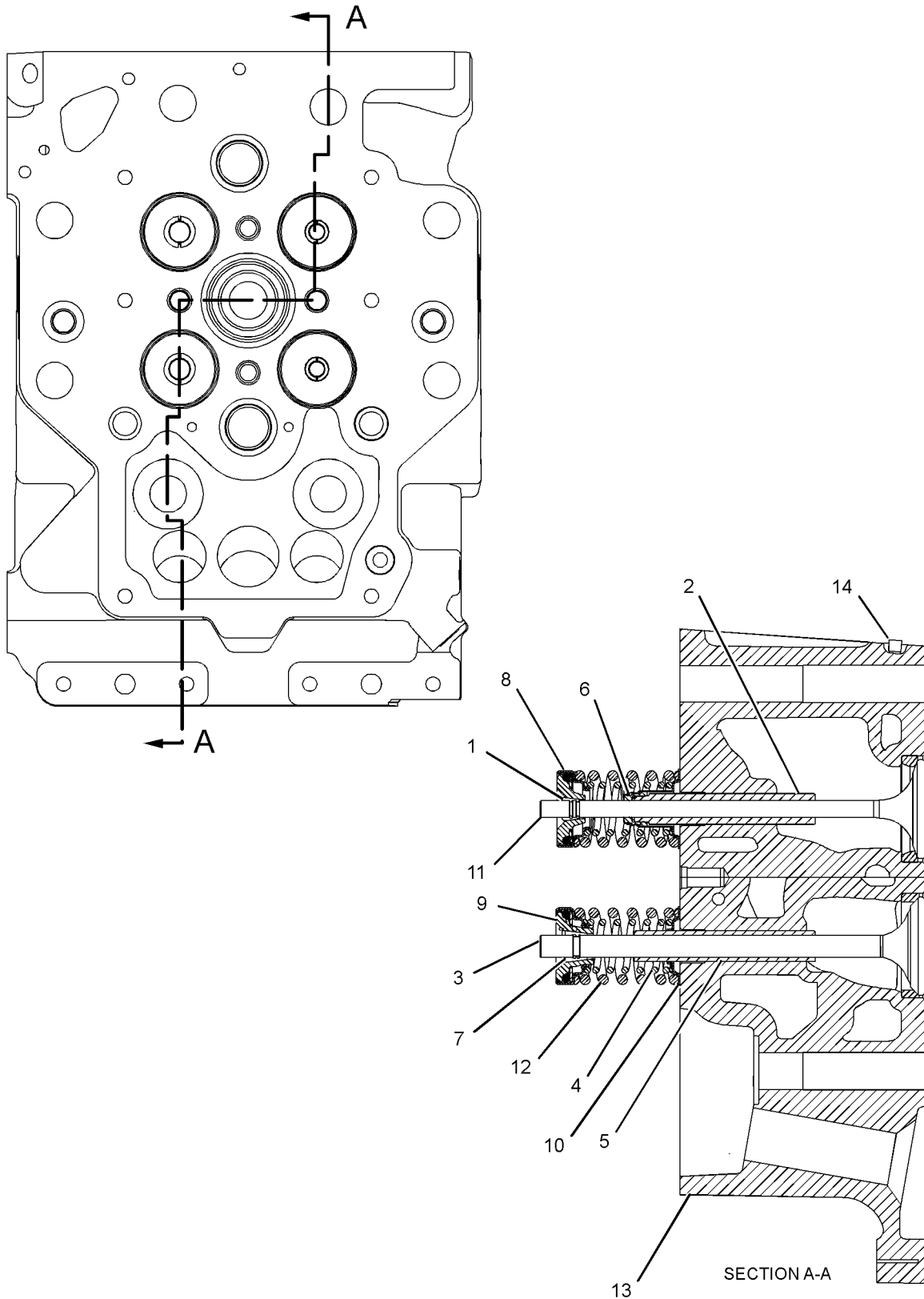
NOTE	REF NO	GRAPHIC REF	PART NUMBER	QTY	PART NAME						SEE PAGE
					1	2	3	4	5	6 (PRODUCT LEVEL)	
	1	1	2A-4429	4	LOCK-RETAINER						
R	2	1	133-9306	2	GUIDE-VALVE (STANDARD) (INLET)						
AB		1	149-1982	2	GUIDE-VALVE (0.508-MM OS OD) (INLET)						
AB		1	273-3553	1	GUIDE-VALVE (0.127-MM OS OD) (INLET)						
AB		1	273-3554	1	GUIDE-VALVE (0.254-MM OS OD) (INLET)						
AB		1	301-9248	1	GUIDE-VALVE (0.381-MM OS OD) (INLET)						
	3	1	194-4897	2	VALVE-EXHAUST						
	4	1	194-4902	4	SPRING-VALVE						
R	5	1	197-6995	2	GUIDE-VALVE (STANDARD) (EXHAUST)						
AB		1	276-3875	1	GUIDE-VALVE (0.127-MM OS OD) (EXHAUST)						
AB		1	276-3876	1	GUIDE-VALVE (0.254-MM OS OD) (EXHAUST)						
	6	1	197-7006	2	SEAL-VALVE STEM						
	7	1	197-7055	4	LOCK-RETAINER						
	8	1	197-7062	2	ROTOCOIL AS						
	9	1	197-7063	2	ROTOCOIL AS						
	10	1	209-0962	2	WASHER (17.8X45X7.29-MM THK)						
	11	1	210-2542	2	VALVE-INLET						
	12	1	281-6157	4	SPRING						
Y	13	1	<i>290-1351</i>	1	CYLINDER HEAD AS						33
	14	1	8T-6759	1	PLUG-PIPE						

A-NOT PART OF THIS GROUP
 B-USE AS REQUIRED
 R-REMG PART MAY BE AVAILABLE
 Y-SEPARATE ILLUSTRATION

BASIC ENGINE

290-1352 CYLINDER HEAD GP (contd.)

i02625612



GRAPHIC #1

<END>

g01324364

BASIC ENGINE

299-3521 CYLINDER HEAD GP

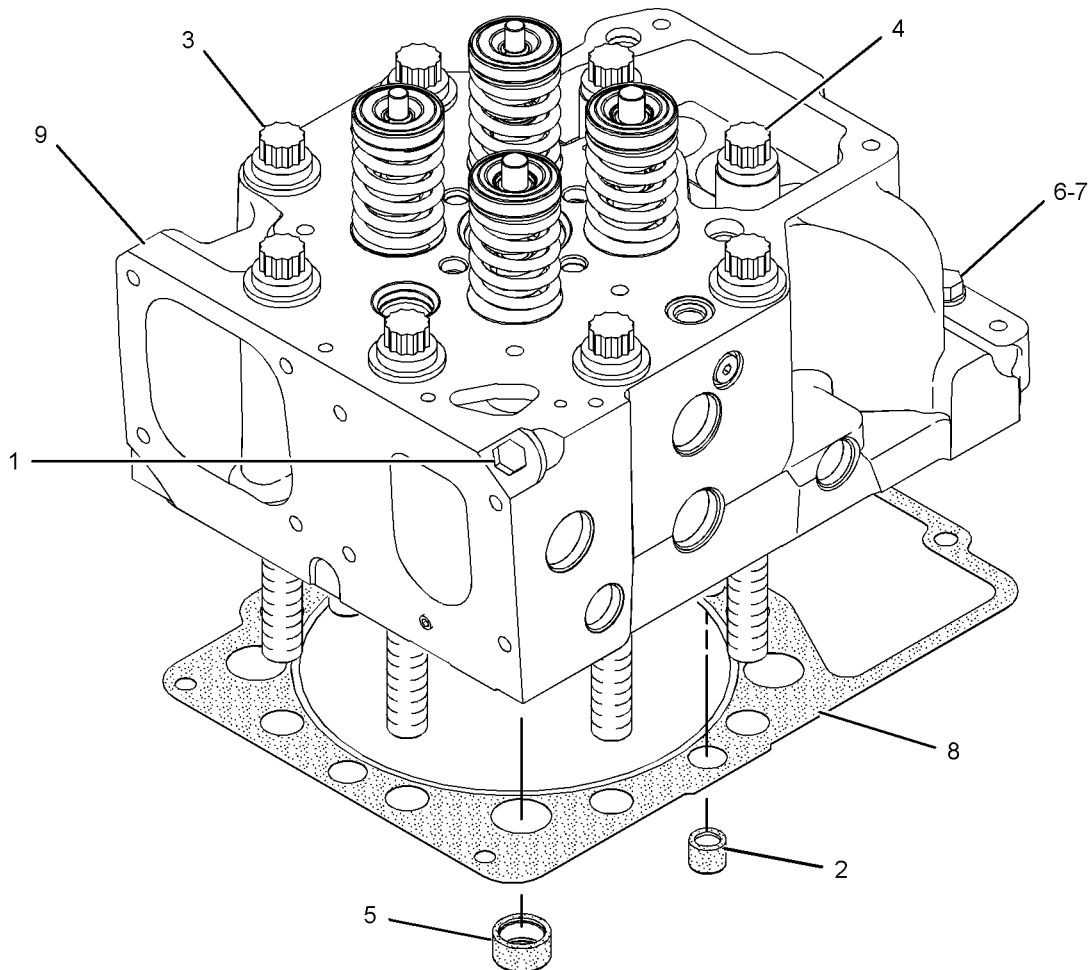
S/N: JTS1-128

SMCS-1100

i03054778

NOTE	REF NO	GRAPHIC REF	PART NUMBER	QTY	PART NAME						SEE PAGE	
					1	2	3	4	5	6 (PRODUCT LEVEL)		
B	1	1	5B-7890	1	PLUG-PIPE						35	
	2	1	204-5426	4	SEAL (WATER)							
	3	1	131-0420	6	FASTENER GP-CYLINDER HEAD (EACH INCLUDES)							
			1	7N-1961	1	BOLT-12 POINT HEAD (3/4-16X8.5-IN)						
			1	187-7738	1	WASHER-HARD (21X36.5X3.5-MM THK)						
	4	1	131-0421	2	FASTENER GP-CYLINDER HEAD (EACH INCLUDES)							
			1	7N-1961	1	BOLT-12 POINT HEAD (3/4-16X8.5-IN)						
			1	9Y-0635	1	SPACER (19.35X30.18X45-MM THK)						
			1	187-7738	1	WASHER-HARD (21X36.5X3.5-MM THK)						
	5	1	204-5427	4	SEAL (WATER)							
	6	1	5B-0213	2	BOLT (3/8-16X2.375-IN)							
	7	1	5M-2894	2	WASHER-HARD (10.2X18.5X2.5-MM THK)							
	8	1	110-6991	1	GASKET-CYLINDER HEAD							
Y	9	1	290-1352	1	CYLINDER HEAD GP							

B-USE AS REQUIRED
Y-SEPARATE ILLUSTRATION



GRAPHIC #1

<END>

g01324449

BASIC ENGINE

299-3521 CYLINDER HEAD GP

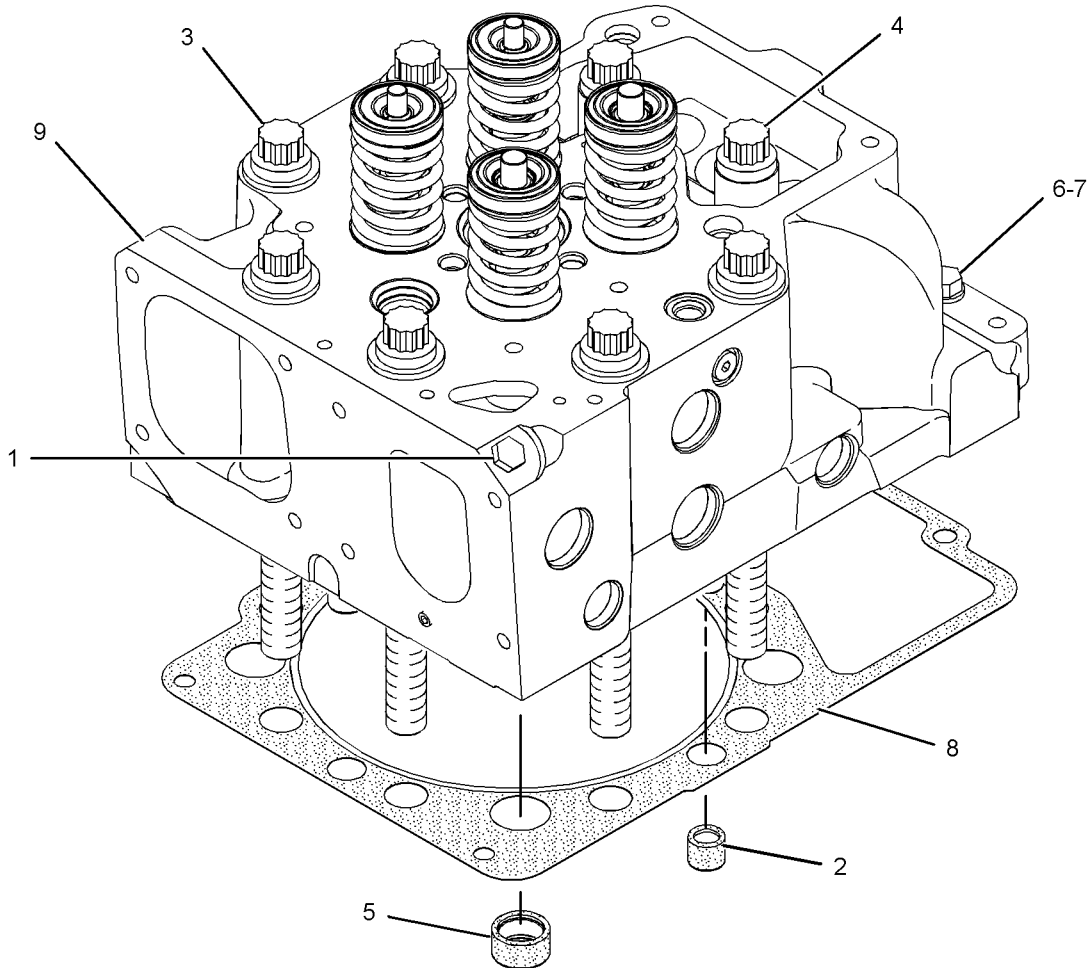
S/N: JTS129-UP

SMCS-1100

i03862945

NOTE	REF NO	GRAPHIC REF	PART NUMBER	QTY	PART NAME						SEE PAGE
					1	2	3	4	5	6 (PRODUCT LEVEL)	
B	1	1	5B-7890	1	PLUG-PIPE						
	2	1	325-1412	4	SEAL AS-WATER						
	3	1	131-0420	6	FASTENER GP-CYLINDER HEAD						
					(EACH INCLUDES)						
		1	7N-1961	1	BOLT-12 POINT HEAD (3/4-16X8.5-IN)						
		1	187-7738	1	WASHER-HARD (21X36.5X3.5-MM THK)						
4	1	1	131-0421	2	FASTENER GP-CYLINDER HEAD						
					(EACH INCLUDES)						
		1	7N-1961	1	BOLT-12 POINT HEAD (3/4-16X8.5-IN)						
		1	9Y-0635	1	SPACER (19.35X30.18X45-MM THK)						
		1	187-7738	1	WASHER-HARD (21X36.5X3.5-MM THK)						
5	1	1	325-1410	4	SEAL AS-WATER						
6	1	1	5B-0213	2	BOLT (3/8-16X2.375-IN)						
7	1	1	5M-2894	2	WASHER-HARD (10.2X18.5X2.5-MM THK)						
8	1	1	110-6991	1	GASKET-CYLINDER HEAD						
CYR	9	1	335-6220	1	CYLINDER HEAD GP						39

B-USE AS REQUIRED
 C-CHANGE FROM PREVIOUS TYPE
 R-REMG PART MAY BE AVAILABLE
 Y-SEPARATE ILLUSTRATION



GRAPHIC #1

<END>

g01324449

BASIC ENGINE

335-6220 CYLINDER HEAD GP

S/N: JTS129-UP

PART OF 299-3521 CYLINDER HEAD GP

SMCS-1100

i03588680

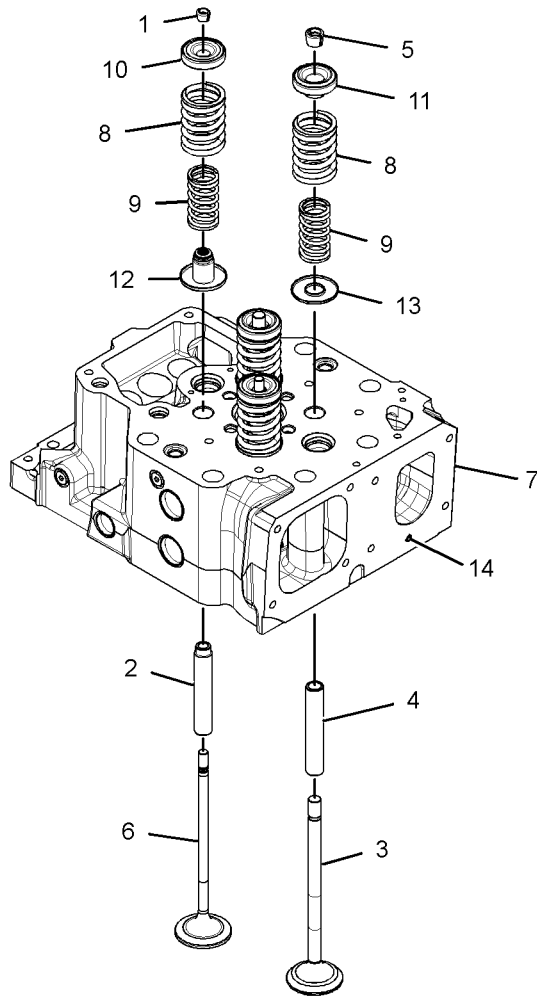
NOTE	REF NO	GRAPHIC REF	PART NUMBER	QTY	PART NAME						SEE PAGE
					1	2	3	4	5	6 (PRODUCT LEVEL)	
	1	1	2A-4429	4	LOCK-RETAINER						
R	2	1	133-9306	2	GUIDE-VALVE (STANDARD) (INLET)						
AB		1	149-1982		GUIDE-VALVE (0.508-MM OS OD) (INLET)						
AB		1	273-3553		GUIDE-VALVE (0.127-MM OS OD) (INLET)						
AB		1	273-3554		GUIDE-VALVE (0.254-MM OS OD) (INLET)						
AB		1	301-9248		GUIDE-VALVE (0.381-MM OS OD) (INLET)						
	3	1	194-4897	2	VALVE-EXHAUST						
R	4	1	197-6995	2	GUIDE-VALVE (STANDARD) (EXHAUST)						
AB		1	276-3875		GUIDE-VALVE (0.127-MM OS OD) (EXHAUST)						
AB		1	276-3876		GUIDE-VALVE (0.254-MM OS OD) (EXHAUST)						
	5	1	197-7055	4	LOCK-RETAINER						
	6	1	210-2542	2	VALVE-INLET						
Y	7	1	290-1351	1	CYLINDER HEAD AS						33
	8	1	316-5976	4	SPRING (OUTER)						
	9	1	316-5977	4	SPRING (INNER)						
	10	1	316-5978	2	ROTOCOIL AS (INLET)						
	11	1	316-5979	2	ROTOCOIL AS (EXHAUST)						
	12	1	316-5980	2	SEAL-VALVE STEM						
	13	1	316-5981	2	WASHER						
	14	1	8T-6759	1	PLUG-PIPE						

A-NOT PART OF THIS GROUP
 B-USE AS REQUIRED
 R-REMG PART MAY BE AVAILABLE
 Y-SEPARATE ILLUSTRATION

BASIC ENGINE

335-6220 CYLINDER HEAD GP (contd.)

i03588680



GRAPHIC #1

<END>

g01835055

BASIC ENGINE

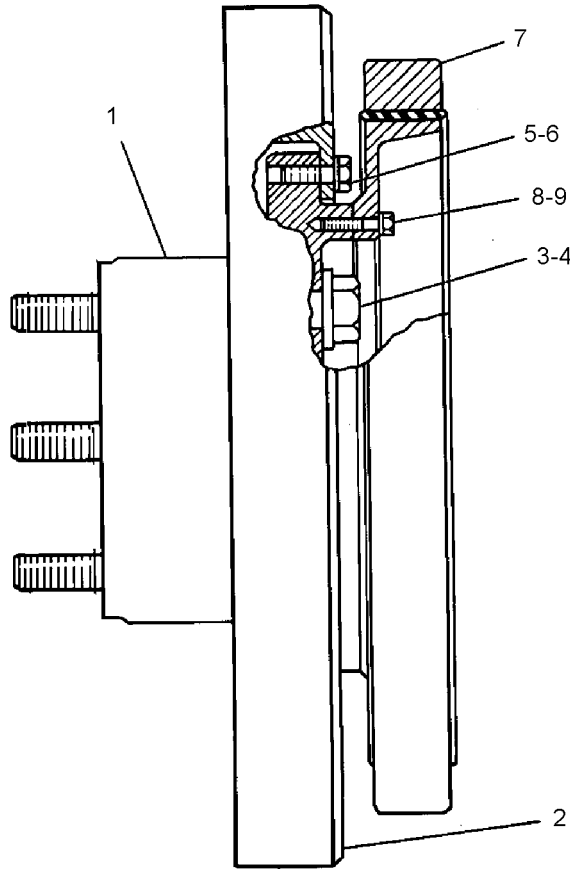
4W-0278 DAMPER GP AN ATTACHMENT

SMCS - 1205

i02297676

NOTE	REF NO	GRAPHIC REF	PART NUMBER	QTY	PART NAME						SEE PAGE
					1	2	3	4	5	6 (PRODUCT LEVEL)	
	1	1	7E-0854	1	ADAPTER - DAMPER						
R	2	1	193-3288	1	DAMPER AS						
B	3	1	8S-4757	6	BOLT (1-14X8-IN)						
B	4	1	5P-8250	6	WASHER (28X49X5-MM THK)						
C	5	1	7B-3235	10	BOLT (1/2-13X1.375-IN)						
	6	1	2M-0849	10	WASHER-HARD (13.5X25.5X5-MM THK)						
C	7	1	7W-3193	1	DAMPER AS						
		1	7N-2043	2	DOWEL						
C	8	1	3B-1915	18	BOLT (3/8-16X1-3/8-IN)						
C	9	1	5M-2894	18	WASHER-HARD (10.2X18.5X2.5-MM THK)						

B-USE AS REQUIRED
C-CHANGE FROM PREVIOUS TYPE
R-REMFG PART MAY BE AVAILABLE



RIGHT SIDE VIEW

GRAPHIC #1

<END>

g01150652

BASIC ENGINE

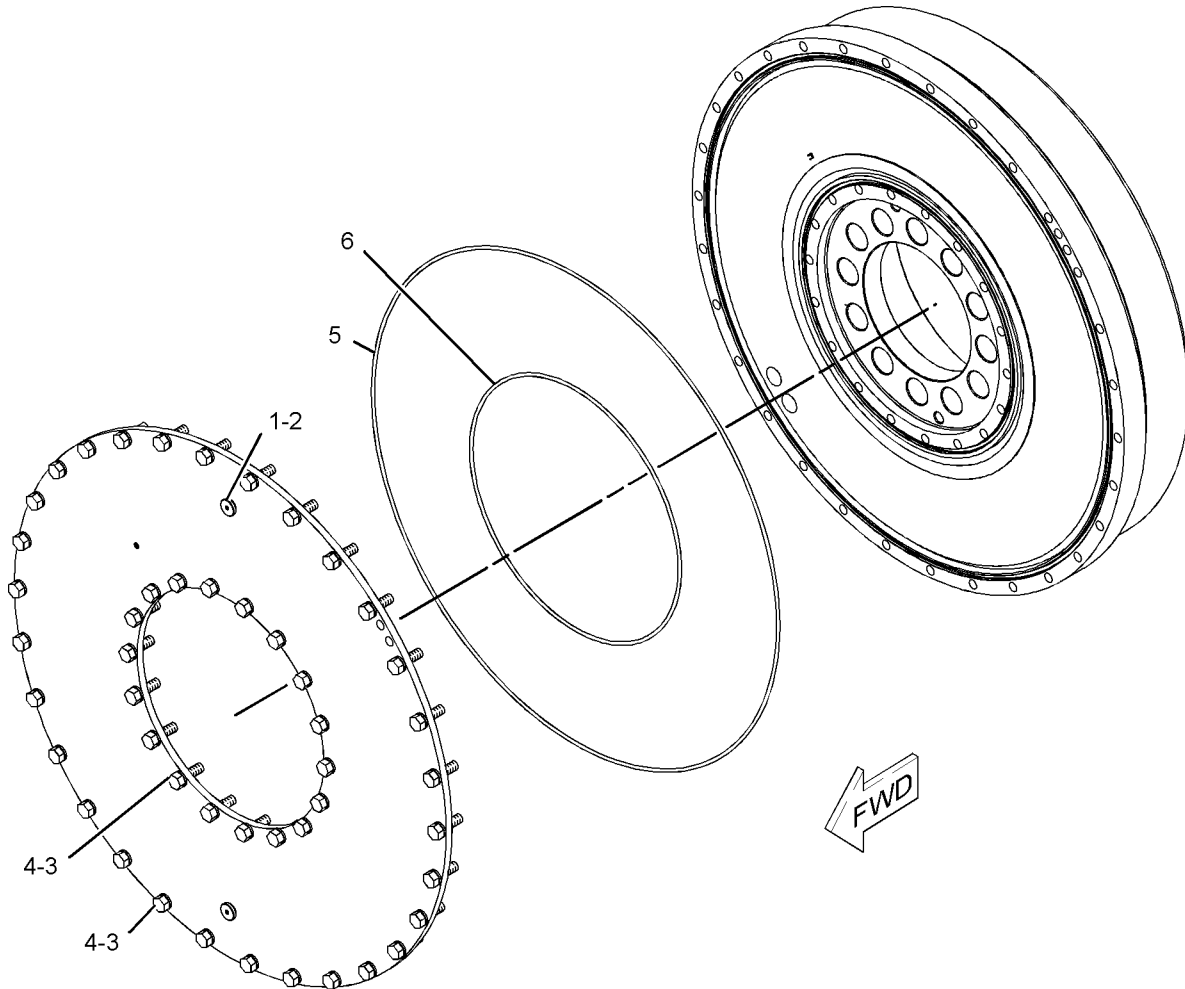
247-0845 DAMPER GP

PART OF 248-0197 DAMPER GP

SMCS - 1205

i02094264

NOTE	REF NO	GRAPHIC REF	PART NUMBER	QTY	PART NAME						SEE PAGE
					1	2	3	4	5	6 (PRODUCT LEVEL)	
	1	1	151-9263	2	WASHER (10.35X16X2-MM THK)						
	2	1	227-3801	2	PLUG						
	3	1	1A-2029	48	BOLT (3/8-16X1.125-IN)						
	4	1	3V-2431	48	WASHER (10.2X16X2-MM THK)						
	5	1	4D-0449	1	SEAL-O-RING						
	6	1	6V-7991	1	SEAL-O-RING						



GRAPHIC #1

<END>

g01070264

BASIC ENGINE

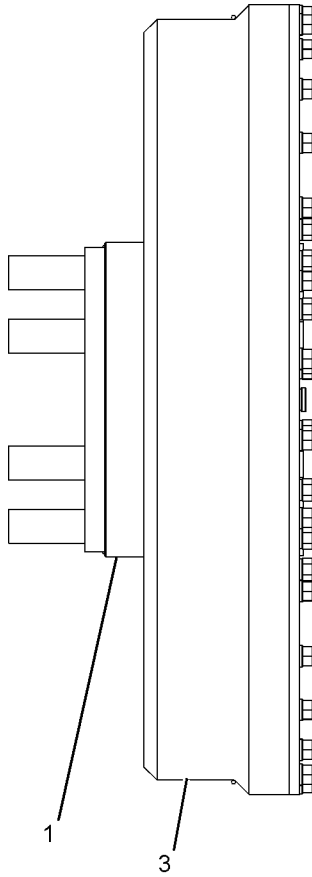
248-0197 DAMPER GP

SMCS - 1205

i02094263

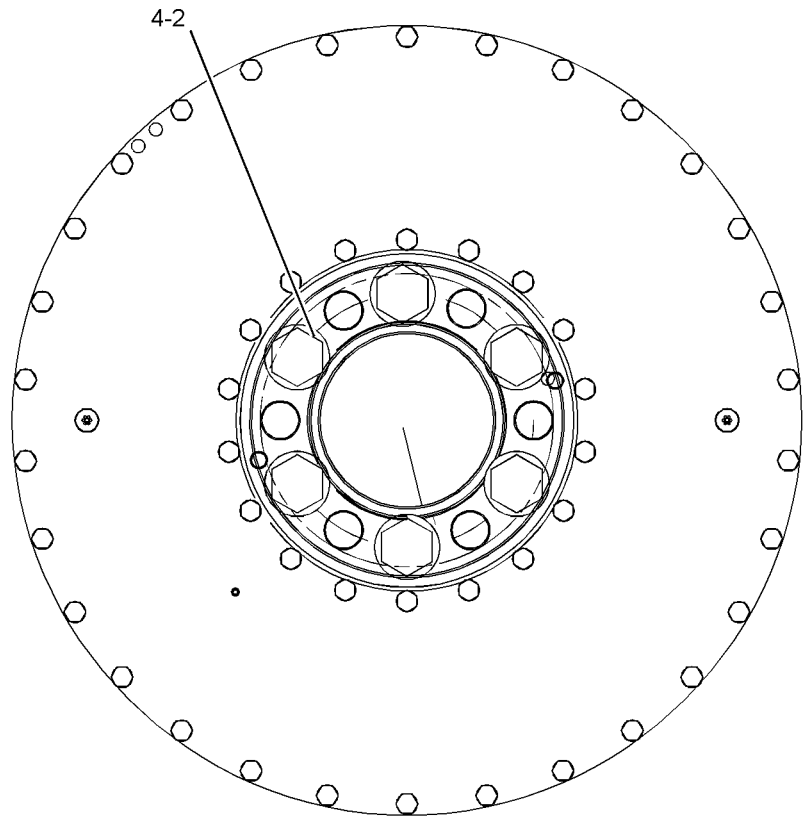
NOTE	REF NO	GRAPHIC REF	PART NUMBER	QTY	PART NAME						SEE PAGE
					1	2	3	4	5	6 (PRODUCT LEVEL)	
	1	1	1N-3482	1	ADAPTER						
	2	1	8S-4757	6	BOLT (1-14X8-IN)						
Y	3	1	247-0845	1	DAMPER GP						42
	4	1	5P-8250	6	WASHER (28X49X5-MM THK)						

Y - SEPARATE ILLUSTRATION



RIGHT SIDE VIEW

GRAPHIC #1



FRONT VIEW

<END>

g01069674

BASIC ENGINE

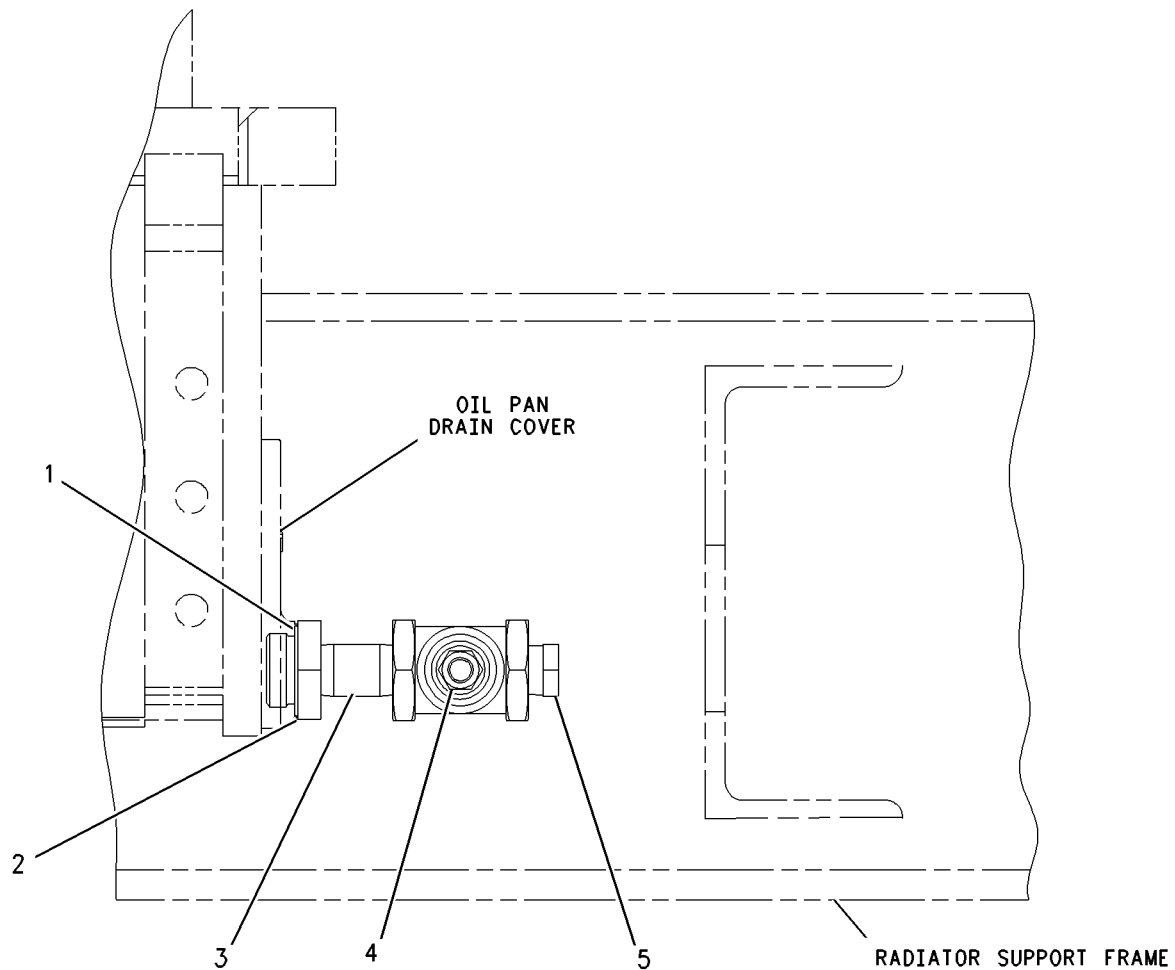
9Y-7876 DRAIN GP-ENGINE OIL-PAN AN ATTACHMENT

SMCS-1302

i02509881

NOTE	REF NO	GRAPHIC REF	PART NUMBER	QTY	PART NAME						SEE PAGE
					1	2	3	4	5	6 (PRODUCT LEVEL)	
	1	1	6F-4868	1	GASKET						
	2	1	7N-6511	1	ADAPTER						
	3	1	1F-6660	1	NIPPLE-PIPE						
	4	1	9B-4202	1	VALVE-DRAIN (ENGINE OIL)						
B	5	1	3E-7430	1	PLUG-PIPE						

B-USE AS REQUIRED



GRAPHIC #1

<END>

g00825656

BASIC ENGINE

7N-4871 DRIVE GP-ACCESSORY-UPPER, RH

STANDARD ROTATION

FOR USE WITH 900-1800 RPM. CANNOT BE USED WITH RIGHT HAND GOVERNOR
AN ATTACHMENT

SMCS-1207

i03845513

NOTE	REF NO	GRAPHIC REF	PART NUMBER	QTY	PART NAME						SEE PAGE
					1	2	3	4	5	6 (PRODUCT LEVEL)	
B	1	1	8T-6757	1	PLUG-PIPE						
	2	1	6V-3348	1	SEAL-O-RING						
	3	1	7N-5875	1	GEAR-AUXILIARY DRIVE (63-TEETH)						
	4	1	7N-5248	1	GEAR-AUXILIARY DRIVE (63-TEETH)						
	5	1	5P-0840	1	SEAL-O-RING						
	6	1	7N-5874	1	SHAFT-AUXILIARY DRIVE						
	7	1	5P-2546	12	BOLT-12 POINT HEAD (7/16-14X1.25-IN)						
	8	1	259-4598	1	SEAL-O-RING						
	9	1	7J-8114	1	GASKET						
C	10	1	8P-1438	1	COVER						
	11	1	0L-1351	4	BOLT (3/8-16X0.875-IN)						
	12	1	8T-6759	1	PLUG-PIPE						
C	13	1	0S-1595	2	BOLT (1/2-13X1.25-IN)						
	14	1	5P-8245	2	WASHER-HARD (13.5X25.5X3-MM THK)						
	15	1	7C-4165	1	ADAPTER AS						
	15A	1	127-5400	1	BEARING-SLEEVE						
	16	1	2B-2695	4	BOLT (5/16-18X0.875-IN)						
	17	1	7N-7539	2	WASHER-THRUST						
	18	1	235-3546	1	SEAL-O-RING						
	19	1	0S-1594	6	BOLT (3/8-16X1-IN)						
	20	1	7N-5279	1	ADAPTER AS						
	20A	1	127-5400	1	BEARING-SLEEVE						
	21	1	6K-3772	12	BOLT-12 POINT HEAD (7/16-14X2.25-IN)						
22	1	9M-1974	4	WASHER-HARD (8.8X16X2-MM THK)							
23	1	8T-6757	1	PLUG-PIPE							

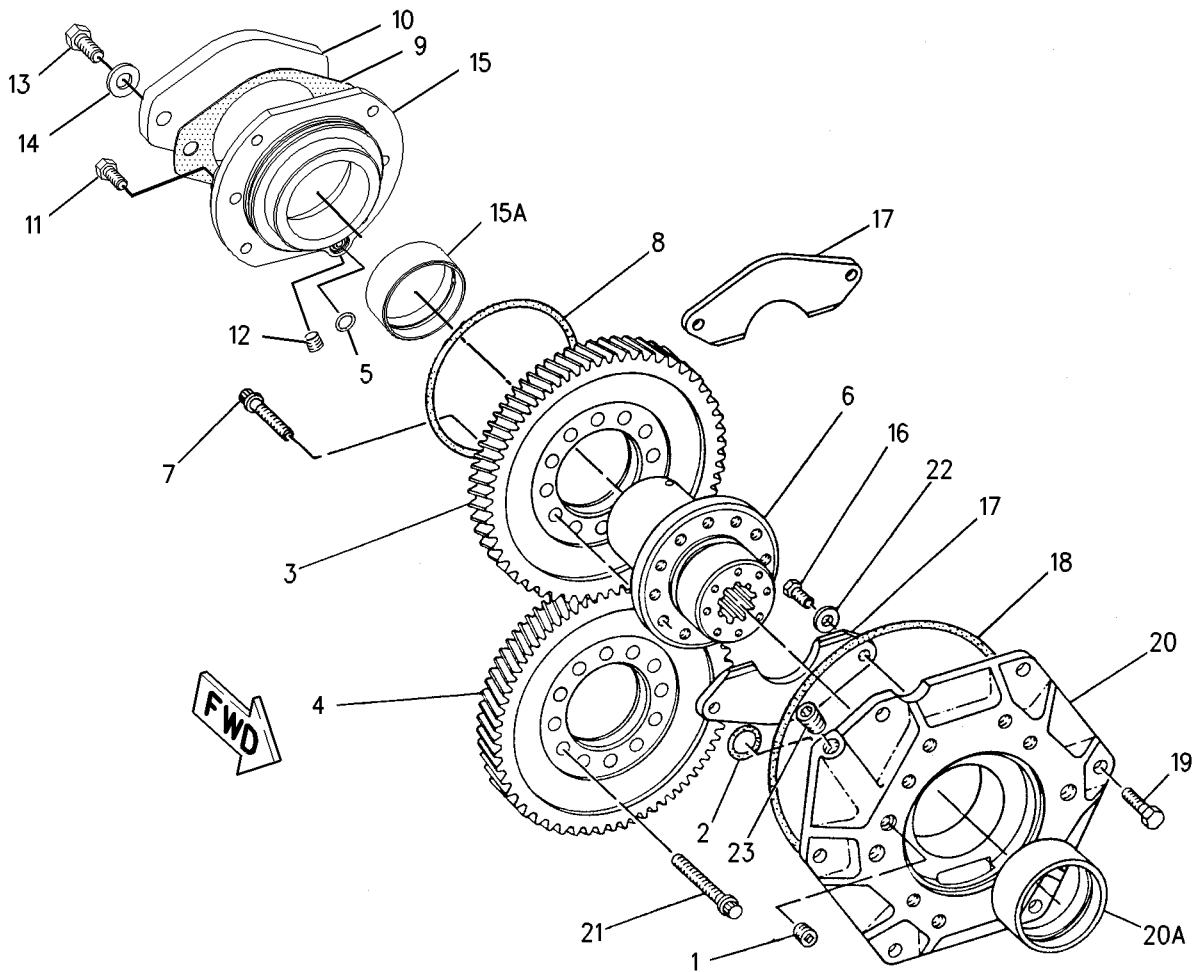
B-USE AS REQUIRED

C-CHANGE FROM PREVIOUS TYPE

BASIC ENGINE

7N-4871 DRIVE GP-ACCESSORY (contd.)

i03845513



GRAPHIC #1

<END>

g00740513

BASIC ENGINE

8N-5743 DRIVE GP-ACCESSORY-UPPER, LH REVERSE ROTATION AN ATTACHMENT

SMCS-1207

i03845510

NOTE	REF NO	GRAPHIC REF	PART NUMBER	QTY	PART NAME						SEE PAGE
					1	2	3	4	5	6 (PRODUCT LEVEL)	
	1	1	5R-7136	1	WASHER-SEALING						
	2	1	5R-7137	2	WASHER-SEALING						
	3	1	7C-3258	1	WASHER AS-THRUST						
		1	7N-2047	1	DOWEL						
	4	1	7C-3260	1	SHAFT						
	5	1	7E-0275	1	GEAR-WATER PUMP DRIVE (69-TEETH)						
	6	1	7N-5279	1	ADAPTER AS						
		1	127-5400	1	BEARING-SLEEVE						
	7	1	7N-5874	1	SHAFT-AUXILIARY DRIVE						
	8	1	7N-7539	2	WASHER-THRUST						
	9	1	7N-8374	2	COVER-PUMP						
	10	1	8N-8210	1	ADAPTER AS						
		1	127-5400	1	BEARING-SLEEVE						
C	11	1	144-8263	1	GEAR AS-IDLER (53-TEETH)						
		1	140-9597	1	BEARING-SLEEVE						
	12	1	235-3546	1	SEAL-O-RING						
	13	1	235-3548	1	SEAL-O-RING						
	14	1	0S-1592	4	BOLT (5/8-11X1.25-IN)						
	15	1	0S-1594	6	BOLT (3/8-16X1-IN)						
	16	1	0T-0055	1	BOLT (3/8-16X4.25-IN)						
	17	1	1T-0765	6	BOLT (3/8-16X1-IN)						
	18	1	259-4598	1	SEAL-O-RING						
	19	1	2B-2695	4	BOLT (5/16-18X0.875-IN)						
	20	1	5M-2894	1	WASHER-HARD (10.2X18.5X2.5-MM THK)						
	21	1	5P-0840	1	SEAL-O-RING						
	22	1	5P-8245	2	WASHER-HARD (13.5X25.5X3-MM THK)						
	23	1	5P-8247	4	WASHER-HARD (17X32X3.5-MM THK)						
	24	1	6K-3772	12	BOLT-12 POINT HEAD (7/16-14X2.25-IN)						
	25	1	6V-3348	1	SEAL-O-RING						
B	26	1	8T-6757	2	PLUG-PIPE						
C	27	1	8T-6759	2	PLUG-PIPE						
	28	1	9M-1974	4	WASHER-HARD (8.8X16X2-MM THK)						
	29	1	9X-7371	2	SEAL-O-RING						
	30	1	9X-8879	2	BOLT (1/2-13X5.5-IN)						

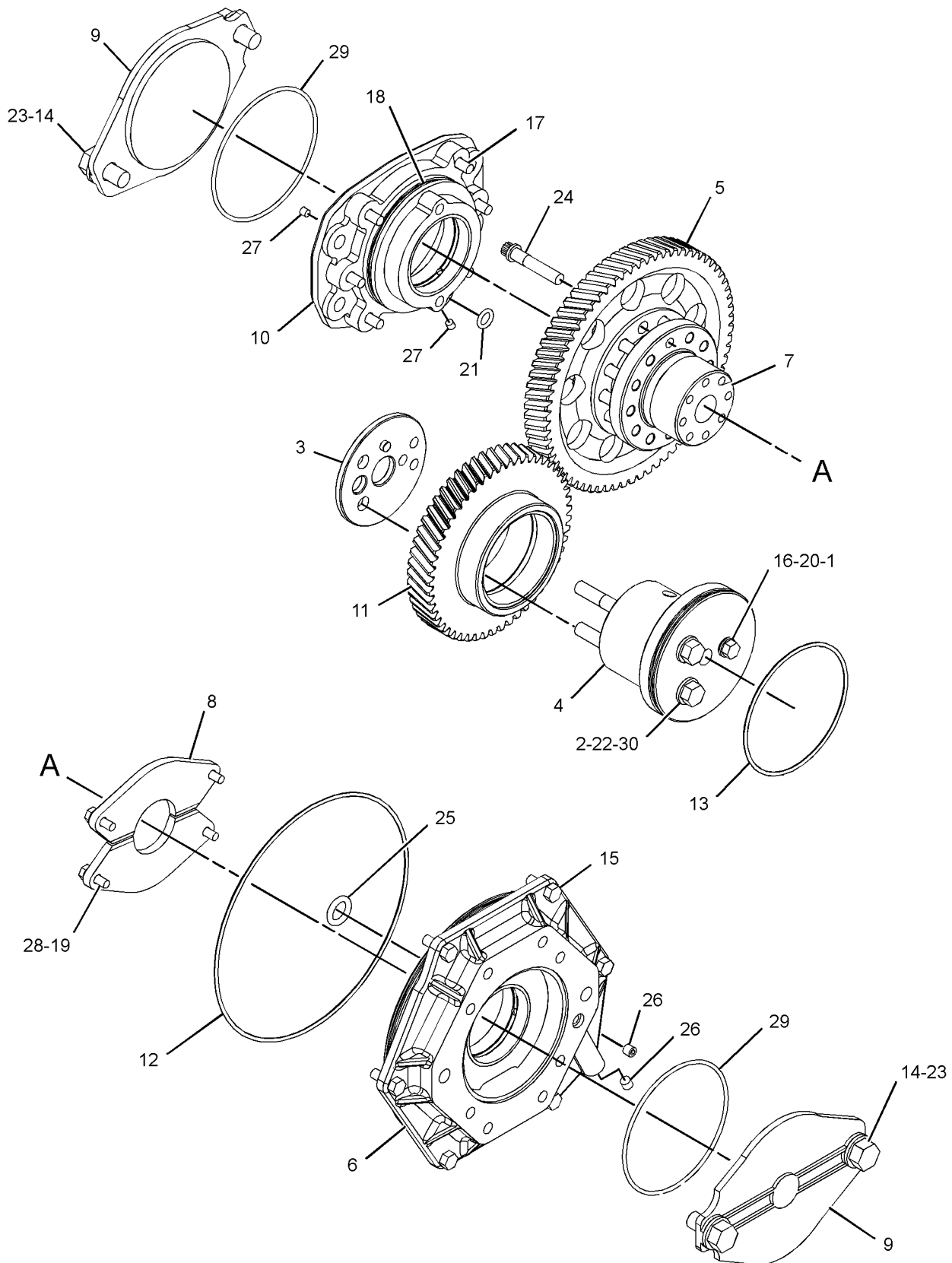
B-USE AS REQUIRED

C-CHANGE FROM PREVIOUS TYPE

BASIC ENGINE

8N-5743 DRIVE GP-ACCESSORY (contd.)

i03845510



GRAPHIC #1

<END>

g02092277

BASIC ENGINE

8N-9166 DRIVE GP-ACCESSORY-UPPER, LH STANDARD ROTATION AN ATTACHMENT

SMCS-1207

i03862931

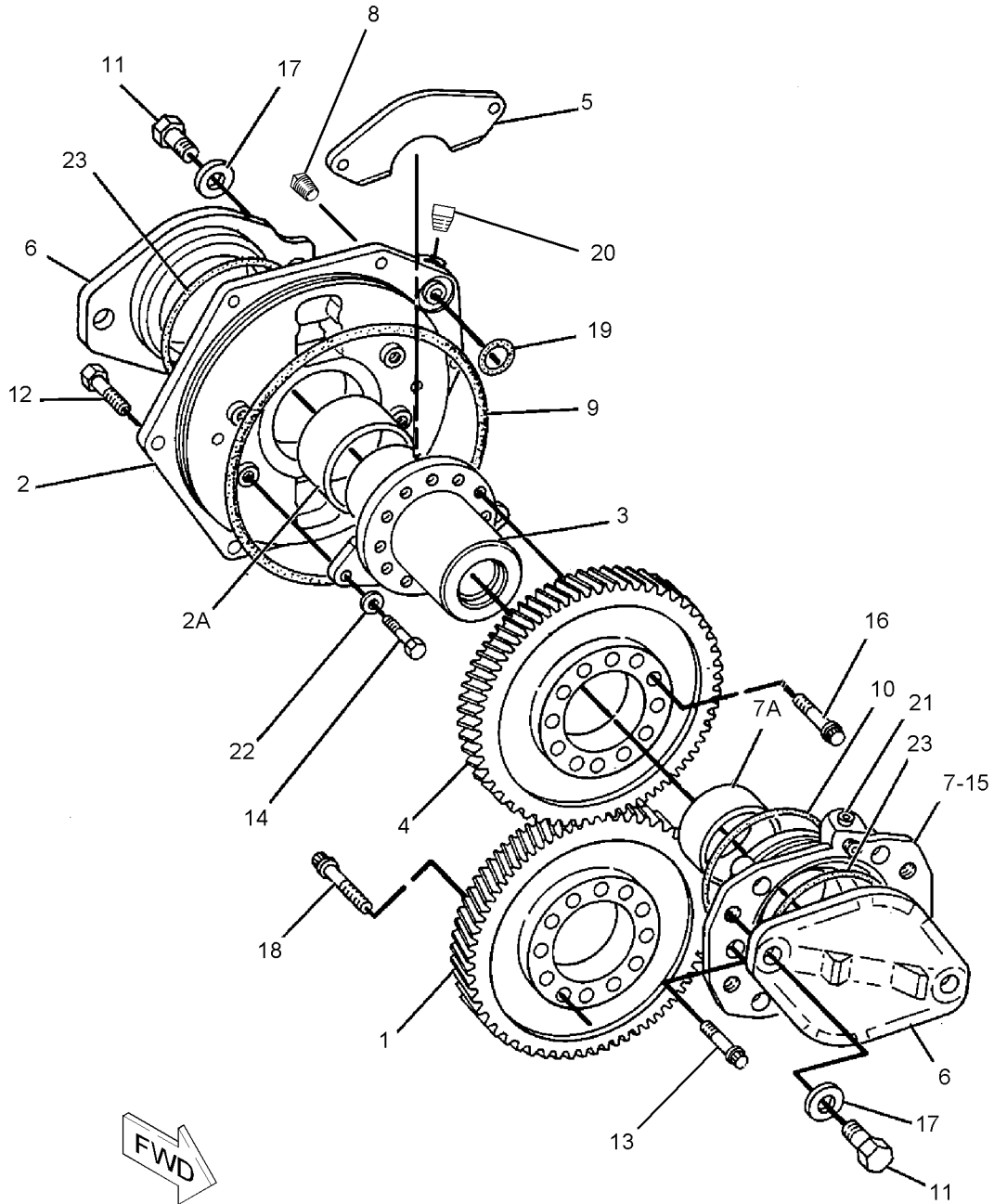
NOTE	REF NO	GRAPHIC REF	PART NUMBER	QTY	PART NAME						SEE PAGE
					1	2	3	4	5	6 (PRODUCT LEVEL)	
	1	1	7N-5248	1	GEAR-AUXILIARY DRIVE (63-TEETH)						
	2	1	7N-5279	1	ADAPTER AS						
	2A	1	127-5400	1	BEARING-SLEEVE						
	3	1	7N-5874	1	SHAFT-AUXILIARY DRIVE						
	4	1	7N-5875	1	GEAR-AUXILIARY DRIVE (63-TEETH)						
	5	1	7N-7539	2	WASHER-THRUST						
	6	1	7N-8374	2	COVER-PUMP						
	7	1	8N-8210	1	ADAPTER AS						
	7A	1	127-5400	1	BEARING-SLEEVE						
B	8	1	8T-6757	1	PLUG-PIPE						
	9	1	235-3546	1	SEAL-O-RING						
	10	1	259-4598	1	SEAL-O-RING						
	11	1	0S-1592	4	BOLT (5/8-11X1.25-IN)						
	12	1	0S-1594	6	BOLT (3/8-16X1-IN)						
	13	1	1T-0765	6	BOLT (3/8-16X1-IN)						
	14	1	2B-2695	4	BOLT (5/16-18X0.875-IN)						
	15	1	5P-0840	1	SEAL-O-RING						
	16	1	5P-2546	12	BOLT-12 POINT HEAD (7/16-14X1.25-IN)						
	17	1	5P-8247	4	WASHER-HARD (17X32X3.5-MM THK)						
	18	1	6K-3772	12	BOLT-12 POINT HEAD (7/16-14X2.25-IN)						
	19	1	6V-3348	1	SEAL-O-RING						
	20	1	8T-6757	1	PLUG-PIPE						
	21	1	8T-6759	2	PLUG-PIPE						
	22	1	9M-1974	4	WASHER-HARD (8.8X16X2-MM THK)						
	23	1	9X-7371	2	SEAL-O-RING						

B-USE AS REQUIRED

BASIC ENGINE

8N-9166 DRIVE GP-ACCESSORY (contd.)

i03862931



GRAPHIC #1

<END>

g01102444

BASIC ENGINE

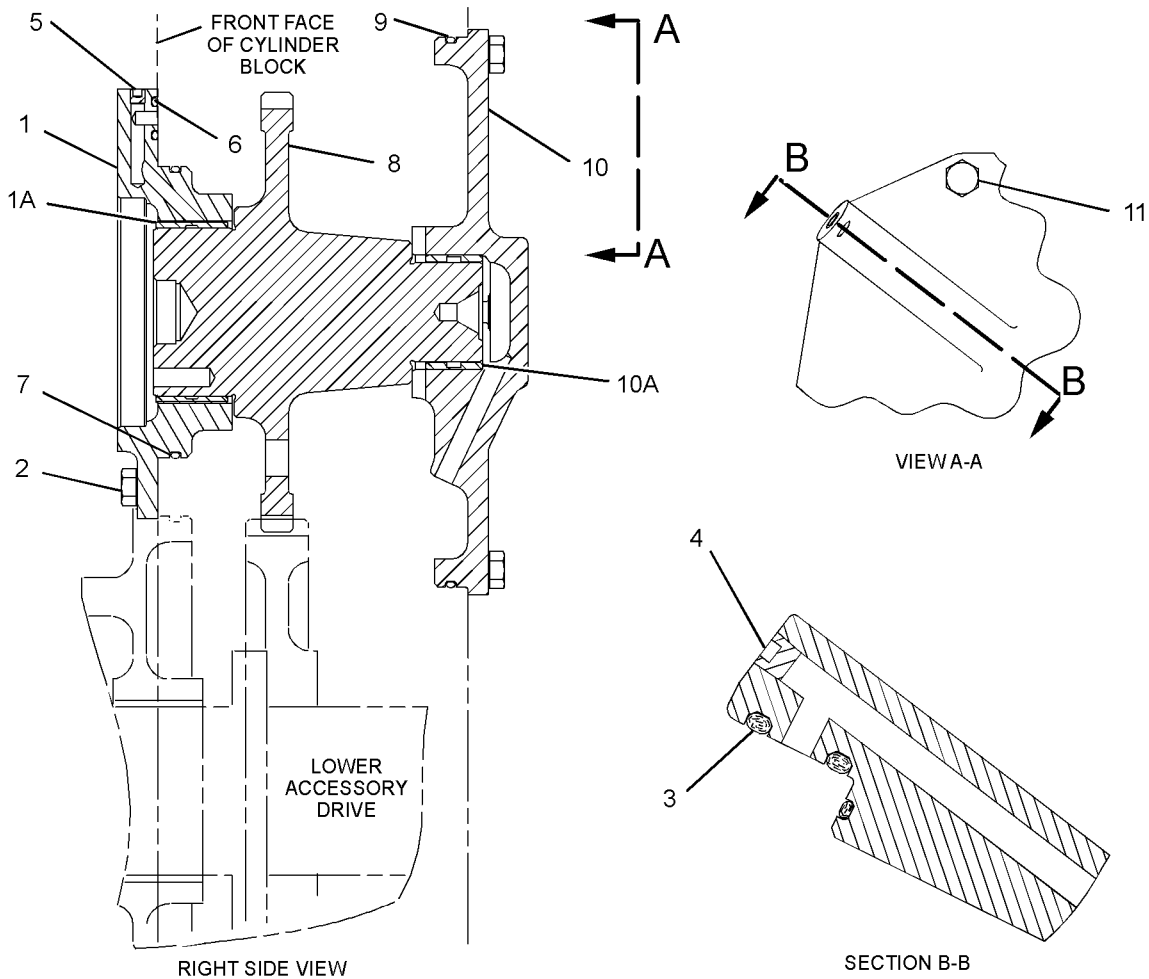
107-7361 DRIVE GP-ACCESSORY-UPPER, RH

STANDARD ROTATION
CANNOT BE USED WITH MECHANICAL GOVERNOR
AN ATTACHMENT

SMCS-1207

i02686118

NOTE	REF NO	GRAPHIC REF	PART NUMBER	QTY	PART NAME						SEE PAGE
					1	2	3	4	5	6 (PRODUCT LEVEL)	
	1	1	7C-4165	1	ADAPTER AS						
	1A	1	7N-5244	1	BEARING-SLEEVE						
	2	1	0L-1351	4	BOLT (3/8-16X0.875-IN)						
	3	1	6V-3348	1	SEAL-O-RING						
	4	1	8T-6757	1	PLUG-PIPE						
	5	1	8T-6759	1	PLUG-PIPE						
	6	1	5P-0840	1	SEAL-O-RING						
	7	1	235-3548	1	SEAL-O-RING						
	8	1	107-0466	1	GEAR-ACCESSORY DRIVE (55-TEETH)						
	9	1	235-3546	1	SEAL-O-RING						
	10	1	107-7362	1	COVER AS						
	10A	1	2S-7056	1	BEARING-SLEEVE						
	11	1	0S-1594	6	BOLT (3/8-16X1-IN)						



GRAPHIC #1

<END>

g01351431

BASIC ENGINE

166-4357 DRIVE GP-ACCESSORY-UPPER, RH

STANDARD ROTATION

CANNOT BE USED WITH RIGHT HAND GOVERNOR
AN ATTACHMENT

SMCS-1207

i03814231

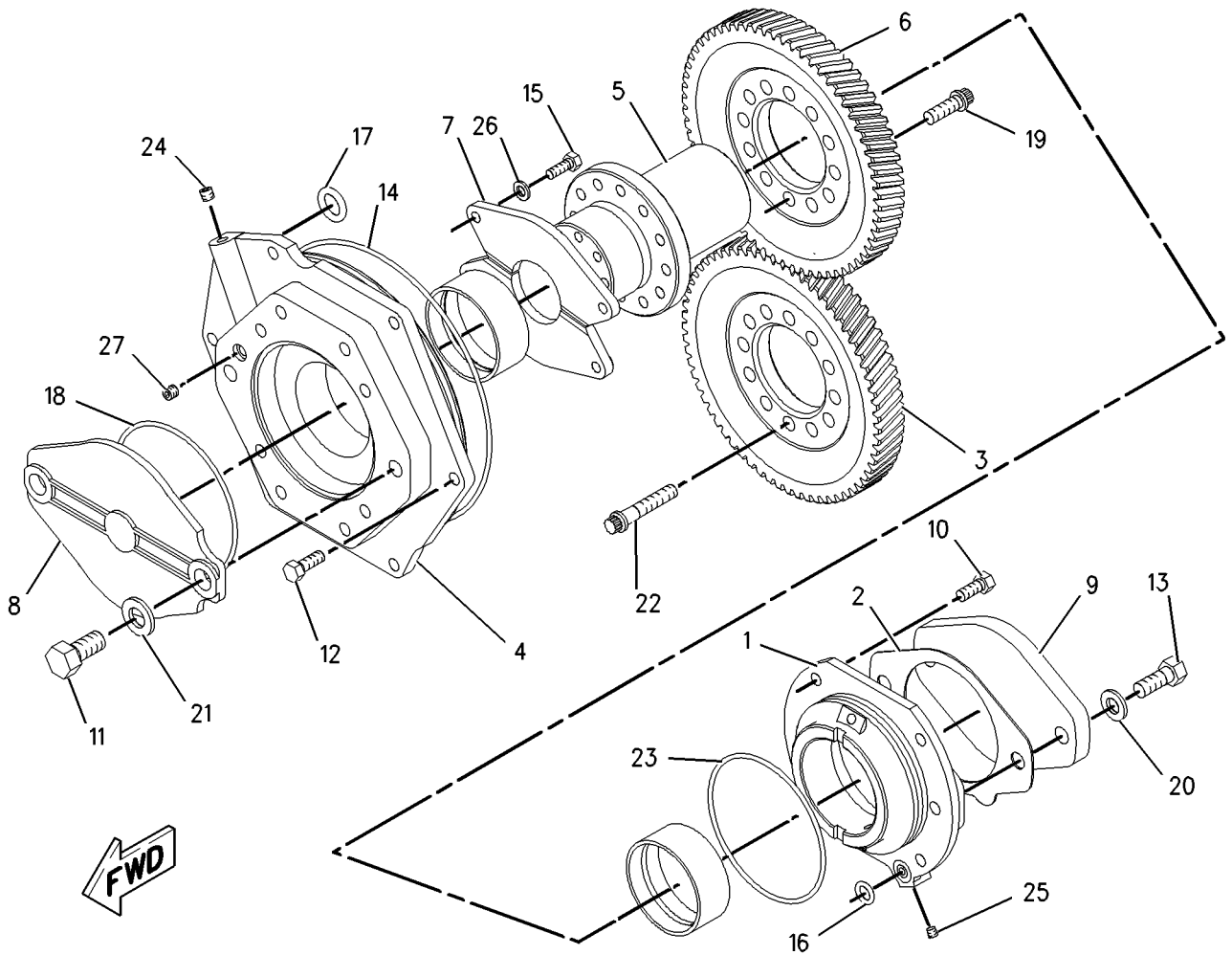
NOTE	REF NO	GRAPHIC REF	PART NUMBER	QTY	PART NAME						SEE PAGE
					1	2	3	4	5	6 (PRODUCT LEVEL)	
	1	1	7C-4165	1	ADAPTER AS						
		1	127-5400	1	BEARING-SLEEVE						
	2	1	7J-8114	1	GASKET						
	3	1	7N-5248	1	GEAR-AUXILIARY DRIVE (63-TEETH)						
	4	1	7N-5279	1	ADAPTER AS						
		1	127-5400	1	BEARING-SLEEVE						
	5	1	7N-5874	1	SHAFT-AUXILIARY DRIVE						
	6	1	7N-5875	1	GEAR-AUXILIARY DRIVE (63-TEETH)						
	7	1	7N-7539	2	WASHER-THRUST						
	8	1	7N-8374	1	COVER-PUMP						
	9	1	8P-1438	1	COVER						
	10	1	0L-1351	4	BOLT (3/8-16X0.875-IN)						
	11	1	0S-1592	2	BOLT (5/8-11X1.25-IN)						
	12	1	0S-1594	6	BOLT (3/8-16X1-IN)						
	13	1	0S-1595	2	BOLT (1/2-13X1.25-IN)						
	14	1	235-3546	1	SEAL-O-RING						
	15	1	2B-2695	4	BOLT (5/16-18X0.875-IN)						
	16	1	5P-0840	1	SEAL-O-RING						
	17	1	6V-3348	1	SEAL-O-RING						
	18	1	9X-7371	1	SEAL-O-RING						
	19	1	5P-2546	12	BOLT-12 POINT HEAD (7/16-14X1.25-IN)						
	20	1	5P-8245	2	WASHER-HARD (13.5X25.5X3-MM THK)						
	21	1	5P-8247	2	WASHER-HARD (17X32X3.5-MM THK)						
	22	1	6K-3772	12	BOLT-12 POINT HEAD (7/16-14X2.25-IN)						
	23	1	259-4598	1	SEAL-O-RING						
	24	1	8T-6757	1	PLUG-PIPE						
	25	1	8T-6759	1	PLUG-PIPE						
	26	1	9M-1974	4	WASHER-HARD (8.8X16X2-MM THK)						
B	27	1	8T-6757	1	PLUG-PIPE						

B-USE AS REQUIRED

BASIC ENGINE

166-4357 DRIVE GP-ACCESSORY (contd.)

i03814231



GRAPHIC #1

<END>

g00760768

BASIC ENGINE

308-3565 DRIVE GP-AUXILIARY-LOWER, LH

SMCS-1207, 3108

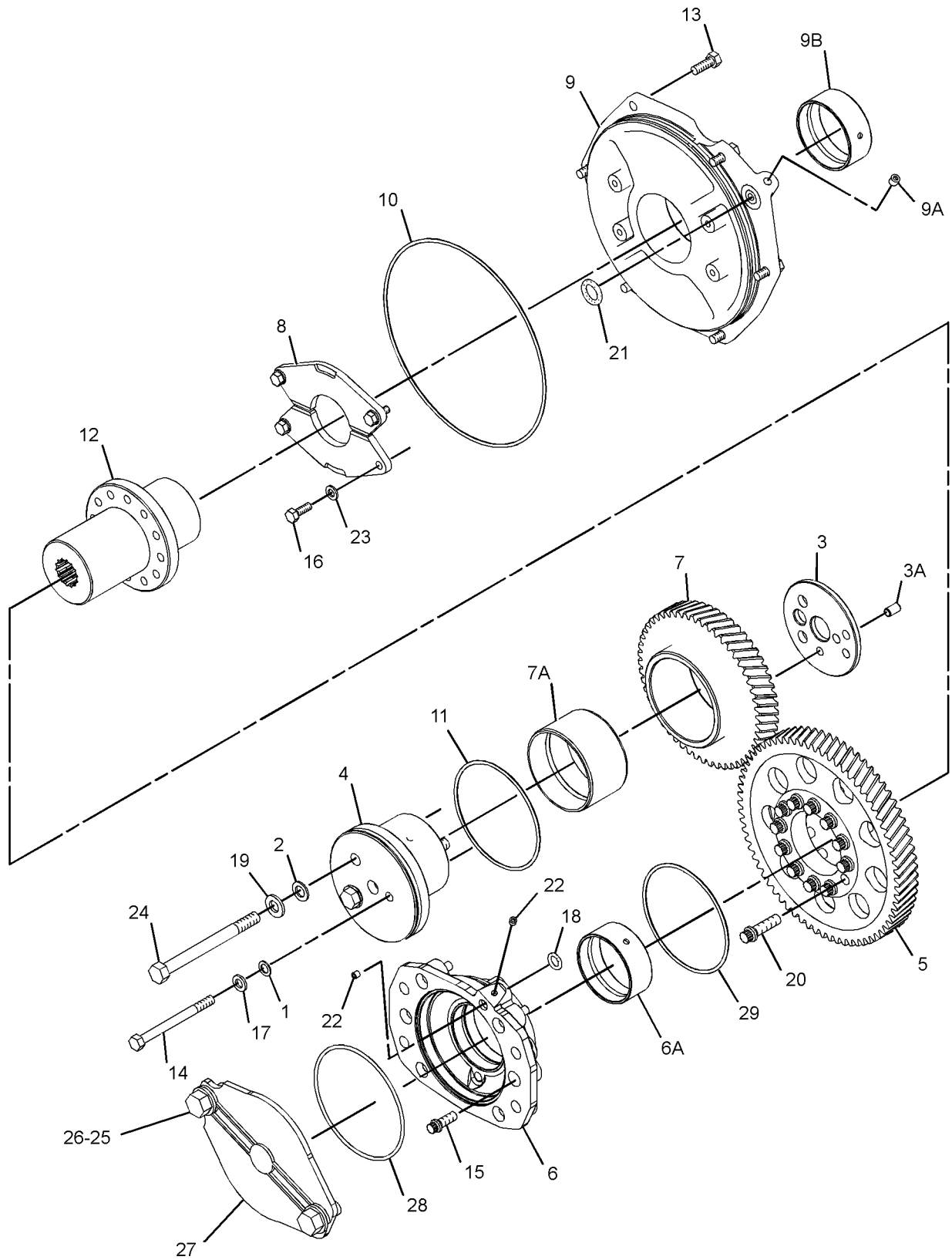
i03814237

NOTE	REF NO	GRAPHIC REF	PART NUMBER	QTY	PART NAME						SEE PAGE
					1	2	3	4	5	6 (PRODUCT LEVEL)	
	1	1	5R-7136	1	WASHER-SEALING						
	2	1	5R-7137	2	WASHER-SEALING						
	3	1	7C-3258	1	WASHER AS-THRUST						
	3A	1	7N-2047	1	DOWEL						
	4	1	7C-3260	1	SHAFT						
	5	1	7E-0275	1	GEAR-WATER PUMP DRIVE (69-TEETH)						
	6	1	8N-8210	1	ADAPTER AS						
	6A	1	127-5400	1	BEARING-SLEEVE						
	7	1	144-8263	1	GEAR AS-IDLER (53-TEETH)						
	7A	1	140-9597	1	BEARING-SLEEVE						
	8	1	157-2811	2	WASHER-THRUST						
	9	1	180-7412	1	ADAPTER AS						
	9A	1	8T-6757	1	PLUG-PIPE						
	9B	1	127-5400	1	BEARING-SLEEVE						
	10	1	235-3546	1	SEAL-O-RING						
	11	1	235-3548	1	SEAL-O-RING						
	12	1	315-2643	1	SHAFT-PUMP DRIVE						
	13	1	0S-1594	6	BOLT (3/8-16X1-IN)						
	14	1	0T-0055	1	BOLT (3/8-16X4.25-IN)						
	15	1	1T-0765	6	BOLT (3/8-16X1-IN)						
	16	1	2B-2695	4	BOLT (5/16-18X0.875-IN)						
	17	1	5M-2894	1	WASHER-HARD (10.2X18.5X2.5-MM THK)						
	18	1	5P-0840	1	SEAL-O-RING						
	19	1	5P-8245	2	WASHER-HARD (13.5X25.5X3-MM THK)						
	20	1	6K-3771	12	BOLT-12 POINT HEAD (7/16-14X1.5-IN)						
	21	1	6V-3348	1	SEAL-O-RING						
	22	1	8T-6759	2	PLUG-PIPE						
	23	1	9M-1974	4	WASHER-HARD (8.8X16X2-MM THK)						
	24	1	9X-8879	2	BOLT (1/2-13X5.5-IN)						
	25	1	0S-1592	2	BOLT (5/8-11X1.25-IN)						
	26	1	5P-8247	2	WASHER-HARD (17X32X3.5-MM THK)						
	27	1	7N-8374	1	COVER-PUMP						
	28	1	9X-7371	1	SEAL-O-RING						
	29	1	259-4598	1	SEAL-O-RING						

BASIC ENGINE

308-3565 DRIVE GP-AUXILIARY (contd.)

i03814237



GRAPHIC #1

<END>

g02079875

BASIC ENGINE

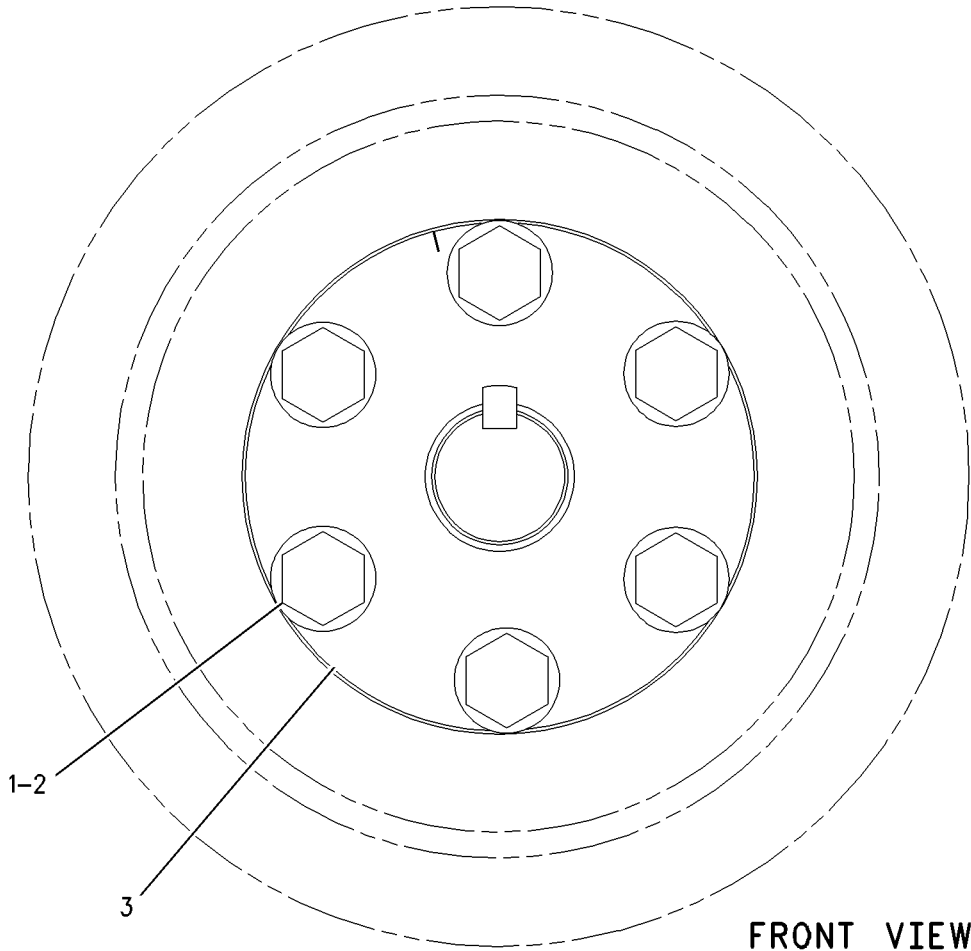
7N-7660 DRIVE GP-FAN

LOW KILOWATT
AN ATTACHMENT

SMCS-1359

i02220725

NOTE	REF NO	GRAPHIC REF	PART NUMBER	QTY	PART NAME						SEE PAGE
					1	2	3	4	5	6 (PRODUCT LEVEL)	
	1	1	5P-8250	6	WASHER (28X49X5-MM THK)						
	2	1	9F-8122	6	BOLT (1-14X9-IN)						
	3	1	7N-7057	1	SHAFT-STUB						



GRAPHIC #1

<END>

g00994930

BASIC ENGINE

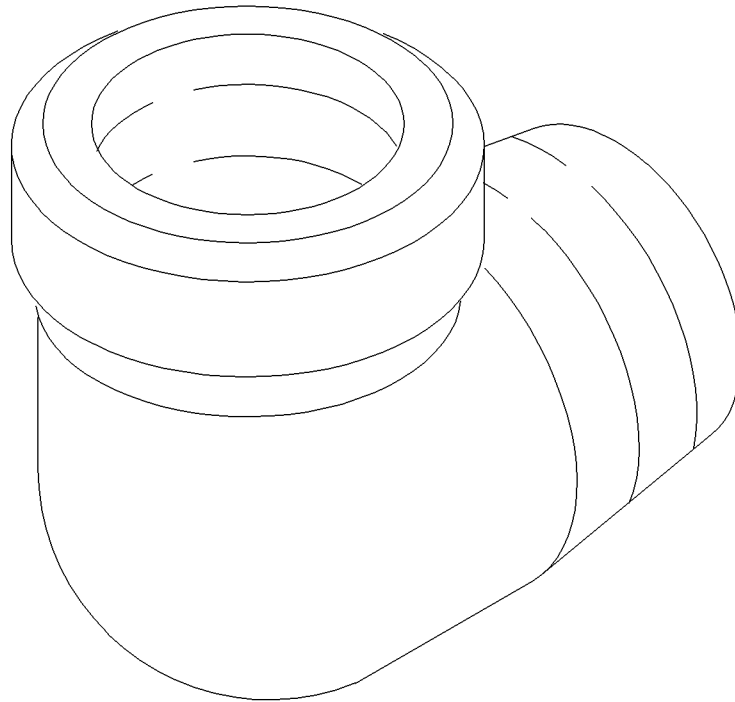
7J-8611 ELBOW-PIPE

PART OF 311-8110 STARTING MOTOR GP-AIR
FOR USE WITH 435/425 BHP OIL PRESSURE SENDING UNIT MOUNTED ON REAR OF THE
RIGHT SIDE CYLINDER HEAD
AN ATTACHMENT

SMCS-1800

i01499584

NOTE	REF NO	GRAPHIC REF	PART NUMBER	QTY	PART NAME						SEE PAGE
					1	2	3	4	5	6 (PRODUCT LEVEL)	
(NO SERVICED PARTS)											



GRAPHIC #1

<END>

g00778289

BASIC ENGINE

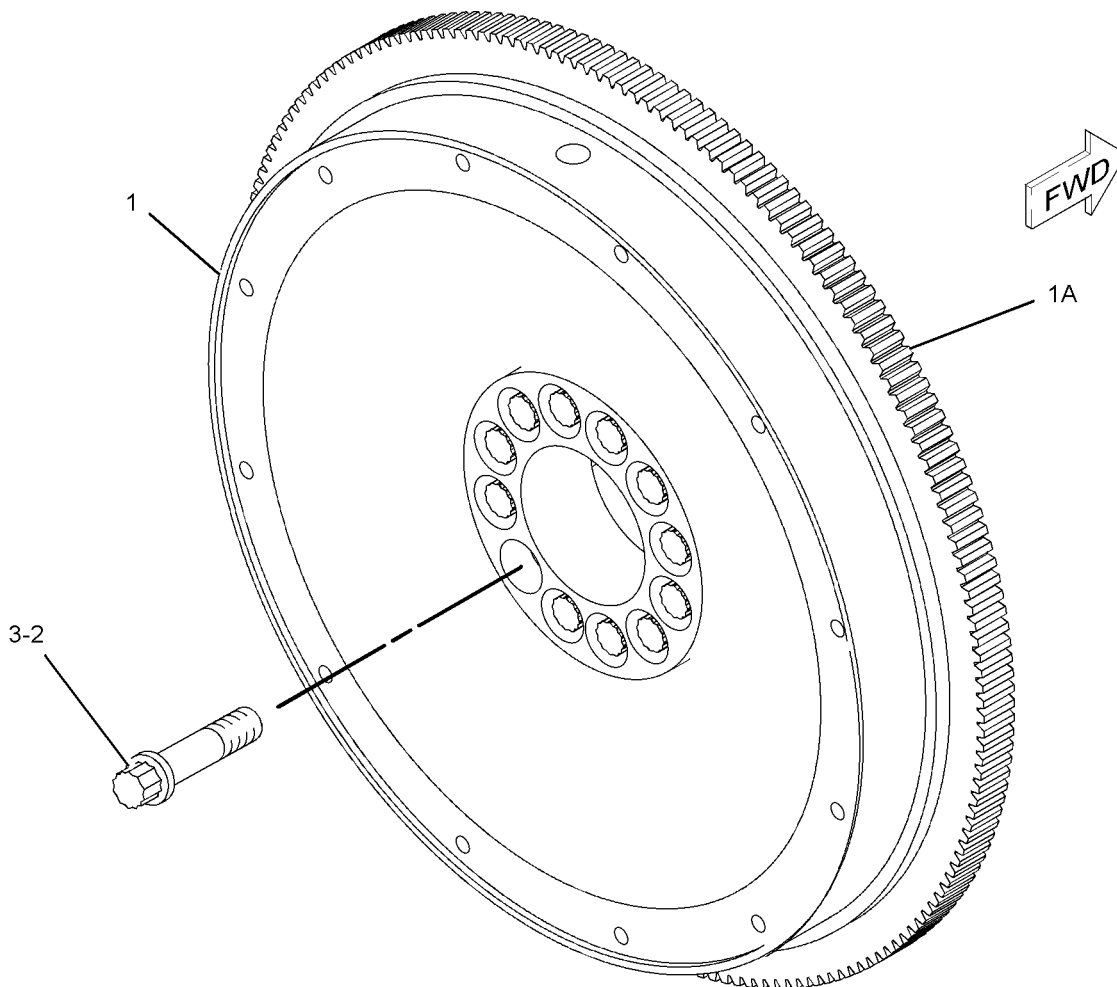
7N-4851 FLYWHEEL GP

SMCS-1156

i02189120

NOTE	REF NO	GRAPHIC REF	PART NUMBER	QTY	PART NAME						SEE PAGE
					1	2	3	4	5	6 (PRODUCT LEVEL)	
C	1	1	243-3216	1	FLYWHEEL AS						
	1A	1	233-0643	1	GEAR-FLYWHEEL (183-TEETH)						
	2	1	9S-8893	12	BOLT-12 POINT HEAD (1-14X101.6-MM)						
	3	1	5P-8839	12	WASHER-HARD (28X42X4-MM THK)						

C-CHANGE FROM PREVIOUS TYPE



GRAPHIC #1

<END>

g01109106

BASIC ENGINE

8N-7174 GEAR GP-FRONT-STANDARD ROTATION

SMCS-1151, 1162, 1206

i03862772

NOTE	REF NO	GRAPHIC REF	PART NUMBER	QTY	PART NAME						SEE PAGE
					1	2	3	4	5	6 (PRODUCT LEVEL)	
	1	1	2W-2895	1	GEAR-CRANKSHAFT (92-TEETH)						
	2	1	5R-7136	1	WASHER-SEALING						
	3	1	5R-7137	2	WASHER-SEALING						
	4	1	7C-3258	1	WASHER AS-THRUST						
	4A	1	7N-2047	1	DOWEL						
	5	1	7C-3260	1	SHAFT						
	6	1	7E-0275	1	GEAR-WATER PUMP DRIVE (69-TEETH)						
	7	1	7N-5239	1	SHAFT AS-PUMP DRIVE						
	7A	1	8T-2153	1	SETSCREW-SOCKET (1/4-28X0.31-IN)						
	8	1	7N-5245	1	ADAPTER AS-PUMP (WATER)						
	8A	1	127-5400	1	BEARING-SLEEVE						
	9	1	7N-5246	2	WASHER-THRUST						
C	10	1	144-8263	1	GEAR AS-IDLER (53-TEETH)						
	10A	1	140-9597	1	BEARING-SLEEVE						
	11	1	235-3546	1	SEAL-O-RING						
	12	1	235-3548	1	SEAL-O-RING						
	13	1	278-4287	1	ADAPTER AS-PUMP (OIL)						
	13A	1	127-5400	1	BEARING-SLEEVE						
	14	1	0S-1590	5	BOLT (3/8-16X2-IN)						
	15	1	0S-1594	2	BOLT (3/8-16X1-IN)						
	16	1	0T-0055	1	BOLT (3/8-16X4.25-IN)						
	17	1	3S-1307	12	BOLT-12 POINT HEAD (3/8-16X2-IN)						
	18	1	4B-3388	4	BOLT (5/16-18X1.125-IN)						
	19	1	5M-2894	6	WASHER-HARD (10.2X18.5X2.5-MM THK)						
	20	1	5P-8245	2	WASHER-HARD (13.5X25.5X3-MM THK)						
	21	1	6V-3348	1	SEAL-O-RING						
	22	1	9M-1974	4	WASHER-HARD (8.8X16X2-MM THK)						
	23	1	9X-8879	2	BOLT (1/2-13X5.5-IN)						
BC	24	1	6K-3771	12	BOLT-12 POINT HEAD (7/16-14X1.5-IN)						
	25	1	259-4598	1	SEAL-O-RING						

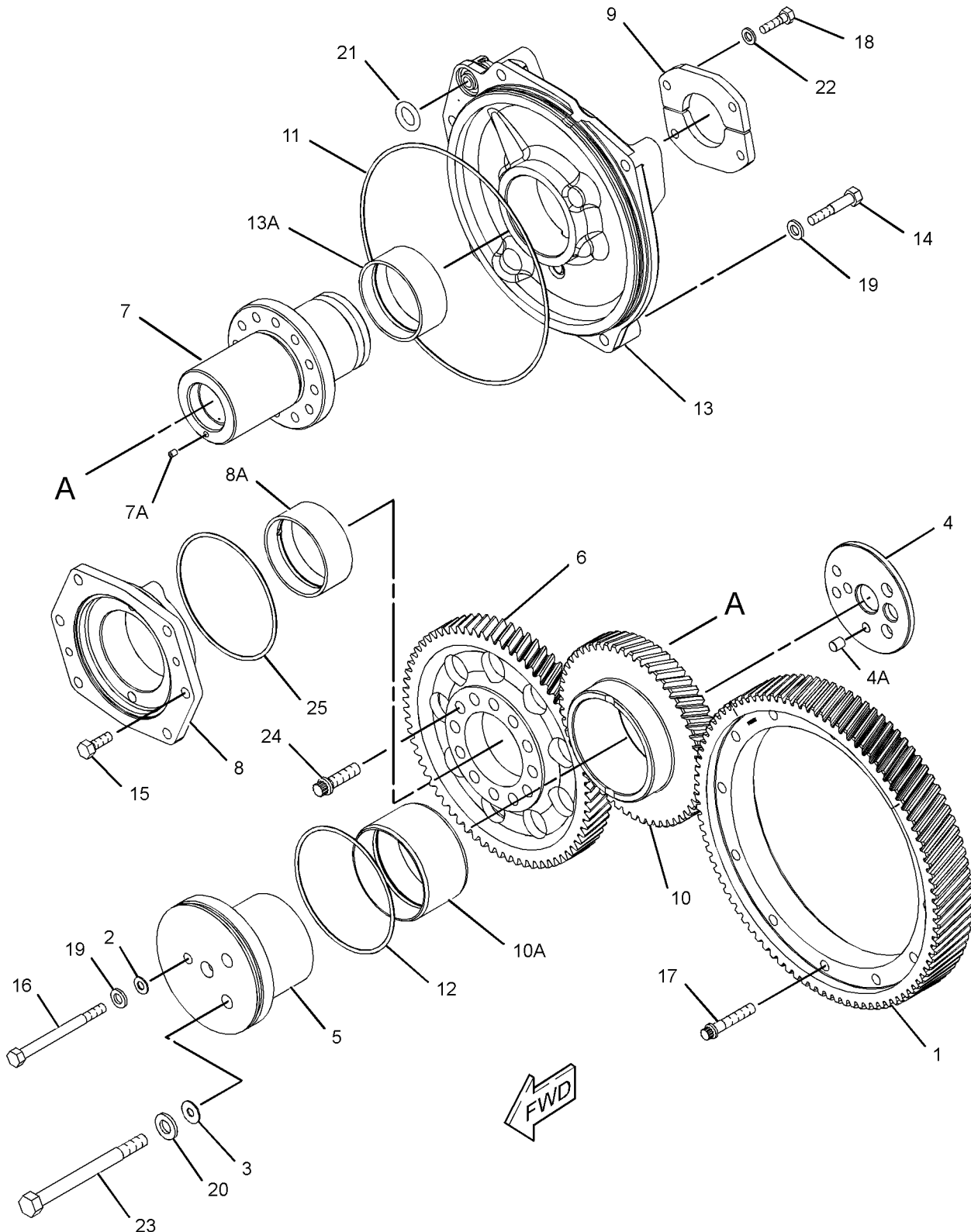
B-USE AS REQUIRED

C-CHANGE FROM PREVIOUS TYPE

BASIC ENGINE

8N-7174 GEAR GP-FRONT (contd.)

i03862772



GRAPHIC #1

<END>

g02106194

BASIC ENGINE

175-5203 GEAR GP-REAR

SMCS-1204

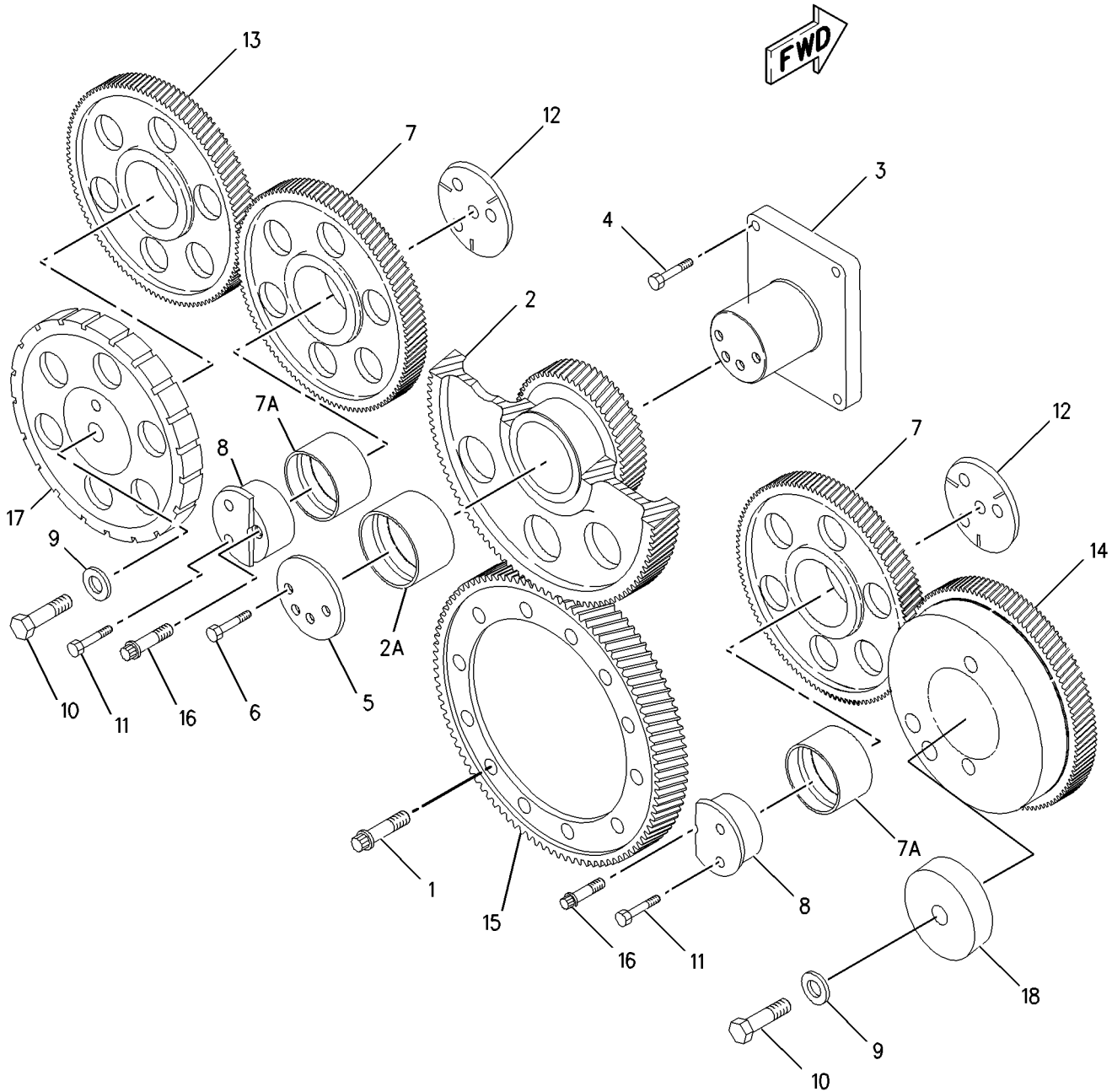
i02102985

NOTE	REF NO	GRAPHIC REF	PART NUMBER	QTY	PART NAME						SEE PAGE
					1	2	3	4	5	6 (PRODUCT LEVEL)	
	1	1	3S-1307	12	BOLT-12 POINT HEAD (3/8-16X2-IN)						
	2	1	175-5200	1	GEAR AS-IDLER (92, 35-TEETH)						
	2A	1	101-1372	1	BEARING-SLEEVE						
	3	1	101-1366	1	SHAFT-GEAR (CLUSTER)						
	4	1	8M-2530	4	BOLT-12 POINT HEAD (1/2-13X1.25-IN)						
	5	1	101-1365	1	PLATE-THRUST						
	6	1	0L-1351	4	BOLT (3/8-16X0.875-IN)						
	7	1	175-5197	2	GEAR AS-IDLER (69-TEETH)						
					(EACH INCLUDES)						
	7A	1	125-9751	1	BEARING-SLEEVE						
	8	1	101-1367	2	SHAFT-IDLER						
	9	1	5P-8248	2	WASHER-HARD (20X36.5X3.5-MM THK)						
	10	1	9X-8887	2	BOLT (3/4-10X3-IN)						
	11	1	1B-4367	4	BOLT (5/8-11X3-IN)						
	12	1	101-1368	2	WASHER-THRUST (19.50X106X1.9-MM THK)						
	13	1	175-5201	1	GEAR-CAMSHAFT (70-TEETH)						
	14	1	175-5202	1	GEAR-CAMSHAFT (70-TEETH)						
	15	1	101-1370	1	GEAR-CRANKSHAFT (92-TEETH)						
	16	1	8S-2331	2	BOLT-12 POINT HEAD (5/8-11X2-IN)						
	17	1	7E-5324	1	RING						
	18	1	4W-4586	1	PLATE						

BASIC ENGINE

175-5203 GEAR GP-REAR (contd.)

i02102985



GRAPHIC #1

<END>

g00663119

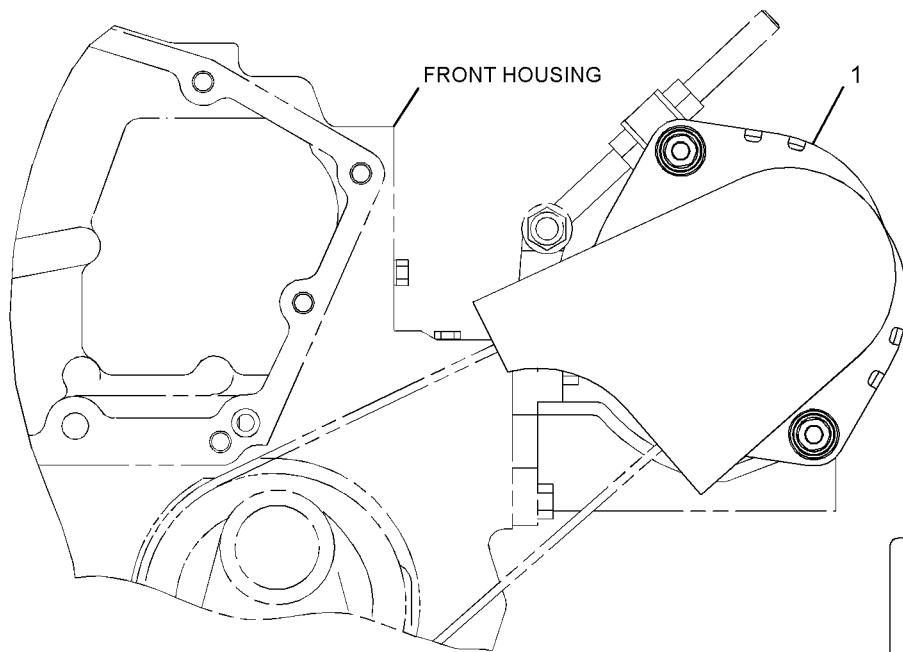
BASIC ENGINE

7W-5780 GUARD GP-BELT-ALTERNATOR AN ATTACHMENT

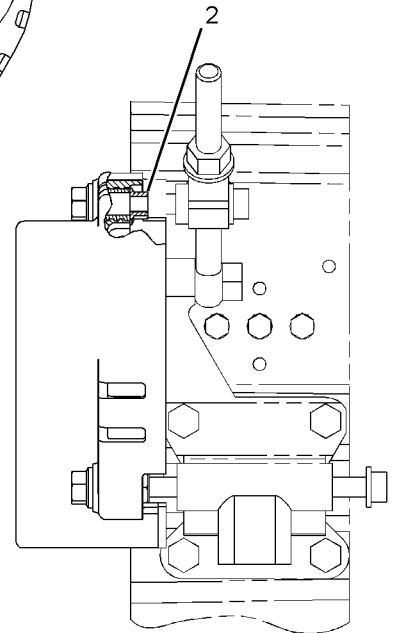
SMCS-7174

i03867210

NOTE	REF NO	GRAPHIC REF	PART NUMBER	QTY	PART NAME						SEE PAGE
					1	2	3	4	5	6 (PRODUCT LEVEL)	
	1	1	288-6174	1	GUARD AS-ALTERNATOR						
	2	1	235-1089	2	NUT-FLANGE (1/2-13-THD)						



REAR VIEW OF ENGINE



RIGHT SIDE VIEW OF ENGINE

GRAPHIC #1

<END>

g02118657

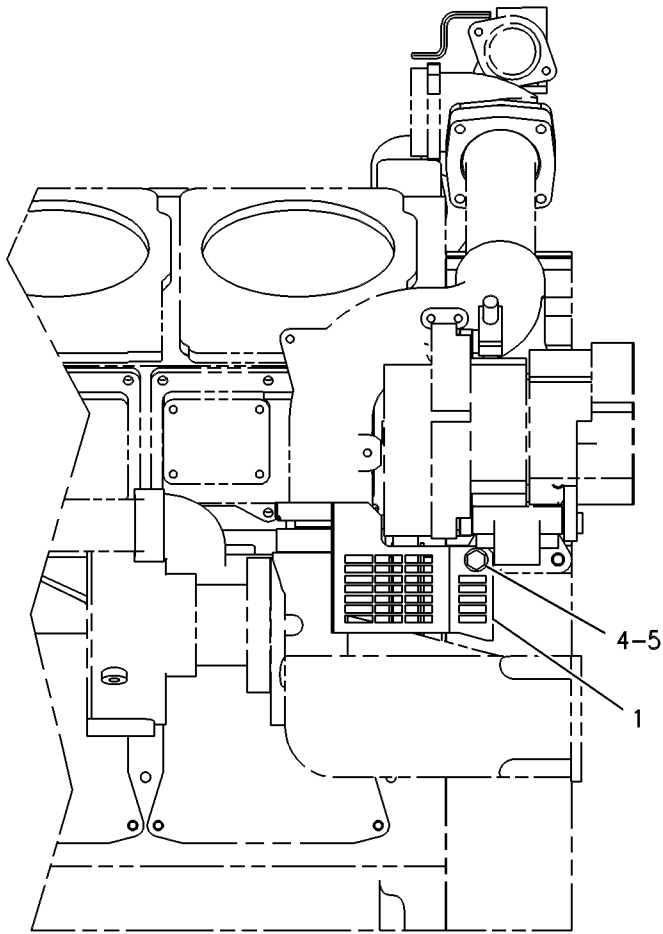
BASIC ENGINE

151-9228 GUARD GP-BELT-ALTERNATOR AN ATTACHMENT

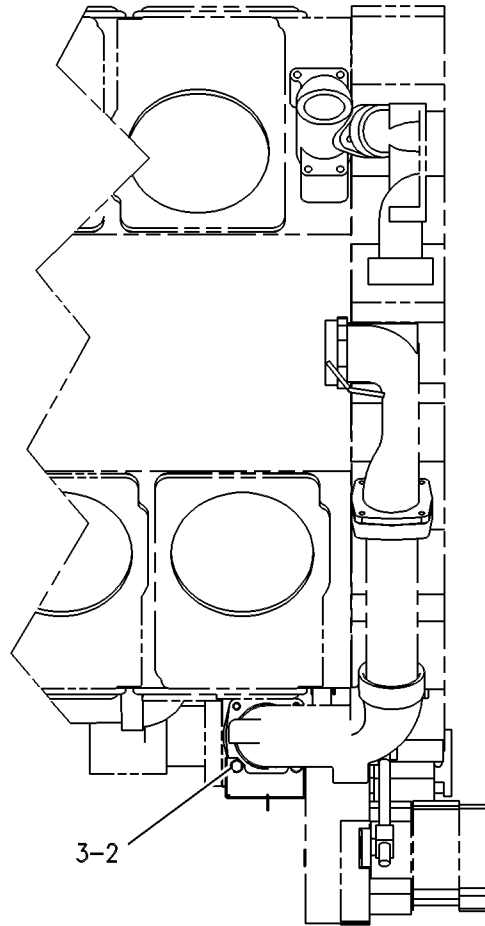
SMCS-7174

i03886310

NOTE	REF NO	GRAPHIC REF	PART NUMBER	QTY	PART NAME						SEE PAGE
					1	2	3	4	5	6 (PRODUCT LEVEL)	
	1	1	171-1359	1	GUARD AS-BELT (ALTERNATOR)						
	2	1	8T-2501	2	BOLT (3/8-16X2-IN)						
	3	1	8T-4896	2	WASHER-HARD (10.2X18.5X2.5-MM THK)						
	4	1	5P-2566	1	BOLT (1/2-13X1.5-IN)						
	5	1	8T-4223	1	WASHER-HARD (13.5X25.5X3-MM THK)						



RIGHT SIDE VIEW



TOP VIEW

GRAPHIC #1

<END>

g00333482

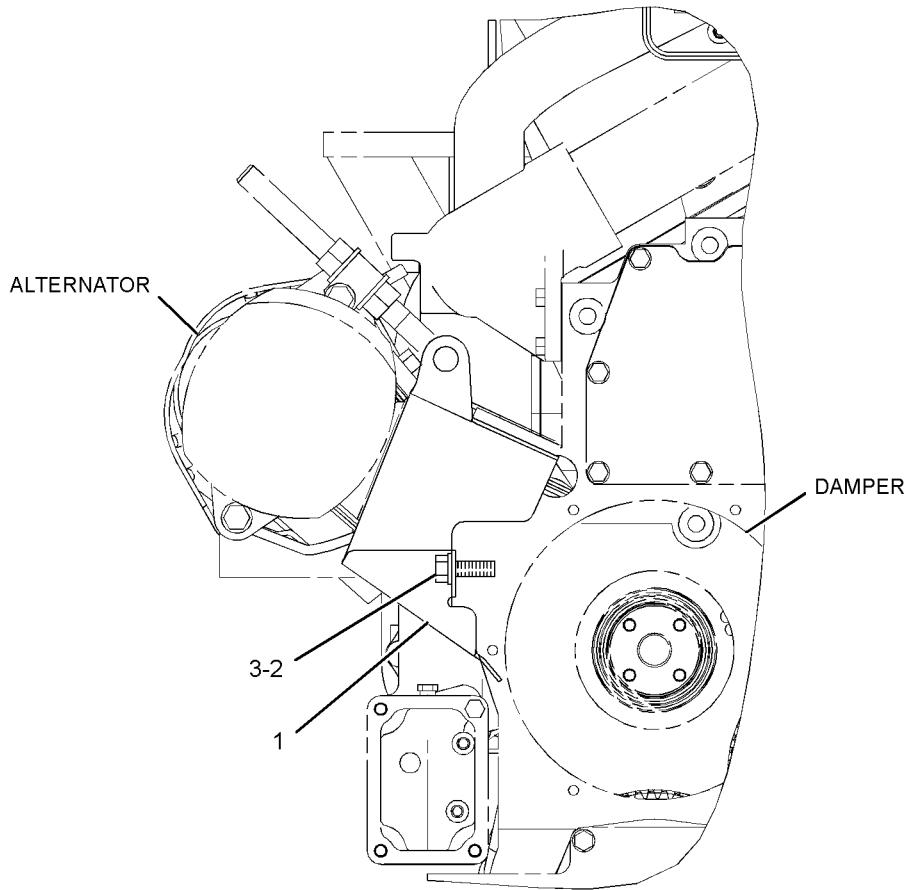
BASIC ENGINE

307-1569 GUARD GP-BELT-ALTERNATOR AN ATTACHMENT

SMCS-7174

i02680449

NOTE	REF NO	GRAPHIC REF	PART NUMBER	QTY	PART NAME						SEE PAGE
					1	2	3	4	5	6 (PRODUCT LEVEL)	
	1	1	302-7332	1	GUARD-ALTERNATOR						
	2	1	5P-2566	1	BOLT (1/2-13X1.5-IN)						
	3	1	8T-4223	1	WASHER-HARD (13.5X25.5X3-MM THK)						



FRONT VIEW OF ENGINE

<END>

GRAPHIC #1

g01346871

BASIC ENGINE

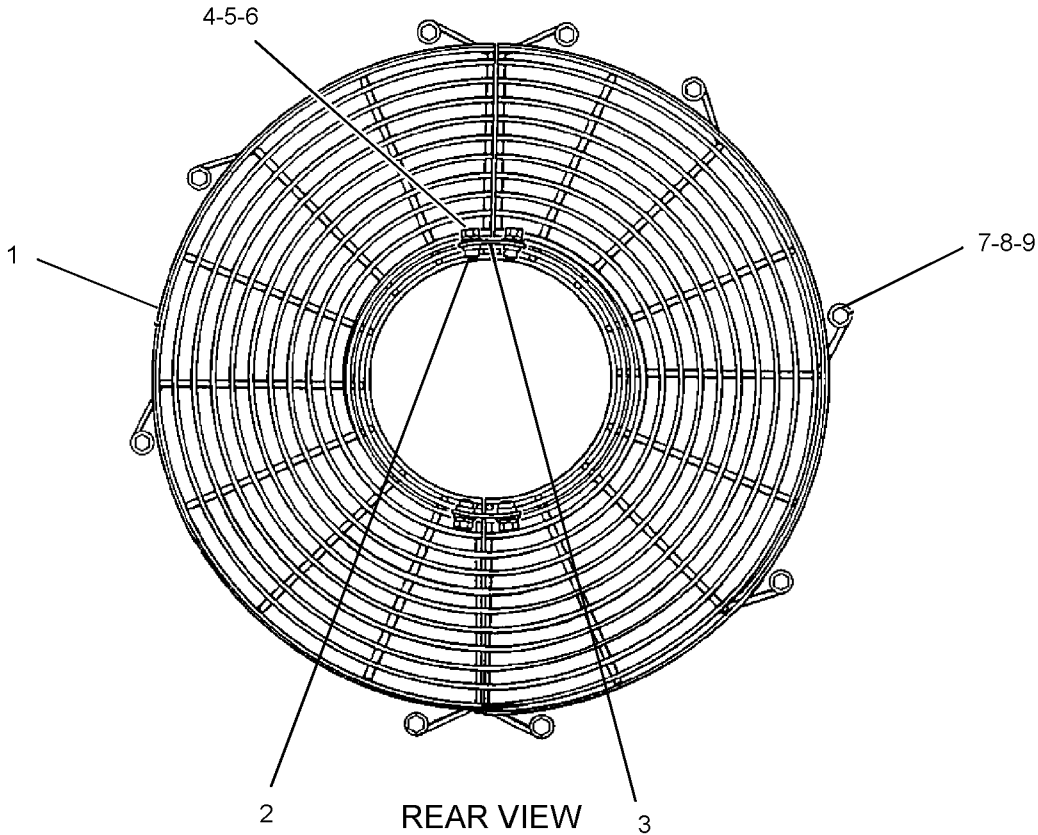
3N-5765 GUARD GP-COUPLING-FLYWHEEL AN ATTACHMENT

SMCS-3279

i02468312

NOTE	REF NO	GRAPHIC REF	PART NUMBER	QTY	PART NAME						SEE PAGE
					1	2	3	4	5	6 (PRODUCT LEVEL)	
C	1	1	5N-4817	1	GUARD AS-COUPLING						
	2	1	2N-3385	4	NUT-CLIP (3/8-16-THD)						
	3	1	1V-0623	2	PLATE						
C	4	1	3L-9689	4	WASHER (10.5X25.4X5-MM THK)						
	5	1	3B-4506	4	LOCKWASHER						
	6	1	0S-1594	4	BOLT (3/8-16X1-IN)						
	7	1	4B-4280	10	WASHER (13.5X27X2.5-MM THK)						
	8	1	3B-4508	10	LOCKWASHER						
	9	1	0S-1621	10	BOLT (1/2-13X1-IN)						

C-CHANGE FROM PREVIOUS TYPE



GRAPHIC #1

<END>

g01230975

BASIC ENGINE

8N-9639 GUARD GP-DAMPER

S/N: JTS1-153

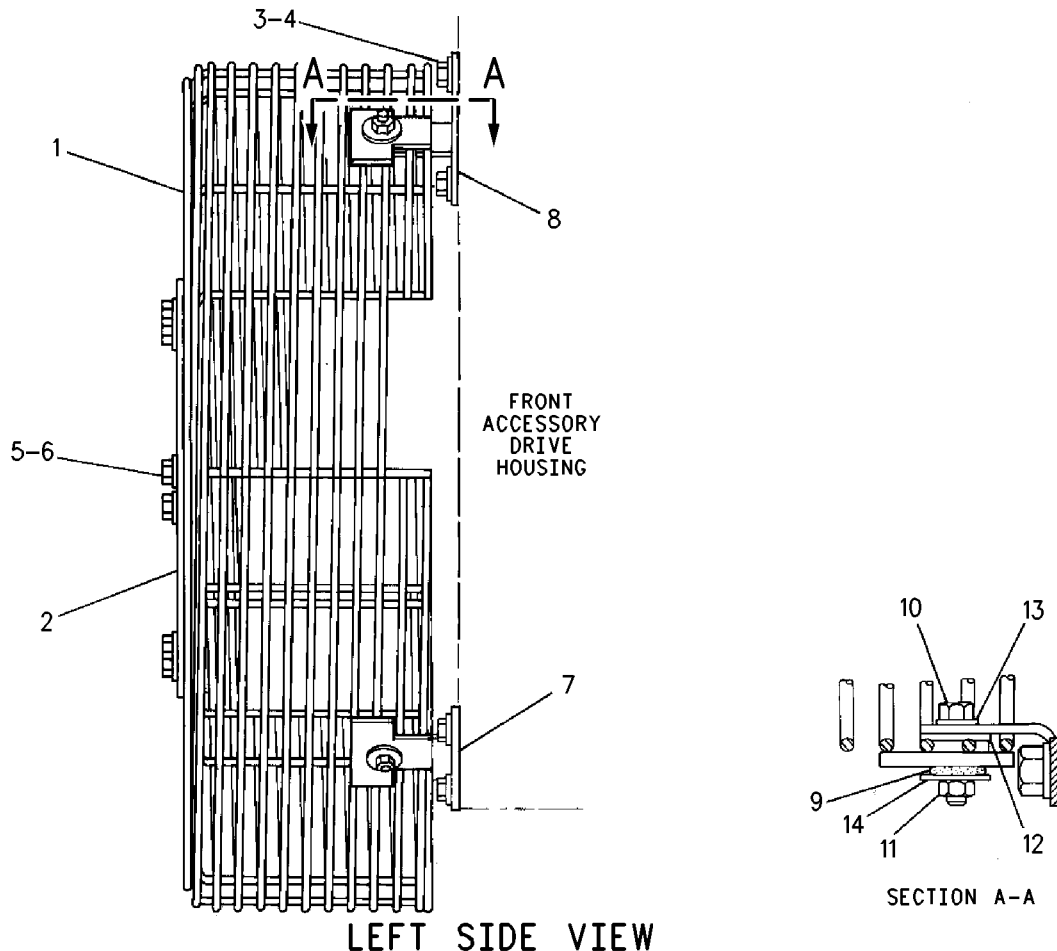
FOR USE WITH FRONT ACCESSORY DRIVE HOUSING
AN ATTACHMENT

SMCS-1205

i03373021

NOTE	REF NO	GRAPHIC REF	PART NUMBER	QTY	PART NAME						SEE PAGE
					1	2	3	4	5	6 (PRODUCT LEVEL)	
	1	1	1W-4923	1	DAMPER & GUARD AS						
		1	1V-8638	6	NUT (3/8-16-THD)						
	2	1	8J-8919	1	COVER						
	3	1	0S-1621	8	BOLT (1/2-13X1-IN)						
	4	1	5P-8245	8	WASHER-HARD (13.5X25.5X3-MM THK)						
	5	1	030-8535	6	BOLT-LOCKING (3/8-16X0.875-IN)						
	6	1	5P-1075	6	WASHER-HARD (10.2X22.5X3-MM THK)						
C	7	1	7W-3031	2	BRACKET						
C	8	1	7W-3032	2	BRACKET						
C	9	1	1P-7115	4	GROMMET AS						
C	10	1	0S-1591	4	BOLT (3/8-16X1.5-IN)						
C	11	1	9S-8752	4	NUT-FULL (3/8-16-THD)						
C	12	1	3F-1417	4	WASHER (10.3X30.2X3-MM THK)						
C	13	1	5M-2894	4	WASHER-HARD (10.2X18.5X2.5-MM THK)						
C	14	1	9L-9132	4	WASHER (10.2X25.5X2.5-MM THK)						

C-CHANGE FROM PREVIOUS TYPE



GRAPHIC #1

<END>

g00908882

BASIC ENGINE

8N-9639 GUARD GP-DAMPER

S/N: JTS154-UP

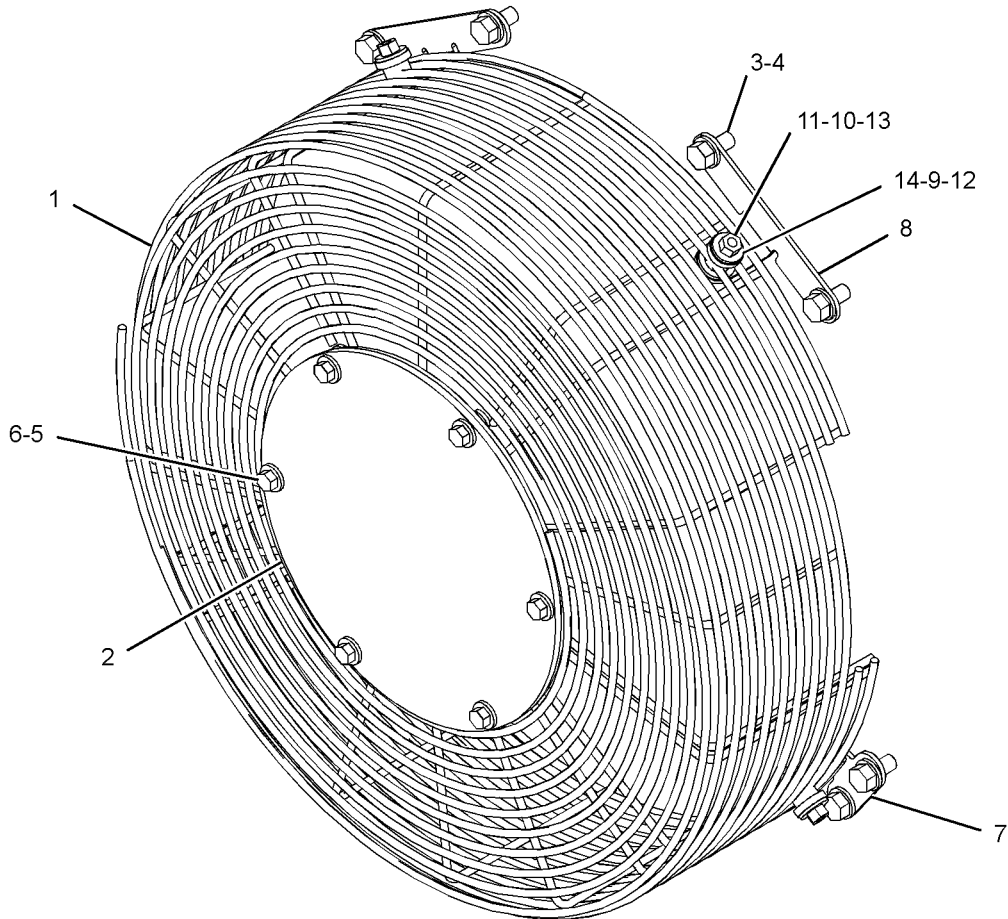
FOR USE WITH FRONT ACCESSORY DRIVE HOUSING
AN ATTACHMENT

SMCS-1205

i03772723

NOTE	REF NO	GRAPHIC REF	PART NUMBER	QTY	PART NAME						SEE PAGE
					1	2	3	4	5	6 (PRODUCT LEVEL)	
	1	1	1W-4923	1	DAMPER & GUARD AS						
		1	1V-8638	6	NUT (3/8-16-THD)						
	2	1	8J-8919	1	COVER						
C	3	1	351-2245	8	BOLT-SPECIAL (1/2-13X2-IN)						
	4	1	5P-8245	8	WASHER-HARD (13.5X25.5X3-MM THK)						
	5	1	030-8535	6	BOLT-LOCKING (3/8-16X0.875-IN)						
	6	1	5P-1075	6	WASHER-HARD (10.2X22.5X3-MM THK)						
C	7	1	351-9005	2	BRACKET AS						
C	8	1	351-9004	2	BRACKET AS						
	9	1	1P-7115	4	GROMMET AS						
	10	1	0S-1591	4	BOLT (3/8-16X1.5-IN)						
	11	1	9S-8752	4	NUT-FULL (3/8-16-THD)						
	12	1	3F-1417	4	WASHER (10.3X30.2X3-MM THK)						
	13	1	5M-2894	4	WASHER-HARD (10.2X18.5X2.5-MM THK)						
	14	1	9L-9132	4	WASHER (10.2X25.5X2.5-MM THK)						

C-CHANGE FROM PREVIOUS TYPE



GRAPHIC #1

<END>

g02038858

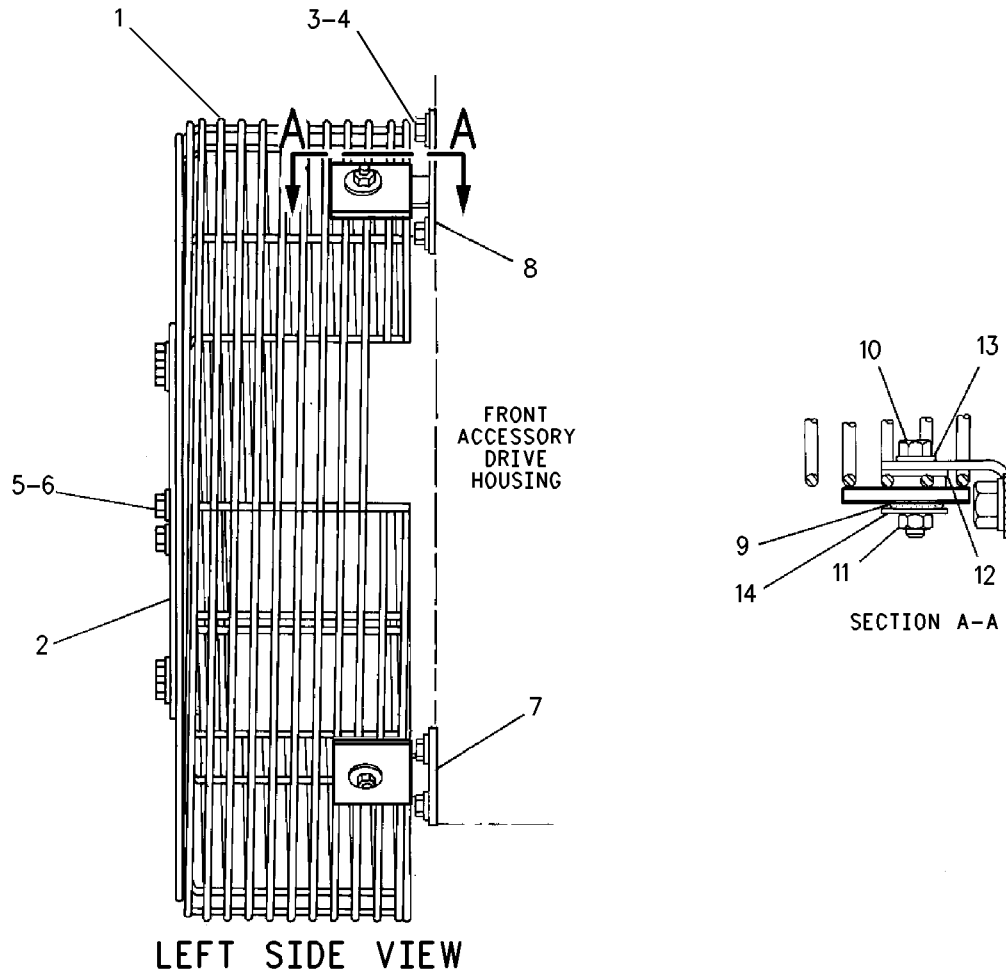
BASIC ENGINE

102-8616 GUARD GP-DAMPER FOR USE WITH FRONT TRUNNION ENGINE MOUNT AN ATTACHMENT

SMCS - 1205

i02139074

NOTE	REF NO	GRAPHIC REF	PART NUMBER	QTY	PART NAME						SEE PAGE
					1	2	3	4	5	6 (PRODUCT LEVEL)	
	1	1	102-4169	1	GUARD AS-DAMPER						
		1	1V-8638	6	NUT (3/8-16 THD)						
	2	1	8J-8919	1	COVER						
	3	1	0S-1621	8	BOLT (1/2-13X1-IN)						
	4	1	5P-8245	8	WASHER-HARD (13.5X25.5X3-MM THK)						
	5	1	030-8535	6	BOLT-LOCKING (3/8-16X0.875-IN)						
	6	1	5P-1075	6	WASHER-HARD (10.2X22.5X3-MM THK)						
	7	1	7W-3031	2	BRACKET						
	8	1	7W-3032	2	BRACKET						
	9	1	1P-7115	4	GROMMET AS						
	10	1	0S-1591	4	BOLT (3/8-16X1.5-IN)						
	11	1	9S-8752	4	NUT-FULL (3/8-16-THD)						
	12	1	3F-1417	4	WASHER (10.3X30.2X3-MM THK)						
	13	1	5M-2894	4	WASHER-HARD (10.2X18.5X2.5-MM THK)						
	14	1	9L-9132	4	WASHER (10.2X25.5X2.5-MM THK)						



GRAPHIC #1

<END>

g00927945

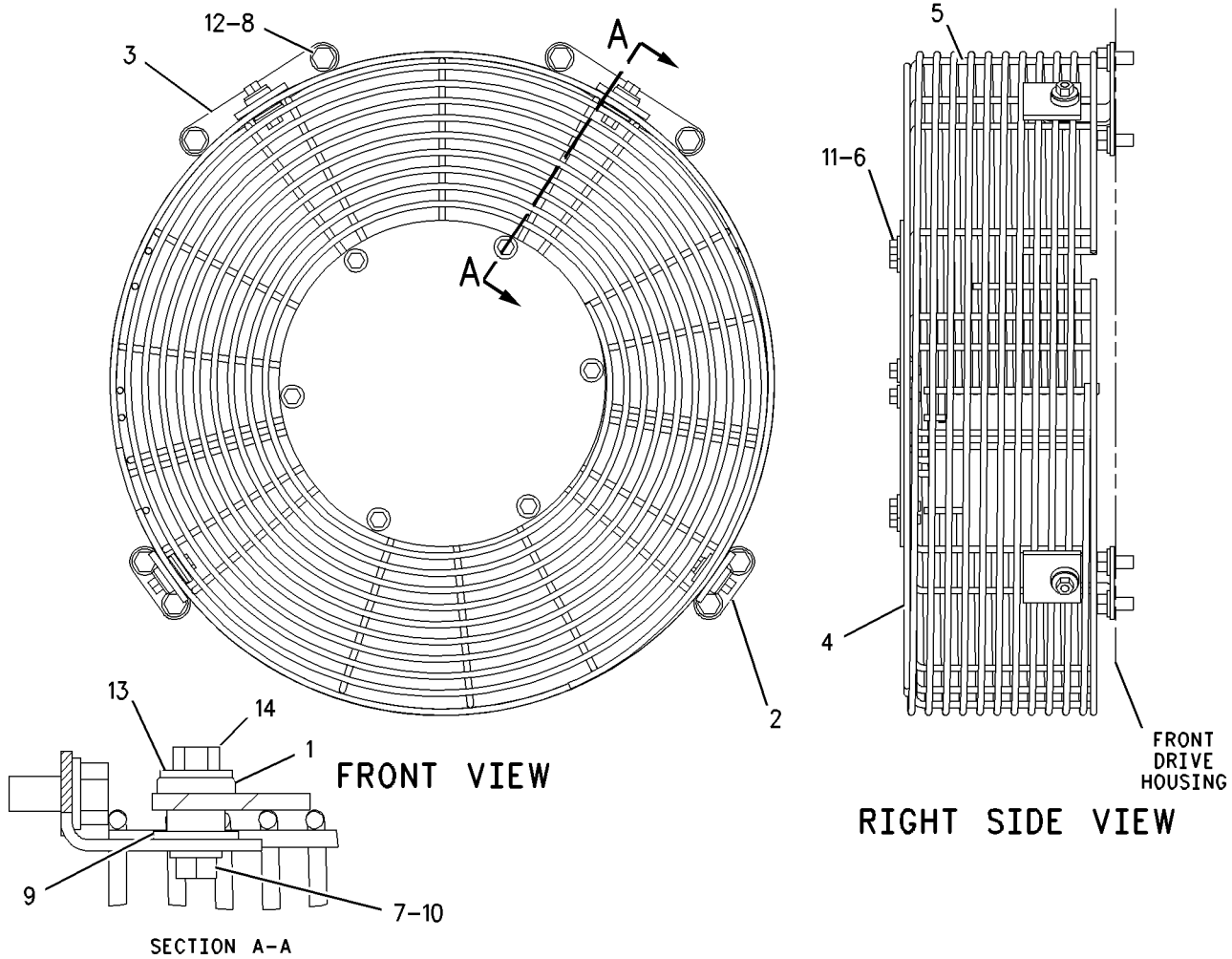
BASIC ENGINE

197-9052 GUARD GP-DAMPER AN ATTACHMENT

SMCS-1205

i01729175

NOTE	REF NO	GRAPHIC REF	PART NUMBER	QTY	PART NAME						SEE PAGE
					1	2	3	4	5	6 (PRODUCT LEVEL)	
	1	1	1P-7115	4	GROMMET AS						
	2	1	7W-3031	2	BRACKET						
	3	1	7W-3032	2	BRACKET						
	4	1	8J-8919	1	COVER						
	5	1	197-9051	1	GUARD AS-DAMPER						
		1	1V-8638		NUT (3/8-16 THD)						
	6	1	030-8535	6	BOLT-LOCKING (3/8-16X0.875-IN)						
	7	1	0S-1591	4	BOLT (3/8-16X1.5-IN)						
	8	1	0S-1621	8	BOLT (1/2-13X1-IN)						
	9	1	3F-1417	4	WASHER (10.3X30.2X3-MM THK)						
	10	1	5M-2894	4	WASHER-HARD (10.2X18.5X2.5-MM THK)						
	11	1	5P-1075	6	WASHER-HARD (10.2X22.5X3-MM THK)						
	12	1	5P-8245	8	WASHER-HARD (13.5X25.5X3-MM THK)						
	13	1	9L-9132	4	WASHER (10.2X25.5X2.5-MM THK)						
	14	1	9S-8752	4	NUT-FULL (3/8-16-THD)						



GRAPHIC #1

<END>

g00888034

BASIC ENGINE

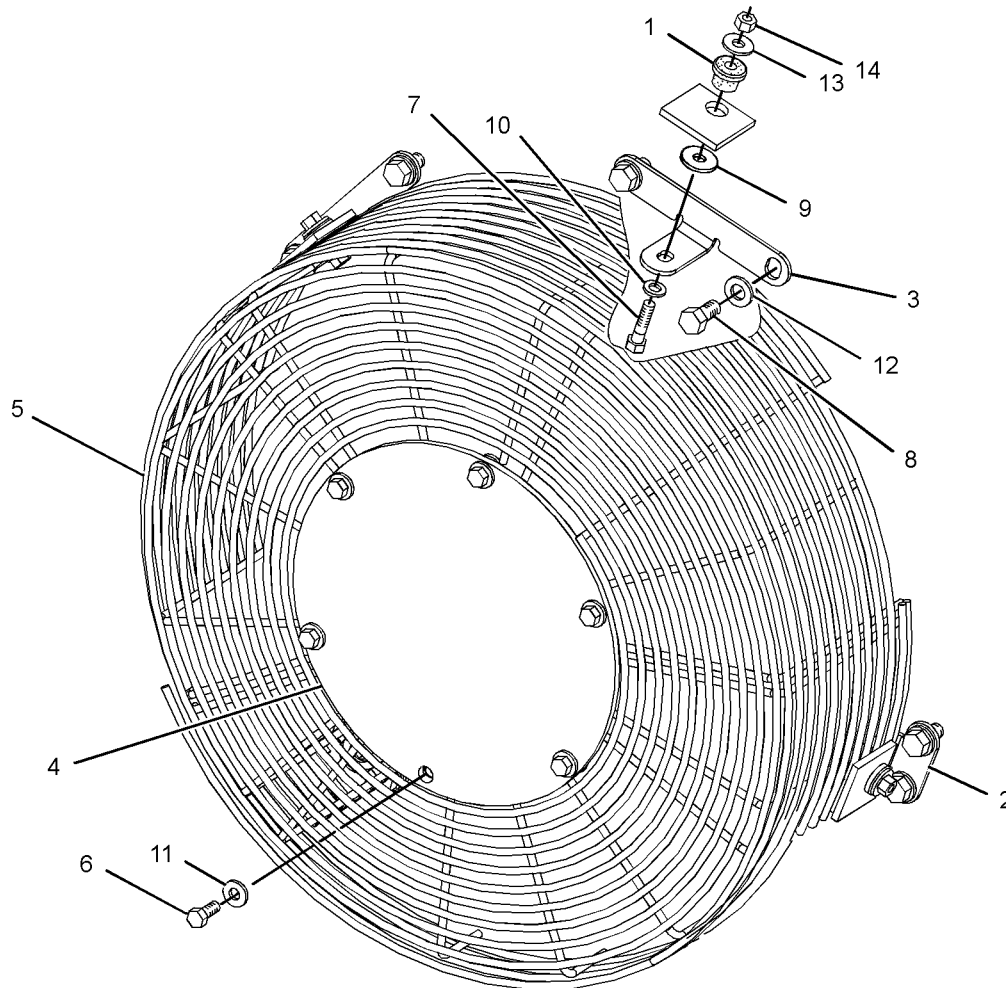
310-7976 GUARD GP-DAMPER

FOR USE WITH TRUNNION MOUNTED ENGINES
AN ATTACHMENT

SMCS-1205

i02726312

NOTE	REF NO	GRAPHIC REF	PART NUMBER	QTY	PART NAME						SEE PAGE
					1	2	3	4	5	6 (PRODUCT LEVEL)	
	1	1	1P-7115	4	GROMMET AS						
	2	1	7W-3031	2	BRACKET						
	3	1	7W-3032	2	BRACKET						
	4	1	8J-8919	1	COVER						
	5	1	310-7977	1	GUARD AS-DAMPER						
		1	1V-8638	6	NUT (3/8-16-THD)						
	6	1	030-8535	6	BOLT-LOCKING (3/8-16X0.875-IN)						
	7	1	OS-1591	4	BOLT (3/8-16X1.5-IN)						
	8	1	OS-1621	8	BOLT (1/2-13X1-IN)						
	9	1	3F-1417	4	WASHER (10.3X30.2X3-MM THK)						
	10	1	5M-2894	4	WASHER-HARD (10.2X18.5X2.5-MM THK)						
	11	1	5P-1075	6	WASHER-HARD (10.2X22.5X3-MM THK)						
	12	1	5P-8245	8	WASHER-HARD (13.5X25.5X3-MM THK)						
	13	1	9L-9132	4	WASHER (10.2X25.5X2.5-MM THK)						
	14	1	9S-8752	4	NUT-FULL (3/8-16-THD)						



GRAPHIC #1

<END>

g01369140

BASIC ENGINE

101-1269 HOUSING GP-FLYWHEEL

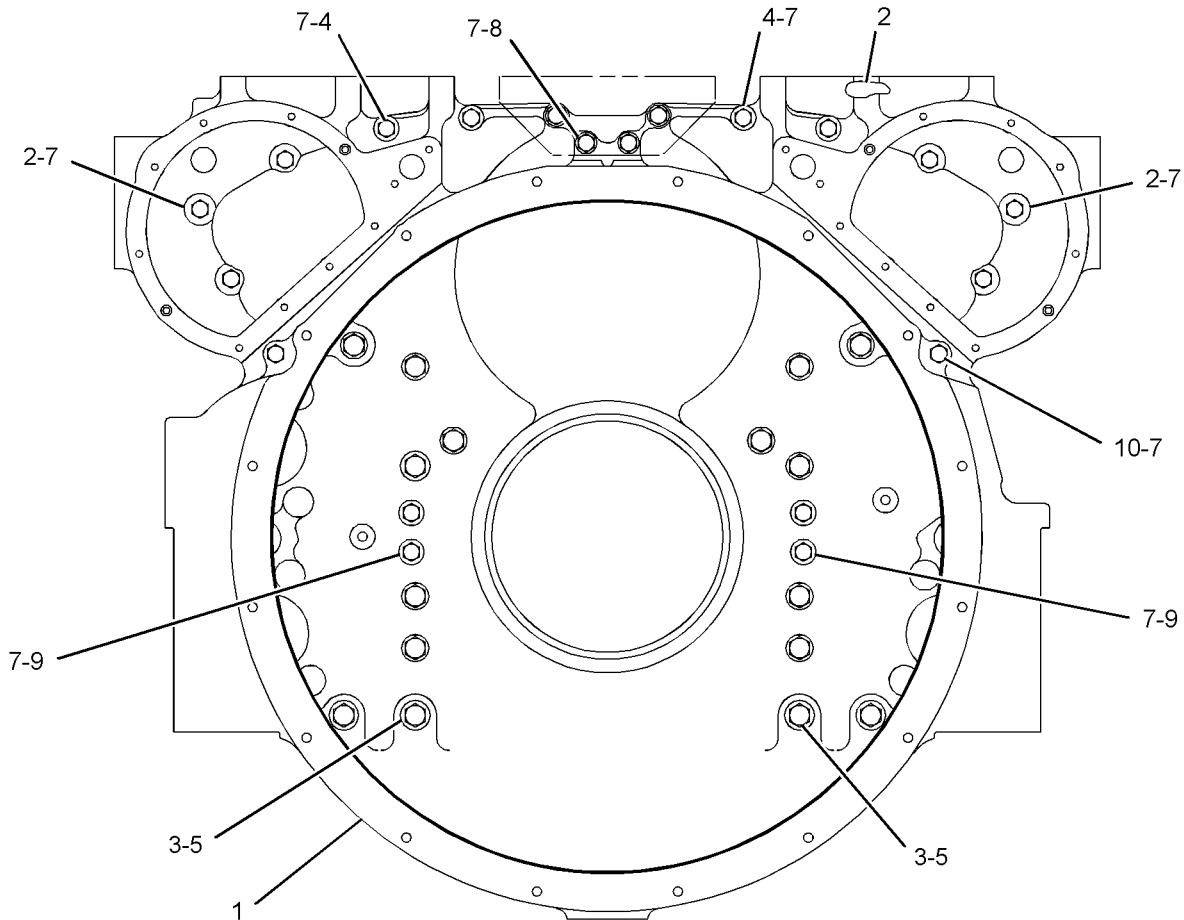
FOR USE WITH SAE 00 FLYWHEEL

SMCS-1157

i02664728

NOTE	REF NO	GRAPHIC REF	PART NUMBER	QTY	PART NAME						SEE PAGE
					1	2	3	4	5	6 (PRODUCT LEVEL)	
C	1	1	222-9921	1	HOUSING-FLYWHEEL						
	2	1	9X-8873	6	BOLT (1/2-13X2.25-IN)						
	3	1	5P-8247	16	WASHER-HARD (17X32X3.5-MM THK)						
	4	1	9X-8875	4	BOLT (1/2-13X3.5-IN)						
	5	1	1D-4590	16	BOLT (5/8-11X4.75-IN)						
B	7	1	5P-8245	18	WASHER-HARD (13.5X25.5X3-MM THK)						
B	8	1	6M-9613	2	BOLT (1/2-13X9-IN)						
	9	1	8S-9089	4	BOLT (1/2-13X4.5-IN)						
	10	1	9S-1374	2	BOLT (1/2-13X8-IN)						

B-USE AS REQUIRED
C-CHANGE FROM PREVIOUS TYPE



REAR VIEW

<END>

GRAPHIC #1

g01344496

BASIC ENGINE

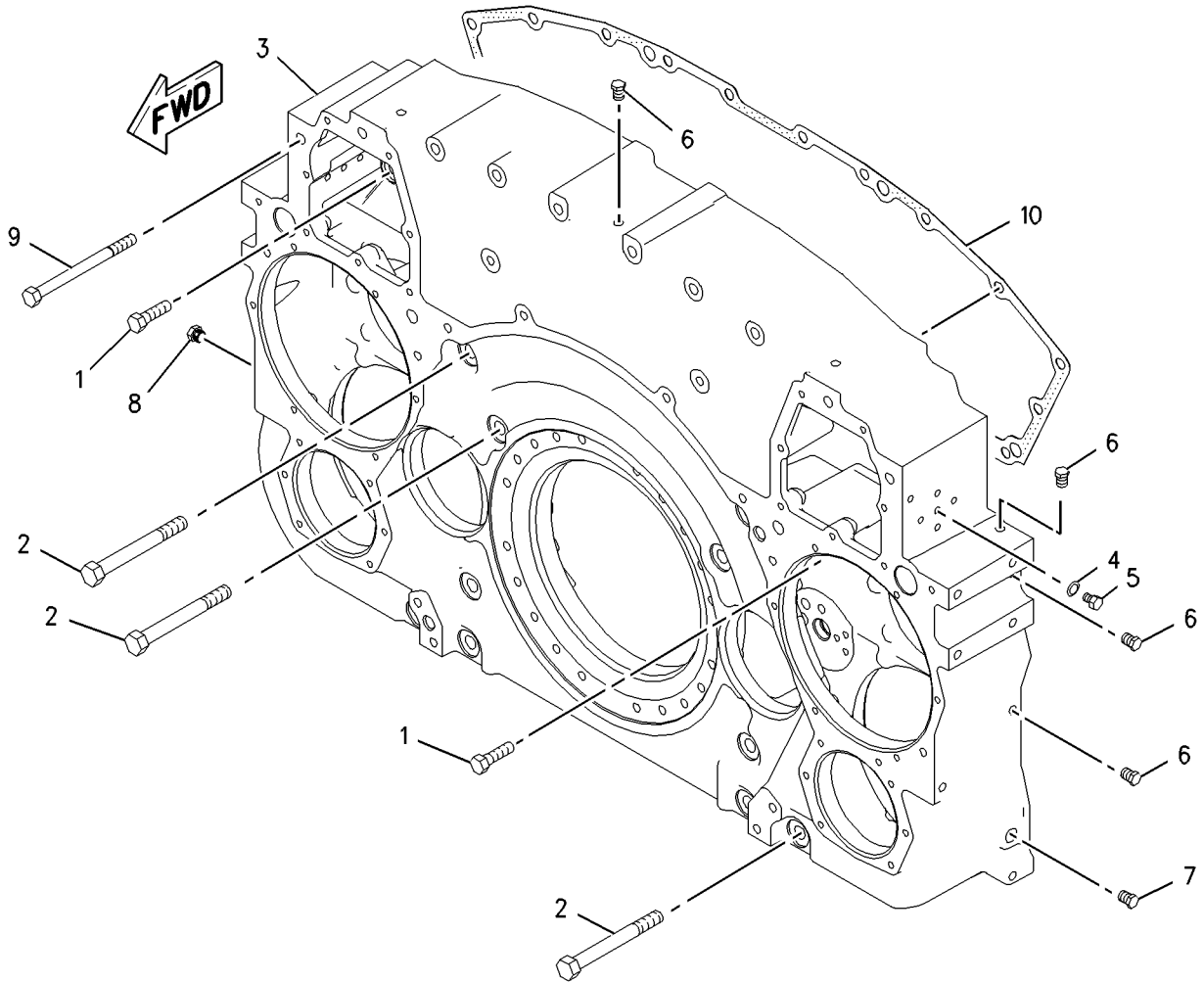
4P-5426 HOUSING GP-FRONT-ACCESSORY DRIVE

SMCS-1151, 1162, 1206

i02809441

NOTE	REF NO	GRAPHIC REF	PART NUMBER	QTY	PART NAME						SEE PAGE
					1	2	3	4	5	6 (PRODUCT LEVEL)	
	1	1	0S-1587	4	BOLT (1/2-13X1.75-IN)						
	2	1	1D-4593	10	BOLT (5/8-11X5.5-IN)						
	3	1	102-8634	1	HOUSING-ACCESSORY DRIVE						
	4	1	1B-4218	6	WASHER (0.39X0.625X0.064-IN THK)						
	5	1	2A-5220	6	PLUG						
B	6	1	8T-6765	7	PLUG-PIPE						
	7	1	8T-6762	1	PLUG-PIPE						
	8	1	8T-6758	1	PLUG-PIPE						
	9	1	9H-8260	4	BOLT (1/2-13X6.25-IN)						
	10	1	7N-3049	1	GASKET						

B-USE AS REQUIRED



GRAPHIC #1

<END>

g00995169

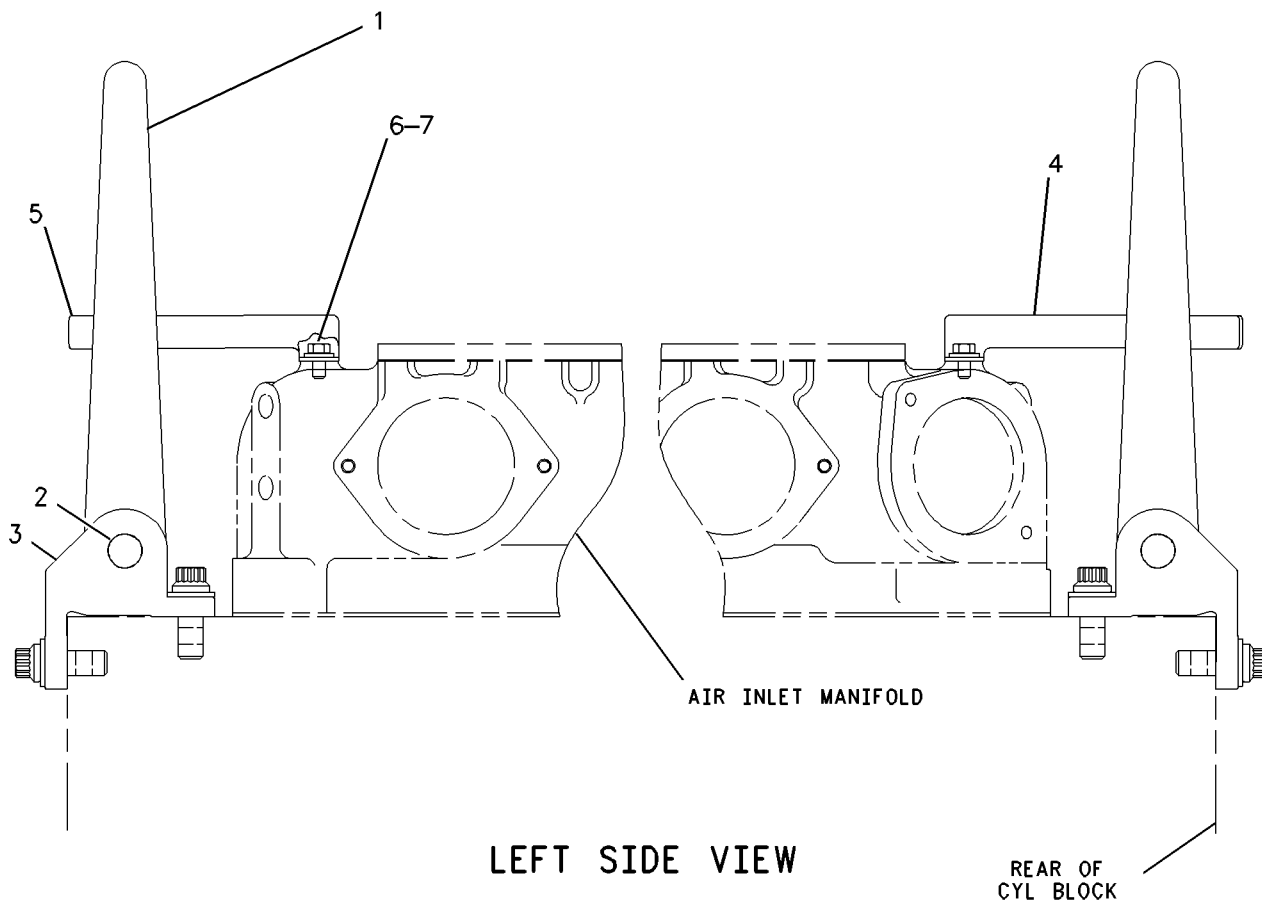
BASIC ENGINE

7E-6872 LIFTING GP-ENGINE

SMCS-1122

i02900513

NOTE	REF NO	GRAPHIC REF	PART NUMBER	QTY	PART NAME						SEE PAGE
					1	2	3	4	5	6 (PRODUCT LEVEL)	
	1	1	7N-2326	2	EYE-LIFTING						
	2	1	7N-2328	4	DOWEL						
	3	1	155-0726	2	BRACKET AS						
					(EACH INCLUDES)						
		1	5P-8248	4	WASHER-HARD (20X36.5X3.5-MM THK)						
		1	5P-8291	2	BOLT (3/4-16X2-IN)						
		1	6V-9995	2	BOLT-12 POINT HEAD (3/4-16X2.5-IN)						
	4	1	193-3286	1	RETAINER-EYE (REAR)						
	5	1	4P-4642	1	RETAINER-EYE (FRONT)						
	6	1	OS-0509	4	BOLT (3/8-16X0.75-IN)						
	7	1	5P-1075	4	WASHER-HARD (10.2X22.5X3-MM THK)						



GRAPHIC #1

<END>

g00799817

BASIC ENGINE

7E-4836 MOUNTING GP-ALTERNATOR AN ATTACHMENT

SMCS-1154, 1405

i03883169

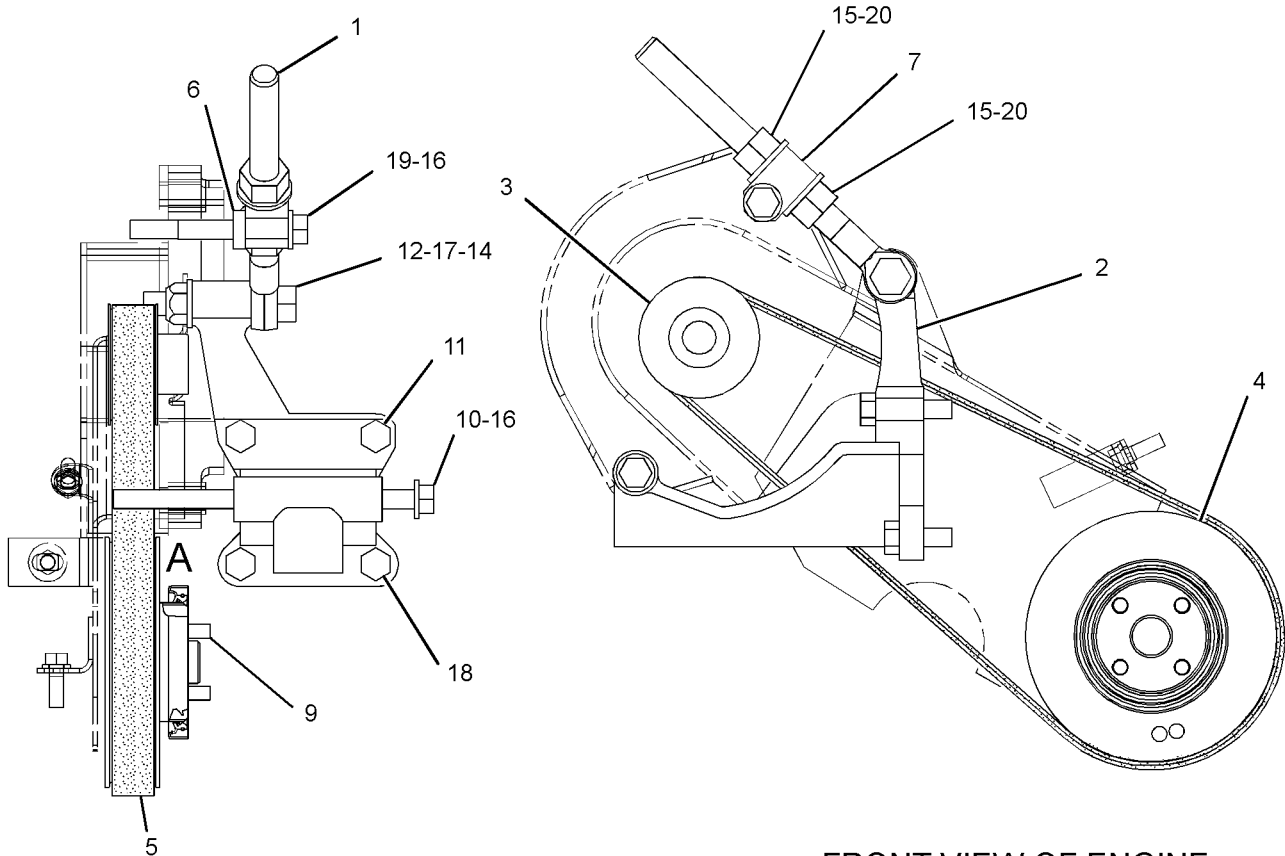
NOTE	REF NO	GRAPHIC REF	PART NUMBER	QTY	PART NAME						SEE PAGE
					1	2	3	4	5	6 (PRODUCT LEVEL)	
	1	1	252-6498	1	ROD						
	2	1	4P-5211	1	SUPPORT-ALTERNATOR						
	3	1	7E-4839	1	PULLEY (8-GROOVE)						
C	4	1	300-8570	1	PULLEY AS						
		1	300-8567	1	SLEEVE						
		1	300-8569	1	PULLEY (8-GROOVE)						
	5	1	141-7116	1	BELT-SERPENTINE (ALTERNATOR)						
	6	1	7N-2597	1	SPACER (13.5X25.4X8.08-MM THK)						
	7	1	252-6464	1	BLOCK						
	8	1	235-2484	1	SEAL-LIP TYPE						
C	9	1	0S-1590	4	BOLT (3/8-16X2-IN)						
	10	1	6V-6633	1	BOLT (1/2-13X8-IN)						
	11	1	1A-1460	2	BOLT (1/2-13X2-IN)						
	12	1	1D-4586	1	BOLT (5/8-11X3.5-IN)						
	14	1	3K-2889	1	LOCKNUT (5/8-11-THD)						
	15	1	2J-3506	2	NUT-FULL (3/4-10-THD)						
	16	1	5P-8245	2	WASHER-HARD (13.5X25.5X3-MM THK)						
	17	1	5P-8247	1	WASHER-HARD (17X32X3.5-MM THK)						
	18	1	7B-3235	2	BOLT (1/2-13X1.375-IN)						
	19	1	7D-9766	1	BOLT (1/2-13X4.25-IN)						
	20	1	5P-8248	2	WASHER-HARD (20X36.5X3.5-MM THK)						

C-CHANGE FROM PREVIOUS TYPE

BASIC ENGINE

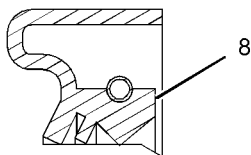
7E-4836 MOUNTING GP-ALTERNATOR (contd.)

i03883169



RIGHT SIDE VIEW OF ENGINE

FRONT VIEW OF ENGINE



VIEW OF AREA A

BASIC ENGINE

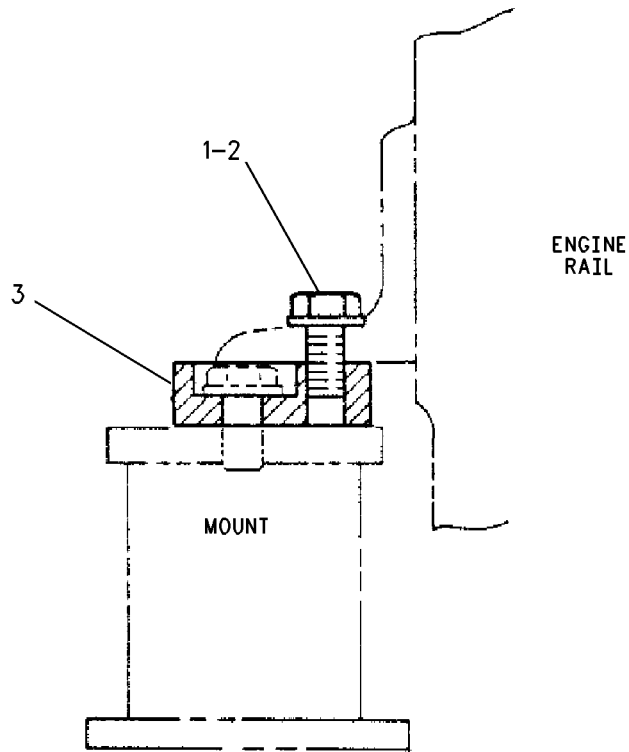
7W-7549 MOUNTING GP-ENGINE

FOR USE WITH DEEP ENGINE OIL PAN
AN ATTACHMENT

SMCS-1152, 1153, 1154

i02327566

NOTE	REF NO	GRAPHIC REF	PART NUMBER	QTY	PART NAME						SEE PAGE
					1	2	3	4	5	6 (PRODUCT LEVEL)	
	1	1	2H-3757	16	BOLT (7/8-9X1.75-IN)						
	2	1	5P-8249	16	WASHER-HARD (24X41.5X4-MM THK)						
	3	1	7W-7547	8	BLOCK						



GRAPHIC #1

<END>

g00759429

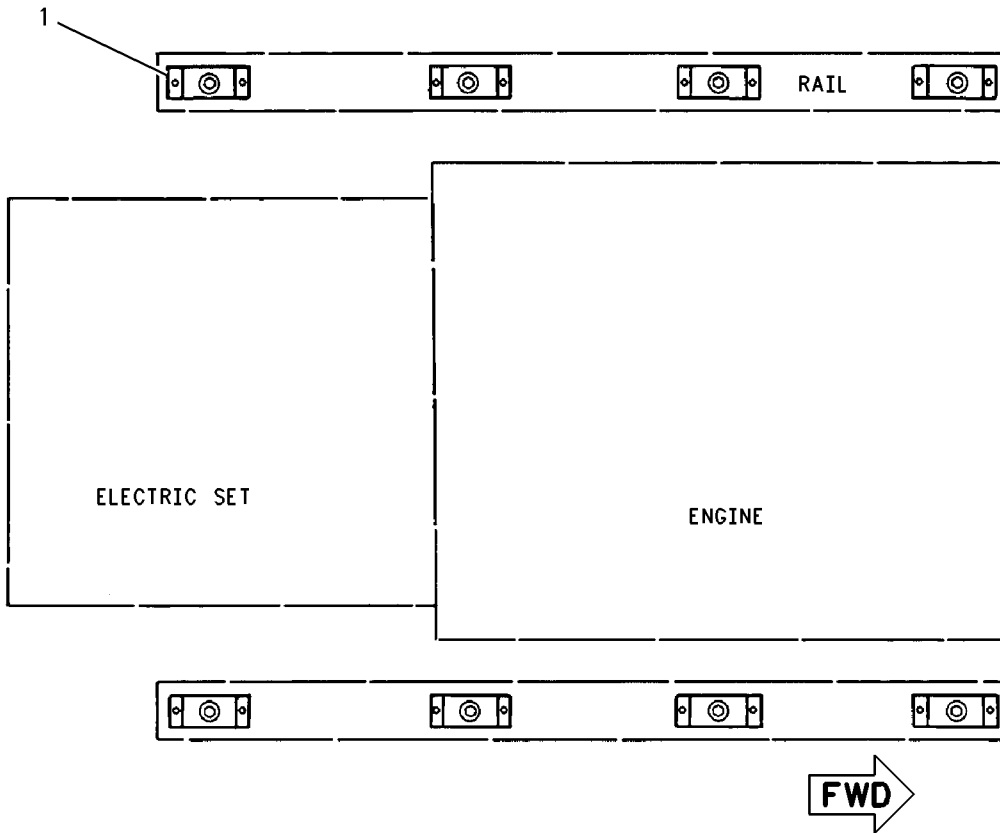
BASIC ENGINE

2W-1773 MOUNTING GP-ENGINE FLEXIBLE AN ATTACHMENT

SMCS-1152

i02327567

NOTE	REF NO	GRAPHIC REF	PART NUMBER	QTY	PART NAME						SEE PAGE
					1	2	3	4	5	6 (PRODUCT LEVEL)	
	1	1	2W-2180	8	MOUNT AS						
		1	2H-3757	16	BOLT (7/8-9X1.75-IN)						
		1	5P-8249	16	WASHER-HARD (24X41.5X4-MM THK)						



GRAPHIC #1

<END>

g00899256

BASIC ENGINE

256-3168 MOUNTING GP-ENGINE FLEXIBLE

RUBBER ISOLATOR

CANNOT BE USED WITH SPRING ISOLATORS
AN ATTACHMENT

SMCS-1152

i02223375

NOTE	PART NUMBER	QTY	PART NAME						SEE PAGE
			1	2	3	4	5	6 (PRODUCT LEVEL)	
Y	259-2503	10	MOUNTING GP-VIBRATION ISOLATOR						585
Y-SEPARATE ILLUSTRATION									

<END>

BASIC ENGINE

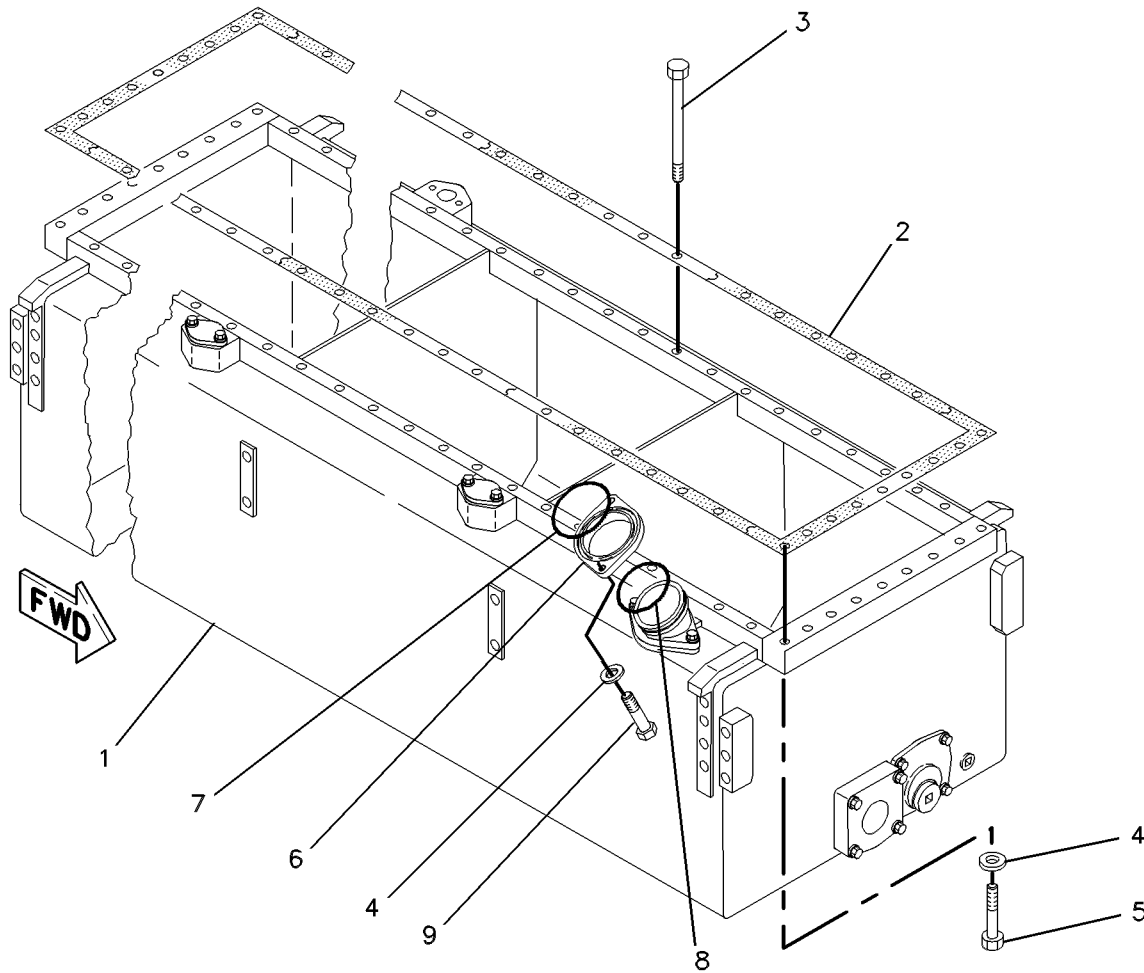
7C-7178 PAN GP-OIL-DEEP SUMP

SMCS-1302

i02357235

NOTE	REF NO	GRAPHIC REF	PART NUMBER	QTY	PART NAME						SEE PAGE
					1	2	3	4	5	6 (PRODUCT LEVEL)	
Y	1	1	9Y-3085	1	PAN GP-OIL (DEEP SUMP)						81
	2	1	7E-2632	1	GASKET-OIL PAN						
	3	1	0T-0065	50	BOLT (3/8-16X3.5-IN)						
	4	1	5M-2894	20	WASHER-HARD (10.2X18.5X2.5-MM THK)						
	5	1	0L-2070	18	BOLT (3/8-16X2.25-IN)						
	6	1	7W-0129	1	FLANGE						
	7	1	6V-5101	1	SEAL-O-RING						
	8	1	3P-0654	1	SEAL-O-RING						
	9	1	0S-1588	2	BOLT (3/8-16X1.25-IN)						

Y-SEPARATE ILLUSTRATION



GRAPHIC #1

<END>

g00618459

BASIC ENGINE

9Y-3085 PAN GP-OIL-DEEP SUMP PART OF 7C-7178 PAN GP-OIL

SMCS-1302

i03886370

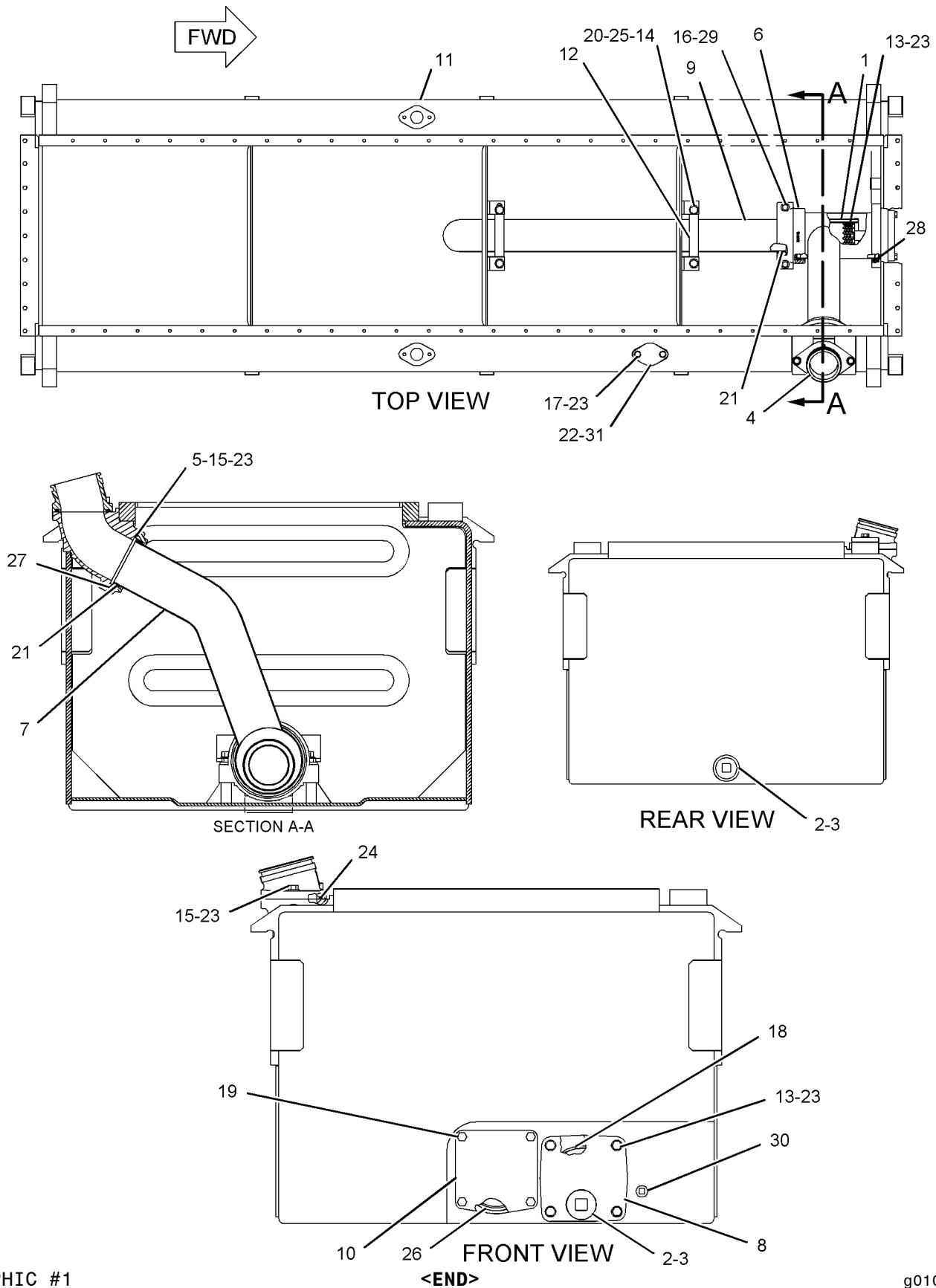
NOTE	REF NO	GRAPHIC REF	PART NUMBER	QTY	PART NAME						SEE PAGE
					1	2	3	4	5	6 (PRODUCT LEVEL)	
C	1	1	1W-1564	1	SCREEN AS-SUCTION (OIL PAN)						
	2	1	4B-2363	2	PLUG-OIL DRAIN (PAN)						
	3	1	6F-4868	2	GASKET						
	4	1	7C-4715	1	CONNECTOR						
	5	1	7W-0129	1	FLANGE						
	6	1	111-2081	1	HOUSING-OIL						
	7	1	114-2413	1	TUBE AS						
	8	1	149-9298	1	COVER						
C	9	1	228-8925	1	TUBE-SUCTION						
C	10	1	228-8926	1	ADAPTER						
C	11	1	229-8391	1	PAN AS-OIL						
C	12	1	231-5867	4	CLAMP						
C	13	1	0L-1351	5	BOLT (3/8-16X0.875-IN)						
C	14	1	0S-1585	4	BOLT (1/2-13X1.5-IN)						
	15	1	0S-1588	4	BOLT (3/8-16X1.25-IN)						
	16	1	0S-1590	2	BOLT (3/8-16X2-IN)						
	17	1	0S-1594	2	BOLT (3/8-16X1-IN)						
	18	1	125-9794	1	SEAL-O-RING						
C	19	1	1A-2029	4	BOLT (3/8-16X1.125-IN)						
C	20	1	1K-6872	4	LOCKNUT (1/2-13-THD)						
C	21	1	3P-0654	2	SEAL-O-RING						
	22	1	4B-3140	1	COVER						
C	23	1	5M-2894	11	WASHER-HARD (10.2X18.5X2.5-MM THK)						
	24	1	5P-7818	1	SEAL-O-RING						
C	25	1	5P-8245	8	WASHER-HARD (13.5X25.5X3-MM THK)						
	26	1	5P-8872	1	SEAL-O-RING						
	27	1	6V-5101	1	SEAL-O-RING						
	28	1	7X-1547	2	SEAL-O-RING						
	29	1	8M-9024	2	WASHER-HARD (10.2X22.5X5-MM THK)						
	30	1	8T-6762	1	PLUG-PIPE						
	31	1	9L-1480	1	GASKET						

C-CHANGE FROM PREVIOUS TYPE

BASIC ENGINE

9Y-3085 PAN GP-OIL (contd.)

i03886370



GRAPHIC #1

<END>

g01025140

BASIC ENGINE

283-0246 PISTON & ROD GP

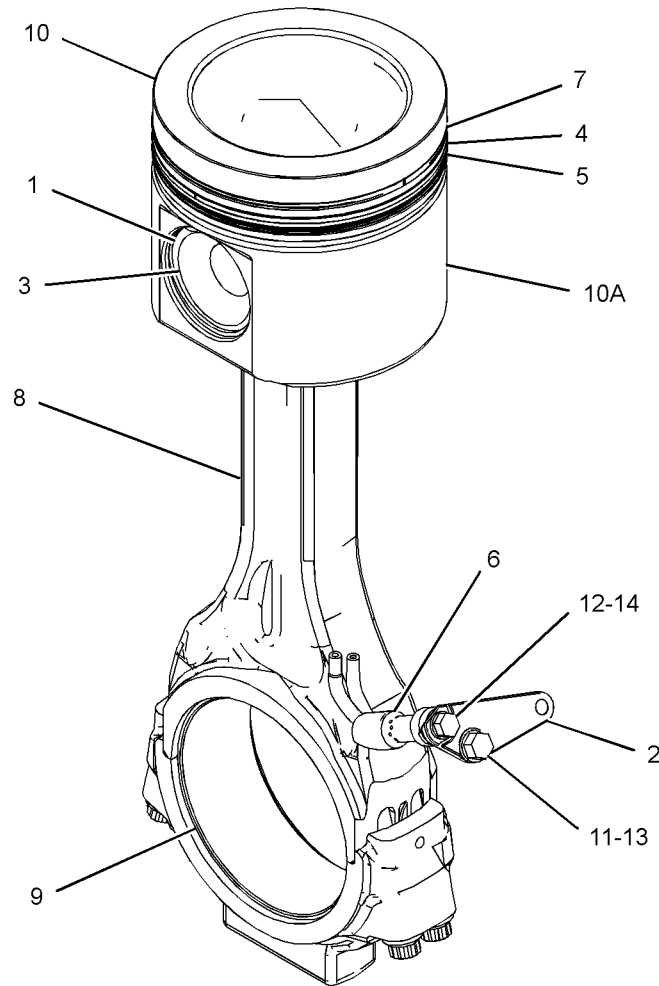
TYPE 1

SMCS - 1225

i02726137

NOTE	REF NO	GRAPHIC REF	PART NUMBER	QTY	PART NAME						SEE PAGE
					1	2	3	4	5	6 (PRODUCT LEVEL)	
	1	1	8N-7296	2	RETAINER-PIN						
	2	1	121-3558	1	RETAINER AS						
		1	6V-3537	1	DOWEL						
	3	1	138-8508	1	PIN-PISTON						
	4	1	144-5695	1	RING-PISTON (INTERMEDIATE)						
	5	1	165-6668	1	RING-PISTON (OIL CONTROL)						
	6	1	207-1372	1	TUBE AS						
	7	1	229-1632	1	RING-PISTON (TOP)						
R	8	1	230-2516	1	ROD AS						
		1	7N-2043	1	DOWEL						
		1	7N-2405	4	BOLT-CONNECTING ROD						
		1	230-2519	1	BEARING-SLEEVE						
	9	1	230-2520	1	BEARING-CONNECTING ROD						
C	10	1	293-5429	1	PISTON GP						
	10A	1	155-5271	1	SKIRT-PISTON						
	11	1	0T-0102	1	BOLT (3/8-16X0.625-IN)						
	12	1	1B-2790	1	BOLT (5/16-18X1.375-IN)						
	13	1	5M-2894	1	WASHER-HARD (10.2X18.5X2.5-MM THK)						
	14	1	9M-1974	1	WASHER-HARD (8.8X16X2-MM THK)						

C-CHANGE FROM PREVIOUS TYPE
R-REMFG PART MAY BE AVAILABLE



GRAPHIC #1

<END>

g01373318

BASIC ENGINE

283-0246 PISTON & ROD GP

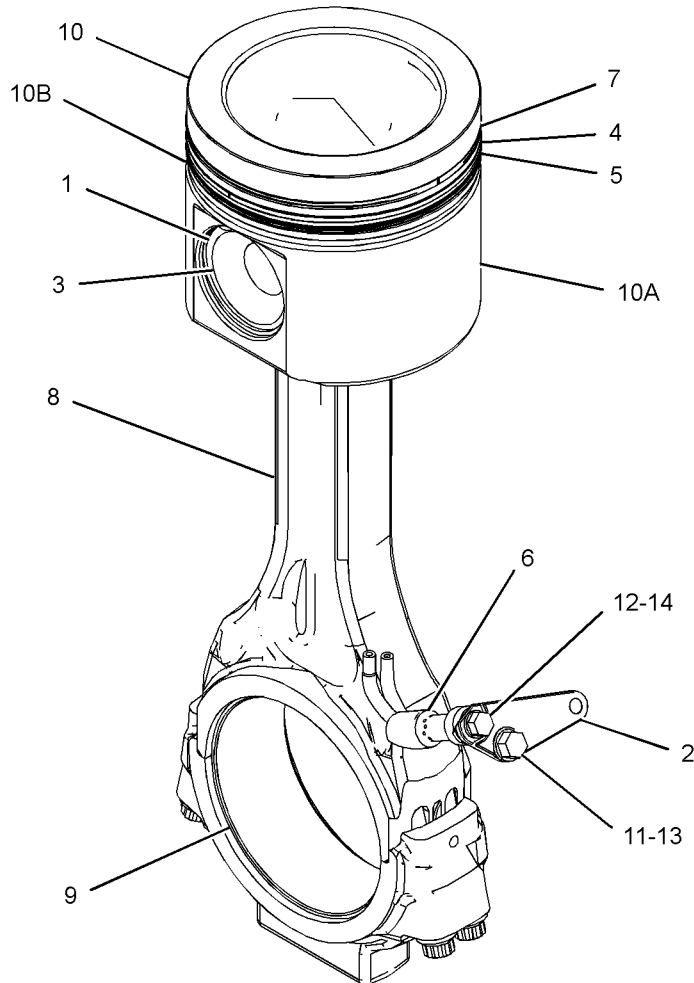
TYPE 2

SMCS - 1225

i03462823

NOTE	REF NO	GRAPHIC REF	PART NUMBER	QTY	PART NAME						SEE PAGE
					1	2	3	4	5	6 (PRODUCT LEVEL)	
	1	1	8N-7296	2	RETAINER-PIN						
	2	1	121-3558	1	RETAINER AS						
		1	6V-3537	1	DOWEL						
	3	1	138-8508	1	PIN-PISTON						
	4	1	144-5695	1	RING-PISTON (INTERMEDIATE)						
	5	1	165-6668	1	RING-PISTON (OIL CONTROL)						
	6	1	207-1372	1	TUBE AS						
	7	1	229-1632	1	RING-PISTON (TOP)						
R	8	1	230-2516	1	ROD AS						
		1	7N-2043	1	DOWEL						
		1	7N-2405	4	BOLT-CONNECTING ROD						
		1	230-2519	1	BEARING-SLEEVE						
	9	1	230-2520	1	BEARING-CONNECTING ROD						
C	10	1	283-0245	1	PISTON AS						
	10A	1	155-5271	1	SKIRT-PISTON						
	10B	1	279-6770	1	CROWN AS						
	11	1	0T-0102	1	BOLT (3/8-16X0.625-IN)						
	12	1	1B-2790	1	BOLT (5/16-18X1.375-IN)						
	13	1	5M-2894	1	WASHER-HARD (10.2X18.5X2.5-MM THK)						
	14	1	9M-1974	1	WASHER-HARD (8.8X16X2-MM THK)						

C-CHANGE FROM PREVIOUS TYPE
R-REMG PART MAY BE AVAILABLE



GRAPHIC #1

<END>

g01840756

BASIC ENGINE

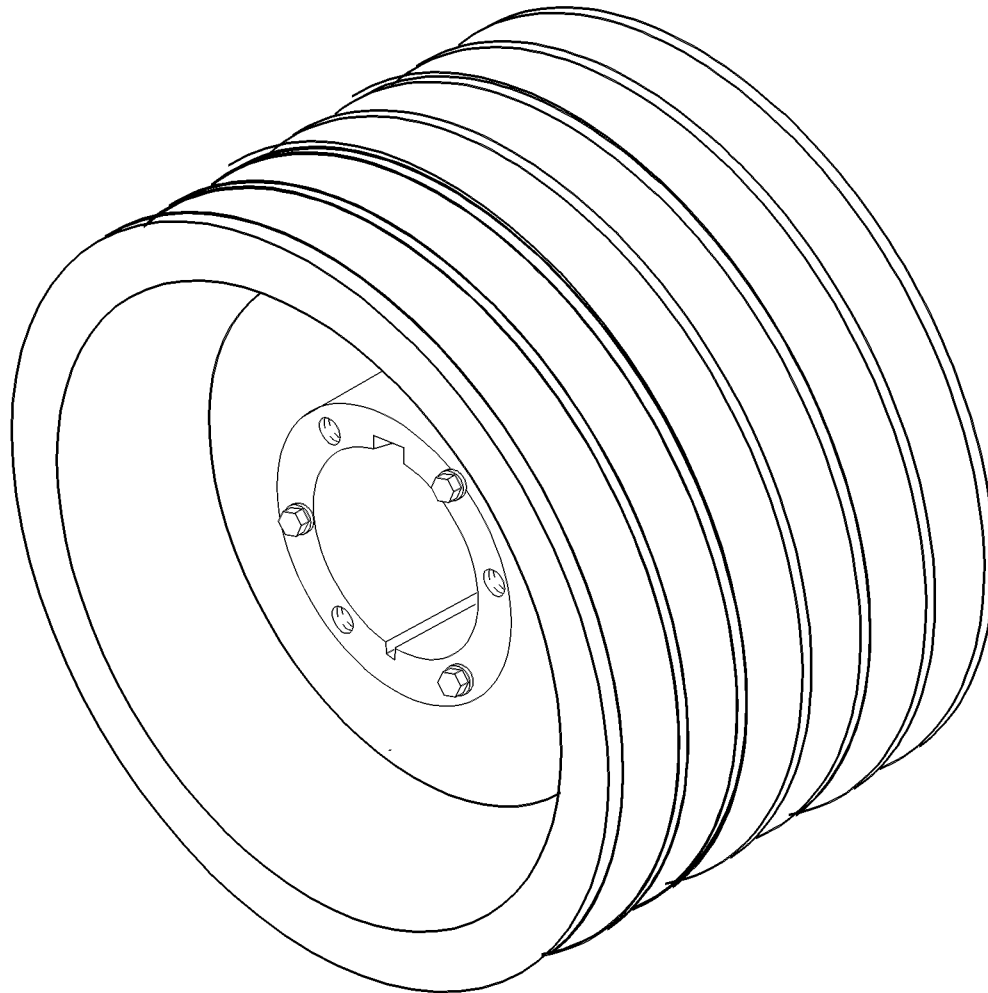
7N-4106 PULLEY AS-CRANKSHAFT

196.85-MM DIAMETER (7.75-IN)
FOR USE WITH LOW KW STUB SHAFT GP
AN ATTACHMENT

SMCS-1205

i02656382

NOTE	REF NO	GRAPHIC REF	PART NUMBER	QTY	PART NAME 1 2 3 4 5 6 (PRODUCT LEVEL)	SEE PAGE
					AVAILABLE REPAIR KIT(S):	
			4W-0335	1	KIT-BUSHING (CRANKSHAFT PULLEY) (INCLUDES BUSHING, BOLTS, LOCKWASHER, SET SCREW AND KEY)	



GRAPHIC #1

<END>

g00621997

BASIC ENGINE

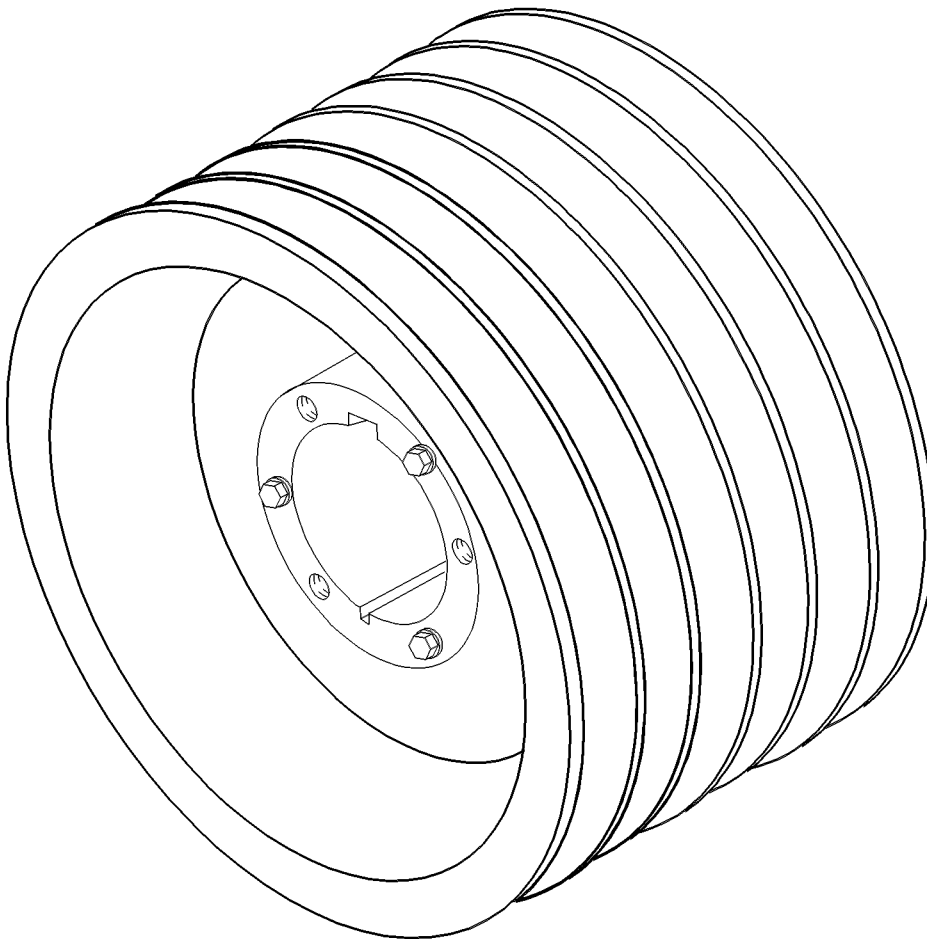
8N-6564 PULLEY AS-CRANKSHAFT

247.65-MM DIAMETER (9.75-IN)
FOR USE WITH LOW KW STUB SHAFT GP
AN ATTACHMENT

SMCS-1205

i02774996

NOTE	REF NO	GRAPHIC REF	PART NUMBER	QTY	PART NAME						SEE PAGE
					1	2	3	4	5	6 (PRODUCT LEVEL)	
					AVAILABLE REPAIR KIT(S):						
			4W-0335	1	KIT-BUSHING (CRANKSHAFT PULLEY)						
					(INCLUDES BUSHING, BOLTS, LOCKWASHER, SET SCREW AND KEY)						



GRAPHIC #1

<END>

g00625097

BASIC ENGINE

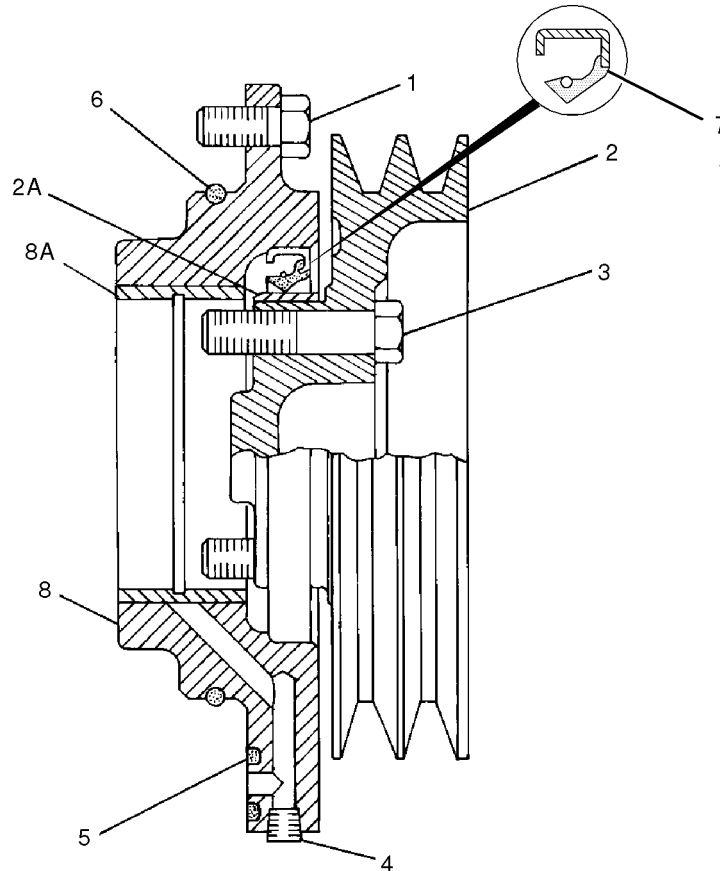
8N-8467 PULLEY GP-AUXILIARY DRIVE-LOWER FRONT, LH AN ATTACHMENT

SMCS-1205, 1207

i03862929

NOTE	REF NO	GRAPHIC REF	PART NUMBER	QTY	PART NAME						SEE PAGE
					1	2	3	4	5	6 (PRODUCT LEVEL)	
	1	1	0L-1351	4	BOLT (3/8-16X0.875-IN)						
C	2	1	9Y-5286	1	PULLEY AS						
	2A	1	053-5065	1	SLEEVE						
	3	1	0S-1571	4	BOLT (3/8-16X1.75-IN)						
	4	1	8T-6759	1	PLUG-PIPE						
	5	1	5P-0840	1	SEAL-O-RING						
	6	1	259-4598	1	SEAL-O-RING						
	7	1	235-2484	1	SEAL-LIP TYPE						
	8	1	7C-4165	1	ADAPTER AS						
	8A	1	127-5400	1	BEARING-SLEEVE						

C-CHANGE FROM PREVIOUS TYPE



GRAPHIC #1

<END>

g01014927

BASIC ENGINE

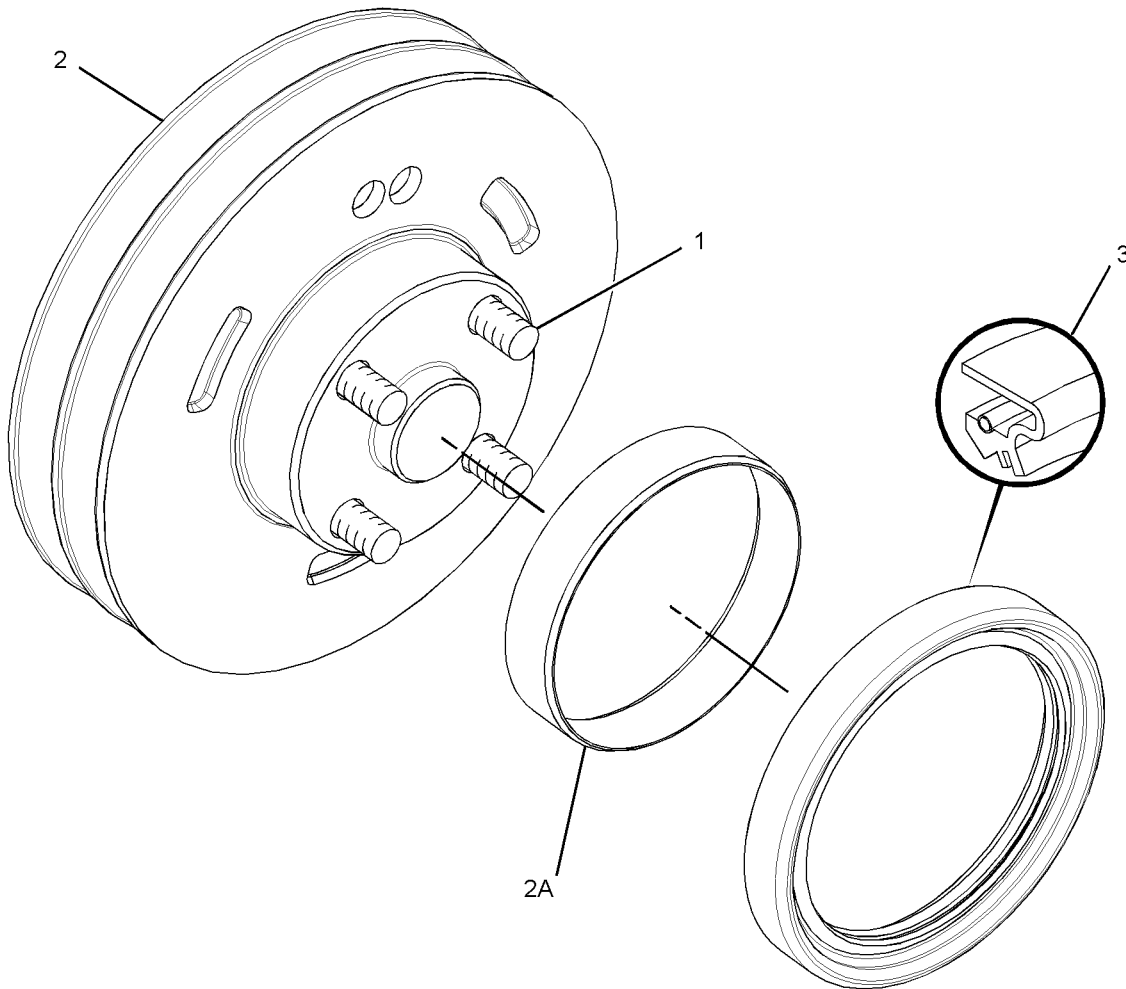
8N-8468 PULLEY GP-AUXILIARY DRIVE-UPPER REAR, RH AN ATTACHMENT

SMCS-1205, 1207

i03421111

NOTE	REF NO	GRAPHIC REF	PART NUMBER	QTY	PART NAME						SEE PAGE
					1	2	3	4	5	6 (PRODUCT LEVEL)	
	1	1	0S-1571	4	BOLT (3/8-16X1.75-IN)						
C	2	1	9Y-5286	1	PULLEY AS						
	2A	1	053-5065	1	SLEEVE						
	3	1	235-2484	1	SEAL-LIP TYPE						

C-CHANGE FROM PREVIOUS TYPE



GRAPHIC #1

<END>

g01790355

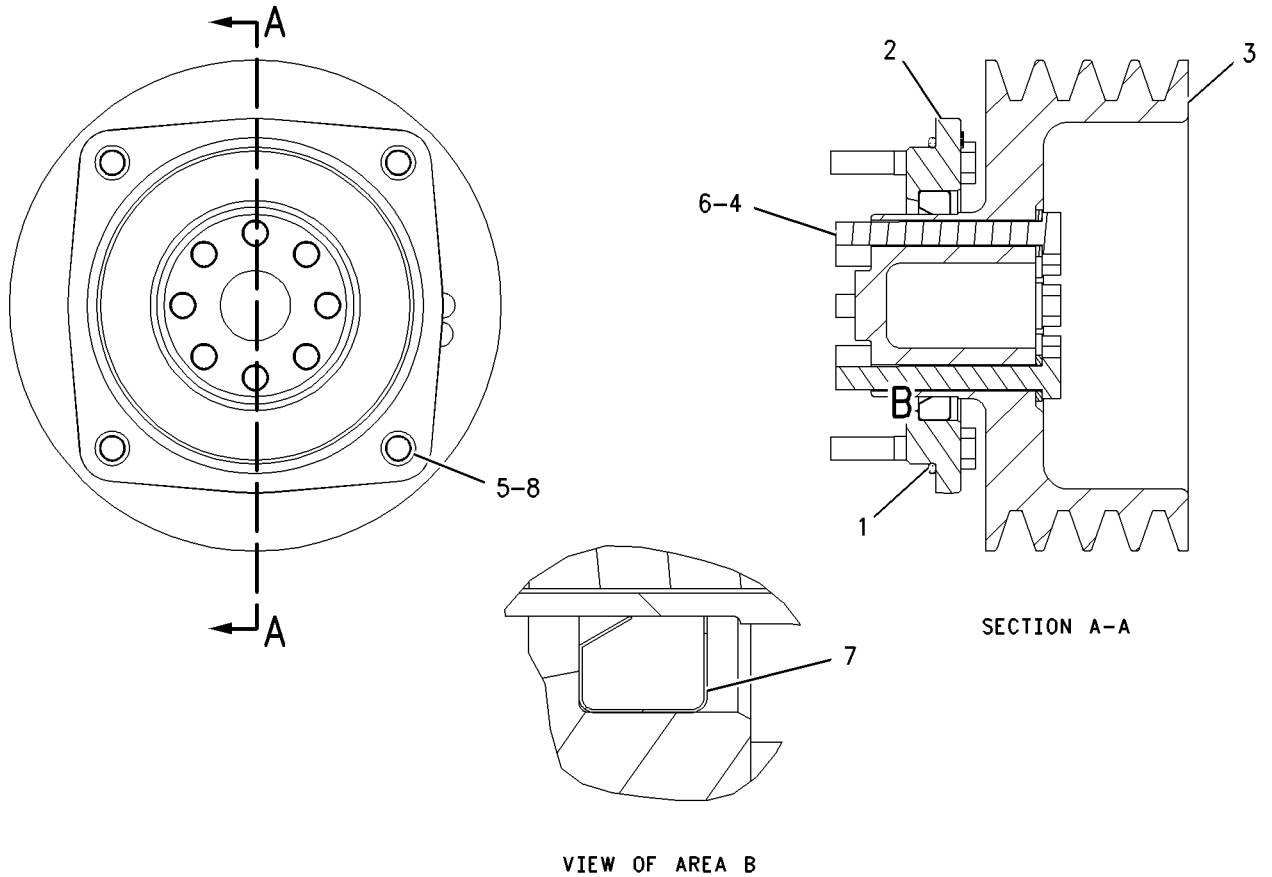
BASIC ENGINE

210-9214 PULLEY GP-AUXILIARY DRIVE-LOWER FRONT, LH AN ATTACHMENT

SMCS-1205, 1207

i01980145

NOTE	REF NO	GRAPHIC REF	PART NUMBER	QTY	PART NAME						SEE PAGE
					1	2	3	4	5	6 (PRODUCT LEVEL)	
	1	1	9X-7371	1	SEAL-O-RING						
	2	1	7N-7991	1	ADAPTER						
	3	1	7N-8011	1	PULLEY						
	4	1	0L-1352	8	BOLT (3/8-16X3.25-IN)						
	5	1	0S-1590	4	BOLT (3/8-16X2-IN)						
	6	1	5M-2894	8	WASHER-HARD (10.2X18.5X2.5-MM THK)						
	7	1	7C-7808	1	SEAL-LIP TYPE						
	8	1	9L-9132	4	WASHER (10.2X25.5X2.5-MM THK)						



GRAPHIC #1

<END>

g00854650

BASIC ENGINE

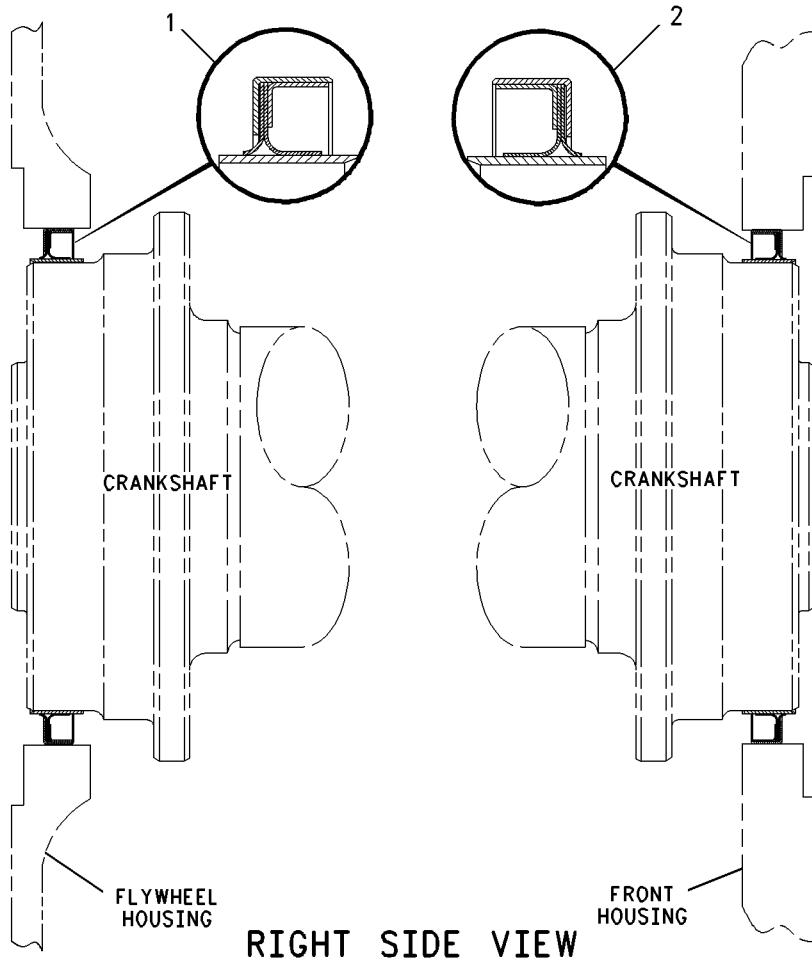
7W-3813 SEAL GP-CRANKSHAFT

SMCS-1160, 1161

i02390835

NOTE	REF NO	GRAPHIC REF	PART NUMBER	QTY	PART NAME						SEE PAGE
					1	2	3	4	5	6 (PRODUCT LEVEL)	
C	1	1	113-8433	1	SEAL GP-CRANKSHAFT (CCW ROTATION) (INSTALL IN FLYWHEEL HOUSING ON STANDARD ROTATION ENGINES & IN FRONT HOUSING ON REVERSE ROTATION ENGINES)						
C	2	1	113-8432	1	SEAL GP-CRANKSHAFT (CW ROTATION) (INSTALL IN FRONT HOUSING ON STANDARD ROTATION ENGINES & IN FLYWHEEL HOUSING ON REVERSE ROTATION ENGINES)						

C-CHANGE FROM PREVIOUS TYPE



GRAPHIC #1

<END>

g00899342

BASIC ENGINE

7N-8042 SHAFT GP-AUXILIARY DRIVE-LOWER FRONT, LH AN ATTACHMENT

SMCS-1207

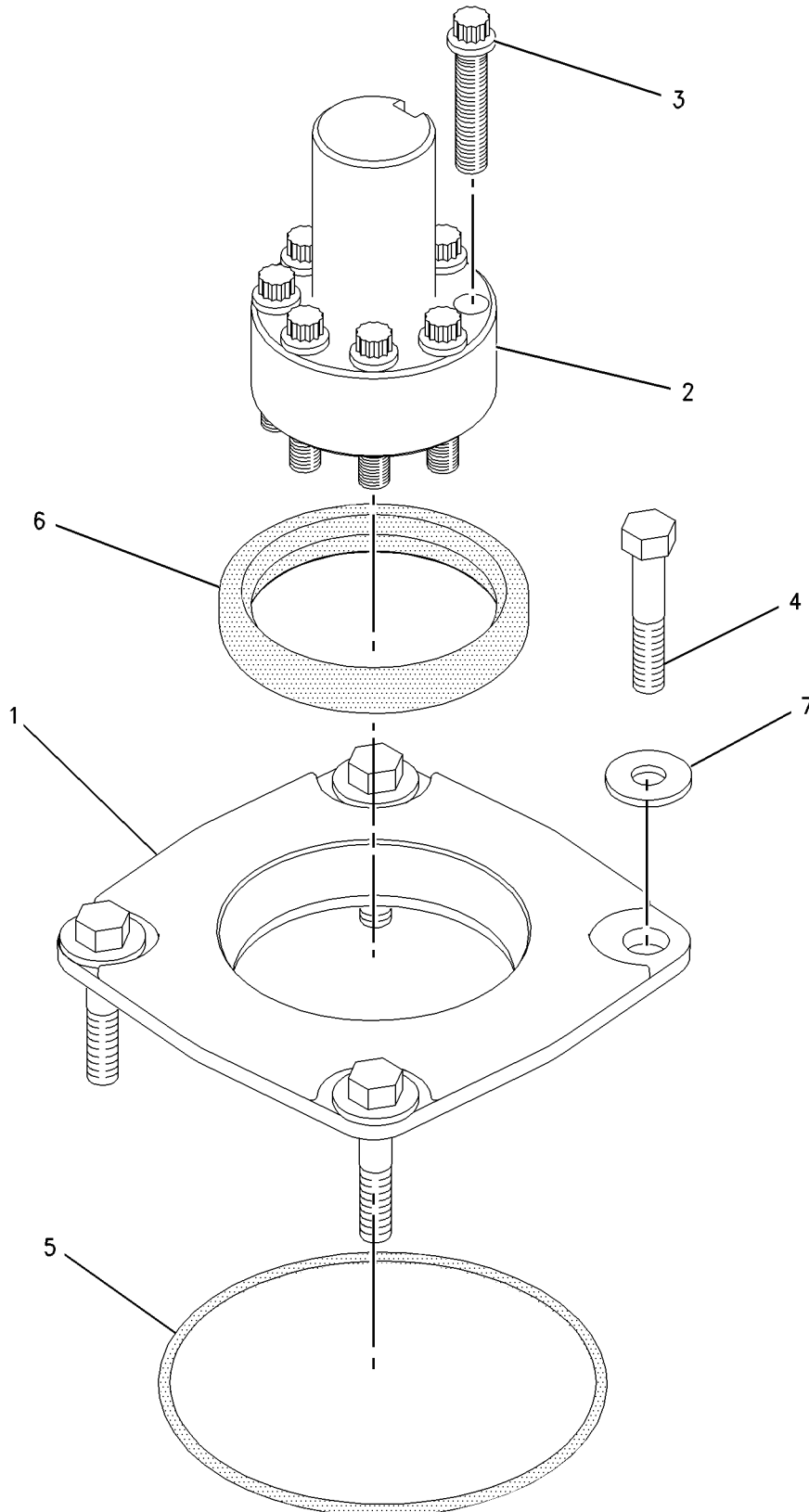
i02327559

NOTE	REF NO	GRAPHIC REF	PART NUMBER	QTY	PART NAME						SEE PAGE
					1	2	3	4	5	6 (PRODUCT LEVEL)	
	1	1	7N-7991	1	ADAPTER						
	2	1	9Y-4957	1	SHAFT-STUB						
	3	1	053-2294	8	BOLT-12 POINT HEAD (3/8-16X1.75-IN)						
	4	1	0S-1590	4	BOLT (3/8-16X2-IN)						
	5	1	9X-7371	1	SEAL-O-RING						
	6	1	7C-7808	1	SEAL-LIP TYPE						
	7	1	9L-9132	4	WASHER (10.2X25.5X2.5-MM THK)						

BASIC ENGINE

7N-8042 SHAFT GP-AUXILIARY DRIVE (contd.)

i02327559



GRAPHIC #1

<END>

g00813860

BASIC ENGINE

209-3559 SHAFT GP-AUXILIARY DRIVE-UPPER FRONT, RH AN ATTACHMENT

SMCS-1207

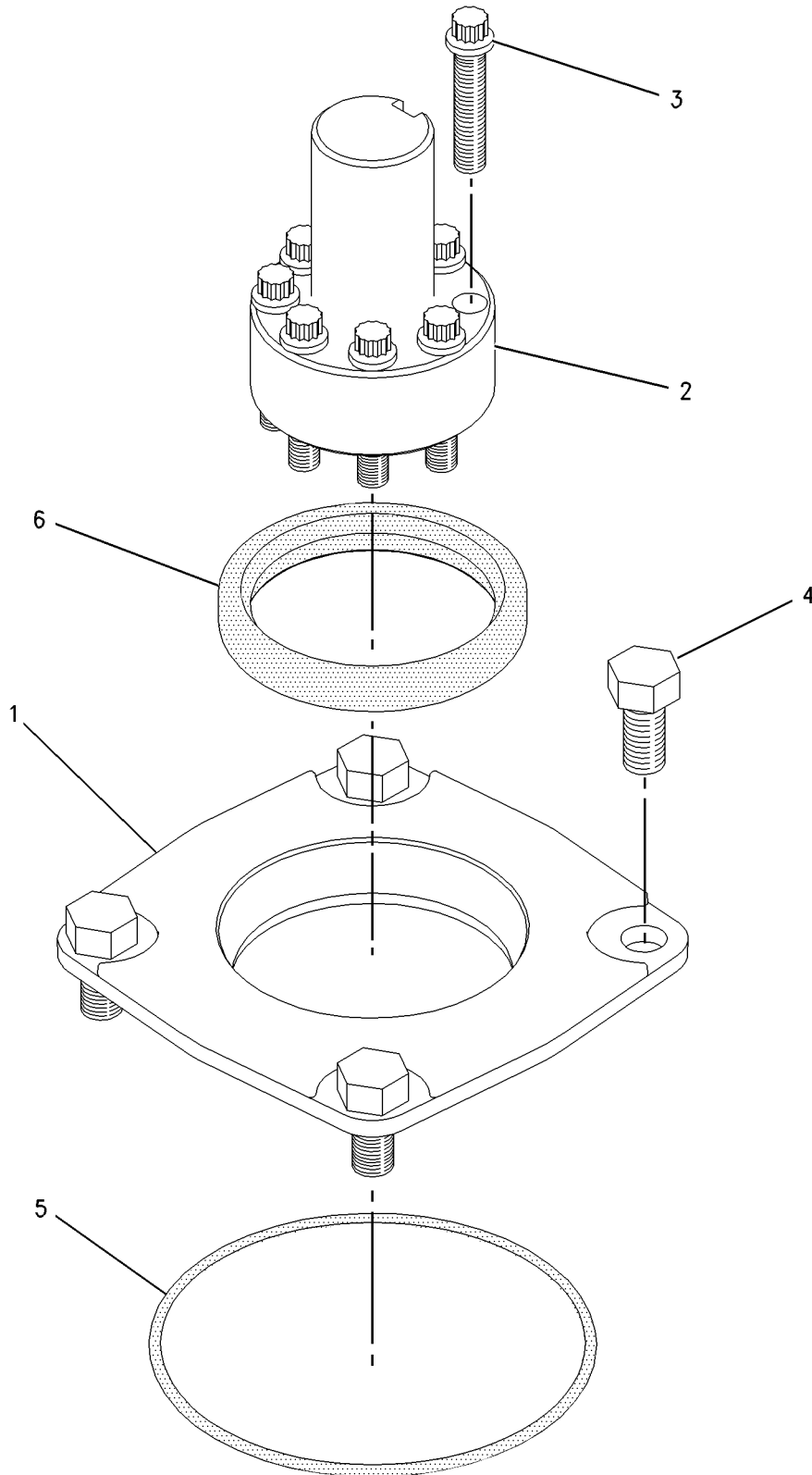
i02327561

NOTE	REF NO	GRAPHIC REF	PART NUMBER	QTY	PART NAME						SEE PAGE
					1	2	3	4	5	6 (PRODUCT LEVEL)	
	1	1	7N-7991	1	ADAPTER						
	2	1	9Y-4957	1	SHAFT-STUB						
	3	1	053-2294	8	BOLT-12 POINT HEAD (3/8-16X1.75-IN)						
	4	1	0S-1621	4	BOLT (1/2-13X1-IN)						
	5	1	9X-7371	1	SEAL-O-RING						
	6	1	7C-7808	1	SEAL-LIP TYPE						

BASIC ENGINE

209-3559 SHAFT GP-AUXILIARY DRIVE (contd.)

i02327561



GRAPHIC #1

<END>

g00814255

BASIC ENGINE

209-3560 SHAFT GP-AUXILIARY DRIVE-UPPER REAR, LH AN ATTACHMENT

SMCS-1207

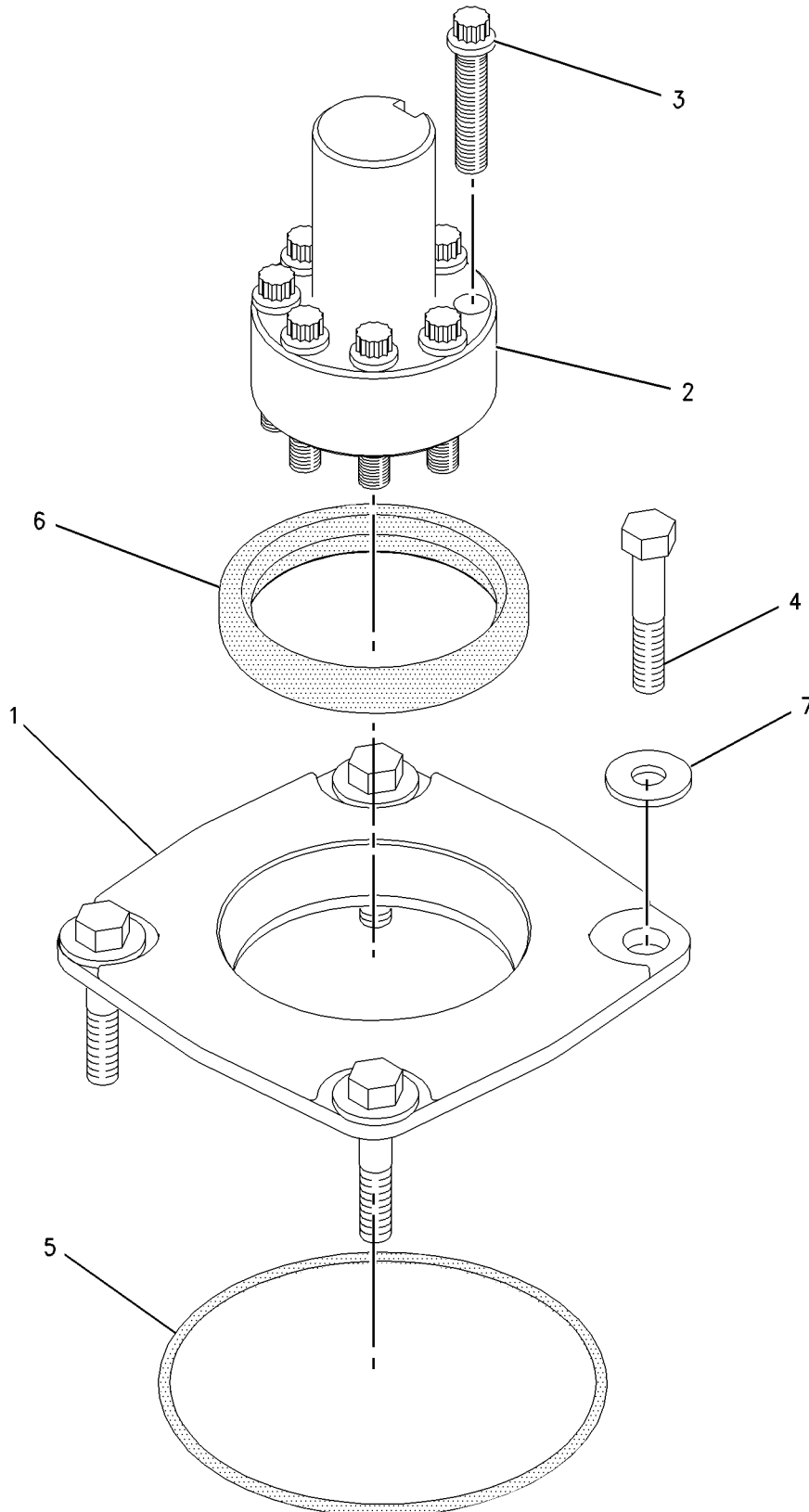
i02327563

NOTE	REF NO	GRAPHIC REF	PART NUMBER	QTY	PART NAME						SEE PAGE
					1	2	3	4	5	6 (PRODUCT LEVEL)	
	1	1	7N-7991	1	ADAPTER						
	2	1	9Y-4957	1	SHAFT-STUB						
	3	1	053-2294	8	BOLT-12 POINT HEAD (3/8-16X1.75-IN)						
	4	1	0S-1590	4	BOLT (3/8-16X2-IN)						
	5	1	9X-7371	1	SEAL-O-RING						
	6	1	7C-7808	1	SEAL-LIP TYPE						
	7	1	9L-9132	4	WASHER (10.2X25.5X2.5-MM THK)						

BASIC ENGINE

209-3560 SHAFT GP-AUXILIARY DRIVE (contd.)

i02327563



GRAPHIC #1

<END>

g00813860

BASIC ENGINE

209-3562 SHAFT GP-AUXILIARY DRIVE-UPPER FRONT, LH AN ATTACHMENT

SMCS-1207

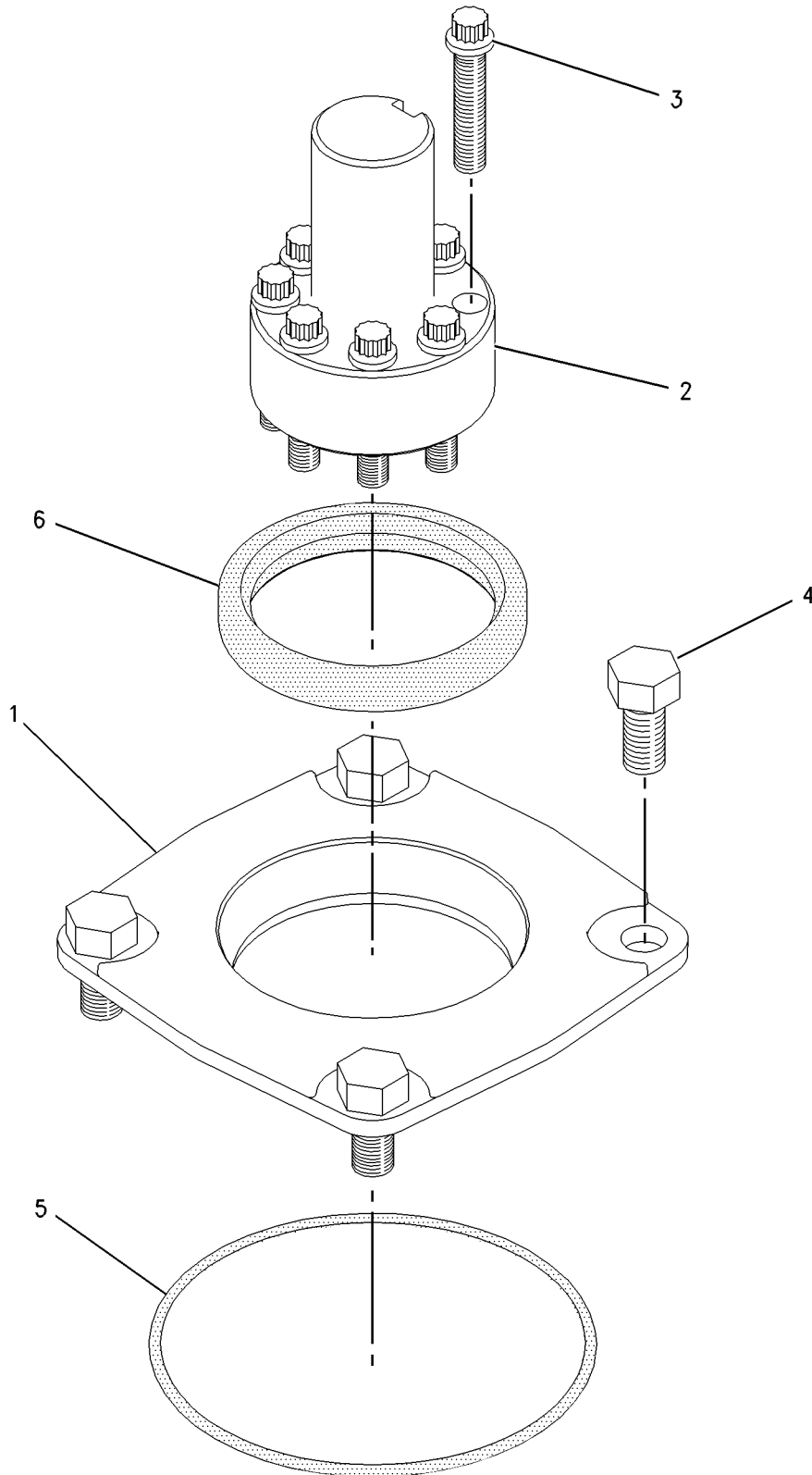
i02327562

NOTE	REF NO	GRAPHIC REF	PART NUMBER	QTY	PART NAME						SEE PAGE
					1	2	3	4	5	6 (PRODUCT LEVEL)	
	1	1	7N-7991	1	ADAPTER						
	2	1	9Y-4957	1	SHAFT-STUB						
	3	1	053-2294	8	BOLT-12 POINT HEAD (3/8-16X1.75-IN)						
	4	1	0S-1621	4	BOLT (1/2-13X1-IN)						
	5	1	9X-7371	1	SEAL-O-RING						
	6	1	7C-7808	1	SEAL-LIP TYPE						

BASIC ENGINE

209-3562 SHAFT GP-AUXILIARY DRIVE (contd.)

i02327562



GRAPHIC #1

<END>

g00814255

BASIC ENGINE

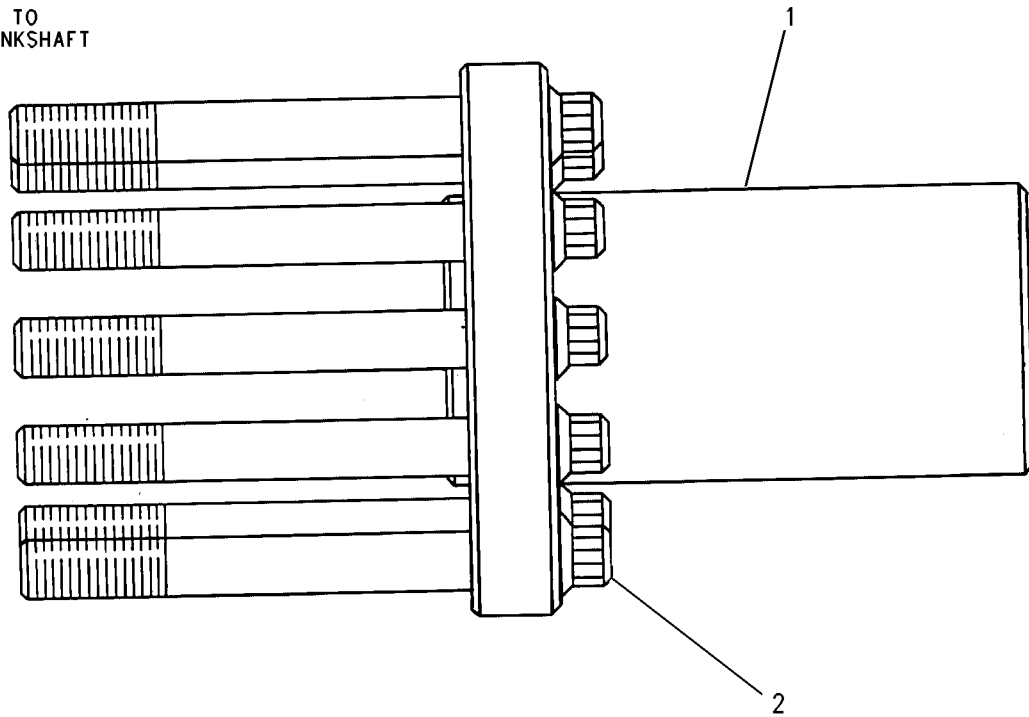
7W-3629 SHAFT GP-STUB-FRONT AN ATTACHMENT

SMCS-1237

i02327531

NOTE	REF NO	GRAPHIC REF	PART NUMBER	QTY	PART NAME						SEE PAGE
					1	2	3	4	5	6 (PRODUCT LEVEL)	
	1	1	7W-3579	1	SHAFT-STUB						
	2	1	5N-2317	12	BOLT-12 POINT HEAD (1-14X9.5-IN)						

TO
CRANKSHAFT



RIGHT SIDE VIEW

GRAPHIC #1

<END>

g00995115

BASIC ENGINE

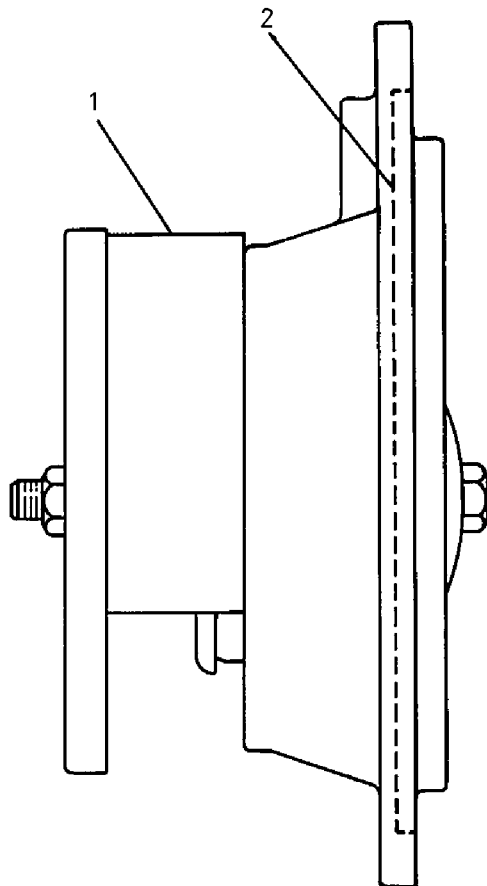
8N-8510 VALVE GP-EXPLOSION RELIEF

AN ATTACHMENT

SMCS-1233

i02656760

NOTE	REF NO	GRAPHIC REF	PART NUMBER	QTY	PART NAME						SEE PAGE
					1	2	3	4	5	6 (PRODUCT LEVEL)	
J	1	1	8N-8509	2	VALVE GP-EXPLOSION RELIEF (CRANKCASE)						
	2	1	272-0759	2	SEAL						
AVAILABLE REPAIR KIT(S):											
J			2W-3584	1	KIT-REPAIR (EXPLOSION RELIEF) (CRANKCASE) (INCLUDES VALVE PLATE AND SPINDLE O-RINGS)						
J-KIT MARKED J SERVICES PART MARKED J											



GRAPHIC #1

<END>

g00637870

BASIC ENGINE

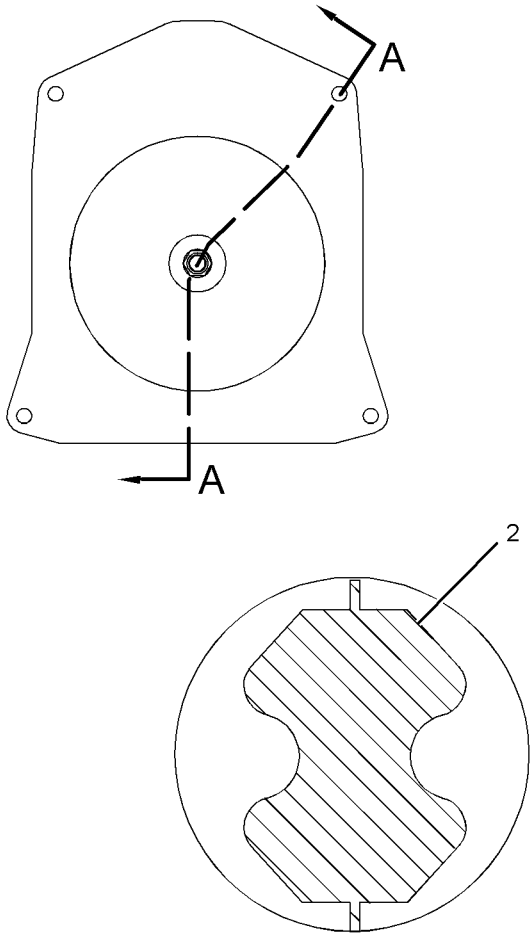
155-2586 VALVE GP-EXPLOSION RELIEF

CHROME PLATED
AN ATTACHMENT

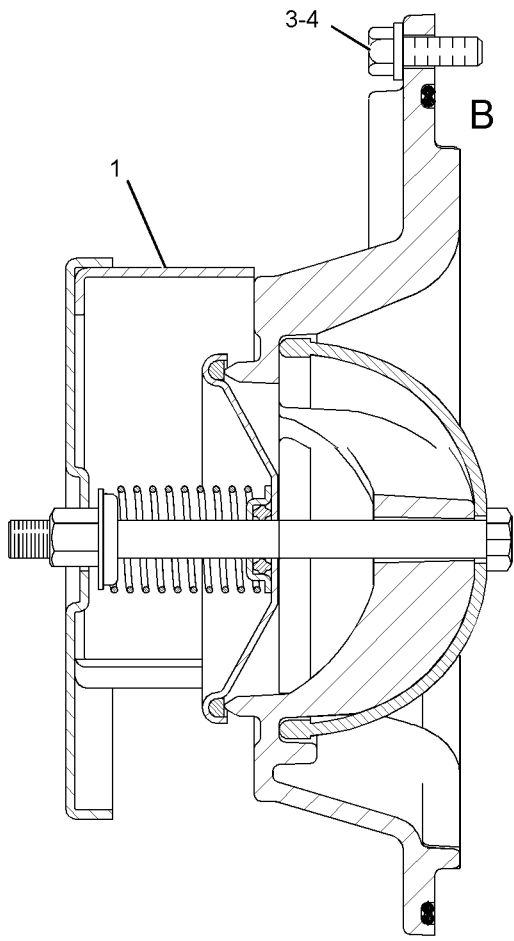
SMCS-1233

i02626007

NOTE	REF NO	GRAPHIC REF	PART NUMBER	QTY	PART NAME						SEE PAGE
					1	2	3	4	5	6 (PRODUCT LEVEL)	
J	1	1	155-2567	1	VALVE GP-EXPLOSION RELIEF (CRANKCASE)						
	2	1	272-0759	1	SEAL						
	3	1	133-6261	4	WASHER (10.2X18.5X2.5-MM THK)						
	4	1	133-6268	4	BOLT (3/8-16X1-IN)						
AVAILABLE REPAIR KIT(S):											
J			2W-3584	1	KIT-REPAIR (EXPLOSION RELIEF) (INCLUDES VALVE PLATE & SPINDLE O-RINGS)						
J-KIT MARKED J SERVICES PART MARKED J											



VIEW OF AREA B



SECTION A-A

GRAPHIC #1

<END>

g01319451

BASIC ENGINE

224-9869 VALVE MECHANISM GP

S/N: JTS102-UP

SMCS-1102, 1121, 1123, 1209

i03601604

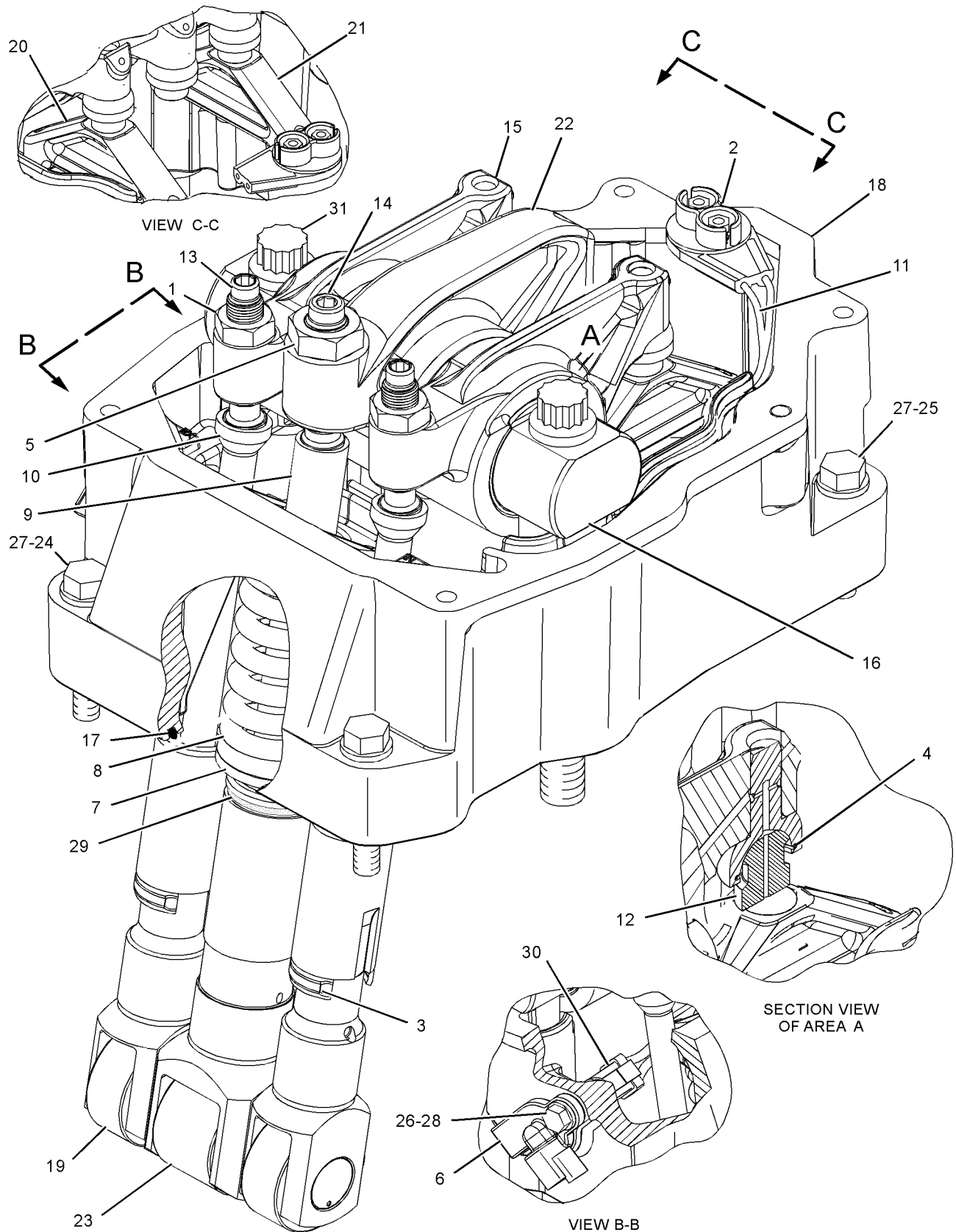
NOTE	REF NO	GRAPHIC REF	PART NUMBER	QTY	PART NAME						SEE PAGE
					1	2	3	4	5	6 (PRODUCT LEVEL)	
	1	1	3J-9196	2	NUT-JAM (1/2-20-THD)						
	2	1	7E-6508	1	CAP AS						
	3	1	7N-4782	2	SPRING-LIFTER GUIDE						
	4	1	9F-7707	3	RING-RETAINING						
	5	1	317-1121	1	NUT-JAM						
	6	1	9X-0352	1	RECEPTACLE AS						
	7	1	100-3877	1	RETAINER-SPRING						
	8	1	100-3878	1	SPRING-INJECTOR						
	9	1	100-3879	1	PUSHROD-INJECTOR						
	10	1	100-3880	2	PUSHROD-VALVE						
	11	1	132-6469	1	HARNES AS-WIRING (VALVE MECHANISM)						
		1	155-2270	1	KIT-CONNECTING PLUG (2-PIN) (INCLUDES PLUG AS AND WEDGE)						
		1	7E-6513	1	CONNECTOR AS						
		1	186-3736	2	SOCKET-CONNECTOR (16-GA TO 18-GA)						
E		1	124-0284		TUBE-HEAT SHRINK (3.2-MM DIA) (6-CM)						
	12	1	154-6389	3	BUTTON						
	13	1	200-2003	2	SCREW-ADJUSTMENT (1/2-20X2-IN)						
	14	1	230-2619	1	SCREW-ADJUSTMENT						
R	15	1	230-2621	2	ROCKER ARM AS (EACH INCLUDES)						
		1	8N-7197	1	SOCKET-ARM						
		1	230-2620	1	BEARING-SLEEVE						
	16	1	230-2633	1	SHAFT AS (ROCKER ARM)						
		1	155-4094	1	PIN-SPRING						
C	17	1	240-7032	1	SEAL						
CY	18	1	247-8341	1	BASE GP-VALVE COVER						6
R	19	1	263-6674	2	LIFTER AS-VALVE						
	20	1	265-7537	1	BRIDGE (INLET)						
	21	1	265-7538	1	BRIDGE (EXHAUST)						
R	22	1	281-6159	1	ROCKER ARM AS (EACH INCLUDES)						
		1	8N-7197	1	SOCKET-ARM						
		1	230-2620	1	BEARING-SLEEVE						
R	23	1	282-7944	1	LIFTER AS-INJECTOR						
	24	1	0L-2070	2	BOLT (3/8-16X2.25-IN)						
	25	1	334-1626	2	BOLT						
	26	1	0S-1615	1	BOLT (1/4-20X0.75-IN)						
	27	1	5M-2894	4	WASHER-HARD (10.2X18.5X2.5-MM THK)						
	28	1	5P-0537	1	WASHER-HARD (7.2X14.5X2-MM THK)						
	29	1	5P-7530	1	SEAL-O-RING						
	30	1	6J-2245	1	SEAL-O-RING						
	31	1	8D-7942	2	BOLT-12 POINT HEAD (5/8-11X6.5-IN)						

C-CHANGE FROM PREVIOUS TYPE
 E-ORDER BY THE CENTIMETER
 R-REMFG PART MAY BE AVAILABLE
 Y-SEPARATE ILLUSTRATION

BASIC ENGINE

224-9869 VALVE MECHANISM GP (contd.)

i03601604



GRAPHIC #1

<END>

g01260702

BASIC ENGINE

281-6160 VALVE MECHANISM GP

S/N: JTS1-107

SMCS-1102, 1121, 1123, 1209

i02426365

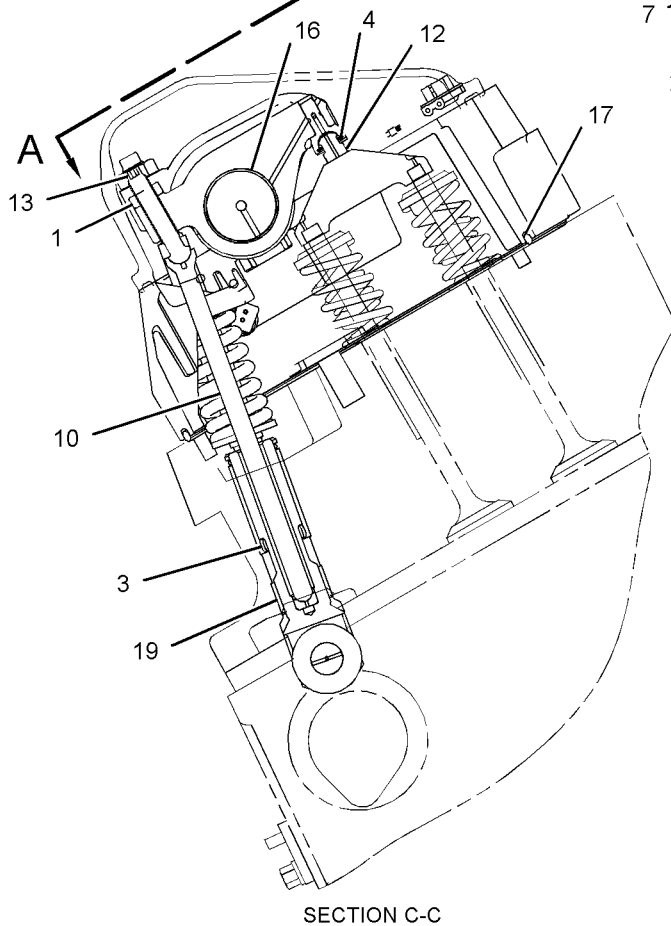
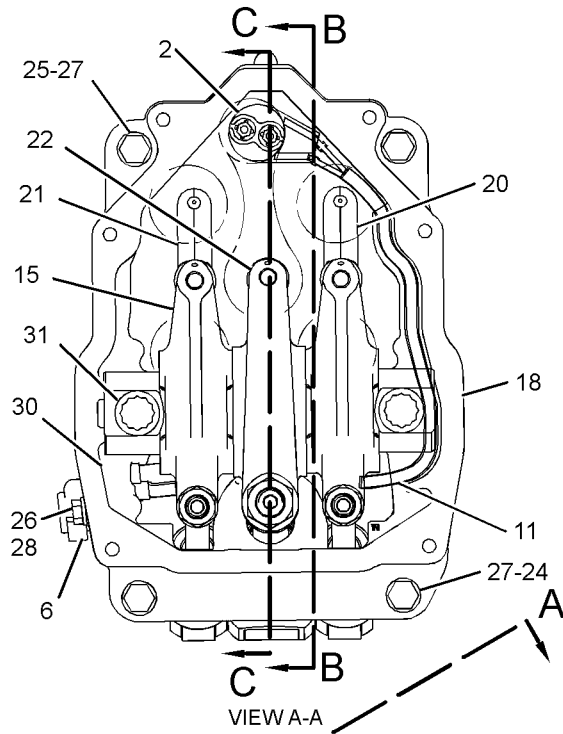
NOTE	REF NO	GRAPHIC REF	PART NUMBER	QTY	PART NAME						SEE PAGE
					1	2	3	4	5	6 (PRODUCT LEVEL)	
	1	1	3J-9196	2	NUT-JAM (1/2-20-THD)						
	2	1	7E-6508	1	CAP AS						
	3	1	7N-4782	2	SPRING-LIFTER GUIDE						
	4	1	9F-7707	3	RING-RETAINING						
	5	1	9S-1354	1	NUT (5/8-18-THD)						
	6	1	9X-0352	1	RECEPTACLE AS						
	7	1	100-3877	1	RETAINER-SPRING						
	8	1	100-3878	1	SPRING-INJECTOR						
	9	1	100-3879	1	PUSHROD-INJECTOR						
	10	1	100-3880	2	PUSHROD-VALVE						
	11	1	132-6469	1	HARNESS AS-WIRING (VALVE MECHANISM)						
		1	155-2270	1	KIT-CONNECTING PLUG (2-PIN) (INCLUDES PLUG AS AND WEDGE)						
	12	1	154-6389	3	BUTTON						
	13	1	200-2003	2	SCREW-ADJUSTMENT						
	14	1	230-2619	1	SCREW-ADJUSTMENT						
R	15	1	230-2621	2	ROCKER ARM AS (EACH INCLUDES)						
		1	8N-7197	1	SOCKET-ARM						
		1	230-2620	1	BEARING-SLEEVE						
	16	1	230-2633	1	SHAFT AS						
		1	155-4094	1	PIN-SPRING						
	17	1	240-7032	1	SEAL						
Y	18	1	247-8341	1	BASE GP-VALVE COVER						6
	19	1	263-6674	2	LIFTER AS-VALVE						
	20	1	265-7537	1	BRIDGE (INLET)						
	21	1	265-7538	1	BRIDGE (EXHAUST)						
R	22	1	281-6159	1	ROCKER ARM AS						
		1	8N-7197	1	SOCKET-ARM						
		1	230-2620	1	BEARING-SLEEVE						
	23	1	282-7944	1	LIFTER AS-INJECTOR						
	24	1	0L-2070	2	BOLT (3/8-16X2.25-IN)						
	25	1	0S-1590	2	BOLT (3/8-16X2-IN)						
	26	1	0S-1615	1	BOLT (1/4-20X0.75-IN)						
	27	1	5M-2894	4	WASHER-HARD (10.2X18.5X2.5-MM THK)						
	28	1	5P-0537	1	WASHER-HARD (7.2X14.5X2-MM THK)						
	29	1	5P-7530	1	SEAL-O-RING						
	30	1	6J-2245	1	SEAL-O-RING						
	31	1	8D-7942	2	BOLT-12 POINT HEAD (5/8-11X6.5-IN)						

R-REMG PART MAY BE AVAILABLE
Y-SEPARATE ILLUSTRATION

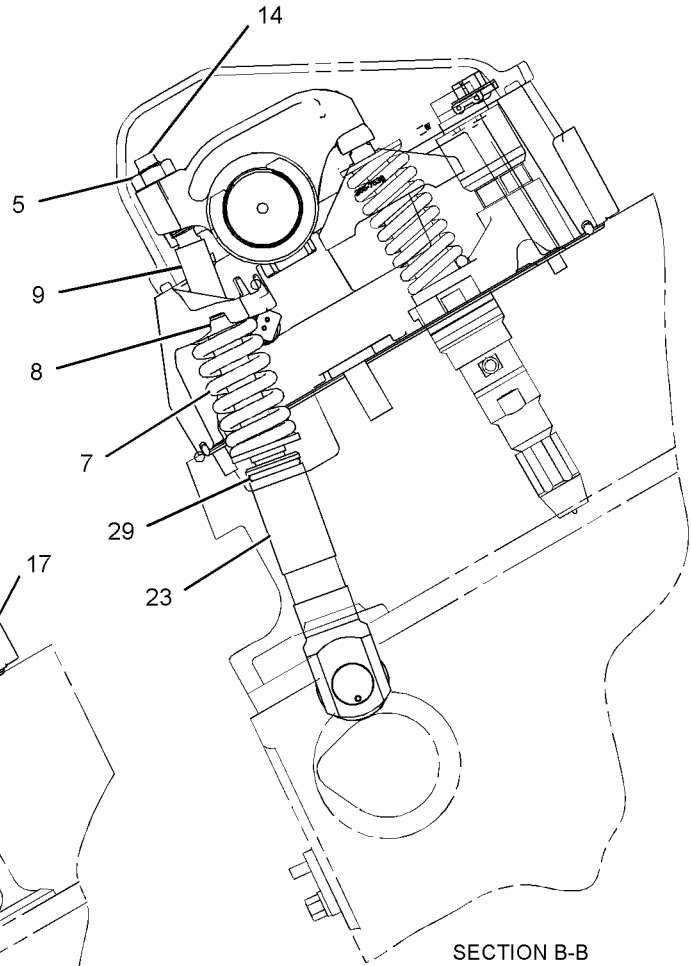
BASIC ENGINE

281-6160 VALVE MECHANISM GP (contd.)

i02426365



SECTION C-C



SECTION B-B

GRAPHIC #1

<END>

g01214471

LUBRICATION SYSTEM

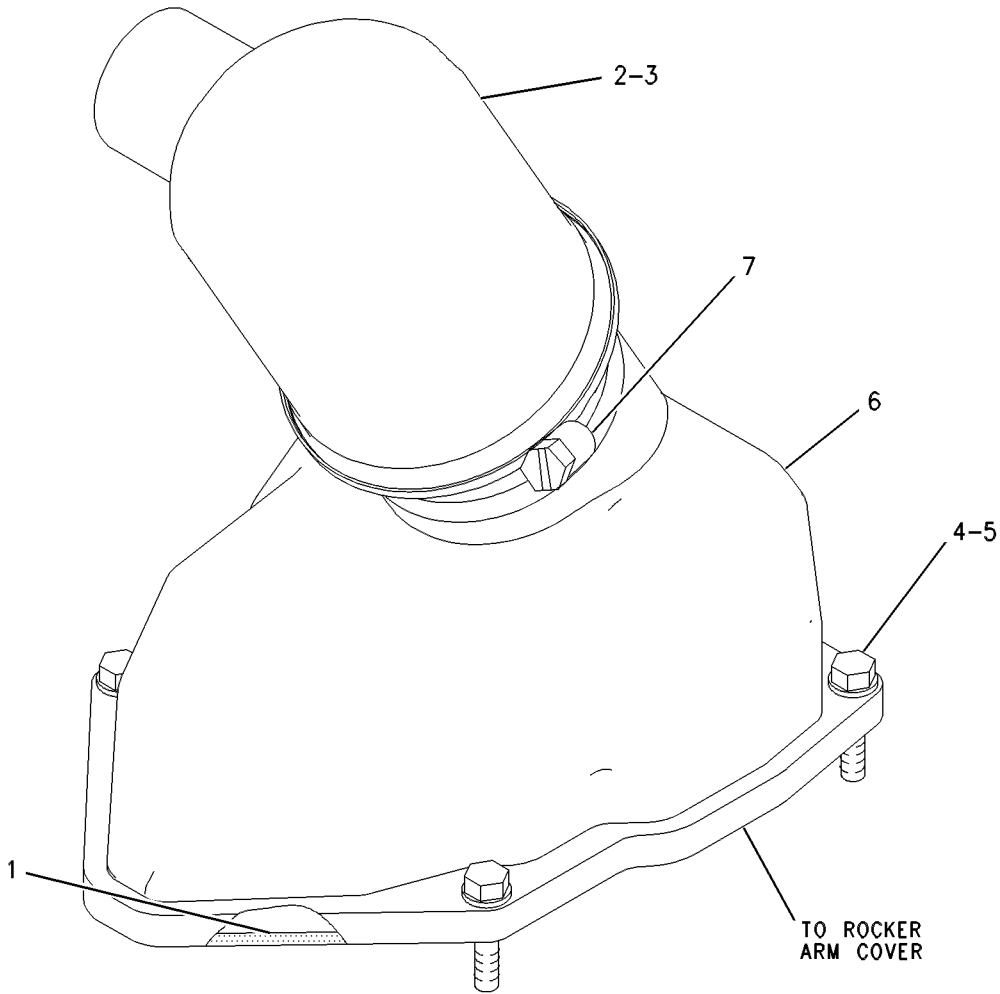
155-2585 BREATHER GP-CRANKCASE

CHROME PLATED
FOR USE WITH EUI ENGINE
AN ATTACHMENT

SMCS-1317

i03533541

NOTE	REF NO	GRAPHIC REF	PART NUMBER	QTY	PART NAME						SEE PAGE
					1	2	3	4	5	6 (PRODUCT LEVEL)	
	1	1	272-0760	1	SEAL-VALVE COVER (BREATHER)						
	2	1	126-0577	1	BREATHER AS (CHROME) (CRANKCASE)						
	3	1	033-6031	1	SEAL-O-RING						
	4	1	133-6270	4	BOLT (5/16-18X1.5-IN)						
	5	1	133-6265	4	WASHER (8.8X16X2-MM THK)						
	6	1	155-2572	1	COVER AS						
	7	1	4W-3034	1	CLAMP-HOSE						



GRAPHIC #1

<END>

g00536789

LUBRICATION SYSTEM

284-4153 BREATHER GP FOR USE WITH CLOSED CRANKCASE VENTILLATION

SMCS-1317

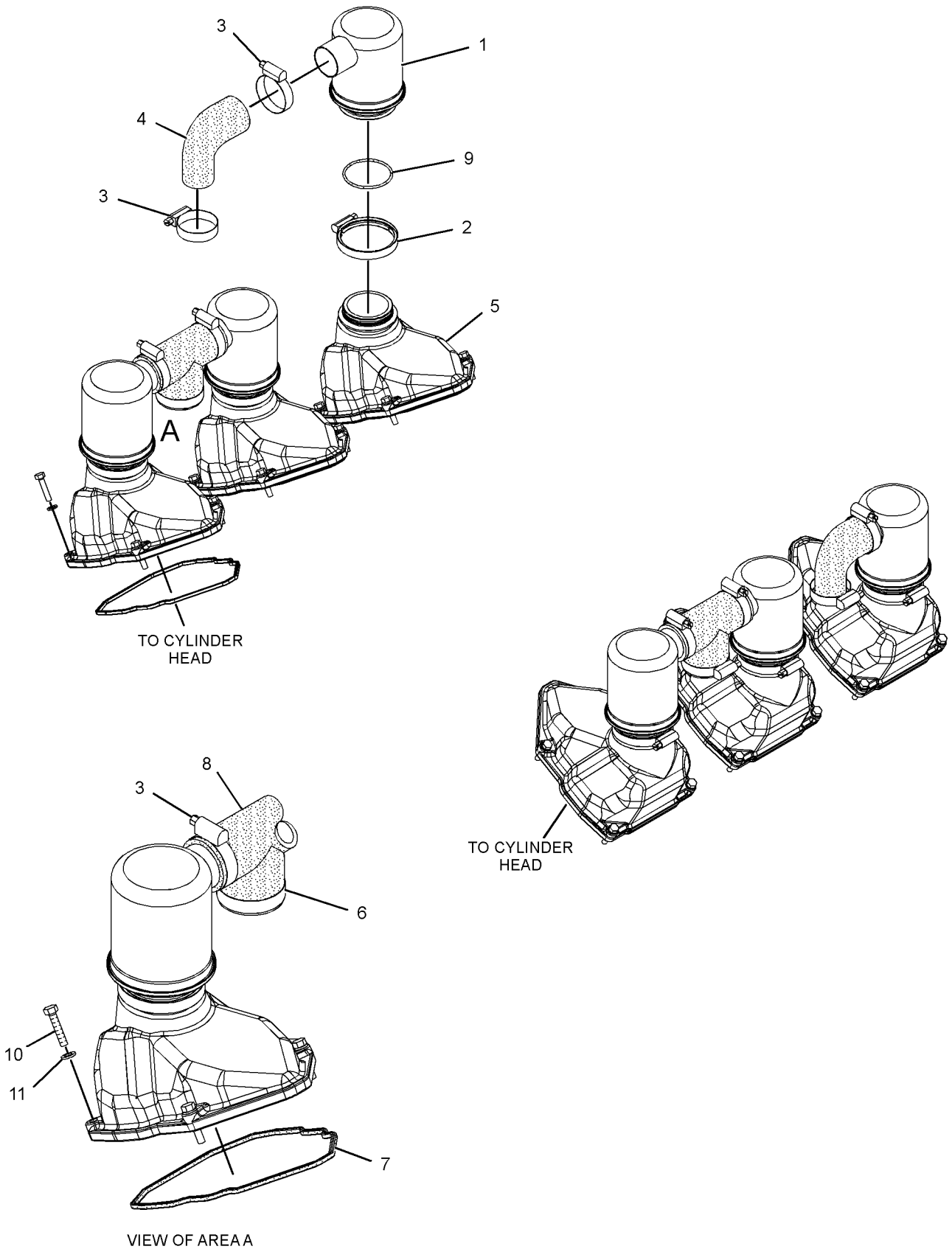
i03886382

NOTE	REF NO	GRAPHIC REF	PART NUMBER	QTY	PART NAME	SEE PAGE
					1 2 3 4 5 6 (PRODUCT LEVEL)	
	1	1	4W-3027	6	BREATHER AS (CRANKCASE)	
	2	1	4W-3034	6	CLAMP-HOSE	
	3	1	5P-0597	8	CLAMP-HOSE	
	4	1	7E-8736	2	HOSE	
	5	1	101-4199	6	COVER AS	
	6	1	180-3007	2	CLAMP-HOSE	
	7	1	272-0760	6	SEAL-VALVE COVER (BREATHER)	
	8	1	217-6692	2	HOSE-TEE	
	9	1	033-6031	6	SEAL-O-RING	
	10	1	1A-9579	24	BOLT (5/16-18X1.5-IN)	
	11	1	9M-1974	24	WASHER-HARD (8.8X16X2-MM THK)	

LUBRICATION SYSTEM

284-4153 BREATHER GP (contd.)

i03886382



GRAPHIC #1

<END>

g01321060

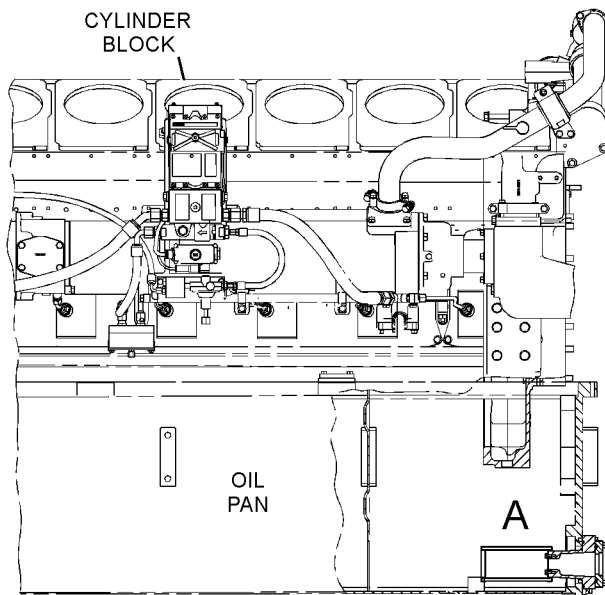
LUBRICATION SYSTEM

308-0866 CONNECTION GP-OIL AN ATTACHMENT

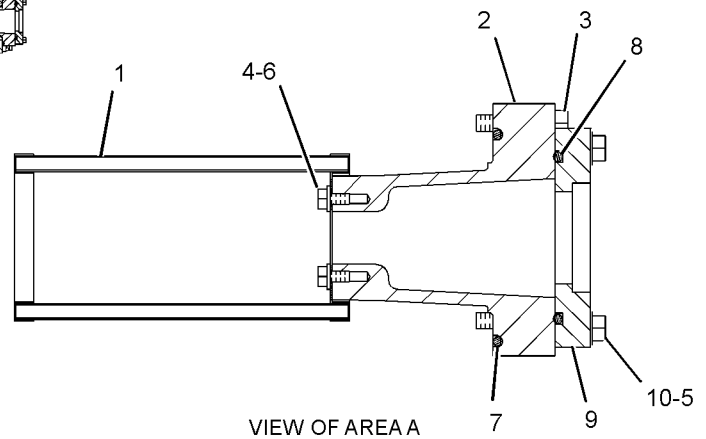
SMCS-1307

i03546444

NOTE	REF NO	GRAPHIC REF	PART NUMBER	QTY	PART NAME						SEE PAGE
					1	2	3	4	5	6 (PRODUCT LEVEL)	
	1	1	7C-4716	1	SCREEN AS-SUCTION (ENGINE OIL PAN)						
	2	1	149-9297	1	ADAPTER						
	3	1	0S-1571	4	BOLT (3/8-16X1.75-IN)						
	4	1	0S-1614	2	BOLT (1/4-20X0.5-IN)						
	5	1	5M-2894	4	WASHER-HARD (10.2X18.5X2.5-MM THK)						
	6	1	5P-0537	2	WASHER-HARD (7.2X14.5X2-MM THK)						
	7	1	5P-8872	1	SEAL-O-RING						
	8	1	6V-0973	1	SEAL-O-RING						
	9	1	7N-5798	1	FLANGE						
	10	1	0S-1591	4	BOLT (3/8-16X1.5-IN)						



RIGHT SIDE VIEW OF ENGINE



GRAPHIC #1

<END>

g01518547

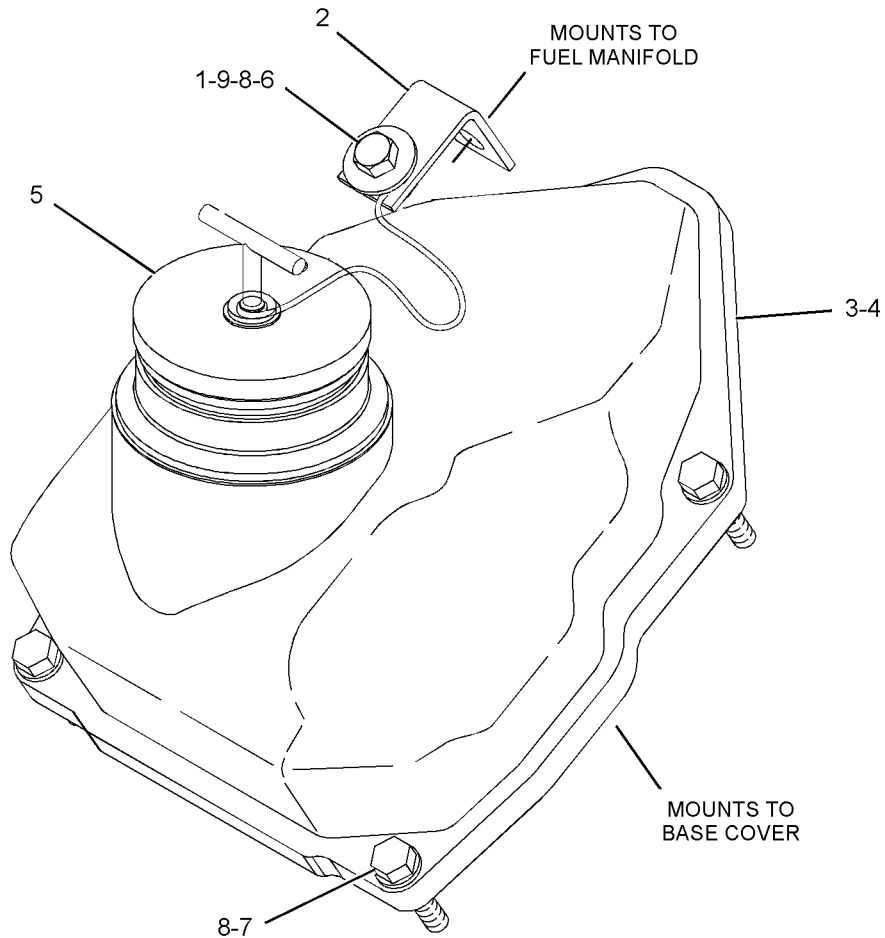
LUBRICATION SYSTEM

112-6033 FILLER GP-ENGINE OIL

SMCS-1316

i03513212

NOTE	REF NO	GRAPHIC REF	PART NUMBER	QTY	PART NAME						SEE PAGE
					1	2	3	4	5	6 (PRODUCT LEVEL)	
	1	1	2B-2695	1	BOLT (5/16-18X0.875-IN)						
	2	1	4P-9226	1	BRACKET						
	3	1	101-4199	1	COVER AS						
	4	1	272-0760	1	SEAL-VALVE COVER (OIL FILLER)						
	5	1	262-6104	1	CAP AS-ENGINE OIL FILLER						
	6	1	031-4155	1	LOCKNUT (5/16-18-THD)						
	7	1	1A-9579	4	BOLT (5/16-18X1.5-IN)						
	8	1	9M-1974	5	WASHER-HARD (8.8X16X2-MM THK)						
	9	1	9N-0869	1	WASHER-HARD (8.8X25.5X2-MM THK)						



GRAPHIC #1

<END>

g01167696

LUBRICATION SYSTEM

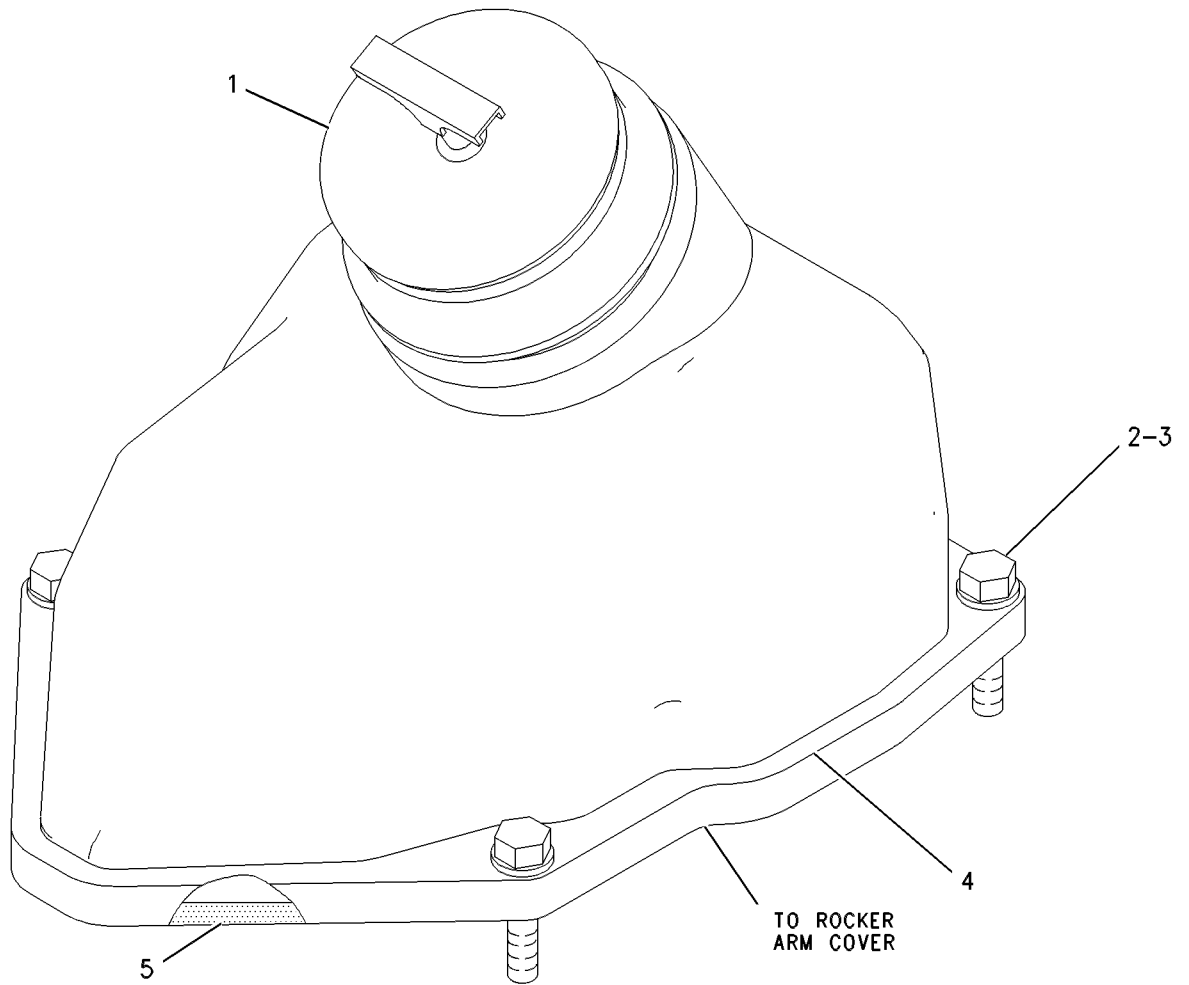
155-2594 FILLER GP-ENGINE OIL

CHROME PLATED
AN ATTACHMENT

SMCS-1316

i03513213

NOTE	REF NO	GRAPHIC REF	PART NUMBER	QTY	PART NAME						SEE PAGE
					1	2	3	4	5	6 (PRODUCT LEVEL)	
	1	1	128-5988	1	CAP AS-ENGINE OIL FILLER						
	2	1	133-6265	4	WASHER (8.8X16X2-MM THK)						
	3	1	133-6270	4	BOLT (5/16-18X1.5-IN)						
	4	1	155-2572	1	COVER AS						
	5	1	272-0760	1	SEAL-VALVE COVER (OIL FILLER)						



GRAPHIC #1

<END>

g00596067

LUBRICATION SYSTEM

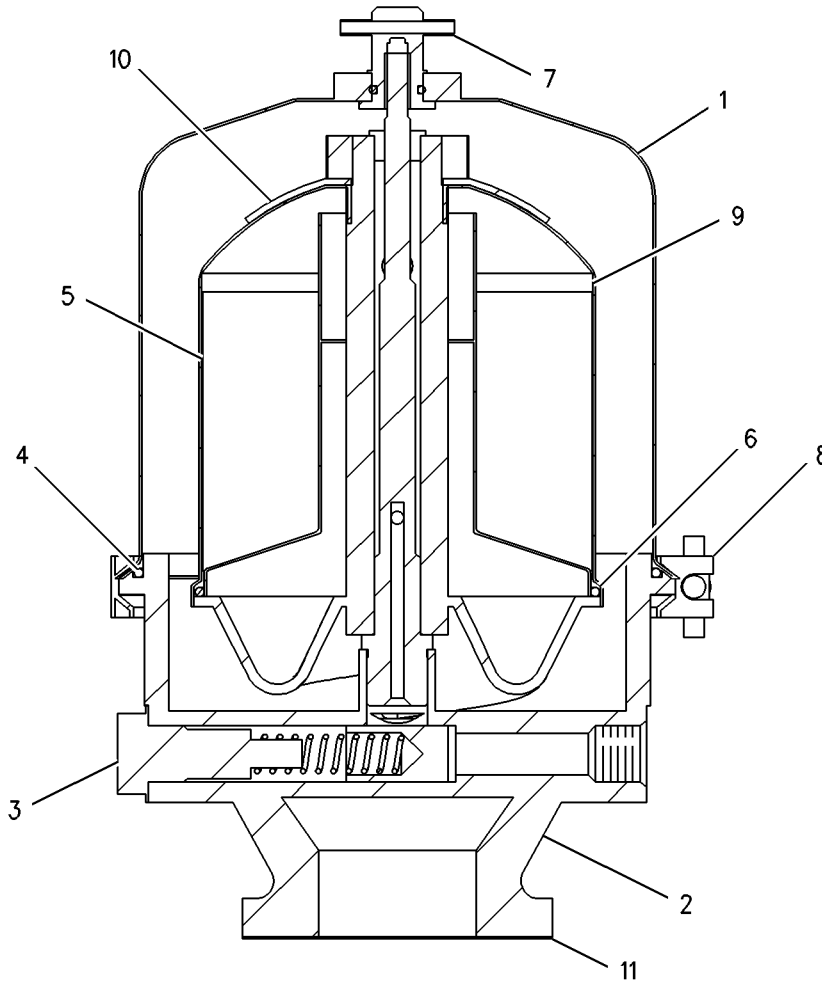
1W-4191 FILTER GP-CENTRIFUGAL

PART OF 243-1286 FILTER GP-CENTRIFUGAL
AN ATTACHMENT

SMCS-1328

i03096360

NOTE	REF NO	GRAPHIC REF	PART NUMBER	QTY	PART NAME						SEE PAGE
					1	2	3	4	5	6 (PRODUCT LEVEL)	
	1	1	7C-4415	1	COVER AS-FILTER						
	2	1	7C-4416	1	BODY-FILTER						
	3	1	7C-4417	1	KIT-VALVE CUTOFF (OIL FILTER) (INCLUDES SHUTTLE, PLUG, SPRING & WASHER)						
	4	1	7C-4419	1	SEAL-O-RING						
	5	1	7C-4420	1	ROTOR AS						
	6	1	7C-4421	1	SEAL-O-RING						
	7	1	7C-4422	1	KIT-COVER-FILTER (OIL FILTER) (INCLUDES COVER, PIN, SEAL & CLIP)						
	8	1	7C-4423	1	CLAMP						
	9	1	7C-8390	1	LINER-ROTOR						
	10	1	168-6357	1	PLATE-STIFFENER						
	11	1	7C-5485	1	GASKET-FLANGE (CENTRIFUGAL FILTER)						



GRAPHIC #1

<END>

g00627726

LUBRICATION SYSTEM

243-1286 FILTER GP-CENTRIFUGAL

AN ATTACHMENT

SMCS-1328

i03862942

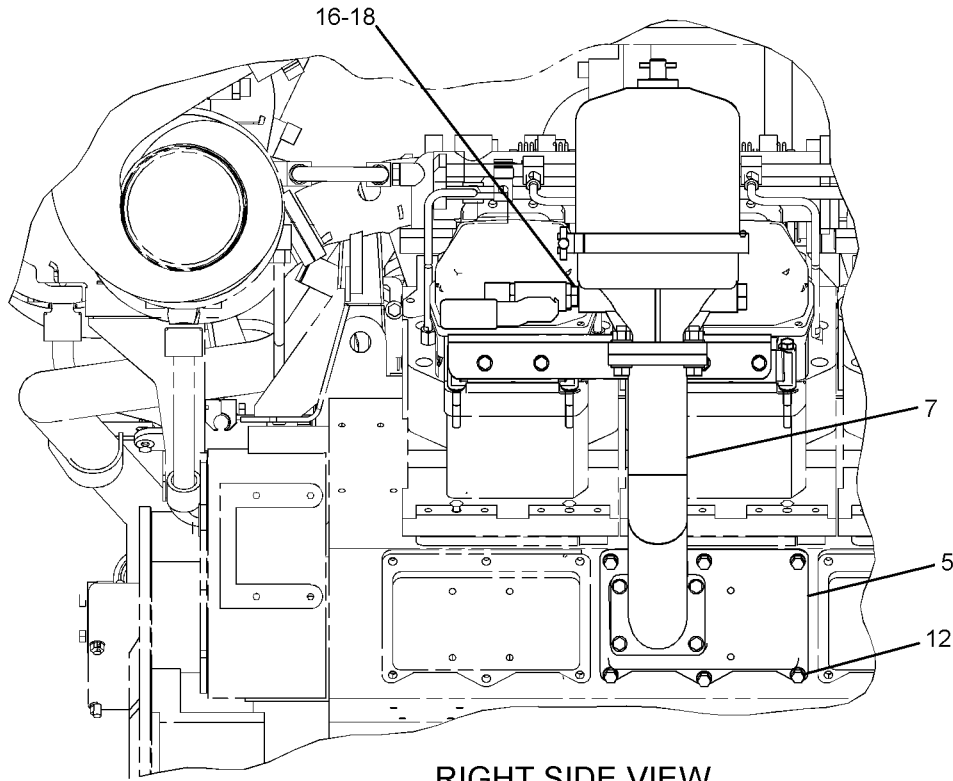
NOTE	REF NO	GRAPHIC REF	PART NUMBER	QTY	PART NAME						SEE PAGE
					1	2	3	4	5	6 (PRODUCT LEVEL)	
Y	1	1	1W-4191	1	FILTER GP-CENTRIFUGAL						112
	2	1	1W-8129	2	SUPPORT						
	3	1	2W-0752	1	GASKET						
	4	1	4R-8658	1	VALVE AS-MANUAL						
	5	1	8N-9993	1	COVER-CAMSHAFT						
	6	1	272-0758	1	SEAL						
	7	1	243-1288	1	ELBOW AS						
	8	1	243-1289	1	SUPPORT						
	9	1	032-1269	1	ELBOW						
	10	1	0S-1588	4	BOLT (3/8-16X1.25-IN)						
	11	1	0S-1591	4	BOLT (3/8-16X1.5-IN)						
	12	1	1A-2029	6	BOLT (3/8-16X1.125-IN)						
	13	1	1A-1460	2	BOLT (1/2-13X2-IN)						
	14	1	1A-5964	4	BOLT (3/8-16X4.5-IN)						
	15	1	1F-7958	4	NUT-FULL (1/2-13-THD)						
	16	1	2M-9780	1	SEAL-O-RING						
	17	1	5M-2894	18	WASHER-HARD (10.2X18.5X2.5-MM THK)						
	18	1	5P-5877	1	CONNECTOR						
	19	1	5P-8245	8	WASHER-HARD (13.5X25.5X3-MM THK)						
	20	1	9S-1366	2	BOLT (1/2-13X2.5-IN)						
	21	1	9S-8752	4	NUT-FULL (3/8-16-THD)						

Y-SEPARATE ILLUSTRATION

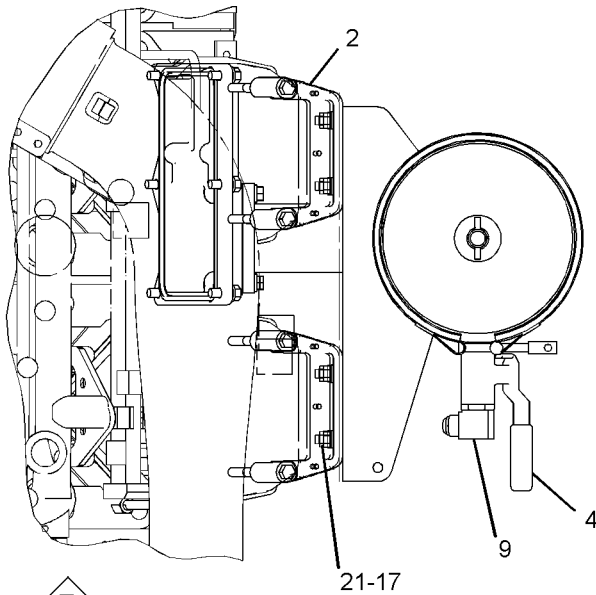
LUBRICATION SYSTEM

243-1286 FILTER GP-CENTRIFUGAL (contd.)

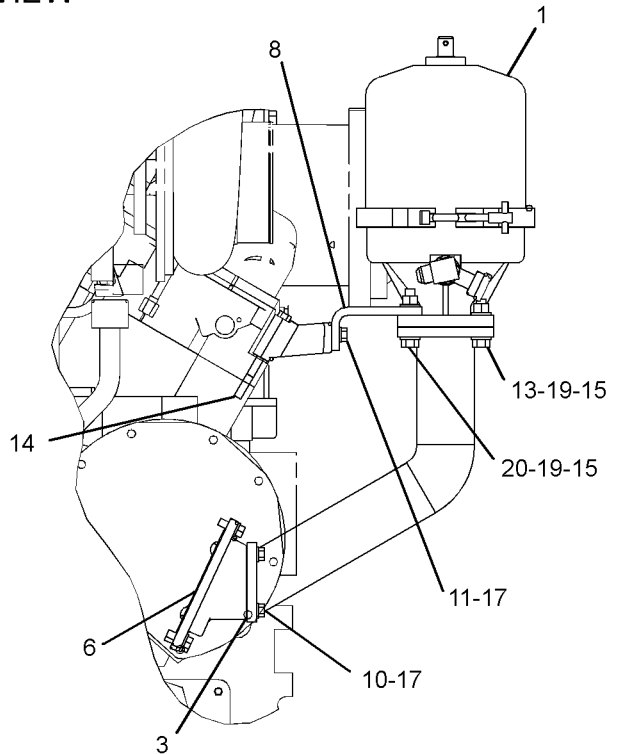
i03862942



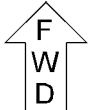
RIGHT SIDE VIEW



TOP VIEW



REAR VIEW



GRAPHIC #1

<END>

g01343037

LUBRICATION SYSTEM

112-4921 FILTER GP-ENGINE OIL-RH

SMCS-1306, 1308

i03886385

NOTE	REF NO	GRAPHIC REF	PART NUMBER	QTY	PART NAME						SEE PAGE
					1	2	3	4	5	6 (PRODUCT LEVEL)	
	1	1	8N-9482	1	SUPPORT-OIL FILTER						
	2	1	5P-4624	2	BOLT (3/4-10X11.5-IN)						
	3	1	4S-5882	2	BOLT (1/2-13X7.25-IN)						
	4	1	278-1082	1	HOUSING AS-FILTER (ENGINE OIL)						
		1	4V-7412	1	BOSS (3/8-16-THD)						
	5	1	0S-1588	8	BOLT (3/8-16X1.25-IN)						
	6	1	2S-5100	1	VALVE-MANUAL (ENGINE OIL DRAIN)						
C	7	1	4W-5592	1	COVER						
	8	1	4W-8459	1	COVER						
C	9	1	4W-6387	1	HOUSING AS (BYPASS)						
		1	7N-2043	3	DOWEL						
	10	1	133-9313	1	PLATE						
	11	1	0L-1351	3	BOLT (3/8-16X0.875-IN)						
	12	1	5M-2894	15	WASHER-HARD (10.2X18.5X2.5-MM THK)						
C	13	1	2W-1969	1	VALVE-BYPASS (ENGINE OIL)						
C	14	1	155-1690	1	ADAPTER AS						
		1	154-1581	1	RING-RETAINING						
	15	1	2W-1635	1	SPRING						
	16	1	1R-0726	3	FILTER ELEMENT AS-ENGINE OIL (STANDARD EFFICIENCY)						
C	17	1	5P-4892	4	SEAL-O-RING						
	18	1	0S-1571	2	BOLT (3/8-16X1.75-IN)						
	19	1	9S-8752	2	NUT-FULL (3/8-16-THD)						
	20	1	6V-3907	4	SEAL-O-RING						
	21	1	157-0443	1	COVER AS						
		1	7N-2043	1	DOWEL						
	22	1	7F-0192	3	BOLT (3/8-16X2-IN)						
	24	1	5D-5957	1	SEAL-O-RING						
	25	1	8T-6762	1	PLUG-PIPE						
	26	1	4W-6960	1	SUPPORT-HOUSING						
C	27	1	6V-5048	6	SEAL-O-RING						
C	28	1	9S-4182	6	PLUG-O-RING						
C	29	1	1M-0644	3	BOLT (3/8-16X2.25-IN)						
C	30	1	0S-1619	2	BOLT (3/8-16X3-IN)						
C	31	1	6V-8001	1	SEAL-O-RING						
C	32	1	111-8639	1	COVER-BYPASS VALVE						
	33	1	0T-0573	3	BOLT (3/8-16X2.75-IN)						
B	34	1	0T-0573	1	BOLT (3/8-16X2.75-IN)						
B	35	1	1D-4574	2	BOLT (1/2-13X6-IN)						
B	36	1	5M-2894	2	WASHER-HARD (10.2X18.5X2.5-MM THK)						
B	37	1	5P-5421	4	BOLT (1/2-13X11.5-IN)						
B	38	1	9S-8752	1	NUT-FULL (3/8-16-THD)						
	39	1	165-3931	3	BOLT (3/8-16X1.75-IN)						

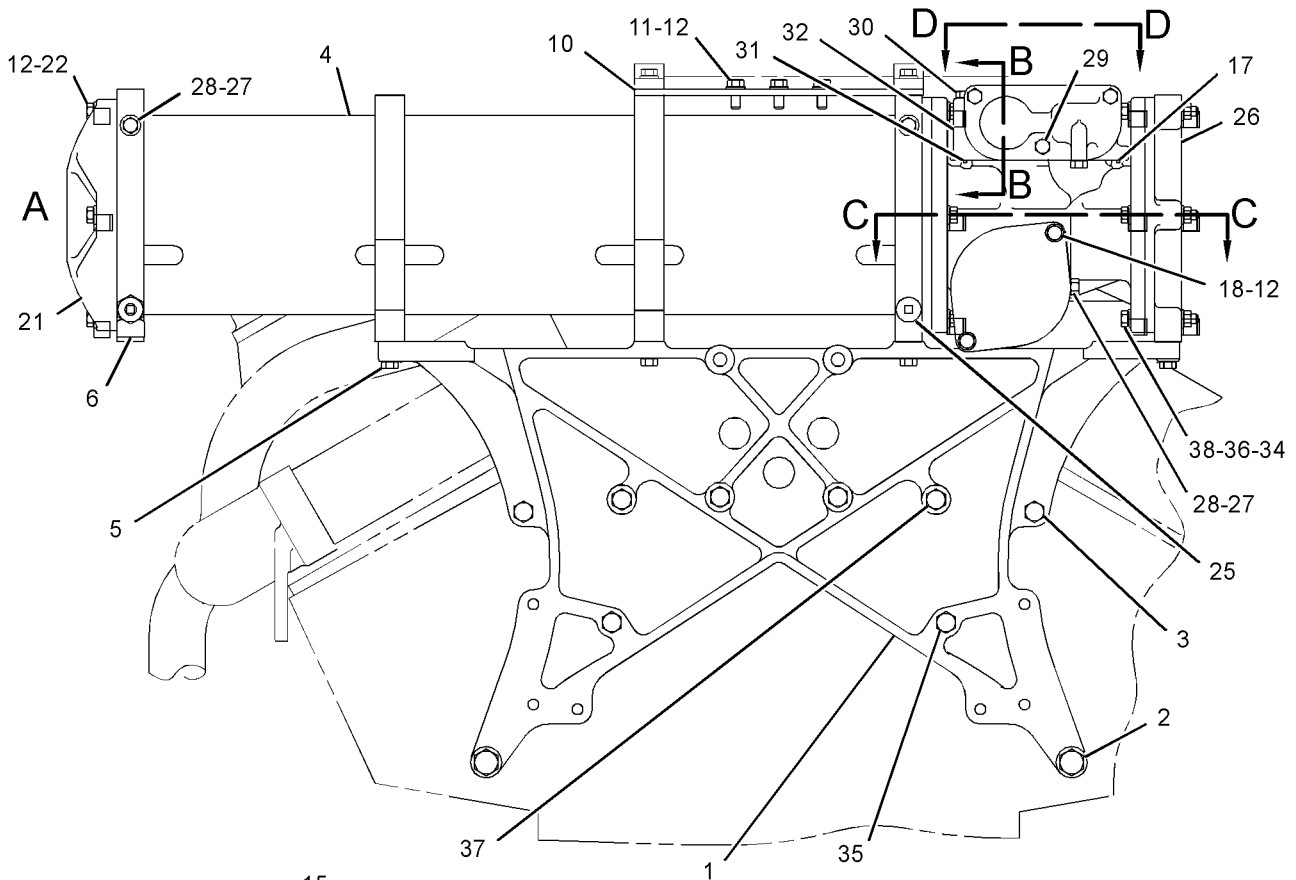
B-USE AS REQUIRED

C-CHANGE FROM PREVIOUS TYPE

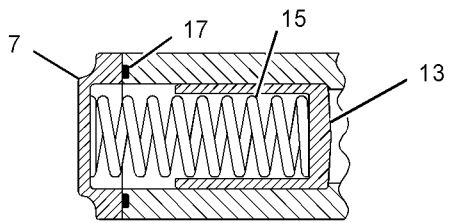
LUBRICATION SYSTEM

112-4921 FILTER GP-ENGINE OIL (contd.)

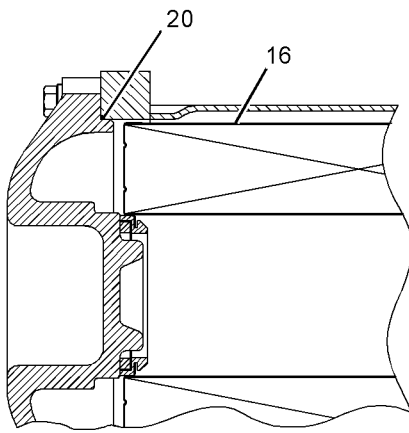
i03886385



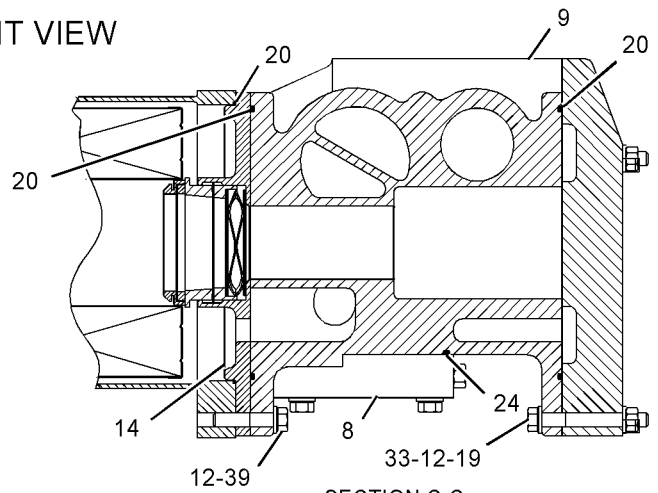
FRONT VIEW



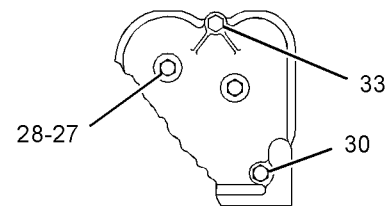
SECTION B-B



SECTION VIEW OF AREA A



SECTION C-C



VIEW D-D

GRAPHIC #1

<END>

g01277752

LUBRICATION SYSTEM

120-4501 FILTER GP-ENGINE OIL-DUPLEX

**CANNOT BE USED WITH ENGINE MOUNTED FANS OR WHERE FAN IS MOUNTED IN CLOSE
PROXIMITY TO THE ENGINE
AN ATTACHMENT**

SMCS-1306, 1308

i03877209

NOTE	REF NO	GRAPHIC REF	PART NUMBER	QTY	PART NAME						SEE PAGE
					1	2	3	4	5	6 (PRODUCT LEVEL)	
	1	3	1R-0726	4	FILTER ELEMENT AS-ENGINE OIL (STANDARD EFFICIENCY)						
	2	1,2	2S-5100	2	VALVE-MANUAL						
	3	2	2W-1635	1	SPRING						
	4	2	2W-1969	1	VALVE-BYPASS						
	5	3	2W-9209	1	VALVE AS-CHECK						
	6	1	3D-9777	1	LEVER						
	7	3	3J-9173	1	BOLT-SPECIAL						
	8	1	3L-5389	1	TIE ROD						
	9	2	4W-0090	1	BLOCK						
	10	2	4W-0096	1	LEVER						
	11	1	4W-0288	1	TUBE AS						
	12	1	4W-0289	1	TUBE AS						
	13	2	4W-0290	1	VALVE AS-TOGGLE						
	14	2	4W-0334	1	PLUNGER AS-BALL						
	15	2	4W-0343	1	BRACKET						
	16	2	4W-5592	1	COVER						
	17	2	5B-9079	2	NUT-JAM (3/8-24-THD)						
	18	1,2	7F-0192	6	BOLT (3/8-16X2-IN)						
Y	19	3	7W-3816	1	VALVE GP-FLUID CONTROL (DUPLEX OIL)						159
	20	1	8N-9482	1	SUPPORT-OIL FILTER						
	21	3	9K-6540	1	WASHER-SPRING (0.63X1.25X0.04-IN THK)						
	22	1	111-8639	1	COVER-BYPASS VALVE						
	23	1	133-9313	1	PLATE						
C	24	3	155-1690	2	ADAPTER AS (EACH INCLUDES)						
		3	154-1581	1	RING-RETAINING						
C	25	3	157-0443	2	COVER AS (EACH INCLUDES)						
		3	7N-2043	1	DOWEL						
	26	1	278-1082	1	HOUSING AS-FILTER (ENGINE OIL)						
		1	4V-7412	1	BOSS (3/8-16-THD)						
C	27	1	278-1083	1	HOUSING AS-FILTER (AUXILIARY)						
	29	3	165-3931	3	BOLT (3/8-16X1.75-IN)						
	30	2	0L-1143	1	BOLT (3/8-16X2.5-IN)						
	31	1	0L-1351	3	BOLT (3/8-16X0.875-IN)						
	32	1,2	0S-1571	3	BOLT (3/8-16X1.75-IN)						
	33	1	0S-1588	8	BOLT (3/8-16X1.25-IN)						
	34	1	0S-1594	1	BOLT (3/8-16X1-IN)						
C	35	1,2	0S-1619	2	BOLT (3/8-16X3-IN)						
C	36	3	0T-0573	2	BOLT (3/8-16X2.75-IN)						
	37	2	1A-9252	2	END-ADJUSTMENT ROD						
	38	1	1B-8706	1	KEY-WOODRUFF						
	39	1	1D-4574	2	BOLT (1/2-13X6-IN)						
	40	1	1M-0644	3	BOLT (3/8-16X2.25-IN)						
	41	2	3B-4615	2	PIN-COTTER						
	42	1	4S-5882	2	BOLT (1/2-13X7.25-IN)						
	43	1,2,3	5M-2894	21	WASHER-HARD (10.2X18.5X2.5-MM THK)						
	44	1	5P-4624	2	BOLT (3/4-10X11.5-IN)						
	45	1,2	5P-4892	4	SEAL-O-RING						
	46	1	5P-5421	4	BOLT (1/2-13X11.5-IN)						
	47	3	5P-8245	1	WASHER-HARD (13.5X25.5X3-MM THK)						
	48	2	6K-9194	1	ELBOW-FLARED						
	49	3	6V-3907	6	SEAL-O-RING						
	50	1,2	6V-5048	5	SEAL-O-RING						

LUBRICATION SYSTEM

120-4501 FILTER GP-ENGINE OIL (contd.)

i03877209

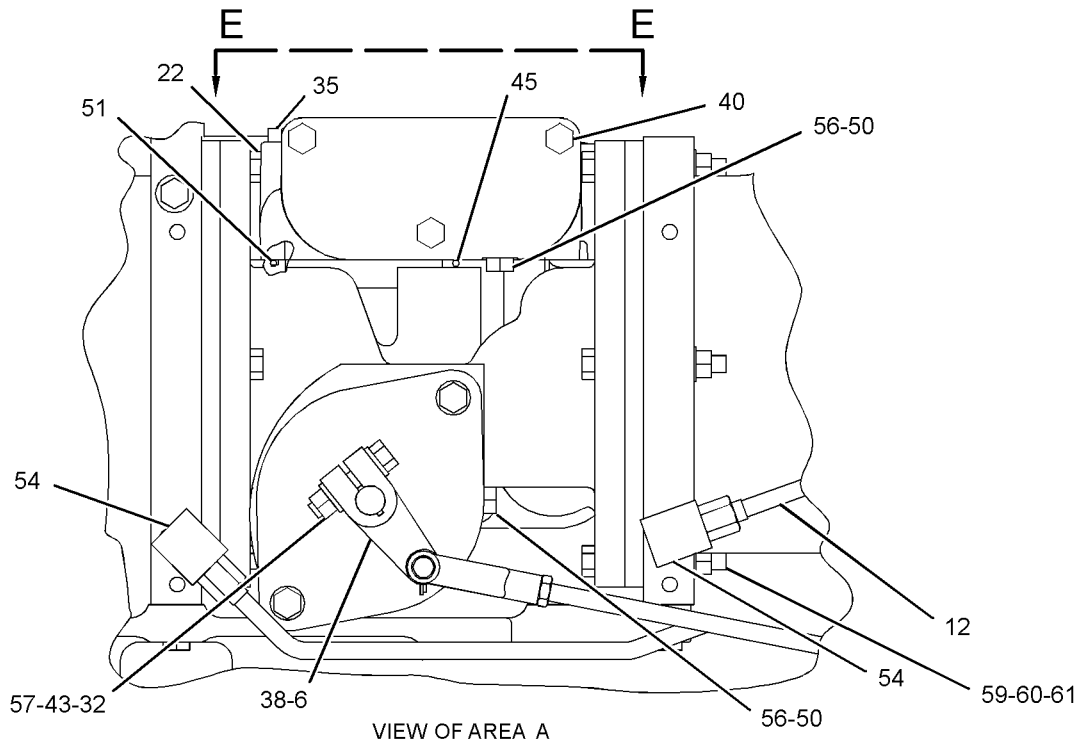
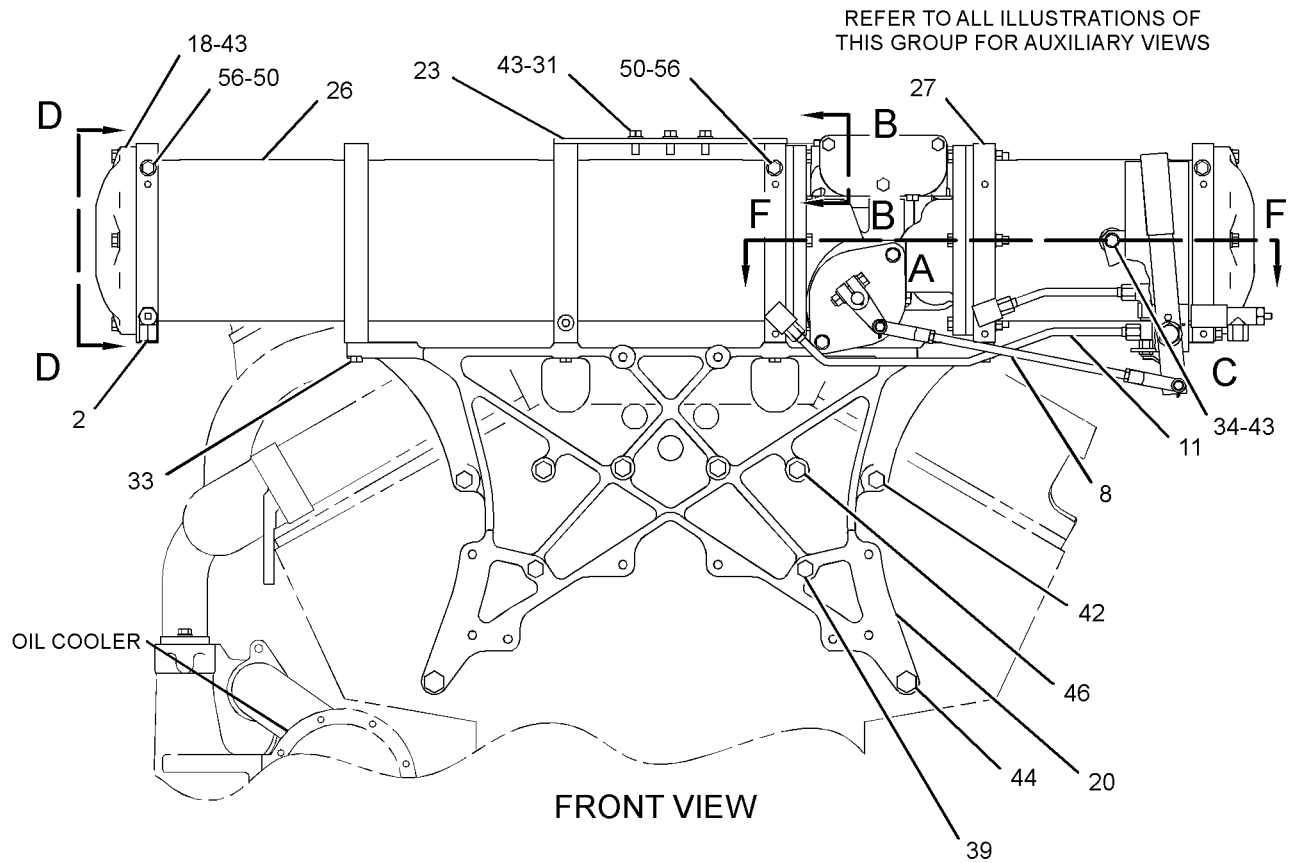
NOTE	REF NO	GRAPHIC REF	PART NUMBER	QTY	PART NAME						SEE PAGE
					1	2	3	4	5	6 (PRODUCT LEVEL)	
	51	1	6V-8001	1	SEAL-O-RING						
	52	3	6V-8002	1	SEAL-O-RING						
	53	3	6V-8823	1	WASHER-HARD (19.25X27X2-MM THK)						
	54	1	7D-8793	2	ELBOW-FLARED						
	55	2	9H-6673	2	PIN						
	56	1,2	9S-4182	5	PLUG-O-RING						
	57	1,3	9S-8752	3	NUT-FULL (3/8-16-THD)						
BC	59	1	0T-0573	1	BOLT (3/8-16X2.75-IN)						
B	60	1	5M-2894	2	WASHER-HARD (10.2X18.5X2.5-MM THK)						
B	61	1	9S-8752	1	NUT-FULL (3/8-16-THD)						

B-USE AS REQUIRED
 C-CHANGE FROM PREVIOUS TYPE
 Y-SEPARATE ILLUSTRATION

LUBRICATION SYSTEM

120-4501 FILTER GP-ENGINE OIL (contd.)

i03877209



GRAPHIC #1

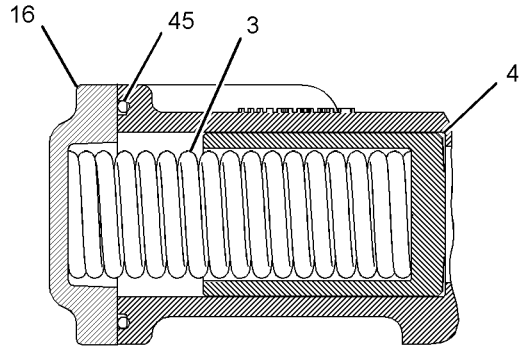
g01276325

LUBRICATION SYSTEM

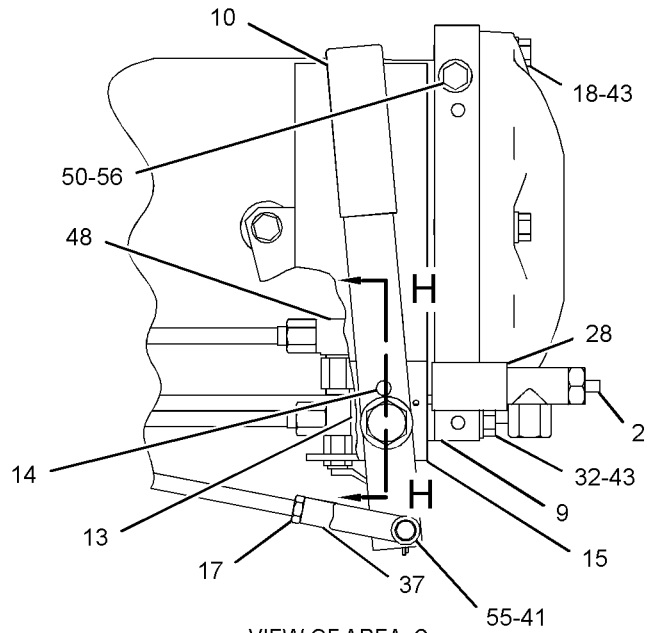
120-4501 FILTER GP-ENGINE OIL (contd.)

i03877209

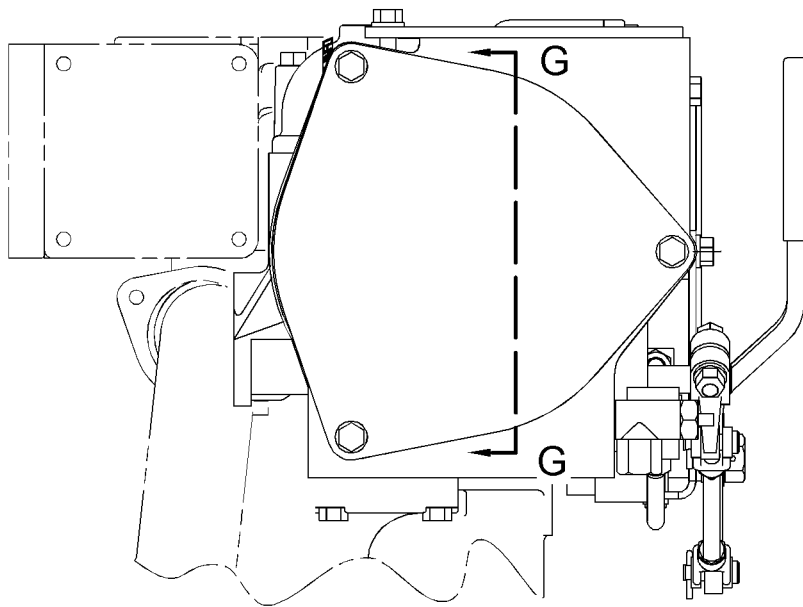
REFER TO ALL ILLUSTRATIONS OF THIS GROUP FOR AUXILIARY VIEWS



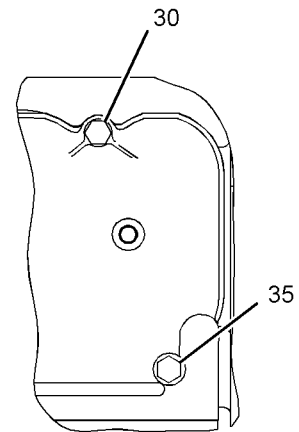
SECTION B-B



VIEW OF AREA C



VIEW D-D



VIEW E-E

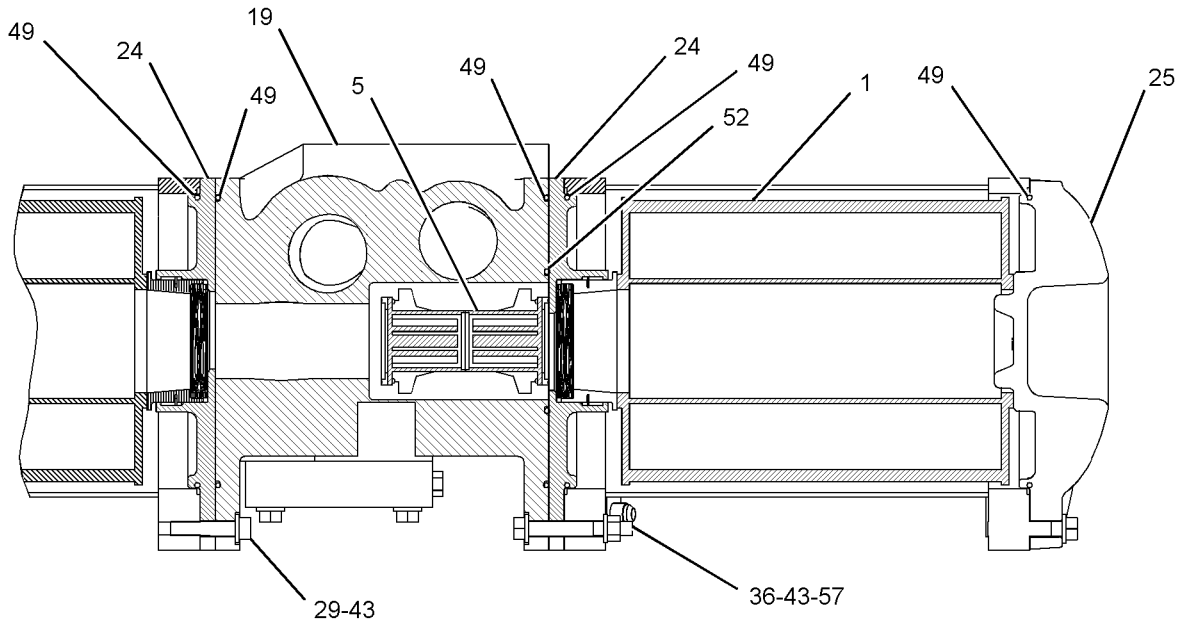
GRAPHIC #2

g01276326

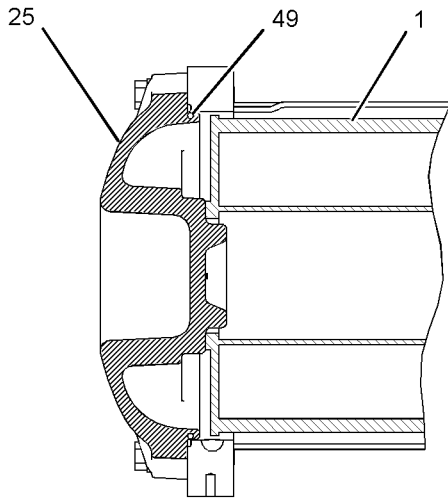
LUBRICATION SYSTEM

120-4501 FILTER GP-ENGINE OIL (contd.)

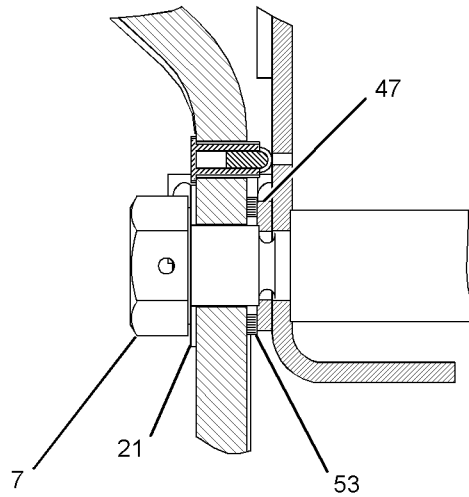
i03877209



SECTION F-F



SECTION G-G



SECTION H-H

GRAPHIC #3

<END>

g01276327

LUBRICATION SYSTEM

271-2368 FILTER GP-ENGINE OIL-LH AN ATTACHMENT

SMCS-1306, 1308

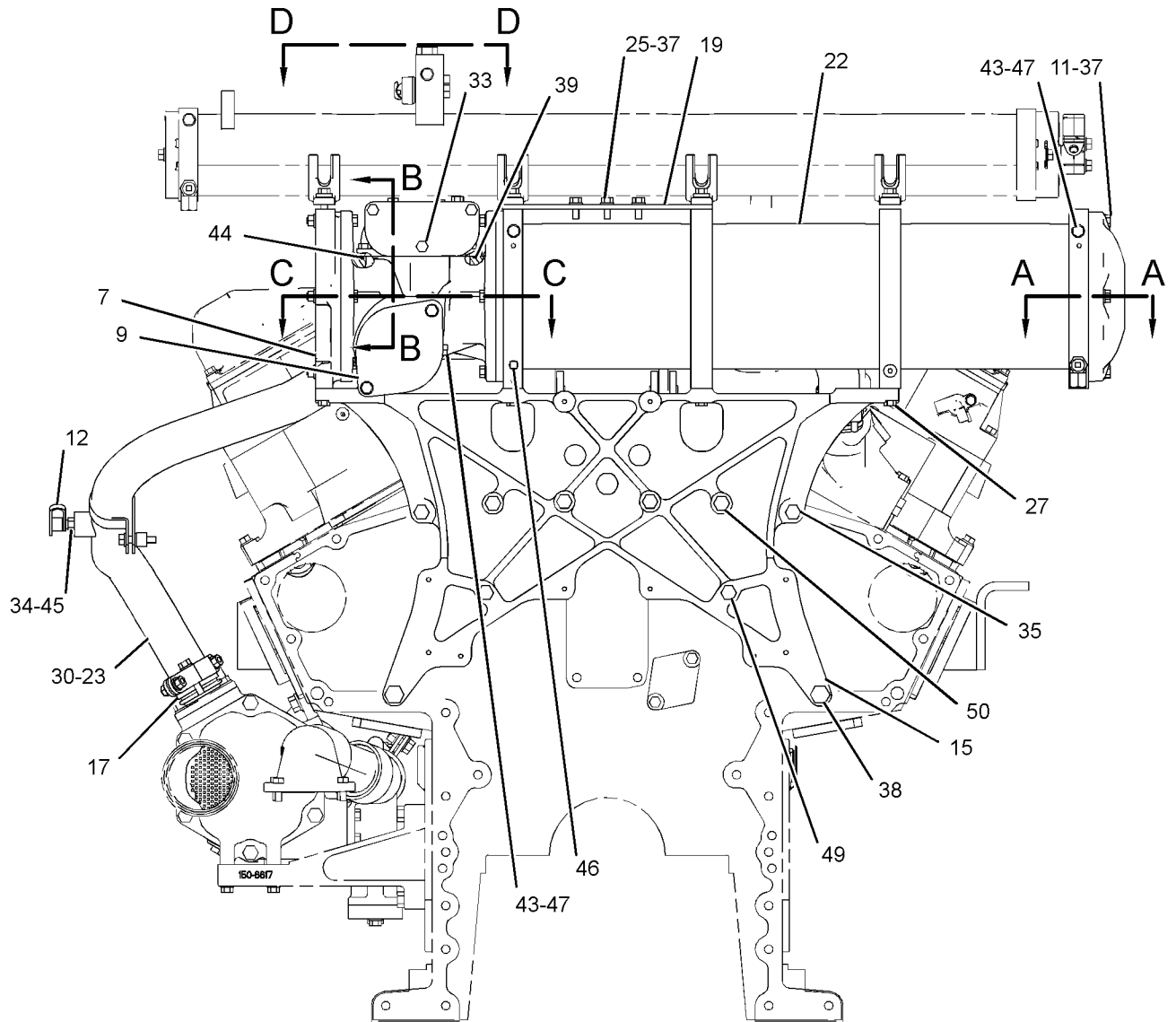
i02546070

NOTE	REF NO	GRAPHIC REF	PART NUMBER	QTY	PART NAME						SEE PAGE
					1	2	3	4	5	6 (PRODUCT LEVEL)	
	1	2	1R-0726	3	FILTER ELEMENT AS-ENGINE OIL (STANDARD EFFICIENCY)						
	2	2	2S-5100	1	VALVE-MANUAL						
	3	1	2W-1635	1	SPRING						
	4	1	2W-1969	1	VALVE-BYPASS						
	5	1	4W-5592	1	COVER						
	6	2	4W-6387	1	HOUSING AS (BYPASS)						
		2	7N-2043	3	DOWEL						
	7	1	4W-6491	1	SUPPORT-HOUSING						
	8	2	4W-6492	1	ADAPTER						
	9	1	4W-8459	1	COVER						
	10	2	4W-8467	1	TUBE						
	11	1	7F-0192	3	BOLT (3/8-16X2-IN)						
	12	1	8C-3445	1	CAP-DUST						
	13	2	8N-1991	1	RING-RETAINING						
	14	2	8N-1992	2	RETAINER						
	15	1	8N-9482	1	SUPPORT-OIL FILTER						
	16	2	100-8075	4	CLAMP AS						
	17	1,2	111-3820	2	RING-RETAINING						
	18	2	111-8639	1	COVER-BYPASS VALVE						
	19	1	133-9313	1	PLATE						
	20	2	155-1690	1	ADAPTER AS						
		2	154-1581	1	RING-RETAINING						
	21	2	157-0443	1	COVER AS						
		2	7N-2043	1	DOWEL						
	22	1	278-1082	1	HOUSING AS-FILTER (ENGINE OIL)						
		1	4V-7412	1	BOSS (3/8-16-THD)						
	23	1	271-2765	1	TUBE AS						
	24	1,2	0L-1143	4	BOLT (3/8-16X2.5-IN)						
	25	1	0L-1351	3	BOLT (3/8-16X0.875-IN)						
	26	2	0S-1571	7	BOLT (3/8-16X1.75-IN)						
	27	1	0S-1588	8	BOLT (3/8-16X1.25-IN)						
	28	2	0S-1594	6	BOLT (3/8-16X1-IN)						
	29	1,2	0S-1619	5	BOLT (3/8-16X3-IN)						
	30	1,2	109-2332	4	SEAL-O-RING						
	31	2	165-3931	3	BOLT (3/8-16X1.75-IN)						
	32	2	1L-5081	1	SPACER (0.41X0.75X0.56-IN THK)						
	33	1	1M-0644	3	BOLT (3/8-16X2.25-IN)						
	34	1	3J-7354	1	SEAL-O-RING						
	35	1	4S-5882	2	BOLT (1/2-13X7.25-IN)						
	36	2	5D-5957	1	SEAL-O-RING						
	37	1,2	5M-2894	33	WASHER-HARD (10.2X18.5X2.5-MM THK)						
	38	1	5P-4624	2	BOLT (3/4-10X11.5-IN)						
	39	1,2	5P-4892	6	SEAL-O-RING						
	40	2	6V-0267	1	CLIP (TAB)						
	41	2	6V-0268	1	CLIP (SLOT)						
	42	2	6V-3907	4	SEAL-O-RING						
	43	1	6V-5048	5	SEAL-O-RING						
	44	1	6V-8001	1	SEAL-O-RING						
	45	1	8C-3446	1	VALVE-FLUID SAMPLING						
	46	1	8T-6762	1	PLUG-PIPE						
	47	1	9S-4182	5	PLUG-O-RING						
	48	2	9S-8752	7	NUT-FULL (3/8-16-THD)						
	49	1	1D-4574	2	BOLT (1/2-13X6-IN)						
	50	1	5P-5421	4	BOLT (1/2-13X11.5-IN)						

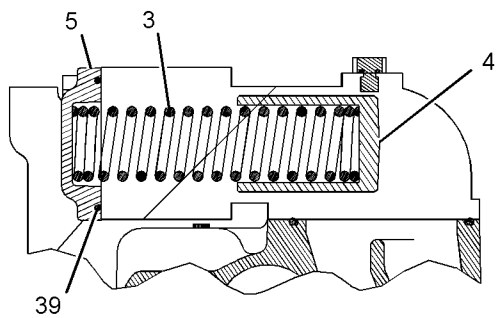
LUBRICATION SYSTEM

271-2368 FILTER GP-ENGINE OIL (contd.)

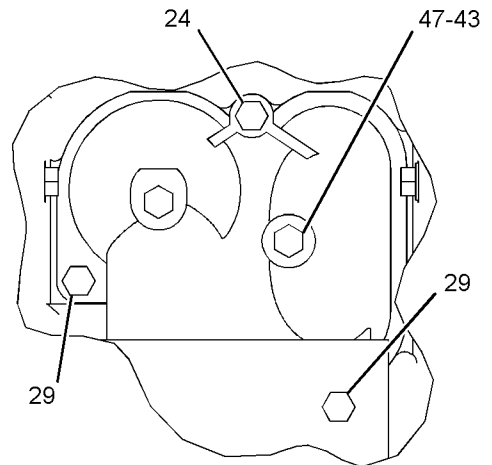
i02546070



FRONT VIEW



SECTION B-B



VIEW D-D

REFER TO ALL ILLUSTRATIONS OF THIS GROUP FOR AUXILIARY VIEWS

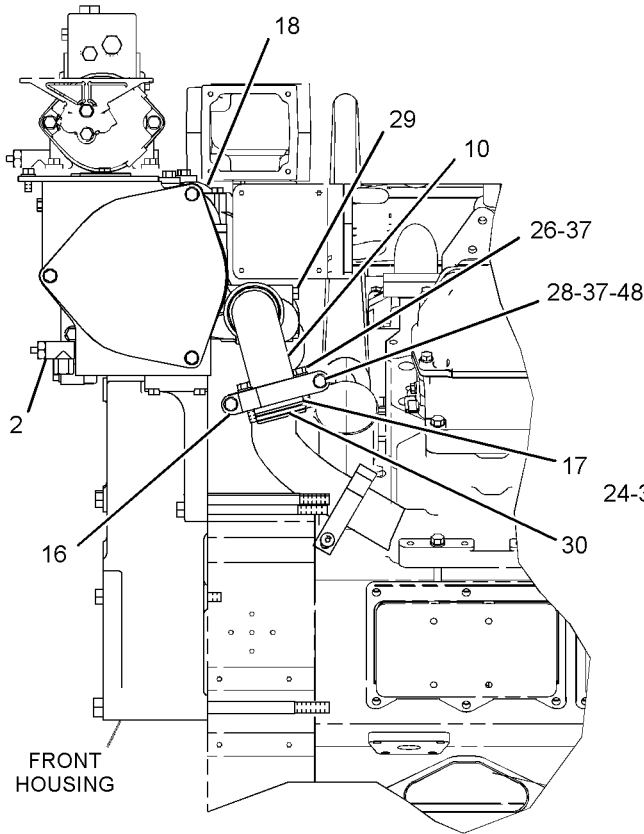
GRAPHIC #1

g01172335

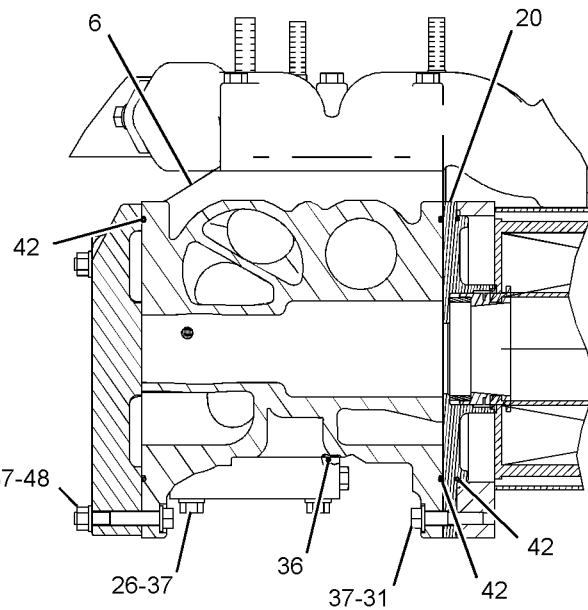
LUBRICATION SYSTEM

271-2368 FILTER GP-ENGINE OIL (contd.)

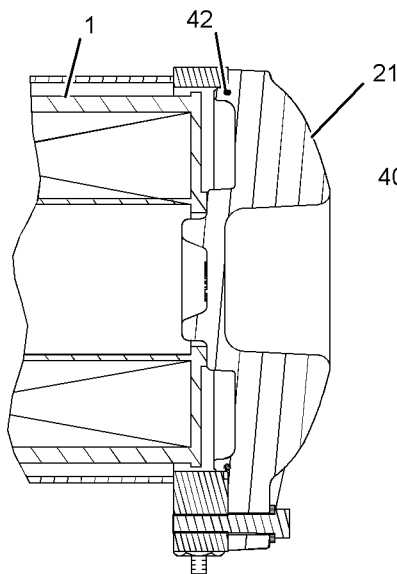
i02546070



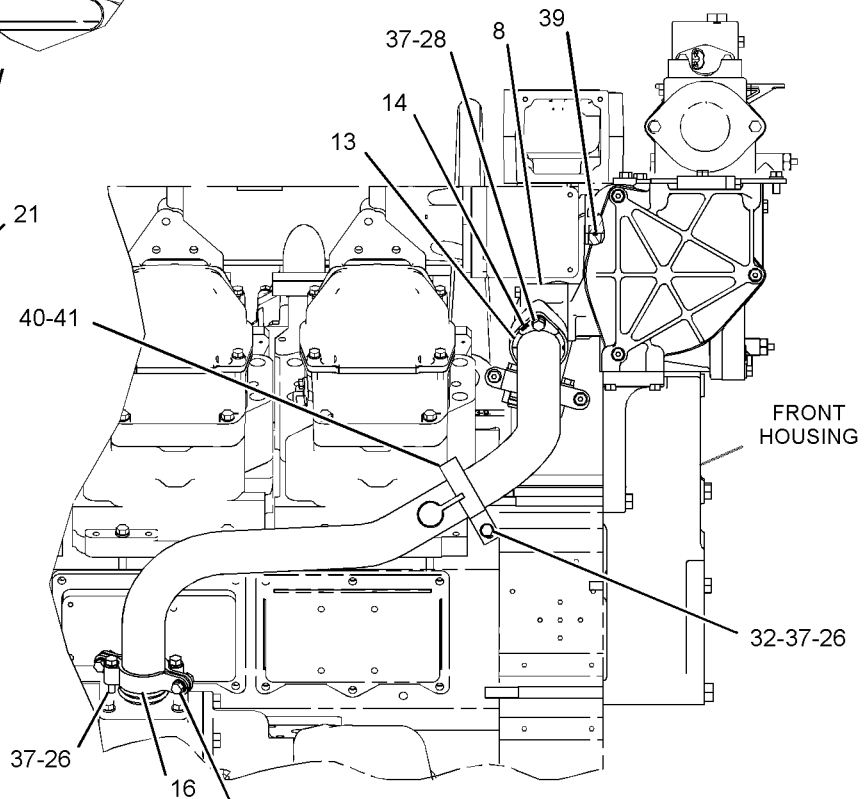
LEFT SIDE VIEW



SECTION C-C



SECTION A-A



RIGHT SIDE VIEW

GRAPHIC #2

<END>

g01172990

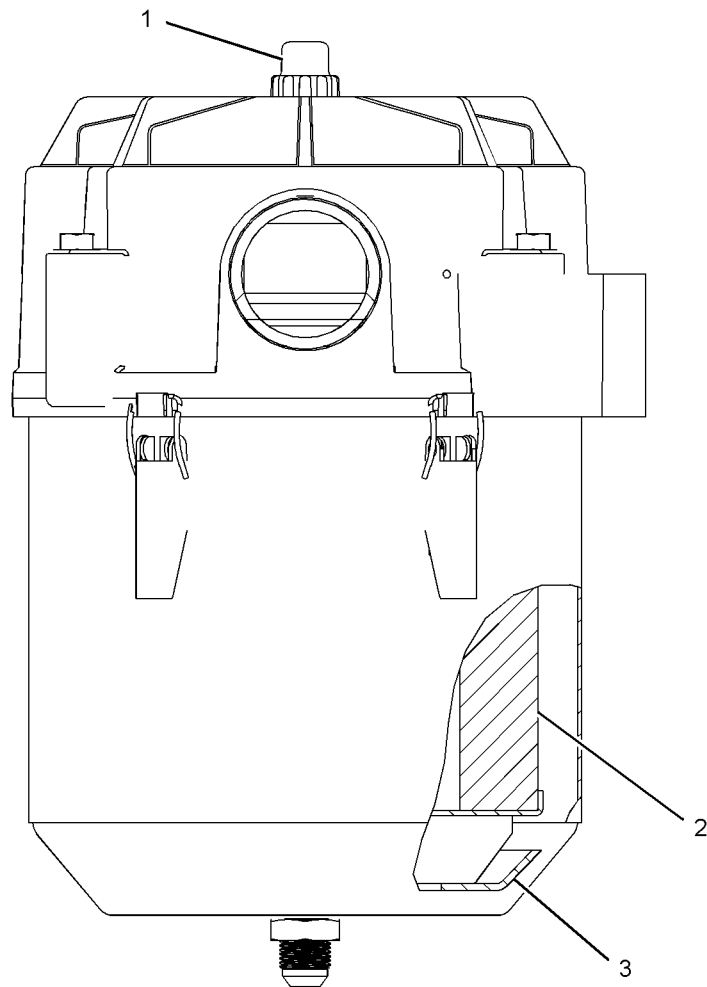
LUBRICATION SYSTEM

279-2475 FILTER GP-FUMES PART OF 300-9828 FILTER GP-FUMES DISPOSAL AN ATTACHMENT

SMCS-1074

i02710353

NOTE	REF NO	GRAPHIC REF	PART NUMBER	QTY	PART NAME						SEE PAGE
					1	2	3	4	5	6 (PRODUCT LEVEL)	
	1	1	195-4550	1	CAP						
	2	1	275-2276	1	ELEMENT-BREATHER (FUMES DISPOSAL)						
	3	1	291-9125	1	PAD						



GRAPHIC #1

<END>

g01303885

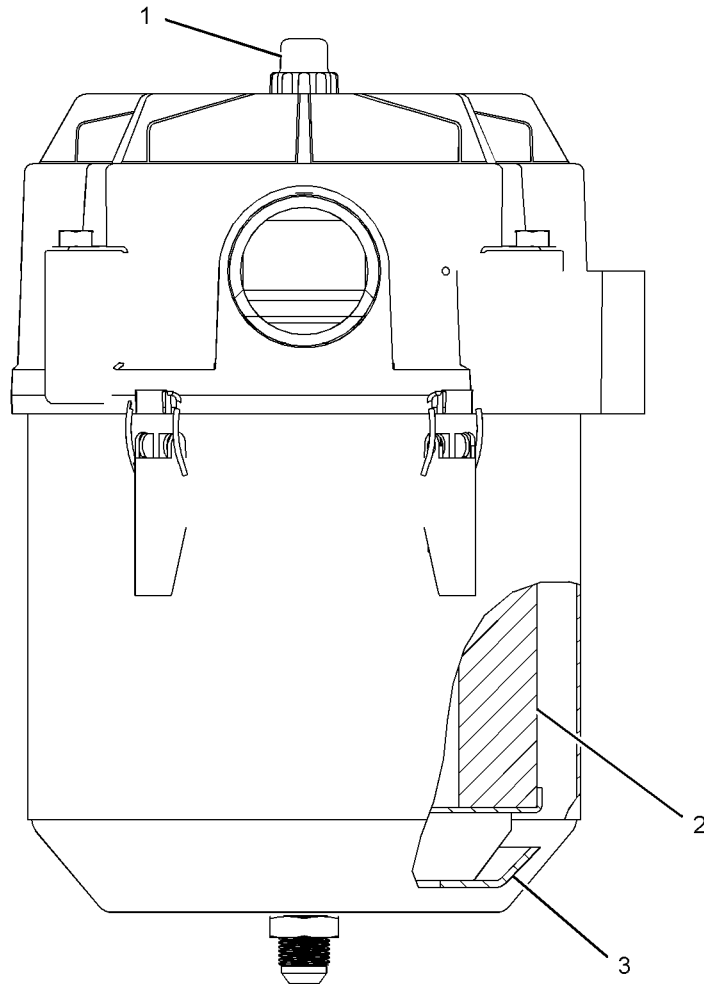
LUBRICATION SYSTEM

282-5367 FILTER GP-FUMES PART OF 300-9828 FILTER GP-FUMES DISPOSAL AN ATTACHMENT

SMCS-1074

i02710354

NOTE	REF NO	GRAPHIC REF	PART NUMBER	QTY	PART NAME						SEE PAGE
					1	2	3	4	5	6 (PRODUCT LEVEL)	
	1	1	195-4550	1	CAP						
	2	1	275-2276	1	ELEMENT-BREATHER (FUMES DISPOSAL)						
	3	1	291-9125	1	PAD						



GRAPHIC #1

<END>

g01303885

LUBRICATION SYSTEM

300-9828 FILTER GP-FUMES DISPOSAL

FOR USE WITH CLOSED CRANKCASE VENTILATION SYSTEM
AN ATTACHMENT

SMCS-1074

i02736949

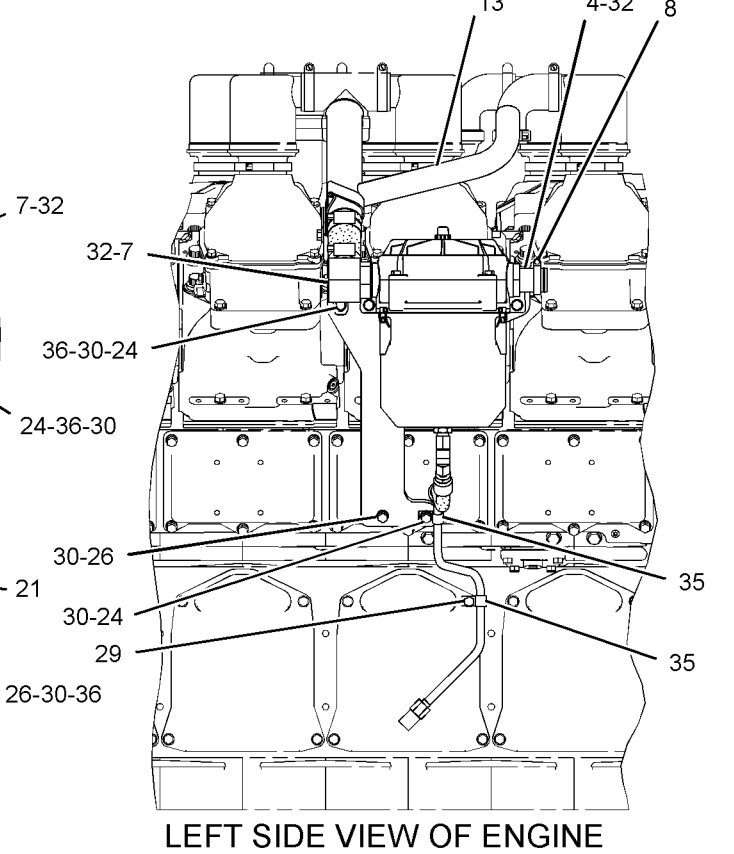
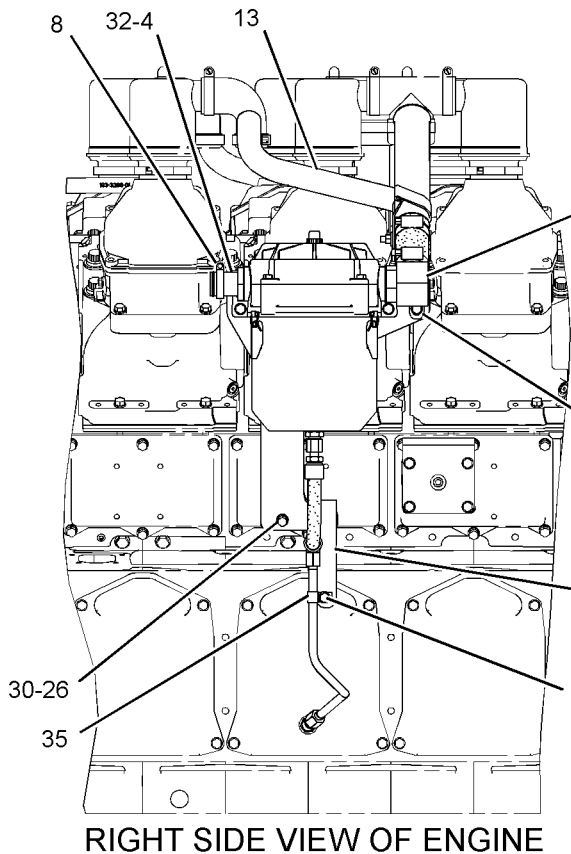
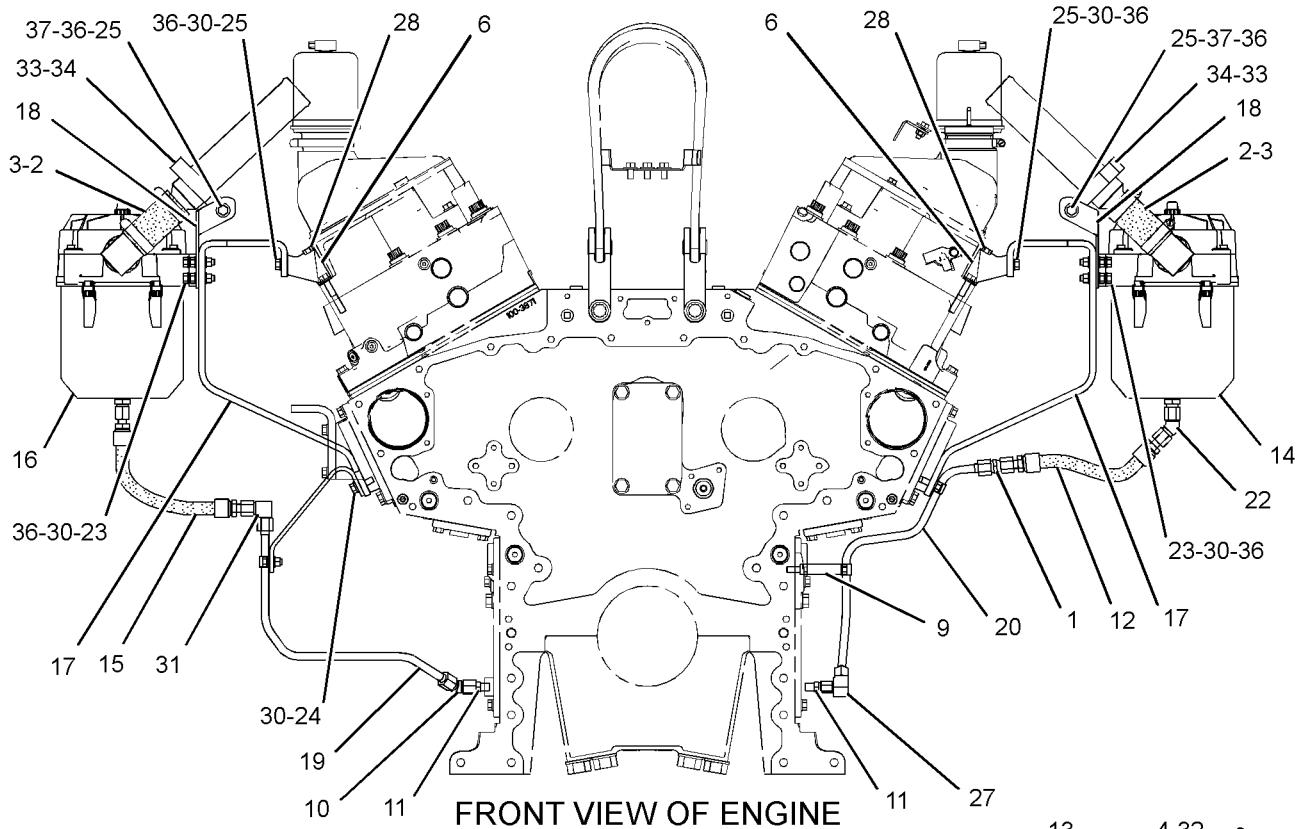
NOTE	REF NO	GRAPHIC REF	PART NUMBER	QTY	PART NAME						SEE PAGE
					1	2	3	4	5	6 (PRODUCT LEVEL)	
	1	1	3R-2704	1	UNION-FLARED						
E	2	1	5P-1291		HOSE (10.5-CM EACH)						
	3	1	127-4471	4	CLAMP-HOSE						
	4	1	5P-1947	2	CONNECTOR						
	6	1	7N-6986	2	SUPPORT						
	7	1	8C-9020	2	ELBOW AS						
	8	1	110-2445	2	CLAMP-HOSE						
	9	1	126-3005	1	PIPE						
	10	1	153-7487	1	ELBOW						
	11	1	158-6457	2	VALVE-CHECK						
I	12	1	244-3732	1	HOSE AS						
	13	1	278-0155	2	TUBE AS						
Y	14	1	279-2475	1	FILTER GP-FUMES DISPOSAL						125
I	15	1	279-2482	1	HOSE AS						
Y	16	1	282-5367	1	FILTER GP-FUMES DISPOSAL						126
	17	1	284-4169	2	BRACKET						
	18	1	284-4171	2	BRACKET						
	19	1	291-6549	1	TUBE AS						
	20	1	291-6550	1	TUBE AS						
	21	1	297-3279	1	BRACKET						
	22	1	030-7963	1	ELBOW-FLARED						
	23	1	0S-1571	8	BOLT (3/8-16X1.75-IN)						
	24	1	0S-1588	6	BOLT (3/8-16X1.25-IN)						
	25	1	0S-1591	6	BOLT (3/8-16X1.5-IN)						
	26	1	0S-1594	3	BOLT (3/8-16X1-IN)						
	27	1	112-4387	1	ELBOW						
	28	1	1A-5964	4	BOLT (3/8-16X4.5-IN)						
	29	1	2M-3403	1	BOLT (3/8-16X3.63-IN)						
	30	1	5M-2894	38	WASHER-HARD (10.2X18.5X2.5-MM THK)						
	31	1	5P-6399	1	ELBOW-FLARED						
	32	1	6K-6307	4	SEAL-O-RING						
	33	1	6V-0267	2	CLIP (TAB)						
	34	1	6V-0268	2	CLIP (SLOT)						
	35	1	8M-2770	3	CLIP						
	36	1	9S-8752	19	NUT-FULL (3/8-16-THD)						
	37	1	9X-6458	4	WASHER-HARD (10.2X22.5X3-MM THK)						

E-ORDER BY THE CENTIMETER
I-REFER TO HYDRAULIC INFORMATION SYSTEM
Y-SEPARATE ILLUSTRATION

LUBRICATION SYSTEM

300-9828 FILTER GP-FUMES DISPOSAL (contd.)

i02736949



GRAPHIC #1

<END>

g01373299

LUBRICATION SYSTEM

282-0929 FUMES DISPOSAL GP AN ATTACHMENT

SMCS-1317

i02461220

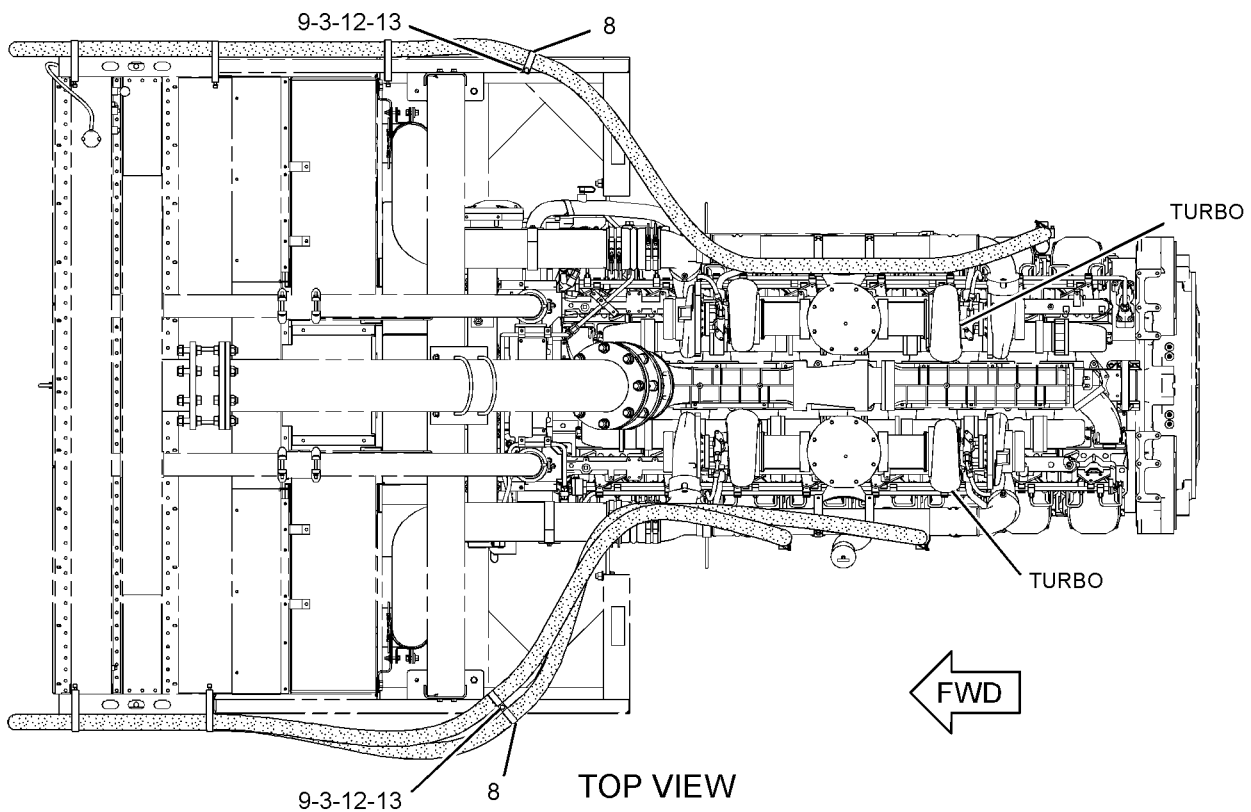
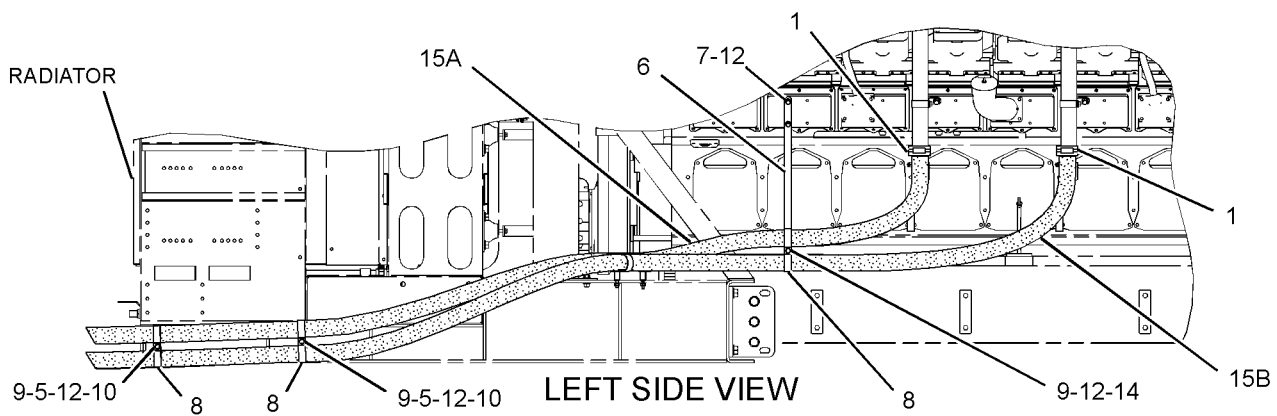
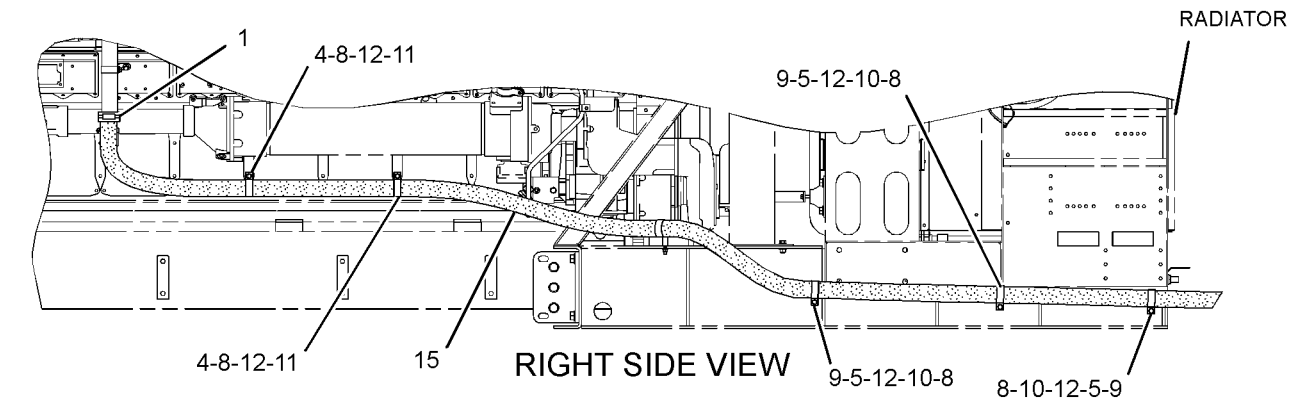
NOTE	REF NO	GRAPHIC REF	PART NUMBER	QTY	PART NAME						SEE PAGE
					1	2	3	4	5	6 (PRODUCT LEVEL)	
	1	1	5P-0597	3	CLAMP-HOSE						
	3	1	090-8747	2	SPACER (11X19X32-MM THK)						
	4	1	134-9799	2	PIPE						
	5	1	138-3251	5	SPACER (11.03X26.67X92.6-MM THK)						
	6	1	282-2602	1	BRACKET						
	7	1	0S-1594	2	BOLT (3/8-16X1-IN)						
	8	1	2N-8928	14	CLIP						
	9	1	6V-8801	8	NUT (3/8-16-THD)						
	10	1	7X-0294	5	BOLT (3/8-16X5-IN)						
	11	1	7X-0304	2	BOLT (3/8-16X8.5-IN)						
	12	1	8T-4896	20	WASHER-HARD (10.2X18.5X2.5-MM THK)						
	13	1	8T-9101	2	BOLT (3/8-16X2.75-IN)						
	14	1	9B-7237	1	BOLT (3/8-16X1.25-IN)						
E	15	1	5P-1472		HOSE (469-CM)						
E	15A	1	5P-1472		HOSE (361-CM)						
E	15B	1	5P-1472		HOSE (430-CM)						

E-ORDER BY THE CENTIMETER

LUBRICATION SYSTEM

282-0929 FUMES DISPOSAL GP (contd.)

i02461220



GRAPHIC #1

<END>

g01234176

LUBRICATION SYSTEM

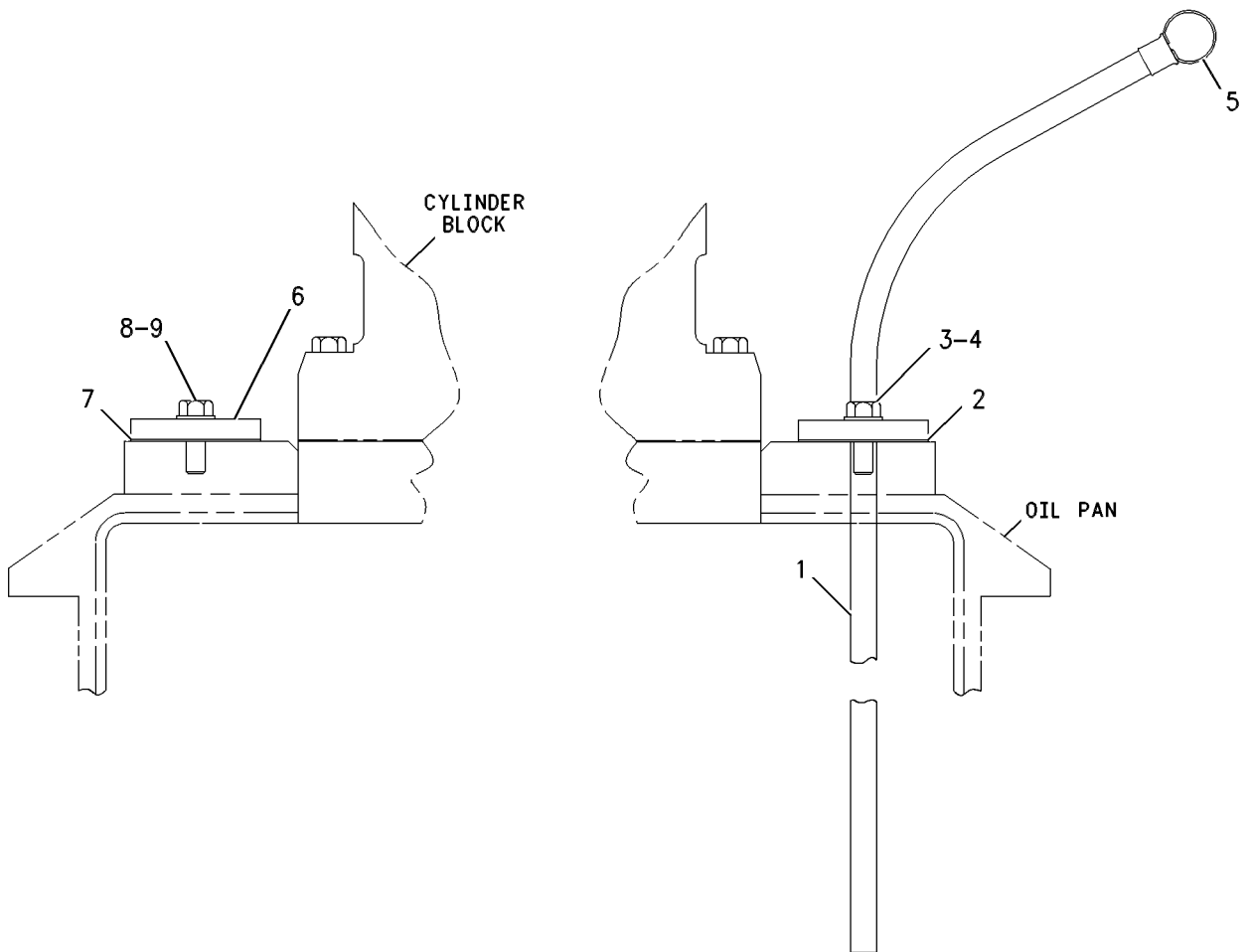
7C-9784 GAUGE GP-OIL LEVEL (DIPSTICK)-DEEP SUMP

SMCS-1326

i02458978

NOTE	REF NO	GRAPHIC REF	PART NUMBER	QTY	PART NAME						SEE PAGE
					1	2	3	4	5	6 (PRODUCT LEVEL)	
	1	1	7E-0467	1	TUBE AS-OIL LEVEL						
	2	1	9L-1480	1	GASKET						
	3	1	0S-1594	2	BOLT (3/8-16X1-IN)						
	4	1	5M-2894	2	WASHER-HARD (10.2X18.5X2.5-MM THK)						
	5	1	7C-9786	1	GAUGE AS-OIL LEVEL (DIPSTICK) (DEEP SUMP)						
B	6	1	4B-3140	1	COVER						
B	7	1	9L-1480	1	GASKET						
B	8	1	0S-1594	2	BOLT (3/8-16X1-IN)						
B	9	1	5M-2894	2	WASHER-HARD (10.2X18.5X2.5-MM THK)						

B-USE AS REQUIRED



FRONT VIEW

GRAPHIC #1

<END>

g00618660

LUBRICATION SYSTEM

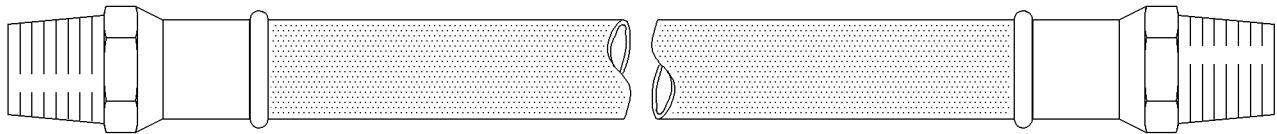
3N-4513 HOSE AS*I

1830-MM LENGTH
AN ATTACHMENT

SMCS - 1307

i01305106

NOTE	REF NO	GRAPHIC REF	PART NUMBER	QTY	PART NAME						SEE PAGE
					1	2	3	4	5	6 (PRODUCT LEVEL)	
(NO SERVICED PARTS)											



GRAPHIC #1

<END>

g00691641

LUBRICATION SYSTEM

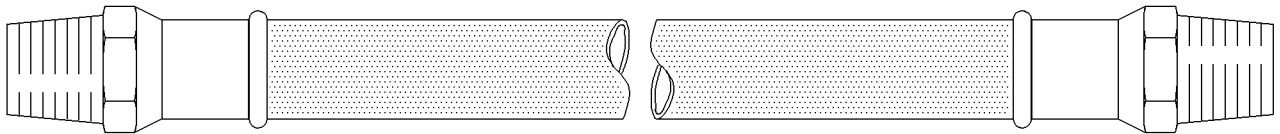
3N-4868 HOSE AS*I

915-MM LENGTH
AN ATTACHMENT

SMCS-1307

i01305109

NOTE	REF NO	GRAPHIC REF	PART NUMBER	QTY	PART NAME						SEE PAGE
					1	2	3	4	5	6 (PRODUCT LEVEL)	
(NO SERVICED PARTS)											



GRAPHIC #1

<END>

g00691548

LUBRICATION SYSTEM

235-4431 HOSE AS

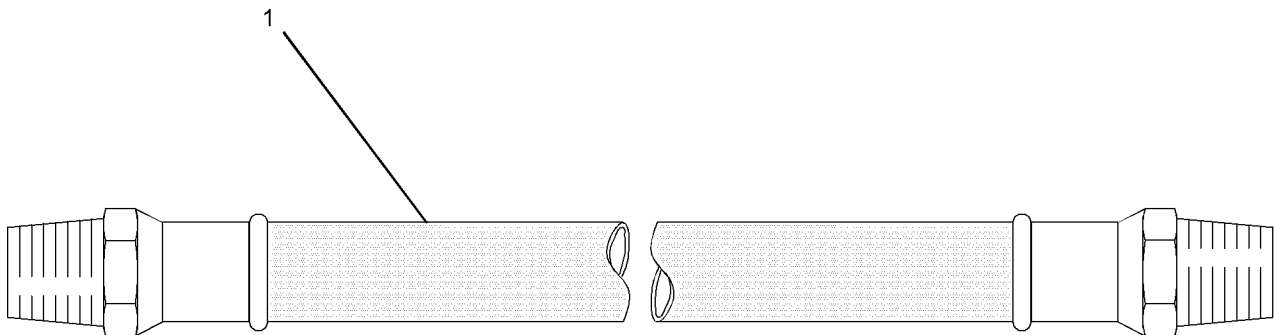
915-MM LENGTH

FOR USE WITH LH MOUNTED SUMP PUMPS
AN ATTACHMENT

SMCS-1307

i03117723

NOTE	REF NO	GRAPHIC REF	PART NUMBER	QTY	PART NAME						SEE PAGE
					1	2	3	4	5	6 (PRODUCT LEVEL)	
I	1	1	3N-4868	1	HOSE AS						
I-REFER TO HYDRAULIC INFORMATION SYSTEM											



GRAPHIC #1

<END>

g01031960

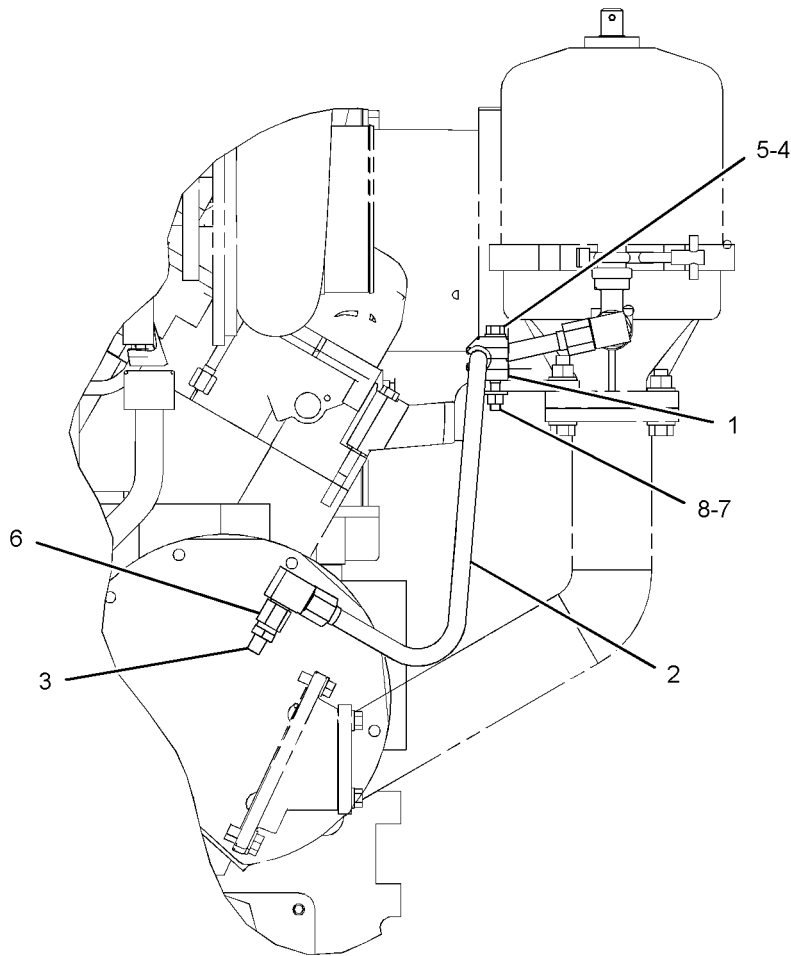
LUBRICATION SYSTEM

243-1290 LINES GP-CENTRIFUGAL FILTER AN ATTACHMENT

SMCS-1328

i02209927

NOTE	REF NO	GRAPHIC REF	PART NUMBER	QTY	PART NAME						SEE PAGE
					1	2	3	4	5	6 (PRODUCT LEVEL)	
	1	1	4P-0692	2	CLAMP AS						
					(EACH INCLUDES)						
		1	108-1434	1	GROMMET						
	2	1	244-2258	1	TUBE AS						
	3	1	061-9463	1	CONNECTOR (FLARED)						
	4	1	0T-0573	1	BOLT (3/8-16X2.75-IN)						
	5	1	5M-2894	1	WASHER-HARD (10.2X18.5X2.5-MM THK)						
	6	1	8K-2396	1	ELBOW-FLARED						
	7	1	9S-8752	1	NUT-FULL (3/8-16-THD)						
	8	1	9X-6458	1	WASHER-HARD (10.2X22.5X3-MM THK)						



REAR VIEW

<END>

GRAPHIC #1

g01135072

LUBRICATION SYSTEM

312-6298 LINES GP-ENGINE OIL

SMCS - 1307

i02910635

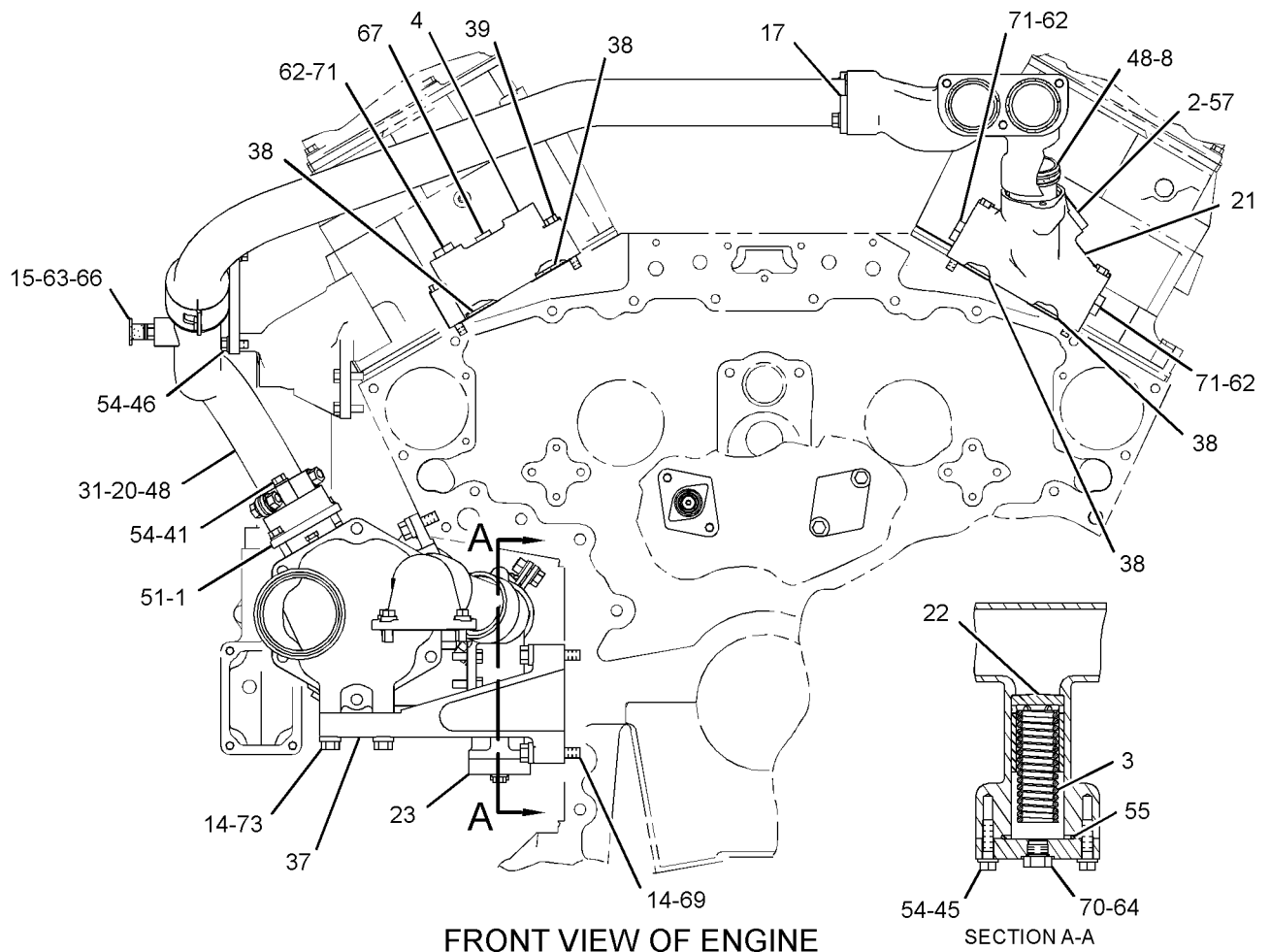
NOTE	REF NO	GRAPHIC REF	PART NUMBER	QTY	PART NAME						SEE PAGE
					1	2	3	4	5	6 (PRODUCT LEVEL)	
	1	1	1W-2447	1	ADAPTER -OUTLET						
	2	1	2W-1053	1	PLUG						
	3	1	2W-1635	1	SPRING						
	4	1	2W-7226	1	ADAPTER						
	5	2	4W-0530	1	RING-RETAINING						
	6	2	4W-0531	2	RETAINER						
	7	2	4W-4313	1	ADAPTER						
	8	1	4W-4677	1	TUBE						
	9	2	6B-0933	4	SPACER (10.31X19.05X6.35-MM THK)						
	10	2	6B-9202	2	SPRING						
	11	2	6V-1572	1	CLIP (SLOT)						
	12	2	6V-1573	1	CLIP (TAB)						
	13	2	7N-7697	2	PLUNGER AS						
					(EACH INCLUDES)						
		2	7M-1808	1	DOWEL						
14		1,2	8B-9725	6	BOSS						
15		1	8C-3445	1	CAP-DUST						
16		2	8N-1991	1	RING-RETAINING						
17		1	8N-1992	2	RETAINER						
18		2	8N-2929	2	COVER						
19		2	100-8075	2	CLAMP AS						
20		1	111-3820	1	RING-RETAINING						
21		1	116-1352	1	ADAPTER						
22		1	124-4273	1	VALVE-BYPASS						
23		1	136-3296	1	PLATE AS						
24		2	143-5184	1	PLUG-ADAPTER (3/4-14 NPTFX3/8-16)						
25		2	146-7359	1	TUBE						
26		2	150-6611	1	BONNET						
27		2	150-6612	1	ELBOW-OUTLET						
28		2	191-6695	1	PLATE						
29		2	191-9310	1	COVER						
30		2	237-7623	2	SEAL-O-RING						
31		1	240-1919	1	TUBE AS						
32		2	244-5867	1	ELBOW						
33		2	245-6848	2	CLAMP AS						
34		2	247-4806	1	ELBOW						
35		2	276-8430	1	BRACKET						
36		2	285-9361	1	BONNET						
37		1	286-9966	1	BRACKET						
38		1	061-9456	4	SEAL-O-RING						
39		1	0L-1143	4	BOLT (3/8-16X2.5-IN)						
40		2	0L-1352	1	BOLT (3/8-16X3.25-IN)						
41		1,2	0S-1571	4	BOLT (3/8-16X1.75-IN)						
42		2	0S-1585	2	BOLT (1/2-13X1.5-IN)						
43		2	0S-1588	14	BOLT (3/8-16X1.25-IN)						
44		2	0S-1590	2	BOLT (3/8-16X2-IN)						
45		1,2	0S-1591	3	BOLT (3/8-16X1.5-IN)						
46		1,2	0S-1594	6	BOLT (3/8-16X1-IN)						
47		2	0T-0065	8	BOLT (3/8-16X3.5-IN)						
48		1,2	109-2332	4	SEAL-O-RING						
49		2	1A-2029	8	BOLT (3/8-16X1.125-IN)						
50		2	3P-0653	1	SEAL-O-RING						
51		1	3P-0655	1	SEAL-O-RING						
52		2	3S-1546	4	NUT-FULL (7/16-14-THD)						
53		2	4F-8965	4	BOLT (7/16-14X1.125-IN)						
54		1,2	5M-2894	22	WASHER-HARD (10.2X18.5X2.5-MM THK)						
55		1,2	5P-4892	3	SEAL-O-RING						
56		2	5P-5846	1	SEAL-O-RING						

LUBRICATION SYSTEM

312-6298 LINES GP-ENGINE OIL (contd.)

i02910635

NOTE	REF NO	GRAPHIC REF	PART NUMBER	QTY	PART NAME						SEE PAGE
					1	2	3	4	5	6 (PRODUCT LEVEL)	
	57	1	5P-7817	1	SEAL-O-RING						
	58	2	5P-8244	8	WASHER-HARD (12X22.5X2.5-MM THK)						
	59	2	6J-2244	1	SEAL-O-RING						
	60	2	6V-1574	1	GROMMET						
	61	2	6V-3908	1	SEAL-O-RING						
	62	1	6V-4589	3	SEAL-O-RING						
	63	1	6V-5048	1	SEAL-O-RING						
	64	1,2	6V-6609	2	SEAL-O-RING						
	65	2	8C-3107	1	SEAL-O-RING						
	66	1	8C-3446	1	VALVE-FLUID SAMPLING (ENGINE OIL)						
	67	1	8T-6762	1	PLUG-PIPE						
	68	2	8T-6765	3	PLUG-PIPE						
	69	1	9S-1366	2	BOLT (1/2-13X2.5-IN)						
	70	1,2	9S-4185	2	PLUG-O-RING						
	71	1	9S-4190	3	PLUG-O-RING						
	72	2	9S-8752	1	NUT-FULL (3/8-16-THD)						
	73	1	9X-8873	2	BOLT (1/2-13X2.25-IN)						



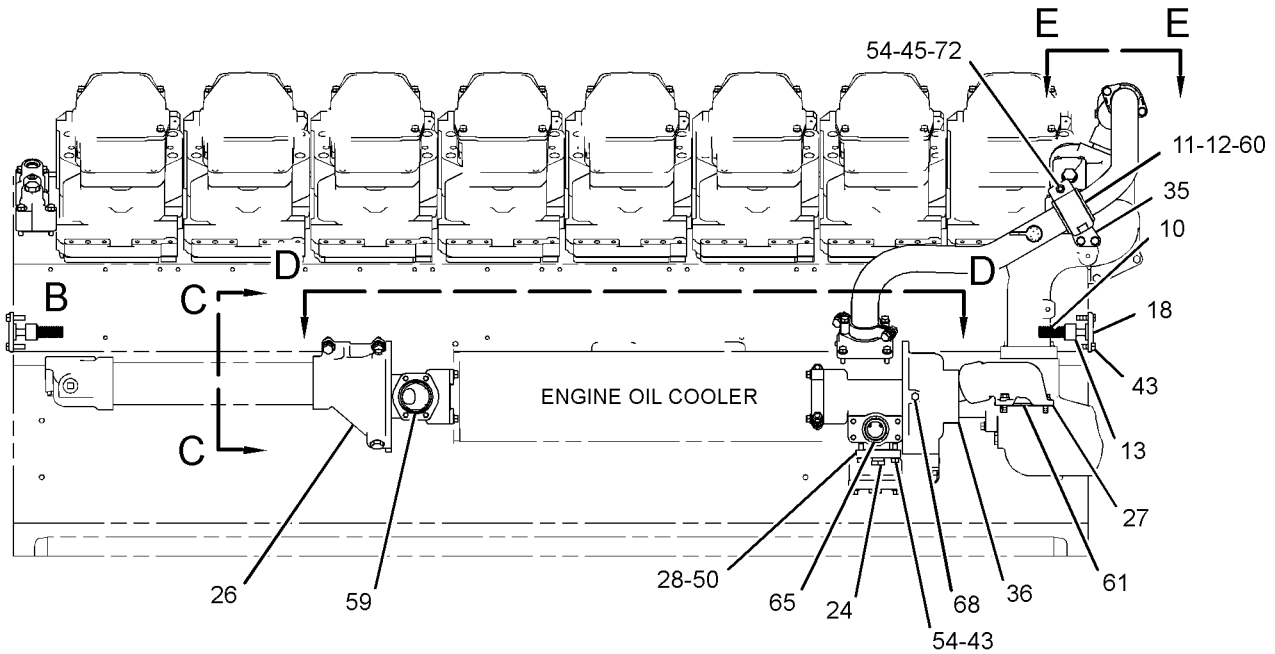
GRAPHIC #1

g01584573

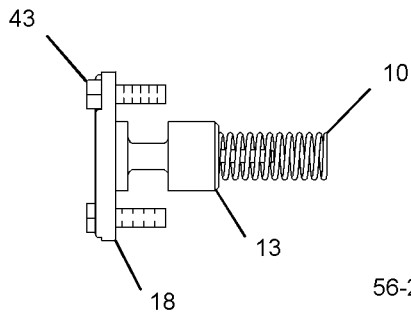
LUBRICATION SYSTEM

312-6298 LINES GP-ENGINE OIL (contd.)

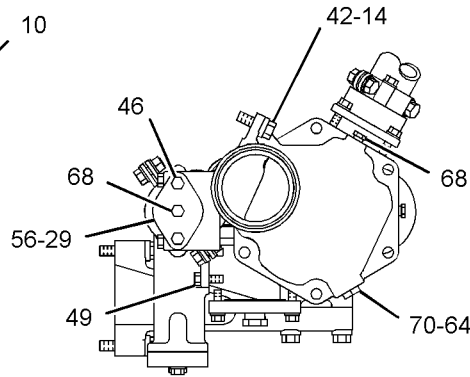
i02910635



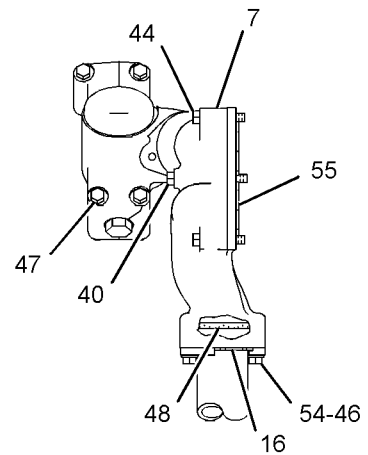
RIGHT SIDE VIEW OF ENGINE



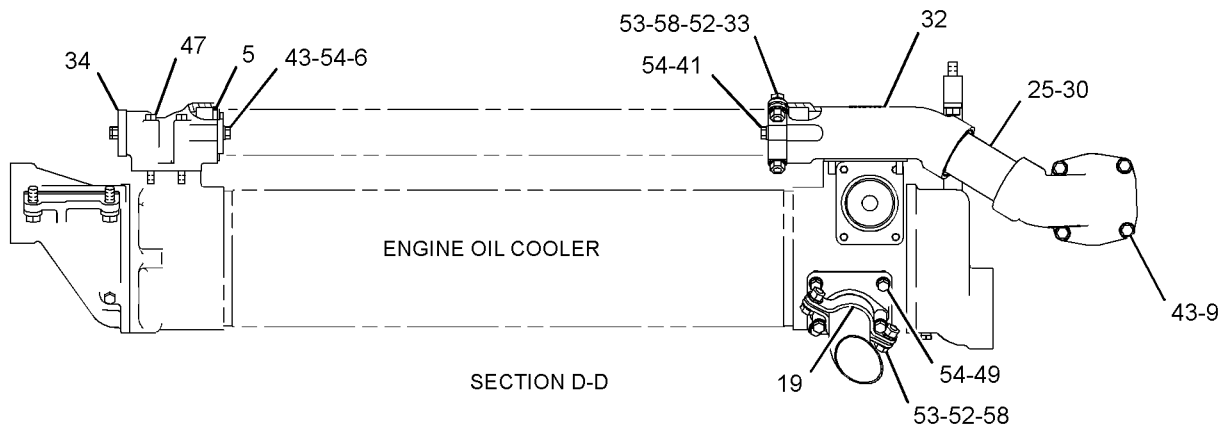
VIEW OF AREA B



VIEW C-C



VIEW E-E



SECTION D-D

GRAPHIC #2

<END>

g01584574

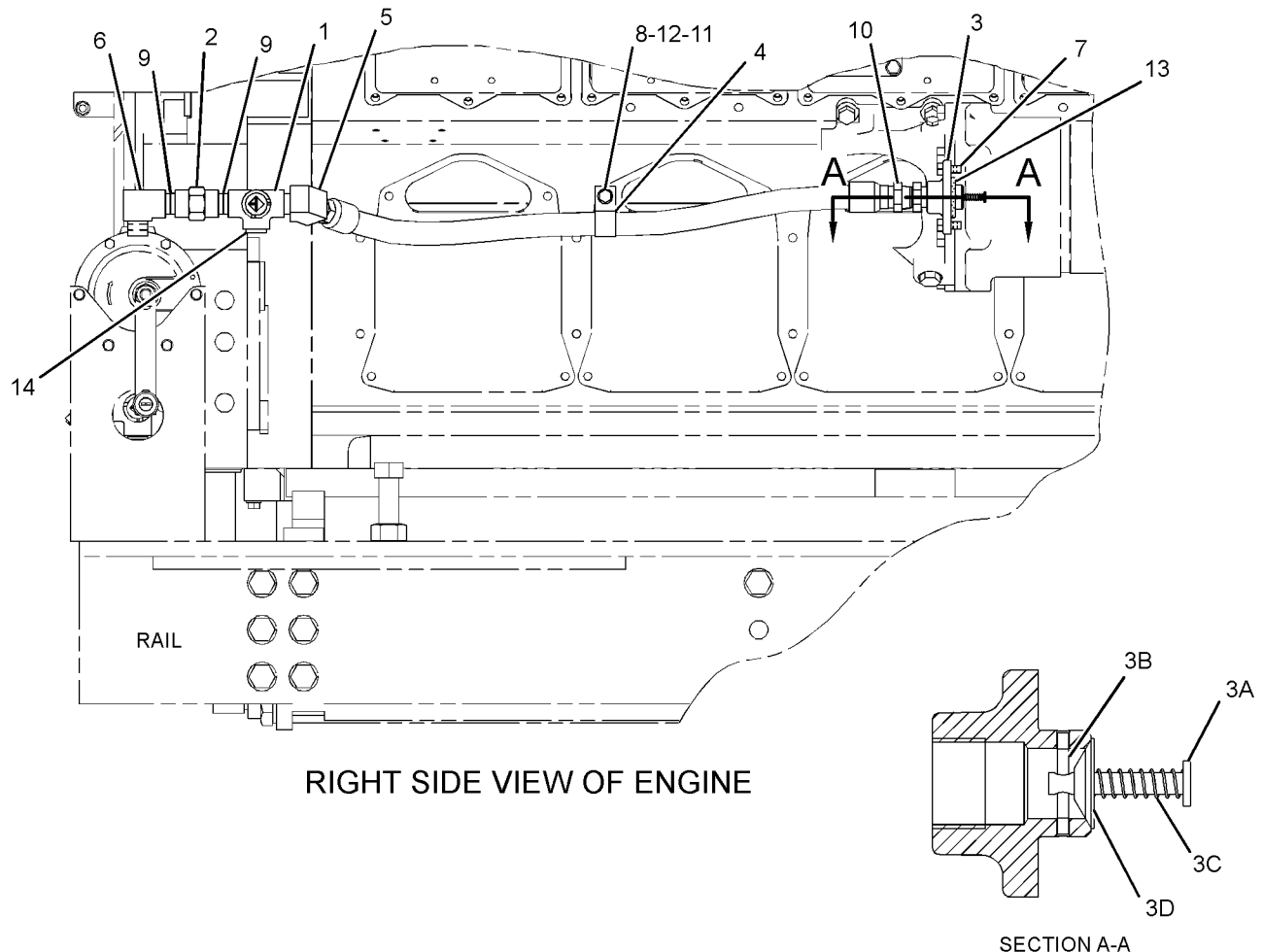
LUBRICATION SYSTEM

300-5789 LINES GP-OIL SUPPLY-RH AN ATTACHMENT

SMCS-1307

i02675593

NOTE	REF NO	GRAPHIC REF	PART NUMBER	QTY	PART NAME						SEE PAGE
					1	2	3	4	5	6 (PRODUCT LEVEL)	
	1	1	3N-7057	1	VALVE AS (3-WAY) (OIL SUPPLY)						
	2	1	6B-1667	1	UNION						
	3	1	7N-6570	1	ADAPTER AS						
	3A	1	1P-5274	1	PIN-VALVE SPRING						
	3B	1	3H-3433	1	PIN-SPRING						
	3C	1	9H-2367	1	SPRING-VALVE						
	3D	1	9L-0672	1	VALVE-CHECK						
	4	1	134-5645	1	CLIP						
	5	1	000-7246	1	ELBOW						
	6	1	003-9163	1	ELBOW						
	7	1	0L-1351	2	BOLT (3/8-16X0.875-IN)						
	8	1	0S-1619	1	BOLT (3/8-16X3-IN)						
	9	1	3B-7745	2	NIPPLE-PIPE						
	10	1	5F-6371	1	CONNECTOR						
	11	1	5F-7667	1	SPACER (11.1X19X44.5-MM THK)						
	12	1	5M-2894	1	WASHER-HARD (10.2X18.5X2.5-MM THK)						
	13	1	5P-5846	1	SEAL-O-RING						
	14	1	7X-7731	1	PLUG-PIPE						



GRAPHIC #1

<END>

g01345656

LUBRICATION SYSTEM

300-5790 LINES GP-OIL SUPPLY-LH AN ATTACHMENT

SMCS-1307

i02675589

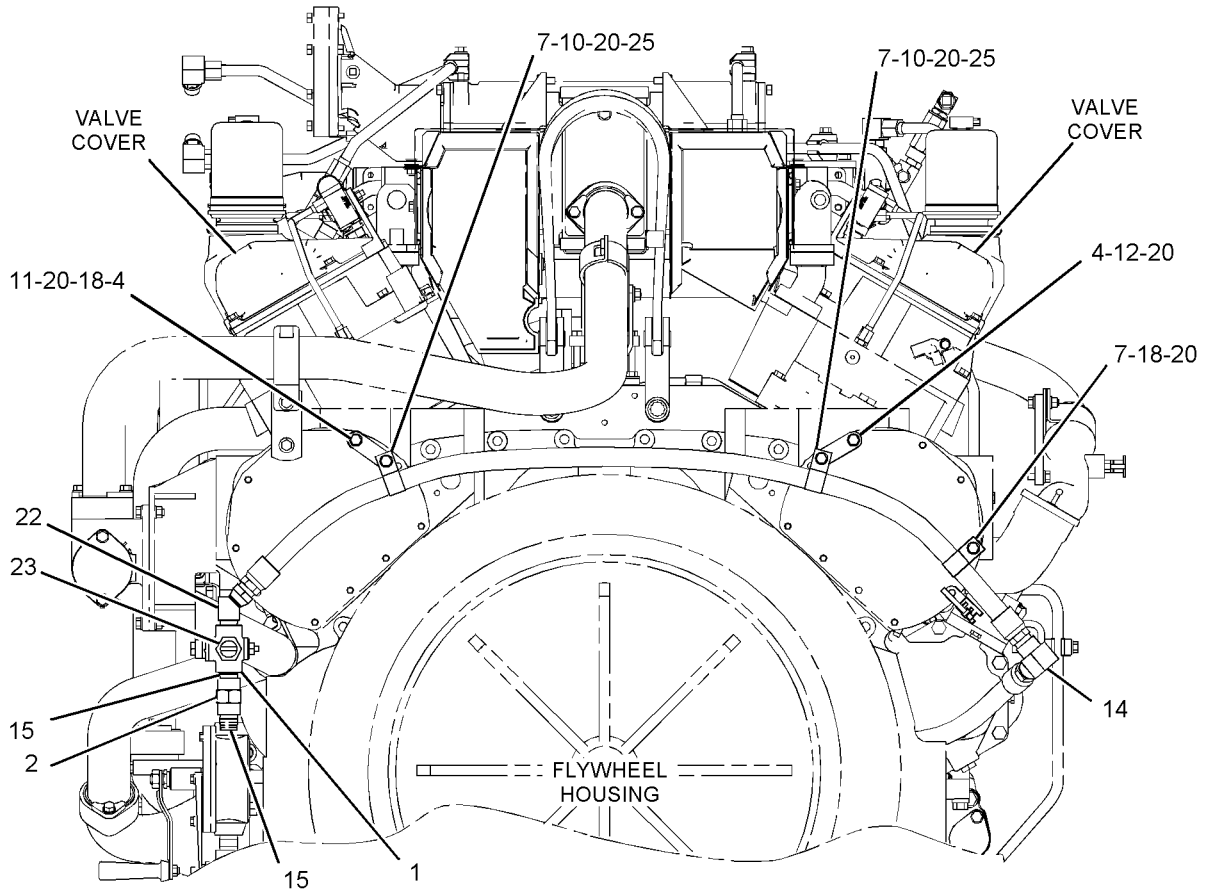
NOTE	REF NO	GRAPHIC REF	PART NUMBER	QTY	PART NAME						SEE PAGE
					1	2	3	4	5	6 (PRODUCT LEVEL)	
	1	1	3N-7057	1	VALVE AS (3-WAY)						
	2	1	6B-1667	1	UNION						
	3	1	7N-6570	1	ADAPTER AS						
	3A	1	1P-5274	1	PIN-VALVE SPRING						
	3B	1	3H-3433	1	PIN-SPRING						
	3C	1	9H-2367	1	SPRING-VALVE						
	3D	1	9L-0672	1	VALVE-CHECK						
	4	1	9C-9159	2	PLATE						
	5	1	9X-6772	1	STRAP-CABLE						
	6	1	124-6998	1	PLATE						
	7	1	134-5645	4	CLIP						
	8	1	0L-1351	2	BOLT (3/8-16X0.875-IN)						
	9	1	0L-2070	1	BOLT (3/8-16X2.25-IN)						
	10	1	0S-1594	3	BOLT (3/8-16X1-IN)						
	11	1	0T-0065	1	BOLT (3/8-16X3.5-IN)						
	12	1	138-7500	1	SPACER (11X25X50-MM THK)						
	13	1	1A-2029	1	BOLT (3/8-16X1.125-IN)						
	14	1	1K-6937	1	ELBOW-PIPE						
	15	1	3B-7745	2	NIPPLE-PIPE						
	16	1	4N-3327	1	CLIP						
	17	1	4P-7581	1	CLIP						
	18	1	5C-9563	2	SPACER (11.02X26.67X55-MM THK)						
	19	1	5F-6371	1	CONNECTOR						
	20	1	5M-2894	9	WASHER-HARD (10.2X18.5X2.5-MM THK)						
	21	1	5P-5846	1	SEAL-O-RING						
	22	1	6H-8297	1	ELBOW						
	23	1	7X-7731	1	PLUG-PIPE						
	24	1	9R-1439	1	SPACER (11X25X29-MM THK)						
	25	1	9S-8752	3	NUT-FULL (3/8-16-THD)						
	26	1	9X-6458	2	WASHER-HARD (10.2X22.5X3-MM THK)						
B	27	1	0S-1619	1	BOLT (3/8-16X3-IN)						
B	28	1	0T-0065	1	BOLT (3/8-16X3.5-IN)						
B	29	1	0L-1352	1	BOLT (3/8-16X3.25-IN)						
B	30	1	0S-1608	1	BOLT (3/8-16X3.75-IN)						

B-USE AS REQUIRED

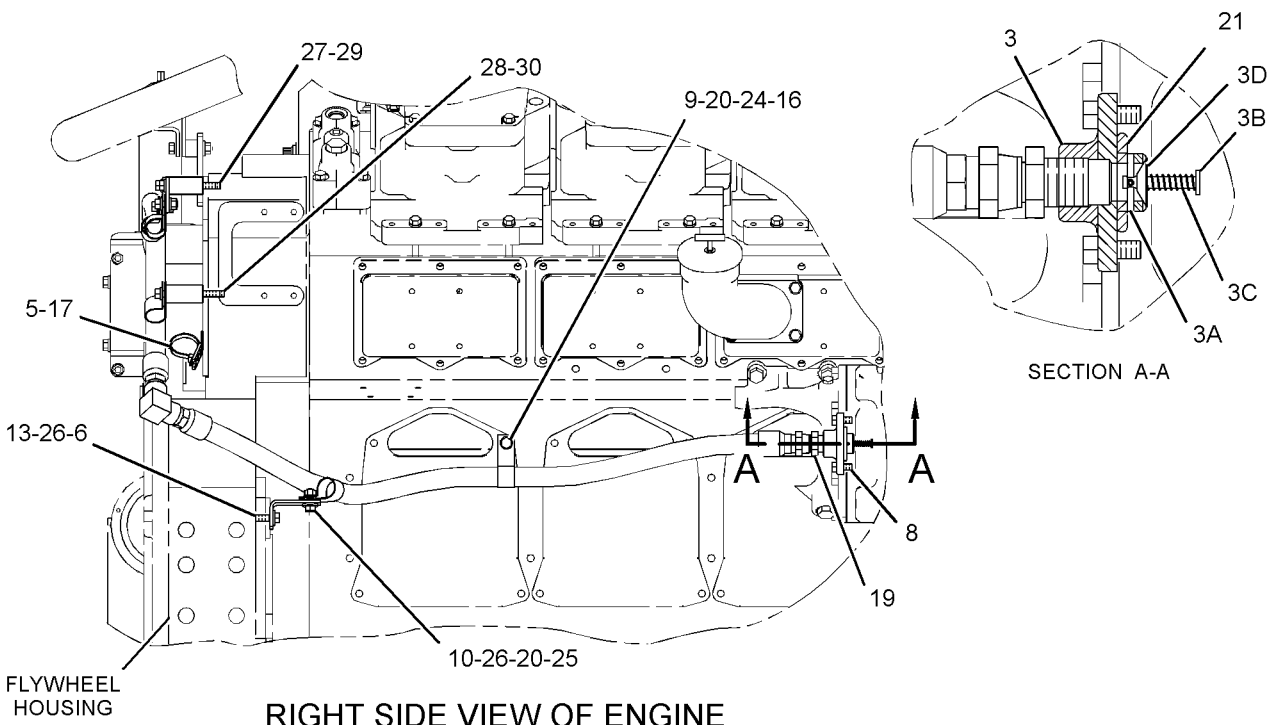
LUBRICATION SYSTEM

300-5790 LINES GP-OIL SUPPLY (contd.)

i02675589



REAR VIEW OF ENGINE



RIGHT SIDE VIEW OF ENGINE

GRAPHIC #1

<END>

g01345677

LUBRICATION SYSTEM

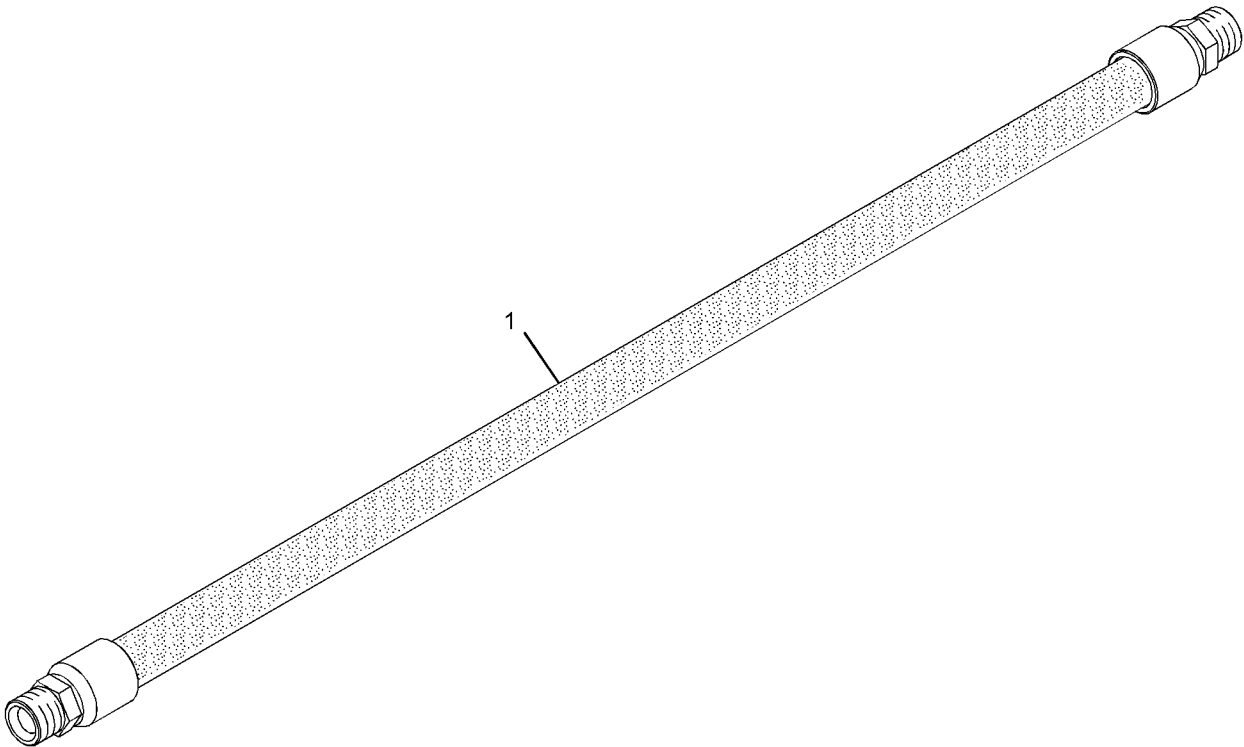
314-3975 LINES GP-OIL SUPPLY AN ATTACHMENT

SMCS-1307

i02990700

NOTE	REF NO	GRAPHIC REF	PART NUMBER	QTY	PART NAME						SEE PAGE
					1	2	3	4	5	6 (PRODUCT LEVEL)	
I	1	1	3N-4868	1	HOSE AS						

I-REFER TO HYDRAULIC INFORMATION SYSTEM



GRAPHIC #1

<END>

g01516735

LUBRICATION SYSTEM

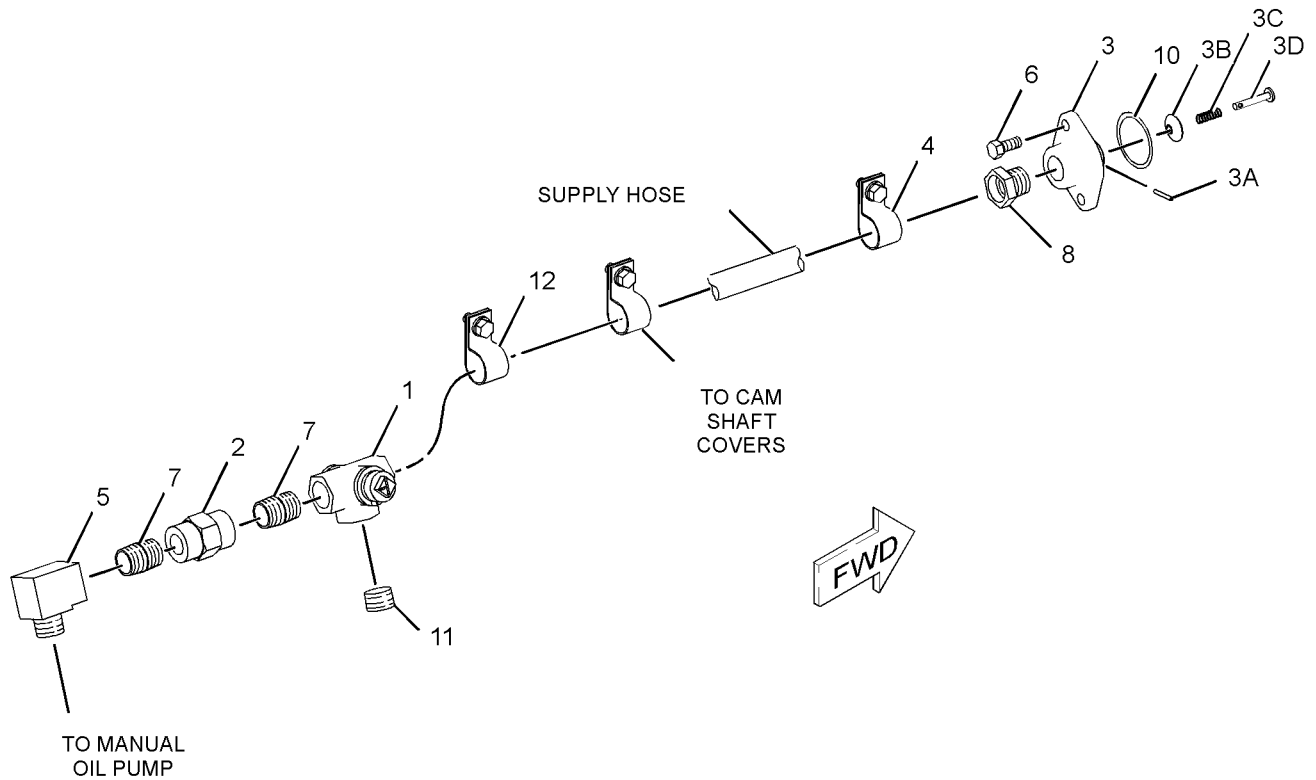
5N-6241 LINES GP-PRELUBRICATION-RH AN ATTACHMENT

SMCS-1307, 1319

i02406091

NOTE	REF NO	GRAPHIC REF	PART NUMBER	QTY	PART NAME						SEE PAGE
					1	2	3	4	5	6 (PRODUCT LEVEL)	
	1	1	3N-7057	1	VALVE AS (3-WAY) (OIL SUPPLY)						
	2	1	6B-1667	1	UNION						
	3	1	7N-6570	1	ADAPTER AS						
	3A	1	3H-3433	1	PIN-SPRING						
	3B	1	9L-0672	1	VALVE-CHECK						
	3C	1	9H-2367	1	SPRING-VALVE						
	3D	1	1P-5274	1	PIN-VALVE SPRING						
	4	1	134-5645	1	CLIP						
	5	1	003-9163	1	ELBOW						
	6	1	0L-1351	2	BOLT (3/8-16X0.875-IN)						
	7	1	3B-7745	2	NIPPLE-PIPE						
	8	1	5F-6371	1	CONNECTOR						
	10	1	5P-5846	1	SEAL-O-RING						
	11	1	7X-7731	1	PLUG-PIPE						
B	12	1	134-5645	2	CLIP						

B-USE AS REQUIRED



GRAPHIC #1

<END>

g01211509

LUBRICATION SYSTEM

282-4201 LINES GP-TURBOCHARGER OIL

SMCS-1052, 1307

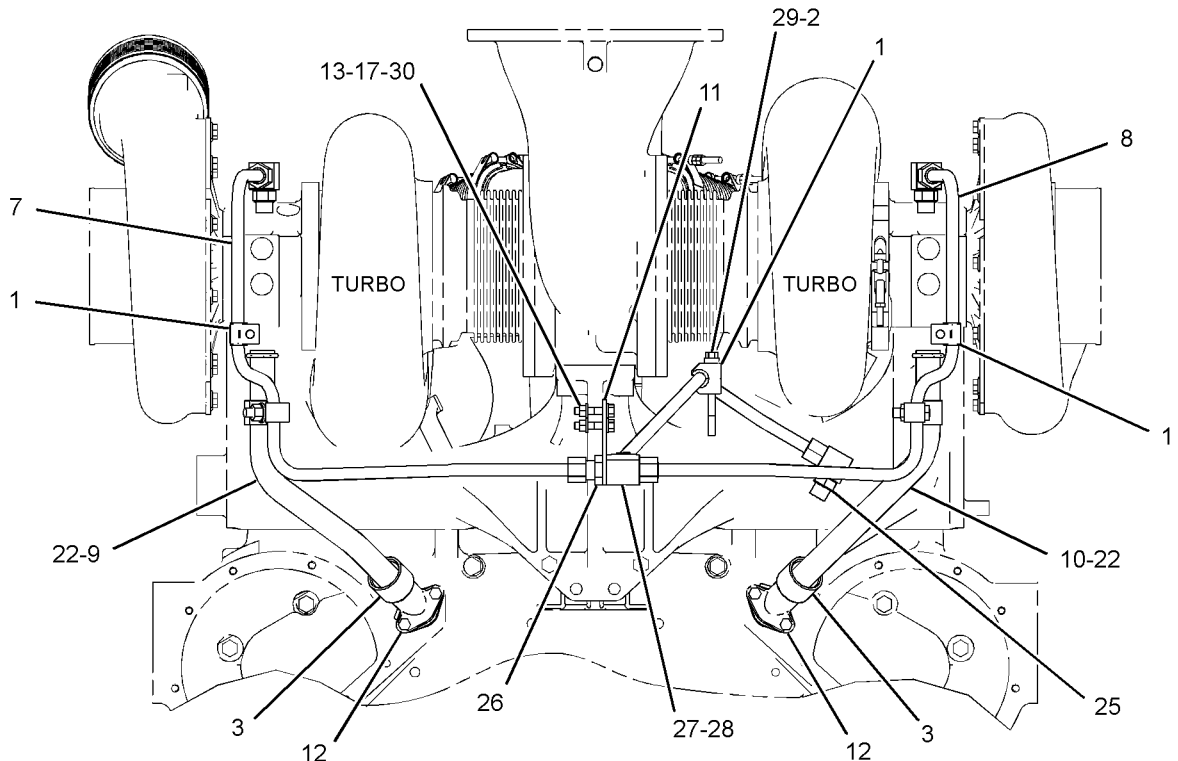
i02985466

NOTE	REF NO	GRAPHIC REF	PART NUMBER	QTY	PART NAME						SEE PAGE
					1	2	3	4	5	6 (PRODUCT LEVEL)	
	1	1	4P-0692	6	CLAMP AS						
					(EACH INCLUDES)						
		1	108-1434	1	GROMMET						
	2	1	6W-2928	1	BOSS						
	3	1	125-2784	2	ELBOW						
	4	1	166-4116	2	SPACER (10X16X20-MM THK)						
	5	1	252-8374	2	GASKET						
	6	1	282-4121	1	TUBE AS						
	7	1	282-4123	1	TUBE AS						
	8	1	282-4124	1	TUBE AS						
	9	1	282-4125	1	TUBE						
	10	1	307-8309	1	TUBE						
	11	1	282-4209	1	BRACKET						
	12	1	0L-1143	4	BOLT (3/8-16X2.5-IN)						
	13	1	0S-1571	2	BOLT (3/8-16X1.75-IN)						
	14	1	0S-1585	2	BOLT (1/2-13X1.5-IN)						
	15	1	1F-7958	2	NUT-FULL (1/2-13-THD)						
	16	1	304-8000	2	ELBOW AS						
					(EACH INCLUDES)						
		1	227-0057	1	ELBOW						
		1	228-7091	1	SEAL-O-RING						
		1	228-7105	1	SEAL-O-RING						
	17	1	5M-2894	4	WASHER-HARD (10.2X18.5X2.5-MM THK)						
	18	1	5P-8245	4	WASHER-HARD (13.5X25.5X3-MM THK)						
	19	1	6K-4934	2	CLIP (SLOT)						
	20	1	6K-4935	2	CLIP (TAB)						
	22	1	6V-5134	4	SEAL-O-RING						
	23	1	6V-6758	2	CLIP						
	24	1	6V-6759	2	CLIP						
	25	1	281-5975	1	ELBOW AS						
		1	6V-8626	1	ELBOW						
		1	228-7091	1	SEAL-O-RING						
		1	238-5081	1	SEAL-O-RING						
	26	1	6V-9170	1	NUT-BULKHEAD (1-14-THD)						
	27	1	6V-9350	1	TEE-BULKHEAD						
	28	1	228-7091	3	SEAL-O-RING						
	29	1	8S-9191	1	BOLT (3/8-16X4-IN)						
	30	1	9S-8752	2	NUT-FULL (3/8-16-THD)						

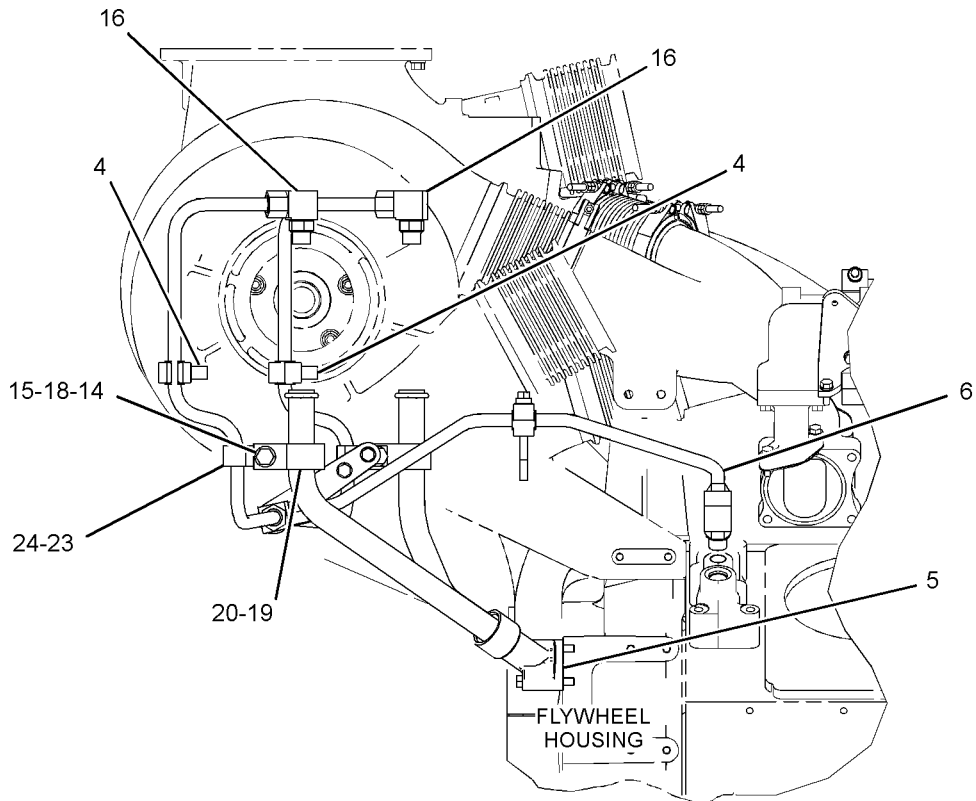
LUBRICATION SYSTEM

282-4201 LINES GP-TURBOCHARGER OIL (contd.)

i02985466



REAR VIEW OF ENGINE



RIGHT SIDE VIEW OF ENGINE

GRAPHIC #1

<END>

g01607276

LUBRICATION SYSTEM

5N-6237 PUMP GP-ENGINE OIL-MANUAL LUBRICATION

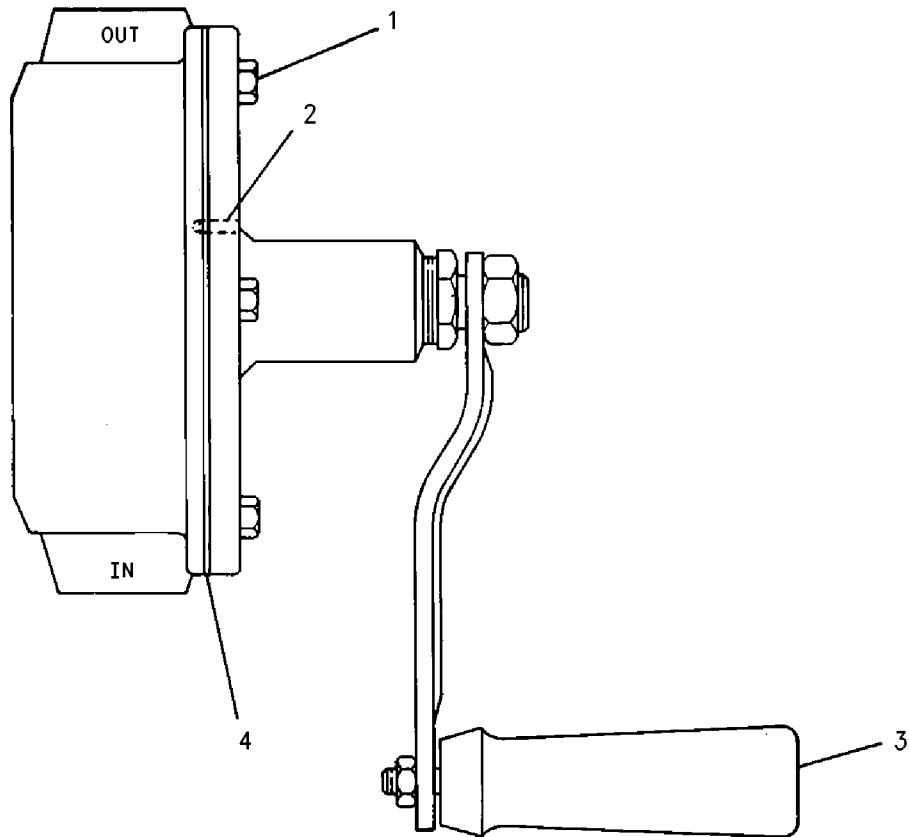
PART OF 7W-9703, 7W-9704 PUMP GP-SUMP
AN ATTACHMENT

SMCS-1304, 1315

i03645887

NOTE	REF NO	GRAPHIC REF	PART NUMBER	QTY	PART NAME						SEE PAGE
					1	2	3	4	5	6 (PRODUCT LEVEL)	
	1	1	2A-0762	2	BOLT (1/4-20X0.625-IN)						
	2	1	3N-3297	2	PIN-TAPERED						
	3	1	5N-6255	1	HANDLE AS						
B	4	1	3N-3299	1	GASKET SET (INCLUDES 4 GASKETS)						
AVAILABLE REPAIR KIT(S):											
			3N-3300	1	KIT-PUMP (SUMP) (INCLUDES VANE, SPRING, PACKING, NUT & GASKET)						

B-USE AS REQUIRED



GRAPHIC #1

<END>

g00621010

LUBRICATION SYSTEM

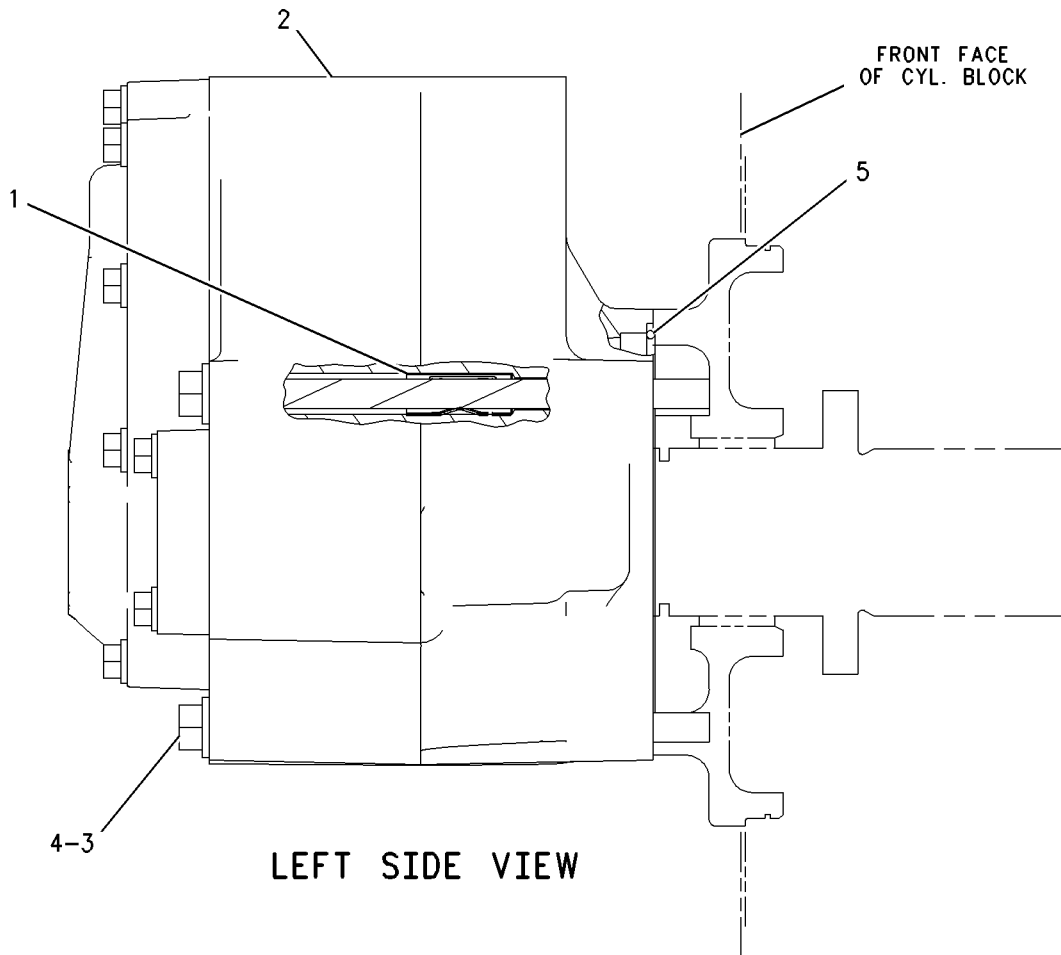
231-4915 PUMP GP-ENGINE OIL TWO SECTION GEAR

SMCS-1304, 1315

i02672640

NOTE	REF NO	GRAPHIC REF	PART NUMBER	QTY	PART NAME						SEE PAGE
					1	2	3	4	5	6 (PRODUCT LEVEL)	
	1	1	9M-4355	3	DAMPER-BOLT						
Y	2	1	231-5127	1	PUMP GP-ENGINE OIL (TWO SECTION)						148
	3	1	1B-3573	3	BOLT (1/2-13X8.5-IN)						
	4	1	5P-8245	3	WASHER-HARD (13.5X25.5X3-MM THK)						
	5	1	298-6387	1	SEAL-O-RING						

Y-SEPARATE ILLUSTRATION



GRAPHIC #1

<END>

g01002443

LUBRICATION SYSTEM

231-5127 PUMP GP-ENGINE OIL

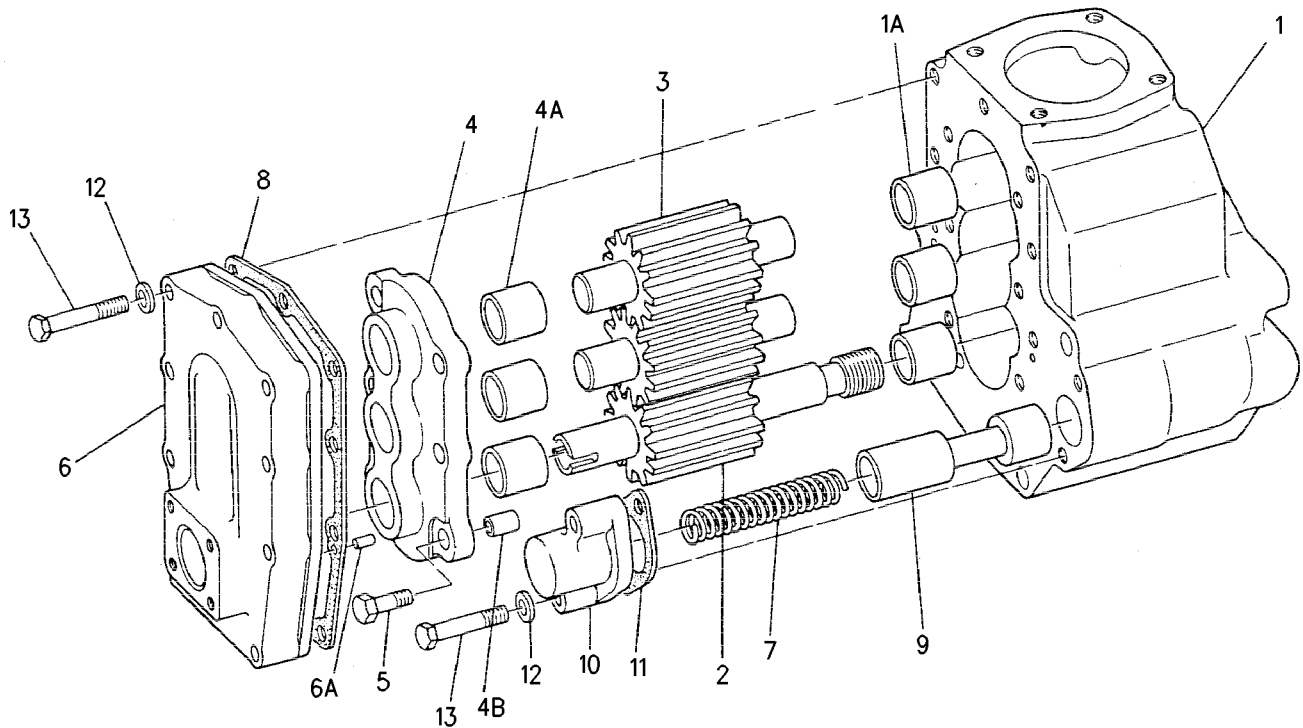
TWO SECTION

PART OF 231-4915 PUMP GP-ENGINE OIL

SMCS-1304, 1315

i01926102

NOTE	REF NO	GRAPHIC REF	PART NUMBER	QTY	PART NAME						SEE PAGE
					1	2	3	4	5	6 (PRODUCT LEVEL)	
	1	1	106-9871	1	BODY AS-OIL PUMP						
	1A	1	1W-6005	3	BEARING-SLEEVE						
	2	1	106-9869	1	SHAFT AS-OIL PUMP DRIVE						
	3	1	106-9867	2	SHAFT AS-IDLER						
	4	1	7W-0050	1	COVER AS-PUMP						
	4A	1	1W-6005	3	BEARING-SLEEVE						
	4B	1	4M-3248	2	DOWEL-HOLLOW						
	5	1	0S-1585	6	BOLT (1/2-13X1.5-IN)						
	6	1	1N-4637	1	COVER AS-PUMP						
	6A	1	7N-2043	2	DOWEL						
	7	1	107-7175	1	SPRING						
	8	1	7N-5057	1	GASKET						
	9	1	7N-5449	1	SPOOL-PRESSURE RELIEF						
	10	1	231-5128	1	COVER						
	11	1	111-1349	1	GASKET						
	12	1	5M-2894	11	WASHER-HARD (10.2X18.5X2.5-MM THK)						
	13	1	0S-1590	11	BOLT (3/8-16X2-IN)						



GRAPHIC #1

<END>

g01002429

LUBRICATION SYSTEM

261-6795 PUMP GP-PRELUBRICATION-DEEP SUMP AN ATTACHMENT

SMCS-1319

i03096366

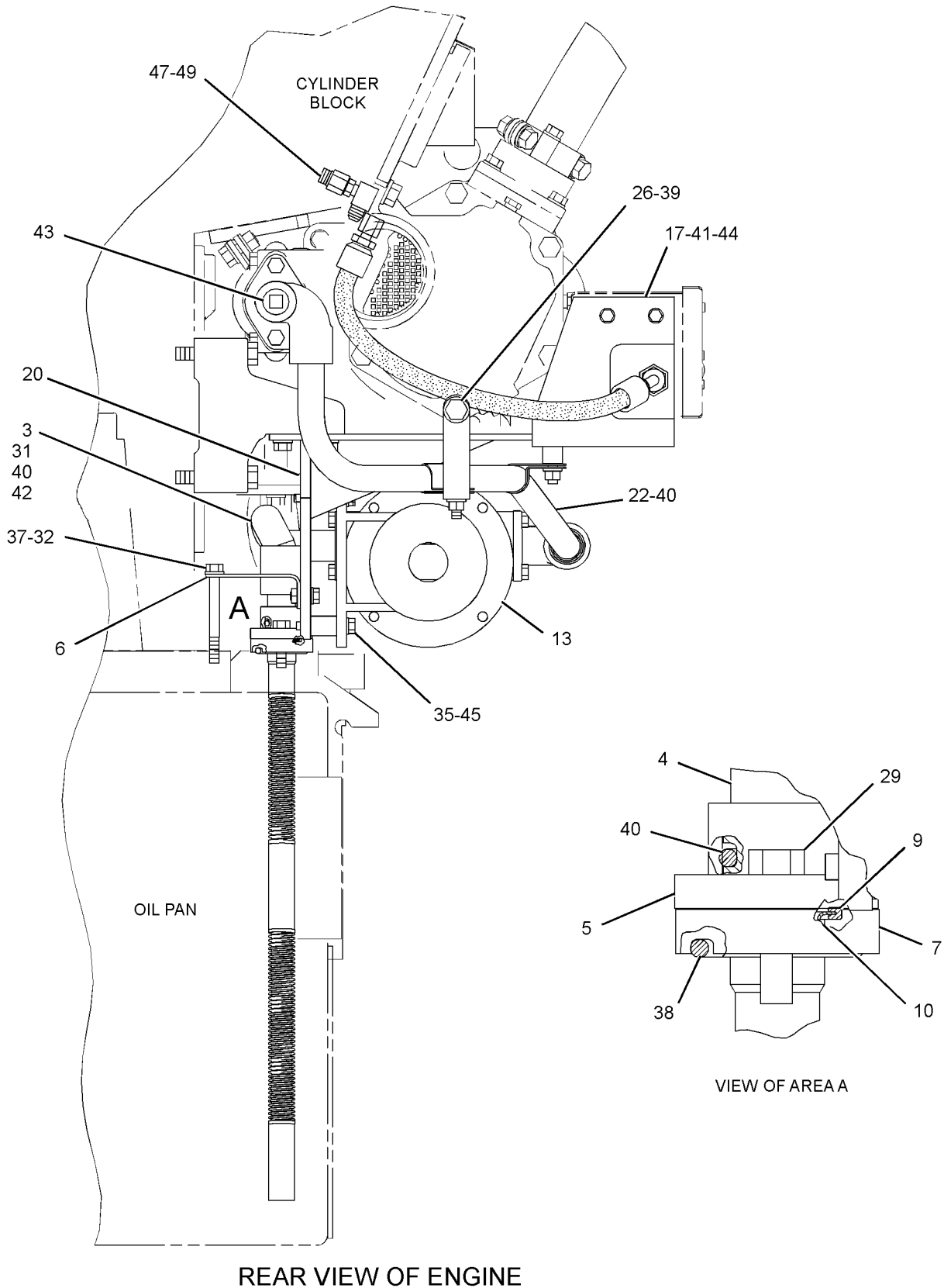
NOTE	REF NO	GRAPHIC REF	PART NUMBER	QTY	PART NAME						SEE PAGE
					1	2	3	4	5	6 (PRODUCT LEVEL)	
	1	2	1M-3381	4	SPACER (0.438X0.75X1-IN THK)						
	2	2	1N-3872	2	SUPPORT						
	3	1	1W-3942	1	ELBOW						
	4	1	1W-3943	1	COUPLING						
	5	1	1W-3944	1	FLANGE						
	6	1	1W-4257	1	BRACKET AS						
		1	4K-9097	2	NUT-WELD (5/16-18-THD)						
	7	1	1W-4820	1	HOSE AS						
	8	2	1W-8188	1	ELBOW						
	9	1	2G-6303	1	SEAL						
	10	1	2G-6304	1	STRAINER AS (PRELUBRICATION PUMP)						
	11	2	2W-0694	1	ELBOW AS-VALVE						
		2	1P-5274	1	PIN-VALVE SPRING						
		2	7L-0811	1	DOWEL						
		2	9B-0701	2	SPRING						
		2	9H-2367	1	SPRING-VALVE						
		2	9L-0672	1	VALVE-CHECK						
	12	2	3F-2065	1	LOCKNUT (1/2-14-NPTF-THD)						
Y	13	1	302-8729	1	PUMP GP-PRELUBRICATION (24-VDC)						152
	14	2	4W-9149	1	SPACER (10.5X19X16.75-MM THK)						
	15	2	5N-8943	1	ADAPTER						
	16	2	5N-9073	1	CLIP						
	17	1	6I-0744	1	BRACKET						
	18	2	032-1267	1	CONNECTOR						
	19	2	258-6653	1	HOSE AS						
	20	1	258-7997	1	BRACKET AS						
	21	2	261-1854	1	BRACKET						
	22	1	261-6796	1	TUBE						
	25	2	0L-1351	2	BOLT (3/8-16X0.875-IN)						
	26	1	0S-1585	1	BOLT (1/2-13X1.5-IN)						
	27	2	0S-1588	3	BOLT (3/8-16X1.25-IN)						
	28	2	0S-1590	1	BOLT (3/8-16X2-IN)						
	29	1	0S-1591	2	BOLT (3/8-16X1.5-IN)						
	30	2	0S-1594	4	BOLT (3/8-16X1-IN)						
	31	1,2	0S-1617	8	BOLT (5/16-18X0.75-IN)						
	32	1	0T-0065	2	BOLT (3/8-16X3.5-IN)						
	33	2	1A-5822	4	BOLT (1/2-13X2.75-IN)						
	34	2	2B-2694	4	BOLT (5/16-18X2-IN)						
	35	1	2B-2695	2	BOLT (5/16-18X0.875-IN)						
	36	2	2L-9653	2	CLIP						
	37	1,2	5M-2894	14	WASHER-HARD (10.2X18.5X2.5-MM THK)						
	38	1,2	5P-5846	2	SEAL-O-RING						
	39	1	5P-8245	1	WASHER-HARD (13.5X25.5X3-MM THK)						
	40	1	5P-9890	4	SEAL-O-RING						
	41	1	5S-7349	4	BOLT (1/4-20X0.5-IN)						
	42	1,2	6V-5100	2	SEAL-O-RING						
	43	1	7X-7731	1	PLUG-PIPE						
	44	1	8T-4205	4	WASHER-HARD (7.2X14.5X2-MM THK)						
	45	1,2	9M-1974	6	WASHER-HARD (8.8X16X2-MM THK)						
	46	2	9S-8752	4	NUT-FULL (3/8-16-THD)						
	47	1	153-4906	1	SEAL-O-RING						
	48	2	5P-2645	1	ELBOW						
	49	1	5P-9617	1	ADAPTER						
	50	2	6V-5048	1	SEAL-O-RING						

Y-SEPARATE ILLUSTRATION

LUBRICATION SYSTEM

261-6795 PUMP GP-PRELUBRICATION (contd.)

i03096366



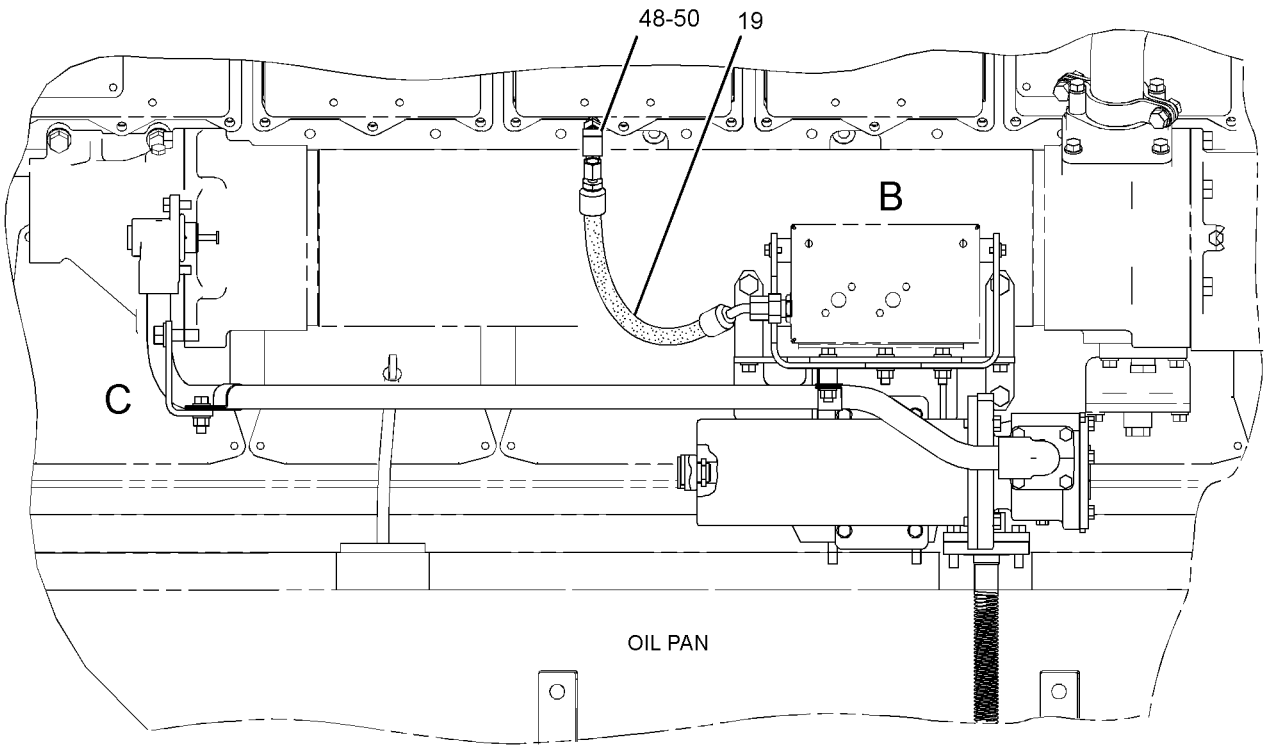
GRAPHIC #1

g01441568

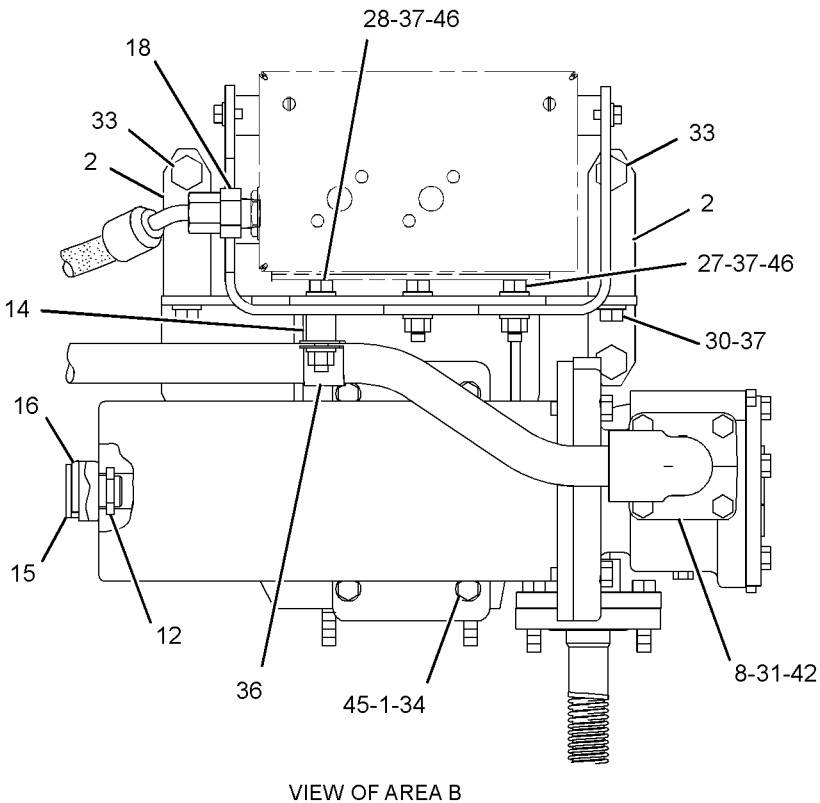
LUBRICATION SYSTEM

261-6795 PUMP GP-PRELUBRICATION (contd.)

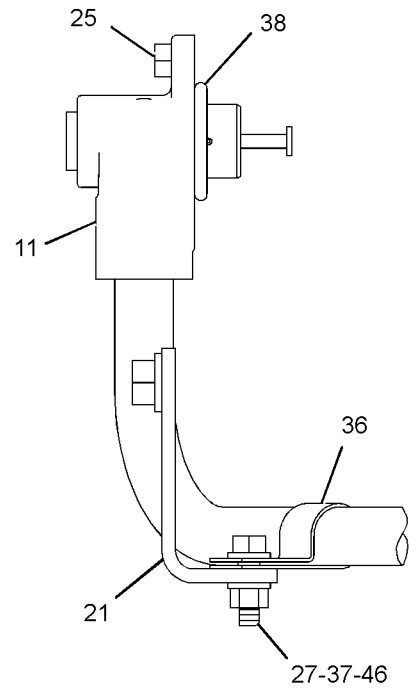
i03096366



RIGHT SIDE VIEW OF ENGINE



VIEW OF AREA B



VIEW OF AREA C

GRAPHIC #2

<END>

g01441569

LUBRICATION SYSTEM

302-8729 PUMP GP-PRELUBRICATION

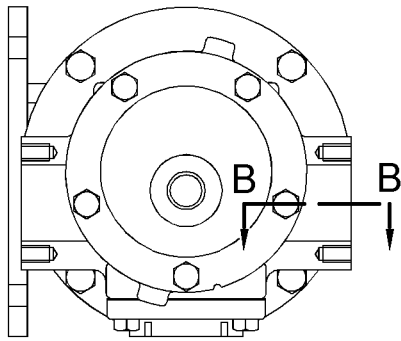
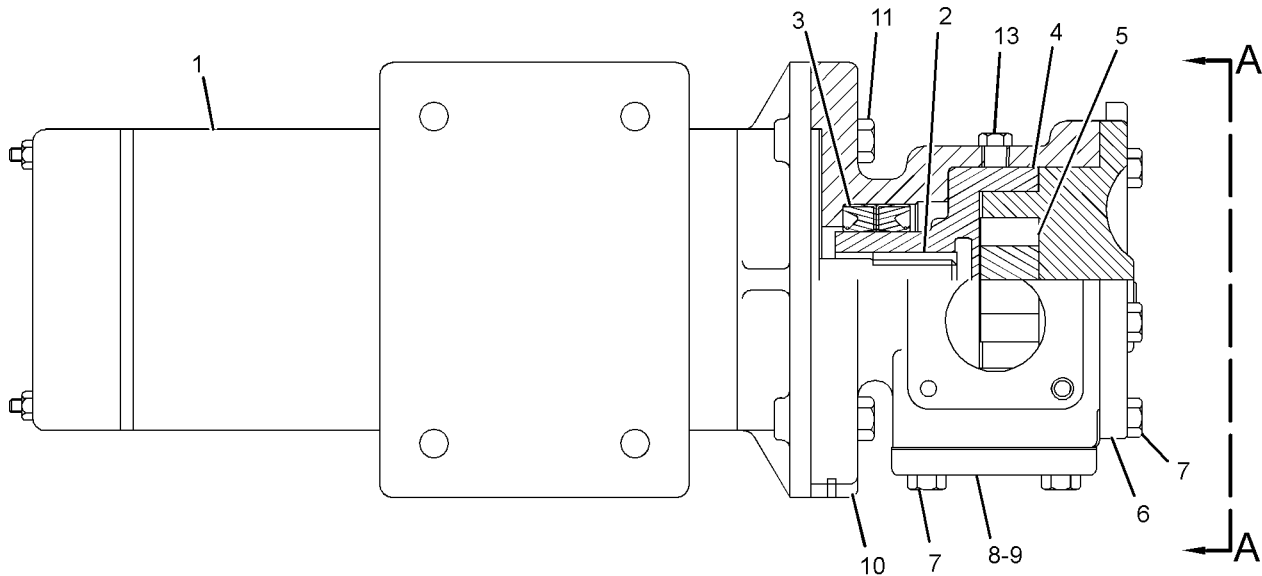
24-VOLT

PART OF 261-6795 PUMP GP-PRELUBRICATION
AN ATTACHMENT

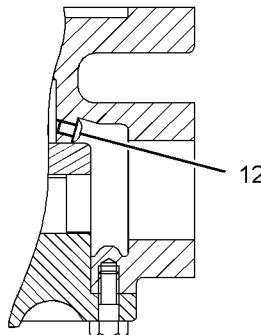
SMCS-1319

i02715916

NOTE	REF NO	GRAPHIC REF	PART NUMBER	QTY	PART NAME						SEE PAGE
					1	2	3	4	5	6 (PRODUCT LEVEL)	
	1	1	302-8728	1	MOTOR AS-PRELUBRICATION						
	2	1	008-8694	1	KEY						
	3	1	1H-5959	2	SEAL-LIP TYPE						
	4	1	6N-5595	1	ROTOR						
	5	1	2N-7523	1	IDLER AS (7-TEETH)						
	6	1	2N-7524	1	HEAD AS						
	7	1	0S-1617	9	BOLT (5/16-18X0.75-IN)						
	8	1	2N-7521	1	COVER						
	9	1	2N-7520	1	GASKET						
	10	1	5N-6668	1	HOUSING						
	11	1	0S-1588	4	BOLT (3/8-16X1.25-IN)						
	12	1	6D-3910	1	SCREW-BUTTON HEAD (10-32X0.25-IN)						
	13	1	5M-6214	2	PLUG-PIPE						



VIEW A-A



SECTION B-B

GRAPHIC #1

<END>

g01364349

LUBRICATION SYSTEM

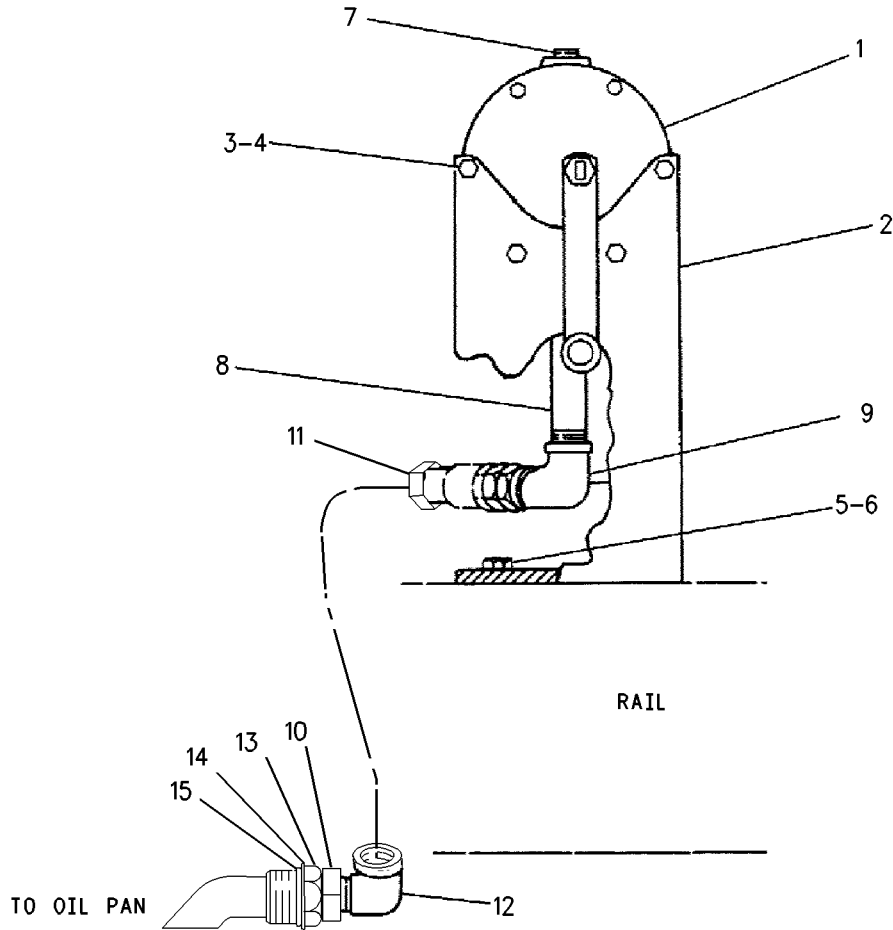
7W-9703 PUMP GP-SUMP AN ATTACHMENT

SMCS-1324

i03877213

NOTE	REF NO	GRAPHIC REF	PART NUMBER	QTY	PART NAME						SEE PAGE
					1	2	3	4	5	6 (PRODUCT LEVEL)	
Y	1	1	5N-6237	1	PUMP GP-ENGINE OIL (MANUAL LUBRICATION)						146
	2	1	5N-6236	1	BRACKET						
	3	1	7X-2501	4	BOLT (1/4-20X1.25-IN)						
	4	1	8T-4205	8	WASHER-HARD (7.2X14.5X2-MM THK)						
	5	1	8T-8917	2	BOLT (1/2-13X1.25-IN)						
	6	1	8T-4223	2	WASHER-HARD (13.5X25.5X3-MM THK)						
	7	1	7X-7731	1	PLUG-PIPE						
	8	1	3B-7265	1	NIPPLE-PIPE						
	9	1	1K-6937	1	ELBOW-PIPE						
	10	1	4P-5242	1	PICKUP AS-OIL						
	11	1	5F-6371	1	CONNECTOR						
	12	1	003-9163	1	ELBOW						
	13	1	0L-0701	1	NUT (1-1/2-12-THD)						
	14	1	1U-4738	1	WASHER (39.3X60X6-MM THK)						
	15	1	4J-0521	1	SEAL-O-RING						

Y-SEPARATE ILLUSTRATION



GRAPHIC #1

<END>

g00778854

LUBRICATION SYSTEM

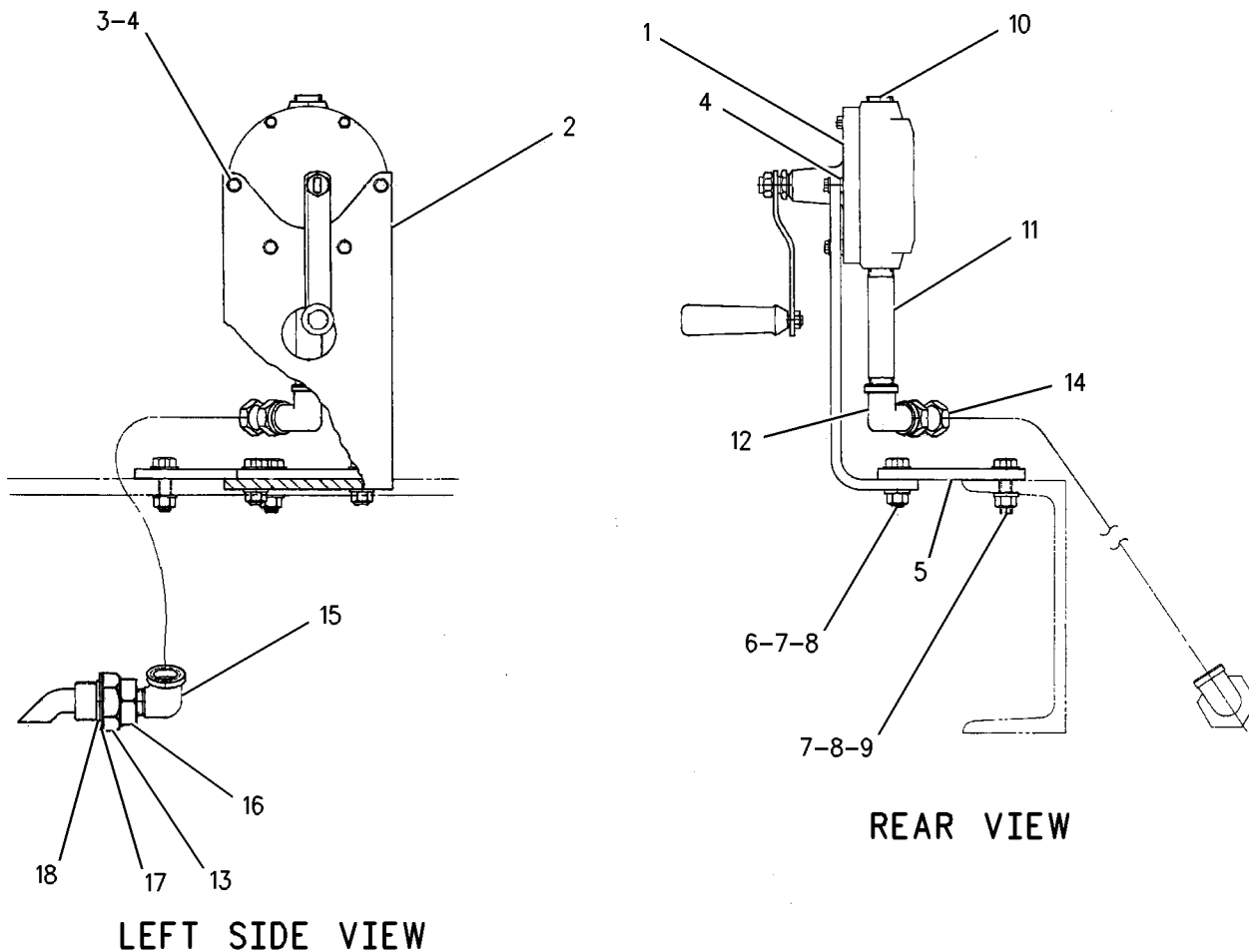
7W-9704 PUMP GP-SUMP AN ATTACHMENT

SMCS-1324

i01496567

NOTE	REF NO	GRAPHIC REF	PART NUMBER	QTY	PART NAME						SEE PAGE
					1	2	3	4	5	6 (PRODUCT LEVEL)	
Y	1	1	5N-6237	1	PUMP GP-ENGINE OIL						146
	2	1	5N-6236	1	BRACKET						
	3	1	7X-2501	4	BOLT (1/4-20X1.25-IN)						
	4	1	8T-4205	8	WASHER-HARD (7.2X14.5X2-MM THK)						
	5	1	5N-6235	1	PLATE						
	6	1	5P-2566	2	BOLT (1/2-13X1.5-IN)						
	7	1	8T-4223	8	WASHER-HARD (13.5X25.5X3-MM THK)						
	8	1	6V-8188	4	NUT (1/2-13-THD)						
	9	1	8T-8919	2	BOLT (1/2-13X1.75-IN)						
	10	1	7X-7731	1	PLUG-PIPE						
	11	1	3B-7265	1	NIPPLE-PIPE						
	12	1	1K-6937	1	ELBOW-PIPE						
C	13	1	0L-0701	1	NUT (1-1/2-12-THD)						
	14	1	5F-6371	1	CONNECTOR						
	15	1	003-9163	1	ELBOW						
C	16	1	4P-5242	1	PICKUP AS-OIL						
C	17	1	1U-4738	1	WASHER (39.3X60X6-MM THK)						
C	18	1	4J-0521	1	SEAL-O-RING						

C-CHANGE FROM PREVIOUS TYPE
Y-SEPARATE ILLUSTRATION



GRAPHIC #1

<END>

g00776889

LUBRICATION SYSTEM

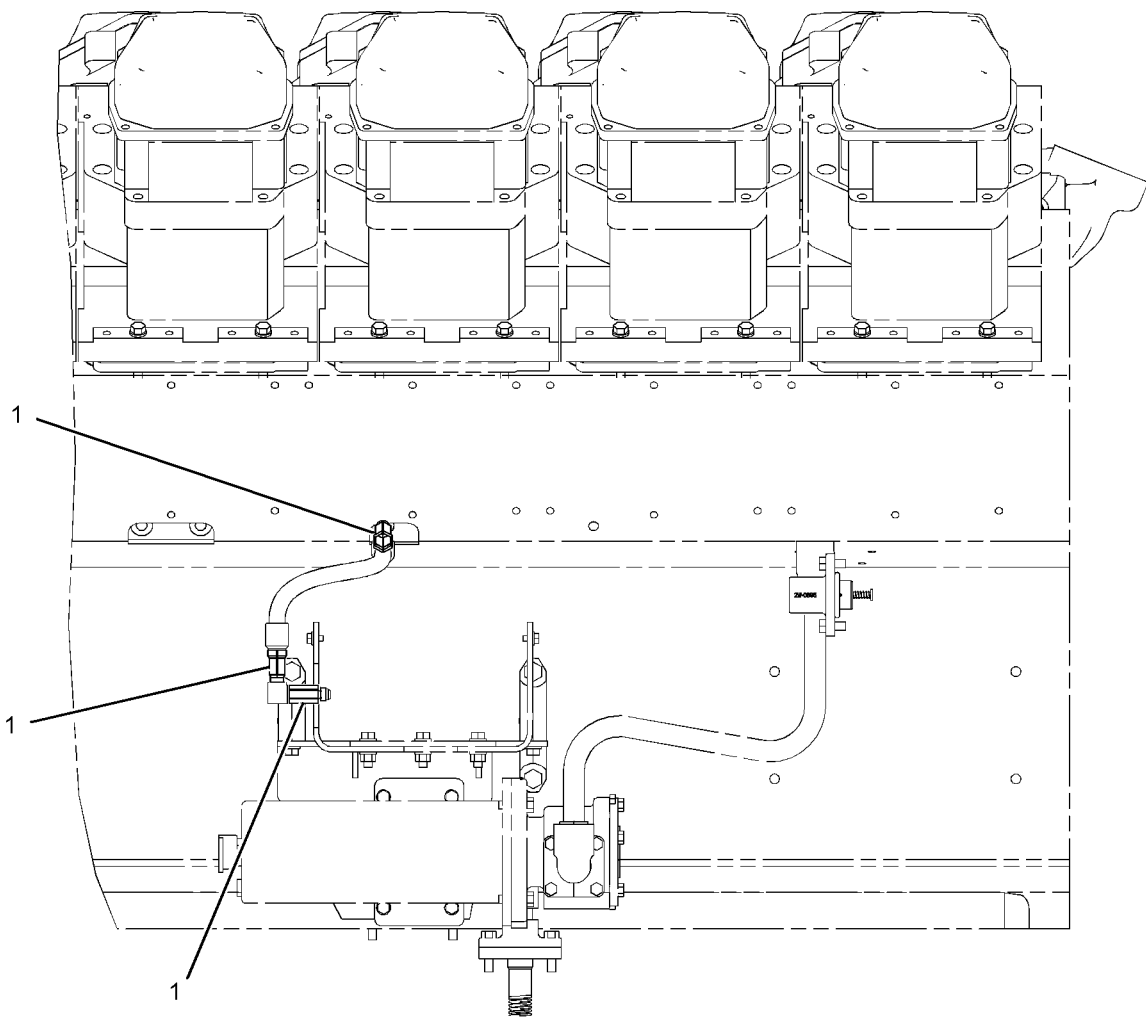
244-0479 SHIELD GP-ENGINE OIL LINES

ANTI-SPLASH
AN ATTACHMENT

SMCS-1307

i02187274

NOTE	REF NO	GRAPHIC REF	PART NUMBER	QTY	PART NAME						SEE PAGE
					1	2	3	4	5	6 (PRODUCT LEVEL)	
B	1	1	237-3860		TAPE (ANTI-SPLASH, 50-MM WIDE) (10-M ROLL)						
B-USE AS REQUIRED											



FRONT VIEW
<END>

GRAPHIC #1

g01069718

LUBRICATION SYSTEM

244-0480 SHIELD GP-ENGINE OIL LINES

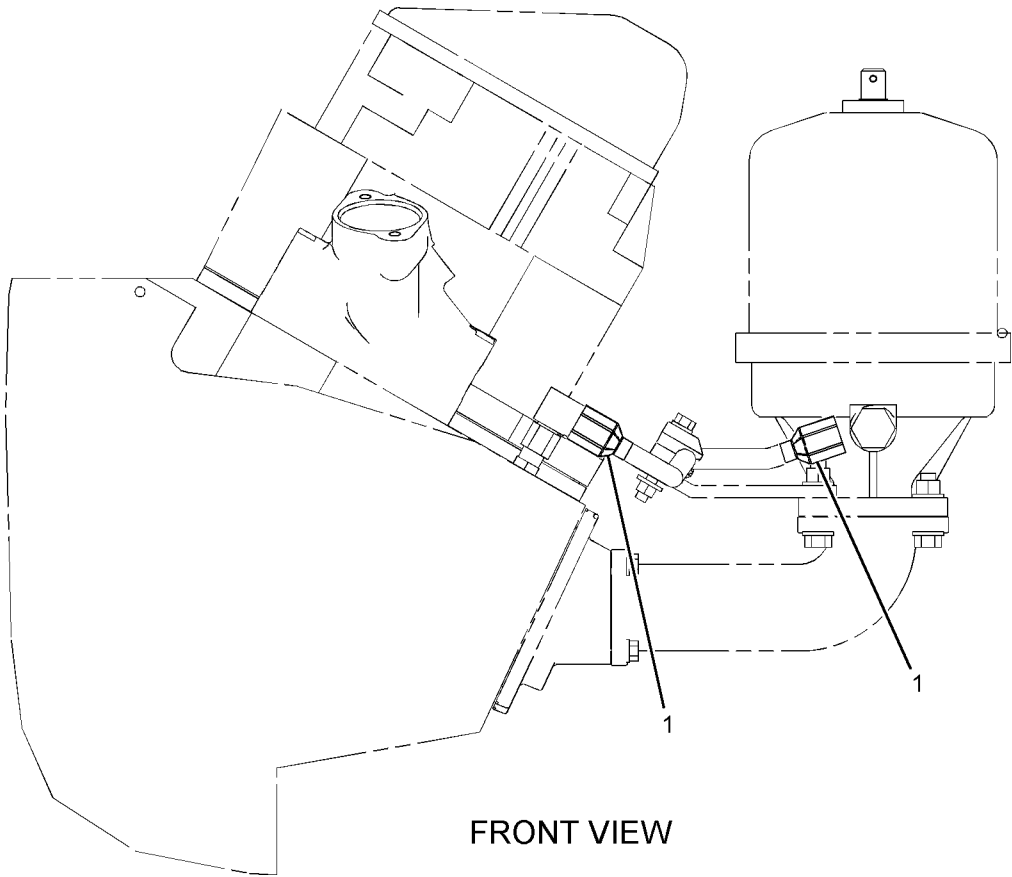
ANTI-SPLASH
AN ATTACHMENT

SMCS-1307

i02187276

NOTE	REF NO	GRAPHIC REF	PART NUMBER	QTY	PART NAME						SEE PAGE
					1	2	3	4	5	6 (PRODUCT LEVEL)	
B	1	1	237-3860		TAPE (ANTI-SPLASH, 50-MM WIDE) (10-M ROLL)						

B-USE AS REQUIRED



GRAPHIC #1

<END>

g01069500

LUBRICATION SYSTEM

306-2157 SHIELD GP-ENGINE OIL LINES

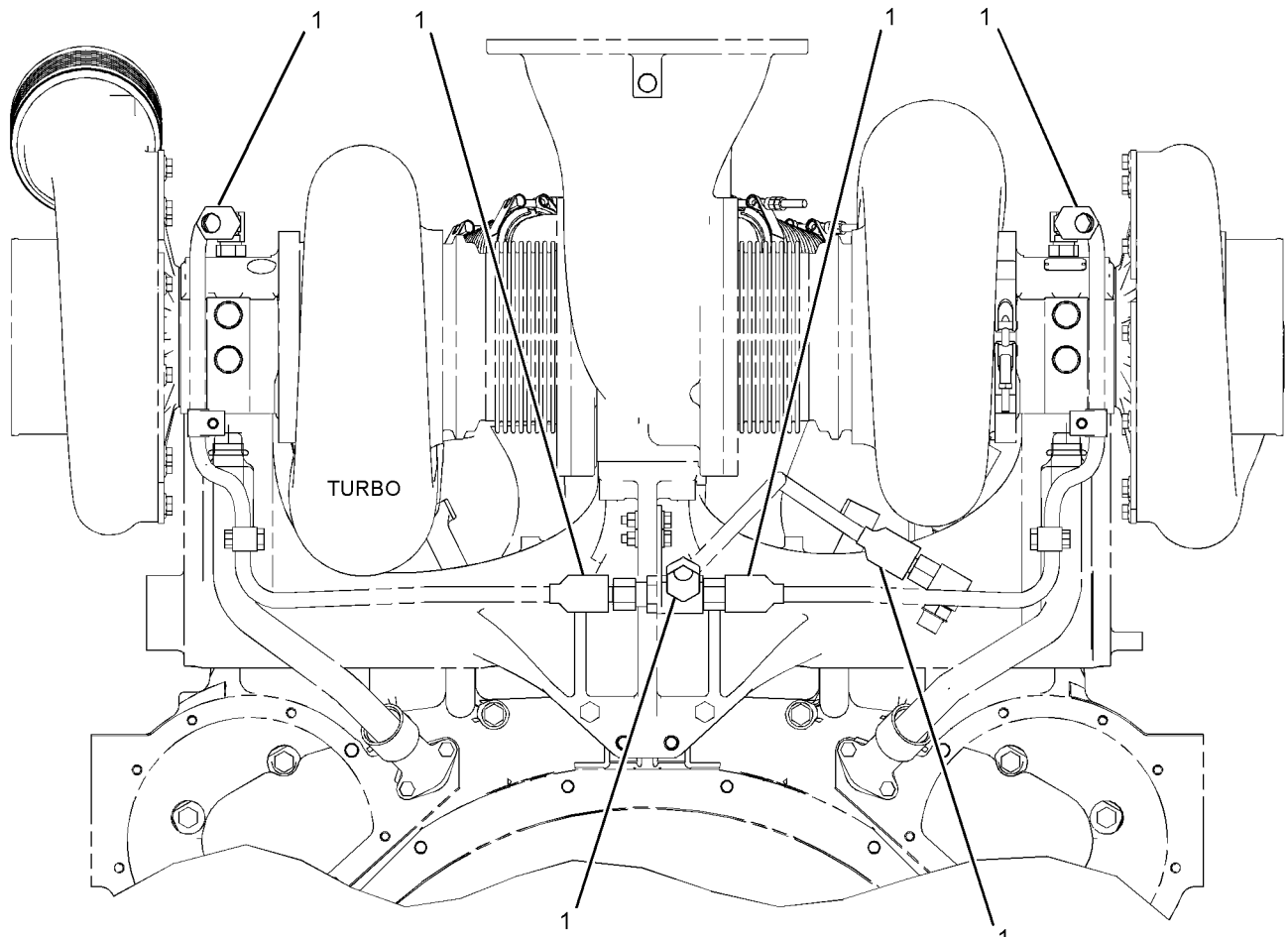
ANTI-SPLASH
AN ATTACHMENT

SMCS-1307

i02703324

NOTE	REF NO	GRAPHIC REF	PART NUMBER	QTY	PART NAME						SEE PAGE
					1	2	3	4	5	6 (PRODUCT LEVEL)	
B	1	1,2	237-3860		TAPE (ANTI-SPLASH, 50-MM WIDE) (10-M ROLL)						

B-USE AS REQUIRED



REAR VIEW OF ENGINE

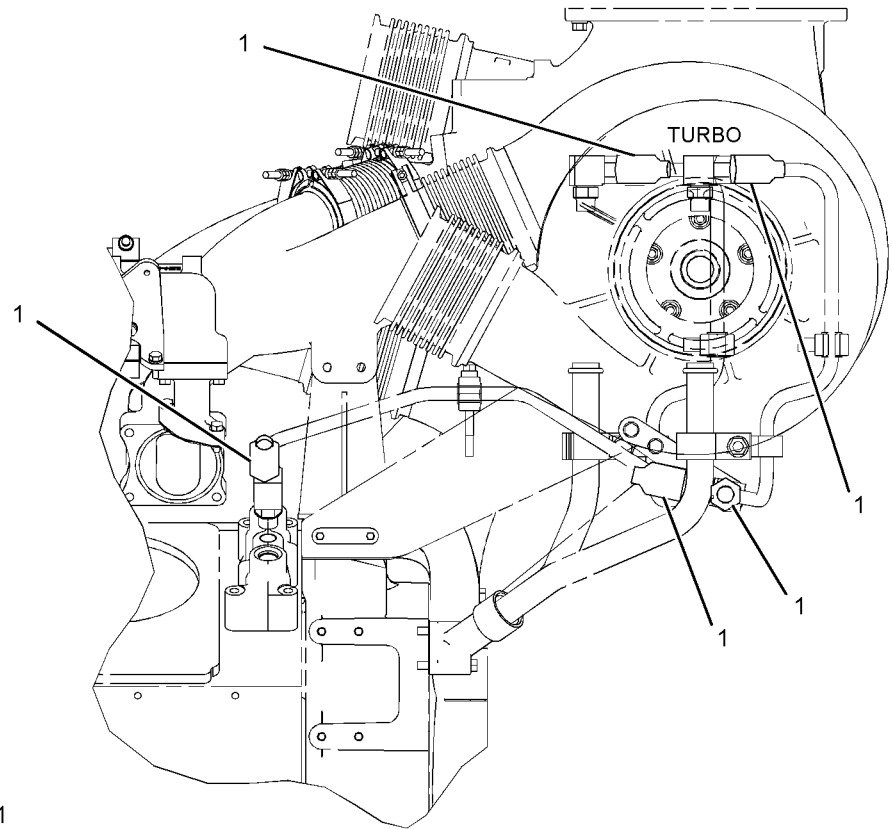
GRAPHIC #1

g01359024

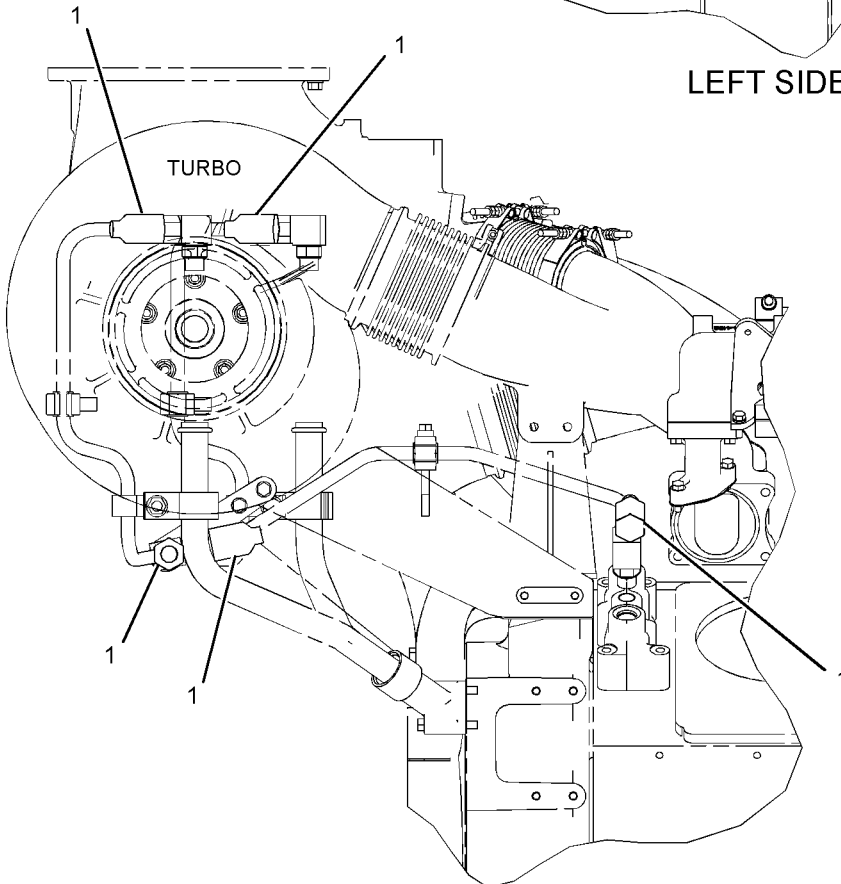
LUBRICATION SYSTEM

306-2157 SHIELD GP-ENGINE OIL LINES (contd.)

i02703324



LEFT SIDE VIEW OF ENGINE



RIGHT SIDE VIEW OF ENGINE

GRAPHIC #2

<END>

g01359025

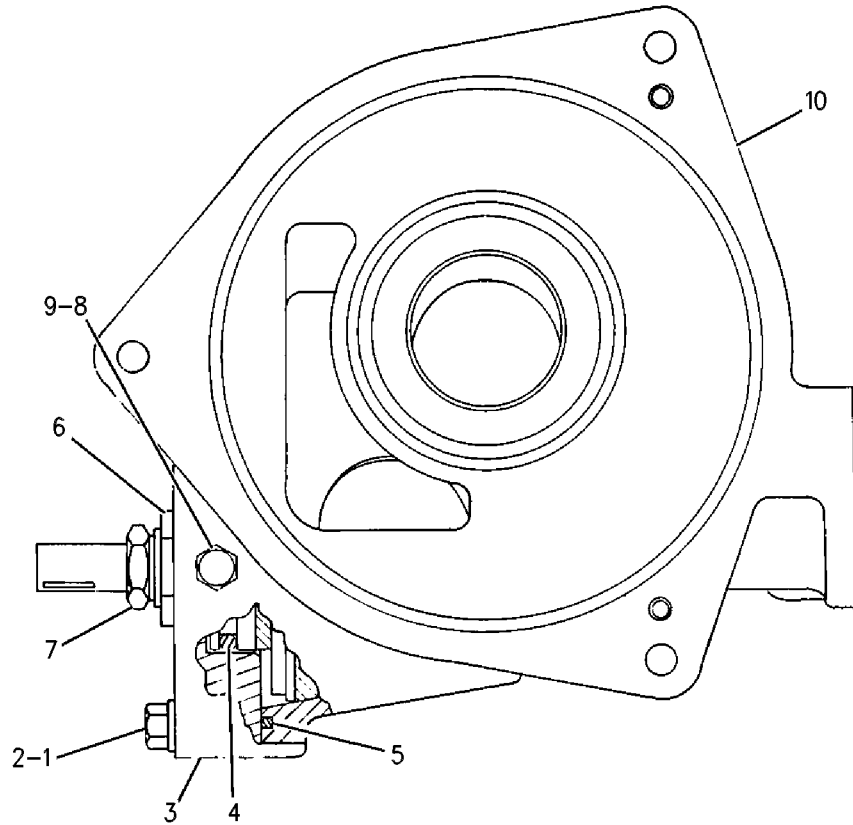
LUBRICATION SYSTEM

7W-3816 VALVE GP-FLUID CONTROL-DUPLEX OIL PART OF 120-4501 FILTER GP-ENGINE OIL AN ATTACHMENT

SMCS-7560

i02640558

NOTE	REF NO	GRAPHIC REF	PART NUMBER	QTY	PART NAME						SEE PAGE
					1	2	3	4	5	6 (PRODUCT LEVEL)	
	1	1	0S-1571	2	BOLT (3/8-16X1.75-IN)						
	2	1	5M-2894	2	WASHER-HARD (10.2X18.5X2.5-MM THK)						
	3	1	2W-0013	1	COVER AS						
		1	7S-2245	1	DOWEL						
		1	3H-2617	1	PIN-SPRING						
4	1	1	9M-2610	1	SEAL-O-RING						
5	1	1	5D-5957	1	SEAL-O-RING						
6	1	1	3B-7329	1	NUT (1-14-THD)						
7	1	1	5H-7225	1	NUT-RETAINER (1-11/16-THD)						
8	1	1	9S-4182	1	PLUG-O RING						
9	1	1	6V-5048	1	SEAL-O-RING						
10	1	1	2W-9210	1	VALVE AS-OIL (DUPLEX)						
		1	4H-6996	1	PIN-SPRING						
		1	7N-2043	3	DOWEL						



GRAPHIC #1

<END>

g00623922

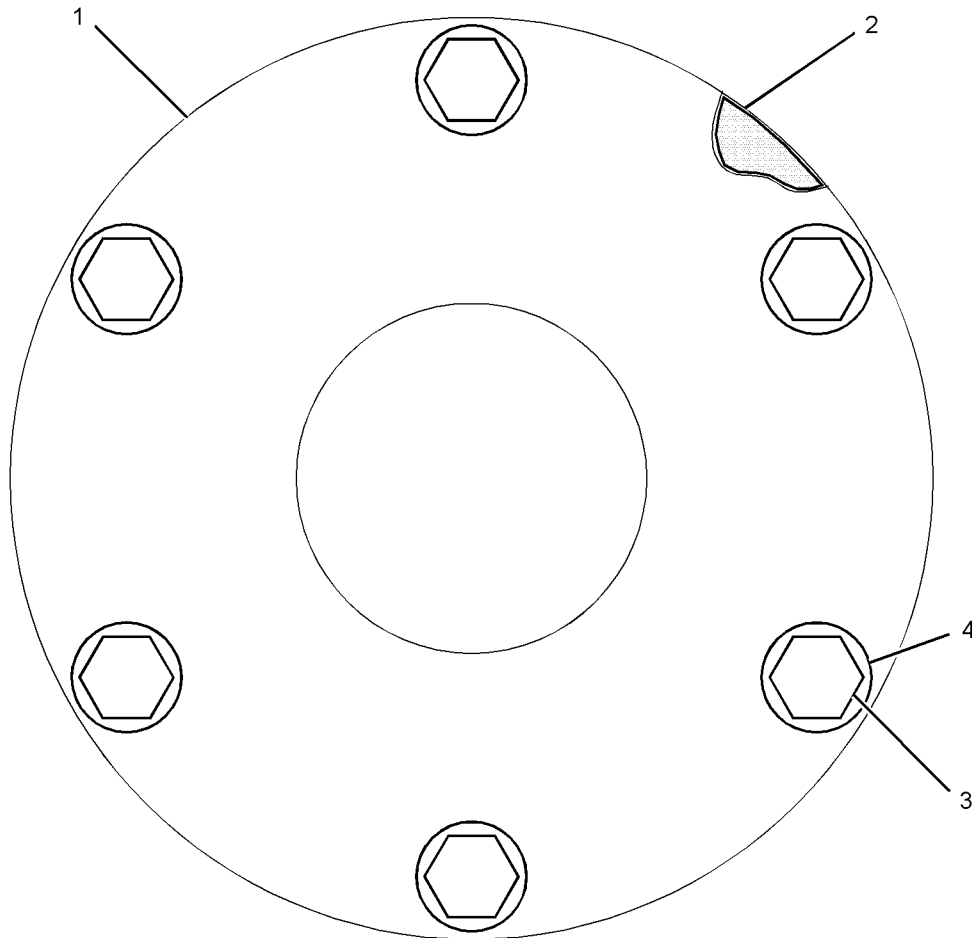
COOLING SYSTEM

3N-2652 CONNECTION GP-EXPANSION TANK-AUXILIARY AN ATTACHMENT

SMCS-1354

i02346068

NOTE	REF NO	GRAPHIC REF	PART NUMBER	QTY	PART NAME						SEE PAGE
					1	2	3	4	5	6 (PRODUCT LEVEL)	
	1	1	2N-7604	1	FLANGE						
	2	1	3H-5939	2	GASKET-HEAT EXCHANGER						
	3	1	0S-1594	6	BOLT (3/8-16X1-IN)						
	4	1	3V-3308	6	WASHER-HARD (10.2X20.5X2.5-MM THK)						



GRAPHIC #1

<END>

g01172854

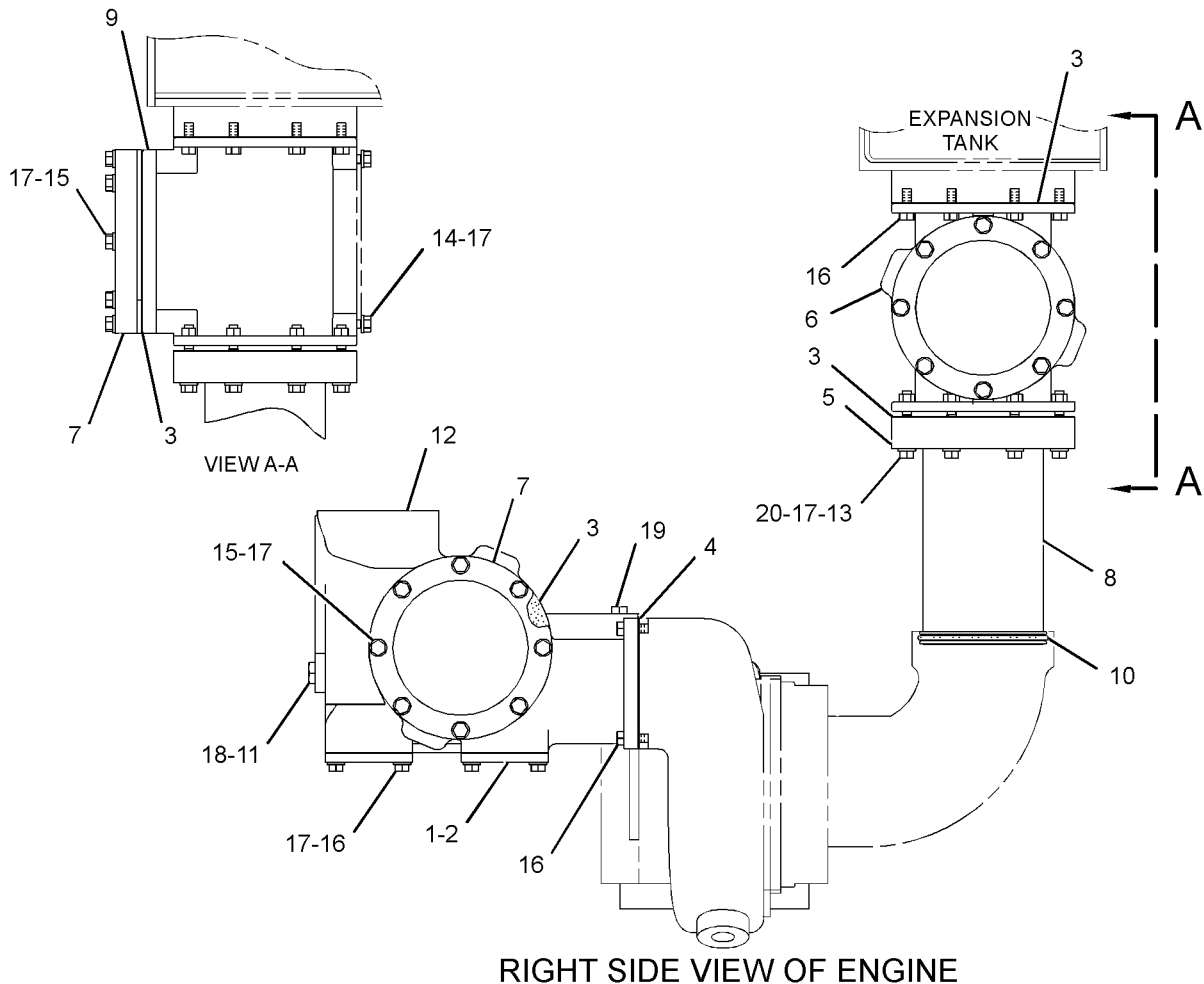
COOLING SYSTEM

7N-6965 CONNECTION GP-WATER-INLET AN ATTACHMENT

SMCS-1380

i02429378

NOTE	REF NO	GRAPHIC REF	PART NUMBER	QTY	PART NAME						SEE PAGE
					1	2	3	4	5	6 (PRODUCT LEVEL)	
	1	1	1N-4859	2	GASKET						
	2	1	1N-4860	2	COVER						
	3	1	1S-5772	4	GASKET						
	4	1	7N-4932	1	GASKET						
	5	1	7N-5120	1	FLANGE						
	6	1	7N-7008	2	PLATE						
	7	1	7N-7009	2	FLANGE						
	8	1	7N-7010	1	TUBE						
	9	1	7N-7012	1	HOUSING						
	10	1	8T-2903	2	SEAL-O-RING						
	11	1	9S-4185	1	PLUG-O-RING						
	12	1	120-7420	1	ADAPTER						
	13	1	0L-1143	8	BOLT (3/8-16X2.5-IN)						
	14	1	0S-0509	2	BOLT (3/8-16X0.75-IN)						
	15	1	0S-1571	16	BOLT (3/8-16X1.75-IN)						
	16	1	0S-1594	20	BOLT (3/8-16X1-IN)						
	17	1	5M-2894	34	WASHER-HARD (10.2X18.5X2.5-MM THK)						
	18	1	6V-6609	1	SEAL-O-RING						
	19	1	8T-6765	1	PLUG-PIPE						
	20	1	9S-8752	8	NUT-FULL (3/8-16-THD)						



RIGHT SIDE VIEW OF ENGINE

<END>

GRAPHIC #1

g01280828

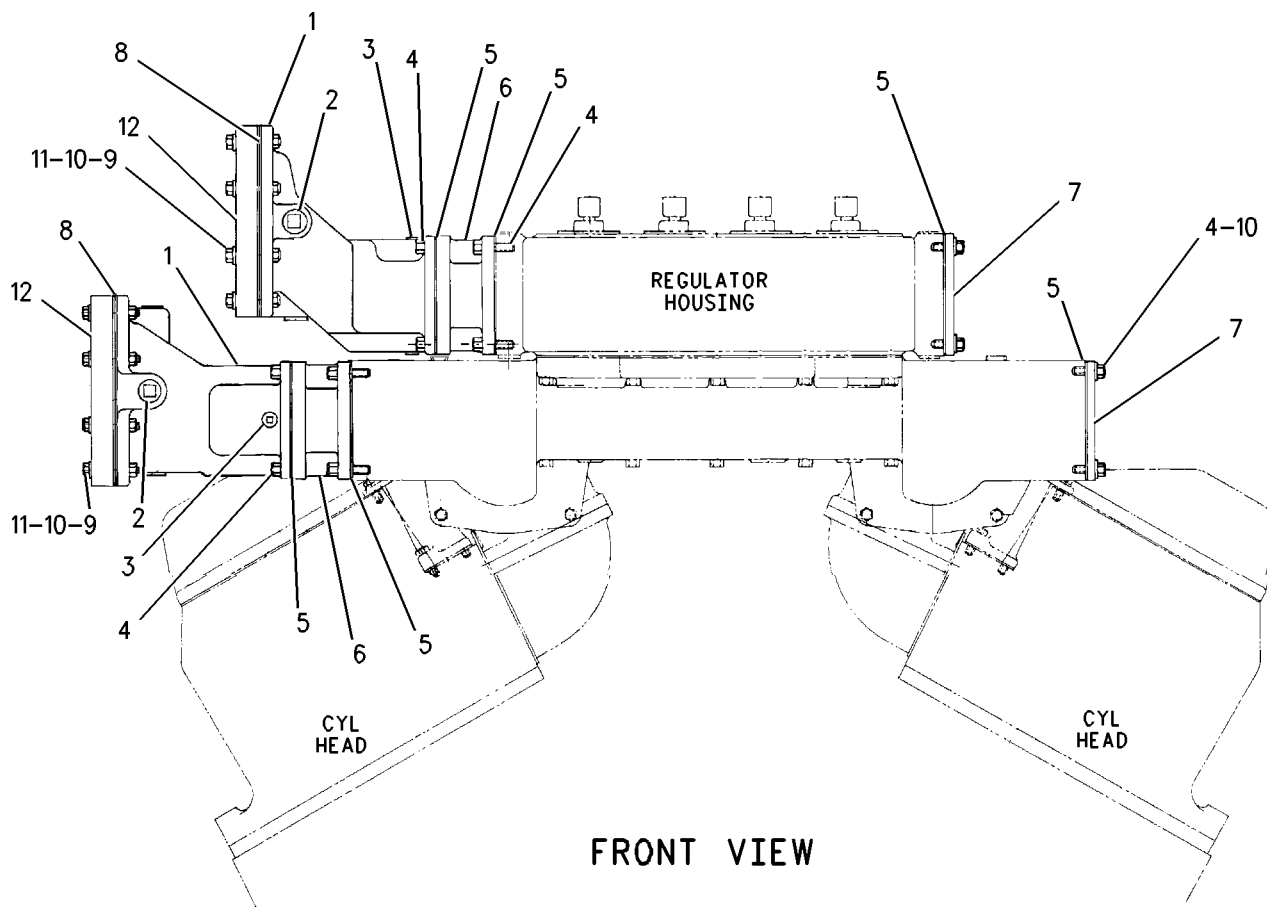
COOLING SYSTEM

7W-5848 CONNECTION GP-WATER-INLET, RH AN ATTACHMENT

SMCS - 1380

i02160294

NOTE	REF NO	GRAPHIC REF	PART NUMBER	QTY	PART NAME						SEE PAGE
					1	2	3	4	5	6 (PRODUCT LEVEL)	
	1	1	1W-2639	2	ADAPTER - EXCHANGER						
	2	1	8T-6762	6	PLUG - PIPE						
	3	1	8T-6758	4	PLUG - PIPE						
	4	1	0S-1594	24	BOLT (3/8-16X1-IN)						
	5	1	7E-6016	6	GASKET						
	6	1	7W-5849	2	SPACER						
	7	1	7E-6017	2	COVER						
	8	1	1S-5772	2	GASKET						
	9	1	0S-1590	16	BOLT (3/8-16X2-IN)						
	10	1	5M-2894	24	WASHER-HARD (10.2X18.5X2.5-MM THK)						
	11	1	9S-8752	16	NUT-FULL (3/8-16-THD)						
	12	1	7N-7009	2	FLANGE						



FRONT VIEW

GRAPHIC #1

<END>

g00705458

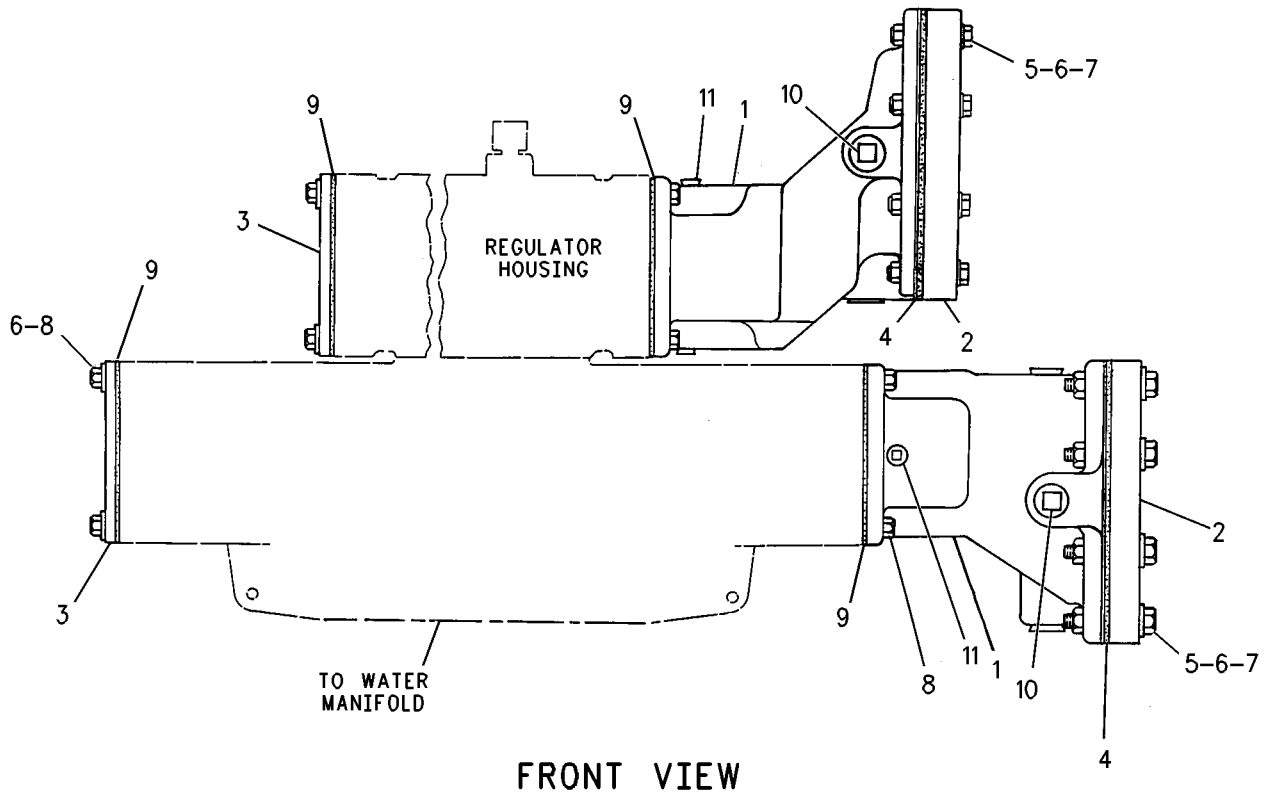
COOLING SYSTEM

8N-8993 CONNECTION GP-WATER-INLET, LH

SMCS-1380

i02356688

NOTE	REF NO	GRAPHIC REF	PART NUMBER	QTY	PART NAME						SEE PAGE
					1	2	3	4	5	6 (PRODUCT LEVEL)	
	1	1	1W-2639	2	ADAPTER-EXCHANGER						
	2	1	7N-7009	2	FLANGE						
	3	1	7E-6017	2	COVER						
	4	1	1S-5772	2	GASKET						
	5	1	0S-1590	16	BOLT (3/8-16X2-IN)						
	6	1	5M-2894	24	WASHER-HARD (10.2X18.5X2.5-MM THK)						
	7	1	9S-8752	16	NUT-FULL (3/8-16-THD)						
	8	1	0S-1594	16	BOLT (3/8-16X1-IN)						
	9	1	7E-6016	4	GASKET						
	10	1	8T-6762	6	PLUG-PIPE						
	11	1	8T-6758	4	PLUG-PIPE						



GRAPHIC #1

<END>

g00863463

COOLING SYSTEM

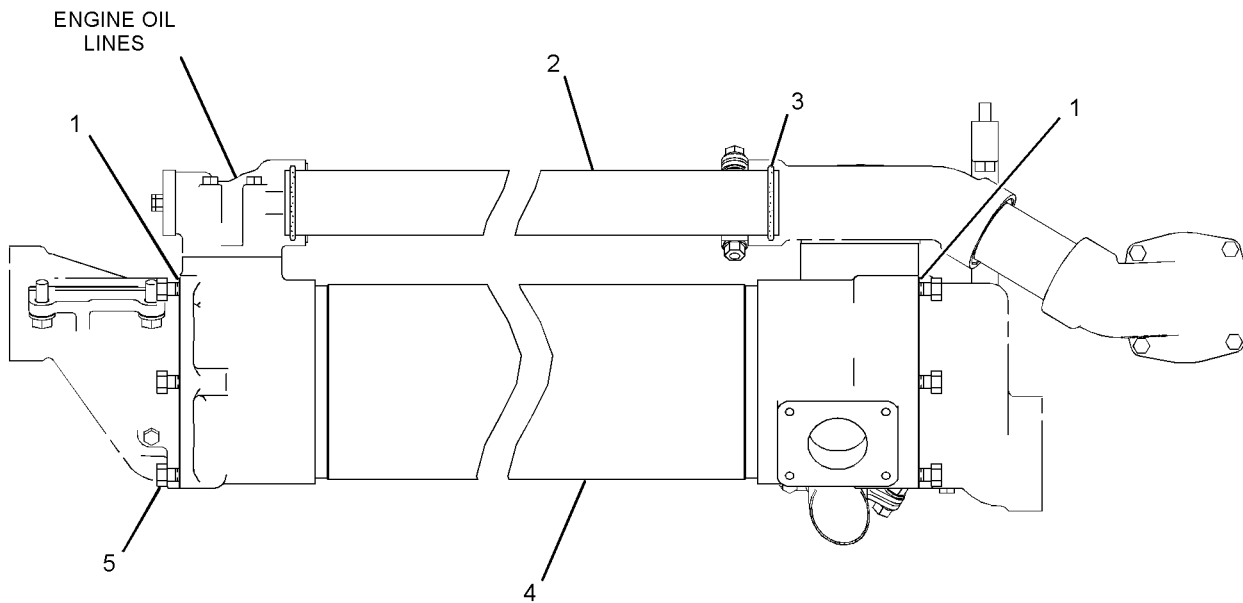
312-6192 COOLER GP-ENGINE OIL

SMCS-1378

i03805088

NOTE	REF NO	GRAPHIC REF	PART NUMBER	QTY	PART NAME						SEE PAGE
					1	2	3	4	5	6 (PRODUCT LEVEL)	
	1	1	105-8901	2	GASKET						
	2	1	152-0993	1	TUBE						
	3	1	237-7623	2	SEAL-O-RING						
R	4	1	197-1928	1	CORE AS (ENGINE OIL COOLER)						
	5	1	0S-1595	12	BOLT (1/2-13X1.25-IN)						

R-REMFG PART MAY BE AVAILABLE



TOP VIEW OF ENGINE

GRAPHIC #1

<END>

g01528594

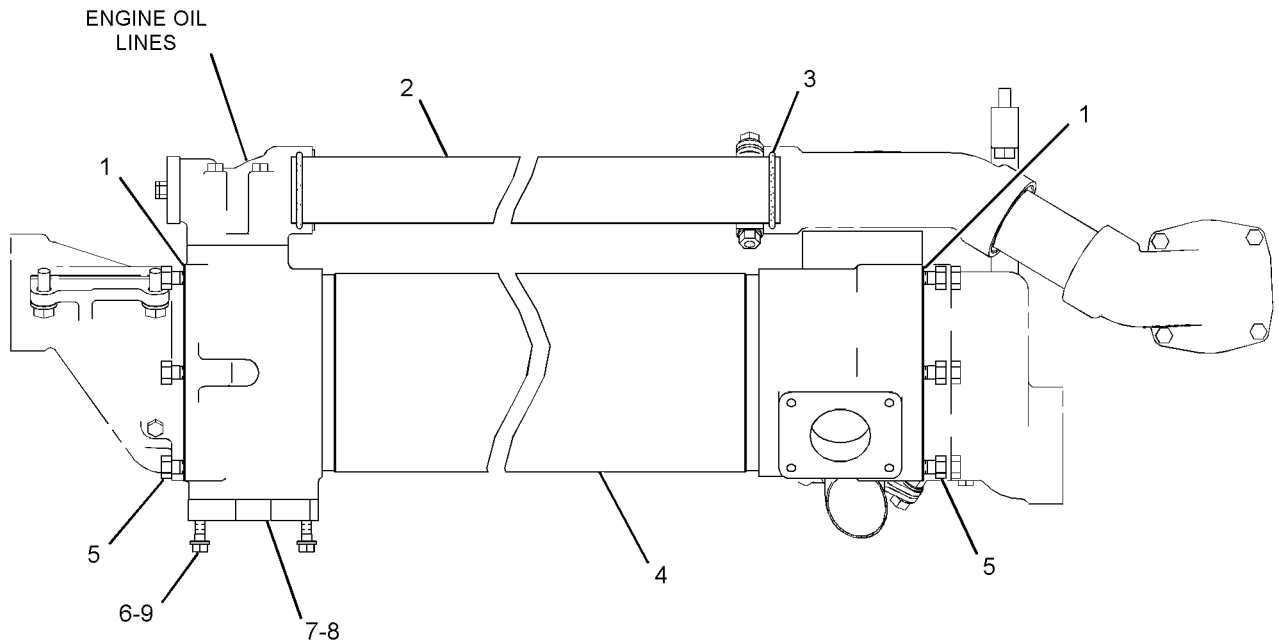
COOLING SYSTEM

319-2418 COOLER GP-ENGINE OIL AN ATTACHMENT

SMCS-1378

i03096002

NOTE	REF NO	GRAPHIC REF	PART NUMBER	QTY	PART NAME						SEE PAGE
					1	2	3	4	5	6 (PRODUCT LEVEL)	
	1	1	105-8901	2	GASKET						
	2	1	152-0993	1	TUBE						
	3	1	237-7623	2	SEAL-O-RING						
	4	1	317-2274	1	CORE AS-ENGINE OIL COOLER						
	5	1	0S-1595	12	BOLT (1/2-13X1.25-IN)						
	6	1	5M-2894	4	WASHER-HARD (10.2X18.5X2.5-MM THK)						
	7	1	6V-0973	1	SEAL-O-RING						
	8	1	7N-5798	1	FLANGE						
	9	1	0S-1591	4	BOLT (3/8-16X1.5-IN)						



TOP VIEW OF ENGINE

GRAPHIC #1

<END>

g01593257

COOLING SYSTEM

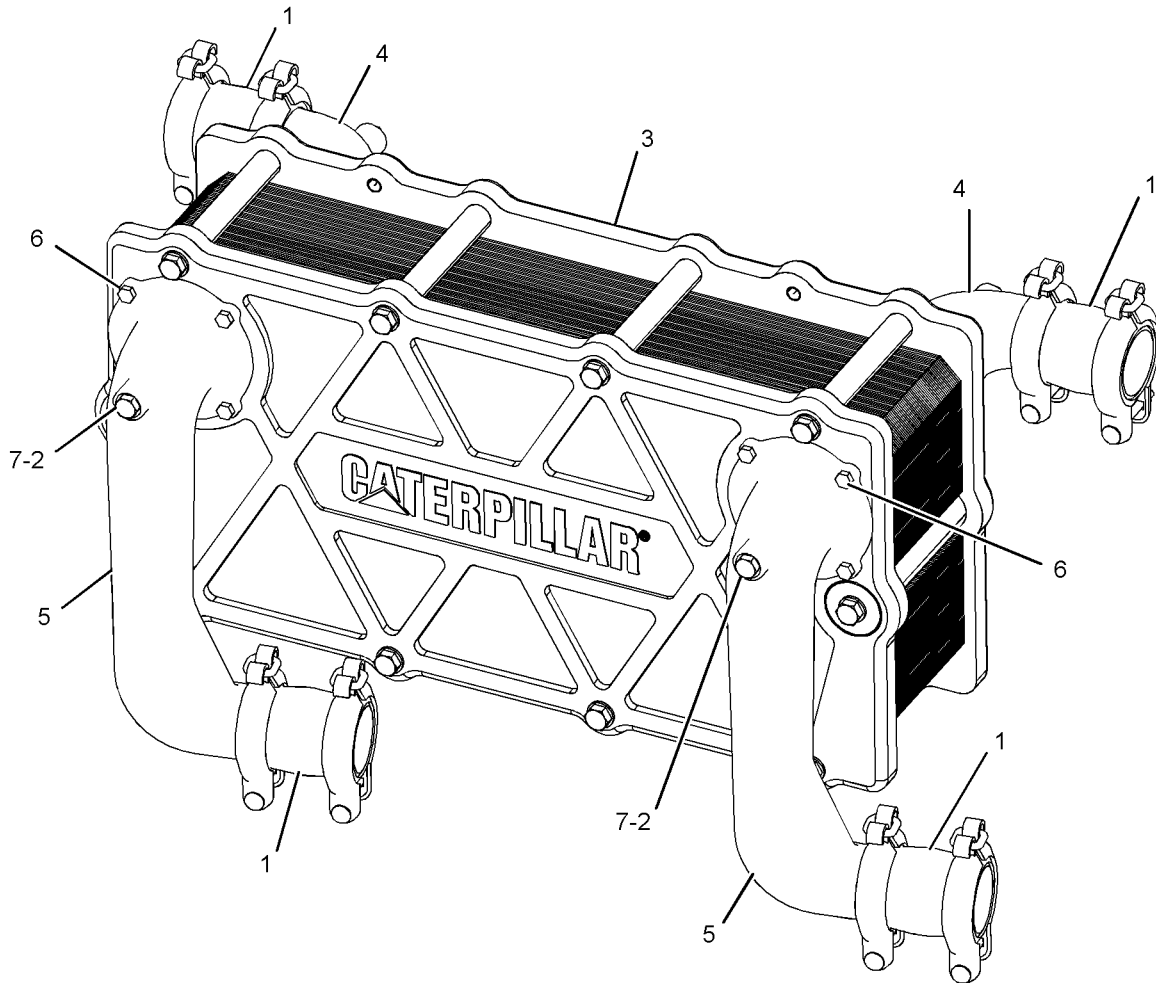
305-8612 HEAT EXCHANGER GP

S/N: JTS1-138
AN ATTACHMENT

SMCS-1379

i03005565

NOTE	REF NO	GRAPHIC REF	PART NUMBER	QTY	PART NAME						SEE PAGE
					1	2	3	4	5	6 (PRODUCT LEVEL)	
	1	1	7L-3201	4	JOINT AS-TUBE						
					(EACH INCLUDES)						
		1	8L-8585	2	SEAL						
	2	1	287-7296	4	PLUG-BRASS						
	3	1	300-5622	1	HEAT EXCHANGER GP-SEA WATER						
	4	1	304-4498	2	ELBOW						
	5	1	304-4499	2	ELBOW						
	6	1	8T-2502	16	BOLT (3/8-16X1.125-IN)						
	7	1	8T-7877	4	SEAL-O-RING						



GRAPHIC #1

<END>

g01368864

COOLING SYSTEM

8N-7643 HOUSING & REGULATOR GP-INLET CONTROL FOR USE WITH EXPANSION TANK AND STANDBY GENERATOR ENGINE

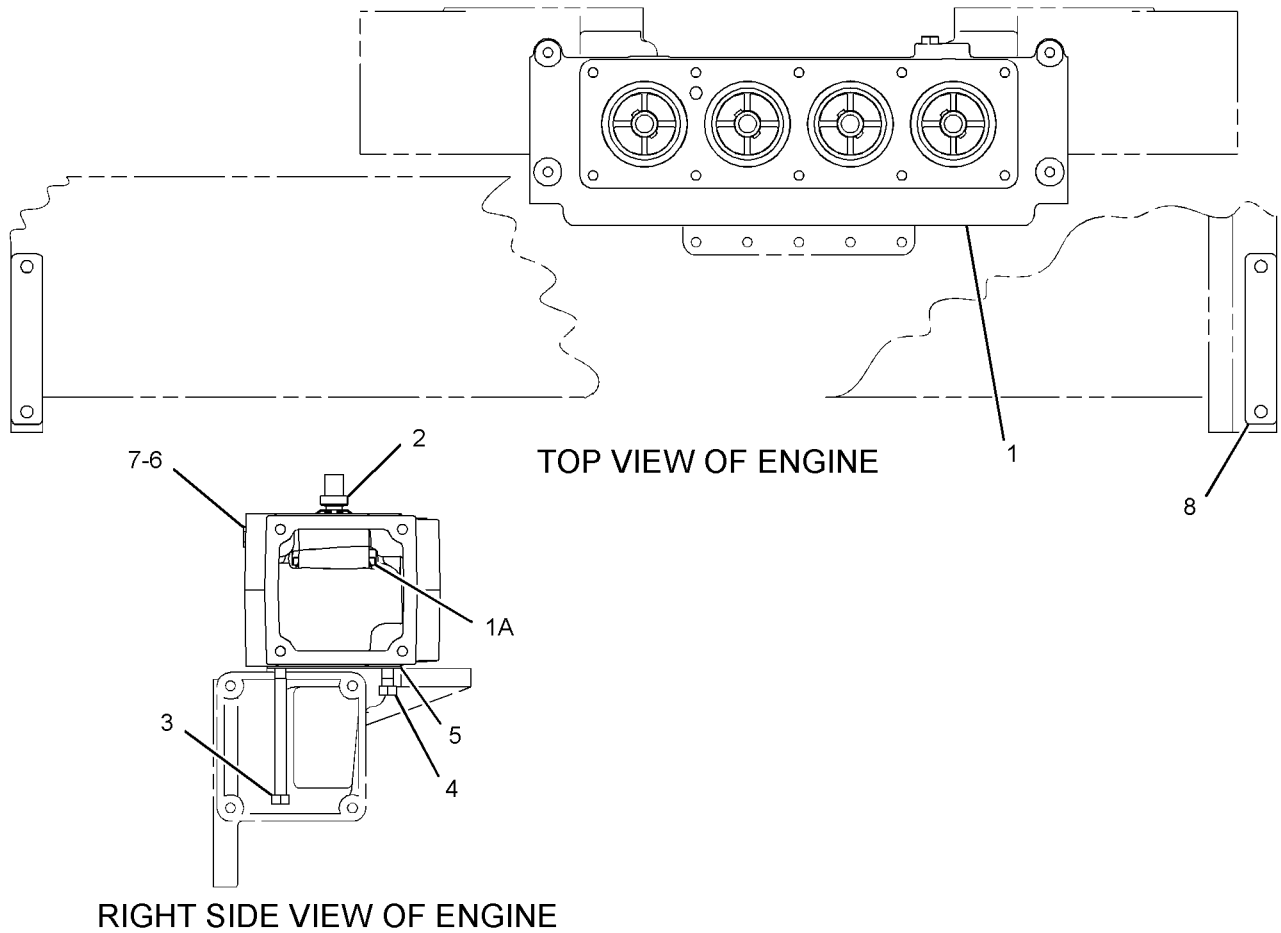
SMCS-1355, 1393

i03632669

NOTE	REF NO	GRAPHIC REF	PART NUMBER	QTY	PART NAME						SEE PAGE
					1	2	3	4	5	6 (PRODUCT LEVEL)	
	1	1	7E-6466	1	HOUSING AS-REGULATOR						
	1A	1	3S-9643	4	SEAL-LIP TYPE (WATER TEMPERATURE REGULATOR)						
	2	1	248-5513	4	REGULATOR-TEMPERATURE (92-DEG C)						
	3	1	1A-5183	5	BOLT (3/8-16X4.75-IN)						
	4	1	0S-1588	5	BOLT (3/8-16X1.25-IN)						
	5	1	7N-4927	1	GASKET-HOUSING COVER						
C	6	1	9S-4182	1	PLUG-O-RING						
C	7	1	6V-9027	1	SEAL-O-RING						
BC	8	1	106-3512	2	PLATE						

B-USE AS REQUIRED

C-CHANGE FROM PREVIOUS TYPE



GRAPHIC #1

<END>

g02021193

COOLING SYSTEM

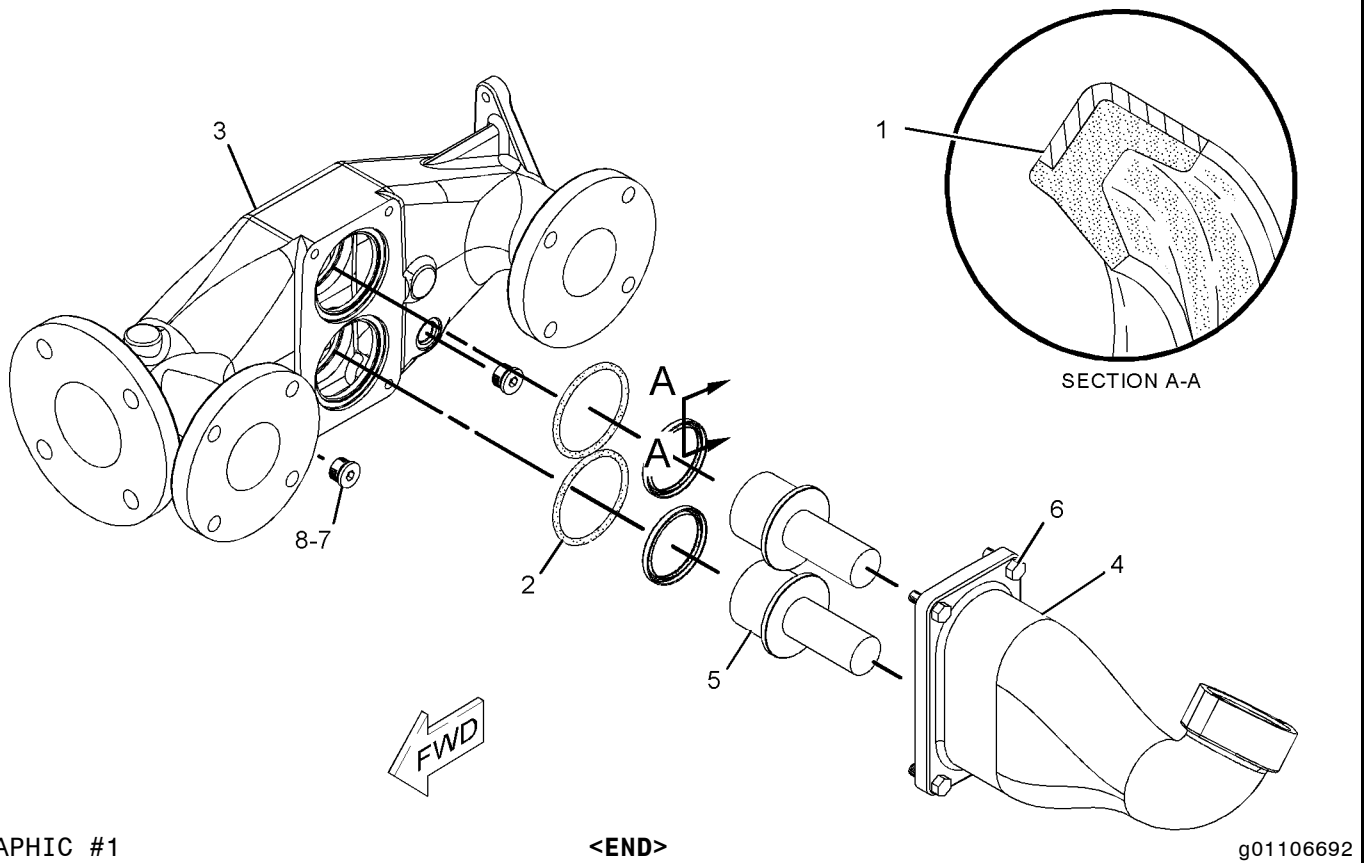
216-6217 HOUSING & REGULATOR GP-AFTERCOOLER

PART OF 289-2089 LINES GP-WATER

SMCS-1355, 1393

i03885296

NOTE	REF NO	GRAPHIC REF	PART NUMBER	QTY	PART NAME						SEE PAGE
					1	2	3	4	5	6 (PRODUCT LEVEL)	
	1	1	3S-9643	2	SEAL-LIP TYPE (WATER TEMPERATURE REGULATOR)						
	2	1	6V-1454	2	SEAL-O-RING						
	3	1	214-0728	1	HOUSING						
	4	1	214-0729	1	ADAPTER						
	5	1	219-3240	2	REGULATOR-TEMPERATURE (30-DEG C) (WATER)						
	6	1	1A-2029	4	BOLT (3/8-16X1.125-IN)						
	7	1	3K-0360	2	SEAL-O-RING						
	8	1	9S-8005	2	PLUG-O-RING						



COOLING SYSTEM

107-0474 LINES GP-WATER-UPPER

S/N: JTS1-101

SMCS-1355, 1380, 1393

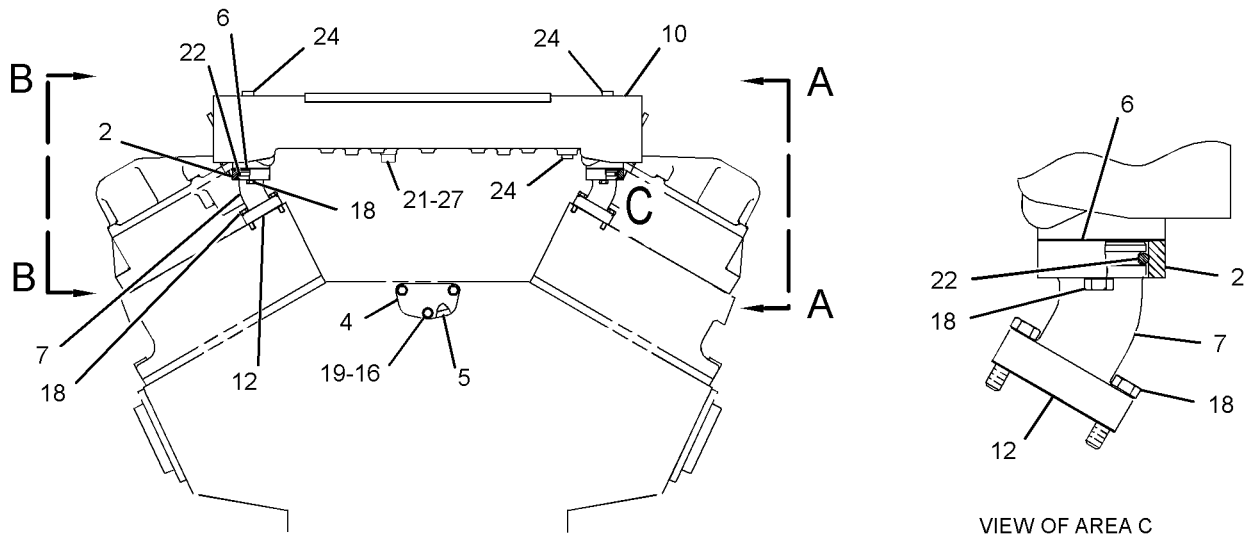
i02866111

NOTE	REF NO	GRAPHIC REF	PART NUMBER	QTY	PART NAME						SEE PAGE
					1	2	3	4	5	6 (PRODUCT LEVEL)	
	1	1	243-2288	6	GASKET						
	2	1	2W-3146	16	FLANGE						
	3	1	4P-3897	4	MANIFOLD (INTERMEDIATE)						
	4	1	7N-3297	2	COVER						
	5	1	7N-3368	2	GASKET						
	6	1	241-5928	16	GASKET						
	7	1	8N-7639	16	ELBOW						
	8	1	111-8276	1	MANIFOLD (REAR, LH)						
	9	1	111-8277	1	MANIFOLD (REAR, RH)						
	10	1	111-9374	1	HOUSING-REGULATOR						
	11	1	122-8856	2	GASKET						
	12	1	127-2176	16	SEAL-INTEGRAL						
	13	1	133-8382	16	BRACKET						
	14	1	154-1616	1	MANIFOLD (FRONT, LH)						
	15	1	154-1617	1	MANIFOLD (FRONT, RH)						
	16	1	0S-1594	38	BOLT (3/8-16X1-IN)						
	17	1	0S-1618	62	BOLT (5/16-18X1-IN)						
	18	1	1B-7182	64	BOLT (5/16-18X1.25-IN)						
	19	1	5M-2894	6	WASHER-HARD (10.2X18.5X2.5-MM THK)						
	20	1	6V-6609	2	SEAL-O-RING						
	21	1	6V-9027	1	SEAL-O-RING						
	22	1	6V-9769	16	SEAL-O-RING						
	23	1	8T-6761	2	PLUG-PIPE						
	24	1	8T-6762	4	PLUG-PIPE						
	25	1	8T-6765	2	PLUG-PIPE						
	26	1	9M-1974	62	WASHER-HARD (8.8X16X2-MM THK)						
	27	1	9S-4182	1	PLUG-O-RING						
	28	1	9S-4185	2	PLUG-O-RING						
	29	1	6V-5064	2	SEAL-O-RING						
	30	1	9S-4181	2	PLUG-O-RING						

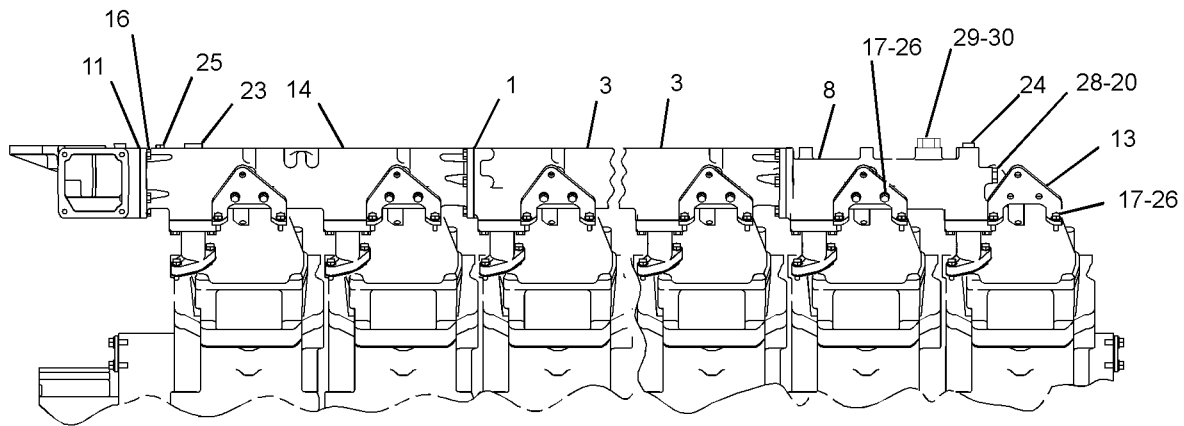
COOLING SYSTEM

107-0474 LINES GP-WATER (contd.)

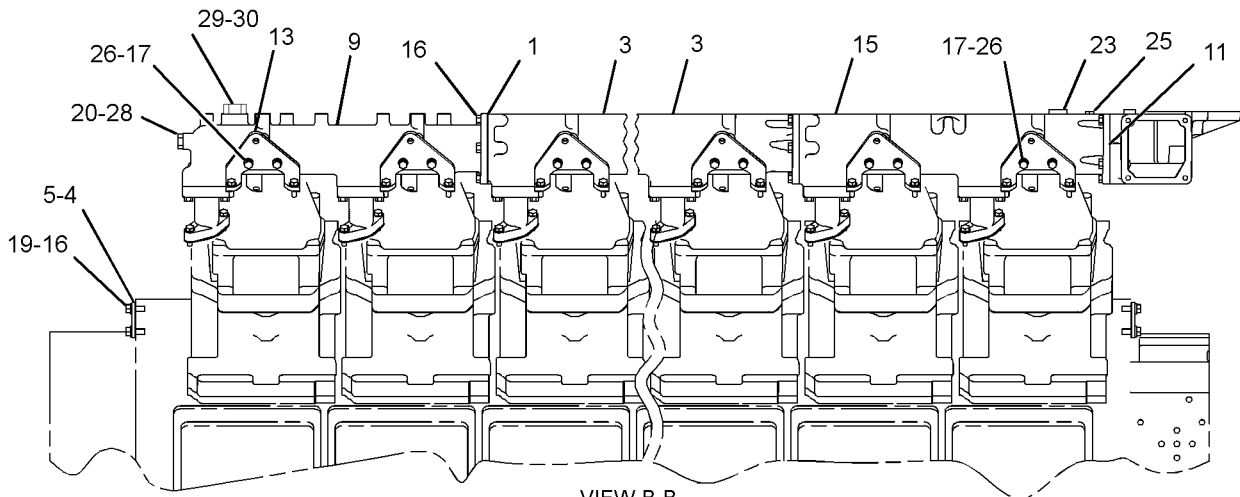
i02866111



FRONT VIEW



VIEW A-A



VIEW B-B

GRAPHIC #1

<END>

g01427795

COOLING SYSTEM

210-2575 LINES GP-WATER-LOWER

SMCS-1355, 1380, 1393

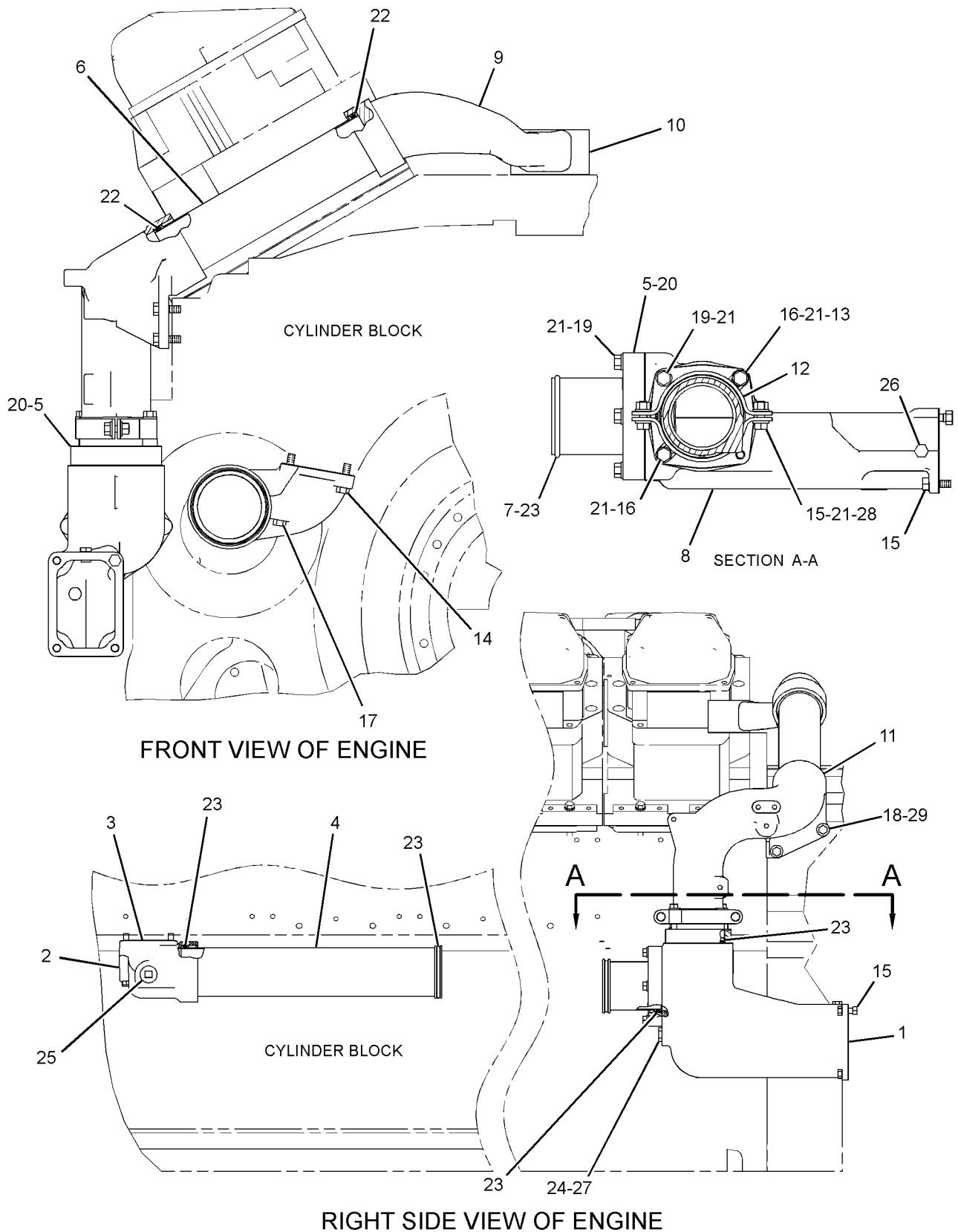
i02946463

NOTE	REF NO	GRAPHIC REF	PART NUMBER	QTY	PART NAME						SEE PAGE
					1	2	3	4	5	6 (PRODUCT LEVEL)	
	1	1	7N-4932	1	GASKET						
	2	1	7N-4944	1	ELBOW						
	3	1	7N-4945	1	GASKET						
	4	1	7N-9045	1	TUBE						
	5	1	8N-0386	2	FLANGE						
	6	1	8N-1989	1	TUBE						
	7	1	8N-7641	1	TUBE						
	8	1	120-7421	1	ADAPTER						
	9	1	141-9285	1	ELBOW						
	10	1	230-1072	1	GASKET						
	11	1	264-8271	1	ELBOW						
	12	1	264-8272	2	CLAMP AS						
	13	1	091-0081	1	SPACER (10.5X20X10-MM THK)						
	14	1	0S-1588	2	BOLT (3/8-16X1.25-IN)						
	15	1	0S-1594	6	BOLT (3/8-16X1-IN)						
	16	1	0S-1619	2	BOLT (3/8-16X3-IN)						
	17	1	0T-0065	2	BOLT (3/8-16X3.5-IN)						
	18	1	1A-2029	2	BOLT (3/8-16X1.125-IN)						
	19	1	2A-4639	5	BOLT (3/8-16X1.625-IN)						
	20	1	4N-1320	2	GASKET						
	21	1	5M-2894	11	WASHER-HARD (10.2X18.5X2.5-MM THK)						
	22	1	6V-1454	2	SEAL-O-RING						
	23	1	6V-5066	5	SEAL-O-RING						
	24	1	6V-6609	1	SEAL-O-RING						
	25	1	8T-6761	1	PLUG-PIPE						
	26	1	8T-6765	1	PLUG-PIPE						
	27	1	9S-4185	1	PLUG-O-RING						
	28	1	9S-8752	2	NUT-FULL (3/8-16-THD)						
	29	1	9X-6458	2	WASHER-HARD (10.2X22.5X3-MM THK)						

COOLING SYSTEM

210-2575 LINES GP-WATER (contd.)

i02946463



GRAPHIC #1

<END>

g01463749

COOLING SYSTEM

261-7697 LINES GP-WATER-UPPER

S/N: JTS102-UP

SMCS-1355, 1380, 1393

i02250902

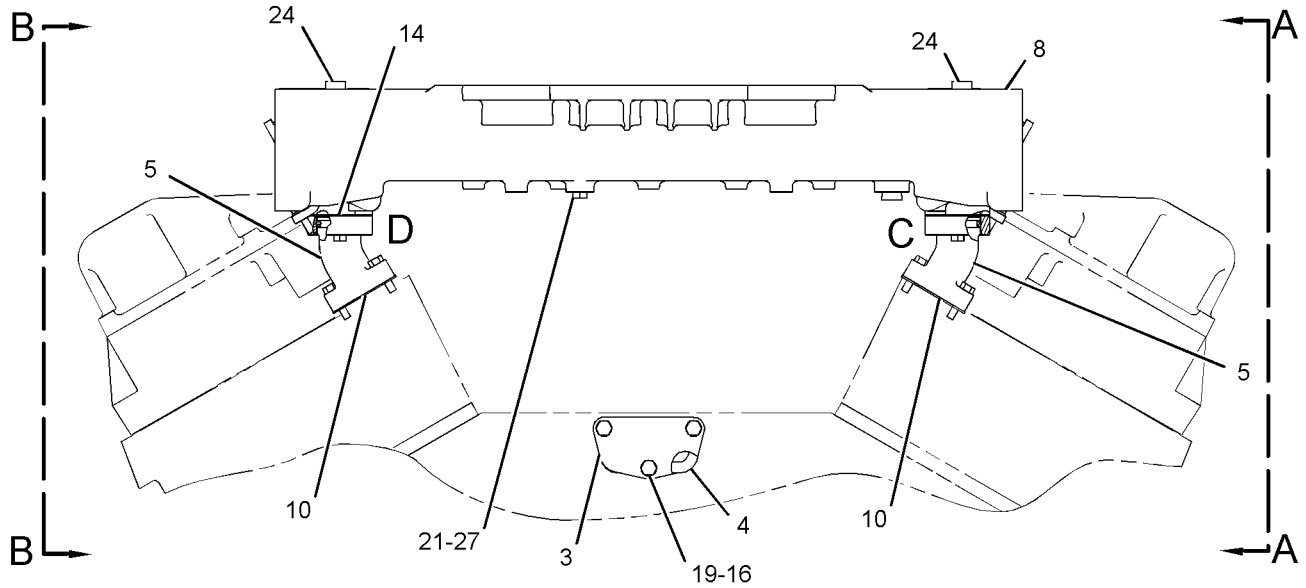
NOTE	REF NO	GRAPHIC REF	PART NUMBER	QTY	PART NAME						SEE PAGE
					1	2	3	4	5	6 (PRODUCT LEVEL)	
	1	1	2W-3146	16	FLANGE						
	2	2,3	4P-3897	4	MANIFOLD (INTERMEDIATE)						
	3	1,3	7N-3297	2	COVER						
	4	1,3	7N-3368	2	GASKET						
	5	1	8N-7639	16	ELBOW						
	6	2	111-8276	1	MANIFOLD (REAR, LH)						
	7	3	111-8277	1	MANIFOLD (REAR, RH)						
	8	1	111-9374	1	HOUSING-REGULATOR (EXPANSION TANK)						
	9	2,3	122-8856	2	GASKET						
	10	1	127-2176	16	SEAL-INTEGRAL						
	11	2,3	133-8382	16	BRACKET						
	12	2	154-1616	1	MANIFOLD (FRONT, LH)						
	13	3	154-1617	1	MANIFOLD (FRONT, RH)						
	14	1	241-5928	16	GASKET						
	15	2,3	243-2288	6	GASKET						
	16	1,2,3	0S-1594	38	BOLT (3/8-16X1-IN)						
	17	2,3	0S-1618	62	BOLT (5/16-18X1-IN)						
	18	1	1B-7182	64	BOLT (5/16-18X1.25-IN)						
	19	1,3	5M-2894	6	WASHER-HARD (10.2X18.5X2.5-MM THK)						
	20	2,3	6V-6609	2	SEAL-O-RING						
	21	1	6V-9027	1	SEAL-O-RING						
	22	1	6V-9769	16	SEAL-O-RING						
	23	2,3	8T-6761	2	PLUG-PIPE						
	24	1,2	8T-6762	4	PLUG-PIPE						
	25	2,3	8T-6765	2	PLUG-PIPE						
	26	2,3	9M-1974	62	WASHER-HARD (8.8X16X2-MM THK)						
	27	1	9S-4182	1	PLUG-O-RING						
	28	2,3	9S-4185	2	PLUG-O-RING						

COOLING SYSTEM

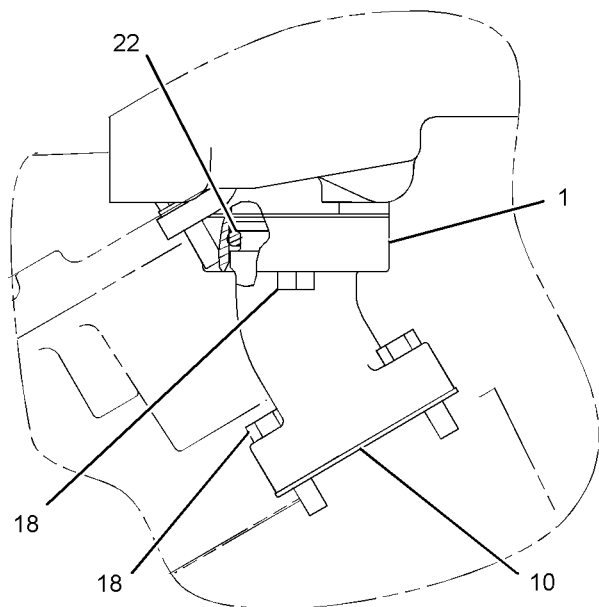
261-7697 LINES GP-WATER (contd.)

i02250902

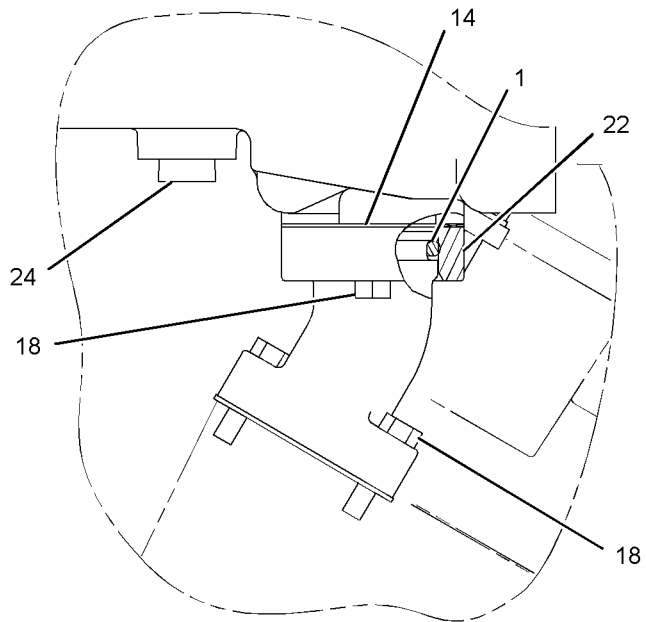
REFER TO ALL ILLUSTRATIONS OF THIS GROUP FOR AUXILIARY VIEWS



FRONT VIEW



VIEW OF AREA D



VIEW OF AREA C

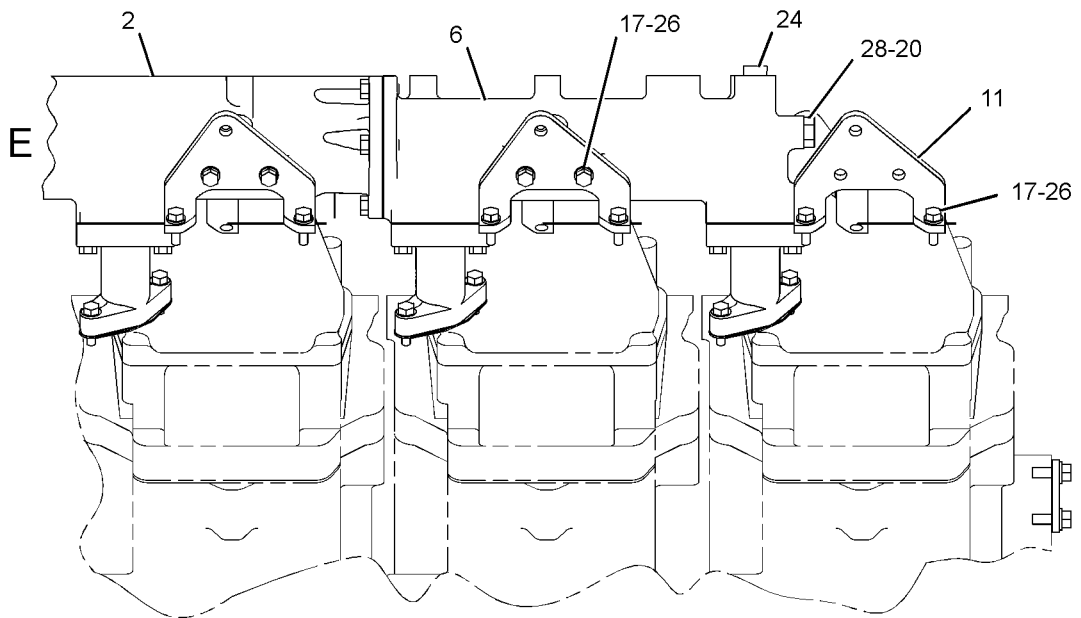
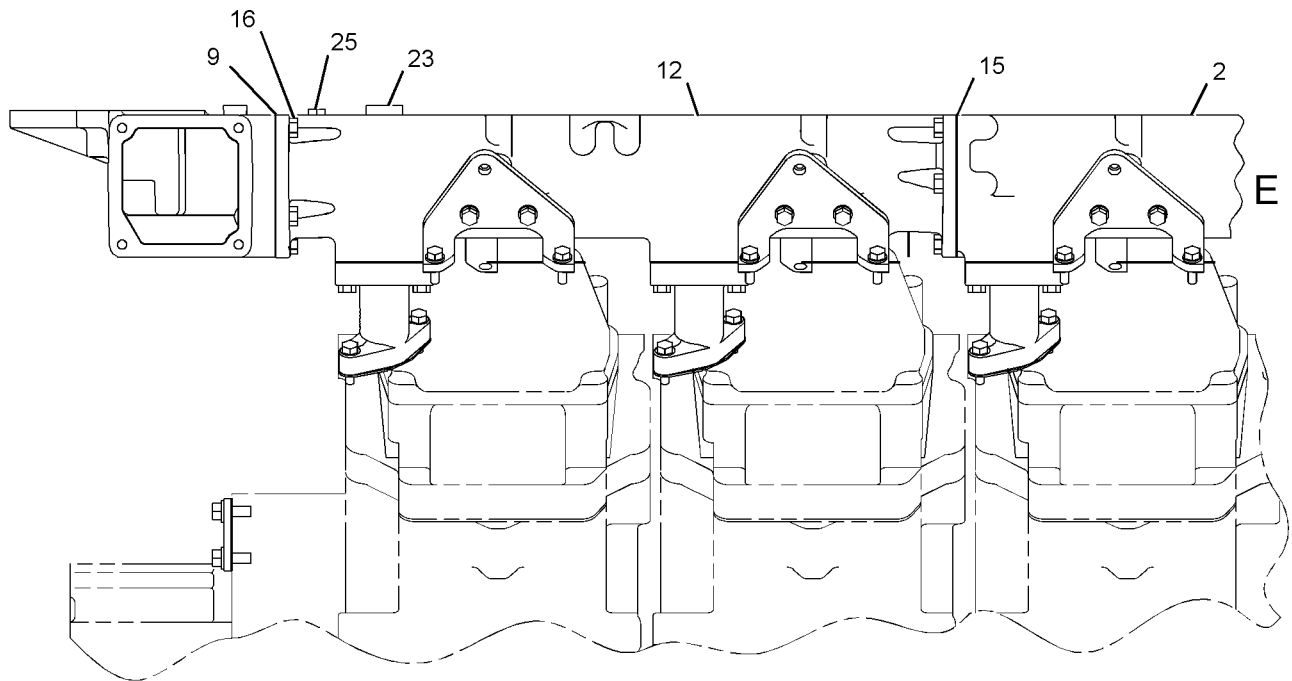
GRAPHIC #1

g01157428

COOLING SYSTEM

261-7697 LINES GP-WATER (contd.)

i02250902



VIEW A-A

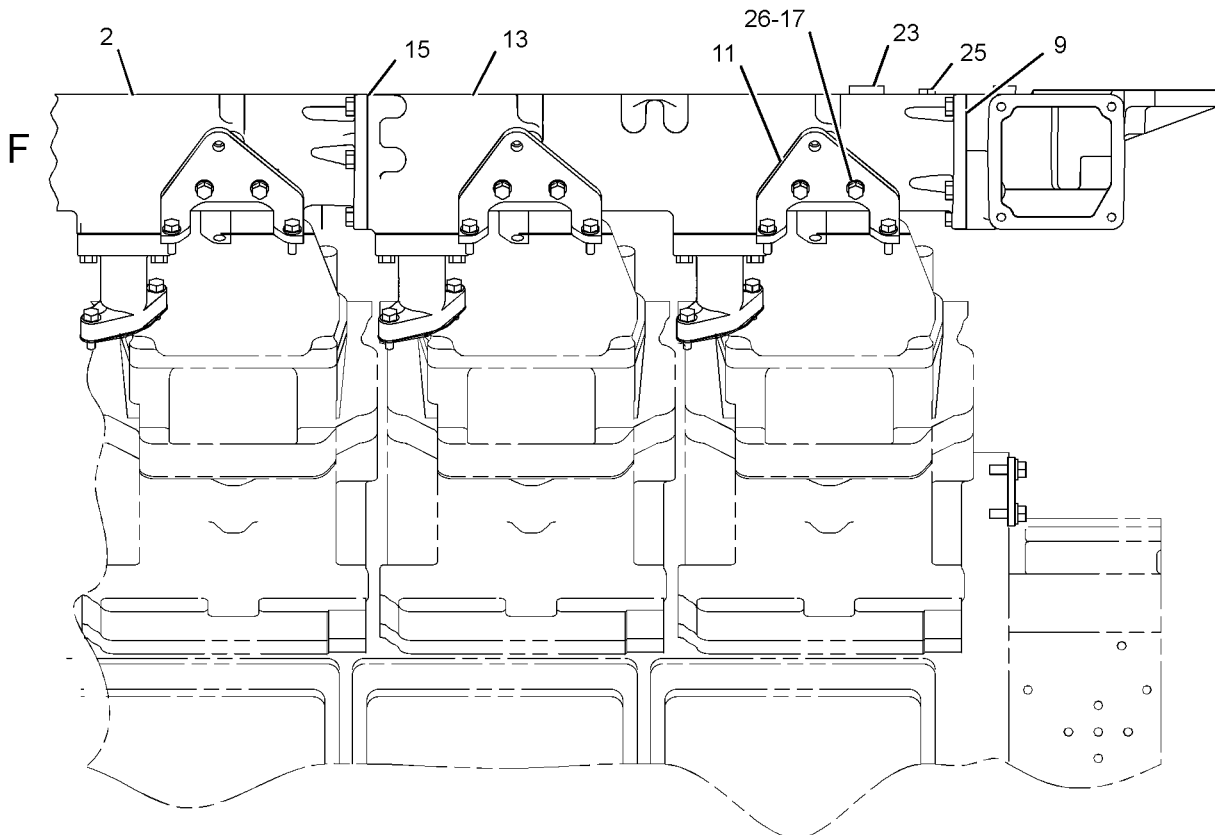
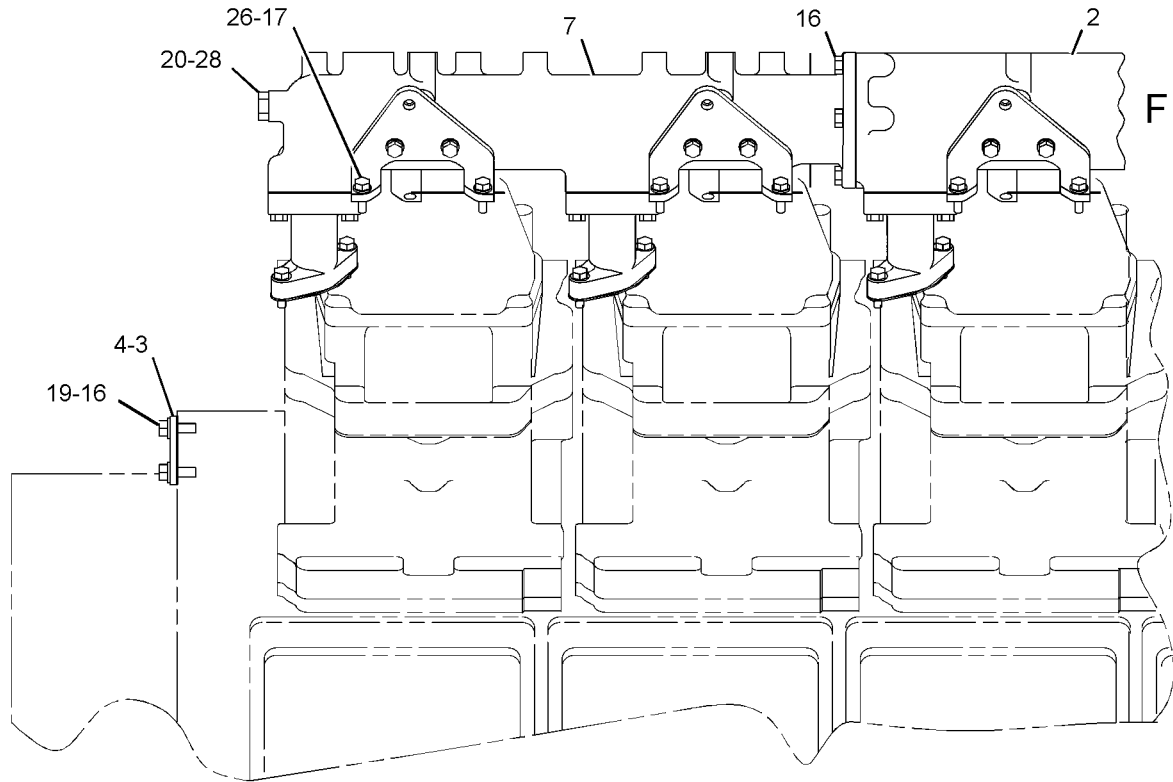
GRAPHIC #2

g01157434

COOLING SYSTEM

261-7697 LINES GP-WATER (contd.)

i02250902



VIEW B-B
<END>

GRAPHIC #3

g01157486

COOLING SYSTEM

289-2089 LINES GP-WATER-AFTERCOOLER

SMCS-1355, 1380, 1393

i03869030

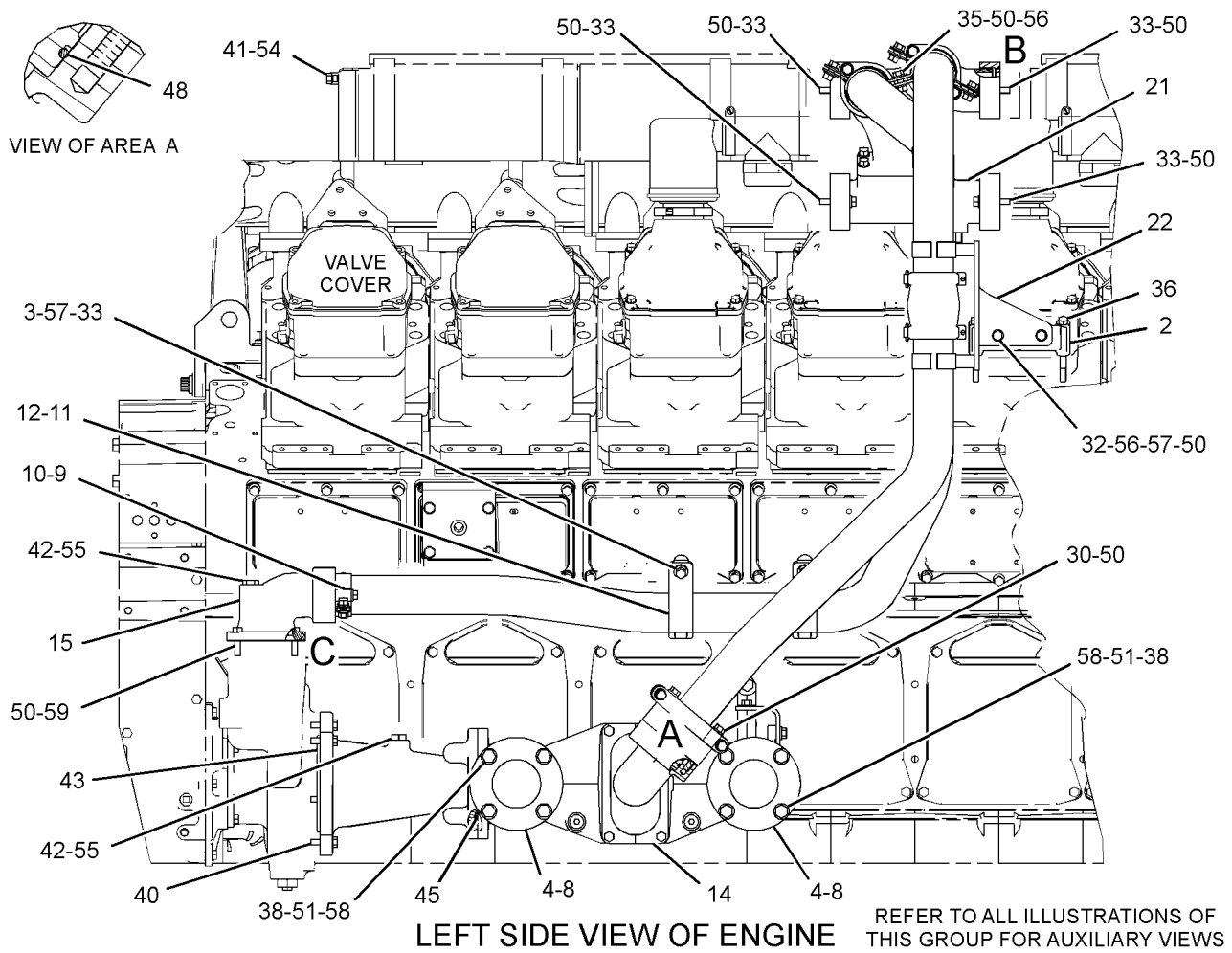
NOTE	REF NO	GRAPHIC REF	PART NUMBER	QTY	PART NAME						SEE PAGE
					1	2	3	4	5	6 (PRODUCT LEVEL)	
	1	2	1N-3872	1	SUPPORT						
	2	1	1W-8129	1	SUPPORT						
	3	1	2V-4387	2	SPACER (10.312X25.4X23.11-MM THK)						
	4	1	2W-5225	2	FLANGE						
	5	2	7C-9597	4	FLANGE						
	7	3	216-2285	2	JOINT AS-TUBE						
					(EACH INCLUDES)						
		3	127-4230	1	SEAL						
	8	1	9Y-6893	2	GASKET						
	9	1,2,3	153-9481	8	CLAMP AS						
	10	1,2,3	153-9963	4	RING						
	11	1	196-5052	2	CLIP (SLOT)						
	12	1	196-5053	2	CLIP (TAB)						
	13	2	214-0731	1	BRACKET						
Y	14	1	216-6217	1	HOUSING & REGULATOR GP (AFTERCOOLER)						168
	15	1	268-6293	1	ELBOW						
	16	3	268-6294	1	ADAPTER						
	17	2	268-7733	1	FLANGE						
	18	3	272-8396	4	CLAMP						
	19	2	279-8984	1	CONNECTOR						
	20	3	279-8985	1	CONNECTOR						
	21	1	279-8986	1	CONNECTOR						
	22	1	279-8987	1	BRACKET AS						
	23	3	279-8988	1	TUBE						
	24	3	279-8989	1	TUBE						
	25	3	279-8990	1	TUBE						
	26	3	279-8991	1	TUBE						
	27	3	279-8992	1	SEAL-O-RING						
	28	2	279-8993	2	CLAMP						
	29	2,3	0L-1351	12	BOLT (3/8-16X0.875-IN)						
	30	1	0L-1352	2	BOLT (3/8-16X3.25-IN)						
	31	2,3	0S-1571	6	BOLT (3/8-16X1.75-IN)						
	32	1,3	0S-1588	4	BOLT (3/8-16X1.25-IN)						
	33	1	0S-1590	10	BOLT (3/8-16X2-IN)						
	34	3	0S-1591	5	BOLT (3/8-16X1.5-IN)						
	35	1	0S-1594	1	BOLT (3/8-16X1-IN)						
	36	1	0T-0055	2	BOLT (3/8-16X4.25-IN)						
	37	2	1A-5822	2	BOLT (1/2-13X2.75-IN)						
	38	1	1F-7958	8	NUT-FULL (1/2-13-THD)						
	39	2	2H-3928	1	SEAL-O-RING						
	40	1	3B-1915	4	BOLT (3/8-16X1.375-IN)						
	41	1	3J-7354	1	SEAL-O-RING						
	42	1	3K-0360	2	SEAL-O-RING						
	43	1	3S-1223	1	SEAL-O-RING						
	44	2	3V-3308	2	WASHER-HARD (10.2X20.5X2.5-MM THK)						
	45	1	4F-7387	1	SEAL-O-RING						
	47	2	5B-0841	4	BOLT (5/8-18X1.75-IN)						
	48	1,2	5B-4399	5	SEAL-O-RING						
	49	2	5H-8848	4	SEAL-O-RING						
	50	1,2,3	5M-2894	44	WASHER-HARD (10.2X18.5X2.5-MM THK)						
	51	1	5P-8245	16	WASHER-HARD (13.5X25.5X3-MM THK)						
	52	3	8T-1919	4	SEAL-O-RING						
	53	2	9L-9132	2	WASHER (10.2X25.5X2.5-MM THK)						
	54	1	9S-4182	1	PLUG-O-RING						
	55	1	9S-4185	2	PLUG-O-RING						
	56	1,3	9S-8752	11	NUT-FULL (3/8-16-THD)						
	57	1	9X-6458	4	WASHER-HARD (10.2X22.5X3-MM THK)						
	58	1	9X-8873	8	BOLT (1/2-13X2.25-IN)						
	59	1	1A-2020	2	BOLT (3/8-16X1.125-IN)						

COOLING SYSTEM

289-2089 LINES GP-WATER (contd.)

i03869030

Y-SEPARATE ILLUSTRATION



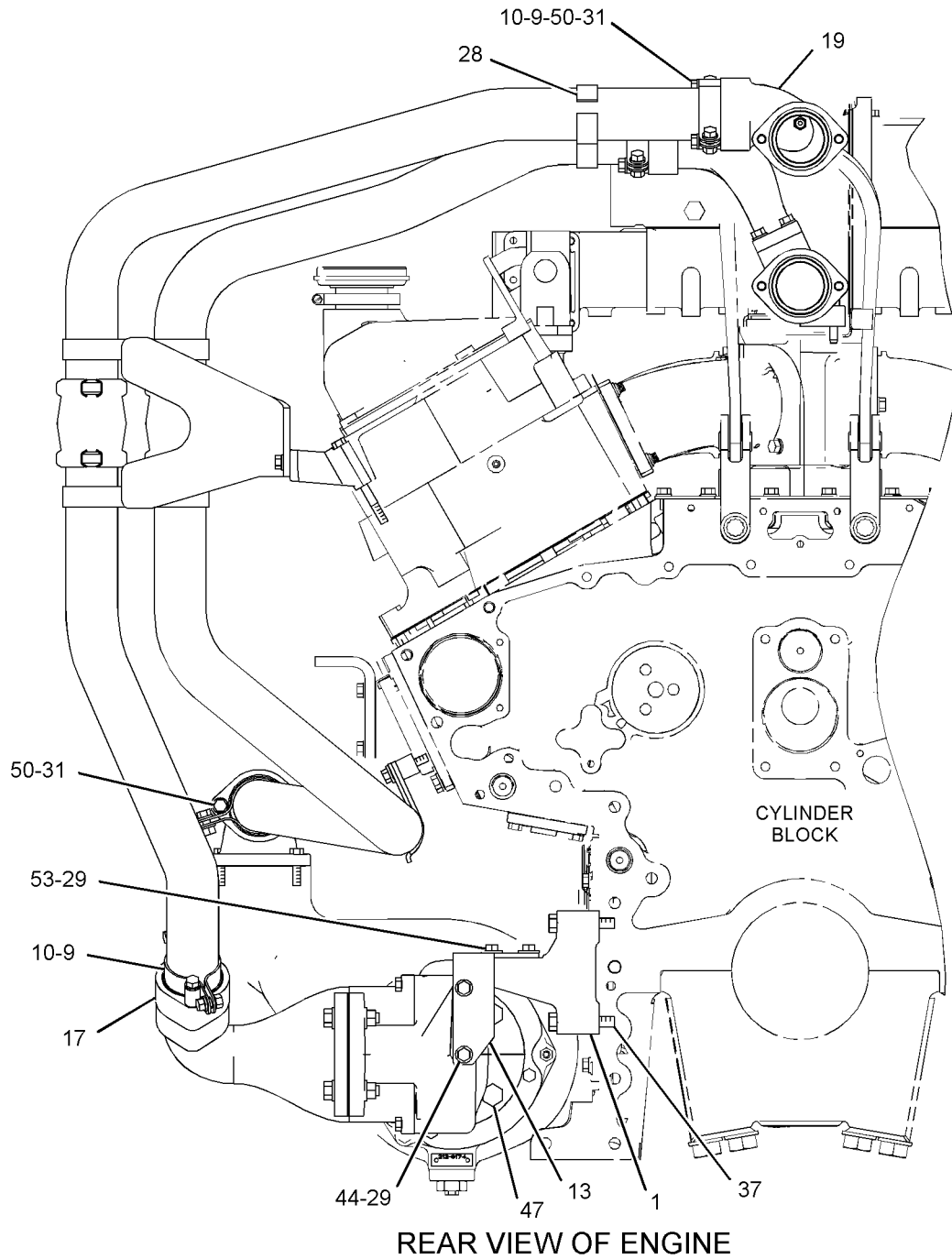
GRAPHIC #1

g01356146

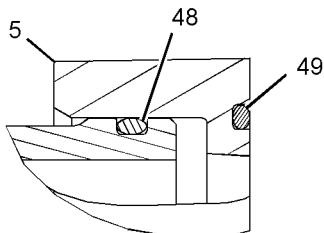
COOLING SYSTEM

289-2089 LINES GP-WATER (contd.)

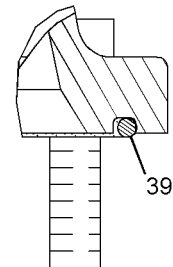
i03869030



REAR VIEW OF ENGINE



VIEW OF AREA B



VIEW OF AREA C

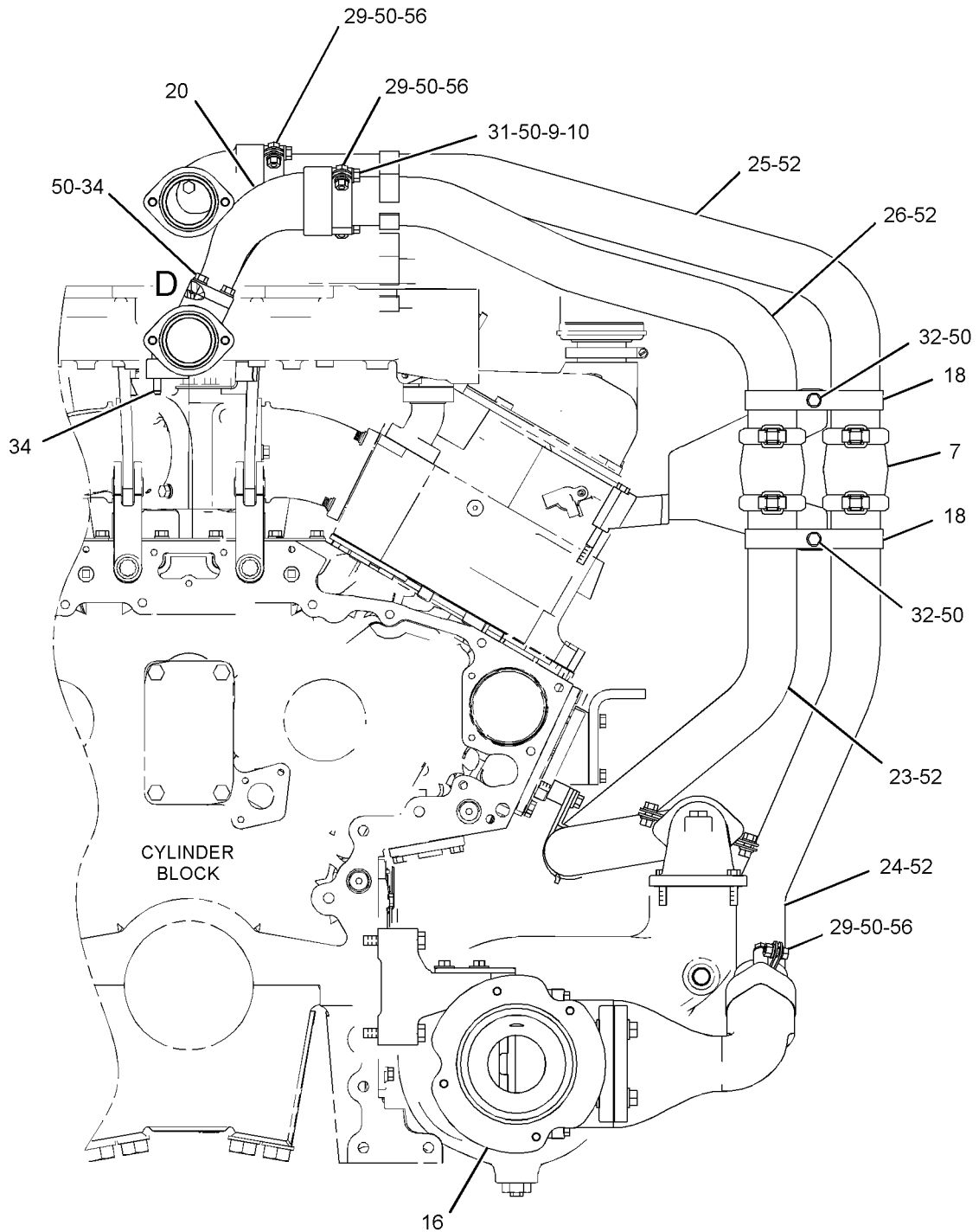
GRAPHIC #2

g01329258

COOLING SYSTEM

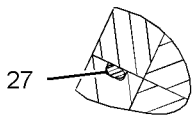
289-2089 LINES GP-WATER (contd.)

i03869030



CYLINDER
BLOCK

FRONT VIEW OF ENGINE



VIEW OF AREA D

GRAPHIC #3

<END>

g01670834

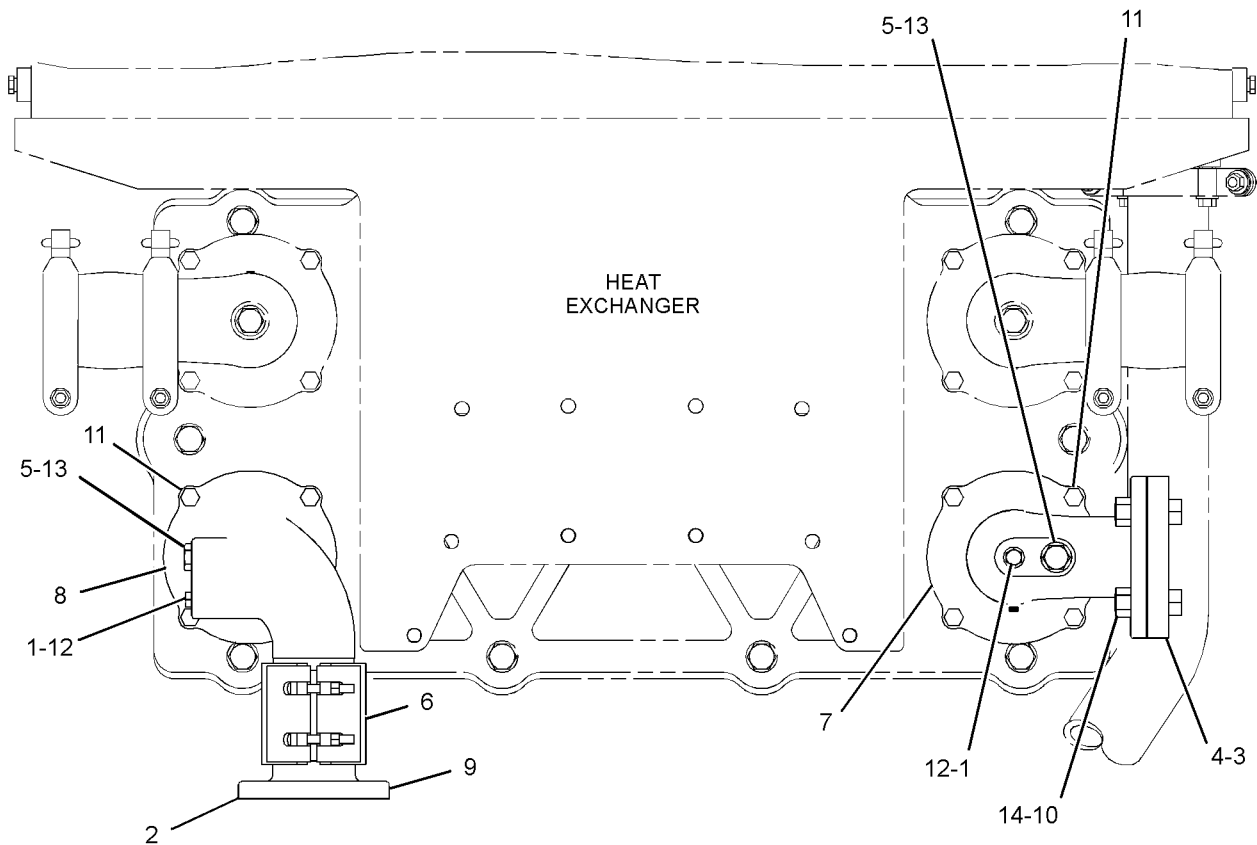
COOLING SYSTEM

302-4519 LINES GP-WATER-HEAT EXCHANGER AN ATTACHMENT

SMCS-1355, 1380, 1393

i03354860

NOTE	REF NO	GRAPHIC REF	PART NUMBER	QTY	PART NAME						SEE PAGE
					1	2	3	4	5	6 (PRODUCT LEVEL)	
	1	1	116-7011	2	ROD AS-ZINC (HEAT EXCHANGER)						
	2	1	144-6074	1	GASKET						
	3	1	161-6244	1	GASKET						
	4	1	201-4670	1	COVER						
	5	1	287-7296	2	PLUG-BRASS						
	6	1	300-6871	1	COUPLING AS						
	7	1	304-4418	1	ELBOW						
	8	1	304-4419	1	ELBOW						
	9	1	304-4500	1	FLANGE						
	10	1	4K-0367	4	NUT-FULL (5/8-11-THD)						
	11	1	8T-2502	8	BOLT (3/8-16X1.125-IN)						
	12	1	6V-9027	2	SEAL-O-RING						
	13	1	8T-7877	2	SEAL-O-RING						
	14	1	9X-8880	4	BOLT (5/8-11X2-IN)						



REAR VIEW OF ENGINE

GRAPHIC #1

<END>

g01333937

COOLING SYSTEM

302-5307 LINES GP-WATER-HEAT EXCHANGER AN ATTACHMENT

SMCS-1355, 1380, 1393

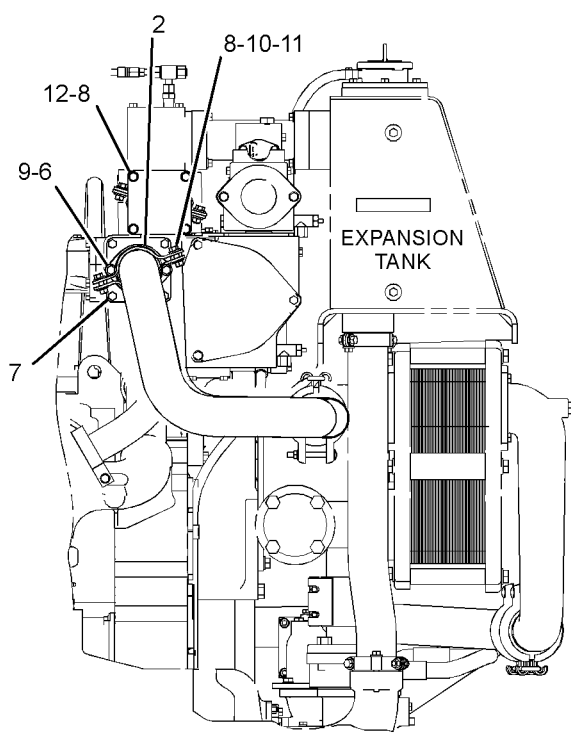
i03503421

NOTE	REF NO	GRAPHIC REF	PART NUMBER	QTY	PART NAME						SEE PAGE
					1	2	3	4	5	6 (PRODUCT LEVEL)	
	1	1	7E-6016	4	GASKET						
	2	1	124-6333	4	CLAMP AS						
	3	1	293-3412	2	FLANGE						
	4	1	304-4424	1	TUBE						
	5	1	304-4497	1	TUBE						
	6	1	0S-1571	4	BOLT (3/8-16X1.75-IN)						
	7	1	0S-1588	8	BOLT (3/8-16X1.25-IN)						
	8	1	0S-1594	12	BOLT (3/8-16X1-IN)						
	9	1	6V-5839	4	WASHER (11X21X2.5-MM THK)						
	10	1	9S-8752	4	NUT-FULL (3/8-16-THD)						
	11	1	9X-6458	8	WASHER-HARD (10.2X22.5X3-MM THK)						
	12	1	5M-2894	8	WASHER-HARD (10.2X18.5X2.5-MM THK)						
	13	1	7E-6017	2	COVER						
	14	1	7E-7209	2	RING-RETAINING						
	15	1	110-7753	2	SEAL-O-RING						

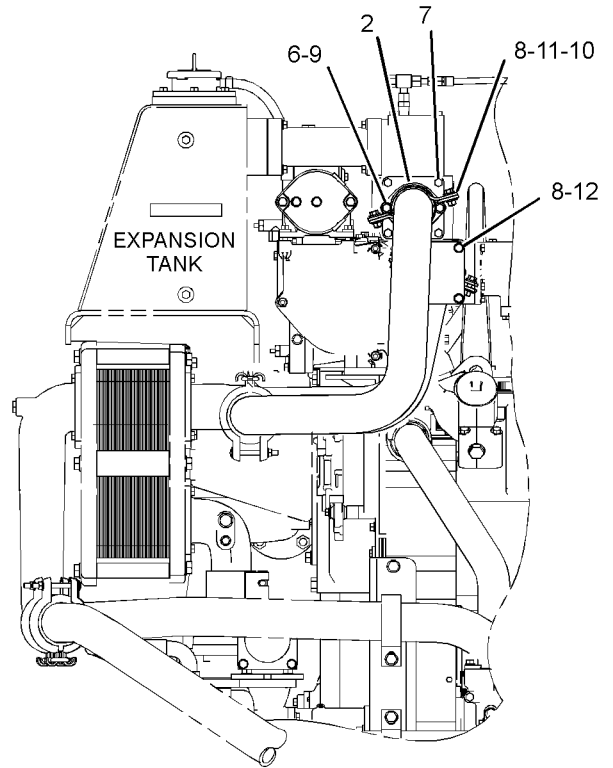
COOLING SYSTEM

302-5307 LINES GP-WATER (contd.)

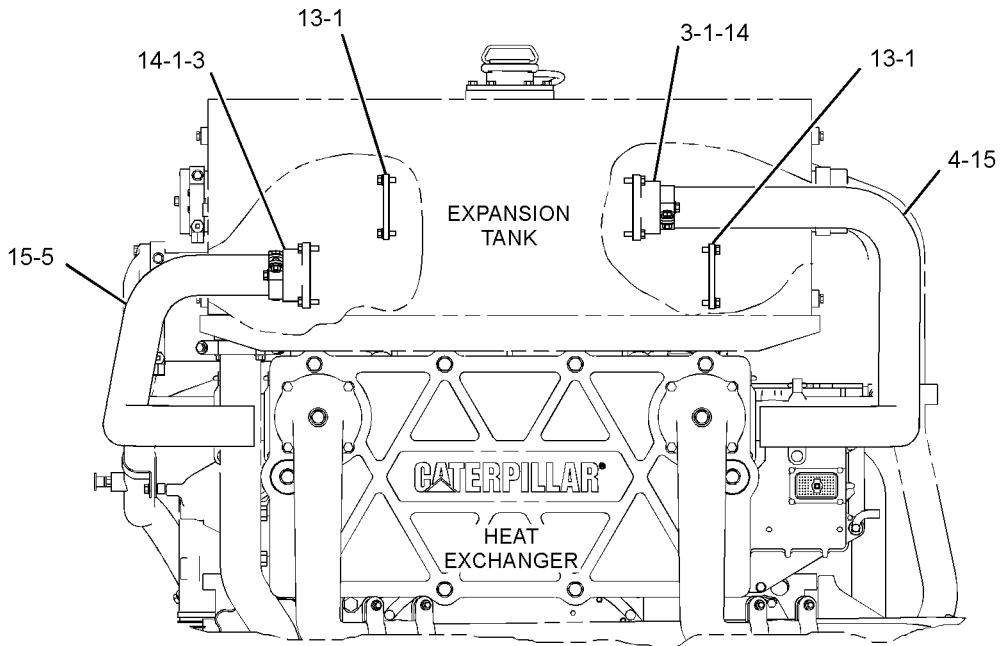
i03503421



RIGHT SIDE VIEW OF ENGINE



LEFT SIDE VIEW OF ENGINE



FRONT VIEW OF ENGINE

GRAPHIC #1

<END>

g01842613

COOLING SYSTEM

305-8613 LINES GP-WATER-HEAT EXCHANGER AN ATTACHMENT

SMCS-1355, 1380, 1393

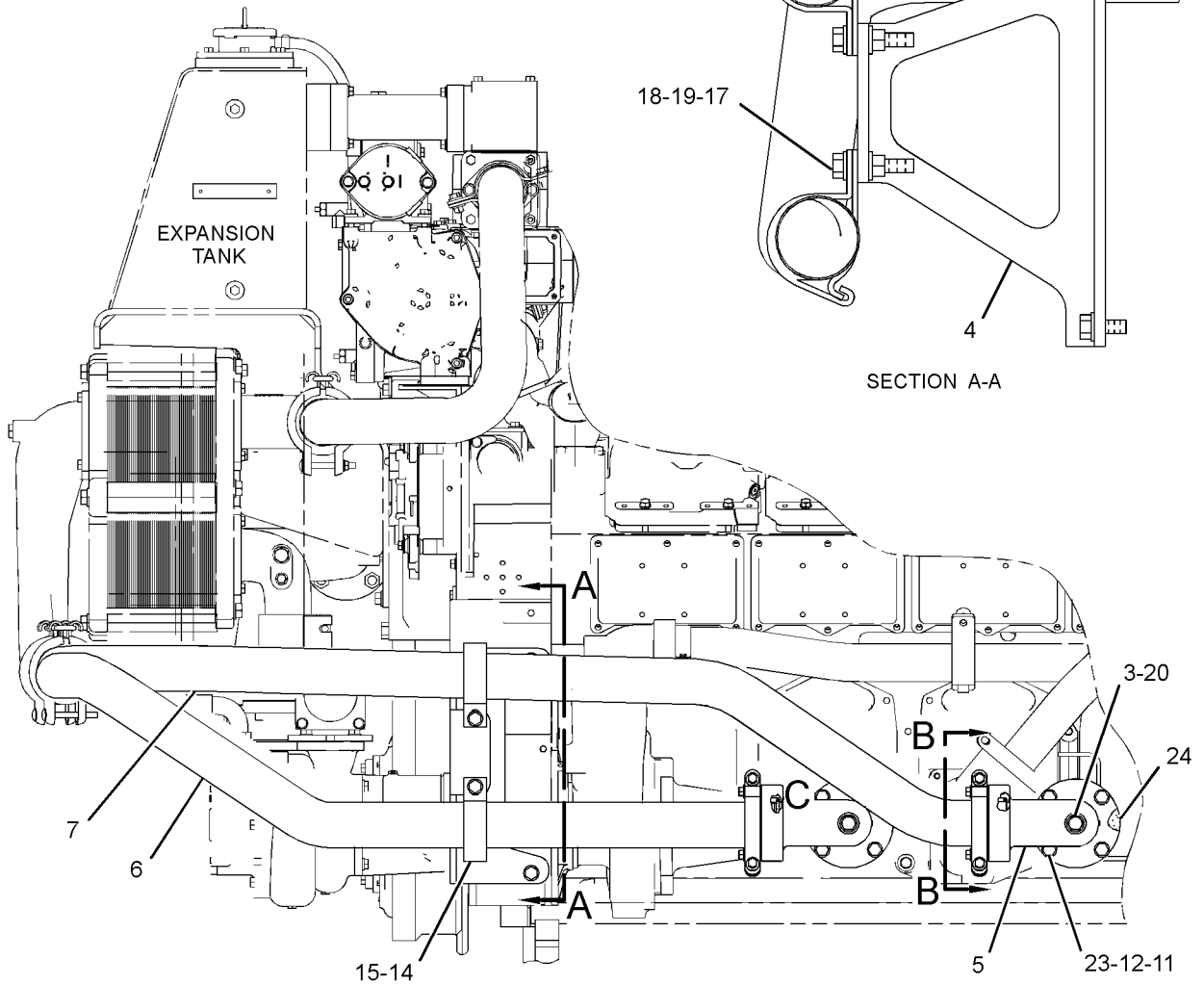
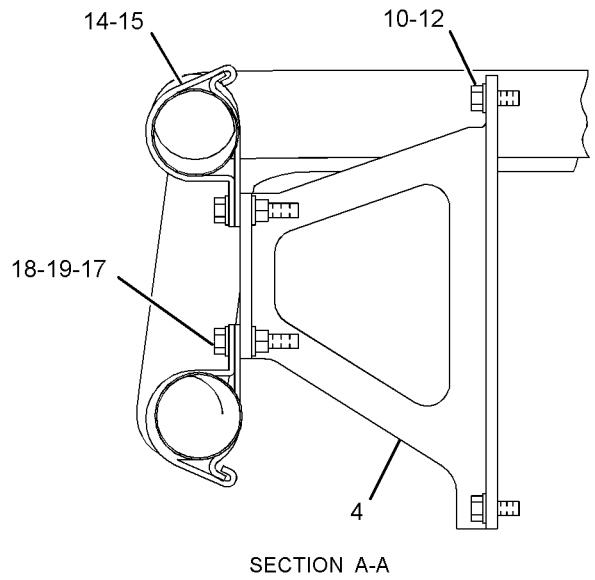
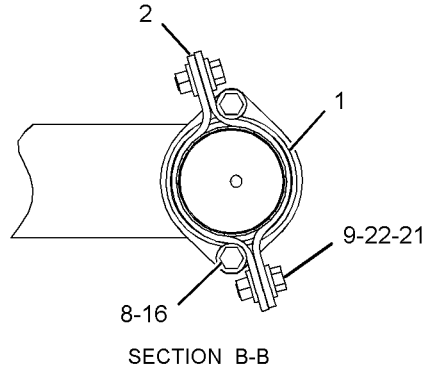
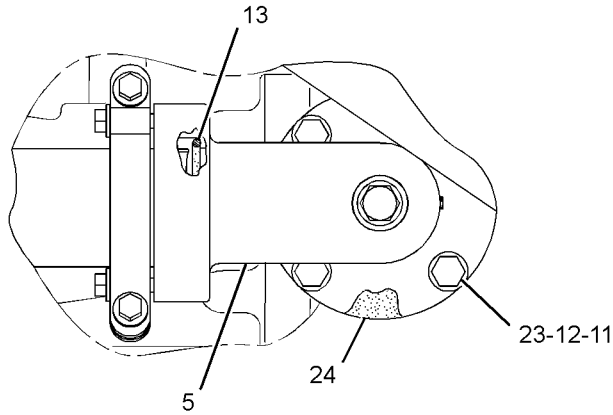
i03096340

NOTE	REF NO	GRAPHIC REF	PART NUMBER	QTY	PART NAME						SEE PAGE
					1	2	3	4	5	6 (PRODUCT LEVEL)	
	1	1	7E-7209	2	RING-RETAINING						
	2	1	124-6333	4	CLAMP AS						
	3	1	287-7296	2	PLUG-BRASS						
	4	1	293-3411	1	BRACKET						
	5	1	293-3413	2	ELBOW						
	6	1	305-8009	1	TUBE						
	7	1	305-8010	1	TUBE						
	8	1	0S-1571	4	BOLT (3/8-16X1.75-IN)						
	9	1	0S-1594	4	BOLT (3/8-16X1-IN)						
	10	1	0S-1595	3	BOLT (1/2-13X1.25-IN)						
	11	1	1F-7958	8	NUT-FULL (1/2-13-THD)						
	12	1	5P-8245	19	WASHER-HARD (13.5X25.5X3-MM THK)						
	13	1	6V-1454	2	SEAL-O-RING						
	14	1	6V-5039	2	CLIP (SLOT)						
	15	1	6V-5040	2	CLIP (TAB)						
	16	1	6V-5839	4	WASHER (11X21X2.5-MM THK)						
	17	1	6V-8188	2	NUT (1/2-13-THD)						
	18	1	7X-0325	2	BOLT (1/2-13X2.5-IN)						
	19	1	8T-4223	4	WASHER-HARD (13.5X25.5X3-MM THK)						
	20	1	8T-7877	2	SEAL-O-RING						
	21	1	9S-8752	4	NUT-FULL (3/8-16-THD)						
	22	1	9X-6458	8	WASHER-HARD (10.2X22.5X3-MM THK)						
	23	1	9X-8873	8	BOLT (1/2-13X2.25-IN)						
	24	1	9Y-6893	2	GASKET						

COOLING SYSTEM

305-8613 LINES GP-WATER (contd.)

i03096340



GRAPHIC #1

<END>

g01620342

COOLING SYSTEM

308-6816 LINES GP-WATER-TURBOCHARGER

SMCS-1355, 1380, 1393

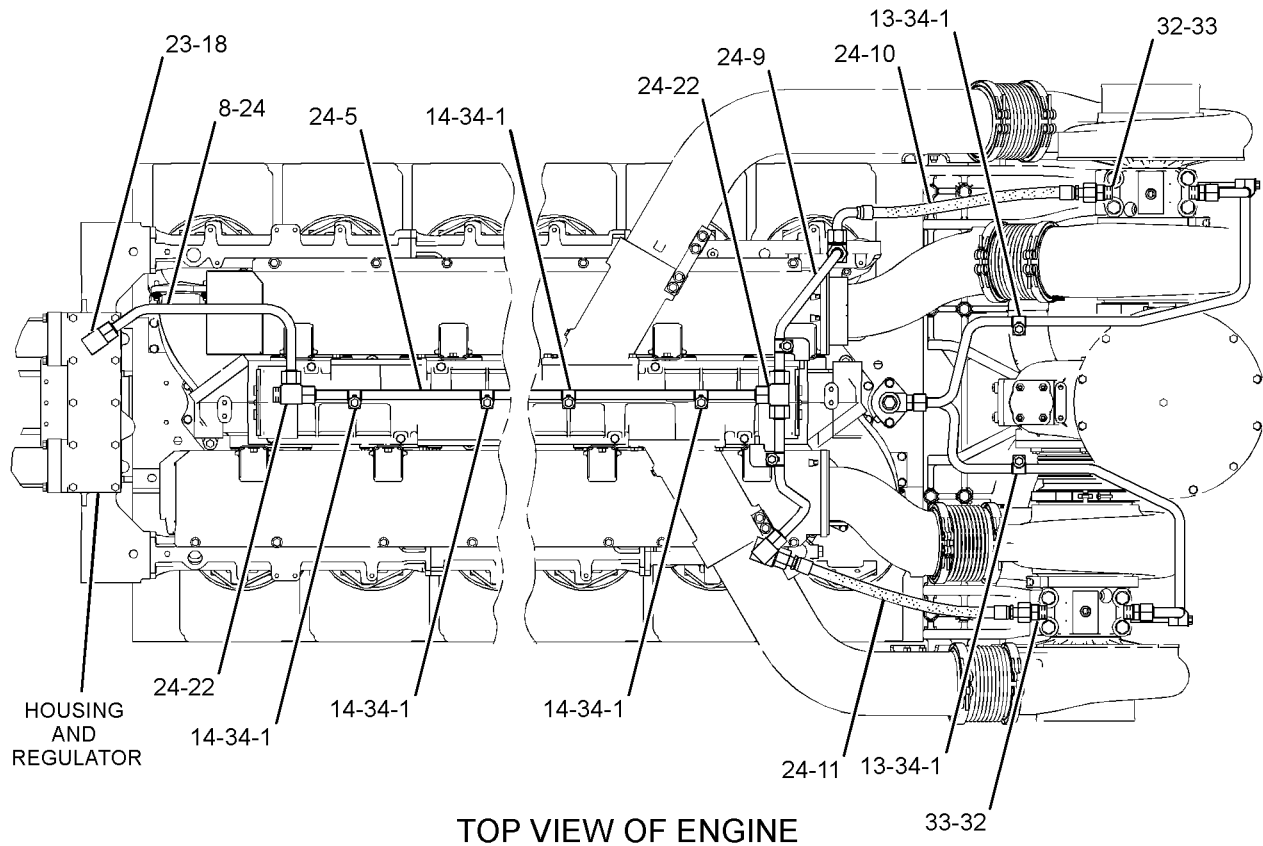
i02774318

NOTE	REF NO	GRAPHIC REF	PART NUMBER	QTY	PART NAME						SEE PAGE
					1	2	3	4	5	6 (PRODUCT LEVEL)	
	1	1	4P-3563	20	CLAMP AS						
	2	1	230-1072	1	GASKET						
	3	1	282-4130	1	TUBE AS						
	4	1	282-4131	1	TUBE AS						
	5	1	282-4139	1	TUBE AS						
	6	1	282-4163	2	BRACKET						
	7	1	282-4165	1	ADAPTER						
	8	1	289-3571	1	TUBE AS						
	9	1	308-6819	1	TUBE AS						
	10	1	313-6219	1	HOSE AS						
	11	1	313-6220	1	HOSE AS						
	12	2	313-6223	1	TUBE AS						
	13	1	0L-1143	4	BOLT (3/8-16X2.5-IN)						
	14	1	0L-2070	4	BOLT (3/8-16X2.25-IN)						
	15	1	0S-1588	2	BOLT (3/8-16X1.25-IN)						
	16	1	0S-1594	2	BOLT (3/8-16X1-IN)						
	17	1	1A-5183	2	BOLT (3/8-16X4.75-IN)						
	18	1	3D-2824	1	SEAL-O-RING						
	19	2	3K-0360	3	SEAL-O-RING						
	20	1	5M-2894	2	WASHER-HARD (10.2X18.5X2.5-MM THK)						
	21	2	6V-8716	1	CONNECTOR						
	22	1	6V-8791	2	TEE-FACE SEAL						
	23	1	6V-9007	1	ELBOW						
	24	1,2	6V-9746	19	SEAL-O-RING						
	26	2	6V-9839	1	TEE-SWIVEL						
	27	2	6V-9853	1	ELBOW						
	28	2	6V-9874	2	CONNECTOR						
	29	2	7M-8485	2	SEAL-O-RING						
	30	2	8C-4423	4	PLUG						
	31	2	8T-1685	1	TEE						
	32	1,2	8T-7494	4	CONNECTOR						
	33	1,2	8T-7525	8	SEAL-O-RING						
	34	1	9L-9132	14	WASHER (10.2X25.5X2.5-MM THK)						
	35	2	9S-4185	1	PLUG-O-RING						
	36	1	9S-8752	2	NUT-FULL (3/8-16-THD)						

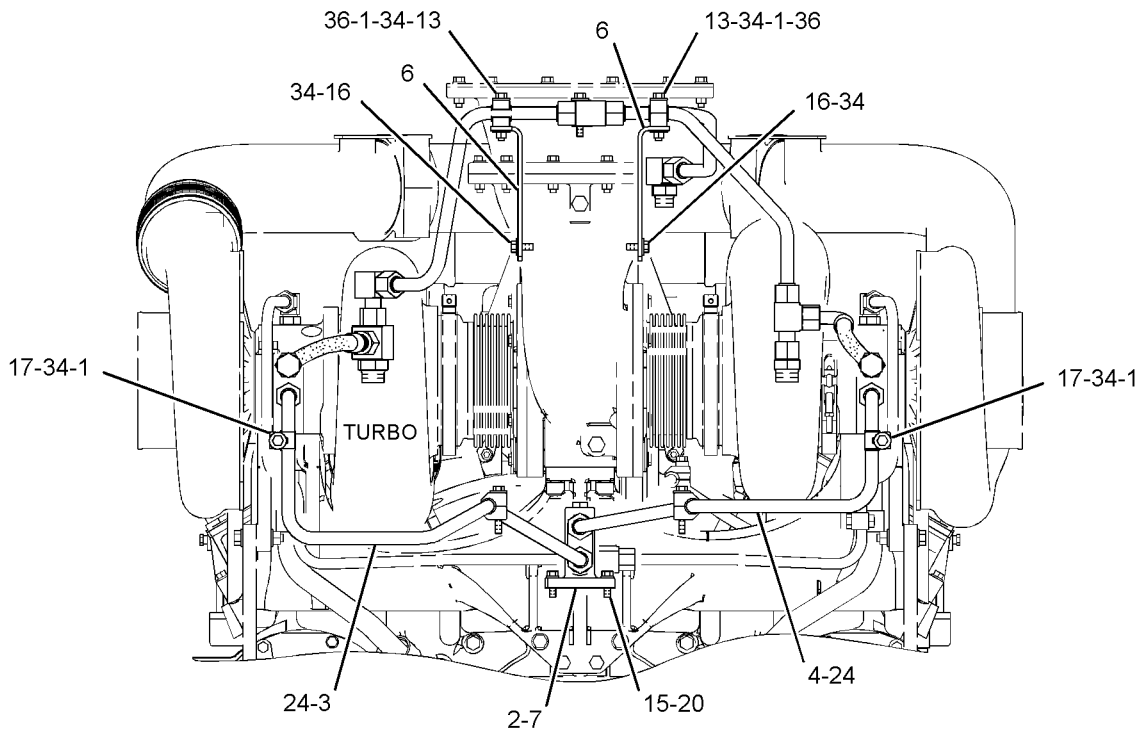
COOLING SYSTEM

308-6816 LINES GP-WATER (contd.)

i02774318



TOP VIEW OF ENGINE



REAR VIEW OF ENGINE

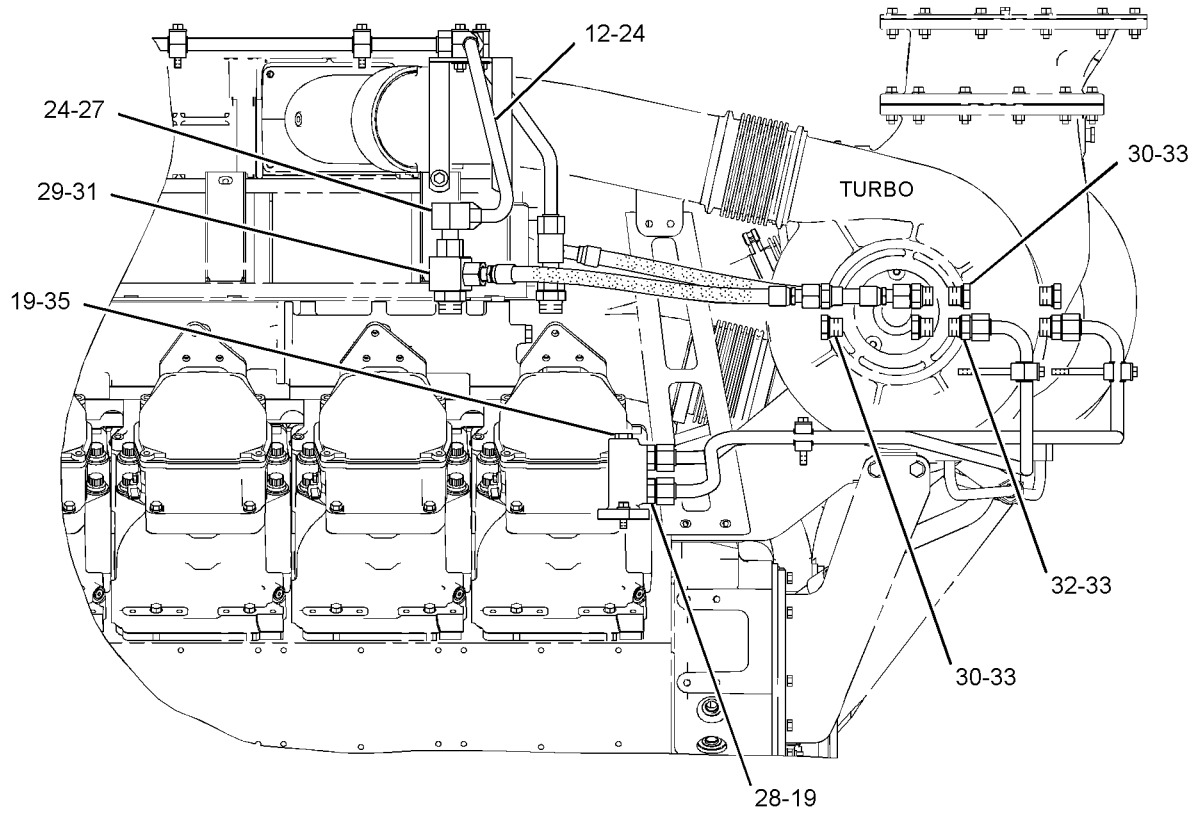
GRAPHIC #1

g01523509

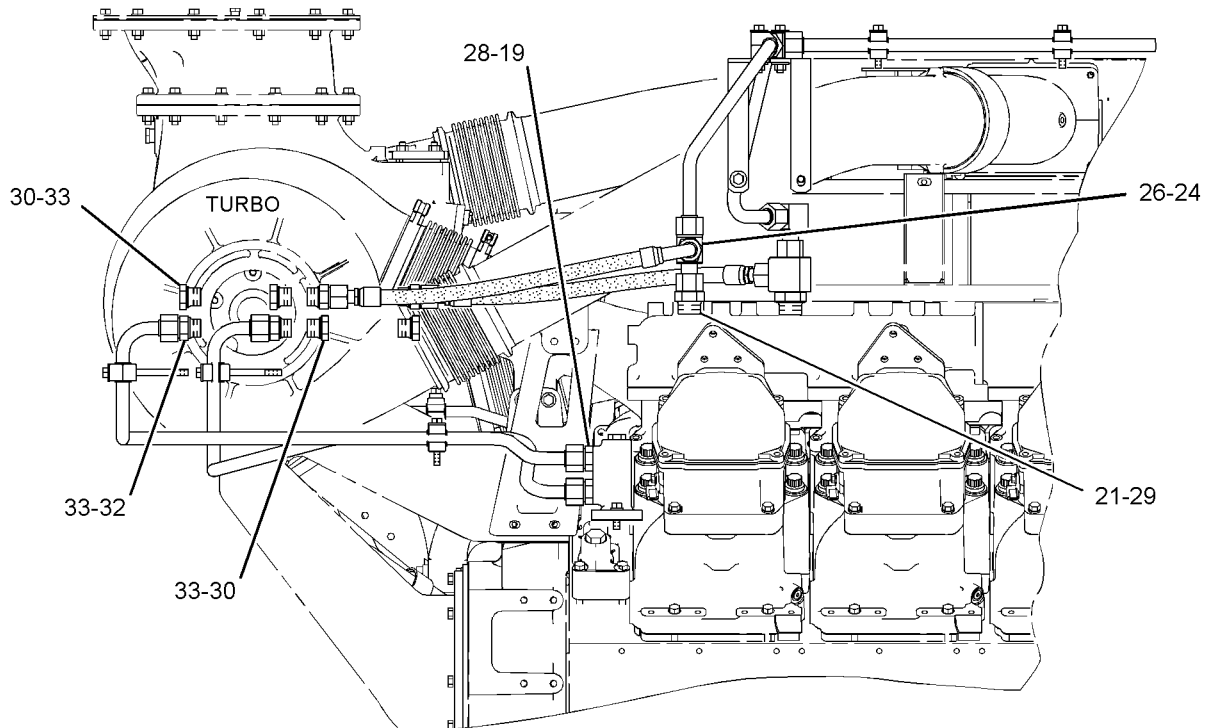
COOLING SYSTEM

308-6816 LINES GP-WATER (contd.)

i02774318



LEFT SIDE VIEW OF ENGINE



RIGHT SIDE VIEW OF ENGINE

GRAPHIC #2

<END>

g01523511

COOLING SYSTEM

320-6879 LINES GP-WATER-REGULATOR HOUSING AN ATTACHMENT

SMCS-1355, 1380, 1393

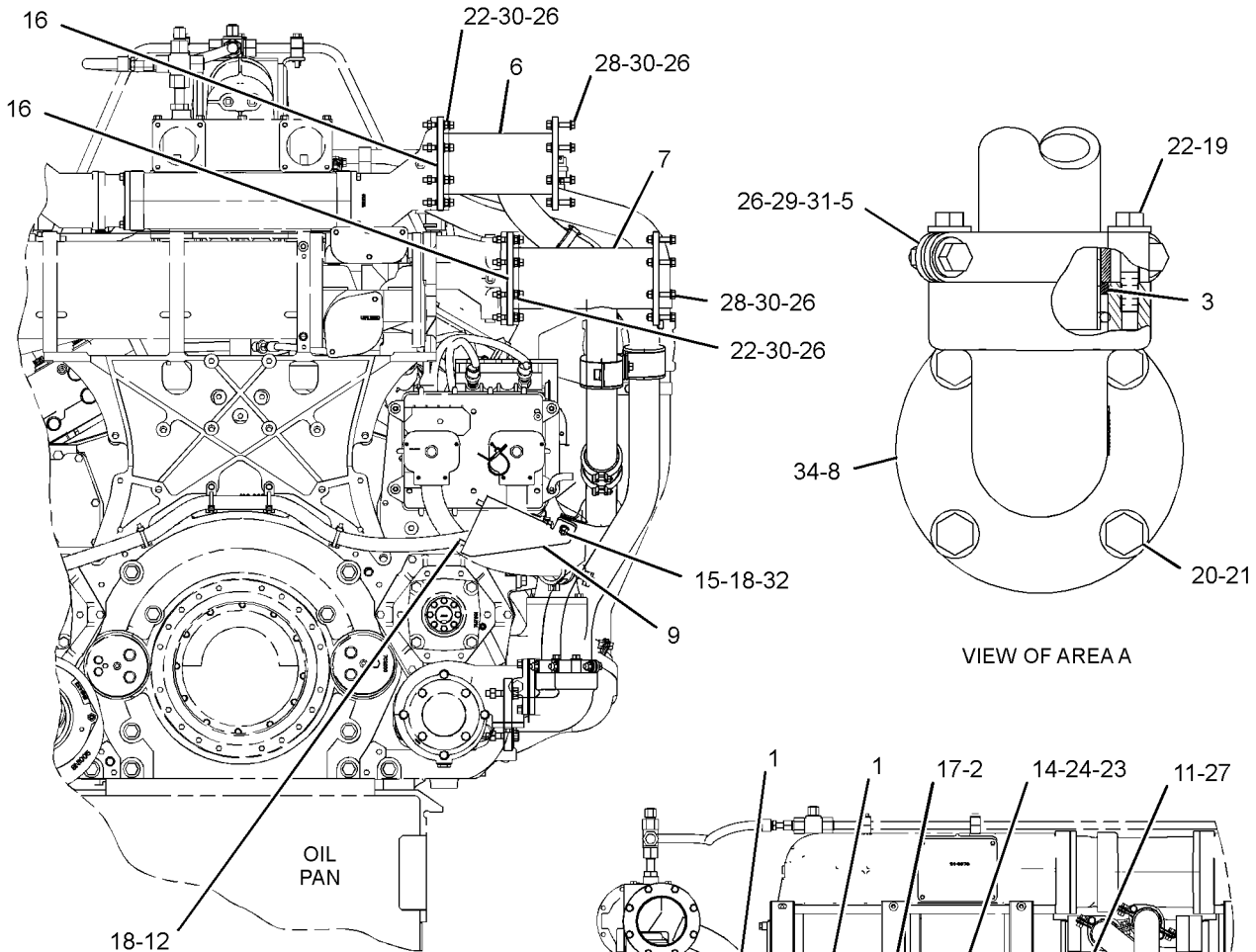
i03315960

NOTE	REF NO	GRAPHIC REF	PART NUMBER	QTY	PART NAME						SEE PAGE
					1	2	3	4	5	6 (PRODUCT LEVEL)	
	1	1	9S-9635	2	JOINT AS-TUBE						
					(EACH INCLUDES)						
		1	9X-7523	2	SEAL						
	2	1	9X-6772	1	STRAP-CABLE						
	3	1	153-9963	2	RING						
	4	1	221-1887	1	ELBOW						
	5	1	245-6848	4	CLAMP AS						
	6	1	320-6880	1	TUBE AS						
	7	1	320-6881	1	TUBE AS						
	8	1	320-6882	1	ELBOW						
	9	1	320-6883	1	BRACKET						
	10	1	320-6884	1	TUBE						
	11	1	320-6885	1	TUBE						
	12	1	0L-1351	2	BOLT (3/8-16X0.875-IN)						
	13	1	0S-1591	1	BOLT (3/8-16X1.5-IN)						
	14	1	193-2120	3	GROMMET						
	15	1	1A-2029	1	BOLT (3/8-16X1.125-IN)						
	16	1	1S-5772	2	GASKET						
	17	1	4P-8134	1	CLIP						
	18	1	5M-2894	4	WASHER-HARD (10.2X18.5X2.5-MM THK)						
	19	1	5P-1075	4	WASHER-HARD (10.2X22.5X3-MM THK)						
	20	1	5P-2424	8	BOLT (1/2-13X2.25-IN)						
	21	1	5P-8245	8	WASHER-HARD (13.5X25.5X3-MM THK)						
	22	1	5S-7383	20	BOLT (3/8-16X1.75-IN)						
	23	1	6V-1867	3	CLIP (SLOT)						
	24	1	6V-1868	3	CLIP (TAB)						
	25	1	6V-8188	4	NUT (1/2-13-THD)						
	26	1	6V-8801	36	NUT (3/8-16-THD)						
	27	1	8T-1919	2	SEAL-O-RING						
	28	1	8T-2501	16	BOLT (3/8-16X2-IN)						
	29	1	8T-4121	8	WASHER-HARD (11X21X2.5-MM THK)						
	30	1	8T-4896	48	WASHER-HARD (10.2X18.5X2.5-MM THK)						
	31	1	9B-7237	4	BOLT (3/8-16X1.25-IN)						
	32	1	9S-8752	2	NUT-FULL (3/8-16-THD)						
	33	1	9X-6458	2	WASHER-HARD (10.2X22.5X3-MM THK)						
	34	1	9Y-6893	2	GASKET						

COOLING SYSTEM

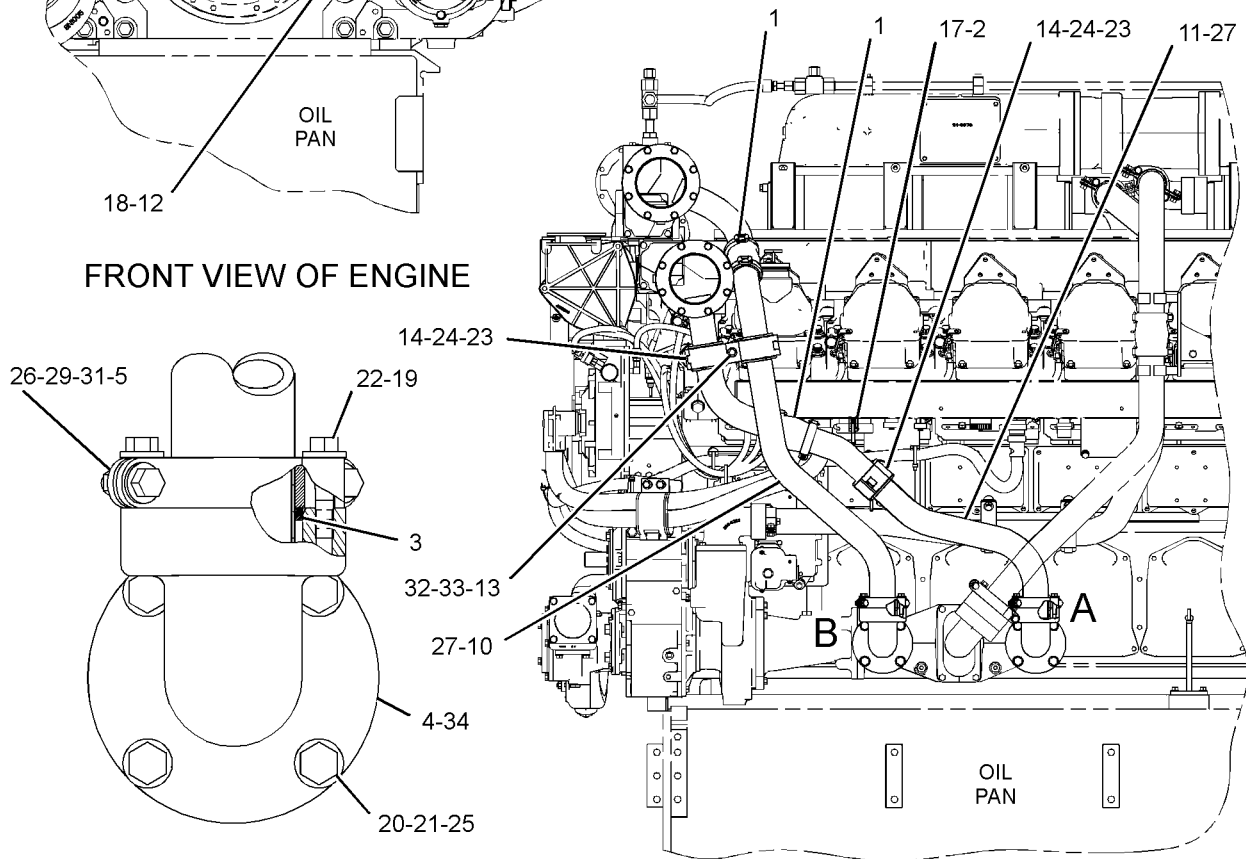
320-6879 LINES GP-WATER (contd.)

i03315960

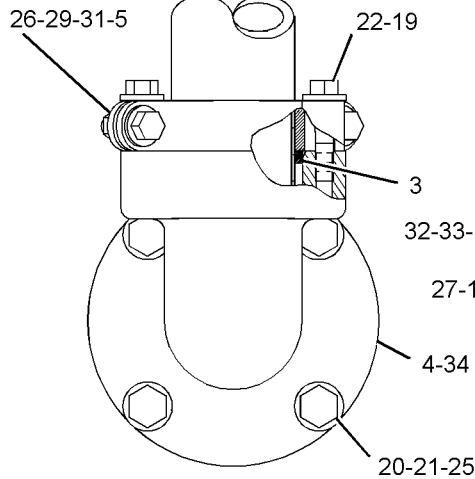


VIEW OF AREA A

FRONT VIEW OF ENGINE



LEFT SIDE VIEW OF ENGINE



VIEW OF AREA B

GRAPHIC #1

<END>

g01702795

COOLING SYSTEM

256-3172 MOUNTING GP-RADIATOR

RUBBER ISOLATOR

CANNOT BE USED WITH SPRING ISOLATOR
AN ATTACHMENT

SMCS - 1353

i02270457

NOTE	PART NUMBER	QTY	PART NAME						SEE PAGE
			1	2	3	4	5	6 (PRODUCT LEVEL)	
Y	259-2503	4	MOUNTING GP-VIBRATION ISOLATOR						585
Y-SEPARATE ILLUSTRATION									

<END>

COOLING SYSTEM

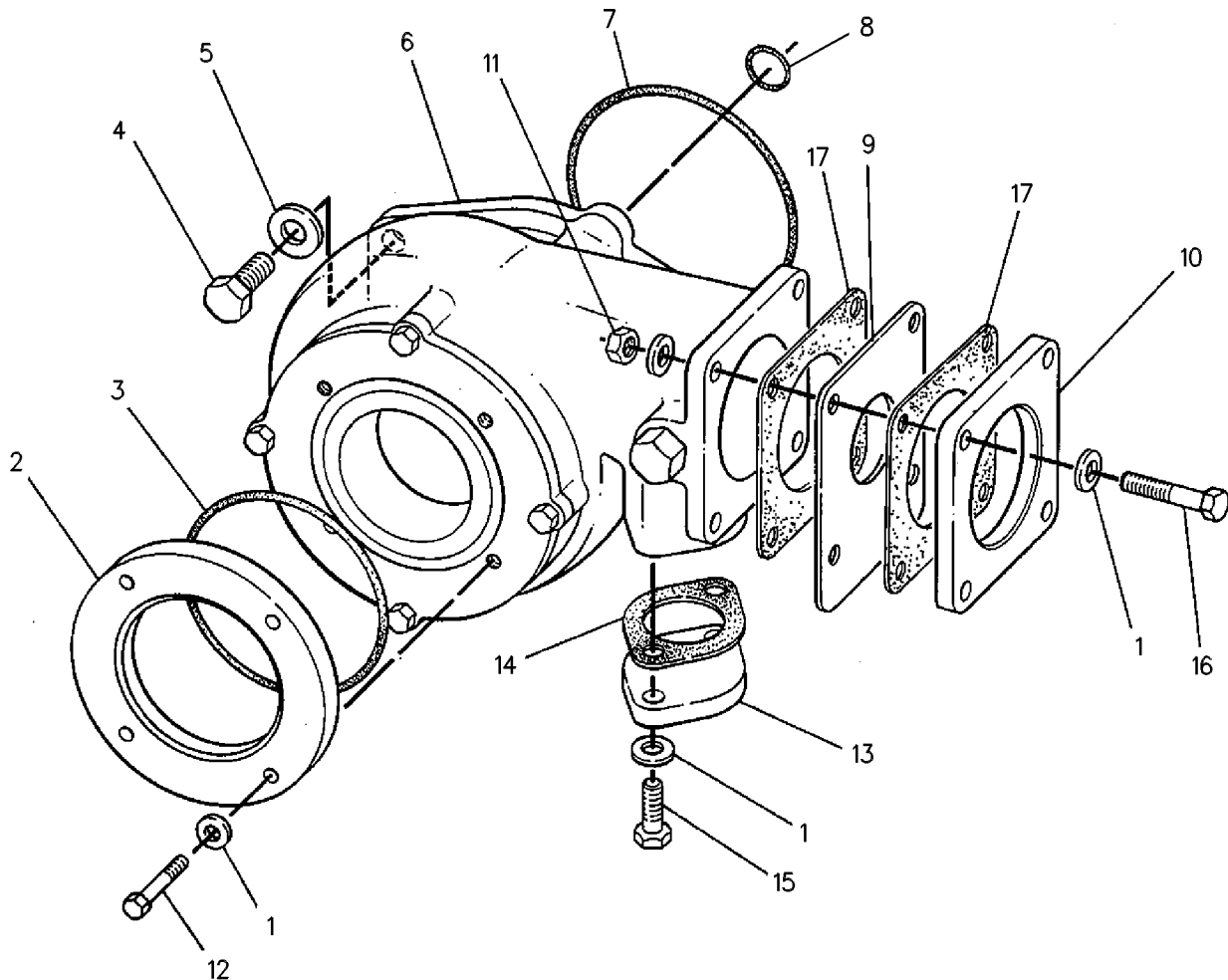
8N-8466 PUMP GP-AUXILIARY SEA WATER AN ATTACHMENT

SMCS-1371

i02945066

NOTE	REF NO	GRAPHIC REF	PART NUMBER	QTY	PART NAME						SEE PAGE
					1	2	3	4	5	6 (PRODUCT LEVEL)	
	1	1	5M-2894	14	WASHER-HARD (10.2X18.5X2.5-MM THK)						
	2	1	8N-8462	1	FLANGE						
	3	1	4F-7387	1	SEAL-O-RING						
	4	1	4B-4043	4	BOLT (5/8-11X1.375-IN)						
	5	1	5P-8247	4	WASHER-HARD (17X32X3.5-MM THK)						
Y	6	1	315-5137	1	PUMP GP-AUXILIARY SEA WATER						205
	7	1	5F-3106	1	SEAL-O-RING						
	8	1	2M-4453	1	SEAL-O-RING						
	9	1	5N-0408	1	PLATE-ORIFICE						
	10	1	5N-1845	1	FLANGE						
	11	1	9S-8752	4	NUT-FULL (3/8-16-THD)						
	12	1	0S-1588	4	BOLT (3/8-16X1.25-IN)						
	13	1	5N-1941	1	COVER						
	14	1	5N-1940	1	GASKET						
	15	1	0S-1594	2	BOLT (3/8-16X1-IN)						
	16	1	0S-1571	4	BOLT (3/8-16X1.75-IN)						
	17	1	3P-6061	2	GASKET						

Y-SEPARATE ILLUSTRATION



GRAPHIC #1

<END>

g00237826

COOLING SYSTEM

144-6080 PUMP GP-AUXILIARY SEA WATER*R

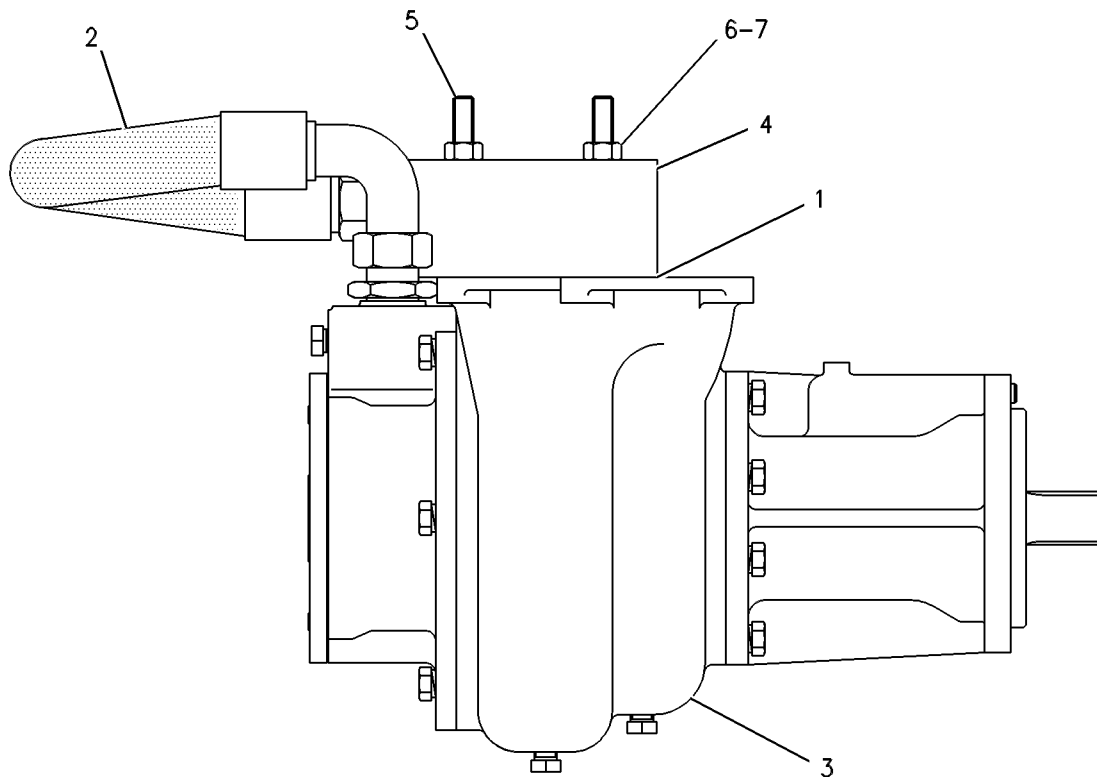
PART OF 144-6081 PUMP GP-AUXILIARY SEA WATER
AN ATTACHMENT

SMCS-1371

i03869093

NOTE	REF NO	GRAPHIC REF	PART NUMBER	QTY	PART NAME						SEE PAGE
					1	2	3	4	5	6 (PRODUCT LEVEL)	
	1	1	148-7996	1	GASKET						
	2	1	148-7997	1	HOSE AS						
YR	3	1	148-8000	1	PUMP GP-AUXILIARY SEA WATER						198
Y	4	1	148-8005	1	VALVE GP-CHECK (AUXILIARY WATER PUMP)						226
	5	1	148-8006	4	ROD (M12X 112MM)						
M	6	1	8T-4244	4	NUT (M12X1.75-THD)						
	7	1	7X-0584	4	WASHER-HARD (13.5X20.5X2-MM THK)						

M-METRIC PART
R-REMG PART MAY BE AVAILABLE
Y-SEPARATE ILLUSTRATION



GRAPHIC #1

<END>

g00290507

COOLING SYSTEM

144-6081 PUMP GP-AUXILIARY SEA WATER

S/N: JTS1-134

AN ATTACHMENT

SMCS-1371

i02868387

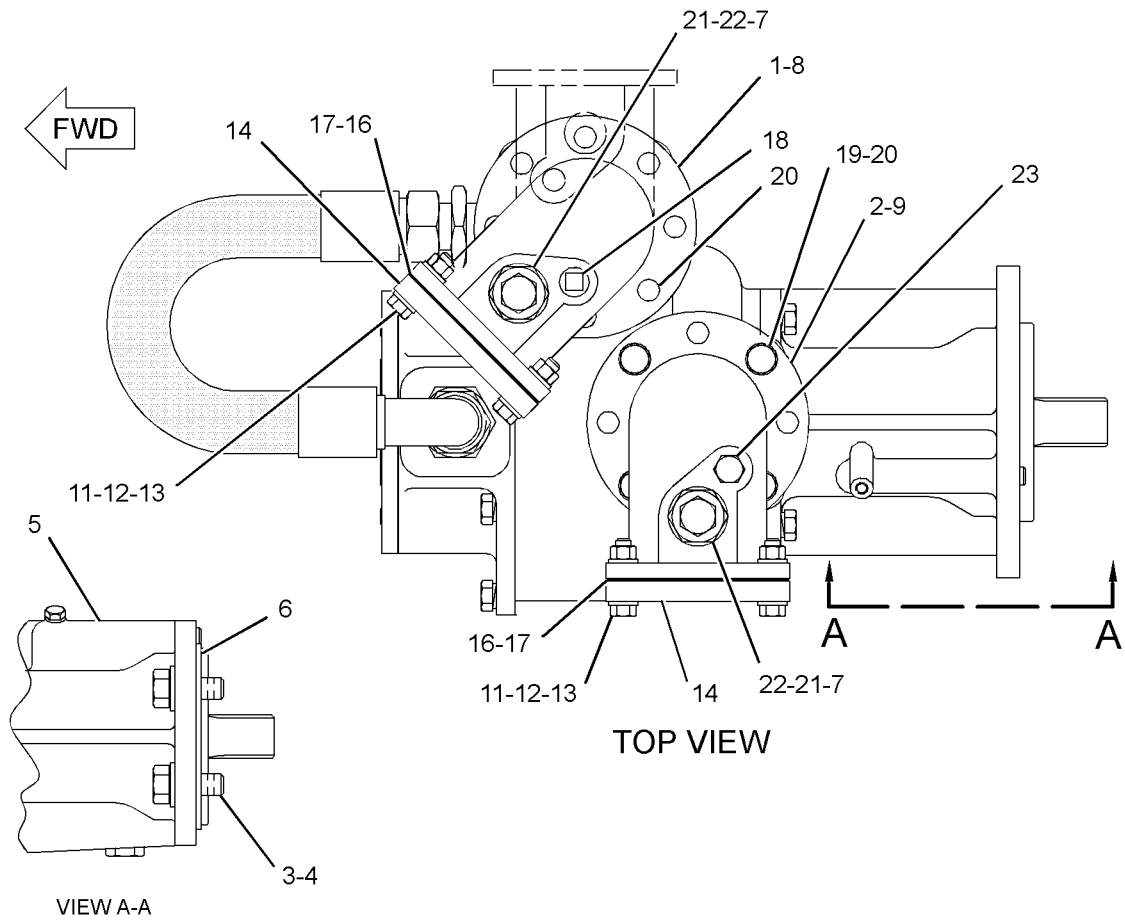
NOTE	REF NO	GRAPHIC REF	PART NUMBER	QTY	PART NAME						SEE PAGE
					1	2	3	4	5	6 (PRODUCT LEVEL)	
	1	1	143-9207	1	ELBOW						
	2	1	143-9208	1	ELBOW						
	3	1	0S-1566	4	BOLT (5/8-11X1.5-IN)						
	4	1	5P-8247	4	WASHER-HARD (17X32X3.5-MM THK)						
YR	5	1	144-6080	1	PUMP GP-AUXILIARY SEA WATER						193
	6	1	9X-7371	1	SEAL-O-RING						
	7	1	8T-6766	2	PLUG-PIPE						
	8	1	144-6074	1	GASKET						
	9	1	144-6076	1	GASKET						
	11	1	5M-2894	16	WASHER-HARD (10.2X18.5X2.5-MM THK)						
	12	1	9S-8752	8	NUT-FULL (3/8-16-THD)						
B	13	1	0S-1571	8	BOLT (3/8-16X1.75-IN)						
	14	1	5N-1845	2	FLANGE						
	16	1	3P-6061	2	GASKET						
B	17	1	3P-6061	2	GASKET						
	18	1	6L-2280	1	ROD-ZINC (AUXILIARY SEA WATER PUMP)						
			233-8525	1	PLUG-PIPE						
M	19	1	8T-4192	4	BOLT (M12X1.75X25-MM)						
	20	1	7X-0584	8	WASHER-HARD (13.5X20.5X2-MM THK)						
	21	1	5L-5879	2	ADAPTER						
	22	1	5B-3265	2	GASKET						
	23	1	9B-0887	1	PLUG-PIPE						

B-USE AS REQUIRED
M-METRIC PART
R-REMG PART MAY BE AVAILABLE
Y-SEPARATE ILLUSTRATION

COOLING SYSTEM

144-6081 PUMP GP-AUXILIARY SEA WATER (contd.)

i02868387



GRAPHIC #1

<END>

g01179758

COOLING SYSTEM

144-6081 PUMP GP-AUXILIARY SEA WATER

S/N: JTS135-UP
AN ATTACHMENT

SMCS-1371

i03513189

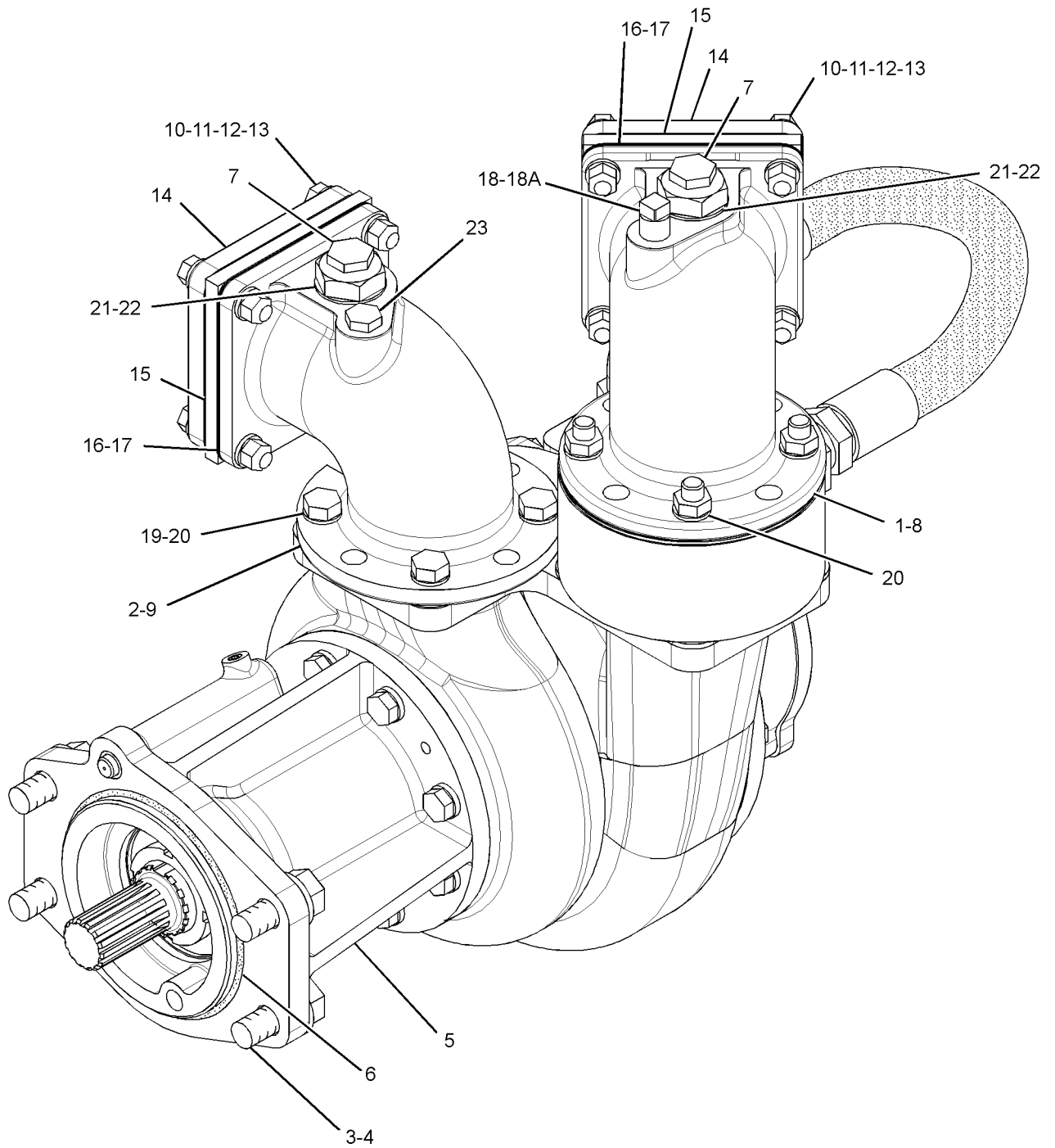
NOTE	REF NO	GRAPHIC REF	PART NUMBER	QTY	PART NAME						SEE PAGE
					1	2	3	4	5	6 (PRODUCT LEVEL)	
	1	1	143-9207	1	ELBOW						
	2	1	143-9208	1	ELBOW						
	3	1	0S-1566	4	BOLT (5/8-11X1.5-IN)						
	4	1	5P-8247	4	WASHER-HARD (17X32X3.5-MM THK)						
CY	5	1	318-2579	1	PUMP GP-AUXILIARY SEA WATER						208
	6	1	9X-7371	1	SEAL-O-RING						
	7	1	8T-6766	2	PLUG-PIPE						
	8	1	144-6074	1	GASKET						
	9	1	144-6076	1	GASKET						
	10	1	0S-1590	8	BOLT (3/8-16X2-IN)						
	11	1	5M-2894	16	WASHER-HARD (10.2X18.5X2.5-MM THK)						
	12	1	9S-8752	8	NUT-FULL (3/8-16-THD)						
B	13	1	0S-1571	8	BOLT (3/8-16X1.75-IN)						
	14	1	5N-1845	2	FLANGE						
	15	1	2N-0822	2	PLATE						
	16	1	3P-6061	2	GASKET						
B	17	1	3P-6061	2	GASKET						
	18	1	6L-2280	1	ROD-ZINC (AUXILIARY SEA WATER PUMP)						
	18A	1	233-8525	1	PLUG-PIPE						
M	19	1	8T-4192	4	BOLT (M12X1.75X25-MM)						
	20	1	7X-0584	8	WASHER-HARD (13.5X20.5X2-MM THK)						
	21	1	5L-5879	2	ADAPTER						
	22	1	5B-3265	2	GASKET						
	23	1	9B-0887	1	PLUG-PIPE						

B-USE AS REQUIRED
C-CHANGE FROM PREVIOUS TYPE
M-METRIC PART
Y-SEPARATE ILLUSTRATION

COOLING SYSTEM

144-6081 PUMP GP-AUXILIARY SEA WATER (contd.)

i03513189



GRAPHIC #1

<END>

g01845077

COOLING SYSTEM

148-8000 PUMP GP-AUXILIARY SEA WATER*R

PART OF 144-6080 PUMP GP-AUXILIARY SEA WATER
AN ATTACHMENT

SMCS-1371

i03870138

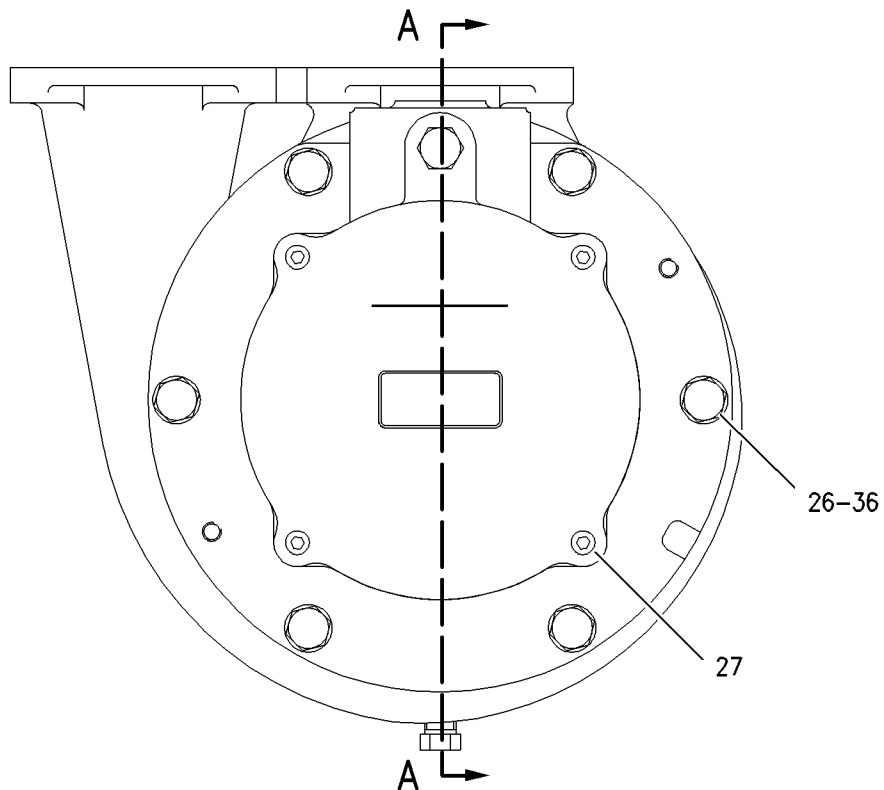
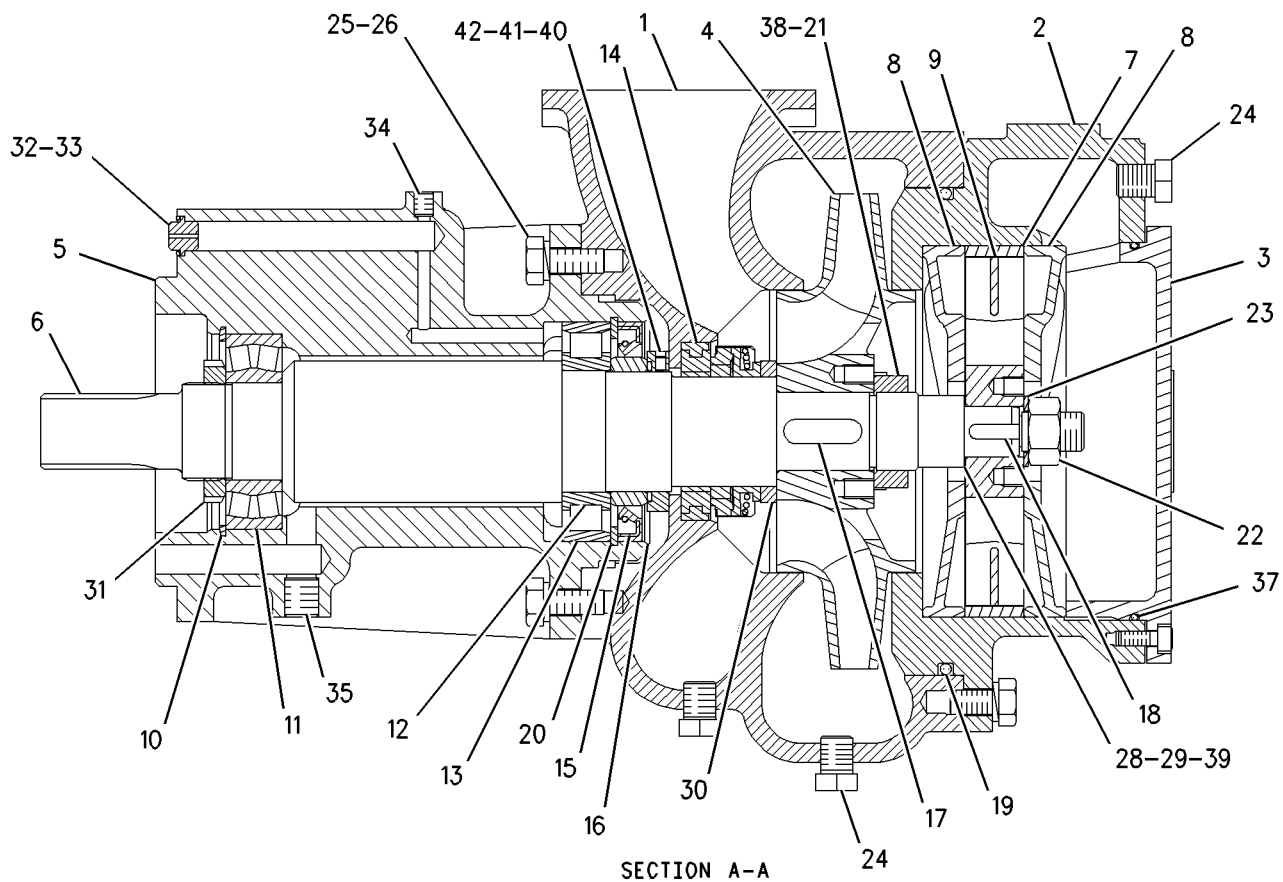
NOTE	REF NO	GRAPHIC REF	PART NUMBER	QTY	PART NAME						SEE PAGE
					1	2	3	4	5	6 (PRODUCT LEVEL)	
	1	1	148-7983	1	BODY-PUMP						
	2	1	148-7984	1	BODY-PUMP						
	3	1	148-7985	1	COVER-PUMP END						
	4	1	148-7986	1	IMPELLER-CENTRIFUGAL						
	5	1	148-7987	1	HOUSING-BEARING						
	6	1	148-7988	1	SHAFT-PUMP						
	7	1	148-7989	1	IMPELLER-SELF PRIMING						
	8	1	148-7990	2	PLATE						
	9	1	3N-8213	1	RING						
	10	1	107-5565	1	CLIP						
	11	1	3N-8463	1	BEARING-ROLLER						
	12	1	4M-6107	1	BEARING-INNER						
	13	1	8T-0209	1	RACE-ROLLER BEARING						
	14	1	5N-9006	1	SEAL GP						
	15	1	5N-2902	1	SEAL-OIL						
	16	1	5N-2904	1	COLLAR-SEAL						
	17	1	148-7991	1	KEY						
	18	1	148-7992	1	KEY						
	19	1	3N-8462	1	SEAL-O-RING						
	20	1	8T-0707	1	RING-RETAINING (INTERNAL)						
	21	1	148-7994	1	LOCKNUT (M32X1.5-THD)						
	22	1	148-7995	1	NUT (M16X2-THD)						
	23	1	149-4312	1	WASHER (17X30X3.5-MM THK)						
	24	1	104-1718	3	PLUG						
M	25	1	8T-4136	8	BOLT (M10X1.5X25-MM)						
	26	1	3B-4507	14	LOCKWASHER						
M	27	1	149-4311	4	BOLT-SOCKET HEAD (M6X1X16-MM)						
B	28	1	3N-8217	1	SHIM (0.25-MM THK)						
B	29	1	3N-8218	1	SHIM (0.38-MM THK)						
	30	1	148-7998	1	WASHER (45X58X6.6-MM THK)						
	31	1	8B-7614	1	NUT-BEARING						
	32	1	148-7999	1	ORIFICE-OIL FEED						
	33	1	6V-8398	1	SEAL-O-RING						
M	34	1	9X-6279	1	SETSCREW-SOCKET (M8X1.25-THD)						
M	35	1	149-4156	1	SETSCREW-SOCKET (M16X2-THD)						
M	36	1	7X-0409	6	BOLT-HIGH TEMPERATURE (M10X1.5X20-MM)						
	37	1	146-6769	1	SEAL						
	38	1	175-4981	1	LOCKWASHER						
B	39	1	175-4982	1	SHIM (0.3-MM THK)						
	40	1	175-4983	1	RING-RETAINING						
	41	1	175-4984	2	SETSCREW-SOCKET						
	42	1	175-4985	1	SEAL-O-RING						

B-USE AS REQUIRED
M-METRIC PART

COOLING SYSTEM

148-8000 PUMP GP-AUXILIARY SEA WATER (contd.)

i03870138



GRAPHIC #1

<END>

g00646818

COOLING SYSTEM

248-2857 PUMP GP-AUXILIARY SEA WATER

PART OF 248-2858 PUMP GP-AUXILIARY SEA WATER

AN ATTACHMENT

SMCS-1371

i03194724

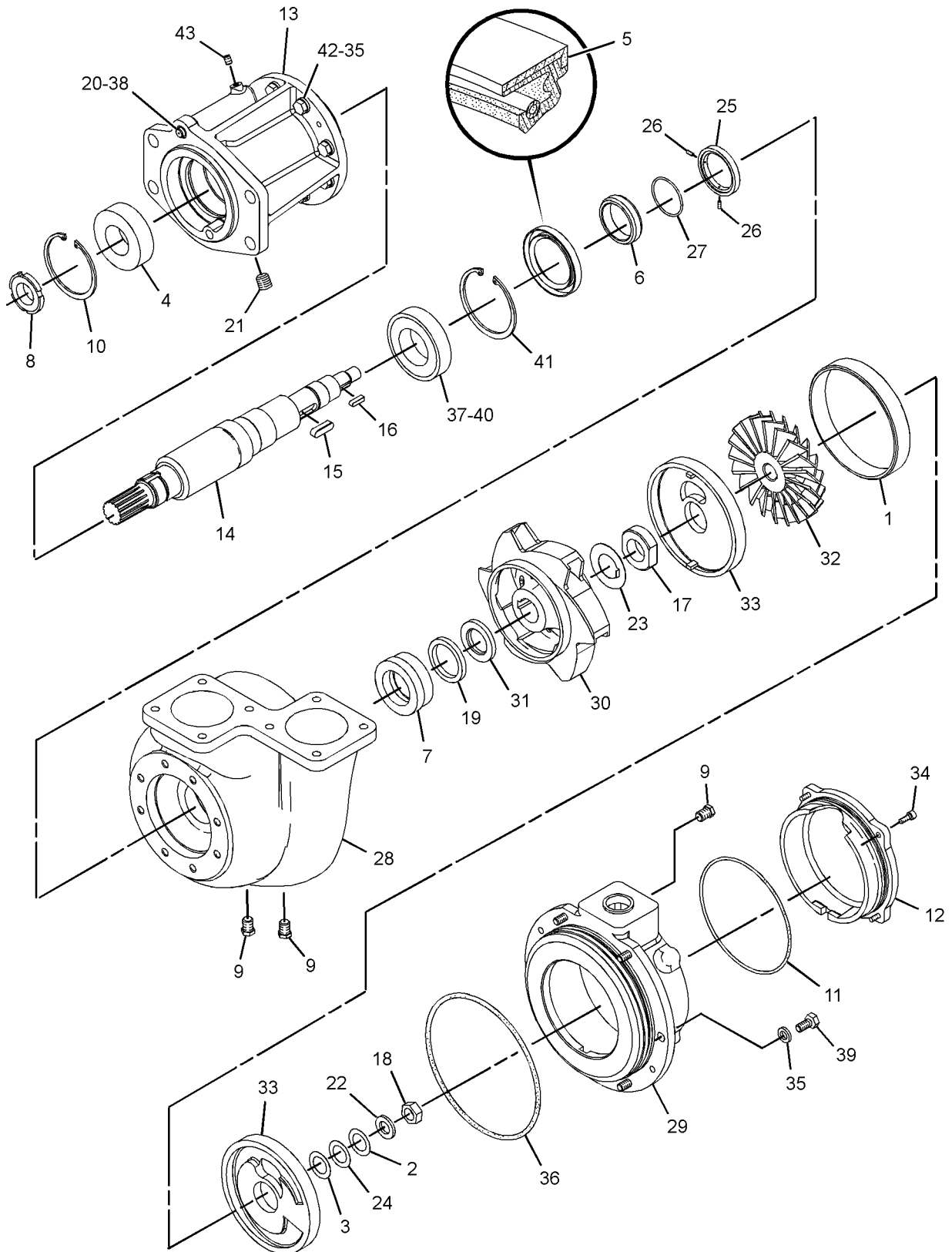
NOTE	REF NO	GRAPHIC REF	PART NUMBER	QTY	PART NAME						SEE PAGE
					1	2	3	4	5	6 (PRODUCT LEVEL)	
	1	1	3N-8213	1	RING						
	2	1	3N-8217	1	SHIM (0.25-MM THK)						
	3	1	3N-8218	1	SHIM (0.38-MM THK)						
	4	1	3N-8463	1	BEARING-ROLLER						
	5	1	5N-2902	1	SEAL-OIL						
	6	1	5N-2904	1	COLLAR-SEAL						
	7	1	5N-9006	1	SEAL GP						
	8	1	8B-7614	1	NUT-BEARING						
	9	1	104-1718	3	PLUG						
	10	1	107-5565	1	CLIP						
	11	1	146-6769	1	SEAL						
	12	1	148-7985	1	COVER-PUMP END						
	13	1	148-7987	1	HOUSING-BEARING						
	14	1	148-7988	1	SHAFT-PUMP						
	15	1	148-7991	1	KEY						
	16	1	148-7992	1	KEY						
	17	1	148-7994	1	LOCKNUT (M32X1.5-THD)						
	18	1	148-7995	1	NUT (M16X2-THD)						
	19	1	148-7998	1	WASHER (45X58X6.6-MM THK)						
	20	1	148-7999	1	ORIFICE-OIL FEED						
M	21	1	149-4156	1	SETSCREW-SOCKET (M16X2-THD)						
	22	1	149-4312	1	WASHER (17X30X3.5-MM THK)						
	23	1	175-4981	1	LOCKWASHER						
	24	1	175-4982	1	SHIM (0.3-MM THK)						
	25	1	175-4983	1	RING-RETAINING						
	26	1	175-4984	2	SETSCREW-SOCKET						
	27	1	175-4985	1	SEAL-O-RING						
	28	1	284-1085	1	BODY-PUMP						
	29	1	284-1086	1	BODY-PUMP						
	30	1	284-1087	1	IMPELLER						
	31	1	284-1088	1	WASHER-THRUST						
	32	1	329-9238	1	IMPELLER						
	33	1	329-9239	2	PLATE						
M	34	1	149-4311	4	BOLT-SOCKET HEAD (M6X1X16-MM)						
	35	1	3B-4507	14	LOCKWASHER						
	36	1	3N-8462	1	SEAL-O-RING						
	37	1	4M-6107	1	BEARING-INNER						
	38	1	6V-8398	1	SEAL-O-RING						
M	39	1	7X-0409	6	BOLT-HIGH TEMPERATURE (M10X1.5X20-MM)						
	40	1	8T-0209	1	RACE-ROLLER BEARING						
	41	1	8T-0707	1	RING-RETAINING (INTERNAL)						
M	42	1	8T-4136	8	BOLT (M10X1.5X25-MM)						
M	43	1	9X-6279	1	SETSCREW-SOCKET (M8X1.25-THD)						

M-METRIC PART

COOLING SYSTEM

248-2857 PUMP GP-AUXILIARY SEA WATER (contd.)

i03194724



GRAPHIC #1

<END>

g01629193

COOLING SYSTEM

248-2858 PUMP GP-AUXILIARY SEA WATER

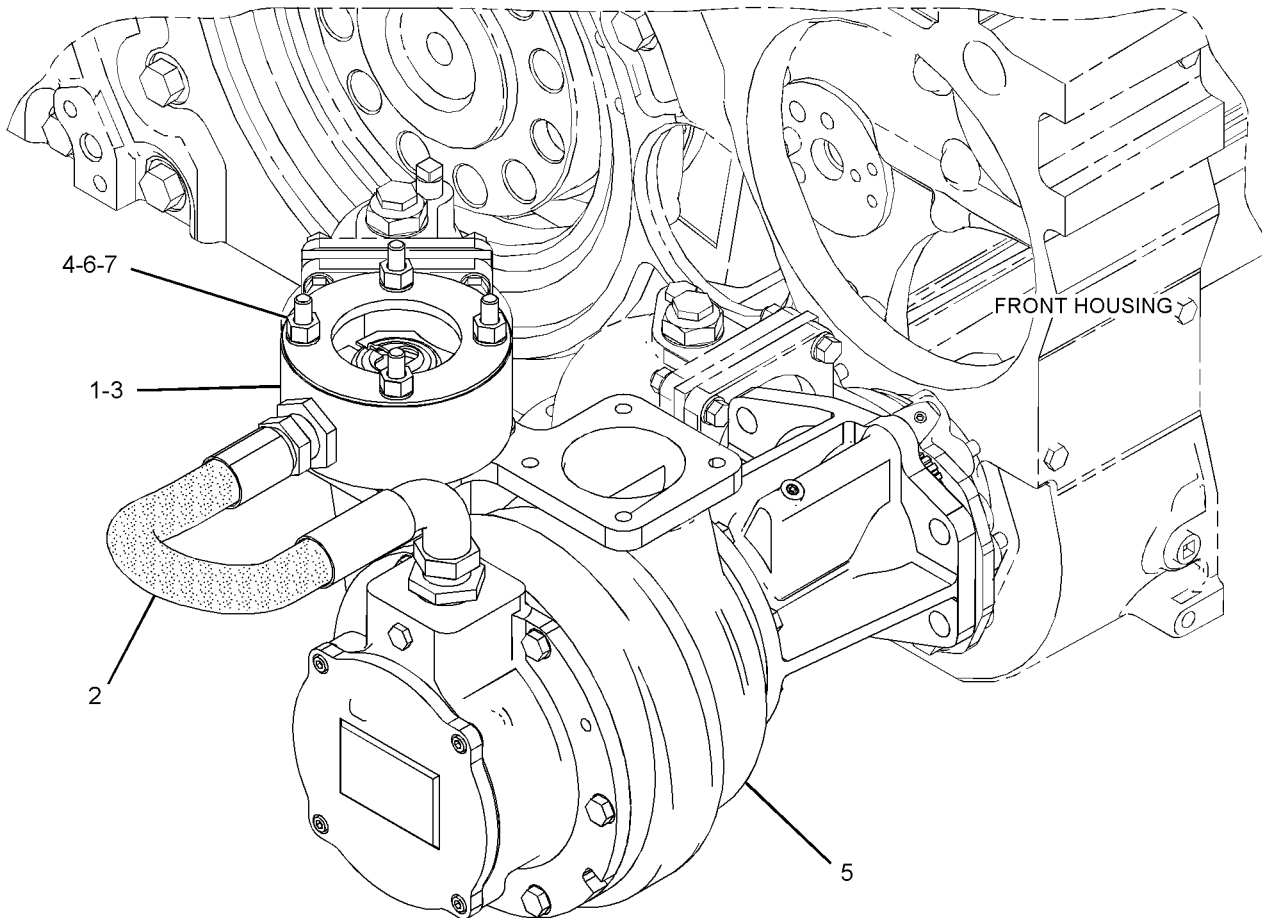
PART OF 260-8660 PUMP GP-AUXILIARY SEA WATER
AN ATTACHMENT

SMCS-1371

i03869098

NOTE	REF NO	GRAPHIC REF	PART NUMBER	QTY	PART NAME						SEE PAGE
					1	2	3	4	5	6 (PRODUCT LEVEL)	
	1	1	148-7996	1	GASKET						
	2	1	148-7997	1	HOSE AS						
Y	3	1	148-8005	1	VALVE GP-CHECK (AUXILIARY WATER PUMP)						226
	4	1	148-8006	4	ROD						
Y	5	1	248-2857	1	PUMP GP-AUXILIARY SEA WATER						200
	6	1	7X-0584	4	WASHER-HARD (13.5X20.5X2-MM THK)						
M	7	1	8T-4244	4	NUT (M12X1.75-THD)						

M-METRIC PART
Y-SEPARATE ILLUSTRATION



GRAPHIC #1

<END>

g02034134

COOLING SYSTEM

260-8660 PUMP GP-AUXILIARY SEA WATER AN ATTACHMENT

SMCS-1371

i03863190

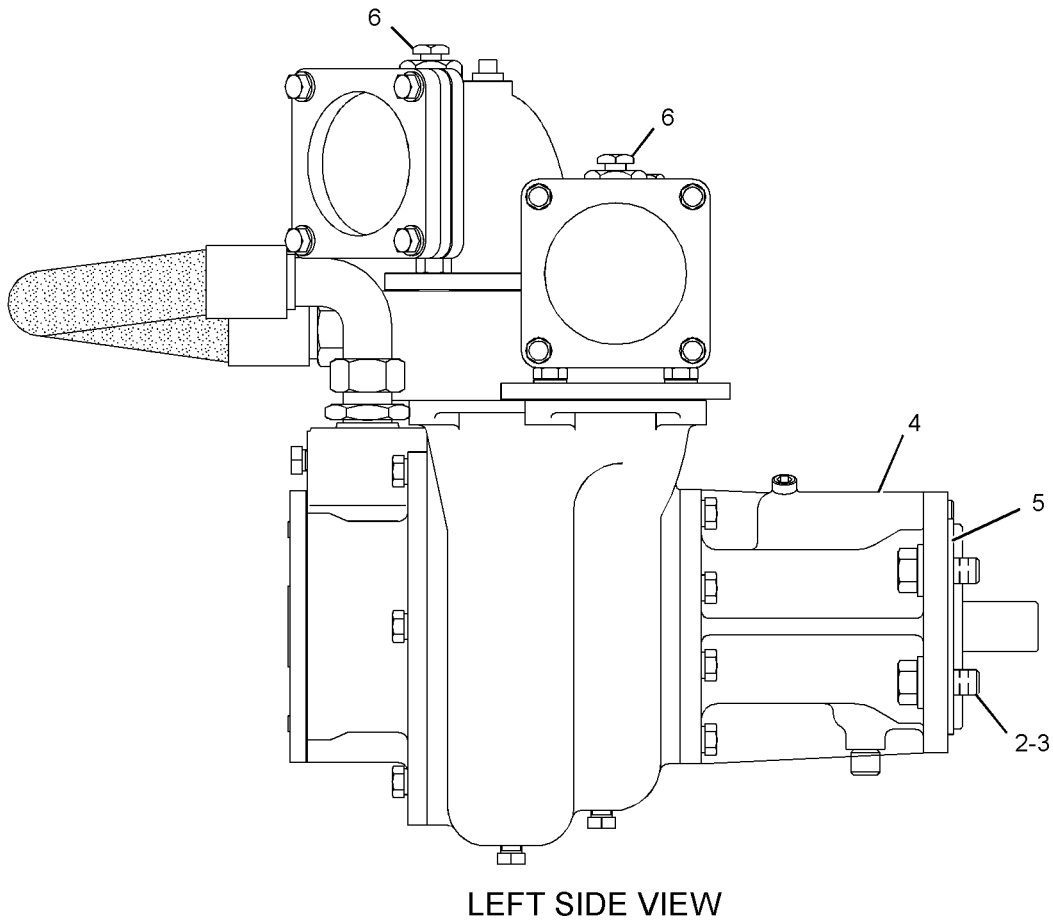
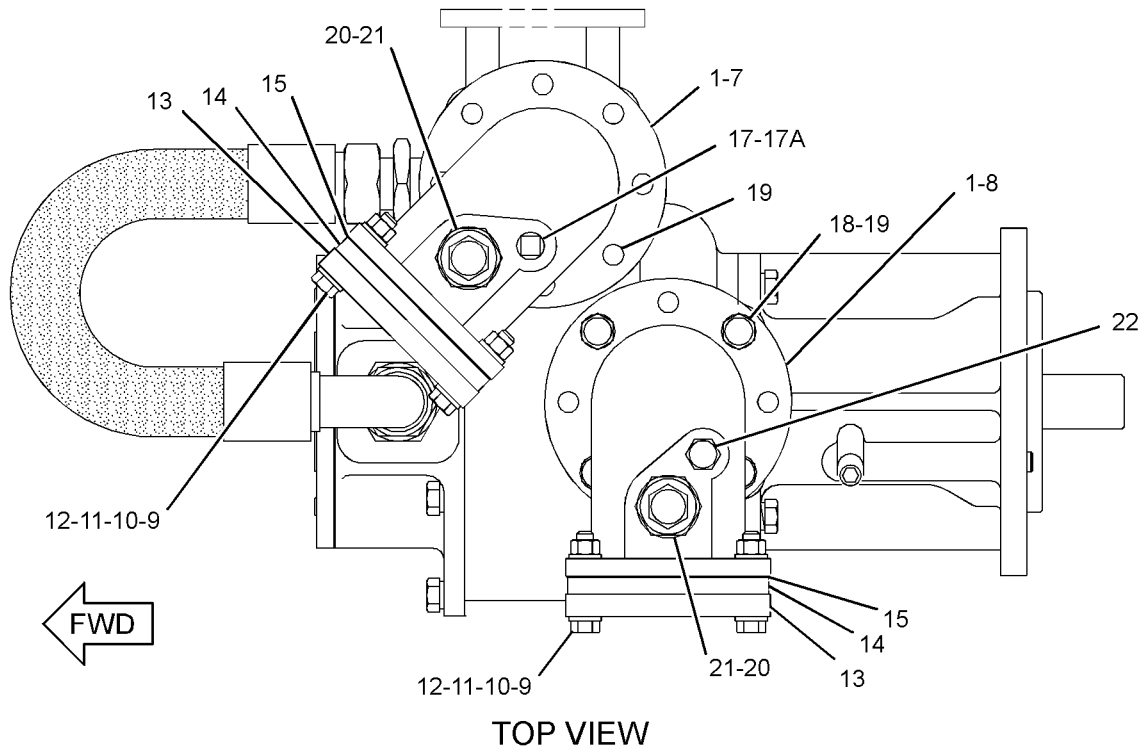
NOTE	REF NO	GRAPHIC REF	PART NUMBER	QTY	PART NAME						SEE PAGE
					1	2	3	4	5	6 (PRODUCT LEVEL)	
	1	1	143-9208	2	ELBOW						
	2	1	0S-1566	4	BOLT (5/8-11X1.5-IN)						
	3	1	5P-8247	4	WASHER-HARD (17X32X3.5-MM THK)						
Y	4	1	248-2858	1	PUMP GP-AUXILIARY SEA WATER						202
	5	1	9X-7371	1	SEAL-O-RING						
	6	1	8T-6766	2	PLUG-PIPE						
	7	1	144-6074	1	GASKET						
	8	1	144-6076	1	GASKET						
	9	1	0S-1590	8	BOLT (3/8-16X2-IN)						
	10	1	5M-2894	16	WASHER-HARD (10.2X18.5X2.5-MM THK)						
	11	1	9S-8752	8	NUT-FULL (3/8-16-THD)						
	12	1	0S-1571	8	BOLT (3/8-16X1.75-IN)						
	13	1	5N-1845	2	FLANGE						
	14	1	2N-0822	2	PLATE						
	15	1	3P-6061	4	GASKET						
	17	1	6L-2280	1	ROD-ZINC (AUXILIARY SEA WATER PUMP)						
	17A	1	233-8525	1	PLUG-PIPE						
M	18	1	8T-4192	4	BOLT (M12X1.75X25-MM)						
	19	1	7X-0584	8	WASHER-HARD (13.5X20.5X2-MM THK)						
	20	1	5L-5879	2	ADAPTER						
	21	1	5B-3265	2	GASKET						
	22	1	9B-0887	1	PLUG-PIPE						

M-METRIC PART
Y-SEPARATE ILLUSTRATION

COOLING SYSTEM

260-8660 PUMP GP-AUXILIARY SEA WATER (contd.)

i03863190



GRAPHIC #1

<END>

g02024613

COOLING SYSTEM

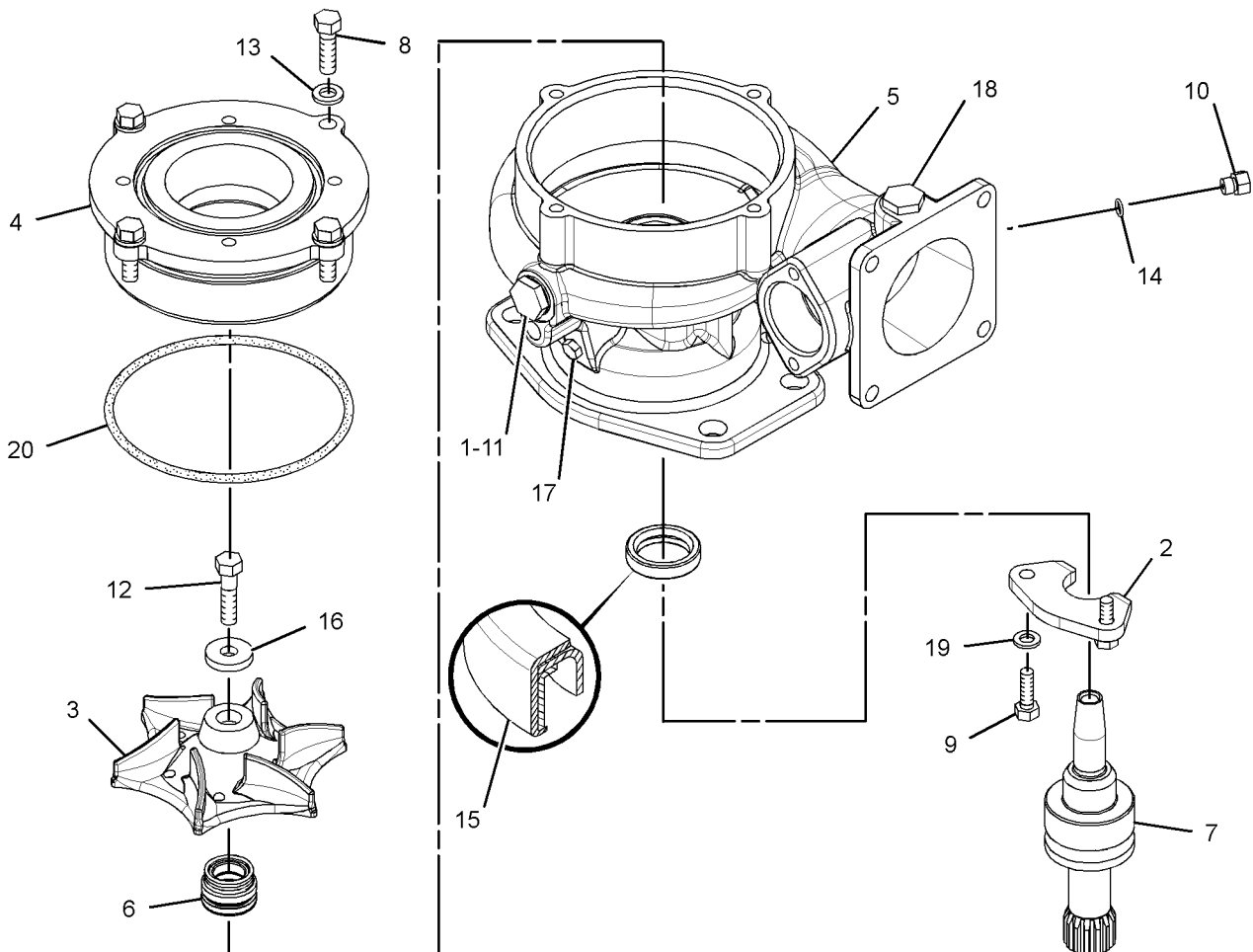
315-5137 PUMP GP-AUXILIARY SEA WATER

PART OF 316-1817, 8N-8466 PUMP GP-AUXILIARY SEA WATER
AN ATTACHMENT

SMCS-1371

i03886489

NOTE	REF NO	GRAPHIC REF	PART NUMBER	QTY	PART NAME						SEE PAGE
					1	2	3	4	5	6 (PRODUCT LEVEL)	
	1	1	3F-1358	1	PLUG-DRAIN (AUXILIARY SEA WATER PUMP)						
	2	1	7N-4758	1	WASHER-THRUST						
	3	1	8N-8455	1	IMPELLER-PUMP						
	4	1	8N-8461	1	ADAPTER						
	5	1	8N-8464	1	HOUSING AS						
	6	1	262-4378	1	SEAL AS-WATER PUMP						
	7	1	315-5136	1	SHAFT AS						
	8	1	OS-1588	4	BOLT (3/8-16X1.25-IN)						
	9	1	OS-1618	2	BOLT (5/16-18X1-IN)						
	10	1	1N-5999	1	PLUG-O-RING						
	11	1	2A-1162	1	GASKET						
	12	1	3H-5844	1	BOLT (3/8-16X1.5-IN)						
	13	1	5M-2894	4	WASHER-HARD (10.2X18.5X2.5-MM THK)						
	14	1	7J-0204	1	SEAL-O-RING						
	15	1	8C-5236	1	SEAL-LIP TYPE						
	16	1	8N-8456	1	WASHER (10.2X28.5X5-MM THK)						
	17	1	8T-6764	1	PLUG-PIPE (1/8-27-THD)						
	18	1	8T-6766	1	PLUG-PIPE						
	19	1	9M-1974	2	WASHER-HARD (8.8X16X2-MM THK)						
	20	1	9M-3786	1	SEAL-O-RING						



GRAPHIC #1

<END>

g01467007

COOLING SYSTEM

316-1817 PUMP GP-AUXILIARY SEA WATER AN ATTACHMENT

SMCS-1371

i03016930

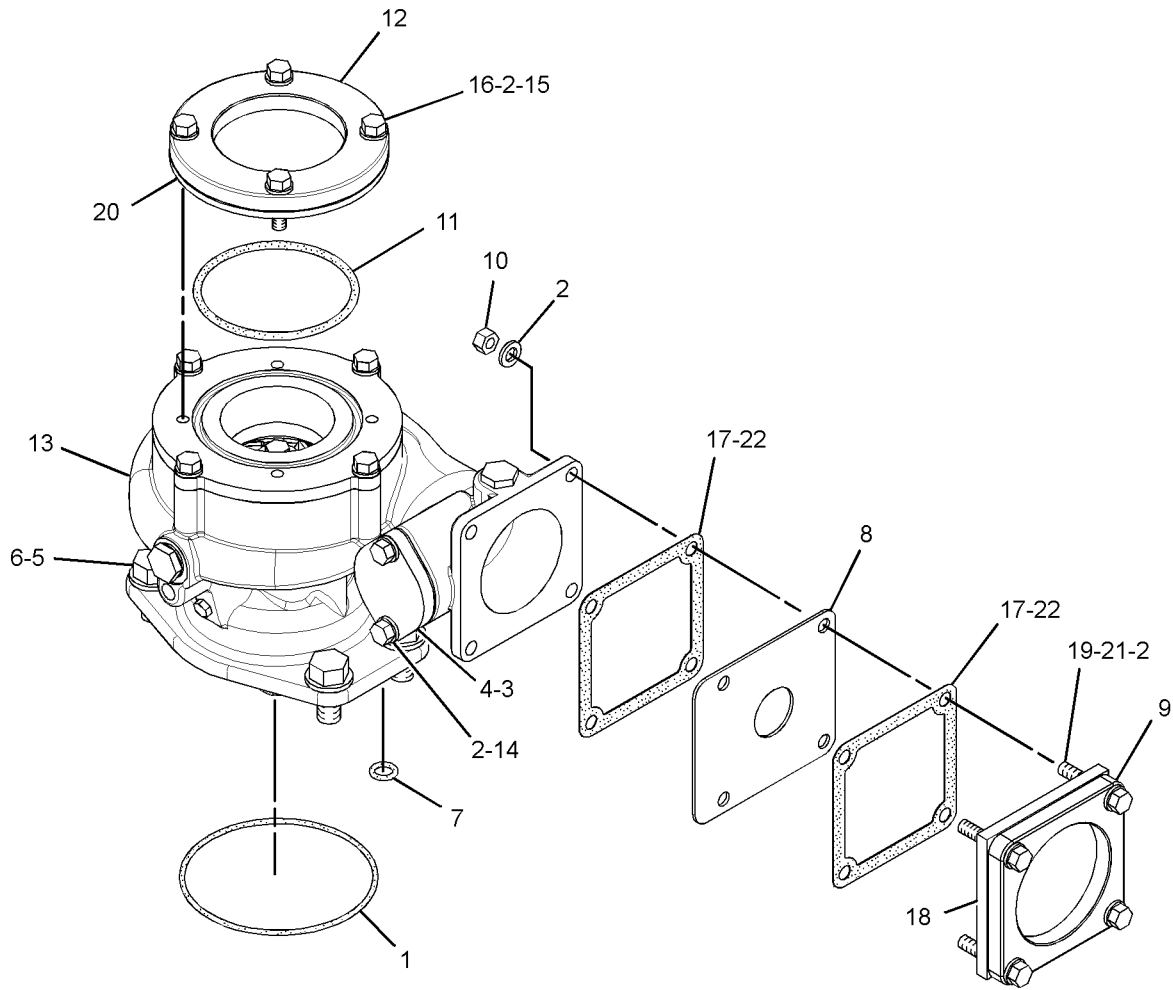
NOTE	REF NO	GRAPHIC REF	PART NUMBER	QTY	PART NAME						SEE PAGE
					1	2	3	4	5	6 (PRODUCT LEVEL)	
	1	1	5F-3106	1	SEAL-O-RING						
	2	1	5M-2894	14	WASHER-HARD (10.2X18.5X2.5-MM THK)						
	3	1	5N-1940	1	GASKET						
	4	1	5N-1941	1	COVER						
	5	1	5P-8247	4	WASHER-HARD (17X32X3.5-MM THK)						
	6	1	4B-4043	4	BOLT (5/8-11X1.375-IN)						
	7	1	2M-4453	1	SEAL-O-RING						
	8	1	5N-0408	1	PLATE-ORIFICE						
	9	1	5N-1845	1	FLANGE						
	10	1	9S-8752	4	NUT-FULL (3/8-16-THD)						
	11	1	4F-7387	1	SEAL-O-RING						
	12	1	8N-8462	1	FLANGE						
Y	13	1	315-5137	1	PUMP GP-AUXILIARY SEA WATER						205
	14	1	0S-1594	2	BOLT (3/8-16X1-IN)						
B	15	1	3B-1915	4	BOLT (3/8-16X1.375-IN)						
	16	1	0S-1588	4	BOLT (3/8-16X1.25-IN)						
	17	1	3P-6061	2	GASKET						
	18	1	2N-0822	1	PLATE						
B	19	1	0S-1590	4	BOLT (3/8-16X2-IN)						
	20	1	5N-5639	1	COVER						
	21	1	0S-1571	4	BOLT (3/8-16X1.75-IN)						
B	22	1	3P-6061	2	GASKET						

B-USE AS REQUIRED
Y-SEPARATE ILLUSTRATION

COOLING SYSTEM

316-1817 PUMP GP-AUXILIARY SEA WATER (contd.)

i03016930



GRAPHIC #1

<END>

g01926654

COOLING SYSTEM

318-2579 PUMP GP-AUXILIARY SEA WATER

PART OF 144-6081 PUMP GP-AUXILIARY SEA WATER

AN ATTACHMENT

SMCS-1371

i03869100

NOTE	REF NO	GRAPHIC REF	PART NUMBER	QTY	PART NAME						SEE PAGE
					1	2	3	4	5	6 (PRODUCT LEVEL)	
	1	2	3N-8213	1	RING						
	2	1	3N-8463	1	BEARING-ROLLER						
	3	1	5N-2902	1	SEAL-OIL						
	4	1	8B-7614	1	NUT-BEARING						
	5	1,2	104-1718	3	PLUG						
	6	1	107-5565	1	CLIP						
	7	2	146-6769	1	SEAL						
	8	2	148-7984	1	BODY-PUMP						
	9	2	148-7985	1	COVER-PUMP END						
	10	1	148-7987	1	HOUSING-BEARING						
	11	2	148-7990	2	PLATE						
	12	1	148-7996	1	GASKET						
	13	2	148-7997	1	HOSE AS						
	14	1	148-7999	1	ORIFICE-OIL FEED						
Y	15	1	148-8005	1	VALVE GP-CHECK (AUXILIARY WATER PUMP)						226
	16	1	148-8006	4	ROD						
M	17	1	149-4156	1	SETSCREW-SOCKET (M16X2-THD)						
	18	1	175-4985	1	SEAL-O-RING						
	19	1	318-2560	1	SHAFT-PUMP						
	20	2	318-2561	1	IMPELLER-CENTRIFUGAL						
	21	2	318-2562	1	IMPELLER						
	22	1	318-2563	1	COLLAR-SEAL						
	23	2	318-2564	1	SEAL AS-WATER PUMP						
M	24	1	318-2565	2	SETSCREW-SOCKET (M4X0.7X8-MM)						
	25	2	318-2566	2	RING-LOCK						
	26	2	318-2567	1	WASHER-THRUST						
M	27	2	318-2568	1	BOLT (M12X1.75X35-MM)						
	28	2	318-2574	1	SEAL-O-RING						
	29	2	318-2575	1	SEAL-O-RING						
B	30	1	318-2576	1	SHIM (0.25-MM THK)						
B	31	1	318-2577	1	SHIM (0.38-MM THK)						
	32	1	318-2578	1	SHIM (0.3-MM THK)						
	33	1	318-9795	1	BODY-PUMP						
B	34	1	318-9796	1	SHIM (0.1-MM THK)						
M	35	2	149-4311	4	BOLT-SOCKET HEAD (M6X1X16-MM)						
	36	1,2	3B-4507	14	LOCKWASHER						
	37	2	3N-8462	1	SEAL-O-RING						
	38	1	4M-6107	1	BEARING-INNER						
	39	1	6V-8398	1	SEAL-O-RING						
M	40	2	7X-0409	6	BOLT-HIGH TEMPERATURE (M10X1.5X20-MM)						
	41	1	7X-0584	4	WASHER-HARD (13.5X20.5X2-MM THK)						
	42	1	8T-0209	1	RACE-ROLLER BEARING						
	43	1	8T-0707	1	RING-RETAINING (INTERNAL)						
M	44	1	8T-4136	8	BOLT (M10X1.5X25-MM)						
M	45	1	8T-4244	4	NUT (M12X1.75-THD)						
M	46	1	9X-6279	1	SETSCREW-SOCKET (M8X1.25-THD)						

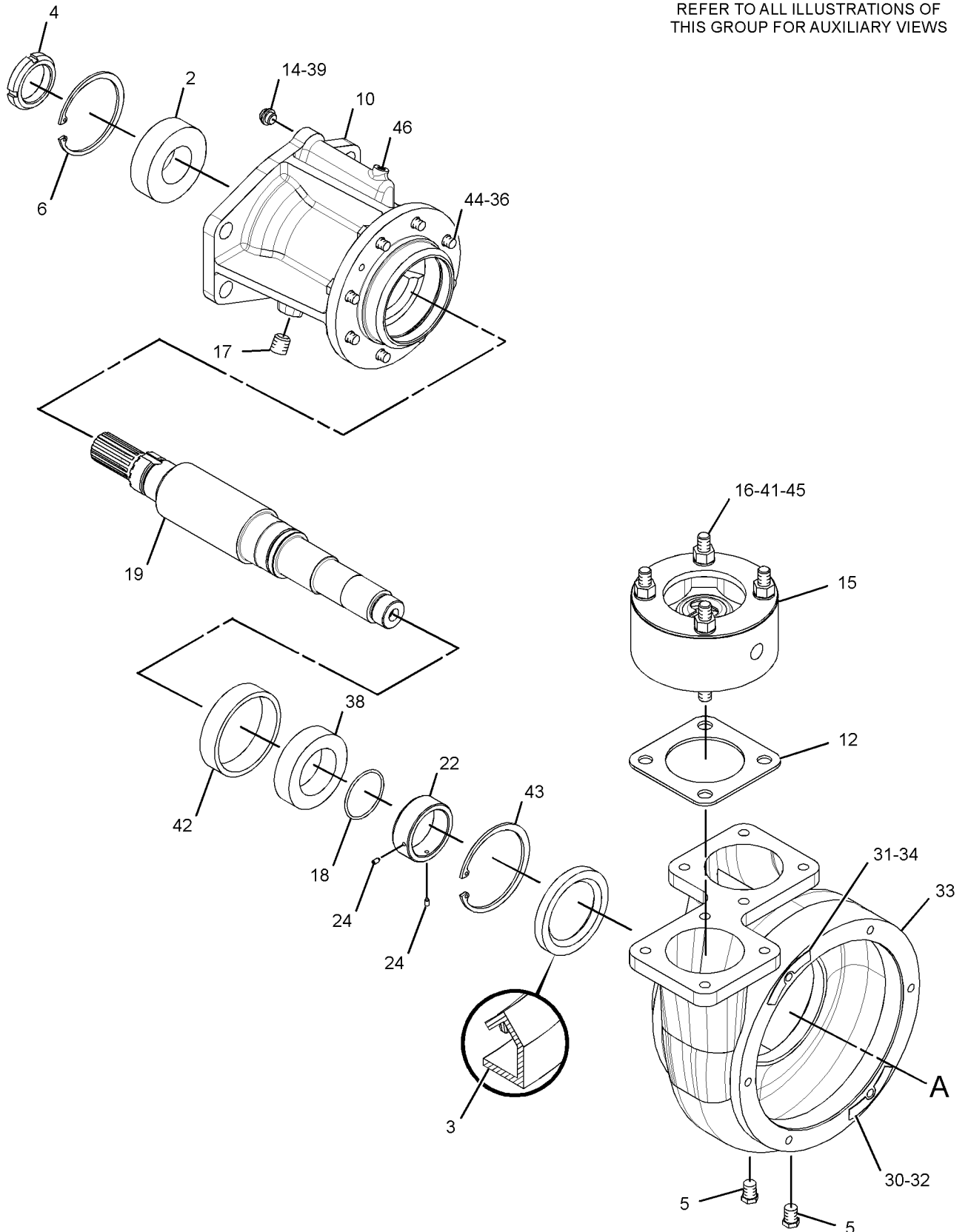
B- USE AS REQUIRED
M- METRIC PART
Y- SEPARATE ILLUSTRATION

COOLING SYSTEM

318-2579 PUMP GP-AUXILIARY SEA WATER (contd.)

i03869100

REFER TO ALL ILLUSTRATIONS OF THIS GROUP FOR AUXILIARY VIEWS



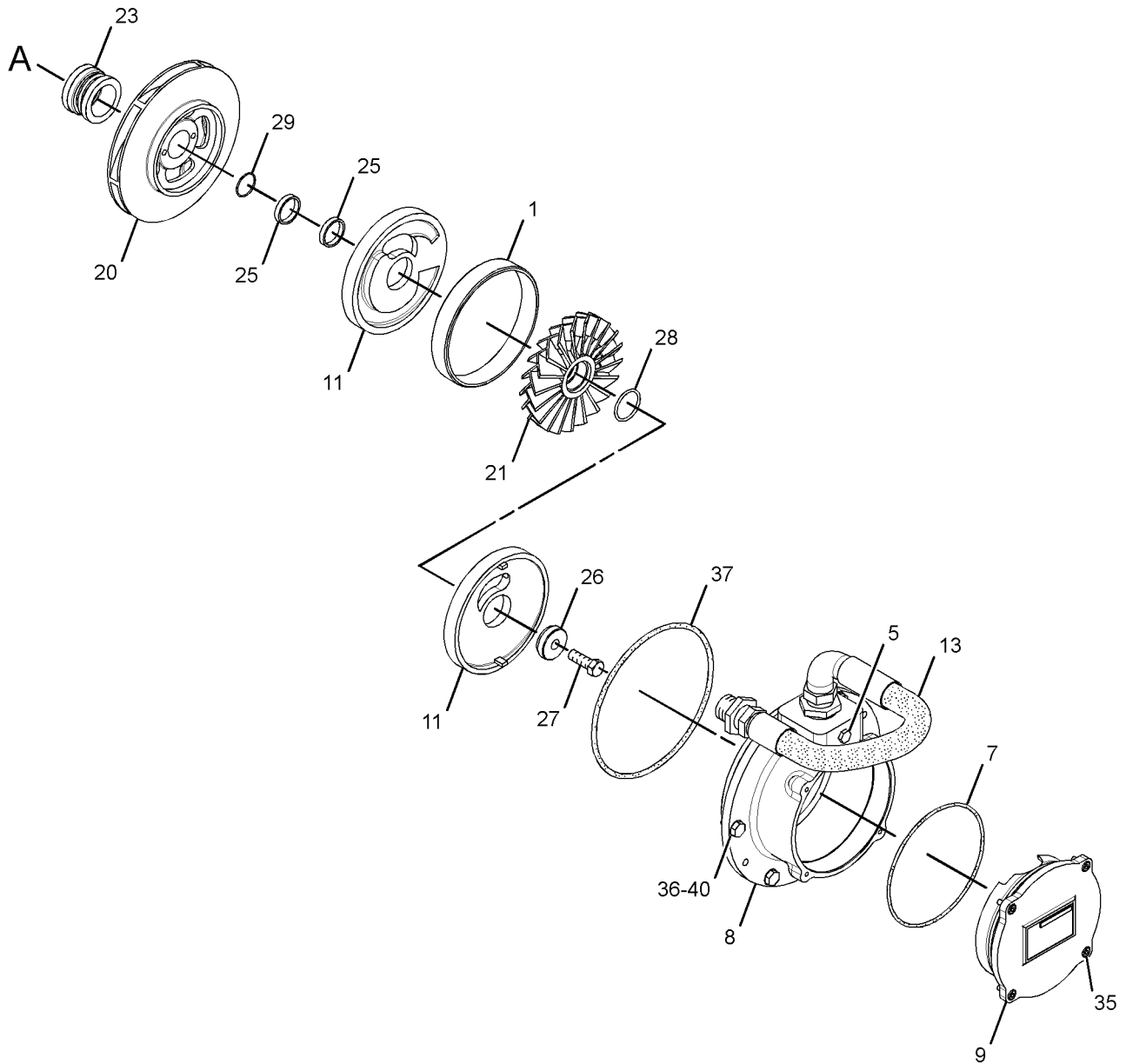
GRAPHIC #1

g01818289

COOLING SYSTEM

318-2579 PUMP GP-AUXILIARY SEA WATER (contd.)

i03869100



GRAPHIC #2

<END>

g01818559

COOLING SYSTEM

9Y-8909 PUMP GP-AUXILIARY WATER-FRESH WATER

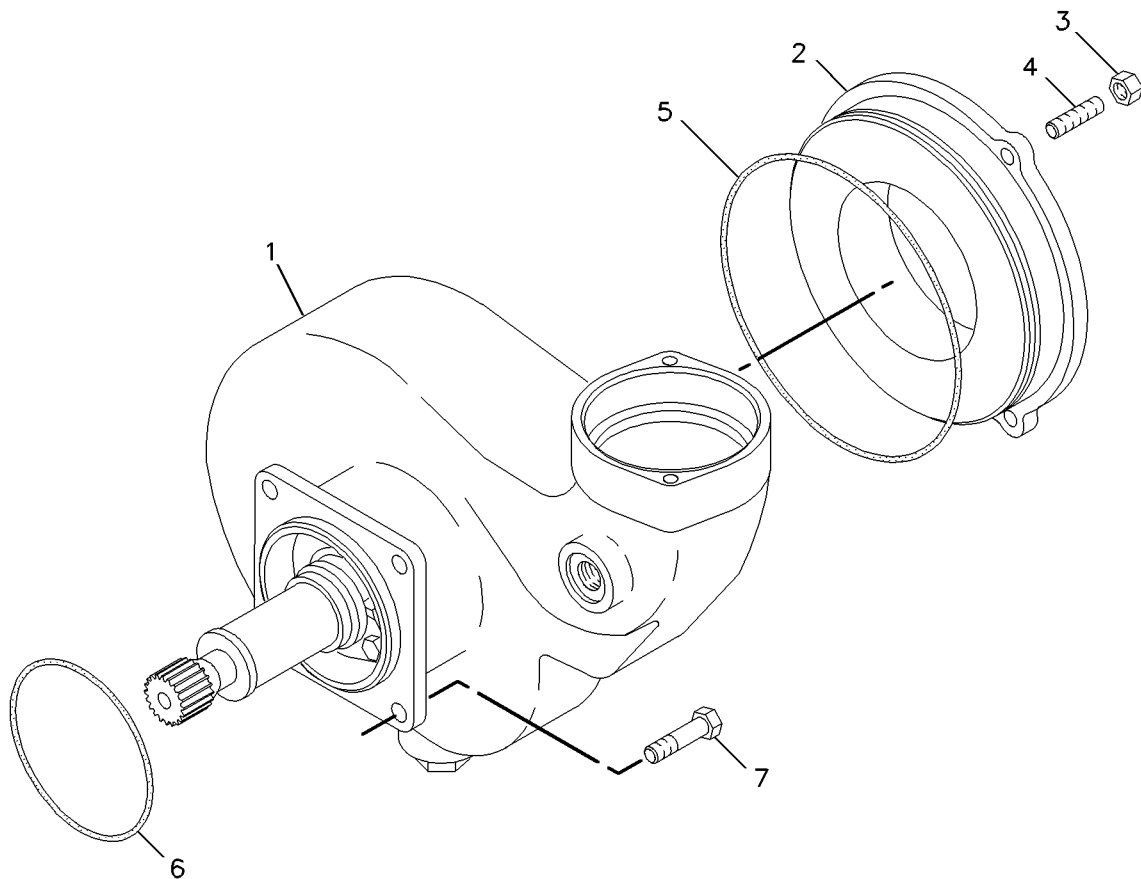
S/N: JTS1-107

SMCS-1371

i02958518

NOTE	REF NO	GRAPHIC REF	PART NUMBER	QTY	PART NAME						SEE PAGE
					1	2	3	4	5	6 (PRODUCT LEVEL)	
CYR	1	1	313-2650	1	PUMP GP-WATER (FRESH WATER)						217
	2	1	7E-7631	1	COVER-WATER PUMP						
	3	1	9S-8752	3	NUT-FULL (3/8-16-THD)						
	4	1	9M-2151	3	STUD-TAPERLOCK (3/8-16X1.378-IN)						
	5	1	149-5462	1	SEAL-O-RING						
	6	1	5H-6734	1	SEAL-O-RING						
	7	1	0S-1594	4	BOLT (3/8-16X1-IN)						

C-CHANGE FROM PREVIOUS TYPE
R-REMG PART MAY BE AVAILABLE
Y-SEPARATE ILLUSTRATION



GRAPHIC #1

<END>

g00893695

COOLING SYSTEM

297-6833 PUMP GP-AUXILIARY WATER-FRESH WATER

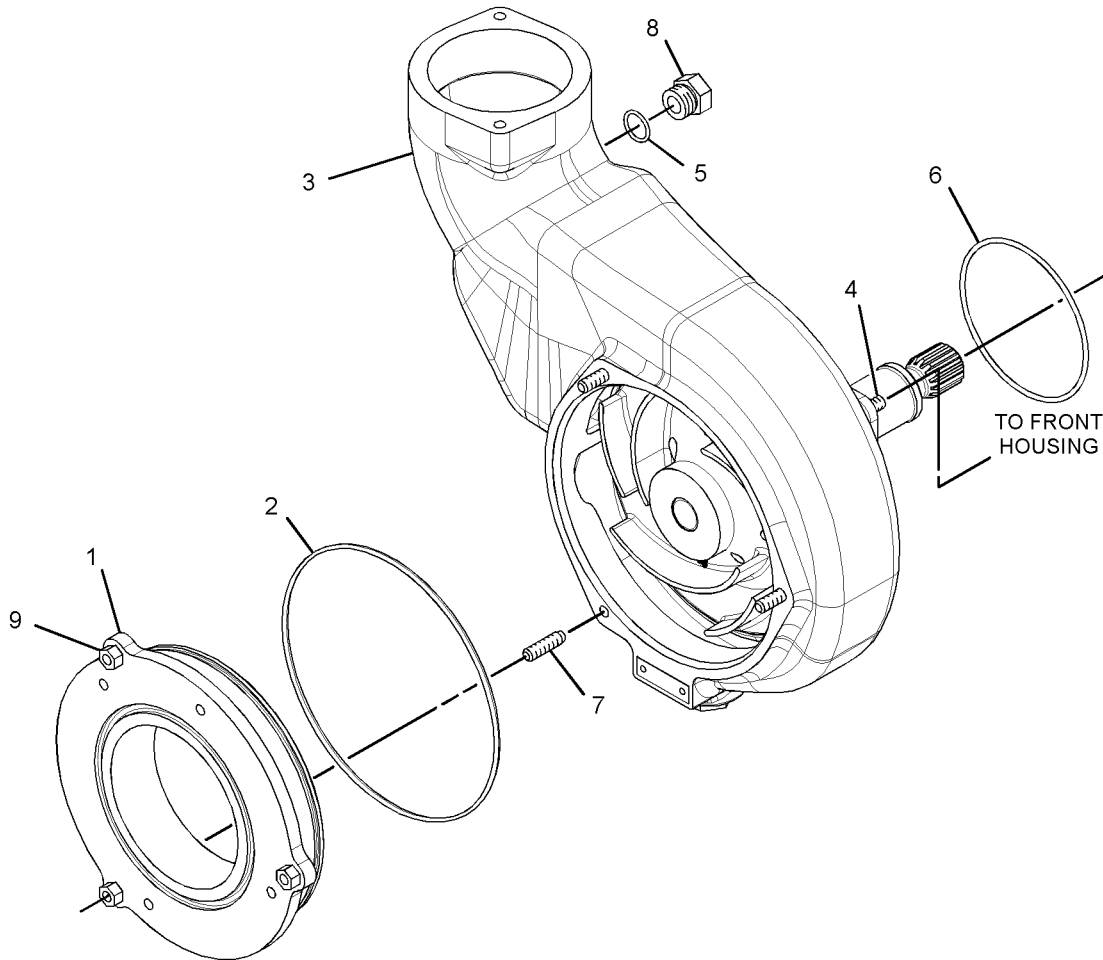
S/N: JTS106-107

SMCS-1371

i02939656

NOTE	REF NO	GRAPHIC REF	PART NUMBER	QTY	PART NAME						SEE PAGE
					1	2	3	4	5	6 (PRODUCT LEVEL)	
	1	1	7E-7631	1	COVER-WATER PUMP						
	2	1	149-5462	1	SEAL-O-RING						
Y	3	1	212-8174	1	PUMP GP-WATER						215
	4	1	0S-1594	4	BOLT (3/8-16X1-IN)						
	5	1	2M-9780	1	SEAL-O-RING						
	6	1	5H-6734	1	SEAL-O-RING						
	7	1	9M-2151	3	STUD-TAPERLOCK (3/8-16X1.378-IN)						
	8	1	9S-4190	1	PLUG-O-RING						
	9	1	9S-8752	3	NUT-FULL (3/8-16-THD)						

Y-SEPARATE ILLUSTRATION



GRAPHIC #1

<END>

g01459123

COOLING SYSTEM

297-6833 PUMP GP-AUXILIARY WATER-FRESH WATER

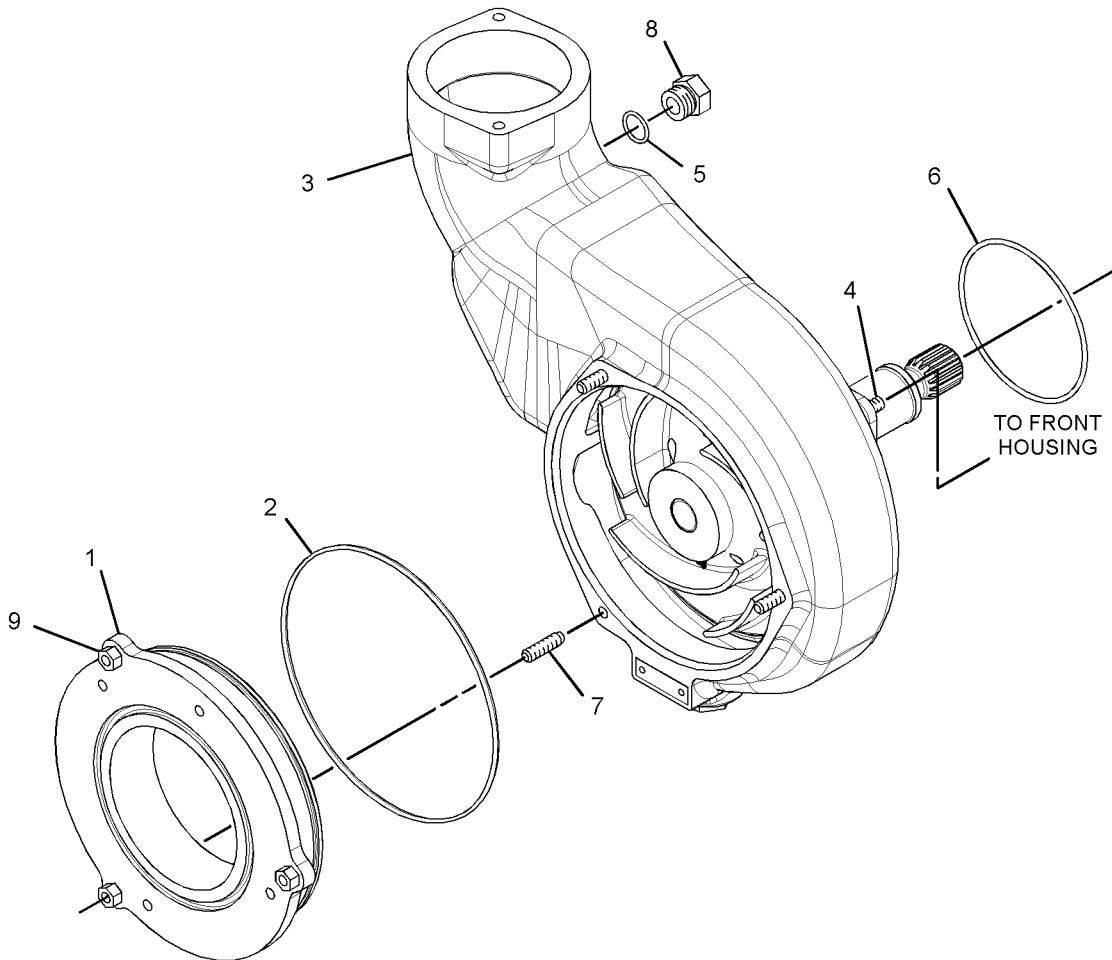
S/N: JTS108-UP

SMCS-1371

i03020869

NOTE	REF NO	GRAPHIC REF	PART NUMBER	QTY	PART NAME						SEE PAGE
					1	2	3	4	5	6 (PRODUCT LEVEL)	
	1	1	7E-7631	1	COVER-WATER PUMP						
	2	1	149-5462	1	SEAL-O-RING						
CYR	3	1	313-2650	1	PUMP GP-WATER						217
	4	1	0S-1594	4	BOLT (3/8-16X1-IN)						
	5	1	2M-9780	1	SEAL-O-RING						
	6	1	5H-6734	1	SEAL-O-RING						
	7	1	9M-2151	3	STUD-TAPERLOCK (3/8-16X1.378-IN)						
	8	1	9S-4190	1	PLUG-O-RING						
	9	1	9S-8752	3	NUT-FULL (3/8-16-THD)						

C- CHANGE FROM PREVIOUS TYPE
 R- REMFG PART MAY BE AVAILABLE
 Y- SEPARATE ILLUSTRATION



GRAPHIC #1

<END>

g01459123

COOLING SYSTEM

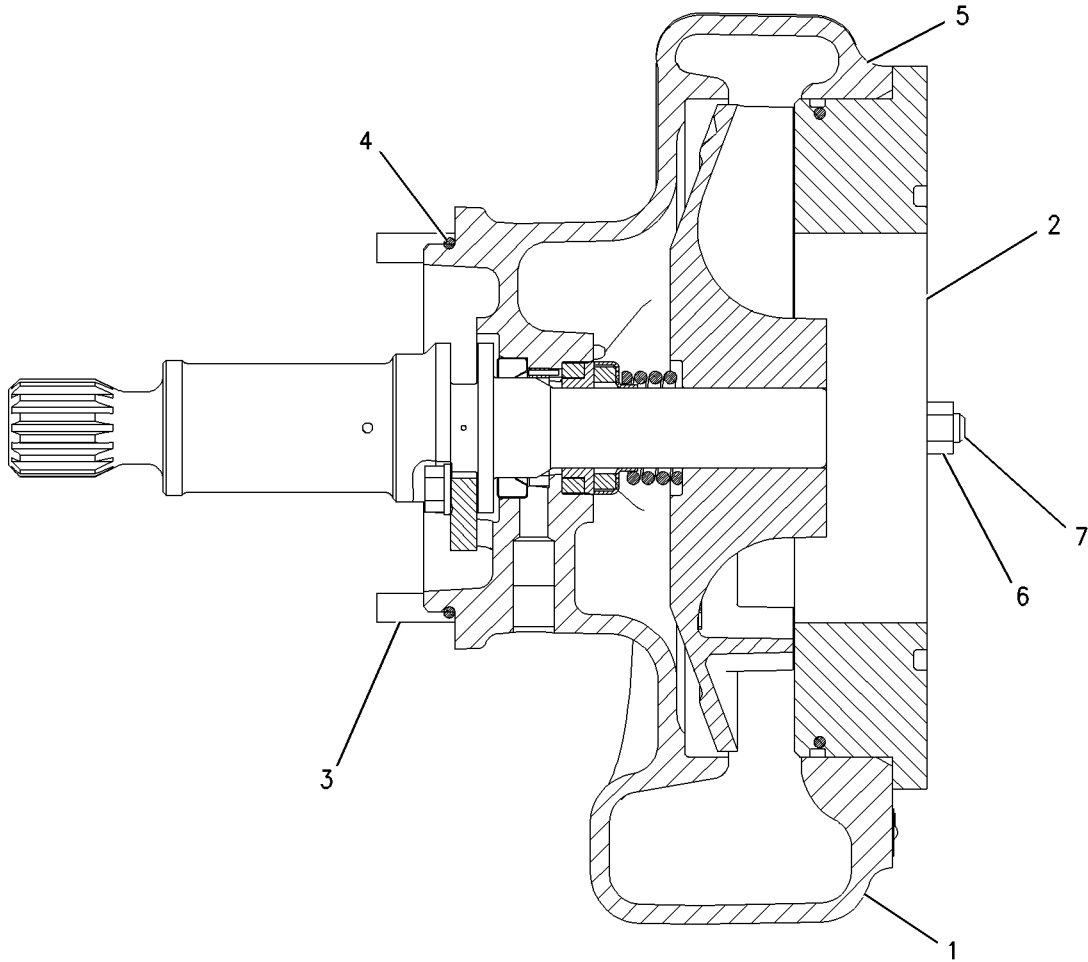
2W-9729 PUMP GP-WATER

SMCS-1361

i02220677

NOTE	REF NO	GRAPHIC REF	PART NUMBER	QTY	PART NAME						SEE PAGE
					1	2	3	4	5	6	
CYR	1	1	212-8177	1	PUMP GP-WATER						216
	2	1	8N-6423	1	COVER (WATER INLET)						
	3	1	3B-1915	4	BOLT (3/8-16X1.375-IN)						
	4	1	5H-6734	1	SEAL-O-RING						
	5	1	149-5462	1	SEAL-O-RING						
	6	1	9S-8752	3	NUT-FULL (3/8-16-THD)						
	7	1	9M-2151	3	STUD-TAPERLOCK (3/8-16X1.378-IN)						

C-CHANGE FROM PREVIOUS TYPE
R-REMG PART MAY BE AVAILABLE
Y-SEPARATE ILLUSTRATION



GRAPHIC #1

<END>

g00898448

COOLING SYSTEM

212-8174 PUMP GP-WATER-AUXILIARY

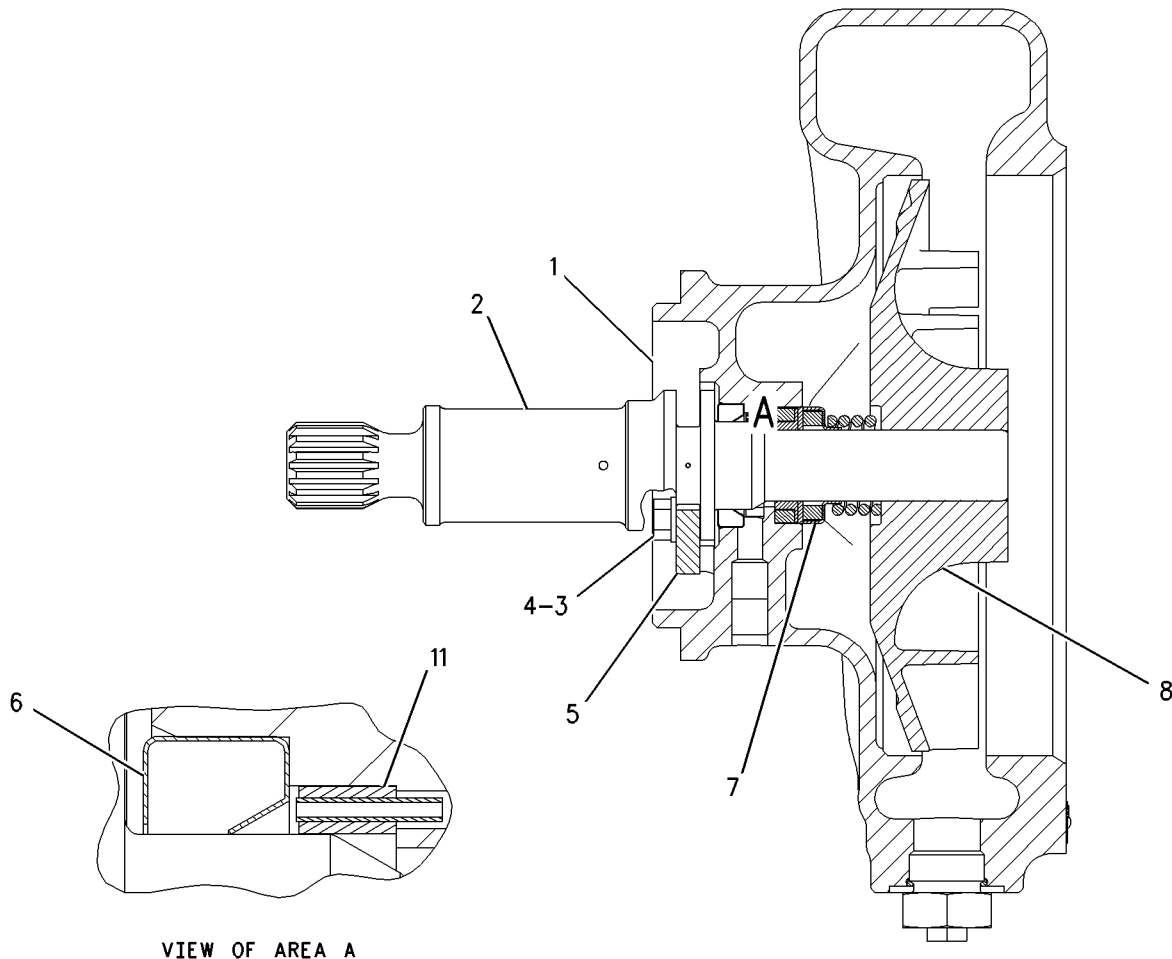
S/N: JTS106-107

PART OF 297-6833 PUMP GP-AUXILIARY WATER

SMCS-1361

i02618842

NOTE	REF NO	GRAPHIC REF	PART NUMBER	QTY	PART NAME						SEE PAGE
					1	2	3	4	5	6 (PRODUCT LEVEL)	
	1	1	137-8241	1	HOUSING AS-PUMP						
		1	3D-2824	1	SEAL-O-RING						
		1	4N-5834	2	FILTER-FOAM (WATER PUMP HOUSING)						
		1	7G-8478	1	ADAPTER						
		1	8T-6765	1	PLUG-PIPE						
2		1	212-8180	1	SHAFT						
		1	4B-9782	1	BALL						
3		1	OS-1618	2	BOLT (5/16-18X1-IN)						
4		1	9M-1974	2	WASHER-HARD (8.8X16X2-MM THK)						
5		1	7N-4758	1	WASHER-THRUST						
6		1	9X-4594	1	SEAL-LIP TYPE						
7		1	166-4376	1	SEAL GP						
8		1	212-8186	1	IMPELLER						
11		1	166-4374	1	RING AS						
		1	1L-5316	1	PIN-SPRING						



VIEW OF AREA A

GRAPHIC #1

<END>

g00895674

COOLING SYSTEM

212-8177 PUMP GP-WATER*R PART OF 2W-9729 PUMP GP-WATER

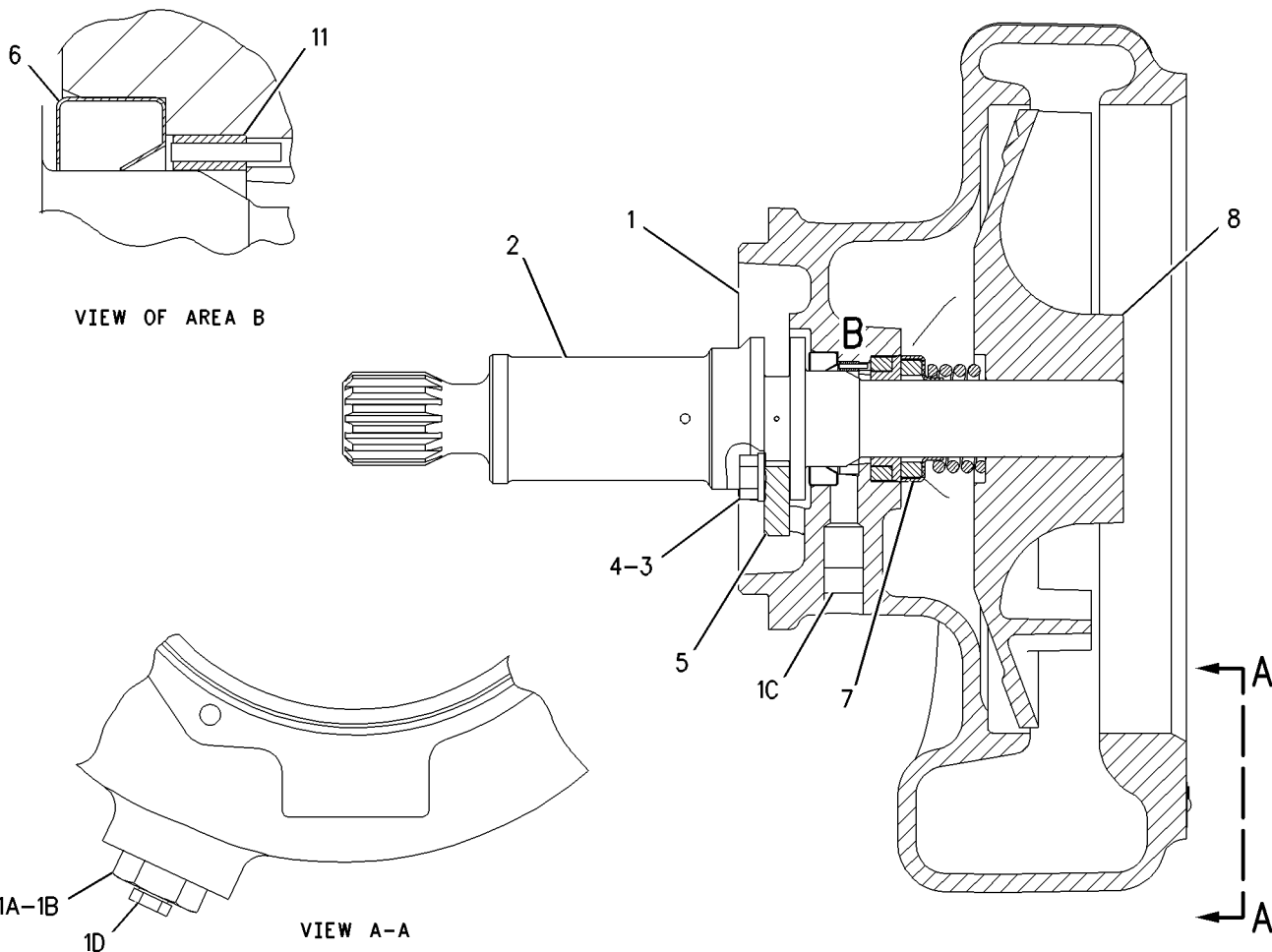
SMCS-1361

i03885520

NOTE	REF NO	GRAPHIC REF	PART NUMBER	QTY	PART NAME						SEE PAGE
					1	2	3	4	5	6 (PRODUCT LEVEL)	
	1	1	7N-4756	1	HOUSING AS-PUMP						
J	1A	1	3D-2824	1	SEAL-O-RING						
	1B	1	7G-8478	1	ADAPTER						
J	1C	1	4N-5834	2	FILTER-FOAM (WATER PUMP HOUSING)						
	1D	1	8T-6765	1	PLUG-PIPE						
J	2	1	212-8180	1	SHAFT						
J		1	4B-9782	1	BALL						
J	3	1	0S-1618	2	BOLT (5/16-18X1-IN)						
J	4	1	9M-1974	2	WASHER-HARD (8.8X16X2-MM THK)						
J	5	1	7N-4758	1	WASHER-THRUST						
J	6	1	8C-5236	1	SEAL-LIP TYPE						
J	7	1	166-4376	1	SEAL GP						
J	8	1	212-8184	1	IMPELLER						
J	11	1	166-4374	1	RING AS						
J		1	1L-5316	1	PIN-SPRING						

AVAILABLE REPAIR KIT(S):
KIT-REBUILD (WATER PUMP)

J 222-5152
J-KIT MARKED J INCLUDES PARTS MARKED J



GRAPHIC #1

<END>

g00898430

COOLING SYSTEM

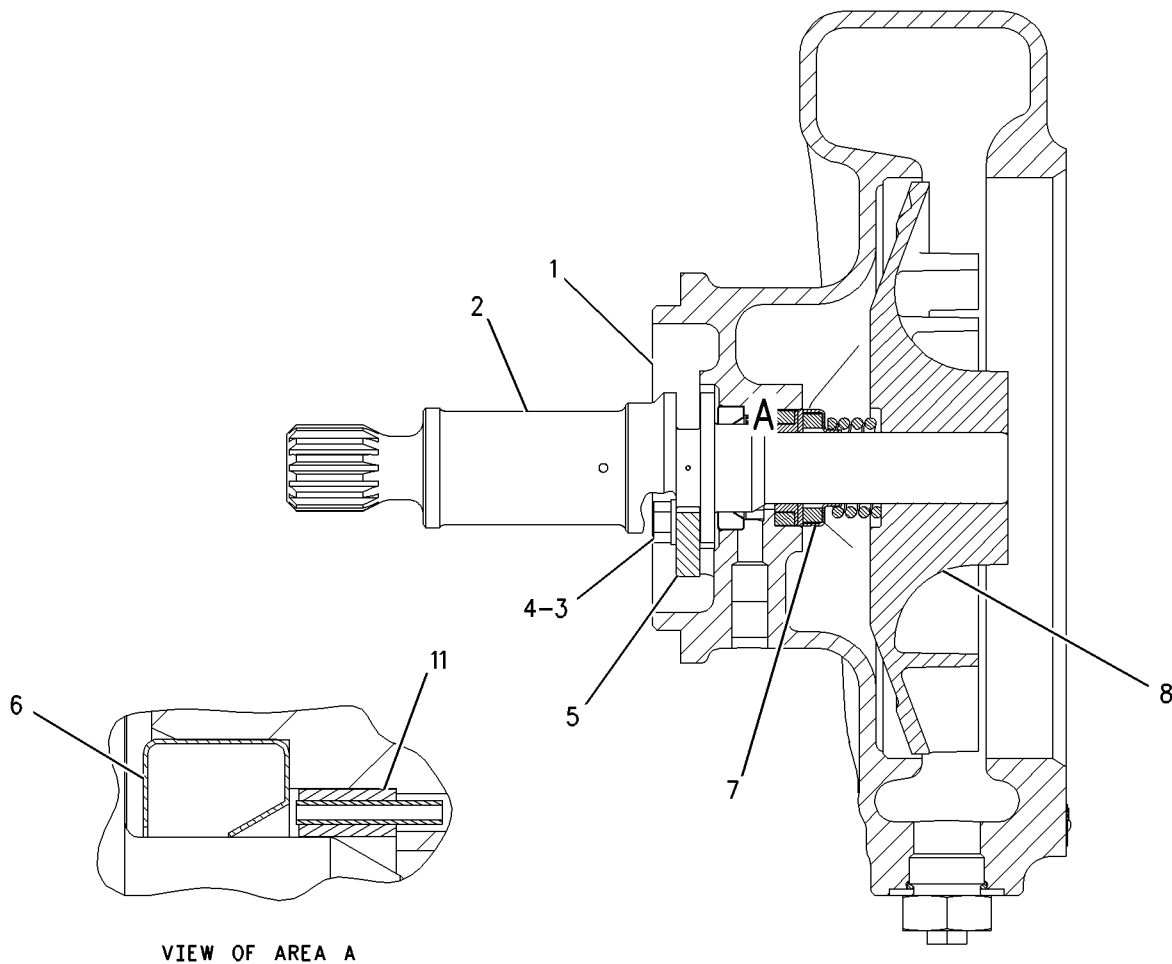
313-2650 PUMP GP-WATER*R

PART OF 297-6833, 9Y-8909 PUMP GP-AUXILIARY WATER

SMCS-1361

i02918707

NOTE	REF NO	GRAPHIC REF	PART NUMBER	QTY	PART NAME						SEE PAGE
					1	2	3	4	5	6 (PRODUCT LEVEL)	
	1	1	313-4432	1	HOUSING AS-PUMP						
		1	3D-2824	1	SEAL-O-RING						
		1	4N-5834	2	FILTER-FOAM (WATER PUMP HOUSING)						
		1	7G-8478	1	ADAPTER						
		1	8T-6765	1	PLUG-PIPE						
		1	313-2651	1	HOUSING-WATER PUMP						
2		1	212-8180	1	SHAFT						
		1	4B-9782	1	BALL						
3		1	OS-1618	2	BOLT (5/16-18X1-IN)						
4		1	9M-1974	2	WASHER-HARD (8.8X16X2-MM THK)						
5		1	7N-4758	1	WASHER-THRUST						
6		1	9X-4594	1	SEAL-LIP TYPE						
7		1	166-4376	1	SEAL GP						
8		1	212-8186	1	IMPELLER						
11		1	166-4374	1	RING AS						
		1	1L-5316	1	PIN-SPRING						



GRAPHIC #1

<END>

g00895674

COOLING SYSTEM

4P-5767 SEPARATOR GP-AIR FOR USE WITH HEAT EXCHANGER OR KEEL COOLER AN ATTACHMENT

SMCS - 139S

i01794861

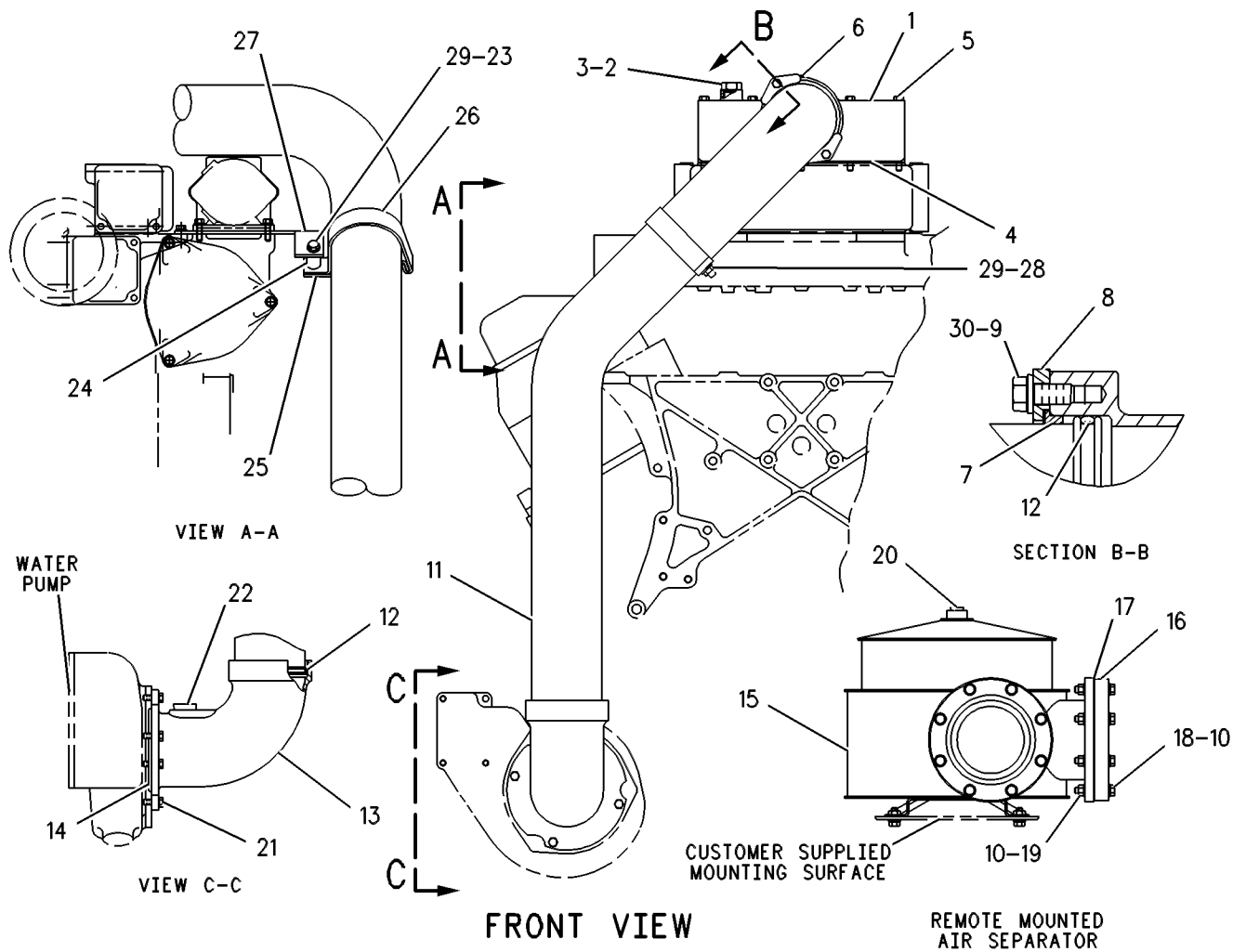
NOTE	REF NO	GRAPHIC REF	PART NUMBER	QTY	PART NAME						SEE PAGE
					1	2	3	4	5	6 (PRODUCT LEVEL)	
	1	1	7E-4650	1	HOUSING						
B	2	1	9S-4183	1	PLUG-O-RING						
B	3	1	3D-2824	1	SEAL-O-RING						
	4	1	7N-4927	1	GASKET-HOUSING COVER						
	5	1	5B-9603	8	BOLT (3/8-16X5-IN)						
	6	1	4F-0411	2	BOLT (3/8-16X6.5-IN)						
	7	1	8N-8570	1	RING-RETAINING						
	8	1	8N-8571	2	RETAINER						
	9	1	0L-1351	2	BOLT (3/8-16X0.875-IN)						
	10	1	8T-4896	32	WASHER-HARD (10.2X18.5X2.5-MM THK)						
	11	1	7E-4500	1	TUBE						
	12	1	8T-2903	2	SEAL-O-RING						
	13	1	7E-4879	1	ELBOW						
	14	1	6V-6809	1	SEAL-O-RING						
	15	1	4P-5295	1	SEPARATOR AS-AIR						
	16	1	7N-7009	2	FLANGE						
	17	1	1S-5772	2	GASKET						
	18	1	8T-9377	16	BOLT (3/8-16X2.25-IN)						
	19	1	6V-8801	16	NUT (3/8-16-THD)						
	20	1	8T-6762	1	PLUG-PIPE						
	21	1	1A-2029	4	BOLT (3/8-16X1.125-IN)						
	22	1	7X-7730	1	PLUG-PIPE						
	23	1	1A-5822	1	BOLT (1/2-13X2.75-IN)						
	24	1	8V-9708	1	SPACER (14.3X25.4X35-MM THK)						
	25	1	7W-2033	1	CLIP (TAB)						
	26	1	7W-2034	1	CLIP (SLOT)						
	27	1	6I-3136	1	PLATE						
	28	1	1F-7958	1	NUT-FULL (1/2-13-THD)						
	29	1	5P-8245	2	WASHER-HARD (13.5X25.5X3-MM THK)						
	30	1	5M-2894	2	WASHER-HARD (10.2X18.5X2.5-MM THK)						

B-USE AS REQUIRED

COOLING SYSTEM

4P-5767 SEPARATOR GP-AIR (contd.)

i01794861



GRAPHIC #1

<END>

g00249087

COOLING SYSTEM

7N-4885 SWITCH GP-COOLANT LEVEL

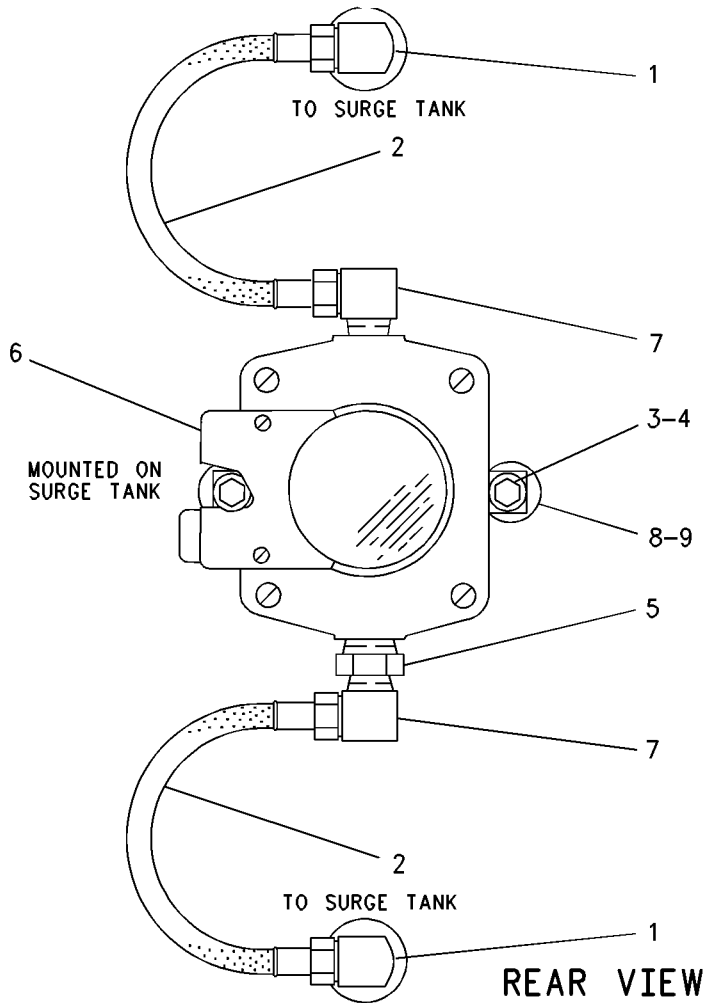
FOR USE WITH EXPANSION TANK
AN ATTACHMENT

SMCS-7470

i02766298

NOTE	REF NO	GRAPHIC REF	PART NUMBER	QTY	PART NAME						SEE PAGE
					1	2	3	4	5	6 (PRODUCT LEVEL)	
C	1	1	6V-4245	2	ELBOW						
CI	2	1	3N-4622	2	HOSE AS						
C	3	1	2A-0762	2	BOLT (1/4-20X0.625-IN)						
	4	1	5P-0537	2	WASHER-HARD (7.2X14.5X2-MM THK)						
	5	1	6B-5072	1	BUSHING-REDUCING						
	6	1	2N-9768	1	SWITCH-LIQUID LEVEL (COOLANT)						
C	7	1	4R-8605	2	ELBOW						
C	8	1	7E-7731	2	MOUNT						
	9	1	6V-7646	2	WASHER-HARD (7.2X25X2-MM THK)						

C-CHANGE FROM PREVIOUS TYPE
I-REFER TO HYDRAULIC INFORMATION SYSTEM



GRAPHIC #1

<END>

g00899609

COOLING SYSTEM

119-7334 TANK GP-EXPANSION

SMCS-1354

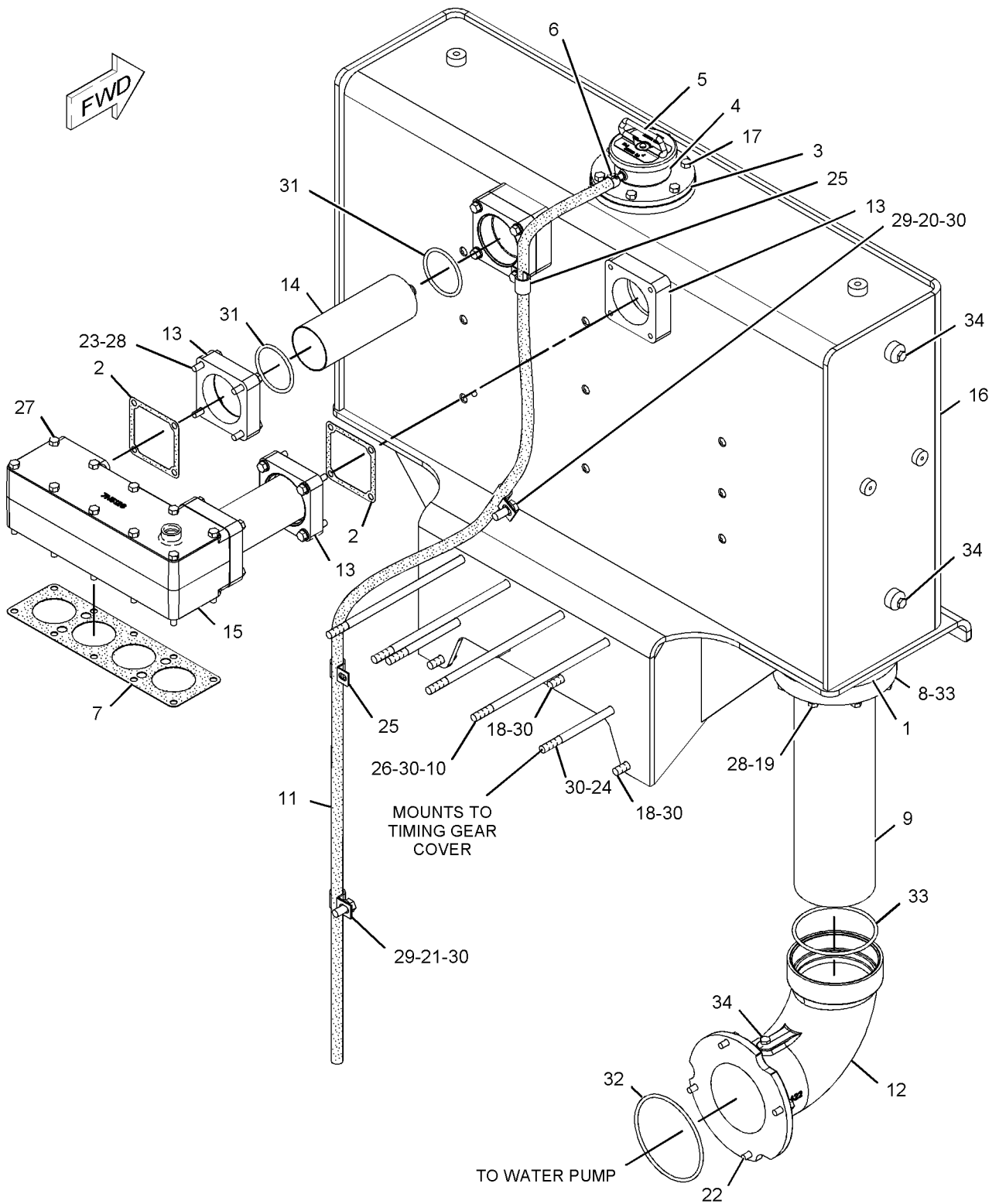
i03196842

NOTE	REF NO	GRAPHIC REF	PART NUMBER	QTY	PART NAME						SEE PAGE
					1	2	3	4	5	6 (PRODUCT LEVEL)	
	1	1	1S-5772	1	GASKET						
	2	1	2N-0931	4	GASKET						
	3	1	3H-5939	1	GASKET-HEAT EXCHANGER						
	4	1	3N-1341	1	ADAPTER AS-NECK						
J	5	1	4N-3311	1	CAP-PRESSURE (7-PSI) (EXPANSION TANK)						
					-OR-						
L		1	127-8660	1	CAP-PRESSURE (14-PSI) (EXPANSION TANK)						
	6	1	5D-1026	1	CLAMP-BAND						
	7	1	7N-4927	1	GASKET-HOUSING COVER						
	8	1	7N-5120	1	FLANGE						
	9	1	7N-5123	1	TUBE						
	10	1	8B-9725	4	BOSS						
E	11	1	5P-0721		HOSE (193-CM)						
	12	1	8N-9422	1	ELBOW						
	13	1	8N-9609	4	FLANGE						
	14	1	8N-9706	2	TUBE						
	15	1	119-7333	1	HOUSING AS						
		1	111-4374	1	VALVE AS-VENT LINE						
	16	1	245-2876	1	TANK AS-EXPANSION						
	17	1	0L-1351	6	BOLT (3/8-16X0.875-IN)						
	18	1	0S-1585	4	BOLT (1/2-13X1.5-IN)						
	19	1	0S-1590	8	BOLT (3/8-16X2-IN)						
	20	1	0S-1595	1	BOLT (1/2-13X1.25-IN)						
	21	1	0S-1621	1	BOLT (1/2-13X1-IN)						
	22	1	1A-2029	4	BOLT (3/8-16X1.125-IN)						
	23	1	1C-2251	16	BOLT (3/8-16X1.87-IN)						
	24	1	2A-1531	2	BOLT (1/2-13X6.5-IN)						
	25	1	3S-8664	2	CLIP						
	26	1	4M-2442	4	BOLT (1/2-13X12.32-IN)						
	27	1	5B-9603	10	BOLT (3/8-16X5-IN)						
	28	1	5M-2894	24	WASHER-HARD (10.2X18.5X2.5-MM THK)						
	29	1	5P-4295	2	CLIP						
	30	1	5P-8245	12	WASHER-HARD (13.5X25.5X3-MM THK)						
	31	1	6V-1454	4	SEAL-O-RING						
	32	1	6V-6809	1	SEAL-O-RING						
	33	1	8T-2903	2	SEAL-O-RING						
	34	1	8T-6765	5	PLUG-PIPE						
					AVAILABLE REPAIR KIT(S):						
JL			225-4256	1	FILM-WARNING (HOT FLUID UNDER PRESSURE, U.S.)						
J			294-9052	1	KIT-RADIATOR CAP (EXPANSION TANK)						
					(INCLUDES RADIATOR CAP AND WARNING FILM)						
L			295-5458		KIT-RADIATOR CAP (EXPANSION TANK)						
					(INCLUDES RADIATOR CAP AND WARNING FILM)						
E-ORDER BY THE CENTIMETER											
J-PARTS MARKED J SERVICE PART(S) MARKED J											
L-KIT MARKED L SERVICE PARTS(S) MARKED L											

COOLING SYSTEM

119-7334 TANK GP-EXPANSION (contd.)

i03196842



GRAPHIC #1

<END>

g01051237

COOLING SYSTEM

293-3397 TANK GP-EXPANSION AN ATTACHMENT

SMCS-1354

i03513185

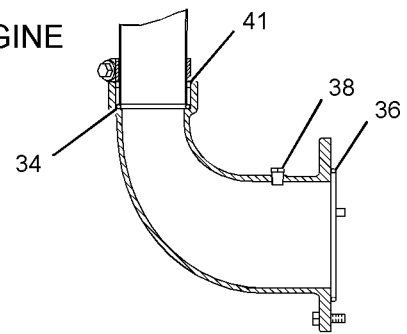
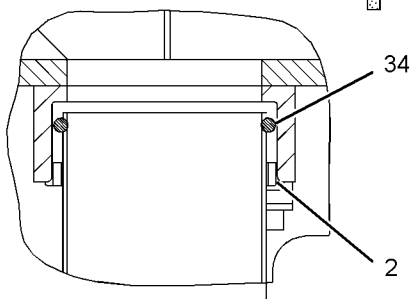
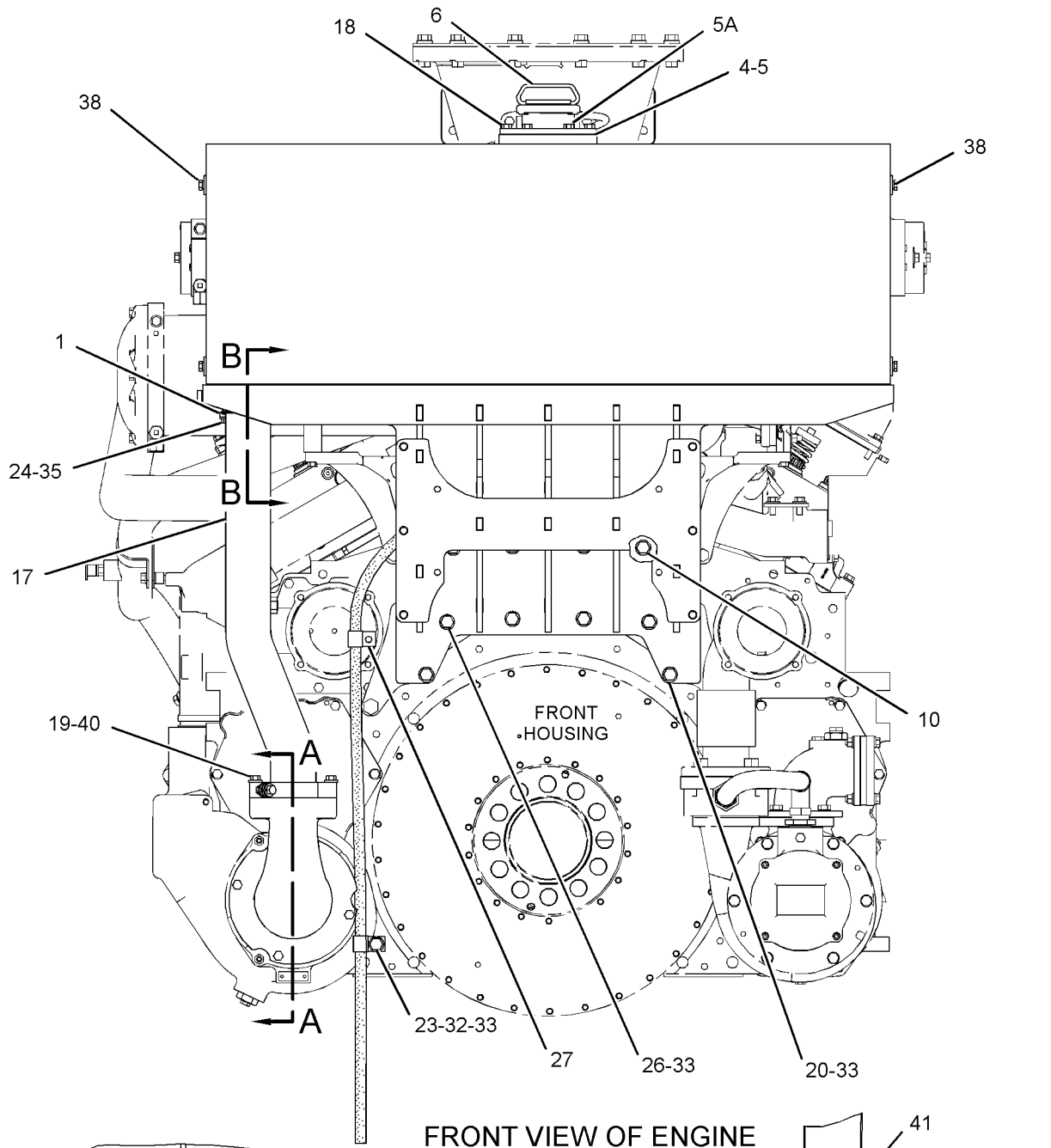
NOTE	REF NO	GRAPHIC REF	PART NUMBER	QTY	PART NAME						SEE PAGE
					1	2	3	4	5	6 (PRODUCT LEVEL)	
	1	1	1W-4072	2	RETAINER						
	2	1	1W-4099	1	RING-RETAINING						
	3	2	2N-0931	4	GASKET						
	4	1	3H-5939	1	GASKET-HEAT EXCHANGER						
	5	1	3N-1341	1	ADAPTER AS-NECK						
	5A	1	6L-9849		NECK-FILLER						
J	6	1	4N-3311	1	CAP-PRESSURE (7-PSI) (EXPANSION TANK)						
					-OR-						
L		1	127-8660	1	CAP-PRESSURE (14-PSI) (EXPANSION TANK)						
	7	2	5D-1026	1	CLAMP-BAND						
	8	2	7N-4927	1	GASKET-HOUSING COVER						
	9	2	119-7333	1	HOUSING AS						
		2	111-4374	1	VALVE AS-VENT LINE						
	10	1	8B-9725	4	BOSS						
	11	2	8N-5213	1	HOSE						
	12	2	8N-9609	4	FLANGE						
	13	2	188-0324	2	TUBE						
	14	2	236-2623	1	ELBOW						
	15	2	248-4792	2	CLAMP AS						
	16	2	293-3399	1	TANK AS						
	16A	2	3N-5863	4	BOSS						
	16B	2	3N-7320	1	FLANGE-EXPANSION TANK						
	17	1	304-4501	1	TUBE						
	18	1	0L-1351	6	BOLT (3/8-16X0.875-IN)						
	19	1	0S-1571	2	BOLT (3/8-16X1.75-IN)						
	20	1	0S-1585	4	BOLT (1/2-13X1.5-IN)						
	21	2	0S-1594	2	BOLT (3/8-16X1-IN)						
	22	2	0S-1595	1	BOLT (1/2-13X1.25-IN)						
	23	1	0S-1621	1	BOLT (1/2-13X1-IN)						
	24	1,2	1A-2029	6	BOLT (3/8-16X1.125-IN)						
	25	2	1C-2251	16	BOLT (3/8-16X1.87-IN)						
	26	1	2A-1531	2	BOLT (1/2-13X6.5-IN)						
	27	1,2	3S-8664	2	CLIP						
	28	2	4M-2442	4	BOLT (1/2-13X12.32-IN)						
	29	2	5B-9603	10	BOLT (3/8-16X5-IN)						
	30	2	5M-2894	16	WASHER-HARD (10.2X18.5X2.5-MM THK)						
	31	2	5P-2566	6	BOLT (1/2-13X1.5-IN)						
	32	1,2	5P-4295	2	CLIP						
	33	1,2	5P-8245	12	WASHER-HARD (13.5X25.5X3-MM THK)						
	34	1,2	6V-1454	6	SEAL-O-RING						
	35	1	6V-5839	2	WASHER (11X21X2.5-MM THK)						
	36	1	6V-6809	1	SEAL-O-RING						
	37	2	8T-4223	6	WASHER-HARD (13.5X25.5X3-MM THK)						
	38	1	8T-6765	5	PLUG-PIPE						
	39	2	9S-8752	2	NUT-FULL (3/8-16-THD)						
	40	1,2	9X-6458	6	WASHER-HARD (10.2X22.5X3-MM THK)						
	41	1	7E-7209	1	RING-RETAINING						
					AVAILABLE REPAIR KIT(S):						
JL			225-4256	1	FILM-WARNING (HOT FLUID UNDER PRESSURE, U.S.)						
J			294-9052	1	KIT-RADIATOR CAP (EXPANSION TANK) (INCLUDES RADIATOR CAP AND WARNING FILM)						
L			295-5458		KIT-RADIATOR CAP (EXPANSION TANK) (INCLUDES RADIATOR CAP AND WARNING FILM)						

J-KIT MARKED J SERVICE PART(S) MARKED J
L-KIT MARKED L SERVICE PARTS(S) MARKED L

COOLING SYSTEM

293-3397 TANK GP-EXPANSION (contd.)

i03513185



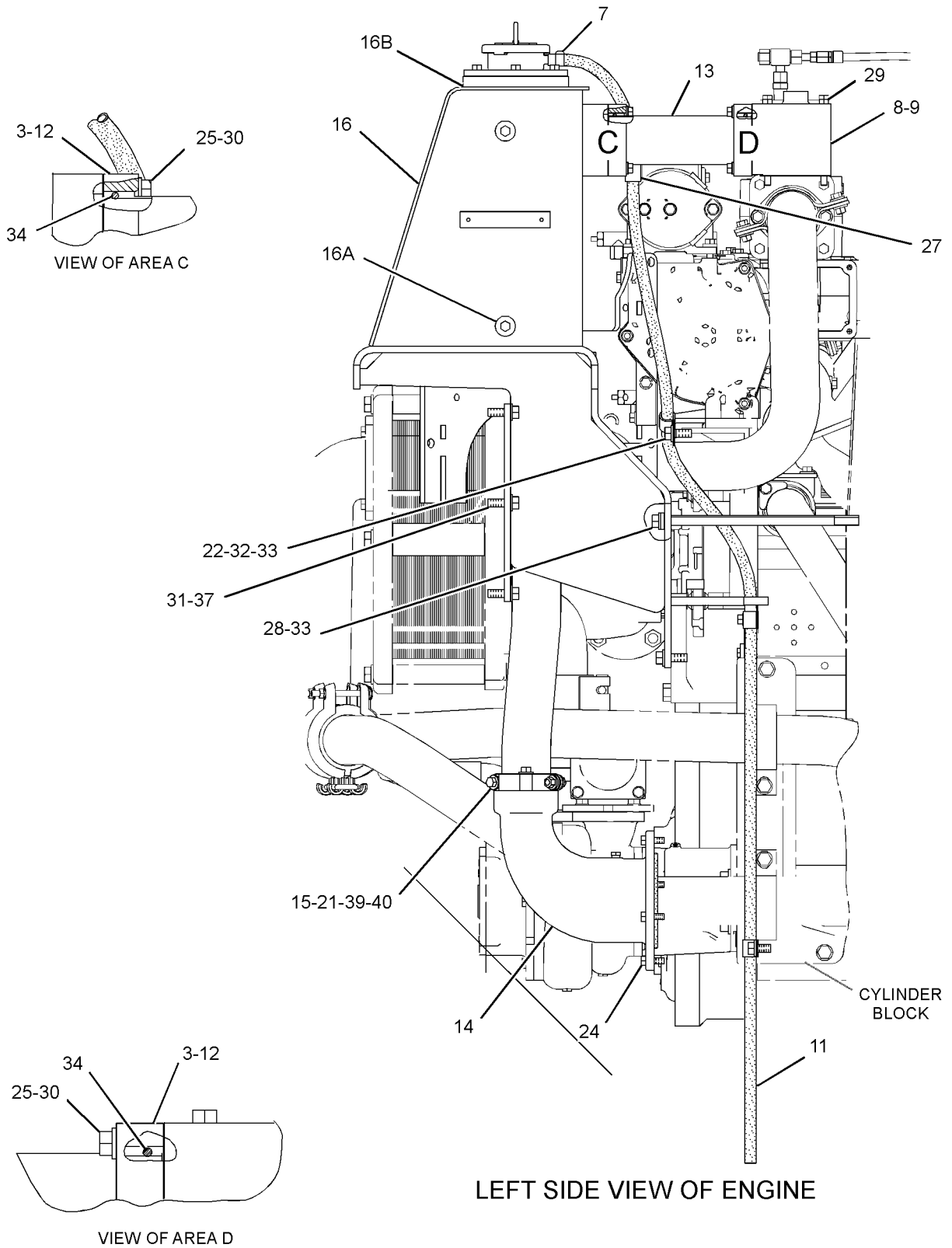
GRAPHIC #1

g01696535

COOLING SYSTEM

293-3397 TANK GP-EXPANSION (contd.)

i03513185



GRAPHIC #2

<END>

g01696761

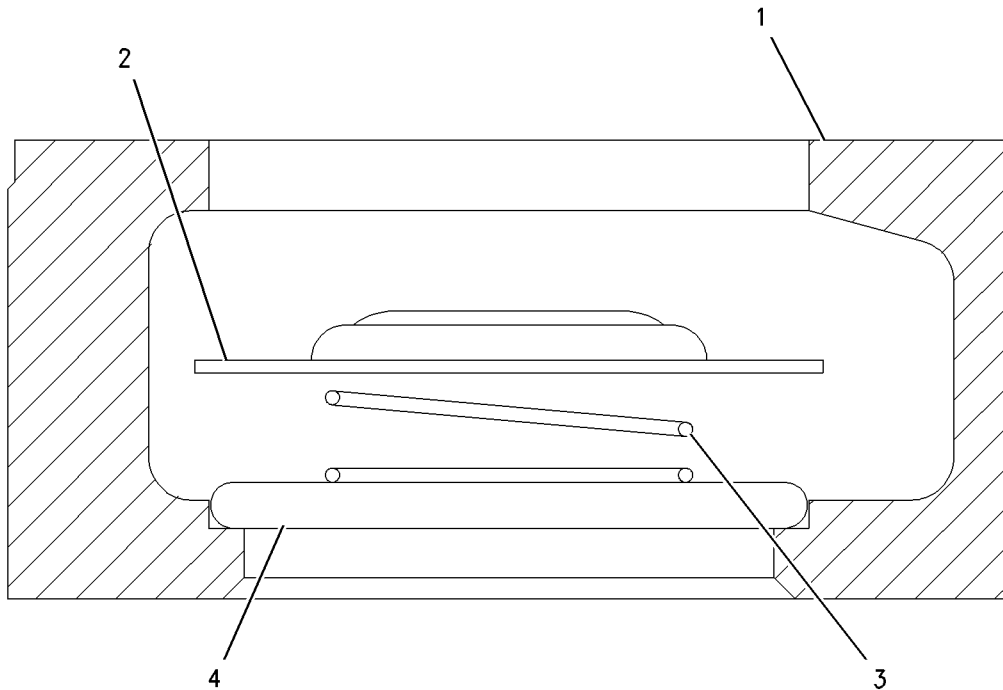
COOLING SYSTEM

148-8005 VALVE GP-CHECK-AUXILIARY WATER PUMP PART OF 144-6080, 248-2858, 318-2579 PUMP GP-AUXILIARY SEA WATER AN ATTACHMENT

SMCS-5067

i01186433

NOTE	REF NO	GRAPHIC REF	PART NUMBER	QTY	PART NAME						SEE PAGE
					1	2	3	4	5	6 (PRODUCT LEVEL)	
	1	1	148-8001	1	BODY-VALVE						
	2	1	148-8002	1	RETAINER						
	3	1	148-8003	1	SPRING						
	4	1	148-8004	1	DISC-FLAP						



GRAPHIC #1

<END>

g00635304

AIR INLET AND EXHAUST SYSTEM

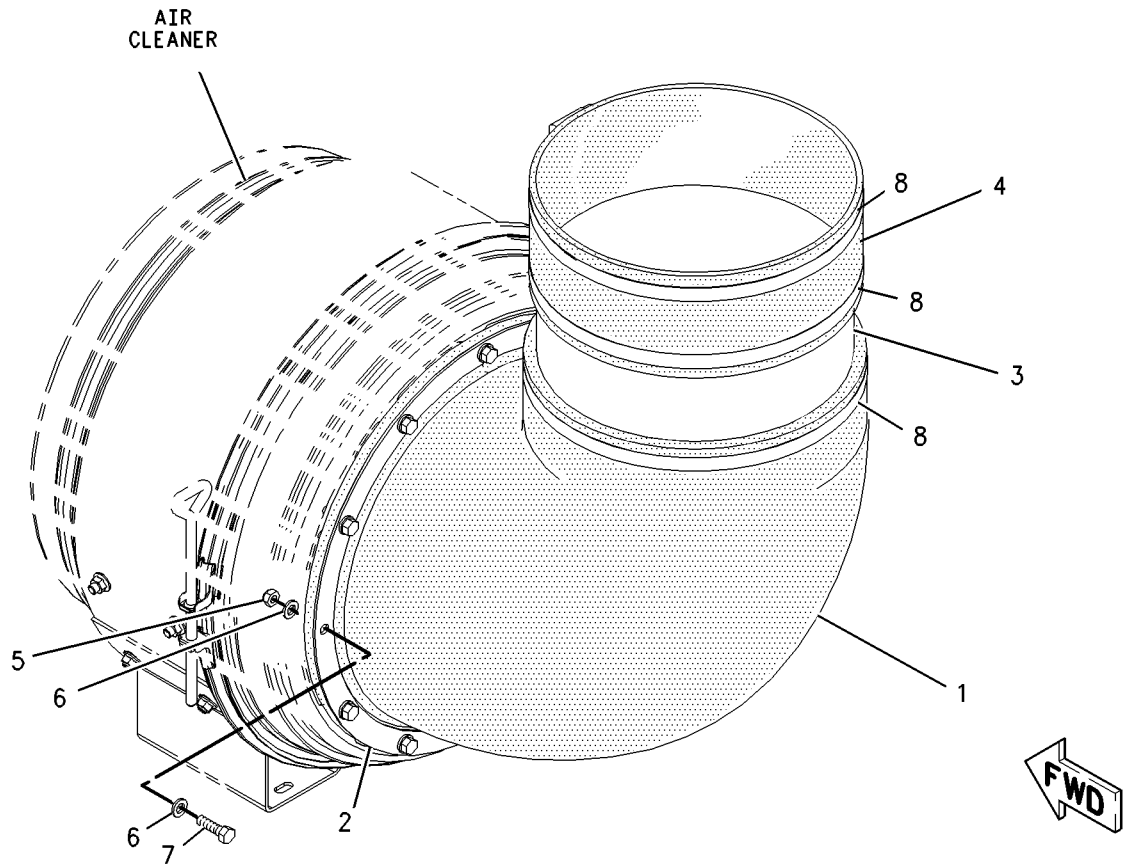
209-4453 ADAPTER GP-AIR CLEANER

FOR USE WITH 206-0884-PAGE 231
AN ATTACHMENT

SMCS-1051

i02327542

NOTE	REF NO	GRAPHIC REF	PART NUMBER	QTY	PART NAME						SEE PAGE
					1	2	3	4	5	6 (PRODUCT LEVEL)	
	1	1	209-4455	1	ADAPTER						
	2	1	212-8188	1	STRIP						
	3	1	219-7509	1	TUBE						
	4	1	219-7510	1	HOSE						
	5	1	031-4155	12	LOCKNUT (5/16-18-THD)						
	6	1	5P-4116	24	WASHER-HARD (8.8X20.5X2-MM THK)						
	7	1	6V-8918	12	BOLT (5/16-18X1.25-IN)						
	8	1	128-0856	3	CLAMP-HOSE						



GRAPHIC #1

<END>

g00924798

AIR INLET AND EXHAUST SYSTEM

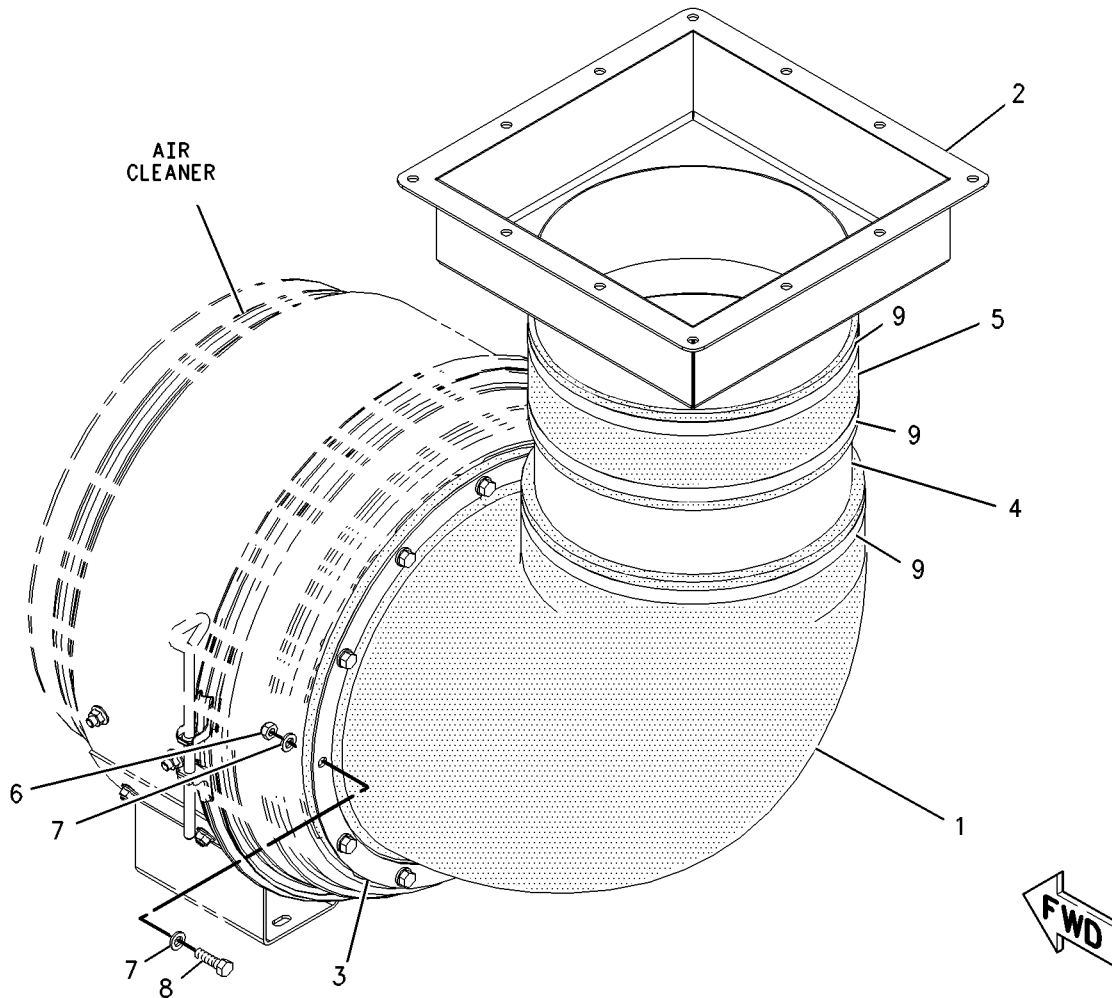
209-4454 ADAPTER GP-AIR CLEANER

FOR USE WITH 206-0884-PAGE 231
AN ATTACHMENT

SMCS-1051

i02327544

NOTE	REF NO	GRAPHIC REF	PART NUMBER	QTY	PART NAME						SEE PAGE
					1	2	3	4	5	6 (PRODUCT LEVEL)	
	1	1	209-4455	1	ADAPTER						
	2	1	209-4457	1	ADAPTER AS						
	3	1	212-8188	1	STRIP						
	4	1	219-7509	1	TUBE						
	5	1	219-7510	1	HOSE						
	6	1	031-4155	12	LOCKNUT (5/16-18-THD)						
	7	1	5P-4116	24	WASHER-HARD (8.8X20.5X2-MM THK)						
	8	1	6V-8918	12	BOLT (5/16-18X1.25-IN)						
	9	1	128-0856	3	CLAMP-HOSE						



GRAPHIC #1

<END>

g00924779

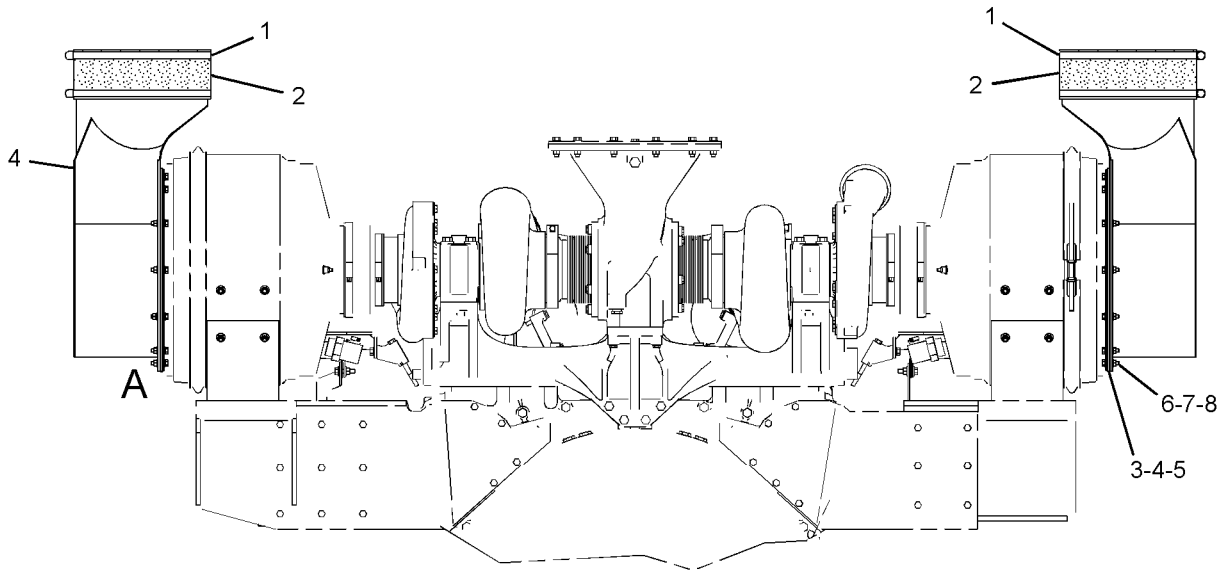
AIR INLET AND EXHAUST SYSTEM

301-9565 ADAPTER GP-AIR CLEANER AN ATTACHMENT

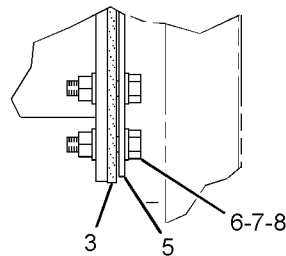
SMCS-1051

i03174284

NOTE	REF NO	GRAPHIC REF	PART NUMBER	QTY	PART NAME						SEE PAGE
					1	2	3	4	5	6 (PRODUCT LEVEL)	
	1	1	128-0856	4	CLAMP-HOSE						
	2	1	219-7510	2	HOSE						
	3	1	293-7467	2	GASKET						
	4	1	301-9564	2	ADAPTER AS-AIR CLEANER						
	5	1	331-4777	2	RING						
	6	1	031-2701	24	BOLT-LOCKING (5/16-18X1.25-IN)						
	7	1	6V-8189	24	NUT (5/16-18-THD)						
	8	1	8T-4224	48	WASHER-HARD (8.8X16X2-MM THK)						



REAR VIEW OF ENGINE



VIEW OF AREA A

<END>

GRAPHIC #1

g01624961

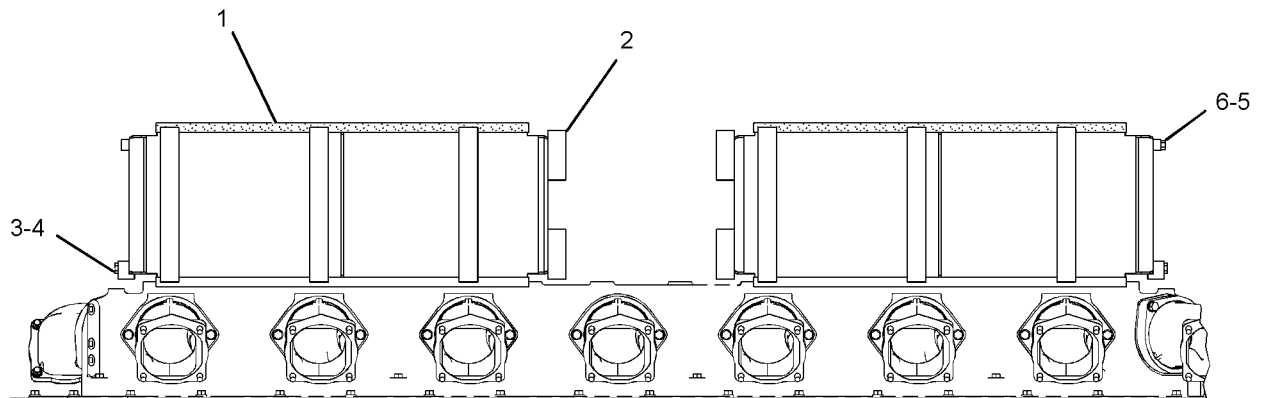
AIR INLET AND EXHAUST SYSTEM

255-2288 AFTERCOOLER GP-WATER

SMCS-1063

i02601151

NOTE	REF NO	GRAPHIC REF	PART NUMBER	QTY	PART NAME						SEE PAGE
					1	2	3	4	5	6 (PRODUCT LEVEL)	
	1	1	107-3758	4	SEAL (AFTERCOOLER)						
	2	1	245-4621	2	CORE AS-AFTERCOOLER						
	3	1	1J-9671	2	SEAL-O-RING						
	4	1	3K-8460	2	PLUG						
	5	1	6V-9027	1	SEAL-O-RING						
	6	1	9S-4182	1	PLUG-O RING						



LEFT SIDE VIEW

GRAPHIC #1

<END>

g01244253

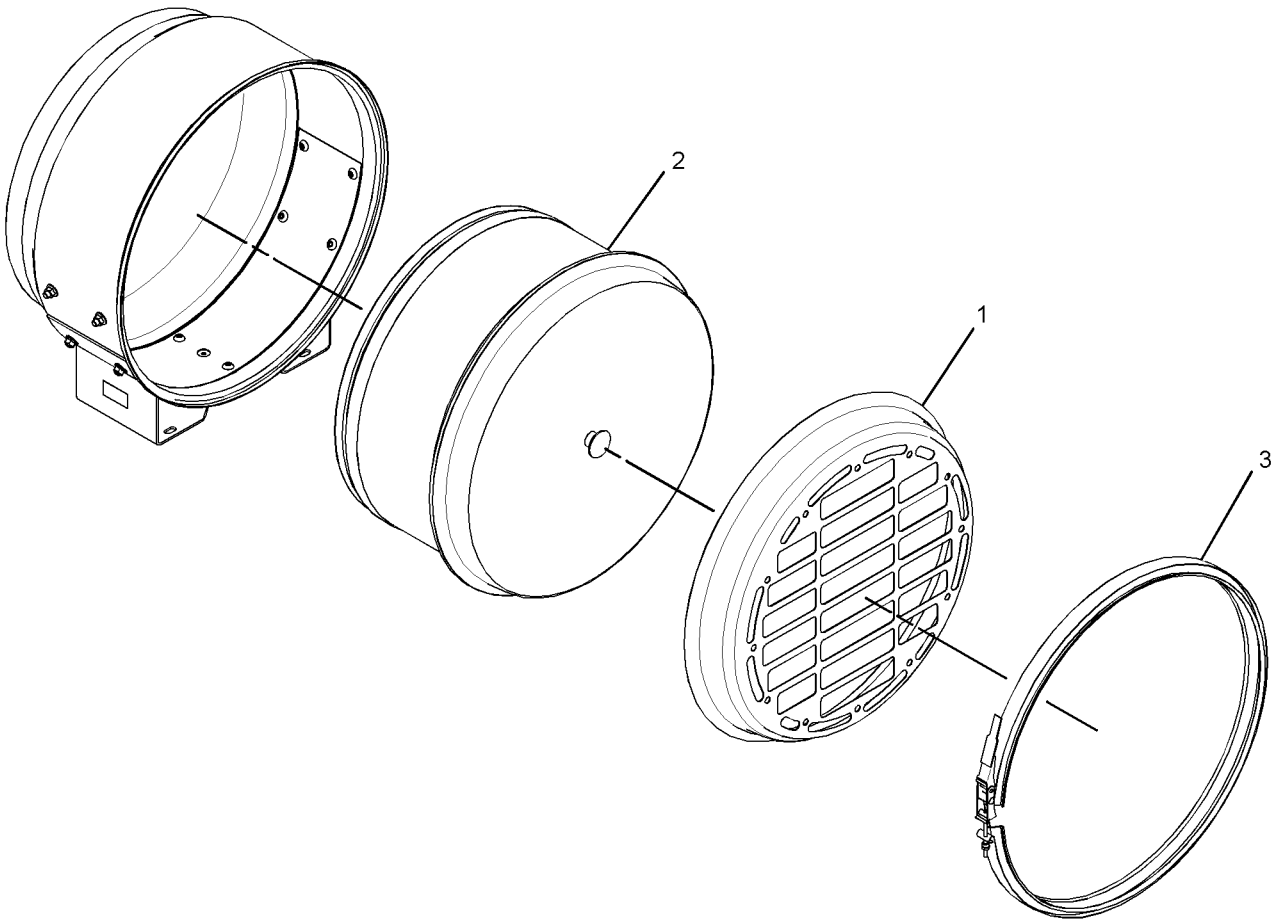
AIR INLET AND EXHAUST SYSTEM

206-0884 AIR CLEANER GP PART OF 249-2865, 281-0694 AIR CLEANER GP AN ATTACHMENT

SMCS-1051, 1054

i02586894

NOTE	REF NO	GRAPHIC REF	PART NUMBER	QTY	PART NAME						SEE PAGE
					1	2	3	4	5	6 (PRODUCT LEVEL)	
	1	1	208-9064	1	COVER						
	2	1	208-9065	1	FILTER ELEMENT AS-AIR (PRIMARY)						
	3	1	293-4388	1	CLAMP AS						



GRAPHIC #1

<END>

g01310251

AIR INLET AND EXHAUST SYSTEM

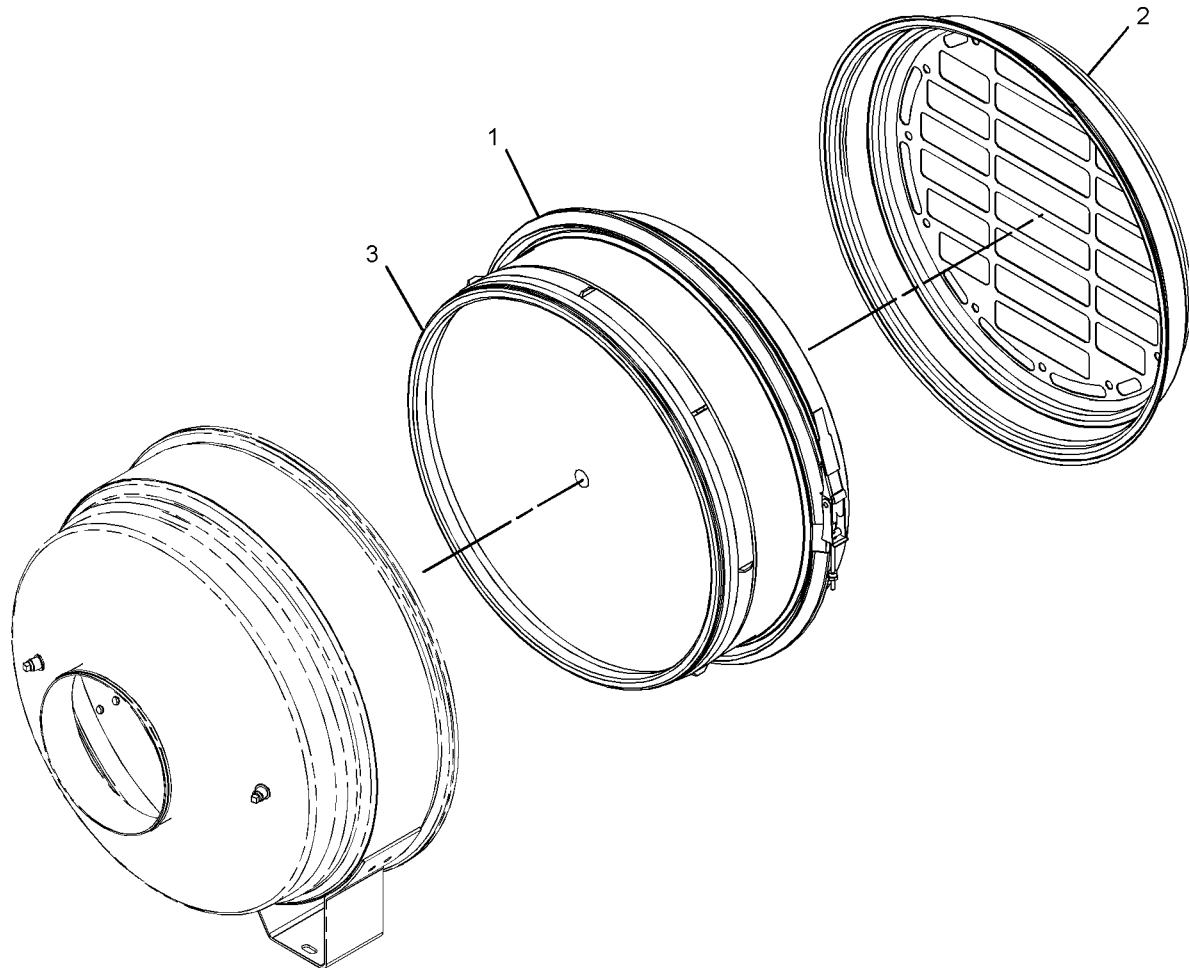
226-2773 AIR CLEANER GP

7-IN POWER CORE
PART OF 251-5884 AIR CLEANER GP
AN ATTACHMENT

SMCS-1051, 1054

i02608751

NOTE	REF NO	GRAPHIC REF	PART NUMBER	QTY	PART NAME						SEE PAGE
					1	2	3	4	5	6 (PRODUCT LEVEL)	
	1	1	293-4388	1	CLAMP AS						
	2	1	208-9064	1	COVER						
	3	1	226-2779	1	FILTER ELEMENT AS-AIR (PRIMARY)						



GRAPHIC #1

<END>

g01307144

AIR INLET AND EXHAUST SYSTEM

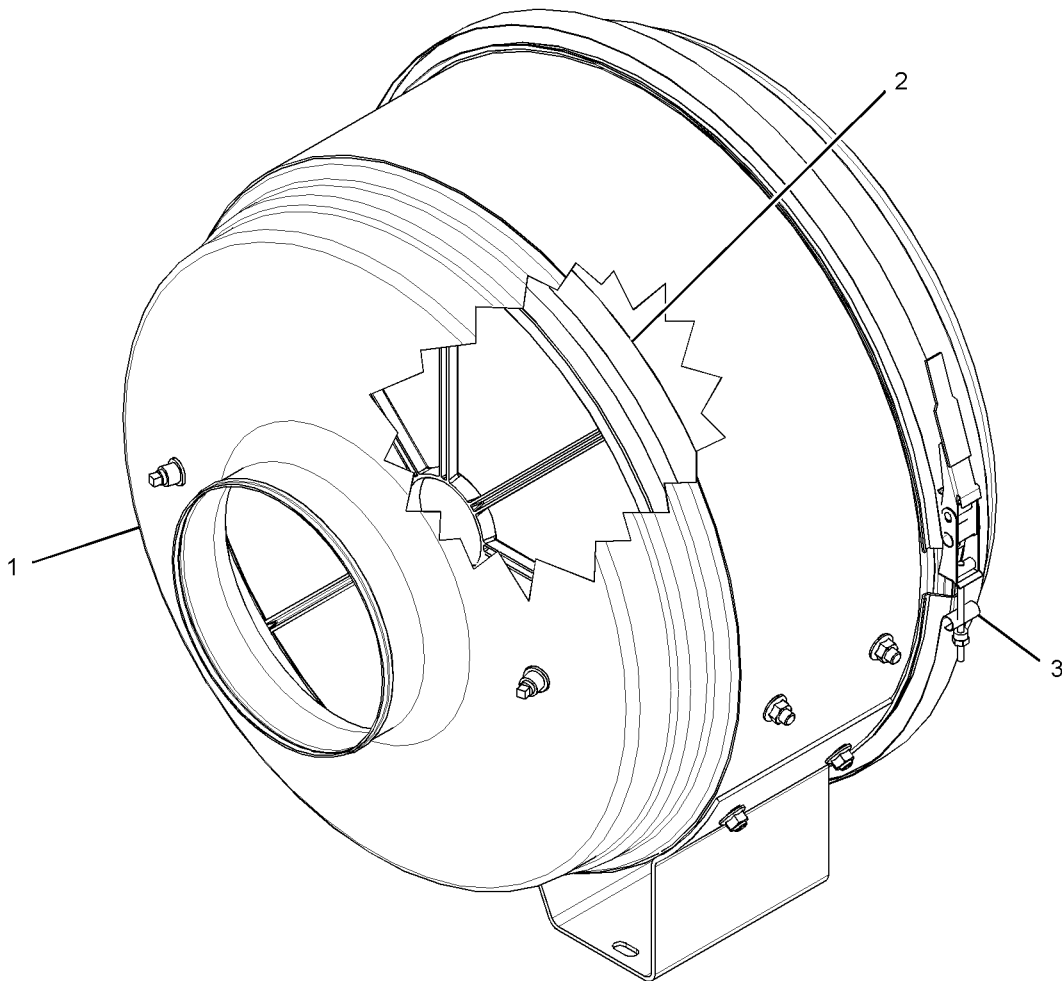
249-2865 AIR CLEANER GP AN ATTACHMENT

SMCS-1051, 1054

i02958843

NOTE	REF NO	GRAPHIC REF	PART NUMBER	QTY	PART NAME						SEE PAGE
					1	2	3	4	5	6 (PRODUCT LEVEL)	
Y	1	1	206-0884	1	AIR CLEANER GP						231
	2	1	208-9065	1	FILTER ELEMENT AS-AIR (PRIMARY)						
	3	1	293-4388	1	CLAMP AS						

Y-SEPARATE ILLUSTRATION



GRAPHIC #1

<END>

g01491174

AIR INLET AND EXHAUST SYSTEM

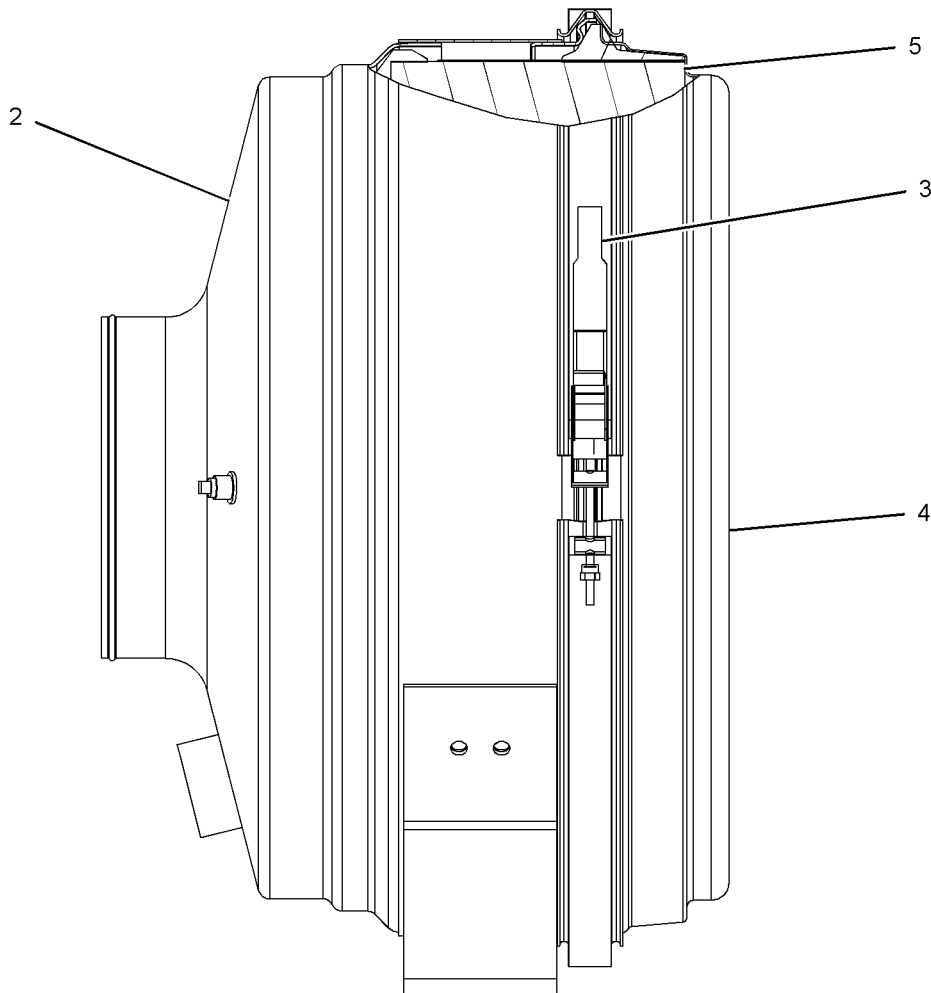
251-5884 AIR CLEANER GP AN ATTACHMENT

SMCS-1051, 1054

i02676061

NOTE	REF NO	GRAPHIC REF	PART NUMBER	QTY	PART NAME						SEE PAGE
					1	2	3	4	5	6 (PRODUCT LEVEL)	
Y	2	1	226-2773	1	AIR CLEANER GP (SINGLE)						232
	3	1	293-4388	1	CLAMP AS						
	4	1	208-9064	1	COVER						
	5	1	226-2779	1	FILTER ELEMENT AS-AIR (PRIMARY)						

Y-SEPARATE ILLUSTRATION



GRAPHIC #1

<END>

g01346887

AIR INLET AND EXHAUST SYSTEM

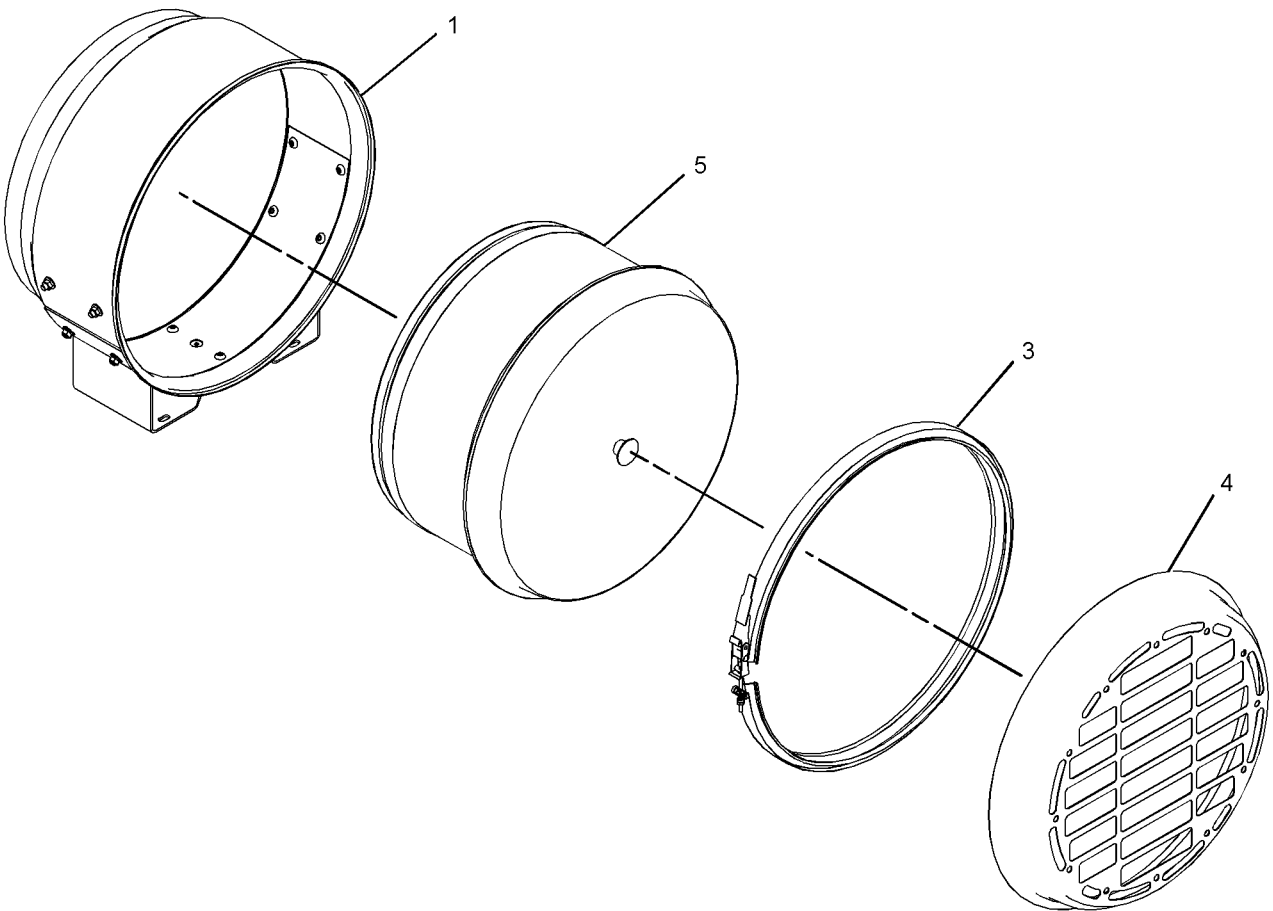
281-0694 AIR CLEANER GP AN ATTACHMENT

SMCS-1051, 1054

i02735862

NOTE	REF NO	GRAPHIC REF	PART NUMBER	QTY	PART NAME						SEE PAGE
					1	2	3	4	5	6 (PRODUCT LEVEL)	
Y	1	1	206-0884	1	AIR CLEANER GP						231
	3	1	293-4388	1	CLAMP AS						
	4	1	208-9064	1	COVER						
	5	1	208-9065	1	FILTER ELEMENT AS-AIR (PRIMARY)						

Y-SEPARATE ILLUSTRATION



GRAPHIC #1

<END>

g01373606

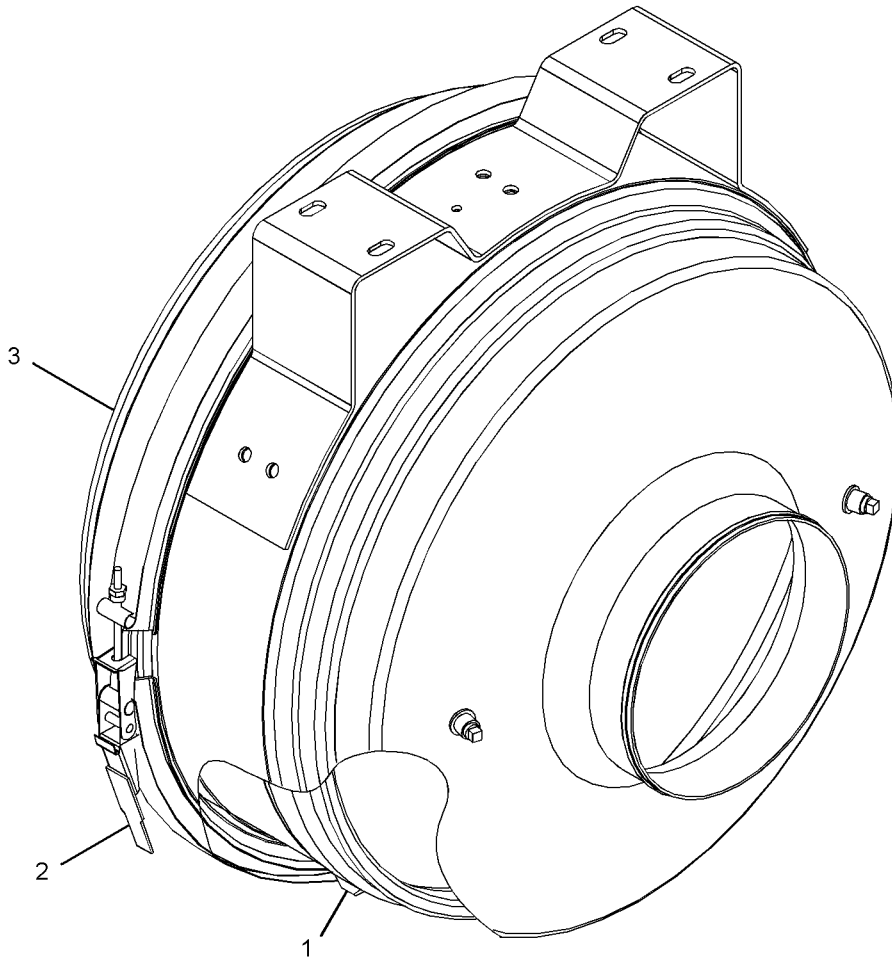
AIR INLET AND EXHAUST SYSTEM

317-9958 AIR CLEANER GP AN ATTACHMENT

SMCS-1051, 1054

i02958927

NOTE	REF NO	GRAPHIC REF	PART NUMBER	QTY	PART NAME						SEE PAGE
					1	2	3	4	5	6 (PRODUCT LEVEL)	
	1	1	226-2779	1	FILTER ELEMENT AS-AIR (PRIMARY)						
	2	1	317-9956	1	CLAMP AS						
	3	1	317-9957	1	COVER						



GRAPHIC #1

<END>

g01491455

AIR INLET AND EXHAUST SYSTEM

289-8498 DAMPER GP-AIR SHUTOFF

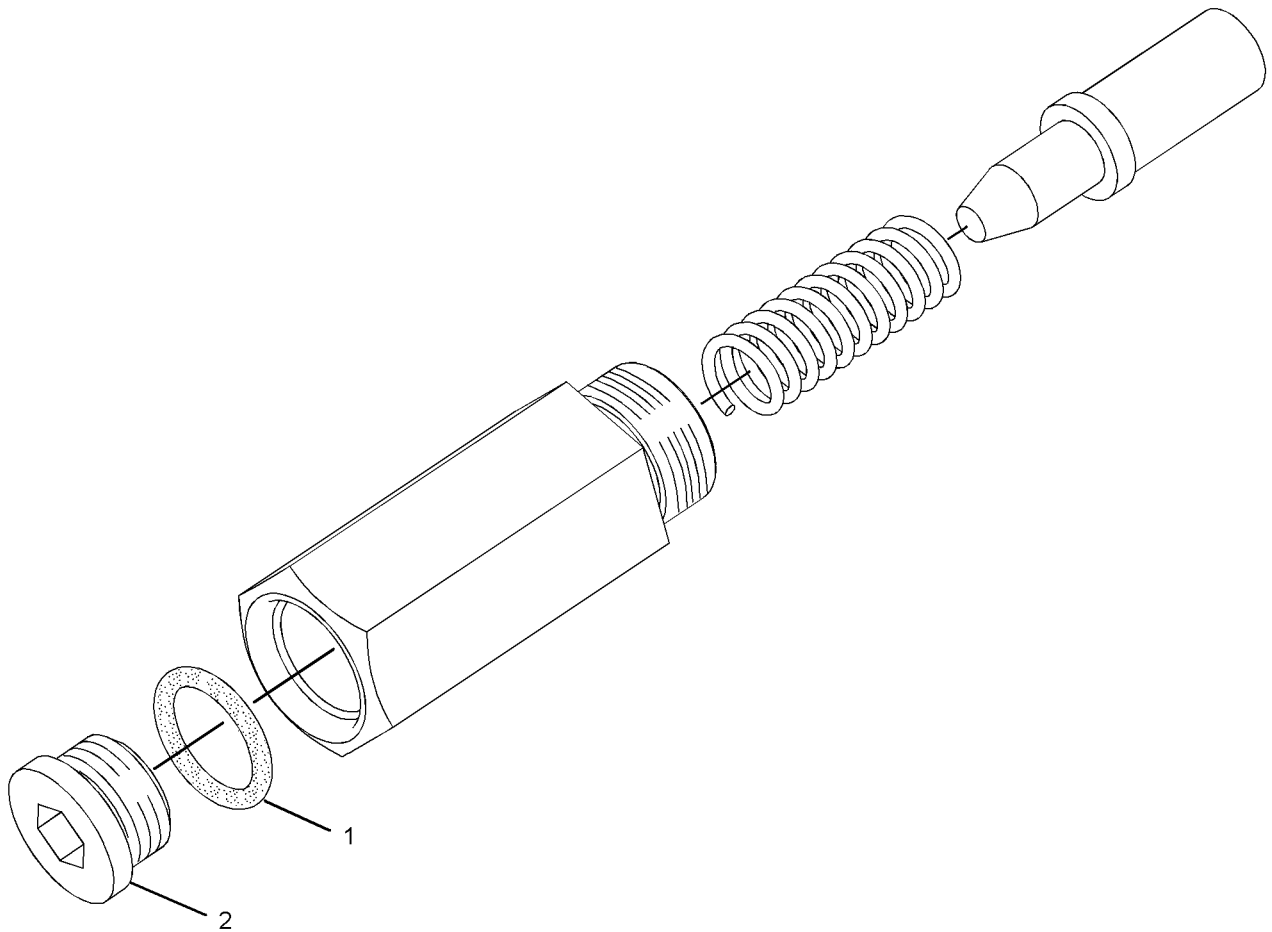
PART OF 288-2758, 288-2759 SHUTOFF GP-AIR
AN ATTACHMENT

SMCS-1078

i02674033

NOTE	REF NO	GRAPHIC REF	PART NUMBER	QTY	PART NAME						SEE PAGE
					1	2	3	4	5	6 (PRODUCT LEVEL)	
	1	1	6V-5049	1	SEAL-O-RING						
	2	1	9S-8004	1	PLUG-O-RING						

PARTS SHOWN IN GRAPHIC(S) WITHOUT A REFERENCE NUMBER ARE NOT SERVICED SEPARATELY



GRAPHIC #1

<END>

g01360451

AIR INLET AND EXHAUST SYSTEM

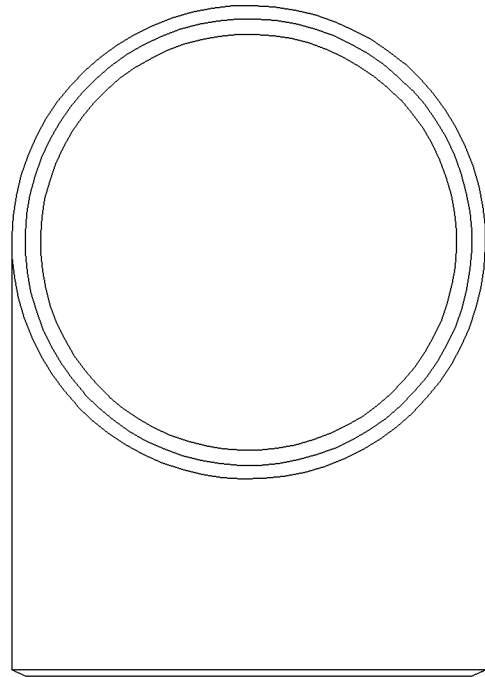
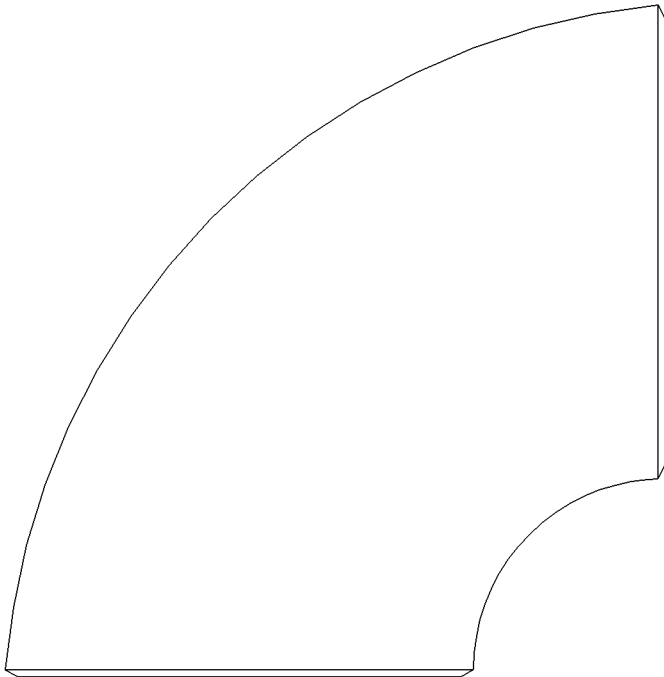
5L-6954 ELBOW-EXHAUST

12-IN
AN ATTACHMENT

SMCS-1061

i01213269

NOTE	REF NO	GRAPHIC REF	PART NUMBER	QTY	PART NAME	SEE PAGE
					1 2 3 4 5 6 (PRODUCT LEVEL)	
(NO SERVICED PARTS)						



GRAPHIC #1

<END>

g00648631

AIR INLET AND EXHAUST SYSTEM

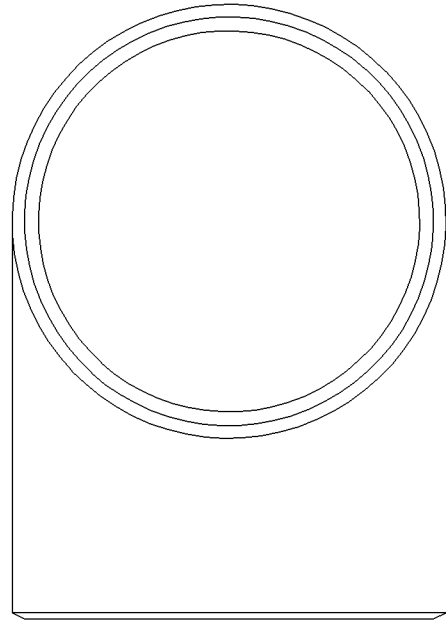
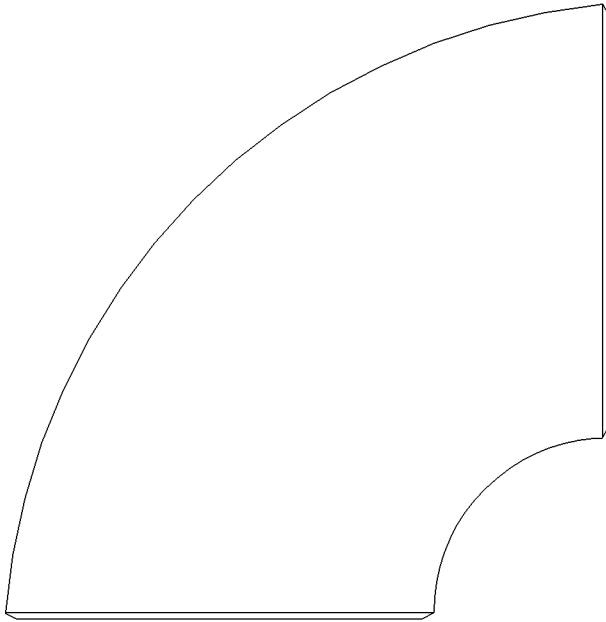
5N-8529 ELBOW-EXHAUST

14-IN
AN ATTACHMENT

SMCS-1061

i01450754

NOTE	REF NO	GRAPHIC REF	PART NUMBER	QTY	PART NAME	SEE PAGE
					1 2 3 4 5 6 (PRODUCT LEVEL)	
(NO SERVICED PARTS)						



GRAPHIC #1

<END>

g00658604

AIR INLET AND EXHAUST SYSTEM

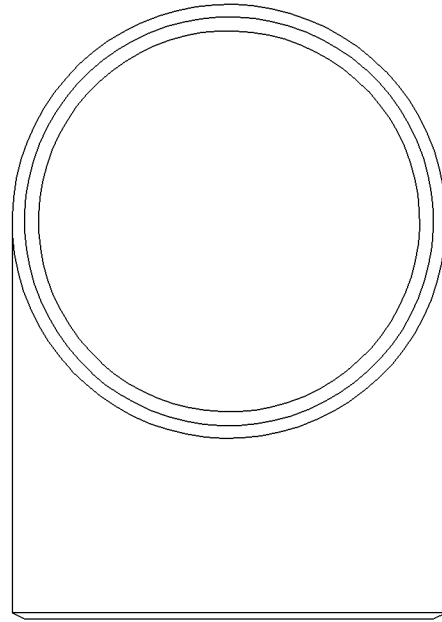
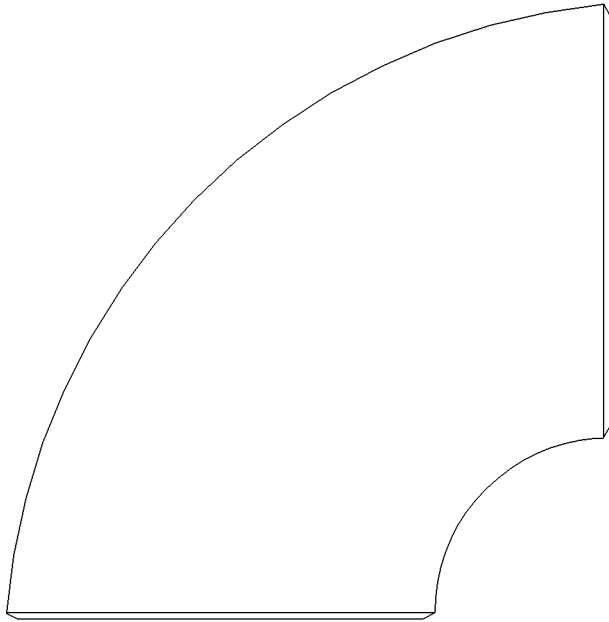
111-4986 ELBOW-EXHAUST

406.4-MM ID
AN ATTACHMENT

SMCS-1061

i01450748

NOTE	REF NO	GRAPHIC REF	PART NUMBER	QTY	PART NAME	SEE PAGE
					1 2 3 4 5 6 (PRODUCT LEVEL)	
(NO SERVICED PARTS)						



GRAPHIC #1

<END>

g00658604

AIR INLET AND EXHAUST SYSTEM

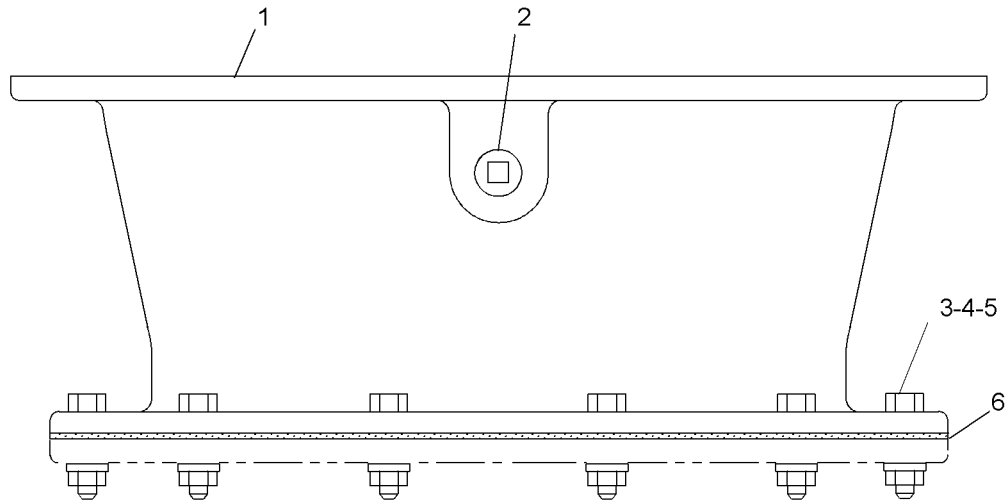
1W-9487 FITTING GP-EXHAUST

355.6-MM
AN ATTACHMENT

SMCS-1061

i02428050

NOTE	REF NO	GRAPHIC REF	PART NUMBER	QTY	PART NAME						SEE PAGE
					1	2	3	4	5	6 (PRODUCT LEVEL)	
	1	1	1W-7996	1	ADAPTER						
	2	1	8T-6762	1	PLUG-PIPE						
	3	1	0S-1591	12	BOLT (3/8-16X1.5-IN)						
	4	1	9S-8752	12	NUT-FULL (3/8-16-THD)						
	5	1	5M-2894	12	WASHER-HARD (10.2X18.5X2.5-MM THK)						
	6	1	1W-6356	1	GASKET						



GRAPHIC #1

<END>

g01215216

AIR INLET AND EXHAUST SYSTEM

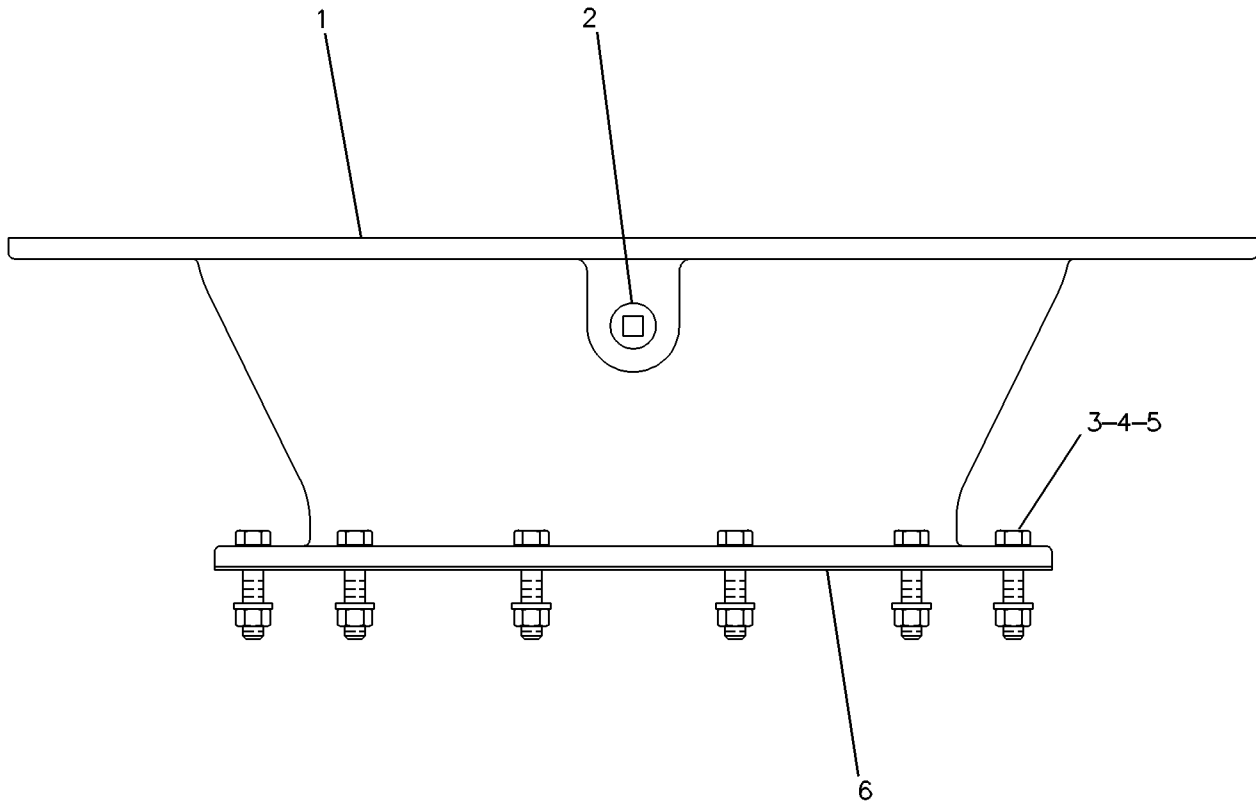
4P-3363 FITTING GP-EXHAUST

410.2-MM
AN ATTACHMENT

SMCS-1061

i02393284

NOTE	REF NO	GRAPHIC REF	PART NUMBER	QTY	PART NAME						SEE PAGE
					1	2	3	4	5	6 (PRODUCT LEVEL)	
	1	1	4P-3362	1	ADAPTER						
	2	1	8T-6762	1	PLUG-PIPE						
	3	1	0S-1571	12	BOLT (3/8-16X1.75-IN)						
	4	1	9S-8752	12	NUT-FULL (3/8-16-THD)						
	5	1	5M-2894	12	WASHER-HARD (10.2X18.5X2.5-MM THK)						
	6	1	1W-6356	1	GASKET						



GRAPHIC #1

<END>

g00212151

AIR INLET AND EXHAUST SYSTEM

5N-9527 FITTING GP-EXHAUST-FLEXIBLE

305-MM

FOR USE WITH WATERCOOLED, HOT EXHAUST STACKS
AN ATTACHMENT

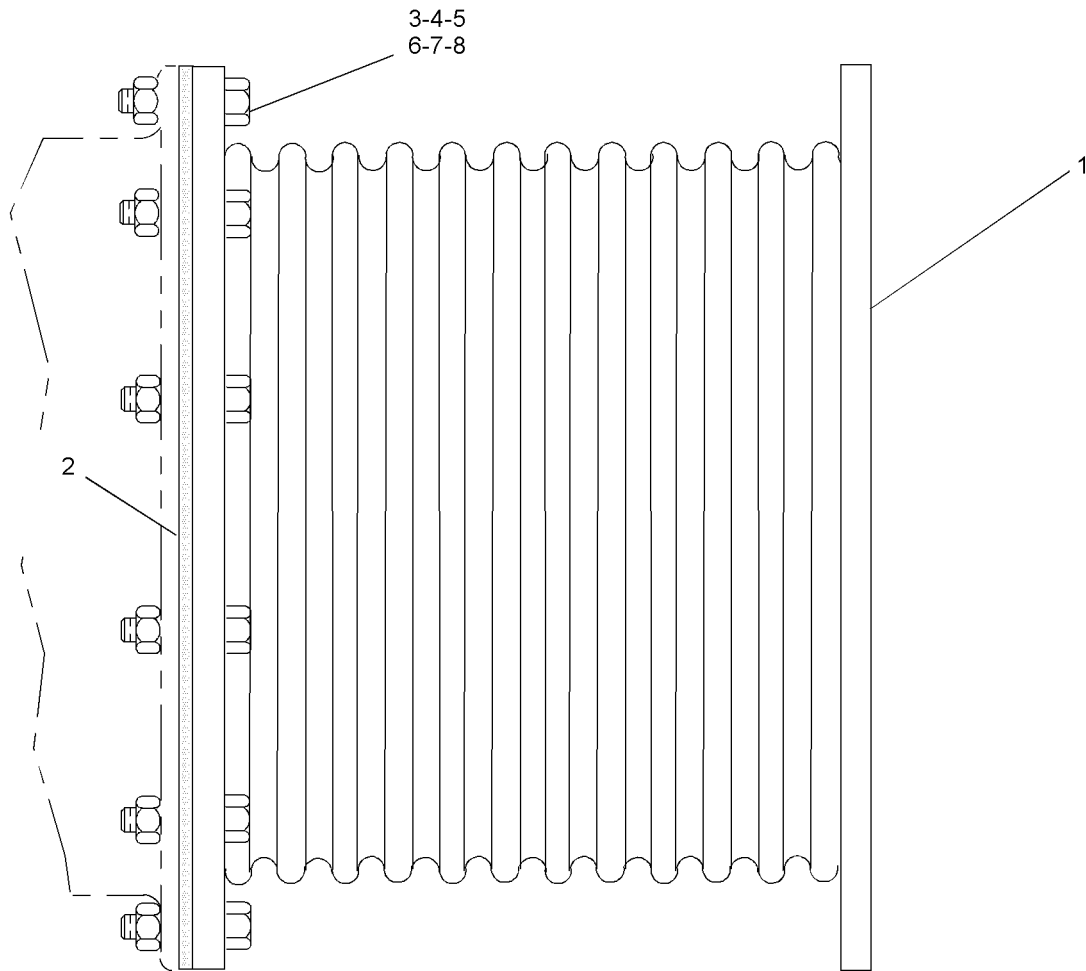
SMCS-1061

i02219329

NOTE	REF NO	GRAPHIC REF	PART NUMBER	QTY	PART NAME						SEE PAGE
					1	2	3	4	5	6 (PRODUCT LEVEL)	
	1	1	207-1332	1	BELLOWS AS						
	2	1	2W-7873	1	GASKET-EXHAUST						
B	3	1	5L-4398	12	BOLT (1/2-13X2.25-IN)						
B	4	1	1B-5357	12	NUT-FULL (1/2-13-THD)						
B	5	1	5P-8245	24	WASHER-HARD (13.5X25.5X3-MM THK)						
BJ	6	1	0S-1571	12	BOLT (3/8-16X1.75-IN)						
BJ	7	1	1B-5355	12	NUT-FULL (3/8-16-THD)						
BJ	8	1	5M-2894	12	WASHER-HARD (10.2X18.5X2.5-MM THK)						

B-USE AS REQUIRED

J-FOR USE WITH 1W5532 ELBOW OR 7N6959 ADAPTER



GRAPHIC #1

<END>

g01109652

AIR INLET AND EXHAUST SYSTEM

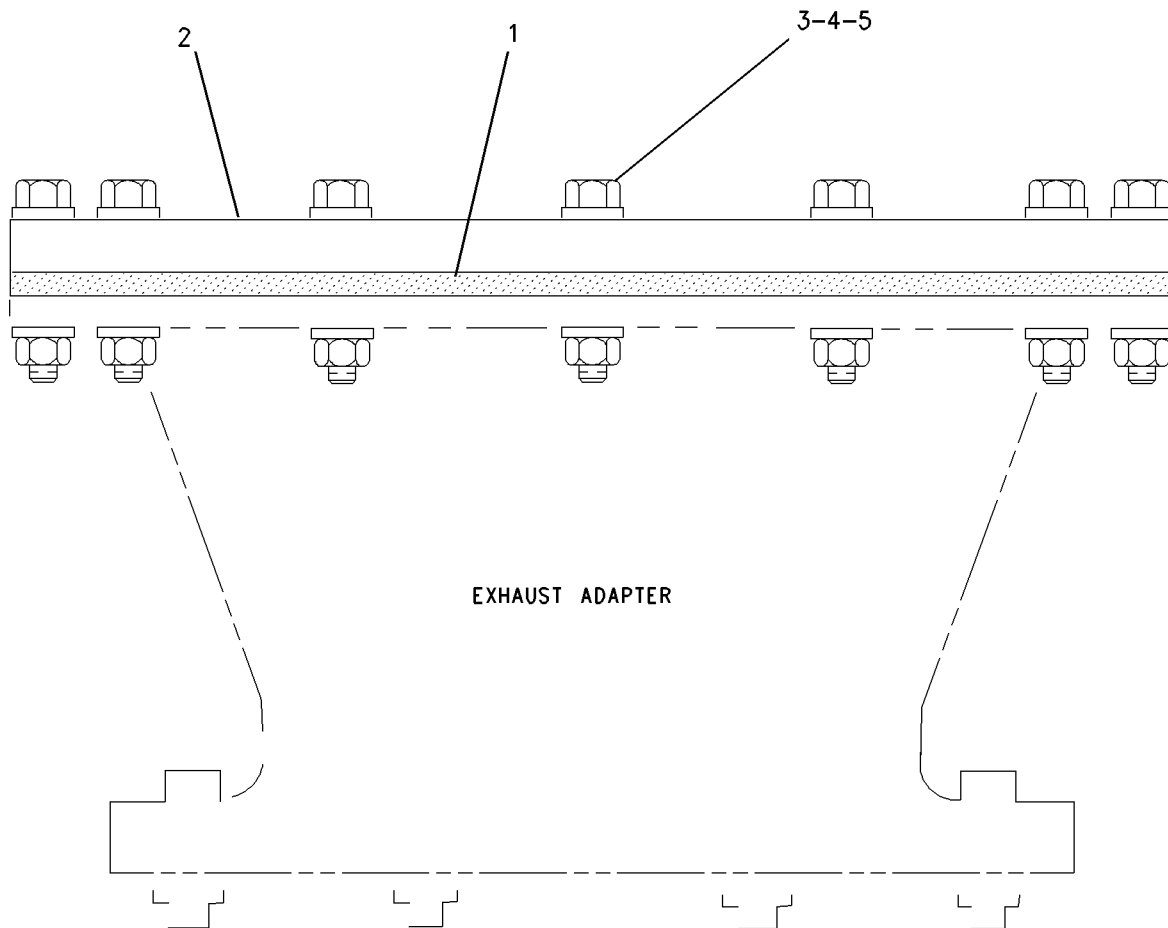
2W-7756 FLANGE GP-EXHAUST

355.61-MM
AN ATTACHMENT

SMCS-1061

i02179545

NOTE	REF NO	GRAPHIC REF	PART NUMBER	QTY	PART NAME						SEE PAGE
					1	2	3	4	5	6 (PRODUCT LEVEL)	
	1	1	111-5822	1	GASKET - EXHAUST						
	2	1	2W-7755	1	FLANGE - EXHAUST						
	3	1	9X-8873	12	BOLT (1/2-13X2.25-IN)						
	4	1	5P-8245	24	WASHER-HARD (13.5X25.5X3-MM THK)						
	5	1	1B-5357	12	NUT-FULL (1/2-13-THD)						



GRAPHIC #1

<END>

g00788150

AIR INLET AND EXHAUST SYSTEM

2W-7871 FLANGE GP-EXHAUST

323.9-MM
AN ATTACHMENT

SMCS-1061

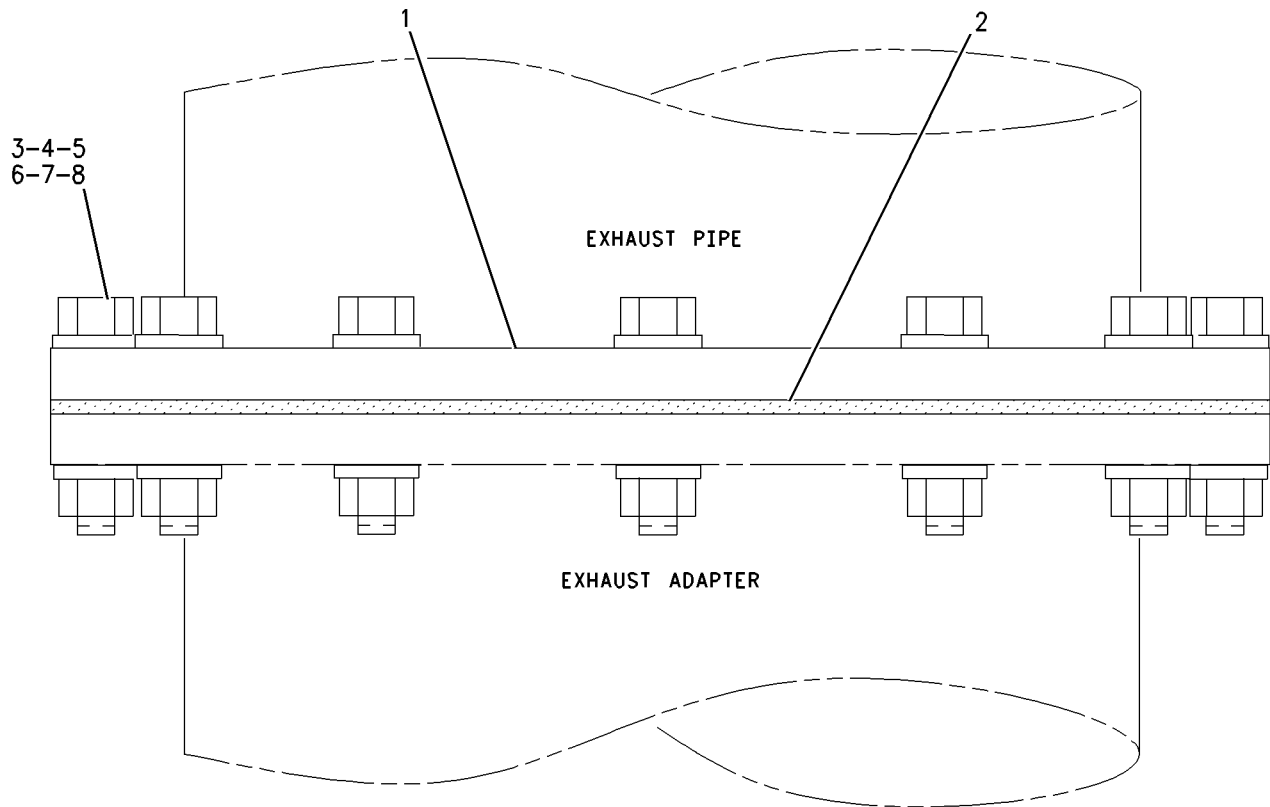
i02153824

NOTE	REF NO	GRAPHIC REF	PART NUMBER	QTY	PART NAME						SEE PAGE
					1	2	3	4	5	6 (PRODUCT LEVEL)	
	1	1	2W-7872	1	FLANGE - EXHAUST						
	2	1	2W-7873	1	GASKET - EXHAUST						
BL	3	1	5L-4398	12	BOLT (1/2-13X2.25-IN)						
BL	4	1	1B-5357	12	NUT-FULL (1/2-13-THD)						
BL	5	1	5P-8245	24	WASHER-HARD (13.5X25.5X3-MM THK)						
BJ	6	1	0S-1571	12	BOLT (3/8-16X1.75-IN)						
BJ	7	1	1B-5355	12	NUT-FULL (3/8-16-THD)						
BJ	8	1	9L-9132	24	WASHER (10.2X25.5X2.5-MM THK)						

B-USE AS REQUIRED

J-FOR USE WITH ENGINE EXHAUST ELBOW OR EXPANDER FITTING GP

L-FOR USE WITH FLEXIBLE FITTING GP OR MUFFLER GP



GRAPHIC #1

<END>

g00705447

AIR INLET AND EXHAUST SYSTEM

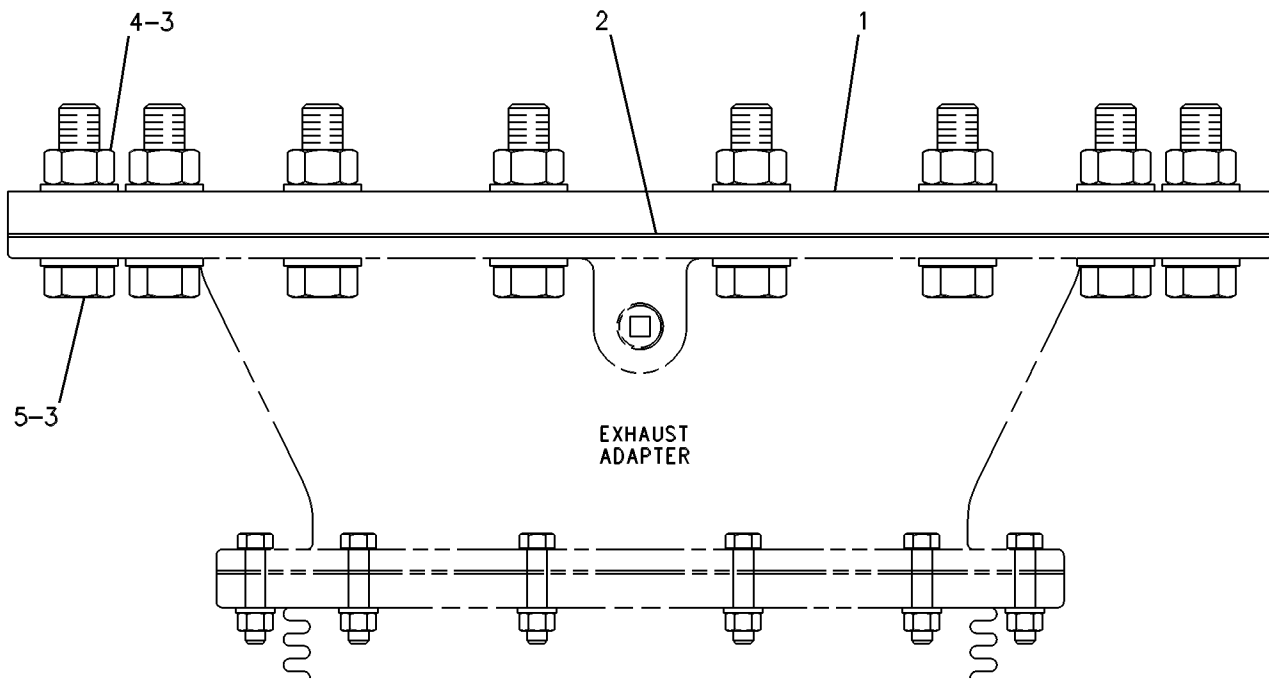
103-6668 FLANGE GP-EXHAUST

410.2-MM
AN ATTACHMENT

SMCS-1061

i02224074

NOTE	REF NO	GRAPHIC REF	PART NUMBER	QTY	PART NAME						SEE PAGE
					1	2	3	4	5	6 (PRODUCT LEVEL)	
	1	1	133-6479	1	FLANGE - EXHAUST						
	2	1	133-6480	1	GASKET						
	3	1	5P-8248	32	WASHER - HARD (20X36.5X3.5-MM THK)						
	4	1	2J-3506	16	NUT - FULL (3/4-10-THD)						
	5	1	9X-8887	16	BOLT (3/4-10X3-IN)						



GRAPHIC #1

<END>

g00248869

AIR INLET AND EXHAUST SYSTEM

282-4176 LINES GP-AIR-TURBOCHARGER

S/N: JTS1-143

SMCS-1071

i03791417

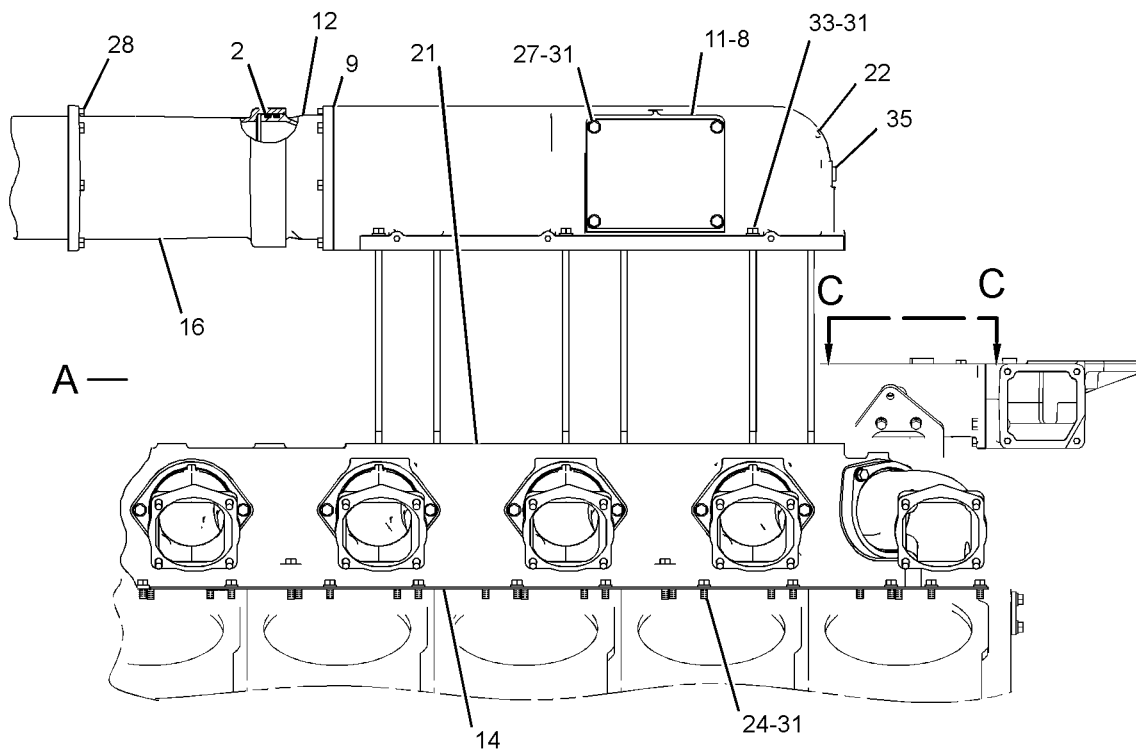
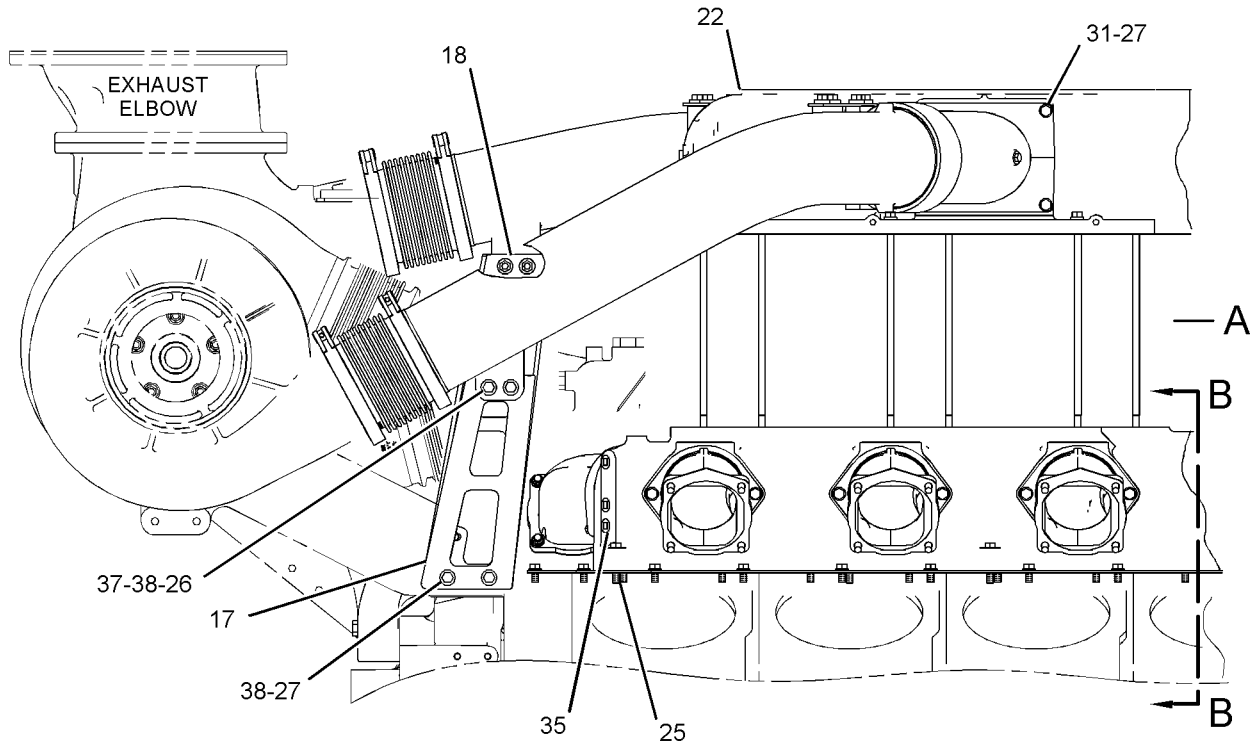
NOTE	REF NO	GRAPHIC REF	PART NUMBER	QTY	PART NAME						SEE PAGE
					1	2	3	4	5	6 (PRODUCT LEVEL)	
	1	2	4S-5898	16	SEAL-O-RING						
	2	1	6V-3968	2	SEAL-O-RING						
	3	2	6V-5101	16	SEAL-O-RING						
	4	2	7C-7909	14	ELBOW (AIR INLET)						
	5	2	7C-7910	2	ELBOW (AIR INLET)						
	6	2	7C-8199	16	FLANGE						
	7	2	7N-5080	16	GASKET-MANIFOLD						
	8	1,2	109-7411	4	SEAL-O-RING						
	9	1	112-1564	2	GASKET						
	10	2	112-1567	2	STRAP						
	11	1	114-3378	2	COVER						
	12	1	114-3380	1	ADAPTER						
	13	2	122-3374	2	ELBOW (AIR INLET)						
	14	1	123-6915	1	PLATE						
	15	2	243-2975	4	CLAMP AS						
	16	1	279-8994	1	ADAPTER						
	17	1	281-6005	1	BRACKET						
	18	1	281-6006	1	BRACKET						
	19	2	334-0225	1	TUBE AS-AIR (RH)						
		2	329-5508	1	PLUG-PIPE						
	20	2	334-0226	1	TUBE AS-AIR (LH)						
		2	329-5508		PLUG-PIPE						
	21	1	283-9779	1	MANIFOLD (INLET AIR)						
	22	1	285-8437	2	COVER (AIR INLET)						
	23	2	302-6504	2	BELLOWS						
	24	1	0S-0509	38	BOLT (3/8-16X0.75-IN)						
	25	1	0S-1590	8	BOLT (3/8-16X2-IN)						
	26	1	0S-1591	4	BOLT (3/8-16X1.5-IN)						
	27	1,2	0S-1594	29	BOLT (3/8-16X1-IN)						
	28	1	1A-2029	16	BOLT (3/8-16X1.125-IN)						
	29	2	1T-0720	64	BOLT-12 POINT HEAD (3/8-16X1.25-IN)						
	30	2	2A-4639	32	BOLT (3/8-16X1.625-IN)						
	31	1,2	5M-2894	162	WASHER-HARD (10.2X18.5X2.5-MM THK)						
	32	2	6V-5103	4	SEAL-O-RING						
	33	1	8J-5985	12	BOLT (3/8-16X12.375-IN)						
	34	2	8M-9024	8	WASHER-HARD (10.2X22.5X5-MM THK)						
	35	1,2	8T-6762	10	PLUG-PIPE						
	36	2	8T-6764	2	PLUG-PIPE (1/8-27-THD)						
	37	1	9S-8752	4	NUT-FULL (3/8-16-THD)						
	38	1	9X-6458	13	WASHER-HARD (10.2X22.5X3-MM THK)						

AIR INLET AND EXHAUST SYSTEM

282-4176 LINES GP-AIR (contd.)

i03791417

REFER TO ALL ILLUSTRATIONS OF THIS GROUP FOR AUXILIARY VIEWS.



RIGHT SIDE VIEW OF ENGINE

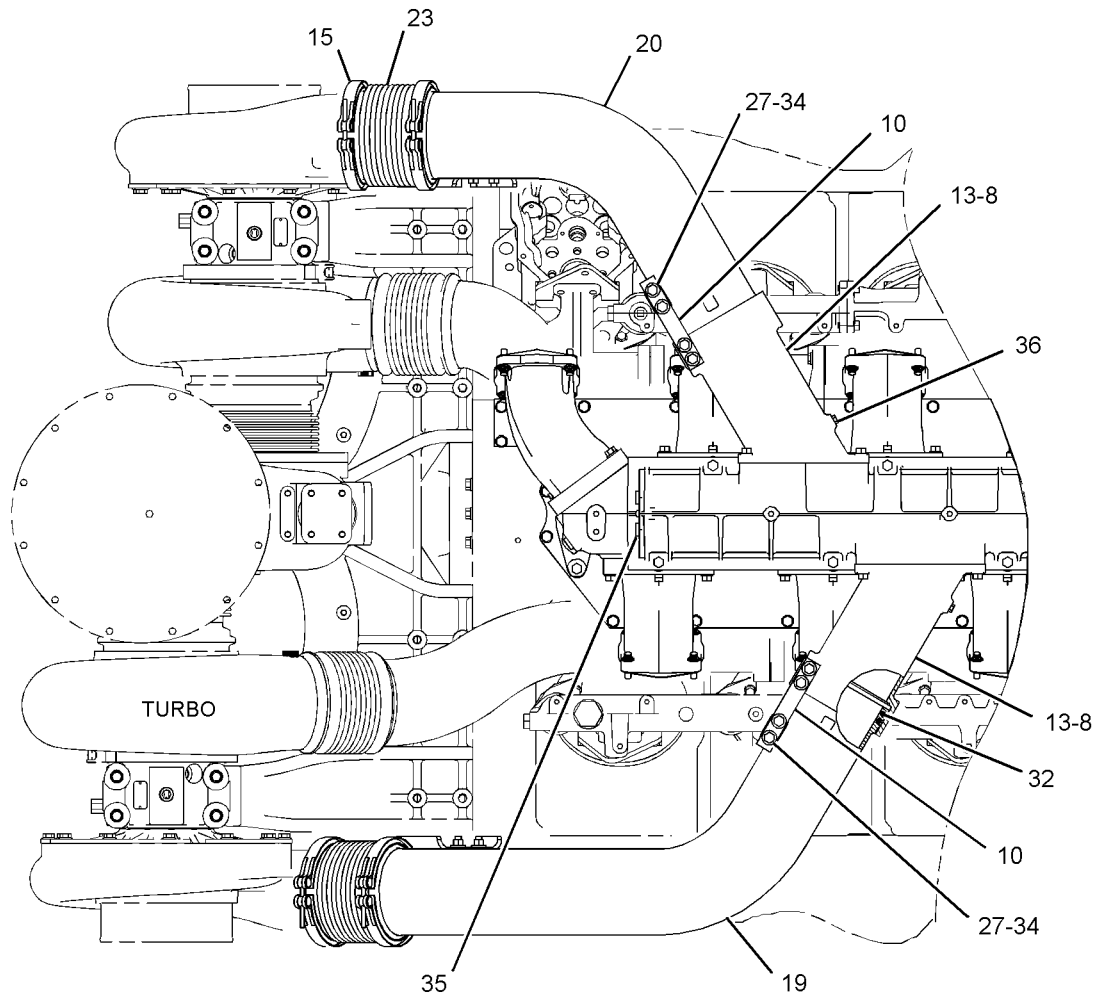
GRAPHIC #1

g02049179

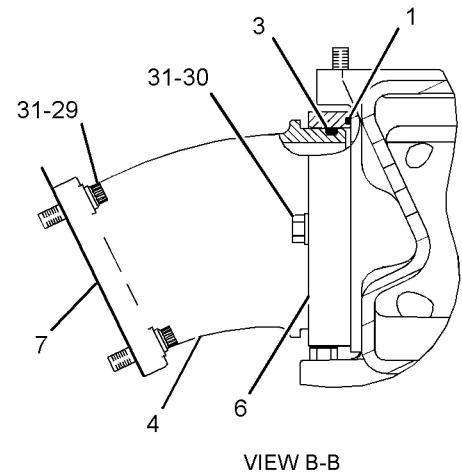
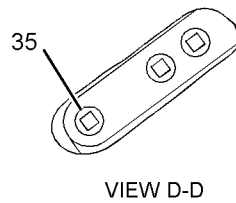
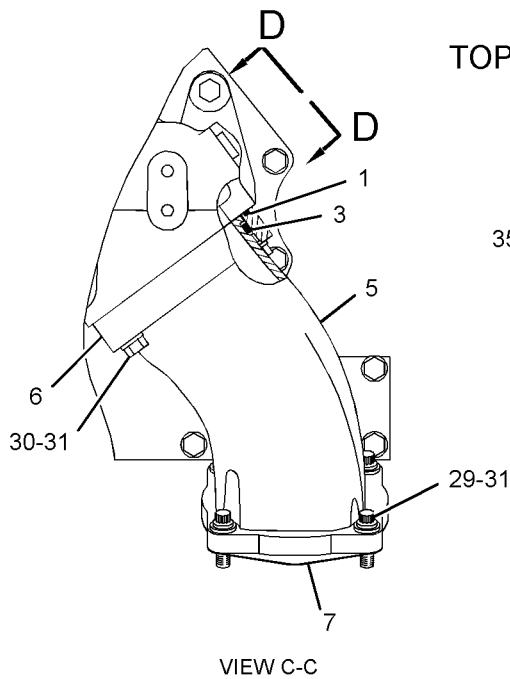
AIR INLET AND EXHAUST SYSTEM

282-4176 LINES GP-AIR (contd.)

i03791417



TOP VIEW OF ENGINE



GRAPHIC #2

<END>

g01348126

AIR INLET AND EXHAUST SYSTEM

282-4176 LINES GP-AIR-TURBOCHARGER

S/N: JTS144-UP

SMCS-1071

i03791507

NOTE	REF NO	GRAPHIC REF	PART NUMBER	QTY	PART NAME						SEE PAGE
					1	2	3	4	5	6 (PRODUCT LEVEL)	
	1	2	4S-5898	16	SEAL-O-RING						
	2	1	6V-3968	2	SEAL-O-RING						
	3	2	6V-5101	16	SEAL-O-RING						
	4	2	7C-7909	14	ELBOW (AIR INLET)						
	5	2	7C-7910	2	ELBOW (AIR INLET)						
	6	2	7C-8199	16	FLANGE						
	7	2	7N-5080	16	GASKET-MANIFOLD						
	8	1,2	109-7411	4	SEAL-O-RING						
	9	1	112-1564	2	GASKET						
	10	2	112-1567	2	STRAP						
	11	1	114-3378	2	COVER						
	12	1	114-3380	1	ADAPTER						
	13	2	122-3374	2	ELBOW (AIR INLET)						
	14	1	123-6915	1	PLATE						
	15	2	243-2975	4	CLAMP AS						
	16	1	279-8994	1	ADAPTER						
	17	1	281-6005	1	BRACKET						
	18	1	281-6006	1	BRACKET						
C	19	2	338-7521	1	TUBE-AIR (RH)						
C	20	2	338-7522	1	TUBE-AIR (LH)						
	21	1	283-9779	1	MANIFOLD (INLET AIR)						
	22	1	285-8437	2	COVER (AIR INLET)						
	23	2	302-6504	2	BELLOWS						
	24	1	0S-0509	38	BOLT (3/8-16X0.75-IN)						
	25	1	0S-1590	8	BOLT (3/8-16X2-IN)						
	26	1	0S-1591	4	BOLT (3/8-16X1.5-IN)						
	27	1,2	0S-1594	29	BOLT (3/8-16X1-IN)						
	28	1	1A-2029	16	BOLT (3/8-16X1.125-IN)						
	29	2	1T-0720	64	BOLT-12 POINT HEAD (3/8-16X1.25-IN)						
	30	2	2A-4639	32	BOLT (3/8-16X1.625-IN)						
	31	1,2	5M-2894	162	WASHER-HARD (10.2X18.5X2.5-MM THK)						
	32	2	6V-5103	4	SEAL-O-RING						
	33	1	8J-5985	12	BOLT (3/8-16X12.375-IN)						
	34	2	8M-9024	8	WASHER-HARD (10.2X22.5X5-MM THK)						
	35	1,2	8T-6762	10	PLUG-PIPE						
	36	2	8T-6764	2	PLUG-PIPE (1/8-27-THD)						
	37	1	9S-8752	4	NUT-FULL (3/8-16-THD)						
	38	1	9X-6458	13	WASHER-HARD (10.2X22.5X3-MM THK)						

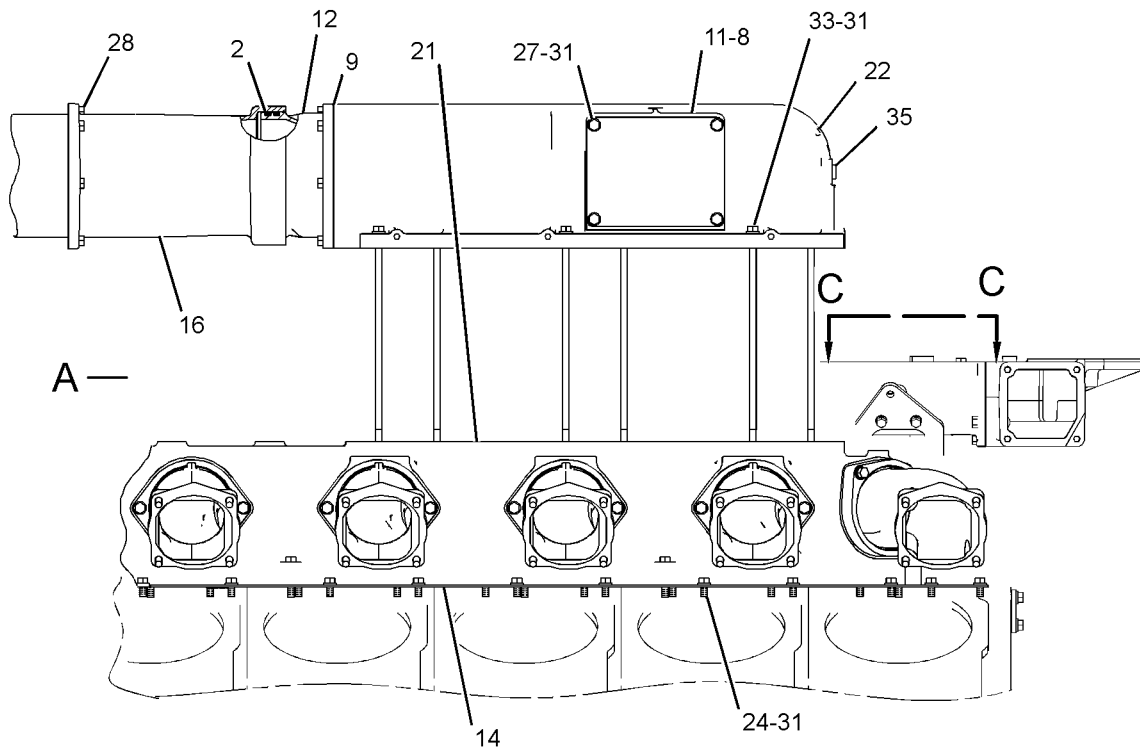
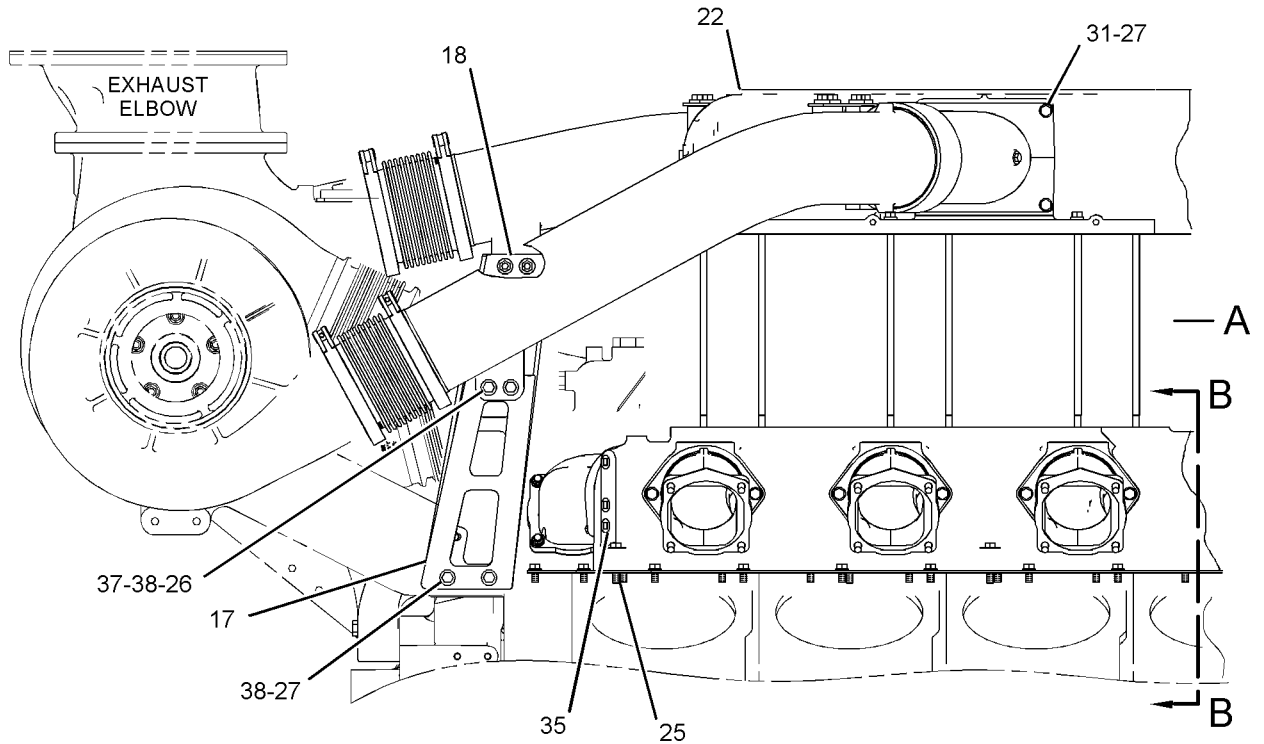
C-CHANGE FROM PREVIOUS TYPE

AIR INLET AND EXHAUST SYSTEM

282-4176 LINES GP-AIR (contd.)

i03791507

REFER TO ALL ILLUSTRATIONS OF THIS GROUP FOR AUXILIARY VIEWS.



RIGHT SIDE VIEW OF ENGINE

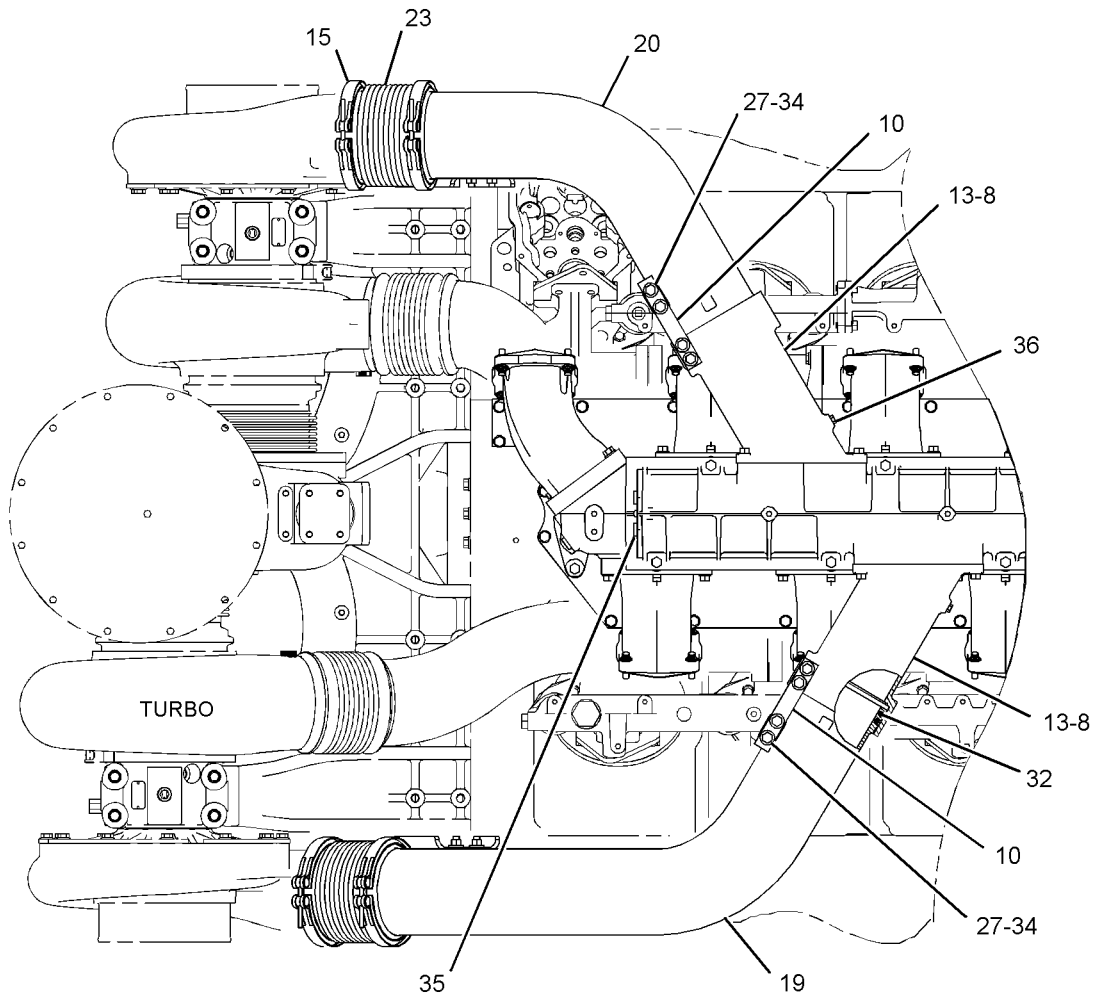
GRAPHIC #1

g02049179

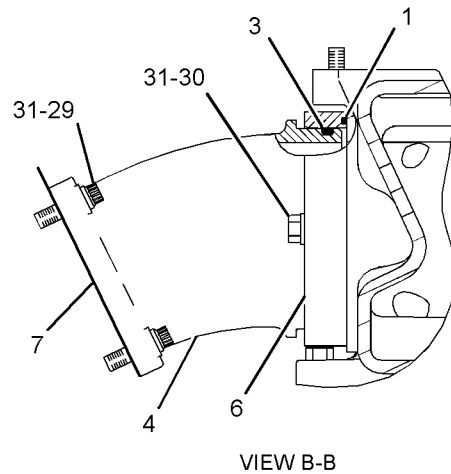
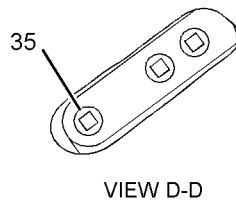
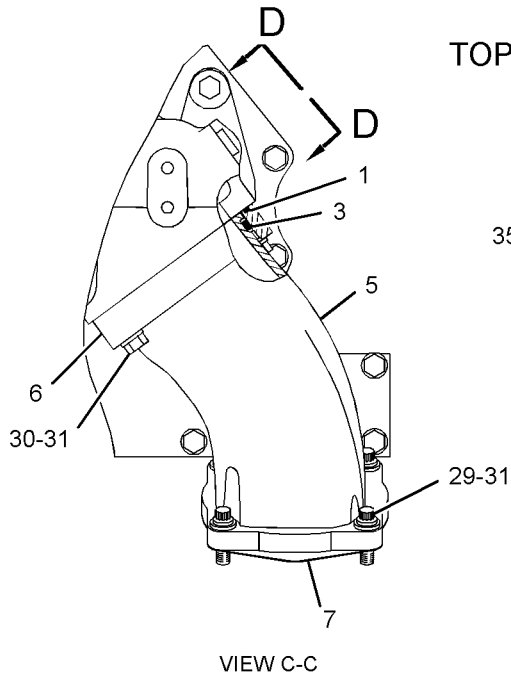
AIR INLET AND EXHAUST SYSTEM

282-4176 LINES GP-AIR (contd.)

i03791507



TOP VIEW OF ENGINE



GRAPHIC #2

<END>

g01348126

AIR INLET AND EXHAUST SYSTEM

285-5339 LINES GP-PCV AN ATTACHMENT

SMCS-1074, 1317

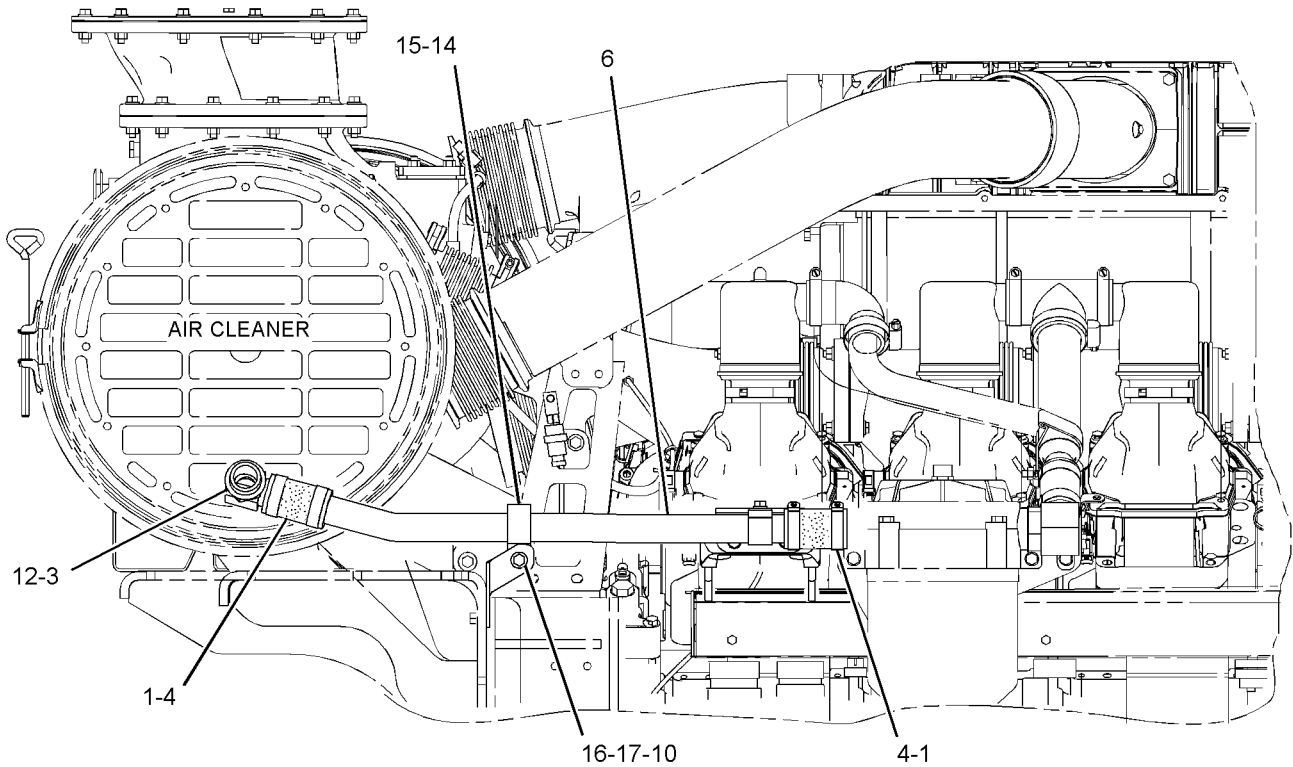
i02627348

NOTE	REF NO	GRAPHIC REF	PART NUMBER	QTY	PART NAME						SEE PAGE
					1	2	3	4	5	6 (PRODUCT LEVEL)	
	1	1	5P-0597	8	CLAMP-HOSE						
	2	2	7N-6986	2	SUPPORT						
	3	1	8C-9022	2	ELBOW						
	4	1	113-9533	4	HOSE						
	5	2	284-4172	2	SUPPORT AS						
	6	1	284-4175	1	TUBE						
	7	1	284-4176	1	TUBE						
	8	2	288-8048	2	BRACKET						
	9	2	0S-1571	2	BOLT (3/8-16X1.75-IN)						
	10	1,2	0S-1591	6	BOLT (3/8-16X1.5-IN)						
	11	2	1A-5964	4	BOLT (3/8-16X4.5-IN)						
	12	1	2S-4078	2	SEAL-O-RING						
	13	2	5M-2894	12	WASHER-HARD (10.2X18.5X2.5-MM THK)						
	14	1,2	7K-1401	4	CLIP						
	15	1,2	7K-1402	4	BRACKET						
	16	1,2	9S-8752	8	NUT-FULL (3/8-16-THD)						
	17	1	9X-6458	4	WASHER-HARD (10.2X22.5X3-MM THK)						

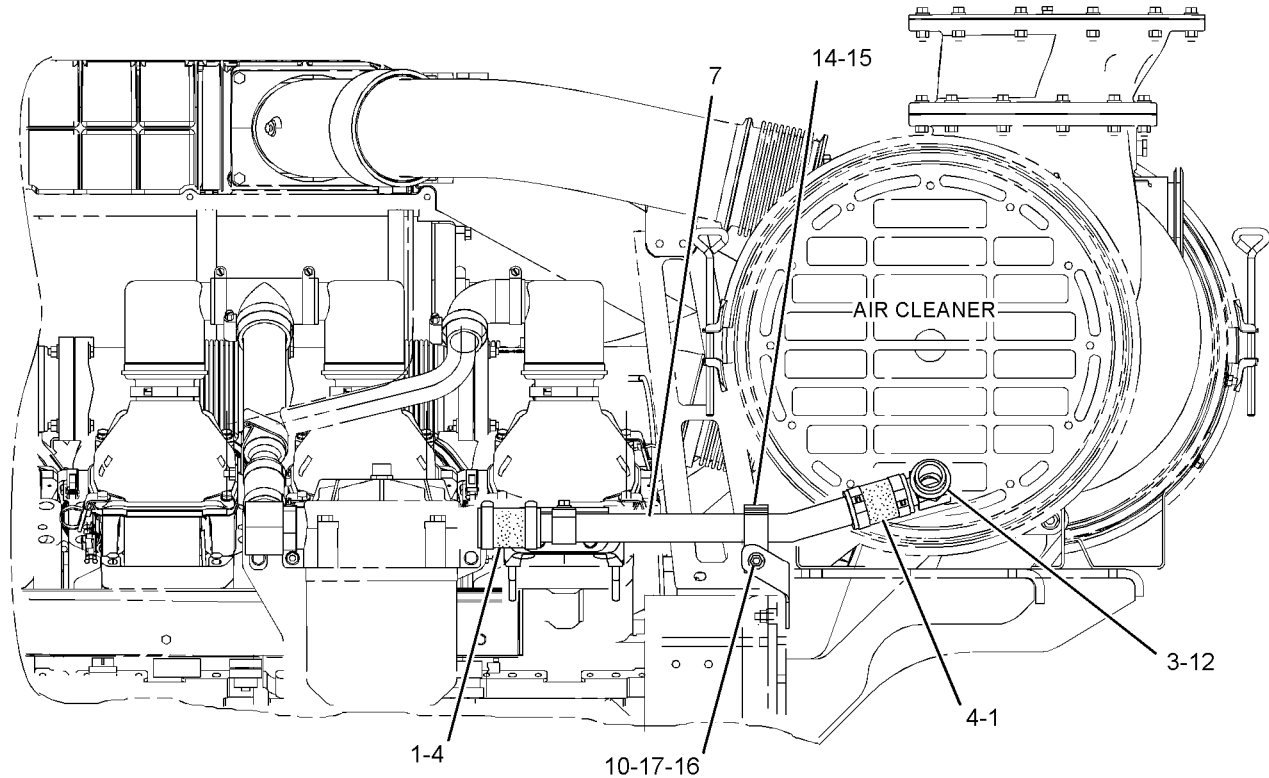
AIR INLET AND EXHAUST SYSTEM

285-5339 LINES GP-PCV (contd.)

i02627348



RIGHT SIDE VIEW OF ENGINE



LEFT SIDE VIEW OF ENGINE

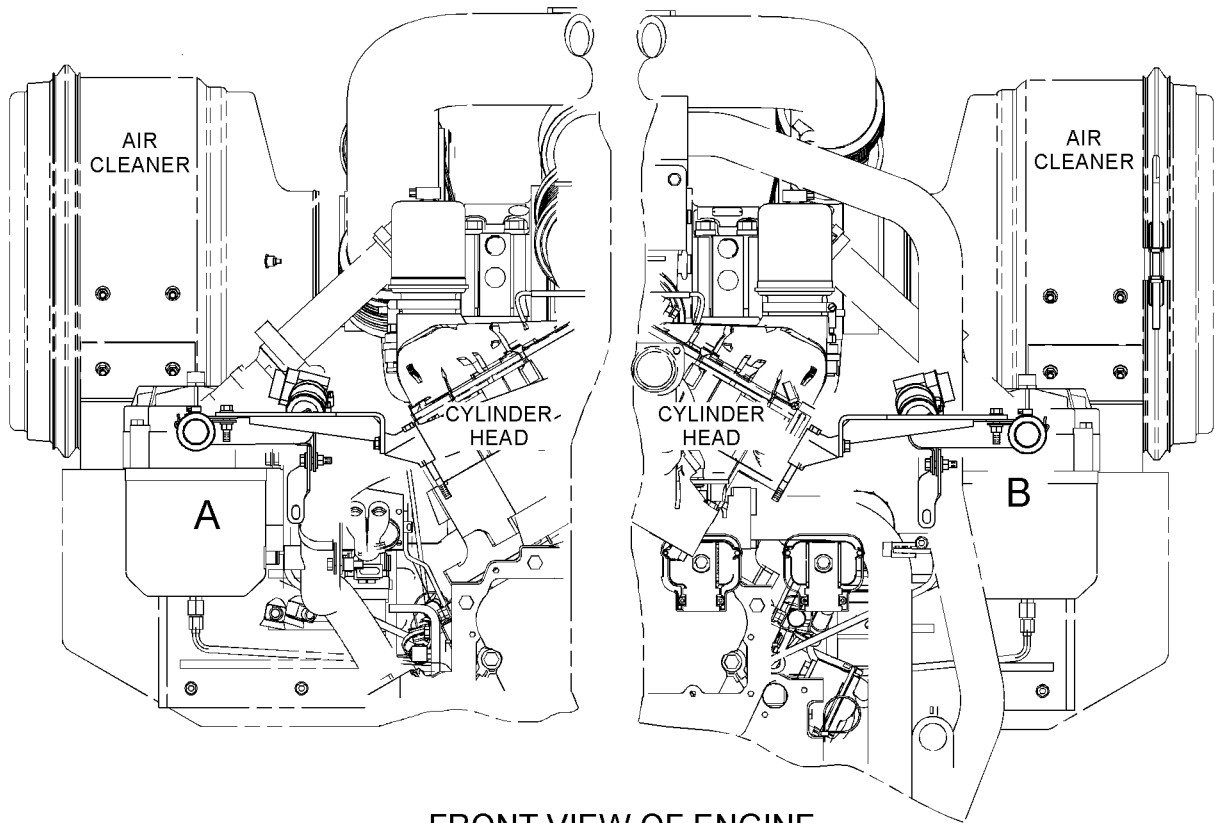
GRAPHIC #1

g01327735

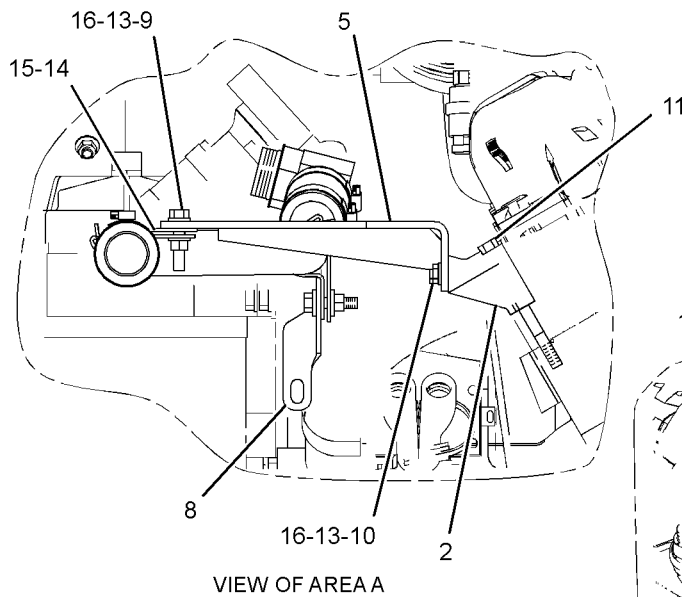
AIR INLET AND EXHAUST SYSTEM

285-5339 LINES GP-PCV (contd.)

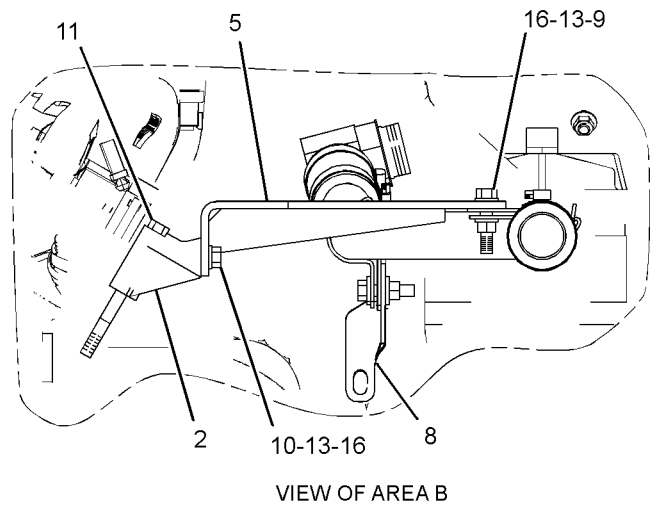
i02627348



FRONT VIEW OF ENGINE



VIEW OF AREA A



VIEW OF AREA B

GRAPHIC #2

<END>

g01327551

AIR INLET AND EXHAUST SYSTEM

282-4180 MANIFOLD GP-EXHAUST

SMCS - 1059

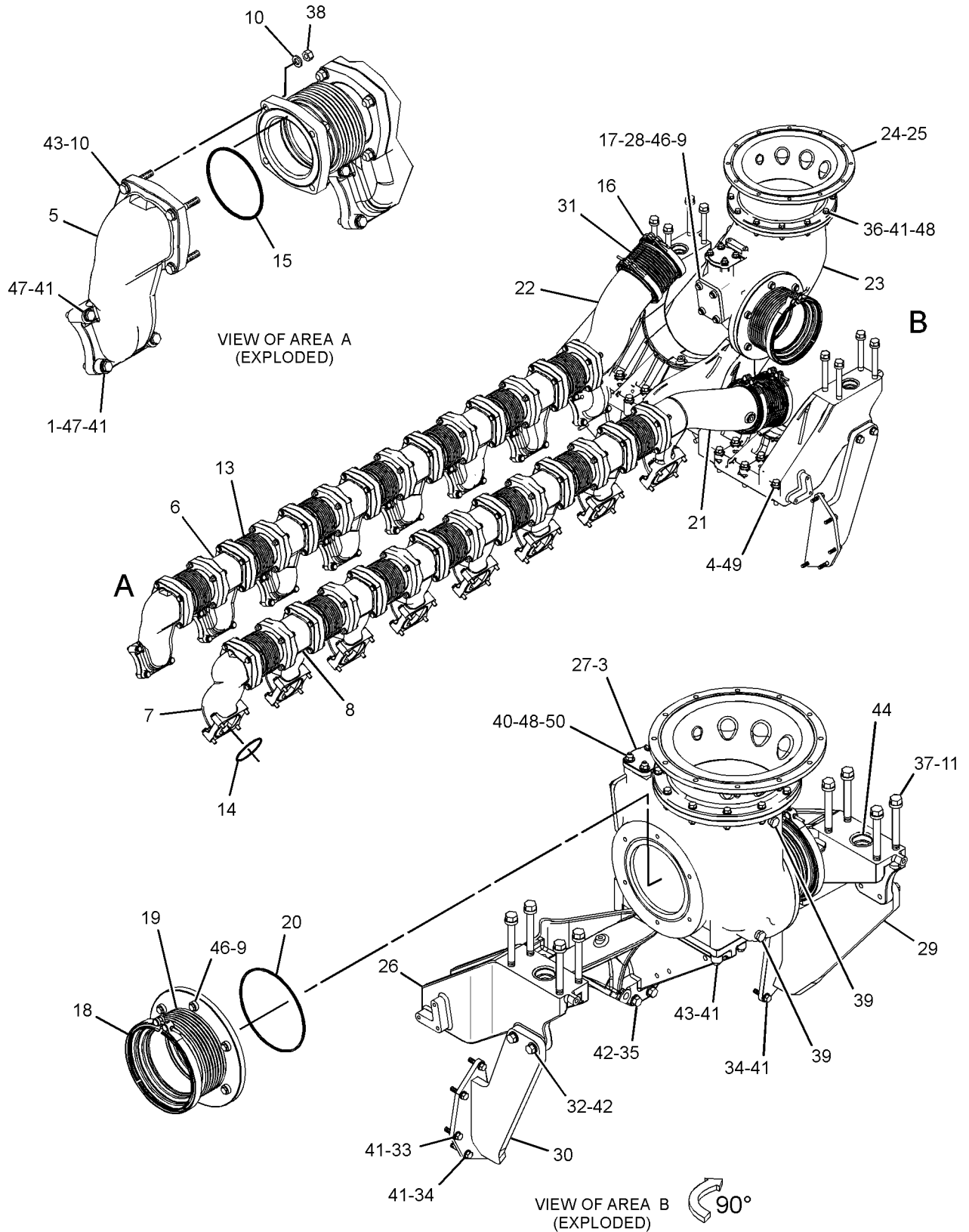
i02992876

NOTE	REF NO	GRAPHIC REF	PART NUMBER	QTY	PART NAME						SEE PAGE
					1	2	3	4	5	6 (PRODUCT LEVEL)	
	1	1	4P-7680	16	SPACER (10.5X22.5X15-MM THK)						
	3	1	314-5226	1	GASKET						
	4	1	8B-9725	12	BOSS						
	5	1	100-3145	1	MANIFOLD-EXHAUST (FRONT, RH)						
	6	1	100-3146	6	MANIFOLD-EXHAUST (INTERMEDIATE, RH)						
	7	1	100-3147	1	MANIFOLD-EXHAUST (FRONT, LH)						
	8	1	100-3148	6	MANIFOLD-EXHAUST (INTERMEDIATE, LH)						
	9	1	107-7954	16	SPACER (10.2X22X8-MM THK)						
	10	1	110-8314	224	WASHER (10.3X18.3X2.66-MM THK)						
	11	1	172-5487	8	SPACER (17X29X7.5-MM THK)						
	13	1	207-1364	14	BELLOWS AS						
	14	1	229-5332	16	SEAL-EXHAUST						
	15	1	229-5333	28	SEAL-EXHAUST						
	16	1	243-2975	4	CLAMP AS						
	17	1	248-5012	1	SEAL						
	18	1	263-1174	2	CLAMP-BAND						
	19	1	311-3385	2	BELLOWS AS						
	20	1	279-0487	2	GASKET						
	21	1	282-4153	1	MANIFOLD-EXHAUST (REAR, LH)						
	22	1	282-4154	1	MANIFOLD-EXHAUST (REAR, RH)						
	23	1	282-4158	1	ELBOW-EXHAUST						
	24	1	282-4166	1	ADAPTER						
	25	1	282-4168	1	GASKET						
	26	1	282-4169	1	SUPPORT						
	27	1	282-4173	1	COVER						
	28	1	282-4174	1	COVER						
	29	1	284-1028	1	BRACKET AS (RH)						
	30	1	284-1029	1	BRACKET AS (LH)						
	31	1	302-6504	2	BELLOWS						
	32	1	0S-1587	4	BOLT (1/2-13X1.75-IN)						
	33	1	0S-1590	2	BOLT (3/8-16X2-IN)						
	34	1	0S-1591	8	BOLT (3/8-16X1.5-IN)						
	35	1	0V-0375	2	BOLT (1/2-13X3.25-IN)						
	36	1	1C-2251	12	BOLT (3/8-16X1.87-IN)						
	37	1	1D-4595	8	BOLT (5/8-11X6-IN)						
	38	1	3E-6916	112	NUT-FULL (3/8-16-THD)						
	39	1	3J-5389	3	PLUG						
	40	1	5M-1719	4	STUD-TAPERLOCK (3/8-16X1.87-IN)						
	41	1	5M-2894	90	WASHER-HARD (10.2X18.5X2.5-MM THK)						
	42	1	5P-8245	6	WASHER-HARD (13.5X25.5X3-MM THK)						
	43	1	7L-6443	116	BOLT-HIGH TEMPERATURE (3/8-16X2.25-IN)						
	44	1	8C-3107	2	SEAL-O-RING						
	46	1	9L-2295	16	BOLT-HIGH TEMPERATURE (3/8-16X1.5-IN)						
	47	1	9L-7373	64	BOLT-HIGH TEMPERATURE (3/8-16X2-IN)						
	48	1	9S-8752	16	NUT-FULL (3/8-16-THD)						
	49	1	9X-8874	12	BOLT (1/2-13X3-IN)						
	50	1	9X-6458	4	WASHER-HARD (10.2X22.5X3-MM THK)						

AIR INLET AND EXHAUST SYSTEM

282-4180 MANIFOLD GP-EXHAUST (contd.)

i02992876



GRAPHIC #1

<END>

g01518671

AIR INLET AND EXHAUST SYSTEM

301-6823 MANIFOLD GP-EXHAUST

AN ATTACHMENT

SMCS - 1059

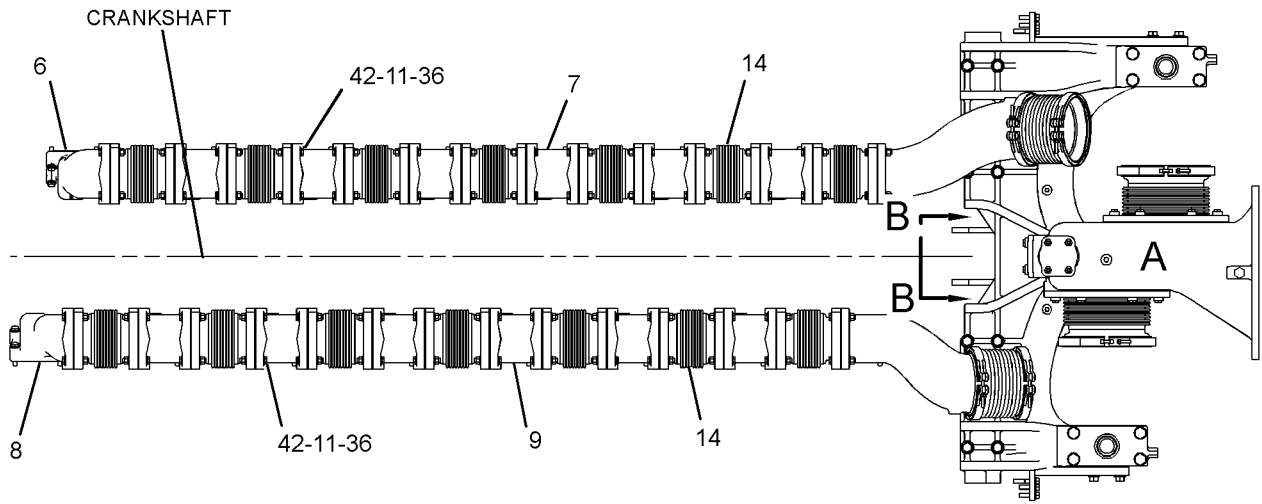
i03321582

NOTE	REF NO	GRAPHIC REF	PART NUMBER	QTY	PART NAME						SEE PAGE
					1	2	3	4	5	6 (PRODUCT LEVEL)	
	1	2	314-5226	1	GASKET						
	2	2	4P-7680	16	SPACER (10.5X22.5X15-MM THK)						
	5	1	8B-9725	12	BOSS						
	6	1	100-3145	1	MANIFOLD-EXHAUST (FRONT, RH)						
	7	1	100-3146	6	MANIFOLD-EXHAUST (INTERMEDIATE, RH)						
	8	1	100-3147	1	MANIFOLD-EXHAUST (FRONT, LH)						
	9	1	100-3148	6	MANIFOLD-EXHAUST (INTERMEDIATE, LH)						
	10	1,2	107-7954	16	SPACER (10.2X22X8-MM THK)						
	11	1	110-8314	224	WASHER (10.3X18.3X2.66-MM THK)						
	12	1	172-5487	8	SPACER (17X29X7.5-MM THK)						
	14	1	207-1364	14	BELLOWS AS						
	15	2	229-5332	16	SEAL-EXHAUST						
	16	2	229-5333	28	SEAL-EXHAUST						
	17	1	243-2975	4	CLAMP AS						
	18	2	248-5012	1	SEAL						
	19	2	263-1174	2	CLAMP-BAND						
	20	2	311-3385	2	BELLOWS AS						
	21	2	279-0487	2	GASKET						
	22	1	282-4153	1	MANIFOLD-EXHAUST (REAR, LH)						
	23	1	282-4154	1	MANIFOLD-EXHAUST (REAR, RH)						
	24	2	282-4169	1	SUPPORT						
	25	2	282-4173	1	COVER						
	26	2	282-4174	1	COVER						
	27	2	284-1028	1	BRACKET AS (RH)						
	28	2	284-1029	1	BRACKET AS (LH)						
	29	1	302-6504	2	BELLOWS						
	30	2	300-7326	1	ELBOW-EXHAUST						
	31	2	0S-1587	4	BOLT (1/2-13X1.75-IN)						
	32	2	0S-1590	2	BOLT (3/8-16X2-IN)						
	33	2	0S-1591	8	BOLT (3/8-16X1.5-IN)						
	34	2	0V-0375	2	BOLT (1/2-13X3.25-IN)						
	35	1	1D-4595	8	BOLT (5/8-11X6-IN)						
	36	1	3E-6916	112	NUT-FULL (3/8-16-THD)						
	37	1,2	3J-5389	3	PLUG						
	38	2	5M-1719	4	STUD-TAPERLOCK (3/8-16X1.87-IN)						
	39	2	5M-2894	78	WASHER-HARD (10.2X18.5X2.5-MM THK)						
	40	2	5P-8245	6	WASHER-HARD (13.5X25.5X3-MM THK)						
	42	1,2	7L-6443	116	BOLT-HIGH TEMPERATURE (3/8-16X2.25-IN)						
	43	1	8C-3107	2	SEAL-O-RING						
	45	1,2	9L-2295	16	BOLT-HIGH TEMPERATURE (3/8-16X1.5-IN)						
	46	2	9L-7373	64	BOLT-HIGH TEMPERATURE (3/8-16X2-IN)						
	47	2	9S-8752	4	NUT-FULL (3/8-16-THD)						
	48	1	9X-8874	12	BOLT (1/2-13X3-IN)						
	49	2	9X-6458	4	WASHER-HARD (10.2X22.5X3-MM THK)						

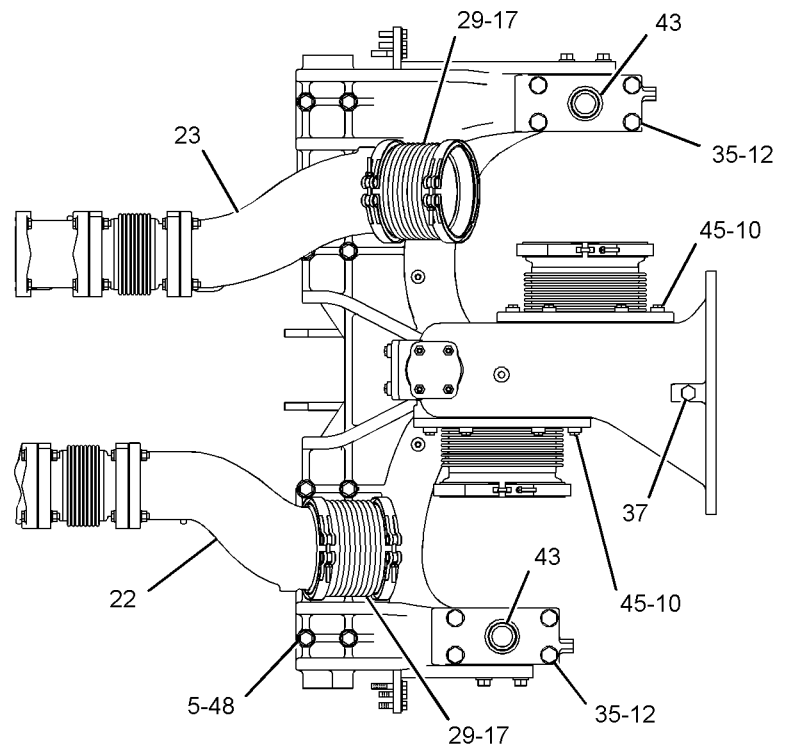
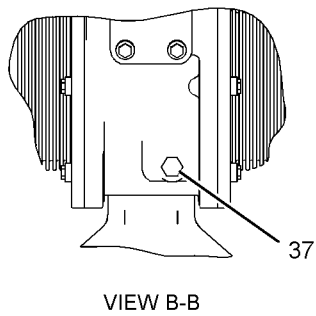
AIR INLET AND EXHAUST SYSTEM

301-6823 MANIFOLD GP-EXHAUST (contd.)

i03321582



TOP VIEW OF ENGINE



VIEW OF AREA A

GRAPHIC #1

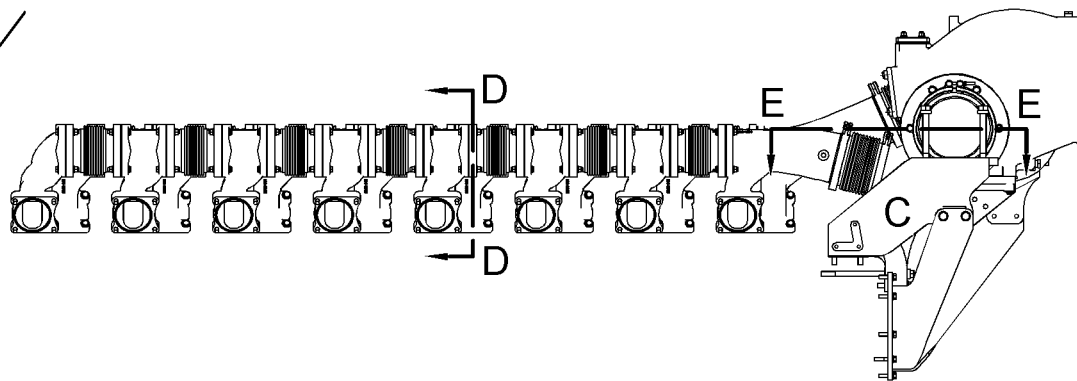
g01373352

AIR INLET AND EXHAUST SYSTEM

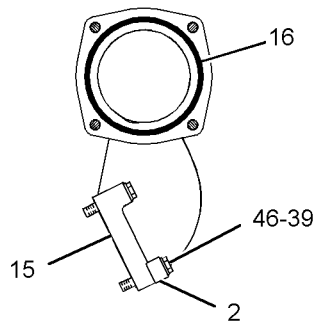
301-6823 MANIFOLD GP-EXHAUST (contd.)

i03321582

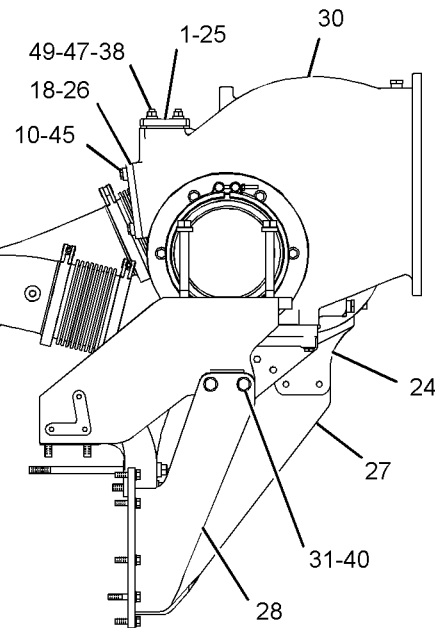
FRONT OF
CYLINDER BLOCK



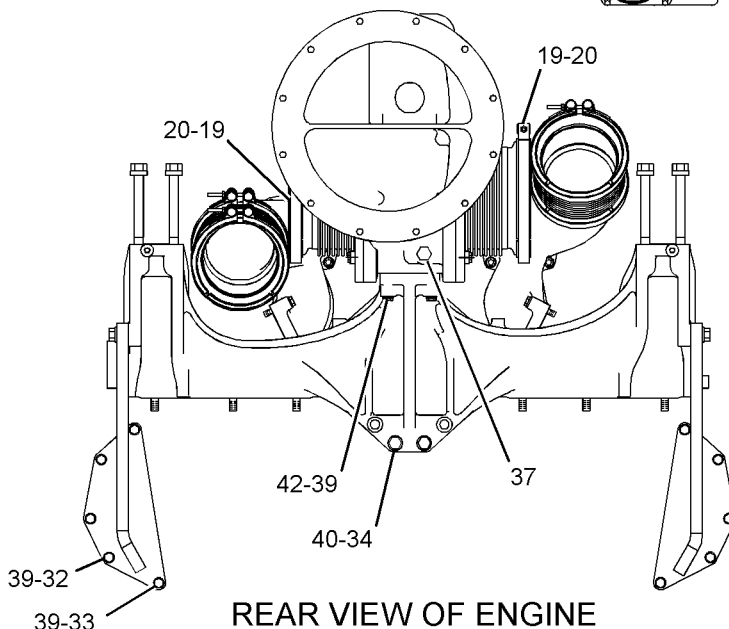
LEFT SIDE VIEW OF ENGINE



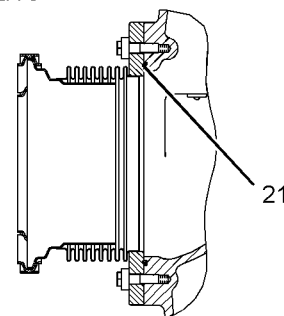
SECTION D-D



VIEW OF AREA C



REAR VIEW OF ENGINE



SECTION E-E

GRAPHIC #2

<END>

g01677613

AIR INLET AND EXHAUST SYSTEM

288-8047 MOUNTING GP-AIR CLEANER

AN ATTACHMENT

SMCS-1051

i03593344

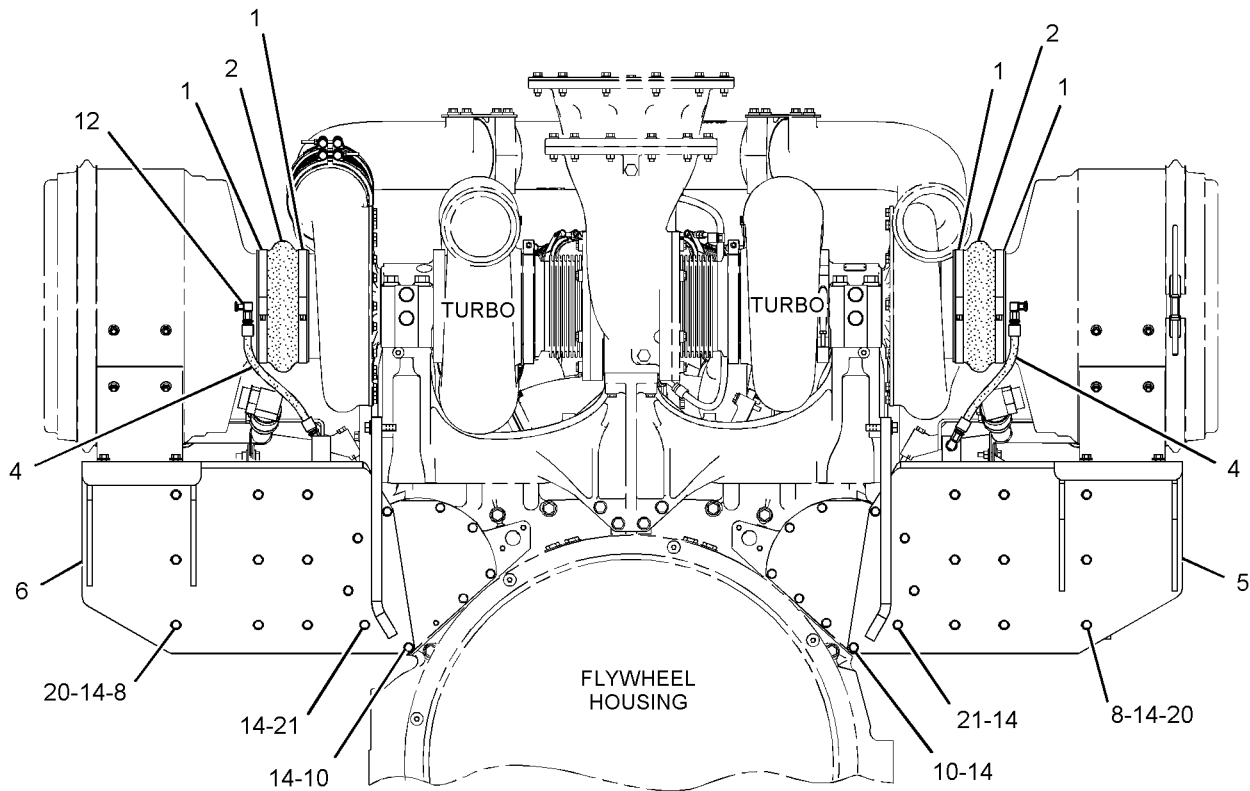
NOTE	REF NO	GRAPHIC REF	PART NUMBER	QTY	PART NAME						SEE PAGE
					1	2	3	4	5	6 (PRODUCT LEVEL)	
	1	1	5P-0600	4	CLAMP-HOSE						
	2	1	8N-5991	2	HOSE						
	3	1	8R-1794	8	BUSHING-TERMINAL						
I	4	1	161-8071	2	HOSE AS						
	5	1	288-5761	1	BRACKET AS (RH)						
	6	1	288-5762	1	BRACKET AS (LH)						
	7	1	288-5763	2	BRACKET AS						
	8	1	0S-1571	18	BOLT (3/8-16X1.75-IN)						
	10	1	0S-1591	16	BOLT (3/8-16X1.5-IN)						
	11	1	9X-8873	4	BOLT (1/2-13X2.25-IN)						
	12	1	2N-1287	2	ELBOW-FLARED						
	13	1	4L-9337	8	BOLT (3/8-16X1.5-IN)						
	14	1	9X-6458	54	WASHER-HARD (10.2X22.5X3-MM THK)						
	15	1	5P-1075	16	WASHER-HARD (10.2X22.5X3-MM THK)						
	16	1	5P-3426	2	ELBOW						
	17	1	198-4767	4	WASHER-HARD (13.5X30X12-MM THK)						
	18	1	6V-5048	2	SEAL-O-RING						
	19	1	6V-8801	8	NUT (3/8-16-THD)						
	20	1	9S-8752	18	NUT-FULL (3/8-16-THD)						
	21	1	0S-1590	2	BOLT (3/8-16X2-IN)						

I-REFER TO HYDRAULIC INFORMATION SYSTEM

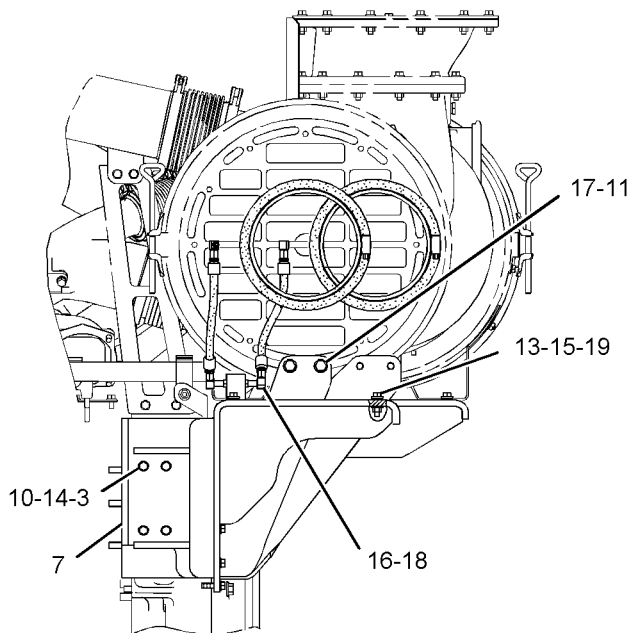
AIR INLET AND EXHAUST SYSTEM

288-8047 MOUNTING GP-AIR CLEANER (contd.)

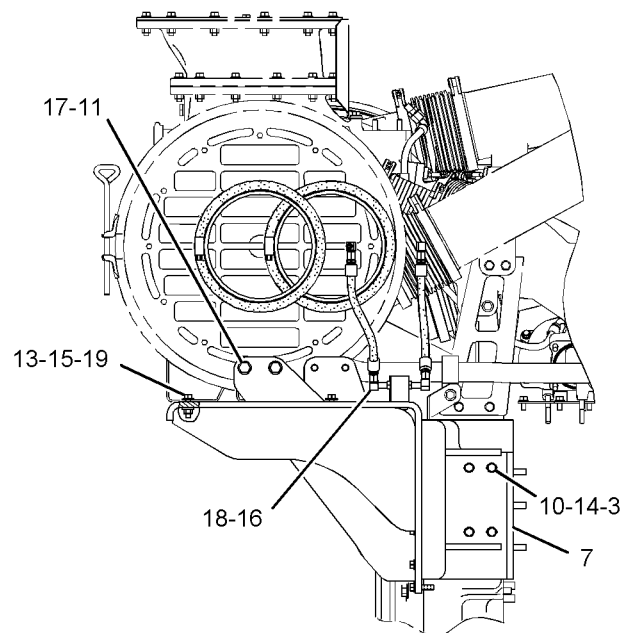
i03593344



REAR VIEW OF ENGINE



LEFT SIDE VIEW OF ENGINE



RIGHT SIDE VIEW OF ENGINE

GRAPHIC #1

<END>

g02051617

AIR INLET AND EXHAUST SYSTEM

315-4837 MOUNTING GP-AIR CLEANER

AN ATTACHMENT

SMCS-1051

i03016927

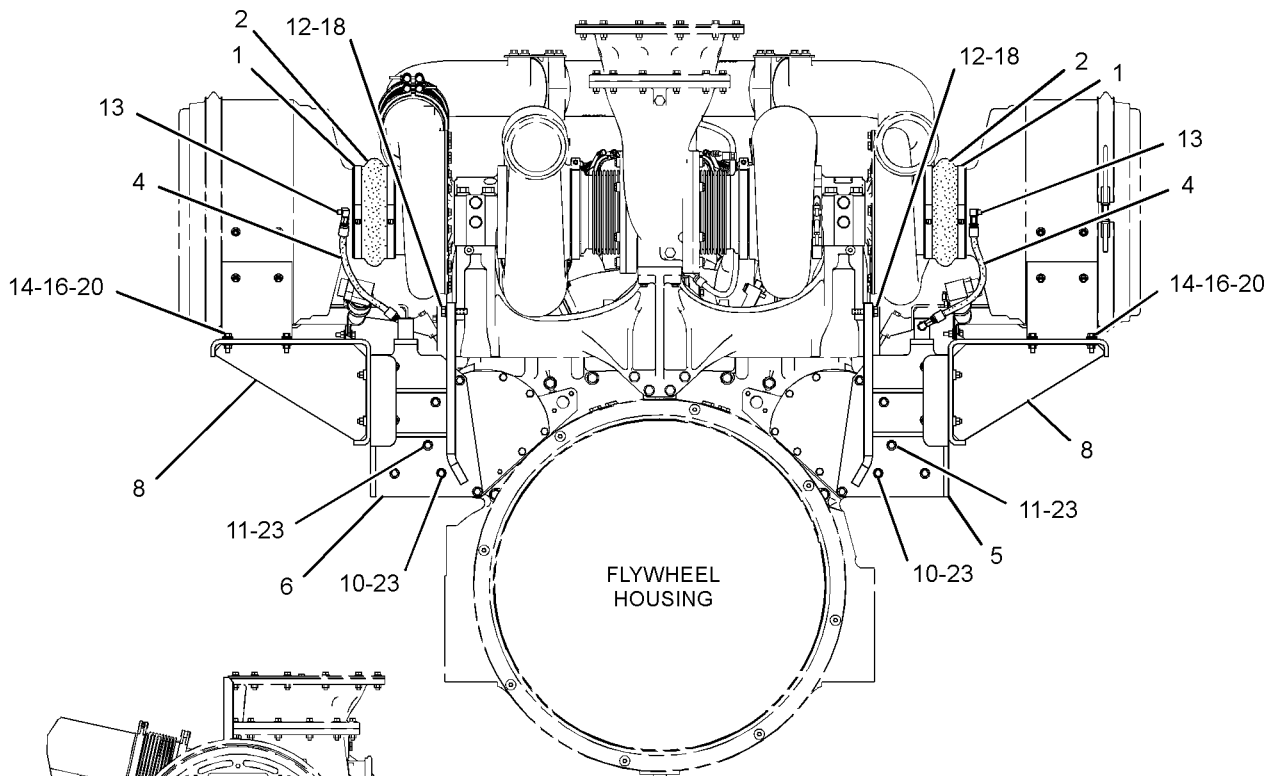
NOTE	REF NO	GRAPHIC REF	PART NUMBER	QTY	PART NAME						SEE PAGE
					1	2	3	4	5	6 (PRODUCT LEVEL)	
	1	1	5P-0600	4	CLAMP-HOSE						
	2	1	8N-5991	2	HOSE						
	3	1	8R-1794	8	BUSHING-TERMINAL						
I	4	1	161-8071	2	HOSE AS						
	5	1	315-4841	1	BRACKET AS (RH)						
	6	1	315-4842	1	BRACKET AS (LH)						
	7	1	315-4843	2	BRACKET AS (RH, LH)						
	8	1	315-4844	2	BRACKET AS (RH, LH)						
	9	1	0S-1571	6	BOLT (3/8-16X1.75-IN)						
	10	1	0S-1590	10	BOLT (3/8-16X2-IN)						
	11	1	0S-1591	16	BOLT (3/8-16X1.5-IN)						
	12	1	1A-1460	4	BOLT (1/2-13X2-IN)						
	13	1	2N-1287	2	ELBOW-FLARED						
	14	1	4L-9337	8	BOLT (3/8-16X1.5-IN)						
	15	1	5M-2894	8	WASHER-HARD (10.2X18.5X2.5-MM THK)						
	16	1	5P-1075	16	WASHER-HARD (10.2X22.5X3-MM THK)						
	17	1	5P-3426	2	ELBOW						
	18	1	5P-8245	4	WASHER-HARD (13.5X25.5X3-MM THK)						
	19	1	6V-5048	2	SEAL-O-RING						
	20	1	6V-8801	8	NUT (3/8-16-THD)						
	21	1	7X-0732	16	WASHER-HARD (10X22.5X8-MM THK)						
	22	1	9S-8752	14	NUT-FULL (3/8-16-THD)						
	23	1	9X-6458	22	WASHER-HARD (10.2X22.5X3-MM THK)						

I-REFER TO HYDRAULIC INFORMATION SYSTEM

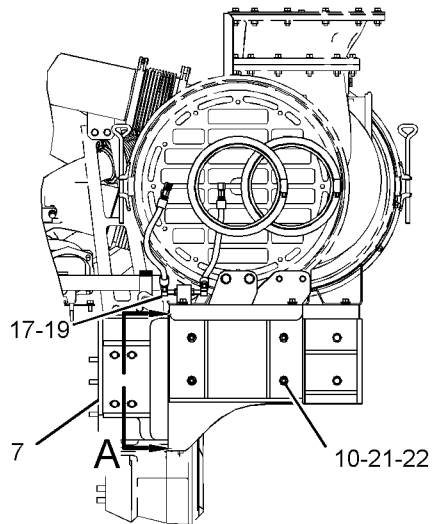
AIR INLET AND EXHAUST SYSTEM

315-4837 MOUNTING GP-AIR CLEANER (contd.)

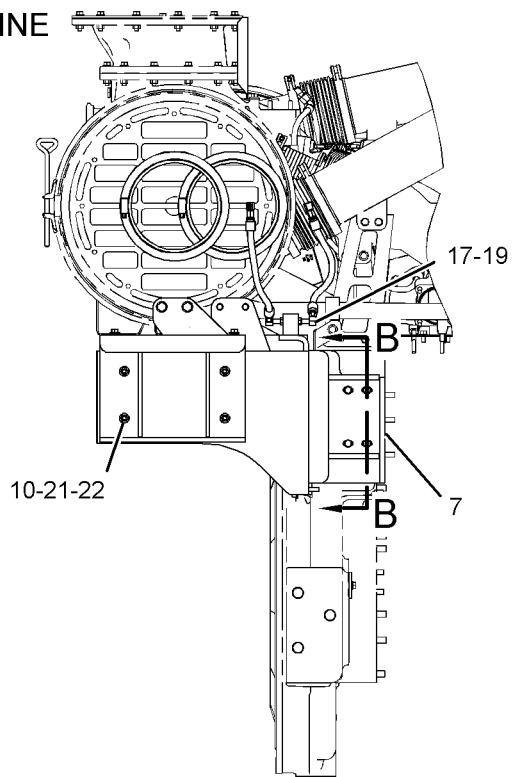
i03016927



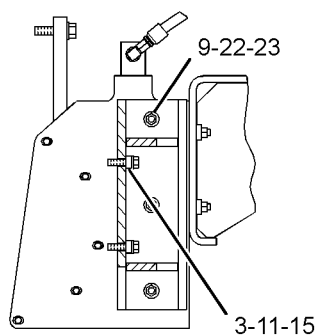
REAR VIEW OF ENGINE



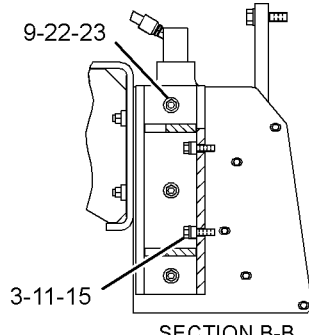
LEFT SIDE VIEW OF ENGINE



RIGHT SIDE VIEW OF ENGINE



SECTION A-A



SECTION B-B

GRAPHIC #1

<END>

g01696174

AIR INLET AND EXHAUST SYSTEM

334-8198 MOUNTING GP-AIR CLEANER

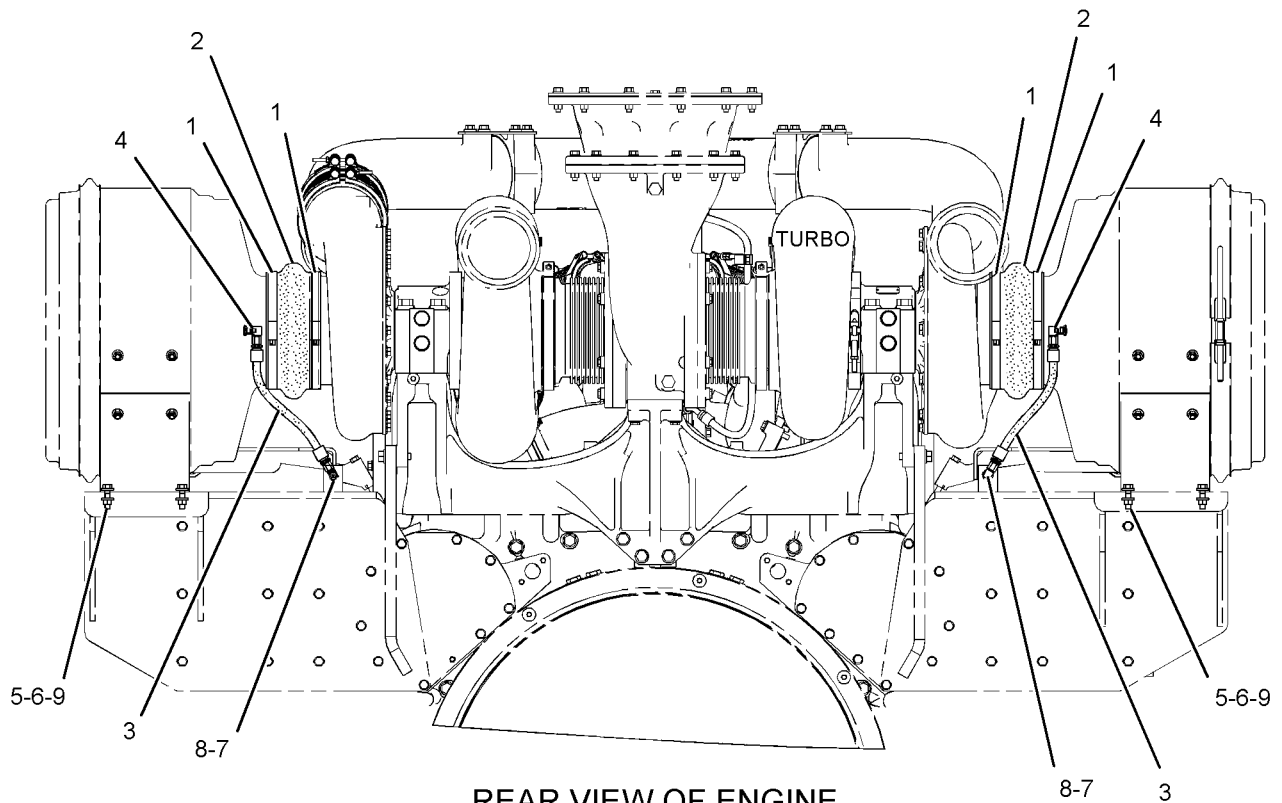
AN ATTACHMENT

SMCS-1051

i03810130

NOTE	REF NO	GRAPHIC REF	PART NUMBER	QTY	PART NAME						SEE PAGE
					1	2	3	4	5	6 (PRODUCT LEVEL)	
	1	1	5P-0600	4	CLAMP-HOSE						
	2	1	8N-5991	2	HOSE						
I	3	1	161-8071	2	HOSE AS						
	4	1	2N-1287	2	ELBOW-FLARED						
	5	1	4L-9337	8	BOLT (3/8-16X1.5-IN)						
	6	1	5P-1075	16	WASHER-HARD (10.2X22.5X3-MM THK)						
	7	1	5P-3426	2	ELBOW						
	8	1	6V-5048	2	SEAL-O-RING						
	9	1	6V-8801	8	NUT (3/8-16-THD)						

I-REFER TO HYDRAULIC INFORMATION SYSTEM



REAR VIEW OF ENGINE

GRAPHIC #1

<END>

g02066513

AIR INLET AND EXHAUST SYSTEM

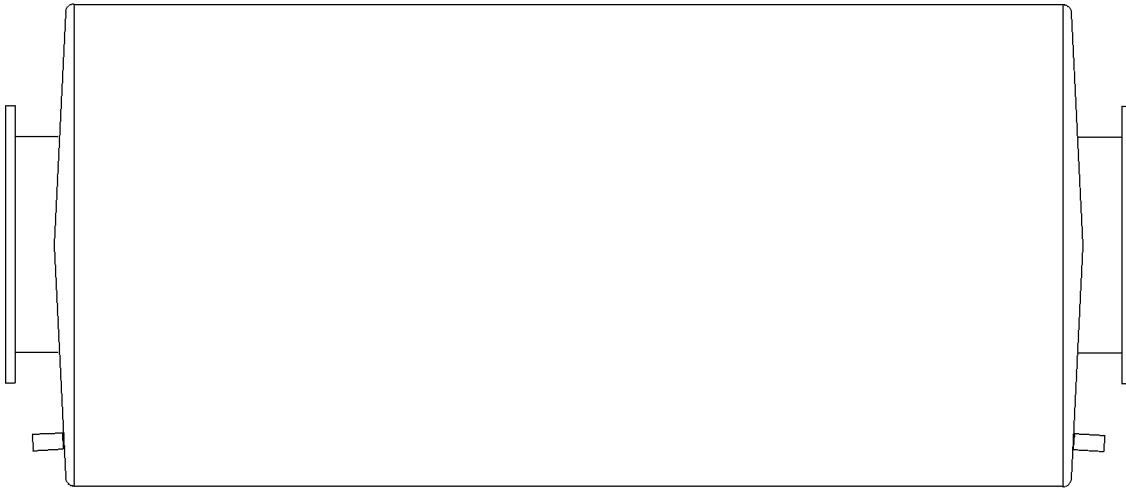
110-8066 MUFFLER

406.4-MM ID, M21
AN ATTACHMENT

SMCS-1062

i01130476

NOTE	REF NO	GRAPHIC REF	PART NUMBER	QTY	PART NAME						SEE PAGE
					1	2	3	4	5	6 (PRODUCT LEVEL)	
(NO SERVICED PARTS)											



GRAPHIC #1

<END>

g00598057

AIR INLET AND EXHAUST SYSTEM

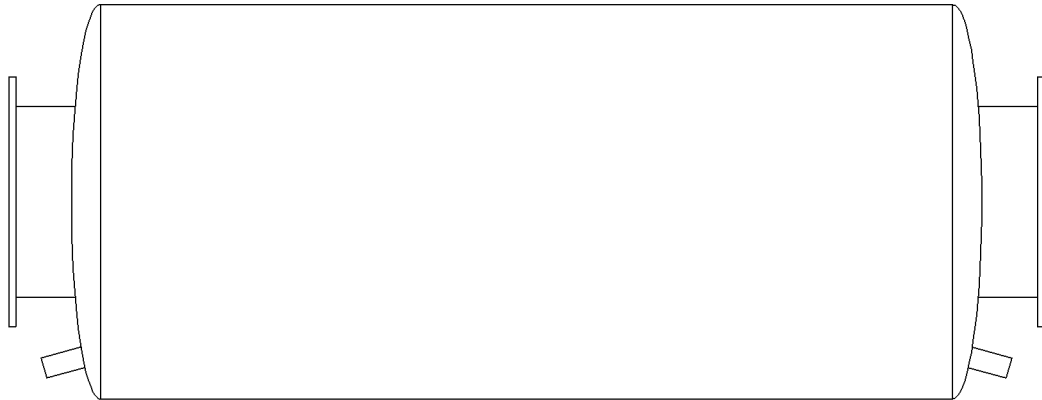
141-7047 MUFFLER

304.8-MM ID
AN ATTACHMENT

SMCS-1062

i01333885

NOTE	REF NO	GRAPHIC REF	PART NUMBER	QTY	PART NAME						SEE PAGE
					1	2	3	4	5	6 (PRODUCT LEVEL)	
(NO SERVICED PARTS)											



GRAPHIC #1

<END>

g00705396

AIR INLET AND EXHAUST SYSTEM

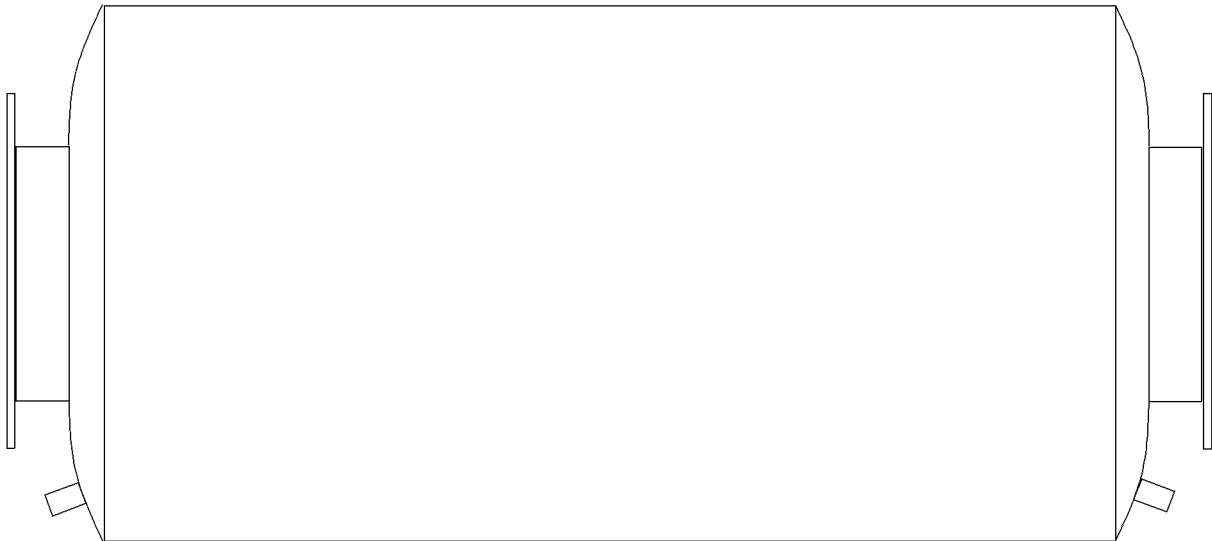
141-7048 MUFFLER

355.6-MM ID
AN ATTACHMENT

SMCS-1062

i01979307

NOTE	REF NO	GRAPHIC REF	PART NUMBER	QTY	PART NAME						SEE PAGE
					1	2	3	4	5	6 (PRODUCT LEVEL)	
(NO SERVICED PARTS)											



GRAPHIC #1

<END>

g00646649

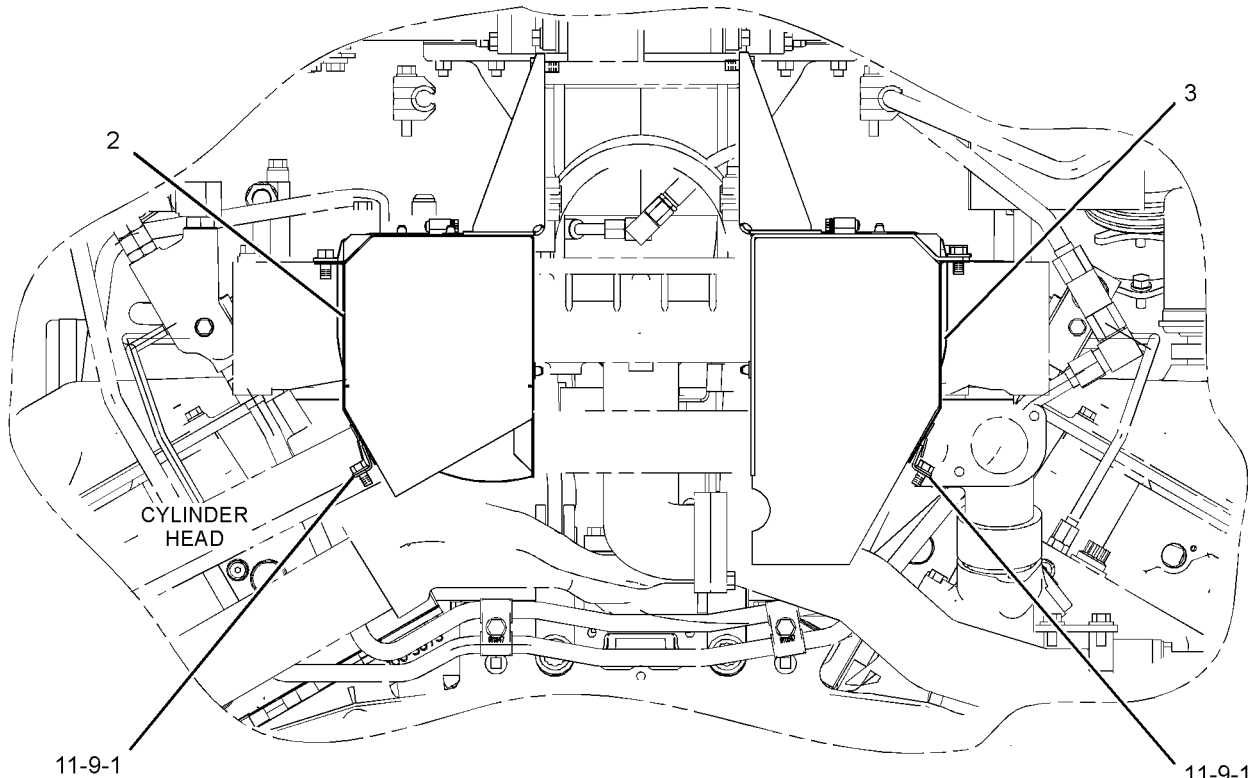
AIR INLET AND EXHAUST SYSTEM

270-7277 SHIELD GP-HEAT-EXHAUST

SMCS-1067

i03141840

NOTE	REF NO	GRAPHIC REF	PART NUMBER	QTY	PART NAME						SEE PAGE
					1	2	3	4	5	6 (PRODUCT LEVEL)	
	1	1	7W-7336	8	GUIDE-SHIELD						
	2	1	312-0305	1	SHIELD AS-EXHAUST (OUTER, RH)						
	3	1	312-0306	1	SHIELD AS-EXHAUST (OUTER, LH)						
	4	2	232-4449	2	STRAP						
	5	2	270-8401	1	SHIELD AS-EXHAUST (INNER, RH)						
	6	2	270-8474	1	SHIELD AS-EXHAUST (INNER, LH)						
	7	2	301-4516	2	SHIELD						
	8	2	0S-0509	14	BOLT (3/8-16X0.75-IN)						
	9	1,2	2H-3755	35	BOLT (5/16-18X0.43-IN)						
	10	2	3E-4352	19	WASHER-HARD (8.8X20.5X2.5-MM THK)						
	11	1	9M-1974	16	WASHER-HARD (8.8X16X2-MM THK)						
	12	2	9X-6458	14	WASHER-HARD (10.2X22.5X3-MM THK)						



FRONT VIEW OF ENGINE

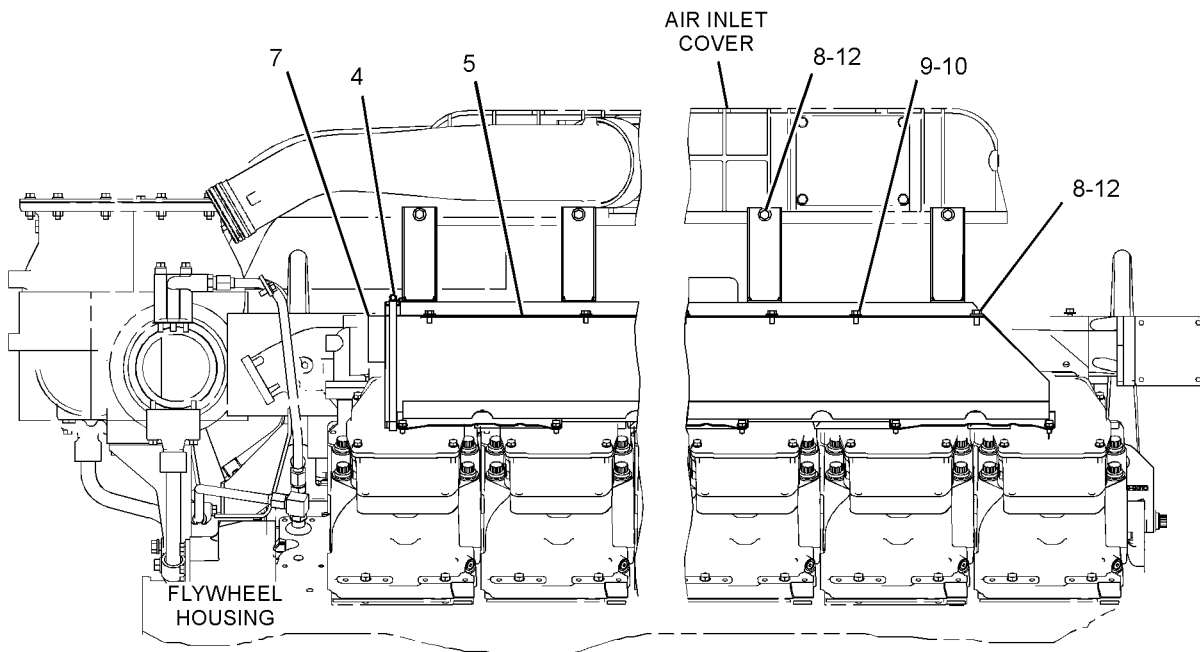
GRAPHIC #1

g01324558

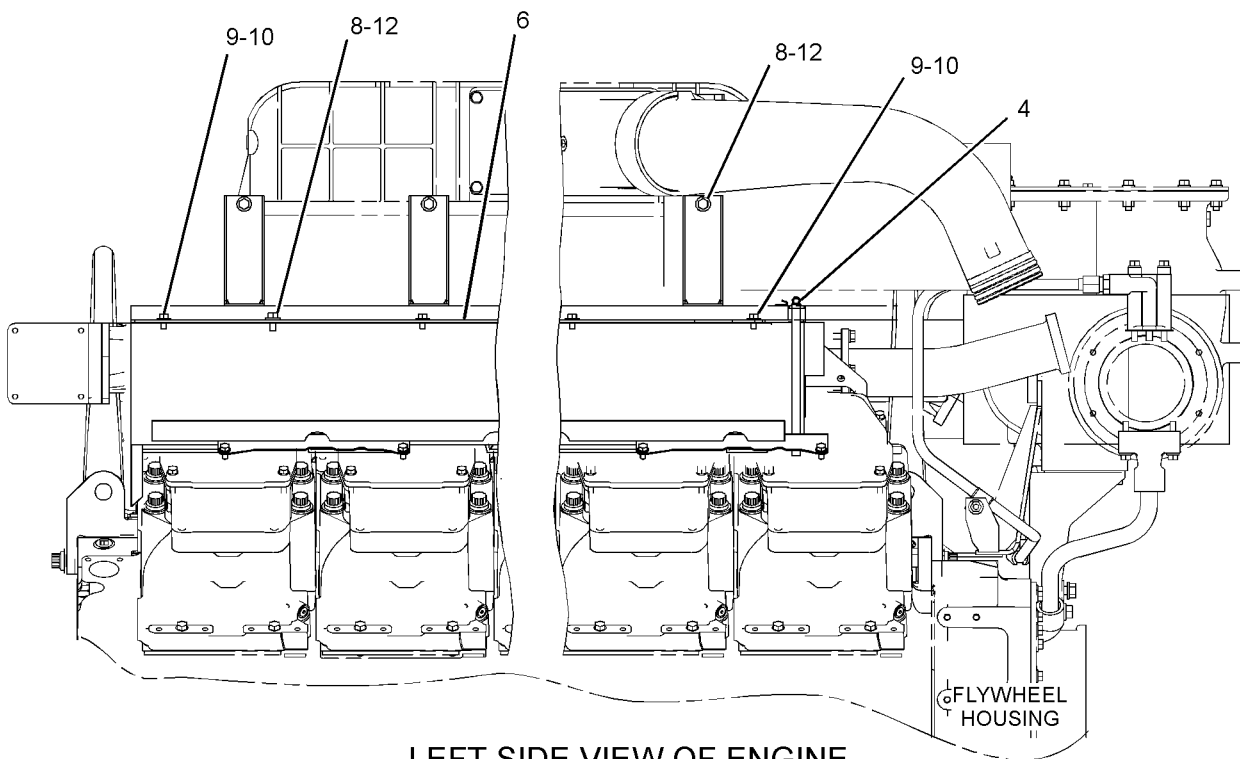
AIR INLET AND EXHAUST SYSTEM

270-7277 SHIELD GP-HEAT (contd.)

i03141840



RIGHT SIDE VIEW OF ENGINE



LEFT SIDE VIEW OF ENGINE

GRAPHIC #2

<END>

g01324559

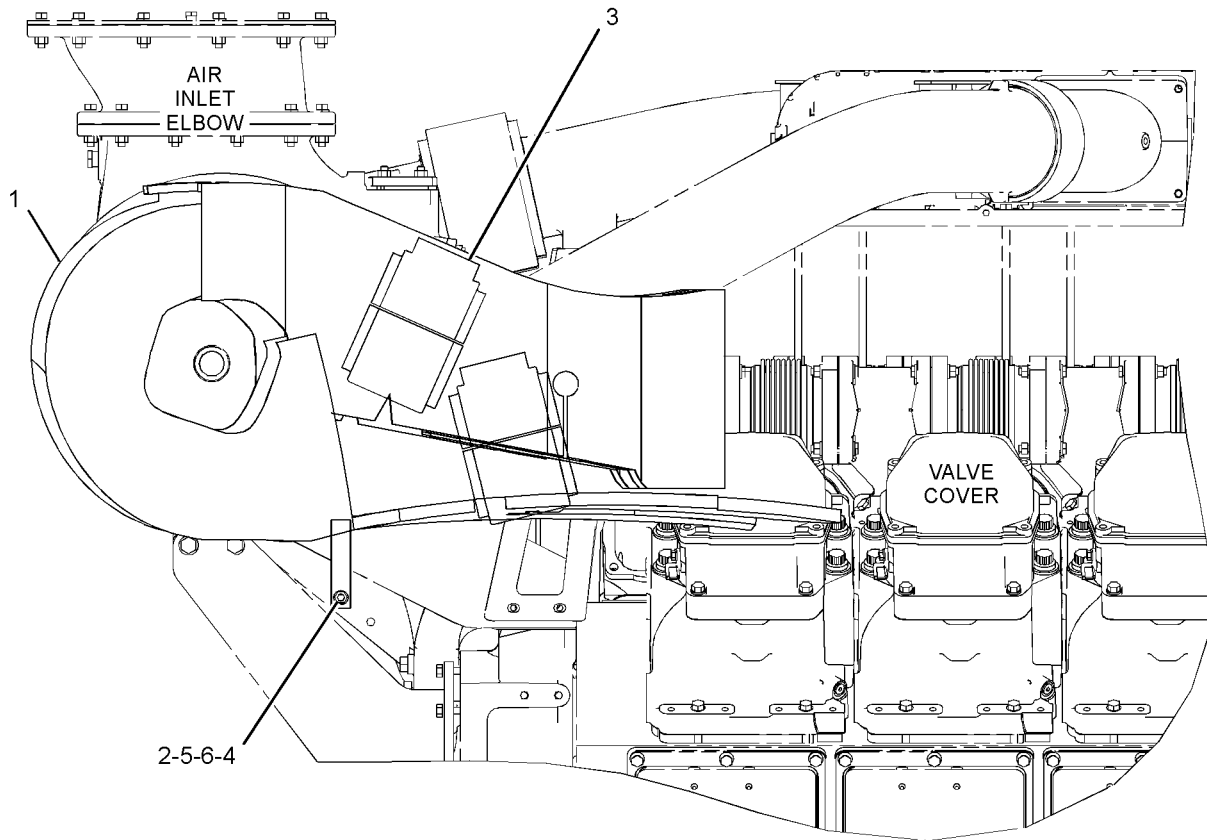
AIR INLET AND EXHAUST SYSTEM

296-0620 SHIELD GP-HEAT-EXHAUST

SMCS-1067

i03666186

NOTE	REF NO	GRAPHIC REF	PART NUMBER	QTY	PART NAME						SEE PAGE
					1	2	3	4	5	6 (PRODUCT LEVEL)	
	1	1	291-2117	1	SHIELD AS-HEAT						
	2	1	324-9728	2	PLATE						
	3	1	309-9599	2	SHIELD-HEAT						
	4	1	5S-7383	1	BOLT (3/8-16X1.75-IN)						
	5	1	6V-8801	1	NUT (3/8-16-THD)						
	6	1	8T-4896	2	WASHER-HARD (10.2X18.5X2.5-MM THK)						



RIGHT SIDE VIEW OF ENGINE

<END>

GRAPHIC #1

g02026100

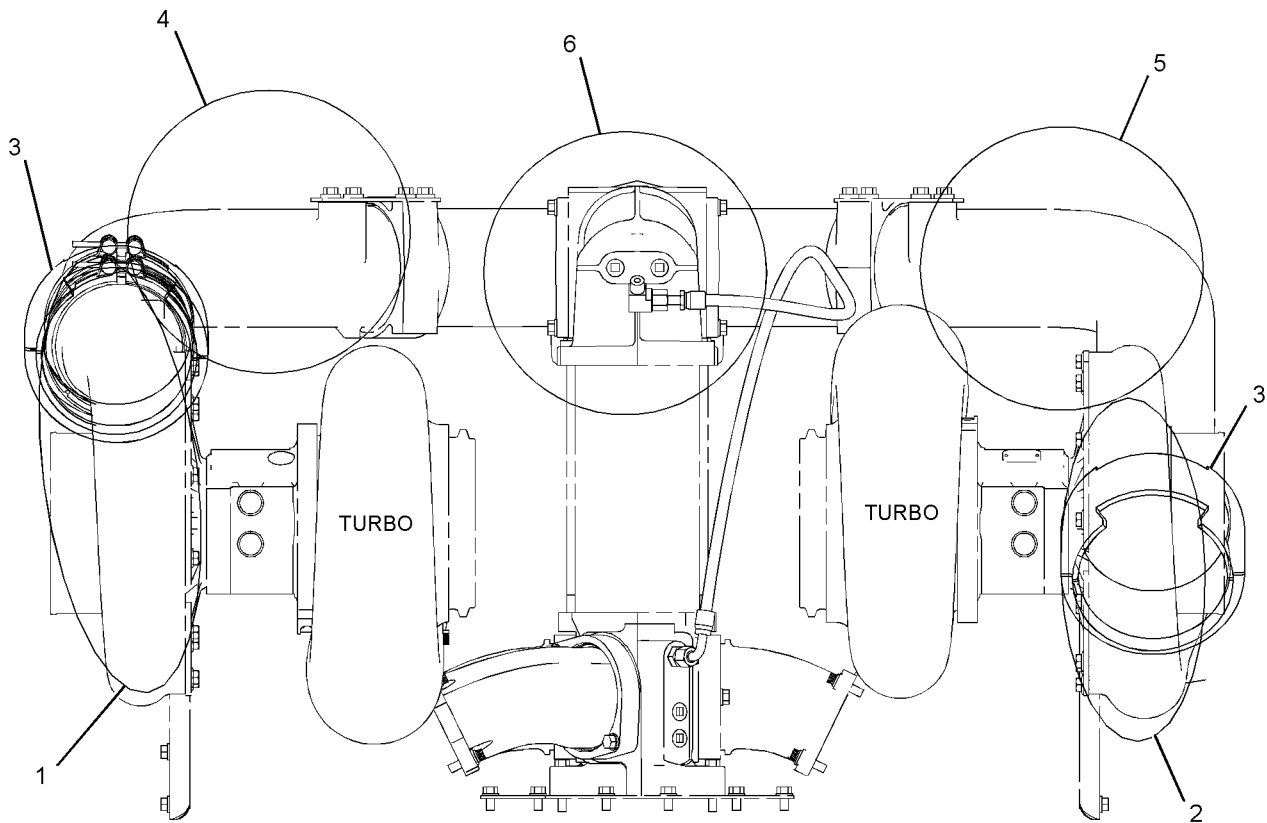
AIR INLET AND EXHAUST SYSTEM

305-6259 SHIELD GP-HEAT-EXHAUST MANIFOLD ALSO AN ATTACHMENT

SMCS-1067

i03587300

NOTE	REF NO	GRAPHIC REF	PART NUMBER	QTY	PART NAME						SEE PAGE
					1	2	3	4	5	6 (PRODUCT LEVEL)	
	1	1	305-6240	1	SHIELD AS-HEAT						
	2	1	305-6241	1	SHIELD AS-HEAT						
	3	1	309-9599	2	SHIELD-HEAT						
	4	1	330-3359	1	SHIELD-HEAT						
	5	1	330-3360	1	SHIELD-HEAT						
	6	1	333-4905	1	SHIELD AS-HEAT						



REAR VIEW OF ENGINE

GRAPHIC #1

<END>

g01952318

AIR INLET AND EXHAUST SYSTEM

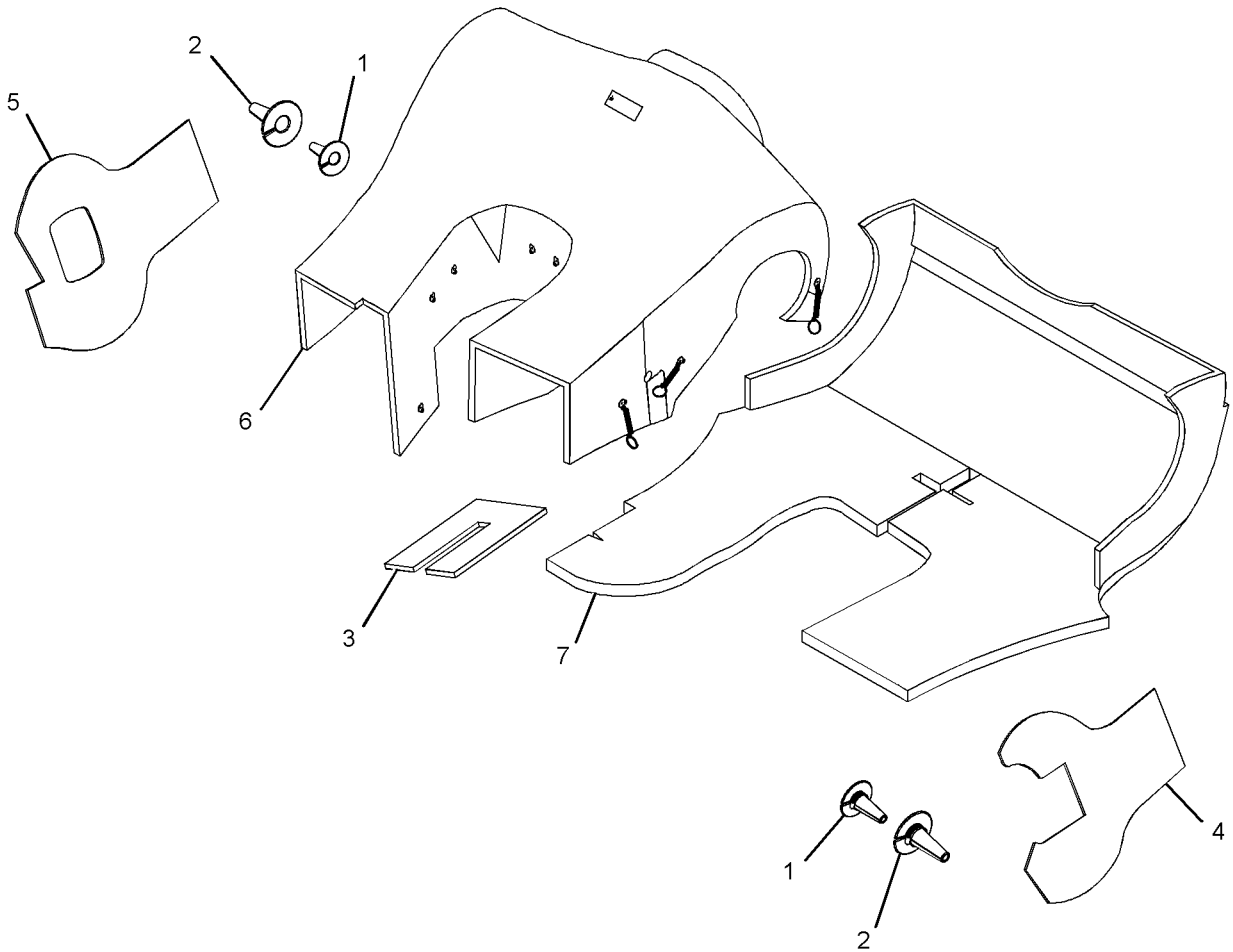
310-8026 SHIELD GP-TURBOCHARGER

PART OF 343-5363 SHIELD GP-TURBOCHARGER
AN ATTACHMENT

SMCS-1073

i03666763

NOTE	REF NO	GRAPHIC REF	PART NUMBER	QTY	PART NAME						SEE PAGE
					1	2	3	4	5	6	
	1	1	292-4331	2	SHIELD						
	2	1	317-6289	2	SHIELD						
	3	1	317-6302	1	SHIELD						
	4	1	334-5177	1	SHIELD-TURBOCHARGER						
	5	1	334-5178	1	SHIELD-TURBOCHARGER						
	6	1	341-3604	1	SHIELD-HEAT (TOP)						
	7	1	341-3605	1	SHIELD-BOTTOM						



GRAPHIC #1

<END>

g02051714

AIR INLET AND EXHAUST SYSTEM

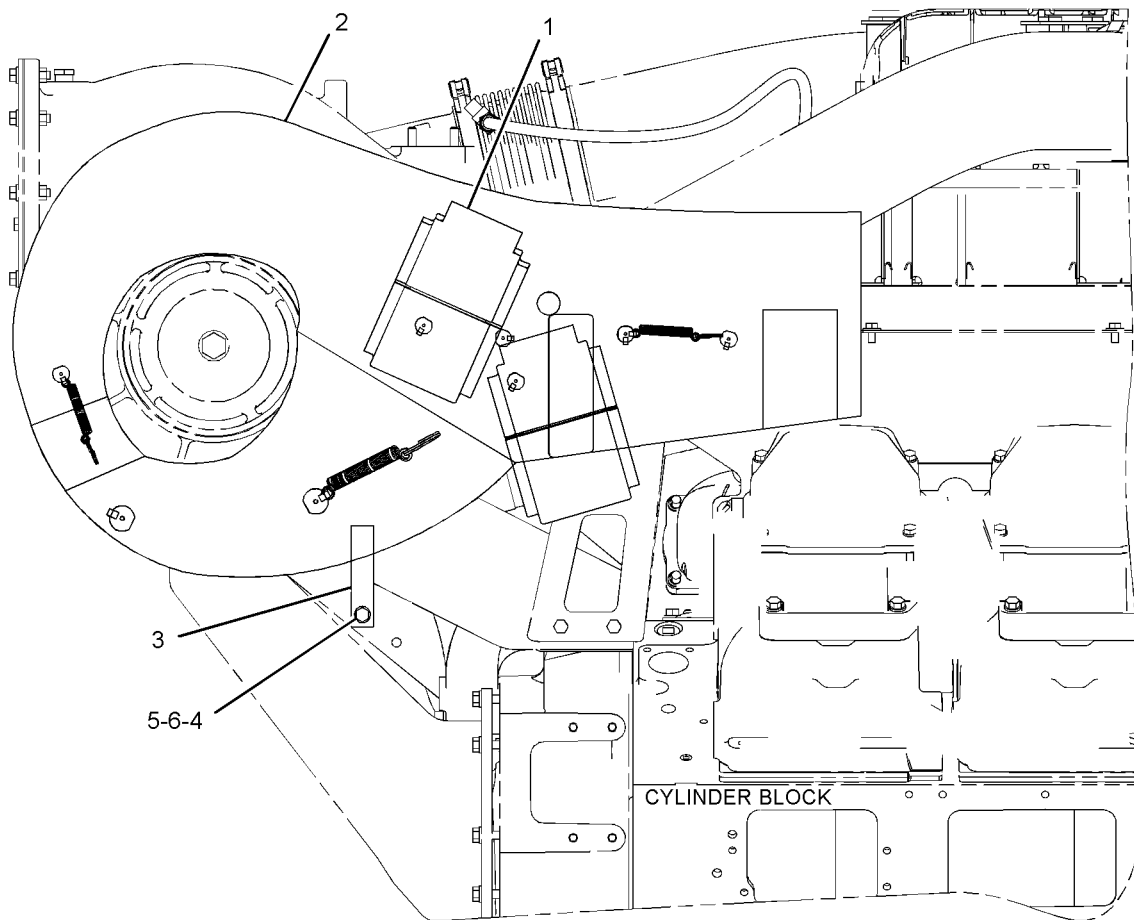
343-5363 SHIELD GP-TURBOCHARGER AN ATTACHMENT

SMCS-1073

i03666556

NOTE	REF NO	GRAPHIC REF	PART NUMBER	QTY	PART NAME						SEE PAGE
					1	2	3	4	5	6 (PRODUCT LEVEL)	
	1	1	309-9599	2	SHIELD-HEAT						
Y	2	1	310-8026	1	SHIELD GP-TURBOCHARGER						273
	3	1	324-9728	2	PLATE						
	4	1	5S-7383	1	BOLT (3/8-16X1.75-IN)						
	5	1	6V-8801	1	NUT (3/8-16-THD)						
	6	1	8T-4896	2	WASHER-HARD (10.2X18.5X2.5-MM THK)						

Y-SEPARATE ILLUSTRATION



RIGHT SIDE VIEW OF ENGINE

GRAPHIC #1

<END>

g02013113

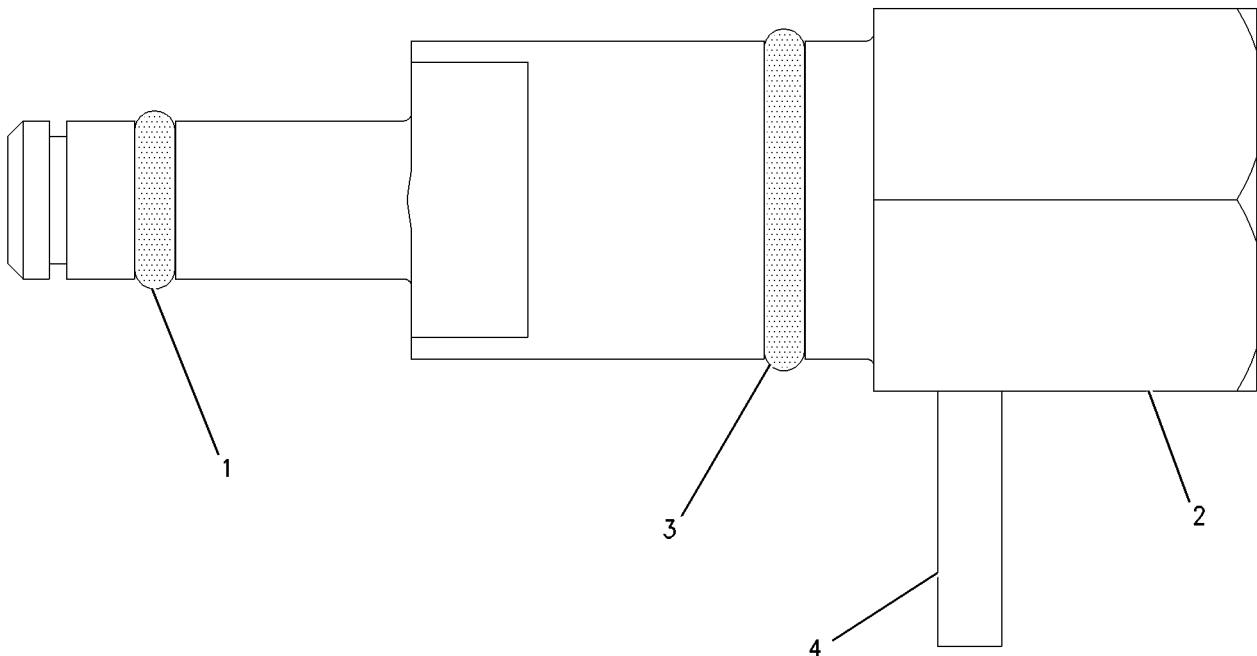
AIR INLET AND EXHAUST SYSTEM

215-2706 SHUTOFF AS-AIR-INLET VALVE POSITION INDICATOR PART OF 288-2762, 288-2763 SHUTOFF GP-AIR AN ATTACHMENT

SMCS-1078

i02067236

NOTE	REF NO	GRAPHIC REF	PART NUMBER	QTY	PART NAME						SEE PAGE
					1	2	3	4	5	6 (PRODUCT LEVEL)	
	1	1	150-8698	1	SEAL-O-RING						
	2	1	215-2327	1	SHAFT						
	3	1	213-9250	1	SEAL-O-RING						
	4	1	3K-4897	1	PIN-SPRING						



GRAPHIC #1

<END>

g00899556

AIR INLET AND EXHAUST SYSTEM

274-5750 SHUTOFF GP-AIR-INLET AN ATTACHMENT

SMCS-1078

i02595662

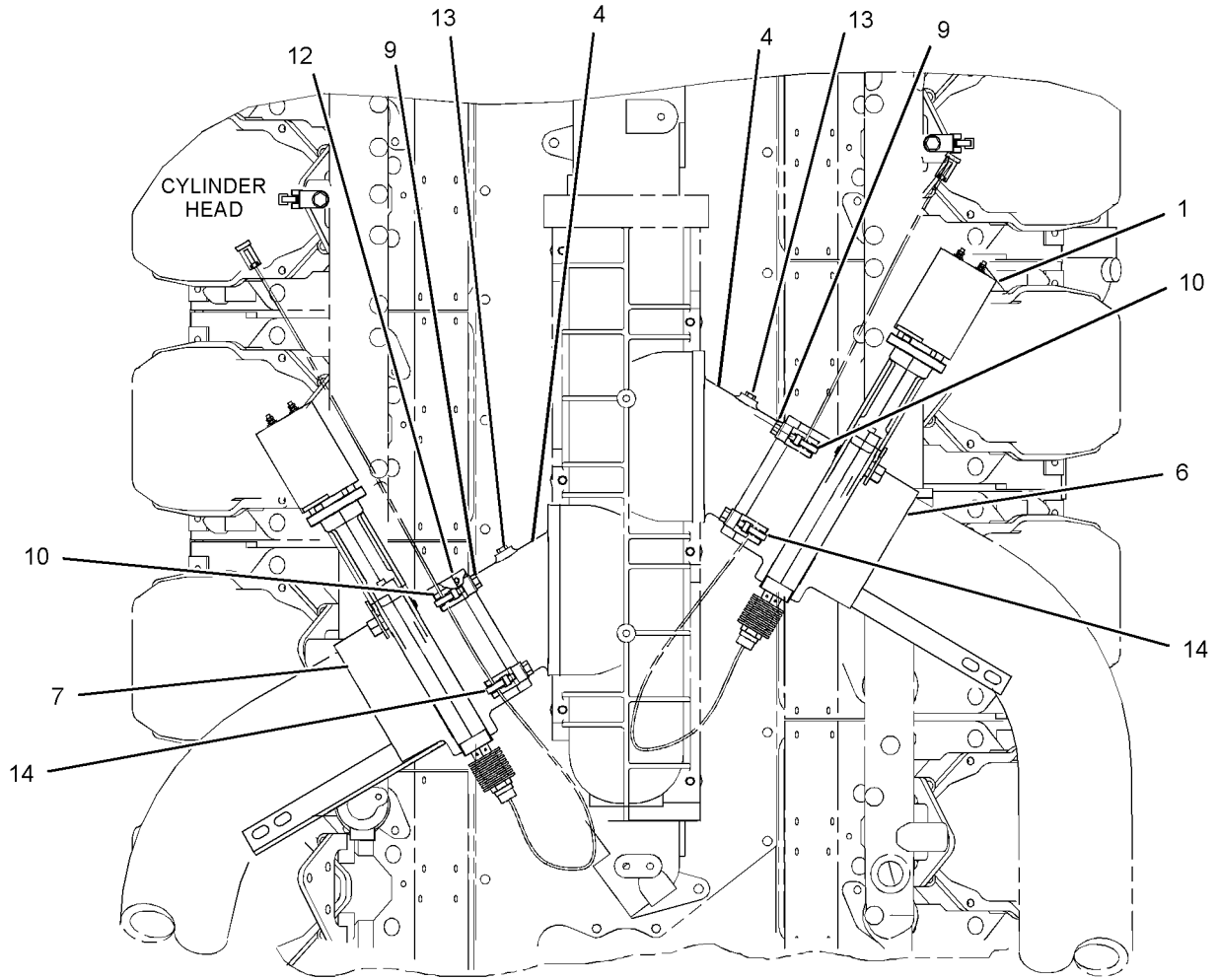
NOTE	REF NO	GRAPHIC REF	PART NUMBER	QTY	PART NAME						SEE PAGE
					1	2	3	4	5	6 (PRODUCT LEVEL)	
	1	1	1W-9070	2	DIODE AS						
	2	1	118-1647	1	STRAP						
	3	1	118-1648	1	BRACKET						
	4	1	118-1651	2	ELBOW (AIR INLET)						
	5	1	263-2905	2	SWITCH AS-LIMIT (AIR SHUTOFF)						
CY	6	1	288-2758	1	SHUTOFF GP-AIR						278
CY	7	1	288-2759	1	SHUTOFF GP-AIR						279
	8	1	0S-0509	1	BOLT (3/8-16X0.75-IN)						
	9	1	0S-1588	9	BOLT (3/8-16X1.25-IN)						
	10	1	4P-8134	6	CLIP						
	11	1	5M-2894	2	WASHER-HARD (10.2X18.5X2.5-MM THK)						
	12	1	6V-5054	2	SEAL-O-RING						
	13	1	8T-6764	2	PLUG-PIPE						
	14	1	9X-6772	6	STRAP-CABLE						

C-CHANGE FROM PREVIOUS TYPE
Y-SEPARATE ILLUSTRATION

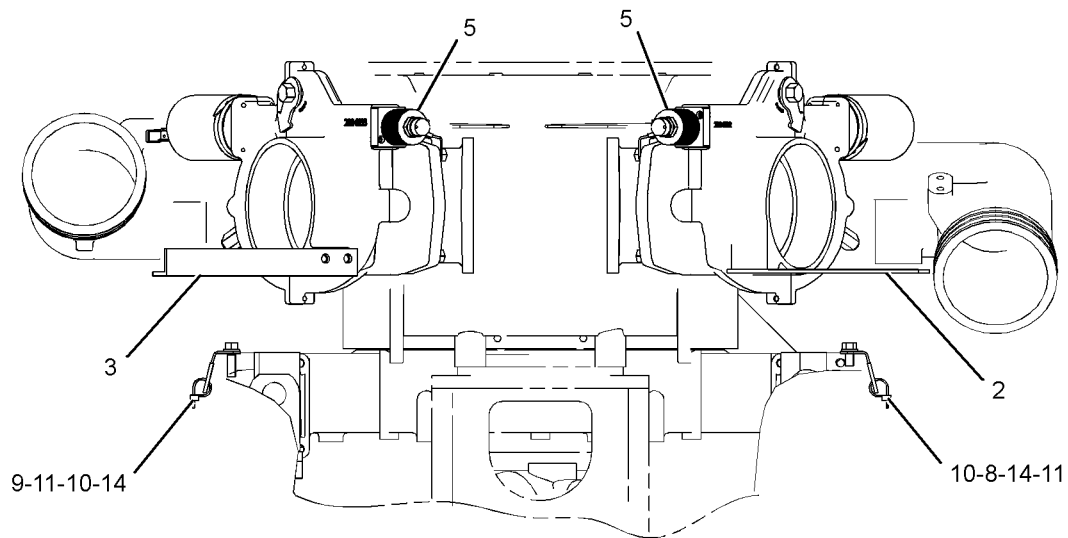
AIR INLET AND EXHAUST SYSTEM

274-5750 SHUTOFF GP-AIR (contd.)

i02595662



TOP VIEW OF ENGINE



REAR VIEW OF ENGINE

GRAPHIC #1

<END>

g01300808

AIR INLET AND EXHAUST SYSTEM

288-2758 SHUTOFF GP-AIR-RH

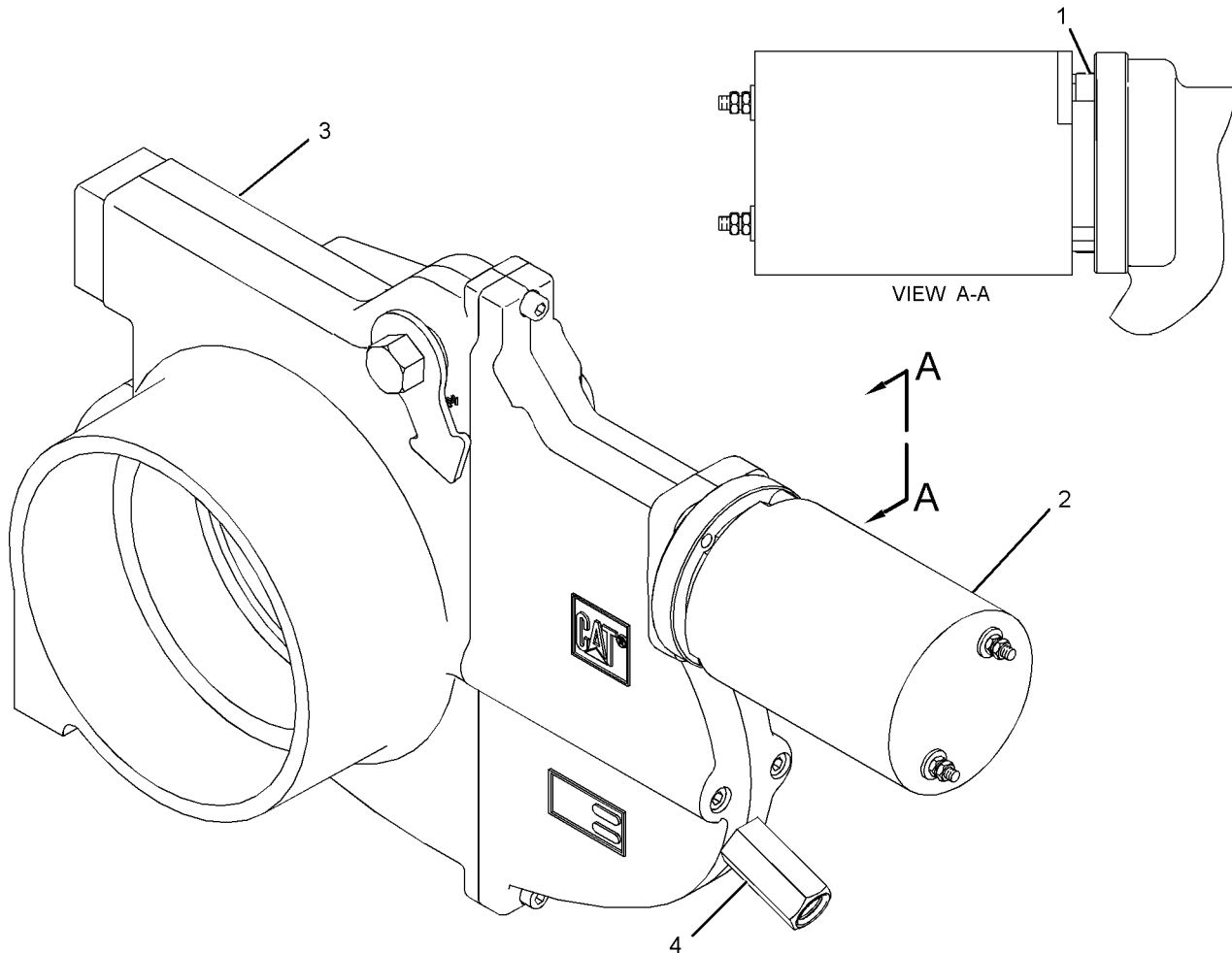
PART OF 274-5750 SHUTOFF GP-AIR
AN ATTACHMENT

SMCS-1078

i03870180

NOTE	REF NO	GRAPHIC REF	PART NUMBER	QTY	PART NAME						SEE PAGE
					1	2	3	4	5	6 (PRODUCT LEVEL)	
	1	1	215-2587	2	BOLT (1/4-20X0.75-IN)						
	2	1	230-4073	1	SOLENOID AS (AIR SHUTOFF)						
Y	3	1	288-2762	1	SHUTOFF GP-AIR (RH)						280
Y	4	1	289-8498	1	DAMPER GP-AIR SHUTOFF						237

Y-SEPARATE ILLUSTRATION



GRAPHIC #1

<END>

g01275330

AIR INLET AND EXHAUST SYSTEM

288-2759 SHUTOFF GP-AIR-LH

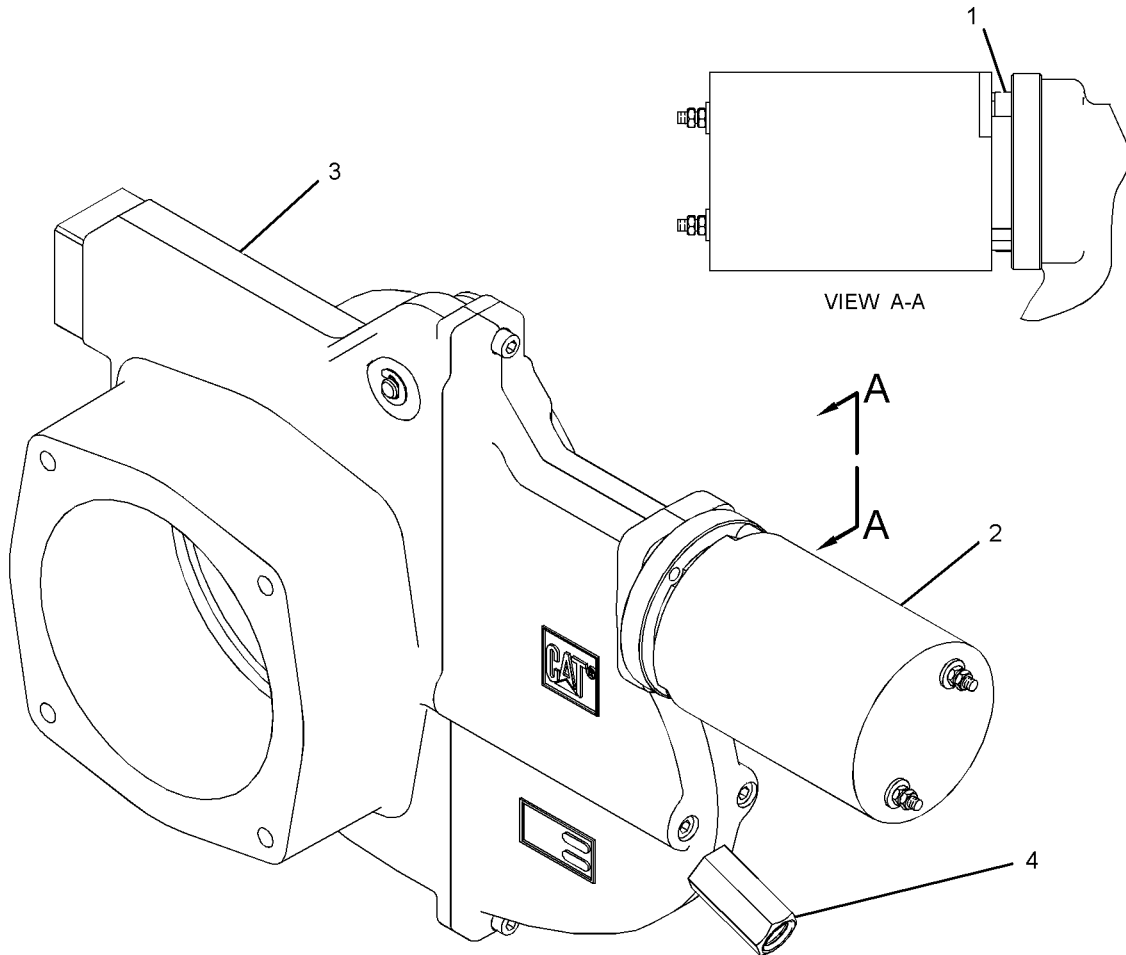
PART OF 274-5750 SHUTOFF GP-AIR
AN ATTACHMENT

SMCS-1078

i03870181

NOTE	REF NO	GRAPHIC REF	PART NUMBER	QTY	PART NAME						SEE PAGE
					1	2	3	4	5	6 (PRODUCT LEVEL)	
	1	1	215-2587	2	BOLT (1/4-20X0.75-IN)						
	2	1	230-4073	1	SOLENOID AS (AIR SHUTOFF)						
Y	3	1	288-2763	1	SHUTOFF GP-AIR (LH)						282
Y	4	1	289-8498	1	DAMPER GP-AIR SHUTOFF						237

Y-SEPARATE ILLUSTRATION



GRAPHIC #1

<END>

g01275406

AIR INLET AND EXHAUST SYSTEM

288-2762 SHUTOFF GP-AIR-RH

PART OF 288-2758 SHUTOFF GP-AIR

AN ATTACHMENT

SMCS-1078

i03870187

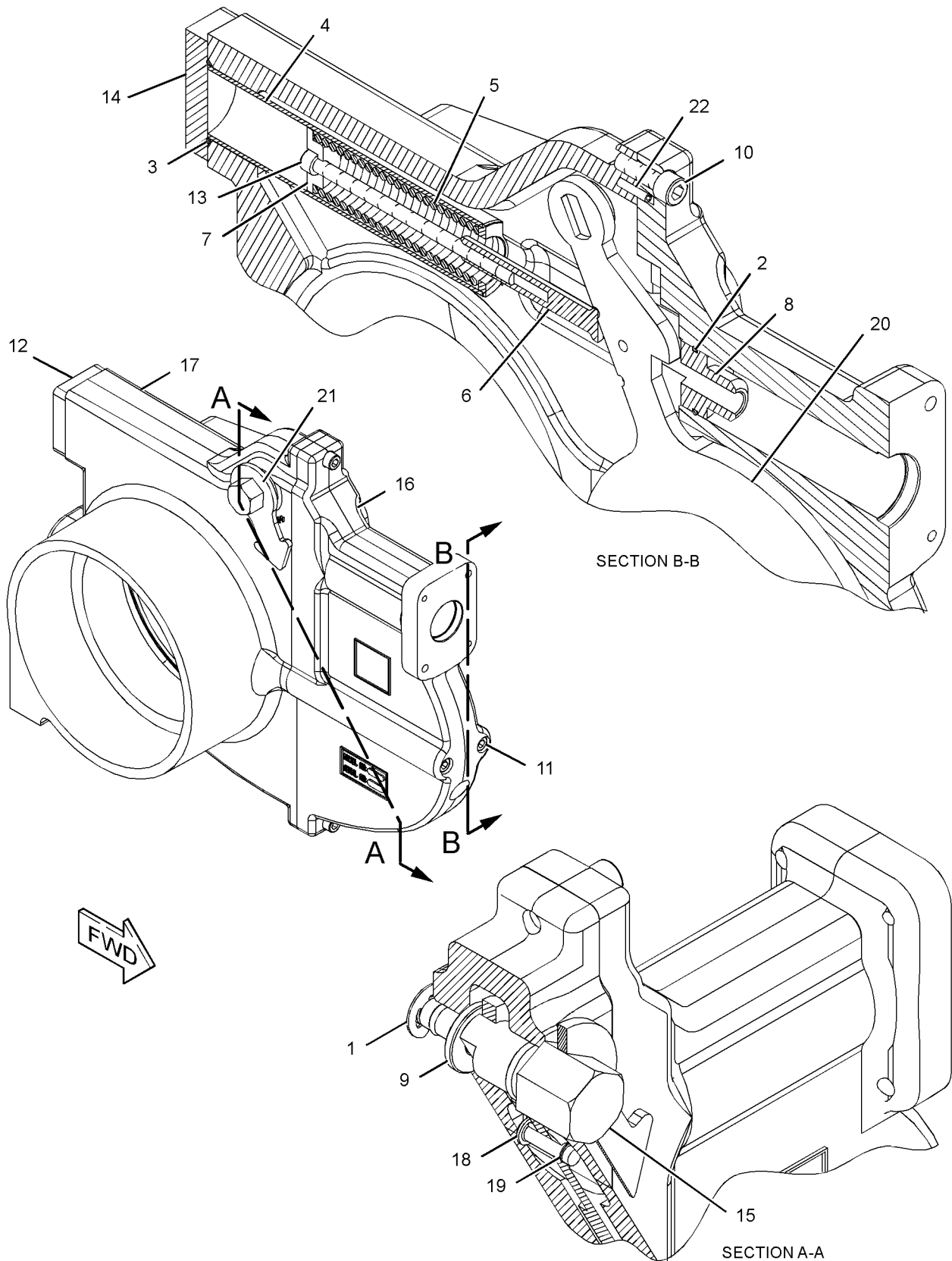
NOTE	REF NO	GRAPHIC REF	PART NUMBER	QTY	PART NAME						SEE PAGE
					1	2	3	4	5	6 (PRODUCT LEVEL)	
	1	1	150-7915	1	RING-RETAINING						
	2	1	5P-5599	1	SEAL-O-RING						
	3	1	5P-5600	1	SEAL-O-RING						
	4	1	215-2328	1	SLEEVE AS						
	5	1	215-2329	1	SPRING						
	6	1	215-2330	1	CLEVIS						
	7	1	215-2331	1	RETAINER						
	8	1	215-2419	1	GUIDE						
	9	1	215-2586	1	SPACER (8X19.1X2.5-MM THK)						
	10	1	215-2587	2	BOLT (1/4-20X0.75-IN)						
	11	1	215-2588	2	BOLT (1/4-20X5.25-IN)						
	12	1	215-2589	2	BOLT (10-24X0.626-IN)						
	13	1	215-2590	1	BOLT (10-24X3.5-IN)						
	14	1	272-7102	1	CAP						
Y	15	1	215-2706	1	SHUTOFF AS-AIR (INLET)						275
	16	1	215-2707	1	COVER						
	17	1	289-9132	1	BODY						
	18	1	215-2710	1	PIN						
	19	1	215-2711	1	RING-RETAINING						
	20	1	289-9115	1	GATE						
	21	1	230-4177	1	INDICATOR (VALVE POSITION)						
	22	1	3H-9675	2	PIN-SPRING						

Y-SEPARATE ILLUSTRATION

AIR INLET AND EXHAUST SYSTEM

288-2762 SHUTOFF GP-AIR (contd.)

i03870187



GRAPHIC #1

<END>

g01205436

AIR INLET AND EXHAUST SYSTEM

288-2763 SHUTOFF GP-AIR-LH

PART OF 288-2759 SHUTOFF GP-AIR

AN ATTACHMENT

SMCS-1078

i03870189

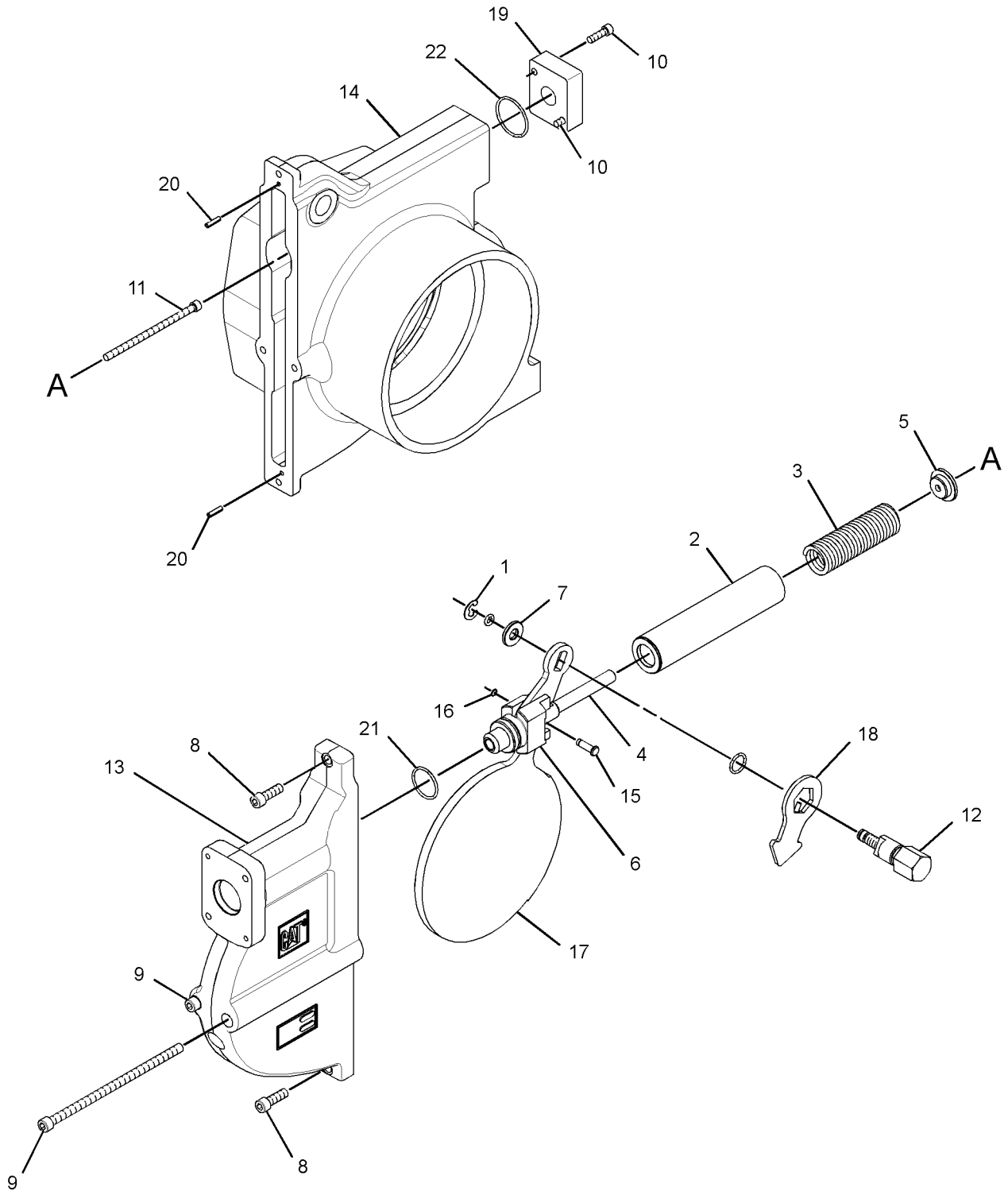
NOTE	REF NO	GRAPHIC REF	PART NUMBER	QTY	PART NAME						SEE PAGE
					1	2	3	4	5	6 (PRODUCT LEVEL)	
	1	1	150-7915	1	RING-RETAINING						
	2	1	215-2328	1	SLEEVE AS						
	3	1	215-2329	1	SPRING						
	4	1	215-2330	1	CLEVIS						
	5	1	215-2331	1	RETAINER						
	6	1	215-2419	1	GUIDE						
	7	1	215-2586	1	SPACER (8X19.1X2.5-MM THK)						
	8	1	215-2587	2	BOLT (1/4-20X0.75-IN)						
	9	1	215-2588	2	BOLT (1/4-20X5.25-IN)						
	10	1	215-2589	2	BOLT (10-24X0.626-IN)						
	11	1	215-2590	1	BOLT (10-24X3.5-IN)						
Y	12	1	215-2706	1	SHUTOFF AS-AIR (INLET)						275
	13	1	215-2707	1	COVER						
	14	1	289-9133	1	BODY						
	15	1	215-2710	1	PIN						
	16	1	215-2711	1	RING-RETAINING						
	17	1	289-9116	1	GATE						
	18	1	230-4177	1	INDICATOR (VALVE POSITION)						
	19	1	272-7102	1	CAP						
	20	1	3H-9675	2	PIN-SPRING						
	21	1	5P-5599	1	SEAL-O-RING						
	22	1	5P-5600	1	SEAL-O-RING						

Y-SEPARATE ILLUSTRATION

AIR INLET AND EXHAUST SYSTEM

288-2763 SHUTOFF GP-AIR (contd.)

i03870189



GRAPHIC #1

<END>

g01283747

AIR INLET AND EXHAUST SYSTEM

297-3198 TURBOCHARGER GP

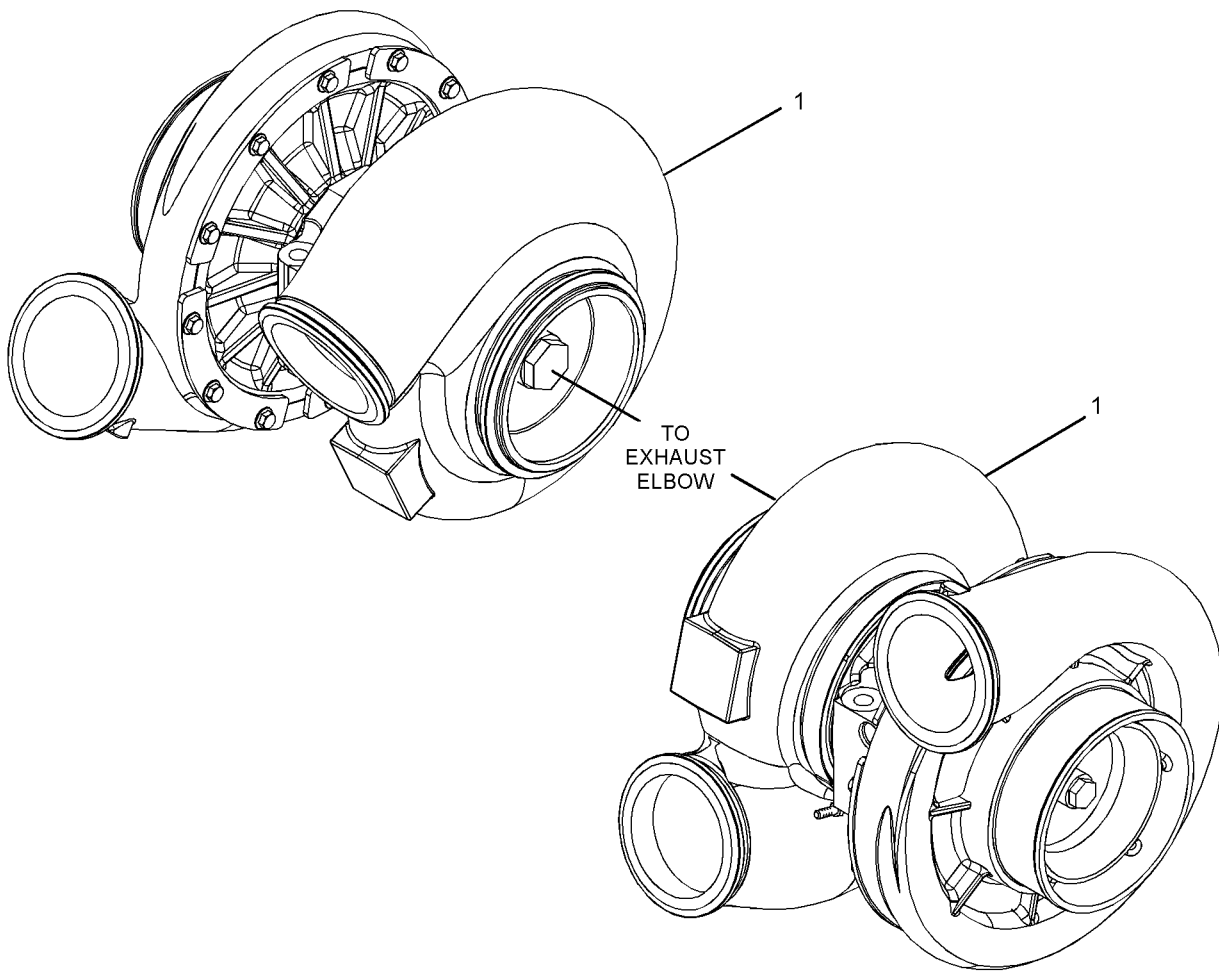
S/N: JTS1-153

SMCS-1052, 1053

i02676065

NOTE	REF NO	GRAPHIC REF	PART NUMBER	QTY	PART NAME						SEE PAGE
					1	2	3	4	5	6 (PRODUCT LEVEL)	
Y	1	1	304-8650	2	TURBOCHARGER GP						286

Y-SEPARATE ILLUSTRATION



GRAPHIC #1

<END>

g01346403

AIR INLET AND EXHAUST SYSTEM

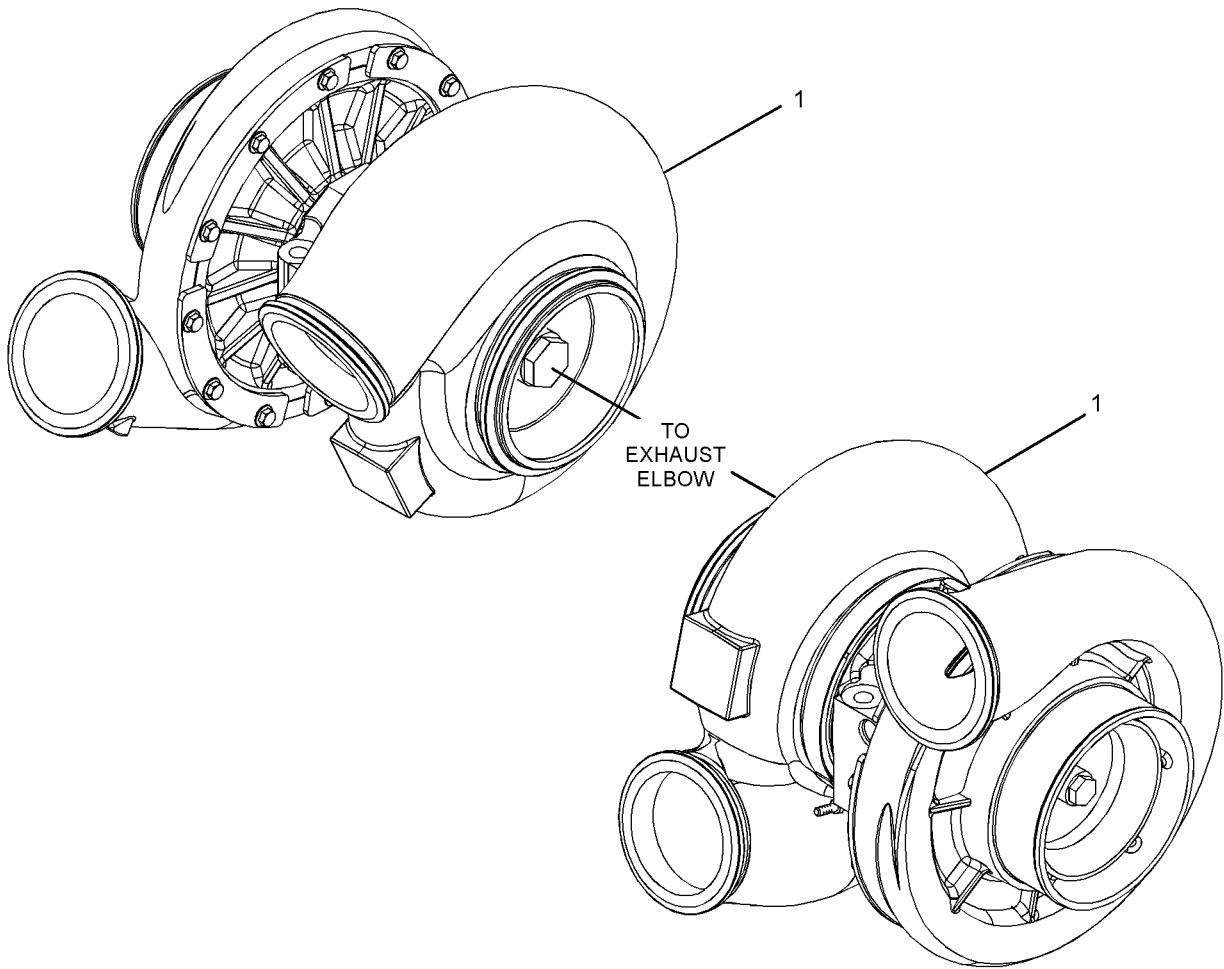
297-3198 TURBOCHARGER GP

S/N: JTS154-UP

SMCS-1052, 1053

i03809910

NOTE	REF NO	GRAPHIC REF	PART NUMBER	QTY	PART NAME						SEE PAGE
					1	2	3	4	5	6 (PRODUCT LEVEL)	
CY	1	1	328-4277	2	TURBOCHARGER GP						287
C-CHANGE FROM PREVIOUS TYPE											
Y-SEPARATE ILLUSTRATION											



GRAPHIC #1

<END>

g01346403

AIR INLET AND EXHAUST SYSTEM

304-8650 TURBOCHARGER GP

S/N: JTS1-153

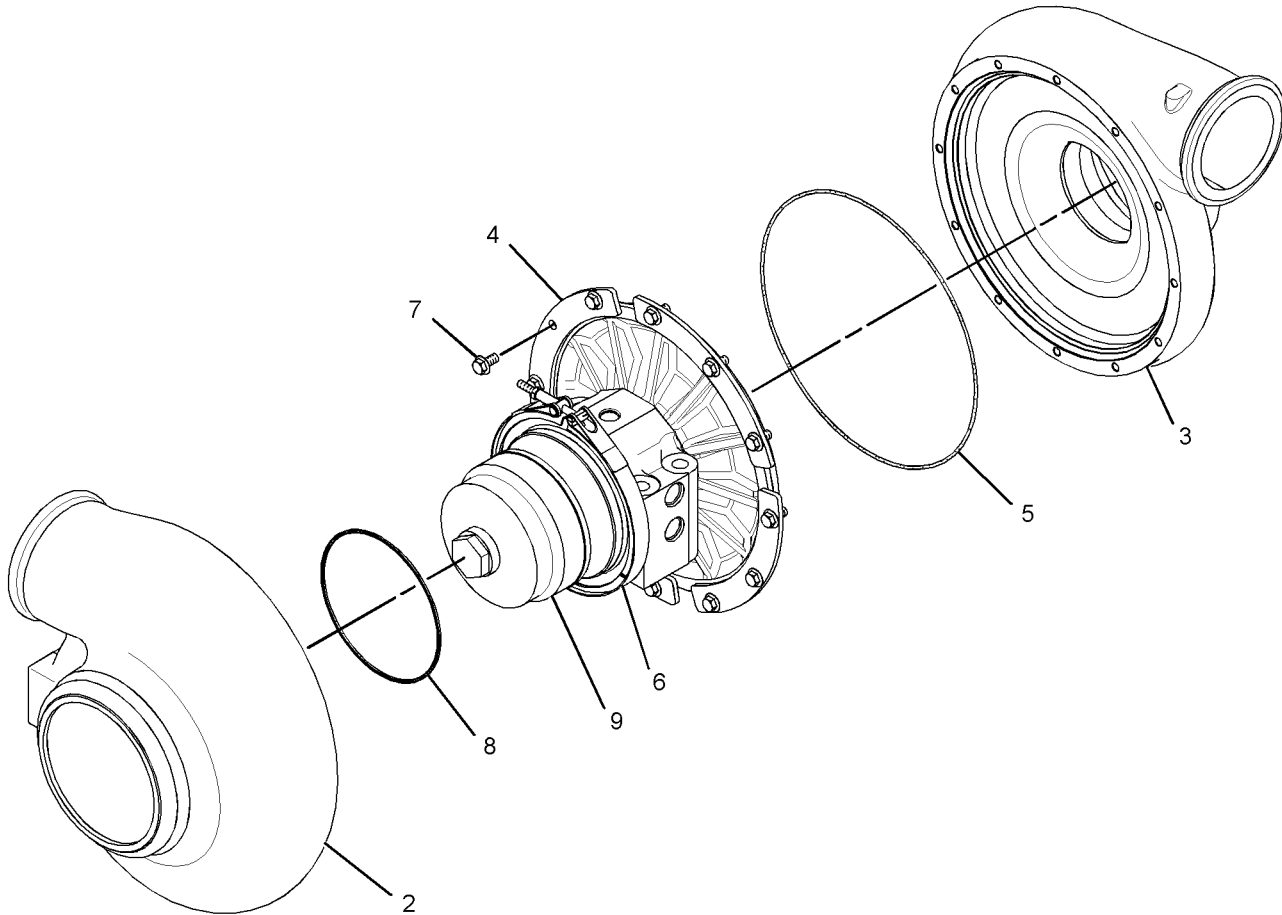
PART OF 297-3198 TURBOCHARGER GP

SMCS-1052, 1053

i02676073

NOTE	REF NO	GRAPHIC REF	PART NUMBER	QTY	PART NAME						SEE PAGE
					1	2	3	4	5	6 (PRODUCT LEVEL)	
	2	1	275-6228	1	HOUSING - TURBINE						
	3	1	292-0650	1	HOUSING - COMPRESSOR						
	4	1	292-0651	4	PLATE (COMPRESSOR)						
	5	1	292-0652	1	SEAL - O-RING						
	6	1	293-5488	1	CLAMP AS (TURBINE)						
M	7	1	293-5490	12	BOLT-FLANGE HEAD (M10X1.5X20-MM)						
	8	1	303-6267	1	GASKET - EXHAUST						
	9	1	305-3511	1	CARTRIDGE GP - TURBOCHARGER						

M-METRIC PART



GRAPHIC #1

<END>

g01346418

AIR INLET AND EXHAUST SYSTEM

328-4277 TURBOCHARGER GP

S/N: JTS154-UP

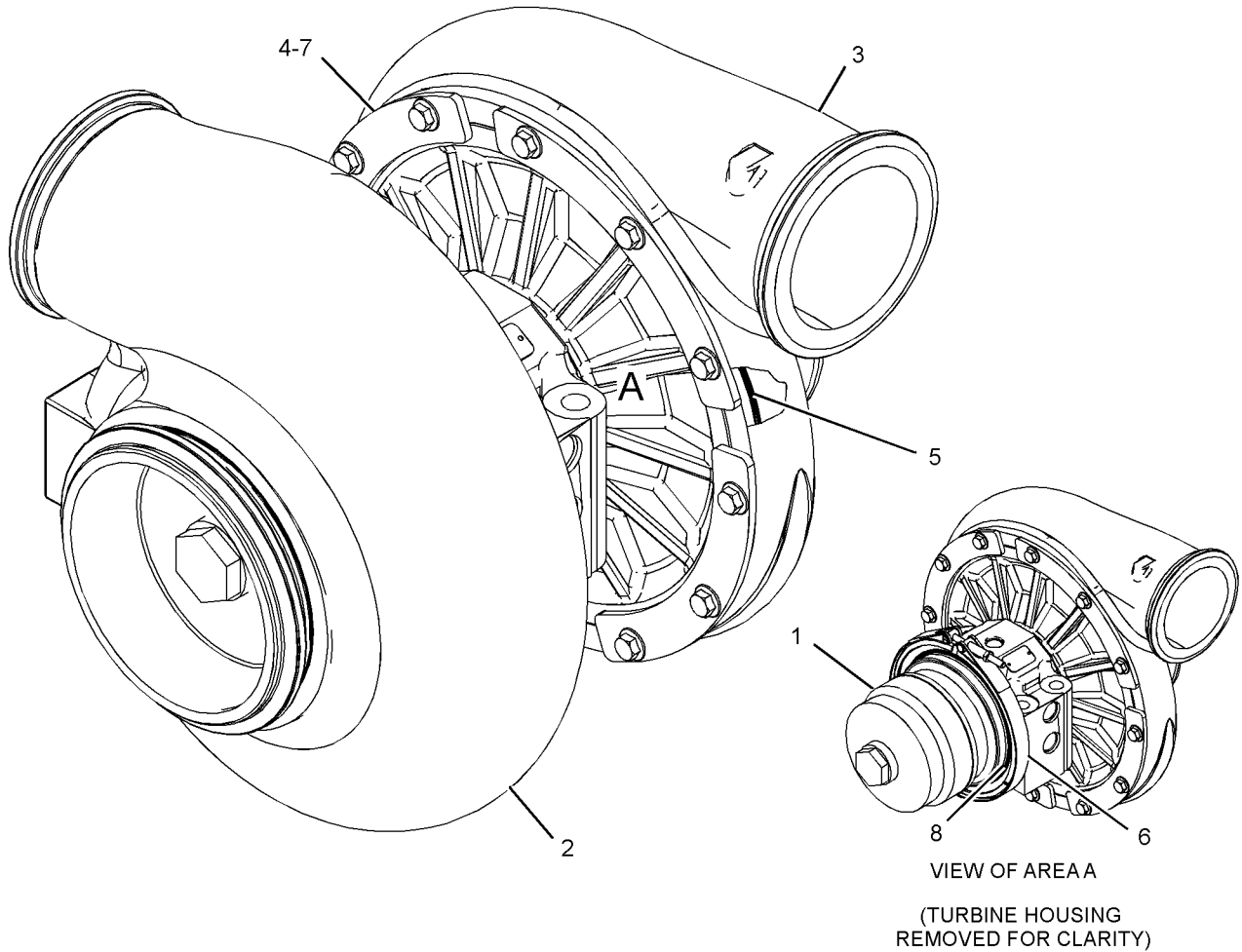
PART OF 297-3198 TURBOCHARGER GP

SMCS-1052, 1053

i03809933

NOTE	REF NO	GRAPHIC REF	PART NUMBER	QTY	PART NAME						SEE PAGE
					1	2	3	4	5	6 (PRODUCT LEVEL)	
	1	1	328-4276	1	CARTRIDGE GP - TURBOCHARGER						
	2	1	275-6228	1	HOUSING - TURBINE						
	3	1	292-0650	1	HOUSING - COMPRESSOR						
	4	1	292-0651	4	PLATE (COMPRESSOR)						
	5	1	292-0652	1	SEAL - O-RING						
	6	1	293-5488	1	CLAMP AS (TURBINE)						
M	7	1	293-5490	12	BOLT - FLANGE HEAD (M10X1.5X20-MM)						
	8	1	303-6267	1	GASKET - EXHAUST						

M-METRIC PART



GRAPHIC #1

<END>

g02076255

AIR INLET AND EXHAUST SYSTEM

8N-8483 VALVE GP-AIR CONTROL-RH

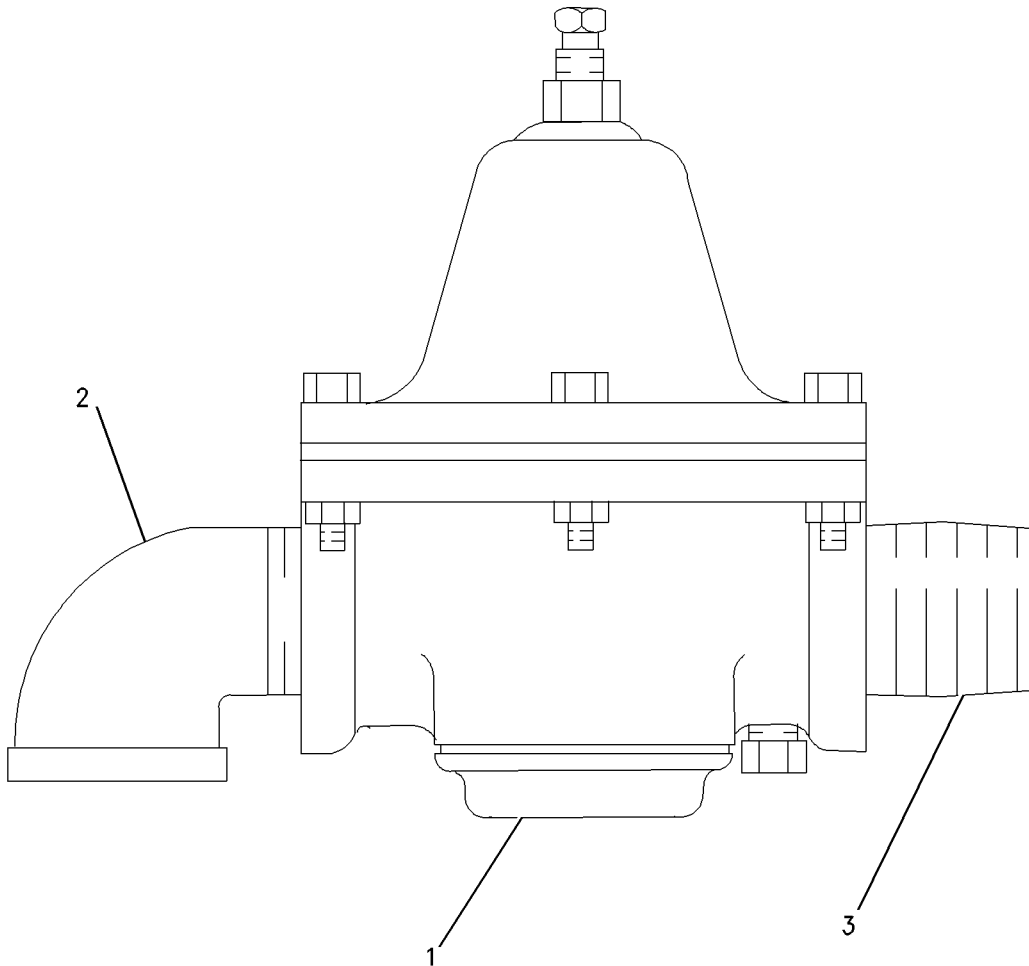
FOR USE WITH AIR START SYSTEM
AN ATTACHMENT

SMCS-108A, 1462

i03869158

NOTE	REF NO	GRAPHIC REF	PART NUMBER	QTY	PART NAME	SEE PAGE
					1 2 3 4 5 6 (PRODUCT LEVEL)	
Y	1	1	1L-2073	1	VALVE GP-PRESSURE REDUCING (AIR STARTING) (RH)	531
	2	1	5B-7666	1	ELBOW	
	3	1	3L-8993	1	FITTING	

Y-SEPARATE ILLUSTRATION



GRAPHIC #1

<END>

g00637864

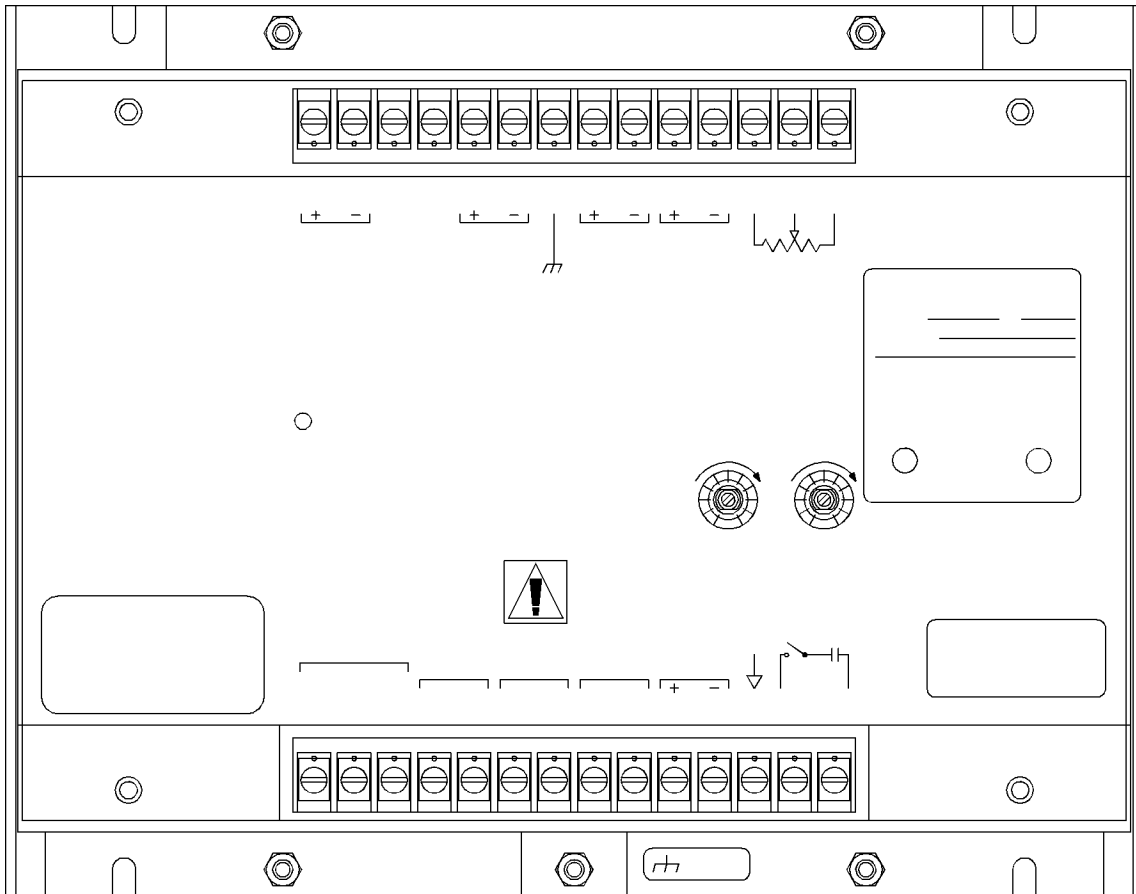
FUEL SYSTEM

161-0797 CONTROL AS-GOVERNOR-LOAD SHARE AN ATTACHMENT

SMCS-1264

i01979207

NOTE	REF NO	GRAPHIC REF	PART NUMBER	QTY	PART NAME	SEE PAGE
					1 2 3 4 5 6 (PRODUCT LEVEL) (NO SERVICED PARTS)	



GRAPHIC #1

<END>

g01026187

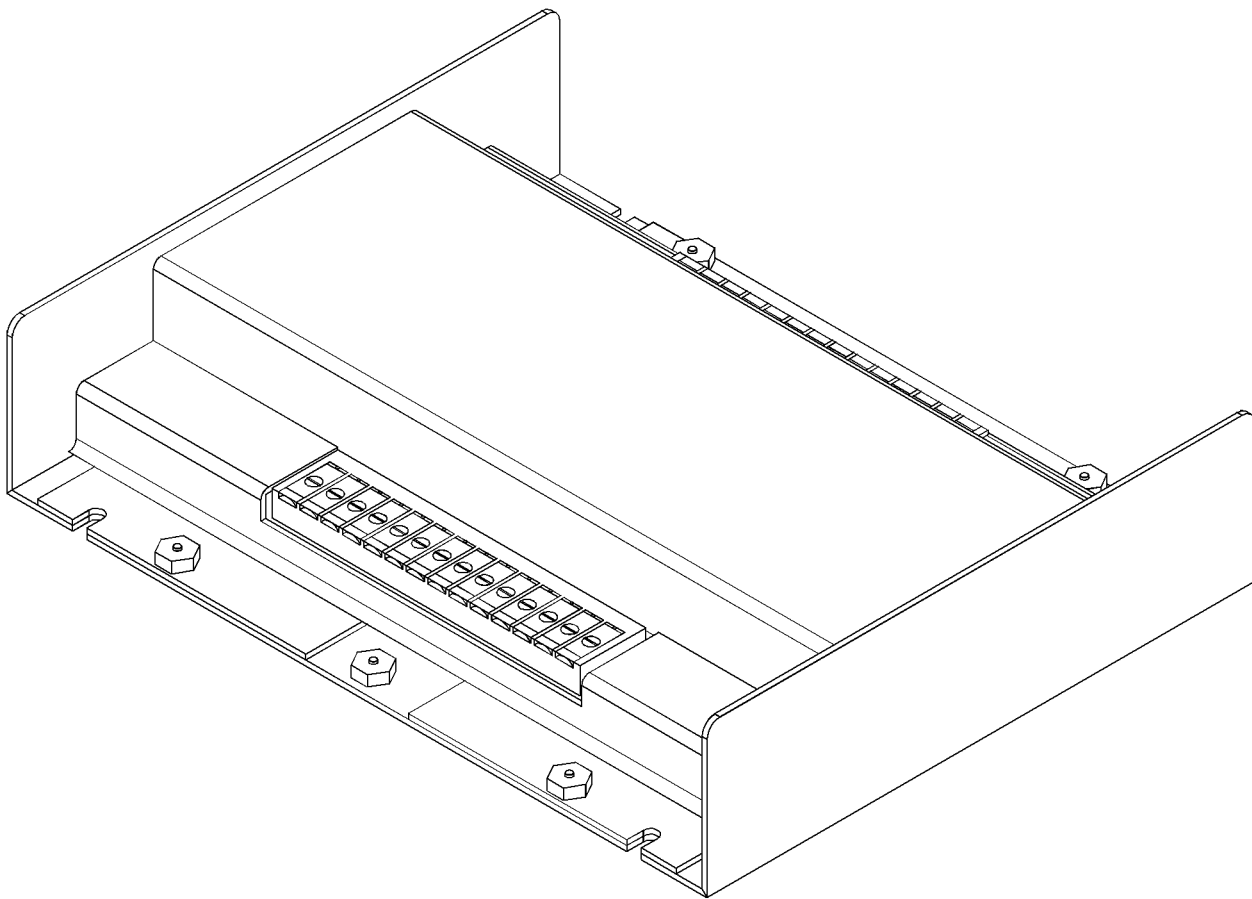
FUEL SYSTEM

309-1583 CONTROL AS-GOVERNOR-LOAD SHARE AN ATTACHMENT

SMCS-1264

i02775402

NOTE	REF NO	GRAPHIC REF	PART NUMBER	QTY	PART NAME						SEE PAGE
					1	2	3	4	5	6 (PRODUCT LEVEL)	
(NO SERVICED PARTS)											



GRAPHIC #1

<END>

g01388304

FUEL SYSTEM

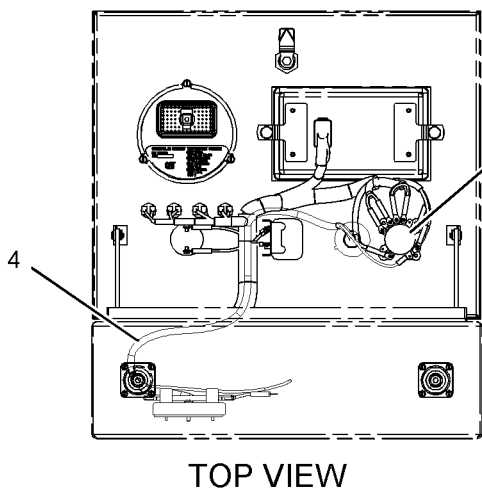
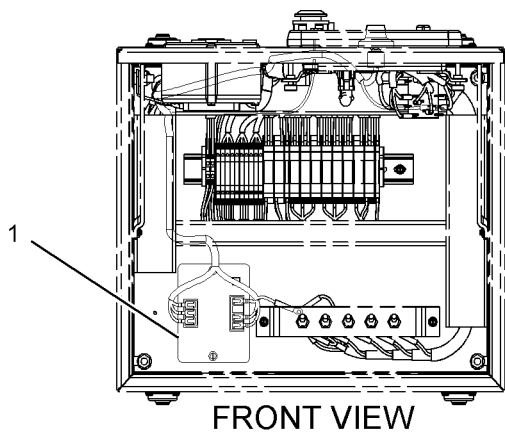
238-9549 CONTROL GP-FUEL AN ATTACHMENT

SMCS-1265

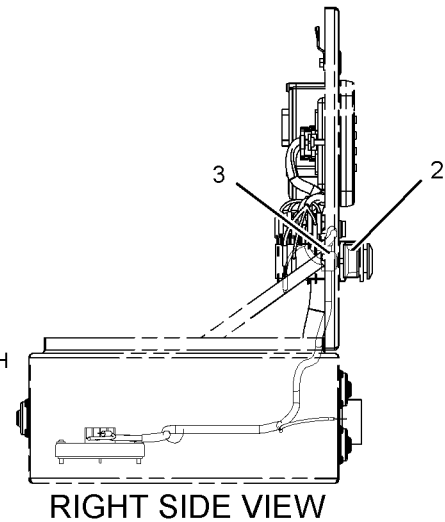
i03187725

NOTE	REF NO	GRAPHIC REF	PART NUMBER	QTY	PART NAME						SEE PAGE
					1	2	3	4	5	6 (PRODUCT LEVEL)	
Y	1	1	9X-9591	1	CONVERTER GP-ELECTRICAL (PULSE WIDTH MODULATED)						392
	2	1	116-9723	1	DIAL-VERNIER						
	3	1	122-9458	1	POTENTIOMETER (1000-OHM) (SPEED ADJUST)						
Y	4	1	237-9022	1	HARNES AS-PANEL (SPEED CONTROL)						432

Y-SEPARATE ILLUSTRATION



CONTROL SWITCH



GRAPHIC #1

<END>

g01010321

FUEL SYSTEM

139-5657 COOLER GP-FUEL

AN ATTACHMENT

SMCS-1712

i02419457

NOTE	PART NUMBER	QTY	PART NAME						SEE PAGE
			1	2	3	4	5	6 (PRODUCT LEVEL)	
	281-7389	10	PLATE	GP-HEAT	EXCHANGER				
	281-7390	11	SEAL	GP					

<END>

FUEL SYSTEM

7W-9741 FILTER GP-FUEL-RH

SMCS-1261

i03657714

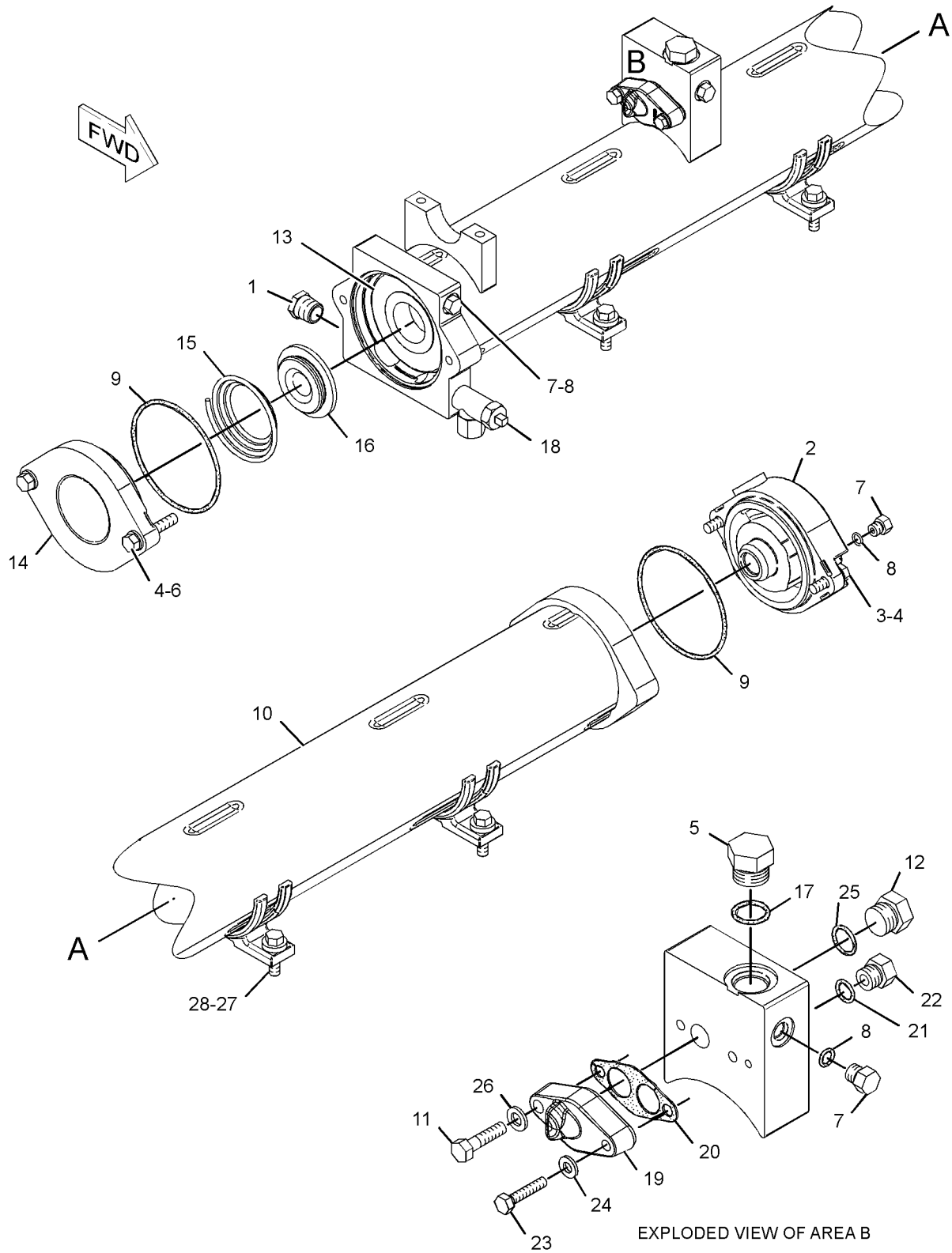
NOTE	REF NO	GRAPHIC REF	PART NUMBER	QTY	PART NAME						SEE PAGE
					1	2	3	4	5	6 (PRODUCT LEVEL)	
	1	1	8T-6766	1	PLUG-PIPE						
	2	1	267-9689	1	COVER-FILTER HOUSING						
	3	1	0S-1588	2	BOLT (3/8-16X1.25-IN)						
	4	1	5M-2894	4	WASHER-HARD (10.2X18.5X2.5-MM THK)						
	5	1	9S-4190	1	PLUG-O-RING						
C	6	1	7F-0192	2	BOLT (3/8-16X2-IN)						
	7	1	9S-4182	5	PLUG-O-RING						
	8	1	6V-5048	5	SEAL-O-RING						
	9	1	5D-5957	2	SEAL-O-RING						
	10	1	278-1776	1	HOUSING AS-FUEL FILTER						
C	11	1	1B-7182	1	BOLT (5/16-18X1.25-IN)						
	12	1	9S-4185	1	PLUG-O-RING						
	13	1	1R-0756	5	FILTER ELEMENT-FUEL (ADVANCED EFFICIENCY)						
	14	1	2W-9300	1	COVER-FILTER HOUSING						
	15	1	1N-2895	1	SPRING						
	16	1	6I-3754	1	RETAINER-FILTER						
	17	1	6V-4589	1	SEAL-O-RING						
	18	1	2S-5100	1	VALVE-MANUAL						
	19	1	6N-4414	1	COVER-FILTER BASE						
	20	1	9Y-8389	1	GASKET (FUEL FILTER)						
	21	1	6V-5049	1	SEAL-O-RING						
	22	1	9S-4191	1	PLUG-O-RING						
	23	1	7B-2742	1	BOLT (1/4-20X1.25-IN)						
	24	1	5P-0537	1	WASHER-HARD (7.2X14.5X2-MM THK)						
	25	1	8L-2786	1	SEAL-O-RING						
	26	1	9M-1974	1	WASHER-HARD (8.8X16X2-MM THK)						
C	27	1	3B-1915	8	BOLT (3/8-16X1.375-IN)						
	28	1	8M-9024	8	WASHER-HARD (10.2X22.5X5-MM THK)						

C-CHANGE FROM PREVIOUS TYPE

FUEL SYSTEM

7W-9741 FILTER GP-FUEL (contd.)

i03657714



GRAPHIC #1

<END>

g01228338

FUEL SYSTEM

7W-9742 FILTER GP-FUEL-LH

AN ATTACHMENT

SMCS-1261

i03513184

NOTE	REF NO	GRAPHIC REF	PART NUMBER	QTY	PART NAME						SEE PAGE
					1	2	3	4	5	6 (PRODUCT LEVEL)	
	1	1	1N-2895	1	SPRING						
	2	1	1R-0756	5	FILTER ELEMENT-FUEL (ADVANCED EFFICIENCY)						
	3	1	1W-7548	1	TUBE AS						
	4	1	2S-5100	1	VALVE-MANUAL						
	5	1	2W-9300	1	COVER-FILTER HOUSING						
	6	1	4P-0692	4	CLAMP AS						
					(EACH INCLUDES)						
		1	108-1434	1	GROMMET						
	7	1	6I-3754	1	RETAINER-FILTER						
	8	1	6N-4414	1	COVER-FILTER BASE						
C	9	1	7F-0192	2	BOLT (3/8-16X2-IN)						
	10	1	8T-6766	1	PLUG-PIPE						
	11	1	9Y-8389	1	GASKET (FUEL FILTER)						
	12	1	237-2719	1	TUBE AS						
	13	1	267-9689	1	COVER-FILTER HOUSING						
	14	1	278-1776	1	HOUSING AS-FUEL FILTER						
	15	1	250-1498	3	ELBOW AS						
					(EACH INCLUDES)						
		1	6V-4589	1	SEAL-O-RING						
		1	250-1497	1	ELBOW						
	16	1	031-4136	1	TEE-FLARED						
	17	1	0S-1588	2	BOLT (3/8-16X1.25-IN)						
	18	1	0S-1608	2	BOLT (3/8-16X3.75-IN)						
C	19	1	1B-7182	1	BOLT (5/16-18X1.25-IN)						
	20	1	2M-9780	2	SEAL-O-RING						
C	21	1	3B-1915	8	BOLT (3/8-16X1.375-IN)						
	22	1	3K-0360	1	SEAL-O-RING						
	23	1	5D-5957	2	SEAL-O-RING						
	24	1	5M-2894	4	WASHER-HARD (10.2X18.5X2.5-MM THK)						
	25	1	5P-0537	1	WASHER-HARD (7.2X14.5X2-MM THK)						
	27	1	6V-5048	5	SEAL-O-RING						
	28	1	6V-5049	1	SEAL-O-RING						
	29	1	7B-2742	1	BOLT (1/4-20X1.25-IN)						
	30	1	8M-9024	8	WASHER-HARD (10.2X22.5X5-MM THK)						
	31	1	9M-1974	1	WASHER-HARD (8.8X16X2-MM THK)						
	32	1	9S-4182	5	PLUG-O-RING						
	33	1	9S-4185	1	PLUG-O-RING						
	34	1	9S-4190	1	PLUG-O-RING						
	35	1	9S-4191	1	PLUG-O-RING						

C-CHANGE FROM PREVIOUS TYPE

FUEL SYSTEM

241-2738 FILTER GP-FUEL FOR USE WITH SERIES II FUEL INJECTION LINES GP AN ATTACHMENT

SMCS-1261

i03864146

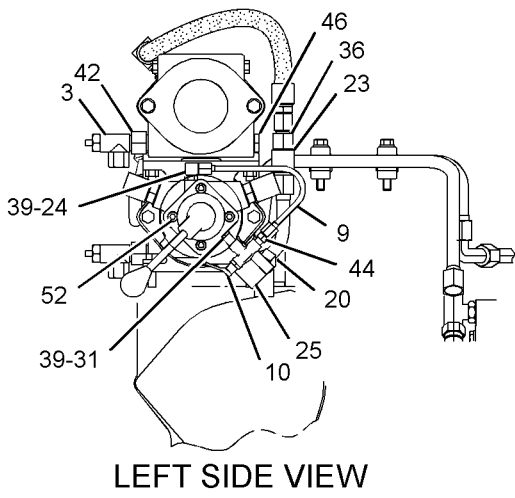
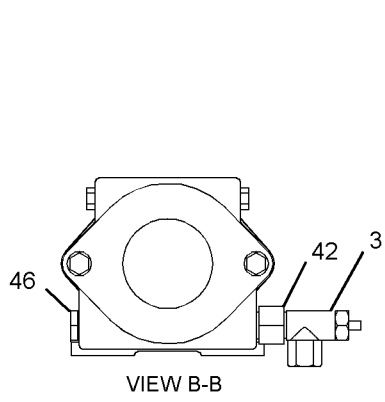
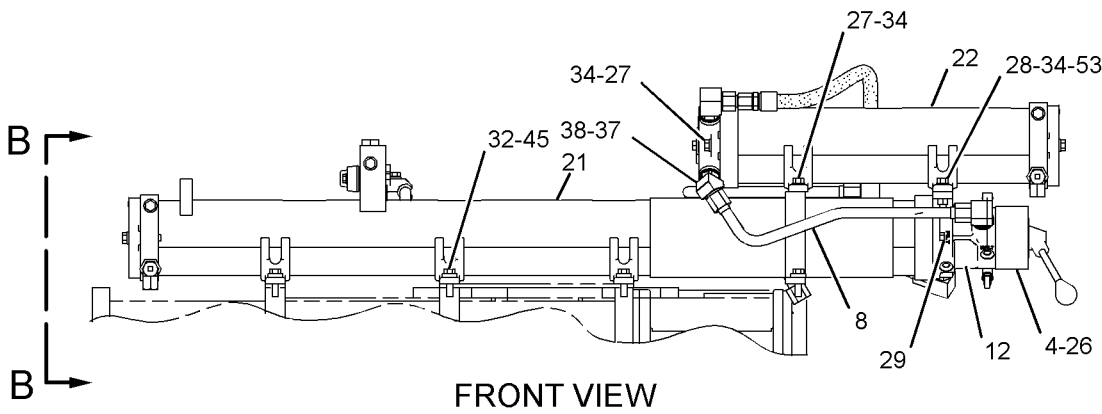
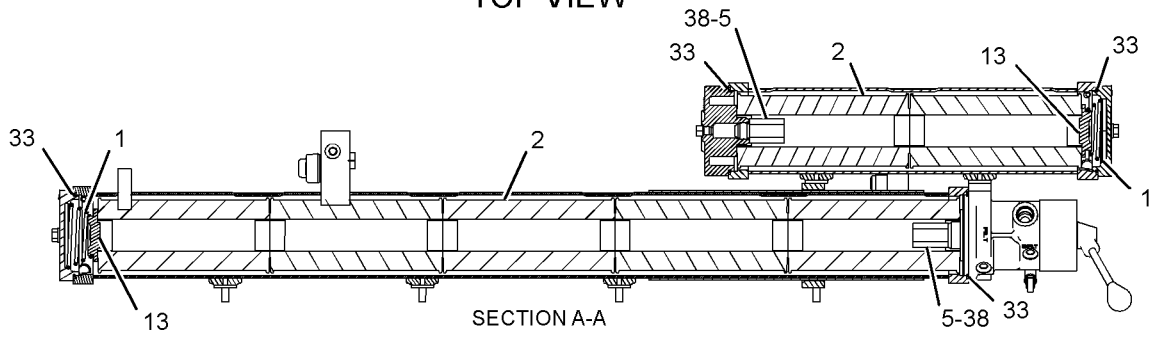
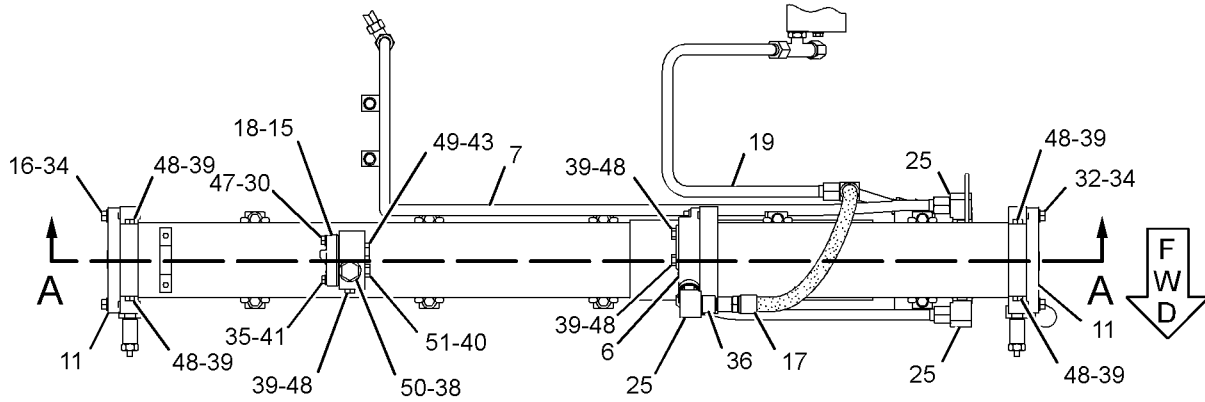
NOTE	REF NO	GRAPHIC REF	PART NUMBER	QTY	PART NAME						SEE PAGE
					1	2	3	4	5	6 (PRODUCT LEVEL)	
	1	1	1N-2895	2	SPRING						
	2	1	1R-0756	7	FILTER ELEMENT-FUEL (ADVANCED EFFICIENCY)						
	3	1	2S-5100	2	VALVE-MANUAL (FUEL DRAIN)						
	4	1	2W-6286	1	VALVE AS-CONTROL (DUPLEX FUEL FILTER)						
		1	266-2259	1	HANDLE AS						
	5	1	2W-6287	2	VALVE AS-CHECK (FUEL)						
	6	1	267-9689	1	COVER-FILTER HOUSING						
	7	1	2W-6289	1	TUBE AS						
	8	1	2W-6290	1	TUBE AS						
	9	1	2W-6667	1	TUBE AS						
	10	1	2W-6672	1	VALVE AS-TOGGLE (FUEL)						
	11	1	2W-9300	2	COVER-FILTER HOUSING						
	12	1	4W-4444	1	ADAPTER-VALVE						
	13	1	6I-3754	2	RETAINER-FILTER						
	15	1	6N-4414	1	COVER-FILTER BASE						
	16	1	7F-0192	2	BOLT (3/8-16X2-IN)						
I	17	1	9G-2653	1	HOSE AS						
	18	1	9Y-8389	1	GASKET (FUEL FILTER)						
	19	1	121-0474	1	TUBE AS						
	20	1	121-0476	1	TUBE AS						
	21	1	278-1774	1	HOUSING AS-FUEL FILTER (AUXILIARY)						
	22	1	278-1775	1	HOUSING AS-FUEL FILTER (AUXILIARY)						
	23	1	003-8581	1	TEE-UNION						
	24	1	030-7946	1	ELBOW						
	25	1	250-1498	4	ELBOW AS						
					(EACH INCLUDES)						
		1	6V-4589	1	SEAL-O-RING						
		1	250-1497	1	ELBOW						
	26	1	061-8639	4	SEAL-O-RING						
	27	1	0S-1588	4	BOLT (3/8-16X1.25-IN)						
	28	1	0S-1591	2	BOLT (3/8-16X1.5-IN)						
	29	1	0S-1594	2	BOLT (3/8-16X1-IN)						
	30	1	1B-7182	1	BOLT (5/16-18X1.25-IN)						
	31	1	1P-3861	1	CONNECTOR						
	32	1	3B-1915	10	BOLT (3/8-16X1.375-IN)						
	33	1	5D-5957	4	SEAL-O-RING						
	34	1	5M-2894	10	WASHER-HARD (10.2X18.5X2.5-MM THK)						
	35	1	5P-0537	1	WASHER-HARD (7.2X14.5X2-MM THK)						
	36	1	5P-8228	2	REDUCER-FLARED						
	37	1	6M-7476	1	ELBOW						
	38	1	6V-4589	4	SEAL-O-RING						
	39	1	6V-5048	9	SEAL-O-RING						
	40	1	6V-5049	1	SEAL-O-RING						
	41	1	7B-2742	1	BOLT (1/4-20X1.25-IN)						
	42	1	7D-4903	2	ADAPTER						
	43	1	8L-2786	1	SEAL-O-RING						
	44	1	8L-6557	1	CONNECTOR						
	45	1	8M-9024	8	WASHER-HARD (10.2X22.5X5-MM THK)						
	46	1	8T-6766	2	PLUG-PIPE						
	47	1	9M-1974	1	WASHER-HARD (8.8X16X2-MM THK)						
	48	1	9S-4182	7	PLUG-O-RING						
	49	1	9S-4185	1	PLUG-O-RING						
	50	1	9S-4190	1	PLUG-O-RING						
	51	1	9S-4191	1	PLUG-O-RING						
	52	1	9S-7381	4	BOLT-SOCKET HEAD (5/16-18X2-IN)						
	53	1	9S-8752	2	NUT-FULL (3/8-16-THD)						

FUEL SYSTEM

241-2738 FILTER GP-FUEL (contd.)

i03864146

I-REFER TO HYDRAULIC INFORMATION SYSTEM



GRAPHIC #1

<END>

g01324199

FUEL SYSTEM

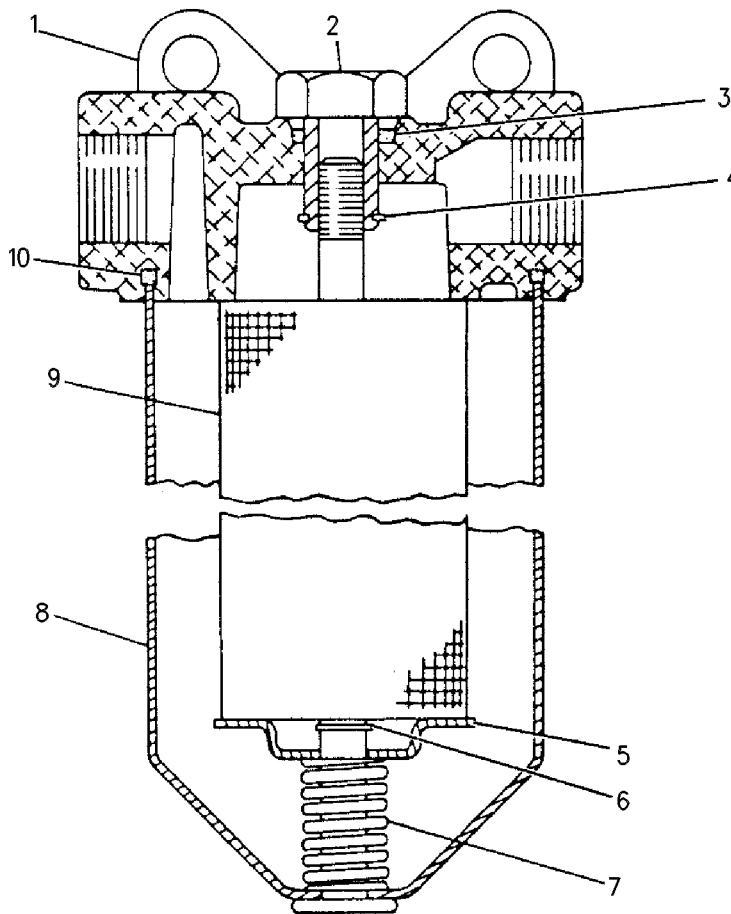
8N-6435 FILTER GP-PRIMARY FUEL

AN ATTACHMENT

SMCS-1260, 1261

i02205253

NOTE	REF NO	GRAPHIC REF	PART NUMBER	QTY	PART NAME						SEE PAGE
					1	2	3	4	5	6 (PRODUCT LEVEL)	
	1	1	1W-0531	1	BASE-PRIMARY FUEL FILTER						
	2	1	7N-1628	1	NUT (3/8-24-THD)						
	3	1	2J-0157	1	SEAL-O-RING						
	4	1	1L-3769	1	RING-RETAINING						
	5	1	7H-9678	1	RETAINER-ELEMENT						
	6	1	2H-3429	1	RING-RETAINING						
	7	1	7S-9323	1	SPRING						
	8	1	8H-7202	1	CASE AS-FUEL FILTER						
	9	1	9M-2342	1	FILTER ELEMENT-FUEL (PRIMARY)						
	10	1	8H-2778	1	SEAL-RING (FUEL FILTER)						



GRAPHIC #1

<END>

g00625270

FUEL SYSTEM

5N-2438 LINES GP-FLEXIBLE FUEL AN ATTACHMENT

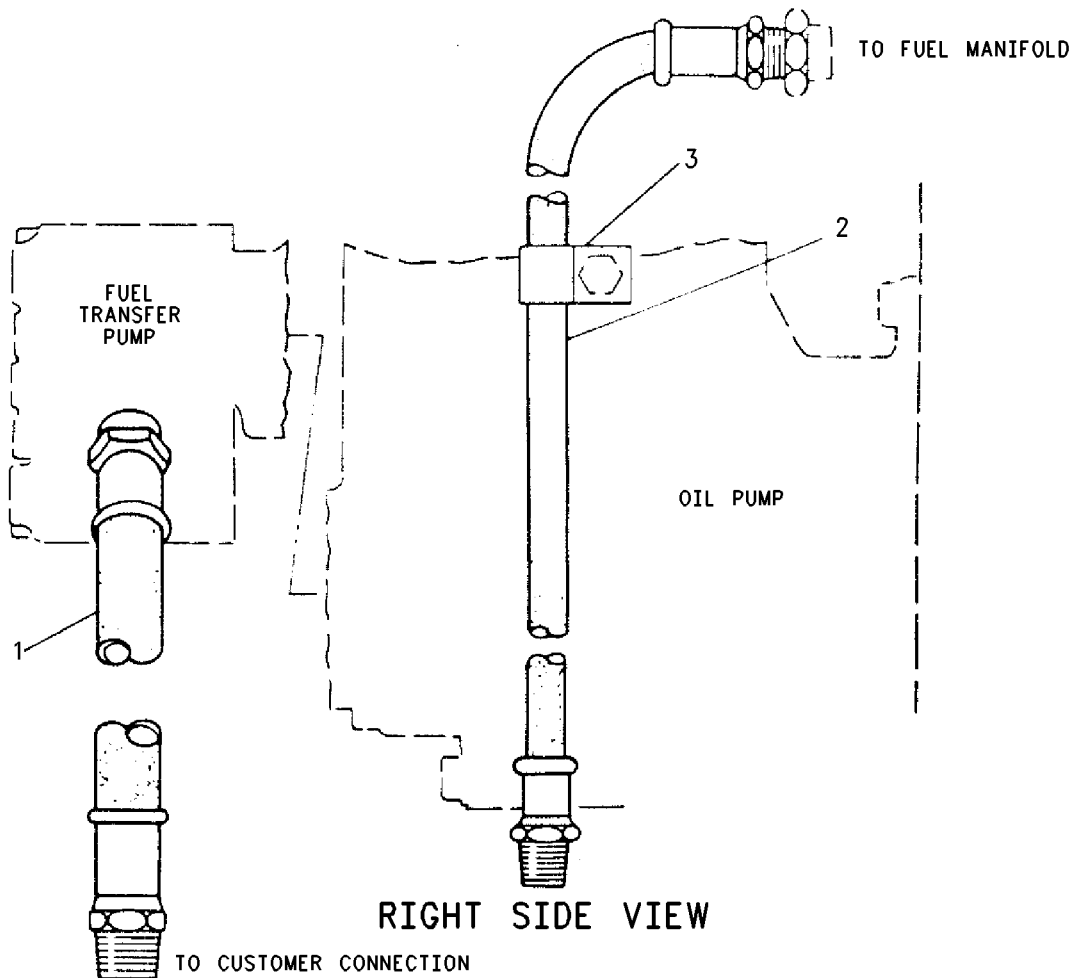
SMCS-1274

i01979418

NOTE	REF NO	GRAPHIC REF	PART NUMBER	QTY	PART NAME						SEE PAGE
					1	2	3	4	5	6 (PRODUCT LEVEL)	
I	1	1	3N-6504	1	HOSE AS						
I	2	1	8N-1186	1	HOSE AS						
B	3	1	5F-5990	2	CLIP						

B-USE AS REQUIRED

I-REFER TO HYDRAULIC INFORMATION SYSTEM



GRAPHIC #1

<END>

g00995187

FUEL SYSTEM

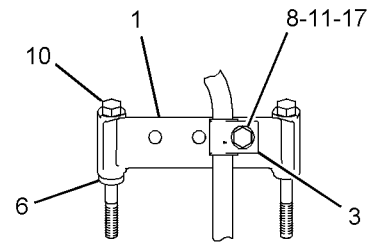
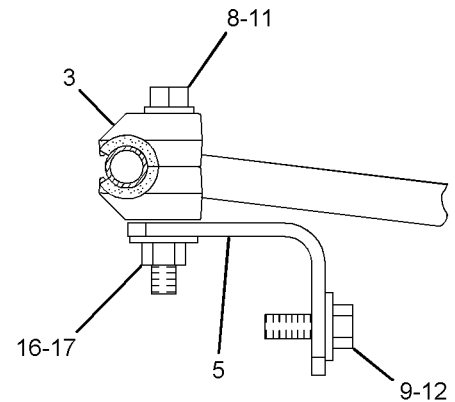
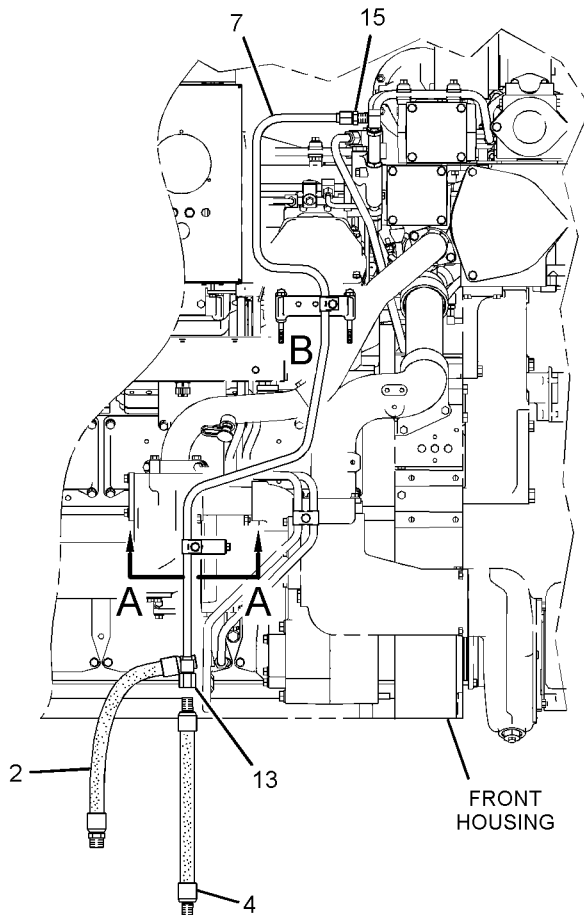
295-1329 LINES GP-FUEL AN ATTACHMENT

SMCS-1274

i02980050

NOTE	REF NO	GRAPHIC REF	PART NUMBER	QTY	PART NAME						SEE PAGE
					1	2	3	4	5	6 (PRODUCT LEVEL)	
	1	1	1W-8129	1	SUPPORT						
I	2	1	3N-6504	1	HOSE AS						
	3	1	4P-0692	4	CLAMP AS						
					(EACH INCLUDES)						
		1	108-1434	1	GROMMET						
I	4	1	7D-3958	1	HOSE AS						
	5	1	9L-2792	1	BRACKET						
	6	1	9R-5008	1	SPACER (11X20X6-MM THK)						
	7	1	273-3286	1	TUBE AS						
	8	1	0L-1143	2	BOLT (3/8-16X2.5-IN)						
	9	1	0S-1587	1	BOLT (1/2-13X1.75-IN)						
	10	1	1A-5964	2	BOLT (3/8-16X4.5-IN)						
	11	1	5M-2894	3	WASHER-HARD (10.2X18.5X2.5-MM THK)						
	12	1	5P-8245	1	WASHER-HARD (13.5X25.5X3-MM THK)						
	13	1	6V-1846	1	CONNECTOR						
	15	1	8C-8554	1	CONNECTOR						
	16	1	9L-9132	1	WASHER (10.2X25.5X2.5-MM THK)						
	17	1	9S-8752	2	NUT-FULL (3/8-16-THD)						

I-REFER TO HYDRAULIC INFORMATION SYSTEM



GRAPHIC #1

<END>

g01512086

FUEL SYSTEM

240-0031 LINES GP-FUEL INJECTION

SMCS-1252, 1254

i02958523

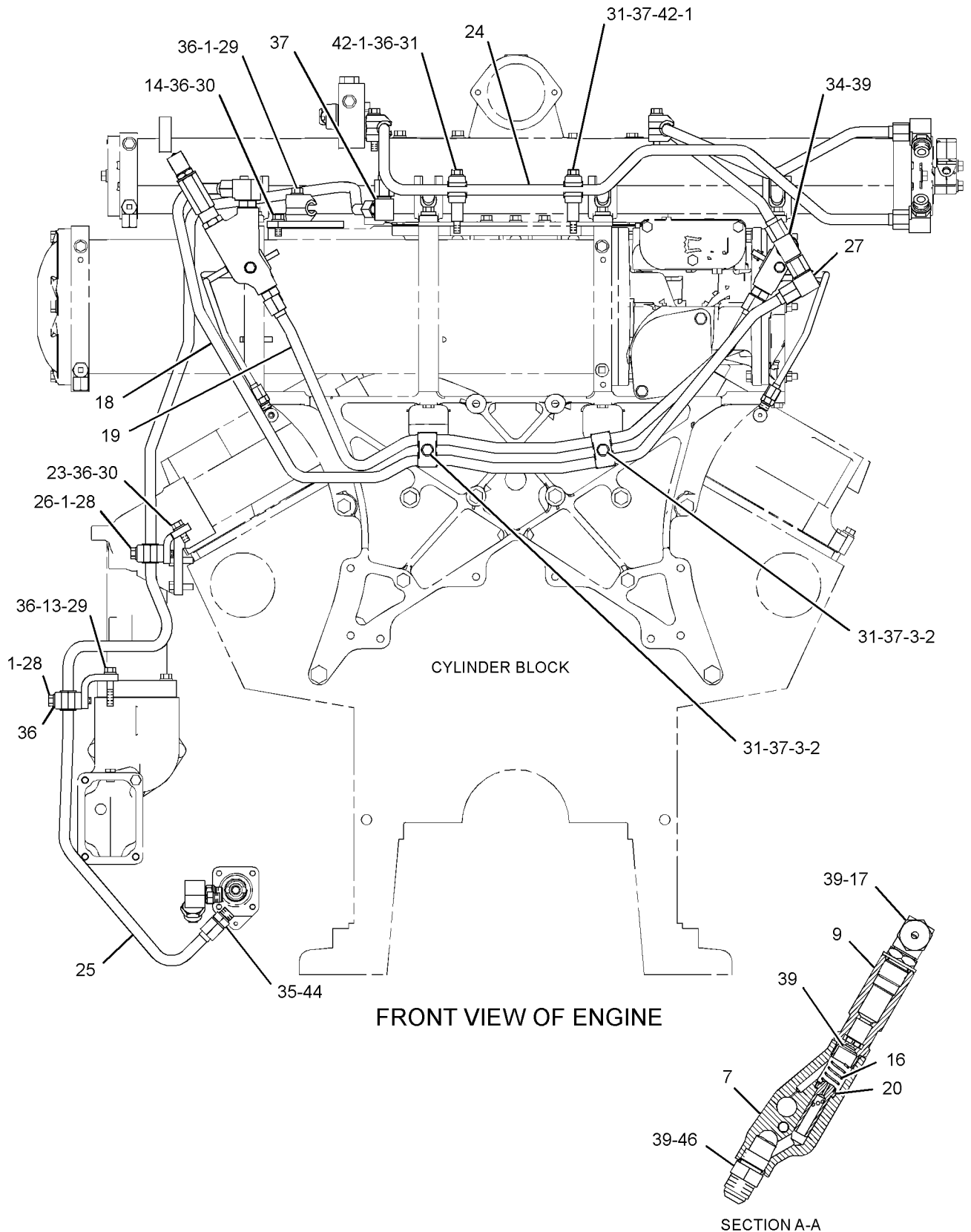
NOTE	REF NO	GRAPHIC REF	PART NUMBER	QTY	PART NAME						SEE PAGE
					1	2	3	4	5	6 (PRODUCT LEVEL)	
	1	1,2	4P-0692	18	CLAMP AS						
					(EACH INCLUDES)						
		1,2	108-1434	1	GROMMET						
	2	1	4P-0693	4	CLAMP AS						
					(EACH INCLUDES)						
		1	108-1434	2	GROMMET						
	3	1	6B-6205	2	SPACER (0.438X0.875X1.281-IN THK)						
	4	2	6V-4363	1	ELBOW						
	5	2	7C-7677	16	TUBE AS						
	6	2	7C-7678	16	TUBE AS						
	7	1	7C-7682	1	ADAPTER-FUEL MANIFOLD (RH)						
	8	2	7C-7683	1	ADAPTER-FUEL MANIFOLD (LH)						
	9	1	7E-3921	1	VALVE-CHECK						
	10	2	7W-2122	32	CONNECTOR-PORT						
	13	1	8N-6210	1	BRACKET-LINE SUPPORT						
	14	1	8N-6211	1	PLATE-LINE SUPPORT						
	15	2	8N-6327	1	TUBE AS						
	16	1	9N-4053	1	SPRING						
	17	1	030-7977	1	ELBOW						
	18	1	111-3388	1	TUBE AS						
	19	1	111-3389	1	TUBE AS						
	20	1	114-5477	1	PLUNGER-VALVE						
Y	21	2	156-9755	1	MANIFOLD GP-FUEL (RH)						305
Y	22	2	156-9756	1	MANIFOLD GP-FUEL (LH)						306
	23	1	231-8175	1	BRACKET						
	24	1	240-0033	1	TUBE AS						
	25	1	205-8421	1	TUBE AS						
	26	1,2	250-1498	3	ELBOW AS						
					(EACH INCLUDES)						
		1,2	6V-4589	1	SEAL-O-RING						
		1,2	250-1497	1	ELBOW						
	27	1	030-7972	1	ELBOW						
	28	1,2	0L-2070	6	BOLT (3/8-16X2.25-IN)						
	29	1	0S-1590	3	BOLT (3/8-16X2-IN)						
	30	1	0S-1594	3	BOLT (3/8-16X1-IN)						
	31	1	0T-0065	4	BOLT (3/8-16X3.5-IN)						
	32	2	1D-4539	1	BOLT (5/16-18X2.5-IN)						
	33	2	1F-4111	1	BOLT (5/16-18X3.5-IN)						
	34	1	250-1499	1	TEE						
	35	1	2P-7636	1	CONNECTOR						
	36	1,2	5M-2894	16	WASHER-HARD (10.2X18.5X2.5-MM THK)						
	37	1	250-1496	1	ELBOW						
	38	2	5S-0003	1	NUT (5/16-18-THD)						
	39	1,2	6V-4589	6	SEAL-O-RING						
	40	2	6V-5048	1	SEAL-O-RING						
	41	2	6V-5049	33	SEAL-O-RING						
	42	1	7K-3377	2	PIPE						
	43	2	7N-6806	4	SEAL-RECTANGULAR						
	44	1	8L-2786	1	SEAL-O-RING						
	45	2	9M-1974	3	WASHER-HARD (8.8X16X2-MM THK)						
	46	1,2	9M-4584	2	CONNECTOR						
	47	2	9S-4182	1	PLUG-O-RING						
	48	2	9S-4191	1	PLUG-O-RING						

Y-SEPARATE ILLUSTRATION

FUEL SYSTEM

240-0031 LINES GP-FUEL INJECTION (contd.)

i02958523



GRAPHIC #1

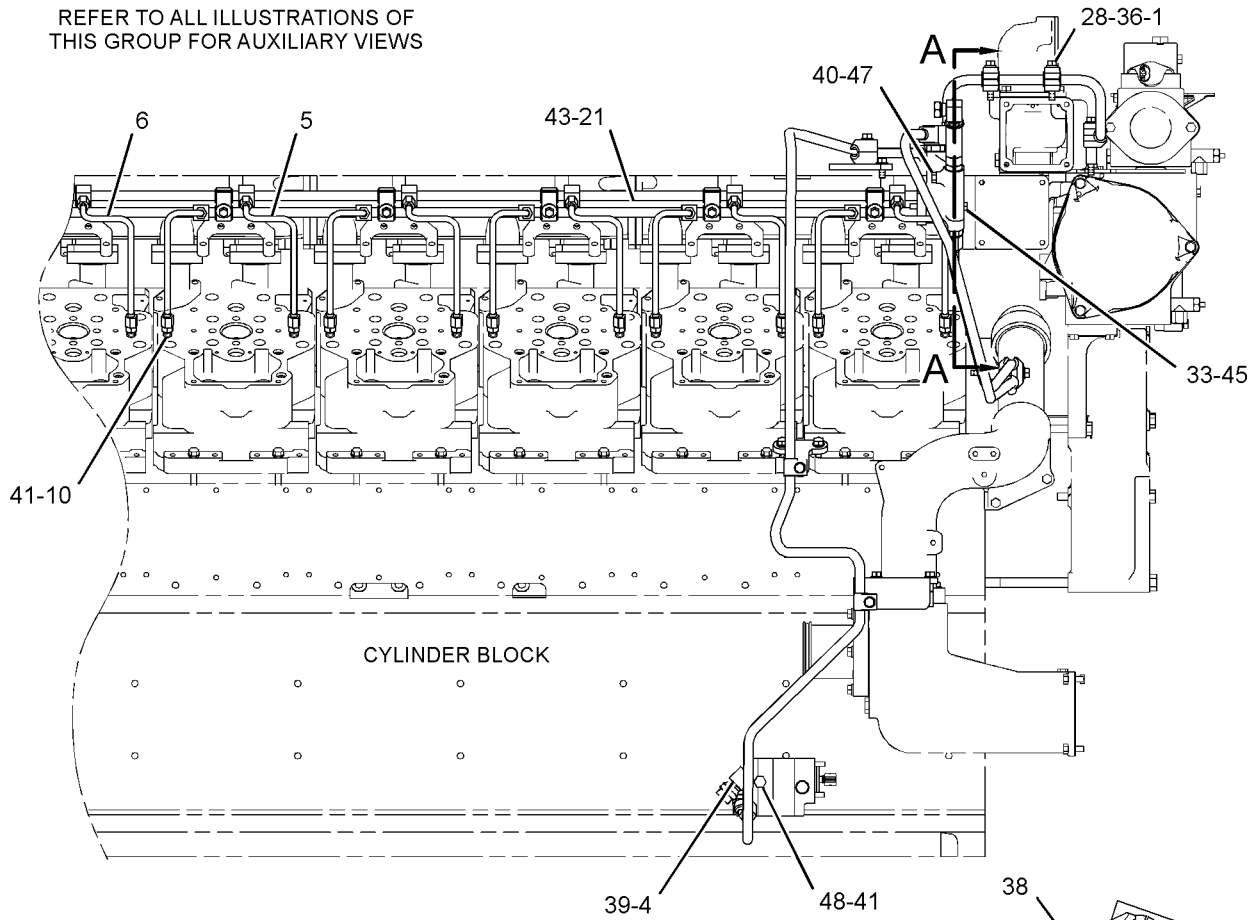
g01342756

FUEL SYSTEM

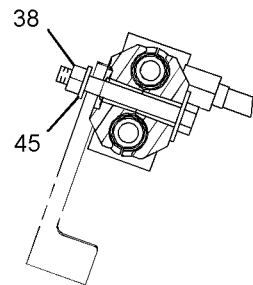
240-0031 LINES GP-FUEL INJECTION (contd.)

i02958523

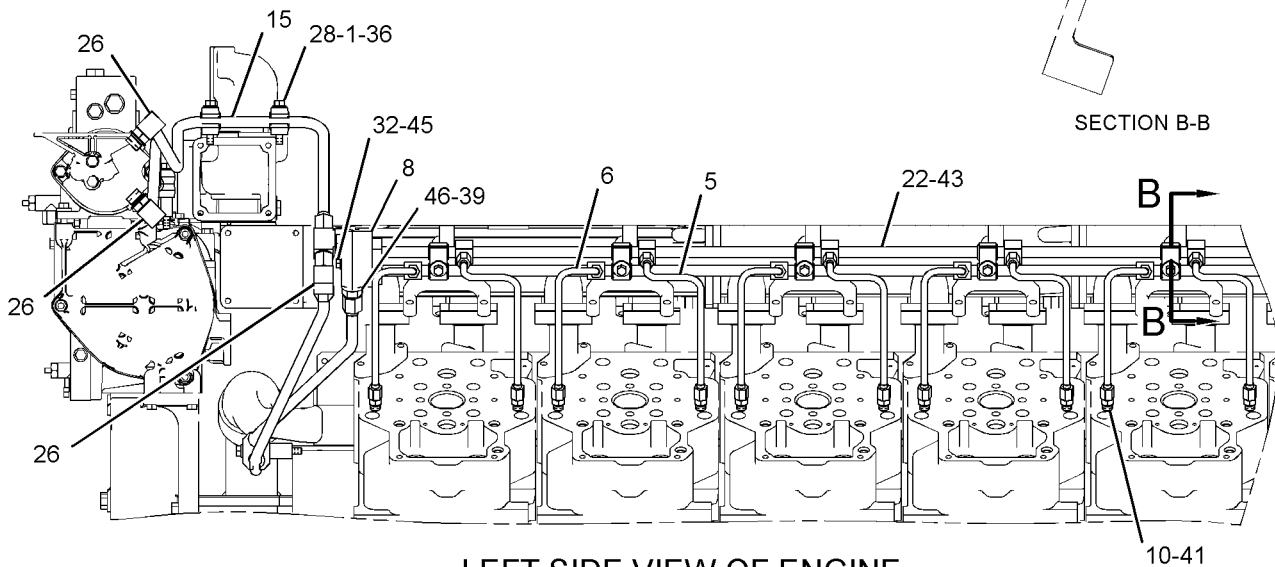
REFER TO ALL ILLUSTRATIONS OF THIS GROUP FOR AUXILIARY VIEWS



RIGHT SIDE VIEW OF ENGINE



SECTION B-B



LEFT SIDE VIEW OF ENGINE

GRAPHIC #2

<END>

g01342757

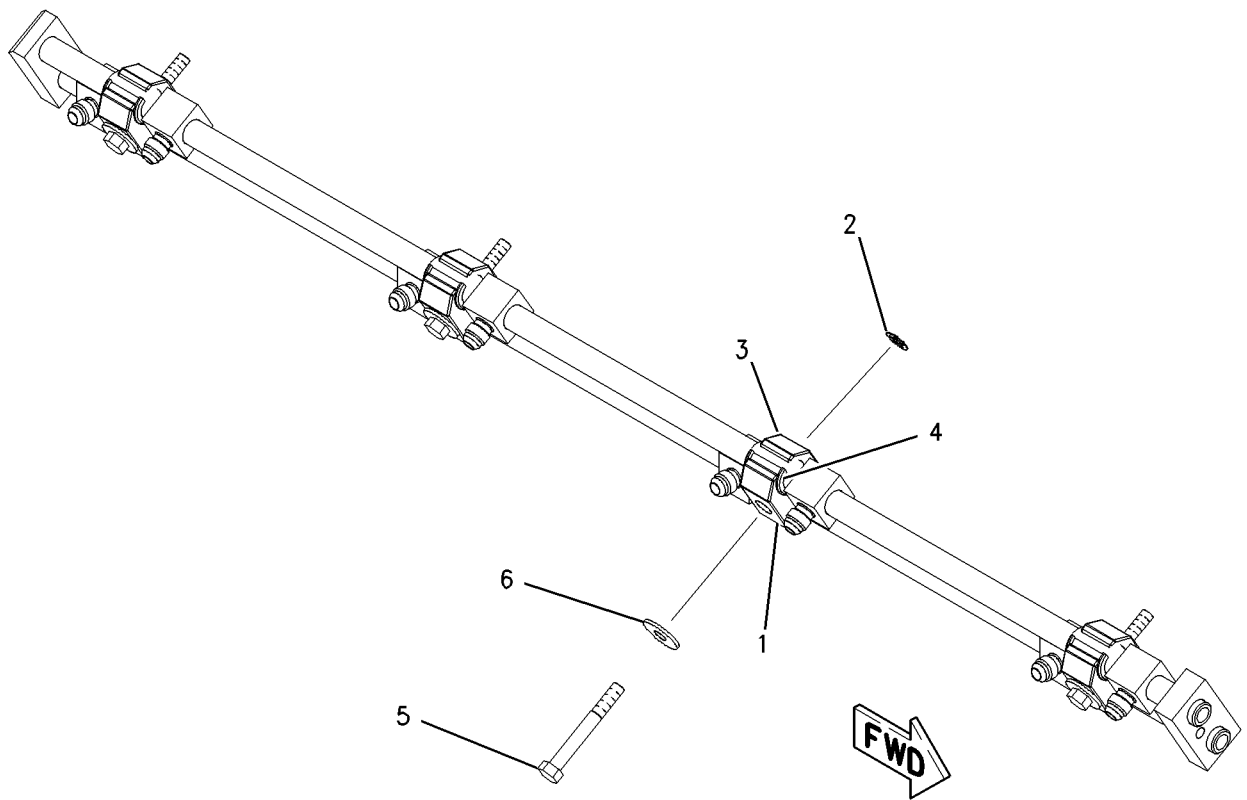
FUEL SYSTEM

156-9755 MANIFOLD GP-FUEL-RH PART OF 240-0031 LINES GP-FUEL INJECTION

SMCS-1274, 1380, 1702

i02327540

NOTE	REF NO	GRAPHIC REF	PART NUMBER	QTY	PART NAME						SEE PAGE
					1	2	3	4	5	6 (PRODUCT LEVEL)	
	1	1	9Y-0047	8	CLAMP						
	2	1	147-3745	8	WASHER-RETAINING						
	3	1	156-9748	8	CLAMP						
	4	1	100-3237	16	GROMMET						
	5	1	1D-4539	8	BOLT (5/16-18X2.5-IN)						
	6	1	9N-0869	8	WASHER-HARD (8.8X25.5X2-MM THK)						



GRAPHIC #1

<END>

g00901869

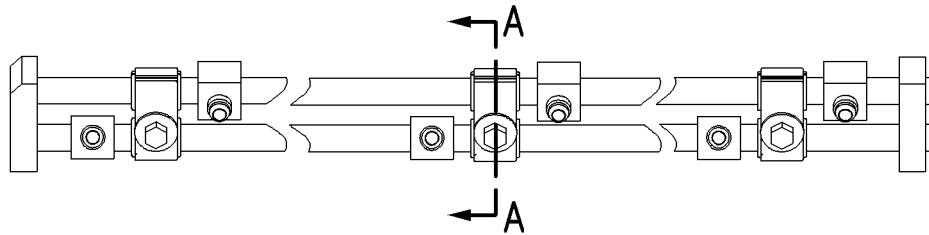
FUEL SYSTEM

156-9756 MANIFOLD GP-FUEL-LH PART OF 240-0031 LINES GP-FUEL INJECTION

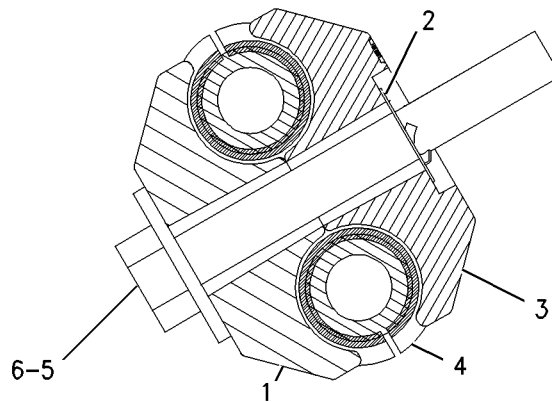
SMCS-1274, 1380, 1702

i02327539

NOTE	REF NO	GRAPHIC REF	PART NUMBER	QTY	PART NAME						SEE PAGE
					1	2	3	4	5	6 (PRODUCT LEVEL)	
	1	1	9Y-0047	8	CLAMP						
	2	1	147-3745	8	WASHER-RETAINING						
	3	1	156-9748	8	CLAMP						
	4	1	100-3237	16	GROMMET						
	5	1	1D-4539	8	BOLT (5/16-18X2.5-IN)						
	6	1	9N-0869	8	WASHER-HARD (8.8X25.5X2-MM THK)						



LEFT SIDE VIEW



SECTION A-A

GRAPHIC #1

<END>

g00901870

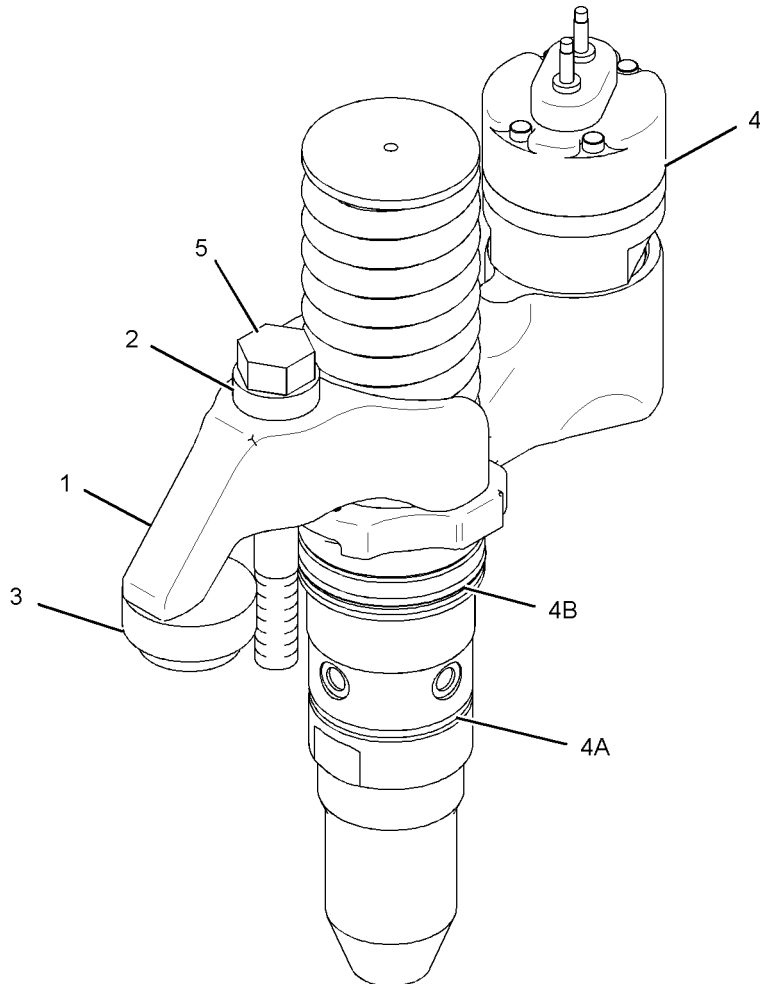
FUEL SYSTEM

274-0054 PUMP GP-FUEL INJECTION

SMCS-1251, 1290

i02451213

NOTE	REF NO	GRAPHIC REF	PART NUMBER	QTY	PART NAME						SEE PAGE
					1	2	3	4	5	6 (PRODUCT LEVEL)	
	1	1	7E-2580	1	CLAMP-INJECTOR						
	2	1	7N-5487	1	WASHER (12X22X9.5-MM THK)						
	3	1	234-4182	1	PLUG						
	4	1	250-1368	1	INJECTOR GP-FUEL						
	4A	1	245-4907	1	SEAL-O-RING						
	4B	1	245-4908	1	SEAL-O-RING						
	5	1	7F-8698	1	BOLT (7/16-14X3.5-IN)						



<END>

GRAPHIC #1

g01134824

FUEL SYSTEM

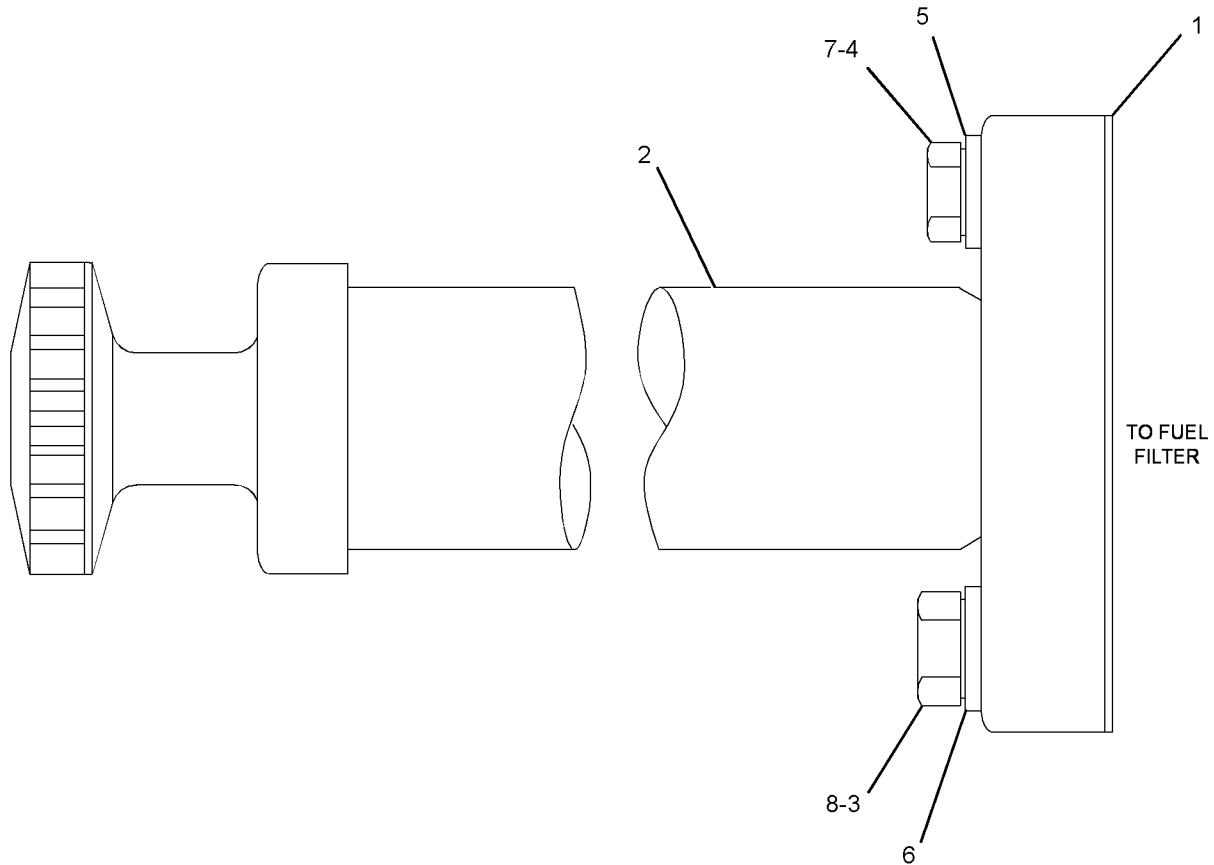
7N-8599 PUMP GP-FUEL PRIMING PART OF 210-1175, 241-4902 PUMP GP-FUEL PRIMING AN ATTACHMENT

SMCS - 1258

i02822496

NOTE	REF NO	GRAPHIC REF	PART NUMBER	QTY	PART NAME						SEE PAGE
					1	2	3	4	5	6 (PRODUCT LEVEL)	
	1	1	9Y-8389	1	GASKET (FUEL PRIMING PUMP)						
C	2	1	162-3906	1	PUMP AS-FUEL PRIMING						
		1	061-7539	1	SEAL-O-RING						
		1	229-3218	2	VALVE AS						
B	3	1	6V-8918	1	BOLT (5/16-18X1.25-IN)						
B	4	1	7X-2501	1	BOLT (1/4-20X1.25-IN)						
	5	1	8T-4205	1	WASHER-HARD (7.2X14.5X2-MM THK)						
	6	1	8T-4224	1	WASHER-HARD (8.8X16X2-MM THK)						
BM	7	1	8T-4971	1	BOLT (M6X1X30-MM)						
BM	8	1	8T-7547	1	BOLT (M8X1.25X30-MM)						

B - USE AS REQUIRED
C - CHANGE FROM PREVIOUS TYPE
M - METRIC PART



GRAPHIC #1

<END>

g01258253

FUEL SYSTEM

210-1175 PUMP GP-FUEL PRIMING-RH AN ATTACHMENT

SMCS - 1258

i03334018

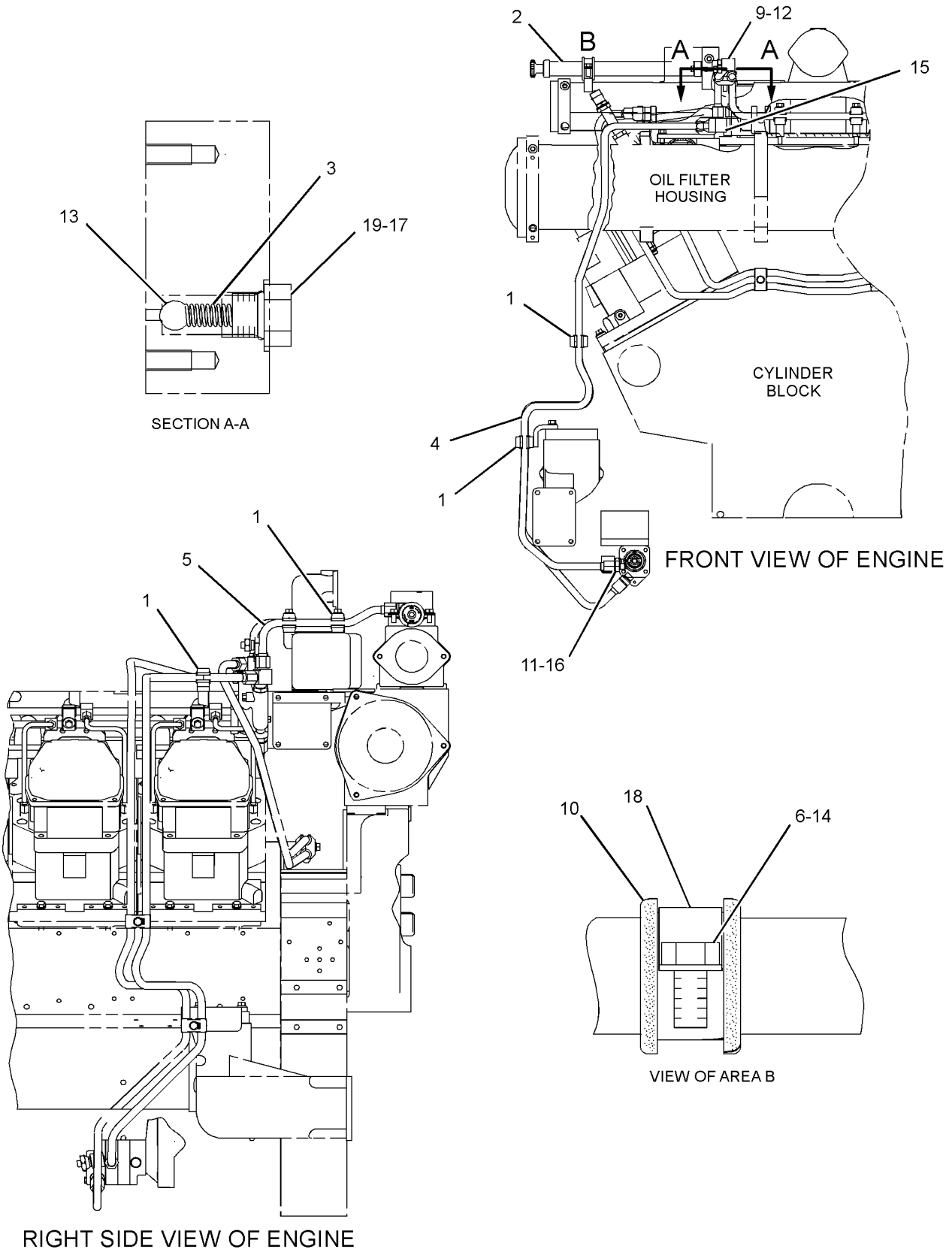
NOTE	REF NO	GRAPHIC REF	PART NUMBER	QTY	PART NAME						SEE PAGE
					1	2	3	4	5	6 (PRODUCT LEVEL)	
	1	1	4P-0693	10	CLAMP AS						
					(EACH INCLUDES)						
		1	108-1434	2	GROMMET						
Y	2	1	7N-8599	1	PUMP GP-FUEL PRIMING						308
	3	1	9N-1752	1	SPRING						
	4	1	210-1471	1	TUBE AS						
	5	1	237-2715	1	TUBE AS						
	6	1	0L-1351	2	BOLT (3/8-16X0.875-IN)						
	9	1	1P-7625	1	ELBOW						
	10	1	2H-9523	1	GROMMET						
	11	1	3J-1907	1	SEAL-O-RING						
	12	1	3K-0360	1	SEAL-O-RING						
	13	1	4B-9782	1	BALL						
	14	1	5M-2894	2	WASHER-HARD (10.2X18.5X2.5-MM THK)						
	15	1	250-1496	1	ELBOW						
	16	1	6V-4362	1	CONNECTOR						
	17	1	6V-5049	1	SEAL-O-RING						
	18	1	8N-3480	1	CLIP						
	19	1	9S-4191	1	PLUG-O-RING						

Y-SEPARATE ILLUSTRATION

FUEL SYSTEM

210-1175 PUMP GP-FUEL PRIMING (contd.)

i03334018



GRAPHIC #1

<END>

g01715879

FUEL SYSTEM

241-4902 PUMP GP-FUEL PRIMING-RH AN ATTACHMENT

SMCS - 1258

i03777255

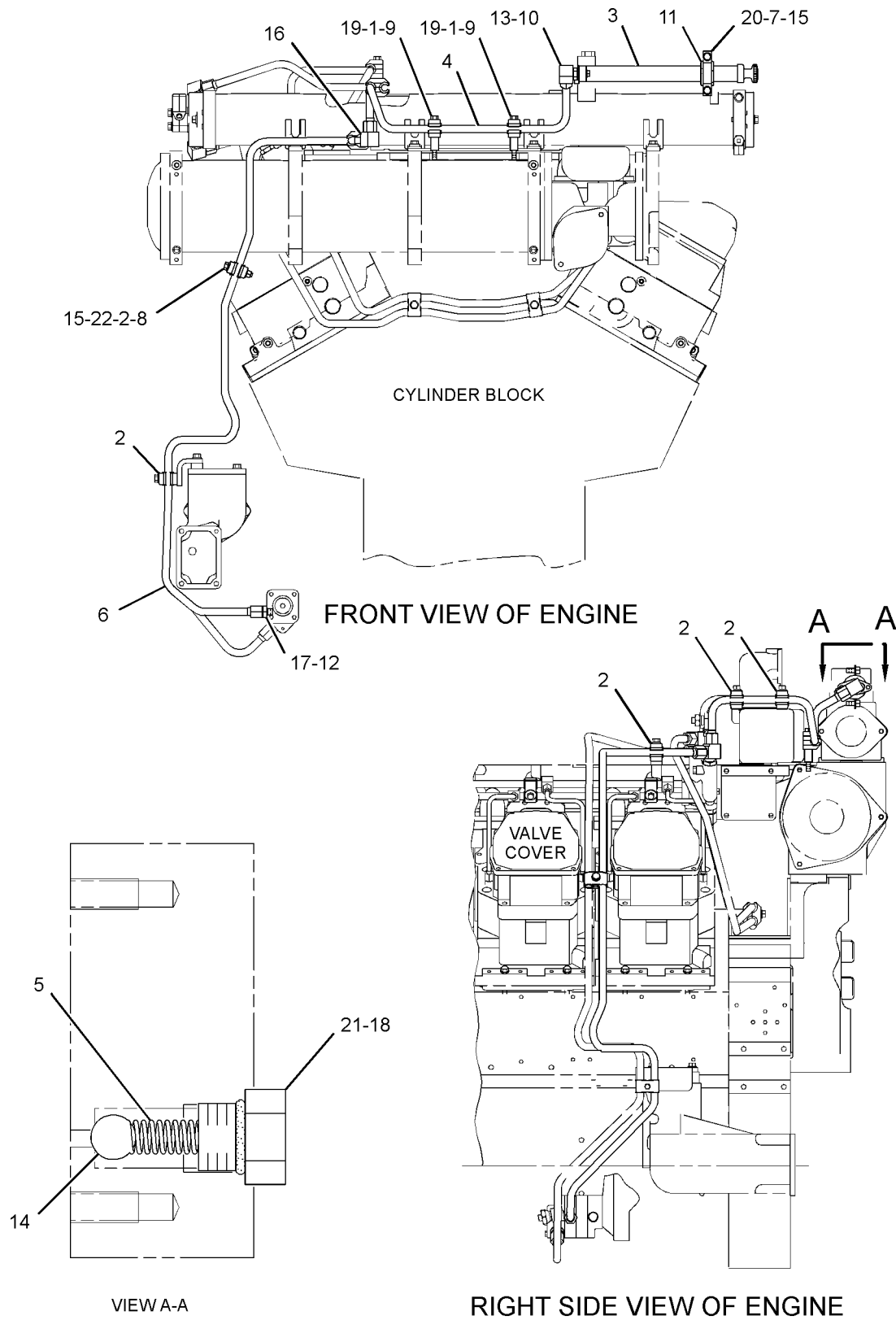
NOTE	REF NO	GRAPHIC REF	PART NUMBER	QTY	PART NAME						SEE PAGE
					1	2	3	4	5	6 (PRODUCT LEVEL)	
	1	1	4P-0692	4	CLAMP AS						
					(EACH INCLUDES)						
		1	108-1434	1	GROMMET						
	2	1	4P-0693	10	CLAMP AS						
					(EACH INCLUDES)						
		1	108-1434	2	GROMMET						
Y	3	1	7N-8599	1	PUMP GP-FUEL PRIMING						308
	4	1	237-2718	1	TUBE AS						
	5	1	9N-1752	1	SPRING						
	6	1	210-1471	1	TUBE AS						
	7	1	0L-1351	2	BOLT (3/8-16X0.875-IN)						
	8	1	0L-2070	1	BOLT (3/8-16X2.25-IN)						
	9	1	0T-0065	2	BOLT (3/8-16X3.5-IN)						
	10	1	1P-7625	1	ELBOW						
	11	1	2H-9523	1	GROMMET						
	12	1	3J-1907	1	SEAL-O-RING						
	13	1	3K-0360	1	SEAL-O-RING						
	14	1	4B-9782	1	BALL						
	15	1	5M-2894	4	WASHER-HARD (10.2X18.5X2.5-MM THK)						
	16	1	250-1496	1	ELBOW						
	17	1	6V-4362	1	CONNECTOR						
	18	1	6V-5049	1	SEAL-O-RING						
	19	1	7K-3377	2	PIPE						
	20	1	8N-3480	1	CLIP						
	21	1	9S-4191	1	PLUG-O-RING						
	22	1	9S-8752	1	NUT-FULL (3/8-16-THD)						

Y-SEPARATE ILLUSTRATION

FUEL SYSTEM

241-4902 PUMP GP-FUEL PRIMING (contd.)

i03777255



GRAPHIC #1

<END>

g01361355

FUEL SYSTEM

207-1348 PUMP GP-FUEL TRANSFER

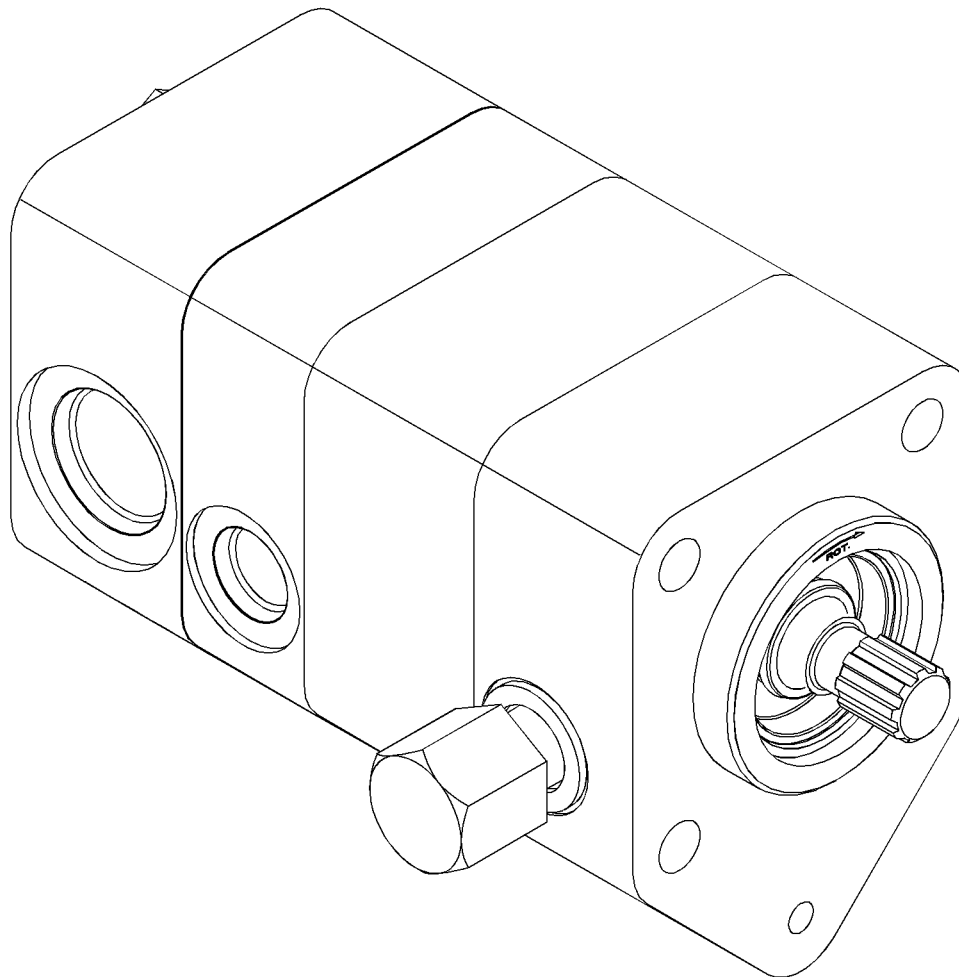
ONE SECTION GEAR

PART OF 207-1349 PUMP GP-FUEL TRANSFER

SMCS-1256

i02748264

NOTE	REF NO	GRAPHIC REF	PART NUMBER	QTY	PART NAME						SEE PAGE
					1	2	3	4	5	6 (PRODUCT LEVEL)	
					AVAILABLE REPAIR KIT(S):						
			256-8766		KIT-REPAIR (BYPASS VALVE)						
					(INCLUDES POPPET-VALVE, SPRING-RELIEF VALVE, CAP, AND WASHER)						
			277-4487		KIT-REPAIR (GEAR, SHAFT)						
					(INCLUDES BUSHING-TERMINAL, GEAR AS-IDLER, AND SHAFT AS-DRIVE)						
			255-8691		KIT-SEAL						
					(INCLUDES GASKET, SEAL-O-RINGS, AND SEAL-LIP TYPES)						



GRAPHIC #1

<END>

g01228697

FUEL SYSTEM

207-1349 PUMP GP-FUEL TRANSFER

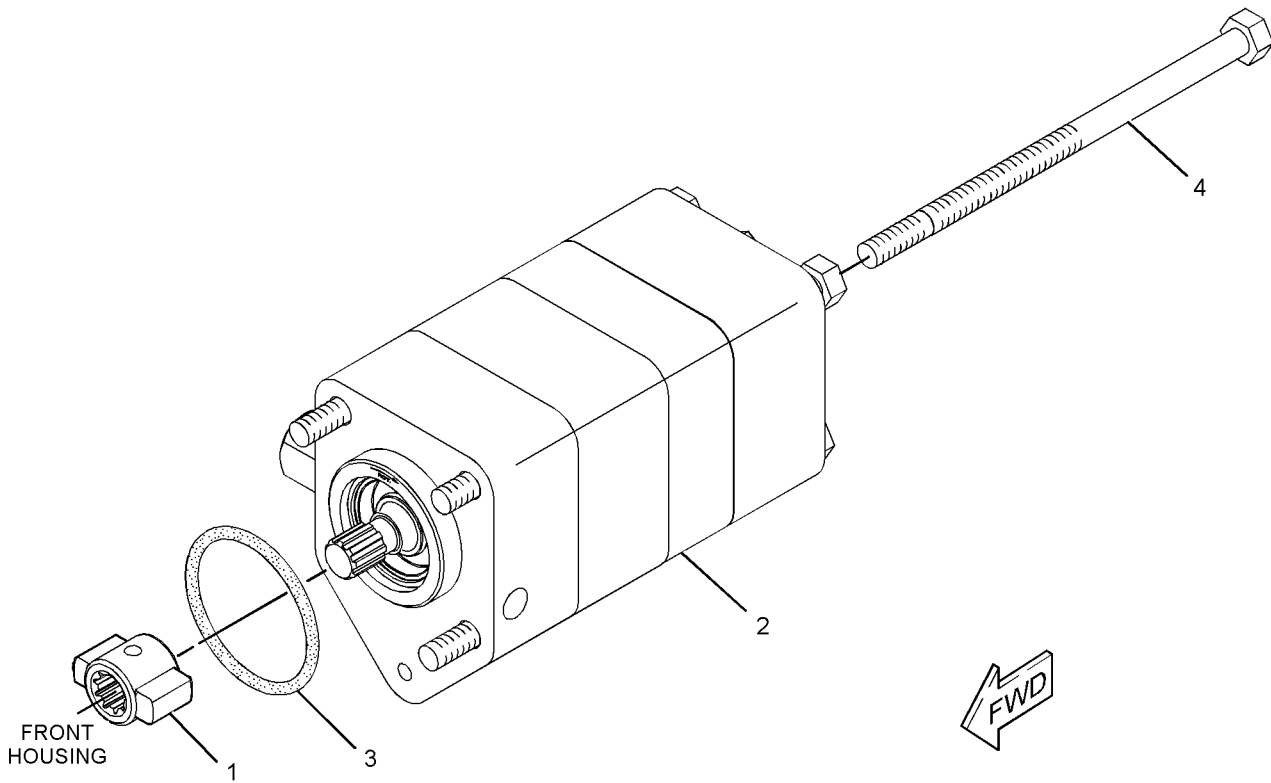
S/N: JTS1-105
ONE SECTION GEAR

SMCS - 1256

i02424786

NOTE	REF NO	GRAPHIC REF	PART NUMBER	QTY	PART NAME						SEE PAGE
					1	2	3	4	5	6 (PRODUCT LEVEL)	
	1	1	1N-4636	1	COUPLING-DRIVE						
Y	2	1	207-1348	1	PUMP GP-FUEL TRANSFER						313
	3	1	1H-9696	1	SEAL-O-RING						
	4	1	8M-1865	4	BOLT (5/16-18X5.75-IN)						

Y-SEPARATE ILLUSTRATION



GRAPHIC #1

<END>

g01212872

FUEL SYSTEM

207-1349 PUMP GP-FUEL TRANSFER

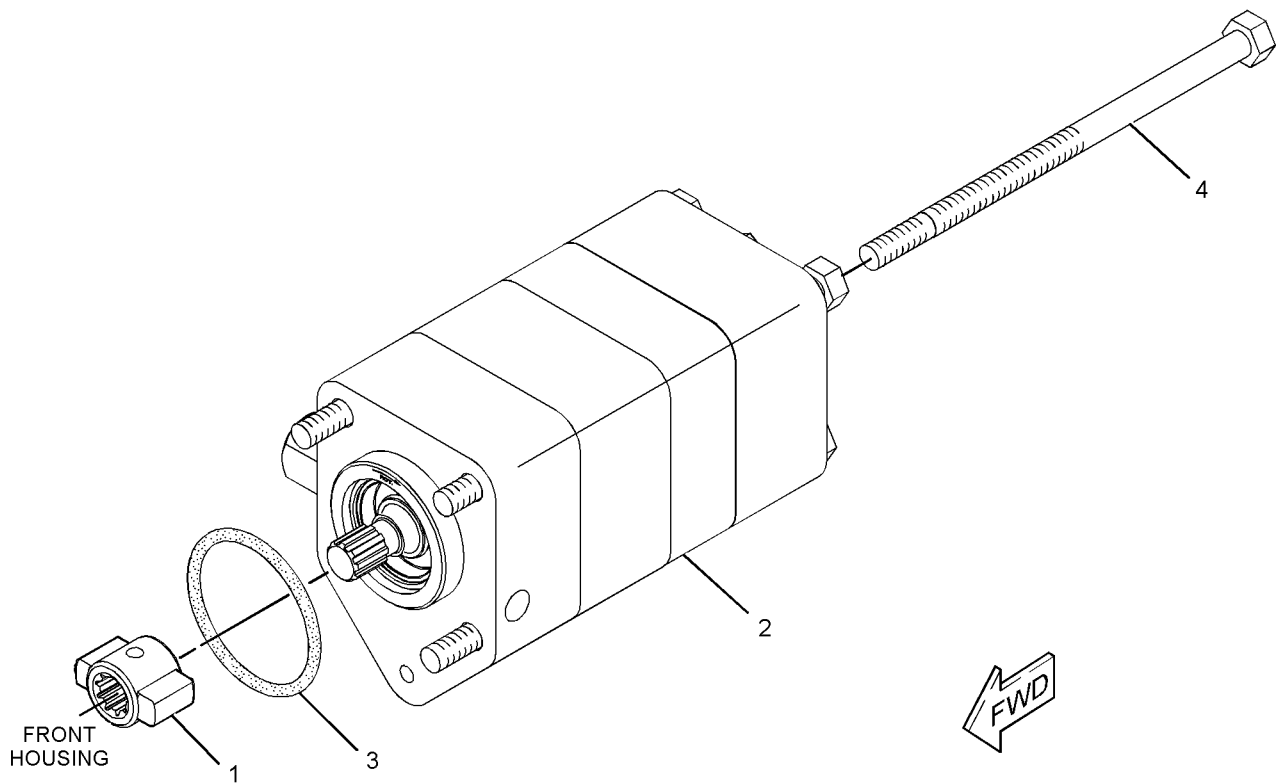
S/N: JTS106-UP
ONE SECTION GEAR

SMCS-1256

i02918700

NOTE	REF NO	GRAPHIC REF	PART NUMBER	QTY	PART NAME						SEE PAGE
					1	2	3	4	5	6 (PRODUCT LEVEL)	
	1	1	1N-4636	1	COUPLING-DRIVE						
CY	2	1	322-6264	1	PUMP GP-FUEL TRANSFER						316
	3	1	1H-9696	1	SEAL-O-RING						
	4	1	8M-1865	4	BOLT (5/16-18X5.75-IN)						

C-CHANGE FROM PREVIOUS TYPE
Y-SEPARATE ILLUSTRATION



GRAPHIC #1

<END>

g01212872

FUEL SYSTEM

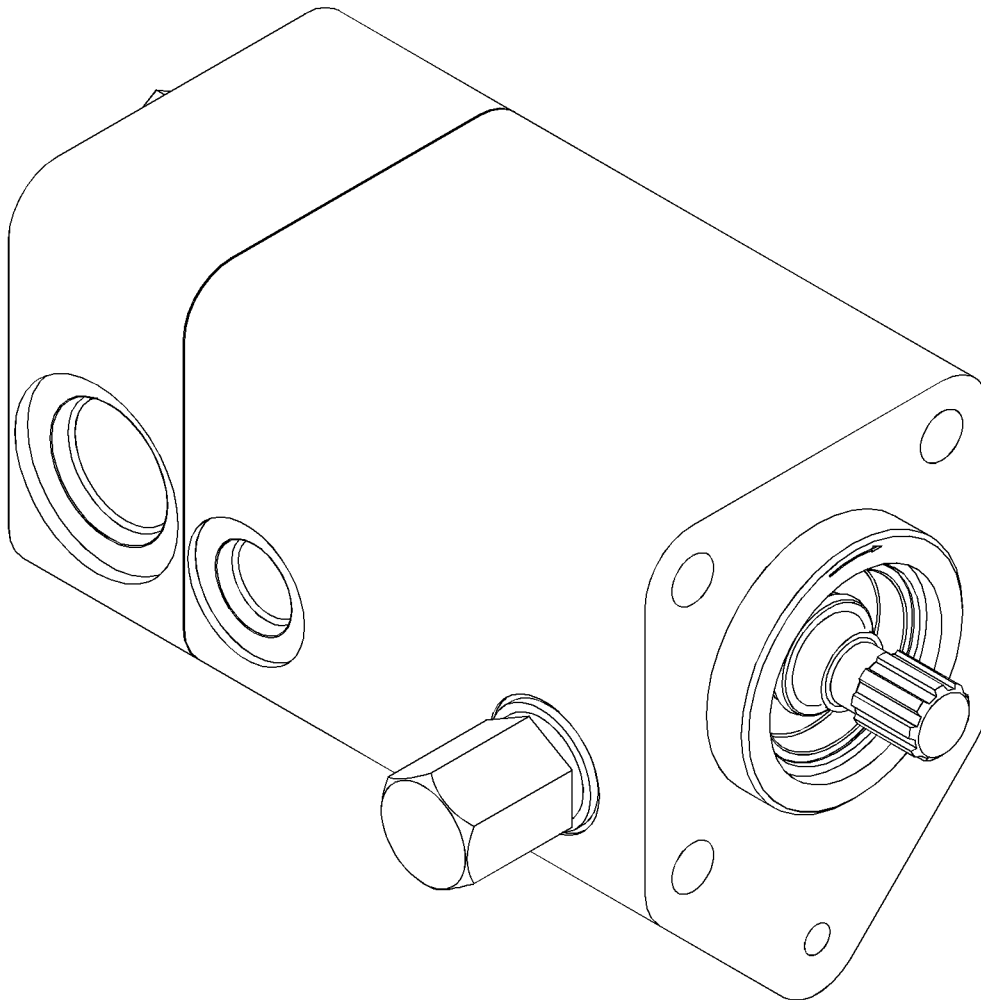
322-6264 PUMP GP-FUEL TRANSFER

PART OF 207-1349 PUMP GP-FUEL TRANSFER

SMCS-1256

i02918702

NOTE	REF NO	GRAPHIC REF	PART NUMBER	QTY	PART NAME						SEE PAGE
					1	2	3	4	5	6 (PRODUCT LEVEL)	
					AVAILABLE REPAIR KIT(S):						
			255-8691	1	KIT-SEAL (INCLUDES GASKET, SEAL-O-RINGS, & SEAL-LIP TYPES)						
			277-4487	1	KIT-REPAIR (GEAR, SHAFT) (INCLUDES BUSHINGS, GEAR AS-IDLER, & SHAFT AS-DRIVE)						



GRAPHIC #1

<END>

g01457253

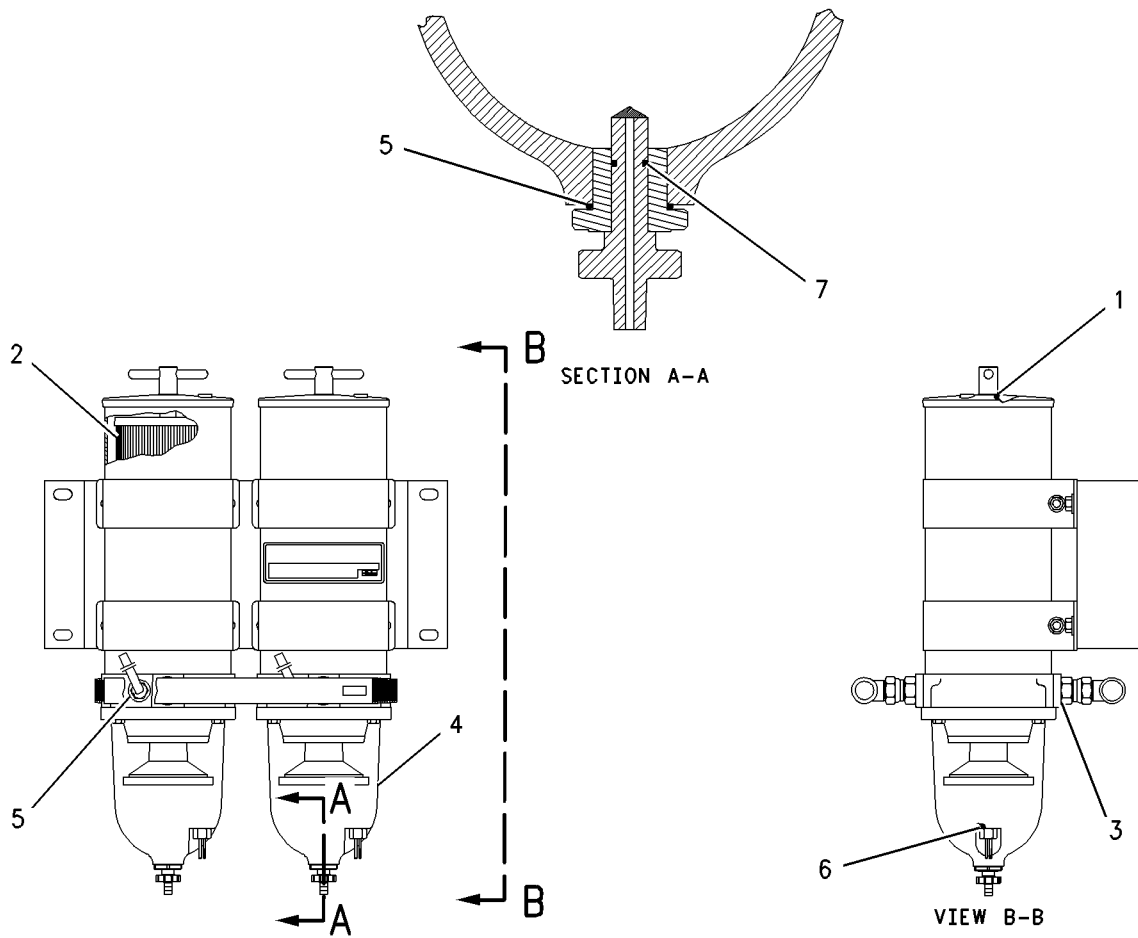
FUEL SYSTEM

233-7973 SEPARATOR GP-WATER-PRIMARY FUEL FILTER AN ATTACHMENT

SMCS-1263

i02929430

NOTE	REF NO	GRAPHIC REF	PART NUMBER	QTY	PART NAME						SEE PAGE
					1	2	3	4	5	6	
	1	1	3J-1907	2	SEAL-O-RING						
	2	1	134-6307	2	FILTER ELEMENT-FUEL (WATER SEPARATOR)						
	3	1	4P-7383	6	GASKET						
	4	1	4P-7381	2	BOWL AS						
	5	1	2M-9780	4	SEAL-O-RING						
	6	1	1J-9671	2	SEAL-O-RING						
	7	1	4J-5477	2	SEAL-O-RING						



GRAPHIC #1

<END>

g00894701

FUEL SYSTEM

244-2478 SHIELD GP-FUEL LINES--FUEL PRIMING PUMP AN ATTACHMENT

SMCS-1067, 1252

i03636724

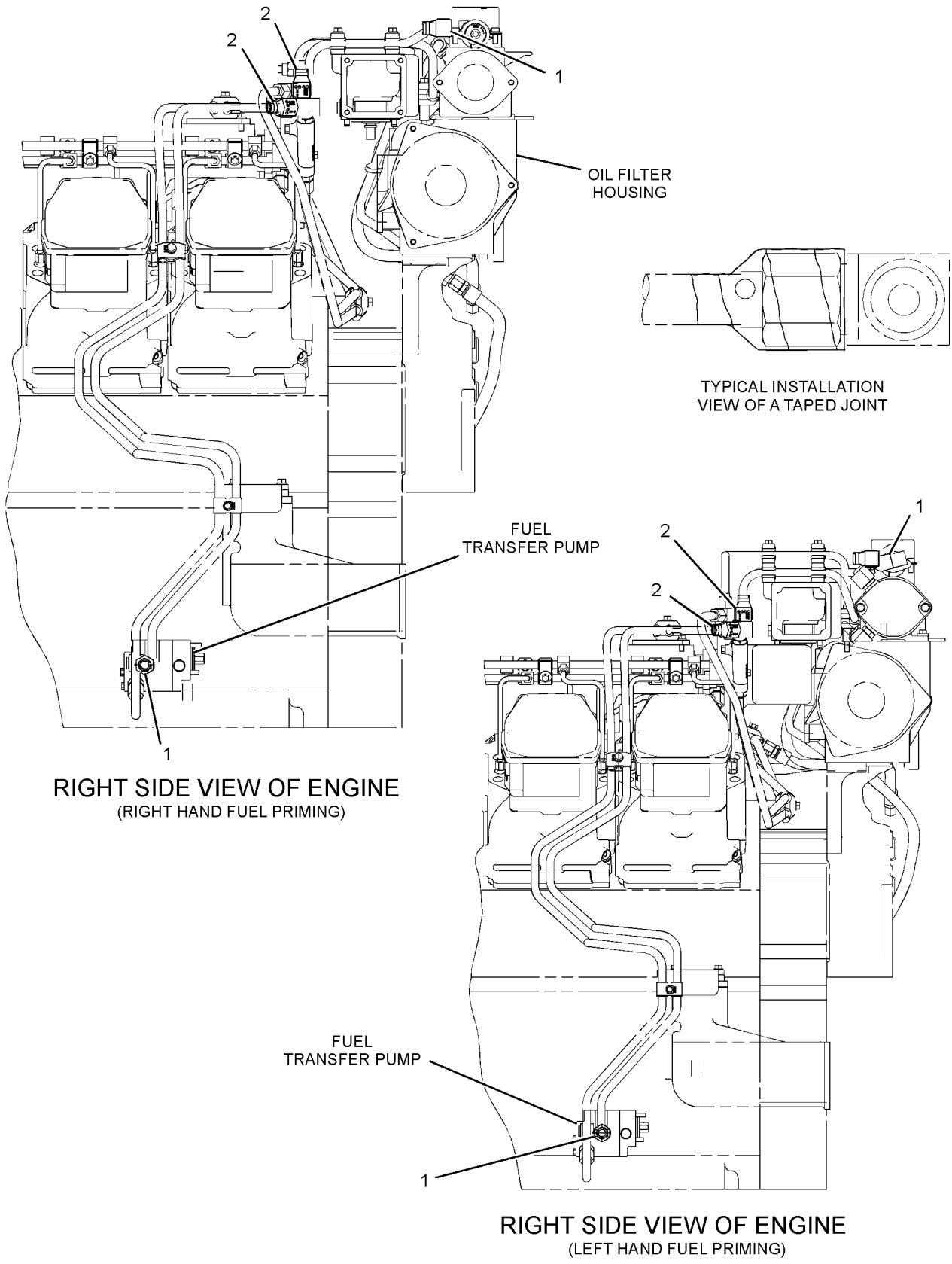
NOTE	REF NO	GRAPHIC REF	PART NUMBER	QTY	PART NAME	SEE PAGE
					1 2 3 4 5 6 (PRODUCT LEVEL)	
B	1	1	237-3860		TAPE (ANTI-SPLASH, 50-MM WIDE)	
	2	1	251-1255	2	SHIELD-FUEL LINE FITTING (18.05-MM ID)	

B-USE AS REQUIRED

FUEL SYSTEM

244-2478 SHIELD GP-FUEL LINES (contd.)

i03636724



RIGHT SIDE VIEW OF ENGINE
(RIGHT HAND FUEL PRIMING)

RIGHT SIDE VIEW OF ENGINE
(LEFT HAND FUEL PRIMING)

GRAPHIC #1

<END>

g02033209

FUEL SYSTEM

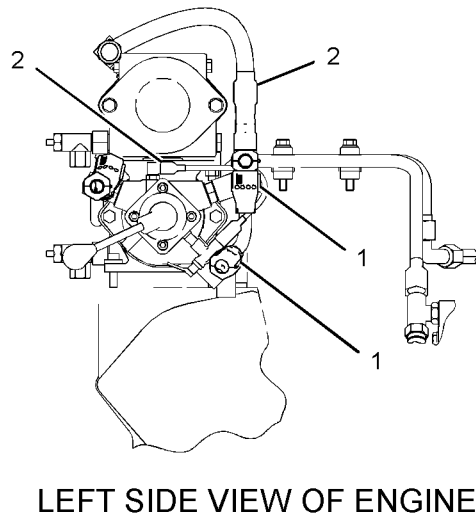
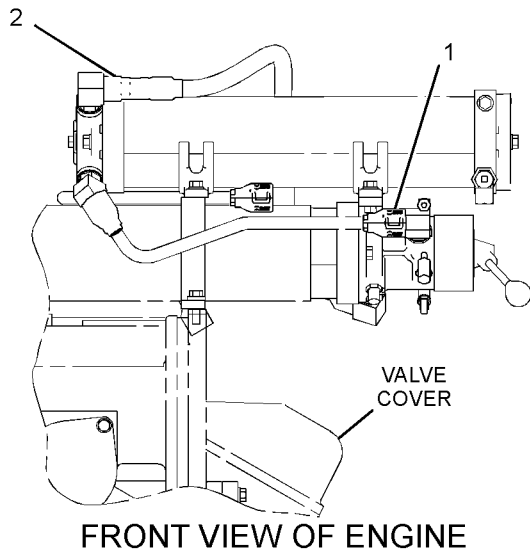
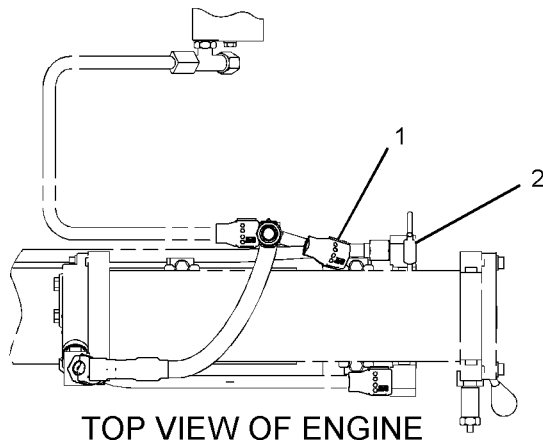
244-6567 SHIELD GP-FUEL LINES AN ATTACHMENT

SMCS-1067, 1252

i03636735

NOTE	REF NO	GRAPHIC REF	PART NUMBER	QTY	PART NAME						SEE PAGE
					1	2	3	4	5	6 (PRODUCT LEVEL)	
	1	1	251-1255	4	SHIELD-FUEL LINE FITTING (18.05-MM ID)						
B	2	1	237-3860		TAPE (ANTI-SPLASH, 50-MM WIDE)						

B-USE AS REQUIRED



GRAPHIC #1

<END>

g01956958

FUEL SYSTEM

246-0457 SHIELD GP-FUEL LINES

S/N: JTS1-146

AN ATTACHMENT

SMCS-1067, 1252

i03103084

NOTE	REF NO	GRAPHIC REF	PART NUMBER	QTY	PART NAME						SEE PAGE
					1	2	3	4	5	6 (PRODUCT LEVEL)	
	1	1,2	241-6244	64	SHIELD-FUEL LINE FITTING (9.8-MM ID)						
	2	2	246-2946	1	SHIELD						
	3	2	246-2947	1	COVER (RH)						
	4	2	246-2948	1	COVER (RH)						
	5	2	246-2949	1	SHIELD AS (RH)						
		2	1F-0750	4	NUT-WELD (3/8-16-THD)						
		2	248-5503	3	NUT-CLINCH						
	6	2	246-2950	1	PLATE AS (RH)						
	7	1	246-7964	1	SHIELD AS (RH)						
		1	9V-7451	2	NUT-WELD (1/4-20-THD)						
	8	1	247-2954	1	BRACKET AS						
		1	1F-0750	1	NUT-WELD (3/8-16-THD)						
	9	1	249-8926	1	SHIELD						
	10	1,2	251-1255	6	SHIELD-FUEL LINE FITTING (18.05-MM ID)						
	11	1	287-3390	1	SPACER (10.3X19.1X14.3-MM THK)						
	12	2	0S-1588	2	BOLT (3/8-16X1.25-IN)						
	13	1	0S-1591	1	BOLT (3/8-16X1.5-IN)						
	14	1	132-7551	1	SPACER (11X19X6-MM THK)						
	15	2	3B-1915	1	BOLT (3/8-16X1.375-IN)						
	16	1,2	4M-5281	4	BOLT (1/4-20X0.75-IN)						
	17	2	5M-2894	2	WASHER-HARD (10.2X18.5X2.5-MM THK)						
	18	1,2	5S-7379	5	BOLT (3/8-16X0.875-IN)						
	19	1	5S-7382	1	BOLT (3/8-16X1.375-IN)						
	20	1,2	8T-4205	5	WASHER-HARD (7.2X14.5X2-MM THK)						
	21	2	8T-9364	1	BOLT (1/4-20X0.625-IN)						
	22	1,2	9X-6458	2	WASHER-HARD (10.2X22.5X3-MM THK)						
BE	23	1	237-3860		TAPE (ANTI-SPLASH, 50-MM WIDE) (30-CM)						
	24	1,2	8T-4896	6	WASHER-HARD (10.2X18.5X2.5-MM THK)						

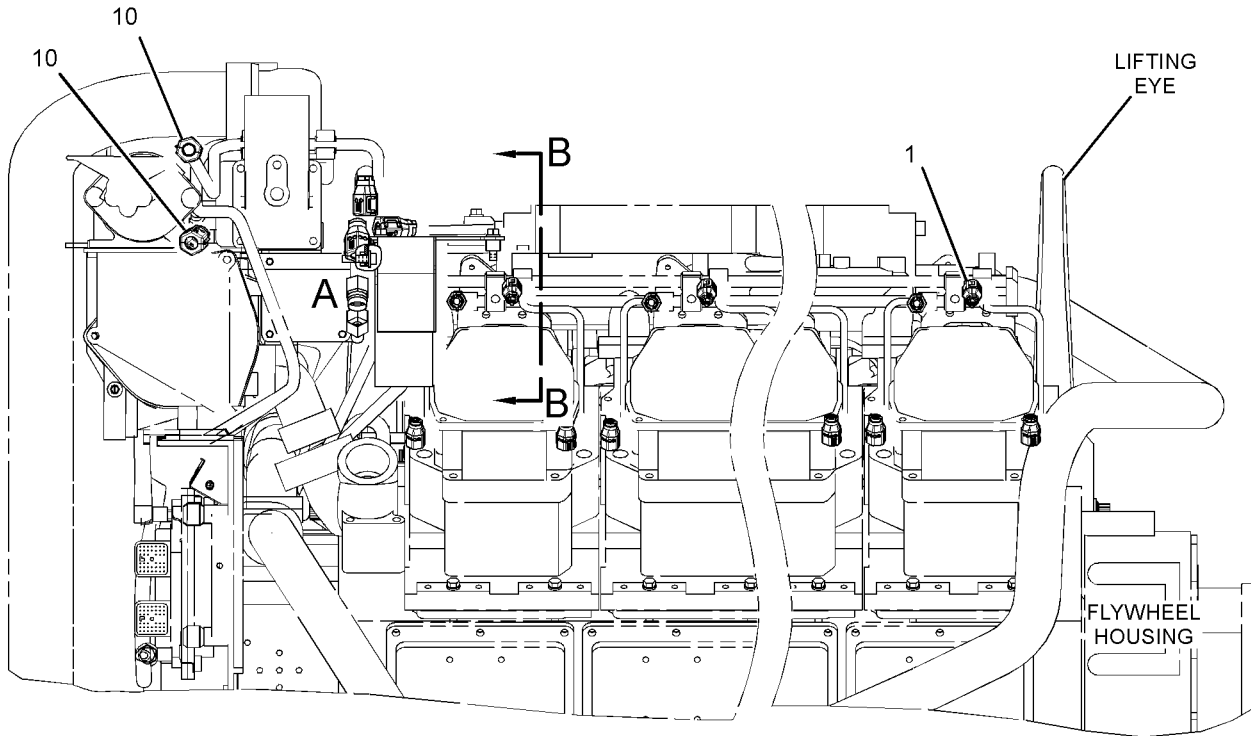
B-USE AS REQUIRED

E-ORDER BY THE CENTIMETER

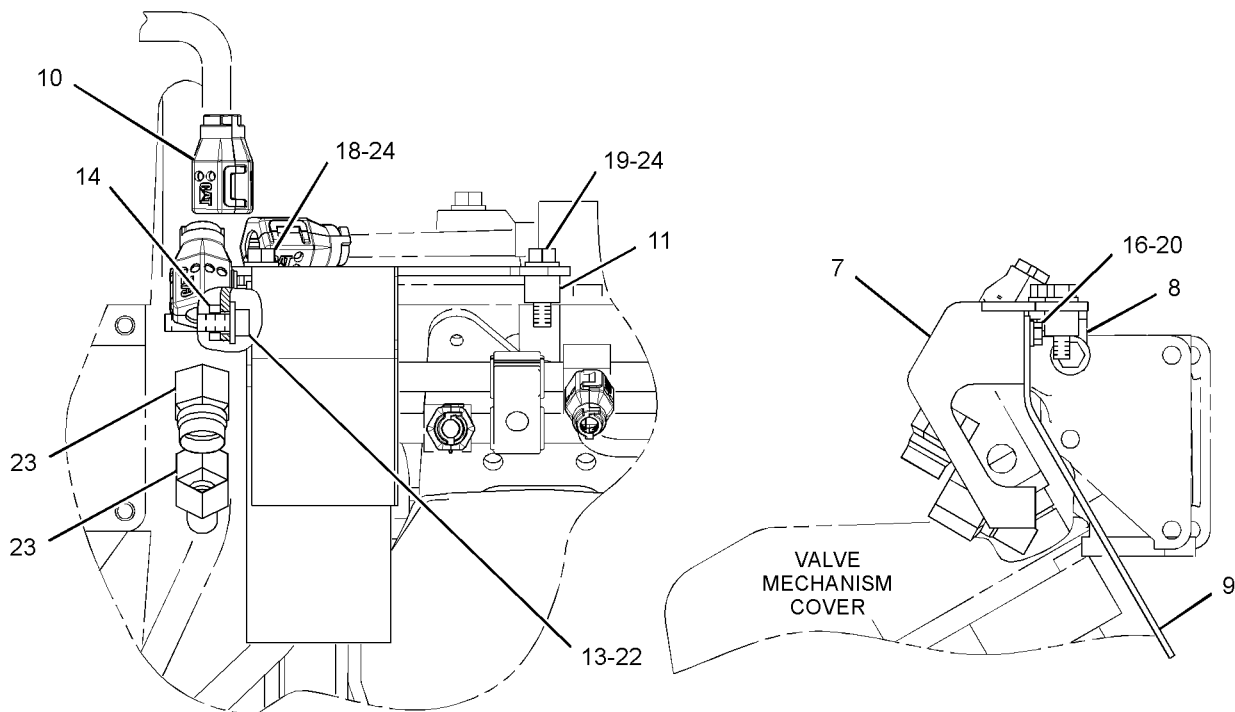
FUEL SYSTEM

246-0457 SHIELD GP-FUEL LINES (contd.)

i03103084



LEFT SIDE VIEW OF ENGINE



VIEW OF AREA A

VIEW B-B

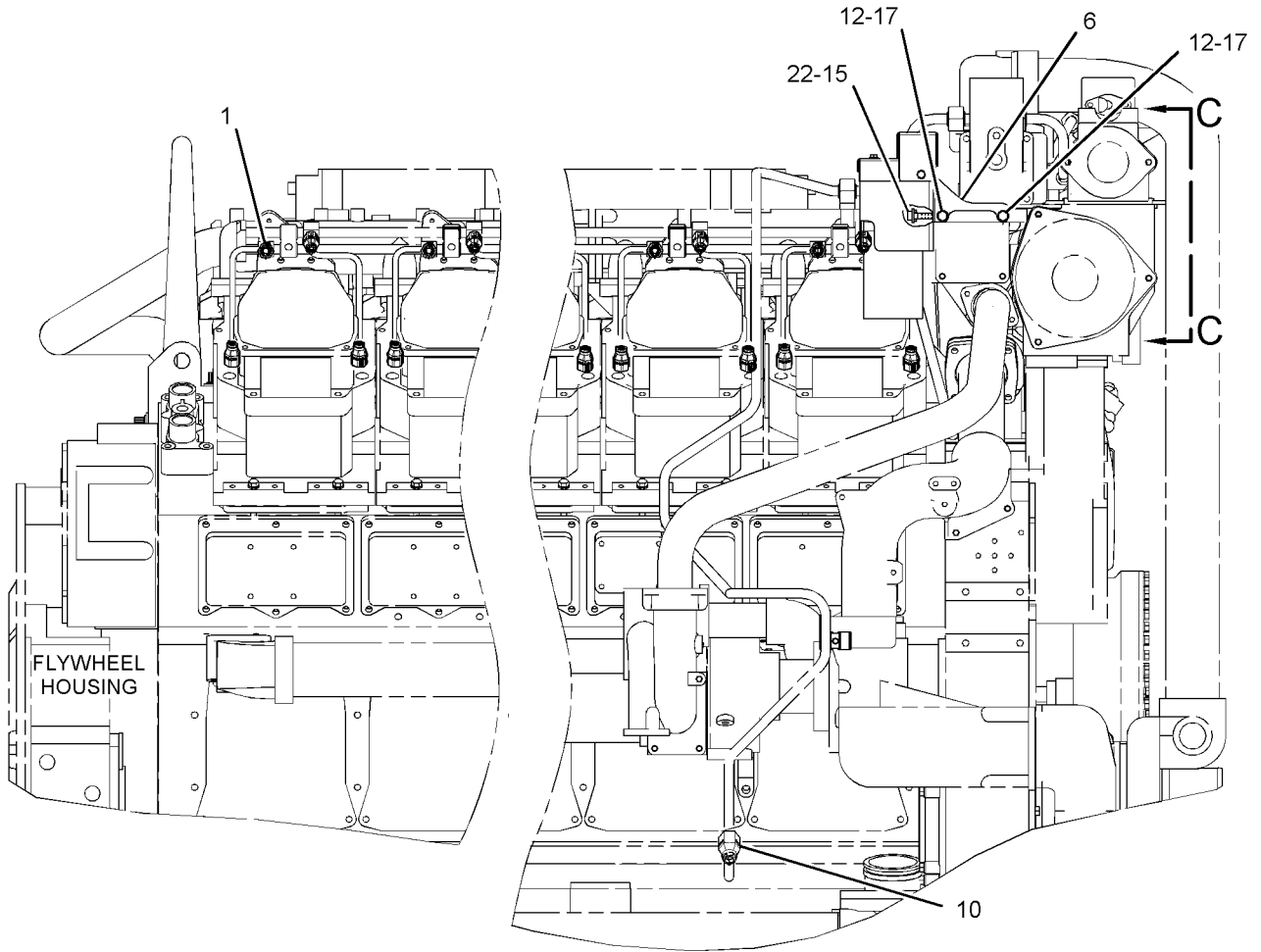
GRAPHIC #1

g01699373

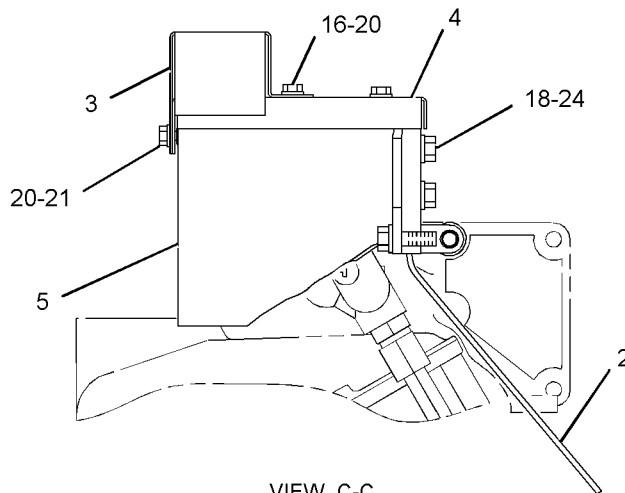
FUEL SYSTEM

246-0457 SHIELD GP-FUEL LINES (contd.)

i03103084



RIGHT SIDE VIEW OF ENGINE



VIEW C-C

GRAPHIC #2

<END>

g01699374

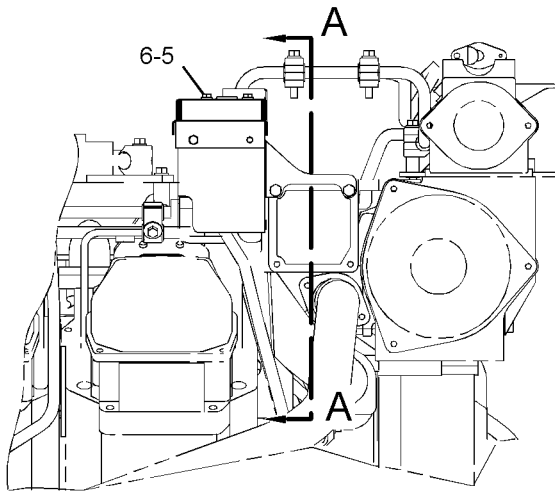
FUEL SYSTEM

254-7277 SHIELD GP-FUEL LINES-FUEL MANIFOLD AN ATTACHMENT

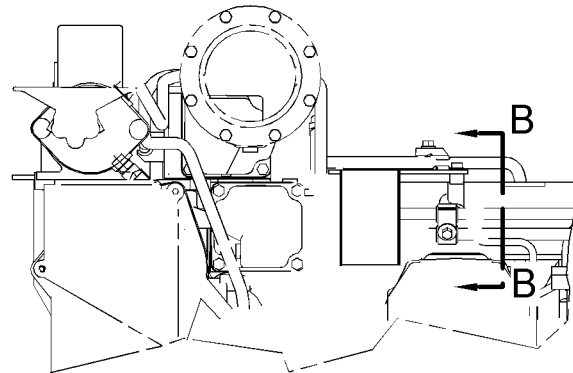
SMCS-1067, 1252

i02801506

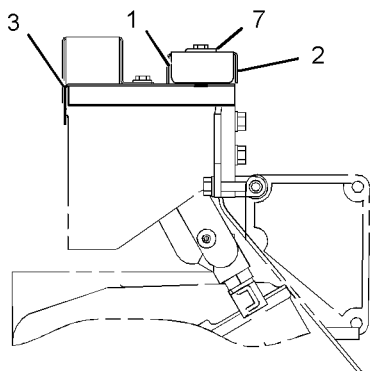
NOTE	REF NO	GRAPHIC REF	PART NUMBER	QTY	PART NAME						SEE PAGE
					1	2	3	4	5	6 (PRODUCT LEVEL)	
	1	1	253-2120	1	COVER						
	2	1	253-2122	1	COVER						
	3	1	254-7278	1	COVER AS						
		1	248-5503	2	NUT-CLINCH						
	4	1	254-7279	1	SHIELD AS						
		1	9F-6445	2	NUT-WELD (1/4-20-THD)						
	5	1	7X-3178	2	BOLT (1/4-20X1.625-IN)						
	6	1	8T-4205	2	WASHER-HARD (7.2X14.5X2-MM THK)						
	7	1	9D-3769	1	GROMMET						



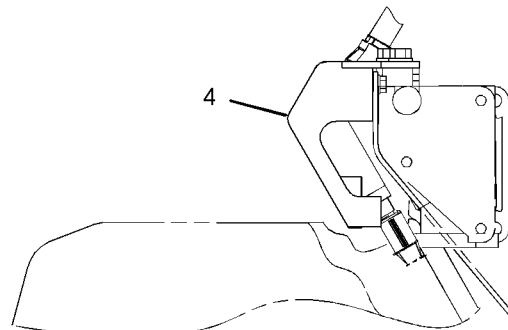
RIGHT SIDE VIEW



LEFT SIDE VIEW



VIEW A-A



VIEW B-B

GRAPHIC #1

<END>

g01180865

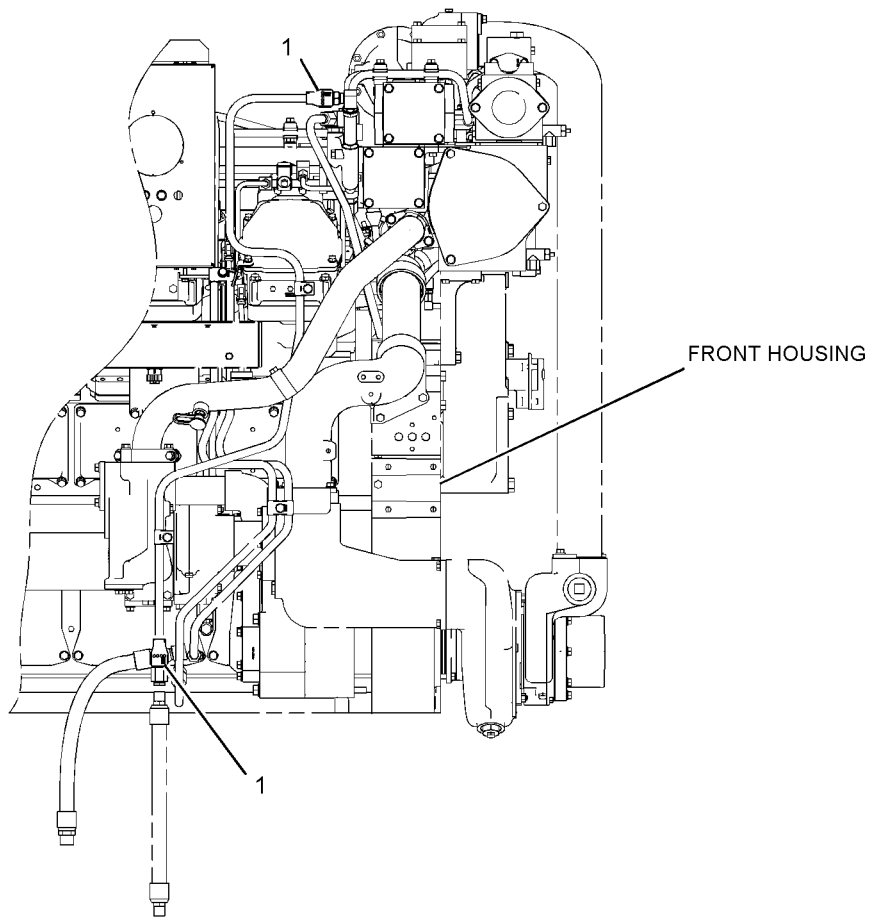
FUEL SYSTEM

276-1307 SHIELD GP-FUEL LINES-FUEL RETURN AN ATTACHMENT

SMCS-1067, 1252

i02735841

NOTE	REF NO	GRAPHIC REF	PART NUMBER	QTY	PART NAME						SEE PAGE
					1	2	3	4	5	6 (PRODUCT LEVEL)	
	1	1	251-1255	2	SHIELD-FUEL LINE FITTING (18.05-MM ID)						



RIGHT SIDE VIEW OF ENGINE

<END>

GRAPHIC #1

g01373234

ELECTRICAL AND STARTING SYSTEM

4N-3986 ALTERNATOR GP-CHARGING*R

24-VOLT, 60-AMPERE

PART OF 7E-2858 ALTERNATOR GP-CHARGING

FIELD REPLACEMENT ORDER 266-7227-PAGE 333, 331-5717-PAGE 335,

333-1184-PAGE 337

AN ATTACHMENT

TYPE 1

SMCS-1405

i02858057

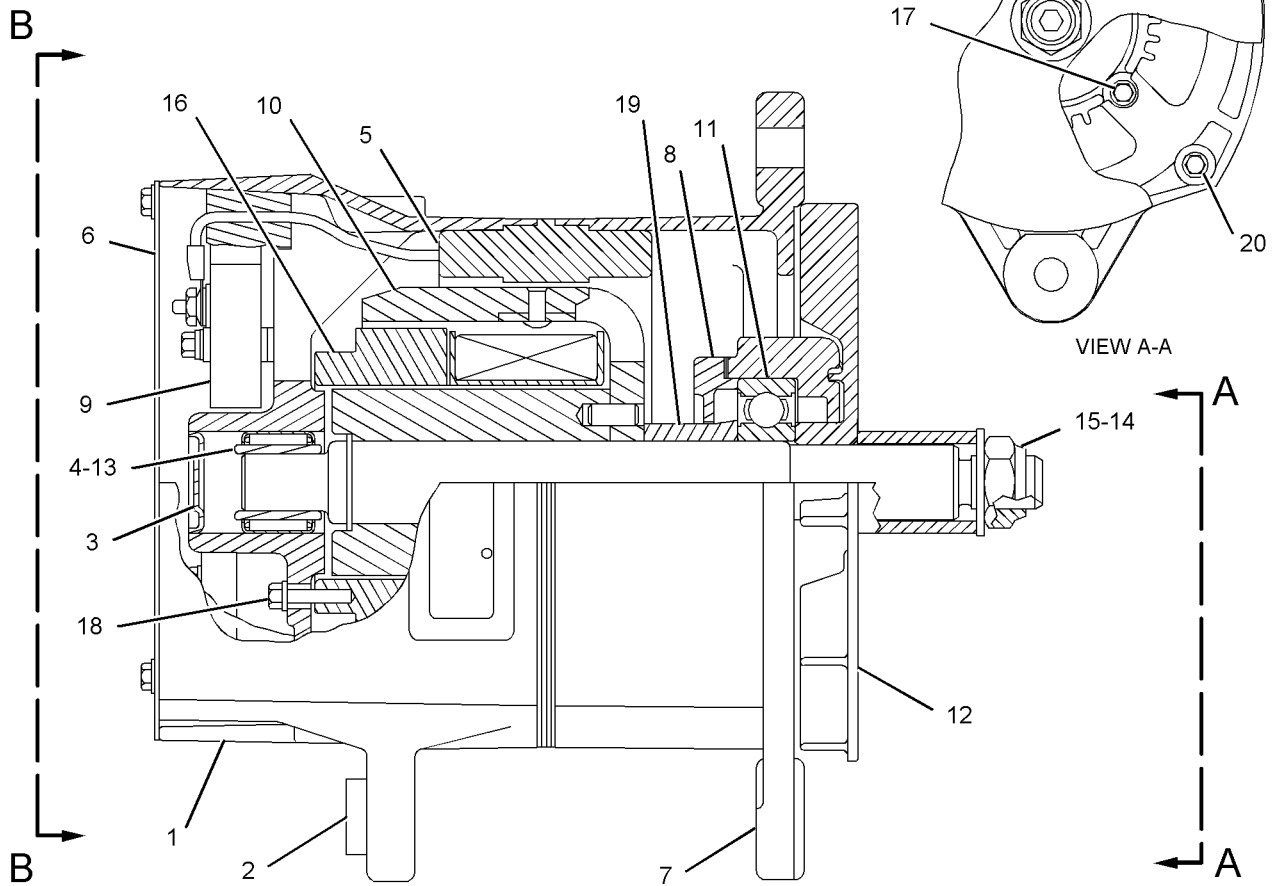
NOTE	REF NO	GRAPHIC REF	PART NUMBER	QTY	PART NAME						SEE PAGE
					1	2	3	4	5	6 (PRODUCT LEVEL)	
	1	1	6N-1876	1	HOUSING AS (RECTIFIER)						
	2	1	9S-2396	1	BUSHING-TERMINAL						
	3	1	9N-0943	1	PLUG-BEARING WELL						
	4	1	5P-3418	1	BEARING-ROLLER						
	5	1	6N-1968	1	STATOR AS						
		1	2L-8075	3	TERMINAL-RING (14-GA TO 16-GA, NO. 8 SCREW)						
		1	9N-0939	1	GROMMET						
	6	1	9N-0942	1	PLATE-COVER						
	7	1	2P-5616	1	FRAME-DRIVE END						
	8	1	9S-2390	1	RETAINER						
	9	1	9N-0937	1	RECTIFIER AS						
	10	1	9S-2302	1	ROTOR AS						
	11	1	5P-7807	1	BALL BEARING						
	12	1	100-6531	1	FAN-ALTERNATOR (11-BLADE)						
	13	1	5P-3419	1	RACE-BEARING INNER						
	14	1	7F-7621	1	WASHER (0.635X1.25X0.09-IN THK)						
	15	1	2K-4821	1	LOCKNUT (5/8-18-THD)						
	16	1	6N-1945	1	COIL AS-FIELD						
	17	1	9X-2500	4	SCREW-HEX FLANGE (10-24X38.1-MM)						
	18	1	9N-3388	5	BOLT (10-24X0.75-IN)						
	19	1	100-6532	1	COLLAR-ALTERNATOR						
	20	1	9S-2009	4	BOLT-FLANGE HEAD (10-24X3.625-IN)						
	21	2	6N-1944	1	DIODE AS						
	22	2	6N-1870	2	SCREW AS (8-32X34-MM)						
	23	2	8T-0328	2	WASHER-HARD (5.5X10X1-MM THK)						
	24	2	9S-2544	7	SCREW-HEX HEAD (8-32X11.13-MM)						
	25	2	9B-7233	11	LOCKWASHER						
	26	2	4B-2043	4	NUT (8-32-THD)						
	27	2	6V-8187	2	NUT (1/4-28-THD)						
	28	2	1H-3244	2	LOCKWASHER						
	29	2	6N-1925	1	BRACKET						
	30	2	6N-1946	1	CAPACITOR AS						
	31	2	6N-1872	3	SCREW AS (8-32X1.25-IN)						
	32	2	3T-6354	1	REGULATOR AS-VOLTAGE (24-VOLT) (ALTERNATOR)						
	33	2	6N-1873	1	LEAD AS						
	34	2	2L-8075	3	TERMINAL-RING (14-GA TO 16-GA, NO. 8 SCREW)						
	35	2	8T-4205	2	WASHER-HARD (7.2X14.5X2-MM THK)						
	36	2	6N-1871	1	LEAD AS						
	37	2	8M-6701	3	WASHER (0.281X0.5X0.032-IN THK)						
	38	2	6N-1856	4	BUSHING-TERMINAL						
					AVAILABLE REPAIR KIT(S):						
			6N-1875	1	KIT-OUTPUT TERMINAL (ALTERNATOR) (INCLUDES TERMINAL, LEAD ASSEMBLY, BUSHING, WASHERS, NUTS AND LOCKWASHERS)						
			105-3762	1	KIT-ALTERNATOR TERMINAL (INCLUDES TERMINAL ASSEMBLY, INSULATOR, BUSHING, WASHER, NUTS AND LOCKWASHERS)						

ELECTRICAL AND STARTING SYSTEM

4N-3986 ALTERNATOR GP-CHARGING (contd.)

i02858057

REFER TO ALL ILLUSTRATIONS OF THIS GROUP FOR AUXILIARY VIEWS



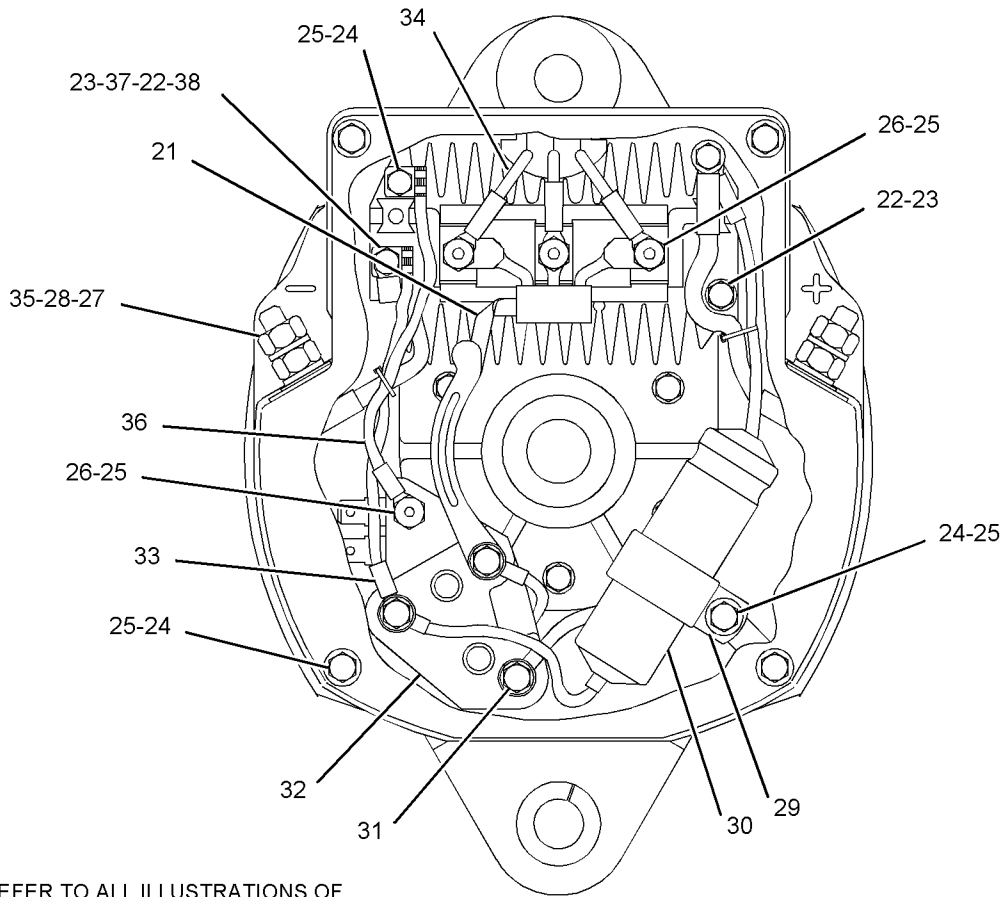
GRAPHIC #1

g01100218

ELECTRICAL AND STARTING SYSTEM

4N-3986 ALTERNATOR GP-CHARGING (contd.)

i02858057



REFER TO ALL ILLUSTRATIONS OF THIS GROUP FOR AUXILIARY VIEWS

VIEW B-B

<END>

GRAPHIC #2

g01117023

ELECTRICAL AND STARTING SYSTEM

4N-3986 ALTERNATOR GP-CHARGING*R

24-VOLT, 60-AMPERE

PART OF 7E-2858 ALTERNATOR GP-CHARGING

FIELD REPLACEMENT ORDER 266-7227-PAGE 333, 331-5717-PAGE 335,

333-1184-PAGE 337

AN ATTACHMENT

TYPE 2

SMCS-1405

i03507497

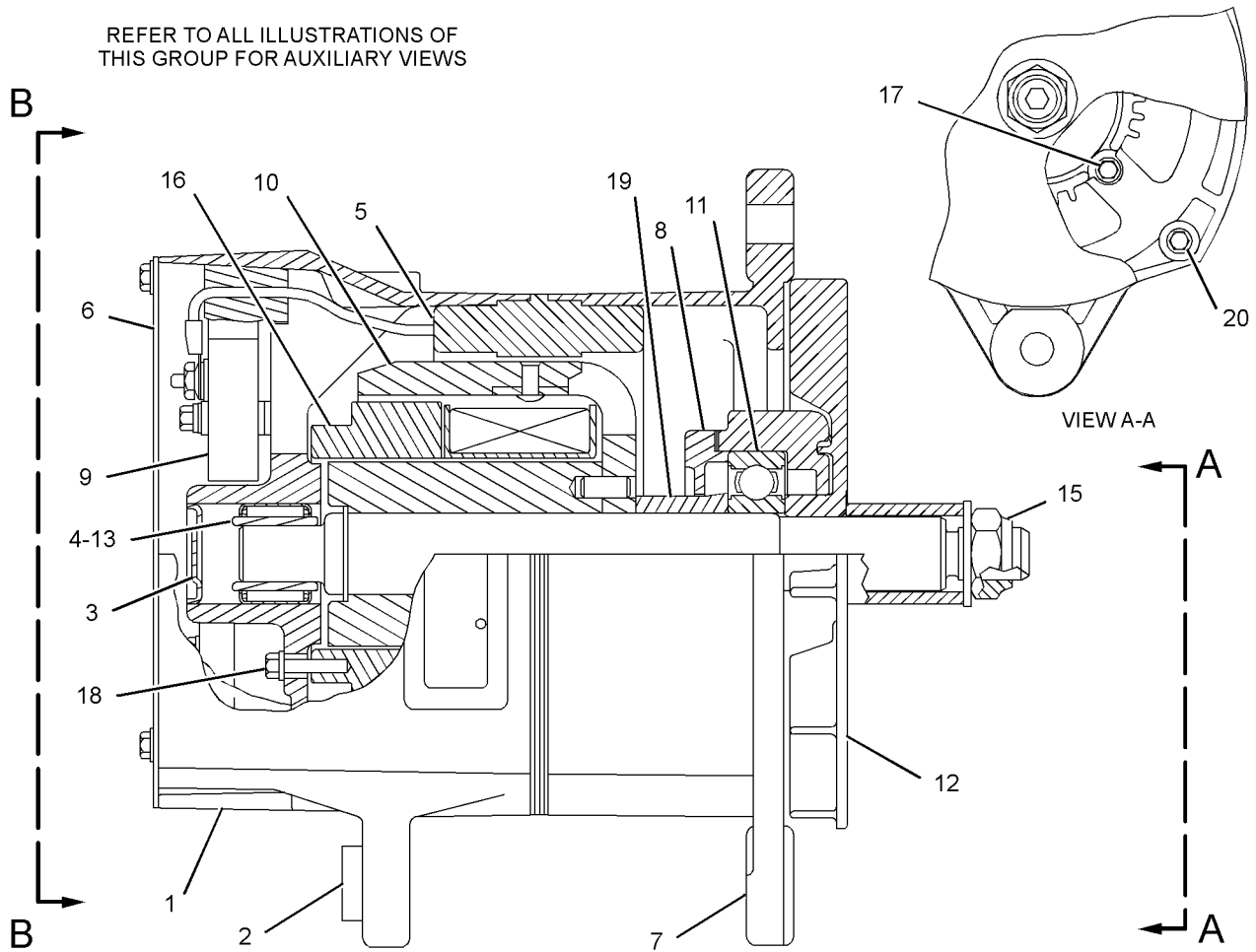
NOTE	REF NO	GRAPHIC REF	PART NUMBER	QTY	PART NAME						SEE PAGE
					1	2	3	4	5	6 (PRODUCT LEVEL)	
	1	1	6N-1876	1	HOUSING AS (RECTIFIER)						
	2	1	9S-2396	1	BUSHING-TERMINAL						
	3	1	9N-0943	1	PLUG-BEARING WELL						
	4	1	5P-3418	1	BEARING-ROLLER						
	5	1	6N-1968	1	STATOR AS						
		1	2L-8075	3	TERMINAL-RING (14-GA TO 16-GA, NO. 8 SCREW)						
		1	9N-0939	1	GROMMET						
	6	1	9N-0942	1	PLATE-COVER						
	7	1	2P-5616	1	FRAME-DRIVE END						
	8	1	9S-2390	1	RETAINER						
	9	1	9N-0937	1	RECTIFIER AS						
	10	1	9S-2302	1	ROTOR AS						
	11	1	5P-7807	1	BALL BEARING						
	12	1	100-6531	1	FAN-ALTERNATOR (11-BLADE)						
	13	1	5P-3419	1	RACE-BEARING INNER						
	15	1	2K-4821	1	LOCKNUT (5/8-18-THD)						
	16	1	6N-1945	1	COIL AS-FIELD						
	17	1	9X-2500	4	SCREW-HEX FLANGE (10-24X38.1-MM)						
	18	1	9N-3388	5	BOLT (10-24X0.75-IN)						
	19	1	100-6532	1	COLLAR-ALTERNATOR						
	20	1	9S-2009	4	BOLT-FLANGE HEAD (10-24X3.625-IN)						
	21	2	6N-1944	1	DIODE AS						
	22	2	6N-1870	2	SCREW AS (8-32X34-MM)						
	23	2	8T-0328	2	WASHER-HARD (5.5X10X1-MM THK)						
	24	2	9S-2544	7	SCREW-HEX HEAD (8-32X11.13-MM)						
	25	2	9B-7233	11	LOCKWASHER						
	26	2	4B-2043	4	NUT (8-32-THD)						
	27	2	6V-8187	2	NUT (1/4-28-THD)						
	28	2	1H-3244	2	LOCKWASHER						
	29	2	6N-1925	1	BRACKET						
	30	2	6N-1946	1	CAPACITOR AS						
	31	2	6N-1872	3	SCREW AS (8-32X1.25-IN)						
	32	2	3T-6354	1	REGULATOR AS-VOLTAGE (24-VOLT) (ALTERNATOR)						
	33	2	6N-1873	1	LEAD AS						
	34	2	2L-8075	3	TERMINAL-RING (14-GA TO 16-GA, NO. 8 SCREW)						
	35	2	8T-4205	2	WASHER-HARD (7.2X14.5X2-MM THK)						
	36	2	6N-1871	1	LEAD AS						
	37	2	8M-6701	3	WASHER (0.281X0.5X0.032-IN THK)						
	38	2	6N-1856	4	BUSHING-TERMINAL						
					AVAILABLE REPAIR KIT(S):						
			6N-1875	1	KIT-OUTPUT TERMINAL (ALTERNATOR) (INCLUDES TERMINAL, LEAD ASSEMBLY, BUSHING, WASHERS, NUTS AND LOCKWASHERS)						
			105-3762	1	KIT-ALTERNATOR TERMINAL (INCLUDES TERMINAL ASSEMBLY, INSULATOR, BUSHING, WASHER, NUTS AND LOCKWASHERS)						

ELECTRICAL AND STARTING SYSTEM

4N-3986 ALTERNATOR GP-CHARGING (contd.)

i03507497

REFER TO ALL ILLUSTRATIONS OF THIS GROUP FOR AUXILIARY VIEWS



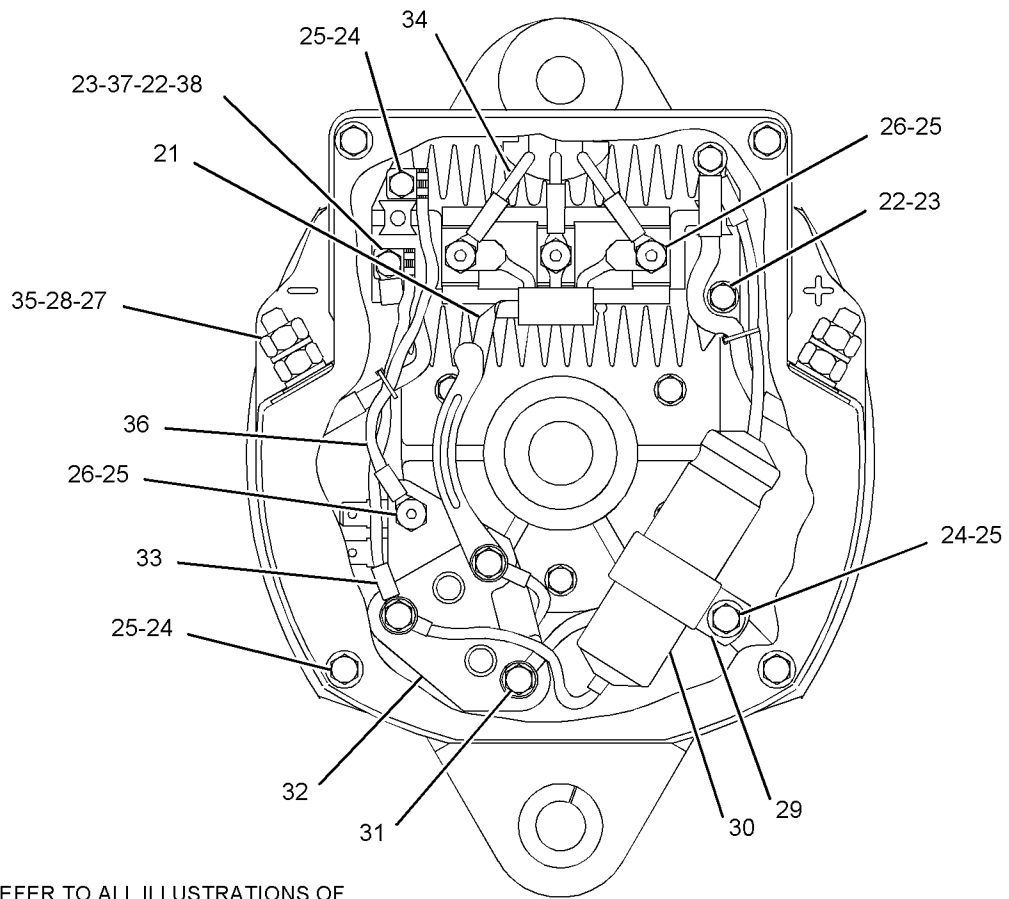
GRAPHIC #1

g01852654

ELECTRICAL AND STARTING SYSTEM

4N-3986 ALTERNATOR GP-CHARGING (contd.)

i03507497



REFER TO ALL ILLUSTRATIONS OF THIS GROUP FOR AUXILIARY VIEWS

VIEW B-B

<END>

GRAPHIC #2

g01117023

ELECTRICAL AND STARTING SYSTEM

7E-2858 ALTERNATOR GP-CHARGING

24-VOLT, 60-AMPERE
AN ATTACHMENT

SMCS - 1405

i01752076

NOTE	PART NUMBER	QTY	PART NAME						SEE PAGE
			1	2	3	4	5	6 (PRODUCT LEVEL)	
YR	4N-3986	1	ALTERNATOR GP-CHARGING (24-VOLT, 60-AMPERE)						326

R-REMFG PART MAY BE AVAILABLE
Y-SEPARATE ILLUSTRATION

<END>

ELECTRICAL AND STARTING SYSTEM

266-7227 ALTERNATOR GP-CHARGING

24-VOLT, 60-AMPERE

FIELD REPLACEMENT ORDER 333-1184-PAGE 337. FIELD REPLACEMENT FOR
4N-3986-PAGE 326
FIELD INSTALLATION

SMCS-1405

i03642348

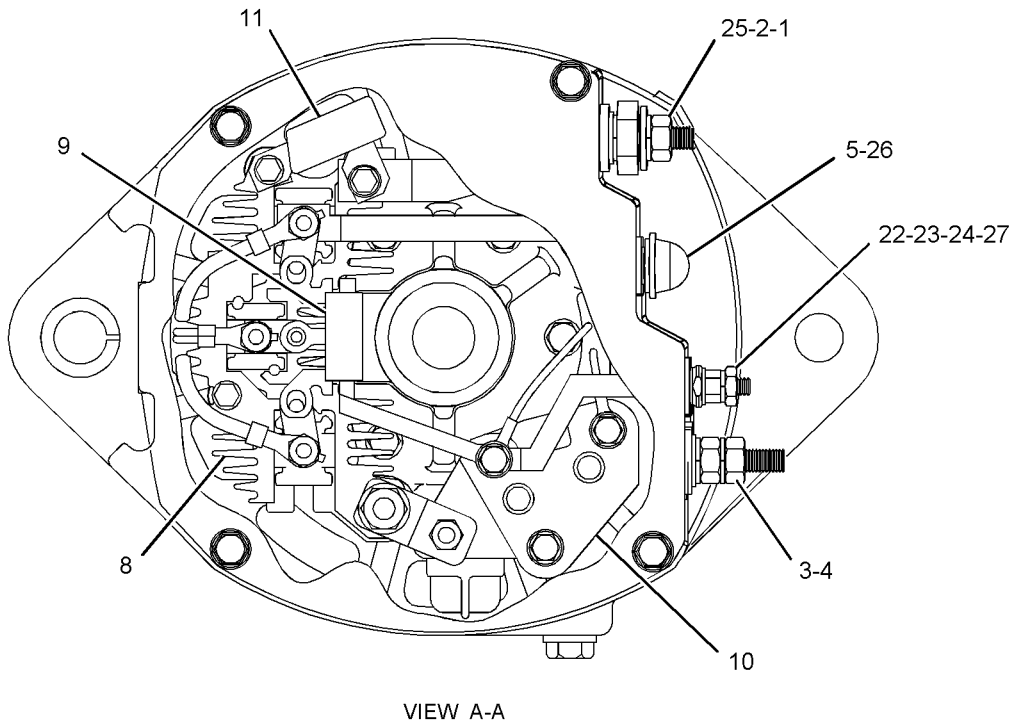
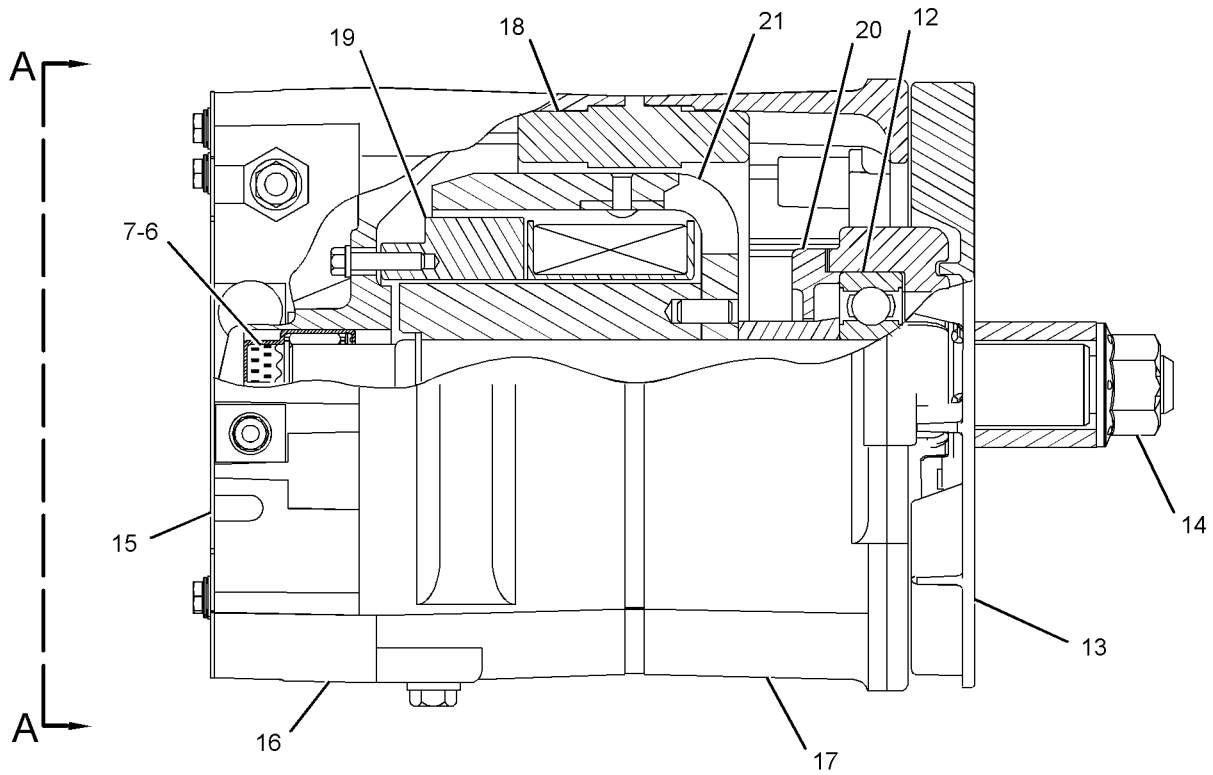
NOTE	REF NO	GRAPHIC REF	PART NUMBER	QTY	PART NAME						SEE PAGE
					1	2	3	4	5	6 (PRODUCT LEVEL)	
	1	1	8T-4205	1	WASHER-HARD (7.2X14.5X2-MM THK)						
	2	1	1H-3244	1	LOCKWASHER						
	3	1	6V-8187	1	NUT (1/4-28-THD)						
	4	1	292-3815	2	KIT-TERMINAL						
	5	1	9L-6770	1	CAP-DUST						
	6	1	5P-3418	1	BEARING-ROLLER						
	7	1	5P-3419	1	RACE-BEARING INNER						
	8	1	291-8247	1	RECTIFIER AS						
	9	1	202-2708	1	DIODE AS						
	10	1	3T-6354	1	REGULATOR AS-VOLTAGE (24-VOLT) (ALTERNATOR)						
	11	1	291-8253	1	CAPACITOR AS						
	12	1	202-9897	1	BEARING-SPECIAL BALL						
	13	1	100-6531	1	FAN-ALTERNATOR (11-BLADE)						
	14	1	187-2034	1	NUT-FLANGE (5/8-18-THD)						
	15	1	291-8274	1	PLATE						
	16	1	291-8271	1	HOUSING AS						
	17	1	202-2700	1	FRAME						
	18	1	291-8263	1	STATOR AS						
	19	1	6N-1945	1	COIL AS-FIELD						
	20	1	9S-2390	1	RETAINER						
	21	1	9S-2302	1	ROTOR AS						
	22	1	4B-2047	1	NUT (10-24-THD)						
	23	1	8T-0328	1	WASHER-HARD (5.5X10X1-MM THK)						
	24	1	8F-1434	1	LOCKWASHER						
	25	1	202-2784	1	KIT-ALTERNATOR TERMINAL (KIT INCLUDES NUT, WASHERS, INSULATORS, CONNECTORS, ADAPTER, AND SCREW)						
	26	1	202-2785	1	KIT-ALTERNATOR TERMINAL (KIT INCLUDES STUD, BUSHINGS, CONNECTOR, AND NUT)						
	27	1	202-2786	1	KIT-ALTERNATOR TERMINAL (KIT INCLUDES NUTS, WASHERS, BUSHINGS, AND CONNECTOR)						
F			202-2787	1	KIT-HARDWARE (KIT INCLUDES NUTS, SCREWS, WASHER, BOOT, COLLAR, AND CONNECTOR)						

F-NOT SHOWN

ELECTRICAL AND STARTING SYSTEM

266-7227 ALTERNATOR GP-CHARGING (contd.)

i03642348



VIEW A-A

GRAPHIC #1

<END>

g01394690

ELECTRICAL AND STARTING SYSTEM

331-5717 ALTERNATOR GP-CHARGING

24-VOLT, 105-AMPERE

FIELD REPLACEMENT FOR 266-7227 ALTERNATOR GP-CHARGING
FIELD INSTALLATION

SMCS-1405

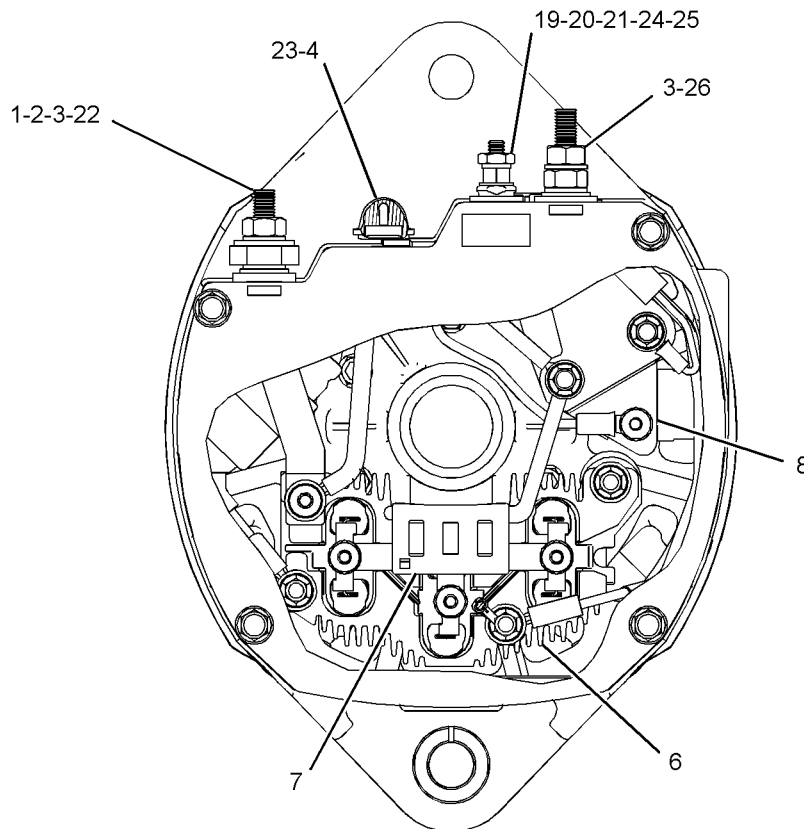
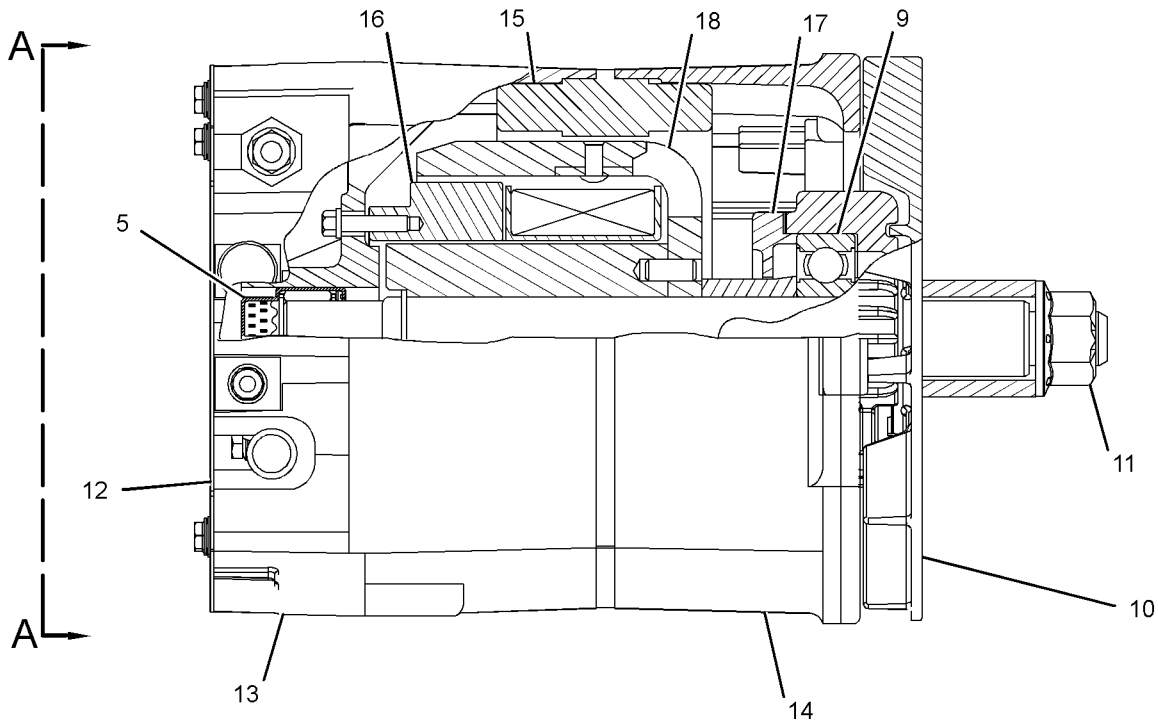
i03638746

NOTE	REF NO	GRAPHIC REF	PART NUMBER	QTY	PART NAME						SEE PAGE
					1	2	3	4	5	6 (PRODUCT LEVEL)	
	1	1	8T-4205	1	WASHER-HARD (7.2X14.5X2-MM THK)						
	2	1	1H-3244	1	LOCKWASHER						
	3	1	6V-8187	2	NUT (1/4-28-THD)						
	4	1	9L-6770	1	CAP-DUST						
	5	1	231-6133	1	KIT-BEARING (ALTERNATOR)						
		1	5P-3419	1	RACE-BEARING INNER						
		1	229-9407	1	BEARING AS						
	6	1	308-1362	1	RECTIFIER AS						
	7	1	202-2708	1	DIODE AS (ALTERNATOR)						
	8	1	3T-6354	1	REGULATOR AS-VOLTAGE (24-VOLT) (ALTERNATOR)						
	9	1	202-9897	1	BEARING-SPECIAL BALL						
	10	1	100-6531	1	FAN-ALTERNATOR (11-BLADE)						
	11	1	187-2034	1	NUT-FLANGE (5/8-18-THD)						
	12	1	202-2783	1	PLATE						
	13	1	334-4399	1	HOUSING AS-ALTERNATOR						
	14	1	202-2700	1	FRAME (ALTERNATOR)						
	15	1	308-1365	1	STATOR AS (ALTERNATOR)						
	16	1	308-1366	1	COIL AS (ALTERNATOR)						
	17	1	9S-2390	1	RETAINER						
	18	1	299-1761	1	ROTOR AS						
	19	1	4B-2047	1	NUT (10-24-THD)						
	20	1	8T-0328	1	WASHER-HARD (5.5X10X1-MM THK)						
	21	1	8F-1434	1	LOCKWASHER						
	22	1	202-2784	1	KIT-ALTERNATOR TERMINAL (INCLUDES NUT, LOCKWASHERS, WASHERS, INSULATORS, SCREW, CONNECTORS, AND ADAPTER)						
	23	1	202-2785	1	KIT-ALTERNATOR TERMINAL (INCLUDES STUD, BUSHINGS, WASHERS, CONNECTOR, AND NUT)						
	24	1	202-2787	1	KIT-HARDWARE (ALTERNATOR) (INCLUDES NUT AS, SCREW AS, SCREW, PLUG, LOCKWASHER, NUT, CONNECTOR, BOLT, COLLAR AND BOOT)						
	25	1	328-8410	1	KIT-TERMINAL						
	26	1	292-3815	1	KIT-TERMINAL						

ELECTRICAL AND STARTING SYSTEM

331-5717 ALTERNATOR GP-CHARGING (contd.)

i03638746



GRAPHIC #1

VIEW A-A

<END>

g01931153

ELECTRICAL AND STARTING SYSTEM

333-1184 ALTERNATOR GP-CHARGING

24-VOLT, 68-AMPERE

FIELD REPLACEMENT FOR 4N-3986—PAGE 326, 266-7227—PAGE 333
AN ATTACHMENT AND FIELD INSTALLATION

SMCS-1405

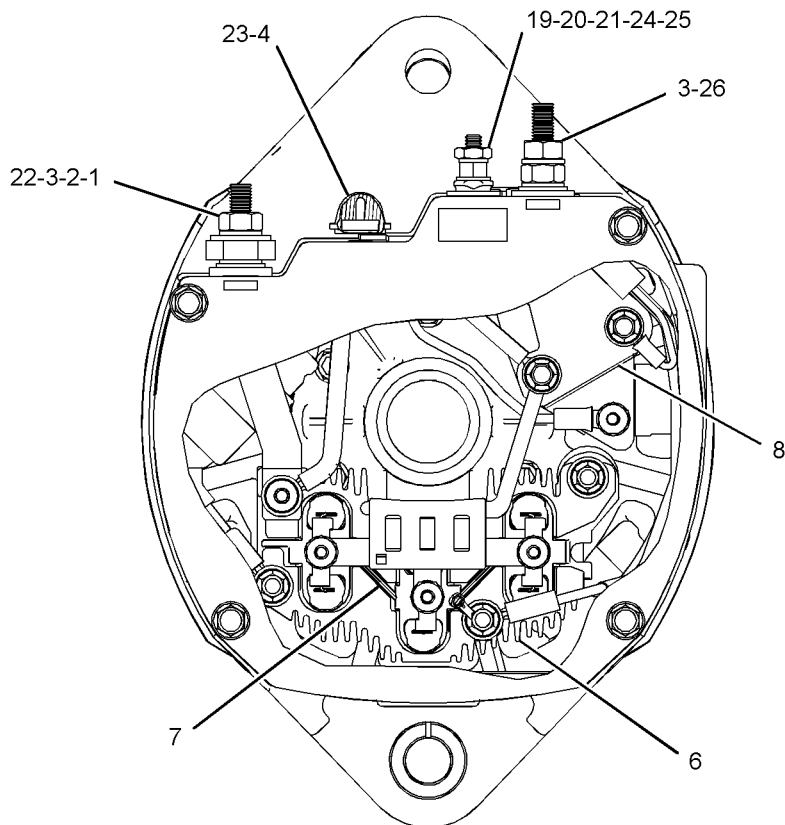
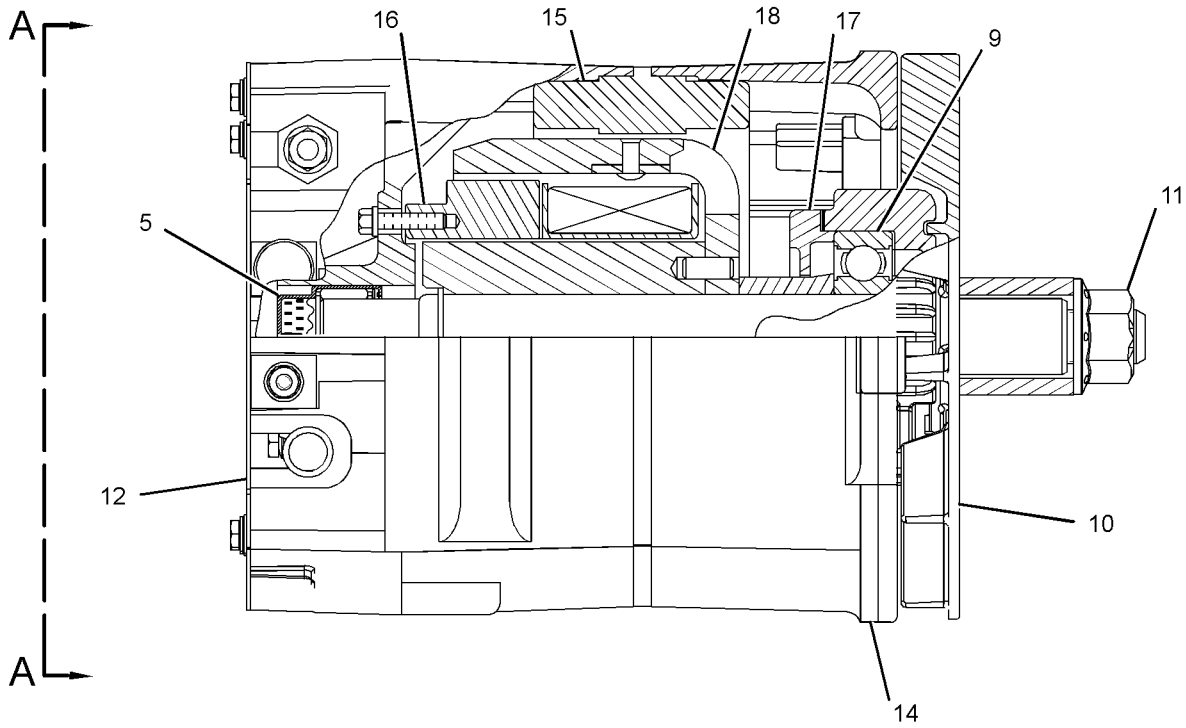
i03862949

NOTE	REF NO	GRAPHIC REF	PART NUMBER	QTY	PART NAME						SEE PAGE
					1	2	3	4	5	6 (PRODUCT LEVEL)	
	1	1	8T-4205	1	WASHER-HARD (7.2X14.5X2-MM THK)						
	2	1	1H-3244	1	LOCKWASHER						
	3	1	6V-8187	2	NUT (1/4-28-THD)						
	4	1	9L-6770	1	CAP-DUST						
	5	1	231-6133	1	KIT-BEARING (INCLUDES BEARING AS & RACE-BEARING INNER)						
	6	1	308-1362	1	RECTIFIER AS						
	7	1	202-2708	1	DIODE AS						
	8	1	3T-6354	1	REGULATOR AS-VOLTAGE (24-VOLT) (ALTERNATOR)						
	9	1	202-9897	1	BEARING-SPECIAL BALL						
	10	1	100-6531	1	FAN-ALTERNATOR (11-BLADE)						
	11	1	187-2034	1	NUT-FLANGE (5/8-18-THD)						
	12	1	202-2783	1	PLATE						
	14	1	202-2700	1	FRAME						
	15	1	308-1365	1	STATOR AS						
	16	1	308-1366	1	COIL AS						
	17	1	9S-2390	1	RETAINER						
	18	1	299-1761	1	ROTOR AS						
	19	1	4B-2047	1	NUT (10-24-THD)						
	20	1	8T-0328	1	WASHER-HARD (5.5X10X1-MM THK)						
	21	1	8F-1434	1	LOCKWASHER						
	22	1	202-2784	1	KIT-ALTERNATOR TERMINAL (INCLUDES NUT, LOCKWASHERS, WASHERS, INSULATORS, SCREW, CONNECTORS, AND ADAPTER)						
	23	1	202-2785	1	KIT-ALTERNATOR TERMINAL (INCLUDES STUD, BUSHINGS, WASHERS, CONNECTOR, AND NUT)						
	24	1	202-2787	1	KIT-HARDWARE (INCLUDES NUT AS, SCREW AS, SCREW, PLUG, LOCKWASHER, NUT, CONNECTOR, BOLT, COLLAR & BOOT)						
	25	1	328-8410	1	KIT-TERMINAL						
	26	1	292-3815	1	KIT-TERMINAL						

ELECTRICAL AND STARTING SYSTEM

333-1184 ALTERNATOR GP-CHARGING (contd.)

i03862949



VIEW A-A

<END>

GRAPHIC #1

g02109864

ELECTRICAL AND STARTING SYSTEM

7W-0408 BATTERY CHARGER

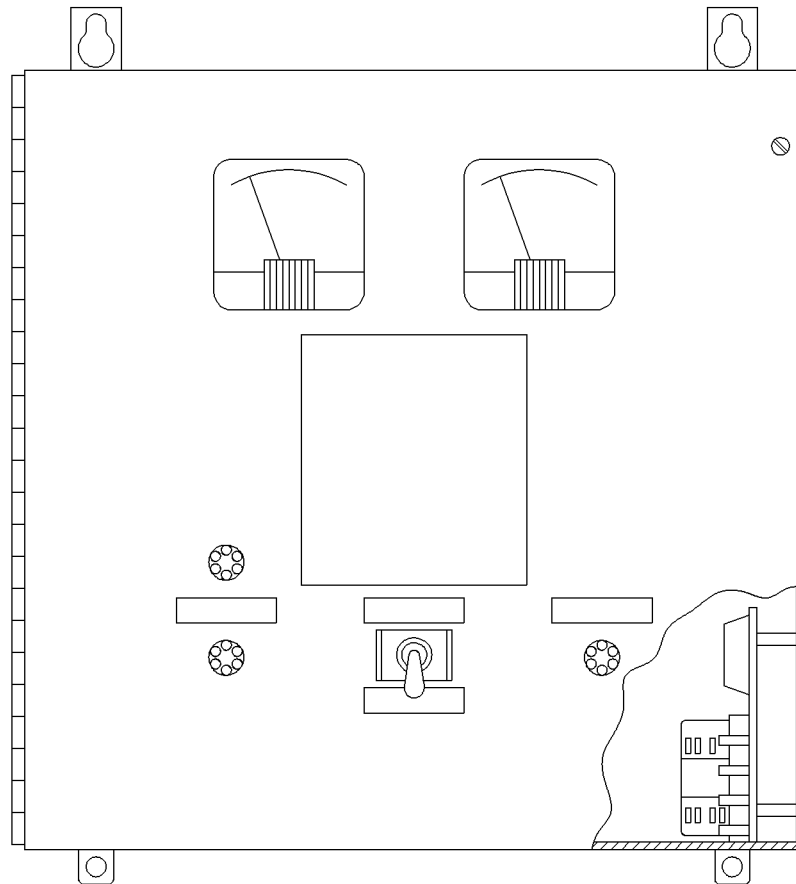
24-VOLT

FOR USE WITH LEAD ACID OR NICAD BATTERY
AN ATTACHMENT

SMCS-1401, 1406

i01505530

NOTE	REF NO	GRAPHIC REF	PART NUMBER	QTY	PART NAME	SEE PAGE
					1 2 3 4 5 6 (PRODUCT LEVEL)	
(NO SERVICED PARTS)						



GRAPHIC #1

<END>

g00746505

ELECTRICAL AND STARTING SYSTEM

7L-7871 BATTERY GP

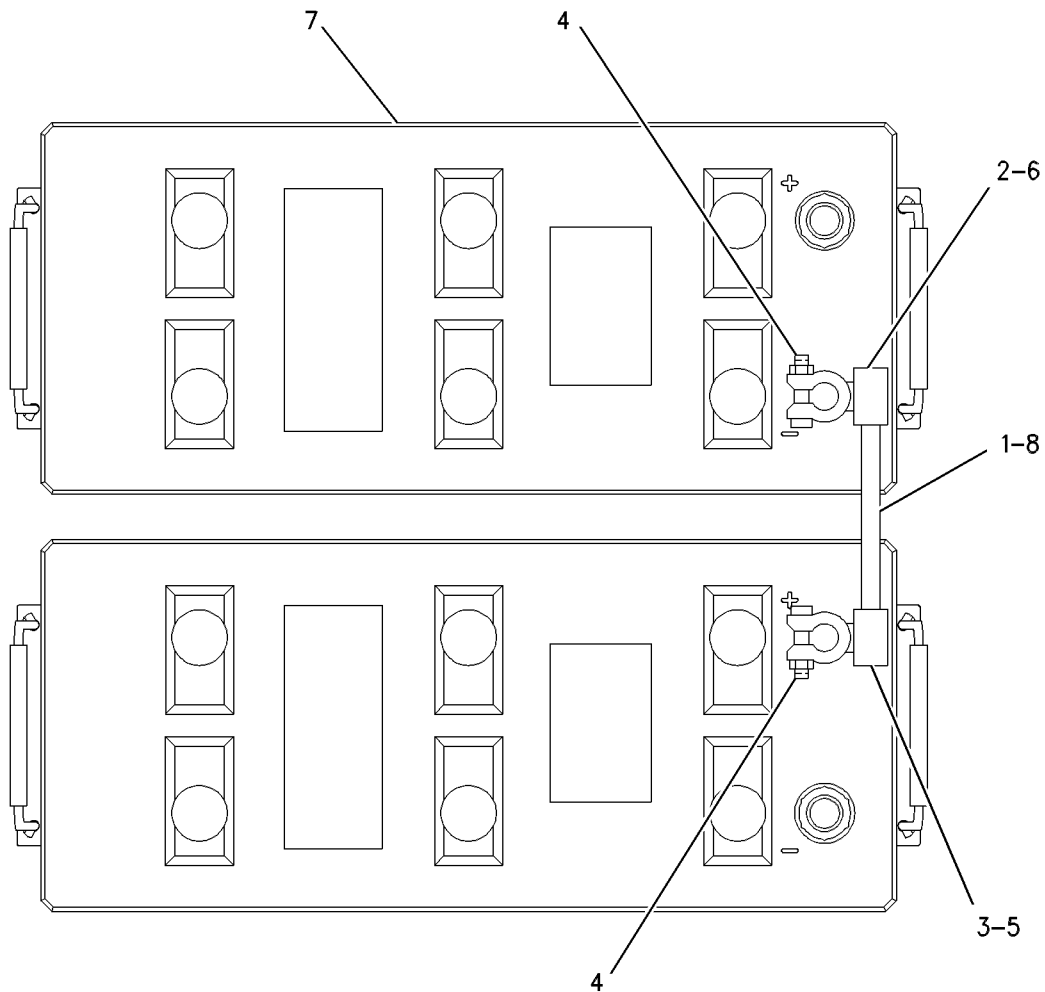
24-VOLT, 1000-COLD CRANKING AMPERE, 140-AMPERE HOUR
AN ATTACHMENT

SMCS-1401

i03640568

NOTE	REF NO	GRAPHIC REF	PART NUMBER	QTY	PART NAME						SEE PAGE
					1	2	3	4	5	6 (PRODUCT LEVEL)	
	1	1	2V-7397	1	CABLE AS						
E		1	5P-0747		CABLE (00-GA, BLACK) (20-CM)						
	2	1	8T-9757	1	TERMINAL AS-BATTERY (NEGATIVE)						
	3	1	8C-5917	1	TERMINAL AS-BATTERY (POSITIVE)						
	4	1	1M-6119	2	BOLT (5/16-18X1.375-IN)						
		1	1M-6120	2	NUT (5/16-18-THD)						
	5	1	9G-0004	1	COVER AS-TERMINAL (RED)						
	6	1	9G-0003	1	COVER AS-TERMINAL (BLACK)						
C	7	1	9X-9720	2	BATTERY (12-VOLT) (DRY) (EACH INCLUDES)						
		1	7N-0060	6	VENT AS (BATTERY)						
	8	1	8L-8413	2	STRAP-CABLE						

C-CHANGE FROM PREVIOUS TYPE
E-ORDER BY THE CENTIMETER



GRAPHIC #1

<END>

g00621897

ELECTRICAL AND STARTING SYSTEM

7L-7872 BATTERY GP

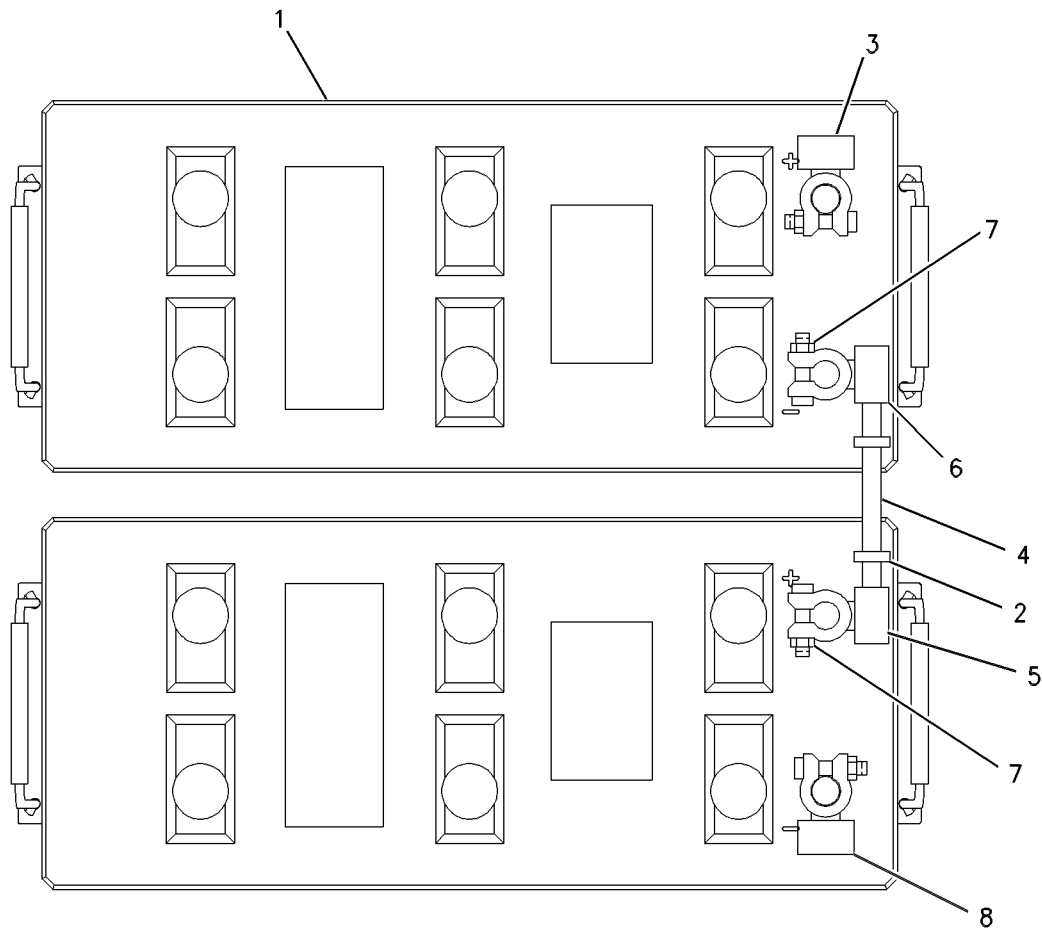
24-VOLT, 1300-COLD CRANKING AMPERE, 190-AMPERE HOUR
AN ATTACHMENT

SMCS-1401

i03760525

NOTE	REF NO	GRAPHIC REF	PART NUMBER	QTY	PART NAME						SEE PAGE
					1	2	3	4	5	6 (PRODUCT LEVEL)	
CY	1	1	9X-9730	2	BATTERY GP (12-VOLT) (DRY)						342
C	2	1	8L-8413	2	STRAP-CABLE						
C	3	1	9G-0004	1	COVER AS-TERMINAL (RED)						
C	4	1	2V-7397	1	CABLE AS						
E		1	5P-0747		CABLE (00-GA, BLACK) (20-CM)						
		1	1M-6120	2	NUT (5/16-18-THD)						
	5	1	8C-5917	1	TERMINAL AS-BATTERY (POSITIVE)						
	6	1	8T-9757	1	TERMINAL AS-BATTERY (NEGATIVE)						
	7	1	1M-6119	2	BOLT (5/16-18X1.375-IN)						
C	8	1	9G-0003	1	COVER AS-TERMINAL (BLACK)						

C- CHANGE FROM PREVIOUS TYPE
E- ORDER BY THE CENTIMETER
Y- SEPARATE ILLUSTRATION



GRAPHIC #1

<END>

g00622754

ELECTRICAL AND STARTING SYSTEM

9X-9730 BATTERY GP-DRY

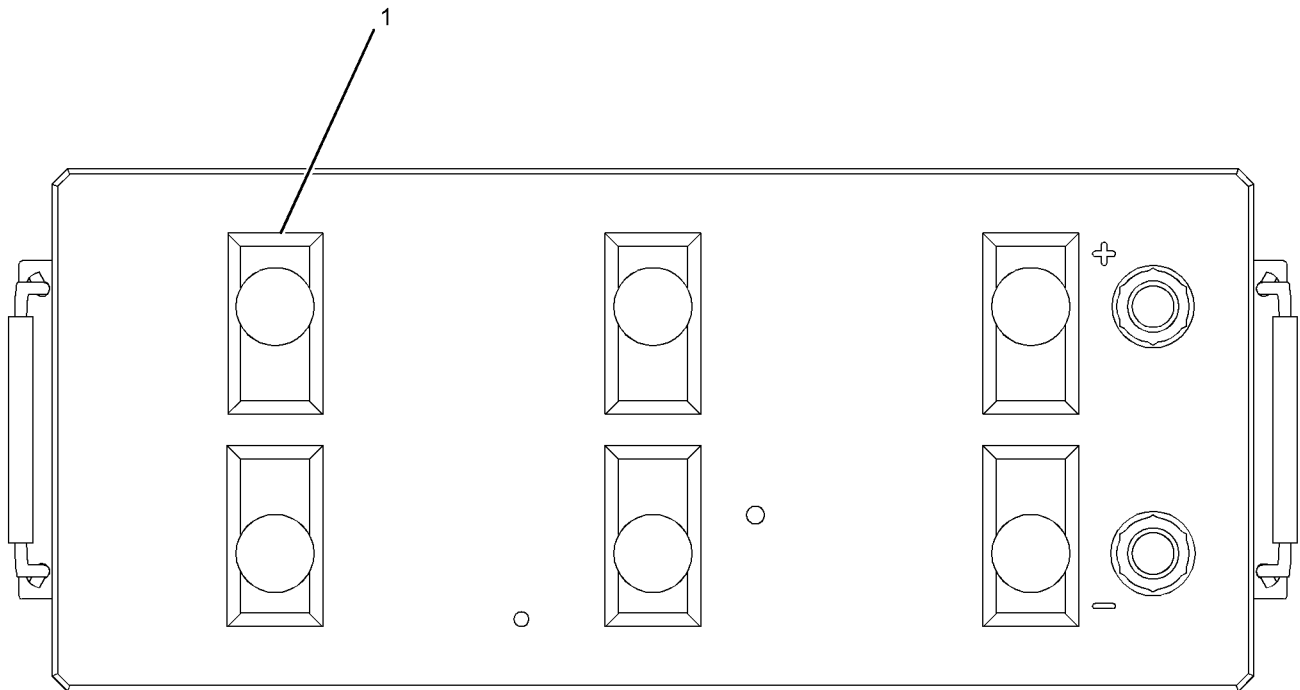
12-VOLT

PART OF 7L-7872 BATTERY GP
AN ATTACHMENT

SMCS-1401

i02482336

NOTE	REF NO	GRAPHIC REF	PART NUMBER	QTY	PART NAME						SEE PAGE
					1	2	3	4	5	6 (PRODUCT LEVEL)	
	1	1	7N-0060	6	VENT AS						



GRAPHIC #1

<END>

g01239900

ELECTRICAL AND STARTING SYSTEM

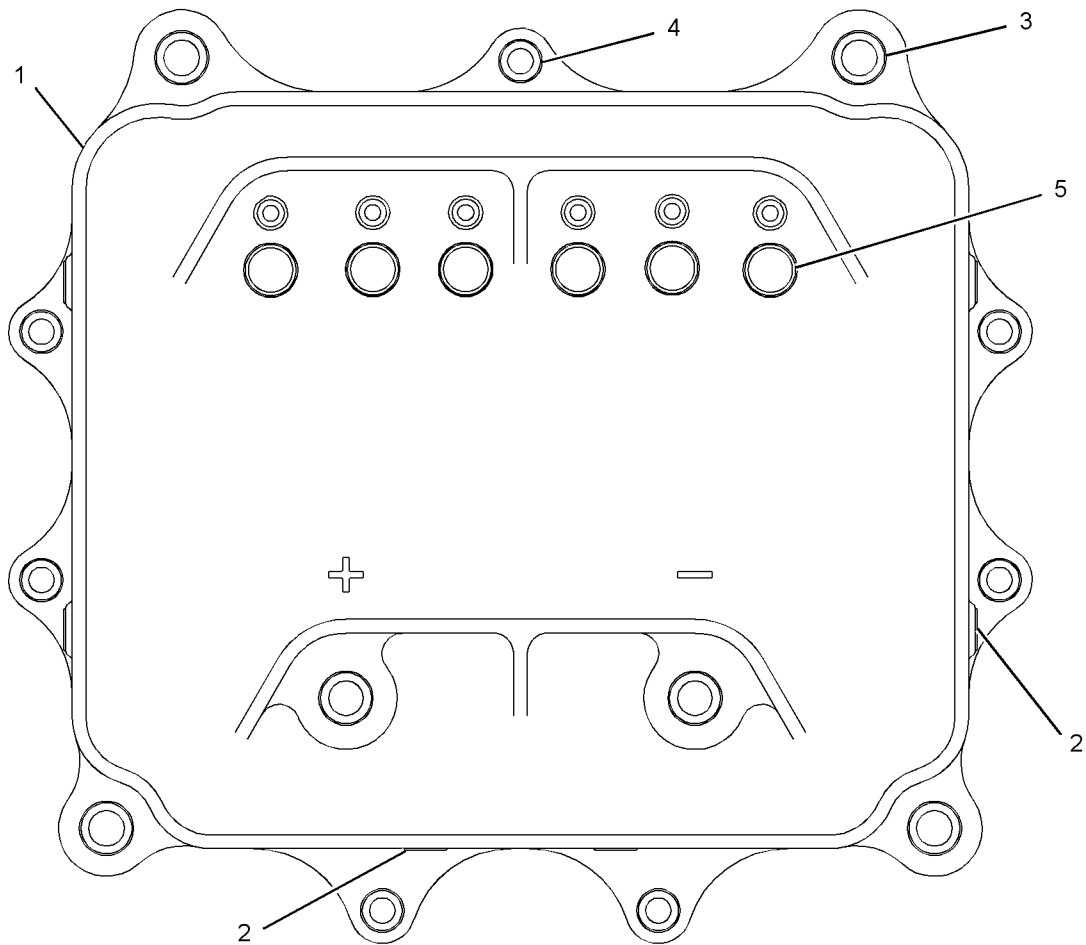
210-9035 BOX AS-CONTROL

PART OF 235-2768 BOX AS-CONTROL
AN ATTACHMENT

SMCS-4460, 7426

i02097566

NOTE	REF NO	GRAPHIC REF	PART NUMBER	QTY	PART NAME						SEE PAGE
					1	2	3	4	5	6 (PRODUCT LEVEL)	
	1	1	199-5601	1	BOX						
	2	1	203-8993	8	SPACER (4.6X12.7X11-MM THK)						
	3	1	203-8995	4	SPACER (10.5X15.9X33-MM THK)						
	4	1	203-8996	7	SPACER (7.5X12.7X21-MM THK)						
	5	1	211-4317	6	SPACER (13X15.9X5-MM THK)						



GRAPHIC #1

<END>

g01069425

ELECTRICAL AND STARTING SYSTEM

235-2768 BOX AS-CONTROL

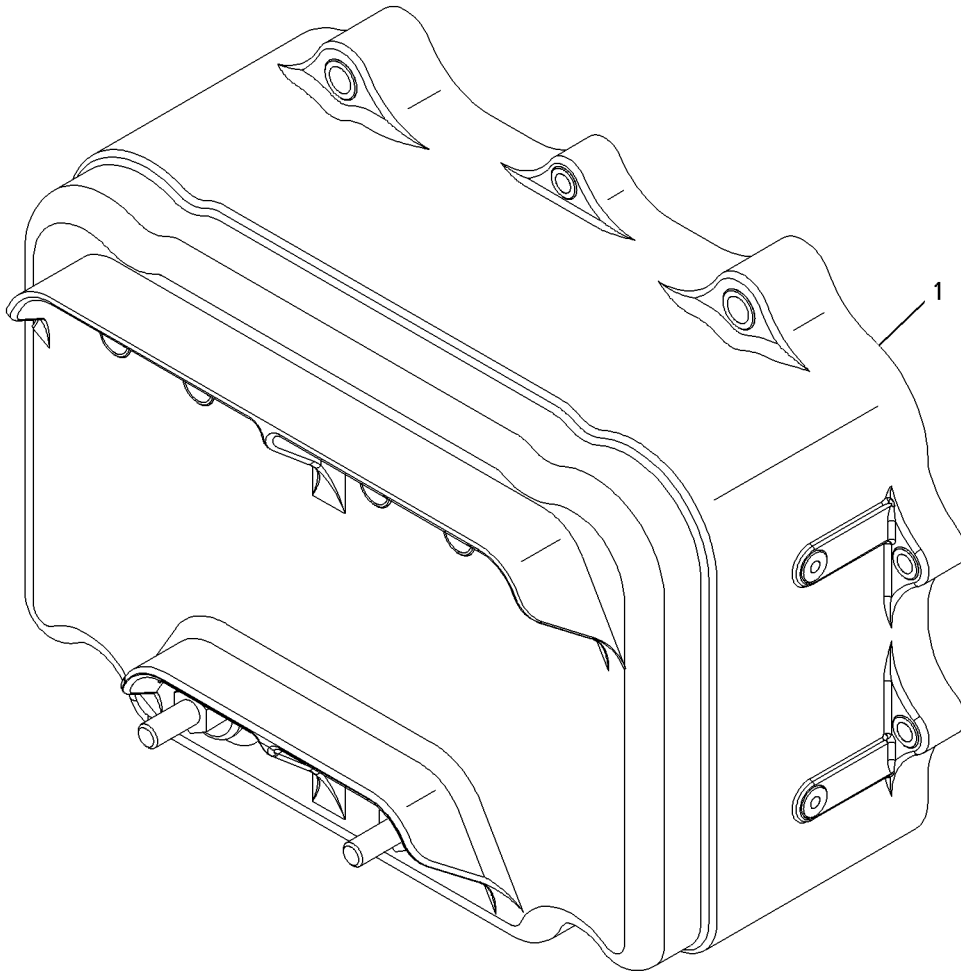
PART OF 231-9999 BOX GP-JUNCTION
AN ATTACHMENT

SMCS-4460, 7426

i01924296

NOTE	REF NO	GRAPHIC REF	PART NUMBER	QTY	PART NAME						SEE PAGE
					1	2	3	4	5	6 (PRODUCT LEVEL)	
Y	1	1	210-9035	1	BOX AS-CONTROL						343

Y-SEPARATE ILLUSTRATION



GRAPHIC #1

<END>

g01006404

ELECTRICAL AND STARTING SYSTEM

245-0035 BOX GP-ELECTRONIC

CUSTOMER WIRING
FOR USE WITH EUI
AN ATTACHMENT

SMCS-1417

i03593309

NOTE	REF NO	GRAPHIC REF	PART NUMBER	QTY	PART NAME						SEE PAGE
					1	2	3	4	5	6 (PRODUCT LEVEL)	
	1	1	8C-8514	2	SCREW-MACHINE (8-32X0.375-IN)						
	2	1	8T-2882	1	HANDLE-PULL						
	3	1	1H-4393	2	LOCKWASHER						
	4	1	9X-6772	5	STRAP-CABLE						
	5	2	132-8488	2	NUT-RING						
	6	1	135-6898	2	LATCH AS						
	7	1	293-9452	5	MOUNTING-CABLE TIE						
	8	1	169-4481	2	HINGE AS						
	9	1	242-8835	1	DOOR AS						
	10	1	244-5405	1	HARNESS AS-PANEL (AC, DC INTERFACE)						
		1	199-3062	30	FILM-IDENTIFICATION (WIRE)						
		1	109-3038	6	END-WIRE (16-GA)						
		1	110-8714	40	END-WIRE (18-GA)						
		1	112-7497	4	END-WIRE (14-GA)						
		1	186-3735	62	PIN-CONNECTOR (16-GA TO 18-GA)						
		1	126-1767	4	PIN-CONNECTOR (14-GA)						
		1	8T-8737	22	PLUG-SEAL						
		1	9W-1951	2	RECEPTACLE-CONNECTOR (9-PIN)						
		1	133-8753	1	RECEPTACLE AS-CONNECTOR (70-PIN)						
		1	7K-1181	12	STRAP-CABLE						
E		1	125-7874		TUBE-HEAT SHRINK (5.72-MM DIA) (25-CM)						
E		1	124-0284		TUBE-HEAT SHRINK (3.2-MM DIA) (100-CM)						
D		1	5P-6006		TUBE-HEAT SHRINK (9.52-MM DIA) (0.3-M)						
Y	11	2	244-9602	1	STRIP GP-TERMINAL (AC)						517
Y	12	2	244-9603	1	STRIP GP-TERMINAL (DC)						519
Y	13	2	244-9607	1	STRIP GP-TERMINAL (SWITCHGEAR)						520
	14	2	244-9637	1	HARNESS AS-PANEL (HEATER)						
		2	110-8714	12	END-WIRE (18-GA)						
		2	112-7497	4	END-WIRE (14-GA)						
	15	1	242-8834	1	BOX AS						
J	15A	1	244-9631		SEAL (4.3-DM EACH)						
J	15B	1	244-9631		SEAL (6.5-DM EACH)						
D	15C	2	6V-9335		SEAL (0.4-M EACH)						
D	15D	2	6V-9335		SEAL (0.65-M EACH)						
	16	2	246-8898	1	FILM-IDENTIFICATION (SERVICE CONNECTOR)						
	17	2	252-7455	1	HARNESS AS-PANEL (DATA LINK)						
		2	109-3038	3	END-WIRE (16-GA)						
		2	174-0503	1	KIT-CONNECTING PLUG (3-PIN) (INCLUDES PLUG AS, WEDGE, & INTERFACE SEAL)						
		2	134-2540	1	RESISTOR AS-CONNECTION (3-PIN)						
		2	186-3736	3	SOCKET-CONNECTOR (16-GA TO 18-GA)						
	18	2	252-7519	2	STRAP						
	19	2	287-7137	1	STRAP AS-GROUND						
		2	2L-8077	2	TERMINAL (14-GA TO 16-GA, 1/4-IN SCREW)						
M	20	2	170-5632	4	BOLT (M4X0.7X16-MM)						
	21	1	3B-4504	8	LOCKWASHER						
M	22	1	8T-4971	5	BOLT (M6X1X30-MM)						
	23	1	4D-3100	3	GROMMET						
M	24	1,2	5C-2890	37	NUT (M6X1-THD)						
	25	2	260-6675	4	NUT-SELF LOCKING (M4X0.7-THD)						
M	26	1	5C-9553	22	BOLT (M6X1X16-MM)						
	27	2	293-2033	8	SCREW-LOCK (CROSS RECESS DRIVE)						
	28	2	7X-0620	8	WASHER-HARD (5.5X13X1.6-MM THK)						
	29	2	9X-8256	2	WASHER (6.6X12X2-MM THK)						
BE	30	2	252-7426		DUCT-WIRE (31.5-CM EACH)						

ELECTRICAL AND STARTING SYSTEM

245-0035 BOX GP-ELECTRONIC (contd.)

i03593309

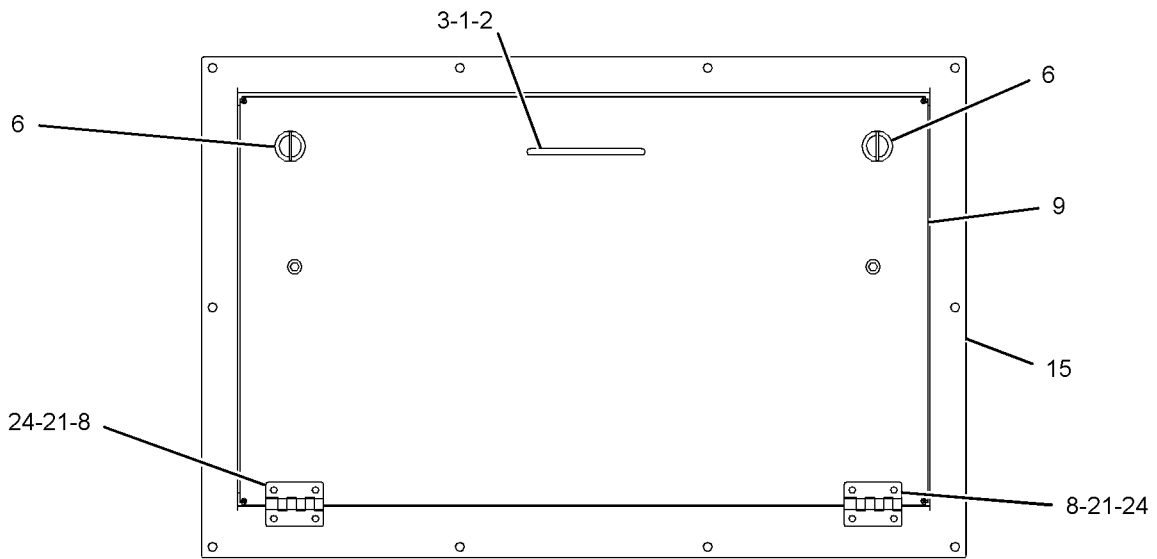
NOTE	REF NO	GRAPHIC REF	PART NUMBER	QTY	PART NAME						SEE PAGE
					1	2	3	4	5	6 (PRODUCT LEVEL)	
BH	31	2	217-7164		DUCT-WIRE (315-MM EACH)						
BE	32	1	3E-6600		SEAL (13.5-CM EACH)						
BE	32A	1	3E-6600		SEAL (10-CM EACH)						
	33	1	5P-4115	49	WASHER-HARD (7.2X19X2-MM THK)						
	34	1	198-4775	5	WASHER-HARD (6.6X15X6-MM THK)						

B-USE AS REQUIRED
 D-ORDER BY THE METER
 E-ORDER BY THE CENTIMETER
 H-ORDER BY THE MILLIMETER
 J-ORDER BY THE DECIMETER
 M-METRIC PART
 Y-SEPARATE ILLUSTRATION

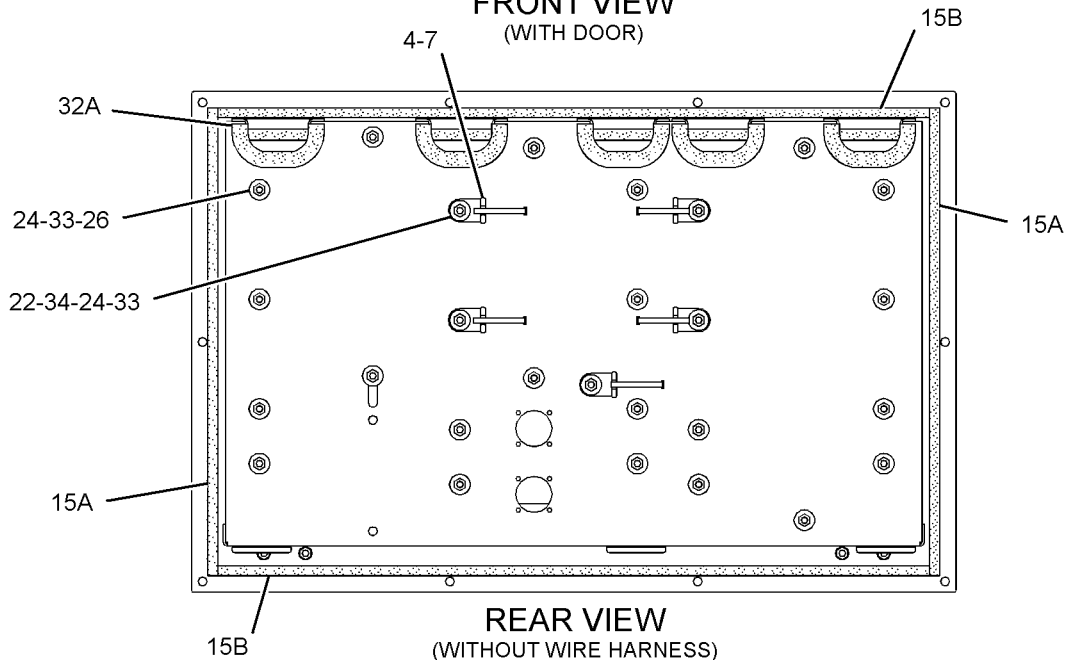
ELECTRICAL AND STARTING SYSTEM

245-0035 BOX GP-ELECTRONIC (contd.)

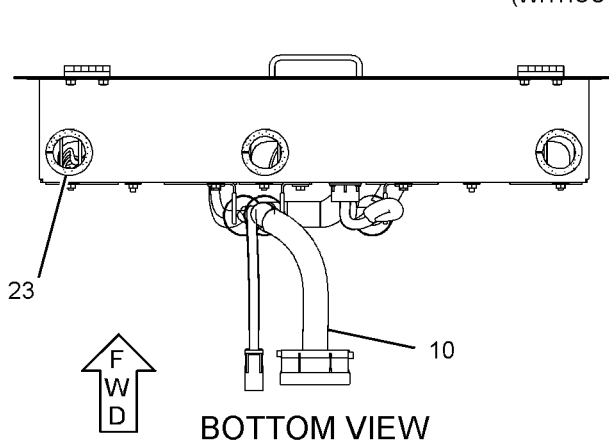
i03593309



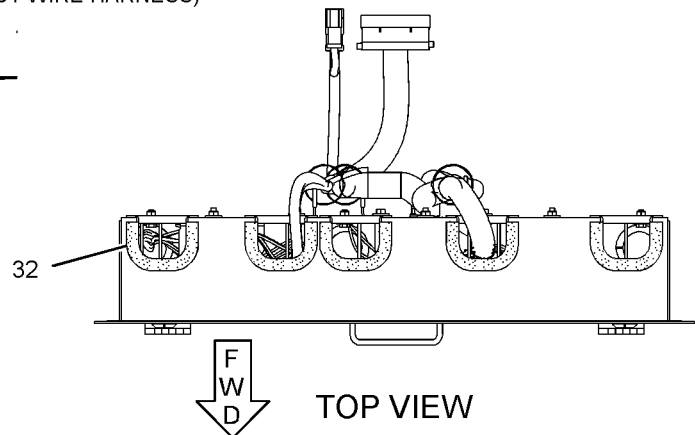
FRONT VIEW
(WITH DOOR)



REAR VIEW
(WITHOUT WIRE HARNESS)



BOTTOM VIEW



TOP VIEW

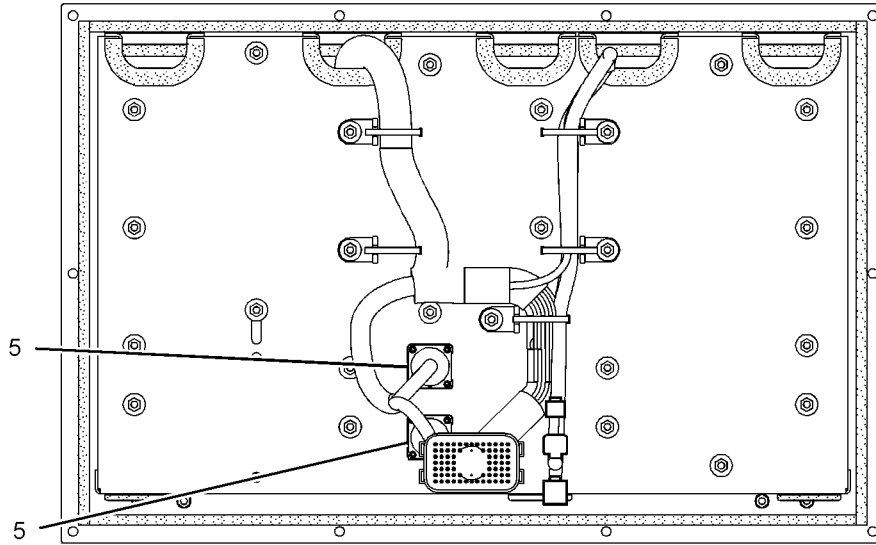
GRAPHIC #1

g01922915

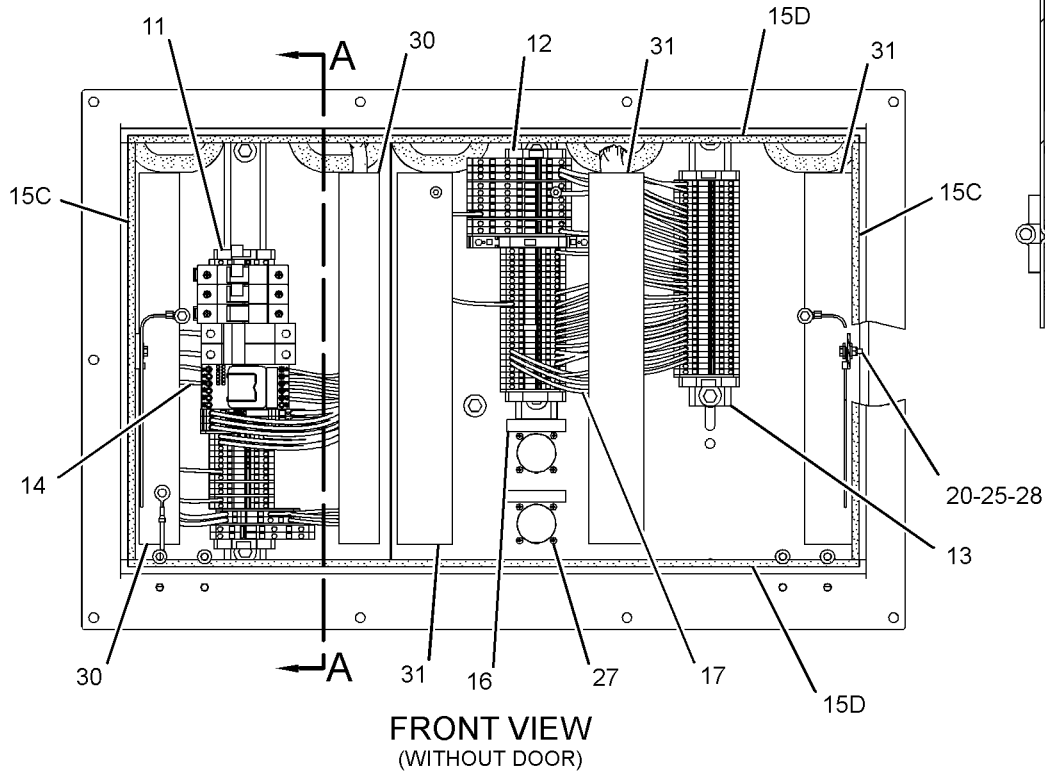
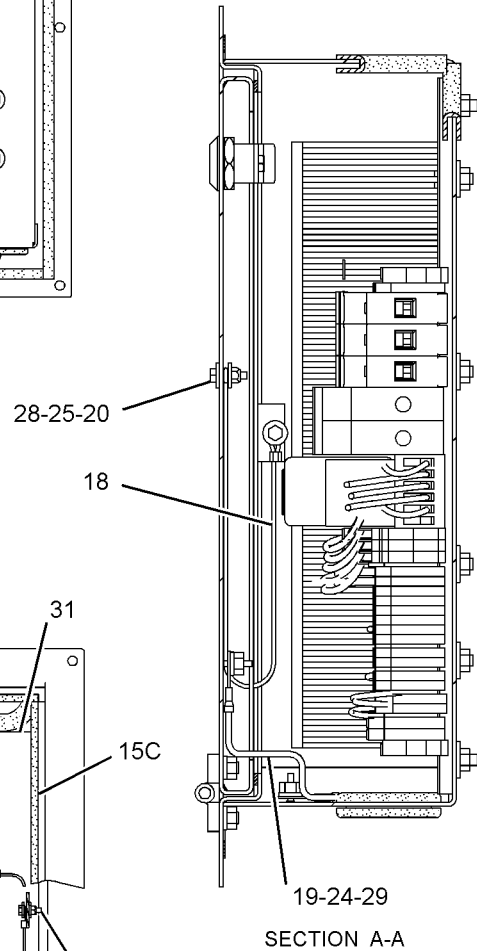
ELECTRICAL AND STARTING SYSTEM

245-0035 BOX GP-ELECTRONIC (contd.)

i03593309



REAR VIEW
(WITH HARNESS)



FRONT VIEW
(WITHOUT DOOR)

GRAPHIC #2

<END>

g01922916

ELECTRICAL AND STARTING SYSTEM

341-8082 BOX GP-ELECTRONIC AN ATTACHMENT

SMCS-1417

i03687350

NOTE	REF NO	GRAPHIC REF	PART NUMBER	QTY	PART NAME						SEE PAGE
					1	2	3	4	5	6 (PRODUCT LEVEL)	
	1	1	1H-4393	2	LOCKWASHER						
	2	1	8C-8514	2	SCREW-MACHINE (8-32X0.375-IN)						
	3	1	8T-2882	1	HANDLE-PULL						
	4	2	9X-6772	5	STRAP-CABLE						
	5	2	132-8488	2	NUT-RING						
	6	1	135-6898	2	LATCH AS						
	7	1	169-4481	2	HINGE AS						
	8	1	242-8835	1	DOOR AS						
Y	9	1	244-9602	1	STRIP GP-TERMINAL (AC)						517
Y	10	1	244-9603	1	STRIP GP-TERMINAL (DC)						519
Y	11	1	244-9607	1	STRIP GP-TERMINAL						520
	12	1	244-9637	1	HARNESS AS-PANEL (HEATER)						
		1	110-8714	12	END-WIRE (18-GA)						
		1	112-7497	4	END-WIRE (14-GA)						
	13	1	245-0073	1	BOX AS						
		1	242-8834	1	BOX AS						
D		1	6V-9335		SEAL (2.1-M)						
J		1	244-9631	23	SEAL (23-DM)						
	14	2	246-8898	1	FILM-IDENTIFICATION (SERVICE CONNECTOR)						
	15	2	252-7455	1	HARNESS AS-PANEL (DATA LINK)						
		2	174-0503	1	KIT-CONNECTING PLUG (3-PIN) (INCLUDES PLUG AS, WEDGE & INTERFACE SEAL)						
		2	109-3038	3	END-WIRE (16-GA)						
		2	134-2540	1	RESISTOR AS-CONNECTION (3-PIN)						
		2	8T-8730	3	SOCKET-CONNECTOR (16-GA TO 18-GA)						
	16	1	252-7519	2	STRAP						
	17	2	287-7137	1	STRAP AS-GROUND						
		2	2L-8077	2	TERMINAL (14-GA TO 16-GA, 1/4-IN SCREW)						
	18	2	293-2033	8	SCREW-LOCK						
	19	2	341-8076	1	HARNESS AS-PANEL (AC, DC INTERFACE)						
		2	109-3038	6	END-WIRE (16-GA)						
		2	110-8714	40	END-WIRE (18-GA)						
		2	112-7497	4	END-WIRE (14-GA)						
		2	199-3062	30	FILM-IDENTIFICATION (WIRE)						
		2	8T-8729	61	PIN-CONNECTOR (16-GA TO 18-GA)						
		2	126-1767	4	PIN-CONNECTOR (14-GA)						
		2	8T-8737	23	PLUG-SEAL						
		2	9W-1951	2	RECEPTACLE-CONNECTOR (9-PIN)						
		2	133-8753	1	RECEPTACLE AS-CONNECTOR (70-PIN)						
		2	7K-1181	12	STRAP-CABLE						
D		2	5P-6006		TUBE-HEAT SHRINK (9.52-MM DIA) (0.3-M)						
E		2	124-0284		TUBE-HEAT SHRINK (3.2-MM DIA) (100-CM)						
E		2	125-7874		TUBE-HEAT SHRINK (5.72-MM DIA) (25-CM)						
M	20	1	170-5632	4	BOLT (M4X0.7X16-MM)						
	21	2	198-4775	5	WASHER-HARD (6.6X15X6-MM THK)						
	22	1	260-6675	4	NUT-SELF LOCKING (M4X0.7-THD)						
	23	2	293-9452	5	MOUNTING-CABLE TIE						
	24	1	3B-4504	8	LOCKWASHER						
	25	1	4D-3100	3	GROMMET						
M	26	1,2	5C-2890	37	NUT (M6X1-THD)						
M	27	2	5C-9553	22	BOLT (M6X1X16-MM)						
	28	2	5P-4115	49	WASHER-HARD (7.2X19X2-MM THK)						
	29	1	7X-0620	8	WASHER-HARD (5.5X13X1.6-MM THK)						
M	30	2	8T-4971	5	BOLT (M6X1X30-MM)						
	31	2	9X-8256	2	WASHER (6.6X12X2-MM THK)						
E	32	1	252-7426		DUCT-WIRE (31.5-CM EACH)						

ELECTRICAL AND STARTING SYSTEM

341-8082 BOX GP-ELECTRONIC (contd.)

i03687350

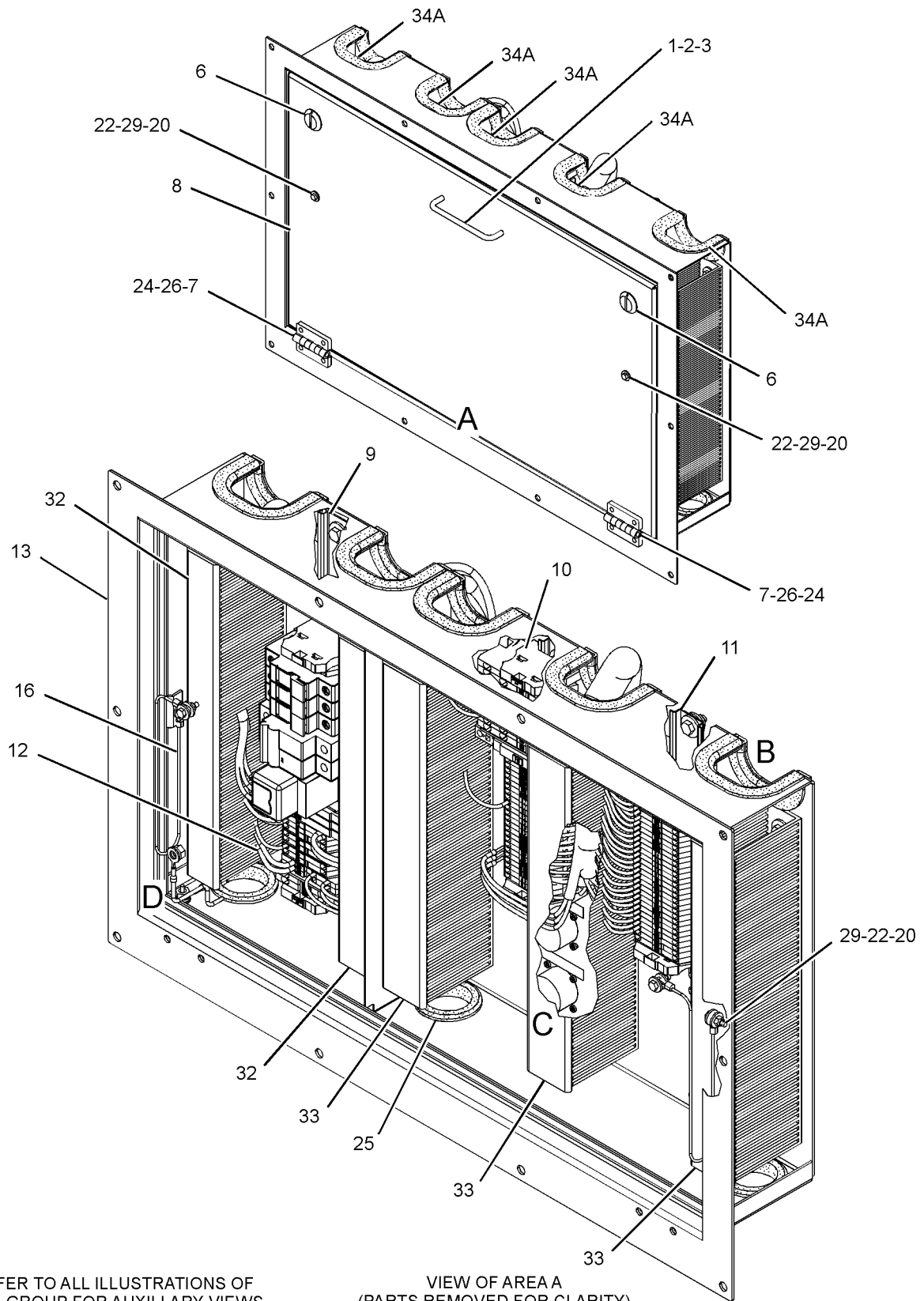
NOTE	REF NO	GRAPHIC REF	PART NUMBER	QTY	PART NAME	SEE PAGE
					1 2 3 4 5 6 (PRODUCT LEVEL)	
L	33	1	217-7164		DUCT-WIRE (315-MM EACH)	
E	34	2	3E-6600		SEAL (10-CM EACH)	
E	34A	1	3E-6600		SEAL (13.5-CM EACH)	

D-ORDER BY THE METER
 E-ORDER BY THE CENTIMETER
 J-ORDER BY THE DECIMETER
 L-ORDER BY THE MILIMETER
 M-METRIC PART
 Y-SEPARATE ILLUSTRATION

ELECTRICAL AND STARTING SYSTEM

341-8082 BOX GP-ELECTRONIC (contd.)

i03687350



REFER TO ALL ILLUSTRATIONS OF THIS GROUP FOR AUXILLARY VIEWS

VIEW OF AREA A (PARTS REMOVED FOR CLARITY)

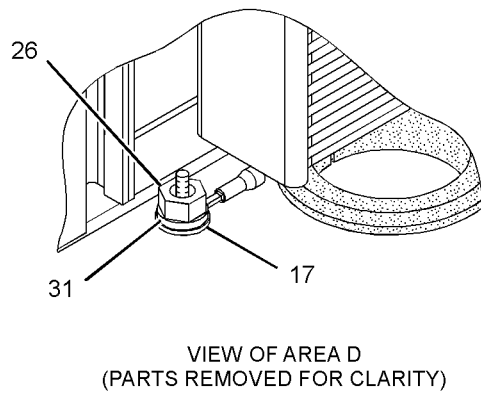
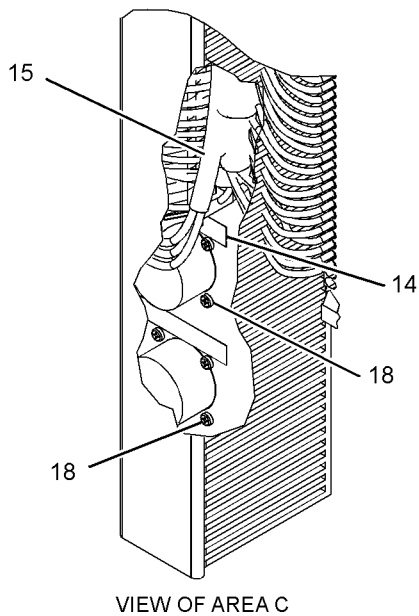
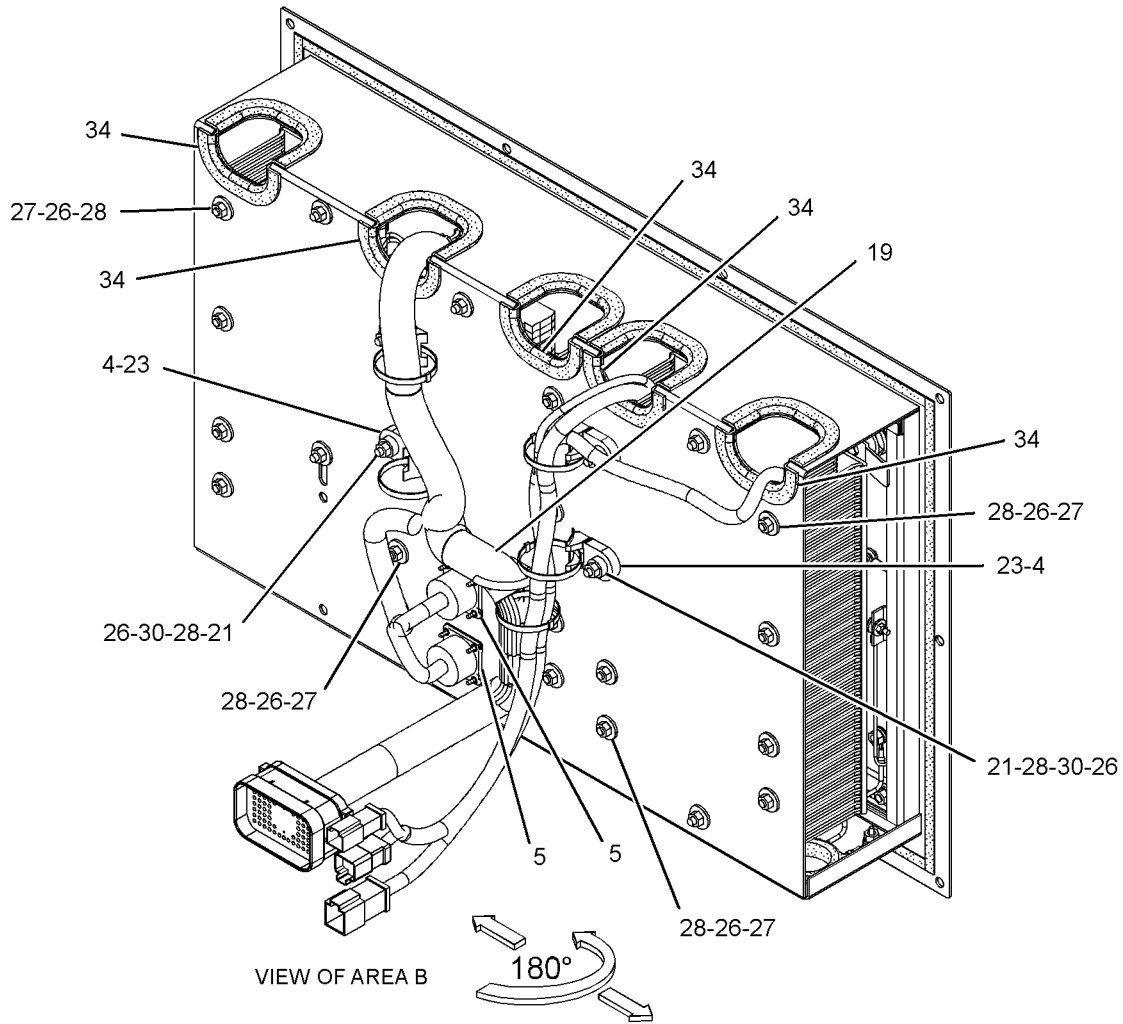
GRAPHIC #1

g01987857

ELECTRICAL AND STARTING SYSTEM

341-8082 BOX GP-ELECTRONIC (contd.)

i03687350



GRAPHIC #2

<END>

g01988774

ELECTRICAL AND STARTING SYSTEM

245-0003 BOX GP-EXTENSION TERMINAL-SIDE

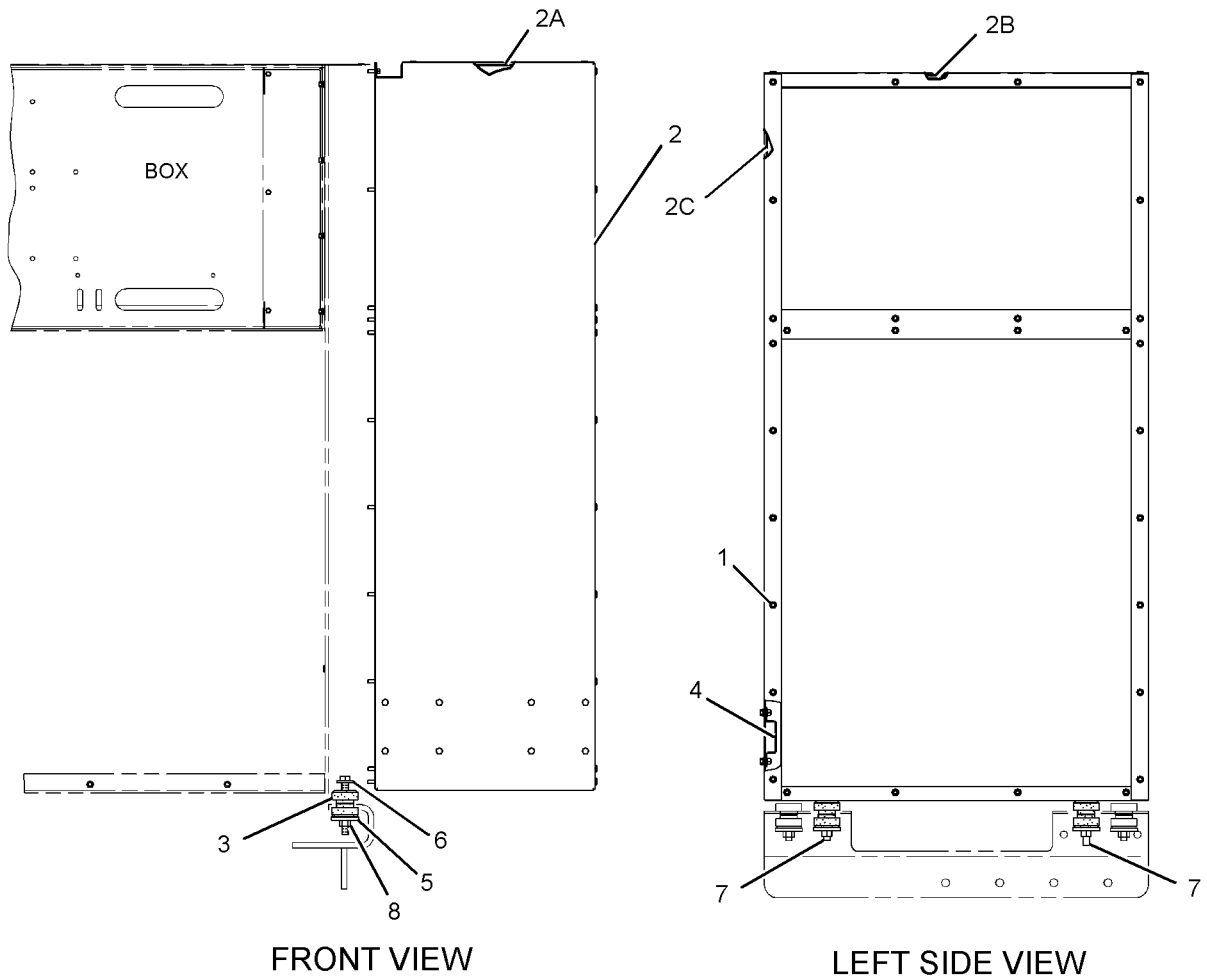
S/N: JTS1-138
AN ATTACHMENT

SMCS-4460

i02881555

NOTE	REF NO	GRAPHIC REF	PART NUMBER	QTY	PART NAME						SEE PAGE
					1	2	3	4	5	6 (PRODUCT LEVEL)	
M	1	1	235-4451	26	BOLT-FLANGE HEAD (M6X1X16-MM)						
	2	1	242-8839	1	BOX AS (SIDE EXTENSION)						
M		1	3E-4304	34	INSERT-THREADED (M6X1-THD)						
J	2A	1	244-9631		SEAL (3.35-DM EACH)						
J	2B	1	244-9631		SEAL (7.1-DM EACH)						
J	2C	1	244-9631		SEAL (13.25-DM EACH)						
	3	1	249-3108	2	MOUNT-ISOLATION						
Y	4	1	292-8679	1	BRACKET GP-TERMINAL						368
	5	1	086-0297	2	WASHER (13X50X6-MM THK)						
	6	1	5P-1076	2	WASHER-HARD (13.5X30X4-MM THK)						
M	7	1	7X-2549	2	BOLT (M12X1.75X100-MM)						
M	8	1	8T-4244	2	NUT (M12X1.75-THD)						

J-ORDER BY THE DECIMETER
M-METRIC PART
Y-SEPARATE ILLUSTRATION



GRAPHIC #1

<END>

g01435083

ELECTRICAL AND STARTING SYSTEM

245-0003 BOX GP-EXTENSION TERMINAL-SIDE

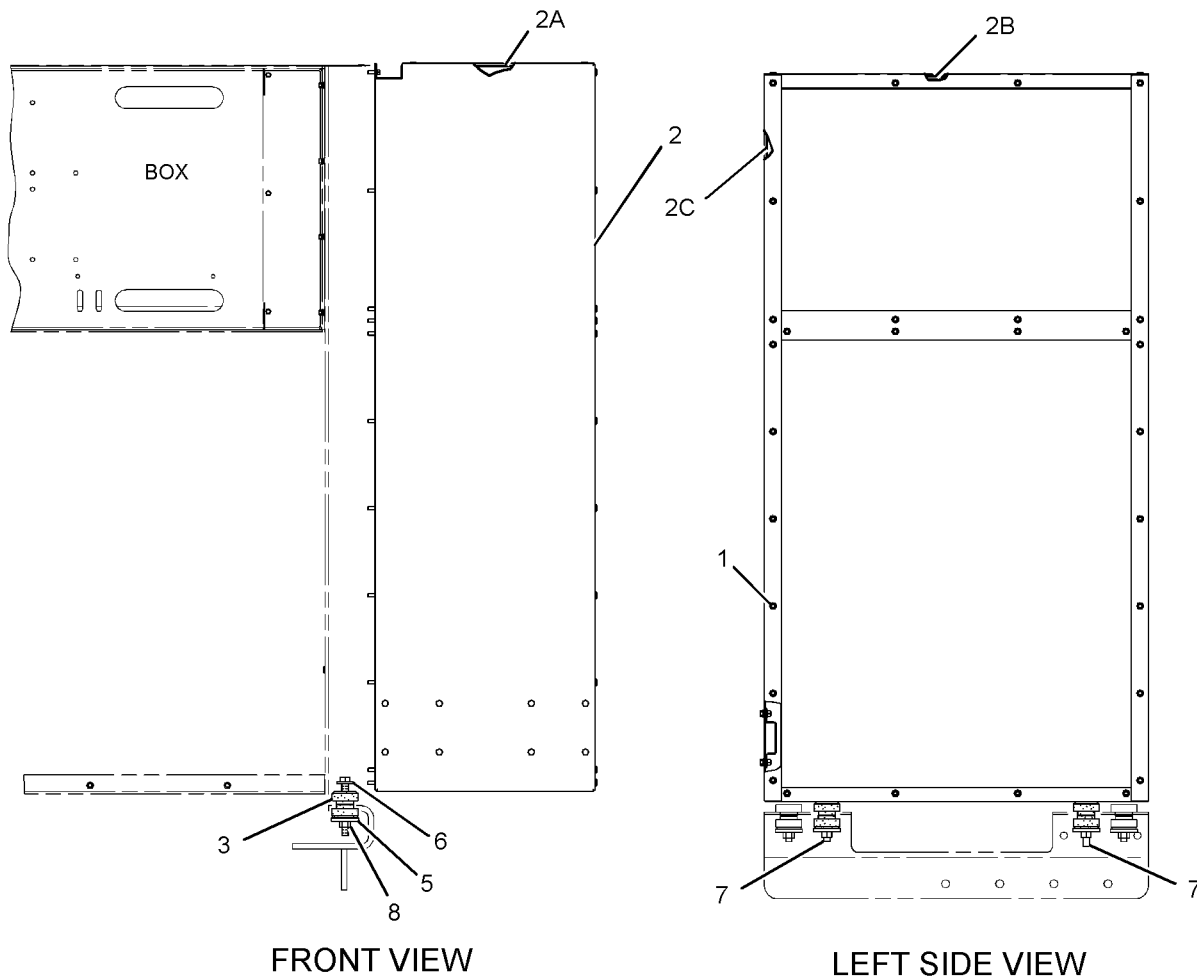
S/N: JTS139-UP
AN ATTACHMENT

SMCS-4460

i03712949

NOTE	REF NO	GRAPHIC REF	PART NUMBER	QTY	PART NAME	1 2 3 4 5 6 (PRODUCT LEVEL)						SEE PAGE
M	1	1	235-4451	26	BOLT-FLANGE HEAD (M6X1X16-MM)							
	2	1	242-8839	1	BOX AS (SIDE EXTENSION)							
M		1	3E-4304	34	INSERT-THREADED (M6X1-THD)							
J	2A	1	244-9631		SEAL (3.35-DM EACH)							
J	2B	1	244-9631		SEAL (7.1-DM EACH)							
J	2C	1	244-9631		SEAL (13.25-DM EACH)							
	3	1	249-3108	2	MOUNT-ISOLATION							
	5	1	086-0297	2	WASHER (13X50X6-MM THK)							
	6	1	5P-1076	2	WASHER-HARD (13.5X30X4-MM THK)							
M	7	1	7X-2549	2	BOLT (M12X1.75X100-MM)							
M	8	1	8T-4244	2	NUT (M12X1.75-THD)							

J-ORDER BY THE DECIMETER
M-METRIC PART



GRAPHIC #1

<END>

g01999693

ELECTRICAL AND STARTING SYSTEM

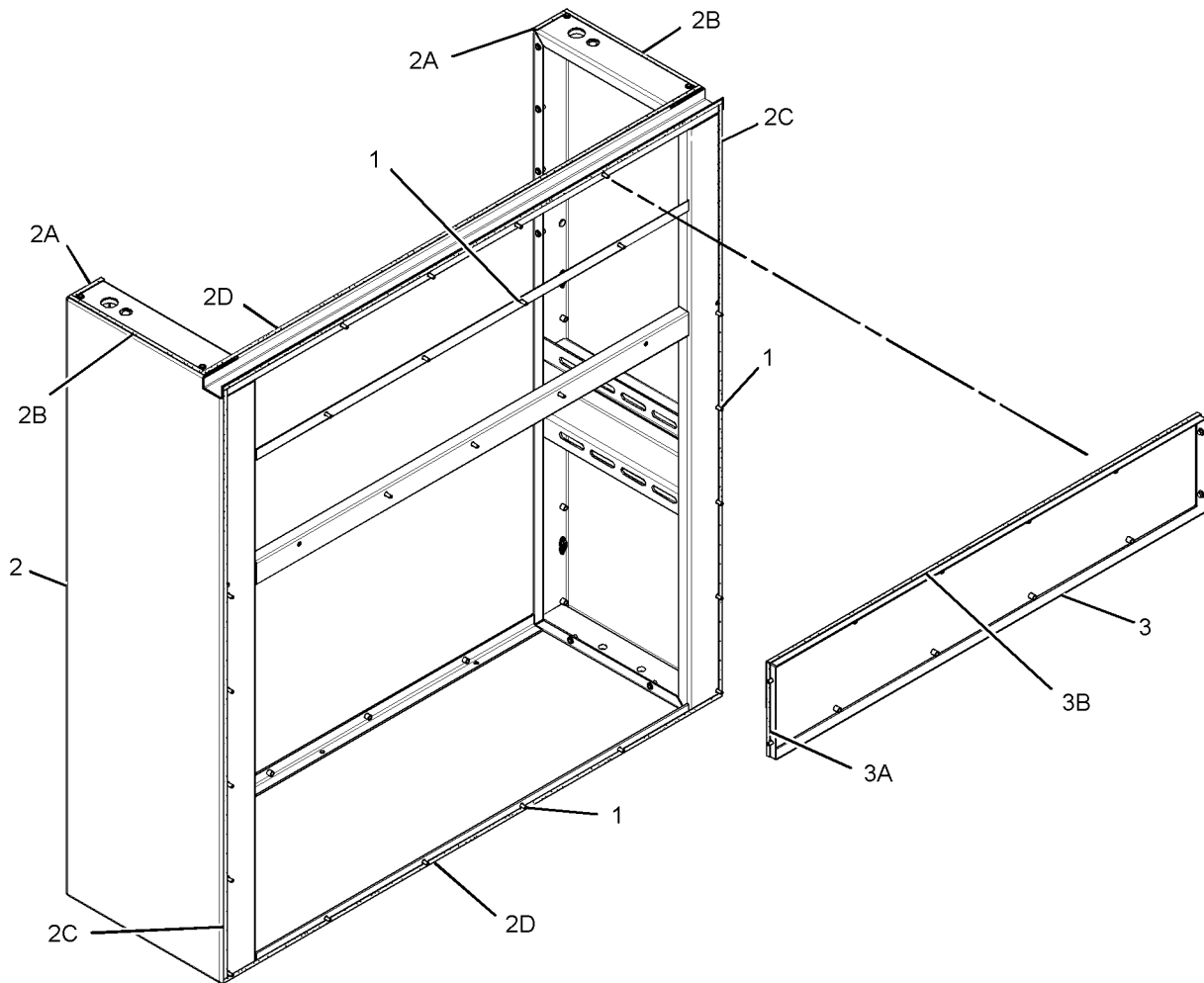
352-8713 BOX GP-EXTENSION TERMINAL AN ATTACHMENT

SMCS-4460

i03794450

NOTE	REF NO	GRAPHIC REF	PART NUMBER	QTY	PART NAME						SEE PAGE
					1	2	3	4	5	6 (PRODUCT LEVEL)	
M	1	1	235-4451	29	BOLT-FLANGE HEAD (M6X1X16-MM)						
	2	1	352-8710	1	BOX AS-EXTENSION						
M		1	3E-4304	28	INSERT-THREADED (M6X1-THD)						
J	2A	1	244-9631		SEAL (0.8-DM EACH)						
J	2B	1	244-9631		SEAL (3.45-DM EACH)						
J	2C	1	244-9631		SEAL (13.25-DM EACH)						
J	2D	1	244-9631		SEAL (13-DM EACH)						
	3	1	243-1894	1	BRACE AS						
M		1	3E-4304	8	INSERT-THREADED (M6X1-THD)						
J	3A	1	244-9631		SEAL (2.1-DM EACH)						
J	3B	1	244-9631		SEAL (11.2-DM)						

J-ORDER BY THE DECIMETER
M-METRIC PART



GRAPHIC #1

<END>

g02054514

ELECTRICAL AND STARTING SYSTEM

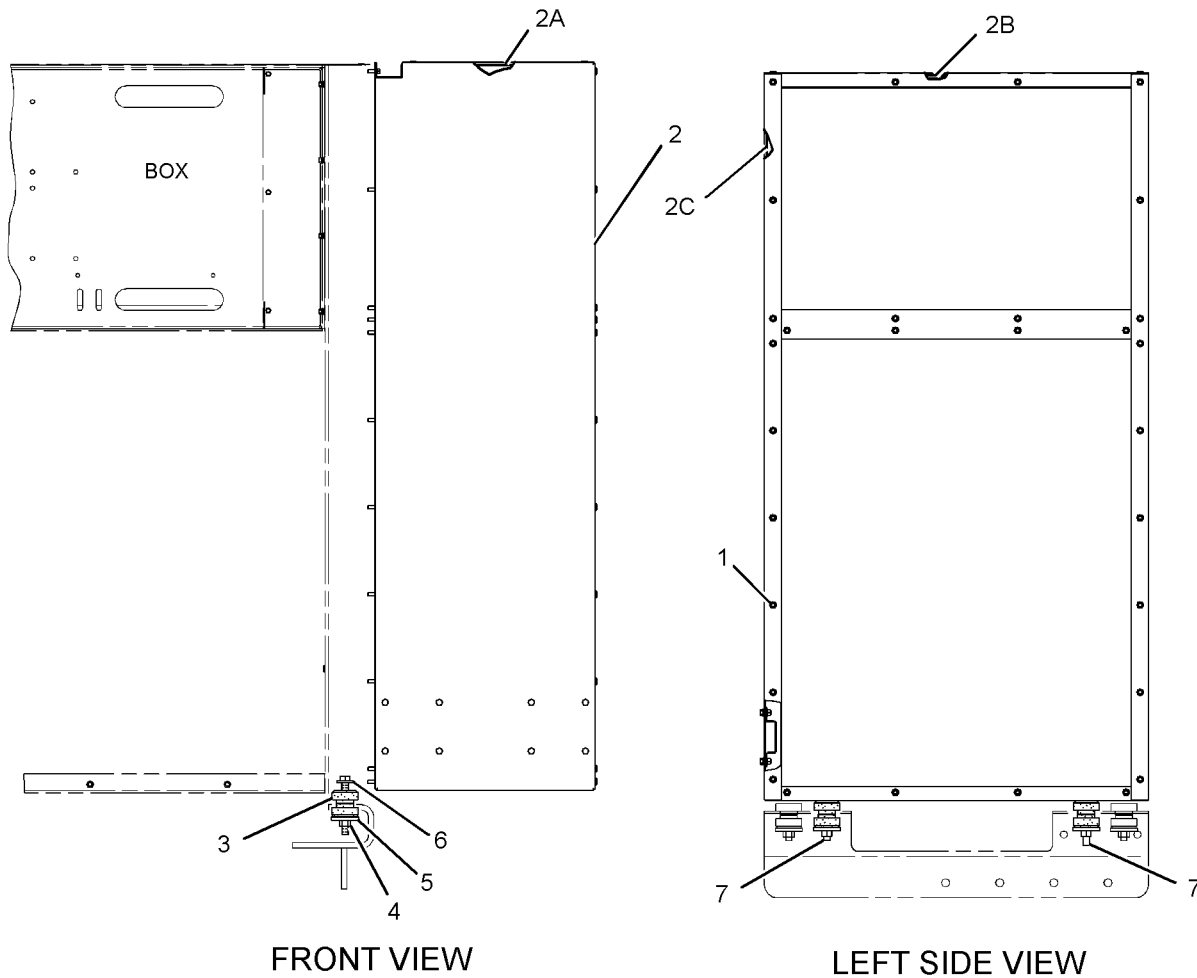
352-8728 BOX GP-EXTENSION TERMINAL AN ATTACHMENT

SMCS-4460

i03795738

NOTE	REF NO	GRAPHIC REF	PART NUMBER	QTY	PART NAME						SEE PAGE
					1	2	3	4	5	6 (PRODUCT LEVEL)	
M	1	1	235-4451	26	BOLT-FLANGE HEAD (M6X1X16-MM)						
	2	1	352-8725	1	BOX AS-EXTENSION (SIDE EXTENSION)						
M		1	3E-4304	32	INSERT-THREADED (M6X1-THD)						
J	2A	1	244-9631		SEAL (3.35-DM EACH)						
J	2B	1	244-9631		SEAL (7.1-DM EACH)						
J	2C	1	244-9631		SEAL (13.25-DM EACH)						
	3	1	249-3108	2	MOUNT-ISOLATION						
M	4	1	8T-4244	2	NUT (M12X1.75-THD)						
	5	1	086-0297	2	WASHER (13X50X6-MM THK)						
	6	1	5P-1076	2	WASHER-HARD (13.5X30X4-MM THK)						
M	7	1	7X-2549	2	BOLT (M12X1.75X100-MM)						

J-ORDER BY THE DECIMETER
M-METRIC PART



GRAPHIC #1

<END>

g02053213

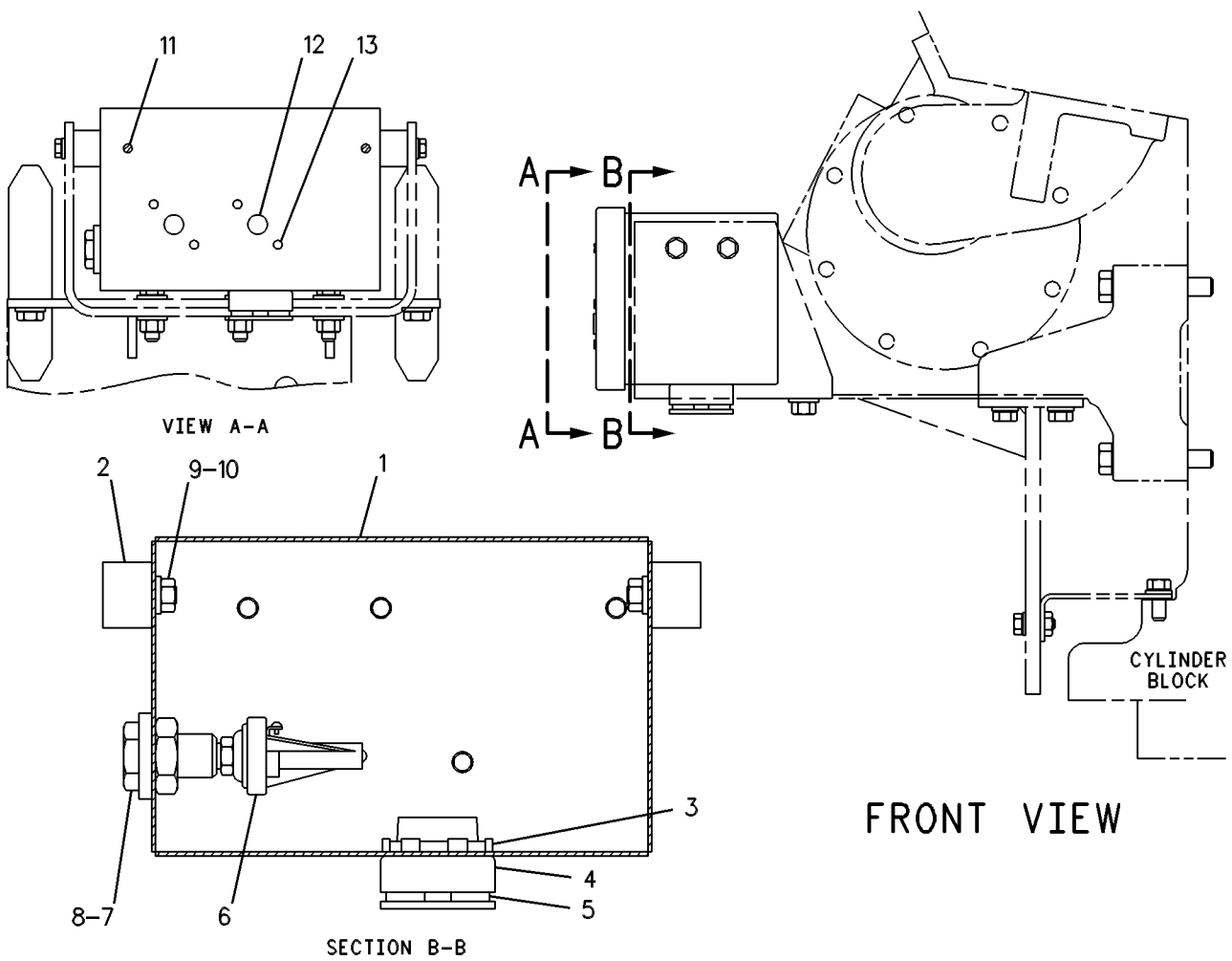
ELECTRICAL AND STARTING SYSTEM

120-4513 BOX GP-JUNCTION-PRELUBRICATION AN ATTACHMENT

SMCS-7426

i01972012

NOTE	REF NO	GRAPHIC REF	PART NUMBER	QTY	PART NAME						SEE PAGE
					1	2	3	4	5	6 (PRODUCT LEVEL)	
	1	1	4P-5285	1	ENCLOSURE AS						
	2	1	7E-7731	4	MOUNT						
	3	1	062-5388	1	LOCKNUT (1-11-1/2-THD)						
	4	1	5N-9117	1	ADAPTER						
	5	1	5N-9073	1	CLIP						
	6	1	3N-1400	1	SWITCH AS-PRESSURE (PRELUBRICATION)						
		1	6V-8376	2	SCREW-MACHINE (8-32X0.25-IN)						
	7	1	9M-7357	1	COUPLING AS						
	8	1	7X-0519	1	WASHER-HARD (20X33.5X5-MM THK)						
	9	1	8T-4205	4	WASHER-HARD (7.2X14.5X2-MM THK)						
	10	1	6V-8185	4	NUT (1/4-20-THD)						
	11	1	9M-5520	2	SCREW-TAPPING (10-24X0.5-IN)						
	12	1	3L-4566	2	PLUG-BUTTON						
	13	1	6K-9591	4	PLUG-BUTTON						



GRAPHIC #1

<END>

g00248937

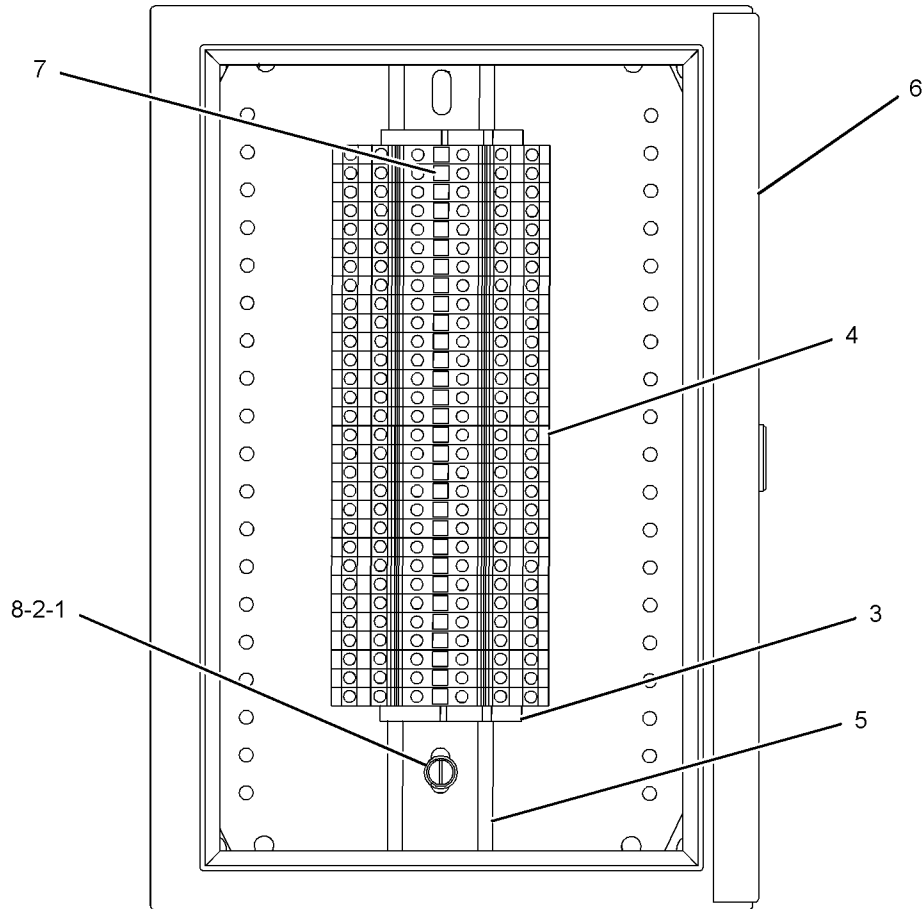
ELECTRICAL AND STARTING SYSTEM

231-3471 BOX GP-JUNCTION-CUSTOMER INTERFACE PART OF 241-5629, 241-5630, 241-5631, 346-5276 BOX GP-JUNCTION AN ATTACHMENT

SMCS-7426

i01957464

NOTE	REF NO	GRAPHIC REF	PART NUMBER	QTY	PART NAME						SEE PAGE
					1	2	3	4	5	6 (PRODUCT LEVEL)	
	1	1	1H-4393	3	LOCKWASHER						
	2	1	7S-1197	3	SCREW-MACHINE (8-32X0.5-IN)						
	3	1	9X-9675	2	BRACKET-END						
	4	1	120-9079	30	TERMINAL						
	5	1	147-1960	1	RAIL						
	6	1	177-7215	1	ENCLOSURE						
	7	1	146-6775	1	MARKER						
	8	1	4B-4863	3	WASHER (4.7X11X1.2-MM THK)						



GRAPHIC #1

<END>

g01019403

ELECTRICAL AND STARTING SYSTEM

231-9999 BOX GP-JUNCTION-POWER DISTRIBUTION

AN ATTACHMENT

TYPE 1

SMCS-7426

i02710355

NOTE	REF NO	GRAPHIC REF	PART NUMBER	QTY	PART NAME						SEE PAGE
					1	2	3	4	5	6 (PRODUCT LEVEL)	
	1	1	3L-7314	6	WASHER (0.406X0.62X0.032-IN THK)						
BC	2	1	3S-2093	10	STRAP-CABLE						
	3	1	5P-7751	4	NUT-BRONZE (3/8-16-THD)						
	4	1	6H-5431	4	NUT-BRASS JAM (3/8-16-THD)						
C	5	1	7D-6922	22	LOCKNUT (6-32-THD)						
	6	1	8N-9300	4	MOUNT AS						
	7	1	8T-8827	1	BOOT (RED)						
	8	1	9M-4704	4	BOLT (8-32X1-IN)						
BC	9	1	9X-6772	8	STRAP-CABLE						
	10	1	9X-8124	1	SWITCH AS-MAGNETIC (24-VOLT) (STARTING MOTOR)						
	10A	1	9X-8124	1	SWITCH AS-MAGNETIC (24-VOLT) (STARTING MOTOR)						
	10B	1	9X-8124	1	SWITCH AS-MAGNETIC (24-VOLT) (AIR SHUTOFF)						
	10C	1	9X-8124	1	SWITCH AS-MAGNETIC (24-VOLT) (PRELUBRICATION PUMP)						
	11	1	9Y-2921	10	RELAY (24-VOLT) (ECM ENERGIZE)						
C	12	1	202-2099	1	PLATE						
	13	1	231-9863	1	CIRCUIT BREAKER AS (70-AMPERE, DOUBLE POLE)						
	14	1	231-9864	1	CIRCUIT BREAKER AS (40-AMPERE, DOUBLE POLE)						
	15	1	231-9866	3	CIRCUIT BREAKER AS (20-AMPERE, DOUBLE POLE)						
	16	1	231-9892	1	SEAL						
Y	17	1	235-2768	1	BOX AS-CONTROL						344
	18	1	239-5794	1	TIMER						
C	19	1	250-1946	1	BRACKET AS						
C	20	1	250-1947	1	BRACKET AS						
		1	5P-6917	1	STUD-WELD (1/4-20X1.25-IN)						
C	21	1	295-6649	1	HARNES AS-BOX						
		1	5E-9295	4	PIN-CONNECTOR						
		1	8T-4205	2	WASHER-HARD (7.2X14.5X2-MM THK)						
		1	186-3736	8	SOCKET-CONNECTOR (16-GA TO 18-GA)						
		1	8T-8737	8	PLUG-SEAL						
		1	8T-9368	2	BOLT (1/4-20X2.25-IN)						
E		1	114-8843		SLEEVE-PLASTIC (40-CM)						
		1	123-0316	2	DIODE AS						
		1	155-2271	4	KIT-CONNECTING PLUG (4-PIN) (EACH KIT INCLUDES PLUG AS AND WEDGE)						
		1	159-9496	2	LOCKWASHER						
		1	203-8977	2	RECEPTACLE AS (6-PIN)						
		1	203-8999	4	SEAL						
		1	203-9001	4	SLEEVE						
		1	203-9007	2	NUT (1-1/2-18-THD)						
E		1	231-9897		CONDUIT-FLEXIBLE (36-MM ID) (146-CM)						
		1	231-9899	2	CONNECTOR (CONDUIT)						
		1	233-9219	1	CONNECTOR (31-PIN)						
		1	233-9221	1	CONNECTOR AS (31-PIN)						
		1	233-9227	23	SOCKET-CONNECTOR (16-GA TO 20-GA)						
		1	233-9228	3	PLUG-SEAL						
		1	233-9229	10	SOCKET-CONNECTOR (12-GA TO 14-GA)						
		1	233-9231	2	SOCKET-CONNECTOR (4-GA TO 6-GA)						
		1	233-9235	20	PLUG-SEAL						
E		1	233-9494		CONDUIT (47-MM OD) (45-CM)						
		1	233-9495	1	CONNECTOR (CONDUIT)						
		1	233-9517	1	GASKET						
		1	236-7942	1	PLATE						
		1	241-8266	2	ADAPTER						
C	22	1	254-0331	2	HARNES AS-POWER (EACH INCLUDES)						

ELECTRICAL AND STARTING SYSTEM

231-9999 BOX GP-JUNCTION (contd.)

i02710355

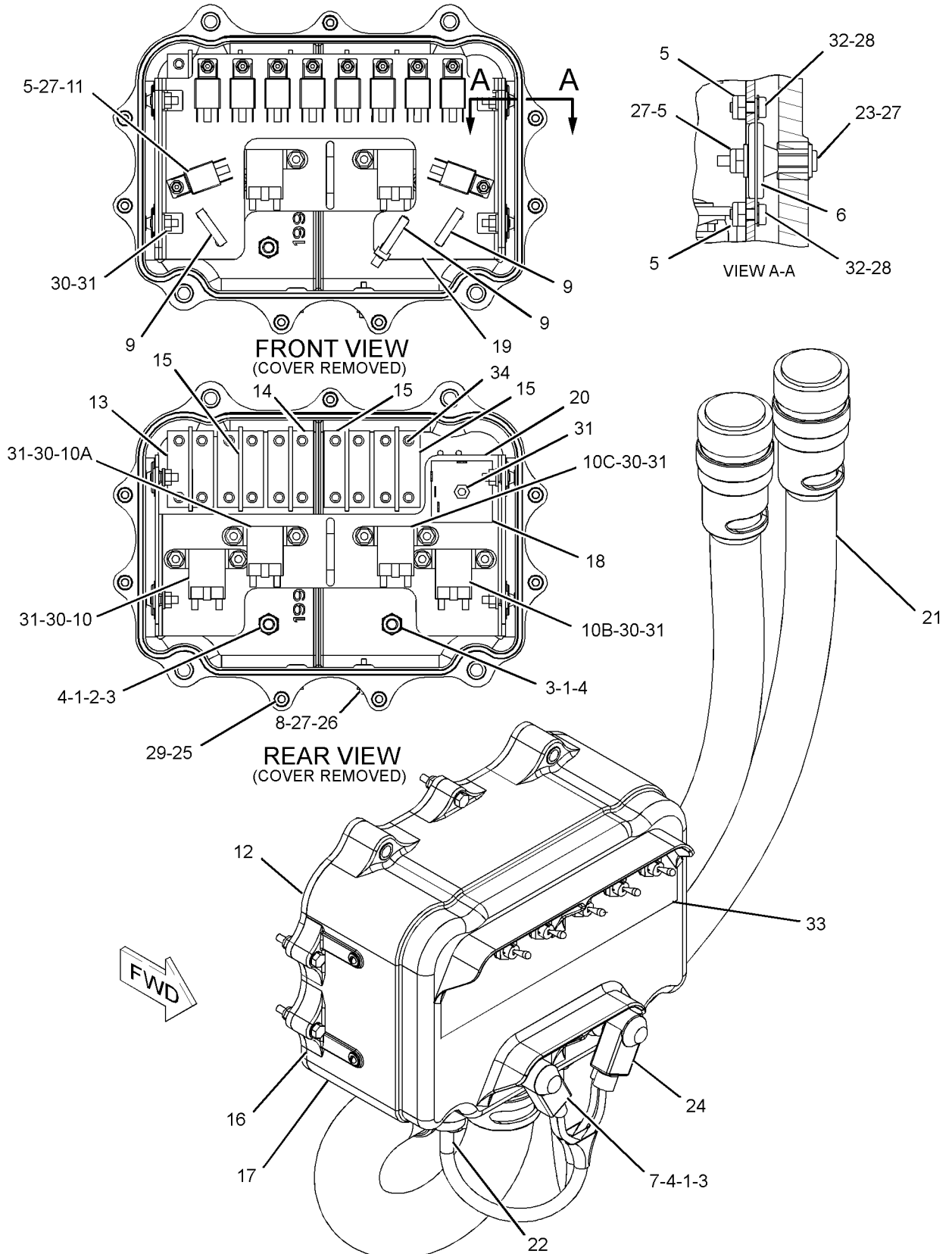
NOTE	REF NO	GRAPHIC REF	PART NUMBER	QTY	PART NAME						SEE PAGE
					1	2	3	4	5	6 (PRODUCT LEVEL)	
		1	8N-1543	2	SOCKET-CONNECTOR (10-GA)						
E		1	210-8958		TUBE-HEAT SHRINK (24-MM DIA) (12-CM)						
		1	203-9001	2	SLEEVE						
		1	203-9000	1	PLUG AS (6-PIN)						
		1	203-8999	2	SEAL						
E		1	119-3662		TUBE-HEAT SHRINK (10.85-MM DIA) (6-CM)						
		1	8T-8737	4	PLUG-SEAL						
	23	1	234-8788	4	SCREW-MACHINE (6-32X1.25-IN)						
	24	1	121-1110	1	BOOT (BLACK)						
	25	1	3E-9865	7	LOCKNUT (1/4-20-THD)						
	26	1	4B-2043	4	NUT (8-32-THD)						
C	27	1	4B-4863	26	WASHER (4.7X11X1.2-MM THK)						
	28	1	5H-6555	8	LOCKWASHER						
	29	1	5P-2675	7	BOLT (1/4-20X1.75-IN)						
	30	1	8T-4205	12	WASHER-HARD (7.2X14.5X2-MM THK)						
C	31	1	9S-8750	13	NUT-FULL (1/4-20-THD)						
	32	1	9X-6259	8	SCREW-MACHINE (6-32X0.375-IN)						
	33	1	241-9399	1	FILM-IDENTIFICATION (POWER DISTRIBUTION)						
	34	1	1H-3338	20	LOCKWASHER (EXTERNAL TOOTH)						

B-USE AS REQUIRED
 C-CHANGE FROM PREVIOUS TYPE
 E-ORDER BY THE CENTIMETER
 Y-SEPARATE ILLUSTRATION

ELECTRICAL AND STARTING SYSTEM

231-9999 BOX GP-JUNCTION (contd.)

i02710355



GRAPHIC #1

<END>

g01353254

ELECTRICAL AND STARTING SYSTEM

231-9999 BOX GP-JUNCTION-POWER DISTRIBUTION

AN ATTACHMENT

TYPE 2

SMCS-7426

i03526960

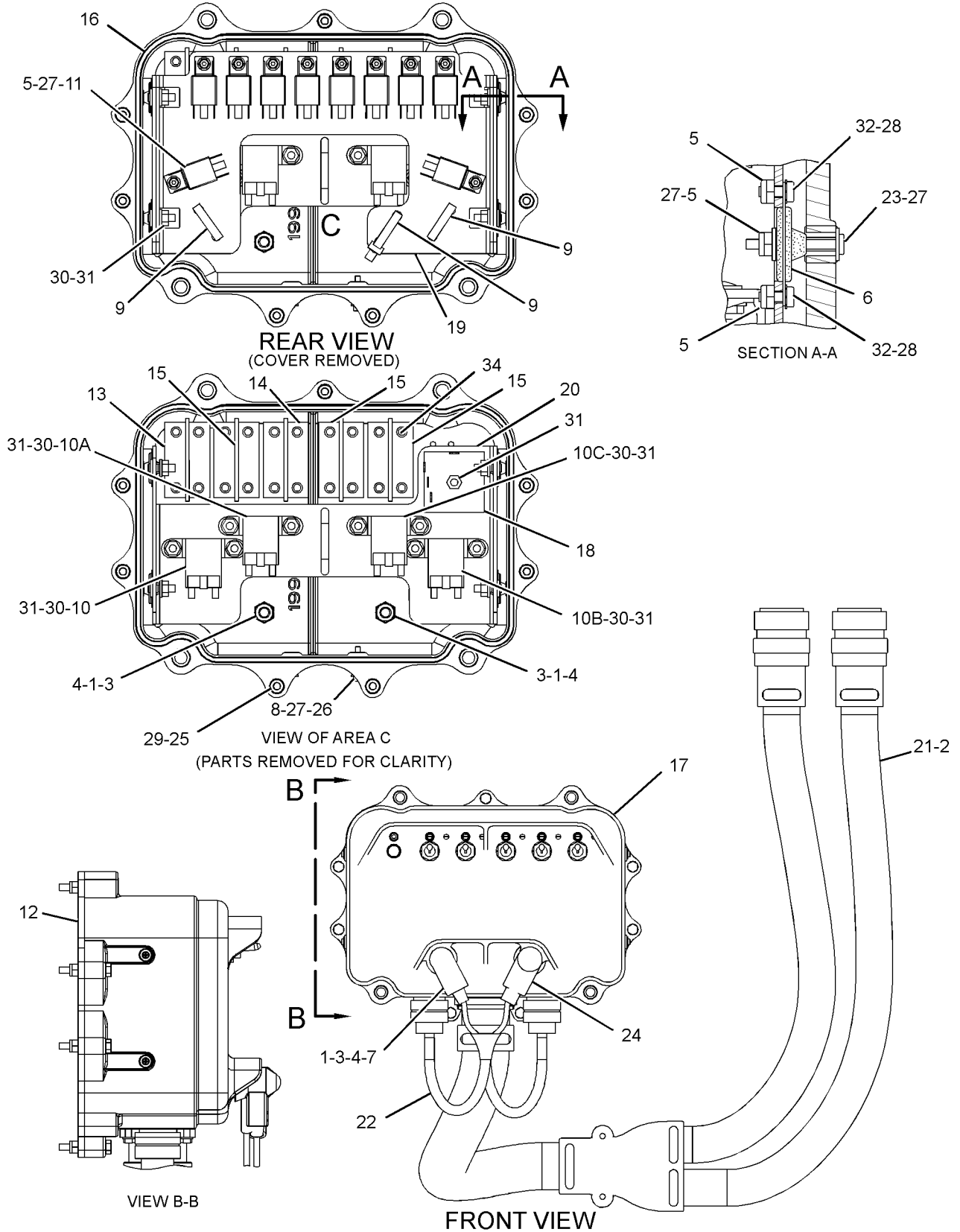
NOTE	REF NO	GRAPHIC REF	PART NUMBER	QTY	PART NAME						SEE PAGE
					1	2	3	4	5	6 (PRODUCT LEVEL)	
	1	1	3L-7314	6	WASHER (0.406X0.62X0.032-IN THK)						
B	2	1	3S-2093	10	STRAP-CABLE						
	3	1	5P-7751	4	NUT-BRONZE (3/8-16-THD)						
	4	1	6H-5431	4	NUT-BRASS JAM (3/8-16-THD)						
	5	1	7D-6922	22	LOCKNUT (6-32-THD)						
	6	1	8N-9300	4	MOUNT AS						
	7	1	8T-8827	1	BOOT (RED)						
	8	1	9M-4704	4	BOLT (8-32X1-IN)						
B	9	1	9X-6772	8	STRAP-CABLE						
	10	1	9X-8124	1	SWITCH AS-MAGNETIC (24-VOLT) (STARTING MOTOR)						
10A	1	1	9X-8124	1	SWITCH AS-MAGNETIC (24-VOLT) (STARTING MOTOR)						
10B	1	1	9X-8124	1	SWITCH AS-MAGNETIC (24-VOLT) (AIR SHUTOFF)						
10C	1	1	9X-8124	1	SWITCH AS-MAGNETIC (24-VOLT) (PRELUBRICATION PUMP)						
	11	1	9Y-2921	10	RELAY (24-VOLT) (ECM ENERGIZE)						
	12	1	202-2099	1	PLATE						
	13	1	231-9863	1	CIRCUIT BREAKER AS (70-AMPERE, DOUBLE POLE)						
	14	1	231-9864	1	CIRCUIT BREAKER AS (40-AMPERE, DOUBLE POLE)						
	15	1	231-9866	3	CIRCUIT BREAKER AS (20-AMPERE, DOUBLE POLE)						
	16	1	231-9892	1	SEAL						
Y	17	1	235-2768	1	BOX AS-CONTROL						344
	18	1	239-5794	1	TIMER						
	19	1	250-1946	1	BRACKET AS						
	20	1	250-1947	1	BRACKET AS						
		1	5P-6917	1	STUD-WELD (1/4-20X1.25-IN)						
C	21	1	314-4213	1	HARNESS AS-BOX						
	22	1	254-0331	2	HARNESS AS-POWER						
					(EACH INCLUDES)						
		1	8N-1543	2	SOCKET-CONNECTOR (10-GA)						
E		1	210-8958		TUBE-HEAT SHRINK (24-MM DIA) (12-CM)						
		1	203-9001	2	SLEEVE						
		1	203-9000	1	PLUG AS (6-PIN)						
		1	203-8999	2	SEAL						
E		1	119-3662		TUBE-HEAT SHRINK (10.85-MM DIA) (6-CM)						
		1	8T-8737	4	PLUG-SEAL						
	23	1	234-8788	4	SCREW-MACHINE (6-32X1.25-IN)						
	24	1	121-1110	1	BOOT (BLACK)						
	25	1	3E-9865	7	LOCKNUT (1/4-20-THD)						
	26	1	4B-2043	4	NUT (8-32-THD)						
	27	1	4B-4863	26	WASHER (4.7X11X1.2-MM THK)						
	28	1	5H-6555	8	LOCKWASHER						
	29	1	5P-2675	7	BOLT (1/4-20X1.75-IN)						
	30	1	8T-4205	12	WASHER-HARD (7.2X14.5X2-MM THK)						
	31	1	9S-8750	13	NUT-FULL (1/4-20-THD)						
	32	1	9X-6259	8	SCREW-MACHINE (6-32X0.375-IN)						
	34	1	1H-3338	20	LOCKWASHER (EXTERNAL TOOTH)						

B-USE AS REQUIRED
 C-CHANGE FROM PREVIOUS TYPE
 E-ORDER BY THE CENTIMETER
 Y-SEPARATE ILLUSTRATION

ELECTRICAL AND STARTING SYSTEM

231-9999 BOX GP-JUNCTION (contd.)

i03526960



GRAPHIC #1

<END>

g01859854

ELECTRICAL AND STARTING SYSTEM

241-5629 BOX GP-JUNCTION

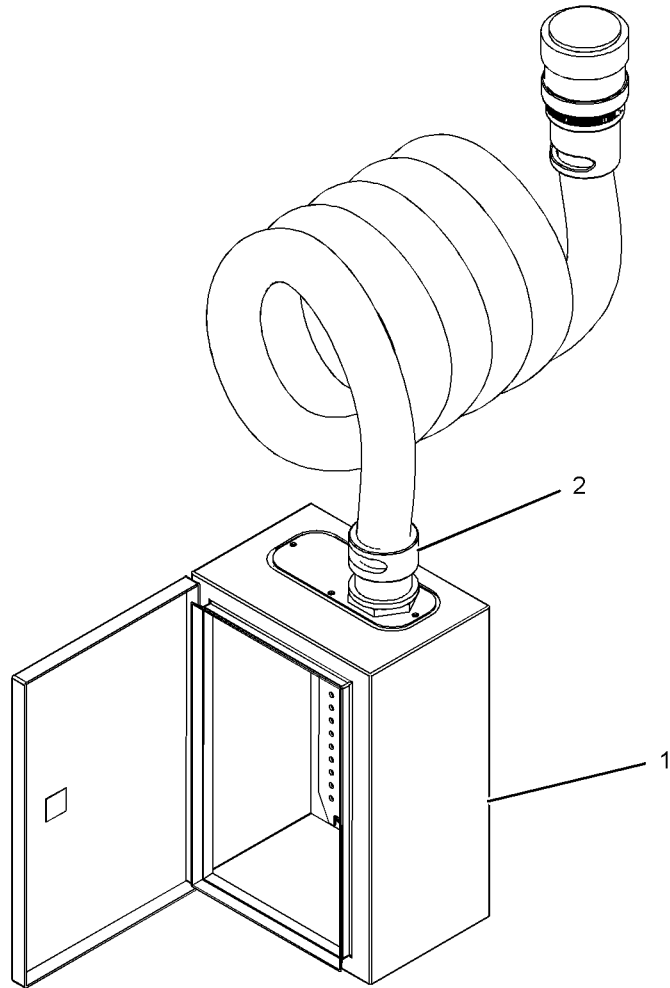
3-METER
AN ATTACHMENT

SMCS-7426

i03869160

NOTE	REF NO	GRAPHIC REF	PART NUMBER	QTY	PART NAME						SEE PAGE
					1	2	3	4	5	6 (PRODUCT LEVEL)	
Y	1	1	231-3471	1	BOX GP-JUNCTION (CUSTOMER INTERFACE)						358
Y	2	1	240-5872	1	HARNESS AS-BOX (INTERCONNECT)						416

Y-SEPARATE ILLUSTRATION



GRAPHIC #1

<END>

g01628128

ELECTRICAL AND STARTING SYSTEM

241-5630 BOX GP-JUNCTION

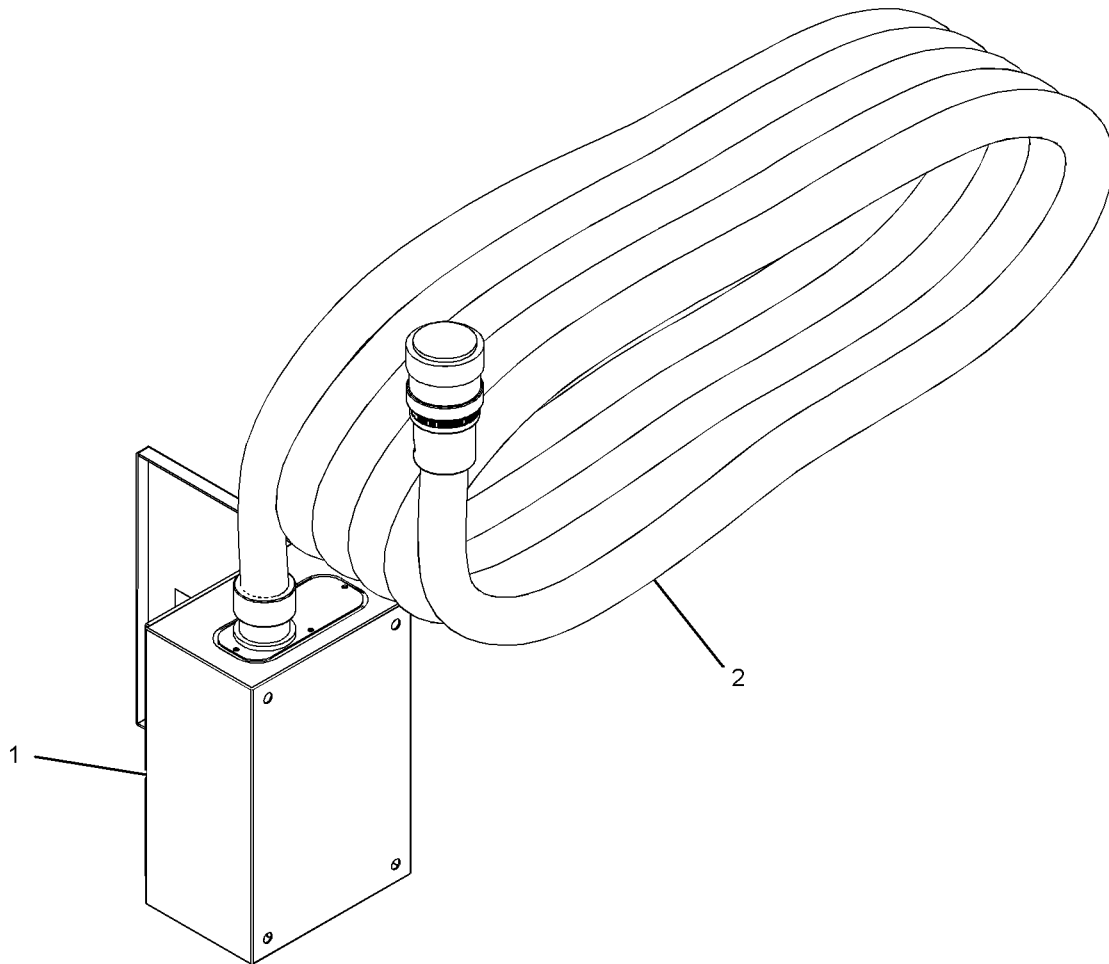
10-METER
AN ATTACHMENT

SMCS-7426

i03869170

NOTE	REF NO	GRAPHIC REF	PART NUMBER	QTY	PART NAME						SEE PAGE
					1	2	3	4	5	6 (PRODUCT LEVEL)	
Y	1	1	231-3471	1	BOX GP-JUNCTION (CUSTOMER INTERFACE)						358
Y	2	1	240-5874	1	HARNESS AS-BOX (INTERCONNECT)						417

Y-SEPARATE ILLUSTRATION



GRAPHIC #1

<END>

g01628130

ELECTRICAL AND STARTING SYSTEM

241-5631 BOX GP-JUNCTION

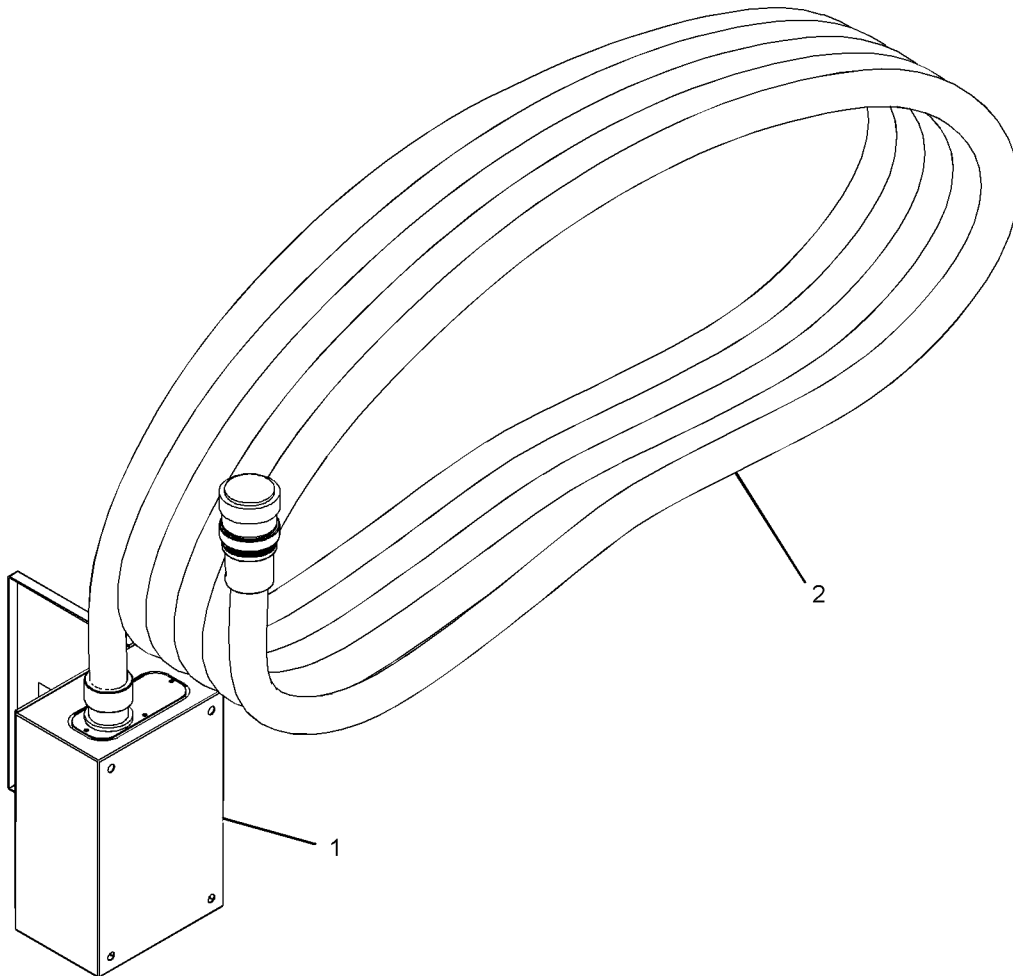
15-METER
AN ATTACHMENT

SMCS-7426

i03869172

NOTE	REF NO	GRAPHIC REF	PART NUMBER	QTY	PART NAME						SEE PAGE
					1	2	3	4	5	6 (PRODUCT LEVEL)	
Y	1	1	231-3471	1	BOX GP-JUNCTION (CUSTOMER INTERFACE)						358
Y	2	1	240-5876	1	HARNESS AS-BOX (INTERCONNECT)						418

Y-SEPARATE ILLUSTRATION



GRAPHIC #1

<END>

g01628131

ELECTRICAL AND STARTING SYSTEM

346-5276 BOX GP-JUNCTION

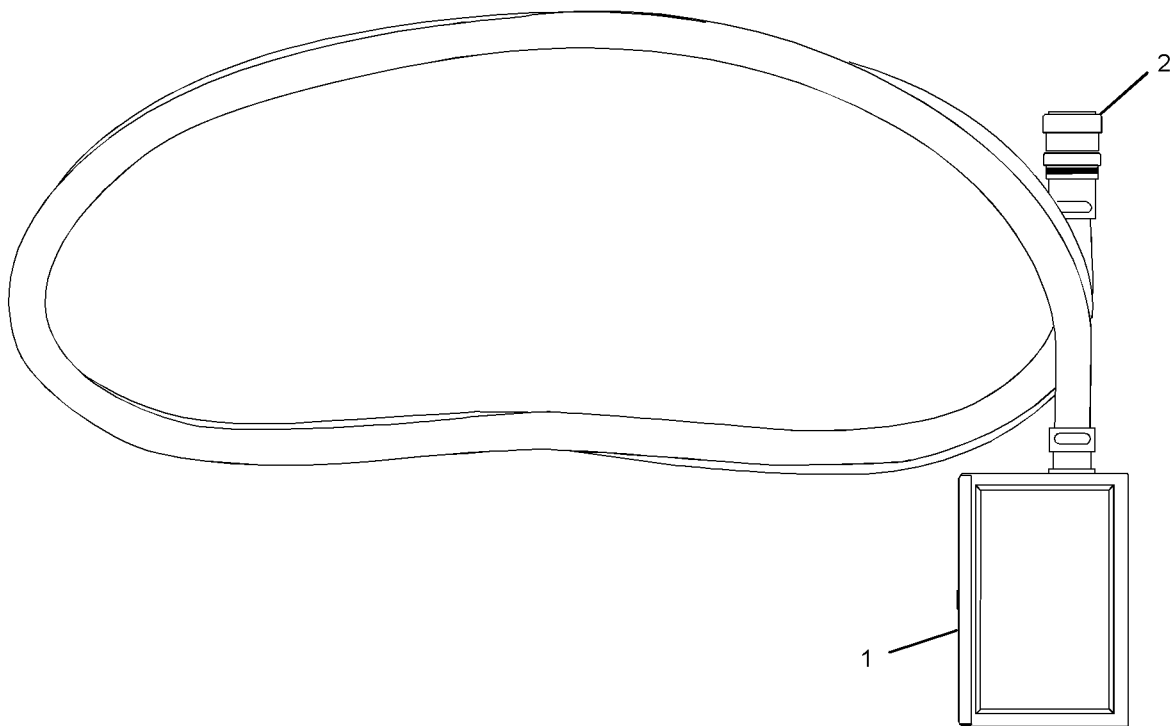
90-METER
AN ATTACHMENT

SMCS-7426

i03869190

NOTE	REF NO	GRAPHIC REF	PART NUMBER	QTY	PART NAME	SEE PAGE
					1 2 3 4 5 6 (PRODUCT LEVEL)	
Y	1	1	231-3471	1	BOX GP-JUNCTION (CUSTOMER INTERFACE)	358
Y	2	1	239-1486	1	HARNESS AS-ENGINE (EXTENSION) (30-METER)	424

Y-SEPARATE ILLUSTRATION



GRAPHIC #1

<END>

g02042313

ELECTRICAL AND STARTING SYSTEM

292-8679 BRACKET GP-TERMINAL

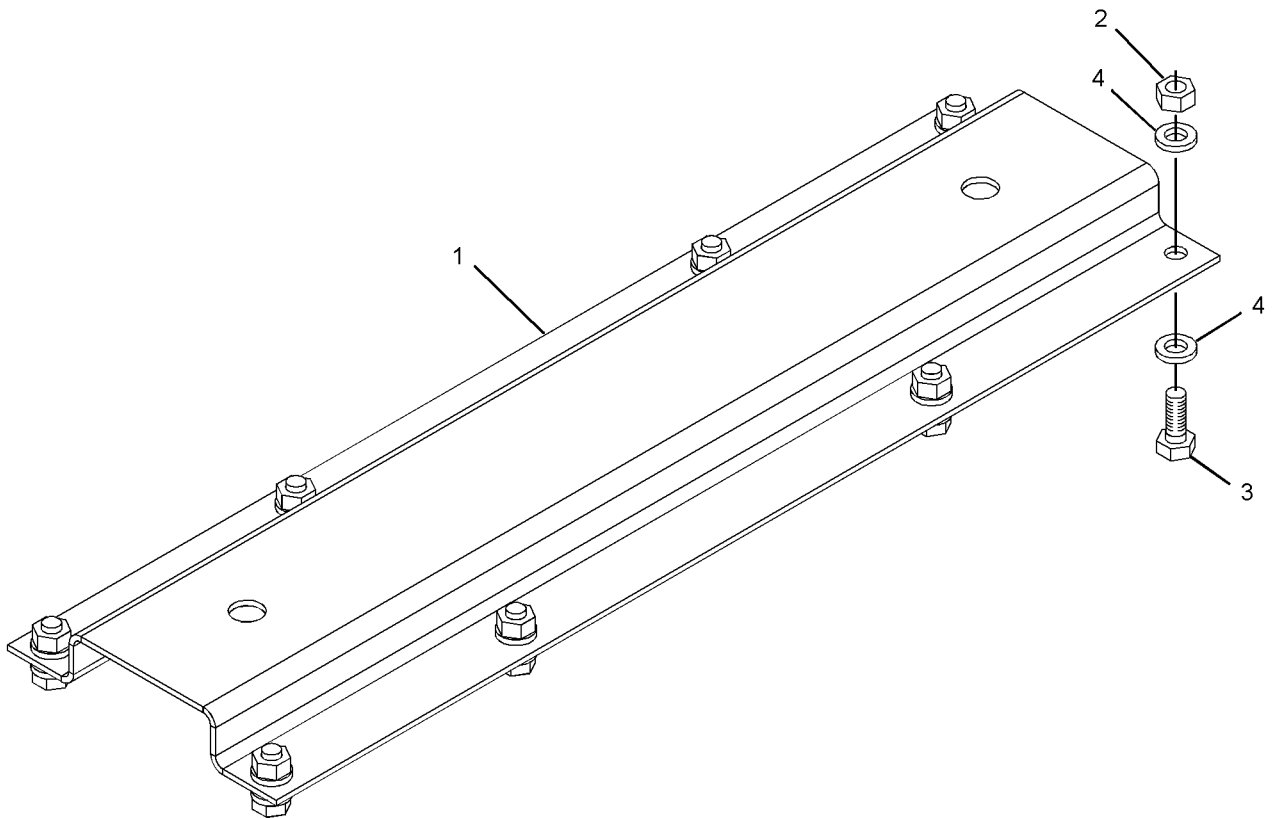
PART OF 245-0003 BOX GP-EXTENSION TERMINAL
AN ATTACHMENT

SMCS-7553

i02569557

NOTE	REF NO	GRAPHIC REF	PART NUMBER	QTY	PART NAME						SEE PAGE
					1	2	3	4	5	6 (PRODUCT LEVEL)	
	1	1	244-9693	1	BRACKET						
M	2	1	5C-2890	8	NUT (M6X1-THD)						
M	3	1	5C-9553	8	BOLT (M6X1X16-MM)						
	4	1	9X-8256	16	WASHER (6.6X12X2-MM THK)						

M-METRIC PART



GRAPHIC #1

<END>

g01289165

ELECTRICAL AND STARTING SYSTEM

244-9688 BUS BAR AS-UPPER

S/N: JTS1-152

NEMA

PART OF 252-7412 BUS BAR GP-BOX

FOR USE WITH MEDIUM VOLTAGE

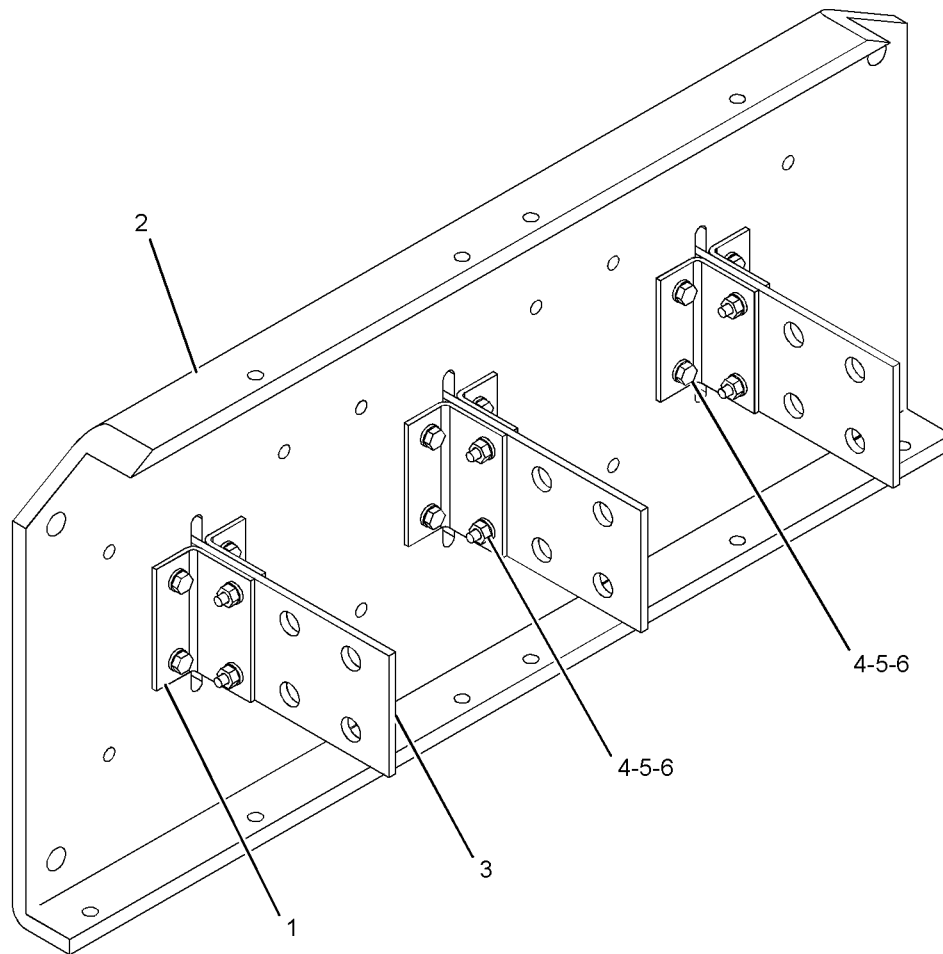
AN ATTACHMENT

SMCS-445B

i03886970

NOTE	REF NO	GRAPHIC REF	PART NUMBER	QTY	PART NAME						SEE PAGE
					1	2	3	4	5	6 (PRODUCT LEVEL)	
	1	1	135-3308	6	BRACKET-MOUNTING						
	2	1	244-9685	1	SUPPORT-BUS						
	3	1	244-9686	3	BAR-BUS						
M	4	1	5C-2890	18	NUT (M6X1-THD)						
M	5	1	6V-7357	18	BOLT (M6X1X25-MM)						
	6	1	9X-8256	36	WASHER (6.6X12X2-MM THK)						

M-METRIC PART



GRAPHIC #1

<END>

g01207809

ELECTRICAL AND STARTING SYSTEM

244-9690 BUS BAR AS-LOWER

S/N: JTS1-152

NEMA

PART OF 252-7412 BUS BAR GP-BOX

FOR USE WITH MEDIUM VOLTAGE

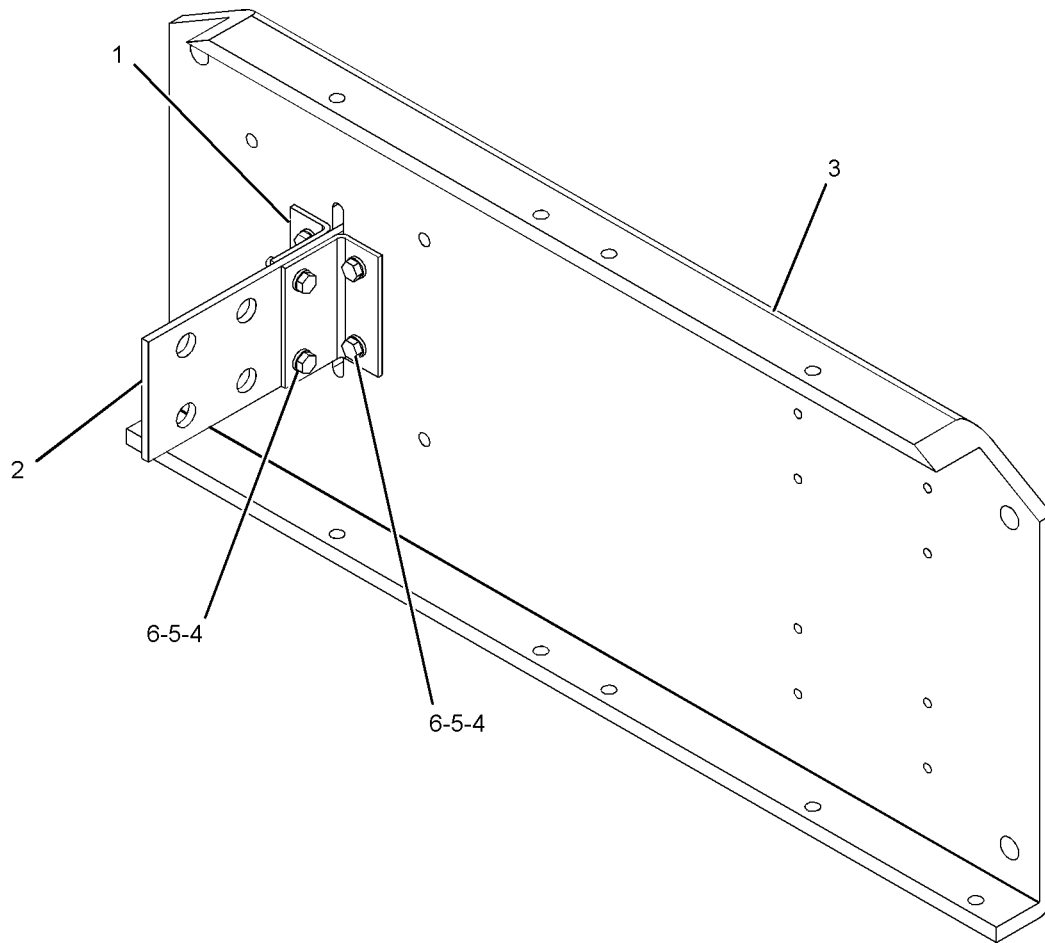
AN ATTACHMENT

SMCS-445B

i03886956

NOTE	REF NO	GRAPHIC REF	PART NUMBER	QTY	PART NAME						SEE PAGE
					1	2	3	4	5	6 (PRODUCT LEVEL)	
	1	1	135-3308	2	BRACKET-MOUNTING						
	2	1	244-9686	1	BAR-BUS						
	3	1	244-9694	1	SUPPORT-BUS						
M	4	1	5C-2890	6	NUT (M6X1-THD)						
M	5	1	6V-7357	6	BOLT (M6X1X25-MM)						
	6	1	9X-8256	12	WASHER (6.6X12X2-MM THK)						

M-METRIC PART



GRAPHIC #1

<END>

g01207821

ELECTRICAL AND STARTING SYSTEM

252-7412 BUS BAR GP-BOX-SIDE EXTENSION

S/N: JTS1-152

NEMA

FOR USE WITH MEDIUM VOLTAGE

AN ATTACHMENT

SMCS-445B

i02386535

NOTE	REF NO	GRAPHIC REF	PART NUMBER	QTY	PART NAME						SEE PAGE
					1	2	3	4	5	6 (PRODUCT LEVEL)	
	1	1	9Y-4275	1	FILM (TERMINAL STRIP)						
	2	1	132-5789	6	CLIP						
	3	1	156-6175	4	CLIP						
	4	1	244-9683	1	BRACKET (RH) (RH)						
	5	1	244-9684	1	BRACKET (LH) (LH)						
Y	6	1	244-9688	1	BUS BAR AS (UPPER)						369
Y	7	1	244-9690	1	BUS BAR AS (LOWER)						370
M	8	1	5C-2890	4	NUT (M6X1-THD)						
M	9	1	6V-7357	4	BOLT (M6X1X25-MM)						
	10	1	8T-4121	32	WASHER-HARD (11X21X2.5-MM THK)						
M	11	1	8T-4133	16	NUT (M10X1.5-THD)						
M	12	1	8T-4137	8	BOLT (M10X1.5X20-MM)						
M	13	1	8T-4195	8	BOLT (M10X1.5X30-MM)						
	14	1	9X-8256	8	WASHER (6.6X12X2-MM THK)						

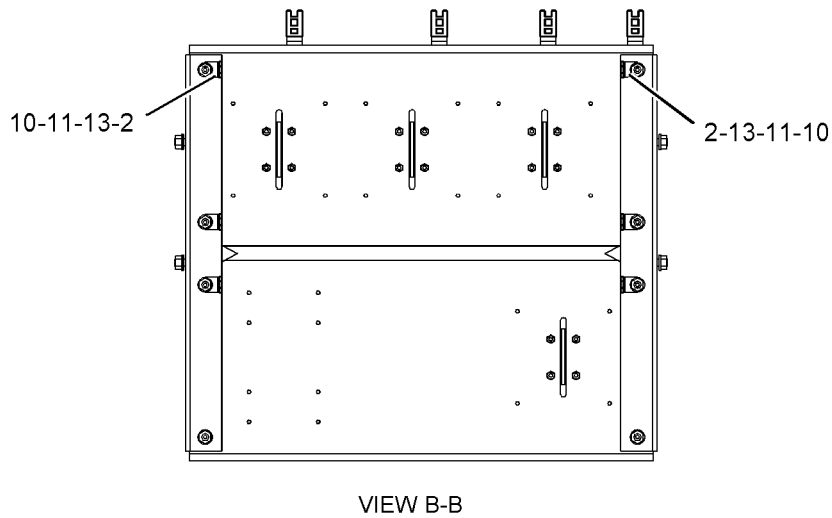
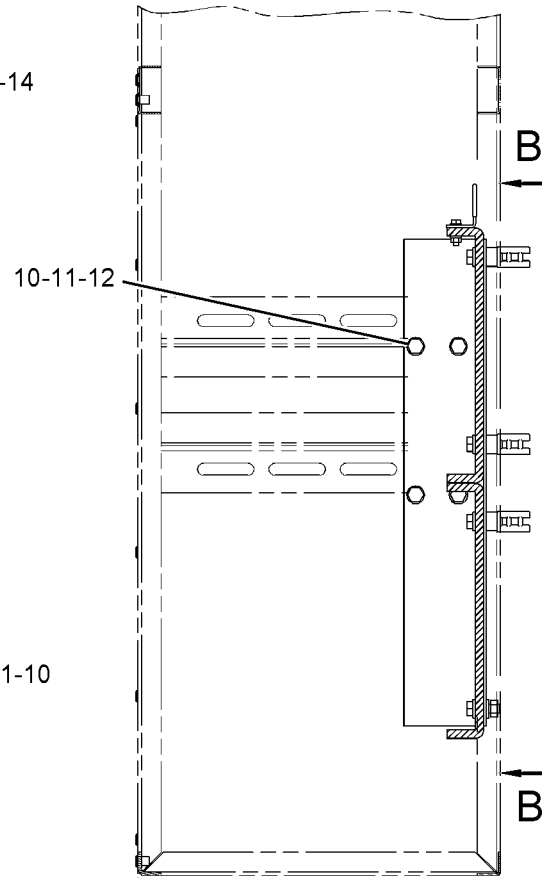
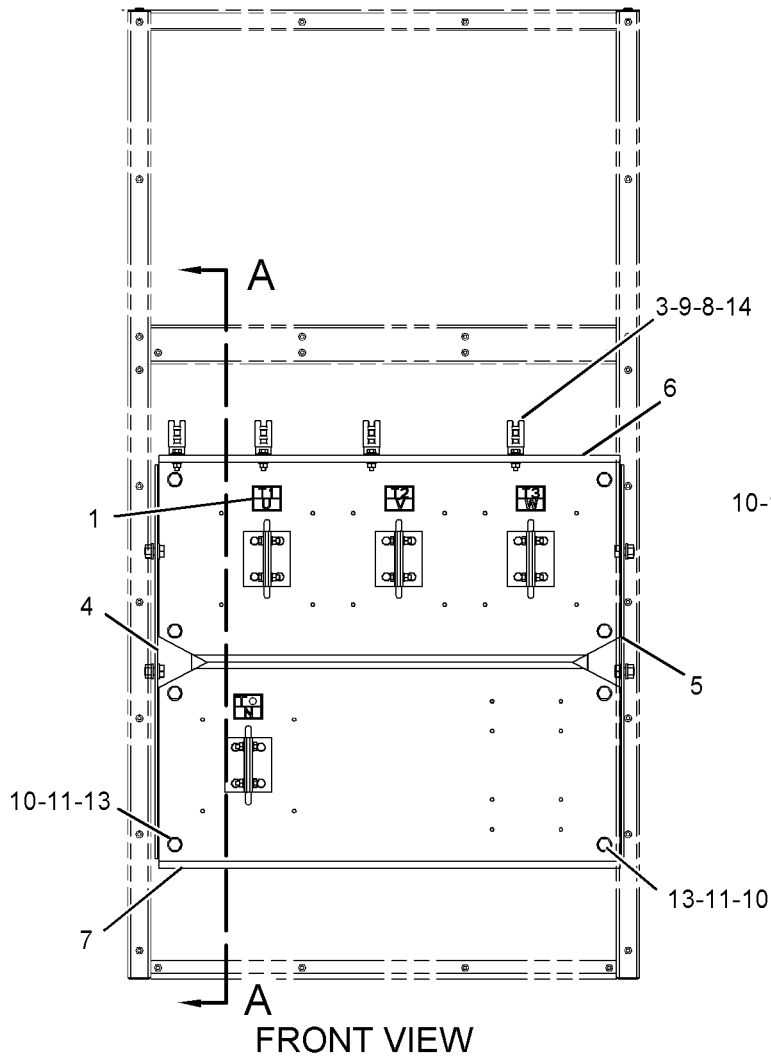
M-METRIC PART

Y-SEPARATE ILLUSTRATION

ELECTRICAL AND STARTING SYSTEM

252-7412 BUS BAR GP-BOX (contd.)

i02386535



GRAPHIC #1

<END>

g01199149

ELECTRICAL AND STARTING SYSTEM

252-7412 BUS BAR GP-BOX-SIDE EXTENSION

S/N: JTS153-UP

NEMA

FOR USE WITH MEDIUM VOLTAGE

AN ATTACHMENT

SMCS-445B

i03886976

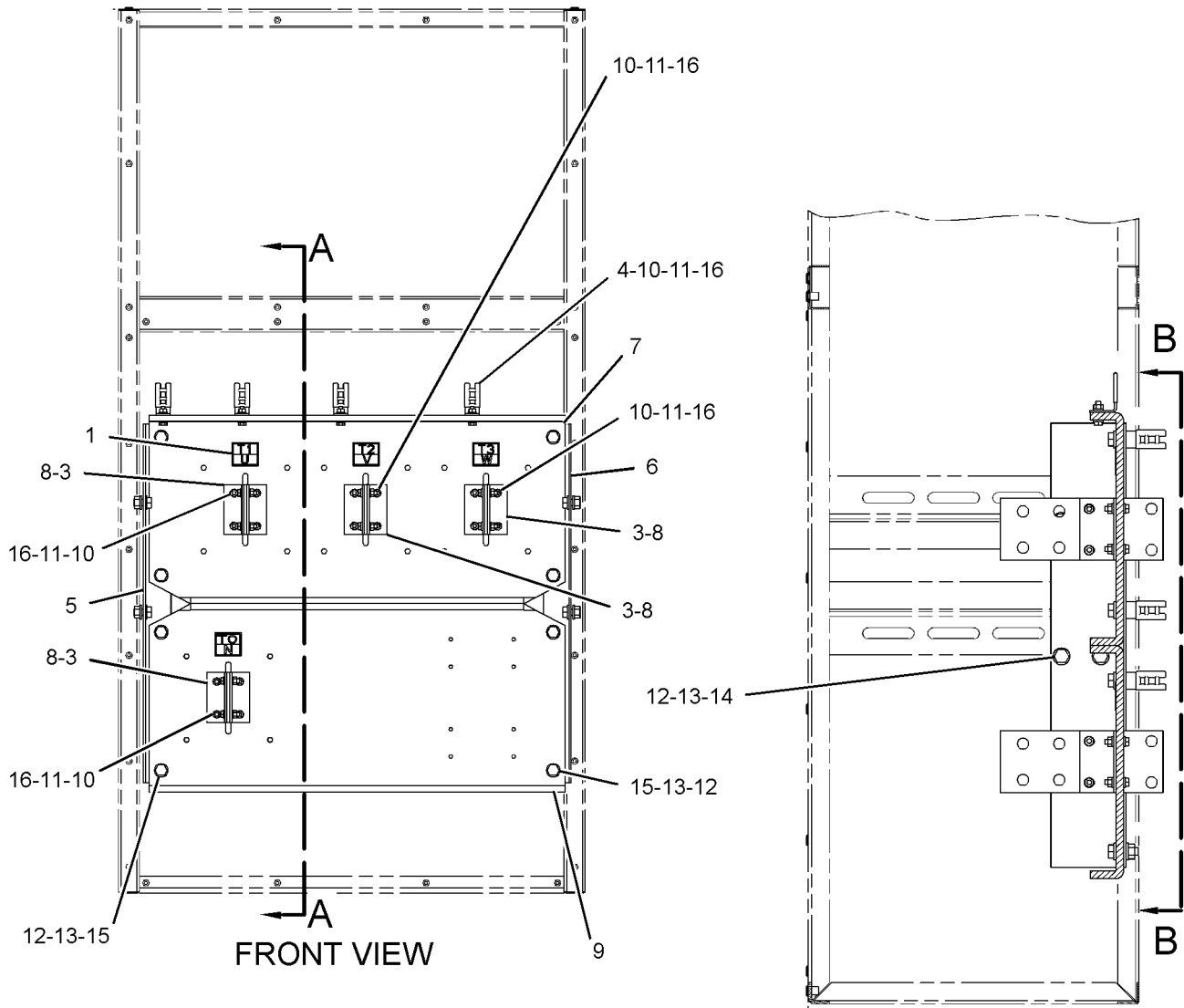
NOTE	REF NO	GRAPHIC REF	PART NUMBER	QTY	PART NAME						SEE PAGE
					1	2	3	4	5	6 (PRODUCT LEVEL)	
	1	1	9Y-4275	1	FILM (TERMINAL STRIP)						
	2	1	132-5789	6	CLIP						
C	3	1	135-3308	8	BRACKET-MOUNTING						
	4	1	156-6175	4	CLIP						
	5	1	244-9683	1	BRACKET (RH)						
	6	1	244-9684	1	BRACKET (LH)						
C	7	1	244-9685	1	SUPPORT-BUS						
C	8	1	244-9686	4	BAR-BUS						
C	9	1	244-9694	1	SUPPORT-BUS						
CM	10	1	5C-2890	28	NUT (M6X1-THD)						
CM	11	1	6V-7357	28	BOLT (M6X1X25-MM)						
	12	1	8T-4121	32	WASHER-HARD (11X21X2.5-MM THK)						
M	13	1	8T-4133	16	NUT (M10X1.5-THD)						
M	14	1	8T-4137	8	BOLT (M10X1.5X20-MM)						
M	15	1	8T-4195	8	BOLT (M10X1.5X30-MM)						
C	16	1	9X-8256	56	WASHER (6.6X12X2-MM THK)						

C- CHANGE FROM PREVIOUS TYPE
M- METRIC PART

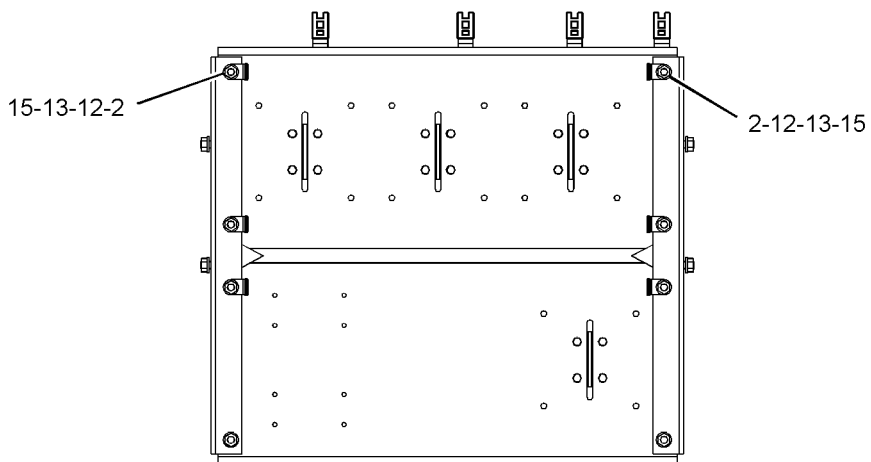
ELECTRICAL AND STARTING SYSTEM

252-7412 BUS BAR GP-BOX (contd.)

i03886976



SECTION A-A



VIEW B-B

GRAPHIC #1

<END>

g02024554

ELECTRICAL AND STARTING SYSTEM

228-6559 CABLE AS-COMMUNICATION

FOR USE WITH 276-0785-PAGE 419

AN ATTACHMENT

SMCS-7556

i02525035

NOTE	PART NUMBER	QTY	PART NAME						SEE PAGE
			1	2	3	4	5	6 (PRODUCT LEVEL)	
			(NO SERVICED PARTS)						
<END>									

4W-2767 CONTACTOR GP OIL PRESSURE, COOLANT TEMPERATURE AN ATTACHMENT

SMCS-1400, 7400

i03873143

NOTE	PART NUMBER	QTY	PART NAME						SEE PAGE
			1	2	3	4	5	6 (PRODUCT LEVEL)	
Y	4W-2642	1	CONTACTOR-PRESSURE (ALARM)						377
Y	4W-2637	1	CONTACTOR-TEMPERATURE (COOLANT)						378
Y-SEPARATE ILLUSTRATION									
<END>									

4W-2768 CONTACTOR GP OIL PRESSURE, COOLANT TEMPERATURE AN ATTACHMENT

SMCS-1400, 7400

i03870230

NOTE	PART NUMBER	QTY	PART NAME						SEE PAGE
			1	2	3	4	5	6 (PRODUCT LEVEL)	
Y	4W-2641	1	CONTACTOR-PRESSURE (ENGINE OIL)						376
Y	4W-2640	1	CONTACTOR-TEMPERATURE (COOLANT)						379
Y-SEPARATE ILLUSTRATION									
<END>									

ELECTRICAL AND STARTING SYSTEM

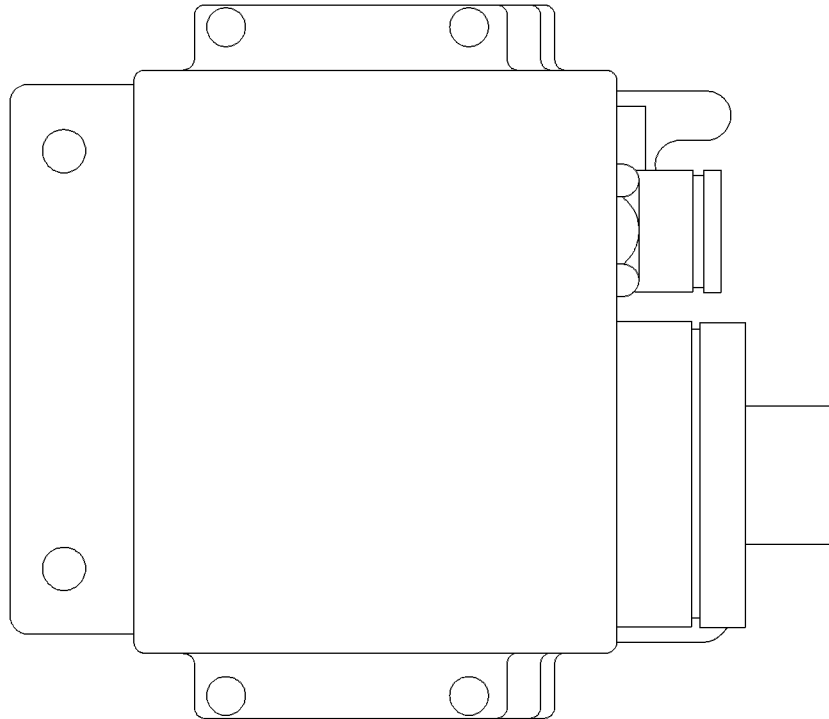
4W-2641 CONTACTOR - PRESSURE

PART OF 4W-2768 CONTACTOR GP
AN ATTACHMENT

SMCS-7454, 7455, 7456, 7461, 7465, 7485

i01506840

NOTE	REF NO	GRAPHIC REF	PART NUMBER	QTY	PART NAME	SEE PAGE
					1 2 3 4 5 6 (PRODUCT LEVEL)	
(NO SERVICED PARTS)						



GRAPHIC #1

<END>

g00580022

ELECTRICAL AND STARTING SYSTEM

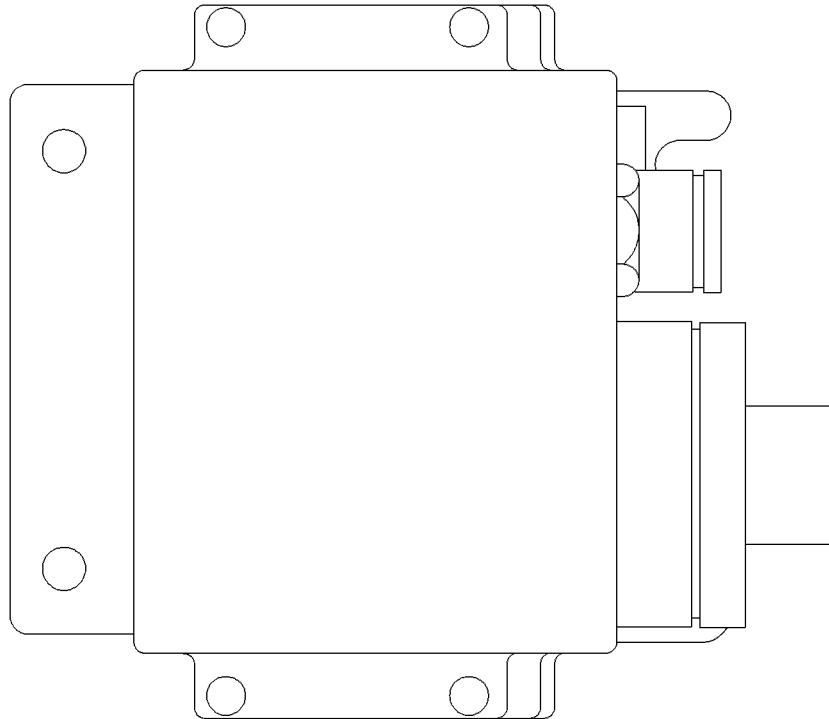
4W-2642 CONTACTOR - PRESSURE

PART OF 4W-2767 CONTACTOR GP
AN ATTACHMENT

SMCS-7454, 7455, 7456, 7461, 7465, 7485

i01450670

NOTE	REF NO	GRAPHIC REF	PART NUMBER	QTY	PART NAME						SEE PAGE
					1	2	3	4	5	6 (PRODUCT LEVEL)	
(NO SERVICED PARTS)											



GRAPHIC #1

<END>

g00580022

ELECTRICAL AND STARTING SYSTEM

4W-2637 CONTACTOR-TEMPERATURE-COOLANT

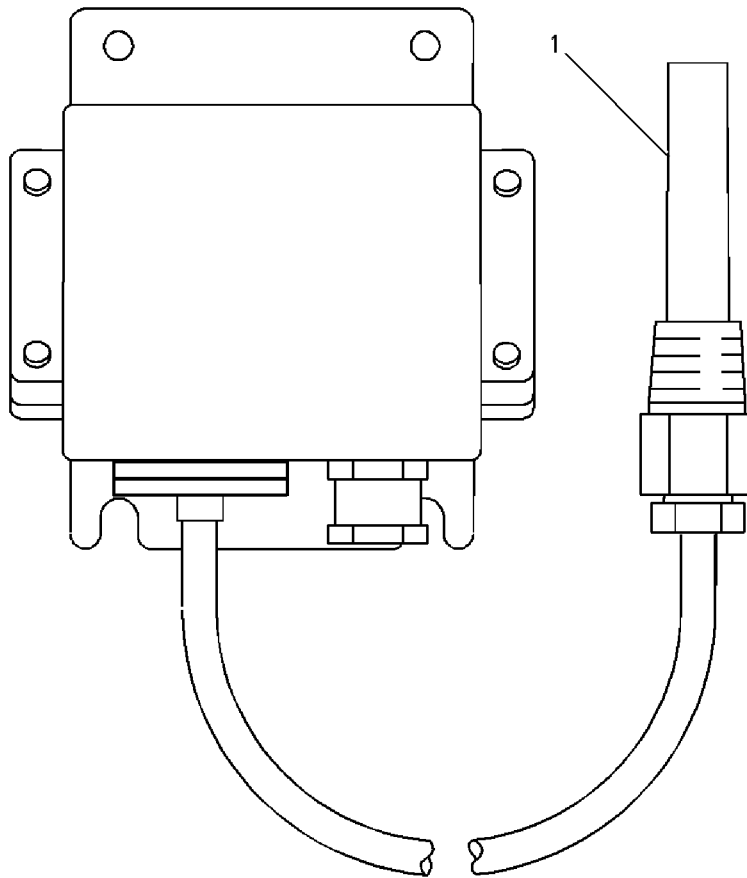
PART OF 4W-2767 CONTACTOR GP
AN ATTACHMENT

SMCS-7400, 7403, 7453, 7484

i02655877

NOTE	REF NO	GRAPHIC REF	PART NUMBER	QTY	PART NAME	SEE PAGE
					1 2 3 4 5 6 (PRODUCT LEVEL)	
Y	1	1	7E-3127	1	KIT-SENSOR POCKET (TEMPERATURE CONTACTOR) (KIT INCLUDES POCKET, RETAINERS, WASHERS, RING, ADAPTER & GAUGE STRIP)	667

Y-SEPARATE ILLUSTRATION



GRAPHIC #1

<END>

g00620113

ELECTRICAL AND STARTING SYSTEM

4W-2640 CONTACTOR-TEMPERATURE-COOLANT

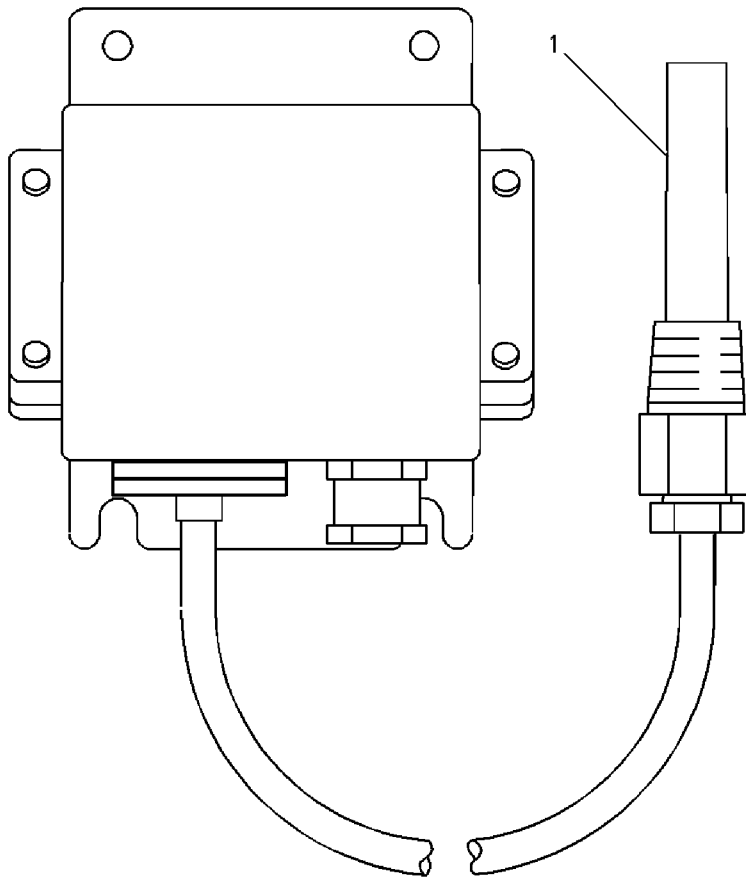
PART OF 4W-2768 CONTACTOR GP
AN ATTACHMENT

SMCS-7400, 7403, 7453, 7484

i02240434

NOTE	REF NO	GRAPHIC REF	PART NUMBER	QTY	PART NAME	SEE PAGE
					1 2 3 4 5 6 (PRODUCT LEVEL)	
Y	1	1	7E-3127	1	KIT-SENSOR POCKET (TEMPERATURE CONTACTOR) (KIT INCLUDES POCKET, RETAINERS, WASHERS, RING, ADAPTER & GAUGE STRIP)	667

Y-SEPARATE ILLUSTRATION



GRAPHIC #1

<END>

g00620121

ELECTRICAL AND STARTING SYSTEM

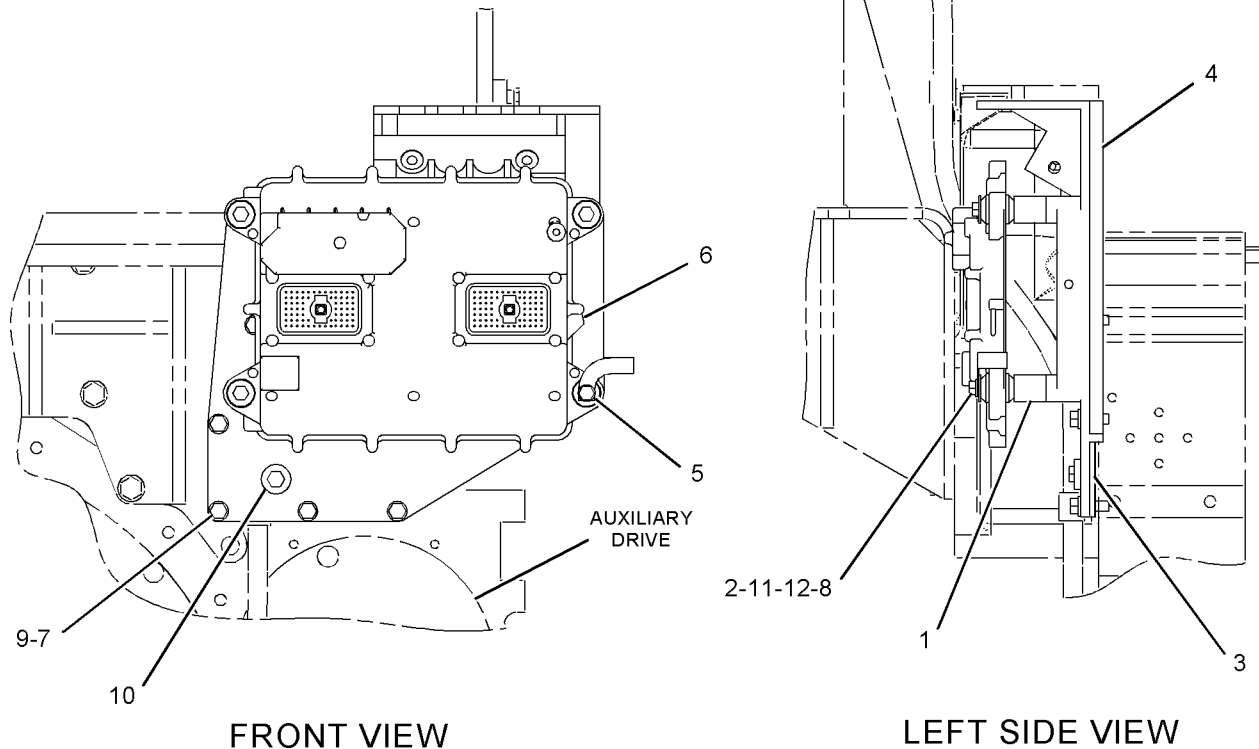
220-2677 CONTROL & MTG GP-ENGINE ELEK-PRIMARY FOR USE WITH AIR COOLED ADEM III

SMCS-1900, 1901

i03514244

NOTE	REF NO	GRAPHIC REF	PART NUMBER	QTY	PART NAME						SEE PAGE
					1	2	3	4	5	6 (PRODUCT LEVEL)	
	1	1	2V-4387	4	SPACER (10.312X25.4X23.11-MM THK)						
	2	1	6I-1418	4	SPACER (8.2X12.7X28.7-MM THK)						
	3	1	8N-9885	1	GASKET-COVER						
	4	1	111-0349	1	BRACKET-MODULE						
	5	1	155-0576	8	MOUNT-ISOLATION						
Y	6	1	206-2711	1	CONTROL GP-ENGINE ELECTRONIC						385
	7	1	1A-2029	7	BOLT (3/8-16X1.125-IN)						
	8	1	1D-4540	4	BOLT (5/16-18X2.75-IN)						
	9	1	5M-2894	7	WASHER-HARD (10.2X18.5X2.5-MM THK)						
	10	1	8T-6765	1	PLUG-PIPE						
	11	1	9M-1974	1	WASHER-HARD (8.8X16X2-MM THK)						
	12	1	9N-0869	4	WASHER-HARD (8.8X25.5X2-MM THK)						

Y-SEPARATE ILLUSTRATION



GRAPHIC #1

<END>

g01120936

ELECTRICAL AND STARTING SYSTEM

238-9734 CONTROL GP-AIR STARTING

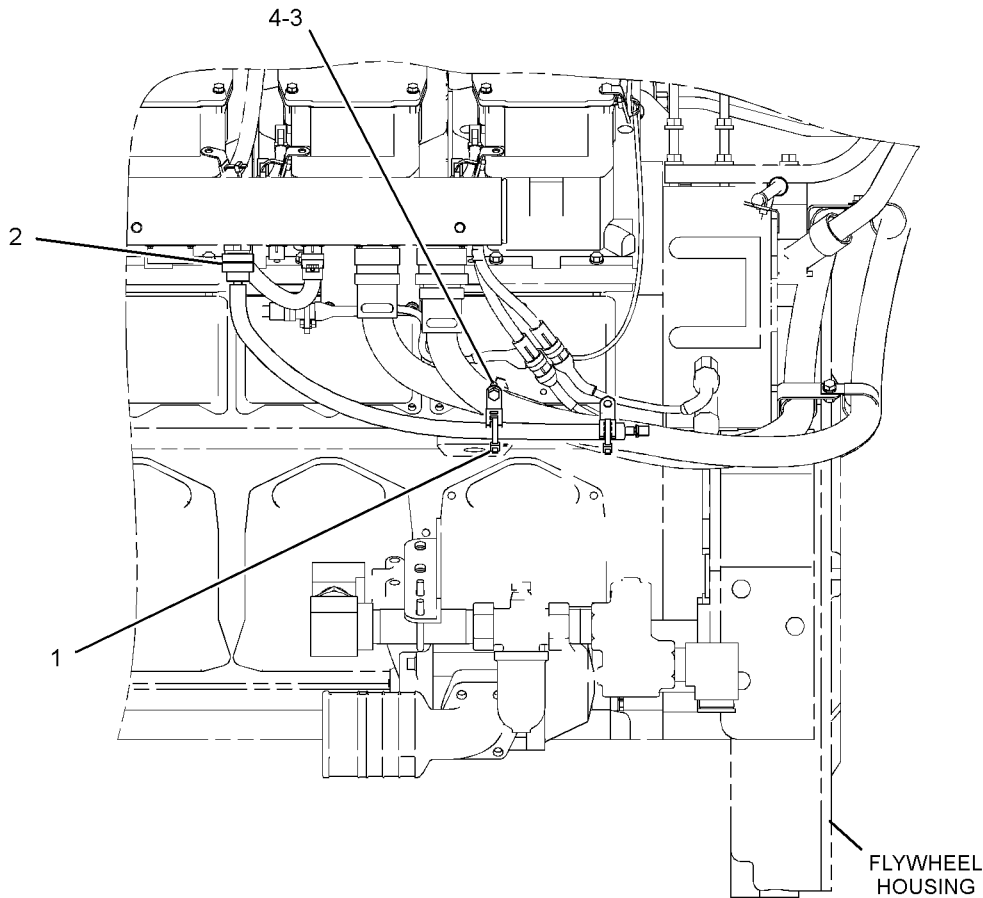
24/32 VOLT
AN ATTACHMENT

SMCS-1462

i03864158

NOTE	REF NO	GRAPHIC REF	PART NUMBER	QTY	PART NAME						SEE PAGE
					1	2	3	4	5	6 (PRODUCT LEVEL)	
	1	1	9X-6772	2	STRAP-CABLE						
Y	2	1	237-8995	1	HARNESS AS-SOLENOID (AIR STARTING) (LH)						445
	3	1	0S-1594	1	BOLT (3/8-16X1-IN)						
	4	1	4P-8134	2	CLIP						

Y-SEPARATE ILLUSTRATION



LEFT SIDE VIEW OF ENGINE

GRAPHIC #1

<END>

g01812553

ELECTRICAL AND STARTING SYSTEM

256-7511 CONTROL GP-COMMUNICATION-PL1000T

FOR USE WITH 270-1732-PAGE 419
AN ATTACHMENT

SMCS-7606, 7610, 7620

i03753404

NOTE	PART NUMBER	QTY	PART NAME						SEE PAGE
			1	2	3	4	5	6 (PRODUCT LEVEL)	
	335-6885	1	FILM-WARNING (CSA CONTROL PANEL APPROVAL)						
	126-7574	1	SCREW-PAN HEAD (8-32X9.52-MM)						
	7X-6315	1	STRAP AS-GROUND						
	134-4126	1	WASHER (4.52X8.28X0.76-MM THK)						
<END>									

256-7512 CONTROL GP-COMMUNICATION-PL1000E

AN ATTACHMENT

SMCS-7606, 7610, 7620

i03462832

NOTE	PART NUMBER	QTY	PART NAME						SEE PAGE
			1	2	3	4	5	6 (PRODUCT LEVEL)	
	335-6885	1	FILM-WARNING (CSA CONTROL PANEL APPROVAL)						
<END>									

ELECTRICAL AND STARTING SYSTEM

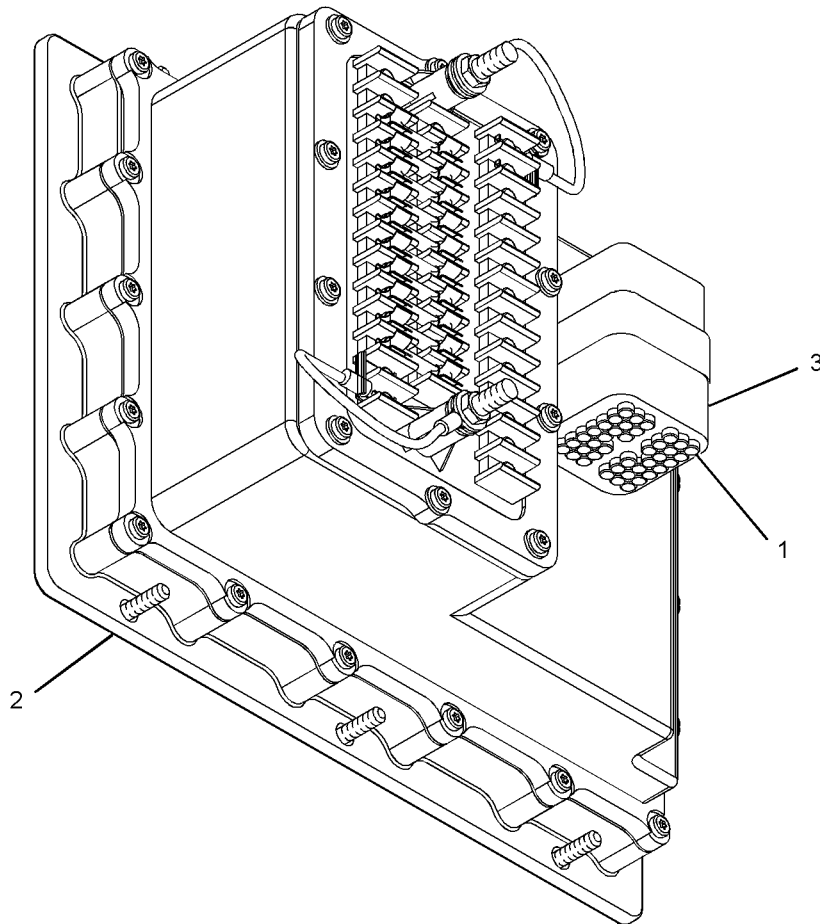
133-9300 CONTROL GP-ENGINE ELECTRONIC-RELAY AN ATTACHMENT

SMCS-1901

i03869192

NOTE	REF NO	GRAPHIC REF	PART NUMBER	QTY	PART NAME						SEE PAGE
					1	2	3	4	5	6 (PRODUCT LEVEL)	
	1	1	8T-8737	40	PLUG-SEAL						
CY	2	1	144-1624	1	CONTROL GP-ENGINE MONITORING (PROGRAMMABLE RELAY CONTROL MOD)						640
	3	1	110-6845	1	PLUG AS-CONNECTOR (40-PIN)						

C-CHANGE FROM PREVIOUS TYPE
Y-SEPARATE ILLUSTRATION



GRAPHIC #1

<END>

g01277079

ELECTRICAL AND STARTING SYSTEM

206-2710 CONTROL GP-ENGINE ELECTRONIC*R

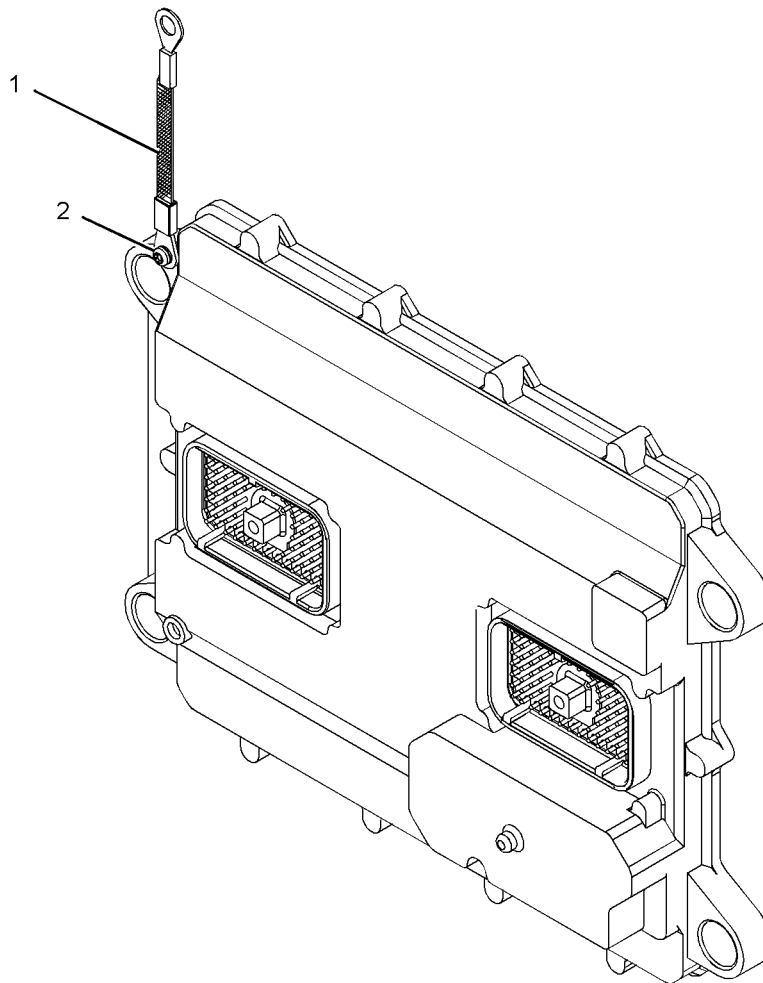
PART OF 206-2711 CONTROL GP-ENGINE ELECTRONIC

SMCS-1901

i03811988

NOTE	REF NO	GRAPHIC REF	PART NUMBER	QTY	PART NAME						SEE PAGE	
					1	2	3	4	5	6 (PRODUCT LEVEL)		
	1	1	7X-6315	1	STRAP AS-GROUND							
	2	1	184-2472	1	SCREW-PAN HEAD (8-32X0.375-IN)							
AFR					1	322-3612	1	CONTROL GP-ENGINE ELECTRONIC				
								(OPTIONAL SERVICE REPLACEMENT)				

A-NOT PART OF THIS GROUP
 F-NOT SHOWN
 R-REMG PART MAY BE AVAILABLE



GRAPHIC #1

<END>

g01180180

ELECTRICAL AND STARTING SYSTEM

206-2711 CONTROL GP-ENGINE ELECTRONIC

ADEMIII - 16

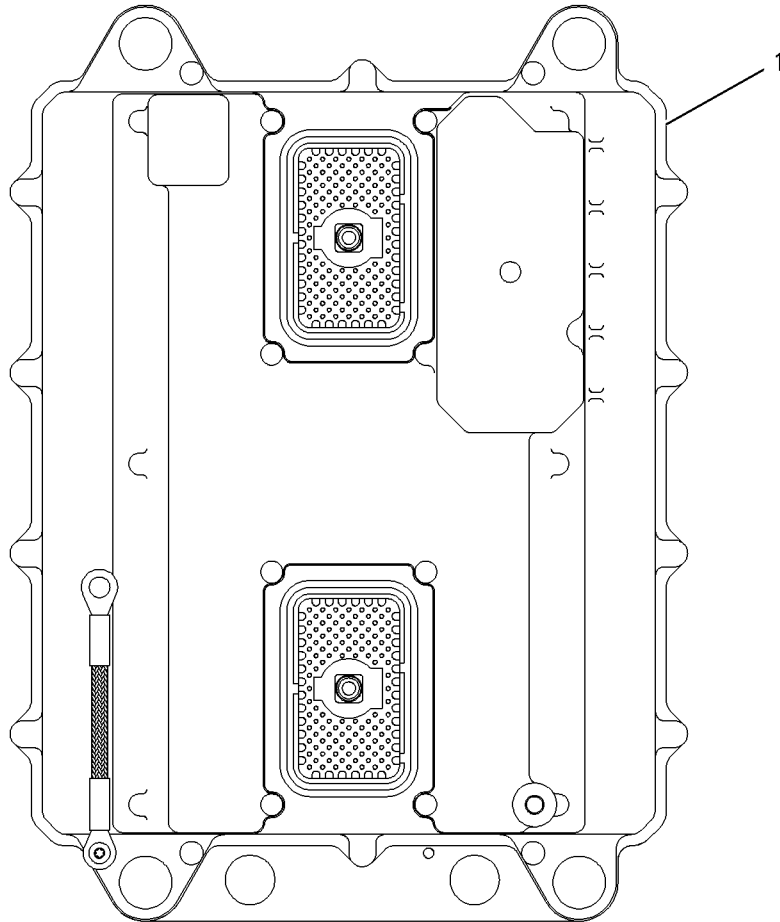
PART OF 220-2677 CONTROL & MTG GP-ENGINE ELEK

SMCS-1901

i01931782

NOTE	REF NO	GRAPHIC REF	PART NUMBER	QTY	PART NAME						SEE PAGE
					1	2	3	4	5	6 (PRODUCT LEVEL)	
Y	1	1	206-2710	1	CONTROL GP-ENGINE ELECTRONIC						384

Y-SEPARATE ILLUSTRATION



GRAPHIC #1

<END>

g00892529

ELECTRICAL AND STARTING SYSTEM

206-2711 CONTROL GP-ENGINE ELECTRONIC

S/N: JTS133-UP

ADEMIII - 16

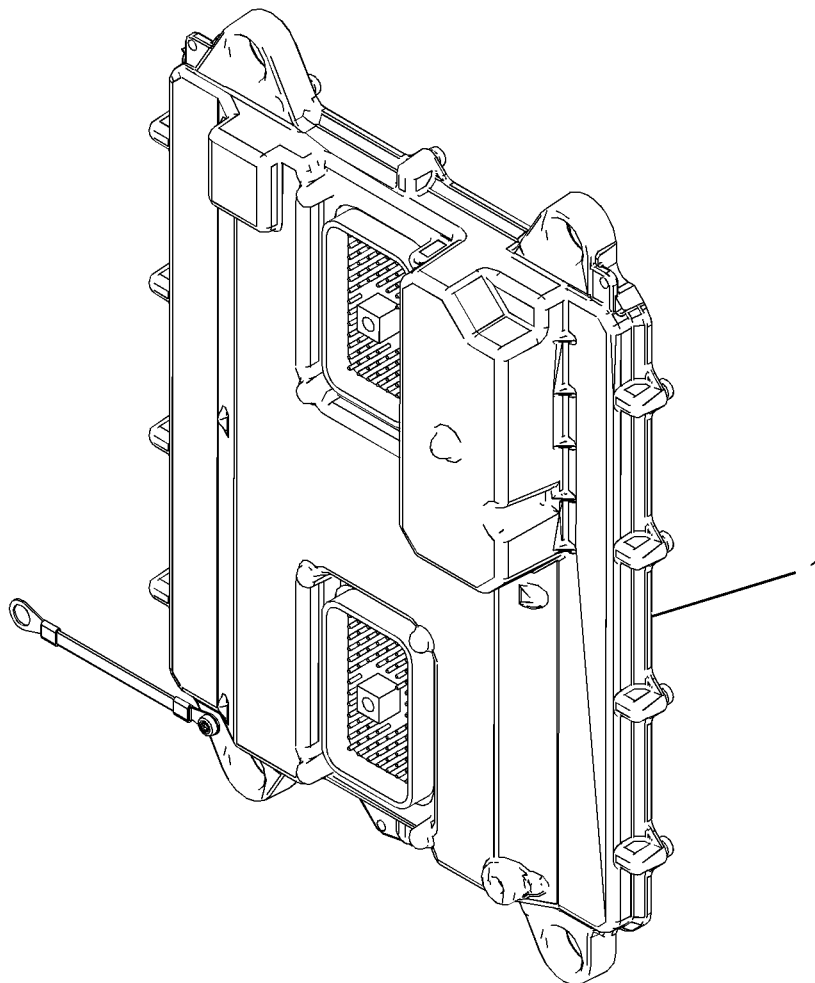
PART OF 220-2677 CONTROL & MTG GP-ENGINE ELEK

SMCS-1901

i03870046

NOTE	REF NO	GRAPHIC REF	PART NUMBER	QTY	PART NAME						SEE PAGE
					1	2	3	4	5	6 (PRODUCT LEVEL)	
R	1	1	322-3612	1	CONTROL GP-ENGINE ELECTRONIC						
		1	7X-6315	1	STRAP AS-GROUND						
		1	184-2472	1	SCREW-PAN HEAD (8-32X0.375-IN)						

R-REMFG PART MAY BE AVAILABLE



GRAPHIC #1

<END>

g01797137

ELECTRICAL AND STARTING SYSTEM

245-0081 CONTROL GP-VOLTAGE

MEDIUM VOLTAGE
AN ATTACHMENT

SMCS-4467

i02659917

NOTE	REF NO	GRAPHIC REF	PART NUMBER	QTY	PART NAME						SEE PAGE
					1	2	3	4	5	6 (PRODUCT LEVEL)	
	1	2	9X-6772	2	STRAP-CABLE						
	2	2	156-6175	2	CLIP						
	3	2	244-9612	1	HARNESS AS-WIRING (PERMANENT MAGNET)						
		2	186-3736	5	SOCKET-CONNECTOR (16-GA TO 18-GA)						
		2	8T-8737	1	PLUG-SEAL						
		2	109-3038	1	END-WIRE (16-GA)						
		2	155-2263	1	WEDGE-PLUG LOCK (6-PIN)						
		2	234-1856	1	PLUG-CONNECTOR (6-PIN)						
		2	244-0452	6	END-WIRE (14-GA TO 20-GA)						
		2	155-2274	1	KIT-CONNECTING PLUG (6-PIN)						
					(INCLUDES PLUG AS AND WEDGE)						
	4	2	252-7353	1	HARNESS AS-WIRING (VOLTAGE SENSING)						
		2	7K-1181	1	STRAP-CABLE						
		2	186-3735	3	PIN-CONNECTOR (16-GA TO 18-GA)						
		2	109-3038	3	END-WIRE (16-GA)						
		2	102-8803	1	KIT-RECEPTACLE (3-PIN)						
					(INCLUDES RECEPTACLE AS AND WEDGE)						
	5	2	252-7354	1	HARNESS AS-WIRING (CURRENT SENSING)						
		2	186-3735	2	PIN-CONNECTOR (16-GA TO 18-GA)						
E		2	114-8843		SLEEVE-PLASTIC (40-CM)						
		2	102-8802	1	KIT-RECEPTACLE (2-PIN)						
					(INCLUDES RECEPTACLE AS AND WEDGE)						
M	6	2	5C-2890	2	NUT (M6X1-THD)						
M	7	2	5C-9553	2	BOLT (M6X1X16-MM)						
	8	2	9X-8256	4	WASHER (6.6X12X2-MM THK)						

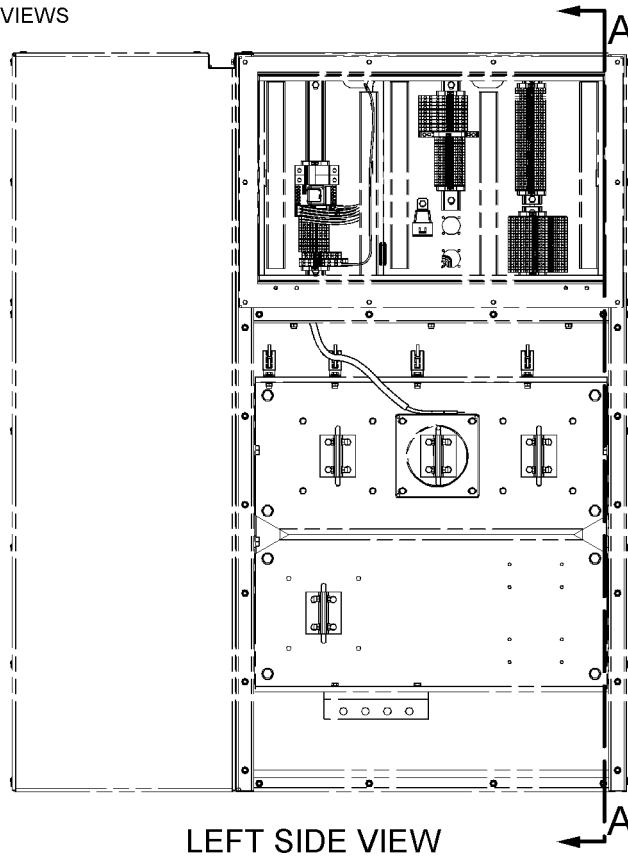
E-ORDER BY THE CENTIMETER
M-METRIC PART

ELECTRICAL AND STARTING SYSTEM

245-0081 CONTROL GP - VOLTAGE (contd.)

i02659917

REFER TO ALL ILLUSTRATIONS OF THIS GROUP FOR AUXILIARY VIEWS



LEFT SIDE VIEW

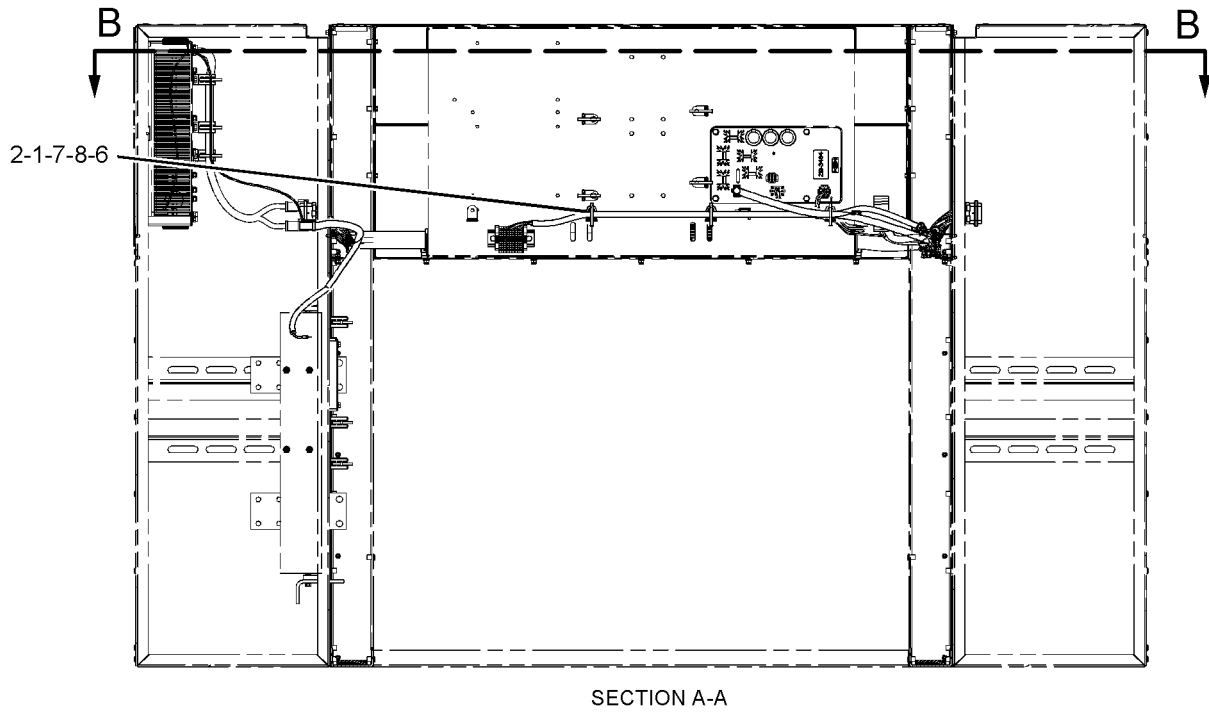
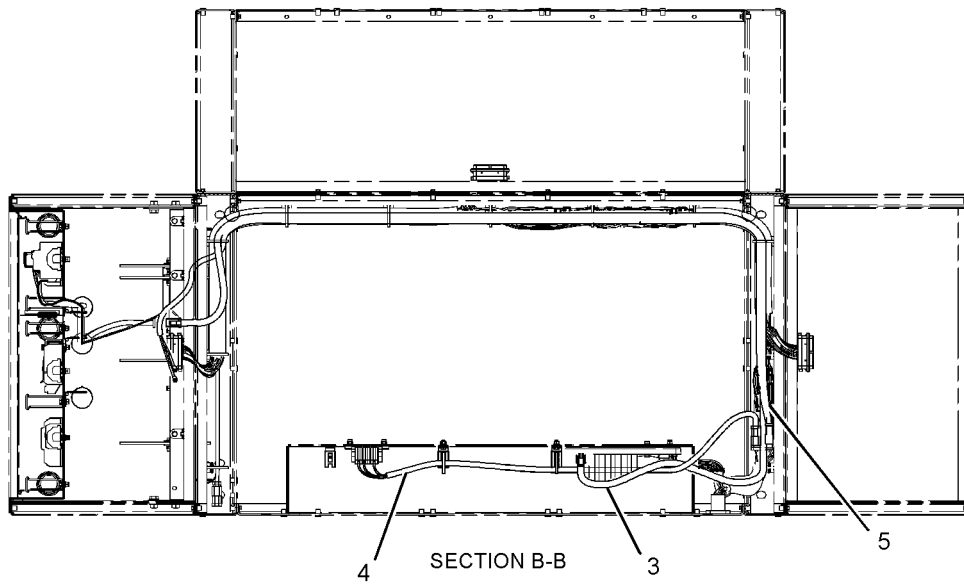
GRAPHIC #1

g01135301

ELECTRICAL AND STARTING SYSTEM

245-0081 CONTROL GP - VOLTAGE (contd.)

i02659917



GRAPHIC #2

<END>

g01135327

ELECTRICAL AND STARTING SYSTEM

166-4373 CONVERSION GP-WIRING

FOR USE WITH SPECIAL APPEARANCE PACKAGE WITH CHROME PLATED FASTENERS
AN ATTACHMENT

SMCS-1408

i03464004

NOTE	PART NUMBER	QTY	PART NAME						SEE PAGE
			1	2	3	4	5	6 (PRODUCT LEVEL)	
	8S-5383	1	BLOCK						
	5M-3062	1	BOLT (3/8-16X0.75-IN)						
	4L-6454	1	BOLT (3/8-16X1-IN)						
	4L-9337	1	BOLT (3/8-16X1.5-IN)						
	8T-9377	1	BOLT (3/8-16X2.25-IN)						
	5S-7383	1	BOLT (3/8-16X1.75-IN)						
	4L-6459	1	BOLT (3/8-16X2.5-IN)						
	8T-7008	1	BOLT (3/8-16X3-IN)						
	8T-9101	1	BOLT (3/8-16X2.75-IN)						
	7X-0292	1	BOLT (3/8-16X4.5-IN)						
	7X-0440	1	BOLT (5/16-18X1.75-IN)						
	7X-3178	1	BOLT (1/4-20X1.625-IN)						
	8T-9367	1	BOLT (1/4-20X2-IN)						
	7X-2501	1	BOLT (1/4-20X1.25-IN)						
	8T-9392	1	BOLT (1/2-13X7.5-IN)						
	7X-0350	1	BOLT (5/8-11X3.5-IN)						
	7D-9766	1	BOLT (1/2-13X4.25-IN)						
	7X-0290	1	BOLT (3/8-16X3.5-IN)						
	7X-0326	1	BOLT (1/2-13X3-IN)						
	7X-3189	1	BOLT (1/2-13X9-IN)						
	9M-7269	1	BOLT (1/2-13X6.75-IN)						
	5P-2566	1	BOLT (1/2-13X1.5-IN)						
	7X-0340	1	BOLT (1/2-13X6.5-IN)						
	4M-2442	1	BOLT (1/2-13X12.32-IN)						
	5P-2228	1	BOLT (1/2-13X1-IN)						
	8T-8917	1	BOLT (1/2-13X1.25-IN)						
	7X-0289	1	BOLT (3/8-16X1.875-IN)						
	8T-2502	1	BOLT (3/8-16X1.125-IN)						
	5S-7379	1	BOLT (3/8-16X0.875-IN)						
	7X-0294	1	BOLT (3/8-16X5-IN)						
	7X-0300	1	BOLT (3/8-16X6.5-IN)						
	8T-2501	1	BOLT (3/8-16X2-IN)						
	8T-9399	1	BOLT (3/4-10X2.25-IN)						
	8C-3121	1	BOLT (5/16-18X1.5-IN)						
	8T-9379	1	BOLT (3/8-16X4.25-IN)						
	8T-8911	1	BOLT (5/16-18X2-IN)						
	7X-0274	1	BOLT (5/16-18X2.75-IN)						
	8T-8915	1	BOLT (3/8-16X3.25-IN)						
	4M-0061	1	BOLT (5/16-18X0.75-IN)						
	8T-9368	1	BOLT (1/4-20X2.25-IN)						
	9B-7237	1	BOLT (3/8-16X1.25-IN)						
	8B-9725	1	BOSS						
	6V-7496	1	CAP/PLUG-TAPERED						
	4W-3034	1	CLAMP-HOSE						
	5P-0597	1	CLAMP-HOSE						
	4P-8134	1	CLIP						
	4P-7581	1	CLIP						
	124-0289	1	CLIP						
	4P-7429	1	CLIP						
	8N-3480	1	CLIP						
	6V-1581	1	CLIP (SLOT)						
	6V-1582	1	CLIP (TAB)						
	1L-8181	1	CLIP						
	4P-7428	1	CLIP						
	132-5789	1	CLIP						
	2H-9523	1	GROMMET						

ELECTRICAL AND STARTING SYSTEM

166-4373 CONVERSION GP-WIRING (contd.)

i03464004

NOTE	PART NUMBER	QTY	PART NAME						SEE PAGE
			1	2	3	4	5	6 (PRODUCT LEVEL)	
	3K-2889	1	LOCKNUT (5/8-11-THD)						
	3N-1968	1	MOUNT-FLEXIBLE						
	8T-9655	1	MOUNT-ISOLATION						
	6V-8185	1	NUT (1/4-20-THD)						
	7X-0448	1	NUT (5/8-11-THD)						
	6V-8188	1	NUT (1/2-13-THD)						
	6V-8801	1	NUT (3/8-16-THD)						
	6V-8182	1	NUT (3/4-10-THD)						
	5B-7890	1	PLUG-PIPE						
	9M-4594	1	SPACER (0.406X0.875X0.75-IN THK)						
	6W-6672	1	SPACER (10.5X20X38-MM THK)						
	6I-1418	1	SPACER (8.2X12.7X28.7-MM THK)						
	7E-5639	1	SPACER (13.88X21.34X25-MM THK)						
	9L-4234	1	SPACER (0.406X1X0.962-IN THK)						
	1S-2303	1	SPACER (1.062X1.75X1.44-IN THK)						
	9X-6772	1	STRAP-CABLE						
	3S-2093	1	STRAP-CABLE						
	7K-1181	1	STRAP-CABLE						
	108-9656	1	STRAP-CABLE						
	131-1578	1	STRAP-CABLE						
	2W-8604	2	WASHER (6.5X35X1.5-MM THK)						
	1A-8912	1	WASHER (6.7X12.7X1.6-MM THK)						
	8T-4896	1	WASHER-HARD (10.2X18.5X2.5-MM THK)						
	7X-0579	1	WASHER-HARD (8.8X25.5X2-MM THK)						
	5P-4116	1	WASHER-HARD (8.8X20.5X2-MM THK)						
	8T-4224	1	WASHER-HARD (8.8X16X2-MM THK)						
	8T-4205	1	WASHER-HARD (7.2X14.5X2-MM THK)						
	8T-4223	1	WASHER-HARD (13.5X25.5X3-MM THK)						
	8T-4122	1	WASHER-HARD (17X32X3.5-MM THK)						
	5P-1075	1	WASHER-HARD (10.2X22.5X3-MM THK)						
	8T-4994	1	WASHER-HARD (20X36.5X3.5-MM THK)						
	5P-4115	1	WASHER-HARD (7.2X19X2-MM THK)						

<END>

ELECTRICAL AND STARTING SYSTEM

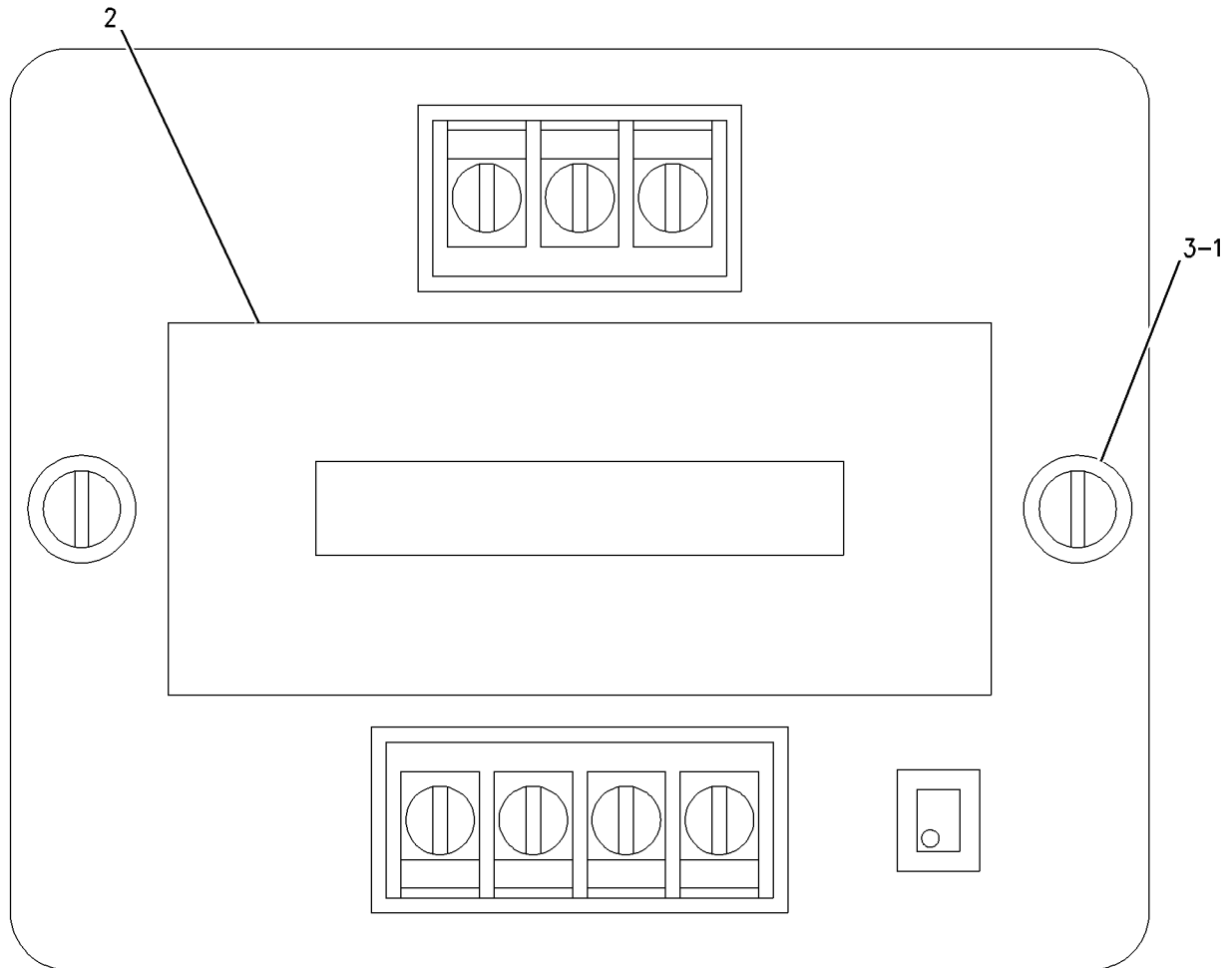
9X-9591 CONVERTER GP-ELECTRICAL

PULSE WIDTH MODULATED
PART OF 238-9549 CONTROL GP-FUEL
AN ATTACHMENT

SMCS-1421

i03686440

NOTE	REF NO	GRAPHIC REF	PART NUMBER	QTY	PART NAME						SEE PAGE
					1	2	3	4	5	6 (PRODUCT LEVEL)	
	1	1	4B-4863	2	WASHER (4.7X11X1.2-MM THK)						
	2	1	9X-9857	1	FILM-IDENTIFICATION (CATERPILLAR)						
	3	1	3K-8106	2	SCREW-MACHINE (8-32X1-IN)						



GRAPHIC #1

<END>

g00774430

ELECTRICAL AND STARTING SYSTEM

245-0025 COVER GP-EXTENSION BOX-TOP

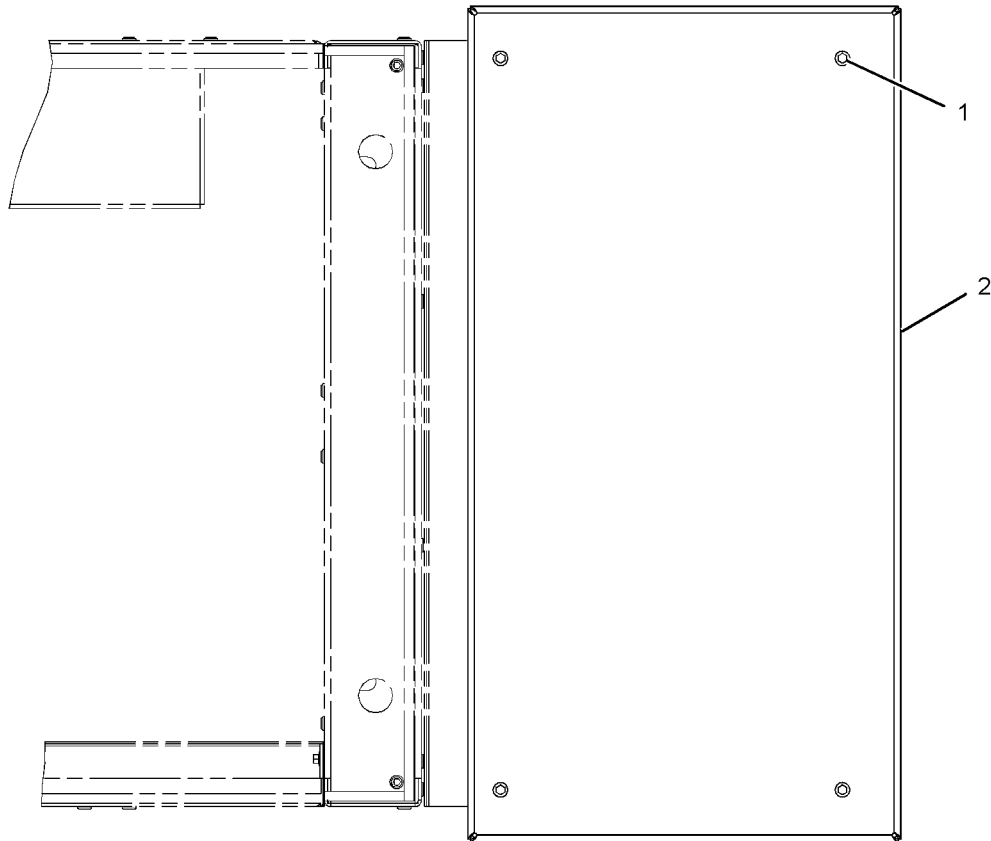
FOR USE WITH SIDE EXTENSION BOX
AN ATTACHMENT

SMCS-4460

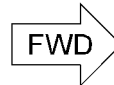
i02238838

NOTE	REF NO	GRAPHIC REF	PART NUMBER	QTY	PART NAME						SEE PAGE
					1	2	3	4	5	6 (PRODUCT LEVEL)	
M	1	1	235-4451	4	BOLT-FLANGE HEAD (M6X1X16-MM)						
	2	1	242-8840	1	ROOF (SIDE)						

M-METRIC PART



TOP VIEW



GRAPHIC #1

<END>

g01135218

ELECTRICAL AND STARTING SYSTEM

245-0096 COVER GP-EXTENSION BOX-BOTTOM

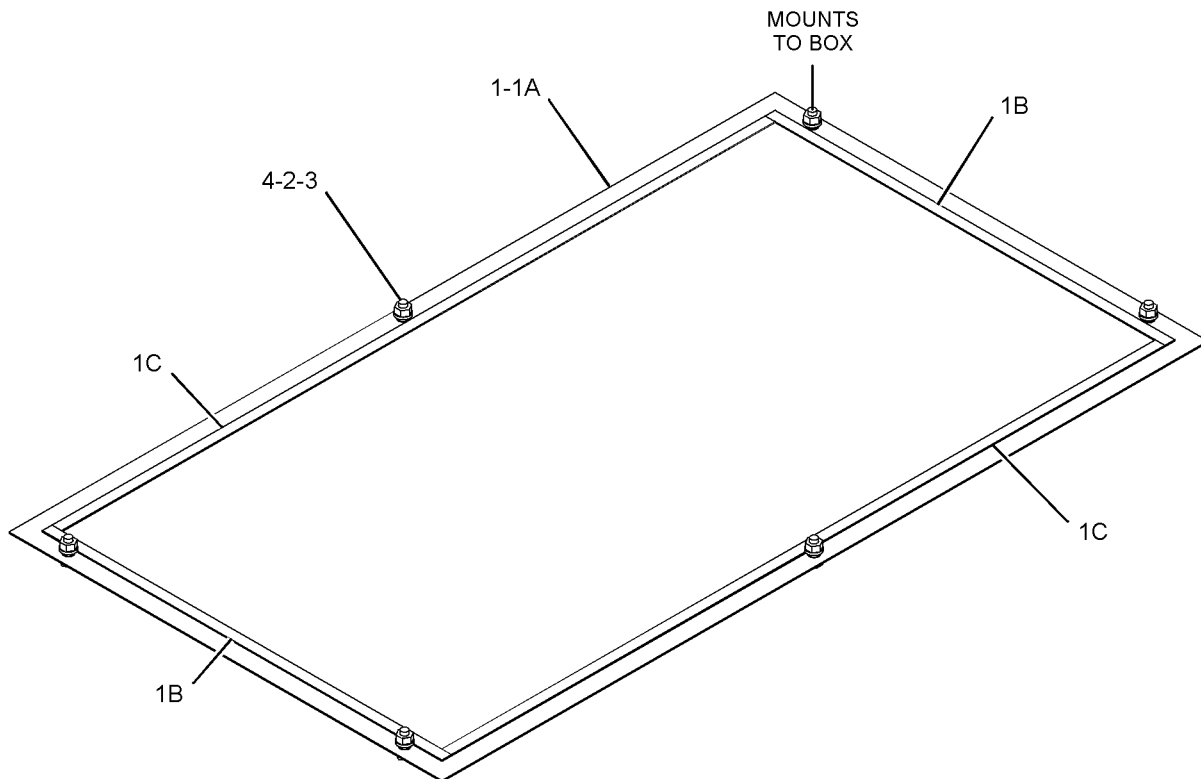
FOR USE WITH SIDE EXTENSION BOX
AN ATTACHMENT

SMCS-4460

i03024141

NOTE	REF NO	GRAPHIC REF	PART NUMBER	QTY	PART NAME						SEE PAGE
					1	2	3	4	5	6 (PRODUCT LEVEL)	
	1	1	252-7351	1	COVER AS						
	1A	1	252-7352	1	PLATE-COVER						
J	1B	1	244-9631		SEAL (4-DM EACH)						
J	1C	1	244-9631		SEAL (7-DM EACH)						
M	2	1	5C-2890	6	NUT (M6X1-THD)						
M	3	1	5C-9553	6	BOLT (M6X1X16-MM)						
	4	1	9X-8256	12	WASHER (6.6X12X2-MM THK)						

J-ORDER BY DECIMETER
M-METRIC PART



GRAPHIC #1

<END>

g01529338

ELECTRICAL AND STARTING SYSTEM

252-7407 COVER GP-EXTENSION BOX-SIDE

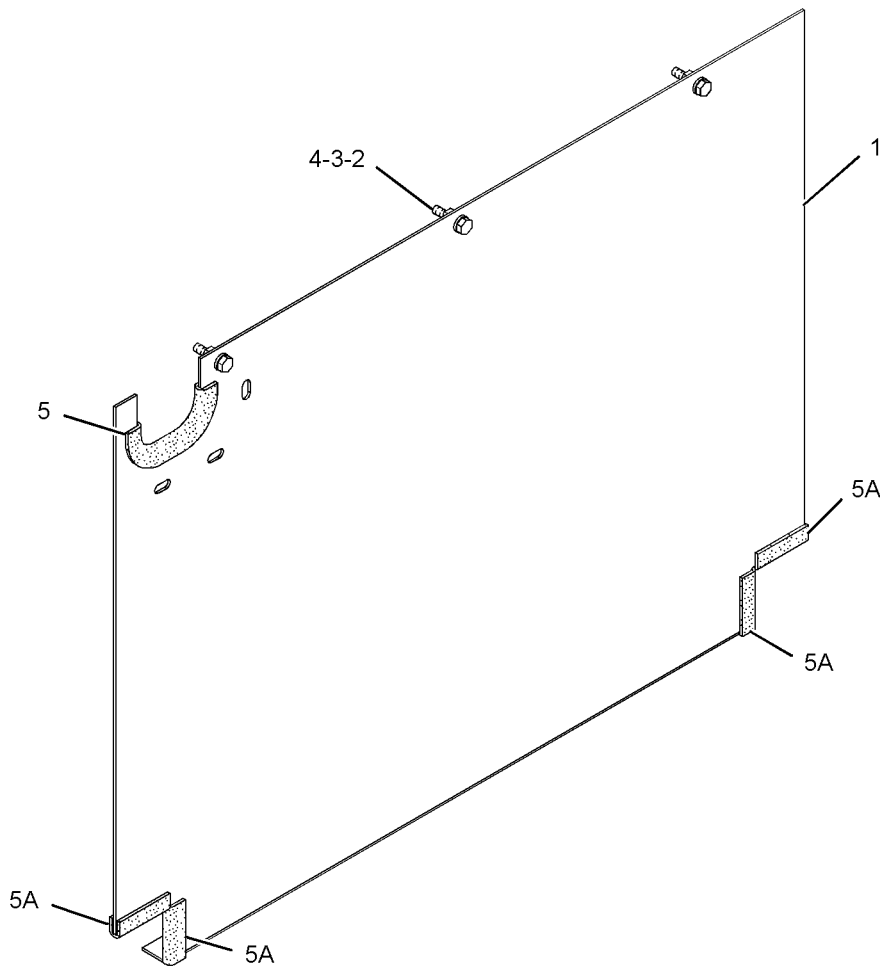
MEDIUM VOLTAGE
AN ATTACHMENT

SMCS-4460

i02553895

NOTE	REF NO	GRAPHIC REF	PART NUMBER	QTY	PART NAME						SEE PAGE
					1	2	3	4	5	6 (PRODUCT LEVEL)	
	1	1	292-5098	1	PLATE-COVER (MEDIUM VOLTAGE, SEPARATOR SIDE)						
M	2	1	5C-2890	3	NUT (M6X1-THD)						
M	3	1	6V-7357	3	BOLT (M6X1X25-MM)						
	4	1	9X-8256	6	WASHER (6.6X12X2-MM THK)						
E	5	1	3E-6600		SEAL (9.9-CM)						
E	5A	1	3E-6600		SEAL (4.8-CM EACH)						

E-ORDER BY THE CENTIMETER
M-METRIC PART



GRAPHIC #1

<END>

g01296845

ELECTRICAL AND STARTING SYSTEM

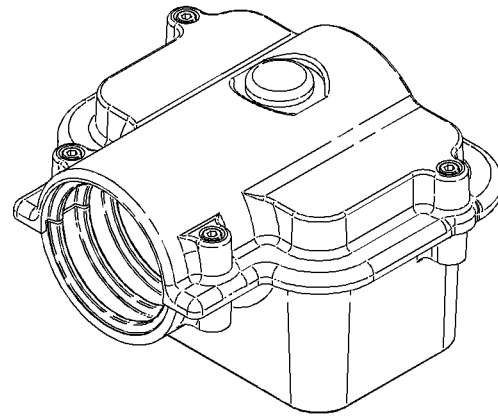
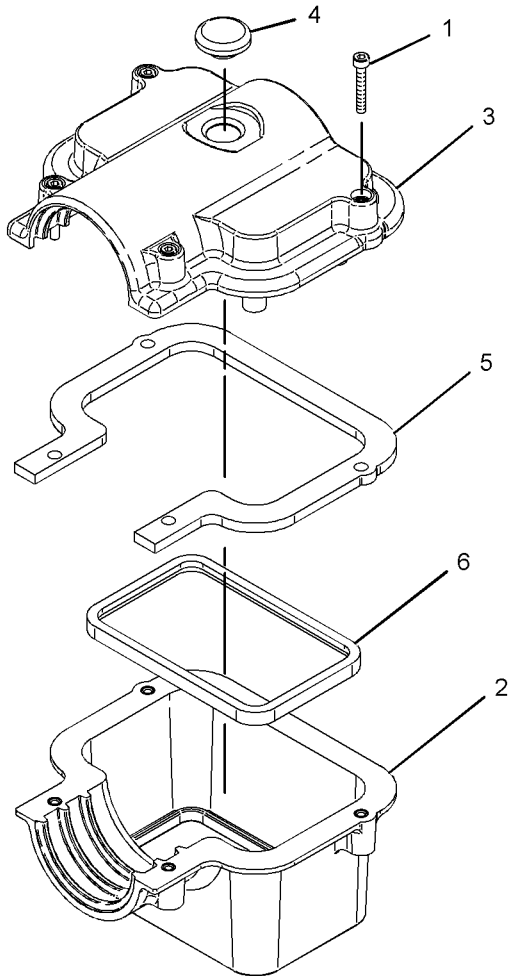
309-4122 COVER GP-MODULE CONNECTOR

PART OF 280-7517 HARNESS AS-ENGINE
AN ATTACHMENT

SMCS-1901

i02957474

NOTE	REF NO	GRAPHIC REF	PART NUMBER	QTY	PART NAME						SEE PAGE
					1	2	3	4	5	6 (PRODUCT LEVEL)	
	1	1	311-3922	4	BOLT-SOCKET HEAD (M3X0.5X20-MM)						
	2	1	288-4677	1	CONNECTOR AS						
	3	1	288-4678	1	CONNECTOR AS						
	4	1	232-4673	1	PLUG						
	5	1	232-4674	1	SEAL-CONNECTOR						
	6	1	232-4675	1	SEAL-CONNECTOR						



UNEXPLODED VIEW

GRAPHIC #1

<END>

g01210314

ELECTRICAL AND STARTING SYSTEM

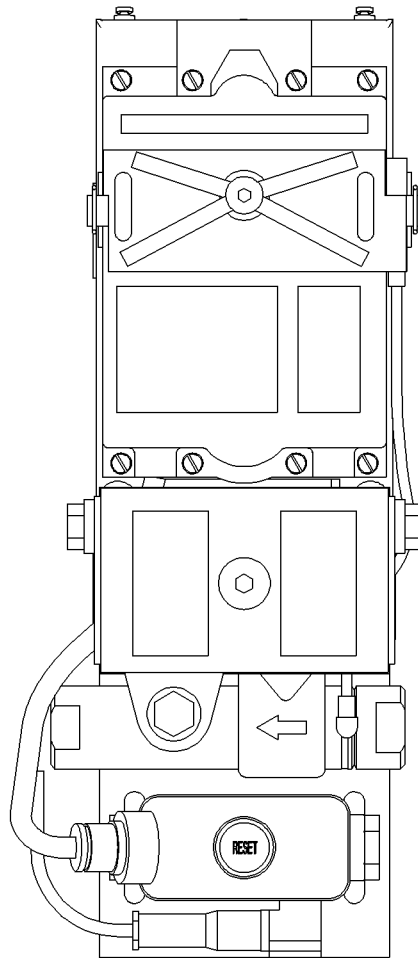
191-6505 DETECTOR GP-OIL MIST

PART OF 267-2716 DETECTOR GP-OIL MIST
AN ATTACHMENT

SMCS-1336

i01912649

NOTE	REF NO	GRAPHIC REF	PART NUMBER	QTY	PART NAME						SEE PAGE
					1	2	3	4	5	6 (PRODUCT LEVEL)	
(NO SERVICED PARTS)											



GRAPHIC #1

<END>

g00996488

ELECTRICAL AND STARTING SYSTEM

267-2716 DETECTOR GP-OIL MIST

AN ATTACHMENT

TYPE 1

SMCS - 1336

i03011937

NOTE	REF NO	GRAPHIC REF	PART NUMBER	QTY	PART NAME						SEE PAGE
					1	2	3	4	5	6 (PRODUCT LEVEL)	
	1	3	6V-0405	2	SEAL - BONDED						
	2	3	6V-0408	3	SEAL - BONDED						
	3	3	6V-3527	2	FITTING-FLARED						
	4	3	6V-3528	1	FITTING-FLARED						
	5	2	7E-9324	2	MOUNT						
	6	1	8B-9725	1	BOSS						
	7	2	9L-8493	1	CAP-FLARED						
	8	1,2	9M-4594	5	SPACER (0.406X0.875X0.75-IN THK)						
	9	3	153-2781	2	FITTING						
	10	1	167-3929	1	VALVE AS (PRESSURE REDUCING)						
	11	2	191-6502	8	ADAPTER						
	12	3	191-6504	1	FITTING-FLARED						
Y	13	1	191-6505	1	DETECTOR GP-OIL MIST						397
	14	2	192-1404	8	UNION						
	15	2	192-1405	8	NUT (M14X1-THD)						
	16	2	192-1406	16	FERRULE						
	17	1	197-6231	1	NUT (1-3/4-12-THD)						
	18	3	260-1506	2	BRACKET AS						
	19	1	263-3686	1	BRACKET						
	20	2	263-3687	1	PLATE AS						
M		2	6V-9632	4	NUT-WELD (M6X1-THD)						
I	21	1	263-3693	1	HOSE AS						
I	22	1	263-3694	1	HOSE AS						
	23	2	264-5360	1	PLATE AS						
		2	4K-9097	3	NUT-WELD (5/16-18-THD)						
M		2	6V-9632	4	NUT-WELD (M6X1-THD)						
I	24	1	264-7862	1	HOSE AS						
	25	1	272-0759	8	SEAL						
C	26	1	291-0641	1	TUBE AS						
C	27	1	291-0642	1	TUBE AS						
C	28	1	291-0643	4	TUBE AS						
C	29	1	291-0644	1	TUBE AS						
C	30	1	291-0645	1	TUBE AS						
C	31	1	291-0646	2	TUBE AS						
CI	32	1	291-0647	1	HOSE AS						
CI	33	1	291-0648	1	HOSE AS						
C	34	1	291-0649	2	BRACKET						
C	35	2	291-0651	1	BRACKET						
C	36	1,2	291-0652	2	BRACKET AS						
C	37	1	291-0654	8	COVER AS						
					(EACH INCLUDES)						
		1	1N-2914	1	COVER-CYLINDER BLOCK SIDE						
C	38	2	291-0655	8	FUNNEL						
Y	39	2	318-8120	1	DETECTOR GP-OIL MIST						412
I	40	1	318-8121	1	HOSE AS						
	41	2	052-0572	1	TEE-SWIVEL						
	42	2	0L-1351	3	BOLT (3/8-16X0.875-IN)						
	43	1	0S-1571	2	BOLT (3/8-16X1.75-IN)						
	44	1,3	0S-1588	2	BOLT (3/8-16X1.25-IN)						
	45	1	0S-1594	30	BOLT (3/8-16X1-IN)						
	46	2	0S-1615	4	BOLT (1/4-20X0.75-IN)						
	47	1,2	0S-1616	6	BOLT (1/4-20X1-IN)						
C	48	1	0S-1619	1	BOLT (3/8-16X3-IN)						
	49	1,2,3	0S-1621	8	BOLT (1/2-13X1-IN)						
M	50	2	119-5025	8	SCREW-FLAT HEAD (M6X1X25-MM)						
	51	2	144-0526	1	REGULATOR-OIL MIST DETECTOR						

ELECTRICAL AND STARTING SYSTEM

267-2716 DETECTOR GP-OIL MIST (contd.)

i03011937

NOTE	REF NO	GRAPHIC REF	PART NUMBER	QTY	PART NAME						SEE PAGE
					1	2	3	4	5	6 (PRODUCT LEVEL)	
	52	2	1A-2029	2	BOLT (3/8-16X1.125-IN)						
	53	2	2B-2694	4	BOLT (5/16-18X2-IN)						
	54	2	2B-2695	3	BOLT (5/16-18X0.875-IN)						
	55	2	3B-1915	3	BOLT (3/8-16X1.375-IN)						
	56	2	3E-4352	8	WASHER-HARD (8.8X20.5X2.5-MM THK)						
C	57	1	3J-1907	11	SEAL-O-RING						
	58	1,2	4S-6399	3	CONNECTOR						
C	59	1,2	5M-2894	9	WASHER-HARD (10.2X18.5X2.5-MM THK)						
	60	1,2,3	5P-4115	16	WASHER-HARD (7.2X19X2-MM THK)						
	61	2	5S-0003	4	NUT (5/16-18-THD)						
	62	2	6D-3479	1	CLIP						
C	63	1,2,3	6D-4244	5	CLIP						
	64	1	6V-8397	8	SEAL-O-RING						
	65	1	6V-9001	1	ELBOW						
C	66	1,2,3	7D-1649	8	WASHER-HARD (13.5X32X5-MM THK)						
	67	2	8L-2786	8	SEAL-O-RING						
C	68	1	8T-9041	7	CONNECTOR						
	69	2	9M-1974	3	WASHER-HARD (8.8X16X2-MM THK)						
C	70	1	9S-4191	3	PLUG-O-RING						
	71	1,2,3	9S-8750	6	NUT-FULL (1/4-20-THD)						
C	72	1,3	9S-8752	3	NUT-FULL (3/8-16-THD)						
C	73	1,2,3	9X-6458	36	WASHER-HARD (10.2X22.5X3-MM THK)						

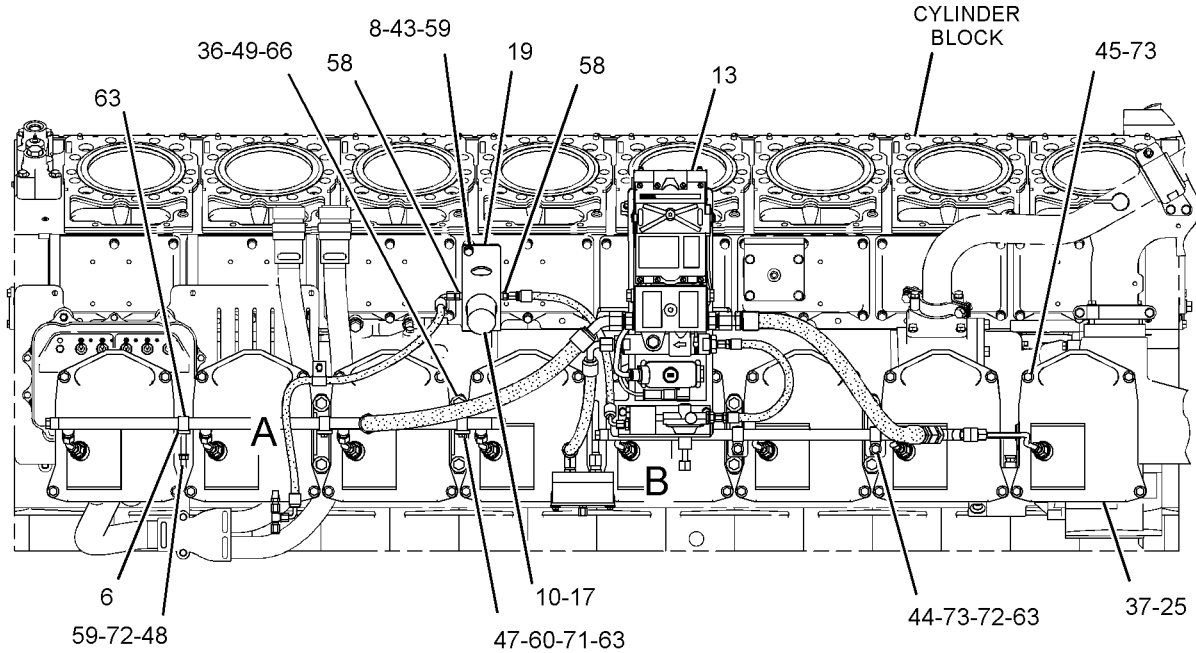
C-CHANGE FROM PREVIOUS TYPE
 I-REFER TO HYDRAULIC INFORMATION SYSTEM
 M-METRIC PART
 Y-SEPARATE ILLUSTRATION

ELECTRICAL AND STARTING SYSTEM

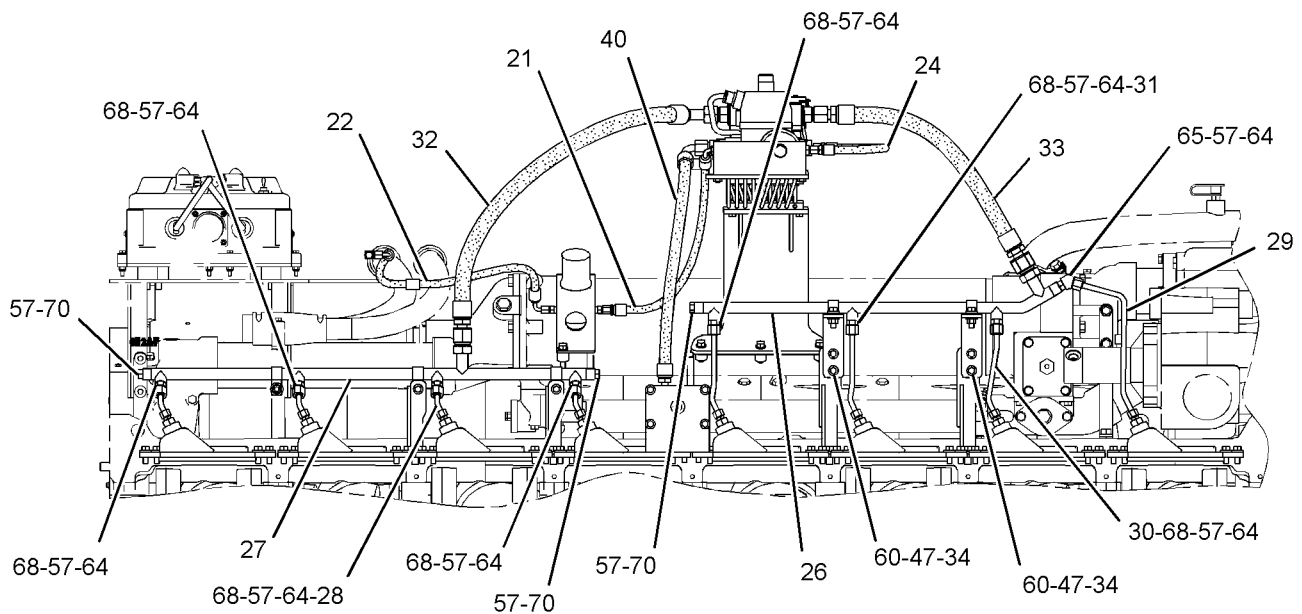
267-2716 DETECTOR GP-OIL MIST (contd.)

i03011937

REFER TO ALL ILLUSTRATIONS OF THIS GROUP FOR AUXILIARY VIEWS



RIGHT SIDE VIEW OF ENGINE



BOTTOM VIEW OF ENGINE

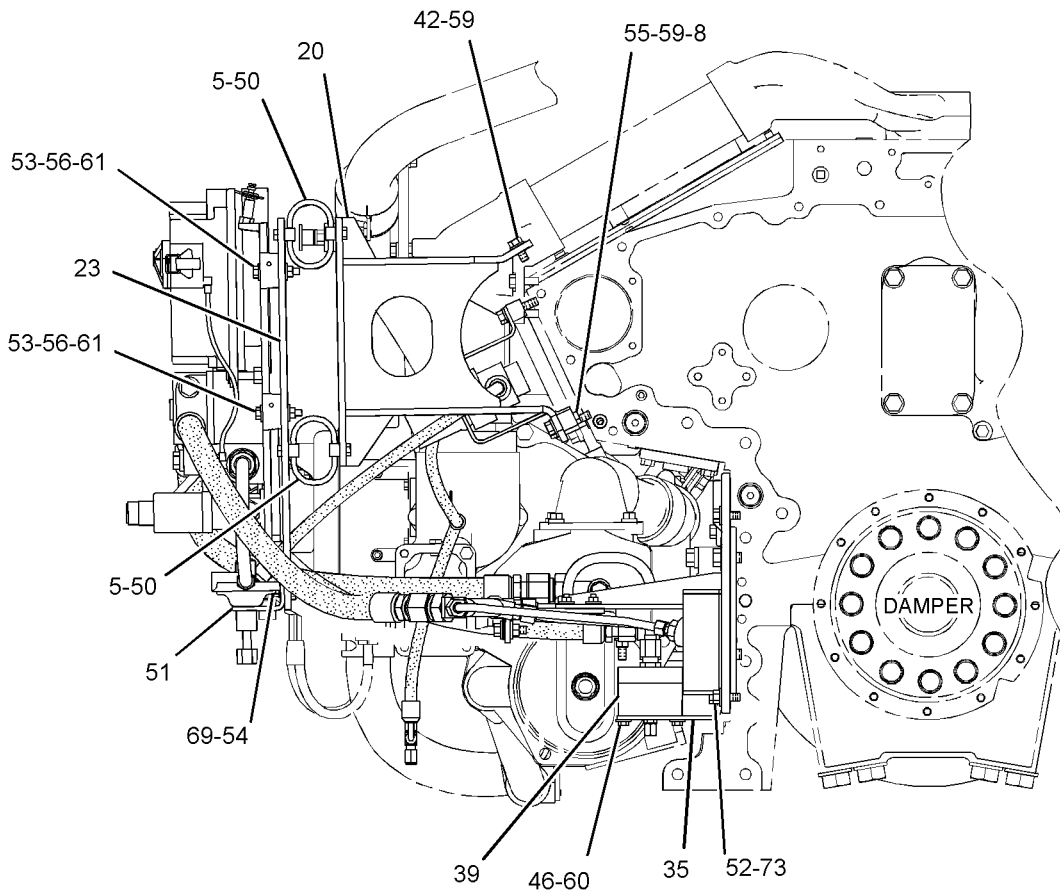
GRAPHIC #1

g01606335

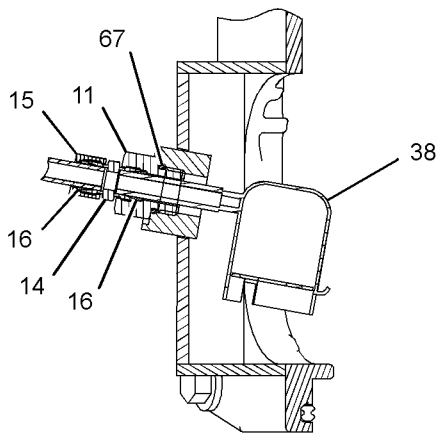
ELECTRICAL AND STARTING SYSTEM

267-2716 DETECTOR GP-OIL MIST (contd.)

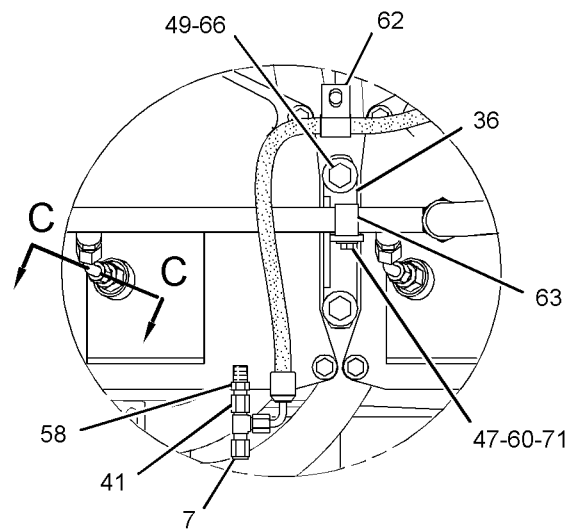
i03011937



FRONT VIEW OF ENGINE



SECTION C-C



VIEW OF AREA A

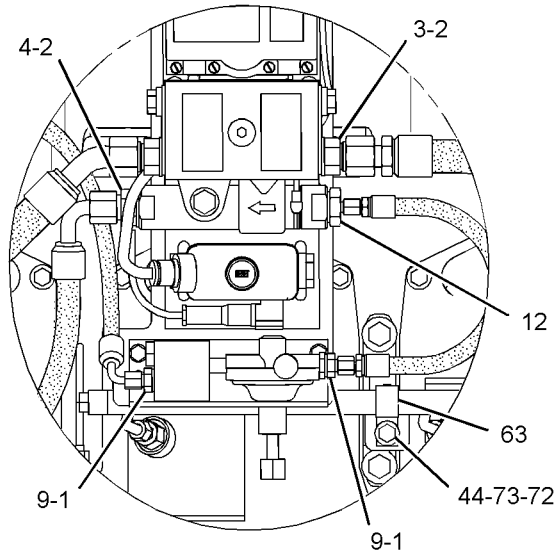
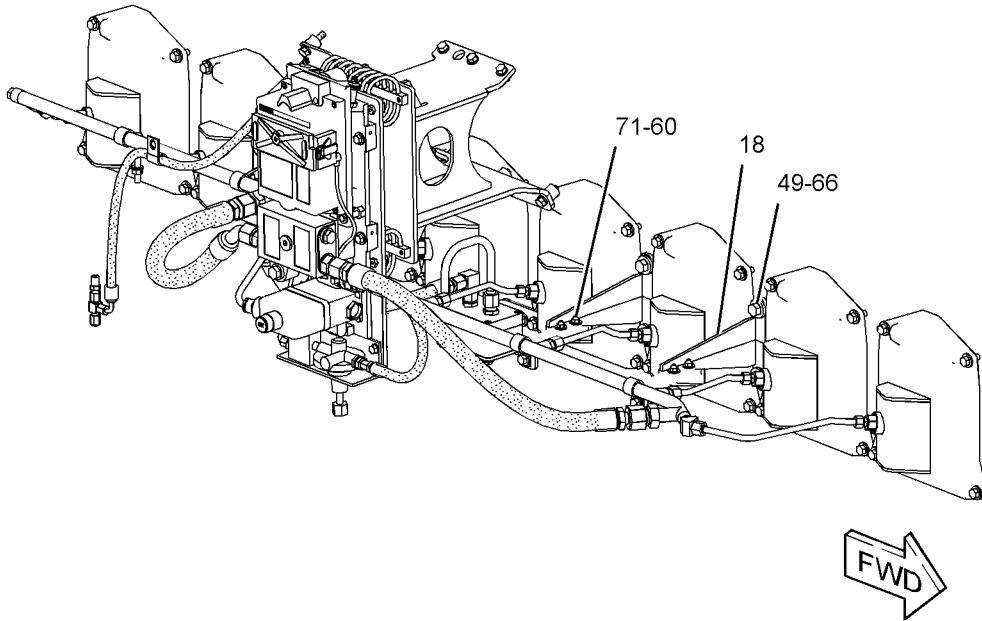
GRAPHIC #2

g01606336

ELECTRICAL AND STARTING SYSTEM

267-2716 DETECTOR GP-OIL MIST (contd.)

i03011937



VIEW OF AREA B

GRAPHIC #3

<END>

g01606337

ELECTRICAL AND STARTING SYSTEM

267-2716 DETECTOR GP-OIL MIST

AN ATTACHMENT

TYPE 2

SMCS - 1336

i03585350

NOTE	REF NO	GRAPHIC REF	PART NUMBER	QTY	PART NAME						SEE PAGE
					1	2	3	4	5	6 (PRODUCT LEVEL)	
	1	3	6V-0405	2	SEAL - BONDED						
	2	3	6V-0408	3	SEAL - BONDED						
	3	3	6V-3527	2	FITTING-FLARED						
	4	3	6V-3528	1	FITTING-FLARED						
	5	2	7E-9324	2	MOUNT						
	6	1	8B-9725	1	BOSS						
	7	2	9L-8493	1	CAP-FLARED						
	8	1,2	9M-4594	5	SPACER (0.406X0.875X0.75-IN THK)						
	9	3	153-2781	2	FITTING						
	10	1	167-3929	1	VALVE AS (PRESSURE REDUCING)						
	11	2	191-6502	8	ADAPTER						
	12	3	191-6504	1	FITTING-FLARED						
C	13	1	335-8746	1	DETECTOR (OIL MIST)						
	14	2	192-1404	8	UNION						
	17	1	197-6231	1	NUT (1-3/4-12-THD)						
	18	3	260-1506	2	BRACKET AS						
	19	1	263-3686	1	BRACKET						
	20	2	263-3687	1	PLATE AS						
M		2	6V-9632	4	NUT-WELD (M6X1-THD)						
I	21	1	263-3693	1	HOSE AS						
I	22	1	263-3694	1	HOSE AS						
	23	2	264-5360	1	PLATE AS						
		2	4K-9097	3	NUT-WELD (5/16-18-THD)						
M		2	6V-9632	4	NUT-WELD (M6X1-THD)						
I	24	1	264-7862	1	HOSE AS						
	25	1	272-0759	8	SEAL						
	26	1	291-0641	1	TUBE AS						
	27	1	291-0642	1	TUBE AS						
	28	1	291-0643	4	TUBE AS						
	29	1	291-0644	1	TUBE AS						
	30	1	291-0645	1	TUBE AS						
	31	1	291-0646	2	TUBE AS						
I	32	1	291-0647	1	HOSE AS						
I	33	1	291-0648	1	HOSE AS						
	34	1	291-0649	2	BRACKET						
	35	2	291-0651	1	BRACKET						
	36	1,2	291-0652	2	BRACKET AS						
	37	1	291-0654	8	COVER AS						
					(EACH INCLUDES)						
		1	1N-2914	1	COVER-CYLINDER BLOCK SIDE						
	38	2	291-0655	8	FUNNEL						
Y	39	2	318-8120	1	DETECTOR GP-OIL MIST						412
I	40	1	318-8121	1	HOSE AS						
	41	2	052-0572	1	TEE-SWIVEL						
	42	2	0L-1351	3	BOLT (3/8-16X0.875-IN)						
	43	1	0S-1571	2	BOLT (3/8-16X1.75-IN)						
	44	1,3	0S-1588	2	BOLT (3/8-16X1.25-IN)						
	45	1	0S-1594	30	BOLT (3/8-16X1-IN)						
	46	2	0S-1615	4	BOLT (1/4-20X0.75-IN)						
	47	1,2	0S-1616	6	BOLT (1/4-20X1-IN)						
	48	1	0S-1619	1	BOLT (3/8-16X3-IN)						
	49	1,2,3	0S-1621	8	BOLT (1/2-13X1-IN)						
M	50	2	119-5025	8	SCREW-FLAT HEAD (M6X1X25-MM)						
	51	2	144-0526	1	REGULATOR-OIL MIST DETECTOR						
	52	2	1A-2029	2	BOLT (3/8-16X1.125-IN)						
	53	2	2B-2694	4	BOLT (5/16-18X2-IN)						

ELECTRICAL AND STARTING SYSTEM

267-2716 DETECTOR GP-OIL MIST (contd.)

i03585350

NOTE	REF NO	GRAPHIC REF	PART NUMBER	QTY	PART NAME						SEE PAGE
					1	2	3	4	5	6 (PRODUCT LEVEL)	
	54	3	2B-2695	3	BOLT (5/16-18X0.875-IN)						
	55	2	3B-1915	3	BOLT (3/8-16X1.375-IN)						
	56	2	3E-4352	8	WASHER-HARD (8.8X20.5X2.5-MM THK)						
	57	1	3J-1907	11	SEAL-O-RING						
	58	1,2	4S-6399	3	CONNECTOR						
	59	1,2	5M-2894	9	WASHER-HARD (10.2X18.5X2.5-MM THK)						
	60	1,2,3	5P-4115	16	WASHER-HARD (7.2X19X2-MM THK)						
	61	2	5S-0003	4	NUT (5/16-18-THD)						
	62	2	6D-3479	1	CLIP						
	63	1,2,3	6D-4244	5	CLIP						
	64	1	6V-8397	8	SEAL-O-RING						
	65	1	6V-9001	1	ELBOW						
	66	1,2,3	7D-1649	8	WASHER-HARD (13.5X32X5-MM THK)						
	67	2	8L-2786	8	SEAL-O-RING						
	68	1	8T-9041	7	CONNECTOR						
	69	3	9M-1974	3	WASHER-HARD (8.8X16X2-MM THK)						
	70	1	9S-4191	3	PLUG-O-RING						
	71	1,2,3	9S-8750	6	NUT-FULL (1/4-20-THD)						
	72	1,3	9S-8752	3	NUT-FULL (3/8-16-THD)						
	73	1,2,3	9X-6458	36	WASHER-HARD (10.2X22.5X3-MM THK)						

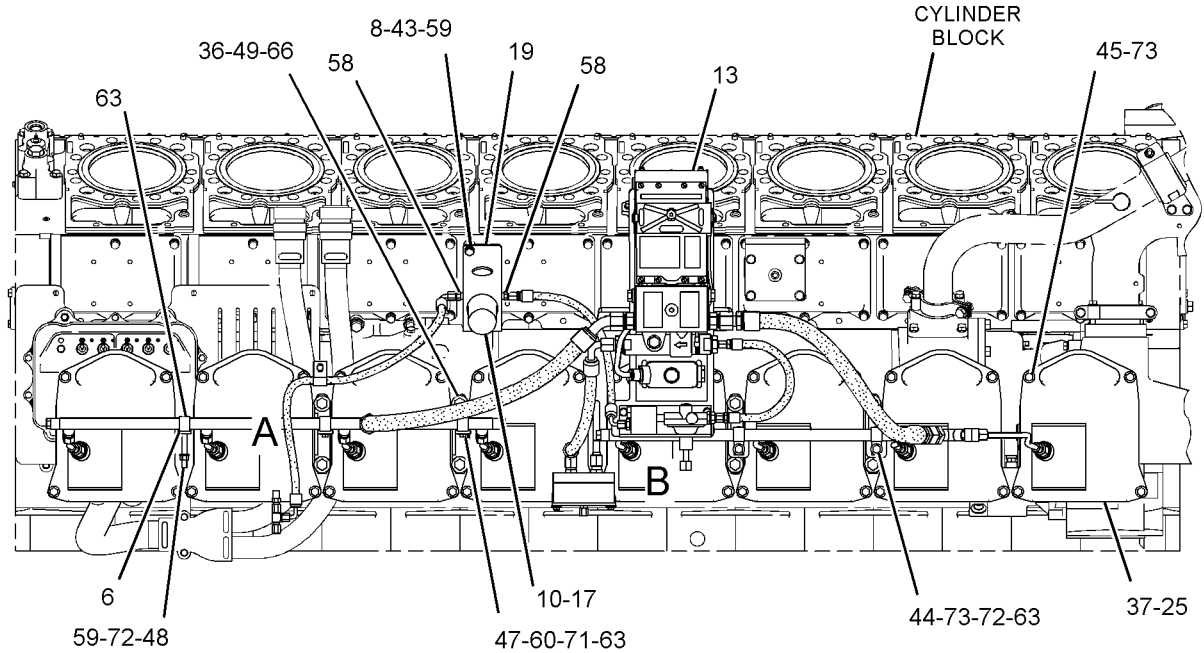
C-CHANGE FROM PREVIOUS TYPE
 I-REFER TO HYDRAULIC INFORMATION SYSTEM
 M-METRIC PART
 Y-SEPARATE ILLUSTRATION

ELECTRICAL AND STARTING SYSTEM

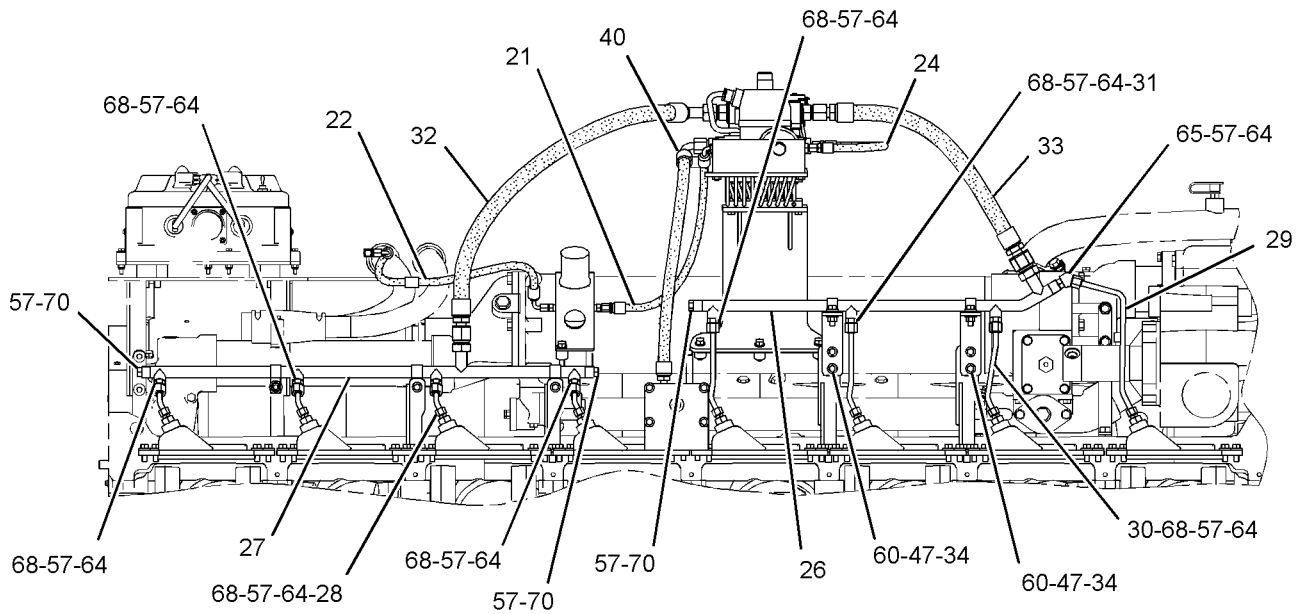
267-2716 DETECTOR GP-OIL MIST (contd.)

i03585350

REFER TO ALL ILLUSTRATIONS OF THIS GROUP FOR AUXILIARY VIEWS



RIGHT SIDE VIEW OF ENGINE



BOTTOM VIEW OF ENGINE

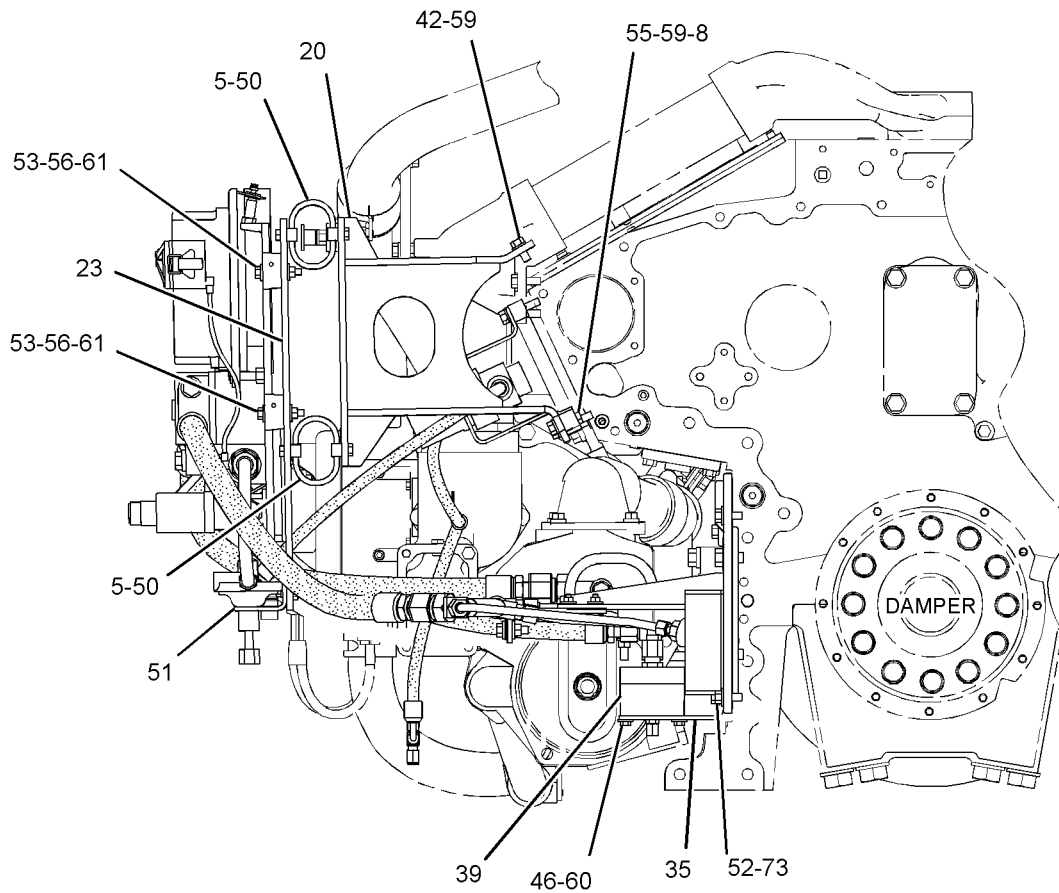
GRAPHIC #1

g02076053

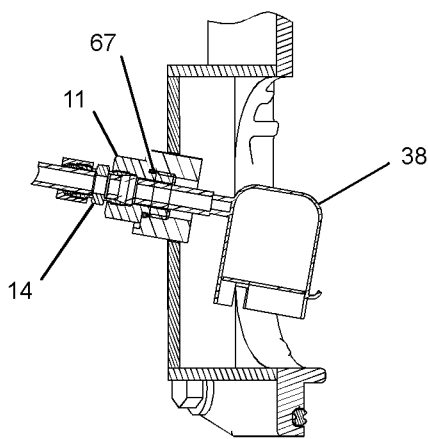
ELECTRICAL AND STARTING SYSTEM

267-2716 DETECTOR GP-OIL MIST (contd.)

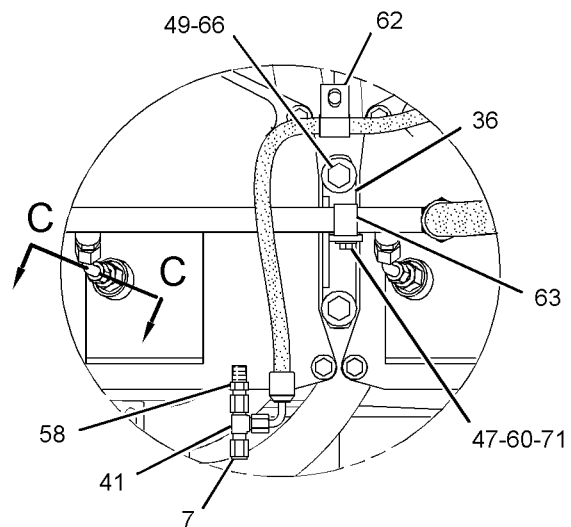
i03585350



FRONT VIEW OF ENGINE



SECTION C-C



VIEW OF AREA A

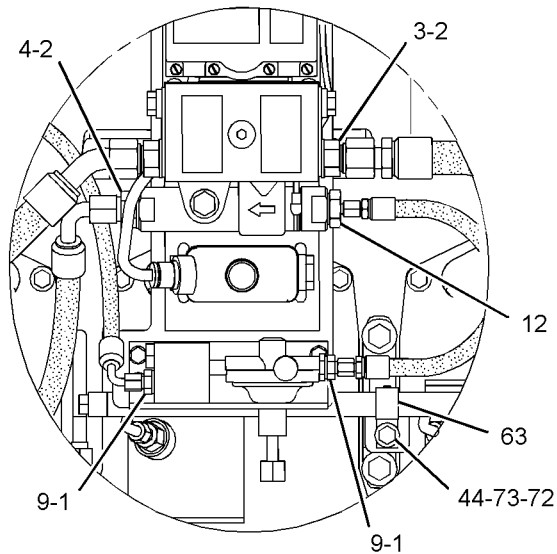
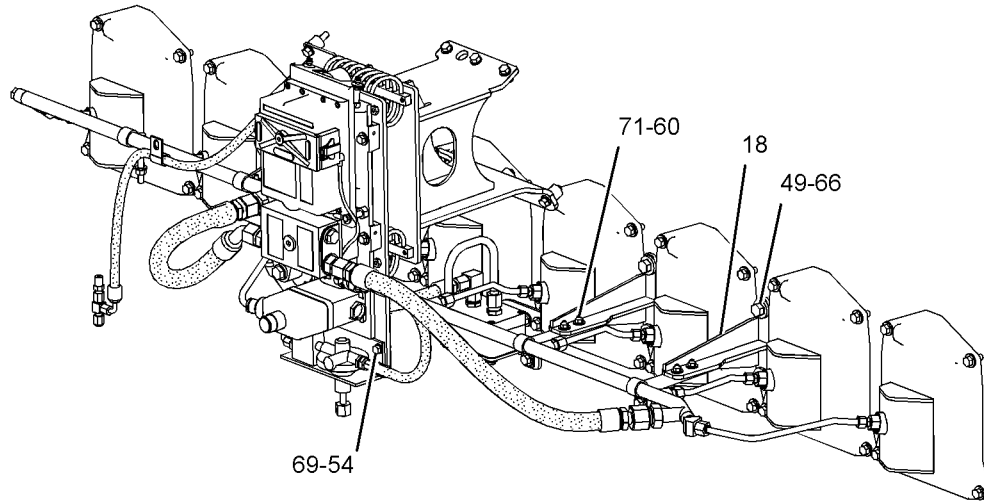
GRAPHIC #2

g02076054

ELECTRICAL AND STARTING SYSTEM

267-2716 DETECTOR GP-OIL MIST (contd.)

i03585350



VIEW OF AREA B

GRAPHIC #3

<END>

g02076055

ELECTRICAL AND STARTING SYSTEM

318-8119 DETECTOR GP-OIL MIST AN ATTACHMENT

SMCS - 1336

i03503441

NOTE	REF NO	GRAPHIC REF	PART NUMBER	QTY	PART NAME						SEE PAGE
					1	2	3	4	5	6 (PRODUCT LEVEL)	
	1	2	6V-0405	2	SEAL-BONDED						
	2	2	6V-0408	3	SEAL-BONDED						
	3	2	6V-3527	2	FITTING-FLARED						
	4	2	6V-3528	1	FITTING-FLARED						
	5	1	7E-9324	2	MOUNT						
	6	2	8B-9725	1	BOSS						
	7	2	9L-8493	1	CAP-FLARED						
	8	1	9M-4594	5	SPACER (0.406X0.875X0.75-IN THK)						
	9	2	128-2478	4	SPACER (8.5X15X9-MM THK)						
	10	2	153-2781	2	FITTING						
	11	2	167-3929	1	VALVE AS						
	12	3	191-6502	8	ADAPTER						
	13	2	191-6504	1	FITTING-FLARED						
	14	2	335-8746	1	DETECTOR (OIL MIST)						
	15	3	192-1404	8	UNION						
	18	2,3	197-6231	1	NUT (1-3/4-12-THD)						
	19	2	263-3686	1	BRACKET						
	20	1	263-3687	1	PLATE AS						
M		1	6V-9632	4	NUT-WELD (M6X1-THD)						
I	21	3	263-3693	1	HOSE AS						
I	22	3	263-3694	1	HOSE AS						
	23	1	264-5360	1	PLATE AS						
		1	4K-9097	3	NUT-WELD (5/16-18-THD)						
M		1	6V-9632	4	NUT-WELD (M6X1-THD)						
I	24	3	264-7862	1	HOSE AS						
	25	2	272-0759	8	SEAL						
	26	3	291-0641	1	TUBE AS						
	27	3	291-0642	1	TUBE AS						
	28	3	291-0643	4	TUBE AS						
	29	3	291-0644	1	TUBE AS						
	30	3	291-0645	1	TUBE AS						
	31	3	291-0646	2	TUBE AS						
I	32	3	291-0647	1	HOSE AS						
I	33	3	291-0648	1	HOSE AS						
	34	2	291-0649	2	BRACKET						
	35	1	291-0651	1	BRACKET						
	36	2	291-0652	2	BRACKET AS						
	37	2	291-0654	8	COVER AS						
		2	1N-2914	1	COVER-CYLINDER BLOCK SIDE						
	38	3	291-0655	8	FUNNEL						
Y	39	1	318-8120	1	DETECTOR GP-OIL MIST						412
I	40	3	318-8121	1	HOSE AS						
	41	2	052-0572	1	TEE-SWIVEL						
	42	1	0L-1351	3	BOLT (3/8-16X0.875-IN)						
	43	2	0S-1571	2	BOLT (3/8-16X1.75-IN)						
	44	2	0S-1588	2	BOLT (3/8-16X1.25-IN)						
	45	1	0S-1590	3	BOLT (3/8-16X2-IN)						
	46	2	0S-1594	30	BOLT (3/8-16X1-IN)						
	47	1	0S-1615	4	BOLT (1/4-20X0.75-IN)						
	48	2	0S-1616	2	BOLT (1/4-20X1-IN)						
	49	2	0S-1619	1	BOLT (3/8-16X3-IN)						
	50	2	0S-1621	4	BOLT (1/2-13X1-IN)						
M	51	1,3	119-5025	8	SCREW-FLAT HEAD (M6X1X25-MM)						
	52	1	144-0526	1	REGULATOR-OIL MIST DETECTOR						
	53	1	1A-2029	2	BOLT (3/8-16X1.125-IN)						
	54	1	2B-2694	4	BOLT (5/16-18X2-IN)						
	55	2	2B-2695	3	BOLT (5/16-18X0.875-IN)						

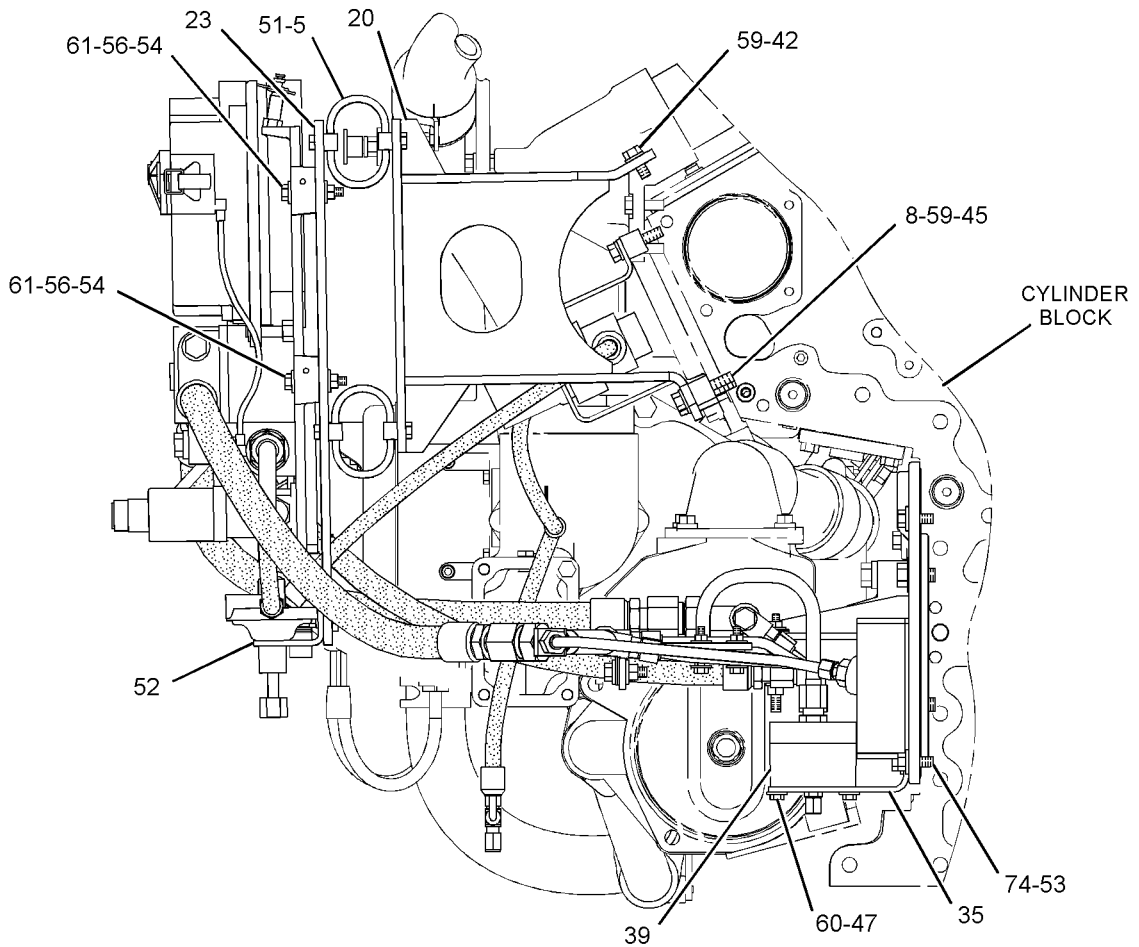
ELECTRICAL AND STARTING SYSTEM

318-8119 DETECTOR GP-OIL MIST (contd.)

i03503441

NOTE	REF NO	GRAPHIC REF	PART NUMBER	QTY	PART NAME						SEE PAGE
					1	2	3	4	5	6 (PRODUCT LEVEL)	
	56	1	3E-4352	8	WASHER-HARD (8.8X20.5X2.5-MM THK)						
	57	3	3J-1907	11	SEAL-O-RING						
	58	2	4S-6399	3	CONNECTOR						
	59	1,2	5M-2894	9	WASHER-HARD (10.2X18.5X2.5-MM THK)						
	60	1,2	5P-4115	16	WASHER-HARD (7.2X19X2-MM THK)						
	61	1	5S-0003	4	NUT (5/16-18-THD)						
	62	2	6D-3479	1	CLIP						
	63	2	6D-4244	5	CLIP						
	64	3	6V-8397	8	SEAL-O-RING						
	65	3	6V-9001	1	ELBOW						
	66	2	7D-1649	4	WASHER-HARD (13.5X32X5-MM THK)						
	67	3	8L-2786	8	SEAL-O-RING						
	68	3	8T-9041	7	CONNECTOR						
	69	2	9F-7022	4	BOLT (1/4-20X1.5-IN)						
	70	2	9M-1974	3	WASHER-HARD (8.8X16X2-MM THK)						
	71	3	9S-4191	3	PLUG-O-RING						
	72	2	9S-8750	6	NUT-FULL (1/4-20-THD)						
	73	2	9S-8752	3	NUT-FULL (3/8-16-THD)						
	74	1,2	9X-6458	36	WASHER-HARD (10.2X22.5X3-MM THK)						

I-REFER TO HYDRAULIC INFORMATION SYSTEM
M-METRIC PART
Y-SEPARATE ILLUSTRATION



FRONT VIEW OF ENGINE

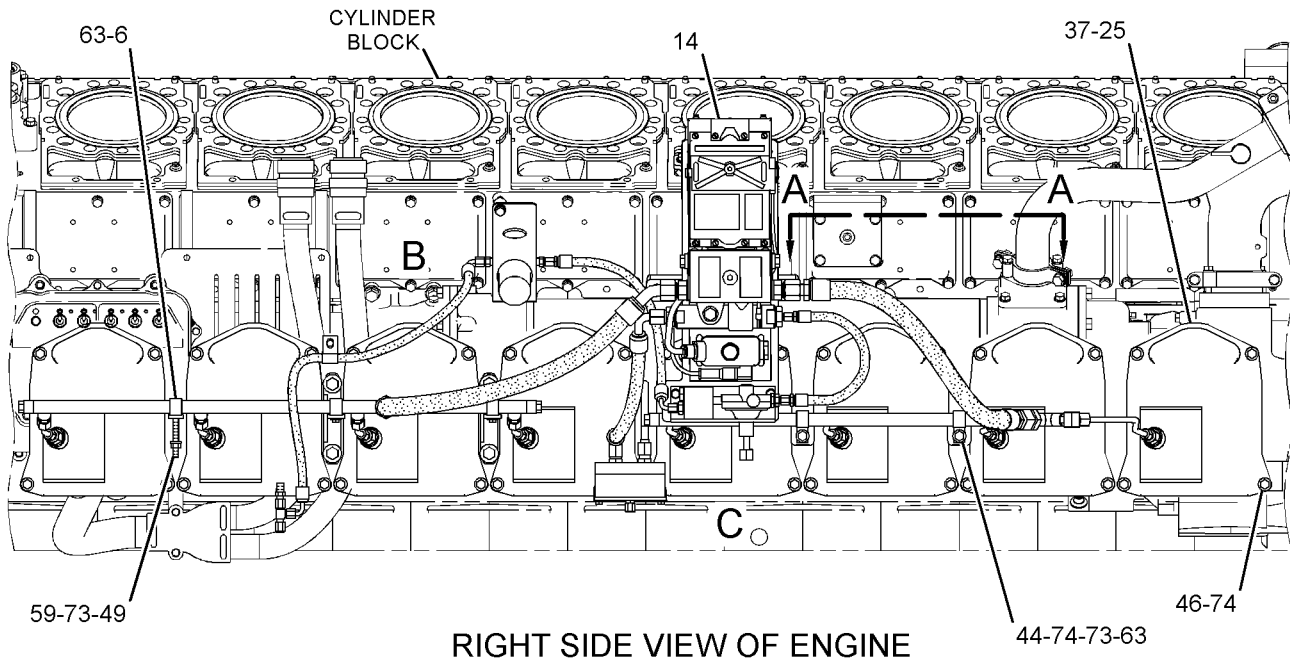
GRAPHIC #1

g01518828

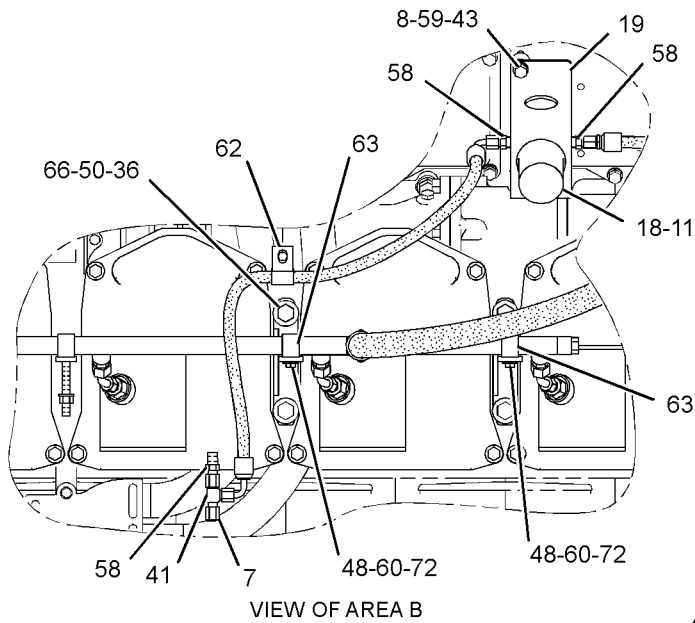
ELECTRICAL AND STARTING SYSTEM

318-8119 DETECTOR GP-OIL MIST (contd.)

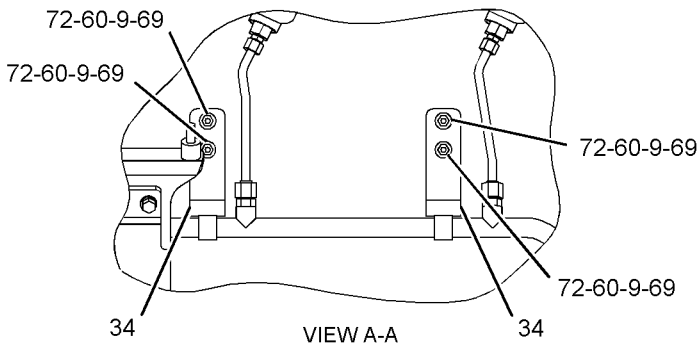
i03503441



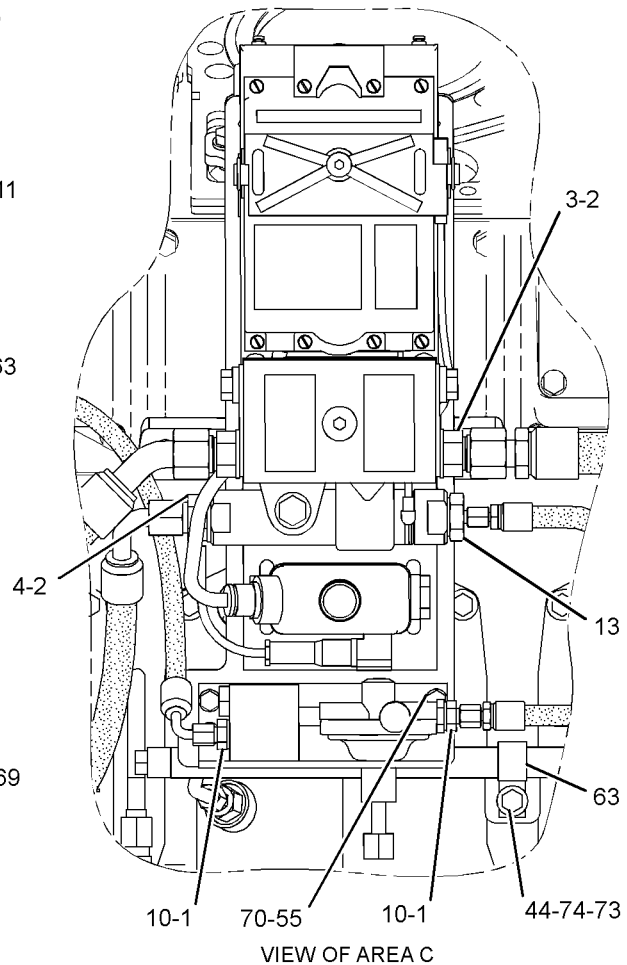
RIGHT SIDE VIEW OF ENGINE



VIEW OF AREA B



VIEW A-A



VIEW OF AREA C

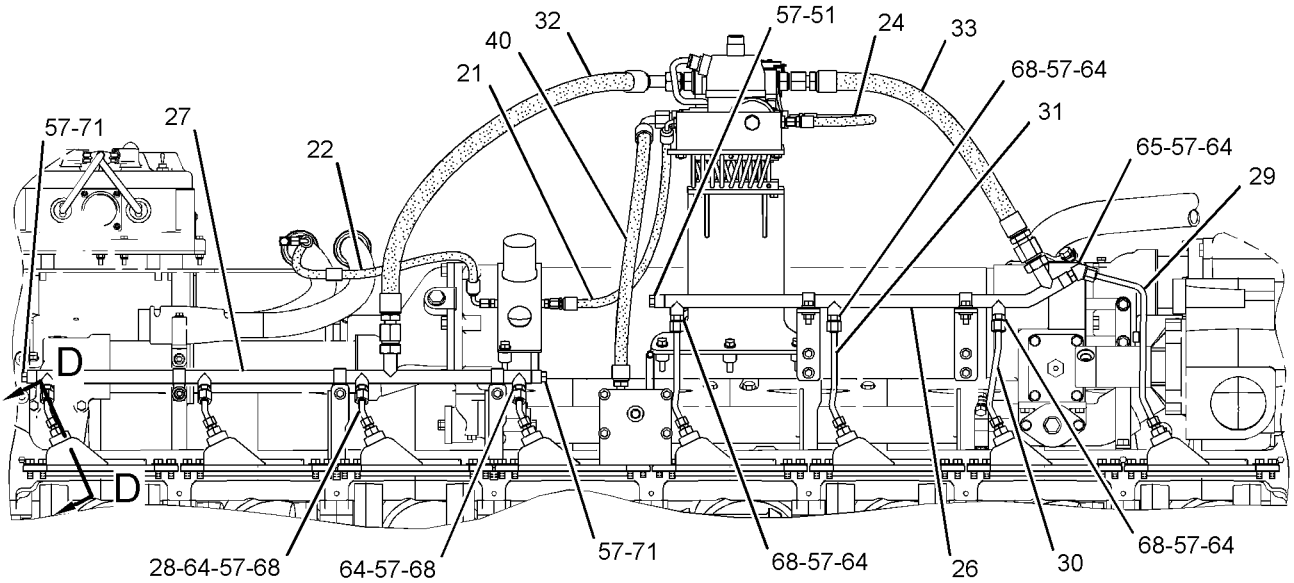
GRAPHIC #2

g01518829

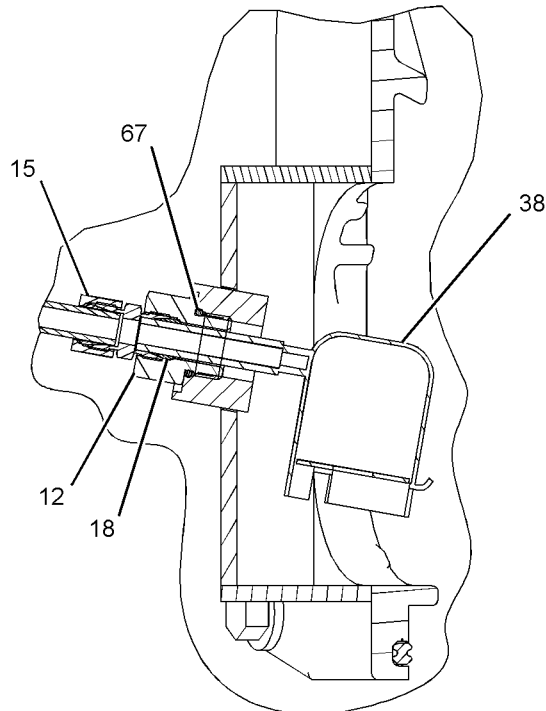
ELECTRICAL AND STARTING SYSTEM

318-8119 DETECTOR GP-OIL MIST (contd.)

i03503441



BOTTOM VIEW OF ENGINE



SECTION D-D

GRAPHIC #3

<END>

g01950063

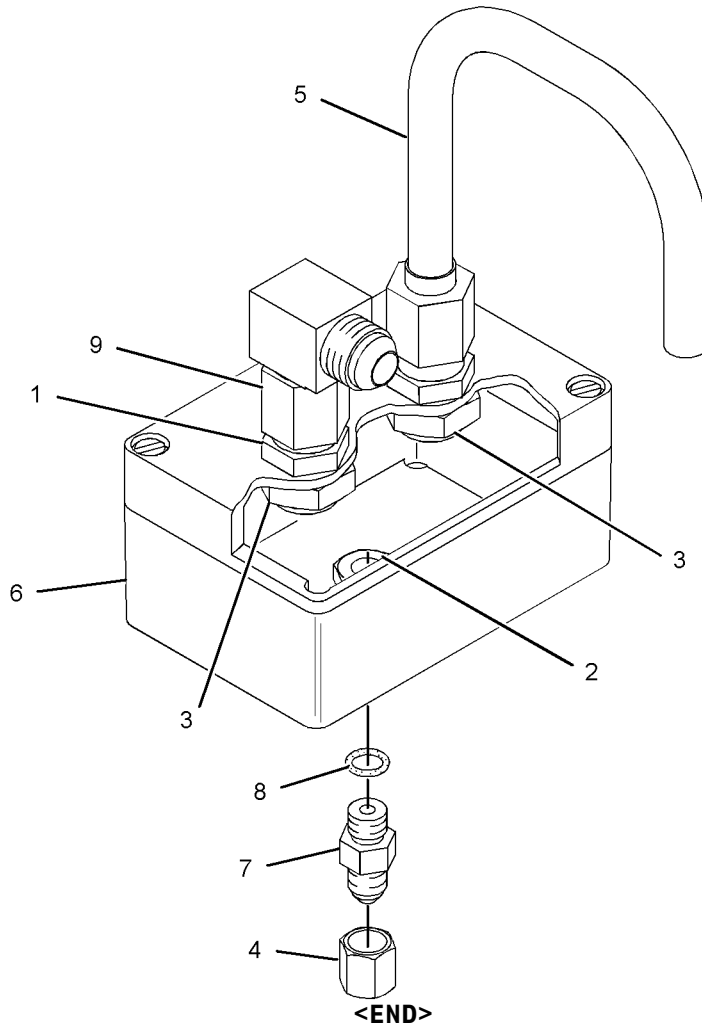
ELECTRICAL AND STARTING SYSTEM

318-8120 DETECTOR GP-OIL MIST PART OF 267-2716, 318-8119 DETECTOR GP-OIL MIST AN ATTACHMENT

SMCS-1336

i02990541

NOTE	REF NO	GRAPHIC REF	PART NUMBER	QTY	PART NAME						SEE PAGE
					1	2	3	4	5	6 (PRODUCT LEVEL)	
	1	1	3R-2704	2	UNION-FLARED						
	2	1	5B-3254	1	NUT-JAM (7/16-20-THD)						
	3	1	7F-2050	2	LOCKNUT (3/4-16-THD)						
	4	1	9L-8493	1	CAP-FLARED						
	5	1	192-4085	1	TUBE AS						
	6	1	301-7286	1	BOX AS						
	7	1	3J-7352	1	CONNECTOR						
	8	1	3J-7354	1	SEAL-O-RING						
	9	1	8M-0547	1	ELBOW-FLARED (SWIVEL)						



GRAPHIC #1

<END>

g01518028

ELECTRICAL AND STARTING SYSTEM

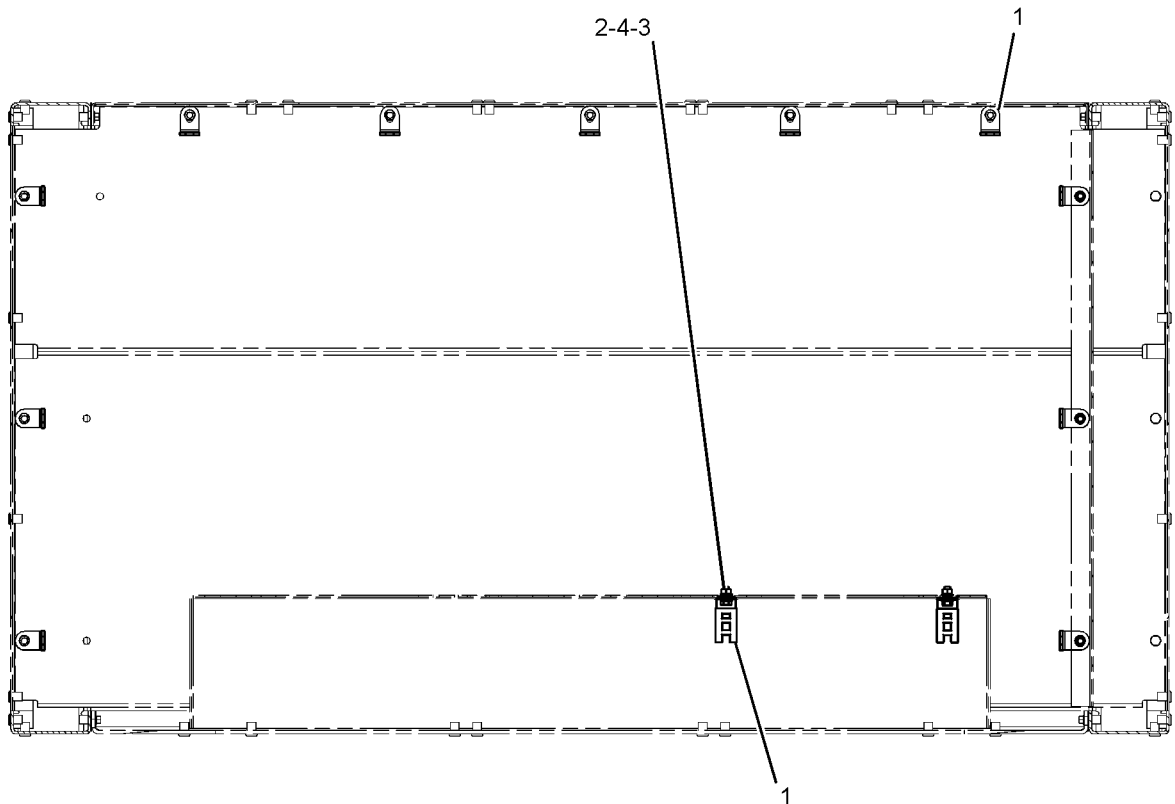
252-7410 FASTENER GP-WIRING HARNESS-MEDIUM VOLTAGE AN ATTACHMENT

SMCS-1408, 7553

i03167543

NOTE	REF NO	GRAPHIC REF	PART NUMBER	QTY	PART NAME						SEE PAGE
					1	2	3	4	5	6 (PRODUCT LEVEL)	
	1	1	156-6175	13	CLIP						
M	2	1	5C-2890	2	NUT (M6X1-THD)						
M	3	1	5C-9553	2	BOLT (M6X1X16-MM)						
	4	1	9X-8256	4	WASHER (6.6X12X2-MM THK)						

M-METRIC PART



TOP VIEW
<END>

GRAPHIC #1

g01431556

ELECTRICAL AND STARTING SYSTEM

252-7411 GROUND GP-ELECTRICAL

FOR USE WITH LOW VOLTAGE
AN ATTACHMENT

SMCS-1405

i02684283

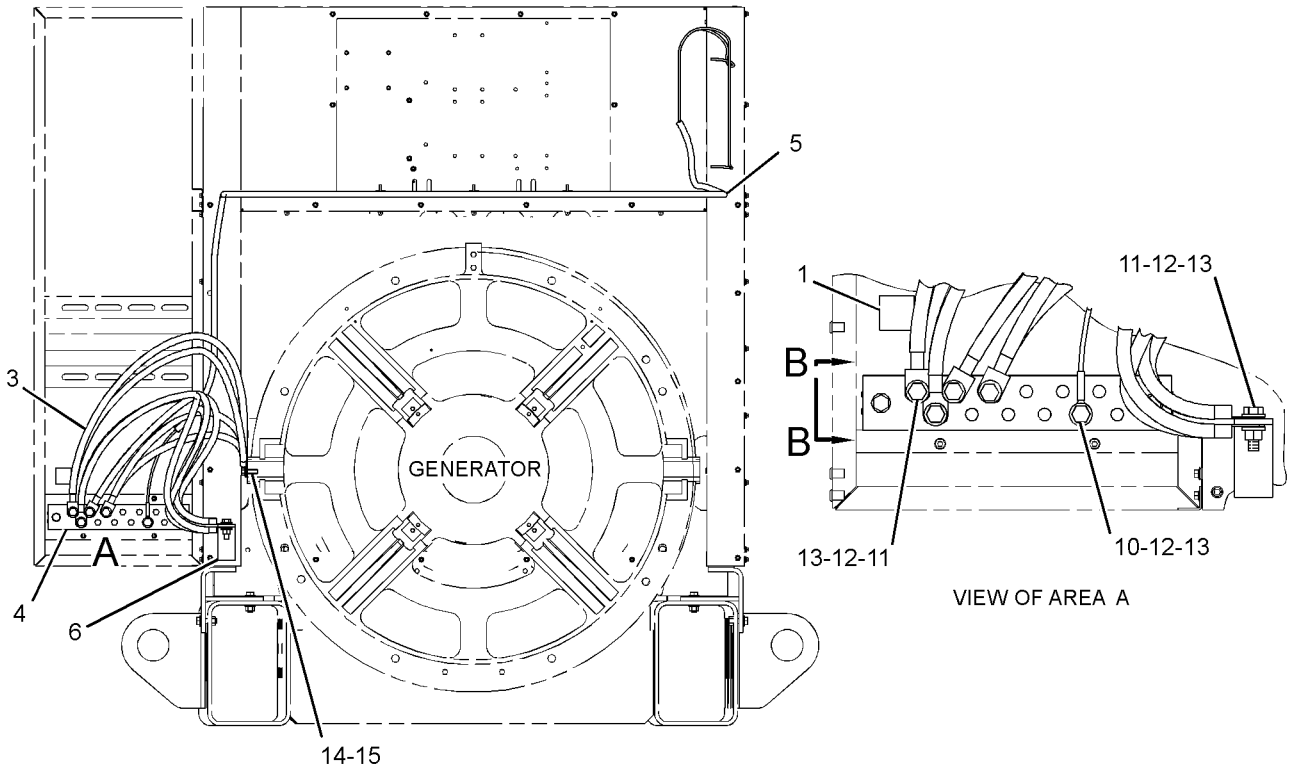
NOTE	REF NO	GRAPHIC REF	PART NUMBER	QTY	PART NAME						SEE PAGE
					1	2	3	4	5	6 (PRODUCT LEVEL)	
	1	1	7W-9799	1	FILM-INFORMATION (GENERATOR GROUND)						
	2	1	143-4456	2	INSULATOR						
	3	1	169-0300	8	CABLE AS						
					(EACH INCLUDES)						
		1	5P-2600	2	RING-TERMINAL (000-GA, 1/2-IN SCREW)						
E		1	188-3111		CABLE (000-GA, DARK GREEN) (98-CM)						
	4	1	244-9675	1	BAR-BUS (GROUND)						
	5	1	252-7513	1	HARNESS AS-WIRING (GROUND)						
		1	113-8961	2	END-WIRE (10-GA)						
	6	1	281-1563	1	BRACKET						
M	7	1	8T-4189	2	BOLT (M8X1.25X20-MM)						
	8	1	8T-4224	4	WASHER-HARD (8.8X16X2-MM THK)						
M	9	1	8T-4199	2	BOLT (M8X1.25X12-MM)						
M	10	1	8T-4139	1	BOLT (M12X1.75X30-MM)						
M	11	1	8T-4183	6	BOLT (M12X1.75X40-MM)						
	12	1	8T-4223	14	WASHER-HARD (13.5X25.5X3-MM THK)						
M	13	1	8T-4244	7	NUT (M12X1.75-THD)						
	14	1	8T-4896	2	WASHER-HARD (10.2X18.5X2.5-MM THK)						
	15	1	8T-2502	2	BOLT (3/8-16X1.125-IN)						
B	16	1	7K-1181	6	STRAP-CABLE						

B-USE AS REQUIRED
E-ORDER BY THE CENTIMETER
M-METRIC PART

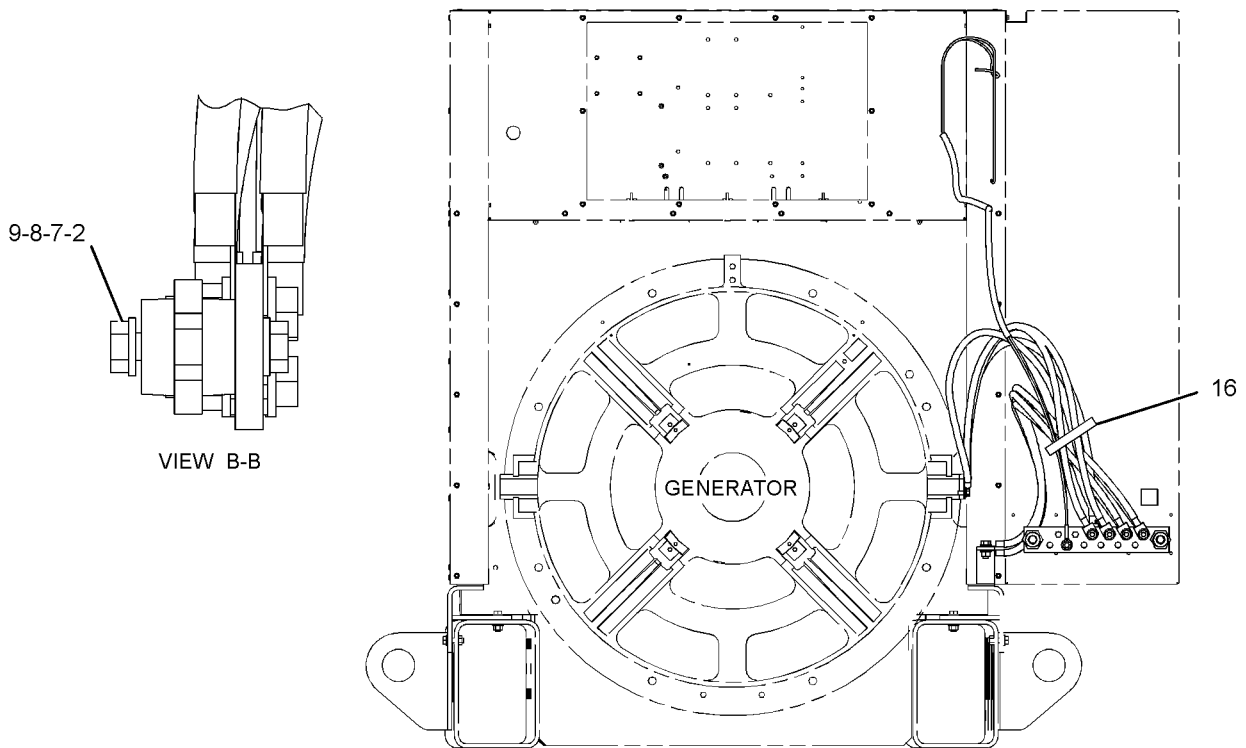
ELECTRICAL AND STARTING SYSTEM

252-7411 GROUND GP-ELECTRICAL (contd.)

i02684283



REAR VIEW
(LEFT SIDE EXTENSION BOX)



REAR VIEW
(RIGHT SIDE EXTENSION BOX)

GRAPHIC #1

<END>

g01314864

ELECTRICAL AND STARTING SYSTEM

240-5872 HARNESS AS-BOX-INTERCONNECT

3-METER

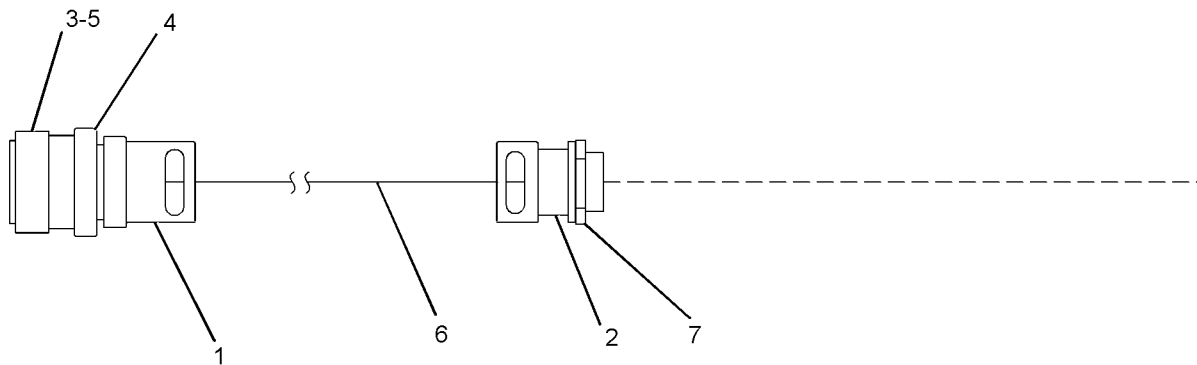
PART OF 241-5629 BOX GP-JUNCTION
AN ATTACHMENT

SMCS-1408

i02530356

NOTE	REF NO	GRAPHIC REF	PART NUMBER	QTY	PART NAME						SEE PAGE
					1	2	3	4	5	6 (PRODUCT LEVEL)	
	1	1	231-9899	1	CONNECTOR (CONDUIT)						
	2	1	231-9898	1	CONNECTOR						
	3	1	233-9217	1	CONNECTOR (85-PIN)						
	4	1	236-8125	1	ADAPTER						
	5	1	233-9226	82	PIN-CONNECTOR (16-GA TO 20-GA)						
E	6	1	231-9897		CONDUIT-FLEXIBLE (36-MM ID) (300-CM)						
	7	1	236-8130	1	NUT (M40-THD)						

E-ORDER BY THE CENTIMETER



GRAPHIC #1

<END>

g01322170

ELECTRICAL AND STARTING SYSTEM

240-5874 HARNESS AS-BOX-INTERCONNECT

10-METER

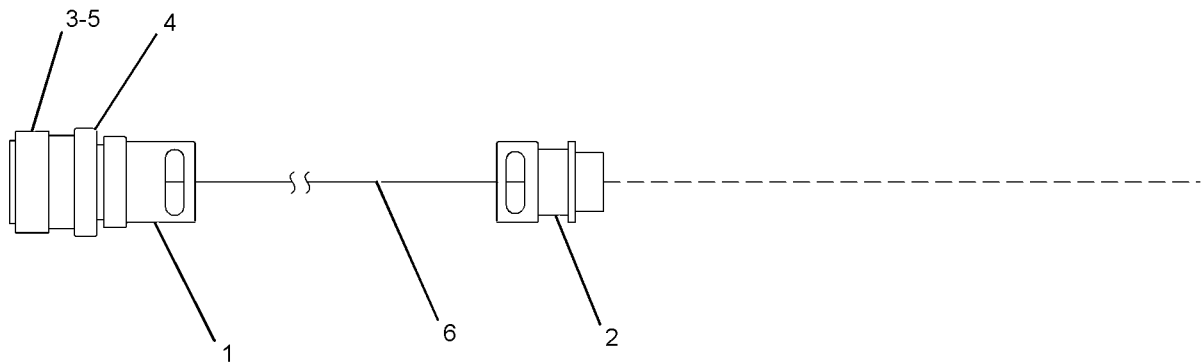
PART OF 241-5630 BOX GP-JUNCTION
AN ATTACHMENT

SMCS-1408

i02530396

NOTE	REF NO	GRAPHIC REF	PART NUMBER	QTY	PART NAME						SEE PAGE
					1	2	3	4	5	6 (PRODUCT LEVEL)	
	1	1	231-9899	1	CONNECTOR (CONDUIT)						
	2	1	231-9898	1	CONNECTOR						
	3	1	233-9217	1	CONNECTOR (85-PIN)						
	4	1	236-8125	1	ADAPTER						
	5	1	233-9226	82	PIN-CONNECTOR (16-GA TO 20-GA)						
E	6	1	231-9897		CONDUIT-FLEXIBLE (36-MM ID) (1003-CM)						

E-ORDER BY THE CENTIMETER



GRAPHIC #1

<END>

g01251986

ELECTRICAL AND STARTING SYSTEM

240-5876 HARNESS AS-BOX-INTERCONNECT

15-METERS

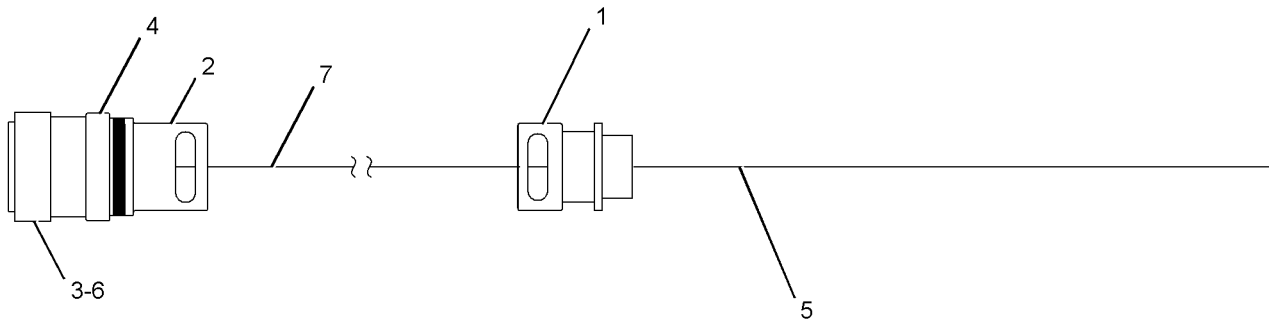
PART OF 241-5631 BOX GP-JUNCTION
AN ATTACHMENT

SMCS-1408

i02739598

NOTE	REF NO	GRAPHIC REF	PART NUMBER	QTY	PART NAME						SEE PAGE
					1	2	3	4	5	6 (PRODUCT LEVEL)	
	1	1	231-9898	1	CONNECTOR						
	2	1	231-9899	1	CONNECTOR (CONDUIT)						
	3	1	233-9217	1	CONNECTOR (85-PIN)						
	4	1	236-8125	1	ADAPTER						
D	5	1	5P-5677		WIRE (18-GA, BLACK) (891.6-M)						
	6	1	233-9226	82	PIN-CONNECTOR (20-GA TO 16-GA)						
E	7	1	231-9897		CONDUIT-FLEXIBLE (36-MM ID) (1503-CM)						

D-ORDER BY THE METER
E-ORDER BY THE CENTIMETER



GRAPHIC #1

<END>

g01330047

ELECTRICAL AND STARTING SYSTEM

270-1732 HARNESS AS-CONTROL-PL1000T

FOR USE WITH 256-7511-PAGE 382

AN ATTACHMENT

SMCS-1408

i02417749

NOTE	PART NUMBER	QTY	PART NAME						SEE PAGE
			1	2	3	4	5	6 (PRODUCT LEVEL)	
	126-1774	1	COVER-CONNECTOR						
	155-2270	4	KIT-CONNECTING PLUG (2-PIN) (EACH INCLUDES PLUG AS AND WEDGE)						
	102-8804	1	KIT-RECEPTACLE (4-PIN) (INCLUDES RECEPTACLE AS AND WEDGE)						
	257-2719	1	PLUG AS						
	160-7690	1	PLUG AS-CONNECTOR (70-PIN)						
	159-9322	1	SEAL-O-RING						
	8T-8735	1	PLUG-CONNECTOR						
	7K-1181	1	STRAP-CABLE						
	9X-6772	2	STRAP-CABLE						
	218-4935	2	SUPPRESSOR-ARC						
E	119-3662		TUBE-HEAT SHRINK (10.85-MM DIA) (20-CM)						
E	125-7874		TUBE-HEAT SHRINK (5.72-MM DIA) (5-CM)						
	3E-3377	1	WEDGE-RECEPTACLE LOCK (4-PIN)						

E-ORDER BY THE CENTIMETER

<END>

276-0785 HARNESS AS-CONTROL-PL1000E

AN ATTACHMENT

SMCS-1408

i02384488

NOTE	PART NUMBER	QTY	PART NAME						SEE PAGE
			1	2	3	4	5	6 (PRODUCT LEVEL)	
	8C-6354	1	CAP-RECEPTACLE						
	126-1774	1	COVER-CONNECTOR						
	155-2270	2	KIT-CONNECTING PLUG (2-PIN) (EACH INCLUDES PLUG ASSEMBLY AND WEDGE)						
	102-8804	1	KIT-RECEPTACLE (4-PIN) (INCLUDES RECEPTACLE ASSEMBLY AND WEDGE)						
	171-5349	1	STRAP-MARKER						
	186-3735	7	PIN-CONNECTOR (16-GA TO 18-GA)						
	257-2719	1	PLUG AS						
	160-7690	1	PLUG AS-CONNECTOR (70-PIN)						
	159-9322	1	SEAL-O-RING						
	8T-8735	1	PLUG-CONNECTOR						
	8T-8737	65	PLUG-SEAL						
	9W-1951	1	RECEPTACLE-CONNECTOR (9-PIN)						
	186-3736	10	SOCKET-CONNECTOR (16-GA TO 18-GA)						
	9X-3402	14	SOCKET-CONNECTOR (16-GA TO 18-GA)						
	126-1768	14	SOCKET-CONNECTOR (14-GA)						
	7K-1181	1	STRAP-CABLE						
	9X-6772	2	STRAP-CABLE						
	218-4935	2	SUPPRESSOR-ARC						
E	119-3662		TUBE-HEAT SHRINK (10.85-MM DIA) (20-CM)						
E	125-7875		TUBE-HEAT SHRINK (7.44-MM DIA) (5-CM)						

E-ORDER BY THE CENTIMETER

<END>

ELECTRICAL AND STARTING SYSTEM

237-8992 HARNESS AS-ENGINE-PRELUBRICATION

PART OF 232-0899 WIRING GP-PRELUBRICATION

AN ATTACHMENT

SMCS-1408

i03529200

NOTE	PART NUMBER	QTY	PART NAME						SEE PAGE
			1	2	3	4	5	6 (PRODUCT LEVEL)	
	235-2764	1	ADAPTER (CONDUIT)						
E	232-0897		CONDUIT-FLEXIBLE (16.2-MM ID) (81-CM)						
E	231-9895		CONDUIT-FLEXIBLE (21.9-MM ID) (39-CM)						
	203-9000	1	PLUG AS (6-PIN)						
	203-8999	2	SEAL						
	203-9001	2	SLEEVE						
	8T-8737	2	PLUG-SEAL						
	203-8999	2	SEAL						
	7R-3354	2	SOCKET						
	<i>131-1488</i>	2	TERMINAL AS-RING (6-GA TO 8-GA) (EACH INCLUDES)						
	2L-8050	1	TERMINAL-RING (6-GA, 1/4-IN SCREW) -OR-						
	2L-8058	1	TERMINAL-RING (8-GA, 1/4-IN SCREW)						
E	119-3662		TUBE-HEAT SHRINK (10.85-MM DIA) (3-CM)						
	<i>152-5538</i>	2	TERMINAL AS (EACH INCLUDES)						
	7N-9194	1	RING-TERMINAL (18-GA TO 22-GA)						
E	125-7874		TUBE-HEAT SHRINK (5.72-MM DIA) (3-CM)						
E	135-5009		TUBE-HEAT SHRINK (32-MM DIA) (5-CM)						

E-ORDER BY THE CENTIMETER

<END>

ELECTRICAL AND STARTING SYSTEM

237-8994 HARNESS AS-ENGINE-AIR SHUTOFF

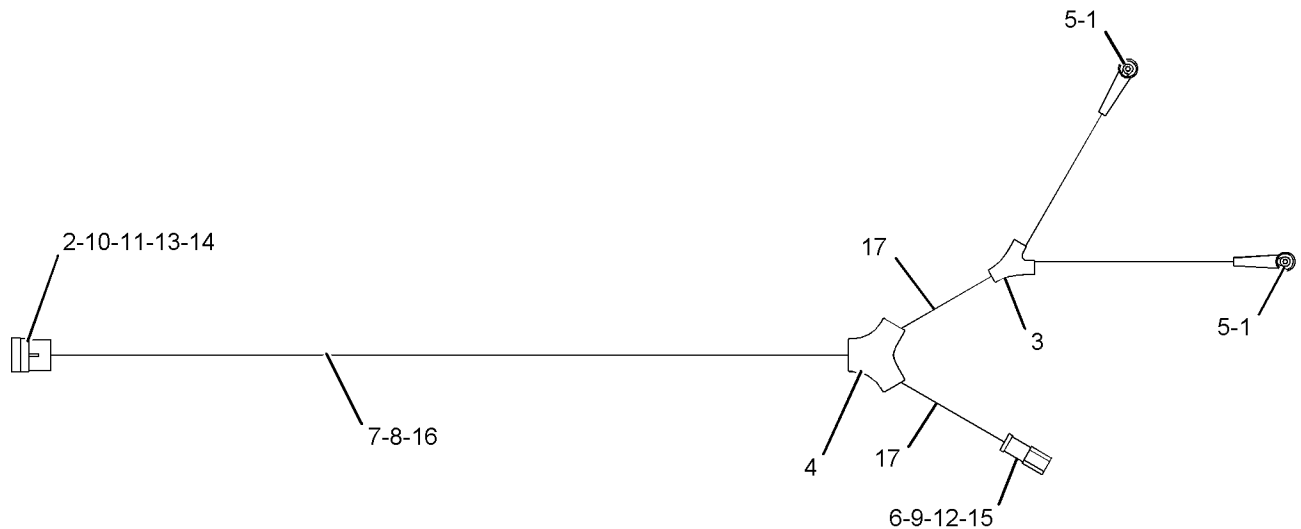
PART OF 232-0889 WIRING GP-AIR SHUTOFF
AN ATTACHMENT

SMCS-1408

i02649953

NOTE	REF NO	GRAPHIC REF	PART NUMBER	QTY	PART NAME						SEE PAGE
					1	2	3	4	5	6 (PRODUCT LEVEL)	
	1	1	3B-3638	2	BOOT						
	2	1	8T-8733	1	PLUG-CONNECTOR (5-PIN)						
	3	1	202-2109	1	TUBE-HEAT SHRINK (12.8-MM DIA, Y-TRANSITION)						
	4	1	238-9802	1	FITTING						
	5	1	<i>131-1502</i>	2	TERMINAL AS						
					(EACH INCLUDES)						
		1	2L-8075	1	TERMINAL-RING (14-GA TO 16-GA, NO. 8 SCREW)						
E		1	125-7874		TUBE-HEAT SHRINK (5.72-MM DIA) (3-CM)						
	6	1	102-8802	1	KIT-RECEPTACLE (2-PIN)						
					(INCLUDES RECEPTACLE AS AND WEDGE)						
BD	7	1	5P-5624		WIRE (14-GA, BLACK)						
BD	8	1	5P-5677		WIRE (18-GA, BLACK)						
	9	1	186-3735	4	PIN-CONNECTOR (16-GA TO 18-GA)						
	10	1	9W-0844	2	SOCKET-CONNECTOR (14-GA)						
	11	1	186-3736	2	SOCKET-CONNECTOR (16-GA TO 18-GA)						
	12	1	3E-3365	1	WEDGE-RECEPTACLE LOCK (2-PIN)						
	13	1	8T-8737	1	PLUG-SEAL						
E	14	1	135-5009		TUBE-HEAT SHRINK (32-MM DIA) (5-CM)						
J	15	1	097-7404		TUBE-HEAT SHRINK (19.1-MM DIA) (1-DM)						
E	16	1	232-0897		CONDUIT-FLEXIBLE (16.2-MM ID) (79-CM)						
E	17	1	232-0895		CONDUIT-FLEXIBLE (9.6-MM ID) (36-CM)						

B-USE AS REQUIRED
D-ORDER BY THE METER
E-ORDER BY THE CENTIMETER
J-ORDER BY THE DECIMETER



GRAPHIC #1

<END>

g01076127

ELECTRICAL AND STARTING SYSTEM

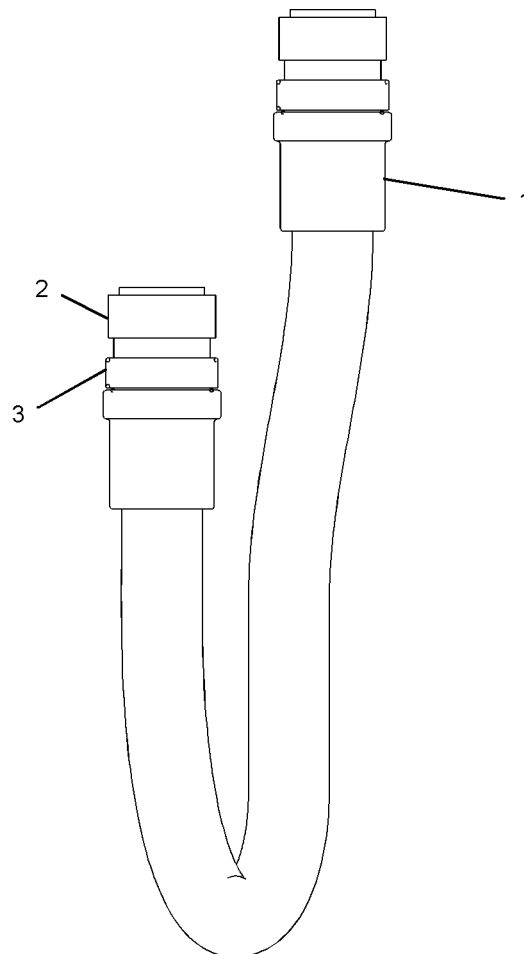
239-1471 HARNESS AS-ENGINE-MARINE POWER DISPLAY PART OF 239-6364 WIRING GP-ENGINE, 239-1470, 239-6365 WIRING GP-ENGINE ELECTRONIC, 239-1472 WIRING GP-PANEL AN ATTACHMENT

SMCS-1408

i02739623

NOTE	REF NO	GRAPHIC REF	PART NUMBER	QTY	PART NAME						SEE PAGE
					1	2	3	4	5	6 (PRODUCT LEVEL)	
	1	1	231-9915	2	CONNECTOR (CONDUIT)						
	2	1	232-0020	2	CONNECTOR AS (46-PIN)						
	3	1	241-8267	2	ADAPTER						
DF			5P-5677		WIRE (18-GA, BLACK) (35.6-M)						
F			233-9227	92	SOCKET-CONNECTOR (16-GA TO 20-GA)						
EF			231-9897		CONDUIT-FLEXIBLE (36-MM ID) (76-CM)						
EF			153-2707		CABLE-ELECTRICAL (19-GA) (89-CM)						
EF			134-6258		CABLE-ELECTRICAL (16-GA) (89-CM)						

D- ORDER BY THE METER
E- ORDER BY THE CENTIMETER
F- NOT SHOWN



<END>

GRAPHIC #1

g01050294

ELECTRICAL AND STARTING SYSTEM

239-1481 HARNESS AS-ENGINE-MARINE POWER DISPLAY

15-METER EXTENSION

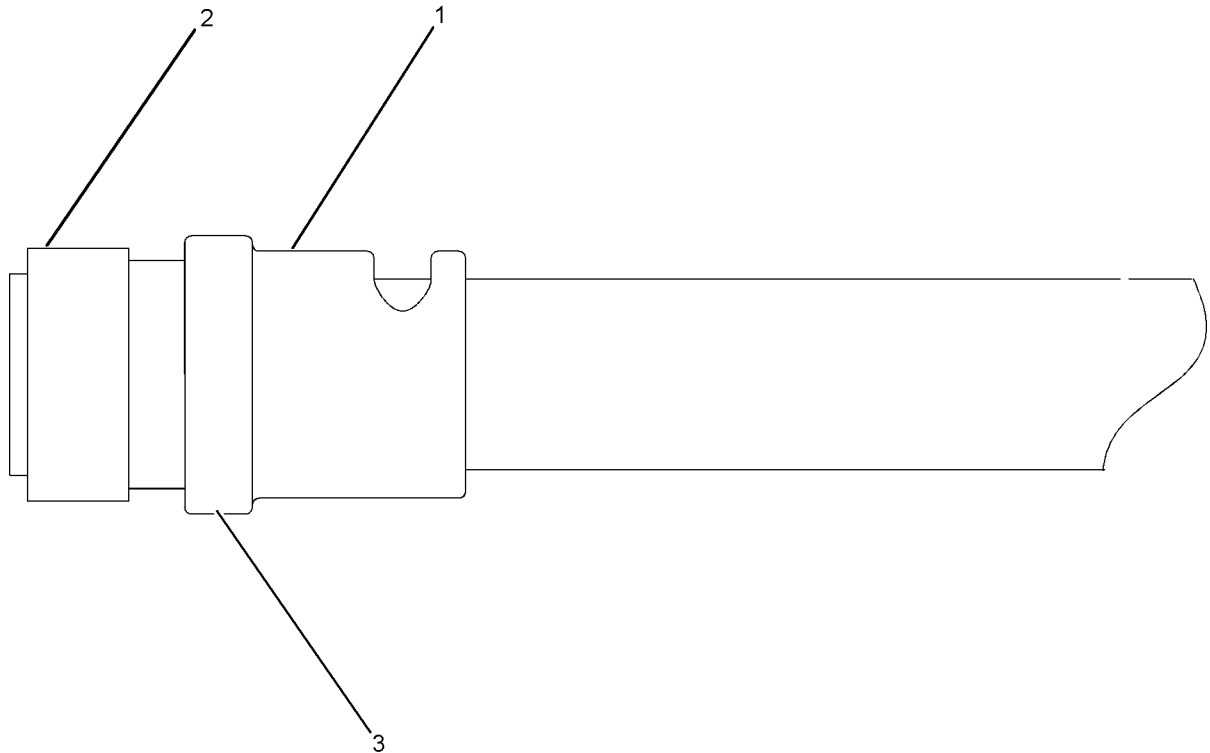
PART OF 239-1480, 239-1482 WIRING GP-ENGINE ELECTRONIC
AN ATTACHMENT

SMCS-1408

i02739633

NOTE	REF NO	GRAPHIC REF	PART NUMBER	QTY	PART NAME						SEE PAGE
					1	2	3	4	5	6 (PRODUCT LEVEL)	
	1	1	231-9915	2	CONNECTOR (CONDUIT)						
	2	1	232-0020	2	CONNECTOR AS (46-PIN)						
	3	1	241-8267	2	ADAPTER						
DF			5P-5677		WIRE (18-GA, BLACK) (635.6-M)						
F			233-9227	92	SOCKET-CONNECTOR (16-GA TO 20-GA)						
EF			231-9897		CONDUIT-FLEXIBLE (36-MM ID) (1576-CM)						
EF			153-2707		CABLE-ELECTRICAL (19-GA) (1589-CM)						
EF			134-6258		CABLE-ELECTRICAL (16-GA) (1589-CM)						

D- ORDER BY THE METER
E- ORDER BY THE CENTIMETER
F- NOT SHOWN



GRAPHIC #1

<END>

g01050256

ELECTRICAL AND STARTING SYSTEM

239-1486 HARNESS AS-ENGINE

30-METER EXTENSION

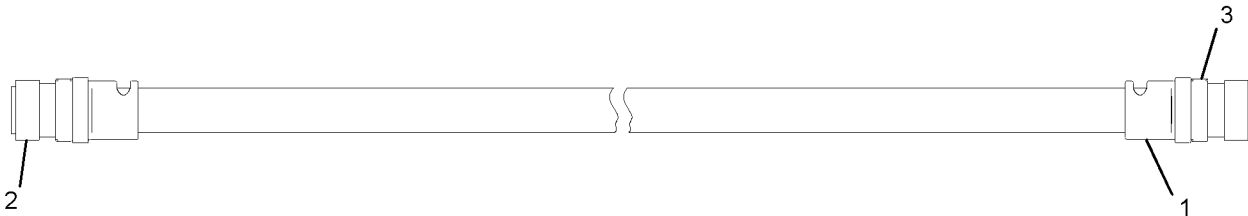
PART OF 346-5276 BOX GP-JUNCTION, 239-1485, 239-1487 WIRING GP-ENGINE
ELECTRONIC
AN ATTACHMENT

SMCS-1408

i02739752

NOTE	REF NO	GRAPHIC REF	PART NUMBER	QTY	PART NAME						SEE PAGE
					1	2	3	4	5	6 (PRODUCT LEVEL)	
	1	1	231-9915	2	CONNECTOR (CONDUIT)						
	2	1	232-0020	2	CONNECTOR AS (46-PIN)						
	3	1	241-8267	2	ADAPTER						
F			233-9227	92	SOCKET-CONNECTOR (16-GA TO 20-GA)						
EF			231-9897		CONDUIT-FLEXIBLE (36-MM ID) (3076-CM)						
EF			153-2707		CABLE-ELECTRICAL (19-GA) (3089-CM)						
EF			134-6258		CABLE-ELECTRICAL (16-GA) (3089-CM)						

E-ORDER BY THE CENTIMETER
F-NOT SHOWN



GRAPHIC #1

<END>

g01050255

ELECTRICAL AND STARTING SYSTEM

280-7517 HARNESS AS-ENGINE-LH

PART OF 296-8291 WIRING GP-ENGINE

AN ATTACHMENT

SMCS-1408

i03357242

NOTE	REF NO	GRAPHIC REF	PART NUMBER	QTY	PART NAME						SEE PAGE
					1	2	3	4	5	6 (PRODUCT LEVEL)	
	2	1	8C-6354	1	CAP-RECEPTACLE						
	3	1	311-3922	6	BOLT-SOCKET HEAD (M3X0.5X20-MM)						
	4	1	128-4250	1	NUT (1-11/16-18-THD)						
	5	1	131-4731	1	GASKET						
	6	1	147-1443	1	PLUG AS-CONNECTOR (70-PIN)						
		1	159-9322	1	SEAL-O-RING						
	7	1	153-1223	1	CONNECTOR-RECEPTACLE (23-PIN)						
	8	1	154-3254	1	GASKET						
	9	1	160-7690	1	PLUG AS-CONNECTOR (70-PIN)						
		1	159-9322	1	SEAL-O-RING						
	10	1	202-2141	12	NUT-SQUARE (5/16-18-THD)						
	11	1	203-8944	1	GASKET						
	12	1	203-8945	1	GASKET						
	13	1	203-8977	1	RECEPTACLE AS (6-PIN)						
		1	159-9496	1	LOCKWASHER						
		1	203-9000	1	PLUG AS (6-PIN)						
		1	203-9007	1	NUT (1-1/2-18-THD)						
	14	1	203-9000	1	PLUG AS (6-PIN)						
		1	203-8999	2	SEAL						
		1	203-9001	2	SLEEVE						
	15	1	212-3221	20	BOLT (4-40X0.5-IN)						
	16	1	212-3222	16	BOLT (8-32X0.439-IN)						
	17	1	214-5165	1	CAP						
	18	1	230-5016	1	CAP-END						
	19	1	230-5017	1	CAP-END						
	20	1	231-9878	4	FASTENER						
	21	1	231-9879	2	FASTENER						
	22	1	231-9898	2	CONNECTOR (CONDUIT)						
	23	1	232-0019	1	RECEPTACLE (46-PIN)						
	24	1	232-0894	25	CONNECTOR (CONDUIT)						
	25	1	232-0900	3	BRACKET						
Y	26	1	309-4122	2	COVER GP-MODULE CONNECTOR						396
	27	1	233-9216	1	RECEPTACLE (85-PIN)						
	28	1	233-9218	1	RECEPTACLE (31-PIN)						
	29	1	233-9224	1	RECEPTACLE (85-PIN)						
	30	1	233-9517	2	GASKET						
	31	1	235-2761	1	GASKET						
	32	1	236-7900	1	TRAY						
	33	1	236-7902	1	INSERT-FOAM						
	34	1	236-7903	1	COVER						
	35	1	236-7904	1	INSERT-FOAM						
	36	1	236-7941	5	FASTENER						
	37	1	236-8126	25	NUT						
	38	1	236-8130	2	NUT (M40X1.5-THD)						
	39	1	237-4356	2	ADAPTER-CONNECTOR						
	40	1	239-8154	2	GASKET						
	41	1	246-2932	1	CAP						
	42	1	246-6506	1	CAP-CONNECTOR						
M	43	1	096-0028	11	SETSCREW-SOCKET (M5X0.8X5-MM)						
	44	1	096-5962	6	WASHER-HARD (3.4X7X0.8-MM THK)						
	45	1	100-5805	2	CAP-RECEPTACLE						
	46	1	174-0503	3	KIT-CONNECTING PLUG (3-PIN)						
					(EACH PLUG KIT INCLUDES PLUG AS AND WEDGE)						
	47	1	176-2943	16	KIT-CONNECTING PLUG (2-PIN)						
					(EACH PLUG KIT INCLUDES PLUG AS AND WEDGE)						
	48	1	3E-5394	1	RECEPTACLE (FLANGE)						

ELECTRICAL AND STARTING SYSTEM

280-7517 HARNESS AS-ENGINE (contd.)

i03357242

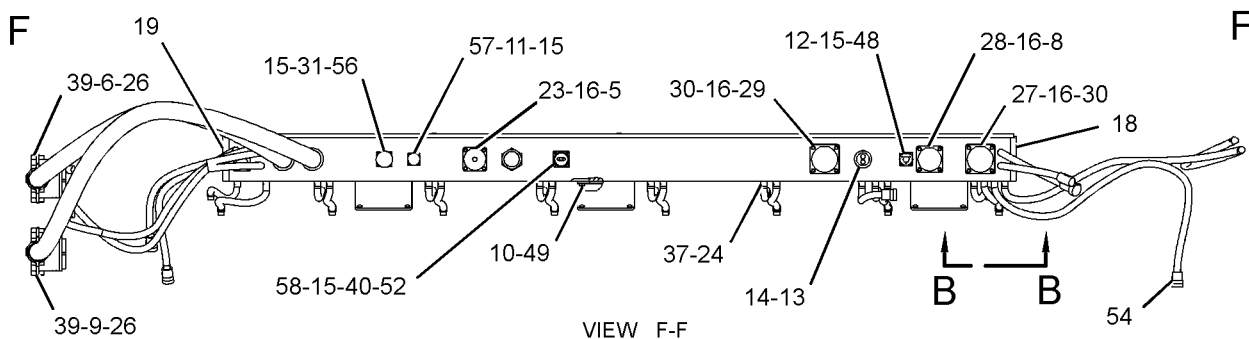
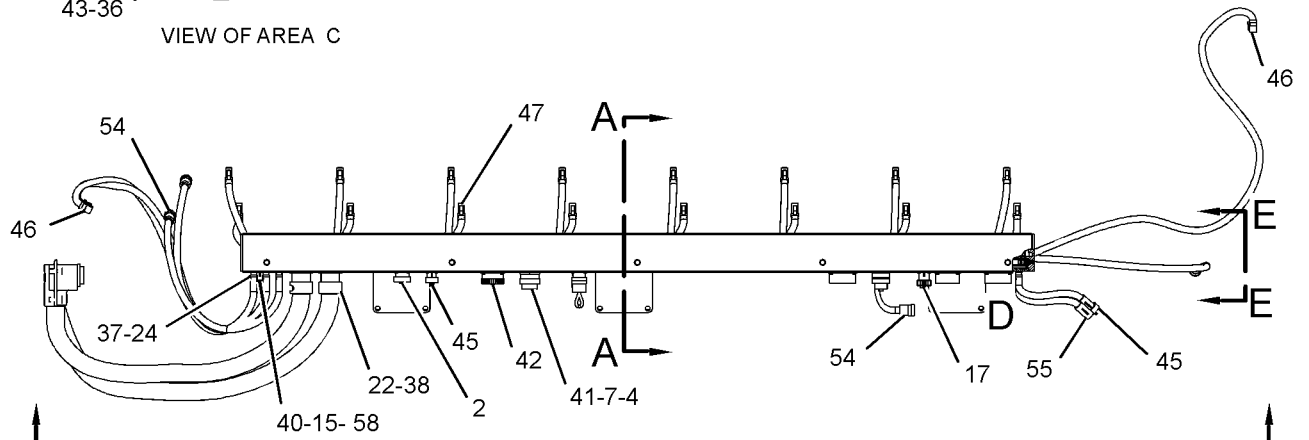
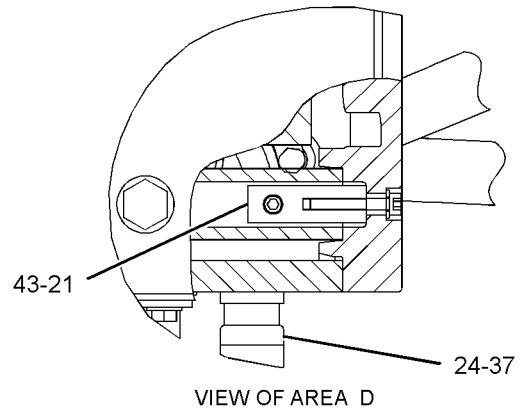
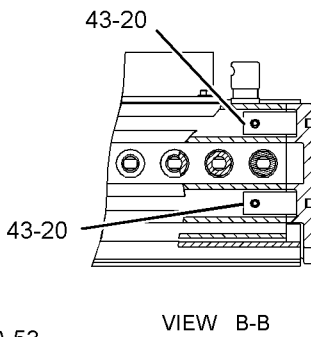
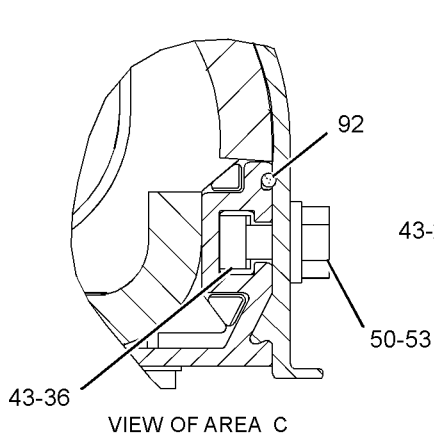
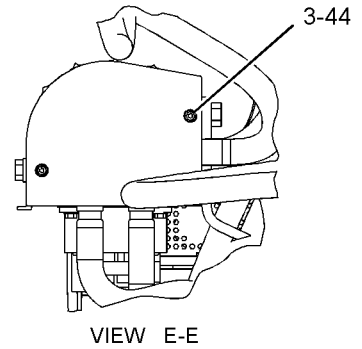
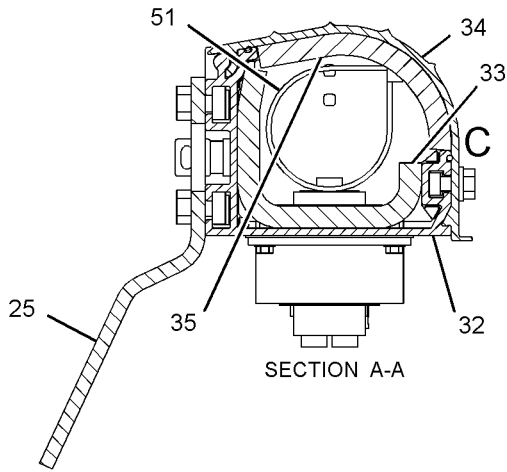
NOTE	REF NO	GRAPHIC REF	PART NUMBER	QTY	PART NAME						SEE PAGE
					1	2	3	4	5	6 (PRODUCT LEVEL)	
	49	1	5P-9959	12	BOLT (5/16-18X0.5-IN)						
	50	1	5S-7349	5	BOLT (1/4-20X0.5-IN)						
	51	1	6K-0806	16	STRAP-CABLE						
	52	1	8C-3654	1	PLUG-CONNECTOR (6-PIN)						
	53	1	8T-4205	5	WASHER-HARD (7.2X14.5X2-MM THK)						
	54	1	8T-8731	4	PLUG-CONNECTOR (3-PIN)						
	55	1	8T-8732	2	RECEPTACLE (3-PIN)						
	56	1	9W-1951	1	RECEPTACLE-CONNECTOR (9-PIN)						
	57	1	9X-4813	1	RECEPTACLE AS-CONNECTOR (3-PIN)						
	58	1	9X-4814	2	RECEPTACLE AS-CONNECTOR (6-PIN)						
E	92	1	239-6337		SEAL (406-CM)						
EF			232-0893		CONDUIT-FLEXIBLE (6.2-MM ID) (946-CM)						
EF			231-9897		CONDUIT-FLEXIBLE (36-MM ID) (205-CM)						
F			155-2270	16	KIT-CONNECTING PLUG (2-PIN)						
F			155-2260	3	KIT-CONNECTING PLUG (3-PIN)						
					(EACH PLUG KIT INCLUDES PLUG AS AND WEDGE)						
F			159-9496	1	LOCKWASHER						
F			203-9007	1	NUT (1-1/2-18-THD)						
F			186-3735	47	PIN-CONNECTOR (16-GA TO 18-GA)						
F			233-9226	136	PIN-CONNECTOR (16-GA TO 20-GA)						
F			9W-0852	4	PIN-CONNECTOR (14-GA)						
F			233-9232	6	PIN-CONNECTOR (12-GA TO 14-GA)						
F			5E-9295	2	PIN-CONNECTOR (6-GA)						
F			233-9233	2	PIN-CONNECTOR (8-GA TO 10-GA)						
F			8T-8737	58	PLUG-SEAL						
F			7G-7920	2	PLUG-SEAL						
F			233-9228	8	PLUG-SEAL						
F			233-9235	9	PLUG-SEAL						
F			233-9237	1	PLUG-SEAL						
F			203-8999	2	SEAL						
F			203-9001	2	SLEEVE						
F			233-9227	87	SOCKET-CONNECTOR (16-GA TO 20-GA)						
F			9X-3402	95	SOCKET-CONNECTOR (16-GA TO 18-GA)						
F			126-1768	4	SOCKET-CONNECTOR (14-GA)						
F			186-3736	59	SOCKET-CONNECTOR (16-GA TO 18-GA)						
EF			125-7874		TUBE-HEAT SHRINK (5.72-MM DIA) (230-CM)						
EF			119-3662		TUBE-HEAT SHRINK (10.85-MM DIA) (39-CM)						
EF			125-7875		TUBE-HEAT SHRINK (7.44-MM DIA) (20-CM)						
EF			210-8958		TUBE-HEAT SHRINK (24-MM DIA) (130-CM)						
BF			5P-5677		WIRE (18-GA, BLACK)						
BF			5P-5624		WIRE (14-GA, BLACK)						
BF			5P-5689		WIRE (8-GA, BLACK)						
EF			153-2707		CABLE-ELECTRICAL (2-CONDUCTOR, 18-GA) (433-CM)						
EF			134-6258		CABLE-ELECTRICAL (16-GA) (135-CM)						
EF			116-2652		CABLE-ELECTRICAL (18-GA) (727-CM)						

B-USE AS REQUIRED
 E-ORDER BY THE CENTIMETER
 F-NOT SHOWN
 M-METRIC PART
 Y-SEPARATE ILLUSTRATION

ELECTRICAL AND STARTING SYSTEM

280-7517 HARNESS AS-ENGINE (contd.)

i03357242



VIEW F-F

GRAPHIC #1

<END>

g01392458

ELECTRICAL AND STARTING SYSTEM

280-7518 HARNESS AS-ENGINE-RH

S/N: JTS1-111

PART OF 296-8291 WIRING GP-ENGINE
AN ATTACHMENT

SMCS-1408

i02976017

NOTE	REF NO	GRAPHIC REF	PART NUMBER	QTY	PART NAME						SEE PAGE
					1	2	3	4	5	6 (PRODUCT LEVEL)	
	1	1	311-3922	6	BOLT-SOCKET HEAD (M3X0.5X20-MM)						
	2	1	128-4250	1	NUT (1-11/16-18-THD)						
	3	1	131-4731	1	GASKET						
	4	1	153-1223	1	CONNECTOR-RECEPTACLE (23-PIN)						
	5	1	154-3254	3	GASKET						
	6	1	166-7656	1	CONNECTOR-SOCKET						
	7	1	202-2141	12	NUT-SQUARE (5/16-18-THD)						
	8	1	203-8944	3	GASKET						
	9	1	203-8945	2	GASKET						
	10	1	203-8977	2	RECEPTACLE AS (6-PIN) (EACH INCLUDES)						
		1	159-9496	1	LOCKWASHER						
		1	203-9000	1	PLUG AS (6-PIN)						
		1	203-8999	2	SEAL						
		1	203-9001	2	SLEEVE						
		1	203-9007	1	NUT (1-1/2-18-THD)						
	11	1	203-9000	2	PLUG AS (6-PIN) (EACH INCLUDES)						
		1	203-8999	2	SEAL						
		1	203-9001	2	SLEEVE						
	12	1	212-3221	24	BOLT (4-40X0.5-IN)						
	13	1	212-3222	20	BOLT (8-32X0.439-IN)						
	14	1	214-5165	2	CAP						
	15	1	230-5016	1	CAP-END						
	16	1	230-5017	1	CAP-END						
	17	1	231-9878	4	FASTENER						
	18	1	231-9879	2	FASTENER						
	19	1	232-0019	1	RECEPTACLE (46-PIN)						
	20	1	232-0894	21	CONNECTOR (CONDUIT)						
	21	1	232-0900	3	BRACKET						
	22	1	233-9218	1	RECEPTACLE (31-PIN)						
	23	1	233-9220	1	RECEPTACLE (31-PIN)						
	24	1	233-9222	1	RECEPTACLE (31-PIN)						
	25	1	233-9224	1	RECEPTACLE (85-PIN)						
	26	1	233-9517	1	GASKET						
	27	1	236-7903	1	COVER						
	28	1	236-7904	1	INSERT-FOAM						
	29	1	236-7905	1	TRAY						
	30	1	236-7906	1	INSERT-FOAM						
	31	1	236-7941	5	FASTENER						
	32	1	236-8126	20	NUT						
	33	1	246-2932	1	CAP						
M	34	1	096-0028	11	SETSCREW-SOCKET (M5X0.8X5-MM) (EACH INCLUDES)						
M		1	096-3001	1	SETSCREW-SOCKET (M5X0.8X6-MM)						
	35	1	096-5962	6	WASHER-HARD (3.4X7X0.8-MM THK)						
	36	1	100-5805	3	CAP-RECEPTACLE						
	37	1	174-0503	2	KIT-CONNECTING PLUG (3-PIN) (EACH PLUG KIT INCLUDES PLUG AS, INTERFACE SEAL & WEDGE)						
	38	1	176-2943	16	KIT-CONNECTING PLUG (2-PIN) (EACH PLUG KIT INCLUDES PLUG AS, INTERFACE SEAL & WEDGE)						
	39	1	3E-5394	2	RECEPTACLE (FLANGE)						
	40	1	5P-9959	12	BOLT (5/16-18X0.5-IN)						

ELECTRICAL AND STARTING SYSTEM

280-7518 HARNESS AS-ENGINE (contd.)

i02976017

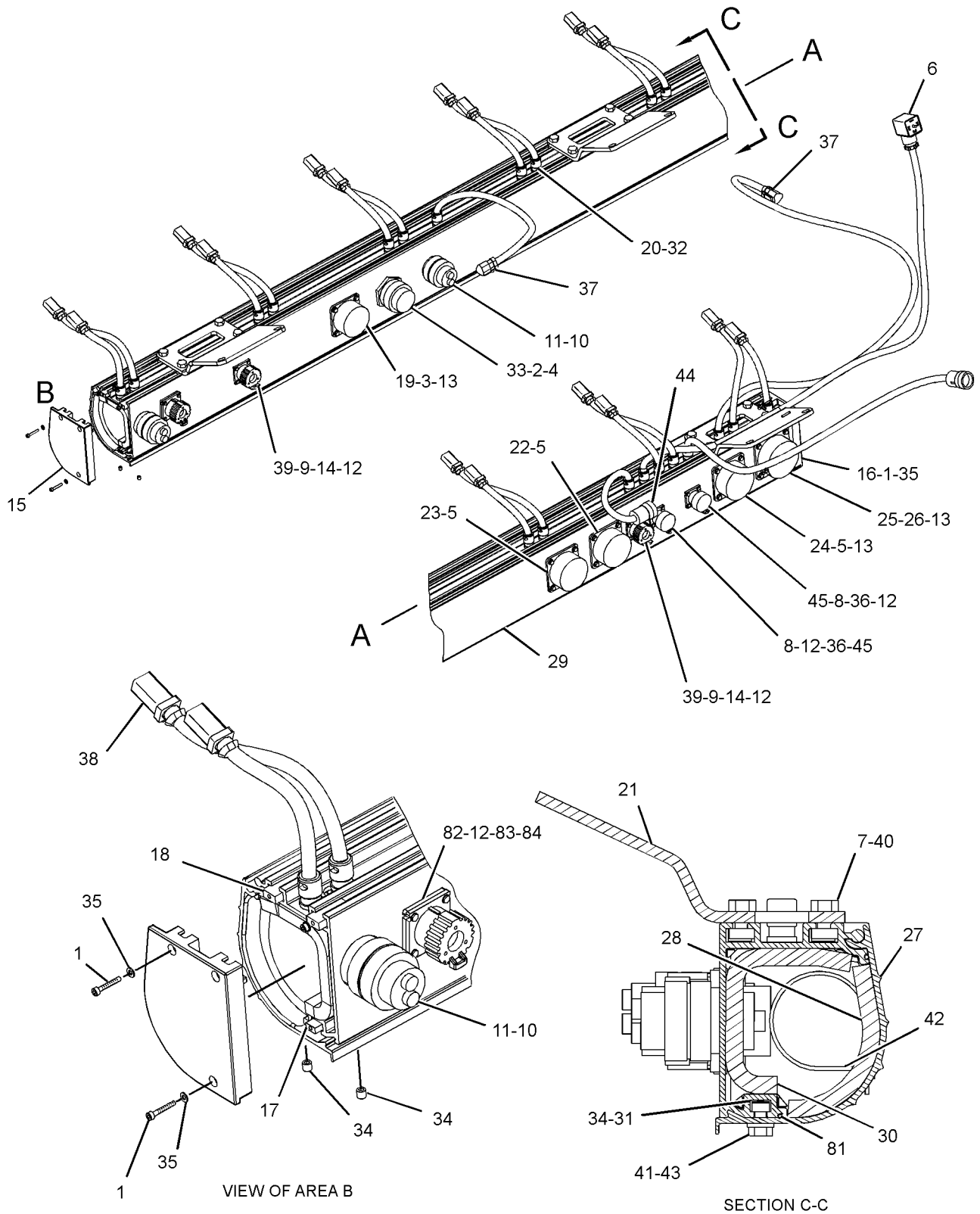
NOTE	REF NO	GRAPHIC REF	PART NUMBER	QTY	PART NAME						SEE PAGE
					1	2	3	4	5	6 (PRODUCT LEVEL)	
	41	1	5S-7349	5	BOLT (1/4-20X0.5-IN)						
	42	1	6K-0806	17	STRAP-CABLE						
	43	1	8T-4205	5	WASHER-HARD (7.2X14.5X2-MM THK)						
	44	1	8T-8731	2	PLUG-CONNECTOR (3-PIN)						
	45	1	9X-4813	3	RECEPTACLE AS-CONNECTOR (3-PIN)						
E	81	1	239-6337		SEAL (406-CM)						
	82	1	9X-4814	1	RECEPTACLE AS-CONNECTOR (6-PIN)						
	83	1	239-8154	1	GASKET						
	84	1	9X-4405	1	CAP-RECEPTACLE						
EF			153-2707		CABLE-ELECTRICAL (2-CONDUCTOR, 18-GA) (154-CM)						
EF			134-6258		CABLE-ELECTRICAL (16-GA) (154-CM)						
EF			116-2652		CABLE-ELECTRICAL (18-GA) (809-CM)						
EF			232-0893		CONDUIT-FLEXIBLE (6.2-MM ID) (683-CM)						
F			155-2270	16	KIT-CONNECTING PLUG (2-PIN)						
F			155-2260	2	KIT-CONNECTING PLUG (3-PIN) (EACH PLUG KIT INCLUDES PLUG AS & WEDGE)						
F			159-9496	2	LOCKWASHER						
F			203-9007	2	NUT (1-1/2-18-THD)						
F			186-3735	37	PIN-CONNECTOR (16-GA TO 18-GA)						
F			233-9226	68	PIN-CONNECTOR (16-GA TO 20-GA)						
F			9W-0852	2	PIN-CONNECTOR (14-GA)						
F			233-9232	6	PIN-CONNECTOR (12-GA TO 14-GA)						
F			233-9233	4	PIN-CONNECTOR (8-GA TO 10-GA)						
F			5E-9295	4	PIN-CONNECTOR (6-GA) (6-GA)						
F			233-9234	2	PIN-CONNECTOR (4-GA TO 6-GA)						
F			8T-8737	26	PLUG-SEAL						
F			7G-7920	4	PLUG-SEAL						
F			233-9228	9	PLUG-SEAL						
F			233-9235	31	PLUG-SEAL						
F			233-9237	1	PLUG-SEAL						
F			203-8999	4	SEAL						
F			203-9001	4	SLEEVE						
F			233-9227	87	SOCKET-CONNECTOR (16-GA TO 20-GA)						
F			233-9229	6	SOCKET-CONNECTOR (12-GA TO 14-GA)						
F			233-9230	2	SOCKET-CONNECTOR (8-GA TO 10-GA)						
F			186-3736	43	SOCKET-CONNECTOR (16-GA TO 18-GA)						
EF			125-7874		TUBE-HEAT SHRINK (5.72-MM DIA) (90-CM)						
EF			119-3662		TUBE-HEAT SHRINK (10.85-MM DIA) (20-CM)						
EF			210-8958		TUBE-HEAT SHRINK (24-MM DIA) (105-CM)						

E-ORDER BY THE CENTIMETER
 F-NOT SHOWN
 M-METRIC PART

ELECTRICAL AND STARTING SYSTEM

280-7518 HARNESS AS-ENGINE (contd.)

i02976017



GRAPHIC #1

<END>

g01324765

ELECTRICAL AND STARTING SYSTEM

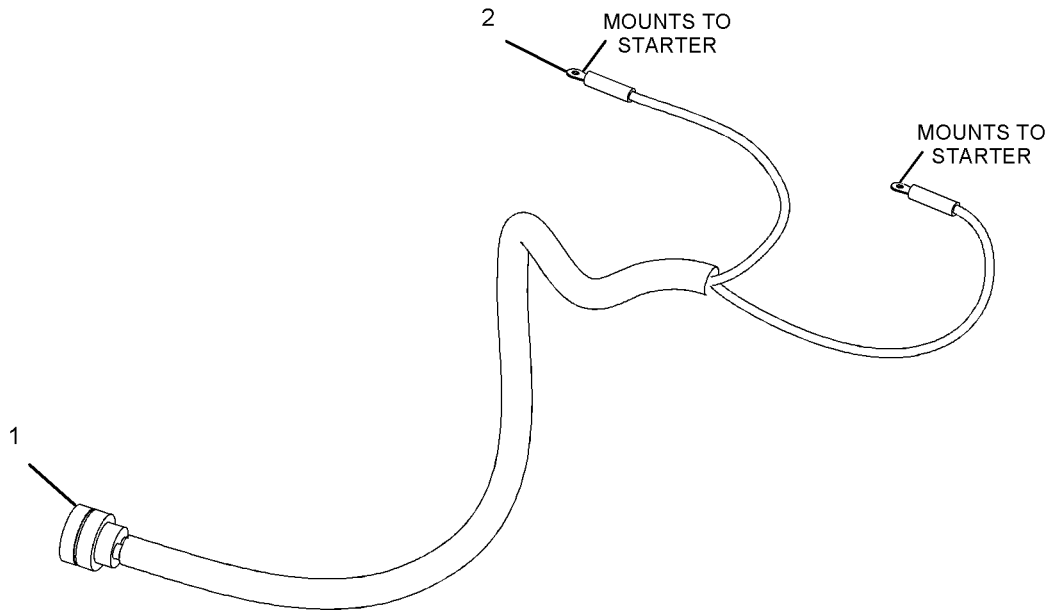
238-2929 HARNESS AS-MOTOR-ENGINE START PART OF 238-2928 WIRING GP-ELECTRIC STARTING AN ATTACHMENT

SMCS-1408

i03870231

NOTE	REF NO	GRAPHIC REF	PART NUMBER	QTY	PART NAME						SEE PAGE
					1	2	3	4	5	6 (PRODUCT LEVEL)	
	1	1	203-9000	1	PLUG AS (6-PIN)						
		1	203-8999	2	SEAL						
		1	203-9001	2	SLEEVE						
	2	1	131-1487	2	TERMINAL AS (6-GA TO 8-GA)						
					(EACH INCLUDES)						
		1	2L-8049	1	TERMINAL-RING (6-GA, NO. 10 SCREW)						
					-OR-						
		1	2L-8057	1	TERMINAL-RING (8-GA, NO. 10 SCREW)						
E		1	119-3662		TUBE-HEAT SHRINK (10.85-MM DIA) (4-CM)						
FH			097-7404		TUBE-HEAT SHRINK (19.1-MM DIA) (1-DM)						
F			8T-8737	4	PLUG-SEAL						
F			203-8999	2	SEAL						
F			203-9001	2	SLEEVE						
F			7R-3354	2	SOCKET						
EF			135-5009		TUBE-HEAT SHRINK (32-MM DIA) (5-CM)						
DF			5P-5622		WIRE (10-GA, BLACK) (2.3-M)						
EF			232-0897		CONDUIT-FLEXIBLE (16.2-MM ID) (80-CM)						

D-ORDER BY THE METER
E-ORDER BY THE CENTIMETER
F-NOT SHOWN
H-ORDER BY THE DECIMETER



GRAPHIC #1

<END>

g01059974

ELECTRICAL AND STARTING SYSTEM

237-9022 HARNESS AS-PANEL-SPEED CONTROL

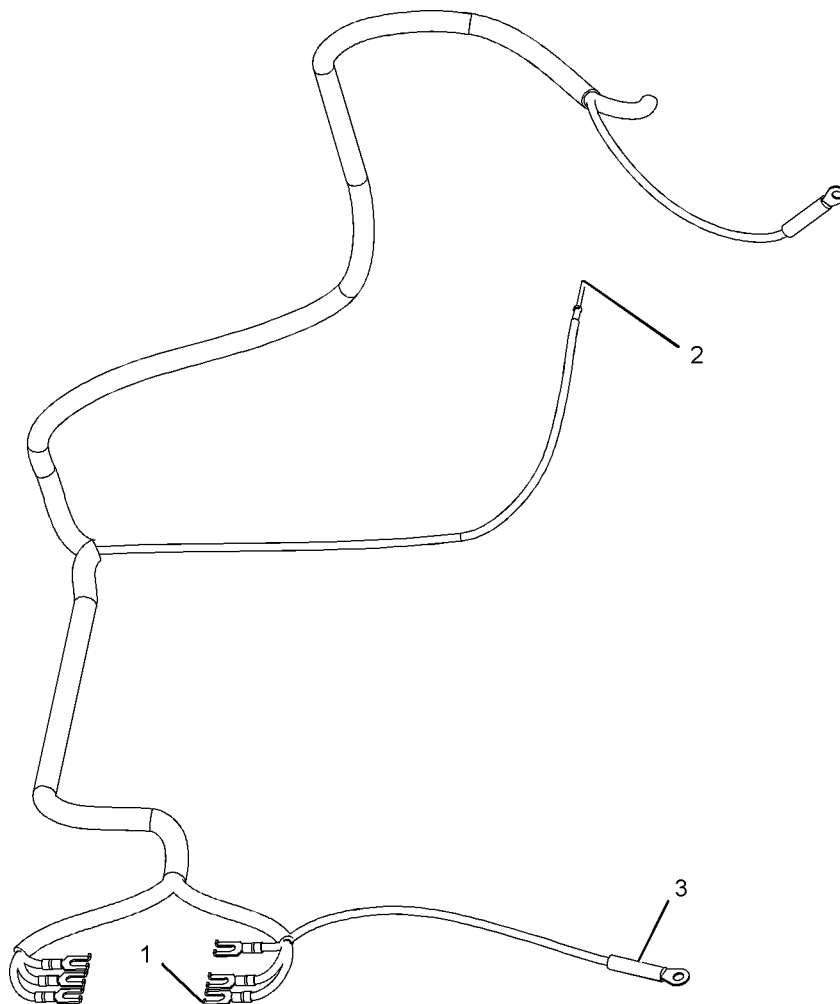
PART OF 238-9549 CONTROL GP-FUEL
FOR USE WITH POWER DISTRIBUTION BOX
AN ATTACHMENT

SMCS-1408, 7451

i01935420

NOTE	REF NO	GRAPHIC REF	PART NUMBER	QTY	PART NAME						SEE PAGE
					1	2	3	4	5	6 (PRODUCT LEVEL)	
	1	1	092-7436	6	TERMINAL						
	2	1	233-9226	1	PIN-CONNECTOR (16-GA TO 20-GA)						
	3	1	128-4183	2	TERMINAL AS						
					(EACH INCLUDES)						
		1	2L-8075	1	TERMINAL-RING (14-GA TO 16-GA, NO. 8 SCREW)						
BD		1	6V-2689		TUBE-HEAT SHRINK (6.35-MM DIA)						
	BDF		5P-5677		WIRE (18-GA, BLACK)						
	F		8L-8413	20	STRAP-CABLE						

B-USE AS REQUIRED
D-ORDER BY THE METER
F-NOT SHOWN



GRAPHIC #1

<END>

g01017317

ELECTRICAL AND STARTING SYSTEM

239-1476 HARNESS AS-PANEL- MARINE POWER DISPLAY, EXTENSION 3-METER EXTENSION

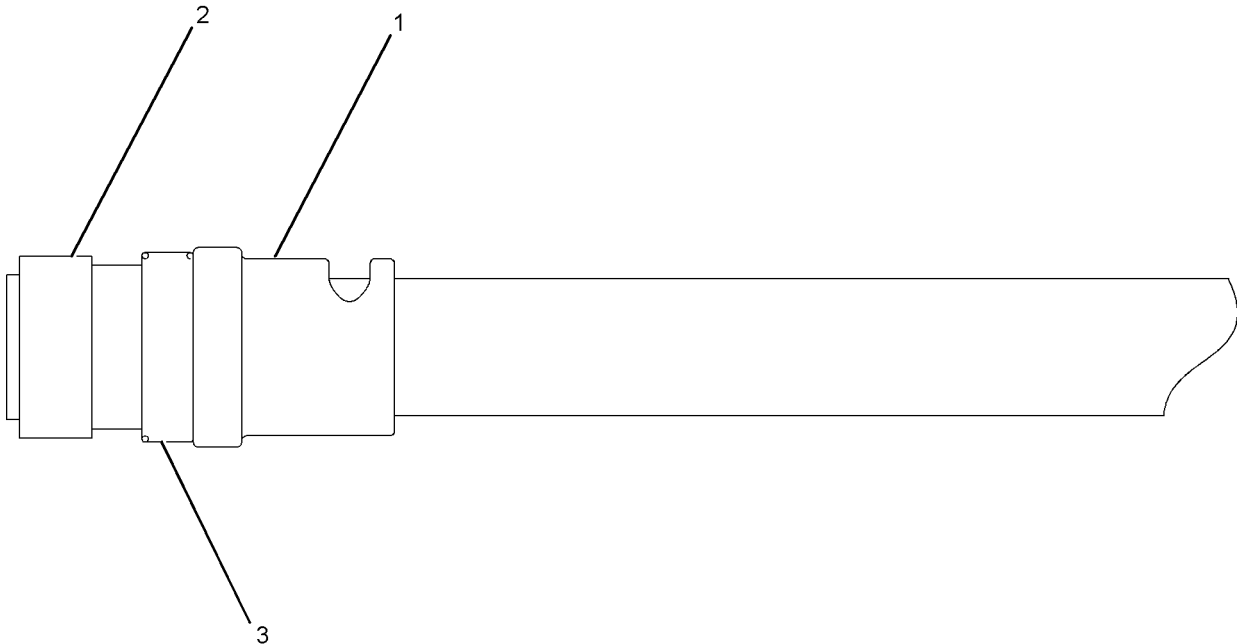
PART OF 239-1475, 239-1477 WIRING GP-ENGINE ELECTRONIC
AN ATTACHMENT

SMCS-1408, 7451

i02739764

NOTE	REF NO	GRAPHIC REF	PART NUMBER	QTY	PART NAME						SEE PAGE
					1	2	3	4	5	6 (PRODUCT LEVEL)	
	1	1	231-9915	2	CONNECTOR (CONDUIT)						
	2	1	232-0020	2	CONNECTOR AS (46-PIN)						
	3	1	241-8267	2	ADAPTER						
DF			5P-5677		WIRE (18-GA, BLACK) (155.6DM)						
F			233-9227	92	SOCKET-CONNECTOR (16-GA TO 20-GA)						
EF			231-9897		CONDUIT-FLEXIBLE (36-MM ID) (376-CM)						
EF			153-2707		CABLE-ELECTRICAL (19-GA) (389-CM)						
EF			134-6258		CABLE-ELECTRICAL (16-GA) (389-CM)						

D- ORDER BY THE METER
E- ORDER BY THE CENTIMETER
F- NOT SHOWN



GRAPHIC #1

<END>

g01050284

ELECTRICAL AND STARTING SYSTEM

244-5404 HARNESS AS-PANEL-INTERFACE

PART OF 245-0030 PANEL GP-CONTROL

FOR USE WITH EMCP 3, EUI
AN ATTACHMENT

SMCS-1408, 7451

i02775691

NOTE	PART NUMBER	QTY	PART NAME						SEE PAGE
			1	2	3	4	5	6 (PRODUCT LEVEL)	
E	134-6258		CABLE-ELECTRICAL (16-GA) (82-CM)						
E	153-2707		CABLE-ELECTRICAL (2-CONDUCTOR, 18-GA) (232-CM)						
	199-3062	42	FILM-IDENTIFICATION (WIRE)						
	155-2255	1	KIT-CONNECTING PLUG (12-PIN)						
	155-2265	1	KIT-CONNECTING PLUG (8-PIN)						
	155-2271	1	KIT-CONNECTING PLUG (4-PIN)						
	155-2274	1	KIT-CONNECTING PLUG (6-PIN)						
	174-0503	1	KIT-CONNECTING PLUG (3-PIN)						
			(EACH PLUG KIT INCLUDES PLUG ASSEMBLY, WEDGE & INTERFACE SEAL)						
	160-7689	1	PLUG AS-CONNECTOR (70-PIN)						
	159-9322	1	SEAL-O-RING						
	134-2540	1	RESISTOR AS-CONNECTION (3-PIN)						
	133-8753	1	RECEPTACLE AS-CONNECTOR (70-PIN)						
	7K-1181	5	STRAP-CABLE						
E	125-7874		TUBE-HEAT SHRINK (5.72-MM DIA) (110-CM)						
E	125-7875		TUBE-HEAT SHRINK (7.44-MM DIA) (70-CM)						
E	8T-6342		TUBE-HEAT SHRINK (3.2-MM DIA) (140-CM)						

E-ORDER BY THE CENTIMETER

<END>

ELECTRICAL AND STARTING SYSTEM

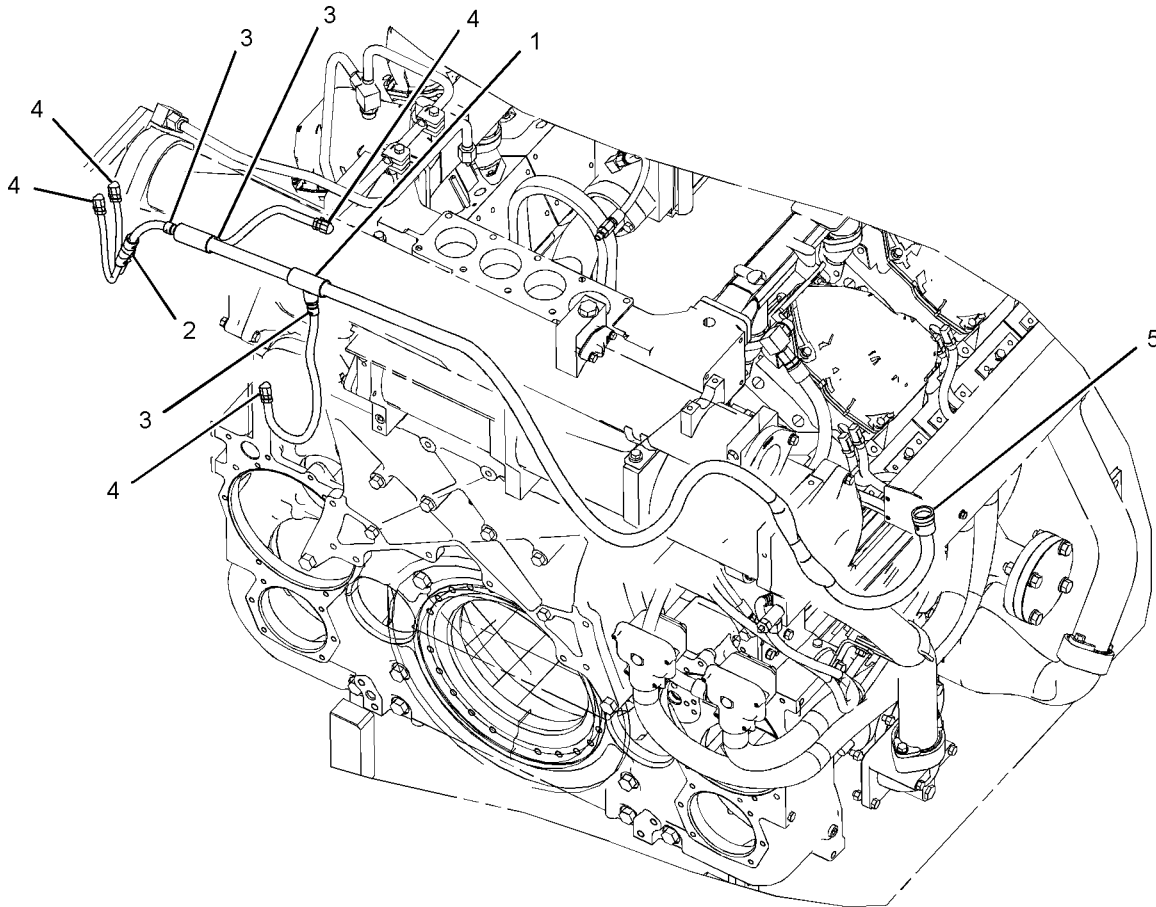
235-6280 HARNESS AS-SENSOR- OIL, FUEL PRESSURE, LH SERVICE PART OF 307-2046 WIRING GP-SENSOR AN ATTACHMENT

SMCS-1408

i03767939

NOTE	REF NO	GRAPHIC REF	PART NUMBER	QTY	PART NAME						SEE PAGE
					1	2	3	4	5	6 (PRODUCT LEVEL)	
	1	1	238-9591	1	TEE						
	2	1	238-9733	1	FITTING						
	3	1	238-9803	1	ADAPTER						
	4	1	174-0503	4	KIT-CONNECTING PLUG (3-PIN) (INCLUDES PLUG AS, WEDGE, & INTERFACE SEAL)						
	5	1	8C-3654	1	PLUG-CONNECTOR (6-PIN)						
EF			232-0893		CONDUIT-FLEXIBLE (6.2-MM ID) (40-CM)						
EF			232-0895		CONDUIT-FLEXIBLE (9.6-MM ID) (86-CM)						
EF			232-0897		CONDUIT-FLEXIBLE (16.2-MM ID) (180-CM)						
F			8T-8730	18	SOCKET-CONNECTOR (16-GA TO 18-GA)						
EF			9X-8243		TUBE-HEAT SHRINK (39.9-MM DIA) (5-CM)						
EF			125-7875		TUBE-HEAT SHRINK (7.44-MM DIA) (10-CM)						
EF			210-8958		TUBE-HEAT SHRINK (24-MM DIA) (200-CM)						

E-ORDER BY THE CENTIMETER
F-NOT SHOWN



GRAPHIC #1

<END>

g02034234

ELECTRICAL AND STARTING SYSTEM

237-9023 HARNESS AS-SENSOR-THERMOCOUPLE

PART OF 300-0479 BOX GP-INSTRUMENT PANEL

AN ATTACHMENT

SMCS-1408

i02707178

NOTE	PART NUMBER	QTY	PART NAME						SEE PAGE
			1	2	3	4	5	6 (PRODUCT LEVEL)	
	153-1223	2	CONNECTOR-RECEPTACLE (23-PIN)						
	174-0503	1	KIT-CONNECTING PLUG (3-PIN)						
			(KIT INCLUDES PLUG AS AND WEDGE)						
	176-9299	1	KIT-RECEPTACLE (3-PIN)						
			(KIT INCLUDES RECEPTACLE AS AND WEDGE)						
	128-4250	2	NUT (1-11/16-18-THD)						
	186-3735	35	PIN-CONNECTOR (16-GA TO 18-GA)						
	233-9226	3	PIN-CONNECTOR (16-GA TO 20-GA)						
	160-7689	1	PLUG AS-CONNECTOR (70-PIN)						
	159-9322	1	SEAL-O-RING						
	8T-8737	44	PLUG-SEAL						
	186-3736	3	SOCKET-CONNECTOR (16-GA TO 18-GA)						
	9X-3402	40	SOCKET-CONNECTOR (16-GA TO 18-GA)						
	8L-8413	20	STRAP-CABLE						
E	5P-6009		TUBE-HEAT SHRINK (9.52-MM DIA) (2-CM)						
E	125-7875		TUBE-HEAT SHRINK (7.44-MM DIA) (30-CM)						
E	126-9424		TUBE-HEAT SHRINK (3.2-MM DIA) (40-CM)						

E-ORDER BY THE CENTIMETER

<END>

ELECTRICAL AND STARTING SYSTEM

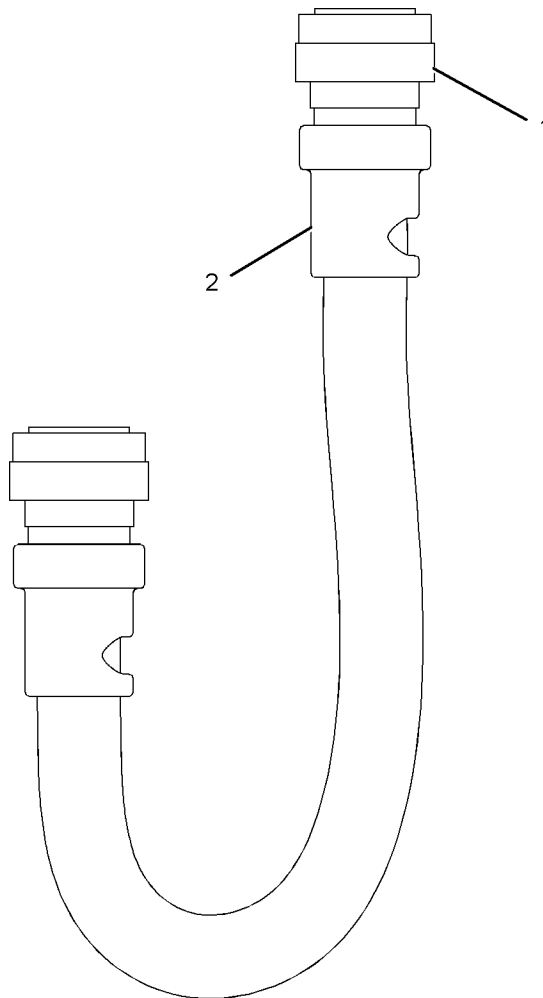
239-1473 HARNESS AS-SENSOR-THERMOCOUPLE, RH PART OF 239-6364 WIRING GP-ENGINE, 239-1472 WIRING GP-PANEL AN ATTACHMENT

SMCS-1408

i02739813

NOTE	REF NO	GRAPHIC REF	PART NUMBER	QTY	PART NAME						SEE PAGE
					1	2	3	4	5	6 (PRODUCT LEVEL)	
	1	1	122-4386	2	CONNECTOR-PLUG (23-PIN)						
	2	1	235-2762	2	CONNECTOR (CONDUIT)						
F			186-3736	32	SOCKET-CONNECTOR (16-GA TO 18-GA)						
F			8T-8737	14	PLUG-SEAL						
EF			231-9895		CONDUIT-FLEXIBLE (21.9-MM ID) (57-CM)						

E-ORDER BY THE CENTIMETER
F-NOT SHOWN



GRAPHIC #1

<END>

g01017357

ELECTRICAL AND STARTING SYSTEM

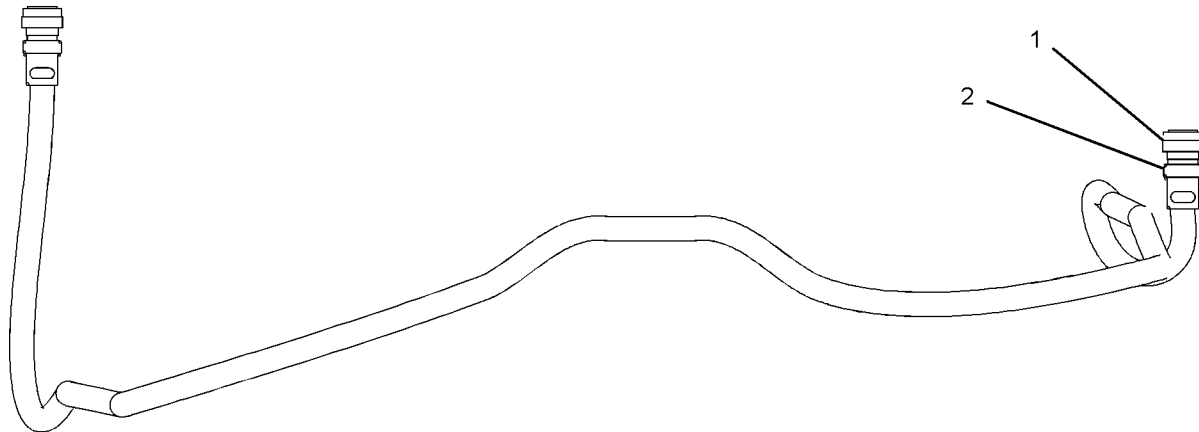
239-1474 HARNESS AS-SENSOR-THERMOCOUPLE, LH PART OF 239-6364 WIRING GP-ENGINE, 239-1472 WIRING GP-PANEL AN ATTACHMENT

SMCS-1408

i03870234

NOTE	REF NO	GRAPHIC REF	PART NUMBER	QTY	PART NAME						SEE PAGE
					1	2	3	4	5	6 (PRODUCT LEVEL)	
	1	1	122-4386	2	CONNECTOR-PLUG (23-PIN)						
	2	1	235-2762	2	CONNECTOR (CONDUIT)						
F			186-3736	32	SOCKET-CONNECTOR (16-GA TO 18-GA)						
F			8T-8737	14	PLUG-SEAL						
EF			231-9895		CONDUIT-FLEXIBLE (21.9-MM ID) (377-CM)						
BF			116-2652		CABLE-ELECTRICAL (18-GA)						

B-USE AS REQUIRED
E-ORDER BY THE CENTIMETER
F-NOT SHOWN



GRAPHIC #1

<END>

g01017262

ELECTRICAL AND STARTING SYSTEM

239-1478 HARNESS AS-SENSOR-THERMOCOUPLE

3-METER EXTENSION

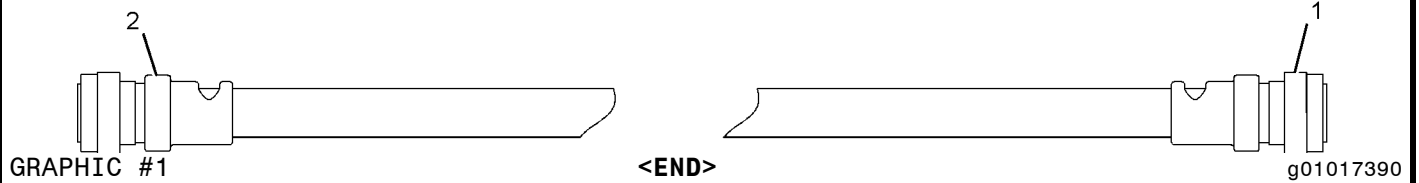
PART OF 239-1477 WIRING GP-ENGINE ELECTRONIC
AN ATTACHMENT

SMCS-1408

i03870249

NOTE	REF NO	GRAPHIC REF	PART NUMBER	QTY	PART NAME						SEE PAGE
					1	2	3	4	5	6 (PRODUCT LEVEL)	
	1	1	122-4386	2	CONNECTOR-PLUG (23-PIN)						
	2	1	235-2762	2	CONNECTOR (CONDUIT)						
F			186-3736	32	SOCKET-CONNECTOR (16-GA TO 18-GA)						
F			8T-8737	14	PLUG-SEAL						
BEF			116-2652		CABLE-ELECTRICAL (18-GA)						
EF			231-9895		CONDUIT-FLEXIBLE (21.9-MM ID) (357-CM)						

B-USE AS REQUIRED
E-ORDER BY THE CENTIMETER
F-NOT SHOWN



ELECTRICAL AND STARTING SYSTEM

239-1479 HARNESS AS-SENSOR-THERMOCOUPLE

3-METER EXTENSION

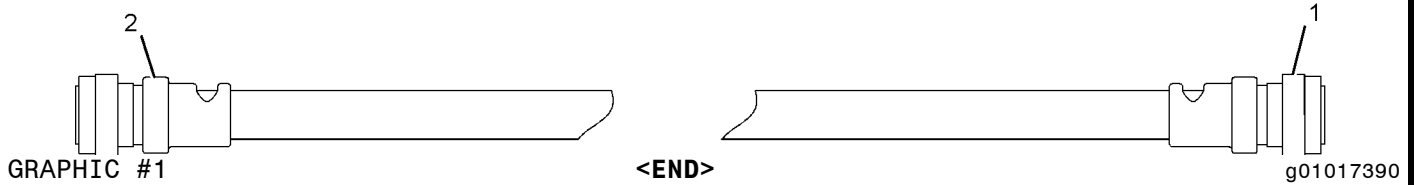
PART OF 239-1477 WIRING GP-ENGINE ELECTRONIC
AN ATTACHMENT

SMCS-1408

i03870254

NOTE	REF NO	GRAPHIC REF	PART NUMBER	QTY	PART NAME						SEE PAGE
					1	2	3	4	5	6 (PRODUCT LEVEL)	
	1	1	122-4386	2	CONNECTOR-PLUG (23-PIN)						
	2	1	235-2762	2	CONNECTOR (CONDUIT)						
F			186-3736	32	SOCKET-CONNECTOR (16-GA TO 18-GA)						
F			8T-8737	14	PLUG-SEAL						
BEF			116-2652		CABLE-ELECTRICAL (18-GA)						
EF			231-9895		CONDUIT-FLEXIBLE (21.9-MM ID) (653-CM)						

B-USE AS REQUIRED
E-ORDER BY THE CENTIMETER
F-NOT SHOWN



ELECTRICAL AND STARTING SYSTEM

239-1483 HARNESS AS-SENSOR-THERMOCOUPLE

15-METER EXTENSION

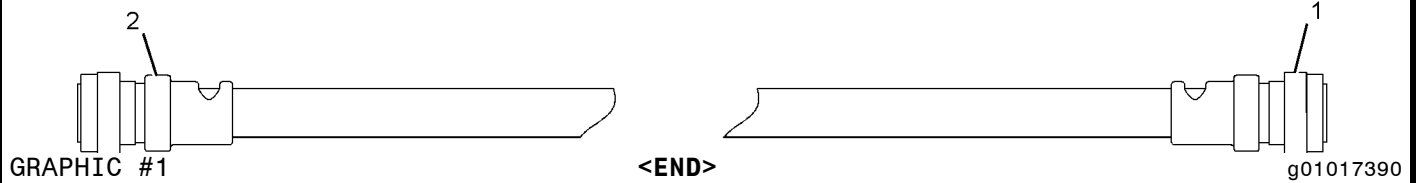
PART OF 239-1482 WIRING GP-ENGINE ELECTRONIC
AN ATTACHMENT

SMCS-1408

i03870256

NOTE	REF NO	GRAPHIC REF	PART NUMBER	QTY	PART NAME						SEE PAGE
					1	2	3	4	5	6 (PRODUCT LEVEL)	
	1	1	122-4386	2	CONNECTOR-PLUG (23-PIN)						
	2	1	235-2762	2	CONNECTOR (CONDUIT)						
F			186-3736	32	SOCKET-CONNECTOR (16-GA TO 18-GA)						
F			8T-8737	14	PLUG-SEAL						
BF			116-2652		CABLE-ELECTRICAL (18-GA)						
EF			231-9895		CONDUIT-FLEXIBLE (21.9-MM ID) (1557-CM)						

B-USE AS REQUIRED
E-ORDER BY THE CENTIMETER
F-NOT SHOWN



ELECTRICAL AND STARTING SYSTEM

239-1484 HARNESS AS-SENSOR-THERMOCOUPLE

15-METER EXTENSION

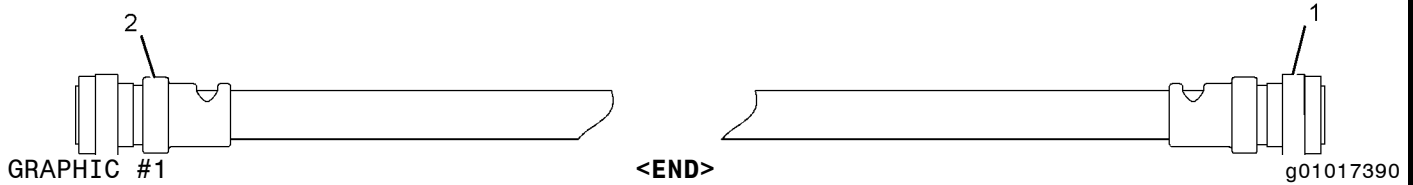
PART OF 239-1482 WIRING GP-ENGINE ELECTRONIC
AN ATTACHMENT

SMCS-1408

i03870271

NOTE	REF NO	GRAPHIC REF	PART NUMBER	QTY	PART NAME						SEE PAGE
					1	2	3	4	5	6 (PRODUCT LEVEL)	
	1	1	122-4386	2	CONNECTOR-PLUG (23-PIN)						
	2	1	235-2762	2	CONNECTOR (CONDUIT)						
F			186-3736	32	SOCKET-CONNECTOR (16-GA TO 18-GA)						
F			8T-8737	14	PLUG-SEAL						
BF			116-2652		CABLE-ELECTRICAL (18-GA)						
EF			231-9895		CONDUIT-FLEXIBLE (21.9-MM ID) (1853-CM)						

B-USE AS REQUIRED
E-ORDER BY THE CENTIMETER
F-NOT SHOWN



ELECTRICAL AND STARTING SYSTEM

239-1488 HARNESS AS-SENSOR-THERMOCOUPLE

30-METER EXTENSION

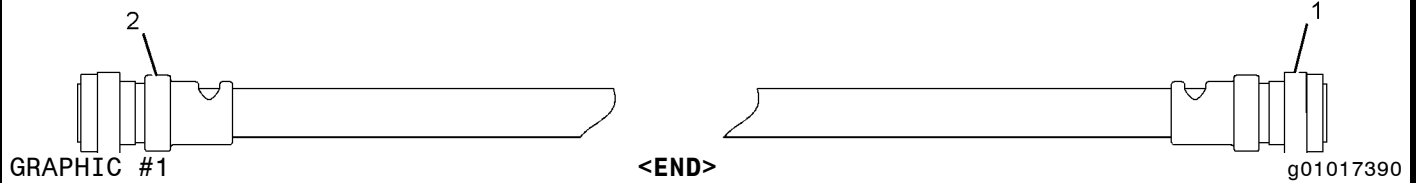
PART OF 239-1487 WIRING GP-ENGINE ELECTRONIC
AN ATTACHMENT

SMCS-1408

i03870309

NOTE	REF NO	GRAPHIC REF	PART NUMBER	QTY	PART NAME						SEE PAGE
					1	2	3	4	5	6 (PRODUCT LEVEL)	
	1	1	122-4386	2	CONNECTOR-PLUG (23-PIN)						
	2	1	235-2762	2	CONNECTOR (CONDUIT)						
F			186-3736	32	SOCKET-CONNECTOR (16-GA TO 18-GA)						
F			8T-8737	14	PLUG-SEAL						
BF			116-2652		CABLE-ELECTRICAL (18-GA)						
EF			231-9895		CONDUIT-FLEXIBLE (21.9-MM ID) (3057-CM)						

B-USE AS REQUIRED
E-ORDER BY THE CENTIMETER
F-NOT SHOWN



ELECTRICAL AND STARTING SYSTEM

239-1489 HARNESS AS-SENSOR-THERMOCOUPLE

30-METER EXTENSION

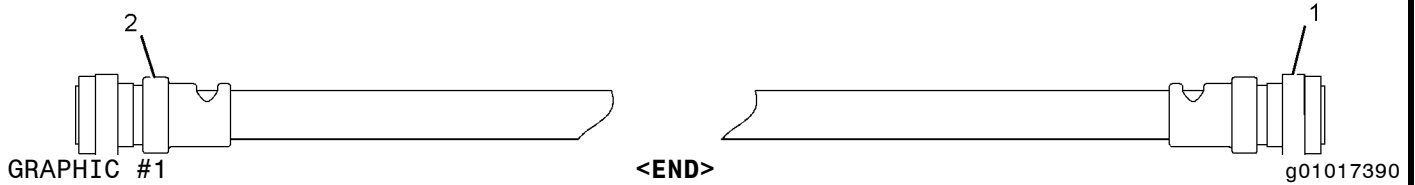
PART OF 239-1487 WIRING GP-ENGINE ELECTRONIC
AN ATTACHMENT

SMCS-1408

i03870310

NOTE	REF NO	GRAPHIC REF	PART NUMBER	QTY	PART NAME						SEE PAGE
					1	2	3	4	5	6 (PRODUCT LEVEL)	
	1	1	122-4386	2	CONNECTOR-PLUG (23-PIN)						
	2	1	235-2762	2	CONNECTOR (CONDUIT)						
F			186-3736	32	SOCKET-CONNECTOR (16-GA TO 18-GA)						
F			8T-8737	14	PLUG-SEAL						
BF			116-2652		CABLE-ELECTRICAL (18-GA)						
EF			231-9895		CONDUIT-FLEXIBLE (21.9-MM ID) (3353-CM)						

B-USE AS REQUIRED
E-ORDER BY THE CENTIMETER
F-NOT SHOWN



ELECTRICAL AND STARTING SYSTEM

306-8879 HARNESS AS-SENSOR-OIL, FUEL PRESSURE PART OF 307-0008 WIRING GP-SENSOR AN ATTACHMENT

SMCS-1408

i02665382

NOTE	PART NUMBER	QTY	PART NAME						SEE PAGE
			1	2	3	4	5	6 (PRODUCT LEVEL)	
	254-5668	1	ADAPTER (CONDUIT)						
E	232-0895		CONDUIT-FLEXIBLE (9.6-MM ID) (43-CM)						
E	232-0897		CONDUIT-FLEXIBLE (16.2-MM ID) (78-CM)						
E	232-0893		CONDUIT-FLEXIBLE (6.2-MM ID) (40-CM)						
	238-9591	1	TEE						
	238-9733	1	FITTING						
	238-9802	1	FITTING						
	155-2260	4	KIT-CONNECTING PLUG (3-PIN) (EACH INCLUDES PLUG AS AND WEDGE)						
	174-0503	4	KIT-CONNECTING PLUG (3-PIN) (EACH INCLUDES PLUG AS AND WEDGE)						
	8C-3654	1	PLUG-CONNECTOR (6-PIN)						
	186-3736	18	SOCKET-CONNECTOR (16-GA TO 18-GA)						
E	9X-8243		TUBE-HEAT SHRINK (39.9-MM DIA) (5-CM)						
E	125-7875		TUBE-HEAT SHRINK (7.44-MM DIA) (10-CM)						
E	210-8958		TUBE-HEAT SHRINK (24-MM DIA) (20-CM)						

E-ORDER BY THE CENTIMETER

<END>

237-8995 HARNESS AS-SOLENOID

PART OF 238-9734 CONTROL GP-AIR STARTING
FOR USE WITH LH MOUNTED AIR START
AN ATTACHMENT

SMCS-1408

i03870330

NOTE	PART NUMBER	QTY	PART NAME						SEE PAGE
			1	2	3	4	5	6 (PRODUCT LEVEL)	
	3T-3048	1	CLIP AS						
E	232-0897		CONDUIT-FLEXIBLE (16.2-MM ID) (70-CM)						
	7N-9737	1	HOUSING-RECEPTACLE (14-GA TO 18-GA)						
	7N-7780	1	PIN-CONNECTOR (14-GA TO 18-GA)						
	203-9000	1	PLUG AS (6-PIN)						
	203-8999	2	SEAL						
	203-9001	2	SLEEVE						
	8T-8737	4	PLUG-SEAL						
	7N-7779	1	SOCKET-CONNECTOR (14-GA TO 18-GA)						
	186-3736	2	SOCKET-CONNECTOR (16-GA TO 18-GA)						
	135-5009		TUBE-HEAT SHRINK (32-MM DIA) (1CM)						
J	097-7404		TUBE-HEAT SHRINK (19.1-MM DIA) (1-DM)						
BD	5P-5677		WIRE (18-GA, BLACK)						

B-USE AS REQUIRED

D-ORDER BY THE METER

E-ORDER BY THE CENTIMETER

J-ORDER BY THE DECIMETER

<END>

ELECTRICAL AND STARTING SYSTEM

242-0083 HARNESS AS-WIRING

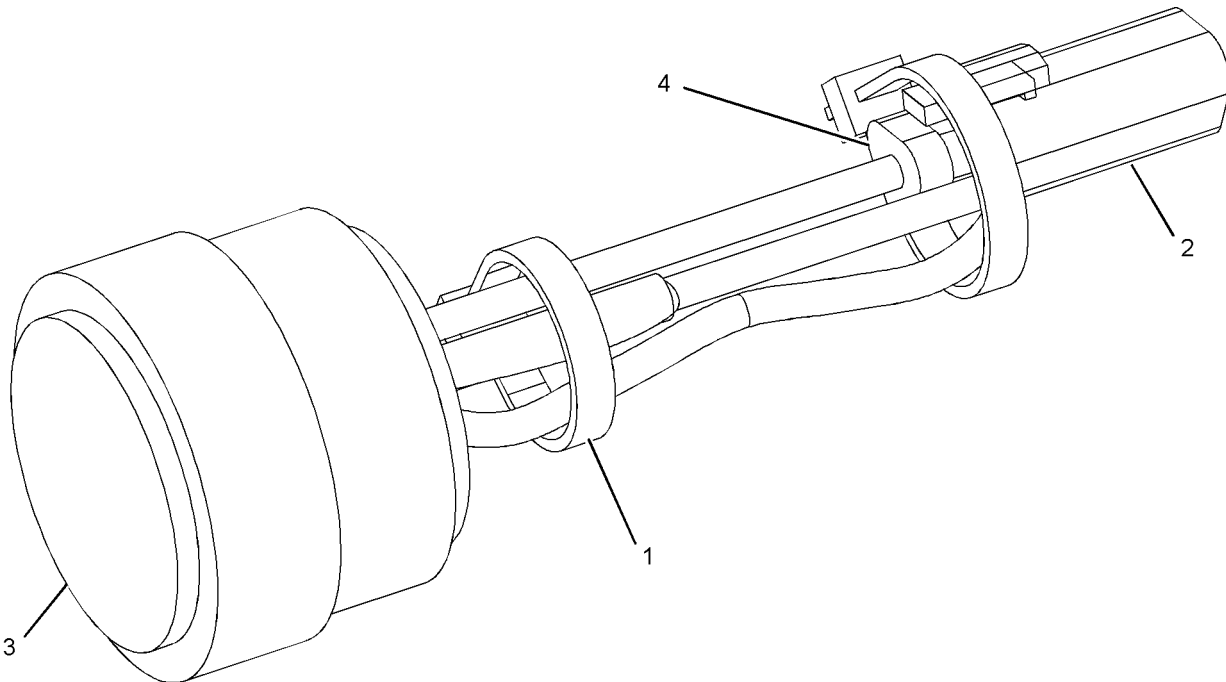
CUSTOMER CONNECT
AN ATTACHMENT

SMCS-1408

i01964444

NOTE	REF NO	GRAPHIC REF	PART NUMBER	QTY	PART NAME						SEE PAGE
					1	2	3	4	5	6 (PRODUCT LEVEL)	
	1	1	9X-6772	2	STRAP-CABLE						
	2	1	134-2540	1	RESISTOR AS-CONNECTION (3-PIN)						
		1	174-0503	1	KIT-CONNECTING PLUG (3-PIN) (KIT INCLUDES PLUG AS. & WEDGES)						
	3	1	233-9217	1	CONNECTOR (85-PIN)						
	4	1	155-2260	1	KIT-CONNECTING PLUG (3-PIN) (KIT INCLUDES PLUG AS. AND WEDGE)						
F		1	233-9226	6	PIN-CONNECTOR (16-GA TO 20-GA)						
F		1	8T-8737	80	PLUG-SEAL						
F		1	186-3736	2	SOCKET-CONNECTOR (16-GA TO 18-GA)						
F		1	155-2266	1	WEDGE-PLUG LOCK (3-PIN)						
BDF		1	5P-5677		WIRE (18-GA, BLACK)						

B-USE AS REQUIRED
D-ORDER BY THE METER
F-NOT SHOWN



GRAPHIC #1

<END>

g01020947

ELECTRICAL AND STARTING SYSTEM

244-5403 HARNESS AS-WIRING-GENERATOR

PART OF 245-0092 WIRING GP-GENERATOR

FOR USE WITH EUI
AN ATTACHMENT

SMCS-1408

i02363284

NOTE	PART NUMBER	QTY	PART NAME						SEE PAGE
			1	2	3	4	5	6 (PRODUCT LEVEL)	
E	134-6258		CABLE-ELECTRICAL (16-GA) (393-CM)						
E	153-2707		CABLE-ELECTRICAL (2-CONDUCTOR, 18-GA) (1159-CM)						
	244-0452	21	END-WIRE (14-GA TO 20-GA)						
	155-2274	1	KIT-CONNECTING PLUG (6-PIN) (INCLUDES PLUG AS AND WEDGE)						
	155-2270	2	KIT-CONNECTING PLUG (2-PIN) (EACH INCLUDES PLUG AS AND WEDGE)						
	155-2260	2	KIT-CONNECTING PLUG (3-PIN) (EACH INCLUDES PLUG AS AND WEDGE)						
	174-0503	1	KIT-CONNECTING PLUG (3-PIN) (INCLUDES PLUG AS AND WEDGE)						
	126-1767	4	PIN-CONNECTOR (14-GA)						
	186-3735	16	PIN-CONNECTOR (16-GA TO 18-GA)						
	160-7689	3	PLUG AS-CONNECTOR (70-PIN) (EACH INCLUDES)						
	159-9322	1	SEAL-O-RING						
	234-1857	1	PLUG-CONNECTOR (9-PIN)						
	234-1858	1	PLUG-CONNECTOR (12-PIN)						
	8T-8737	24	PLUG-SEAL						
	9X-1343	1	RECEPTACLE AS-CONNECTOR (40-PIN)						
	134-2540	1	RESISTOR AS-CONNECTION (3-PIN)						
	246-7014	1	SEAL (9-POSITION)						
	246-7015	1	SEAL (12-POSITION)						
	126-1768	15	SOCKET-CONNECTOR (14-GA)						
	186-3736	205	SOCKET-CONNECTOR (16-GA TO 18-GA)						
	7K-1181	7	STRAP-CABLE						
E	125-7874		TUBE-HEAT SHRINK (5.72-MM DIA) (565-CM)						
	155-2266	1	WEDGE-PLUG LOCK (3-PIN)						
	155-2263	1	WEDGE-PLUG LOCK (6-PIN)						
E-ORDER BY THE CENTIMETER									
<END>									

314-5153 HARNESS AS-WIRING-AIR PRELUBRICATION

AN ATTACHMENT AND FIELD INSTALLATION

SMCS-1408

i02834167

NOTE	PART NUMBER	QTY	PART NAME						SEE PAGE
			1	2	3	4	5	6 (PRODUCT LEVEL)	
(NO SERVICED PARTS)									
<END>									

ELECTRICAL AND STARTING SYSTEM

7E-6247 HEATER GP-JACKET WATER

120-VOLT TO 240-VOLT, 3-KILOWATT

AN ATTACHMENT

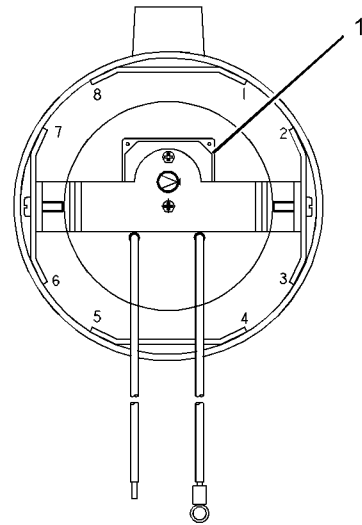
TYPE 1

SMCS-1383

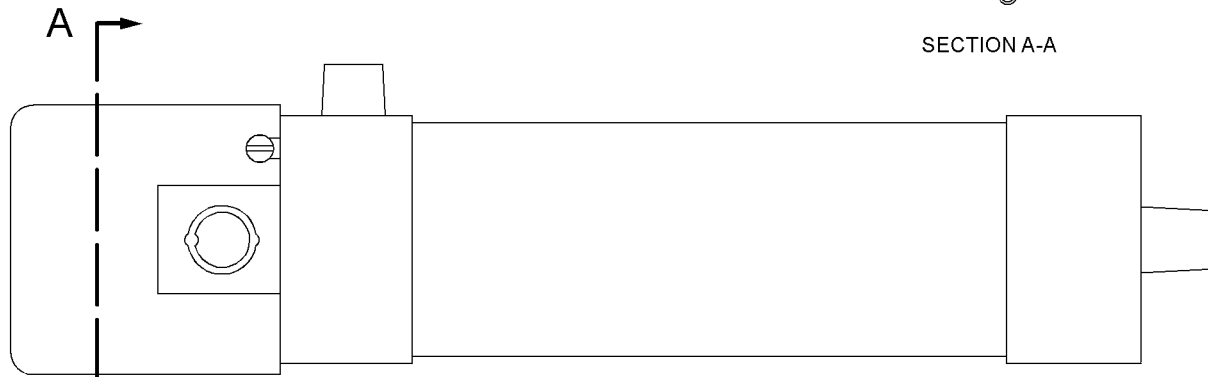
i03021944

NOTE	REF NO	GRAPHIC REF	PART NUMBER	QTY	PART NAME	SEE PAGE
C	1	1	127-6260	1	THERMOSTAT AS (20-DEG C TO 80-DEG C) (JACKET WATER HEATER)	

C-CHANGE FROM PREVIOUS TYPE



SECTION A-A



GRAPHIC #1

<END>

g01397474

ELECTRICAL AND STARTING SYSTEM

7E-6247 HEATER GP-JACKET WATER

120-VOLT TO 240-VOLT, 3-KILOWATT

AN ATTACHMENT

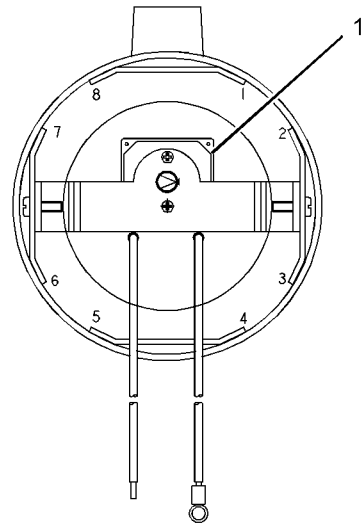
TYPE 2

SMCS-1383

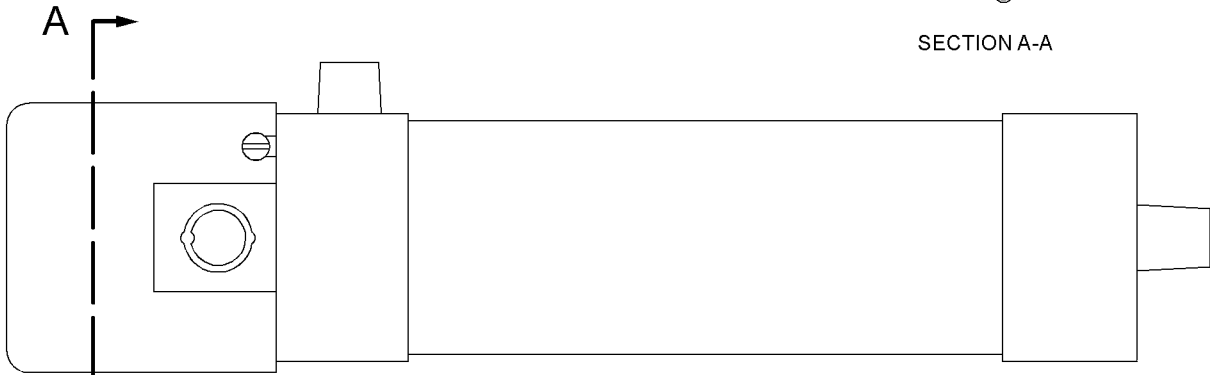
i03167895

NOTE	REF NO	GRAPHIC REF	PART NUMBER	QTY	PART NAME	SEE PAGE
					1 2 3 4 5 6 (PRODUCT LEVEL)	
C	1	1	109-8932	1	THERMOSTAT (60 DEG F TO 160 DEG F) (JACKET WATER HEATER)	

C-CHANGE FROM PREVIOUS TYPE



SECTION A-A



GRAPHIC #1

<END>

g01397474

ELECTRICAL AND STARTING SYSTEM

200-6504 HEATER GP-JACKET WATER

240-VOLT TO 480-VOLT AC, 6-KILOWATT

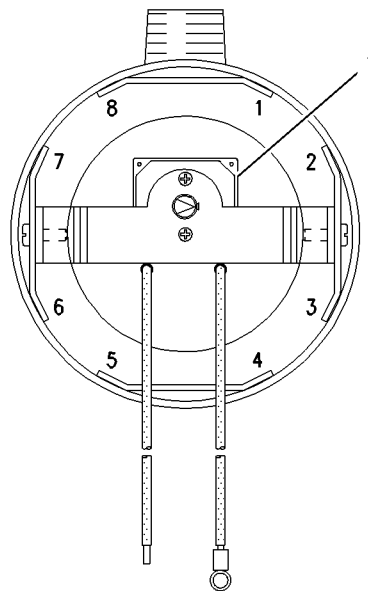
AN ATTACHMENT

TYPE 1

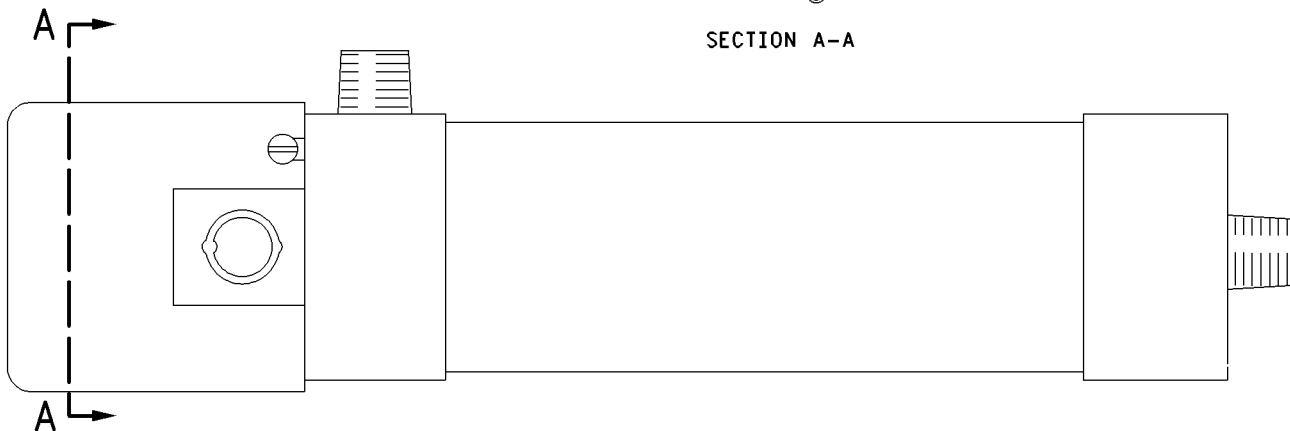
SMCS-1383

i03021477

NOTE	REF NO	GRAPHIC REF	PART NUMBER	QTY	PART NAME	SEE PAGE
	1	1	127-6260	1	1 2 3 4 5 6 (PRODUCT LEVEL) THERMOSTAT AS (20-DEG C TO 80-DEG C) (JACKET WATER HEATER)	



SECTION A-A



GRAPHIC #1

<END>

g01000471

ELECTRICAL AND STARTING SYSTEM

200-6504 HEATER GP-JACKET WATER

240-VOLT TO 480-VOLT AC, 6-KILOWATT

AN ATTACHMENT

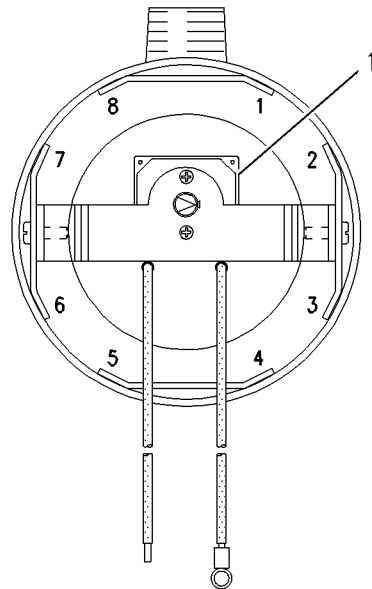
TYPE 2

SMCS-1383

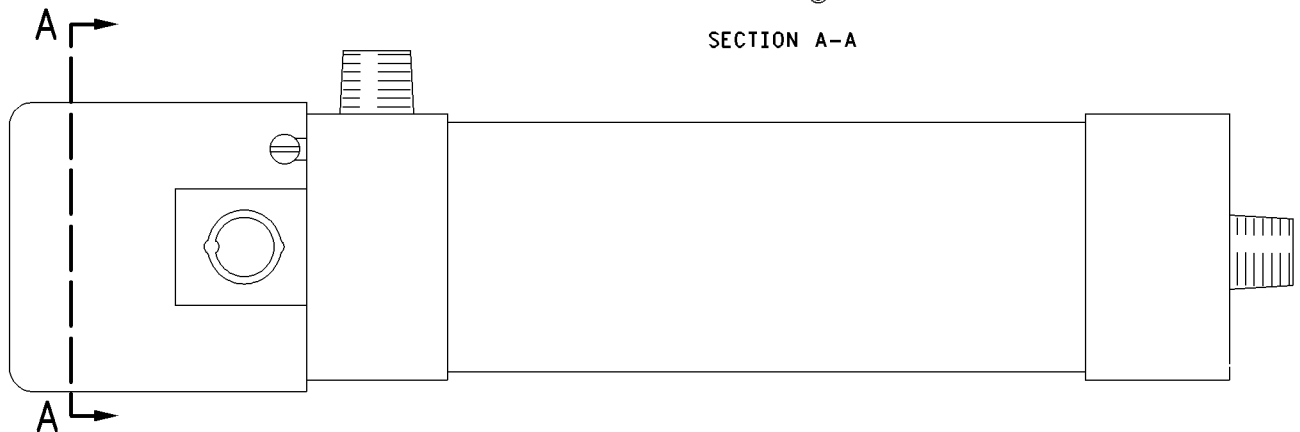
i03167554

NOTE	REF NO	GRAPHIC REF	PART NUMBER	QTY	PART NAME						SEE PAGE
					1	2	3	4	5	6 (PRODUCT LEVEL)	
C	1	1	109-8932	1	THERMOSTAT (60 DEG F TO 160 DEG F) (JACKET WATER HEATER)						

C-CHANGE FROM PREVIOUS TYPE



SECTION A-A



GRAPHIC #1

<END>

g01000471

ELECTRICAL AND STARTING SYSTEM

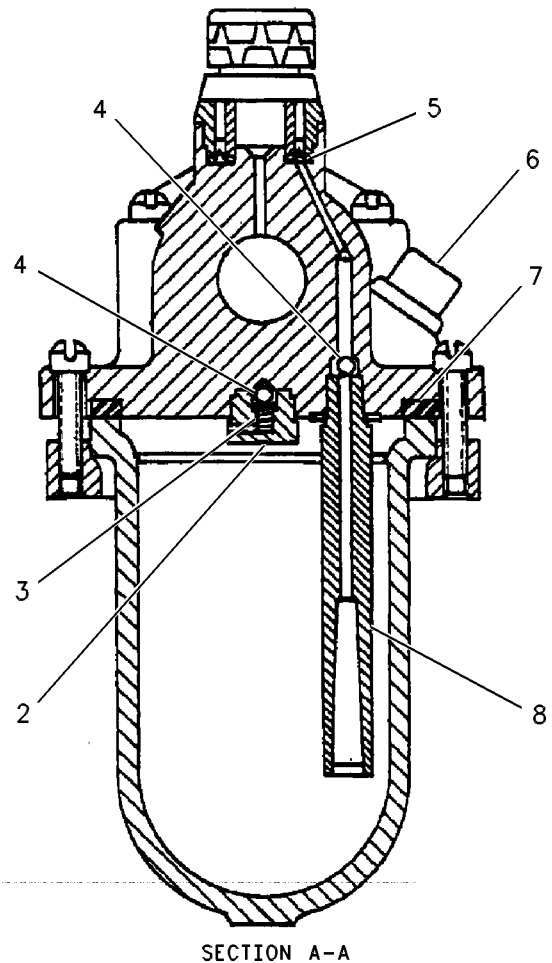
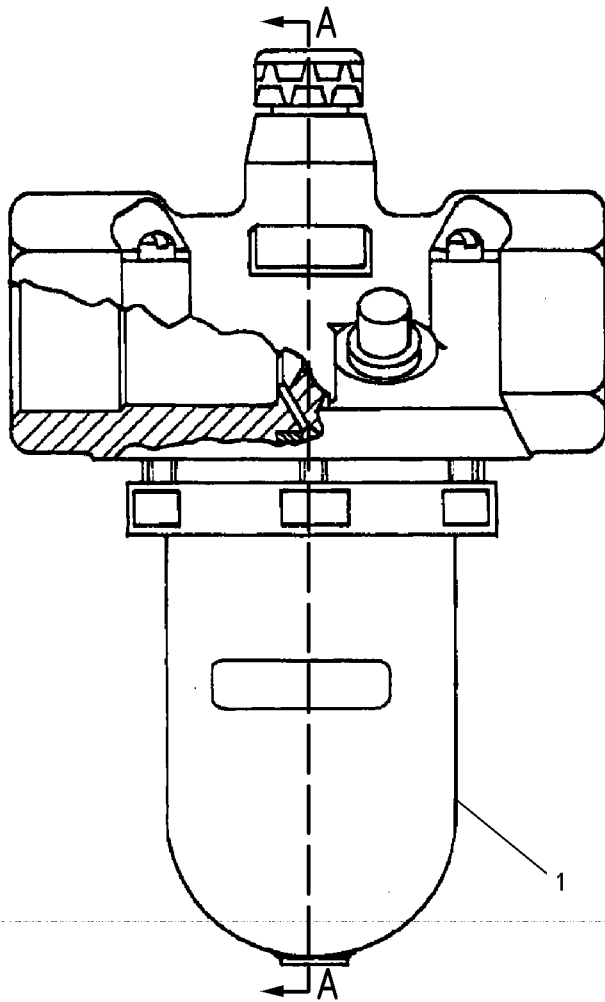
119-6282 LUBRICATOR GP-AIR MOTOR

PART OF 119-6284 LUBRICATOR GP-AIR MOTOR
 FIELD REPLACEMENT ORDER 119-6284—PAGE 454
 AN ATTACHMENT

SMCS-1451

i01889307

NOTE	REF NO	GRAPHIC REF	PART NUMBER	QTY	PART NAME						SEE PAGE
					1	2	3	4	5	6 (PRODUCT LEVEL)	
	1	1	6N-2192	1	BOWL						
	2	1	6N-2191	1	SEAT						
	3	1	6N-2190	1	SPRING						
	4	1	6N-2188	2	BALL						
	5	1	7C-4429	1	SEAL						
	6	1	6N-2185	2	PLUG-FILLER						
	7	1	6N-2184	1	GASKET						
	8	1	6N-2193	1	TUBE-SIPHON						



GRAPHIC #1

<END>

g00103878

ELECTRICAL AND STARTING SYSTEM

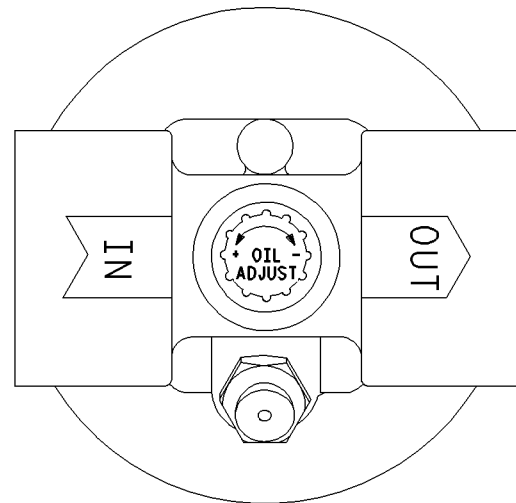
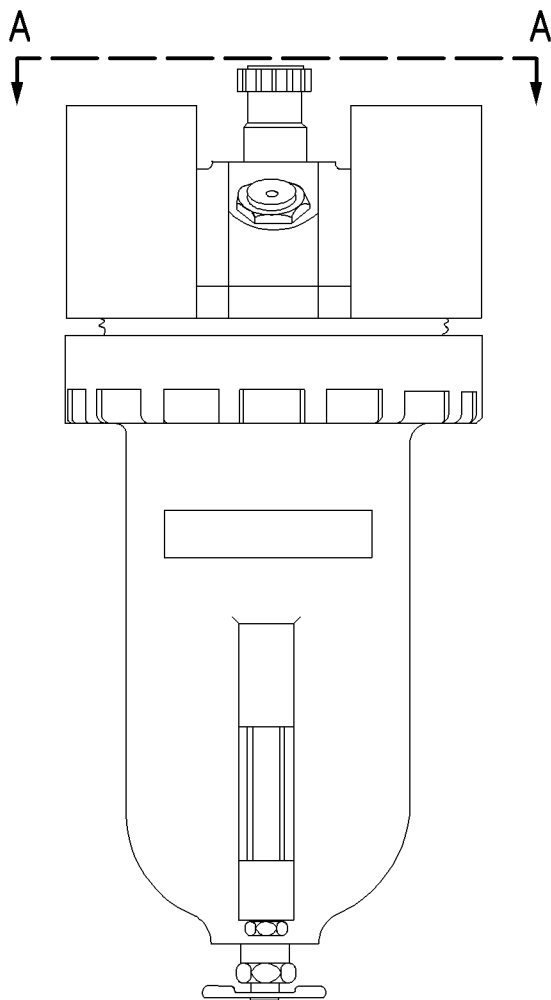
119-6283 LUBRICATOR GP-AIR MOTOR

PART OF 119-6284 LUBRICATOR GP-AIR MOTOR
 FIELD REPLACEMENT ORDER 119-6284—PAGE 454
 AN ATTACHMENT

SMCS-1451

i01491135

NOTE	REF NO	GRAPHIC REF	PART NUMBER	QTY	PART NAME	SEE PAGE
					1 2 3 4 5 6 (PRODUCT LEVEL)	
(NO SERVICED PARTS)						



VIEW A-A

GRAPHIC #1

<END>

g00774411

ELECTRICAL AND STARTING SYSTEM

119-6284 LUBRICATOR GP-AIR MOTOR

PART OF 143-5174, 311-8110 STARTING MOTOR GP-AIR
FIELD REPLACEMENT FOR 119-6282-PAGE 452: FOR 119-6283-PAGE 453
AN ATTACHMENT

SMCS-1451

i01168549

NOTE	PART NUMBER	QTY	PART NAME	SEE PAGE
			1 2 3 4 5 6 (PRODUCT LEVEL)	
Y	119-6282	1	LUBRICATOR GP-AIR MOTOR	452
			-OR-	
Y	119-6283	1	LUBRICATOR GP-AIR MOTOR	453
Y-SEPARATE ILLUSTRATION				

<END>

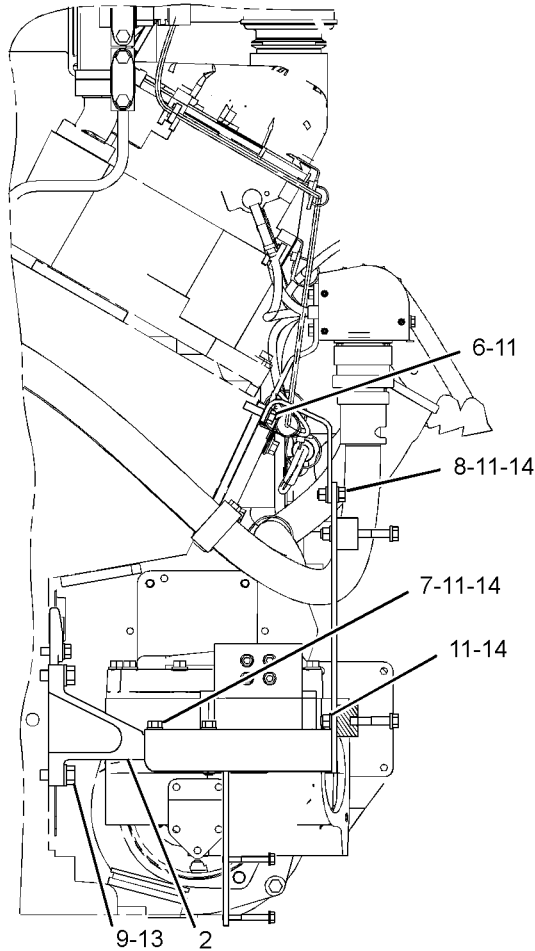
ELECTRICAL AND STARTING SYSTEM

253-6218 MOUNTING GP-BOX AN ATTACHMENT

SMCS-7426

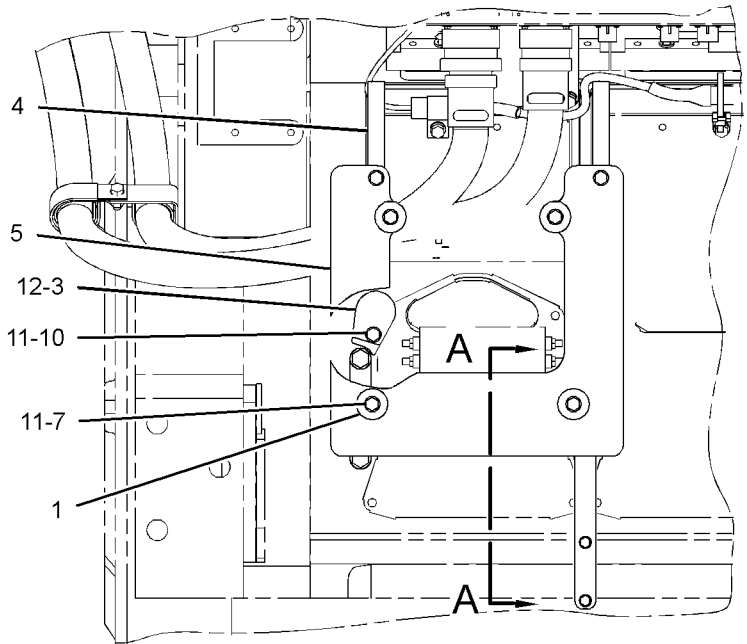
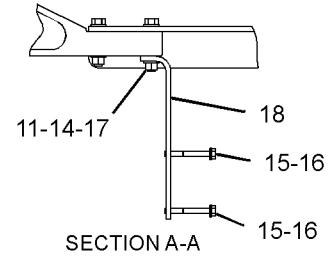
i02956441

NOTE	REF NO	GRAPHIC REF	PART NUMBER	QTY	PART NAME						SEE PAGE
					1	2	3	4	5	6 (PRODUCT LEVEL)	
	1	1	4P-0870	4	MOUNT-FLEXIBLE						
	2	1	7N-4940	2	BRACKET						
	3	1	133-6484	1	COVER-BOX						
	4	1	134-6275	2	BRACKET						
	5	1	253-6217	1	BRACKET AS						
	6	1	0S-1588	2	BOLT (3/8-16X1.25-IN)						
	7	1	0S-1590	7	BOLT (3/8-16X2-IN)						
	8	1	0S-1594	2	BOLT (3/8-16X1-IN)						
	9	1	0S-1595	4	BOLT (1/2-13X1.25-IN)						
	10	1	1A-2029	1	BOLT (3/8-16X1.125-IN)						
	11	1	5M-2894	23	WASHER-HARD (10.2X18.5X2.5-MM THK)						
	12	1	5P-8210	1	SEAL-O-RING						
	13	1	5P-8245	4	WASHER-HARD (13.5X25.5X3-MM THK)						
	14	1	9S-8752	10	NUT-FULL (3/8-16-THD)						
	15	1	8T-4205	2	WASHER-HARD (7.2X14.5X2-MM THK)						
	16	1	8T-9368	2	BOLT (1/4-20X2.25-IN)						
	17	1	8T-9377	1	BOLT (3/8-16X2.25-IN)						
	18	1	254-3402	1	BRACKET						



REAR VIEW OF ENGINE

GRAPHIC #1



RIGHT SIDE VIEW OF ENGINE

<END>

g01489913

ELECTRICAL AND STARTING SYSTEM

231-9526 MOUNTING GP-CONTACTOR AN ATTACHMENT

SMCS-7400

i02278901

NOTE	REF NO	GRAPHIC REF	PART NUMBER	QTY	PART NAME						SEE PAGE
					1	2	3	4	5	6 (PRODUCT LEVEL)	
B	1	1	5P-8937		COMPOUND-JOINT (THERMAL)						
	2	1	3N-1968	8	MOUNT-FLEXIBLE						
	3	1	231-9873	1	BRACKET AS						
I	4	1	231-9877	1	HOSE AS						
	5	1	030-7941	1	ELBOW (45-DEG)						
	6	1	153-4906	1	SEAL-O-RING						
	7	1	0S-0509	1	BOLT (3/8-16X0.75-IN)						
	8	1	0S-1618	3	BOLT (5/16-18X1-IN)						
	9	1	1B-9575	2	BOLT (5/16-18X1.56-IN)						
	10	1	4B-0418	2	CLIP						
	11	1	4P-7581	2	CLIP						
	12	1	4W-2648	1	ADAPTER AS						
	13	1	5M-2894	4	WASHER-HARD (10.2X18.5X2.5-MM THK)						
	B	14	1	5P-9085	3	CLIP					
15		1	5P-9617	1	ADAPTER						
16		1	6V-5048	1	SEAL-O-RING						
17		1	7K-9197	1	ELBOW						
18		1	9M-1974	3	WASHER-HARD (8.8X16X2-MM THK)						
19		1	9S-8750	16	NUT-FULL (1/4-20-THD)						
B	20	1	9X-6772	3	STRAP-CABLE						

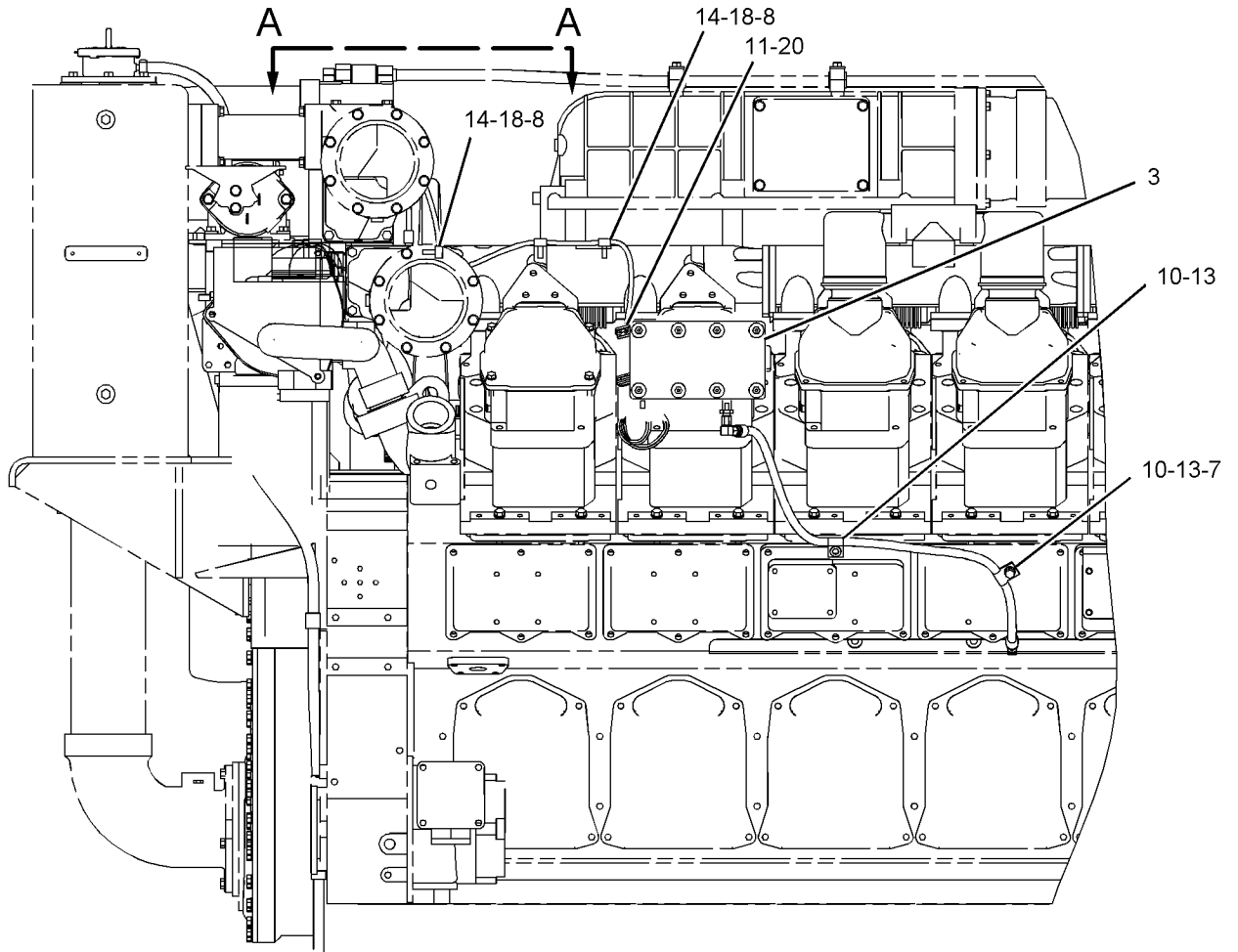
B-USE AS REQUIRED

I-REFER TO HYDRAULIC INFORMATION SYSTEM

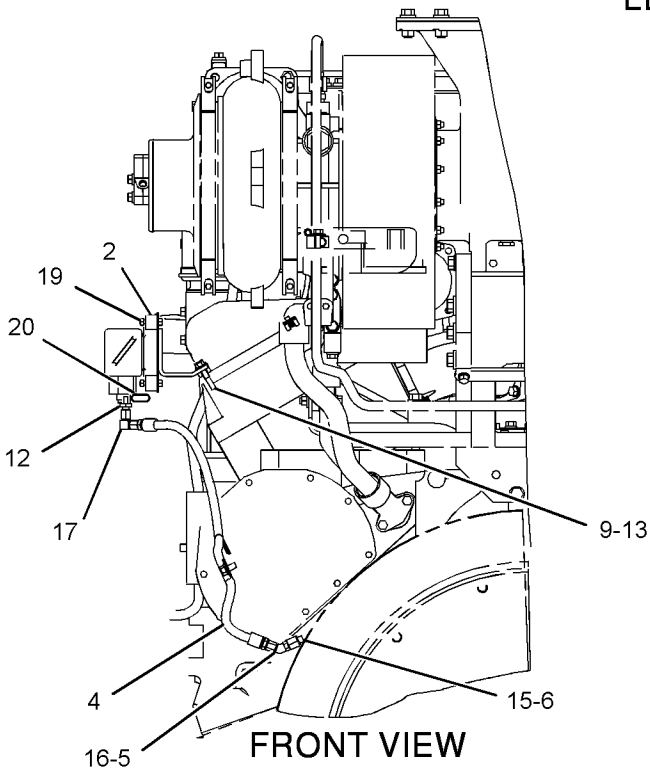
ELECTRICAL AND STARTING SYSTEM

231-9526 MOUNTING GP-CONTACTOR (contd.)

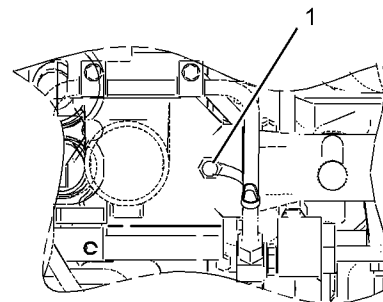
i02278901



LEFT SIDE VIEW



FRONT VIEW



VIEW A-A

GRAPHIC #1

<END>

g01023675

ELECTRICAL AND STARTING SYSTEM

232-0858 MOUNTING GP-CONTACTOR

FOR USE WITH RIGID HARNESS, LH MOUNTED POWER DISTRIBUTION PANEL
AN ATTACHMENT

SMCS-7400

i02214324

NOTE	REF NO	GRAPHIC REF	PART NUMBER	QTY	PART NAME						SEE PAGE
					1	2	3	4	5	6 (PRODUCT LEVEL)	
B	1	1	5P-8937		COMPOUND-JOINT (THERMAL)						
	2	1	3N-1968	8	MOUNT-FLEXIBLE						
I	3	1	3N-7281	1	HOSE AS						
	4	1	4P-7581	2	CLIP						
B	5	1	9X-6772	3	STRAP-CABLE						
	6	1	232-0867	1	PLATE						
	7	1	030-7941	1	ELBOW (45-DEG)						
	8	1	0S-1594	2	BOLT (3/8-16X1-IN)						
	9	1	0S-1618	4	BOLT (5/16-18X1-IN)						
	10	1	153-4906	1	SEAL-O-RING						
	11	1	4B-0418	1	CLIP						
	12	1	4W-2648	1	ADAPTER AS						
	13	1	5M-2894	4	WASHER-HARD (10.2X18.5X2.5-MM THK)						
B	14	1	5P-9085	4	CLIP						
	15	1	5P-9617	1	ADAPTER						
	16	1	6V-5048	1	SEAL-O-RING						
	17	1	7K-9197	1	ELBOW						
	18	1	9M-1974	4	WASHER-HARD (8.8X16X2-MM THK)						
	19	1	9S-8750	16	NUT-FULL (1/4-20-THD)						
	20	1	9S-8752	2	NUT-FULL (3/8-16-THD)						

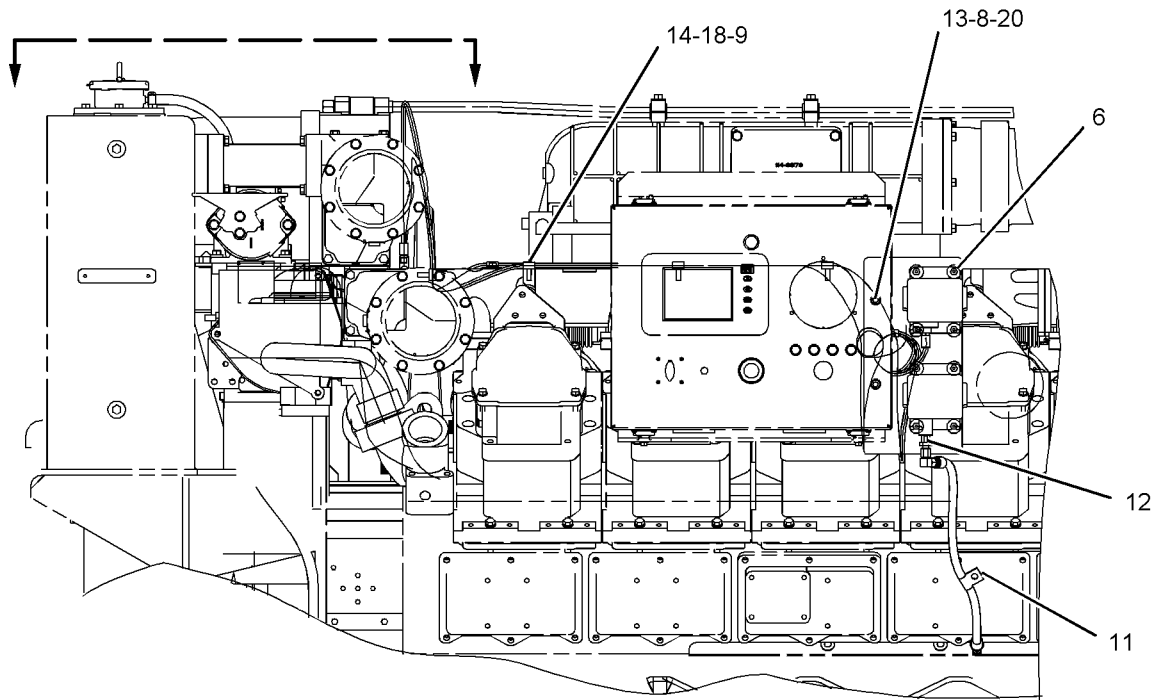
B-USE AS REQUIRED

I-REFER TO HYDRAULIC INFORMATION SYSTEM

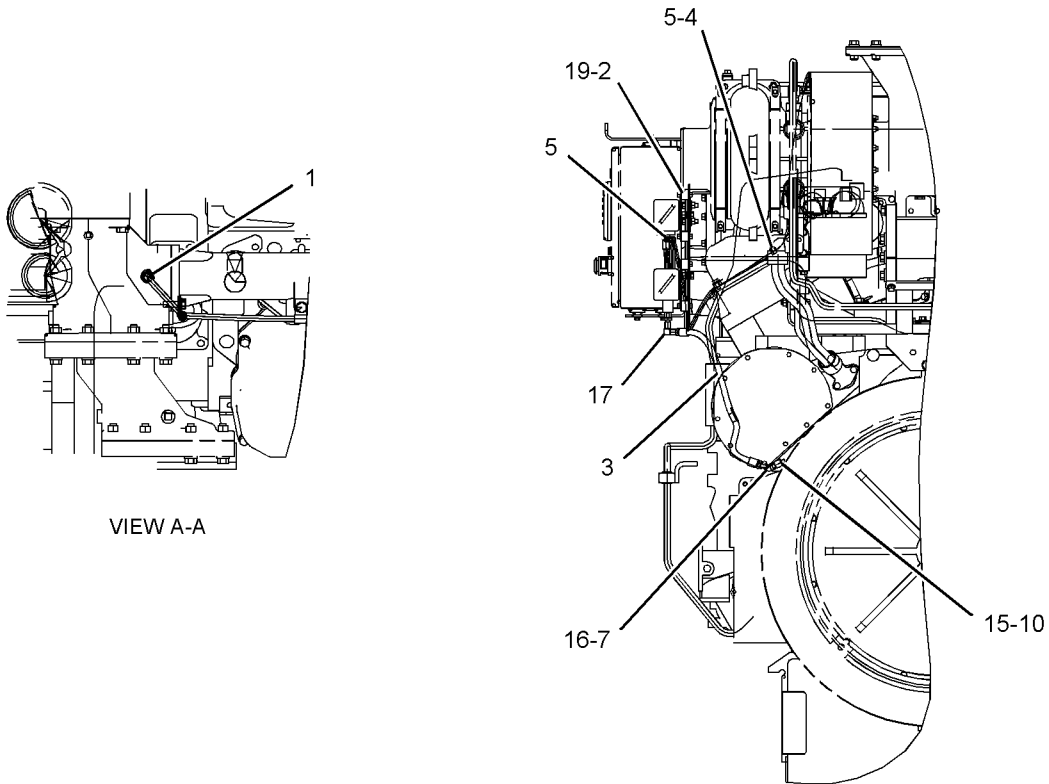
ELECTRICAL AND STARTING SYSTEM

232-0858 MOUNTING GP-CONTACTOR (contd.)

i02214324



LEFT SIDE VIEW



FRONT VIEW

GRAPHIC #1

<END>

g01147172

ELECTRICAL AND STARTING SYSTEM

241-9055 MOUNTING GP-CONTACTOR FOR USE WITH RH MOUNTED POWER DISTRIBUTION PANEL AN ATTACHMENT

SMCS-7400

i03706792

NOTE	REF NO	GRAPHIC REF	PART NUMBER	QTY	PART NAME						SEE PAGE
					1	2	3	4	5	6 (PRODUCT LEVEL)	
	1	1	3N-1968	8	MOUNT-FLEXIBLE						
	2	1	4P-7581	3	CLIP						
I	3	1	7N-2539	1	HOSE AS						
B	5	1	9X-6772	3	STRAP-CABLE						
	6	1	232-0867	1	PLATE						
	7	1	030-7941	1	ELBOW (45-DEG)						
	8	1	0S-1588	2	BOLT (3/8-16X1.25-IN)						
	9	1	0S-1618	4	BOLT (5/16-18X1-IN)						
	10	1	153-4906	1	SEAL-O-RING						
	11	1	4B-0418	1	CLIP						
	12	1	4W-2648	1	ADAPTER AS						
	13	1	5M-2894	4	WASHER-HARD (10.2X18.5X2.5-MM THK)						
B	14	1	5P-9085	4	CLIP						
	15	1	5P-9617	1	ADAPTER						
	16	1	6V-5048	1	SEAL-O-RING						
	17	1	7K-9197	1	ELBOW						
	18	1	9M-1974	4	WASHER-HARD (8.8X16X2-MM THK)						
	19	1	9S-8750	16	NUT-FULL (1/4-20-THD)						
	20	1	9S-8752	2	NUT-FULL (3/8-16-THD)						

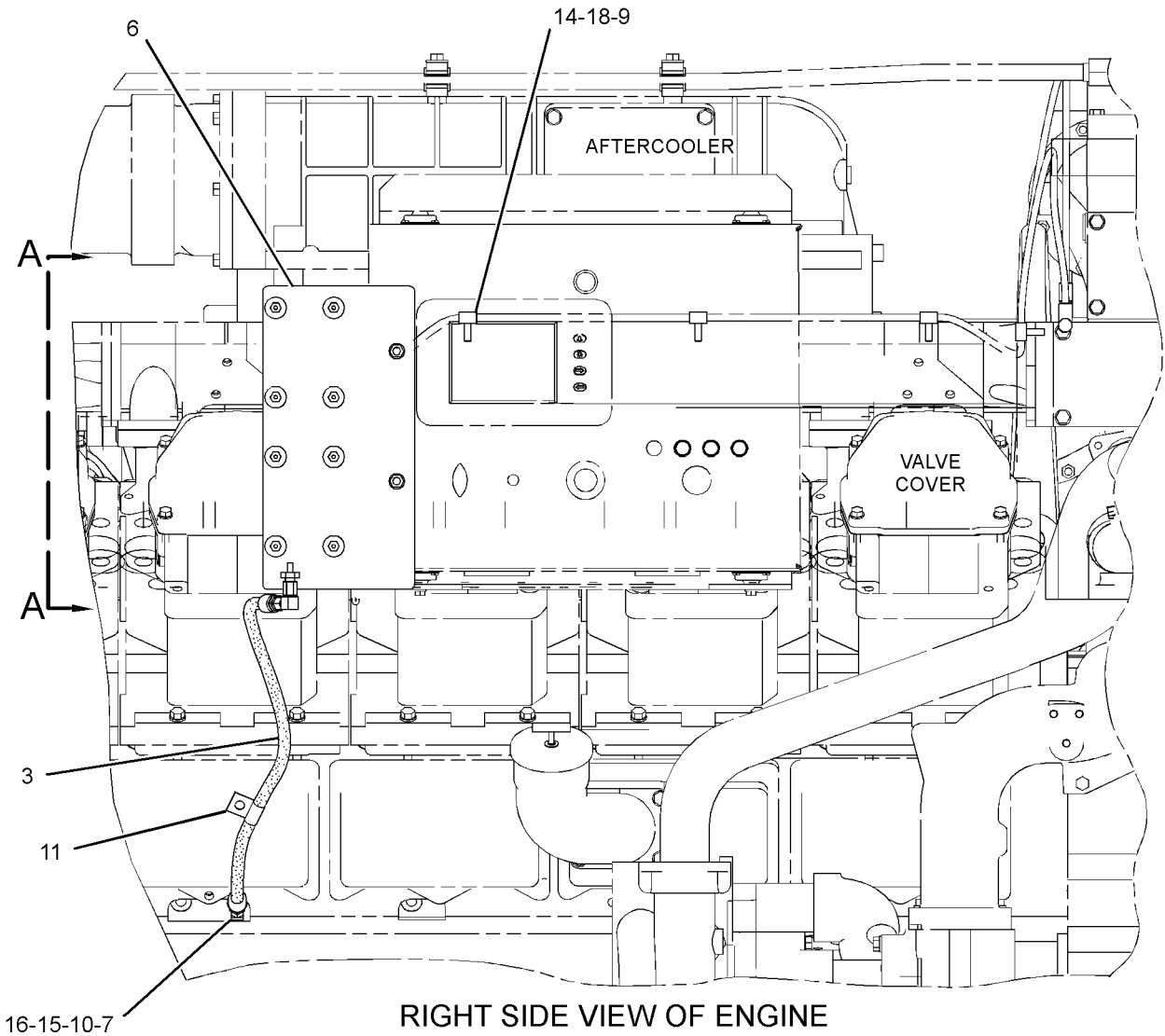
B-USE AS REQUIRED

I-REFER TO HYDRAULIC INFORMATION SYSTEM

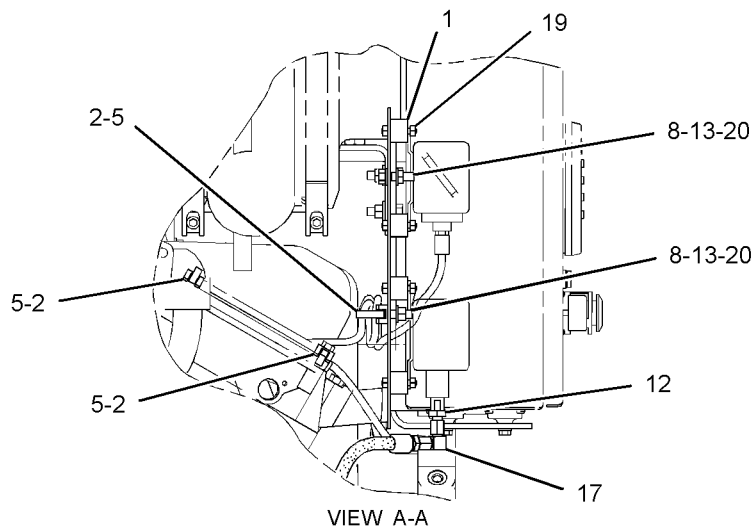
ELECTRICAL AND STARTING SYSTEM

241-9055 MOUNTING GP-CONTACTOR (contd.)

i03706792



RIGHT SIDE VIEW OF ENGINE



VIEW A-A

<END>

GRAPHIC #1

g02033187

ELECTRICAL AND STARTING SYSTEM

241-9056 MOUNTING GP-CONTACTOR FOR USE WITH LH MOUNTED POWER DISTRIBUTION PANEL AN ATTACHMENT

SMCS-7400

i02279176

NOTE	REF NO	GRAPHIC REF	PART NUMBER	QTY	PART NAME	SEE PAGE
					1 2 3 4 5 6 (PRODUCT LEVEL)	
	1	1	3N-1968	8	MOUNT-FLEXIBLE	
B	2	1	5P-8937		COMPOUND-JOINT (THERMAL)	
	3	1	9X-6772	3	STRAP-CABLE	
	4	1	231-9873	1	BRACKET AS	
I	5	1	231-9877	1	HOSE AS	
	6	1	030-7941	1	ELBOW (45-DEG)	
	7	1	153-4906	1	SEAL-O-RING	
	8	1	0S-0509	1	BOLT (3/8-16X0.75-IN)	
	9	1	0S-1618	3	BOLT (5/16-18X1-IN)	
	10	1	1B-9575	2	BOLT (5/16-18X1.56-IN)	
	11	1	4B-0418	2	CLIP	
	12	1	4P-7581	2	CLIP	
	13	1	4W-2648	1	ADAPTER AS	
	14	1	5M-2894	4	WASHER-HARD (10.2X18.5X2.5-MM THK)	
	15	1	5P-9085	3	CLIP	
	16	1	5P-9617	1	ADAPTER	
	17	1	6V-5048	1	SEAL-O-RING	
	18	1	7K-9197	1	ELBOW	
	19	1	9M-1974	3	WASHER-HARD (8.8X16X2-MM THK)	
	20	1	9S-8750	16	NUT-FULL (1/4-20-THD)	

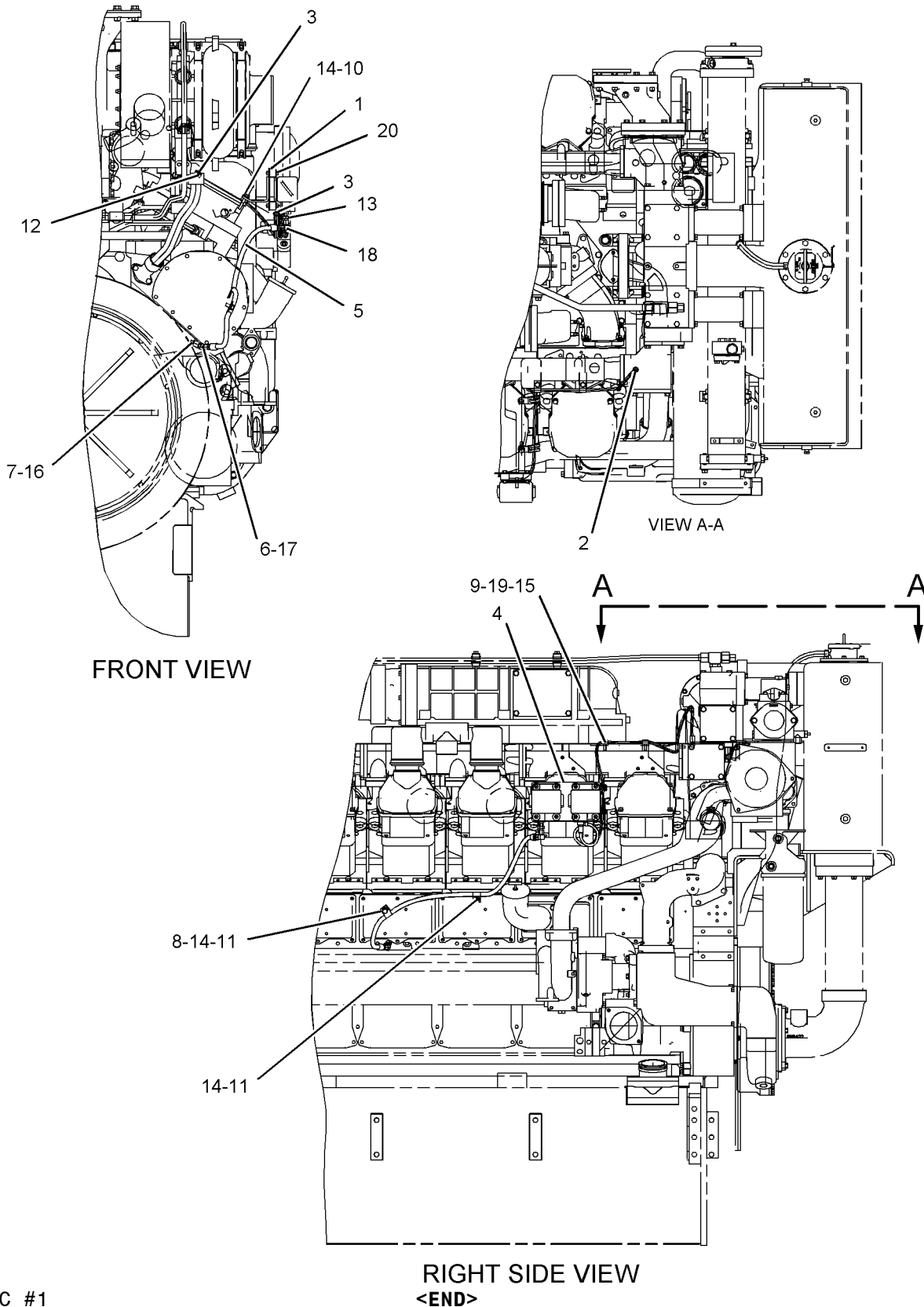
B-USE AS REQUIRED

I-REFER TO HYDRAULIC INFORMATION SYSTEM

ELECTRICAL AND STARTING SYSTEM

241-9056 MOUNTING GP-CONTACTOR (contd.)

i02279176



GRAPHIC #1

RIGHT SIDE VIEW
<END>

g01014631

ELECTRICAL AND STARTING SYSTEM

134-3160 MOUNTING GP-JACKET WTR HEATER-LH

CANNOT BE USED WITH HEAVY DUTY AIR CLEANER, RH SUMP PUMP OR RH
PRELUBRICATION CONVERSION
AN ATTACHMENT

SMCS-1383

i03754848

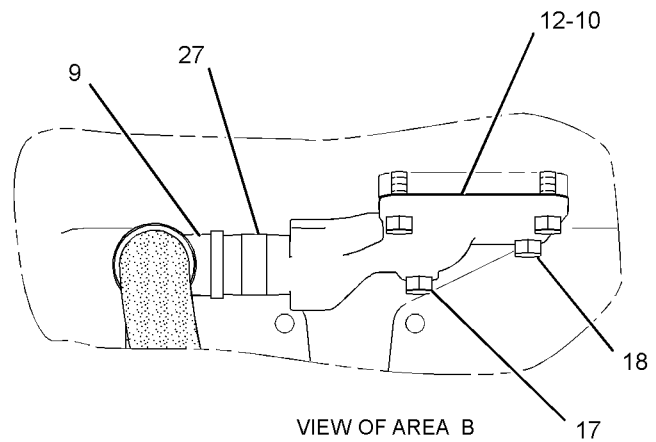
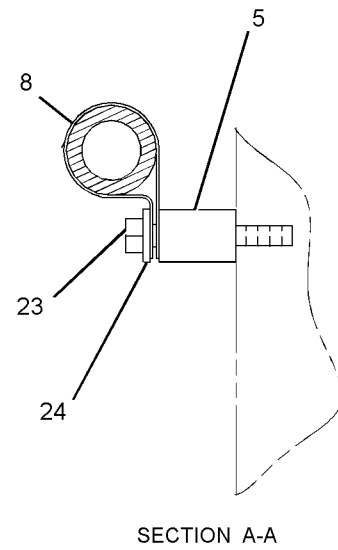
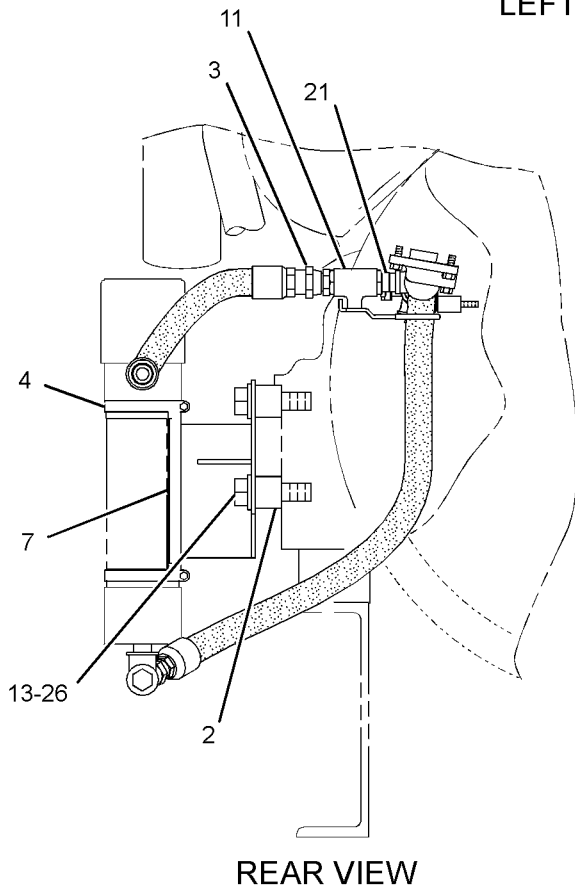
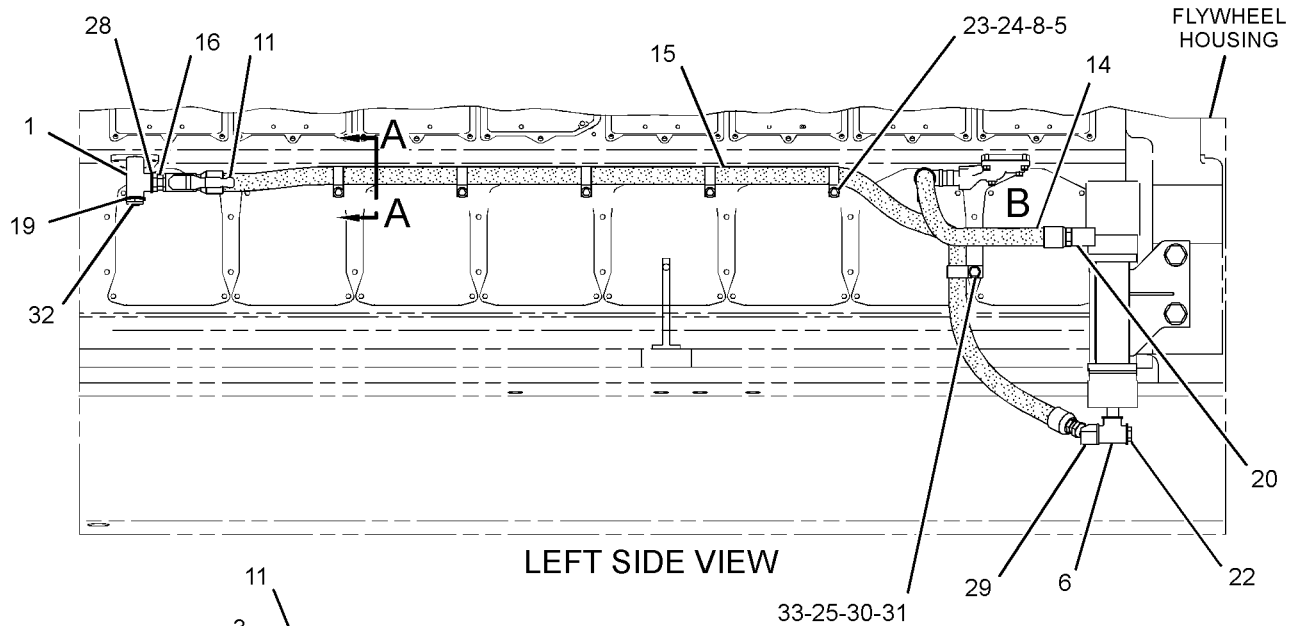
NOTE	REF NO	GRAPHIC REF	PART NUMBER	QTY	PART NAME						SEE PAGE
					1	2	3	4	5	6 (PRODUCT LEVEL)	
	1	1	1L-4031	1	TEE-SERVICE						
	2	1	1S-2303	2	SPACER (1.062X1.75X1.44-IN THK)						
	3	1	2N-7308	1	CONNECTOR-PIPE						
	4	1	8T-6726	2	CLAMP-HOSE						
	5	1	6B-6205	5	SPACER (0.438X0.875X1.281-IN THK)						
	6	1	6F-0496	1	TEE-PIPE						
	7	1	7C-1707	1	BRACKET AS						
		1	5P-2251	1	GUSSET						
	8	1	7D-7233	5	CLIP						
C	9	1	7L-8074	1	ELBOW-REDUCING						
	10	1	7N-4945	1	GASKET						
	11	1	8C-1358	2	VALVE-BALL (ISOLATION)						
	12	1	8N-8550	1	ELBOW						
	13	1	9S-1368	2	BOLT (1-14X3.5-IN)						
CI	14	1	177-9116	1	HOSE AS						
C	15	1	183-5973	1	HOSE AS						
	16	1	004-7270	1	FITTING-PIPE						
	17	1	0S-1571	1	BOLT (3/8-16X1.75-IN)						
	18	1	0S-1594	3	BOLT (3/8-16X1-IN)						
C	19	1	118-1656	1	BUSHING-REDUCER						
	20	1	3B-6491	1	COUPLING-PIPE						
	21	1	3B-7270	1	NIPPLE-PIPE						
	22	1	3E-7430	1	PLUG-PIPE						
	23	1	4L-6459	5	BOLT (3/8-16X2.5-IN)						
	24	1	5P-1075	5	WASHER-HARD (10.2X22.5X3-MM THK)						
C	25	1	5P-8245	1	WASHER-HARD (13.5X25.5X3-MM THK)						
	26	1	5P-8250	2	WASHER (28X49X5-MM THK)						
	27	1	6B-8128	1	NIPPLE-PIPE						
	28	1	6B-9081	1	BUSHING-REDUCING						
	29	1	6H-8297	1	ELBOW						
C	30	1	7D-4092	1	CLIP						
C	31	1	8S-5107	1	SPACER (0.622X0.84X2-IN THK)						
	32	1	8T-6762	1	PLUG-PIPE						
C	33	1	9X-8874	1	BOLT (1/2-13X3-IN)						

C-CHANGE FROM PREVIOUS TYPE
I-REFER TO HYDRAULIC INFORMATION SYSTEM

ELECTRICAL AND STARTING SYSTEM

134-3160 MOUNTING GP-JACKET WTR HEATER (contd.)

i03754848



GRAPHIC #1

<END>

g01230189

ELECTRICAL AND STARTING SYSTEM

166-6652 MOUNTING GP-JACKET WTR HEATER-RH CANNOT BE USED WITH HEAVY DUTY AIR CLEANER, RH SUMP PUMP, OR RH PRELUBRICATION CONVERSION AN ATTACHMENT

SMCS-1383

i03805152

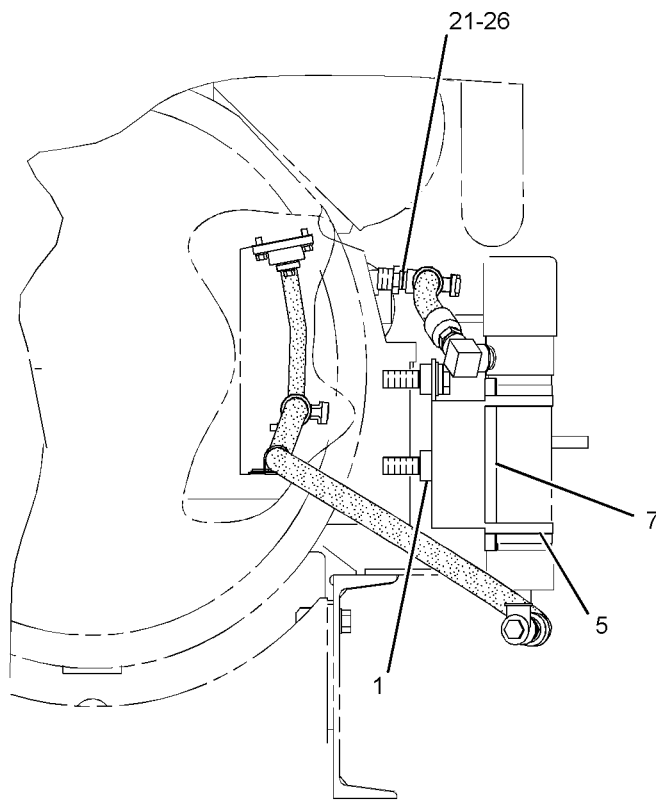
NOTE	REF NO	GRAPHIC REF	PART NUMBER	QTY	PART NAME						SEE PAGE
					1	2	3	4	5	6 (PRODUCT LEVEL)	
	1	1	1S-2303	2	SPACER (1.062X1.75X1.44-IN THK)						
	2	1	2N-7308	1	CONNECTOR-PIPE						
	3	1	4W-2109	2	RETAINER						
	4	1	4W-2110	1	RING-RETAINING						
	5	1	8T-6726	2	CLAMP-HOSE						
	6	1	6F-0496	1	TEE-PIPE						
	7	1	7C-1707	1	BRACKET AS						
		1	5P-2251	1	GUSSET						
	8	1	7N-4945	1	GASKET						
	9	1	8C-1358	2	VALVE-BALL						
	10	1	9S-1368	2	BOLT (1-14X3.5-IN)						
	11	1	9Y-3108	1	BRACKET						
	12	1	134-3100	1	FLANGE						
I	13	1	166-8067	1	HOSE AS						
	14	1	253-7759	1	HOSE AS						
	15	1	258-8952	1	TUBE AS						
	16	1	003-9163	1	ELBOW						
	17	1	030-8307	1	CONNECTOR						
	18	1	0S-1588	1	BOLT (3/8-16X1.25-IN)						
	19	1	0S-1594	6	BOLT (3/8-16X1-IN)						
	20	1	3B-6498	1	ELBOW						
	21	1	3B-7745	1	NIPPLE-PIPE						
	22	1	3E-7430	1	PLUG-PIPE						
	23	1	5F-6371	1	CONNECTOR						
	24	1	5M-2894	4	WASHER-HARD (10.2X18.5X2.5-MM THK)						
	25	1	5P-8250	2	WASHER (28X49X5-MM THK)						
	26	1	6B-9081	1	BUSHING-REDUCING						
	27	1	7C-4354	1	CLIP						
	28	1	7D-7233	2	CLIP						
	29	1	9L-9132	1	WASHER (10.2X25.5X2.5-MM THK)						
	30	1	9M-4849	1	SEAL-O-RING						
	31	1	9S-8752	1	NUT-FULL (3/8-16-THD)						
	32	1	0S-1608	1	BOLT (3/8-16X3.75-IN)						

I-REFER TO HYDRAULIC INFORMATION SYSTEM

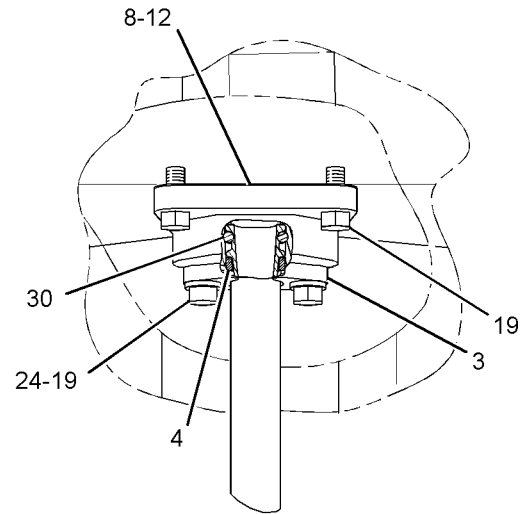
ELECTRICAL AND STARTING SYSTEM

166-6652 MOUNTING GP-JACKET WTR HEATER (contd.)

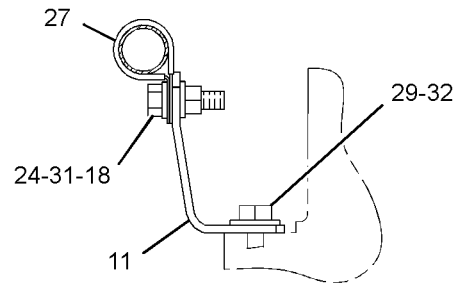
i03805152



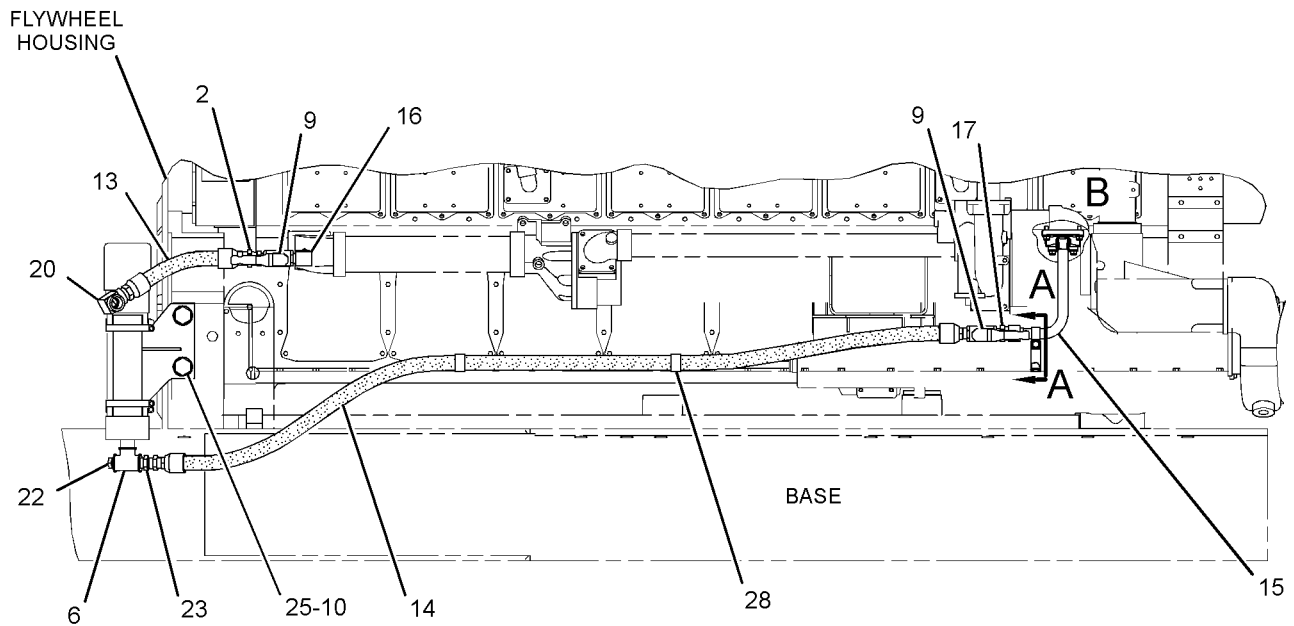
REAR VIEW OF ENGINE



VIEW OF AREA B



SECTION A-A



RIGHT SIDE VIEW OF ENGINE

GRAPHIC #1

<END>

g01953473

ELECTRICAL AND STARTING SYSTEM

258-8951 MOUNTING GP-JACKET WTR HEATER-LH AN ATTACHMENT

SMCS-1383

i02717776

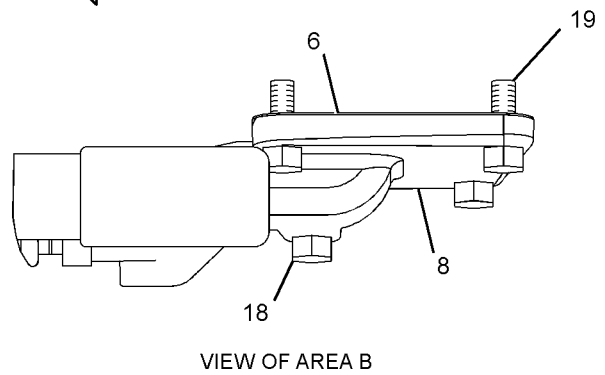
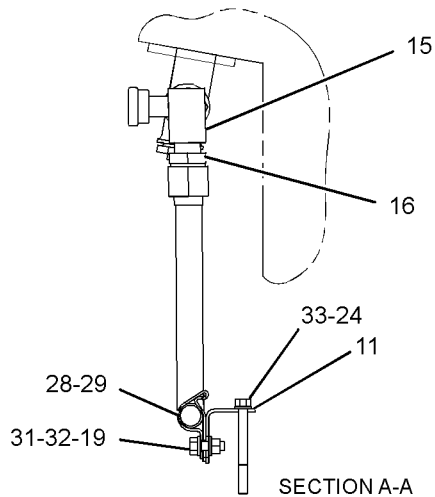
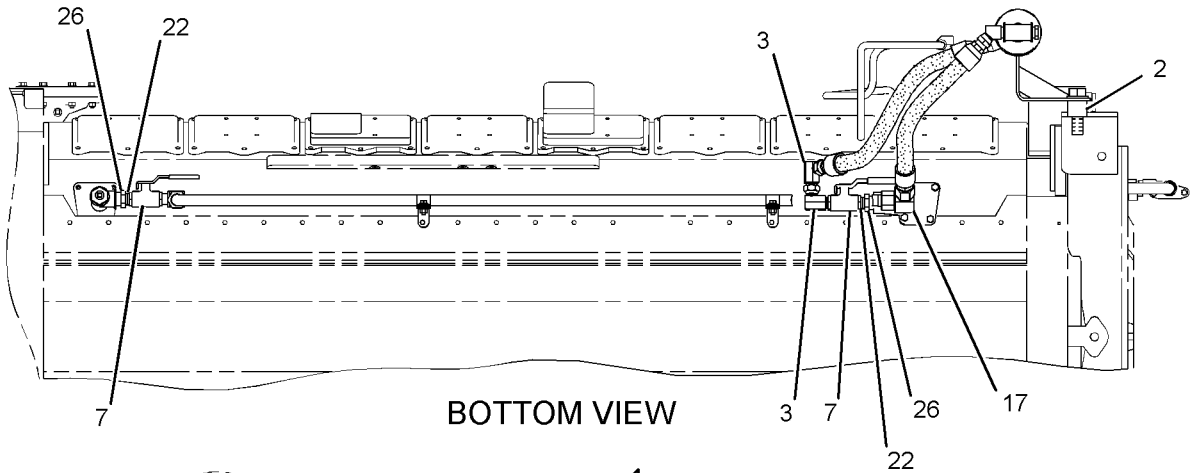
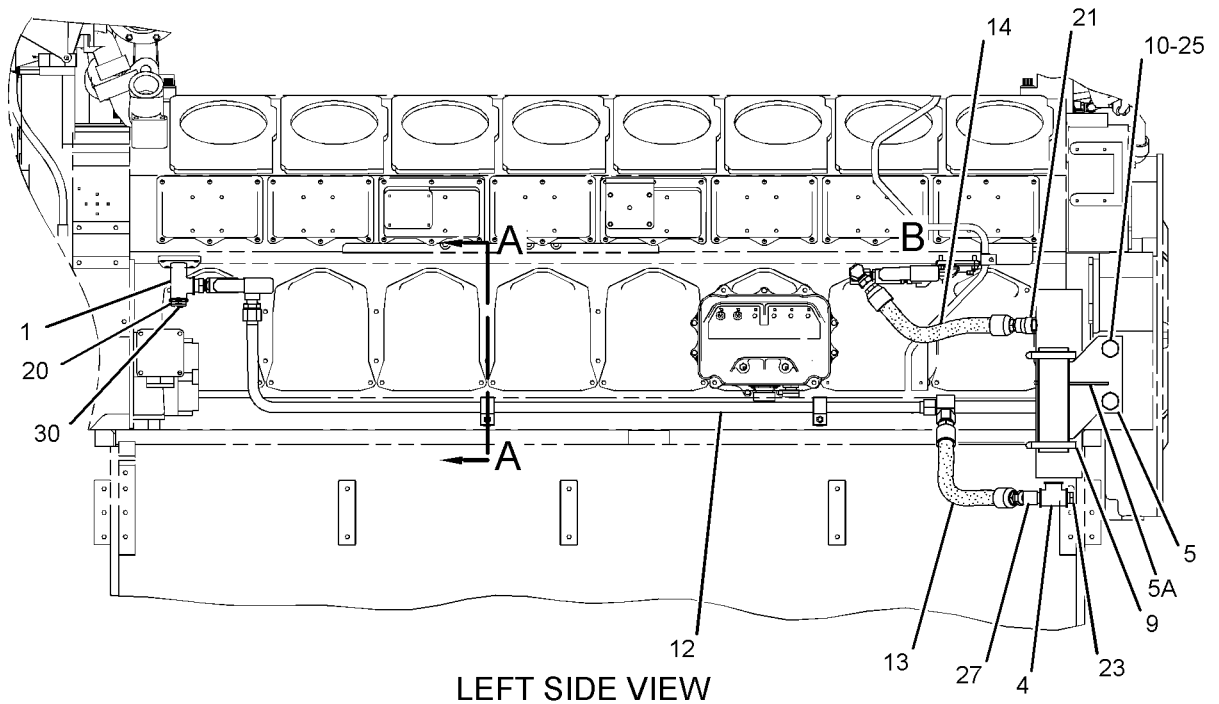
NOTE	REF NO	GRAPHIC REF	PART NUMBER	QTY	PART NAME						SEE PAGE
					1	2	3	4	5	6 (PRODUCT LEVEL)	
	1	1	1L-4031	1	TEE-SERVICE						
	2	1	1S-2303	2	SPACER (1.062X1.75X1.44-IN THK)						
	3	1	2H-3939	2	ELBOW						
	4	1	6F-0496	1	TEE-PIPE						
	5	1	7C-1707	1	BRACKET AS						
	5A	1	5P-2251	1	GUSSET						
	6	1	7N-4945	1	GASKET						
	7	1	8C-1358	2	VALVE-BALL (JACKET WATER)						
	8	1	8N-8550	1	ELBOW						
	9	1	8T-6726	2	CLAMP-HOSE						
	10	1	9S-1368	2	BOLT (1-14X3.5-IN)						
	11	1	116-3266	2	BRACKET						
	12	1	258-8954	1	TUBE AS						
	13	1	259-2607	1	HOSE AS						
I	14	1	267-7346	1	HOSE AS						
	15	1	003-9163	1	ELBOW						
	16	1	030-8307	1	CONNECTOR						
	17	1	031-5744	1	ELBOW						
	18	1	0S-1571	1	BOLT (3/8-16X1.75-IN)						
	19	1	0S-1594	5	BOLT (3/8-16X1-IN)						
	20	1	118-1656	1	BUSHING-REDUCER						
	21	1	2R-7712	1	COUPLING (REDUCING)						
	22	1	3B-7745	2	NIPPLE-PIPE						
	23	1	3E-7430	1	PLUG-PIPE						
	24	1	5M-2894	2	WASHER-HARD (10.2X18.5X2.5-MM THK)						
	25	1	5P-8250	2	WASHER (28X49X5-MM THK)						
	26	1	6B-9081	2	BUSHING-REDUCING						
	27	1	6H-8297	1	ELBOW						
	28	1	7J-0728	2	CLIP (TAB)						
	29	1	7J-0729	2	CLIP (SLOT)						
	30	1	8T-6762	1	PLUG-PIPE						
	31	1	9S-8752	2	NUT-FULL (3/8-16-THD)						
	32	1	3V-3308	4	WASHER-HARD (10.2X20.5X2.5-MM THK)						
	33	1	0S-1608	2	BOLT (3/8-16X3.75-IN)						

I-REFER TO HYDRAULIC INFORMATION SYSTEM

ELECTRICAL AND STARTING SYSTEM

258-8951 MOUNTING GP-JACKET WTR HEATER (contd.)

i02717776



GRAPHIC #1

<END>

g01364298

ELECTRICAL AND STARTING SYSTEM

294-3308 MOUNTING GP-JACKET WTR HEATER-RH AN ATTACHMENT

SMCS-1383

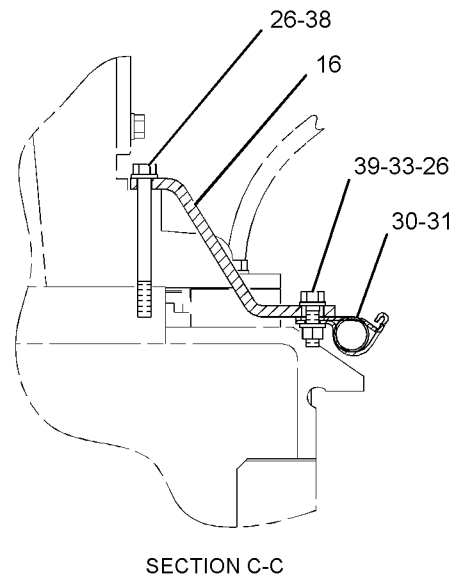
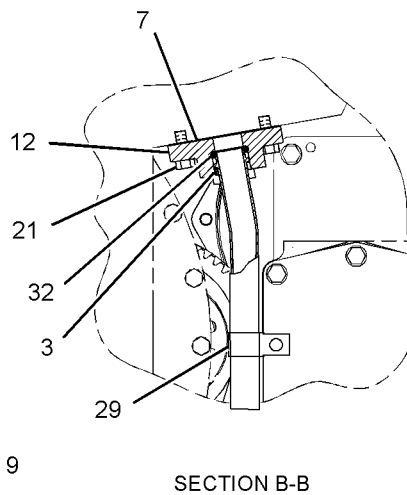
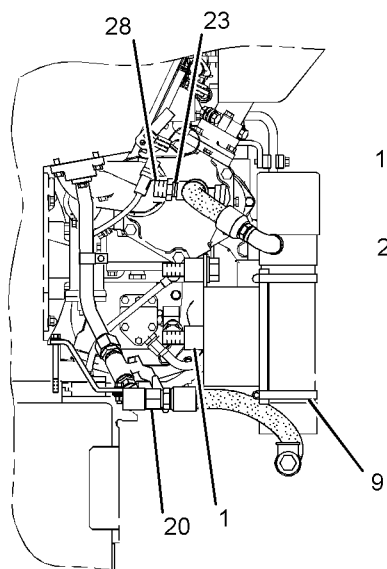
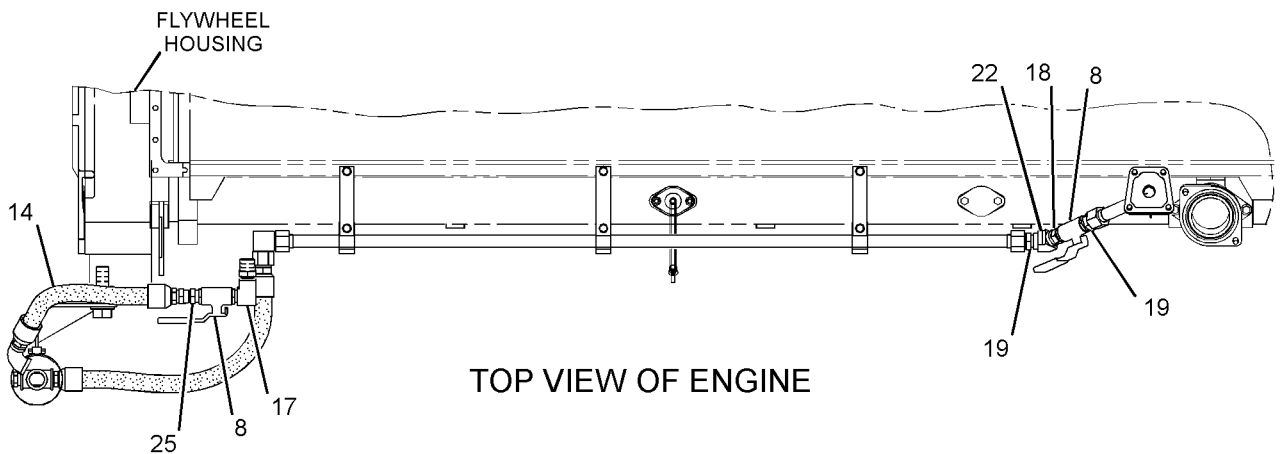
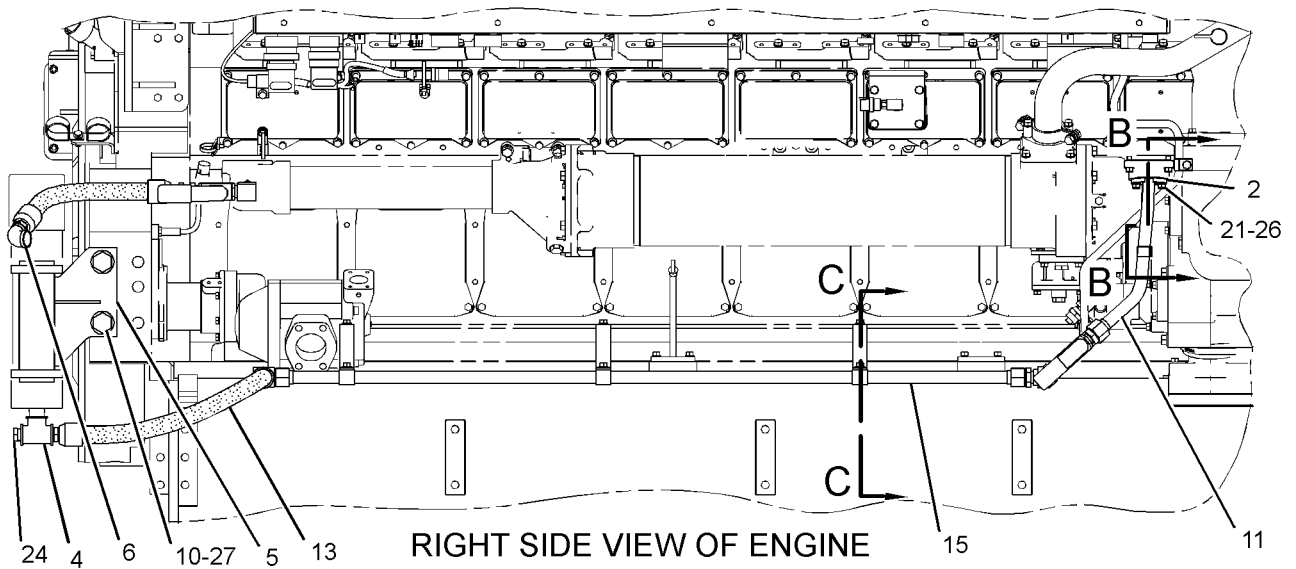
i03380294

NOTE	REF NO	GRAPHIC REF	PART NUMBER	QTY	PART NAME						SEE PAGE
					1	2	3	4	5	6 (PRODUCT LEVEL)	
	1	1	1S-2303	2	SPACER (1.062X1.75X1.44-IN THK)						
	2	1	4W-2109	2	RETAINER						
	3	1	4W-2110	1	RING-RETAINING						
	4	1	6F-0496	1	TEE-PIPE						
	5	1	7C-1707	1	BRACKET AS						
	6	1	7L-8074	1	ELBOW-REDUCING						
	7	1	7N-4945	1	GASKET						
	8	1	8C-1358	2	VALVE-BALL						
	9	1	8T-6726	2	CLAMP-HOSE						
	10	1	9S-1368	2	BOLT (1-14X3.5-IN)						
	11	1	134-3098	1	TUBE AS						
	12	1	134-3100	1	FLANGE						
	13	1	258-8955	1	HOSE AS						
	14	1	259-2608	1	HOSE AS						
	15	1	294-3310	1	TUBE AS						
	16	1	296-2717	3	BRACKET						
	17	1	003-9163	1	ELBOW						
	18	1	004-7270	1	FITTING-PIPE						
	19	1	030-8307	2	CONNECTOR						
	20	1	031-5744	1	ELBOW						
	21	1	0S-1594	6	BOLT (3/8-16X1-IN)						
	22	1	3B-7728	1	ELBOW						
	23	1	3B-7745	1	NIPPLE-PIPE						
	24	1	3E-7430	1	PLUG-PIPE						
	25	1	5F-6371	1	CONNECTOR						
	26	1	5M-2894	11	WASHER-HARD (10.2X18.5X2.5-MM THK)						
	27	1	5P-8250	2	WASHER (28X49X5-MM THK)						
	28	1	6B-9081	1	BUSHING-REDUCING						
	29	1	7C-4354	1	CLIP						
	30	1	7J-0728	3	CLIP (TAB)						
	31	1	7J-0729	3	CLIP (SLOT)						
	32	1	9M-4849	1	SEAL-O-RING						
	33	1	9S-8752	3	NUT-FULL (3/8-16-THD)						
	38	1	8S-9191	3	BOLT (3/8-16X4-IN)						
	39	1	0S-1588	3	BOLT (3/8-16X1.25-IN)						

ELECTRICAL AND STARTING SYSTEM

294-3308 MOUNTING GP-JACKET WTR HEATER (contd.)

i03380294



GRAPHIC #1

<END>

g01762074

ELECTRICAL AND STARTING SYSTEM

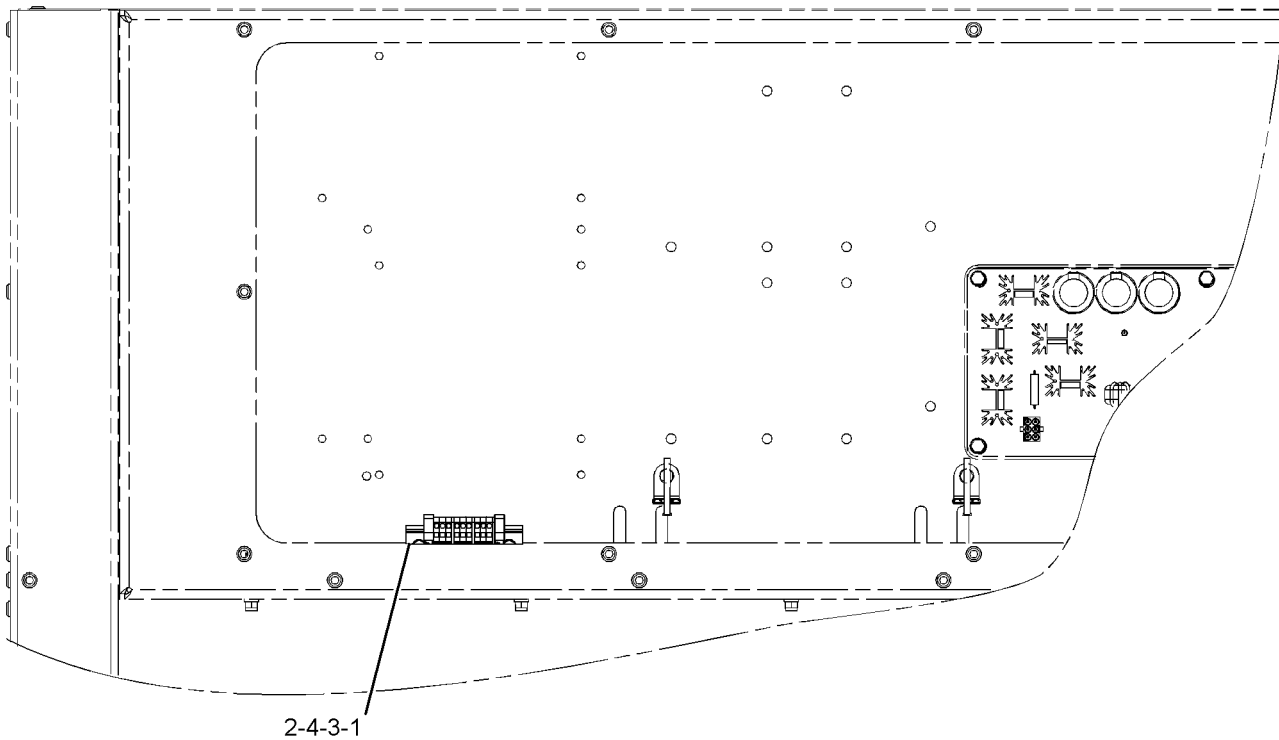
252-7361 MOUNTING GP-TERMINAL STRIP-LOAD SHARE MEDIUM VOLTAGE AN ATTACHMENT

SMCS-4460, 7426

i02267094

NOTE	REF NO	GRAPHIC REF	PART NUMBER	QTY	PART NAME						SEE PAGE
					1	2	3	4	5	6 (PRODUCT LEVEL)	
Y	1	1	252-7357	1	STRIP GP-TERMINAL (LOAD SHARE)						521
M	2	1	5C-2890	2	NUT (M6X1-THD)						
M	3	1	5C-9553	2	BOLT (M6X1X16-MM)						
	4	1	9X-8256	4	WASHER (6.6X12X2-MM THK)						

M-METRIC PART
Y-SEPARATE ILLUSTRATION



FRONT VIEW

GRAPHIC #1

<END>

g01138368

ELECTRICAL AND STARTING SYSTEM

252-7374 MOUNTING GP-TRANSFORMER-POTENTIAL FOR USE WITH LOW AND MEDIUM VOLTAGE AN ATTACHMENT

SMCS-4476

i02592965

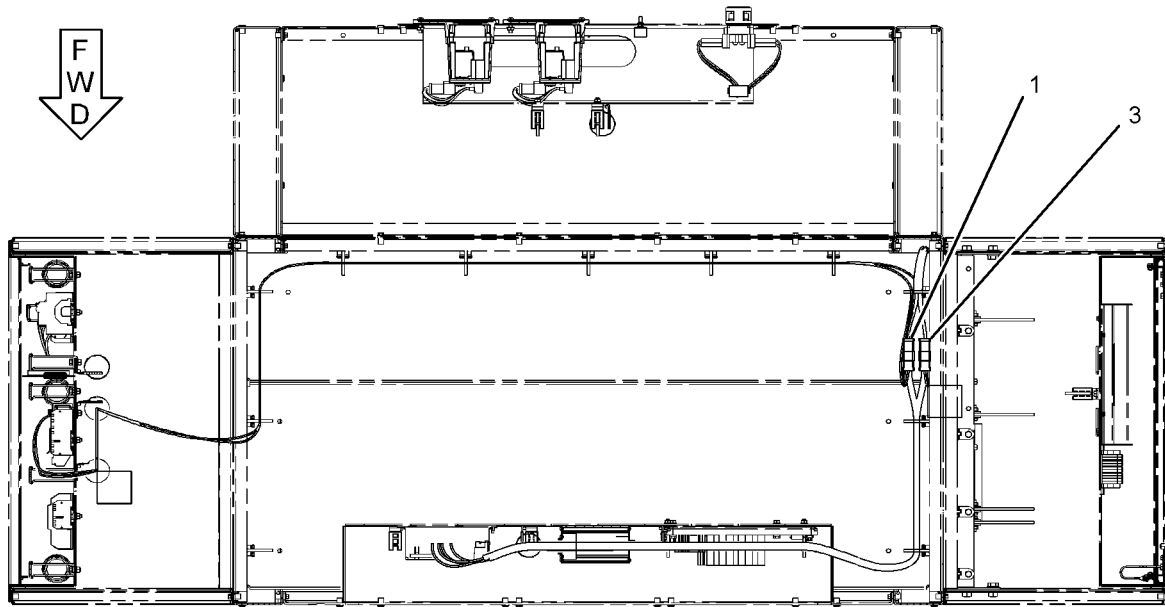
NOTE	REF NO	GRAPHIC REF	PART NUMBER	QTY	PART NAME						SEE PAGE
					1	2	3	4	5	6 (PRODUCT LEVEL)	
	1	1	252-7359	1	HARNESS AS-WIRING (POTENTIAL TRANSFORMER)						
		1	3E-3377	1	WEDGE-RECEPTACLE LOCK (4-PIN)						
		1	102-8804	2	KIT-RECEPTACLE (4-PIN)						
					(EACH INCLUDES RECEPTACLE AS AND WEDGE)						
		1	8T-8737	1	PLUG-SEAL						
		1	186-3735	3	PIN-CONNECTOR (16-GA TO 18-GA)						
		1	109-3038	3	END-WIRE (16-GA)						
Y	2	1	289-0656	2	TRANSFORMER GP-CURRENT						529
	3	1	252-7446	1	HARNESS AS-WIRING (POTENTIAL TRANSFORMER)						
		1	186-3735	3	PIN-CONNECTOR (16-GA TO 18-GA)						
		1	102-8804	1	KIT-RECEPTACLE (4-PIN)						
					(INCLUDES RECEPTACLE AS AND WEDGE)						
		1	8T-8737	1	PLUG-SEAL						
		1	3E-3377	1	WEDGE-RECEPTACLE LOCK (4-PIN)						
		1	109-3038	3	END-WIRE (16-GA)						
	4	1	4B-2043	8	NUT (8-32-THD)						
	5	1	4B-4863	16	WASHER (4.7X11X1.2-MM THK)						
	6	1	9X-8486	8	SCREW-MACHINE (8-32X0.75-IN)						
	7	1	9X-6772	6	STRAP-CABLE						

Y-SEPARATE ILLUSTRATION

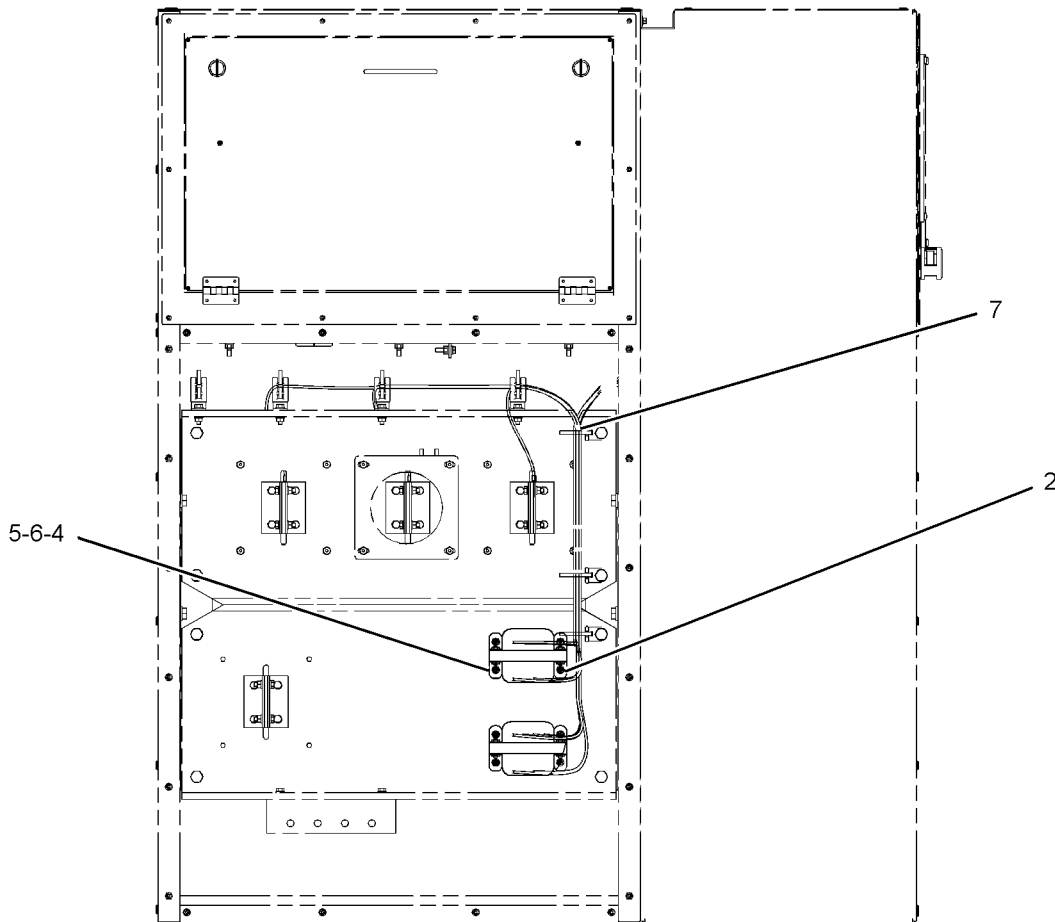
ELECTRICAL AND STARTING SYSTEM

252-7374 MOUNTING GP-TRANSFORMER (contd.)

i02592965



TOP VIEW



RIGHT SIDE VIEW

GRAPHIC #1

<END>

g01289238

ELECTRICAL AND STARTING SYSTEM

269-7011 MOUNTING GP-TRANSFORMER

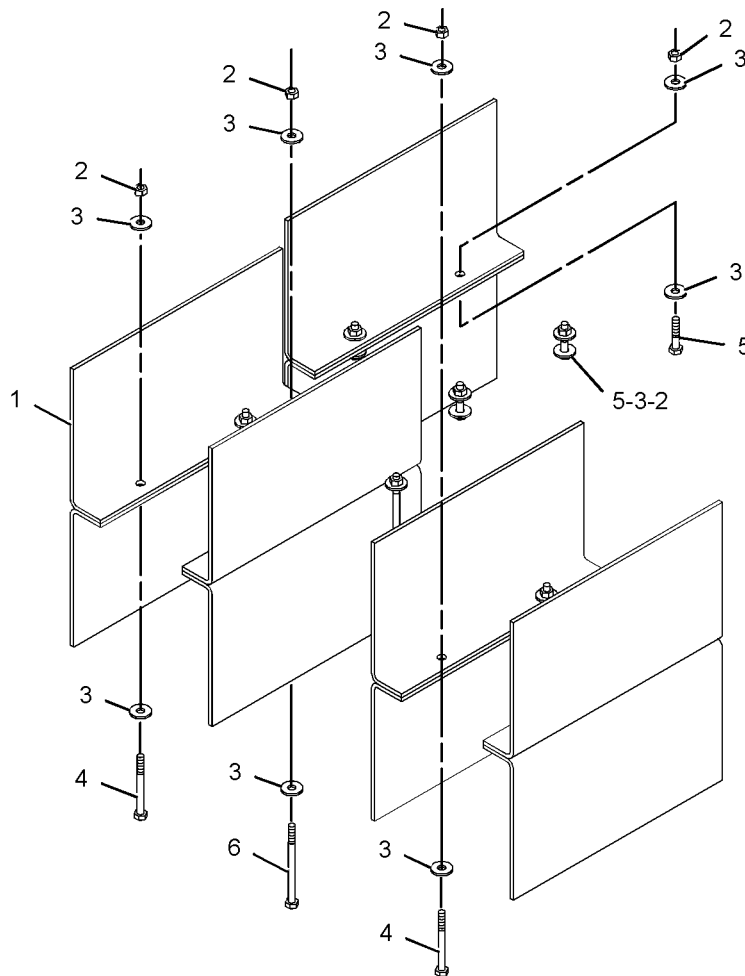
FOR USE WITH NEMA OR IEC BUS CONFIGURATIONS
AN ATTACHMENT

SMCS-4476

i02634007

NOTE	REF NO	GRAPHIC REF	PART NUMBER	QTY	PART NAME						SEE PAGE
					1	2	3	4	5	6 (PRODUCT LEVEL)	
	1	1	284-9561	10	PLATE-PROTECTION						
M	2	1	5C-2890	16	NUT (M6X1-THD)						
	3	1	5P-4115	32	WASHER-HARD (7.2X19X2-MM THK)						
M	4	1	7X-2535	8	BOLT (M6X1X60-MM)						
M	5	1	8T-4971	4	BOLT (M6X1X30-MM)						
M	6	1	8T-6974	4	BOLT (M6X1X80-MM)						

M-METRIC PART



GRAPHIC #1

<END>

g01352009

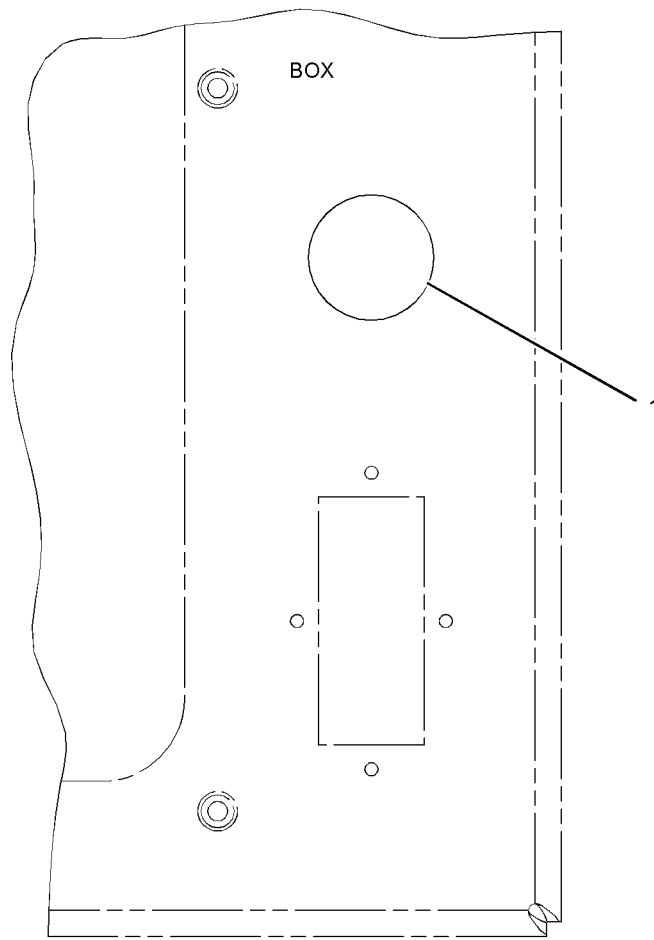
ELECTRICAL AND STARTING SYSTEM

252-7438 PLUG GP-BOX-JACKET WATER HEATER AN ATTACHMENT

SMCS-7426

i02551943

NOTE	REF NO	GRAPHIC REF	PART NUMBER	QTY	PART NAME						SEE PAGE
					1	2	3	4	5	6 (PRODUCT LEVEL)	
	1	1	4F-8711	1	BUTTON-PLUG						



REAR VIEW

<END>

GRAPHIC #1

g01157137

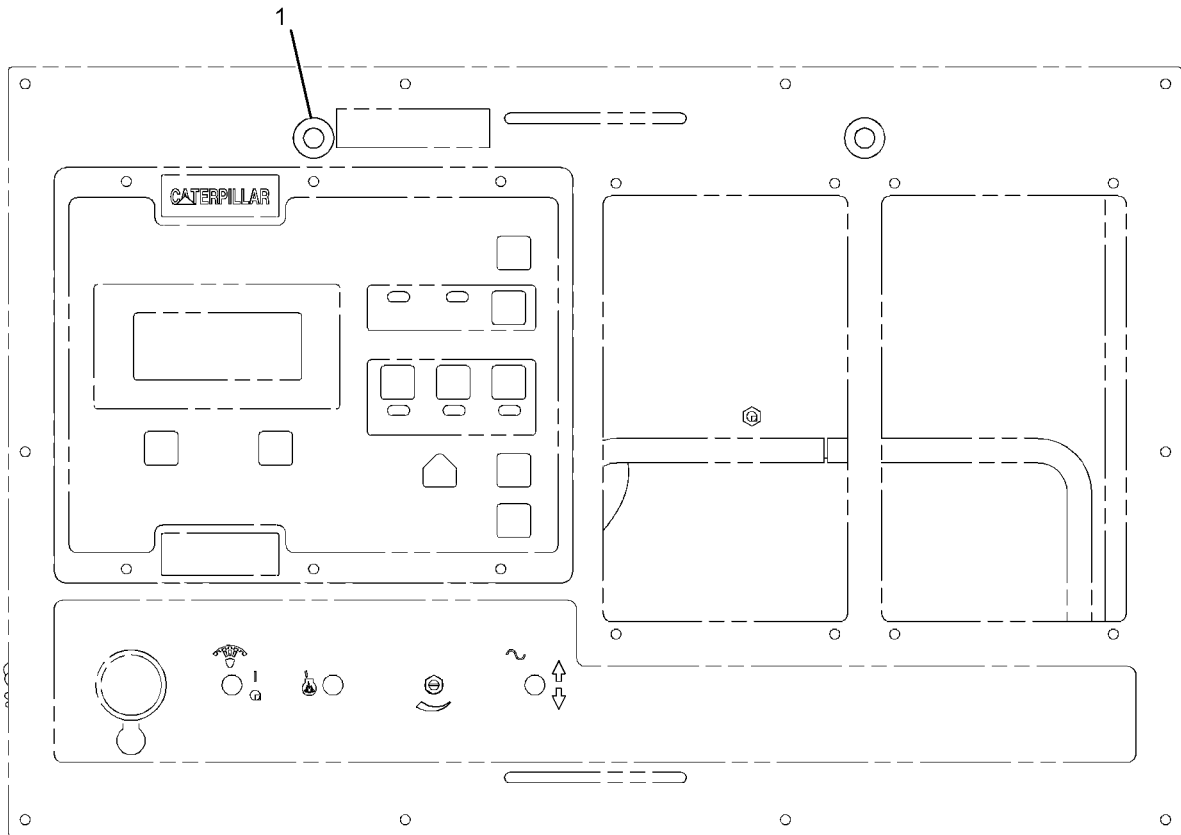
ELECTRICAL AND STARTING SYSTEM

252-7700 PLUG GP-BOX-PANEL LIGHTS AN ATTACHMENT

SMCS-7426

i02330181

NOTE	REF NO	GRAPHIC REF	PART NUMBER	QTY	PART NAME						SEE PAGE
					1	2	3	4	5	6 (PRODUCT LEVEL)	
	1	1	5P-4935	2	PLUG-BUTTON						



GRAPHIC #1

<END>

g01164850

ELECTRICAL AND STARTING SYSTEM

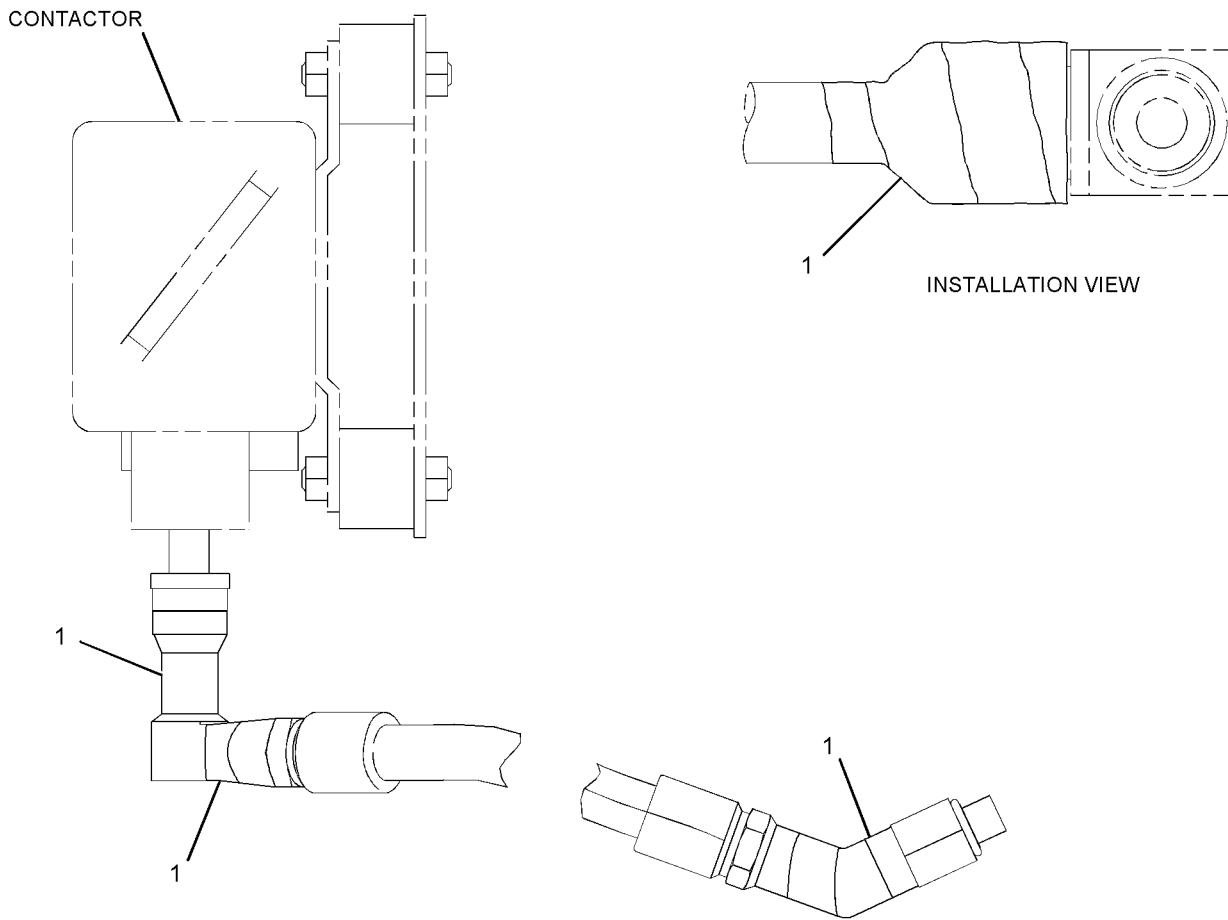
264-3074 PROTECTION GP-ENGINE AN ATTACHMENT

SMCS-1900

i03636753

NOTE	REF NO	GRAPHIC REF	PART NUMBER	QTY	PART NAME						SEE PAGE
					1	2	3	4	5	6 (PRODUCT LEVEL)	
B	1	1	237-3860		TAPE (ANTI-SPLASH, 50-MM WIDE)						

B-USE AS REQUIRED



FRONT VIEW

<END>

GRAPHIC #1

g01320494

ELECTRICAL AND STARTING SYSTEM

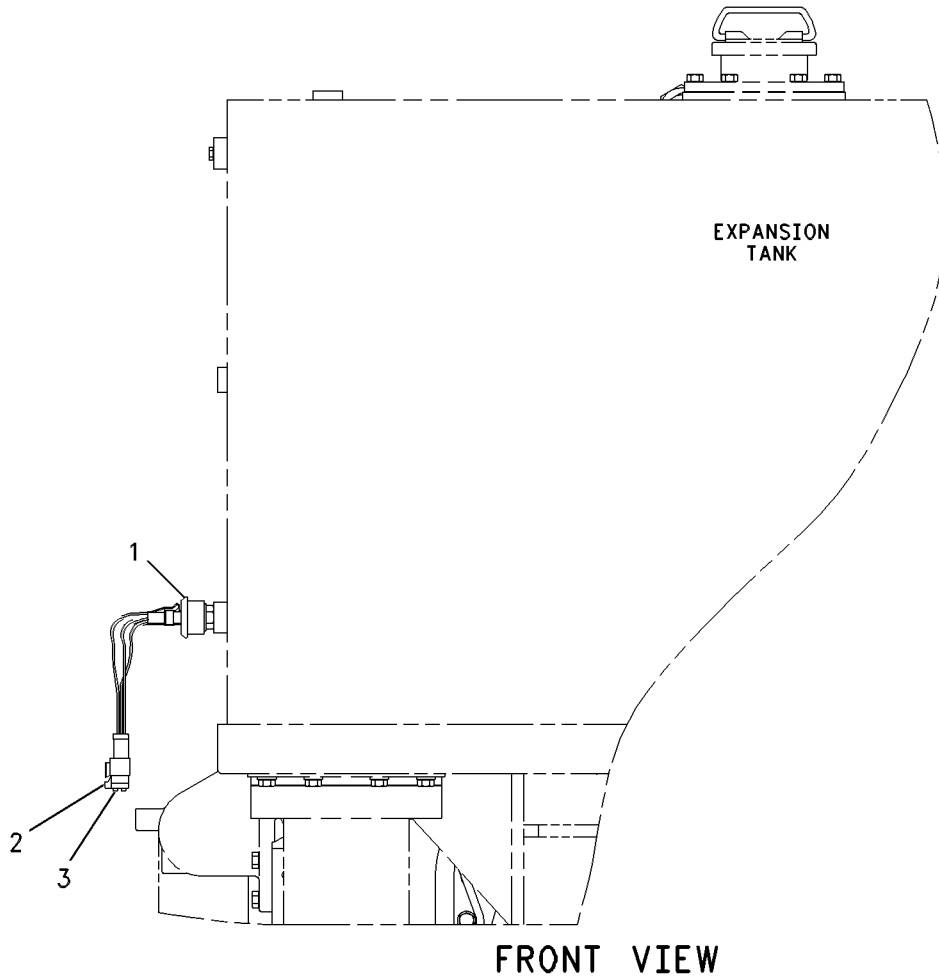
124-0121 SENSOR & MTG GP-EXPANSION TANK- COOLANT LEVEL AN ATTACHMENT

SMCS-1354, 7400

i02706890

NOTE	REF NO	GRAPHIC REF	PART NUMBER	QTY	PART NAME						SEE PAGE
					1	2	3	4	5	6 (PRODUCT LEVEL)	
CY	1	1	204-2518	1	SENSOR GP-LIQUID LEVEL						482
	2	1	155-2260	1	KIT-CONNECTING PLUG (3-PIN) (INCLUDES PLUG AS AND WEDGE)						
	3	1	8T-8737	3	PLUG-SEAL						

C-CHANGE FROM PREVIOUS TYPE
Y-SEPARATE ILLUSTRATION



GRAPHIC #1

<END>

g00626754

ELECTRICAL AND STARTING SYSTEM

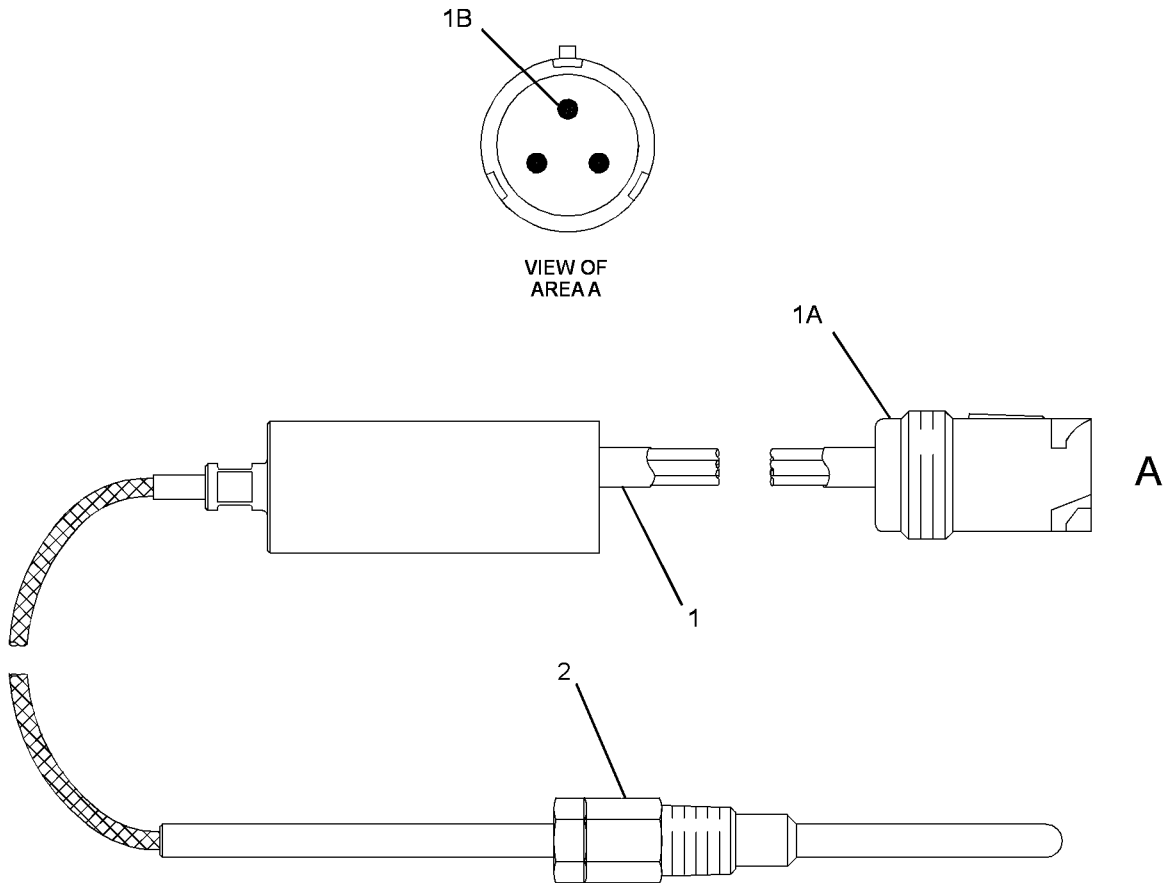
164-2441 SENSOR GP-EXHAUST TEMPERATURE

PART OF 212-3425 SENSOR GP-EXHAUST TEMPERATURE
AN ATTACHMENT

SMCS-1919

i02508013

NOTE	REF NO	GRAPHIC REF	PART NUMBER	QTY	PART NAME						SEE PAGE
					1	2	3	4	5	6 (PRODUCT LEVEL)	
	1	1	261-6849	1	SENSOR GP-EXHAUST TEMPERATURE						
	1A	1	8T-8732	1	RECEPTACLE (3-PIN)						
	1B	1	186-3735	3	PIN-CONNECTOR (16-GA TO 18-GA)						
	2	1	261-6847	1	ADAPTER						



GRAPHIC #1

<END>

g01251710

ELECTRICAL AND STARTING SYSTEM

212-3425 SENSOR GP-EXHAUST TEMPERATURE

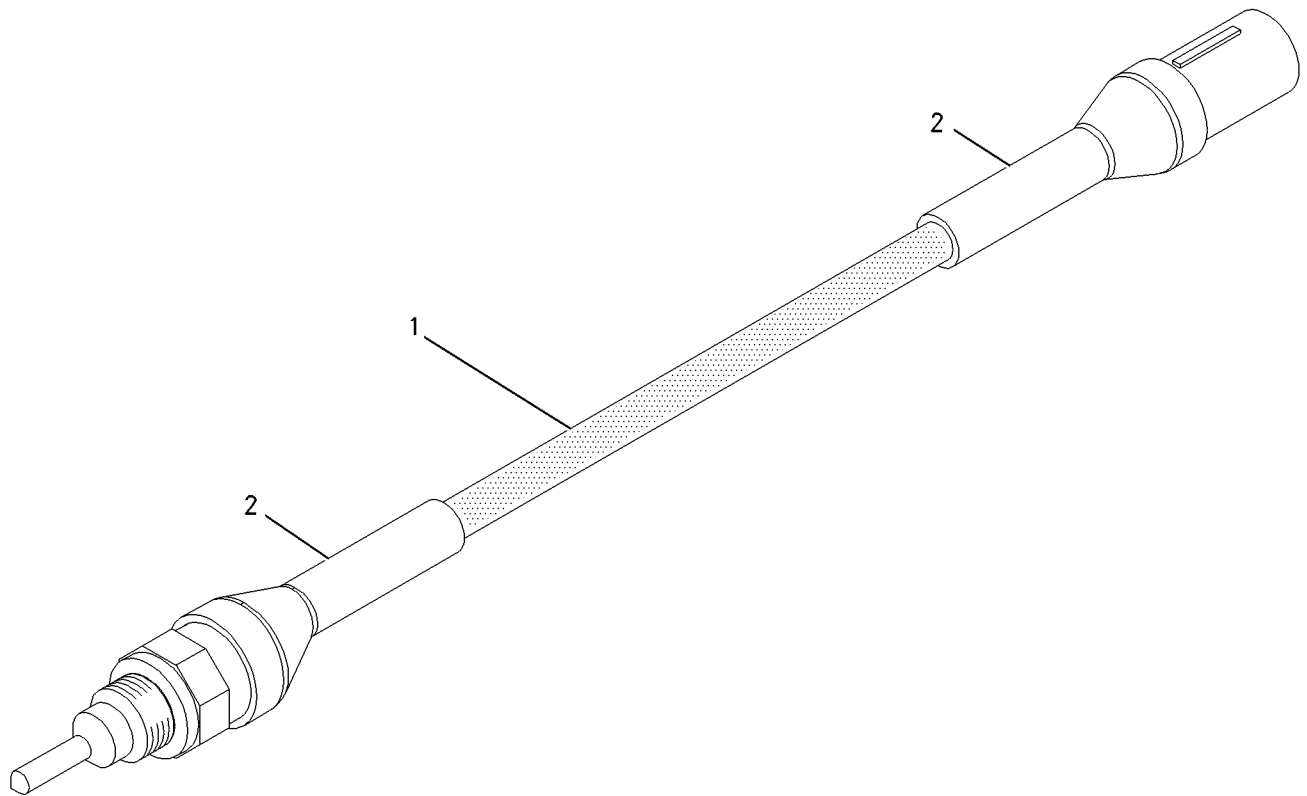
PART OF 296-8291 WIRING GP-ENGINE
AN ATTACHMENT

SMCS-1919

i02360107

NOTE	REF NO	GRAPHIC REF	PART NUMBER	QTY	PART NAME						SEE PAGE
					1	2	3	4	5	6 (PRODUCT LEVEL)	
Y	1	1	164-2441	1	SENSOR GP-EXHAUST TEMPERATURE						480
E	2	1	135-5009		TUBE-HEAT SHRINK (32-MM DIA) (16-CM)						

E-ORDER BY THE CENTIMETER
Y-SEPARATE ILLUSTRATION



GRAPHIC #1

<END>

g00916796

ELECTRICAL AND STARTING SYSTEM

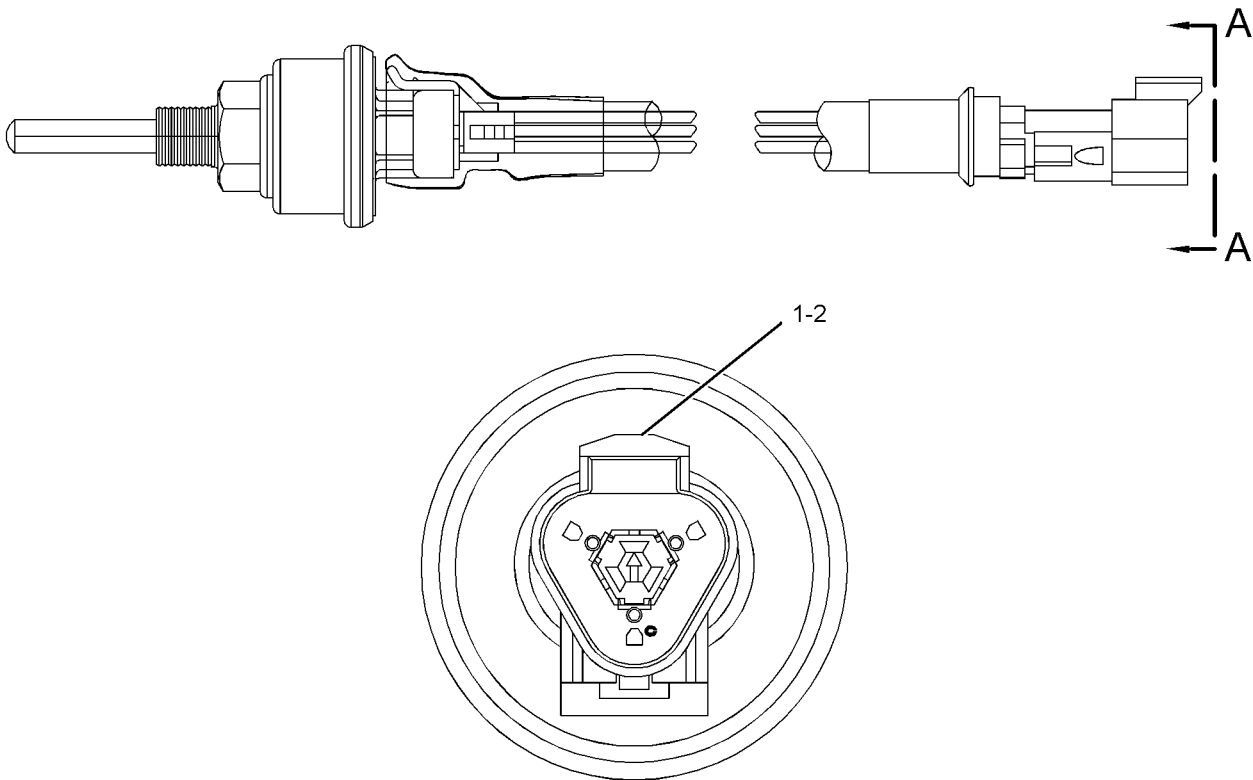
204-2518 SENSOR GP-LIQUID LEVEL

PART OF 124-0121 SENSOR & MTG GP-EXPANSION TANK
AN ATTACHMENT

SMCS-7422

i02585904

NOTE	REF NO	GRAPHIC REF	PART NUMBER	QTY	PART NAME						SEE PAGE
					1	2	3	4	5	6 (PRODUCT LEVEL)	
	1	1	186-3735	3	PIN-CONNECTOR (16-GA TO 18-GA)						
	2	1	102-8803	1	KIT-RECEPTACLE (3-PIN)						
(INCLUDES RECEPTACLE AS & WEDGE)											



VIEW A-A

GRAPHIC #1

<END>

g01203130

ELECTRICAL AND STARTING SYSTEM

194-6722 SENSOR GP-PRESSURE

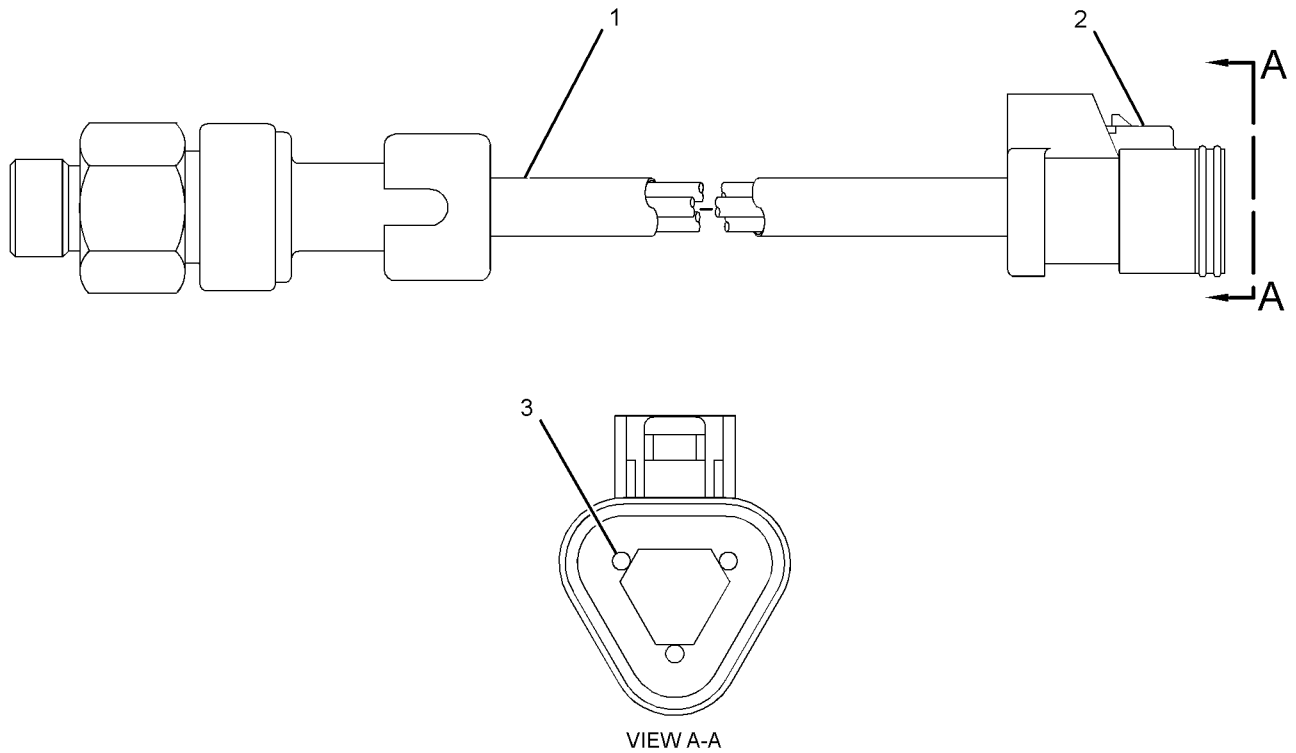
PART OF 304-5666 SENSOR GP-PRESSURE
AN ATTACHMENT

SMCS-1718, 1916, 1917, 1923, 1924, 1925

i03698115

NOTE	REF NO	GRAPHIC REF	PART NUMBER	QTY	PART NAME						SEE PAGE
					1	2	3	4	5	6 (PRODUCT LEVEL)	
E	1	1	9X-1813		SLEEVE (34-CM)						
	2	1	155-2260	1	KIT-CONNECTING PLUG (3-PIN) (INCLUDES PLUG AS, WEDGE & INTERFACE SEAL)						
	3	1	180-9340	3	SOCKET-CONNECTOR (14-GA TO 18-GA)						

E-ORDER BY THE CENTIMETER



GRAPHIC #1

<END>

g01991395

ELECTRICAL AND STARTING SYSTEM

194-6724 SENSOR GP-PRESSURE

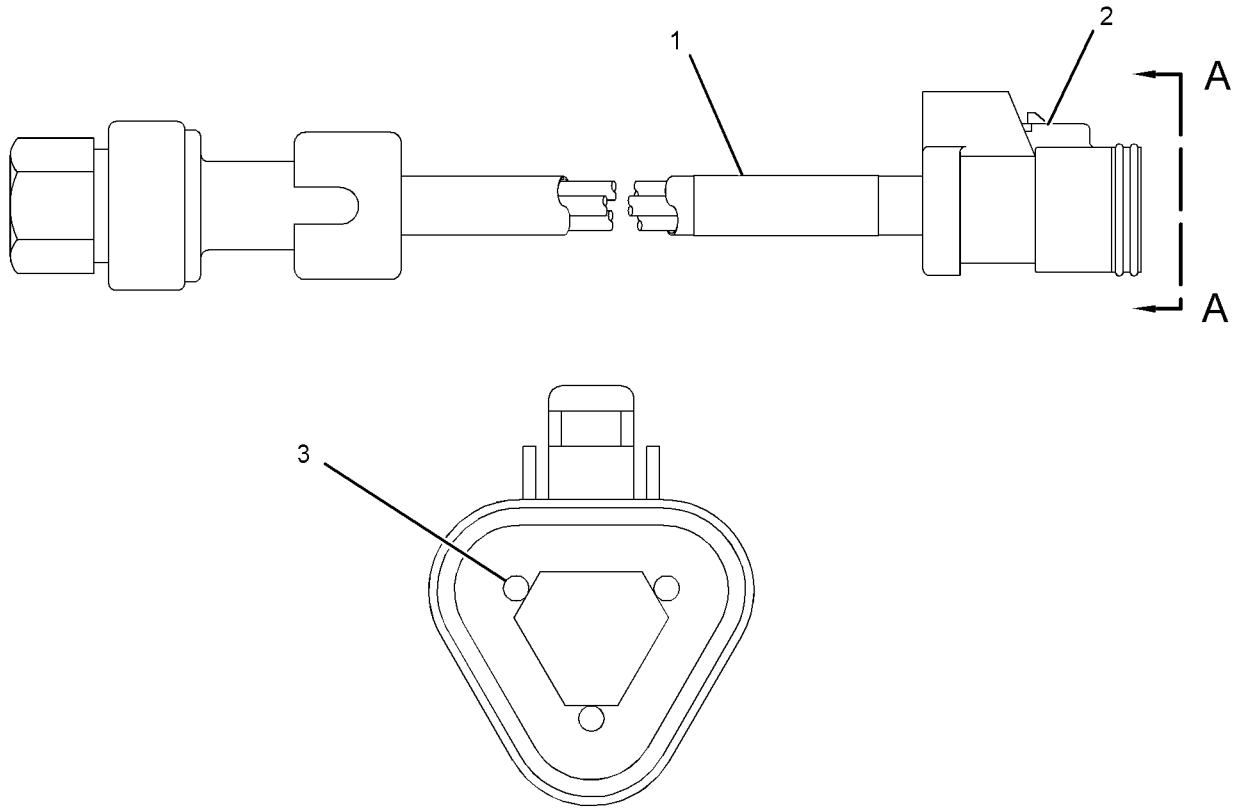
PART OF 304-5667 SENSOR GP-PRESSURE
AN ATTACHMENT

SMCS-1718, 1916, 1917, 1923, 1924, 1925

i03260181

NOTE	REF NO	GRAPHIC REF	PART NUMBER	QTY	PART NAME						SEE PAGE
					1	2	3	4	5	6 (PRODUCT LEVEL)	
E	1	1	9X-1813		SLEEVE (34-CM)						
	2	1	155-2260	1	KIT-CONNECTING PLUG (3-PIN) (INCLUDES PLUG AS, WEDGE & INTERFACE SEAL)						
	3	1	194-5226	3	WIRE AS						

E-ORDER BY THE CENTIMETER



VIEW A-A

GRAPHIC #1

<END>

g01662018

ELECTRICAL AND STARTING SYSTEM

194-6725 SENSOR GP-PRESSURE

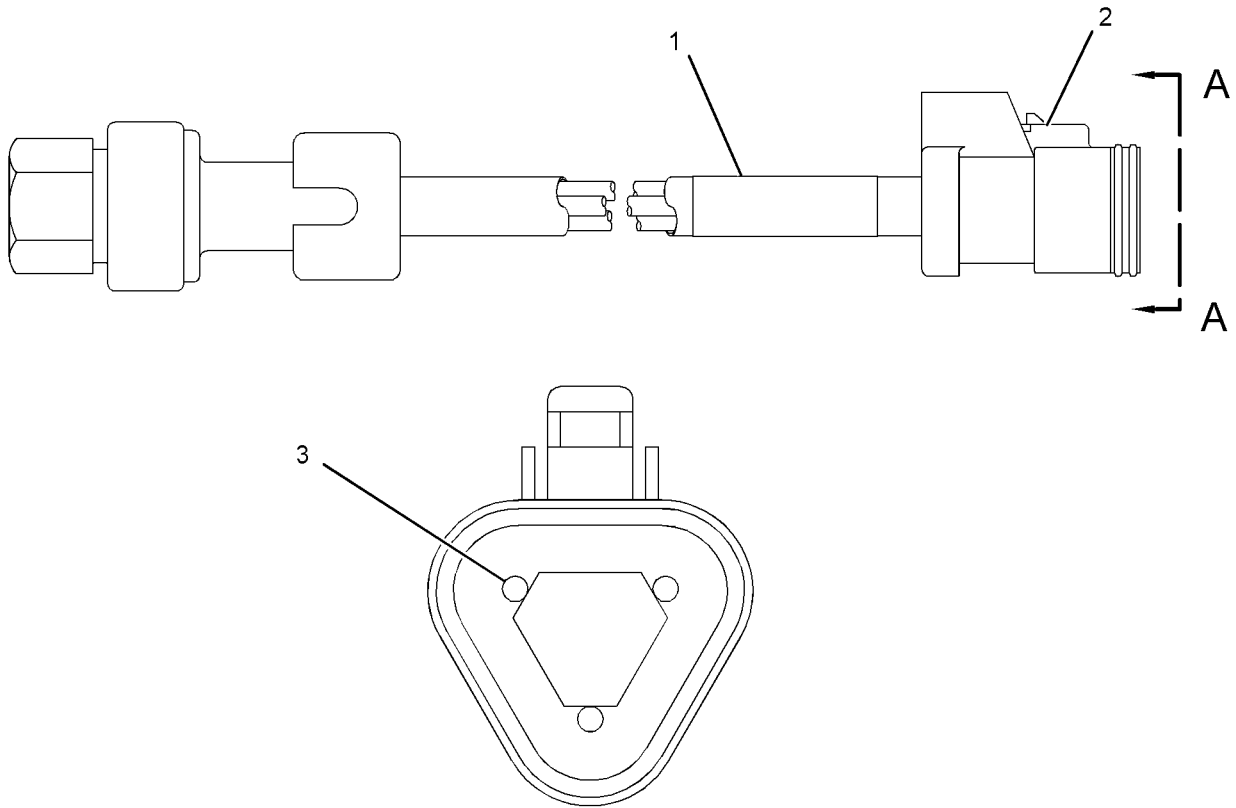
PART OF 304-5668 SENSOR GP-PRESSURE
AN ATTACHMENT

SMCS-1718, 1916, 1917, 1923, 1924, 1925

i03642385

NOTE	REF NO	GRAPHIC REF	PART NUMBER	QTY	PART NAME						SEE PAGE
					1	2	3	4	5	6 (PRODUCT LEVEL)	
E	1	1	9X-1813		SLEEVE (34-CM)						
	2	1	155-2260	1	KIT-CONNECTING PLUG (3-PIN) (INCLUDES PLUG AS, INTERFACE SEAL & WEDGE)						
	3	1	180-9340	3	SOCKET-CONNECTOR (14-GA TO 18-GA)						

E-ORDER BY THE CENTIMETER



VIEW A-A

GRAPHIC #1

<END>

g01662003

ELECTRICAL AND STARTING SYSTEM

304-5666 SENSOR GP-PRESSURE

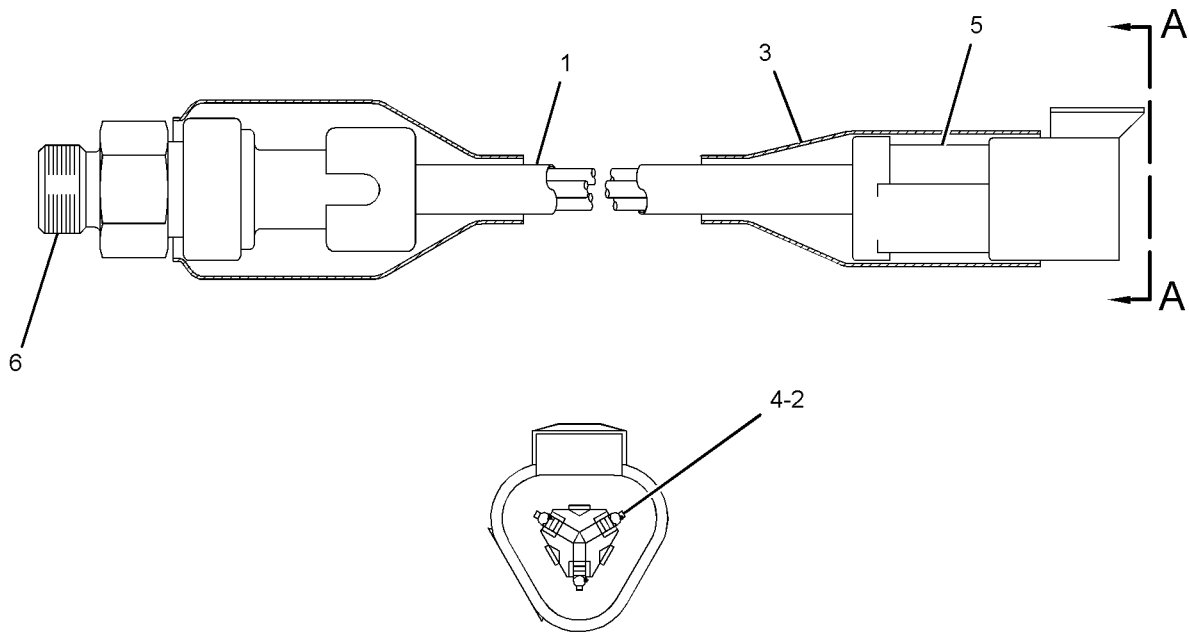
PART OF 296-8291 WIRING GP-ENGINE
AN ATTACHMENT

SMCS-1718, 1916, 1917, 1923, 1924, 1925

i03869371

NOTE	REF NO	GRAPHIC REF	PART NUMBER	QTY	PART NAME						SEE PAGE
					1	2	3	4	5	6 (PRODUCT LEVEL)	
E	1	1	9X-1813		SLEEVE (31-CM)						
	2	1	3E-3371	1	WEDGE-RECEPTACLE LOCK (3-PIN)						
E	3	1	210-8958		TUBE-HEAT SHRINK (24-MM DIA) (16-CM)						
	4	1	186-3735	3	PIN-CONNECTOR (16-GA TO 18-GA)						
	5	1	102-8803	1	KIT-RECEPTACLE (3-PIN) (INCLUDES RECEPTACLE AS AND WEDGE)						
Y	6	1	194-6722	1	SENSOR GP-PRESSURE (CRANKCASE PRESSURE)						483

E-ORDER BY THE CENTIMETER
Y-SEPARATE ILLUSTRATION



VIEW A-A

GRAPHIC #1

<END>

g01365418

ELECTRICAL AND STARTING SYSTEM

304-5667 SENSOR GP-PRESSURE

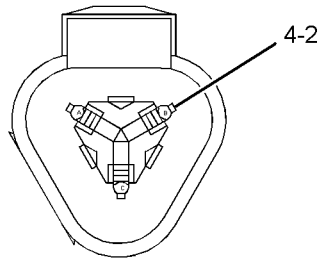
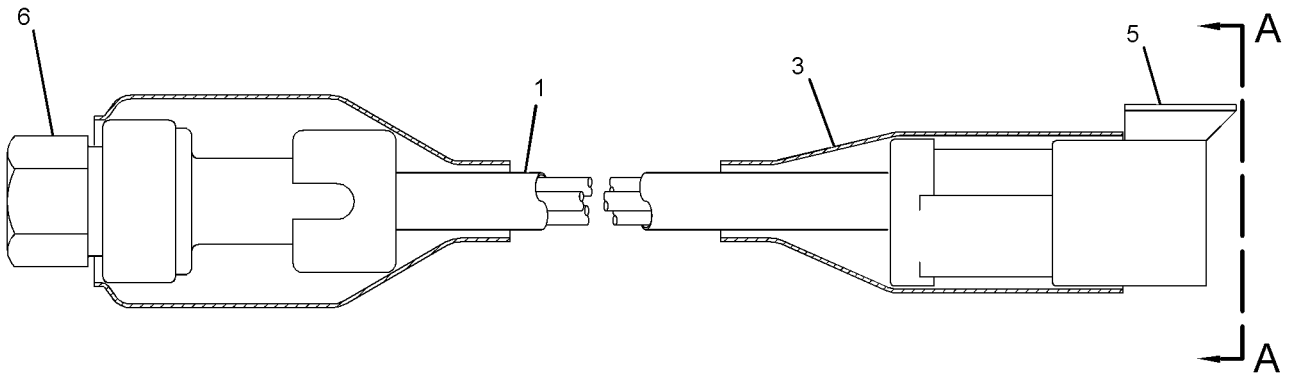
PART OF 296-8291 WIRING GP-ENGINE
AN ATTACHMENT

SMCS-1718, 1916, 1917, 1923, 1924, 1925

i03869377

NOTE	REF NO	GRAPHIC REF	PART NUMBER	QTY	PART NAME						SEE PAGE
					1	2	3	4	5	6 (PRODUCT LEVEL)	
E	1	1	9X-1813		SLEEVE (31-CM)						
	2	1	3E-3371	1	WEDGE-RECEPTACLE LOCK (3-PIN)						
E	3	1	210-8958		TUBE-HEAT SHRINK (24-MM DIA) (16-CM)						
	4	1	186-3735	3	PIN-CONNECTOR (16-GA TO 18-GA)						
	5	1	102-8803	1	KIT-RECEPTACLE (3-PIN) (INCLUDES RECEPTACLE AS AND WEDGE)						
Y	6	1	194-6724	1	SENSOR GP-PRESSURE (TURBOCHARGER OUTLET)						484

E-ORDER BY THE CENTIMETER
Y-SEPARATE ILLUSTRATION



VIEW A-A

<END>

GRAPHIC #1

g01365429

ELECTRICAL AND STARTING SYSTEM

304-5668 SENSOR GP-PRESSURE

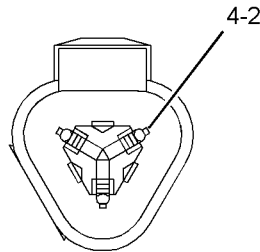
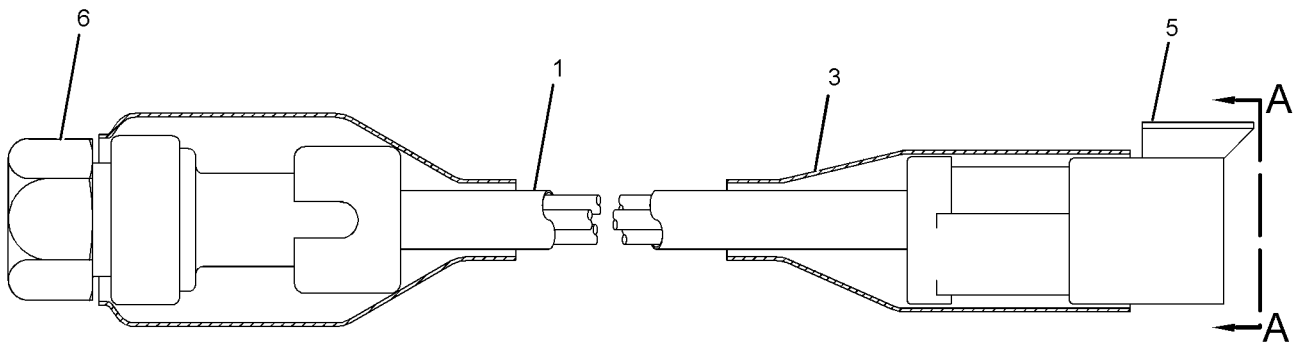
PART OF 307-0008, 307-2044, 307-2045, 307-2046 WIRING GP-SENSOR
AN ATTACHMENT

SMCS-1718, 1916, 1917, 1923, 1924, 1925

i03869379

NOTE	REF NO	GRAPHIC REF	PART NUMBER	QTY	PART NAME						SEE PAGE
					1	2	3	4	5	6 (PRODUCT LEVEL)	
E	1	1	9X-1813		SLEEVE (31-CM)						
	2	1	3E-3371	1	WEDGE-RECEPTACLE LOCK (3-PIN)						
E	3	1	210-8958		TUBE-HEAT SHRINK (24-MM DIA) (16-CM)						
	4	1	186-3735	3	PIN-CONNECTOR (16-GA TO 18-GA)						
	5	1	102-8803	1	KIT-RECEPTACLE (3-PIN) (INCLUDES RECEPTACLE AS AND WEDGE)						
Y	6	1	194-6725	1	SENSOR GP-PRESSURE (ENGINE OIL, FUEL)						485

E-ORDER BY THE CENTIMETER
Y-SEPARATE ILLUSTRATION



VIEW A-A

GRAPHIC #1

<END>

g01367728

ELECTRICAL AND STARTING SYSTEM

9X-5392 SENSOR GP-SPEED

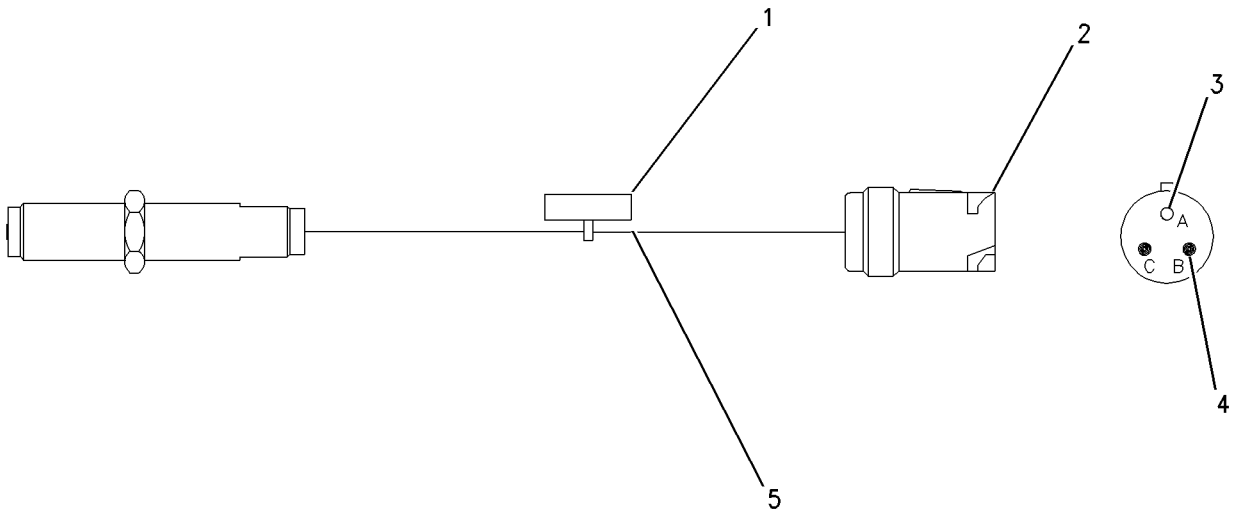
PART OF 212-3426 SENSOR GP-SPEED
AN ATTACHMENT

SMCS-1907

i02408693

NOTE	REF NO	GRAPHIC REF	PART NUMBER	QTY	PART NAME						SEE PAGE
					1	2	3	4	5	6 (PRODUCT LEVEL)	
	1	1	171-5349	1	STRAP-MARKER						
	2	1	8T-8732	1	RECEPTACLE (3-PIN)						
	3	1	8T-8737	1	PLUG-SEAL						
	4	1	186-3735	2	PIN-CONNECTOR (16-GA TO 18-GA)						
E	5	1	9X-1386		SLEEVE (14-CM)						

E-ORDER BY THE CENTIMETER



GRAPHIC #1

<END>

g00839872

ELECTRICAL AND STARTING SYSTEM

212-0848 SENSOR GP-SPEED

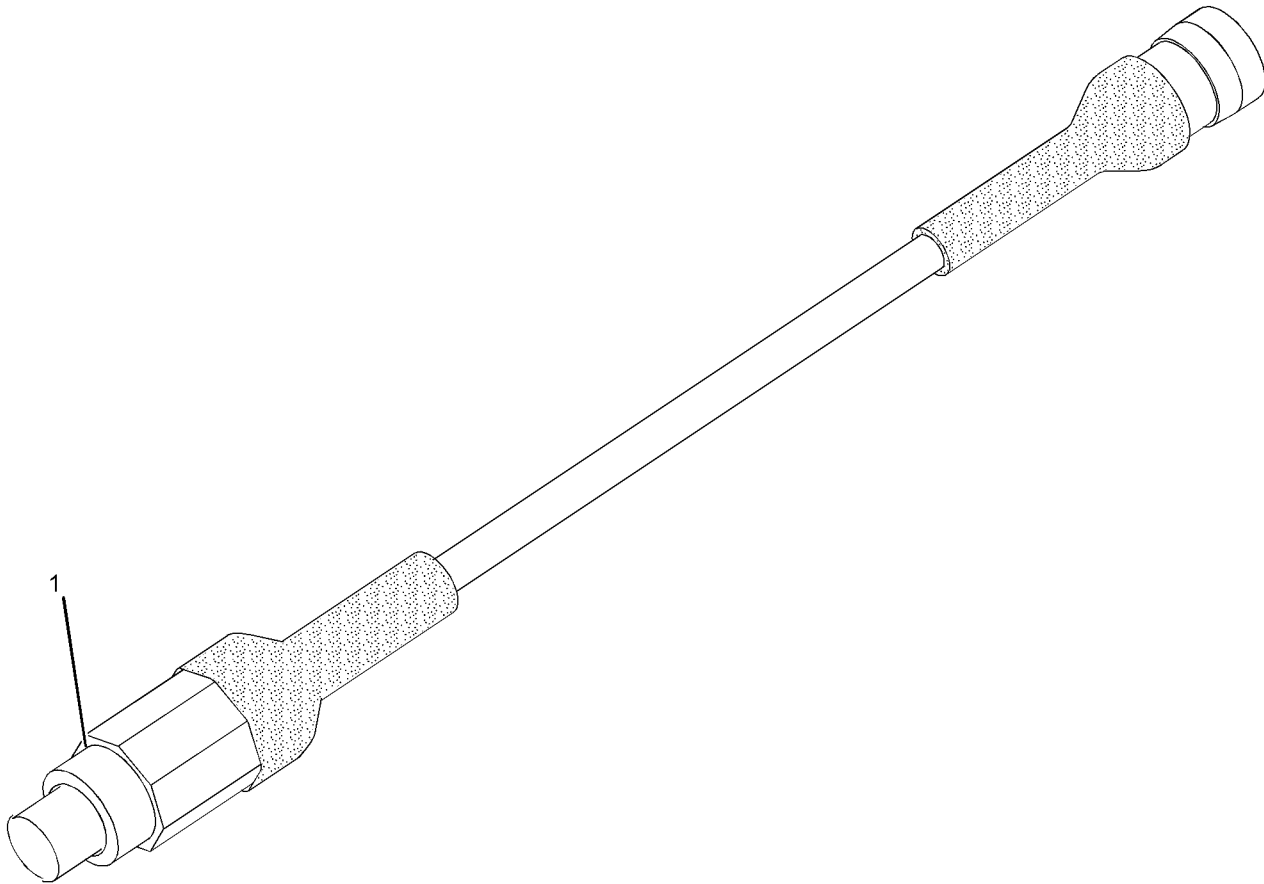
PART OF 296-8291 WIRING GP-ENGINE
AN ATTACHMENT

SMCS-1907

i02629218

NOTE	REF NO	GRAPHIC REF	PART NUMBER	QTY	PART NAME						SEE PAGE
					1	2	3	4	5	6 (PRODUCT LEVEL)	
CY	1	1	295-4636	1	SENSOR GP-SPEED						493

C-CHANGE FROM PREVIOUS TYPE
Y-SEPARATE ILLUSTRATION



GRAPHIC #1

<END>

g01320016

ELECTRICAL AND STARTING SYSTEM

212-3426 SENSOR GP-SPEED

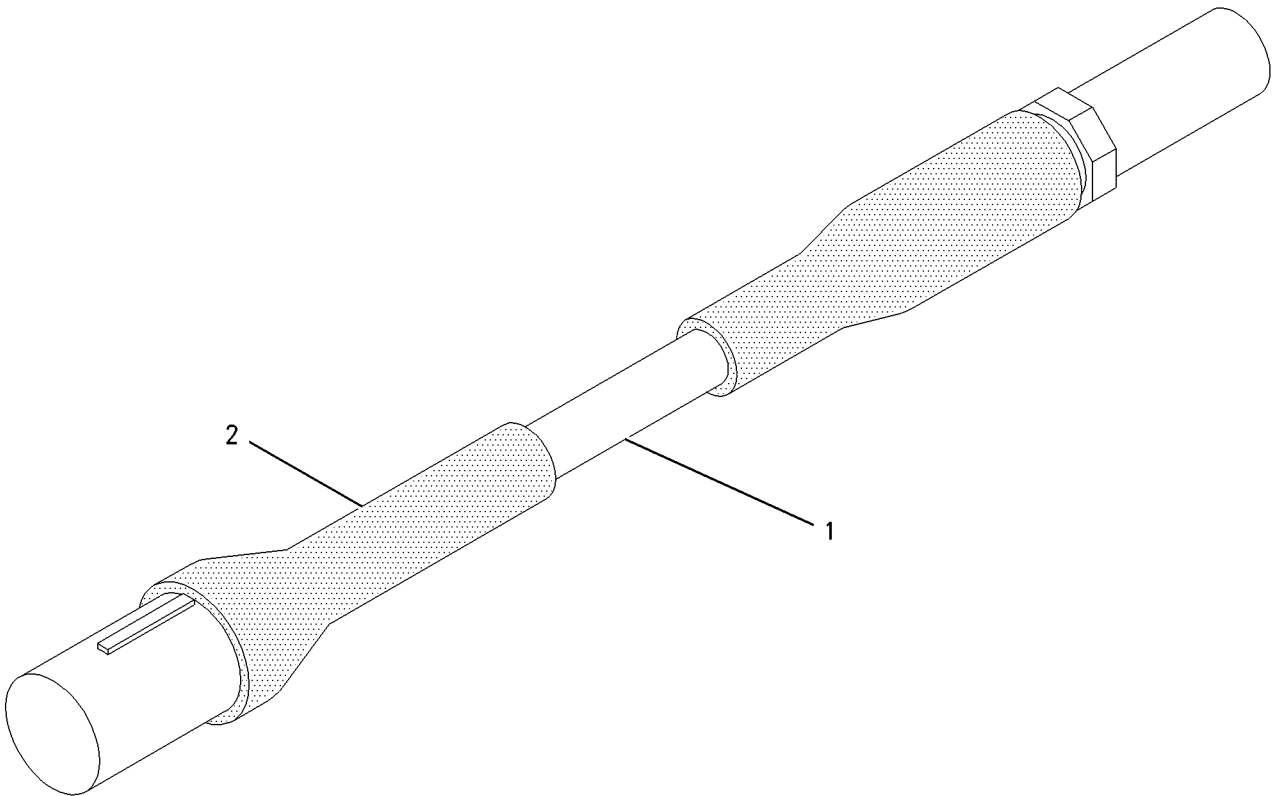
PART OF 296-8291 WIRING GP-ENGINE
AN ATTACHMENT

SMCS-1907

i02741350

NOTE	REF NO	GRAPHIC REF	PART NUMBER	QTY	PART NAME						SEE PAGE
					1	2	3	4	5	6 (PRODUCT LEVEL)	
Y	1	1	9X-5392	1	SENSOR GP-SPEED						489
E	2	1	210-8958		TUBE-HEAT SHRINK (24-MM DIA) (16-CM)						

E-ORDER BY THE CENTIMETER
Y-SEPARATE ILLUSTRATION



GRAPHIC #1

<END>

g00916980

ELECTRICAL AND STARTING SYSTEM

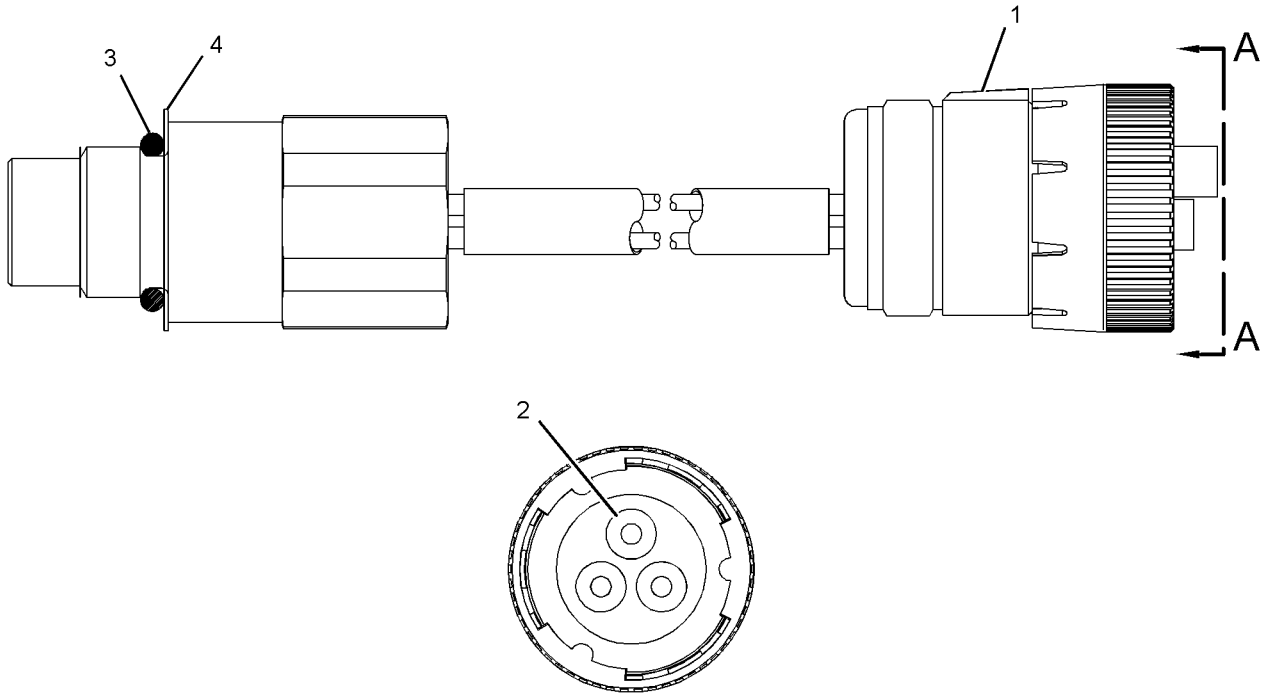
265-9034 SENSOR GP-SPEED

PART OF 295-4636 SENSOR GP-SPEED
AN ATTACHMENT

SMCS-1907

i03442075

NOTE	REF NO	GRAPHIC REF	PART NUMBER	QTY	PART NAME						SEE PAGE
					1	2	3	4	5	6 (PRODUCT LEVEL)	
	1	1	8T-8731	1	PLUG-CONNECTOR (3-PIN)						
	2	1	180-9340	3	SOCKET-CONNECTOR (14-GA TO 18-GA)						
	3	1	117-8766	1	SEAL-O-RING						
	4	1	133-1207	1	WASHER (21.1X28.1X0.9-MM THK)						



VIEW A-A

GRAPHIC #1

<END>

g01310558

ELECTRICAL AND STARTING SYSTEM

295-4636 SENSOR GP-SPEED

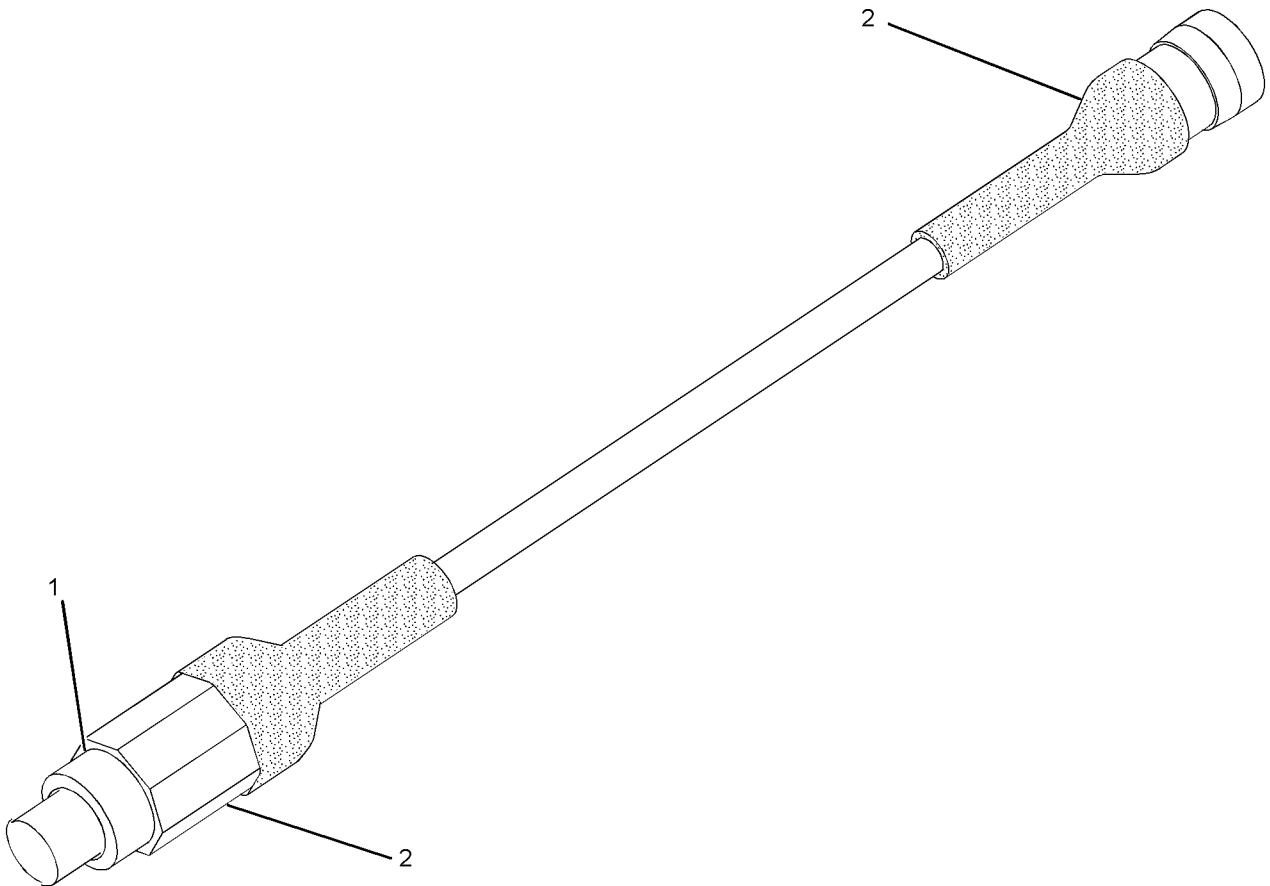
PART OF 212-0848 SENSOR GP-SPEED
AN ATTACHMENT

SMCS-1907

i02628879

NOTE	REF NO	GRAPHIC REF	PART NUMBER	QTY	PART NAME						SEE PAGE
					1	2	3	4	5	6 (PRODUCT LEVEL)	
Y	1	1	265-9034	1	SENSOR GP-SPEED						492
E	2	1	135-5009		TUBE-HEAT SHRINK (32-MM DIA) (16-CM)						

E-ORDER BY THE CENTIMETER
Y-SEPARATE ILLUSTRATION



GRAPHIC #1

<END>

g01327714

ELECTRICAL AND STARTING SYSTEM

195-2150 SENSOR GP-TEMPERATURE

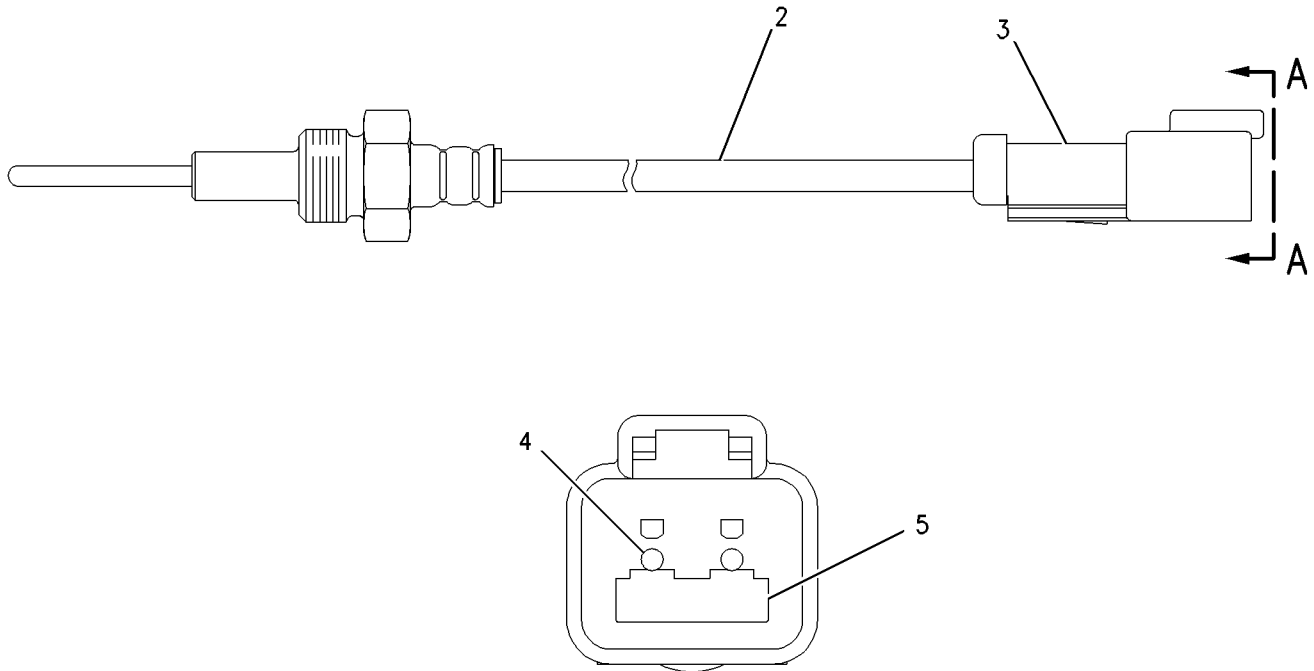
PART OF 259-2168 SENSOR GP-TEMPERATURE, 255-0178, 255-0180 WIRING GP-SENSOR
AN ATTACHMENT

SMCS-1906, 1919, 1921, 1922, 1928, 1929

i02231071

NOTE	REF NO	GRAPHIC REF	PART NUMBER	QTY	PART NAME						SEE PAGE
					1	2	3	4	5	6 (PRODUCT LEVEL)	
BH	2	1	153-5043		SLEEVE (4-DM)						
	3	1	102-8802	1	KIT-RECEPTACLE (2-PIN) (INCLUDES RECEPTACLE AS AND WEDGE)						
	4	1	186-3735	2	PIN-CONNECTOR (16-GA TO 18-GA)						
	5	1	3E-3365	1	WEDGE-RECEPTACLE LOCK (2-PIN)						

B-USE AS REQUIRED
H-ORDER BY THE DECIMETER



VIEW A-A

GRAPHIC #1

<END>

g00857794

ELECTRICAL AND STARTING SYSTEM

212-3423 SENSOR GP-TEMPERATURE-COOLANT

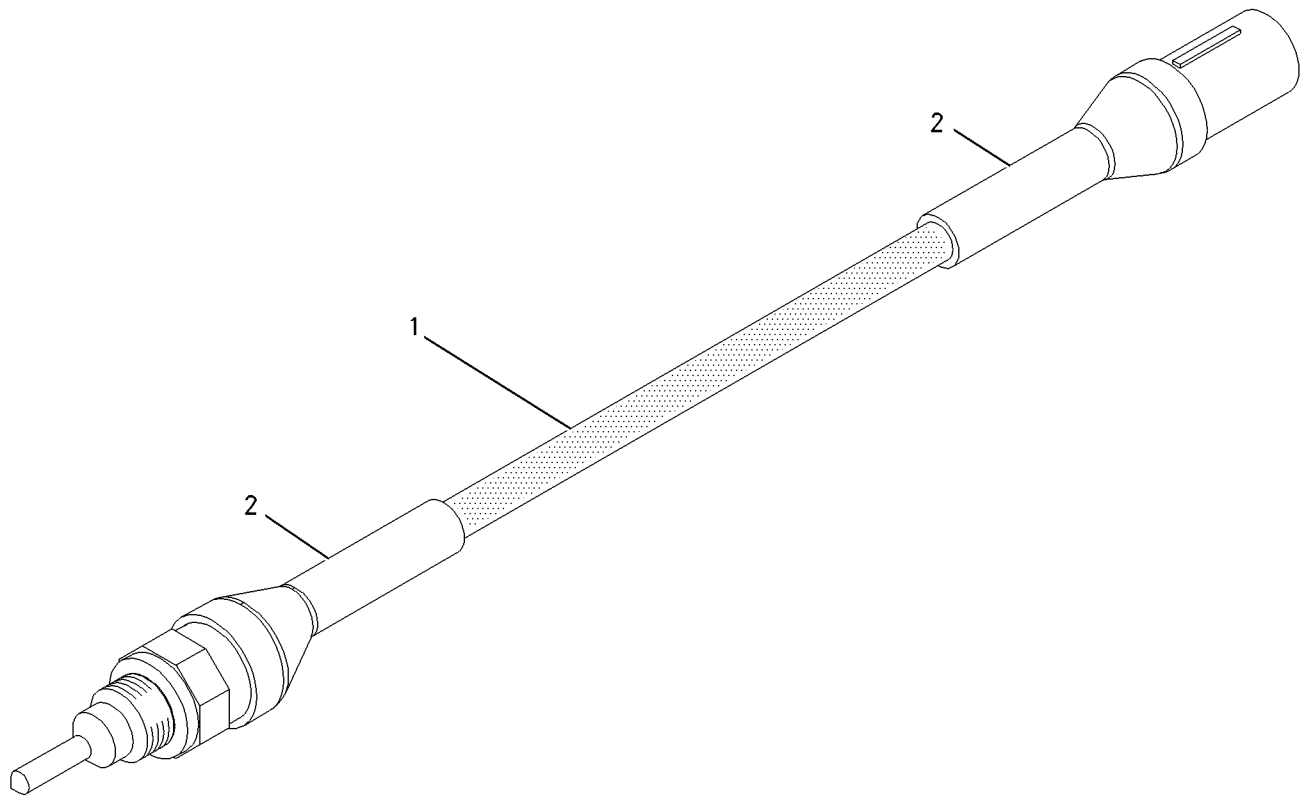
PART OF 296-8291 WIRING GP-ENGINE
AN ATTACHMENT

SMCS-1906, 1919, 1921, 1922, 1928, 1929

i02400533

NOTE	REF NO	GRAPHIC REF	PART NUMBER	QTY	PART NAME						SEE PAGE
					1	2	3	4	5	6 (PRODUCT LEVEL)	
	1	1	102-7532	1	SENSOR GP-TEMPERATURE (COOLANT)						
E	2	1	135-5009		TUBE-HEAT SHRINK (32-MM DIA) (16-CM)						

E-ORDER BY THE CENTIMETER



GRAPHIC #1

<END>

g00916796

ELECTRICAL AND STARTING SYSTEM

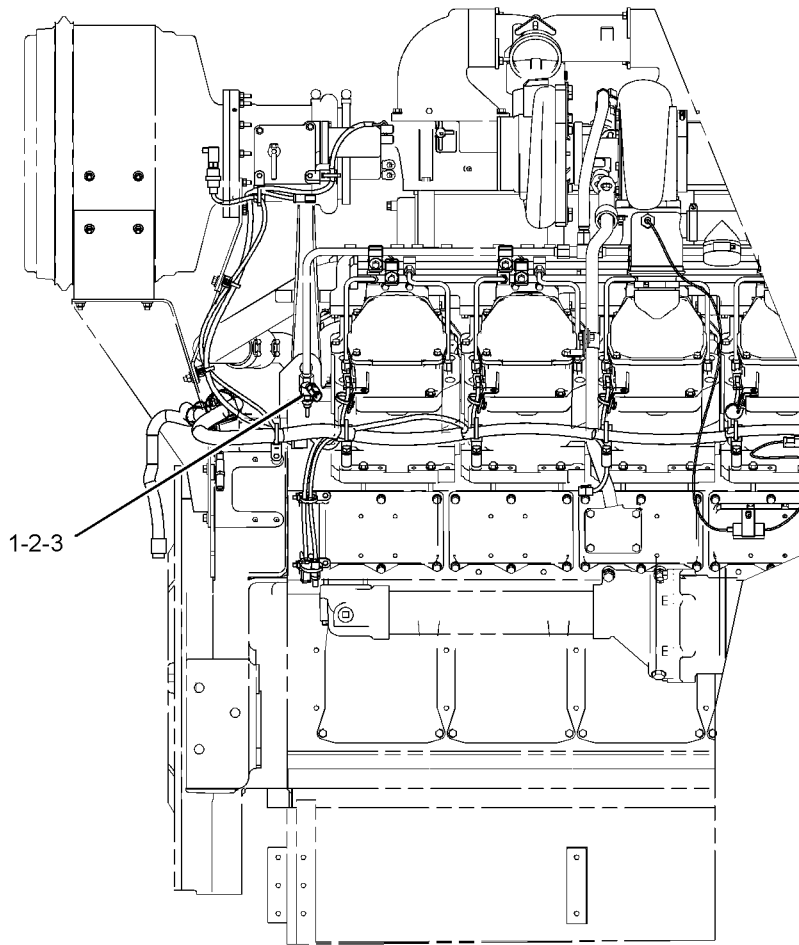
259-2168 SENSOR GP-TEMPERATURE-ENGINE OIL AN ATTACHMENT

SMCS-1906, 1919, 1921, 1922, 1928, 1929

i02296039

NOTE	REF NO	GRAPHIC REF	PART NUMBER	QTY	PART NAME						SEE PAGE
					1	2	3	4	5	6 (PRODUCT LEVEL)	
	1	1	6V-5049	1	SEAL-O-RING						
	2	1	9X-3271	1	ADAPTER (1/2-14-NPTF-THD)						
Y	3	1	195-2150	1	SENSOR GP-TEMPERATURE (ENGINE OIL)						494

Y-SEPARATE ILLUSTRATION



RIGHT SIDE VIEW

<END>

GRAPHIC #1

g01159945

ELECTRICAL AND STARTING SYSTEM

143-5168 STARTING MOTOR GP-AIR

PART OF 143-5174 STARTING MOTOR GP-AIR
AN ATTACHMENT

SMCS-1451

i03473648

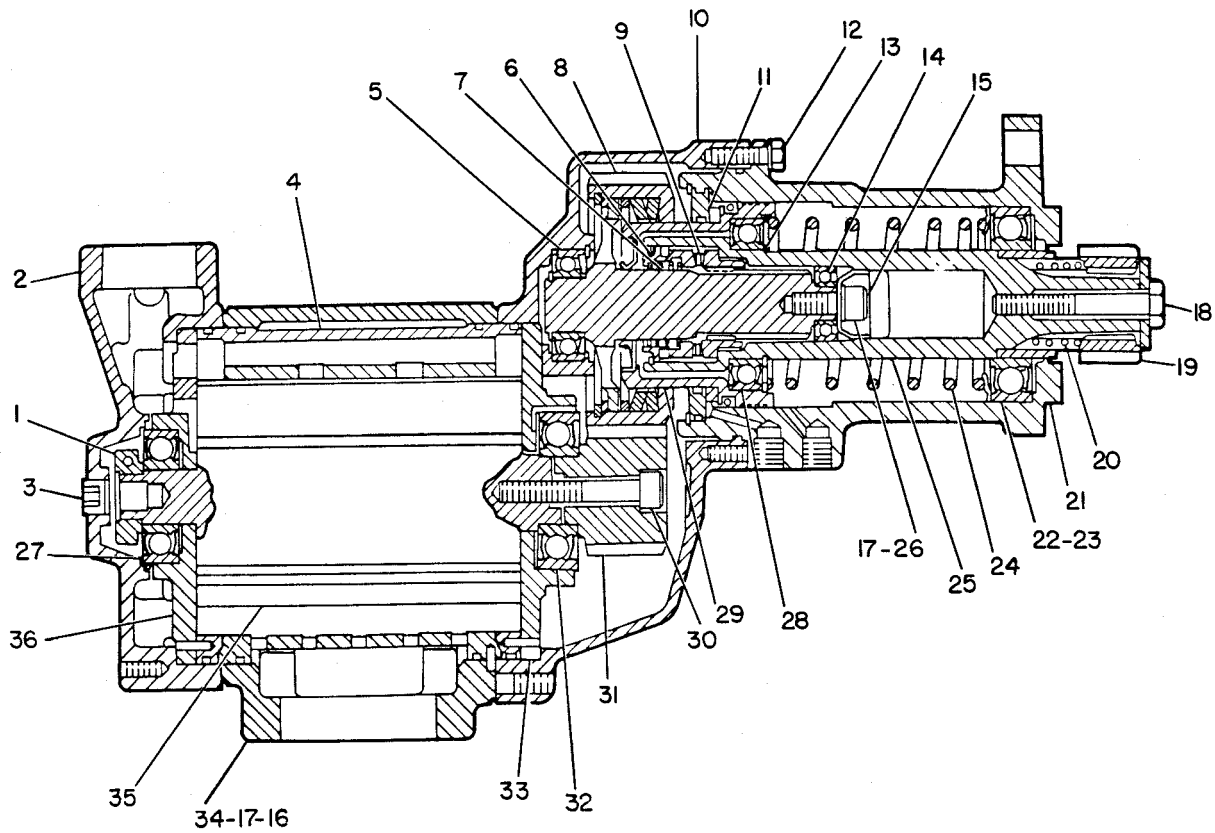
NOTE	REF NO	GRAPHIC REF	PART NUMBER	QTY	PART NAME						SEE PAGE
					1	2	3	4	5	6 (PRODUCT LEVEL)	
M	1	1	096-4833	1	BOLT-SOCKET HEAD (M5X0.8X20-MM)						
		1	5N-8378	1	NUT-ROTOR CLAMP (M5X0.8-THD)						
	2	1	5N-8363	1	COVER AS						
	3	1	4D-3118	3	PLUG-PIPE						
	4	1	5N-8383	1	CYLINDER						
	5	1	6V-3916	1	BALL BEARING						
		1	1L-8497	1	RING-SNAP (SMALL)						
		1	6J-7855	1	RING-LOCK (LARGE)						
	6	1	5N-8375	1	CUP-SPRING						
		1	6V-3935	1	RING-RETAINING						
	7	1	5N-8381	1	SPRING-CLUTCH						
	8	1	2W-6081	1	GEAR AS-DRIVE (37-TEETH)						
	9	1	5N-9574	1	JAW AS-CLUTCH						
	10	1	5N-8387	1	CASE-GEAR						
	11	1	5N-8424	1	BULKHEAD						
M	12	1	6V-3940	8	BOLT (M8X1.25X25-MM)						
		1	3B-4505	8	LOCKWASHER						
	13	1	3J-7719	1	RING-RETAINING (INNER)						
		1	6V-3971	1	RING-RETAINING (OUTER)						
	14	1	7F-8671	1	BALL BEARING						
	15	1	5N-8428	1	WASHER-GEAR (10.1X34X15.5-MM THK)						
M	16	1	5N-8427	4	BOLT-MOTOR (M10X1.5X180-MM)						
	17	1	6V-3959	5	LOCKWASHER						
M	18	1	5N-8403	1	SCREW-PINION (M12X1.25X70-MM)						
		1	5N-8425	1	WASHER (12.2X41.5X4.5-MM THK)						
	19	1	2W-6078	1	PINION-DRIVE (12-TEETH)						
	20	1	5N-8380	1	SPRING-PINION						
		1	5N-8374	1	SLEEVE-SPRING						
	21	1	2W-6082	1	KIT-DRIVE (AIR STARTING MOTOR) (INCLUDES O-RING, HOUSING, BEARING, SEAL AND VENT)						
	22	1	8B-7624	1	BALL BEARING						
	23	1	5N-8379	1	SEAT-SPRING						
	24	1	5N-8372	1	SPRING-RETURN						
	25	1	5N-8384	1	SHAFT-DRIVE						
M	26	1	6V-3938	1	BOLT (M10X1.5X20-MM)						
	27	1	5P-9514	1	BALL BEARING						
	28	1	5N-8377	1	BEARING-DRIVE SHAFT						
	29	1	5N-8373	1	PISTON						
M	30	1	6V-3939	1	BOLT (M12X1.75X60-MM)						
	31	1	5N-8368	1	PINION-ROTOR (17-TEETH)						
	32	1	6V-1394	1	BALL BEARING						
		1	039-4317	2	WASHER-SPRING						
	33	1	5N-8365	1	PLATE-FRONT END						
	34	1	111-4399	1	HOUSING-MOTOR						
	35	1	5N-8388	1	ROTOR						
	36	1	5N-8367	1	PLATE-REAR END						
					AVAILABLE REPAIR KIT(S):						
			5N-8390	1	KIT-SEAL & VANE (AIR STARTING MOTOR) (INCLUDES PINS, RINGS, SEALS, VANES AND RETAINER)						

M-METRIC PART

ELECTRICAL AND STARTING SYSTEM

143-5168 STARTING MOTOR GP-AIR (contd.)

i03473648



GRAPHIC #1

<END>

g00081746

ELECTRICAL AND STARTING SYSTEM

143-5174 STARTING MOTOR GP-AIR-MOUNTED, LH AN ATTACHMENT

SMCS-1451

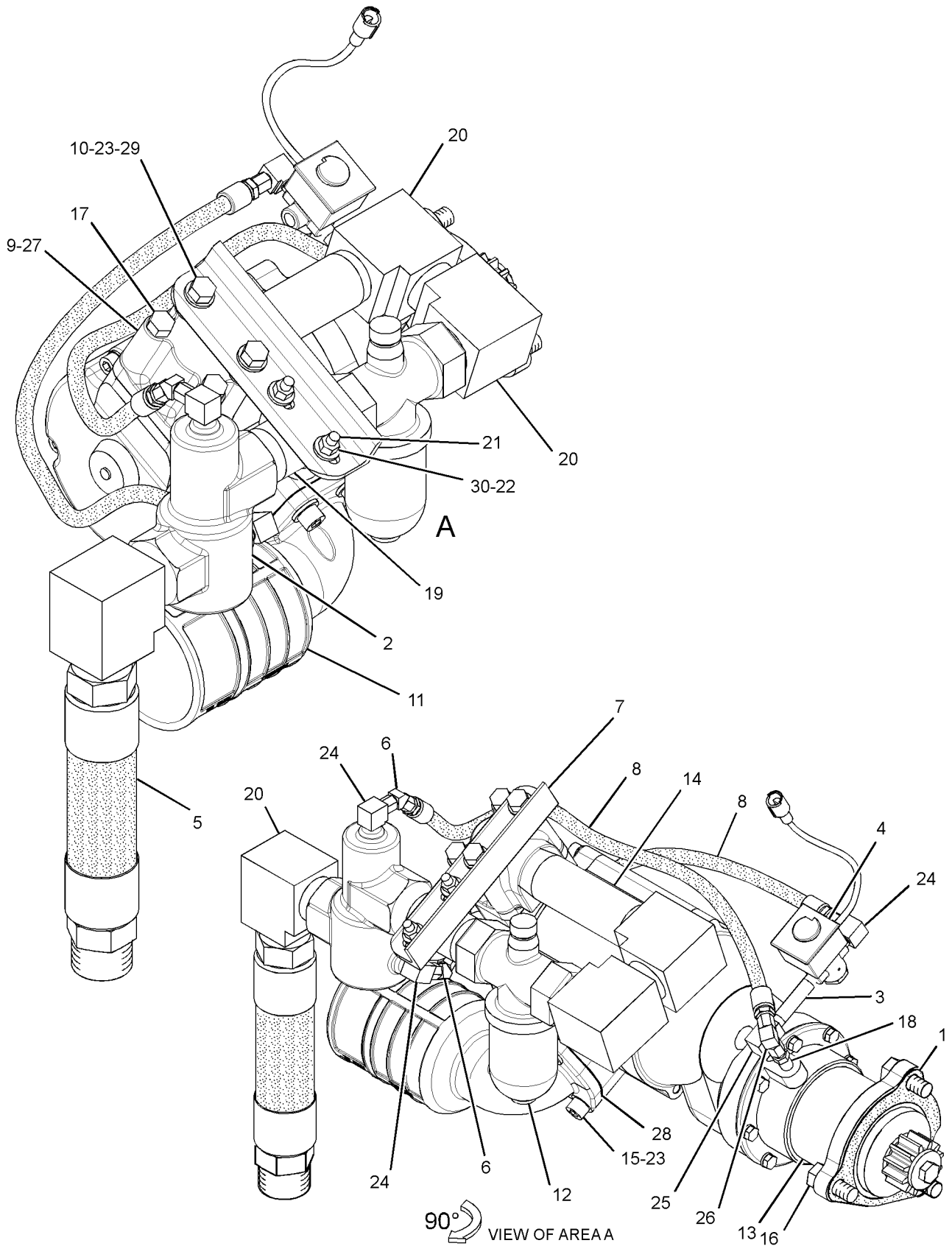
i03432531

NOTE	REF NO	GRAPHIC REF	PART NUMBER	QTY	PART NAME						SEE PAGE
					1	2	3	4	5	6 (PRODUCT LEVEL)	
	1	1	4H-7869	1	GASKET						
J	2	1	4N-3411	1	VALVE GP-RELAY (AIR STARTING MOTOR)						
C	3	1	5H-7598	1	NIPPLE-PIPE						
Y	4	1	5N-8980	1	VALVE AS-SOLENOID (AIR START)						530
I	5	1	6F-5985	1	HOSE AS						
	6	1	030-7961	2	ELBOW						
C	7	1	7C-2946	1	BRACKET						
CI	8	1	7N-2539	2	HOSE AS						
	9	1	8N-8446	1	ELBOW						
	10	1	9S-9238	2	SPACER (13.49X23.88X16.13-MM THK)						
	11	1	107-8769	1	SILENCER-AIR STARTING						
Y	12	1	119-6284	1	LUBRICATOR GP-AIR MOTOR						454
Y	13	1	143-5168	1	STARTING MOTOR GP-AIR						497
	14	1	143-5177	1	NIPPLE-PIPE						
	15	1	141-8596	4	BOLT-SOCKET HEAD (1/2-13X1.25-IN)						
	16	1	0S-1566	3	BOLT (5/8-11X1.5-IN)						
	17	1	1D-4566	2	BOLT (1/2-13X3.5-IN)						
C	18	1	4S-6399	1	CONNECTOR						
	19	1	5B-7643	1	NIPPLE-PIPE						
C	20	1	5B-7666	3	ELBOW						
	21	1	5L-2534	1	U-BOLT						
	22	1	5P-1075	2	WASHER-HARD (10.2X22.5X3-MM THK)						
	23	1	5P-8245	6	WASHER-HARD (13.5X25.5X3-MM THK)						
	24	1	6K-1972	3	ELBOW-FLARED						
C	25	1	7J-8611	1	ELBOW-PIPE						
C	26	1	7K-9197	1	ELBOW						
	27	1	8N-8451	1	GASKET						
	28	1	8N-8452	1	GASKET						
	29	1	8S-9089	2	BOLT (1/2-13X4.5-IN)						
	30	1	9S-8752	2	NUT-FULL (3/8-16-THD)						
					AVAILABLE REPAIR KIT(S):						
J			7C-5105	1	KIT-VALVE SEAL (AIR STARTING)						
					(INCLUDES SEALS, RETAINER, AND BUMPER)						
C-CHANGE FROM PREVIOUS TYPE I-REFER TO HYDRAULIC INFORMATION SYSTEM J-KIT MARKED J SERVICES PART MARKED J Y-SEPARATE ILLUSTRATION											

ELECTRICAL AND STARTING SYSTEM

143-5174 STARTING MOTOR GP-AIR (contd.)

i03432531



GRAPHIC #1

90°
VIEW OF AREA A
<END>

g01843616

ELECTRICAL AND STARTING SYSTEM

311-8106 STARTING MOTOR GP-AIR

PART OF 311-8110 STARTING MOTOR GP-AIR
AN ATTACHMENT

SMCS-1451

i02835068

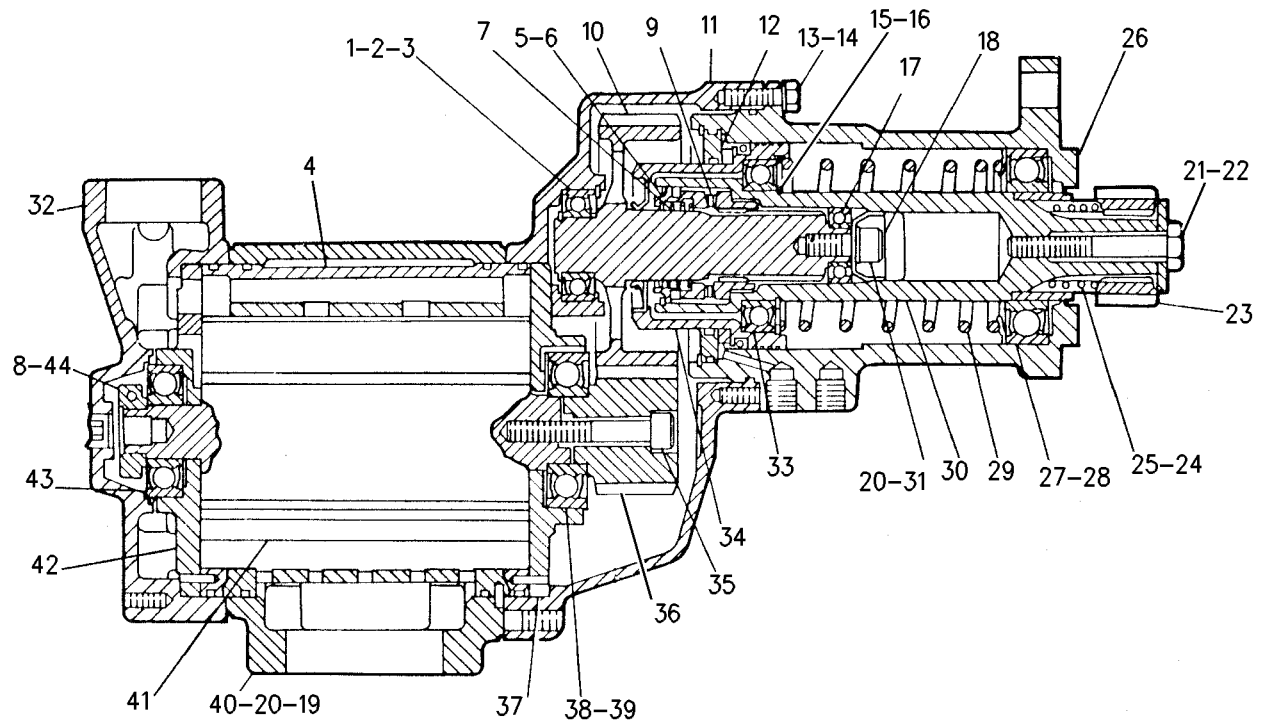
NOTE	REF NO	GRAPHIC REF	PART NUMBER	QTY	PART NAME						SEE PAGE
					1	2	3	4	5	6 (PRODUCT LEVEL)	
	1	1	6V-3916	1	BALL BEARING						
	2	1	1L-8497	1	RING-SNAP (SMALL)						
	3	1	6J-7855	1	RING-LOCK (LARGE)						
	4	1	5N-8383	1	CYLINDER						
	5	1	5N-8375	1	CUP-SPRING						
	6	1	6V-3935	1	RING-RETAINING						
	7	1	5N-8381	1	SPRING-CLUTCH						
M	8	1	096-4833	1	BOLT-SOCKET HEAD (M5X0.8X20-MM)						
	9	1	5N-9574	1	JAW AS-CLUTCH (DRIVEN)						
	10	1	2W-6084	1	GEAR AS-DRIVE (38/24-TEETH)						
	11	1	5N-8387	1	CASE-GEAR						
	12	1	5N-8424	1	BULKHEAD						
M	13	1	6V-3940	8	BOLT (M8X1.25X25-MM)						
	14	1	3B-4505	8	LOCKWASHER						
	15	1	3J-7719	1	RING-RETAINING (INNER)						
	16	1	6V-3971	1	RING-RETAINING (OUTER)						
	17	1	7F-8671	1	BALL BEARING						
	18	1	5N-8428	1	WASHER-GEAR (10.1X34X15.5-MM THK)						
M	19	1	5N-8427	4	BOLT-MOTOR (M10X1.5X180-MM)						
	20	1	6V-3959	5	LOCKWASHER						
M	21	1	5N-8403	1	SCREW-PINION (M12X1.25X70-MM)						
	22	1	5N-8425	1	WASHER (12.2X41.5X4.5-MM THK)						
	23	1	7W-1650	1	PINION-DRIVE (11-TEETH)						
	24	1	5N-8374	1	SLEEVE-SPRING						
	25	1	5N-8380	1	SPRING-PINION						
	26	1	2W-6082	1	KIT-DRIVE (AIR STARTING MOTOR) (INCLUDES HOUSING, O-RING, BEARING, SEAL AND VENT)						
	27	1	8B-7624	1	BALL BEARING						
	28	1	5N-8379	1	SEAT-SPRING						
	29	1	5N-8372	1	SPRING-RETURN						
	30	1	5N-8384	1	SHAFT-DRIVE						
M	31	1	6V-3938	1	BOLT (M10X1.5X20-MM)						
	32	1	5N-8363	1	COVER AS						
		1	4D-3118	3	PLUG-PIPE						
	33	1	5N-8377	1	BEARING-DRIVE SHAFT						
	34	1	5N-8373	1	PISTON						
M	35	1	6V-3939	1	BOLT (M12X1.75X60-MM)						
	36	1	5N-8368	1	PINION-ROTOR (17-TEETH)						
	37	1	5N-8365	1	PLATE-FRONT END						
	38	1	6V-1394	1	BALL BEARING						
	39	1	039-4317	2	WASHER-SPRING						
	40	1	5N-8364	1	HOUSING-MOTOR						
	41	1	7W-4154	1	ROTOR						
	42	1	5N-8367	1	PLATE-REAR END						
	43	1	5P-9514	1	BALL BEARING						
	44	1	5N-8378	1	NUT-ROTOR CLAMP (M5X0.8-THD)						
					AVAILABLE REPAIR KIT(S):						
			5N-8390	1	KIT-SEAL & VANE (AIR STARTING MOTOR) (INCLUDES END PLATE ALIGNMENT PIN, CYLINDER ALIGNMENT PIN, O-RINGS, VANE, SEALS AND RETAINER)						

M-METRIC PART

ELECTRICAL AND STARTING SYSTEM

311-8106 STARTING MOTOR GP-AIR (contd.)

i02835068



GRAPHIC #1

<END>

g00811200

ELECTRICAL AND STARTING SYSTEM

311-8110 STARTING MOTOR GP-AIR-MOUNTED, LH 24/32-VOLT AN ATTACHMENT

SMCS-1451

i02856024

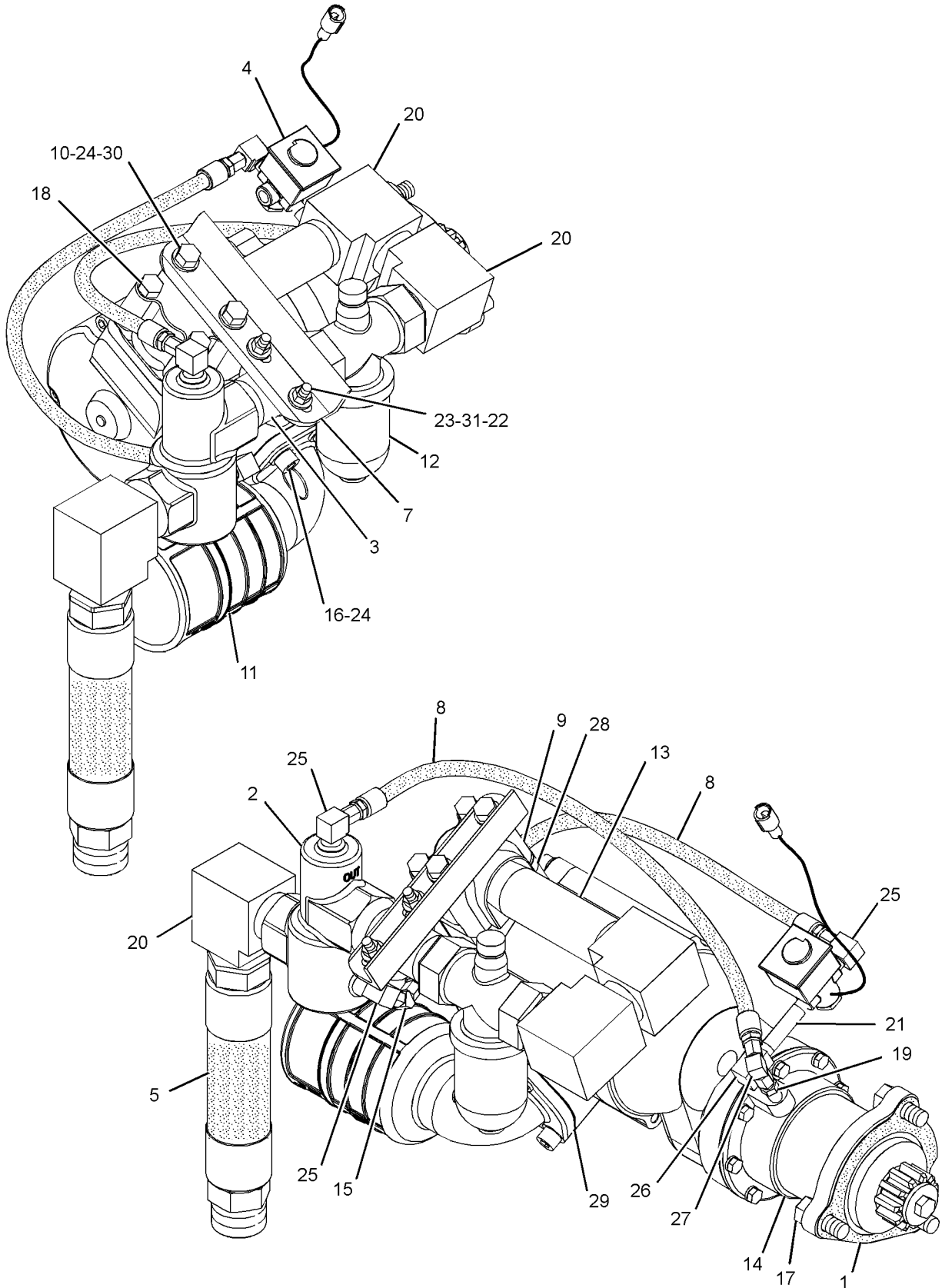
NOTE	REF NO	GRAPHIC REF	PART NUMBER	QTY	PART NAME						SEE PAGE
					1	2	3	4	5	6 (PRODUCT LEVEL)	
	1	1	4H-7869	1	GASKET						
J	2	1	4N-3411	1	VALVE GP-RELAY (AIR STARTING MOTOR)						
	3	1	5B-7643	1	NIPPLE-PIPE						
Y	4	1	5N-8980	1	VALVE AS-SOLENOID (AIR START)						530
I	5	1	6F-5985	1	HOSE AS						
	7	1	7C-2946	1	BRACKET						
I	8	1	172-4288	2	HOSE AS						
	9	1	8N-8446	1	ELBOW						
	10	1	9S-9238	2	SPACER (13.49X23.88X16.13-MM THK)						
	11	1	107-8769	1	SILENCER-AIR STARTING						
Y	12	1	119-6284	1	LUBRICATOR GP-AIR MOTOR						454
	13	1	143-5177	1	NIPPLE-PIPE						
Y	14	1	311-8106	1	STARTING MOTOR GP-AIR						501
	15	1	030-7961	1	ELBOW						
	16	1	141-8596	4	BOLT-SOCKET HEAD (1/2-13X1.25-IN)						
	17	1	0S-1566	3	BOLT (5/8-11X1.5-IN)						
	18	1	1D-4566	2	BOLT (1/2-13X3.5-IN)						
	19	1	4S-6399	1	CONNECTOR						
	20	1	5B-7666	3	ELBOW						
	21	1	5H-7598	1	NIPPLE-PIPE						
	22	1	5L-2534	1	U-BOLT						
	23	1	5P-1075	2	WASHER-HARD (10.2X22.5X3-MM THK)						
	24	1	5P-8245	6	WASHER-HARD (13.5X25.5X3-MM THK)						
	25	1	6K-1972	3	ELBOW-FLARED						
Y	26	1	7J-8611	1	ELBOW-PIPE						57
	27	1	7K-9197	1	ELBOW						
	28	1	8N-8451	1	GASKET						
	29	1	8N-8452	1	GASKET						
	30	1	8S-9089	2	BOLT (1/2-13X4.5-IN)						
	31	1	9S-8752	2	NUT-FULL (3/8-16-THD)						
					AVAILABLE REPAIR KIT(S):						
J			7C-5105	1	KIT-VALVE SEAL (AIR STARTING)						
					(INCLUDES SEALS, RETAINER, AND BUMPER)						

I-REFER TO HYDRAULIC INFORMATION SYSTEM
J-KIT MARKED J SERVICES PART MARKED J
Y-SEPARATE ILLUSTRATION

ELECTRICAL AND STARTING SYSTEM

311-8110 STARTING MOTOR GP-AIR (contd.)

i02856024



GRAPHIC #1

<END>

g01415709

ELECTRICAL AND STARTING SYSTEM

6V-0927 STARTING MOTOR GP-ELECTRIC

24-VOLT

PART OF 8N-3896 STARTING MOTOR GP-ELECTRIC

FIELD REPLACEMENT ORDER 237-1962-PAGE 514

AN ATTACHMENT

SMCS-1453

i02881131

NOTE	REF NO	GRAPHIC REF	PART NUMBER	QTY	PART NAME						SEE PAGE
					1	2	3	4	5	6 (PRODUCT LEVEL)	
	1	1	7M-0326	1	CONNECTOR						
	2	1	9H-3757	2	WASHER (0.516X1X0.094-IN THK)						
	3	1	1S-7446	3	SCREW-MACHINE (8-32X0.437-IN)						
	4	1	8C-9660	3	WASHER (4.6X7.9X0.8-MM THK)						
	5	1	9S-2544	9	SCREW-HEX HEAD (8-32X11.13-MM)						
	6	1	7M-0327	1	WASHER-THRUST (17.4X25.4X1.6-MM THK)						
	7	1	3T-3418	1	FRAME AS-END						
		1	3T-3423	1	CUP						
		1	9G-4101	1	BUSHING-END						
		1	3T-3424	1	PLUG-FELT						
	8	1	3T-9525	1	PLATE AS-BRUSH						
	8A	1	6T-0371	1	INSULATOR						
	8B	1	5P-6298	12	SCREW-MACHINE (10-32X0.5-IN)						
		1	9F-5599	12	LOCKWASHER						
	8C	1	7F-3525	6	WASHER-BUSHING (0.207X0.39X0.09-IN THK)						
	8D	1	6T-0372	1	PLATE						
	8E	1	3T-4709	3	PLATE						
	8F	1	2L-6679	3	PLATE-INSULATOR						
	8G	1	3T-4710	3	PLATE						
	8H	1	6T-0363	6	HOLDER AS-BRUSH (STARTING MOTOR) (EACH INCLUDES)						
	8J	1	3T-9494	1	SPRING (STARTING MOTOR BRUSH)						
	9	1	7F-3491	2	WASHER (0.516X1X0.094-IN THK)						
	10	1	3T-3422	1	WIRE AS						
	11	1	2J-8163	2	SEAL-O-RING						
	12	1	7X-3373	1	BOLT (5/16-18X0.88-IN)						
B	13	1	3T-3434	6	PLUG						
	14	1	5J-5314	5	BOLT (5/16-18X1.5-IN)						
	15	1	3L-3380	1	BUSHING-TERMINAL						
	16	1	036-9821	1	WASHER						
	17	1	4M-1828	1	RETAINER-SPRING						
	18	1	306-3998	1	BOOT-RUBBER						
	19	1	4M-1827	1	RETAINER-SPRING						
	20	1	9M-7609	1	SPRING (SHIFT LEVER)						
	21	1	8C-3089	1	SEAL-O-RING						
	22	1	4M-1853	1	LEVER AS-SHIFT						
	23	1	5M-3034	1	LOCKNUT (5/16-24-THD)						
	24	1	7L-2894	4	GASKET						
	25	1	4M-1831	4	PLUG-LEVER HOUSING						
	26	1	4M-1854	1	SHAFT-LEVER						
	27	1	1H-1023	1	SEAL-O-RING						
	28	1	2D-6392	1	SEAL-O-RING						
	29	1	7T-3974	1	HOUSING AS-DRIVE						
	30	1	6N-3826	1	DRIVE AS-MOTOR						
	31	1	2H-3429	2	RING-RETAINING (EXTERNAL)						
	32	1	6V-1322	4	BOLT (1/4-20X0.375-IN)						
	33	1	8T-4205	4	WASHER-HARD (7.2X14.5X2-MM THK)						
	34	1	6N-3279	1	INSULATOR						
	35	1	036-9823	13	BOLT (1/4-28X1-IN)						
	36	1	1M-9971	1	SPACER (0.835X1.72X0.188-IN THK)						
	37	1	1H-2629	3	STRIP-INSULATION						
	38	1	7M-0324	1	COIL AS-FIELD						
	39	1	3R-8797	12	SCREW & WASHER AS (3/8-24X0.72-IN)						
	40	1	7F-3488	6	SHOE-POLE						

ELECTRICAL AND STARTING SYSTEM

6V-0927 STARTING MOTOR GP-ELECTRIC (contd.)

i02881131

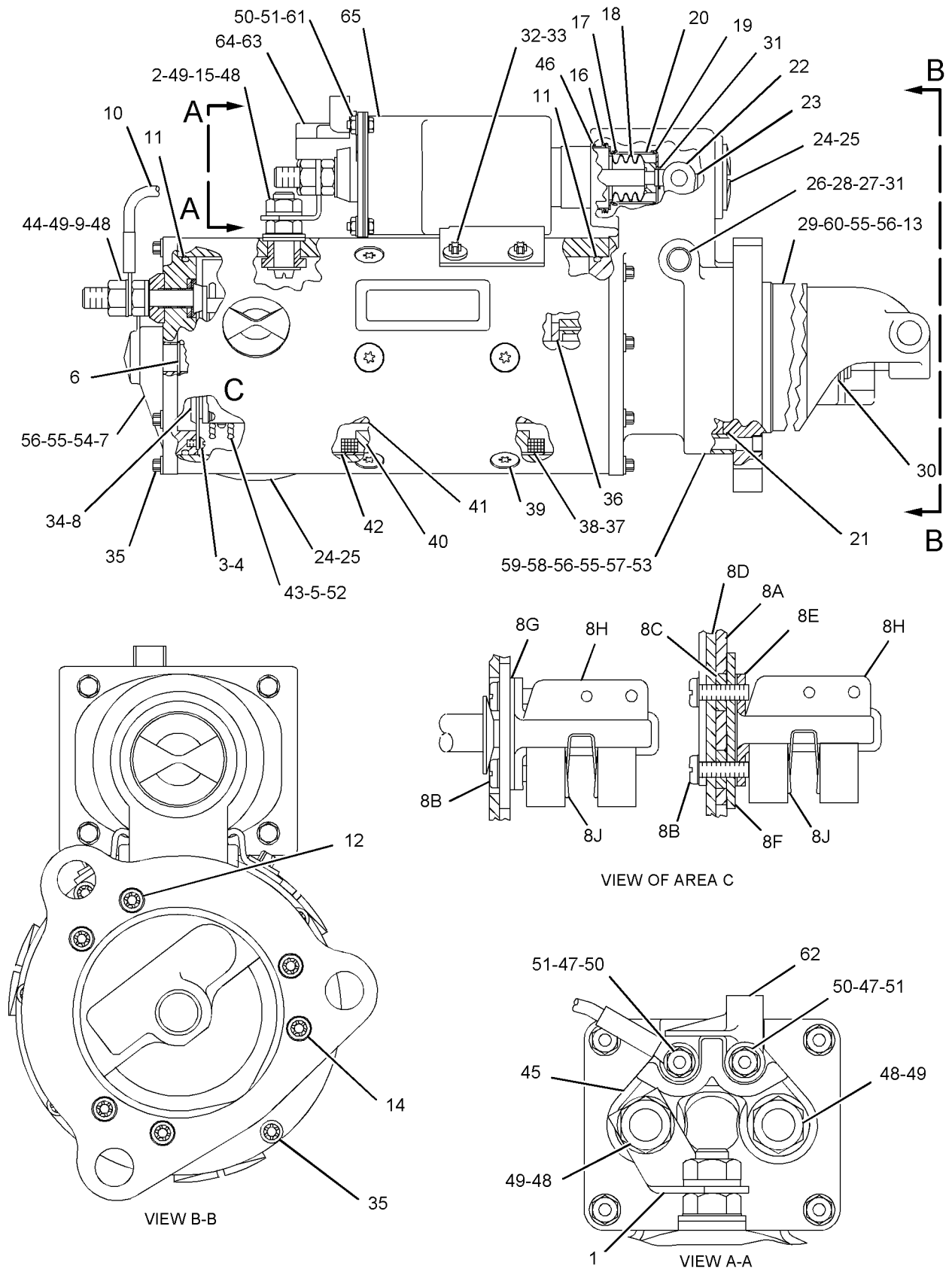
NOTE	REF NO	GRAPHIC REF	PART NUMBER	QTY	PART NAME						SEE PAGE
					1	2	3	4	5	6 (PRODUCT LEVEL)	
	41	1	7M-8651	1	ARMATURE AS						
	42	1	7M-0325	1	INSULATOR						
	43	1	3T-9524	6	BRUSH AS (STARTING MOTOR)						
	44	1	3N-3763	1	KIT-TERMINAL (STARTING MOTOR)						
					(INCLUDES INSULATOR, BUSHINGS AND WASHER)						
	45	1	125-6537	1	INSULATOR						
	46	1	3R-8801	1	CLAMP						
	47	1	8F-1434	2	LOCKWASHER						
	48	1	6V-8188	6	NUT (1/2-13-THD)						
	49	1	7X-0562	6	WASHER-HARD (13.5X19X0.8-MM THK)						
	50	1	4B-2049	6	NUT (10-32-THD)						
	51	1	8T-0328	10	WASHER-HARD (5.5X10X1-MM THK)						
	52	1	3T-9494	6	SPRING (STARTING MOTOR BRUSH)						
	53	1	3E-7771	1	HOUSING AS (STARTING MOTOR)						
	54	1	9G-4101	1	BUSHING-END						
	55	1	3T-3424	3	PLUG-FELT						
	56	1	3T-3423	3	CUP						
	57	1	1M-9968	1	BUSHING						
	58	1	2F-6678	1	SEAL-LIP TYPE						
	59	1	4L-2729	1	WASHER (0.844X1.9X0.188-IN THK)						
	60	1	4M-1896	1	BUSHING-TERMINAL						
	61	1	045-4065	4	SCREW-MACHINE (10-32X0.75-IN)						
	62	1	125-6535	1	COVER-STARTING MOTOR						
	63	1	7T-9123	1	GASKET-PLATE						
	64	1	125-6536	1	TERMINAL AS						
	65	1	318-2082	1	SOLENOID AS-STARTING MOTOR (24-VOLT)						

B-USE AS REQUIRED

ELECTRICAL AND STARTING SYSTEM

6V-0927 STARTING MOTOR GP-ELECTRIC (contd.)

i02881131



GRAPHIC #1

<END>

g01092038

ELECTRICAL AND STARTING SYSTEM

7C-0527 STARTING MOTOR GP-ELECTRIC-DUAL

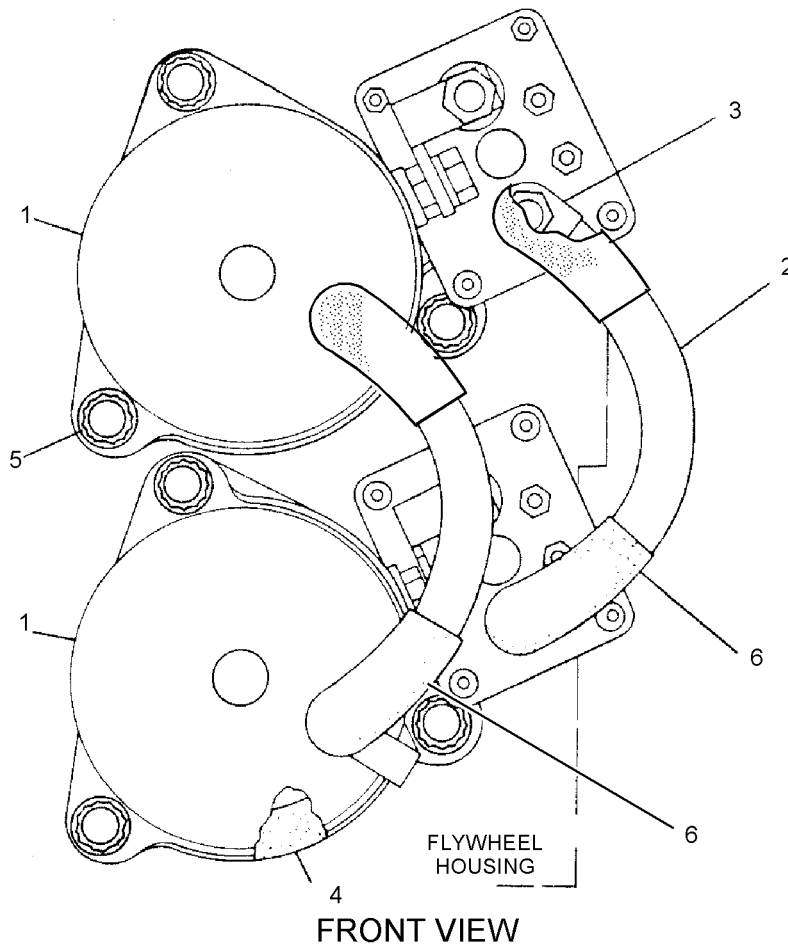
24-VOLT
AN ATTACHMENT

SMCS-1453

i03870395

NOTE	REF NO	GRAPHIC REF	PART NUMBER	QTY	PART NAME						SEE PAGE
					1	2	3	4	5	6 (PRODUCT LEVEL)	
Y	1	1	207-1562	2	STARTING MOTOR GP-ELECTRIC						512
	2	1	7L-5887	2	CABLE AS (0000-GA) (EACH INCLUDES)						
	3	1	3L-7634	2	TERMINAL-RING (0000-GA, 1/2-IN SCREW)						
BE		1	5P-0745		CABLE (0000-GA) (25.4-CM)						
	4	1	4H-7869	2	GASKET						
	5	1	7J-8902	6	BOLT-12 POINT HEAD (5/8-11X1.5-IN)						
	6	1	3L-7604	4	SHIELD-TERMINAL						

B-USE AS REQUIRED
E-ORDER BY THE CENTIMETER
Y-SEPARATE ILLUSTRATION



GRAPHIC #1

<END>

g01105817

ELECTRICAL AND STARTING SYSTEM

8N-3896 STARTING MOTOR GP-ELECTRIC-DUAL

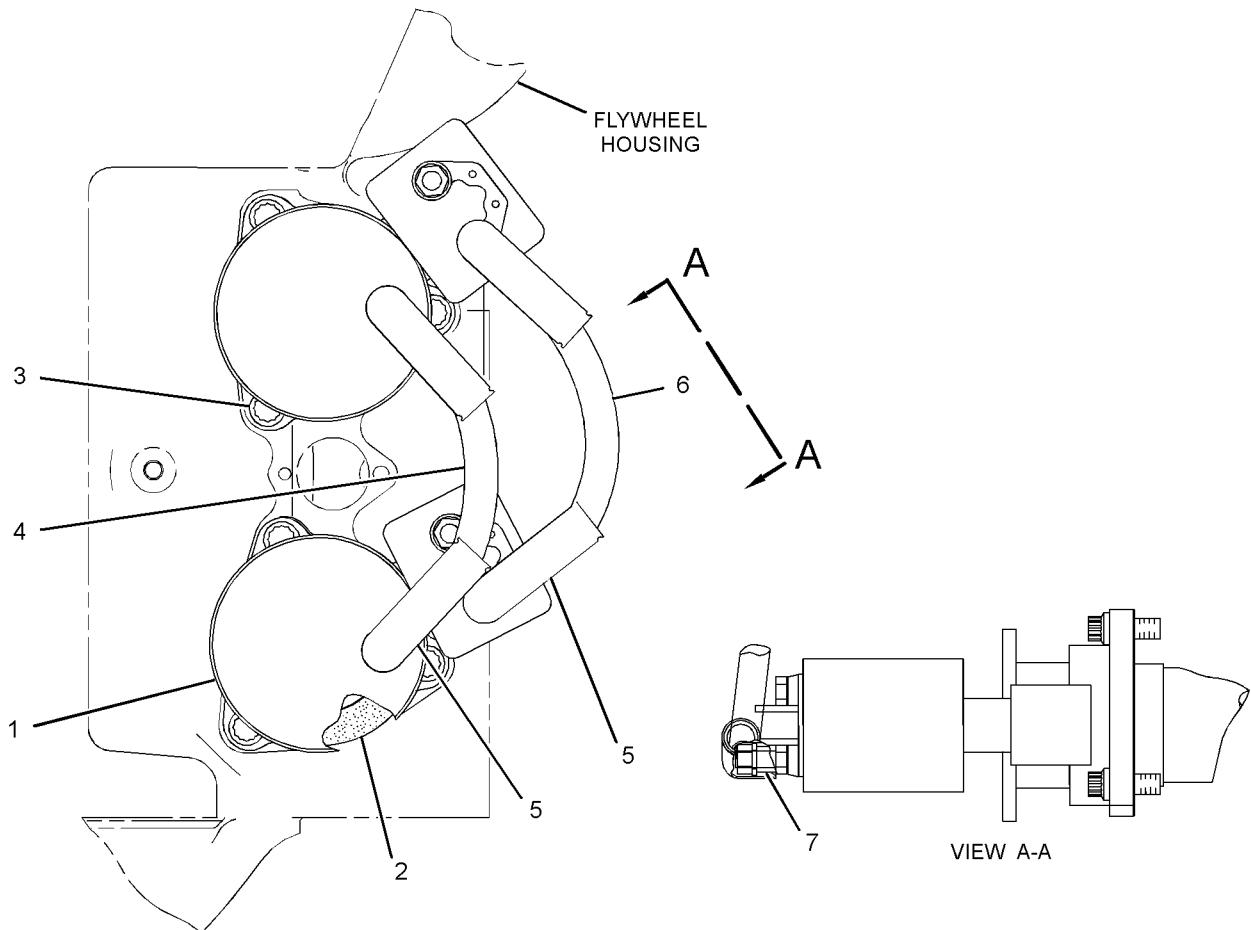
24-VOLT
AN ATTACHMENT

SMCS-1453

i03033540

NOTE	REF NO	GRAPHIC REF	PART NUMBER	QTY	PART NAME						SEE PAGE
					1	2	3	4	5	6 (PRODUCT LEVEL)	
Y	1	1	6V-0927	2	STARTING MOTOR GP-ELECTRIC						505
C	2	1	9Y-6089	2	GASKET						
	3	1	7J-8902	6	BOLT-12 POINT HEAD (5/8-11X1.5-IN)						
	4	1	7L-5887	1	CABLE AS (0000-GA)						
BE		1	5P-0745		CABLE (0000-GA)						
		1	3L-7634	2	TERMINAL-RING (0000-GA, 1/2-IN SCREW)						
	5	1	3L-7604	4	SHIELD-TERMINAL						
	6	1	4L-6155	1	CABLE AS (0000-GA)						
BE		1	5P-0745		CABLE (0000-GA)						
		1	3L-7634	2	TERMINAL-RING (0000-GA, 1/2-IN SCREW)						
	7	1	3L-6836	1	SPACER (0.5X0.75X0.56-IN THK)						

B-USE AS REQUIRED
C-CHANGE FROM PREVIOUS TYPE
E-ORDER BY THE CENTIMETER
Y-SEPARATE ILLUSTRATION



GRAPHIC #1

<END>

g01539094

ELECTRICAL AND STARTING SYSTEM

207-1556 STARTING MOTOR GP-ELECTRIC*R

24-VOLT

OPTIONAL FIELD REPLACEMENT ORDER 237-1962-PAGE 514. FIELD REPLACEMENT FOR
207-1562-PAGE 512

SMCS-1453

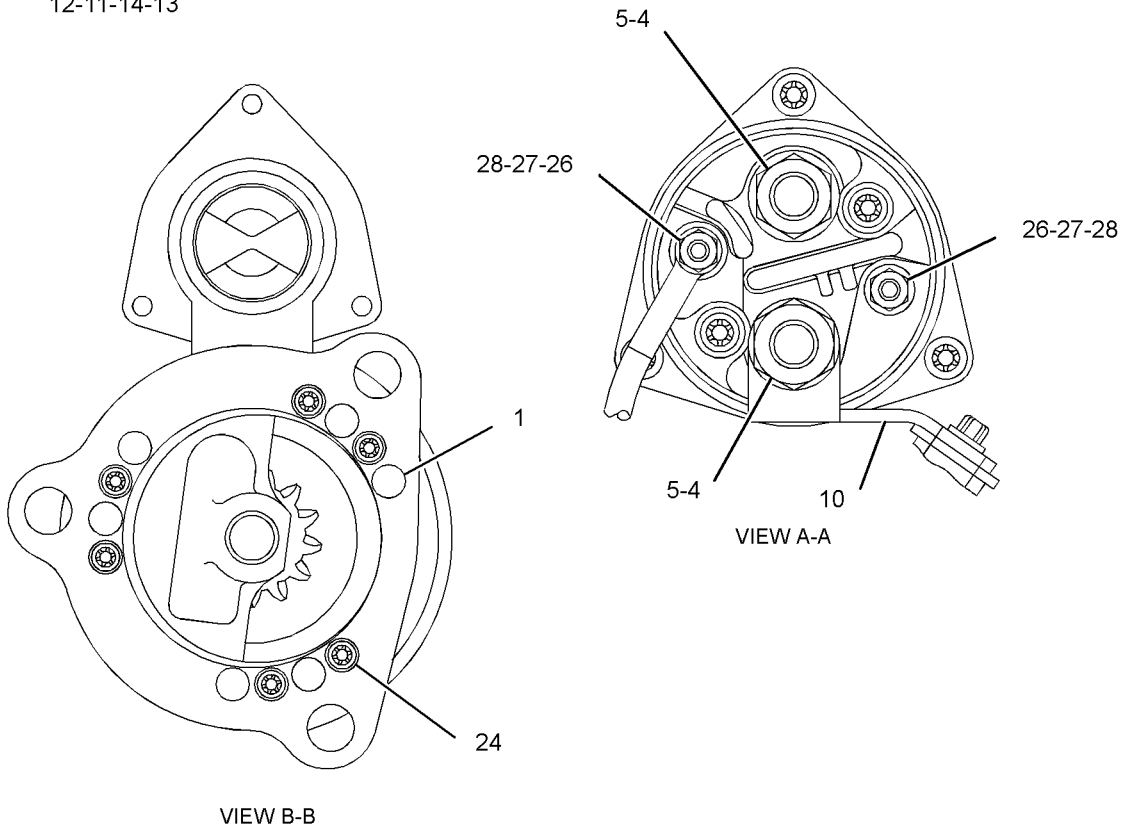
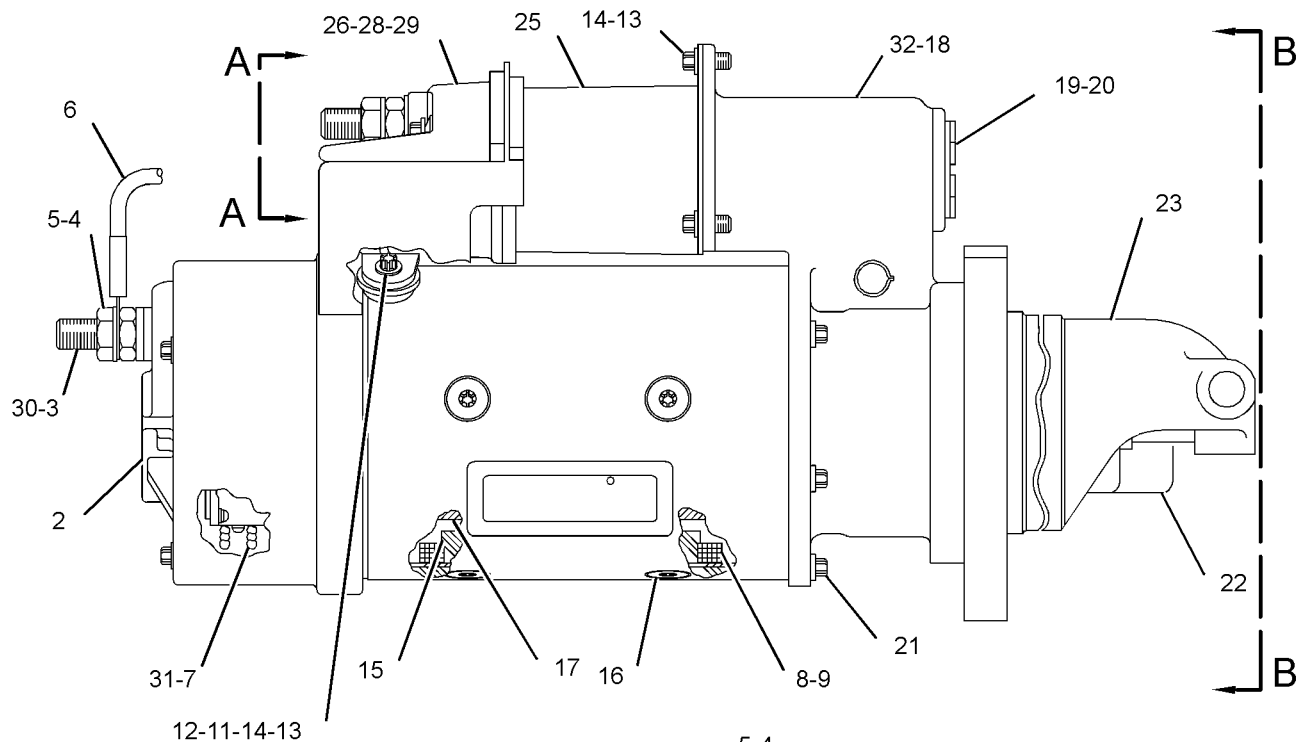
i03629299

NOTE	REF NO	GRAPHIC REF	PART NUMBER	QTY	PART NAME						SEE PAGE
					1	2	3	4	5	6 (PRODUCT LEVEL)	
	1	1	3T-3434	6	PLUG						
	2	1	7T-3279	1	HOUSING AS						
	3	1	8T-8566	1	TERMINAL AS						
	4	1	6V-8188	4	NUT (1/2-13-THD)						
	5	1	7X-0562	4	WASHER-HARD (13.5X19X0.8-MM THK)						
	6	1	3T-3422	1	WIRE AS						
	7	1	7T-3278	1	HOLDER AS-BRUSH						
	8	1	7T-3277	1	COIL AS-FIELD						
	9	1	7T-3454	1	INSULATOR						
	10	1	283-1107	1	KIT-CONNECTOR (STARTING MOTOR) (INCLUDES CONNECTORS, BOLT & TERMINAL-STARTER)						
	11	1	7T-3451	1	KIT-INSULATOR (TERMINAL) (INCLUDES INSULATORS & GROMMET)						
	12	1	8T-8569	1	INSULATOR-TERMINAL						
	13	1	5S-7349	4	BOLT (1/4-20X0.5-IN)						
	14	1	8T-4205	4	WASHER-HARD (7.2X14.5X2-MM THK)						
	15	1	8H-1141	4	SHOE-POLE						
	16	1	3R-8797	8	SCREW & WASHER AS (3/8-24X0.72-IN)						
	17	1	7T-3276	1	ARMATURE AS (24-VOLT)						
	18	1	3E-7775	1	HOUSING AS						
	19	1	4M-1831	1	PLUG-LEVER HOUSING						
	20	1	7L-2894	1	GASKET						
	21	1	0S-1597	5	BOLT (1/4-28X1-IN)						
	22	1	6N-3826	1	DRIVE AS-MOTOR						
	23	1	7T-3974	1	HOUSING AS-DRIVE						
	24	1	7X-3373	6	BOLT (5/16-18X0.88-IN)						
	25	1	250-8279	1	KIT-SOLENOID (24-VOLT) (INCLUDES SOLENOID AS, BOLT, NUTS, COVER & CONNECTORS)						
	26	1	6V-8378	3	NUT (10-32-THD)						
	27	1	8F-1434	2	LOCKWASHER						
	28	1	8T-0328	3	WASHER-HARD (5.5X10X1-MM THK)						
	29	1	9X-4824	1	COVER-STARTING MOTOR						
	30	1	8T-9884	1	KIT-INSULATOR (STARTING MOTOR) (INCLUDES INSULATORS & BUSHING)						
	31	1	8C-3655	1	KIT-BRUSH (STARTING MOTOR) (INCLUDES BRUSHES, SPRINGS, SCREWS, SCREW ASSEMBLIES & SEAL)						
	32	1	7T-3268	1	KIT-LEVER (STARTING MOTOR) (INCLUDES LEVER ASSEMBLIES, SEAL, NUT, GASKET & RETAINER)						
					AVAILABLE REPAIR KIT(S):						
			7T-3267	1	KIT-BUSHING (STARTING MOTOR) (INCLUDES BUSHINGS, WICKS, CUPS, SEALS, GASKET, SCREW AS, WASHERS, SPACER & NUT)						

ELECTRICAL AND STARTING SYSTEM

207-1556 STARTING MOTOR GP-ELECTRIC (contd.)

i03629299



GRAPHIC #1

<END>

g01478692

ELECTRICAL AND STARTING SYSTEM

207-1562 STARTING MOTOR GP-ELECTRIC

24-VOLT

PART OF 7C-0527 STARTING MOTOR GP-ELECTRIC

FIELD REPLACEMENT ORDER 207-1556-PAGE 510

AN ATTACHMENT

SMCS-1453

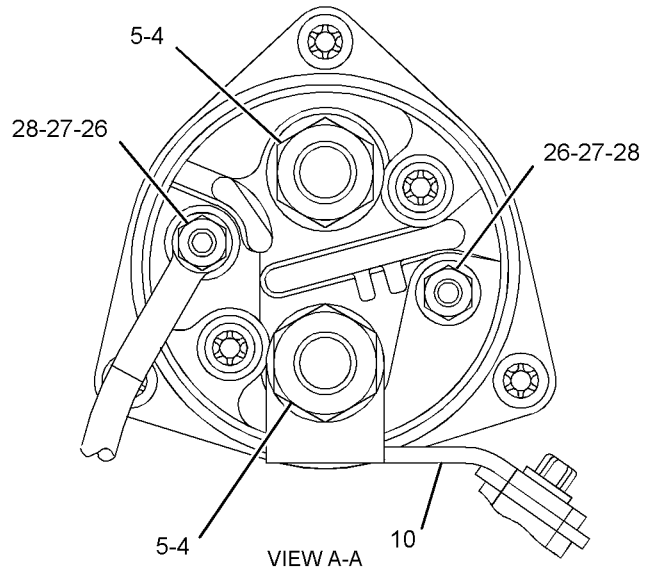
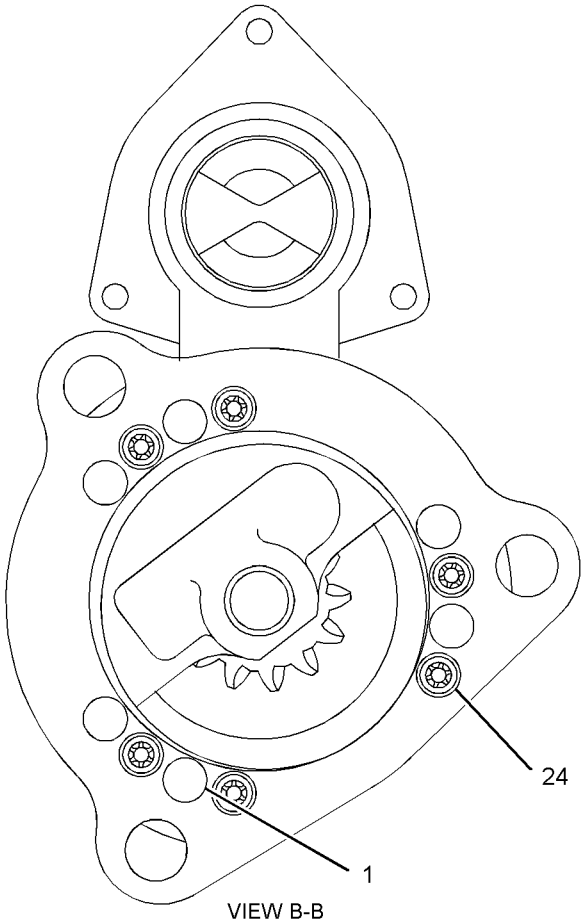
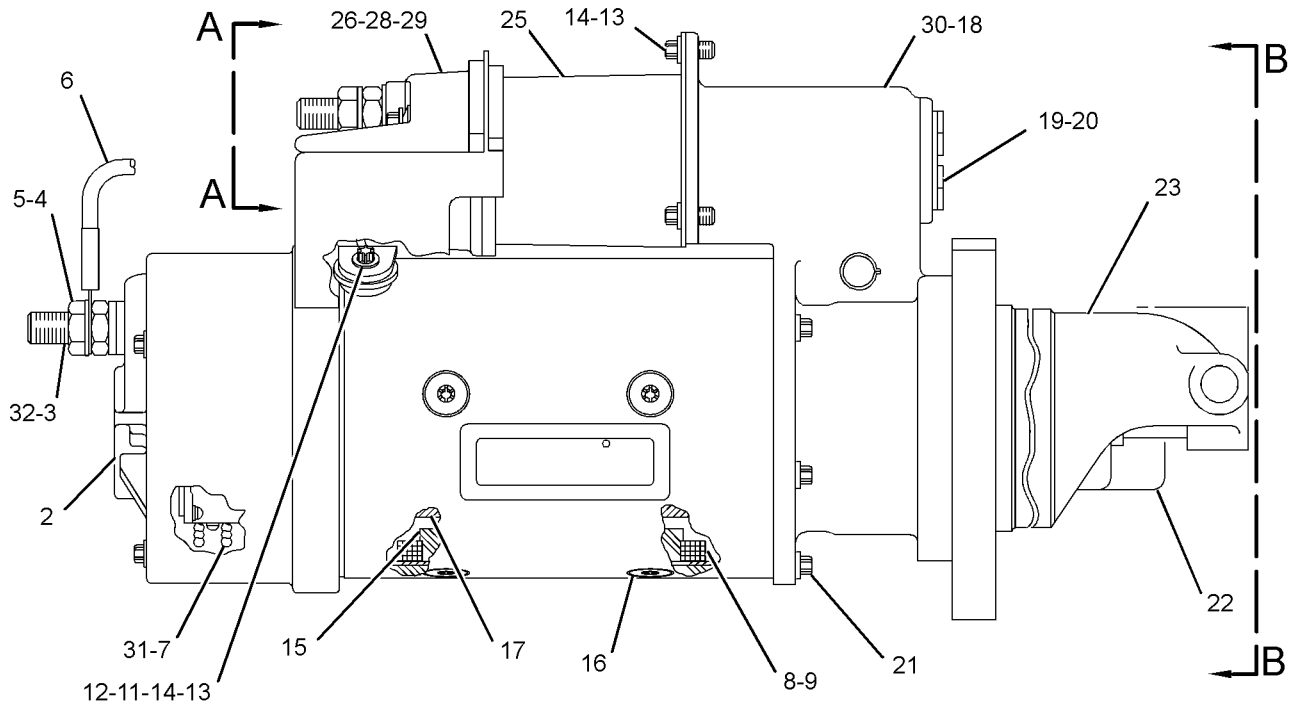
i02958611

NOTE	REF NO	GRAPHIC REF	PART NUMBER	QTY	PART NAME						SEE PAGE
					1	2	3	4	5	6 (PRODUCT LEVEL)	
	1	1	3T-3434	6	PLUG						
	2	1	7T-3279	1	HOUSING AS						
	3	1	8T-8566	1	TERMINAL AS						
	4	1	6V-8188	4	NUT (1/2-13-THD)						
	5	1	7X-0562	4	WASHER-HARD (13.5X19X0.8-MM THK)						
	6	1	3T-3422	1	WIRE AS						
	7	1	7T-3278	1	HOLDER AS-BRUSH (STARTING MOTOR)						
	8	1	7T-3277	1	COIL AS-FIELD						
	9	1	7T-3454	1	INSULATOR						
	10	1	283-1107	1	KIT-CONNECTOR (STARTING MOTOR) (INCLUDES CONNECTORS, BOLT & TERMINAL-STARTER)						
	11	1	7T-3451	1	KIT-INSULATOR (TERMINAL)						
	12	1	8T-8569	1	INSULATOR-TERMINAL						
	13	1	5S-7349	4	BOLT (1/4-20X0.5-IN)						
	14	1	8T-4205	4	WASHER-HARD (7.2X14.5X2-MM THK)						
	15	1	8H-1141	4	SHOE-POLE						
	16	1	3R-8797	8	SCREW & WASHER AS (3/8-24X0.72-IN)						
	17	1	7T-3276	1	ARMATURE AS (24-VOLT)						
	18	1	3E-7775	1	HOUSING AS						
	19	1	4M-1831	1	PLUG-LEVER HOUSING						
	20	1	7L-2894	1	GASKET						
	21	1	036-9823	5	BOLT (1/4-28X1-IN)						
	22	1	6N-3826	1	DRIVE AS-MOTOR						
	23	1	7T-3974	1	HOUSING AS-DRIVE						
	24	1	7X-3373	6	BOLT (5/16-18X0.88-IN)						
	25	1	250-8279	1	KIT-SOLENOID (24-VOLT) (INCLUDES SOLENOID AS, BOLT, NUT AS, NUT, COVER & CONNECTORS)						
	26	1	6V-8378	3	NUT (10-32-THD)						
	27	1	8F-1434	2	LOCKWASHER						
	28	1	8T-0328	3	WASHER-HARD (5.5X10X1-MM THK)						
	29	1	9X-4824	1	COVER-STARTING MOTOR						
	30	1	7T-3268	1	KIT-LEVER (STARTING MOTOR) (INCLUDES LEVER ASSEMBLIES, SEALS, NUT, GASKET & RETAINER)						
	31	1	8C-3655	1	KIT-BRUSH (STARTING MOTOR) (INCLUDES BRUSHES, SPRINGS, SCREWS, SCREW ASSEMBLIES, & SEAL)						
	32	1	8T-9884	1	KIT-INSULATOR (STARTING MOTOR) (INCLUDES INSULATORS & BUSHING)						
					AVAILABLE REPAIR KIT(S):						
			7T-3267	1	KIT-BUSHING (STARTING MOTOR) (INCLUDES BUSHINGS, WICKS, CUPS, SEALS, GASKET, SCREW ASSEMBLIES, WASHERS, SPACER & NUT)						

ELECTRICAL AND STARTING SYSTEM

207-1562 STARTING MOTOR GP-ELECTRIC (contd.)

i02958611



GRAPHIC #1

<END>

g01478494

ELECTRICAL AND STARTING SYSTEM

237-1962 STARTING MOTOR GP-ELECTRIC*R

24-VOLT

FIELD REPLACEMENT FOR 6V-0927-PAGE 505: FOR 207-1556-PAGE 510

SMCS-1453

i03630206

NOTE	REF NO	GRAPHIC REF	PART NUMBER	QTY	PART NAME						SEE PAGE
					1	2	3	4	5	6 (PRODUCT LEVEL)	
	1	1	7M-0326	1	CONNECTOR						
	2	1	9H-3757	2	WASHER (0.516X1X0.094-IN THK)						
	3	1	1S-7446	3	SCREW-MACHINE (8-32X0.437-IN)						
	4	1	8C-9660	3	WASHER (4.6X7.9X0.8-MM THK)						
	5	1	9S-2544	9	SCREW-HEX HEAD (8-32X11.13-MM)						
	6	1	7M-0327	1	WASHER-THRUST (17.4X25.4X1.6-MM THK)						
	7	1	3T-3418	1	FRAME AS-END						
		1	3T-3423	1	CUP						
		1	3T-3424	1	PLUG-FELT						
		1	9G-4101	1	BUSHING-END						
	8	1	3T-9525	1	PLATE AS-BRUSH						
	8A	1	6T-0371	1	INSULATOR						
	8B	1	5P-6298	12	SCREW-MACHINE (10-32X0.5-IN)						
		1	9F-5599	12	LOCKWASHER						
	8C	1	7F-3525	6	WASHER-BUSHING (0.207X0.39X0.09-IN THK)						
	8D	1	6T-0372	1	PLATE						
	8E	1	3T-4709	3	PLATE						
	8F	1	2L-6679	3	PLATE-INSULATOR						
	8G	1	3T-4710	3	PLATE						
	8H	1	6T-0363	6	HOLDER AS-BRUSH (STARTING MOTOR) (EACH INCLUDES)						
	8J	1	3T-9494	1	SPRING						
	9	1	1T-0808	2	WASHER (0.516X0.812X0.09-IN THK)						
	10	1	3T-3422	1	WIRE AS (STARTING MOTOR)						
	11	1	2J-8163	2	SEAL-O-RING						
	12	1	7X-3373	1	BOLT (5/16-18X0.88-IN)						
	13	1	3T-3434	6	PLUG						
	14	1	5J-5314	5	BOLT (5/16-18X1.5-IN)						
	15	1	3L-3380	1	BUSHING-TERMINAL						
	16	1	036-9821	1	WASHER						
	17	1	4M-1828	1	RETAINER-SPRING						
	18	1	306-3998	1	BOOT-RUBBER						
	19	1	9M-7609	1	SPRING (SHIFT LEVER)						
	20	1	4M-1827	1	RETAINER-SPRING						
	21	1	8C-3089	1	SEAL-O-RING						
	22	1	4M-1853	1	LEVER AS-SHIFT						
	23	1	5M-3034	1	LOCKNUT (5/16-24-THD)						
	24	1	7L-2894	4	GASKET						
	25	1	4M-1831	4	PLUG-LEVER HOUSING						
	26	1	4M-1854	1	SHAFT-LEVER						
	27	1	1H-1023	1	SEAL-O-RING						
	28	1	2D-6392	1	SEAL-O-RING						
	29	1	7T-3974	1	HOUSING AS-DRIVE						
	30	1	6N-3826	1	DRIVE AS-MOTOR						
	31	1	2H-3429	2	RING-RETAINING						
	32	1	6V-1322	4	BOLT (1/4-20X0.375-IN)						
	33	1	8T-4205	4	WASHER-HARD (7.2X14.5X2-MM THK)						
	34	1	6N-3279	1	INSULATOR						
	35	1	0S-1597	13	BOLT (1/4-28X1-IN)						
	36	1	1M-9971	1	SPACER (0.835X1.72X0.188-IN THK)						
	37	1	1H-2629	3	STRIP-INSULATION						
	38	1	7M-0324	1	COIL AS-FIELD						
	39	1	3R-8797	12	SCREW & WASHER AS (3/8-24X0.72-IN)						
	40	1	7F-3488	6	SHOE-POLE						
	41	1	7M-8651	1	ARMATURE AS						
	42	1	7M-0325	1	INSULATOR						

ELECTRICAL AND STARTING SYSTEM

237-1962 STARTING MOTOR GP-ELECTRIC (contd.)

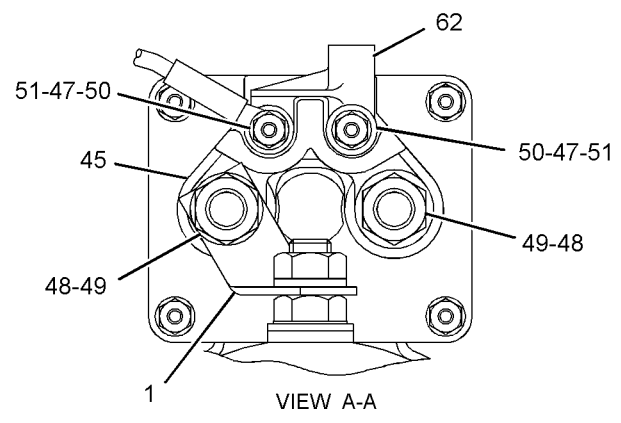
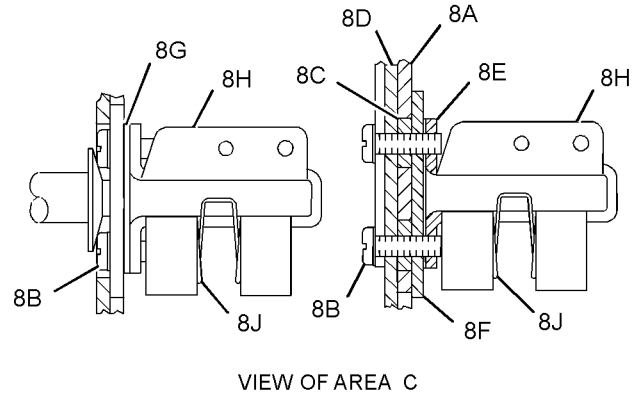
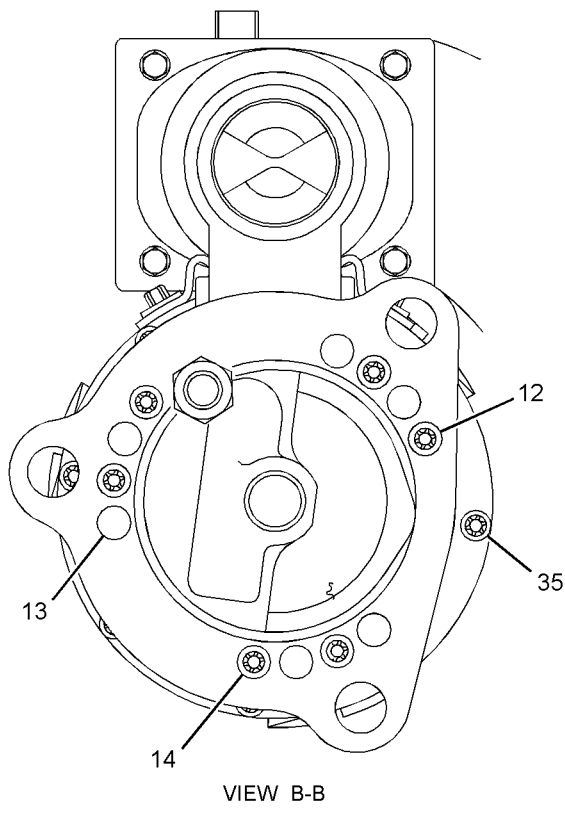
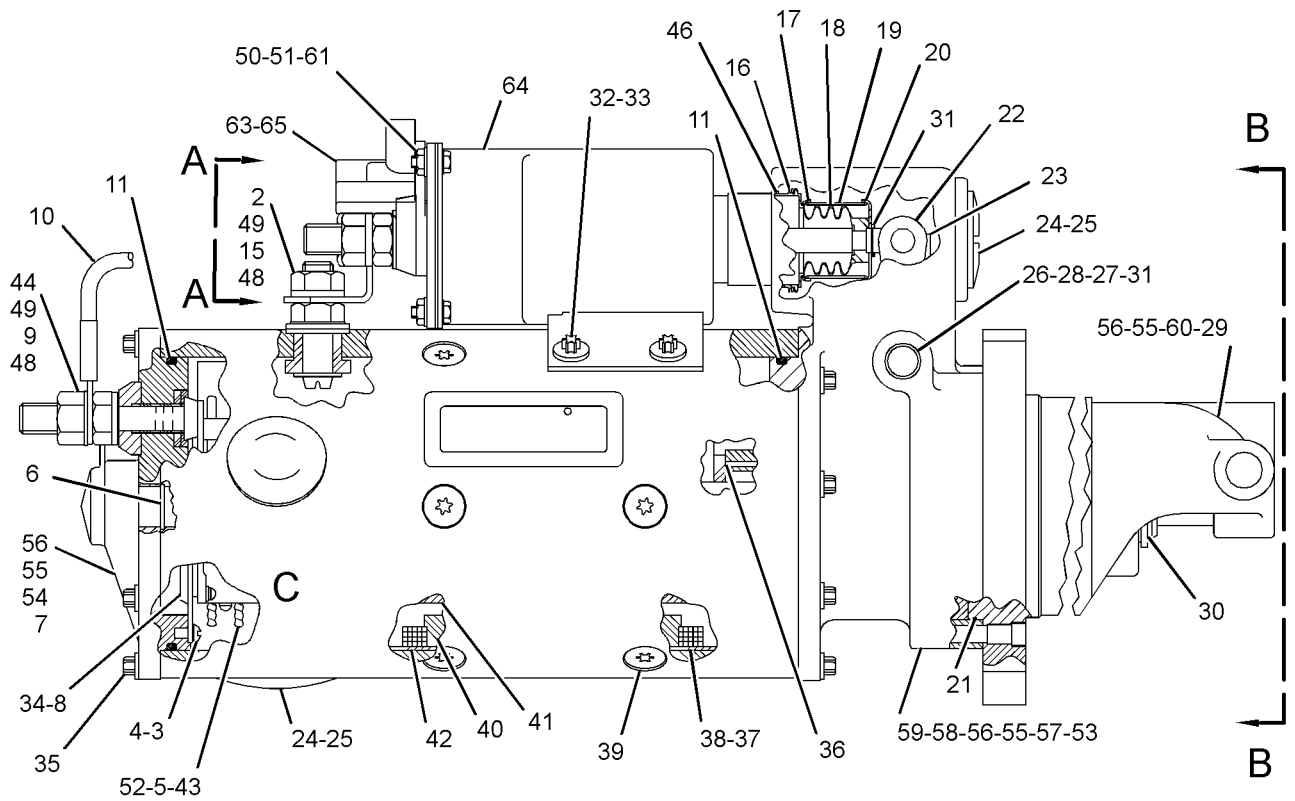
i03630206

NOTE	REF NO	GRAPHIC REF	PART NUMBER	QTY	PART NAME						SEE PAGE
					1	2	3	4	5	6 (PRODUCT LEVEL)	
	43	1	3T-9524	6	BRUSH AS						
	44	1	3N-3763	1	KIT-TERMINAL (STARTING MOTOR) (INCLUDES BUSHINGS & WASHERS)						
	45	1	125-6537	1	INSULATOR						
	46	1	3R-8801	1	CLAMP						
	47	1	8F-1434	2	LOCKWASHER						
	48	1	6V-8188	6	NUT (1/2-13-THD)						
	49	1	7X-0562	6	WASHER-HARD (13.5X19X0.8-MM THK)						
	50	1	4B-2049	6	NUT (10-32-THD)						
	51	1	8T-0328	10	WASHER-HARD (5.5X10X1-MM THK)						
	52	1	3T-9494	6	SPRING (STARTING MOTOR)						
	53	1	3E-7771	1	HOUSING AS (STARTING MOTOR)						
	54	1	9G-4101	1	BUSHING-END						
	55	1	3T-3424	3	PLUG-FELT						
	56	1	3T-3423	3	CUP						
	57	1	1M-9968	1	BUSHING						
	58	1	2F-6678	1	SEAL-LIP TYPE						
	59	1	4L-2729	1	WASHER (0.844X1.9X0.188-IN THK)						
	60	1	4M-1896	1	BUSHING-TERMINAL						
	61	1	045-4065	4	SCREW-MACHINE (10-32X0.75-IN)						
	62	1	125-6535	1	COVER-STARTING MOTOR						
	63	1	7T-9123	1	GASKET-PLATE						
	64	1	318-2082	1	SOLENOID AS-STARTING MOTOR (24-VOLT)						
	65	1	125-6536	1	TERMINAL AS						

ELECTRICAL AND STARTING SYSTEM

237-1962 STARTING MOTOR GP-ELECTRIC (contd.)

i03630206



GRAPHIC #1

<END>

g01453239

ELECTRICAL AND STARTING SYSTEM

244-9602 STRIP GP-TERMINAL-AC PART OF 245-0035, 341-8082 BOX GP-ELECTRONIC AN ATTACHMENT

SMCS-4460, 7426

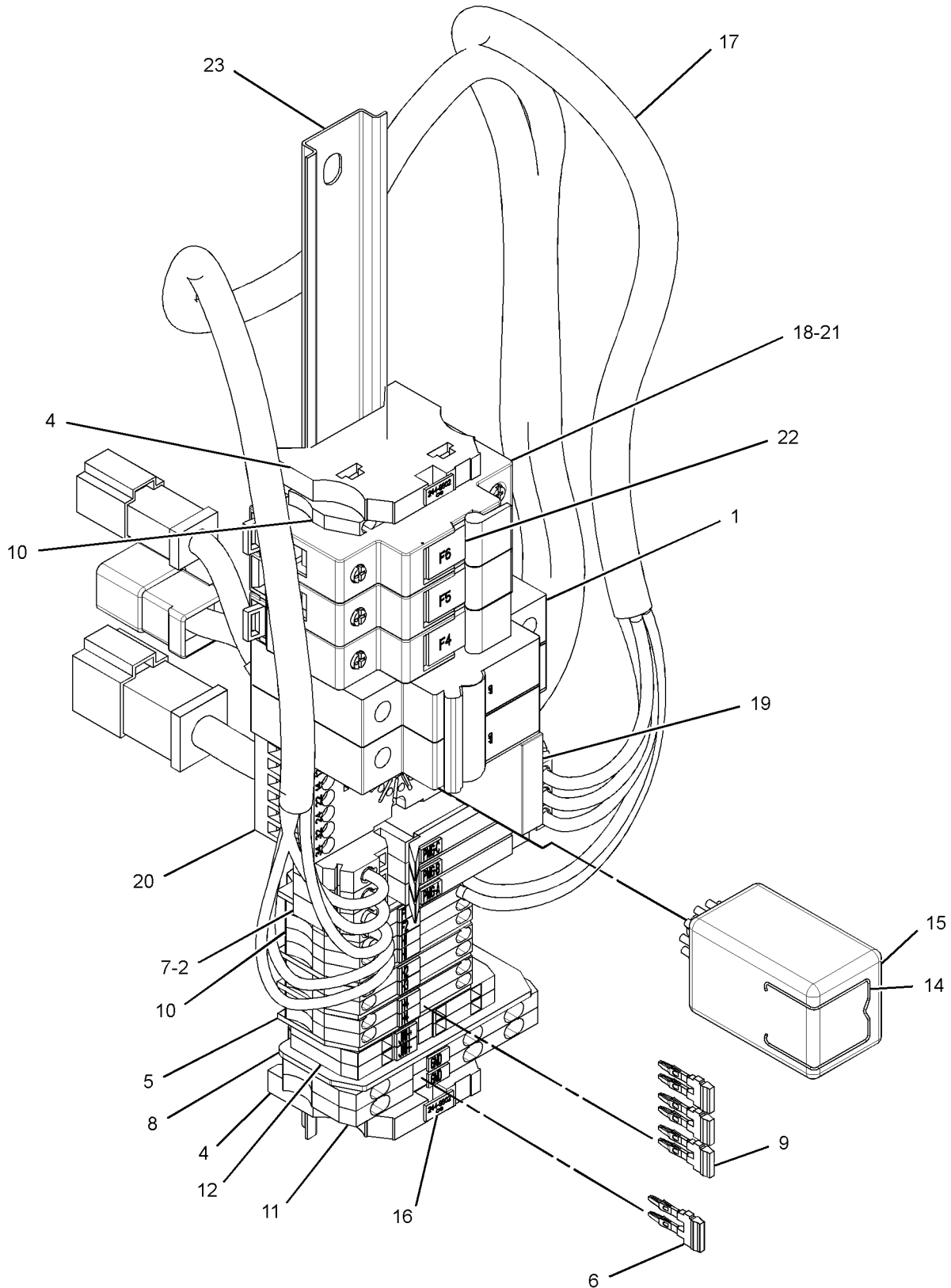
i03527061

NOTE	REF NO	GRAPHIC REF	PART NUMBER	QTY	PART NAME						SEE PAGE
					1	2	3	4	5	6 (PRODUCT LEVEL)	
	1	1	128-8065	1	CIRCUIT BREAKER AS (10-AMPERE)						
					(NACD MARKETS)						
					-OR-						
			307-2056	1	CIRCUIT BREAKER (10-AMPERE)						
					(ALL MARKETS OUTSIDE NACD)						
	2	1	155-8755	3	FUSE (10-AMPERE)						
	4	1	314-9101	2	BRACKET-END						
	5	1	314-9099	4	COVER-TERMINAL						
	6	1	314-9093	1	BAR-FIXED BRIDGE						
	7	1	321-2524	3	BLOCK-TERMINAL (300-VOLT, 15-AMPERE)						
	8	1	314-9090	1	COVER-TERMINAL						
	9	1	314-9100	1	BAR-FIXED BRIDGE						
	10	1	314-9098	9	BLOCK-TERMINAL (600-VOLT, 25-AMPERE)						
	11	1	324-8967	2	BLOCK-TERMINAL						
	12	1	314-9083	2	BLOCK-TERMINAL (600-VOLT, 25-AMPERE)						
	14	1	211-0640	1	SPRING (RELAY)						
	15	1	223-6470	1	RELAY (10-AMPERE, 24-VOLT)						
	16	1	328-4133	1	MARKER-TERMINAL						
	17	1	244-9657	1	HARNESS AS-WIRING (TERMINAL BLOCK)						
			102-8802	1	KIT-RECEPTACLE (2-PIN)						
			102-8804	1	KIT-RECEPTACLE (4-PIN)						
			102-8805	1	KIT-RECEPTACLE (6-PIN)						
					(EACH KIT INCLUDES RECEPTACLE AS & WEDGE)						
		1	6K-0806	9	STRAP-CABLE						
		1	8T-8737	1	PLUG-SEAL						
	18	1	246-9818	1	HOLDER-FUSE						
	19	1	252-1731	1	MODULE-DIODE						
	20	1	252-1732	1	BASE-RELAY						
	21	1	272-5835	3	FUSE (0.5-AMPERE)						
	22	1	252-7497	1	FILM (FUSE BLOCK)						
	23	1	097-5921	1	RAIL-MOUNTING						

ELECTRICAL AND STARTING SYSTEM

244-9602 STRIP GP-TERMINAL (contd.)

i03527061



GRAPHIC #1

<END>

g01907913

ELECTRICAL AND STARTING SYSTEM

244-9603 STRIP GP-TERMINAL-DC

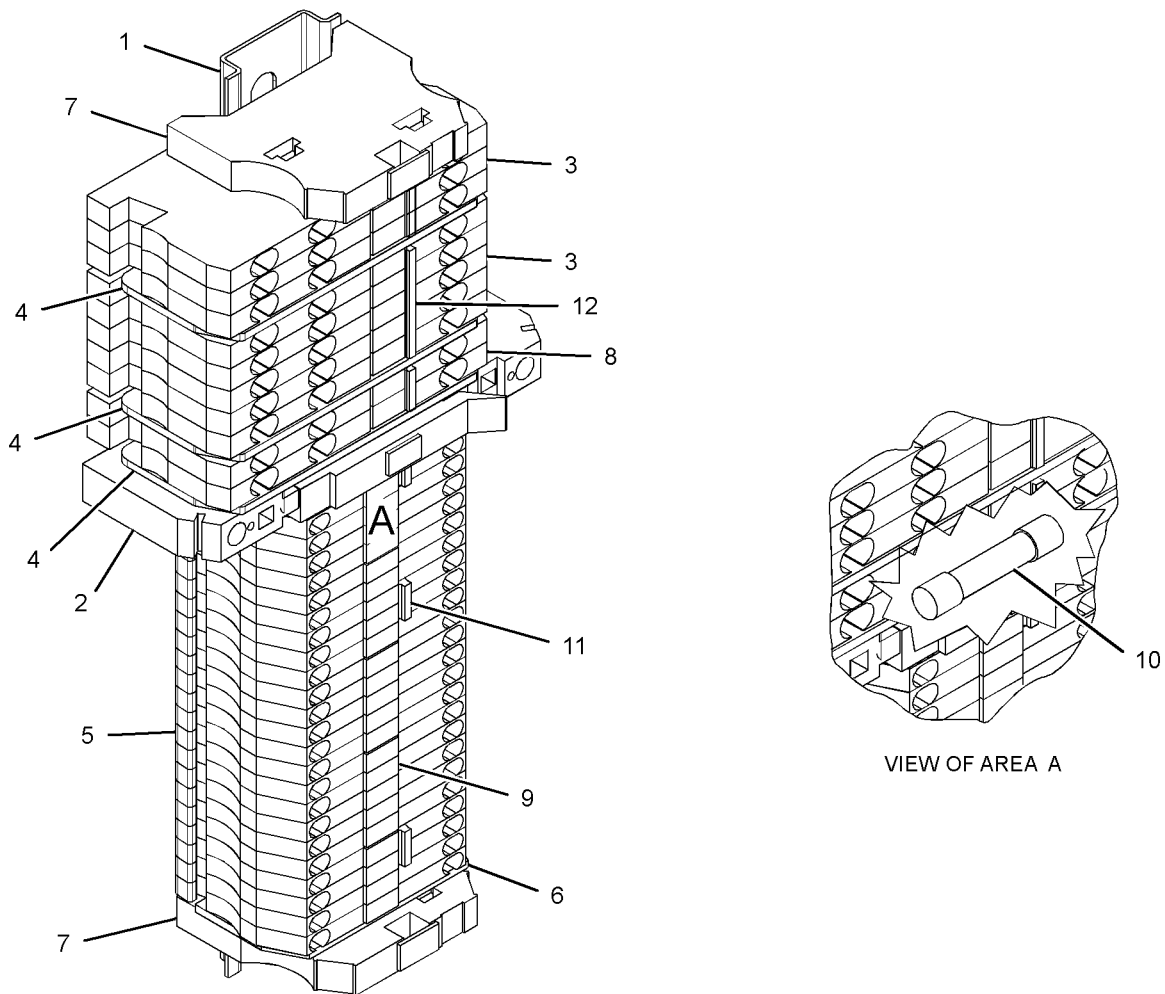
PART OF 245-0035, 341-8082 BOX GP-ELECTRONIC
AN ATTACHMENT

SMCS-4460, 7426

i03587297

NOTE	REF NO	GRAPHIC REF	PART NUMBER	QTY	PART NAME						SEE PAGE
					1	2	3	4	5	6 (PRODUCT LEVEL)	
	1	1	097-5921	1	RAIL-MOUNTING						
	2	1	197-4051	1	BLOCK-TERMINAL (300-VOLT, 8-AMPERE)						
	3	1	314-9086	8	BLOCK-TERMINAL (600-VOLT, 33-AMPERE)						
	4	1	314-9090	3	COVER-TERMINAL						
	5	1	314-9098	24	BLOCK-TERMINAL (600-VOLT, 25-AMPERE)						
	6	1	314-9099	1	COVER-TERMINAL						
	7	1	314-9101	2	BRACKET-END						
	8	1	324-8967	2	BLOCK-TERMINAL						
	9	1	328-4134	1	MARKER-TERMINAL						
	10	1	8D-8724	1	FUSE (2-AMPERE)						
B	11	1	314-9100	3	BAR-FIXED BRIDGE						
B	12	1	314-9093	1	BAR-FIXED BRIDGE						

B-USE AS REQUIRED



GRAPHIC #1

<END>

g01948501

ELECTRICAL AND STARTING SYSTEM

244-9607 STRIP GP-TERMINAL-SWITCHGEAR

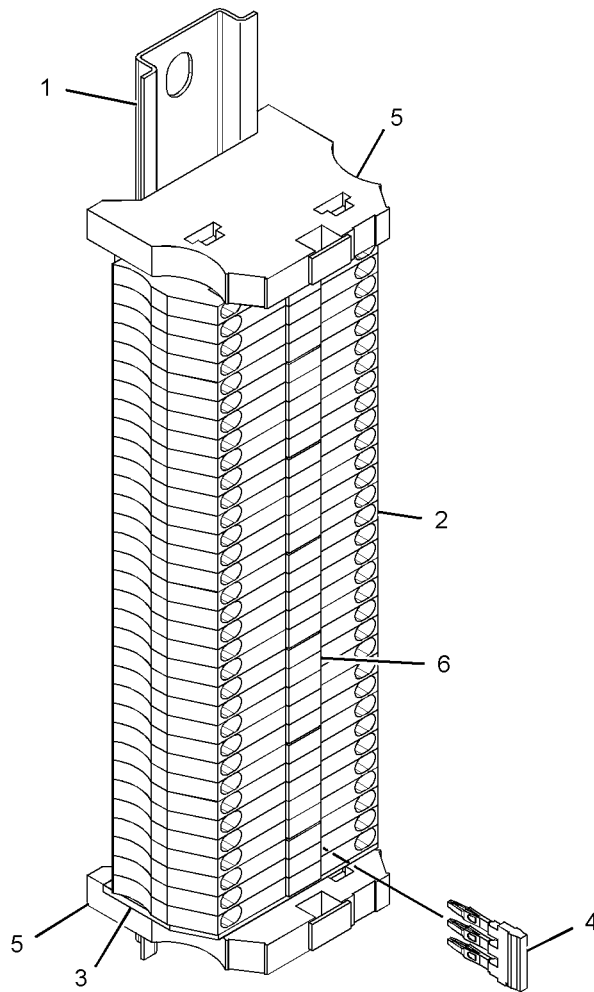
PART OF 245-0035, 341-8082 BOX GP-ELECTRONIC
AN ATTACHMENT

SMCS-4460, 7426

i03587299

NOTE	REF NO	GRAPHIC REF	PART NUMBER	QTY	PART NAME						SEE PAGE
					1	2	3	4	5	6 (PRODUCT LEVEL)	
	1	1	097-5921	1	RAIL-MOUNTING						
	2	1	314-9098	33	BLOCK-TERMINAL (600-VOLT, 25-AMPERE)						
	3	1	314-9099	1	COVER-TERMINAL						
B	4	1	314-9100	1	BAR-FIXED BRIDGE						
	5	1	314-9101	2	BRACKET-END						
	6	1	328-4135	1	MARKER-TERMINAL						

B-USE AS REQUIRED



GRAPHIC #1

<END>

g01948532

ELECTRICAL AND STARTING SYSTEM

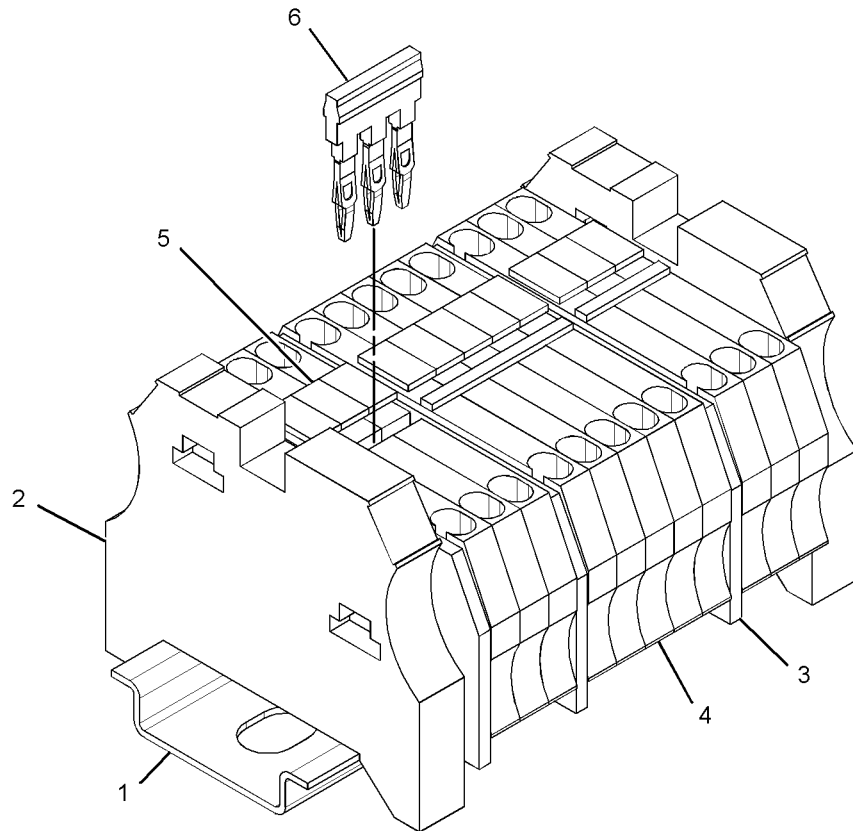
252-7357 STRIP GP-TERMINAL-LOAD SHARE

PART OF 252-7361 MOUNTING GP-TERMINAL STRIP
AN ATTACHMENT

SMCS-4460, 7426

i03847609

NOTE	REF NO	GRAPHIC REF	PART NUMBER	QTY	PART NAME						SEE PAGE
					1	2	3	4	5	6 (PRODUCT LEVEL)	
	1	1	097-5921	1	RAIL-MOUNTING						
	2	1	314-9101	2	BRACKET-END						
	3	1	314-9099	3	COVER-TERMINAL						
	4	1	314-9098	11	BLOCK-TERMINAL (600-VOLT, 25-AMPERE)						
	5	1	252-7444	1	KIT-MARKER						
	6	1	314-9100	2	BAR-FIXED BRIDGE						



GRAPHIC #1

<END>

g02113018

ELECTRICAL AND STARTING SYSTEM

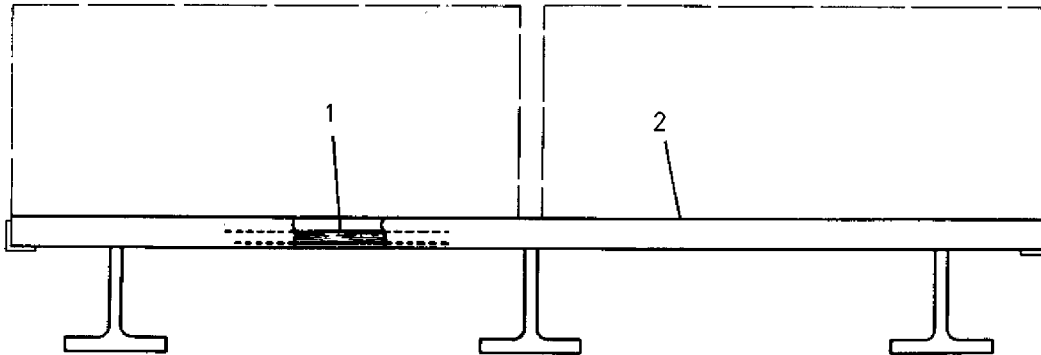
3N-7056 SUPPORT GP-BATTERY

FLOOR TYPE, 2-BATTERY
AN ATTACHMENT

SMCS-7257

i01380951

NOTE	REF NO	GRAPHIC REF	PART NUMBER	QTY	PART NAME						SEE PAGE
					1	2	3	4	5	6 (PRODUCT LEVEL)	
	1	1	3N-7055	1	BOARD						
	2	1	3N-7054	1	SUPPORT AS-BATTERY						



GRAPHIC #1

<END>

g00729953

ELECTRICAL AND STARTING SYSTEM

7N-0718 SWITCH GP-DISCONNECT-BATTERY

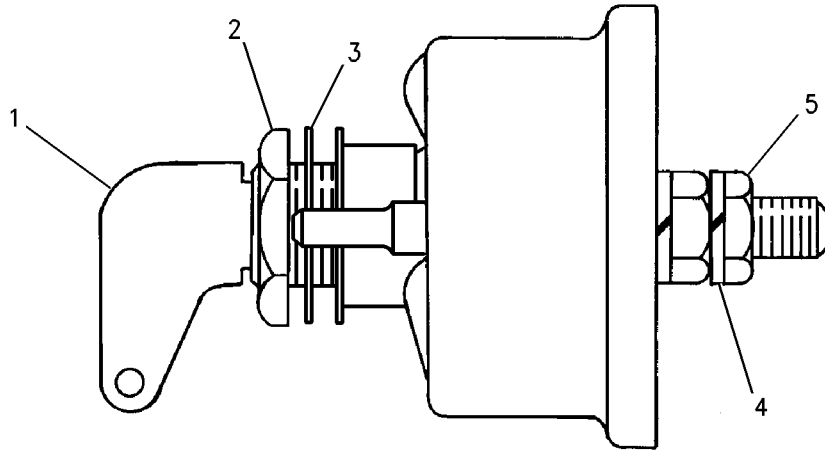
12-VOLT

PART OF 240-0740 SWITCH GP-DISCONNECT
AN ATTACHMENT

SMCS-1411

i02459121

NOTE	REF NO	GRAPHIC REF	PART NUMBER	QTY	PART NAME						SEE PAGE
					1	2	3	4	5	6 (PRODUCT LEVEL)	
	1	1	8H-5306	1	KEY (BATTERY DISCONNECT)						
	2	1	8H-5303	1	NUT (3/4-16-THD)						
	3	1	2H-3922	2	LOCKWASHER						
	4	1	9F-5644	2	LOCKWASHER						
	5	1	6F-7045	2	NUT-FULL (3/8-24-THD)						



GRAPHIC #1

<END>

g00715584

ELECTRICAL AND STARTING SYSTEM

240-0740 SWITCH GP-DISCONNECT-BATTERY

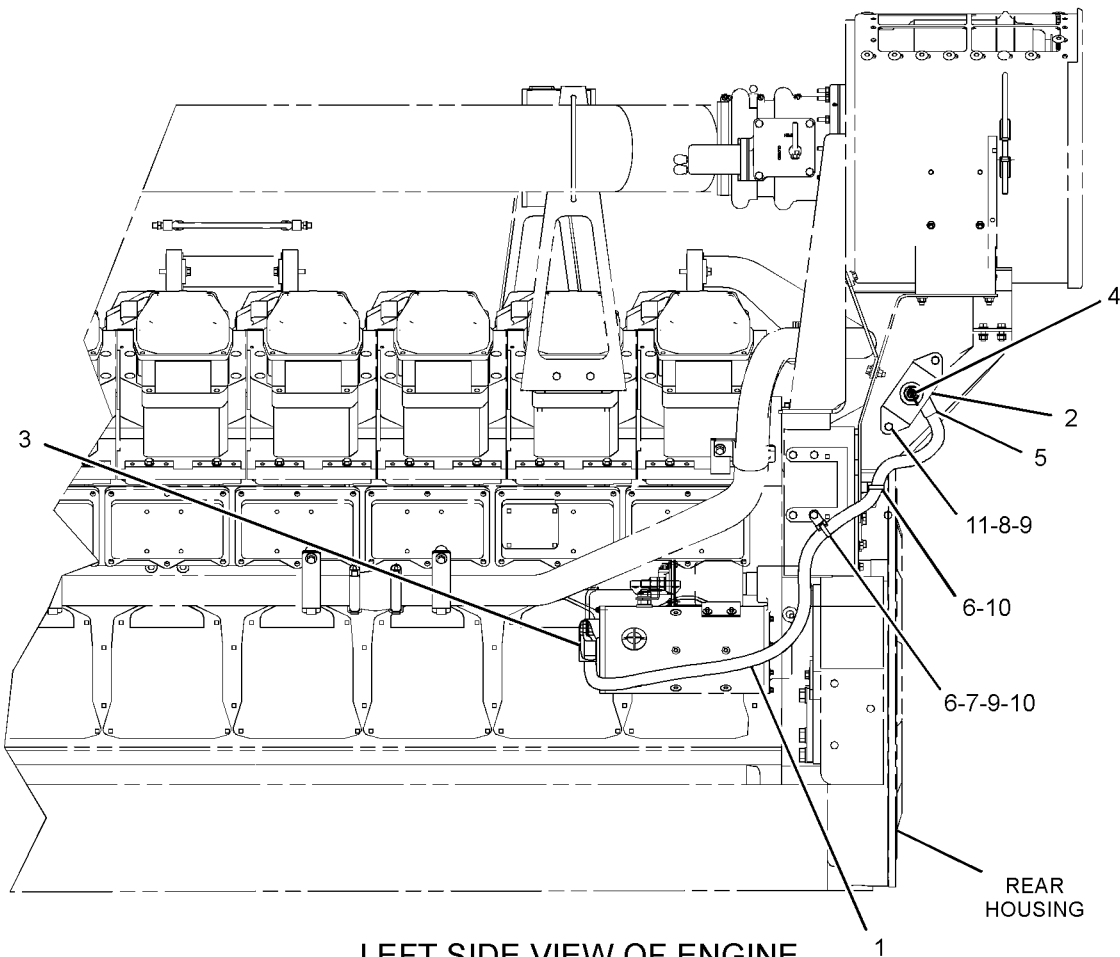
FOR USE WITH POWERCORE AIR CLEANER
AN ATTACHMENT

SMCS-1411

i02911662

NOTE	REF NO	GRAPHIC REF	PART NUMBER	QTY	PART NAME	1 2 3 4 5 6 (PRODUCT LEVEL)						SEE PAGE
	1	1	108-5574	1	CABLE AS							
		1	3L-7634	1	TERMINAL-RING (0000-GA, 1/2-IN SCREW)							
E		1	5P-0745		CABLE (0000-GA) (97-CM)							
		1	031-9295	1	TERMINAL-RING (0000-GA, 3/8-IN SCREW)							
	2	1	108-5562	1	BRACKET							
B	3	1	3L-7604	1	SHIELD-TERMINAL							
Y	4	1	7N-0718	1	SWITCH GP-DISCONNECT (BATTERY)							523
	5	1	3L-7604	1	SHIELD-TERMINAL							
	6	1	3S-2093	2	STRAP-CABLE							
	7	1	0S-0509	1	BOLT (3/8-16X0.75-IN)							
	8	1	9S-8752	2	NUT-FULL (3/8-16-THD)							
	9	1	5M-2894	5	WASHER-HARD (10.2X18.5X2.5-MM THK)							
	10	1	4P-8134	2	CLIP							
	11	1	0S-1594	2	BOLT (3/8-16X1-IN)							

B-USE AS REQUIRED
E-ORDER BY THE CENTIMETER
Y-SEPARATE ILLUSTRATION



LEFT SIDE VIEW OF ENGINE

<END>

GRAPHIC #1

g01455734

ELECTRICAL AND STARTING SYSTEM

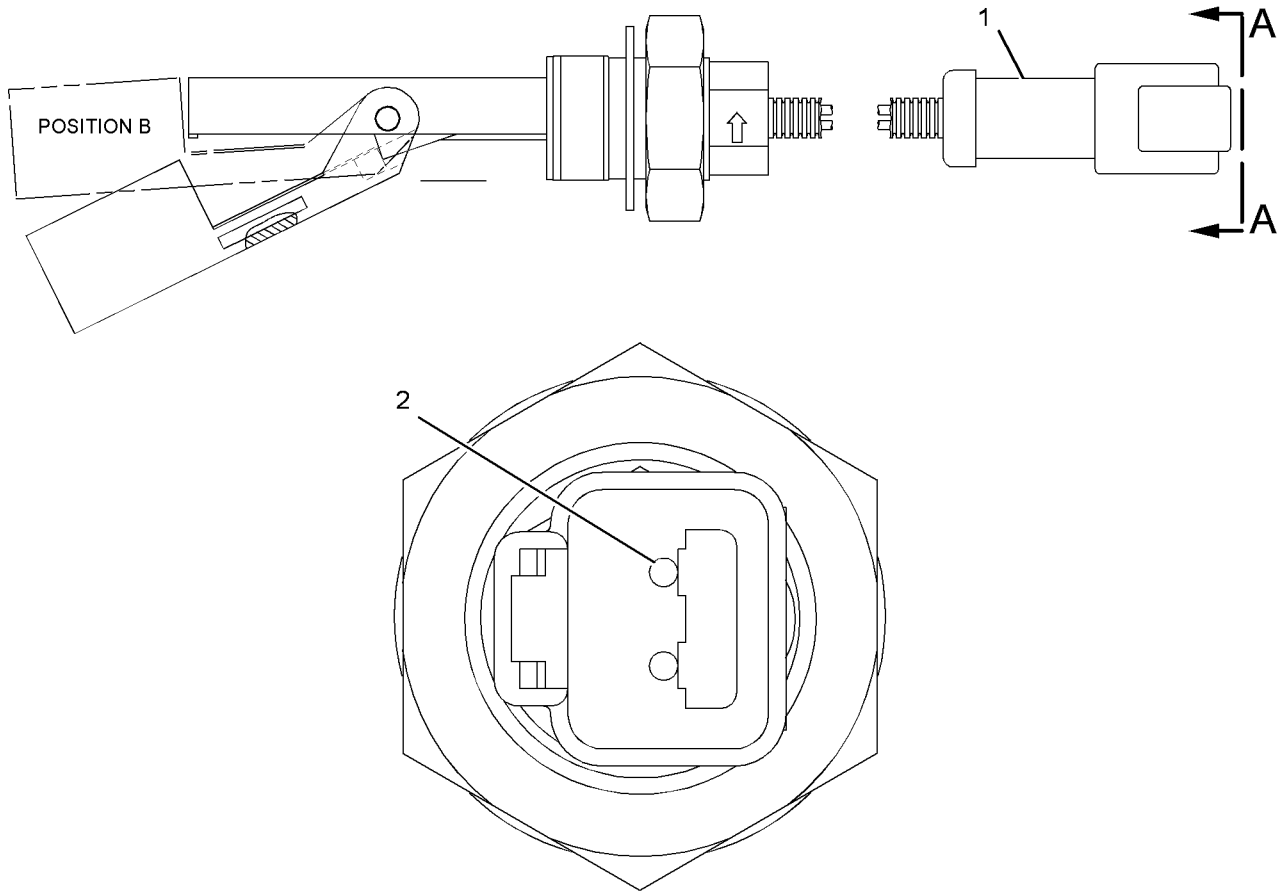
172-8660 SWITCH GP-LIQUID LEVEL

FOR USE WITH FOR DRY CIRCUIT APPLICATIONS ONLY
AN ATTACHMENT

SMCS-7422

i03632078

NOTE	REF NO	GRAPHIC REF	PART NUMBER	QTY	PART NAME						SEE PAGE
					1	2	3	4	5	6 (PRODUCT LEVEL)	
	1	1	102-8802	1	KIT-RECEPTACLE (2-PIN)						
					(INCLUDES RECEPTACLE AS & WEDGE)						
	2	1	9X-3401	2	PIN-CONNECTOR (16-GA TO 18-GA)						



VIEW A-A

GRAPHIC #1

<END>

g01948478

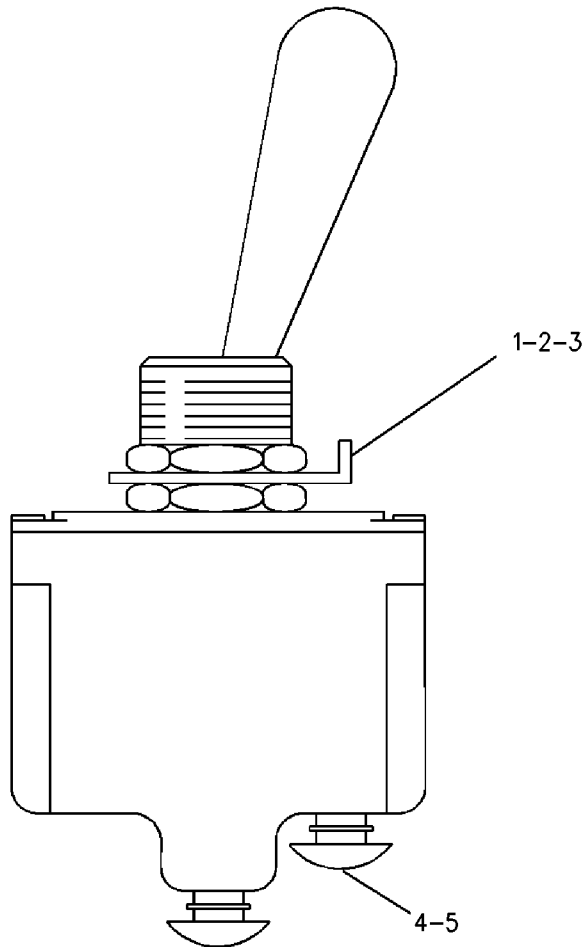
ELECTRICAL AND STARTING SYSTEM

7N-8001 SWITCH GP-TOGGLE PART OF 290-3213, 300-0479 BOX GP-INSTRUMENT PANEL AN ATTACHMENT

SMCS-7332

i01982658

NOTE	REF NO	GRAPHIC REF	PART NUMBER	QTY	PART NAME						SEE PAGE
					1	2	3	4	5	6 (PRODUCT LEVEL)	
	1	1	6T-3631	2	NUT-HEX (15/32-32-THD)						
	2	1	6T-3632	1	LOCKWASHER						
	3	1	6T-3633	1	RING-LOCKING						
	4	1	6V-8374	2	SCREW-MACHINE (6-32X0.25-IN)						
	5	1	3L-8187	2	LOCKWASHER						



GRAPHIC #1

<END>

g00637350

ELECTRICAL AND STARTING SYSTEM

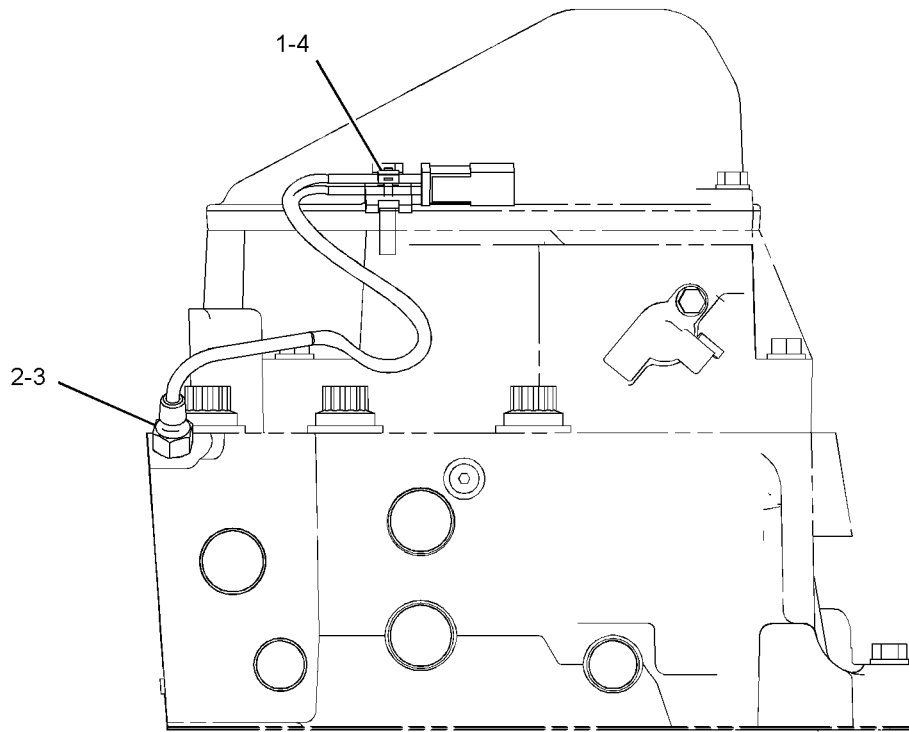
120-4498 THERMOCOUPLE GP

FOR USE WITH MONITORING SYSTEM PANEL AND PYROMETER GROUP
AN ATTACHMENT

SMCS-7498

i03396201

NOTE	REF NO	GRAPHIC REF	PART NUMBER	QTY	PART NAME						SEE PAGE
					1	2	3	4	5	6 (PRODUCT LEVEL)	
	1	1	3S-2093	1	STRAP-CABLE						
	2	1	5N-2126	1	CONNECTOR (THERMOCOUPLE)						
	3	1	243-5752	1	SENSOR GP-TEMPERATURE (CYLINDER EXHAUST)						
		1	186-3735	2	PIN-CONNECTOR (16-GA TO 18-GA)						
		1	102-8802	2	KIT-RECEPTACLE (2-PIN)						
					(EACH INCLUDES RECEPTACLE AS AND WEDGE)						
	4	1	4P-7581	1	CLIP						



FRONT VIEW

GRAPHIC #1

<END>

g01277880

ELECTRICAL AND STARTING SYSTEM

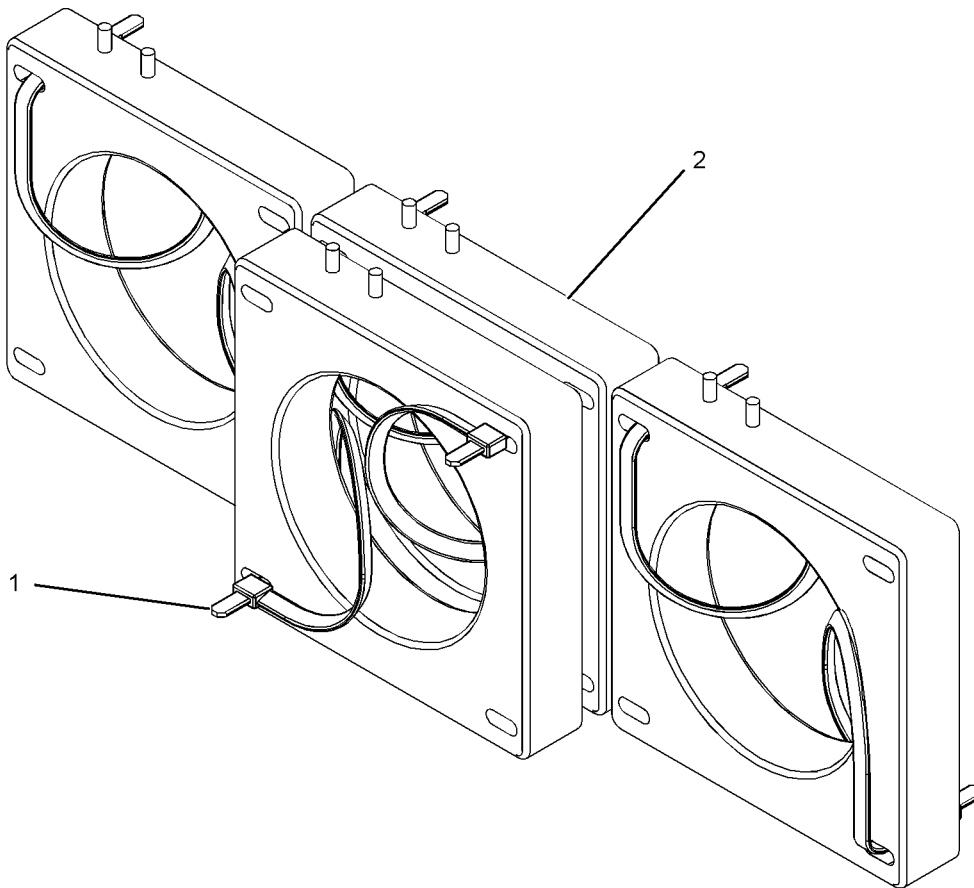
252-7322 TRANSFORMER GP-CURRENT

S/N: JTS2-UP
RATIO 500:5
AN ATTACHMENT

SMCS-4476

i02399691

NOTE	REF NO	GRAPHIC REF	PART NUMBER	QTY	PART NAME						SEE PAGE
					1	2	3	4	5	6 (PRODUCT LEVEL)	
	1	1	9X-6772	8	STRAP-CABLE						
	2	1	128-0795	4	TRANSFORMER AS-CURRENT (RATIO 500:5)						



GRAPHIC #1

<END>

g01199225

ELECTRICAL AND STARTING SYSTEM

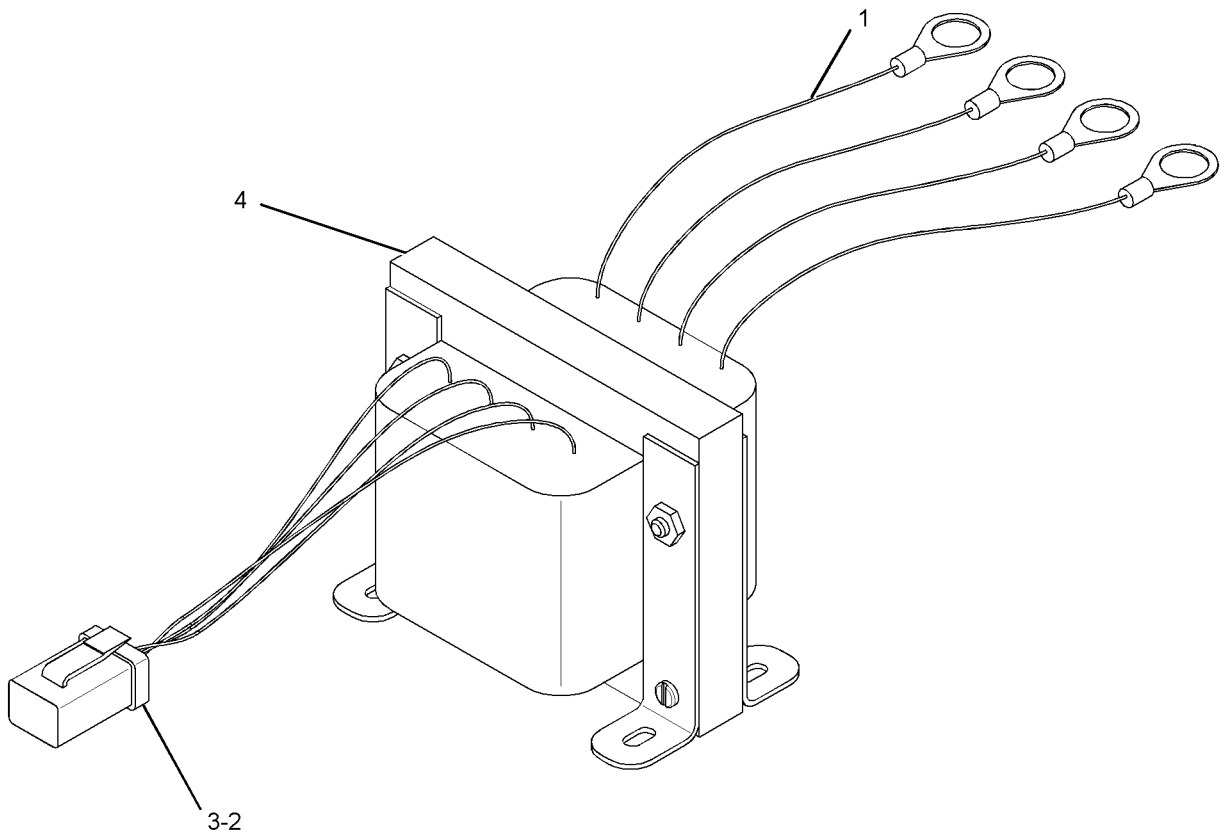
289-0656 TRANSFORMER GP-CURRENT-MEDIUM VOLTAGE

PART OF 252-7374 MOUNTING GP-TRANSFORMER
AN ATTACHMENT

SMCS-4476

i03473921

NOTE	REF NO	GRAPHIC REF	PART NUMBER	QTY	PART NAME						SEE PAGE
					1	2	3	4	5	6 (PRODUCT LEVEL)	
	1	1	2L-8081	4	TERMINAL-RING (14-GA TO 16-GA, 1/2-IN SCREW)						
	2	1	186-3736	4	SOCKET-CONNECTOR (16-GA TO 18-GA)						
	3	1	155-2271	1	KIT-CONNECTING PLUG (4-PIN) (INCLUDES PLUG AS AND WEDGE)						
	4	1	207-2018	1	TRANSFORMER AS (POTENTIAL)						



GRAPHIC #1

<END>

g01296394

ELECTRICAL AND STARTING SYSTEM

5N-8980 VALVE AS-SOLENOID-AIR START

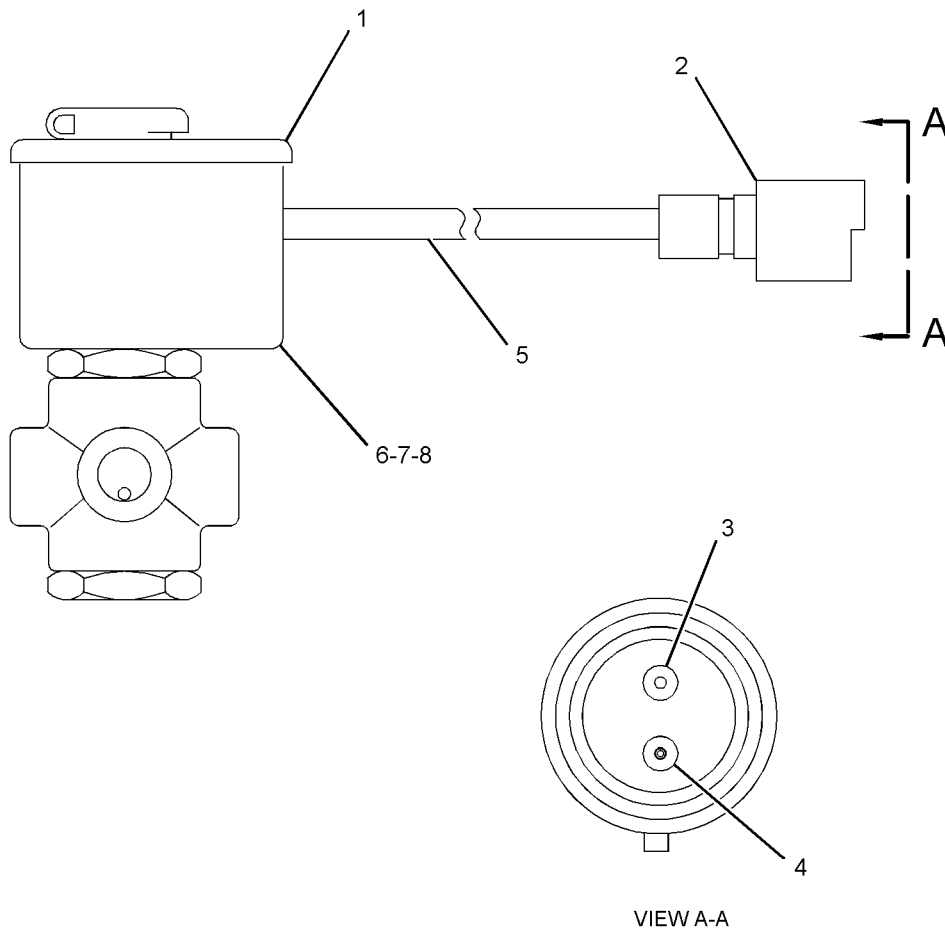
PART OF 143-5174, 311-8110 STARTING MOTOR GP-AIR
AN ATTACHMENT

SMCS-5479

i02871444

NOTE	REF NO	GRAPHIC REF	PART NUMBER	QTY	PART NAME						SEE PAGE
					1	2	3	4	5	6 (PRODUCT LEVEL)	
	1	1	7G-8765	1	VALVE-SOLENOID						
	2	1	7N-9738	1	HOUSING-RECEPTACLE (14-GA TO 18-GA)						
	3	1	7N-7779	1	SOCKET-CONNECTOR (14-GA TO 18-GA)						
	4	1	7N-7780	1	PIN-CONNECTOR (14-GA TO 18-GA)						
E	5	1	9X-1813		SLEEVE (21-CM)						
	6	1	5N-9073	1	CLIP						
	7	1	3F-2065	1	LOCKNUT (1/2-14-NPTF-THD)						
	8	1	5N-8943	1	ADAPTER						

E-ORDER BY THE CENTIMETER



GRAPHIC #1

<END>

g01441571

ELECTRICAL AND STARTING SYSTEM

1L-2073 VALVE GP-PRESSURE REDUCING-RH

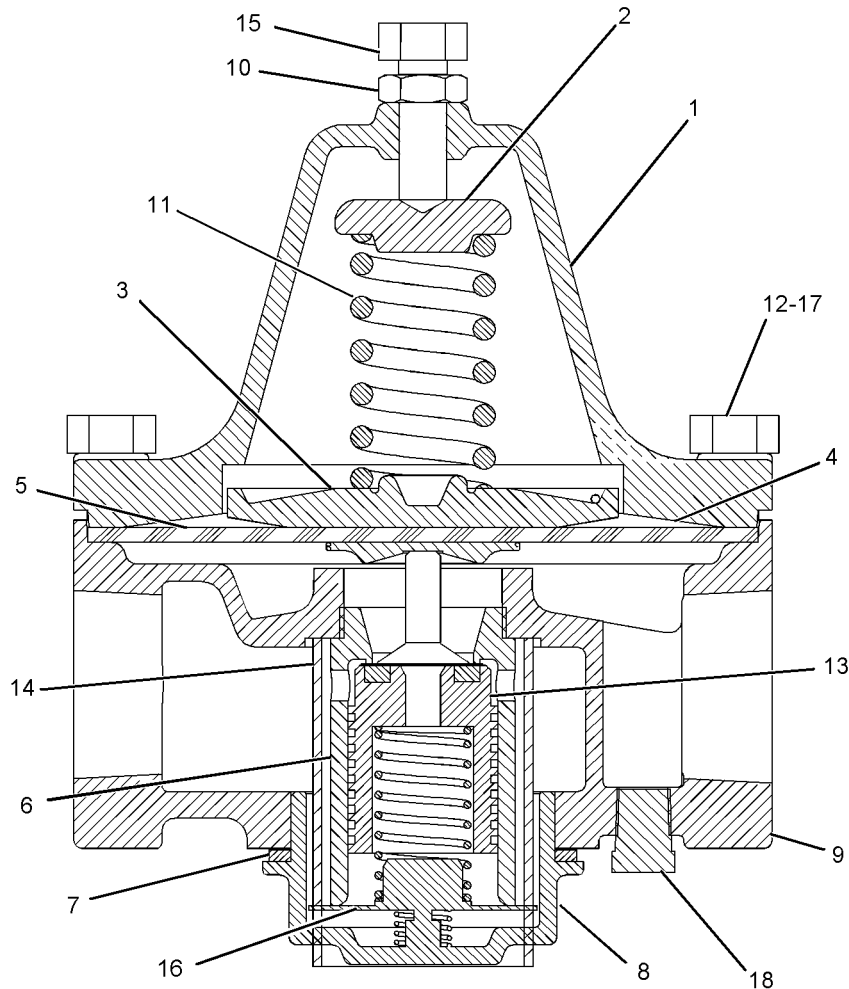
AIR CONTROL

PART OF 8N-8483 VALVE GP-AIR CONTROL
AN ATTACHMENT

SMCS-1462

i02698945

NOTE	REF NO	GRAPHIC REF	PART NUMBER	QTY	PART NAME						SEE PAGE
					1	2	3	4	5	6 (PRODUCT LEVEL)	
	1	1	1H-9570	1	CHAMBER						
	2	1	1H-9569	1	BUTTON-SPRING						
	3	1	1H-9572	1	PLATE-PRESSURE						
	4	1	1H-9573	1	DIAPHRAGM						
	5	1	1H-9574	1	BUTTON						
	6	1	1H-9575	1	CYLINDER						
	7	1	1H-9580	1	GASKET-PLUG						
	8	1	1H-9581	1	PLUG AS						
	9	1	1L-2072	1	BODY-VALVE						
	10	1	1L-9048	1	NUT-PLATED JAM (7/16-14-THD)						
	11	1	1L-9049	1	SPRING-PRESSURE						
	12	1	1L-9079	6	NUT-PLATED FULL (7/16-20-THD)						
	13	1	5N-6942	1	PISTON AS						
	14	1	252-9298	1	SCREEN-STRAINER (PRESSURE REDUCING VALVE)						
	15	1	0T-0320	1	BOLT (7/16-14X1.25-IN)						
	16	1	1H-9578	1	SPRING-PISTON						
	17	1	1L-9080	6	BOLT (7/16-20X1.5-IN)						
	18	1	5B-7890	1	PLUG-PIPE						



GRAPHIC #1

<END>

g01069160

ELECTRICAL AND STARTING SYSTEM

232-0889 WIRING GP-AIR SHUTOFF

FOR USE WITH RIGID HARNESS
AN ATTACHMENT

SMCS-1078, 1408

i02275810

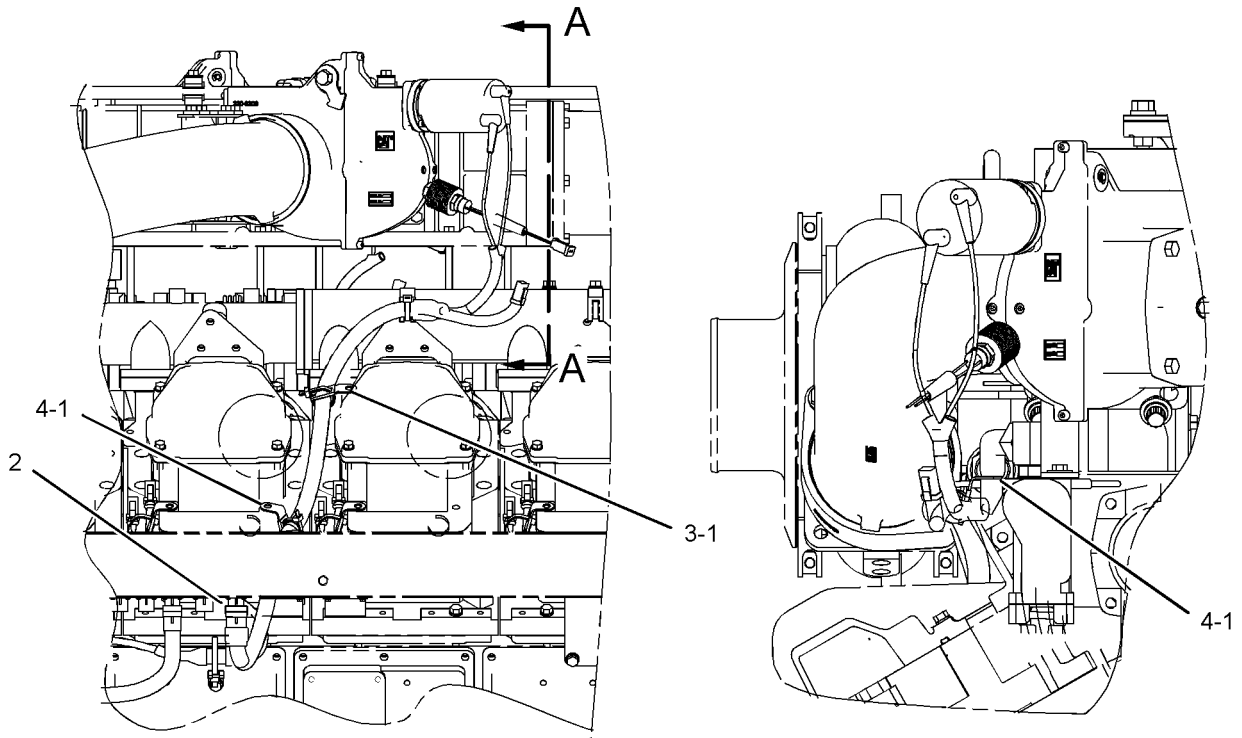
NOTE	REF NO	GRAPHIC REF	PART NUMBER	QTY	PART NAME						SEE PAGE
					1	2	3	4	5	6 (PRODUCT LEVEL)	
	1	1	7K-1181	5	STRAP-CABLE						
Y	2	1	237-8994	2	HARNESS AS-ENGINE (AIR SHUTOFF)						421
	3	1	4P-7581	2	CLIP						
	4	1	4P-8134	3	CLIP						

Y-SEPARATE ILLUSTRATION

ELECTRICAL AND STARTING SYSTEM

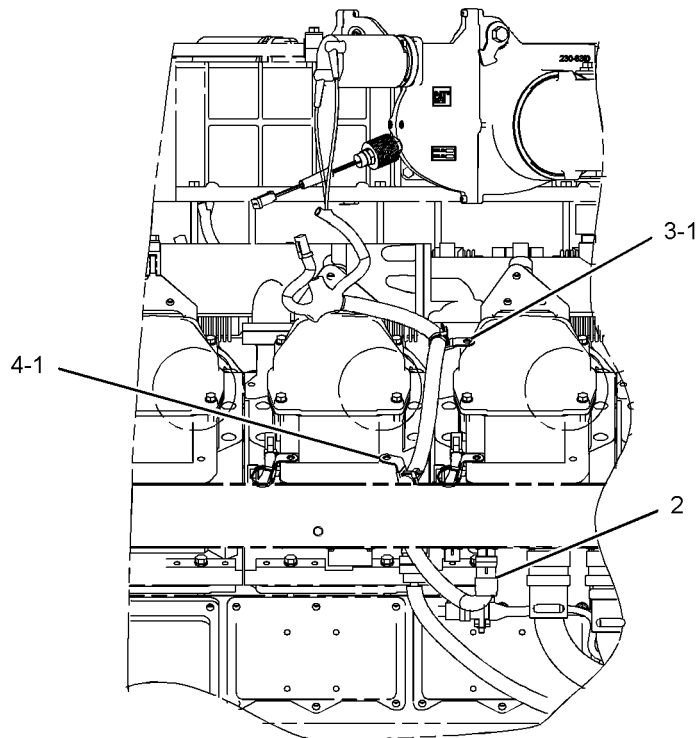
232-0889 WIRING GP-AIR SHUTOFF (contd.)

i02275810



RIGHT SIDE VIEW

VIEW A-A



LEFT SIDE VIEW

<END>

GRAPHIC #1

g01011709

ELECTRICAL AND STARTING SYSTEM

253-9546 WIRING GP-ALTERNATOR

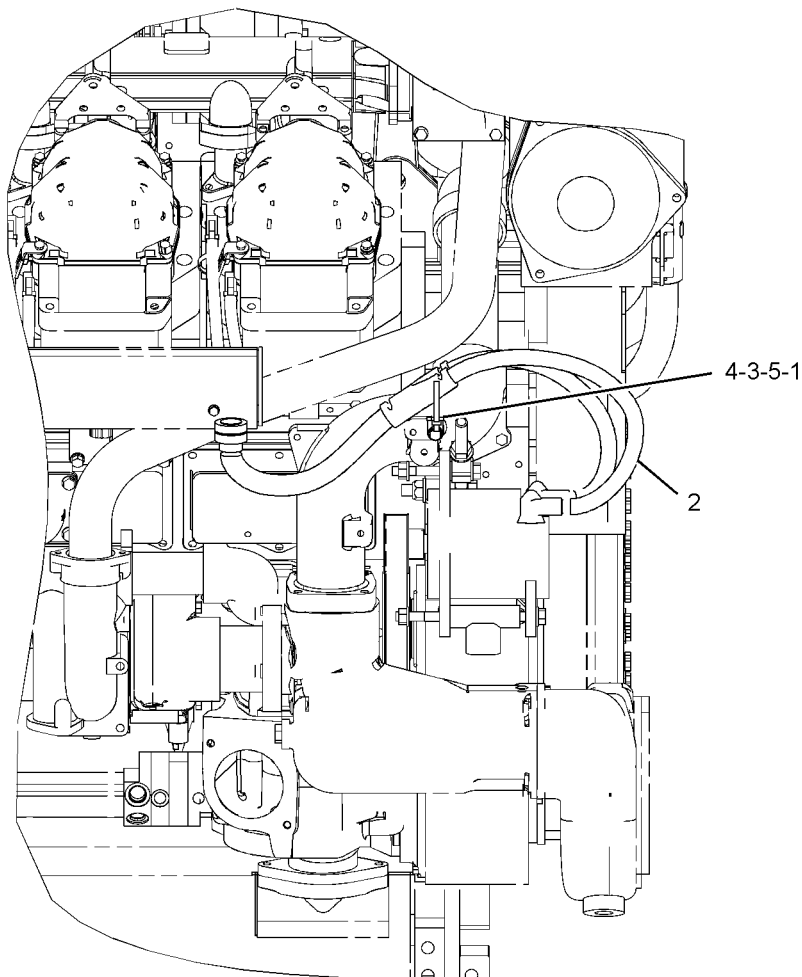
FOR USE WITH RIGID HARNESS
AN ATTACHMENT

SMCS-1405, 1408

i02349944

NOTE	REF NO	GRAPHIC REF	PART NUMBER	QTY	PART NAME						SEE PAGE
					1	2	3	4	5	6 (PRODUCT LEVEL)	
	1	1	9X-6772	1	STRAP-CABLE						
	2	1	253-9547	1	HARNESS AS-ENGINE (ALTERNATOR)						
E		1	135-5009		TUBE-HEAT SHRINK (32-MM DIA) (6-CM)						
		1	7R-3354	2	SOCKET						
		1	8T-8737	4	PLUG-SEAL						
		1	8T-8827	1	BOOT (RED)						
E		1	5P-3454	2	TERMINAL-RING (4-GA, 5/16-IN SCREW)						
		1	121-1110	1	BOOT (BLACK)						
		1	203-8999	2	SEAL						
		1	203-9000	1	PLUG AS (6-PIN)						
		1	203-9001	2	SLEEVE						
E		1	210-8958		TUBE-HEAT SHRINK (24-MM DIA) (6-CM)						
E		1	231-9895		CONDUIT-FLEXIBLE (21.9-MM ID) (29-CM)						
E		1	232-0897		CONDUIT-FLEXIBLE (16.2-MM ID) (79-CM)						
		1	235-2764	1	ADAPTER (CONDUIT)						
	3	1	0S-0509	1	BOLT (3/8-16X0.75-IN)						
	4	1	4P-8134	1	CLIP						
	5	1	5M-2894	1	WASHER-HARD (10.2X18.5X2.5-MM THK)						

E-ORDER BY THE CENTIMETER



GRAPHIC #1

<END>

g01138834

ELECTRICAL AND STARTING SYSTEM

238-2928 WIRING GP-ELECTRIC STARTING

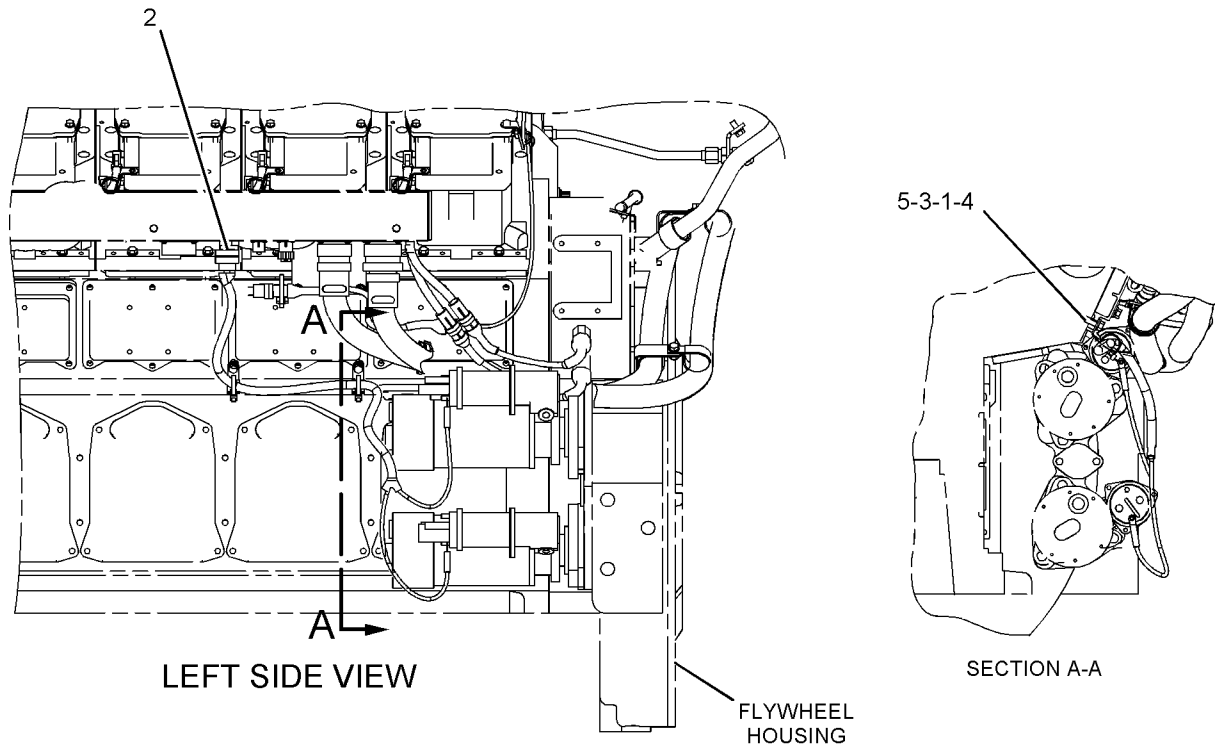
DUAL ELECTRIC STARTER
FOR USE WITH RIGID HARNESS
AN ATTACHMENT

SMCS-1408, 1453

i02822630

NOTE	REF NO	GRAPHIC REF	PART NUMBER	QTY	PART NAME						SEE PAGE
					1	2	3	4	5	6 (PRODUCT LEVEL)	
	1	1	9X-6772	2	STRAP-CABLE						
Y	2	1	238-2929	1	HARNESS AS-MOTOR (ENGINE START)						431
	3	1	0S-1594	2	BOLT (3/8-16X1-IN)						
	4	1	4P-8134	2	CLIP						
	5	1	5M-2894	2	WASHER-HARD (10.2X18.5X2.5-MM THK)						

Y-SEPARATE ILLUSTRATION



LEFT SIDE VIEW

SECTION A-A

FLYWHEEL HOUSING

<END>

GRAPHIC #1

g01011142

ELECTRICAL AND STARTING SYSTEM

239-6364 WIRING GP-ENGINE-MARINE POWER DISPLAY LH AN ATTACHMENT

SMCS-1000, 1408

i02823090

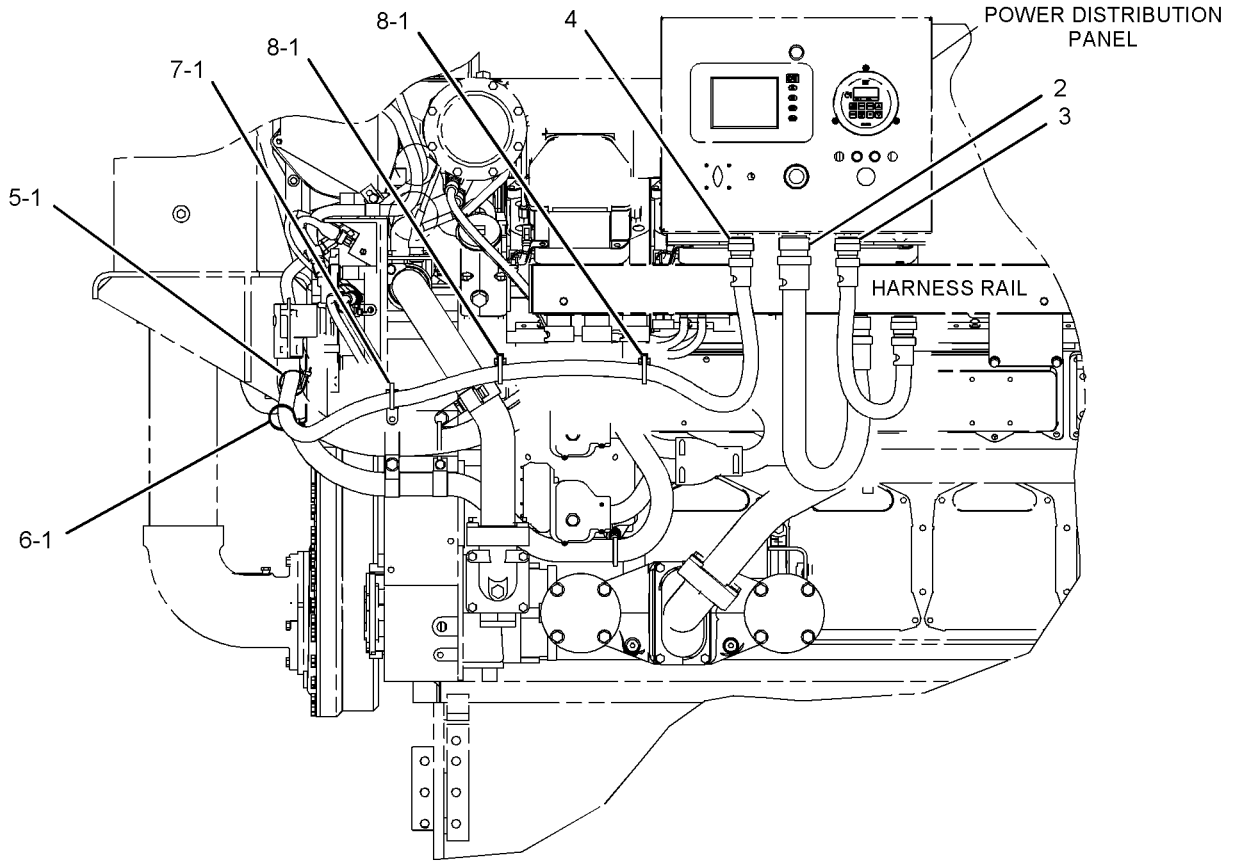
NOTE	REF NO	GRAPHIC REF	PART NUMBER	QTY	PART NAME	SEE PAGE
					1 2 3 4 5 6 (PRODUCT LEVEL)	
	1	1	7K-1181	11	STRAP-CABLE	
Y	2	1	239-1471	1	HARNESS AS-ENGINE (MARINE POWER DISPLAY)	422
Y	3	1	239-1473	1	HARNESS AS-SENSOR (THERMOCOUPLE, RH)	437
Y	4	1	239-1474	1	HARNESS AS-SENSOR (THERMOCOUPLE, LH)	438
	5	1	4P-7428	2	CLIP	
	6	1	4P-7429	2	CLIP	
	7	1	4P-7581	2	CLIP	
	8	1	4P-8134	5	CLIP	

Y-SEPARATE ILLUSTRATION

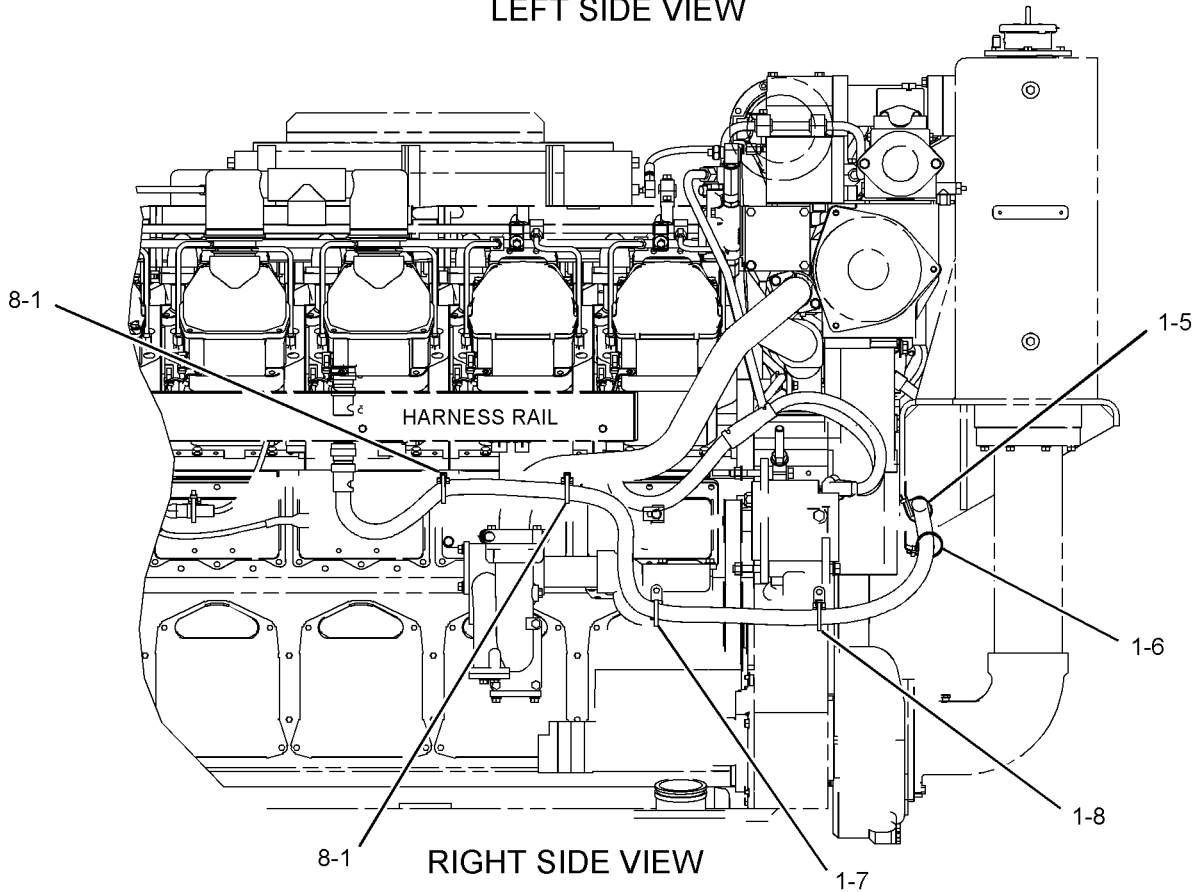
ELECTRICAL AND STARTING SYSTEM

239-6364 WIRING GP-ENGINE (contd.)

i02823090



LEFT SIDE VIEW



RIGHT SIDE VIEW

GRAPHIC #1

<END>

g01014726

ELECTRICAL AND STARTING SYSTEM

245-0031 WIRING GP-ENGINE-INTERCONNECT

FOR USE WITH EUI
AN ATTACHMENT

SMCS-1000, 1408

i03821371

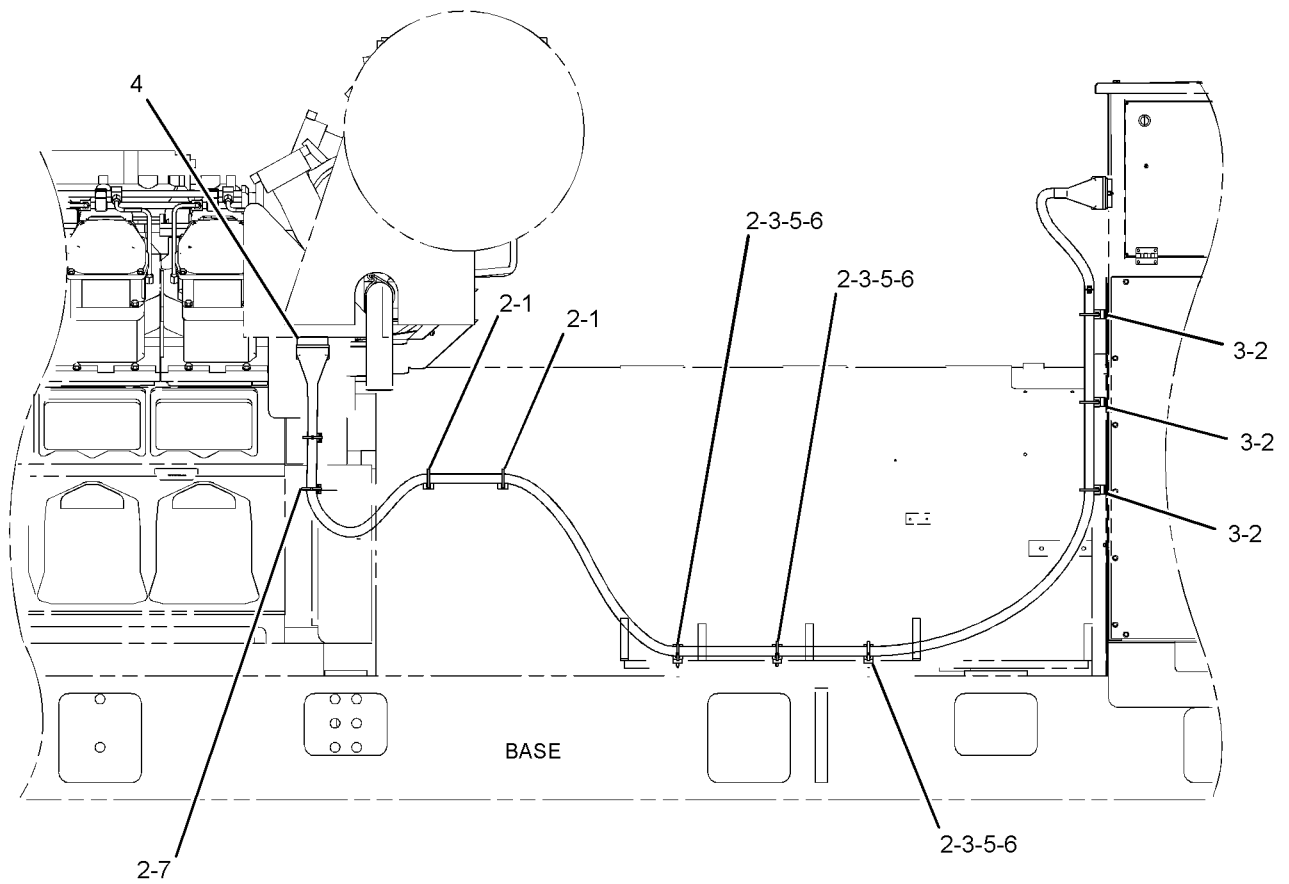
NOTE	REF NO	GRAPHIC REF	PART NUMBER	QTY	PART NAME						SEE PAGE
					1	2	3	4	5	6 (PRODUCT LEVEL)	
	1	1	4P-7581	2	CLIP						
	2	1	9X-6772	10	STRAP-CABLE						
	3	1	156-6175	6	CLIP						
	4	1	244-9611	1	HARNESS AS-WIRING (GENERATOR SET INTERCONNECT)						
		1	6I-4348	2	BOOT (40-PIN)						
		1	8T-8729	17	PIN-CONNECTOR (16-GA TO 18-GA)						
		1	8T-8730	16	SOCKET-CONNECTOR (16-GA TO 18-GA)						
		1	8T-8737	39	PLUG-SEAL						
		1	126-1768	4	SOCKET-CONNECTOR (14-GA)						
		1	126-1767	4	PIN-CONNECTOR (14-GA)						
		1	9X-1339	1	RECEPTACLE AS-CONNECTOR (40-PIN)						
		1	8T-9834	1	PLUG AS-CONNECTOR (40-PIN)						
		1	3E-4367	1	RING-RETAINING						
M		1	3E-8557	1	BOLT (M5X0.8X39.37-MM)						
		1	9X-3132	2	SEAL-CONNECTOR (40-PIN)						
E		1	125-7874		TUBE-HEAT SHRINK (5.72-MM DIA) (5-CM)						
	5	1	8T-9364	3	BOLT (1/4-20X0.625-IN)						
	6	1	8T-4205	3	WASHER-HARD (7.2X14.5X2-MM THK)						
	7	1	4P-8134	2	CLIP						

E-ORDER BY THE CENTIMETER
M-METRIC PART

ELECTRICAL AND STARTING SYSTEM

245-0031 WIRING GP-ENGINE (contd.)

i03821371



LEFT SIDE VIEW OF ENGINE

GRAPHIC #1

<END>

g02112793

ELECTRICAL AND STARTING SYSTEM

296-8291 WIRING GP-ENGINE

S/N: JTS1-111

AN ATTACHMENT

SMCS-1000, 1408

i03206422

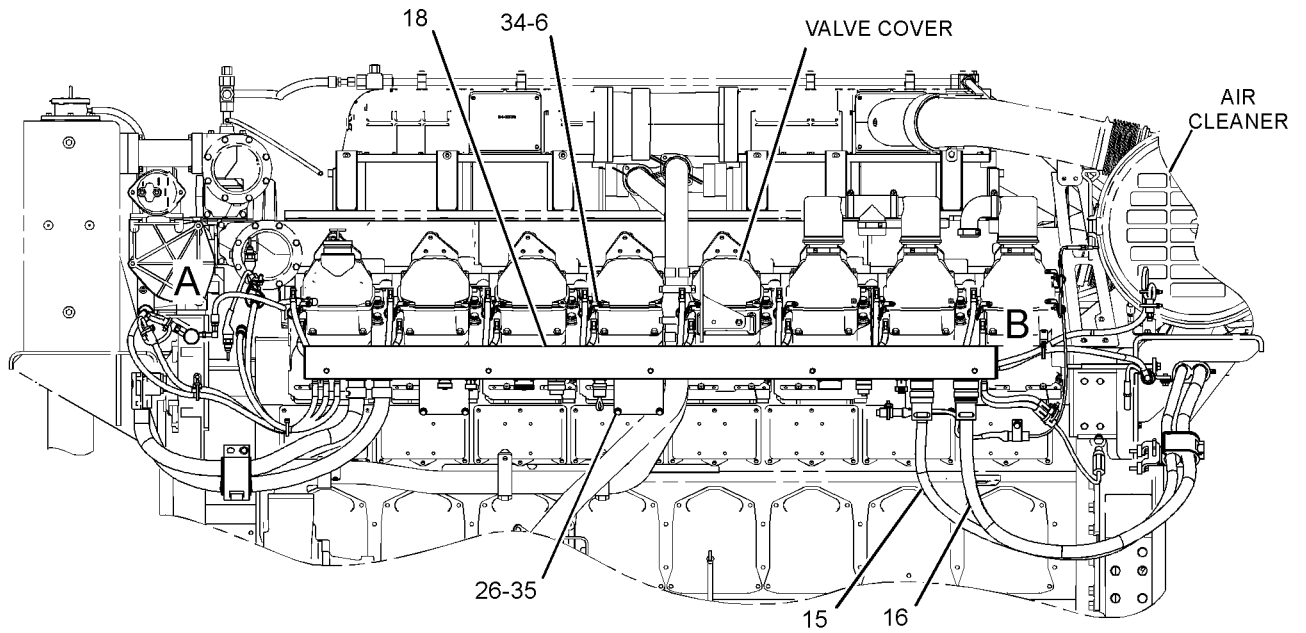
NOTE	REF NO	GRAPHIC REF	PART NUMBER	QTY	PART NAME						SEE PAGE
					1	2	3	4	5	6 (PRODUCT LEVEL)	
	1	3	2K-3374	4	WASHER (10.3X31.8X12.7-MM THK)						
	2	2	6B-6205	1	SPACER (0.438X0.875X1.281-IN THK)						
	3	2	7K-1181	2	STRAP-CABLE						
	4	2	9G-5127	1	BREATHER (EXHAUST BYPASS) (ATMOSPHERIC AIR)						
	5	2	9X-0262	1	ADAPTER						
C	6	1, 2, 3	9X-6772	40	STRAP-CABLE						
	7	1	111-3684	1	HOSE AS						
Y	8	1	212-0848	1	SENSOR GP-SPEED (PRIMARY, TIMING)						490
Y	9	2	212-3423	1	SENSOR GP-TEMPERATURE (ENGINE COOLANT)						495
Y	9A	2	212-3423	1	SENSOR GP-TEMPERATURE (AFTERCOOLER COOLANT)						495
Y	10	1	212-3425	1	SENSOR GP-EXHAUST TEMPERATURE (LH)						481
Y	10A	2	212-3425	1	SENSOR GP-EXHAUST TEMPERATURE (RH)						481
Y	11	3	212-3426	1	SENSOR GP-SPEED (ENGINE)						491
Y	11A	3	212-3426	1	SENSOR GP-SPEED (TIMING)						491
	12	3	237-5337	1	SENSOR AS-SPEED (TIMING CALIBRATION)						
C	13	3	245-0522	1	BRACKET						
	14	3	245-0523	2	BRACKET						
	15	1	269-8326	1	HARNESS AS-WIRING (SMALL INTERCONNECT)						
	16	1	269-8327	1	HARNESS AS-WIRING (LARGE INTERCONNECT)						
	17	1, 3	278-6469	4	GROMMET						
Y	18	1	280-7517	1	HARNESS AS-ENGINE (LH)						425
Y	19	2	280-7518	1	HARNESS AS-ENGINE (RH)						428
CY	21	2	304-5666	1	SENSOR GP-PRESSURE (CRANKCASE)						486
CY	21A	2	304-5666	1	SENSOR GP-PRESSURE (ATMOSPHERIC)						486
CY	21B	3	304-5666	1	SENSOR GP-PRESSURE (TURBOCHARGER INLET, LH)						486
CY	21C	3	304-5666	1	SENSOR GP-PRESSURE (TURBOCHARGER INLET, RH)						486
Y	22	2	304-5667	1	SENSOR GP-PRESSURE (TURBOCHARGER OUTLET)						487
	23	1	001-9440	1	CONNECTOR						
	24	2	0L-2070	1	BOLT (3/8-16X2.25-IN)						
	25	1, 2	0S-0509	6	BOLT (3/8-16X0.75-IN)						
	26	1, 2	0S-1588	12	BOLT (3/8-16X1.25-IN)						
C	27	3	0S-1590	4	BOLT (3/8-16X2-IN)						
	28	1	0S-1591	1	BOLT (3/8-16X1.5-IN)						
C	29	3	0S-1594	2	BOLT (3/8-16X1-IN)						
C	30	3	132-5789	1	CLIP						
	31	2	135-9941	1	ADAPTER						
	32	1, 2	3A-3692	2	CLIP						
	33	2	4P-7581	2	CLIP						
C	34	1, 2, 3	4P-8134	29	CLIP						
C	35	1, 2, 3	5M-2894	23	WASHER-HARD (10.2X18.5X2.5-MM THK)						
	36	1	5P-3426	1	ELBOW						
	37	3	5P-8245	2	WASHER-HARD (13.5X25.5X3-MM THK)						
C	39	3	6V-1612	2	BOLT (1/2-13X9.75-IN)						
	40	1, 2	6V-5048	5	SEAL-O-RING						
	41	2, 3	6V-5049	4	SEAL-O-RING						
	42	1, 3	7G-5984	4	CLIP (TAB)						
	43	1, 3	7G-5985	4	CLIP (SLOT)						
	44	2	8T-2353	1	ADAPTER						
	45	1, 3	9X-6458	7	WASHER-HARD (10.2X22.5X3-MM THK)						
	46	3	0S-1571	4	BOLT (3/8-16X1.75-IN)						
	47	1	9S-4185	1	PLUG-O-RING						
	48	1	3K-0360	1	SEAL-O-RING						

C-CHANGE FROM PREVIOUS TYPE
Y-SEPARATE ILLUSTRATION

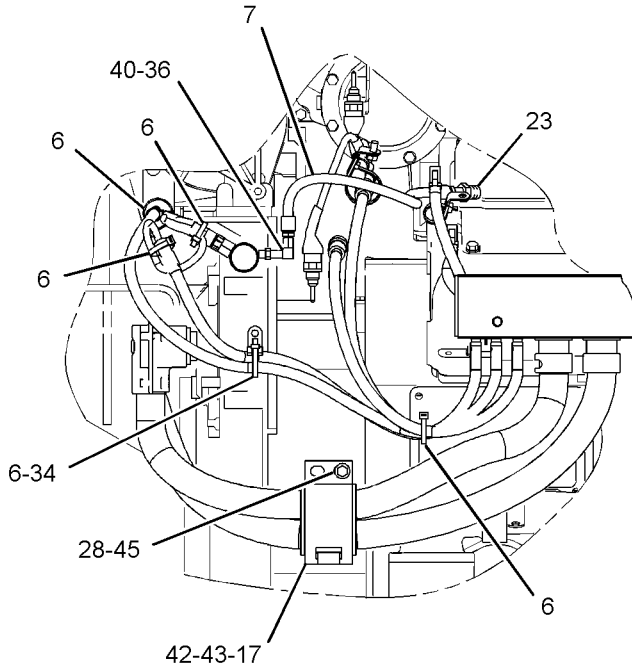
ELECTRICAL AND STARTING SYSTEM

296-8291 WIRING GP-ENGINE (contd.)

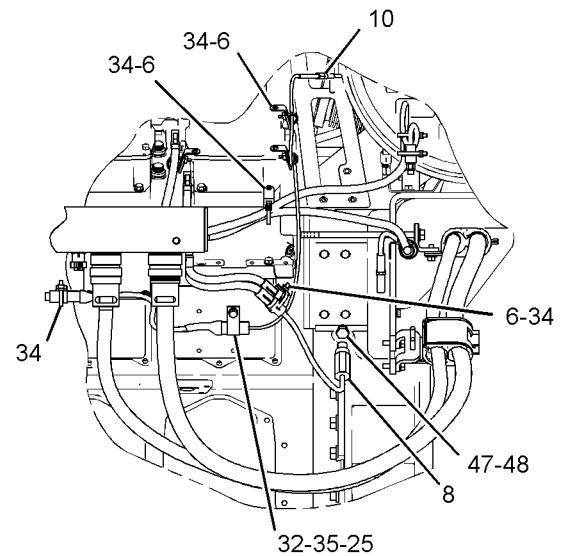
i03206422



LEFT SIDE VIEW OF ENGINE



VIEW OF AREA A



VIEW OF AREA B

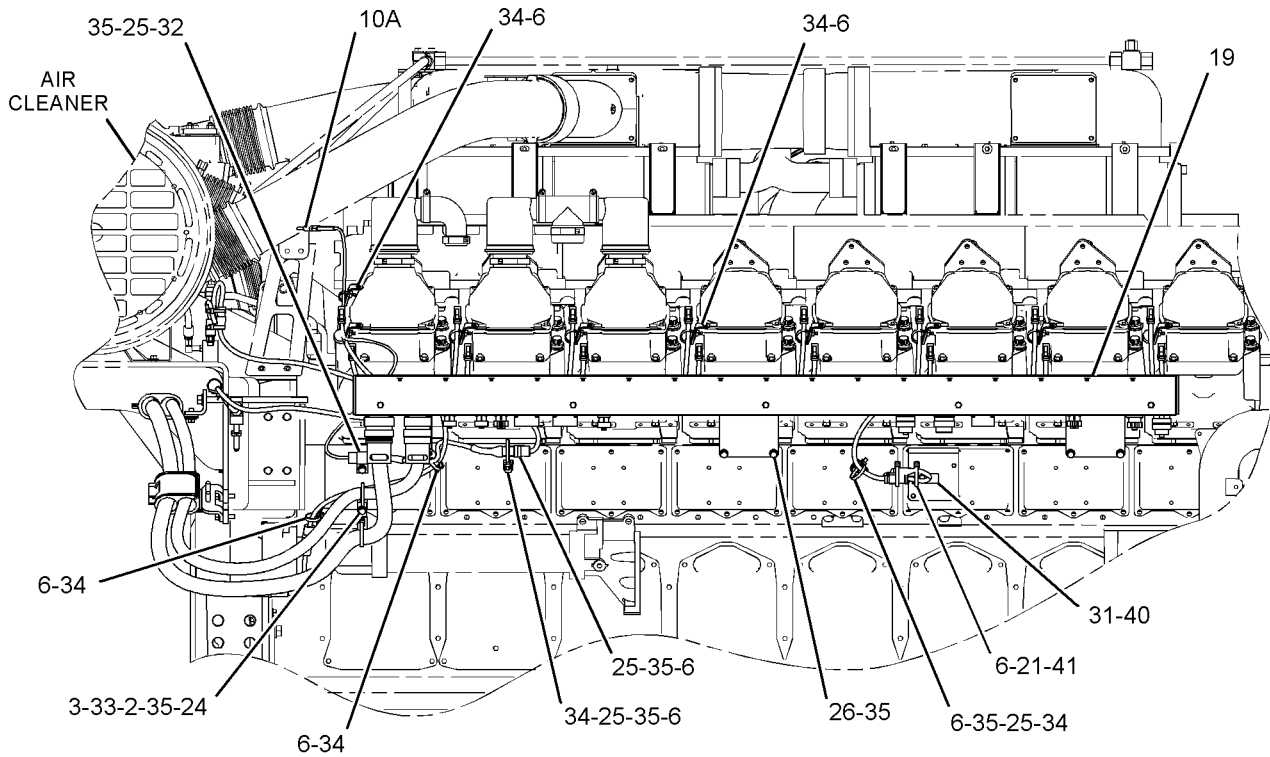
GRAPHIC #1

g01523679

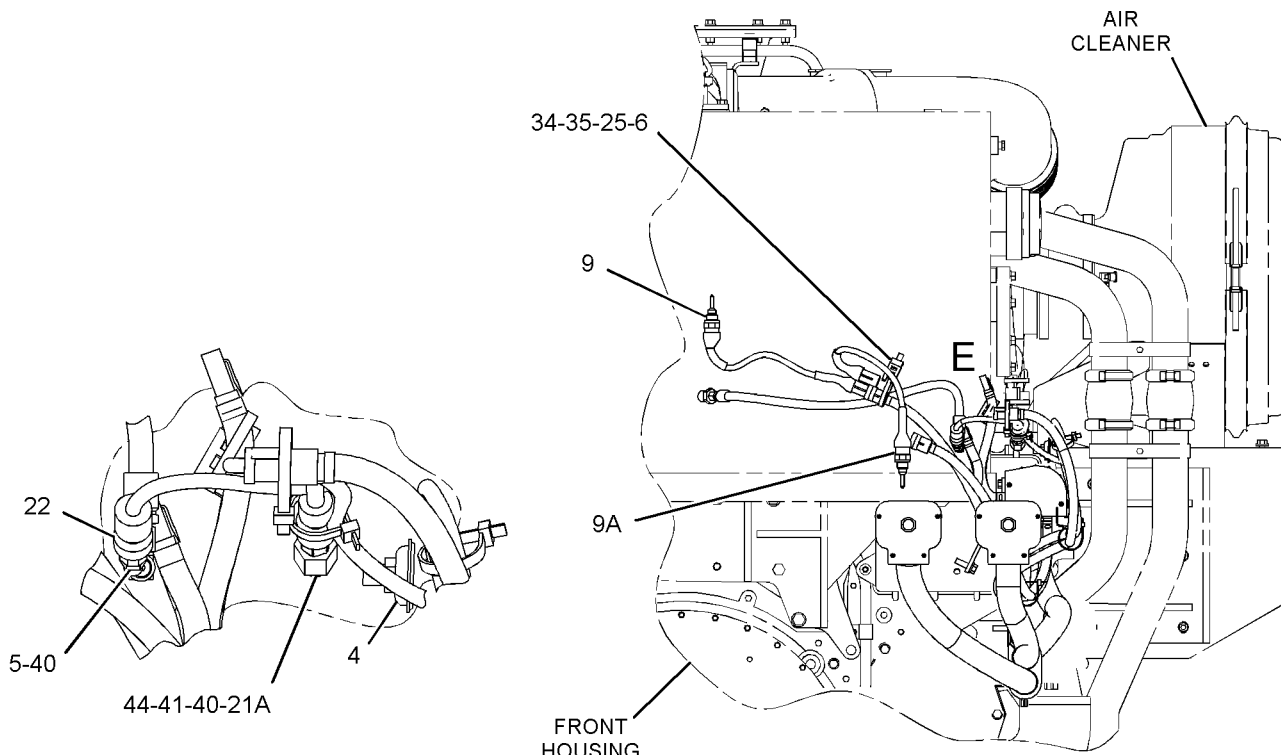
ELECTRICAL AND STARTING SYSTEM

296-8291 WIRING GP-ENGINE (contd.)

i03206422



RIGHT SIDE VIEW OF ENGINE



VIEW OF AREA E

FRONT VIEW OF ENGINE

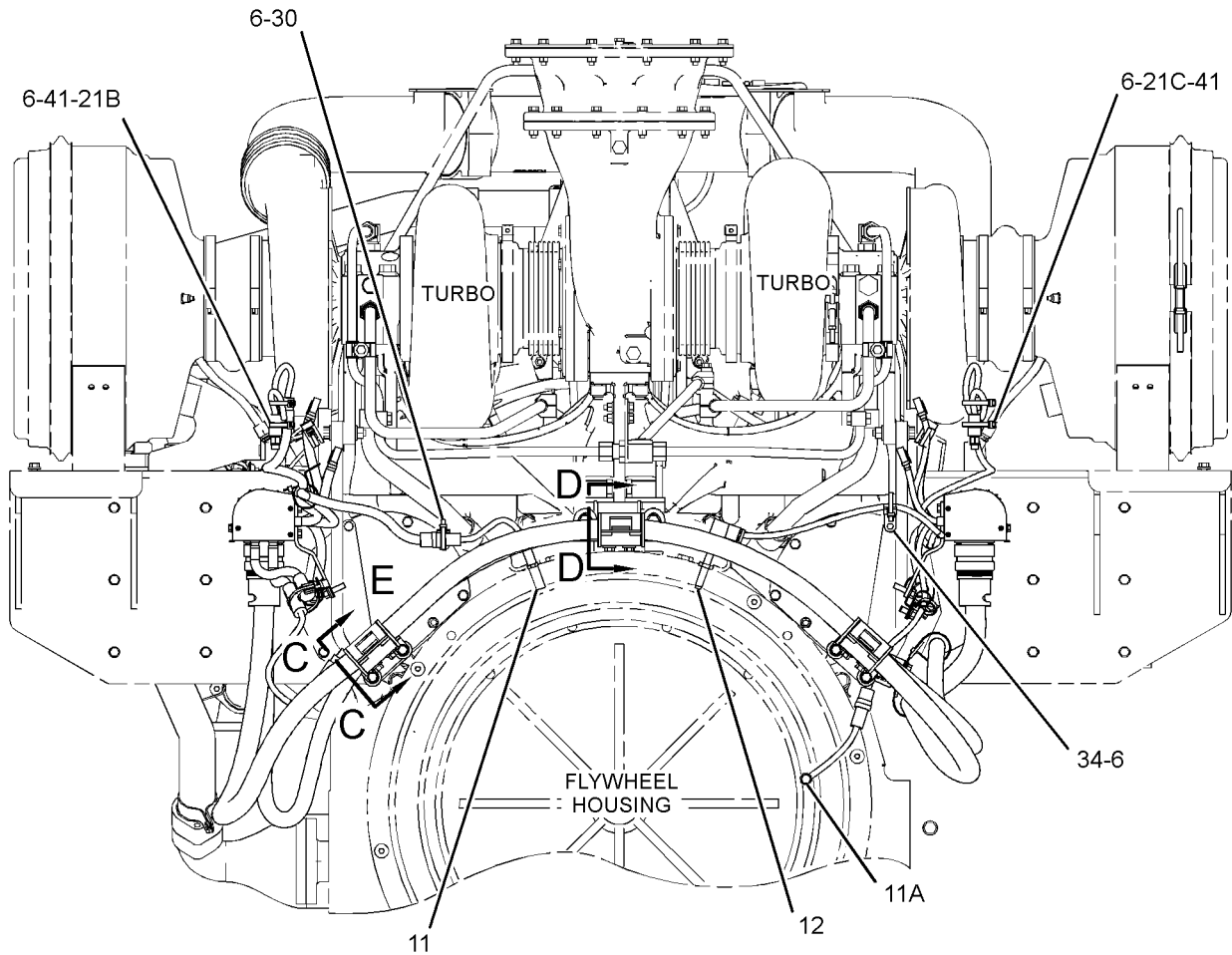
GRAPHIC #2

g01523681

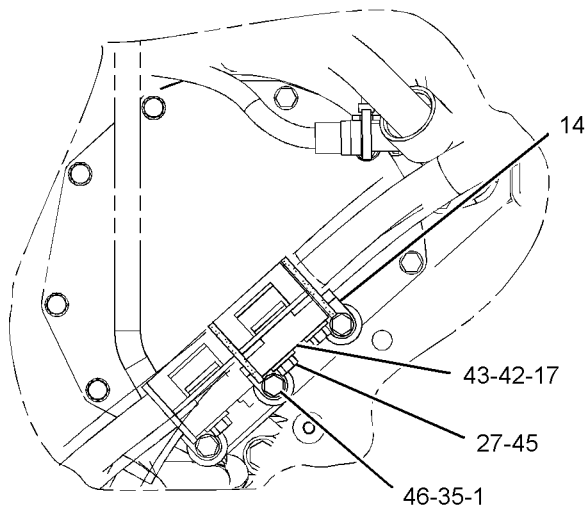
ELECTRICAL AND STARTING SYSTEM

296-8291 WIRING GP-ENGINE (contd.)

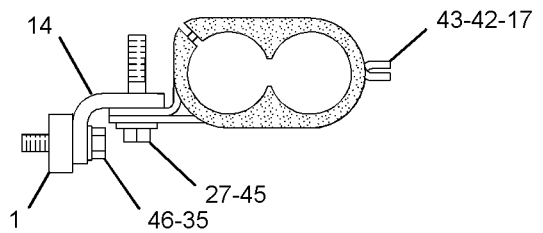
i03206422



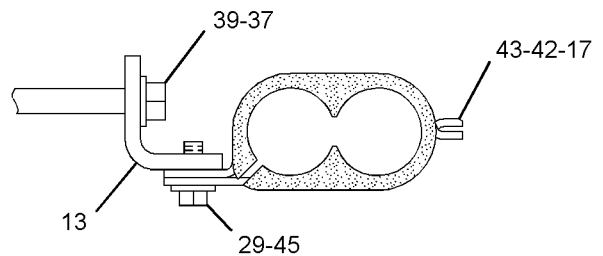
REAR VIEW OF ENGINE



VIEW OF AREA E
(3516C)



SECTION C-C



SECTION D-D

GRAPHIC #3

<END>

g01523680

ELECTRICAL AND STARTING SYSTEM

296-8291 WIRING GP-ENGINE

S/N: JTS112-UP

AN ATTACHMENT

SMCS-1000, 1408

i03357423

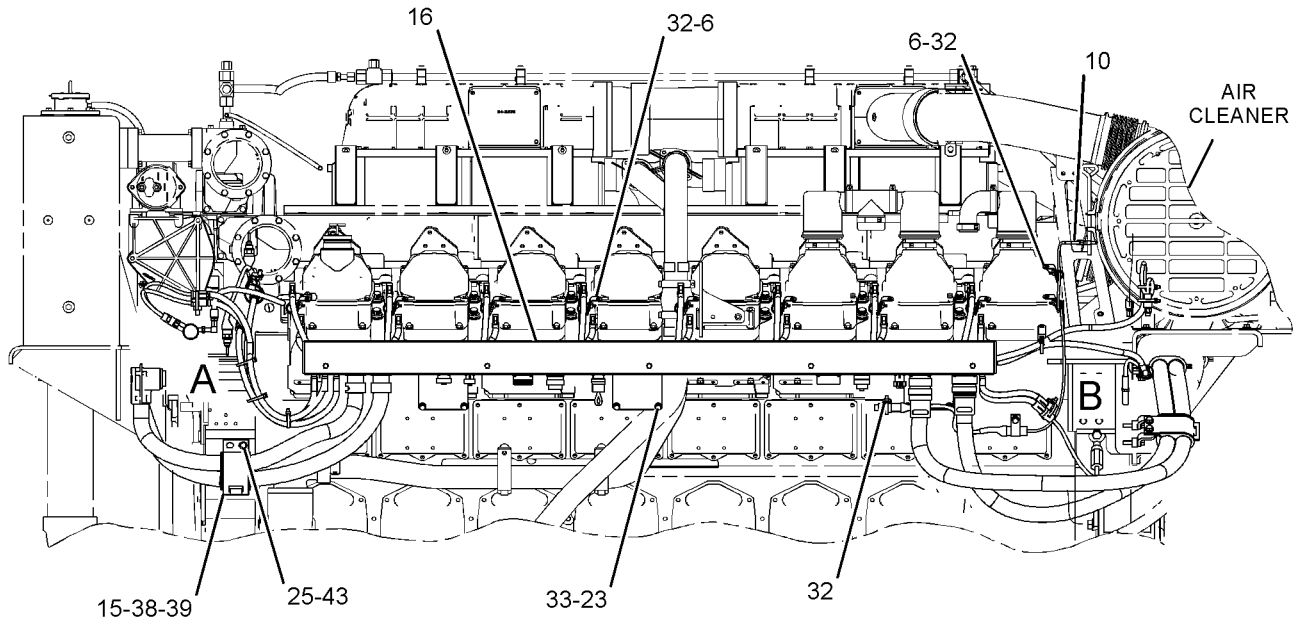
NOTE	REF NO	GRAPHIC REF	PART NUMBER	QTY	PART NAME						SEE PAGE
					1	2	3	4	5	6 (PRODUCT LEVEL)	
	1	2	6B-6205	1	SPACER (0.438X0.875X1.281-IN THK)						
	2	2	7K-1181	2	STRAP-CABLE						
	3	3	9G-5127	1	BREATHER (EXHAUST BYPASS) (ATMOSPHERIC AIR)						
C	4	3	9G-8140	4	SPACER (10.5X25X15-MM THK)						
	5	3	9X-0262	1	ADAPTER						
C	6	1, 2, 3	9X-6772	39	STRAP-CABLE						
	7	1	111-3684	1	HOSE AS						
Y	8	1	212-0848	1	SENSOR GP-SPEED (PRIMARY, TIMING)						490
Y	9	3	212-3423	1	SENSOR GP-TEMPERATURE (ENGINE COOLANT)						495
Y	9A	3	212-3423	1	SENSOR GP-TEMPERATURE (AFTERCOOLER COOLANT)						495
Y	10	1	212-3425	1	SENSOR GP-EXHAUST TEMPERATURE (LH)						481
Y	10A	2	212-3425	1	SENSOR GP-EXHAUST TEMPERATURE (RH)						481
Y	11	2	212-3426	1	SENSOR GP-SPEED (ENGINE)						491
Y	11A	2	212-3426	1	SENSOR GP-SPEED (TIMING)						491
	12	2	237-5337	1	SENSOR AS-SPEED (TIMING CALIBRATION)						
	13	3	245-0522	1	BRACKET						
	14	3	245-0523	2	BRACKET						
	15	1, 3	278-6469	4	GROMMET						
Y	16	1	280-7517	1	HARNESS AS-ENGINE (LH)						425
Y	17	2	304-5666	1	SENSOR GP-PRESSURE (CRANKCASE)						486
Y	17A	3	304-5666	1	SENSOR GP-PRESSURE (ATMOSPHERIC)						486
Y	17B	2	304-5666	1	SENSOR GP-PRESSURE (TURBOCHARGER INLET, LH)						486
Y	17C	2	304-5666	1	SENSOR GP-PRESSURE (TURBOCHARGER INLET, RH)						486
Y	18	3	304-5667	1	SENSOR GP-PRESSURE (TURBOCHARGER OUTLET)						487
CY	19	1	329-4779	1	WIRING GP-ENGINE						548
	20	1	001-9440	1	CONNECTOR						
	21	2	0L-2070	1	BOLT (3/8-16X2.25-IN)						
C	22	1, 2, 3	0S-0509	7	BOLT (3/8-16X0.75-IN)						
	23	1, 2	0S-1588	12	BOLT (3/8-16X1.25-IN)						
	24	3	0S-1590	4	BOLT (3/8-16X2-IN)						
	25	1	0S-1591	1	BOLT (3/8-16X1.5-IN)						
C	26	3	0S-1594	6	BOLT (3/8-16X1-IN)						
	27	2	132-5789	1	CLIP						
	28	2	135-9941	1	ADAPTER						
	29	1, 2	3A-3692	2	CLIP						
	30	1	3K-0360	1	SEAL-O-RING						
	31	2	4P-7581	2	CLIP						
	32	1, 2, 3	4P-8134	29	CLIP						
C	33	1, 2, 3	5M-2894	24	WASHER-HARD (10.2X18.5X2.5-MM THK)						
	34	1	5P-3426	1	ELBOW						
	35	3	5P-8245	2	WASHER-HARD (13.5X25.5X3-MM THK)						
	36	1, 2, 3	6V-5048	5	SEAL-O-RING						
	37	2, 3	6V-5049	4	SEAL-O-RING						
	38	1, 3	7G-5984	4	CLIP (TAB)						
	39	1, 3	7G-5985	4	CLIP (SLOT)						
C	40	3	7H-1911	2	BOLT (1/2-13X9.375-IN)						
	41	3	8T-2353	1	ADAPTER						
	42	1	9S-4185	1	PLUG-O-RING						
	43	1, 3	9X-6458	7	WASHER-HARD (10.2X22.5X3-MM THK)						

C-CHANGE FROM PREVIOUS TYPE
Y-SEPARATE ILLUSTRATION

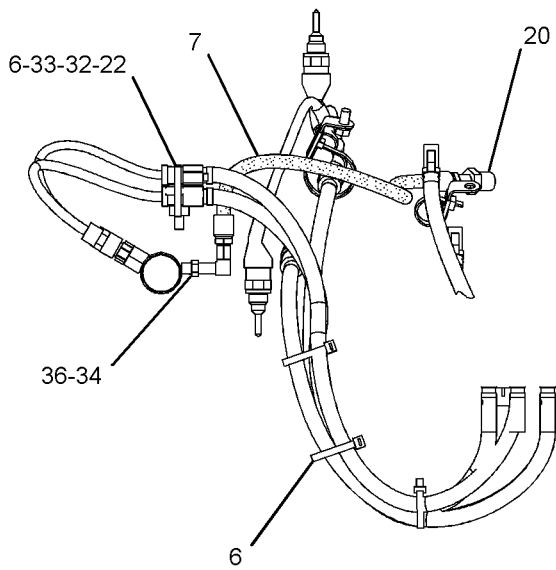
ELECTRICAL AND STARTING SYSTEM

296-8291 WIRING GP-ENGINE (contd.)

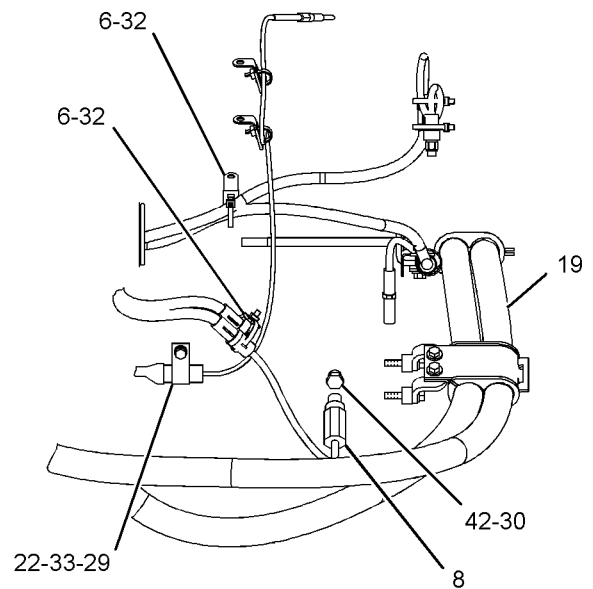
i03357423



LEFT SIDE VIEW OF ENGINE



VIEW OF AREA A



VIEW OF AREA B

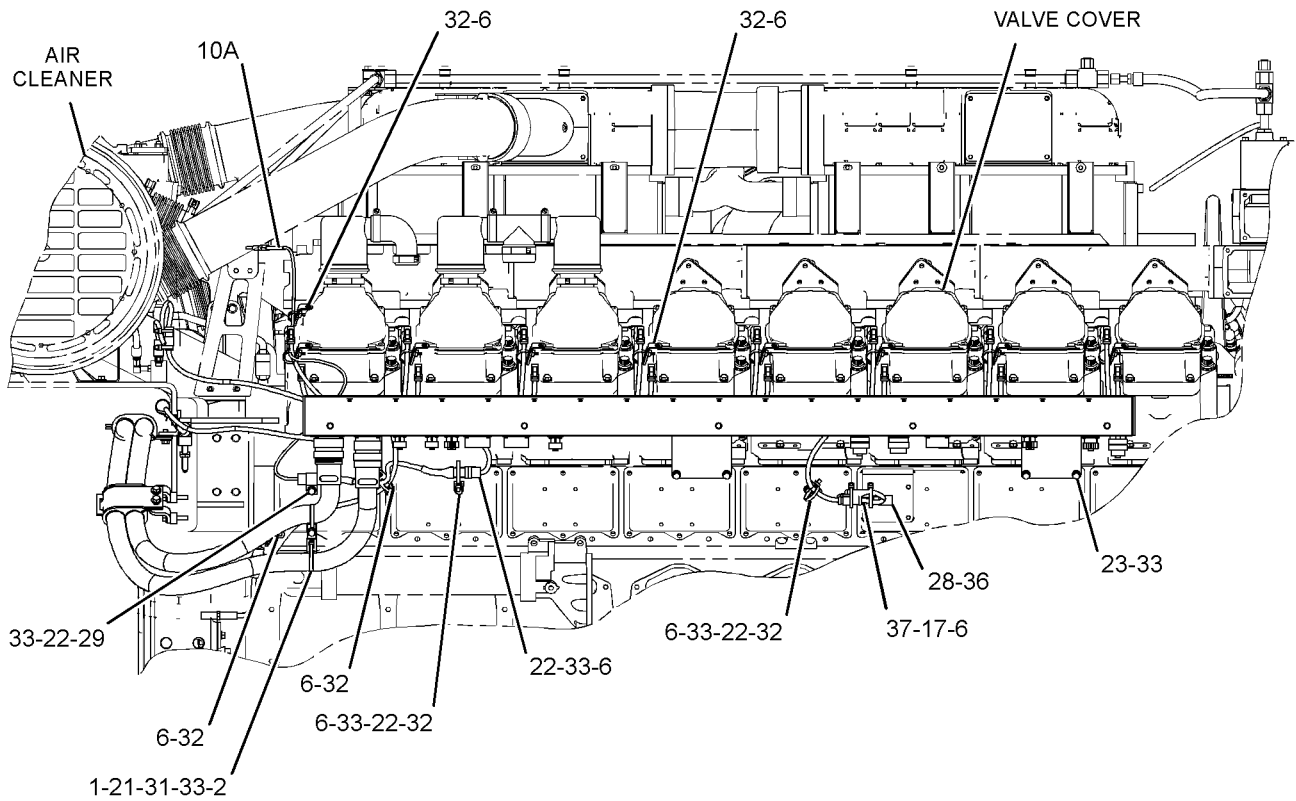
GRAPHIC #1

g01950922

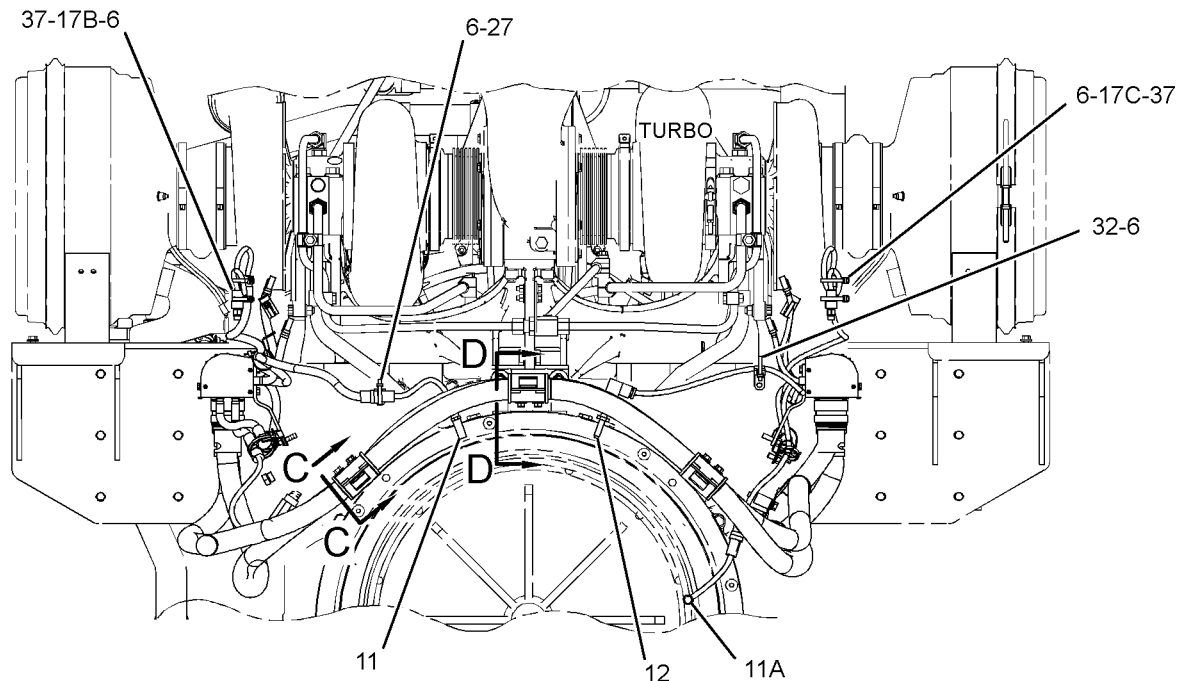
ELECTRICAL AND STARTING SYSTEM

296-8291 WIRING GP-ENGINE (contd.)

i03357423



RIGHT SIDE VIEW OF ENGINE



REAR VIEW OF ENGINE

REFER TO ALL ILLUSTRATIONS OF THIS GROUP FOR AUXILIARY VIEWS

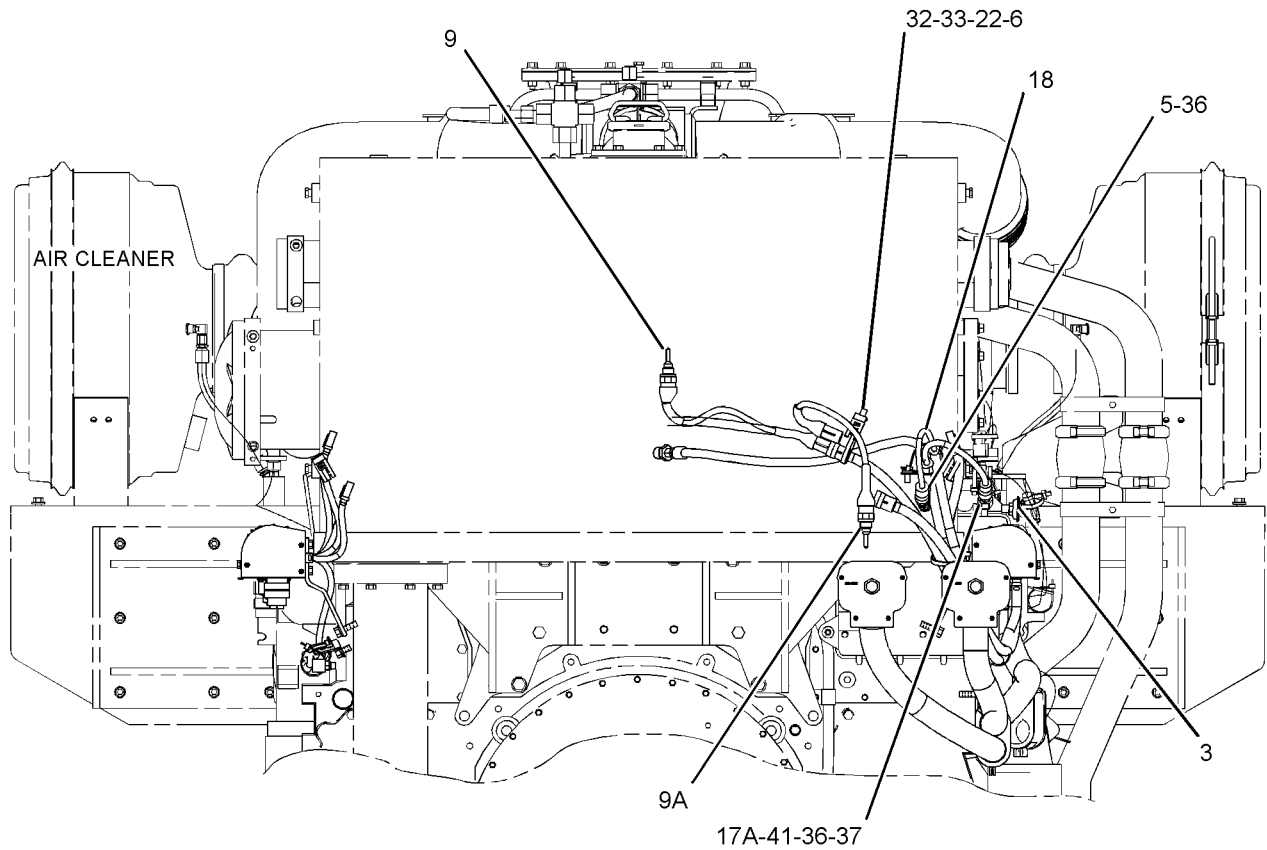
GRAPHIC #2

g01950924

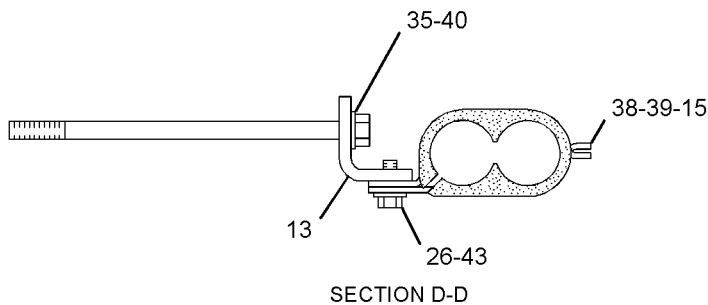
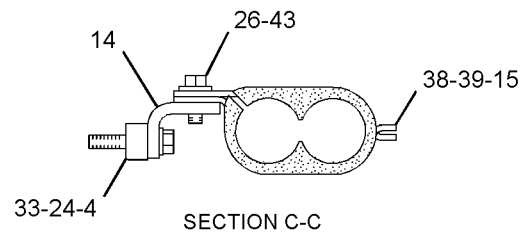
ELECTRICAL AND STARTING SYSTEM

296-8291 WIRING GP-ENGINE (contd.)

i03357423



FRONT VIEW OF ENGINE



GRAPHIC #3

<END>

g01950925

ELECTRICAL AND STARTING SYSTEM

329-4779 WIRING GP-ENGINE

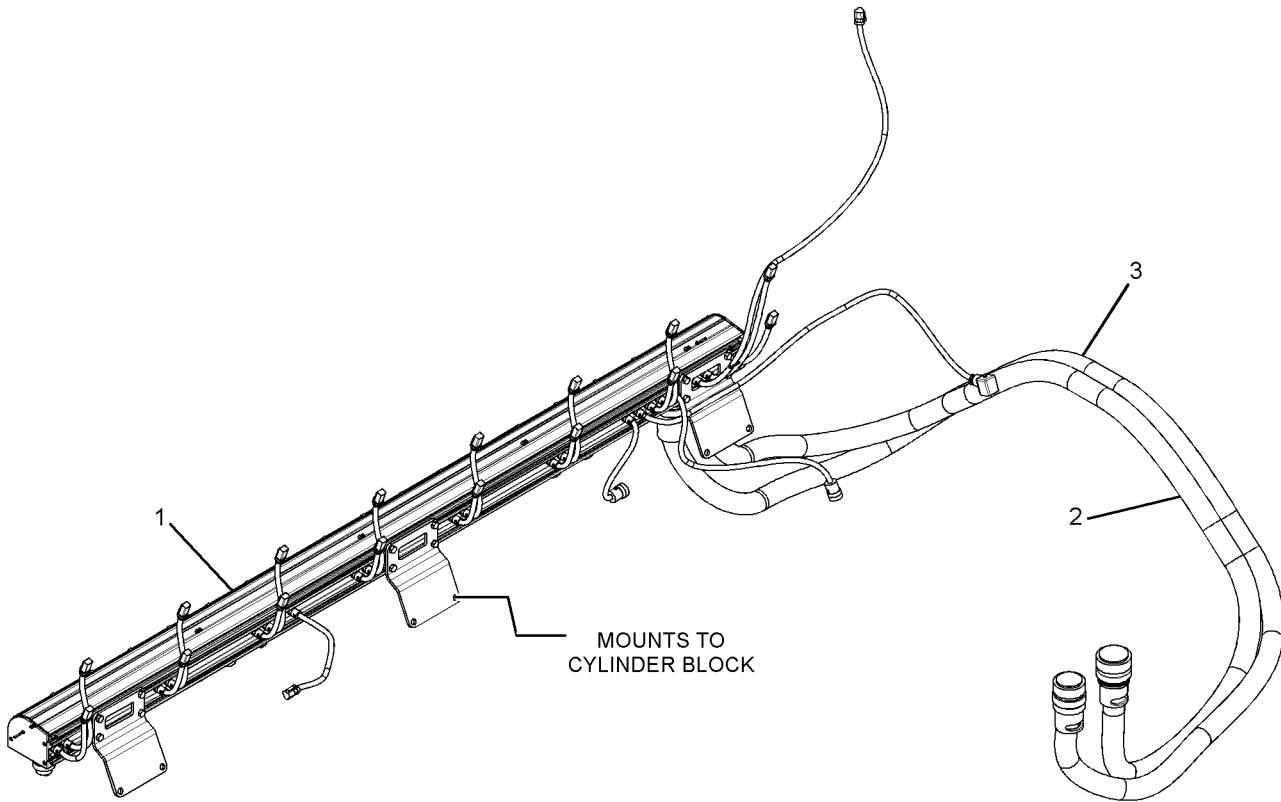
S/N: JTS112-UP

PART OF 296-8291 WIRING GP-ENGINE
AN ATTACHMENT

SMCS-1000, 1408

i03357521

NOTE	REF NO	GRAPHIC REF	PART NUMBER	QTY	PART NAME						SEE PAGE
					1	2	3	4	5	6 (PRODUCT LEVEL)	
	1	1	280-7518	1	HARNESS AS-ENGINE (RH)						
	2	1	329-4772	1	HARNESS AS-WIRING (SMALL INTERCONNECT)						
	3	1	329-4773	1	HARNESS AS-WIRING (LARGE INTERCONNECT)						



GRAPHIC #1

<END>

g01743954

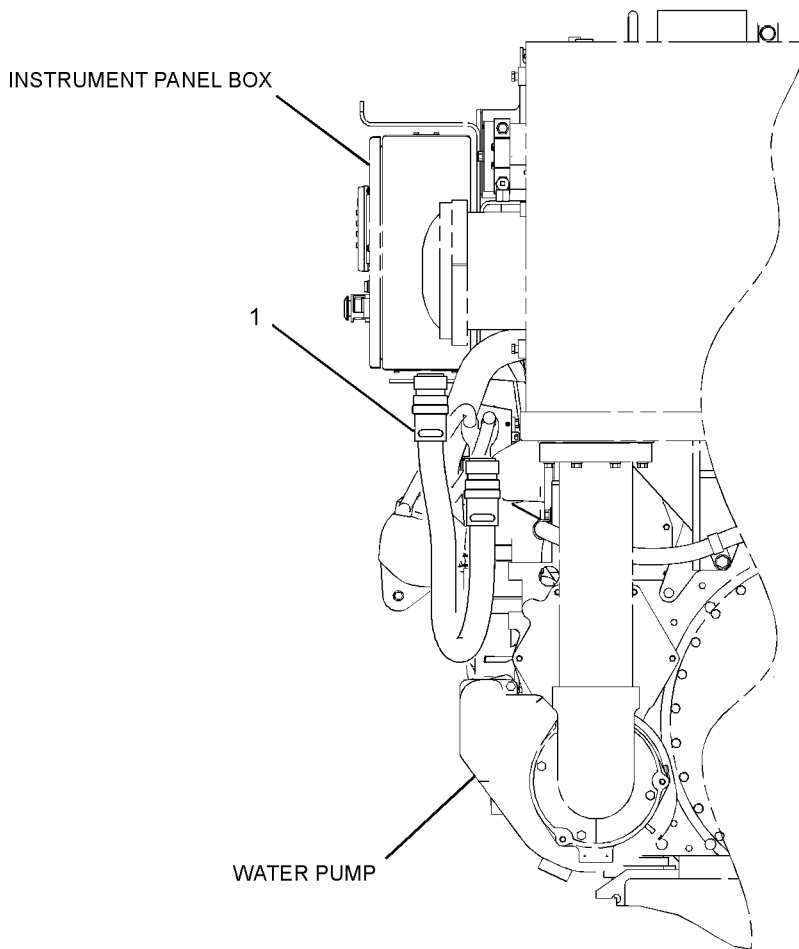
ELECTRICAL AND STARTING SYSTEM

239-1470 WIRING GP-ENGINE ELECTRONIC- MARINE POWER DISPLAY RH AN ATTACHMENT

SMCS-1408, 1900

i03097821

NOTE	REF NO	GRAPHIC REF	PART NUMBER	QTY	PART NAME						SEE PAGE
					1	2	3	4	5	6 (PRODUCT LEVEL)	
Y	1	1	239-1471	1	HARNESS AS-ENGINE (MARINE POWER DISPLAY)						422
Y-SEPARATE ILLUSTRATION											



FRONT VIEW OF ENGINE

<END>

GRAPHIC #1

g01616333

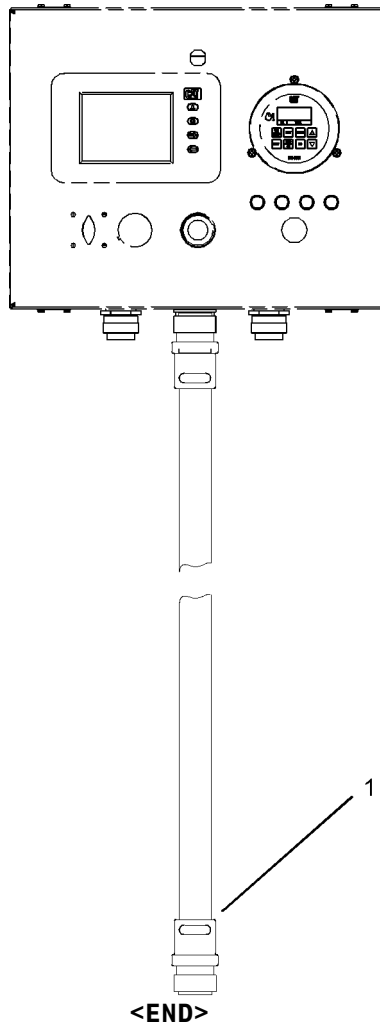
ELECTRICAL AND STARTING SYSTEM

239-1475 WIRING GP-ENGINE ELECTRONIC- MARINE POWER DISPLAY, EXT 3-METER EXTENSION AN ATTACHMENT

SMCS-1408, 1900

i02739937

NOTE	REF NO	GRAPHIC REF	PART NUMBER	QTY	PART NAME						SEE PAGE
					1	2	3	4	5	6 (PRODUCT LEVEL)	
Y	1	1	239-1476	1	HARNESS AS-PANEL (MARINE POWER DISPLAY, EXT)						433
Y-SEPARATE ILLUSTRATION											



GRAPHIC #1

g01011476

ELECTRICAL AND STARTING SYSTEM

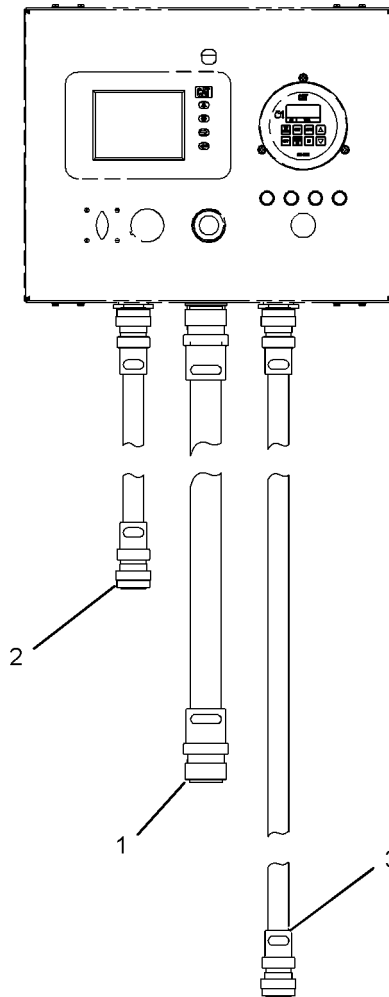
239-1477 WIRING GP-ENGINE ELECTRONIC- MARINE POWER DISPLAY, EXT 3-METER EXTENSION AN ATTACHMENT

SMCS-1408, 1900

i02739950

NOTE	REF NO	GRAPHIC REF	PART NUMBER	QTY	PART NAME						SEE PAGE
					1	2	3	4	5	6 (PRODUCT LEVEL)	
Y	1	1	239-1476	1	HARNESS AS-PANEL (MARINE POWER DISPLAY, EXT)						433
Y	2	1	239-1478	1	HARNESS AS-SENSOR (THERMOCOUPLE)						439
Y	3	1	239-1479	1	HARNESS AS-SENSOR (THERMOCOUPLE)						440

Y-SEPARATE ILLUSTRATION



GRAPHIC #1

<END>

g01011176

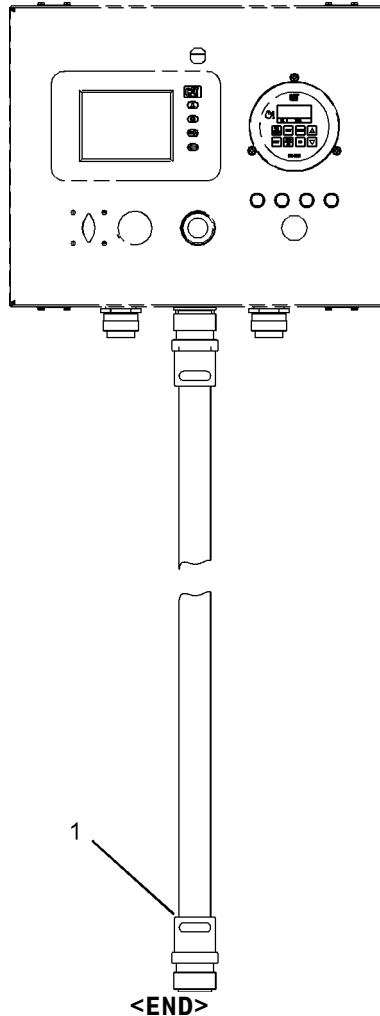
ELECTRICAL AND STARTING SYSTEM

239-1480 WIRING GP-ENGINE ELECTRONIC- MARINE POWER DISPLAY, EXT 15-METER EXTENSION AN ATTACHMENT

SMCS-1408, 1900

i02741027

NOTE	REF NO	GRAPHIC REF	PART NUMBER	QTY	PART NAME						SEE PAGE
					1	2	3	4	5	6 (PRODUCT LEVEL)	
Y	1	1	239-1481	1	HARNESS AS-ENGINE (MARINE POWER DISPLAY, EXT)						423
Y-SEPARATE ILLUSTRATION											



GRAPHIC #1

g01011182

ELECTRICAL AND STARTING SYSTEM

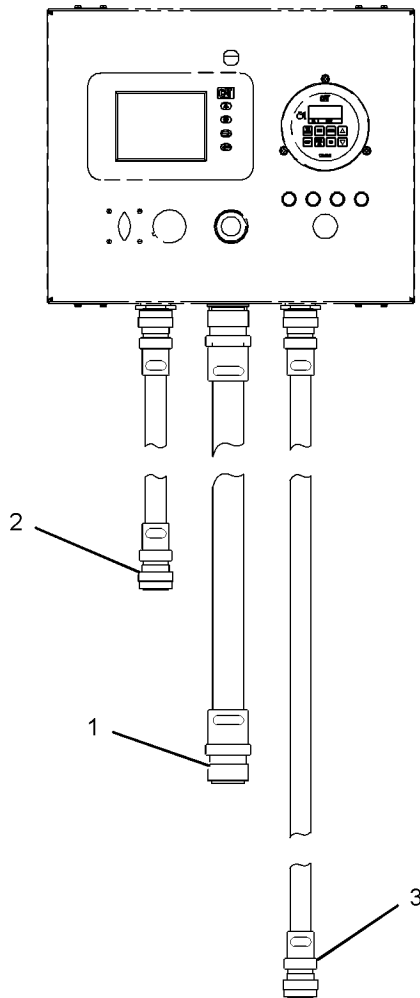
239-1482 WIRING GP-ENGINE ELECTRONIC- MARINE POWER DISPLAY, EXT 15-METER EXTENSION AN ATTACHMENT

SMCS-1408, 1900

i02740253

NOTE	REF NO	GRAPHIC REF	PART NUMBER	QTY	PART NAME	SEE PAGE
Y	1	1	239-1481	1	HARNESS AS-ENGINE (MARINE POWER DISPLAY, EXT)	423
Y	2	1	239-1483	1	HARNESS AS-SENSOR (THERMOCOUPLE EXTENSION, LH)	441
Y	3	1	239-1484	1	HARNESS AS-SENSOR (THERMOCOUPLE)	442

Y-SEPARATE ILLUSTRATION



<END>

GRAPHIC #1

g01011180

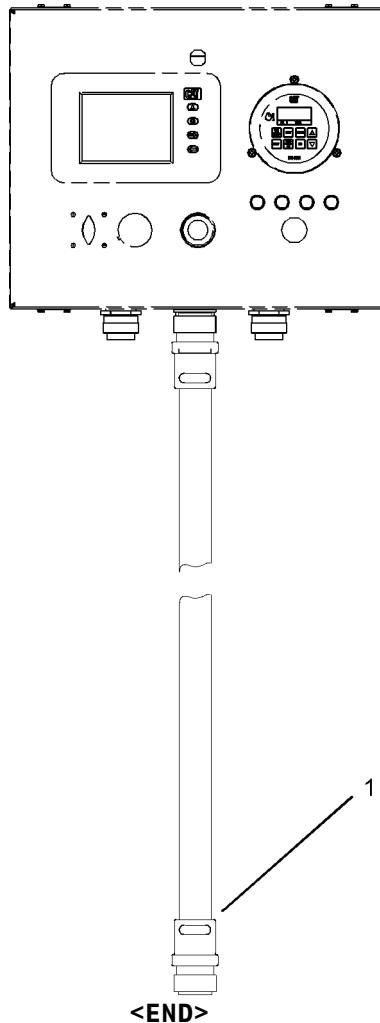
ELECTRICAL AND STARTING SYSTEM

239-1485 WIRING GP-ENGINE ELECTRONIC- MARINE POWER DISPLAY, EXT 30-METER EXTENSION AN ATTACHMENT

SMCS-1408, 1900

i02740257

NOTE	REF NO	GRAPHIC REF	PART NUMBER	QTY	PART NAME						SEE PAGE
					1	2	3	4	5	6 (PRODUCT LEVEL)	
Y	1	1	239-1486	1	HARNESS AS-ENGINE (EXTENSION)						424
Y-SEPARATE ILLUSTRATION											



GRAPHIC #1

g01011476

ELECTRICAL AND STARTING SYSTEM

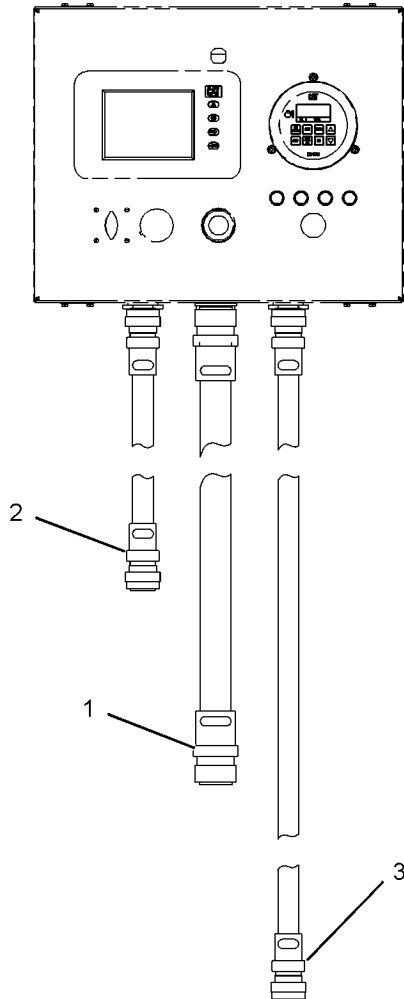
239-1487 WIRING GP-ENGINE ELECTRONIC- MARINE POWER DISPLAY, EXT 30-METER EXTENSION AN ATTACHMENT

SMCS-1408, 1900

i02656104

NOTE	REF NO	GRAPHIC REF	PART NUMBER	QTY	PART NAME						SEE PAGE
					1	2	3	4	5	6 (PRODUCT LEVEL)	
Y	1	1	239-1486	1	HARNESS AS-ENGINE (EXTENSION)						424
Y	2	1	239-1488	1	HARNESS AS-SENSOR (THERMOCOUPLE)						443
Y	3	1	239-1489	1	HARNESS AS-SENSOR (THERMOCOUPLE)						444

Y-SEPARATE ILLUSTRATION



GRAPHIC #1

<END>

g01011184

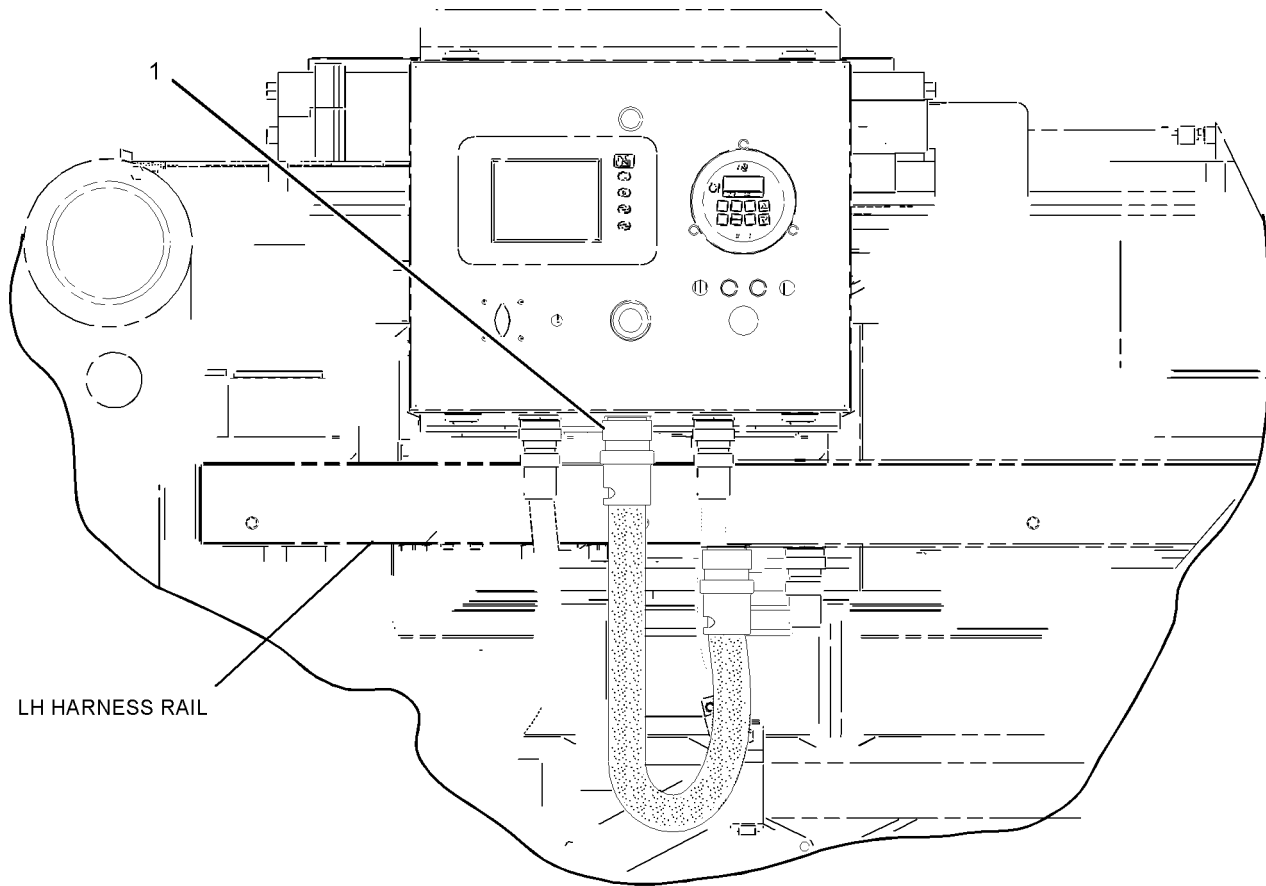
ELECTRICAL AND STARTING SYSTEM

239-6365 WIRING GP-ENGINE ELECTRONIC- MARINE POWER DISPLAY LH AN ATTACHMENT

SMCS-1408, 1900

i02823886

NOTE	REF NO	GRAPHIC REF	PART NUMBER	QTY	PART NAME						SEE PAGE
					1	2	3	4	5	6 (PRODUCT LEVEL)	
Y	1	1	239-1471	1	HARNESS AS-ENGINE (MARINE POWER DISPLAY)						422
Y-SEPARATE ILLUSTRATION											



LEFT SIDE VIEW
<END>

GRAPHIC #1

g01026190

ELECTRICAL AND STARTING SYSTEM

245-0092 WIRING GP-GENERATOR-MAIN

FOR USE WITH EUI
AN ATTACHMENT

SMCS-1404, 1408, 4459

i03856213

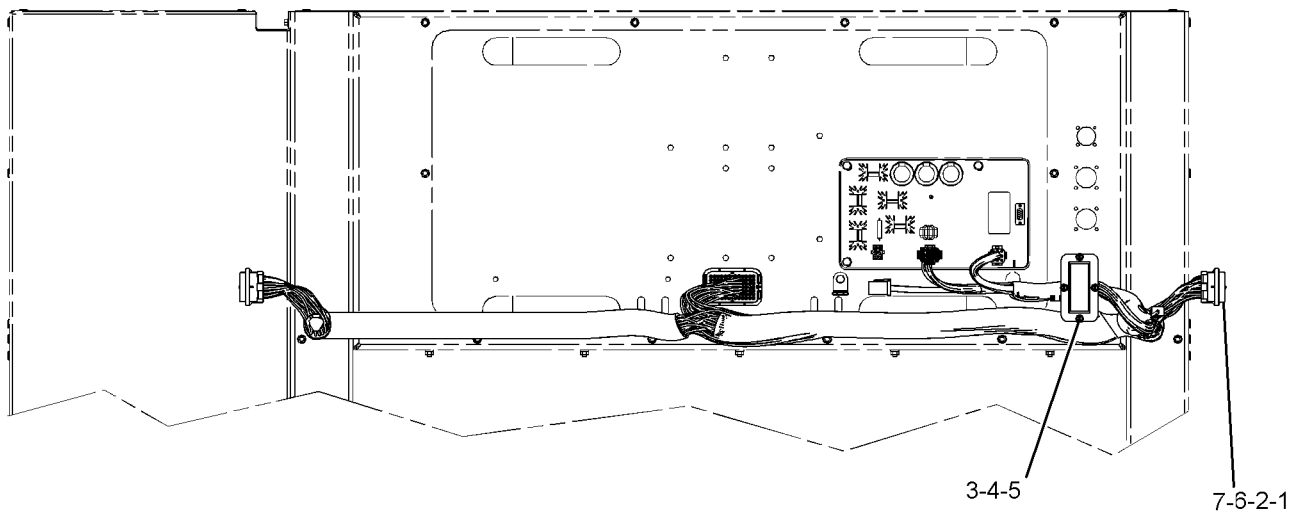
NOTE	REF NO	GRAPHIC REF	PART NUMBER	QTY	PART NAME						SEE PAGE
					1	2	3	4	5	6 (PRODUCT LEVEL)	
B	1	1	9X-6772	12	STRAP-CABLE						
Y	2	1	244-5403	1	HARNESS AS-WIRING (MAIN)						447
E		1	134-6258		CABLE-ELECTRICAL (16-GA) (392-CM)						
E		1	153-2707		CABLE-ELECTRICAL (2-CONDUCTOR, 18-GA) (1159-CM)						
		1	244-0452	21	END-WIRE (14-GA TO 20-GA)						
		1	155-2260	1	KIT-CONNECTING PLUG (3-PIN)						
		1	155-2270	1	KIT-CONNECTING PLUG (2-PIN)						
		1	155-2274	1	KIT-CONNECTING PLUG (6-PIN)						
		1	174-0503	1	KIT-CONNECTING PLUG (3-PIN)						
					(EACH PLUG KIT INCLUDES PLUG AS, WEDGE, & INTERFACE SEAL)						
		1	8T-8729	16	PIN-CONNECTOR (16-GA TO 18-GA)						
		1	126-1767	4	PIN-CONNECTOR (14-GA)						
		1	234-1857	1	PLUG-CONNECTOR (9-PIN)						
		1	234-1858	1	PLUG-CONNECTOR (12-PIN)						
		1	8T-8737	24	PLUG-SEAL						
		1	160-7689	3	PLUG AS-CONNECTOR (70-PIN)						
					(EACH INCLUDES)						
		1	159-9322	1	SEAL-O-RING						
		1	9X-1343	1	RECEPTACLE AS-CONNECTOR (40-PIN)						
		1	134-2540	1	RESISTOR AS-CONNECTION (3-PIN)						
		1	246-7014	1	SEAL (9-POSITION)						
		1	246-7015	1	SEAL (12-POSITION)						
		1	8T-8730	205	SOCKET-CONNECTOR (16-GA TO 18-GA)						
		1	126-1768	15	SOCKET-CONNECTOR (14-GA)						
		1	7K-1181	7	STRAP-CABLE						
E		1	125-7874		TUBE-HEAT SHRINK (5.72-MM DIA) (565-CM)						
	3	1	3K-8106	4	SCREW-MACHINE (8-32X1-IN)						
	4	1	4B-2043	4	NUT (8-32-THD)						
	5	1	4B-4863	8	WASHER (4.7X11X1.2-MM THK)						
B	6	1	126-1771	1	CAP-DUST						
B	7	1	5N-4686	1	TAPE-ELECTRICAL (VINYL)						

B-USE AS REQUIRED
E-ORDER BY THE CENTIMETER
Y-SEPARATE ILLUSTRATION

ELECTRICAL AND STARTING SYSTEM

245-0092 WIRING GP-GENERATOR (contd.)

i03856213



REAR VIEW

GRAPHIC #1

<END>

g02107213

ELECTRICAL AND STARTING SYSTEM

252-7419 WIRING GP-GENERATOR-VOLTAGE SENSING AN ATTACHMENT

SMCS-1404, 1408, 4459

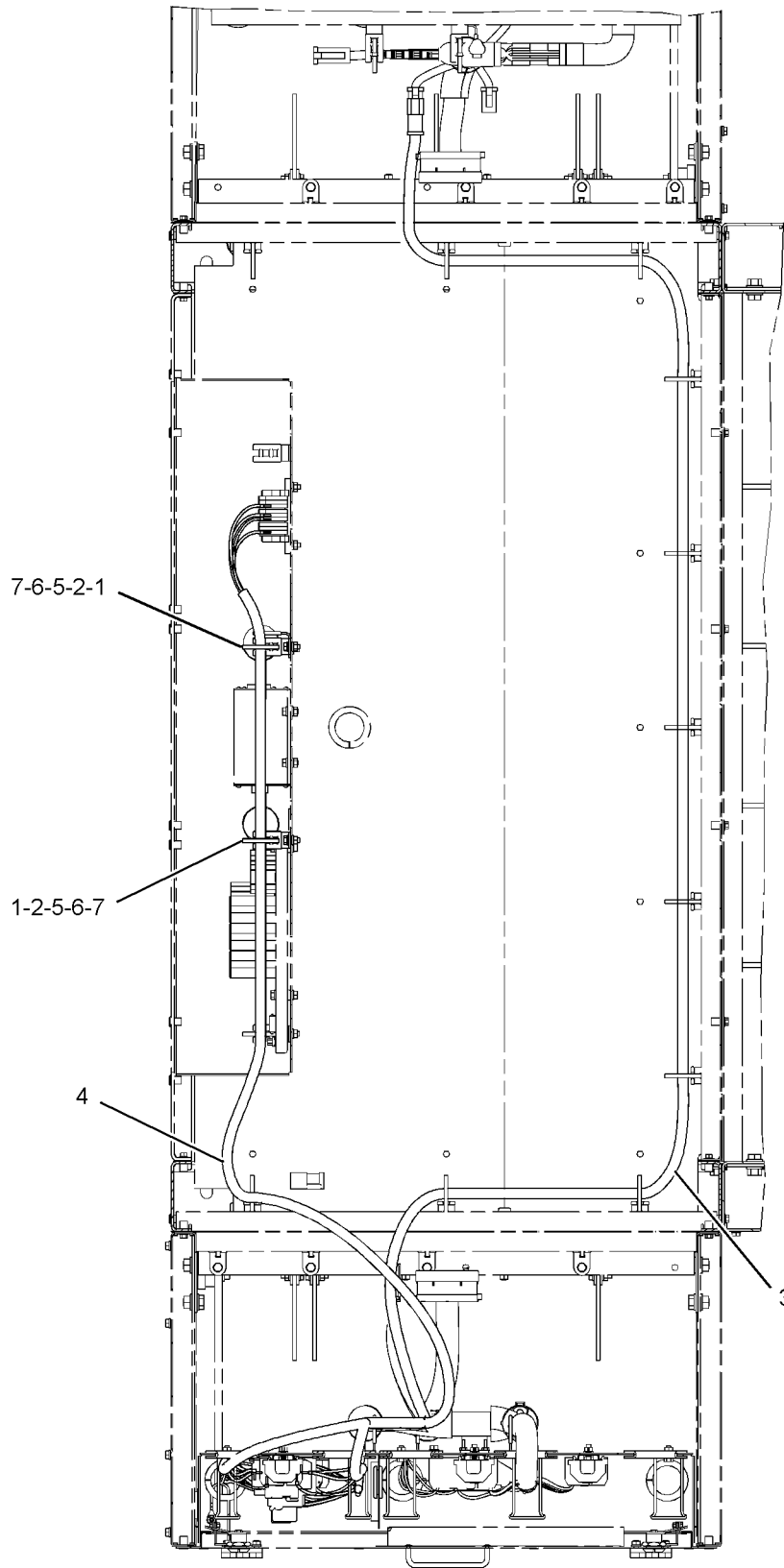
i02471226

NOTE	REF NO	GRAPHIC REF	PART NUMBER	QTY	PART NAME						SEE PAGE
					1	2	3	4	5	6 (PRODUCT LEVEL)	
	1	1	9X-6772	2	STRAP-CABLE						
	2	1	156-6175	2	CLIP						
	3	1	244-9599	1	HARNESS AS-WIRING (EMCP 3)						
		1	102-8805	1	KIT-RECEPTACLE (6-PIN)						
					(INCLUDES RECEPTACLE AS & WEDGE)						
		1	3E-3383	1	WEDGE-RECEPTACLE LOCK (6-PIN)						
		1	7K-1181	8	STRAP-CABLE						
	4	1	252-7356	1	HARNESS AS-WIRING (VOLTAGE REGULATOR)						
			109-3038	8	END-WIRE (16-GA)						
M	5	1	5C-2890	2	NUT (M6X1-THD)						
M	6	1	5C-9553	2	BOLT (M6X1X16-MM)						
	7	1	9X-8256	4	WASHER (6.6X12X2-MM THK)						
M-METRIC PART											

ELECTRICAL AND STARTING SYSTEM

252-7419 WIRING GP-GENERATOR (contd.)

i02471226



TOP VIEW

GRAPHIC #1

<END>

g01228273

ELECTRICAL AND STARTING SYSTEM

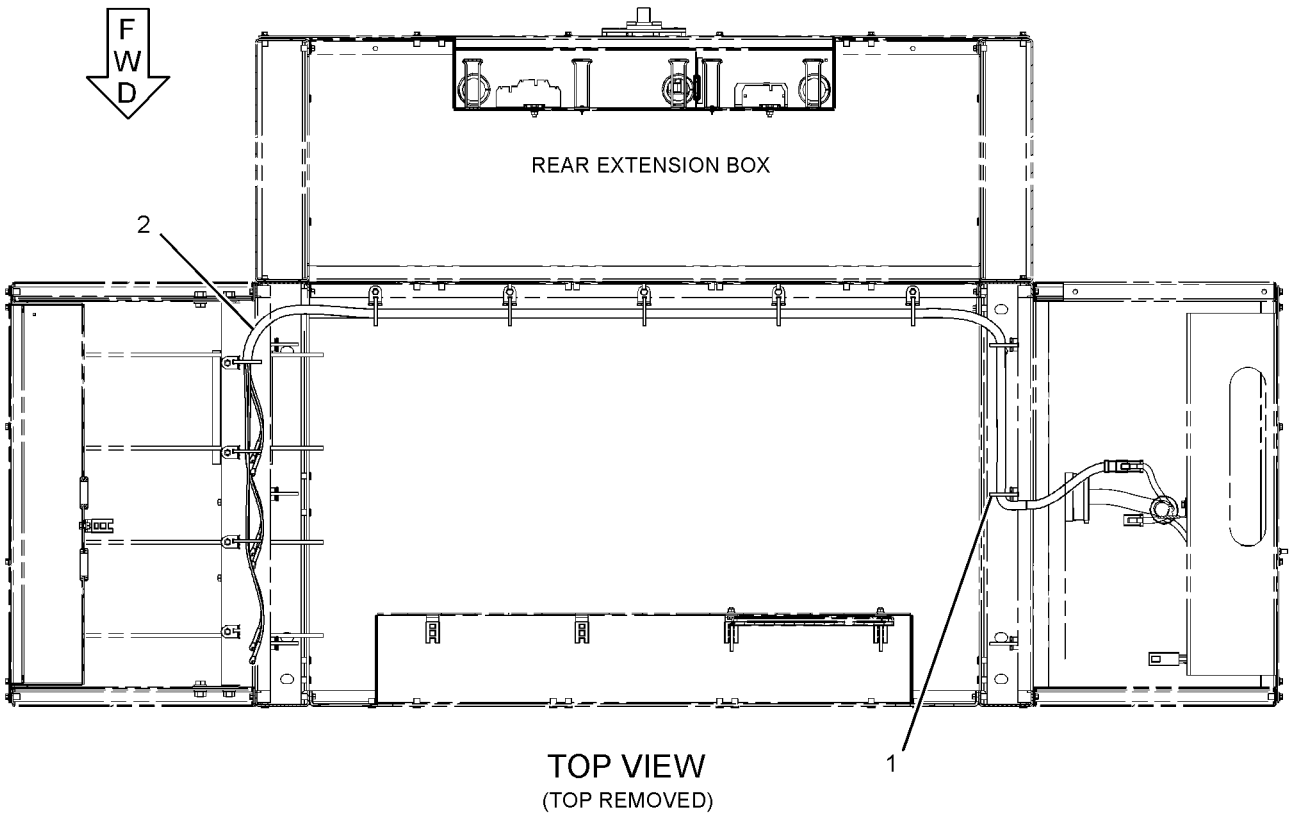
252-7427 WIRING GP-GENERATOR-CURRENT TRANSFORMER AN ATTACHMENT

SMCS-1404, 1408, 4459

i02378084

NOTE	REF NO	GRAPHIC REF	PART NUMBER	QTY	PART NAME						SEE PAGE
					1	2	3	4	5	6 (PRODUCT LEVEL)	
B	1	1	9X-6772	10	STRAP-CABLE						
	2	1	252-7355	1	HARNESS AS-WIRING (CURRENT TRANSFORMER)						
		1	102-8804	1	KIT-RECEPTACLE (4-PIN) (INCLUDES RECEPTACLE AS & WEDGE)						
		1	2L-8075	6	TERMINAL-RING (14-GA TO 16-GA, NO. 8 SCREW)						
E		1	7K-1181	6	STRAP-CABLE						
		1	125-7875		TUBE-HEAT SHRINK (7.44-MM DIA) (5-CM)						

B-USE AS REQUIRED
E-ORDER BY THE CENTIMETER



GRAPHIC #1

<END>

g01163040

ELECTRICAL AND STARTING SYSTEM

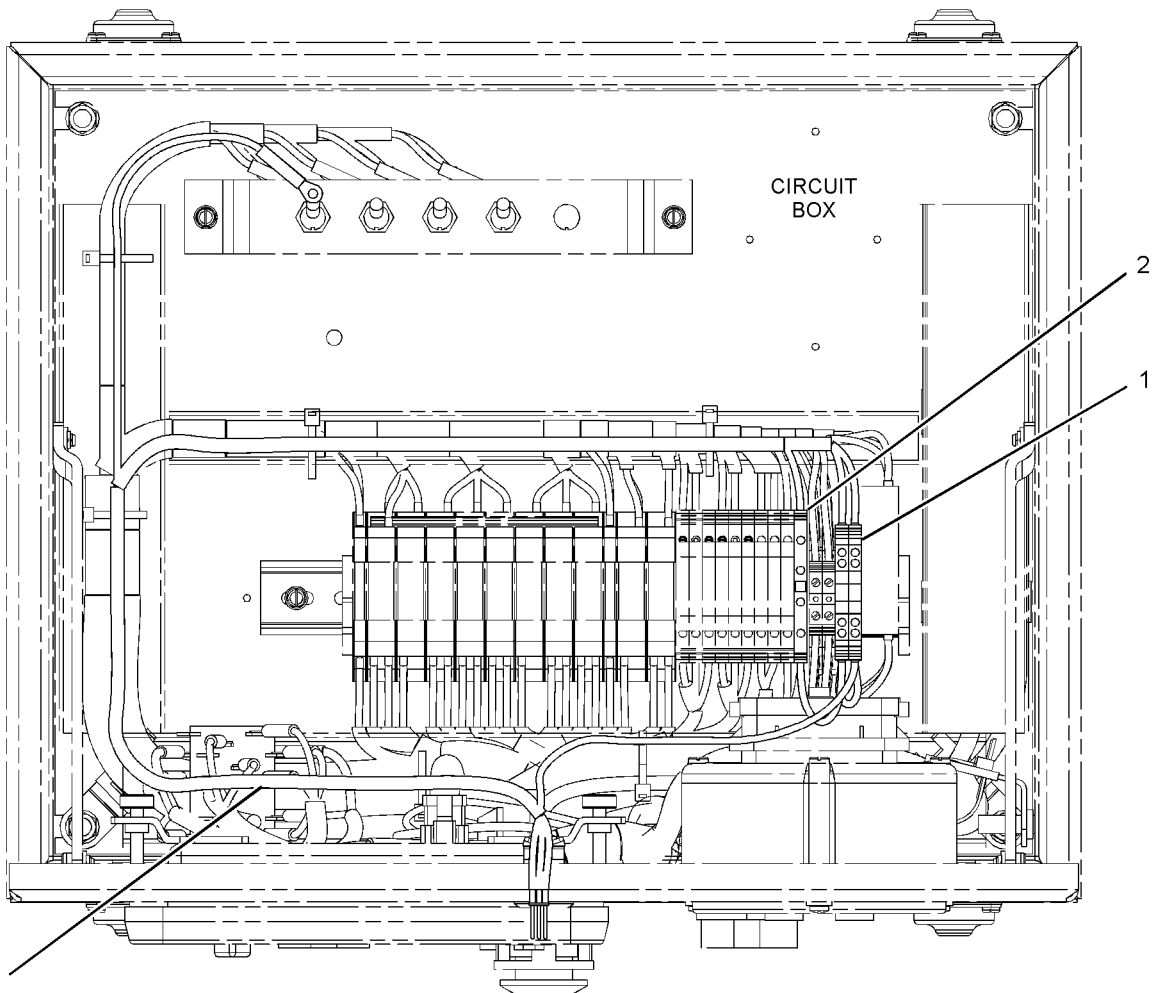
295-5455 WIRING GP-INSTRUMENT PANEL-START SELECTOR

PART OF 290-3213, 300-0479 BOX GP-INSTRUMENT PANEL
AN ATTACHMENT

SMCS-1408, 7451

i02651966

NOTE	REF NO	GRAPHIC REF	PART NUMBER	QTY	PART NAME						SEE PAGE
					1	2	3	4	5	6 (PRODUCT LEVEL)	
	1	1	115-1322	2	TERMINAL (DOUBLE)						
	2	1	135-6740	1	BLOCK-DIODE						
	3	1	295-2908	1	HARNESS AS-PANEL (START SELECTOR)						
		1	110-8714	8	END-WIRE (18-GA)						
		1	2L-8075	1	TERMINAL-RING (14-GA TO 16-GA, NO. 8 SCREW)						
		1	233-9226	3	PIN-CONNECTOR (16-GA TO 20-GA)						



GRAPHIC #1

<END>

g01333083

ELECTRICAL AND STARTING SYSTEM

239-1472 WIRING GP-PANEL-MARINE POWER DISPLAY

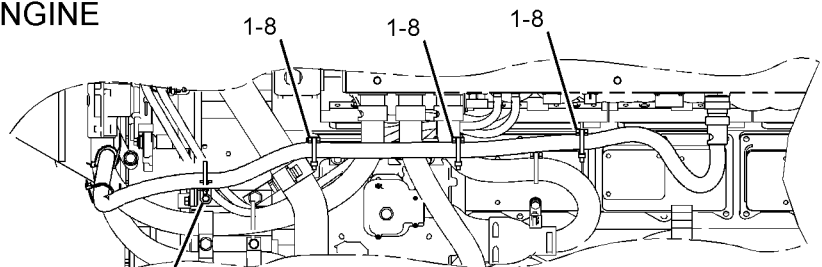
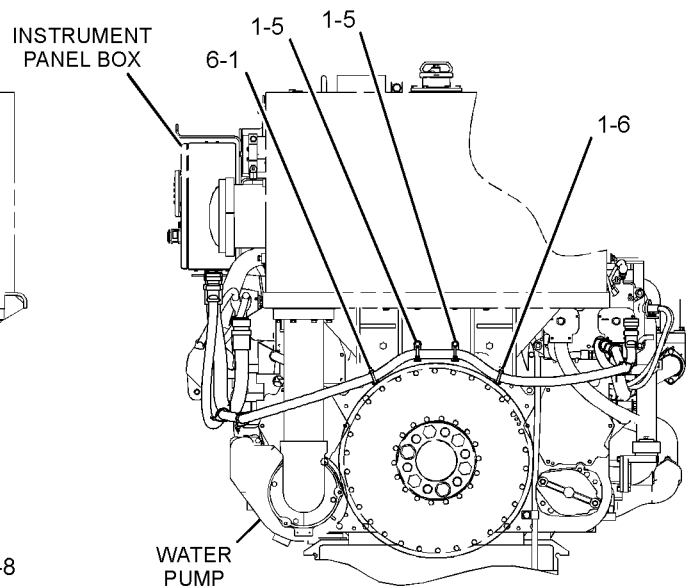
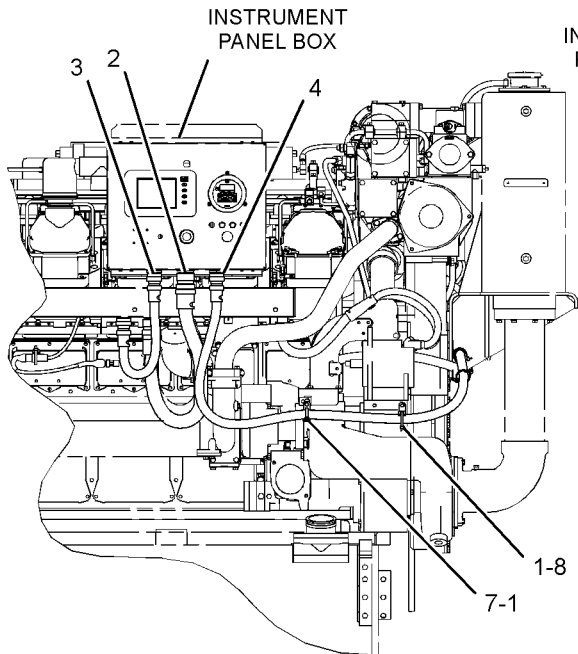
RH
AN ATTACHMENT

SMCS-4459

i03097801

NOTE	REF NO	GRAPHIC REF	PART NUMBER	QTY	PART NAME						SEE PAGE
					1	2	3	4	5	6 (PRODUCT LEVEL)	
	1	1	7K-1181	10	STRAP - CABLE						
Y	2	1	239-1471	1	HARNESS AS-ENGINE (MARINE POWER DISPLAY)						422
Y	3	1	239-1473	1	HARNESS AS-SENSOR (THERMOCOUPLE, RH)						437
Y	4	1	239-1474	1	HARNESS AS-SENSOR (THERMOCOUPLE, LH)						438
	5	1	4P-7428	2	CLIP						
	6	1	4P-7429	3	CLIP						
	7	1	4P-7581	1	CLIP						
	8	1	4P-8134	4	CLIP						

Y-SEPARATE ILLUSTRATION



GRAPHIC #1

<END>

g01617413

ELECTRICAL AND STARTING SYSTEM

232-0899 WIRING GP-PRELUBRICATION

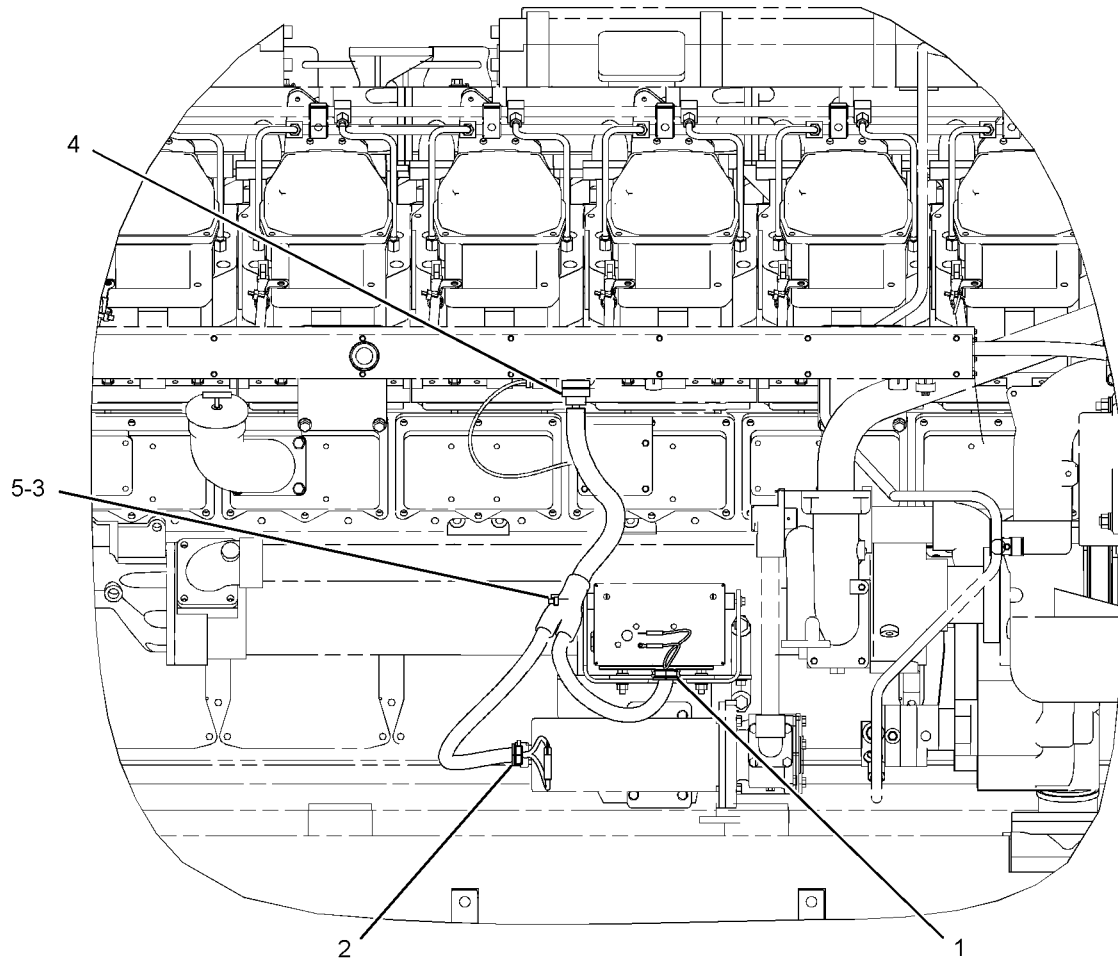
AN ATTACHMENT

SMCS-1319, 1408, 1469

i02277938

NOTE	REF NO	GRAPHIC REF	PART NUMBER	QTY	PART NAME						SEE PAGE
					1	2	3	4	5	6 (PRODUCT LEVEL)	
	1	1	5N-9068	1	COLLAR						
	2	1	5N-9070	1	COLLAR						
	3	1	9X-6772	1	STRAP-CABLE						
Y	4	1	237-8992	1	HARNESS AS-ENGINE (PRELUBRICATION)						420
	5	1	156-6175	1	CLIP						

Y-SEPARATE ILLUSTRATION



RIGHT SIDE VIEW

<END>

GRAPHIC #1

g01149173

ELECTRICAL AND STARTING SYSTEM

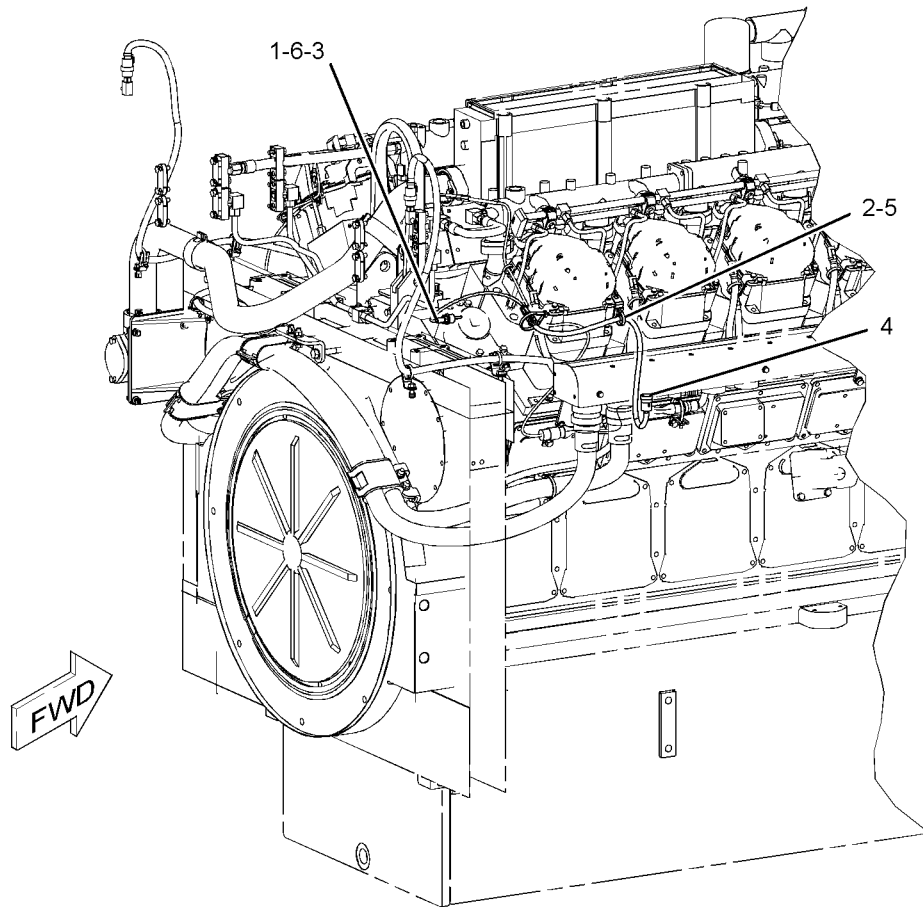
255-0178 WIRING GP-SENSOR-ENGINE OIL TEMPERATURE AN ATTACHMENT

SMCS-1408, 1900

i02698939

NOTE	REF NO	GRAPHIC REF	PART NUMBER	QTY	PART NAME						SEE PAGE
					1	2	3	4	5	6 (PRODUCT LEVEL)	
	1	1	9X-3271	1	ADAPTER (1/2-14-NPTF-THD)						
	2	1	9X-6772	2	STRAP-CABLE						
Y	3	1	195-2150	1	SENSOR GP-TEMPERATURE (ENGINE OIL)						494
	4	1	255-0179	1	HARNESS AS-SENSOR (ENGINE OIL TEMPERATURE)						
		1	8T-8737	1	PLUG-SEAL						
		1	155-2270	1	KIT-CONNECTING PLUG (2-PIN) (INCLUDES PLUG ASSEMBLY AND WEDGE)						
		1	176-2942	1	PLUG AS-CONNECTOR (2-PIN)						
		1	176-2943	1	KIT-CONNECTING PLUG (2-PIN) (INCLUDES PLUG ASSEMBLY AND WEDGE)						
E		1	210-8958		TUBE-HEAT SHRINK (24-MM DIA) (10-CM)						
E		1	232-0893		CONDUIT-FLEXIBLE (6.2-MM ID) (64-CM)						
	5	1	4P-8134	1	CLIP						
	6	1	6V-5049	1	SEAL-O-RING						

E-ORDER BY THE CENTIMETER
Y-SEPARATE ILLUSTRATION



GRAPHIC #1

<END>

g01138801

ELECTRICAL AND STARTING SYSTEM

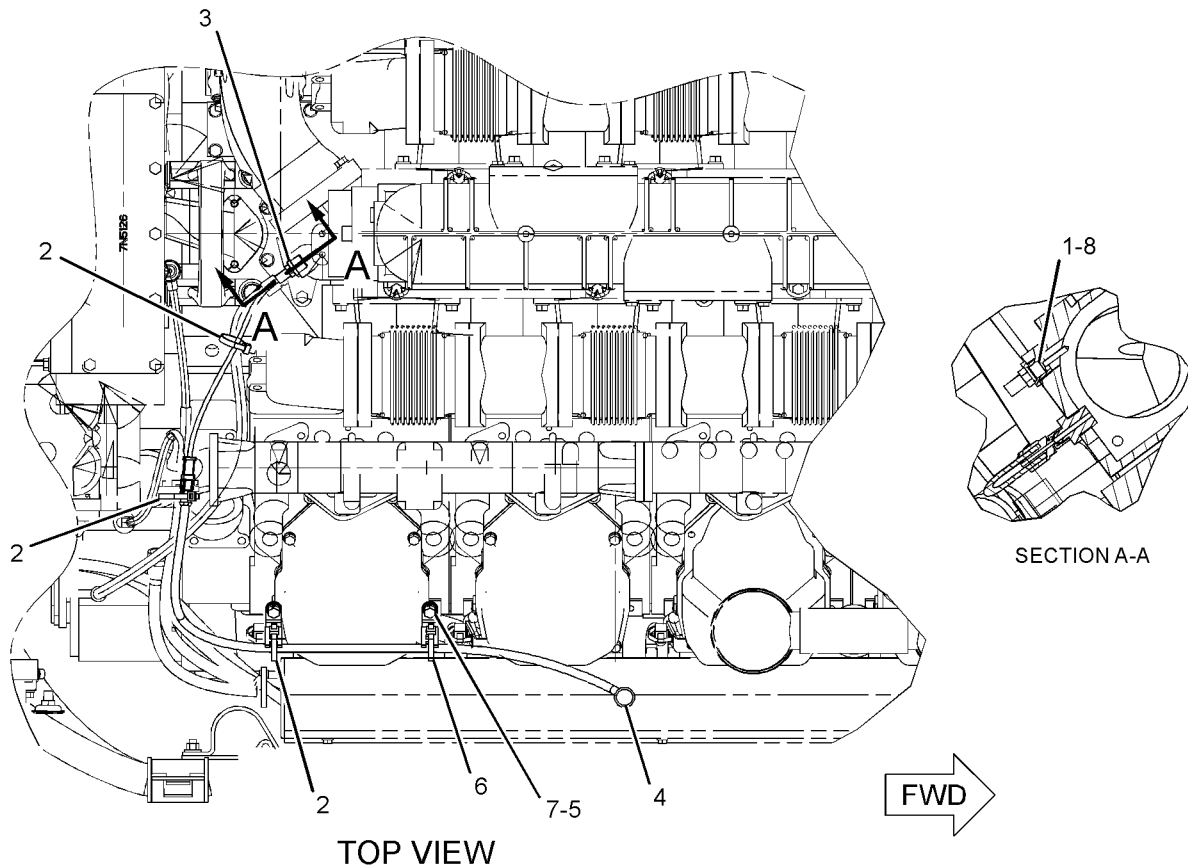
255-0180 WIRING GP-SENSOR-MANIFOLD AIR TEMPERATURE AN ATTACHMENT

SMCS-1408, 1900

i02698940

NOTE	REF NO	GRAPHIC REF	PART NUMBER	QTY	PART NAME						SEE PAGE
					1	2	3	4	5	6 (PRODUCT LEVEL)	
	1	1	9X-3271	1	ADAPTER (1/2-14-NPTF-THD)						
	2	1	9X-6772	4	STRAP-CABLE						
Y	3	1	195-2150	1	SENSOR GP-TEMPERATURE (AIR INLET)						494
	4	1	255-0181	1	HARNESS AS-SENSOR (MANIFOLD AIR TEMPERATURE)						
		1	8T-8737	1	PLUG-SEAL						
		1	155-2270	1	KIT-CONNECTING PLUG (2-PIN) (INCLUDES PLUG ASSEMBLY AND WEDGE)						
		1	176-2942	1	PLUG AS-CONNECTOR (2-PIN)						
		1	176-2943	1	KIT-CONNECTING PLUG (2-PIN) (INCLUDES PLUG ASSEMBLY AND WEDGE)						
E		1	210-8958		TUBE-HEAT SHRINK (24-MM DIA) (10-CM)						
E		1	232-0893		CONDUIT-FLEXIBLE (6.2-MM ID) (94-CM)						
	5	1	0T-0102	2	BOLT (3/8-16X0.625-IN)						
	6	1	4P-8134	2	CLIP						
	7	1	5M-2894	2	WASHER-HARD (10.2X18.5X2.5-MM THK)						
	8	1	6V-5049	1	SEAL-O-RING						

E-ORDER BY THE CENTIMETER
Y-SEPARATE ILLUSTRATION



GRAPHIC #1

<END>

g01138829

ELECTRICAL AND STARTING SYSTEM

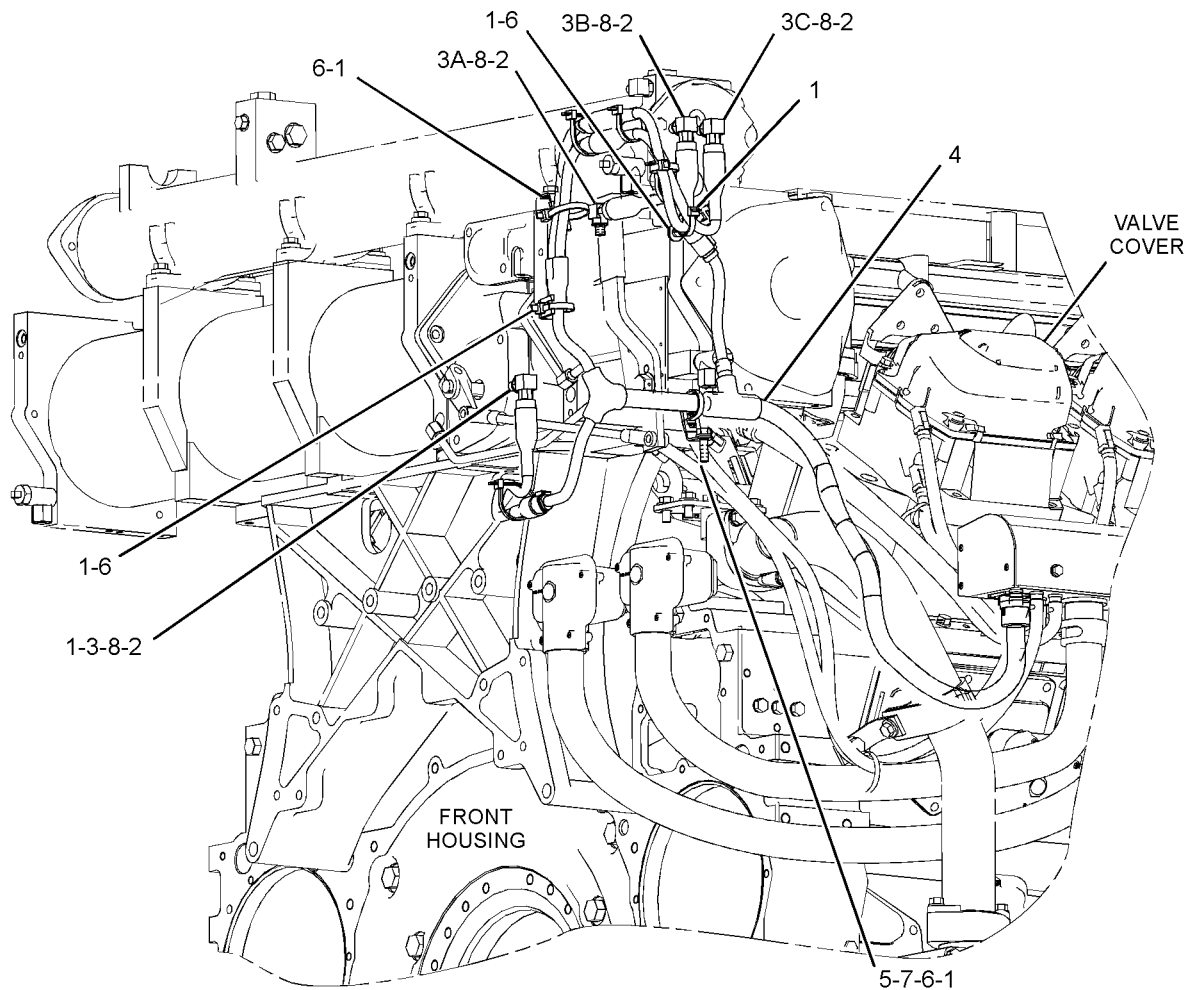
307-0008 WIRING GP-SENSOR- OIL, FUEL PRESSURE, RH SERVICE AN ATTACHMENT

SMCS-1408, 1900

i03103288

NOTE	REF NO	GRAPHIC REF	PART NUMBER	QTY	PART NAME						SEE PAGE
					1	2	3	4	5	6 (PRODUCT LEVEL)	
	1	1	9X-6772	10	STRAP - CABLE						
	2	1	117-0067	4	ELBOW						
Y	3	1	304-5668	1	SENSOR GP-PRESSURE (UNFILTERED OIL)						488
Y	3A	1	304-5668	1	SENSOR GP-PRESSURE (FILTERED OIL)						488
Y	3B	1	304-5668	1	SENSOR GP-PRESSURE (UNFILTERED FUEL)						488
Y	3C	1	304-5668	1	SENSOR GP-PRESSURE (FILTERED FUEL)						488
Y	4	1	306-8879	1	HARNES AS-SENSOR (OIL, FUEL PRESSURE)						445
	5	1	OS-1588	1	BOLT (3/8-16X1.25-IN)						
	6	1	4P-8134	4	CLIP						
	7	1	5M-2894	1	WASHER-HARD (10.2X18.5X2.5-MM THK)						
	8	1	6V-5048	8	SEAL-O-RING						

Y-SEPARATE ILLUSTRATION



GRAPHIC #1

<END>

g01617373

ELECTRICAL AND STARTING SYSTEM

307-2044 WIRING GP-SENSOR- OIL, FUEL PRESSURE, LH SERVICE FOR USE WITH DUPLEX OIL AN ATTACHMENT

SMCS-1408, 1900

i03863852

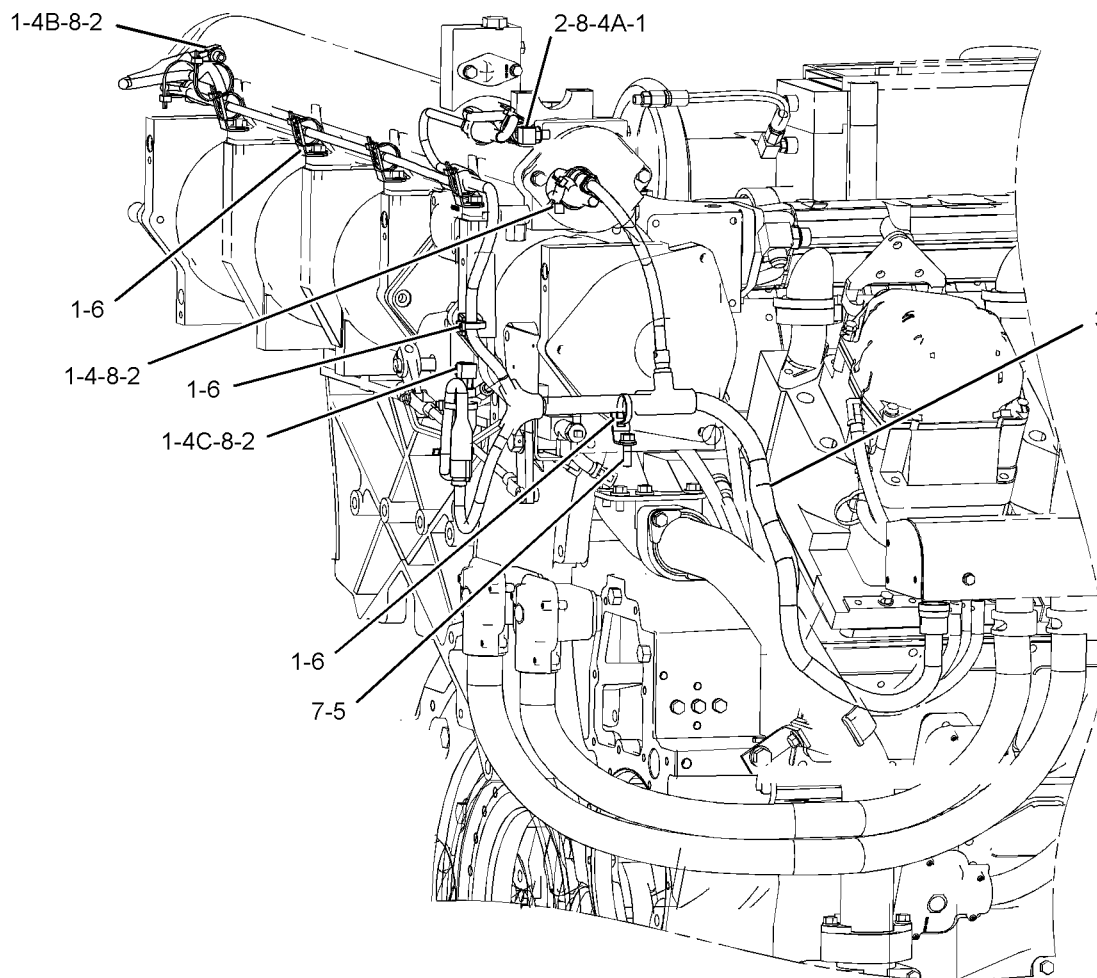
NOTE	REF NO	GRAPHIC REF	PART NUMBER	QTY	PART NAME						SEE PAGE
					1	2	3	4	5	6 (PRODUCT LEVEL)	
	1	1	9X-6772	14	STRAP-CABLE						
	2	1	117-0067	4	ELBOW						
	3	1	253-3820	1	HARNESS AS-SENSOR (OIL, FUEL PRESSURE)						
		1	8C-3654	1	PLUG-CONNECTOR (6-PIN)						
		1	186-3736	18	SOCKET-CONNECTOR (16-GA TO 18-GA)						
E		1	9X-8243		TUBE-HEAT SHRINK (39.9-MM DIA) (5-CM)						
E		1	125-7875		TUBE-HEAT SHRINK (7.44-MM DIA) (10-CM)						
		1	155-2260	4	KIT-CONNECTING PLUG (3-PIN)						
		1	174-0503	4	KIT-CONNECTING PLUG (3-PIN)						
					(EACH PLUG KIT INCLUDES PLUG AS AND WEDGE)						
E		1	210-8958		TUBE-HEAT SHRINK (24-MM DIA) (20-CM)						
E		1	232-0893		CONDUIT-FLEXIBLE (6.2-MM ID) (139-CM)						
E		1	232-0895		CONDUIT-FLEXIBLE (9.6-MM ID) (91-CM)						
E		1	232-0897		CONDUIT-FLEXIBLE (16.2-MM ID) (77-CM)						
		1	238-9591	1	TEE						
		1	238-9733	1	FITTING						
		1	238-9802	1	FITTING						
		1	254-5668	1	ADAPTER (CONDUIT)						
Y	4	1	304-5668	1	SENSOR GP-PRESSURE (FILTERED OIL)						488
Y	4A	1	304-5668	1	SENSOR GP-PRESSURE (UNFILTERED FUEL)						488
Y	4B	1	304-5668	1	SENSOR GP-PRESSURE (FILTERED FUEL)						488
Y	4C	1	304-5668	1	SENSOR GP-PRESSURE (UNFILTERED OIL)						488
	5	1	0S-1588	1	BOLT (3/8-16X1.25-IN)						
	6	1	4P-8134	6	CLIP						
	7	1	5M-2894	1	WASHER-HARD (10.2X18.5X2.5-MM THK)						
	8	1	6V-5048	8	SEAL-O-RING						

E-ORDER BY THE CENTIMETER
Y-SEPARATE ILLUSTRATION

ELECTRICAL AND STARTING SYSTEM

307-2044 WIRING GP-SENSOR (contd.)

i03863852



GRAPHIC #1

<END>

g01358116

ELECTRICAL AND STARTING SYSTEM

307-2045 WIRING GP-SENSOR- OIL, FUEL PRESSURE, LH SERVICE FOR USE WITH DUPLEX FUEL AN ATTACHMENT

SMCS-1408, 1900

i02703335

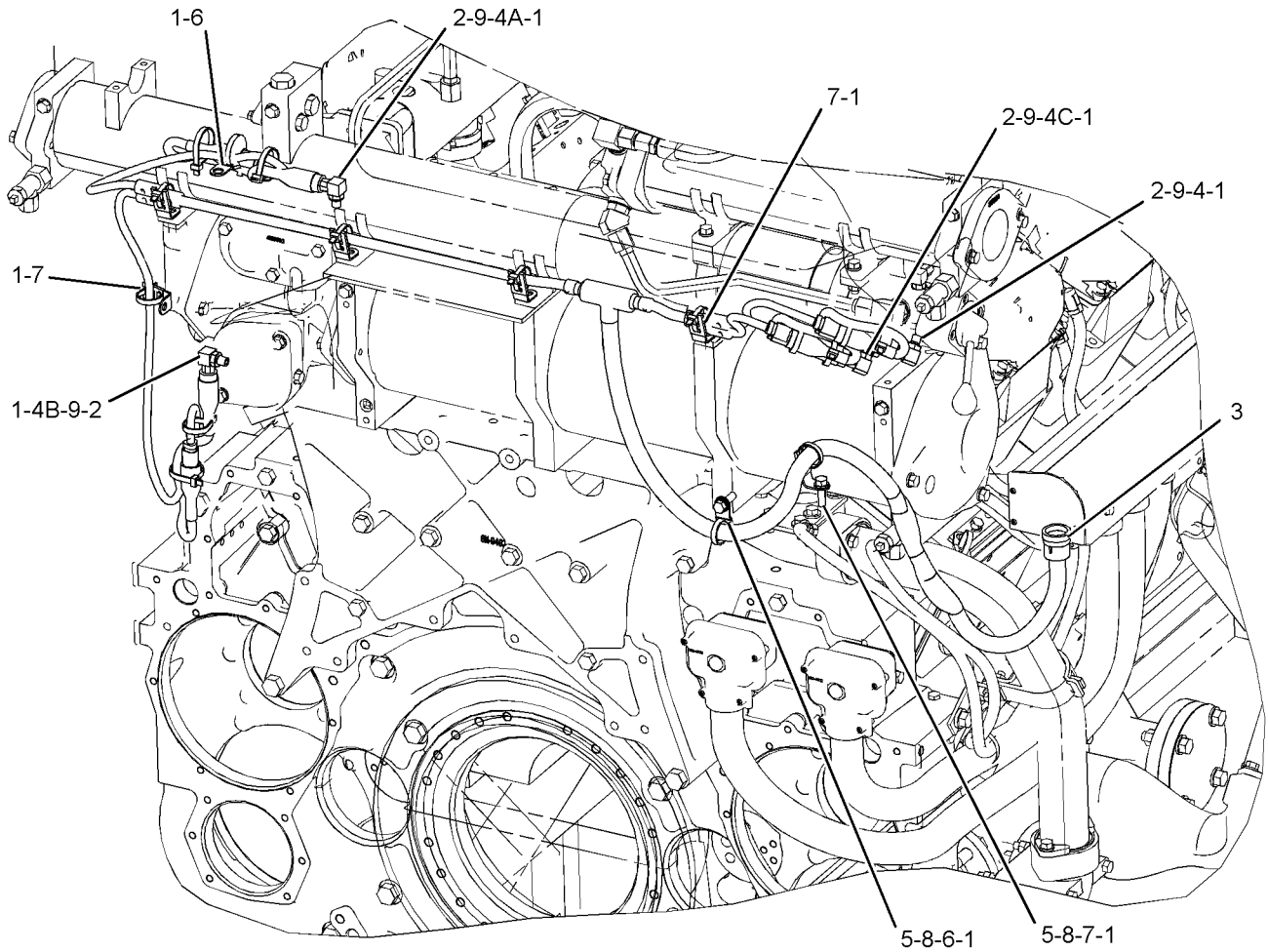
NOTE	REF NO	GRAPHIC REF	PART NUMBER	QTY	PART NAME						SEE PAGE
					1	2	3	4	5	6 (PRODUCT LEVEL)	
	1	1	9X-6772	16	STRAP-CABLE						
	2	1	117-0067	4	ELBOW						
	3	1	253-3821	1	HARNESS AS-SENSOR (OIL FILTER, FUEL FILTER)						
		1	8C-3654	1	PLUG-CONNECTOR (6-PIN)						
E		1	9X-8243		TUBE-HEAT SHRINK (39.9-MM DIA) (5-CM)						
E		1	125-7875		TUBE-HEAT SHRINK (7.44-MM DIA) (10-CM)						
		1	155-2260	4	KIT-CONNECTING PLUG (3-PIN)						
		1	174-0503	4	KIT-CONNECTING PLUG (3-PIN)						
					(EACH PLUG KIT INCLUDES PLUG AS AND WEDGE)						
E		1	210-8958		TUBE-HEAT SHRINK (24-MM DIA) (20-CM)						
E		1	232-0893		CONDUIT-FLEXIBLE (6.2-MM ID) (131-CM)						
E		1	232-0895		CONDUIT-FLEXIBLE (9.6-MM ID) (73-CM)						
E		1	232-0897		CONDUIT-FLEXIBLE (16.2-MM ID) (122-CM)						
		1	238-9591	1	TEE						
		1	238-9733	2	FITTING						
		1	254-5668	2	ADAPTER (CONDUIT)						
Y	4	1	304-5668	1	SENSOR GP-PRESSURE (UNFILTERED FUEL)						488
Y	4A	1	304-5668	1	SENSOR GP-PRESSURE (FILTERED OIL)						488
Y	4B	1	304-5668	1	SENSOR GP-PRESSURE (UNFILTERED OIL)						488
Y	4C	1	304-5668	1	SENSOR GP-PRESSURE (FILTERED FUEL)						488
	5	1	0S-1588	2	BOLT (3/8-16X1.25-IN)						
	6	1	4P-7428	2	CLIP						
	7	1	4P-8134	6	CLIP						
	8	1	5M-2894	2	WASHER-HARD (10.2X18.5X2.5-MM THK)						
	9	1	6V-5048	8	SEAL-O-RING						

E-ORDER BY THE CENTIMETER
Y-SEPARATE ILLUSTRATION

ELECTRICAL AND STARTING SYSTEM

307-2045 WIRING GP-SENSOR (contd.)

i02703335



GRAPHIC #1

<END>

g01357992

ELECTRICAL AND STARTING SYSTEM

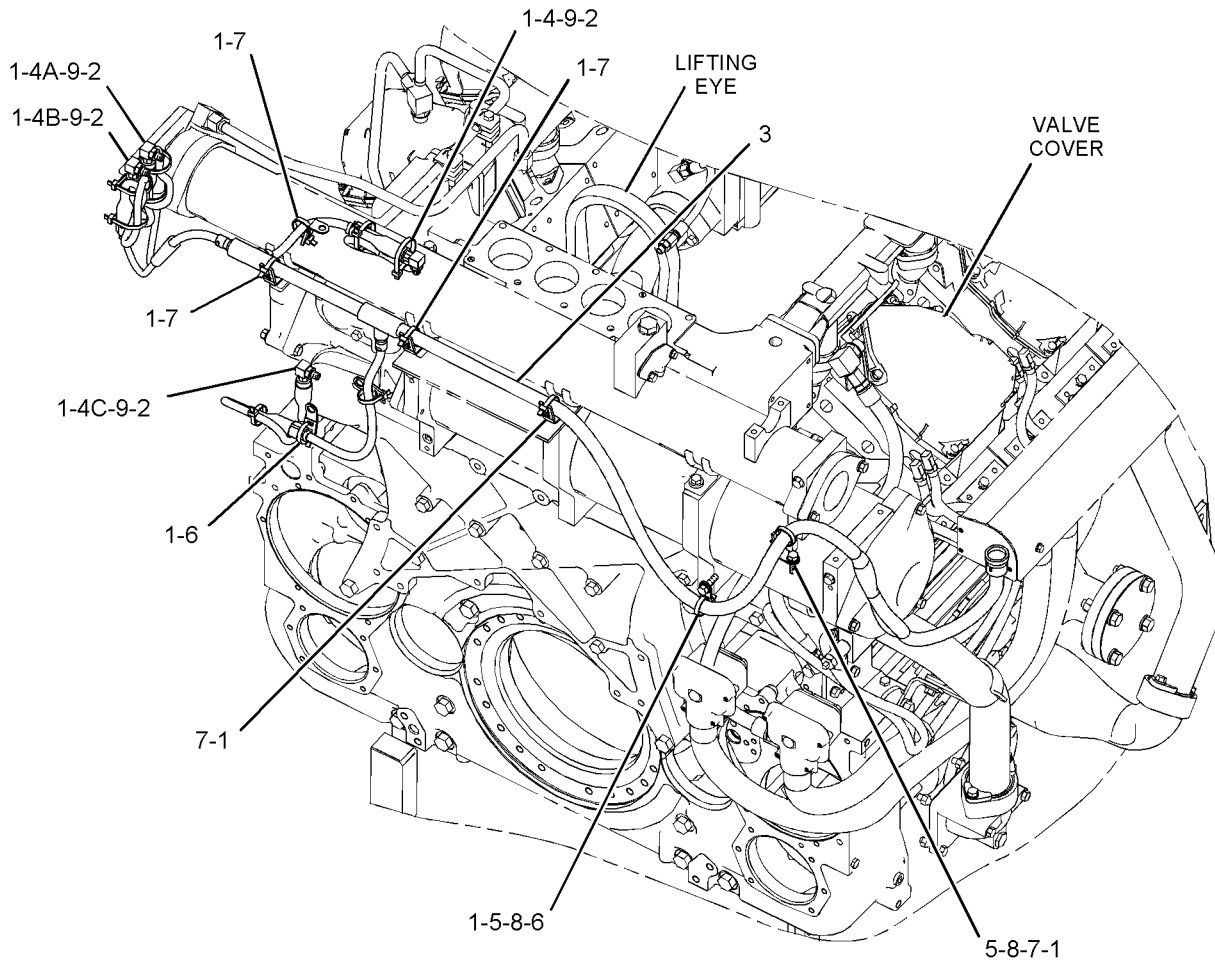
307-2046 WIRING GP-SENSOR- OIL, FUEL PRESSURE, LH SERVICE AN ATTACHMENT

SMCS-1408, 1900

i03666480

NOTE	REF NO	GRAPHIC REF	PART NUMBER	QTY	PART NAME						SEE PAGE
					1	2	3	4	5	6 (PRODUCT LEVEL)	
	1	1	9X-6772	15	STRAP-CABLE						
	2	1	117-0067	4	ELBOW						
Y	3	1	235-6280	1	HARNESS AS-SENSOR (OIL, FUEL PRESSURE, LH SERVICE)						435
Y	4	1	304-5668	1	SENSOR GP-PRESSURE (UNFILTERED OIL)						488
Y	4A	1	304-5668	1	SENSOR GP-PRESSURE (FILTERED FUEL)						488
Y	4B	1	304-5668	1	SENSOR GP-PRESSURE (UNFILTERED FUEL)						488
Y	4C	1	304-5668	1	SENSOR GP-PRESSURE (FILTERED OIL)						488
	5	1	0S-1588	2	BOLT (3/8-16X1.25-IN)						
	6	1	4P-7581	3	CLIP						
	7	1	4P-8134	5	CLIP						
	8	1	5M-2894	2	WASHER-HARD (10.2X18.5X2.5-MM THK)						
	9	1	6V-5048	8	SEAL-O-RING						

Y-SEPARATE ILLUSTRATION



GRAPHIC #1

<END>

g01345496

ELECTRICAL AND STARTING SYSTEM

252-7558 WIRING GP-SHUTOFF-EMERGENCY STOP

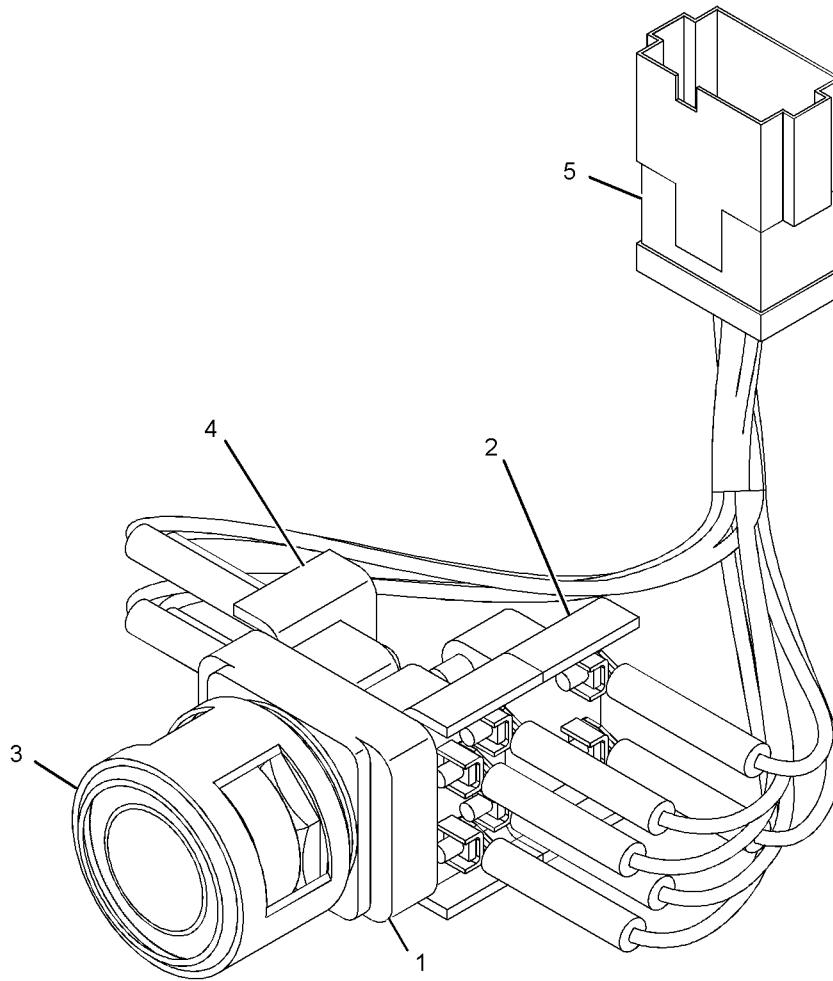
PART OF 245-0030 PANEL GP-CONTROL

FOR USE WITH EUI
AN ATTACHMENT

SMCS-1408, 7418

i02471192

NOTE	REF NO	GRAPHIC REF	PART NUMBER	QTY	PART NAME						SEE PAGE
					1	2	3	4	5	6 (PRODUCT LEVEL)	
	1	1	109-6507	1	SWITCH AS-PUSH BUTTON (EMERGENCY STOP)						
	2	1	111-1323	1	BLOCK-CONTACT (1-POLE)						
	3	1	124-3176	1	COVER						
	4	1	138-8367	2	BLOCK-CONTACT						
	5	1	252-7557	1	HARNESS AS-SWITCH (EMERGENCY STOP)						
		1	162-4171	10	TERMINAL AS (18-GA TO 20-GA)						
		1	186-3735	10	PIN-CONNECTOR (16-GA TO 18-GA)						
		1	8T-8737	2	PLUG-SEAL						
		1	9X-6772	3	STRAP-CABLE						
		1	102-8801	2	KIT-RECEPTACLE (12-PIN)						
(EACH INCLUDES RECEPTACLE ASSEMBLY AND WEDGE)											



GRAPHIC #1

<END>

g01164345

ENCLOSURES, GUARDS AND BASES

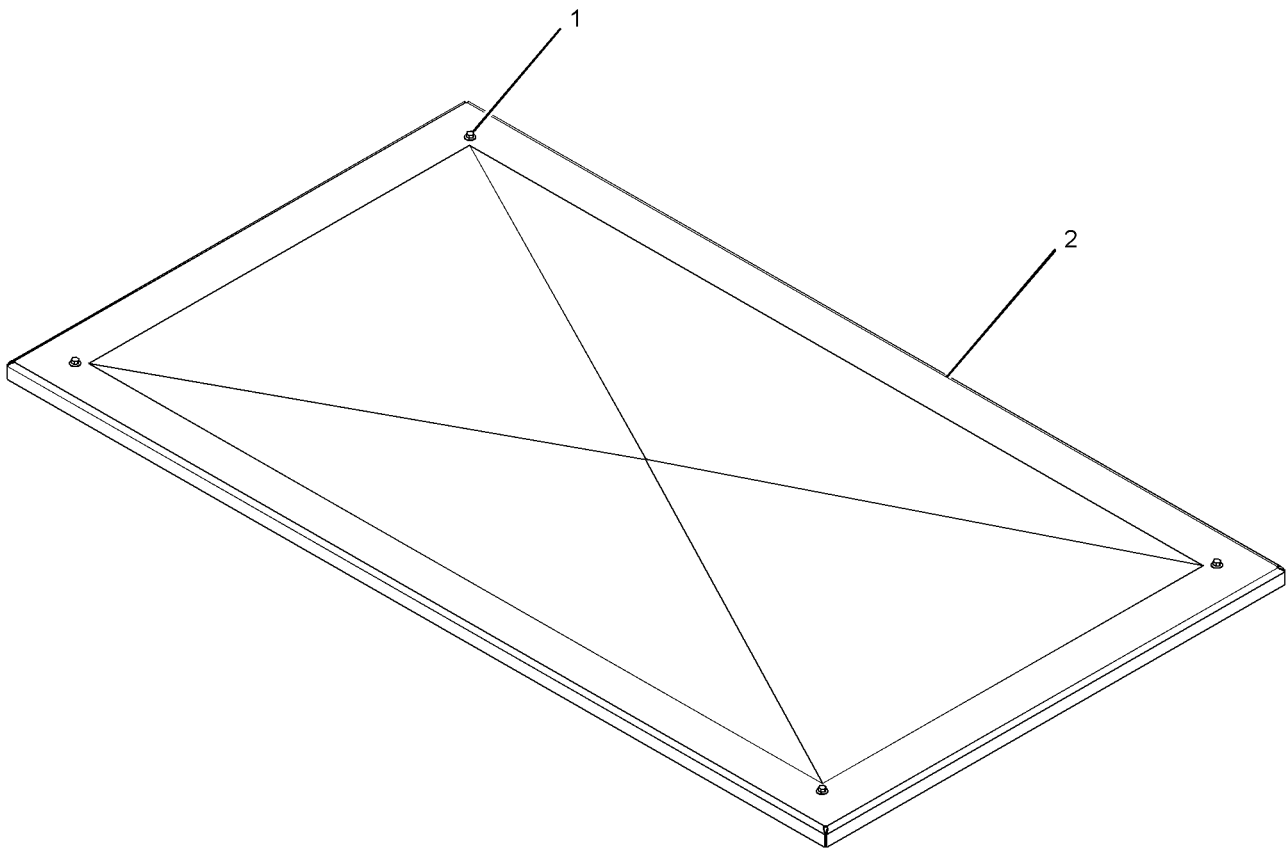
245-0024 COVER GP-ENCLOSURE-TOP AN ATTACHMENT

SMCS-4460

i02238832

NOTE	REF NO	GRAPHIC REF	PART NUMBER	QTY	PART NAME						SEE PAGE
					1	2	3	4	5	6 (PRODUCT LEVEL)	
M	1	1	235-4451	4	BOLT-FLANGE HEAD (M6X1X16-MM)						
	2	1	242-8836	1	ROOF (MAIN)						

M-METRIC PART



GRAPHIC #1

<END>

g01135222

ENCLOSURES, GUARDS AND BASES

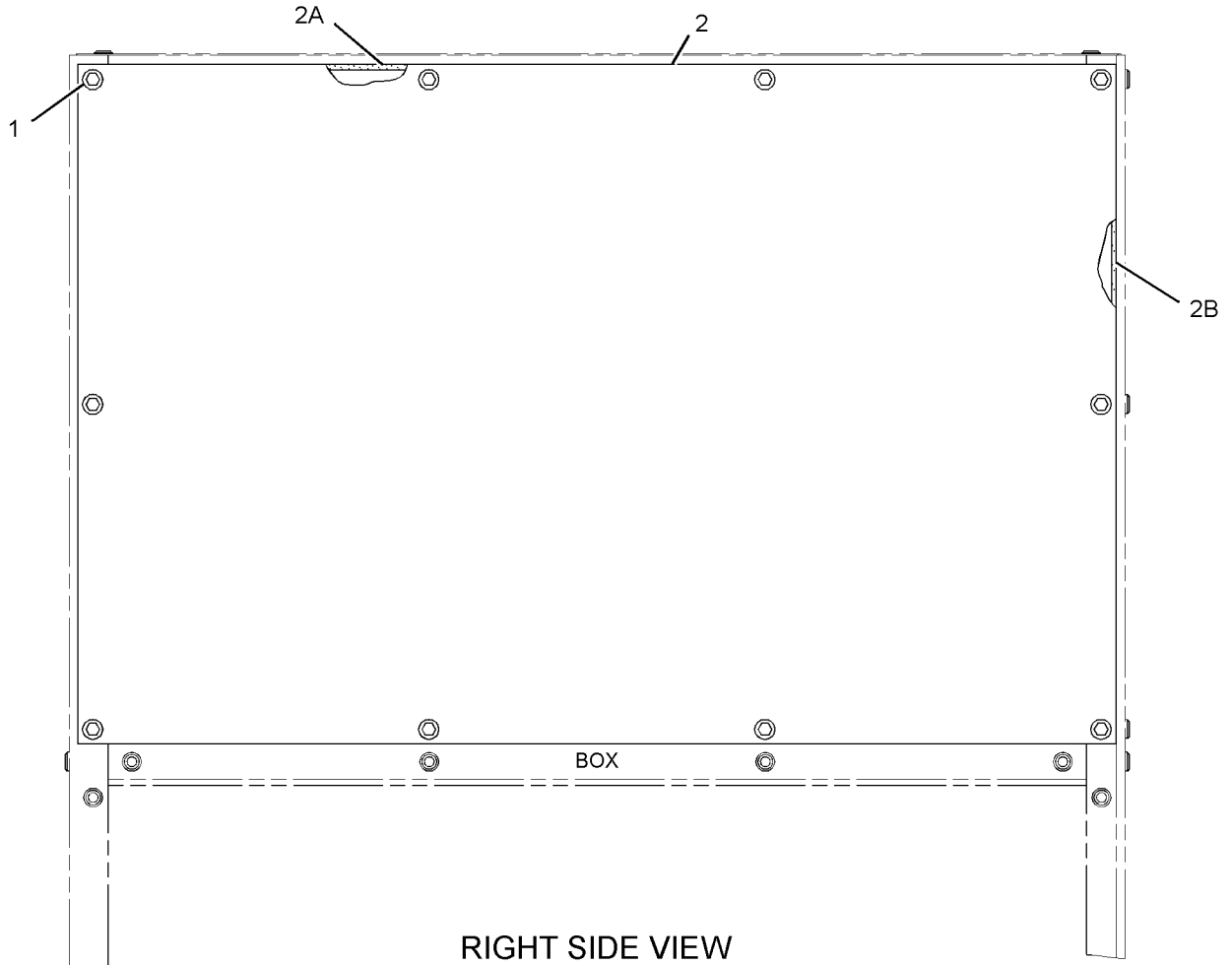
245-0027 COVER GP-ENCLOSURE-EXTENSION, MAIN AN ATTACHMENT

SMCS-4460

i02569812

NOTE	REF NO	GRAPHIC REF	PART NUMBER	QTY	PART NAME						SEE PAGE
					1	2	3	4	5	6 (PRODUCT LEVEL)	
M	1	1	235-4451	10	BOLT-FLANGE HEAD (M6X1X16-MM)						
	2	1	242-8841	1	PLATE-COVER						
J	2A	1	244-9631		SEAL (6.5-DM EACH)						
J	2B	1	244-9631		SEAL (4.5-DM EACH)						

J-ORDER BY DECIMETER
M-METRIC PART



RIGHT SIDE VIEW

GRAPHIC #1

<END>

g01296412

ENCLOSURES, GUARDS AND BASES

245-0006 COVER GP-GENERATOR AN ATTACHMENT

SMCS-7274

i03033761

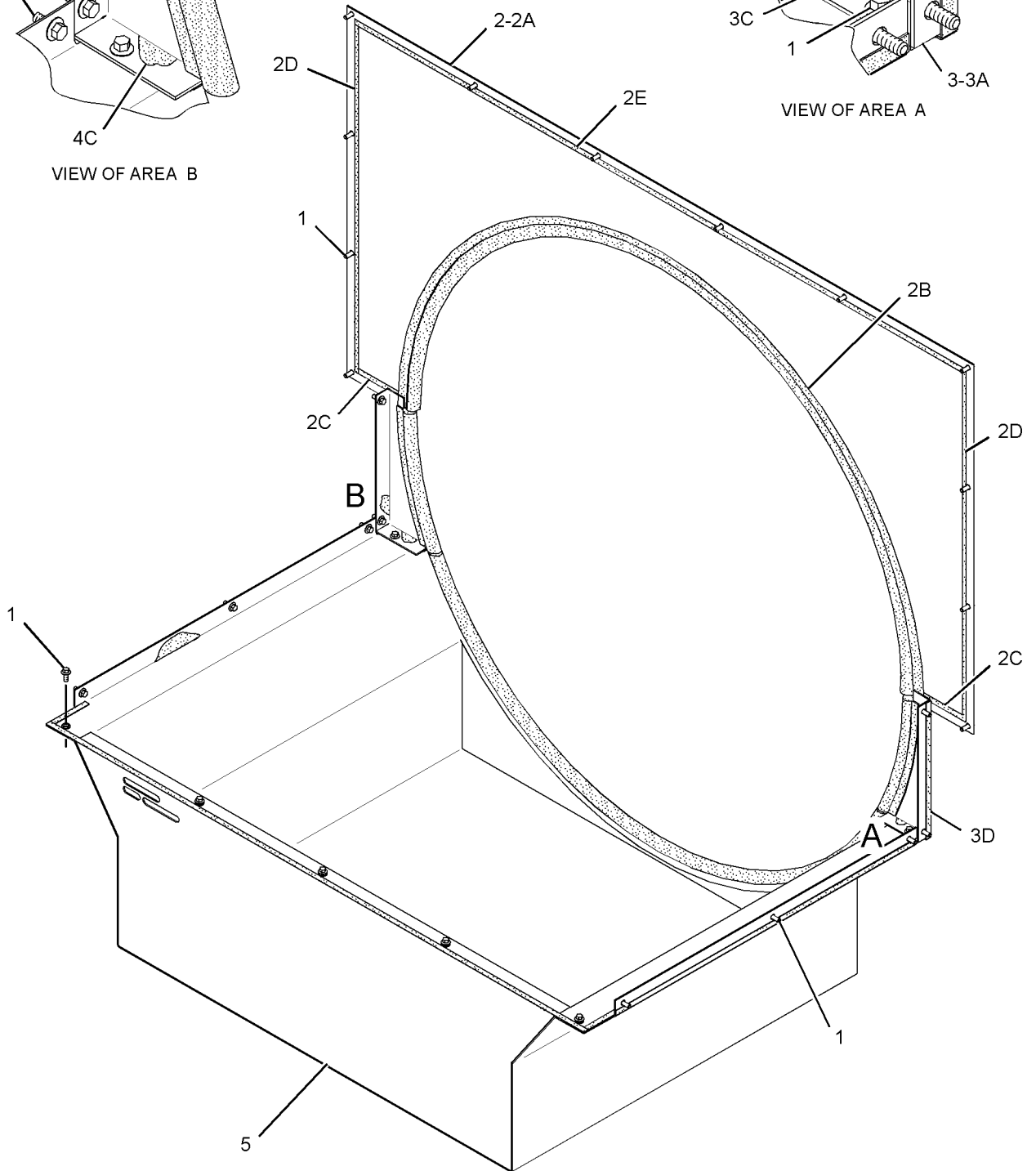
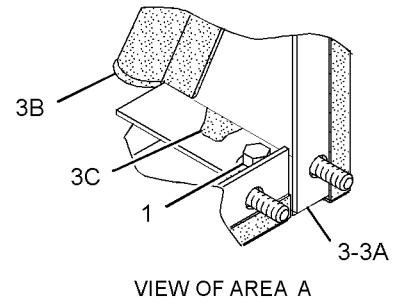
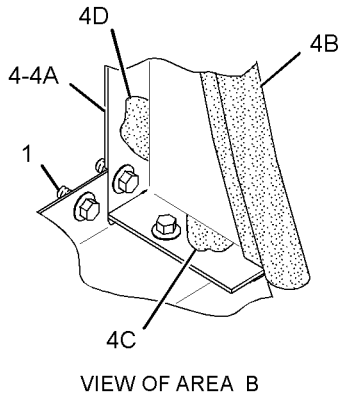
NOTE	REF NO	GRAPHIC REF	PART NUMBER	QTY	PART NAME						SEE PAGE
					1	2	3	4	5	6 (PRODUCT LEVEL)	
M	1	1	235-4451	29	BOLT-FLANGE HEAD (M6X1X16-MM)						
	2	1	245-0053	1	COVER AS						
	2A	1	243-1899	1	PLATE-COVER						
E	2B	1	142-6868		SEAL (164.5-CM)						
J	2C	1	244-9631		SEAL (0.9-DM EACH)						
J	2D	1	244-9631		SEAL (6.1-DM EACH)						
J	2E	1	244-9631		SEAL (12.6-DM)						
	3	1	245-0054	1	COVER AS						
	3A	1	243-1900	1	PLATE-COVER						
E	3B	1	142-6868		SEAL (30-CM)						
J	3C	1	244-9631		SEAL (0.9-DM)						
J	3D	1	244-9631		SEAL (2.4-DM)						
	4	1	245-0055	1	COVER AS						
	4A	1	243-1901		PLATE-COVER						
E	4B	1	142-6868		SEAL (30-CM)						
J	4C	1	244-9631		SEAL (0.9-DM)						
J	4D	1	244-9631		SEAL (2.4-DM)						
Y	5	1	245-0056	1	SCREEN GP-AIR						606

E-ORDER BY THE CENTIMETER
 J-ORDER BY THE DECIMETER
 M-METRIC PART
 Y-SEPARATE ILLUSTRATION

ENCLOSURES, GUARDS AND BASES

245-0006 COVER GP-GENERATOR (contd.)

i03033761



GRAPHIC #1

<END>

g01541999

ENCLOSURES, GUARDS AND BASES

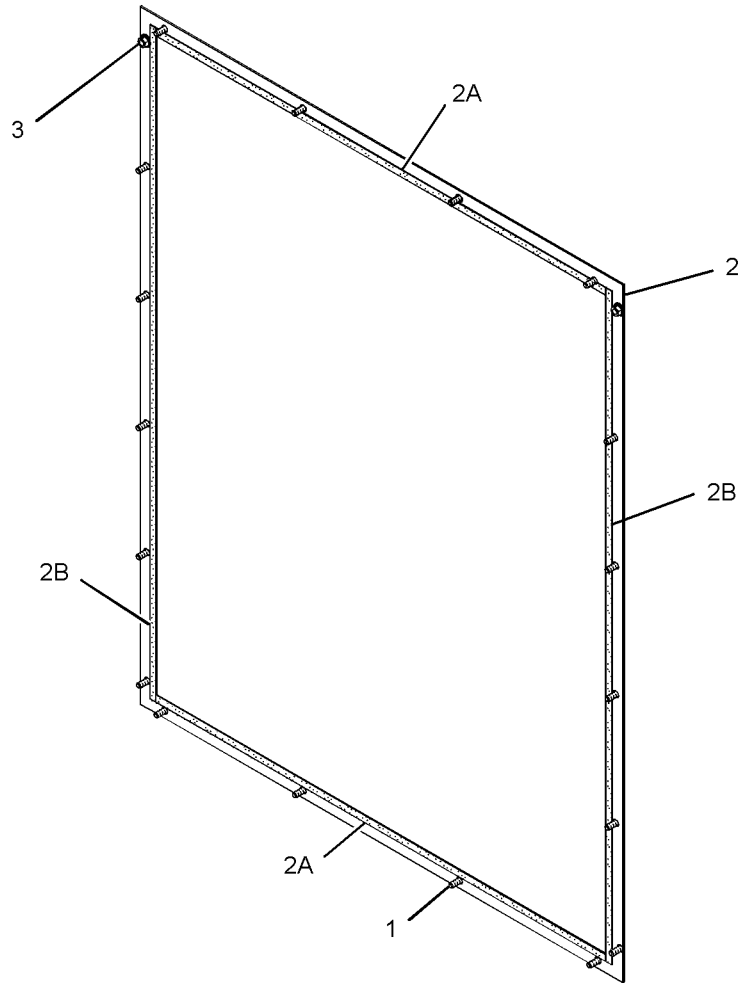
245-0007 COVER GP-GENERATOR-SIDE AN ATTACHMENT

SMCS-7274

i03248408

NOTE	REF NO	GRAPHIC REF	PART NUMBER	QTY	PART NAME						SEE PAGE
					1	2	3	4	5	6 (PRODUCT LEVEL)	
M	1	1	235-4451	18	BOLT-FLANGE HEAD (M6X1X16-MM)						
	2	1	245-0057	1	COVER AS (RH)						
		1	242-8846	1	PLATE-COVER						
J	2A	1	244-9631		SEAL (6.5-DM EACH)						
J	2B	1	244-9631		SEAL (8.5-DM EACH)						
	3	1	243-5027	2	NUT AS (M6X1-THD)						

J-ORDER BY THE DECIMETER
M-METRIC PART



GRAPHIC #1

<END>

g01752714

ENCLOSURES, GUARDS AND BASES

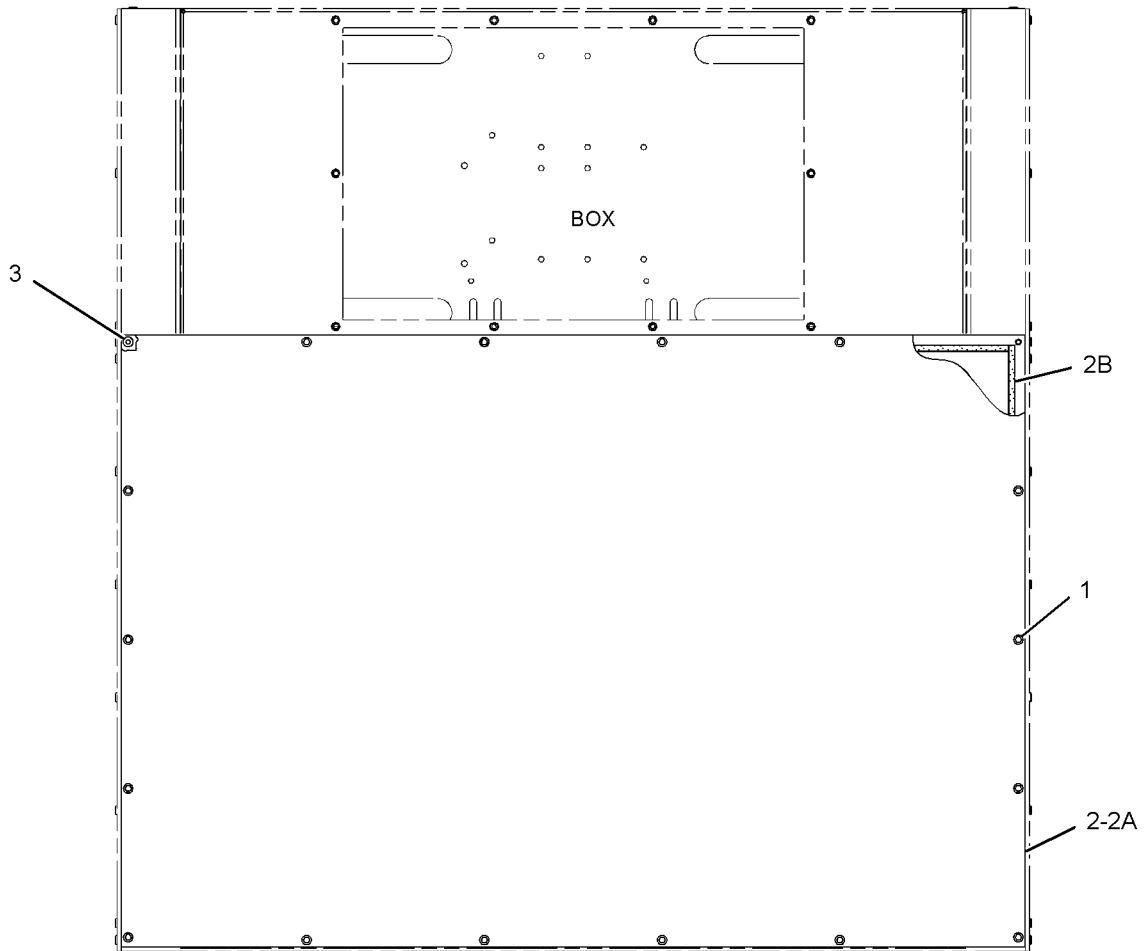
245-0013 COVER GP-GENERATOR-REAR AN ATTACHMENT

SMCS-7274

i03248388

NOTE	REF NO	GRAPHIC REF	PART NUMBER	QTY	PART NAME						SEE PAGE
					1	2	3	4	5	6 (PRODUCT LEVEL)	
M	1	1	235-4451	16	BOLT-FLANGE HEAD (M6X1X16-MM)						
	2	1	245-0075	1	COVER AS (REAR)						
	2A	1	242-8845	1	PLATE-COVER						
J	2B	1	244-9631		SEAL (42-DM)						
	3	1	243-5027	2	NUT AS (M6X1-THD)						

J-ORDER BY THE DECIMETER
M-METRIC PART



FRONT VIEW
<END>

GRAPHIC #1

g01753040

ENCLOSURES, GUARDS AND BASES

253-3500 COVER GP-GENERATOR-SPILL PROTECTION

PART OF 252-3975 GENERATOR GP
AN ATTACHMENT

SMCS-7274

i02401226

NOTE	PART NUMBER	QTY	PART NAME						SEE PAGE
			1	2	3	4	5	6 (PRODUCT LEVEL)	
M	8T-6870	10	BOLT (M8X1.25X70-MM)						
	253-3501	1	COVER-DRIP						
	7E-4475	10	TUBE-SPACER (8.3X11.9X50.8-MM THK)						
	8T-4224	10	WASHER-HARD (8.8X16X2-MM THK)						

M-METRIC PART

<END>

ENCLOSURES, GUARDS AND BASES

339-4784 COVER GP-GENERATOR-SPILL PROTECTION

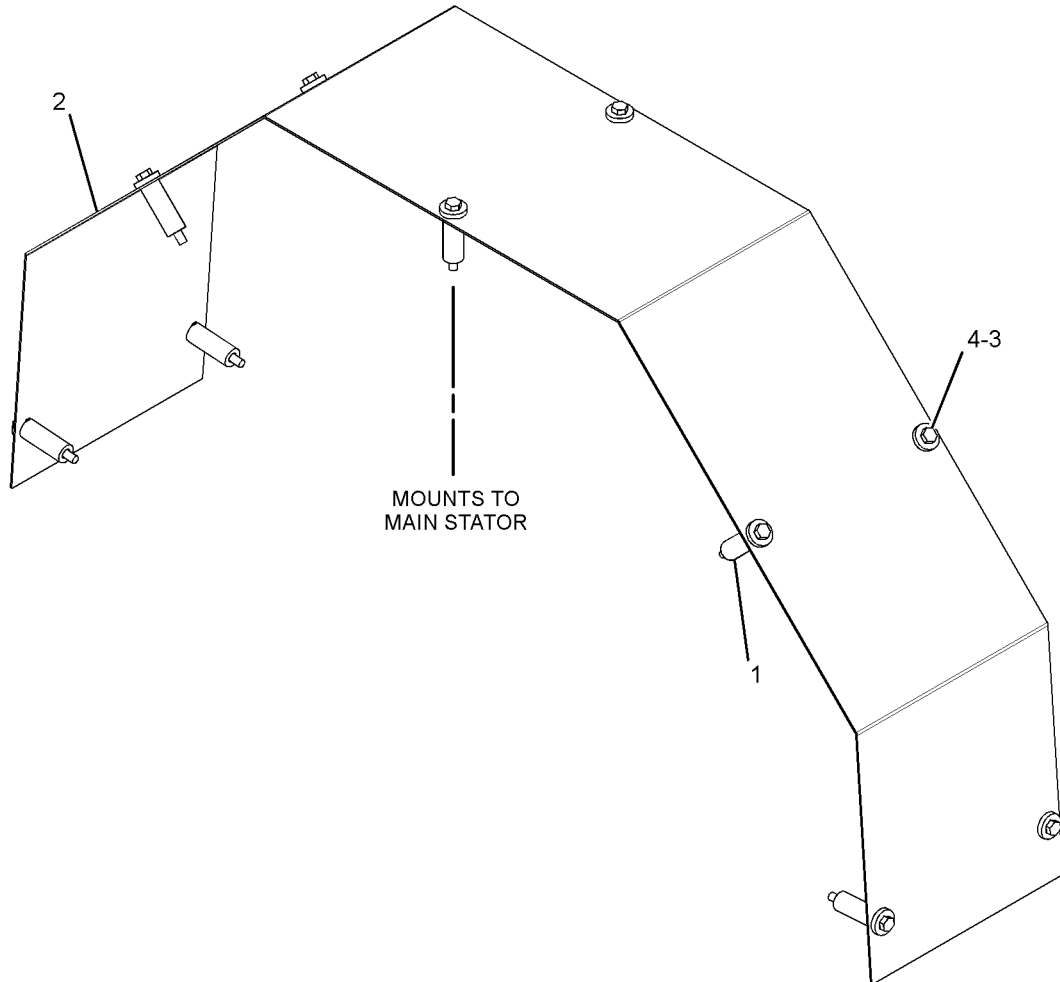
PART OF 252-3975 GENERATOR GP
AN ATTACHMENT

SMCS-7274

i03386740

NOTE	REF NO	GRAPHIC REF	PART NUMBER	QTY	PART NAME						SEE PAGE
					1	2	3	4	5	6 (PRODUCT LEVEL)	
	1	1	9C-7045	10	TUBE						
	2	1	339-4783	1	COVER-DRIP						
	3	1	7X-0613	10	WASHER-HARD (8.8X25.5X5-MM THK)						
M	4	1	8T-6870	10	BOLT (M8X1.25X70-MM)						

M-METRIC PART



GRAPHIC #1

<END>

g01759754

ENCLOSURES, GUARDS AND BASES

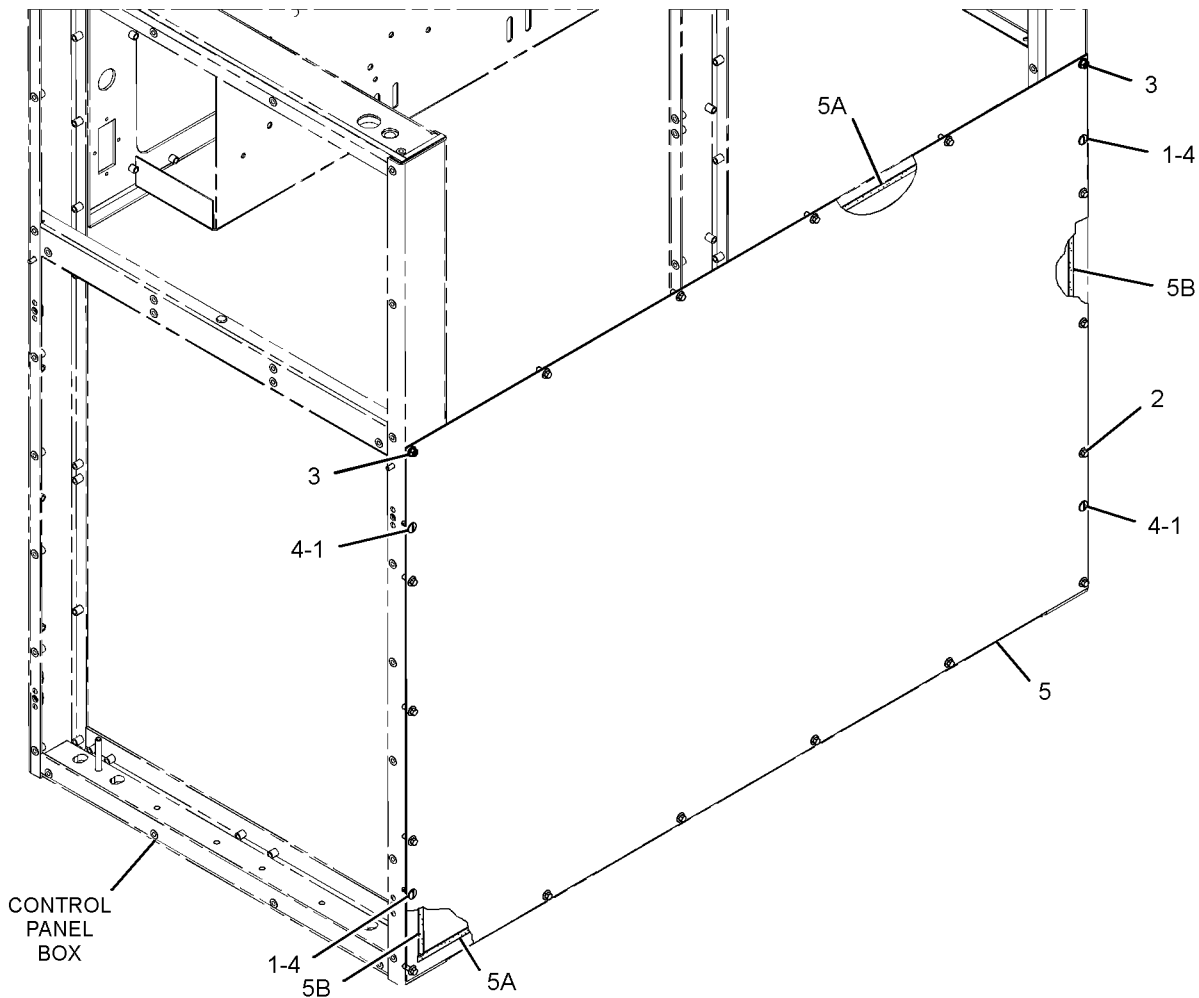
352-8717 COVER GP-GENERATOR-REAR COVER AN ATTACHMENT

SMCS-7274

i03818611

NOTE	REF NO	GRAPHIC REF	PART NUMBER	QTY	PART NAME						SEE PAGE
					1	2	3	4	5	6 (PRODUCT LEVEL)	
	1	1	155-2001	4	RETAINER						
M	2	1	235-4451	16	BOLT-FLANGE HEAD (M6X1X16-MM)						
	3	1	243-5027	2	NUT AS (M6X1-THD)						
	4	1	352-4965	4	FASTENER						
	5	1	352-8716	1	COVER AS-GENERATOR (REAR)						
		1	352-8715	1	PLATE-COVER						
H	5A	1	244-9631		SEAL (12.5-DM EACH)						
H	5B	1	244-9631		SEAL (8.2-DM EACH)						

H-ORDER BY THE DECIMETER
M-METRIC PART



GRAPHIC #1

<END>

g02079913

ENCLOSURES, GUARDS AND BASES

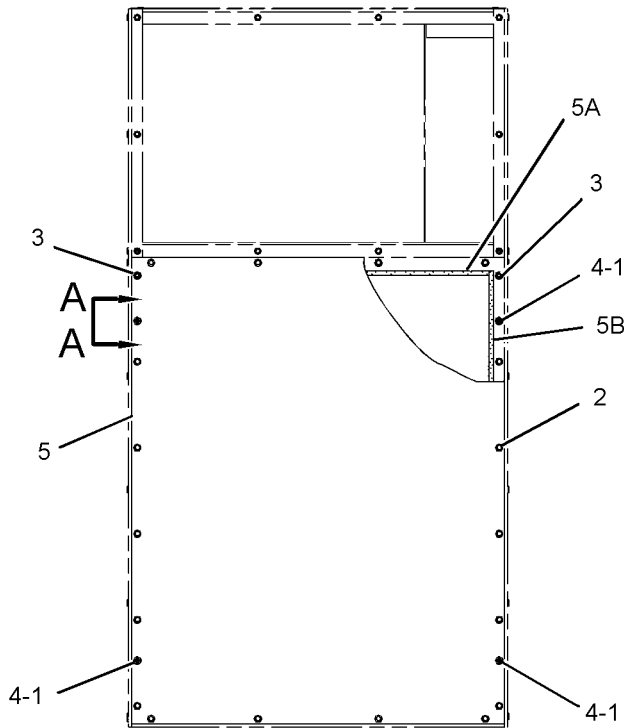
352-8721 COVER GP-GENERATOR-SIDE AN ATTACHMENT

SMCS-7274

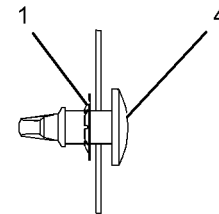
i03818754

NOTE	REF NO	GRAPHIC REF	PART NUMBER	QTY	PART NAME						SEE PAGE
					1	2	3	4	5	6 (PRODUCT LEVEL)	
	1	1	155-2001	4	RETAINER						
M	2	1	235-4451	18	BOLT-FLANGE HEAD (M6X1X16-MM)						
	3	1	243-5027	2	NUT AS (M6X1-THD)						
	4	1	352-4965	4	FASTENER						
	5	1	352-8720	1	COVER AS-GENERATOR (SIDE)						
	5A	1	352-8719	1	PLATE-COVER						
H	5B	1	244-9631		SEAL (6.5-DM EACH)						
H	5C	1	244-9631		SEAL (8.5-DM EACH)						

H-ORDER BY THE DECIMETER
M-METRIC PART



RIGHT SIDE VIEW



VIEW A-A

GRAPHIC #1

<END>

g02088578

ENCLOSURES, GUARDS AND BASES

252-7371 MOUNTING GP-RAIL

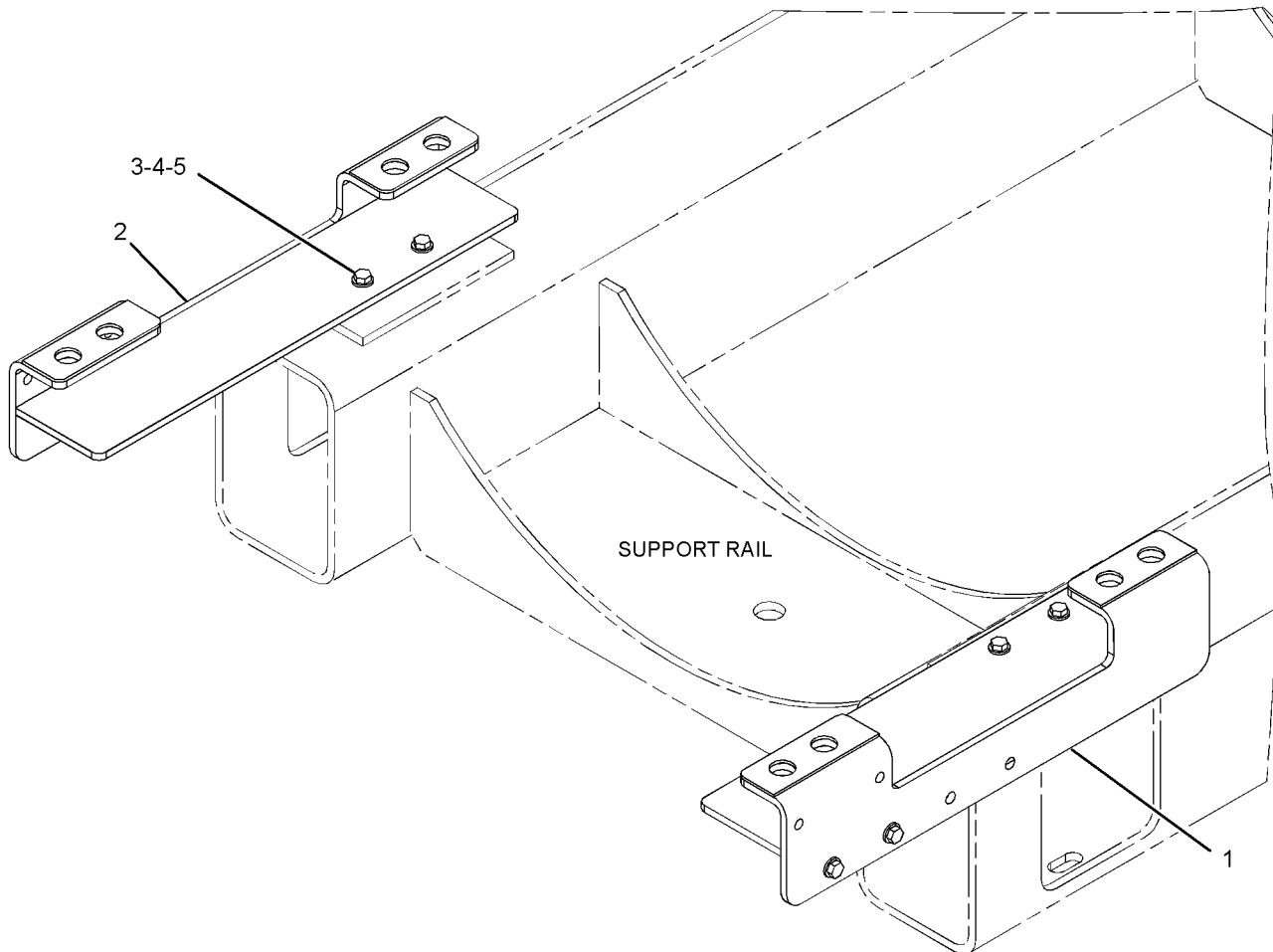
WIDE RAIL
AN ATTACHMENT

SMCS-7060

i03382160

NOTE	REF NO	GRAPHIC REF	PART NUMBER	QTY	PART NAME						SEE PAGE
					1	2	3	4	5	6 (PRODUCT LEVEL)	
	1	1	246-9811	1	SUPPORT AS-RH						
	2	1	246-9812	1	SUPPORT AS-LH						
M	3	1	8T-4183	8	BOLT (M12X1.75X40-MM)						
	4	1	8T-4223	16	WASHER-HARD (13.5X25.5X3-MM THK)						
M	5	1	8T-4244	8	NUT (M12X1.75-THD)						

M-METRIC PART



GRAPHIC #1

<END>

g01754233

ENCLOSURES, GUARDS AND BASES

259-2503 MOUNTING GP-VIBRATION ISOLATOR

PART OF 256-3168 MOUNTING GP-ENGINE FLEXIBLE, 256-3172 MOUNTING GP-RADIATOR
AN ATTACHMENT

SMCS-1021, 7002

i02387363

NOTE	PART NUMBER	QTY	PART NAME						SEE PAGE
			1	2	3	4	5	6 (PRODUCT LEVEL)	
M	168-7790	1	BOLT (M20X2.5X130-MM)						
	259-2174	1	MOUNT-ISOLATION						
M	8T-4131	1	NUT (M20X2.5-THD)						
	177-1452	1	WASHER-HARD (22X60X6-MM THK)						

M-METRIC PART

<END>

ENCLOSURES, GUARDS AND BASES

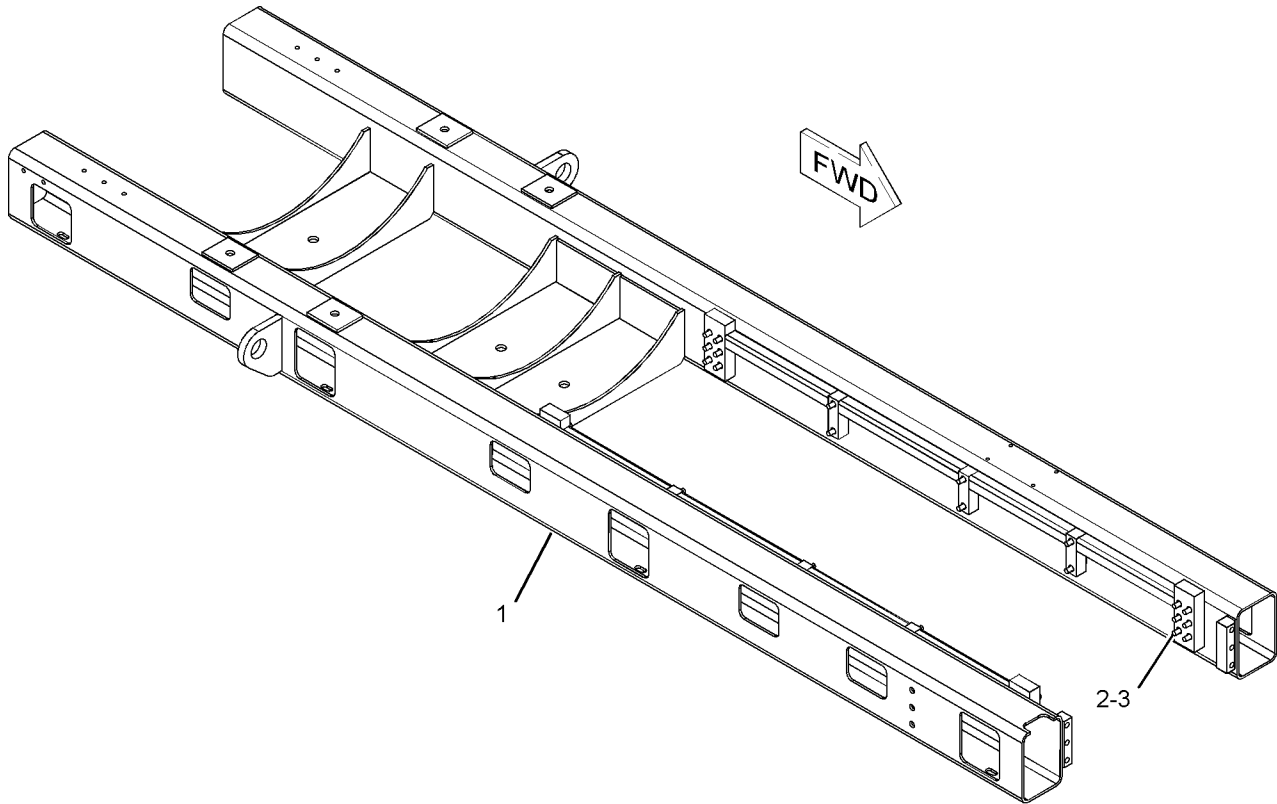
245-8737 RAIL GP-ENGINE & GEN SUPPORT

FOR USE WITH LOW AND MEDIUM VOLTAGE GENERATORS
AN ATTACHMENT

SMCS-1021, 7002

i02138470

NOTE	REF NO	GRAPHIC REF	PART NUMBER	QTY	PART NAME						SEE PAGE
					1	2	3	4	5	6 (PRODUCT LEVEL)	
	1	1	236-1508	1	RAIL AS						
	2	1	7X-0370	36	BOLT (3/4-10X3.5-IN)						
	3	1	8T-4994	36	WASHER-HARD (20X36.5X3.5-MM THK)						



GRAPHIC #1

<END>

g01086502

ENCLOSURES, GUARDS AND BASES

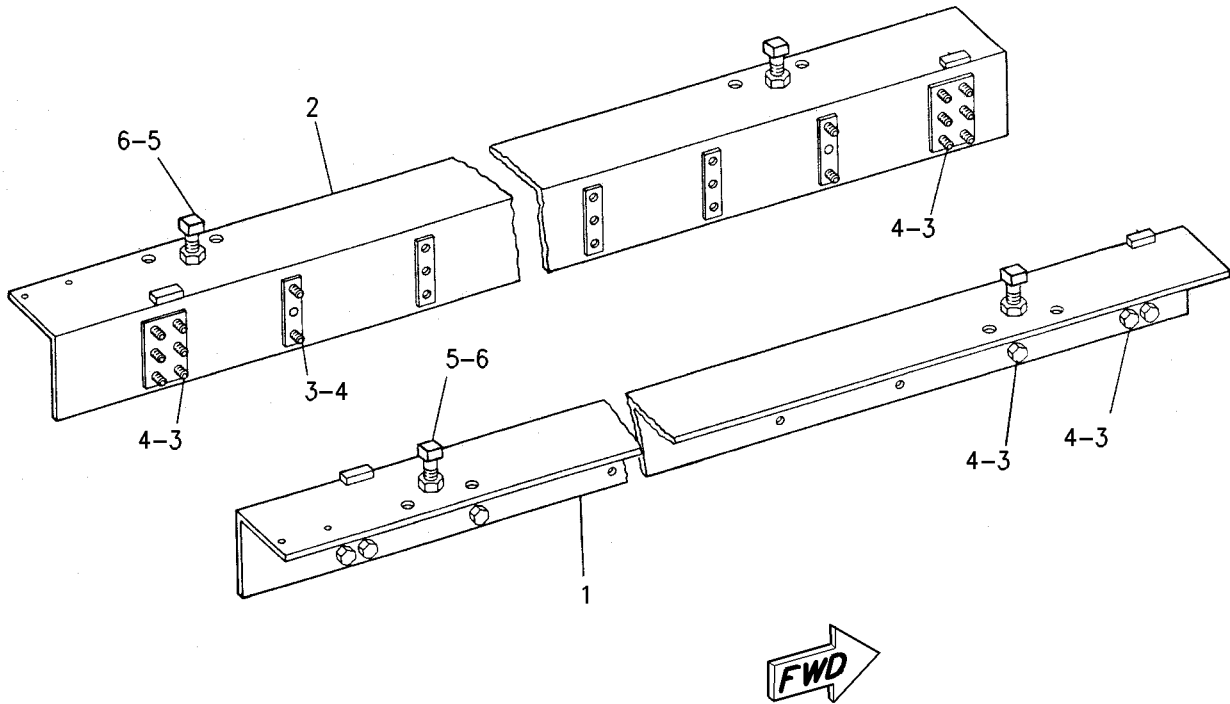
7N-8650 RAIL GP-ENGINE SUPPORT

MARINE LEDGE
AN ATTACHMENT

SMCS-7060

i01754845

NOTE	REF NO	GRAPHIC REF	PART NUMBER	QTY	PART NAME						SEE PAGE
					1	2	3	4	5	6 (PRODUCT LEVEL)	
	1	1	7N-8651	1	SUPPORT AS (RH)						
	2	1	7N-8652	1	SUPPORT AS (LH)						
	3	1	8T-9399	32	BOLT (3/4-10X2.25-IN)						
	4	1	8T-4994	32	WASHER-HARD (20X36.5X3.5-MM THK)						
	5	1	4L-6665	4	SETSCREW (1-14X3.88-IN)						
	6	1	1B-4209	4	NUT-FULL (1-14-THD)						



GRAPHIC #1

<END>

g00931411

ENCLOSURES, GUARDS AND BASES

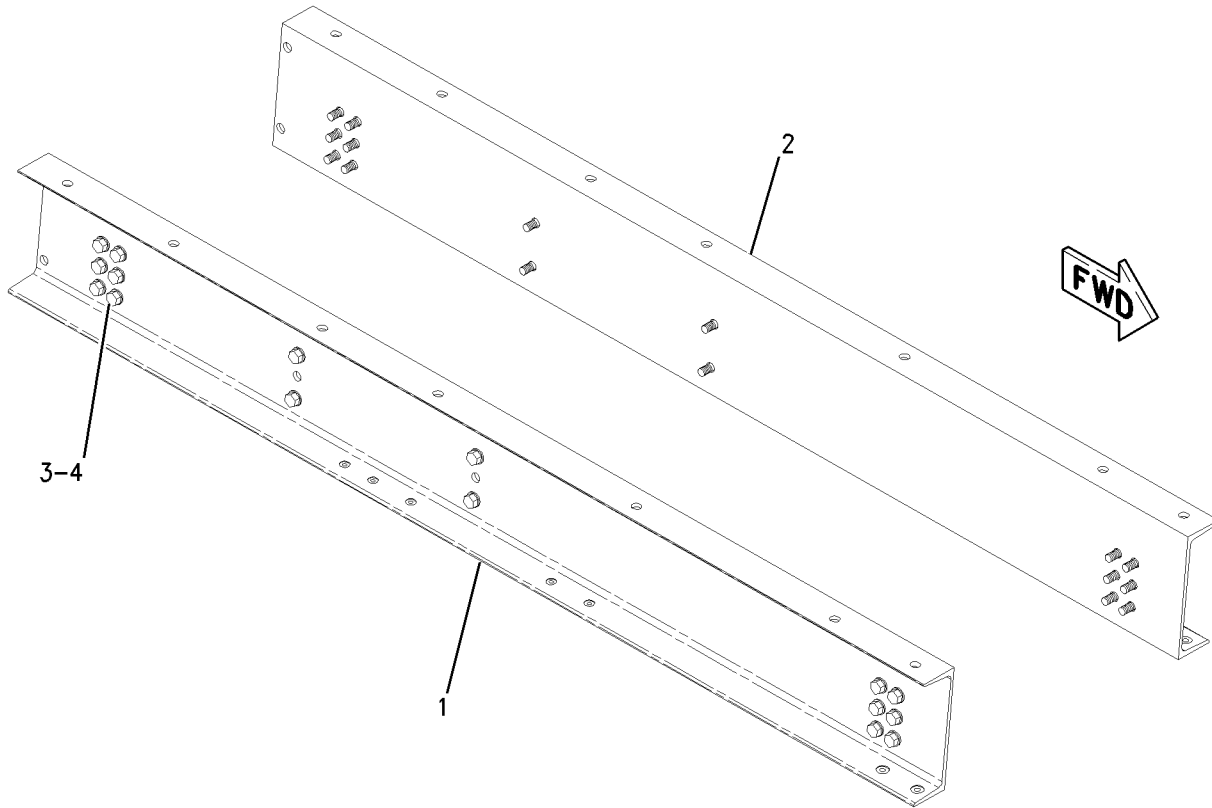
7W-3735 RAIL GP-ENGINE SUPPORT

FOR USE WITH FOLDED CORE RADIATORS
AN ATTACHMENT

SMCS-7060

i01754855

NOTE	REF NO	GRAPHIC REF	PART NUMBER	QTY	PART NAME						SEE PAGE
					1	2	3	4	5	6 (PRODUCT LEVEL)	
	1	1	7W-3737	1	SUPPORT-ENGINE & RADIATOR (RH)						
	2	1	7W-3739	1	SUPPORT-ENGINE & RADIATOR (LH)						
	3	1	8T-4994	32	WASHER-HARD (20X36.5X3.5MM THK)						
	4	1	8T-9398	32	BOLT (3/4-10X1.75 IN)						



GRAPHIC #1

<END>

g00910115

ENCLOSURES, GUARDS AND BASES

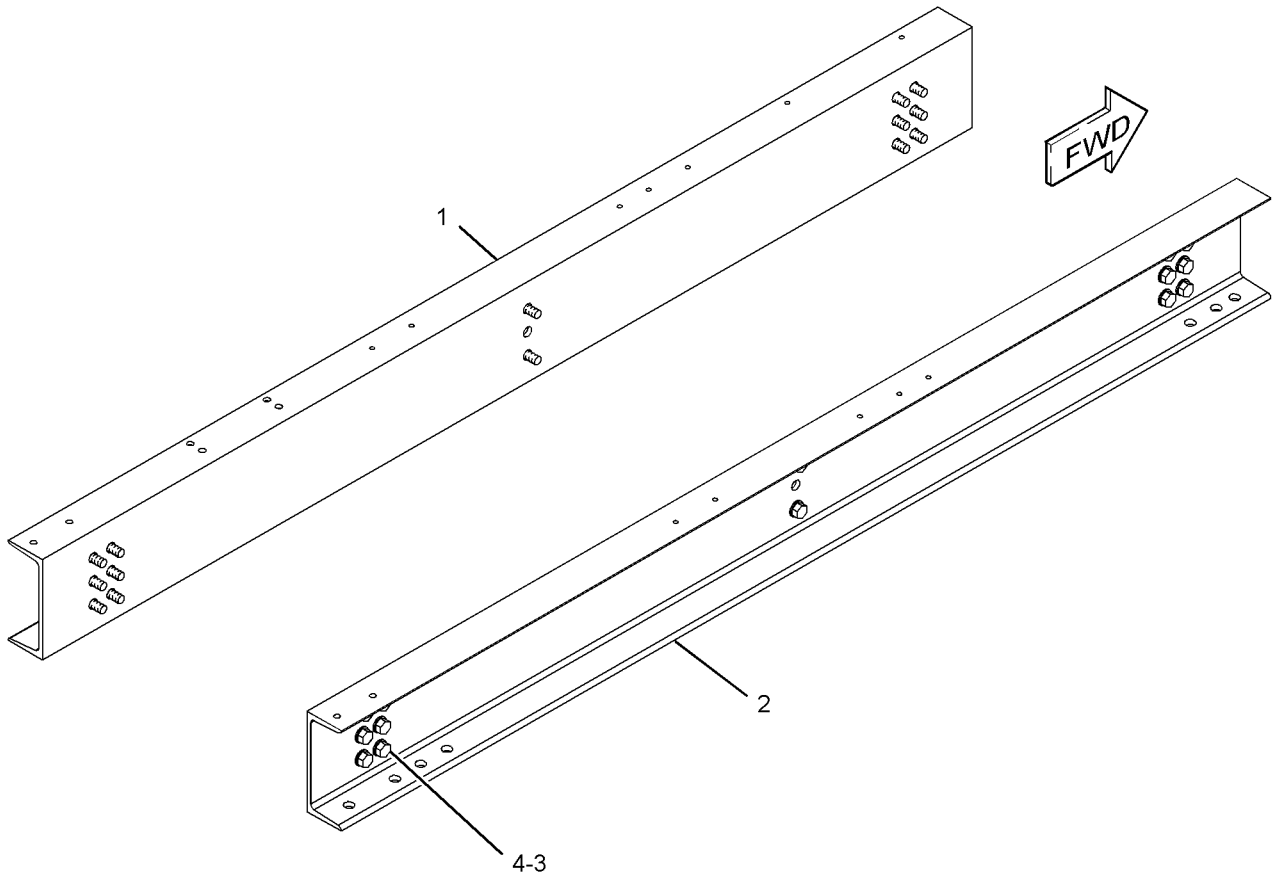
9Y-0851 RAIL GP-ENGINE SUPPORT

CANNOT BE USED WITH ENGINE MOUNTED RADIATOR
AN ATTACHMENT

SMCS-7060

i03465508

NOTE	REF NO	GRAPHIC REF	PART NUMBER	QTY	PART NAME						SEE PAGE
					1	2	3	4	5	6 (PRODUCT LEVEL)	
	1	1	333-7412	1	SUPPORT-ENGINE (LH)						
	2	1	9Y-0852	1	SUPPORT-ENGINE (RH)						
	3	1	8T-9398	28	BOLT (3/4-10X1.75-IN)						
	4	1	8T-4994	28	WASHER-HARD (20X36.5X3.5-MM THK)						



GRAPHIC #1

<END>

g01801433

ENCLOSURES, GUARDS AND BASES

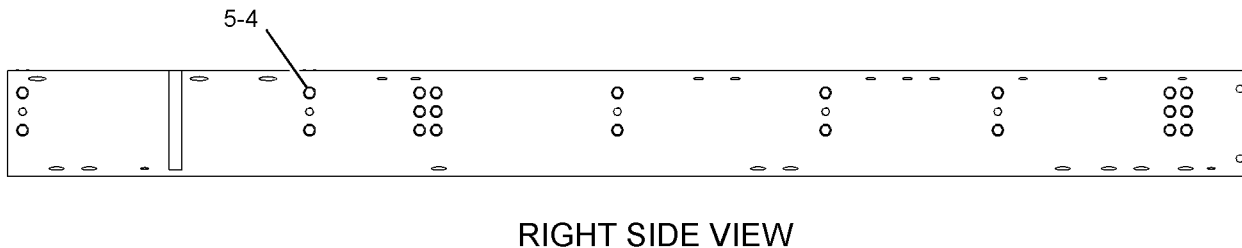
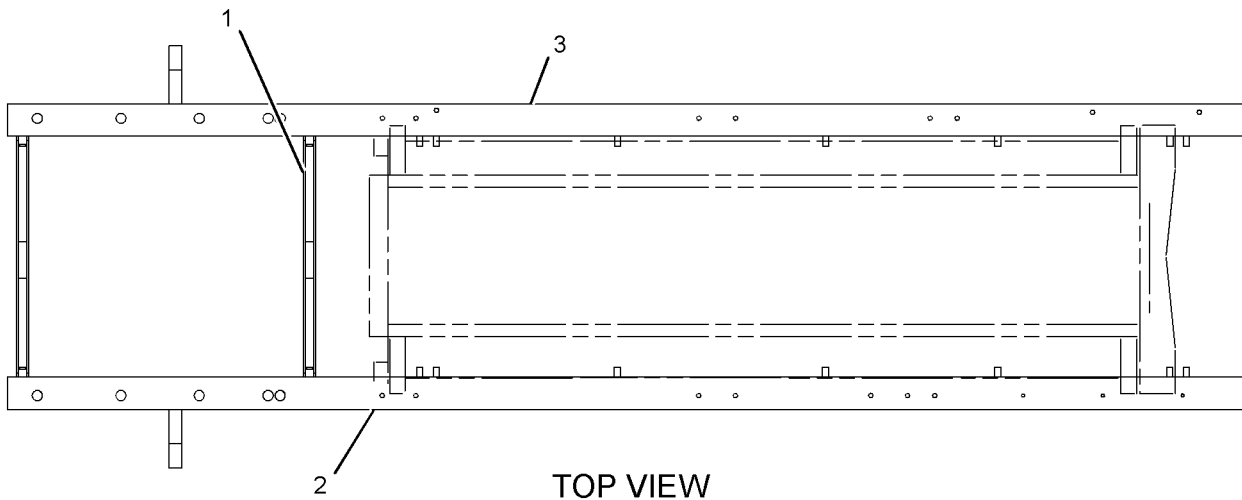
195-8094 RAIL GP-ENGINE SUPPORT

FOR USE WITH SR4 ONE BEARING GENERATORS
AN ATTACHMENT

SMCS-7060

i02509509

NOTE	REF NO	GRAPHIC REF	PART NUMBER	QTY	PART NAME						SEE PAGE
					1	2	3	4	5	6 (PRODUCT LEVEL)	
	1	1	188-4411	2	BRACE-ENGINE SUPPORT						
					(EACH INCLUDES)						
		1	8N-4406	1	BLOCK						
	2	1	195-8095	1	SUPPORT-RH						
	3	1	195-8096	1	SUPPORT-LH						
	4	1	8T-4994	44	WASHER-HARD (20X36.5X3.5-MM THK)						
	5	1	8T-9398	44	BOLT (3/4-10X1.75-IN)						



GRAPHIC #1

<END>

g01282297

GENERATORS

253-3514 ADAPTER GP-GENERATOR COUPLING

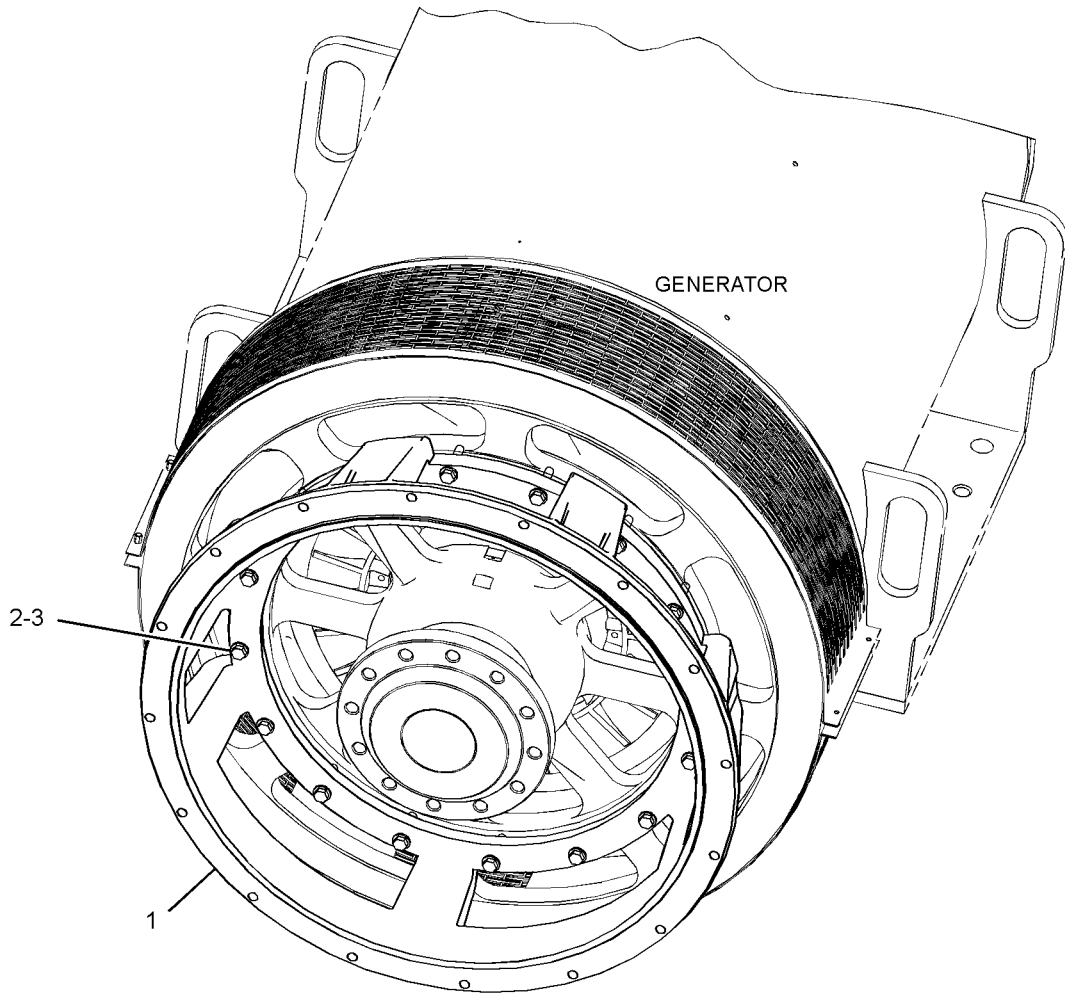
PART OF 252-3975 GENERATOR GP
AN ATTACHMENT

SMCS-4456

i03700152

NOTE	REF NO	GRAPHIC REF	PART NUMBER	QTY	PART NAME						SEE PAGE
					1	2	3	4	5	6 (PRODUCT LEVEL)	
	1	1	253-3515	1	ADAPTER AS						
M	2	1	172-9966	16	BOLT (M12X1.75X65-MM)						
	3	1	8T-4223	16	WASHER-HARD (13.5X25.5X3-MM THK)						

M-METRIC PART



GRAPHIC #1

<END>

g02008656

GENERATORS

253-3510 BRACKET GP-MOUNTING-OPPOSITE DRIVE END

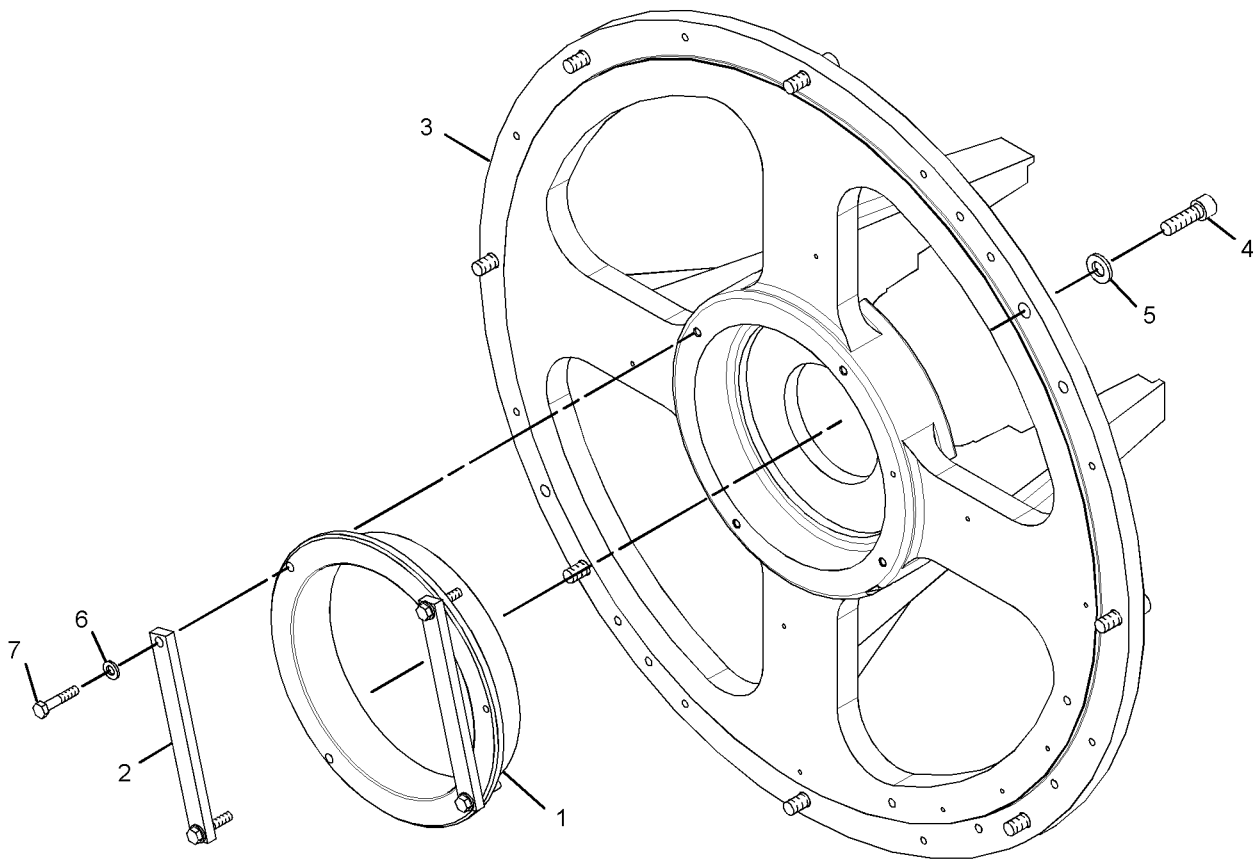
PART OF 252-3975 GENERATOR GP
AN ATTACHMENT

SMCS-4459, 5258

i03206594

NOTE	REF NO	GRAPHIC REF	PART NUMBER	QTY	PART NAME						SEE PAGE
					1	2	3	4	5	6 (PRODUCT LEVEL)	
	1	1	152-5183	1	SLEEVE-WEAR						
	2	1	152-5338	2	RETAINER-BAR						
	3	1	253-3511	1	BRACKET AS-HOUSING						
M	4	1	8T-0348	8	BOLT-SOCKET HEAD (M16X2X50-MM)						
	5	1	8T-4122	8	WASHER-HARD (17X32X3.5-MM THK)						
	6	1	8T-4121	4	WASHER-HARD (11X21X2.5-MM THK)						
M	7	1	8T-4185	4	BOLT (M10X1.5X50-MM)						

M-METRIC PART



GRAPHIC #1

<END>

g01659376

GENERATORS

253-3512 BRACKET GP-MOUNTING-DRIVE END

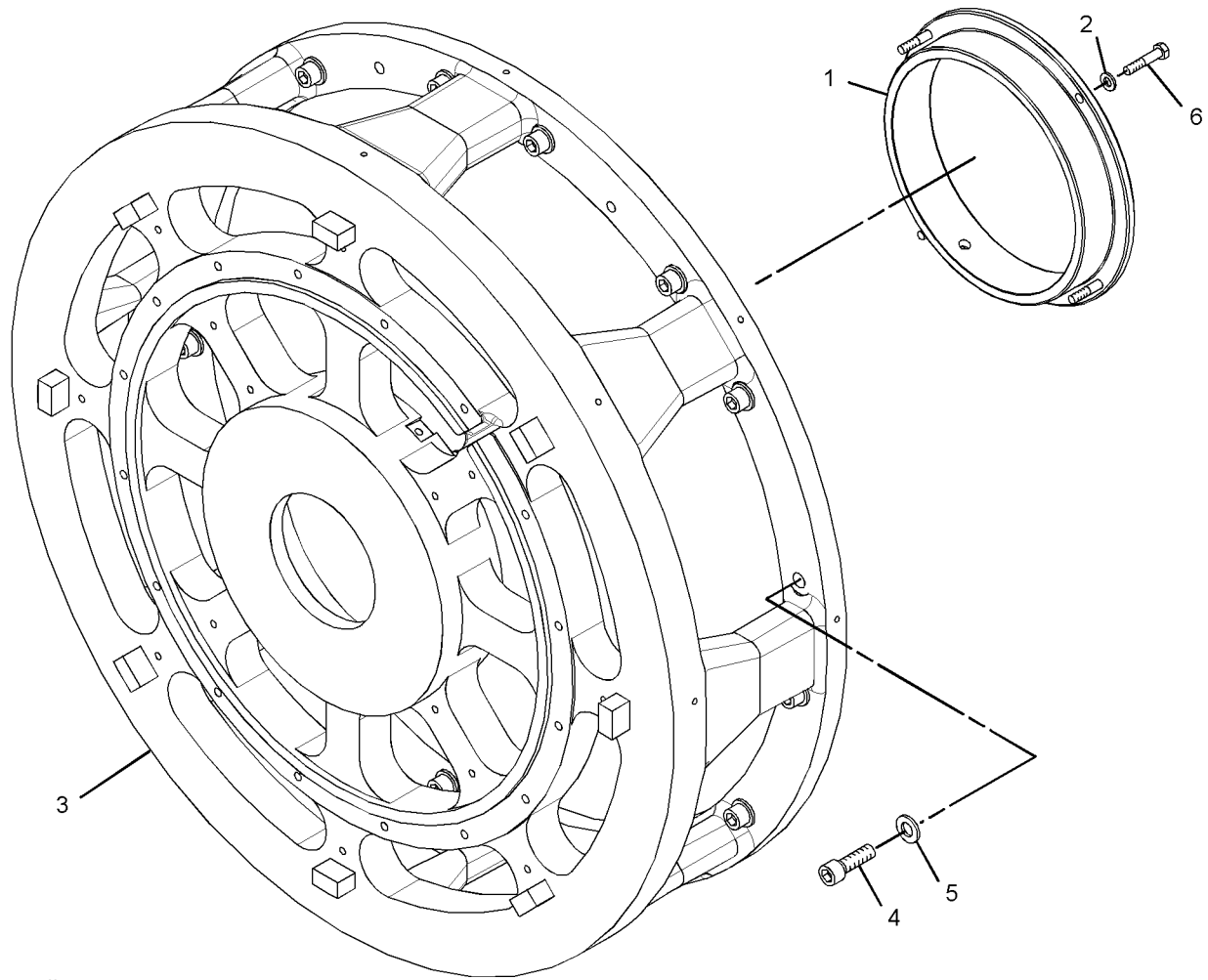
PART OF 252-3975 GENERATOR GP
AN ATTACHMENT

SMCS-4459, 5258

i03726046

NOTE	REF NO	GRAPHIC REF	PART NUMBER	QTY	PART NAME						SEE PAGE
					1	2	3	4	5	6 (PRODUCT LEVEL)	
	1	1	152-5183	1	SLEEVE-WEAR						
	2	1	8T-4121	4	WASHER-HARD (11X21X2.5-MM THK)						
	3	1	350-2560	1	BRACKET AS						
M	4	1	8T-0348	16	BOLT-SOCKET HEAD (M16X2X50-MM)						
	5	1	8T-4122	16	WASHER-HARD (17X32X3.5-MM THK)						
M	6	1	8T-4185	4	BOLT (M10X1.5X50-MM)						

M-METRIC PART



GRAPHIC #1

<END>

g02035274

GENERATORS

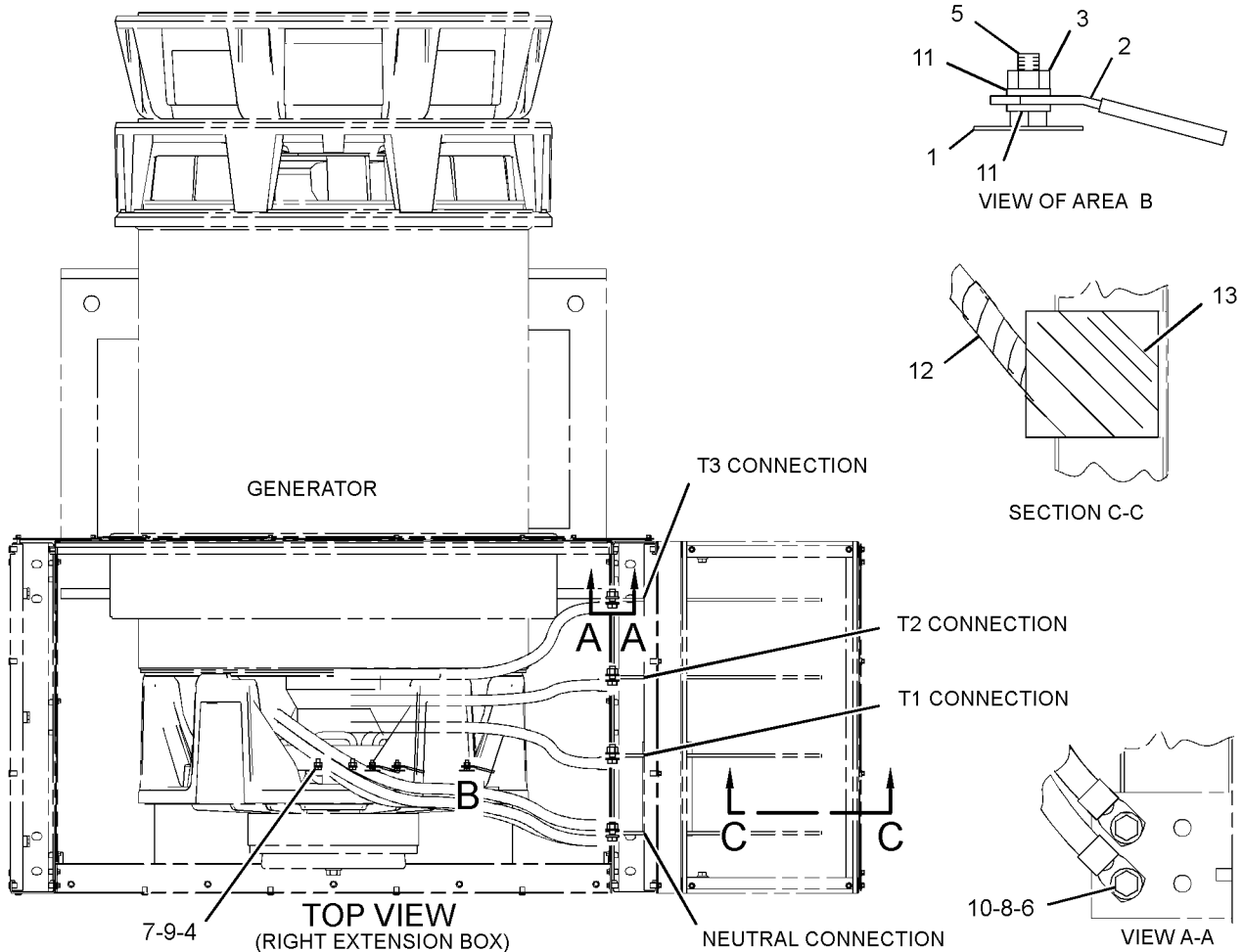
260-6665 CONNECTION GP-GENERATOR LEADS- EXTENSION BOX, LH, RH, REAR FOR USE WITH SR5, 1400-FRAME, 1600 LOW VOLTAGE-FRAME AN ATTACHMENT

SMCS-4460

i02986961

NOTE	REF NO	GRAPHIC REF	PART NUMBER	QTY	PART NAME						SEE PAGE
					1	2	3	4	5	6 (PRODUCT LEVEL)	
	1	1	7K-1181	20	STRAP-CABLE						
	2	1	4P-7581	3	CLIP (LADDER)						
M	3	1	5C-2890	3	NUT (M6X1-THD)						
M	4	1	5C-7261	2	NUT (M8X1.25-THD)						
M	5	1	5C-9553	3	BOLT (M6X1X16-MM)						
M	6	1	8T-4139	5	BOLT (M12X1.75X30-MM)						
M	7	1	8T-4200	2	BOLT (M8X1.25X16-MM)						
	8	1	8T-4223	10	WASHER-HARD (13.5X25.5X3-MM THK)						
	9	1	8T-4224	2	WASHER-HARD (8.8X16X2-MM THK)						
M	10	1	8T-4244	5	NUT (M12X1.75-THD)						
	11	1	9X-8256	6	WASHER (6.6X12X2-MM THK)						
E	12	1	290-8070		TAPE (480-CM)						
B	13	1	5N-4686	1	TAPE-ELECTRICAL (VINYL)						
F			7H-8213	8	MAT						

B-USE AS REQUIRED
E-ORDER BY THE CENTIMETER
F-NOT SHOWN
M-METRIC PART



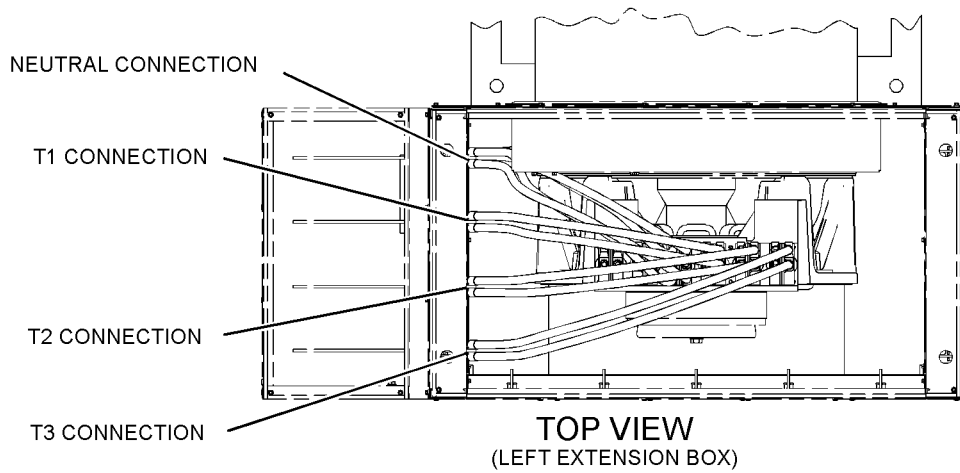
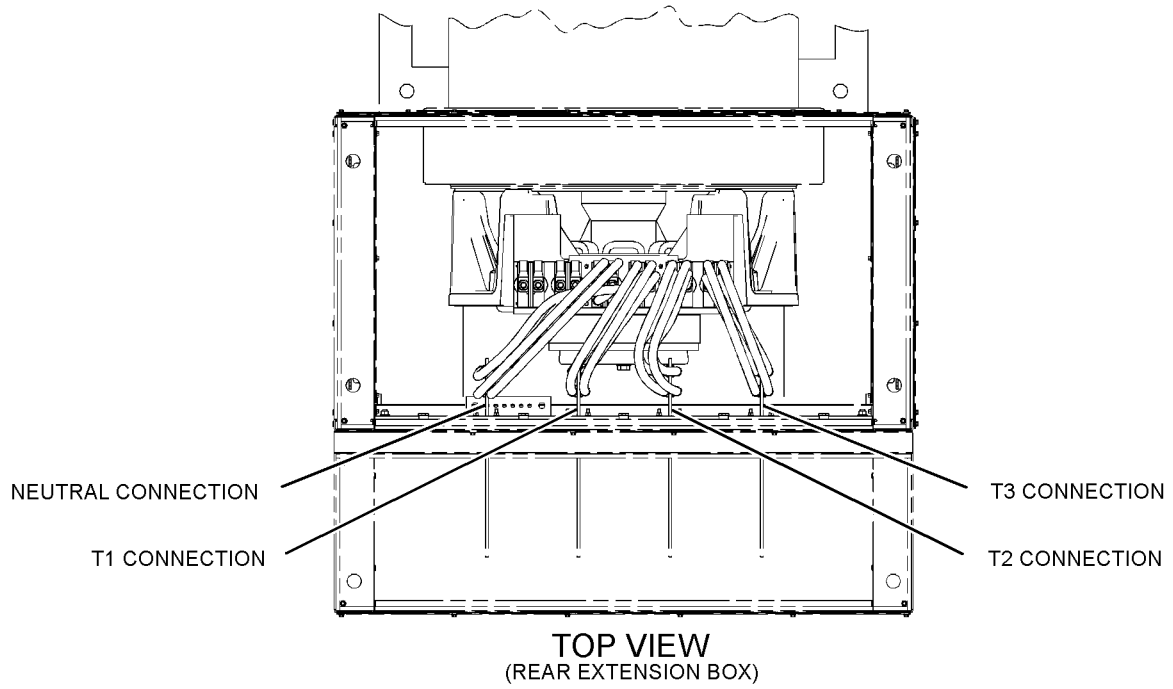
GRAPHIC #1

g01517934

GENERATORS

260-6665 CONNECTION GP-GENERATOR LEADS (contd.)

i02986961



GRAPHIC #2

<END>

g01517970

GENERATORS

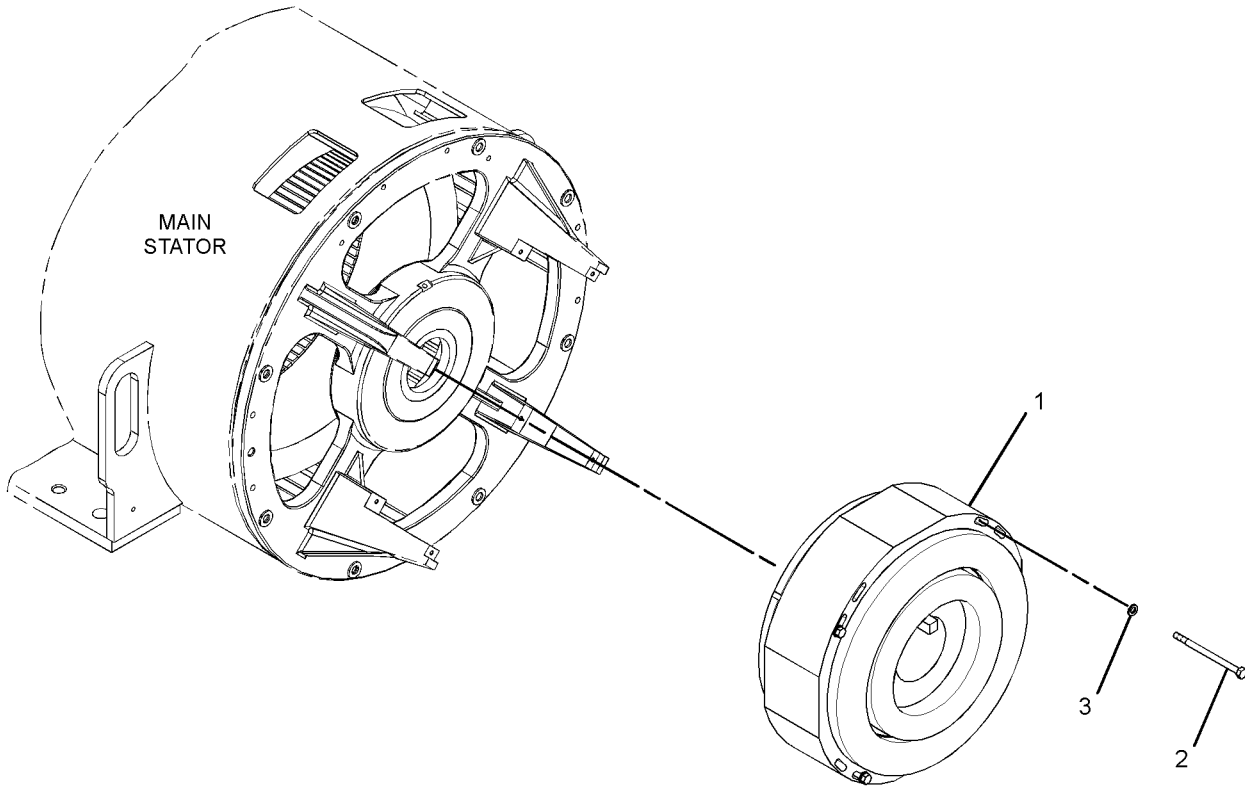
253-3516 EXCITER GP-POWER

PART OF 252-3975 GENERATOR GP
AN ATTACHMENT

SMCS-4454, 4470

i02633953

NOTE	REF NO	GRAPHIC REF	PART NUMBER	QTY	PART NAME						SEE PAGE
					1	2	3	4	5	6 (PRODUCT LEVEL)	
	1	1	253-3517	1	STATOR-EXCITER						
	2	1	7X-0279	4	BOLT (5/16-18X4.75-IN)						
	3	1	8T-4224	4	WASHER-HARD (8.8X16X2-MM THK)						



GRAPHIC #1

<END>

g01346189

GENERATORS

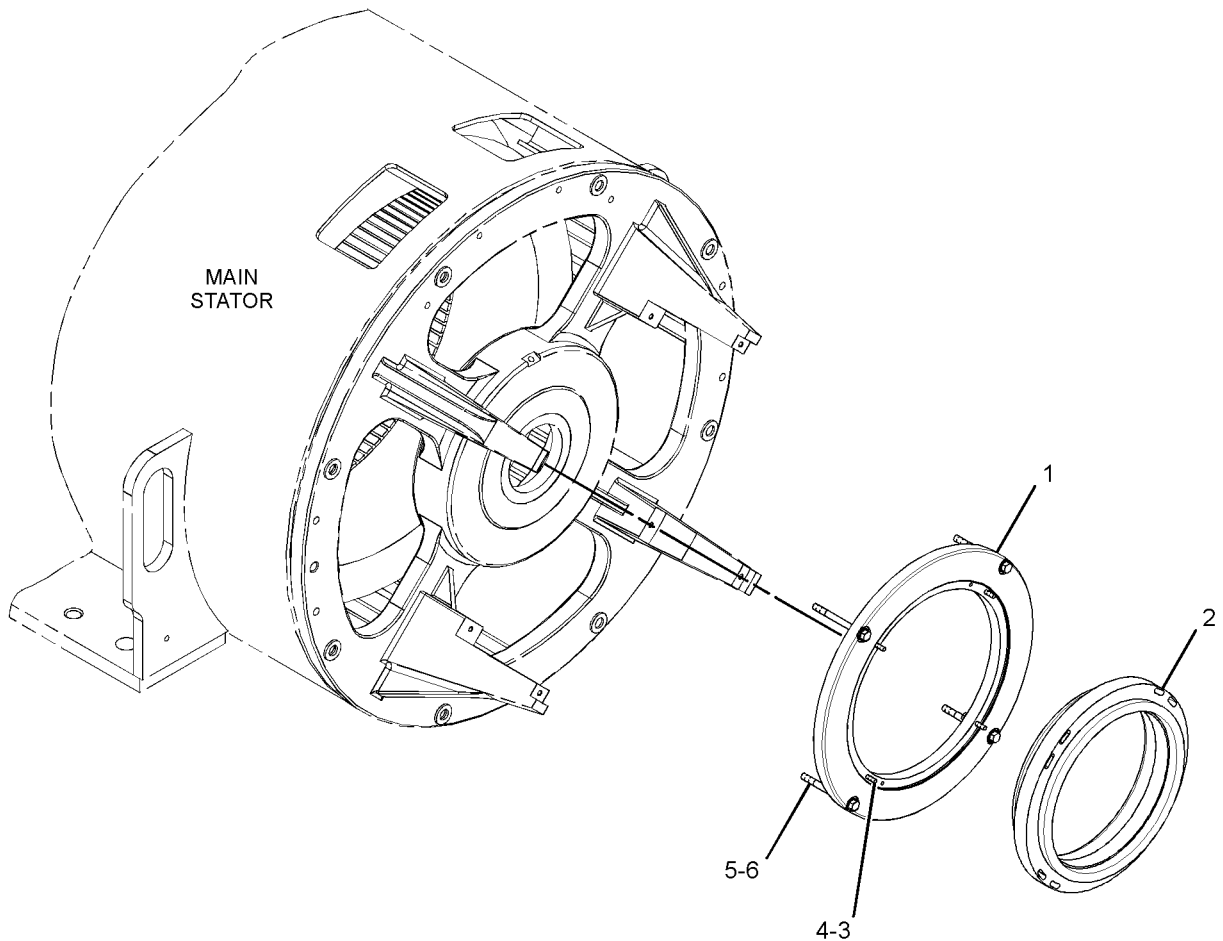
253-3521 EXCITER GP-PERMANENT MAGNET

PART OF 252-3975 GENERATOR GP
AN ATTACHMENT

SMCS-4454, 4470

i02633958

NOTE	REF NO	GRAPHIC REF	PART NUMBER	QTY	PART NAME						SEE PAGE
					1	2	3	4	5	6 (PRODUCT LEVEL)	
	1	1	253-3522	1	RING						
	2	1	253-3525	1	STATOR AS-MAGNET						
	3	1	4M-5282	4	BOLT (1/4-20X1.5-IN)						
	4	1	8T-4205	4	WASHER-HARD (7.2X14.5X2-MM THK)						
	5	1	8T-4896	4	WASHER-HARD (10.2X18.5X2.5-MM THK)						
	6	1	8T-9378	4	BOLT (3/8-16X4-IN)						



GRAPHIC #1

<END>

g01346190

GENERATORS

252-3976 GENERATOR AR

50/60-HERTZ, 4160-VOLT

AN ATTACHMENT

SMCS-4450

i03690982

NOTE	PART NUMBER	QTY	PART NAME						SEE PAGE
			1	2	3	4	5	6 (PRODUCT LEVEL)	
Y	252-3975	1	GENERATOR GP						600
	118-8452	1	FILM (INFORMATION)						
			INSTALL FILM ON THE RH SIDE OF THE GENERATOR BARREL, CENTERED FROM FRONT TO BACK,						
			APPROX. 100MM DOWN FROM THE CENTER LINE AT THE TOP OF THE GENERATOR.						
			INSTALL CLEAR LAMINATE OVER FILM.						
	228-4798	1	FILM-GROUND (EARTH)						
			INSTALL NEAR GENERATOR GROUND BOLT OR GENERATOR GROUND CUSTOMER CONNECTION POINT.						
	303-3433	3	FILM-IDENTIFICATION (CATERPILLAR)						
			INSTALL FILM ON THE REAR PANEL OF THE GENERATOR TERMINAL BOX,						
			CENTERED APPROX. 30MM FROM THE TOP EDGE OF THE LOWER TERMINAL BOX COVER.						
	303-3440	2	FILM-IDENTIFICATION (CAT)						
			INSTALL ONE FILM ON THE RH & LH SIDE OF THE GENERATOR TERMINAL BOX, AT THE TOP LH CORNER OF THE TERMINAL BOX,						
			ALIGN EACH FILM WITH THE EDGES OF THE TERMINAL BOX COVER.						
			IF THERE IS A CIRCUIT BREAKER, MOVE FILM TO THE BOTTOM OF THE COVER, BELOW THE CIRCUIT BREAKER.						
			ALIGN FILM WITH THE EDGES OF THE COVER.						
	225-3224	3	FILM-WARNING (AUTOMATIC ENGINE START)						
			INSTALL ONE FILM ON THE REAR OF GENERATOR TERMINAL BOX, DIRECTLY BELOW THE ELECTROCUTION HAZARD FILM						
			AND ONE FILM ON THE RH AND LH SIDES OF THE TERMINAL BOX, CENTERED ABOVE THE CRUSH WARNING,						
			IF THE GENERATOR IS EQUIPPED WITH CIRCUIT BREAKER ON EITHER SIDE,						
			MOVE FILM ABOVE THE BREAKER COVER DIRECTLY BELOW THE 229-5047 FILM.						
	225-3227	2	FILM-WARNING (HOT SURFACE)						
			INSTALL ONE FILM ON EACH SIDE OF THE GENERATOR BARREL, DIRECTLY ON THE GENERATOR BARREL, NOT ON THE BARREL COVER.						
			IF THERE IS NO BARREL COVER, CENTER FILMS ON EACH SIDE OF THE BARREL FROM FRONT TO REAR,						
			AND ON THE RH SIDE, CENTER FILM BELOW THE 118-8452 GLPS GENERATOR INFO FILM.						
	229-5047	1	FILM-WARNING (SHOCK HAZARD, READ OMM)						
			INSTALL ONE FILM ON THE REAR OF THE GENERATOR TERMINAL BOX,						
			CENTERED AT THE TOP OF THE TERMINAL BOX BELOW THE CATERPILLAR DECAL,						
			AND ONE FILM ON THE RH AND LH SIDE OF TERMINAL BOX CENTERED ABOVE THE AUTO START WARNING.						
			IF THE GENERATOR IS EQUIPPED WITH A CIRCUIT BREAKER ON EITHER SIDE,						
			MOVE FILM ABOVE THE BREAKER COVER CENTERED AT THE TOP EDGE OF THE TERMINAL BOX COVER.						

GENERATORS

252-3976 GENERATOR AR (contd.)

i03690982

Y-SEPARATE ILLUSTRATION

<END>

GENERATORS

252-3975 GENERATOR GP

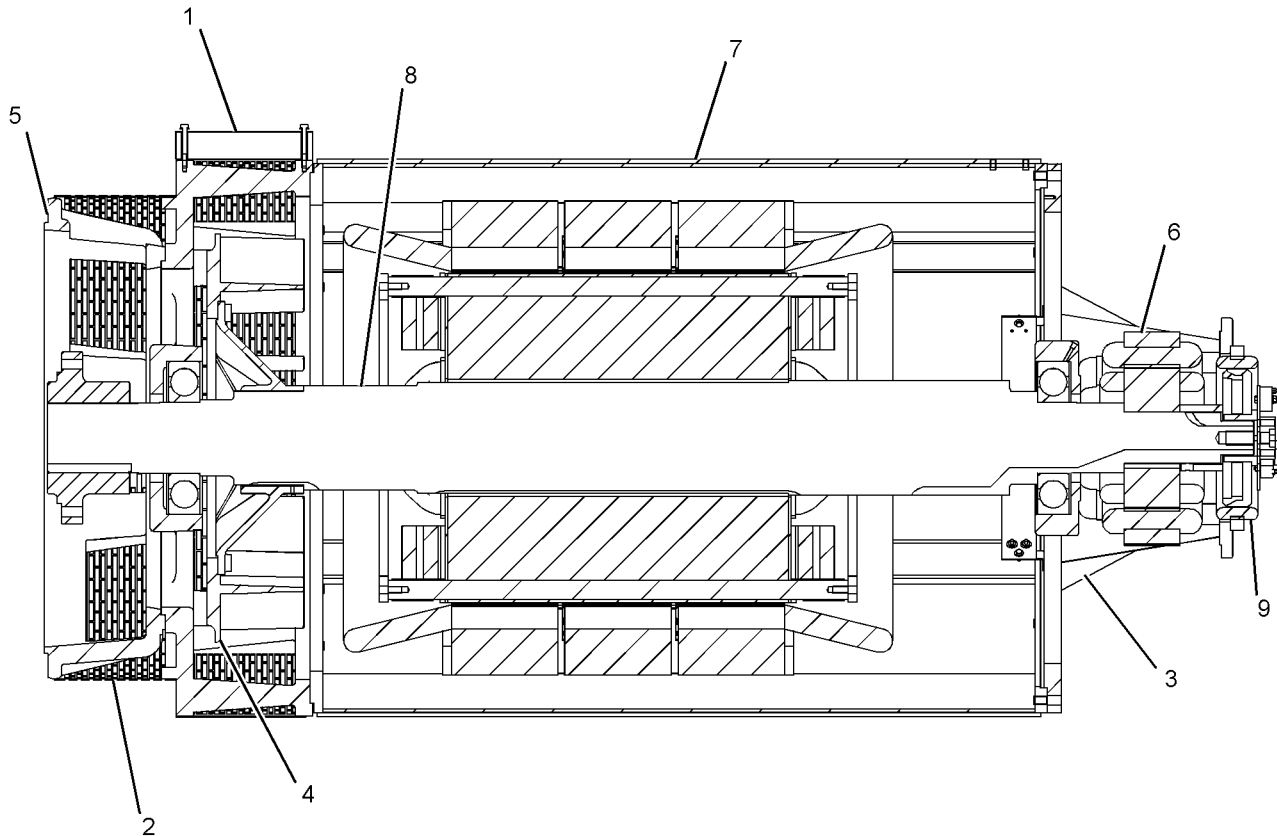
50/60-HERTZ, 4160-VOLT. 1848-FRAME, 4-POLE, 6-LEAD, 2-BEARING
PART OF 252-3976 GENERATOR AR
AN ATTACHMENT
TYPE 1

SMCS-4450

i03246217

NOTE	REF NO	GRAPHIC REF	PART NUMBER	QTY	PART NAME						SEE PAGE
					1	2	3	4	5	6 (PRODUCT LEVEL)	
Y	1	1	253-3500	1	COVER GP-GENERATOR (SPILL PROTECTION)						580
Y	2	1	253-3502	1	SCREEN GP-AIR						607
Y	3	1	253-3510	1	BRACKET GP-MOUNTING (OPPOSITE DRIVE END)						592
Y	4	1	253-3512	1	BRACKET GP-MOUNTING (DRIVE END)						593
Y	5	1	253-3514	1	ADAPTER GP-GENERATOR COUPLING						591
Y	6	1	253-3516	1	EXCITER GP						596
Y	7	1	256-4237	1	STATOR GP-MAIN						608
Y	8	1	256-4243	1	ROTOR GP-GENERATOR						605
Y	9	1	253-3521	1	EXCITER GP (PERMANENT MAGNET)						597
F			253-3527	1	SLEEVE-SHAFT						

F-NOT SHOWN
Y-SEPARATE ILLUSTRATION



GRAPHIC #1

<END>

g01309499

GENERATORS

252-3975 GENERATOR GP

50/60-HERTZ, 4160-VOLT. 1848-FRAME, 4-POLE, 6-LEAD, 2-BEARING
 PART OF 252-3976 GENERATOR AR
 AN ATTACHMENT
 TYPE 2

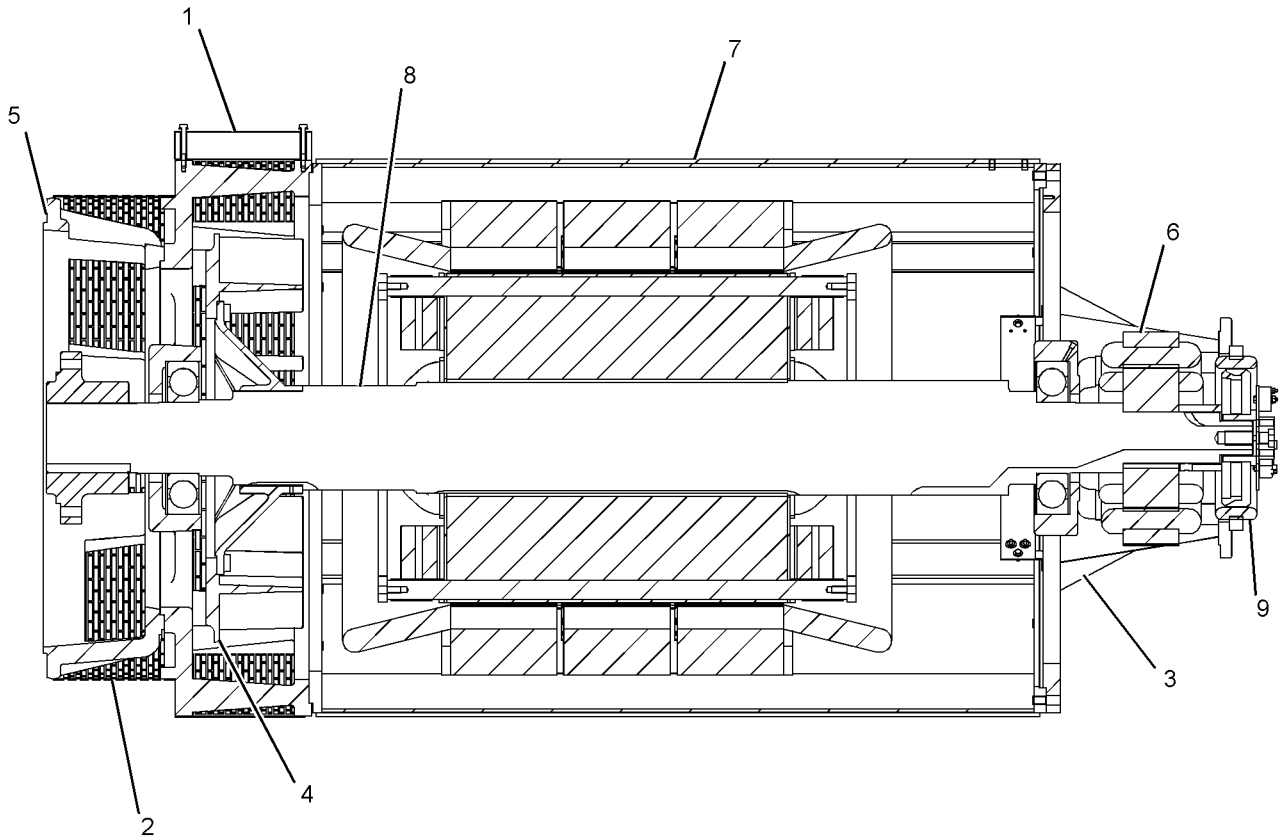
SMCS-4450

i03819651

NOTE	REF NO	GRAPHIC REF	PART NUMBER	QTY	PART NAME						SEE PAGE
					1	2	3	4	5	6 (PRODUCT LEVEL)	
CY	1	1	339-4784	1	COVER GP-GENERATOR (SPILL PROTECTION)						581
Y	2	1	253-3502	1	SCREEN GP-AIR						607
Y	3	1	253-3510	1	BRACKET GP-MOUNTING (OPPOSITE DRIVE END)						592
Y	4	1	253-3512	1	BRACKET GP-MOUNTING (DRIVE END)						593
Y	5	1	253-3514	1	ADAPTER GP-GENERATOR COUPLING						591
Y	6	1	253-3516	1	EXCITER GP (POWER)						596
Y	7	1	256-4237	1	STATOR GP-MAIN						608
Y	8	1	256-4243	1	ROTOR GP-GENERATOR						605
Y	9	1	253-3521	1	EXCITER GP (PERMANENT MAGNET)						597

F 253-3527 1 SLEEVE-SHAFT

C-CHANGE FROM PREVIOUS TYPE
 F-NOT SHOWN
 Y-SEPARATE ILLUSTRATION



GRAPHIC #1

<END>

g01309499

GENERATORS

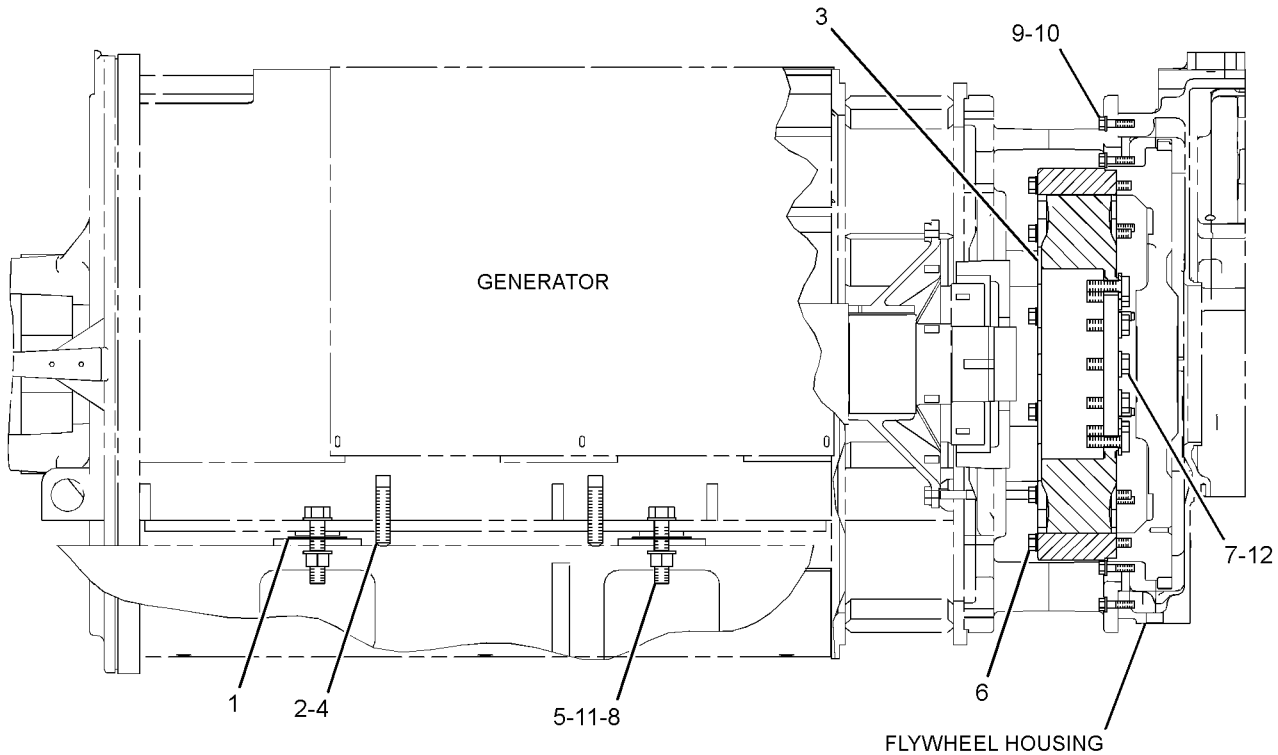
279-1303 INSTALLATION AR-GENERATOR AN ATTACHMENT

SMCS-4450

i02651351

NOTE	REF NO	GRAPHIC REF	PART NUMBER	QTY	PART NAME						SEE PAGE
					1	2	3	4	5	6 (PRODUCT LEVEL)	
BY	1	1	137-8533	4	SHIM PACK (INCLUDES 13-SHIMS)						668
B	2	1	260-0217	4	SETSCREW (M24X2-THD)						
Y	3	1	278-9668	1	COUPLING GP-FLEXIBLE						8
B	4	1	2H-3896	4	SETSCREW-SQUARE HEAD (1-8X4-IN)						
	5	1	6V-8190	4	NUT (1-8-THD)						
	6	1	7X-0361	12	BOLT (5/8-11X6.5-IN)						
M	7	1	7X-2563	12	BOLT (M20X2.5X60-MM)						
	8	1	8C-8843	4	BOLT (1-8X4.5-IN)						
	9	1	8T-4223	16	WASHER-HARD (13.5X25.5X3-MM THK)						
	10	1	8T-4835	16	BOLT (1/2-13X2-IN)						
	11	1	8T-5361	8	WASHER-HARD (28X49X5-MM THK)						
	12	1	8T-5439	12	WASHER-HARD (21.5X45X6-MM THK)						

B-USE AS REQUIRED
M-METRIC PART
Y-SEPARATE ILLUSTRATION



RIGHT SIDE VIEW OF ENGINE

GRAPHIC #1

<END>

g01344492

GENERATORS

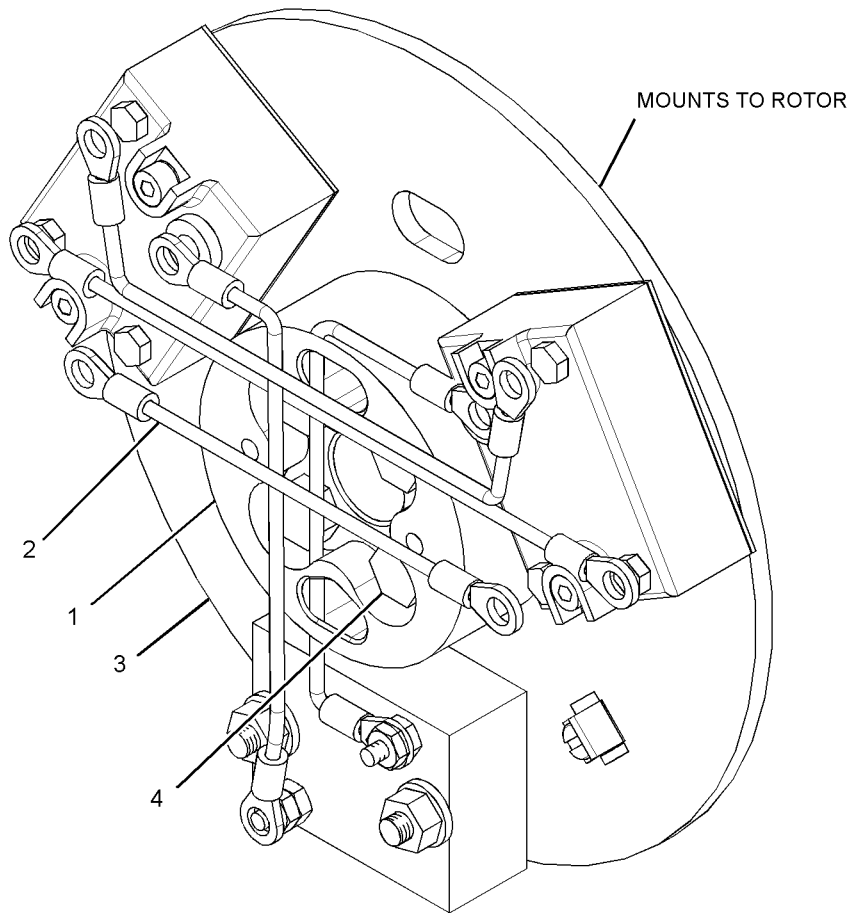
298-3817 RECTIFIER GP-REVOLVING

PART OF 256-4243 ROTOR GP-GENERATOR
AN ATTACHMENT

SMCS-4473

i02681081

NOTE	REF NO	GRAPHIC REF	PART NUMBER	QTY	PART NAME						SEE PAGE
					1	2	3	4	5	6 (PRODUCT LEVEL)	
	1	1	4P-3153	1	SPACER (20.6X77X27.8-MM THK)						
	2	1	110-4172	1	HARNESS AS-WIRING (RECTIFIER)						
	3	1	298-3648	1	HEAT SINK AS						
	4	1	1B-9575	4	BOLT (5/16-18X1.56-IN)						



GRAPHIC #1

<END>

g01350911

GENERATORS

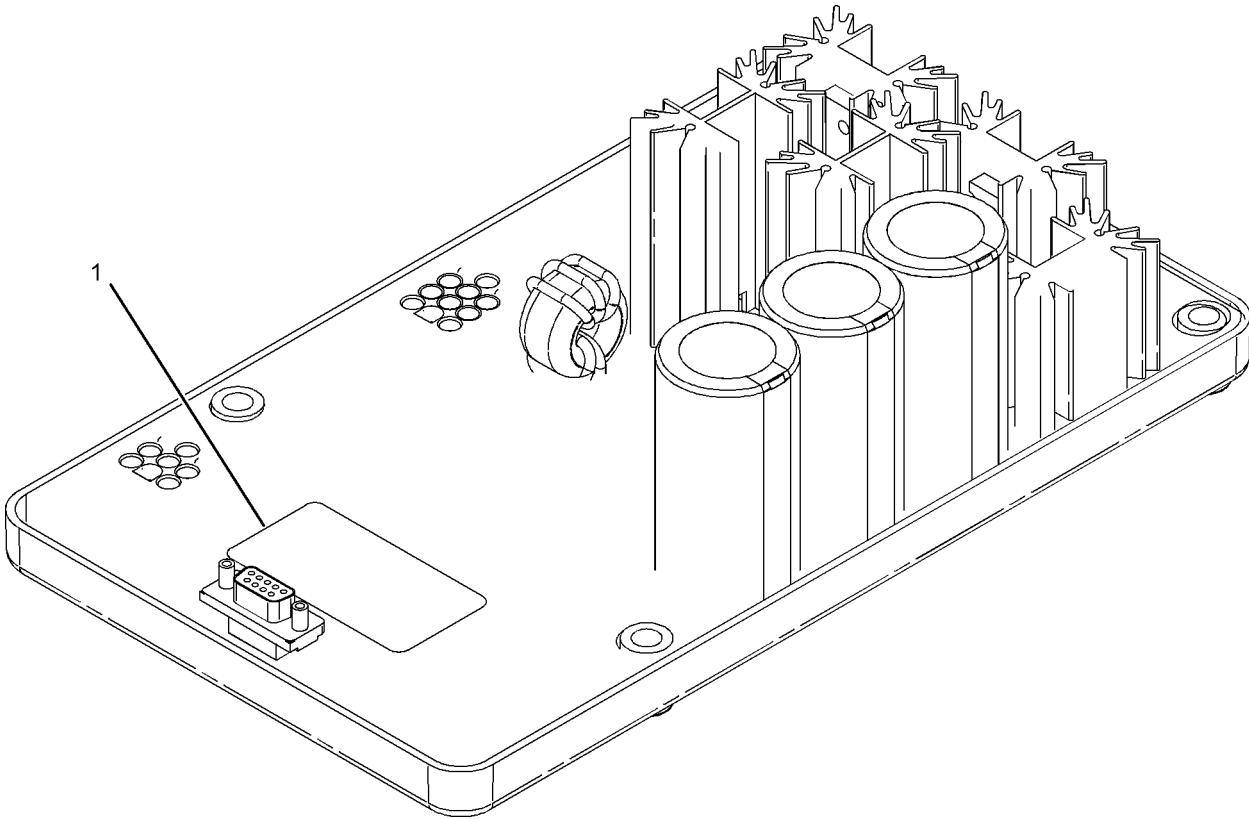
314-7755 REGULATOR AS-VOLTAGE-DIGITAL

PART OF 274-8521 CONTROL GP-GENERATOR SET
AN ATTACHMENT

SMCS-4467

i03676740

NOTE	REF NO	GRAPHIC REF	PART NUMBER	QTY	PART NAME						SEE PAGE
					1	2	3	4	5	6 (PRODUCT LEVEL)	
	1	1	241-0158	1	FILM-WARNING (SHOCK, ELECTROCUTION HAZARD)						



GRAPHIC #1

<END>

g01035161

GENERATORS

256-4243 ROTOR GP-GENERATOR

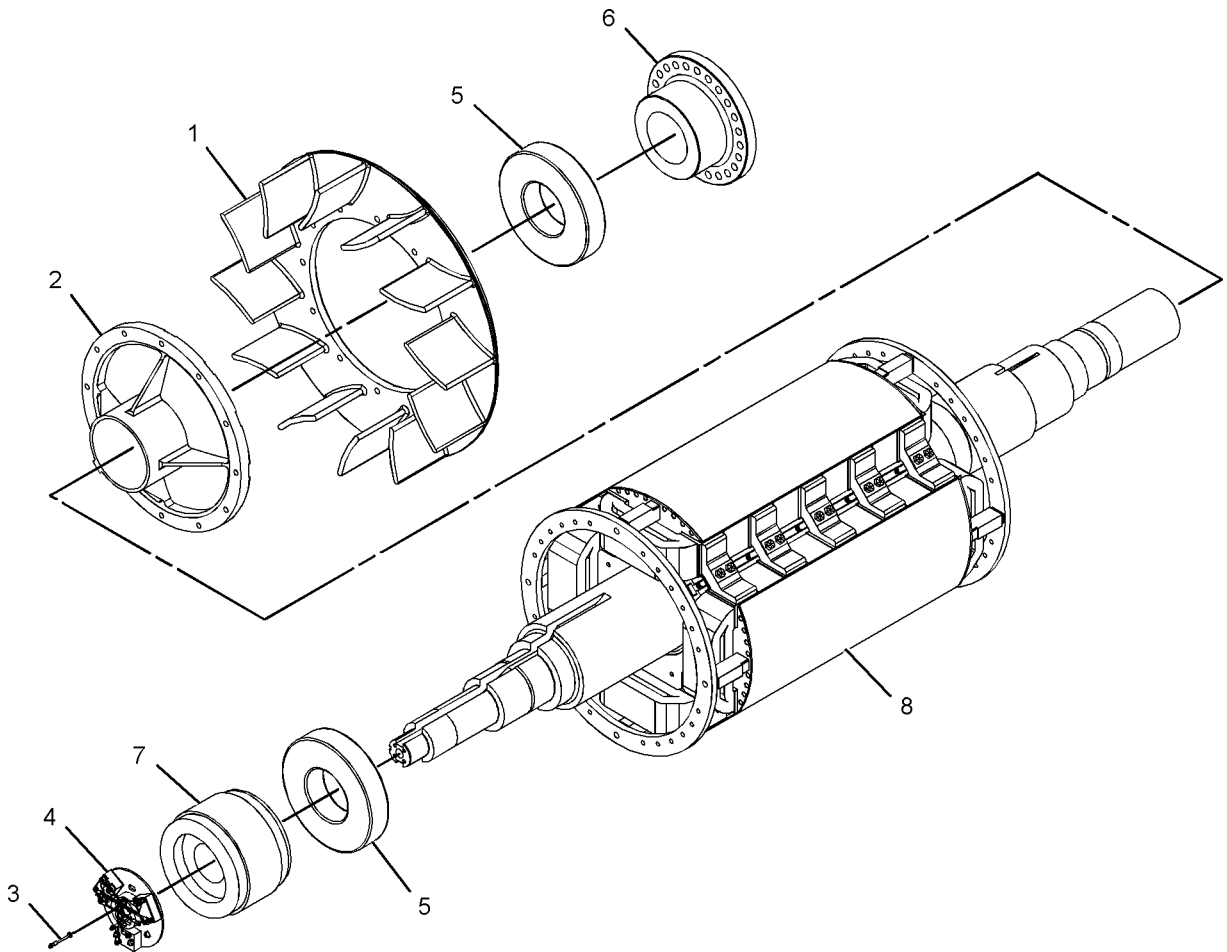
PART OF 252-3975 GENERATOR GP
AN ATTACHMENT

SMCS-4457

i03290037

NOTE	REF NO	GRAPHIC REF	PART NUMBER	QTY	PART NAME						SEE PAGE
					1	2	3	4	5	6 (PRODUCT LEVEL)	
	1	1	278-6169	1	FAN						
	2	1	7E-3088	1	HUB-FAN						
	3	1	133-7301	2	KIT-ROTOR LEAD						
					(EACH INCLUDES CABLE TIE, LEAD ASSEMBLIES, SLEEVES, AND TERMINALS)						
CY	4	1	298-3817	1	RECTIFIER GP-REVOLVING						603
	5	1	154-3032	2	BALL BEARING						
	6	1	235-8130	1	HUB-FLEXIBLE COUPLING						
	7	1	253-3519	1	ROTOR-EXCITER						
	8	1	254-8718	1	ROTOR AS						

C-CHANGE FROM PREVIOUS TYPE
Y-SEPARATE ILLUSTRATION



GRAPHIC #1

<END>

g01232575

GENERATORS

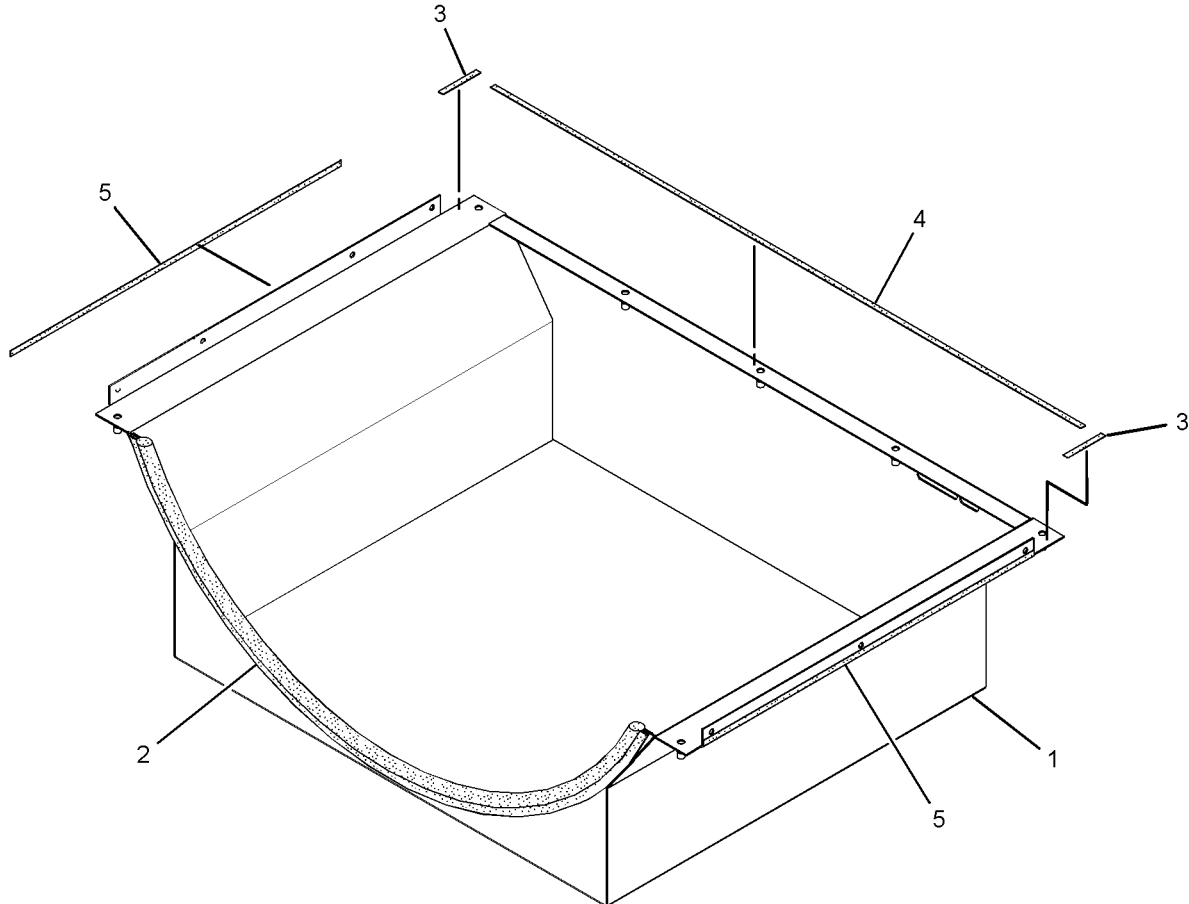
245-0056 SCREEN GP-AIR PART OF 245-0006 COVER GP-GENERATOR AN ATTACHMENT

SMCS-1051, 4450

i03038222

NOTE	REF NO	GRAPHIC REF	PART NUMBER	QTY	PART NAME						SEE PAGE
					1	2	3	4	5	6 (PRODUCT LEVEL)	
	1	1	243-1902	1	SCREEN AS						
M		1	3E-4304	7	INSERT-THREADED (M6X1-THD)						
E	2	1	142-6868		SEAL (125-CM)						
J	3	1	244-9631		SEAL (0.7-DM EACH)						
J	4	1	244-9631		SEAL (11-DM)						
J	5	1	244-9631		SEAL (6.2-DM EACH)						

E-ORDER BY THE CENTIMETER
J-ORDER BY THE DECIMETER
M-METRIC PART



GRAPHIC #1

<END>

g01544153

GENERATORS

253-3502 SCREEN GP-AIR

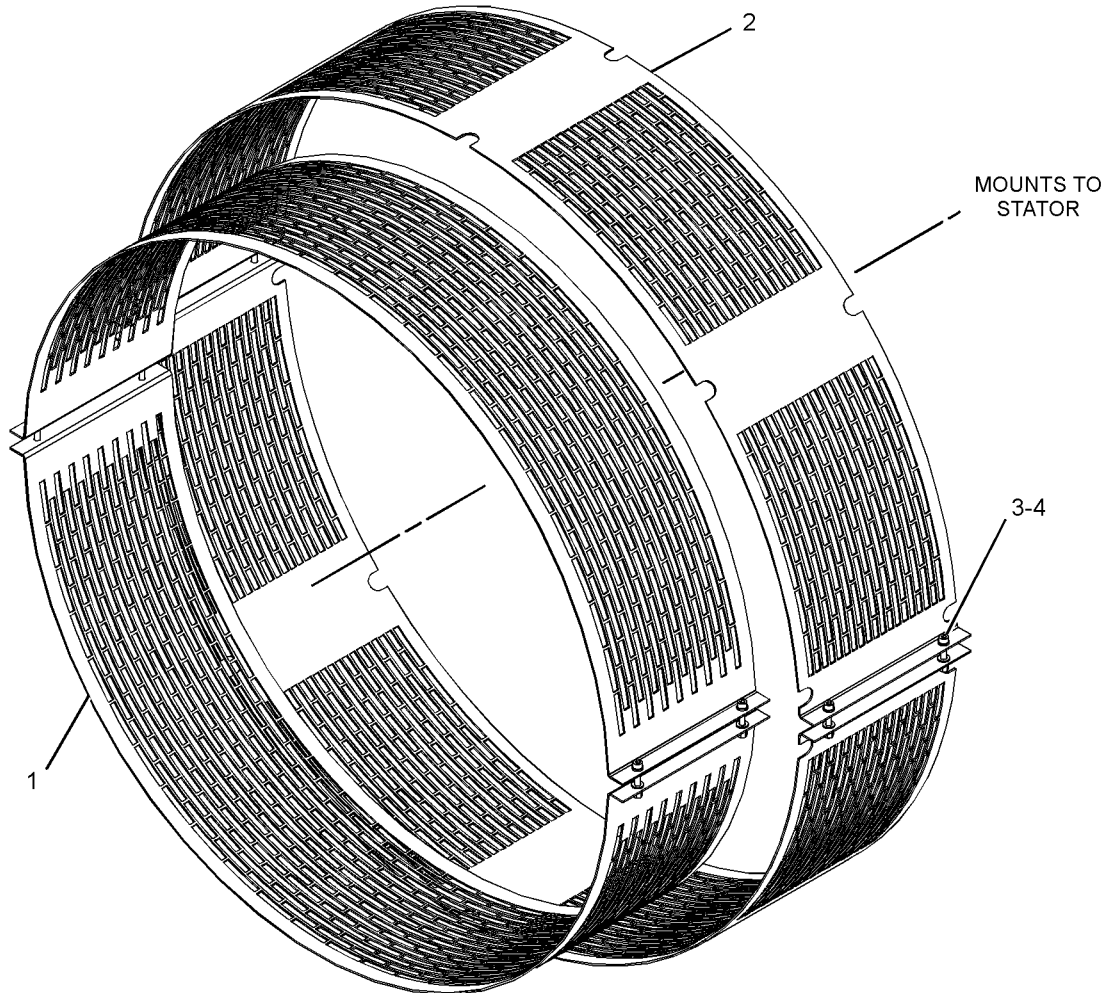
PART OF 252-3975 GENERATOR GP
AN ATTACHMENT

SMCS-1051, 4450

i02622972

NOTE	REF NO	GRAPHIC REF	PART NUMBER	QTY	PART NAME						SEE PAGE
					1	2	3	4	5	6 (PRODUCT LEVEL)	
	1	1	253-3504	2	SCREEN AS-AIR						
	2	1	253-3505	2	SCREEN AS-AIR						
M	3	1	8T-8442	8	BOLT-SOCKET HEAD (M6X1X30-MM)						
	4	1	9X-8256	8	WASHER (6.6X12X2-MM THK)						

M-METRIC PART



GRAPHIC #1

<END>

g01313847

GENERATORS

256-4237 STATOR GP-MAIN

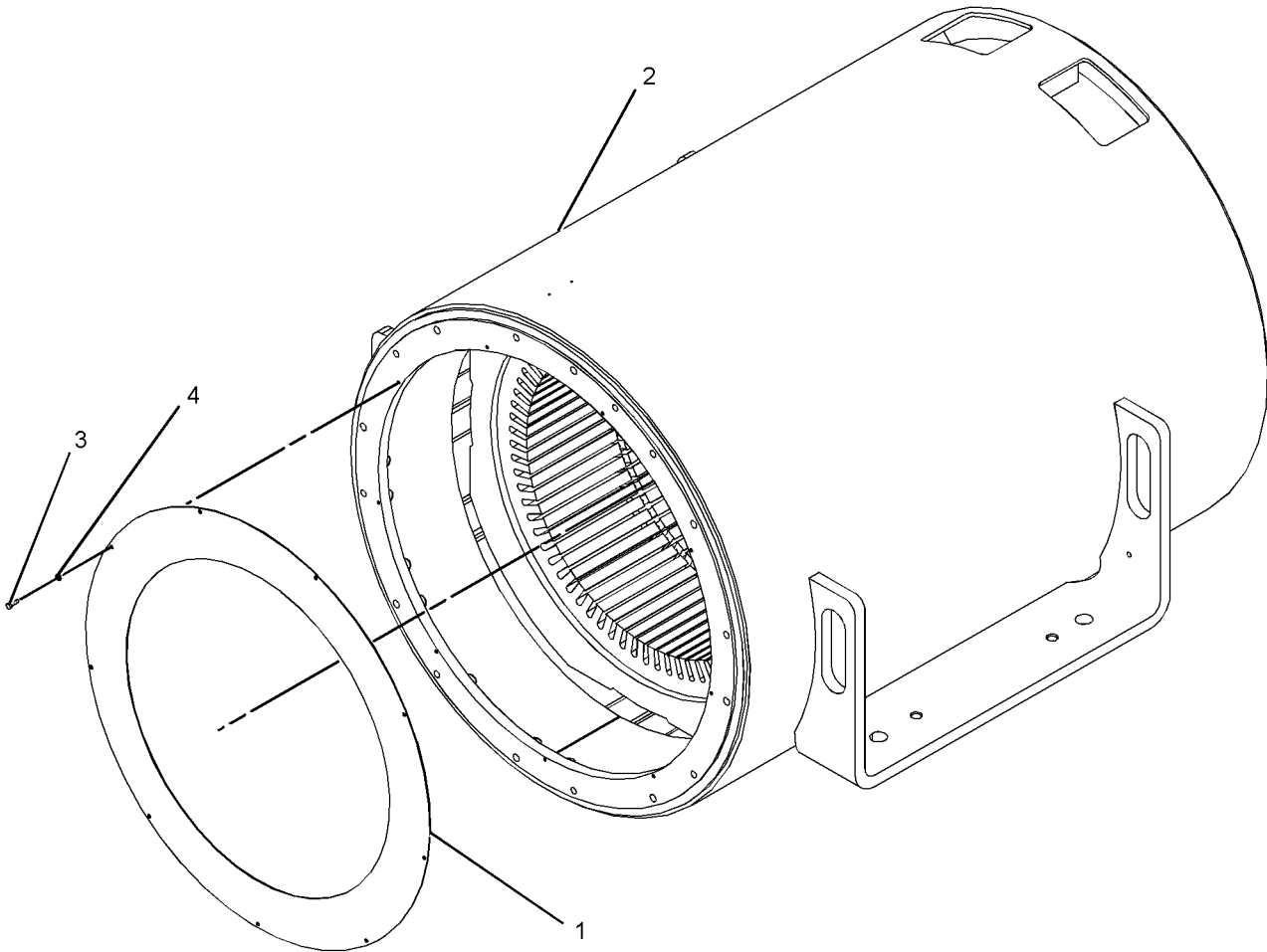
PART OF 252-3975 GENERATOR GP
AN ATTACHMENT

SMCS-4453

i02442569

NOTE	REF NO	GRAPHIC REF	PART NUMBER	QTY	PART NAME						SEE PAGE
					1	2	3	4	5	6 (PRODUCT LEVEL)	
	1	1	253-3508	1	BAFFLE						
	2	1	254-8467	1	STATOR AS						
M	3	1	8T-4138	9	BOLT (M6X1X20-MM)						
	4	1	9X-8256	9	WASHER (6.6X12X2-MM THK)						

M-METRIC PART



GRAPHIC #1

<END>

g01231537

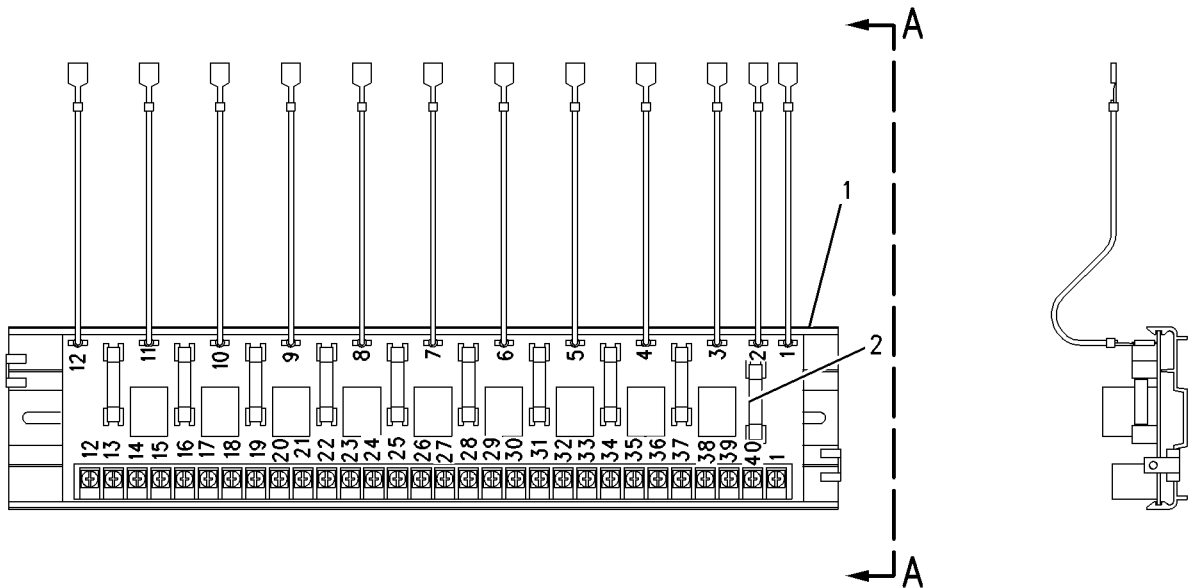
OPERATOR STATION

9Y-6497 BOARD AS-RELAY AN ATTACHMENT

SMCS-4490, 7451

i02400531

NOTE	REF NO	GRAPHIC REF	PART NUMBER	QTY	PART NAME						SEE PAGE
					1	2	3	4	5	6 (PRODUCT LEVEL)	
	1	1	6V-1075	34	TRACK-RELAY						
	2	1	8K-4644	10	FUSE (1-AMPERE)						



VIEW A-A

GRAPHIC #1

<END>

g00679816

OPERATOR STATION

290-7263 BOX AS-INSTRUMENT

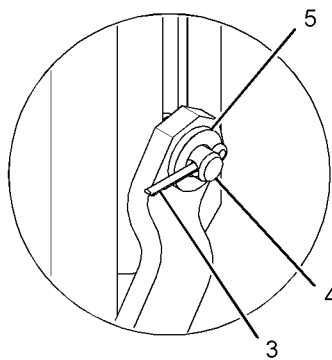
PART OF 290-3213, 300-0479 BOX GP-INSTRUMENT PANEL
AN ATTACHMENT

SMCS-7451

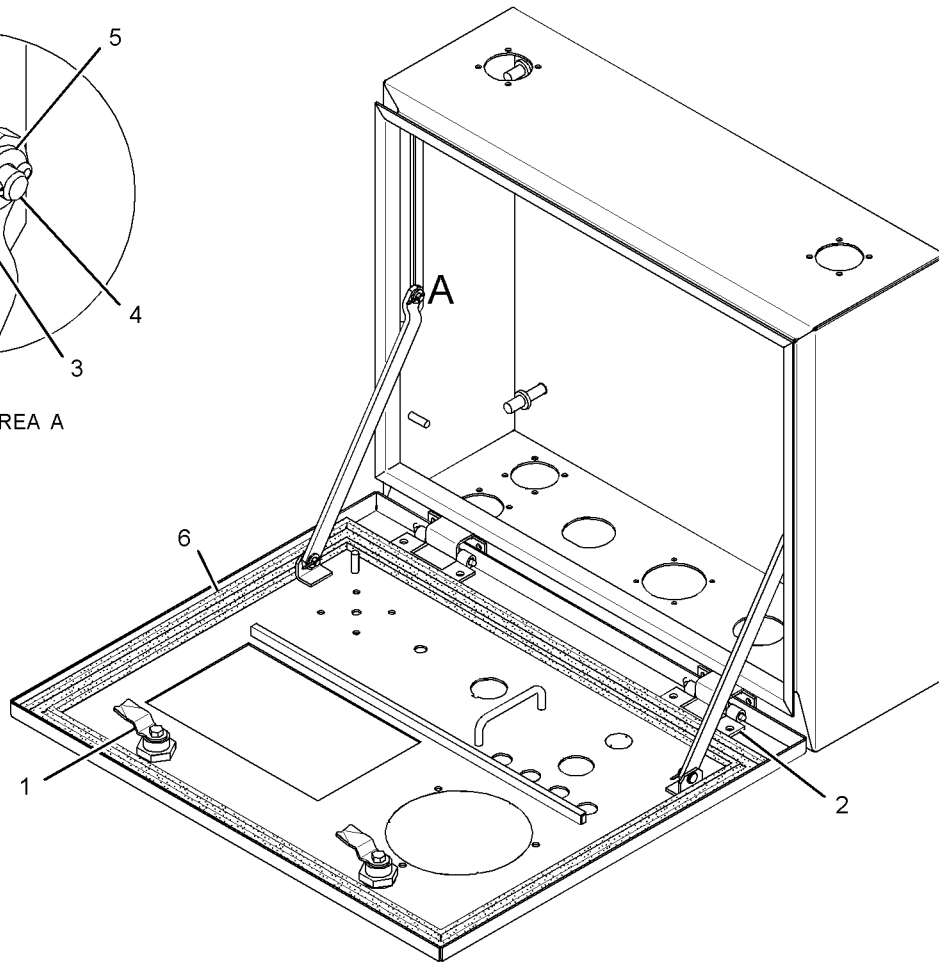
i02629018

NOTE	REF NO	GRAPHIC REF	PART NUMBER	QTY	PART NAME						SEE PAGE
					1	2	3	4	5	6 (PRODUCT LEVEL)	
	1	1	128-8545	2	LATCH AS						
	2	1	153-3723	2	HINGE AS						
					(EACH INCLUDES)						
		1	8T-5447	1	RING-RETAINING						
	3	1	3B-4605	4	PIN-COTTER						
	4	1	9P-6895	4	PIN						
	5	1	9X-6381	4	WASHER (6.5X12.5X1.6-MM THK)						
D	6	1	6V-1392		SEAL (1.8-M)						

D-ORDER BY THE METER



VIEW OF AREA A



GRAPHIC #1

<END>

g01327035

OPERATOR STATION

245-0000 BOX GP-CONTROL PANEL

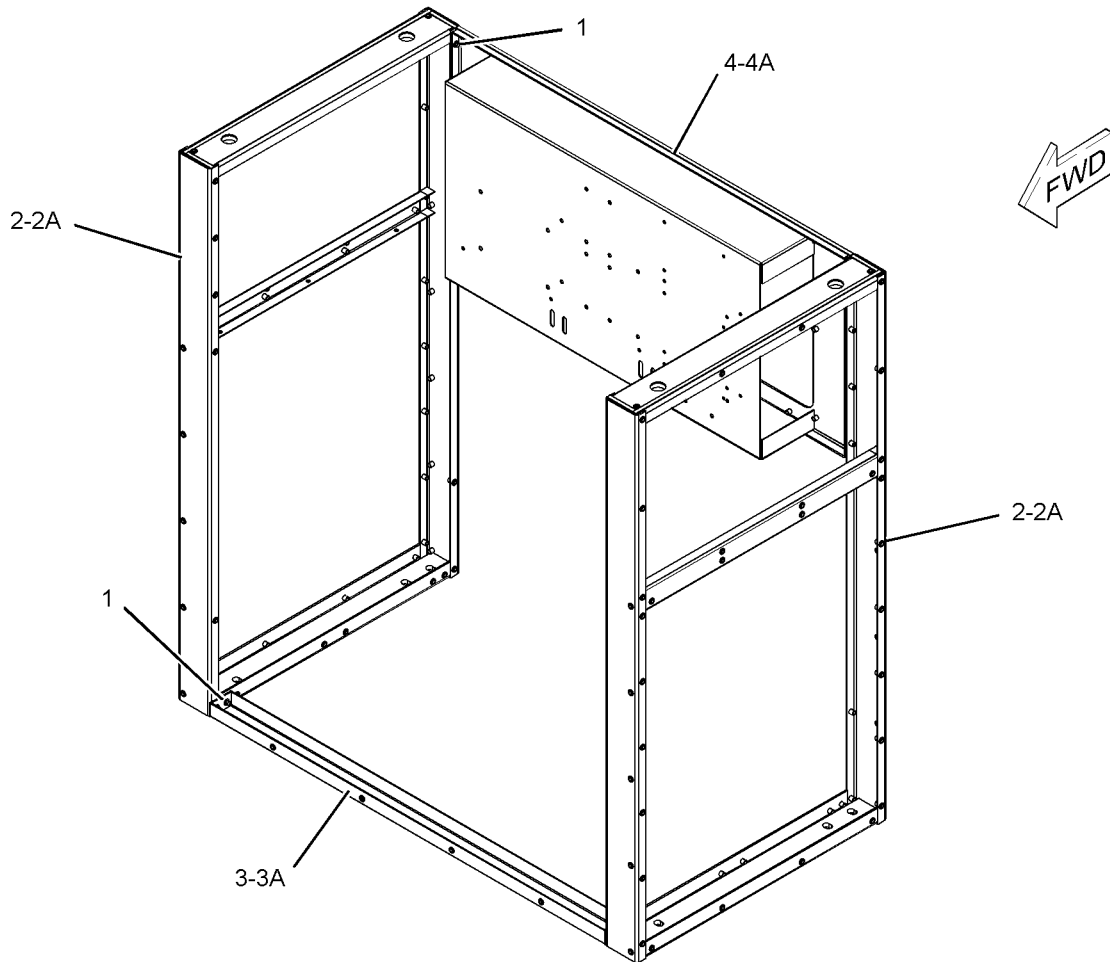
AN ATTACHMENT

SMCS-4490, 7451

i02332960

NOTE	REF NO	GRAPHIC REF	PART NUMBER	QTY	PART NAME						SEE PAGE
					1	2	3	4	5	6 (PRODUCT LEVEL)	
M	1	1	235-4451	12	BOLT-FLANGE HEAD (M6X1X16-MM)						
	2	1	242-8828	1	FRAME AS						
M		1	3E-4304	60	INSERT-THREADED (M6X1-THD)						
J	2A	1	244-9631		SEAL (9-DM)						
	3	1	242-8831	1	BRACE AS						
M		1	3E-4304	4	INSERT-THREADED (M6X1-THD)						
J	3A	1	244-9631		SEAL (3-DM)						
	4	1	242-8832	1	BOX AS						
M		1	3E-4304	14	INSERT-THREADED (M6X1-THD)						
J	4A	1	244-9631		SEAL (17-DM)						

J-ORDER BY THE DECIMETER
M-METRIC PART



GRAPHIC #1

<END>

g01164634

OPERATOR STATION

352-8705 BOX GP-CONTROL PANEL AN ATTACHMENT

SMCS-4490, 7451

i03794452

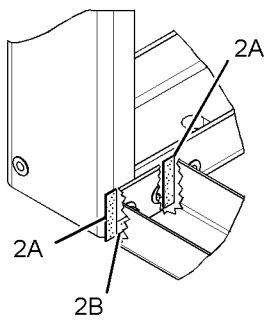
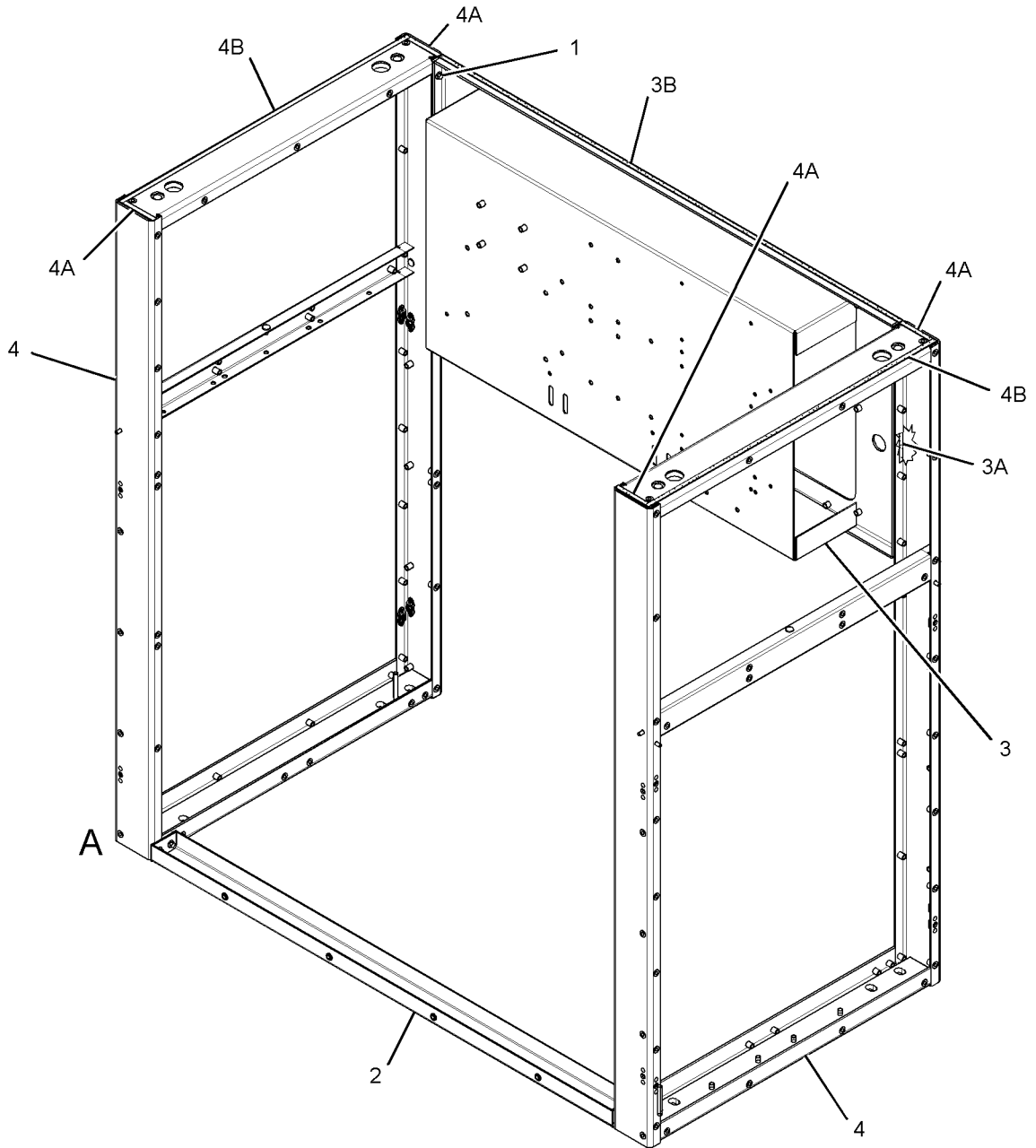
NOTE	REF NO	GRAPHIC REF	PART NUMBER	QTY	PART NAME						SEE PAGE
					1	2	3	4	5	6 (PRODUCT LEVEL)	
M	1	1	235-4451	12	BOLT-FLANGE HEAD (M6X1X16-MM)						
	2	1	242-8831	1	BRACE AS						
M		1	3E-4304	4	INSERT-THREADED (M6X1-THD)						
J	2A	1	244-9631		SEAL (0.26-DM EACH)						
J	2B	1	244-9631		SEAL (0.6-DM EACH)						
	3	1	242-8832	1	BOX AS						
M		1	3E-4304	14	INSERT-THREADED (M6X1-THD)						
J	3A	1	244-9631		SEAL (4.95-DM EACH)						
J	3B	1	244-9631		SEAL (11.2-DM)						
	4	1	352-8703	1	FRAME AS						
M		1	3E-4304	67	INSERT-THREADED (M6X1-THD)						
		1	103-8089	16	RIVET-POP						
		1	235-8354	8	FASTENER						
		1	121-0483	1	ROD						
J	4A	1	244-9631		SEAL (.75-DM EACH)						
J	4B	1	244-9631		SEAL (7-DM)						

J-ORDER BY THE DECIMETER
M-METRIC PART

OPERATOR STATION

352-8705 BOX GP-CONTROL PANEL (contd.)

i03794452



VIEW OF AREA A

GRAPHIC #1

<END>

g02054314

OPERATOR STATION

290-3213 BOX GP-INSTRUMENT PANEL

AN ATTACHMENT

TYPE 1

SMCS-7451, 7490

i02628198

NOTE	REF NO	GRAPHIC REF	PART NUMBER	QTY	PART NAME 1 2 3 4 5 6 (PRODUCT LEVEL)	SEE PAGE
	1	2	1H-4393	2	LOCKWASHER	
	2	2	3E-0357	9	DIODE AS	
	3	1	6D-5801	24	LOCKNUT (8-32-THD)	
	4	1,2	7S-1197	26	SCREW-MACHINE (8-32X0.5-IN)	
	5	2	9X-9675	2	BRACKET-END	
	6	1	107-2482	6	GASKET	
	7	1	109-6507	1	SWITCH AS-PUSH BUTTON (EMERGENCY STOP)	
	8	1	110-8909	6	MOUNT-FLEXIBLE	
	9	1	111-1323	1	BLOCK-CONTACT (1-POLE)	
	10	2	120-9079	2	TERMINAL	
	11	1	123-9694	1	HORN	
	12	1	124-3176	1	COVER	
	13	1	125-9941	2	BASE-LAMP	
	14	1	125-9943	2	LENS (RED)	
	15	1	125-9955	2	LAMP-LED (24-VOLT, RED)	
	16	1	127-2331	1	SWITCH AS-ROTARY (ENGINE CONTROL)	
	17	2	131-4891	1	GASKET	
	18	1	131-9131	2	SEAL-CONNECTOR (76-MM ID)	
	19	2	132-8489	1	NUT-RING	
	20	2	134-0957	1	COVER-BLOCK	
	21	2	135-6740	9	BLOCK-DIODE	
	22	2	197-2691	1	STRIP-CONTACT	
	23	2	204-5592	1	BAR-FIXED BRIDGE	
	24	2	204-5593	1	RELAY (24-VOLT) (POWER)	
	24A	2	204-5593	1	RELAY (24-VOLT) (ENGINE CONT SWITCH IN REMOTE)	
	25	2	204-5594	1	RELAY (24-VOLT) (START ENABLE)	
	25A	2	204-5594	1	RELAY (24-VOLT) (RESET 1)	
	25B	2	204-5594	1	RELAY (24-VOLT) (RUN 1)	
	25C	2	204-5594	1	RELAY (24-VOLT) (STOP 1)	
	25D	2	204-5594	1	RELAY (24-VOLT) (RESET 2)	
	25E	2	204-5594	1	RELAY (24-VOLT) (RUN 2)	
	25F	2	204-5594	1	RELAY (24-VOLT) (RUN 2)	
	25G	2	204-5594	1	RELAY (24-VOLT) (STOP 2)	
	25H	2	204-5594	1	RELAY (24-VOLT) (HORN)	
	25J	2	204-5594	1	RELAY (24-VOLT) (SHUT DOWN NOTIFY)	
	26	1	221-2498	1	WIRE AS	
	27	2	231-9911	1	BRACKET	
	28	2	234-8717	1	SWITCH (OVERSPEED)	
Y	29	1	267-8623	1	DISPLAY GP-MONITOR (MARINE POWER DISPLAY)	652
	30	1	295-7948	1	HARNESS AS-PANEL (MARINE POWER DISPLAY)	
		1	8L-8413	60	STRAP-CABLE	
		1	186-3736	22	SOCKET-CONNECTOR (16-GA TO 18-GA)	
		1	8T-8737	2	PLUG-SEAL	
		1	110-8714	98	END-WIRE (18-GA)	
E		1	119-3662		TUBE-HEAT SHRINK (10.85-MM DIA) (26-CM)	
E		1	125-7874		TUBE-HEAT SHRINK (5.72-MM DIA) (50-CM)	
E		1	125-7875		TUBE-HEAT SHRINK (7.44-MM DIA) (10-CM)	
		1	5P-2321	3	TERMINAL-FORK (14-GA TO 16-GA, NO. 6 SCREW)	
		1	2L-8075	25	TERMINAL-RING (14-GA TO 16-GA, NO. 8 SCREW)	
		1	5P-4571	7	TERMINAL-BLADE (14-GA TO 16-GA)	
		1	133-0970	1	RECEPTACLE AS (TEE)	
		1	134-2540	1	RESISTOR AS-CONNECTION (3-PIN)	
		1	155-2258	1	WEDGE-PLUG LOCK (12-PIN)	
		1	155-2255	1	KIT-CONNECTING PLUG (12-PIN)	

OPERATOR STATION

290-3213 BOX GP-INSTRUMENT PANEL (contd.)

i02628198

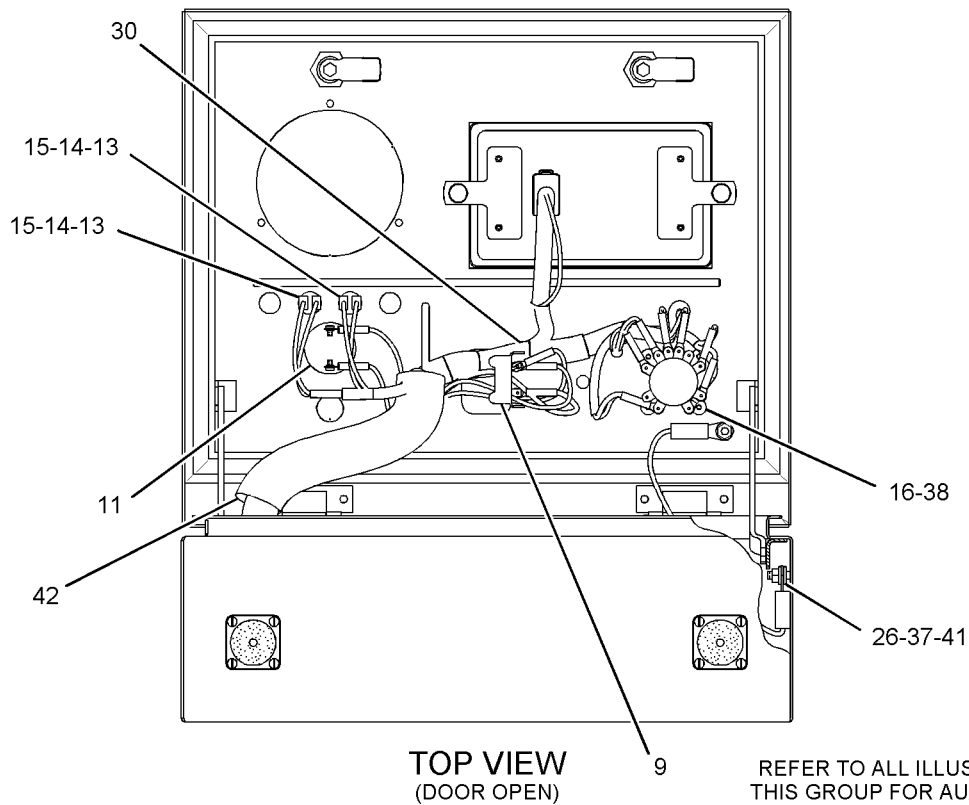
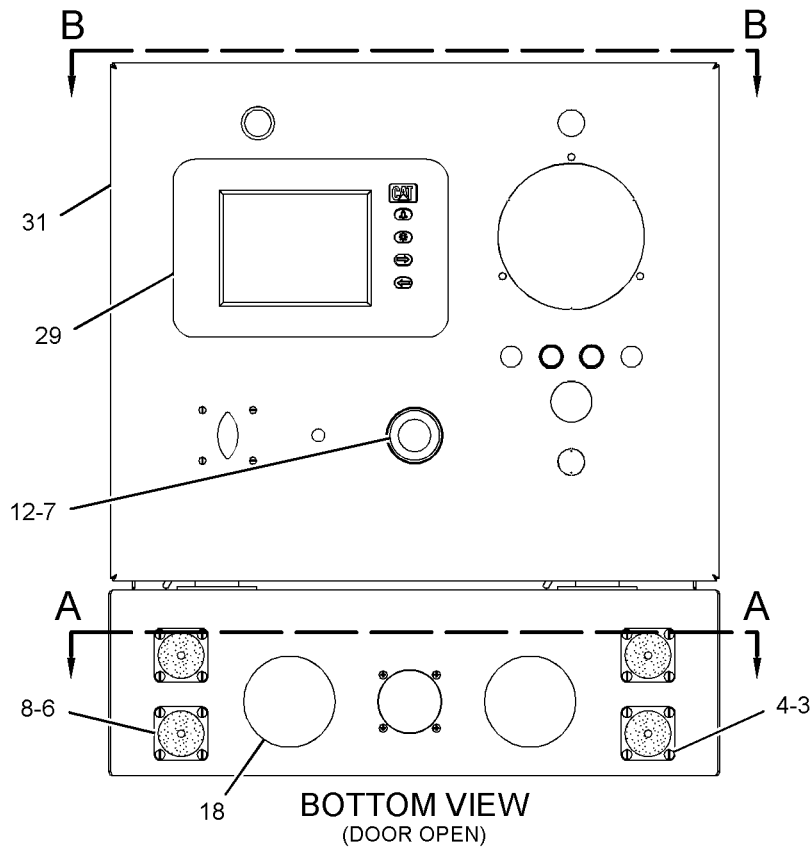
NOTE	REF NO	GRAPHIC REF	PART NUMBER	QTY	PART NAME						SEE PAGE
					1	2	3	4	5	6 (PRODUCT LEVEL)	
		1	174-0503	8	KIT-CONNECTING PLUG (3-PIN) (EACH PLUG KIT INCLUDES PLUG AS AND WEDGE)						
		1	207-5432	4	TERMINAL-BLADE (14-GA TO 16-GA)						
		1	232-0019	1	RECEPTACLE (46-PIN)						
		1	233-9226	34	PIN-CONNECTOR (16-GA TO 20-GA)						
		1	233-9228	12	PLUG-SEAL						
Y	31	1	290-7263	1	BOX AS-INSTRUMENT						610
	32	2	291-4828	1	PLATE AS						
		2	7T-1099	3	LINK						
	33	2	156-6450	4	SCREW-PAN HEAD (6-32X15.88-MM)						
	34	2	3E-9860	4	LOCKNUT (5/16-18-THD)						
	35	2	4B-4863	2	WASHER (4.7X11X1.2-MM THK)						
	36	2	4D-1836	1	SWITCH AS-TOGGLE (ENGINE PROTECTION OVERRIDE)						
	36A	2	4D-1836	1	SWITCH AS-TOGGLE (LOW IDLE)						
	37	1	5P-0537	4	WASHER-HARD (7.2X14.5X2-MM THK)						
	38	1	7C-4910	1	SEAL						
Y	39	2	7N-8001	1	SWITCH GP-TOGGLE (PRELUBRICATION OVERRIDE)						526
Y	39A	2	7N-8001	1	SWITCH GP-TOGGLE (CRANK OVERRIDE)						526
	40	2	8T-4224	4	WASHER-HARD (8.8X16X2-MM THK)						
	41	1	9S-8750	2	NUT-FULL (1/4-20-THD)						
E	42	1	7Y-5074		GUARD-HOSE (19-CM)						
	43	2	241-8224	1	KIT-MARKER						
Y	44	2	295-5455	1	WIRING GP-INSTRUMENT PANEL (START SELECTOR)						562

E-ORDER BY THE CENTIMETER
Y-SEPARATE ILLUSTRATION

OPERATOR STATION

290-3213 BOX GP-INSTRUMENT PANEL (contd.)

i02628198



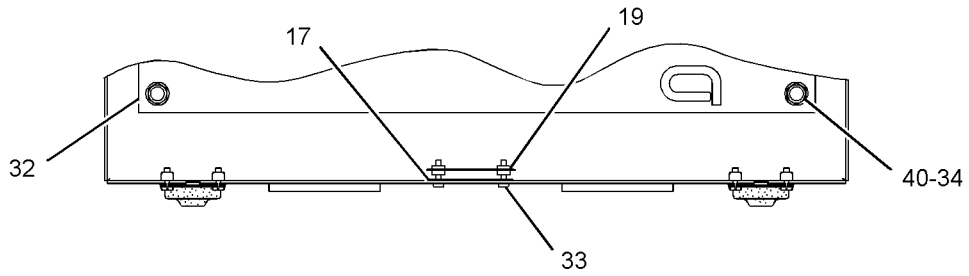
GRAPHIC #1

g01330821

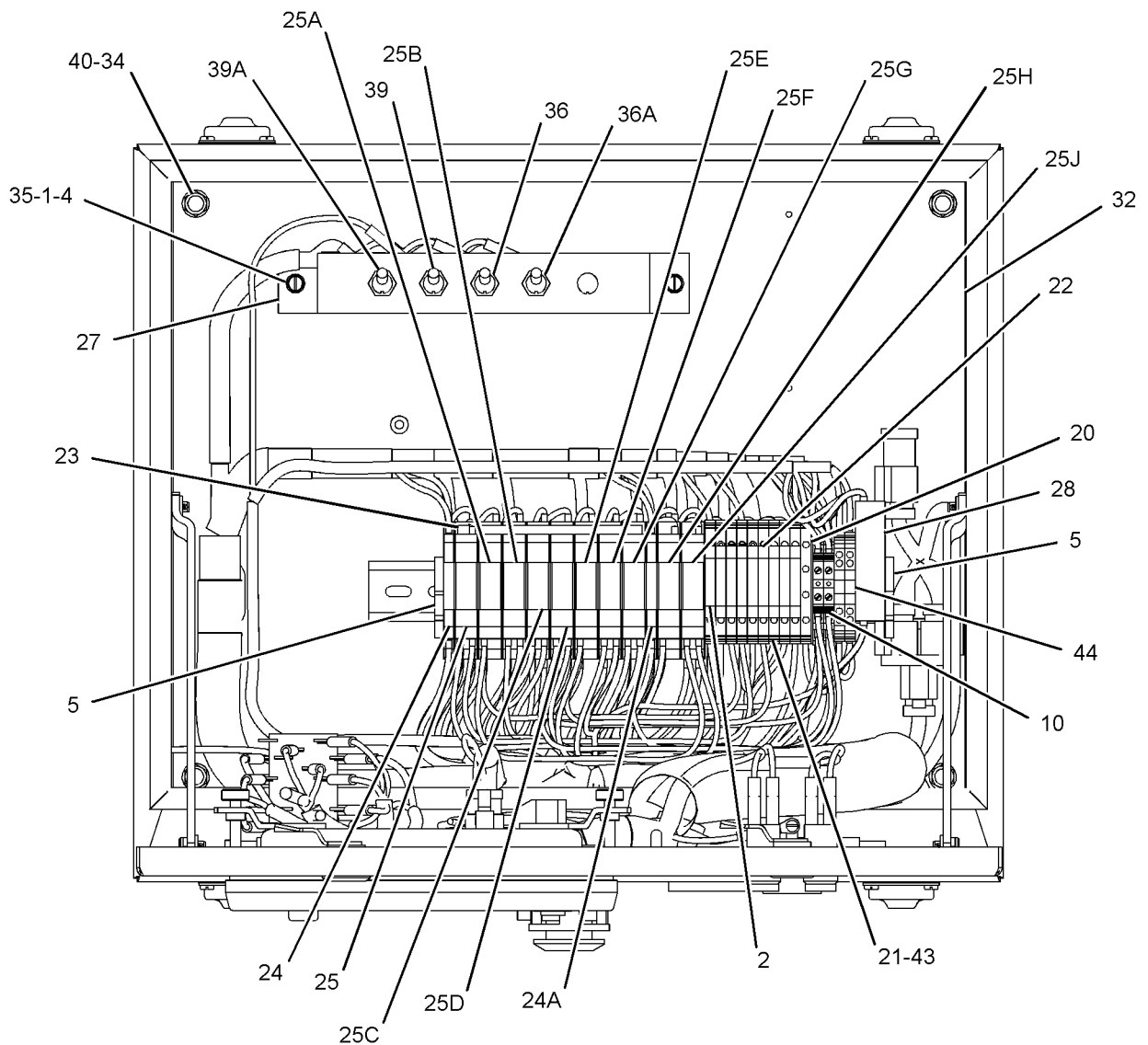
OPERATOR STATION

290-3213 BOX GP-INSTRUMENT PANEL (contd.)

i02628198



SECTION A-A



VIEW B-B

GRAPHIC #2

<END>

g01330825

OPERATOR STATION

290-3213 BOX GP-INSTRUMENT PANEL

AN ATTACHMENT

TYPE 2

SMCS-7451, 7490

i03864013

NOTE	REF NO	GRAPHIC REF	PART NUMBER	QTY	PART NAME						SEE PAGE
					1	2	3	4	5	6 (PRODUCT LEVEL)	
	1	2	1H-4393	2	LOCKWASHER						
	2	2	3E-0357	9	DIODE AS						
	3	1	6D-5801	24	LOCKNUT (8-32-THD)						
	4	1,2	7S-1197	26	SCREW-MACHINE (8-32X0.5-IN)						
	5	2	9X-9675	2	BRACKET-END						
	6	1	107-2482	6	GASKET						
	7	1	109-6507	1	SWITCH AS-PUSH BUTTON (EMERGENCY STOP)						
	8	1	110-8909	6	MOUNT-FLEXIBLE						
	9	1	111-1323	1	BLOCK-CONTACT (1-POLE)						
	10	2	120-9079	2	TERMINAL						
	11	1	123-9694	1	HORN						
	12	1	124-3176	1	COVER						
	13	1	125-9941	2	BASE-LAMP						
	14	1	125-9943	2	LENS (RED)						
	15	1	125-9955	2	LAMP-LED (24-VOLT, RED) (OVERSPEED)						
	16	1	127-2331	1	SWITCH AS-ROTARY (ENGINE CONTROL)						
	17	2	131-4891	1	GASKET						
	18	1	131-9131	2	SEAL-CONNECTOR (76-MM ID)						
	19	2	132-8489	1	NUT-RING						
	20	2	134-0957	1	COVER-BLOCK						
	21	2	135-6740	9	BLOCK-DIODE						
	22	2	197-2691	1	STRIP-CONTACT						
	23	2	204-5592	1	BAR-FIXED BRIDGE						
	24	2	204-5593	1	RELAY (24-VOLT) (POWER)						
C	24A	2	204-5593	1	RELAY (24-VOLT) (RESET 1)						
C	24B	2	204-5593	1	RELAY (24-VOLT) (RESET 2)						
	24C	2	204-5593	1	RELAY (24-VOLT) (ENGINE CONT SWITCH IN REMOTE)						
C	24D	2	204-5593	1	RELAY (24-VOLT) (HORN)						
	25	2	204-5594	1	RELAY (24-VOLT) (START ENABLE)						
	25A	2	204-5594	1	RELAY (24-VOLT) (RUN 1)						
	25B	2	204-5594	1	RELAY (24-VOLT) (STOP 1)						
	25C	2	204-5594	1	RELAY (24-VOLT) (STOP ENABLE)						
	25D	2	204-5594	1	RELAY (24-VOLT) (RUN 2)						
	25E	2	204-5594	1	RELAY (24-VOLT) (STOP 2)						
	25F	2	204-5594	1	RELAY (24-VOLT) (SHUT DOWN NOTIFY)						
	26	1	221-2498	1	WIRE AS						
	27	2	231-9911	1	BRACKET						
	28	2	234-8717	1	SWITCH (OVERSPEED)						
Y	29	1	267-8623	1	DISPLAY GP-MONITOR (MARINE POWER DISPLAY)						652
	30	1	295-7948	1	HARNESS AS-PANEL (MARINE POWER DISPLAY)						
		1	8L-8413	60	STRAP-CABLE						
		1	186-3736	22	SOCKET-CONNECTOR (16-GA TO 18-GA)						
		1	8T-8737	2	PLUG-SEAL						
		1	110-8714	98	END-WIRE (18-GA)						
E		1	119-3662		TUBE-HEAT SHRINK (10.85-MM DIA) (26-CM)						
E		1	125-7874		TUBE-HEAT SHRINK (5.72-MM DIA) (50-CM)						
E		1	125-7875		TUBE-HEAT SHRINK (7.44-MM DIA) (10-CM)						
		1	5P-2321	3	TERMINAL-FORK (14-GA TO 16-GA, NO. 6 SCREW)						
		1	2L-8075	25	TERMINAL-RING (14-GA TO 16-GA, NO. 8 SCREW)						
		1	5P-4571	7	TERMINAL-BLADE (14-GA TO 16-GA)						
		1	133-0970	1	RECEPTACLE AS (TEE)						
		1	134-2540	1	RESISTOR AS-CONNECTION (3-PIN)						
		1	155-2255	1	KIT-CONNECTING PLUG (12-PIN)						

OPERATOR STATION

290-3213 BOX GP-INSTRUMENT PANEL (contd.)

i03864013

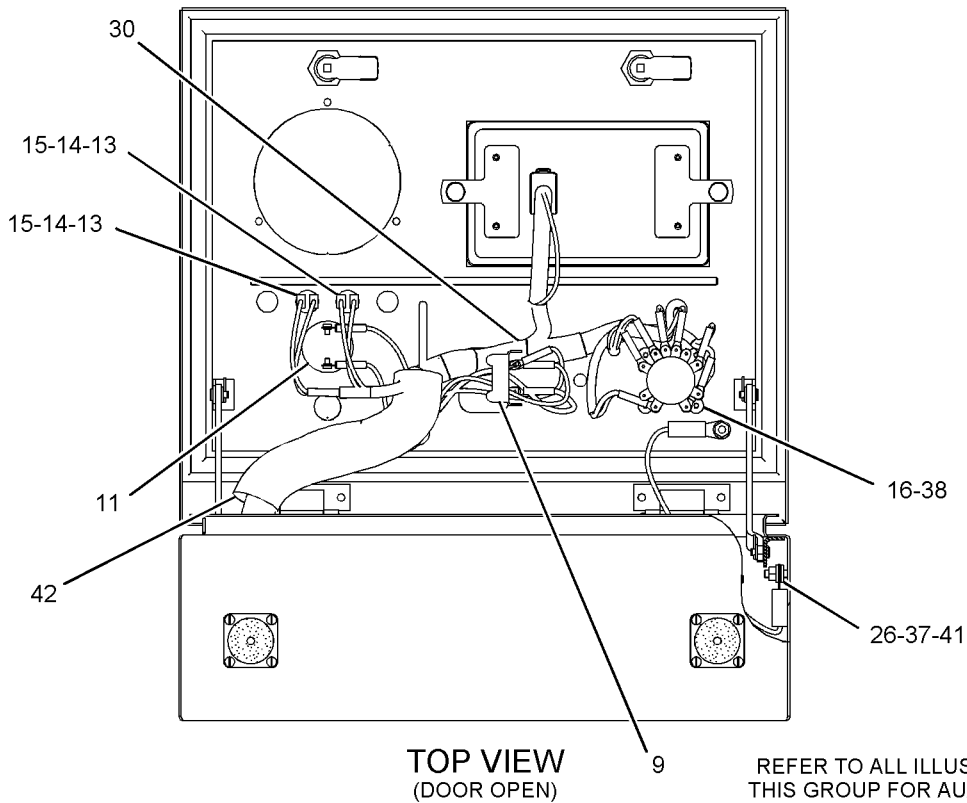
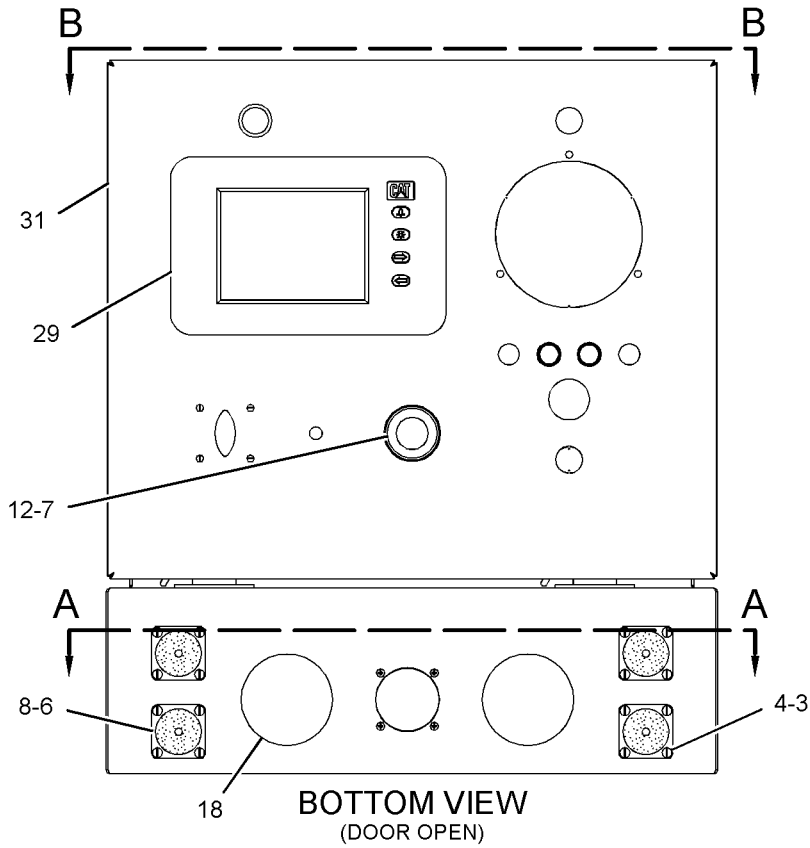
NOTE	REF NO	GRAPHIC REF	PART NUMBER	QTY	PART NAME						SEE PAGE
					1	2	3	4	5	6 (PRODUCT LEVEL)	
		1	174-0503	4	KIT-CONNECTING PLUG (3-PIN)						
					(EACH PLUG KIT INCLUDES PLUG AS, WEDGE & INTERFACE SEAL)						
		1	207-5432	4	TERMINAL-BLADE (14-GA TO 16-GA)						
		1	232-0019	1	RECEPTACLE (46-PIN)						
		1	233-9226	34	PIN-CONNECTOR (16-GA TO 20-GA)						
		1	233-9228	12	PLUG-SEAL						
Y	31	1	290-7263	1	BOX AS-INSTRUMENT						610
	32	2	291-4828	1	PLATE AS						
		2	7T-1099	3	LINK						
	33	2	156-6450	4	SCREW-PAN HEAD (6-32X15.88-MM)						
	34	2	3E-9860	4	LOCKNUT (5/16-18-THD)						
	35	2	4B-4863	2	WASHER (4.7X11X1.2-MM THK)						
	36	2	4D-1836	1	SWITCH AS-TOGGLE (ENGINE PROTECTION OVERRIDE)						
	36A	2	4D-1836	1	SWITCH AS-TOGGLE (LOW IDLE)						
	37	1	5P-0537	4	WASHER-HARD (7.2X14.5X2-MM THK)						
	38	1	7C-4910	1	SEAL						
Y	39	2	7N-8001	1	SWITCH GP-TOGGLE (PRELUBRICATION OVERRIDE)						526
Y	39A	2	7N-8001	1	SWITCH GP-TOGGLE (CRANK OVERRIDE)						526
	40	2	8T-4224	4	WASHER-HARD (8.8X16X2-MM THK)						
	41	1	9S-8750	2	NUT-FULL (1/4-20-THD)						
E	42	1	7Y-5074		GUARD-HOSE (19-CM)						
	43	2	241-8224	1	KIT-MARKER						
Y	44	2	295-5455	1	WIRING GP-INSTRUMENT PANEL (START SELECTOR)						562

C-CHANGE FROM PREVIOUS TYPE
 E-ORDER BY THE CENTIMETER
 Y-SEPARATE ILLUSTRATION

OPERATOR STATION

290-3213 BOX GP-INSTRUMENT PANEL (contd.)

i03864013



REFER TO ALL ILLUSTRATIONS OF THIS GROUP FOR AUXILIARY VIEWS

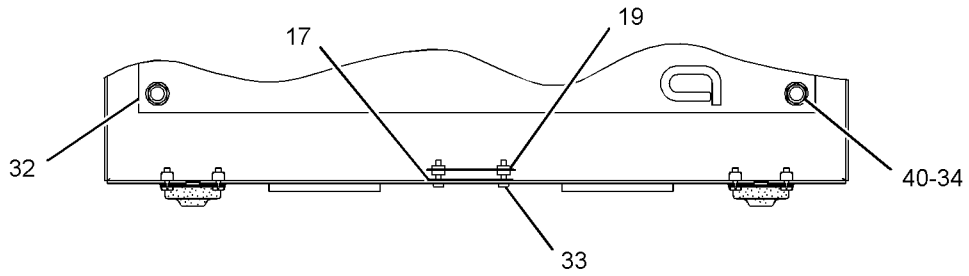
GRAPHIC #1

g01948732

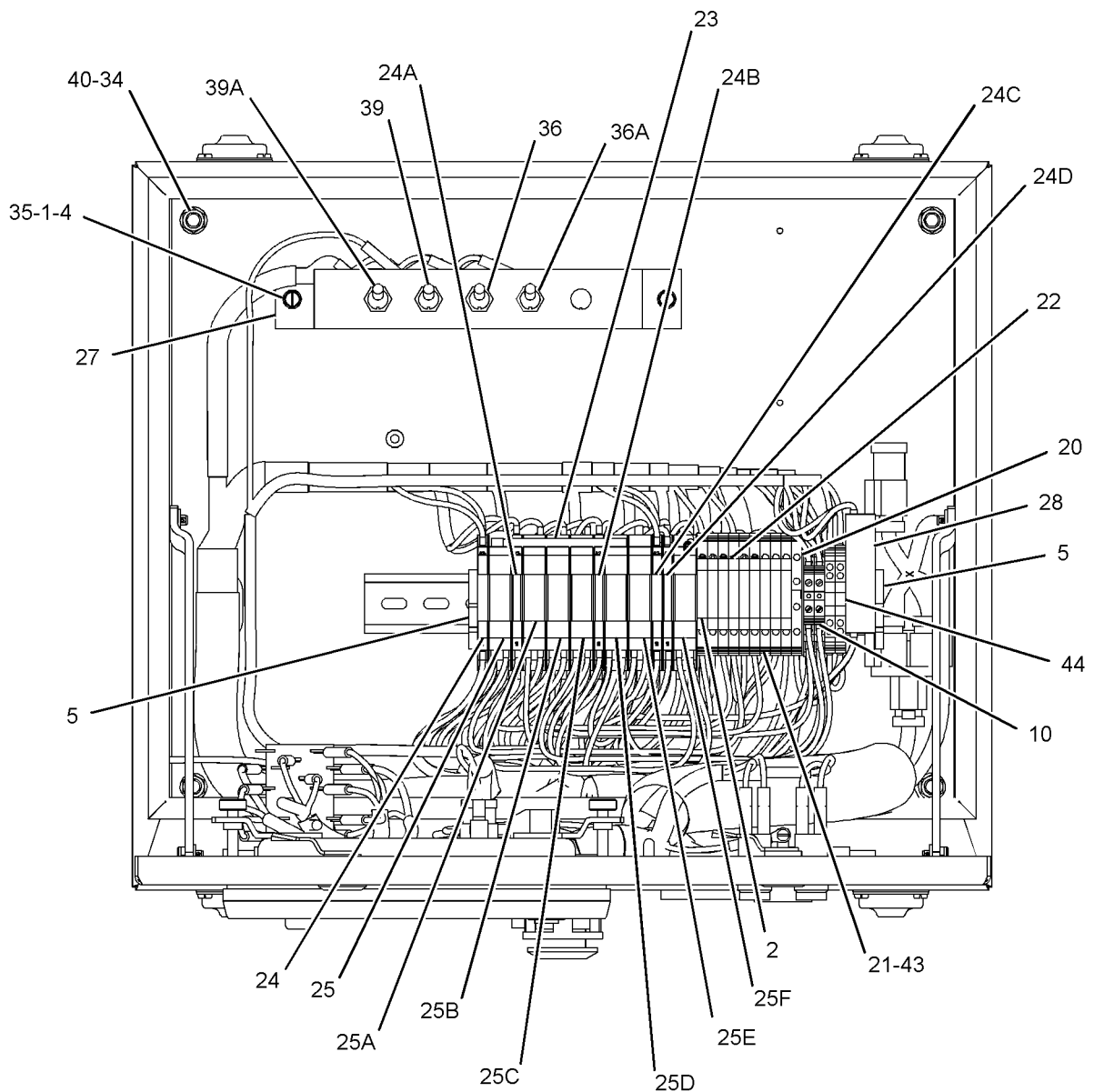
OPERATOR STATION

290-3213 BOX GP-INSTRUMENT PANEL (contd.)

i03864013



SECTION A-A



VIEW B-B

<END>

GRAPHIC #2

g01948733

OPERATOR STATION

290-3213 BOX GP-INSTRUMENT PANEL

AN ATTACHMENT
TYPE 3

SMCS-7451, 7490

i03795110

NOTE	REF NO	GRAPHIC REF	PART NUMBER	QTY	PART NAME						SEE PAGE
					1	2	3	4	5	6 (PRODUCT LEVEL)	
	1	2	1H-4393	2	LOCKWASHER						
	2	2	3E-0357	9	DIODE AS						
	3	1	6D-5801	24	LOCKNUT (8-32-THD)						
	4	1,2	7S-1197	26	SCREW-MACHINE (8-32X0.5-IN)						
	5	2	9X-9675	2	BRACKET-END						
	6	1	107-2482	6	GASKET						
	7	1	109-6507	1	SWITCH AS-PUSH BUTTON (EMERGENCY STOP)						
	8	1	110-8909	6	MOUNT-FLEXIBLE						
	9	1	111-1323	1	BLOCK-CONTACT (1-POLE)						
	10	2	120-9079	2	TERMINAL						
	11	1	123-9694	1	HORN						
	12	1	124-3176	1	COVER						
	13	1	125-9941	2	BASE-LAMP						
	14	1	125-9943	2	LENS (RED)						
	15	1	125-9955	2	LAMP-LED (24-VOLT, RED) (OVERSPEED)						
	16	1	127-2331	1	SWITCH AS-ROTARY (ENGINE CONTROL)						
	17	2	131-4891	1	GASKET						
	18	1	131-9131	2	SEAL-CONNECTOR (76-MM ID)						
	19	2	132-8489	1	NUT-RING						
	20	2	134-0957	1	COVER-BLOCK						
	21	2	135-6740	9	BLOCK-DIODE						
	22	2	197-2691	1	STRIP-CONTACT						
	23	2	204-5592	1	BAR-FIXED BRIDGE						
	24	2	204-5593	1	RELAY (24-VOLT) (POWER)						
	24A	2	204-5593	1	RELAY (24-VOLT) (RESET 1)						
	24B	2	204-5593	1	RELAY (24-VOLT) (RESET 2)						
	24C	2	204-5593	1	RELAY (24-VOLT) (ENGINE CONT SWITCH IN REMOTE)						
	24D	2	204-5593	1	RELAY (24-VOLT) (HORN)						
	25	2	204-5594	1	RELAY (24-VOLT) (START ENABLE)						
	25A	2	204-5594	1	RELAY (24-VOLT) (RUN 1)						
	25B	2	204-5594	1	RELAY (24-VOLT) (STOP 1)						
	25C	2	204-5594	1	RELAY (24-VOLT) (STOP ENABLE)						
	25D	2	204-5594	1	RELAY (24-VOLT) (RUN 2)						
	25E	2	204-5594	1	RELAY (24-VOLT) (STOP 2)						
	25F	2	204-5594	1	RELAY (24-VOLT) (SHUT DOWN NOTIFY)						
	26	1	221-2498	1	WIRE AS						
	27	2	231-9911	1	BRACKET						
	28	2	234-8717	1	SWITCH						
Y	29	1	267-8623	1	DISPLAY GP-MONITOR (MARINE POWER DISPLAY)						652
C	30	1	348-8981	1	HARNESS AS-PANEL (POWER MODULE)						
		1	5P-4571	7	TERMINAL-BLADE (14-GA TO 16-GA)						
		1	133-0970	1	RECEPTACLE AS (TEE)						
		1	134-2540	1	RESISTOR AS-CONNECTION (3-PIN)						
		1	155-2252	1	PLUG AS-CONNECTOR (12-PIN)						
		1	174-0502	4	PLUG AS-CONNECTOR (3-PIN) (EACH PLUG AS INCLUDES A PLUG AS & WEDGE)						
		1	207-5432	4	TERMINAL-BLADE (14-GA TO 16-GA)						
		1	232-0019	1	RECEPTACLE (46-PIN)						
		1	233-9226	34	PIN-CONNECTOR (16-GA TO 20-GA)						
		1	233-9228	12	PLUG-SEAL						
		1	102-8802	1	KIT-RECEPTACLE (2-PIN) (INCLUDES RECEPTACLE AS & WEDGE)						
		1	8L-8413	60	STRAP-CABLE						
		1	8T-8729	2	PIN-CONNECTOR (16-GA TO 18-GA)						
		1	8T-8730	22	SOCKET-CONNECTOR (16-GA TO 18-GA)						

OPERATOR STATION

290-3213 BOX GP-INSTRUMENT PANEL (contd.)

i03795110

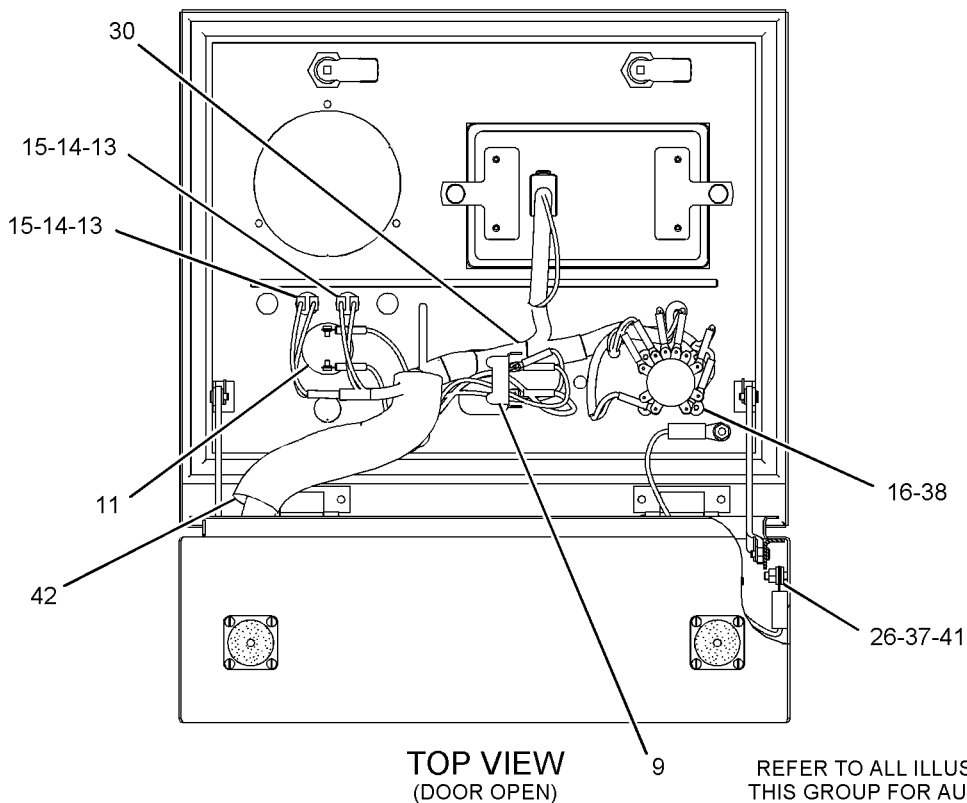
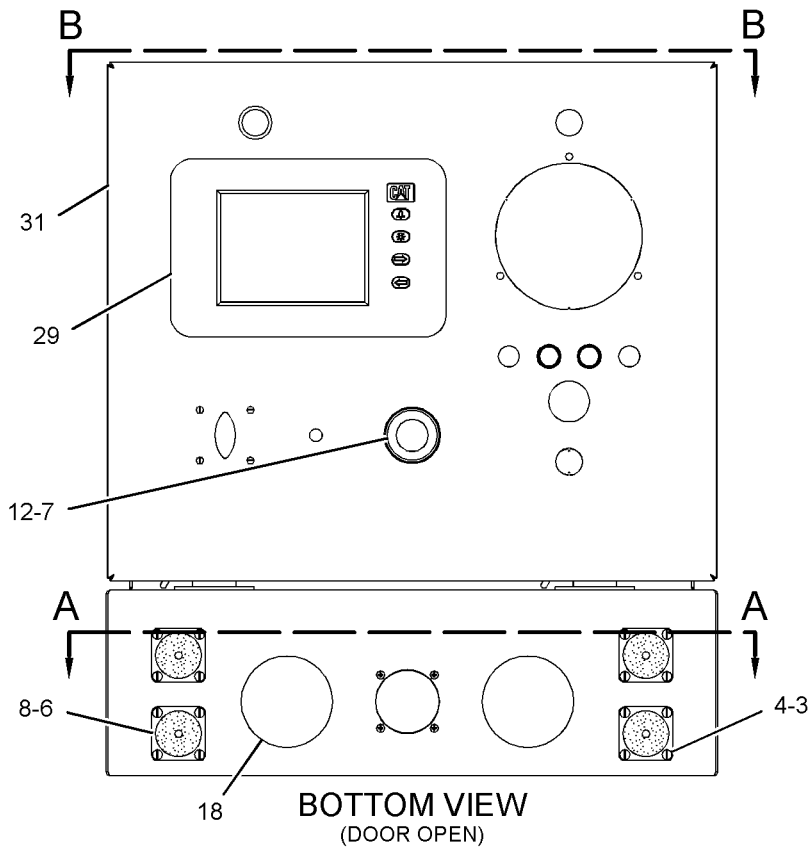
NOTE	REF NO	GRAPHIC REF	PART NUMBER	QTY	PART NAME						SEE PAGE
					1	2	3	4	5	6 (PRODUCT LEVEL)	
		1	8T-8737	2	PLUG-SEAL						
		1	110-8714	98	END-WIRE (18-GA)						
E		1	119-3662		TUBE-HEAT SHRINK (10.85-MM DIA) (26-CM)						
E		1	125-7874		TUBE-HEAT SHRINK (5.72-MM DIA) (50-CM)						
E		1	125-7875		TUBE-HEAT SHRINK (7.44-MM DIA) (10-CM)						
		1	5P-2321	3	TERMINAL-FORK (14-GA TO 16-GA, NO. 6 SCREW)						
		1	2L-8075	25	TERMINAL-RING (14-GA TO 16-GA, NO. 8 SCREW)						
Y	31	1	290-7263	1	BOX AS-INSTRUMENT						610
	32	2	291-4828	1	PLATE AS						
		2	7T-1099	3	LINK						
	33	2	156-6450	4	SCREW-PAN HEAD (6-32X15.88-MM)						
	34	2	3E-9860	4	LOCKNUT (5/16-18-THD)						
	35	2	4B-4863	2	WASHER (4.7X11X1.2-MM THK)						
	36	2	4D-1836	1	SWITCH AS-TOGGLE (ENGINE PROTECTION OVERRIDE)						
	36A	2	4D-1836	1	SWITCH AS-TOGGLE (LOW IDLE)						
	37	1	5P-0537	4	WASHER-HARD (7.2X14.5X2-MM THK)						
	38	1	7C-4910	1	SEAL						
Y	39	2	7N-8001	1	SWITCH GP-TOGGLE (PRELUBRICATION OVERRIDE)						526
Y	39A	2	7N-8001	1	SWITCH GP-TOGGLE (CRANK OVERRIDE)						526
	40	2	8T-4224	4	WASHER-HARD (8.8X16X2-MM THK)						
	41	1	9S-8750	2	NUT-FULL (1/4-20-THD)						
E	42	1	7Y-5074		GUARD-HOSE (19-CM)						
	43	2	241-8224	1	KIT-MARKER						
Y	44	2	295-5455	1	WIRING GP-INSTRUMENT PANEL (START SELECTOR)						562

C-CHANGE FROM PREVIOUS TYPE
 E-ORDER BY THE CENTIMETER
 Y-SEPARATE ILLUSTRATION

OPERATOR STATION

290-3213 BOX GP-INSTRUMENT PANEL (contd.)

i03795110



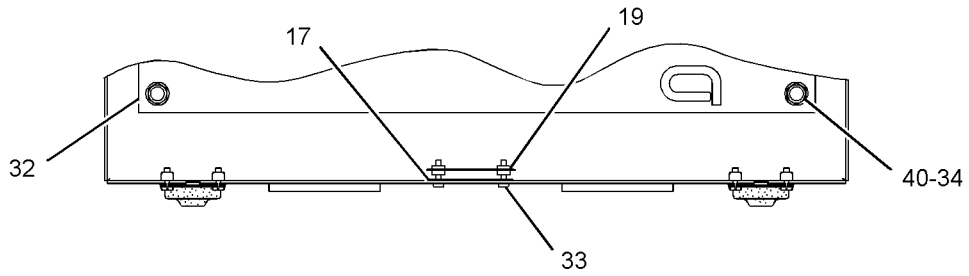
GRAPHIC #1

g01948732

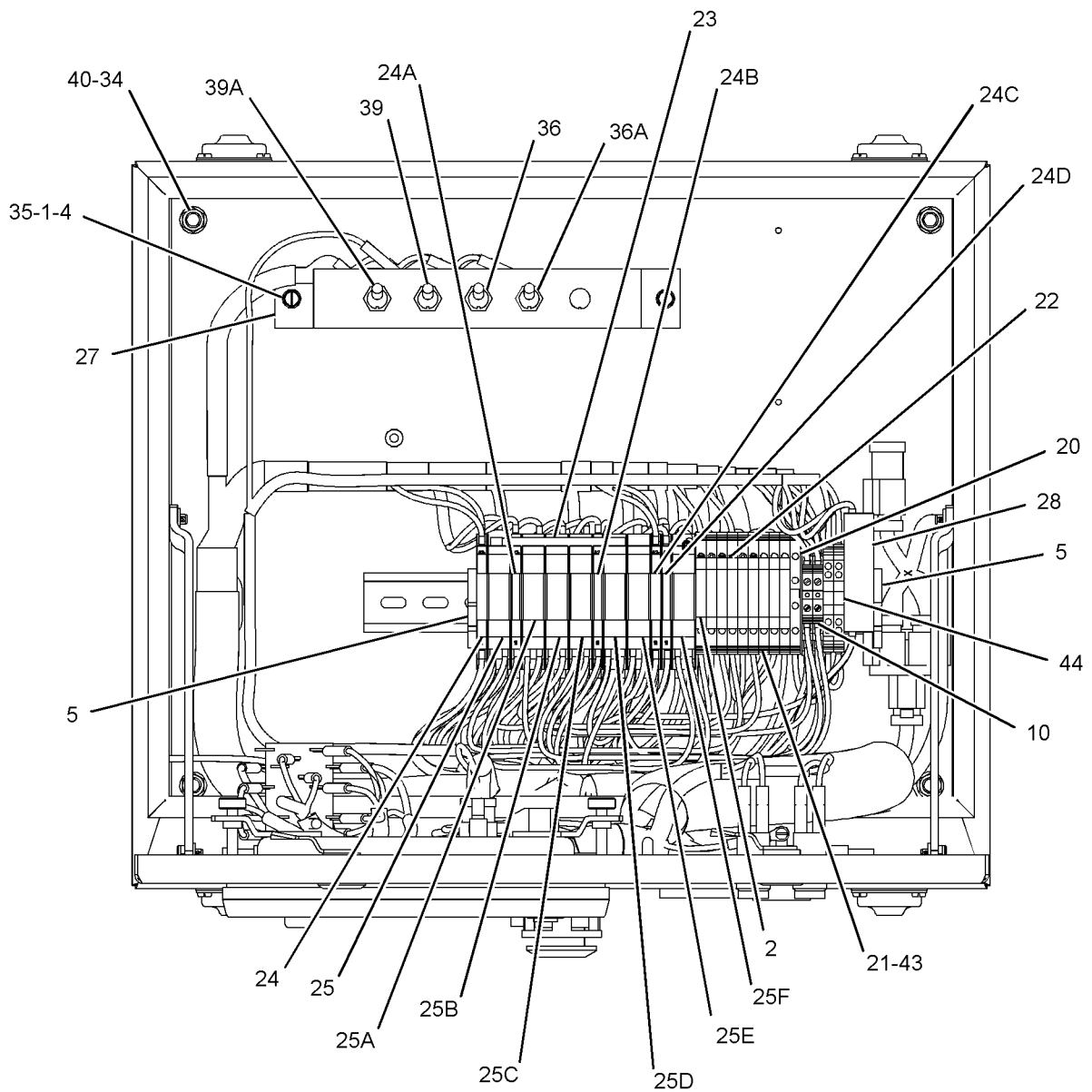
OPERATOR STATION

290-3213 BOX GP-INSTRUMENT PANEL (contd.)

i03795110



SECTION A-A



VIEW B-B

<END>

GRAPHIC #2

g01948733

OPERATOR STATION

300-0479 BOX GP-INSTRUMENT PANEL-PYROMETER

S/N: JTS1-143

AN ATTACHMENT

SMCS-7451, 7490

i03357421

NOTE	REF NO	GRAPHIC REF	PART NUMBER	QTY	PART NAME						SEE PAGE
					1	2	3	4	5	6 (PRODUCT LEVEL)	
	1	1	1H-4393	2	LOCKWASHER						
	2	1	3E-0357	9	DIODE AS						
	3	2	6D-5801	24	LOCKNUT (8-32-THD)						
	4	1	9X-9675	2	BRACKET-END						
	5	2	107-2482	6	GASKET						
	6	2	109-6507	1	SWITCH AS-PUSH BUTTON (EMERGENCY STOP)						
	7	2	110-8909	6	MOUNT-FLEXIBLE						
	8	2	111-1323	1	BLOCK-CONTACT (1-POLE)						
	9	1	120-9079	2	TERMINAL						
	10	2	123-9694	1	HORN						
	11	2	124-3176	1	COVER						
	12	2	125-9941	2	BASE-LAMP						
	13	2	125-9943	2	LENS (RED)						
	14	2	125-9955	2	LAMP-LED (24-VOLT, RED)						
	15	2	127-2331	1	SWITCH AS-ROTARY (ENGINE CONTROL)						
	16	2	131-4891	1	GASKET						
	17	2	132-8489	1	NUT-RING						
	18	1	134-0957	1	COVER-BLOCK						
	19	1	135-6740	9	BLOCK-DIODE						
	20	1,2	178-3339	26	SCREW (8-32X0.5-IN)						
	21	1	197-2691	1	STRIP-CONTACT						
	22	1	204-5592	1	BAR-FIXED BRIDGE						
	23	1	204-5593	1	RELAY (24-VOLT) (POWER)						
	23A	1	204-5593	1	RELAY (24-VOLT) (ENGINE CONT SWITCH IN REMOTE)						
	24	1	204-5594	1	RELAY (24-VOLT) (START ENABLE)						
	24A	1	204-5594	1	RELAY (24-VOLT) (RESET 1)						
	24B	1	204-5594	1	RELAY (24-VOLT) (RUN 1)						
	24C	1	204-5594	1	RELAY (24-VOLT) (STOP 1)						
	24D	1	204-5594	1	RELAY (24-VOLT) (STOP ENABLE)						
	24E	1	204-5594	1	RELAY (24-VOLT) (RESET 2)						
	24F	1	204-5594	1	RELAY (24-VOLT) (RUN 2)						
	24G	1	204-5594	1	RELAY (24-VOLT) (STOP 2)						
	24H	1	204-5594	1	RELAY (24-VOLT) (HORN)						
	24J	1	204-5594	1	RELAY (24-VOLT) (SHUT DOWN NOTIFY)						
	25	2	221-2498	1	WIRE AS						
	26	1	231-9911	1	BRACKET						
	27	1	234-8717	1	SWITCH (OVERSPEED)						
Y	28	2	237-9023	1	HARNES AS-SENSOR (THERMOCOUPLE)						436
	29	2	251-9430	1	MODULE-EXHAUST TEMPERATURE						
Y	30	2	267-8623	1	DISPLAY GP-MONITOR (MARINE POWER DISPLAY)						652
Y	31	2	290-7263	1	BOX AS-INSTRUMENT						610
	32	2	291-4828	1	PLATE AS						
		2	7T-1099	3	LINK						
Y	33	1	295-5455	1	WIRING GP-INSTRUMENT PANEL (START SELECTOR)						562
	34	2	295-7948	1	HARNES AS-PANEL (MARINE POWER DISPLAY)						
		2	8L-8413	60	STRAP-CABLE						
		2	186-3736	22	SOCKET-CONNECTOR (16-GA TO 18-GA)						
		2	8T-8737	2	PLUG-SEAL						
		2	110-8714	98	END-WIRE (18-GA)						
E		2	119-3662		TUBE-HEAT SHRINK (10.85-MM DIA) (26-CM)						
E		2	125-7874		TUBE-HEAT SHRINK (5.72-MM DIA) (50-CM)						
E		2	125-7875		TUBE-HEAT SHRINK (7.44-MM DIA) (10-CM)						
		2	5P-2321	3	TERMINAL-FORK (14-GA TO 16-GA, NO. 6 SCREW)						
		2	2L-8075	25	TERMINAL-RING (14-GA TO 16-GA, NO. 8 SCREW)						
		2	5P-4571	7	TERMINAL-BLADE (14-GA TO 16-GA)						

OPERATOR STATION

300-0479 BOX GP-INSTRUMENT PANEL (contd.)

i03357421

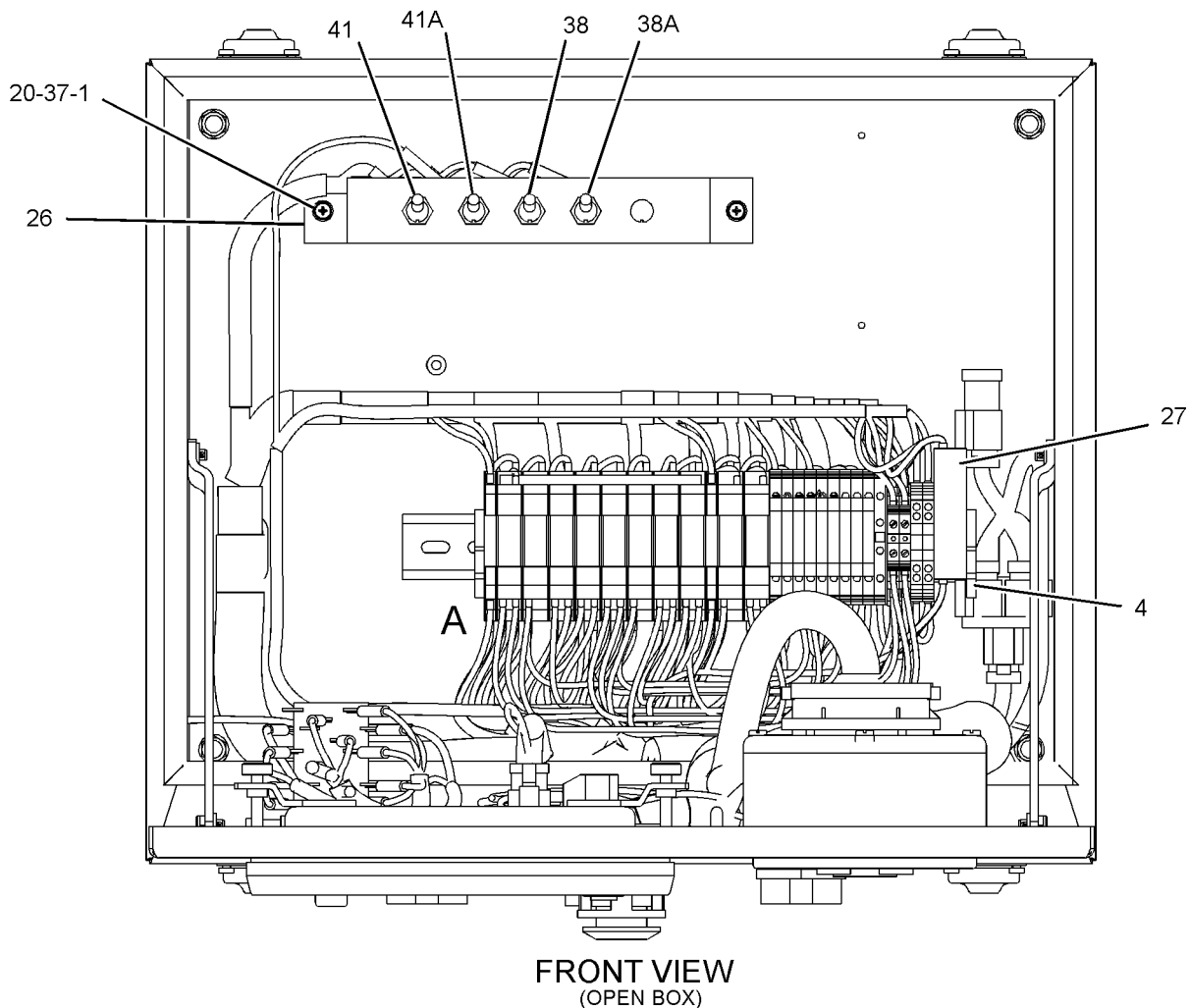
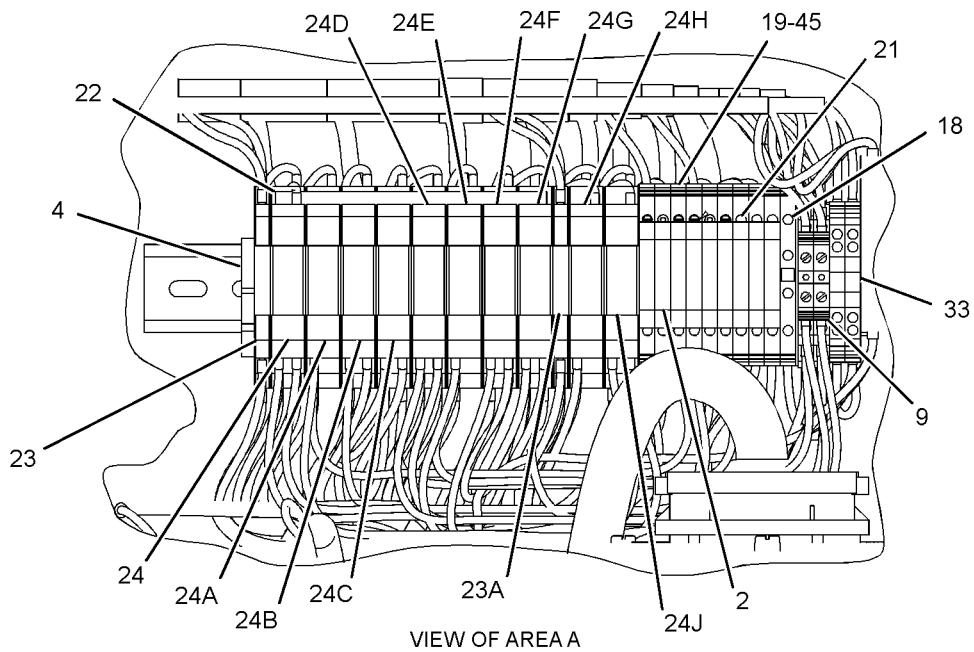
NOTE	REF NO	GRAPHIC REF	PART NUMBER	QTY	PART NAME						SEE PAGE
					1	2	3	4	5	6 (PRODUCT LEVEL)	
		2	133-0970	1	RECEPTACLE AS (TEE)						
		2	134-2540	1	RESISTOR AS-CONNECTION (3-PIN)						
		2	155-2255	1	KIT-CONNECTING PLUG (12-PIN)						
		2	155-2258	1	WEDGE-PLUG LOCK (12-PIN)						
		2	174-0503	4	KIT-CONNECTING PLUG (3-PIN)						
		2	174-0503	4	KIT-CONNECTING PLUG (3-PIN)						
		2	207-5432	4	TERMINAL-BLADE (14-GA TO 16-GA)						
		2	233-9226	34	PIN-CONNECTOR (16-GA TO 20-GA)						
		2	233-9228	12	PLUG-SEAL						
	35	2	156-6450	4	SCREW-PAN HEAD (6-32X15.88-MM)						
	36	2	3E-9860	4	LOCKNUT (5/16-18-THD)						
	37	1	4B-4863	2	WASHER (4.7X11X1.2-MM THK)						
	38	1	4D-1836	1	SWITCH AS-TOGGLE (ENGINE PROTECTION OVERRIDE)						
	38A	1	4D-1836	1	SWITCH AS-TOGGLE (LOW IDLE)						
	39	2	5P-0537	4	WASHER-HARD (7.2X14.5X2-MM THK)						
	40	2	7C-4910	1	SEAL						
Y	41	1	7N-8001	1	SWITCH GP-TOGGLE (CRANK OVERRIDE)						526
Y	41A	1	7N-8001	1	SWITCH GP-TOGGLE (PRELUBRICATION OVERRIDE)						526
	42	2	8T-4224	4	WASHER-HARD (8.8X16X2-MM THK)						
	43	2	9S-8750	2	NUT-FULL (1/4-20-THD)						
E	44	2	7Y-5074		GUARD-HOSE (19-CM)						
	45	1	241-8224	1	KIT-MARKER						

E-ORDER BY THE CENTIMETER
Y-SEPARATE ILLUSTRATION

OPERATOR STATION

300-0479 BOX GP-INSTRUMENT PANEL (contd.)

i03357421



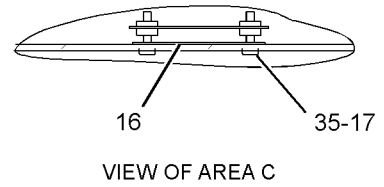
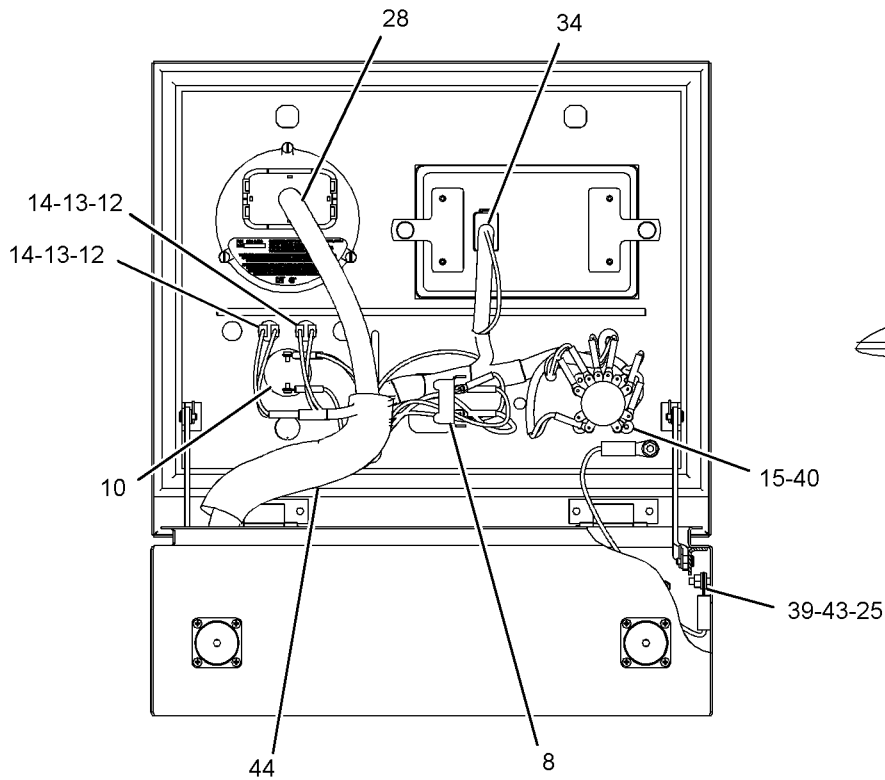
GRAPHIC #1

g01332469

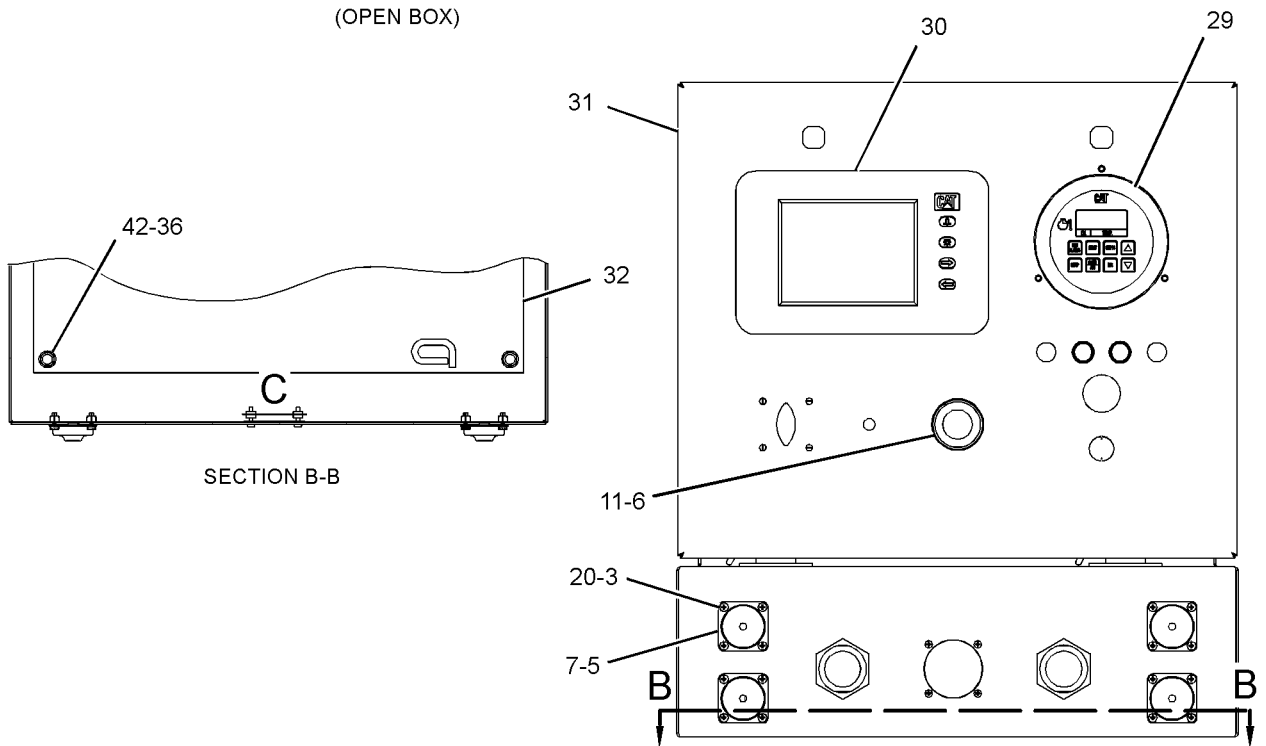
OPERATOR STATION

300-0479 BOX GP-INSTRUMENT PANEL (contd.)

i03357421



TOP VIEW
(OPEN BOX)



SECTION B-B

BOTTOM VIEW
(OPEN BOX)

GRAPHIC #2

<END>

g01578344

OPERATOR STATION

300-0479 BOX GP-INSTRUMENT PANEL-PYROMETER

S/N: JTS144
AN ATTACHMENT

SMCS-7451, 7490

i03778076

NOTE	REF NO	GRAPHIC REF	PART NUMBER	QTY	PART NAME 1 2 3 4 5 6 (PRODUCT LEVEL)	SEE PAGE
	1	2	1H-4393	2	LOCKWASHER	
	2	2	3E-0357	9	DIODE AS	
	3	1	6D-5801	24	LOCKNUT (8-32-THD)	
	4	2	9X-9675	2	BRACKET-END	
	5	1	107-2482	6	GASKET	
	6	1	109-6507	1	SWITCH AS-PUSH BUTTON (EMERGENCY STOP)	
	7	1	110-8909	6	MOUNT-FLEXIBLE	
	8	1	111-1323	1	BLOCK-CONTACT (1-POLE)	
	9	2	120-9079	2	TERMINAL	
	10	1	123-9694	1	HORN	
	11	1	124-3176	1	COVER	
	12	1	125-9941	2	BASE-LAMP	
	13	1	125-9943	2	LENS (RED)	
	14	1	125-9955	2	LAMP-LED (24-VOLT, RED)	
	15	1	127-2331	1	SWITCH AS-ROTARY (ENGINE CONTROL)	
	16	1	131-4891	1	GASKET	
	17	1	132-8489	1	NUT-RING	
	18	2	134-0957	1	COVER-BLOCK	
	19	2	135-6740	9	BLOCK-DIODE	
	20	1,2	178-3339	26	SCREW (8-32X0.5-IN)	
	21	2	197-2691	1	STRIP-CONTACT	
	22	2	204-5592	1	BAR-FIXED BRIDGE	
	23	2	204-5593	1	RELAY (24-VOLT) (POWER)	
C	23A	2	204-5593	1	RELAY (24-VOLT) (RESET 1)	
C	23B	2	204-5593	1	RELAY (24-VOLT) (RESET 2)	
	23C	2	204-5593	1	RELAY (24-VOLT) (ENGINE CONT SWITCH IN REMOTE)	
C	23D	2	204-5593	1	RELAY (24-VOLT) (HORN)	
	24	2	204-5594	1	RELAY (24-VOLT) (START ENABLE)	
	24A	2	204-5594	1	RELAY (24-VOLT) (RUN 1)	
	24B	2	204-5594	1	RELAY (24-VOLT) (STOP 1)	
	24C	2	204-5594	1	RELAY (24-VOLT) (STOP ENABLE)	
	24D	2	204-5594	1	RELAY (24-VOLT) (RUN 2)	
	24E	2	204-5594	1	RELAY (24-VOLT) (STOP 2)	
	24F	2	204-5594	1	RELAY (24-VOLT) (SHUT DOWN NOTIFY)	
	25	1	221-2498	1	WIRE AS	
	26	2	231-9911	1	BRACKET	
	27	2	234-8717	1	SWITCH (OVERSPEED)	
Y	28	1	237-9023	1	HARNESS AS-SENSOR (THERMOCOUPLE)	436
	29	1	251-9430	1	MODULE-EXHAUST TEMPERATURE	
Y	30	1	267-8623	1	DISPLAY GP-MONITOR (MARINE POWER DISPLAY)	652
Y	31	1	290-7263	1	BOX AS-INSTRUMENT	610
	32	1	291-4828	1	PLATE AS	
		1	7T-1099	3	LINK	
Y	33	2	295-5455	1	WIRING GP-INSTRUMENT PANEL (START SELECTOR)	562
	34	1	295-7948	1	HARNESS AS-PANEL (MARINE POWER DISPLAY)	
		1	8L-8413	60	STRAP-CABLE	
		1	186-3736	22	SOCKET-CONNECTOR (16-GA TO 18-GA)	
		1	8T-8737	2	PLUG-SEAL	
		1	110-8714	98	END-WIRE (18-GA)	
E		1	119-3662		TUBE-HEAT SHRINK (10.85-MM DIA) (26-CM)	
E		1	125-7874		TUBE-HEAT SHRINK (5.72-MM DIA) (50-CM)	
E		1	125-7875		TUBE-HEAT SHRINK (7.44-MM DIA) (10-CM)	
		1	5P-2321	3	TERMINAL-FORK (14-GA TO 16-GA, NO. 6 SCREW)	
		1	2L-8075	25	TERMINAL-RING (14-GA TO 16-GA, NO. 8 SCREW)	
		1	5P-4571	7	TERMINAL-BLADE (14-GA TO 16-GA)	

OPERATOR STATION

300-0479 BOX GP-INSTRUMENT PANEL (contd.)

i03778076

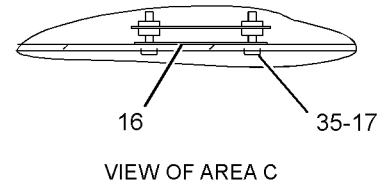
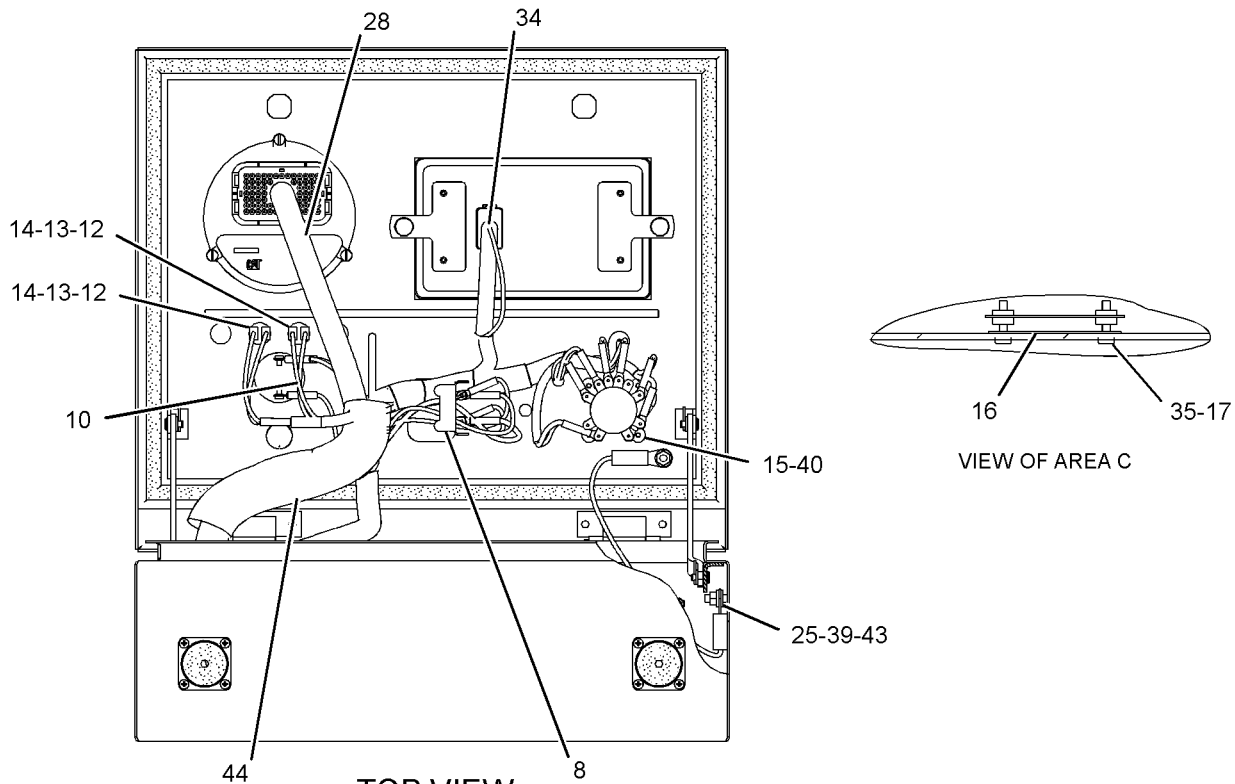
NOTE	REF NO	GRAPHIC REF	PART NUMBER	QTY	PART NAME						SEE PAGE
					1	2	3	4	5	6 (PRODUCT LEVEL)	
		1	133-0970	1	RECEPTACLE AS (TEE)						
		1	134-2540	1	RESISTOR AS-CONNECTION (3-PIN)						
		1	155-2255	1	KIT-CONNECTING PLUG (12-PIN) (INCLUDES PLUG AS, WEDGE & INTERFACE SEAL)						
		1	155-2258	1	WEDGE-PLUG LOCK (12-PIN)						
		1	174-0503	4	KIT-CONNECTING PLUG (3-PIN) (EACH INCLUDES PLUG AS, WEDGE & INTERFACE SEAL)						
		1	232-0019	1	RECEPTACLE (46-PIN)						
		1	207-5432	4	TERMINAL-BLADE (14-GA TO 16-GA)						
		1	233-9226	34	PIN-CONNECTOR (16-GA TO 20-GA)						
		1	233-9228	12	PLUG-SEAL						
	35	1	156-6450	4	SCREW-PAN HEAD (6-32X15.88-MM)						
	36	1	3E-9860	4	LOCKNUT (5/16-18-THD)						
	37	2	4B-4863	2	WASHER (4.7X11X1.2-MM THK)						
	38	2	4D-1836	1	SWITCH AS-TOGGLE (ENGINE PROTECTION OVERRIDE)						
	38A	2	4D-1836	1	SWITCH AS-TOGGLE (LOW IDLE)						
	39	1	5P-0537	4	WASHER-HARD (7.2X14.5X2-MM THK)						
	40	1	7C-4910	1	SEAL						
Y	41	2	7N-8001	1	SWITCH GP-TOGGLE (CRANK OVERRIDE)						526
Y	41A	2	7N-8001	1	SWITCH GP-TOGGLE (PRELUBRICATION OVERRIDE)						526
	42	1	8T-4224	4	WASHER-HARD (8.8X16X2-MM THK)						
	43	1	9S-8750	2	NUT-FULL (1/4-20-THD)						
E	44	1	7Y-5074		GUARD-HOSE (19-CM)						
	45	2	241-8224	1	KIT-MARKER						

C-CHANGE FROM PREVIOUS TYPE
 E-ORDER BY THE CENTIMETER
 Y-SEPARATE ILLUSTRATION

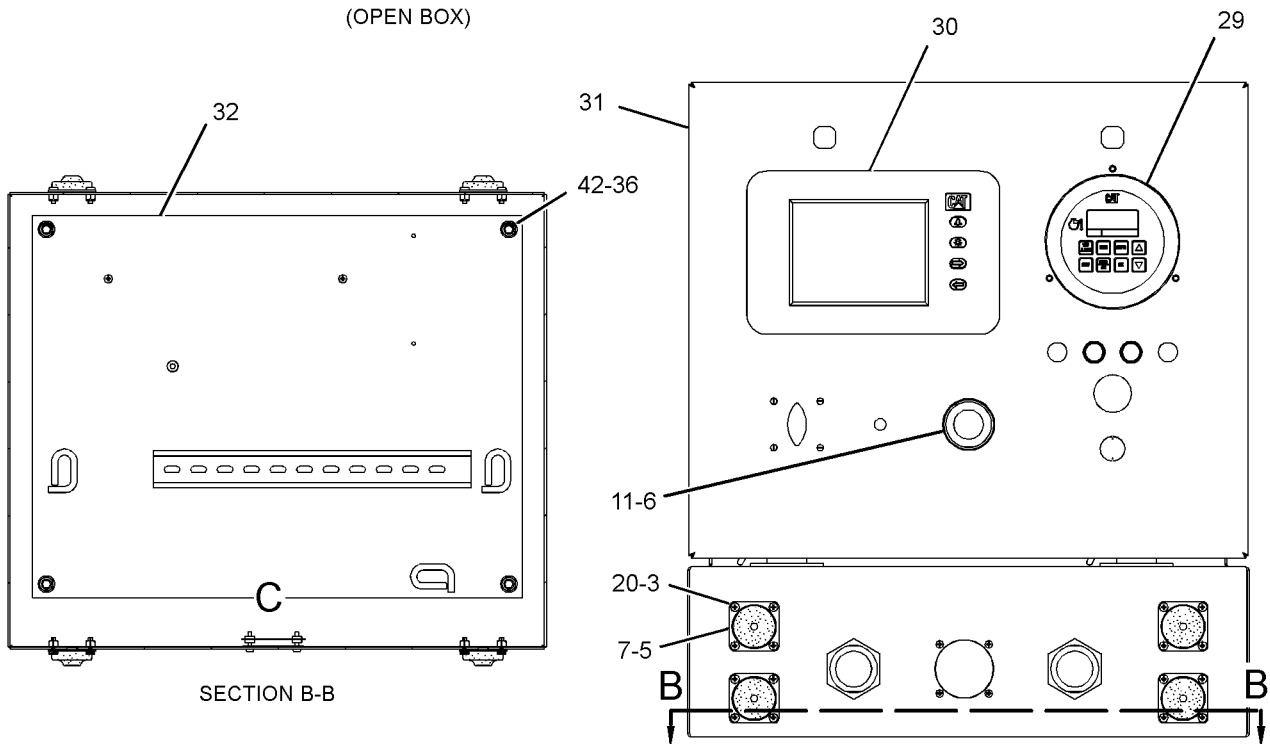
OPERATOR STATION

300-0479 BOX GP-INSTRUMENT PANEL (contd.)

i03778076



TOP VIEW
(OPEN BOX)



SECTION B-B

BOTTOM VIEW
(OPEN BOX)

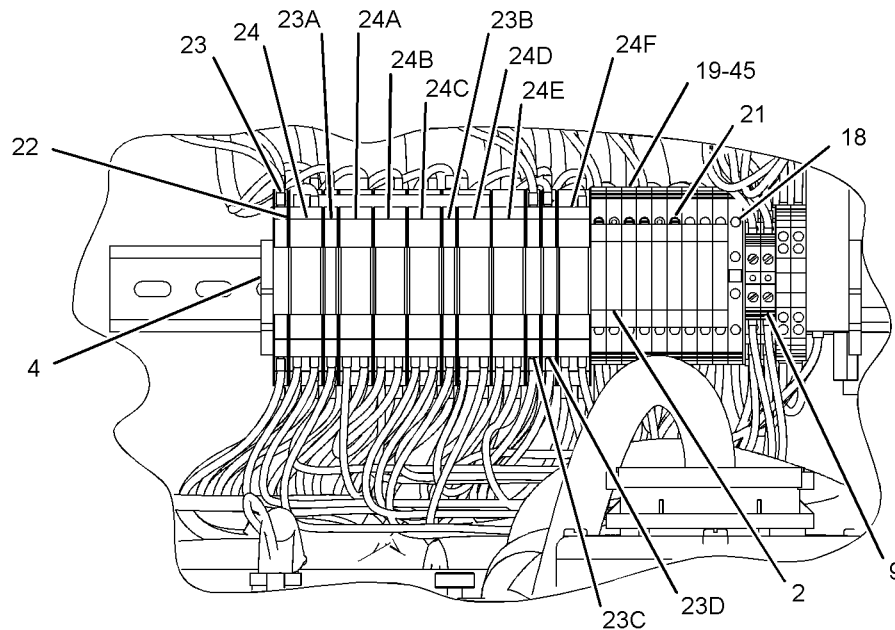
GRAPHIC #1

g01951118

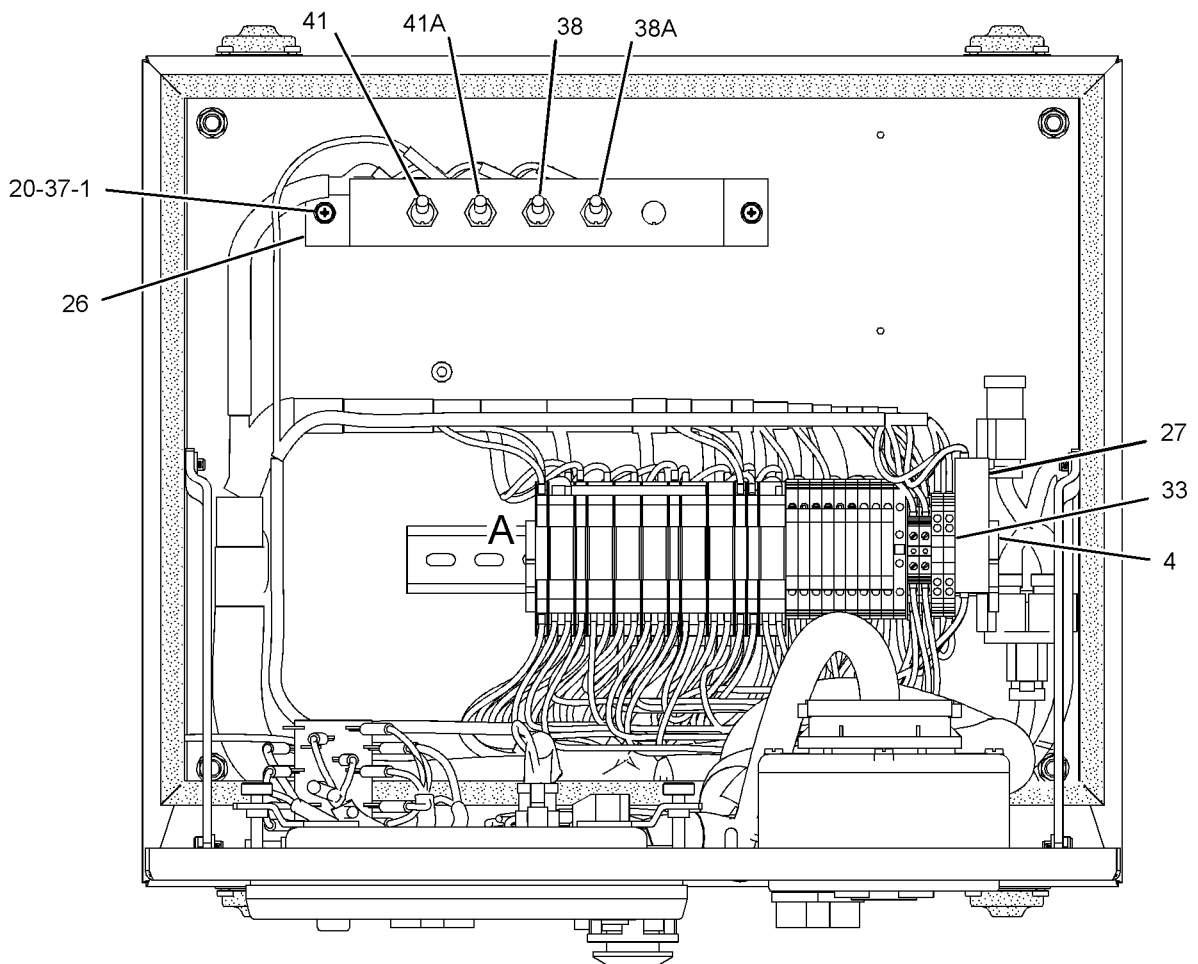
OPERATOR STATION

300-0479 BOX GP-INSTRUMENT PANEL (contd.)

i03778076



VIEW OF AREA A



FRONT VIEW
(OPEN BOX)

<END>

GRAPHIC #2

g01951119

OPERATOR STATION

300-0479 BOX GP-INSTRUMENT PANEL-PYROMETER

S/N: JTS144-UP

AN ATTACHMENT

SMCS-7451, 7490

i03877425

NOTE	REF NO	GRAPHIC REF	PART NUMBER	QTY	PART NAME						SEE PAGE
					1	2	3	4	5	6 (PRODUCT LEVEL)	
	1	2	1H-4393	2	LOCKWASHER						
	2	2	3E-0357	9	DIODE AS						
	3	1	6D-5801	24	LOCKNUT (8-32-THD)						
	4	2	9X-9675	2	BRACKET-END						
	5	1	107-2482	6	GASKET						
	6	1	109-6507	1	SWITCH AS-PUSH BUTTON (EMERGENCY STOP)						
	7	1	110-8909	6	MOUNT-FLEXIBLE						
	8	1	111-1323	1	BLOCK-CONTACT (1-POLE)						
	9	2	120-9079	2	TERMINAL						
	10	1	123-9694	1	HORN						
	11	1	124-3176	1	COVER						
	12	1	125-9941	2	BASE-LAMP						
	13	1	125-9943	2	LENS (RED)						
	14	1	125-9955	2	LAMP-LED (24-VOLT, RED)						
	15	1	127-2331	1	SWITCH AS-ROTARY (ENGINE CONTROL)						
	16	1	131-4891	1	GASKET						
	17	1	132-8489	1	NUT-RING						
	18	2	134-0957	1	COVER-BLOCK						
	19	2	135-6740	9	BLOCK-DIODE						
	20	1,2	178-3339	26	SCREW (8-32X0.5-IN)						
	21	2	197-2691	1	STRIP-CONTACT						
	22	2	204-5592	1	BAR-FIXED BRIDGE						
	23	2	204-5593	1	RELAY (24-VOLT) (POWER)						
C	23A	2	204-5593	1	RELAY (24-VOLT) (RESET 1)						
C	23B	2	204-5593	1	RELAY (24-VOLT) (RESET 2)						
	23C	2	204-5593	1	RELAY (24-VOLT) (ENGINE CONT SWITCH IN REMOTE)						
C	23D	2	204-5593	1	RELAY (24-VOLT) (HORN)						
	24	2	204-5594	1	RELAY (24-VOLT) (START ENABLE)						
	24A	2	204-5594	1	RELAY (24-VOLT) (RUN 1)						
	24B	2	204-5594	1	RELAY (24-VOLT) (STOP 1)						
	24C	2	204-5594	1	RELAY (24-VOLT) (STOP ENABLE)						
	24D	2	204-5594	1	RELAY (24-VOLT) (RUN 2)						
	24E	2	204-5594	1	RELAY (24-VOLT) (STOP 2)						
	24F	2	204-5594	1	RELAY (24-VOLT) (SHUT DOWN NOTIFY)						
	25	1	221-2498	1	WIRE AS						
	26	2	231-9911	1	BRACKET						
	27	2	234-8717	1	SWITCH (OVERSPEED)						
C	28	1	348-8990	1	HARNESS AS-SENSOR (THERMOCOUPLE)						
		1	153-1223	2	CONNECTOR-RECEPTACLE (23-PIN)						
		1	155-2270	1	KIT-CONNECTING PLUG (2-PIN)						
		1	174-0503	1	KIT-CONNECTING PLUG (3-PIN)						
					(EACH PLUG KIT INCLUDES PLUG AS, WEDGE & INTERFACE SEAL)						
		1	176-9299	1	KIT-RECEPTACLE (3-PIN) (INCLUDES PLUG AS & WEDGE)						
		1	180-9214	2	NUT (1-11/16-18-THD)						
		1	8T-8729	35	PIN-CONNECTOR (16-GA TO 18-GA)						
		1	233-9226	3	PIN-CONNECTOR (16-GA TO 20-GA)						
		1	8T-8737	44	PLUG-SEAL						
		1	160-7689	1	PLUG AS-CONNECTOR (70-PIN)						
		1	159-9322	1	SEAL-O-RING						
		1	8L-8413	20	STRAP-CABLE						
		1	8T-8730	2	SOCKET-CONNECTOR (16-GA TO 18-GA)						
		1	9X-3402	40	SOCKET-CONNECTOR (16-GA TO 18-GA)						
D		1	5P-6009		TUBE-HEAT SHRINK (9.52-MM DIA) (0.2-M)						

OPERATOR STATION

300-0479 BOX GP-INSTRUMENT PANEL (contd.)

i03877425

NOTE	REF NO	GRAPHIC REF	PART NUMBER	QTY	PART NAME						SEE PAGE
					1	2	3	4	5	6 (PRODUCT LEVEL)	
E		1	125-7875		TUBE-HEAT SHRINK (7.44-MM DIA) (15-CM)						
E		1	126-9424		TUBE-HEAT SHRINK (3.2-MM DIA) (40-CM)						
	29	1	251-9430	1	MODULE-EXHAUST TEMPERATURE						
Y	30	1	267-8623	1	DISPLAY GP-MONITOR (MARINE POWER DISPLAY)						652
Y	31	1	290-7263	1	BOX AS-INSTRUMENT						610
	32	1	291-4828	1	PLATE AS						
		1	7T-1099	3	LINK						
Y	33	2	295-5455	1	WIRING GP-INSTRUMENT PANEL (START SELECTOR)						562
C	34	1	348-8981	1	HARNESS AS-PANEL (POWER MODULE)						
		1	110-8714	98	END-WIRE (18-GA)						
		1	155-2255	1	KIT-CONNECTING PLUG (12-PIN)						
		1	174-0503	4	KIT-CONNECTING PLUG (3-PIN)						
					(EACH PLUG KIT INCLUDES PLUG AS, WEDGE & INTERFACE SEAL)						
		1	102-8802	1	KIT-RECEPTACLE (2-PIN)						
					(INCLUDES PLUG AS & WEDGE)						
		1	8T-8729	2	PIN-CONNECTOR (16-GA TO 18-GA)						
		1	233-9226	34	PIN-CONNECTOR (16-GA TO 20-GA)						
		1	8T-8737	2	PLUG-SEAL						
		1	233-9228	12	PLUG-SEAL						
		1	232-0019	1	RECEPTACLE (46-PIN)						
		1	133-0970	1	RECEPTACLE AS (TEE)						
		1	134-2540	1	RESISTOR AS-CONNECTION (3-PIN)						
		1	8T-8730	22	SOCKET-CONNECTOR (16-GA TO 18-GA)						
		1	8L-8413	60	STRAP-CABLE						
		1	207-5432	4	TERMINAL-BLADE (14-GA TO 16-GA)						
		1	128-4154	3	TERMINAL AS						
					(EACH INCLUDES)						
		1	5P-2321	1	TERMINAL-FORK (14-GA TO 16-GA, NO. 6 SCREW)						
D		1	6V-2689		TUBE-HEAT SHRINK (6.35-MM DIA) (0.1-M)						
		1	128-4183	25	TERMINAL AS						
					(EACH INCLUDES)						
		1	2L-8075	1	TERMINAL-RING (14-GA TO 16-GA, NO. 8 SCREW)						
D		1	6V-2689		TUBE-HEAT SHRINK (6.35-MM DIA) (0.1-M)						
		1	130-6789	7	TERMINAL AS-BLADE						
					(EACH INCLUDES)						
		1	5P-4571	1	TERMINAL-BLADE (14-GA TO 16-GA)						
D		1	6V-2689		TUBE-HEAT SHRINK (6.35-MM DIA) (0.1-M)						
E		1	119-3662		TUBE-HEAT SHRINK (10.85-MM DIA) (26-CM)						
E		1	125-7874		TUBE-HEAT SHRINK (5.72-MM DIA) (50-CM)						
E		1	125-7875		TUBE-HEAT SHRINK (7.44-MM DIA) (10-CM)						
		1	155-2258	1	WEDGE-PLUG LOCK (12-PIN)						
	35	1	156-6450	4	SCREW-PAN HEAD (6-32X15.88-MM)						
	36	1	3E-9860	4	LOCKNUT (5/16-18-THD)						
	37	2	4B-4863	2	WASHER (4.7X11X1.2-MM THK)						
	38	2	4D-1836	1	SWITCH AS-TOGGLE (ENGINE PROTECTION OVERRIDE)						
	38A	2	4D-1836	1	SWITCH AS-TOGGLE (LOW IDLE)						
	39	1	5P-0537	4	WASHER-HARD (7.2X14.5X2-MM THK)						
	40	1	7C-4910	1	SEAL						
Y	41	2	7N-8001	1	SWITCH GP-TOGGLE (CRANK OVERRIDE)						526
Y	41A	2	7N-8001	1	SWITCH GP-TOGGLE (PRELUBRICATION OVERRIDE)						526
	42	1	8T-4224	4	WASHER-HARD (8.8X16X2-MM THK)						
	43	1	9S-8750	2	NUT-FULL (1/4-20-THD)						
E	44	1	7Y-5074		GUARD-HOSE (19-CM)						
	45	2	241-8224	1	KIT-MARKER						

OPERATOR STATION

300-0479 BOX GP-INSTRUMENT PANEL (contd.)

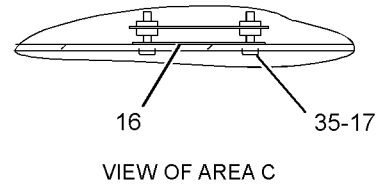
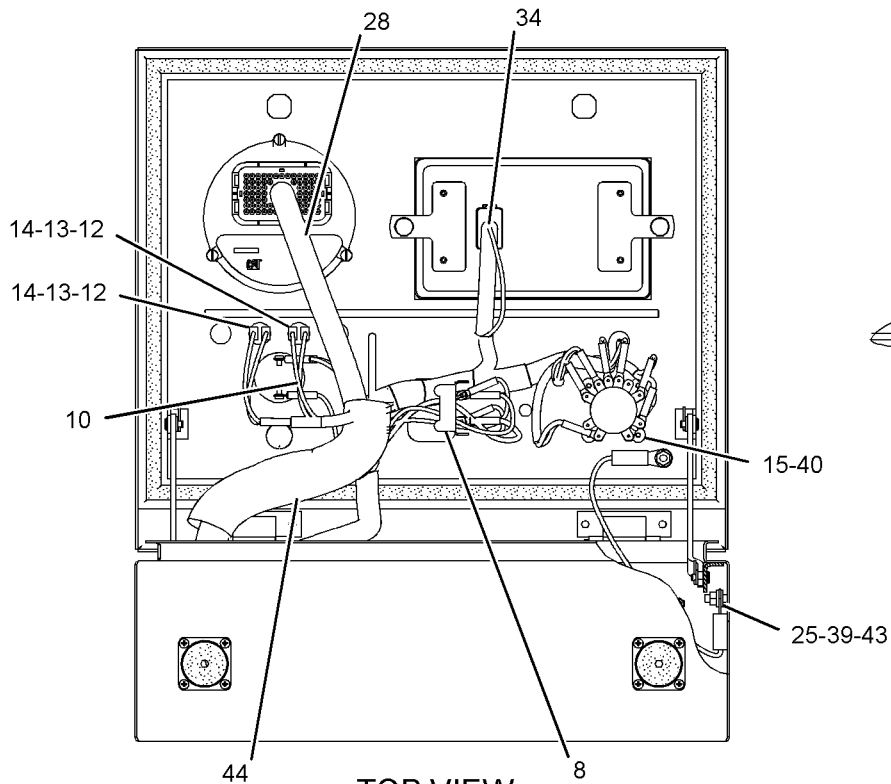
i03877425

C-CHANGE FROM PREVIOUS TYPE
D-ORDER BY THE METER
E-ORDER BY THE CENTIMETER
Y-SEPARATE ILLUSTRATION

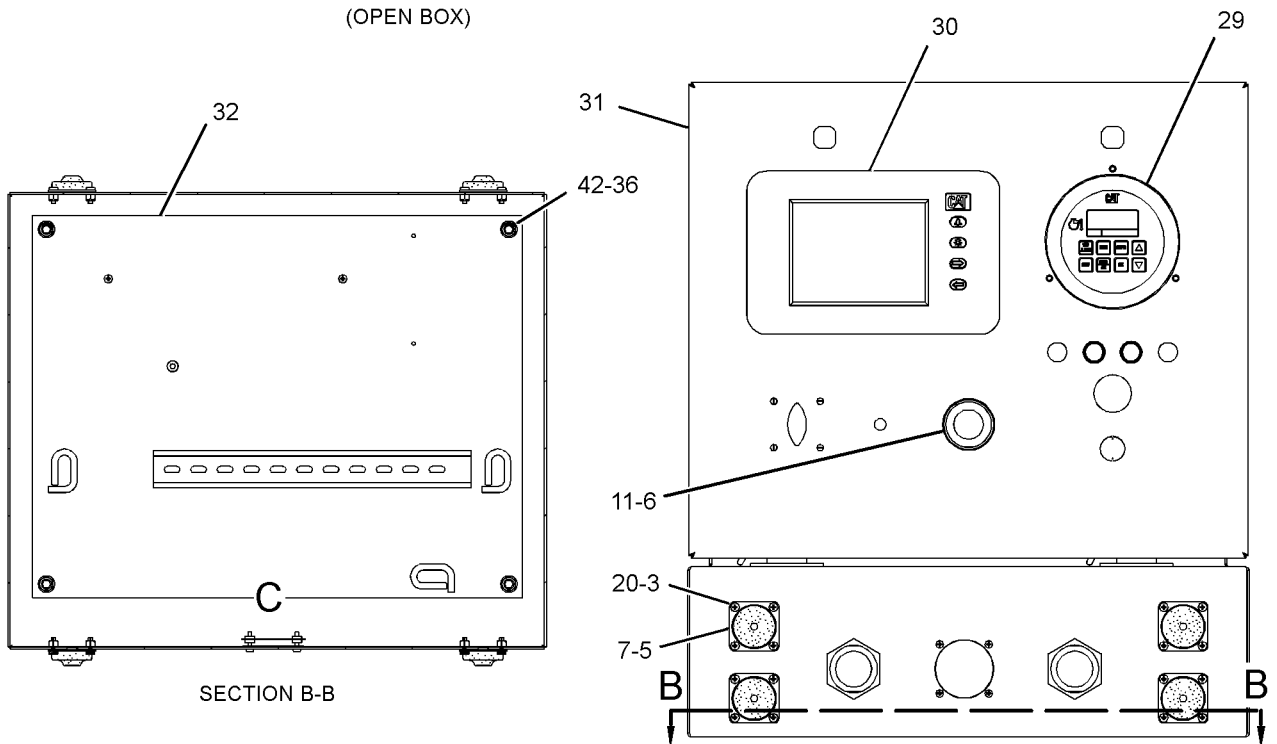
OPERATOR STATION

300-0479 BOX GP-INSTRUMENT PANEL (contd.)

i03877425



TOP VIEW
(OPEN BOX)



SECTION B-B

BOTTOM VIEW
(OPEN BOX)

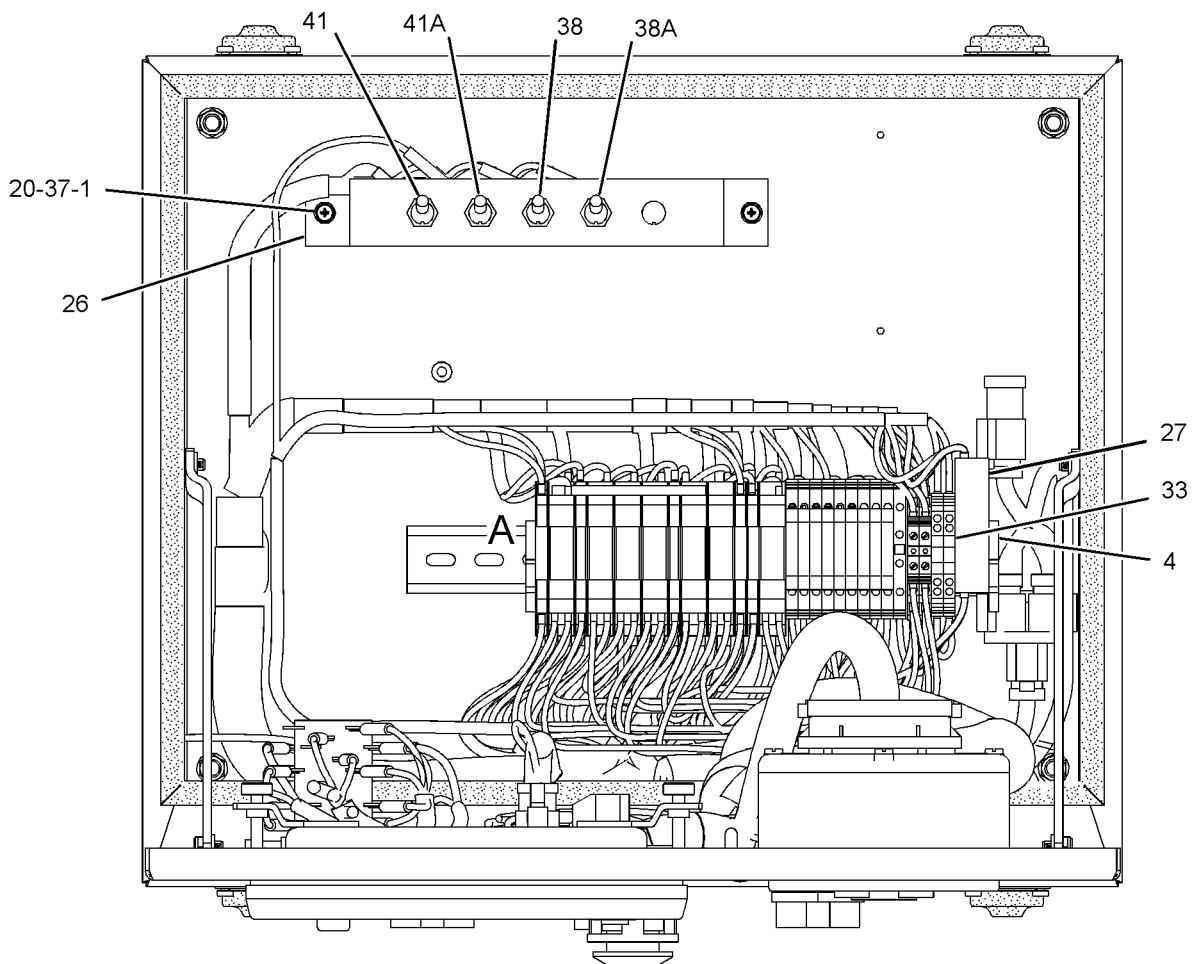
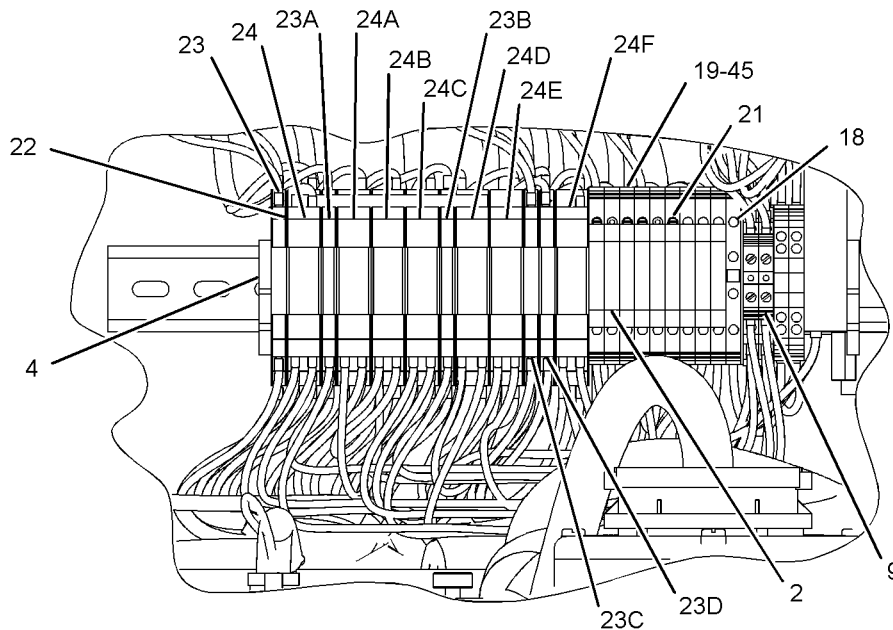
GRAPHIC #1

g01951118

OPERATOR STATION

300-0479 BOX GP-INSTRUMENT PANEL (contd.)

i03877425



FRONT VIEW
(OPEN BOX)

<END>

GRAPHIC #2

g01951119

OPERATOR STATION

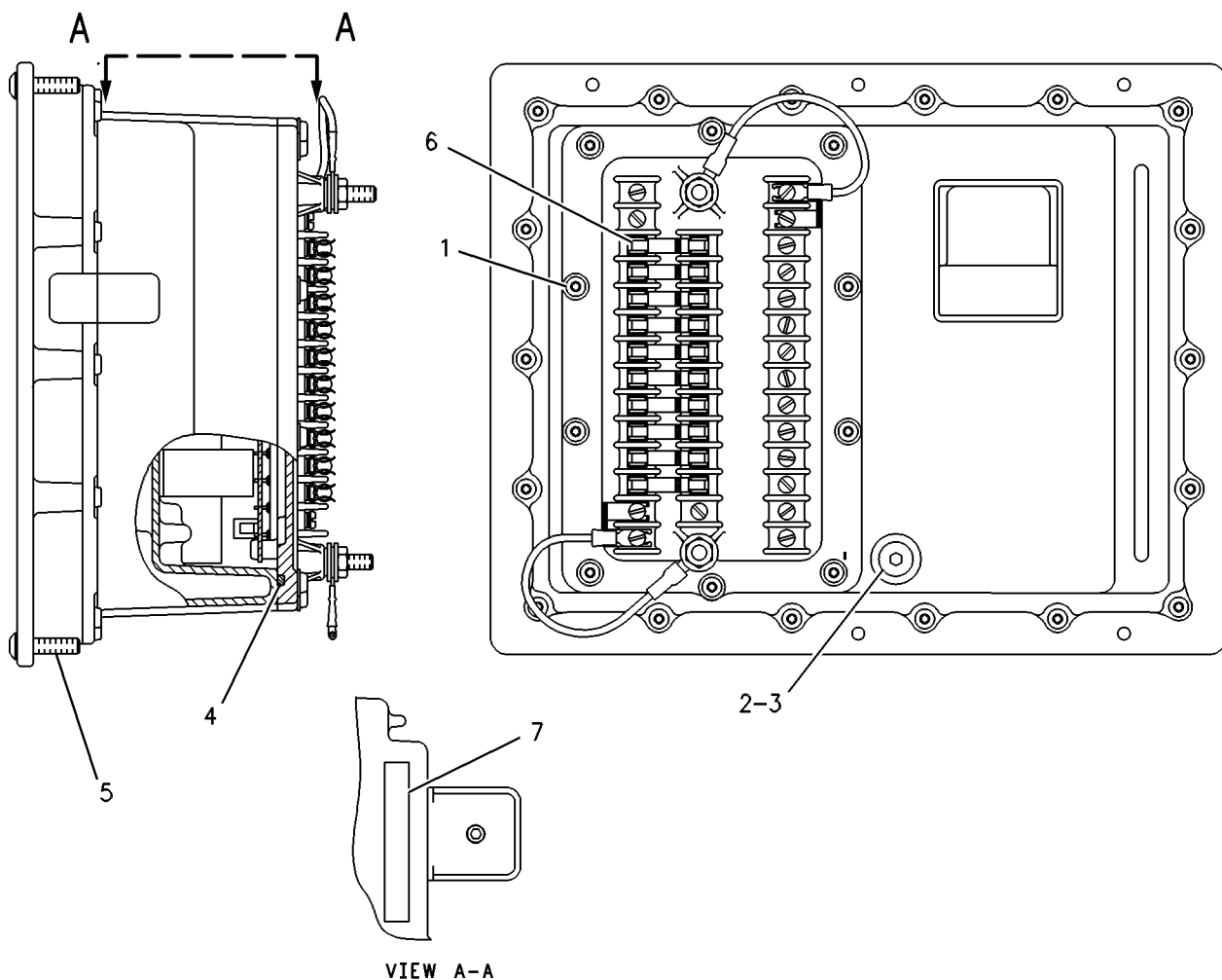
144-1623 CONTROL GP-ENGINE MONITORING- PROGRAMMABLE RELAY*R

PART OF 144-1624 CONTROL GP-ENGINE MONITORING
AN ATTACHMENT

SMCS-1901, 7490

i02400706

NOTE	REF NO	GRAPHIC REF	PART NUMBER	QTY	PART NAME						SEE PAGE
					1	2	3	4	5	6 (PRODUCT LEVEL)	
	1	1	4B-4863	10	WASHER (4.7X11X1.2-MM THK)						
	2	1	9S-8002	1	PLUG-O-RING						
	3	1	3J-7354	1	SEAL-O-RING						
	4	1	1S-4974	1	SEAL-O-RING						
	5	1	9W-1464	6	SCREW (1/4-20X1-IN)						
	6	1	3K-8782	10	FUSE (10-AMPERE)						
	7	1	9Y-9782	1	FILM-IDENTIFICATION (10-AMPERE FUSE)						



GRAPHIC #1

<END>

g00275386

OPERATOR STATION

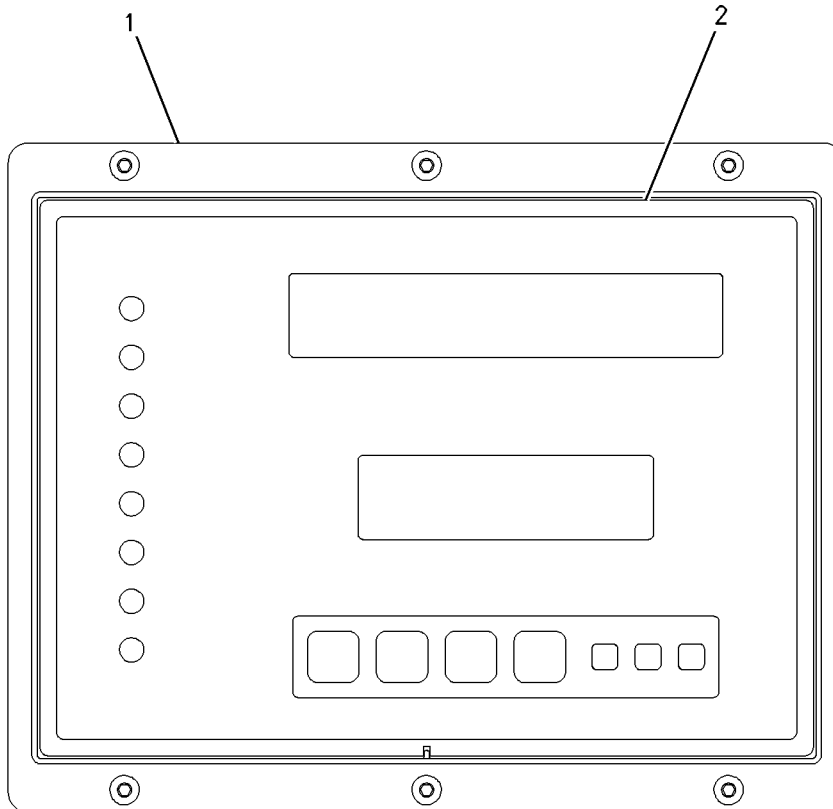
144-1624 CONTROL GP-ENGINE MONITORING- PROGRAMMABLE RELAY CONTROL MODULE PART OF 133-9300 CONTROL GP-ENGINE ELECTRONIC AN ATTACHMENT

SMCS-1901, 7490

i01905810

NOTE	REF NO	GRAPHIC REF	PART NUMBER	QTY	PART NAME						SEE PAGE
					1	2	3	4	5	6 (PRODUCT LEVEL)	
YR	1	1	144-1623	1	CONTROL GP-ENGINE MONITORING (PROGRAMMABLE RELAY CONTROL MOD)						639
	2	1	123-3932	1	FILM-CONTROL PANEL (EMCP II, PRCM)						
	F		126-9246	1	FILM-INFORMATION (EMCP II, PRCM)						

F-NOT SHOWN
R-REMFG PART MAY BE AVAILABLE
Y-SEPARATE ILLUSTRATION



GRAPHIC #1

<END>

g00763036

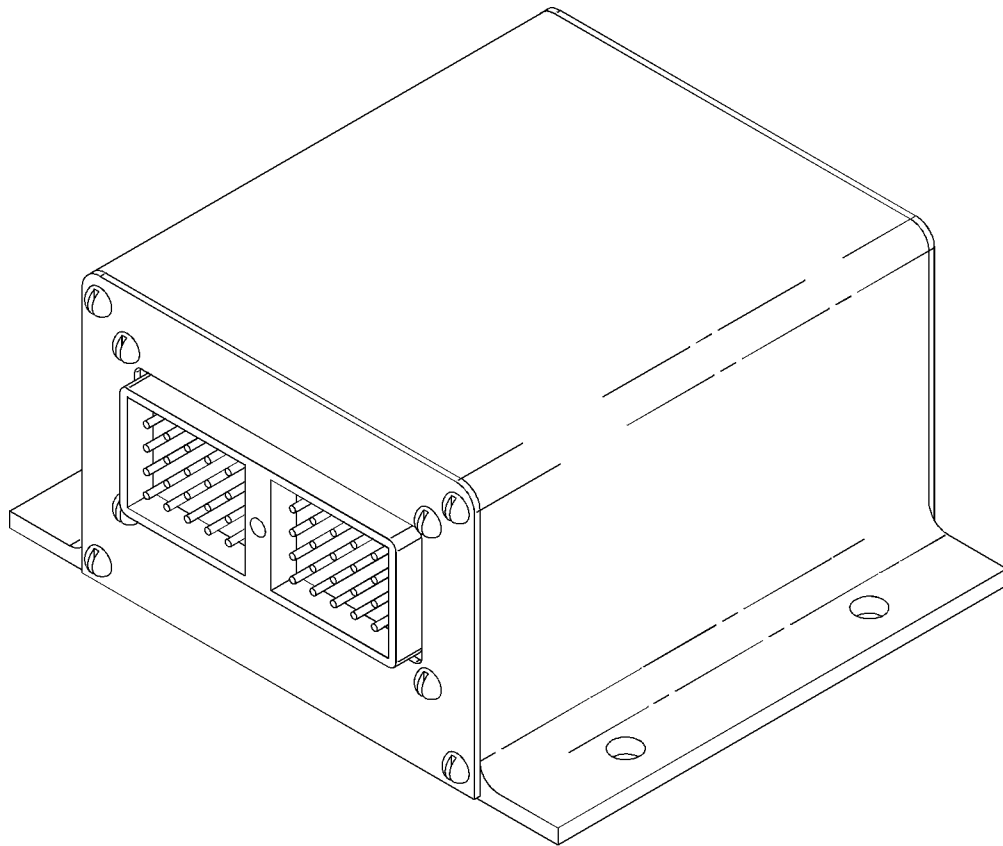
OPERATOR STATION

234-0275 CONTROL GP-ENGINE MONITORING- DISCRETE INPUT/OUTPUT PART OF 341-2532 CONTROL GP-ENGINE MONITORING AN ATTACHMENT

SMCS-1901, 7490

i02105063

NOTE	REF NO	GRAPHIC REF	PART NUMBER	QTY	PART NAME						SEE PAGE
					1	2	3	4	5	6 (PRODUCT LEVEL)	
(NO SERVICED PARTS)											



GRAPHIC #1

<END>

g01072402

OPERATOR STATION

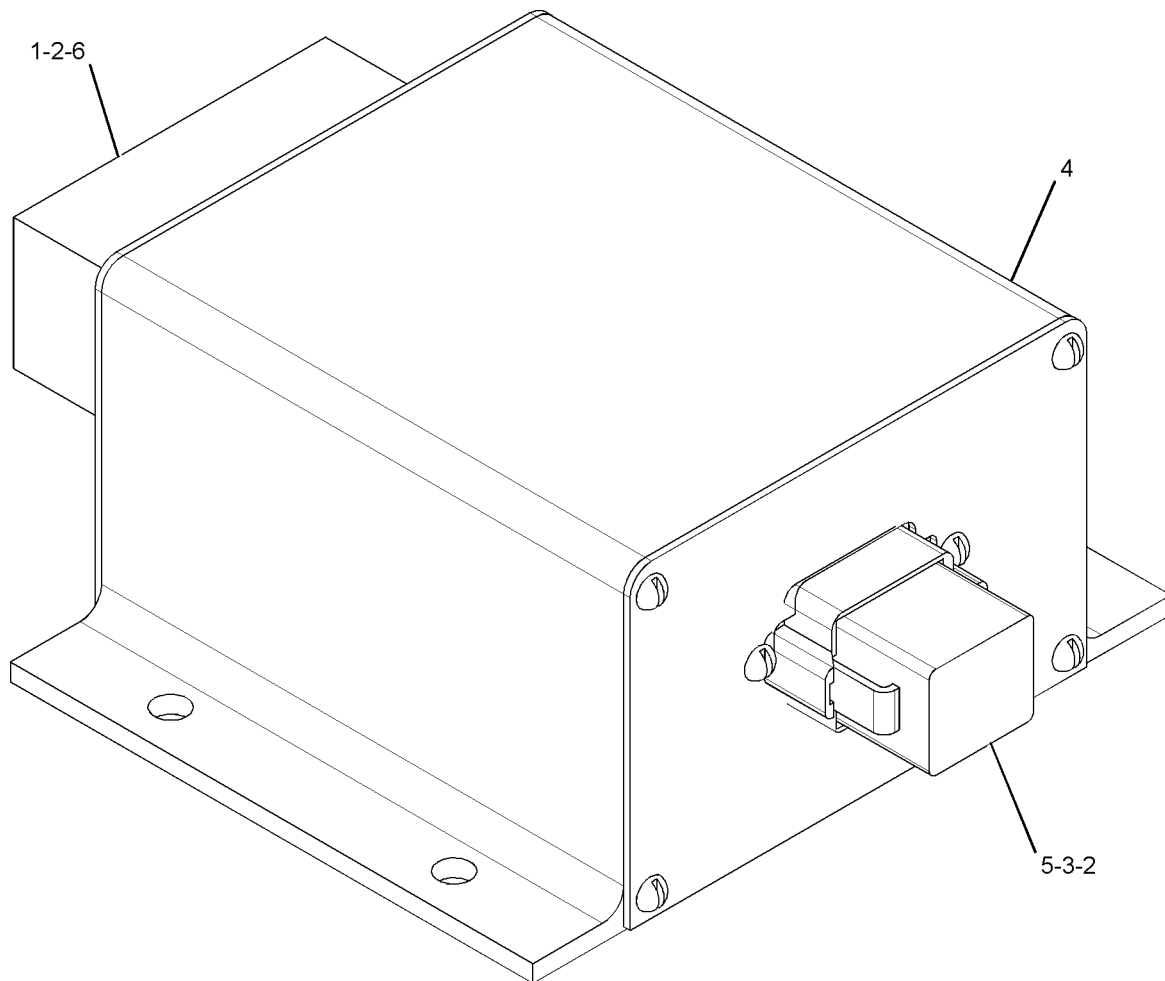
341-2532 CONTROL GP-ENGINE MONITORING- DISCRETE INPUT/OUTPUT AN ATTACHMENT

SMCS-1901, 7490

i03495625

NOTE	REF NO	GRAPHIC REF	PART NUMBER	QTY	PART NAME						SEE PAGE
					1	2	3	4	5	6 (PRODUCT LEVEL)	
	1	1	8T-8737	20	PLUG-SEAL						
	2	1	9X-3402	48	SOCKET-CONNECTOR (16-GA TO 18-GA)						
	3	1	155-2259	1	WEDGE-PLUG LOCK (8-PIN)						
Y	4	1	234-0275	1	CONTROL GP-ENGINE MONITORING (DISCRETE INPUT/OUTPUT)						641
	5	1	155-2265	1	KIT-CONNECTING PLUG (8-PIN) (INCLUDES PLUG AS AND WEDGE)						
	6	1	9X-7147	1	PLUG AS-CONNECTOR (40-PIN)						
		1	3E-4367	1	RING-RETAINING						
M		1	3E-8557	1	BOLT (M5X0.8X39.37-MM)						
		1	9X-3490	2	SEAL-CONNECTOR (40-PIN)						

M-METRIC PART
Y-SEPARATE ILLUSTRATION



GRAPHIC #1

<END>

g01836454

OPERATOR STATION

245-0082 CONTROL GP-GENERATOR SET-REGULATOR AN ATTACHMENT

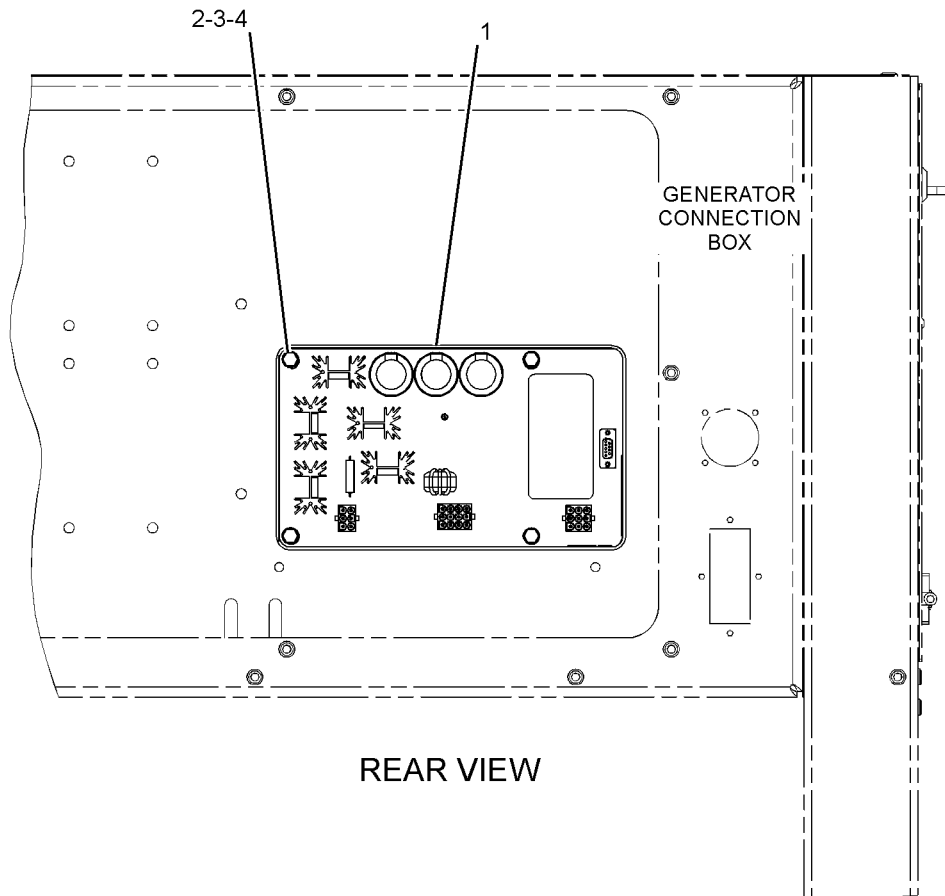
SMCS-4490

i03537981

NOTE	REF NO	GRAPHIC REF	PART NUMBER	QTY	PART NAME						SEE PAGE
					1	2	3	4	5	6 (PRODUCT LEVEL)	
Y	1	1	274-8521	1	CONTROL GP-GENERATOR SET (DIGITAL VOLTAGE REGULATOR)						645
M	2	1	7X-2533	4	BOLT (M6X1X35-MM)						
	3	1	9X-8256	8	WASHER (6.6X12X2-MM THK)						
M	4	1	5C-2890	4	NUT (M6X1-THD)						

M-METRIC PART

Y-SEPARATE ILLUSTRATION



GRAPHIC #1

<END>

g01867496

OPERATOR STATION

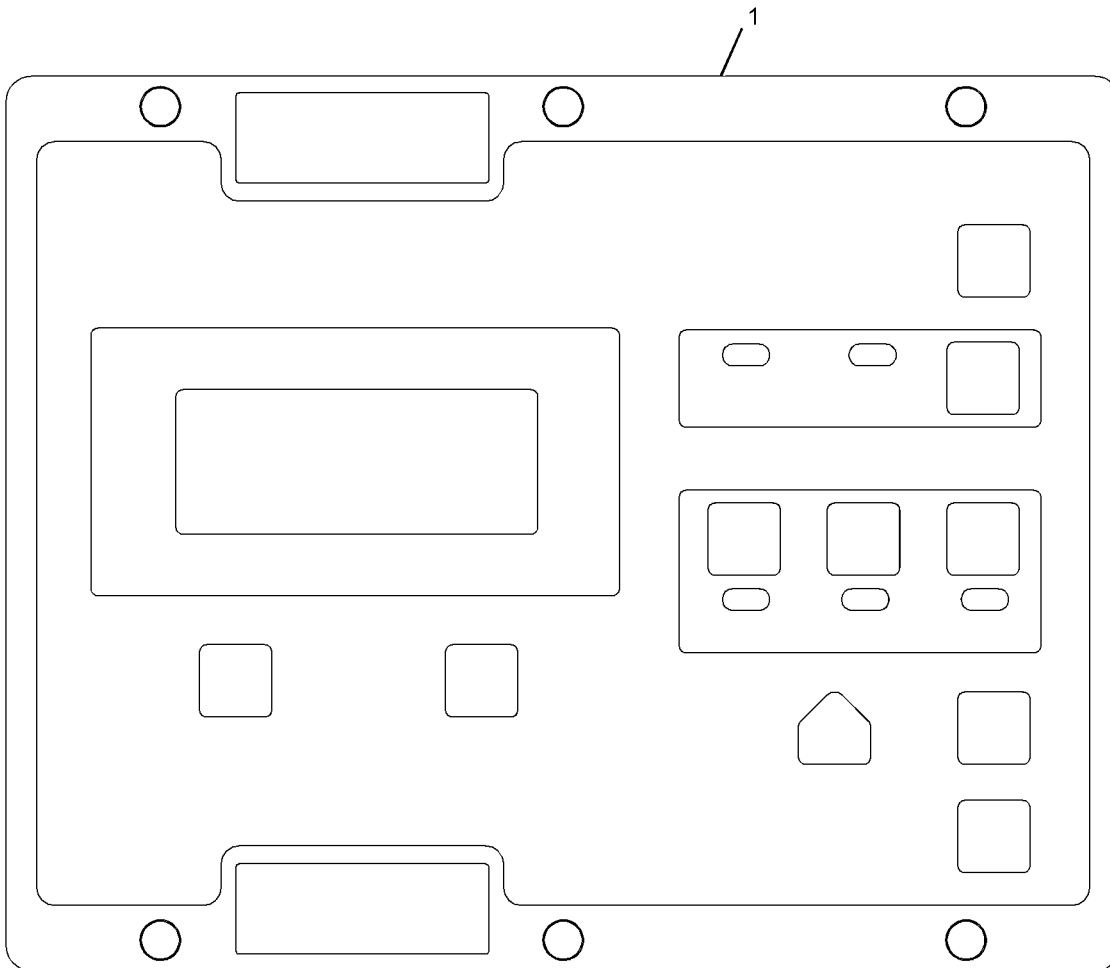
274-8518 CONTROL GP-GENERATOR SET-EMCP 3.3

PART OF 245-0030 PANEL GP-CONTROL
AN ATTACHMENT

SMCS-4490

i02862438

NOTE	REF NO	GRAPHIC REF	PART NUMBER	QTY	PART NAME						SEE PAGE
					1	2	3	4	5	6 (PRODUCT LEVEL)	
Y	1	1	300-7647	1	CONTROL GP-GENERATOR SET (EMCP 3.3)						646
Y-SEPARATE ILLUSTRATION											



GRAPHIC #1

<END>

g01427997

OPERATOR STATION

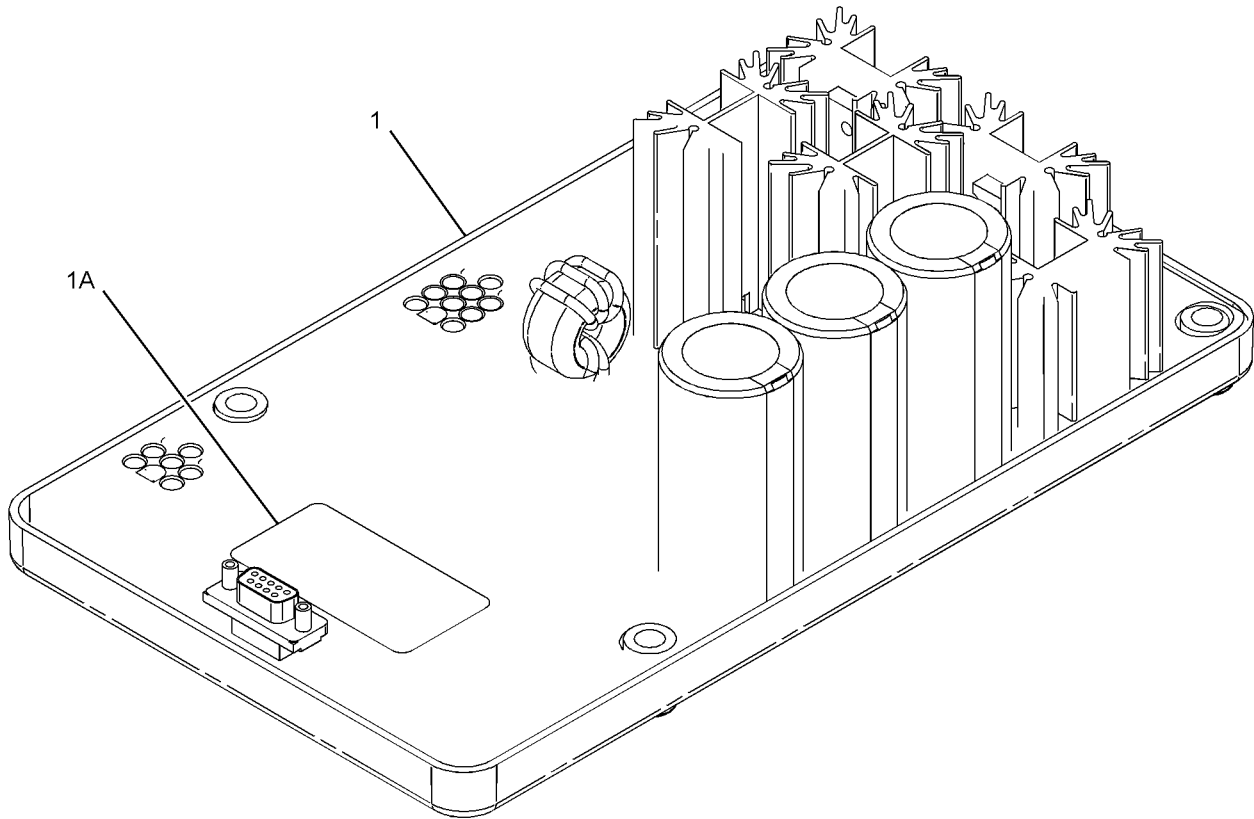
274-8521 CONTROL GP-GENERATOR SET- DIGITAL VOLTAGE REGULATOR PART OF 245-0082 CONTROL GP-GENERATOR SET AN ATTACHMENT

SMCS-4490

i03886770

NOTE	REF NO	GRAPHIC REF	PART NUMBER	QTY	PART NAME						SEE PAGE
					1	2	3	4	5	6 (PRODUCT LEVEL)	
Y	1	1	314-7755	1	REGULATOR AS-VOLTAGE (DIGITAL)						604
	1A	1	241-0158	1	FILM-WARNING (SHOCK, ELECTROCUTION HAZARD)						

Y-SEPARATE ILLUSTRATION



GRAPHIC #1

<END>

g01454650

OPERATOR STATION

300-7647 CONTROL GP-GENERATOR SET-EMCP 3.3

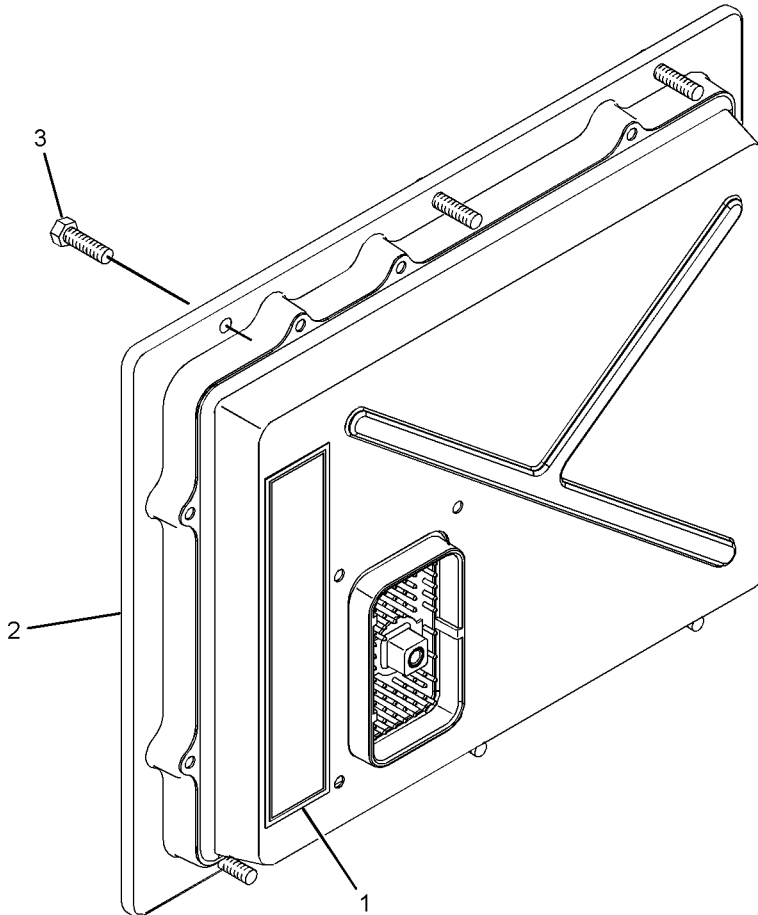
PART OF 274-8518 CONTROL GP-GENERATOR SET
AN ATTACHMENT

SMCS-4490

i02861425

NOTE	REF NO	GRAPHIC REF	PART NUMBER	QTY	PART NAME						SEE PAGE
					1	2	3	4	5	6 (PRODUCT LEVEL)	
	1	1	263-5057	1	FILM-CERTIFICATION (EMCP 3)						
	2	1	276-2672	1	CONTROL AS-ELECTRONIC (EMCP 3.3) (GENERATOR SET)						
		1	101-0852	8	SCREW-PAN HEAD (8-32X0.375-IN)						
M	3	1	166-3777	6	SCREW-BUTTON HEAD (M6X1X28-MM)						

M-METRIC PART



GRAPHIC #1

<END>

g01429142

OPERATOR STATION

252-7416 CONTROL GP-LOAD SHARE MODULE

FOR USE WITH MUI LOW, MEDIUM VOLT
AN ATTACHMENT

SMCS-4490

i03382162

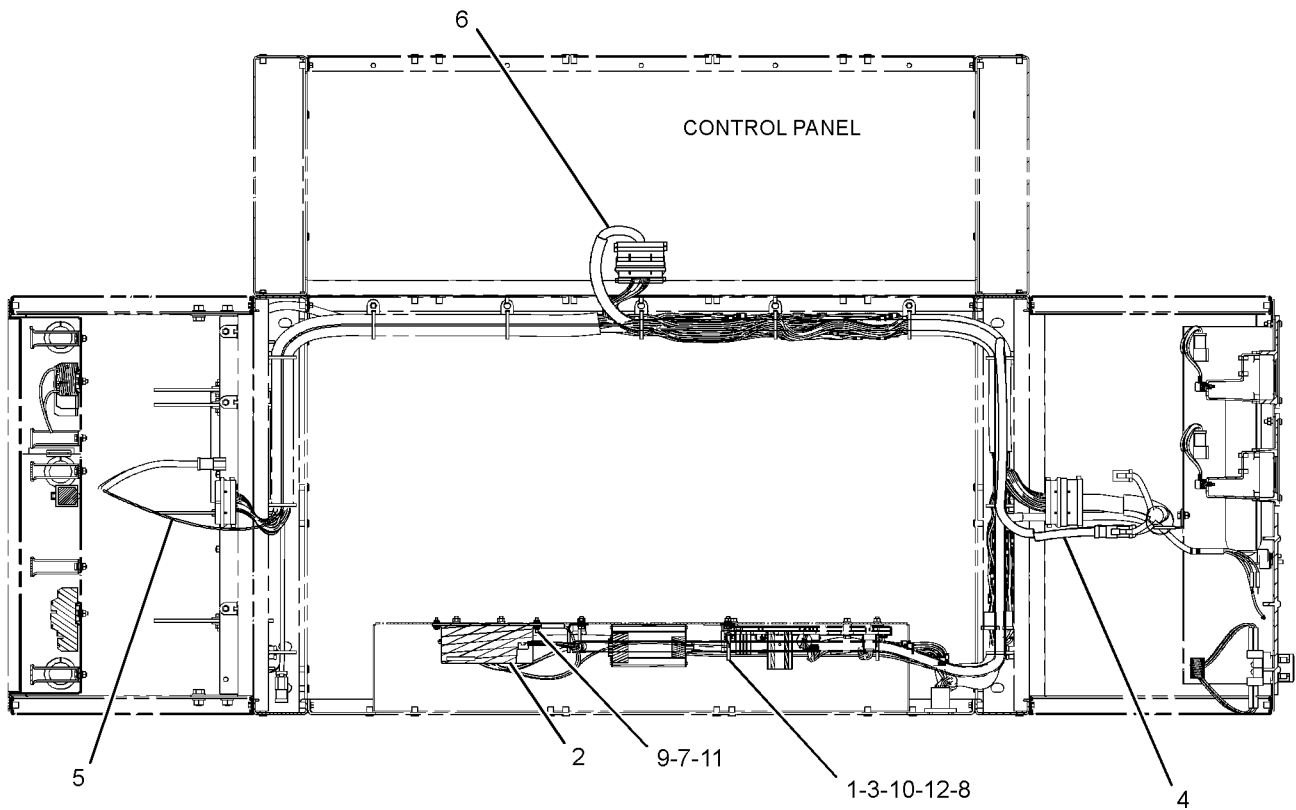
NOTE	REF NO	GRAPHIC REF	PART NUMBER	QTY	PART NAME						SEE PAGE
					1	2	3	4	5	6 (PRODUCT LEVEL)	
	1	1	9X-6772	3	STRAP-CABLE						
	2	1	131-5454	1	CONTROL AS-GOVERNOR						
	3	1	156-6175	3	CLIP						
	4	1	244-9643	1	HARNESS AS-WIRING (CURRENT TRANSFORMER)						
		1	102-8804	1	KIT-RECEPTACLE (4-PIN) (INCLUDES RECEPTACLE AS. AND WEDGE)						
		1	155-2272	1	PLUG AS-CONNECTOR (4-PIN) (INCLUDES RECEPTACLE AND WEDGE)						
		1	162-4171	6	TERMINAL AS (18-GA TO 20-GA)						
	5	1	252-7358	1	HARNESS AS-WIRING (TERMINAL STRIP)						
		1	7K-1181	4	STRAP-CABLE						
		1	109-3038	5	END-WIRE (16-GA)						
		1	162-4171	3	TERMINAL AS (18-GA TO 20-GA)						
	6	1	252-7434	1	HARNESS AS-CONTROL (LOAD SHARE MODULE)						
		1	133-8753	1	RECEPTACLE AS-CONNECTOR (70-PIN)						
E		1	134-6258		CABLE-ELECTRICAL (16-GA) (508-CM)						
		1	162-4171	13	TERMINAL AS (18-GA TO 20-GA)						
M	7	1	112-8372	6	BOLT (M4X0.7X16-MM)						
M	8	1	5C-2890	3	NUT (M6X1-THD)						
M	9	1	5C-8312	6	NUT (M4X0.7-THD)						
M	10	1	5C-9553	3	BOLT (M6X1X16-MM)						
	11	1	8T-0328	12	WASHER-HARD (5.5X10X1-MM THK)						
	12	1	9X-8256	6	WASHER (6.6X12X2-MM THK)						

E-ORDER BY THE CENTIMETER
M-METRIC PART

OPERATOR STATION

252-7416 CONTROL GP-LOAD SHARE MODULE (contd.)

i03382162



TOP VIEW

GRAPHIC #1

<END>

g01754353

OPERATOR STATION

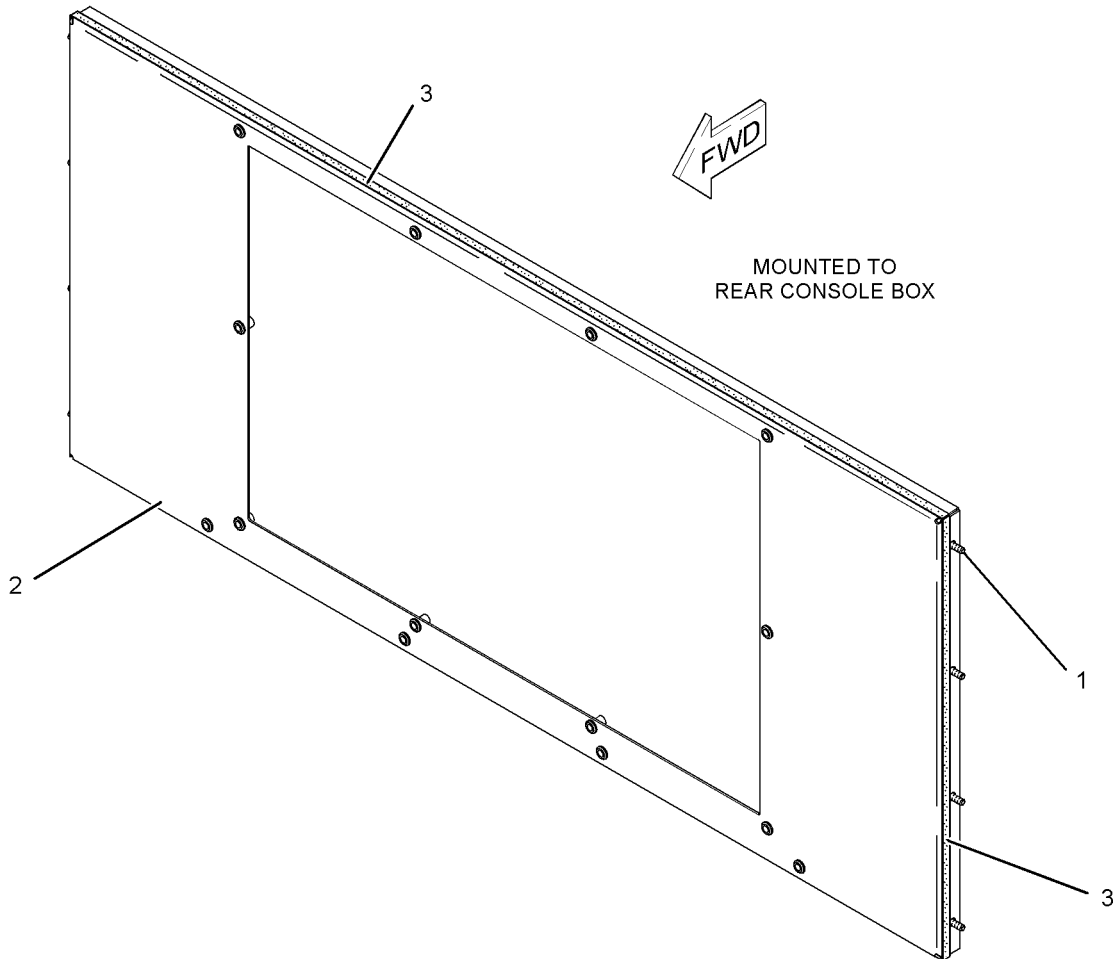
245-0001 COVER GP-CONTROL PANEL-REAR AN ATTACHMENT

SMCS-7451

i02239728

NOTE	REF NO	GRAPHIC REF	PART NUMBER	QTY	PART NAME						SEE PAGE
					1	2	3	4	5	6 (PRODUCT LEVEL)	
M	1	1	235-4451	8	BOLT-FLANGE HEAD (M6X1X16-MM)						
	2	1	242-8833	1	BRACE AS						
M		1	3E-4304	14	INSERT-THREADED (M6X1-THD)						
BJ	3	1	244-9631		SEAL (17-DM)						

B-USE AS REQUIRED
 J-ORDER BY THE DECIMETER
 M-METRIC PART



GRAPHIC #1

<END>

g01137021

OPERATOR STATION

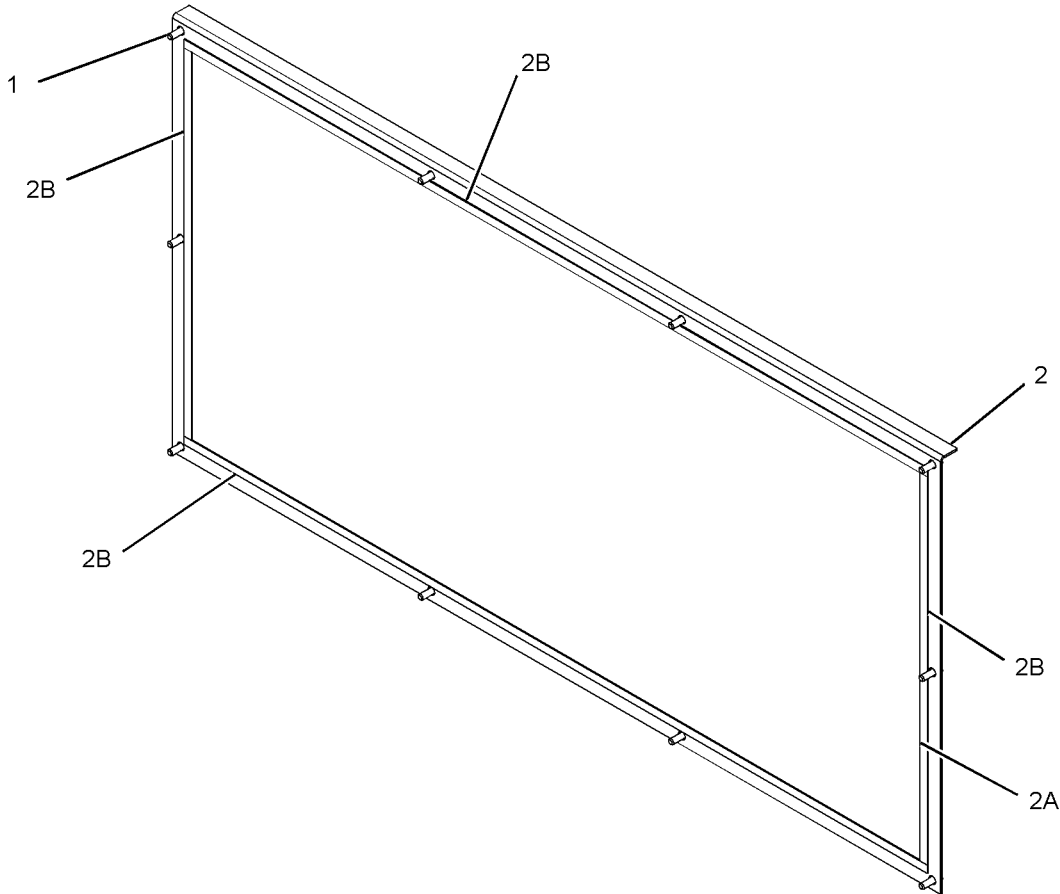
245-0023 COVER GP-CONTROL PANEL-FRONT AN ATTACHMENT

SMCS-7451

i03411703

NOTE	REF NO	GRAPHIC REF	PART NUMBER	QTY	PART NAME						SEE PAGE
					1	2	3	4	5	6 (PRODUCT LEVEL)	
M	1	1	235-4451	10	BOLT-FLANGE HEAD (M6X1X16-MM)						
	2	1	245-0080	1	COVER GP-ACCESS						
	2A	1	243-1888	1	PLATE-COVER						
BL	2B	1	244-9631		SEAL (28-DM)						

B-USE AS REQUIRED
L-ORDER BY THE DECIMETER
M-METRIC PART



GRAPHIC #1

<END>

g01211766

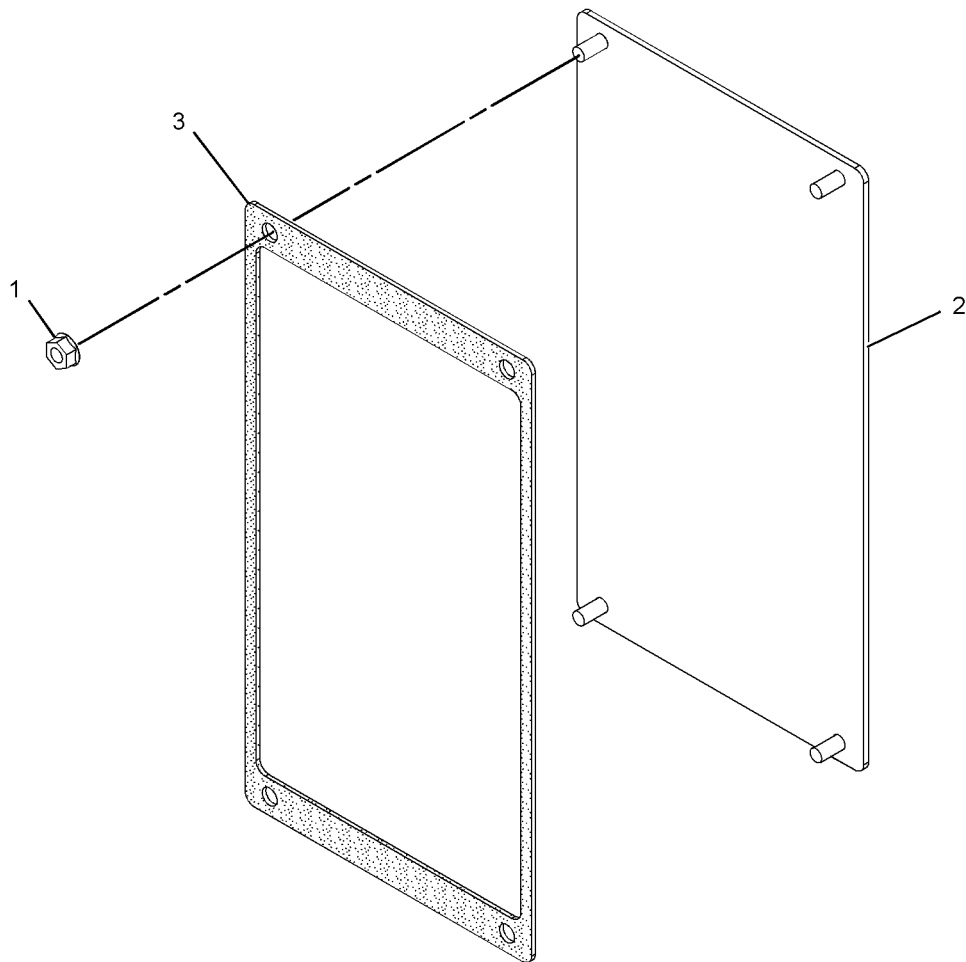
OPERATOR STATION

252-7556 COVER GP-CONTROL PANEL-ANNUNCIATOR AN ATTACHMENT

SMCS-7451

i03211920

NOTE	REF NO	GRAPHIC REF	PART NUMBER	QTY	PART NAME						SEE PAGE
					1	2	3	4	5	6 (PRODUCT LEVEL)	
	1	1	173-7181	4	NUT (1/4-20-THD)						
	2	1	186-1658	1	PANEL AS						
		1	9R-2595	1	PLUG-BUTTON						
	3	1	244-9613	1	GASKET						



GRAPHIC #1

<END>

g01134815

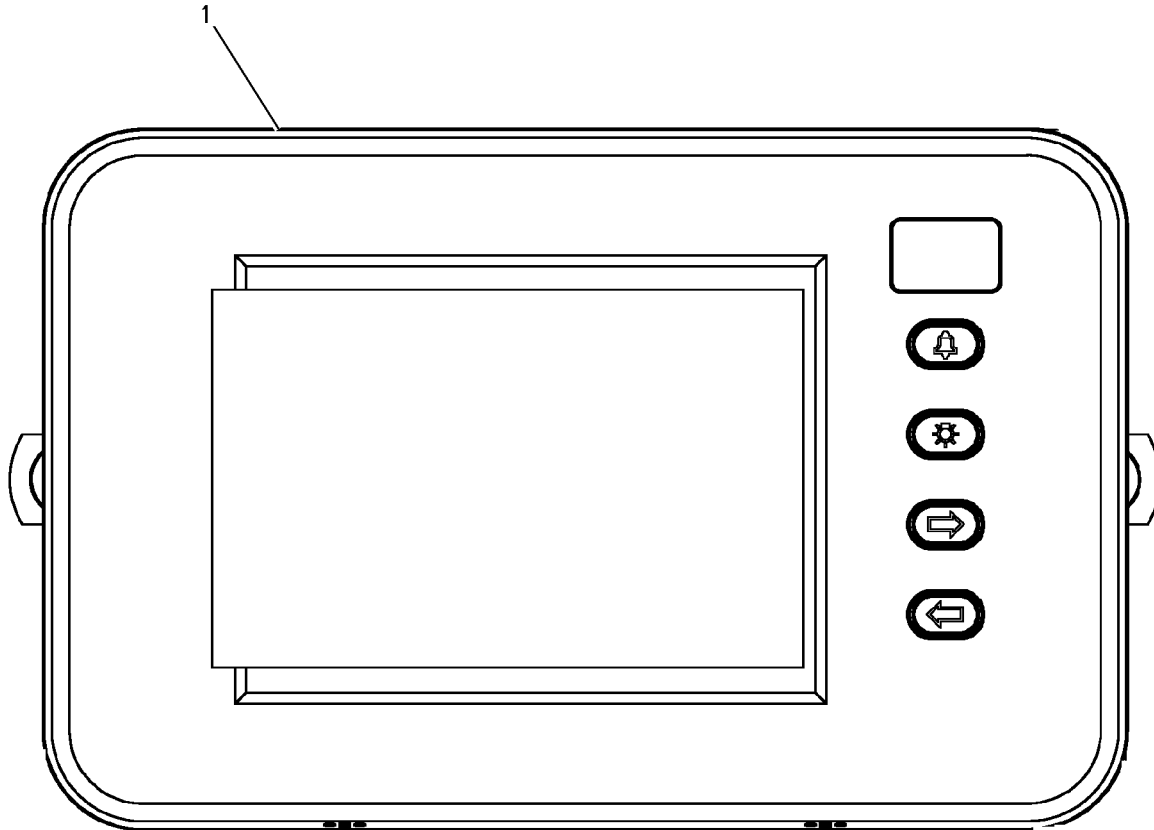
OPERATOR STATION

267-8623 DISPLAY GP-MONITOR—MARINE POWER DISPLAY
 PART OF 290-3213, 300-0479 BOX GP-INSTRUMENT PANEL
 FIELD REPLACEMENT ORDER 307-7541—PAGE 653
 AN ATTACHMENT

SMCS-7490

i03197520

NOTE	REF NO	GRAPHIC REF	PART NUMBER	QTY	PART NAME						SEE PAGE
					1	2	3	4	5	6 (PRODUCT LEVEL)	
Y	1	1	307-7542	1	DISPLAY GP-MONITOR (MARINE POWER DISPLAY)						654
Y-SEPARATE ILLUSTRATION											



GRAPHIC #1

<END>

g00914466

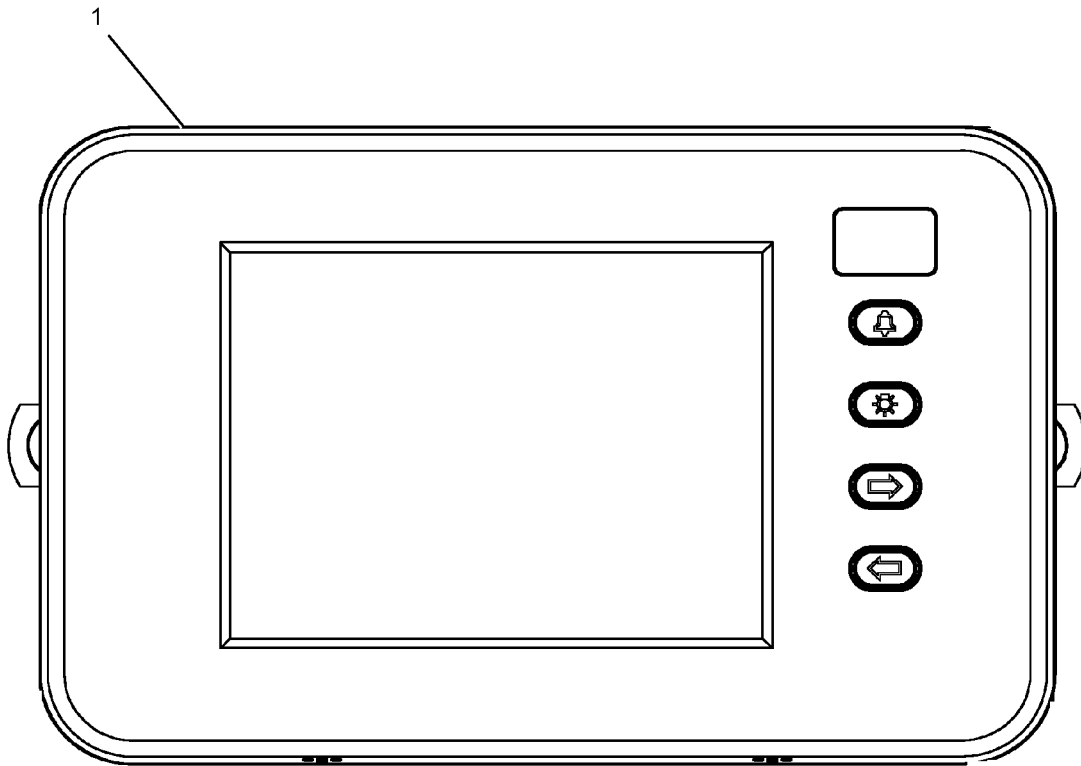
OPERATOR STATION

307-7541 DISPLAY GP-MONITOR-MARINE POWER DISPLAY
PART OF 307-7542 DISPLAY GP-MONITOR
FIELD REPLACEMENT FOR 267-8623-PAGE 652
AN ATTACHMENT

SMCS-7490

i02958038

NOTE	REF NO	GRAPHIC REF	PART NUMBER	QTY	PART NAME						SEE PAGE
					1	2	3	4	5	6 (PRODUCT LEVEL)	
	1	1	208-0589	1	COVER-PROTECTION						



GRAPHIC #1

<END>

g01442741

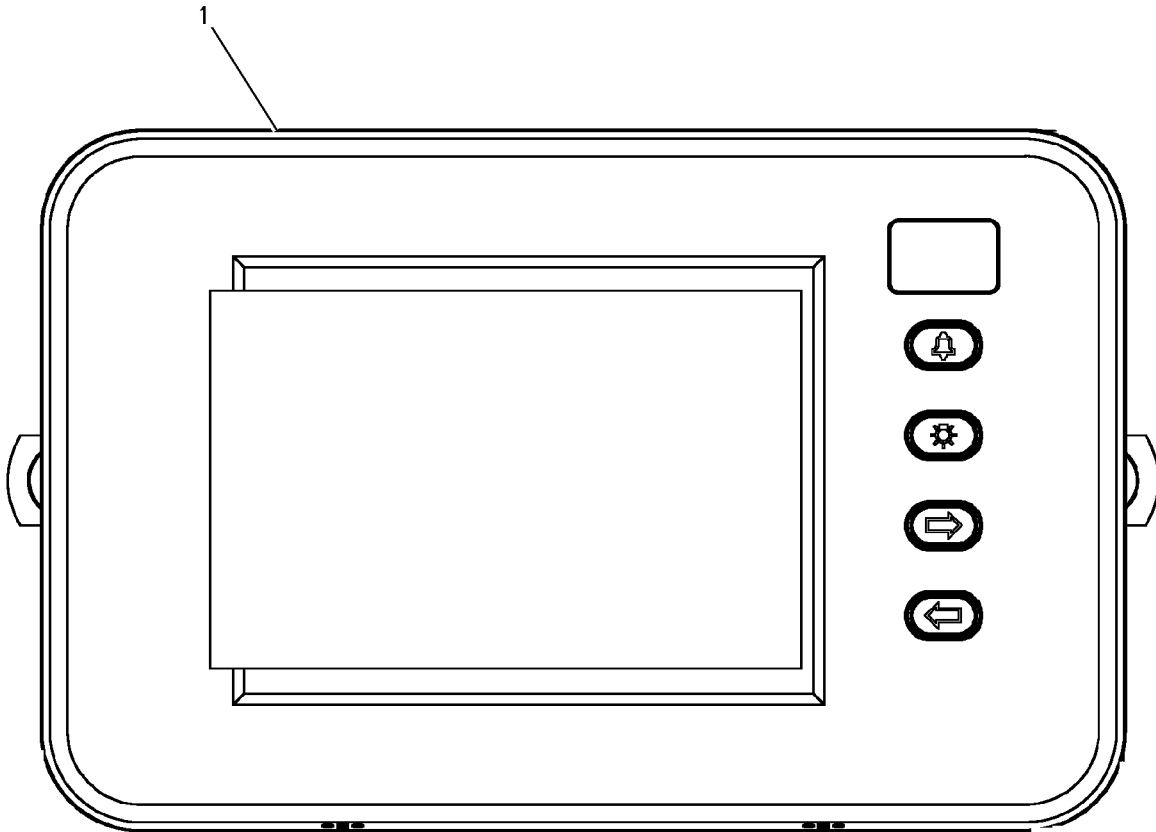
OPERATOR STATION

307-7542 DISPLAY GP-MONITOR-MARINE POWER DISPLAY PART OF 267-8623 DISPLAY GP-MONITOR AN ATTACHMENT

SMCS-7490

i02958050

NOTE	REF NO	GRAPHIC REF	PART NUMBER	QTY	PART NAME						SEE PAGE
					1	2	3	4	5	6 (PRODUCT LEVEL)	
Y	1	1	307-7541	1	DISPLAY GP-MONITOR (MARINE POWER DISPLAY)						653
Y-SEPARATE ILLUSTRATION											



GRAPHIC #1

<END>

g00914466

OPERATOR STATION

345-2374 MODULE GP-ALARM

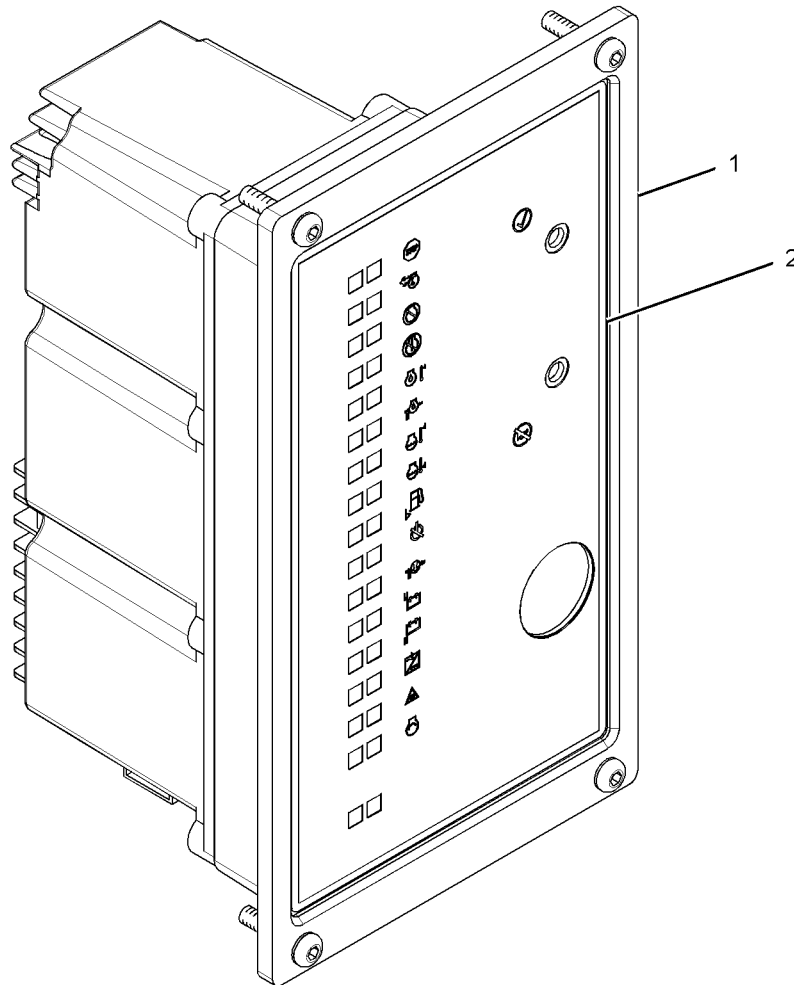
EMCP 3 ANNUNCIATOR
AN ATTACHMENT

SMCS-7400

i03589140

NOTE	REF NO	GRAPHIC REF	PART NUMBER	QTY	PART NAME						SEE PAGE
					1	2	3	4	5	6 (PRODUCT LEVEL)	
	1	1	236-1158	1	MODULE GP-ALARM						
M		1	166-3777	4	SCREW-BUTTON HEAD (M6X1X28-MM)						
	2	1	260-6898	1	KIT-FILM (CATERPILLAR)						
					(INCLUDES FILMS & DISKETTE)						

M-METRIC PART



GRAPHIC #1

<END>

g01922033

OPERATOR STATION

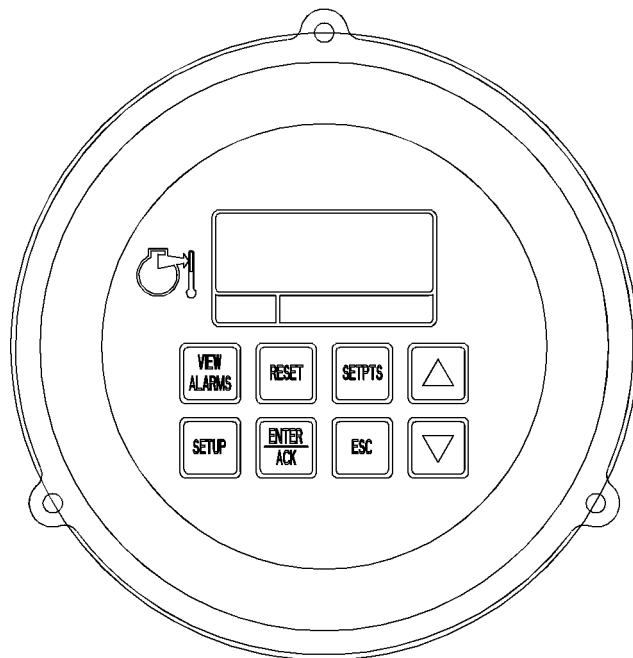
251-9450 MODULE - EXHAUST TEMPERATURE

AN ATTACHMENT

SMCS - 7466

i02988114

NOTE	REF NO	GRAPHIC REF	PART NUMBER	QTY	PART NAME	SEE PAGE
					1 2 3 4 5 6 (PRODUCT LEVEL)	
(NO SERVICED PARTS)						



GRAPHIC #1

<END>

g01026124

OPERATOR STATION

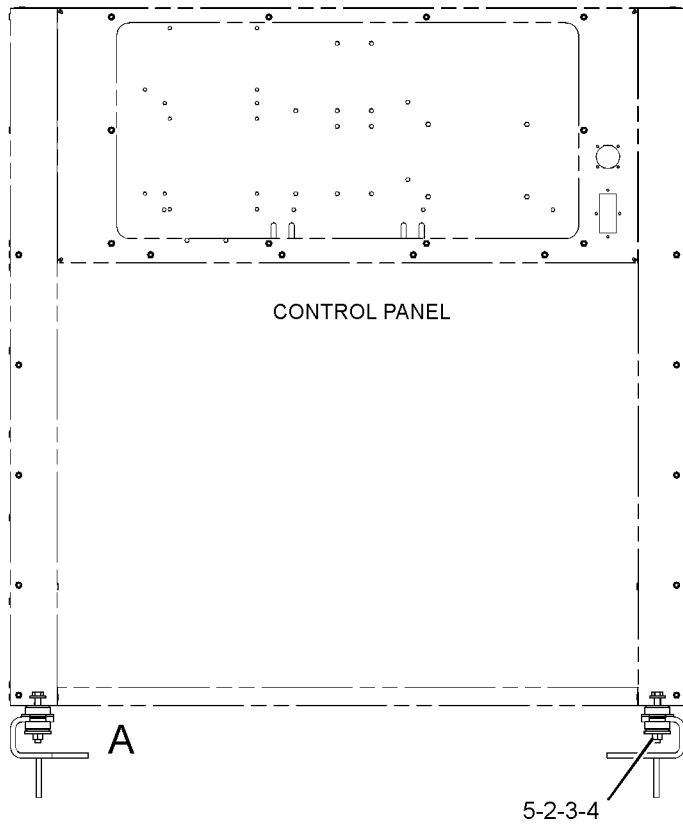
245-0087 MOUNTING GP-CONTROL PANEL-ISOLATOR AN ATTACHMENT

SMCS-7451

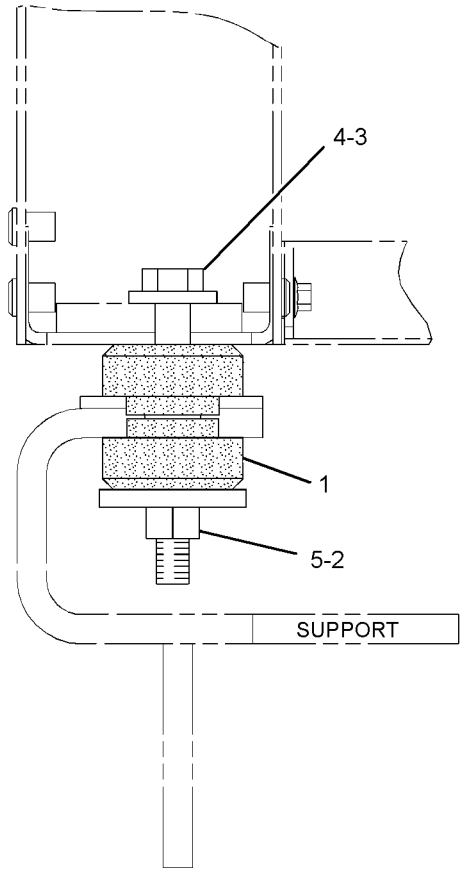
i02881614

NOTE	REF NO	GRAPHIC REF	PART NUMBER	QTY	PART NAME						SEE PAGE
					1	2	3	4	5	6 (PRODUCT LEVEL)	
	1	1	249-3108	4	MOUNT-ISOLATION						
	2	1	086-0297	4	WASHER (13X50X6-MM THK)						
	3	1	5P-1076	4	WASHER-HARD (13.5X30X4-MM THK)						
M	4	1	7X-2549	4	BOLT (M12X1.75X100-MM)						
M	5	1	8T-4244	4	NUT (M12X1.75-THD)						

M-METRIC PART



REAR VIEW



VIEW OF AREA A

GRAPHIC #1

<END>

g01435324

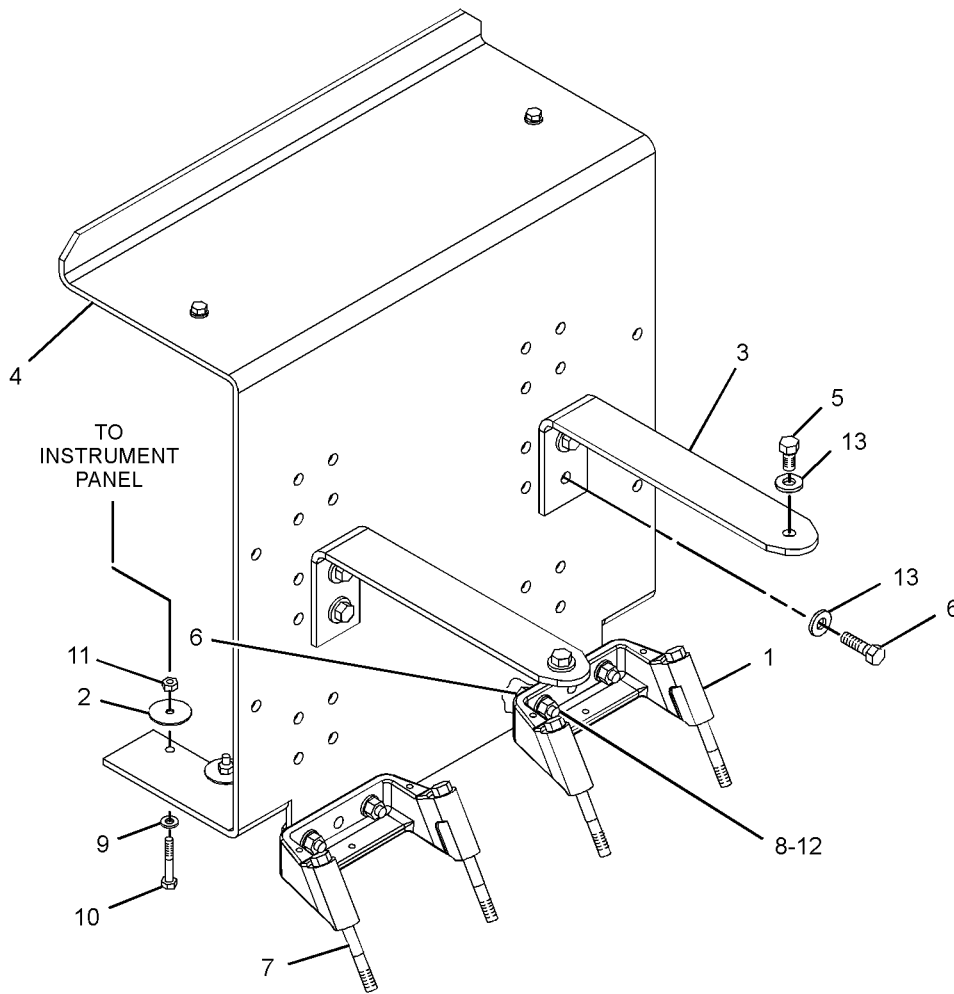
OPERATOR STATION

292-4520 MOUNTING GP-INSTRUMENT PANEL-RH AN ATTACHMENT

SMCS-7451

i03807630

NOTE	REF NO	GRAPHIC REF	PART NUMBER	QTY	PART NAME						SEE PAGE
					1	2	3	4	5	6 (PRODUCT LEVEL)	
	1	1	1W-8129	2	SUPPORT						
	2	1	2W-8604	6	WASHER (6.5X35X1.5-MM THK)						
	3	1	235-2763	2	BRACKET						
	4	1	291-6227	1	BRACKET AS						
		1	1F-0750	6	NUT-WELD (3/8-16-THD)						
	5	1	0S-0509	2	BOLT (3/8-16X0.75-IN)						
	6	1	0S-1588	8	BOLT (3/8-16X1.25-IN)						
	7	1	1A-5964	4	BOLT (3/8-16X4.5-IN)						
	8	1	5M-2894	4	WASHER-HARD (10.2X18.5X2.5-MM THK)						
	9	1	5P-0537	6	WASHER-HARD (7.2X14.5X2-MM THK)						
	10	1	7B-8167	6	BOLT (1/4-20X1.625-IN)						
	11	1	9S-8750	6	NUT-FULL (1/4-20-THD)						
	12	1	9S-8752	4	NUT-FULL (3/8-16-THD)						
	13	1	9X-6458	6	WASHER-HARD (10.2X22.5X3-MM THK)						



GRAPHIC #1

<END>

g01325975

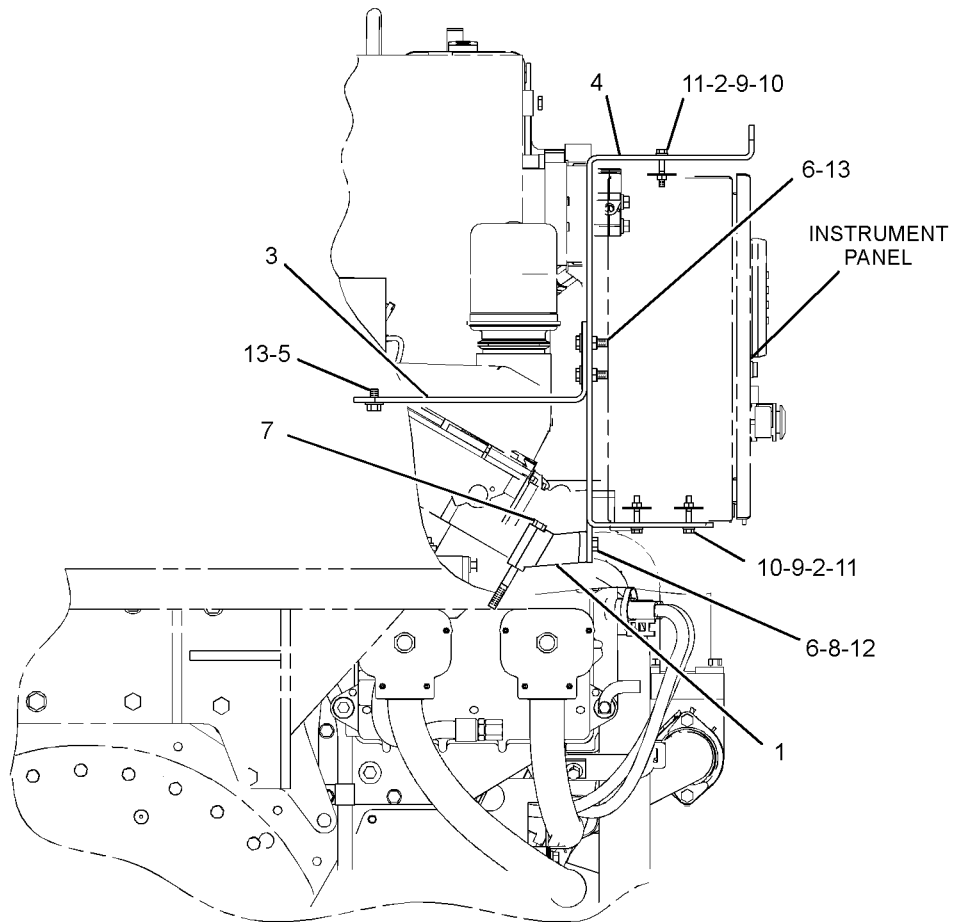
OPERATOR STATION

292-4521 MOUNTING GP-INSTRUMENT PANEL-LH AN ATTACHMENT

SMCS-7451

i02627352

NOTE	REF NO	GRAPHIC REF	PART NUMBER	QTY	PART NAME						SEE PAGE
					1	2	3	4	5	6 (PRODUCT LEVEL)	
	1	1	1W-8129	2	SUPPORT						
	2	1	2W-8604	6	WASHER (6.5X35X1.5-MM THK)						
	3	1	235-2763	2	BRACKET						
	4	1	291-6227	1	BRACKET AS						
		1	1F-0750	4	NUT-WELD (3/8-16-THD)						
	5	1	0S-0509	2	BOLT (3/8-16X0.75-IN)						
	6	1	0S-1588	8	BOLT (3/8-16X1.25-IN)						
	7	1	1A-5964	4	BOLT (3/8-16X4.5-IN)						
	8	1	5M-2894	4	WASHER-HARD (10.2X18.5X2.5-MM THK)						
	9	1	5P-0537	6	WASHER-HARD (7.2X14.5X2-MM THK)						
	10	1	7B-8167	6	BOLT (1/4-20X1.625-IN)						
	11	1	9S-8750	6	NUT-FULL (1/4-20-THD)						
	12	1	9S-8752	4	NUT-FULL (3/8-16-THD)						
	13	1	9X-6458	6	WASHER-HARD (10.2X22.5X3-MM THK)						



FRONT VIEW OF ENGINE

<END>

GRAPHIC #1

g01320406

OPERATOR STATION

245-0030 PANEL GP-CONTROL-EMCP 3.3

FOR USE WITH EUI
AN ATTACHMENT

SMCS-4490, 7451

i02762461

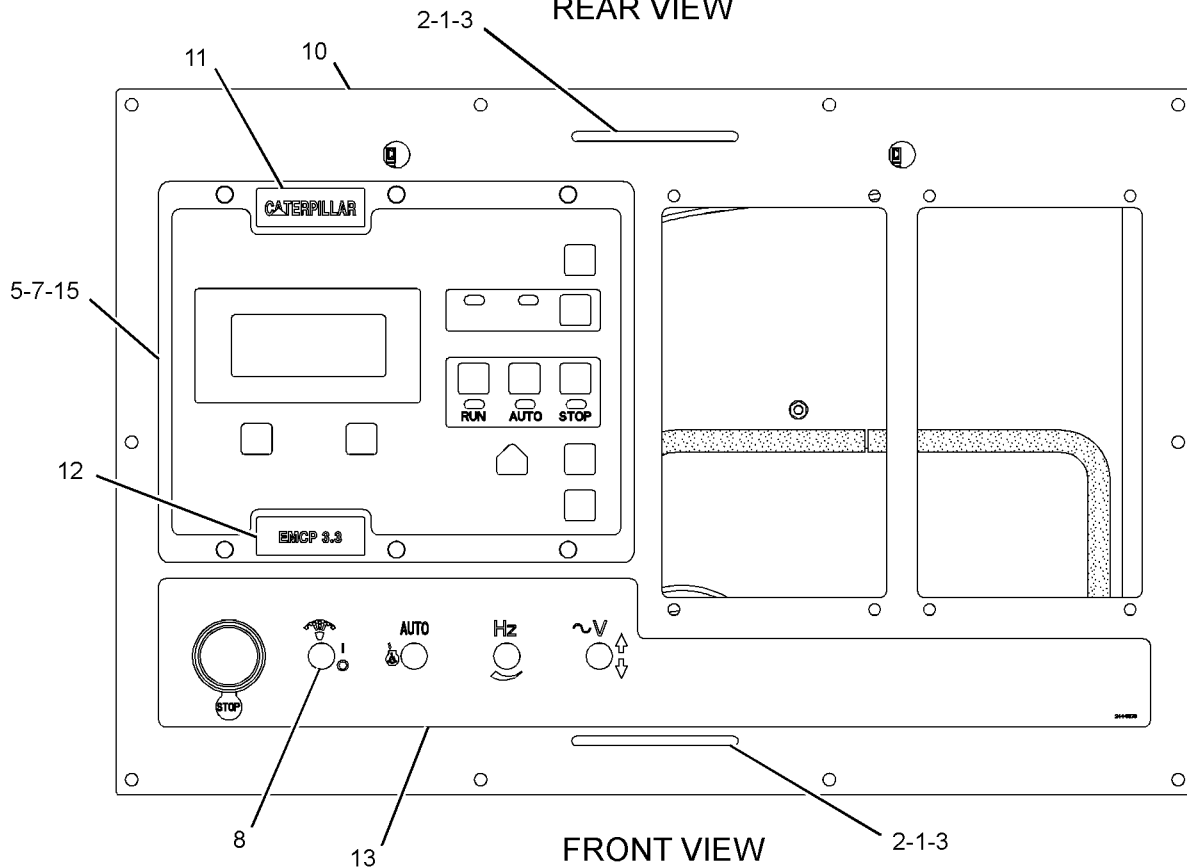
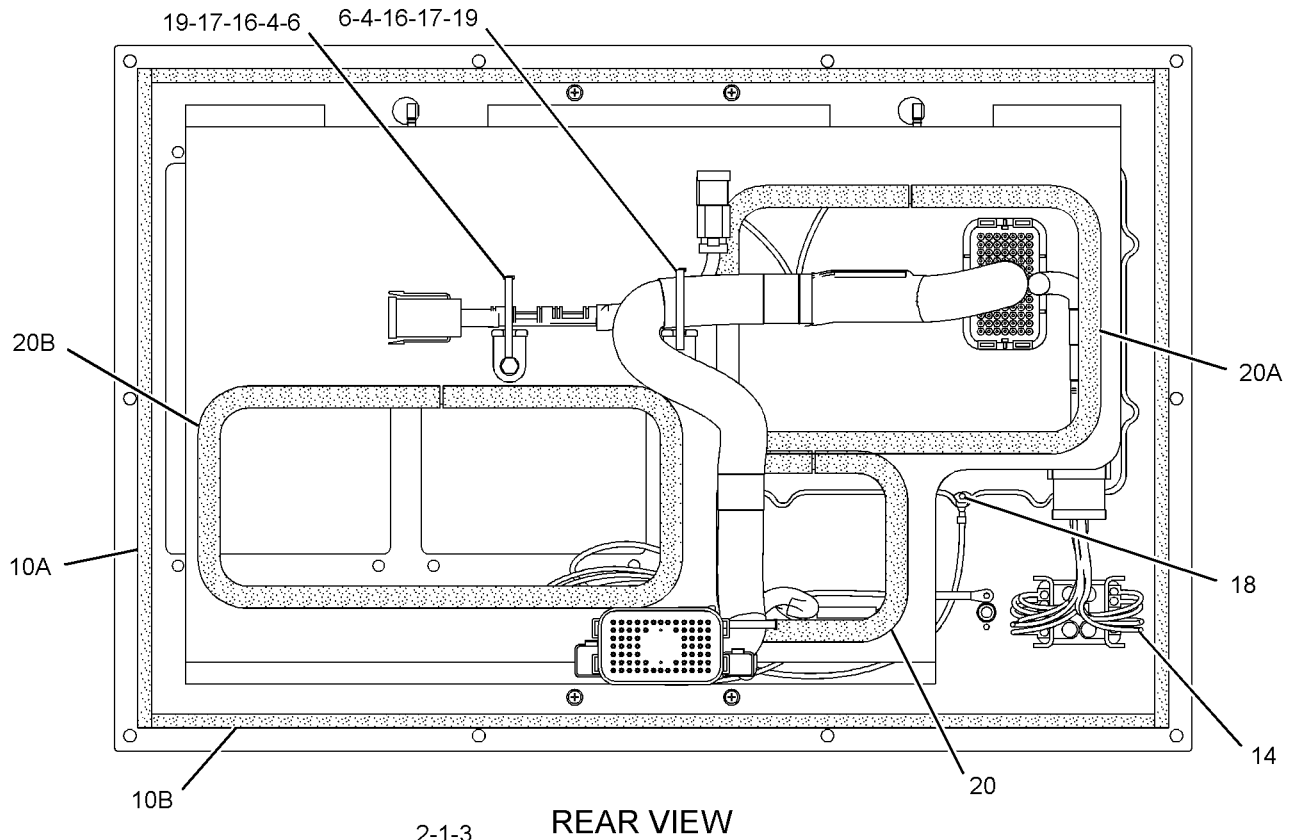
NOTE	REF NO	GRAPHIC REF	PART NUMBER	QTY	PART NAME						SEE PAGE
					1	2	3	4	5	6 (PRODUCT LEVEL)	
	1	1	8C-8514	4	SCREW-MACHINE (8-32X0.375-IN)						
	2	1	8T-2882	2	HANDLE-PULL						
	3	1	9F-8125	4	LOCKWASHER						
B	4	1,2	9X-6772	3	STRAP-CABLE						
	5	1	103-6272	1	SEAL						
	6	1,2	156-6175	3	CLIP						
	7	1	243-5027	6	NUT AS (M6X1-THD)						
	8	1	234-1373	4	GROMMET-BLIND						
Y	9	2	244-5404	1	HARNESS AS-PANEL (INTERFACE) (EMCP 3, EUI)						434
	10	1	242-8829	1	PANEL AS						
J	10A	1	244-9631		SEAL (9-DM EACH)						
J	10B	1	244-9631		SEAL (14-DM EACH)						
	11	1	245-2987	1	FILM-IDENTIFICATION (CAT)						
	12	1	245-2992	1	FILM-IDENTIFICATION (EMCP 3.3)						
	13	1	244-9673	1	FILM-CONTROL PANEL (STOP, STARTING AID, SPEED)						
Y	14	1	252-7558	1	WIRING GP-SHUTOFF (EMERGENCY STOP)						573
Y	15	1	274-8518	1	CONTROL GP-GENERATOR SET (EMCP 3.3)						644
M	16	1,2	5C-2890	3	NUT (M6X1-THD)						
M	17	1,2	5C-9553	3	BOLT (M6X1X16-MM)						
M	18	1	8C-7581	1	SCREW-MACHINE (M4X0.7X8-MM)						
	19	1,2	9X-8256	6	WASHER (6.6X12X2-MM THK)						
E	20	1	3E-6600		SEAL (32-CM)						
E	20A	1	3E-6600		SEAL (72-CM)						
E	20B	1	3E-6600		SEAL (79-CM)						

B-USE AS REQUIRED
E-ORDER BY THE CENTIMETER
J-ORDER BY THE DECIMETER
M-METRIC PART
Y-SEPARATE ILLUSTRATION

OPERATOR STATION

245-0030 PANEL GP-CONTROL (contd.)

i02762461



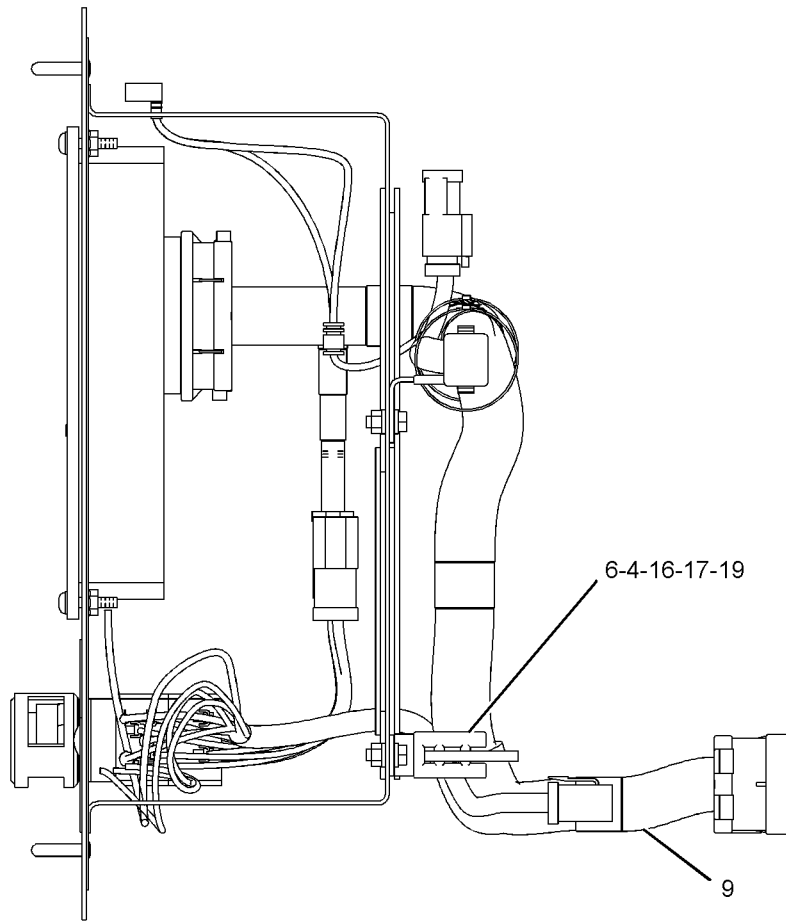
GRAPHIC #1

g01289440

OPERATOR STATION

245-0030 PANEL GP-CONTROL (contd.)

i02762461



LEFT SIDE VIEW

GRAPHIC #2

<END>

g01289443

OPERATOR STATION

252-7406 PLATE GP-COVER

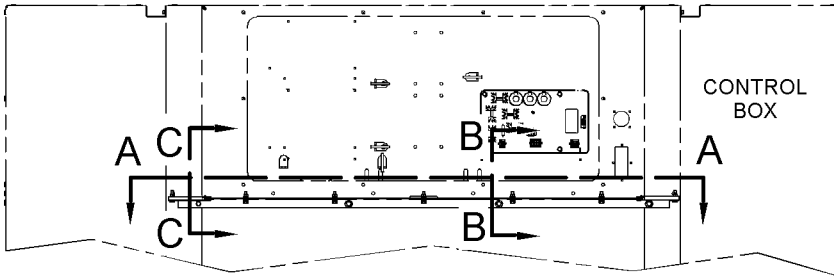
MEDIUM VOLTAGE, MAIN BOX
AN ATTACHMENT

SMCS-7451

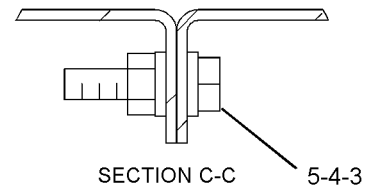
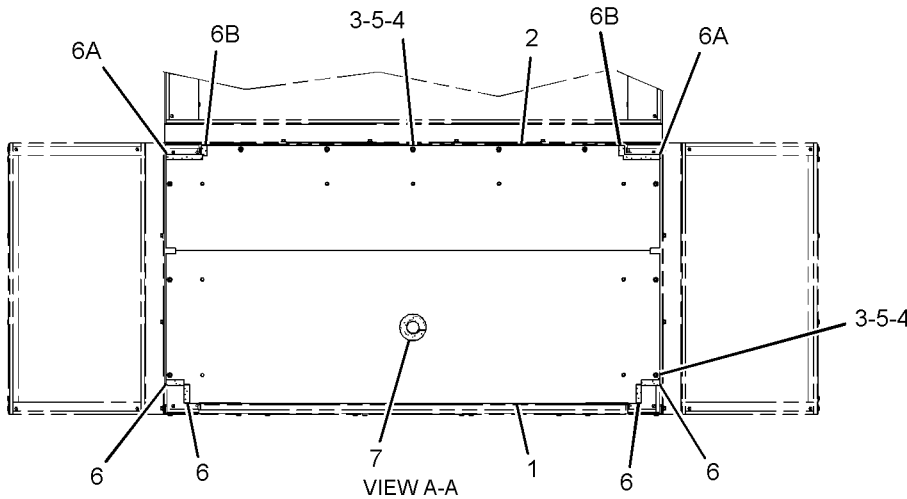
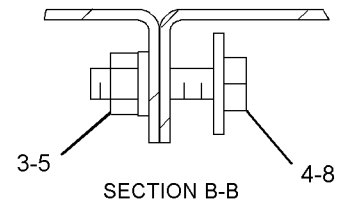
i03731368

NOTE	REF NO	GRAPHIC REF	PART NUMBER	QTY	PART NAME						SEE PAGE
					1	2	3	4	5	6 (PRODUCT LEVEL)	
	1	1	245-0098	1	PLATE-COVER						
	2	1	245-0099	1	PLATE-COVER						
M	3	1	5C-2890	15	NUT (M6X1-THD)						
M	4	1	6V-7357	15	BOLT (M6X1X25-MM)						
	5	1	9X-8256	27	WASHER (6.6X12X2-MM THK)						
E	6	1	3E-6600		SEAL (4.8-CM EACH)						
E	6A	1	3E-6600		SEAL (9.6-CM EACH)						
E	6B	1	3E-6600		SEAL (2.6-CM EACH)						
	7	1	6D-5729	1	GROMMET						
	8	1	5P-4115	3	WASHER-HARD (7.2X19X2-MM THK)						

E-ORDER BY THE CENTIMETER
M-METRIC PART



FRONT VIEW



GRAPHIC #1

<END>

g02008295

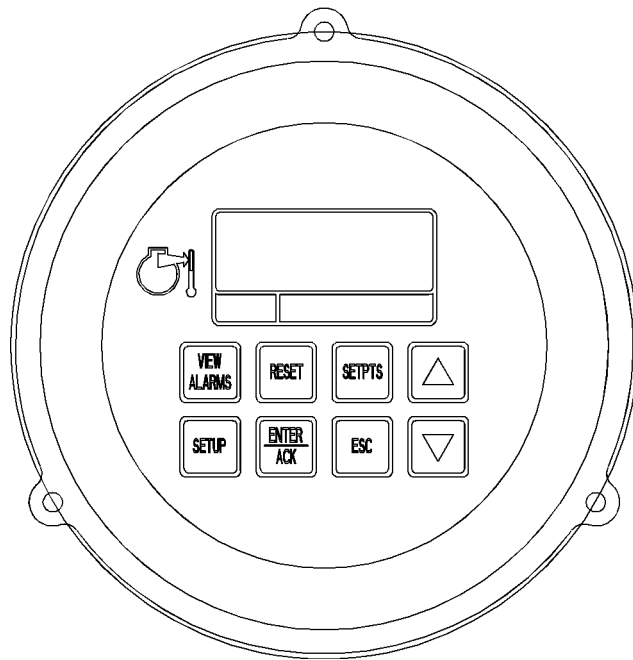
OPERATOR STATION

195-0383 PYROMETER GP EXHAUST GAS TEMPERATURE SCANNER AN ATTACHMENT

SMCS-7466

i01979144

NOTE	REF NO	GRAPHIC REF	PART NUMBER	QTY	PART NAME	SEE PAGE
					1 2 3 4 5 6 (PRODUCT LEVEL)	
(NO SERVICED PARTS)						



GRAPHIC #1

<END>

g01026124

SERVICE EQUIPMENT AND SUPPLIES

6L-4502 CHART-PLATE & FILM

SMCS-7557

i03849010

NOTE	PART NUMBER	QTY	PART NAME 1 2 3 4 5 6 (PRODUCT LEVEL)	SEE PAGE
	8L-9765	1	FILM-FUEL RETURN (EXCESS) INSTALL FILM ON FUEL RETURN VALVE OR THE FUEL FILTER HOUSING.	
	5P-1175	1	FILM-IDENTIFICATION (ENGINE OIL FILL) INSTALL FILM ON THE TOP OF THE OIL FILL CAP CENTERED BETWEEN THE HANDLE AND THE TOP EDGE OF THE OIL FILL CAP.	
	250-3444	1	FILM-INFORMATION (STANDARD ROTATION) INSTALL FILM ON THE LH CAM GEAR COVER IN A VISIBLE LOCATION, IF THAT COVER IS NOT AVAILABLE MOVE TO THE RH CAM GEAR COVER.	
	308-4479	21	FILM-WARNING (NO WELD, READ OMM) INSTALL ONE FILM ON EACH SIDE OF THE ENGINE, ONE FILM ON TOP OF THE POWER DISTRIBUTION BOX, AND ONE ON THE OPPOSITE SIDE OF THE ENGINE, CENTERED ON THE FIRST VISIBLE SIDE COVER FROM THE REAR OF THE ENGINE. IF THERE IS NO POWER DISTRIBUTION BOX, INSTALL BOTH FILMS ON THE FIRST VISIBLE SIDE COVER FROM THE REAR.	
	225-3227	2	FILM-WARNING (HOT SURFACE) INSTALL ONE FILM ON THE RH SIDE ON THE OIL COOLER, ABOVE THE DIPSTICK, AND ONE FILM ON THE LH SIDE OF THE ENGINE, ON THE CRANKCASE COVER NEAR THE MIDLINE OF THE ENGINE, BOTH FILMS SHOULD BE VISIBLE FROM THE SIDE OF THE ENGINE.	
	225-4256	1	FILM-WARNING (HOT FLUID UNDER PRESSURE, U.S.) INSTALL FILM ON THE TOP OF THE EXPANSION TANK CENTERED WITH THE FILL CAP ON THE RIGHT SIDE.	
	228-3369	4	FILM-WARNING (DO NOT OPERATE, READ OMM) INSTALL ONE FILM ON CYLS #1, #2, #15 AND #16 VALVE COVER ROCKER BASES, IF THESE COVERS ARE NOT VISIBLE, MOVE FILM TO THE FIRST VISIBLE VALVE COVER ROCKER BASE.	
	233-6084	2	FILM-WARNING (FIRE, STOP ENGINE, DO NOT OPEN) INSTALL ONE FILM ON THE RH AND LH SIDES OF THE ENGINE NEAR THE TOP OF THE CRANKCASE COVERS NEAREST THE CENTERLINE OF THE ENGINE VISIBLE FROM THE SIDE OF THE ENGINE, DO NOT INSTALL ON THE EXPLOSION RELIEF VALVES.	
	225-3226	2	FILM-WARNING (HOT SURFACE) INSTALL FILM ON THE VALVE COVERS ON CYLS. #13 AND CYL #14. IF EITHER OF THESE COVERS ARE NOT AVAILABLE, MOVE FILM TO THE NEXT AVAILABLE VALVE COVER NEAREST TO THE TURBOCHARGER, VISIBLE FROM THE SIDE OF THE ENGINE.	
	115-5852	1	PLATE & FILM GP (ENGINE INFORMATION) CONTACT YOUR LOCAL DEALER. INSTALL FILM ON LH, FRONT, LOWER HEAD FACE OF THE BLOCK BETWEEN CYL. #2 AND THE FRONT HOUSING, READABLE FROM THE REAR OF ENGINE. INSTALL CLEAR LAMINATE OVER FILM.	
	298-5631	2	PLATE-IDENTIFICATION (CAT)	

SERVICE EQUIPMENT AND SUPPLIES

6L-4502 CHART-PLATE & FILM (contd.)

i03849010

NOTE	PART NUMBER	QTY	PART NAME 1 2 3 4 5 6 (PRODUCT LEVEL)	SEE PAGE
			INSTALL ONE ON RH REAR CAM COVER AND ONE ON THE LH FRONT CAM COVER IF VISIBLE.	
			IF EITHER PRIMARY LOCATION IS NOT VISIBLE	
			INSTALL PLATE ON THE NEXT VISIBLE CAM COVER LOCATION ON THAT SIDE OF THE ENGINE.	
	3N-3790	1	PLATE-SERIAL NUMBER (ENGINE)	
			CONTACT YOUR LOCAL DEALER.	
			REFLATTEN AFTER STAMPING.	
			INSTALL ON LH SIDE OF BLOCK NEAR REAR FACE ON CAMSHAFT COMPARTMENT USING 7B-3028 DRIVE SCREWS.	
			STAMP SERIAL NUMBER IN BLOCK JUST BELOW PLATE IN FIGURES 6 HIGH.	
	7B-3028	2	SCREW-DRIVE (4X0.187-IN)	
<END>				

352-9860 FILM GP AN ATTACHMENT

SMCS-7405, 7557

i03792252

NOTE	PART NUMBER	QTY	PART NAME 1 2 3 4 5 6 (PRODUCT LEVEL)	SEE PAGE
	8L-8413	2	STRAP-CABLE	
	353-2691	1	TAG	
<END>				

132-8710 KIT-OIL MIST DETECTOR TOOL AN ATTACHMENT

SMCS-0781, 1348

i01436402

NOTE	PART NUMBER	QTY	PART NAME 1 2 3 4 5 6 (PRODUCT LEVEL)	SEE PAGE
(NO SERVICED PARTS)				
<END>				

SERVICE EQUIPMENT AND SUPPLIES

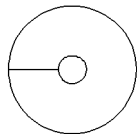
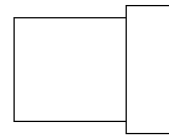
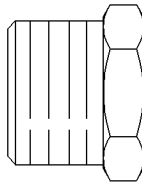
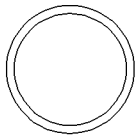
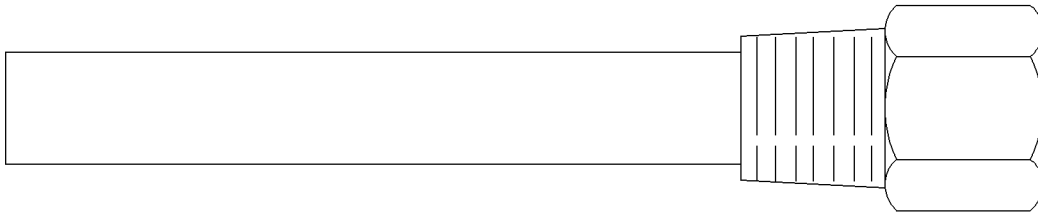
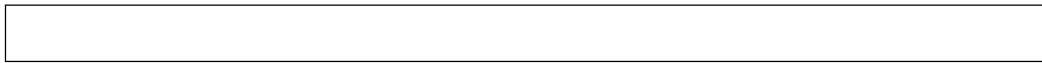
7E-3127 KIT-SENSOR POCKET-TEMPERATURE CONTACTOR

PART OF 4W-2637, 4W-2640 CONTACTOR-TEMPERATURE
AN ATTACHMENT

SMCS-1900, 7400

i02419883

NOTE	REF NO	GRAPHIC REF	PART NUMBER	QTY	PART NAME	SEE PAGE
					1 2 3 4 5 6 (PRODUCT LEVEL) (INCLUDES POCKET-SENSOR, RETAINERS, RING-ADAPTER, STRIP GAUGE AND WASHERS)	



GRAPHIC #1

<END>

g00768771

SERVICE EQUIPMENT AND SUPPLIES

137-8533 SHIM PACK

PART OF 279-1303 INSTALLATION AR-GENERATOR
FOR USE WITH ALIGNMENT OF GENERATOR AND INDUSTRIAL PACKAGES
AN ATTACHMENT

SMCS-1306, 4450

i02213909

NOTE	PART NUMBER	QTY	PART NAME						SEE PAGE
			1	2	3	4	5	6 (PRODUCT LEVEL)	
B	137-8534	1	SHIM (0.025-MM THK)						
B	137-8535	1	SHIM (0.0508-MM THK)						
B	137-8536	1	SHIM (0.076-MM THK)						
B	137-8537	1	SHIM (0.102-MM THK)						
B	137-8538	1	SHIM (0.127-MM THK)						
B	137-8539	1	SHIM (0.254-MM THK)						
B	137-8540	1	SHIM (0.381-MM THK)						
B	137-8541	1	SHIM (0.508-MM THK)						
B	137-8542	1	SHIM (0.635-MM THK)						
B	137-8543	1	SHIM (1.27-MM THK)						
B	137-8544	1	SHIM (1.91-MM THK)						
B	137-8545	1	SHIM (2.54-MM THK)						
B	137-8546	1	SHIM (3.05-MM THK)						

B-USE AS REQUIRED

<END>

PART NUMBER INDEX

Part	Page	Part	Page	Part	Page	Part	Page
0							
			203		206		250
			499		276		253
OL-0701	153		503		293		256
	154	OS-1571	87		295		258
OL-1143	117		88		297		261
	122		109		321		263
	136		115		398		297
	144		117		403		321
	161		122		408		540
	186		127		455		544
	301		136		460	OS-1592	47
OL-1351	45		144		466		49
	51		159		470		52
	52		161		540		54
	61		177		544	OS-1594	12
	81		182		567		14
	87		184		568		45
	115		192		570		47
	117		194		572		49
	122		196		658		51
	139		203		659		52
	140		206	OS-1590	59		54
	143		223		75		59
	149		242		81		66
	177		243		89		81
	189		245		91		117
	218		253		95		122
	221		261		104		127
	223		263		136		129
	309		398		148		131
	311		403		149		136
	398		408		162		140
	403		464		163		149
	408		468		177		160
OL-1352	14		540		196		161
	89	OS-1585	81		203		162
	136		136		206		163
	140		144		221		169
	177		148		247		171
OL-2070	80		149		250		173
	102		221		256		177
	104		223		258		182
	140	OS-1587	73		261		184
	186		256		263		186
	302		258		302		192
	311		301		408		206
	540	OS-1588	12		455		211
	544		17		540		212
OS-0509	7		80		544		213
	74		81	OS-1591	14		223
	161		113		67		247
	247		115		68		250
	250		117		69		297
	269		122		70		302
	276		127		71		381
	456		136		109		398
	462		149		113		403
	524		152		127		408
	534		167		136		455
	540		171		149		458
	544		177		165		464
	658		182		177		466
	659		186		189		468
OS-1566	194		192		241		470
	196		205		247		524

PART NUMBER INDEX

Part	Page	Part	Page	Part	Page	Part	Page
	535		177	1B-2790	83		630
	540	OT-0065	80		84		634
	544		136	1B-3573	147	1H-5959	152
OS-1595	12		140	1B-4209	587	1H-9569	531
	27		149	1B-4218	73	1H-9570	531
	29		171	1B-4367	61	1H-9572	531
	45		302	1B-5355	243	1H-9573	531
	52		311		245	1H-9574	531
	164	OT-0102	83	1B-5357	243	1H-9575	531
	165		84		244	1H-9578	531
	184		566		245	1H-9580	531
	221	OT-0320	531	1B-7182	169	1H-9581	531
	223	OT-0573	115		173	1H-9696	314
	455		117		293		315
OS-1597	510		118		295	1J-9671	230
	514		135		297		317
OS-1608	140	OV-0375	256	1B-8706	117	1K-6872	81
	295		258	1B-9575	456	1K-6937	140
	466				462		153
	468				603		154
OS-1614	109			1C-2251	221	1L-2072	531
OS-1615	102				223	1L-2073	288
	104	1A-1460	75		256		▶ 531
	398		113	1D-4539	302	1L-3769	299
	403		263		305	1L-4031	464
	408	1A-2029	7		306		468
OS-1616	398		12	1D-4540	380	1L-5081	122
	403		16	1D-4566	499	1L-5316	215
	408		27		503		216
OS-1617	149		29	1D-4574	115		217
	152		42		117	1L-8181	390
OS-1618	169		81		122	1L-8497	497
	173		113	1D-4586	75		501
	205		136	1D-4590	72	1L-9048	531
	215		140	1D-4593	73	1L-9049	531
	216		168	1D-4595	256	1L-9079	531
	217		171		258	1L-9080	531
	456		177	1F-0750	321	1M-0644	115
	458		189		658		117
	460		218		659		122
	462		221	1F-4111	302	1M-3381	149
OS-1619	115		223	1F-6660	44	1M-6119	340
	117		247	1F-7958	113		341
	122		250		144	1M-6120	340
	139		380		177		341
	140		399		184	1M-9968	506
	171		403		218		515
	398		408	1H-1023	505	1M-9971	505
	403		455		514		514
	408	1A-5183	167	1H-2629	505	1N-2895	293
OS-1621	66		186		514		295
	67	1A-5822	149	1H-3244	326		297
	69		177		329	1N-2914	12
	70		218		333		398
	71	1A-5964	113		335		403
	93		127		337		408
	97		253	1H-3338	360	1N-3482	43
	221		301		362	1N-3872	149
	223		658	1H-4393	345		177
	398		659		349	1N-4636	314
	403	1A-8912	391		358		315
	408	1A-9252	117		614	1N-4637	148
OT-0055	47	1A-9579	18		618	1N-4859	161
	54		107		622	1N-4860	161
	59		110		626	1N-5999	205

PART NUMBER INDEX

Part	Page	Part	Page	Part	Page	Part	Page
1P-3861	297	1W-7548	295		329	2V-7397	340
1P-5274	139	1W-7996	241	2L-6679	505		341
	140	1W-8129	113		514	2W-0013	159
	143		177	2L-8049	431	2W-0694	149
	149		301	2L-8050	420	2W-0752	10
1P-7115	67		658	2L-8057	431		12
	68		659	2L-8058	420		113
	69	1W-8188	149	2L-8075	326	2W-1053	136
	70	1W-9070	276		329	2W-1635	115
	71	1W-9487	▶241		421		117
1P-7625	309				432		122
	311				561		136
1R-0726	115	2			562	2W-1773	▶78
	117				614	2W-1969	115
	122	2A-0762	146		618		117
1R-0756	293		220		623		122
	295	2A-1162	205		626	2W-2180	78
	297	2A-1531	221		630	2W-2288	20
1S-2303	391		223		635	2W-2895	59
	464	2A-4429	35	2L-8077	345	2W-2940	26
	466		39		349		27
	468	2A-4639	171	2L-8081	529		29
	470		247	2L-9653	149		31
1S-4974	639		250	2M-0849	41	2W-3146	169
1S-5772	161	2A-5220	73	2M-3403	127		173
	162	2B-2694	149	2M-4453	192	2W-3584	100
	163		399		206		101
	189		403	2M-9780	113	2W-5225	177
	218		408		212	2W-5285	16
	221	2B-2695	45		213	2W-5616	▶17
1S-7446	505		47		295	2W-6078	497
	514		49		317	2W-6081	497
1T-0720	247		52	2N-0822	196	2W-6082	497
	250		54		203		501
1T-0765	47		110		206	2W-6084	501
	49		149	2N-0931	221	2W-6286	297
	54		399		223	2W-6287	297
1T-0808	514		404	2N-1287	261	2W-6289	297
1U-4738	153		408		263	2W-6290	297
	154	2D-6392	505		265	2W-6667	297
1V-0623	66		514	2N-3385	66	2W-6672	297
1V-8638	67	2F-6678	506	2N-7308	464	2W-7226	136
	68		515		466	2W-7755	244
	69	2G-6303	149	2N-7520	152	2W-7756	▶244
	70	2G-6304	149	2N-7521	152	2W-7871	▶245
	71	2H-3429	299	2N-7523	152	2W-7872	245
1W-0531	299		505	2N-7524	152	2W-7873	243
1W-1564	81		514	2N-7604	160		245
1W-2447	136	2H-3755	269	2N-8928	129	2W-8604	391
1W-2639	162	2H-3757	77	2N-9768	220		658
	163		78	2P-2772	14		659
1W-3942	149	2H-3896	602	2P-5616	326	2W-9209	117
1W-3943	149	2H-3922	523		329	2W-9210	159
1W-3944	149	2H-3928	177	2P-7636	302	2W-9300	293
1W-4072	223	2H-3939	468	2R-7712	468		295
1W-4099	223	2H-9523	309	2S-4078	253		297
1W-4191	▶112		311	2S-5100	115	2W-9729	1
	113		390		117		3
1W-4257	149	2J-0157	299		122		▶214
1W-4820	149	2J-3506	75		293		
1W-4923	67		246		295		
	68	2J-8163	505		297		
1W-6005	148		514	2S-7056	51		
1W-6356	241	2K-3374	540	2V-4387	177	3A-3692	540
	242	2K-4821	326		380		544

PART NUMBER INDEX

Part	Page	Part	Page	Part	Page	Part	Page
3B-0623	33	3E-4352	269		639		140
3B-0645	33		399	3J-7719	497		143
3B-1915	41		404		501	3N-7281	458
	177		409	3J-9173	117	3N-7320	223
	206	3E-4367	538	3J-9196	102	3N-8213	198
	214		642		104		200
	293	3E-5394	425	3K-0360	168		208
	295		428		177	3N-8217	198
	297	3E-6600	346		186		200
	321		350		295	3N-8218	198
	399		395		309		200
	404		660		311	3N-8462	198
3B-3638	421		663		540		200
3B-4504	345	3E-6916	256		544		208
	349		258	3K-2889	75	3N-8463	198
3B-4505	497	3E-7430	44		391		200
	501		464	3K-4897	275		208
3B-4506	66		466	3K-8106	392	3P-0653	136
3B-4507	198		468		557	3P-0654	80
	200		470	3K-8460	230		81
	208	3E-7771	506	3K-8782	639	3P-0655	136
3B-4508	66		515	3L-3380	505	3P-1896	16
3B-4605	610	3E-7775	510		514	3P-6061	192
3B-4615	117		512	3L-4566	357		194
3B-6491	464	3E-8557	538	3L-5389	117		196
3B-6498	466		642	3L-6836	509		203
3B-7265	153	3E-9860	615	3L-7314	359		206
	154		619		362	3R-1937	5
3B-7270	464		623	3L-7604	508	3R-2704	127
3B-7329	159		627		509		412
3B-7728	470		631		524	3R-8797	505
3B-7745	139		635	3L-7634	508		510
	140	3E-9865	360		509		512
	143		362		524		514
	466	3F-1358	205	3L-8187	526	3R-8801	506
	468	3F-1417	67	3L-8993	288		515
	470		68	3L-9689	66	3S-1223	177
3D-2824	186		69	3N-1341	221	3S-1307	59
	215		70		223		61
	216		71	3N-1400	357	3S-1546	136
	217	3F-2065	149	3N-1968	391	3S-2093	359
	218		530		456		362
3D-9777	117	3H-2617	159		458		391
3E-0357	614	3H-3433	139		460		524
	618		140		462		527
	622		143	3N-2652	▶160	3S-8664	221
	626	3H-5844	205	3N-3297	146		223
	630	3H-5939	160	3N-3299	146	3S-9643	167
	634		221	3N-3300	146		168
3E-3365	421		223	3N-3763	506	3T-3048	445
	494	3H-9675	280		515	3T-3418	505
3E-3371	486		282	3N-3790	666		514
	487	3J-1907	309	3N-4513	▶132	3T-3422	505
	488		311	3N-4622	220		510
3E-3377	419		317	3N-4868	▶133		512
	473		399		134		514
	559		404		142	3T-3423	505
3E-3383	353		409	3N-5765	▶66		506
3E-4304	354	3J-5389	256	3N-5863	223		514
	355		258	3N-6504	300		515
	356	3J-7352	412		301	3T-3424	505
	606	3J-7354	33	3N-7054	522		506
	611		122	3N-7055	522		514
	612		177	3N-7056	▶522		515
	649		412	3N-7057	139	3T-3434	505

PART NUMBER INDEX

Part	Page	Part	Page	Part	Page	Part	Page
	510	4B-9782	215	4M-3248	148		536
	512		216	4M-5281	321		538
	514		217	4M-5282	597		540
3T-4709	505		309	4M-6107	198		544
	514		311		200		563
3T-4710	505	4D-0449	42		208		572
	514	4D-1836	615	4N-0683	27		594
3T-6354	326		619		29	4P-7680	256
	329		623	4N-1114	14		258
	333		627	4N-1320	171	4P-8134	189
	335		631	4N-1650	7		276
	337		635	4N-3311	221		381
3T-9494	505	4D-3100	345		223		390
	506		349	4N-3327	140		524
	514	4D-3118	497	4N-3411	499		532
	515		501		503		534
3T-9524	506	4F-0411	218	4N-3986	▶326		535
	515	4F-7387	177		▶329		536
3T-9525	505		192		332		538
	514		206	4N-5834	215		540
3V-2431	42	4F-8711	476		216		544
3V-3308	160	4F-8965	136		217		563
	177	4H-6996	159	4P-0692	135		565
	468	4H-7869	5		144		566
			14		295		567
			499		301		568
			503		302		570
			508		311		572
			153	4P-0693	302	4P-9226	110
4B-0418	456	4J-0521	154		309	4R-8605	220
	458		317		311	4R-8658	113
	460	4J-5477	181	4P-0870	455	4S-5882	115
	462	4K-0367	149	4P-3153	603		117
4B-2043	326	4K-9097	398	4P-3362	242		122
	329		403	4P-3363	▶242	4S-5898	247
	360		408	4P-3563	186		250
	362	4L-2729	506	4P-3897	169	4S-6399	399
	473		515		173		404
	557		509	4P-4642	74		409
4B-2047	333	4L-6155	390	4P-5211	75		499
	335	4L-6454	390	4P-5242	153		503
	337	4L-6459	464		154	4V-7412	115
4B-2049	506		587	4P-5285	357		117
	515	4L-6665	261	4P-5295	218		122
4B-2363	81	4L-9337	263	4P-5426	1	4W-0090	117
4B-3140	81		265		3	4W-0096	117
	131		390		▶73	4W-0278	▶41
4B-3388	59	4M-0061	390	4P-5767	▶218	4W-0288	117
4B-4043	14	4M-1827	505	4P-7381	317	4W-0289	117
	192		514	4P-7383	317	4W-0290	117
	206	4M-1828	505	4P-7428	390	4W-0334	117
4B-4280	66		514		536	4W-0335	85
4B-4863	358	4M-1831	505		563		86
	360		510		570	4W-0343	117
	362		512	4P-7429	390	4W-0530	136
	392		514		536	4W-0531	136
	473		505		563	4W-2109	466
	557	4M-1853	514		140		470
	615		505	4P-7581	390	4W-2110	466
	619	4M-1854	514		456		470
	623		506		458	4W-2637	375
	627	4M-1896	515		460		▶378
	631		221		462	4W-2640	375
	635	4M-2442	223		527		▶379
	639		390		532	4W-2641	375
4B-8407	14						

4

PART NUMBER INDEX

Part	Page	Part	Page	Part	Page	Part	Page
	▶376		370	5H-8848	177		194
4W-2642	375		371	5J-5314	505		196
	▶377		373		514		203
4W-2648	456		387	5L-2534	499		205
	458		394		503		206
	460		395	5L-4398	243		218
	462		413		245		221
4W-2767	▶375		472	5L-5879	194		223
4W-2768	▶375		475		196		241
4W-3027	107		559		203		242
4W-3034	106		594	5L-6954	▶238		243
	107		643	5M-1719	256		247
	390		647		258		250
4W-4313	136		660	5M-2894	7		253
4W-4444	297		663		12		256
4W-4586	61	5C-7261	594		14		258
4W-4677	136	5C-8312	647		16		263
4W-4813	21	5C-9553	345		27		276
	22		349		29		293
	23		368		37		295
	24		387		38		297
4W-5015	12		394		41		301
4W-5592	115		413		47		302
	117		472		54		309
	122		559		59		311
4W-6387	115		594		67		321
	122		647		68		380
4W-6491	122		660		69		399
4W-6492	122	5C-9563	140		70		404
4W-6664	7	5D-1026	221		71		409
4W-6960	115		223		80		455
4W-8459	115	5D-5957	115		81		456
	122		122		83		458
4W-8467	122		159		84		460
4W-9149	149		293		89		462
			295		102		466
			297		104		468
		5E-9295	359		109		470
			426		113		524
			429		115		534
5B-0213	37	5F-0304	14		117		535
	38	5F-3106	192		118		540
5B-0841	177		206		122		544
5B-3254	412	5F-5990	300		127		566
5B-3265	194	5F-6371	139		131		567
	196		140		135		568
	203		143		136		570
5B-4399	177		153		139		572
5B-5821	7		154		140		658
5B-7643	499		466		144		659
	503		470		148	5M-3034	505
5B-7666	288	5F-7667	139		149		514
	499	5F-9657	26		159	5M-3062	390
	503		27		161	5M-6214	152
5B-7890	37		29		162	5N-0408	192
	38		31		163		206
	391	5H-6555	360		165	5N-1845	192
	531		362		169		194
5B-9079	117	5H-6734	211		171		196
5B-9603	218		212		173		203
	221		213		177		206
	223		214		182	5N-1940	192
5C-2890	345	5H-7225	159		186		206
	349	5H-7598	499		189	5N-1941	192
	368		503		192		206
	369						

5

PART NUMBER INDEX

Part	Page	Part	Page	Part	Page	Part	Page
5N-2126	527		501		189	5P-4571	614
5N-2317	99	5N-8428	497		261		618
5N-2438	▶300		501		263		622
5N-2902	198	5N-8529	▶239		265		626
	200	5N-8943	149		391		630
	208		530		464		635
5N-2904	198	5N-8980	499		499	5P-4624	115
	200		503		503		117
5N-4686	557		▶530	5P-1076	353		122
	594	5N-9006	198		354	5P-4892	115
	66		200		356		117
5N-4817	66	5N-9068	564		657		122
5N-5639	206	5N-9070	564	5P-1175	665		136
5N-6235	154	5N-9073	149	5P-1291	127	5P-4935	477
5N-6236	153		357	5P-1472	129	5P-5421	115
	154		530	5P-1947	127		117
5N-6237	▶146	5N-9117	357	5P-2228	390		122
	153	5N-9527	▶243	5P-2251	464	5P-5599	280
	154	5N-9574	497		466		282
5N-6241	▶143		501		468	5P-5600	280
5N-6255	146		7	5P-2321	614		282
5N-6668	152	5P-0076	102		618	5P-5622	431
5N-6942	531	5P-0537	104		623	5P-5624	421
5N-8363	497		109		626		426
	501		220		630	5P-5677	418
5N-8364	501		293		635		421
5N-8365	497		295	5P-2424	189		422
	501		297	5P-2546	45		423
5N-8367	497		615		49		426
	501		619		52		432
5N-8368	497		623	5P-2566	64		433
	501		627		65		445
5N-8372	497		631		154		446
	501		635		223	5P-5689	426
5N-8373	497		658		390	5P-5846	136
	501		659	5P-2600	414		139
5N-8374	497	5P-0597	107	5P-2645	149		140
	501		129	5P-2675	360		143
5N-8375	497		253		362		149
	501		390	5P-3418	326	5P-5877	113
5N-8377	497	5P-0600	261		329	5P-6006	345
	501		263		333		349
5N-8378	497		265	5P-3419	326	5P-6009	436
	501	5P-0721	221		329		634
5N-8379	497	5P-0745	508		333	5P-6298	505
	501		509		335		514
5N-8380	497		524	5P-3426	261	5P-6399	127
	501	5P-0747	340		263	5P-6917	359
5N-8381	497		341		265		362
	501	5P-0840	16		540	5P-7530	102
5N-8383	497		27		544		104
	501		29	5P-3454	534	5P-7751	359
5N-8384	497		45	5P-4115	346		362
	501		47		349	5P-7807	326
5N-8387	497		49		391		329
	501		51		399	5P-7817	137
5N-8388	497		52		404	5P-7818	81
5N-8390	497		54		409	5P-8210	27
	501		87		475		29
5N-8403	497		67		663		455
	501	5P-1075	67	5P-4116	227	5P-8228	297
5N-8424	497		68		228	5P-8244	137
	501		69		391	5P-8245	12
5N-8425	497		70		221		27
	501		71	5P-4295	223		29
5N-8427	497		74				

PART NUMBER INDEX

Part	Page	Part	Page	Part	Page	Part	Page
	45		470		409		329
	47	5P-8291	74	6D-3910	152	6N-1871	326
	52	5P-8839	58	6D-4244	399		329
	54	5P-8872	81		404	6N-1872	326
	59		109		409		329
	67	5P-8937	456	6D-5729	663	6N-1873	326
	68		458	6D-5801	614		329
	69		462		618	6N-1875	326
	70	5P-9085	456		622		329
	71		458		626	6N-1876	326
	72		460		630		329
	75		462		634	6N-1925	326
	81	5P-9514	497	6F-0496	464		329
	113		501		466	6N-1944	326
	117	5P-9617	149		468		329
	144		456		470	6N-1945	326
	147		458	6F-4868	44		329
	149		460		81		333
	177		462	6F-5985	499	6N-1946	326
	184	5P-9890	149		503		329
	189	5P-9959	426	6F-7045	523	6N-1968	326
	218		428	6H-5431	359		329
	221	5R-7136	47		362	6N-2184	452
	223		54	6H-8297	140	6N-2185	452
	243		59		464	6N-2188	452
	244	5R-7137	47		468	6N-2190	452
	245		54	6I-0744	149	6N-2191	452
	256		59	6I-1418	380	6N-2192	452
	258	5S-0003	302		391	6N-2193	452
	263		399	6I-3136	218	6N-3279	505
	301		404	6I-3754	293		514
	455		409		295	6N-3826	505
	464	5S-7349	149		297		510
	499		426	6I-4348	538		512
	503		429	6J-2244	137		514
	540		510	6J-2245	102	6N-4414	293
	544		512		104		295
5P-8247	14	5S-7379	321	6J-7855	497		297
	47		390		501	6N-5595	152
	49	5S-7382	321	6K-0806	426	6T-0363	505
	52	5S-7383	189		429		514
	54		271		517	6T-0371	505
	72		274	6K-1972	499		514
	75		390		503	6T-0372	505
	192			6K-3771	54		514
	194				59	6T-3631	526
	196	6		6K-3772	45	6T-3632	526
	203				47	6T-3633	526
	206	6B-0933	136		49	6V-0267	122
5P-8248	61	6B-1667	139		52		127
	74		140	6K-4934	144	6V-0268	122
	75		143	6K-4935	144		127
	246	6B-5072	220	6K-6307	127	6V-0405	398
5P-8249	21	6B-6205	302	6K-9194	117		403
	22		464	6K-9591	357		408
	23		540	6L-2280	194	6V-0408	398
	24		544		196		403
	77	6B-8128	464		203		408
	78	6B-9081	464	6L-4502	▶665	6V-0927	▶505
5P-8250	41		466	6L-9849	223		509
	43		468	6M-7476	297	6V-0973	109
	56		470	6M-9613	72		165
	464	6B-9202	136	6N-1856	326	6V-1075	609
	466	6D-3479	399		329	6V-1322	505
	468		404	6N-1870	326		514

PART NUMBER INDEX

Part	Page	Part	Page	Part	Page	Part	Page
6V-1392	610		295		223		173
6V-1394	497		297	6V-7351	17		181
	501		302	6V-7357	369		230
6V-1454	168	6V-5039	184		370	6V-9170	144
	171	6V-5040	184		371	6V-9335	345
	184	6V-5048	115		373		349
	221		117		395	6V-9350	144
	223		122		663	6V-9632	398
6V-1572	136		137	6V-7496	390		403
6V-1573	136		149	6V-7646	220		408
6V-1574	137		159	6V-7991	42	6V-9746	186
6V-1581	390		261	6V-8001	115	6V-9769	169
6V-1582	390		263		118		173
6V-1612	540		265		122	6V-9839	186
6V-1846	301		293	6V-8002	118	6V-9853	186
6V-1867	189		295	6V-8182	391	6V-9874	186
6V-1868	189		297	6V-8185	357	6V-9995	74
6V-2689	432		302		391	6W-2928	144
	635		456	6V-8187	326	6W-6672	391
6V-3348	16		458		329		
	26		460		333		
	27		462		335		
	29		540		337		
	31		544	6V-8188	154	7B-2742	293
	45		567		184		295
	47		568		189		297
	49		570		391	7B-3028	666
	51		572		506	7B-3235	41
	52	6V-5049	237		510		75
	54		293		512	7B-8167	658
	59		295		515		659
6V-3527	398		297	6V-8189	229	7C-0527	▶ 508
	403		302	6V-8190	602	7C-1707	464
	408		309	6V-8374	526		466
6V-3528	398		311	6V-8376	357		468
	403		496	6V-8378	510		470
	408		540		512	7C-2946	499
6V-3537	83		544	6V-8397	399		503
	84		565		404	7C-3258	47
6V-3907	115		566		409		54
	117	6V-5054	276	6V-8398	198		59
	122	6V-5064	169		200	7C-3260	47
6V-3908	137	6V-5066	171		208		54
6V-3916	497	6V-5100	149	6V-8626	144		59
	501	6V-5101	80	6V-8716	186	7C-4165	45
6V-3935	497		81	6V-8791	186		51
	501		247	6V-8801	129		52
6V-3938	497		250		189		87
	501	6V-5103	247		218	7C-4354	466
6V-3939	497		250		261		470
	501	6V-5134	144		263	7C-4415	112
6V-3940	497	6V-5839	182		265	7C-4416	112
	501		184		271	7C-4417	112
6V-3959	497		223		274	7C-4419	112
	501	6V-6228	6		391	7C-4420	112
6V-3968	247	6V-6609	137	6V-8823	118	7C-4421	112
	250		161	6V-8918	227	7C-4422	112
6V-3971	497		169		228	7C-4423	112
	501		171		308	7C-4429	452
	220		173	6V-9001	399	7C-4715	81
6V-4245	220	6V-6633	75		404	7C-4716	109
6V-4362	309	6V-6758	144		409	7C-4910	615
	311	6V-6759	144	6V-9007	186		619
6V-4363	302	6V-6809	218	6V-9027	167		623
6V-4589	137		221		169		627
	293						

7

PART NUMBER INDEX

Part	Page	Part	Page	Part	Page	Part	Page
	631		163	7J-8902	508		83
	635		182		509		84
7C-5105	499	7E-6017	162	7K-1181	345		115
	503		163		349		117
7C-5485	112		182		387		122
7C-6209	20	7E-6247	▶448		391		148
7C-7178	1		▶449		414		159
	3	7E-6466	167		419	7N-2044	27
	▶80	7E-6508	102		434		29
7C-7677	302		104		447	7N-2046	21
7C-7678	302	7E-6513	102		532		24
7C-7682	302	7E-6872	1		536	7N-2047	27
7C-7683	302		3		540		29
7C-7808	89		▶74		544		47
	91	7E-7209	182		557		54
	93		184		559		59
	95		223		561	7N-2326	74
	97	7E-7631	211		563	7N-2328	74
7C-7909	247		212		594	7N-2405	83
	250		213		647		84
7C-7910	247	7E-7731	220	7K-1401	253	7N-2539	460
	250		357	7K-1402	253		499
7C-8199	247	7E-8736	107	7K-3377	302	7N-2597	75
	250	7E-9324	398		311	7N-3049	73
7C-8390	112		403	7K-9197	456	7N-3216	7
7C-9597	177		408		458	7N-3297	169
7C-9784	1	7F-0192	115		460		173
	3		117		462	7N-3298	12
	▶131		122		499	7N-3368	169
7C-9786	131		293		503		173
7D-1649	399		295	7L-0811	149	7N-4106	▶85
	404		297	7L-2894	505	7N-4319	14
	409	7F-2050	412		510	7N-4320	14
7D-3958	301	7F-3488	505		512	7N-4756	216
7D-4092	464		514		514	7N-4758	205
7D-4903	297	7F-3491	505	7L-3201	166		215
7D-6922	359	7F-3525	505	7L-5887	508		216
	362		514		509		217
7D-7233	464	7F-7621	326	7L-6443	256	7N-4782	102
	466	7F-8671	497		258		104
7D-8793	118		501	7L-7871	▶340	7N-4851	1
7D-9766	75	7F-8698	307	7L-7872	▶341		3
	390	7G-5984	540	7L-8074	464		▶58
	47		544		470	7N-4871	▶45
7E-0275	54	7G-5985	540	7M-0324	505	7N-4885	▶220
	59		544		514	7N-4927	167
7E-0467	131	7G-7920	426	7M-0325	506		218
7E-0854	41		429		514		221
7E-2580	307	7G-8478	215	7M-0326	505		223
7E-2632	80		216		514	7N-4932	161
7E-2858	▶332		217	7M-0327	505		171
7E-3088	605	7G-8765	530		514	7N-4940	455
7E-3127	378	7H-1911	544	7M-1808	136	7N-4944	171
	379	7H-8213	594	7M-8485	186	7N-4945	12
	▶667	7H-9678	299	7M-8651	506		171
7E-3921	302	7J-0204	205		514		464
7E-4475	580	7J-0728	468	7N-0060	340		466
7E-4500	218		470		342		468
7E-4650	218	7J-0729	468	7N-0718	▶523		470
7E-4836	▶75		470		524	7N-4951	16
7E-4839	75	7J-8114	45	7N-1628	299	7N-4952	16
7E-4879	218		52	7N-1961	37	7N-5057	148
7E-5324	61	7J-8611	▶57		38	7N-5080	247
7E-5639	391		499	7N-2003	20		250
7E-6016	162		503	7N-2043	41	7N-5120	161

PART NUMBER INDEX

Part	Page	Part	Page	Part	Page	Part	Page
	221		635		71	7X-0732	263
7N-5123	221	7N-8011	89	7W-3032	67	7X-1547	81
7N-5239	59	7N-8042	▶91		69	7X-2501	153
7N-5244	51	7N-8374	47		70		154
7N-5245	59		49		71		308
7N-5246	59		52	7W-3193	41		390
7N-5248	45		54	7W-3579	99	7X-2533	643
	49	7N-8599	▶308	7W-3629	▶99	7X-2535	475
	52		309	7W-3735	▶588	7X-2549	353
7N-5279	45		311	7W-3737	588		354
	47	7N-8650	▶587	7W-3739	588		356
	49	7N-8651	587	7W-3813	1		657
	52	7N-8652	587		3	7X-2563	602
7N-5449	148	7N-9045	171		▶90	7X-3178	324
7N-5487	307	7N-9194	420	7W-3816	117		390
7N-5641	26	7N-9737	445		▶159	7X-3189	390
	27	7N-9738	530	7W-4154	501	7X-3373	505
	29	7R-3354	420	7W-5780	▶63		510
	31		431	7W-5848	▶162		512
7N-5798	109		534	7W-5849	162		514
	165	7S-1197	358	7W-7336	269	7X-4805	27
7N-5874	45		614	7W-7547	77		29
	47		618	7W-7549	▶77	7X-6315	382
	49		622	7W-9703	▶153		384
	52	7S-2245	159	7W-9704	▶154		386
7N-5875	45	7S-9323	299	7W-9741	1	7X-7730	218
	49	7T-1099	615		3	7X-7731	26
	52		619		▶293		27
7N-6511	44		623	7W-9742	▶295		29
7N-6570	139		626	7W-9799	414		31
	140		630	7X-0274	390		139
	143		635	7X-0279	596		140
7N-6806	302	7T-3267	510	7X-0289	390		143
7N-6965	▶161		512	7X-0290	390		149
7N-6986	127	7T-3268	510	7X-0292	390		153
	253		512	7X-0294	129		154
7N-7008	161	7T-3276	510		390	7X-7925	21
7N-7009	161		512	7X-0300	390		22
	162	7T-3277	510	7X-0304	129		23
	163		512	7X-0325	184		24
	218	7T-3278	510	7X-0326	390	7Y-5074	615
7N-7010	161		512	7X-0340	390		619
7N-7012	161	7T-3279	510	7X-0350	390		623
7N-7057	56		512	7X-0361	602		627
7N-7539	45	7T-3451	510	7X-0370	586		631
	47		512	7X-0409	198		635
	49	7T-3454	510		200		
	52		512		208		
7N-7660	▶56	7T-3974	505	7X-0440	390		
7N-7697	136		510	7X-0448	391		
7N-7779	445		512	7X-0519	357	8B-7614	198
	530		514	7X-0562	506		200
7N-7780	445	7T-9123	506		510		208
	530		515		512	8B-7624	497
7N-7991	89	7W-0050	148		515		501
	91	7W-0129	80	7X-0579	391	8B-9725	136
	93		81	7X-0584	193		221
	95	7W-0408	▶339		194		223
	97	7W-1650	501		196		256
7N-8001	▶526	7W-2033	218		202		258
	615	7W-2034	218		203		390
	619	7W-2122	302		208		398
	623	7W-3031	67	7X-0613	581		403
	627		69	7X-0620	345		408
	631		70		349	8C-1358	464

PART NUMBER INDEX

Part	Page	Part	Page	Part	Page	Part	Page
	466		399		84		503
	468		404	8N-7639	169	8S-9191	144
	470		409		173		470
8C-3089	505	8L-6557	297	8N-7641	171	8T-0099	27
	514	8L-8413	340	8N-7643	1		29
8C-3107	137		341		3	8T-0209	198
	256		432		▶167		200
	258		436	8N-8056	27		208
8C-3121	390		614		29	8T-0328	326
8C-3445	122		618	8N-8210	47		329
	136		622		49		333
8C-3446	122		626		54		335
	137		630	8N-8446	499		337
8C-3654	426		634		503		506
	435		635	8N-8451	499		510
	445		666		503		512
	568	8L-8585	166	8N-8452	499		515
	570	8L-9765	665		503		647
8C-3655	510	8M-0547	412	8N-8455	205	8T-0348	592
	512	8M-1865	314	8N-8456	205		593
8C-4423	186		315	8N-8461	205	8T-0707	198
8C-5236	205	8M-2530	61	8N-8462	192		200
	216	8M-2770	127		206		208
8C-5917	340	8M-6701	326	8N-8464	205	8T-1685	186
	341		329	8N-8466	▶192	8T-1919	177
8C-6354	419	8M-9024	17	8N-8467	▶87		189
	425		81	8N-8468	▶88	8T-2153	59
8C-7581	660		247	8N-8483	▶288	8T-2353	540
8C-8514	345		250	8N-8509	100		544
	349		293	8N-8510	▶100	8T-2501	64
	660		295	8N-8550	464		189
8C-8554	301		297		468		390
8C-8843	602	8N-0386	171	8N-8570	218	8T-2502	166
8C-9020	127	8N-1186	300	8N-8571	218		181
8C-9022	253	8N-1543	360	8N-8993	1		390
8C-9660	505		362		3		414
	514	8N-1989	171		▶163	8T-2882	345
8D-7942	102	8N-1991	122	8N-9166	▶49		349
	104		136	8N-9300	359		660
8D-8724	519	8N-1992	122		362	8T-2903	161
8F-1434	333		136	8N-9422	221		218
	335	8N-2929	136	8N-9482	115		221
	337	8N-3480	309		117	8T-2928	21
	506		311		122		22
	510		390	8N-9609	221		23
	512	8N-3896	▶509		223		24
	515	8N-4406	590	8N-9639	▶67	8T-2929	21
8H-1141	510	8N-4707	21		▶68		22
	512	8N-5213	223	8N-9706	221		23
8H-2778	299	8N-5743	▶47	8N-9885	16		24
8H-5303	523	8N-5991	261		380	8T-4121	189
8H-5306	523		263	8N-9992	12		371
8H-7202	299		265	8N-9993	12		373
8J-5985	247	8N-6210	302		113		592
	250	8N-6211	302	8P-1438	45		593
8J-8919	67	8N-6327	302		52	8T-4122	391
	68	8N-6423	214	8R-1794	261		592
	69	8N-6435	▶299		263		593
	70	8N-6564	▶86	8S-2331	61	8T-4131	585
	71	8N-7174	1	8S-4757	41	8T-4133	371
8K-2396	135		3		43		373
8K-4644	609		▶59	8S-5107	464	8T-4136	198
8L-2786	293	8N-7197	102	8S-5383	390		200
	297		104	8S-9089	72		208
	302	8N-7296	83		499	8T-4137	371

PART NUMBER INDEX

Part	Page	Part	Page	Part	Page	Part	Page
	373		635		27		622
8T-4138	608	8T-4244	193		29		634
8T-4139	414		202		31		635
	594		208		73	8T-8730	349
8T-4183	414		353		81		435
	584		354		115		538
8T-4185	592		356		122		557
	593		414		137		622
8T-4189	414		584		162		634
8T-4192	194		594		163		635
	196		657		169	8T-8731	426
	203	8T-4835	602		173		429
8T-4195	371	8T-4896	64		218		492
	373		129		241	8T-8732	426
	414		189		242		480
8T-4199	594		218		247		489
8T-4200	149		271		250	8T-8733	421
8T-4205	153		274		464	8T-8735	419
	154		321		468	8T-8737	345
	308		391	8T-6763	26		349
	321		414		27		359
	324		597		29		360
	326	8T-4971	308		31		362
	329		345	8T-6764	205		383
	333		349		247		387
	335		475		250		419
	337	8T-4994	391		276		420
	357		586	8T-6765	14		421
	359		587		73		426
	360		588		137		429
	362		589		161		431
	391		590		169		436
	426	8T-5361	602		171		437
	429	8T-5439	602		173		438
	455	8T-5447	610		215		439
	505	8T-6342	434		216		440
	510	8T-6726	464		217		441
	512		466		221		442
	514		468		223		443
	538		470		380		444
	597	8T-6757	45	8T-6766	194		445
8T-4223	64		47		196		446
	65		49		203		447
	153		51		205		473
	154		52		293		479
	184		54		295		489
	223	8T-6758	73		297		517
	391		162	8T-6870	580		534
	414		163		581		538
	584	8T-6759	34	8T-6974	475		557
	591		35	8T-7008	390		565
	594		39	8T-7494	186		566
	602		45	8T-7525	186		573
8T-4224	229		47	8T-7547	308		614
	308		49	8T-7877	166		618
	391		51		181		623
	414		52		184		626
	580		54	8T-8442	607		630
	594		87	8T-8566	510		634
	596	8T-6761	12		512		635
	615		14	8T-8569	510		642
	619		169		512	8T-8827	359
	623		171	8T-8729	349		362
	627		173		538		534
	631	8T-6762	26		557	8T-8911	390

PART NUMBER INDEX

Part	Page	Part	Page	Part	Page	Part	Page
8T-8915	390		506		269		329
8T-8917	153		514		293	9S-2302	326
	390		515		295		329
8T-8919	154	9G-5127	540		297		333
8T-9041	399		544		302	9S-2390	326
	404	9G-8140	544		380		329
	409	9H-2367	139		399		333
8T-9101	129		140		404		335
	390		143		409		337
8T-9364	321		149		456	9S-2396	326
	538	9H-3757	505		458		329
8T-9367	390		514		460	9S-2544	326
8T-9368	359	9H-6673	118		462		329
	390	9H-8260	73	9M-2151	211		505
	455	9K-6540	117		212		514
8T-9377	218	9L-0672	139		213	9S-4181	169
	390		140		214	9S-4182	115
	455		143	9M-2342	299		118
8T-9378	597		149	9M-2610	159		122
8T-9379	390	9L-1480	81	9M-3786	205		159
8T-9392	390		131	9M-4355	147		167
8T-9398	588	9L-2295	256	9M-4584	302		169
	589		258	9M-4594	391		173
	590	9L-2792	301		398		177
8T-9399	390	9L-4234	391		403		230
	587	9L-6770	333		408		293
8T-9655	391		335	9M-4704	359		295
8T-9757	340		337		362		297
	341	9L-7373	256	9M-4849	466		302
8T-9834	538		258		470	9S-4183	218
8T-9884	510	9L-8493	398	9M-5520	357	9S-4185	137
	512		403	9M-7269	390		161
8V-9708	218		408	9M-7357	357		169
			412	9M-7609	505		171
		9L-9132	67		514		173
			68	9N-0869	110		177
			69		305		186
			70		306		293
9B-0701	149		71		380		295
9B-0887	194		89	9N-0937	326		297
	196		91		329		540
	203		95	9N-0939	326		544
9B-4202	44		177		329	9S-4190	137
9B-7233	326		186	9N-0942	326		212
	329		245		329		213
9B-7237	129		301	9N-0943	326		293
	189		466		329		295
	390	9M-1974	18	9N-1752	309		297
9C-7045	581		45		311	9S-4191	26
9C-9159	140		47	9N-3388	326		27
9D-3769	324		49		329		29
9F-5599	505		52	9N-4053	302		31
	514		54	9P-6895	610		293
9F-5644	523		59	9R-1439	140		295
9F-6445	324		83	9R-2595	651		297
9F-7022	409		84	9R-5008	301		302
9F-7707	102		107	9S-1354	104		309
	104		110	9S-1366	113		311
9F-8122	56		149		137		399
9F-8125	660		169	9S-1368	464		404
9G-0003	340		173		466		409
	341		205		468	9S-7381	297
9G-0004	340		215		470	9S-8002	33
	341		216	9S-1374	72		639
9G-2653	297		217	9S-2009	326	9S-8004	237
9G-4101	505						

9

PART NUMBER INDEX

Part	Page	Part	Page	Part	Page	Part	Page
9S-8005	168		404	9X-6138	17		573
9S-8750	360		409	9X-6259	360		647
	362		455		362		660
	399		458	9X-6279	198	9X-7147	642
	404		460		200	9X-7371	47
	409		466		208		49
	456		468	9X-6381	610		52
	458		470	9X-6458	127		54
	460		499		135		89
	462		503		140		91
	615		524		171		93
	619		658		177		95
	623		659		182		97
	627	9S-8893	58		184		194
	631	9S-9238	499		189		196
	635		503		223		203
	658	9S-9635	189		247	9X-7523	189
	659	9V-7451	321		250	9X-8124	359
9S-8752	67	9W-0844	421		253		362
	68	9W-0852	426		256	9X-8243	435
	69		429		258		445
	70	9W-1464	639		261		568
	71	9W-1951	345		263		570
	113		349		269	9X-8256	345
	115		419		321		349
	118		426		399		368
	122	9X-0262	540		404		369
	127		544		409		370
	135	9X-0352	102		540		371
	137		104		544		373
	140	9X-1339	538		658		387
	144	9X-1343	447		659		394
	149		557	9X-6772	140		395
	161	9X-1386	489		189		413
	162	9X-1813	483		276		472
	163		484		345		559
	171		485		349		594
	177		486		359		607
	182		487		362		608
	184		488		381		643
	186		530		387		647
	189	9X-2500	326		391		660
	192		329		419		663
	194	9X-3132	538		446	9X-8486	473
	196	9X-3271	496		456	9X-8872	12
	203		565		458	9X-8873	72
	206		566		460		137
	211	9X-3401	525		462		177
	212	9X-3402	419		473		184
	213		426		528		244
	214		436		534		261
	223		634		535	9X-8874	256
	241		642		538		258
	242	9X-3490	642		540		464
	247	9X-4405	429		544	9X-8875	72
	250	9X-4594	215		557	9X-8879	47
	253		217		559		54
	256	9X-4813	426		561		59
	258		429		564	9X-8880	181
	261	9X-4814	426		565	9X-8887	61
	263		429		566		246
	297	9X-4824	510		567	9X-9591	291
	301		512		568		▶392
	311	9X-5392	▶489		570	9X-9675	358
	399		491		572		614

PART NUMBER INDEX

Part	Page	Part	Page	Part	Page	Part	Page
	618	030-7961	499		521		517
	622		503	097-7404	421		525
	626	030-7963	127		431		527
	630	030-7972	302		445		622
	634	030-7977	302				635
9X-9720	340	030-8307	466			102-8803	387
9X-9730	341		468	1			482
	▶342		470				486
9X-9857	392	030-8535	67	100-3145	256		487
9Y-0047	305		68		258		488
	306		69	100-3146	256	102-8804	419
9Y-0635	37		70		258		473
	38		71	100-3147	256		517
9Y-0851	▶589	031-2701	229		258		561
9Y-0852	589	031-4136	295	100-3148	256		647
9Y-2921	359	031-4155	110		258	102-8805	517
	362		227	100-3237	305		559
9Y-3085	80		228		306	103-6272	660
	▶81	031-5744	468	100-3877	102	103-6668	▶246
9Y-3108	466		470		104	103-8089	612
9Y-4275	371	031-9295	524	100-3878	102	104-1718	198
	373	032-1267	149		104		200
9Y-4957	91	032-1269	113	100-3879	102		208
	93	033-6031	106		104	105-3762	326
	95		107	100-3880	102		329
	97	033-6042	26		104	105-8901	164
9Y-5286	87	036-9821	505	100-5805	425		165
	88		514		428	106-2780	▶22
9Y-6089	509	036-9823	505	100-6531	326		26
9Y-6497	▶609		512		329	106-3512	167
9Y-6893	177	039-4317	497		333	106-9867	148
	184		501		335	106-9869	148
	189	045-4065	506		337	106-9871	148
9Y-7876	▶44		515	100-6532	326	107-0278	1
9Y-8389	293	052-0572	398		329		3
	295		403	100-8075	122		▶16
	297		408		136	107-0466	51
	308	053-2294	91	101-0831	1	107-0474	1
9Y-8909	1		93		3		3
	3		95		▶18		▶169
	▶211		97	101-0852	646	107-2482	614
9Y-9782	639	053-5065	87	101-1173	▶21		618
			88		27		622
		061-7539	308	101-1198	27		626
		061-8639	297		29		630
		061-9456	136	101-1269	1		634
000-7246	139	061-9463	135		3	107-3758	230
001-9440	540	062-5388	357		▶72	107-5565	198
	544	086-0297	353	101-1365	61		200
003-8581	297		354	101-1366	61		208
003-9163	139		356	101-1367	61	107-7175	148
	143		657	101-1368	61	107-7361	▶51
	153	090-8747	129	101-1370	61	107-7362	51
	154	091-0081	171	101-1372	61	107-7954	256
	466	092-7436	432	101-4197	18		258
	468	096-0028	425	101-4199	107	107-8769	499
	470		428		110		503
004-7270	464	096-3001	428	102-4169	69	108-1434	135
	470	096-4833	497	102-7532	495		144
008-8694	152		501	102-8616	▶69		295
030-7941	456	096-5962	425	102-8634	73		301
	458		428	102-8801	573		302
	460	097-5921	517	102-8802	387		309
	462		519		421		311
030-7946	297		520		494	108-5562	524

PART NUMBER INDEX

Part	Page	Part	Page	Part	Page	Part	Page
108-5574	524	111-4399	497		468	122-9458	291
108-9656	391	111-4986	▶240	118-8452	598	123-0316	359
109-2332	122	111-5822	244	119-0838	6	123-3932	640
	136	111-8276	169	119-0839	6	123-6915	247
109-3038	345		173	119-3662	360		250
	349	111-8277	169		362	123-9694	614
	387		173		419		618
	473	111-8639	115		420		622
	559		117		426		626
	647		122		429		630
109-6507	573	111-9374	169		431		634
	614		173		614	124-0121	▶479
	618	112-1564	247		618	124-0284	102
	622		250		623		345
	626	112-1567	247		626		349
	630		250		630	124-0289	390
	634	112-4387	127		635	124-3176	573
109-7411	247	112-4921	1	119-5025	398		614
	250		3		403		618
109-8932	449		▶115		408		622
	451	112-6033	1	119-6282	▶452		626
110-2445	127		3		454		630
110-4172	603		▶110	119-6283	▶453		634
110-6845	383	112-7497	345		454	124-4273	136
110-6991	37		349	119-6284	▶454	124-6333	182
	38	112-8372	647		499		184
110-6994	27	113-8432	90		503	124-6998	140
	29	113-8433	90	119-7333	221	125-2784	144
110-7753	182	113-8961	414		223	125-6535	506
110-8066	▶266	113-9533	253	119-7334	1		515
110-8314	256	114-2413	81		3	125-6536	506
	258	114-3378	247		▶221		515
110-8714	345		250	120-4339	6	125-6537	506
	349	114-3380	247	120-4498	▶527		515
	562		250	120-4501	▶117	125-7874	345
	614	114-5477	302	120-4513	▶357		349
	618	114-8843	359	120-7420	161		419
	623		387	120-7421	171		420
	626	115-1322	562	120-9079	358		421
	630	115-5160	▶26		614		426
	635	115-5852	665		618		429
110-8909	614	116-1352	136		622		434
	618	116-2652	426		626		447
	622		429		630		538
	626		438		634		557
	630		439	121-0474	297		614
	634		440	121-0476	297		618
111-0349	380		441	121-0483	612		623
111-1323	573		442	121-1110	360		626
	614		443		362		630
	618		444		534		635
	622	116-3266	468	121-3558	83	125-7875	419
	626	116-7011	181		84		426
	630	116-9723	291	122-3374	247		434
	634	117-0066	12		250		435
111-1349	148	117-0067	567	122-4386	437		436
111-2081	81		568		438		445
111-3388	302		570		439		561
111-3389	302		572		440		568
111-3684	540	117-8766	492		441		570
	544	117-9308	7		442		614
111-3820	122	118-1647	276		443		618
	136	118-1648	276		444		623
111-4374	221	118-1651	276	122-8856	169		626
	223	118-1656	464		173		630

PART NUMBER INDEX

Part	Page	Part	Page	Part	Page	Part	Page
	635	128-4154	635	133-6269	9		421
125-9751	61	128-4183	432		10		431
125-9794	81		635	133-6270	19		445
125-9941	614	128-4250	425		106		481
	618		428		111		493
	622		436	133-6479	246		495
	626	128-4845	20	133-6480	246		534
	630	128-5988	111	133-6484	455	135-6740	562
	634	128-5993	7	133-7301	605		614
125-9943	614	128-8065	517	133-8382	169		618
	618	128-8545	610		173		622
	622	130-6789	635	133-8753	345		626
	626	131-0420	37		349		630
	630		38		434		634
	634	131-0421	37		647	135-6898	345
125-9955	614		38	133-9300	▶383		349
	618	131-1487	431	133-9306	34	135-9941	540
	622	131-1488	420		35		544
	626	131-1502	421		39	136-3296	136
	630	131-1578	391	133-9313	115	137-8241	215
	634	131-4731	425		117	137-8533	602
126-0577	106		428		122		▶668
126-1767	345	131-4891	614	134-0957	614	137-8534	668
	349		618		618	137-8535	668
	447		622		622	137-8536	668
	538		626		626	137-8537	668
	557		630		630	137-8538	668
126-1768	419		634		634	137-8539	668
	426	131-5454	647	134-2540	345	137-8540	668
	447	131-9131	614		349	137-8541	668
	538		618		434	137-8542	668
	557		622		446	137-8543	668
126-1771	557	132-5789	371		447	137-8544	668
126-1774	419		373		557	137-8545	668
126-3005	127		390		614	137-8546	668
126-7574	382		540		618	138-3251	129
126-9246	640		544		622	138-7500	140
126-9424	436	132-6469	102		627	138-8367	573
	635		104		631	138-8508	83
127-2176	169	132-7551	321		635		84
	173	132-8488	345	134-3098	470	139-5657	▶292
127-2331	614		349	134-3100	466	140-9597	47
	618	132-8489	614		470		54
	622		618	134-3160	▶464		59
	626		622	134-4126	382	141-7047	▶267
	630		626	134-5645	139	141-7048	▶268
	634		630		140	141-7116	75
127-4230	177		634		143	141-8596	499
127-4471	127	132-8710	▶666	134-6258	422		503
127-5400	45	133-0970	614		423	141-9285	171
	47		618		424	142-6868	576
	49		622		426		606
	52		627		429	143-4456	414
	54		631		433	143-5168	▶497
	59		635		434		499
	87	133-1207	492		447	143-5174	▶499
127-6260	448	133-6261	9		557	143-5177	499
	450		10		647		503
127-8660	221		11	134-6275	455	143-5184	136
	223		101	134-6307	317	143-9207	194
128-0795	528	133-6265	19	134-9799	129		196
128-0856	227		106	135-3308	369	143-9208	194
	228		111		370		196
	229	133-6268	11		373		203
128-2478	408		101	135-5009	420	144-0526	398

PART NUMBER INDEX

Part	Page	Part	Page	Part	Page	Part	Page
	403		200		403		419
	408		208		408		426
144-1623	▶639	148-8000	193	153-3723	610		429
	640		▶198	153-4906	27		447
144-1624	383	148-8001	226		149		557
	▶640	148-8002	226		456		565
144-5692	27	148-8003	226		458		566
	29	148-8004	226		460		634
144-5695	83	148-8005	193		462	155-2271	359
	84		202	153-5043	494		434
144-6074	181		208	153-7487	127		529
	194		▶226	153-9481	177	155-2272	647
	196	148-8006	193	153-9963	177	155-2274	387
	203		202		189		434
144-6076	194		208	154-1581	115		447
	196	149-1982	34		117		557
	203		35		122	155-2563	▶11
144-6080	▶193		39	154-1616	169	155-2564	▶9
	194	149-4156	198		173	155-2566	▶19
144-6081	▶194		200	154-1617	169	155-2567	101
	▶196		208		173	155-2571	19
144-8263	47	149-4311	198	154-3032	605	155-2572	106
	54		200	154-3254	425		111
	59		208		428	155-2573	9
146-6769	198	149-4312	198	154-6389	102	155-2574	10
	200		200		104	155-2575	11
	208	149-5462	211	155-0576	380	155-2583	▶10
146-6775	358		212	155-0726	74	155-2585	▶106
146-7359	136		213	155-1690	115	155-2586	▶101
147-1443	425		214		117	155-2594	▶111
147-1960	358	149-6031	20		122	155-4094	102
147-3745	305	149-6032	20	155-2001	582		104
	306	149-6033	20		583	155-5271	83
148-7983	198	149-6034	20	155-2252	622		84
148-7984	198	149-6035	20	155-2255	434	155-8755	517
	208	149-9297	109		614	156-6175	371
148-7985	198	149-9298	81		618		373
	200	150-6611	136		627		387
	208	150-6612	136		631		413
148-7986	198	150-7915	280		635		538
148-7987	198		282	155-2258	614		559
	200	150-8698	275		627		564
	208	151-9228	▶64		631		647
148-7988	198	151-9263	42		635		660
	200	151-9264	17	155-2259	642	156-6450	615
148-7989	198	152-0993	164	155-2260	426		619
148-7990	198		165		429		623
	208	152-5183	592		445		627
148-7991	198		593		446		631
	200	152-5338	592		447		635
148-7992	198	152-5538	420		479	156-9748	305
	200	153-1223	425		483		306
148-7994	198		428		484	156-9755	302
	200		436		485		▶305
148-7995	198		634		557	156-9756	302
	200	153-2707	422		568		▶306
148-7996	193		423		570	157-0443	115
	202		424	155-2263	387		117
	208		426		447		122
148-7997	193		429	155-2265	434	157-2811	54
	202		433		642	158-6457	127
	208		434	155-2266	446	159-9322	419
148-7998	198		447		447		425
	200		557	155-2270	102		434
148-7999	198	153-2781	398		104		436

PART NUMBER INDEX

Part	Page	Part	Page	Part	Page	Part	Page
	447	172-9966	591	186-3735	345	192-1405	398
	557	173-7181	651		387	192-1406	398
	634	174-0502	622		419	192-4085	412
159-9496	359	174-0503	345		421	193-2120	189
	425		349		426	193-3286	74
	426		425		429	193-3288	41
	428		428		436	194-4897	35
	429		434		447		39
160-7689	434		435		473	194-4902	35
	436		436		480	194-5226	484
	447		445		482	194-6722	▶483
	557		446		486		486
	634		447		487	194-6724	▶484
160-7690	419		557		488		487
	425		568		489	194-6725	▶485
161-0797	▶289		570		494		488
161-6244	181		615		527	195-0383	▶664
161-6928	1		619		573	195-2150	▶494
	3		627	186-3736	102		496
	▶20		631		345		565
161-8071	261		634		359		566
	263		635		387	195-4550	125
	265	175-4981	198		419		126
162-3906	308		200		421	195-8094	▶590
162-4171	573	175-4982	198		426	195-8095	590
	647		200		429	195-8096	590
164-2441	▶480	175-4983	198		436	196-5052	177
	481		200		437	196-5053	177
165-3931	115	175-4984	198		438	197-1928	164
	117		200		439	197-2691	614
	122	175-4985	198		440		618
165-6668	83		200		441		622
	84		208		442		626
166-3777	646	175-5197	61		443		630
	655	175-5200	61		444		634
166-4116	144	175-5201	61		445	197-4051	519
166-4357	▶52	175-5202	61		446	197-6231	398
166-4373	▶390	175-5203	1		447		403
166-4374	215		3		529		408
	216		▶61		568	197-6995	34
	217	176-2942	565		614		35
166-4376	215		566		618		39
	216	176-2943	425		626	197-7006	35
	217		428		630	197-7008	27
166-6652	▶466		565	187-2034	333		29
166-7656	428		566		335	197-7055	35
166-8067	466	176-9299	436		337		39
167-3929	398		634	187-7738	37	197-7062	35
	403	177-1452	585		38	197-7063	35
	408	177-7215	358	188-0324	223	197-9051	70
168-6357	112	177-9116	464	188-3111	414	197-9052	▶70
168-7790	585	178-3339	626	188-4411	590	198-4767	261
169-0300	414		630	191-6502	398	198-4775	346
169-4481	345		634		403		349
	349	180-3007	107		408	199-3062	345
170-5632	345	180-7412	54	191-6504	398		349
	349	180-9214	634		403		434
171-1359	64	180-9340	483		408	199-5601	343
171-5349	419		485	191-6505	▶397		
	489		492		398		
172-0916	20	183-5973	464	191-6695	136		
172-4288	503	183-8809	33	191-9310	136		
172-5487	256	184-2472	384	192-1404	398	200-2003	102
	258		386		403		104
172-8660	▶525	186-1658	651		408	200-6504	▶450

PART NUMBER INDEX

Part	Page	Part	Page	Part	Page	Part	Page
	▶451		431	208-9065	231	212-8184	216
201-4670	181		445		233	212-8186	215
202-2099	359		534		235		217
	362	203-9007	359	209-0962	35	212-8188	227
202-2109	421		425	209-3559	▶93		228
202-2141	425		426	209-3560	▶95	213-9250	275
	428		428	209-3562	▶97	214-0728	168
202-2700	333		429	209-4453	▶227	214-0729	168
	335	204-2518	479	209-4454	▶228	214-0731	177
	337		▶482	209-4455	227	214-5165	425
202-2708	333	204-5426	37		228		428
	335	204-5427	37	209-4457	228	214-7568	29
	337	204-5592	614	210-1175	▶309		31
202-2783	335		618	210-1471	309	215-2327	275
	337		622		311	215-2328	280
202-2784	333		626	210-2542	35		282
	335		630		39	215-2329	280
	337		634	210-2575	1		282
202-2785	333	204-5593	614		3	215-2330	280
	335		618		▶171		282
	337		622	210-8958	360	215-2331	280
202-2786	333		626		362		282
202-2787	333		630		426	215-2419	280
	335		634		429		282
	337	204-5594	614		435	215-2586	280
202-9897	333		618		445		282
	335		622		486	215-2587	278
	337		626		487		279
203-8944	425		630		488		280
	428		634		491		282
203-8945	425	205-8421	302		534	215-2588	280
	428	206-0884	▶231		565		282
203-8977	359		233		566	215-2589	280
	425		235		568		282
	428	206-2710	▶384		570	215-2590	280
203-8993	343		385	210-9035	▶343		282
203-8995	343	206-2711	380		344	215-2706	▶275
203-8996	343		▶385	210-9214	▶89		280
203-8999	359		▶386	211-0640	517		282
	360	207-1332	243	211-4317	343	215-2707	280
	362	207-1348	▶313	211-7826	21		282
	420		314		24	215-2710	280
	425	207-1349	1	212-0848	▶490		282
	426		3		540	215-2711	280
	428		▶314		544		282
	429		▶315	212-3221	425	216-2285	177
	431	207-1364	256		428	216-6217	▶168
	445		258	212-3222	425		177
	534	207-1372	83		428	217-6692	107
203-9000	360		84	212-3423	▶495	217-7164	346
	362	207-1556	▶510		540		350
	420	207-1562	508		544	218-4935	419
	425		▶512	212-3425	▶481	219-3240	168
	428	207-2018	529		540	219-7509	227
	431	207-5432	615		544		228
	445		619	212-3426	▶491	219-7510	227
	534		622		540		228
203-9001	359		627		544		229
	360		631	212-8174	212	220-2677	1
	362		635		▶215		3
	420	208-0589	653	212-8177	214		▶380
	425	208-9064	231		▶216	221-1887	189
	426		232	212-8180	215	221-2498	614
	428		234		216		618
	429		235		217		622

PART NUMBER INDEX

Part	Page	Part	Page	Part	Page	Part	Page
	626	230-5016	425		622		446
	630		428		626	233-9218	425
	634	230-5017	425		630		428
222-4059	10		428		634	233-9219	359
222-5152	216	231-3471	▶358	231-9915	422	233-9220	428
222-9921	72		364		423	233-9221	359
223-1696	21		365		424	233-9222	428
	22		366		433	233-9224	425
	23		367	231-9999	▶359		428
	24	231-4915	▶362		▶362	233-9226	416
223-6470	517		3	232-0019	425		417
224-9869	2		▶147		428		418
	4	231-5127	147		615		426
	▶102		▶148		619		429
225-3224	598	231-5128	148		622		432
225-3226	665	231-5867	81		631		436
225-3227	598	231-6133	335		635		446
	665		337	232-0020	422		562
225-4256	221	231-8175	302		423		615
	223	231-9526	▶456		424		619
	665	231-9863	359		433		622
226-2773	▶232		362	232-0858	▶458		627
	234	231-9864	359	232-0867	458		631
226-2779	232		362		460		634
	234	231-9866	359	232-0889	▶532		635
	236		362	232-0893	426	233-9227	359
227-0057	144	231-9873	456		429		422
227-3801	42		462		435		423
228-3369	665	231-9877	456		445		424
228-4798	598		462		565		426
228-6559	▶375	231-9878	425		566		429
228-7091	144		428		568		433
228-7105	144	231-9879	425		570	233-9228	359
228-8925	81		428	232-0894	425		426
228-8926	81	231-9892	359		428		429
229-1632	83		362	232-0895	421		615
	84	231-9895	420		435		619
229-3218	308		437		445		622
229-5047	598		438		568		627
229-5332	256		439		570		631
	258		440	232-0897	420		635
229-5333	256		441		421	233-9229	359
	258		442		431		429
229-8391	81		443		435	233-9230	429
229-9407	335		444		445	233-9231	359
230-1072	171		534		534	233-9232	426
	186	231-9897	359		568		429
230-2516	83		416		570	233-9233	426
	84		417	232-0899	▶564		429
230-2519	83		418	232-0900	425	233-9234	429
	84		422		428	233-9235	359
230-2520	83		423	232-4449	269		426
	84		424	232-4673	396		429
230-2619	102		426	232-4674	396	233-9237	426
	104		433	232-4675	396		429
230-2620	102	231-9898	416	233-0643	58	233-9494	359
	104		417	233-6084	665	233-9495	359
230-2621	102		418	233-7973	▶317	233-9517	359
	104		425	233-8525	194		425
230-2633	102	231-9899	359		196		428
	104		416		203	234-0275	▶641
230-4073	278		417	233-9216	425		642
	279		418	233-9217	416	234-1373	660
230-4177	280	231-9911	614		417	234-1856	387
	282		618		418	234-1857	447

PART NUMBER INDEX

Part	Page	Part	Page	Part	Page	Part	Page
	557	235-8354	612		445		3
234-1858	447	236-1158	655		568		▶27
	557	236-1508	586	238-9803	435		▶29
234-4182	307	236-2623	223	239-1470	▶549	240-7032	102
234-8717	614	236-7900	425	239-1471	▶422		104
	618	236-7902	425		536	241-0158	604
	622	236-7903	425		549		645
	626		428		556	241-2738	▶297
	630	236-7904	425		563	241-4902	▶311
	634		428	239-1472	▶563	241-5629	▶364
234-8788	360	236-7905	428	239-1473	▶437	241-5630	▶365
	362	236-7906	428		536	241-5631	▶366
234-8937	14	236-7941	425		563	241-5928	169
235-1089	63		428	239-1474	▶438		173
235-2484	75	236-7942	359		536	241-6244	321
	87	236-8125	416		563	241-8224	615
	88		417	239-1475	▶550		619
235-2761	425		418	239-1476	▶433		623
235-2762	437	236-8126	425		550		627
	438		428		551		631
	439	236-8130	416	239-1477	▶551		635
	440		425	239-1478	▶439	241-8266	359
	441	237-1962	▶514		551	241-8267	422
	442	237-2715	309	239-1479	▶440		423
	443	237-2718	311		551		424
	444	237-2719	295	239-1480	▶552		433
235-2763	658	237-3860	155	239-1481	▶423	241-9055	▶460
	659		156		552	241-9056	▶462
235-2764	420		157		553	241-9399	360
	534		318	239-1482	▶553	242-0083	▶446
235-2768	▶344		320	239-1483	▶441	242-8828	611
	359		321		553	242-8829	660
	362		478	239-1484	▶442	242-8831	611
235-3546	16	237-4356	425		553		612
	45	237-5337	540	239-1485	▶554	242-8832	611
	47		544	239-1486	367		612
	49	237-7623	136		▶424	242-8833	649
	51		164		554	242-8834	345
	52		165		555		349
	54	237-8992	▶420	239-1487	▶555	242-8835	345
	59		564	239-1488	▶443		349
235-3548	47	237-8994	▶421		555	242-8836	574
	51		532	239-1489	▶444	242-8839	353
	54	237-8995	381		555		354
	59		▶445	239-5794	359	242-8840	393
235-4431	▶134	237-9022	291		362	242-8841	575
235-4451	353		▶432	239-6337	426	242-8845	579
	354	237-9023	▶436		429	242-8846	578
	355		626	239-6364	▶536	243-1286	▶113
	356		630	239-6365	▶556	243-1288	113
	393	238-2928	▶535	239-8154	425	243-1289	113
	574	238-2929	▶431		429	243-1290	▶135
	575		535	240-0031	1	243-1888	650
	576	238-5081	144		3	243-1894	355
	578	238-9549	▶291		▶302	243-1899	576
	579	238-9591	435	240-0033	302	243-1900	576
	582		445	240-0740	▶524	243-1901	576
	583		568	240-1919	136	243-1902	606
	611		570	240-5872	364	243-2288	169
	612	238-9733	435		▶416		173
	649		445	240-5874	365	243-2975	247
	650		568		▶417		250
235-6280	▶435		570	240-5876	366		256
	572	238-9734	▶381		▶418		258
235-8130	605	238-9802	421	240-6653	1	243-3216	58

PART NUMBER INDEX

Part	Page	Part	Page	Part	Page	Part	Page
243-5027	578		373	246-7015	447	252-3975	598
	579	244-9686	369		557		▶600
	582		370	246-7964	321		▶601
	583		373	246-8898	345	252-3976	▶598
	660	244-9688	▶369		349	252-6464	75
243-5752	527		371	246-9811	584	252-6498	75
244-0452	387	244-9690	▶370	246-9812	584	252-7322	▶528
	447		371	246-9818	517	252-7351	394
	557	244-9693	368	247-0845	▶42	252-7352	394
244-0479	▶155	244-9694	370		43	252-7353	387
244-0480	▶156		373	247-2954	321	252-7354	387
244-2258	135	245-0000	▶611	247-4806	136	252-7355	561
244-2478	▶318	245-0001	▶649	247-8340	6	252-7356	559
244-3732	127	245-0003	▶353	247-8341	▶6	252-7357	472
244-5403	▶447		▶354		102		▶521
	557	245-0006	▶576		104	252-7358	647
244-5404	▶434	245-0007	▶578	248-0197	1	252-7359	473
	660	245-0013	▶579		3	252-7361	▶472
244-5405	345	245-0023	▶650		▶43	252-7371	▶584
244-5867	136	245-0024	▶574	248-2432	8	252-7374	▶473
244-6567	▶320	245-0025	▶393	248-2857	▶200	252-7406	▶663
244-7191	8	245-0027	▶575		202	252-7407	▶395
244-9599	559	245-0030	▶660	248-2858	▶202	252-7410	▶413
244-9602	345	245-0031	▶538		203	252-7411	▶414
	349	245-0035	▶345	248-4792	223	252-7412	▶371
	▶517	245-0053	576	248-5012	256		▶373
244-9603	345	245-0054	576		258	252-7416	▶647
	349	245-0055	576	248-5503	321	252-7419	▶559
	▶519	245-0056	576		324	252-7426	345
244-9607	345		▶606	248-5513	167		349
	349	245-0057	578	249-2865	▶233	252-7427	▶561
	▶520	245-0073	349	249-3108	353	252-7434	647
244-9611	538	245-0075	579		354	252-7438	▶476
244-9612	387	245-0080	650		356	252-7444	521
244-9613	651	245-0081	▶387		657	252-7446	473
244-9631	345	245-0082	▶643	249-8926	321	252-7455	345
	349	245-0087	▶657	250-1368	307		349
	353	245-0092	▶557	250-1496	302	252-7497	517
	354	245-0096	▶394		309	252-7513	414
	355	245-0098	663		311	252-7519	345
	356	245-0099	663	250-1497	295		349
	394	245-0522	540		297	252-7556	▶651
	575		544		302	252-7557	573
	576	245-0523	540	250-1498	295	252-7558	▶573
	578		544		297		660
	579	245-2876	221		302	252-7700	▶477
	582	245-2987	660	250-1499	302	252-8374	144
	583	245-2992	660	250-1946	359	252-9298	531
	606	245-4621	230		362	253-2120	324
	611	245-4907	307	250-1947	359	253-2122	324
	612	245-4908	307		362	253-2468	▶5
	649	245-6848	136	250-3444	665	253-3500	▶580
	650		189	250-8279	510		600
	660	245-8737	▶586		512	253-3501	580
244-9637	345	246-0457	▶321	251-1255	318	253-3502	600
	349	246-2932	425		320		601
244-9643	647		428		321		▶607
244-9657	517	246-2946	321		325	253-3504	607
244-9673	660	246-2947	321	251-5884	▶234	253-3505	607
244-9675	414	246-2948	321	251-9430	626	253-3508	608
244-9683	371	246-2949	321		630	253-3510	▶592
	373	246-2950	321		635		600
244-9684	371	246-6506	425	251-9450	▶656		601
	373	246-7014	447	252-1731	517	253-3511	592
244-9685	369		557	252-1732	517	253-3512	▶593

PART NUMBER INDEX

Part	Page	Part	Page	Part	Page	Part	Page
	600	259-2503	79	266-2259	297		▶307
	601		191	266-7227	▶333	274-5750	▶276
253-3514	▶591		▶585	267-2716	▶398	274-8518	▶644
	600	259-2607	468		▶403		660
	601	259-2608	470	267-7346	468	274-8521	643
253-3515	591	259-4598	16	267-8623	614		▶645
253-3516	▶596		45		618	275-2276	125
	600		47		622		126
	601		49		626	275-6228	286
253-3517	596		52		630		287
253-3519	605		54		635	276-0785	▶419
253-3521	▶597		59		▶652	276-1307	▶325
	600		87	267-9689	293	276-2672	646
	601	260-0217	602		295	276-3875	34
253-3522	597	260-1506	398		297		35
253-3525	597		403	268-6293	177		39
253-3527	600	260-6665	▶594	268-6294	177	276-3876	34
	601	260-6675	345	268-7733	177		35
253-3820	568		349	269-7011	▶475		39
253-3821	570	260-6898	655	269-8326	540	276-8430	136
253-6217	455	260-8660	▶203	269-8327	540	277-2930	▶1
253-6218	▶455	261-0195	6	270-1732	▶419	277-4487	313
253-7759	466	261-1854	149	270-7277	1		316
253-9546	▶534	261-6795	▶149		3	278-0155	127
253-9547	534	261-6796	149		▶269	278-1082	115
254-0331	359	261-6847	480	270-8401	269		117
	362	261-6849	480	270-8474	269		122
254-3402	455	261-7697	1	271-2368	▶122	278-1083	117
254-5668	445		3	271-2765	122	278-1774	297
	568		▶173	271-7785	1	278-1775	297
	570	262-4378	205		3	278-1776	293
254-7277	▶324	262-6104	110		▶12		295
254-7278	324	263-1174	256	272-0758	9	278-4287	59
254-7279	324		258		10	278-6169	605
254-8467	608	263-2905	276		12	278-6469	540
254-8718	605	263-3686	398		113		544
255-0178	▶565		403	272-0759	11	278-9668	▶8
255-0179	565		408		12		602
255-0180	▶566	263-3687	398		100	278-9669	8
255-0181	566		403		101	279-0487	256
255-2288	1		408		398		258
	3	263-3693	398		403	279-1303	▶602
	▶230		403		408	279-2475	▶125
255-8691	313		408	272-0760	18		127
	316	263-3694	398		19	279-2482	127
256-3168	▶79		403		106	279-6770	84
256-3172	▶191		408		107	279-8984	177
256-4237	600	263-5057	646		110	279-8985	177
	601	263-6674	102		111	279-8986	177
	▶608		104	272-5835	517	279-8987	177
256-4243	600	264-3074	▶478	272-7102	280	279-8988	177
	601	264-5360	398		282	279-8989	177
	▶605		403	272-8396	177	279-8990	177
256-7511	▶382		408	273-3286	301	279-8991	177
256-7512	▶382	264-7862	398	273-3553	34	279-8992	177
256-8766	313		403		35	279-8993	177
257-2719	419		408		39	279-8994	247
258-6653	149	264-8271	171	273-3554	34		250
258-7997	149	264-8272	171		35	280-7517	▶425
258-8951	▶468	265-7537	102		39		540
258-8952	466		104	273-5713	1		544
258-8954	468	265-7538	102		3	280-7518	▶428
258-8955	470		104		▶7		540
259-2168	▶496	265-9034	▶492	274-0054	1		548
259-2174	585		493		3	281-0694	▶235

PART NUMBER INDEX

Part	Page	Part	Page	Part	Page	Part	Page
281-1563	414		250		39	291-8253	333
281-5975	144	284-1028	256	290-1352	▶35	291-8263	333
281-6005	247		258		37	291-8271	333
	250	284-1029	256	290-3213	▶614	291-8274	333
281-6006	247		258		▶618	291-9125	125
	250	284-1085	200		▶622		126
281-6157	35	284-1086	200	290-7263	▶610	292-0650	286
281-6159	102	284-1087	200		615		287
	104	284-1088	200		619	292-0651	286
281-6160	1	284-4153	1		623		287
	3		3		626	292-0652	286
	▶104		▶107		630		287
281-7389	292	284-4169	127		635	292-3815	333
281-7390	292	284-4171	127	290-8070	594		335
282-0929	▶129	284-4172	253	291-0641	398		337
282-2602	129	284-4175	253		403	292-4331	273
282-4121	144	284-4176	253		408	292-4520	▶658
282-4123	144	284-9561	475	291-0642	398	292-4521	▶659
282-4124	144	285-5339	▶253		403	292-5098	395
282-4125	144	285-5929	1		408	292-8679	353
282-4130	186		3	291-0643	398		▶368
282-4131	186		▶14		403	293-2033	345
282-4139	186	285-8437	247		408		349
282-4153	256		250	291-0644	398	293-3397	▶223
	258	285-9361	136		403	293-3399	223
282-4154	256	286-9966	136		408	293-3411	184
	258	287-3390	321	291-0645	398	293-3412	182
282-4158	256	287-7137	345		403	293-3413	184
282-4163	186		349		408	293-4388	231
282-4165	186	287-7296	166	291-0646	398		232
282-4166	256		181		403		233
282-4168	256		184		408		234
282-4169	256	288-2758	276	291-0647	398		235
	258		▶278		403	293-5429	83
282-4173	256	288-2759	276		408	293-5488	286
	258		▶279	291-0648	398		287
282-4174	256	288-2762	278		403	293-5490	286
	258		▶280		408		287
282-4176	1	288-2763	279	291-0649	398	293-7467	229
	3		▶282		403	293-9452	345
	▶247	288-4677	396		408		349
	▶250	288-4678	396	291-0651	398	294-3308	▶470
282-4180	1	288-5761	261		403	294-3310	470
	3	288-5762	261		408	294-9052	221
	▶256	288-5763	261	291-0652	398		223
282-4201	1	288-6174	63		403	295-1329	▶301
	3	288-8047	▶261		408	295-2908	562
	▶144	288-8048	253	291-0654	398	295-4636	490
282-4209	144	289-0656	473		403		▶493
282-5367	▶126		▶529		408	295-5455	▶562
	127	289-2089	1	291-0655	398		615
282-7944	102		3		403		619
	104		▶177		408		623
283-0245	84	289-3571	186	291-2117	271		626
283-0246	1	289-8498	▶237	291-4828	615		630
	3		278		619		635
	▶83		279		623	295-5458	221
	▶84	289-9115	280		626		223
283-1107	510	289-9116	282		630	295-6649	359
	512	289-9132	280		635	295-7948	614
283-5740	7	289-9133	282	291-6227	658		618
283-5742	7	289-9745	33		659		626
283-5744	7	290-1351	▶33	291-6549	127		630
283-5787	7		34	291-6550	127	296-0620	1
283-9779	247		35	291-8247	333		3

PART NUMBER INDEX

Part	Page	Part	Page	Part	Page	Part	Page
	▶271		287	309-1583	▶290	315-4841	263
296-2717	470	304-4418	181	309-4122	▶396	315-4842	263
296-8291	▶540	304-4419	181		425	315-4843	263
	▶544	304-4424	182	309-9599	271	315-4844	263
297-3198	1	304-4497	182		272	315-5136	205
	3	304-4498	166		274	315-5137	192
	▶284	304-4499	166	310-7976	▶71		▶205
	▶285	304-4500	181	310-7977	71		206
297-3279	127	304-4501	223	310-8026	▶273	316-1817	▶206
297-6833	1	304-5666	▶486		274	316-5976	39
	3		540	311-3385	256	316-5977	39
	▶212		544		258	316-5978	39
	▶213	304-5667	▶487	311-3922	396	316-5979	39
298-3648	603		540		425	316-5980	39
298-3817	▶603		544		428	316-5981	39
	605	304-5668	▶488	311-8106	▶501	317-1121	102
298-5631	665		567		503	317-2274	165
298-6387	147		568	311-8110	▶503	317-6289	273
299-1761	335		570	312-0305	269	317-6302	273
	337		572	312-0306	269	317-9956	236
299-3519	▶34	304-8000	144	312-6192	1	317-9957	236
299-3521	1	304-8650	284		3	317-9958	▶236
	3		▶286		▶164	318-2082	506
	▶37	305-3511	286	312-6298	1		515
	▶38	305-6240	272		3	318-2560	208
		305-6241	272		▶136	318-2561	208
		305-6259	1	313-2650	211	318-2562	208
			3		213	318-2563	208
			▶272		▶217	318-2564	208
300-0479	▶626	305-8009	184	313-2651	217	318-2565	208
	▶630	305-8010	184	313-4432	217	318-2566	208
	▶634	305-8612	▶166	313-6219	186	318-2567	208
300-5622	166	305-8613	▶184	313-6220	186	318-2568	208
300-5789	▶139	306-2157	▶157	313-6223	186	318-2574	208
300-5790	▶140	306-3998	505	314-3975	▶142	318-2575	208
300-6871	181		514	314-4213	362	318-2576	208
300-7326	258	306-5148	▶3	314-5153	▶447	318-2577	208
300-7647	644	306-8879	▶445	314-5226	256	318-2578	208
	▶646		567		258	318-2579	196
300-8567	75	307-0008	▶567	314-7755	▶604		▶208
300-8569	75	307-1569	▶65		645	318-8119	▶408
300-8570	75	307-2044	▶568	314-9083	517	318-8120	398
300-9828	▶127	307-2045	▶570	314-9086	519		403
301-4516	269	307-2046	▶572	314-9090	517		408
301-6823	▶258	307-2056	517		519		▶412
301-7286	412	307-7541	▶653	314-9093	517	318-8121	398
301-9248	34		654		519		403
	35	307-7542	652	314-9098	517		408
	39		▶654		519	318-9795	208
301-9564	229	307-8309	144		520	318-9796	208
301-9565	▶229	308-0866	▶109		521	319-2418	▶165
302-4519	▶181	308-1362	335	314-9099	517	320-6879	▶189
302-5307	▶182		337		519	320-6880	189
302-6504	247	308-1365	335		520	320-6881	189
	250		337		521	320-6882	189
	256	308-1366	335	314-9100	517	320-6883	189
	258		337		519	320-6884	189
302-7332	65	308-3565	1		520	320-6885	189
302-8728	152		3		521	321-2524	517
302-8729	149		▶54	314-9101	517	322-3612	384
	▶152	308-4479	665		519		386
303-3433	598	308-6816	1		520	322-6264	315
303-3440	598		3		521		▶316
303-5956	2		▶186	315-2643	54	324-8967	517
303-6267	286	308-6819	186	315-4837	▶263		519

3

PART NUMBER INDEX

Part	Page	Part	Page	Part	Page	Part	Page
324-9728	271	352-8703	612				
	274	352-8705	▶612				
325-1410	38	352-8710	355				
325-1412	38	352-8713	▶355				
328-4133	517	352-8715	582				
328-4134	519	352-8716	582				
328-4135	520	352-8717	▶582				
328-4276	287	352-8719	583				
328-4277	285	352-8720	583				
	▶287	352-8721	▶583				
328-8410	335	352-8725	356				
	337	352-8728	▶356				
329-4772	548	352-9860	▶666				
329-4773	548	353-2691	666				
329-4779	544	353-3971	▶31				
	▶548						
329-5508	247						
329-9238	200						
329-9239	200						
330-3359	272						
330-3360	272						
331-4777	229						
331-5717	▶335						
333-1184	▶337						
333-4905	272						
333-7412	589						
334-0225	247						
334-0226	247						
334-1626	102						
334-4399	335						
334-5177	273						
334-5178	273						
334-8198	▶265						
335-6220	38						
	▶39						
335-6885	382						
335-8746	403						
	408						
338-7521	250						
338-7522	250						
339-4783	581						
339-4784	▶581						
	601						
339-4950	24						
341-2532	▶642						
341-3604	273						
341-3605	273						
341-8076	349						
341-8082	▶349						
343-5363	▶274						
345-2374	▶655						
346-5276	▶367						
348-8981	622						
	635						
348-8990	634						
350-1393	▶23						
	31						
350-1417	▶24						
	29						
350-2560	593						
351-2245	68						
351-9004	68						
351-9005	68						
352-4965	582						
	583						



SEBP4550-06

3516C Marine Auxiliary

JTS1-Up