

Parts Manual



See "General Information"
for New Parts Manual
Features.

C15 Standby Generator Set

G6B1-Up (Generator)
G7A1-Up (Generator)
C5H1-Up (Generator Set)
FFH1-Up (Engine)

This Parts Manual is also Available in PDF Format on Compact Disk
(CD-ROM)- Caterpillar Form No. SERP4325

Product and Dealer Information

Note: For product identification plate locations, see the section "Product Identification Information" in the Operation and Maintenance Manual.

Delivery Date: _____

Product Information

Model: _____

Product Identification Number: _____

Engine Serial Number: _____

Transmission Serial Number: _____

Generator Serial Number: _____

Attachment Serial Numbers: _____

Attachment Information: _____

Customer Equipment Number: _____

Dealer Equipment Number: _____

Dealer Information

Name: _____ Branch: _____

Address: _____

Dealer Contact

Phone Number

Hours

Sales: _____

Parts: _____

Service: _____

MEMORANDA

TABLE OF CONTENTS

Name	Page	Name	Page
GENERAL INFORMATION	A4	SUPPORT GP-ENGINE	124
REPAIR ALTERNATIVES	A7	V-BELT SET	125
SUPPLEMENTAL COOLANT ADDITIVES	A8	LUBRICATION SYSTEM	127
MAINTENANCE PARTS	A9	BASE GP-OIL FILTER	127
INDEX	A14	DRAIN GP-OIL	130
ENGINE ARRANGEMENT	1	FASTENER GP-OIL PUMP MOUNTING	132
ENGINE AR-COMPLETE	1	FILLER GP-ENGINE OIL	133
ENGINE AR-CORE	17	FILTER GP-ENGINE OIL	134
GENERAL AR	21	FUMES DISPOSAL GP	137
GENERAL AR-GENSET	25	GAUGE GP-OIL LEVEL (DIPSTICK)	140
BASIC ENGINE	29	GUIDE GP-OIL LEVEL GAUGE	141
ADAPTER GP-PUMP DRIVE	29	LINES GP-ENGINE OIL	142
BASE GP-VALVE COVER & INJ HARN	30	LINES GP-TURBOCHARGER OIL	143
CAMSHAFT GP	34	PUMP GP-ENGINE OIL	145
COUPLING GP-GENERATOR	35	PUMP GP-SUMP	146
COVER GP-AIR COMPRESSOR	36	COOLING SYSTEM	149
COVER GP-CYLINDER BLOCK	37	FAN GP-BLOWER	149
COVER GP-ENGINE LIFTING EYE	39	FASTENER GP-WATER PUMP	150
COVER GP-FLYWHEEL HOUSING	40	GUARD GP-RADIATOR	151
COVER GP-FRONT HOUSING	42	LINES GP-COOLANT DRAIN	152
COVER GP-VALVE MECHANISM	43	LINES GP-WATER	153
CRANKSHAFT GP	54	PUMP GP-WATER	158
CYLINDER BLOCK AS	55	RADIATOR & AFTERCOOLER GP	166
CYLINDER BLOCK GP	57	RADIATOR GP	170
CYLINDER HEAD AS	62	AIR INLET AND EXHAUST SYSTEM	201
CYLINDER HEAD GP	66	AIR CLEANER GP	201
DAMPER GP	76	CAP AS-AIR CLEANER	211
DRIVE GP-FAN	78	CONNECTION GP-EXHAUST	212
DRIVE GP-PUMP	82	ELBOW GP-AIR INLET	213
FASTENER GP-FRONT HOUSING	83	ELBOW GP-EXHAUST	214
FASTENER GP-VALVE MECHANISM	84	EXHAUST GP	216
FLYWHEEL GP	85	FITTING GP-EXHAUST	219
GEAR GP-CAMSHAFT	86	MANIFOLD GP-EXHAUST	221
GEAR GP-FRONT	87	MOUNTING GP-EXHAUST	222
HOUSING GP-FLYWHEEL	92	MOUNTING GP-MUFFLER	223
HOUSING GP-FRONT	95	MUFFLER	225
LIFTING GP-ENGINE	98	MUFFLER GP	226
MECHANISM GP-FUEL PUMP & VALVE	100	PRECLEANER GP	228
MOUNTING GP-ALTERNATOR	103	SHIELD GP-MANIFOLD	229
MOUNTING GP-ENGINE & GENERATOR	106	TURBOCHARGER GP	230
PAN GP-OIL	108	FUEL SYSTEM	238
PISTON & ROD GP	110	BASE GP-FUEL FILTER	238
PLUG GP-CYLINDER BLOCK	112	BASE GP-FUEL TANK	239
PLUG GP-CYLINDER HEAD	115	CONTROL AS-GOVERNOR	251
PLUG GP-FLYWHEEL HOUSING	116	FILTER GP-FUEL	253
ROCKER ARM GP	117	FILTER GP-WATER SEP & FUEL	256
SEAL GP-CRANKSHAFT	122	FITTING GP-FUEL LINES	259
		LINES GP-FUEL	260
		LINES GP-FUEL FILTER	274
		PUMP & MTG GP-FUEL TRANSFER	275
		PUMP GP-FUEL INJECTION	277

TABLE OF CONTENTS

Name	Page	Name	Page
PUMP GP-FUEL PRM & SEC FILTER	278	SENSOR GP-SPEED	452
PUMP GP-FUEL TRANSFER	279	SENSOR GP-TEMPERATURE	464
VALVE GP-CHECK	285	SHUNT-TRIP	470
VALVE GP-FUEL BYPASS	287	STARTING AID GP-ETHER	472
ELECTRICAL AND STARTING SYSTEM	288	STARTING MOTOR GP-ELECTRIC	483
ADAPTER GP-COMMUNICATION	288	STRIP GP-TERMINAL	490
ALTERNATOR GP-CHARGING	289	SUPPORT GP-BATTERY	496
BATTERY CHARGER	295	SUPPORT GP-CABLE	501
BATTERY CHARGER GP	298	SWITCH AS	502
BATTERY GP	300	SWITCH AS-LIQUID LEVEL	505
BOX GP-CONNECTION	304	SWITCH GP-DISCONNECT	516
BRACKET GP-TERMINAL	307	SWITCH GP-LIQUID LEVEL	520
CABLE AS	309	SWITCH GP-PRESSURE	521
CABLE AS-BRAIDED	319	SWITCH GP-PUSH BUTTON	522
CABLE GP	320	TERMINAL & PLATE AS	523
CIRCUIT BREAKER GP	321	TERMINAL GP-CIRCUIT BREAKER	529
CONDUIT GP	353	TRANSFORMER	544
CONDUIT GP-ELECTRICAL	356	TRANSFORMER GP-CURRENT	547
CONNECTION GP-ELECTRICAL	359	WIRING GP-ELECTRONIC CONTROL	569
CONNECTOR AS	370	WIRING GP-GENERATOR	575
CONTACTOR GP	371	ENCLOSURES, GUARDS AND BASES	577
CONTROL & MTG GP-ENGINE ELEK	377	BASE GP	577
CONTROL GP-ETHER ELECTRONIC	379	BASE GP-ENGINE & GENERATOR	578
FASTENER GP-WIRING HARNESS	381	BASE GP	581
FUSE GP	383	BRACKET GP-SUPPORT	584
HARNESS AS-CONTROL	388	COVER GP-ACCESS	585
HARNESS AS-ENGINE	388	COVER GP-BASE	594
HARNESS AS-LIGHTING	389	COVER GP-ENCLOSURE	605
HARNESS AS-MONITOR	389	COVER GP-GENERATOR	609
HARNESS AS-PANEL	390	DOOR GP-ACCESS	610
HARNESS AS-POWER	390	DUCT GP-CABLE	616
HARNESS AS-WIRING	390	DUCT GP-ENCLOSURE	618
HEATER GP-JACKET WATER	399	ENCLOSURE AS	619
KIT-INSULATION	403	ENCLOSURE GP-GENERATOR	621
MOUNTING GP	404	ENCLOSURE GP-GENSET	737
MOUNTING GP-BATTERY CHARGER	405	EXTENSION GP-BASE	771
MOUNTING GP-BRACKET	407	FASTENER GP-COVER	781
MOUNTING GP-BUS BAR	410	FASTENER GP-ENCLOSURE	782
MOUNTING GP-ELECTRONIC CONTROL	411	GUARD GP-ENGINE	783
MOUNTING GP-JACKET WTR HEATER	413	INSULATION GP-GENERATOR	785
MOUNTING GP-PANEL	419	MOUNTING GP-BEAM	789
MOUNTING GP-SENSOR	421	GENERATORS	790
MOUNTING GP-TERMINAL STRIP	424	CONNECTION GP-GENERATOR	790
MOUNTING GP-WIRING	429	CONNECTION GP-GENERATOR LEADS	791
PANEL GP-CIRCUIT BREAKER	430	CONNECTION GP-TERMINAL STRIP	886
PLUG GP-BOX	431	GENERATOR AR	905
RELAY GP	432	GENERATOR GP	925
RELAY GP-GROUND FAULT	433	HEATER GP-SPACE	1131
SENSOR GP-COOLANT LEVEL	435	INSULATION GP-WEATHER	1132
SENSOR GP-ENGINE	436	LIFTING GP-GENERATOR	1134
SENSOR GP-LIQUID LEVEL	442	MOUNTING GP-GENERATOR	1136
SENSOR GP-PRESSURE	443		

TABLE OF CONTENTS

Name	Page	Name	Page
MOUNTING GP-VOLTAGE REGULATOR.....	1138		
REGULATOR AS-VOLTAGE.....	1140		
REGULATOR GP-VOLTAGE.....	1142		
OPERATOR STATION.....	1150		
BRACKET GP-MOUNTING.....	1150		
CONTROL GP-ALARM MODULE.....	1151		
CONTROL GP-ENGINE MONITORING.....	1152		
CONTROL GP-GENERATOR SET.....	1155		
CONTROL GP-SPEED.....	1163		
COVER GP-ACCESS.....	1166		
COVER GP-CONTROL PANEL.....	1176		
DOOR AS-ACCESS.....	1181		
DOOR GP.....	1183		
FASTENER GP-INSTRUMENT PANEL.....	1191		
FASTENER GP-PANEL.....	1192		
FILTER GP-ELECTRONIC.....	1193		
MOUNTING GP-CONTROL PANEL.....	1195		
MOUNTING GP-DIVIDER PLATE.....	1201		
MOUNTING GP-INSTRUMENT PANEL.....	1202		
PANEL GP-CONTROL.....	1203		
PANEL GP-ELECTRICAL.....	1208		
PANEL GP-ELECTRONIC.....	1213		
PLATE GP-COVER.....	1225		
POTENTIOMETER AS.....	1227		
SEAL GP-ENCLOSURE.....	1228		
SERVICE EQUIPMENT AND SUPPLIES.....	1231		
CHART-PLATE & FILM.....	1231		
FILM GP.....	1232		
KIT-INSTALLATION.....	1244		
PART NUMBER INDEX.....	B1		

GENERAL INFORMATION

1. ENGINE IDENTIFICATION

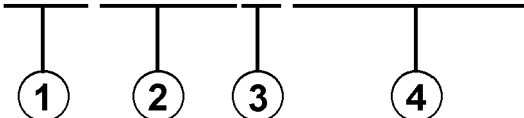
Caterpillar engines are identified with Serial Numbers and Arrangement Numbers. In some cases, Modification Numbers are also used. The serial number plate which shows these numbers is mounted on the engine.

Caterpillar dealers need this information to determine which components were included on the engine when it was assembled at the factory. This permits accurate identification of replacement part numbers.

New Feature

Effective First Quarter 2001 the Caterpillar Product Identification Number (PIN) changed from 8 to 17 characters. In an effort to provide uniform equipment identification, Caterpillar and other construction equipment manufacturers are moving to comply with the latest version of the product identification numbering standard. Non-road machine PINs are defined by ISO 10261. The new PIN format will apply to all Caterpillar machines and generator sets. The PIN plates and frame marking will display the 17 character PIN. The new format will look like the following:

* C A T 0 7 8 9 B G 6 S L 1 2 3 4 5 *



Where:

1. Caterpillar's World Manufacturing Code (characters 1-3)
2. Machine Descriptor (characters 4-8)
3. Check Character (character 9)
4. Machine Indicator Section (MIS) or Product Sequence Number (characters 10-17). These were previously referred to as the Serial Number.

Machines and generator sets produced before First Quarter 2001 will maintain their 8 character PIN format.

Components such as engines, transmissions, axles, etc. and work tools will continue to use an 8 character Serial Number (S/N).

2. ORDERING PARTS

WARNING

When replacement parts are required for this product Caterpillar recommends using Caterpillar replacement parts or parts with equivalent specifications including, but not limited to, physical dimensions, type, strength and material.

Failure to heed this warning can lead to premature failures, product damage, personal injury or death.

Quality Caterpillar replacement parts are available from Caterpillar dealers throughout the world. Their parts inventories are up to date and include all parts normally required to protect your investment in Caterpillar machines. Dealers may offer repair kits or remanufactured parts to allow selection of the most effective repair alternative for a particular situation. When ordering parts, your order should specify the quantity, part number, part name, and the serial number/product identification number of the engine for which the parts are needed.

3. PARTS MANUAL ORGANIZATION

Product information in this manual is presented as "information elements" that represent all of the components for the specific model. Engine Arrangement and Seat Group are examples of information elements. The information elements are organized alphabetically by part name and secondarily by part number within each major section of the manual.

4. TABLE OF CONTENTS

A table of contents (TOC) is found at the beginning of the manual. The TOC lists each section of the manual with a complete list of all information elements organized as they appear in the manual. Page numbers are provided for quick reference to detailed parts identification illustrations and serviceable consist lists.

5. MAINTENANCE PARTS INDEX

The Maintenance Parts Index, located near the beginning of the manual, references most frequently used maintenance part numbers, providing description, quantity, usage and page number. This information is organized alphabetically by part description.

GENERAL INFORMATION

6. INDEX

The index located near the front of the manual is an alphabetical listing of all information elements included in the manual. Page numbers are provided for quick reference to detailed parts identification illustrations and serviceable consist lists.

7. PART NUMBER INDEX

A numerical index listing all part numbers and the corresponding page number(s) appears at the back of the manual.

8. CAPTIONS

Captions located at the beginning of each information element identify the part number and part name along with additional descriptive information. S/N information found in each caption should be used to select correct information for a specific engine. Field replacement options, identification of optional attachment components, and where used ("part of") information is also provided.

The first line of a caption is shown in larger type font to indicate the beginning of an information element. Captions for additional pages that may be required to illustrate an information element will be shown in standard type font and will include the term (*contd.*) .

9. NON-SERVICED PARTS

In some instances it is necessary to display non-serviced parts that are a link to lower level serviceable consist lists. These non-serviced part numbers are shown in *italic* type indicating that they are not available. All consist lists have not been converted to reflect this enhancement.

10. PARTS LIST REFERENCE NUMBERS

Numbers shown in the Ref No column correspond to numbers used in the associated graphic(s). An alphabetic suffix may be added to a reference number to identify lower level consist items. Numbers shown in the Graphic Ref column refer to the graphic number identifier displayed in the lower left corner of each illustration. The Graphic Ref number may be used in combination with the item Ref No to determine the correct part number. There may be intentional omission of a Ref No in a consist list as information is updated to reflect the latest serviceable part numbers.

11. INDENTED PART NAMES

When a part name is indented in a parts list, it is part of (included in) the group or assembly under which it is indented.

12. ILLUSTRATION REFERENCE LETTERS

When necessary, illustrations contain reference letters (A, B, C etc.) that are intended to track lines and harnesses from one point to another. They are also used to show where to reconnect illustrations that have been separated.

13. ABBREVIATIONS AND SYMBOLS

O.D. – Outside Diameter
I.D. – Inside Diameter
A – Not Part Of This Group
B – Use As Required
C – Change From Previous Type
D – Order By The Meter
E – Order By The Centimeter
F – Not Shown
G – Order By The Inch
I – Refer To Hydraulic Information System
M – Metric Part
R – Remfg Part May Be Available
Y – Separate Illustration
Z – Not Serviced Separately

14. REPLACEMENT PARTS FOR GENERATORS

Only those generators which are sold and serviced exclusively by "Caterpillar" Dealers are illustrated on the following pages. Externally-regulated "Caterpillar" Diesel Electric Sets are equipped with generators made by other manufacturers. Parts for these generators are NOT serviced by Caterpillar Inc. Parts lists and parts should be ordered from the manufacturer whose name is shown on the Generator Name Plate, always giving the generator rating and serial number shown.

 **New Feature**

15. DESCRIPTION OF TYPE CHANGES

Type - A type is defined as any configuration change that requires an additional Information Element for an Arrangement, Group, or Assembly. If serial number breaks for types are not available, a type # (Type 1, Type 2, etc.) will be displayed in the caption. These "type" changes are identified with a "C" note (change from previous type) in the Parts List. Only the "types" that apply to this Parts Manual will be included. Additional types may exist causing "C" notes to appear on an Information Element when no other types are shown.

GENERAL INFORMATION

16. <END>

This symbol indicates the end of an information element.

NOTE:

Continuing improvement and advancement of product design may cause changes to your machine which may not be included in this publication. Whenever a question arises regarding your Caterpillar product or this publication, please consult your Caterpillar dealer for the latest available information.

REPAIR ALTERNATIVES

REMANUFACTURED COMPONENTS

As an option when making repairs consider Caterpillar Remanufactured Components. Components that are available through the Caterpillar Remanufactured Program are identified three ways in the parts book:

- with the letter R in the note field of the parts list
- with an R* at the beginning of the first line of the caption
- with an *R at the end of the first line of the caption

Typical components included in the Remanufacturing Program include:

ALTERNATORS
CONNECTING RODS
CRANKSHAFTS - UNDERSIZE
CRANKSHAFTS - UPGRADE TO NEW
CYLINDER HEADS
ELECTRONIC CONTROL MODULES (ECM)
ELECTRONIC SENSORS
FUEL INJECTORS
FUEL NOZZLES
FUEL PUMPS
GOVERNORS
OIL PUMPS
PISTONS
SHORT BLOCKS
STARTERS
TURBOCHARGERS - COMPLETE
TURBOCHARGER CARTRIDGES
WATER PUMPS

Caterpillar Remanufactured engines for many engine arrangements are also available.

SUPPLEMENTAL COOLANT ADDITIVES

CUSTOMER BENEFITS:

Protects against cavitation, foam, erosion, corrosion, and scale buildup in cooling systems.

- Provides measured coolant conditioner.

DESCRIPTION:

Additives deplete from the coolant with normal operation. For this reason, Supplemental Coolant Additives (SCA) must be added to all heavy duty coolants at regular intervals. In addition, when not using a fully formulated, pre-charged antifreeze, like Caterpillar's DEAC, an initial charge of SCA must be added to the cooling system. The amount of SCA added to the system is dependent on the capacity of the system.

The SCA for initial fill is provided as a liquid. SCA's for maintenance intervals are available in liquid form and as a spin-on element. (No Spin-on available for 3600 Family of Engines)

NOTE:

The amount of SCA added at initial fill is not the same as the amount added at maintenance intervals.

The coolant additive elements can be used with any ethylene or propylene glycol type antifreeze which meets ASTM D4985 or ASTM D5345 Specifications.

NOTE:

For use with standard heavy duty coolant only, not for use with Extended Life Coolant.

PARTS NEEDED:

Cooling System Capacity		Liquid SCA at Initial Fill	Liquid SCA at Maintenance*	Spin-on SCA Maintenance Element*
Liters	Gallons			
22-30	(6-8)	3P-2044 (1)	6V-3542 (1)	111-2370 (1)
30-38	(8-10)	3P-2044 (1) 6V-3542 (1)	111-2372 (1)	111-2369 (1)
38-49	(10-13)	3P-2044 (1) 8T-1589 (1)	111-2372 (1)	111-2369 (1)
49-64	(13-17)	3P-2044 (2)	8T-1589 (1)	9N-3368 (1)
64-83	(17-22)	3P-2044 (2) 8T-1589 (1)	111-2372 (1) 6V-3542 (1)	111-2371 (1)
83-114	(22-30)	3P-2044 (3) 8T-1589 (1)	3P-2044 (1)	9N-3718 (1)
114-163	(30-43)	3P-2044 (5)	3P-2044 (1) 6V-3542 (1)	111-2371 (2)
163-242	(43-64)	3P-2044 (8)	3P-2044 (2)	9N-3718 (2)

* Normal maintenance period is 250 hrs. See your Operation and Maintenance Manual for complete coolant maintenance instructions.

() Indicates quantity required.

MAINTENANCE PARTS

DESCRIPTION	PART NUMBER	QTY	WHERE USED	PAGE
AIR INLET AND EXHAUST SYSTEM				
FILTER ELEMENT AS-AIR (PRIMARY)	151-7737	1	AIR CLEANER GP	201
	246-5009	1	AIR CLEANER GP	203
	9Y-3879	1	AIR CLEANER GP	202
FILTER ELEMENT AS-AIR (SECONDARY)	246-5010	1	AIR CLEANER GP	203
FILTER ELEMENT AS-AIR (SECONDARY) (CLEANER)	189-0202	1	AIR CLEANER GP	206
		1	AIR CLEANER GP	208
BASIC ENGINE				
PLUG-DRAIN (ENGINE OIL PAN)	9X-6451	1	PAN GP-OIL	108
SEAL-VALVE COVER	242-9537	1	COVER GP-VALVE MECHANISM	43
		1	COVER GP-VALVE MECHANISM	44
		1	COVER GP-VALVE MECHANISM	46
		1	COVER GP-VALVE MECHANISM	47
		1	COVER GP-VALVE MECHANISM	50
		1	COVER GP-VALVE MECHANISM	51
		1	COVER GP-VALVE MECHANISM	53
V-BELT (ALTERNATOR)	4N-8216	1	MOUNTING GP-ALTERNATOR	103
		1	MOUNTING GP-ALTERNATOR	105
	9L-6641	3	V-BELT SET	126
COOLING SYSTEM				
CAP-RADIATOR	266-8550	1	RADIATOR GP	179
		1	RADIATOR GP	181
		1	RADIATOR GP	195
REGULATOR-WATER TEMPERATURE (98-DEG C) (COOLANT)	247-7133	2	LINES GP-WATER	153
		2	LINES GP-WATER	155
SEAL (TEMPERATURE REGULATOR HOUSING)	166-2340	1	LINES GP-WATER	153
SEAL (TEMPERATURE REGULATOR)	166-2340	1	LINES GP-WATER	155
SEAL-LIP TYPE (WATER TEMPERATURE REGULATOR)	3S-9643	2	LINES GP-WATER	153
		2	LINES GP-WATER	155
ELECTRICAL AND STARTING SYSTEM				
BATTERY GP (12-VOLT) (DRY)	9X-9730	2	BATTERY GP	302
BATTERY GP (12-VOLT, MAINTENANCE FREE, DRY)	115-2421	2	BATTERY GP	303
CAP AS-FILLER (BATTERY)	123-1373	6	BATTERY GP	301
CIRCUIT BREAKER (16-AMPERE)	282-9885	1	CIRCUIT BREAKER GP	351
CIRCUIT BREAKER (6-AMPERE)	282-9883	1	CONTACTOR GP	371
		1	CONTACTOR GP	373
		1	CONTACTOR GP	375
		1	CONTACTOR GP	376
CIRCUIT BREAKER AS (10-AMPERE)	128-8065	1	CIRCUIT BREAKER GP	352
CIRCUIT BREAKER AS (100-AMPERE)	242-4907	1	CIRCUIT BREAKER GP	342
CIRCUIT BREAKER AS (1200-AMPERE)	242-2365	1	CIRCUIT BREAKER GP	340
	242-2369	1	CIRCUIT BREAKER GP	337
	306-6386	1	CIRCUIT BREAKER GP	341
CIRCUIT BREAKER AS (125-AMPERE)	242-4908	1	CIRCUIT BREAKER GP	343
CIRCUIT BREAKER AS (1250-AMPERE)	241-8339	1	CIRCUIT BREAKER GP	328

MAINTENANCE PARTS

DESCRIPTION	PART NUMBER	QTY	WHERE USED	PAGE
	241 - 8340	1	CIRCUIT BREAKER GP	329
CIRCUIT BREAKER AS (15-AMPERE)	9M - 9085	1	BOX GP-CONNECTION	304
CIRCUIT BREAKER AS (150-AMPERE)	242 - 4909	1	CIRCUIT BREAKER GP	344
CIRCUIT BREAKER AS (1600-AMPERE)	241 - 8341	1	CIRCUIT BREAKER GP	330
	241 - 8342	1	CIRCUIT BREAKER GP	331
CIRCUIT BREAKER AS (175-AMPERE)	242 - 4910	1	CIRCUIT BREAKER GP	345
CIRCUIT BREAKER AS (20-AMPERE)	200 - 8577	1	BOX GP-CONNECTION	304
CIRCUIT BREAKER AS (200-AMPERE)	242 - 4911	1	CIRCUIT BREAKER GP	346
CIRCUIT BREAKER AS (225-AMPERE)	242 - 4912	1	CIRCUIT BREAKER GP	347
CIRCUIT BREAKER AS (250-AMPERE)	242 - 4913	1	CIRCUIT BREAKER GP	348
CIRCUIT BREAKER AS (400-AMPERE)	143 - 5853	1	CIRCUIT BREAKER GP	323
	241 - 8333	1	CIRCUIT BREAKER GP	322
	242 - 4914	1	CIRCUIT BREAKER GP	332
		1	CIRCUIT BREAKER GP	349
		1	CIRCUIT BREAKER GP	350
CIRCUIT BREAKER AS (600-AMPERE)	242 - 4915	1	CIRCUIT BREAKER GP	334
CIRCUIT BREAKER AS (630-AMPERE)	143 - 7610	1	CIRCUIT BREAKER GP	325
	241 - 8335	1	CIRCUIT BREAKER GP	324
CIRCUIT BREAKER AS (800-AMPERE)	241 - 8337	1	CIRCUIT BREAKER GP	326
	241 - 8338	1	CIRCUIT BREAKER GP	327
	242 - 2362	1	CIRCUIT BREAKER GP	338
	242 - 2368	1	CIRCUIT BREAKER GP	336
	306 - 6387	1	CIRCUIT BREAKER GP	339
CIRCUIT BREAKER GP (60-AMPERE)	6T - 3645	1	BOX GP-CONNECTION	304
FUSE (10-AMPERE)	143 - 5080	1	BATTERY CHARGER GP	299
		1	FUSE GP	386
	6V - 7802	1	BATTERY CHARGER GP	299
		1	CONTACTOR GP	373
		1	CONTACTOR GP	376
		1	FUSE GP	386
FUSE (15-AMPERE)	9U - 6398	1	FUSE GP	385
FUSE (15-AMPERE) (US SOURCED)	9U - 6398	1	FUSE GP	387
FUSE (16-AMPERE)	151 - 7710	1	FUSE GP	384
FUSE (16-AMPERE) (EUROPEAN SOURCED)	151 - 7710	1	FUSE GP	387
FUSE (2-AMPERE)	7W - 0482	1	CONTACTOR GP	371
		1	CONTACTOR GP	373
		1	CONTACTOR GP	375
		1	CONTACTOR GP	376
FUSE (30-AMPERE)	3E - 7992	1	FUSE GP	383
FUSE (6-AMPERE)	143 - 4472	2	BATTERY CHARGER GP	298
		1	BATTERY CHARGER GP	299
	190 - 2558	2	BATTERY CHARGER GP	298
		1	BATTERY CHARGER GP	299
		1	CONTACTOR GP	371
		1	CONTACTOR GP	375
KEY (BATTERY DISCONNECT)	8H - 5306	1	SWITCH GP-DISCONNECT	516

MAINTENANCE PARTS

DESCRIPTION	PART NUMBER	QTY	WHERE USED	PAGE
ENCLOSURES, GUARDS AND BASES				
CAP AS-FUEL	242-8298	1	BASE GP-ENGINE & GENERATOR	580
KEY (GENERATOR ENCLOSURE DOORS)	142-8240	2	ENCLOSURE GP-GENERATOR	625
		2	ENCLOSURE GP-GENERATOR	627
		2	ENCLOSURE GP-GENERATOR	629
KEY (GENERATOR ENCLOSURE)	142-8240	2	ENCLOSURE GP-GENERATOR	630
		2	ENCLOSURE GP-GENERATOR	642
		2	ENCLOSURE GP-GENERATOR	643
		2	ENCLOSURE GP-GENERATOR	644
		2	ENCLOSURE GP-GENERATOR	645
		2	ENCLOSURE GP-GENERATOR	661
		2	ENCLOSURE GP-GENERATOR	663
		2	ENCLOSURE GP-GENERATOR	665
		2	ENCLOSURE GP-GENERATOR	667
		2	ENCLOSURE GP-GENERATOR	681
		2	ENCLOSURE GP-GENERATOR	684
		2	ENCLOSURE GP-GENERATOR	687
		2	ENCLOSURE GP-GENERATOR	689
		2	ENCLOSURE GP-GENERATOR	715
		2	ENCLOSURE GP-GENERATOR	716
		2	ENCLOSURE GP-GENERATOR	717
		2	ENCLOSURE GP-GENERATOR	718
ENGINE ARRANGEMENT				
V-BELT SET (INCLUDES 3-BELTS)	284-8095	1	ENGINE AR-COMPLETE	2
		1	ENGINE AR-COMPLETE	6
		1	ENGINE AR-COMPLETE	9
		1	ENGINE AR-COMPLETE	14
	9N-1324	1	ENGINE AR-COMPLETE	1
		1	ENGINE AR-COMPLETE	3
		1	ENGINE AR-COMPLETE	5
		1	ENGINE AR-COMPLETE	7
		1	ENGINE AR-COMPLETE	11
		1	ENGINE AR-COMPLETE	16

MAINTENANCE PARTS

DESCRIPTION	PART NUMBER	QTY	WHERE USED	PAGE
FUEL SYSTEM				
CAP AS-FUEL	242 - 8298	1	BASE GP-FUEL TANK	246
		1	BASE GP-FUEL TANK	247
		1	BASE GP-FUEL TANK	248
		1	BASE GP-FUEL TANK	249
		1	BASE GP-FUEL TANK	250
CAP AS-FUEL (FUEL TANK)	242 - 8298	1	BASE GP-FUEL TANK	239
		3	BASE GP-FUEL TANK	241
		1	BASE GP-FUEL TANK	242
		1	BASE GP-FUEL TANK	243
		1	BASE GP-FUEL TANK	245
ELEMENT-WATER SEPARATOR (PRIMARY)	133 - 5673	1	FILTER GP-WATER SEP & FUEL	256
FILTER AS-WATER SEP & FUEL	326 - 1641	1	FILTER GP-FUEL	253
FILTER-FUEL (ADVANCED EFFICIENCY)	1R - 0762	1	FILTER GP-FUEL	254
FILTER-FUEL (ADVANCED EFFICIENCY) (SECONDARY)	1R - 0749	1	PUMP GP-FUEL PRM & SEC FILTER	278
GASKET (FUEL PRIMING PUMP)	1P - 0436	1	FILTER GP-FUEL	254
		1	PUMP GP-FUEL PRM & SEC FILTER	278
SEAL-RING (FUEL AND WATER SEP FILTER)	220 - 8678	1	FILTER GP-FUEL	253
GENERATORS				
FUSE (10-AMPERE)	6V - 7802	3	REGULATOR GP-VOLTAGE	1142
		3	REGULATOR GP-VOLTAGE	1143
		3	REGULATOR GP-VOLTAGE	1145
		3	REGULATOR GP-VOLTAGE	1146
LUBRICATION SYSTEM				
CAP-OIL FILLER (ENGINE)	068 - 4497	1	FILLER GP-ENGINE OIL	133
FILTER AS-ENGINE OIL (STANDARD EFFICIENCY)	1R - 0716	1	FILTER GP-ENGINE OIL	134
FILTER-ENGINE OIL (ADVANCED EFFICIENCY)	1R - 1808	2	FILTER GP-ENGINE OIL	135

MAINTENANCE PARTS

DESCRIPTION	PART NUMBER	QTY	WHERE USED	PAGE
OPERATOR STATION				
FUSE (10-AMPERE) (EUROPEAN SOURCED)	143-5080	1	PANEL GP-ELECTRICAL	1209
		2	PANEL GP-ELECTRONIC	1217
FUSE (10-AMPERE) (OUTSIDE NACD)	143-5080	2	PANEL GP-ELECTRONIC	1219
		2	PANEL GP-ELECTRONIC	1222
FUSE (10-AMPERE) (US SOURCED)	6V-7802	1	PANEL GP-ELECTRICAL	1209
		2	PANEL GP-ELECTRONIC	1217
		2	PANEL GP-ELECTRONIC	1219
		2	PANEL GP-ELECTRONIC	1222
FUSE (2-AMPERE) (EUROPEAN SOURCED)	143-4471	1	PANEL GP-ELECTRICAL	1209
		3	PANEL GP-ELECTRONIC	1217
FUSE (2-AMPERE) (OUTSIDE NACD)	143-4471	3	PANEL GP-ELECTRONIC	1219
		3	PANEL GP-ELECTRONIC	1222
FUSE (2-AMPERE) (US SOURCED)	7W-0482	1	PANEL GP-ELECTRICAL	1209
		3	PANEL GP-ELECTRONIC	1217
		3	PANEL GP-ELECTRONIC	1219
		3	PANEL GP-ELECTRONIC	1222
FUSE (4-AMPERE) (EUROPEAN SOURCED)	238-3255	1	PANEL GP-ELECTRICAL	1209
FUSE (4-AMPERE) (US SOURCED)	190-2557	1	PANEL GP-ELECTRICAL	1209
FUSE (6-AMPERE)	190-2558	1	PANEL GP-ELECTRICAL	1211
FUSE (6-AMPERE) (EUROPEAN SOURCED)	143-4472	1	PANEL GP-ELECTRICAL	1209
FUSE (6-AMPERE) (US SOURCED)	190-2558	1	PANEL GP-ELECTRICAL	1209
LAMP (24-VOLT, 0.2-AMPERE)	7N-5876	1	DOOR GP	1184
		1	DOOR GP	1186
		1	DOOR GP	1188
		1	PANEL GP-CONTROL	1206

INDEX

Name	Page	Name	Page
A			
ADAPTER GP-COMMUNICATION	288	BOX GP-CONNECTION- POWER DISTRIBUTION	304
ADAPTER GP-PUMP DRIVE	29	BRACKET GP-MOUNTING	1150
AIR CLEANER GP	201	BRACKET GP-SUPPORT	584
	202	BRACKET GP-TERMINAL	307
	203		308
	204	C	
	206	CABLE AS	309
	208		310
ALTERNATOR GP-CHARGING	289		315
	292		316
	293		317
	294		318
B			
BASE GP	582	CABLE AS-COPPER BRAID	311
	583		312
BASE GP-SKID	581		313
BASE GP-TANK	577		314
BASE GP-ENGINE & GENERATOR	578	CABLE AS-BRAIDED	319
	579	CABLE GP-GROUND STRAP	320
	580	CAMSHAFT GP	34
BASE GP-FUEL FILTER	238	CAP AS-AIR CLEANER	211
BASE GP-FUEL TANK	239	CAP AS-FILLER (BATTERY)	301
	241	CAP AS-FUEL	246
	242		247
	243		248
	245		249
	246		250
	247		580
	248	CAP AS-FUEL (FUEL TANK)	239
	249		241
	250		242
BASE GP-OIL FILTER-ENGINE	127		243
	128		245
	129		249
BASE GP-VALVE COVER & INJ HARN	30	CAP-OIL FILLER (ENGINE)	133
	32	CAP-RADIATOR	179
	33		181
BATTERY CHARGER	295		195
	296	CHART-PLATE & FILM	1231
	297	CIRCUIT BREAKER (16-AMPERE)	351
BATTERY CHARGER GP	298	CIRCUIT BREAKER (6-AMPERE)	371
	299		373
BATTERY GP	301		375
	302		376
	303	CIRCUIT BREAKER AS (10-AMPERE)	352
BATTERY GP (12-VOLT) (DRY)	302	CIRCUIT BREAKER AS (100-AMPERE)	342
BATTERY GP		CIRCUIT BREAKER AS (1200-AMPERE)	337
(12-VOLT, MAINTENANCE FREE, DRY)	303		340
BATTERY GP-12-VOLT, DRY	300		341
BOX GP-CONNECTION	306	CIRCUIT BREAKER AS (125-AMPERE)	343
		CIRCUIT BREAKER AS (1250-AMPERE)	328
			329
		CIRCUIT BREAKER AS (15-AMPERE)	304
		CIRCUIT BREAKER AS (150-AMPERE)	344

INDEX

Name	Page	Name	Page
CIRCUIT BREAKER AS (1600-AMPERE)	330		361
	331		362
CIRCUIT BREAKER AS (175-AMPERE)	345		363
CIRCUIT BREAKER AS (20-AMPERE)	304		364
CIRCUIT BREAKER AS (200-AMPERE)	346		365
CIRCUIT BREAKER AS (225-AMPERE)	347		366
CIRCUIT BREAKER AS (250-AMPERE)	348		367
CIRCUIT BREAKER AS (400-AMPERE)	322		368
	323		369
	332	CONNECTION GP-ELECTRICAL-	
	349	CYLINDER HEAD GROUND	359
	350	CONNECTION GP-EXHAUST	212
CIRCUIT BREAKER AS (600-AMPERE)	334	CONNECTION GP-GENERATOR	790
CIRCUIT BREAKER AS (630-AMPERE)	324	CONNECTION GP-GENERATOR LEADS	791
	325		792
CIRCUIT BREAKER AS (800-AMPERE)	326		793
	327		794
	336		795
	338		796
	339		797
CIRCUIT BREAKER GP	321		798
	322		799
	323		800
	324		801
	325		802
	326		803
	327		804
	328		806
	329		807
	330		808
	331		809
	332		810
	334		811
	336		812
	337		813
	338		814
	339		815
	340		816
	341		817
	342		818
	343		819
	344		820
	345		821
	346		822
	347		823
	348		824
	349		825
	350		826
	351		827
	352		828
CIRCUIT BREAKER GP (60-AMPERE)	304		829
CONDUIT GP	353		830
CONDUIT GP-BLOCK HEATER	354		831
CONDUIT GP-ELECTRICAL	356		832
CONNECTION GP-ELECTRICAL	360		833

INDEX

Name	Page	Name	Page
	834	CONNECTION GP-GENERATOR LEADS-	
	835	800-AMPERE	864
	836		865
	837		866
	838		876
	839		877
	840		878
	841		883
	842		884
	843	CONNECTION GP-TERMINAL STRIP	886
	844		887
	845		888
	846		889
	847		890
	848		891
	849		892
	850		893
	851		895
	852		896
	853		897
	854		898
	855		899
	856		900
	857		901
	858		902
	859		903
	860		904
	861	CONNECTOR AS	370
	862	CONTACTOR GP	375
	863		376
CONNECTION GP-GENERATOR LEADS-	866	CONTACTOR GP-HEATERS	371
1250-AMPERE			373
	867	CONTROL & MTG GP-ENGINE ELEK	377
	868		378
	878	CONTROL AS-GOVERNOR-LOAD SHARE	251
	879		252
	880	CONTROL GP-ALARM MODULE	1151
	883	CONTROL GP-ENGINE MONITORING	
	885	(RESISTIVE TEMPERATURE DEVICE)	1152
CONNECTION GP-GENERATOR LEADS-	868	CONTROL GP-ENGINE MONITORING-	
1600-AMPERE		DISCRETE I/O MODULE	1153
	869	CONTROL GP-ENGINE MONITORING-	
	870	THERMOCOUPLE MODULE	1152
	881		1154
	882	CONTROL GP-ETHER ELECTRONIC	380
	883	CONTROL GP-ETHER ELECTRONIC-	
	884	AIR SHUTOFF	379
	885	CONTROL GP-GENERATOR SET	1159
CONNECTION GP-GENERATOR LEADS-	871	CONTROL GP-GENERATOR SET-	
2000-AMPERE		ANNUNCIATOR	1155
	873	CONTROL GP-GENERATOR SET-EMCP 3.1 ...	1158
	875		1160
	876	CONTROL GP-GENERATOR SET-EMCP 3.2 ...	1156
	884		1161
	885	CONTROL GP-GENERATOR SET-EMCP 3.3 ...	1157

INDEX

Name	Page	Name	Page
	1162		41
CONTROL GP-SPEED	1164	COVER GP-FRONT HOUSING	42
	1165	COVER GP-GENERATOR	609
CONTROL GP-SPEED-ADJUST	1163	COVER GP-VALVE MECHANISM	43
CONTROL GP-UNPROGRAMMED (ENGINE) ...	377		44
	378		45
CORE AS-ENGINE OIL COOLER	155		46
CORE AS-OIL COOLER (ENGINE)	153		47
CORE-RADIATOR			48
(JACKET WATER HEATER)	179		49
COUPLING GP-GENERATOR	35		50
COVER GP-ACCESS	585		51
	586		52
	587		53
	588	CRANKSHAFT GP	54
	589	CYLINDER BLOCK AS	55
	590		56
	592	CYLINDER BLOCK GP	57
	593		59
	1166		61
	1167	CYLINDER HEAD AS	62
	1169		64
	1172	CYLINDER HEAD GP	66
COVER GP-ACCESS-BASE	1168		67
	1170		69
	1171		71
	1173		72
	1174		74
COVER GP-ACCESS-CONTROL PANEL	591		
	1175		
COVER GP-AIR COMPRESSOR	36		
COVER GP-BASE	594		
	595		
	596		
	597	DAMPER GP	76
	598		77
	599	DOOR AS-ACCESS-ENCLOSURE	1181
	600		1182
	601	DOOR GP-CONTROL PANEL	1183
	602		1184
	603		1186
	604		1188
COVER GP-CONTROL PANEL	1176	DOOR GP-DUSTPROOF	1190
	1179	DOOR GP-ACCESS-CONTROL PANEL	610
	1180		611
COVER GP-CONTROL PANEL-TOP	1177		612
	1178		613
COVER GP-CYLINDER BLOCK	37	DOOR GP-ACCESS-VANDALISM GUARD	614
	38		615
COVER GP-ENCLOSURE	606	DRAIN GP-OIL-ENGINE	130
	608		131
COVER GP-ENCLOSURE-FRAME	605	DRIVE GP-FAN	78
COVER GP-ENCLOSURE-TOP	607		80
COVER GP-ENGINE LIFTING EYE	39	DRIVE GP-PUMP	82
COVER GP-FLYWHEEL HOUSING	40	DUCT GP-CABLE	616
			617
		DUCT GP-ENCLOSURE	618

D

INDEX

Name	Page	Name	Page
E			719
ELBOW GP-AIR INLET	213		723
ELBOW GP-EXHAUST	214		727
	215		731
ELEMENT-WATER SEPARATOR (PRIMARY)....	256		735
ENCLOSURE AS-CONTROL PANEL	619	ENCLOSURE GP-GENSET	736
	620		737
ENCLOSURE GP-GENERATOR	621		740
	622		741
	623		742
	625		743
	627		744
	629		746
	630		747
	632		748
	634		749
	636		750
	638		751
	640		752
	642		753
	643		754
	644		755
	645		759
	646		762
	648		765
	650		768
	652	ENGINE AR-COMPLETE	1
	654		3
	656		5
	658		7
	661		9
	663		11
	665		13
	667	ENGINE AR-CORE	15
	669		17
	672		18
	675		19
	678		20
	681	EXHAUST GP	216
	684		217
	687	EXTENSION GP-BASE	771
	689		772
	691		773
	694		774
	697		776
	700		777
	703		778
	706		779
	709		780
	712	EXTENSION GP-BASE-SKID	775
	715		
	716		
	717		
	718		
		F	
		FAN GP-BLOWER	149
		FASTENER GP-COVER	781

INDEX

Name	Page	Name	Page
FASTENER GP-CYLINDER HEAD	67	FILM-INFORMATION (EMCP 3.2)	
	69	(EUROPEAN SOURCED)	1156
	71	FILM-INFORMATION (READ OMM)	1233
	74		1235
FASTENER GP-ENCLOSURE	782	FILM-WARNING (HOT SURFACE)	1233
FASTENER GP-FRONT HOUSING	83		1235
FASTENER GP-INSTRUMENT PANEL	1191	FILM-WARNING (SHOCK HAZARD)	1233
FASTENER GP-OIL PUMP MOUNTING-			1235
ENGINE	132	FILM-WARNING	
FASTENER GP-PANEL	1192	(SHOCK HAZARD, READ OMM)	1233
FASTENER GP-VALVE MECHANISM	84		1235
FASTENER GP-WATER PUMP	150	FILM-WARNING	
FASTENER GP-WIRING HARNESS	381	(SHOCK, ELECTROCUTION HAZARD)	1140
	382	FILM-WARNING	
FILLER GP-ENGINE OIL	133	(SHOCK, ELECTROCUTION HAZARD)	
FILM (EMCP 3 ANNUNCIATOR)	1155	(SHOCK, ELECTROCUTION HAZARD)	1141
FILM GP	1232	FILTER AS-ENGINE OIL	
	1233	(STANDARD EFFICIENCY)	134
	1235	FILTER AS-WATER SEP & FUEL	253
	1239	FILTER ELEMENT AS-AIR (PRIMARY)	201
	1240		202
FILM GP-CANOPY	1242		203
	1243	FILTER ELEMENT AS-AIR (SECONDARY)	203
FILM-CERTIFICATION (EMCP 3)	1160	FILTER ELEMENT AS-AIR (SECONDARY)	
	1161	(CLEANER)	206
	1162		208
FILM-CONTROL PANEL	1184	FILTER GP-ELECTRONIC	1193
	1186	FILTER GP-ELECTRONIC-GENERATOR	1194
	1188	FILTER GP-ENGINE OIL	134
	1206		135
FILM-GROUND (EARTH)	1233	FILTER GP-FUEL	253
	1235		254
FILM-IDENTIFICATION (CAT)	1156	FILTER GP-WATER SEP & FUEL	256
	1157		257
	1158		258
FILM-IDENTIFICATION (CATERPILLAR)	1240	FILTER-ELECTRONIC (480-VOLT)	
FILM-IDENTIFICATION (EMCP 3.1)		(480-VOLT)	1194
(US SOURCED)	1158	FILTER-ELECTRONIC	
FILM-IDENTIFICATION (EMCP 3.2)		(RADIO FREQUENCY INTERFERENCE)	1193
(US SOURCED)	1156	FILTER-ENGINE OIL	
FILM-IDENTIFICATION (EMCP 3.3)	1157	(ADVANCED EFFICIENCY)	135
FILM-IDENTIFICATION (FUEL)	1233	FILTER-FUEL (ADVANCED EFFICIENCY)	254
	1235	FILTER-FUEL (ADVANCED EFFICIENCY)	
FILM-INFORMATION		(SECONDARY)	278
(BATTERY POWER DISCONNECT)	517	FILTER-SECONDARY	278
	518	FITTING GP-EXHAUST	219
	519		220
FILM-INFORMATION		FITTING GP-FUEL LINES	259
(ELEC COMPONENT IDENTIFICATIONS)	1217	FLYWHEEL GP	85
	1219	FUMES DISPOSAL GP	137
	1222		138
FILM-INFORMATION			139
(ELECTRIC COMPONENT IDENTIFY)	304	FUSE (10-AMPERE)	299
FILM-INFORMATION			373
(EMCP 3.1)(EUROPEAN SOURCED)	1158		376

INDEX

Name	Page	Name	Page
	386		246
	1142		247
	1143		248
	1145		250
	1146		580
FUSE (10-AMPERE) (EUROPEAN SOURCED)	1209	GAUGE (FUEL)	140
	1217	GAUGE AS-OIL LEVEL (DIPSTICK) (ENGINE) ...	141
FUSE (10-AMPERE) (OUTSIDE NACD)	1219	GAUGE AS-SIGHT (FUEL LEVEL)	241
	1222	GAUGE GP-OIL LEVEL (DIPSTICK)–ENGINE ...	140
FUSE (10-AMPERE) (US SOURCED)	1209	GAUGE-FUEL LEVEL	249
	1217	GAUGE-SIGHT (COOLANT LEVEL)	170
	1219		172
	1222		174
FUSE (15-AMPERE)	385		176
FUSE (15-AMPERE) (US SOURCED)	387		179
FUSE (16-AMPERE)	384		185
FUSE (16-AMPERE) (EUROPEAN SOURCED)	387		187
FUSE (2-AMPERE)	371		189
	373	GAUGE-SIGHT (RADIATOR)	191
	375		197
	376		199
FUSE (2-AMPERE) (EUROPEAN SOURCED) ...	1209	GEAR GP-CAMSHAFT	86
	1217	GEAR GP-FRONT	87
FUSE (2-AMPERE) (OUTSIDE NACD)	1219		90
	1222	GENERAL AR	21
FUSE (2-AMPERE) (US SOURCED)	1209		22
	1217		23
	1219		24
	1222	GENERAL AR-GENSET	25
FUSE (30-AMPERE)	383		26
FUSE (4-AMPERE) (EUROPEAN SOURCED) ...	1209		27
FUSE (4-AMPERE) (US SOURCED)	1209		28
FUSE (6-AMPERE)	298	GENERATOR AR	905
	299		906
	371		907
	375		908
	1211		909
FUSE (6-AMPERE) (EUROPEAN SOURCED) ...	1209		910
FUSE (6-AMPERE) (US SOURCED)	1209		911
FUSE GP–AIR SHUTOFF	387		912
FUSE GP–BLOCK HEATER	385		913
	386		914
FUSE GP–JACKET WATER HEATER	383		915
	384		916
			917
			918
			919
			920
			921
			922
			923
			924
			925
			927
			929

G

GASKET (FUEL PRIMING PUMP)	254		922
	278		923
GAUGE (FUEL LEVEL)	239		924
	242	GENERATOR GP	925
	243		927
	245		929

INDEX

Name	Page	Name	Page
	931		1046
	933		1048
	935		1050
	937		1053
	939		1055
	941		1058
	943		1060
	945		1062
	947		1064
	949		1066
	951		1068
	953		1070
	955		1072
	957		1074
	959		1076
	961		1079
	963		1081
	965		1083
	967		1085
	969		1087
	971		1089
	973		1091
	975		1093
	977		1095
	979		1097
	981		1099
	983		1101
	985		1103
	987		1105
	989		1107
	991		1109
	993		1111
	995		1113
	997		1115
	999		1117
	1001		1119
	1003		1121
	1005		1123
	1007		1125
	1009		1127
	1011		1129
	1013	GUARD GP-ENGINE	783
	1015		784
	1017	GUARD GP-RADIATOR	151
	1019	GUIDE GP-OIL LEVEL GAUGE-ENGINE	141
	1022		
	1024		
	1027	H	
	1029	HARNES AS-ALARM	432
	1032	HARNES AS-CONTROL	388
	1034	HARNES AS-CONTROL (ANNUNCIATOR)	1203
	1037		1204
	1039	HARNES AS-CONTROL	
	1042	(DISCRETE INPUT/OUTPUT)	1153
	1044	HARNES AS-ENGINE	389

INDEX

Name	Page	Name	Page
	569	HARNESS AS-WIRING (SPACE HEATER)	397
	571	HARNESS AS-WIRING (SPEED ADJUST)	1164
	573		1165
HARNESS AS-ENGINE (FUEL FILTER)	254	HARNESS AS-WIRING (SPEED SENSOR)	455
HARNESS AS-ENGINE (INJECTOR, VARIABLE VALVE)	30	HARNESS AS-WIRING (VOLTAGE REGULATOR)	411
HARNESS AS-ENGINE (UNIT INJECTOR)	32		412
HARNESS AS-ENGINE-ENGINE	388	HARNESS AS-WIRING-BATTERY CHARGER	393
HARNESS AS-HEATER & AIR COND	371		396
	373	HARNESS AS-WIRING- EMERGENCY STOP, OPEN	391
HARNESS AS-LIGHTING-CANOPY	389	HARNESS AS-WIRING-FUEL TANK	392
HARNESS AS-MONITOR	389		393
HARNESS AS-MONITOR (THERMOCOUPLE)	1154	HARNESS AS-WIRING- OPTIONAL JACKET WATER HEATER	390
HARNESS AS-PANEL	1208	HARNESS AS-WIRING- RESISTIVE TEMPERATURE DEVICE	393
	1209	HARNESS AS-WIRING-SPACE HEATER	393
HARNESS AS-PANEL (BATTERY CHARGER) (BATTERY CHARGER)	299		397
HARNESS AS-PANEL (EMCP 3)	1217	HEATER GP-FUEL (WATER SEPARATOR, 12-VOLT)	256
	1219	HEATER GP-JACKET WATER	399
	1222		401
HARNESS AS-PANEL-EMCP3	390		402
HARNESS AS-POWER-SENSING	390	HEATER GP-SPACE	1131
HARNESS AS-PUMP (FUEL)	278	HOUSING GP-FLYWHEEL	92
HARNESS AS-SENSOR	461		93
HARNESS AS-STARTING AID	503	HOUSING GP-FRONT	95
HARNESS AS-WIRING	368		
	380	I	
	390	INDICATOR-AIR FILTER CHANGE	206
	394		208
	395		210
	398	INJECTOR GP-FUEL	277
	434	INSULATION GP-GENERATOR	785
HARNESS AS-WIRING (BATTERY CHARGER)	298		786
	375		787
HARNESS AS-WIRING (CURRENT TRANSFORMER, DROOP)	553	INSULATION GP-WEATHER	1132
	554		1133
	555	K	
	556	KEY (BATTERY DISCONNECT)	516
	557	KEY (GENERATOR ENCLOSURE DOORS)	625
	558		627
	559		629
	560	KEY (GENERATOR ENCLOSURE)	630
	561		642
	562		643
HARNESS AS-WIRING (DIGITAL VOLTAGE REGULATOR)	1143		644
	1146		645
HARNESS AS-WIRING (GROUND FAULT)	433		661
	434		663
HARNESS AS-WIRING (HEATER)	375		
	376		
HARNESS AS-WIRING (SERVICE CONNECTOR)	576		

INDEX

Name	Page	Name	Page
R			
PANEL GP-ELECTRICAL- BATTERY CHARGER CONTACTOR	1211	RADIATOR & AFTERCOOLER GP	166
PANEL GP-ELECTRICAL- GENERATOR RUN RELAY	1208	RADIATOR GP	170
PANEL GP-ELECTRONIC	1213		172
	1214		174
	1215		176
	1217		178
	1219		193
	1222		195
PISTON & ROD GP	110		197
PLATE GP-COVER	1225		199
	1226	RADIATOR GP-AFTERCOOLER	185
PLATE-WARNING (HOT SURFACE)	784		187
PLUG GP-BOX	431		189
PLUG GP-CYLINDER BLOCK	112		191
	113		182
	114	RADIATOR GP-CHARGE AIR	184
PLUG GP-CYLINDER HEAD	115	RADIATOR GP-JACKET WATER HEATER	179
PLUG GP-FLYWHEEL HOUSING	116		181
PLUG-DRAIN (ENGINE OIL PAN)	108	REGULATOR AS-VOLTAGE (24-VOLT) (ALTERNATOR)	289
POTENTIOMETER (1000-OHM)	1227	REGULATOR AS-VOLTAGE (GENERATOR)	925
POTENTIOMETER AS (10,000-OHM)	1163		927
POTENTIOMETER AS-VOLT ADJUST AVR	1227		929
PRECLEANER GP-AIR CLEANER	228		931
PUMP & MTG GP-FUEL TRANSFER-REAR	275		1019
	276		1024
PUMP GP-ENGINE OIL	145		1029
PUMP GP-FUEL INJECTION	277		1034
PUMP GP-FUEL PRIMING	254		1039
	278		1044
PUMP GP-FUEL PRM & SEC FILTER	278		1048
PUMP GP-FUEL TRANSFER	275		1053
	279		1058
	281		1062
	283		1066
	284		1070
PUMP GP-HAND	279		1074
	281		1079
	283		1083
	284		1087
PUMP GP-SUMP	146		1091
	147		1095
	148		1099
PUMP GP-WATER	158		1103
	159		1107
	160		1111
	161		1115
	162		1119
	163		1123
	164		1127
	165		1129
		REGULATOR AS-VOLTAGE-DIGITAL	1140

INDEX

Name	Page	Name	Page
	1141		465
REGULATOR GP-VOLTAGE	1148	SENSOR GP-COOLANT LEVEL	435
REGULATOR GP-VOLTAGE-GENERATOR	1142	SENSOR GP-ENGINE	1
	1143		3
	1145		5
	1146		7
REGULATOR-WATER TEMPERATURE			436
(98-DEG C) (COOLANT)	153		438
	155		440
RELAY (10-AMPERE, 24-VOLT)		SENSOR GP-LIQUID LEVEL	435
(US SOURCED)	432		442
	1208	SENSOR GP-PRESSURE	443
	1217		444
	1219		445
	1222		446
RELAY (24-VOLT) (AIR SHUTOFF)	379		447
RELAY (24-VOLT) (EUROPEAN SOURCED)	432		448
	1208		449
	1217		450
RELAY (24-VOLT) (OUTSIDE NACD)	1219		451
	1222	SENSOR GP-PRESSURE	
RELAY (24-VOLT) (POWER DISTRIBUTION)	304	(AIR INLET MANIFOLD)	436
RELAY (GROUND FAULT, 24-VOLT, DC)	433	SENSOR GP-PRESSURE	
	434	(ATMOSPHERIC AIR)	436
RELAY GP-GENERAL ALARM	432	SENSOR GP-PRESSURE (ENGINE OIL)	436
RELAY GP-GROUND FAULT	433		438
	434		440
ROCKER ARM GP	117	SENSOR GP-PRESSURE (FUEL)	254
	118		278
	120	SENSOR GP-SPEED	452
ROCKER ARM GP-EXHAUST	121		453
ROCKER ARM GP-INTAKE	119		454
			455
			456
			457
			458
			459
			460
			461
			462
			463
		SENSOR GP-SPEED (LOW OUTPUT)	454
		SENSOR GP-SPEED (TIMING, CAMSHAFT)	436
		SENSOR GP-TEMPERATURE	464
			465
			466
			467
			468
			469
		SENSOR GP-TEMPERATURE	
		(AIR INLET MANIFOLD)	438
			440
		SENSOR GP-TEMPERATURE (FUEL)	254
			278
SENSOR AS-TEMPERATURE	464		

S

INDEX

Name	Page	Name	Page
SENSOR GP-TEMPERATURE (WATER, COOLANT).....	438 440	SWITCH AS-PUSH BUTTON (OPERATOR).....	1206 522
SENSOR GP-TEMPERATURE- JACKET WATER.....	466 467	SWITCH AS-TOGGLE (ENGINE PARAMETER RH/LH).....	1206
SHIELD GP-MANIFOLD.....	229	SWITCH AS-TOGGLE (MOMENTARY) (VOLTAGE ADJUSTMENT).....	504
SHUNT-TRIP.....	470 471	SWITCH AS-TOGGLE (PANEL LIGHT).....	1184 1186 1188
SOLENOID AS-STARTING MOTOR (24-VOLT)...	488	SWITCH GP-DISCONNECT (BATTERY).....	519
STARTING AID GP-ETHER.....	472 474 476 479 481	SWITCH GP-DISCONNECT-BATTERY.....	516 517 518 519
STARTING MOTOR GP-ELECTRIC.....	483 484 485 487	SWITCH GP-LIQUID LEVEL (FUEL).....	242 243 245 246 247
STRIP GP-TERMINAL.....	493 494 495	SWITCH GP-LIQUID LEVEL-FUEL.....	248 249 250
STRIP GP-TERMINAL-CIRCUIT BREAKER.....	490 491	SWITCH GP-PRESSURE.....	580 520
STRIP GP-TERMINAL-CONTROL PANEL.....	492	SWITCH GP-PUSH BUTTON.....	521
SUPPORT GP-BATTERY.....	496 497 498 499 500	SWITCH GP-TOGGLE (ETHER START).....	522 380 503
SUPPORT GP-CABLE.....	501		
SUPPORT GP-ENGINE.....	124	T	
SWITCH AS (FUEL LEVEL).....	239 241	TERMINAL & PLATE AS.....	523 525 527
SWITCH AS-CIRCUIT BREAKER POSITION, FAULT INDICATOR.....	502	TERMINAL GP-CIRCUIT BREAKER.....	529 530 531 532 533 534 535 536 537 538 539 540 541 542 543
SWITCH AS-ETHER START.....	503		
SWITCH AS-VOLT ADJUST AVR.....	504	TRANSFORMER.....	545
SWITCH AS-LIQUID LEVEL.....	513 514 515	TRANSFORMER GP-CURRENT.....	547 548 549 550
SWITCH AS-LIQUID LEVEL-FUEL.....	505 506 507 508 509 510 511 512		
SWITCH AS-MAGNETIC (24-VOLT) (STARTING MOTOR).....	304		
SWITCH AS-PUSH BUTTON (EMERGENCY STOP).....	1184 1186 1188		

INDEX

Name	Page	Name	Page
	551	VALVE GP-FUEL BYPASS-FILTER	287
	552	VALVE MECHANISM	100
	553		
	554		
	555	W	
	556	WIRING GP-ELECTRONIC CONTROL	569
	557		571
	558		573
	559	WIRING GP-GENERATOR	575
	560		576
	561		
	562		
	563		
	564		
	565		
	566		
	567		
	568		
TRANSFORMER-POTENTIAL	544		
TURBOCHARGER GP	230		
	231		
	232		
	233		
	234		
	235		
	236		
	237		
		V	
V-BELT (ALTERNATOR)	103		
	105		
	126		
V-BELT SET (INCLUDES 3-BELTS)	1		
	2		
	3		
	5		
	6		
	7		
	9		
	11		
	14		
	16		
V-BELT SET-INCLUDES 3-BELTS	126		
V-BELT SET-INCLUDES 3-BELTS, FAN DRIVE- FAN DRIVE	125		
VALVE GP-CHECK (FUEL)	238		
VALVE GP-CHECK-FUEL	285		
	286		
VALVE GP-ETHER STARTING (24-VOLT)	472		
	474		
	476		
	479		
	481		
VALVE GP-FLUID SAMPLING (COOLANT)	153		

MEMORANDA

ENGINE ARRANGEMENT

272-9739 ENGINE AR-COMPLETE

S/N: FFH215-UP

400 - 450 KVA, 50 HERTZ. ADEM IV
PART OF 273-2983 GENERAL AR

SMCS-1000

i02512709

NOTE	PART NUMBER	QTY	PART NAME						SEE PAGE
			1	2	3	4	5	6 (PRODUCT LEVEL)	
YR	5N-5692	1	ALTERNATOR GP-CHARGING						289
Y	159-9107	1	CONNECTION GP-ELECTRICAL (CYLINDER HEAD GROUND)						359
Y	255-6092	1	CONNECTION GP-EXHAUST						212
Y	243-1560	1	CONTROL & MTG GP-ENGINE ELEK						377
Y	223-4730	1	COVER GP-AIR COMPRESSOR						36
Y	178-7074	1	COVER GP-CYLINDER BLOCK (RIGHT SIDE)						37
Y	232-6635	1	COVER GP-CYLINDER BLOCK						38
Y	9N-3889	1	COVER GP-FLYWHEEL HOUSING						40
Y	127-5728	1	COVER GP-FLYWHEEL HOUSING						41
Y	159-6159	1	COVER GP-FRONT HOUSING (CAM, IDLER GEAR)						42
Y	159-9339	1	COVER GP-VALVE MECHANISM						45
Y	262-1758	1	DAMPER GP						77
Y	232-6577	1	DRIVE GP-FAN						78
Y	270-8266	1	ELBOW GP-AIR INLET						213
Y	6L-2927	1	ELBOW GP-EXHAUST						214
Y	273-0023	1	ENGINE AR-CORE						17
Y	211-4360	1	FASTENER GP-WATER PUMP						150
Y	6I-3944	1	FILLER GP-ENGINE OIL (FRONT, LH)						133
Y	241-4187	1	FILTER GP-ENGINE OIL						135
Y	254-9354	1	FILTER GP-FUEL						254
Y	133-5671	1	FILTER GP-WATER SEP & FUEL						256
Y	216-7883	1	FLYWHEEL GP						85
Y	159-9362	1	FUMES DISPOSAL GP						137
Y	187-0672	1	GUIDE GP-OIL LEVEL GAUGE						141
Y	135-7634	1	HOUSING GP-FLYWHEEL						92
Y	257-3276	1	HOUSING GP-FRONT						95
Y	111-2088	1	LIFTING GP-ENGINE (REAR)						98
Y	127-0564	1	LIFTING GP-ENGINE						99
Y	245-2065	1	LINES GP-ENGINE OIL						142
Y	254-9353	1	LINES GP-FUEL						260
Y	213-3595	1	LINES GP-FUEL FILTER						274
Y	257-3111	1	LINES GP-TURBOCHARGER OIL						143
Y	201-0824	1	LINES GP-WATER						153
Y	164-4637	1	MANIFOLD GP-EXHAUST						221
Y	232-6576	1	MOUNTING GP-ALTERNATOR						103
Y	197-7415	1	MOUNTING GP-SENSOR (ATMOSPHERIC, ENGINE OIL)						422
Y	257-3113	1	PAN GP-OIL						108
Y	234-9183	1	PLUG GP-CYLINDER BLOCK						113
Y	229-6711	1	PLUG GP-CYLINDER HEAD						115
Y	150-4279	1	PUMP & MTG GP-FUEL TRANSFER						275
Y	224-3239	1	PUMP GP-WATER						158
Y	231-1973	1	SENSOR GP-ENGINE						436
Y	4P-7610	1	SENSOR GP-SPEED						454
Y	124-0657	1	SHIELD GP-MANIFOLD						229
Y	120-9100	1	S/N: FFH217-UP STARTING MOTOR GP-ELECTRIC						484
Y	120-9099	1	S/N: FFH215 STARTING MOTOR GP-ELECTRIC						483
Y	238-0025	1	S/N: FFH216-UP SUPPORT GP-ENGINE						124
Y	266-5311	1	WIRING GP-ELECTRONIC CONTROL						569
	9N-1324	1	V-BELT SET (INCLUDES 3-BELTS)						
			S/N: FFH215-216						

ENGINE ARRANGEMENT

272-9739 ENGINE AR-COMPLETE (contd.)

i02512709

NOTE	PART NUMBER	QTY	PART NAME						SEE PAGE
			1	2	3	4	5	6 (PRODUCT LEVEL)	
	284-8095	1	V-BELT SET (INCLUDES 3-BELTS)						
			S/N: FFH217-UP						
			PLEASE USE THE GASKET KIT LINK IN SIS OR CONTACT YOUR LOCAL DEALER FOR THE LATEST GASKET KIT INFORMATION						
R-REMG PART MAY BE AVAILABLE Y-SEPARATE ILLUSTRATION									

ENGINE ARRANGEMENT

272-9740 ENGINE AR-COMPLETE

S/N: FFH1-UP

500 - 550 KVA, 50 HERTZ. ADEM IV
PART OF 273-2984 GENERAL AR

SMCS-1000

i03265226

NOTE	PART NUMBER	QTY	PART NAME						SEE PAGE
			1	2	3	4	5	6 (PRODUCT LEVEL)	
YR	5N-5692	1	ALTERNATOR GP-CHARGING						289
Y	159-9107	1	CONNECTION GP-ELECTRICAL (CYLINDER HEAD GROUND)						359
Y	255-6092	1	CONNECTION GP-EXHAUST						212
Y	243-1560	1	CONTROL & MTG GP-ENGINE ELEK						377
Y	223-4730	1	COVER GP-AIR COMPRESSOR						36
Y	178-7074	1	COVER GP-CYLINDER BLOCK (RIGHT SIDE)						37
Y	232-6635	1	COVER GP-CYLINDER BLOCK						38
Y	9N-3889	1	COVER GP-FLYWHEEL HOUSING						40
Y	127-5728	1	COVER GP-FLYWHEEL HOUSING						41
Y	159-6159	1	COVER GP-FRONT HOUSING (CAM, IDLER GEAR)						42
Y	159-9339	1	COVER GP-VALVE MECHANISM						45
Y	262-1758	1	DAMPER GP						77
Y	254-5858	1	DRIVE GP-FAN						80
Y	270-8266	1	ELBOW GP-AIR INLET						213
Y	6L-2927	1	ELBOW GP-EXHAUST						214
Y	273-0023	1	ENGINE AR-CORE						17
Y	211-4360	1	FASTENER GP-WATER PUMP						150
Y	6I-3944	1	FILLER GP-ENGINE OIL (FRONT, LH)						133
Y	241-4187	1	FILTER GP-ENGINE OIL						135
Y	254-9354	1	FILTER GP-FUEL						254
Y	133-5671	1	FILTER GP-WATER SEP & FUEL						256
Y	216-7883	1	FLYWHEEL GP						85
Y	159-9362	1	FUMES DISPOSAL GP						137
Y	187-0672	1	GUIDE GP-OIL LEVEL GAUGE						141
Y	135-7634	1	HOUSING GP-FLYWHEEL						92
Y	257-3276	1	HOUSING GP-FRONT						95
Y	111-2088	1	LIFTING GP-ENGINE (REAR)						98
Y	127-0564	1	LIFTING GP-ENGINE						99
Y	245-2065	1	LINES GP-ENGINE OIL						142
Y	254-9353	1	LINES GP-FUEL						260
Y	213-3595	1	LINES GP-FUEL FILTER						274
Y	257-3111	1	LINES GP-TURBOCHARGER OIL						143
Y	201-0824	1	LINES GP-WATER						153
Y	164-4637	1	MANIFOLD GP-EXHAUST						221
Y	232-6576	1	MOUNTING GP-ALTERNATOR						103
Y	197-7415	1	MOUNTING GP-SENSOR (ATMOSPHERIC, ENGINE OIL)						422
Y	257-3113	1	PAN GP-OIL						108
Y	234-9183	1	PLUG GP-CYLINDER BLOCK						113
Y	229-6711	1	PLUG GP-CYLINDER HEAD						115
Y	150-4279	1	PUMP & MTG GP-FUEL TRANSFER						275
Y	224-3239	1	PUMP GP-WATER						158
Y	231-1973	1	SENSOR GP-ENGINE						436
Y	4P-7610	1	SENSOR GP-SPEED						454
Y	124-0657	1	SHIELD GP-MANIFOLD						229
Y	120-9100	1	S/N: FFH216-UP STARTING MOTOR GP-ELECTRIC						484
Y	120-9099	1	S/N: FFH1-215 STARTING MOTOR GP-ELECTRIC						483
Y	238-0025	1	S/N: FFH216-UP SUPPORT GP-ENGINE						124
Y	266-5311	1	WIRING GP-ELECTRONIC CONTROL						569
	9N-1324	1	V-BELT SET (INCLUDES 3-BELTS)						

ENGINE ARRANGEMENT

272-9740 ENGINE AR-COMPLETE (contd.)

i03265226

NOTE	PART NUMBER	QTY	PART NAME 1 2 3 4 5 6 (PRODUCT LEVEL)	SEE PAGE
PLEASE USE THE GASKET KIT LINK IN SIS OR CONTACT YOUR LOCAL DEALER FOR THE LATEST GASKET KIT INFORMATION				
R-REMG PART MAY BE AVAILABLE Y-SEPARATE ILLUSTRATION				

ENGINE ARRANGEMENT

272-9741 ENGINE AR-COMPLETE

S/N: FFH1-UP

350 - 450 EKW, 60 HERTZ. ADEM IV
PART OF 273-2985 GENERAL AR

SMCS-1000

i02512622

NOTE	PART NUMBER	QTY	PART NAME						SEE PAGE
			1	2	3	4	5	6 (PRODUCT LEVEL)	
YR	5N-5692	1	ALTERNATOR GP-CHARGING						289
Y	159-9107	1	CONNECTION GP-ELECTRICAL (CYLINDER HEAD GROUND)						359
Y	255-6092	1	CONNECTION GP-EXHAUST						212
Y	243-1560	1	CONTROL & MTG GP-ENGINE ELEK						377
Y	223-4730	1	COVER GP-AIR COMPRESSOR						36
Y	178-7074	1	COVER GP-CYLINDER BLOCK (RIGHT SIDE)						37
Y	232-6635	1	COVER GP-CYLINDER BLOCK						38
Y	9N-3889	1	COVER GP-FLYWHEEL HOUSING						40
Y	127-5728	1	COVER GP-FLYWHEEL HOUSING						41
Y	159-6159	1	COVER GP-FRONT HOUSING (CAM, IDLER GEAR)						42
Y	159-9339	1	COVER GP-VALVE MECHANISM						45
Y	262-1758	1	DAMPER GP						77
Y	232-6577	1	DRIVE GP-FAN						78
Y	270-8266	1	ELBOW GP-AIR INLET						213
Y	6L-2927	1	ELBOW GP-EXHAUST						214
Y	273-0024	1	ENGINE AR-CORE						18
Y	211-4360	1	FASTENER GP-WATER PUMP						150
Y	6I-3944	1	FILLER GP-ENGINE OIL (FRONT, LH)						133
Y	241-4187	1	FILTER GP-ENGINE OIL						135
Y	254-9354	1	FILTER GP-FUEL						254
Y	133-5671	1	FILTER GP-WATER SEP & FUEL						256
Y	216-7883	1	FLYWHEEL GP						85
Y	159-9362	1	FUMES DISPOSAL GP						137
Y	187-0672	1	GUIDE GP-OIL LEVEL GAUGE						141
Y	135-7634	1	HOUSING GP-FLYWHEEL						92
Y	257-3276	1	HOUSING GP-FRONT						95
Y	111-2088	1	LIFTING GP-ENGINE (REAR)						98
Y	127-0564	1	LIFTING GP-ENGINE						99
Y	245-2065	1	LINES GP-ENGINE OIL						142
Y	254-9353	1	LINES GP-FUEL						260
Y	213-3595	1	LINES GP-FUEL FILTER						274
Y	257-3111	1	LINES GP-TURBOCHARGER OIL						143
Y	201-0824	1	LINES GP-WATER						153
Y	164-4637	1	MANIFOLD GP-EXHAUST						221
Y	232-6576	1	MOUNTING GP-ALTERNATOR						103
Y	197-7415	1	MOUNTING GP-SENSOR (ATMOSPHERIC, ENGINE OIL)						422
Y	257-3113	1	PAN GP-OIL						108
Y	234-9183	1	PLUG GP-CYLINDER BLOCK						113
Y	229-6711	1	PLUG GP-CYLINDER HEAD						115
Y	150-4279	1	PUMP & MTG GP-FUEL TRANSFER						275
Y	224-3239	1	PUMP GP-WATER						158
Y	231-1973	1	SENSOR GP-ENGINE						436
Y	4P-7610	1	SENSOR GP-SPEED						454
Y	124-0657	1	SHIELD GP-MANIFOLD						229
Y	120-9100	1	S/N: FFH217-UP STARTING MOTOR GP-ELECTRIC						484
Y	120-9099	1	S/N: FFH1-209 STARTING MOTOR GP-ELECTRIC						483
Y	238-0025	1	S/N: FFH210-UP SUPPORT GP-ENGINE						124
Y	266-5311	1	WIRING GP-ELECTRONIC CONTROL						569
	9N-1324	1	V-BELT SET (INCLUDES 3-BELTS)						
			S/N: FFH1-216						

ENGINE ARRANGEMENT

272-9741 ENGINE AR-COMPLETE (contd.)

i02512622

NOTE	PART NUMBER	QTY	PART NAME						SEE PAGE
			1	2	3	4	5	6 (PRODUCT LEVEL)	
	284-8095	1	V-BELT SET (INCLUDES 3-BELTS)						
			S/N: FFH217-UP						
			PLEASE USE THE GASKET KIT LINK IN SIS OR CONTACT YOUR LOCAL DEALER FOR THE LATEST GASKET KIT INFORMATION						
R-REMG PART MAY BE AVAILABLE Y-SEPARATE ILLUSTRATION									

ENGINE ARRANGEMENT

272-9742 ENGINE AR-COMPLETE

S/N: FFH1-UP

500 - 550 EKW, 60 HERTZ. ADEM IV
PART OF 273-2986 GENERAL AR

SMCS-1000

i02512450

NOTE	PART NUMBER	QTY	PART NAME						SEE PAGE
			1	2	3	4	5	6 (PRODUCT LEVEL)	
YR	5N-5692	1	ALTERNATOR GP-CHARGING						289
Y	159-9107	1	CONNECTION GP-ELECTRICAL (CYLINDER HEAD GROUND)						359
Y	255-6092	1	CONNECTION GP-EXHAUST						212
Y	243-1560	1	CONTROL & MTG GP-ENGINE ELEK						377
Y	223-4730	1	COVER GP-AIR COMPRESSOR						36
Y	178-7074	1	COVER GP-CYLINDER BLOCK (RIGHT SIDE)						37
Y	232-6635	1	COVER GP-CYLINDER BLOCK						38
Y	9N-3889	1	COVER GP-FLYWHEEL HOUSING						40
Y	127-5728	1	COVER GP-FLYWHEEL HOUSING						41
Y	159-6159	1	COVER GP-FRONT HOUSING (CAM, IDLER GEAR)						42
Y	159-9339	1	COVER GP-VALVE MECHANISM						45
Y	262-1758	1	DAMPER GP						77
Y	254-5858	1	DRIVE GP-FAN						80
Y	270-8266	1	ELBOW GP-AIR INLET						213
Y	6L-2927	1	ELBOW GP-EXHAUST						214
Y	273-0024	1	ENGINE AR-CORE						18
Y	211-4360	1	FASTENER GP-WATER PUMP						150
Y	6I-3944	1	FILLER GP-ENGINE OIL (FRONT, LH)						133
Y	241-4187	1	FILTER GP-ENGINE OIL						135
Y	254-9354	1	FILTER GP-FUEL						254
Y	133-5671	1	FILTER GP-WATER SEP & FUEL						256
Y	216-7883	1	FLYWHEEL GP						85
Y	159-9362	1	FUMES DISPOSAL GP						137
Y	187-0672	1	GUIDE GP-OIL LEVEL GAUGE						141
Y	135-7634	1	HOUSING GP-FLYWHEEL						92
Y	257-3276	1	HOUSING GP-FRONT						95
Y	111-2088	1	LIFTING GP-ENGINE (REAR)						98
Y	127-0564	1	LIFTING GP-ENGINE						99
Y	245-2065	1	LINES GP-ENGINE OIL						142
Y	254-9353	1	LINES GP-FUEL						260
Y	213-3595	1	LINES GP-FUEL FILTER						274
Y	257-3111	1	LINES GP-TURBOCHARGER OIL						143
Y	201-0824	1	LINES GP-WATER						153
Y	164-4637	1	MANIFOLD GP-EXHAUST						221
Y	232-6576	1	MOUNTING GP-ALTERNATOR						103
Y	197-7415	1	MOUNTING GP-SENSOR (ATMOSPHERIC, ENGINE OIL)						422
Y	257-3113	1	PAN GP-OIL						108
Y	234-9183	1	PLUG GP-CYLINDER BLOCK						113
Y	229-6711	1	PLUG GP-CYLINDER HEAD						115
Y	150-4279	1	PUMP & MTG GP-FUEL TRANSFER						275
Y	224-3239	1	PUMP GP-WATER						158
Y	231-1973	1	SENSOR GP-ENGINE						436
Y	4P-7610	1	SENSOR GP-SPEED						454
Y	124-0657	1	SHIELD GP-MANIFOLD						229
Y	120-9100	1	S/N: FFH220-UP STARTING MOTOR GP-ELECTRIC						484
Y	120-9099	1	S/N: FFH1-215 STARTING MOTOR GP-ELECTRIC						483
Y	238-0025	1	S/N: FFH216-UP SUPPORT GP-ENGINE						124
Y	266-5311	1	WIRING GP-ELECTRONIC CONTROL						569
	9N-1324	1	V-BELT SET (INCLUDES 3-BELTS)						

ENGINE ARRANGEMENT

272-9742 ENGINE AR-COMPLETE (contd.)

i02512450

NOTE	PART NUMBER	QTY	PART NAME 1 2 3 4 5 6 (PRODUCT LEVEL)	SEE PAGE
PLEASE USE THE GASKET KIT LINK IN SIS OR CONTACT YOUR LOCAL DEALER FOR THE LATEST GASKET KIT INFORMATION				
R-REMG PART MAY BE AVAILABLE Y-SEPARATE ILLUSTRATION				

ENGINE ARRANGEMENT

286-4918 ENGINE AR-COMPLETE

S/N: FFH335-UP

400-550 KVA (50 HERTZ) AT 1500 RPM. ADEM IV
PART OF 287-3365 GENERAL AR-GENSET

SMCS-1000

i03628471

NOTE	PART NUMBER	QTY	PART NAME						SEE PAGE
			1	2	3	4	5	6 (PRODUCT LEVEL)	
YR	5N-5692	1	ALTERNATOR GP-CHARGING						289
			S/N: FFH3089-UP						
Y	159-9107	1	CONNECTION GP-ELECTRICAL (CYLINDER HEAD GROUND)						359
Y	255-6092	1	CONNECTION GP-EXHAUST						212
Y	243-1560	1	CONTROL & MTG GP-ENGINE ELEK						377
Y	223-4730	1	COVER GP-AIR COMPRESSOR						36
Y	178-7074	1	COVER GP-CYLINDER BLOCK (RIGHT SIDE)						37
Y	232-6635	1	COVER GP-CYLINDER BLOCK (CENTRAL STRUCTURE)						38
Y	9N-3889	1	COVER GP-FLYWHEEL HOUSING						40
Y	159-6159	1	COVER GP-FRONT HOUSING (CAM, IDLER GEAR)						42
Y	239-4113	1	COVER GP-VALVE MECHANISM						52
			-OR-						
Y	187-1328	1	COVER GP-VALVE MECHANISM						48
Y	231-5385	1	DAMPER GP						76
Y	232-6577	1	DRIVE GP-FAN						78
Y	270-8266	1	ELBOW GP-AIR INLET						213
Y	6L-2927	1	ELBOW GP-EXHAUST						214
Y	273-0028	1	ENGINE AR-CORE						19
Y	6I-3944	1	FILLER GP-ENGINE OIL (FRONT, LH)						133
Y	154-4325	1	FILTER GP-ENGINE OIL						134
Y	264-2467	1	FILTER GP-WATER SEP & FUEL						258
Y	216-7883	1	FLYWHEEL GP						85
Y	159-9362	1	FUMES DISPOSAL GP						137
Y	187-0672	1	GUIDE GP-OIL LEVEL GAUGE (ENGINE)						141
			S/N: FFH335-2470						
Y	319-5267	1	GAUGE GP-OIL LEVEL (DIPSTICK) (ENGINE)						140
			S/N: FFH2471-UP						
Y	223-4738	1	HOUSING GP-FLYWHEEL						93
Y	257-3276	1	HOUSING GP-FRONT						95
Y	111-2088	1	LIFTING GP-ENGINE (REAR)						98
Y	127-0564	1	LIFTING GP-ENGINE (FRONT)						99
Y	279-8774	1	LINES GP-FUEL						267
Y	213-3595	1	LINES GP-FUEL FILTER						274
Y	257-3111	1	LINES GP-TURBOCHARGER OIL						143
Y	279-8770	1	LINES GP-WATER						155
Y	164-4637	1	MANIFOLD GP-EXHAUST						221
Y	232-6576	1	MOUNTING GP-ALTERNATOR						103
			S/N: FFH3089-UP						
Y	188-7501	1	MOUNTING GP-SENSOR						421
Y	257-3113	1	PAN GP-OIL						108
Y	230-5379	1	PLUG GP-CYLINDER BLOCK						112
Y	229-6711	1	PLUG GP-CYLINDER HEAD						115
Y	220-1204	1	PLUG GP-FLYWHEEL HOUSING						116
Y	150-4279	1	PUMP & MTG GP-FUEL TRANSFER						275
Y	276-8020	1	PUMP GP-FUEL PRM & SEC FILTER						278
Y	224-3239	1	PUMP GP-WATER						158
Y	4P-5963	1	SENSOR GP-SPEED						453
Y	124-0657	1	SHIELD GP-MANIFOLD						229
Y	120-9099	1	STARTING MOTOR GP-ELECTRIC						483
Y	238-0025	1	SUPPORT GP-ENGINE						124
Y	284-8095	1	V-BELT SET (INCLUDES 3-BELTS)						126
Y	293-5313	1	WIRING GP-ELECTRONIC CONTROL						573
	257-3201	1	ELECTRONICS GP-ENGINE RATINGS						

ENGINE ARRANGEMENT

286-4918 ENGINE AR-COMPLETE (contd.)

i03628471

NOTE	PART NUMBER	QTY	PART NAME 1 2 3 4 5 6 (PRODUCT LEVEL)	SEE PAGE
PLEASE USE THE GASKET KIT LINK IN SIS OR CONTACT YOUR LOCAL DEALER FOR THE LATEST GASKET KIT INFORMATION				
R-REMG PART MAY BE AVAILABLE Y-SEPARATE ILLUSTRATION				

ENGINE ARRANGEMENT

286-4919 ENGINE AR-COMPLETE

S/N: FFH335-UP

500-550 KVA (50 HERTZ) AT 1500 RPM. ADEM IV
PART OF 287-3366 GENERAL AR-GENSET

SMCS-1000

i03628472

NOTE	PART NUMBER	QTY	PART NAME						SEE PAGE
			1	2	3	4	5	6 (PRODUCT LEVEL)	
YR	5N-5692	1	ALTERNATOR GP-CHARGING						289
			S/N: FFH3084-UP						
Y	159-9107	1	CONNECTION GP-ELECTRICAL (CYLINDER HEAD GROUND)						359
Y	255-6092	1	CONNECTION GP-EXHAUST						212
Y	243-1560	1	CONTROL & MTG GP-ENGINE ELEK						377
Y	223-4730	1	COVER GP-AIR COMPRESSOR						36
Y	178-7074	1	COVER GP-CYLINDER BLOCK (RIGHT SIDE)						37
Y	232-6635	1	COVER GP-CYLINDER BLOCK (CENTRAL STRUCTURE)						38
Y	9N-3889	1	COVER GP-FLYWHEEL HOUSING						40
Y	159-6159	1	COVER GP-FRONT HOUSING (CAM, IDLER GEAR)						42
Y	239-4113	1	COVER GP-VALVE MECHANISM						52
			-OR-						
Y	187-1328	1	COVER GP-VALVE MECHANISM						48
Y	231-5385	1	DAMPER GP						76
Y	254-5858	1	DRIVE GP-FAN						80
Y	270-8266	1	ELBOW GP-AIR INLET						213
Y	6L-2927	1	ELBOW GP-EXHAUST						214
Y	273-0028	1	ENGINE AR-CORE						19
Y	6I-3944	1	FILLER GP-ENGINE OIL (FRONT, LH)						133
Y	154-4325	1	FILTER GP-ENGINE OIL						134
Y	264-2467	1	FILTER GP-WATER SEP & FUEL						258
Y	216-7883	1	FLYWHEEL GP						85
Y	159-9362	1	FUMES DISPOSAL GP						137
Y	187-0672	1	GUIDE GP-OIL LEVEL GAUGE (ENGINE)						141
			S/N: FFH335-2483						
Y	319-5267	1	GAUGE GP-OIL LEVEL (DIPSTICK) (ENGINE)						140
			S/N: FFH2484-UP						
Y	223-4738	1	HOUSING GP-FLYWHEEL						93
Y	257-3276	1	HOUSING GP-FRONT						95
Y	111-2088	1	LIFTING GP-ENGINE (REAR)						98
Y	127-0564	1	LIFTING GP-ENGINE (FRONT)						99
Y	279-8774	1	LINES GP-FUEL						267
Y	213-3595	1	LINES GP-FUEL FILTER						274
Y	257-3111	1	LINES GP-TURBOCHARGER OIL						143
Y	279-8770	1	LINES GP-WATER						155
Y	164-4637	1	MANIFOLD GP-EXHAUST						221
Y	232-6576	1	MOUNTING GP-ALTERNATOR						103
			S/N: FFH3084-UP						
Y	188-7501	1	MOUNTING GP-SENSOR						421
Y	257-3113	1	PAN GP-OIL						108
Y	230-5379	1	PLUG GP-CYLINDER BLOCK						112
Y	229-6711	1	PLUG GP-CYLINDER HEAD						115
Y	220-1204	1	PLUG GP-FLYWHEEL HOUSING						116
Y	150-4279	1	PUMP & MTG GP-FUEL TRANSFER						275
Y	276-8020	1	PUMP GP-FUEL PRM & SEC FILTER						278
Y	224-3239	1	PUMP GP-WATER						158
Y	4P-5963	1	SENSOR GP-SPEED						453
Y	124-0657	1	SHIELD GP-MANIFOLD						229
Y	120-9099	1	STARTING MOTOR GP-ELECTRIC						483
Y	238-0025	1	SUPPORT GP-ENGINE						124
Y	9N-1324	1	V-BELT SET (INCLUDES 3-BELTS)						125
Y	293-5313	1	WIRING GP-ELECTRONIC CONTROL						573
	257-3201	1	ELECTRONICS GP-ENGINE RATINGS						

ENGINE ARRANGEMENT

286-4919 ENGINE AR-COMPLETE (contd.)

i03628472

NOTE	PART NUMBER	QTY	PART NAME 1 2 3 4 5 6 (PRODUCT LEVEL)	SEE PAGE
PLEASE USE THE GASKET KIT LINK IN SIS OR CONTACT YOUR LOCAL DEALER FOR THE LATEST GASKET KIT INFORMATION				
R-REMG PART MAY BE AVAILABLE Y-SEPARATE ILLUSTRATION				

ENGINE ARRANGEMENT

286-4920 ENGINE AR-COMPLETE

S/N: FFH1-UP

350/550 BRAKE KW AT 1800 RPM

PART OF 287-3367 GENERAL AR-GENSET

SMCS-1000

i03627498

NOTE	PART NUMBER	QTY	PART NAME						SEE PAGE
			1	2	3	4	5	6 (PRODUCT LEVEL)	
YR	5N-5692	1	ALTERNATOR GP-CHARGING						289
			S/N: FFH3074-UP						
Y	159-9107	1	CONNECTION GP-ELECTRICAL (CYLINDER HEAD GROUND)						359
Y	255-6092	1	CONNECTION GP-EXHAUST						212
Y	243-1560	1	CONTROL & MTG GP-ENGINE ELEK						377
Y	223-4730	1	COVER GP-AIR COMPRESSOR						36
Y	178-7074	1	COVER GP-CYLINDER BLOCK (RIGHT SIDE)						37
Y	232-6635	1	COVER GP-CYLINDER BLOCK (CENTRAL STRUCTURE)						38
Y	9N-3889	1	COVER GP-FLYWHEEL HOUSING						40
Y	127-5728	1	COVER GP-FLYWHEEL HOUSING						41
			S/N: FFH1-284						
Y	223-4738	1	HOUSING GP-FLYWHEEL						93
			S/N: FFH285-UP						
Y	159-6159	1	COVER GP-FRONT HOUSING (CAM, IDLER GEAR)						42
Y	159-9339	1	COVER GP-VALVE MECHANISM						45
			S/N: FFH1-220						
Y	239-4113	1	COVER GP-VALVE MECHANISM						52
			-OR-						
Y	187-1328	1	COVER GP-VALVE MECHANISM						48
Y	231-5385	1	DAMPER GP						76
			S/N: FFH243-UP						
Y	232-6577	1	DRIVE GP-FAN						78
Y	270-8266	1	ELBOW GP-AIR INLET						213
Y	6L-2927	1	ELBOW GP-EXHAUST						214
Y	273-0029	1	ENGINE AR-CORE						20
Y	6I-3944	1	FILLER GP-ENGINE OIL (FRONT, LH)						133
Y	154-4325	1	FILTER GP-ENGINE OIL						134
Y	264-2467	1	FILTER GP-WATER SEP & FUEL						258
Y	216-7883	1	FLYWHEEL GP						85
Y	159-9362	1	FUMES DISPOSAL GP						137
Y	187-0672	1	GUIDE GP-OIL LEVEL GAUGE (ENGINE)						141
			S/N: FFH1-2293						
Y	319-5267	1	GAUGE GP-OIL LEVEL (DIPSTICK) (ENGINE)						140
			S/N: FFH2294-UP						
Y	135-7634	1	HOUSING GP-FLYWHEEL						92
			S/N: FFH1-284						
Y	220-1204	1	PLUG GP-FLYWHEEL HOUSING						116
			S/N: FFH285-UP						
Y	257-3276	1	HOUSING GP-FRONT						95
Y	111-2088	1	LIFTING GP-ENGINE (REAR)						98
Y	127-0564	1	LIFTING GP-ENGINE (FRONT)						99
Y	279-8774	1	LINES GP-FUEL						267
Y	213-3595	1	LINES GP-FUEL FILTER						274
Y	257-3111	1	LINES GP-TURBOCHARGER OIL						143
Y	279-8770	1	LINES GP-WATER						155
Y	164-4637	1	MANIFOLD GP-EXHAUST						221
Y	232-6576	1	MOUNTING GP-ALTERNATOR						103
			S/N: FFH3074-UP						
Y	188-7501	1	MOUNTING GP-SENSOR						421
Y	257-3113	1	PAN GP-OIL						108
Y	230-5379	1	PLUG GP-CYLINDER BLOCK						112
Y	229-6711	1	PLUG GP-CYLINDER HEAD						115
Y	150-4279	1	PUMP & MTG GP-FUEL TRANSFER						275
Y	276-8020	1	PUMP GP-FUEL PRM & SEC FILTER						278

ENGINE ARRANGEMENT

286-4920 ENGINE AR-COMPLETE (contd.)

i03627498

NOTE	PART NUMBER	QTY	PART NAME						SEE PAGE
			1	2	3	4	5	6 (PRODUCT LEVEL)	
Y	224-3239	1	PUMP GP-WATER						158
Y	4P-7610	1	SENSOR GP-SPEED						454
			S/N: FFH1-284						
Y	4P-5963	1	SENSOR GP-SPEED						453
			S/N: FFH285-UP						
Y	124-0657	1	SHIELD GP-MANIFOLD						229
			S/N: FFH221-UP						
Y	120-9099	1	STARTING MOTOR GP-ELECTRIC						483
Y	238-0025	1	SUPPORT GP-ENGINE						124
Y	284-8095	1	V-BELT SET (INCLUDES 3-BELTS)						126
Y	276-4753	1	WIRING GP-ELECTRONIC CONTROL						571
			S/N: FFH1-242						
Y	293-5313	1	WIRING GP-ELECTRONIC CONTROL						573
			S/N: FFH243-UP						
	257-3199	1	ELECTRONICS GP-ENGINE RATINGS						

PLEASE USE THE GASKET KIT LINK IN SIS OR
CONTACT YOUR LOCAL DEALER FOR THE LATEST
GASKET KIT INFORMATION

R-REMFG PART MAY BE AVAILABLE
Y-SEPARATE ILLUSTRATION

ENGINE ARRANGEMENT

286-4921 ENGINE AR-COMPLETE

S/N: FFH1-UP

500/550 BRAKE KW AT 1800 RPM

PART OF 287-3368 GENERAL AR-GENSET

SMCS-1000

i03627500

NOTE	PART NUMBER	QTY	PART NAME						SEE PAGE
			1	2	3	4	5	6 (PRODUCT LEVEL)	
YR	5N-5692	1	ALTERNATOR GP-CHARGING						289
			S/N: FFH3044-UP						
Y	159-9107	1	CONNECTION GP-ELECTRICAL (CYLINDER HEAD GROUND)						359
Y	255-6092	1	CONNECTION GP-EXHAUST						212
Y	243-1560	1	CONTROL & MTG GP-ENGINE ELEK						377
Y	223-4730	1	COVER GP-AIR COMPRESSOR						36
Y	178-7074	1	COVER GP-CYLINDER BLOCK (RIGHT SIDE)						37
Y	232-6635	1	COVER GP-CYLINDER BLOCK (CENTRAL STRUCTURE)						38
Y	9N-3889	1	COVER GP-FLYWHEEL HOUSING						40
Y	127-5728	1	COVER GP-FLYWHEEL HOUSING						41
			S/N: FFH1-284						
Y	220-1204	1	PLUG GP-FLYWHEEL HOUSING						116
			S/N: FFH285-UP						
Y	159-6159	1	COVER GP-FRONT HOUSING (CAM, IDLER GEAR)						42
Y	159-9339	1	COVER GP-VALVE MECHANISM						45
			S/N: FFH1-220						
Y	239-4113	1	COVER GP-VALVE MECHANISM						52
			-OR-						
Y	187-1328	1	COVER GP-VALVE MECHANISM						48
Y	231-5385	1	DAMPER GP						76
			S/N: FFH243-UP						
Y	254-5858	1	DRIVE GP-FAN						80
Y	270-8266	1	ELBOW GP-AIR INLET						213
Y	6L-2927	1	ELBOW GP-EXHAUST						214
Y	273-0029	1	ENGINE AR-CORE						20
Y	6I-3944	1	FILLER GP-ENGINE OIL (FRONT, LH)						133
Y	154-4325	1	FILTER GP-ENGINE OIL						134
Y	264-2467	1	FILTER GP-WATER SEP & FUEL						258
Y	216-7883	1	FLYWHEEL GP						85
Y	159-9362	1	FUMES DISPOSAL GP						137
Y	187-0672	1	GUIDE GP-OIL LEVEL GAUGE (ENGINE)						141
			S/N: FFH1-2540						
Y	319-5267	1	GAUGE GP-OIL LEVEL (DIPSTICK) (ENGINE)						140
			S/N: FFH2541-UP						
Y	135-7634	1	HOUSING GP-FLYWHEEL						92
			S/N: FFH1-284						
Y	223-4738	1	HOUSING GP-FLYWHEEL						93
			S/N: FFH285-UP						
Y	257-3276	1	HOUSING GP-FRONT						95
Y	111-2088	1	LIFTING GP-ENGINE (REAR)						98
Y	127-0564	1	LIFTING GP-ENGINE (FRONT)						99
Y	279-8774	1	LINES GP-FUEL						267
Y	213-3595	1	LINES GP-FUEL FILTER						274
Y	257-3111	1	LINES GP-TURBOCHARGER OIL						143
Y	279-8770	1	LINES GP-WATER						155
Y	164-4637	1	MANIFOLD GP-EXHAUST						221
Y	232-6576	1	MOUNTING GP-ALTERNATOR						103
			S/N: FFH3044-UP						
Y	188-7501	1	MOUNTING GP-SENSOR						421
Y	257-3113	1	PAN GP-OIL						108
Y	230-5379	1	PLUG GP-CYLINDER BLOCK						112
Y	229-6711	1	PLUG GP-CYLINDER HEAD						115
Y	150-4279	1	PUMP & MTG GP-FUEL TRANSFER						275
Y	276-8020	1	PUMP GP-FUEL PRM & SEC FILTER						278

ENGINE ARRANGEMENT

286-4921 ENGINE AR-COMPLETE (contd.)

i03627500

NOTE	PART NUMBER	QTY	PART NAME						SEE PAGE
			1	2	3	4	5	6 (PRODUCT LEVEL)	
Y	224-3239	1	PUMP GP-WATER						158
Y	4P-7610	1	SENSOR GP-SPEED						454
			S/N: FFH1-284						
Y	4P-5963	1	SENSOR GP-SPEED						453
			S/N: FFH285-UP						
Y	124-0657	1	SHIELD GP-MANIFOLD						229
			S/N: FFH221-UP						
Y	120-9099	1	STARTING MOTOR GP-ELECTRIC						483
Y	238-0025	1	SUPPORT GP-ENGINE						124
Y	9N-1324	1	V-BELT SET (INCLUDES 3-BELTS)						125
Y	276-4753	1	WIRING GP-ELECTRONIC CONTROL						571
			S/N: FFH1-242						
Y	293-5313	1	WIRING GP-ELECTRONIC CONTROL						573
			S/N: FFH243-UP						
	257-3199	1	ELECTRONICS GP-ENGINE RATINGS						

PLEASE USE THE GASKET KIT LINK IN SIS OR
CONTACT YOUR LOCAL DEALER FOR THE LATEST
GASKET KIT INFORMATION

R-REMFG PART MAY BE AVAILABLE
Y-SEPARATE ILLUSTRATION

ENGINE ARRANGEMENT

273-0023 ENGINE AR-CORE

S/N: FFH1-UP

503 BKW (550 KVA) AT 1500 RPM

SMCS-1000

i03309241

NOTE	PART NUMBER	QTY	PART NAME						SEE PAGE
			1	2	3	4	5	6 (PRODUCT LEVEL)	
Y	234-5005	1	BASE GP-VALVE COVER & INJ HARN						30
			S/N: FFH1-320						
Y	278-5662	1	BASE GP-VALVE COVER & INJ HARN						32
Y	243-0551	1	CAMSHAFT GP						34
Y	223-9731	1	CRANKSHAFT GP						54
Y	223-9252	1	CYLINDER BLOCK GP						57
Y	262-7996	1	CYLINDER HEAD GP						71
Y	6I-3638	1	DRIVE GP-PUMP						82
Y	4P-6846	1	FASTENER GP-FRONT HOUSING						83
Y	4N-2481	1	FASTENER GP-OIL PUMP MOUNTING						132
Y	109-1657	1	FASTENER GP-VALVE MECHANISM						84
Y	207-0449	1	GEAR GP-FRONT						87
Y	190-0009	1	MECHANISM GP-FUEL PUMP & VALVE						100
Y	252-0652	6	PISTON & ROD GP						110
YR	161-4113	1	PUMP GP-ENGINE OIL						145
Y	235-1403	6	PUMP GP-FUEL INJECTION						277
Y	274-4053	1	TURBOCHARGER GP						232
			S/N: FFH1-215						
Y	284-2777	1	TURBOCHARGER GP						237
			S/N: FFH216-UP						
	257-3201	1	ELECTRONICS GP-ENGINE RATINGS						

PLEASE USE THE GASKET KIT LINK IN SIS OR
CONTACT YOUR LOCAL DEALER FOR THE LATEST
GASKET KIT INFORMATION

R-REMFG PART MAY BE AVAILABLE
Y-SEPARATE ILLUSTRATION

ENGINE ARRANGEMENT

273-0024 ENGINE AR-CORE

S/N: FFH1-UP

424 - 645 BKW (350 - 550 EKW) AT 1800 RPM

SMCS-1000

i02665497

NOTE	PART NUMBER	QTY	PART NAME						SEE PAGE
			1	2	3	4	5	6 (PRODUCT LEVEL)	
Y	234-5005	1	BASE GP-VALVE COVER & INJ HARN						30
			S/N: FFH1-204						
Y	278-5662	1	BASE GP-VALVE COVER & INJ HARN						32
			S/N: FFH205-UP						
Y	243-0551	1	CAMSHAFT GP						34
Y	223-9731	1	CRANKSHAFT GP						54
Y	223-9252	1	CYLINDER BLOCK GP						57
Y	262-7996	1	CYLINDER HEAD GP						71
Y	6I-3638	1	DRIVE GP-PUMP						82
Y	4P-6846	1	FASTENER GP-FRONT HOUSING						83
Y	4N-2481	1	FASTENER GP-OIL PUMP MOUNTING						132
Y	109-1657	1	FASTENER GP-VALVE MECHANISM						84
Y	207-0449	1	GEAR GP-FRONT						87
Y	190-0009	1	MECHANISM GP-FUEL PUMP & VALVE						100
Y	252-0652	6	PISTON & ROD GP						110
YR	161-4113	1	PUMP GP-ENGINE OIL						145
Y	235-1403	6	PUMP GP-FUEL INJECTION						277
Y	262-0971	1	TURBOCHARGER GP						231
			S/N: FFH205-216						
Y	284-2776	1	TURBOCHARGER GP						236
			S/N: FFH217-UP						
	257-3199	1	ELECTRONICS GP-ENGINE RATINGS						

R-REMG PART MAY BE AVAILABLE

Y-SEPARATE ILLUSTRATION

ENGINE ARRANGEMENT

273-0028 ENGINE AR-CORE

S/N: FFH335-UP

SMCS - 1000

i02935053

NOTE	PART NUMBER	QTY	PART NAME						SEE PAGE
			1	2	3	4	5	6 (PRODUCT LEVEL)	
Y	234-5005	1	BASE GP-VALVE COVER & INJ HARN						30
			S/N: FFH335-1215						
Y	278-5662	1	BASE GP-VALVE COVER & INJ HARN						32
			S/N: FFH1216-UP						
Y	243-0551	1	CAMSHAFT GP						34
Y	223-9731	1	CRANKSHAFT GP						54
Y	223-9252	1	CYLINDER BLOCK GP						57
Y	234-9185	1	CYLINDER HEAD GP						67
			S/N: FFH1216-1372						
Y	314-7316	1	CYLINDER HEAD GP						74
			S/N: FFH1373-UP						
Y	6I-3638	1	DRIVE GP-PUMP						82
Y	4P-6846	1	FASTENER GP-FRONT HOUSING						83
Y	4N-2481	1	FASTENER GP-OIL PUMP MOUNTING						132
Y	109-1657	1	FASTENER GP-VALVE MECHANISM						84
Y	208-9490	1	GEAR GP-FRONT						90
Y	190-0009	1	MECHANISM GP-FUEL PUMP & VALVE						100
Y	252-0652	6	PISTON & ROD GP						110
YR	161-4113	1	PUMP GP-ENGINE OIL						145
Y	235-1403	6	PUMP GP-FUEL INJECTION						277
Y	276-9769	1	SENSOR GP-ENGINE						438
Y	284-2777	1	TURBOCHARGER GP						237

R-REMG PART MAY BE AVAILABLE
Y-SEPARATE ILLUSTRATION

ENGINE ARRANGEMENT

273-0029 ENGINE AR-CORE

S/N: FFH1-UP

SMCS - 1000

i02845667

NOTE	PART NUMBER	QTY	PART NAME						SEE PAGE
			1	2	3	4	5	6 (PRODUCT LEVEL)	
Y	234-5005	1	BASE GP-VALVE COVER & INJ HARN						30
			S/N: FFH1-1216						
Y	278-5662	1	BASE GP-VALVE COVER & INJ HARN						32
			S/N: FFH1217-UP						
Y	243-0551	1	CAMSHAFT GP						34
Y	223-9731	1	CRANKSHAFT GP						54
Y	223-9252	1	CYLINDER BLOCK GP						57
Y	234-9185	1	CYLINDER HEAD GP						67
			S/N: FFH1-1302						
Y	314-7316	1	CYLINDER HEAD GP						74
			S/N: FFH1303-UP						
Y	6I-3638	1	DRIVE GP-PUMP						82
Y	4P-6846	1	FASTENER GP-FRONT HOUSING						83
Y	4N-2481	1	FASTENER GP-OIL PUMP MOUNTING						132
Y	109-1657	1	FASTENER GP-VALVE MECHANISM						84
Y	208-9490	1	GEAR GP-FRONT						90
Y	190-0009	1	MECHANISM GP-FUEL PUMP & VALVE						100
Y	252-0652	6	PISTON & ROD GP						110
YR	161-4113	1	PUMP GP-ENGINE OIL						145
Y	235-1403	6	PUMP GP-FUEL INJECTION						277
Y	276-9769	1	SENSOR GP-ENGINE						438
Y	284-2776	1	TURBOCHARGER GP						236

R-REMFG PART MAY BE AVAILABLE
Y-SEPARATE ILLUSTRATION

ENGINE ARRANGEMENT

273-2983 GENERAL AR

S/N: C5H1-UP

400 TO 450 KVA, 50 HERTZ. LOW EMISSIONS, LOW BRAKE SPECIFIC FUEL CONSUMPTION

SMCS-1000, 4450

i02371660

NOTE	PART NUMBER	QTY	PART NAME						SEE PAGE
			1	2	3	4	5	6 (PRODUCT LEVEL)	
Y	272-9739	1	ENGINE AR-COMPLETE						1
Y-SEPARATE ILLUSTRATION									

ENGINE ARRANGEMENT

273-2984 GENERAL AR

S/N: C5H1-UP

500 TO 550 KVA, 0.94 FAN RATIO, 50 HERTZ.

LOW EMISSION, LOW BRAKE SPECIFIC FUEL CONSUMPTION

SMCS-1000, 4450

i02371661

NOTE	PART NUMBER	QTY	PART NAME						SEE PAGE
			1	2	3	4	5	6 (PRODUCT LEVEL)	
Y	272-9740	1	ENGINE AR-COMPLETE						3
Y-SEPARATE ILLUSTRATION									

ENGINE ARRANGEMENT

273-2985 GENERAL AR

S/N: C5H1-UP

350 TO 450 EKW, 0.8 FAN RATIO, 60 HERTZ. LOW BRAKE SPECIFIC FUEL CONSUMPTION

SMCS-1000, 4450

i02371663

NOTE	PART NUMBER	QTY	PART NAME						SEE PAGE
			1	2	3	4	5	6 (PRODUCT LEVEL)	
Y	272-9741	1	ENGINE AR-COMPLETE						5
Y-SEPARATE ILLUSTRATION									

ENGINE ARRANGEMENT

273-2986 GENERAL AR

S/N: C5H1-UP

500 TO 550 EKW, 0.94 FAN RATIO, 60 HERTZ.
LOW BRAKE SPECIFIC FUEL CONSUMPTION

SMCS-1000, 4450

i02371665

NOTE	PART NUMBER	QTY	PART NAME						SEE PAGE
			1	2	3	4	5	6 (PRODUCT LEVEL)	
Y	272-9742	1	ENGINE AR-COMPLETE						7
Y-SEPARATE ILLUSTRATION									

ENGINE ARRANGEMENT

287-3365 GENERAL AR-GENSET

S/N: C5H1-UP

400/550KVA, 50 HERTZ AT 1500 RPM

SMCS-7002

i02491871

NOTE	PART NUMBER	QTY	PART NAME						SEE PAGE
			1	2	3	4	5	6 (PRODUCT LEVEL)	
Y	286-4918	1	ENGINE AR-COMPLETE						9
Y-SEPARATE ILLUSTRATION									

ENGINE ARRANGEMENT

287-3366 GENERAL AR-GENSET

S/N: C5H1-UP

500/550 KVA AT 50 HERTZ

SMCS-7002

i02511078

NOTE	PART NUMBER	QTY	PART NAME						SEE PAGE
			1	2	3	4	5	6 (PRODUCT LEVEL)	
Y	286-4919	1	ENGINE AR-COMPLETE						11
Y-SEPARATE ILLUSTRATION									

ENGINE ARRANGEMENT

287-3367 GENERAL AR-GENSET

S/N: C5H1-UP

350 TO 550 EKA, 60 HERTZ AT 1800 RPM

SMCS-7002

i02541514

NOTE	PART NUMBER	QTY	PART NAME						SEE PAGE
			1	2	3	4	5	6 (PRODUCT LEVEL)	
Y	286-4920	1	ENGINE AR-COMPLETE						13
Y-SEPARATE ILLUSTRATION									

ENGINE ARRANGEMENT

287-3368 GENERAL AR-GENSET

S/N: C5H1-UP

500 TO 550 EKW, 60 HERTZ AT 1800 RPM

SMCS-7002

i02541516

NOTE	PART NUMBER	QTY	PART NAME						SEE PAGE
			1	2	3	4	5	6 (PRODUCT LEVEL)	
Y	286-4921	1	ENGINE AR-COMPLETE						15
Y-SEPARATE ILLUSTRATION									

BASIC ENGINE

133-9907 ADAPTER GP-PUMP DRIVE

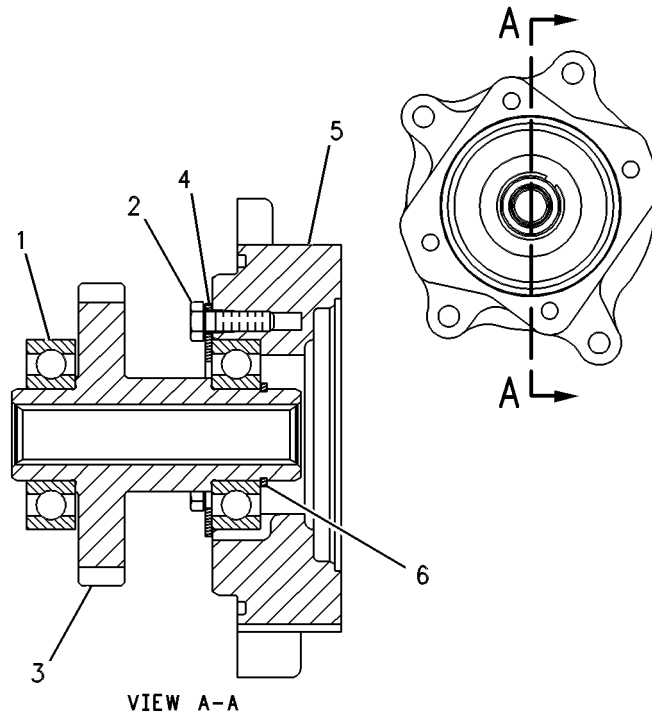
S/N: FFH1-UP

PART OF 6I-3638 DRIVE GP-PUMP

SMCS-1313, 3108

i03260721

NOTE	REF NO	GRAPHIC REF	PART NUMBER	QTY	PART NAME						SEE PAGE
					1	2	3	4	5	6 (PRODUCT LEVEL)	
	1	1	1B-3867	2	BALL BEARING						
	2	1	4F-7957	3	BOLT (1/4-20X0.875-IN)						
	3	1	6I-4575	1	GEAR (34-TEETH)						
	4	1	9X-2038	3	WASHER (7X19X2-MM THK)						
	5	1	133-9906	1	ADAPTER						
	6	1	1H-8647	1	RING-SNAP						



GRAPHIC #1

<END>

g00263602

BASIC ENGINE

234-5005 BASE GP-VALVE COVER & INJ HARN

S/N: FFH1-1371

SMCS-1120, 1408

i03622540

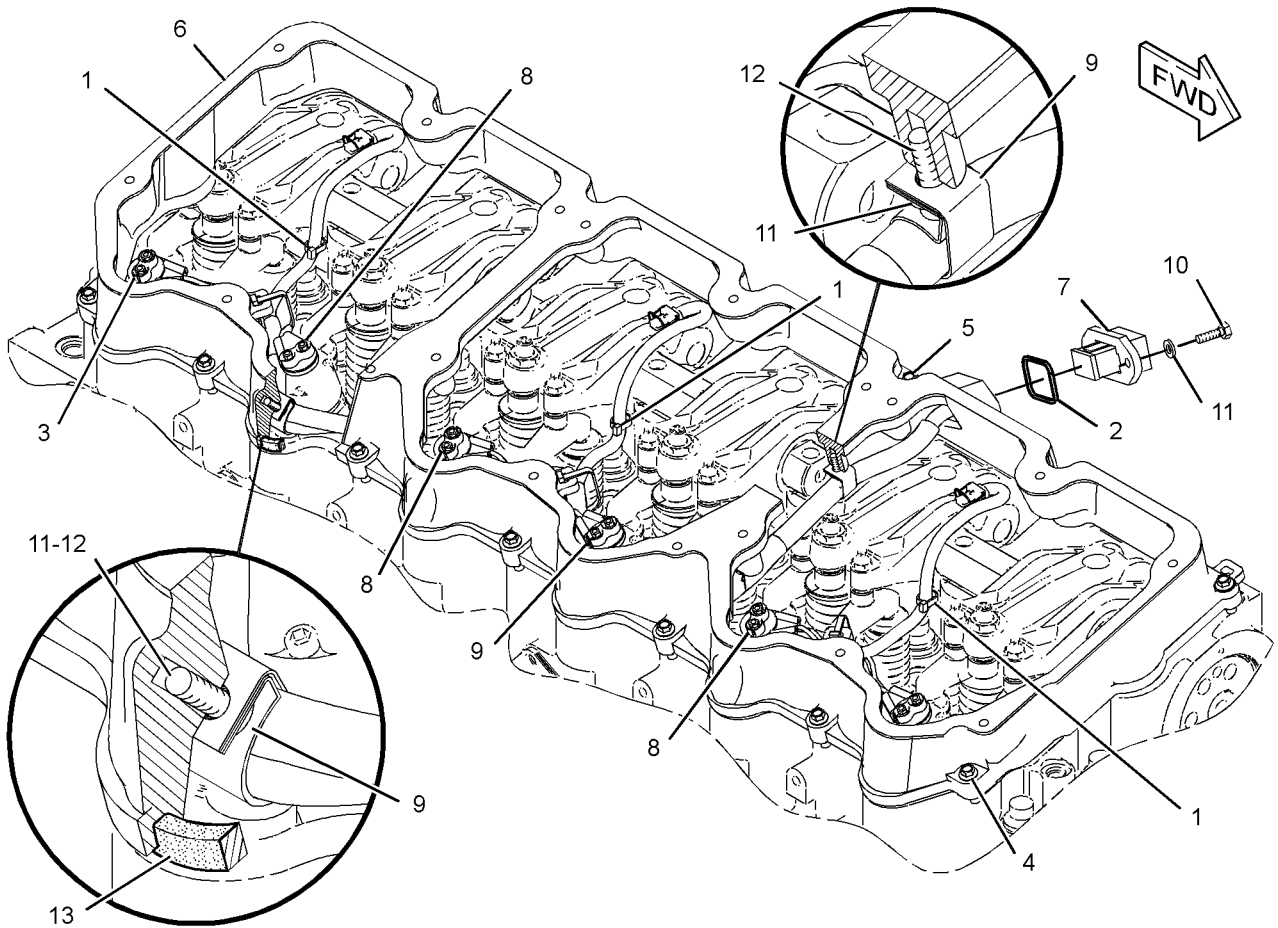
NOTE	REF NO	GRAPHIC REF	PART NUMBER	QTY	PART NAME						SEE PAGE
					1	2	3	4	5	6 (PRODUCT LEVEL)	
	1	1	123-3202	3	STRAP-CABLE						
	2	1	6V-0128	1	SEAL-CONNECTOR						
	3	1	7E-6508	6	CAP AS						
	4	1	9L-8925	14	BOLT (5/16-18X1.25-IN)						
	5	1	122-1472	1	BOLT (5/16-18X2.36-IN)						
	6	1	177-4152	1	BASE-VALVE MECHANISM COVER						
	7	1	234-5002	1	HARNES AS-ENGINE (INJECTOR, VARIABLE VALVE)						
		1	102-8801	1	KIT-RECEPTACLE (12-PIN) (INCLUDES RECEPTACLE AS & WEDGE)						
		1	103-8134	1	KIT-RECEPTACLE (12-PIN) (INCLUDES RECEPTACLE AS & WEDGE)						
		1	3S-2093	6	STRAP-CABLE						
E		1	119-3662		TUBE-HEAT SHRINK (10.85-MM DIA) (13-CM)						
E		1	125-7875		TUBE-HEAT SHRINK (7.44-MM DIA) (15-CM)						
		1	9X-3401	12	PIN-CONNECTOR (16-GA TO 18-GA)						
					-OR-						
		1	126-1767	12	PIN-CONNECTOR (14-GA)						
	8	1	100-5218	3	CLIP						
	9	1	100-5219	3	CLIP						
	10	1	4F-7957	2	BOLT (1/4-20X0.875-IN)						
	11	1	5P-0537	8	WASHER-HARD (7.2X14.5X2-MM THK)						
	12	1	8H-3127	6	BOLT (1/4-20X0.75-IN)						
	13	1	5P-5678	1	SEAL						

E-ORDER BY THE CENTIMETER

BASIC ENGINE

234-5005 BASE GP-VALVE COVER & INJ HARN (contd.)

i03622540



GRAPHIC #1

<END>

g01677199

BASIC ENGINE

278-5662 BASE GP-VALVE COVER & INJ HARN

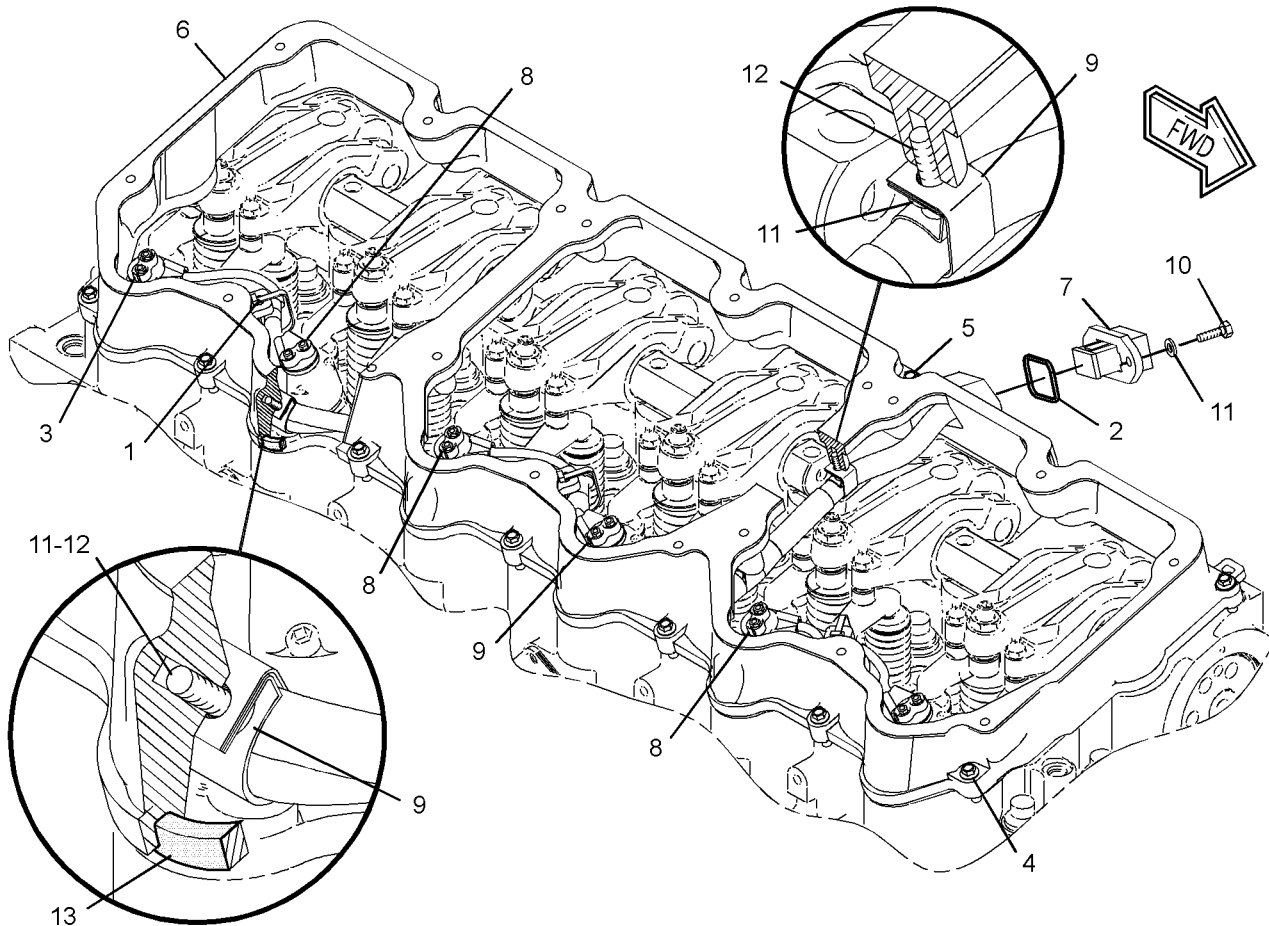
S/N: FFH1-1373

SMCS-1120, 1408

i02673384

NOTE	REF NO	GRAPHIC REF	PART NUMBER	QTY	PART NAME						SEE PAGE
					1	2	3	4	5	6 (PRODUCT LEVEL)	
	1	1	123-3202	3	STRAP - CABLE						
	2	1	6V-0128	1	SEAL - CONNECTOR						
	3	1	7E-6508	6	CAP AS						
	4	1	9L-8925	14	BOLT (5/16-18X1.25-IN)						
	5	1	122-1472	1	BOLT (5/16-18X2.36-IN)						
	6	1	177-4152	1	BASE-VALVE MECHANISM COVER						
	7	1	278-5657	1	HARNES AS-ENGINE (UNIT INJECTOR)						
		1	103-8134	1	KIT-RECEPTACLE (12-PIN) (INCLUDES RECEPTACLE AS & WEDGE)						
	8	1	100-5218	3	CLIP						
	9	1	100-5219	3	CLIP						
	10	1	4F-7957	2	BOLT (1/4-20X0.875-IN)						
	11	1	5P-0537	8	WASHER-HARD (7.2X14.5X2-MM THK)						
	12	1	8H-3127	6	BOLT (1/4-20X0.75-IN)						
D	13	1	5P-5678		SEAL (2.9-M)						

D-ORDER BY THE METER



GRAPHIC #1

<END>

g01213201

BASIC ENGINE

278-5662 BASE GP-VALVE COVER & INJ HARN

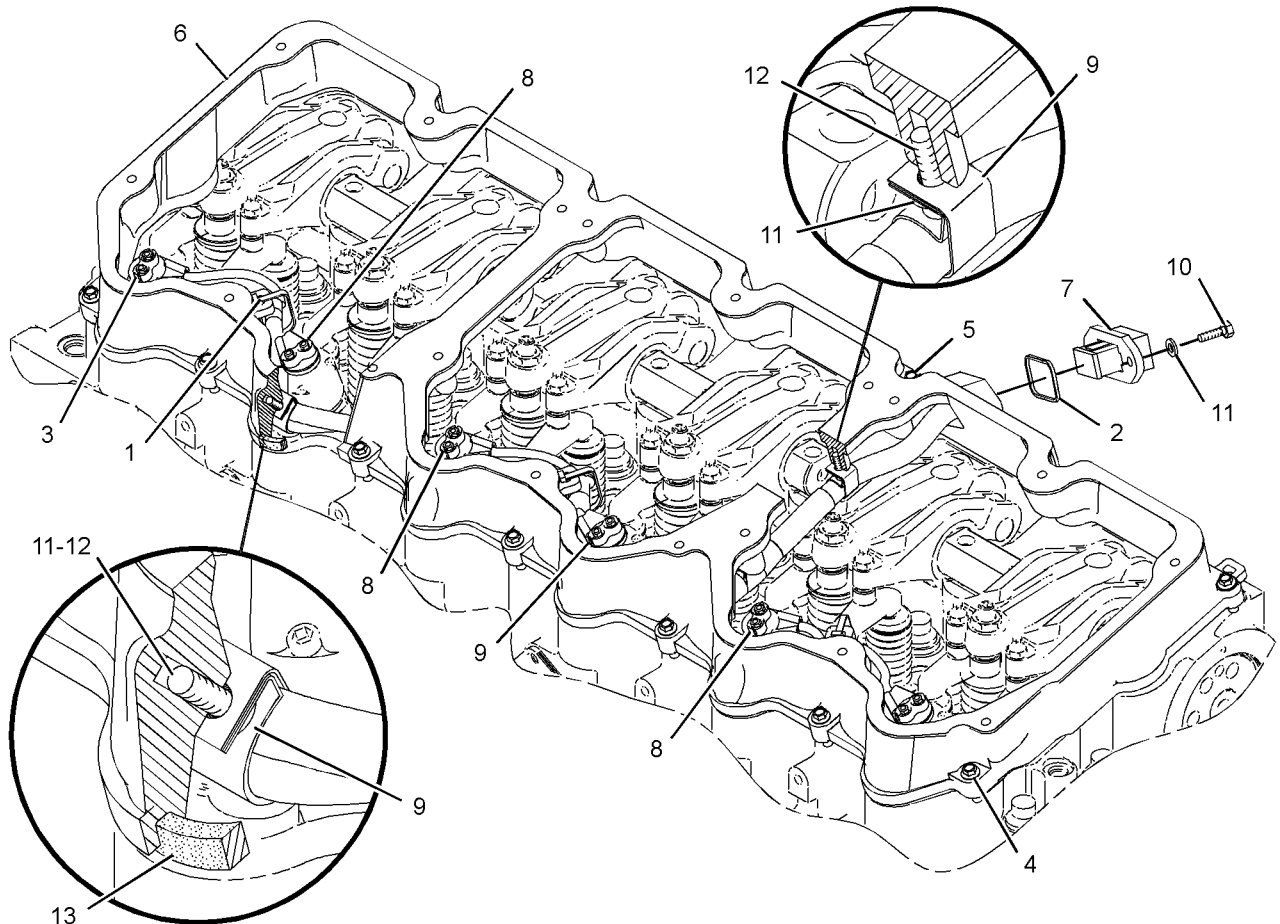
S/N: FFH1374-UP

SMCS-1120, 1408

i03649107

NOTE	REF NO	GRAPHIC REF	PART NUMBER	QTY	PART NAME						SEE PAGE
					1	2	3	4	5	6 (PRODUCT LEVEL)	
	1	1	123-3202	3	STRAP - CABLE						
	2	1	6V-0128	1	SEAL - CONNECTOR						
	3	1	7E-6508	6	CAP AS						
	4	1	9L-8925	14	BOLT (5/16-18X1.25-IN)						
	5	1	122-1472	1	BOLT (5/16-18X2.36-IN)						
C	6	1	289-8215	1	BASE-VALVE MECHANISM COVER						
	7	1	343-9866	1	HARNES AS-ENGINE (UNIT INJECTOR)						
		1	103-8134	1	KIT-RECEPTACLE (12-PIN) (INCLUDES RECEPTACLE AS & WEDGE)						
	8	1	100-5218	3	CLIP						
	9	1	100-5219	3	CLIP						
	10	1	4F-7957	2	BOLT (1/4-20X0.875-IN)						
	11	1	5P-0537	8	WASHER-HARD (7.2X14.5X2-MM THK)						
	12	1	8H-3127	6	BOLT (1/4-20X0.75-IN)						
C	13	1	272-0390	1	SEAL						

C-CHANGE FROM PREVIOUS TYPE



GRAPHIC #1

<END>

g01436044

BASIC ENGINE

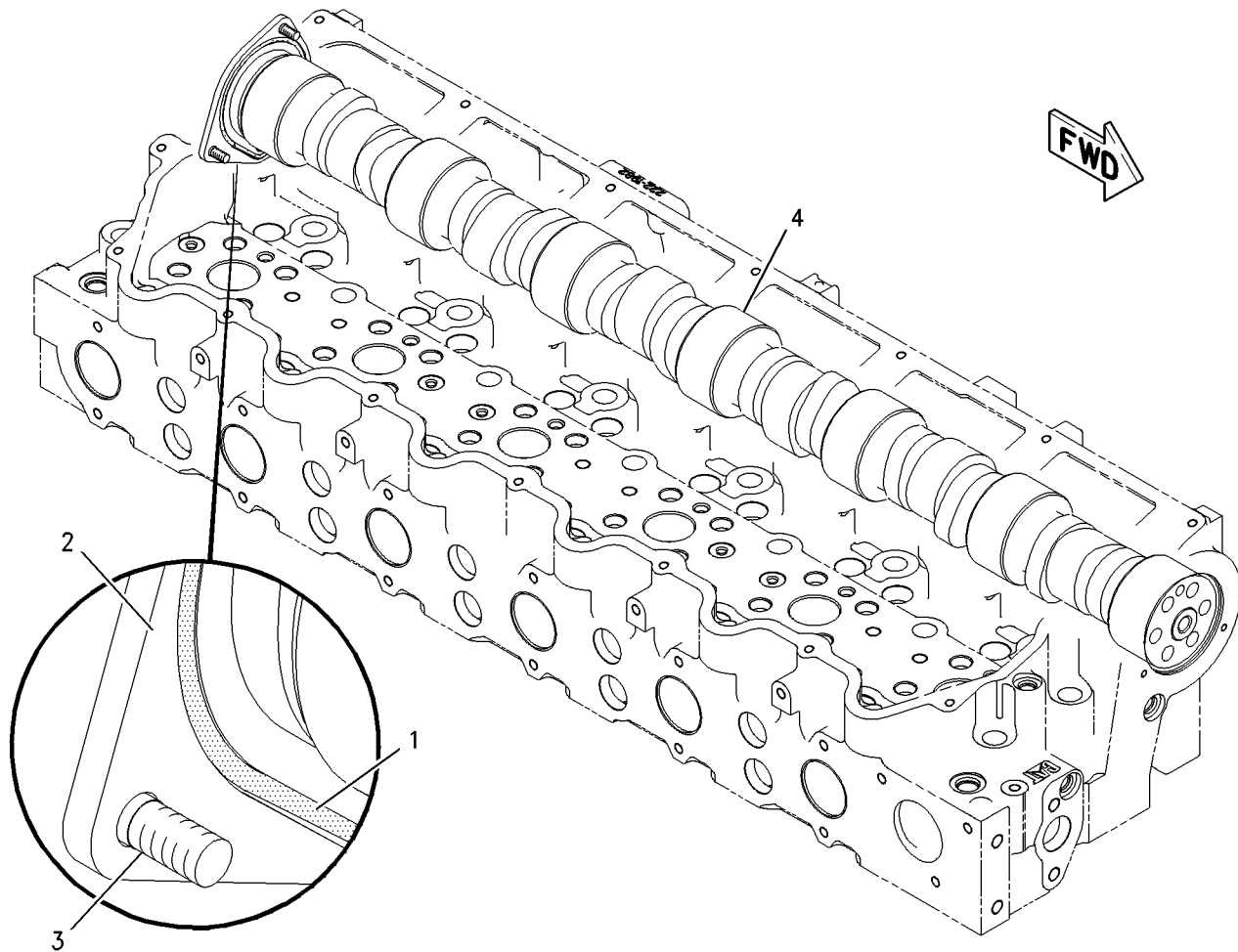
243-0551 CAMSHAFT GP

S/N: FFH1-UP

SMCS-1210

i03531784

NOTE	REF NO	GRAPHIC REF	PART NUMBER	QTY	PART NAME						SEE PAGE
					1	2	3	4	5	6 (PRODUCT LEVEL)	
	1	1	6V-1197	1	SEAL-O-RING						
	2	1	102-9089	1	COVER						
	3	1	119-0036	3	SCREW-FLAT HEAD (5/16-18X0.875-IN)						
	4	1	332-7297	1	CAMSHAFT						



GRAPHIC #1

<END>

g01002422

BASIC ENGINE

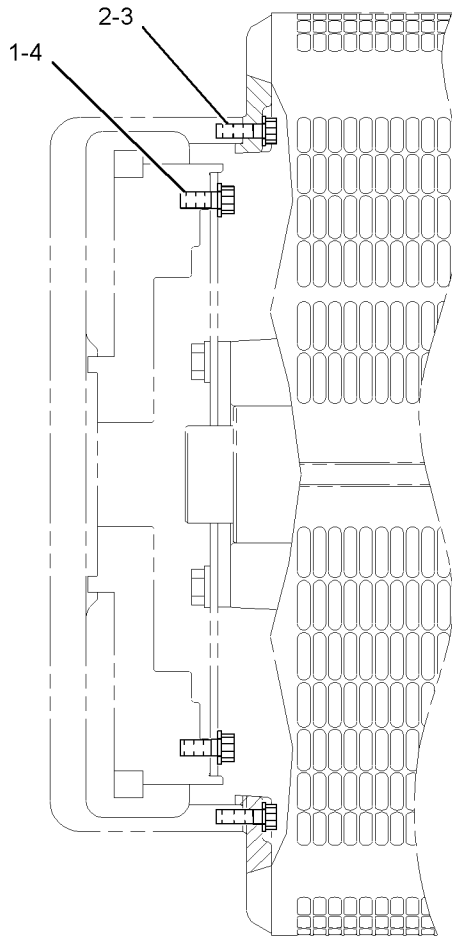
233-9351 COUPLING GP-GENERATOR

S/N: C5H1-UP
AN ATTACHMENT

SMCS-4456

i02697704

NOTE	REF NO	GRAPHIC REF	PART NUMBER	QTY	PART NAME						SEE PAGE
					1	2	3	4	5	6 (PRODUCT LEVEL)	
	1	1	OS-1595	8	BOLT (1/2-13X1.25-IN)						
	2	1	OT-0772	12	BOLT (7/16-14X1.5-IN)						
	3	1	5P-8244	12	WASHER-HARD (12X22.5X2.5-MM THK)						
	4	1	5P-8245	8	WASHER-HARD (13.5X25.5X3-MM THK)						



GRAPHIC #1

<END>

g01024026

BASIC ENGINE

223-4730 COVER GP-AIR COMPRESSOR

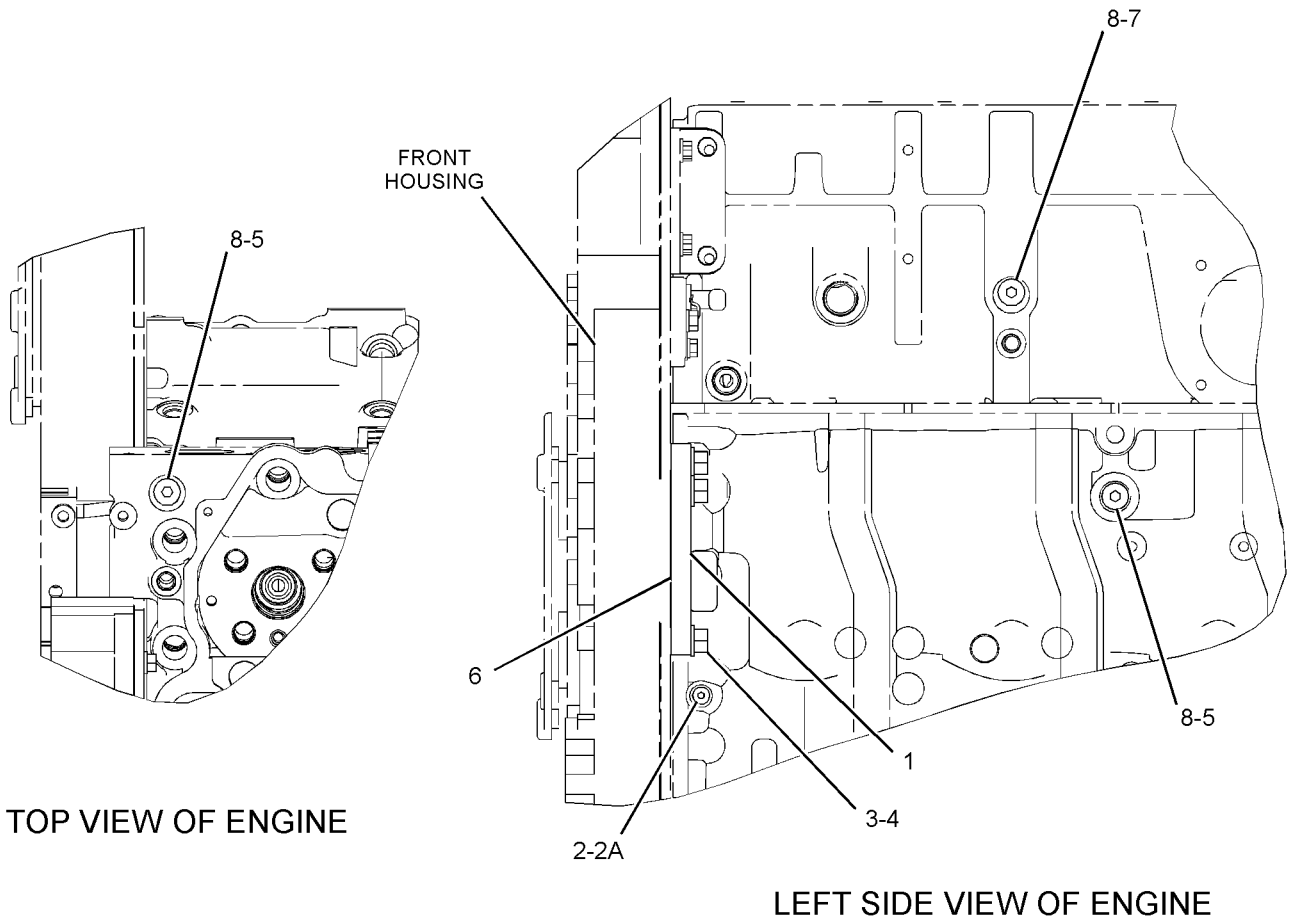
S/N: FFH1-UP

A COVER FOR THE AIR COMPRESSOR PILOT HOLE IN THE FRONT PLATE WHEN AN AIR COMPRESSOR IS NOT USED

SMCS-1803

i03377089

NOTE	REF NO	GRAPHIC REF	PART NUMBER	QTY	PART NAME						SEE PAGE
					1	2	3	4	5	6 (PRODUCT LEVEL)	
	1	1	285-0823	1	COVER						
	2	1	<i>183-3409</i>	1	PLUG AS						
		1	9S-8002	1	PLUG-O-RING						
2A		1	033-5853	1	SEAL-O-RING						
3		1	1F-7958	3	NUT-FULL (1/2-13-THD)						
4		1	5P-8245	3	WASHER-HARD (13.5X25.5X3-MM THK)						
5		1	6V-6609	2	SEAL-O-RING						
6		1	7J-6285	1	SEAL-O-RING						
7		1	8L-2786	1	SEAL-O-RING						
8		1	9S-8005	3	PLUG-O-RING						



GRAPHIC #1

<END>

g01302518

BASIC ENGINE

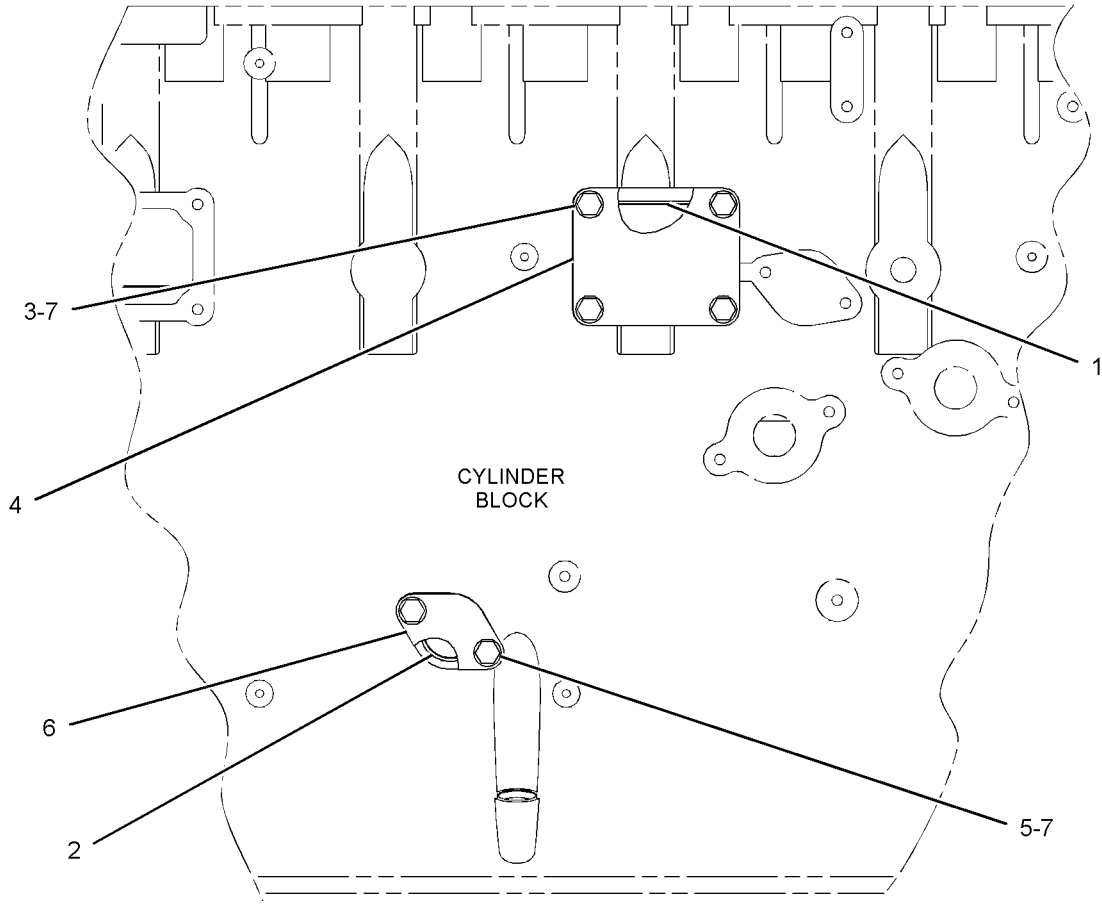
178-7074 COVER GP-CYLINDER BLOCK

S/N: FFH1-UP

SMCS-1201

i02654978

NOTE	REF NO	GRAPHIC REF	PART NUMBER	QTY	PART NAME						SEE PAGE
					1	2	3	4	5	6 (PRODUCT LEVEL)	
	1	1	126-4935	1	SEAL - INTEGRAL						
	2	1	160-7037	1	SEAL - INTEGRAL						
	3	1	0S-1594	4	BOLT (3/8-16X1-IN)						
	4	1	145-3849	1	COVER						
	5	1	1A-2029	2	BOLT (3/8-16X1.125-IN)						
	6	1	4W-9890	1	COVER						
	7	1	5M-2894	6	WASHER-HARD (10.2X18.5X2.5-MM THK)						



GRAPHIC #1

<END>

g01191472

BASIC ENGINE

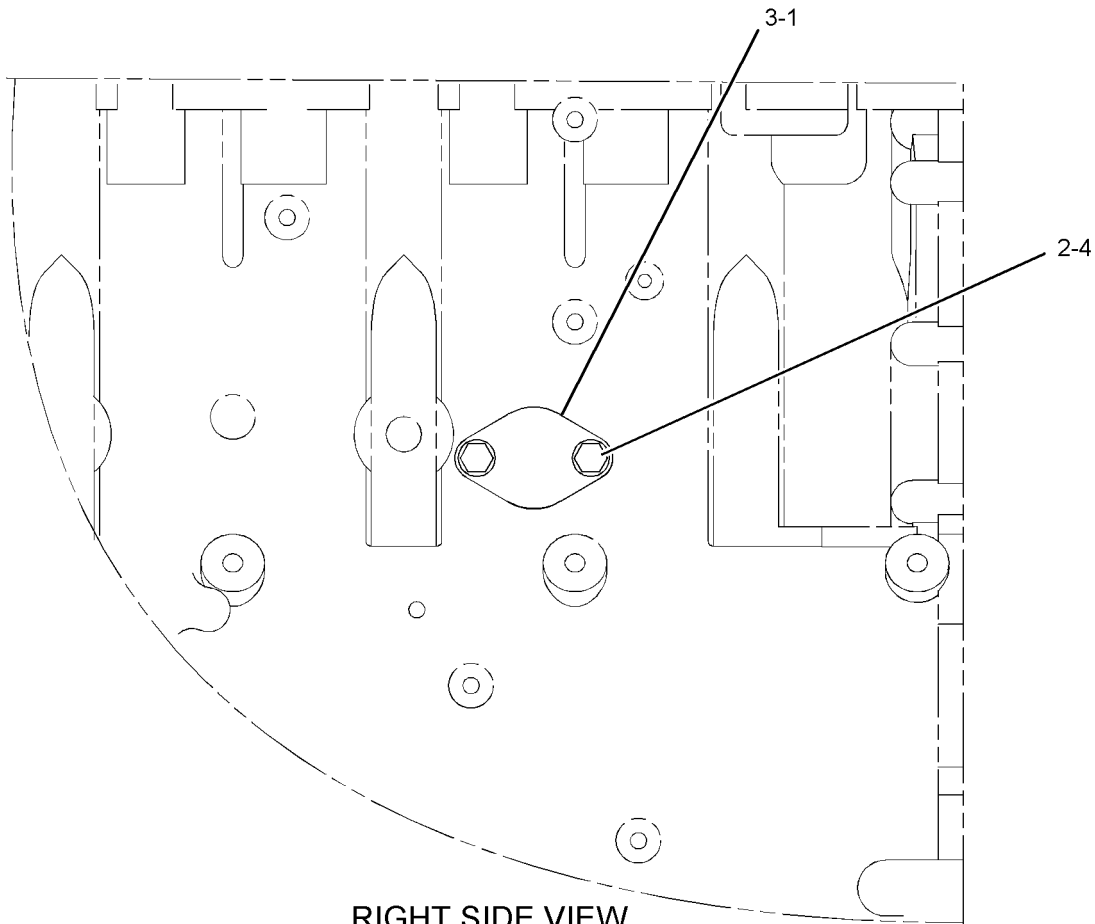
232-6635 COVER GP-CYLINDER BLOCK

S/N: FFH1-UP

SMCS-1201

i02654980

NOTE	REF NO	GRAPHIC REF	PART NUMBER	QTY	PART NAME						SEE PAGE
					1	2	3	4	5	6 (PRODUCT LEVEL)	
	1	1	160-7037	1	SEAL - INTEGRAL						
	2	1	1A-2029	2	BOLT (3/8-16X1.125-IN)						
	3	1	4W-9890	1	COVER						
	4	1	5M-2894	2	WASHER-HARD (10.2X18.5X2.5-MM THK)						



RIGHT SIDE VIEW
<END>

GRAPHIC #1

g01072658

BASIC ENGINE

144-7184 COVER GP-ENGINE LIFTING EYE

S/N: C5H1-UP

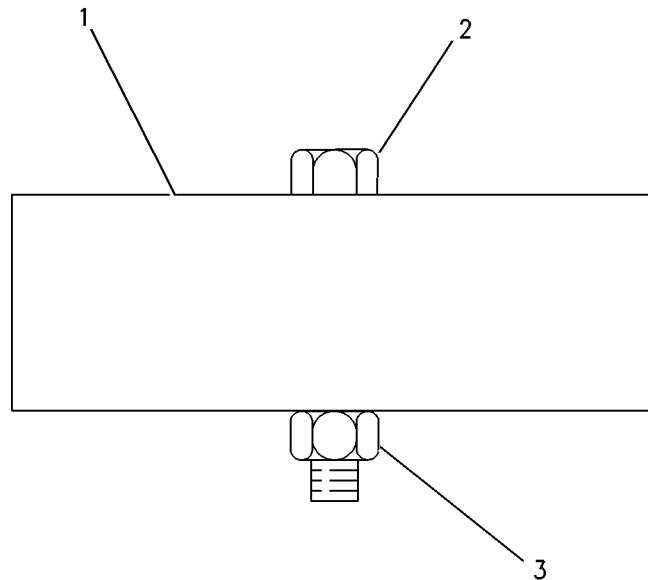
ATTACHES TO ENGINE LIFTING EYES WHEN OTHER METHODS OF LIFTING PACKAGE IS
REQUIRED
AN ATTACHMENT

SMCS-1122

i00733439

NOTE	REF NO	GRAPHIC REF	PART NUMBER	QTY	PART NAME						SEE PAGE
					1	2	3	4	5	6 (PRODUCT LEVEL)	
	1	1	144-7185	1	COVER-LIFTING EYE						
M	2	1	8T-6466	1	BOLT (M10X1.5X60-MM)						
M	3	1	8T-0389	1	LOCKNUT (M10X1.5-THD)						

M-METRIC PART



GRAPHIC #1

<END>

g00278337

BASIC ENGINE

9N-3889 COVER GP-FLYWHEEL HOUSING

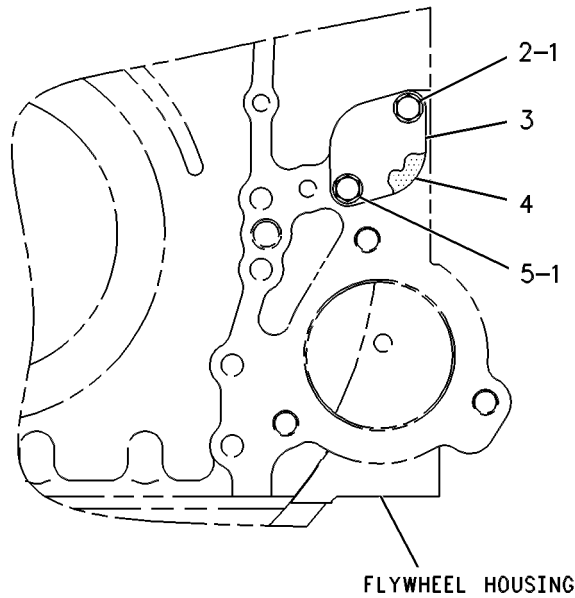
S/N: FFH1-UP

FOR USE WITH SAE NO. 1 FLYWHEEL HOUSING

SMCS-1157

i03460022

NOTE	REF NO	GRAPHIC REF	PART NUMBER	QTY	PART NAME						SEE PAGE
					1	2	3	4	5	6 (PRODUCT LEVEL)	
	1	1	5M-2894	2	WASHER-HARD (10.2X18.5X2.5-MM THK)						
	2	1	0S-1619	1	BOLT (3/8-16X3-IN)						
	3	1	2P-2772	1	COVER						
	4	1	234-8937	1	SEAL-INTEGRAL						
	5	1	0S-1594	1	BOLT (3/8-16X1-IN)						



GRAPHIC #1

<END>

g00109207

BASIC ENGINE

127-5728 COVER GP-FLYWHEEL HOUSING

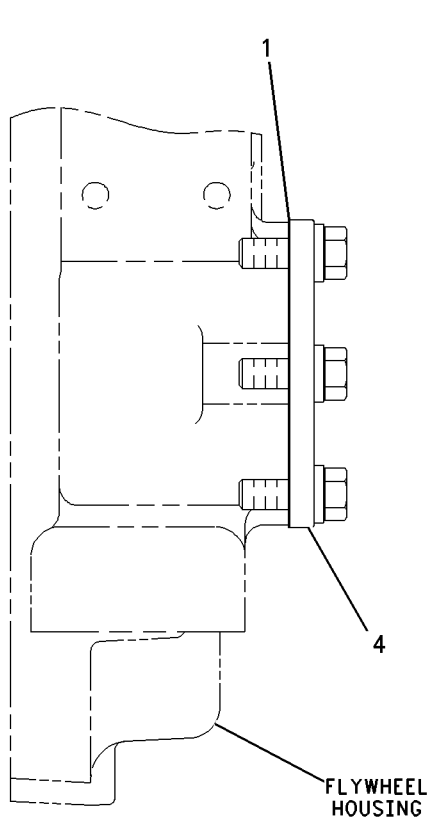
S/N: FFH1-UP

FOR USE WITH LH MOUNTED STARTER

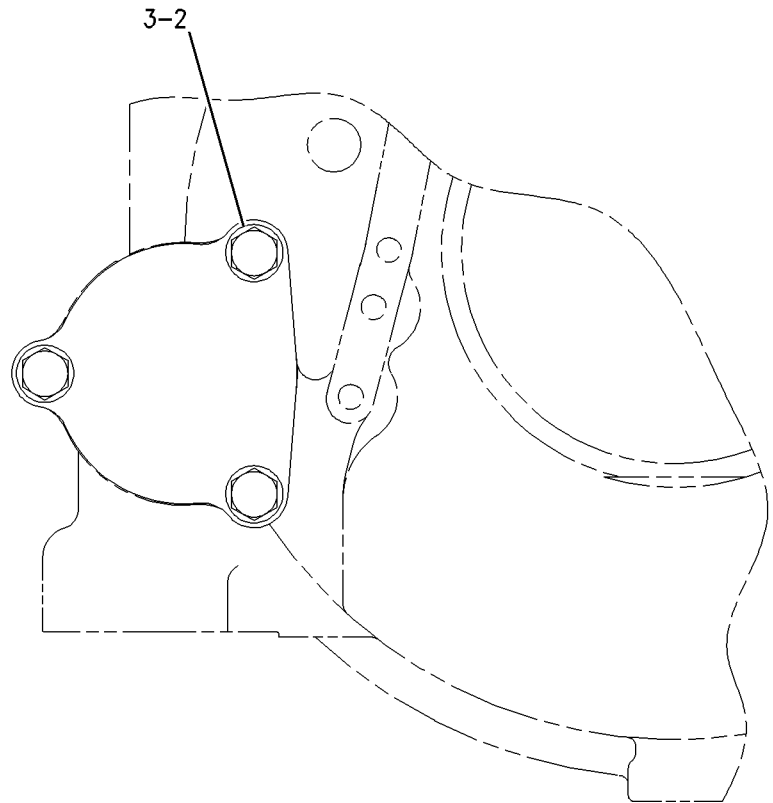
SMCS-1157

i02426209

NOTE	REF NO	GRAPHIC REF	PART NUMBER	QTY	PART NAME						SEE PAGE
					1	2	3	4	5	6 (PRODUCT LEVEL)	
	1	1	9Y-6089	1	GASKET						
	2	1	OS-1589	3	BOLT (5/8-11X1.75-IN)						
	3	1	4D-3704	3	WASHER-HARD (17X30X5-MM THK)						
	4	1	4N-1114	1	COVER						



RIGHT SIDE VIEW



FRONT VIEW

GRAPHIC #1

<END>

g00783561

BASIC ENGINE

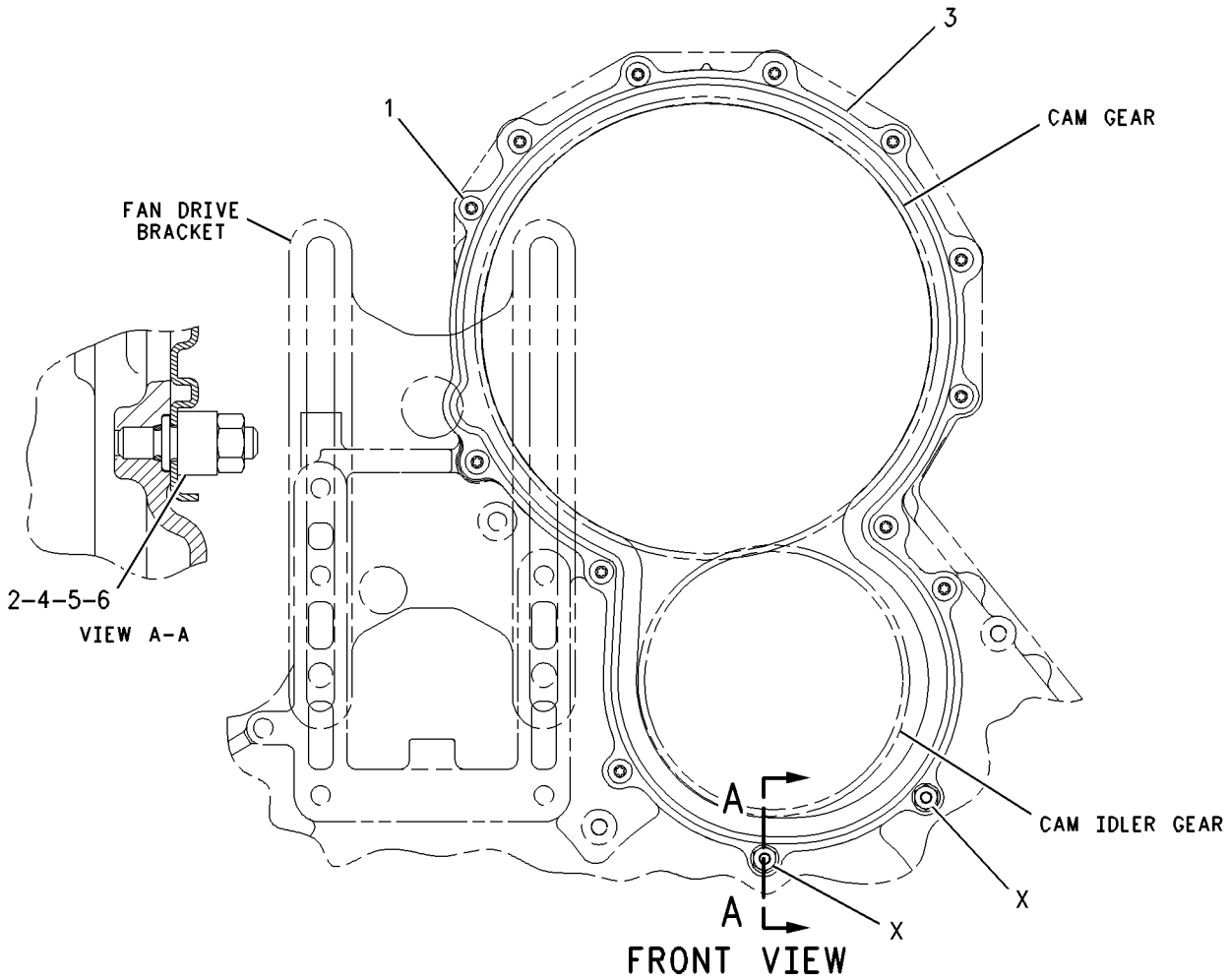
159-6159 COVER GP-FRONT HOUSING

S/N: FFH1-UP
CAM AND IDLER GEAR ACCESS

SMCS-1151, 1166

i02763873

NOTE	REF NO	GRAPHIC REF	PART NUMBER	QTY	PART NAME	1 2 3 4 5 6 (PRODUCT LEVEL)						SEE PAGE
	1	1	297-1813	12	SCREW-HEAD (5/16-18X1-IN)							
	2	1	175-1367	2	SPACER (8.8X16X10-MM THK) (MARKED X)							
	3	1	209-3569	1	COVER GP-FRONT HOUSING							
		1	160-7271	1	SEAL							
	4	1	031-4155	2	LOCKNUT (5/16-18-THD) (MARKED X)							
	5	1	175-1366	2	STUD (MARKED X)							
	6	1	163-4565	2	SEAL-O-RING (MARKED X)							



GRAPHIC #1

<END>

g00631258

BASIC ENGINE

150-3135 COVER GP-VALVE MECHANISM

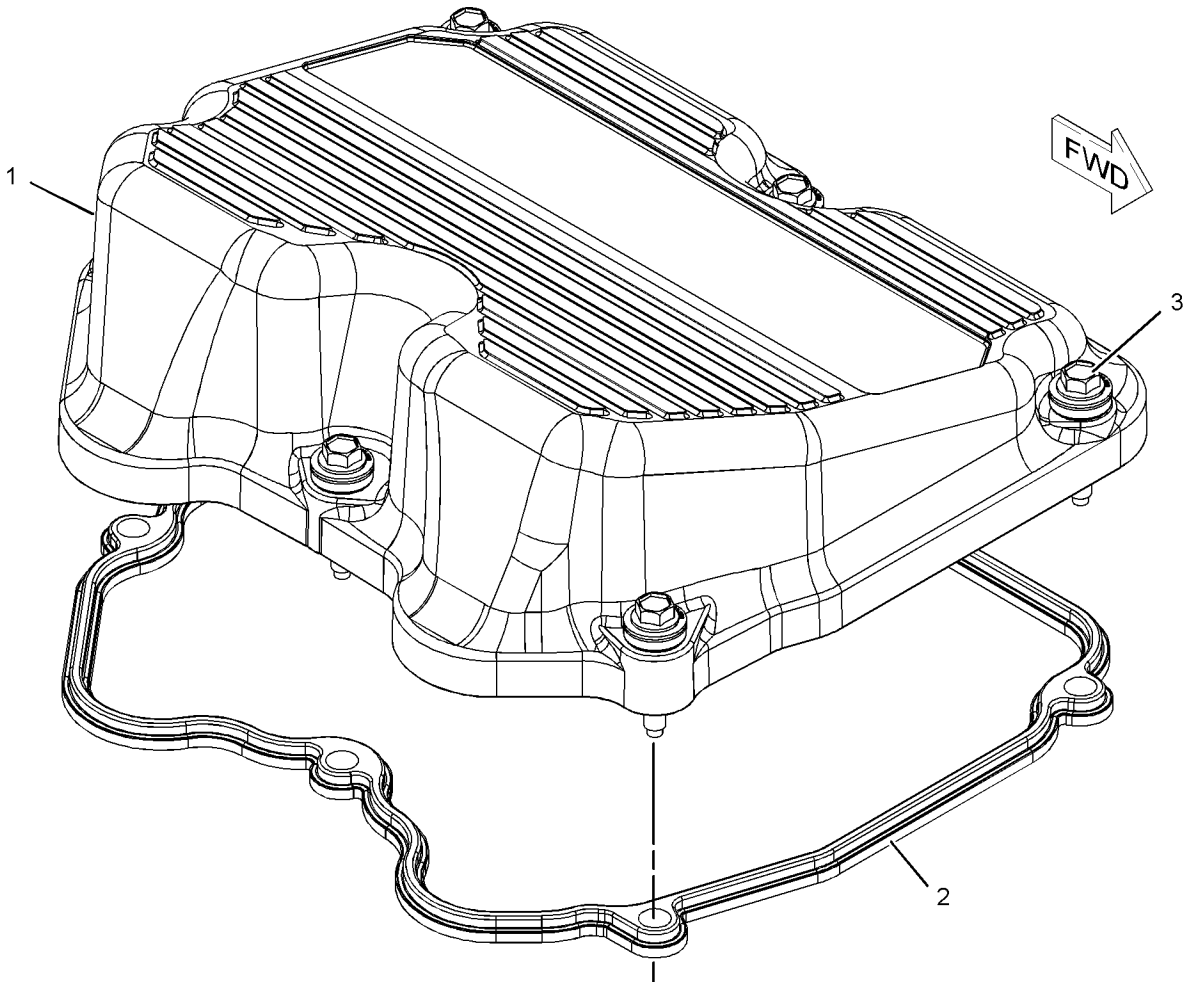
S/N: FFH221-UP

PART OF 187-1328 COVER GP-VALVE MECHANISM

SMCS-1107

i02207417

NOTE	REF NO	GRAPHIC REF	PART NUMBER	QTY	PART NAME						SEE PAGE
					1	2	3	4	5	6 (PRODUCT LEVEL)	
	1	1	150-2557	1	COVER-VALVE MECH						
	2	1	242-9537	1	SEAL-VALVE COVER						
	3	1	243-1159	6	FASTENER AS						
					(EACH INCLUDES)						
		1	149-7378	1	GROMMET						



GRAPHIC #1

<END>

g01055147

BASIC ENGINE

150-3141 COVER GP-VALVE MECHANISM

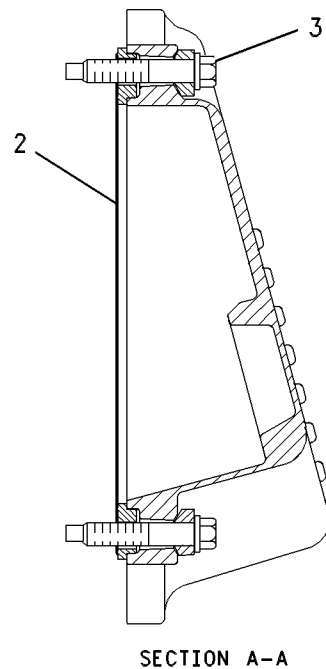
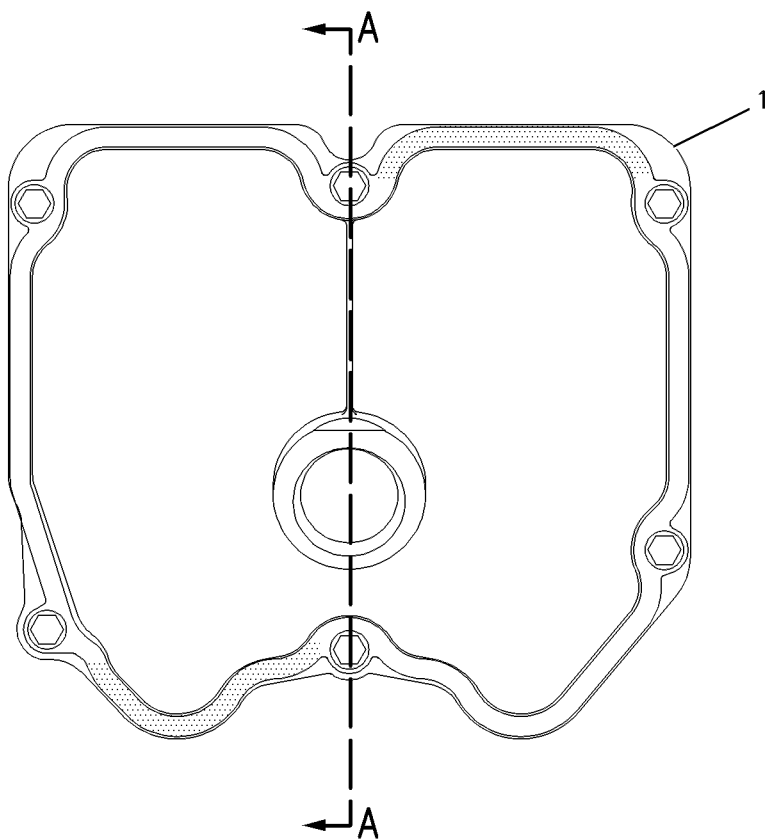
S/N: FFH1-UP

PART OF 159-9339 COVER GP-VALVE MECHANISM

SMCS-1107

i02207391

NOTE	REF NO	GRAPHIC REF	PART NUMBER	QTY	PART NAME						SEE PAGE
					1	2	3	4	5	6 (PRODUCT LEVEL)	
	1	1	149-7376	1	COVER-VALVE MECHANISM						
	2	1	242-9537	1	SEAL-VALVE COVER						
	3	1	243-1159	6	FASTENER AS						
					(EACH INCLUDES)						
		1	149-7378	1	GROMMET						



GRAPHIC #1

<END>

g00299930

BASIC ENGINE

159-9339 COVER GP-VALVE MECHANISM

S/N: FFH1-UP

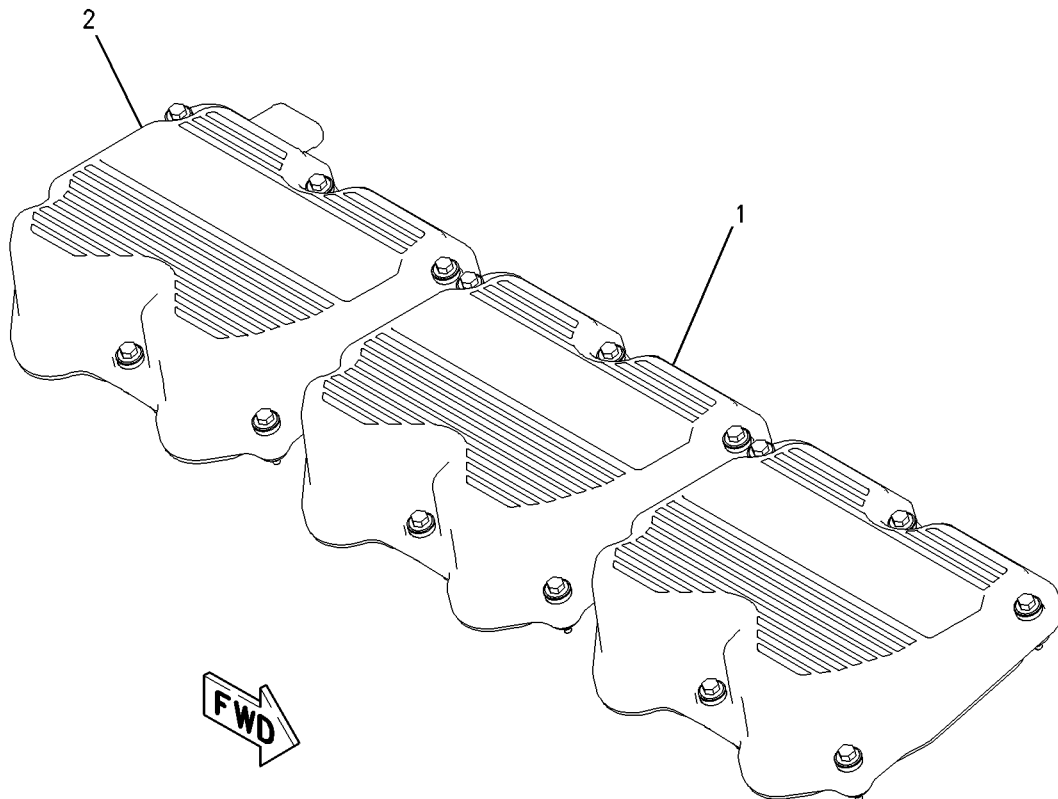
NO OIL FILL, REAR MOUNTED BREATHER
FOR USE WITH REAR FUMES DISPOSAL

SMCS-1107

i01606627

NOTE	REF NO	GRAPHIC REF	PART NUMBER	QTY	PART NAME						SEE PAGE
					1	2	3	4	5	6 (PRODUCT LEVEL)	
Y	1	1	150-3141	2	COVER GP-VALVE MECHANISM						44
Y	2	1	159-9343	1	COVER GP-VALVE MECHANISM						46

Y-SEPARATE ILLUSTRATION



GRAPHIC #1

<END>

g00832451

BASIC ENGINE

159-9343 COVER GP-VALVE MECHANISM

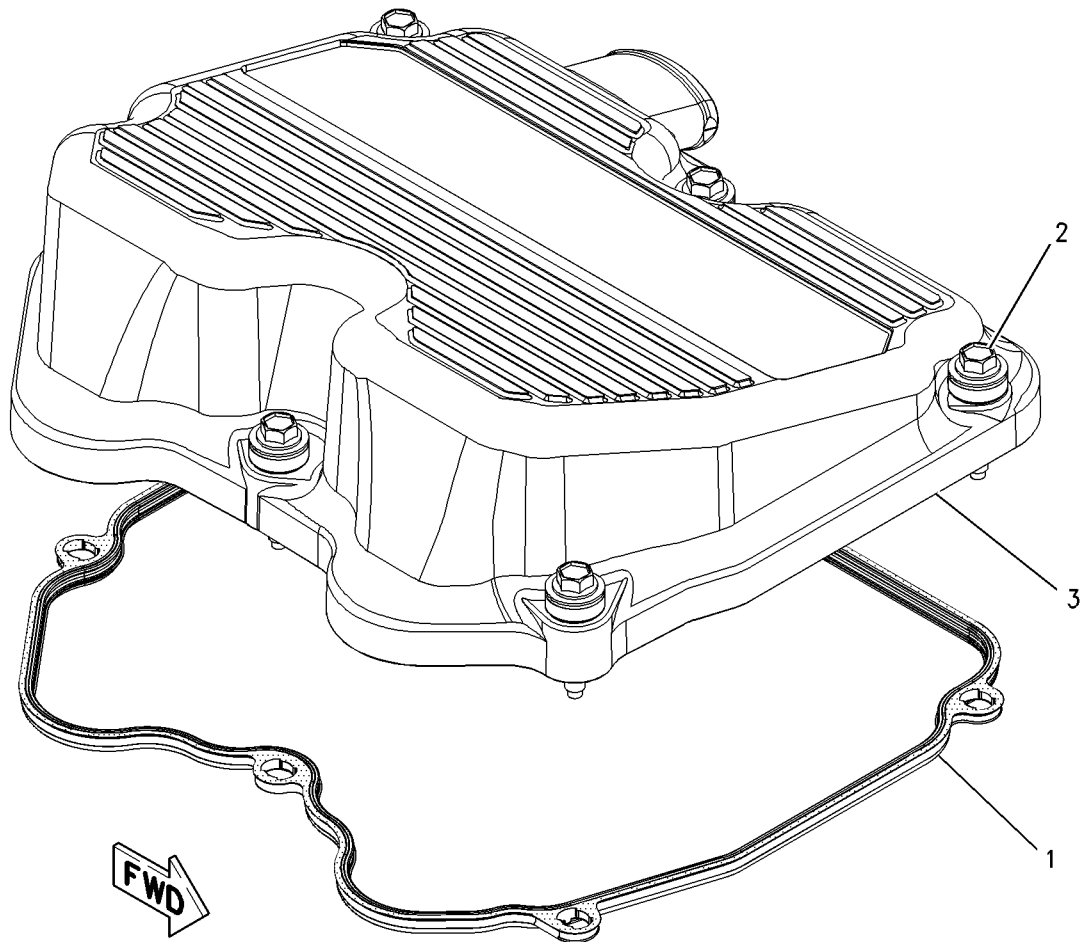
S/N: FFH1-UP

PART OF 159-9339 COVER GP-VALVE MECHANISM

SMCS-1107

i02649910

NOTE	REF NO	GRAPHIC REF	PART NUMBER	QTY	PART NAME						SEE PAGE
					1	2	3	4	5	6 (PRODUCT LEVEL)	
	1	1	242-9537	1	SEAL-VALVE COVER						
	2	1	243-1159	6	FASTENER AS (VALVE COVER)						
					(EACH INCLUDES)						
		1	149-7378	1	GROMMET						
	3	1	177-4639	1	COVER AS-VALVE (BREATHER)						



GRAPHIC #1

<END>

g00832454

BASIC ENGINE

187-1326 COVER GP-VALVE MECHANISM

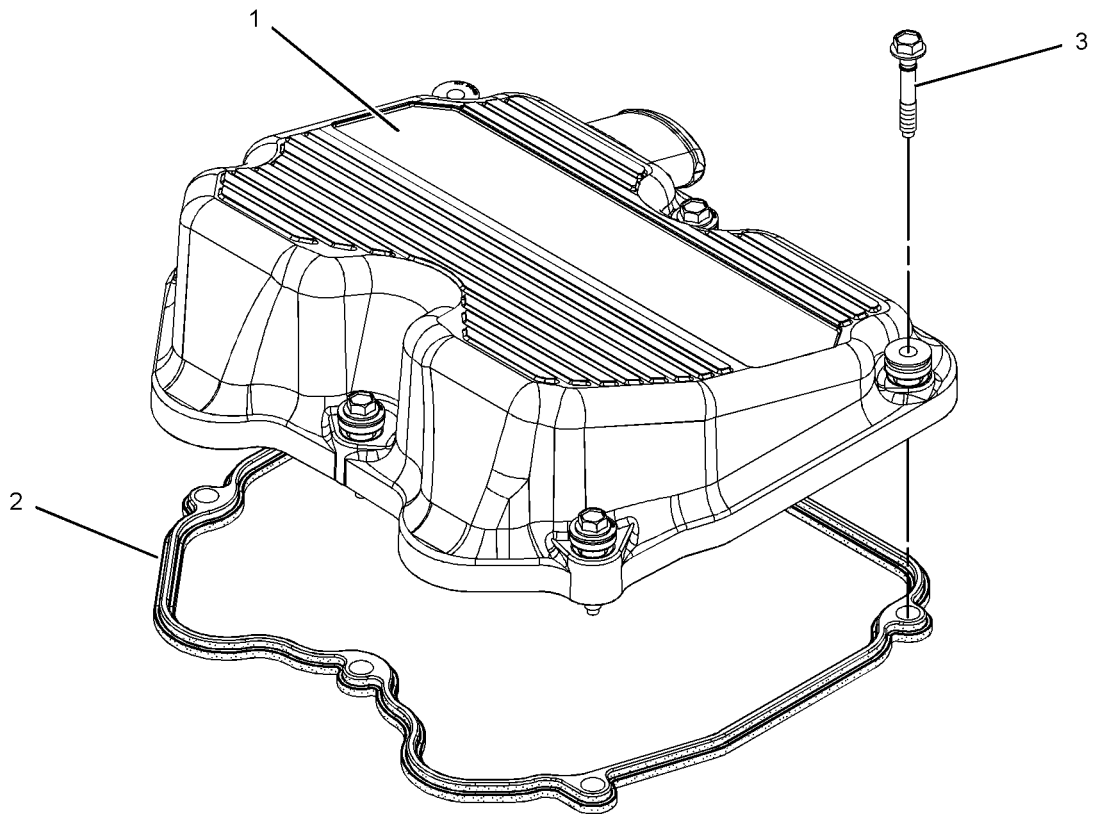
S/N: FFH221-UP

PART OF 187-1328 COVER GP-VALVE MECHANISM

SMCS-1107

i02207393

NOTE	REF NO	GRAPHIC REF	PART NUMBER	QTY	PART NAME						SEE PAGE
					1	2	3	4	5	6 (PRODUCT LEVEL)	
	1	1	187-1325	1	COVER AS-VALVE						
	2	1	242-9537	1	SEAL-VALVE COVER						
	3	1	243-1159	6	FASTENER AS						
					(EACH INCLUDES)						
		1	149-7378	1	GROMMET						



GRAPHIC #1

<END>

g01055197

BASIC ENGINE

187-1328 COVER GP-VALVE MECHANISM

S/N: FFH221-4535

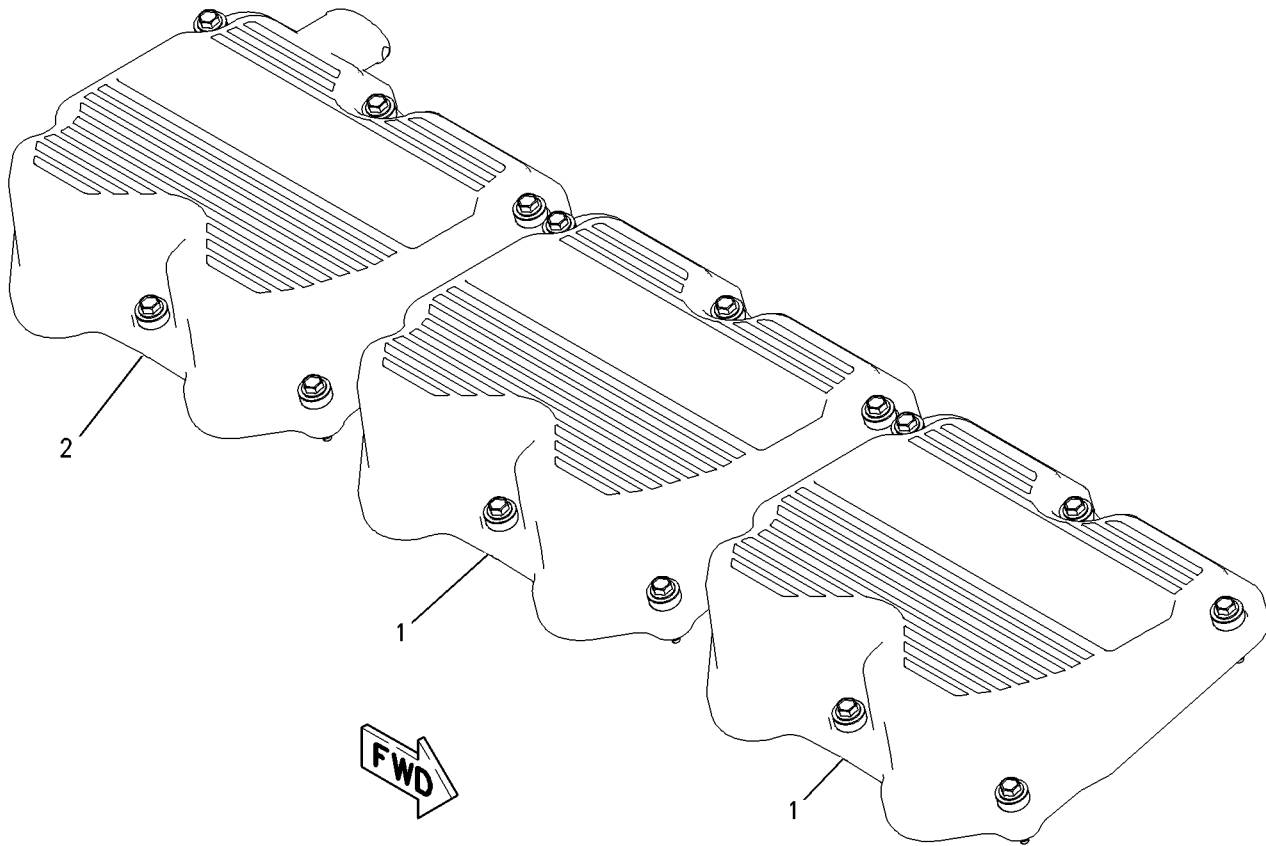
REAR MOUNTED BREATHER, NO OIL FILL

SMCS-1107

i01391600

NOTE	REF NO	GRAPHIC REF	PART NUMBER	QTY	PART NAME						SEE PAGE
					1	2	3	4	5	6 (PRODUCT LEVEL)	
Y	1	1	150-3135	2	COVER GP-VALVE MECHANISM						43
Y	2	1	187-1326	1	COVER GP-VALVE MECHANISM						47

Y-SEPARATE ILLUSTRATION



GRAPHIC #1

<END>

g00740203

BASIC ENGINE

187-1328 COVER GP-VALVE MECHANISM

S/N: FFH4536-UP

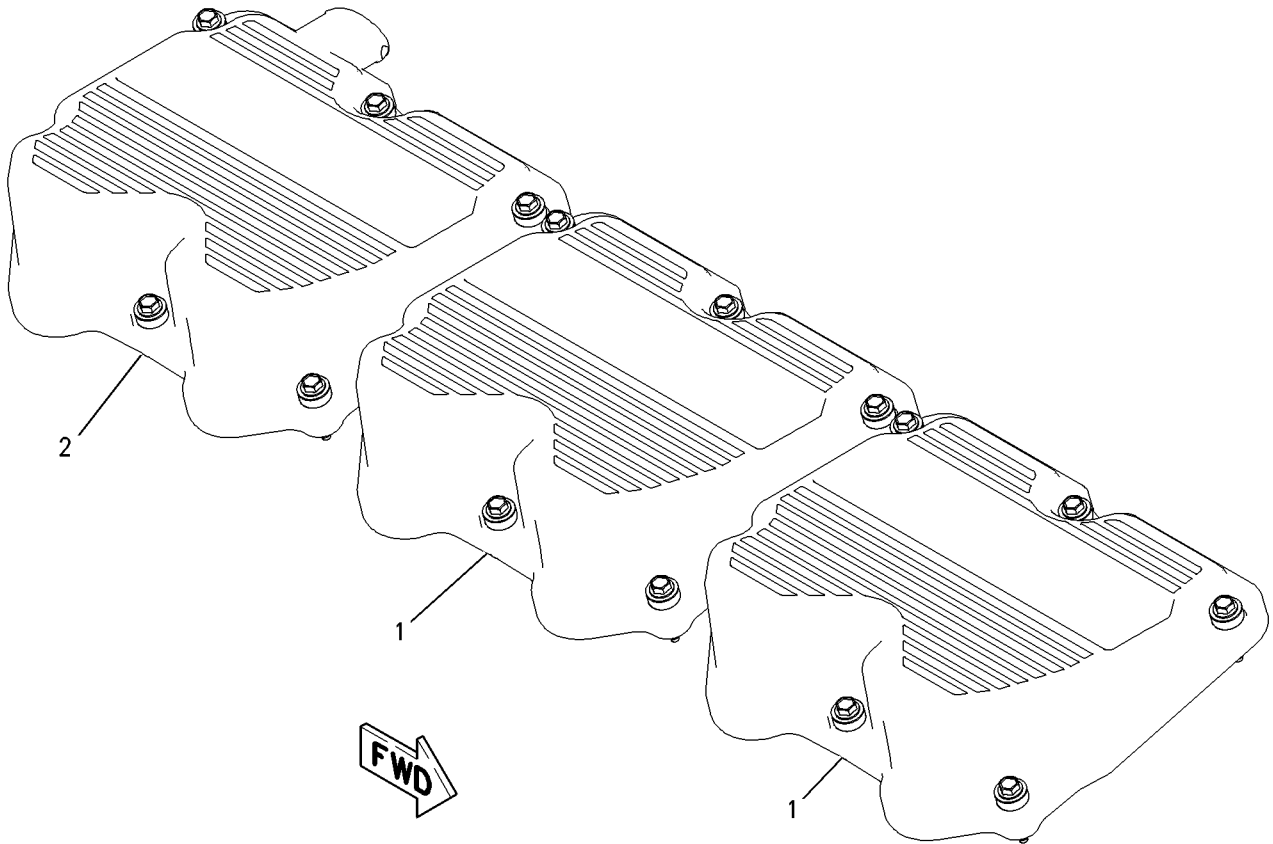
REAR MOUNTED BREATHER, NO OIL FILL

SMCS-1107

i03636768

NOTE	REF NO	GRAPHIC REF	PART NUMBER	QTY	PART NAME						SEE PAGE
					1	2	3	4	5	6 (PRODUCT LEVEL)	
Y	1	1	150-3135	2	COVER GP-VALVE MECHANISM						43
CY	2	1	341-6804	1	COVER GP-VALVE MECHANISM						53

C-CHANGE FROM PREVIOUS TYPE
Y-SEPARATE ILLUSTRATION



GRAPHIC #1

<END>

g00740203

BASIC ENGINE

225-1148 COVER GP-VALVE MECHANISM

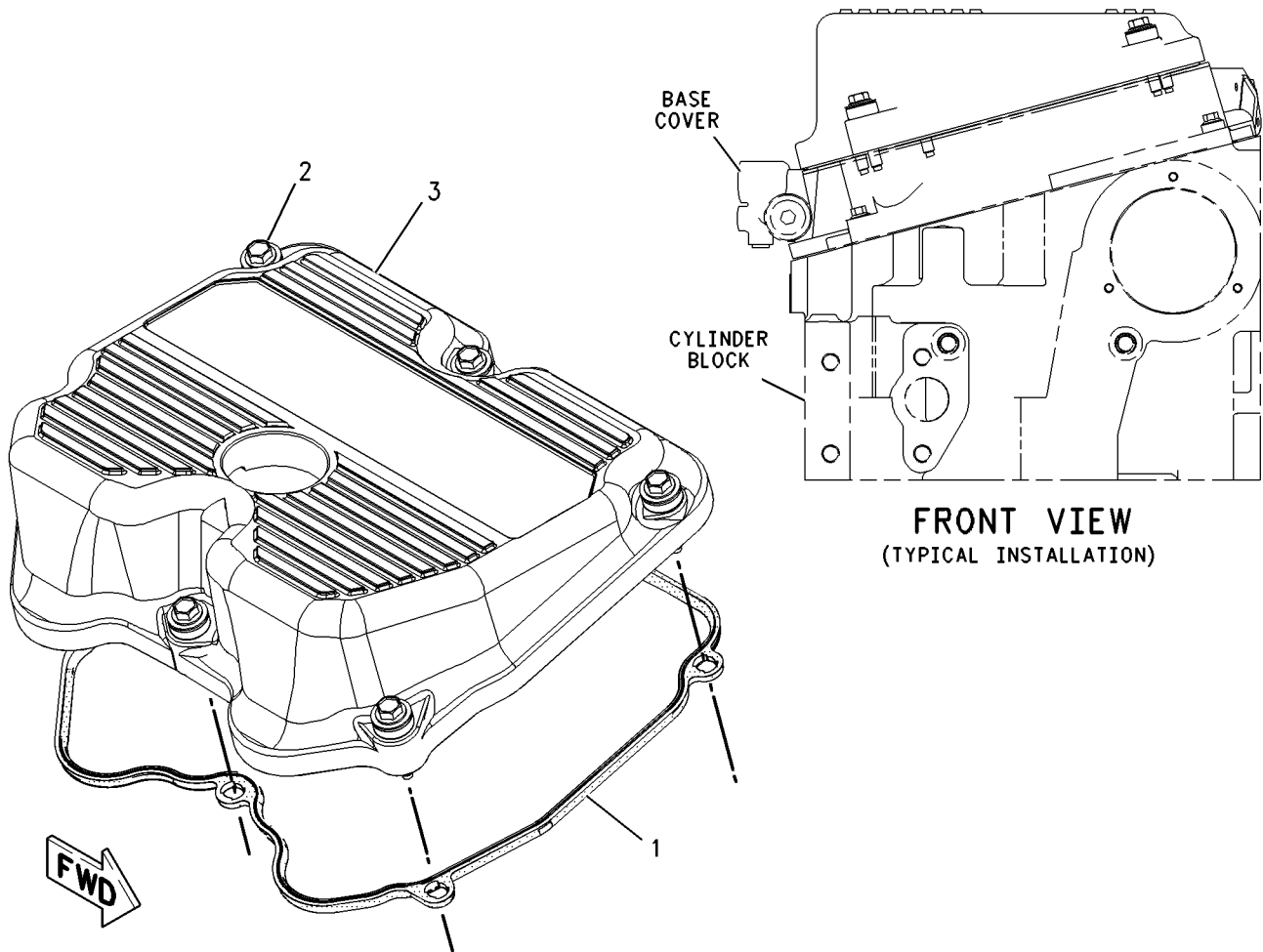
S/N: FFH1-UP

PART OF 239-4113 COVER GP-VALVE MECHANISM

SMCS-1107

i02810054

NOTE	REF NO	GRAPHIC REF	PART NUMBER	QTY	PART NAME						SEE PAGE
					1	2	3	4	5	6 (PRODUCT LEVEL)	
	1	1	242-9537	1	SEAL-VALVE COVER						
	2	1	243-1159	6	FASTENER AS						
					(EACH INCLUDES)						
		1	149-7378	1	GROMMET						
	3	1	225-1144	1	COVER-VALVE						



GRAPHIC #1

<END>

g00991113

BASIC ENGINE

239-4111 COVER GP-VALVE MECHANISM

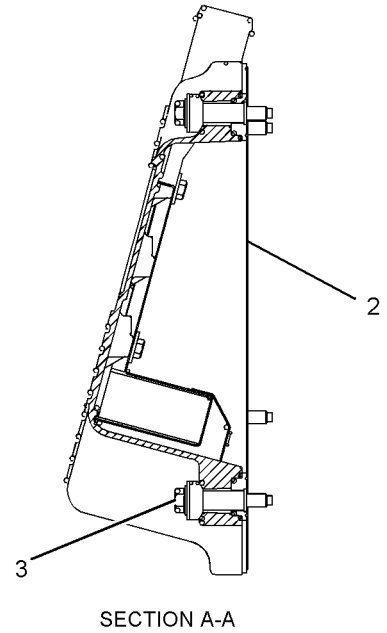
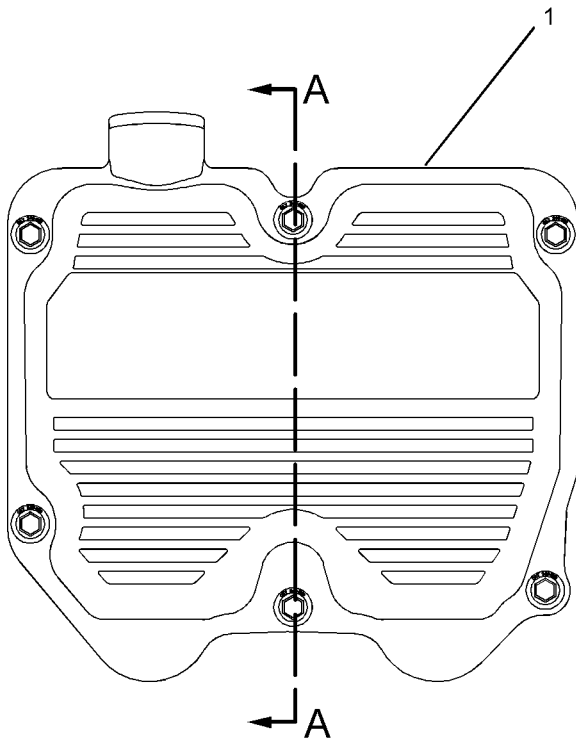
S/N: FFH1-UP

PART OF 239-4113 COVER GP-VALVE MECHANISM

SMCS-1107

i02305859

NOTE	REF NO	GRAPHIC REF	PART NUMBER	QTY	PART NAME						SEE PAGE
					1	2	3	4	5	6 (PRODUCT LEVEL)	
	1	1	269-6348	1	COVER AS-VALVE						
	2	1	242-9537	1	SEAL-VALVE COVER						
	3	1	243-1159	6	FASTENER AS						
					(EACH INCLUDES)						
		1	149-7378	1	GROMMET						



SECTION A-A

GRAPHIC #1

<END>

g01052702

BASIC ENGINE

239-4113 COVER GP-VALVE MECHANISM

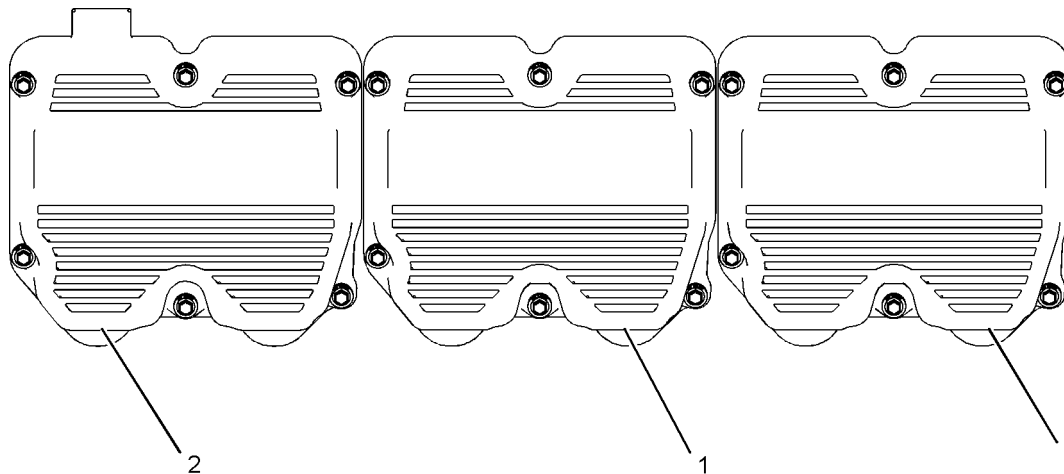
S/N: FFH1-UP

SMCS-1107

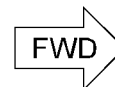
i02039988

NOTE	REF NO	GRAPHIC REF	PART NUMBER	QTY	PART NAME						SEE PAGE	
					1	2	3	4	5	6 (PRODUCT LEVEL)		
Y	1	1	225-1148	2	COVER	GP-VALVE	MECHANISM					50
Y	2	1	239-4111	1	COVER	GP-VALVE	MECHANISM					51

Y-SEPARATE ILLUSTRATION



TOP VIEW



GRAPHIC #1

<END>

g01052729

BASIC ENGINE

341-6804 COVER GP-VALVE MECHANISM

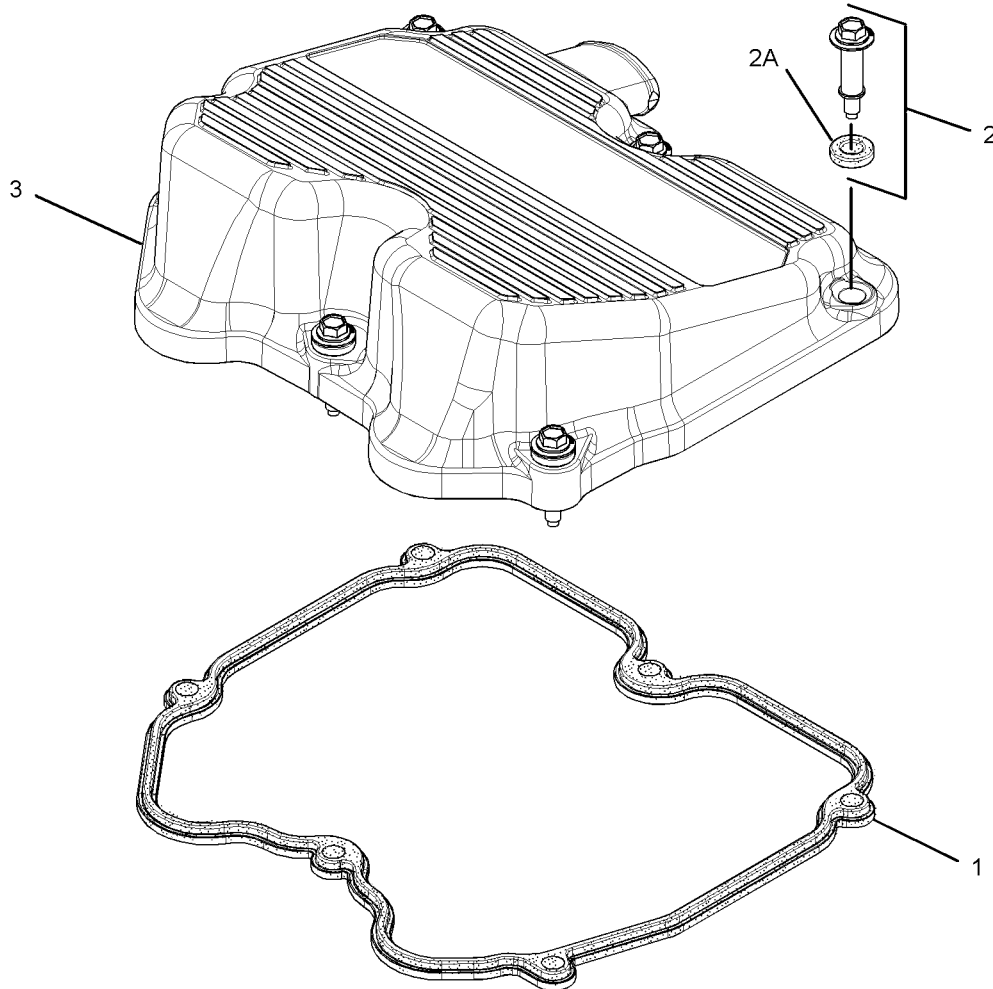
S/N: FFH335-UP

PART OF 187-1328 COVER GP-VALVE MECHANISM

SMCS-1107

i03531580

NOTE	REF NO	GRAPHIC REF	PART NUMBER	QTY	PART NAME						SEE PAGE
					1	2	3	4	5	6 (PRODUCT LEVEL)	
	1	1	242-9537	1	SEAL-VALVE COVER						
	2	1	243-1159	6	FASTENER AS						
					(EACH INCLUDES)						
	2A	1	149-7378	1	GROMMET						
	3	1	239-4106	1	COVER AS-VALVE						



GRAPHIC #1

<END>

g01860954

BASIC ENGINE

223-9731 CRANKSHAFT GP

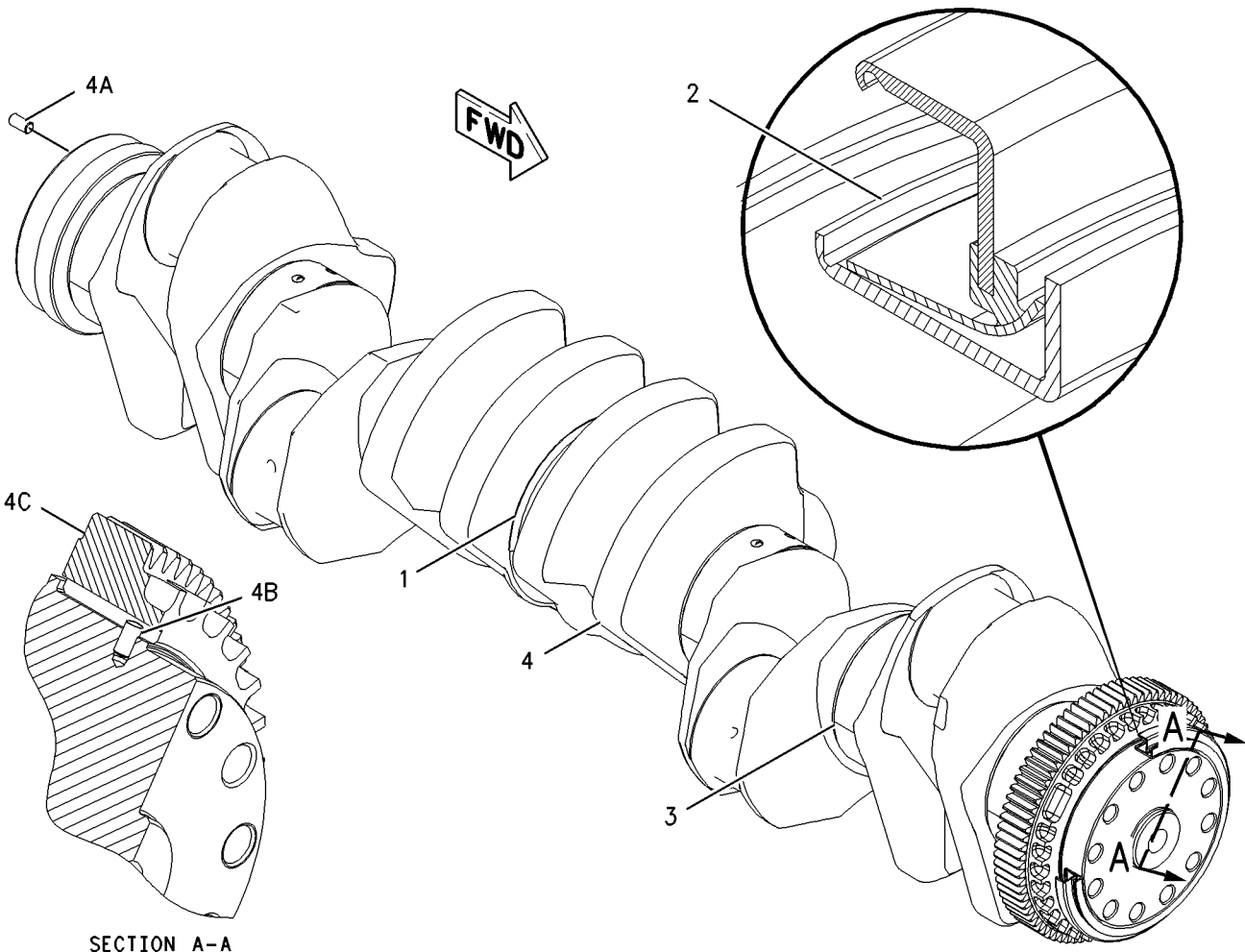
S/N: FFH1-UP

SMCS-1202

i03645098

NOTE	REF NO	GRAPHIC REF	PART NUMBER	QTY	PART NAME						SEE PAGE
					1	2	3	4	5	6 (PRODUCT LEVEL)	
J	1	1	253-1752	2	PLATE-THRUST						
Y	2	1	<i>319-7401</i>	1	SEAL GP-CRANKSHAFT (FRONT)						123
J	3	1	317-8766	7	BEARING-MAIN (STANDARD)						
AB		1	4W-5698		BEARING-MAIN (0.63-MM US)						
AB		1	4W-5699		BEARING-MAIN (1.27-MM US)						
AB		1	4W-5700		BEARING-MAIN (0.63-MM OS)						
AB		1	4W-5701		BEARING-MAIN (0.63-MM US - 0.63-MM OS)						
R	4	1	221-9360	1	CRANKSHAFT AS						
	4A	1	4N-0684	1	DOWEL						
	4B	1	7S-5005	1	DOWEL						
	4C	1	160-5120	1	GEAR-CRANKSHAFT (80-TEETH)						
					AVAILABLE REPAIR KIT(S):						
AJ			243-6718		KIT-CRANKSHAFT BEARING (STANDARD) (INCLUDES A COMPLETE SET OF THRUST PLATES AND MAIN BEARINGS)						

A-NOT PART OF THIS GROUP
 B-USE AS REQUIRED
 J-KIT MARKED J INCLUDES PARTS MARKED J
 R-REMG PART MAY BE AVAILABLE
 Y-SEPARATE ILLUSTRATION



SECTION A-A

GRAPHIC #1

<END>

g00955077

BASIC ENGINE

267-4631 CYLINDER BLOCK AS

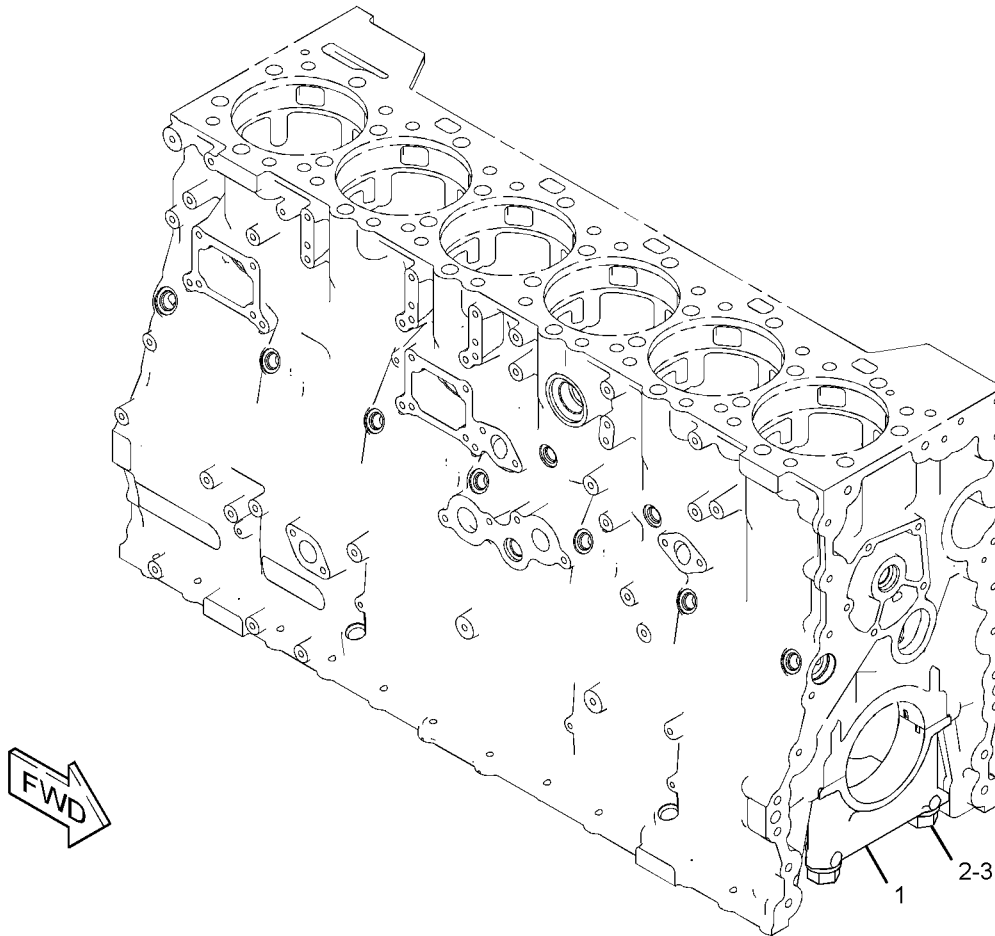
S/N: FFH112-UP

PART OF 267-4632 CYLINDER BLOCK AS

SMCS-1201

i02348817

NOTE	REF NO	GRAPHIC REF	PART NUMBER	QTY	PART NAME						SEE PAGE
					1	2	3	4	5	6 (PRODUCT LEVEL)	
	1	1	167-8081	7	CAP-CRANKSHAFT BEARING						
	2	1	167-8083	14	BOLT (7/8-14X7.5-IN)						
	3	1	9H-1031	14	WASHER-HARD (24X41.5X6-MM THK)						



GRAPHIC #1

<END>

g01177294

BASIC ENGINE

267-4632 CYLINDER BLOCK AS

S/N: FFH112-UP

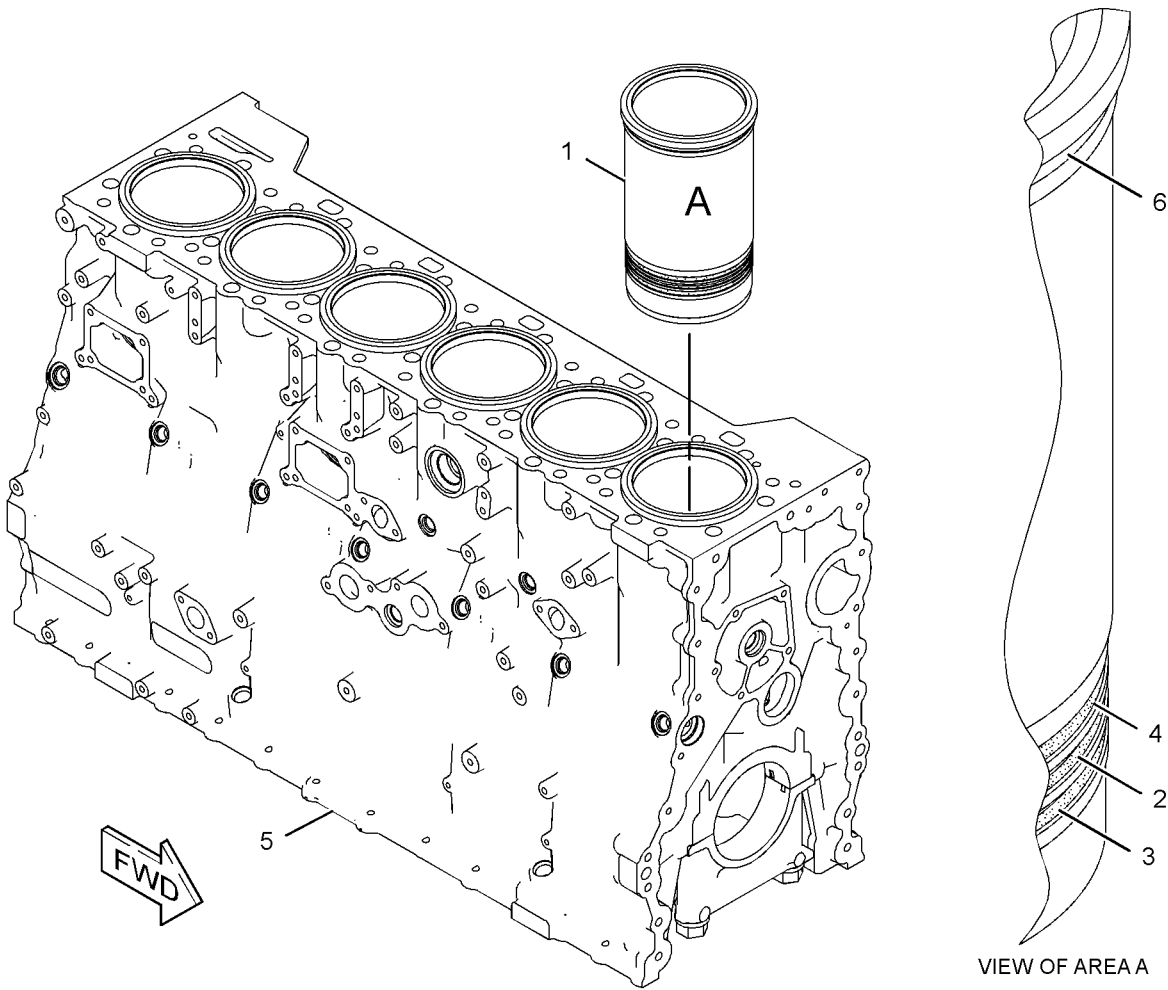
PART OF 223-9252 CYLINDER BLOCK GP

SMCS-1201

i02528877

NOTE	REF NO	GRAPHIC REF	PART NUMBER	QTY	PART NAME						SEE PAGE
					1	2	3	4	5	6 (PRODUCT LEVEL)	
	1	1	197-9322	6	LINER-CYLINDER						
	2	1	110-2220	6	SEAL-LINER						
	3	1	142-6217	6	SEAL-O-RING						
	4	1	142-7072	6	SEAL-LINER						
YR	5	1	267-4631	1	CYLINDER BLOCK AS						55
	6	1	9L-5854	6	BAND-FILLER (130.2-MM ID)						

R-REMFG PART MAY BE AVAILABLE
Y-SEPARATE ILLUSTRATION



GRAPHIC #1

<END>

g01177148

BASIC ENGINE

223-9252 CYLINDER BLOCK GP

S/N: FFH1-111

SMCS-1201

i03091753

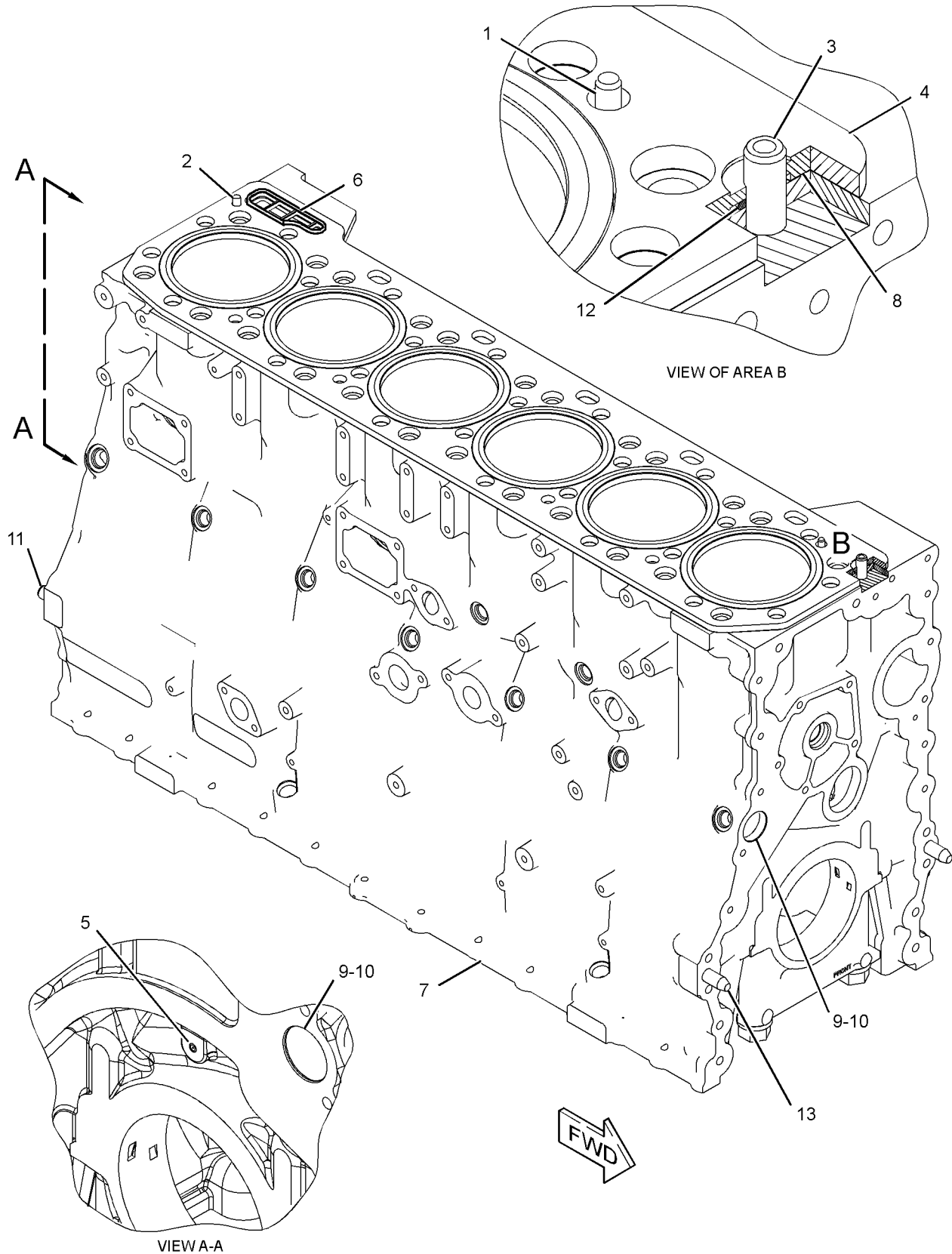
NOTE	REF NO	GRAPHIC REF	PART NUMBER	QTY	PART NAME						SEE PAGE
					1	2	3	4	5	6 (PRODUCT LEVEL)	
	1	1	1S-9540	1	DOWEL						
	2	1	4N-1650	1	DOWEL						
	3	1	6I-1055	1	DOWEL						
	4	1	6I-4421	1	PLATE-SPACER						
	5	1	8S-9094	1	PLUG-ORIFICE						
	6	1	142-2329	1	SEAL						
CY	7	1	234-5997	1	CYLINDER BLOCK GP						61
	8	1	227-1204	1	GASKET						
	9	1	100-7399	2	PLUG						
	10	1	250-0466	2	SEAL-O-RING						
	11	1	4N-0683	2	DOWEL						
	12	1	5P-0840	1	SEAL-O-RING						
	13	1	266-6038	2	DOWEL						

C-CHANGE FROM PREVIOUS TYPE
Y-SEPARATE ILLUSTRATION

BASIC ENGINE

223-9252 CYLINDER BLOCK GP (contd.)

i03091753



GRAPHIC #1

<END>

g01381152

BASIC ENGINE

223-9252 CYLINDER BLOCK GP

S/N: FFH112-UP

SMCS-1201

i02969244

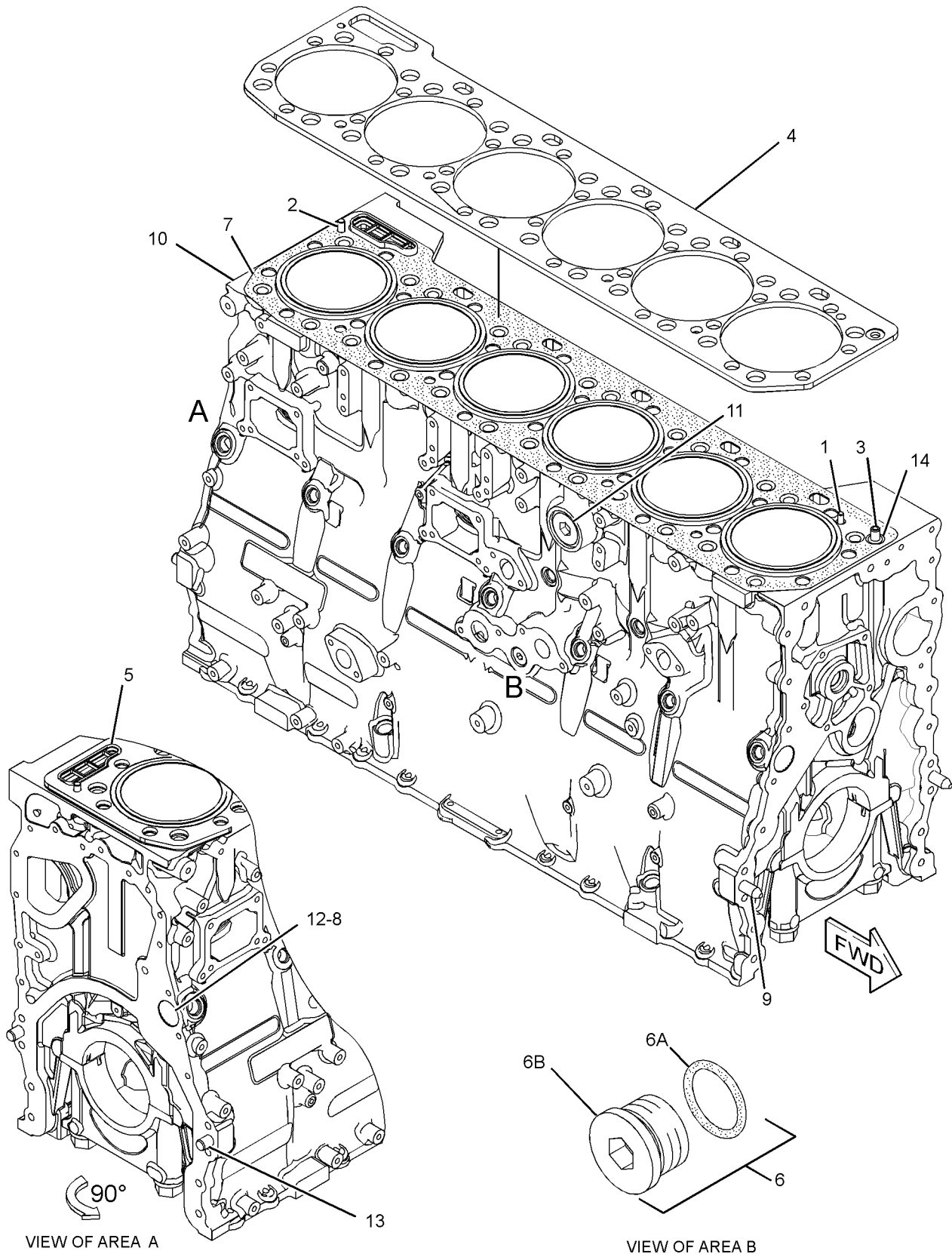
NOTE	REF NO	GRAPHIC REF	PART NUMBER	QTY	PART NAME						SEE PAGE
					1	2	3	4	5	6 (PRODUCT LEVEL)	
	1	1	1S-9540	1	DOWEL						
	2	1	4N-1650	1	DOWEL						
	3	1	6I-1055	1	DOWEL						
	4	1	6I-4421	1	PLATE-SPACER						
	5	1	142-2329	1	SEAL						
C	6	1	<i>201-4340</i>	1	PLUG AS						
	6A	1	6V-4589	1	SEAL-O-RING						
	6B	1	9S-8006	1	PLUG-O-RING						
	7	1	227-1204	1	GASKET						
	8	1	250-0466	2	SEAL-O-RING						
	9	1	266-6038	2	DOWEL						
CY	10	1	267-4632	1	CYLINDER BLOCK AS						56
CY	11	1	<i>305-9196</i>	1	PLUG GP-CYLINDER BLOCK						114
	12	1	100-7399	2	PLUG						
	13	1	4N-0683	2	DOWEL						
	14	1	5P-0840	1	SEAL-O-RING						

C-CHANGE FROM PREVIOUS TYPE
Y-SEPARATE ILLUSTRATION

BASIC ENGINE

223-9252 CYLINDER BLOCK GP (contd.)

i02969244



GRAPHIC #1

<END>

g01513093

BASIC ENGINE

234-5997 CYLINDER BLOCK GP

S/N: FFH1-111

ACERT, 14.6 LITER

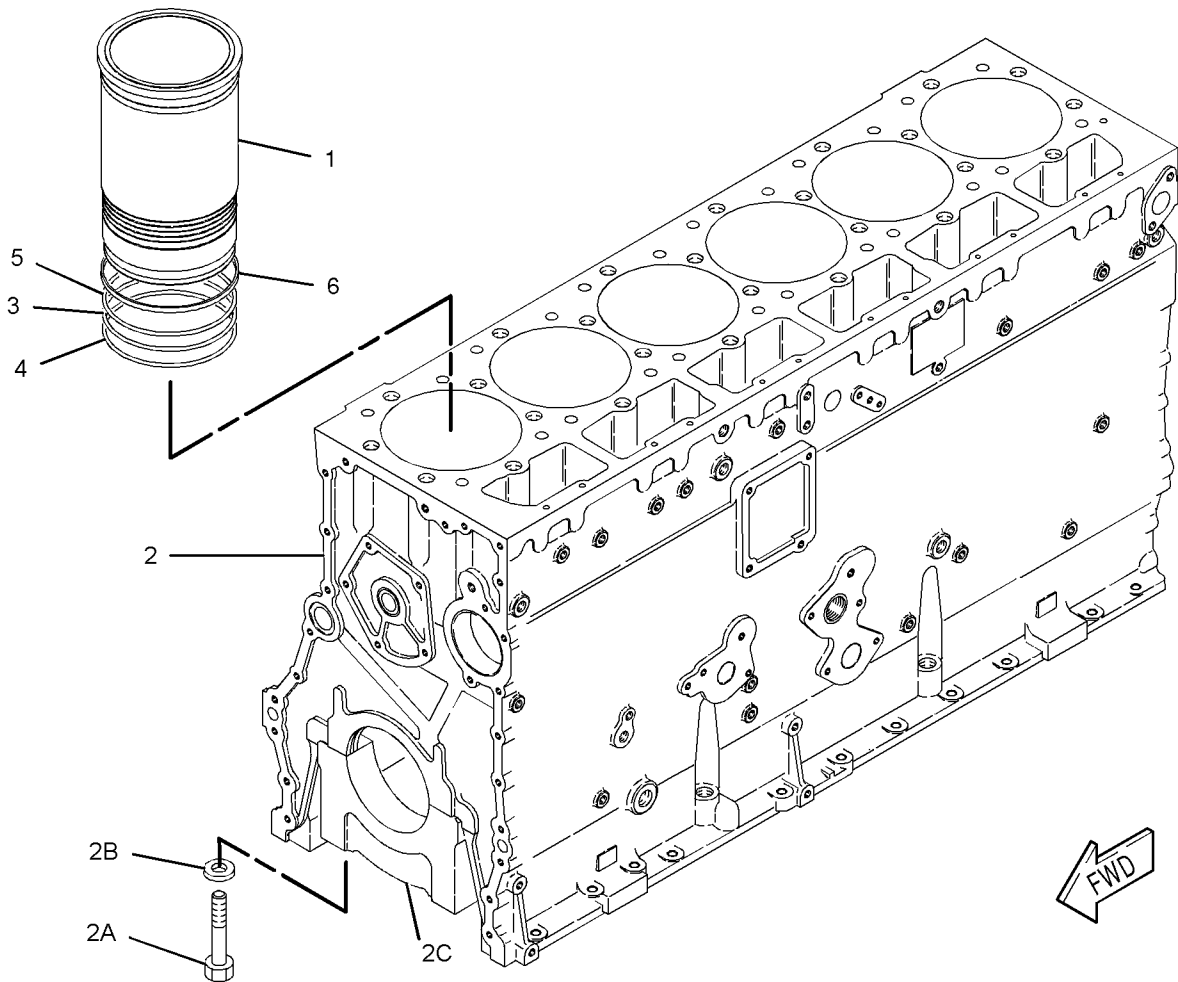
PART OF 223-9252 CYLINDER BLOCK GP

SMCS-1201

i02040064

NOTE	REF NO	GRAPHIC REF	PART NUMBER	QTY	PART NAME						SEE PAGE
					1	2	3	4	5	6 (PRODUCT LEVEL)	
	1	1	197-9322	6	LINER-CYLINDER						
R	2	1	229-8568	1	CYLINDER BLOCK AS						
	2A	1	167-8083	14	BOLT (7/8-14X7.5-IN)						
	2B	1	9H-1031	14	WASHER-HARD (24X41.5X6-MM THK)						
	2C	1	167-8081	7	CAP-CRANKSHAFT BEARING						
	3	1	110-2220	6	SEAL-LINER (MIDDLE)						
	4	1	142-6217	6	SEAL-O-RING (OIL)						
	5	1	142-7072	6	SEAL-LINER (COOLANT)						
	6	1	9L-5854	6	BAND-FILLER (130.2-MM ID)						

R-REMFG PART MAY BE AVAILABLE



GRAPHIC #1

<END>

g01053564

BASIC ENGINE

223-7263 CYLINDER HEAD AS

S/N: FFH1-UP

WITH PRE-FINISHED VALVE SEAT INSERTS
PART OF 223-9250 CYLINDER HEAD GP

SMCS-1100, 1101

i02844808

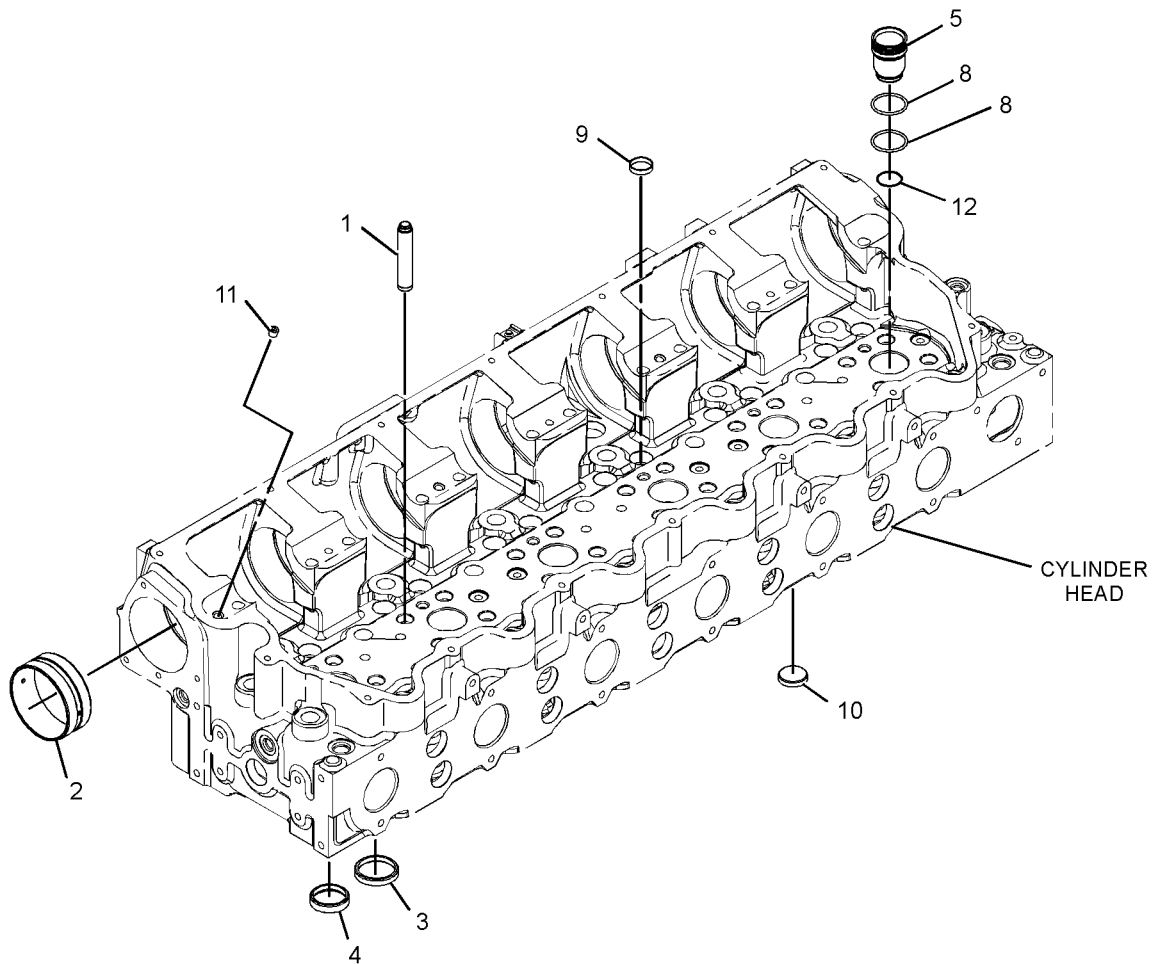
NOTE	REF NO	GRAPHIC REF	PART NUMBER	QTY	PART NAME						SEE PAGE
					1	2	3	4	5	6 (PRODUCT LEVEL)	
	1	1	122-7375	24	GUIDE-VALVE (STANDARD)						
AB		1	122-0447		GUIDE-VALVE (0.51-MM OS)						
AB		1	122-8612		GUIDE-VALVE (0.13-MM OS)						
	2	1	216-5582	7	BEARING-SLEEVE (STANDARD)						
AB		1	217-0751		BEARING-SLEEVE (0.254-MM OS)						
AB		1	217-0752		BEARING-SLEEVE (0.762-MM OS)						
AB		1	261-3429		BEARING-SLEEVE (1.778-MM OS)						
AB		1	261-3430		BEARING-SLEEVE (1.27-MM OS)						
	3	1	224-3983	12	INSERT-SEAT (INLET) (STANDARD)						
AB		1	314-3063		INSERT-VALVE SEAT (0.55 MM US THK)						
AB		1	314-3064		INSERT-VALVE SEAT (INLET 0.13 OS OD)						
AB		1	314-3065		INSERT-VALVE SEAT (0.13 MM OS OD, 0.55 MM US THK)						
AB		1	314-3066		INSERT-VALVE SEAT (INLET 0.26 OS OD)						
AB		1	314-3067		INSERT-VALVE SEAT (0.26 MM OS OD, 0.55 MM US THK)						
AB		1	314-3068		INSERT-VALVE SEAT (INLET 0.51 OS OD)						
AB		1	314-3069		INSERT-VALVE SEAT (0.51 MM OS OD, 0.55 MM US THK)						
	4	1	226-5561	12	INSERT-VALVE (EXHAUST) (STANDARD)						
AB		1	288-4883		INSERT-VALVE (EXHAUST 0.51 OS OD)						
AB		1	288-4884		INSERT-VALVE (EXHAUST 0.76 OS OD)						
	5	1	263-4920	6	SLEEVE-INJECTOR (INLET)						
	8	1	166-2904	12	SEAL-O-RING						
	9	1	3B-0623	17	PLUG-CUP						
	10	1	3B-0645	20	PLUG-CUP						
	11	1	8T-6757	3	PLUG-PIPE						
	12	1	9X-7430	6	SEAL-O-RING						

A-NOT PART OF THIS GROUP
B-USE AS REQUIRED

BASIC ENGINE

223-7263 CYLINDER HEAD AS (contd.)

i02844808



GRAPHIC #1

<END>

g01370336

BASIC ENGINE

281-1640 CYLINDER HEAD AS

S/N: FFH1-UP

CONTAINS PRECISION PRE-MACHINED VALVE SEAT INSERTS
PART OF 263-5055 CYLINDER HEAD GP

SMCS-1100, 1101

i02884458

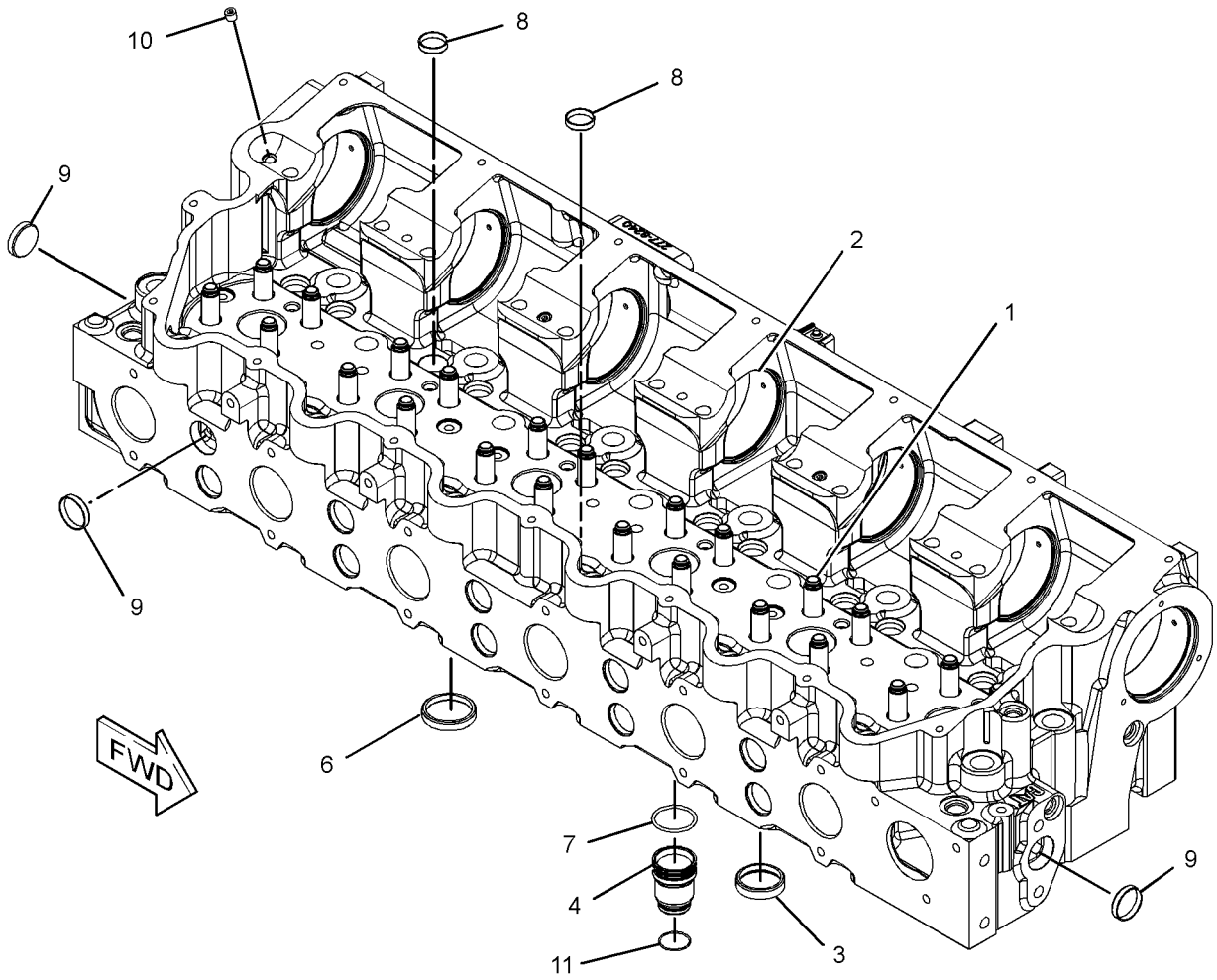
NOTE	REF NO	GRAPHIC REF	PART NUMBER	QTY	PART NAME						SEE PAGE
					1	2	3	4	5	6 (PRODUCT LEVEL)	
	1	1	122-7375	24	GUIDE-VALVE (STANDARD)						
AB		1	122-0447		GUIDE-VALVE (0.51-MM OS)						
AB		1	122-8612		GUIDE-VALVE (0.13-MM OS)						
	2	1	216-5582	7	BEARING-SLEEVE (STANDARD)						
AB		1	217-0751		BEARING-SLEEVE (0.254-MM OS)						
AB		1	217-0752		BEARING-SLEEVE (0.762-MM OS)						
AB		1	261-3429		BEARING-SLEEVE (1.778-MM OS)						
AB		1	261-3430		BEARING-SLEEVE (1.27-MM OS)						
	3	1	226-5561	12	INSERT-VALVE (EXHAUST) (STANDARD)						
AB		1	288-4883		INSERT-VALVE (EXHAUST 0.51 OS OD)						
AB		1	288-4884		INSERT-VALVE (EXHAUST 0.76 OS OD)						
	4	1	263-4920	6	SLEEVE-INJECTOR (INLET)						
	6	1	280-3979	12	INSERT-VALVE (INLET) (STANDARD)						
AB		1	288-4881		INSERT-VALVE (INLET) (0.51-MM OS)						
AB		1	288-4882		INSERT-VALVE (INLET) (0.76-MM OS)						
	7	1	166-2904	12	SEAL-O-RING						
	8	1	3B-0623	17	PLUG-CUP						
	9	1	3B-0645	20	PLUG-CUP						
	10	1	8T-6757	3	PLUG-PIPE						
	11	1	9X-7430	6	SEAL-O-RING						

A-NOT PART OF THIS GROUP
B-USE AS REQUIRED

BASIC ENGINE

281-1640 CYLINDER HEAD AS (contd.)

i02884458



GRAPHIC #1

<END>

g01207161

BASIC ENGINE

223-9250 CYLINDER HEAD GP*R

S/N: FFH1-UP

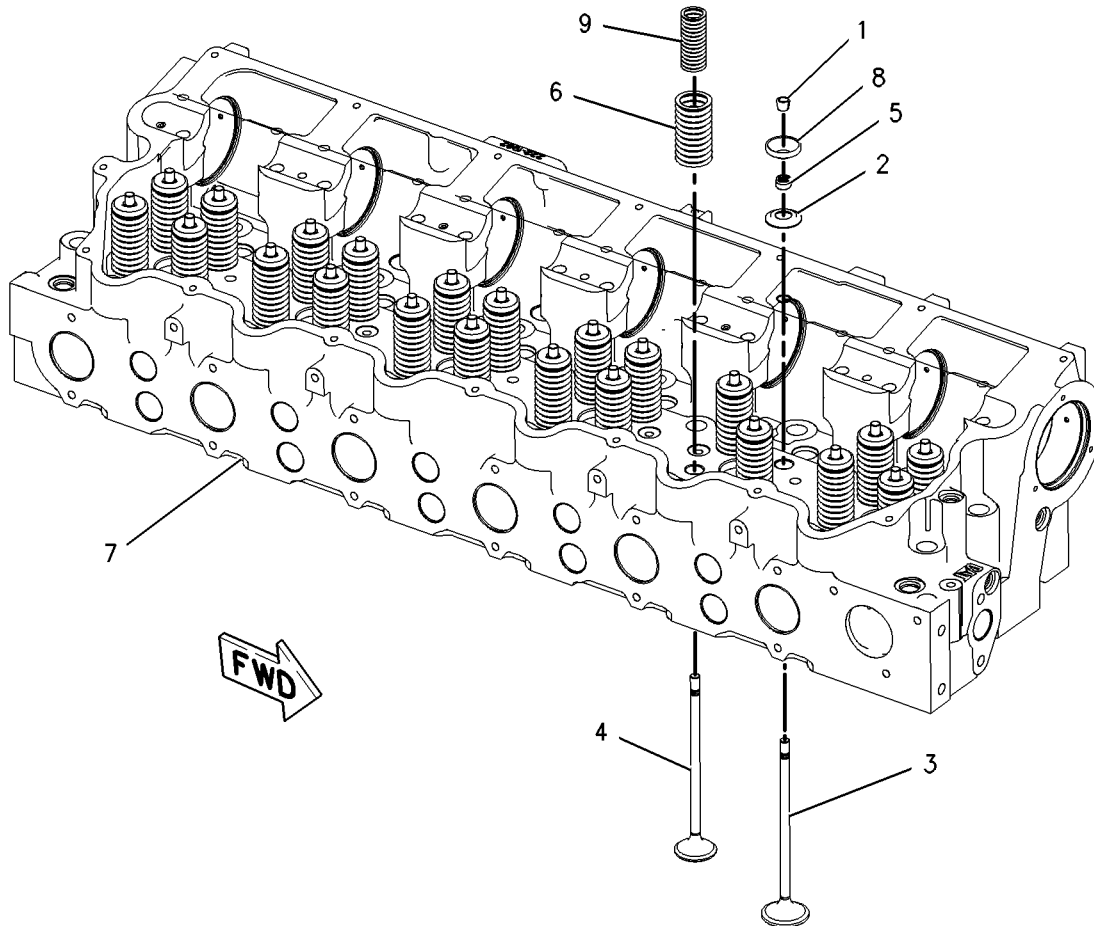
PART OF 234-9185, 262-7996, 314-7316 CYLINDER HEAD GP
OPTIONAL FIELD REPLACEMENT ORDER 263-5055—PAGE 72

SMCS-1100

i03373121

NOTE	REF NO	GRAPHIC REF	PART NUMBER	QTY	PART NAME						SEE PAGE
					1	2	3	4	5	6 (PRODUCT LEVEL)	
	1	1	2A-4429	48	LOCK-RETAINER						
	2	1	6I-0928	24	WASHER-SPECIAL						
	3	1	153-7023	12	VALVE-INLET						
	4	1	153-7024	12	VALVE-EXHAUST						
	5	1	163-2478	24	SEAL-VALVE STEM						
	6	1	247-9908	24	SPRING-VALVE (OUTER)						
CY	7	1	223-7263	1	CYLINDER HEAD AS						62
	8	1	186-2001	24	ROTOCOIL AS						
	9	1	211-3122	24	SPRING-VALVE (INNER)						

C-CHANGE FROM PREVIOUS TYPE
Y-SEPARATE ILLUSTRATION



GRAPHIC #1

<END>

g00955632

BASIC ENGINE

234-9185 CYLINDER HEAD GP

S/N: FFH1-1372

TYPE 1

SMCS-1100

i03235961

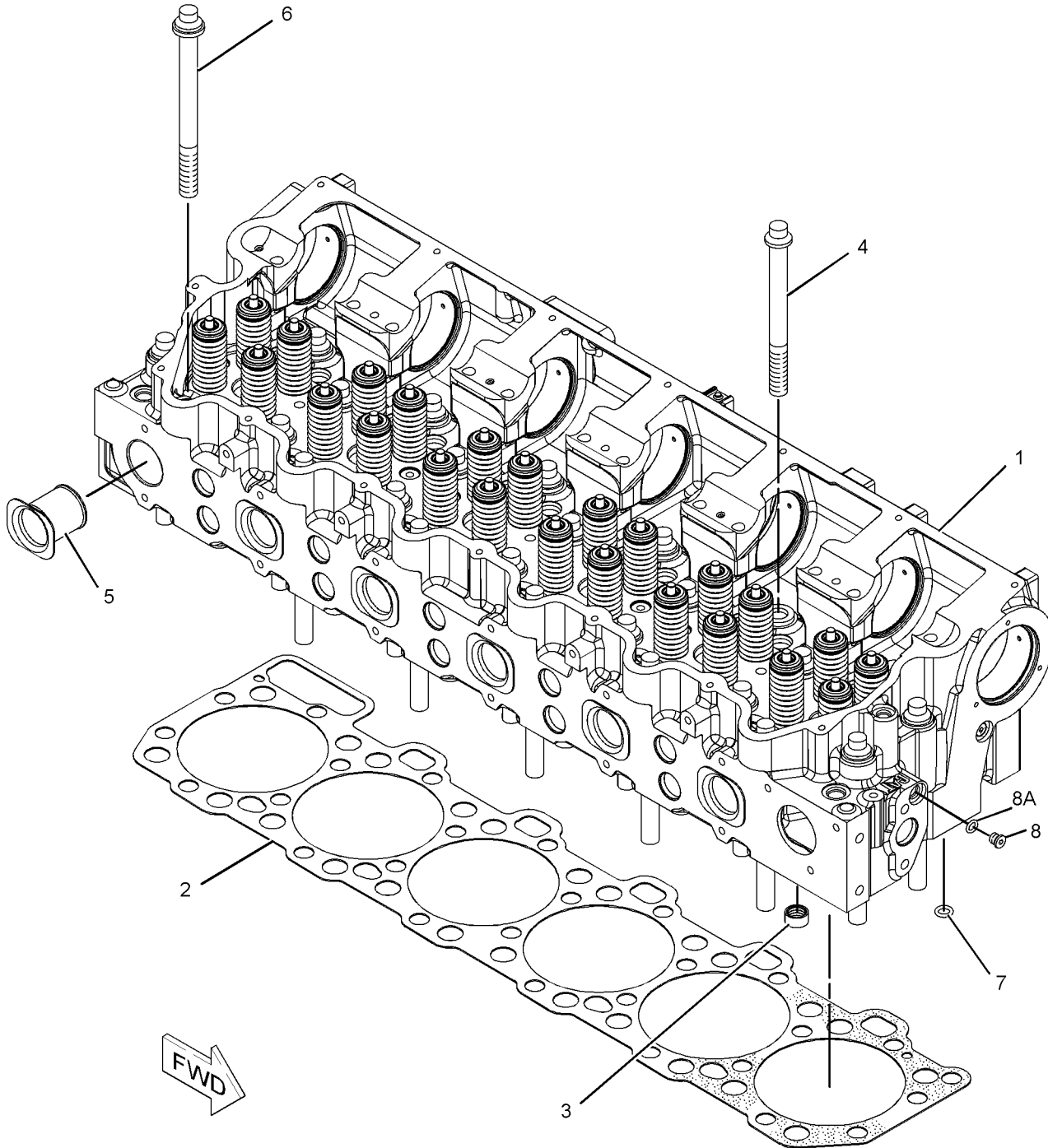
NOTE	REF NO	GRAPHIC REF	PART NUMBER	QTY	PART NAME						SEE PAGE
					1	2	3	4	5	6 (PRODUCT LEVEL)	
YR	1	1	223-9250	1	CYLINDER HEAD GP						66
	2	1	224-5122	1	GASKET (CYLINDER HEAD)						
	3	1	3E-6772	24	SEAL						
	4	1	<i>6I-4025</i>	16	FASTENER GP-CYLINDER HEAD						
					(EACH INCLUDES)						
		1	5H-1504	1	WASHER-HARD (20X33.5X5-MM THK)						
		1	124-1855	1	BOLT-12 POINT HEAD (3/4-16X7.638-IN)						
	5	1	194-8124	6	SLEEVE AS (EXHAUST PORT)						
	6	1	<i>106-5673</i>	10	FASTENER GP-CYLINDER HEAD						
					(EACH INCLUDES)						
		1	5H-1504	1	WASHER-HARD (20X33.5X5-MM THK)						
		1	124-1854	1	BOLT-12 POINT HEAD (3/4-16X8.5-IN)						
	7	1	5P-0840	1	SEAL-O-RING						
C	8	1	<i>183-3408</i>	3	PLUG AS						
					(EACH INCLUDES)						
	8A		214-7568	1	SEAL-O-RING						
			9S-8004	1	PLUG						

C-CHANGE FROM PREVIOUS TYPE
R-REMG PART MAY BE AVAILABLE
Y-SEPARATE ILLUSTRATION

BASIC ENGINE

234-9185 CYLINDER HEAD GP (contd.)

i03235961



GRAPHIC #1

<END>

g01059337

BASIC ENGINE

234-9185 CYLINDER HEAD GP

S/N: FFH1-1372

TYPE 2

SMCS-1100

i03235960

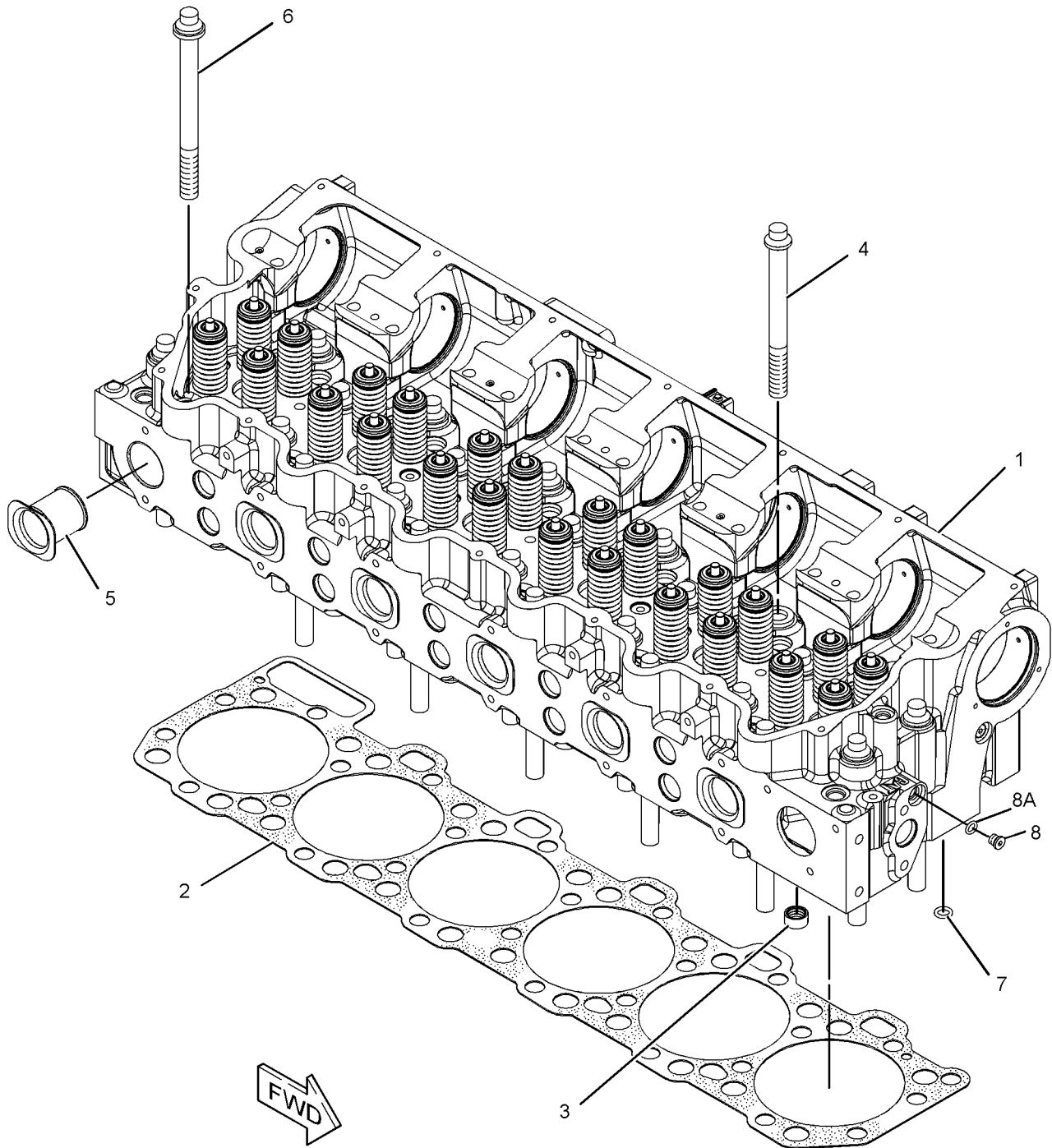
NOTE	REF NO	GRAPHIC REF	PART NUMBER	QTY	PART NAME						SEE PAGE	
					1	2	3	4	5	6 (PRODUCT LEVEL)		
CYR	1	1	263-5055	1	CYLINDER HEAD GP						72	
	2	1	224-5122	1	GASKET (CYLINDER HEAD)							
	3	1	3E-6772	24	SEAL							
	4	1	<i>6I-4025</i>	16	FASTENER GP-CYLINDER HEAD							
					(EACH INCLUDES)							
		1		5H-1504	1	WASHER-HARD (20X33.5X5-MM THK)						
		1		124-1855	1	BOLT-12 POINT HEAD (3/4-16X7.638-IN)						
	5	1		194-8124	6	SLEEVE AS (EXHAUST PORT)						
	6	1		<i>106-5673</i>	10	FASTENER GP-CYLINDER HEAD						
					(EACH INCLUDES)							
	1		5H-1504	1	WASHER-HARD (20X33.5X5-MM THK)							
	1		124-1854	1	BOLT-12 POINT HEAD (3/4-16X8.5-IN)							
7	1		5P-0840	1	SEAL-O-RING							
8	1		<i>183-3408</i>	3	PLUG AS							
				(EACH INCLUDES)								
8A	1		214-7568	1	SEAL-O-RING							
	1		9S-8004	1	PLUG							

C-CHANGE FROM PREVIOUS TYPE
R-REMG PART MAY BE AVAILABLE
Y-SEPARATE ILLUSTRATION

BASIC ENGINE

234-9185 CYLINDER HEAD GP (contd.)

i03235960



GRAPHIC #1

<END>

g01418021

BASIC ENGINE

262-7996 CYLINDER HEAD GP

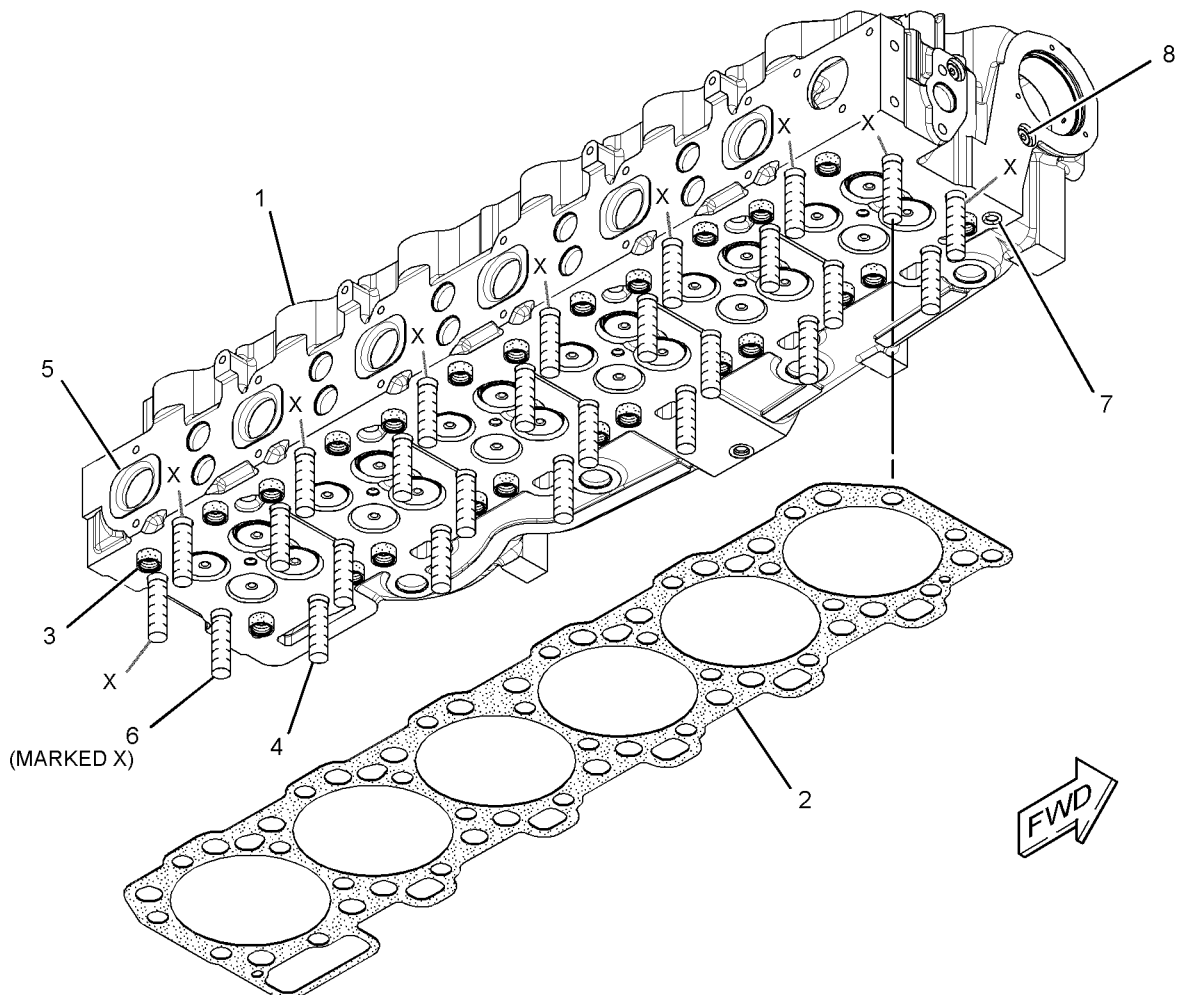
S/N: FFH1-UP

SMCS-1100

i03313221

NOTE	REF NO	GRAPHIC REF	PART NUMBER	QTY	PART NAME						SEE PAGE
					1	2	3	4	5	6 (PRODUCT LEVEL)	
YR	1	1	223-9250	1	CYLINDER HEAD GP						66
	2	1	224-5122	1	GASKET (CYLINDER HEAD) (CYLINDER HEAD)						
	3	1	3E-6772	24	SEAL						
	4	1	6I-4025	16	FASTENER GP-CYLINDER HEAD						
					(EACH INCLUDES)						
		1	5H-1504	1	WASHER-HARD (20X33.5X5-MM THK)						
		1	124-1855	1	BOLT-12 POINT HEAD (3/4-16X7.638-IN)						
	5	1	194-8124	6	SLEEVE AS (EXHAUST PORT)						
	6	1	106-5673	10	FASTENER GP-CYLINDER HEAD						
					(EACH INCLUDES)						
		1	5H-1504	1	WASHER-HARD (20X33.5X5-MM THK)						
		1	124-1854	1	BOLT-12 POINT HEAD (3/4-16X8.5-IN)						
	7	1	5P-0840	1	SEAL-O-RING						
	8	1	183-3408	2	PLUG AS						
					(EACH INCLUDES)						
		1	214-7568	1	SEAL-O-RING						
		1	9S-8004	1	PLUG						

R-REMFG PART MAY BE AVAILABLE
Y-SEPARATE ILLUSTRATION



GRAPHIC #1

<END>

g01691173

BASIC ENGINE

263-5055 CYLINDER HEAD GP*R

S/N: FFH1-UP

PART OF 234-9185 CYLINDER HEAD GP

FIELD REPLACEMENT FOR 223-9250-PAGE 66

SMCS-1100

i02857219

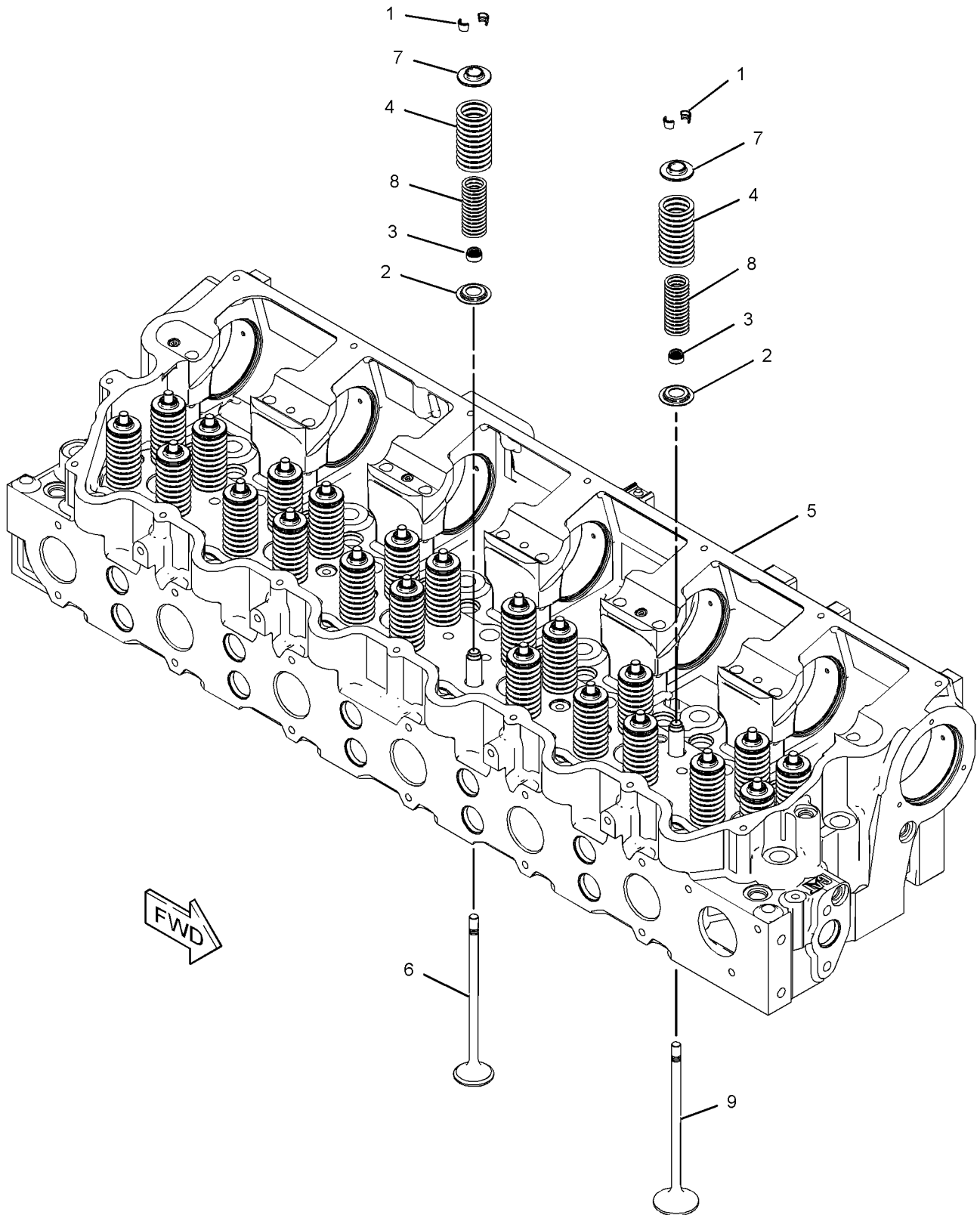
NOTE	REF NO	GRAPHIC REF	PART NUMBER	QTY	PART NAME						SEE PAGE
					1	2	3	4	5	6 (PRODUCT LEVEL)	
	1	1	2A-4429	48	LOCK-RETAINER						
	2	1	6I-0928	24	WASHER-SPECIAL						
	3	1	163-2478	24	SEAL-VALVE STEM						
	4	1	247-9908	24	SPRING-VALVE (OUTER)						
CY	5	1	281-1640	1	CYLINDER HEAD AS						64
	6	1	153-7024	12	VALVE-EXHAUST						
C	7	1	186-2001	24	ROTOCOIL AS						
	8	1	211-3122	24	SPRING-VALVE (INNER)						
	9	1	236-5605	12	VALVE-INLET						

C- CHANGE FROM PREVIOUS TYPE
Y- SEPARATE ILLUSTRATION

BASIC ENGINE

263-5055 CYLINDER HEAD GP (contd.)

i02857219



GRAPHIC #1

<END>

g01207023

BASIC ENGINE

314-7316 CYLINDER HEAD GP

S/N: FFH1303-UP

SMCS-1100

i03236040

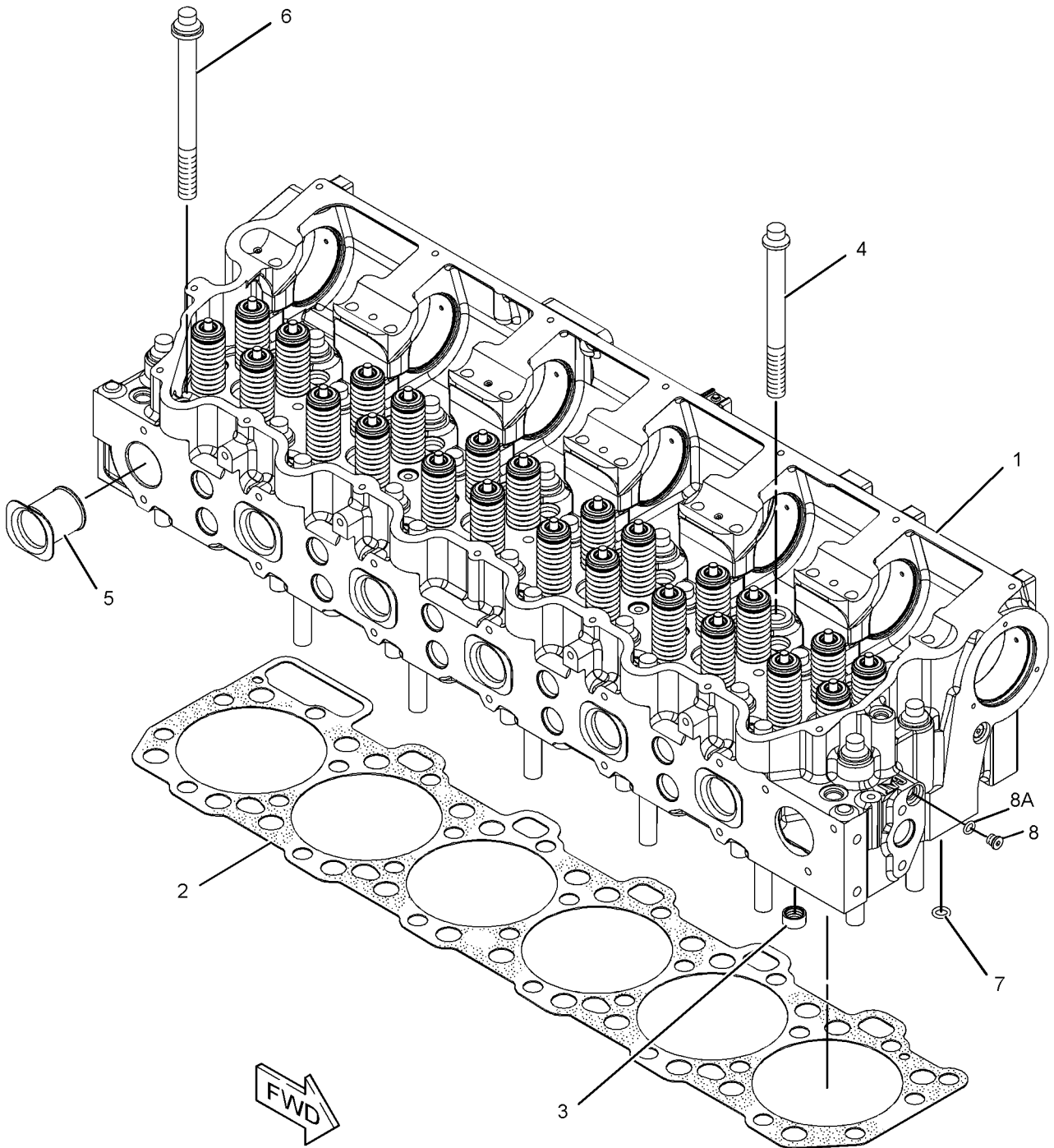
NOTE	REF NO	GRAPHIC REF	PART NUMBER	QTY	PART NAME						SEE PAGE
					1	2	3	4	5	6 (PRODUCT LEVEL)	
YR	1	1	223-9250	1	CYLINDER HEAD GP						66
	2	1	224-5122	1	GASKET (CYLINDER HEAD)						
	3	1	3E-6772	24	SEAL						
	4	1	6I-4025	16	FASTENER GP-CYLINDER HEAD						
					(EACH INCLUDES)						
		1	5H-1504	1	WASHER-HARD (20X33.5X5-MM THK)						
		1	124-1855	1	BOLT-12 POINT HEAD (3/4-16X7.638-IN)						
	5	1	194-8124	6	SLEEVE AS (EXHAUST PORT)						
	6	1	106-5673	10	FASTENER GP-CYLINDER HEAD						
					(EACH INCLUDES)						
		1	5H-1504	1	WASHER-HARD (20X33.5X5-MM THK)						
		1	124-1854	1	BOLT-12 POINT HEAD (3/4-16X8.5-IN)						
	7	1	5P-0840	1	SEAL-O-RING						
	8	1	183-3408	3	PLUG AS						
					(EACH INCLUDES)						
	8A	1	214-7568	1	SEAL-O-RING						
		1	9S-8004	1	PLUG						

R-REMG PART MAY BE AVAILABLE
Y-SEPARATE ILLUSTRATION

BASIC ENGINE

314-7316 CYLINDER HEAD GP (contd.)

i03236040



GRAPHIC #1

<END>

g01418021

BASIC ENGINE

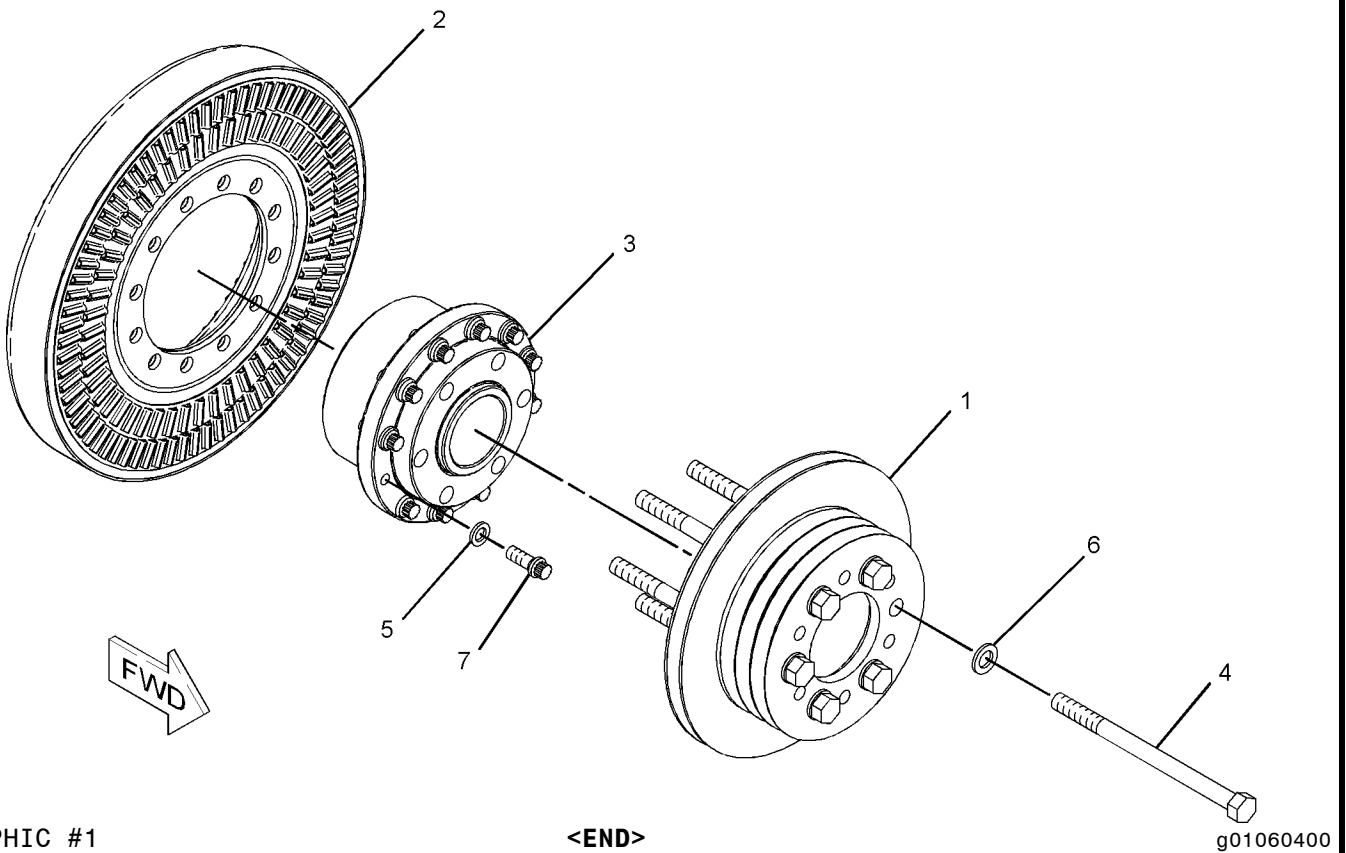
231-5385 DAMPER GP

S/N: FFH243-UP
ALSO AN ATTACHMENT

SMCS-1205

i02550129

NOTE	REF NO	GRAPHIC REF	PART NUMBER	QTY	PART NAME						SEE PAGE
					1	2	3	4	5	6 (PRODUCT LEVEL)	
	1	1	6N-7378	1	PULLEY-CRANKSHAFT (4-GROOVE)						
	2	1	213-3199	1	DAMPER AS						
	3	1	232-6560	1	ADAPTER						
	4	1	148-2871	6	BOLT (5/8-18X9-IN)						
	5	1	3H-7654	12	WASHER-HARD (13.5X22.5X3.0-MM THK)						
	6	1	7X-0591	6	WASHER-HARD (17X29X3-MM THK)						
	7	1	8M-2530	12	BOLT-12 POINT HEAD (1/2-13X1.25-IN)						



GRAPHIC #1

BASIC ENGINE

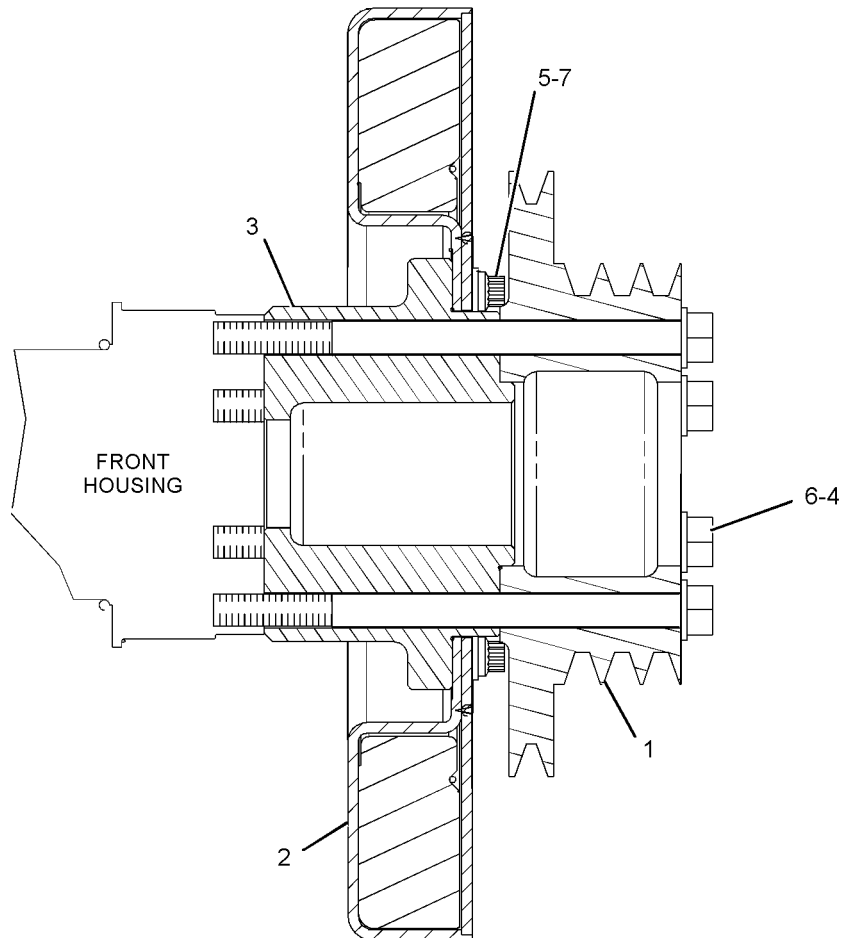
262-1758 DAMPER GP

S/N: FFH1-UP

SMCS - 1205

i02550135

NOTE	REF NO	GRAPHIC REF	PART NUMBER	QTY	PART NAME						SEE PAGE
					1	2	3	4	5	6 (PRODUCT LEVEL)	
	1	1	6N-7378	1	PULLEY - CRANKSHAFT (4-GROOVE)						
	2	1	203-6100	1	DAMPER AS						
	3	1	232-6560	1	ADAPTER						
	4	1	148-2871	6	BOLT (5/8-18X9-IN)						
	5	1	3H-7654	12	WASHER-HARD (13.5X22.5X3.0-MM THK)						
	6	1	7X-0591	6	WASHER-HARD (17X29X3-MM THK)						
	7	1	8M-2530	12	BOLT-12 POINT HEAD (1/2-13X1.25-IN)						



GRAPHIC #1

<END>

g01145484

BASIC ENGINE

232-6577 DRIVE GP-FAN

S/N: FFH1-UP

SMCS-1359

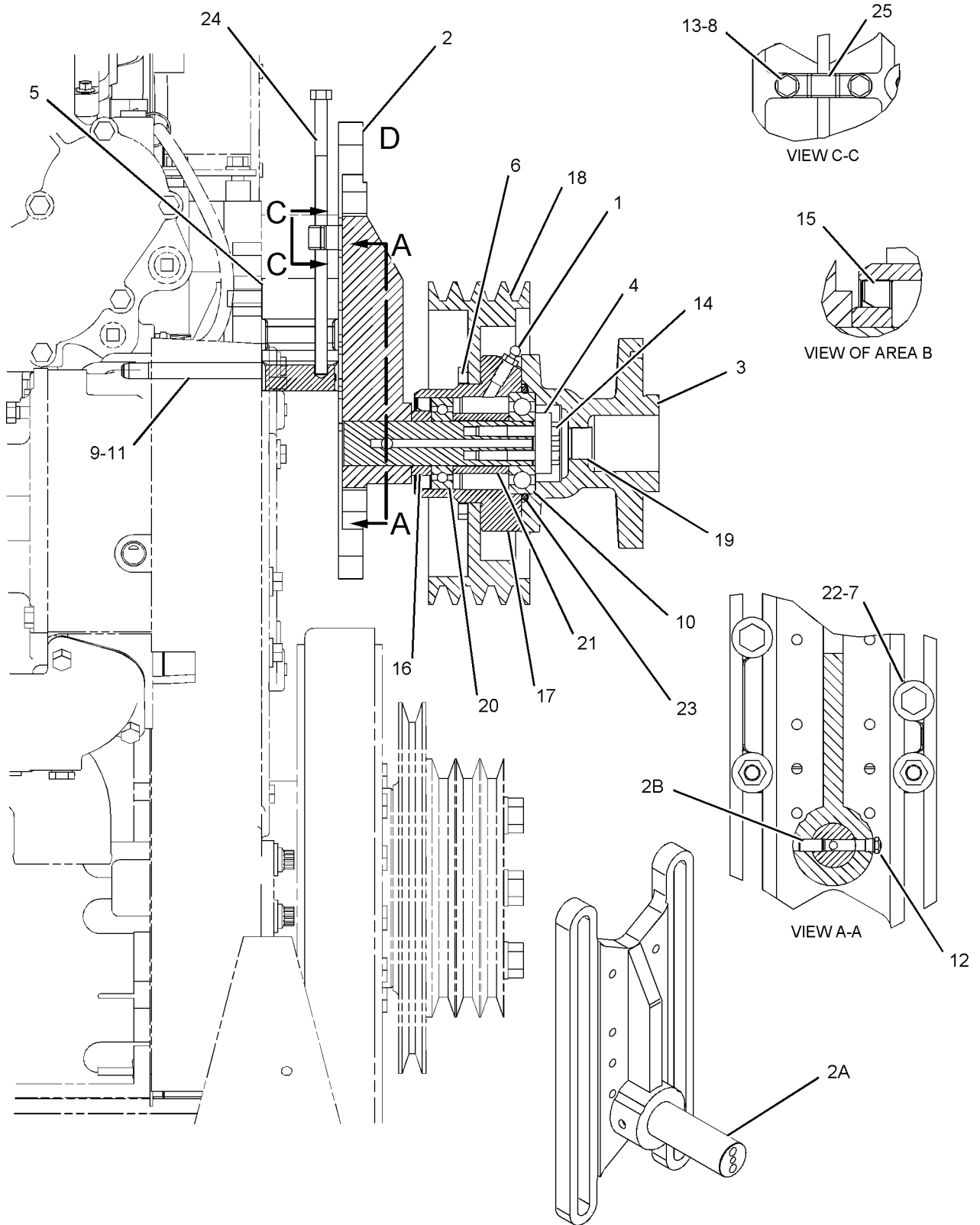
i03373220

NOTE	REF NO	GRAPHIC REF	PART NUMBER	QTY	PART NAME						SEE PAGE
					1	2	3	4	5	6 (PRODUCT LEVEL)	
	1	1	2D-4867	1	FITTING-GREASE						
	2	1	6N-6490	1	BRACKET AS-FAN						
	2A	1	1P-9946	1	SHAFT-FAN						
	2B	1	4N-0684	1	DOWEL						
	3	1	6N-6598	1	ADAPTER-FAN						
	4	1	7N-2900	1	RETAINER						
	5	1	232-6562	1	ADAPTER						
	6	1	0L-2070	6	BOLT (3/8-16X2.25-IN)						
	7	1	198-4767	4	WASHER-HARD (13.5X30X12-MM THK)						
	8	1	1A-2029	2	BOLT (3/8-16X1.125-IN)						
	9	1	1F-7958	2	NUT-FULL (1/2-13-THD)						
	10	1	3L-1425	1	BALL BEARING						
	11	1	3N-6192	2	STUD-TAPERLOCK						
	12	1	4B-4550	1	FITTING-PRESSURE RELIEF (1/8-27 PTF)						
	13	1	5M-2894	2	WASHER-HARD (10.2X18.5X2.5-MM THK)						
	14	1	5P-7979	2	BOLT-LOCKING (5/16-24X2.25-IN)						
	15	1	5S-2106	1	SEAL-LIP TYPE						
	16	1	5S-9062	1	SPACER (35.032X50.8X15.88-MM THK)						
	17	1	7N-8827	1	HUB						
	18	1	7N-8828	1	PULLEY-FAN DRIVE (4-GROOVE)						
	19	1	7X-7731	1	PLUG-PIPE						
	20	1	8H-9789	1	BEARING AS-BALL						
	21	1	8N-5305	1	SPACER (35.6X47.62X43.74-MM THK)						
	22	1	8S-9089	2	BOLT (1/2-13X4.5-IN)						
	23	1	9F-4446	1	SEAL-O-RING						
	24	1	9L-4238	1	BOLT (3/8-16X8.5-IN)						
	25	1	9N-5120	1	BRACKET						

BASIC ENGINE

232-6577 DRIVE GP-FAN (contd.)

i03373220



GRAPHIC #1

<END>

BRACKET ASSEMBLY

g01087356

BASIC ENGINE

254-5858 DRIVE GP-FAN

S/N: FFH1-UP

SMCS-1359

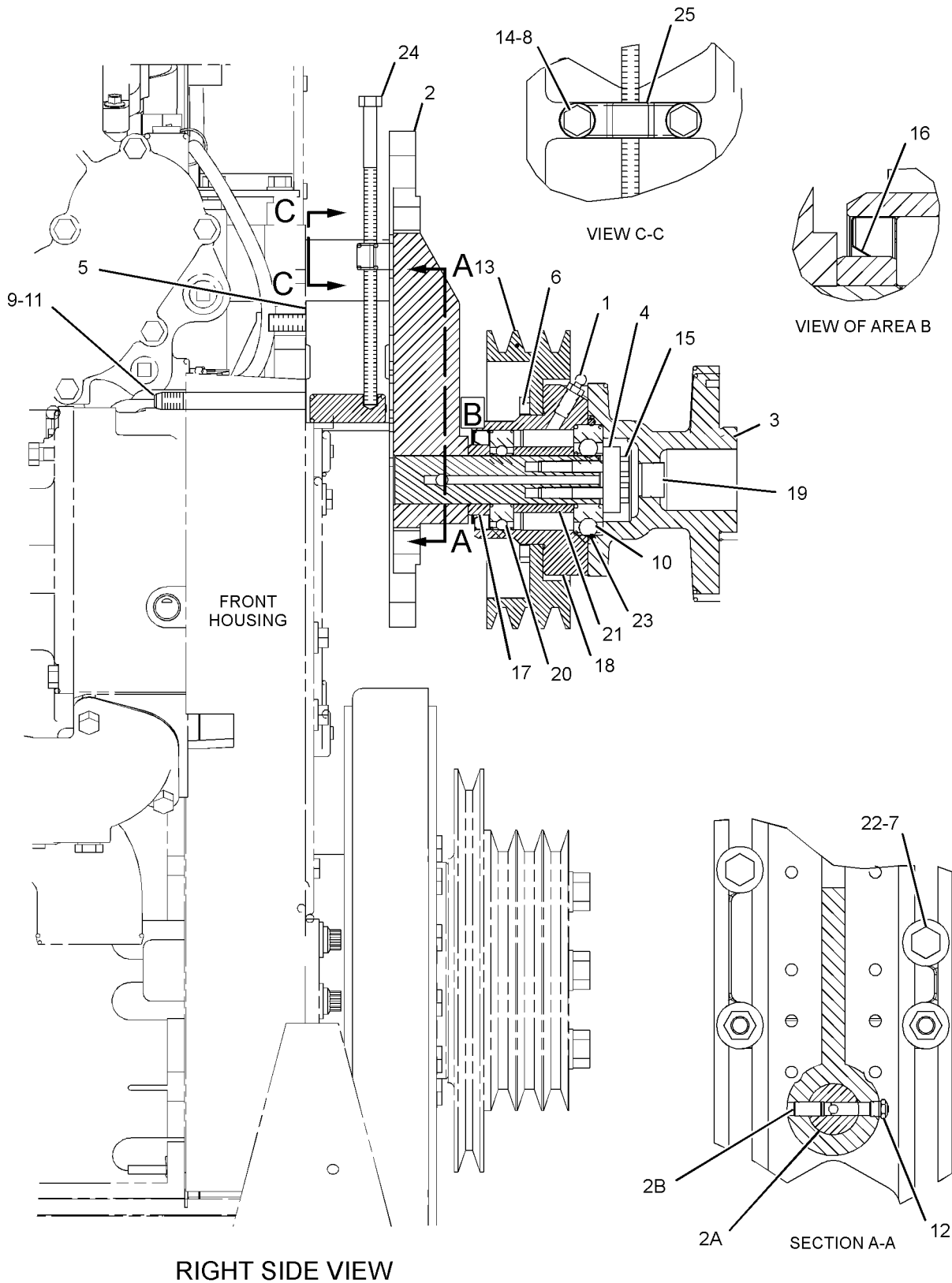
i02395203

NOTE	REF NO	GRAPHIC REF	PART NUMBER	QTY	PART NAME						SEE PAGE
					1	2	3	4	5	6 (PRODUCT LEVEL)	
	1	1	2D-4867	1	FITTING-GREASE						
	2	1	6N-6490	1	BRACKET AS-FAN						
	2A	1	1P-9946	1	SHAFT-FAN						
	2B	1	4N-0684	1	DOWEL						
	3	1	6N-6598	1	ADAPTER-FAN						
	4	1	7N-2900	1	RETAINER						
	5	1	232-6562	1	ADAPTER						
	6	1	0L-2070	6	BOLT (3/8-16X2.25-IN)						
	7	1	198-4767	4	WASHER-HARD (13.5X30X12-MM THK)						
	8	1	1A-2029	2	BOLT (3/8-16X1.125-IN)						
	9	1	1F-7958	2	NUT-FULL (1/2-13-THD)						
	10	1	3L-1425	1	BALL BEARING						
	11	1	3N-6192	2	STUD-TAPERLOCK						
	12	1	4B-4550	1	FITTING-PRESSURE RELIEF (1/8-27 PTF)						
	13	1	4N-6289	1	PULLEY-FAN DRIVE						
	14	1	5M-2894	2	WASHER-HARD (10.2X18.5X2.5-MM THK)						
	15	1	5P-7979	2	BOLT-LOCKING (5/16-24X2.25-IN)						
	16	1	5S-2106	1	SEAL-LIP TYPE						
	17	1	5S-9062	1	SPACER (35.032X50.8X15.88-MM THK)						
	18	1	7N-8827	1	HUB						
	19	1	7X-7731	1	PLUG-PIPE						
	20	1	8H-9789	1	BEARING AS-BALL						
	21	1	8N-5305	1	SPACER (35.6X47.62X43.74-MM THK)						
	22	1	8S-9089	2	BOLT (1/2-13X4.5-IN)						
	23	1	9F-4446	1	SEAL-O-RING						
	24	1	9L-4238	1	BOLT (3/8-16X8.5-IN)						
	25	1	9N-5120	1	BRACKET						

BASIC ENGINE

254-5858 DRIVE GP-FAN (contd.)

i02395203



GRAPHIC #1

<END>

g01196195

BASIC ENGINE

6I-3638 DRIVE GP-PUMP

S/N: FFH1-UP

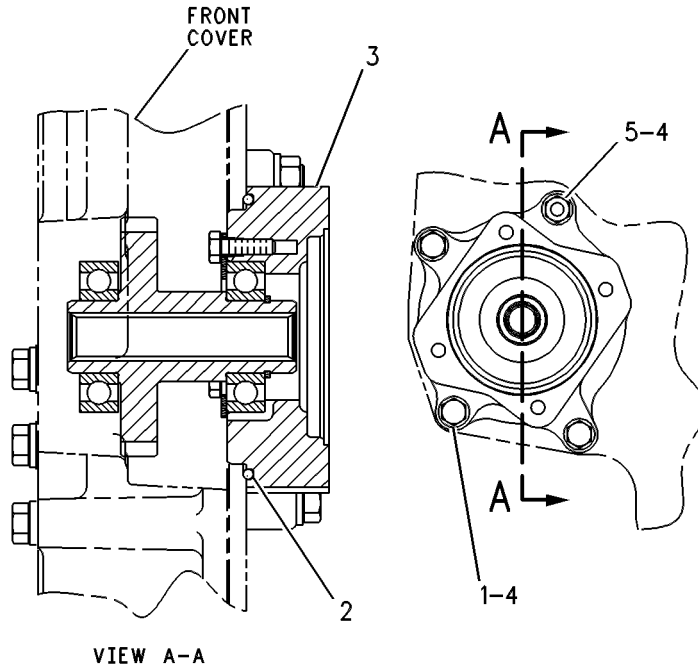
LEFT HAND REARWARD FACING SAE 2 BOLT FLANGE WITH SPLINE DRIVE
FOR USE WITH THE 2.5 BASE MODULE LARGE CAM GEAR TRAIN, CUSTOMER SUPPLIED SAE
"A" PUMP WITH 11 TOOTH 16/32 DEPTH SPLINE

SMCS-1017, 1207, 3108

i01949792

NOTE	REF NO	GRAPHIC REF	PART NUMBER	QTY	PART NAME						SEE PAGE
					1	2	3	4	5	6 (PRODUCT LEVEL)	
	1	1	0S-1590	3	BOLT (3/8-16X2-IN)						
	2	1	8T-9527	1	SEAL-O-RING						
YC	3	1	133-9907	1	ADAPTER GP-PUMP DRIVE						29
	4	1	5M-2894	4	WASHER-HARD (10.2X18.5X2.5-MM THK)						
	5	1	9S-8752	1	NUT-FULL (3/8-16-THD)						

C-CHANGE FROM PREVIOUS TYPE
Y-SEPARATE ILLUSTRATION



GRAPHIC #1

<END>

g00263601

BASIC ENGINE

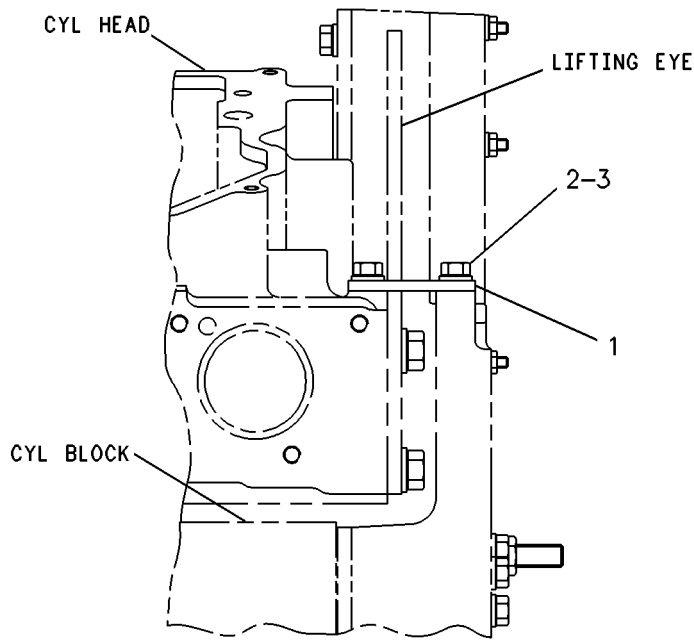
4P-6846 FASTENER GP-FRONT HOUSING

S/N: FFH1-UP

SMCS-1151, 1162

i02544049

NOTE	REF NO	GRAPHIC REF	PART NUMBER	QTY	PART NAME						SEE PAGE
					1	2	3	4	5	6 (PRODUCT LEVEL)	
	1	1	7N-0452	1	PLATE						
	2	1	0S-1594	2	BOLT (3/8-16X1-IN)						
	3	1	5M-2894	2	WASHER-HARD (10.2X18.5X2.5-MM THK)						



RIGHT SIDE VIEW

GRAPHIC #1

<END>

g00231021

BASIC ENGINE

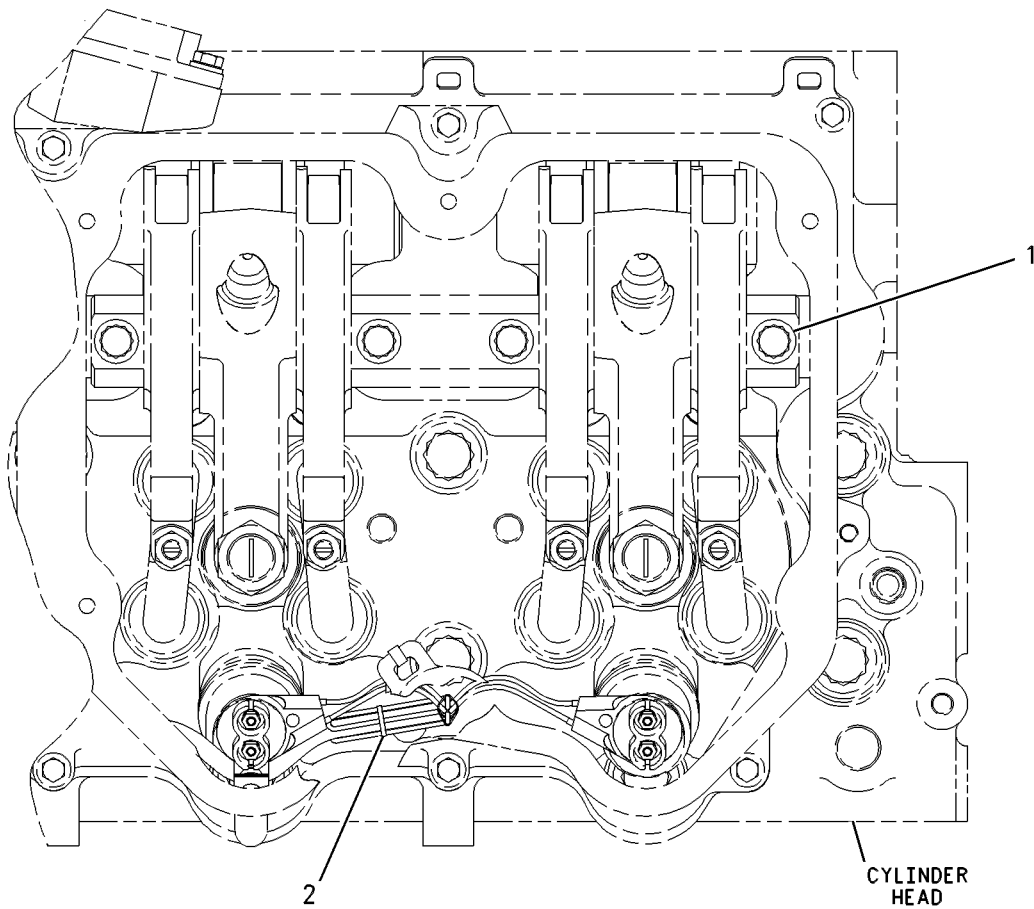
109-1657 FASTENER GP-VALVE MECHANISM

S/N: FFH1-UP

SMCS-1102

i01090405

NOTE	REF NO	GRAPHIC REF	PART NUMBER	QTY	PART NAME						SEE PAGE
					1	2	3	4	5	6 (PRODUCT LEVEL)	
	1	1	5J-5794	12	BOLT (1/2-13X3.5-IN)						
	2	1	8L-8413	6	STRAP-CABLE						



TOP VIEW

<END>

GRAPHIC #1

g00571205

BASIC ENGINE

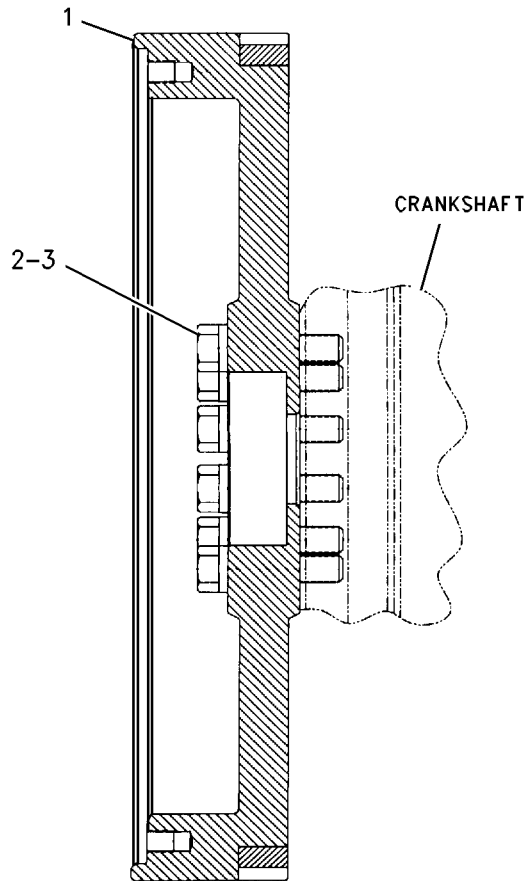
216-7883 FLYWHEEL GP

S/N: FFH1-UP

SMCS-1156

i01660403

NOTE	REF NO	GRAPHIC REF	PART NUMBER	QTY	PART NAME						SEE PAGE
					1	2	3	4	5	6 (PRODUCT LEVEL)	
	1	1	7W-1248	1	FLYWHEEL AS						
		1	4N-2514	1	GEAR (113 TEETH)						
	2	1	OS-1601	12	BOLT (5/8-18X2.75IN)						
	3	1	214-4677	12	WASHER-HARD						



GRAPHIC #1

<END>

g00858062

BASIC ENGINE

204-9316 GEAR GP-CAMSHAFT

S/N: FFH1-UP

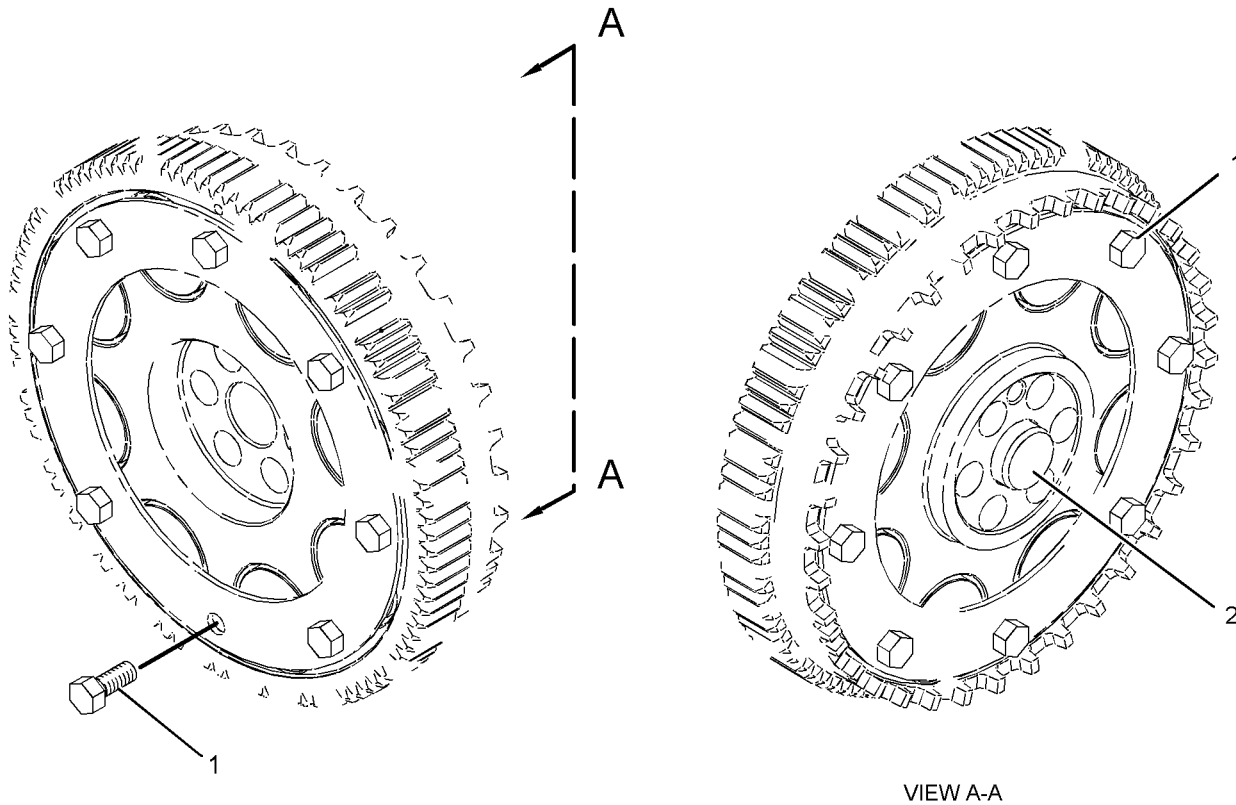
96-TEETH

PART OF 207-0449, 208-9490 GEAR GP-FRONT

SMCS-1212

i02758303

NOTE	REF NO	GRAPHIC REF	PART NUMBER	QTY	PART NAME						SEE PAGE
					1	2	3	4	5	6 (PRODUCT LEVEL)	
	1	1	9X-8872	16	BOLT-LOCKING (3/8-16X0.875-IN)						
	2	1	103-0126	1	DOWEL						



GRAPHIC #1

<END>

g01381153

BASIC ENGINE

207-0449 GEAR GP-FRONT

S/N: FFH1-UP

SHOT-PEENED CLUSTER IDLER AND AN 8 BOLT CAM GEAR RETAINER

SMCS-1151, 1162, 1206

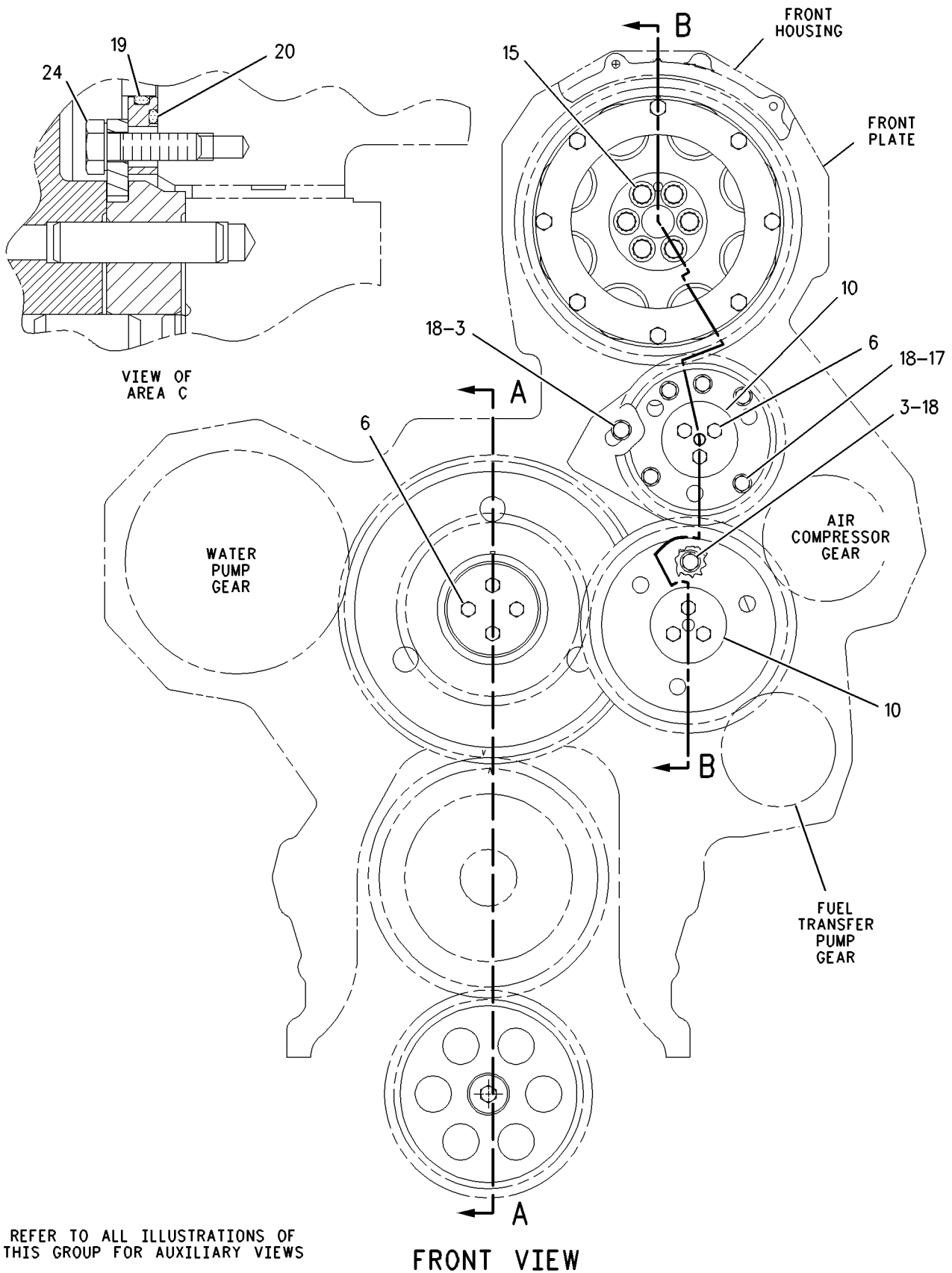
i02868063

NOTE	REF NO	GRAPHIC REF	PART NUMBER	QTY	PART NAME						SEE PAGE
					1	2	3	4	5	6 (PRODUCT LEVEL)	
	1	2	0S-1571	1	BOLT (3/8-16X1.75-IN)						
	2	2	2J-3118	5	BOLT-LOCKING (3/8-16X1.25-IN)						
	3	1	5P-4142	2	BOLT-LOCKING (3/8-16X1.5-IN)						
	4	2	1B-8705	1	KEY-WOODRUFF						
	5	2	1P-7346	1	WASHER-HARD (10.2X35X6-MM THK)						
	6	1	126-1756	10	BOLT-LOCKING (5/16-18X0.875-IN)						
	7	2	112-9217	1	PLATE-THRUST						
	8	2	130-4701	1	GEAR AS (56-TEETH)						
		2	130-4698	1	BEARING-SLEEVE						
	9	2	151-5966	1	SHAFT AS-STUB						
		2	6I-3623	1	DOWEL						
	10	1	6I-3624	2	PLATE-THRUST						
	11	2	6I-3625	1	GEAR AS (71-TEETH)						
		2	101-8468	1	BEARING-SLEEVE						
Y	12	2	204-9316	1	GEAR GP-CAMSHAFT (96-TEETH)						86
	13	2	197-4971	1	SHAFT-STUB						
	14	2	158-3416	1	SHAFT-STUB						
	15	1	031-3185	6	BOLT-12 POINT HEAD (5/8-11X3-IN)						
	16	2	149-9110	1	GEAR-OIL PUMP DRIVE (69-TEETH)						
	17	1,2	9S-8752	10	NUT-FULL (3/8-16-THD)						
	18	1,2	9X-6458	12	WASHER-HARD (10.2X22.5X3-MM THK)						
	19	1	117-8801	1	SEAL-O-RING						
	20	1	5E-8771	1	SEAL-O-RING						
	21	2	159-1533	1	PLATE-SEALING						
	22	2	159-8524	1	ADAPTER AS						
		2	6V-3677	1	DOWEL						
	23	2	102-5861	1	PLATE-THRUST						
	24	1	107-0583	3	BOLT-LOCKING (1/4-20X0.87-IN)						
	25	2	187-8979	1	GEAR AS (105, 63-TEETH)						
		2	1B-8705	1	KEY-WOODRUFF						
		2	6I-4582	1	GEAR (63-TEETH)						
		2	131-7123	1	BEARING-SLEEVE						
Y-SEPARATE ILLUSTRATION											

BASIC ENGINE

207-0449 GEAR GP - FRONT (contd.)

i02868063



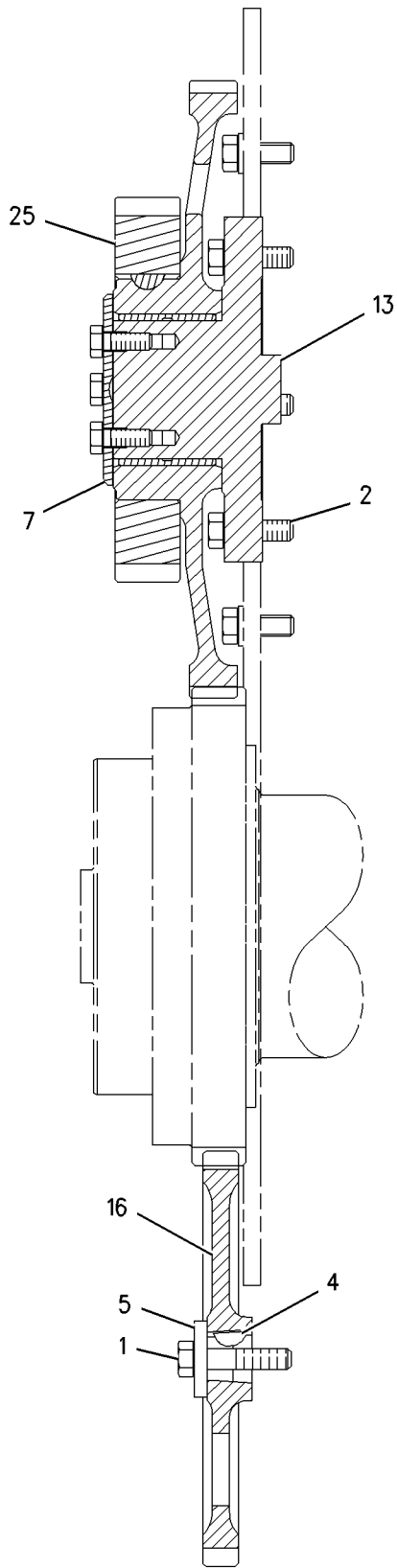
GRAPHIC #1

g00809001

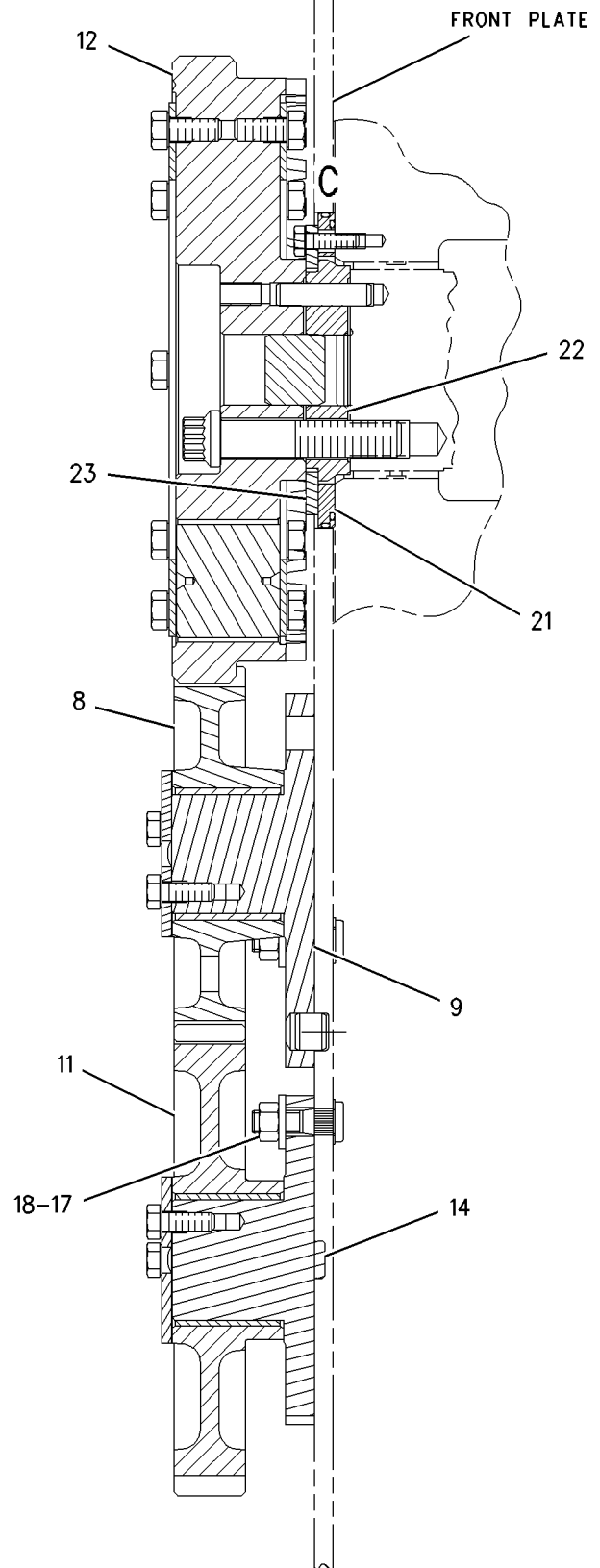
BASIC ENGINE

207-0449 GEAR GP-FRONT (contd.)

i02868063



SECTION A-A



SECTION B-B

GRAPHIC #2

<END>

g00809003

BASIC ENGINE

208-9490 GEAR GP-FRONT

S/N: FFH1-UP

SMCS-1151, 1162, 1206

i02758309

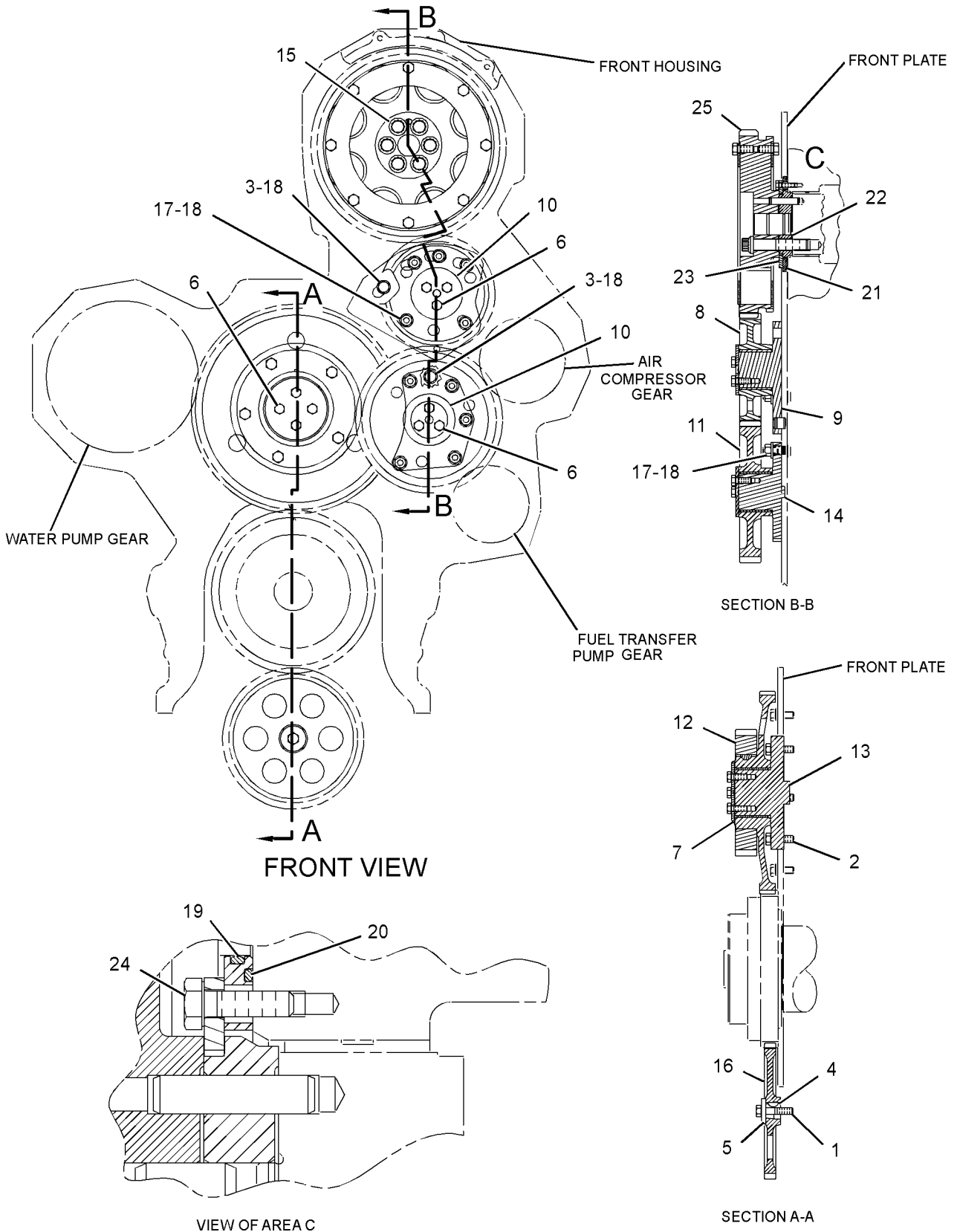
NOTE	REF NO	GRAPHIC REF	PART NUMBER	QTY	PART NAME						SEE PAGE
					1	2	3	4	5	6 (PRODUCT LEVEL)	
	1	1	0S-1571	1	BOLT (3/8-16X1.75-IN)						
	2	1	2J-3118	5	BOLT-LOCKING (3/8-16X1.25-IN)						
	3	1	5P-4142	2	BOLT-LOCKING (3/8-16X1.5-IN)						
	4	1	1B-8705	1	KEY-WOODRUFF						
	5	1	1P-7346	1	WASHER-HARD (10.2X35X6-MM THK)						
	6	1	126-1756	10	BOLT-LOCKING (5/16-18X0.875-IN)						
	7	1	112-9217	1	PLATE-THRUST						
	8	1	130-4701	1	GEAR AS (56-TEETH)						
		1	130-4698	1	BEARING-SLEEVE						
	9	1	151-5966	1	SHAFT AS-STUB						
		1	6I-3623	1	DOWEL						
	10	1	6I-3624	2	PLATE-THRUST						
	11	1	6I-3625	1	GEAR AS (71-TEETH)						
		1	101-8468	1	BEARING-SLEEVE						
	12	1	149-9107	1	GEAR AS-CLUSTER (105/63-TEETH)						
		1	1B-8705	1	KEY-WOODRUFF						
		1	6I-4582	1	GEAR (63-TEETH)						
		1	131-7123	1	BEARING-SLEEVE						
		1	149-9106	1	GEAR-CLUSTER (105-TEETH)						
	13	1	197-4971	1	SHAFT-STUB						
	14	1	158-3416	1	SHAFT-STUB						
	15	1	031-3185	6	BOLT-12 POINT HEAD (5/8-11X3-IN)						
	16	1	149-9110	1	GEAR-OIL PUMP DRIVE (69-TEETH)						
	17	1	9S-8752	10	NUT-FULL (3/8-16-THD)						
	18	1	9X-6458	12	WASHER-HARD (10.2X22.5X3-MM THK)						
	19	1	117-8801	1	SEAL-O-RING						
	20	1	5E-8771	1	SEAL-O-RING						
	21	1	159-1533	1	PLATE-SEALING						
	22	1	159-8524	1	ADAPTER AS						
		1	6V-3677	1	DOWEL						
	23	1	102-5861	1	PLATE-THRUST						
	24	1	107-0583	3	BOLT-LOCKING (1/4-20X0.87-IN)						
Y	25	1	204-9316	1	GEAR GP-CAMSHAFT (96-TEETH)						86

Y-SEPARATE ILLUSTRATION

BASIC ENGINE

208-9490 GEAR GP-FRONT (contd.)

i02758309



GRAPHIC #1

<END>

g01381160

BASIC ENGINE

135-7634 HOUSING GP-FLYWHEEL

S/N: FFH1-UP

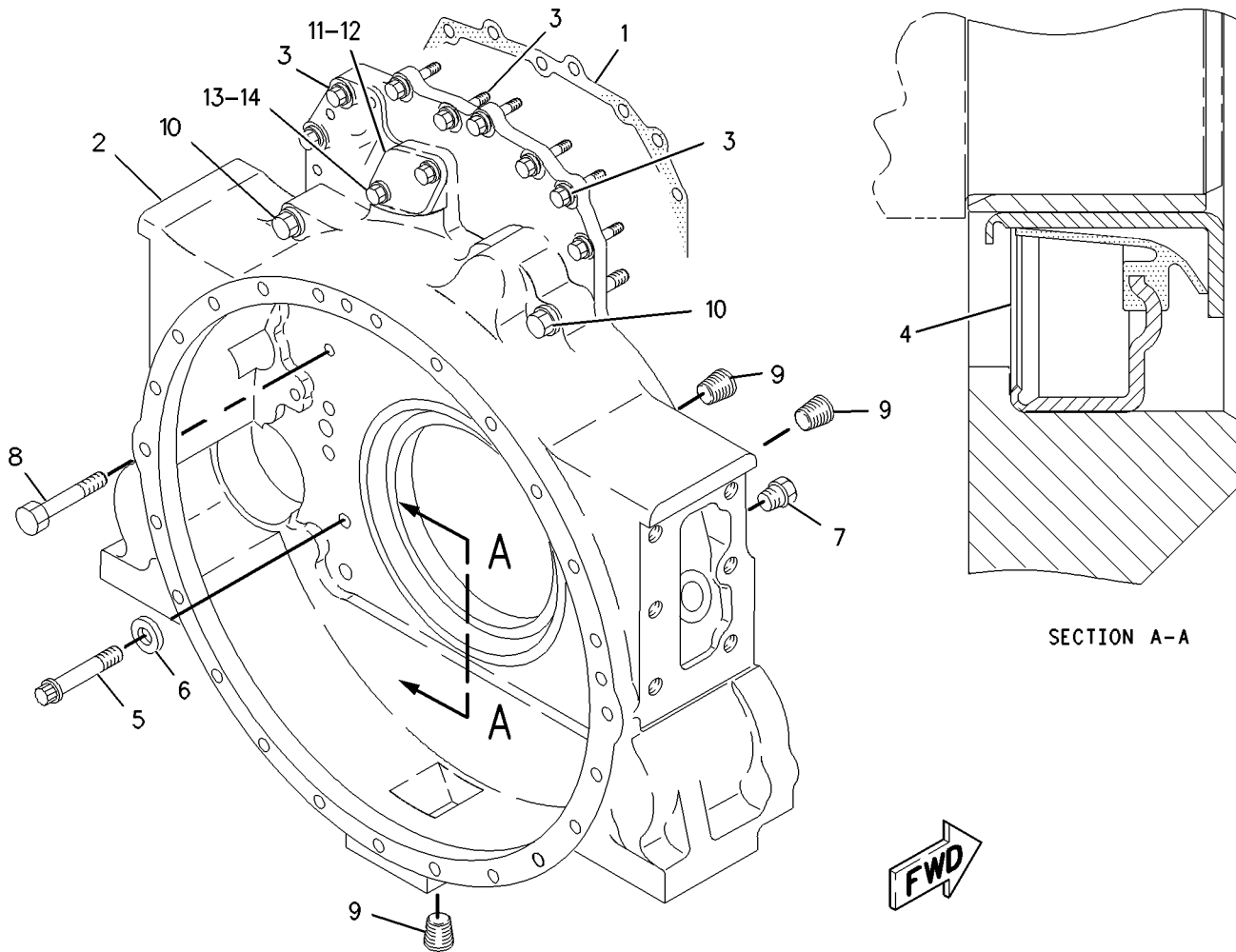
FOR USE WITH LH AND RH STARTING MOTORS, SAE NO. 1 HOUSING

SMCS-1157

i02992335

NOTE	REF NO	GRAPHIC REF	PART NUMBER	QTY	PART NAME						SEE PAGE
					1	2	3	4	5	6 (PRODUCT LEVEL)	
	1	1	155-5619	1	GASKET						
	2	1	108-4744	1	HOUSING-FLYWHEEL						
	3	1	0S-1591	8	BOLT (3/8-16X1.5-IN)						
Y	4	1	319-0785	1	SEAL GP-CRANKSHAFT (REAR FLYWHEEL HOUSING)						122
	5	1	5J-5793	9	BOLT-12 POINT HEAD (1/2-13X1.75-IN)						
	6	1	5P-8245	9	WASHER-HARD (13.5X25.5X3-MM THK)						
	7	1	8T-6765	2	PLUG-PIPE						
	8	1	0S-1571	5	BOLT (3/8-16X1.75-IN)						
	9	1	7X-7731	3	PLUG-PIPE						
	10	1	0T-0573	2	BOLT (3/8-16X2.75-IN)						
	11	1	8F-3030	1	FLANGE						
	12	1	5H-0244	1	GASKET						
	13	1	0S-1594	2	BOLT (3/8-16X1-IN)						
	14	1	5M-2894	2	WASHER-HARD (10.2X18.5X2.5-MM THK)						

Y-SEPARATE ILLUSTRATION



GRAPHIC #1

<END>

g00985845

BASIC ENGINE

223-4738 HOUSING GP-FLYWHEEL

S/N: FFH285-UP

NO.1 FLYWHEEL HOUSING WITH VERTICLE INSTALLATION ANGLE AND 10 DEGREE PADS
FOR USE WITH WET/DRY HOUSING APPLICATION, IF NO BRAKESAVER, 220-1204-

PAGE 116

SMCS-1157

i03109560

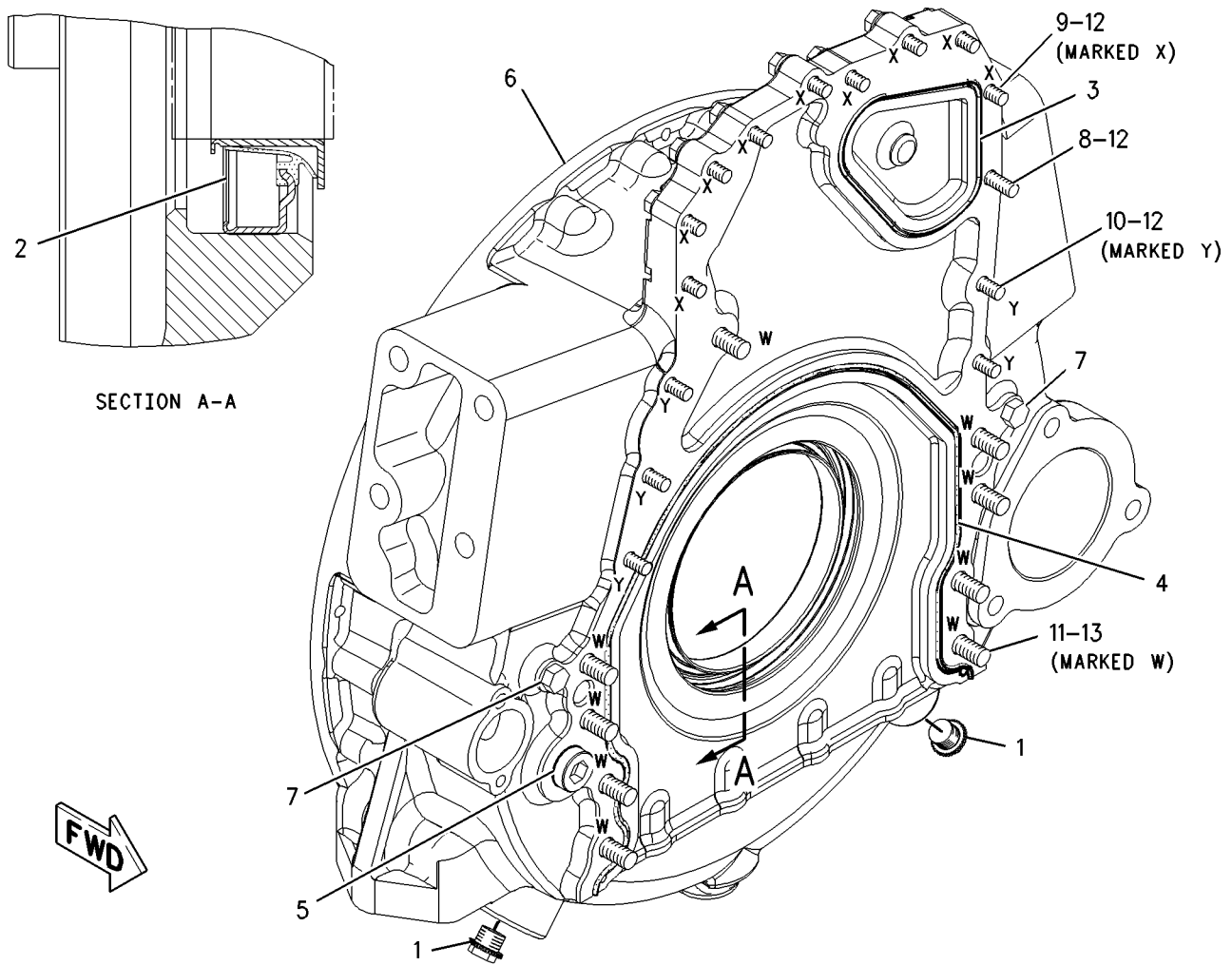
NOTE	REF NO	GRAPHIC REF	PART NUMBER	QTY	PART NAME						SEE PAGE
					1	2	3	4	5	6 (PRODUCT LEVEL)	
	1	1	1P-1669	2	PLUG-SEAL						
Y	2	1	319-0785	1	SEAL GP-CRANKSHAFT (REAR FLYWHEEL HOUSING)						122
C	3	1	268-5589	1	SEAL						
C	4	1	268-5582	1	SEAL						
	5	1	216-9065	1	PLUG AS						
		1	216-8997	1	SEAL-O-RING						
		1	216-9064	1	PLUG						
	6	1	304-4156	1	HOUSING-FLYWHEEL						
	7	1	148-8405	2	PLUG AS						
					(EACH INCLUDES)						
		1	1J-9671	1	SEAL-O-RING						
		1	3K-8460	1	PLUG						
	8	1	165-3925	1	BOLT (3/8X16X5.75-IN)						
	9	1	165-3929	9	BOLT (3/8-16X1.5-IN) (MARKED X)						
	10	1	165-3931	5	BOLT (3/8-16X1.75-IN) (MARKED Y)						
	11	1	5J-5793	9	BOLT-12 POINT HEAD (1/2-13X1.75-IN) (MARKED W)						
	12	1	5M-2894	15	WASHER-HARD (10.2X18.5X2.5-MM THK)						
	13	1	5P-8245	9	WASHER-HARD (13.5X25.5X3-MM THK)						

C- CHANGE FROM PREVIOUS TYPE
Y- SEPARATE ILLUSTRATION

BASIC ENGINE

223-4738 HOUSING GP-FLYWHEEL (contd.)

i03109560



SECTION A-A



GRAPHIC #1

<END>

g00975410

BASIC ENGINE

257-3276 HOUSING GP-FRONT

S/N: FFH1-UP

SMCS-1151, 1162, 1206

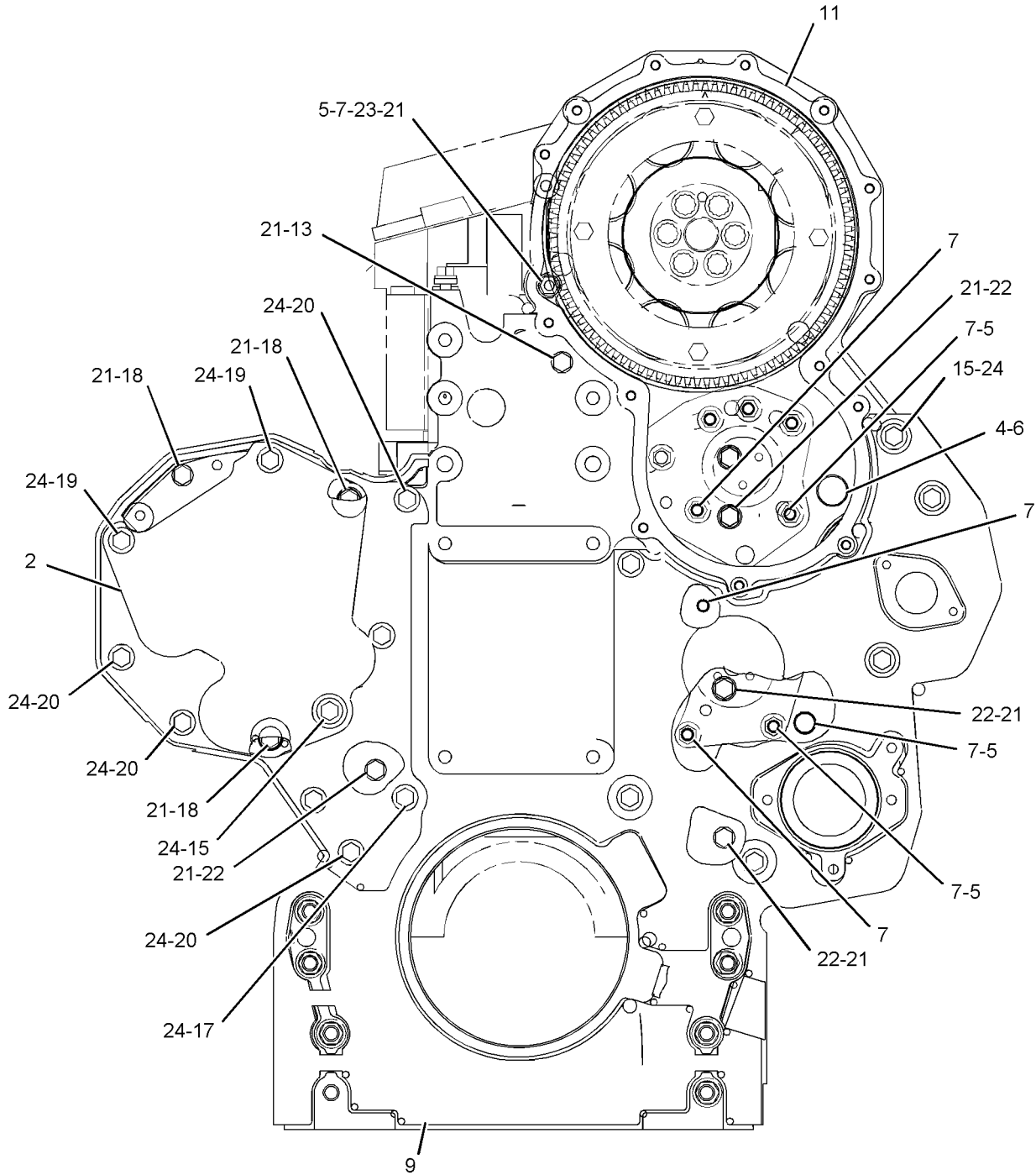
i03324021

NOTE	REF NO	GRAPHIC REF	PART NUMBER	QTY	PART NAME						SEE PAGE
					1	2	3	4	5	6 (PRODUCT LEVEL)	
	1	2	6I-3968	1	BRACKET-SUPPORT						
	2	1	100-3098	1	COVER AS-PANEL						
	3	2	101-3120	2	SPACER (10.5X25X20-MM THK)						
	4	1,2	120-9243	2	STUD-SPECIAL (BRAKE)						
	5	1	126-1757	9	WASHER (10.85X19.3X1.27-MM THK)						
	6	1,2	129-5427	2	WASHER-SPECIAL (SEALING)						
	7	1	129-5428	12	STUD (BRAKE)						
	8	2	155-9524	1	SEAL-INTEGRAL						
	9	1	166-5971	1	COVER AS-PANEL						
	10	2	166-9144	1	GASKET						
	11	1	175-1483	1	HOUSING AS-FRONT						
		1	3E-8044	1	STUD (1/2-13X2.95-IN)						
	12	2	223-0533	1	PLATE						
	13	1	0L-2070	1	BOLT (3/8-16X2.25-IN)						
	14	2	0S-1571	2	BOLT (3/8-16X1.75-IN)						
	15	1,2	0S-1588	16	BOLT (3/8-16X1.25-IN)						
	16	2	0S-1591	2	BOLT (3/8-16X1.5-IN)						
	17	1	0S-1594	3	BOLT (3/8-16X1-IN)						
	18	1,2	0T-0055	4	BOLT (3/8-16X4.25-IN)						
	19	1	1A-5183	2	BOLT (3/8-16X4.75-IN)						
	20	1	1A-5964	4	BOLT (3/8-16X4.5-IN)						
	21	1,2	5M-2894	28	WASHER-HARD (10.2X18.5X2.5-MM THK)						
	22	1	5P-4255	8	BOLT-LOCKING (3/8-16X1-IN)						
	23	1,2	9S-8752	2	NUT-FULL (3/8-16-THD)						
	24	1,2	9X-6458	16	WASHER-HARD (10.2X22.5X3-MM THK)						

BASIC ENGINE

257-3276 HOUSING GP-FRONT (contd.)

i03324021



FRONT VIEW

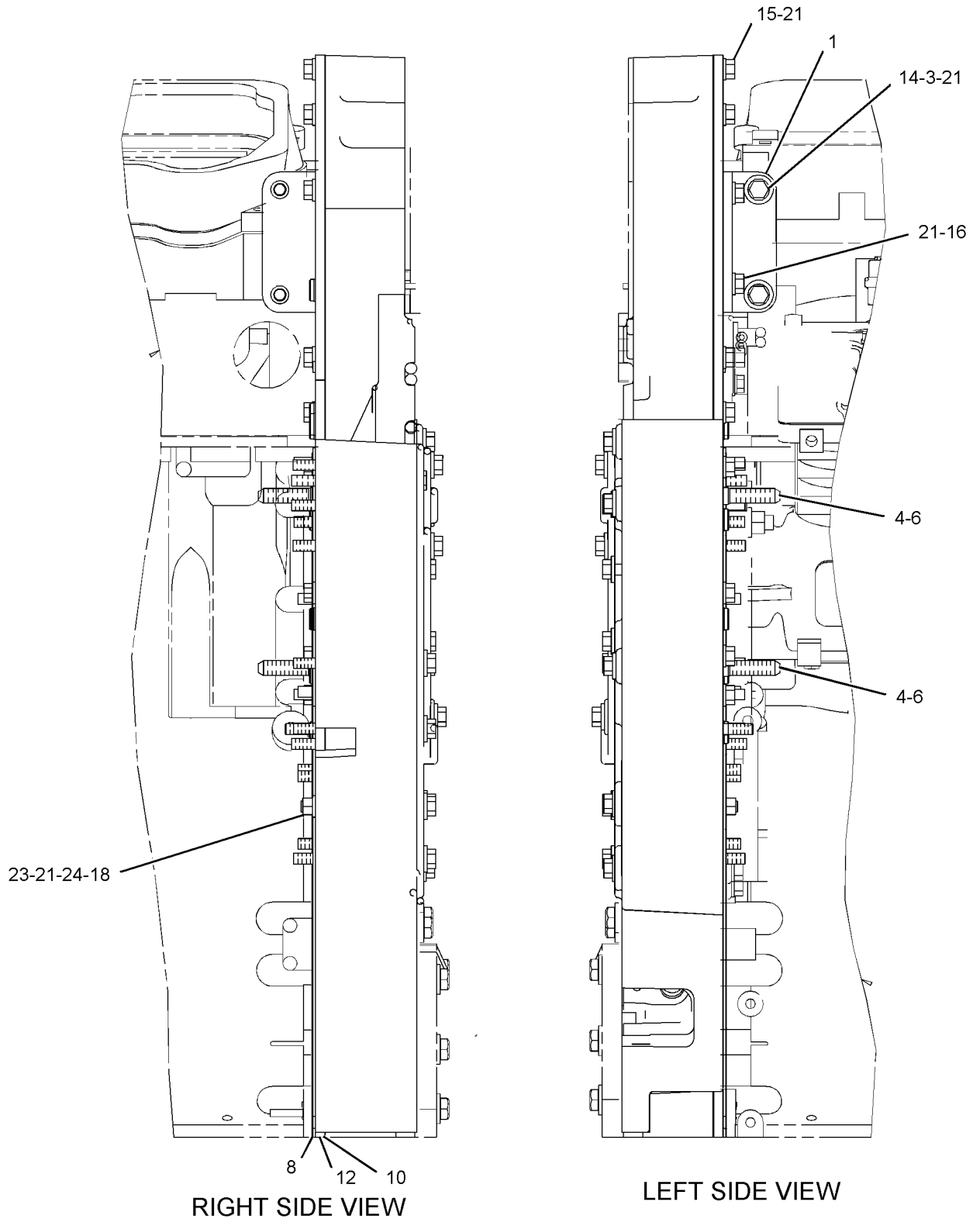
GRAPHIC #1

g01109513

BASIC ENGINE

257-3276 HOUSING GP-FRONT (contd.)

i03324021



GRAPHIC #2

<END>

g01109518

BASIC ENGINE

111-2088 LIFTING GP-ENGINE

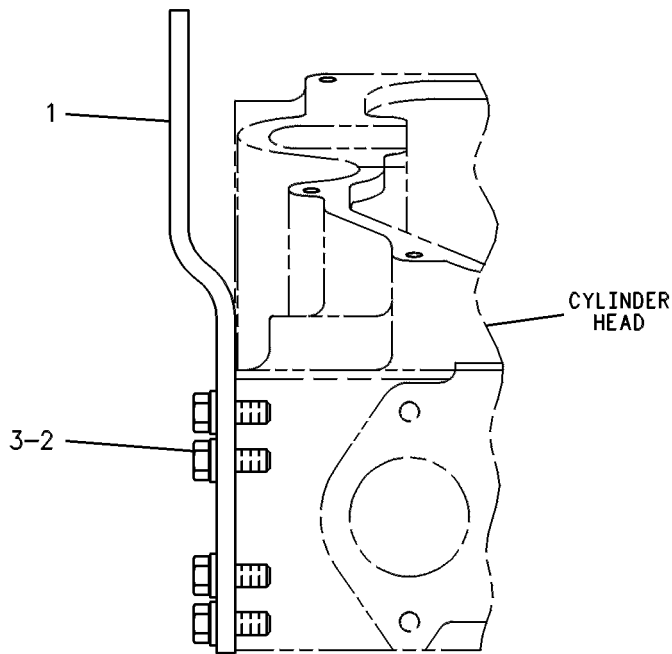
S/N: FFH1-UP

REAR, LOW PROFILE LIFTING EYE

SMCS-1122

i02332229

NOTE	REF NO	GRAPHIC REF	PART NUMBER	QTY	PART NAME						SEE PAGE
					1	2	3	4	5	6 (PRODUCT LEVEL)	
	1	1	109-9985	1	EYE-LIFTING						
	2	1	0S-1594	8	BOLT (3/8-16X1-IN)						
	3	1	5M-2894	8	WASHER-HARD (10.2X18.5X2.5-MM THK)						



GRAPHIC #1

<END>

g00238183

BASIC ENGINE

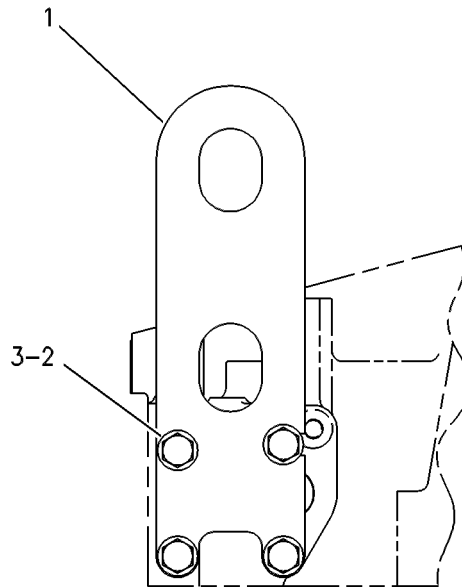
127-0564 LIFTING GP-ENGINE

S/N: FFH1-UP
FRONT

SMCS-1122

i00671604

NOTE	REF NO	GRAPHIC REF	PART NUMBER	QTY	PART NAME						SEE PAGE
					1	2	3	4	5	6 (PRODUCT LEVEL)	
	1	1	127-0563	1	EYE-LIFTING						
	2	1	0S-1595	4	BOLT (1/2-13X1.25-IN)						
	3	1	5P-8245	4	WASHER-HARD (13.5X25.5X3-MM THK)						



FRONT VIEW

GRAPHIC #1

<END>

g00257294

BASIC ENGINE

190-0009 MECHANISM GP-FUEL PUMP & VALVE

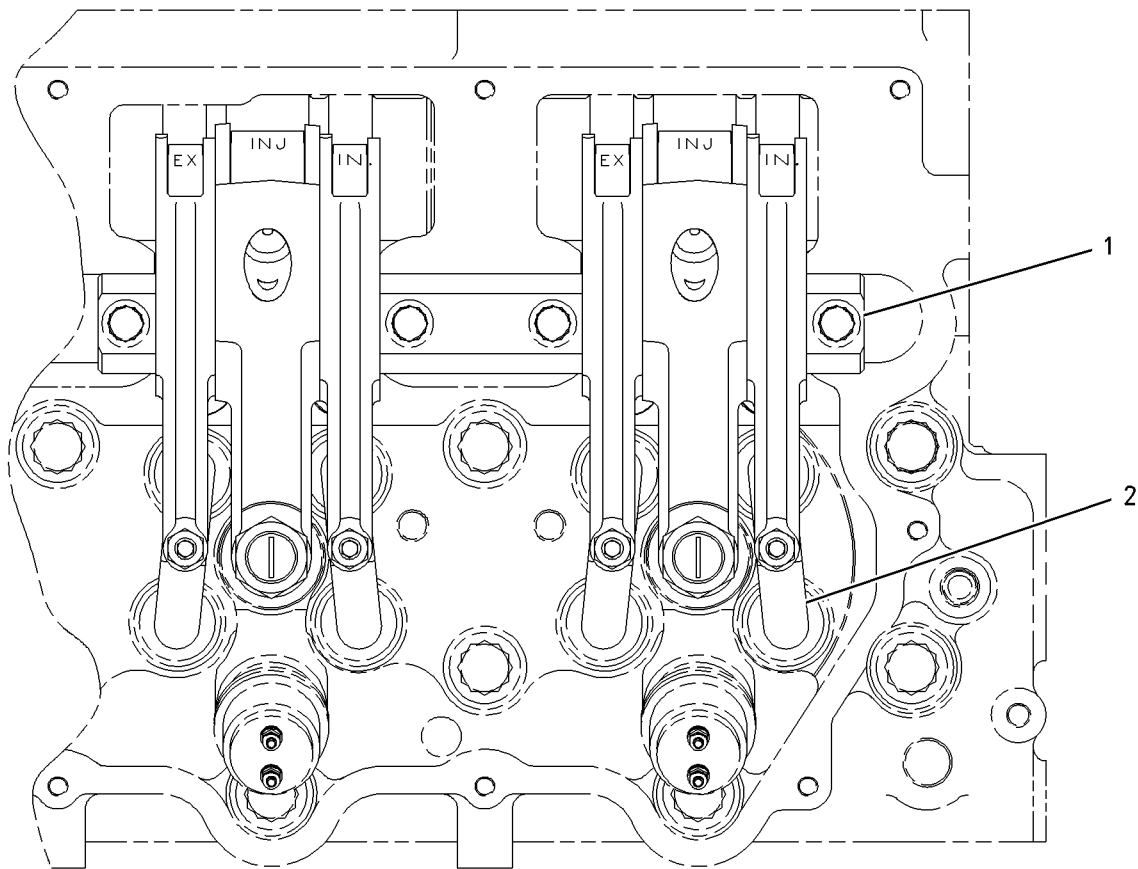
S/N: FFH1-215

SMCS-1102, 1123

i01720206

NOTE	REF NO	GRAPHIC REF	PART NUMBER	QTY	PART NAME						SEE PAGE
					1	2	3	4	5	6 (PRODUCT LEVEL)	
Y	1	1	210-2521	3	ROCKER ARM GP						117
	2	1	6I-1458	12	BRIDGE-VALVE						

Y-SEPARATE ILLUSTRATION



TOP VIEW

GRAPHIC #1

<END>

g00814910

BASIC ENGINE

190-0009 MECHANISM GP-FUEL PUMP & VALVE

S/N: FFH216-UP

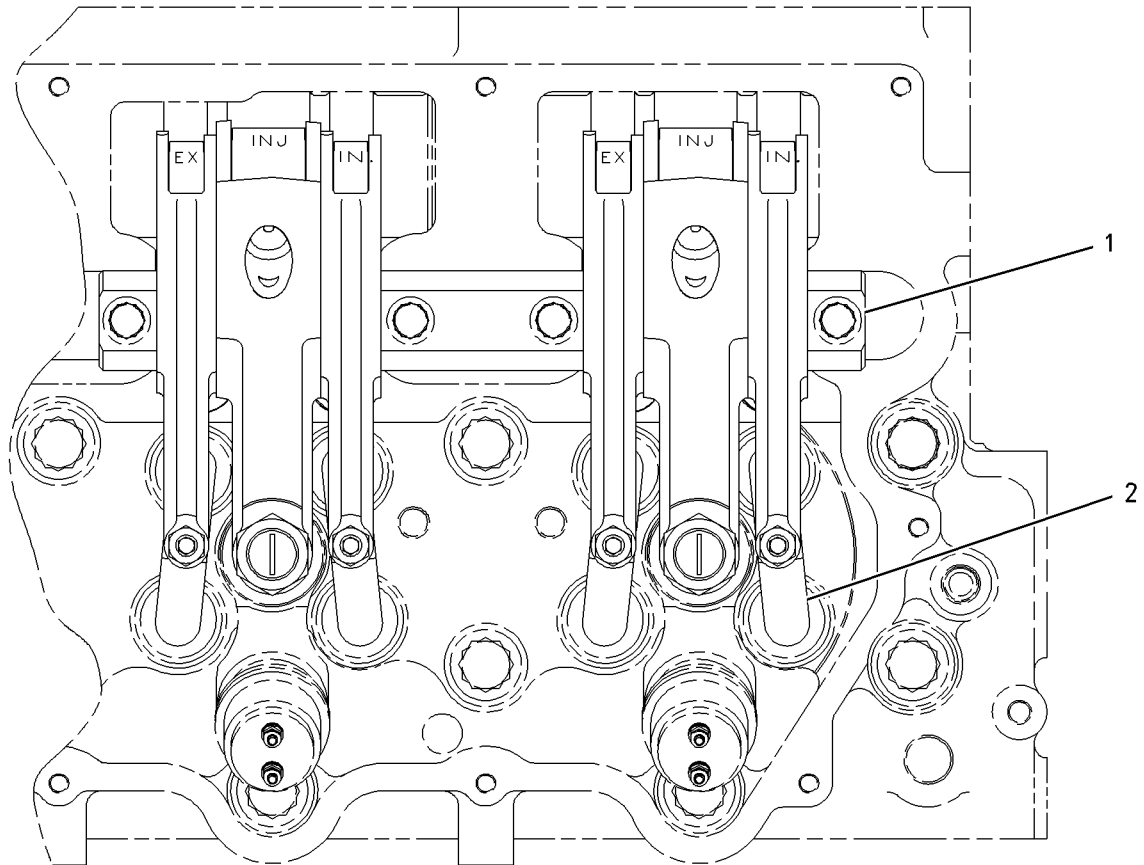
TYPE 1

SMCS-1102, 1123

i02518515

NOTE	REF NO	GRAPHIC REF	PART NUMBER	QTY	PART NAME						SEE PAGE
					1	2	3	4	5	6 (PRODUCT LEVEL)	
CY	1	1	278-1929	3	ROCKER ARM GP						118
	2	1	6I-1458	12	BRIDGE-VALVE						

C-CHANGE FROM PREVIOUS TYPE
Y-SEPARATE ILLUSTRATION



TOP VIEW

GRAPHIC #1

<END>

g00814910

BASIC ENGINE

190-0009 MECHANISM GP-FUEL PUMP & VALVE

S/N: FFH216-UP

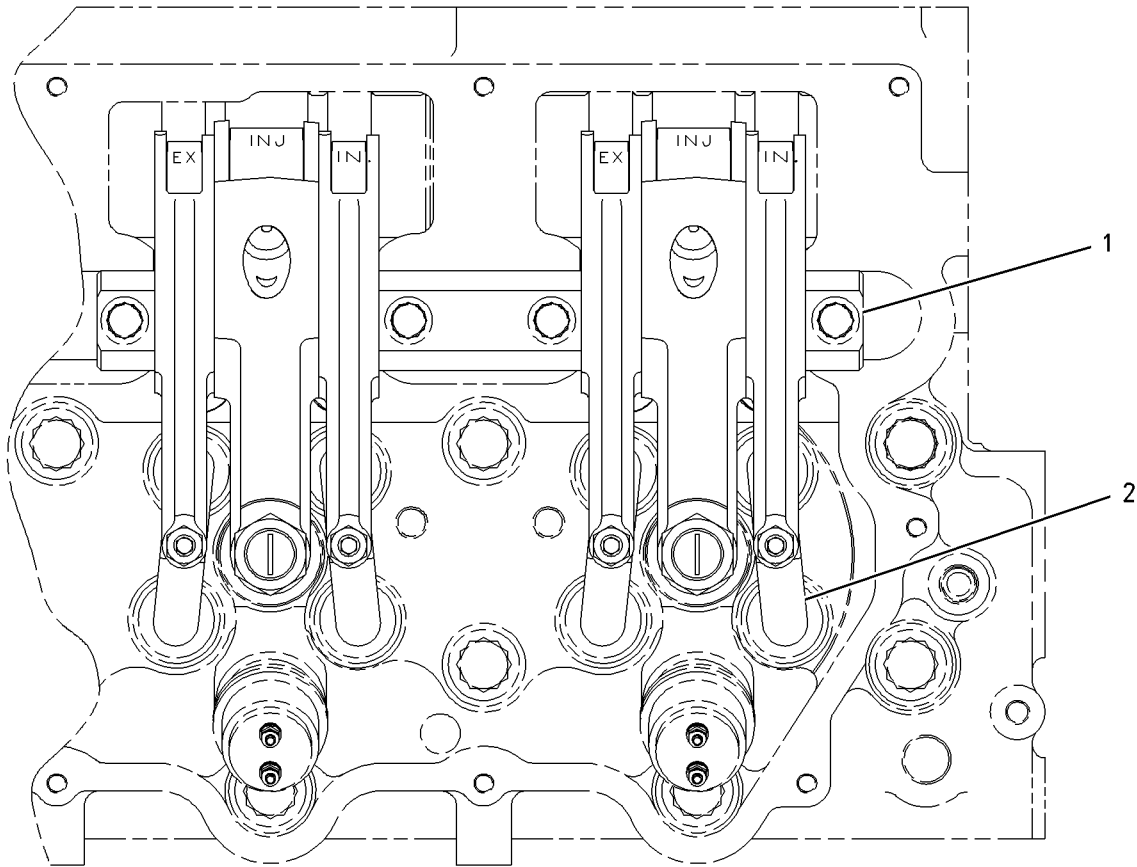
TYPE 2

SMCS-1102, 1123

i03325201

NOTE	REF NO	GRAPHIC REF	PART NUMBER	QTY	PART NAME						SEE PAGE
					1	2	3	4	5	6 (PRODUCT LEVEL)	
CY	1	1	328-4236	3	ROCKER ARM GP						120
	2	1	6I-1458	12	BRIDGE-VALVE						

C-CHANGE FROM PREVIOUS TYPE
Y-SEPARATE ILLUSTRATION



TOP VIEW

GRAPHIC #1

<END>

g00814910

BASIC ENGINE

232-6576 MOUNTING GP-ALTERNATOR

S/N: C5H1-UP; FFH1-UP

PART OF 287-4963 ALTERNATOR GP-CHARGING
ALSO AN ATTACHMENT

SMCS-1154, 1405

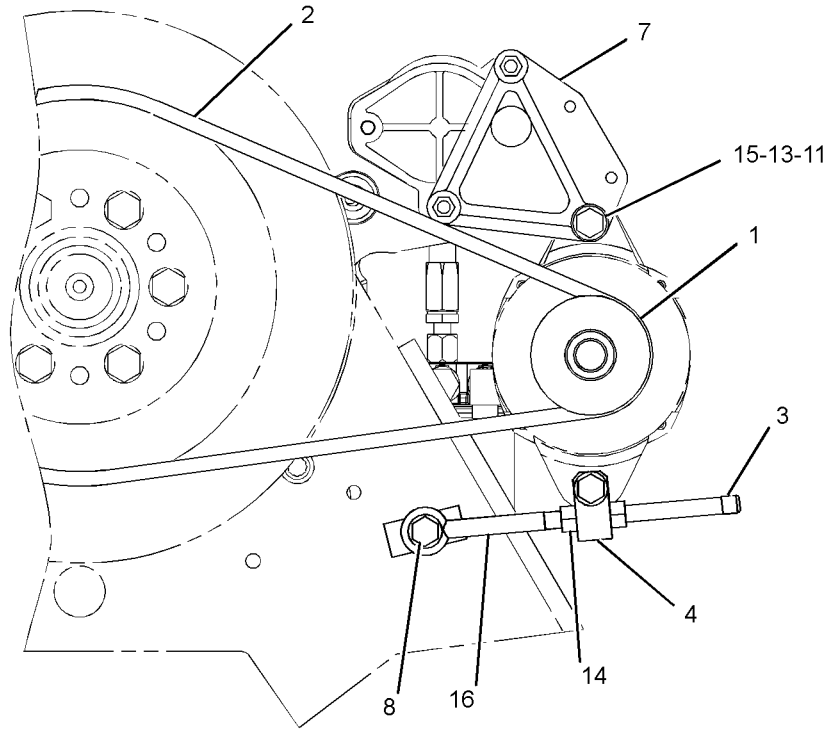
i02370596

NOTE	REF NO	GRAPHIC REF	PART NUMBER	QTY	PART NAME						SEE PAGE
					1	2	3	4	5	6 (PRODUCT LEVEL)	
	1	1	1W-1456	1	PULLEY-ALTERNATOR						
	2	1	4N-8216	1	V-BELT (ALTERNATOR)						
	3	1	7W-4176	1	CAP-SEALING						
	4	1	8S-5383	1	BLOCK						
	5	1	106-1792	2	STUD-TAPERLOCK (3/8-16X4-IN)						
	6	1	232-6561	1	BLOCK						
	7	1	232-6579	1	BRACKET						
	8	1	0S-1585	1	BOLT (1/2-13X1.5-IN)						
	9	1	0S-1594	2	BOLT (3/8-16X1-IN)						
	10	1	1A-1460	1	BOLT (1/2-13X2-IN)						
	11	1	1F-7958	1	NUT-FULL (1/2-13-THD)						
	12	1	9X-6458	2	WASHER-HARD (10.2X22.5X3-MM THK)						
	13	1	5P-8245	4	WASHER-HARD (13.5X25.5X3-MM THK)						
	14	1	6B-6684	2	NUT-FULL (1/2-20-THD)						
	15	1	9H-8260	1	BOLT (1/2-13X6.25-IN)						
	16	1	6L-5874	1	ROD-PULLEY ADJUSTMENT						
	17	1	9S-8752	2	NUT-FULL (3/8-16-THD)						

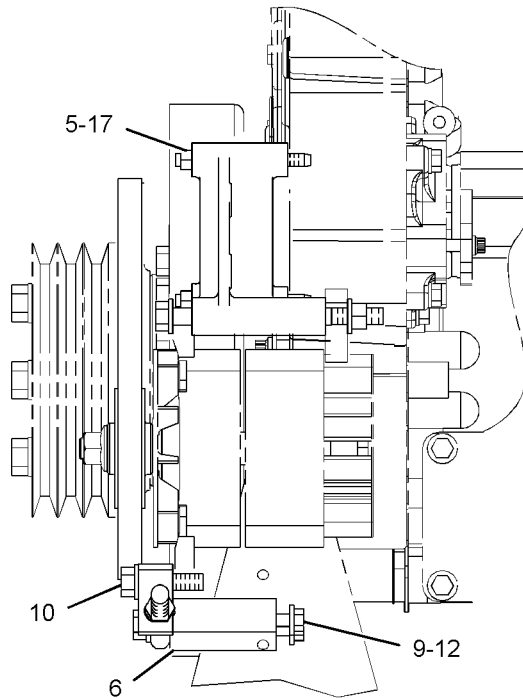
BASIC ENGINE

232-6576 MOUNTING GP-ALTERNATOR (contd.)

i02370596



FRONT VIEW



LEFT SIDE VIEW

GRAPHIC #1

<END>

g01186925

BASIC ENGINE

310-9221 MOUNTING GP-ALTERNATOR

S/N: C5H1-UP

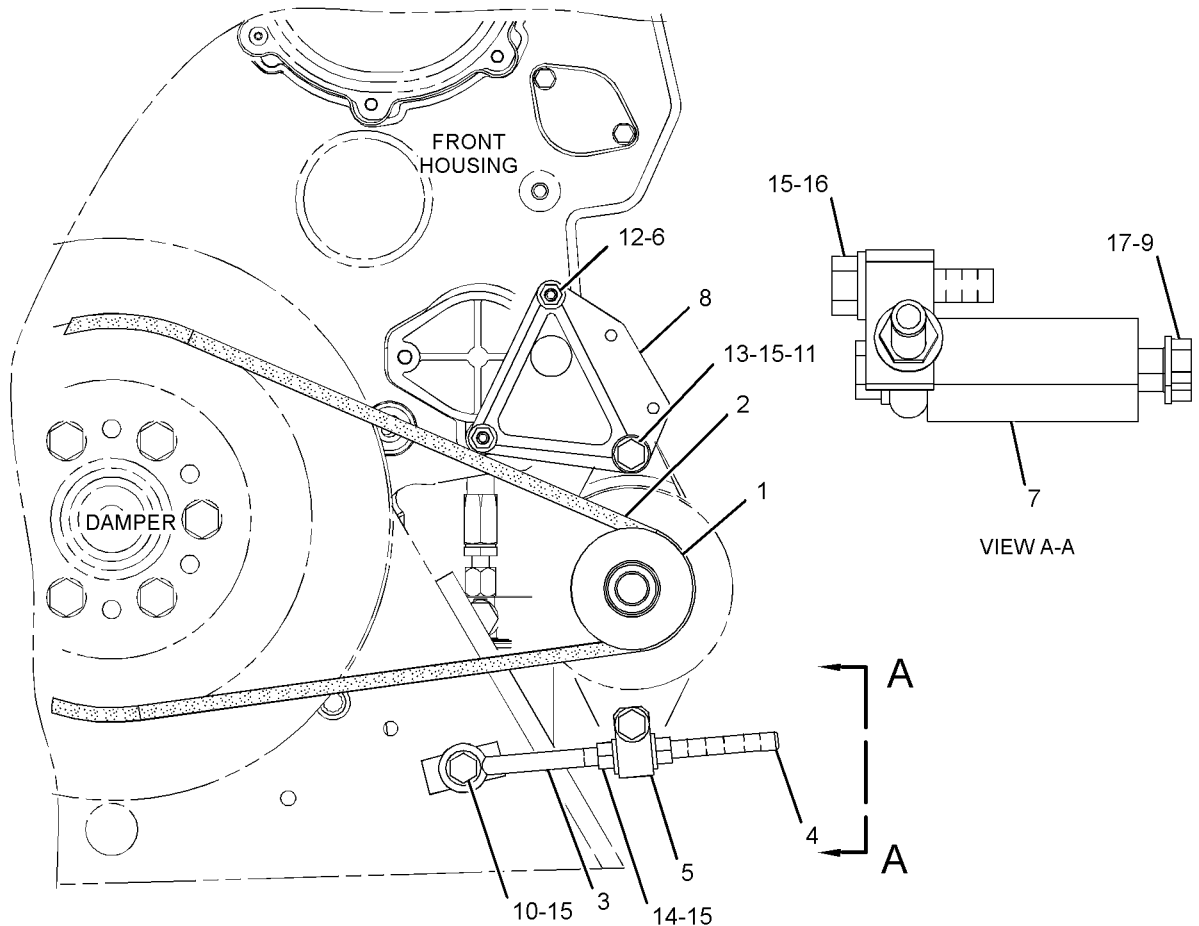
LH

PART OF 287-4963 ALTERNATOR GP-CHARGING
AN ATTACHMENT

SMCS-1154, 1405

i03363060

NOTE	REF NO	GRAPHIC REF	PART NUMBER	QTY	PART NAME						SEE PAGE
					1	2	3	4	5	6 (PRODUCT LEVEL)	
	1	1	1W-1456	1	PULLEY-ALTERNATOR (1-GROOVE)						
	2	1	4N-8216	1	V-BELT (ALTERNATOR)						
	3	1	6L-5874	1	ROD-PULLEY ADJUSTMENT						
	4	1	7W-4176	1	CAP-SEALING						
	5	1	8S-5383	1	BLOCK						
	6	1	106-1792	2	STUD-TAPERLOCK (3/8-16X4-IN)						
	7	1	232-6561	1	BLOCK						
	8	1	232-6579	1	BRACKET						
	9	1	4L-6454	2	BOLT (3/8-16X1-IN)						
	10	1	5P-2566	1	BOLT (1/2-13X1.5-IN)						
	11	1	6V-8188	1	NUT (1/2-13-THD)						
	12	1	6V-8801	2	NUT (3/8-16-THD)						
	13	1	7X-0340	1	BOLT (1/2-13X6.5-IN)						
	14	1	7X-3374	2	NUT-FULL (1/2-20-THD)						
	15	1	8T-4223	6	WASHER-HARD (13.5X25.5X3-MM THK)						
	16	1	8T-4835	1	BOLT (1/2-13X2-IN)						
	17	1	8T-4896	2	WASHER-HARD (10.2X18.5X2.5-MM THK)						



FRONT VIEW OF ENGINE
<END>

GRAPHIC #1

g01406583

BASIC ENGINE

237-7182 MOUNTING GP-ENGINE & GENERATOR

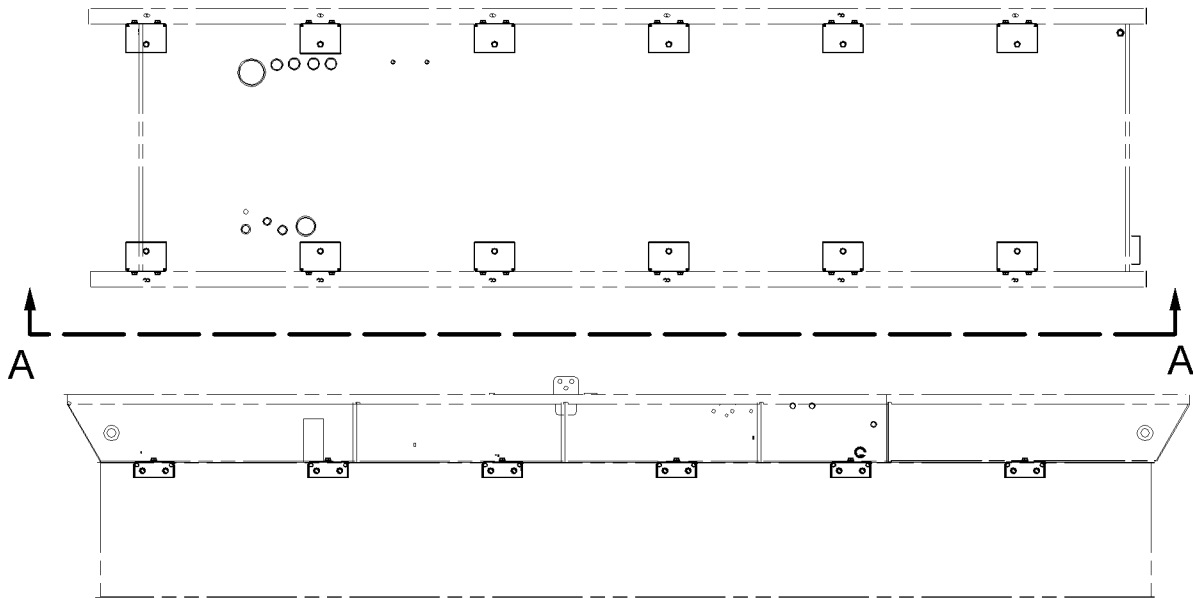
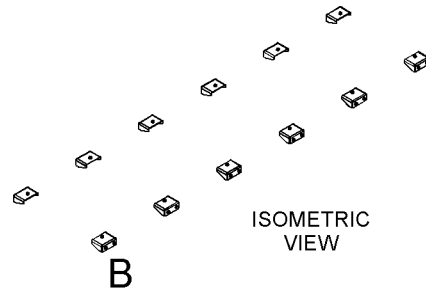
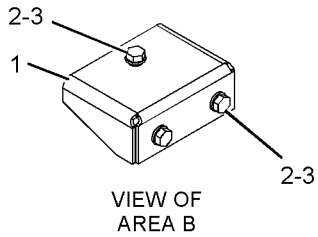
S/N: C5H1-UP
AN ATTACHMENT

SMCS-1021, 1152

i01959316

NOTE	REF NO	GRAPHIC REF	PART NUMBER	QTY	PART NAME						SEE PAGE
					1	2	3	4	5	6 (PRODUCT LEVEL)	
	1	1	235-4476	12	BRACKET AS						
M	2	1	7X-2553	36	BOLT (M16X2X40-MM)						
	3	1	9X-8257	36	WASHER (17.5X30X3.5-MM THK)						

M-METRIC PART



VIEW A-A
<END>

GRAPHIC #1

g01026426

BASIC ENGINE

263-9346 MOUNTING GP-ENGINE & GENERATOR

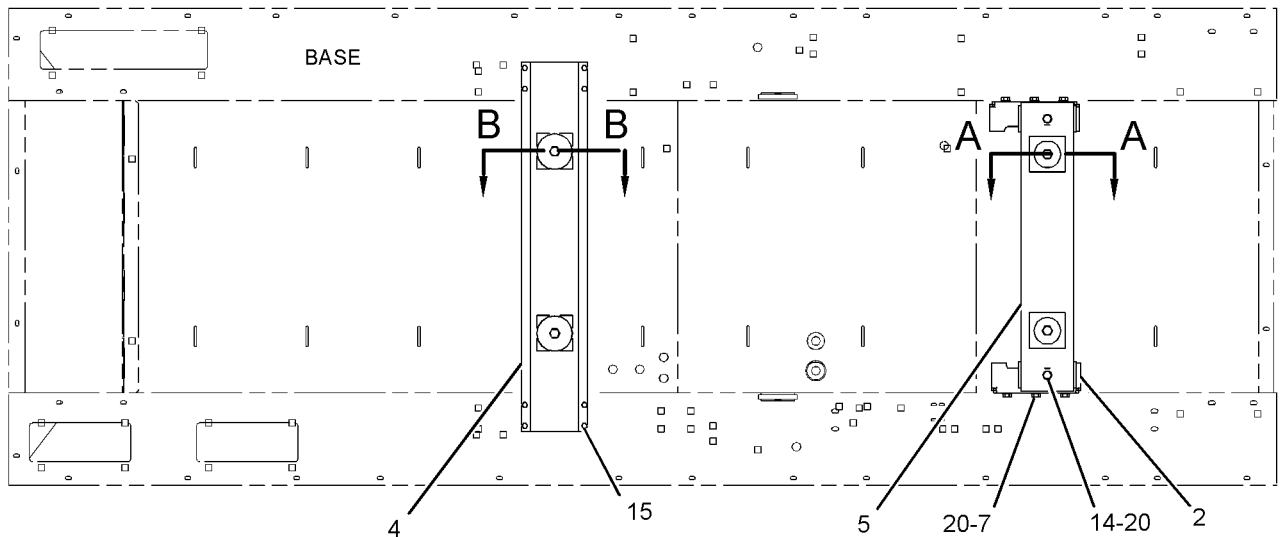
S/N: C5H1-UP
AN ATTACHMENT

SMCS-1021, 1152

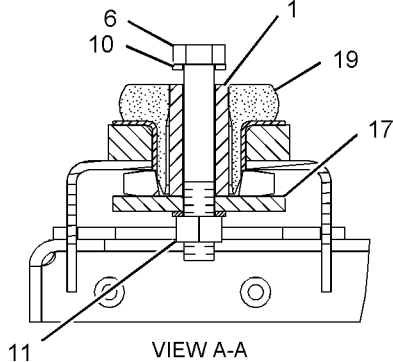
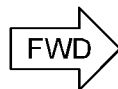
i02369521

NOTE	REF NO	GRAPHIC REF	PART NUMBER	QTY	PART NAME						SEE PAGE
					1	2	3	4	5	6 (PRODUCT LEVEL)	
	1	1	9W-6582	4	SLEEVE						
	2	1	235-1242	2	BRACKET AS						
	3	1	235-1245	2	SPACER						
	4	1	263-9344	1	BEAM AS-SUPPORT						
	5	1	263-9345	1	BEAM AS-SUPPORT						
M	6	1	7X-2532	2	BOLT (M20X2.5X130-MM)						
M	7	1	7X-2553	6	BOLT (M16X2X40-MM)						
M	8	1	8C-8478	2	BOLT (M20X2.5X140-MM)						
	9	1	8T-4121	16	WASHER-HARD (11X21X2.5-MM THK)						
	10	1	8T-4123	6	WASHER (22X35X3.5-MM THK)						
M	11	1	8T-4131	4	NUT (M20X2.5-THD)						
M	12	1	8T-4133	8	NUT (M10X1.5-THD)						
M	13	1	8T-4170	2	BOLT (M20X2.5X150-MM)						
M	14	1	8T-4193	2	BOLT (M16X2X50-MM)						
M	15	1	8T-4195	8	BOLT (M10X1.5X30-MM)						
	16	1	8T-5439	2	WASHER-HARD (21.5X45X6-MM THK)						
	17	1	9W-6584	4	WASHER (20.5X114X10-MM THK)						
	18	1	9W-9930	2	MOUNT AS						
	19	1	9W-9931	2	MOUNT AS						
	20	1	9X-8257	8	WASHER (17.5X30X3.5-MM THK)						

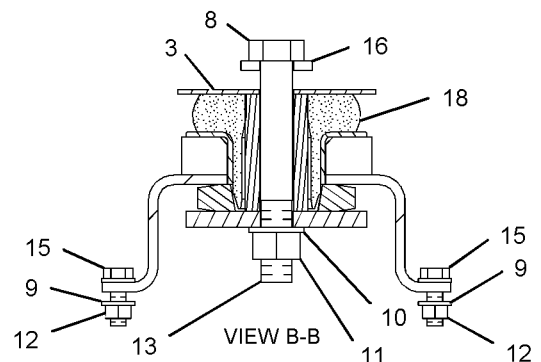
M-METRIC PART



TOP VIEW



VIEW A-A



VIEW B-B

GRAPHIC #1

<END>

g01196133

BASIC ENGINE

257-3113 PAN GP-OIL-ENGINE

S/N: FFH1-UP

SMCS - 1302

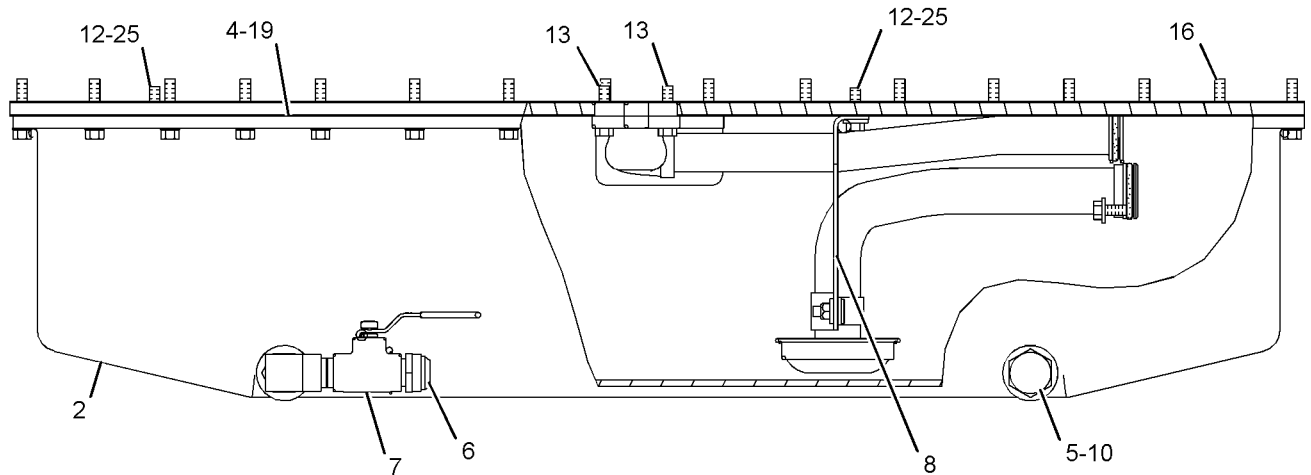
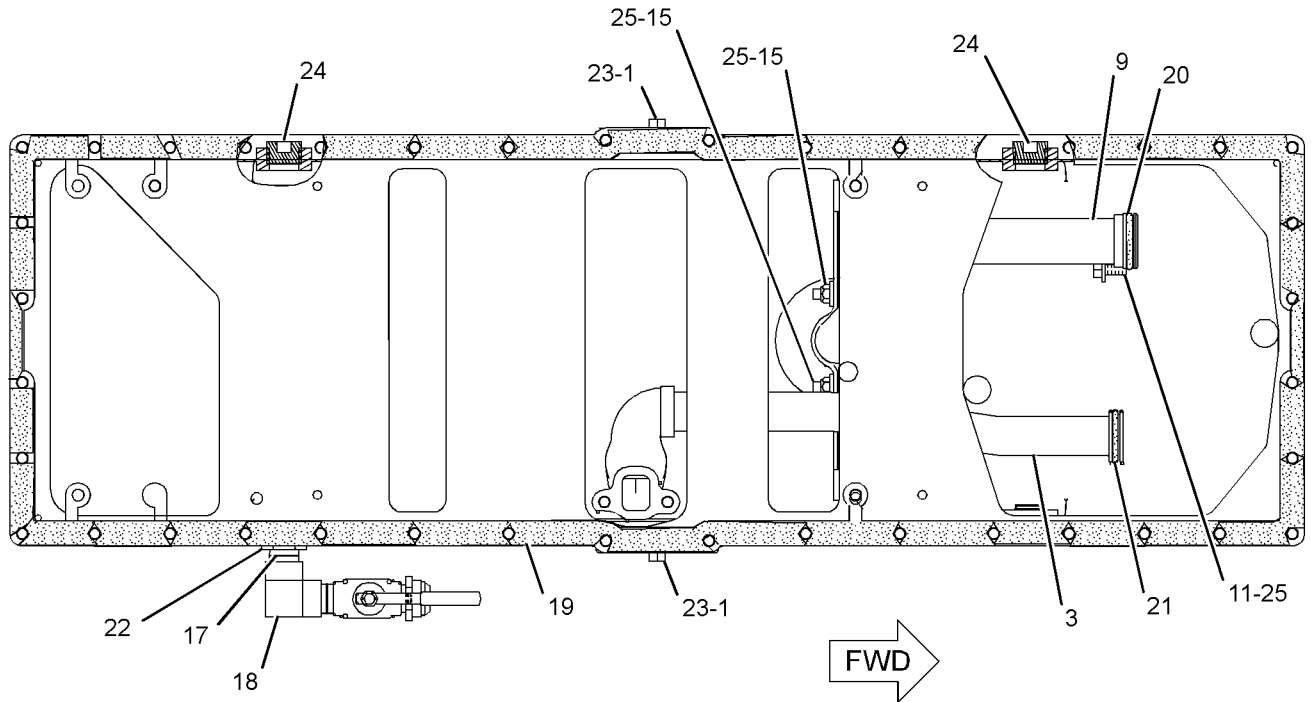
i03482721

NOTE	REF NO	GRAPHIC REF	PART NUMBER	QTY	PART NAME						SEE PAGE
					1	2	3	4	5	6 (PRODUCT LEVEL)	
	1	1	9S-4182	2	PLUG-O-RING						
	2	1	1W-9113	1	PAN-OIL						
	3	1	4P-7373	1	TUBE AS						
	4	1	9N-3167	1	PLATE						
	5	1	9X-6451	1	PLUG-DRAIN (ENGINE OIL PAN)						
	6	1	053-2313	1	CONNECTOR						
	7	1	112-4036	1	VALVE AS-SHUTOFF (ENGINE OIL DRAIN)						
	8	1	115-2353	1	BRACKET-TUBE						
	9	1	115-2369	1	TUBE AS-SUCTION						
	10	1	061-9458	1	SEAL-O-RING						
	11	1	0L-1351	1	BOLT (3/8-16X0.875-IN)						
	12	1	0S-1588	3	BOLT (3/8-16X1.25-IN)						
	13	1	0S-1591	2	BOLT (3/8-16X1.5-IN)						
	15	1	2K-4973	2	LOCKNUT (3/8-16-THD)						
	16	1	2P-3205	40	BOLT-WASHER HEAD (3/8-16X1.75-IN)						
	17	1	3B-7745	2	NIPPLE-PIPE						
	18	1	4B-5984	1	ELBOW						
	19	1	4N-1151	2	GASKET						
	20	1	5P-5846	1	SEAL-O-RING						
	21	1	5P-8068	1	SEAL-O-RING						
	22	1	6B-9081	1	BUSHING-REDUCING						
	23	1	6V-5048	2	SEAL-O-RING						
	24	1	8T-6761	2	PLUG-PIPE						
	25	1	9X-6458	6	WASHER-HARD (10.2X22.5X3-MM THK)						

BASIC ENGINE

257-3113 PAN GP-OIL (contd.)

i03482721



GRAPHIC #1

<END>

g01160649

BASIC ENGINE

252-0652 PISTON & ROD GP

S/N: FFH1-UP

16:1 COMPRESSION RATIO

SMCS-1225

i03585142

NOTE	REF NO	GRAPHIC REF	PART NUMBER	QTY	PART NAME						SEE PAGE
					1	2	3	4	5	6 (PRODUCT LEVEL)	
	1	1	151-5925	1	BOLT (7/16-14-THD) (OIL JET)						
	2	1	164-4187	1	RING-PISTON (INTERMEDIATE)						
	3	1	180-7350	1	PIN-PISTON						
	4	1	279-1152	1	TUBE AS-OIL JET						
R	5	1	224-3245	1	ROD AS						
	5A	1	219-4458	2	PIN-DOWEL						
	5B	1	213-3217	4	BOLT (M11X1.25X84-MM)						
	5C	1	229-6259	1	BEARING						
	6	1	224-3246	1	BEARING-CONNECTING ROD (STANDARD)						
AB		1	232-3235		BEARING-CONNECTING ROD (0.64-MM US)						
AB		1	232-3236		BEARING-CONNECTING ROD (1.27-MM US)						
	7	1	252-0656	1	BODY AS-PISTON						
	8	1	250-2940	2	RETAINER-PIN						
	9	1	247-6130	1	RING-PISTON-TOP						
	10	1	238-0294	1	RING-PISTON						

A-NOT PART OF THIS GROUP

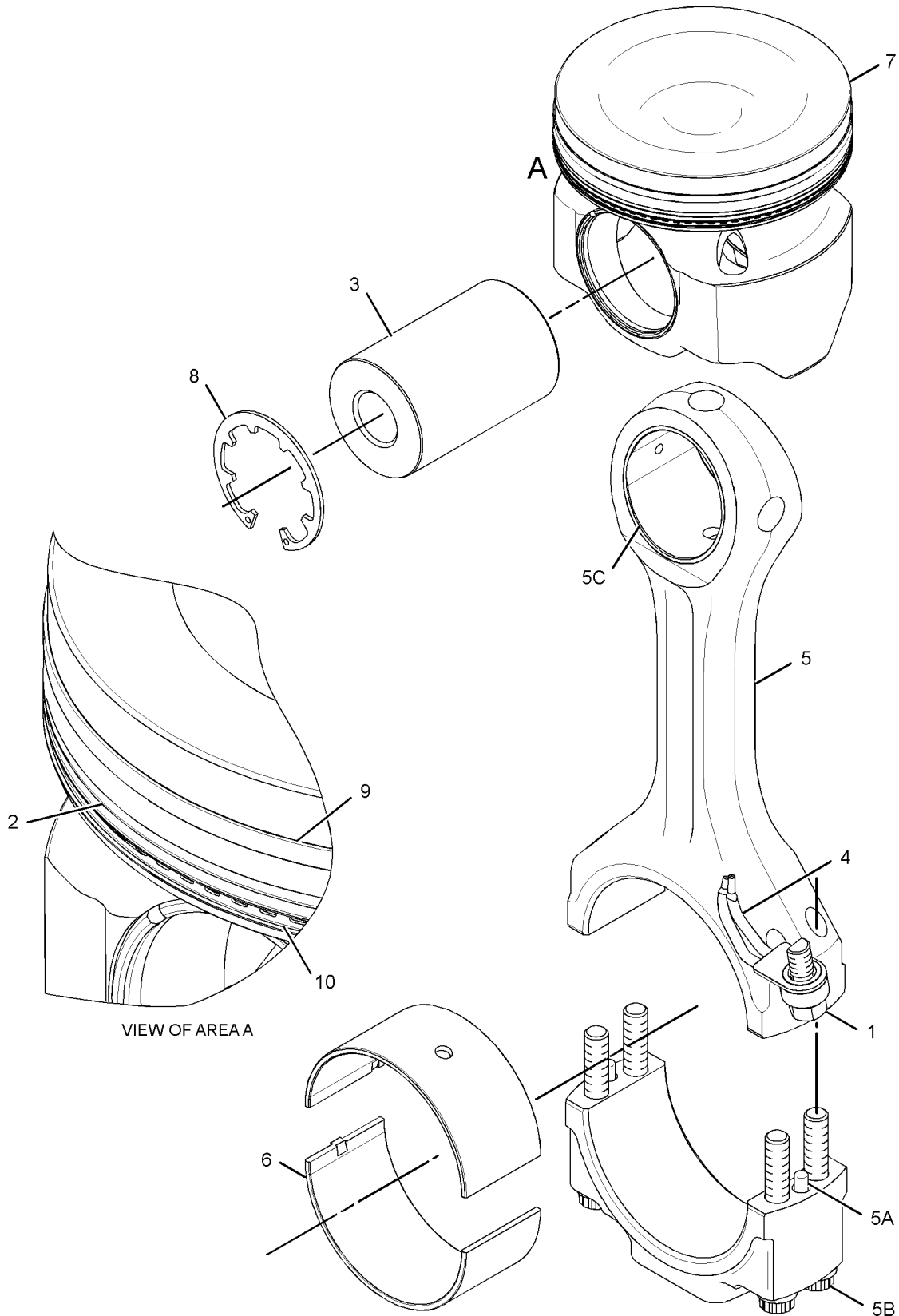
B-USE AS REQUIRED

R-REMFG PART MAY BE AVAILABLE

BASIC ENGINE

252-0652 PISTON & ROD GP (contd.)

i03585142



VIEW OF AREA A

GRAPHIC #1

<END>

g01593361

BASIC ENGINE

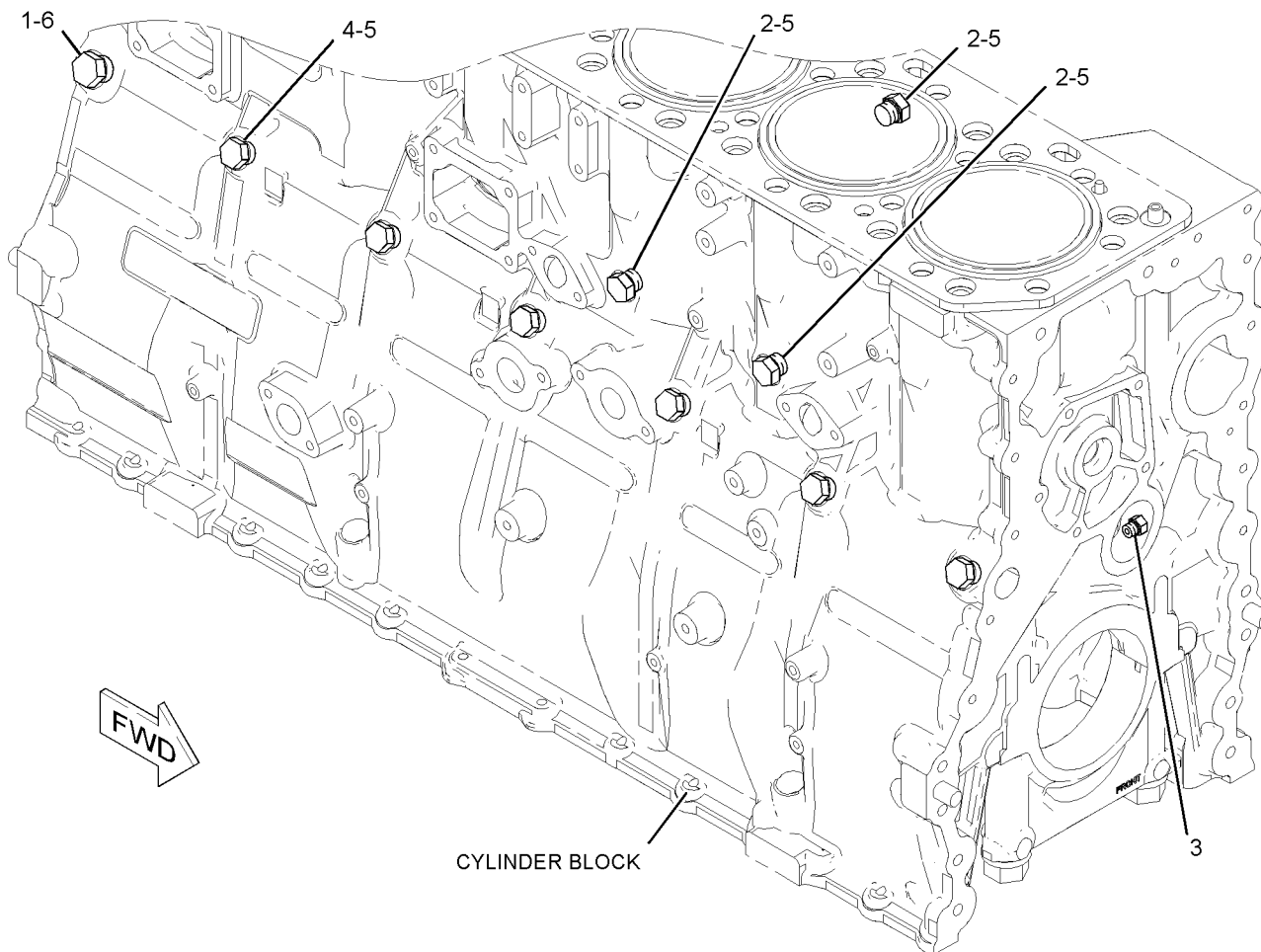
230-5379 PLUG GP-CYLINDER BLOCK

S/N: FFH1-UP

SMCS-1201

i02014500

NOTE	REF NO	GRAPHIC REF	PART NUMBER	QTY	PART NAME						SEE PAGE
					1	2	3	4	5	6 (PRODUCT LEVEL)	
	1	1	136-7227	1	SEAL-O-RING						
	2	1	6V-6609	3	SEAL-O-RING						
	3	1	9S-8002	1	PLUG-O-RING						
	4	1	8L-2786	6	SEAL-O-RING						
	5	1	9S-8005	9	PLUG-O-RING						
	6	1	9S-8006	1	PLUG-O-RING						



GRAPHIC #1

<END>

g01045398

BASIC ENGINE

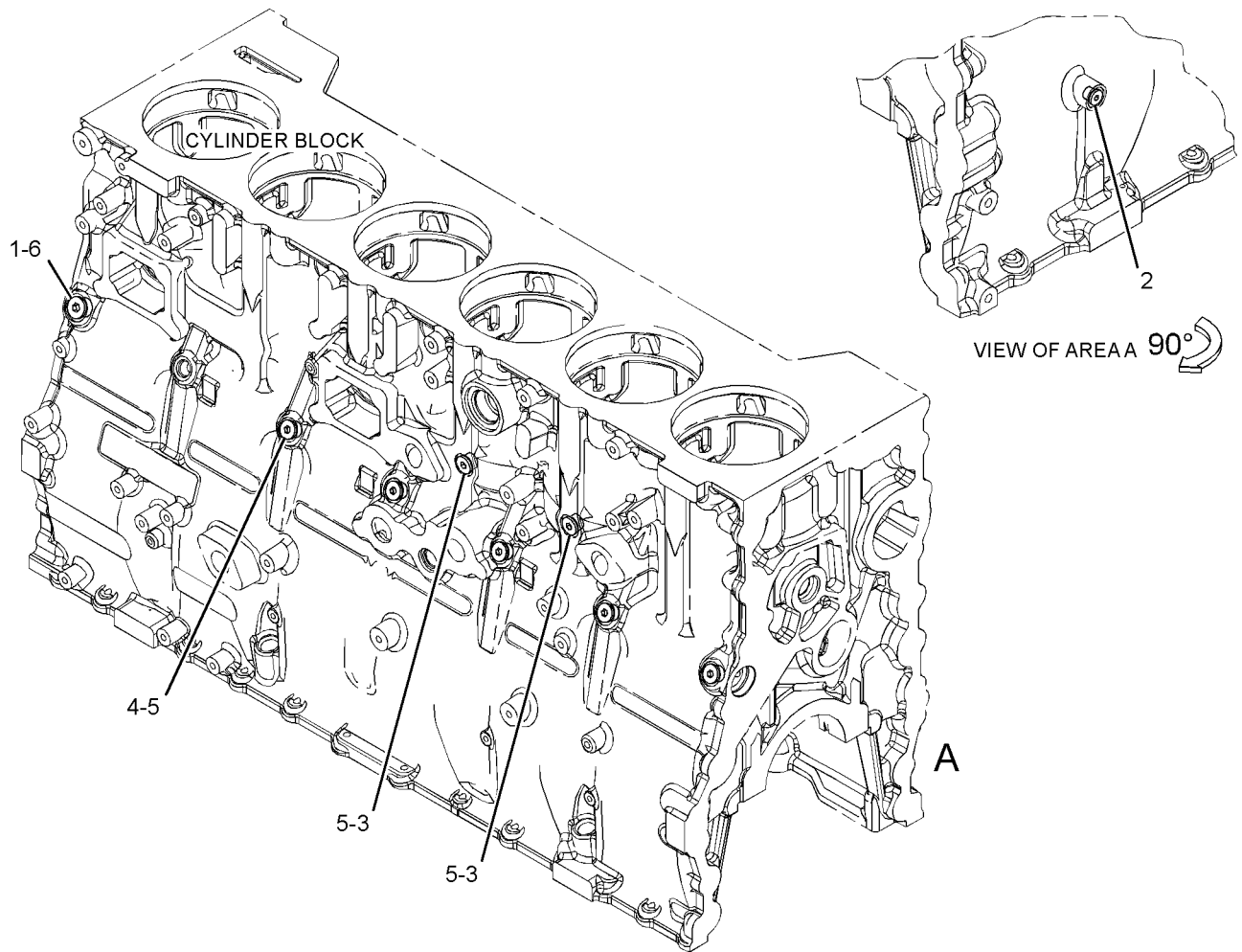
234-9183 PLUG GP-CYLINDER BLOCK

S/N: FFH1-UP

SMCS-1201

i03313272

NOTE	REF NO	GRAPHIC REF	PART NUMBER	QTY	PART NAME						SEE PAGE
					1	2	3	4	5	6 (PRODUCT LEVEL)	
	1	1	136-7227	1	SEAL-O-RING						
	2	1	183-3409	1	PLUG AS						
		1	9S-8002	1	PLUG-O-RING						
		1	033-5853	1	SEAL-O-RING (08.92MM ID)						
	3	1	6V-6609	2	SEAL-O-RING						
	4	1	8L-2786	5	SEAL-O-RING						
	5	1	9S-8005	7	PLUG-O-RING						
	6	1	9S-8006	1	PLUG-O-RING						



GRAPHIC #1

<END>

g01692513

BASIC ENGINE

305-9196 PLUG GP-CYLINDER BLOCK

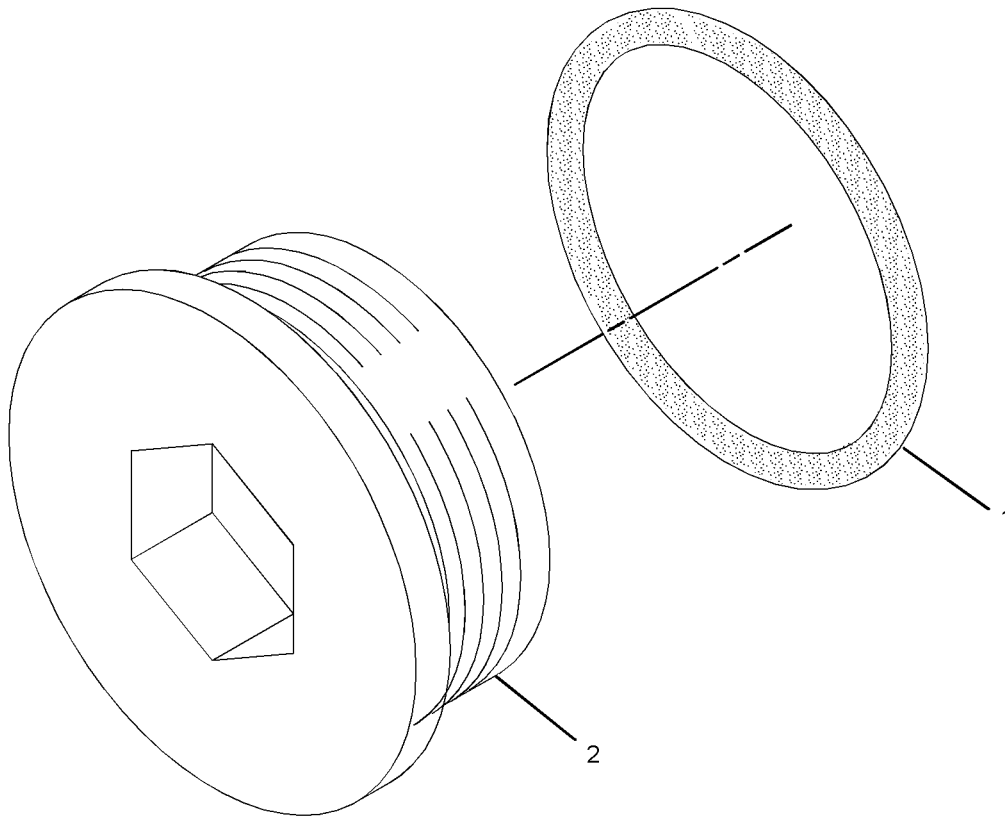
S/N: FFH112-UP

PART OF 223-9252 CYLINDER BLOCK GP

SMCS-1201

i02680401

NOTE	REF NO	GRAPHIC REF	PART NUMBER	QTY	PART NAME						SEE PAGE
					1	2	3	4	5	6 (PRODUCT LEVEL)	
	1	1	6V-5065	1	SEAL-O-RING						
	2	1	9S-8010	1	PLUG						



GRAPHIC #1

<END>

g01347363

BASIC ENGINE

229-6711 PLUG GP-CYLINDER HEAD

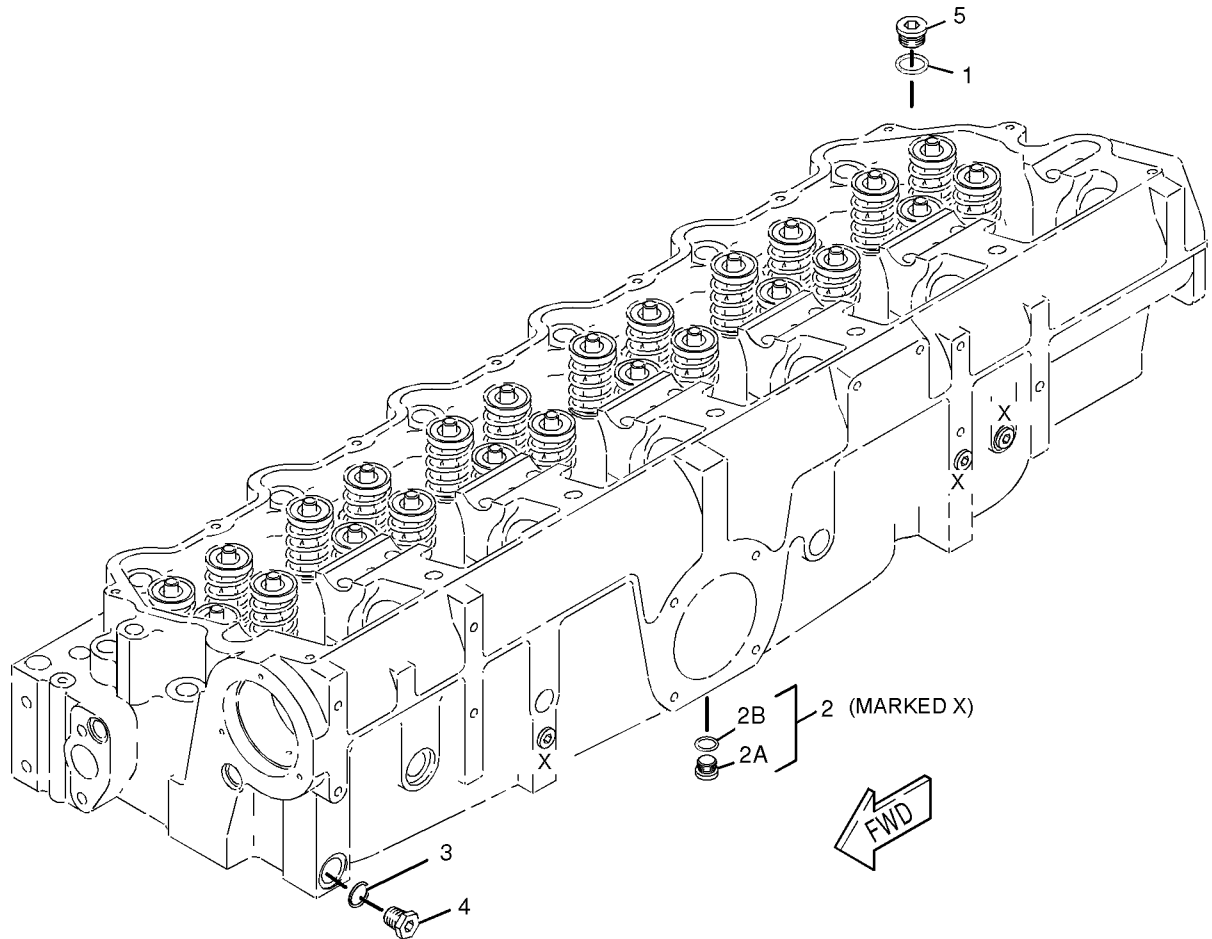
S/N: FFH1-UP

FOR USE WITH AIR COMPRESSOR COVER GROUP IF NO AIR COMPRESSOR

SMCS-1100

i03236061

NOTE	REF NO	GRAPHIC REF	PART NUMBER	QTY	PART NAME						SEE PAGE
					1	2	3	4	5	6 (PRODUCT LEVEL)	
	1	1	6V-6609	1	SEAL-O-RING						
	2	1	183-3408	4	PLUG AS (MARKED X)						
					(EACH INCLUDES)						
	2A	1	9S-8004	1	PLUG						
	2B	1	214-7568	1	SEAL-O-RING						
	3	1	6V-3251	1	SEAL-O-RING						
	4	1	9S-8006	1	PLUG-O-RING						
	5	1	9S-8005	1	PLUG-O-RING						



GRAPHIC #1

<END>

g01037658

BASIC ENGINE

220-1204 PLUG GP-FLYWHEEL HOUSING

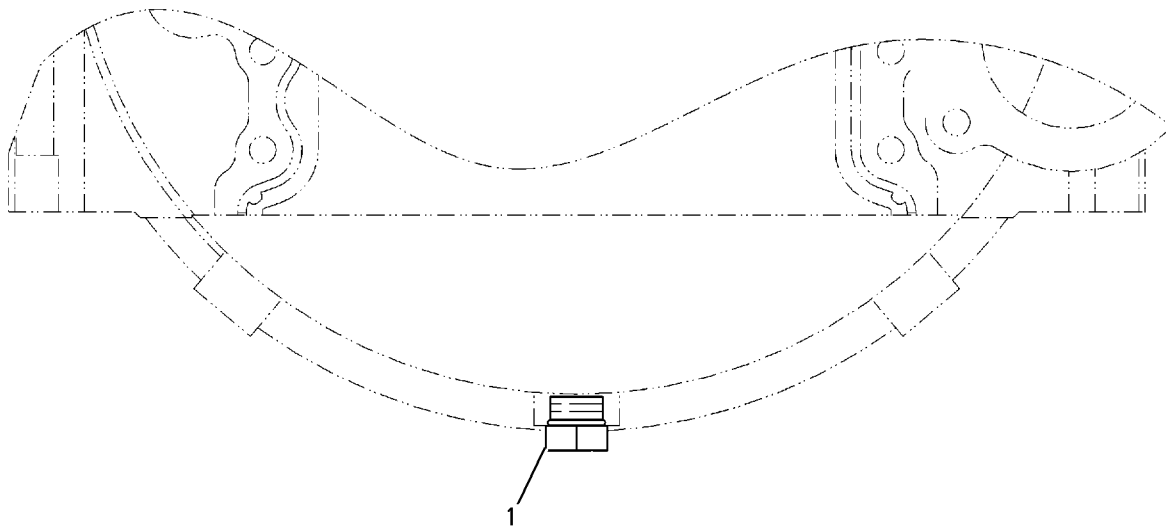
S/N: FFH285-UP

CANNOT BE USED WITH BRAKESAVER

SMCS-1157

i01879138

NOTE	REF NO	GRAPHIC REF	PART NUMBER	QTY	PART NAME						SEE PAGE
					1	2	3	4	5	6 (PRODUCT LEVEL)	
	1	1	148-8408	1	PLUG AS						
		1	3D-2824	1	SEAL-O-RING						
		1	9S-4183	1	PLUG-O-RING						



FRONT VIEW

GRAPHIC #1

<END>

g00956600

BASIC ENGINE

210-2521 ROCKER ARM GP

S/N: FFH1-UP

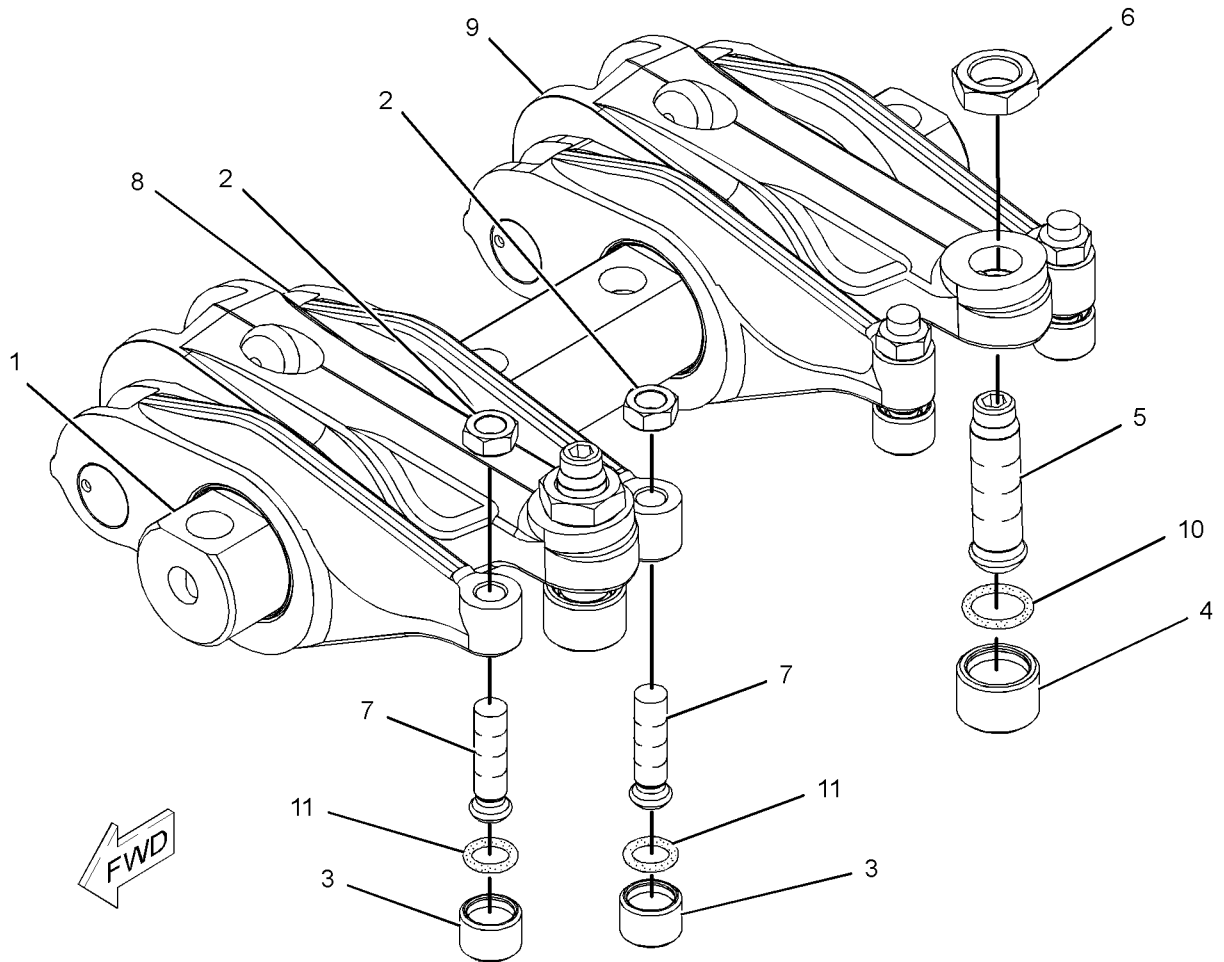
PART OF 190-0009 MECHANISM GP-FUEL PUMP & VALVE

SMCS-1123

i02426852

NOTE	REF NO	GRAPHIC REF	PART NUMBER	QTY	PART NAME						SEE PAGE
					1	2	3	4	5	6 (PRODUCT LEVEL)	
	1	1	6I-0901	1	SHAFT AS-ROCKER ARM						
		1	4B-9782	2	BALL						
	2	1	276-5317	4	NUT (3/8-24-THD)						
	3	1	258-8721	4	BUTTON						
	4	1	192-4151	2	BUTTON						
	5	1	196-5069	2	SCREW-ARM ADJUSTMENT (9/16-18X2-IN)						
	6	1	196-5070	2	NUT-JAM (9/16-18-THD)						
	7	1	232-0253	4	SCREW-ARM ADJUSTMENT (3/8-24X1.20-IN)						
R	8	1	203-8824	4	ROCKER ARM AS (INLET)						
R	9	1	207-5248	2	ROCKER ARM AS (EXHAUST)						
	10	1	061-8639	2	SEAL-O-RING						
	11	1	8L-2777	4	SEAL-O-RING						

R-REMFG PART MAY BE AVAILABLE



GRAPHIC #1

<END>

g01213031

BASIC ENGINE

278-1929 ROCKER ARM GP

S/N: FFH1-UP

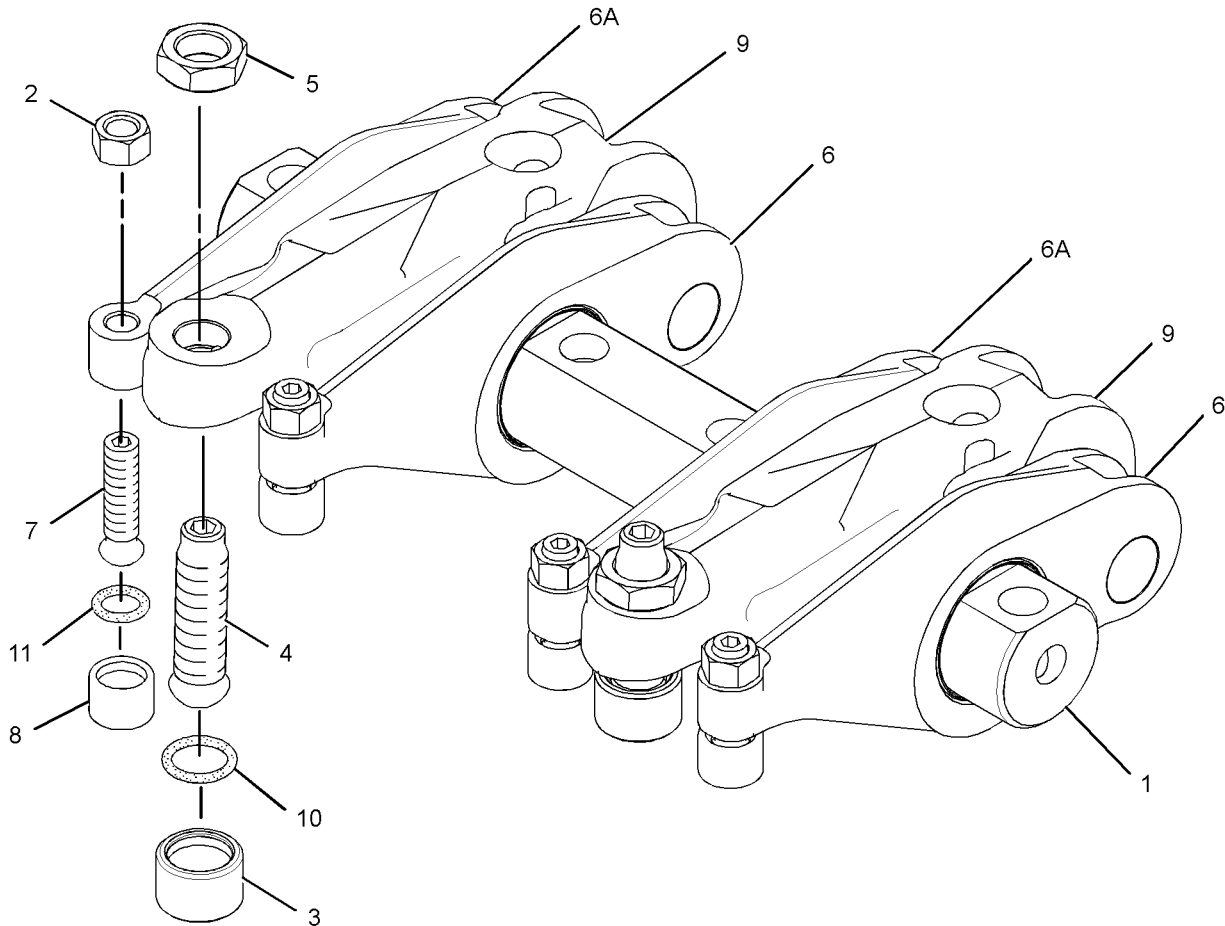
PART OF 190-0009 MECHANISM GP-FUEL PUMP & VALVE

SMCS-1123

i03626649

NOTE	REF NO	GRAPHIC REF	PART NUMBER	QTY	PART NAME						SEE PAGE
					1	2	3	4	5	6 (PRODUCT LEVEL)	
	1	1	307-8322	1	SHAFT AS-ROCKER ARM						
		1	4B-9782	2	BALL						
	2	1	276-5317	4	NUT (3/8-24-THD)						
	3	1	192-4151	2	BUTTON (24-MM OD)						
	4	1	196-5069	2	SCREW-ARM ADJUSTMENT (9/16-18X2-IN)						
	5	1	196-5070	2	NUT-JAM (9/16-18-THD)						
R	6	1	203-8824	2	ROCKER ARM AS (INLET VALVE ROCKER)						
R	6A	1	203-8824	2	ROCKER ARM AS (EXHAUST VALVE ROCKER)						
	7	1	274-4491	4	SCREW-ARM ADJUSTMENT (3/8-24X1.20-IN)						
	8	1	258-8721	4	BUTTON						
R	9	1	278-1365	2	ROCKER ARM AS (UNIT INJECTOR ROCKER)						
	10	1	061-8639	2	SEAL-O-RING						
	11	1	8L-2777	4	SEAL-O-RING						

R-REMFG PART MAY BE AVAILABLE



GRAPHIC #1

<END>

g01915276

BASIC ENGINE

320-2796 ROCKER ARM GP-INTAKE

S/N: FFH1-UP

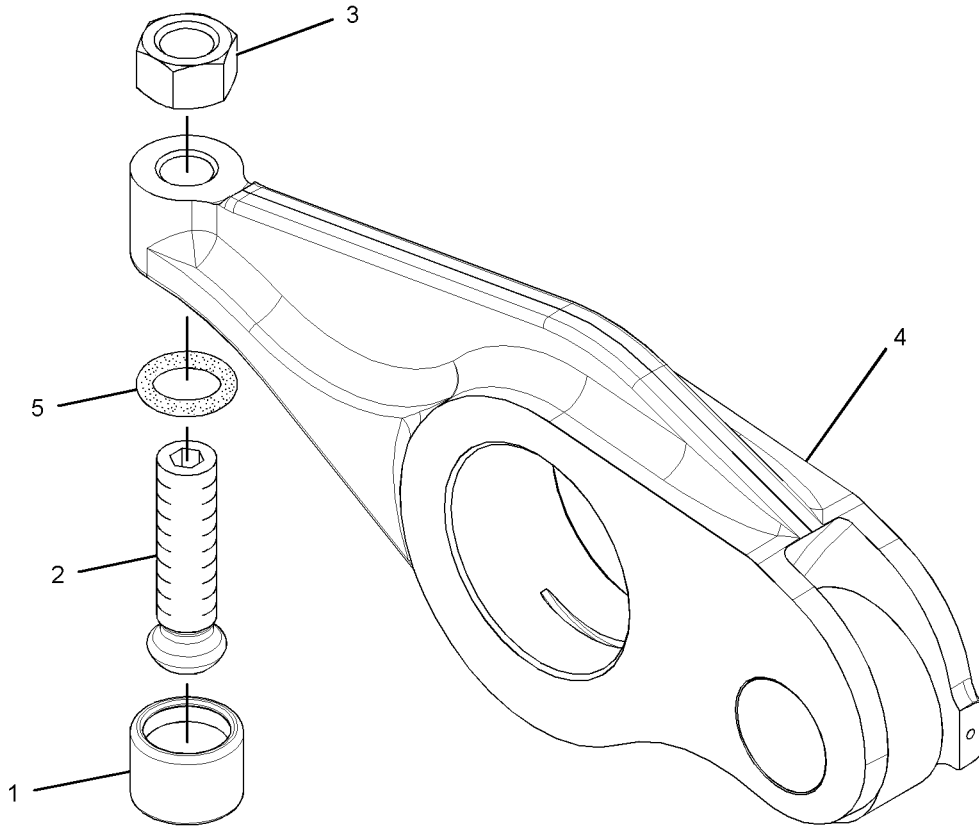
PART OF 328-4236 ROCKER ARM GP

SMCS-1123

i03008827

NOTE	REF NO	GRAPHIC REF	PART NUMBER	QTY	PART NAME						SEE PAGE
					1	2	3	4	5	6 (PRODUCT LEVEL)	
	1	1	258-8721	1	BUTTON						
	2	1	274-4491	1	SCREW-ARM ADJUSTMENT (3/8-24X1.20-IN)						
	3	1	276-5317	1	NUT (3/8-24-THD)						
R	4	1	320-2797	1	ROCKER ARM AS						
	5	1	8L-2777	1	SEAL-O-RING						

R-REMFG PART MAY BE AVAILABLE



GRAPHIC #1

<END>

g01526902

BASIC ENGINE

328-4236 ROCKER ARM GP

S/N: FFH1-UP

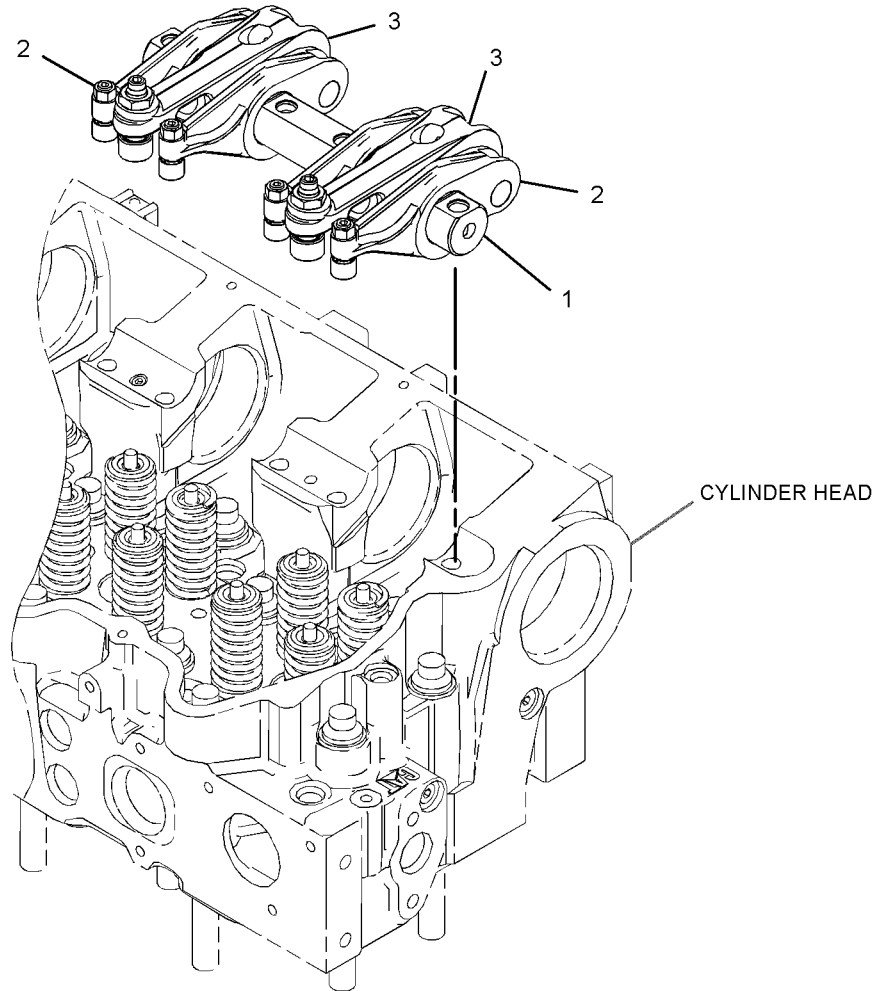
PART OF 190-0009 MECHANISM GP-FUEL PUMP & VALVE

SMCS-1123

i03640690

NOTE	REF NO	GRAPHIC REF	PART NUMBER	QTY	PART NAME						SEE PAGE
					1	2	3	4	5	6 (PRODUCT LEVEL)	
	1	1	307-8322	1	SHAFT AS-ROCKER ARM						
		1	4B-9782	2	BALL						
YR	2	1	320-2796	4	ROCKER ARM GP (INTAKE)						119
YR	3	1	328-4238	2	ROCKER ARM GP (EXHAUST)						121

R-REMFG PART MAY BE AVAILABLE
Y-SEPARATE ILLUSTRATION



GRAPHIC #1

<END>

g01705875

BASIC ENGINE

328-4238 ROCKER ARM GP-EXHAUST

S/N: FFH1-UP

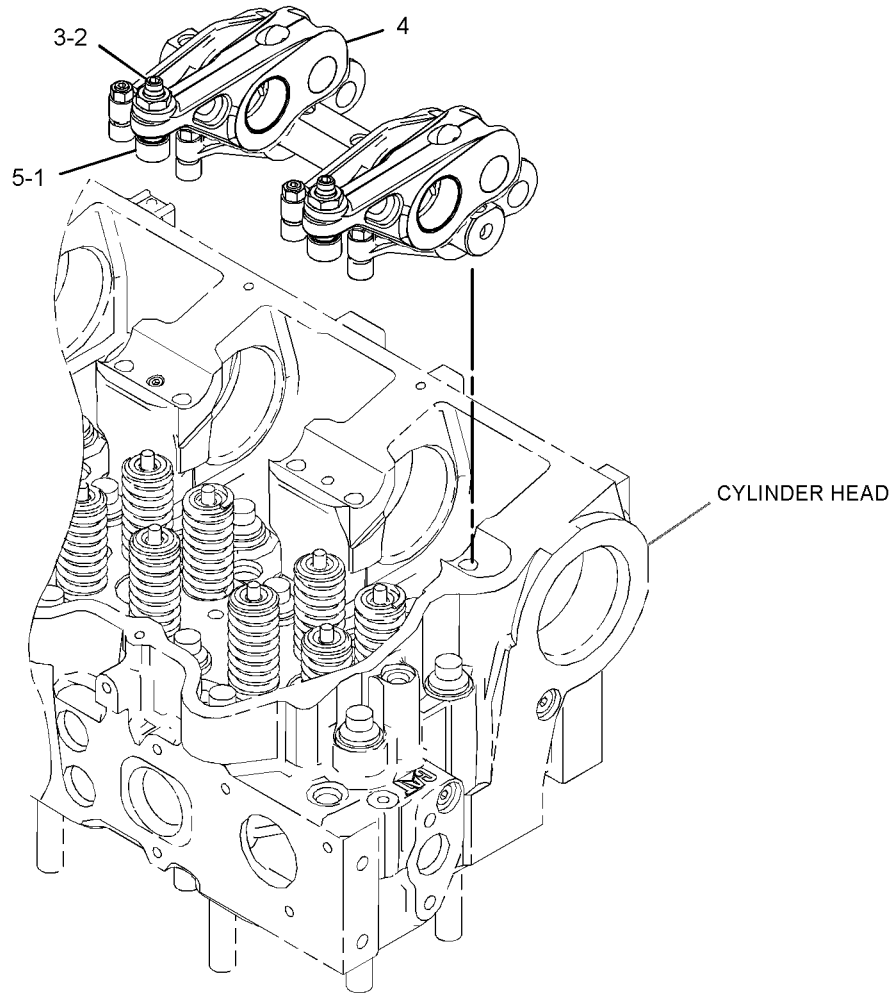
PART OF 328-4236 ROCKER ARM GP

SMCS-1123

i03326327

NOTE	REF NO	GRAPHIC REF	PART NUMBER	QTY	PART NAME						SEE PAGE
					1	2	3	4	5	6 (PRODUCT LEVEL)	
	1	1	192-4151	1	BUTTON						
	2	1	196-5069	1	SCREW-ARM ADJUSTMENT						
	3	1	196-5070	1	NUT-JAM (9/16-18-THD)						
R	4	1	278-1365	1	ROCKER ARM AS						
	5	1	061-8639	1	SEAL-O-RING						

R-REMFG PART MAY BE AVAILABLE



GRAPHIC #1

g01707153

BASIC ENGINE

319-0785 SEAL GP-CRANKSHAFT-REAR

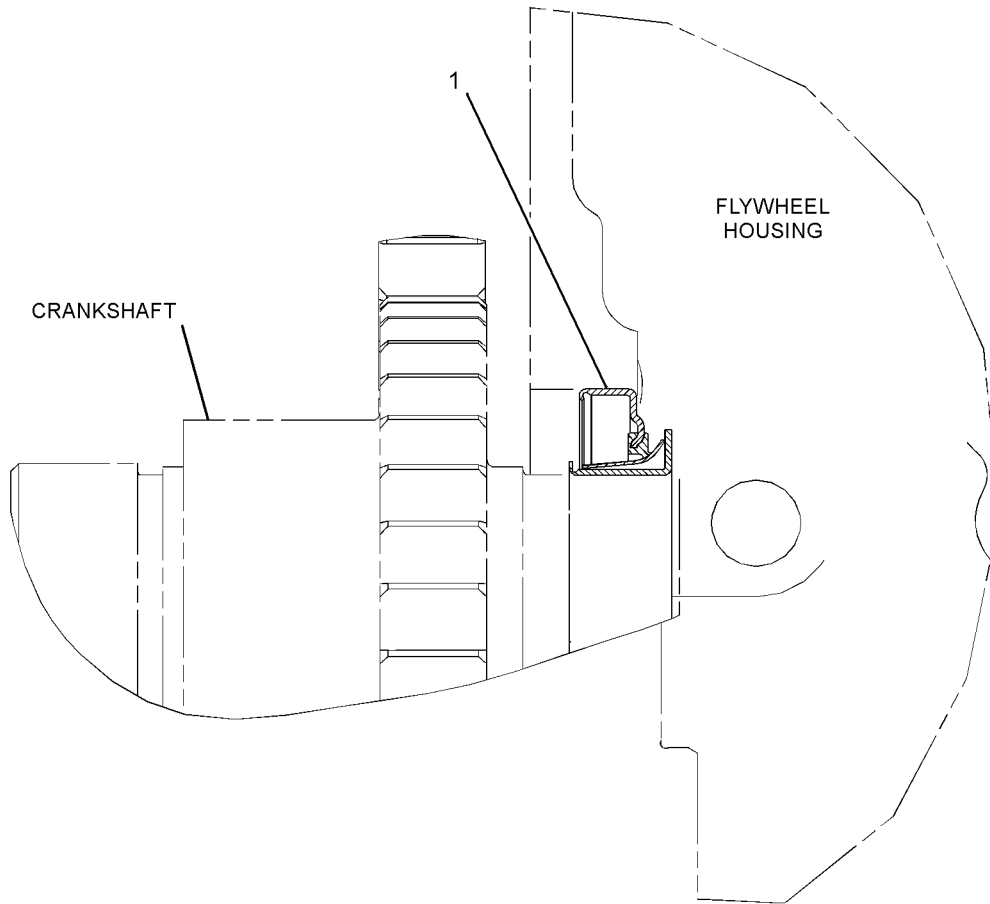
S/N: FFH1-UP

PART OF 135-7634, 223-4738 HOUSING GP-FLYWHEEL
FOR USE WITH CCW ROTATION, REAR

SMCS-1160, 1161

i02958100

NOTE	REF NO	GRAPHIC REF	PART NUMBER	QTY	PART NAME						SEE PAGE
					1	2	3	4	5	6 (PRODUCT LEVEL)	
	1	1	142-5868	1	SEAL-CRANKSHAFT (REAR)						



RIGHT SIDE VIEW OF ENGINE

GRAPHIC #1

<END>

g01496733

BASIC ENGINE

319-7401 SEAL GP-CRANKSHAFT-FRONT

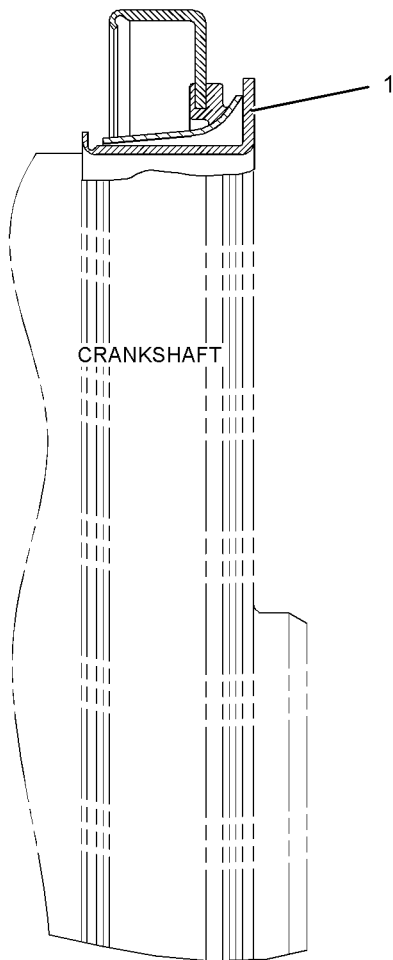
S/N: FFH1-UP

PART OF 223-9731 CRANKSHAFT GP

SMCS-1160, 1161

i02957871

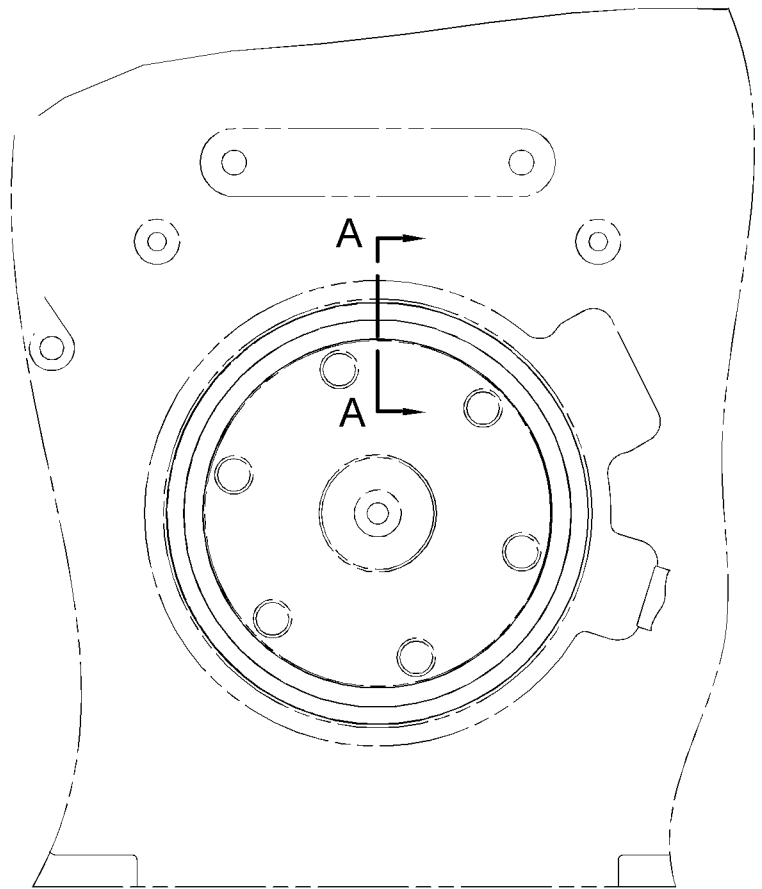
NOTE	REF NO	GRAPHIC REF	PART NUMBER	QTY	PART NAME						SEE PAGE
					1	2	3	4	5	6 (PRODUCT LEVEL)	
	1	1	142-5867	1	SEAL-CRANKSHAFT (FRONT)						



CRANKSHAFT

SECTION A-A

GRAPHIC #1



FRONT VIEW OF ENGINE

<END>

g01516169

BASIC ENGINE

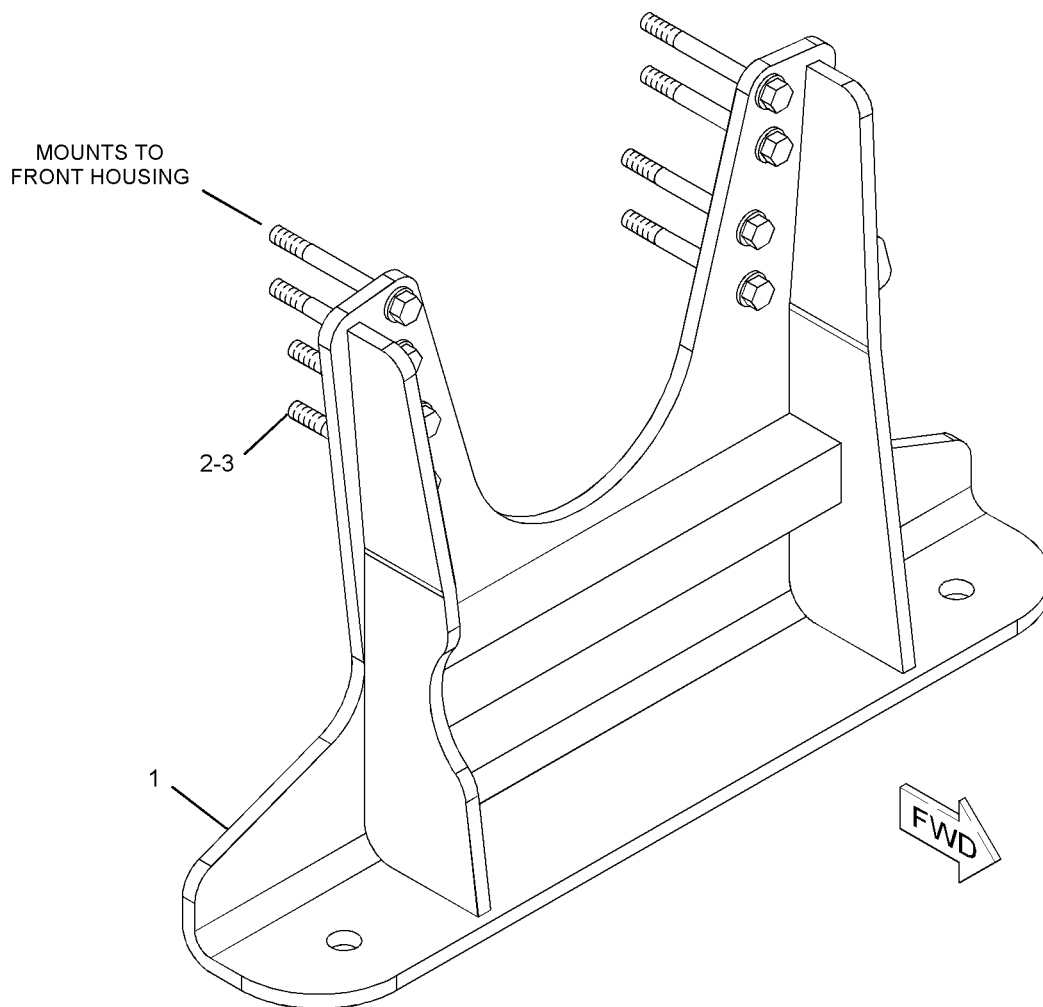
238-0025 SUPPORT GP-ENGINE

S/N: FFH1-UP

SMCS-1152, 1153, 1154

i02094456

NOTE	REF NO	GRAPHIC REF	PART NUMBER	QTY	PART NAME						SEE PAGE
					1	2	3	4	5	6 (PRODUCT LEVEL)	
	1	1	246-4168	1	SUPPORT AS						
	2	1	5P-8245	8	WASHER-HARD (13.5X25.5X3-MM THK)						
	3	1	9X-8876	8	BOLT (1/2-13X4.75-IN)						



GRAPHIC #1

<END>

g01073878

BASIC ENGINE

9N-1324 V-BELT SET-INCLUDES 3-BELTS, FAN DRIVE-FAN DRIVE

S/N: FFH1-UP

1448-MM (57-INCH) LONG. REQUIRES FAN DRIVE OR FAN DRIVE AND BELT TIGHTENER

SMCS-1357

i02728813

NOTE	PART NUMBER	QTY	PART NAME						SEE PAGE
			1	2	3	4	5	6 (PRODUCT LEVEL)	
			(INCLUDES 3-BELTS)						
			<END>						

BASIC ENGINE

284-8095 V-BELT SET—INCLUDES 3-BELTS

S/N: FFH1-UP

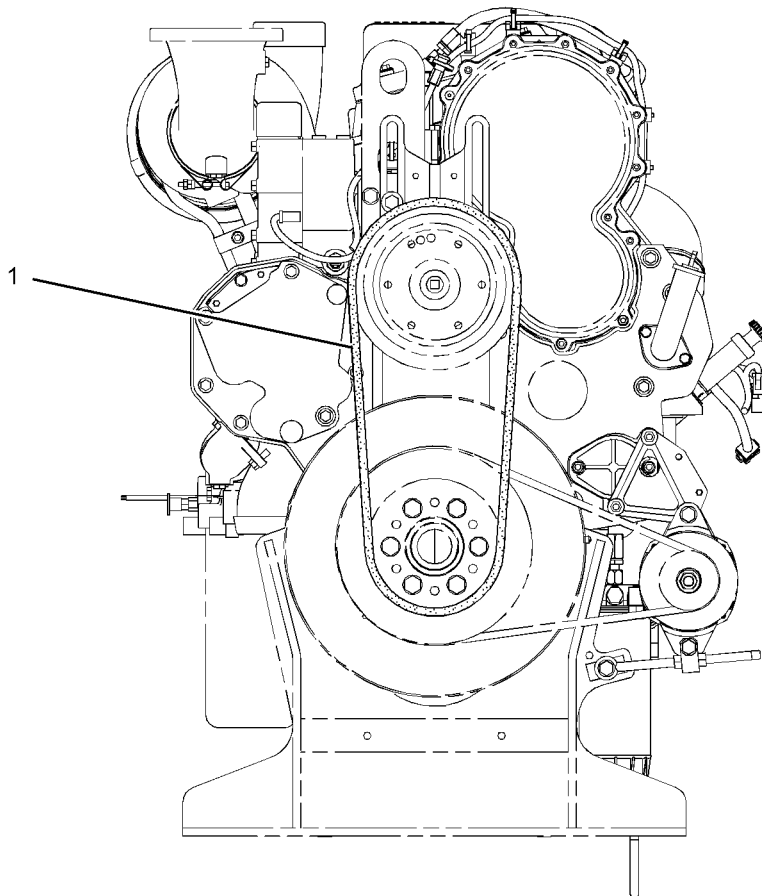
1499 MM (59 IN) LONG

FOR USE WITH FAN DRIVE RATIO OF 0.8:1

SMCS-1357

i02647787

NOTE	REF NO	GRAPHIC REF	PART NUMBER	QTY	PART NAME						SEE PAGE
					1	2	3	4	5	6 (PRODUCT LEVEL)	
	1	1	9L-6641	3	V-BELT (ALTERNATOR)						



FRONT VIEW OF ENGINE

GRAPHIC #1

<END>

g01336616

LUBRICATION SYSTEM

154-4327 BASE GP-OIL FILTER-ENGINE

S/N: FFH335-UP

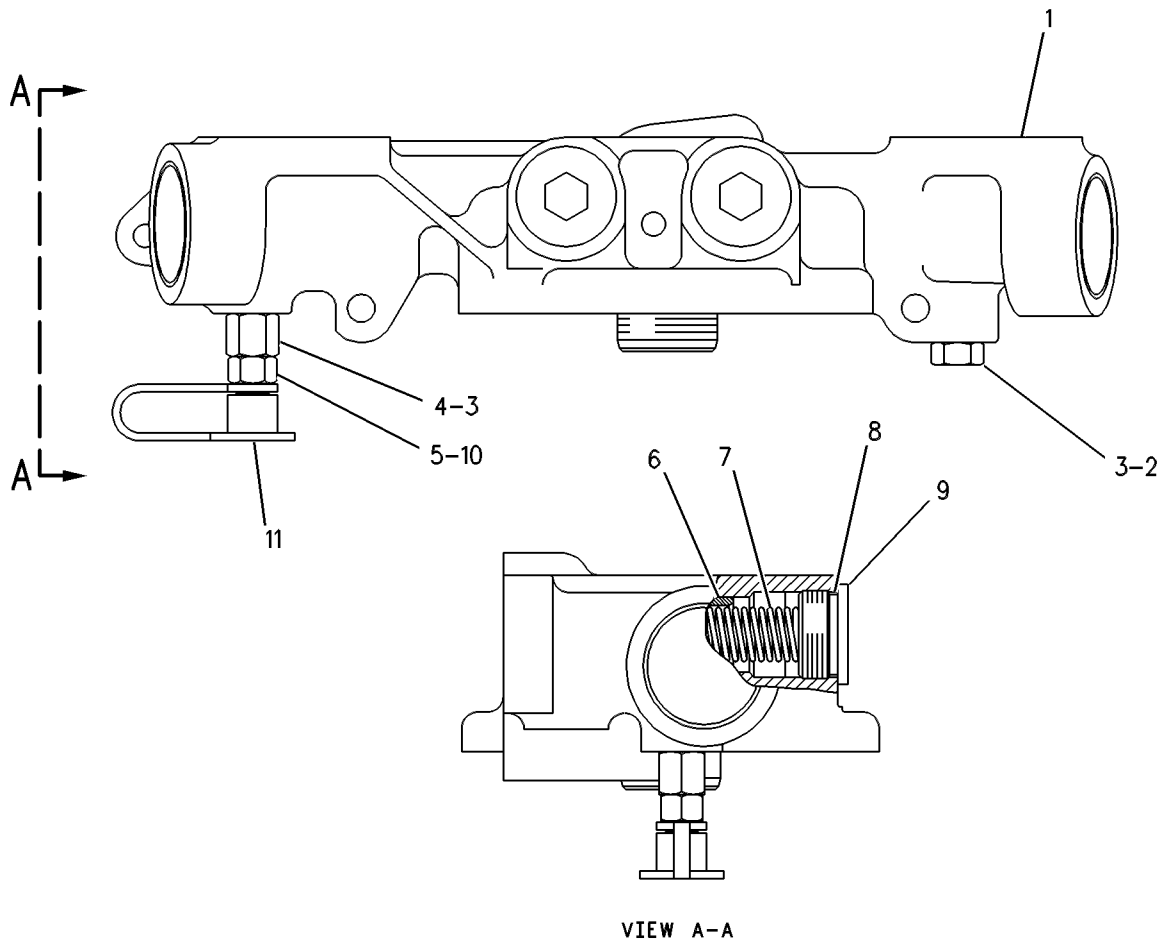
PART OF 155-5005 BASE GP-OIL FILTER

SMCS-1306

i03603322

NOTE	REF NO	GRAPHIC REF	PART NUMBER	QTY	PART NAME						SEE PAGE
					1	2	3	4	5	6 (PRODUCT LEVEL)	
Y	1	1	176-1363	1	BASE GP-OIL FILTER (ENGINE)						129
	2	1	9S-4191	1	PLUG-O-RING						
	3	1	6V-5049	2	SEAL-O-RING						
	4	1	5P-9617	1	ADAPTER						
	5	1	8C-3446	1	VALVE-FLUID SAMPLING (ENGINE OIL)						
	6	1	1P-1367	2	PLUNGER						
	7	1	4N-8150	2	SPRING						
	8	1	5P-7701	2	SEAL-O-RING						
	9	1	9S-9334	2	PLUG-O-RING						
	10	1	3J-7354	1	SEAL-O-RING						
	11	1	8C-3445	1	CAP-DUST (ENGINE OIL FILTER)						

Y-SEPARATE ILLUSTRATION



GRAPHIC #1

<END>

g00445963

LUBRICATION SYSTEM

155-5005 BASE GP-OIL FILTER-ENGINE

S/N: FFH1-UP

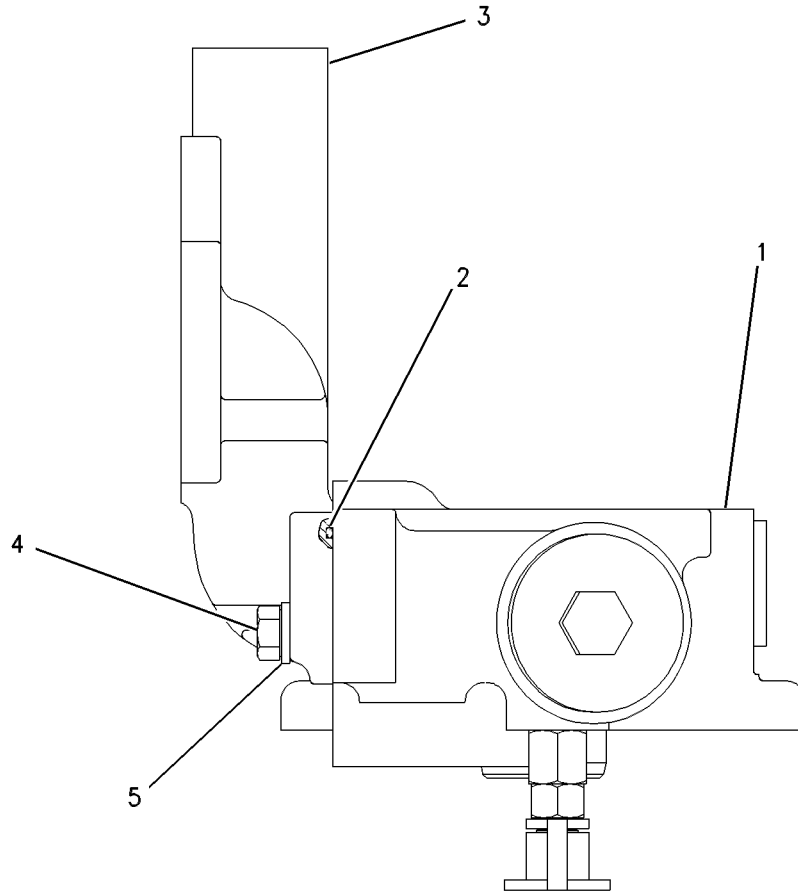
PART OF 154-4325 FILTER GP-ENGINE OIL

SMCS-1306

i02711276

NOTE	REF NO	GRAPHIC REF	PART NUMBER	QTY	PART NAME	SEE PAGE
					1 2 3 4 5 6 (PRODUCT LEVEL)	
Y	1	1	154-4327	1	BASE GP-OIL FILTER (ENGINE)	127
	2	1	061-7540	2	SEAL-O-RING	
	3	1	153-6680	1	ELBOW	
	4	1	0S-1588	4	BOLT (3/8-16X1.25-IN)	
	5	1	5M-2894	4	WASHER-HARD (10.2X18.5X2.5-MM THK)	

Y-SEPARATE ILLUSTRATION



GRAPHIC #1

<END>

g00507738

LUBRICATION SYSTEM

176-1363 BASE GP-OIL FILTER-ENGINE

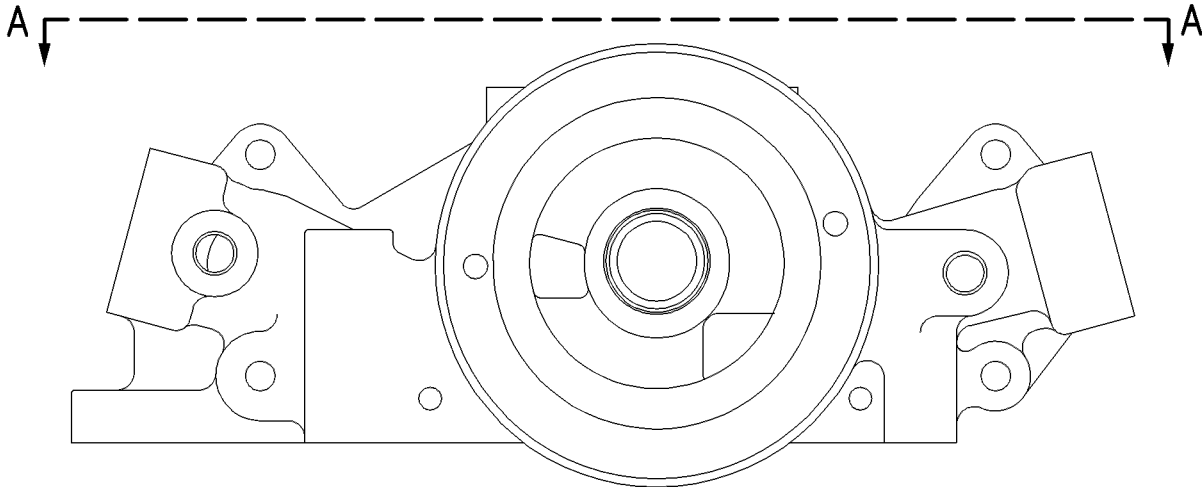
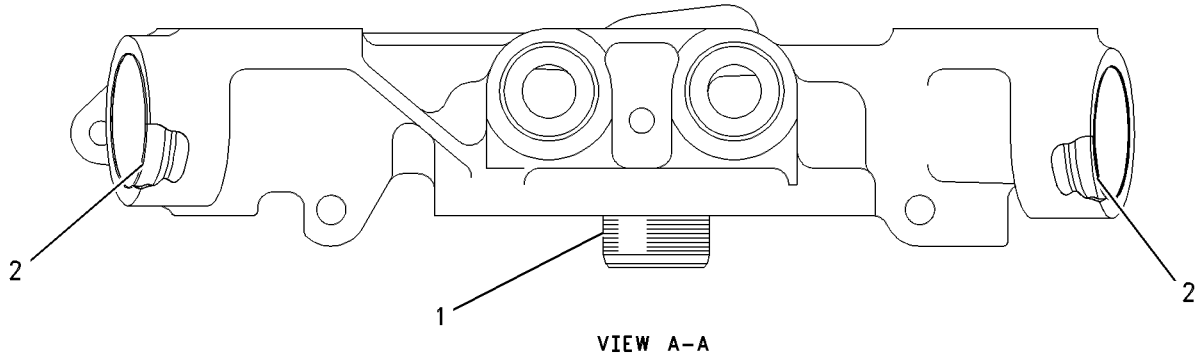
S/N: FFH335-UP

PART OF 154-4327 BASE GP-OIL FILTER

SMCS-1306

i02459914

NOTE	REF NO	GRAPHIC REF	PART NUMBER	QTY	PART NAME						SEE PAGE
					1	2	3	4	5	6 (PRODUCT LEVEL)	
	1	1	2P-4304	1	STUD-HOLLOW						
	2	1	9L-7657	2	PLUG-CUP						



GRAPHIC #1

<END>

g00638223

LUBRICATION SYSTEM

264-0256 DRAIN GP-OIL-ENGINE

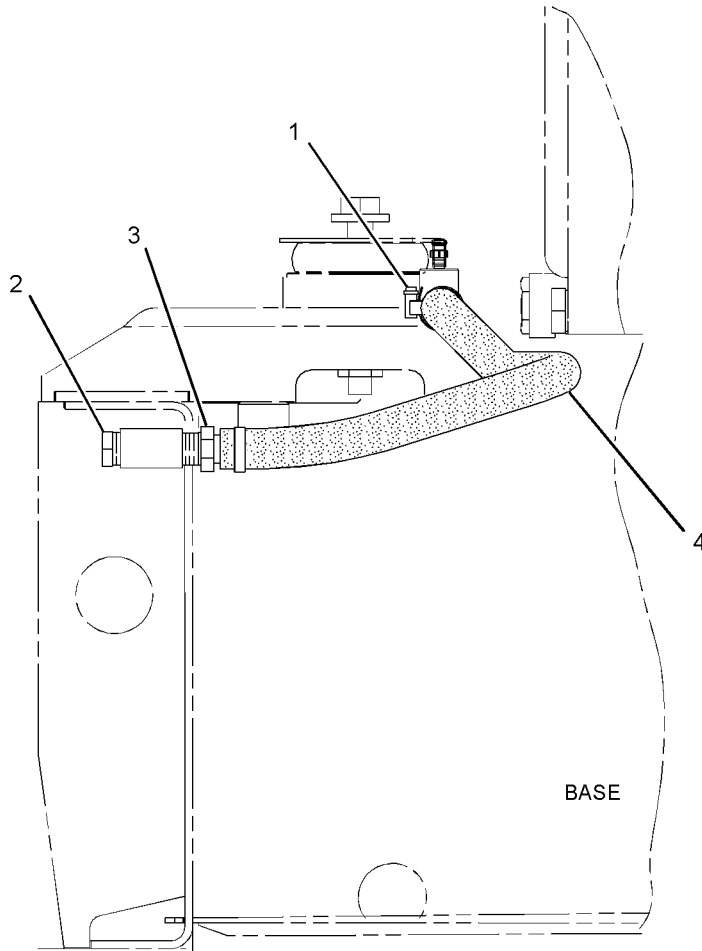
S/N: C5H1-UP
AN ATTACHMENT

SMCS-1372

i02640048

NOTE	REF NO	GRAPHIC REF	PART NUMBER	QTY	PART NAME						SEE PAGE
					1	2	3	4	5	6 (PRODUCT LEVEL)	
	1	1	9M-7958	2	CLAMP-HOSE						
	2	1	3M-7045	1	PLUG						
	3	1	6V-2492	1	CONNECTOR						
E	4	1	5P-2094		HOSE (140-CM)						

E-ORDER BY THE CENTIMETER



GRAPHIC #1

<END>

g01185513

LUBRICATION SYSTEM

264-0258 DRAIN GP-OIL-ENGINE

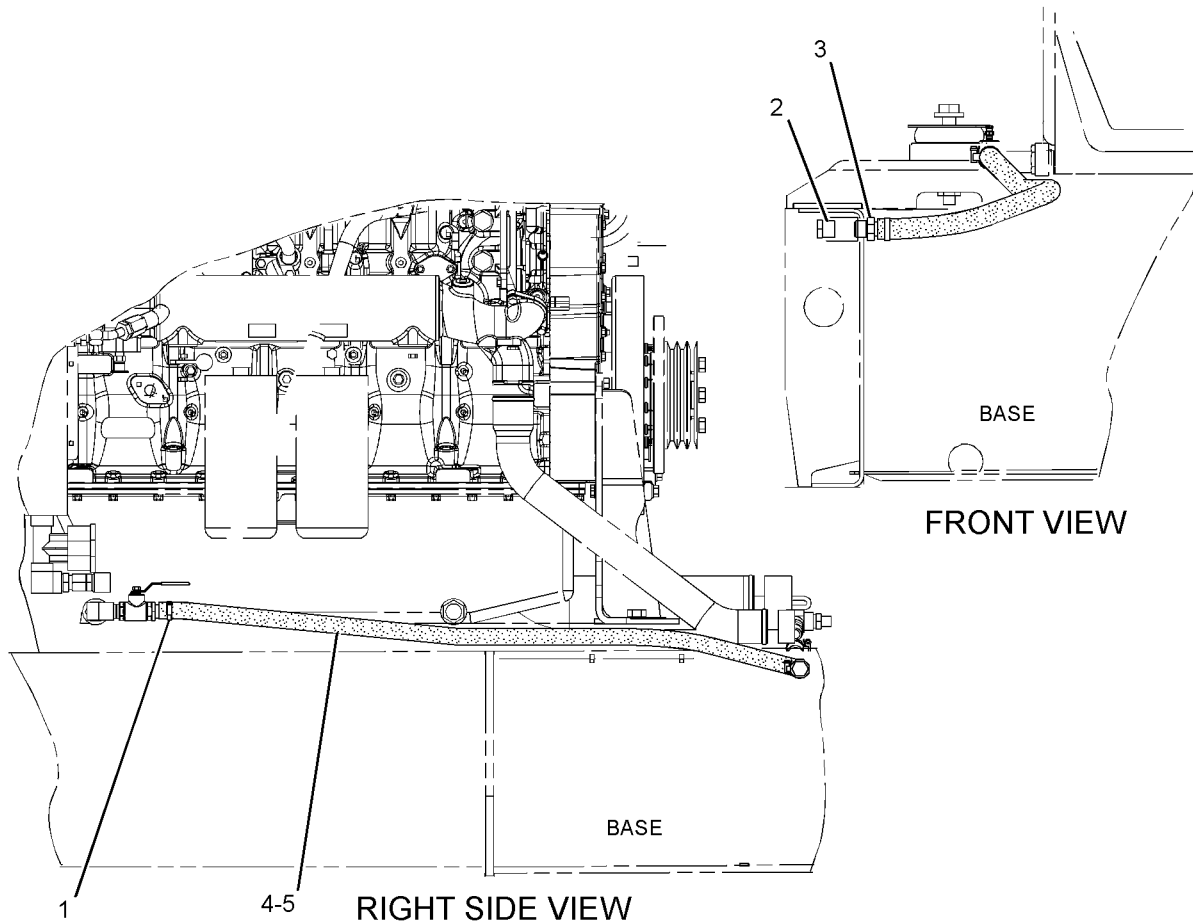
S/N: C5H1-UP
AN ATTACHMENT

SMCS-1372

i02708073

NOTE	REF NO	GRAPHIC REF	PART NUMBER	QTY	PART NAME						SEE PAGE
					1	2	3	4	5	6 (PRODUCT LEVEL)	
	1	1	9M-7958	2	CLAMP-HOSE						
	2	1	166-5002	1	PLUG						
	3	1	142-6867	1	ADAPTER						
BE	4	1	5P-2094		HOSE (140-CM) (US SOURCED)						
BE	5	1	5P-1251		HOSE (140-CM) (EUROPEAN SOURCED)						

B-USE AS REQUIRED
E-ORDER BY THE CENTIMETER



GRAPHIC #1

<END>

g01359896

LUBRICATION SYSTEM

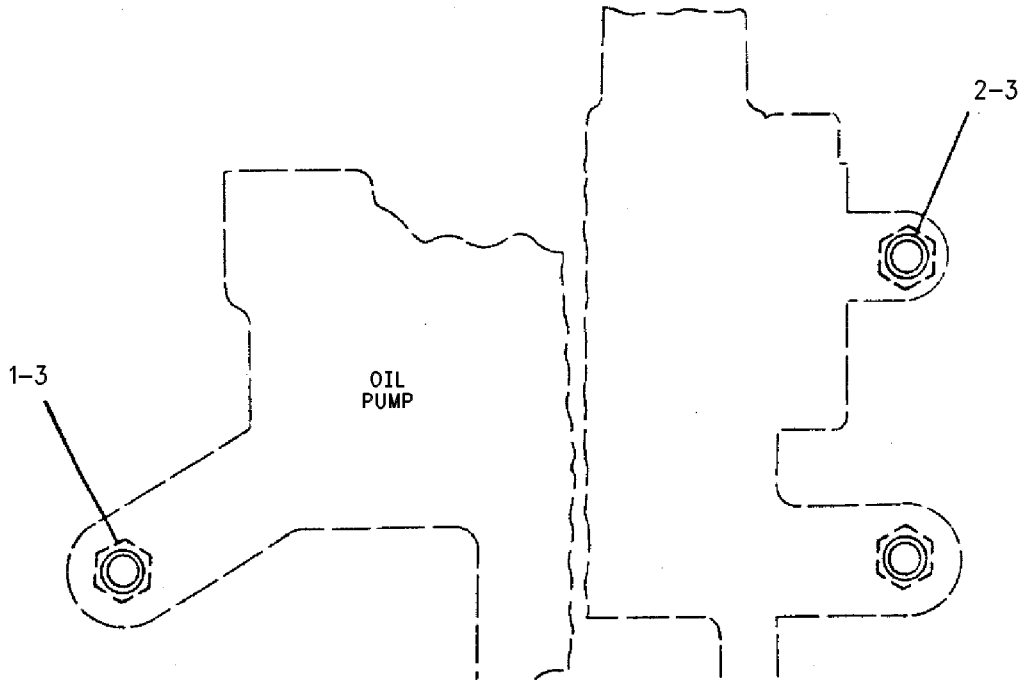
4N-2481 FASTENER GP-OIL PUMP MOUNTING-ENGINE

S/N: FFH1-UP

SMCS-1304

i02728826

NOTE	REF NO	GRAPHIC REF	PART NUMBER	QTY	PART NAME						SEE PAGE
					1	2	3	4	5	6 (PRODUCT LEVEL)	
	1	1	0L-1143	2	BOLT (3/8-16X2.5-IN)						
	2	1	0S-1590	1	BOLT (3/8-16X2-IN)						
	3	1	5M-2894	3	WASHER-HARD (10.2X18.5X2.5-MM THK)						



GRAPHIC #1

<END>

g00604525

LUBRICATION SYSTEM

6I-3944 FILLER GP-ENGINE OIL

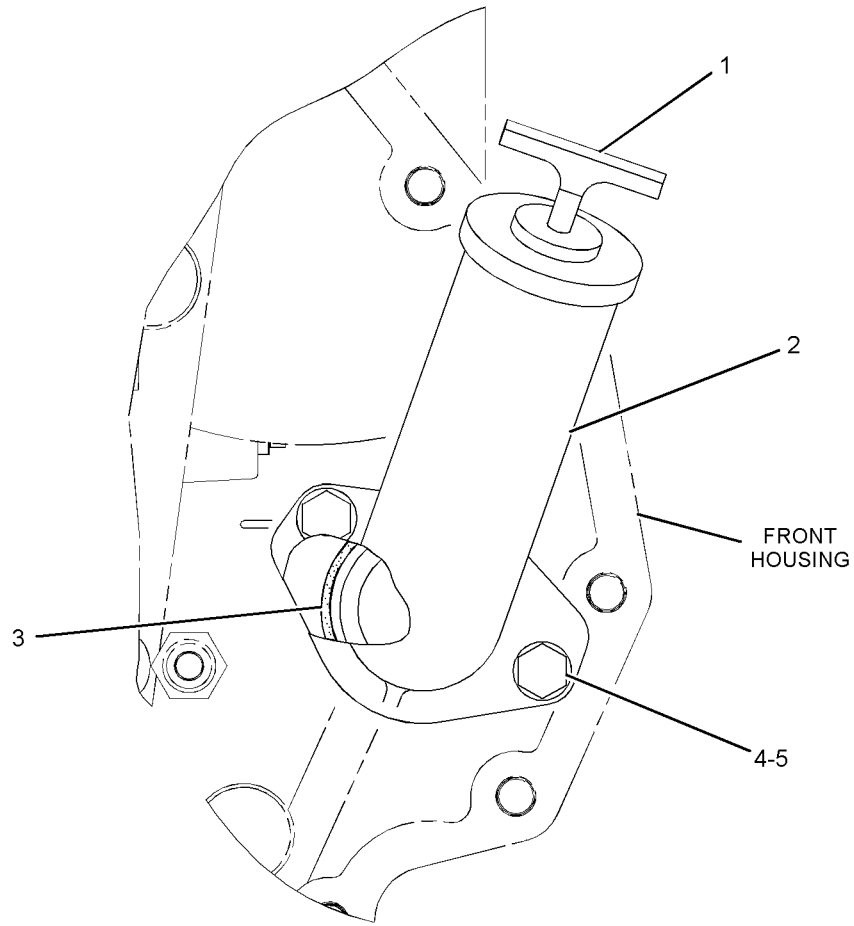
S/N: FFH1-UP

FILLER MOUNTED ON TIMING GEAR HOUSING,
LEFT HAND FRONT STEEL TUBE OIL FILLER AND OIL FILL CAP WITHOUT CHAIN

SMCS-1316

i03032661

NOTE	REF NO	GRAPHIC REF	PART NUMBER	QTY	PART NAME						SEE PAGE
					1	2	3	4	5	6 (PRODUCT LEVEL)	
	1	1	068-4497	1	CAP-OIL FILLER (ENGINE)						
	2	1	241-2942	1	TUBE AS-OIL (FILLER)						
	3	1	061-9455	1	SEAL-O-RING						
	4	1	2B-2695	2	BOLT (5/16-18X0.875-IN)						
	5	1	9M-1974	2	WASHER-HARD (8.8X16X2-MM THK)						



FRONT VIEW

<END>

GRAPHIC #1

g01185948

LUBRICATION SYSTEM

154-4325 FILTER GP-ENGINE OIL

S/N: FFH1-UP

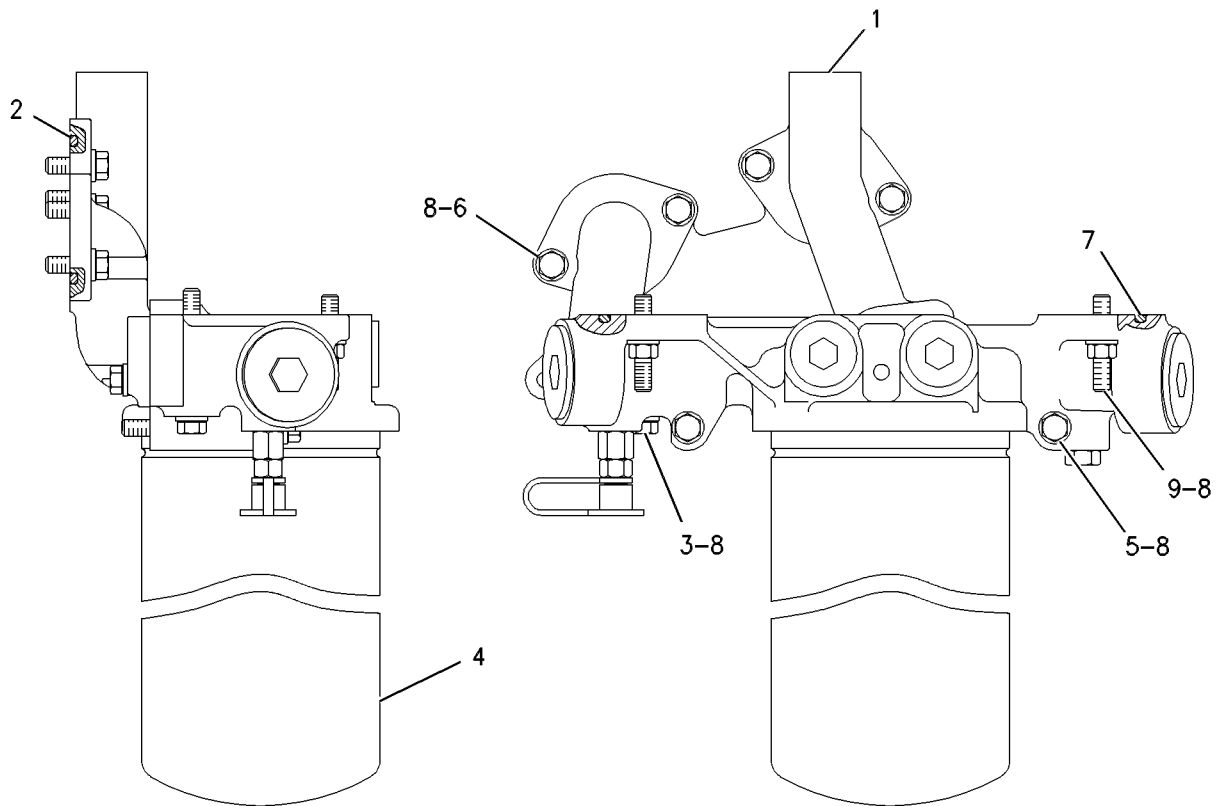
CANNOT BE USED WITH BRAKESAVER

SMCS-1306, 1308

i01950217

NOTE	REF NO	GRAPHIC REF	PART NUMBER	QTY	PART NAME						SEE PAGE
					1	2	3	4	5	6 (PRODUCT LEVEL)	
CY	1	1	155-5005	1	BASE GP-OIL FILTER						128
	2	1	8C-5230	2	SEAL-O-RING						
	3	1	0S-1619	2	BOLT (3/8-16X3-IN)						
	4	1	1R-0716	1	FILTER AS-ENGINE OIL (STANDARD EFFICIENCY)						
	5	1	0S-1608	2	BOLT (3/8-16X3.75-IN)						
	6	1	1A-2029	4	BOLT (3/8-16X1.125-IN)						
	7	1	3P-0650	2	SEAL-O-RING						
	8	1	5M-2894	10	WASHER-HARD (10.2X18.5X2.5-MM THK)						
	9	1	129-3172	2	STUD-MOUNTING (3/8-16X1.564-IN)						

C- CHANGE FROM PREVIOUS TYPE
Y- SEPARATE ILLUSTRATION



REAR VIEW

RIGHT SIDE VIEW

GRAPHIC #1

<END>

g00434680

LUBRICATION SYSTEM

241-4187 FILTER GP-ENGINE OIL

S/N: FFH1-UP

RH OIL FILTER WITH SAMPLE VALVE

SMCS-1306, 1308

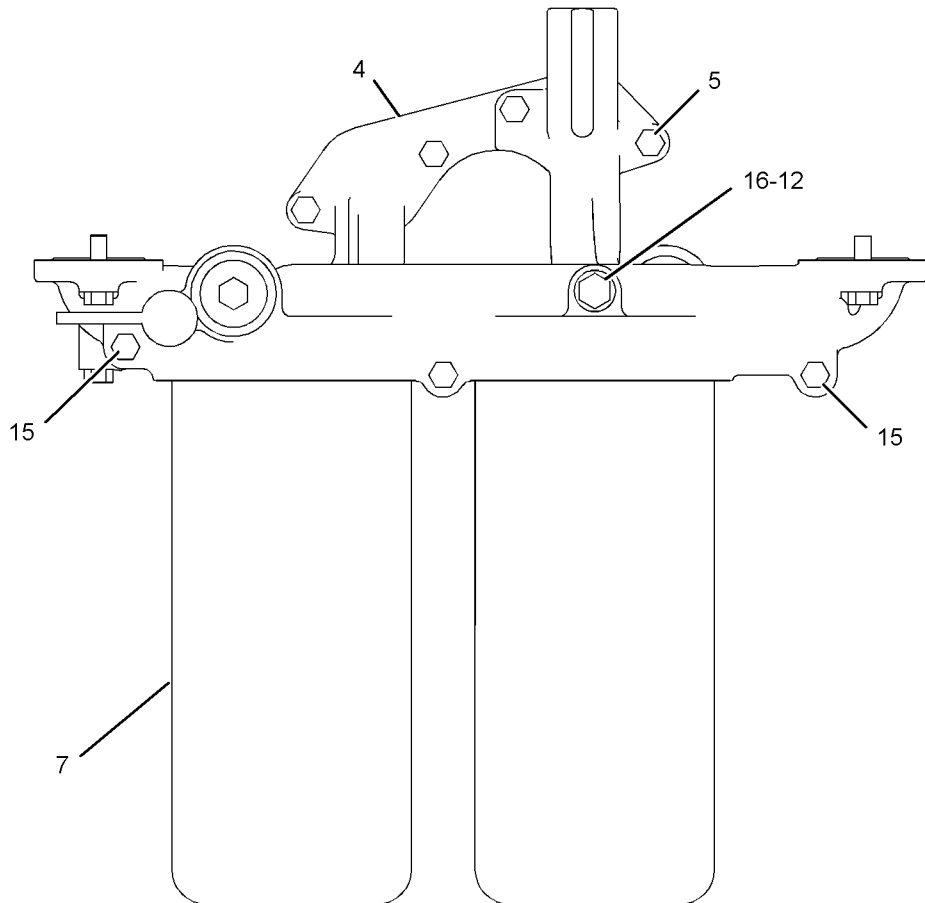
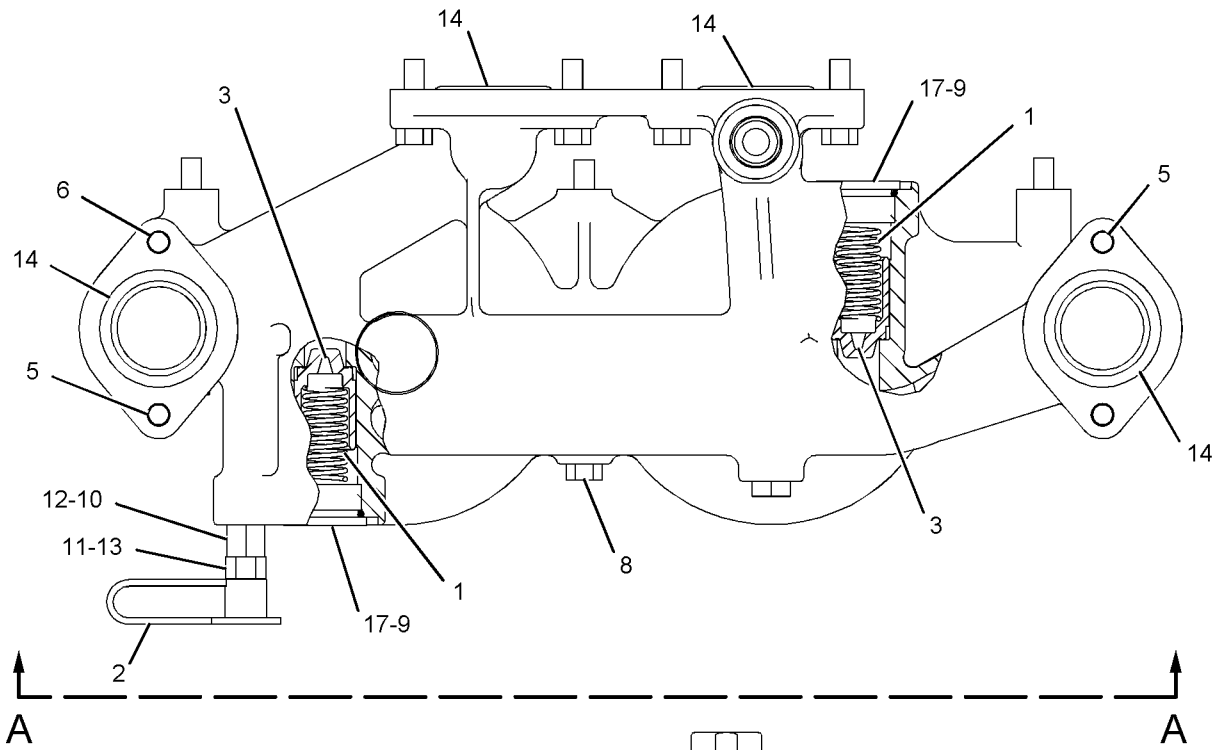
i02849032

NOTE	REF NO	GRAPHIC REF	PART NUMBER	QTY	PART NAME						SEE PAGE
					1	2	3	4	5	6 (PRODUCT LEVEL)	
	1	1	4N-8150	2	SPRING						
	2	1	8C-3445	1	CAP-DUST						
	3	1	9M-0853	2	PLUNGER-VALVE						
	4	1	172-6059	1	BASE GP-OIL FILTER (ENGINE)						
		1	2P-4304	2	STUD-HOLLOW						
	5	1	0S-1588	7	BOLT (3/8-16X1.25-IN)						
	6	1	0S-1619	1	BOLT (3/8-16X3-IN)						
	7	1	1R-1808	2	FILTER-ENGINE OIL (ADVANCED EFFICIENCY)						
	8	1	5F-4899	1	BOLT (3/8-16X5.5-IN)						
	9	1	5P-7701	2	SEAL-O-RING						
	10	1	5P-9617	1	ADAPTER						
	11	1	6V-5048	1	SEAL-O-RING						
	12	1	6V-5049	2	SEAL-O-RING						
	13	1	8C-3446	1	VALVE-FLUID SAMPLING (ENGINE OIL)						
	14	1	8C-5230	4	SEAL-O-RING						
	15	1	8S-9191	2	BOLT (3/8-16X4-IN)						
	16	1	9S-4191	1	PLUG-O-RING						
	17	1	9S-9334	2	PLUG-O-RING						

LUBRICATION SYSTEM

241-4187 FILTER GP-ENGINE OIL (contd.)

i02849032



VIEW A-A
<END>

GRAPHIC #1

g01028019

LUBRICATION SYSTEM

159-9362 FUMES DISPOSAL GP

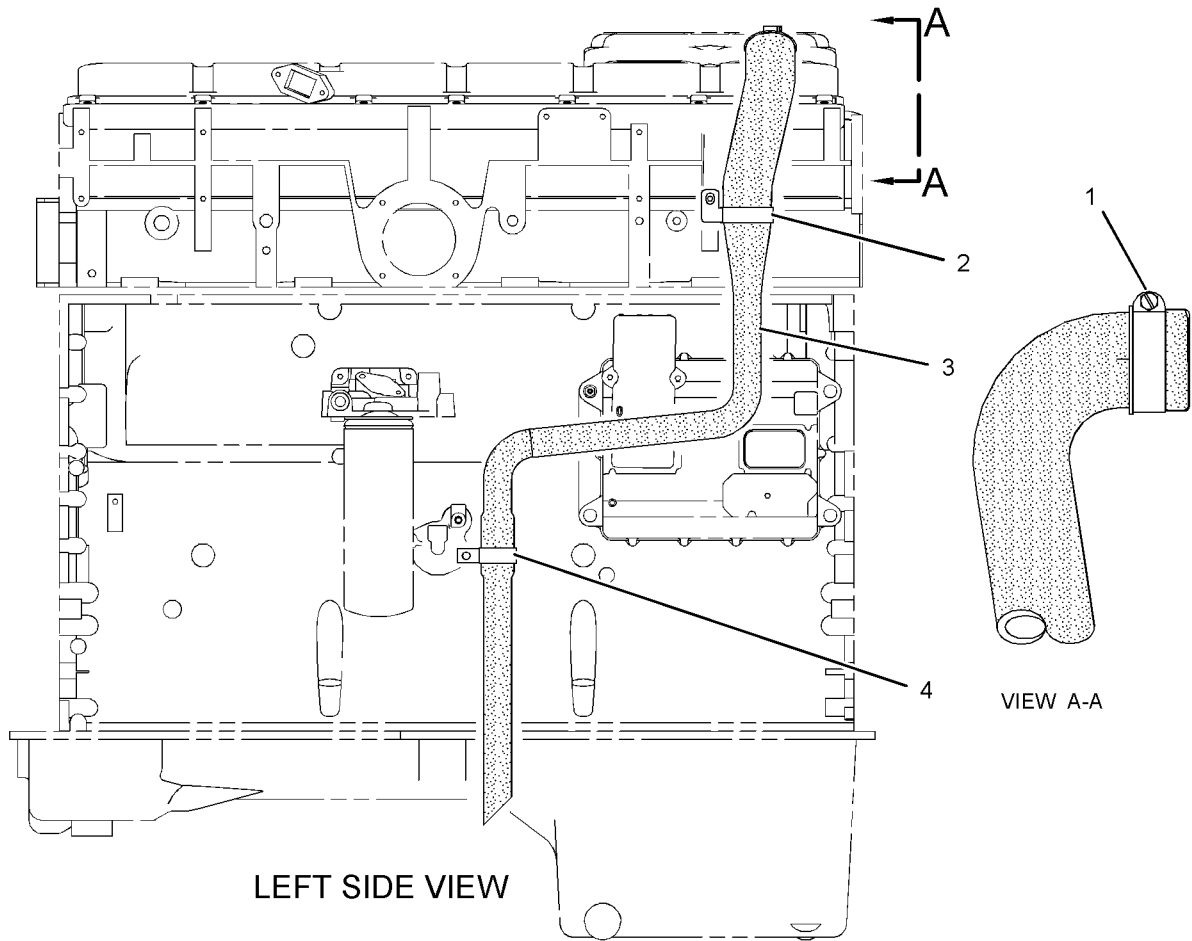
S/N: FFH1-UP

REAR VALVE COVER MOUNTED FUMES DISPOSAL

SMCS-1317

i03496900

NOTE	REF NO	GRAPHIC REF	PART NUMBER	QTY	PART NAME						SEE PAGE
					1	2	3	4	5	6 (PRODUCT LEVEL)	
	1	1	9M-0164	1	CLAMP-HOSE						
	2	1	161-6622	1	CLIP						
	3	1	207-8128	1	HOSE AS (FUMES DISPOSAL)						
	4	1	5P-2369	1	CLIP						



GRAPHIC #1

<END>

g01436024

LUBRICATION SYSTEM

263-5120 FUMES DISPOSAL GP

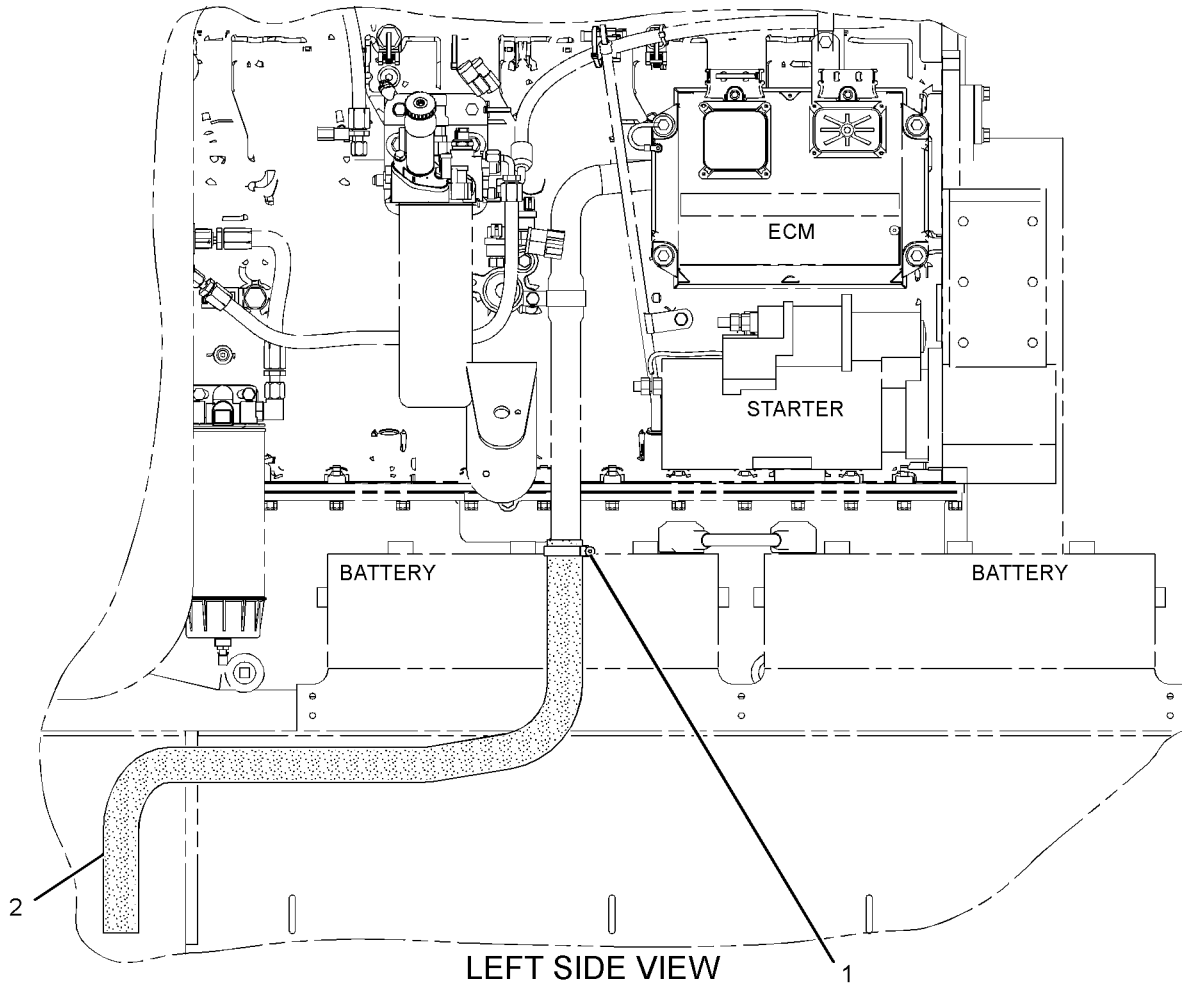
S/N: C5H1-125
AN ATTACHMENT

SMCS-1317

i02397930

NOTE	REF NO	GRAPHIC REF	PART NUMBER	QTY	PART NAME						SEE PAGE
					1	2	3	4	5	6 (PRODUCT LEVEL)	
	1	1	9M-0164	1	CLAMP-HOSE						
E	2	1	5P-0763		HOSE (123-CM) (FUMES DISPOSAL)						

E-ORDER BY THE CENTIMETER



GRAPHIC #1

<END>

g01186086

LUBRICATION SYSTEM

263-5120 FUMES DISPOSAL GP

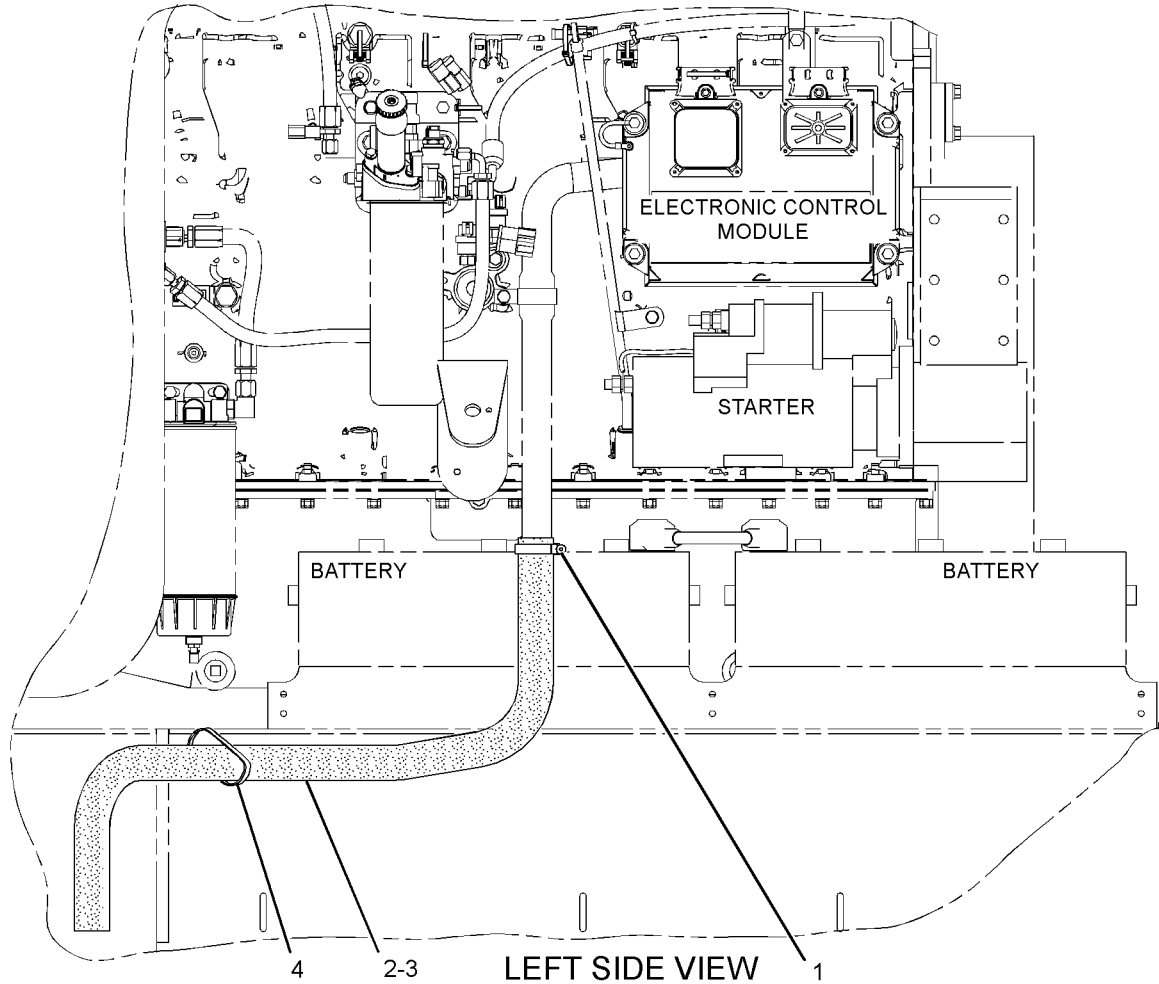
S/N: C5H126-UP
AN ATTACHMENT

SMCS-1317

i02585345

NOTE	REF NO	GRAPHIC REF	PART NUMBER	QTY	PART NAME						SEE PAGE
					1	2	3	4	5	6 (PRODUCT LEVEL)	
	1	1	9M-0164	1	CLAMP-HOSE						
CE	2	1	5P-0763		HOSE (150-CM) (FOR NARROW BASE ONLY)						
CE	3	1	5P-0763		HOSE (200-CM) (FOR WIDE BASE ONLY)						
C	4	1	7K-1181	1	STRAP-CABLE						

C-CHANGE FROM PREVIOUS TYPE
E-ORDER BY THE CENTIMETER



GRAPHIC #1

g01307864

LUBRICATION SYSTEM

319-5267 GAUGE GP-OIL LEVEL (DIPSTICK)-ENGINE

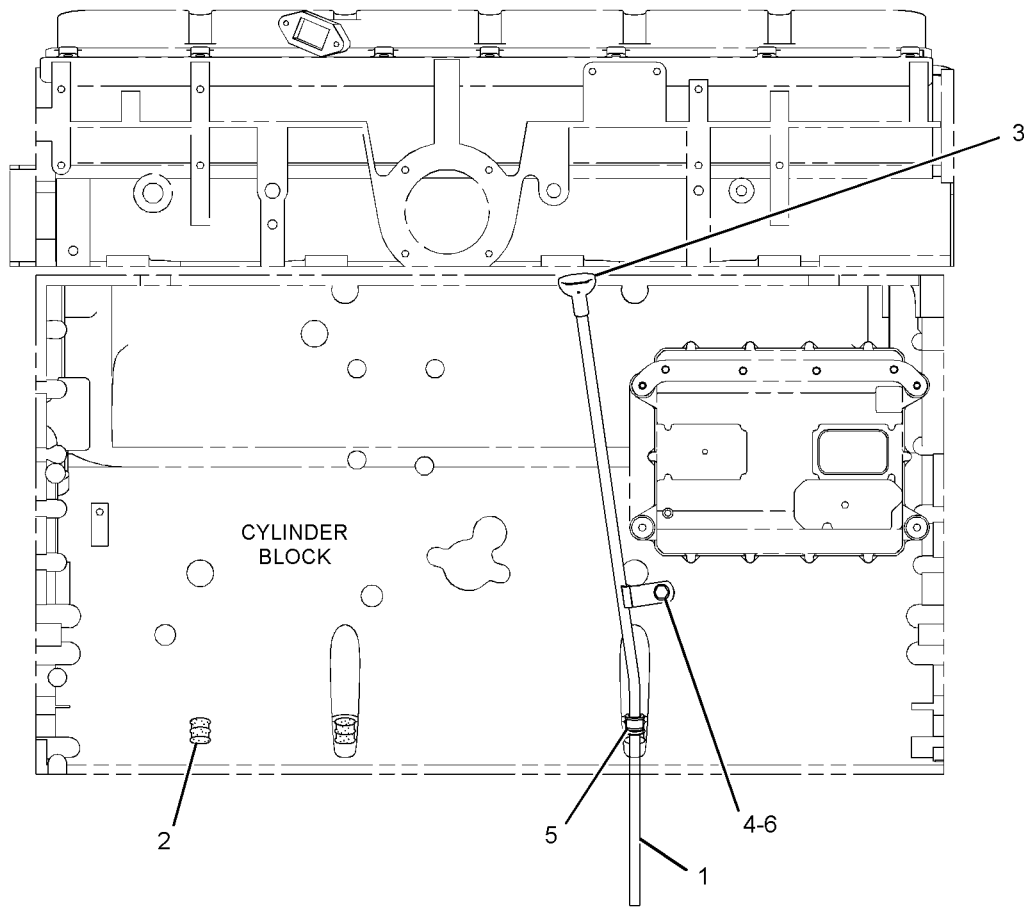
S/N: FFH2294-UP

LH REAR

SMCS-1326

i02988800

NOTE	REF NO	GRAPHIC REF	PART NUMBER	QTY	PART NAME						SEE PAGE
					1	2	3	4	5	6 (PRODUCT LEVEL)	
	1	1	161-1825	1	TUBE AS						
	2	1	165-6170	3	PLUG						
	3	1	320-9973	1	GAUGE AS-OIL LEVEL (DIPSTICK) (ENGINE)						
	4	1	0S-0509	1	BOLT (3/8-16X0.75-IN)						
	5	1	118-5068	1	SEAL-O-RING						
	6	1	5M-2894	1	WASHER-HARD (10.2X18.5X2.5-MM THK)						



LEFT SIDE VIEW OF ENGINE

<END>

GRAPHIC #1

g01515936

LUBRICATION SYSTEM

187-0672 GUIDE GP-OIL LEVEL GAUGE-ENGINE

S/N: FFH1-UP

LH REAR

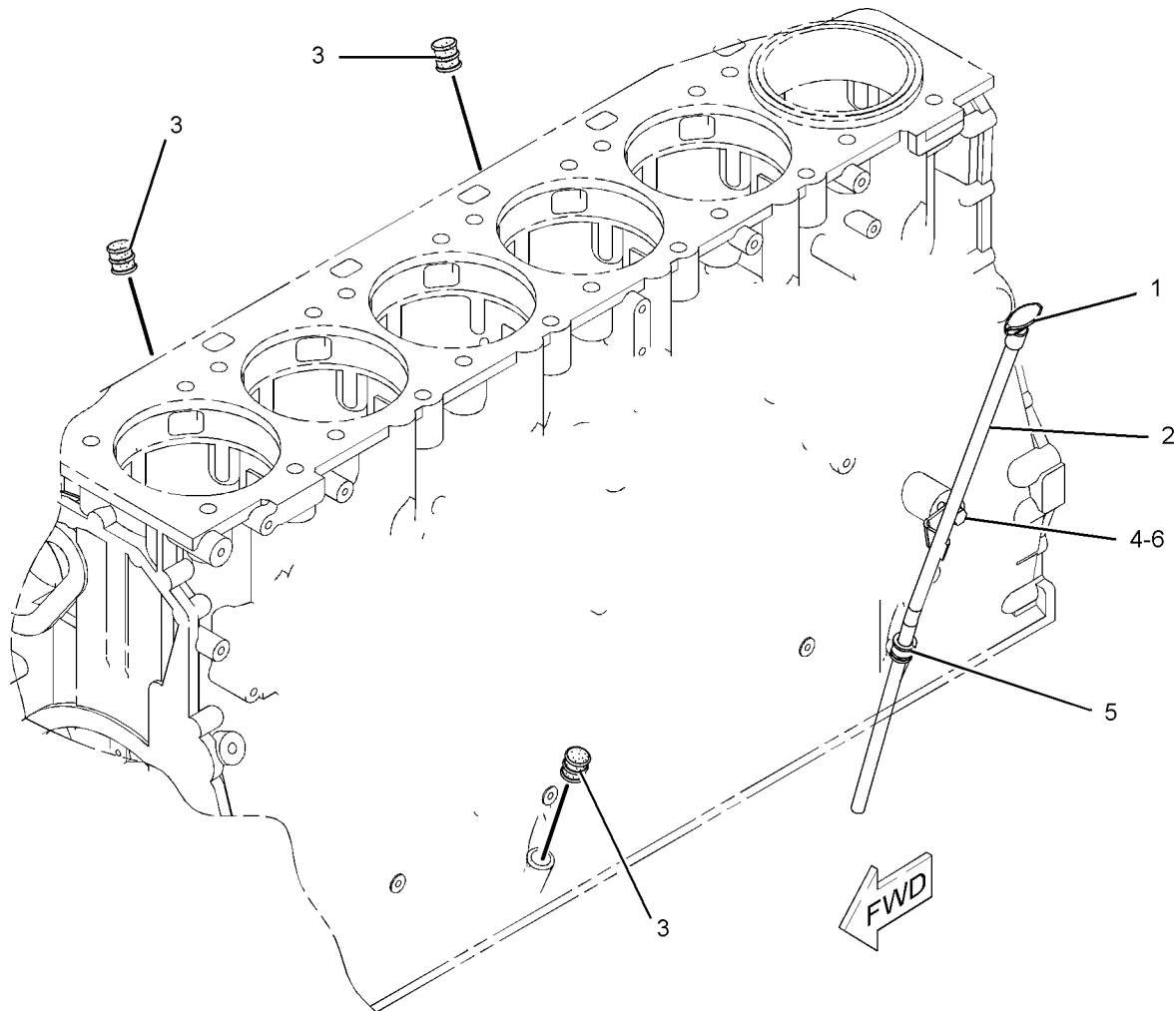
FOR USE WITH REAR SUMP

SMCS-1326

i03006040

NOTE	REF NO	GRAPHIC REF	PART NUMBER	QTY	PART NAME						SEE PAGE
					1	2	3	4	5	6 (PRODUCT LEVEL)	
	1	1	7C-8021	1	GAUGE AS-OIL LEVEL (DIPSTICK) (ENGINE)						
	2	1	161-1825	1	TUBE AS						
J	3	1	165-6170	3	PLUG						
	4	1	0S-0509	1	BOLT (3/8-16X0.75-IN)						
	5	1	118-5068	1	SEAL-O-RING						
	6	1	5M-2894	1	WASHER-HARD (10.2X18.5X2.5-MM THK)						

J-USE TO PLUG OPTIONAL DIPSTICK LOCATIONS



GRAPHIC #1

<END>

g01089365

LUBRICATION SYSTEM

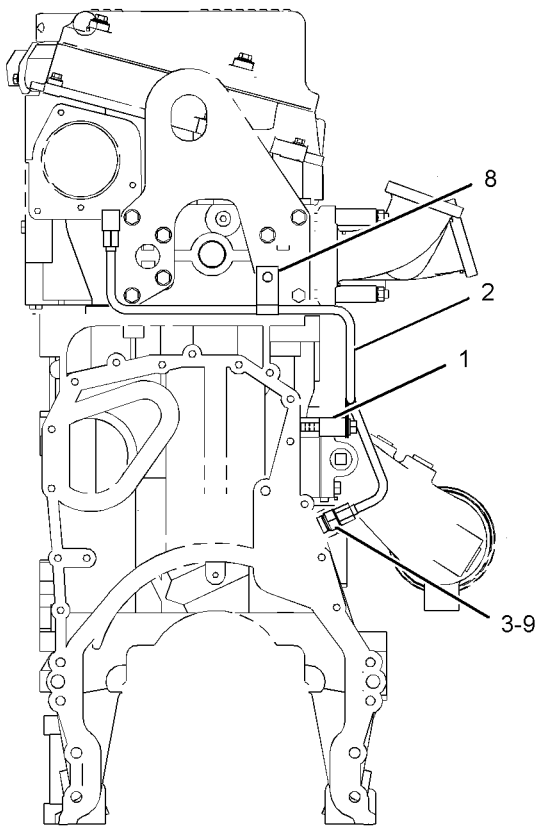
245-2065 LINES GP-ENGINE OIL

S/N: FFH1-UP

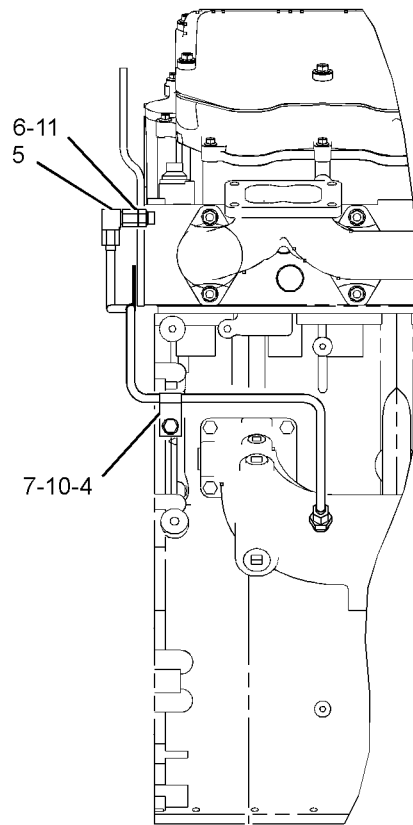
SMCS-1307

i02370602

NOTE	REF NO	GRAPHIC REF	PART NUMBER	QTY	PART NAME						SEE PAGE
					1	2	3	4	5	6 (PRODUCT LEVEL)	
	1	1	4T-6149	1	SPACER (30-MM THK)						
	2	1	245-2634	1	TUBE AS						
	3	1	030-8188	1	CONNECTOR						
	4	1	0S-1590	1	BOLT (3/8-16X2-IN)						
	5	1	6K-9194	1	ELBOW-FLARED						
	6	1	6V-5049	1	SEAL-O-RING						
	7	1	7B-1597	1	CLIP						
	8	1	7M-2220	1	CLIP						
	9	1	8L-2786	1	SEAL-O-RING						
	10	1	5M-2894	1	WASHER-HARD (10.2X18.5X2.5-MM THK)						
	11	1	2R-6806	1	CONNECTOR-O-RING						



REAR VIEW



RIGHT SIDE VIEW

GRAPHIC #1

<END>

g01186901

LUBRICATION SYSTEM

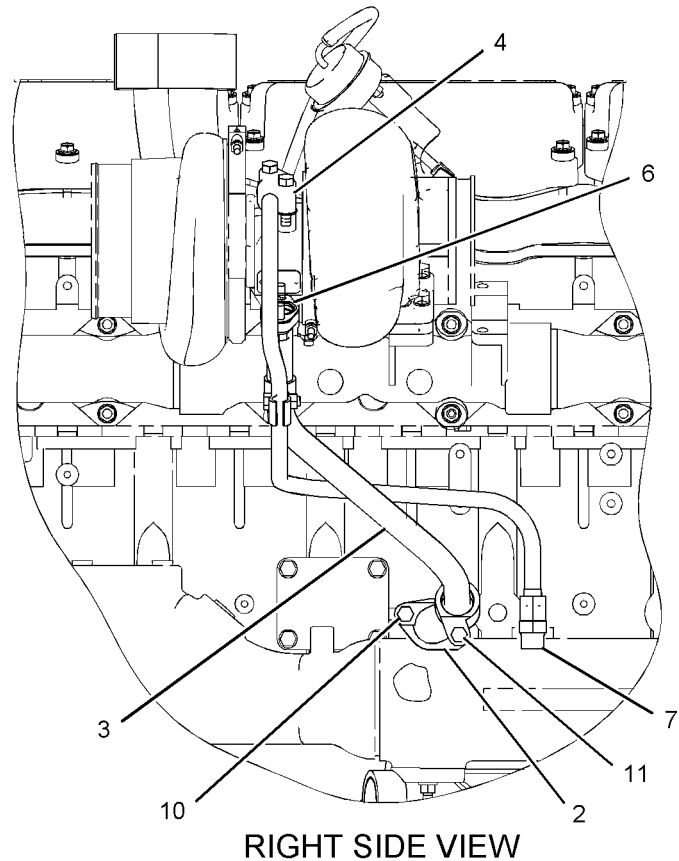
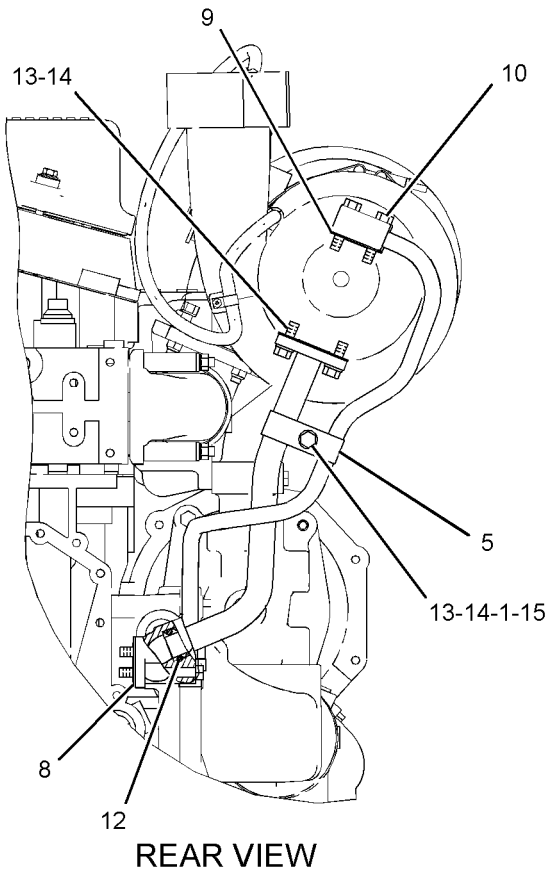
257-3111 LINES GP-TURBOCHARGER OIL

S/N: FFH1-123

SMCS-1052, 1307

i02790272

NOTE	REF NO	GRAPHIC REF	PART NUMBER	QTY	PART NAME						SEE PAGE
					1	2	3	4	5	6 (PRODUCT LEVEL)	
	1	1	3L-9689	1	WASHER (10.5X25.4X5-MM THK)						
	2	1	4N-2040	1	ELBOW-DRAIN						
	3	1	6N-1141	1	TUBE AS-OIL DRAIN						
	4	1	7N-3448	1	TUBE AS-OIL						
	5	1	9M-7540	2	CLAMP-TUBE						
	6	1	126-2702	1	SEAL-INTEGRAL						
	7	1	137-7343	1	CONNECTOR AS						
			136-7226	1	SEAL-O-RING						
			136-7227	1	SEAL-O-RING						
	8	1	160-7037	1	SEAL-INTEGRAL						
	9	1	198-6068	1	SEAL-INTEGRAL						
	10	1	0S-1571	3	BOLT (3/8-16X1.75-IN)						
	11	1	0S-1619	1	BOLT (3/8-16X3-IN)						
	12	1	112-3540	1	SEAL-O-RING						
	13	1	1A-2029	3	BOLT (3/8-16X1.125-IN)						
	14	1	5M-2894	4	WASHER-HARD (10.2X18.5X2.5-MM THK)						
	15	1	9S-8752	1	NUT-FULL (3/8-16-THD)						



GRAPHIC #1

<END>

g01131181

LUBRICATION SYSTEM

257-3111 LINES GP-TURBOCHARGER OIL

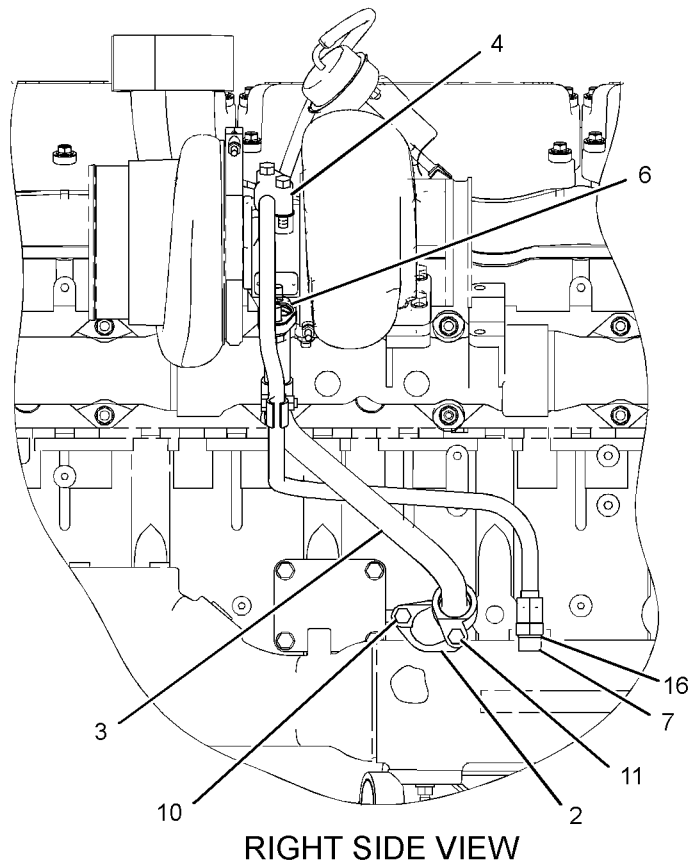
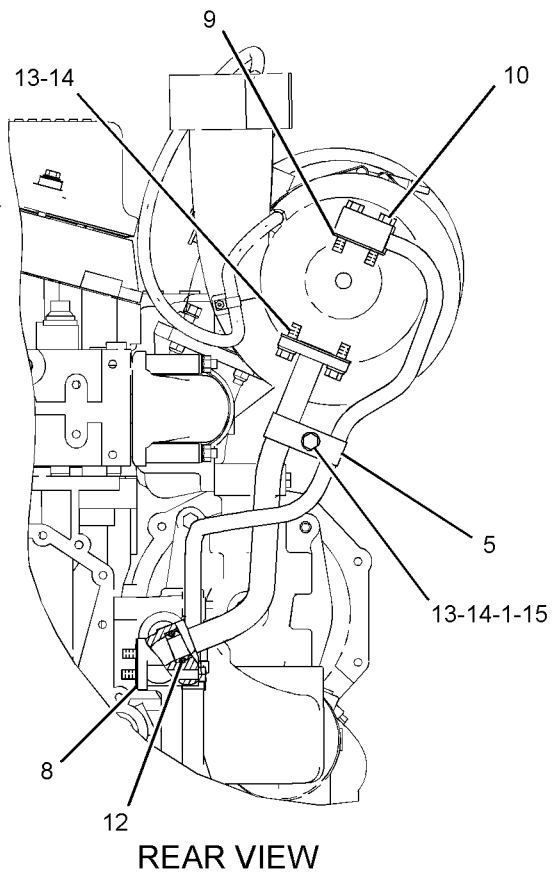
S/N: FFH124-UP

SMCS-1052, 1307

i02790270

NOTE	REF NO	GRAPHIC REF	PART NUMBER	QTY	PART NAME						SEE PAGE
					1	2	3	4	5	6 (PRODUCT LEVEL)	
	1	1	3L-9689	1	WASHER (10.5X25.4X5-MM THK)						
	2	1	4N-2040	1	ELBOW-DRAIN						
	3	1	6N-1141	1	TUBE AS-OIL DRAIN						
	4	1	7N-3448	1	TUBE AS-OIL (TURBOCHARGER SUPPLY)						
	5	1	9M-7540	2	CLAMP-TUBE						
	6	1	126-2702	1	SEAL-INTEGRAL						
C	7	1	9M-4584	1	CONNECTOR						
	8	1	160-7037	1	SEAL-INTEGRAL						
	9	1	198-6068	1	SEAL-INTEGRAL						
	10	1	0S-1571	3	BOLT (3/8-16X1.75-IN)						
	11	1	0S-1619	1	BOLT (3/8-16X3-IN)						
	12	1	112-3540	1	SEAL-O-RING						
	13	1	1A-2029	3	BOLT (3/8-16X1.125-IN)						
	14	1	5M-2894	4	WASHER-HARD (10.2X18.5X2.5-MM THK)						
	15	1	9S-8752	1	NUT-FULL (3/8-16-THD)						
C	16	1	6V-4589	1	SEAL-O-RING						

C-CHANGE FROM PREVIOUS TYPE



GRAPHIC #1

<END>

g01367878

LUBRICATION SYSTEM

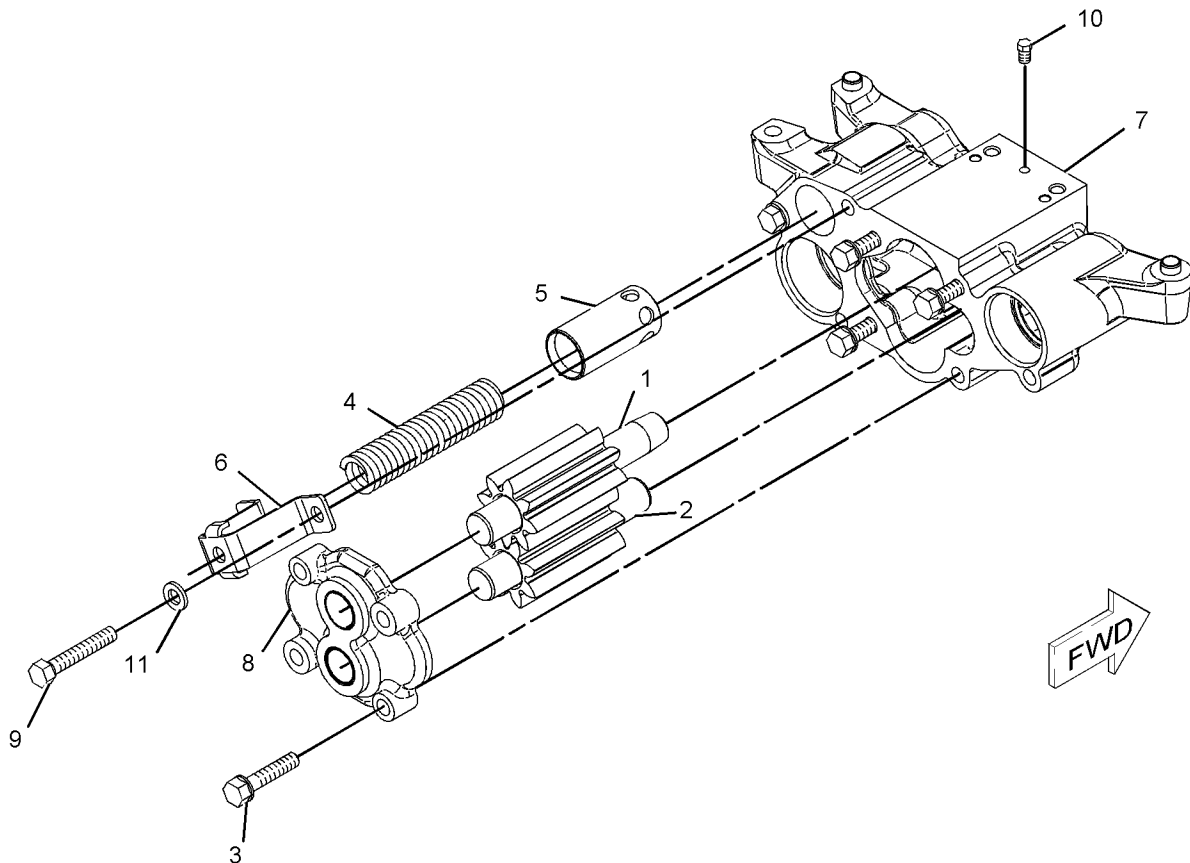
161-4113 PUMP GP-ENGINE OIL*R

S/N: FFH1-UP

SMCS-1304, 1315

i02086285

NOTE	REF NO	GRAPHIC REF	PART NUMBER	QTY	PART NAME						SEE PAGE
					1	2	3	4	5	6 (PRODUCT LEVEL)	
	1	1	1W-7238	1	SHAFT AS-PUMP DRIVE						
	2	1	1W-7239	1	SHAFT AS-IDLER						
	3	1	2P-3205	4	BOLT-WASHER HEAD (3/8-16X1.75-IN)						
	4	1	2S-2760	1	SPRING						
	5	1	6N-1931	1	PLUNGER						
	6	1	9Y-1792	1	RETAINER						
	7	1	235-1587	1	BODY AS						
		1	7N-2156	2	BEARING-SLEEVE						
		1	8M-8489	2	DOWEL						
8		1	127-6356	1	COVER AS-PUMP						
		1	8S-6511	2	BEARING-SLEEVE						
9		1	1M-0644	2	BOLT (3/8-16X2.25-IN)						
10		1	2S-7905	1	PLUG-PIPE						
11		1	5M-2894	2	WASHER-HARD (10.2X18.5X2.5-MM THK)						



GRAPHIC #1

<END>

g01066948

LUBRICATION SYSTEM

263-8004 PUMP GP-SUMP

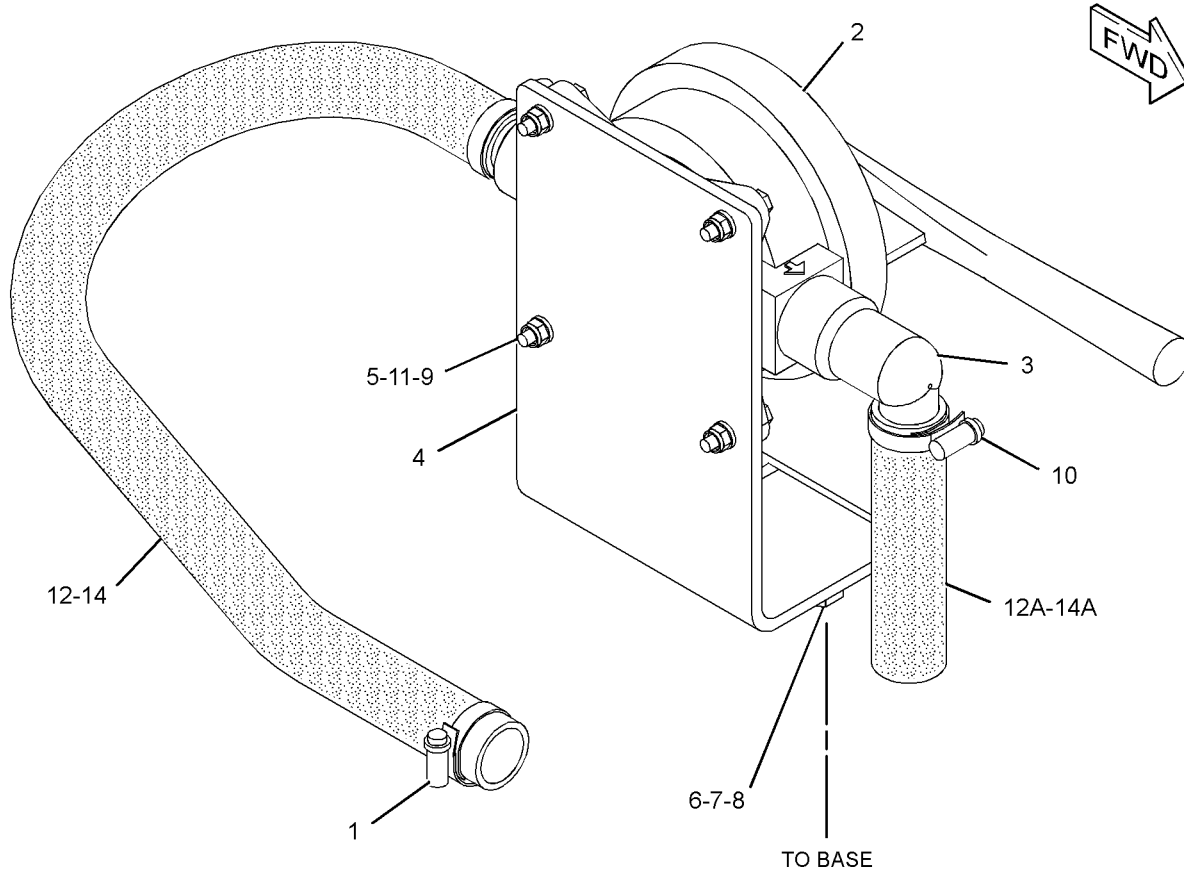
S/N: C5H1-UP
FOR USE WITH ENGINE OIL
AN ATTACHMENT

SMCS-1324

i03251100

NOTE	REF NO	GRAPHIC REF	PART NUMBER	QTY	PART NAME						SEE PAGE
					1	2	3	4	5	6 (PRODUCT LEVEL)	
	1	1	9M-7958	2	CLAMP-HOSE						
	2	1	142-6870	1	PUMP GP-SUMP						
	3	1	143-6923	1	ELBOW						
	4	1	220-0409	1	BRACKET						
M	5	1	129-3178	4	LOCKNUT (M6X1-THD)						
M	6	1	8T-4139	2	BOLT (M12X1.75X30-MM)						
	7	1	8T-4223	4	WASHER-HARD (13.5X25.5X3-MM THK)						
M	8	1	8T-4244	2	NUT (M12X1.75-THD)						
M	9	1	8T-4971	4	BOLT (M6X1X30-MM)						
	10	1	9M-7958	1	CLAMP-HOSE						
	11	1	9X-8256	8	WASHER (6.6X12X2-MM THK)						
BE	12	1	5P-2094		HOSE (200-CM)						
BE	12A	1	5P-2094		HOSE (64-CM)						
BE	14	1	5P-1251		HOSE (200-CM) (EUROPEAN SOURCED)						
BE	14A	1	5P-1251		HOSE (64-CM) (EUROPEAN SOURCED)						

B- USE AS REQUIRED
E- ORDER BY THE CENTIMETER
M- METRIC PART



GRAPHIC #1

<END>

g01359860

LUBRICATION SYSTEM

264-7090 PUMP GP-SUMP

S/N: C5H1-UP

FOR USE WITH ENGINE OIL
AN ATTACHMENT

SMCS-1324

i03024377

NOTE	PART NUMBER	QTY	PART NAME						SEE PAGE
			1	2	3	4	5	6 (PRODUCT LEVEL)	
	9M-7958	1	CLAMP-HOSE						
	143-6923	1	ELBOW						
EH	5P-2094		HOSE (200-CM)						
EJ	5P-1251		HOSE (200-CM)						

E-ORDER BY THE CENTIMETER

H-FOR USE IN THE US ONLY

J-FOR USE IN EUROPE AND ASIA ONLY

<END>

LUBRICATION SYSTEM

322-0601 PUMP GP-SUMP

S/N: C5H1-UP

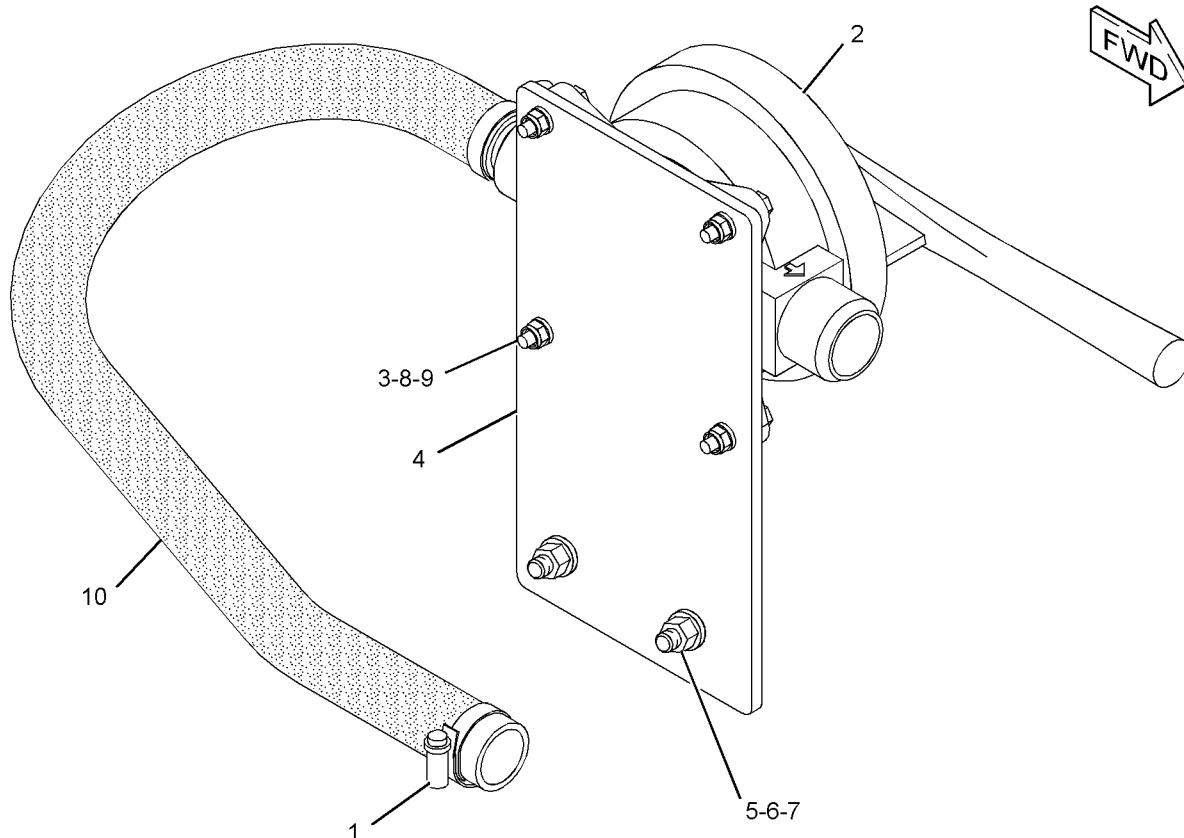
PROVIDES A MANUAL SUMP PUMP FOR WIDE BASE GENSETS
FOR USE WITH ENGINE OIL
AN ATTACHMENT

SMCS-1324

i03539744

NOTE	REF NO	GRAPHIC REF	PART NUMBER	QTY	PART NAME						SEE PAGE
					1	2	3	4	5	6 (PRODUCT LEVEL)	
	1	1	9M-7958	2	CLAMP-HOSE						
	2	1	142-6870	1	PUMP GP-SUMP						
M	3	1	129-3178	4	LOCKNUT (M6X1-THD)						
	4	1	322-0602	1	PLATE						
M	5	1	8T-4139	2	BOLT (M12X1.75X30-MM)						
	6	1	8T-4223	4	WASHER-HARD (13.5X25.5X3-MM THK)						
M	7	1	8T-4244	2	NUT (M12X1.75-THD)						
M	8	1	8T-4971	4	BOLT (M6X1X30-MM)						
	9	1	9X-8256	8	WASHER (6.6X12X2-MM THK)						
E	10	1	5P-1251		HOSE (60-CM)						

E-ORDER BY THE CENTIMETER
M-METRIC PART



GRAPHIC #1

<END>

g01664593

COOLING SYSTEM

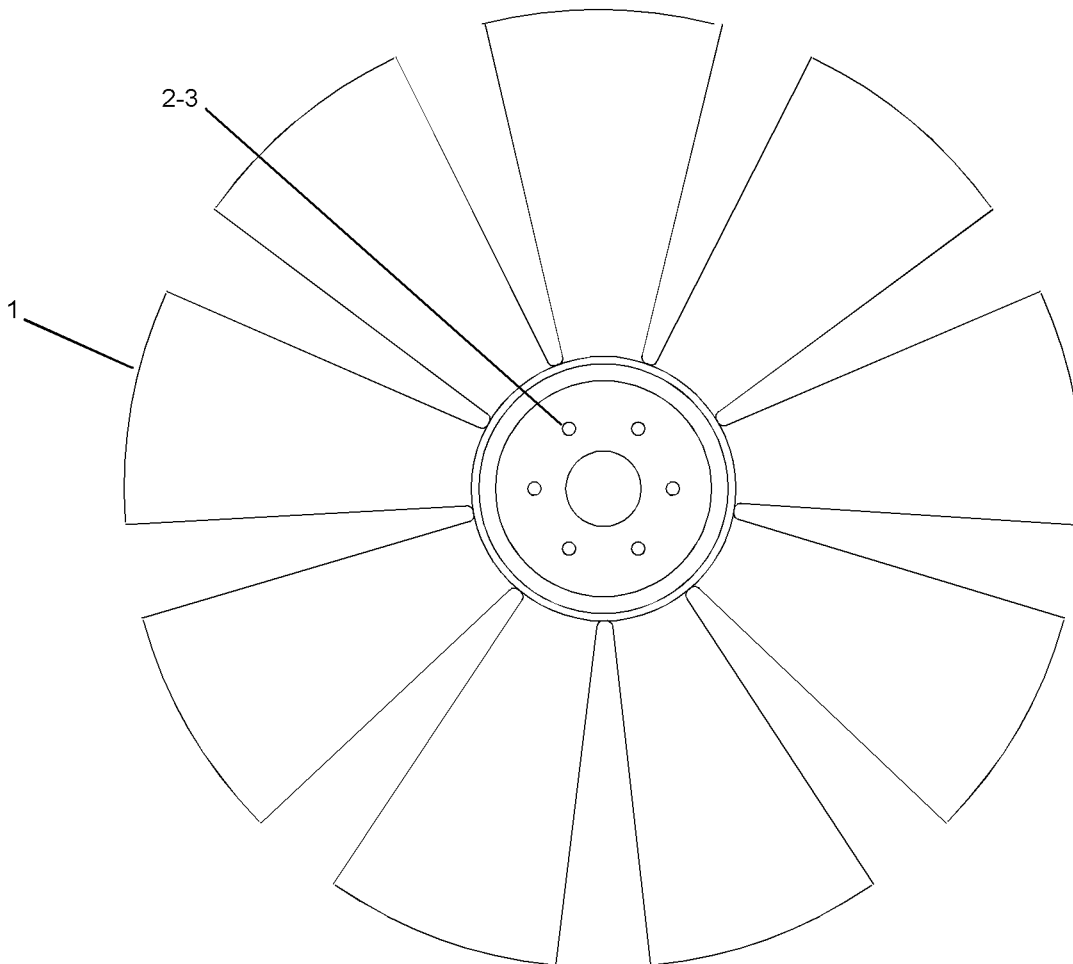
218-4698 FAN GP-BLOWER

S/N: C5H1-UP
AN ATTACHMENT

SMCS-1356, 1360

i02665361

NOTE	REF NO	GRAPHIC REF	PART NUMBER	QTY	PART NAME						SEE PAGE
					1	2	3	4	5	6 (PRODUCT LEVEL)	
	1	1	217-6022	1	SPIDER AS-FAN (9 BLADES)						
	2	1	5P-2228	6	BOLT (1/2-13X1-IN)						
	3	1	8T-4223	6	WASHER-HARD (13.5X25.5X3-MM THK)						



GRAPHIC #1

<END>

g01315523

COOLING SYSTEM

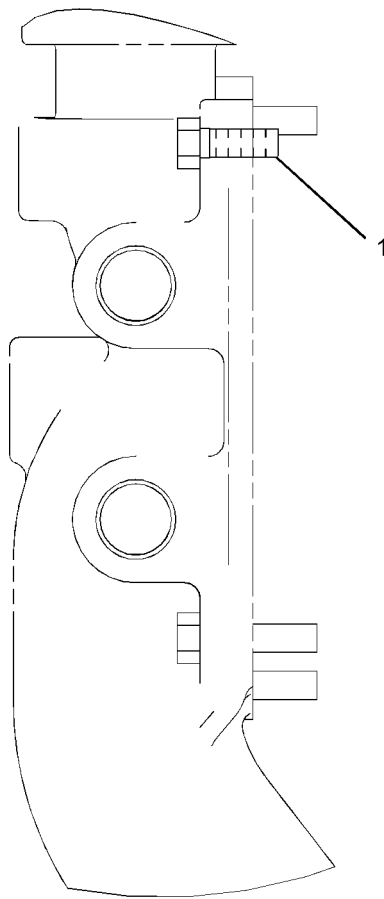
211-4360 FASTENER GP-WATER PUMP

S/N: FFH1-UP

SMCS-1361

i02094460

NOTE	REF NO	GRAPHIC REF	PART NUMBER	QTY	PART NAME						SEE PAGE
					1	2	3	4	5	6 (PRODUCT LEVEL)	
	1	1	0S-1594	1	BOLT (3/8-16X1-IN)						



RIGHT SIDE VIEW
<END>

GRAPHIC #1

g01071215

COOLING SYSTEM

282-2737 GUARD GP-RADIATOR

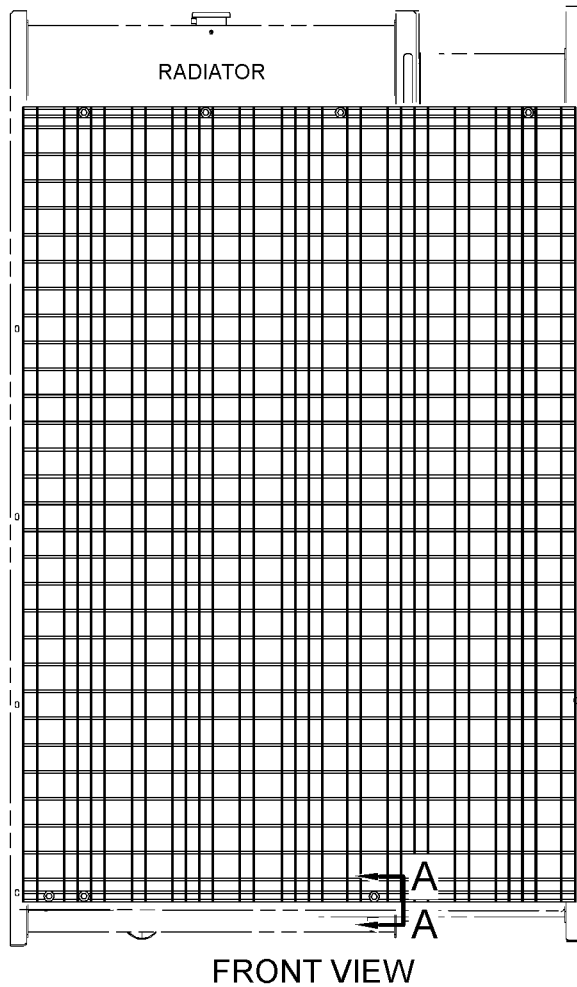
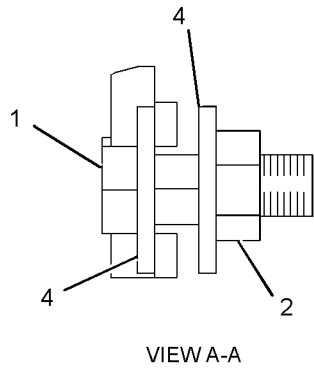
S/N: C5H1-UP
AN ATTACHMENT

SMCS-7155

i02805031

NOTE	REF NO	GRAPHIC REF	PART NUMBER	QTY	PART NAME						SEE PAGE
					1	2	3	4	5	6 (PRODUCT LEVEL)	
M	1	1	8T-4138	8	BOLT (M6X1X20-MM)						
M	2	1	5C-2890	8	NUT (M6X1-THD)						
	4	1	5P-4115	16	WASHER-HARD (7.2X19X2-MM THK)						

M-METRIC PART



GRAPHIC #1

<END>

g01404582

COOLING SYSTEM

264-0255 LINES GP-COOLANT DRAIN

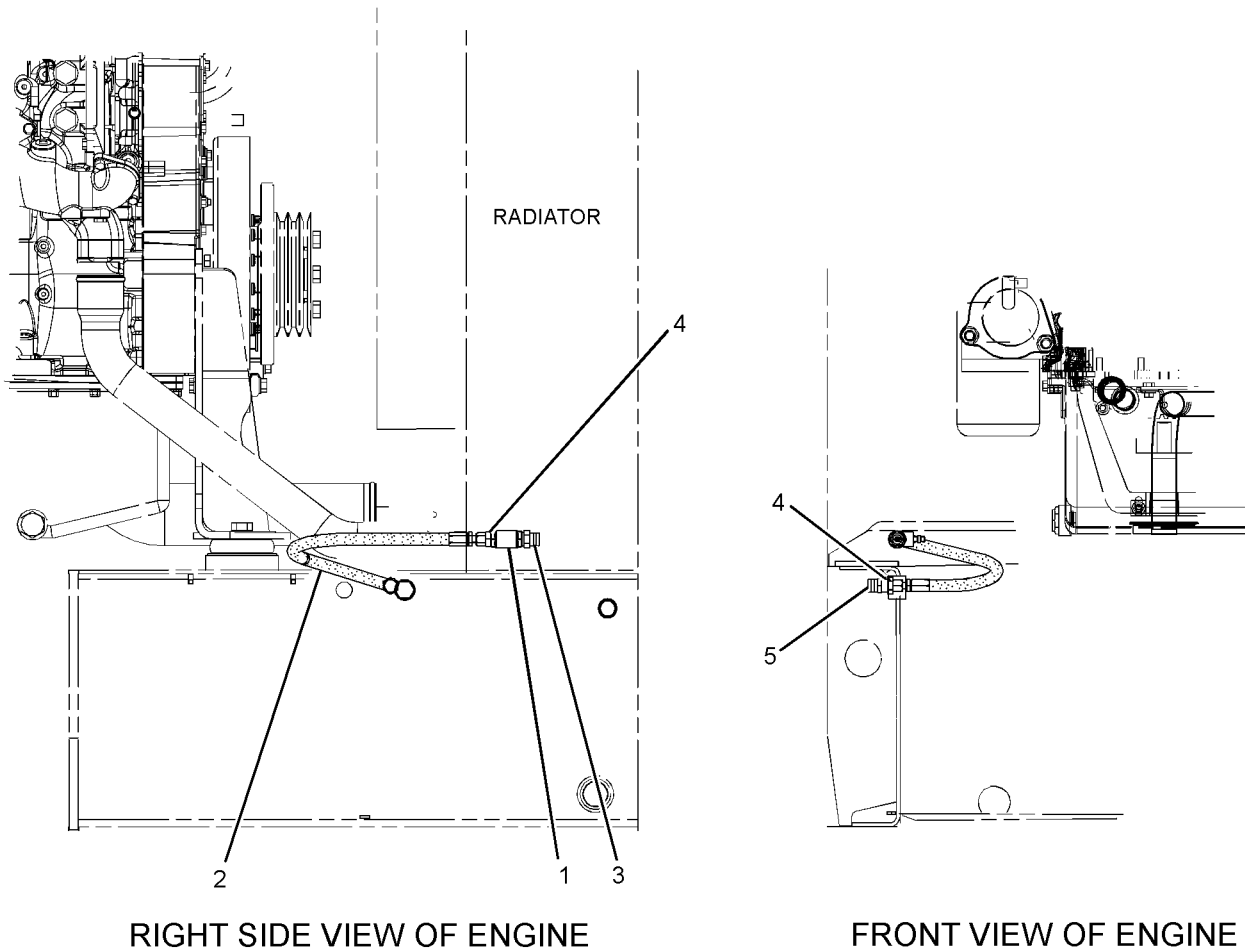
S/N: C5H1-UP
AN ATTACHMENT

SMCS-1380

i02641647

NOTE	REF NO	GRAPHIC REF	PART NUMBER	QTY	PART NAME						SEE PAGE
					1	2	3	4	5	6 (PRODUCT LEVEL)	
	1	1	112-4036	1	VALVE AS-SHUTOFF (COOLANT DRAIN)						
I	2	1	265-0746	1	HOSE AS						
	3	1	004-7270	1	FITTING-PIPE						
	4	1	004-7626	2	CONNECTOR (FLARED)						
	5	1	3M-7045	1	PLUG						

I-REFER TO HYDRAULIC INFORMATION SYSTEM



GRAPHIC #1

<END>

g01328893

COOLING SYSTEM

201-0824 LINES GP-WATER

S/N: FFH1-UP

SMCS-1355, 1380, 1393

i03387141

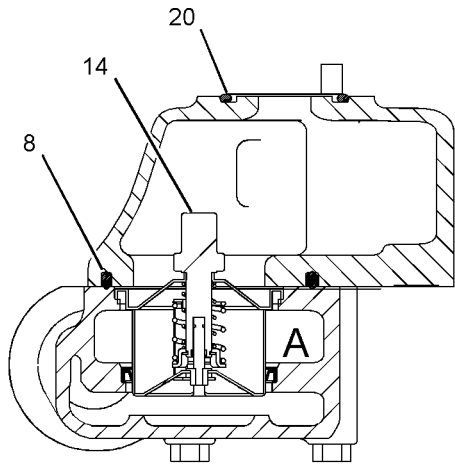
NOTE	REF NO	GRAPHIC REF	PART NUMBER	QTY	PART NAME						SEE PAGE
					1	2	3	4	5	6 (PRODUCT LEVEL)	
	1	1	3S-9643	2	SEAL-LIP TYPE (WATER TEMPERATURE REGULATOR)						
R	2	1	7C-0145	1	CORE AS-OIL COOLER (ENGINE)						
	3	1	125-0434	1	SEAL-INTEGRAL						
	4	1	126-4935	1	SEAL-INTEGRAL						
	5	1	157-0670	1	CAP-DUST						
	6	1	162-8682	1	HOUSING-REGULATOR						
	7	1	162-8697	1	MANIFOLD-HOUSING						
	8	1	166-2340	1	SEAL (TEMPERATURE REGULATOR HOUSING)						
	9	1	166-3501	1	PIPE						
	10	1	168-4854	1	BONNET-OUTLET						
	11	1	170-4860	1	BONNET-INLET						
	12	1	196-4813	1	COVER-WATER PUMP						
	13	1	197-8006	1	SEAL-O-RING						
	14	1	247-7133	2	REGULATOR-WATER TEMPERATURE (98-DEG C) (COOLANT)						
	15	1	0L-1352	2	BOLT (3/8-16X3.25-IN)						
	16	1	0S-1588	4	BOLT (3/8-16X1.25-IN)						
	17	1	0S-1594	5	BOLT (3/8-16X1-IN)						
	18	1	109-0077	2	SEAL-O-RING						
	19	1	154-9024	1	VALVE GP-FLUID SAMPLING (COOLANT)						
	20	1	167-4407	1	SEAL-O-RING						
	21	1	171-4358	2	SEAL-O-RING						
	22	1	4F-0411	3	BOLT (3/8-16X6.5-IN)						
	23	1	6V-5063	3	SEAL-O-RING						
	24	1	7X-7731	4	PLUG-PIPE						
	25	1	8T-6761	1	PLUG-PIPE						
	26	1	8T-6762	6	PLUG-PIPE						
	27	1	8T-6767	1	PLUG-PIPE						
	28	1	9S-4183	3	PLUG-O-RING						

R-REMFG PART MAY BE AVAILABLE

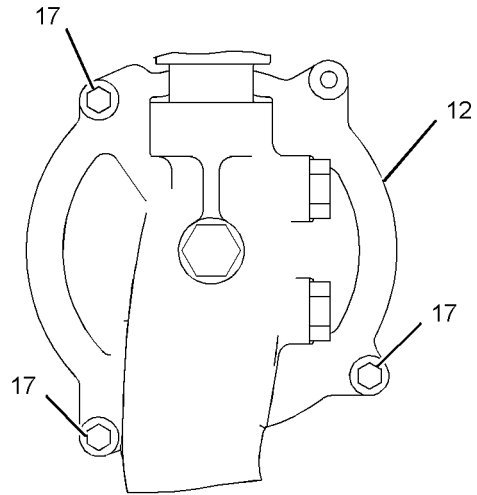
COOLING SYSTEM

201-0824 LINES GP-WATER (contd.)

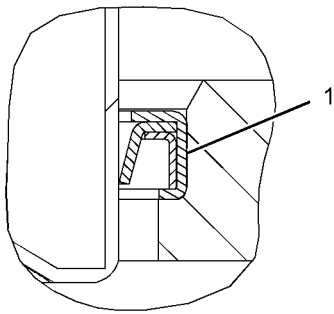
i03387141



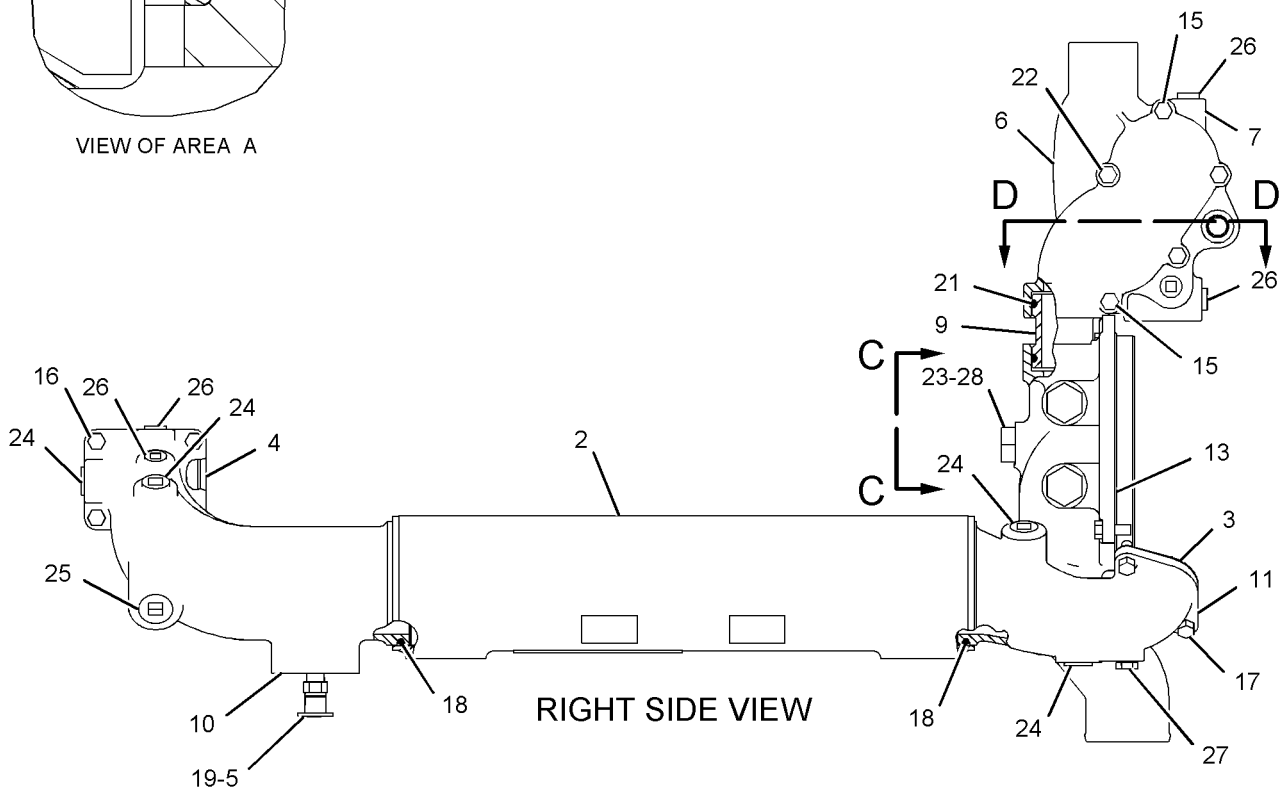
SECTION D-D



SECTION C-C



VIEW OF AREA A



RIGHT SIDE VIEW

GRAPHIC #1

<END>

g01137036

COOLING SYSTEM

279-8770 LINES GP-WATER

S/N: FFH1-UP

SMCS-1355, 1380, 1393

i03671496

NOTE	REF NO	GRAPHIC REF	PART NUMBER	QTY	PART NAME						SEE PAGE
					1	2	3	4	5	6 (PRODUCT LEVEL)	
	1	1	3S-9643	2	SEAL-LIP TYPE (WATER TEMPERATURE REGULATOR)						
	2	2	125-0434	1	SEAL-INTEGRAL						
	3	2	126-4935	1	SEAL-INTEGRAL						
R	4	2	133-0125	1	CORE AS-ENGINE OIL COOLER						
	5	1	157-0670	1	CAP-DUST						
	6	2	162-8682	1	HOUSING-REGULATOR						
	7	2	162-8697	1	MANIFOLD-HOUSING						
	8	1	163-9385	1	BONNET-OUTLET						
	9	1	166-2340	1	SEAL (TEMPERATURE REGULATOR)						
	10	2	166-3501	1	PIPE						
	11	2	170-4860	1	BONNET-INLET						
	12	2	196-4813	1	COVER-WATER PUMP						
	13	2	197-8006	1	SEAL-O-RING						
	14	1	247-7133	2	REGULATOR-WATER TEMPERATURE (98-DEG C) (COOLANT)						
	15	1,2	0L-1352	6	BOLT (3/8-16X3.25-IN)						
	16	1,2	0S-1594	6	BOLT (3/8-16X1-IN)						
	17	1,2	109-0077	2	SEAL-O-RING						
	18	1	154-9024	1	VALVE GP-FLUID SAMPLING (ENGINE COOLANT)						
	19	1	167-4407	1	SEAL-O-RING						
	20	2	171-4358	2	SEAL-O-RING						
	21	2	4F-0411	3	BOLT (3/8-16X6.5-IN)						
	22	1,2	6V-5063	3	SEAL-O-RING						
	23	1,2	7X-7731	5	PLUG-PIPE						
	24	1	8T-6761	1	PLUG-PIPE						
	25	2	8T-6762	6	PLUG-PIPE						
	26	2	8T-6767	1	PLUG-PIPE						
	27	1,2	9S-4183	3	PLUG-O-RING						

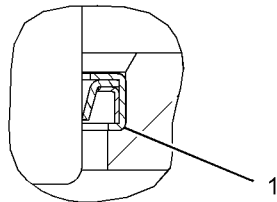
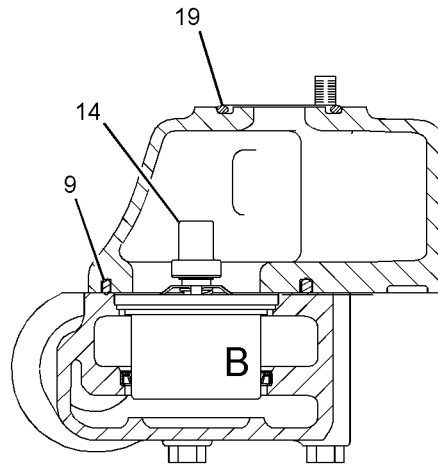
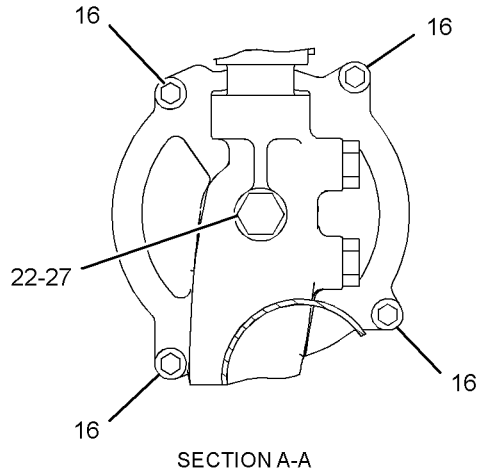
R-REMFG PART MAY BE AVAILABLE

COOLING SYSTEM

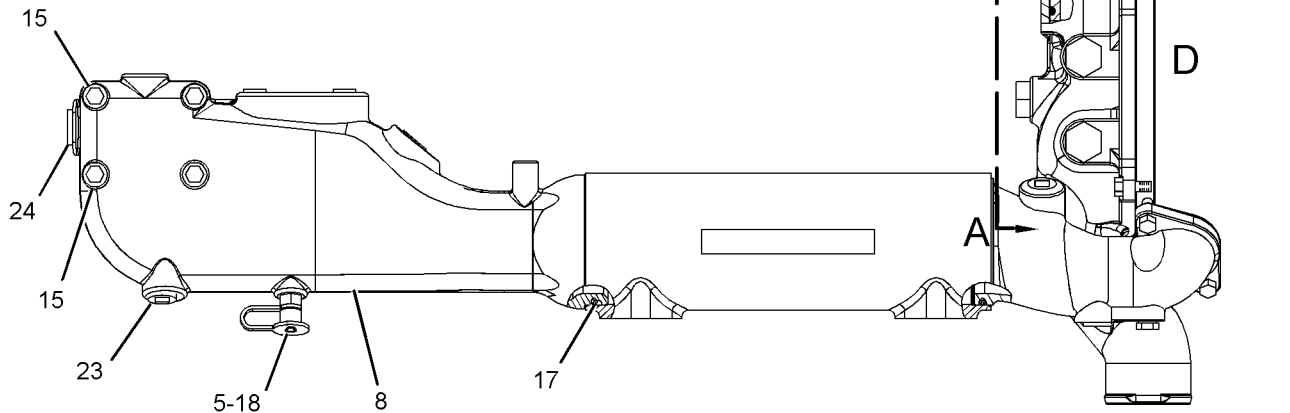
279-8770 LINES GP-WATER (contd.)

i03671496

REFER TO ALL ILLUSTRATIONS OF THIS GROUP FOR AUXILIARY VIEWS.



VIEW OF AREA B



RIGHT SIDE VIEW

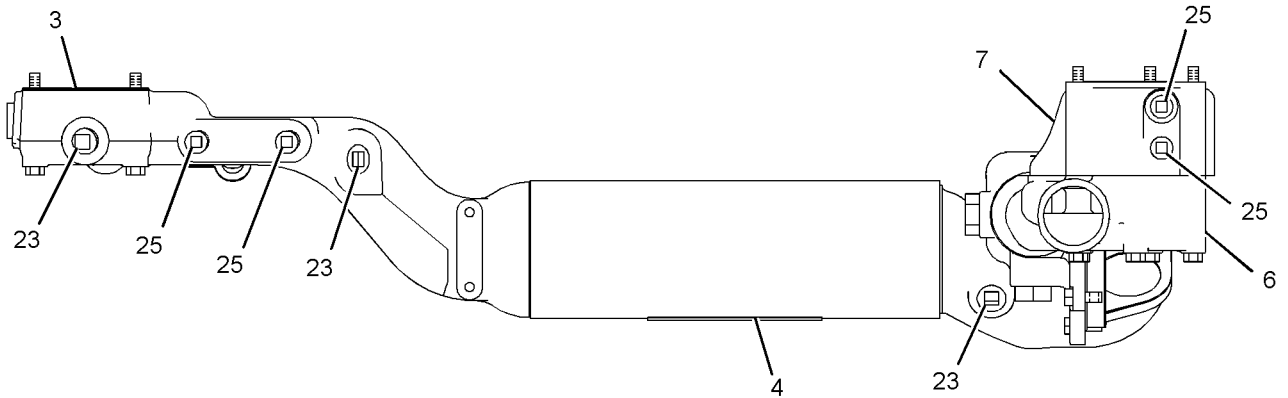
GRAPHIC #1

g01336684

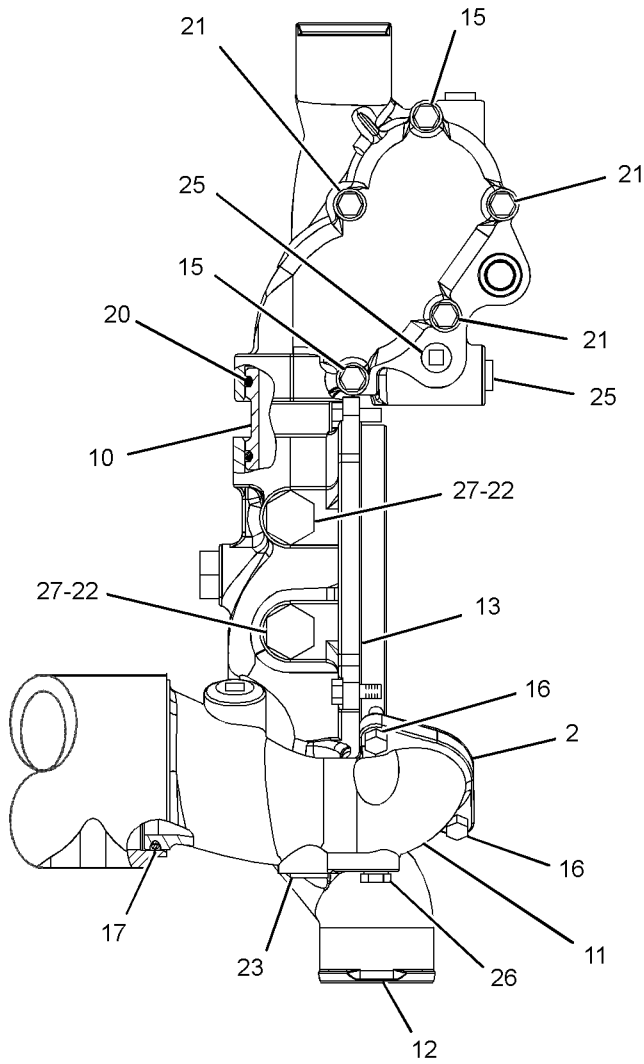
COOLING SYSTEM

279-8770 LINES GP-WATER (contd.)

i03671496



TOP VIEW



VIEW OF AREA D

<END>

GRAPHIC #2

g01336735

COOLING SYSTEM

224-3239 PUMP GP-WATER

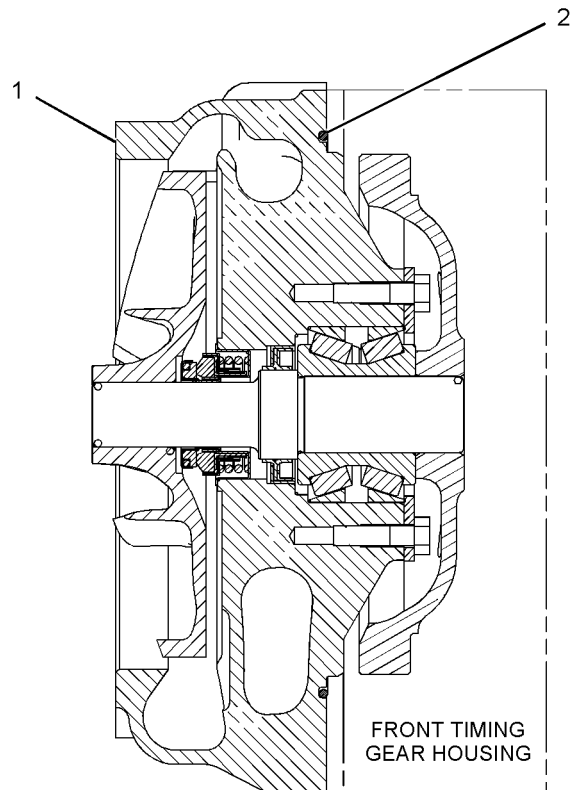
S/N: FFH1-223
HIGH FLOW

SMCS-1361

i02291630

NOTE	REF NO	GRAPHIC REF	PART NUMBER	QTY	PART NAME						SEE PAGE
					1	2	3	4	5	6 (PRODUCT LEVEL)	
CY	1	1	246-3132	1	PUMP GP-WATER						162
	2	1	156-5198	1	SEAL-O-RING						

C-CHANGE FROM PREVIOUS TYPE
Y-SEPARATE ILLUSTRATION



GRAPHIC #1

<END>

g01147605

COOLING SYSTEM

224-3239 PUMP GP-WATER

S/N: FFH224-337

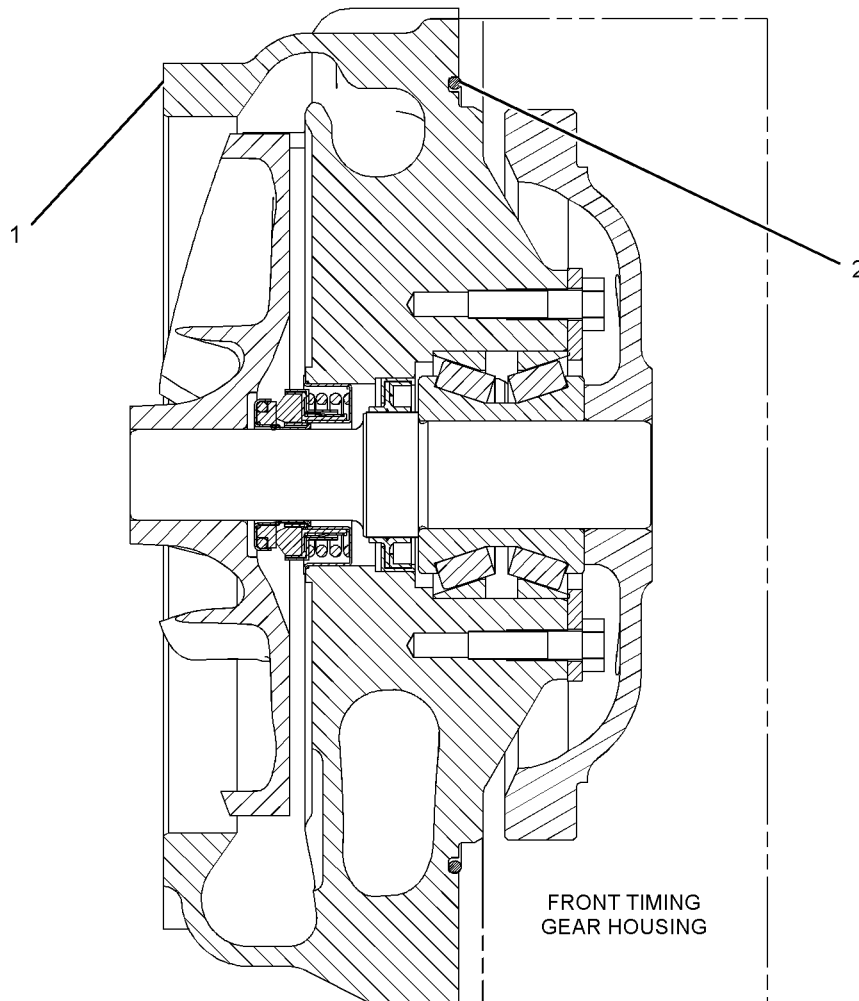
HIGH FLOW

SMCS-1361

i02639951

NOTE	REF NO	GRAPHIC REF	PART NUMBER	QTY	PART NAME						SEE PAGE
					1	2	3	4	5	6 (PRODUCT LEVEL)	
CY	1	1	276-4755	1	PUMP GP-WATER						163
	2	1	122-3772	1	SEAL-O-RING						

C-CHANGE FROM PREVIOUS TYPE
Y-SEPARATE ILLUSTRATION



GRAPHIC #1

<END>

g01276374

COOLING SYSTEM

224-3239 PUMP GP-WATER

S/N: FFH338-UP

HIGH FLOW

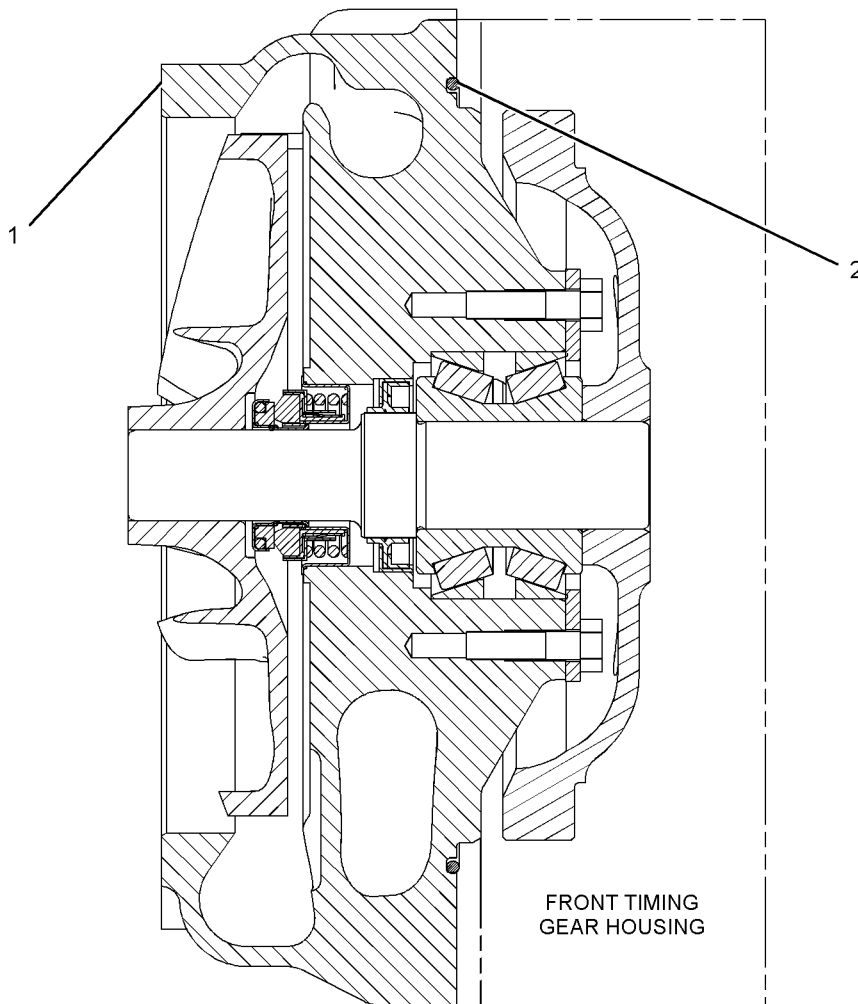
TYPE 1

SMCS-1361

i02667306

NOTE	REF NO	GRAPHIC REF	PART NUMBER	QTY	PART NAME						SEE PAGE
					1	2	3	4	5	6 (PRODUCT LEVEL)	
CYR	1	1	280-7374	1	PUMP GP-WATER						164
	2	1	122-3772	1	SEAL-O-RING						

C-CHANGE FROM PREVIOUS TYPE
R-REMG PART MAY BE AVAILABLE
Y-SEPARATE ILLUSTRATION



GRAPHIC #1

g01276374

COOLING SYSTEM

224-3239 PUMP GP-WATER

S/N: FFH338-UP

HIGH FLOW

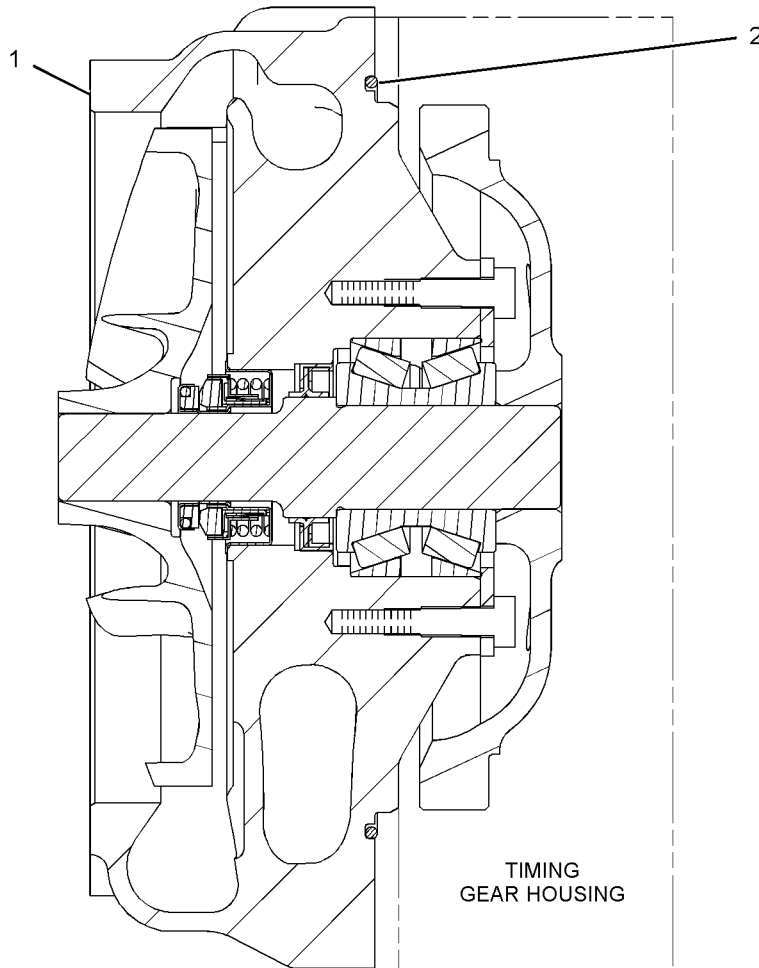
TYPE 2

SMCS-1361

i02833168

NOTE	REF NO	GRAPHIC REF	PART NUMBER	QTY	PART NAME						SEE PAGE
					1	2	3	4	5	6 (PRODUCT LEVEL)	
CY	1	1	314-5155	1	PUMP GP-WATER						165
	2	1	122-3772	1	SEAL-O-RING						

C-CHANGE FROM PREVIOUS TYPE
Y-SEPARATE ILLUSTRATION



GRAPHIC #1

<END>

g01413586

COOLING SYSTEM

246-3132 PUMP GP-WATER*R

S/N: FFH1-223

PART OF 224-3239 PUMP GP-WATER

SMCS-1361

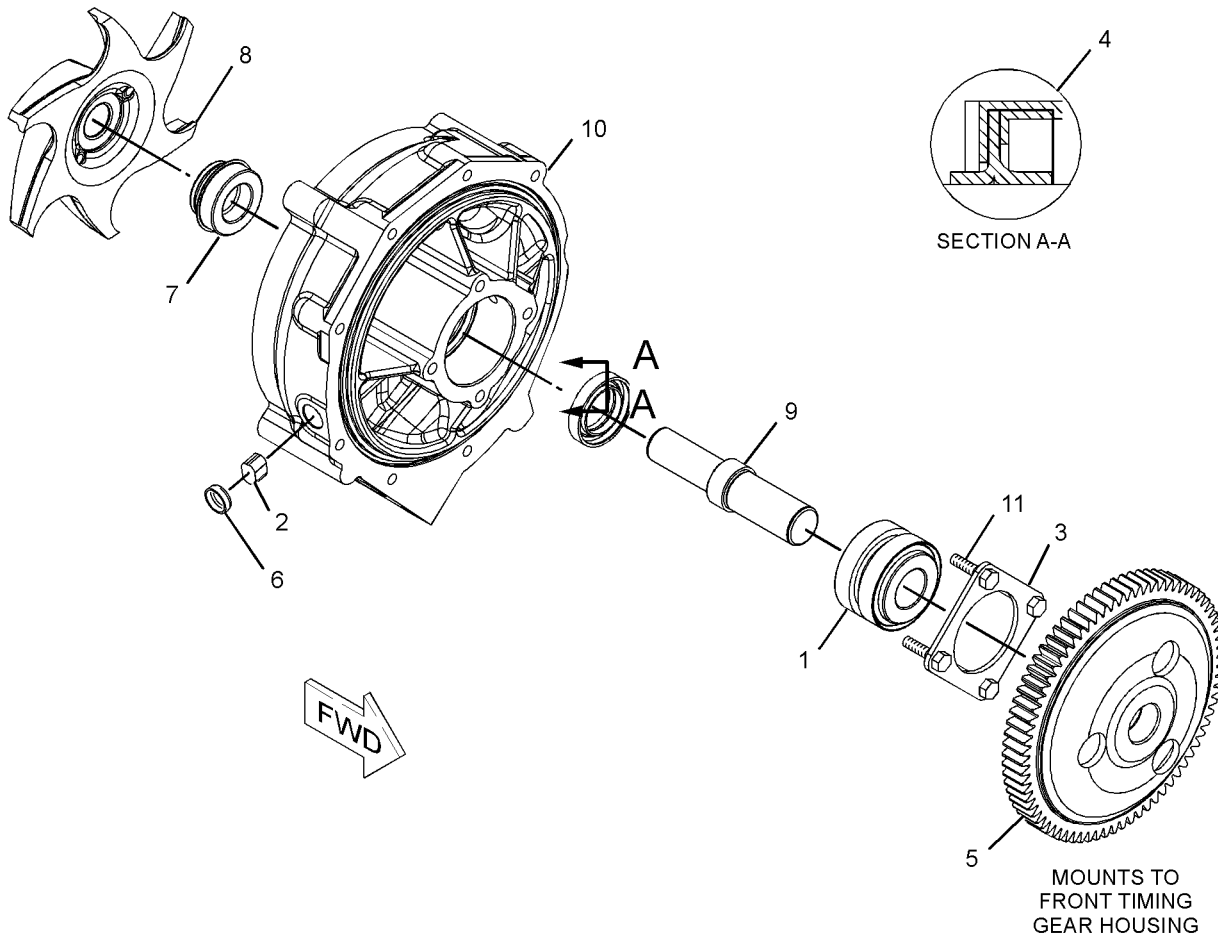
i02656841

NOTE	REF NO	GRAPHIC REF	PART NUMBER	QTY	PART NAME						SEE PAGE
					1	2	3	4	5	6 (PRODUCT LEVEL)	
W	1	1	108-7930	1	BEARING AS-ROLLER						
W	2	1	111-2721	1	PLUG-FELT (WATER PUMP)						
W	3	1	136-1107	1	RETAINER						
W	4	1	153-1256	1	SEAL-LIP TYPE						
	5	1	195-0319	1	GEAR (74-TEETH)						
	6	1	203-3831	1	PLUG-CUP						
W	7	1	244-1645	1	SEAL GP (WATER PUMP)						
	8	1	246-3129	1	IMPELLER-PUMP						
W	9	1	246-3130	1	SHAFT-WATER PUMP						
	10	1	246-3131	1	HOUSING						
	11	1	1B-7182	4	BOLT (5/16-18X1.25-IN)						

AVAILABLE REPAIR KIT(S):

W	267-2839	1	KIT-GASKET
---	-----------------	---	------------

W-KIT MARKED W INCLUDES PARTS MARKED W



GRAPHIC #1

<END>

g01161048

COOLING SYSTEM

276-4755 PUMP GP-WATER

S/N: FFH224-337

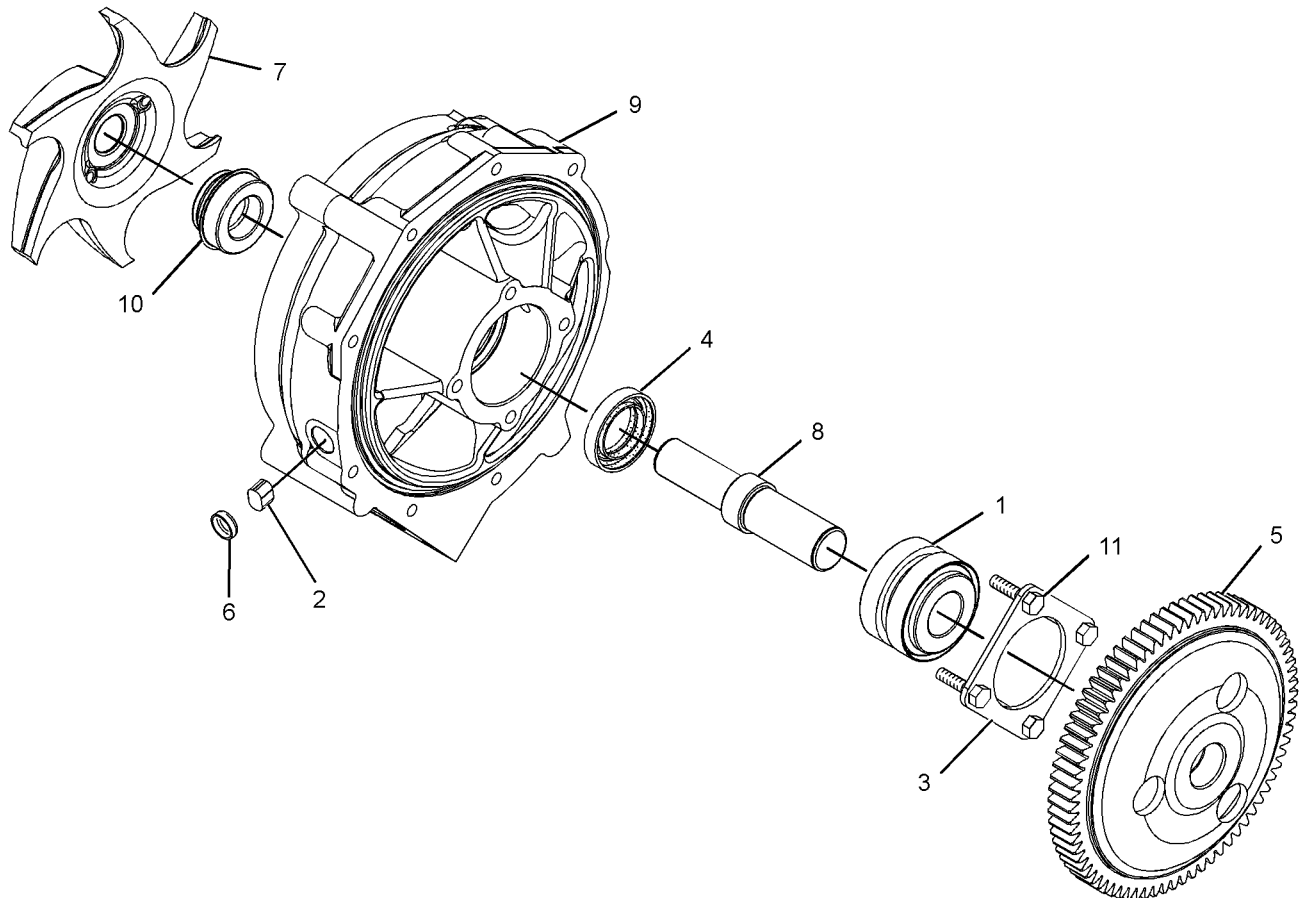
PART OF 224-3239 PUMP GP-WATER

SMCS-1361

i02656844

NOTE	REF NO	GRAPHIC REF	PART NUMBER	QTY	PART NAME						SEE PAGE
					1	2	3	4	5	6 (PRODUCT LEVEL)	
W	1	1	108-7930	1	BEARING AS-ROLLER						
W	2	1	111-2721	1	PLUG-FELT (WATER PUMP HOUSING)						
W	3	1	136-1107	1	RETAINER						
W	4	1	153-1256	1	SEAL-LIP TYPE						
	5	1	195-0319	1	GEAR (74-TEETH)						
	6	1	203-3831	1	PLUG-CUP						
	7	1	246-3129	1	IMPELLER-PUMP						
W	8	1	246-3130	1	SHAFT-WATER PUMP						
	9	1	246-3131	1	HOUSING						
W	10	1	276-4756	1	SEAL GP (WATER PUMP)						
	11	1	1B-7182	4	BOLT (5/16-18X1.25-IN)						
AVAILABLE REPAIR KIT(S):											
W			267-2839	1	KIT-GASKET						

W-KIT MARKED W INCLUDES PARTS MARKED W



GRAPHIC #1

<END>

g01295788

COOLING SYSTEM

280-7374 PUMP GP-WATER*R

S/N: FFH338-UP

PART OF 224-3239 PUMP GP-WATER

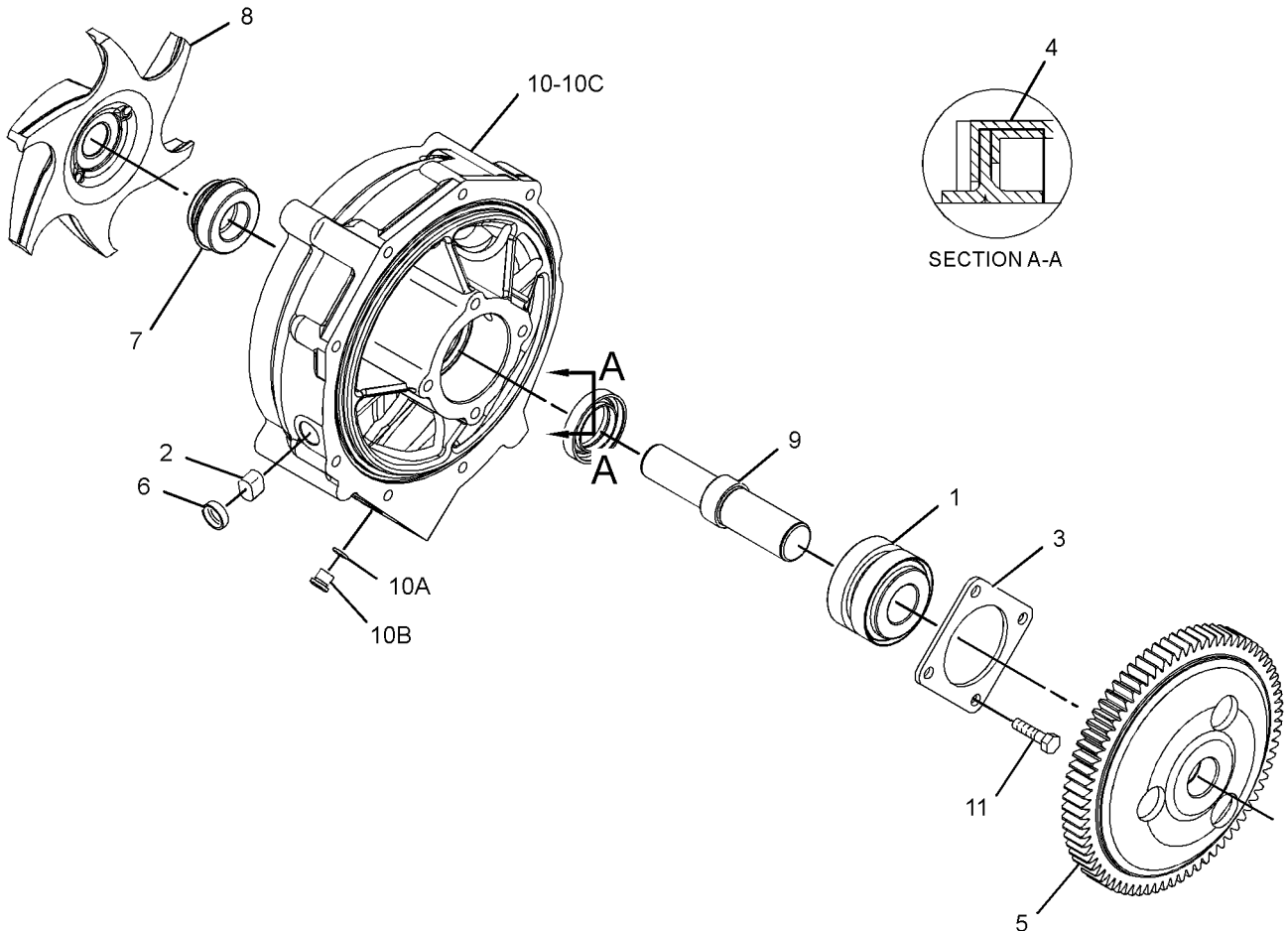
FOR USE WITH 10R6225 AS A REMAN OPTION FOR SDP ENGINES

SMCS-1361

i02833159

NOTE	REF NO	GRAPHIC REF	PART NUMBER	QTY	PART NAME						SEE PAGE
					1	2	3	4	5	6 (PRODUCT LEVEL)	
W	1	1	108-7930	1	BEARING AS-ROLLER						
W	2	1	111-2721	1	PLUG-FELT (WATER PUMP)						
W	3	1	136-1107	1	RETAINER						
W	4	1	153-1256	1	SEAL-LIP TYPE						
	5	1	195-0319	1	GEAR (74-TEETH)						
	6	1	203-3831	1	PLUG-CUP						
W	7	1	276-4756	1	SEAL GP (WATER PUMP)						
	8	1	246-3129	1	IMPELLER-PUMP						
W	9	1	246-3130	1	SHAFT-WATER PUMP						
	10	1	317-1547	1	HOUSING AS-PUMP						
	10A	1	6V-5048	1	SEAL-O-RING						
	10B	1	9S-8002	1	PLUG-O-RING						
	10C	1	280-7373	1	HOUSING						
	11	1	1B-7182	4	BOLT (5/16-18X1.25-IN)						
AVAILABLE REPAIR KIT(S):											
W			267-2839	1	KIT-GASKET						

W-KIT MARKED W INCLUDES PARTS MARKED W



GRAPHIC #1

<END>

g01340744

COOLING SYSTEM

314-5155 PUMP GP-WATER*R

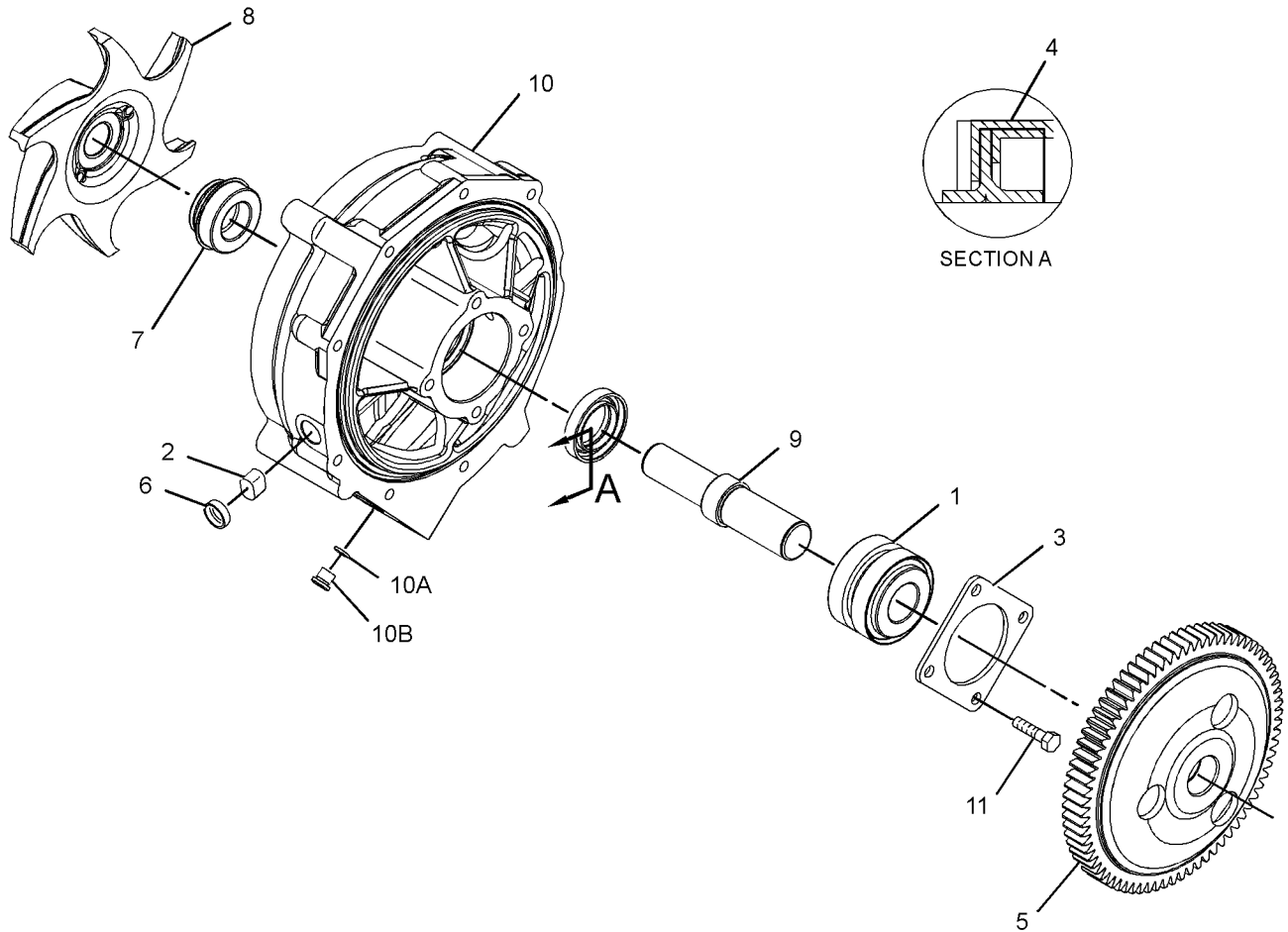
S/N: FFH338-UP

PART OF 224-3239 PUMP GP-WATER

SMCS-1361

i03497080

NOTE	REF NO	GRAPHIC REF	PART NUMBER	QTY	PART NAME						SEE PAGE
					1	2	3	4	5	6 (PRODUCT LEVEL)	
	1	1	108-7930	1	BEARING AS-ROLLER						
	2	1	315-6645	1	PLUG-FELT						
	3	1	136-1107	1	RETAINER						
	4	1	153-1256	1	SEAL-LIP TYPE						
	5	1	195-0319	1	GEAR (74-TEETH)						
	6	1	203-3831	1	PLUG-CUP						
	7	1	276-4756	1	SEAL GP (WATER PUMP)						
	8	1	246-3129	1	IMPELLER-PUMP						
	9	1	246-3130	1	SHAFT-WATER PUMP						
	10	1	303-8698	1	HOUSING AS-PUMP						
	10A	1	6V-5048	1	SEAL-O-RING						
	10B	1	9S-8002	1	PLUG-O-RING						
	11	1	1B-7182	4	BOLT (5/16-18X1.25-IN)						



GRAPHIC #1

<END>

g01414102

COOLING SYSTEM

258-8684 RADIATOR & AFTERCOOLER GP

S/N: C5H1-UP

PART OF 260-4784, 287-4914 RADIATOR GP
AN ATTACHMENT

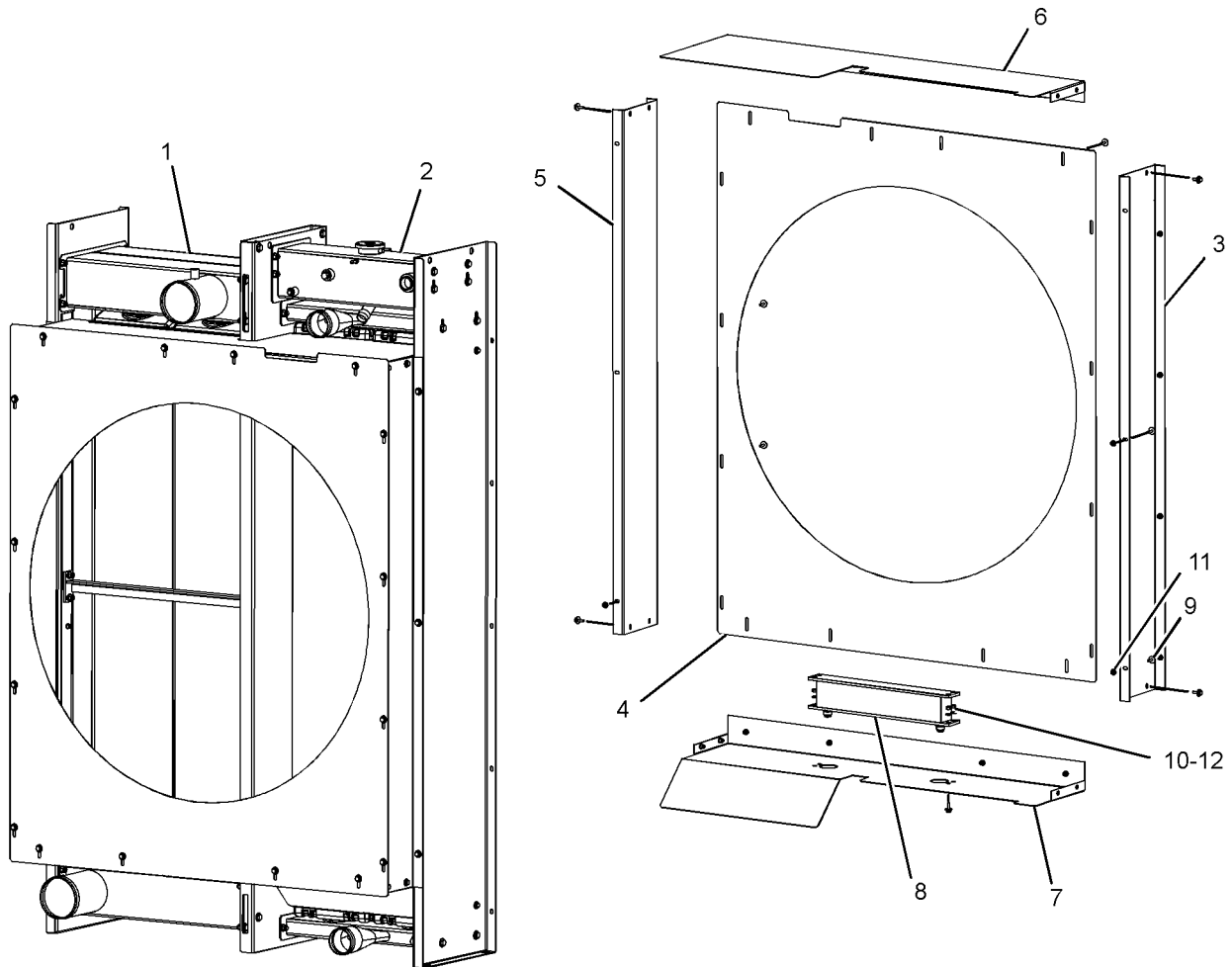
SMCS-1063, 1353

i02672247

NOTE	REF NO	GRAPHIC REF	PART NUMBER	QTY	PART NAME						SEE PAGE
					1	2	3	4	5	6 (PRODUCT LEVEL)	
Y	1	1	272-5701	1	RADIATOR GP (CHARGE AIR)						182
Y	2	1	272-5700	1	RADIATOR GP (JACKET WATER HEATER)						179
	3	1	283-4894	1	PANEL SIDE						
	4	1	283-4895	1	PANEL-FRONT						
	5	1	283-4896	1	PANEL SIDE						
	6	1	283-4897	1	PANEL-TOP						
	7	1	283-4898	1	PANEL-BOTTOM						
	8	1	272-5167	1	COOLER-FUEL						
M	9	1	8T-4138	34	BOLT (M6X1X20-MM)						
	10	1	9X-8256	4	WASHER (6.6X12X2-MM THK)						
	11	1	243-5027	6	NUT AS (M6X1-THD)						
M	12	1	129-3178	4	LOCKNUT (M6X1-THD)						

M-METRIC PART

Y-SEPARATE ILLUSTRATION



GRAPHIC #1

<END>

g01328363

COOLING SYSTEM

258-8685 RADIATOR & AFTERCOOLER GP

S/N: C5H1-UP

PART OF 280-7359, 290-6339 RADIATOR GP
AN ATTACHMENT

SMCS-1063, 1353

i03236284

NOTE	REF NO	GRAPHIC REF	PART NUMBER	QTY	PART NAME	SEE PAGE
					1 2 3 4 5 6 (PRODUCT LEVEL)	
Y	1	2	283-4621	1	RADIATOR GP (CHARGE AIR)	193
Y	2	2	283-4622	1	RADIATOR GP (JACKET WATER HEATER)	195
	3	1	283-4894	1	PANEL SIDE	
	4	1	283-4624	1	PANEL (FRONT)	
	5	1	283-4625	1	PANEL (TOP)	
	6	1	283-4626	1	PANEL (BOTTOM)	
	7	1	283-4627	1	COWLING	
	8	1	283-4896	1	PANEL SIDE	
	9	1	272-5167	1	COOLER-FUEL	
M	10	2	8T-4138	38	BOLT (M6X1X20-MM)	
	11	2	243-5027	6	NUT AS (M6X1-THD)	
	12	2	9X-8256	4	WASHER (6.6X12X2-MM THK)	
M	13	2	129-3178	4	LOCKNUT (M6X1-THD)	

M-METRIC PART

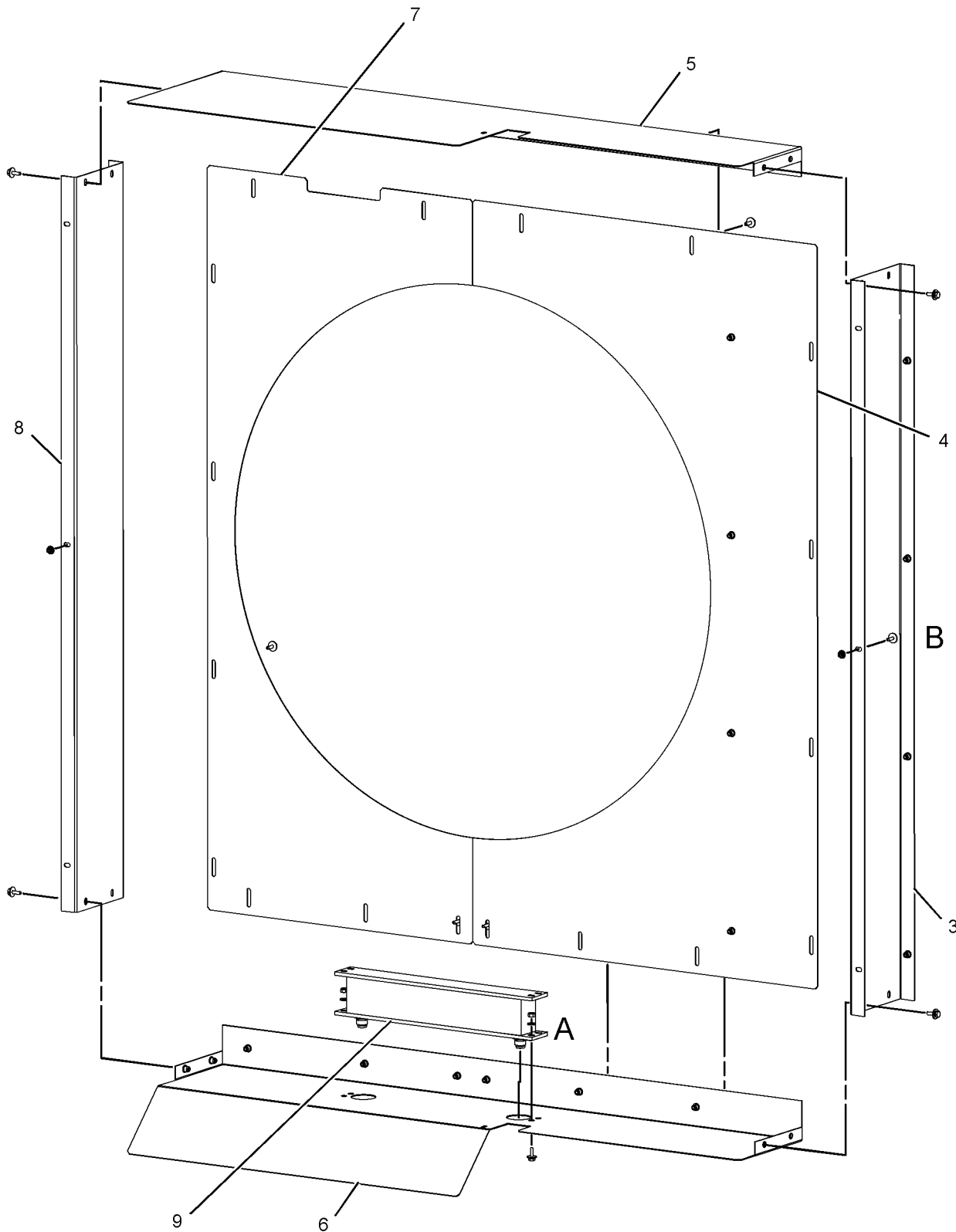
Y-SEPARATE ILLUSTRATION

COOLING SYSTEM

258-8685 RADIATOR & AFTERCOOLER GP (contd.)

i03236284

REFER TO ALL ILLUSTRATIONS OF THIS GROUP FOR AUXILIARY VIEWS



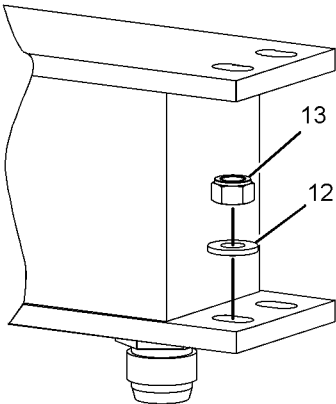
GRAPHIC #1

g01269288

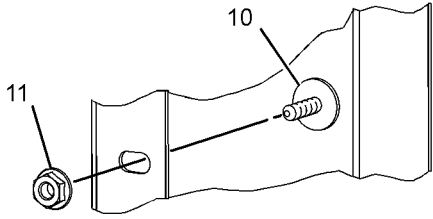
COOLING SYSTEM

258-8685 RADIATOR & AFTERCOOLER GP (contd.)

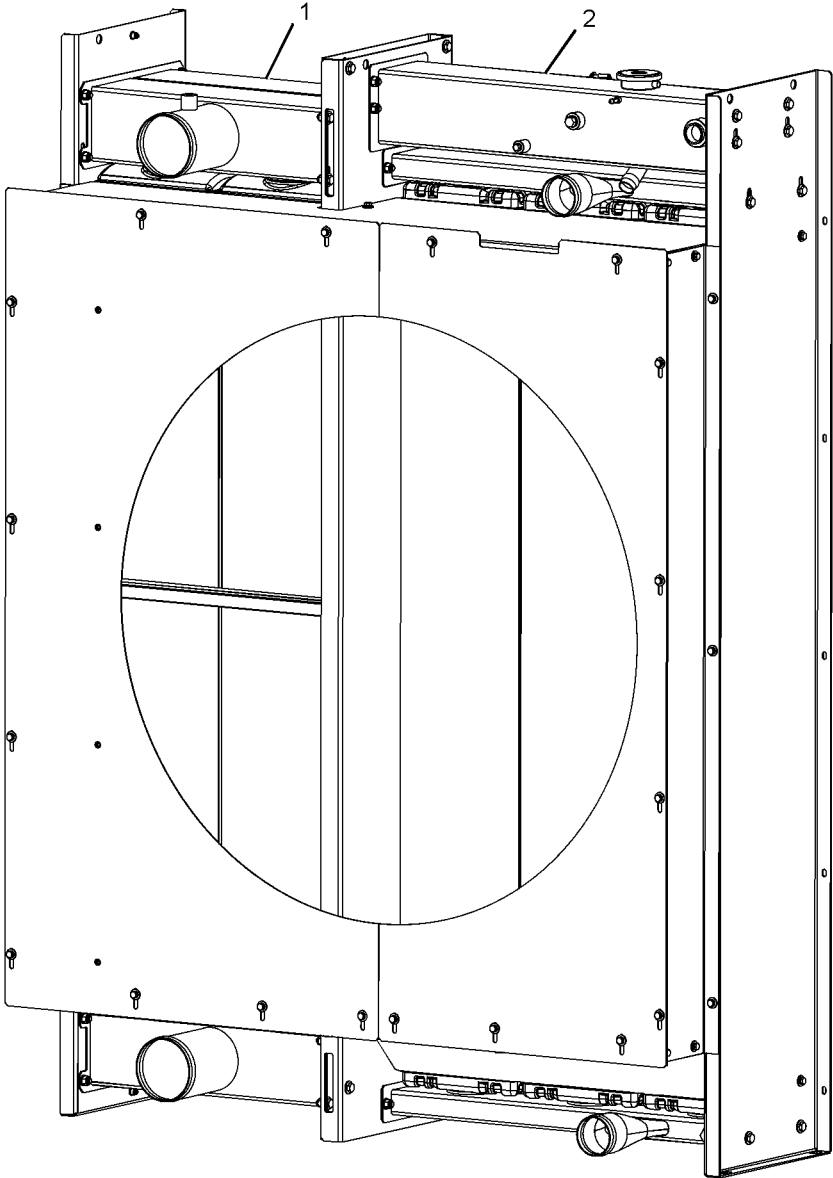
i03236284



VIEW OF AREA A



VIEW OF AREA B



GRAPHIC #2

<END>

g01269412

COOLING SYSTEM

260-4784 RADIATOR GP

S/N: C5H1-125

AN ATTACHMENT

SMCS-1353

i03046443

NOTE	REF NO	GRAPHIC REF	PART NUMBER	QTY	PART NAME						SEE PAGE
					1	2	3	4	5	6 (PRODUCT LEVEL)	
	1	1	286-0607	1	HOSE						
	2	1	9M-7958	2	CLAMP-HOSE						
	3	1	9X-2201	6	CLAMP-HOSE						
	4	1	1P-4278	2	CLAMP-HOSE						
	5	1	108-9656	2	STRAP-CABLE						
	6	1	7K-1181	2	STRAP-CABLE						
	7	1	127-0929	1	CLAMP						
	8	1	230-3396	3	HOSE						
	9	1	235-4451	6	BOLT-FLANGE HEAD (M6X1X16-MM)						
	10	1	248-6502	1	TUBE AS						
	11	1	248-7330	3	STRAP						
Y	12	1	258-8684	1	RADIATOR & AFTERCOOLER GP (BASIC)						166
	13	1	260-4786	1	TUBE						
	14	1	260-4787	1	TUBE						
	15	1	260-4788	1	GUARD AS-RADIATOR						
M		1	3E-4304	6	INSERT-THREADED (M6X1-THD)						
	16	1	260-4790	1	GUARD-RADIATOR						
	17	1	260-4791	1	GUARD						
	18	1	260-4793	1	TUBE AS						
	19	1	262-3933	1	TUBE AS						
	20	1	265-7676	1	BRACKET						
	21	1	069-4269	1	STEM						
	22	1	1P-9328	1	FITTING						
	23	1	264-7111	3	HOSE						
	24	1	264-7112	1	HOSE						
	25	1	3B-7764	1	BUSHING (REDUCING)						
	26	1	3E-7419	2	CLAMP-HOSE						
	27	1	5P-4868	6	CLAMP-HOSE						
	28	1	6V-5063	1	SEAL-O-RING						
	29	1	7F-9504	2	PLUG-PIPE						
	30	1	7M-8485	1	SEAL-O-RING						
	31	1	8C-3089	1	SEAL-O-RING						
	32	1	8T-4121	8	WASHER-HARD (11X21X2.5-MM THK)						
M	33	1	8T-4133	4	NUT (M10X1.5-THD)						
M	34	1	8T-4189	7	BOLT (M8X1.25X20-MM)						
M	35	1	8T-4195	4	BOLT (M10X1.5X30-MM)						
	36	1	8T-4224	7	WASHER-HARD (8.8X16X2-MM THK)						
	37	1	8T-4985	2	CLAMP-HOSE						
	38	1	9Y-9236	1	GAUGE-SIGHT (COOLANT LEVEL)						
E	39	1	5P-6442		HOSE (100-CM)						
E	40	1	5P-1251		HOSE (150-CM)						

E-ORDER BY THE CENTIMETER

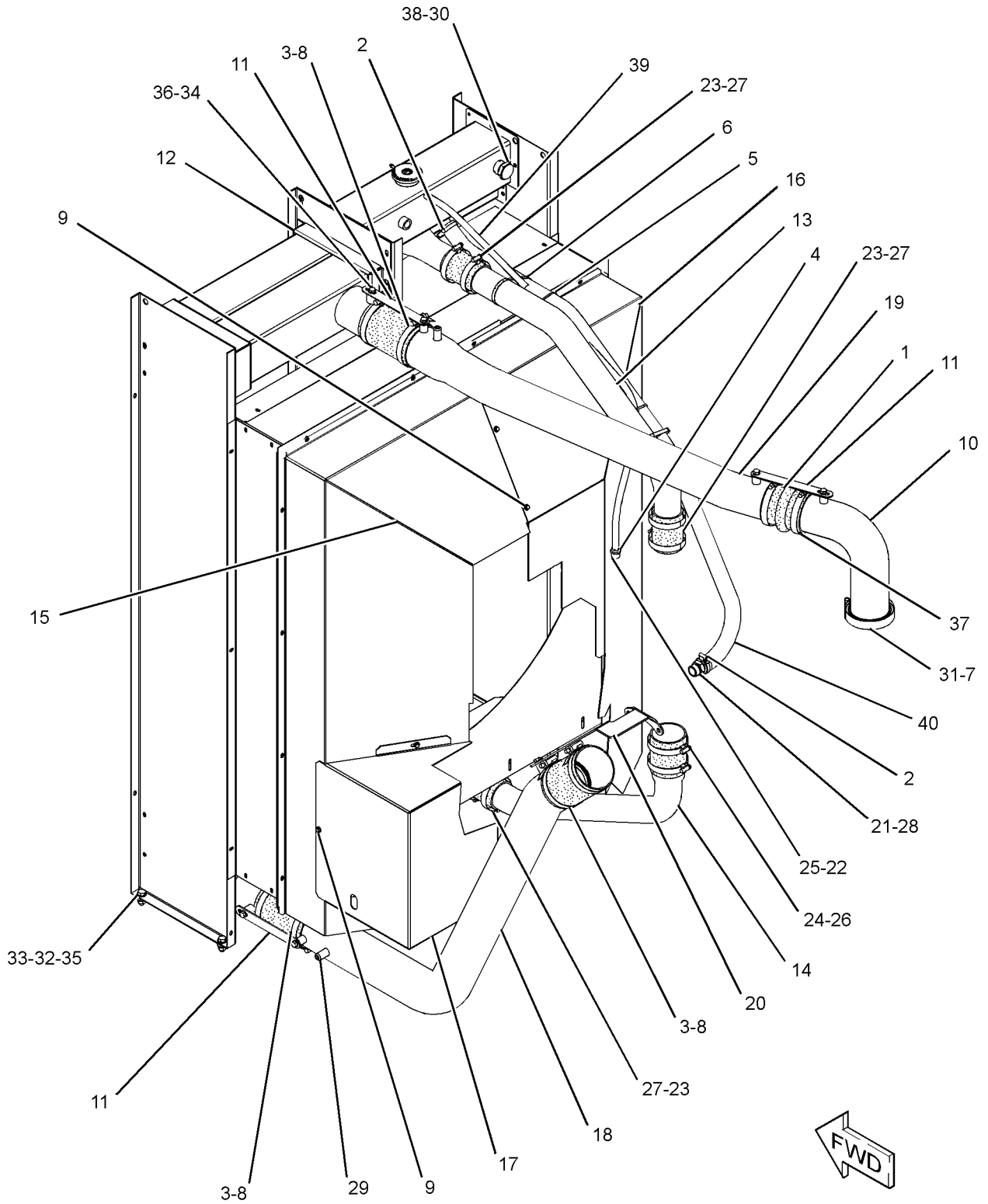
M-METRIC PART

Y-SEPARATE ILLUSTRATION

COOLING SYSTEM

260-4784 RADIATOR GP (contd.)

i03046443



GRAPHIC #1

<END>

g01189383

COOLING SYSTEM

260-4784 RADIATOR GP

S/N: C5H126-338

AN ATTACHMENT

SMCS-1353

i03046445

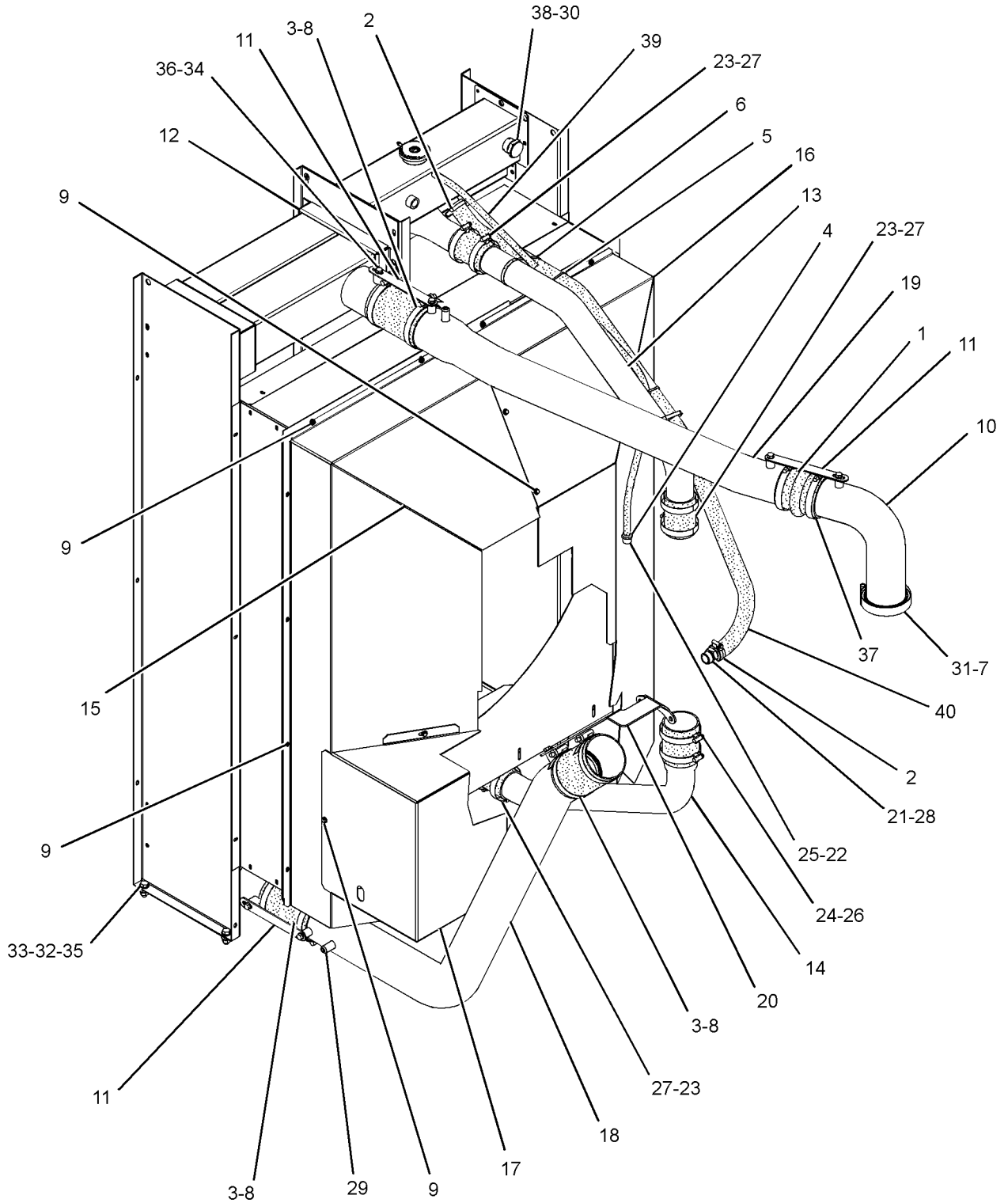
NOTE	REF NO	GRAPHIC REF	PART NUMBER	QTY	PART NAME						SEE PAGE
					1	2	3	4	5	6 (PRODUCT LEVEL)	
	1	1	286-0607	1	HOSE						
	2	1	9M-7958	2	CLAMP-HOSE						
	3	1	9X-2201	6	CLAMP-HOSE						
	4	1	1P-4278	2	CLAMP-HOSE						
	5	1	108-9656	2	STRAP-CABLE						
	6	1	7K-1181	2	STRAP-CABLE						
	7	1	127-0929	1	CLAMP						
	8	1	230-3396	3	HOSE						
C	9	1	235-4451	18	BOLT-FLANGE HEAD (M6X1X16-MM)						
	10	1	248-6502	1	TUBE AS						
	11	1	248-7330	3	STRAP						
Y	12	1	258-8684	1	RADIATOR & AFTERCOOLER GP (BASIC)						166
	13	1	260-4786	1	TUBE						
	14	1	260-4787	1	TUBE						
	15	1	260-4788	1	GUARD AS-RADIATOR						
M		1	3E-4304	6	INSERT-THREADED (M6X1-THD)						
	16	1	260-4790	1	GUARD-RADIATOR						
	17	1	260-4791	1	GUARD						
	18	1	260-4793	1	TUBE AS						
	19	1	262-3933	1	TUBE AS						
	20	1	265-7676	1	BRACKET						
	21	1	069-4269	1	STEM						
	22	1	1P-9328	1	FITTING						
	23	1	264-7111	3	HOSE						
	24	1	264-7112	1	HOSE						
	25	1	3B-7764	1	BUSHING (REDUCING)						
	26	1	3E-7419	2	CLAMP-HOSE						
	27	1	5P-4868	6	CLAMP-HOSE						
	28	1	6V-5063	1	SEAL-O-RING						
	29	1	7F-9504	2	PLUG-PIPE						
	30	1	7M-8485	1	SEAL-O-RING						
	31	1	8C-3089	1	SEAL-O-RING						
	32	1	8T-4121	8	WASHER-HARD (11X21X2.5-MM THK)						
M	33	1	8T-4133	4	NUT (M10X1.5-THD)						
M	34	1	8T-4189	7	BOLT (M8X1.25X20-MM)						
M	35	1	8T-4195	4	BOLT (M10X1.5X30-MM)						
	36	1	8T-4224	7	WASHER-HARD (8.8X16X2-MM THK)						
	37	1	8T-4985	2	CLAMP-HOSE						
	38	1	9Y-9236	1	GAUGE-SIGHT (COOLANT LEVEL)						
E	39	1	5P-6442		HOSE (100-CM)						
E	40	1	5P-1251		HOSE (150-CM)						

C-CHANGE FROM PREVIOUS TYPE
 E-ORDER BY THE CENTIMETER
 M-METRIC PART
 Y-SEPARATE ILLUSTRATION

COOLING SYSTEM

260-4784 RADIATOR GP (contd.)

i03046445



GRAPHIC #1

<END>

g01313238

COOLING SYSTEM

260-4784 RADIATOR GP

S/N: C5H339-458

AN ATTACHMENT

SMCS-1353

i02736543

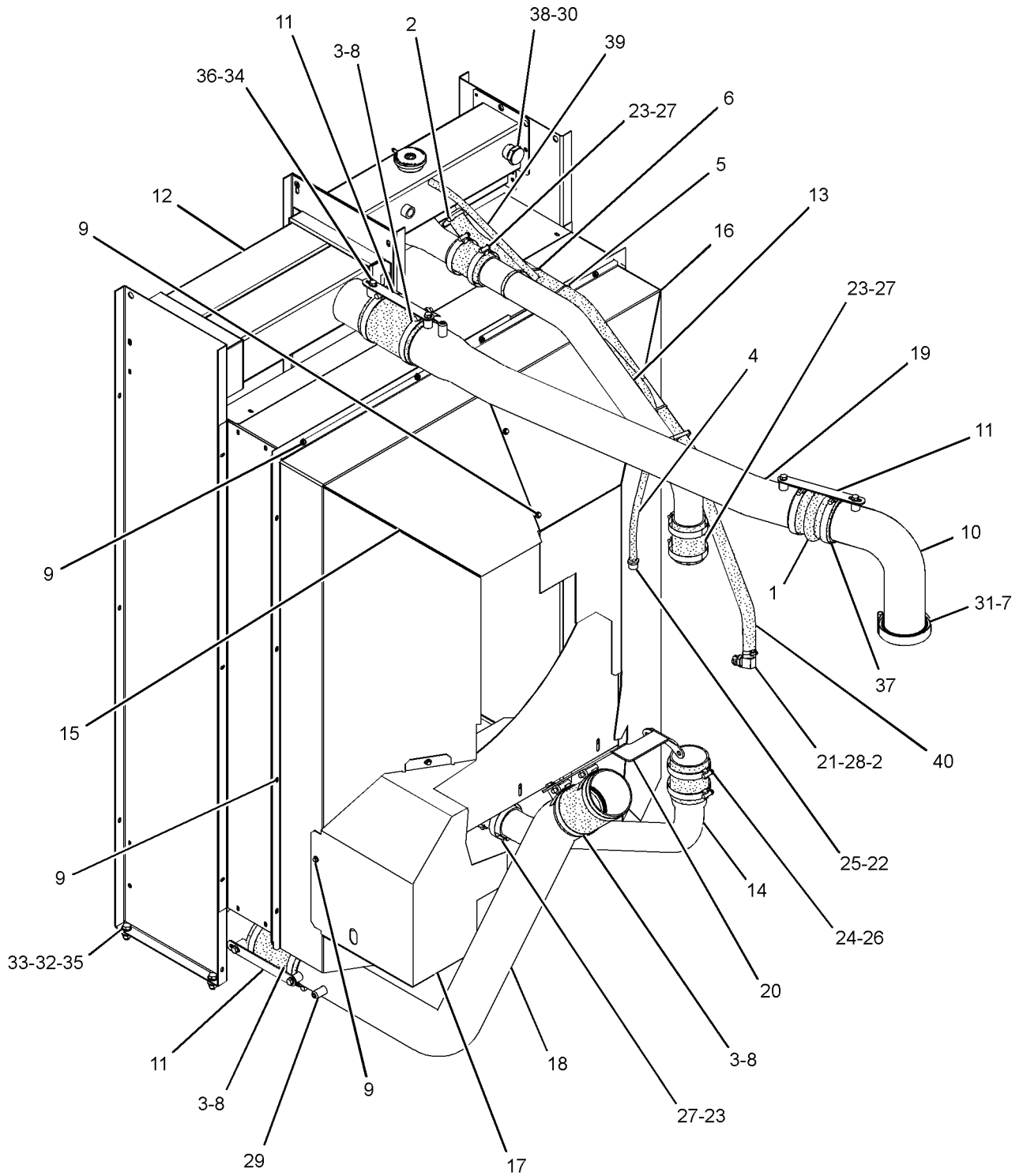
NOTE	REF NO	GRAPHIC REF	PART NUMBER	QTY	PART NAME						SEE PAGE
					1	2	3	4	5	6 (PRODUCT LEVEL)	
	1	1	286-0607	1	HOSE						
	2	1	9M-7958	2	CLAMP-HOSE						
	3	1	9X-2201	6	CLAMP-HOSE						
	4	1	1P-4278	2	CLAMP-HOSE						
	5	1	108-9656	2	STRAP-CABLE						
	6	1	7K-1181	2	STRAP-CABLE						
	7	1	127-0929	1	CLAMP						
	8	1	230-3396	3	HOSE						
	9	1	235-4451	18	BOLT-FLANGE HEAD (M6X1X16-MM)						
	10	1	248-6502	1	TUBE AS						
	11	1	248-7330	3	STRAP						
Y	12	1	258-8684	1	RADIATOR & AFTERCOOLER GP (BASIC)						166
	13	1	260-4786	1	TUBE						
	14	1	260-4787	1	TUBE						
	15	1	260-4788	1	GUARD AS-RADIATOR						
M		1	3E-4304	6	INSERT-THREADED (M6X1-THD)						
	16	1	260-4790	1	GUARD-RADIATOR						
	17	1	260-4791	1	GUARD						
	18	1	260-4793	1	TUBE AS						
	19	1	262-3933	1	TUBE AS						
	20	1	265-7676	1	BRACKET						
C	21	1	3E-4041	1	ELBOW						
	22	1	1P-9328	1	FITTING						
	23	1	264-7111	3	HOSE						
	24	1	264-7112	1	HOSE						
	25	1	3B-7764	1	BUSHING (REDUCING)						
	26	1	3E-7419	2	CLAMP-HOSE						
	27	1	5P-4868	6	CLAMP-HOSE						
	28	1	6V-5063	1	SEAL-O-RING						
	29	1	7F-9504	2	PLUG-PIPE						
	30	1	7M-8485	1	SEAL-O-RING						
	31	1	8C-3089	1	SEAL-O-RING						
	32	1	8T-4121	8	WASHER-HARD (11X21X2.5-MM THK)						
M	33	1	8T-4133	4	NUT (M10X1.5-THD)						
M	34	1	8T-4189	7	BOLT (M8X1.25X20-MM)						
M	35	1	8T-4195	4	BOLT (M10X1.5X30-MM)						
	36	1	8T-4224	7	WASHER-HARD (8.8X16X2-MM THK)						
	37	1	8T-4985	2	CLAMP-HOSE						
	38	1	9Y-9236	1	GAUGE-SIGHT (COOLANT LEVEL)						
E	39	1	5P-6442		HOSE (100-CM)						
CE	40	1	5P-1251		HOSE (135-CM)						

C-CHANGE FROM PREVIOUS TYPE
 E-ORDER BY THE CENTIMETER
 M-METRIC PART
 Y-SEPARATE ILLUSTRATION

COOLING SYSTEM

260-4784 RADIATOR GP (contd.)

i02736543



GRAPHIC #1

<END>

g01387454

COOLING SYSTEM

260-4784 RADIATOR GP

S/N: C5H459-UP

AN ATTACHMENT

SMCS - 1353

i03538122

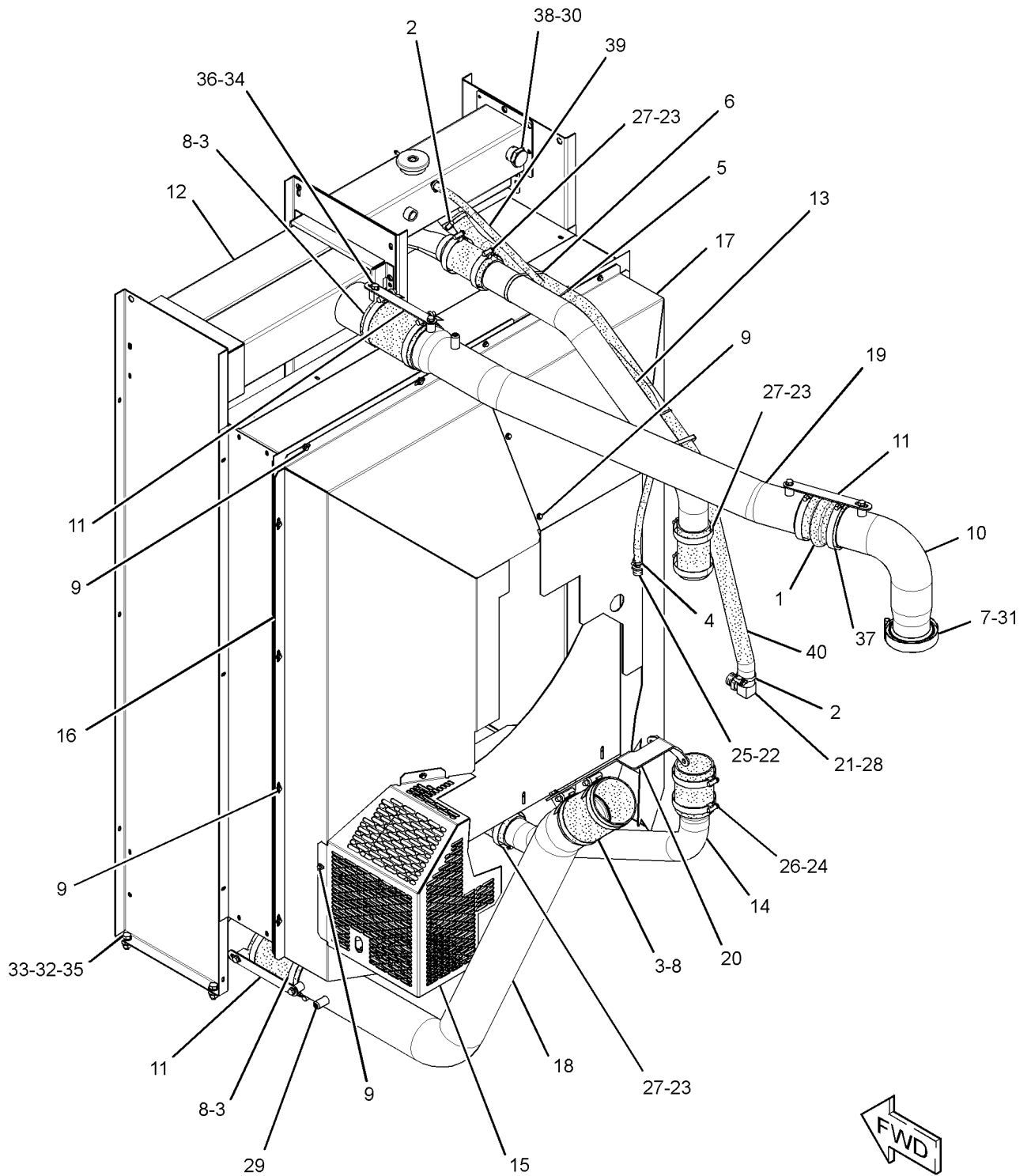
NOTE	REF NO	GRAPHIC REF	PART NUMBER	QTY	PART NAME						SEE PAGE
					1	2	3	4	5	6 (PRODUCT LEVEL)	
	1	1	286-0607	1	HOSE						
	2	1	9M-7958	2	CLAMP-HOSE						
	3	1	9X-2201	6	CLAMP-HOSE						
	4	1	1P-4278	2	CLAMP-HOSE						
	5	1	6K-0806	2	STRAP-CABLE						
	6	1	7K-1181	2	STRAP-CABLE						
	7	1	127-0929	1	CLAMP						
	8	1	230-3396	3	HOSE						
	9	1	235-4451	18	BOLT-FLANGE HEAD (M6X1X16-MM)						
	10	1	248-6502	1	TUBE AS						
	11	1	248-7330	3	STRAP						
Y	12	1	258-8684	1	RADIATOR & AFTERCOOLER GP (BASIC)						166
	13	1	260-4786	1	TUBE						
	14	1	260-4787	1	TUBE						
C	15	1	310-4512	1	GUARD						
C	16	1	310-4518	1	GUARD AS						
M		1	3E-4304	7	INSERT-THREADED (M6X1-THD)						
C	17	1	310-4519	1	GUARD AS						
	18	1	260-4793	1	TUBE AS						
	19	1	262-3933	1	TUBE AS						
	20	1	265-7676	1	BRACKET						
	21	1	3E-4041	1	ELBOW						
	22	1	1P-9328	1	FITTING						
	23	1	264-7111	3	HOSE						
	24	1	264-7112	1	HOSE						
	25	1	3B-7764	1	BUSHING (REDUCING)						
	26	1	5P-0598	2	CLAMP-HOSE						
	27	1	5P-4868	6	CLAMP-HOSE						
	28	1	6V-5063	1	SEAL-O-RING						
	29	1	7F-9504	2	PLUG-PIPE						
	30	1	7M-8485	1	SEAL-O-RING						
	31	1	8C-3089	1	SEAL-O-RING						
	32	1	8T-4121	8	WASHER-HARD (11X21X2.5-MM THK)						
M	33	1	8T-4133	4	NUT (M10X1.5-THD)						
M	34	1	8T-4189	7	BOLT (M8X1.25X20-MM)						
M	35	1	8T-4195	4	BOLT (M10X1.5X30-MM)						
	36	1	8T-4224	7	WASHER-HARD (8.8X16X2-MM THK)						
	37	1	8T-4985	2	CLAMP-HOSE						
	38	1	9Y-9236	1	GAUGE-SIGHT (COOLANT LEVEL)						
E	39	1	5P-6442		HOSE (100-CM)						
E	40	1	5P-1251		HOSE (135-CM)						

C-CHANGE FROM PREVIOUS TYPE
 E-ORDER BY THE CENTIMETER
 M-METRIC PART
 Y-SEPARATE ILLUSTRATION

COOLING SYSTEM

260-4784 RADIATOR GP (contd.)

i03538122



GRAPHIC #1

<END>

g01449060

COOLING SYSTEM

271-4381 RADIATOR GP

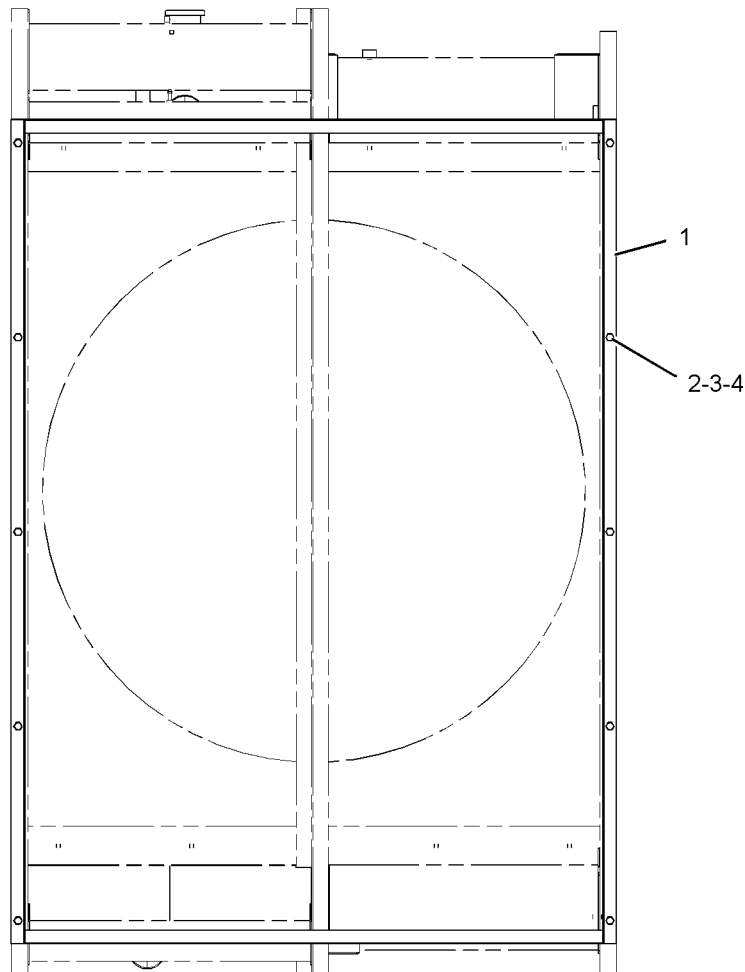
S/N: C5H1-UP
AN ATTACHMENT

SMCS-1353

i02803873

NOTE	REF NO	GRAPHIC REF	PART NUMBER	QTY	PART NAME						SEE PAGE
					1	2	3	4	5	6 (PRODUCT LEVEL)	
	1	1	271-2733	1	FLANGE AS-RADIATOR						
M	2	1	8T-4138	10	BOLT (M6X1X20-MM)						
M	3	1	6V-7743	10	LOCKNUT (M6X1-THD)						
	4	1	5P-4115	10	WASHER-HARD (7.2X19X2-MM THK)						

M-METRIC PART



GRAPHIC #1

<END>

g01187008

COOLING SYSTEM

272-5700 RADIATOR GP-JACKET WATER HEATER

S/N: C5H1-UP

PART OF 258-8684 RADIATOR & AFTERCOOLER GP

AN ATTACHMENT

TYPE 1

SMCS-1353

i02397957

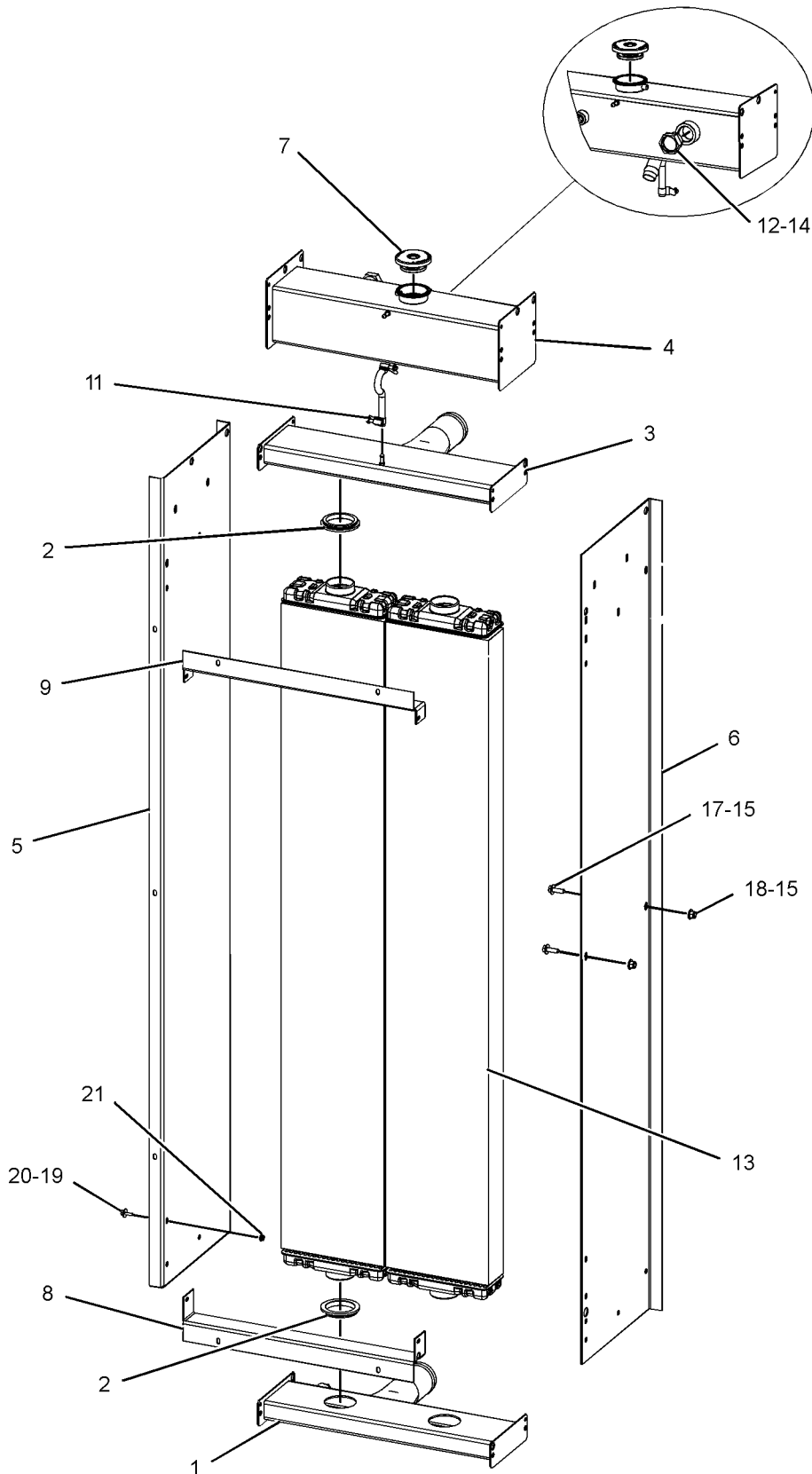
NOTE	REF NO	GRAPHIC REF	PART NUMBER	QTY	PART NAME						SEE PAGE
					1	2	3	4	5	6 (PRODUCT LEVEL)	
	1	1	272-4923	1	TANK-RADIATOR (BOTTOM)						
	2	1	272-4982	4	GROMMET						
	3	1	272-4921	1	TANK-RADIATOR (TOP)						
	4	1	272-4925	1	TANK-EXPANSION						
	5	1	272-4927	1	PANEL						
	6	1	272-4928	1	PANEL						
	7	1	266-8550	1	CAP-RADIATOR						
	8	1	272-4929	1	BRACKET						
	9	1	272-4930	1	BRACKET						
	11	1	095-1387	2	CLAMP-HOSE						
	12	1	9Y-9236	1	GAUGE-SIGHT (COOLANT LEVEL)						
	13	1	272-4932	2	CORE-RADIATOR (JACKET WATER HEATER)						
	14	1	7M-8485	1	SEAL-O-RING						
	15	1	8T-4224	28	WASHER-HARD (8.8X16X2-MM THK)						
M	17	1	8T-4908	14	BOLT (M8X1.25X25-MM)						
M	18	1	3T-0852	14	LOCKNUT (M8X1.25-THD)						
M	19	1	8T-4138	4	BOLT (M6X1X20-MM)						
	20	1	9X-8256	4	WASHER (6.6X12X2-MM THK)						
	21	1	243-5027	4	NUT AS (M6X1-THD)						

M-METRIC PART

COOLING SYSTEM

272-5700 RADIATOR GP (contd.)

i02397957



GRAPHIC #1

<END>

g01187909

COOLING SYSTEM

272-5700 RADIATOR GP-JACKET WATER HEATER

S/N: C5H1-UP

PART OF 258-8684 RADIATOR & AFTERCOOLER GP

AN ATTACHMENT

TYPE 2

SMCS-1353

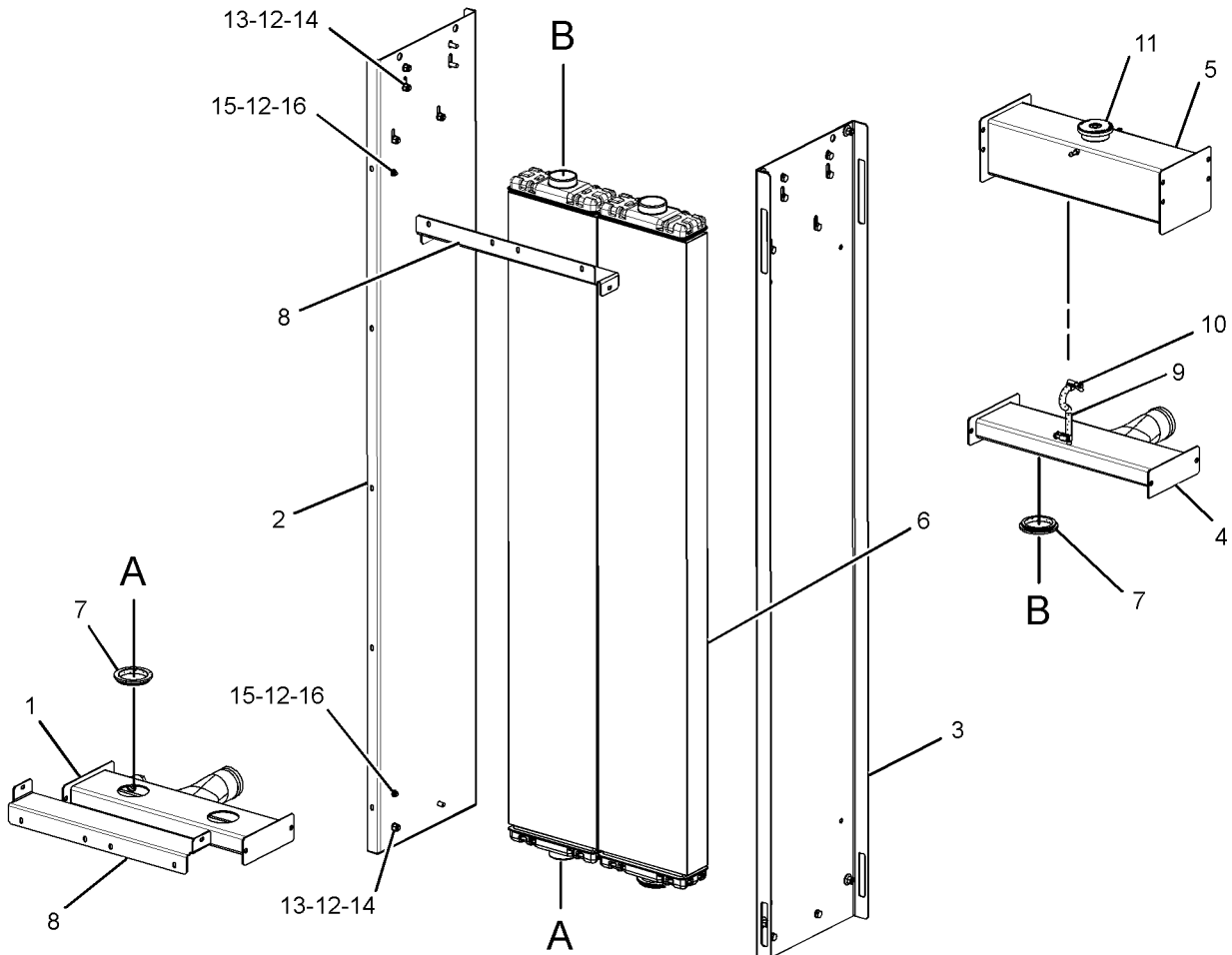
i02724547

NOTE	REF NO	GRAPHIC REF	PART NUMBER	QTY	PART NAME						SEE PAGE
					1	2	3	4	5	6 (PRODUCT LEVEL)	
C	1	1	283-5476	1	TANK-BOTTOM						
C	2	1	283-5477	1	PANEL						
C	3	1	283-5478	1	PANEL						
C	4	1	283-5479	1	TANK-TOP						
C	5	1	283-5480	1	TANK-EXPANSION						
C	6	1	283-5481	2	CORE-RADIATOR (JACKET WATER HEATER)						
	7	1	272-4982	4	GROMMET						
C	8	1	283-5482	2	BRACKET						
E	9	1	141-6381		HOSE (20-CM)						
	10	1	095-1387	2	CLAMP-HOSE						
	11	1	266-8550	1	CAP-RADIATOR						
C	12	1	8T-4224	36	WASHER-HARD (8.8X16X2-MM THK)						
CM	13	1	8T-4189	20	BOLT (M8X1.25X20-MM)						
CM	14	1	3T-0852	16	LOCKNUT (M8X1.25-THD)						
M	15	1	8T-4138	4	BOLT (M6X1X20-MM)						
C	16	1	243-5027	2	NUT AS (M6X1-THD)						

C- CHANGE FROM PREVIOUS TYPE

E- ORDER BY THE CENTIMETER

M- METRIC PART



GRAPHIC #1

<END>

g01388041

COOLING SYSTEM

272-5701 RADIATOR GP-CHARGE AIR

S/N: C5H1-UP

PART OF 258-8684 RADIATOR & AFTERCOOLER GP

AN ATTACHMENT

TYPE 1

SMCS-1353

i02366959

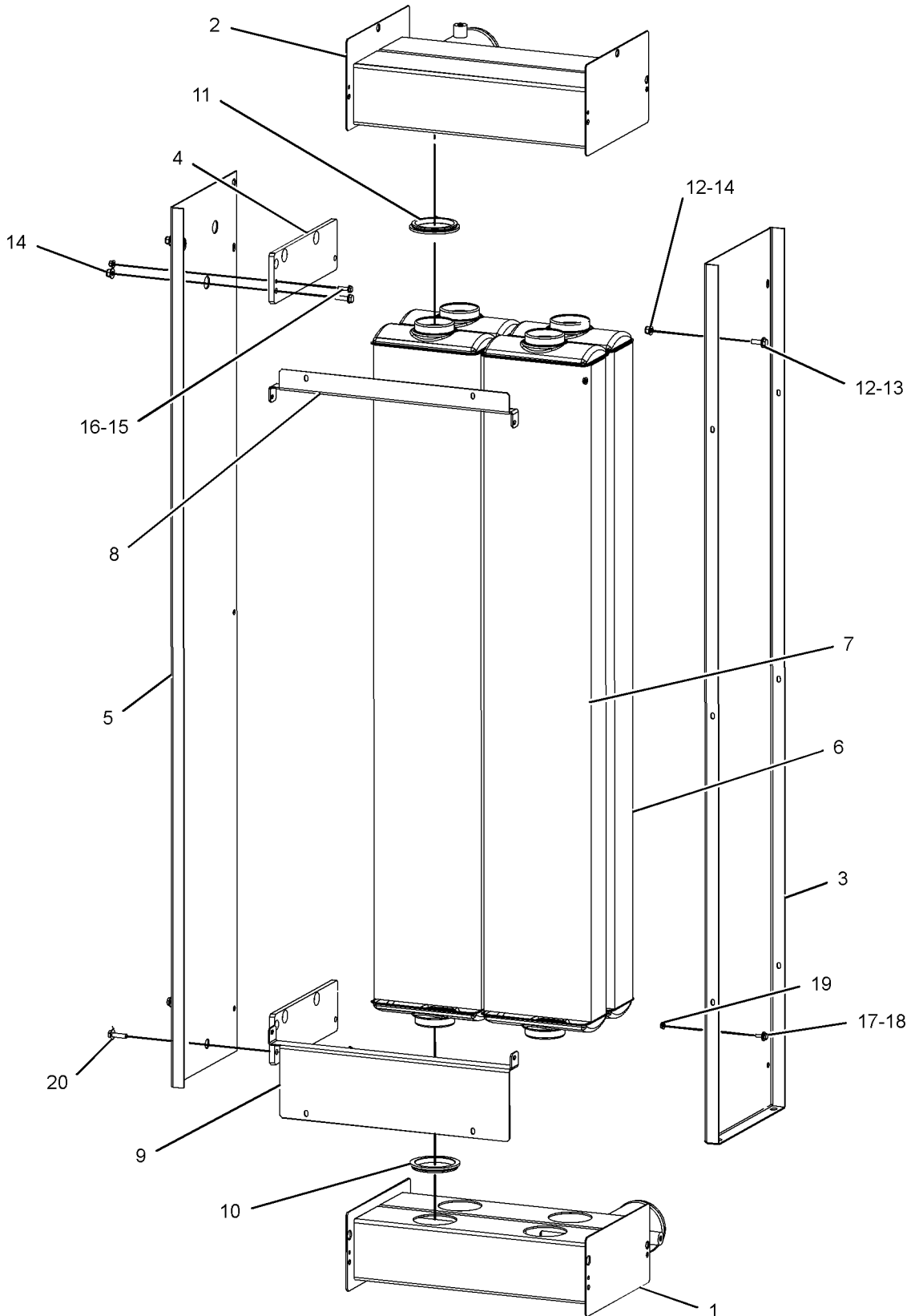
NOTE	REF NO	GRAPHIC REF	PART NUMBER	QTY	PART NAME						SEE PAGE
					1	2	3	4	5	6 (PRODUCT LEVEL)	
	1	1	272-4985	1	TANK-RADIATOR (BOTTOM)						
	2	1	272-5064	1	TANK-RADIATOR (TOP)						
	3	1	272-5101	1	PANEL						
	4	1	272-5105	2	PLATE						
	5	1	272-5102	1	PANEL						
	6	1	272-5125	2	CORE-RADIATOR						
	7	1	272-5127	2	CORE-RADIATOR						
	8	1	272-5107	1	BRACKET						
	9	1	272-5108	1	BRACKET						
	10	1	272-5121	4	GROMMET (LOW TEMPERATURE)						
	11	1	272-5123	4	GROMMET (HIGH TEMPERATURE)						
	12	1	8T-4224	16	WASHER-HARD (8.8X16X2-MM THK)						
M	13	1	8T-4908	4	BOLT (M8X1.25X25-MM)						
M	14	1	3T-0852	10	LOCKNUT (M8X1.25-THD)						
	15	1	4E-5724	4	WASHER						
M	16	1	6V-7357	2	BOLT (M6X1X25-MM)						
M	17	1	8T-4138	4	BOLT (M6X1X20-MM)						
	18	1	9X-8256	4	WASHER (6.6X12X2-MM THK)						
	19	1	243-5027	4	NUT AS						
M	20	1	8T-7547	4	BOLT (M8X1.25X30-MM)						

M-METRIC PART

COOLING SYSTEM

272-5701 RADIATOR GP (contd.)

i02366959



GRAPHIC #1

<END>

g01187896

COOLING SYSTEM

272-5701 RADIATOR GP-CHARGE AIR

S/N: C5H1-UP

PART OF 258-8684 RADIATOR & AFTERCOOLER GP

AN ATTACHMENT

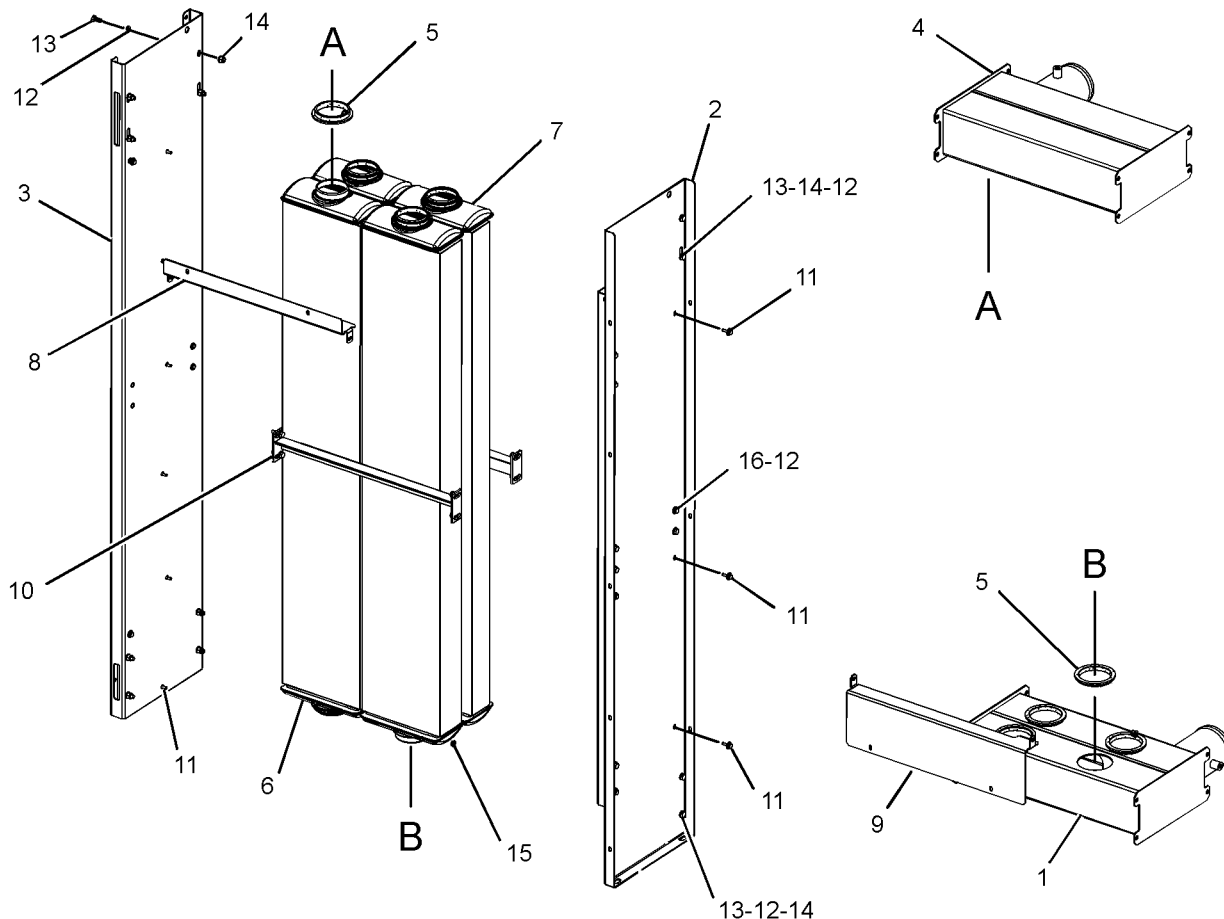
TYPE 2

SMCS-1353

i02724598

NOTE	REF NO	GRAPHIC REF	PART NUMBER	QTY	PART NAME						SEE PAGE
					1	2	3	4	5	6 (PRODUCT LEVEL)	
C	1	1	283-4610	1	TANK-BOTTOM						
C	2	1	283-4611	1	PANEL						
C	3	1	283-4612	1	PANEL						
C	4	1	283-4613	1	TANK-TOP						
C	5	1	272-5123	8	GROMMET (HIGH TEMPERATURE)						
C	6	1	283-4614	2	CORE-RADIATOR						
C	7	1	283-4615	2	CORE-RADIATOR						
C	8	1	283-4616	1	BRACKET						
C	9	1	283-4617	1	BRACKET						
C	10	1	283-4618	2	BRACE						
CM	11	1	8T-4138	16	BOLT (M6X1X20-MM)						
C	12	1	8T-4224	36	WASHER-HARD (8.8X16X2-MM THK)						
CM	13	1	8T-4189	16	BOLT (M8X1.25X20-MM)						
CM	14	1	3T-0852	20	LOCKNUT (M8X1.25-THD)						
C	15	1	243-5027	2	NUT AS (M6X1-THD)						
CM	16	1	8T-4908	8	BOLT (M8X1.25X25-MM)						

C- CHANGE FROM PREVIOUS TYPE
M- METRIC PART



GRAPHIC #1

<END>

g01388153

COOLING SYSTEM

280-7359 RADIATOR GP-AFTERCOOLER

S/N: C5H1-143

AN ATTACHMENT

SMCS-1353

i02646250

NOTE	REF NO	GRAPHIC REF	PART NUMBER	QTY	PART NAME						SEE PAGE
					1	2	3	4	5	6 (PRODUCT LEVEL)	
	1	1	8N-2807	1	HOSE						
	2	1	9M-7958	2	CLAMP-HOSE						
	3	1	9X-2201	6	CLAMP-HOSE						
	4	1	9Y-9236	1	GAUGE-SIGHT (COOLANT LEVEL)						
	5	1	095-1387	2	CLAMP-HOSE						
	6	1	108-9656	2	STRAP-CABLE						
	7	1	7K-1181	2	STRAP-CABLE						
	8	1	127-0929	1	CLAMP						
	9	1	230-3396	3	HOSE						
	10	1	235-4451	10	BOLT-FLANGE HEAD (M6X1X16-MM)						
	11	1	248-6502	1	TUBE AS						
	12	1	248-7330	2	STRAP						
Y	13	1	258-8685	1	RADIATOR & AFTERCOOLER GP						167
	14	1	260-4786	1	TUBE						
	15	1	260-4787	1	TUBE						
	16	1	260-4788	1	GUARD AS-RADIATOR						
M		1	3E-4304	6	INSERT-THREADED (M6X1-THD)						
	17	1	260-4790	1	GUARD-RADIATOR						
	18	1	260-4791	1	GUARD						
	19	1	260-4793	1	TUBE AS						
	20	1	265-7676	1	BRACKET						
	21	1	280-7672	1	TUBE AS						
	22	1	069-4269	1	STEM						
	23	1	1P-9328	1	FITTING						
	24	1	264-7111	3	HOSE						
	25	1	264-7112	1	HOSE						
	26	1	3B-7764	1	BUSHING (REDUCING)						
	27	1	3E-7419	2	CLAMP-HOSE						
	28	1	5P-4868	6	CLAMP-HOSE						
	29	1	6V-5063	1	SEAL-O-RING						
	30	1	7F-9504	1	PLUG-PIPE						
	31	1	7M-8485	1	SEAL-O-RING						
	32	1	8C-3089	1	SEAL-O-RING						
	33	1	8T-4121	8	WASHER-HARD (11X21X2.5-MM THK)						
M	34	1	8T-4133	4	NUT (M10X1.5-THD)						
M	35	1	8T-4189	5	BOLT (M8X1.25X20-MM)						
M	36	1	8T-4195	4	BOLT (M10X1.5X30-MM)						
	37	1	8T-4224	5	WASHER-HARD (8.8X16X2-MM THK)						
	38	1	8T-4985	2	CLAMP-HOSE						
E	39	1	5P-6442		HOSE (100-CM)						
E	40	1	5P-1251		HOSE (150-CM)						

E-ORDER BY THE CENTIMETER

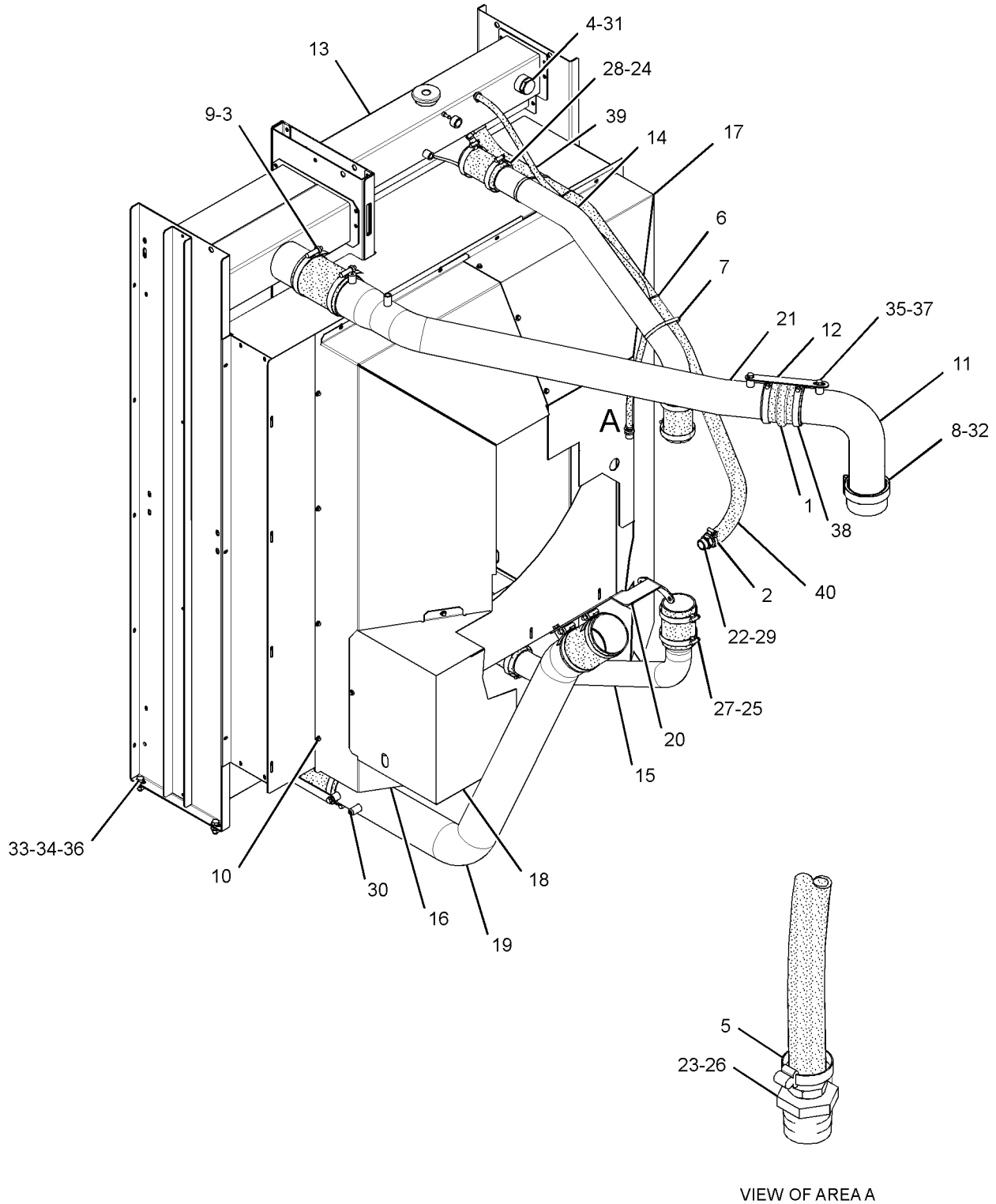
M-METRIC PART

Y-SEPARATE ILLUSTRATION

COOLING SYSTEM

280-7359 RADIATOR GP (contd.)

i02646250



GRAPHIC #1

<END>

g01287835

COOLING SYSTEM

280-7359 RADIATOR GP-AFTERCOOLER

S/N: C5H144-338

AN ATTACHMENT

SMCS-1353

i02696222

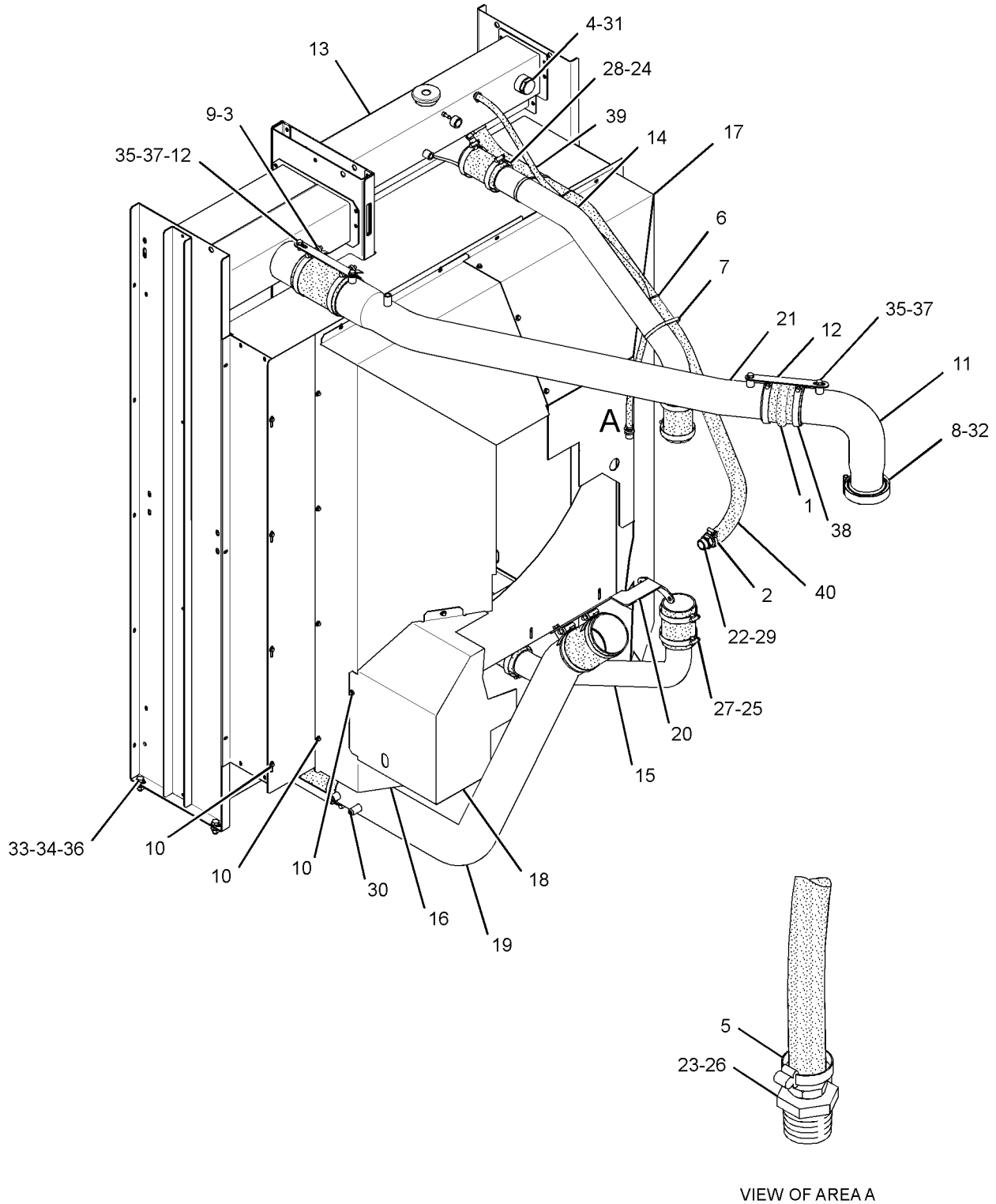
NOTE	REF NO	GRAPHIC REF	PART NUMBER	QTY	PART NAME						SEE PAGE
					1	2	3	4	5	6 (PRODUCT LEVEL)	
C	1	1	286-0607	1	HOSE						
	2	1	9M-7958	2	CLAMP-HOSE						
	3	1	9X-2201	6	CLAMP-HOSE						
	4	1	9Y-9236	1	GAUGE-SIGHT (COOLANT LEVEL)						
C	5	1	1P-4278	2	CLAMP-HOSE						
C	6	1	108-9656	2	STRAP-CABLE						
	7	1	7K-1181	2	STRAP-CABLE						
	8	1	127-0929	1	CLAMP						
	9	1	230-3396	3	HOSE						
C	10	1	235-4451	22	BOLT-FLANGE HEAD (M6X1X16-MM)						
	11	1	248-6502	1	TUBE AS						
	12	1	248-7330	3	STRAP						
Y	13	1	258-8685	1	RADIATOR & AFTERCOOLER GP						167
	14	1	260-4786	1	TUBE						
	15	1	260-4787	1	TUBE						
	16	1	260-4788	1	GUARD AS-RADIATOR						
M		1	3E-4304	6	INSERT-THREADED (M6X1-THD)						
	17	1	260-4790	1	GUARD-RADIATOR						
	18	1	260-4791	1	GUARD						
	19	1	260-4793	1	TUBE AS						
	20	1	265-7676	1	BRACKET						
	21	1	280-7672	1	TUBE AS						
	22	1	069-4269	1	STEM						
	23	1	1P-9328	1	FITTING						
	24	1	264-7111	3	HOSE						
	25	1	264-7112	1	HOSE						
	26	1	3B-7764	1	BUSHING (REDUCING)						
	27	1	3E-7419	2	CLAMP-HOSE						
	28	1	5P-4868	6	CLAMP-HOSE						
	29	1	6V-5063	1	SEAL-O-RING						
	30	1	7F-9504	1	PLUG-PIPE						
	31	1	7M-8485	1	SEAL-O-RING						
	32	1	8C-3089	1	SEAL-O-RING						
	33	1	8T-4121	8	WASHER-HARD (11X21X2.5-MM THK)						
M	34	1	8T-4133	4	NUT (M10X1.5-THD)						
M	35	1	8T-4189	7	BOLT (M8X1.25X20-MM)						
M	36	1	8T-4195	4	BOLT (M10X1.5X30-MM)						
	37	1	8T-4224	7	WASHER-HARD (8.8X16X2-MM THK)						
	38	1	8T-4985	2	CLAMP-HOSE						
E	39	1	5P-6442		HOSE (100-CM)						
E	40	1	5P-1251		HOSE (150-CM)						

C-CHANGE FROM PREVIOUS TYPE
 E-ORDER BY THE CENTIMETER
 M-METRIC PART
 Y-SEPARATE ILLUSTRATION

COOLING SYSTEM

280-7359 RADIATOR GP (contd.)

i02696222



GRAPHIC #1

<END>

g01364162

COOLING SYSTEM

280-7359 RADIATOR GP-AFTERCOOLER

S/N: C5H339-425

AN ATTACHMENT

SMCS-1353

i02736824

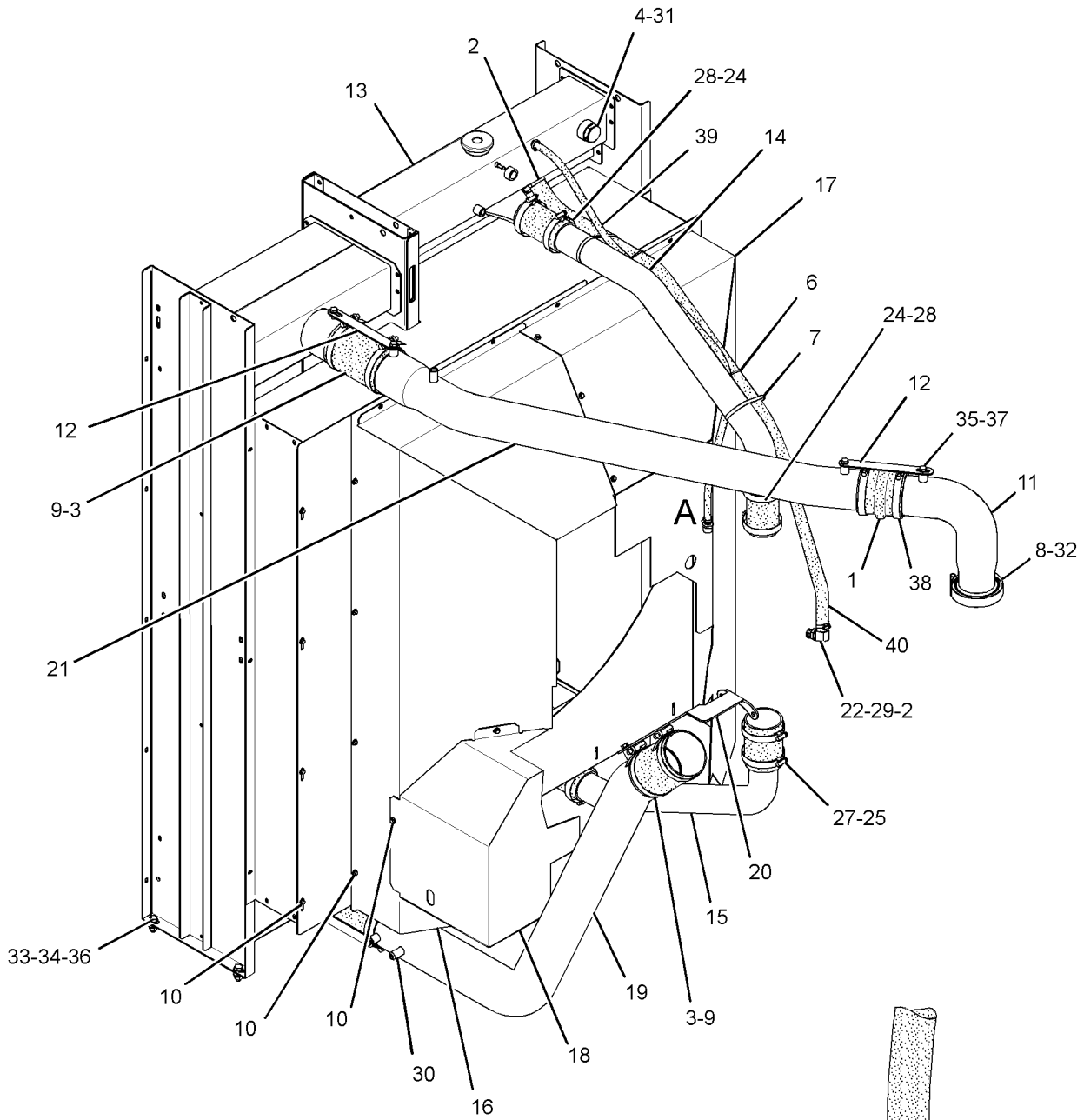
NOTE	REF NO	GRAPHIC REF	PART NUMBER	QTY	PART NAME						SEE PAGE
					1	2	3	4	5	6 (PRODUCT LEVEL)	
	1	1	286-0607	1	HOSE						
	2	1	9M-7958	2	CLAMP-HOSE						
	3	1	9X-2201	6	CLAMP-HOSE						
	4	1	9Y-9236	1	GAUGE-SIGHT (COOLANT LEVEL)						
	5	1	1P-4278	2	CLAMP-HOSE						
	6	1	108-9656	2	STRAP-CABLE						
	7	1	7K-1181	2	STRAP-CABLE						
	8	1	127-0929	1	CLAMP						
	9	1	230-3396	3	HOSE						
	10	1	235-4451	22	BOLT-FLANGE HEAD (M6X1X16-MM)						
	11	1	248-6502	1	TUBE AS						
	12	1	248-7330	3	STRAP						
Y	13	1	258-8685	1	RADIATOR & AFTERCOOLER GP						167
	14	1	260-4786	1	TUBE						
	15	1	260-4787	1	TUBE						
	16	1	260-4788	1	GUARD AS-RADIATOR						
M		1	3E-4304	6	INSERT-THREADED (M6X1-THD)						
	17	1	260-4790	1	GUARD-RADIATOR						
	18	1	260-4791	1	GUARD						
	19	1	260-4793	1	TUBE AS						
	20	1	265-7676	1	BRACKET						
	21	1	280-7672	1	TUBE AS						
C	22	1	3E-4041	1	ELBOW						
	23	1	1P-9328	1	FITTING						
	24	1	264-7111	3	HOSE						
	25	1	264-7112	1	HOSE						
	26	1	3B-7764	1	BUSHING (REDUCING)						
	27	1	3E-7419	2	CLAMP-HOSE						
	28	1	5P-4868	6	CLAMP-HOSE						
	29	1	6V-5063	1	SEAL-O-RING						
	30	1	7F-9504	1	PLUG-PIPE						
	31	1	7M-8485	1	SEAL-O-RING						
	32	1	8C-3089	1	SEAL-O-RING						
	33	1	8T-4121	8	WASHER-HARD (11X21X2.5-MM THK)						
M	34	1	8T-4133	4	NUT (M10X1.5-THD)						
M	35	1	8T-4189	7	BOLT (M8X1.25X20-MM)						
M	36	1	8T-4195	4	BOLT (M10X1.5X30-MM)						
	37	1	8T-4224	7	WASHER-HARD (8.8X16X2-MM THK)						
	38	1	8T-4985	2	CLAMP-HOSE						
E	39	1	5P-6442		HOSE (100-CM)						
CE	40	1	5P-1251		HOSE (135-CM)						

C-CHANGE FROM PREVIOUS TYPE
 E-ORDER BY THE CENTIMETER
 M-METRIC PART
 Y-SEPARATE ILLUSTRATION

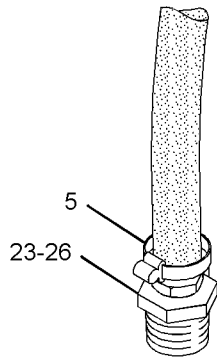
COOLING SYSTEM

280-7359 RADIATOR GP (contd.)

i02736824



A



VIEW OF AREA A

GRAPHIC #1

<END>

g01387350

COOLING SYSTEM

280-7359 RADIATOR GP-AFTERCOOLER

S/N: C5H426-UP

AN ATTACHMENT

SMCS-1353

i03242682

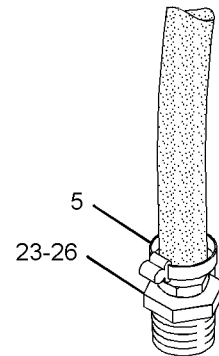
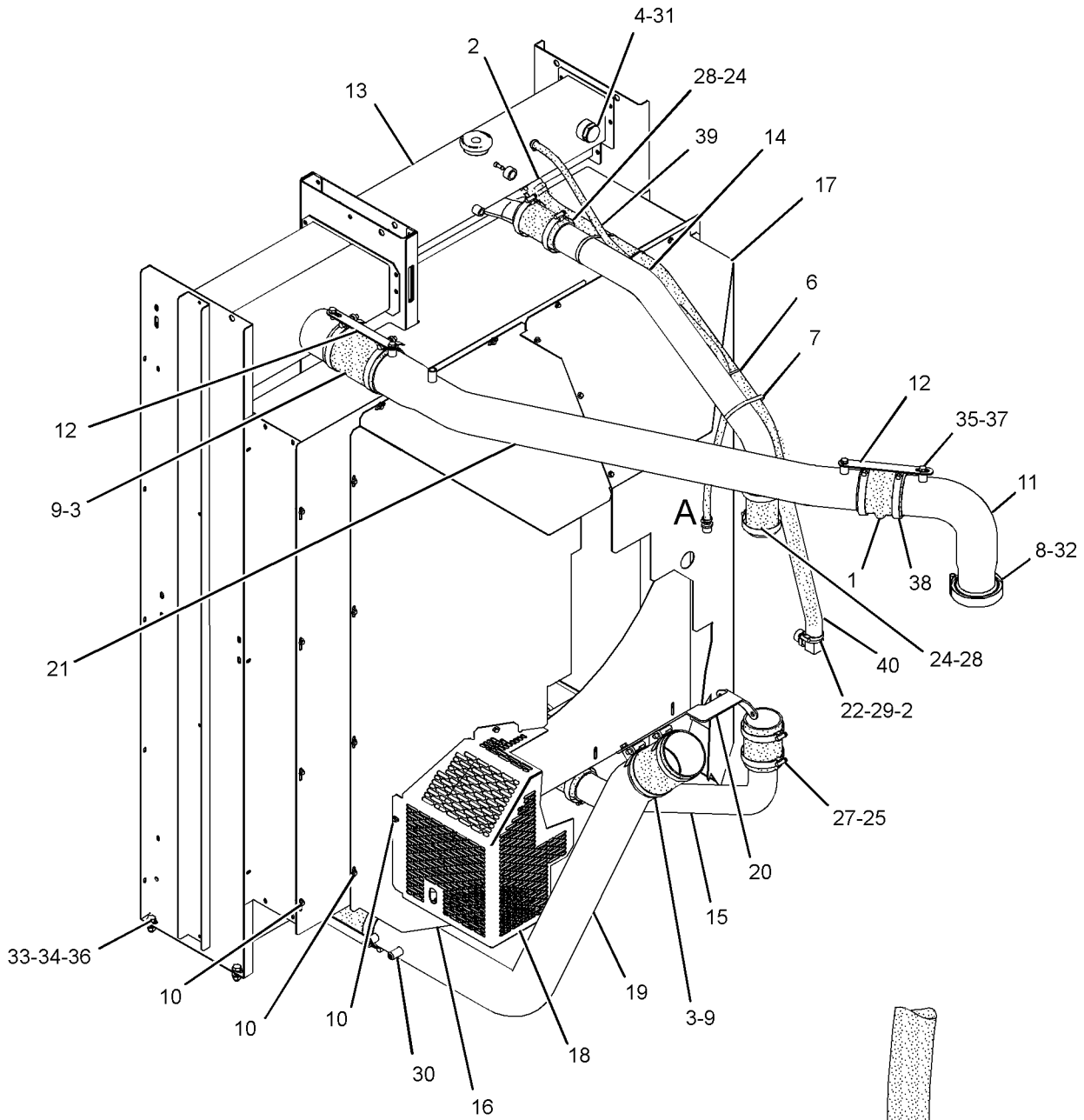
NOTE	REF NO	GRAPHIC REF	PART NUMBER	QTY	PART NAME						SEE PAGE
					1	2	3	4	5	6 (PRODUCT LEVEL)	
	1	1	286-0607	1	HOSE						
	2	1	9M-7958	2	CLAMP-HOSE						
	3	1	9X-2201	6	CLAMP-HOSE						
	4	1	9Y-9236	1	GAUGE-SIGHT (COOLANT LEVEL)						
	5	1	1P-4278	2	CLAMP-HOSE						
	6	1	108-9656	2	STRAP-CABLE						
	7	1	7K-1181	2	STRAP-CABLE						
	8	1	127-0929	1	CLAMP						
	9	1	230-3396	3	HOSE						
	10	1	235-4451	22	BOLT-FLANGE HEAD (M6X1X16-MM)						
	11	1	248-6502	1	TUBE AS						
	12	1	248-7330	3	STRAP						
Y	13	1	258-8685	1	RADIATOR & AFTERCOOLER GP						167
	14	1	260-4786	1	TUBE						
	15	1	260-4787	1	TUBE						
C	16	1	310-4518	1	GUARD AS						
M		1	3E-4304	7	INSERT-THREADED (M6X1-THD)						
C	17	1	310-4519	1	GUARD AS						
C	18	1	310-4512	1	GUARD						
	19	1	260-4793	1	TUBE AS						
	20	1	265-7676	1	BRACKET						
	21	1	280-7672	1	TUBE AS						
	22	1	3E-4041	1	ELBOW						
	23	1	1P-9328	1	FITTING						
	24	1	264-7111	3	HOSE						
	25	1	264-7112	1	HOSE						
	26	1	3B-7764	1	BUSHING (REDUCING)						
	27	1	3E-7419	2	CLAMP-HOSE						
	28	1	5P-4868	6	CLAMP-HOSE						
	29	1	6V-5063	1	SEAL-O-RING						
	30	1	7F-9504	1	PLUG-PIPE						
	31	1	7M-8485	1	SEAL-O-RING						
	32	1	8C-3089	1	SEAL-O-RING						
	33	1	8T-4121	8	WASHER-HARD (11X21X2.5-MM THK)						
M	34	1	8T-4133	4	NUT (M10X1.5-THD)						
M	35	1	8T-4189	7	BOLT (M8X1.25X20-MM)						
M	36	1	8T-4195	4	BOLT (M10X1.5X30-MM)						
	37	1	8T-4224	7	WASHER-HARD (8.8X16X2-MM THK)						
	38	1	8T-4985	2	CLAMP-HOSE						
E	39	1	5P-6442		HOSE (100-CM)						
E	40	1	5P-1251		HOSE (135-CM)						

C-CHANGE FROM PREVIOUS TYPE
 E-ORDER BY THE CENTIMETER
 M-METRIC PART
 Y-SEPARATE ILLUSTRATION

COOLING SYSTEM

280-7359 RADIATOR GP (contd.)

i03242682



VIEW OF AREA A

GRAPHIC #1

<END>

g01423340

COOLING SYSTEM

283-4621 RADIATOR GP

S/N: C5H1-UP

PART OF 258-8685 RADIATOR & AFTERCOOLER GP
AN ATTACHMENT

SMCS-1353

i03237562

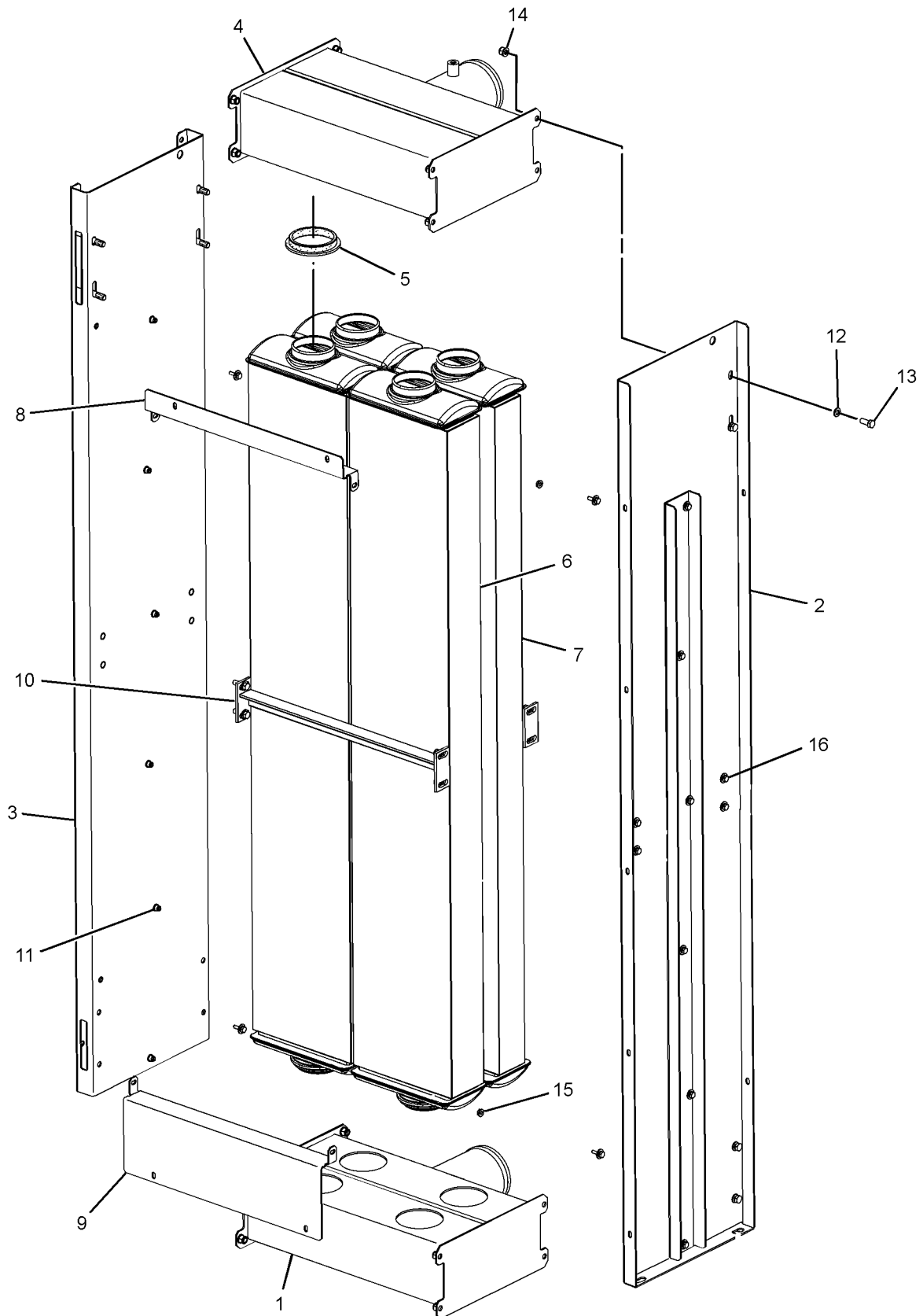
NOTE	REF NO	GRAPHIC REF	PART NUMBER	QTY	PART NAME						SEE PAGE
					1	2	3	4	5	6 (PRODUCT LEVEL)	
	1	1	283-7923	1	TANK-BOTTOM						
	2	1	283-7924	1	PANEL						
	3	1	283-4612	1	PANEL						
	4	1	283-7925	1	TANK-TOP						
	5	1	272-5123	8	GROMMET (HIGH TEMPERATURE)						
	6	1	283-4614	2	CORE-RADIATOR						
	7	1	283-4615	2	CORE-RADIATOR						
	8	1	283-7926	1	BRACKET						
	9	1	283-7927	1	BRACKET						
	10	1	283-7928	2	BRACE						
M	11	1	8T-4138	16	BOLT (M6X1X20-MM)						
	12	1	8T-4224	36	WASHER-HARD (8.8X16X2-MM THK)						
M	13	1	8T-4189	16	BOLT (M8X1.25X20-MM)						
M	14	1	3T-0852	20	LOCKNUT (M8X1.25-THD)						
	15	1	243-5027	2	NUT AS (M6X1-THD)						
M	16	1	8T-4908	8	BOLT (M8X1.25X25-MM)						

M-METRIC PART

COOLING SYSTEM

283-4621 RADIATOR GP (contd.)

i03237562



GRAPHIC #1

<END>

g01652457

COOLING SYSTEM

283-4622 RADIATOR GP

S/N: C5H1-UP

PART OF 258-8685 RADIATOR & AFTERCOOLER GP
AN ATTACHMENT

SMCS-1353

i02724724

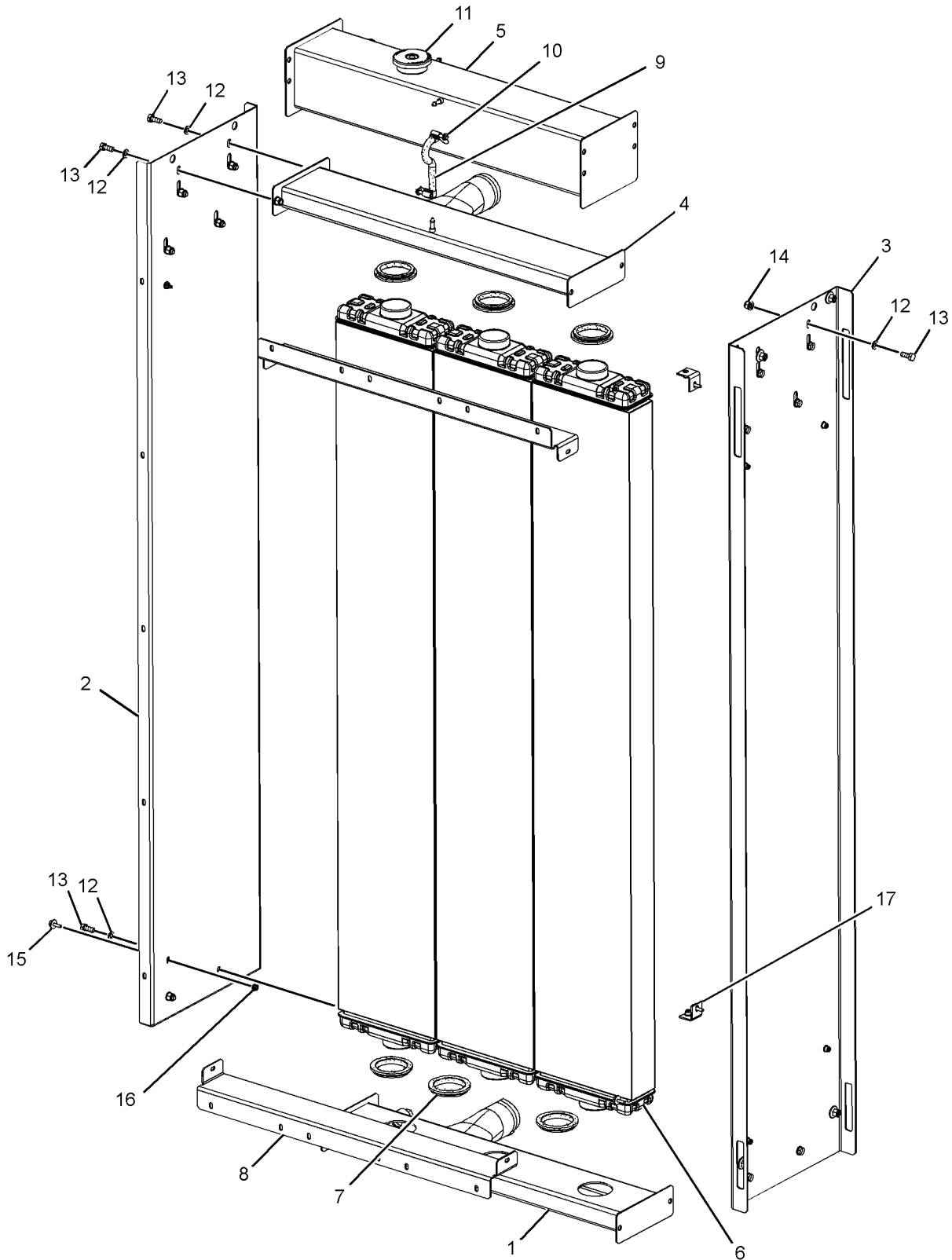
NOTE	REF NO	GRAPHIC REF	PART NUMBER	QTY	PART NAME						SEE PAGE
					1	2	3	4	5	6 (PRODUCT LEVEL)	
	1	1	283-4623	1	TANK-BOTTOM						
	2	1	283-5477	1	PANEL						
	3	1	283-5478	1	PANEL						
	4	1	283-4628	1	TANK-TOP						
	5	1	283-4629	1	TANK-EXPANSION						
	6	1	283-5481	3	CORE-RADIATOR (JACKET WATER HEATER)						
	7	1	272-4982	6	GROMMET						
	8	1	283-7921	2	BRACKET						
	9	1	141-6381		HOSE (20-CM)						
	10	1	095-1387	2	CLAMP-HOSE						
	11	1	266-8550	1	CAP-RADIATOR						
	12	1	8T-4224	36	WASHER-HARD (8.8X16X2-MM THK)						
M	13	1	8T-4189	20	BOLT (M8X1.25X20-MM)						
M	14	1	3T-0852	16	LOCKNUT (M8X1.25-THD)						
M	15	1	8T-4138	4	BOLT (M6X1X20-MM)						
	16	1	243-5027	2	NUT AS (M6X1-THD)						
	17	1	283-7922	2	BRACKET						

M-METRIC PART

COOLING SYSTEM

283-4622 RADIATOR GP (contd.)

i02724724



GRAPHIC #1

<END>

g01370188

COOLING SYSTEM

287-4914 RADIATOR GP

S/N: C5H1-UP
AN ATTACHMENT

SMCS - 1353

i02991787

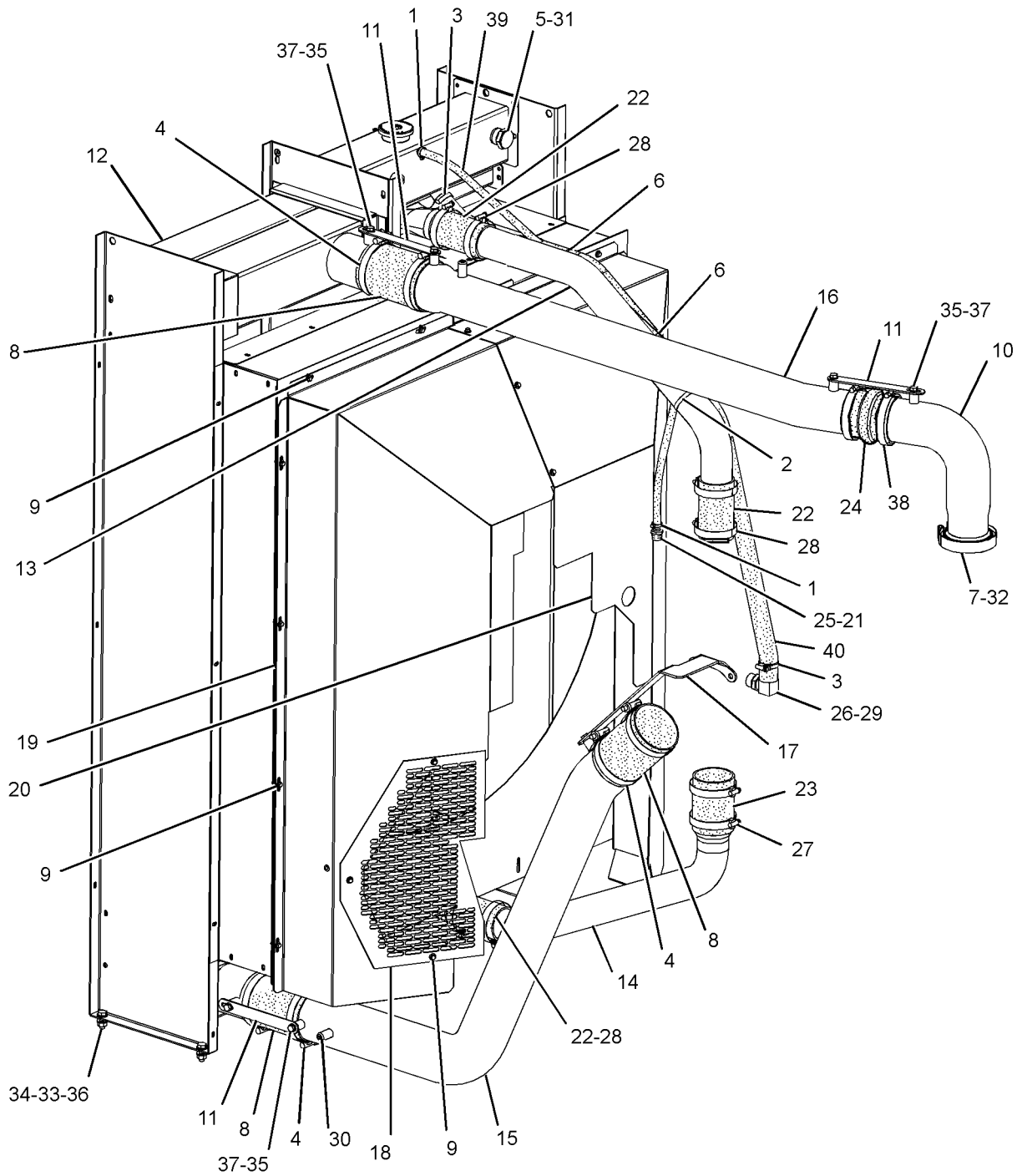
NOTE	REF NO	GRAPHIC REF	PART NUMBER	QTY	PART NAME						SEE PAGE
					1	2	3	4	5	6 (PRODUCT LEVEL)	
	1	1	1P-4278	2	CLAMP-HOSE						
	2	1	7K-1181	2	STRAP-CABLE						
	3	1	9M-7958	2	CLAMP-HOSE						
	4	1	9X-2201	6	CLAMP-HOSE						
	5	1	9Y-9236	1	GAUGE-SIGHT (RADIATOR)						
	6	1	108-9656	2	STRAP-CABLE						
	7	1	127-0929	1	CLAMP						
	8	1	230-3396	3	HOSE						
C	9	1	235-4451	18	BOLT-FLANGE HEAD (M6X1X16-MM)						
	10	1	248-6502	1	TUBE AS						
	11	1	248-7330	3	STRAP						
Y	12	1	258-8684	1	RADIATOR & AFTERCOOLER GP						166
	13	1	260-4786	1	TUBE						
	14	1	260-4787	1	TUBE						
	15	1	260-4793	1	TUBE AS						
	16	1	262-3933	1	TUBE AS						
	17	1	265-7676	1	BRACKET						
C	18	1	310-4511	1	PLATE-COVER						
C	19	1	310-4518	1	GUARD AS						
M		1	3E-4304	7	INSERT-THREADED (M6X1-THD)						
C	20	1	310-4519	1	GUARD AS						
	21	1	1P-9328	1	FITTING						
	22	1	264-7111	3	HOSE						
	23	1	264-7112	1	HOSE						
	24	1	286-0607	1	HOSE						
	25	1	3B-7764	1	BUSHING (REDUCING)						
	26	1	3E-4041	1	ELBOW						
	27	1	3E-7419	2	CLAMP-HOSE						
	28	1	5P-4868	6	CLAMP-HOSE						
	29	1	6V-5063	1	SEAL-O-RING						
	30	1	7F-9504	2	PLUG-PIPE						
	31	1	7M-8485	1	SEAL-O-RING						
	32	1	8C-3089	1	SEAL-O-RING						
	33	1	8T-4121	8	WASHER-HARD (11X21X2.5-MM THK)						
M	34	1	8T-4133	4	NUT (M10X1.5-THD)						
M	35	1	8T-4189	7	BOLT (M8X1.25X20-MM)						
M	36	1	8T-4195	4	BOLT (M10X1.5X30-MM)						
	37	1	8T-4224	7	WASHER-HARD (8.8X16X2-MM THK)						
	38	1	8T-4985	2	CLAMP-HOSE						
E	39	1	5P-6442		HOSE (100-CM)						
E	40	1	5P-1251		HOSE (135-CM)						

C-CHANGE FROM PREVIOUS TYPE
E-ORDER BY THE CENTIMETER
M-METRIC PART
Y-SEPARATE ILLUSTRATION

COOLING SYSTEM

287-4914 RADIATOR GP (contd.)

i02991787



GRAPHIC #1

<END>

g01521306

COOLING SYSTEM

290-6339 RADIATOR GP

S/N: C5H1-UP
AN ATTACHMENT

SMCS-1353

i02991830

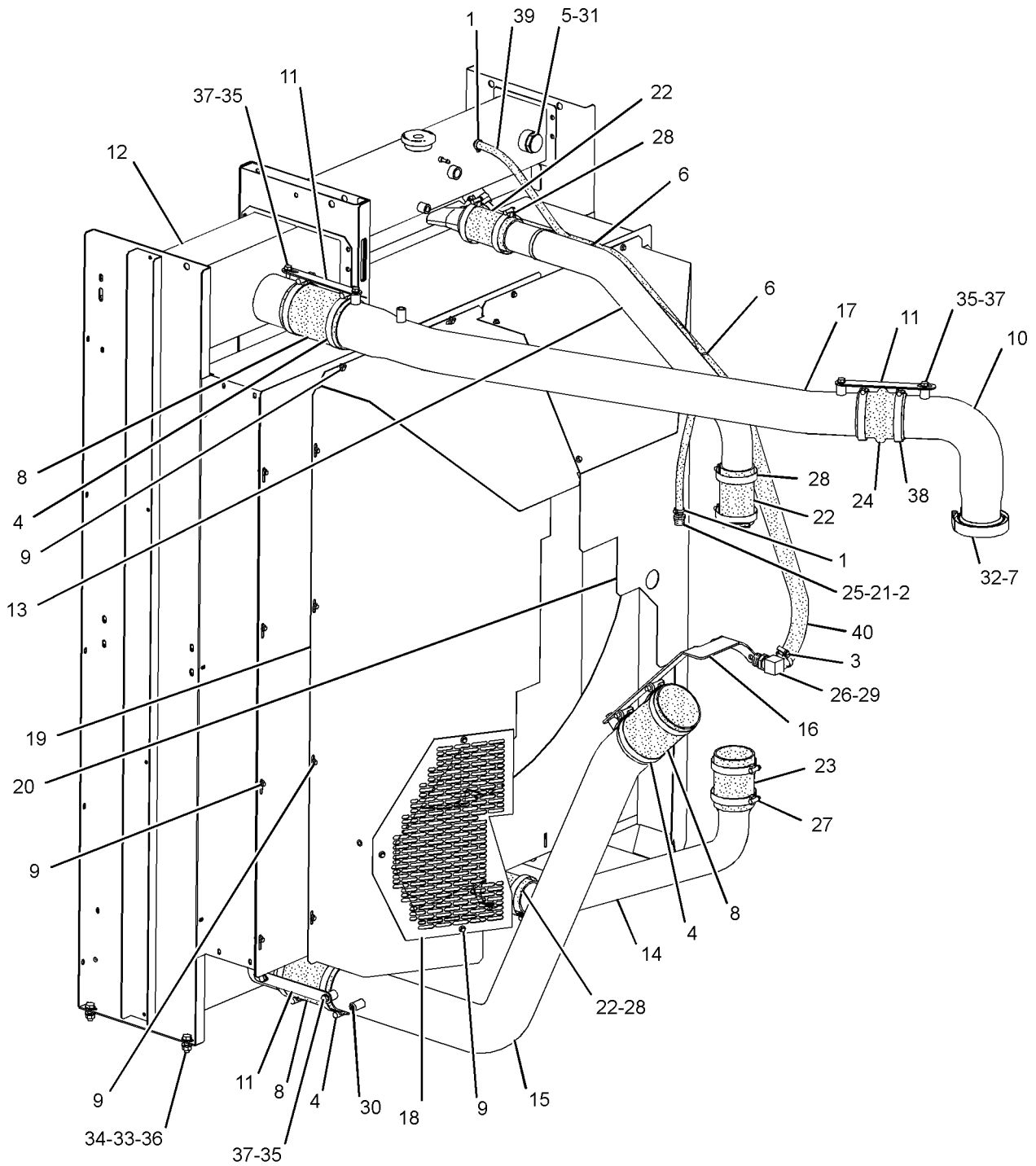
NOTE	REF NO	GRAPHIC REF	PART NUMBER	QTY	PART NAME						SEE PAGE
					1	2	3	4	5	6 (PRODUCT LEVEL)	
	1	1	1P-4278	2	CLAMP-HOSE						
	2	1	7K-1181	2	STRAP-CABLE						
	3	1	9M-7958	2	CLAMP-HOSE						
	4	1	9X-2201	6	CLAMP-HOSE						
	5	1	9Y-9236	1	GAUGE-SIGHT (RADIATOR)						
	6	1	108-9656	2	STRAP-CABLE						
	7	1	127-0929	1	CLAMP						
	8	1	230-3396	3	HOSE						
	9	1	235-4451	22	BOLT-FLANGE HEAD (M6X1X16-MM)						
	10	1	248-6502	1	TUBE AS						
	11	1	248-7330	3	STRAP						
Y	12	1	258-8685	1	RADIATOR & AFTERCOOLER GP						167
	13	1	260-4786	1	TUBE						
	14	1	260-4787	1	TUBE						
	15	1	260-4793	1	TUBE AS						
	16	1	265-7676	1	BRACKET						
	17	1	280-7672	1	TUBE AS						
C	18	1	310-4511	1	PLATE-COVER						
C	19	1	310-4518	1	GUARD AS						
M		1	3E-4304	7	INSERT-THREADED (M6X1-THD)						
C	20	1	310-4519	1	GUARD AS						
	21	1	1P-9328	1	FITTING						
	22	1	264-7111	3	HOSE						
	23	1	264-7112	1	HOSE						
	24	1	286-0607	1	HOSE						
	25	1	3B-7764	1	BUSHING (REDUCING)						
	26	1	3E-4041	1	ELBOW						
	27	1	3E-7419	2	CLAMP-HOSE						
	28	1	5P-4868	6	CLAMP-HOSE						
	29	1	6V-5063	1	SEAL-O-RING						
	30	1	7F-9504	1	PLUG-PIPE						
	31	1	7M-8485	1	SEAL-O-RING						
	32	1	8C-3089	1	SEAL-O-RING						
	33	1	8T-4121	8	WASHER-HARD (11X21X2.5-MM THK)						
M	34	1	8T-4133	4	NUT (M10X1.5-THD)						
M	35	1	8T-4189	7	BOLT (M8X1.25X20-MM)						
M	36	1	8T-4195	4	BOLT (M10X1.5X30-MM)						
	37	1	8T-4224	7	WASHER-HARD (8.8X16X2-MM THK)						
	38	1	8T-4985	2	CLAMP-HOSE						
E	39	1	5P-6442		HOSE (100-CM)						
E	40	1	5P-1251		HOSE (135-CM)						

C-CHANGE FROM PREVIOUS TYPE
E-ORDER BY THE CENTIMETER
M-METRIC PART
Y-SEPARATE ILLUSTRATION

COOLING SYSTEM

290-6339 RADIATOR GP (contd.)

i02991830



GRAPHIC #1

<END>

g01521286

AIR INLET AND EXHAUST SYSTEM

151-7736 AIR CLEANER GP

S/N: C5H1-UP

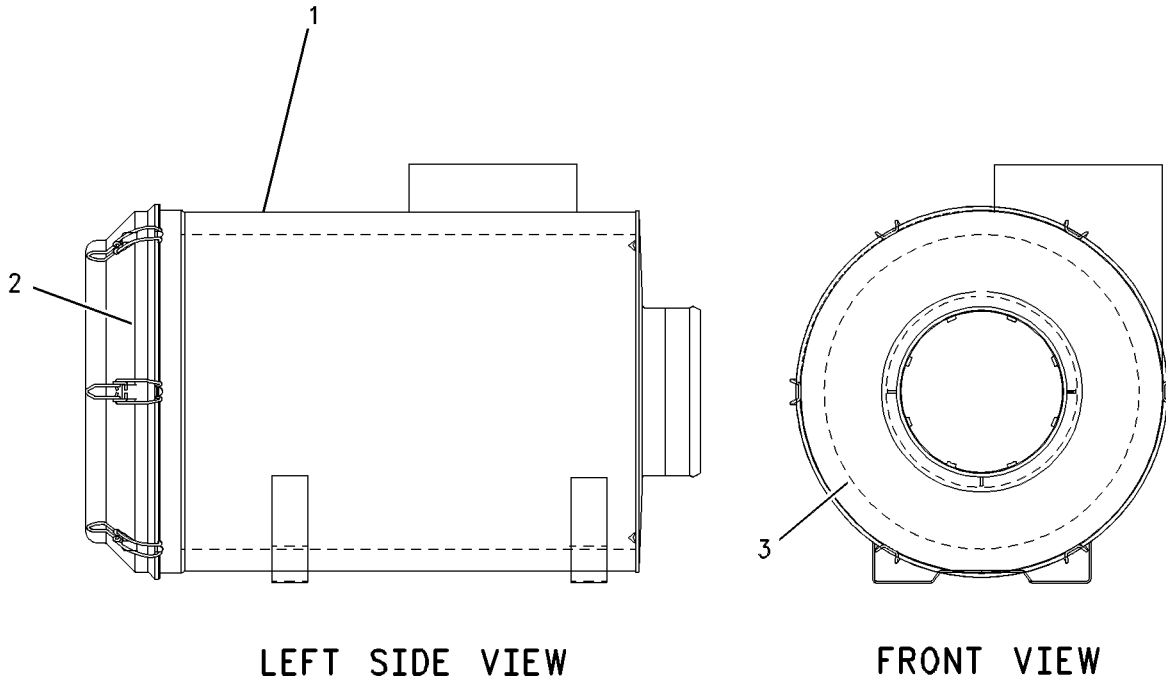
AIR CYCLO FLOW C/W ELEMENT

PART OF 264-7113, 264-7114, 264-7115 AIR CLEANER GP
AN ATTACHMENT

SMCS-1051, 1054

i02667381

NOTE	REF NO	GRAPHIC REF	PART NUMBER	QTY	PART NAME						SEE PAGE
					1	2	3	4	5	6 (PRODUCT LEVEL)	
	1	1	171-9912	1	BODY AS						
	2	1	171-9893	1	COVER AS						
	3	1	151-7737	1	FILTER ELEMENT AS-AIR (PRIMARY)						



GRAPHIC #1

<END>

g00585773

AIR INLET AND EXHAUST SYSTEM

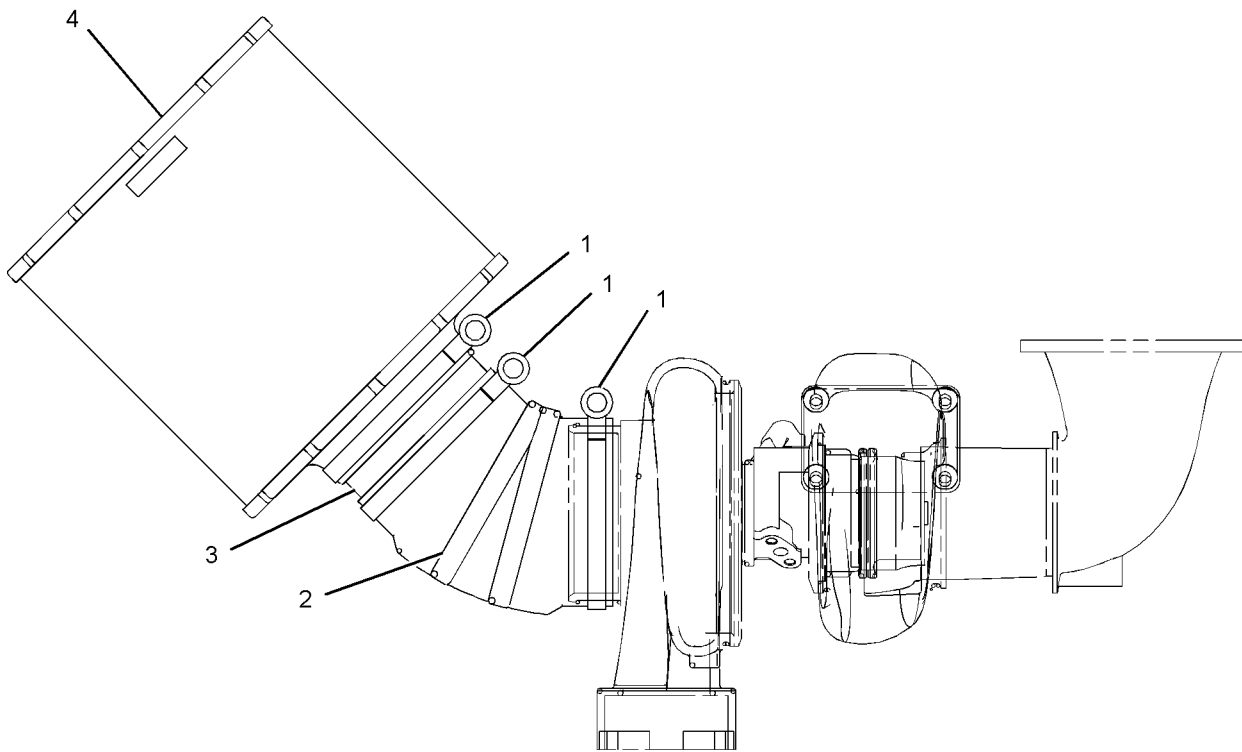
233-9391 AIR CLEANER GP

S/N: C5H1-UP
LIGHT DUTY
AN ATTACHMENT

SMCS-1051, 1054

i03253595

NOTE	REF NO	GRAPHIC REF	PART NUMBER	QTY	PART NAME						SEE PAGE
					1	2	3	4	5	6 (PRODUCT LEVEL)	
	1	1	8T-4988	3	CLAMP-HOSE						
	2	1	9Y-6102	1	ELBOW						
	3	1	285-9134	1	TUBE						
	4	1	9Y-3879	1	FILTER ELEMENT AS-AIR (PRIMARY)						



FRONT VIEW
<END>

GRAPHIC #1

g01094532

AIR INLET AND EXHAUST SYSTEM

246-6087 AIR CLEANER GP

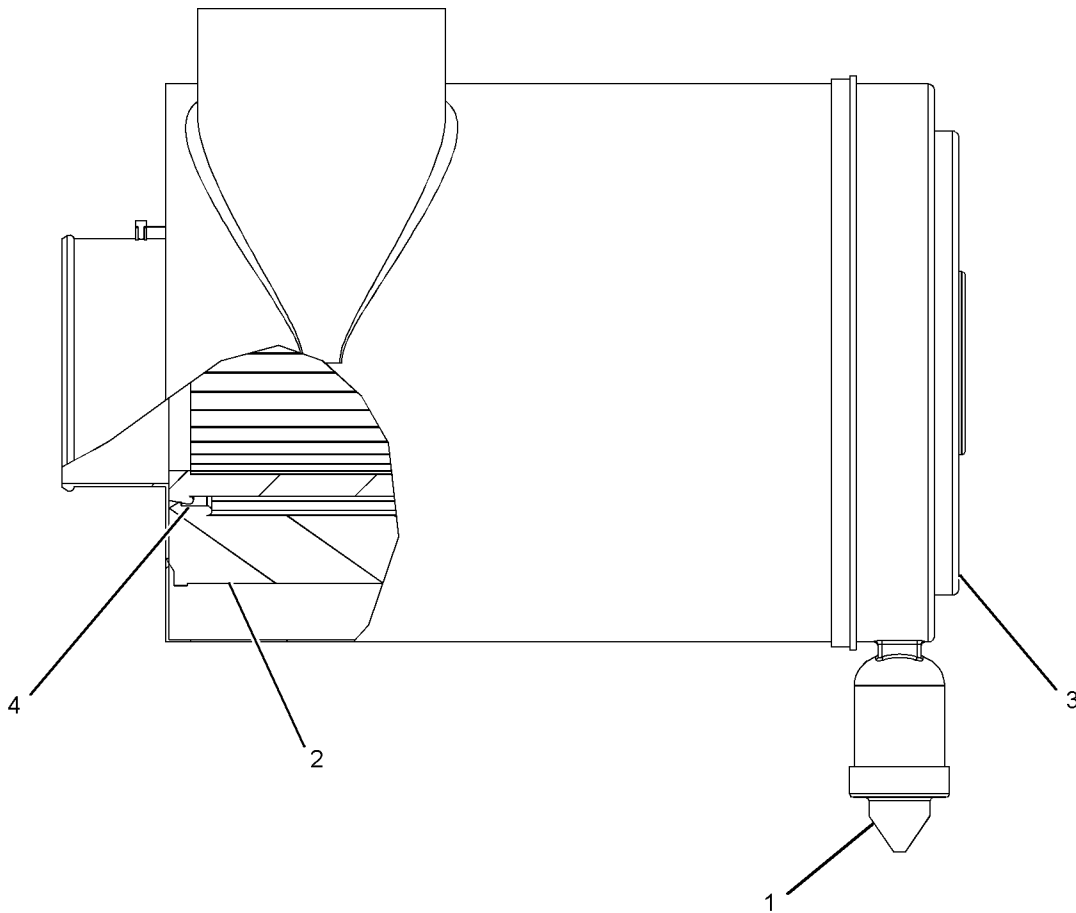
S/N: C5H1-UP

PART OF 283-0603 AIR CLEANER GP
AN ATTACHMENT

SMCS-1051, 1054

i02334800

NOTE	REF NO	GRAPHIC REF	PART NUMBER	QTY	PART NAME						SEE PAGE
					1	2	3	4	5	6 (PRODUCT LEVEL)	
	1	1	7R-6776	1	VALVE (VACUUM)						
	2	1	246-5009	1	FILTER ELEMENT AS-AIR (PRIMARY)						
	3	1	246-6074	1	COVER AS						
	4	1	246-5010	1	FILTER ELEMENT AS-AIR (SECONDARY)						



GRAPHIC #1

<END>

g01054695

AIR INLET AND EXHAUST SYSTEM

264-7113 AIR CLEANER GP

S/N: C5H1-UP
AN ATTACHMENT

SMCS-1051, 1054

i02369831

NOTE	REF NO	GRAPHIC REF	PART NUMBER	QTY	PART NAME						SEE PAGE
					1	2	3	4	5	6 (PRODUCT LEVEL)	
Y	1	1	4W-5828	1	CAP AS-AIR CLEANER						211
	2	1	7S-0687	1	INDICATOR-AIR FILTER CHANGE						
	3	1	7X-2153	1	HOSE						
	4	1	264-7116	1	BRACKET						
Y	5	1	151-7736	1	AIR CLEANER GP						201
	6	1	197-3691	1	TUBE						
	7	1	210-3257	1	ELBOW						
	8	1	222-3487	1	ADAPTER						
	9	1	5P-1075	12	WASHER-HARD (10.2X22.5X3-MM THK)						
	10	1	6V-8801	4	NUT (3/8-16-THD)						
	11	1	8T-2502	4	BOLT (3/8-16X1.125-IN)						
	12	1	8T-4988	3	CLAMP-HOSE						
	13	1	8T-4989	1	CLAMP-HOSE						
	14	1	9B-7237	4	BOLT (3/8-16X1.25-IN)						

Y-SEPARATE ILLUSTRATION

AIR INLET AND EXHAUST SYSTEM

264-7114 AIR CLEANER GP

S/N: C5H1-UP
AN ATTACHMENT

SMCS-1051, 1054

i03046664

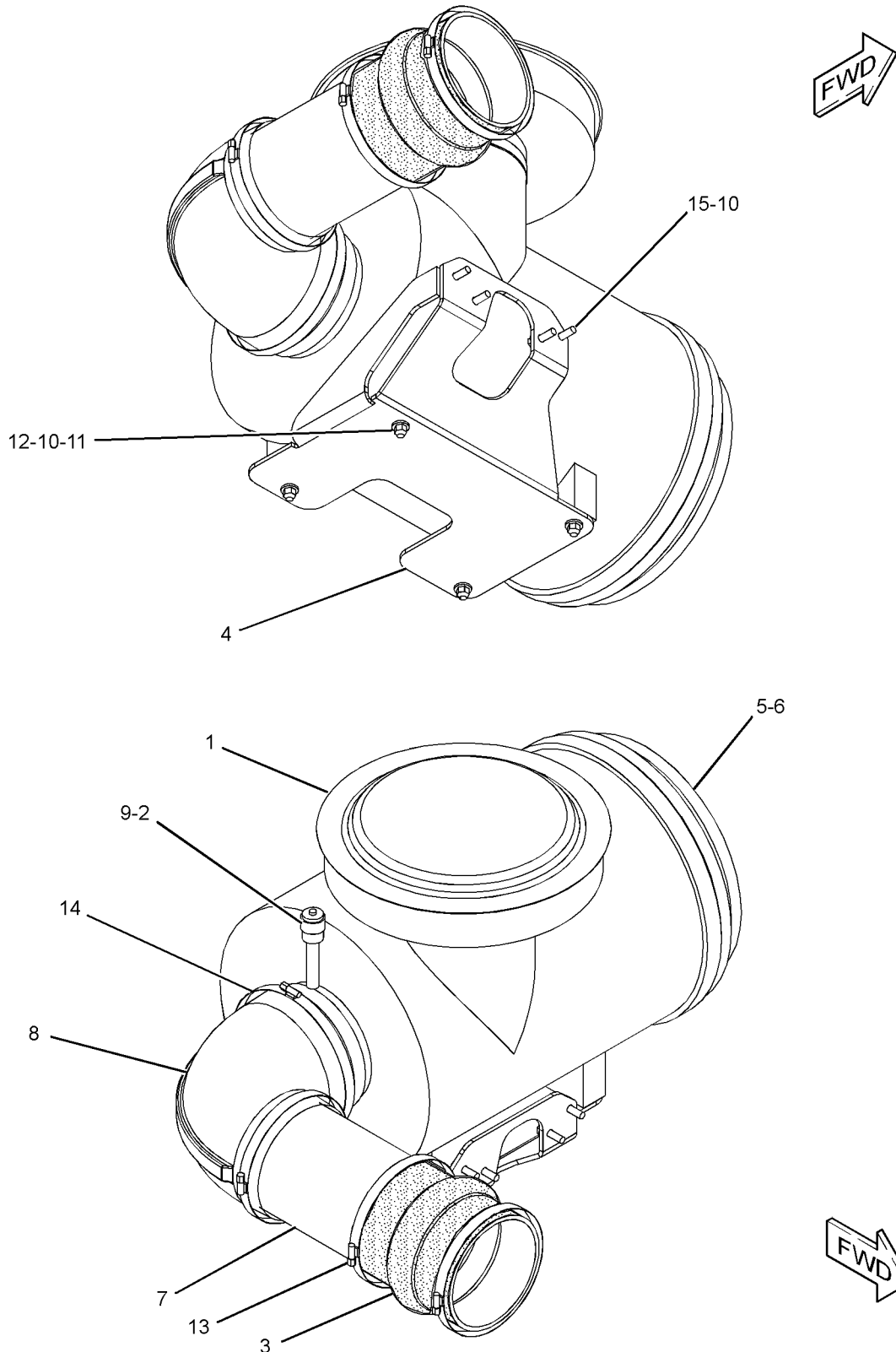
NOTE	REF NO	GRAPHIC REF	PART NUMBER	QTY	PART NAME	SEE PAGE
					1 2 3 4 5 6 (PRODUCT LEVEL)	
Y	1	1	4W-5828	1	CAP AS-AIR CLEANER	211
	2	1	7S-0687	1	INDICATOR-AIR FILTER CHANGE	
	3	1	7X-2153	1	HOSE	
	4	1	264-7116	1	BRACKET	
Y	5	1	151-7736	1	AIR CLEANER GP	201
	6	1	189-0202	1	FILTER ELEMENT AS-AIR (SECONDARY) (CLEANER)	
	7	1	197-3691	1	TUBE	
	8	1	210-3257	1	ELBOW	
	9	1	222-3487	1	ADAPTER	
	10	1	5P-1075	12	WASHER-HARD (10.2X22.5X3-MM THK)	
	11	1	6V-8801	4	NUT (3/8-16-THD)	
	12	1	8T-2502	4	BOLT (3/8-16X1.125-IN)	
	13	1	8T-4988	3	CLAMP-HOSE	
	14	1	8T-4989	1	CLAMP-HOSE	
	15	1	9B-7237	4	BOLT (3/8-16X1.25-IN)	

Y-SEPARATE ILLUSTRATION

AIR INLET AND EXHAUST SYSTEM

264-7114 AIR CLEANER GP (contd.)

i03046664



GRAPHIC #1

<END>

g01185197

AIR INLET AND EXHAUST SYSTEM

264-7115 AIR CLEANER GP

S/N: C5H1-UP
AN ATTACHMENT

SMCS-1051, 1054

i03237437

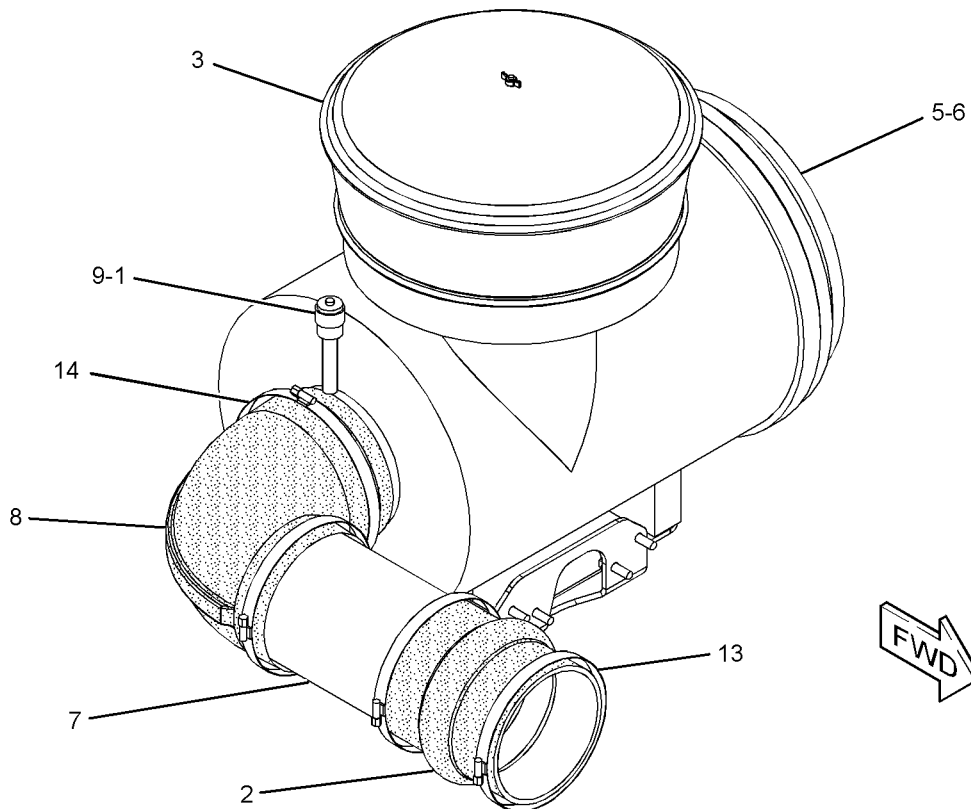
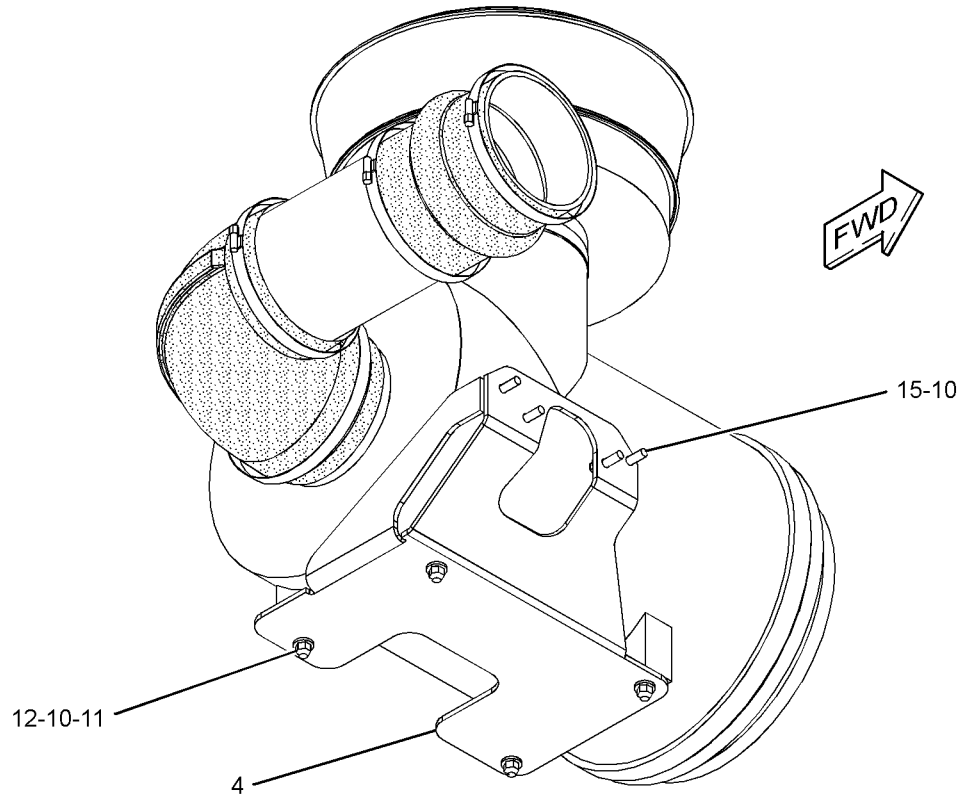
NOTE	REF NO	GRAPHIC REF	PART NUMBER	QTY	PART NAME	SEE PAGE
					1 2 3 4 5 6 (PRODUCT LEVEL)	
	1	1	7S-0687	1	INDICATOR-AIR FILTER CHANGE	
	2	1	7X-2153	1	HOSE	
Y	3	1	150-1714	1	PRECLEANER GP	228
	4	1	264-7116	1	BRACKET	
Y	5	1	151-7736	1	AIR CLEANER GP	201
	6	1	189-0202	1	FILTER ELEMENT AS-AIR (SECONDARY) (CLEANER)	
	7	1	197-3691	1	TUBE	
	8	1	210-3257	1	ELBOW	
	9	1	222-3487	1	ADAPTER	
	10	1	5P-1075	12	WASHER-HARD (10.2X22.5X3-MM THK)	
	11	1	6V-8801	4	NUT (3/8-16-THD)	
	12	1	8T-2502	4	BOLT (3/8-16X1.125-IN)	
	13	1	8T-4988	3	CLAMP-HOSE	
	14	1	8T-4989	1	CLAMP-HOSE	
	15	1	9B-7237	4	BOLT (3/8-16X1.25-IN)	

Y- SEPARATE ILLUSTRATION

AIR INLET AND EXHAUST SYSTEM

264-7115 AIR CLEANER GP (contd.)

i03237437



GRAPHIC #1

<END>

g01186090

AIR INLET AND EXHAUST SYSTEM

283-0603 AIR CLEANER GP

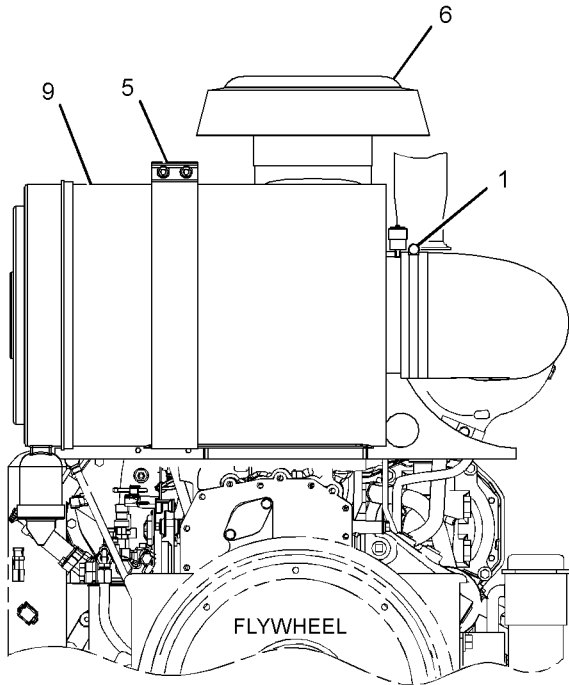
S/N: C5H1-UP
AN ATTACHMENT

SMCS-1051, 1054

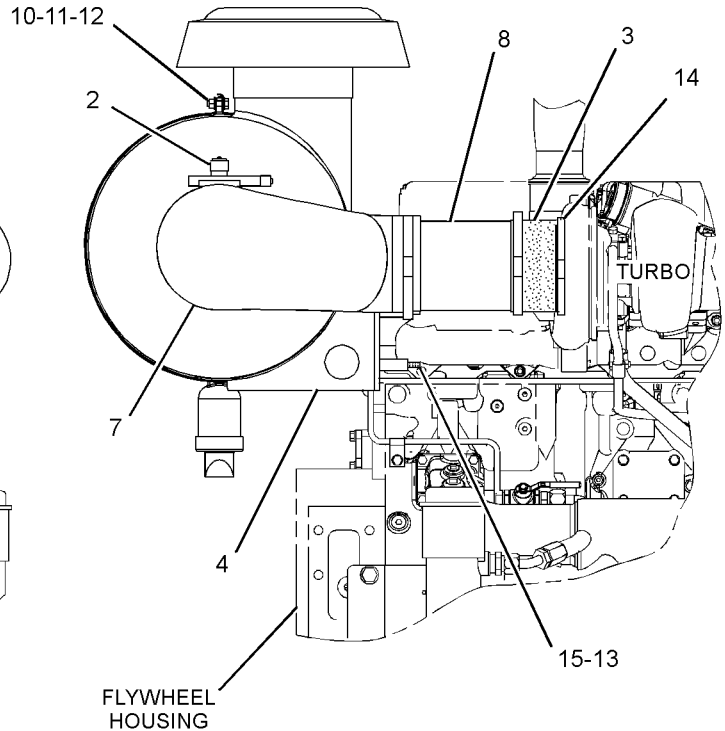
i02643234

NOTE	REF NO	GRAPHIC REF	PART NUMBER	QTY	PART NAME	1 2 3 4 5 6 (PRODUCT LEVEL)						SEE PAGE
	1	1	5P-0600	1	CLAMP-HOSE							
	2	1	096-5028	1	INDICATOR-AIR FILTER CHANGE							
	3	1	202-2173	1	HOSE							
	4	1	241-3917	1	BRACKET AS							
	5	1	246-7180	1	STRAP							
	6	1	254-4293	1	CAP GP-AIR CLEANER							
		1	5P-0600	1	CLAMP-HOSE							
	7	1	283-0572	1	ELBOW							
	8	1	197-3691	1	TUBE							
Y	9	1	246-6087	1	AIR CLEANER GP							203
	10	1	8T-4121	5	WASHER-HARD (11X21X2.5-MM THK)							
M	11	1	8T-4133	2	NUT (M10X1.5-THD)							
M	12	1	8T-4195	2	BOLT (M10X1.5X30-MM)							
	13	1	8T-4896	4	WASHER-HARD (10.2X18.5X2.5-MM THK)							
	14	1	8T-4988	3	CLAMP-HOSE							
	15	1	8T-7008	4	BOLT (3/8-16X3-IN)							

M-METRIC PART
Y-SEPARATE ILLUSTRATION



REAR VIEW OF ENGINE



RIGHT SIDE VIEW OF ENGINE

GRAPHIC #1

<END>

g01326805

AIR INLET AND EXHAUST SYSTEM

4W-5828 CAP AS-AIR CLEANER

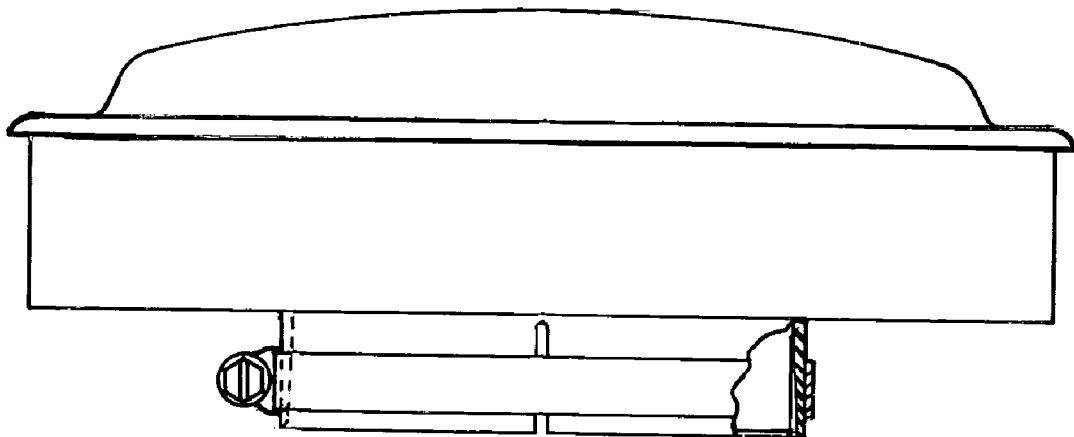
S/N: C5H1-UP

PART OF 264-7113, 264-7114 AIR CLEANER GP
FOR USE WITH 117.8MM DIA AIR INLET
AN ATTACHMENT

SMCS-1051

i01378641

NOTE	REF NO	GRAPHIC REF	PART NUMBER	QTY	PART NAME						SEE PAGE
					1	2	3	4	5	6 (PRODUCT LEVEL)	
(NO SERVICED PARTS)											



GRAPHIC #1

<END>

g00728565

AIR INLET AND EXHAUST SYSTEM

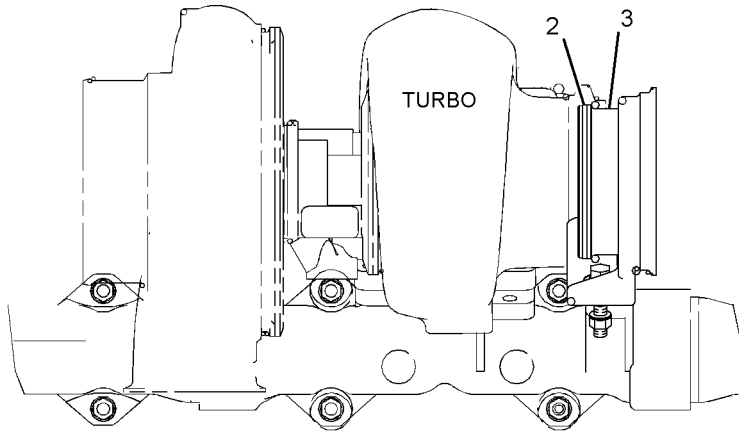
255-6092 CONNECTION GP-EXHAUST

S/N: FFH1-UP

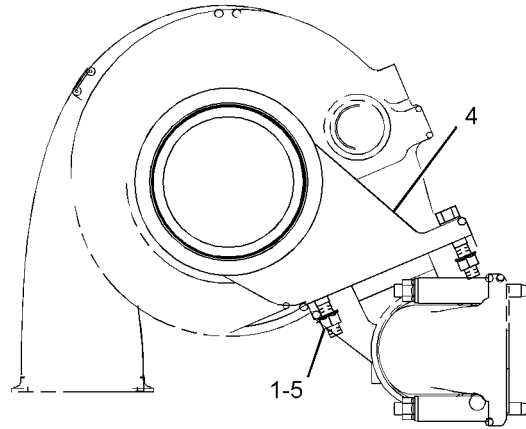
SMCS-1061

i02189466

NOTE	REF NO	GRAPHIC REF	PART NUMBER	QTY	PART NAME						SEE PAGE
					1	2	3	4	5	6 (PRODUCT LEVEL)	
	1	1	2N-2765	2	BOLT-HIGH TEMPERATURE (3/8-16X1.75-IN)						
	2	1	5L-8854	2	RING-SEALING						
	3	1	9L-5839	1	COUPLING-EXHAUST						
	4	1	255-6093	1	SUPPORT-EXHAUST						
	5	1	2N-2766	2	LOCKNUT (3/8-16-THD)						



REAR VIEW



RIGHT SIDE VIEW

GRAPHIC #1

<END>

g01118155

AIR INLET AND EXHAUST SYSTEM

270-8266 ELBOW GP-AIR INLET

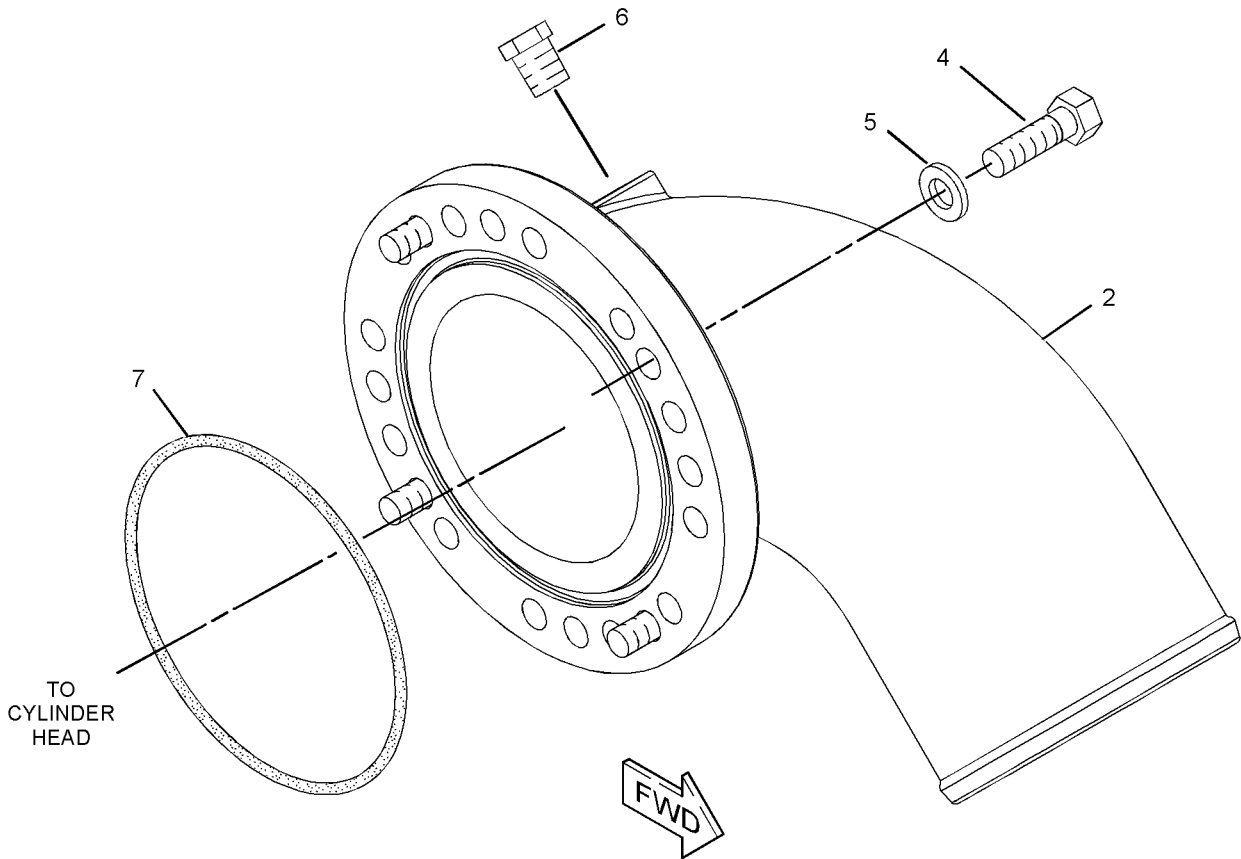
S/N: FFH1-UP

FOR USE WITH 101.5 MILLIMETER DIAMETER HOSE

SMCS-1087

i02402245

NOTE	REF NO	GRAPHIC REF	PART NUMBER	QTY	PART NAME						SEE PAGE
					1	2	3	4	5	6 (PRODUCT LEVEL)	
	2	1	179-0672	1	ELBOW						
	4	1	0S-1588	4	BOLT (3/8-16X1.25-IN)						
	5	1	5M-2894	4	WASHER-HARD (10.2X18.5X2.5-MM THK)						
	6	1	8T-6765	1	PLUG-PIPE						
	7	1	9X-7287	1	SEAL-O-RING						



GRAPHIC #1

<END>

g01201300

AIR INLET AND EXHAUST SYSTEM

6L-2927 ELBOW GP-EXHAUST

S/N: FFH1-UP

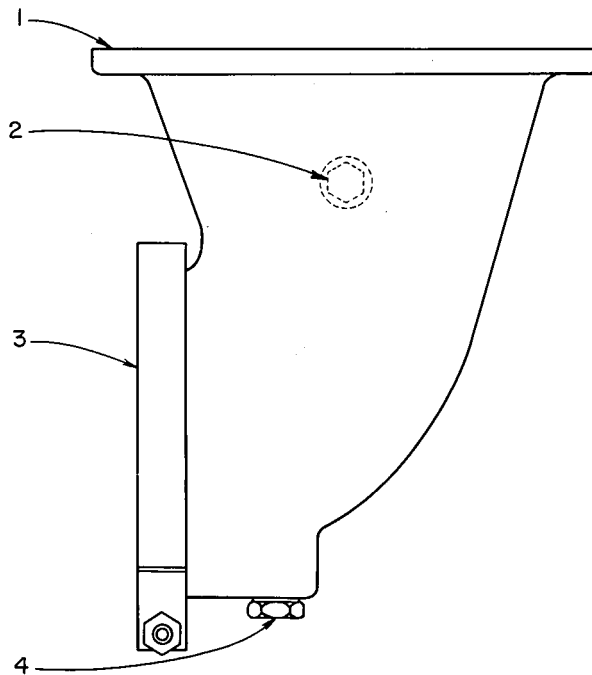
152.4 MM (6 INCH)

FOR USE WITH DRY TURBOCHARGER

SMCS-1061

i03474663

NOTE	REF NO	GRAPHIC REF	PART NUMBER	QTY	PART NAME						SEE PAGE
					1	2	3	4	5	6 (PRODUCT LEVEL)	
	1	1	5L-7635	1	ELBOW-EXHAUST						
	2	1	5M-6213	1	PLUG-PIPE						
	3	1	5L-7631	1	CLAMP						
	4	1	9B-0887	1	PLUG-PIPE (3/8-18 NPTF)						



GRAPHIC #1

<END>

g00205634

AIR INLET AND EXHAUST SYSTEM

243-2919 ELBOW GP-EXHAUST

S/N: C5H1-UP

8 INCH

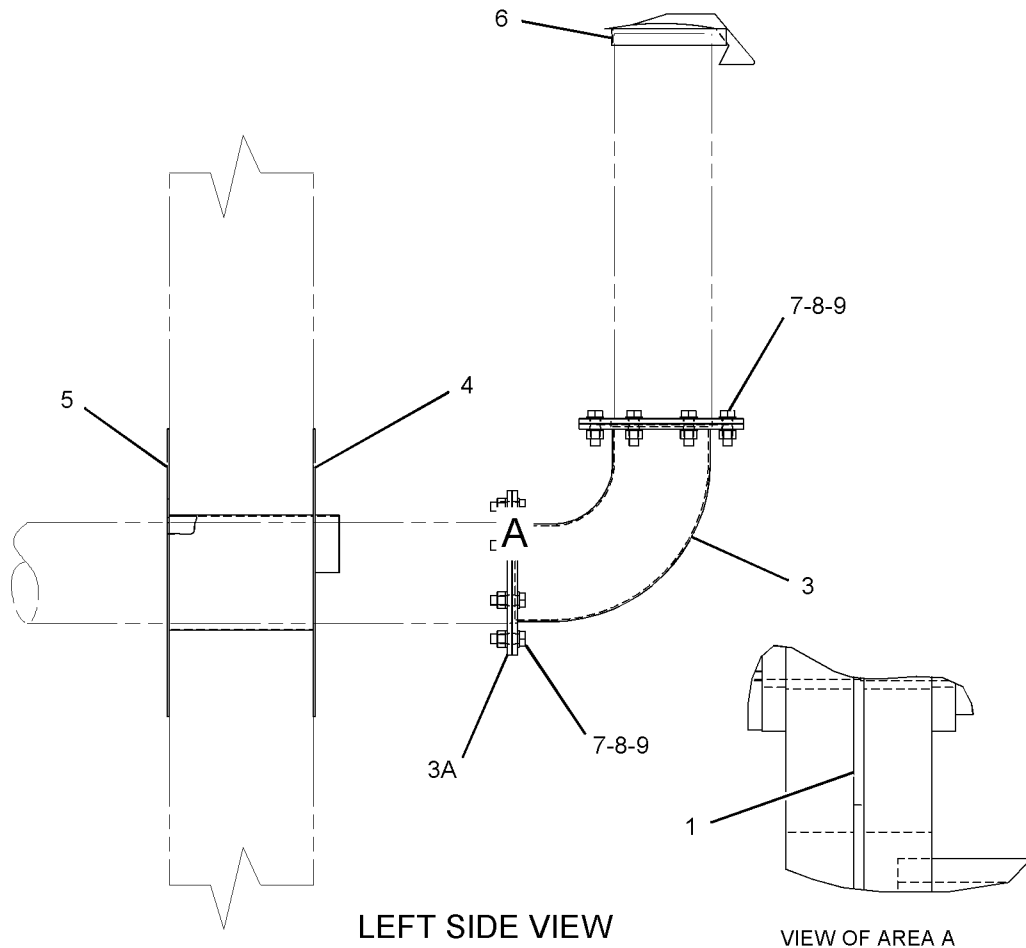
AN ATTACHMENT

SMCS-1061

i02837344

NOTE	REF NO	GRAPHIC REF	PART NUMBER	QTY	PART NAME						SEE PAGE
					1	2	3	4	5	6 (PRODUCT LEVEL)	
	1	1	113-9848	2	GASKET						
	3	1	145-4936	1	ELBOW AS-EXHAUST						
	3A	1	145-4933	2	FLANGE (EXHAUST 8IN.)						
	4	1	145-5568	1	PLATE AS						
	5	1	145-5569	1	PLATE AS						
	6	1	6N-7611	1	CAP AS-RAIN (EXHAUST)						
M	7	1	6V-3532	16	BOLT (M20X2.5X60-MM)						
M	8	1	6V-7742	16	NUT-FULL (M20X2.5-THD)						
	9	1	8T-3282	32	WASHER-HARD (22X35X3.5-MM THK)						

M-METRIC PART



GRAPHIC #1

LEFT SIDE VIEW
<END>

VIEW OF AREA A

g01031756

AIR INLET AND EXHAUST SYSTEM

276-1785 EXHAUST GP

S/N: C5H1-UP

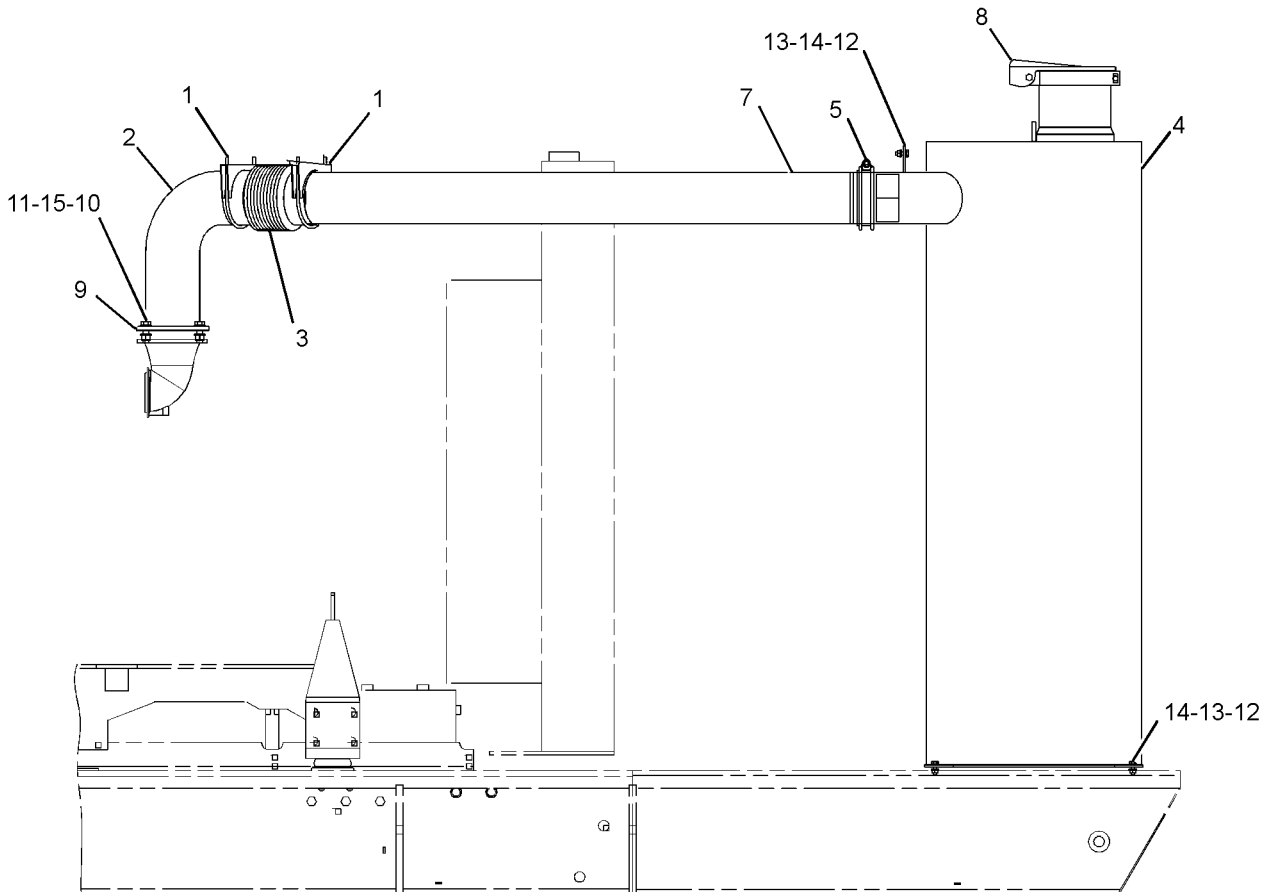
PART OF 275-2217, 275-2218, 275-2219, 275-2220, 275-5023, 275-5024,
275-5025, 275-5026 ENCLOSURE GP-GENERATOR
AN ATTACHMENT

SMCS-1061, 1062

i03538308

NOTE	REF NO	GRAPHIC REF	PART NUMBER	QTY	PART NAME						SEE PAGE
					1	2	3	4	5	6 (PRODUCT LEVEL)	
	1	1	220-5619	2	CLAMP - EXHAUST						
	2	1	225-0014	1	TUBE AS						
	3	1	227-3019	1	TUBE						
	4	1	233-9390	1	MUFFLER						
	5	1	259-6385	1	CLAMP - EXHAUST						
	7	1	276-1784	1	TUBE						
	8	1	145-5582	1	CAP AS-RAIN (EXHAUST)						
	9	1	5H-8331	1	GASKET						
M	10	1	6V-5686	4	BOLT (M16X2X50-MM)						
M	11	1	8T-1757	4	NUT (M16X2-THD)						
	12	1	8T-4121	12	WASHER-HARD (11X21X2.5-MM THK)						
M	13	1	8T-4133	6	NUT (M10X1.5-THD)						
M	14	1	8T-4195	6	BOLT (M10X1.5X30-MM)						
	15	1	9X-8268	8	WASHER (17.5X30X3.5-MM THK)						
FJ			246-0992		TAPE (INSULATION) (250-DM)						

F - NOT SHOWN
J - ORDER BY THE DECIMETER
M - METRIC PART



RIGHT SIDE VIEW

GRAPHIC #1

<END>

g01867753

AIR INLET AND EXHAUST SYSTEM

281-7494 EXHAUST GP

S/N: C5H1-UP

PART OF 274-7819, 274-7820, 274-7821, 274-7822 ENCLOSURE GP-GENERATOR
AN ATTACHMENT

SMCS-1061, 1062

i03539190

NOTE	REF NO	GRAPHIC REF	PART NUMBER	QTY	PART NAME						SEE PAGE
					1	2	3	4	5	6 (PRODUCT LEVEL)	
	1	1	220-5619	2	CLAMP-EXHAUST						
	2	1	225-0014	1	TUBE AS						
	3	1	227-3019	1	TUBE						
	4	1	233-9390	1	MUFFLER						
	6	1	259-6385	1	CLAMP-EXHAUST						
	7	1	282-0624	1	BRACKET						
	8	1	145-5582	1	CAP AS-RAIN (EXHAUST)						
	9	1	280-0801	1	TUBE						
	10	1	5H-8331	1	GASKET						
M	11	1	6V-5686	4	BOLT (M16X2X50-MM)						
M	12	1	8T-1757	4	NUT (M16X2-THD)						
	13	1	8T-4121	16	WASHER-HARD (11X21X2.5-MM THK)						
M	14	1	8T-4133	8	NUT (M10X1.5-THD)						
M	15	1	8T-4195	8	BOLT (M10X1.5X30-MM)						
	16	1	9X-8268	8	WASHER (17.5X30X3.5-MM THK)						

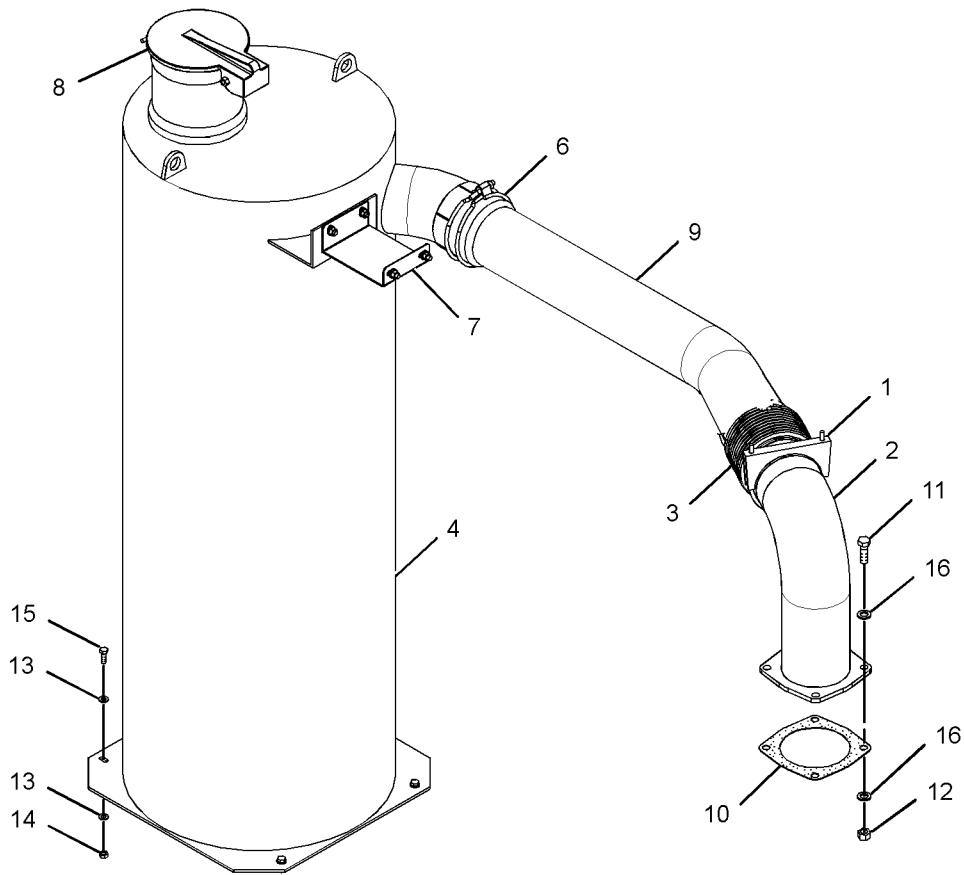
BFJ 246-0992 TAPE (INSULATION) (250-DM)

B-USE AS REQUIRED
F-NOT SHOWN
J-ORDER BY THE DECIMETER
M-METRIC PART

AIR INLET AND EXHAUST SYSTEM

281-7494 EXHAUST GP (contd.)

i03539190



GRAPHIC #1

<END>

g01868654

AIR INLET AND EXHAUST SYSTEM

242-8315 FITTING GP-EXHAUST

S/N: C5H1-UP

6-INCH

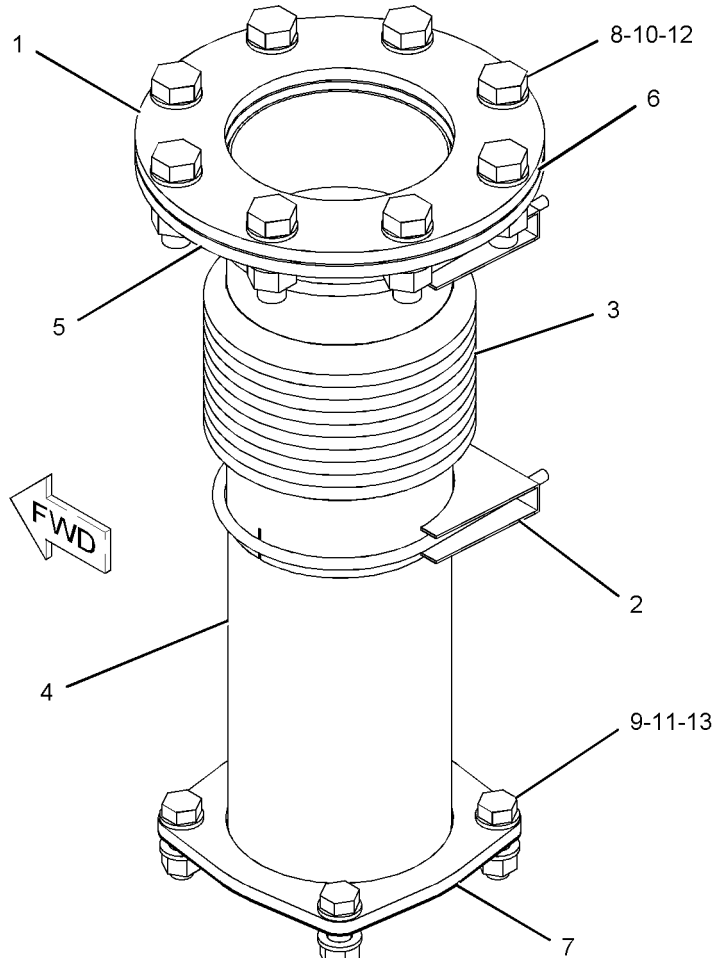
AN ATTACHMENT

SMCS-1061

i01983753

NOTE	REF NO	GRAPHIC REF	PART NUMBER	QTY	PART NAME						SEE PAGE
					1	2	3	4	5	6 (PRODUCT LEVEL)	
	1	1	142-2452	1	FLANGE						
	2	1	220-5619	2	CLAMP - EXHAUST						
	3	1	227-3019	1	TUBE						
	4	1	235-3330	1	TUBE AS						
	5	1	243-2906	1	TUBE AS						
	6	1	113-9543	1	GASKET						
	7	1	5H-8331	1	GASKET						
M	8	1	6V-3532	8	BOLT (M20X2.5X60-MM)						
M	9	1	6V-5686	4	BOLT (M16X2X50-MM)						
M	10	1	6V-7742	8	NUT-FULL (M20X2.5-THD)						
M	11	1	8T-1757	4	NUT (M16X2-THD)						
	12	1	8T-3282	16	WASHER-HARD (22X35X3.5-MM THK)						
	13	1	9X-8268	8	WASHER (17.5X30X3.5-MM THK)						

M-METRIC PART



GRAPHIC #1

<END>

g01028834

AIR INLET AND EXHAUST SYSTEM

243-2907 FITTING GP-EXHAUST

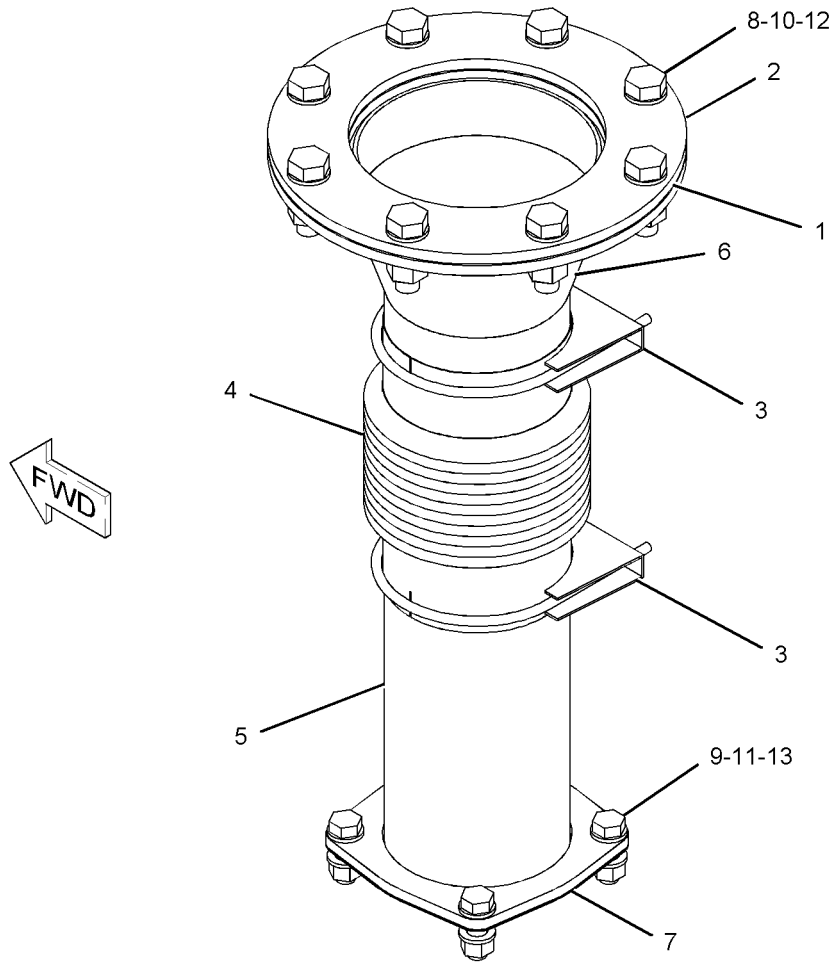
S/N: C5H1-UP
8 INCH
AN ATTACHMENT

SMCS-1061

i02063656

NOTE	REF NO	GRAPHIC REF	PART NUMBER	QTY	PART NAME						SEE PAGE
					1	2	3	4	5	6 (PRODUCT LEVEL)	
	1	1	113-9848	1	GASKET						
	2	1	145-4933	1	FLANGE						
	3	1	220-5619	2	CLAMP - EXHAUST						
	4	1	227-3019	1	TUBE						
	5	1	235-3330	1	TUBE AS						
	6	1	244-1878	1	ADAPTER AS						
		1	145-4933	1	FLANGE						
	7	1	5H-8331	1	GASKET						
M	8	1	6V-3532	8	BOLT (M20X2.5X60-MM)						
M	9	1	6V-5686	4	BOLT (M16X2X50-MM)						
M	10	1	6V-7742	8	NUT-FULL (M20X2.5-THD)						
M	11	1	8T-1757	4	NUT (M16X2-THD)						
	12	1	8T-3282	16	WASHER-HARD (22X35X3.5-MM THK)						
	13	1	9X-8268	8	WASHER (17.5X30X3.5-MM THK)						

M-METRIC PART



GRAPHIC #1

<END>

g01028810

AIR INLET AND EXHAUST SYSTEM

164-4637 MANIFOLD GP-EXHAUST

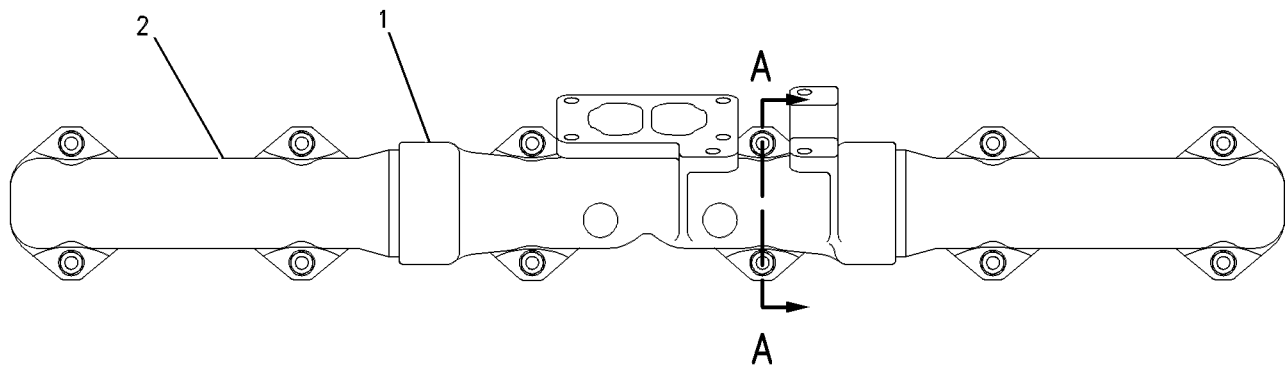
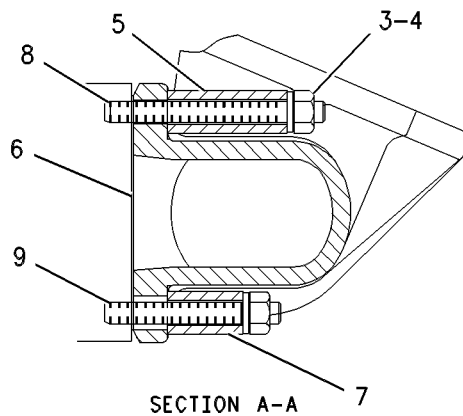
S/N: FFH1-UP

FOR USE WITH FRONT EXHAUST TURBO

SMCS - 1059

i02601777

NOTE	REF NO	GRAPHIC REF	PART NUMBER	QTY	PART NAME						SEE PAGE
					1	2	3	4	5	6 (PRODUCT LEVEL)	
	1	1	102-8501	1	MANIFOLD-EXHAUST (CENTER, LOW MOUNT)						
	2	1	102-8608	2	MANIFOLD-EXHAUST (END)						
	3	1	2N-2766	12	LOCKNUT (3/8-16-THD)						
	4	1	5M-2894	12	WASHER-HARD (10.2X18.5X2.5-MM THK)						
	5	1	108-3612	11	SPACER (11.13X19.05X53-MM THK)						
	6	1	129-9452	6	GASKET-EXHAUST MANIFOLD						
	7	1	2S-3770	1	SPACER (11X19X33.5-MM THK)						
	8	1	106-1792	11	STUD-TAPERLOCK (3/8-16X4-IN)						
	9	1	4S-6137	1	STUD-TAPERLOCK (3/8-16X3.1-IN)						



GRAPHIC #1

<END>

g00495184

AIR INLET AND EXHAUST SYSTEM

243-2914 MOUNTING GP-EXHAUST

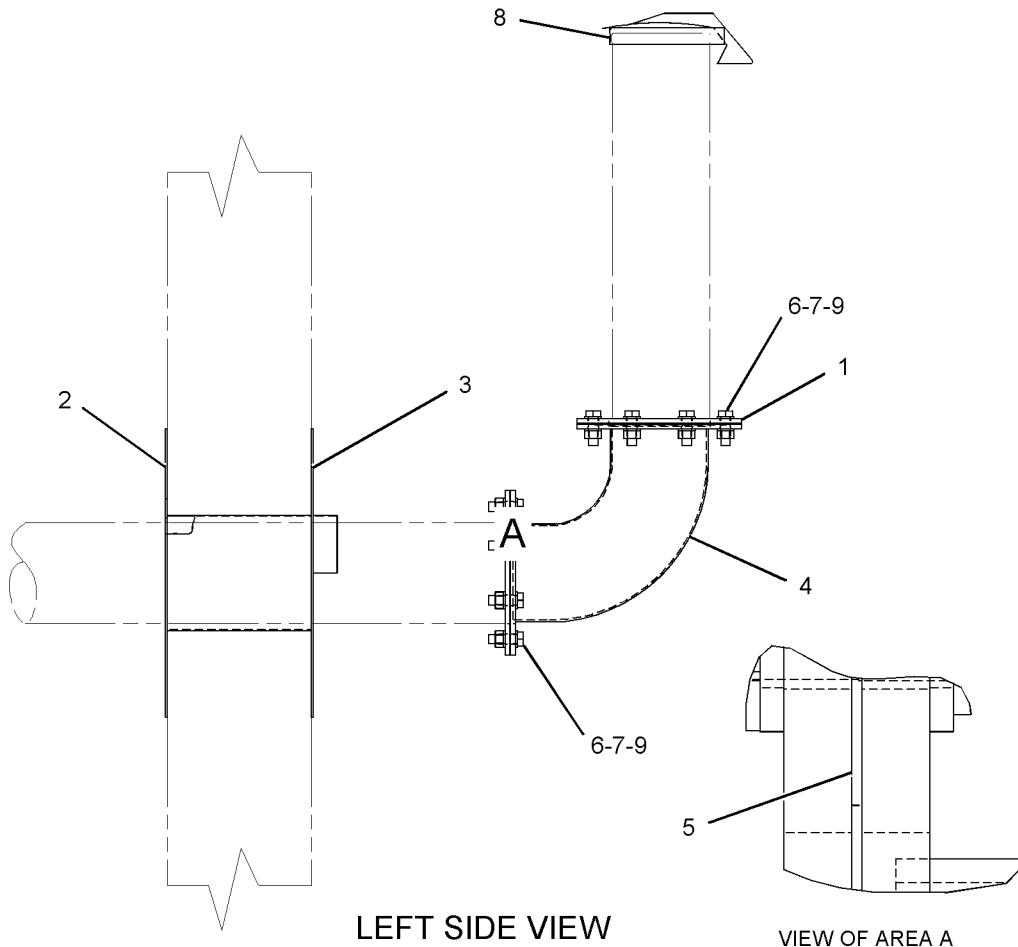
S/N: C5H1-UP
6 INCH THRU WALL
AN ATTACHMENT

SMCS-1061

i03038287

NOTE	REF NO	GRAPHIC REF	PART NUMBER	QTY	PART NAME						SEE PAGE
					1	2	3	4	5	6 (PRODUCT LEVEL)	
	1	1	142-2452	2	FLANGE						
	2	1	243-2909	1	PLATE AS						
	3	1	243-2911	1	PLATE AS						
	4	1	243-2913	1	ELBOW AS						
		1	142-2452	2	FLANGE						
	5	1	113-9543	2	GASKET						
M	6	1	6V-3532	16	BOLT (M20X2.5X60-MM)						
M	7	1	6V-7742	16	NUT-FULL (M20X2.5-THD)						
	8	1	7S-4411	1	CAP AS-RAIN (EXHAUST)						
	9	1	8T-3282	32	WASHER-HARD (22X35X3.5-MM THK)						

M-METRIC PART



GRAPHIC #1

g01031952

AIR INLET AND EXHAUST SYSTEM

243-2916 MOUNTING GP-MUFFLER

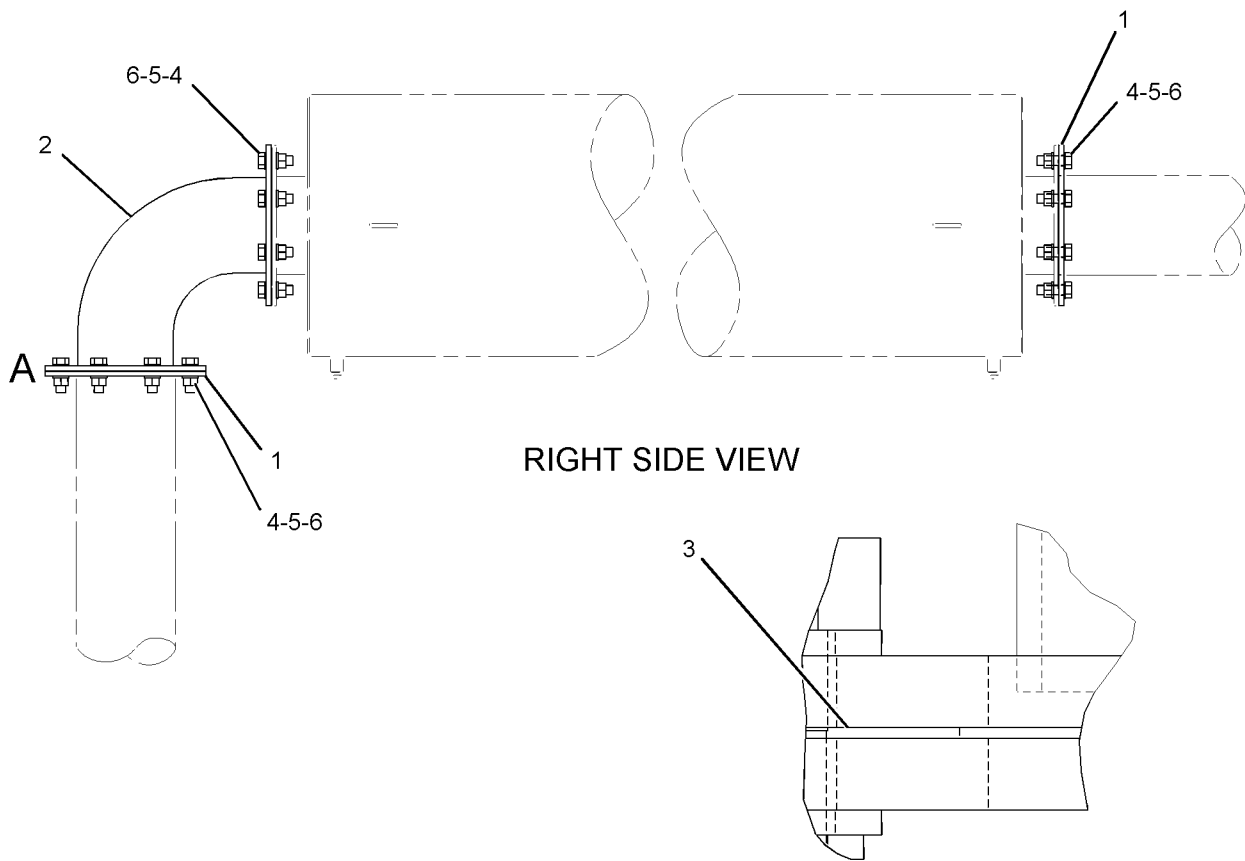
S/N: C5H1-UP
6 INCH
AN ATTACHMENT

SMCS-1062

i01983780

NOTE	REF NO	GRAPHIC REF	PART NUMBER	QTY	PART NAME						SEE PAGE
					1	2	3	4	5	6 (PRODUCT LEVEL)	
	1	1	142-2452	2	FLANGE						
	2	1	243-2913	1	ELBOW AS						
		1	142-2452	2	FLANGE						
	3	1	113-9543	3	GASKET						
M	4	1	6V-3532	24	BOLT (M20X2.5X60MM)						
M	5	1	6V-7742	24	NUT-FULL (M20X2.50 THD)						
	6	1	8T-3282	48	WASHER-HARD (22X35X3.5MM THK)						

M-METRIC PART



RIGHT SIDE VIEW

VIEW OF AREA A

GRAPHIC #1

<END>

g01028801

AIR INLET AND EXHAUST SYSTEM

243-2917 MOUNTING GP-MUFFLER

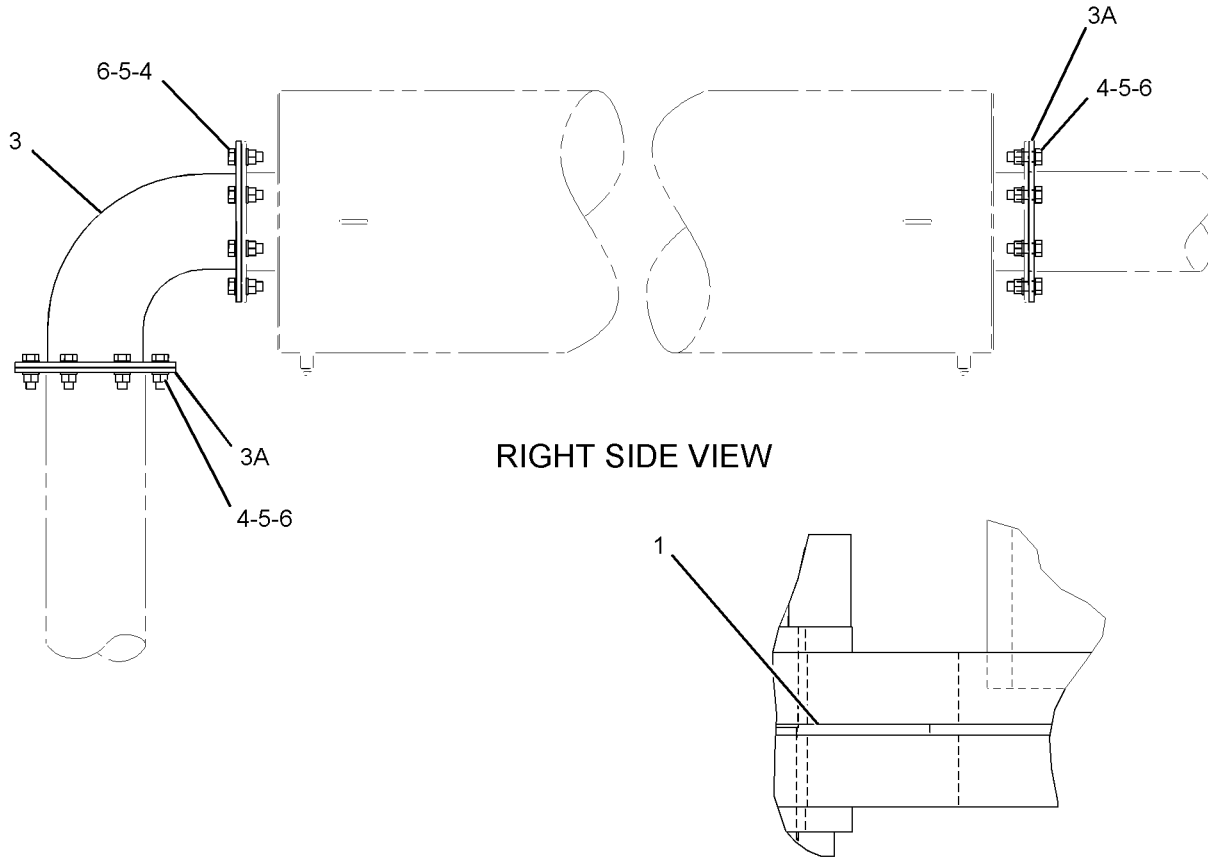
S/N: C5H1-UP
8 INCH
AN ATTACHMENT

SMCS - 1062

i01983578

NOTE	REF NO	GRAPHIC REF	PART NUMBER	QTY	PART NAME						SEE PAGE
					1	2	3	4	5	6 (PRODUCT LEVEL)	
	1	1	113-9848	3	GASKET						
	3	1	145-4936	1	ELBOW AS-EXHAUST						
	3A	1	145-4933	2	FLANGE						
M	4	1	6V-3532	24	BOLT (M20X2.5X60MM)						
M	5	1	6V-7742	24	NUT-FULL (M20X2.50 THD)						
	6	1	8T-3282	48	WASHER-HARD (22X35X3.5MM THK)						

M-METRIC PART



RIGHT SIDE VIEW

VIEW OF AREA A

GRAPHIC #1

<END>

g01028462

AIR INLET AND EXHAUST SYSTEM

160-9631 MUFFLER-INDUSTRIAL

S/N: C5H1-UP

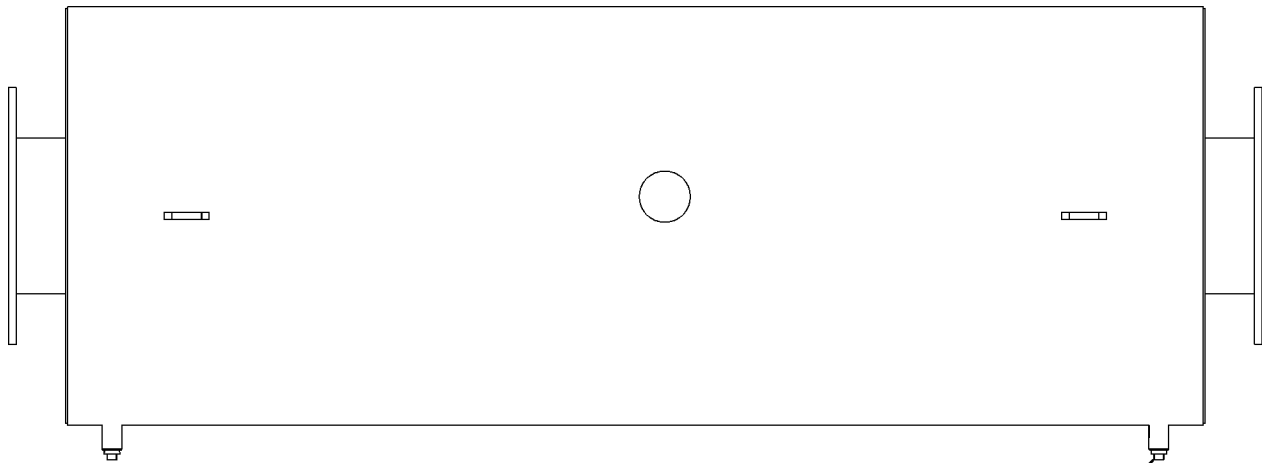
8 INCH

AN ATTACHMENT

SMCS-1062

i02096177

NOTE	REF NO	GRAPHIC REF	PART NUMBER	QTY	PART NAME						SEE PAGE
					1	2	3	4	5	6 (PRODUCT LEVEL)	
	1	1	143-0857	2	PLUG						



GRAPHIC #1

<END>

1

g01068844

AIR INLET AND EXHAUST SYSTEM

145-4937 MUFFLER GP

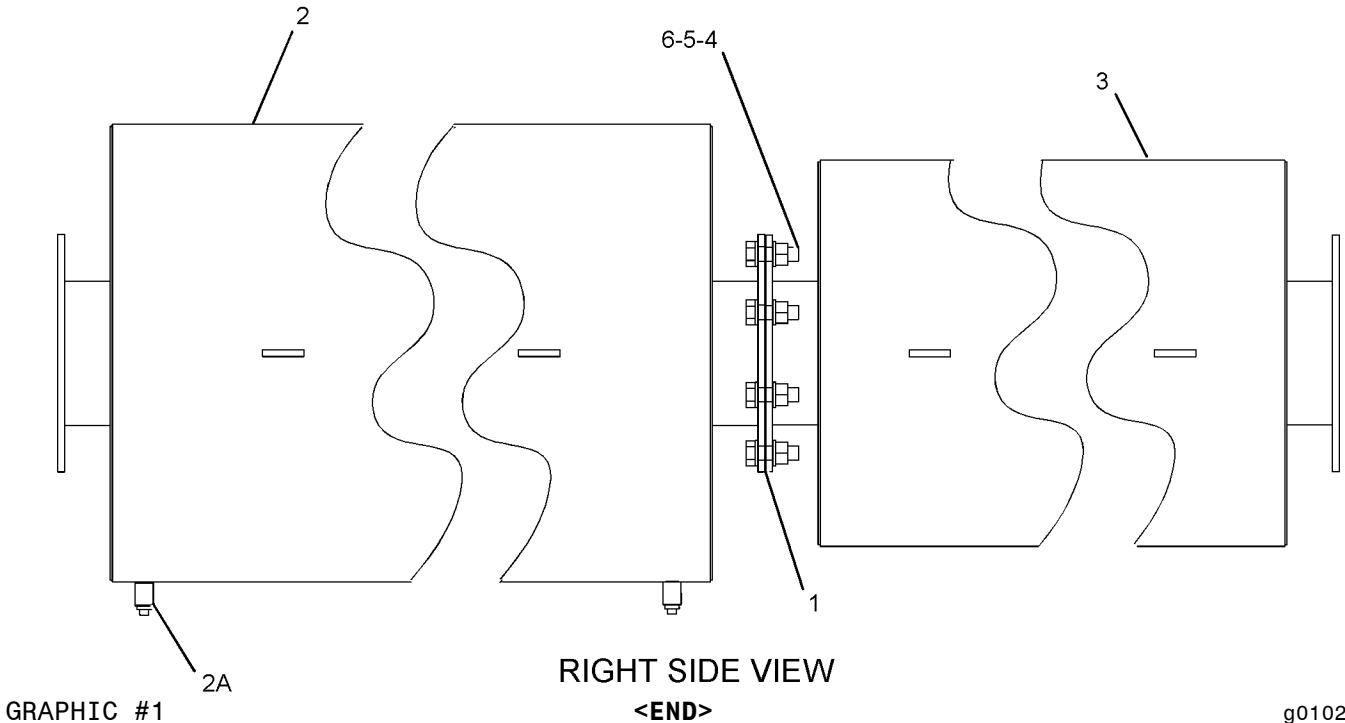
S/N: C5H1-UP
8-INCH
AN ATTACHMENT

SMCS-1062

i01983564

NOTE	REF NO	GRAPHIC REF	PART NUMBER	QTY	PART NAME						SEE PAGE
					1	2	3	4	5	6 (PRODUCT LEVEL)	
	1	1	113-9848	1	GASKET						
	2	1	144-7187	1	MUFFLER AS (RESIDENTIAL 8 IN.)						
	2A	1	143-0857	2	PLUG						
	3	1	160-9631	1	MUFFLER (INDUSTRIAL 8 IN.)						
M	4	1	6V-3532	8	BOLT (M20X2.5X60-MM)						
M	5	1	6V-7742	8	NUT-FULL (M20X2.5-THD)						
	6	1	8T-3282	16	WASHER-HARD (22X35X3.5-MM THK)						

M-METRIC PART



g01028693

AIR INLET AND EXHAUST SYSTEM

158-0345 MUFFLER GP

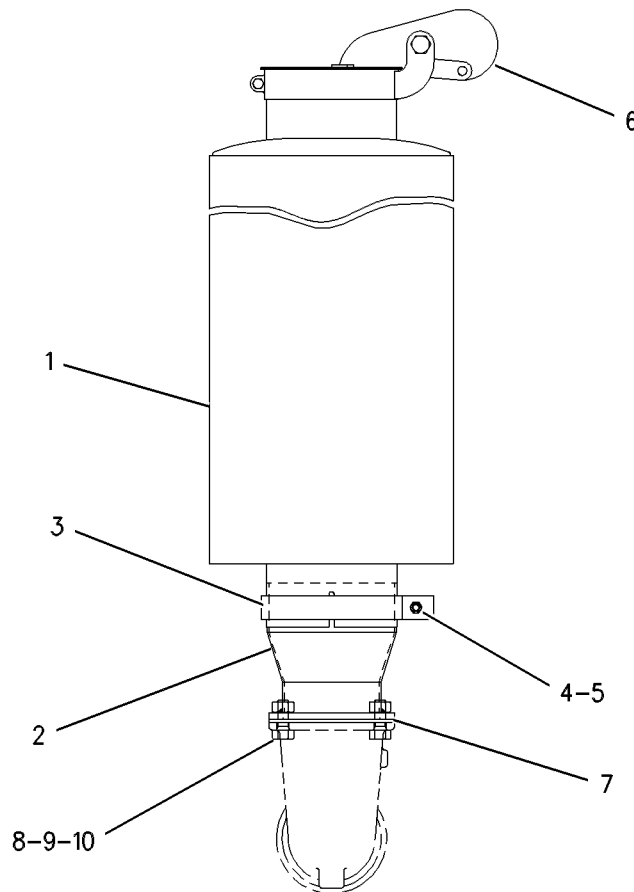
S/N: C5H1-UP

CANNOT BE USED WITH FLEXIBLE EXHAUST FITTING GP, MUFFLER MOUNTING GP,
EXHAUST FITTING GP OR ENCLOSURES
AN ATTACHMENT

SMCS-1062

i02079790

NOTE	REF NO	GRAPHIC REF	PART NUMBER	QTY	PART NAME						SEE PAGE
					1	2	3	4	5	6 (PRODUCT LEVEL)	
	1	1	2W-3773	1	MUFFLER AS						
	2	1	158-0344	1	ADAPTER AS						
	3	1	4N-9330	1	CLAMP						
	4	1	5S-7383	1	BOLT (3/8-16X1.75-IN)						
	5	1	6V-8801	1	NUT (3/8-16-THD)						
	6	1	6N-7611	1	CAP AS-RAIN (EXHAUST) (MUFFLER)						
	7	1	5H-8331	1	GASKET						
	8	1	8T-4122	8	WASHER-HARD (17X32X3.5-MM THK)						
	9	1	7X-0346	4	BOLT (5/8-11X2-IN)						
	10	1	7X-0448	4	NUT (5/8-11-THD)						



GRAPHIC #1

<END>

g00633339

AIR INLET AND EXHAUST SYSTEM

150-1714 PRECLEANER GP-AIR CLEANER

S/N: C5H1-UP

FITS OVER 177.8-MM (7-INCH) DIA INLET TUBE

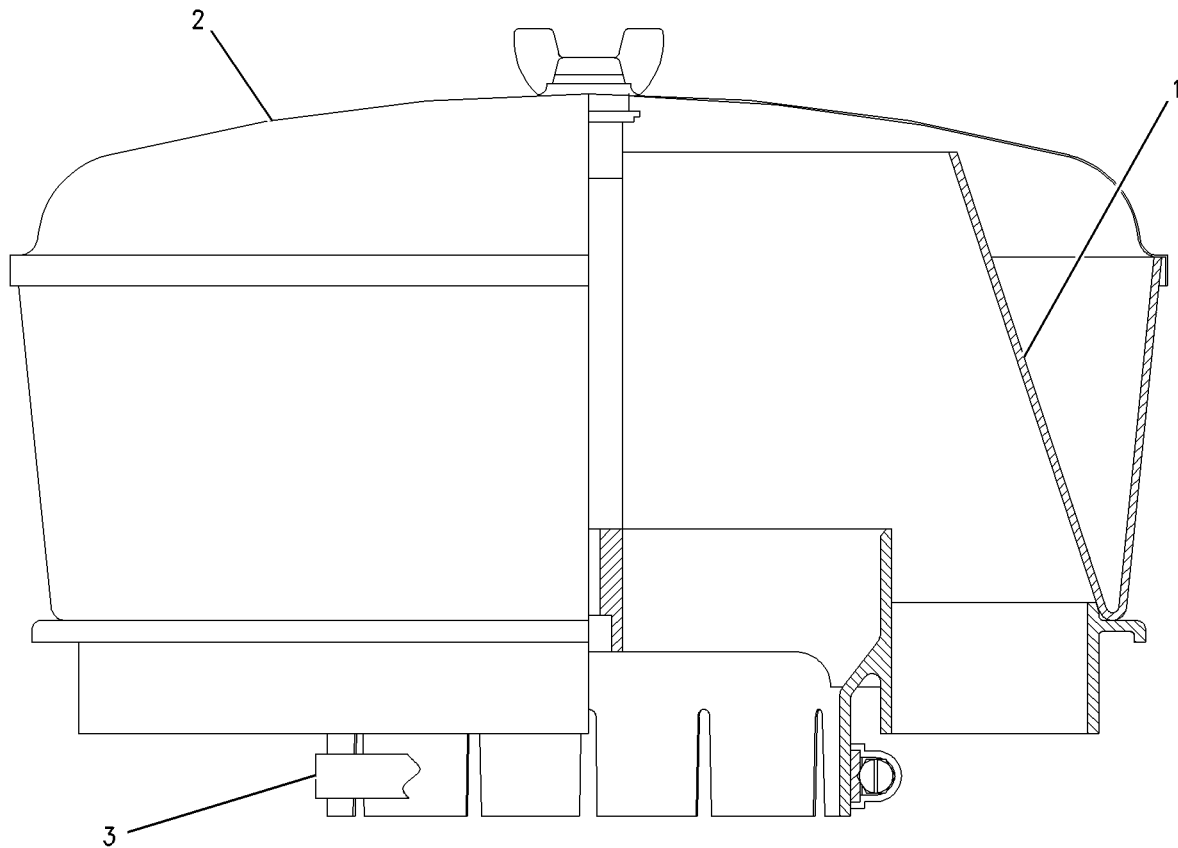
PART OF 264-7115 AIR CLEANER GP

FOR USE WITH DUAL ELEMENT AIR CLEANER
AN ATTACHMENT

SMCS-1055

i02469004

NOTE	REF NO	GRAPHIC REF	PART NUMBER	QTY	PART NAME						SEE PAGE
					1	2	3	4	5	6 (PRODUCT LEVEL)	
	1	1	2S-6708	1	COLLECTOR-DUST (AIR PRECLEANER)						
	2	1	2S-2493	1	COVER AS-PRECLEANER						
	3	1	5P-0600	1	CLAMP-HOSE						



GRAPHIC #1

<END>

g00769430

AIR INLET AND EXHAUST SYSTEM

124-0657 SHIELD GP-MANIFOLD

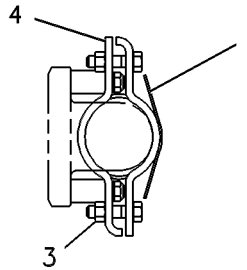
S/N: FFH1-UP

FOR USE WITH SIDE MOUNTED AIR CLEANER

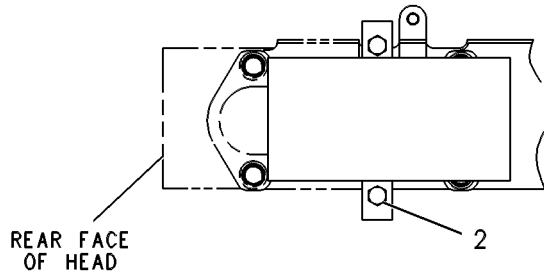
SMCS-1067

i02999449

NOTE	REF NO	GRAPHIC REF	PART NUMBER	QTY	PART NAME						SEE PAGE
					1	2	3	4	5	6 (PRODUCT LEVEL)	
	1	1	124-0658	1	SHIELD AS (MANIFOLD)						
		1	1S-4577	1	CLAMP						
	2	1	0S-1591	2	BOLT (3/8-16X1.5-IN)						
	3	1	1B-5355	2	NUT-FULL (3/8-16-THD)						
	4	1	1S-4577	1	CLAMP						



REAR VIEW



REAR FACE
OF HEAD

RIGHT SIDE VIEW

GRAPHIC #1

<END>

g00255274

AIR INLET AND EXHAUST SYSTEM

252-1846 TURBOCHARGER GP

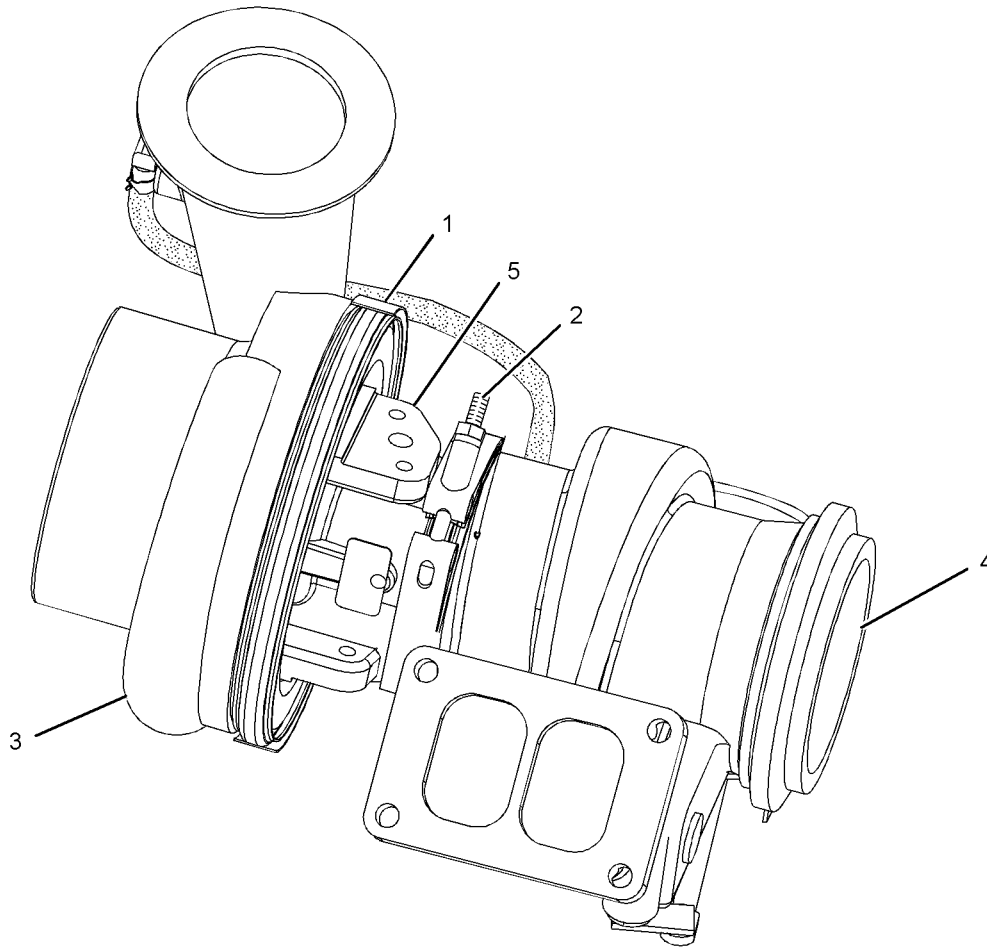
S/N: FFH1-216

PART OF 262-0971 TURBOCHARGER GP

SMCS-1052, 1053

i02360375

NOTE	REF NO	GRAPHIC REF	PART NUMBER	QTY	PART NAME						SEE PAGE
					1	2	3	4	5	6 (PRODUCT LEVEL)	
	1	1	7W-2297	1	CLAMP AS (COMPRESSOR)						
	2	1	9N-2038	1	CLAMP AS-TURBINE						
	3	1	249-0991	1	COVER AS						
		1	2V-4868	1	FITTING						
	4	1	268-0084	1	HOUSING						
	5	1	268-0220	1	CARTRIDGE GP-TURBOCHARGER						



GRAPHIC #1

<END>

g01196176

AIR INLET AND EXHAUST SYSTEM

262-0971 TURBOCHARGER GP

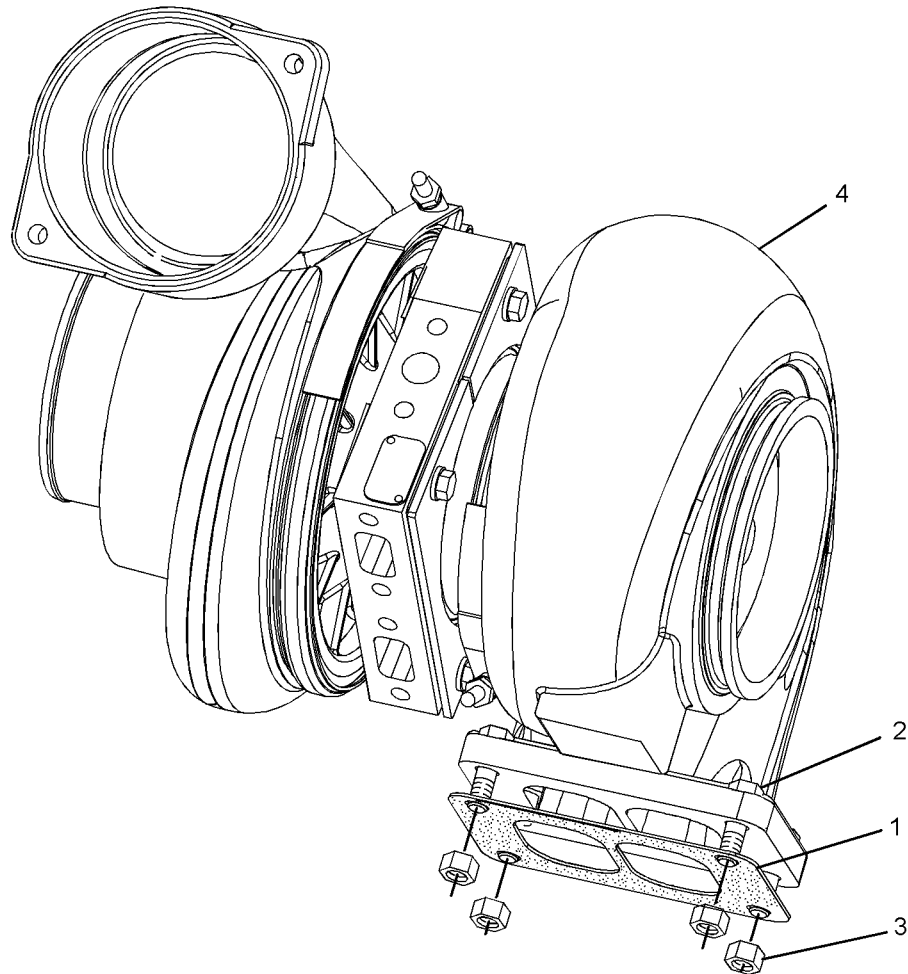
S/N: FFH1-216

SMCS-1052, 1053

i02360371

NOTE	REF NO	GRAPHIC REF	PART NUMBER	QTY	PART NAME						SEE PAGE
					1	2	3	4	5	6 (PRODUCT LEVEL)	
	1	1	1S-4295	1	GASKET (TURBOCHARGER)						
	2	1	2N-2765	4	BOLT-HIGH TEMPERATURE (3/8-16X1.75-IN)						
	3	1	2N-2766	4	LOCKNUT (3/8-16 THD)						
Y	4	1	252-1846	1	TURBOCHARGER GP						230

Y-SEPARATE ILLUSTRATION



GRAPHIC #1

<END>

g01194126

AIR INLET AND EXHAUST SYSTEM

274-4053 TURBOCHARGER GP

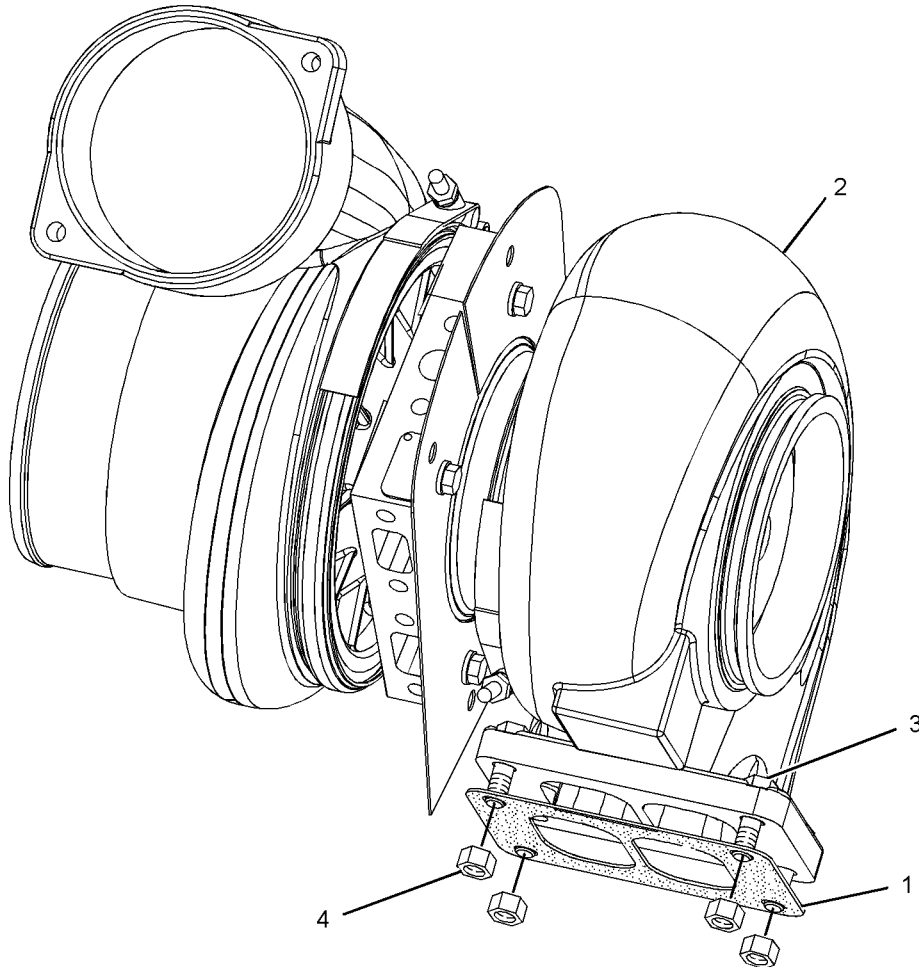
S/N: FFH1-215

SMCS-1052, 1053

i02370463

NOTE	REF NO	GRAPHIC REF	PART NUMBER	QTY	PART NAME						SEE PAGE
					1	2	3	4	5	6 (PRODUCT LEVEL)	
	1	1	1S-4295	1	GASKET (TURBOCHARGER)						
Y	2	1	274-6295	1	TURBOCHARGER GP						233
	3	1	2N-2765	4	BOLT-HIGH TEMPERATURE (3/8-16X1.75-IN)						
	4	1	2N-2766	4	LOCKNUT (3/8-16-THD)						

Y-SEPARATE ILLUSTRATION



GRAPHIC #1

<END>

g01187203

AIR INLET AND EXHAUST SYSTEM

274-6295 TURBOCHARGER GP*R

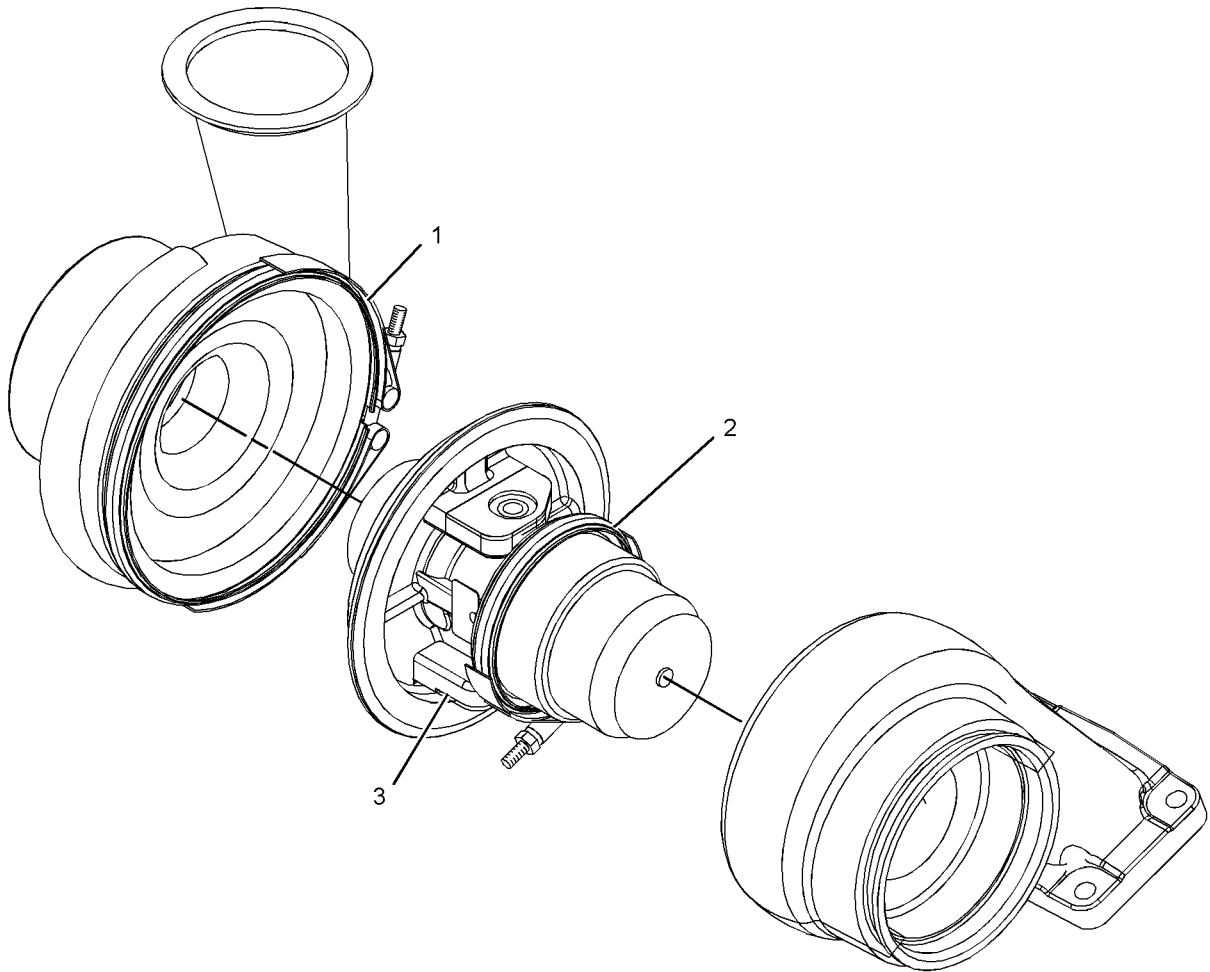
S/N: FFH1-215

PART OF 274-4053 TURBOCHARGER GP

SMCS-1052, 1053

i02655094

NOTE	REF NO	GRAPHIC REF	PART NUMBER	QTY	PART NAME						SEE PAGE
					1	2	3	4	5	6 (PRODUCT LEVEL)	
	1	1	7W-2297	1	CLAMP AS (COMPRESSOR)						
	2	1	9N-2038	1	CLAMP AS-TURBINE						
	3	1	255-5477	1	CARTRIDGE GP-TURBOCHARGER						



GRAPHIC #1

<END>

g01333662

AIR INLET AND EXHAUST SYSTEM

284-2711 TURBOCHARGER GP

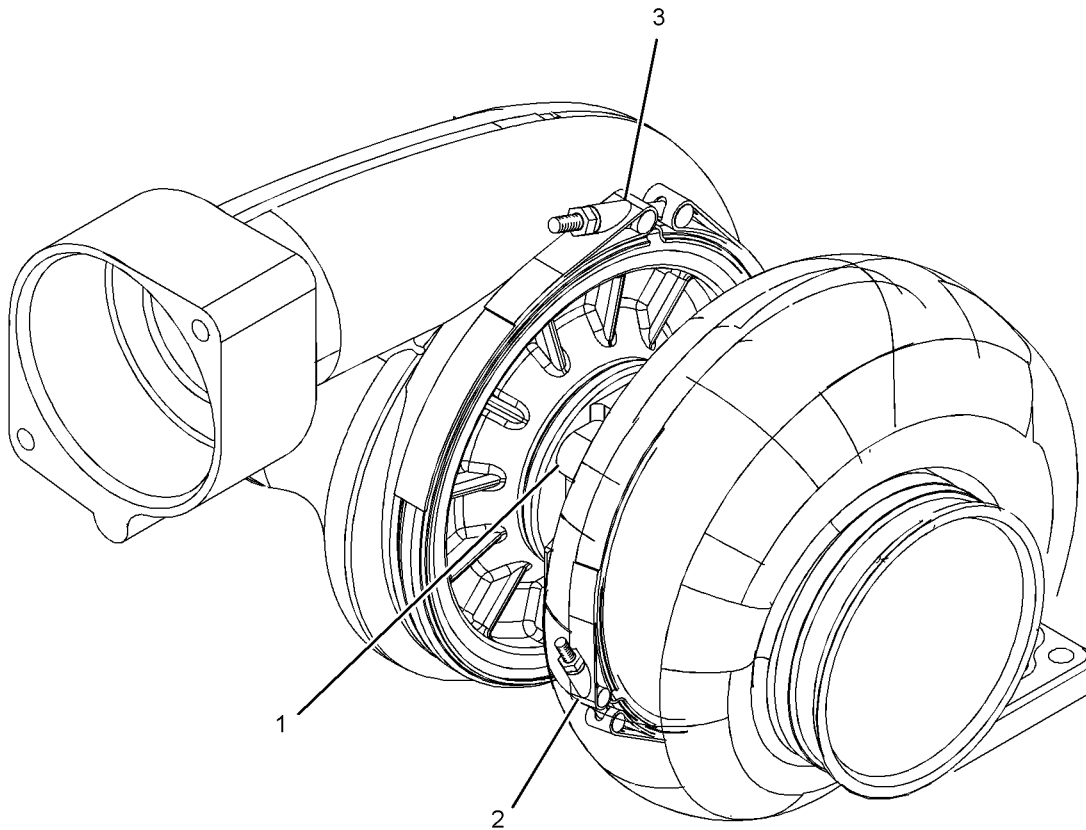
S/N: FFH216-UP

PART OF 284-2777 TURBOCHARGER GP

SMCS-1052, 1053

i02517584

NOTE	REF NO	GRAPHIC REF	PART NUMBER	QTY	PART NAME						SEE PAGE
					1	2	3	4	5	6 (PRODUCT LEVEL)	
	1	1	255-5477	1	CARTRIDGE GP - TURBOCHARGER						
	2	1	9N-2038	1	CLAMP AS - TURBINE						
	3	1	268-2960	1	CLAMP AS (COMPRESSOR)						



GRAPHIC #1

<END>

g01338997

AIR INLET AND EXHAUST SYSTEM

284-2712 TURBOCHARGER GP*R

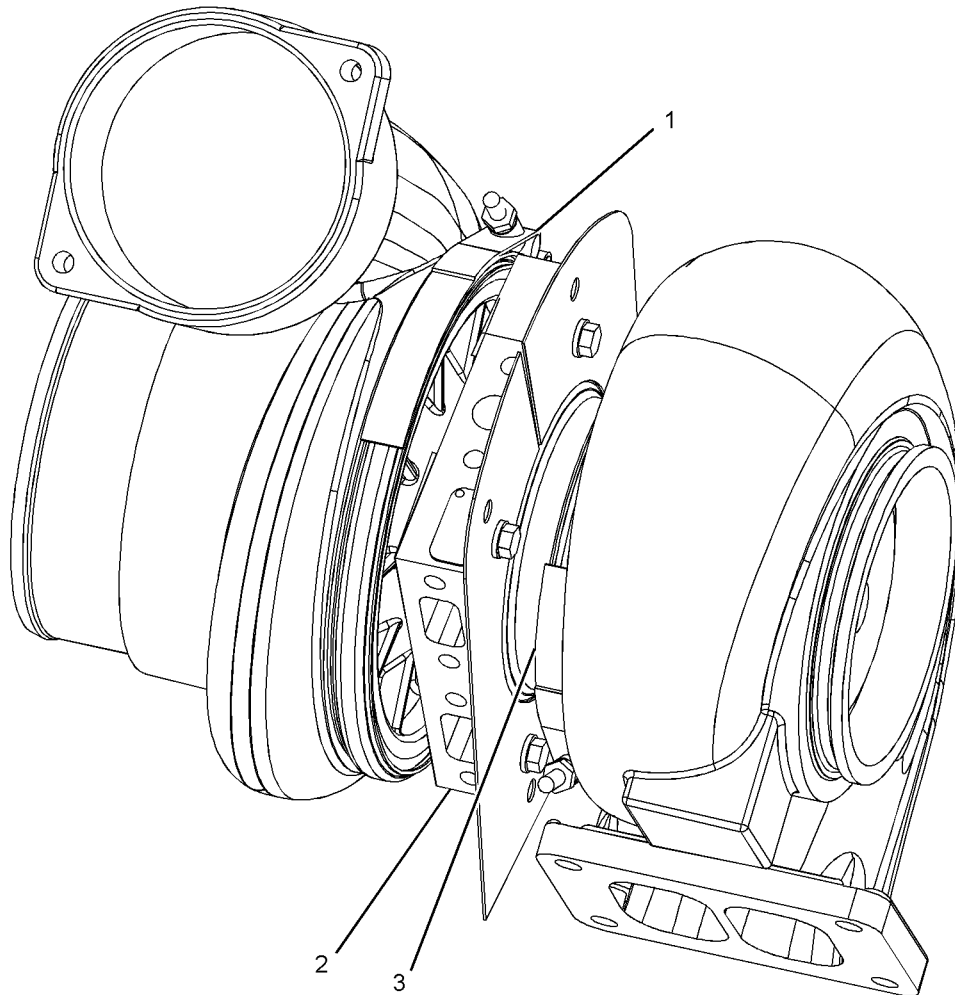
S/N: FFH1-UP

PART OF 284-2776 TURBOCHARGER GP

SMCS-1052, 1053

i02673193

NOTE	REF NO	GRAPHIC REF	PART NUMBER	QTY	PART NAME						SEE PAGE
					1	2	3	4	5	6 (PRODUCT LEVEL)	
	1	1	9N-2038	1	CLAMP AS-TURBINE						
	2	1	268-0220	1	CARTRIDGE GP-TURBOCHARGER						
	3	1	268-2960	1	CLAMP AS (COMPRESSOR)						



GRAPHIC #1

<END>

g01342560

AIR INLET AND EXHAUST SYSTEM

284-2776 TURBOCHARGER GP

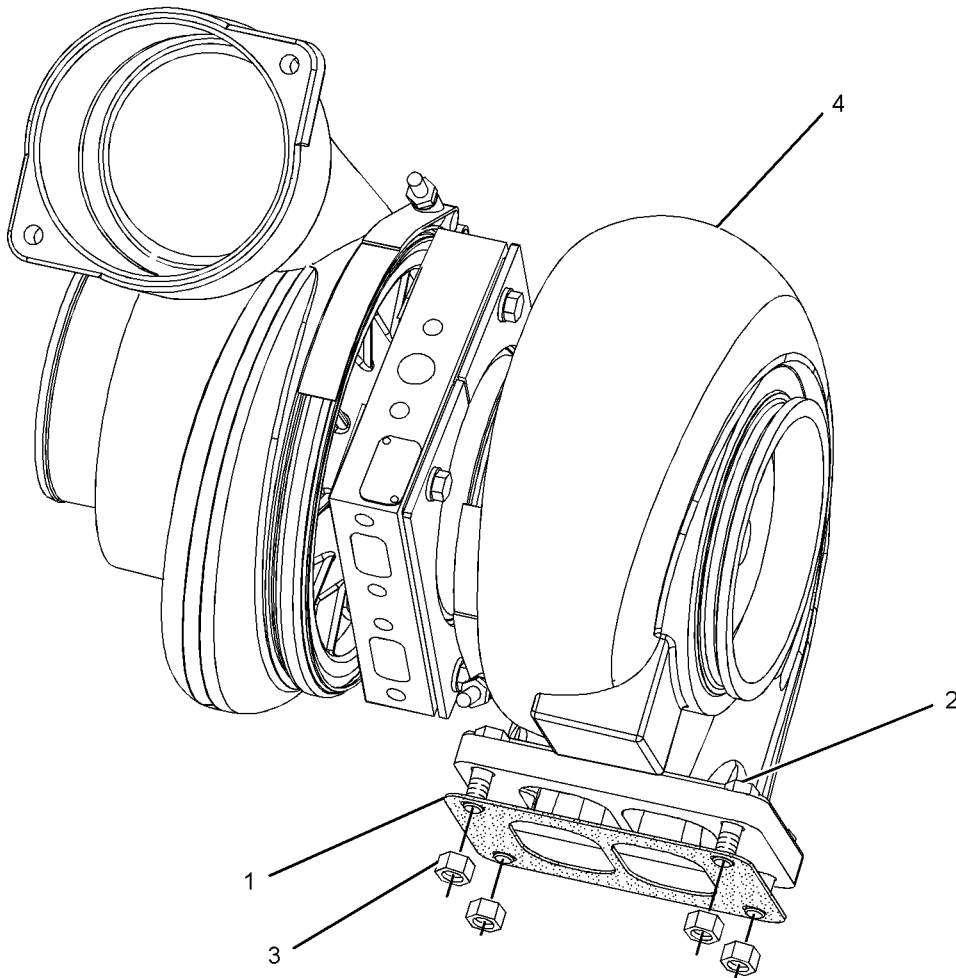
S/N: FFH1-UP

SMCS-1052, 1053

i02491390

NOTE	REF NO	GRAPHIC REF	PART NUMBER	QTY	PART NAME						SEE PAGE
					1	2	3	4	5	6 (PRODUCT LEVEL)	
	1	1	1S-4295	1	GASKET (TURBOCHARGER)						
	2	1	2N-2765	4	BOLT-HIGH TEMPERATURE (3/8-16X1.75-IN)						
	3	1	2N-2766	4	LOCKNUT (3/8-16-THD)						
YR	4	1	284-2712	1	TURBOCHARGER GP						235

R-REMFG PART MAY BE AVAILABLE
Y-SEPARATE ILLUSTRATION



GRAPHIC #1

<END>

g01333547

AIR INLET AND EXHAUST SYSTEM

284-2777 TURBOCHARGER GP

S/N: FFH216-UP

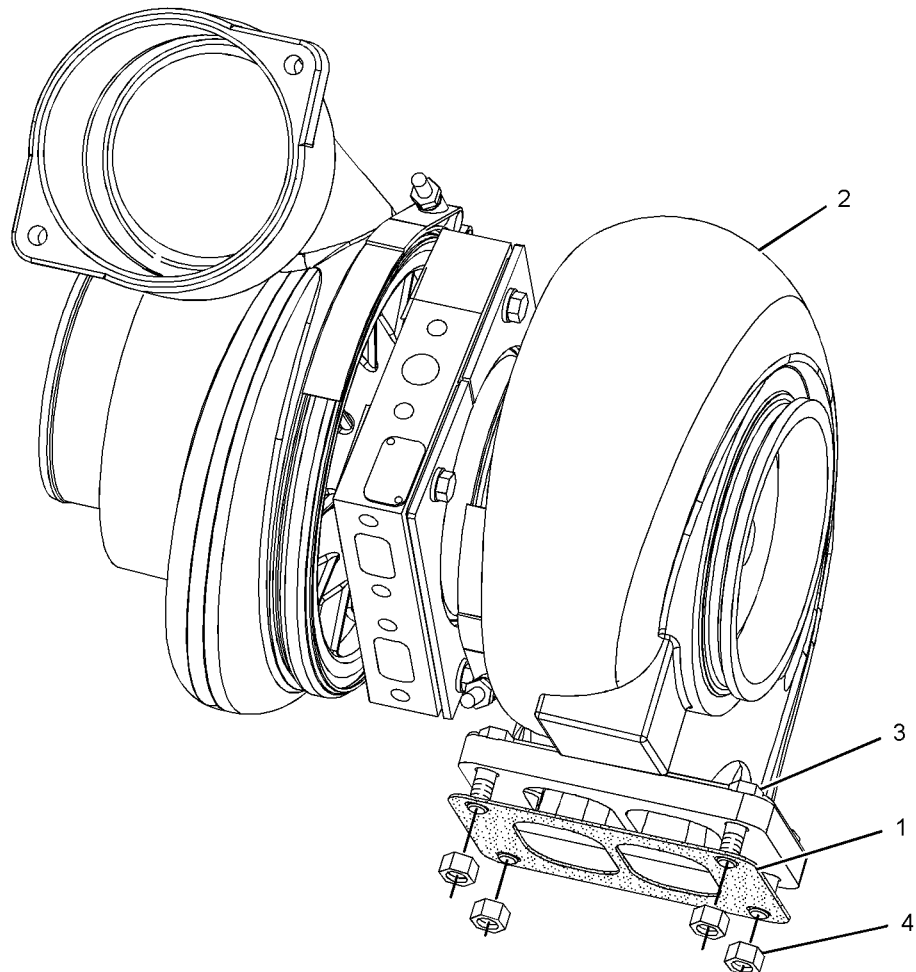
50 HERTZ

SMCS-1052, 1053

i02675915

NOTE	REF NO	GRAPHIC REF	PART NUMBER	QTY	PART NAME						SEE PAGE
					1	2	3	4	5	6 (PRODUCT LEVEL)	
	1	1	1S-4295	1	GASKET (TURBOCHARGER)						
Y	2	1	284-2711	1	TURBOCHARGER GP						234
	3	1	2N-2765	4	BOLT-HIGH TEMPERATURE (3/8-16X1.75-IN)						
	4	1	2N-2766	4	LOCKNUT (3/8-16-THD)						

Y-SEPARATE ILLUSTRATION



GRAPHIC #1

<END>

g01345305

FUEL SYSTEM

191-5055 BASE GP-FUEL FILTER

S/N: FFH335-UP

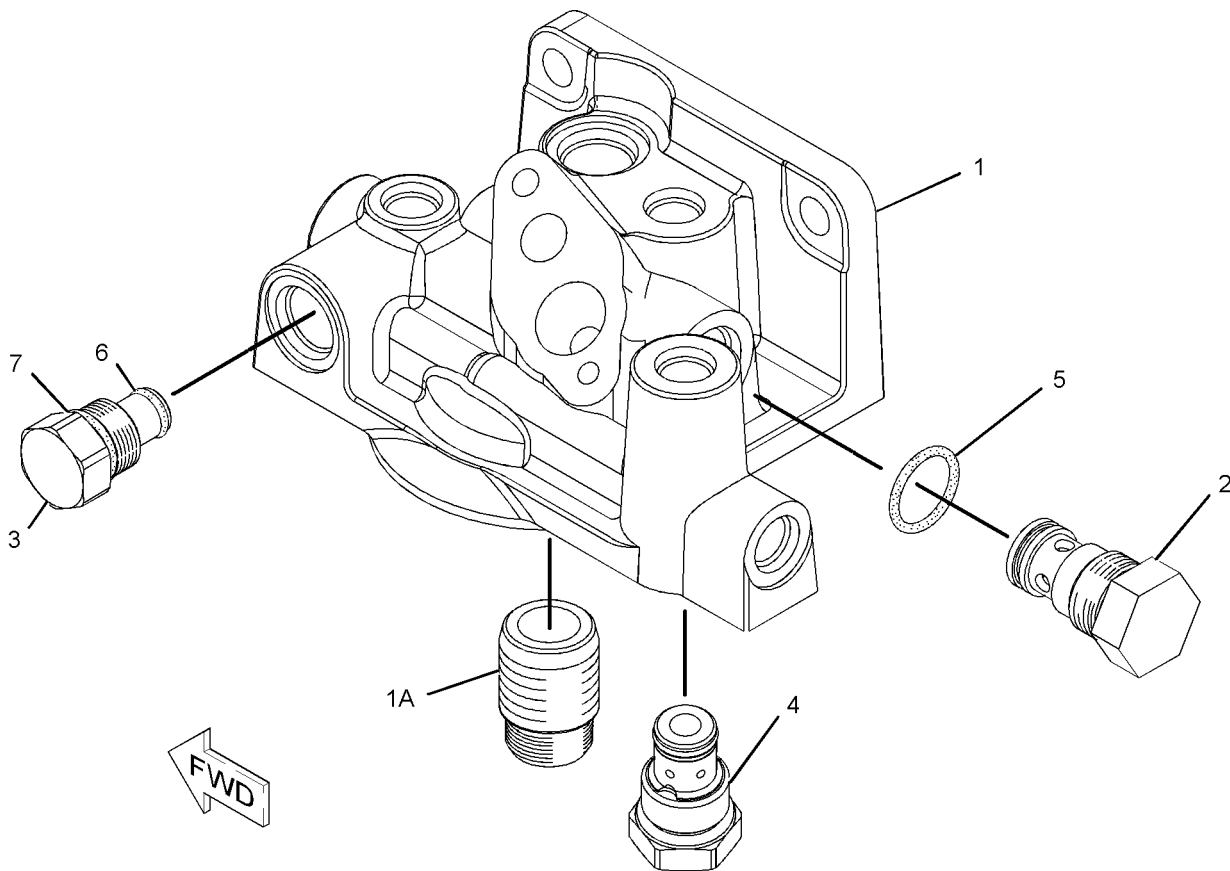
PART OF 276-8020 PUMP GP-FUEL PRM & SEC FILTER

SMCS-1262

i02544116

NOTE	REF NO	GRAPHIC REF	PART NUMBER	QTY	PART NAME	1 2 3 4 5 6 (PRODUCT LEVEL)						SEE PAGE
	1	1	136-5017	1	BASE AS-FUEL FILTER							
	1A	1	9S-4167	1	STUD-HOLLOW (1-14X1.47-IN)							
Y	2	1	139-6873	1	VALVE GP-FUEL BYPASS							287
	3	1	143-2933	1	FITTING							
CY	4	1	233-6742	1	VALVE GP-CHECK (FUEL)							285
C	5	1	6V-4589	1	SEAL-O-RING							
	6	1	8L-2779	1	SEAL-O-RING							
	7	1	8L-2786	1	SEAL-O-RING							

C-CHANGE FROM PREVIOUS TYPE
Y-SEPARATE ILLUSTRATION



GRAPHIC #1

<END>

g01041411

FUEL SYSTEM

242-8291 BASE GP-FUEL TANK

S/N: C5H1-UP
1155 LITER/305 GALLON
AN ATTACHMENT

SMCS-1273, 7060

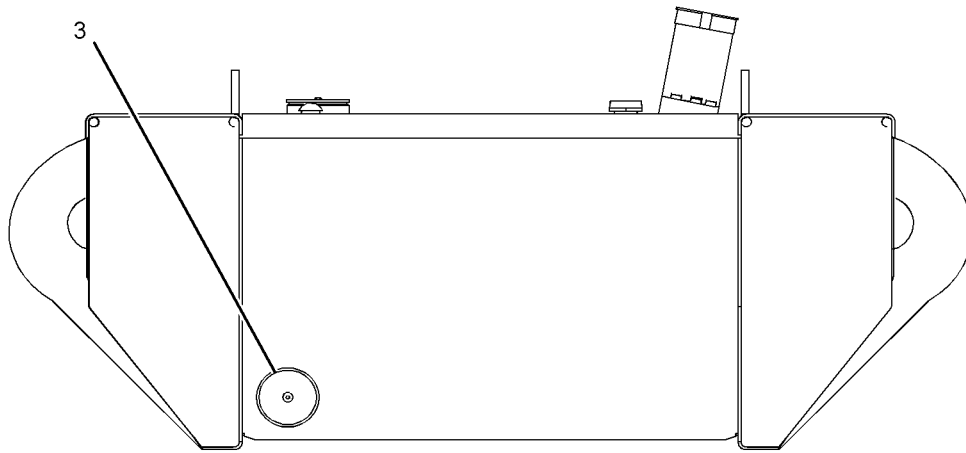
i03336808

NOTE	REF NO	GRAPHIC REF	PART NUMBER	QTY	PART NAME						SEE PAGE
					1	2	3	4	5	6 (PRODUCT LEVEL)	
	1	1	236-2031	1	BASE AS-FUEL TANK						
	2	1	242-8300	1	SWITCH AS (FUEL LEVEL)						
	3	1	242-2082	2	VALVE (FUEL TANK) (RELIEF)						
	4	1	242-2083	1	VENT						
	5	1	242-8314	1	PLUG-PIPE						
	6	1	242-2080	1	PIPE-FUEL						
	7	1	242-2085	2	PIPE-FUEL						
	8	1	256-5280	1	GAUGE (FUEL LEVEL)						
	9	1	242-8298	1	CAP AS-FUEL (FUEL TANK)						
	10	1	7L-2505	3	PLUG-PIPE						

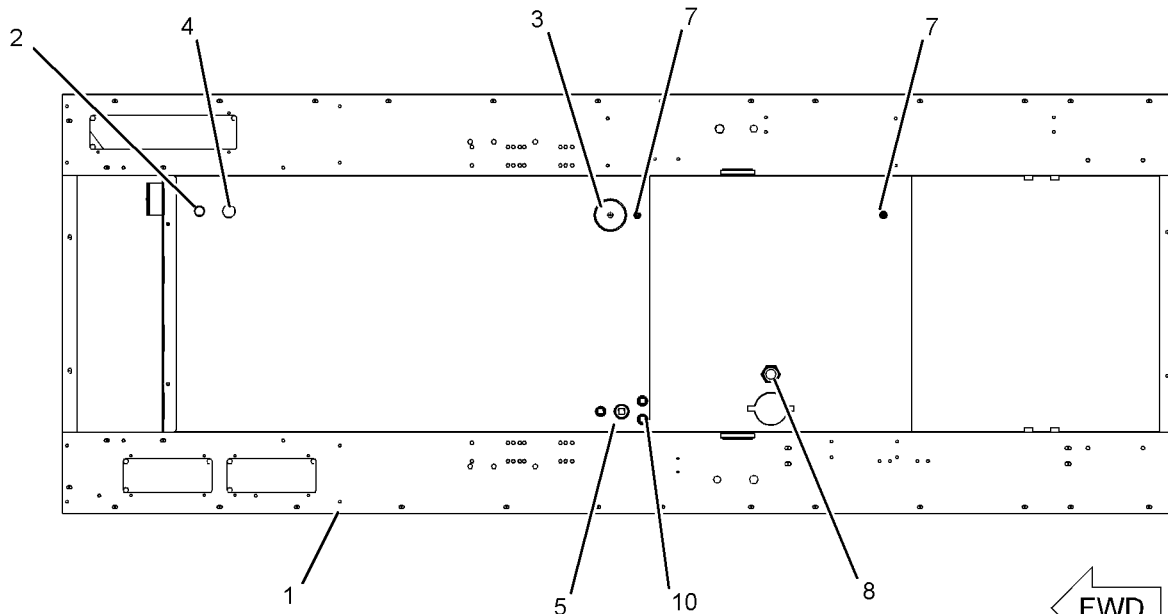
FUEL SYSTEM

242-8291 BASE GP-FUEL TANK (contd.)

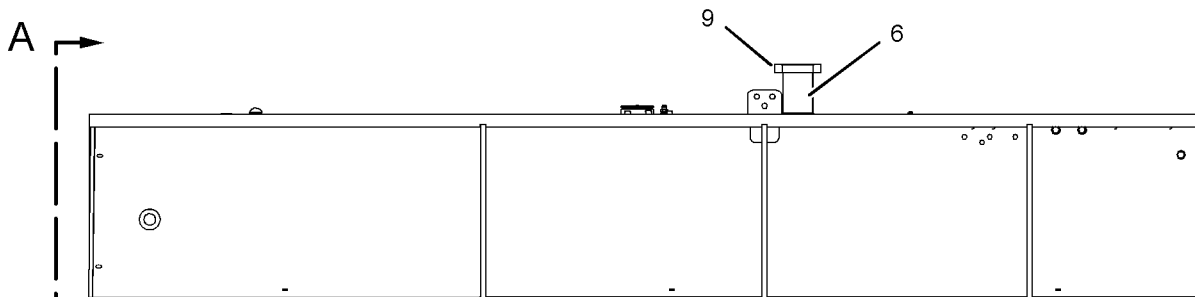
i03336808



VIEW A-A



TOP VIEW



LEFT SIDE VIEW

GRAPHIC #1

<END>

g01221825

FUEL SYSTEM

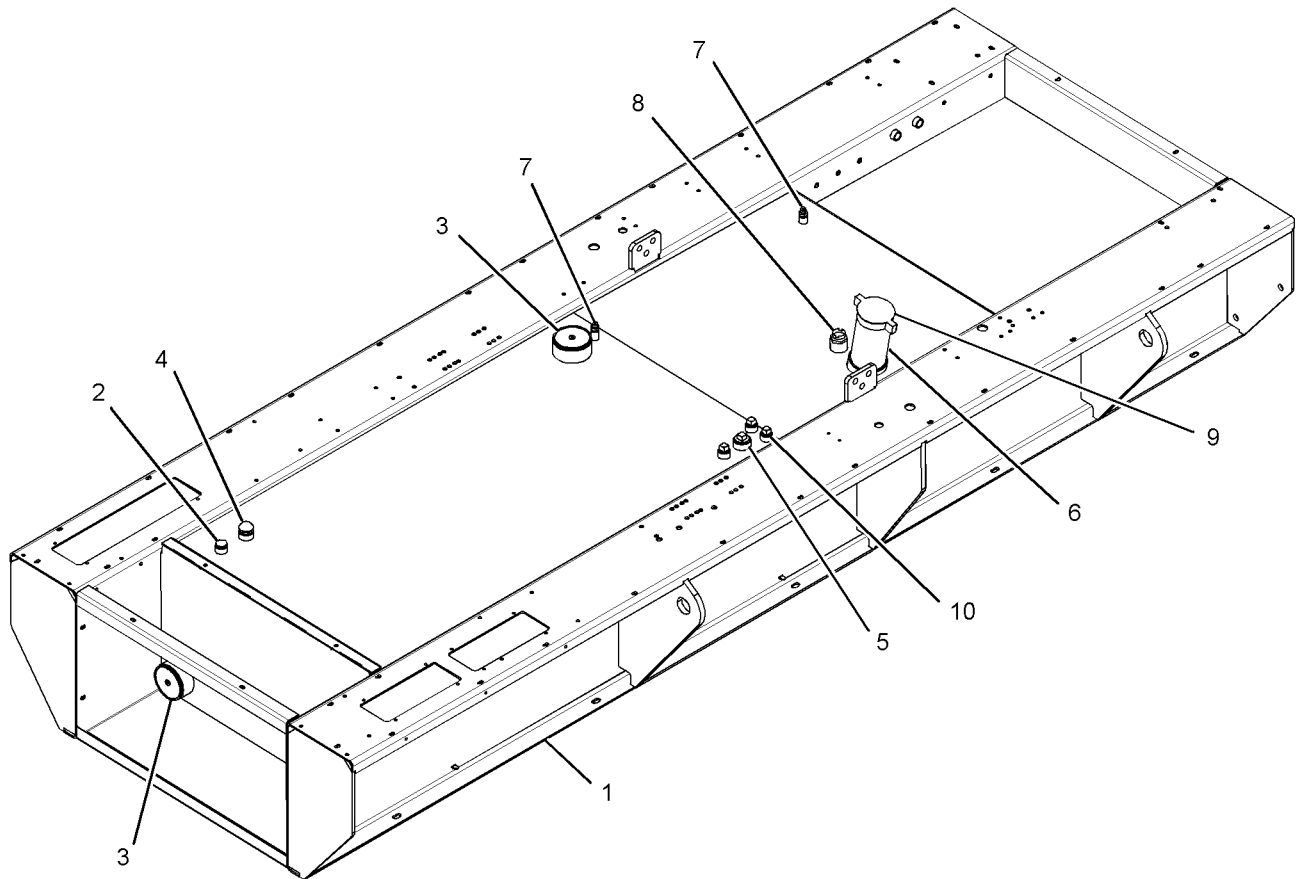
242-8292 BASE GP-FUEL TANK

S/N: C5H1-UP
1526 LITER/403 GALLON
AN ATTACHMENT

SMCS-1273, 7060

i03336817

NOTE	REF NO	GRAPHIC REF	PART NUMBER	QTY	PART NAME						SEE PAGE
					1	2	3	4	5	6 (PRODUCT LEVEL)	
	1	1	236-2027	1	BASE AS-FUEL TANK						
	2	1	242-8301	1	SWITCH AS (FUEL LEVEL)						
	3	1	242-2082	2	VALVE (FUEL TANK)						
	4	1	242-2083	1	VENT						
	5	1	242-8314	1	PLUG-PIPE						
	6	1	242-2080	1	PIPE-FUEL						
	7	1	242-2086	2	PIPE-FUEL						
	8	1	249-4654	1	GAUGE AS-SIGHT (FUEL LEVEL)						
	9	1	242-8298	3	CAP AS-FUEL (FUEL TANK)						
	10	1	7L-2505	1	PLUG-PIPE						



GRAPHIC #1

<END>

g01520021

FUEL SYSTEM

245-7694 BASE GP-FUEL TANK

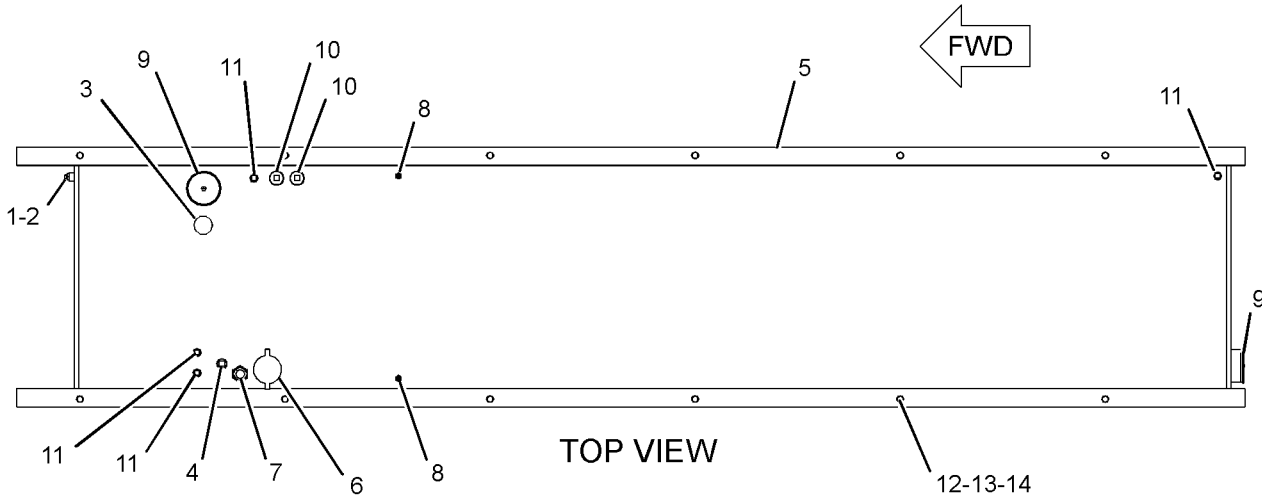
S/N: C5H1-UP
300 GALLON
AN ATTACHMENT

SMCS-1273, 7060

i03336853

NOTE	REF NO	GRAPHIC REF	PART NUMBER	QTY	PART NAME						SEE PAGE
					1	2	3	4	5	6 (PRODUCT LEVEL)	
	1	1	2M-9780	1	SEAL-O-RING						
Y	2	1	172-8660	1	SWITCH GP-LIQUID LEVEL (FUEL)						520
	3	1	245-2875	1	VENT (FUEL)						
	4	1	068-0710	1	PLUG-PIPE						
	5	1	228-6733	1	TANK-FUEL						
	6	1	242-8298	1	CAP AS-FUEL (FUEL TANK)						
	7	1	245-2115	1	GAUGE (FUEL LEVEL)						
	8	1	246-0988	2	PIPE-FUEL						
	9	1	246-0993	2	VALVE (PRESSURE RELEASE) (FUEL TANK)						
	10	1	6V-1897	2	PLUG-PIPE						
	11	1	7L-2505	4	PLUG-PIPE						
M	12	1	7X-2553	12	BOLT (M16X2X40-MM)						
M	13	1	8T-4132	12	NUT (M16X2-THD)						
	14	1	9X-8257	24	WASHER (17.5X30X3.5-MM THK)						

M-METRIC PART
Y-SEPARATE ILLUSTRATION



GRAPHIC #1

<END>

g01181502

FUEL SYSTEM

245-7695 BASE GP-FUEL TANK

S/N: C5H1-UP
660 GALLON
AN ATTACHMENT

SMCS-1273, 7060

i03336860

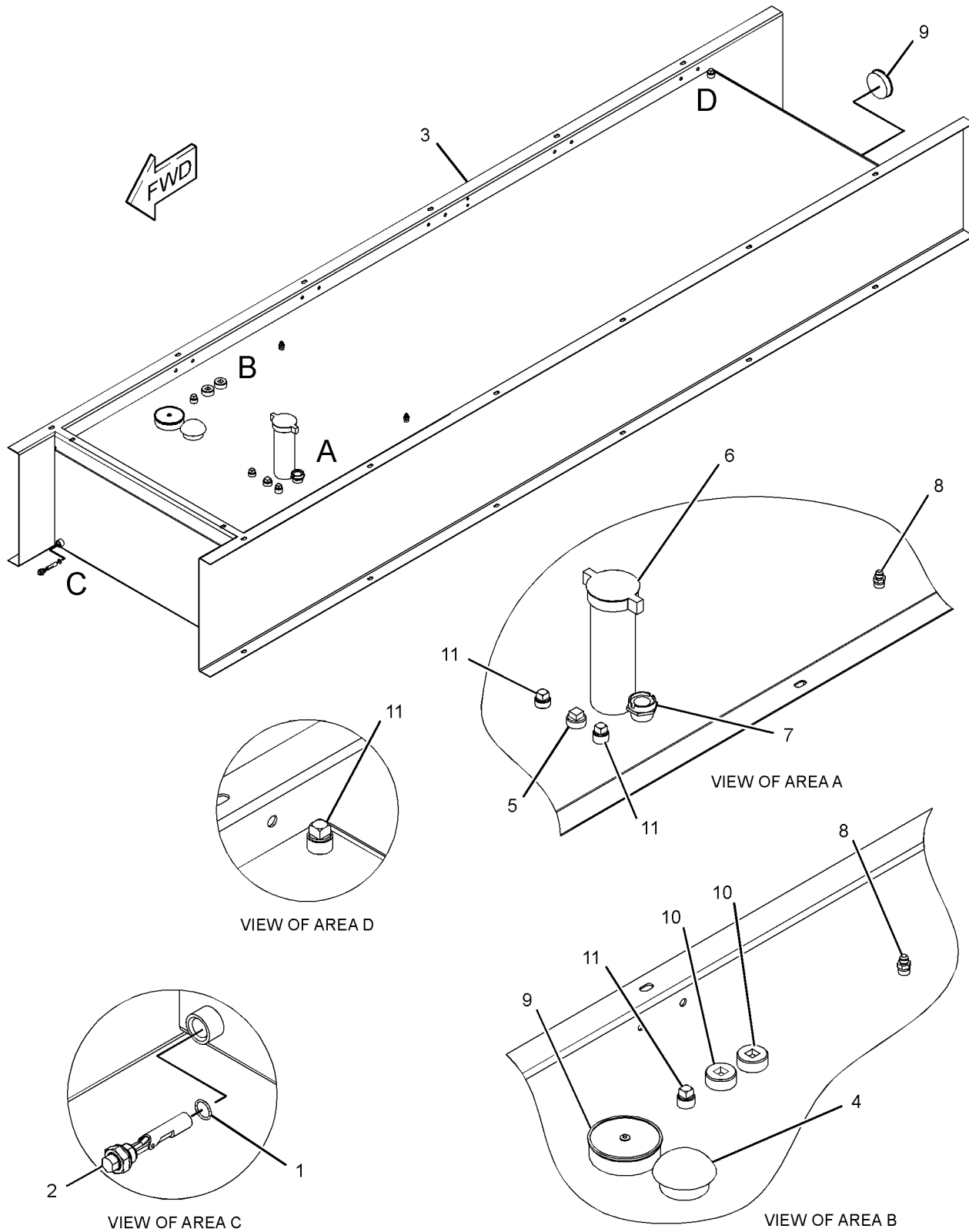
NOTE	REF NO	GRAPHIC REF	PART NUMBER	QTY	PART NAME						SEE PAGE
					1	2	3	4	5	6 (PRODUCT LEVEL)	
	1	1	2M-9780	1	SEAL-O-RING						
Y	2	1	172-8660	1	SWITCH GP-LIQUID LEVEL (FUEL)						520
	3	1	228-6736	1	TANK-FUEL						
	4	1	245-2875	1	VENT (FUEL)						
	5	1	068-0710	1	PLUG-PIPE						
	6	1	242-8298	1	CAP AS-FUEL (FUEL TANK)						
	7	1	245-2116	1	GAUGE (FUEL LEVEL)						
	8	1	246-0989	2	PIPE-FUEL						
	9	1	246-0993	2	VALVE (PRESSURE RELEASE) (FUEL TANK)						
	10	1	6V-1897	2	PLUG-PIPE						
	11	1	7L-2505	4	PLUG-PIPE						

Y-SEPARATE ILLUSTRATION

FUEL SYSTEM

245-7695 BASE GP-FUEL TANK (contd.)

i03336860



GRAPHIC #1

<END>

g01176600

FUEL SYSTEM

245-7696 BASE GP-FUEL TANK

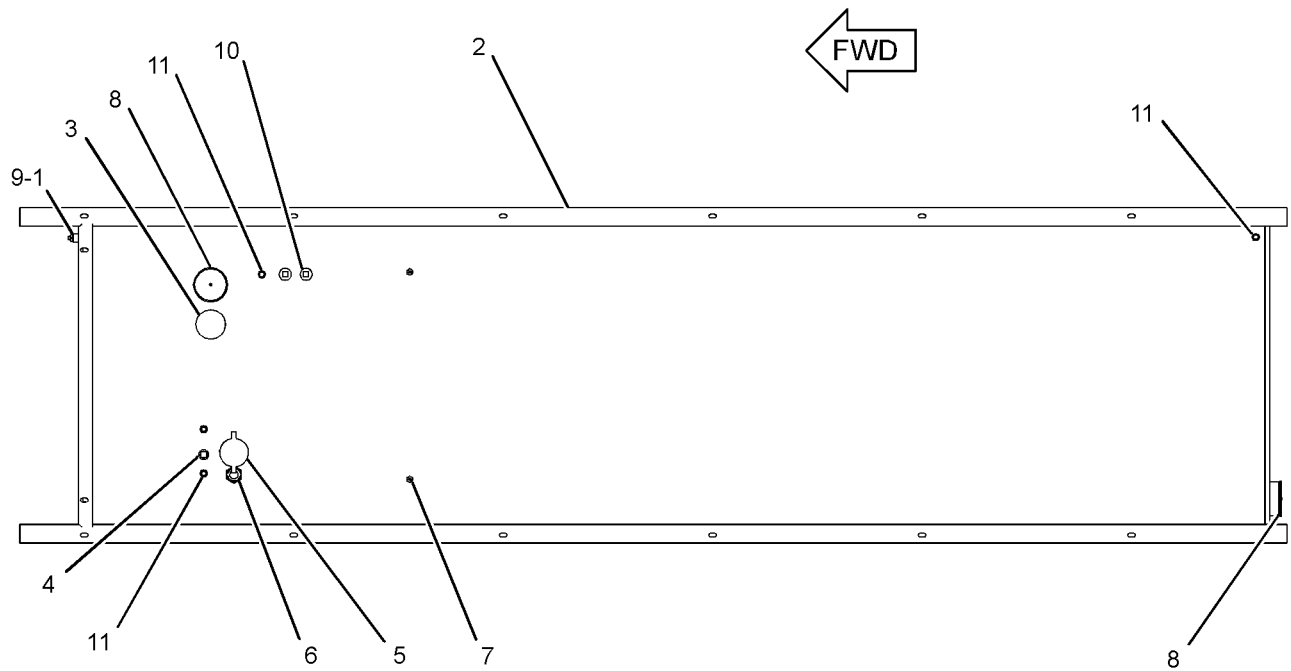
S/N: C5H1-UP
750 GALLON
AN ATTACHMENT

SMCS-1273, 7060

i03336880

NOTE	REF NO	GRAPHIC REF	PART NUMBER	QTY	PART NAME						SEE PAGE
					1	2	3	4	5	6 (PRODUCT LEVEL)	
	1	1	2M-9780	11	SEAL-O-RING						
Y	2	1	172-8660	1	SWITCH GP-LIQUID LEVEL (FUEL)						520
	3	1	228-6737	1	TANK-FUEL						
	4	1	245-2875	1	VENT (FUEL)						
	5	1	068-0710	1	PLUG-PIPE						
	6	1	242-8298	1	CAP AS-FUEL (FUEL TANK)						
	7	1	245-2116	1	GAUGE (FUEL LEVEL)						
	8	1	246-0989	2	PIPE-FUEL						
	9	1	246-0993	2	VALVE (PRESSURE RELEASE) (FUEL TANK)						
	10	1	6V-1897	2	PLUG-PIPE						
	11	1	7L-2505	4	PLUG-PIPE						

Y-SEPARATE ILLUSTRATION



TOP VIEW

GRAPHIC #1

<END>

g01176621

FUEL SYSTEM

279-6898 BASE GP-FUEL TANK

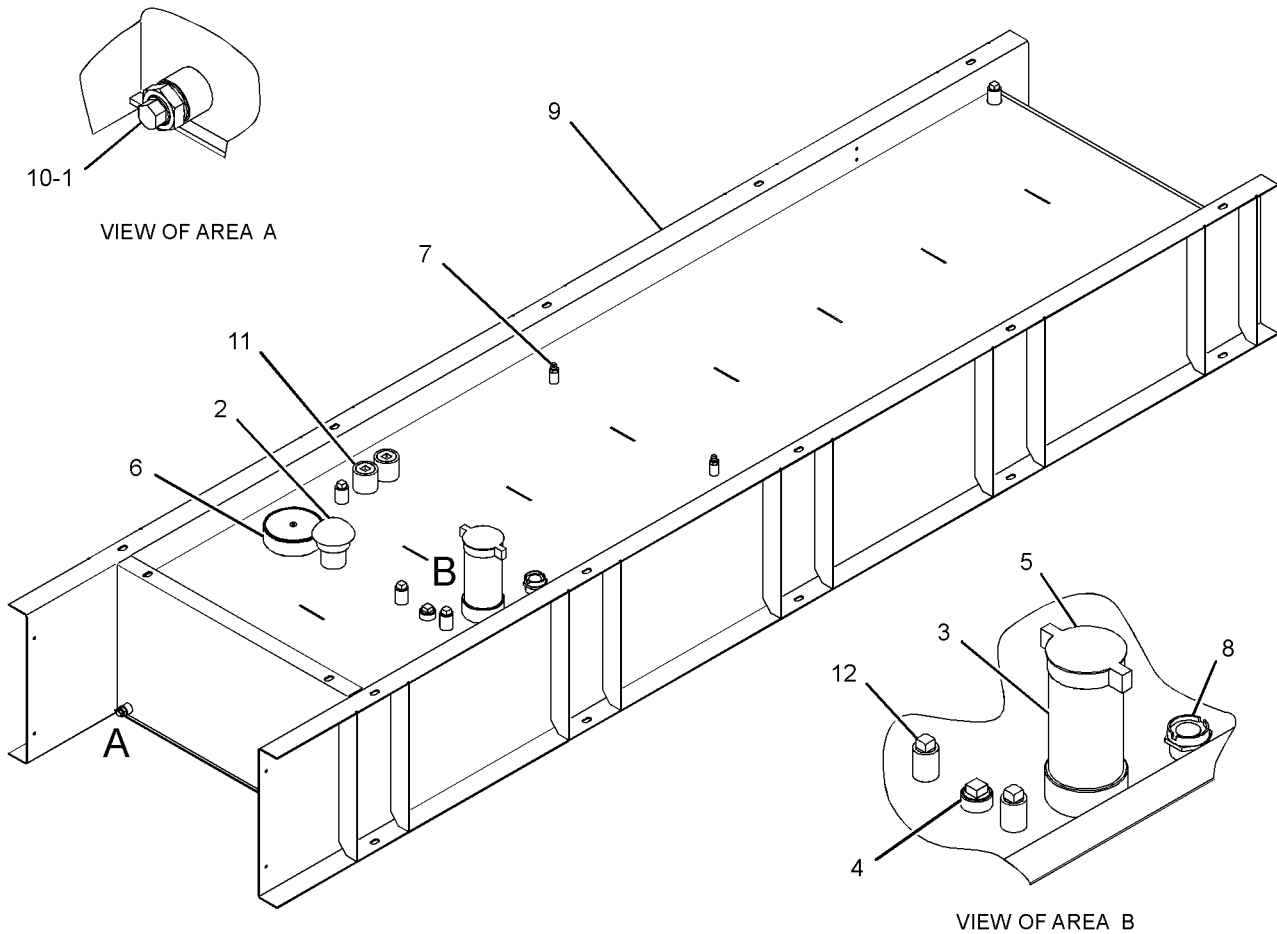
S/N: C5H1-UP
1212 LITER/320 GALLON
AN ATTACHMENT

SMCS-1273, 7060

i02662130

NOTE	REF NO	GRAPHIC REF	PART NUMBER	QTY	PART NAME						SEE PAGE
					1	2	3	4	5	6 (PRODUCT LEVEL)	
Y	1	1	172-8660	1	SWITCH GP-LIQUID LEVEL (FUEL)						520
	2	1	245-2875	1	VENT (FUEL)						
	3	1	254-8096	1	PIPE						
	4	1	068-0710	1	PLUG-PIPE						
	5	1	242-8298	1	CAP AS-FUEL						
	6	1	246-0994	2	VALVE (PRESSURE RELEASE)						
	7	1	268-1475	2	PIPE-FUEL						
	8	1	268-1481	1	GAUGE (FUEL LEVEL)						
	9	1	279-6899	1	BASE AS-FUEL TANK						
	10	1	2M-9780	1	SEAL-O-RING						
	11	1	6V-1897	2	PLUG-PIPE						
	12	1	7L-2505	4	PLUG-PIPE						

Y-SEPARATE ILLUSTRATION



GRAPHIC #1

<END>

g01280667

FUEL SYSTEM

279-6912 BASE GP-FUEL TANK

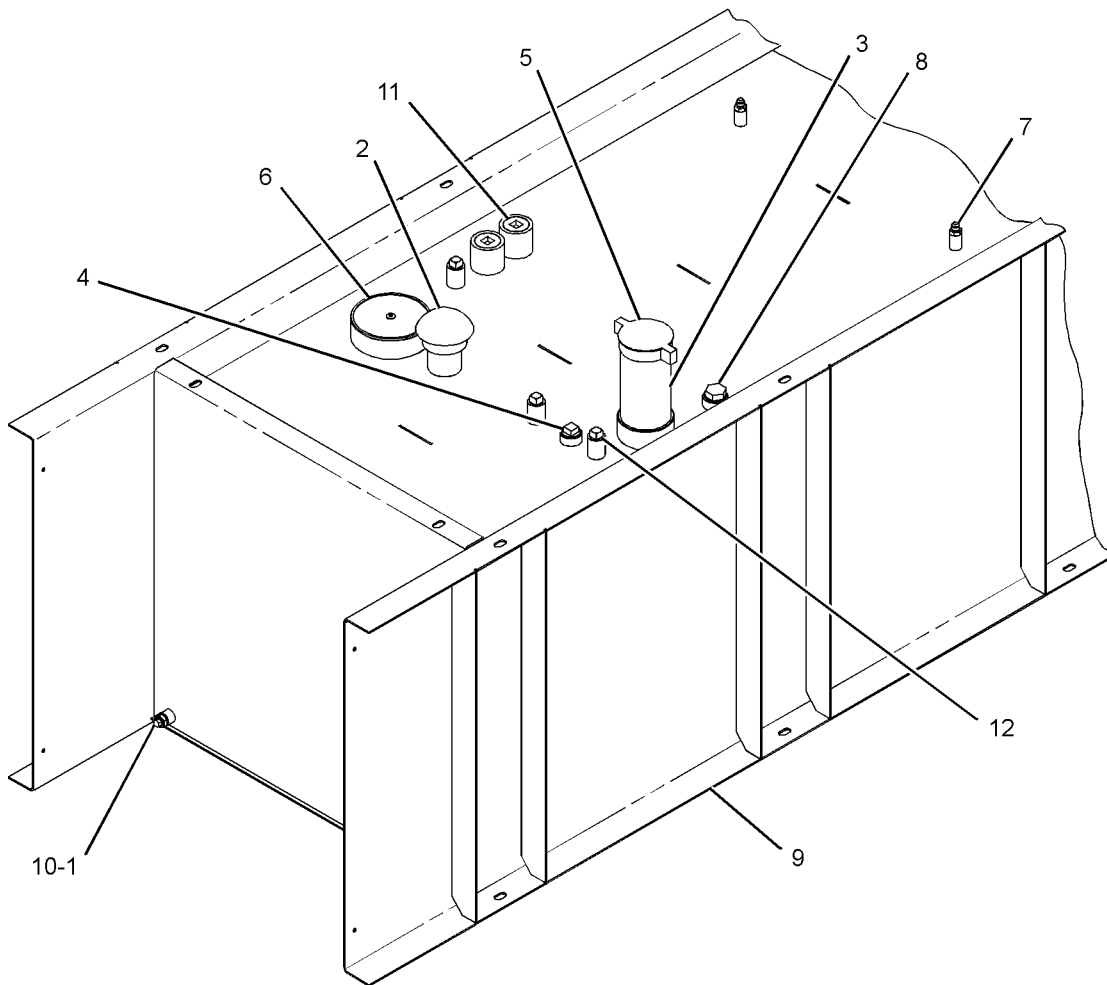
S/N: C5H1-UP
2585 LITER/683 GALLON
AN ATTACHMENT

SMCS-1273, 7060

i02672465

NOTE	REF NO	GRAPHIC REF	PART NUMBER	QTY	PART NAME						SEE PAGE
					1	2	3	4	5	6 (PRODUCT LEVEL)	
Y	1	1	172-8660	1	SWITCH GP-LIQUID LEVEL (FUEL)						520
	2	1	245-2875	1	VENT (FUEL)						
	3	1	254-8096	1	PIPE						
	4	1	068-0710	1	PLUG-PIPE						
	5	1	242-8298	1	CAP AS-FUEL						
	6	1	246-0994	2	VALVE (PRESSURE RELEASE)						
	7	1	268-1477	2	PIPE-FUEL						
	8	1	268-1483	1	GAUGE (FUEL LEVEL)						
	9	1	279-6913	1	BASE AS-FUEL TANK						
	10	1	2M-9780	1	SEAL-O-RING						
	11	1	6V-1897	2	PLUG-PIPE						
	12	1	7L-2505	4	PLUG-PIPE						

Y-SEPARATE ILLUSTRATION



GRAPHIC #1

<END>

g01280673

FUEL SYSTEM

279-7065 BASE GP-FUEL TANK

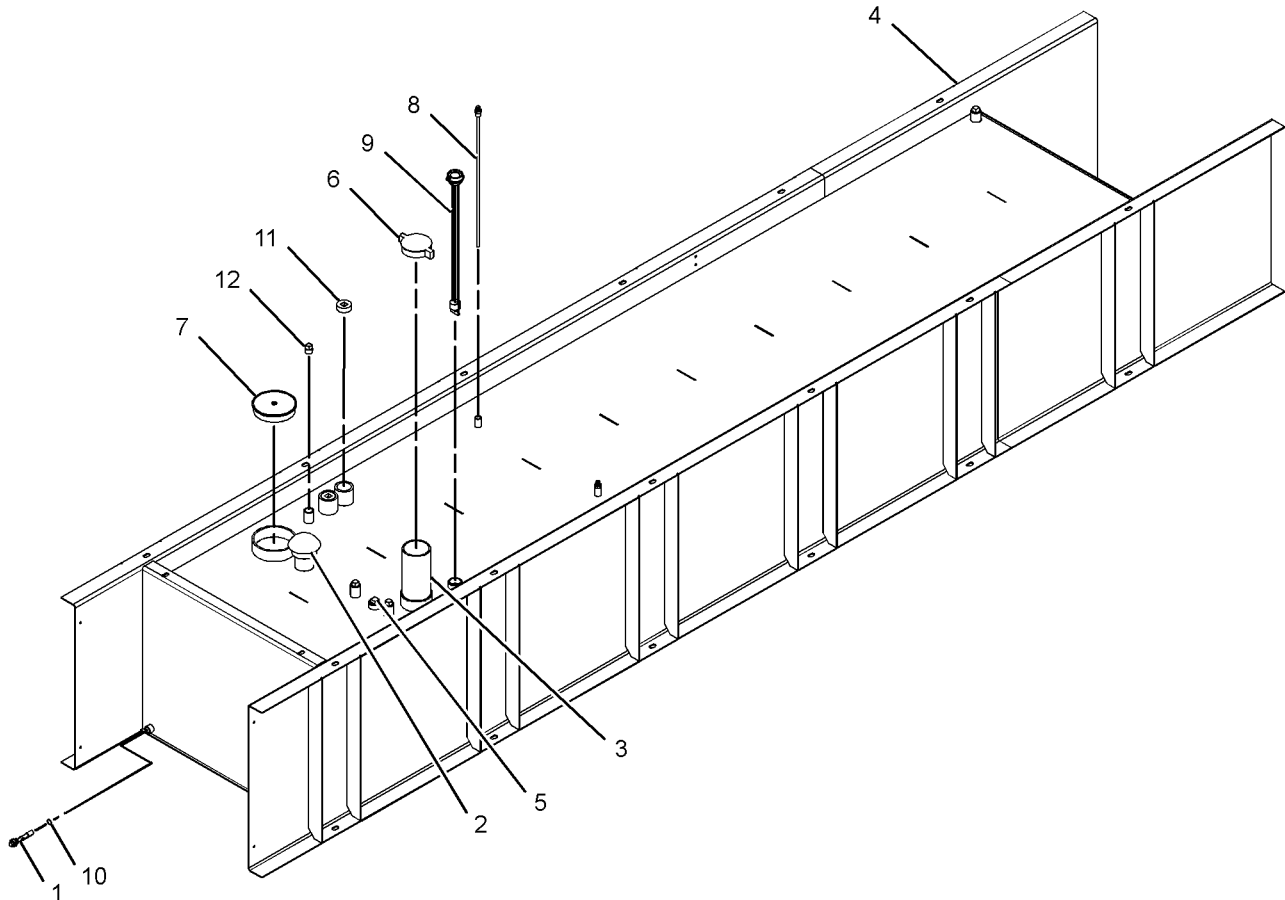
S/N: C5H1-UP
2624 LITER/693 GALLON
AN ATTACHMENT

SMCS-1273, 7060

i02672462

NOTE	REF NO	GRAPHIC REF	PART NUMBER	QTY	PART NAME						SEE PAGE
					1	2	3	4	5	6 (PRODUCT LEVEL)	
Y	1	1	172-8660	1	SWITCH GP-LIQUID LEVEL (FUEL)						520
	2	1	245-2875	1	VENT						
	3	1	254-8096	1	PIPE						
	4	1	279-7064	1	BASE AS-FUEL TANK						
	5	1	068-0710	1	PLUG-PIPE						
	6	1	242-8298	1	CAP AS-FUEL						
	7	1	246-0994	2	VALVE (PRESSURE RELEASE)						
	8	1	268-1476	2	PIPE-FUEL						
	9	1	268-1482	1	GAUGE (FUEL LEVEL)						
	10	1	2M-9780	1	SEAL-O-RING						
	11	1	6V-1897	2	PLUG-PIPE						
	12	1	7L-2505	4	PLUG-PIPE						

Y-SEPARATE ILLUSTRATION



GRAPHIC #1

<END>

g01287360

FUEL SYSTEM

279-7081 BASE GP-FUEL TANK

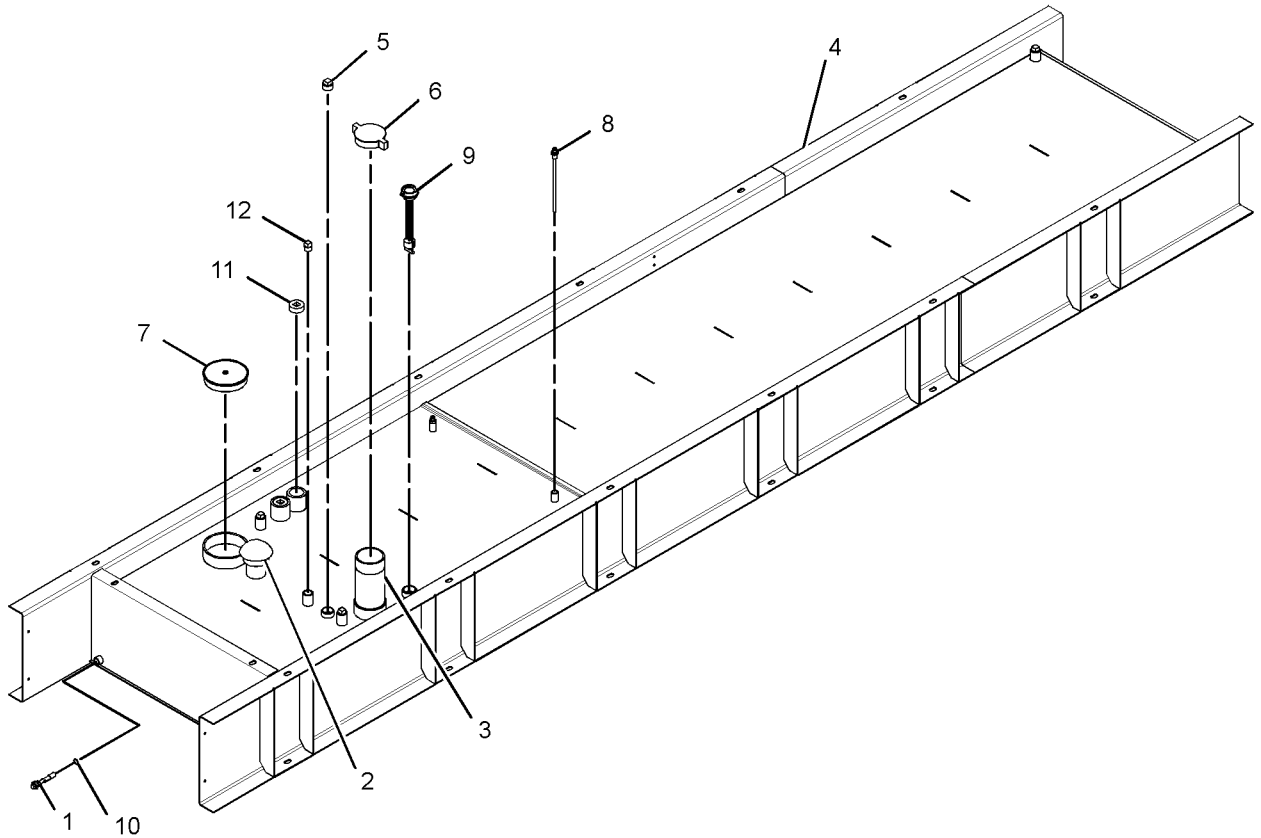
S/N: C5H1-UP
1127 LITER/297 GALLON
AN ATTACHMENT

SMCS-1273, 7060

i03242695

NOTE	REF NO	GRAPHIC REF	PART NUMBER	QTY	PART NAME						SEE PAGE
					1	2	3	4	5	6 (PRODUCT LEVEL)	
Y	1	1	172-8660	1	SWITCH GP-LIQUID LEVEL (FUEL)						520
	2	1	245-2875	1	VENT						
	3	1	254-8096	1	PIPE						
	4	1	279-7080	1	BASE AS-FUEL TANK						
	5	1	068-0710	1	PLUG-PIPE						
	6	1	242-8298	1	CAP AS-FUEL						
	7	1	246-0994	2	VALVE (PRESSURE RELEASE)						
	8	1	268-1474	2	PIPE-FUEL						
	9	1	268-1480	1	GAUGE-FUEL LEVEL						
	10	1	2M-9780	1	SEAL-O-RING						
	11	1	6V-1897	2	PLUG-PIPE						
	12	1	7L-2505	4	PLUG-PIPE						

Y-SEPARATE ILLUSTRATION



GRAPHIC #1

<END>

g01286444

FUEL SYSTEM

279-7085 BASE GP-FUEL TANK

S/N: C5H1-UP

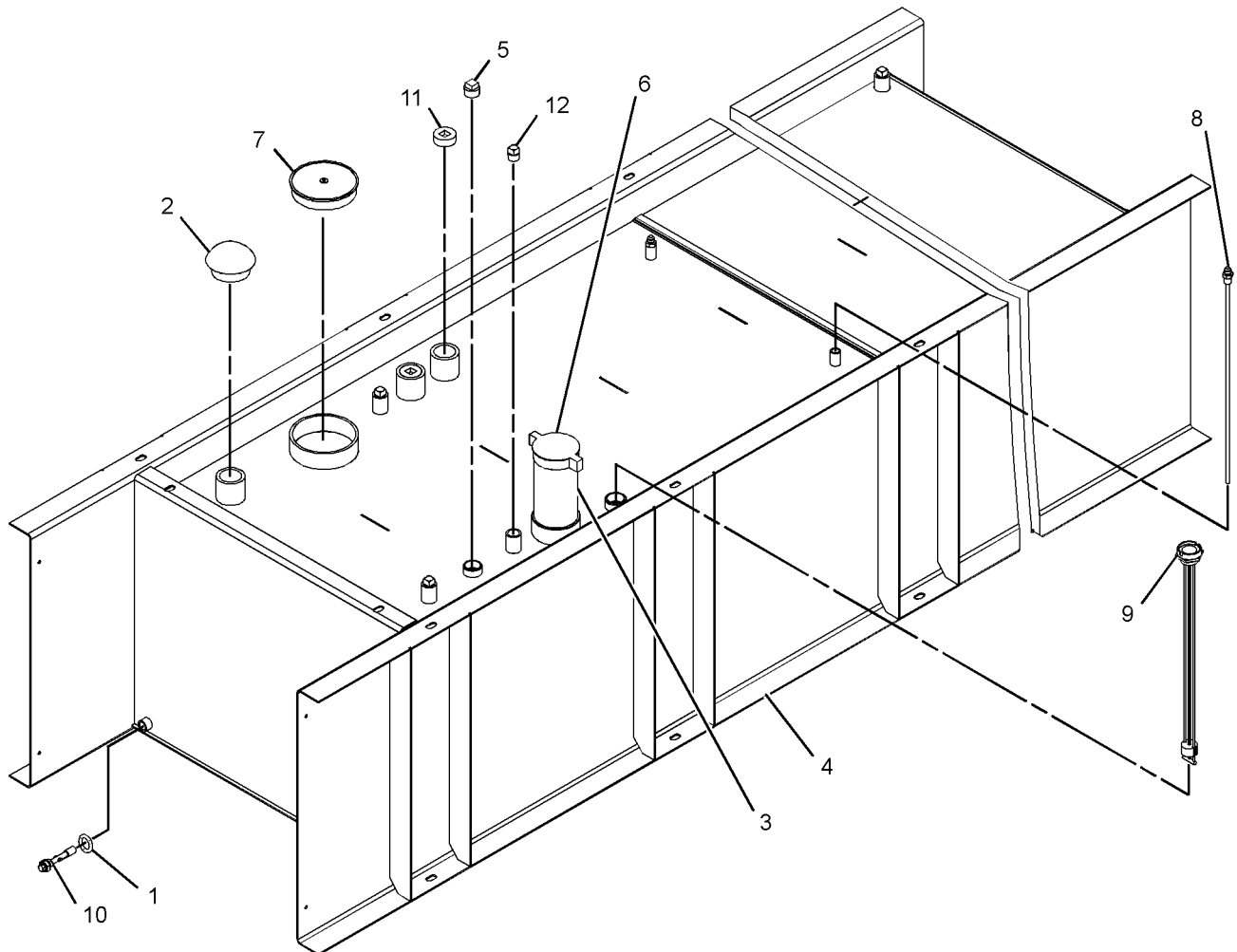
2942 LITER/777 GALLON
AN ATTACHMENT

SMCS-1273, 7060

i02662131

NOTE	REF NO	GRAPHIC REF	PART NUMBER	QTY	PART NAME						SEE PAGE
					1	2	3	4	5	6 (PRODUCT LEVEL)	
Y	1	1	172-8660	1	SWITCH GP-LIQUID LEVEL (FUEL)						520
	2	1	245-2875	1	VENT						
	3	1	254-8096	1	PIPE						
	4	1	279-7084	1	BASE AS-FUEL TANK						
		1	3B-6489	2	COUPLING-PIPE						
		1	3B-6491	4	COUPLING-PIPE						
		1	022-0234	3	COUPLING						
	5	1	068-0710	1	PLUG-PIPE						
	6	1	242-8298	1	CAP AS-FUEL						
	7	1	246-0994	2	VALVE (PRESSURE RELEASE)						
	8	1	268-1476	2	PIPE-FUEL						
	9	1	268-1482	1	GAUGE (FUEL LEVEL)						
	10	1	2M-9780	1	SEAL-O-RING						
	11	1	6V-1897	2	PLUG-PIPE						
	12	1	7L-2505	4	PLUG-PIPE						

Y-SEPARATE ILLUSTRATION



GRAPHIC #1

<END>

g01292098

FUEL SYSTEM

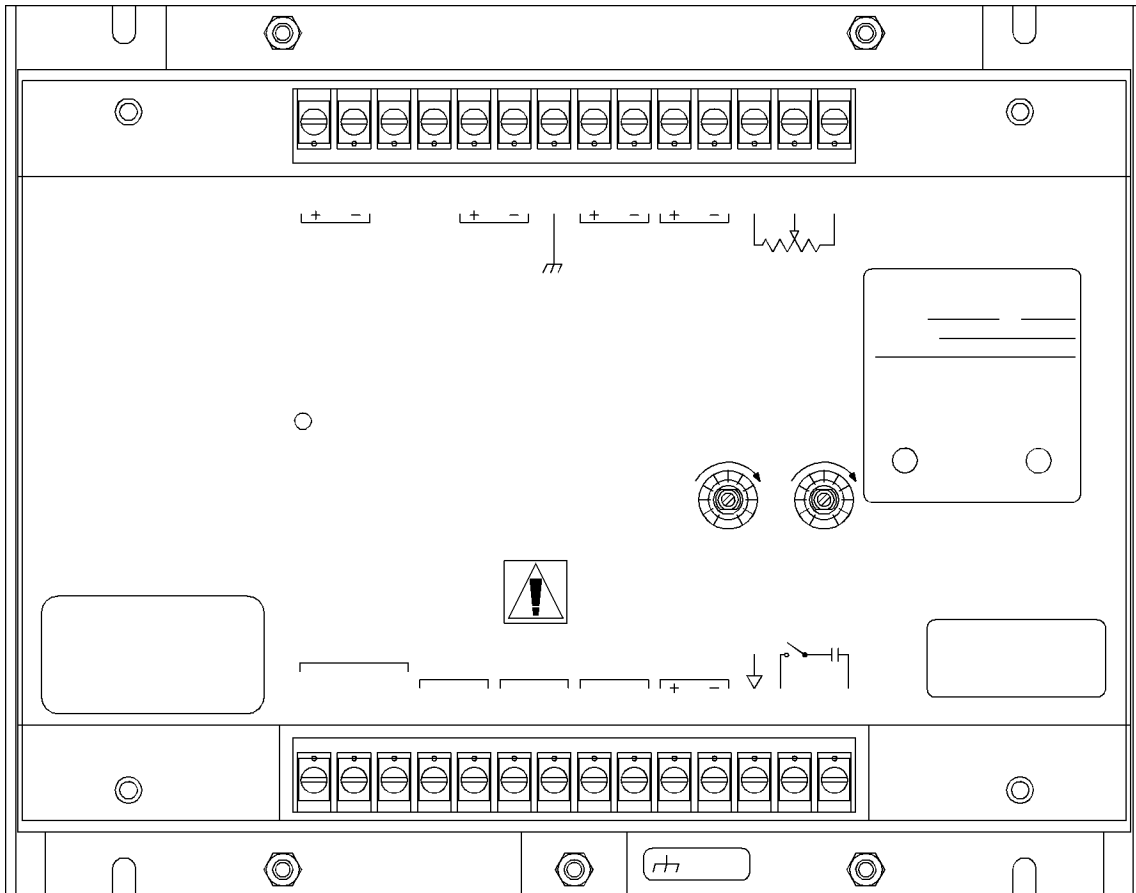
161-0797 CONTROL AS-GOVERNOR-LOAD SHARE

S/N: C5H1-UP
AN ATTACHMENT

SMCS-1264

i01979207

NOTE	REF NO	GRAPHIC REF	PART NUMBER	QTY	PART NAME	SEE PAGE
					1 2 3 4 5 6 (PRODUCT LEVEL)	
(NO SERVICED PARTS)						



GRAPHIC #1

<END>

g01026187

FUEL SYSTEM

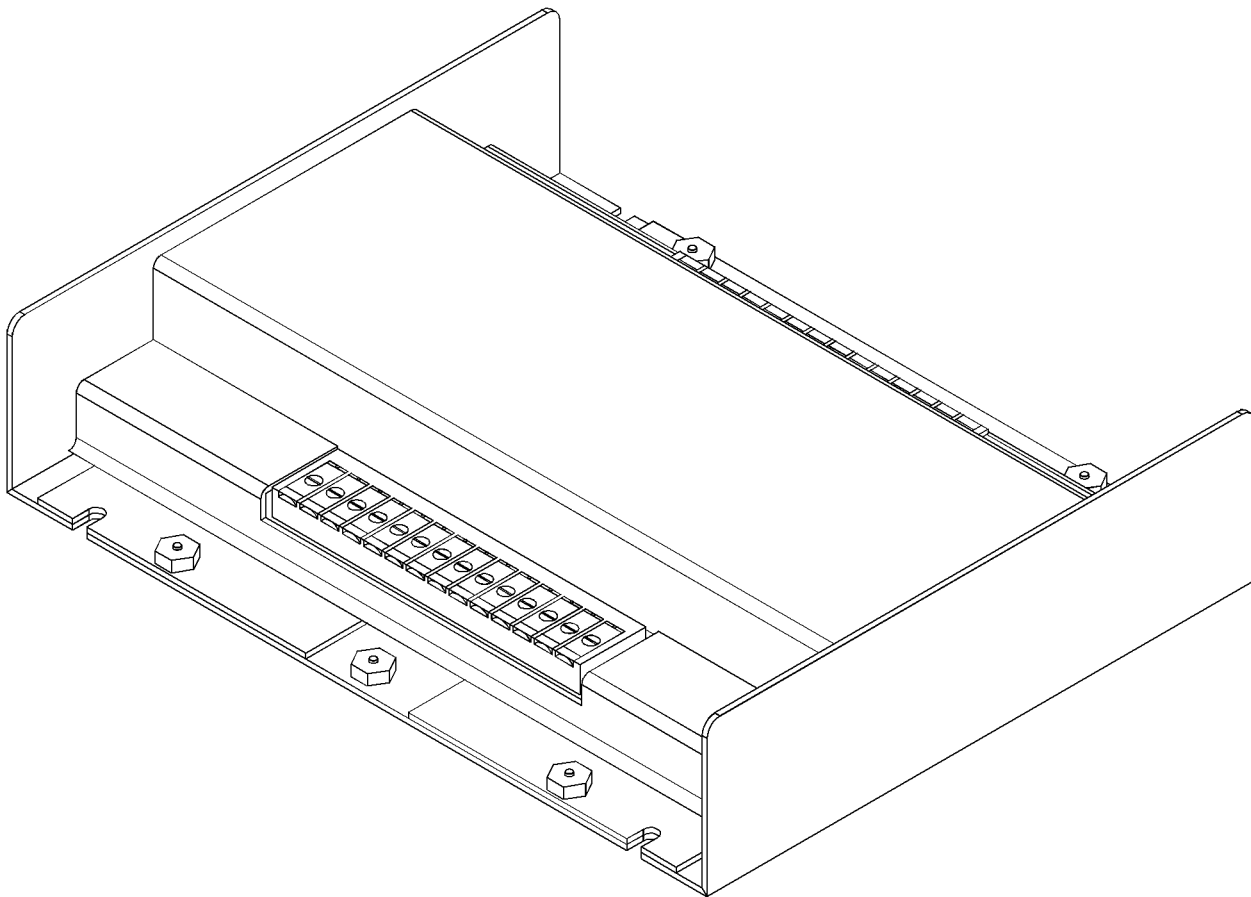
309-1583 CONTROL AS-GOVERNOR-LOAD SHARE

S/N: C5H1-UP
AN ATTACHMENT

SMCS-1264

i02775402

NOTE	REF NO	GRAPHIC REF	PART NUMBER	QTY	PART NAME						SEE PAGE
					1	2	3	4	5	6 (PRODUCT LEVEL)	
(NO SERVICED PARTS)											



GRAPHIC #1

<END>

g01388304

FUEL SYSTEM

225-4152 FILTER GP-FUEL

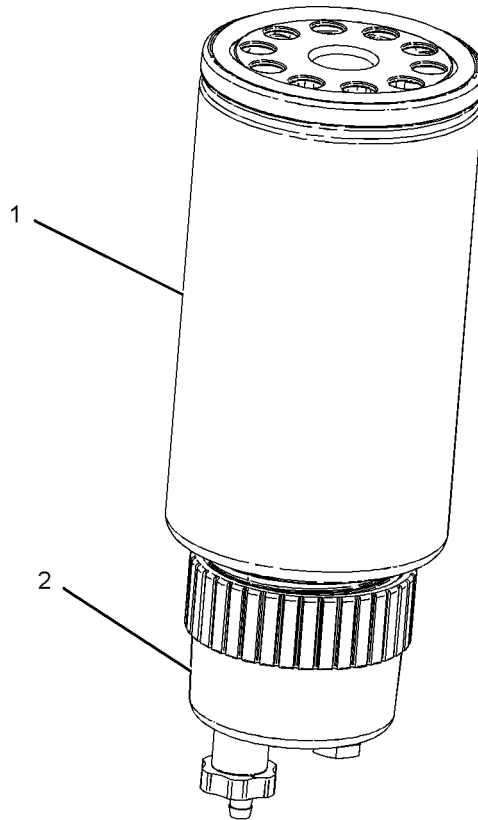
S/N: FFH335-UP

PART OF 225-4153 FILTER GP-WATER SEP & FUEL

SMCS-1261

i03149562

NOTE	REF NO	GRAPHIC REF	PART NUMBER	QTY	PART NAME						SEE PAGE
					1	2	3	4	5	6 (PRODUCT LEVEL)	
	1	1	326-1641	1	FILTER AS-WATER SEP & FUEL						
		1	220-8678	1	SEAL-RING (FUEL AND WATER SEP FILTER)						
	2	1	270-5320	1	BOWL AS						



1

2

<END>

GRAPHIC #1

g01076481

FUEL SYSTEM

254-9354 FILTER GP-FUEL

S/N: FFH1-UP

SMCS-1261

i03097201

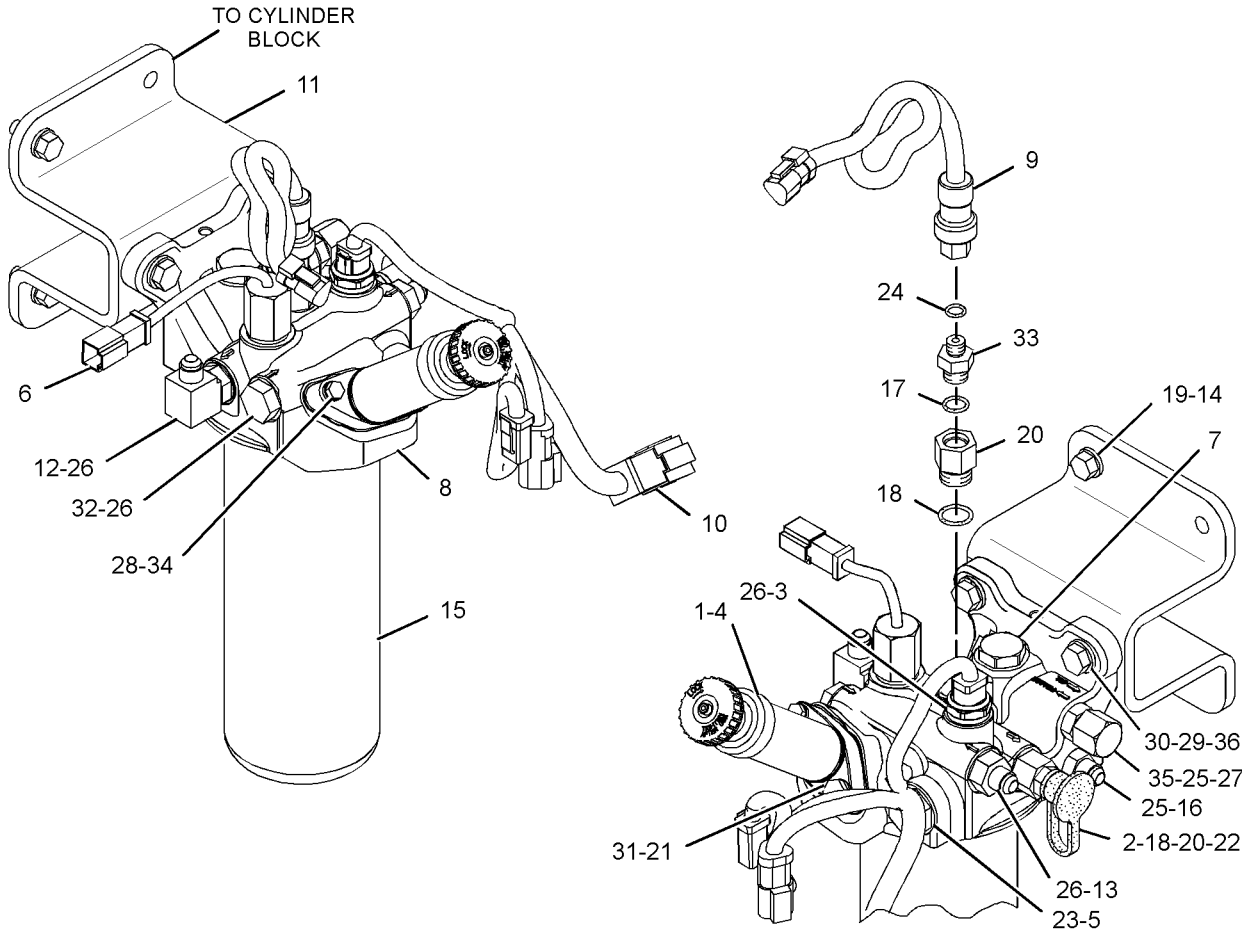
NOTE	REF NO	GRAPHIC REF	PART NUMBER	QTY	PART NAME						SEE PAGE
					1	2	3	4	5	6 (PRODUCT LEVEL)	
	1	1	1P-0436	1	GASKET (FUEL PRIMING PUMP)						
	2	1	6V-0852	1	CAP-DUST						
	3	1	264-4297	1	SENSOR GP-TEMPERATURE (FUEL)						
	4	1	137-5541	1	PUMP GP-FUEL PRIMING						
		1	061-7539	1	SEAL-O-RING						
Y	5	1	139-6873	1	VALVE GP-FUEL BYPASS						287
Y	6	1	258-0883	1	SWITCH GP-PRESSURE (FUEL)						521
Y	7	1	233-6742	1	VALVE GP-CHECK (FUEL)						285
	8	1	237-9314	1	BASE AS						
		1	9S-4167	1	STUD-HOLLOW (1-14X1.47-IN)						
Y	9	1	239-2396	1	SENSOR GP-PRESSURE (FUEL)						446
	10	1	240-8721	1	HARNES AS-ENGINE (FUEL FILTER)						
		1	102-8803	1	KIT-RECEPTACLE (3-PIN) (INCLUDES RECEPTACLE AS AND WEDGE)						
		1	102-8806	1	KIT-RECEPTACLE (8-PIN) (INCLUDES RECEPTACLE AS AND WEDGE)						
		1	8T-8737	1	PLUG-SEAL						
		1	155-2270	2	KIT-CONNECTING PLUG (2-PIN) (EACH INCLUDES PLUG AS AND WEDGE)						
	11	1	240-9567	1	BRACKET AS						
	12	1	005-4362	1	ELBOW						
	13	1	030-8188	1	CONNECTOR						
	14	1	0S-1594	2	BOLT (3/8-16X1-IN)						
	15	1	1R-0762	1	FILTER-FUEL (ADVANCED EFFICIENCY)						
	16	1	2R-6806	1	CONNECTOR-O-RING						
	17	1	3J-1907	1	SEAL-O-RING						
	18	1	3K-0360	1	SEAL-O-RING						
	19	1	5M-2894	2	WASHER-HARD (10.2X18.5X2.5-MM THK)						
	20	1	5P-6944	1	ADAPTER						
M	21	1	6V-2317	1	BOLT (M8X1.25X30-MM)						
	22	1	6V-3965	1	FITTING (QUICK DISCONNECT)						
	23	1	6V-4589	1	SEAL-O-RING						
	24	1	6V-5048	1	SEAL-O-RING						
	25	1	6V-5049	2	SEAL-O-RING						
	26	1	8L-2786	4	SEAL-O-RING						
	27	1	8S-4951	1	CAP (FLARED)						
M	28	1	8T-0640	1	BOLT (M6X1X30-MM)						
	29	1	8T-4121	4	WASHER-HARD (11X21X2.5-MM THK)						
M	30	1	8T-4186	2	BOLT (M10X1.5X40-MM)						
	31	1	9M-1974	1	WASHER-HARD (8.8X16X2-MM THK)						
	32	1	197-0714	1	PLUG						
	33	1	9X-0261	1	ADAPTER						
	34	1	9X-8267	1	WASHER (6.6X12X2-MM THK)						
	35	1	8M-0506	1	ADAPTER-O-RING						
M	36	1	8T-4133	2	NUT (M10X1.5-THD)						

M-METRIC PART
Y-SEPARATE ILLUSTRATION

FUEL SYSTEM

254-9354 FILTER GP-FUEL (contd.)

i03097201



GRAPHIC #1

<END>

g01571248

FUEL SYSTEM

133-5671 FILTER GP-WATER SEP & FUEL

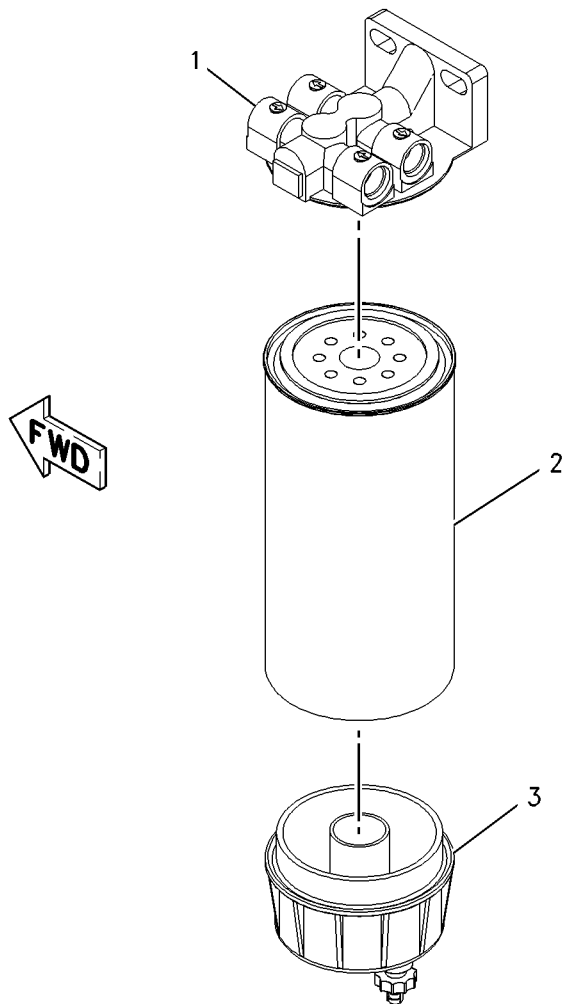
S/N: FFH1-UP

SMCS-1261, 1263

i03260602

NOTE	REF NO	GRAPHIC REF	PART NUMBER	QTY	PART NAME						SEE PAGE
					1	2	3	4	5	6 (PRODUCT LEVEL)	
	1	1	137-4367	1	BASE AS						
	2	1	133-5673	1	ELEMENT-WATER SEPARATOR (PRIMARY)						
	3	1	129-0375	1	BOWL AS-WATER COLLECTION						
AB			155-2629	1	HEATER GP-FUEL (WATER SEPARATOR, 12-VOLT)						
AB			157-1206	1	BOWL AS-WATER COLLECTION (24-VOLT HEATER)						
ABF			141-0284	1	KIT-FUEL FILTER & WATER SEP (INCLUDES SEALS & GASKETS) (THIS KIT PROVIDES REPLACEMENT SEALS FOR THOSE DAMAGED DURING INSTALLATION OF REPLACEMENT ELEMENT &/OR BOWL)						

A-NOT PART OF THIS GROUP
 B-USE AS REQUIRED
 F-NOT SHOWN



GRAPHIC #1

<END>

g00986128

FUEL SYSTEM

225-4153 FILTER GP-WATER SEP & FUEL

S/N: FFH335-UP

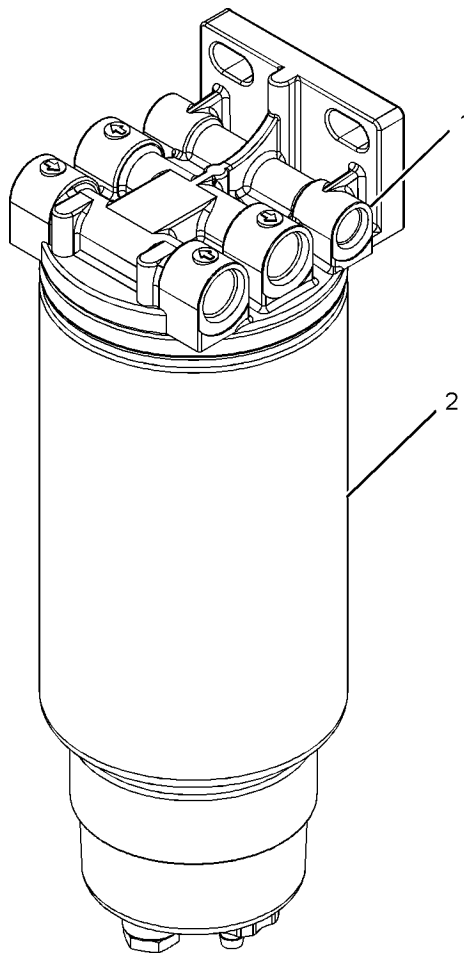
PART OF 264-2467 FILTER GP-WATER SEP & FUEL

SMCS-1261, 1263

i03149564

NOTE	REF NO	GRAPHIC REF	PART NUMBER	QTY	PART NAME						SEE PAGE
					1	2	3	4	5	6 (PRODUCT LEVEL)	
	1	1	195-1068	1	BASE AS-FUEL FILTER						
		1	9S-4167	1	STUD-HOLLOW (1-14X1.47-IN)						
Y	2	1	225-4152	1	FILTER GP-FUEL						253

Y-SEPARATE ILLUSTRATION



<END>

GRAPHIC #1

g01088831

FUEL SYSTEM

264-2467 FILTER GP-WATER SEP & FUEL

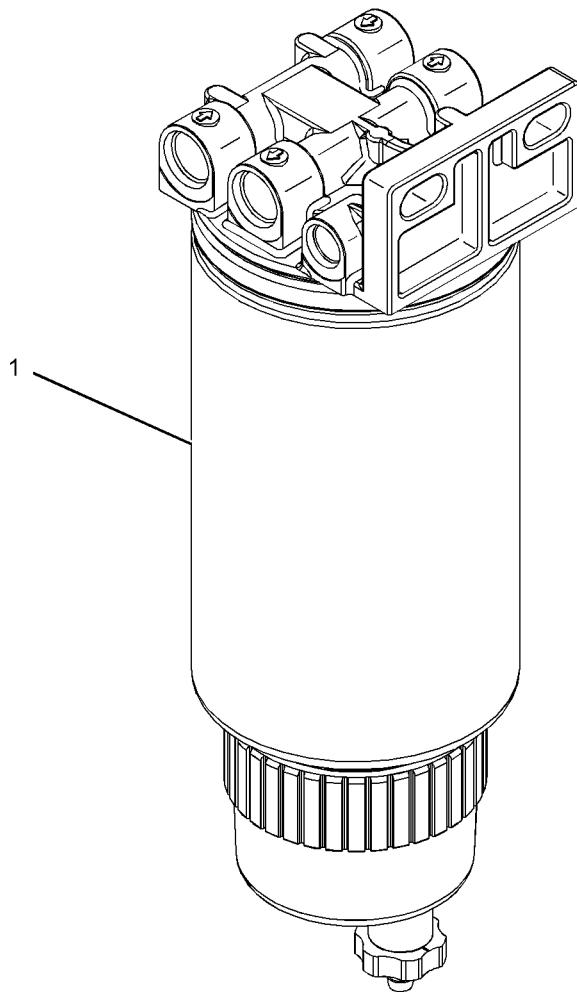
S/N: FFH1-UP

SMCS-1261, 1263

i02476620

NOTE	REF NO	GRAPHIC REF	PART NUMBER	QTY	PART NAME						SEE PAGE
					1	2	3	4	5	6 (PRODUCT LEVEL)	
Y	1	1	225-4153	1	FILTER GP-WATER SEP & FUEL						257

Y-SEPARATE ILLUSTRATION



GRAPHIC #1

<END>

g01187275

FUEL SYSTEM

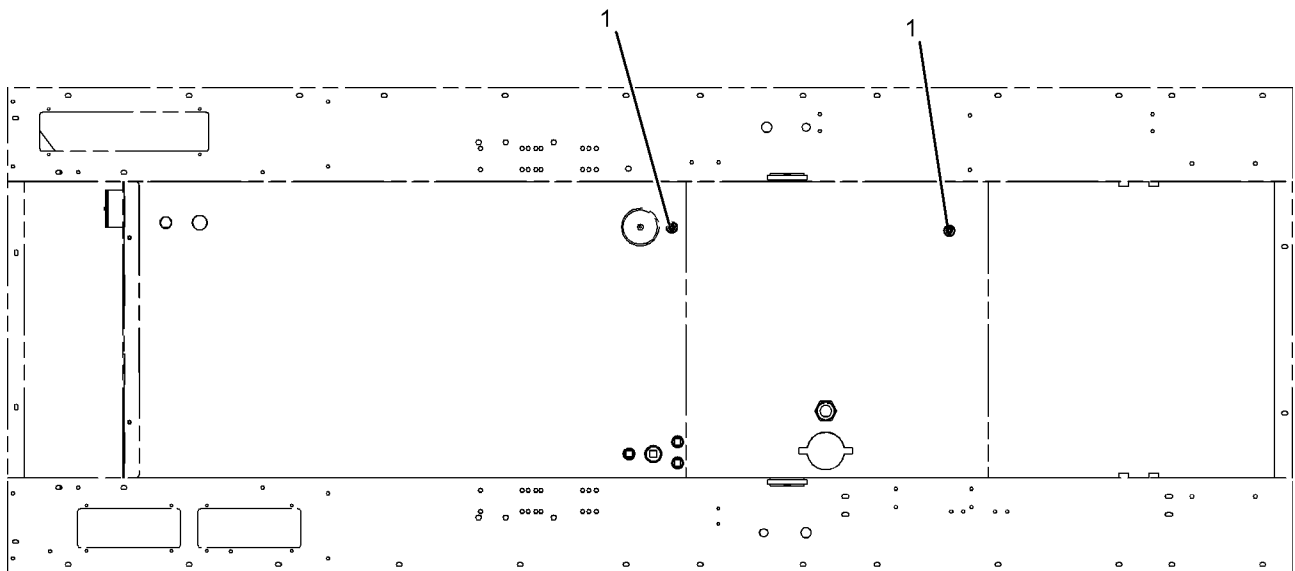
244-9578 FITTING GP-FUEL LINES

S/N: C5H1-UP
AN ATTACHMENT

SMCS-1274

i02063529

NOTE	REF NO	GRAPHIC REF	PART NUMBER	QTY	PART NAME						SEE PAGE
					1	2	3	4	5	6 (PRODUCT LEVEL)	
	1	1	8S-4951	2	CAP (FLARED) (FUEL)						



TOP VIEW



GRAPHIC #1

<END>

g01042130

FUEL SYSTEM

254-9353 LINES GP-FUEL

S/N: FFH1-UP

SMCS-1274

i02315990

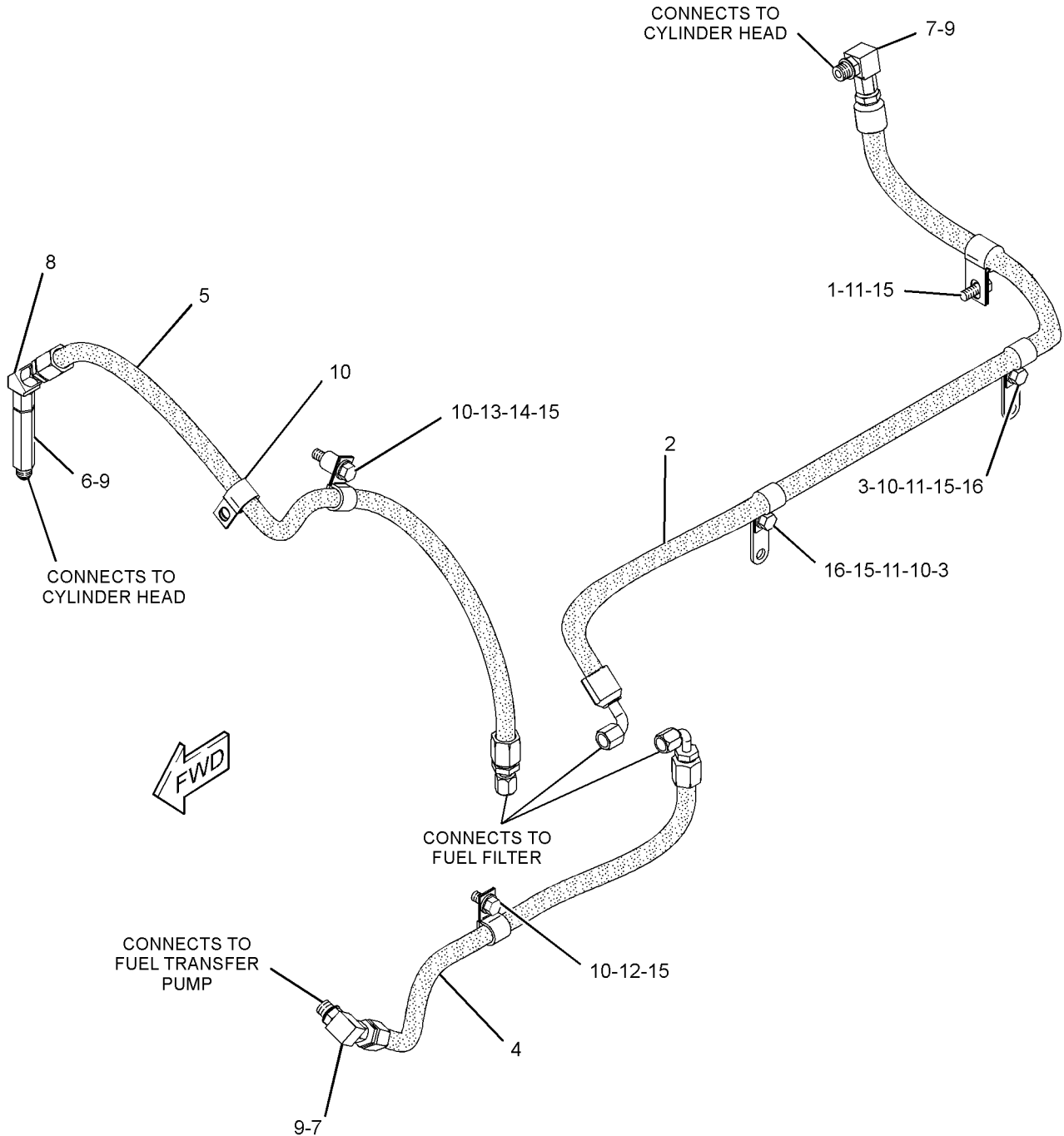
NOTE	REF NO	GRAPHIC REF	PART NUMBER	QTY	PART NAME						SEE PAGE
					1	2	3	4	5	6 (PRODUCT LEVEL)	
	1	1	4D-7735	1	CLIP						
I	2	1	4P-0902	1	HOSE AS						
	3	1	118-7809	2	PLATE						
I	4	1	253-3265	1	HOSE AS						
I	5	1	253-3266	1	HOSE AS						
	6	1	030-7937	1	CONNECTOR-PORT						
	7	1	030-7947	2	ELBOW						
	8	1	030-7962	1	ELBOW						
	9	1	033-6042	3	SEAL-O-RING						
	10	1	067-2551	5	CLIP						
	11	1	0L-1351	3	BOLT (3/8-16X0.875-IN)						
	12	1	0S-0509	1	BOLT (3/8-16X0.75-IN)						
	13	1	0S-1591	1	BOLT (3/8-16X1.5-IN)						
	14	1	2A-2677	1	SPACER (10.7X17.14X19.05-MM THK)						
	15	1	5M-2894	7	WASHER-HARD (10.2X18.5X2.5-MM THK)						
	16	1	9S-8752	2	NUT-FULL (3/8-16-THD)						

I-REFER TO HYDRAULIC INFORMATION SYSTEM

FUEL SYSTEM

254-9353 LINES GP-FUEL (contd.)

i02315990



GRAPHIC #1

<END>

g01163664

FUEL SYSTEM

269-0483 LINES GP-FUEL

S/N: C5H1-125

AN ATTACHMENT

SMCS-1274

i02431601

NOTE	REF NO	GRAPHIC REF	PART NUMBER	QTY	PART NAME						SEE PAGE
					1	2	3	4	5	6 (PRODUCT LEVEL)	
I	1	1	265-0745	1	HOSE AS						
I	2	1	269-2571	1	HOSE AS						
I	3	1	269-2572	1	HOSE AS						
	4	1	5M-3062	1	BOLT (3/8-16X0.75-IN)						
	5	1	1S-0994	1	CLIP						
	6	1	8T-4896	1	WASHER-HARD (10.2X18.5X2.5-MM THK)						
E	7	1	5P-1442		HOSE (69-CM)						

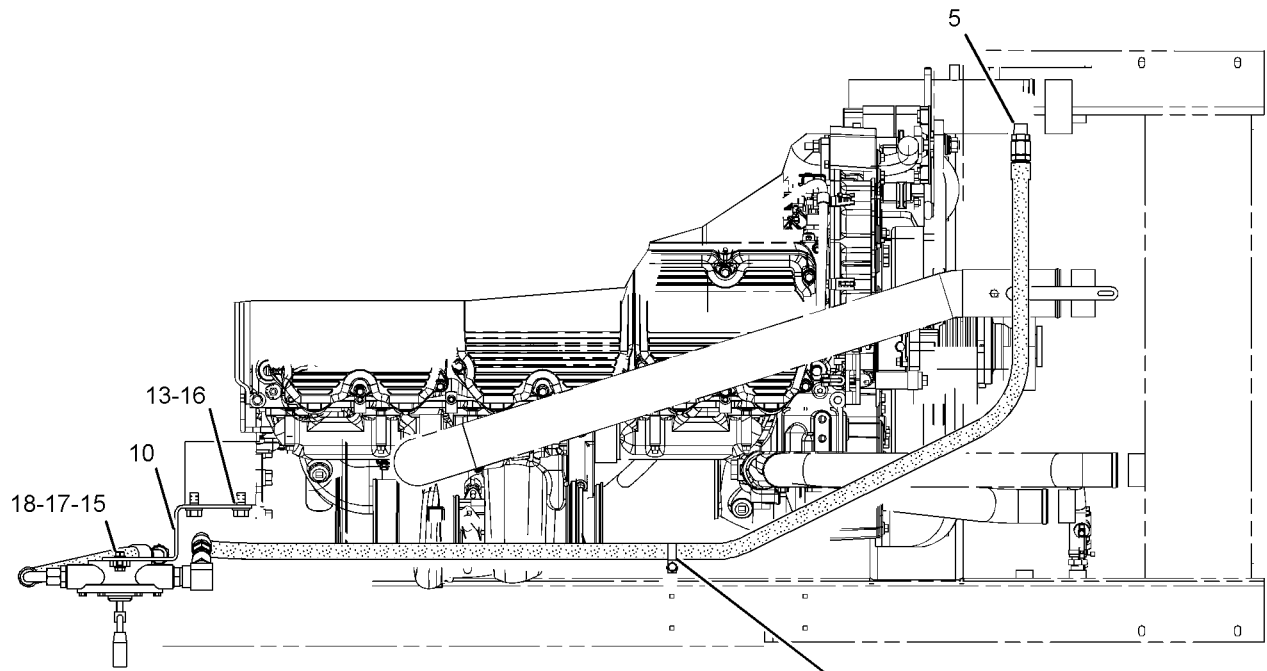
E-ORDER BY THE CENTIMETER

I-REFER TO HYDRAULIC INFORMATION SYSTEM

FUEL SYSTEM

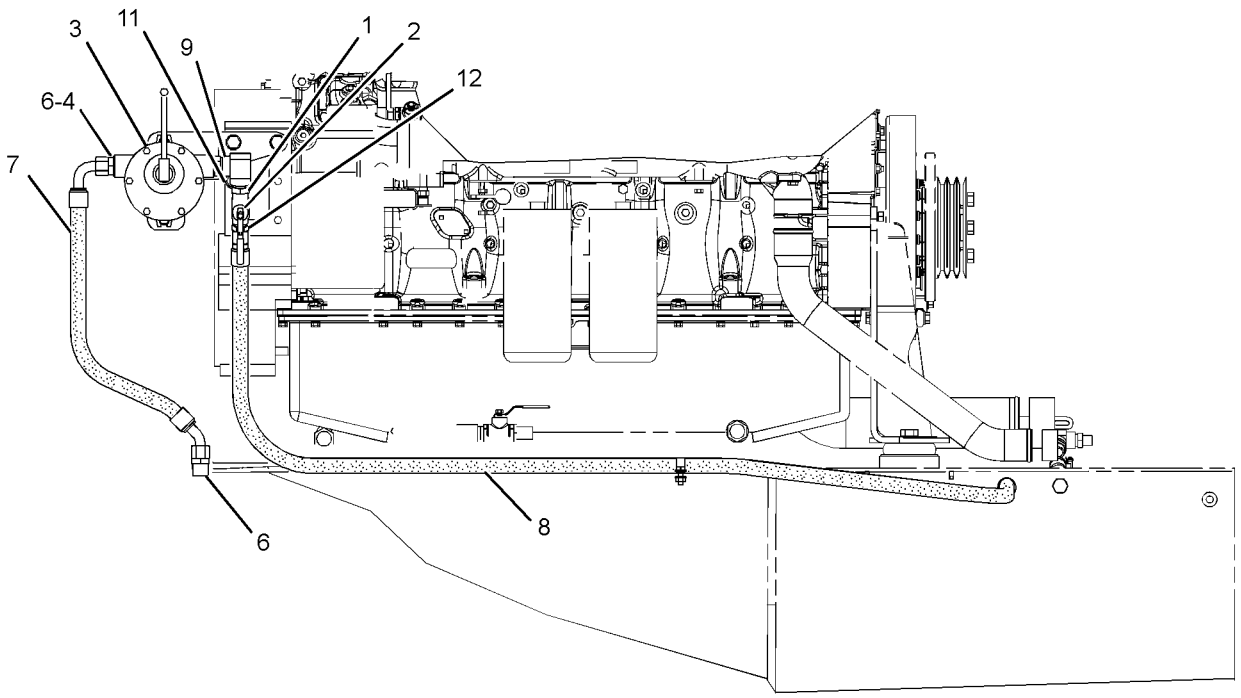
269-0483 LINES GP-FUEL (contd.)

i02431601



TOP VIEW

14-18-15-17



RIGHT SIDE VIEW

GRAPHIC #1

<END>

g01188501

FUEL SYSTEM

269-0483 LINES GP-FUEL

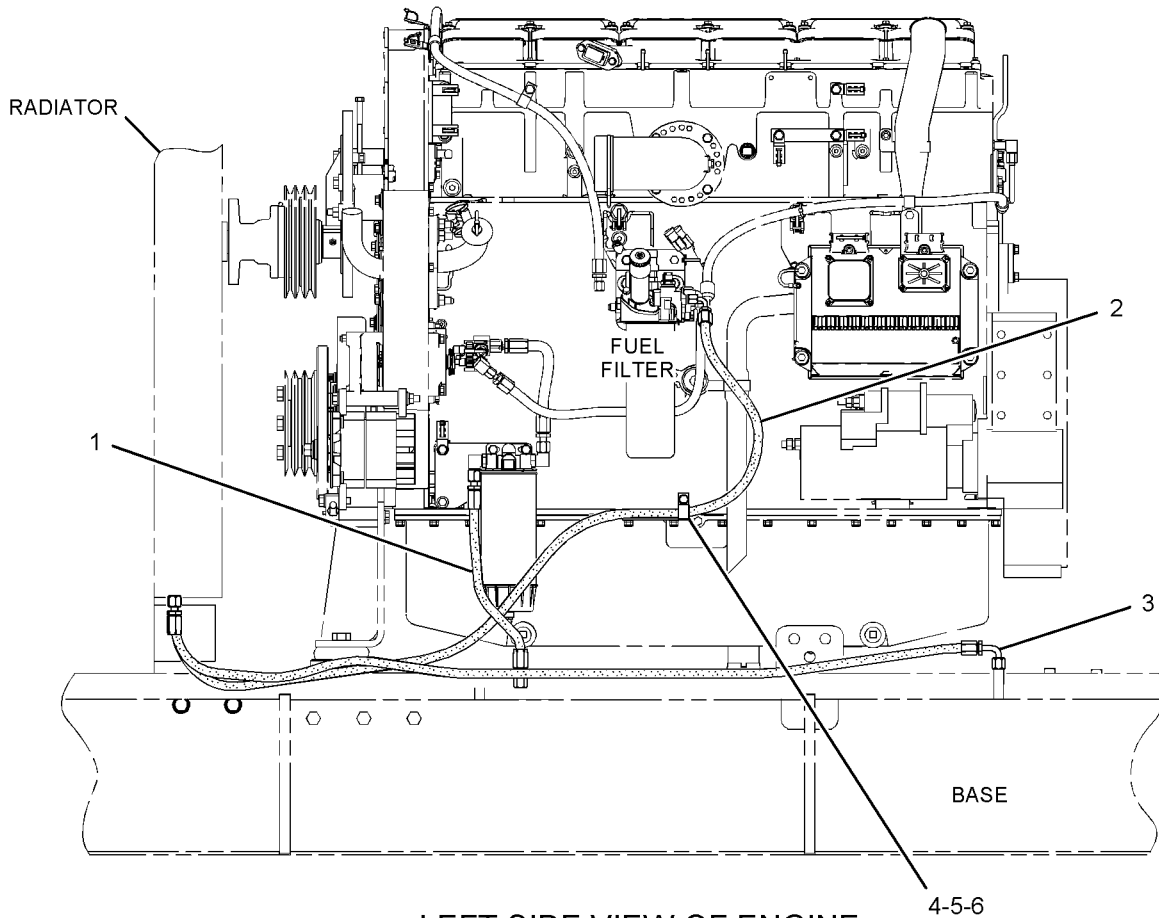
S/N: C5H126-UP
AN ATTACHMENT

SMCS-1274

i02583671

NOTE	REF NO	GRAPHIC REF	PART NUMBER	QTY	PART NAME						SEE PAGE
					1	2	3	4	5	6 (PRODUCT LEVEL)	
C	1	1	240-6070	1	HOSE AS						
I	2	1	265-0745	1	HOSE AS						
I	3	1	269-2571	1	HOSE AS						
	4	1	1S-0994	1	CLIP						
	5	1	5M-3062	1	BOLT (3/8-16X0.75-IN)						
	6	1	8T-4896	1	WASHER-HARD (10.2X18.5X2.5-MM THK)						

C-CHANGE FROM PREVIOUS TYPE
I-REFER TO HYDRAULIC INFORMATION SYSTEM



LEFT SIDE VIEW OF ENGINE

GRAPHIC #1

<END>

g01320605

FUEL SYSTEM

269-7403 LINES GP-FUEL

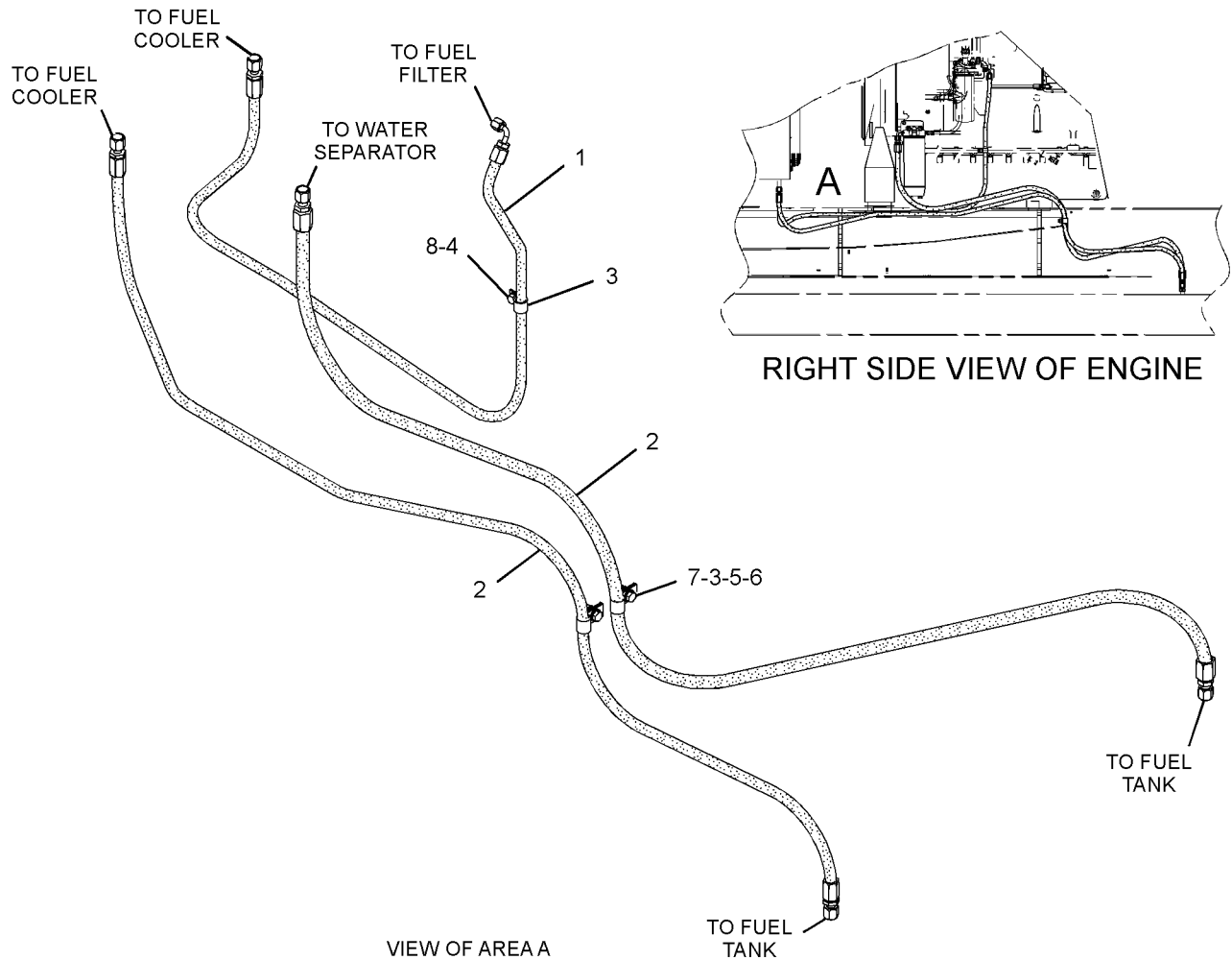
S/N: C5H1-UP
SUB BASE
AN ATTACHMENT

SMCS-1274

i02424510

NOTE	REF NO	GRAPHIC REF	PART NUMBER	QTY	PART NAME						SEE PAGE
					1	2	3	4	5	6 (PRODUCT LEVEL)	
	1	1	265-0745	1	HOSE AS						
	2	1	269-2455	2	HOSE AS						
	3	1	1S-0994	3	CLIP						
	4	1	5M-3062	1	BOLT (3/8-16X0.75-IN)						
	5	1	8T-4121	4	WASHER-HARD (11X21X2.5-MM THK)						
M	6	1	8T-4133	2	NUT (M10X1.5-THD)						
M	7	1	8T-4195	2	BOLT (M10X1.5X30-MM)						
	8	1	8T-4896	1	WASHER-HARD (10.2X18.5X2.5-MM THK)						

M-METRIC PART



GRAPHIC #1

VIEW OF AREA A

<END>

g01275133

FUEL SYSTEM

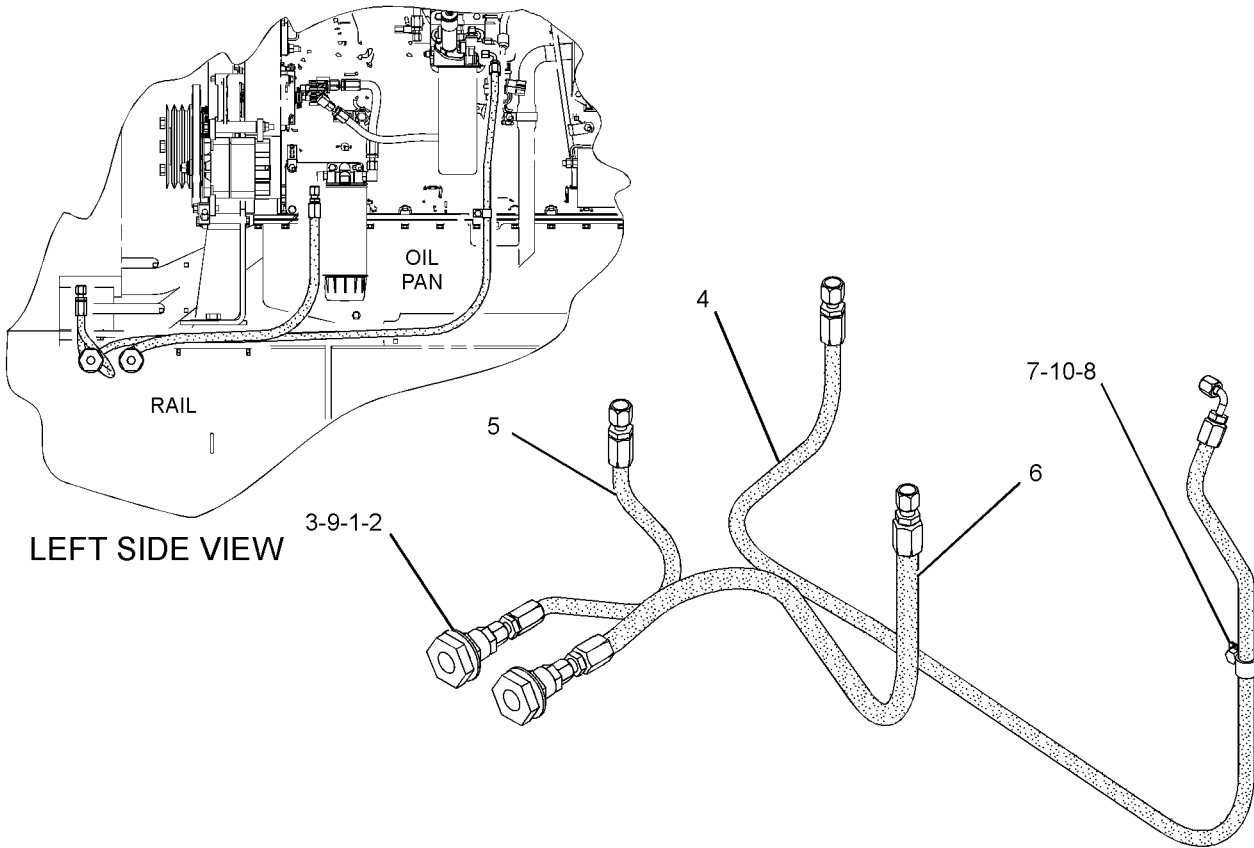
272-0225 LINES GP-FUEL

S/N: C5H1-UP
AN ATTACHMENT

SMCS-1274

i02434594

NOTE	REF NO	GRAPHIC REF	PART NUMBER	QTY	PART NAME						SEE PAGE
					1	2	3	4	5	6 (PRODUCT LEVEL)	
	1	1	2P-1286	2	LOCKNUT-BULKHEAD (1-5/16-12-THD)						
	2	1	004-7626	2	CONNECTOR (FLARED)						
	3	1	237-7201	2	UNION (BULKHEAD)						
	4	1	265-0745	1	HOSE AS						
	5	1	265-0746	1	HOSE AS						
	6	1	265-0747	1	HOSE AS						
	7	1	1S-0994	1	CLIP						
	8	1	5M-3062	1	BOLT (3/8-16X0.75-IN)						
	9	1	7X-0606	2	WASHER-HARD (37X60X3-MM THK)						
	10	1	8T-4896	1	WASHER-HARD (10.2X18.5X2.5-MM THK)						



GRAPHIC #1

<END>

g01271520

FUEL SYSTEM

279-8774 LINES GP-FUEL

S/N: FFH1-192

SMCS-1274

i02590695

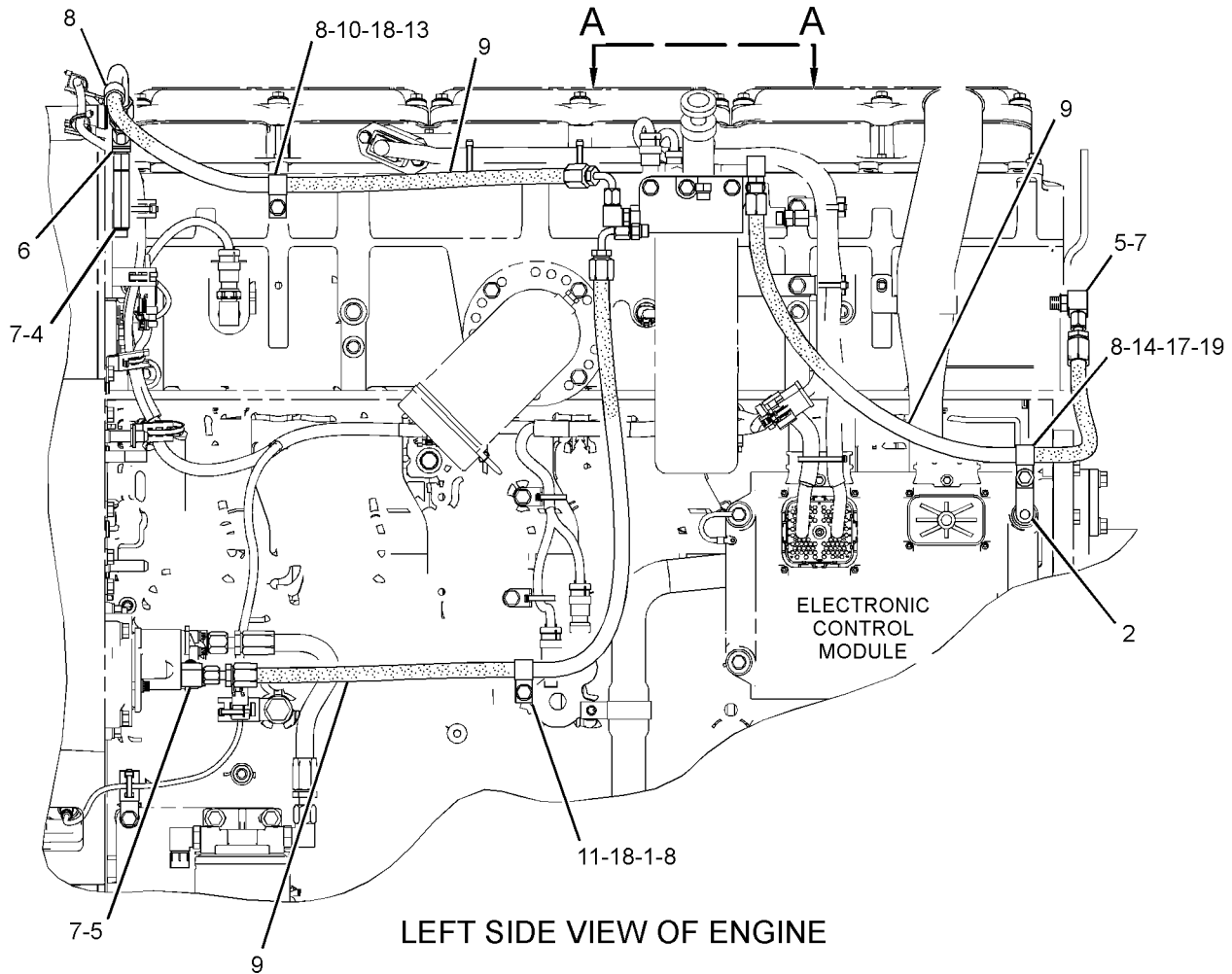
NOTE	REF NO	GRAPHIC REF	PART NUMBER	QTY	PART NAME						SEE PAGE
					1	2	3	4	5	6 (PRODUCT LEVEL)	
	1	1	108-3612	1	SPACER (11.13X19.05X53-MM THK)						
	2	1	118-7809	1	PLATE						
	3	1	137-5110	1	BRACKET						
	4	1	030-7937	1	CONNECTOR-PORT						
	5	1	030-7947	4	ELBOW						
	6	1	030-7962	1	ELBOW						
	7	1	033-6042	7	SEAL-O-RING						
	8	1	067-2551	4	CLIP						
I	9	1	166-5919	3	HOSE AS-FUEL						
	10	1	0S-1591	1	BOLT (3/8-16X1.5-IN)						
	11	1	0T-0065	1	BOLT (3/8-16X3.5-IN)						
	12	1	1A-2029	2	BOLT (3/8-16X1.125-IN)						
	13	1	2A-2677	1	SPACER (10.7X17.14X19.05-MM THK)						
	14	1	2B-2695	1	BOLT (5/16-18X0.875-IN)						
	15	1	2R-6806	2	CONNECTOR-O-RING						
	16	1	3B-1915	2	BOLT (3/8-16X1.375-IN)						
	17	1	3E-4352	2	WASHER-HARD (8.8X20.5X2.5-MM THK)						
	18	1	5M-2894	6	WASHER-HARD (10.2X18.5X2.5-MM THK)						
	19	1	5S-0003	1	NUT (5/16-18-THD)						
	20	1	6V-5049	1	SEAL-O-RING						
	21	1	8S-4950	1	CAP						
	22	1	9S-4191	1	PLUG-O-RING						

I-REFER TO HYDRAULIC INFORMATION SYSTEM

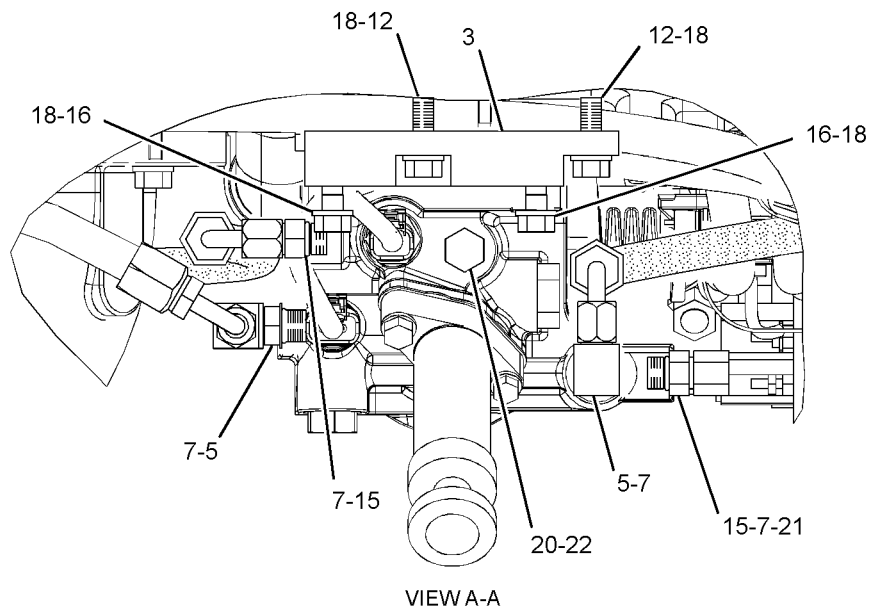
FUEL SYSTEM

279-8774 LINES GP-FUEL (contd.)

i02590695



LEFT SIDE VIEW OF ENGINE



VIEW A-A

GRAPHIC #1

<END>

g01336757

FUEL SYSTEM

279-8774 LINES GP-FUEL

S/N: FFH193-UP

SMCS-1274

i03339549

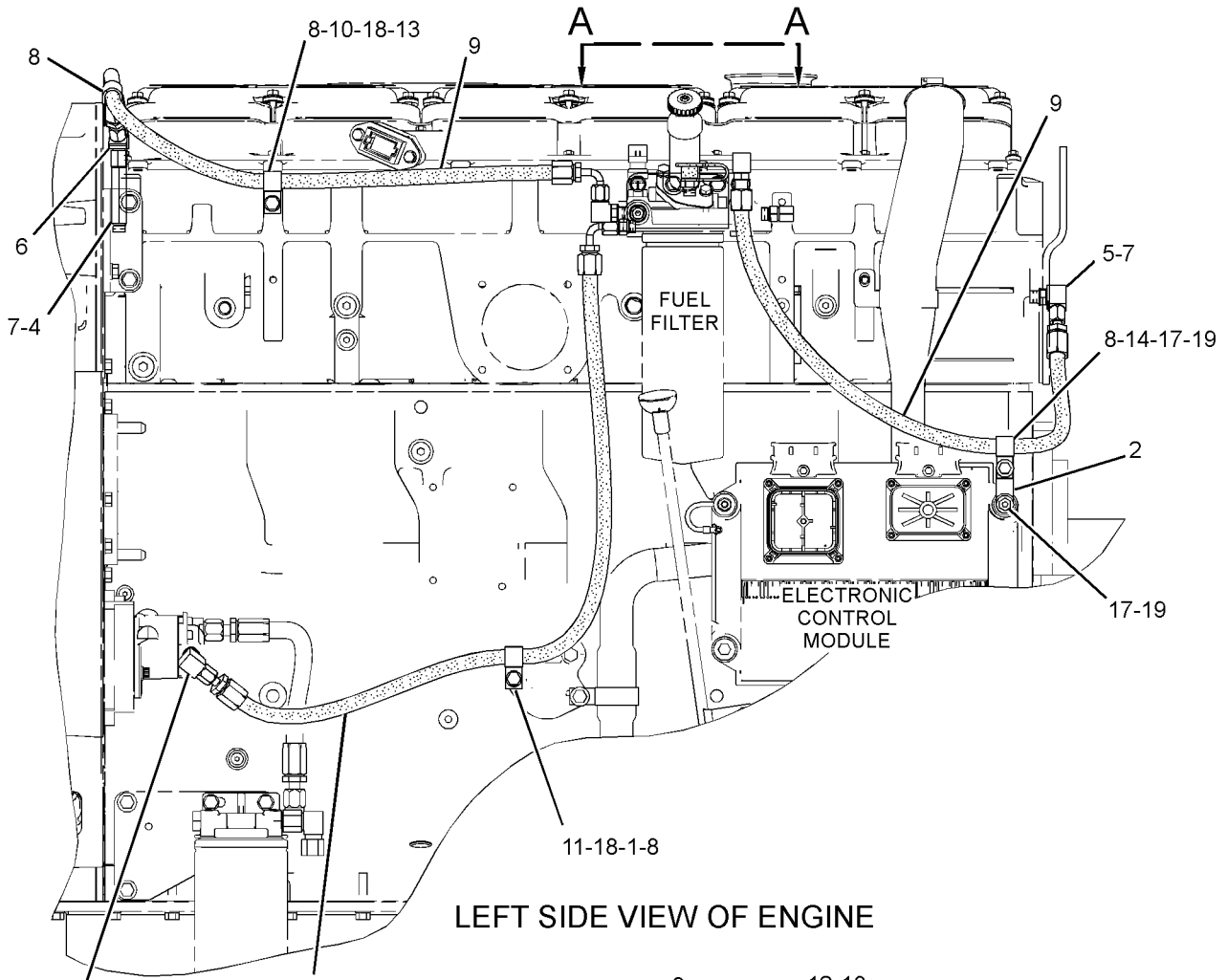
NOTE	REF NO	GRAPHIC REF	PART NUMBER	QTY	PART NAME						SEE PAGE
					1	2	3	4	5	6 (PRODUCT LEVEL)	
	1	1	108-3612	1	SPACER (11.13X19.05X53-MM THK)						
	2	1	118-7809	1	PLATE						
	3	1	137-5110	1	BRACKET						
	4	1	030-7937	1	CONNECTOR-PORT						
	5	1	030-7947	4	ELBOW						
	6	1	030-7962	1	ELBOW						
	7	1	033-6042	7	SEAL-O-RING						
	8	1	067-2551	4	CLIP						
I	9	1	166-5919	2	HOSE AS-FUEL						
	10	1	0S-1591	1	BOLT (3/8-16X1.5-IN)						
	11	1	0T-0065	1	BOLT (3/8-16X3.5-IN)						
	12	1	1A-2029	2	BOLT (3/8-16X1.125-IN)						
	13	1	2A-2677	1	SPACER (10.7X17.14X19.05-MM THK)						
	14	1	2B-2695	1	BOLT (5/16-18X0.875-IN)						
	15	1	2R-6806	2	CONNECTOR-O-RING						
	16	1	3B-1915	2	BOLT (3/8-16X1.375-IN)						
C	17	1	3E-4352	3	WASHER-HARD (8.8X20.5X2.5-MM THK)						
	18	1	5M-2894	6	WASHER-HARD (10.2X18.5X2.5-MM THK)						
C	19	1	5S-0003	2	NUT (5/16-18-THD)						
	20	1	214-7568	1	SEAL-O-RING						
	21	1	8S-4950	1	CAP						
C	22	1	6V-3965	1	FITTING (QUICK DISCONNECT)						
C	23	1	6V-0852	1	CAP-DUST						
I	24	1	163-0851	1	HOSE AS-FUEL						

C-CHANGE FROM PREVIOUS TYPE
 I-REFER TO HYDRAULIC INFORMATION SYSTEM

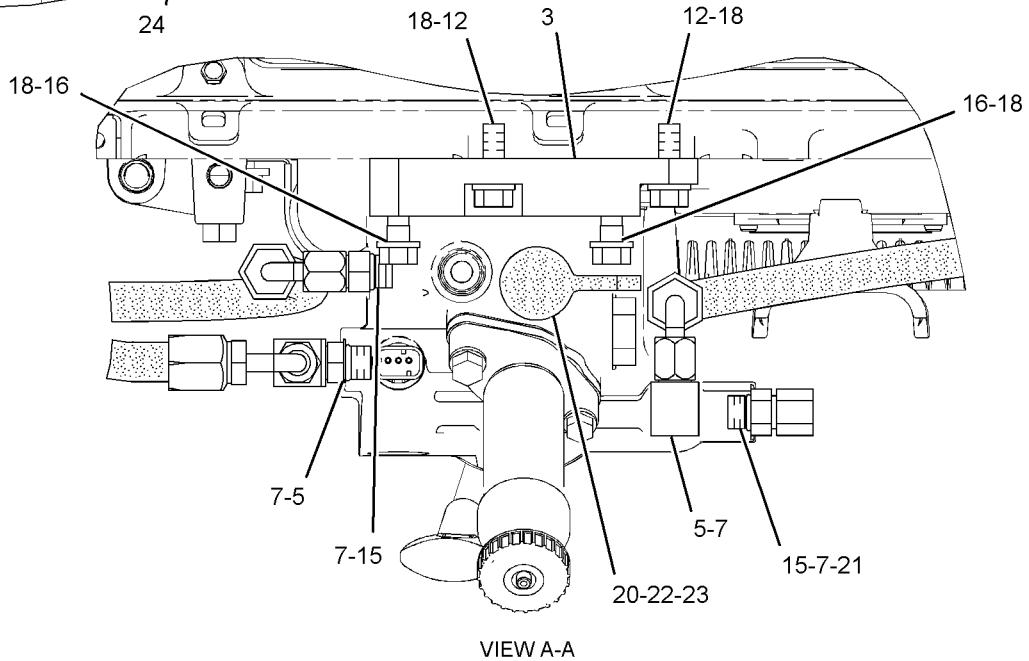
FUEL SYSTEM

279-8774 LINES GP-FUEL (contd.)

i03339549



LEFT SIDE VIEW OF ENGINE



VIEW A-A

<END>

GRAPHIC #1

g01722857

FUEL SYSTEM

287-4959 LINES GP-FUEL

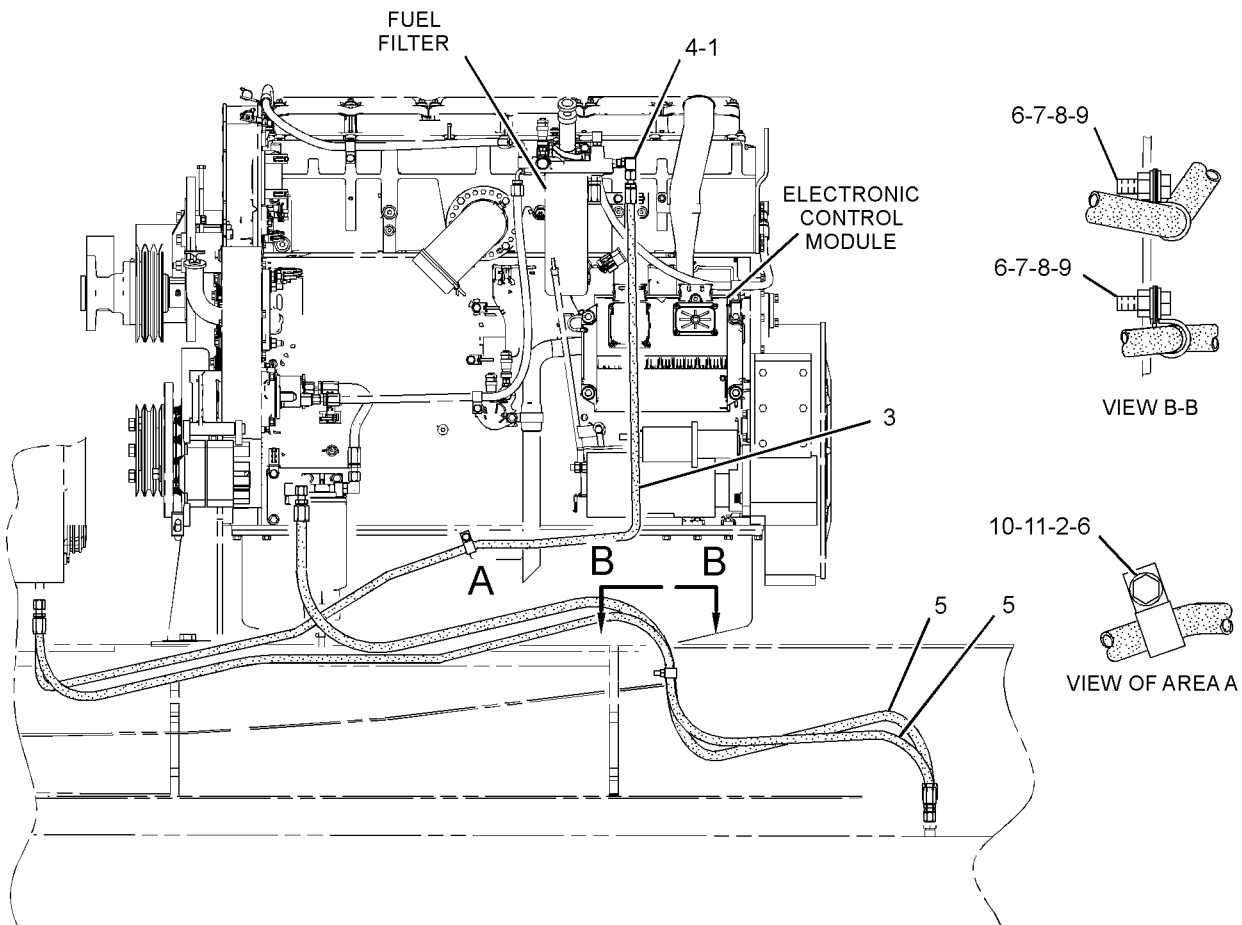
S/N: C5H1-UP
AN ATTACHMENT

SMCS-1274

i03425002

NOTE	REF NO	GRAPHIC REF	PART NUMBER	QTY	PART NAME						SEE PAGE
					1	2	3	4	5	6 (PRODUCT LEVEL)	
	1	1	033-6042	1	SEAL-O-RING						
	2	1	108-3612	1	SPACER (11.13X19.05X53-MM THK)						
I	3	1	287-4958	1	HOSE AS						
	4	1	030-7947	1	ELBOW						
I	5	1	269-2455	2	HOSE AS						
	6	1	1S-0994	3	CLIP						
	7	1	8T-4121	4	WASHER-HARD (11X21X2.5-MM THK)						
M	8	1	8T-4133	2	NUT (M10X1.5-THD)						
M	9	1	8T-4195	2	BOLT (M10X1.5X30-MM)						
	10	1	8T-4896	1	WASHER-HARD (10.2X18.5X2.5-MM THK)						
	11	1	8T-7008	1	BOLT (3/8-16X3-IN)						

I-REFER TO HYDRAULIC INFORMATION SYSTEM
M-METRIC PART



LEFT SIDE VIEW OF ENGINE

<END>

GRAPHIC #1

g01949293

FUEL SYSTEM

287-4961 LINES GP-FUEL

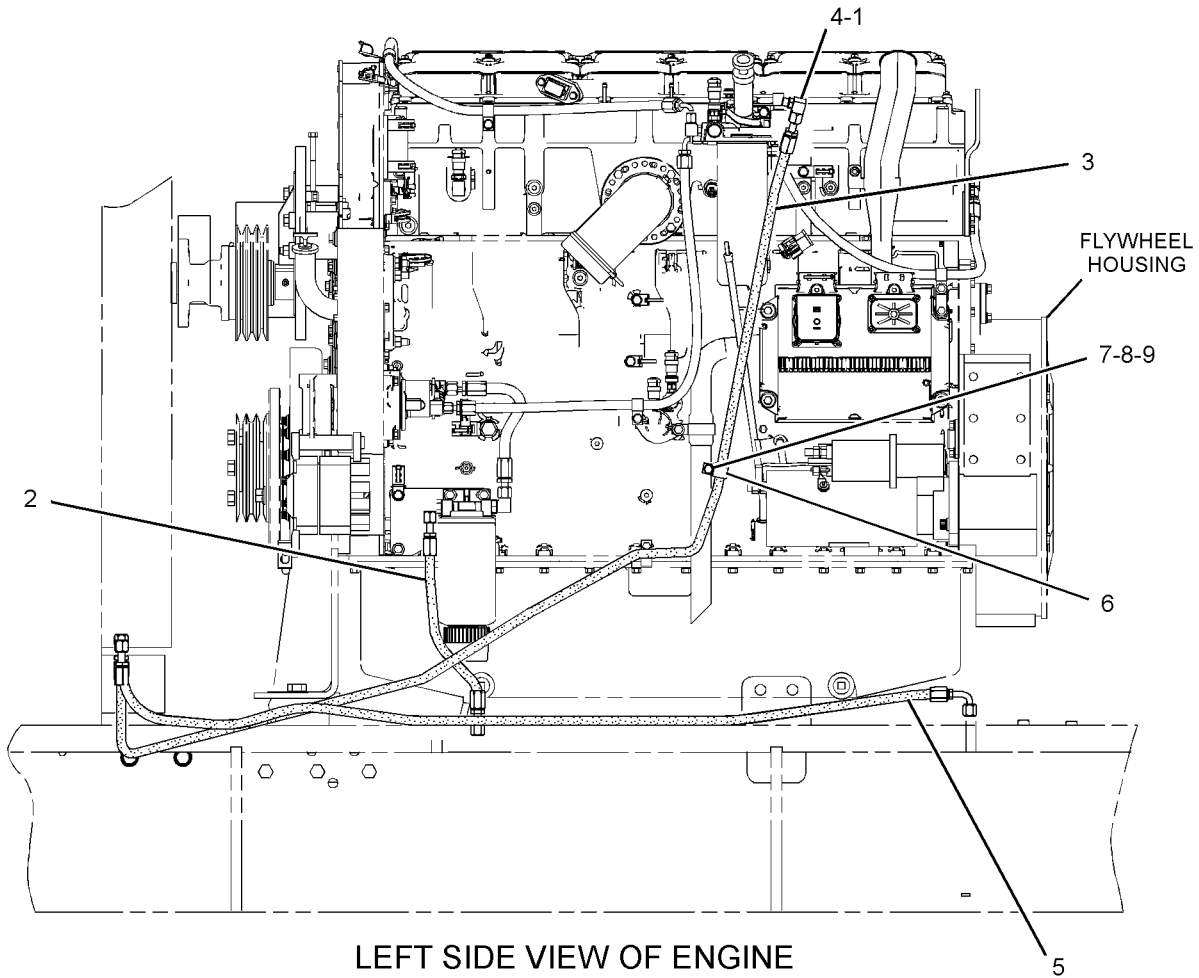
S/N: C5H1-UP
AN ATTACHMENT

SMCS - 1274

i03490260

NOTE	REF NO	GRAPHIC REF	PART NUMBER	QTY	PART NAME						SEE PAGE
					1	2	3	4	5	6 (PRODUCT LEVEL)	
	1	1	033-6042	1	SEAL-O-RING						
	2	1	240-6070	1	HOSE AS						
I	3	1	287-4958	1	HOSE AS						
	4	1	030-7947	1	ELBOW						
I	5	1	269-2571	1	HOSE AS						
	6	1	1S-0994	1	CLIP						
	7	1	8T-7008	1	BOLT (3/8-16X3-IN)						
	8	1	8T-4896	1	WASHER-HARD (10.2X18.5X2.5-MM THK)						
	9	1	108-3612	1	SPACER (11.13X19.05X53-MM THK)						

I-REFER TO HYDRAULIC INFORMATION SYSTEM



LEFT SIDE VIEW OF ENGINE

GRAPHIC #1

<END>

g01832913

FUEL SYSTEM

287-4962 LINES GP-FUEL

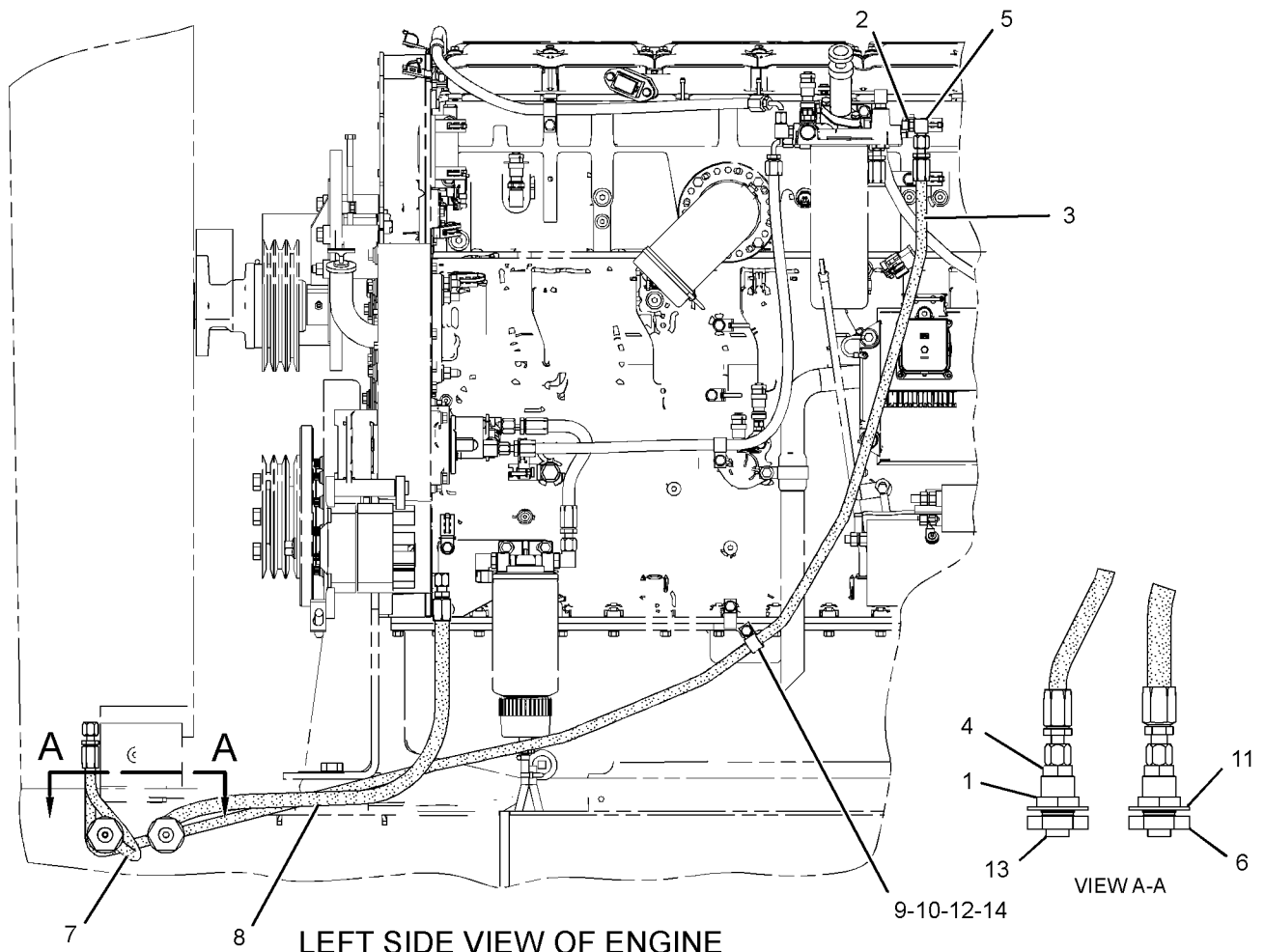
S/N: C5H1-UP
AN ATTACHMENT

SMCS-1274

i03487960

NOTE	REF NO	GRAPHIC REF	PART NUMBER	QTY	PART NAME						SEE PAGE
					1	2	3	4	5	6 (PRODUCT LEVEL)	
	1	1	2P-1286	2	LOCKNUT-BULKHEAD (1-5/16-12-THD)						
	2	1	033-6042	1	SEAL-O-RING						
I	3	1	287-4958	1	HOSE AS						
	4	1	004-7626	2	CONNECTOR (FLARED)						
	5	1	030-7947	1	ELBOW						
	6	1	237-7201	2	UNION						
I	7	1	265-0746	1	HOSE AS						
I	8	1	265-0747	1	HOSE AS						
	9	1	1S-0994	1	CLIP						
	10	1	8T-7008	1	BOLT (3/8-16X3-IN)						
	11	1	7X-0606	2	WASHER-HARD (37X60X3-MM THK)						
	12	1	8T-4896	1	WASHER-HARD (10.2X18.5X2.5-MM THK)						
	13	1	6V-6866	2	PLUG						
	14	1	108-3612	1	SPACER (11.13X19.05X53-MM THK)						

I-REFER TO HYDRAULIC INFORMATION SYSTEM



LEFT SIDE VIEW OF ENGINE

<END>

GRAPHIC #1

g01825900

FUEL SYSTEM

213-3595 LINES GP-FUEL FILTER

S/N: FFH1-UP

3/4 INCH THREAD FITTINGS

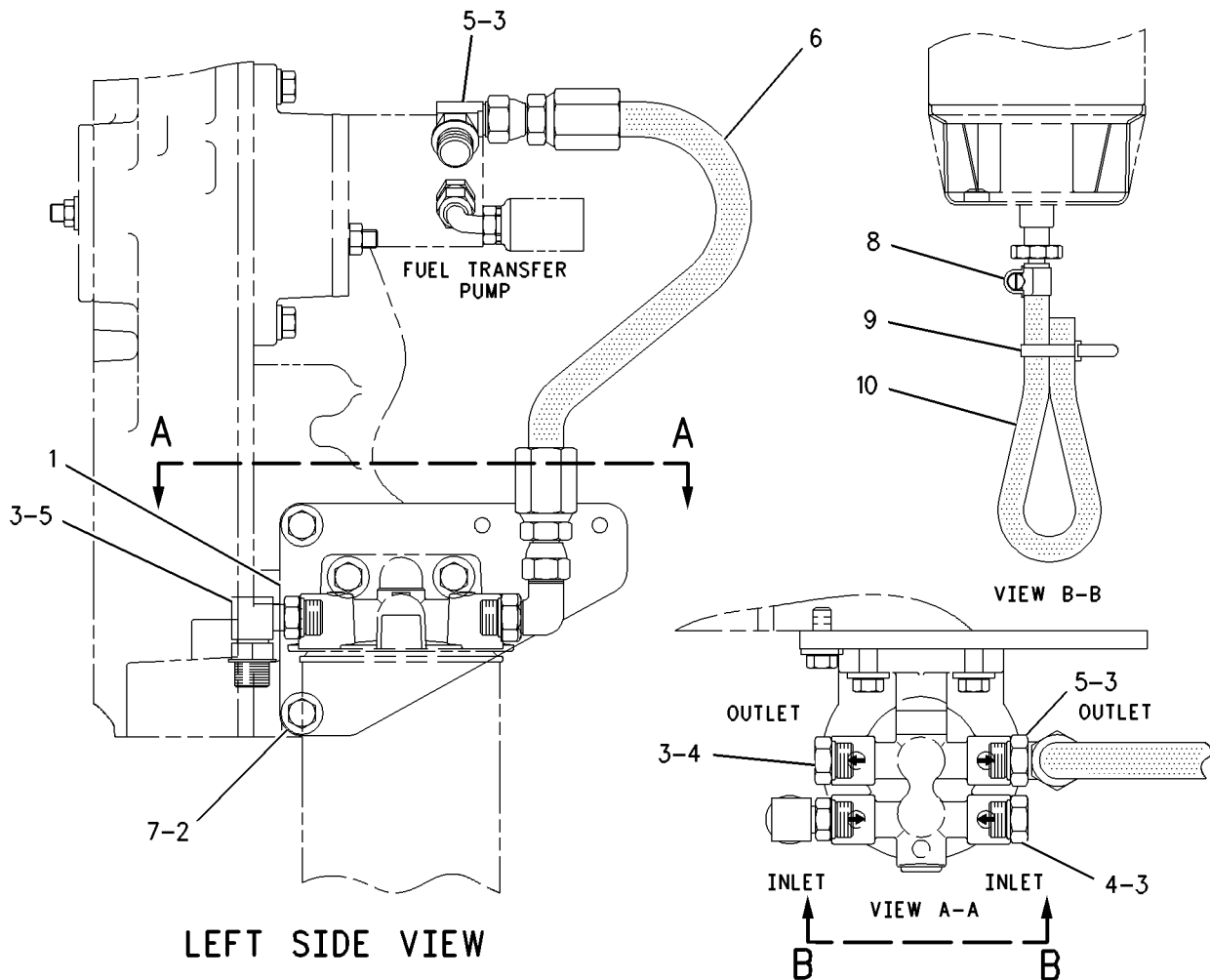
SMCS-1261, 1274

i03660692

NOTE	REF NO	GRAPHIC REF	PART NUMBER	QTY	PART NAME	1 2 3 4 5 6 (PRODUCT LEVEL)						SEE PAGE
	1	1	2W-3458	1	PLATE							
	2	1	0S-1594	4	BOLT (3/8-16X1-IN)							
	3	1	8L-2786	5	SEAL-O-RING							
	4	1	9S-4185	2	PLUG-O-RING							
	5	1	118-4728	3	ELBOW							
I	6	1	7N-4045	1	HOSE AS							
	7	1	9X-6458	4	WASHER-HARD (10.2X22.5X3-MM THK)							
	8	1	1P-4278	1	CLAMP-HOSE							
	9	1	7K-1181	1	STRAP-CABLE							
D	10	1	5P-5991		HOSE (0.3-M)							

D-ORDER BY THE METER

I-REFER TO HYDRAULIC INFORMATION SYSTEM



GRAPHIC #1

<END>

g00896654

FUEL SYSTEM

150-4279 PUMP & MTG GP-FUEL TRANSFER-REAR

S/N: FFH1-225

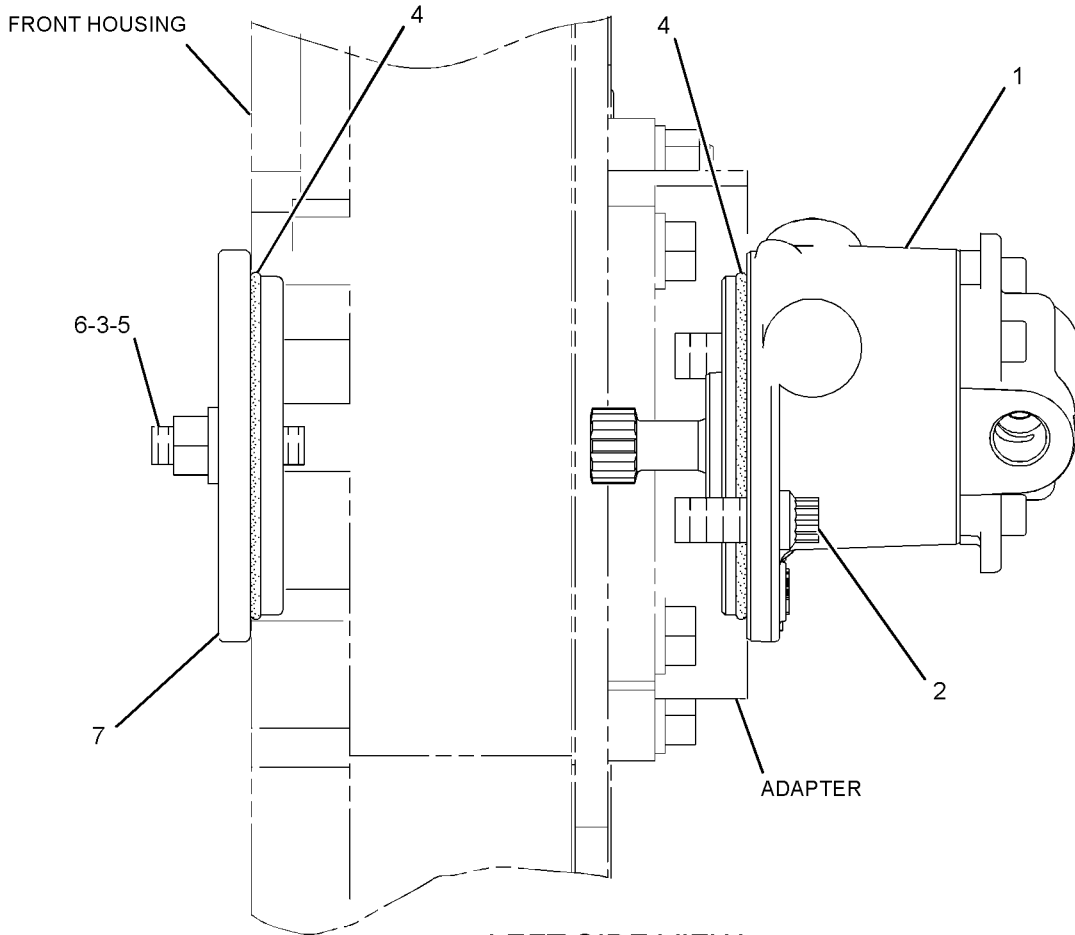
ALLOWS USE OF FRONT MOUNTED PUMP EXCEPT WHEN LH MOUNTING GP-ALTERNATOR IS PROVIDED

SMCS-1256

i02510710

NOTE	REF NO	GRAPHIC REF	PART NUMBER	QTY	PART NAME						SEE PAGE
					1	2	3	4	5	6 (PRODUCT LEVEL)	
C	1	1	231-3947	1	PUMP GP-FUEL TRANSFER						
	2	1	1T-0765	2	BOLT (3/8-16X1-IN)						
	3	1	5M-2894	2	WASHER-HARD (10.2X18.5X2.5-MM THK)						
	4	1	107-5769	2	SEAL-O-RING						
	5	1	0S-0699	2	STUD						
	6	1	9S-8752	2	NUT-FULL (3/8-16-THD)						
	7	1	133-9116	1	COVER						

C-CHANGE FROM PREVIOUS TYPE



LEFT SIDE VIEW

<END>

GRAPHIC #1

g01262029

FUEL SYSTEM

150-4279 PUMP & MTG GP-FUEL TRANSFER-REAR

S/N: FFH226-UP

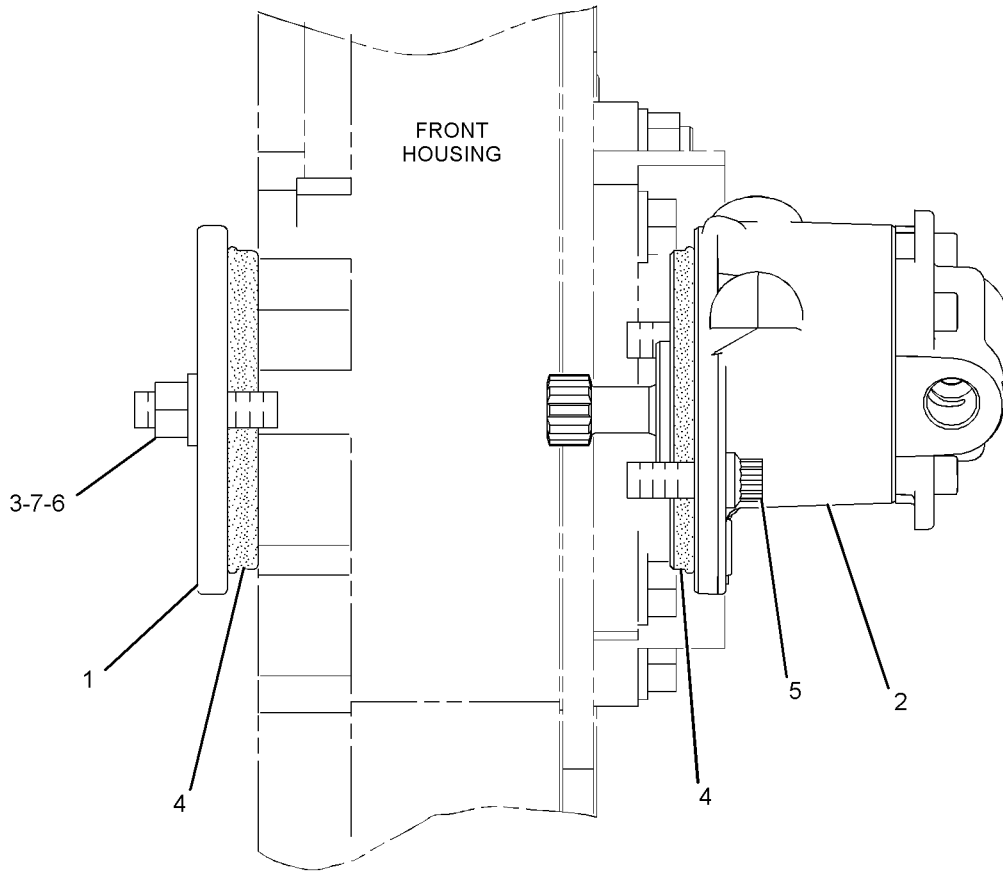
ALLOWS USE OF FRONT MOUNTED PUMP EXCEPT WHEN LH MOUNTING GP-ALTERNATOR IS PROVIDED

SMCS-1256

i03644431

NOTE	REF NO	GRAPHIC REF	PART NUMBER	QTY	PART NAME						SEE PAGE
					1	2	3	4	5	6 (PRODUCT LEVEL)	
	1	1	133-9116	1	COVER						
CJR	2	1	316-6864	1	PUMP GP-FUEL TRANSFER						
	3	1	0S-0699	2	STUD						
	4	1	107-5769	2	SEAL-O-RING						
	5	1	1T-0765	2	BOLT (3/8-16X1-IN)						
	6	1	5M-2894	2	WASHER-HARD (10.2X18.5X2.5-MM THK)						
	7	1	9S-8752	2	NUT-FULL (3/8-16-THD)						
					AVAILABLE REPAIR KIT(S):						
	AJ			1	KIT-SPRING						

A-NOT PART OF THIS GROUP
 C-CHANGE FROM PREVIOUS TYPE
 J-KIT MARKED J SERVICES PART MARKED J
 R-REMFG PART MAY BE AVAILABLE



LEFT SIDE VIEW OF ENGINE

<END>

GRAPHIC #1

g01364794

FUEL SYSTEM

235-1403 PUMP GP-FUEL INJECTION

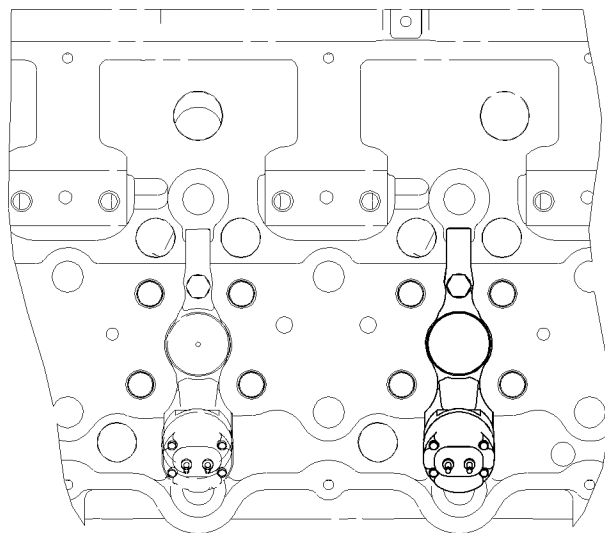
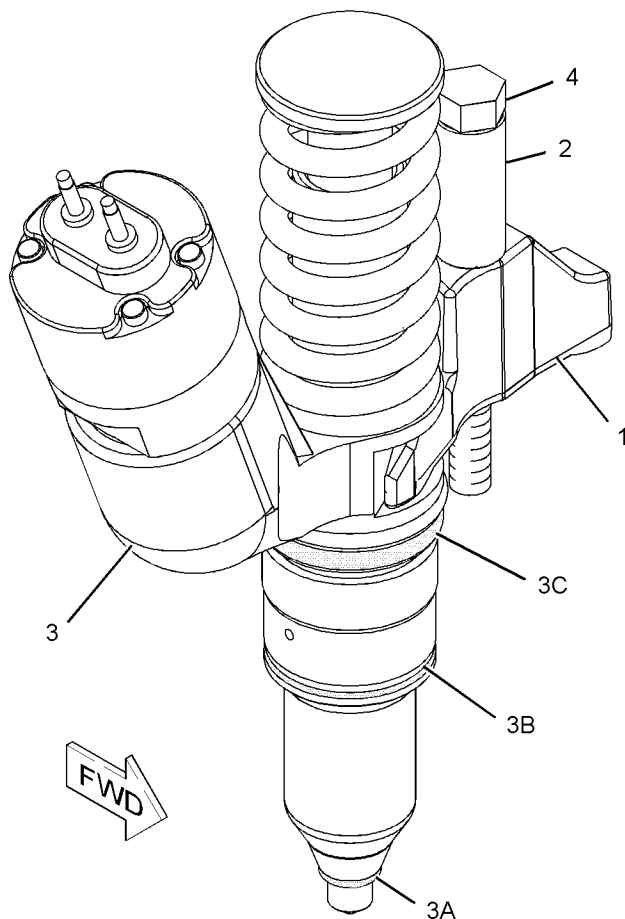
S/N: FFH1-UP

SMCS-1251, 1290

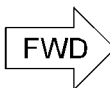
i02310975

NOTE	REF NO	GRAPHIC REF	PART NUMBER	QTY	PART NAME						SEE PAGE
					1	2	3	4	5	6 (PRODUCT LEVEL)	
	1	1	6I-0213	1	CLAMP						
	2	1	100-5072	1	SPACER (9.8X15.85X37.6-MM THK)						
CR	3	1	253-0618	1	INJECTOR GP-FUEL						
	3A	1	9X-7317	1	SEAL-O-RING						
	3B	1	230-3728	1	SEAL-O-RING						
	3C	1	230-3775	1	SEAL-O-RING						
	4	1	8S-9191	1	BOLT (3/8-16X4-IN)						

C-CHANGE FROM PREVIOUS TYPE
R-REMFG PART MAY BE AVAILABLE



TOP VIEW



GRAPHIC #1

<END>

g01033421

FUEL SYSTEM

276-8020 PUMP GP-FUEL PRM & SEC FILTER

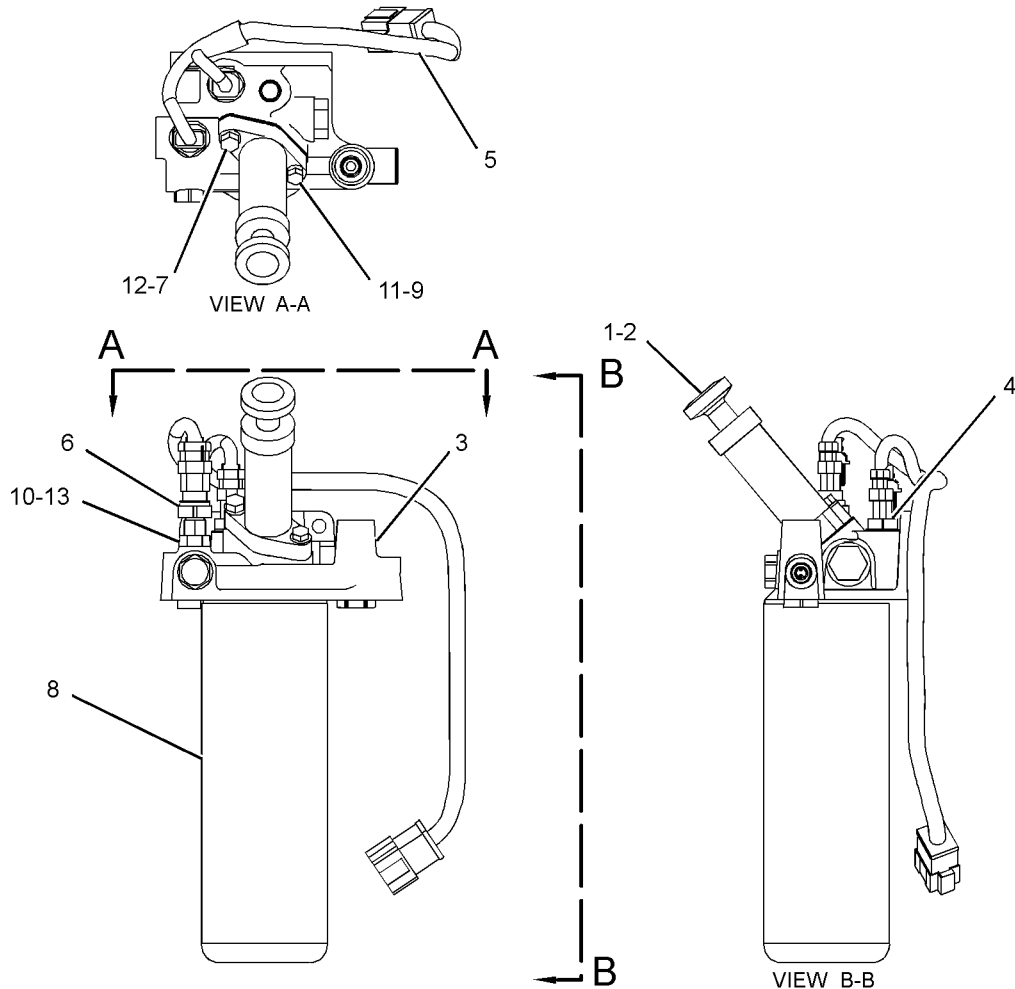
S/N: FFH1-UP

SMCS-1258, 1261

i03006052

NOTE	REF NO	GRAPHIC REF	PART NUMBER	QTY	PART NAME						SEE PAGE
					1	2	3	4	5	6 (PRODUCT LEVEL)	
	1	1	1P-0436	1	GASKET (FUEL PRIMING PUMP)						
	2	1	137-5541	1	PUMP GP-FUEL PRIMING						
Y	3	1	191-5055	1	BASE GP-FUEL FILTER						238
Y	4	1	234-5013	1	SENSOR GP-TEMPERATURE (FUEL)						465
	5	1	276-4754	1	HARNESS AS-PUMP (FUEL)						
		1	8T-8737	3	PLUG-SEAL						
		1	230-4011	1	PLUG AS-CONNECTOR (2-PIN)						
		1	231-2300	1	RECEPTACLE AS-CONNECTOR (8-PIN)						
		1	237-0227	1	PLUG AS-CONNECTOR (3-PIN)						
Y	6	1	276-9067	1	SENSOR GP-PRESSURE (FUEL)						451
	7	1	1B-7182	1	BOLT (5/16-18X1.25-IN)						
	8	1	1R-0749	1	FILTER-FUEL (ADVANCED EFFICIENCY) (SECONDARY)						
	9	1	5P-0537	1	WASHER-HARD (7.2X14.5X2-MM THK)						
	10	1	6V-5049	1	SEAL-O-RING						
	11	1	7B-2742	1	BOLT (1/4-20X1.25-IN)						
	12	1	9M-1974	1	WASHER-HARD (8.8X16X2-MM THK)						
	13	1	9X-0261	1	ADAPTER						

Y-SEPARATE ILLUSTRATION



GRAPHIC #1

<END>

g01231984

FUEL SYSTEM

268-9918 PUMP GP-FUEL TRANSFER

S/N: C5H1-338

MANUAL

AN ATTACHMENT

SMCS-1256

i02474651

NOTE	REF NO	GRAPHIC REF	PART NUMBER	QTY	PART NAME						SEE PAGE
					1	2	3	4	5	6 (PRODUCT LEVEL)	
	1	1	5S-2392	1	ADAPTER-PIPE						
	2	1	112-4036	1	VALVE AS-SHUTOFF (FUEL)						
	3	1	143-4447	1	PUMP GP-HAND						
M	4	1	8T-4196	2	BOLT (M10X1.5X35-MM)						
	5	1	240-6079	1	CONNECTOR						
	6	1	241-0398	2	CONNECTOR						
I	7	1	242-8310	1	HOSE AS						
I	8	1	268-3645	1	HOSE AS						
	10	1	268-3649	1	BRACKET						
	12	1	4S-6678	1	CONNECTOR						
	13	1	7X-0343	3	BOLT (5/8-11X1.25-IN)						
	15	1	8T-4121	4	WASHER-HARD (11X21X2.5-MM THK)						
	16	1	8T-4122	3	WASHER-HARD (17X32X3.5-MM THK)						
M	17	1	8T-4133	2	NUT (M10X1.5-THD)						

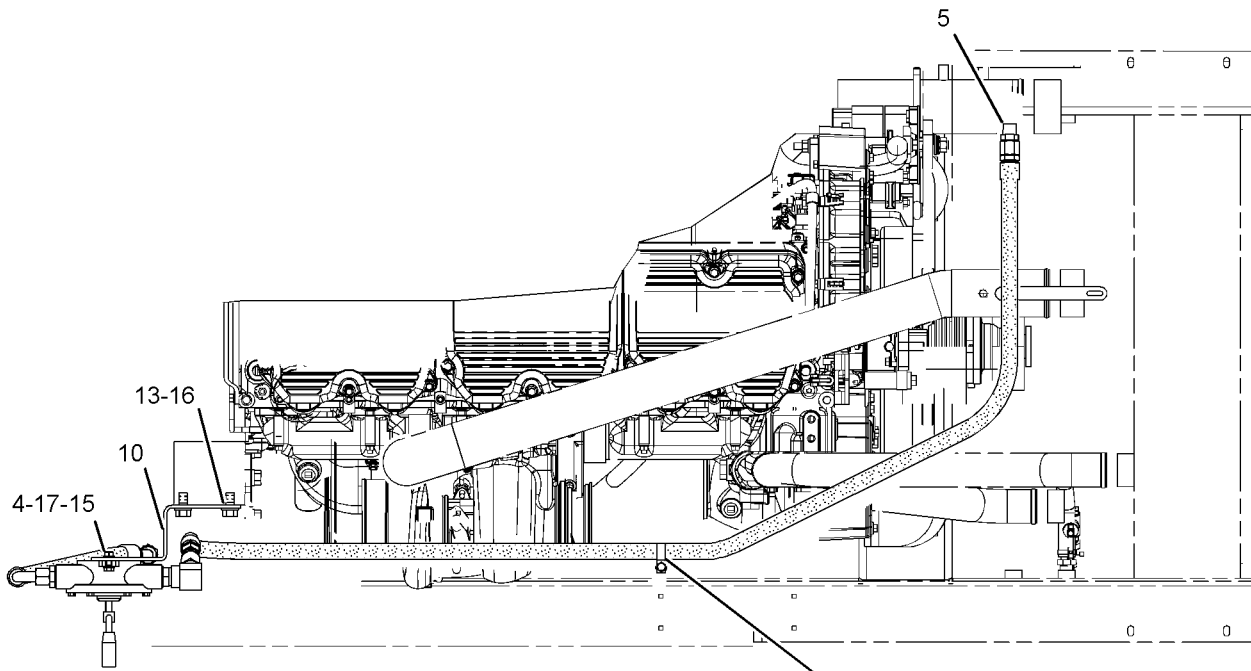
I-REFER TO HYDRAULIC INFORMATION SYSTEM

M-METRIC PART

FUEL SYSTEM

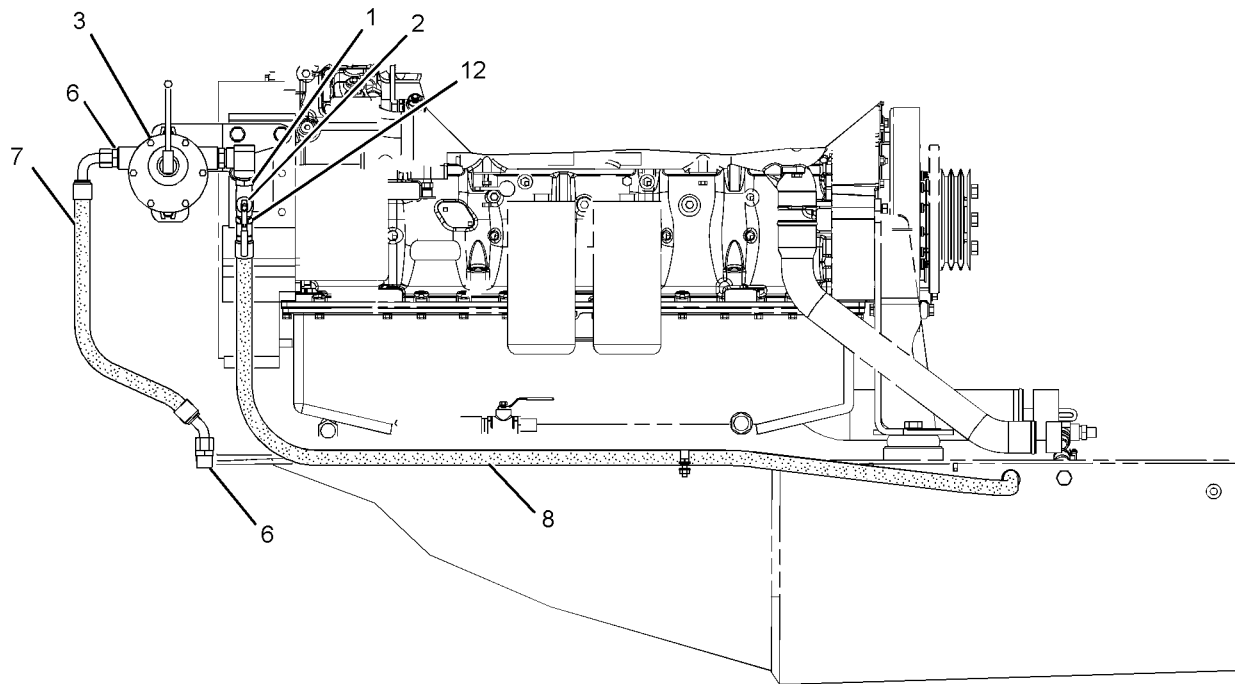
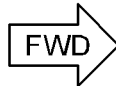
268-9918 PUMP GP-FUEL TRANSFER (contd.)

i02474651



TOP VIEW

4-15-17



RIGHT SIDE VIEW

GRAPHIC #1

<END>

g01236678

FUEL SYSTEM

268-9918 PUMP GP-FUEL TRANSFER

S/N: C5H339-UP

MANUAL

AN ATTACHMENT

SMCS-1256

i02731328

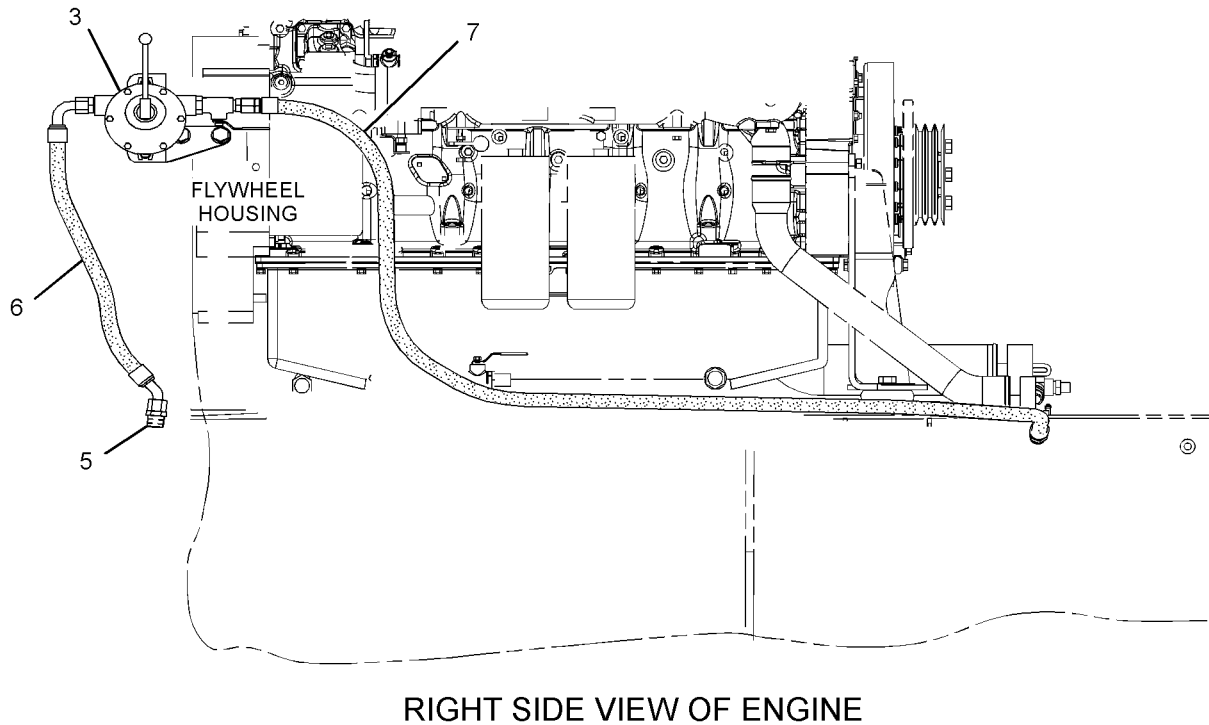
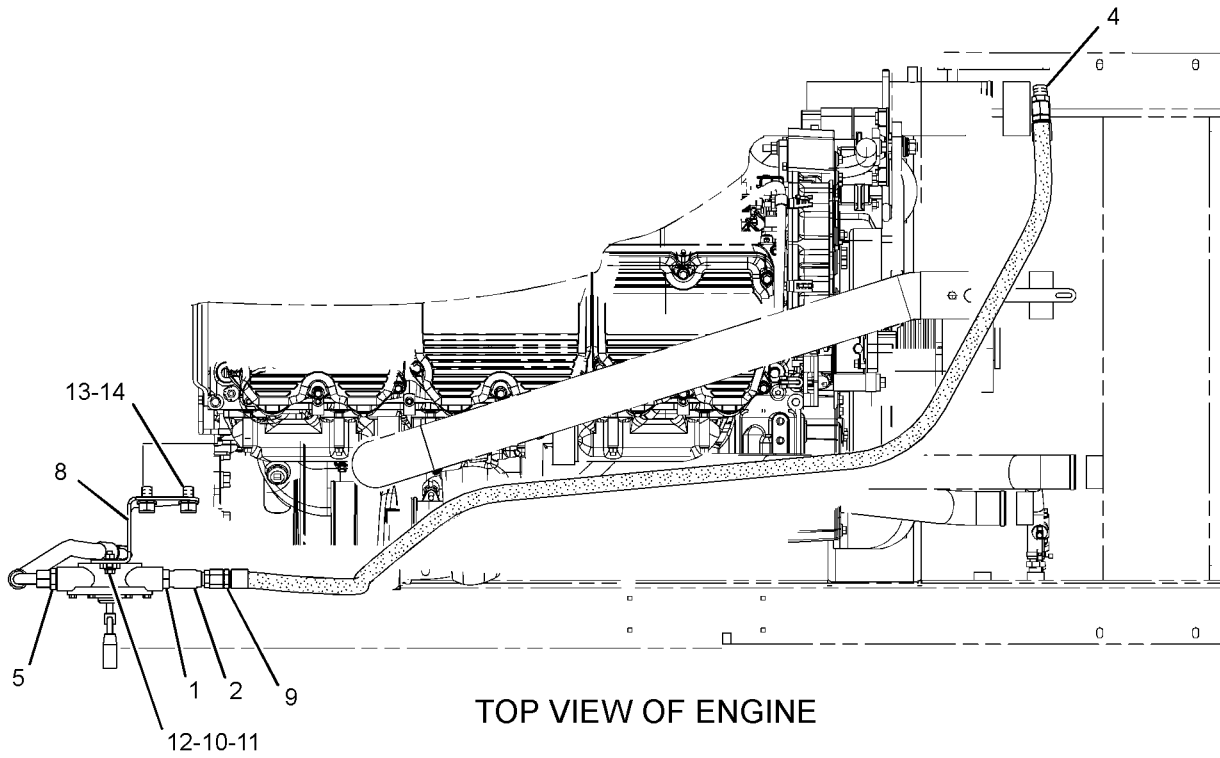
NOTE	REF NO	GRAPHIC REF	PART NUMBER	QTY	PART NAME						SEE PAGE
					1	2	3	4	5	6 (PRODUCT LEVEL)	
	1	1	5S-2392	1	ADAPTER-PIPE						
	2	1	112-4036	1	VALVE AS-SHUTOFF (FUEL)						
	3	1	143-4447	1	PUMP GP-HAND						
	4	1	240-6079	1	CONNECTOR						
	5	1	241-0398	2	CONNECTOR						
I	6	1	242-8310	1	HOSE AS						
I	7	1	268-3645	1	HOSE AS						
C	8	1	299-1524	1	BRACKET						
	9	1	4S-6678	1	CONNECTOR						
	10	1	8T-4121	4	WASHER-HARD (11X21X2.5-MM THK)						
M	11	1	8T-4133	2	NUT (M10X1.5-THD)						
M	12	1	8T-4196	2	BOLT (M10X1.5X35-MM)						
C	13	1	8T-4994	2	WASHER-HARD (20X36.5X3.5-MM THK)						
C	14	1	8T-9397	2	BOLT (3/4-10X1.25-IN)						

C-CHANGE FROM PREVIOUS TYPE
 I-REFER TO HYDRAULIC INFORMATION SYSTEM
 M-METRIC PART

FUEL SYSTEM

268-9918 PUMP GP-FUEL TRANSFER (contd.)

i02731328



GRAPHIC #1

<END>

g01370991

FUEL SYSTEM

269-7000 PUMP GP-FUEL TRANSFER

S/N: C5H1-938

MANUAL

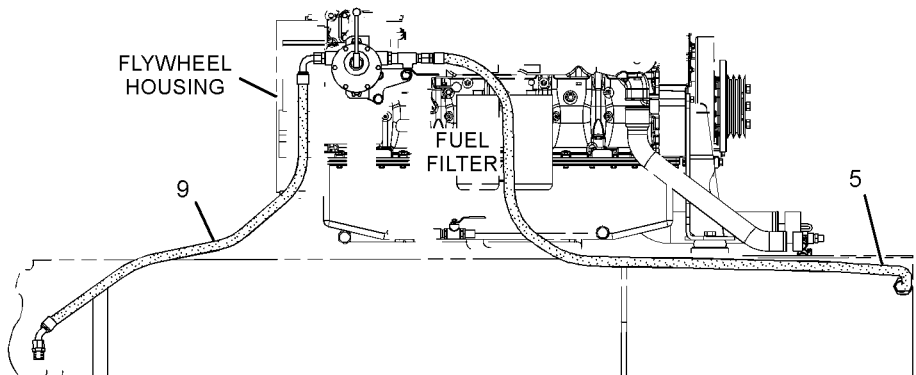
AN ATTACHMENT

SMCS-1256

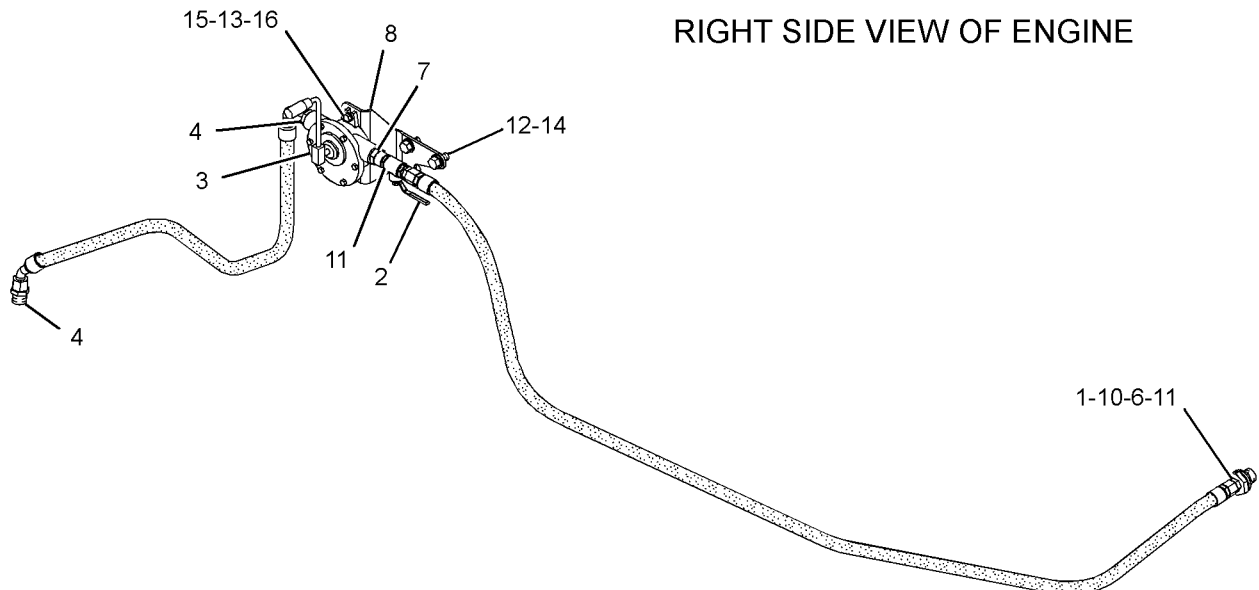
i02492656

NOTE	REF NO	GRAPHIC REF	PART NUMBER	QTY	PART NAME						SEE PAGE
					1	2	3	4	5	6 (PRODUCT LEVEL)	
	1	1	2P-1286	1	LOCKNUT-BULKHEAD (1-5/16-12-THD)						
	2	1	112-4036	1	VALVE AS-SHUTOFF (FUEL)						
	3	1	143-4447	1	PUMP GP-HAND						
	4	1	241-0398	2	CONNECTOR						
I	5	1	268-3645	1	HOSE AS						
	6	1	237-7201	1	UNION						
	7	1	241-0397	1	FITTING						
	8	1	268-3649	1	BRACKET						
I	9	1	269-7344	1	HOSE AS						
	10	1	4K-0684	1	WASHER-HARD (34X55X6-MM THK)						
	11	1	4S-6678	2	CONNECTOR						
	12	1	7X-0343	3	BOLT (5/8-11X1.25-IN)						
	13	1	8T-4121	4	WASHER-HARD (11X21X2.5-MM THK)						
	14	1	8T-4122	3	WASHER-HARD (17X32X3.5-MM THK)						
M	15	1	8T-4133	2	NUT (M10X1.5-THD)						
M	16	1	8T-4196	2	BOLT (M10X1.5X35-MM)						

I-REFER TO HYDRAULIC INFORMATION SYSTEM
M-METRIC PART



RIGHT SIDE VIEW OF ENGINE



GRAPHIC #1

<END>

g01249859

FUEL SYSTEM

269-7000 PUMP GP-FUEL TRANSFER

S/N: C5H939-UP

MANUAL

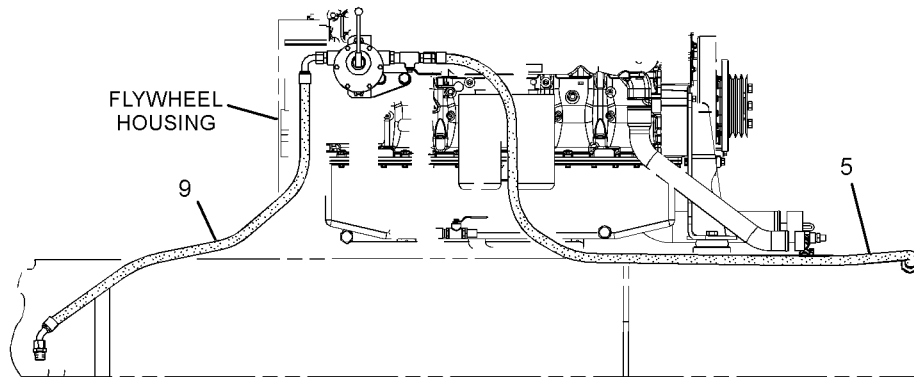
AN ATTACHMENT

SMCS - 1256

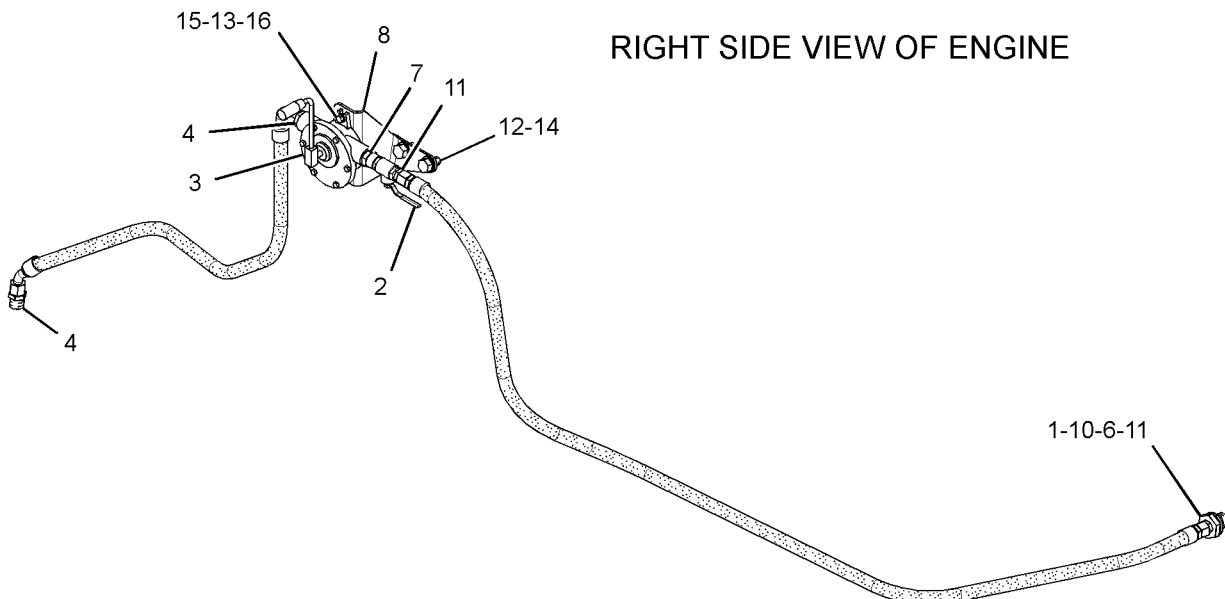
i02731334

NOTE	REF NO	GRAPHIC REF	PART NUMBER	QTY	PART NAME						SEE PAGE
					1	2	3	4	5	6 (PRODUCT LEVEL)	
	1	1	2P-1286	1	LOCKNUT-BULKHEAD (1-5/16-12-THD)						
	2	1	112-4036	1	VALVE AS-SHUTOFF (FUEL)						
	3	1	143-4447	1	PUMP GP-HAND						
	4	1	241-0398	2	CONNECTOR						
I	5	1	268-3645	1	HOSE AS						
	6	1	237-7201	1	UNION						
	7	1	241-0397	1	FITTING						
C	8	1	299-1524	1	BRACKET						
I	9	1	269-7344	1	HOSE AS						
	10	1	4K-0684	1	WASHER-HARD (34X55X6-MM THK)						
	11	1	4S-6678	2	CONNECTOR						
C	12	1	8T-9397	2	BOLT (3/4-10X1.25-IN)						
	13	1	8T-4121	4	WASHER-HARD (11X21X2.5-MM THK)						
C	14	1	8T-4994	2	WASHER-HARD (20X36.5X3.5-MM THK)						
M	15	1	8T-4133	2	NUT (M10X1.5-THD)						
M	16	1	8T-4196	2	BOLT (M10X1.5X35-MM)						

C-CHANGE FROM PREVIOUS TYPE
 I-REFER TO HYDRAULIC INFORMATION SYSTEM
 M-METRIC PART



RIGHT SIDE VIEW OF ENGINE



GRAPHIC #1

<END>

g01374114

FUEL SYSTEM

233-6742 VALVE GP-CHECK-FUEL

S/N: FFH1-UP

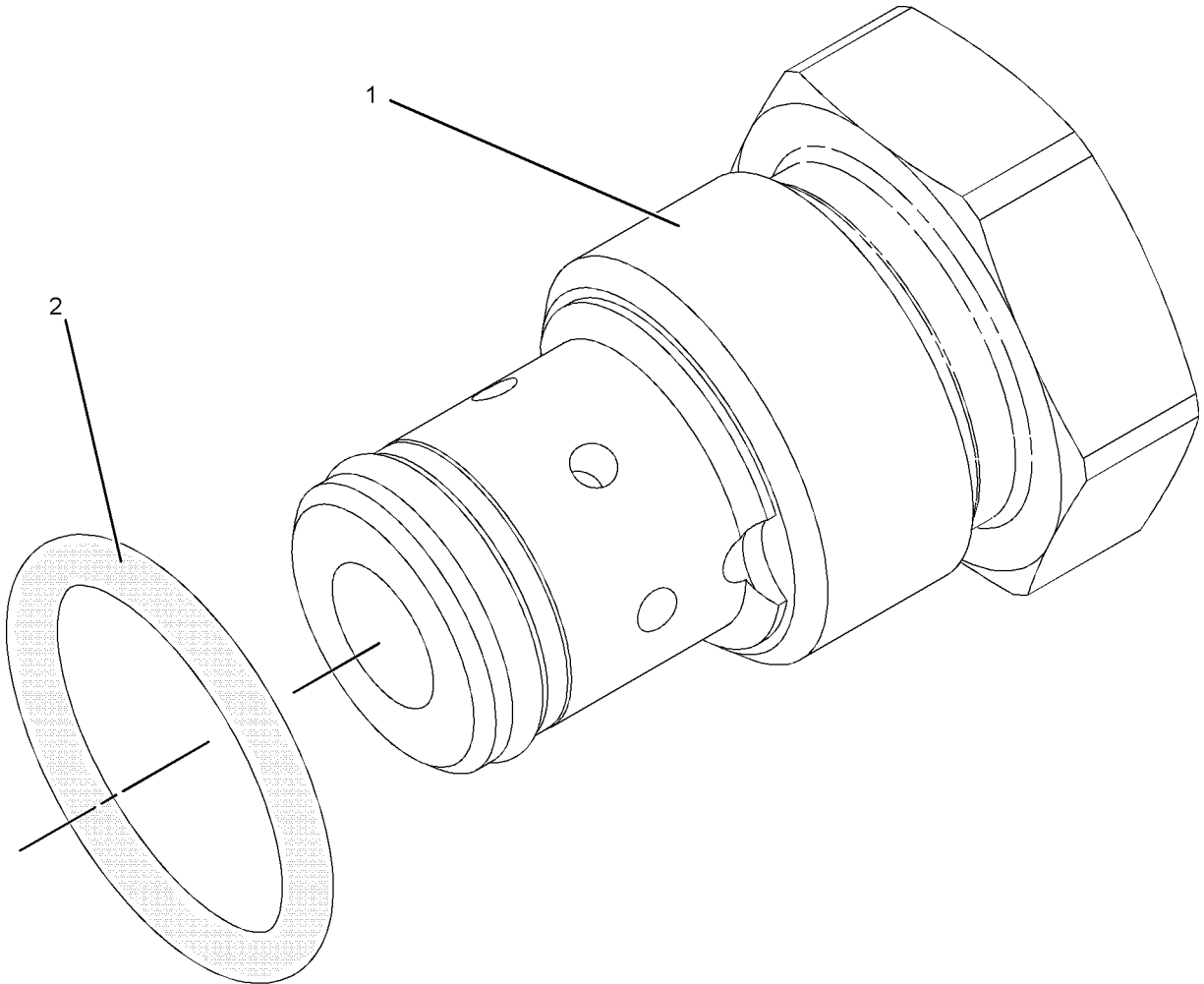
PART OF 191-5055 BASE GP-FUEL FILTER, 254-9354 FILTER GP-FUEL

SMCS-1262

i02443795

NOTE	REF NO	GRAPHIC REF	PART NUMBER	QTY	PART NAME						SEE PAGE
					1	2	3	4	5	6 (PRODUCT LEVEL)	
CY	1	1	281-2725	1	VALVE GP-CHECK (FUEL)						286
	2	1	6V-4589	1	SEAL-O-RING						

C-CHANGE FROM PREVIOUS TYPE
Y-SEPARATE ILLUSTRATION



GRAPHIC #1

<END>

g01031823

FUEL SYSTEM

281-2725 VALVE GP-CHECK-FUEL

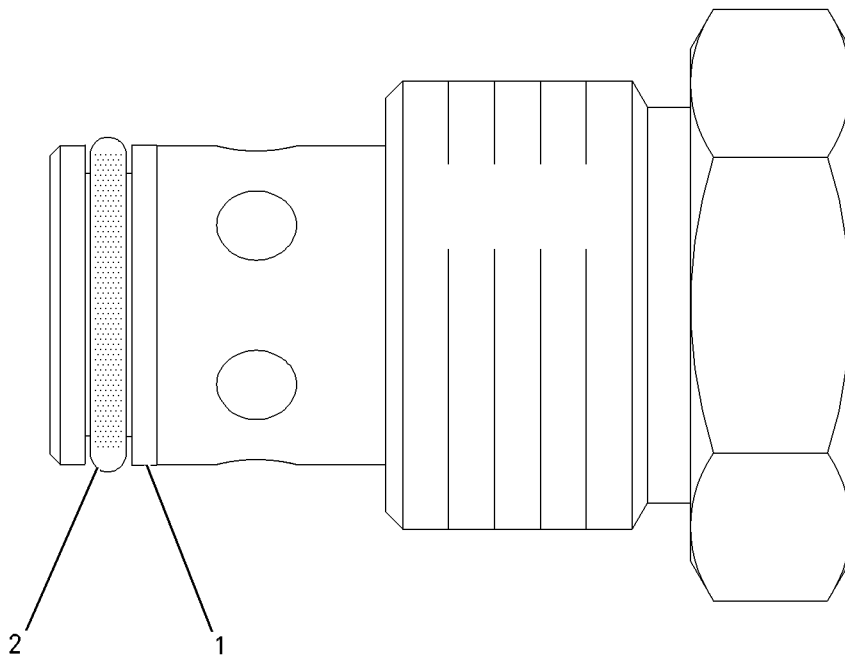
S/N: FFH1-UP

PART OF 233-6742 VALVE GP-CHECK

SMCS-1262

i02444582

NOTE	REF NO	GRAPHIC REF	PART NUMBER	QTY	PART NAME						SEE PAGE
					1	2	3	4	5	6 (PRODUCT LEVEL)	
	1	1	6V-6923	1	RING-BACKUP						
	2	1	033-6033	1	SEAL-O-RING						



GRAPHIC #1

<END>

g00864141

FUEL SYSTEM

139-6873 VALVE GP-FUEL BYPASS-FILTER

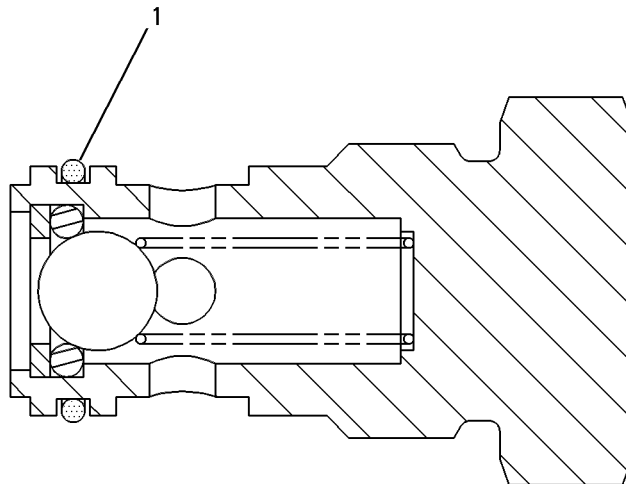
S/N: FFH1-UP

PART OF 191-5055 BASE GP-FUEL FILTER, 254-9354 FILTER GP-FUEL

SMCS-1256

i01986135

NOTE	REF NO	GRAPHIC REF	PART NUMBER	QTY	PART NAME						SEE PAGE
					1	2	3	4	5	6 (PRODUCT LEVEL)	
	1	1	9X-7737	1	SEAL-O-RING						



GRAPHIC #1

<END>

g00266124

ELECTRICAL AND STARTING SYSTEM

274-1979 ADAPTER GP-COMMUNICATION

S/N: C5H1-UP
AN ATTACHMENT

SMCS-1926

i02353032

NOTE	PART NUMBER	QTY	PART NAME						SEE PAGE
			1	2	3	4	5	6 (PRODUCT LEVEL)	
	274-1978	1	CONVERTER AS-SIGNAL (RS232, RS422, RS485)						

<END>

ELECTRICAL AND STARTING SYSTEM

5N-5692 ALTERNATOR GP-CHARGING*R

S/N: C5H1-UP; FFH1-UP

24-VOLT, 45-AMPERE

PART OF 287-4963 ALTERNATOR GP-CHARGING

ALSO AN ATTACHMENT

SMCS-1405

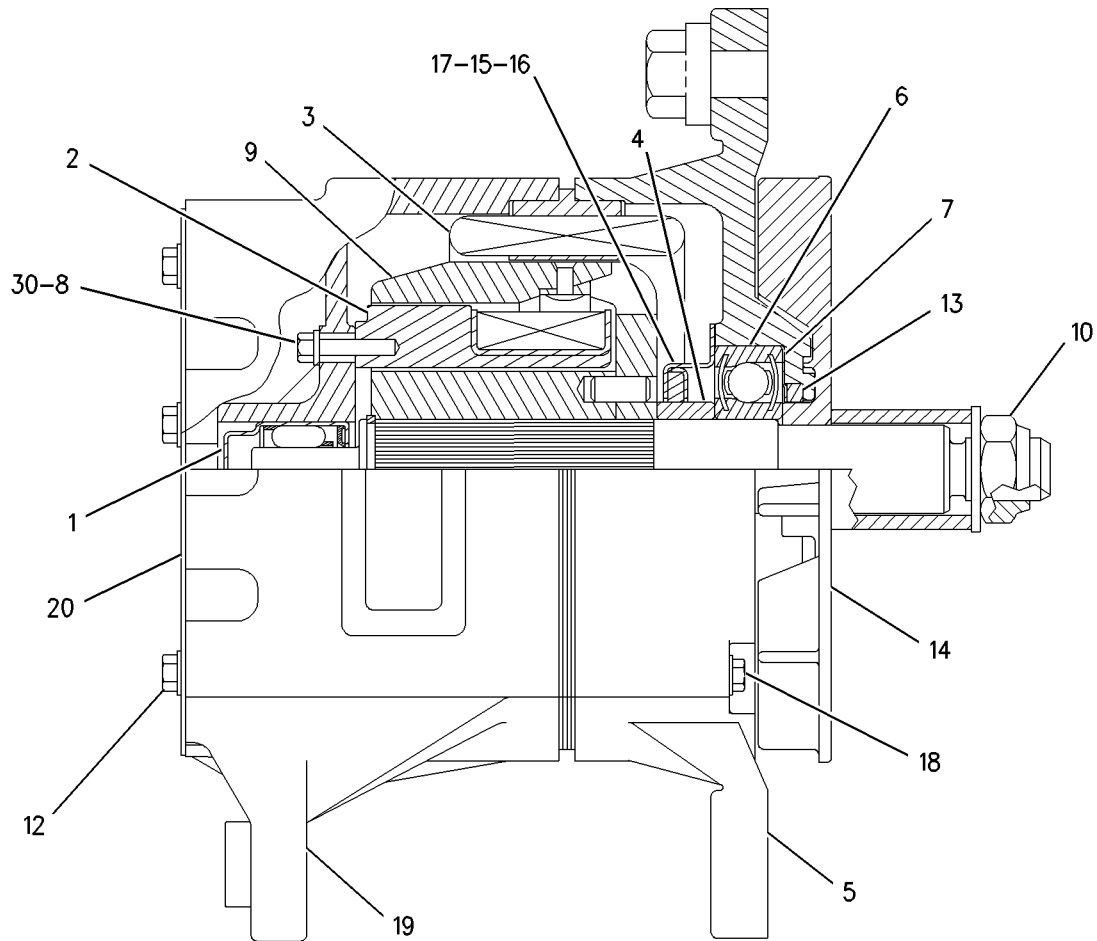
i03425644

NOTE	REF NO	GRAPHIC REF	PART NUMBER	QTY	PART NAME						SEE PAGE
					1	2	3	4	5	6 (PRODUCT LEVEL)	
	1	1	5P-6920	1	BEARING-ROLLER						
	2	1	7N-7806	1	COIL AS-FIELD						
	3	1	9G-5578	1	STATOR AS (24-VOLT) (24-VOLT)						
	4	1	7N-7795	1	COLLAR						
	5	1	7N-7810	1	FRAME AS-DRIVE END						
	6	1	6V-2202	1	BALL BEARING						
	7	1	9L-2140	1	PLATE						
	8	1	7X-3353	4	SCREW-HEX HEAD (10X24X19.05-MM)						
	9	1	7N-7800	1	ROTOR AS						
	10	1	187-2034	1	NUT-FLANGE (5/8-18-THD)						
	12	1,2	030-9612	5	SCREW-FORMING (10-24X0.5-IN)						
	13	1	9L-2139	1	WASHER-FELT (1.31X1.68X0.125-IN THK)						
	14	1	3E-5454	1	FAN-ALTERNATOR (11-BLADE)						
	15	1	9S-2437	3	SCREW-TAPPING (10-24X19.05-MM)						
	16	1	9L-2137	1	RETAINER AS						
	17	1,2	8F-1434	4	LOCKWASHER						
	18	1	7N-9024	4	BOLT (10-24X2.5-IN)						
	19	1	7N-7805	1	HOUSING						
	20	1	7N-7809	1	PLATE						
	21	2	8T-4205	1	WASHER-HARD (7.2X14.5X2-MM THK)						
	22	2	9B-7233	6	LOCKWASHER						
	23	2	9L-6770	1	CAP-DUST						
	25	2	6N-1872	2	SCREW AS (8-32X1.25-IN)						
	26	2	7N-9023	2	SCREW AS (8-32X26.9-MM)						
	27	2	3T-6354	1	REGULATOR AS-VOLTAGE (24-VOLT) (ALTERNATOR)						
	28	2	6V-8377	4	NUT (8-32-THD)						
	29	2	7N-7811	1	CONNECTOR						
	30	1,2	8T-0328	6	WASHER-HARD (5.5X10X1-MM THK)						
	31	2	112-9119	1	DIODE AS-ALTERNATOR						
	32	2	7N-9021	1	SCREW AS (8-32X1.34-IN)						
	33	2	7N-7796	1	BUSHING-TERMINAL						
	34	2	7N-7802	1	CAPACITOR AS						
	35	2	7N-7798	1	CONNECTOR						
	36	2	7N-7801	1	CONNECTOR						
	37	2	9S-2544	2	SCREW-HEX HEAD (8-32X11.13-MM)						
	38	2	1H-3244	1	LOCKWASHER						
	39	2	6V-8187	1	NUT (1/4-28-THD)						
	40	2	206-4202	1	RECTIFIER AS						
					AVAILABLE REPAIR KIT(S):						
			7N-7807	1	KIT-OUTPUT TERMINAL (ALTERNATOR) (INCLUDES INSULATOR, SCREWS, WASHERS, LOCKWASHERS, NUTS AND ADAPTERS)						
			7N-7808	1	KIT-RELAY TERMINAL (ALTERNATOR) (INCLUDES STUDS, BUSHINGS, WASHERS AND NUT AS)						

ELECTRICAL AND STARTING SYSTEM

5N-5692 ALTERNATOR GP-CHARGING (contd.)

i03425644



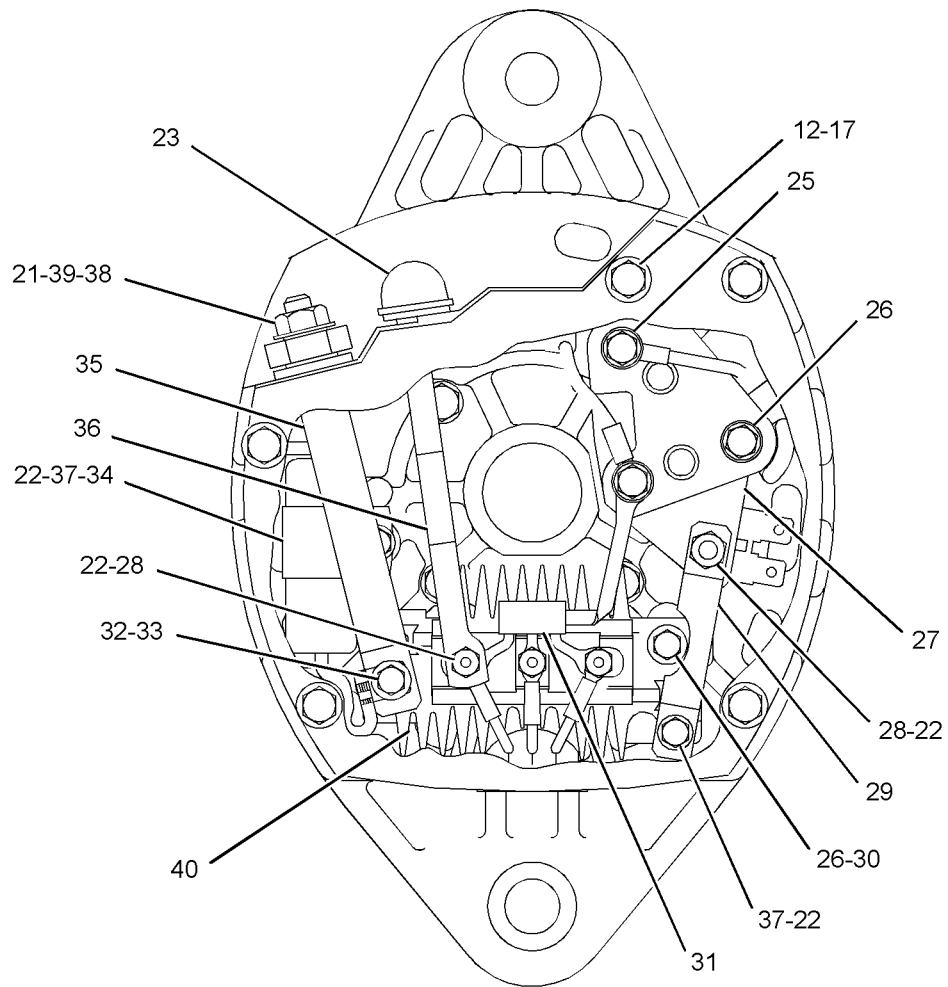
GRAPHIC #1

g01313047

ELECTRICAL AND STARTING SYSTEM

5N-5692 ALTERNATOR GP-CHARGING (contd.)

i03425644



GRAPHIC #2

<END>

g01313052

ELECTRICAL AND STARTING SYSTEM

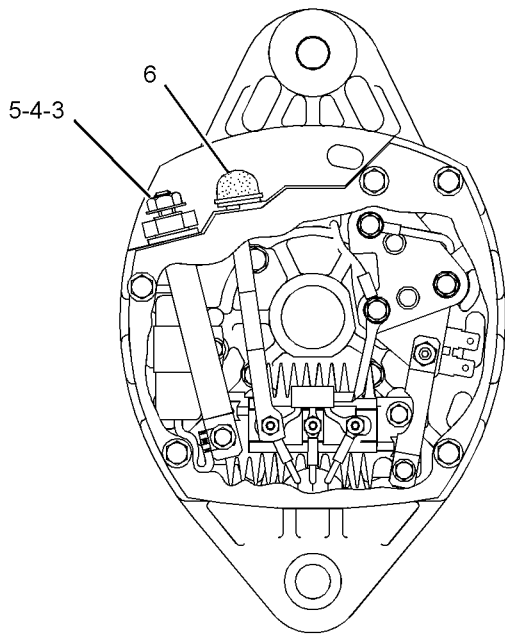
5N-5692 ALTERNATOR GP-CHARGING*R

S/N: FFH1-UP
24-VOLT, 45-AMPERE

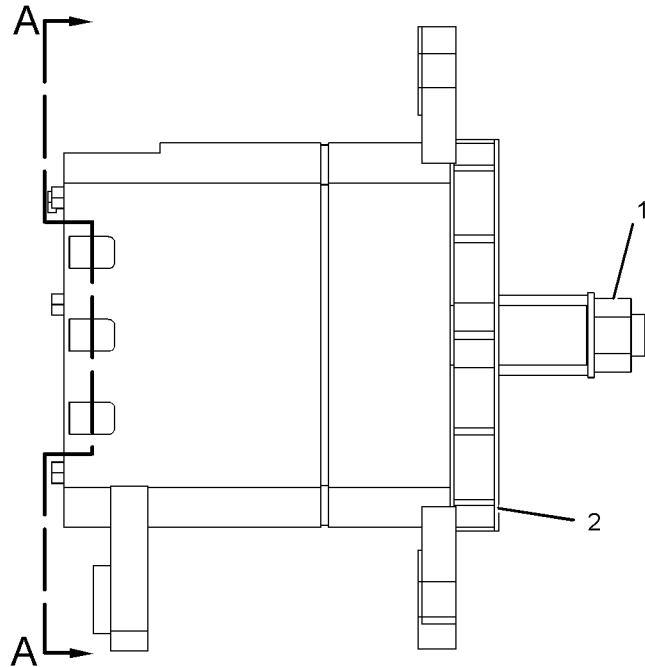
SMCS-1405

i03655525

NOTE	REF NO	GRAPHIC REF	PART NUMBER	QTY	PART NAME						SEE PAGE
					1	2	3	4	5	6 (PRODUCT LEVEL)	
	1	1	187-2034	1	NUT-FLANGE (5/8-18-THD)						
	2	1	3E-5454	1	FAN-ALTERNATOR (11-BLADE)						
	3	1	6V-8187	1	NUT (1/4-28-THD)						
	4	1	1H-3244	1	LOCKWASHER						
	5	1	8T-4205	1	WASHER-HARD (7.2X14.5X2-MM THK)						
	6	1	9L-6770	1	CAP-DUST						



SECTION A-A



GRAPHIC #1

<END>

g01947385

ELECTRICAL AND STARTING SYSTEM

287-4963 ALTERNATOR GP-CHARGING

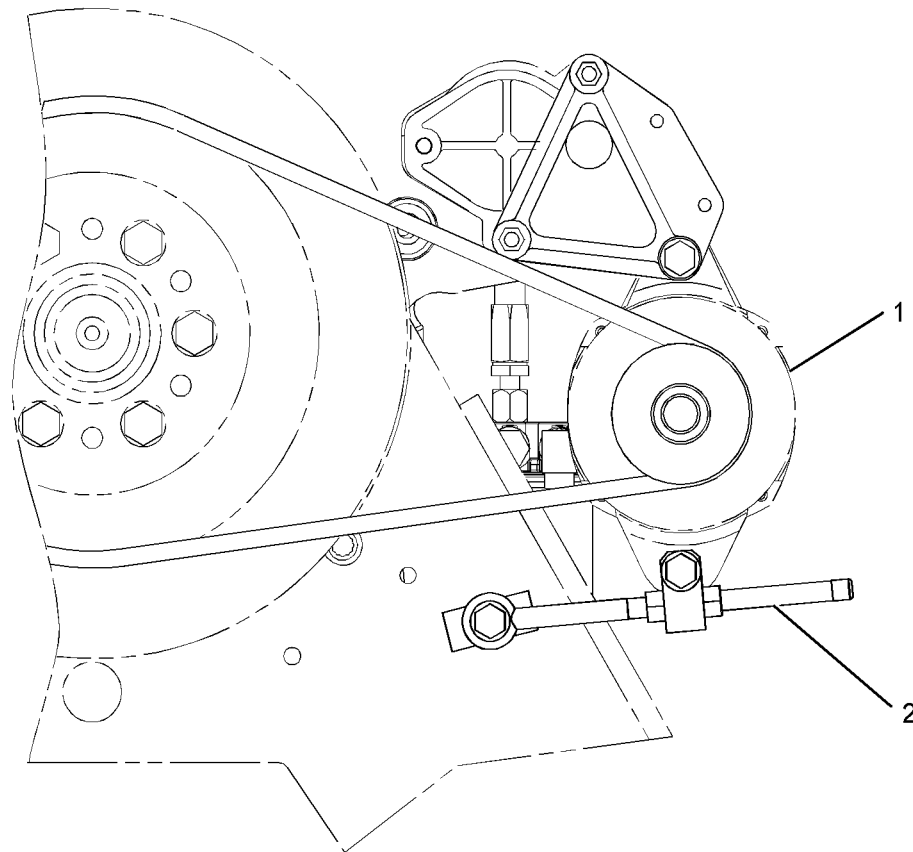
S/N: C5H1-UP
AN ATTACHMENT
TYPE 1

SMCS-1405

i02656799

NOTE	REF NO	GRAPHIC REF	PART NUMBER	QTY	PART NAME						SEE PAGE
					1	2	3	4	5	6 (PRODUCT LEVEL)	
YR	1	1	5N-5692	1	ALTERNATOR GP-CHARGING						289
Y	2	1	232-6576	1	MOUNTING GP-ALTERNATOR						103

R-REMFG PART MAY BE AVAILABLE
Y-SEPARATE ILLUSTRATION



FRONT VIEW

<END>

GRAPHIC #1

g01340753

ELECTRICAL AND STARTING SYSTEM

287-4963 ALTERNATOR GP-CHARGING

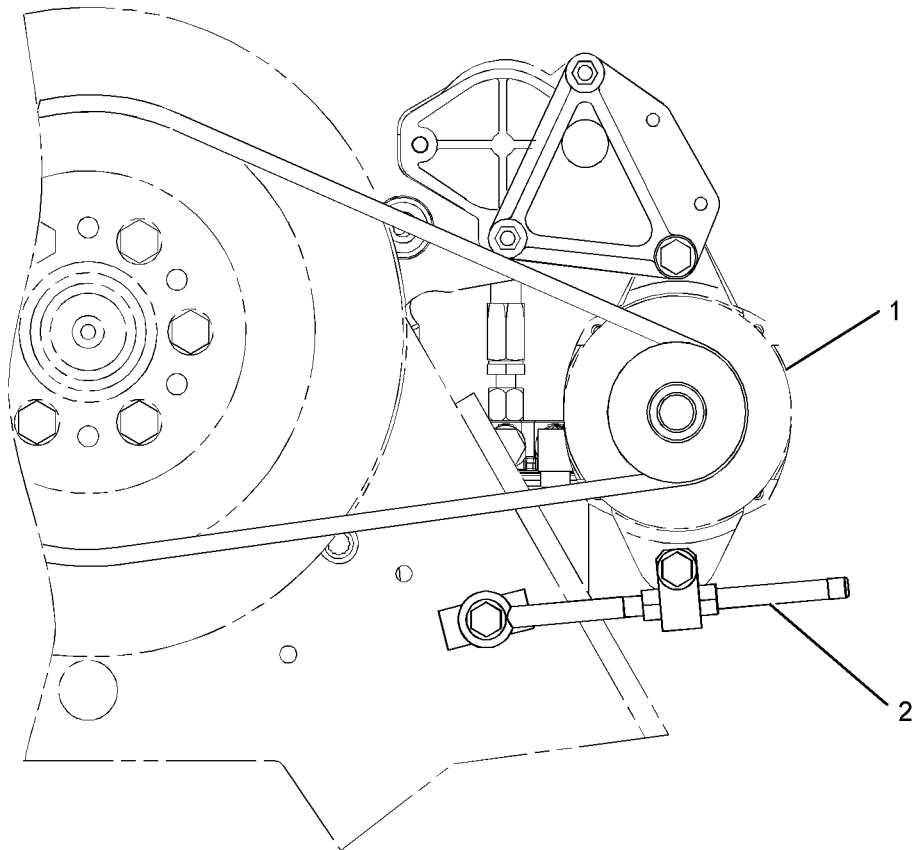
S/N: C5H1-UP
AN ATTACHMENT
TYPE 2

SMCS-1405

i02809355

NOTE	REF NO	GRAPHIC REF	PART NUMBER	QTY	PART NAME						SEE PAGE
					1	2	3	4	5	6 (PRODUCT LEVEL)	
YR	1	1	5N-5692	1	ALTERNATOR GP-CHARGING						289
CY	2	1	310-9221	1	MOUNTING GP-ALTERNATOR						105

C-CHANGE FROM PREVIOUS TYPE
R-REMG PART MAY BE AVAILABLE
Y-SEPARATE ILLUSTRATION



FRONT VIEW

<END>

GRAPHIC #1

g01340753

ELECTRICAL AND STARTING SYSTEM

7C-9141 BATTERY CHARGER

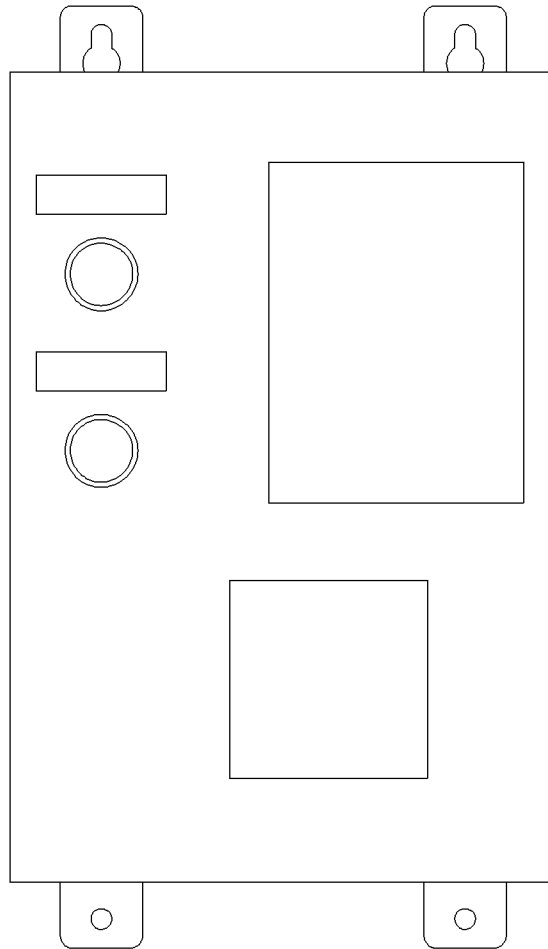
S/N: C5H1-UP

24-VOLT DC SINGLE RATE - 120-VOLT AC/50 OR 60 HERTZ SUPPLY
AN ATTACHMENT

SMCS-1401, 1406

i01424032

NOTE	REF NO	GRAPHIC REF	PART NUMBER	QTY	PART NAME						SEE PAGE
					1	2	3	4	5	6 (PRODUCT LEVEL)	
(NO SERVICED PARTS)											



GRAPHIC #1

<END>

g00746529

ELECTRICAL AND STARTING SYSTEM

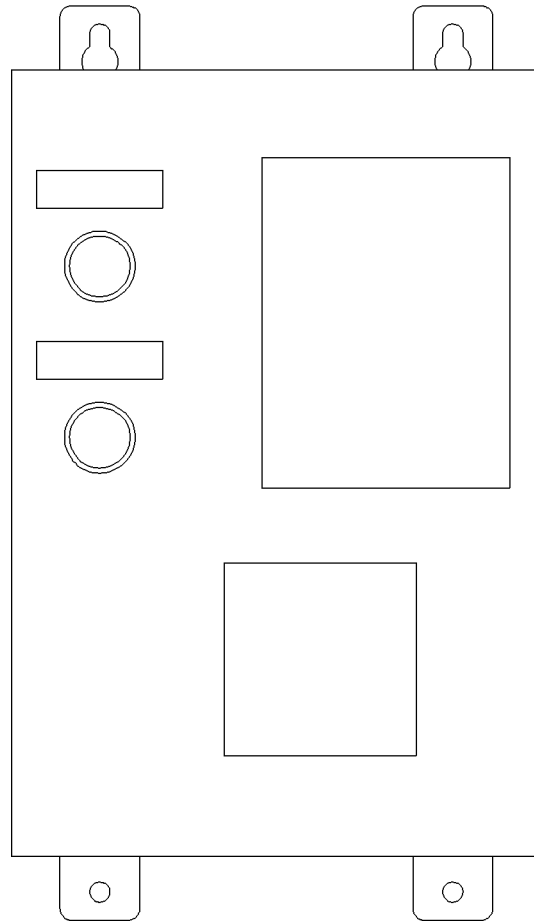
111-6138 BATTERY CHARGER

S/N: C5H1-UP
24-VOLT DC, 10-AMPERE
AN ATTACHMENT

SMCS-1401, 1406

i01837324

NOTE	REF NO	GRAPHIC REF	PART NUMBER	QTY	PART NAME						SEE PAGE
					1	2	3	4	5	6 (PRODUCT LEVEL)	
(NO SERVICED PARTS)											



GRAPHIC #1

<END>

g00746527

ELECTRICAL AND STARTING SYSTEM

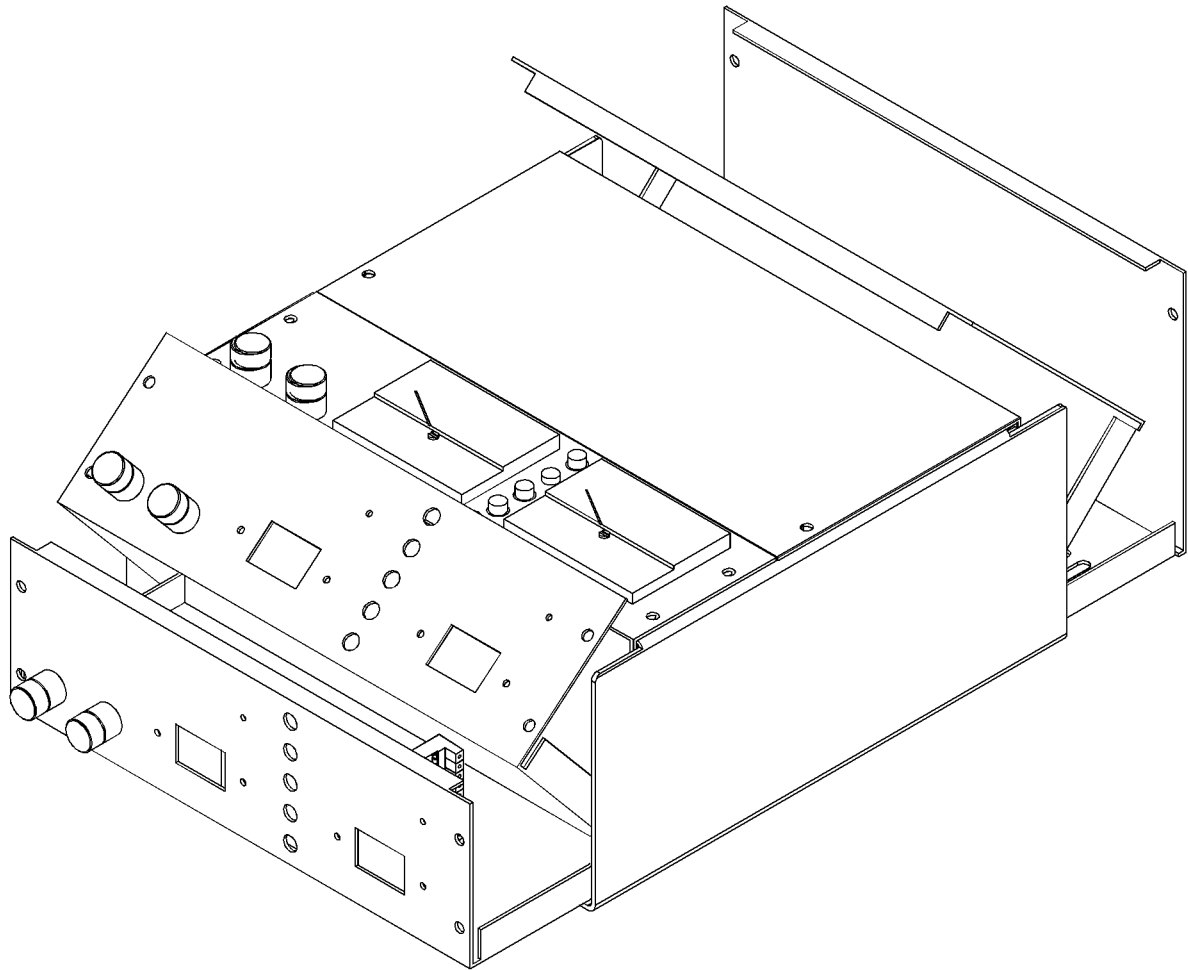
118-4304 BATTERY CHARGER

S/N: C5H1-UP
24-VOLT, 10-AMPERE
AN ATTACHMENT

SMCS-1401, 1406

i03182367

NOTE	REF NO	GRAPHIC REF	PART NUMBER	QTY	PART NAME						SEE PAGE
					1	2	3	4	5	6 (PRODUCT LEVEL)	
(NO SERVICED PARTS)											



GRAPHIC #1

<END>

g01625762

ELECTRICAL AND STARTING SYSTEM

261-6626 BATTERY CHARGER GP

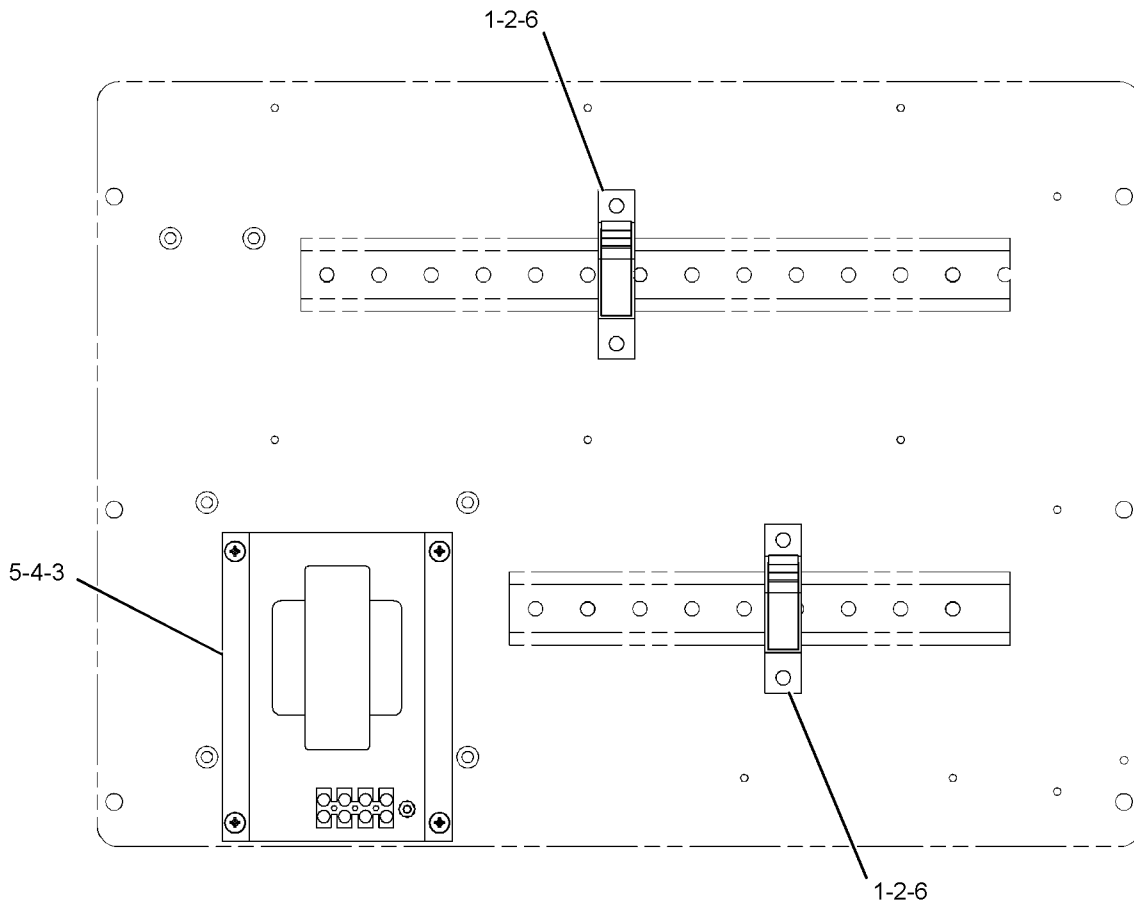
S/N: C5H1-UP
5-AMPERE
AN ATTACHMENT

SMCS-1401, 1406

i02665388

NOTE	REF NO	GRAPHIC REF	PART NUMBER	QTY	PART NAME						SEE PAGE
					1	2	3	4	5	6 (PRODUCT LEVEL)	
	1	1	160-9602	2	HOLDER - FUSE						
J	2	1	143-4472	2	FUSE (6-AMPERE)						
	3	1	143-4495	1	BATTERY CHARGER						
M	4	1	6V-9673	4	SCREW-MACHINE (M5X0.8X12-MM)						
	5	1	8T-0328	4	WASHER-HARD (5.5X10X1-MM THK)						
L	6	1	190-2558	2	FUSE (6-AMPERE)						
F			260-5311	1	HARNESS AS-WIRING (BATTERY CHARGER)						

F-NOT SHOWN
J-FOR EUROPEAN MANUFACTURE ONLY
L-FOR US MANUFACTURE ONLY
M-METRIC PART



GRAPHIC #1

<END>

g01152935

ELECTRICAL AND STARTING SYSTEM

261-6627 BATTERY CHARGER GP

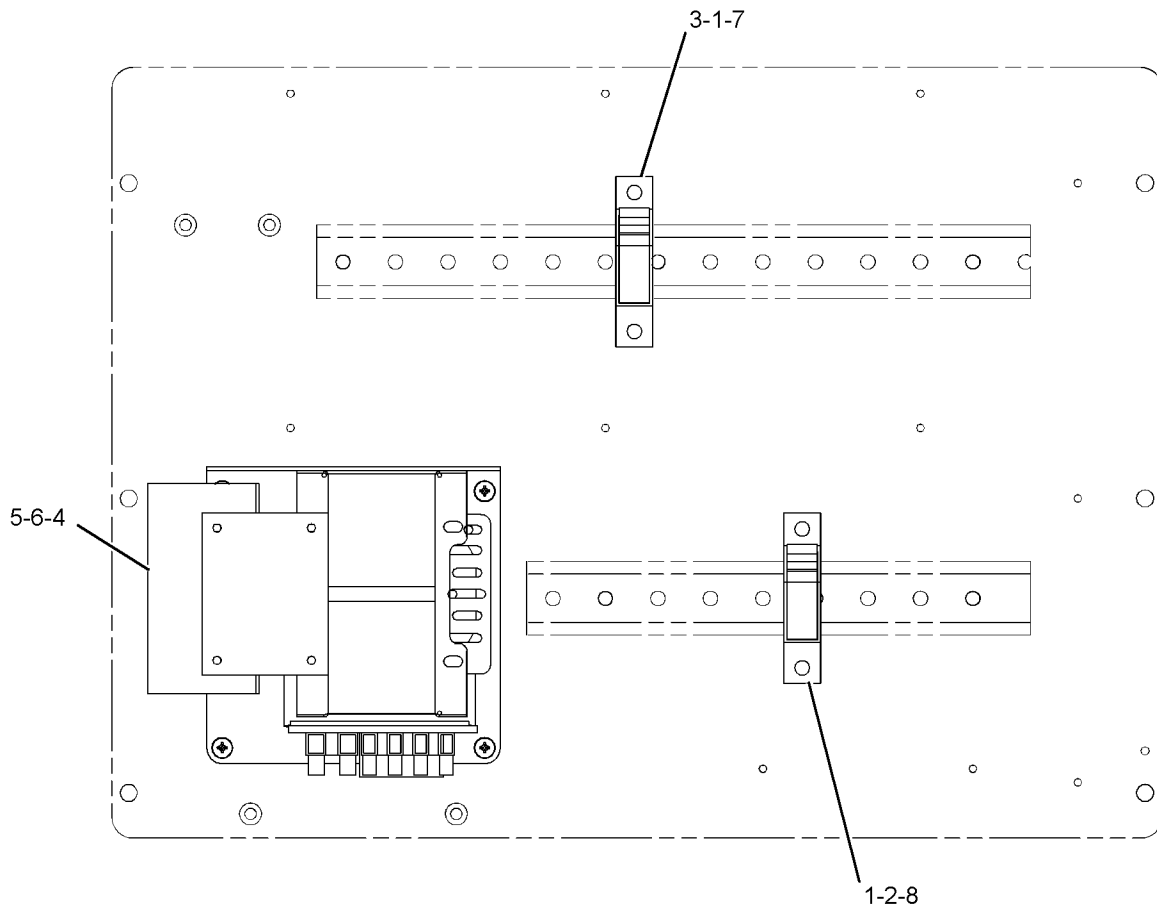
S/N: C5H1-UP
10-AMPERE
AN ATTACHMENT

SMCS-1401, 1406

i02485011

NOTE	REF NO	GRAPHIC REF	PART NUMBER	QTY	PART NAME						SEE PAGE
					1	2	3	4	5	6 (PRODUCT LEVEL)	
	1	1	160-9602	2	HOLDER - FUSE						
L	2	1	143-4472	1	FUSE (6-AMPERE)						
L	3	1	143-5080	1	FUSE (10-AMPERE)						
	4	1	149-7994	1	BATTERY CHARGER (10-AMPERE)						
M	5	1	6V-9673	4	SCREW-MACHINE (M5X0.8X12-MM)						
	6	1	8T-0328	4	WASHER-HARD (5.5X10X1-MM THK)						
J	7	1	6V-7802	1	FUSE (10-AMPERE)						
J	8	1	190-2558	1	FUSE (6-AMPERE)						
F			261-5612	1	HARNESS AS-PANEL (BATTERY CHARGER) (BATTERY CHARGER)						

F - NOT SHOWN
J - FOR US MANUFACTURE ONLY
L - FOR EUROPEAN MANUFACTURE ONLY
M - METRIC PART



GRAPHIC #1

<END>

g01152991

ELECTRICAL AND STARTING SYSTEM

9X-9730 BATTERY GP-12-VOLT, DRY

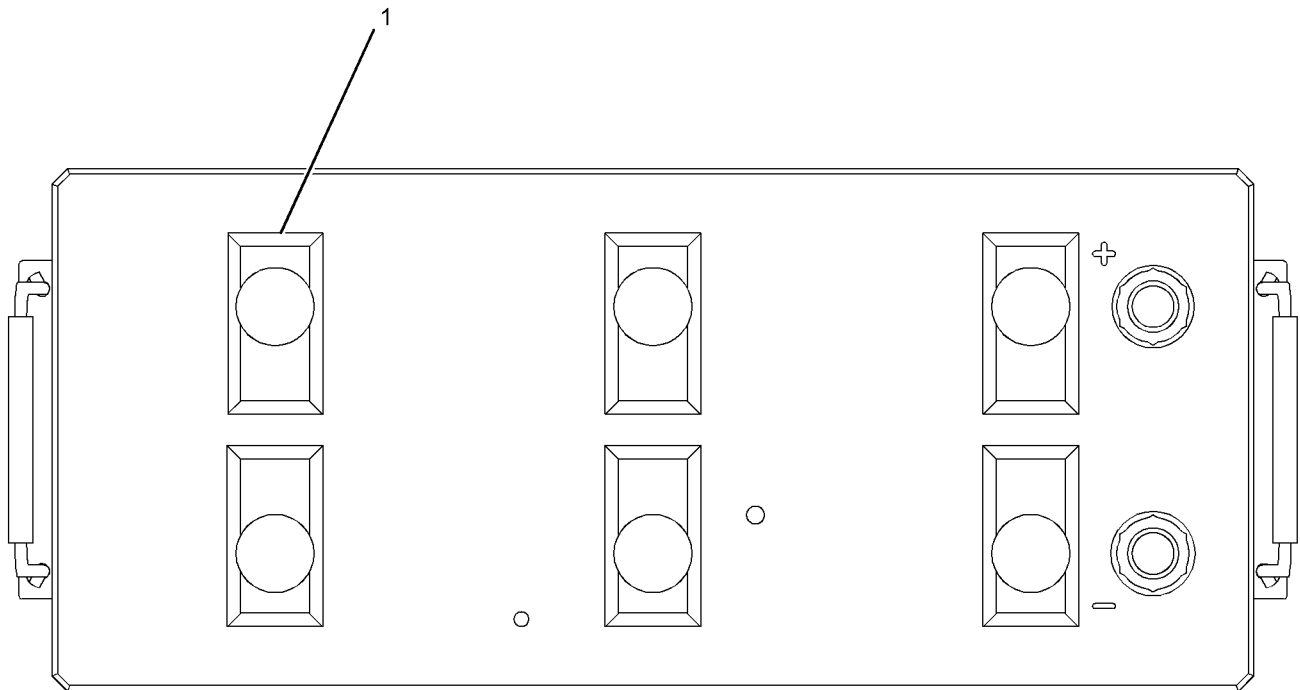
S/N: C5H1-UP

PART OF 270-3124 BATTERY GP
AN ATTACHMENT

SMCS-1401

i02482336

NOTE	REF NO	GRAPHIC REF	PART NUMBER	QTY	PART NAME						SEE PAGE
					1	2	3	4	5	6 (PRODUCT LEVEL)	
	1	1	7N-0060	6	VENT AS						



GRAPHIC #1

<END>

g01239900

ELECTRICAL AND STARTING SYSTEM

115-2421 BATTERY GP

S/N: C5H1-UP

12-VOLT, MAINTENANCE FREE, DRY

PART OF 270-3125 BATTERY GP

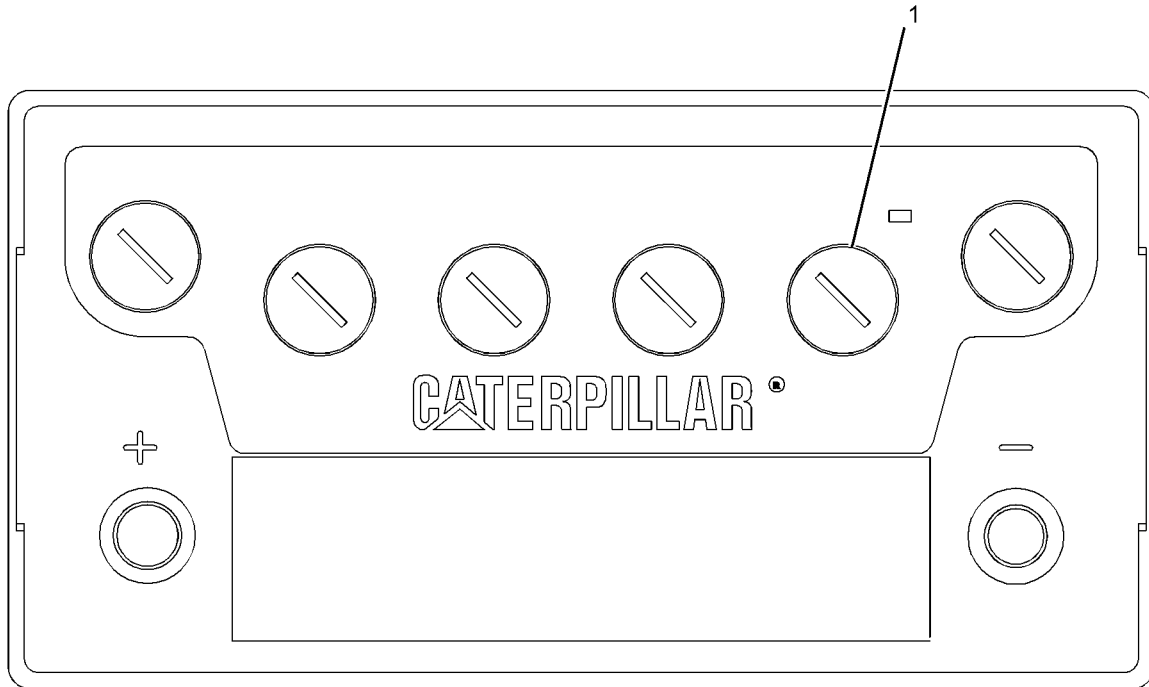
FOR USE WITH BATTERY SUPPORT

AN ATTACHMENT

SMCS-1401

i03021874

NOTE	REF NO	GRAPHIC REF	PART NUMBER	QTY	PART NAME						SEE PAGE
					1	2	3	4	5	6 (PRODUCT LEVEL)	
	1	1	123-1373	6	CAP AS-FILLER (BATTERY)						



TOP VIEW

GRAPHIC #1

<END>

g01200410

ELECTRICAL AND STARTING SYSTEM

270-3124 BATTERY GP

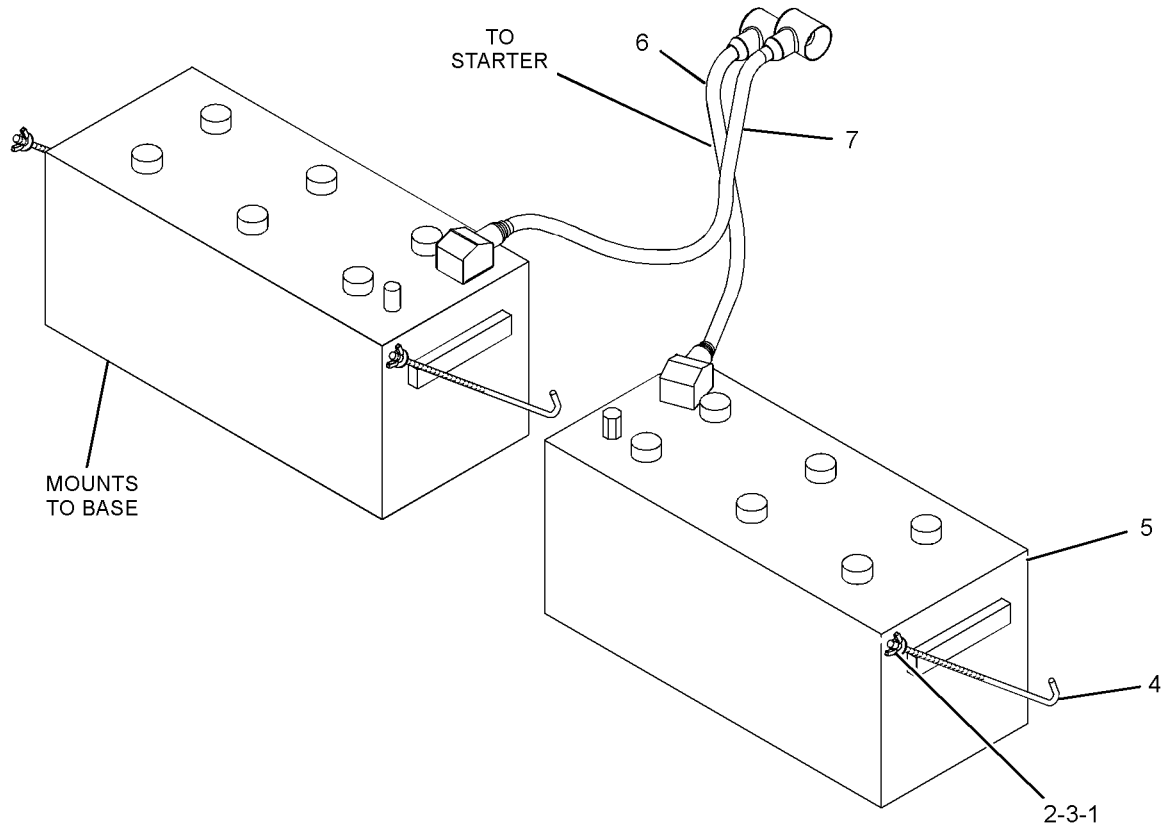
S/N: C5H1-UP
AN ATTACHMENT

SMCS-1401

i03267761

NOTE	REF NO	GRAPHIC REF	PART NUMBER	QTY	PART NAME						SEE PAGE
					1	2	3	4	5	6 (PRODUCT LEVEL)	
	1	1	3E-4096	3	CAP						
	2	1	5J-9105	3	WASHER (6.4X19.8X1.9-MM THK)						
M	3	1	8T-2910	3	NUT-WING (M6X1-THD)						
	4	1	142-2458	3	BOLT						
Y	5	1	9X-9730	2	BATTERY GP (12-VOLT) (DRY)						300
	6	1	188-6181	1	CABLE AS (STARTING MOTOR)						
		1	1S-7251	1	TERMINAL-CABLE (00-GA, 1/2-IN BOLT)						
		1	7N-5274	1	COVER-TERMINAL (BLACK)						
		1	3S-6050	1	TERMINAL AS-BATTERY (NEGATIVE)						
		1	1M-6119	1	BOLT (5/16-18X1.375-IN)						
		1	1M-6120	1	NUT (5/16-18-THD)						
7	1	1	143-5968	1	CABLE AS (SOLENOID, SWITCH)						
		1	1S-7251	1	TERMINAL-CABLE (00-GA, 1/2-IN BOLT)						
		1	8N-0869	1	COVER-TERMINAL (RED)						
		1	8N-1725	1	COVER-TERMINAL (RED)						
		1	3S-6049	1	TERMINAL AS-BATTERY (POSITIVE)						
		1	1M-6119	1	BOLT (5/16-18X1.375-IN)						
		1	1M-6120	1	NUT (5/16-18-THD)						

M-METRIC PART
Y-SEPARATE ILLUSTRATION



GRAPHIC #1

<END>

g01626242

ELECTRICAL AND STARTING SYSTEM

270-3125 BATTERY GP

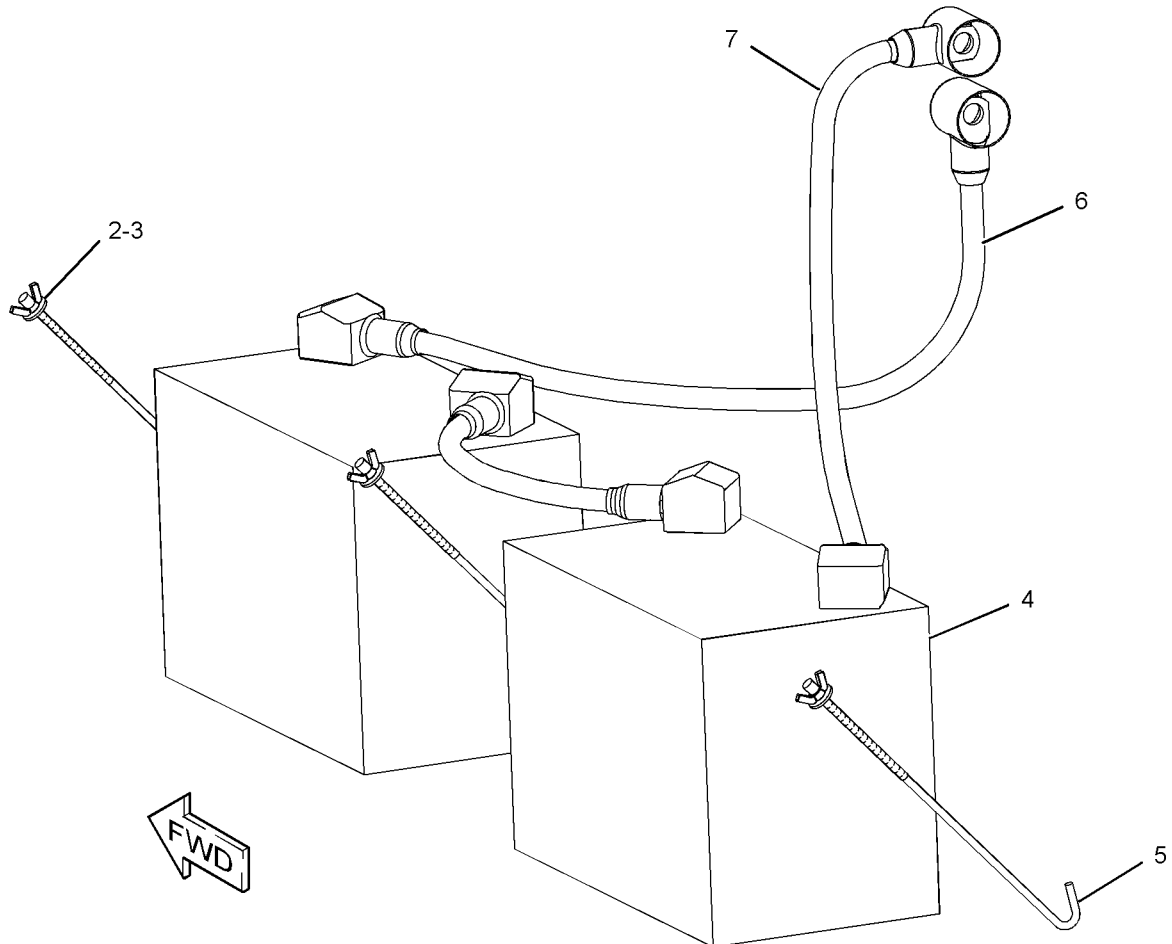
S/N: C5H1-UP
950-AMPERE
AN ATTACHMENT

SMCS-1401

i03267763

NOTE	REF NO	GRAPHIC REF	PART NUMBER	QTY	PART NAME						SEE PAGE
					1	2	3	4	5	6 (PRODUCT LEVEL)	
	2	1	5J-9105	3	WASHER (6.4X19.8X1.9-MM THK)						
M	3	1	8T-2910	3	NUT-WING (M6X1-THD)						
Y	4	1	115-2421	2	BATTERY GP (12-VOLT, MAINTENANCE FREE, DRY)						301
	5	1	142-9459	3	BOLT (M6X1X275-MM)						
	6	1	9R-1175	1	CABLE AS (NEG. TO STARTER)						
		1	3S-6050	1	TERMINAL AS-BATTERY (NEGATIVE)						
		1	1M-6119	1	BOLT (5/16-18X1.375-IN)						
		1	1M-6120	1	NUT (5/16-18-THD)						
		1	1S-7251	1	TERMINAL-CABLE (00-GA, 1/2-IN BOLT)						
		1	7N-5274	1	COVER-TERMINAL (BLACK)						
	7	1	143-5968	1	CABLE AS (POS. TO SOLENOID)						
		1	1S-7251	1	TERMINAL-CABLE (00-GA, 1/2-IN BOLT)						
		1	8N-0869	1	COVER-TERMINAL (RED)						
		1	8N-1725	1	COVER-TERMINAL (RED)						
		1	3S-6049	1	TERMINAL AS-BATTERY (POSITIVE)						
		1	1M-6119	1	BOLT (5/16-18X1.375-IN)						
		1	1M-6120	1	NUT (5/16-18-THD)						

M-METRIC PART
Y-SEPARATE ILLUSTRATION



GRAPHIC #1

<END>

g01187434

ELECTRICAL AND STARTING SYSTEM

166-0845 BOX GP-CONNECTION-POWER DISTRIBUTION

S/N: C5H1-UP

PART OF 240-0170 BOX GP-CONNECTION
AN ATTACHMENT

SMCS-4460

i03238484

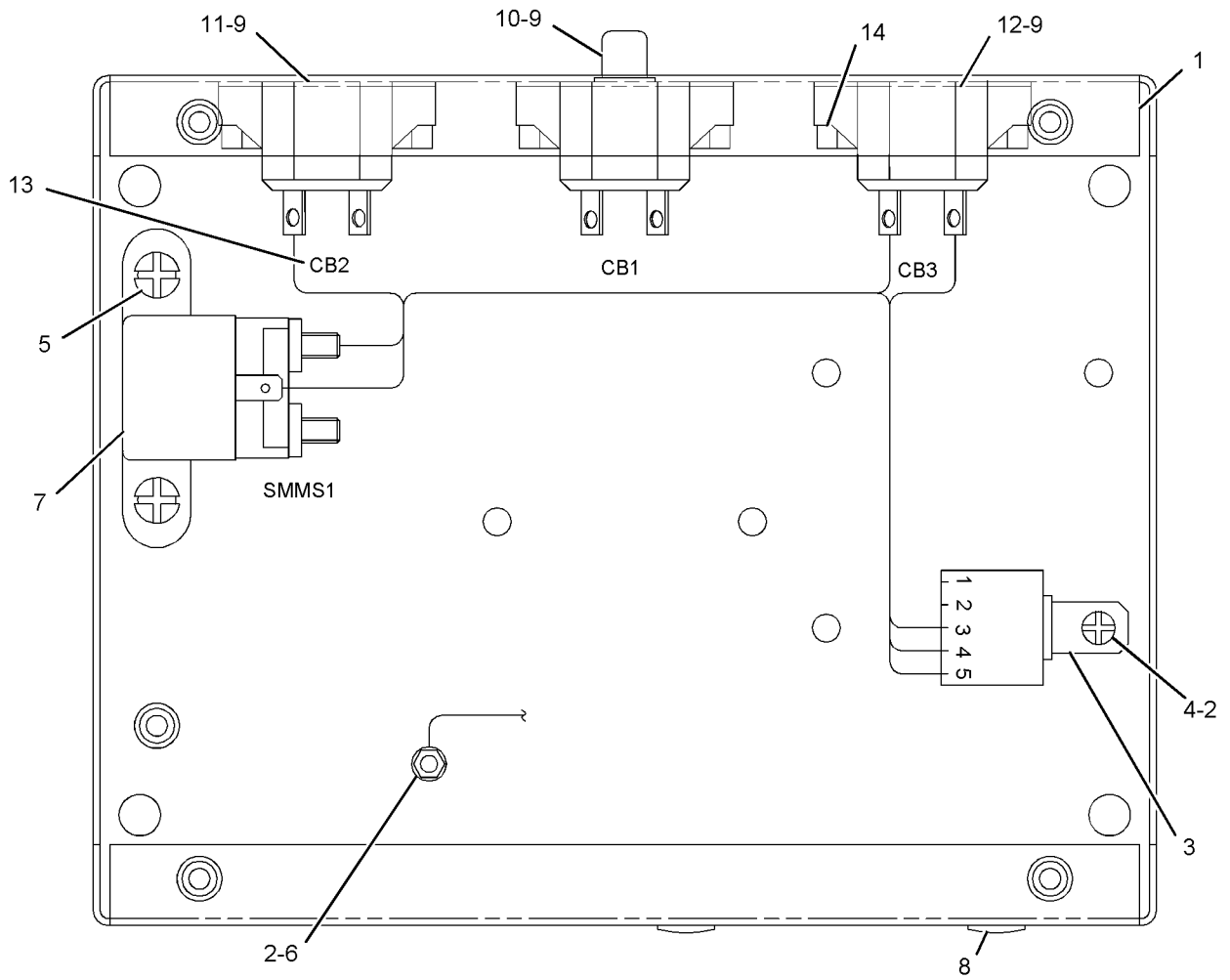
NOTE	REF NO	GRAPHIC REF	PART NUMBER	QTY	PART NAME						SEE PAGE
					1	2	3	4	5	6 (PRODUCT LEVEL)	
	1	1	154-9672	1	BOX AS						
M		1	3E-4304	9	INSERT-THREADED (M6X1-THD)						
		1	251-8101	4	CAP-NUT						
	2	1	095-0826	3	LOCKWASHER						
	3	1	206-9427	1	RELAY (24-VOLT) (POWER DISTRIBUTION)						
M	4	1	095-0728	1	SCREW-MACHINE (M4X0.7X12-MM)						
M	5	1	2Y-6338	2	SCREW (M6X1-THD)						
M	6	1	5C-8312	1	NUT (M4X0.7-THD)						
	7	1	9X-8124	1	SWITCH AS-MAGNETIC (24-VOLT) (STARTING MOTOR)						
M		1	8T-4134	2	NUT (M6X1-THD)						
	8	1	241-6070	2	GROMMET						
	9	1	244-0908	6	SCREW						
Y	10	1	6T-3645	1	CIRCUIT BREAKER GP (60-AMPERE)						321
	11	1	200-8577	1	CIRCUIT BREAKER AS (20-AMPERE)						
		1	6V-8376	2	SCREW-MACHINE (8-32X0.25-IN)						
		1	9B-7233	2	LOCKWASHER						
	12	1	9M-9085	1	CIRCUIT BREAKER AS (15-AMPERE)						
		1	6V-8376	2	SCREW-MACHINE (8-32X0.25-IN)						
		1	9B-7233	2	LOCKWASHER						
	13	1	155-0950	1	FILM-INFORMATION (ELECTRIC COMPONENT IDENTIFY)						
	14	1	6D-5801	2	LOCKNUT (8-32-THD)						

M-METRIC PART
Y-SEPARATE ILLUSTRATION

ELECTRICAL AND STARTING SYSTEM

166-0845 BOX GP-CONNECTION (contd.)

i03238484



GRAPHIC #1

<END>

g01109125

ELECTRICAL AND STARTING SYSTEM

240-0170 BOX GP-CONNECTION

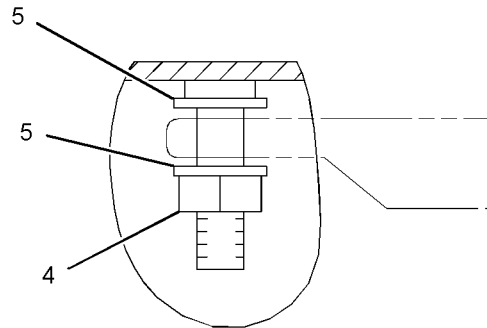
S/N: C5H1-UP
AN ATTACHMENT

SMCS-4460

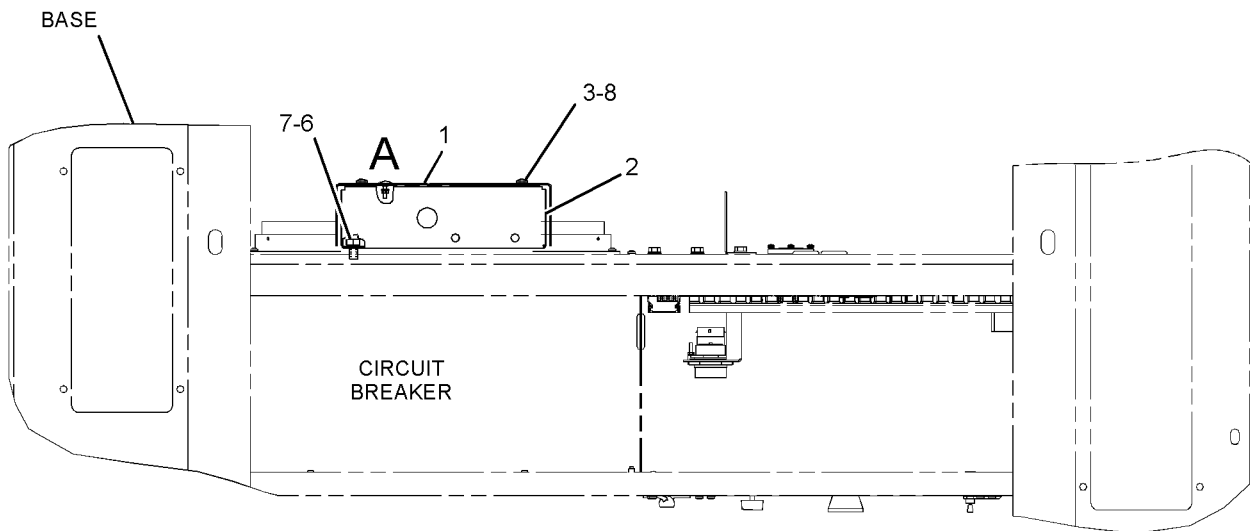
i03539322

NOTE	REF NO	GRAPHIC REF	PART NUMBER	QTY	PART NAME						SEE PAGE
					1	2	3	4	5	6 (PRODUCT LEVEL)	
	1	1	154-9676	1	COVER AS						
Y	2	1	166-0845	1	BOX GP-CONNECTION						304
M	3	1	095-0742	4	SCREW-MACHINE (M6X1X16-MM)						
M	4	1	105-3482	4	BOLT-SOCKET HEAD (M8X1.25X16-MM)						
	5	1	8T-4224	4	WASHER-HARD (8.8X16X2-MM THK)						
	6	1	9X-8256	4	WASHER (6.6X12X2-MM THK)						
	7	1	8C-9660	2	WASHER (4.6X7.9X0.8-MM THK)						
M	8	1	5C-8312	1	NUT (M4X0.7-THD)						

M-METRIC PART
Y-SEPARATE ILLUSTRATION



VIEW OF AREA A



BOTTOM VIEW

GRAPHIC #1

<END>

g01636738

ELECTRICAL AND STARTING SYSTEM

284-9215 BRACKET GP-TERMINAL

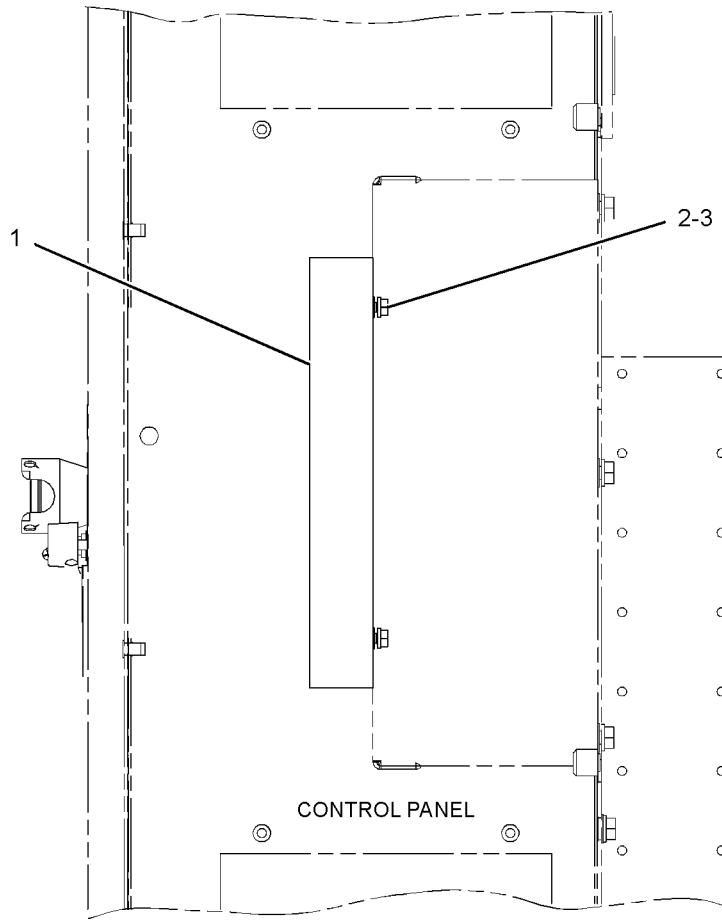
S/N: C5H1-UP
AN ATTACHMENT

SMCS-7553

i02491855

NOTE	REF NO	GRAPHIC REF	PART NUMBER	QTY	PART NAME						SEE PAGE
					1	2	3	4	5	6 (PRODUCT LEVEL)	
	1	1	241-6703	1	BRACKET AS						
M		1	3E-4304	4	INSERT-THREADED (M6X1-6H-THD)						
M	2	1	8T-4138	4	BOLT (M6X1X20-MM)						
	3	1	9X-8256	4	WASHER (6.6X12X2-MM THK)						

M-METRIC PART



LEFT SIDE VIEW

<END>

GRAPHIC #1

g01289234

ELECTRICAL AND STARTING SYSTEM

323-5759 BRACKET GP-TERMINAL

S/N: C5H1-UP

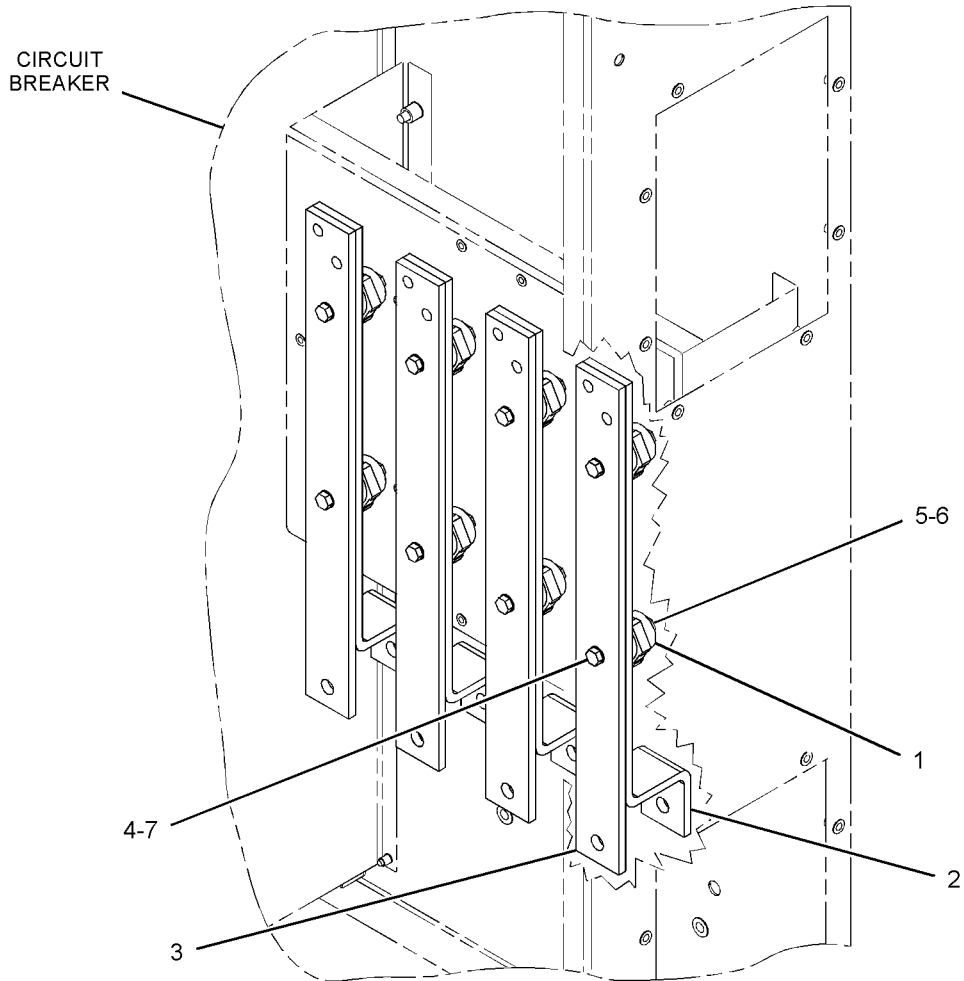
PART OF 237-2626 CONNECTION GP-TERMINAL STRIP
AN ATTACHMENT

SMCS-7553

i03475566

NOTE	REF NO	GRAPHIC REF	PART NUMBER	QTY	PART NAME						SEE PAGE
					1	2	3	4	5	6 (PRODUCT LEVEL)	
	1	1	143-4456	2	INSULATOR						
	2	1	319-6796	1	TERMINAL						
	3	1	319-6397	1	TERMINAL						
	4	1	3F-9556	2	LOCKWASHER (INTERNAL TOOTH)						
M	5	1	8T-4199	2	BOLT (M8X1.25X12-MM)						
	6	1	8T-4224	2	WASHER-HARD (8.8X16X2-MM THK)						
M	7	1	8T-4908	2	BOLT (M8X1.25X25-MM)						

M-METRIC PART



GRAPHIC #1

<END>

g01828294

ELECTRICAL AND STARTING SYSTEM

245-2084 CABLE AS

S/N: C5H1-UP

53-CM

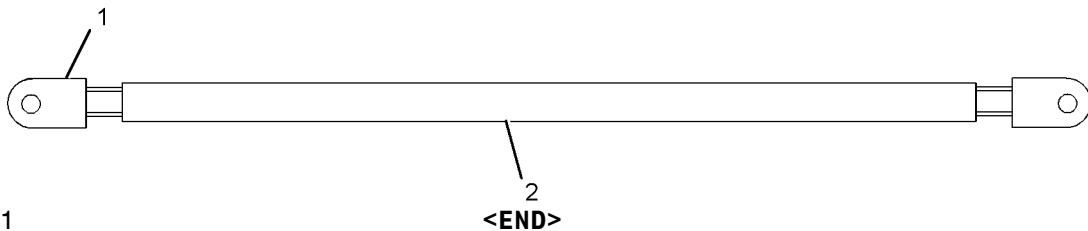
AN ATTACHMENT

SMCS-1408

i02460349

NOTE	REF NO	GRAPHIC REF	PART NUMBER	QTY	PART NAME						SEE PAGE
					1	2	3	4	5	6 (PRODUCT LEVEL)	
	1	1	031-9295	2	TERMINAL-RING (0000-GA, 3/8-IN SCREW)						
E	2	1	188-2658		CABLE (0000-GA) (61-CM) (BLACK)						

E-ORDER BY THE CENTIMETER



GRAPHIC #1

g01054230

ELECTRICAL AND STARTING SYSTEM

245-2085 CABLE AS

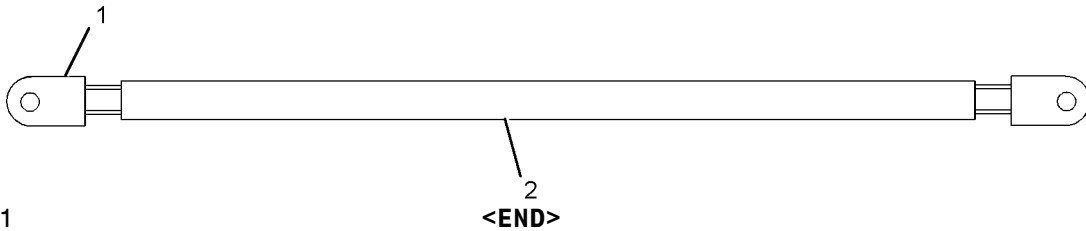
S/N: C5H1-UP
27-CM
AN ATTACHMENT

SMCS-1408

i02254146

NOTE	REF NO	GRAPHIC REF	PART NUMBER	QTY	PART NAME						SEE PAGE
					1	2	3	4	5	6 (PRODUCT LEVEL)	
	1	1	031-9295	2	TERMINAL-RING (0000-GA, 3/8-IN SCREW)						
E	2	1	188-2658		CABLE (0000-GA) (27-CM)						

E-ORDER BY THE CENTIMETER



GRAPHIC #1

<END>

g01054230

ELECTRICAL AND STARTING SYSTEM

246-6851 CABLE AS-COPPER BRAID

S/N: C5H1-UP

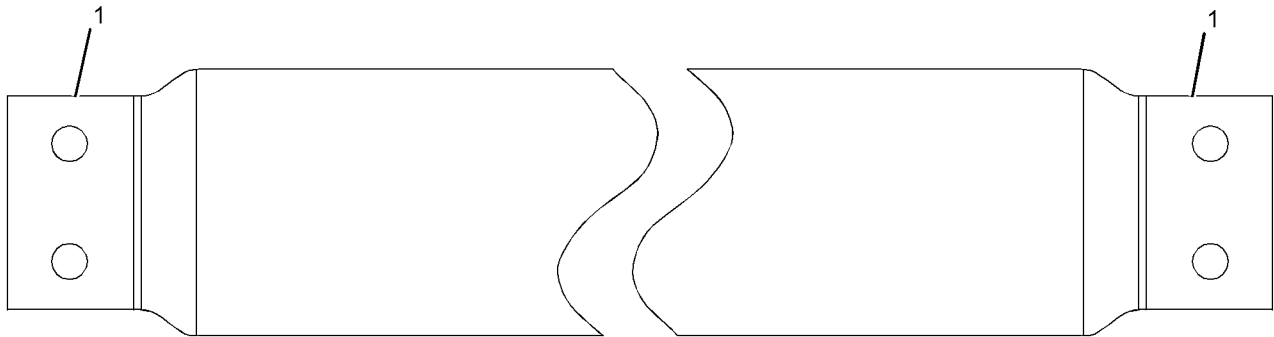
3000-MILLIMETER, 7-MM HOLES

PART OF 299-5891 CONNECTION GP-GENERATOR LEADS
AN ATTACHMENT

SMCS-1408

i02642762

NOTE	REF NO	GRAPHIC REF	PART NUMBER	QTY	PART NAME						SEE PAGE
					1	2	3	4	5	6 (PRODUCT LEVEL)	
	1	1	262-2866	2	PLATE						



GRAPHIC #1

<END>

g01332553

ELECTRICAL AND STARTING SYSTEM

246-6852 CABLE AS-COPPER BRAID

S/N: C5H1-UP

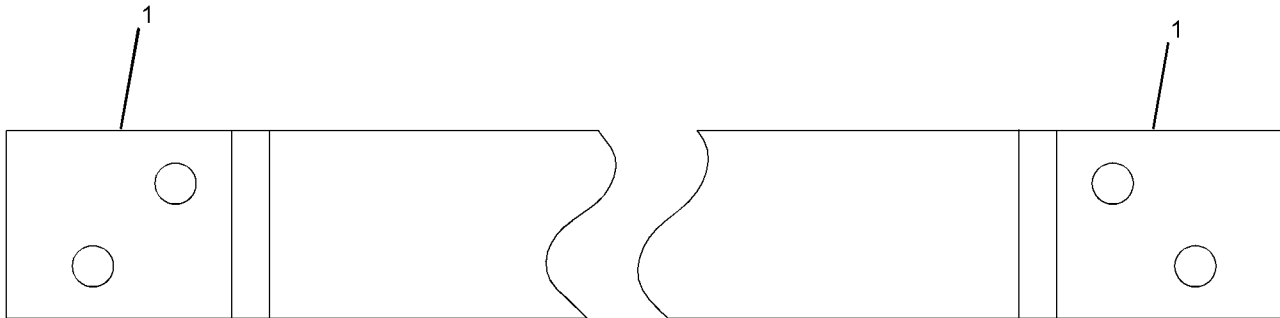
3000-MILLIMETER, 11-MM HOLES

PART OF 299-5889, 299-5893 CONNECTION GP-GENERATOR LEADS
AN ATTACHMENT

SMCS-1408

i02642678

NOTE	REF NO	GRAPHIC REF	PART NUMBER	QTY	PART NAME						SEE PAGE
					1	2	3	4	5	6 (PRODUCT LEVEL)	
	1	1	270-8174	2	PLATE						



GRAPHIC #1

<END>

g01332395

ELECTRICAL AND STARTING SYSTEM

246-6853 CABLE AS-COPPER BRAID

S/N: C5H1-UP

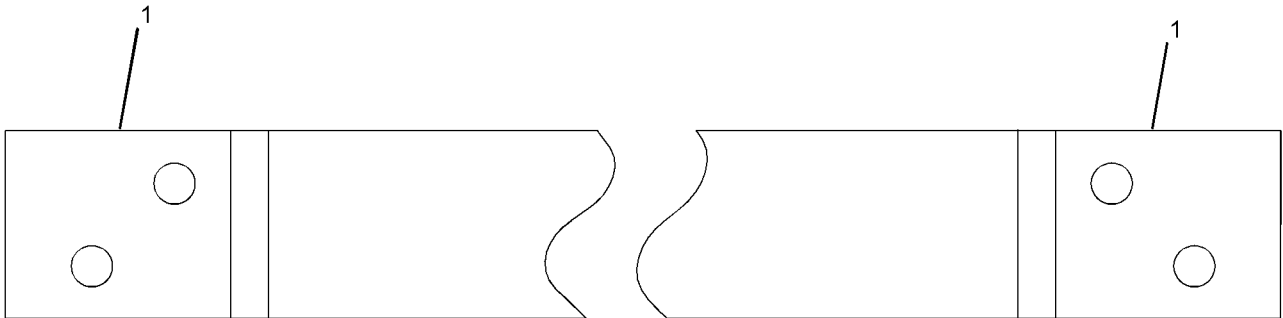
3000-MILLIMETER, 11-MM HOLES

PART OF 299-5890 CONNECTION GP-GENERATOR LEADS
AN ATTACHMENT

SMCS-1408

i02642671

NOTE	REF NO	GRAPHIC REF	PART NUMBER	QTY	PART NAME						SEE PAGE
					1	2	3	4	5	6 (PRODUCT LEVEL)	
	1	1	270-8174	2	PLATE						



GRAPHIC #1

<END>

g01332395

ELECTRICAL AND STARTING SYSTEM

246-6868 CABLE AS-COPPER BRAID

S/N: C5H1-UP

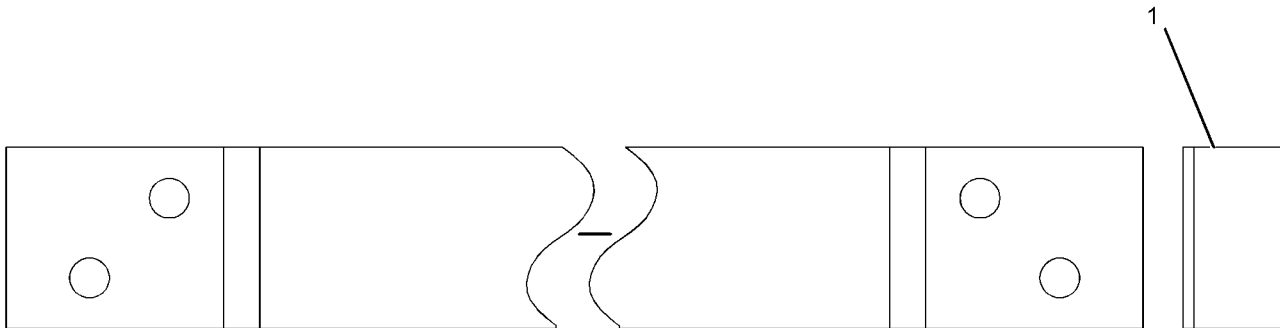
3000-MILLIMETER, 11-MM HOLES

PART OF 299-5892 CONNECTION GP-GENERATOR LEADS
AN ATTACHMENT

SMCS-1408

i02642969

NOTE	REF NO	GRAPHIC REF	PART NUMBER	QTY	PART NAME						SEE PAGE
					1	2	3	4	5	6 (PRODUCT LEVEL)	
	1	1	270-8174	2	PLATE						



GRAPHIC #1

<END>

g01332378

ELECTRICAL AND STARTING SYSTEM

268-1236 CABLE AS

S/N: C5H1-UP

16-CM

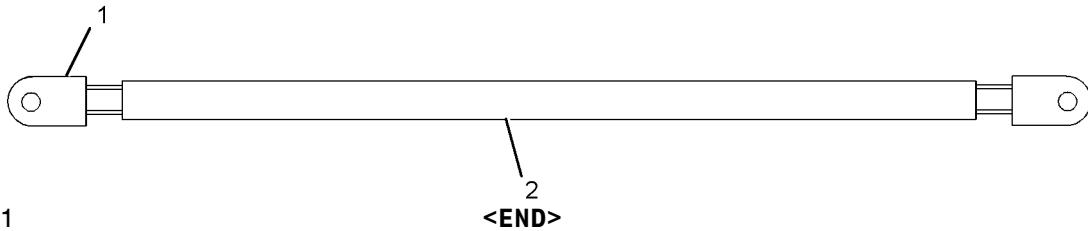
AN ATTACHMENT

SMCS-1408

i02253035

NOTE	REF NO	GRAPHIC REF	PART NUMBER	QTY	PART NAME						SEE PAGE
					1	2	3	4	5	6 (PRODUCT LEVEL)	
	1	1	031-9295	2	TERMINAL-RING (0000-GA, 3/8-IN SCREW)						
E	2	1	188-2658		CABLE (0000-GA) (16-CM) (BLACK)						

E-ORDER BY THE CENTIMETER



GRAPHIC #1

g01054230

ELECTRICAL AND STARTING SYSTEM

268-1237 CABLE AS

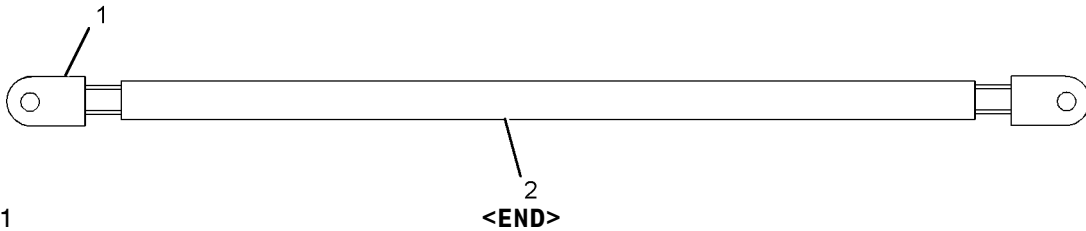
S/N: C5H1-UP
21-CM
AN ATTACHMENT

SMCS-1408

i02253038

NOTE	REF NO	GRAPHIC REF	PART NUMBER	QTY	PART NAME						SEE PAGE
					1	2	3	4	5	6 (PRODUCT LEVEL)	
	1	1	031-9295	2	TERMINAL-RING (0000-GA, 3/8-IN SCREW)						
E	2	1	188-2658		CABLE (0000-GA) (21-CM) (BLACK)						

E-ORDER BY THE CENTIMETER



GRAPHIC #1

g01054230

ELECTRICAL AND STARTING SYSTEM

268-1238 CABLE AS

S/N: C5H1-UP

38-CM

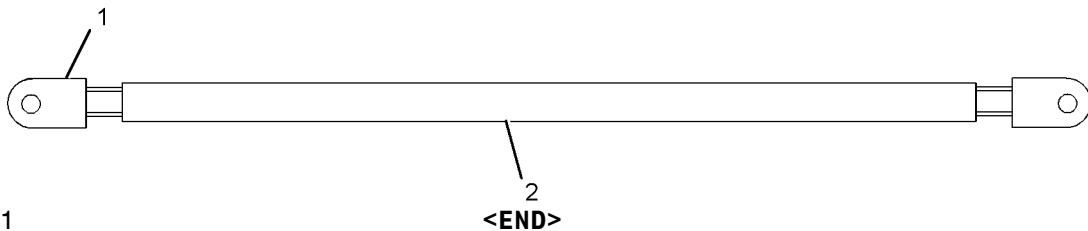
AN ATTACHMENT

SMCS-1408

i02253615

NOTE	REF NO	GRAPHIC REF	PART NUMBER	QTY	PART NAME						SEE PAGE
					1	2	3	4	5	6 (PRODUCT LEVEL)	
	1	1	031-9295	2	TERMINAL-RING (0000-GA, 3/8-IN SCREW)						
E	2	1	188-2658		CABLE (0000-GA) (38-CM) (BLACK)						

E-ORDER BY THE CENTIMETER



GRAPHIC #1

<END>

g01054230

ELECTRICAL AND STARTING SYSTEM

268-1239 CABLE AS

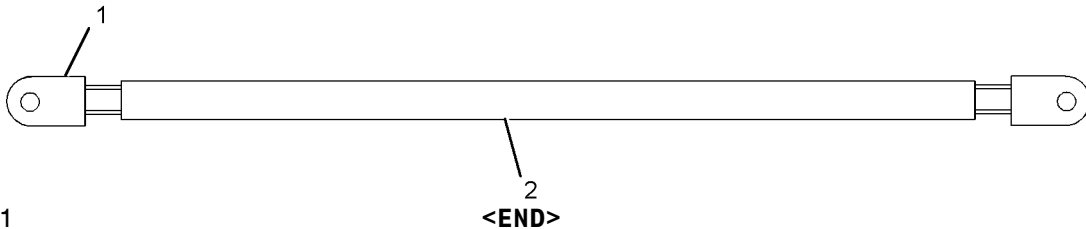
S/N: C5H1-UP
44-CM
AN ATTACHMENT

SMCS-1408

i02253036

NOTE	REF NO	GRAPHIC REF	PART NUMBER	QTY	PART NAME						SEE PAGE
					1	2	3	4	5	6 (PRODUCT LEVEL)	
	1	1	031-9295	2	TERMINAL-RING (0000-GA, 3/8-IN SCREW)						
E	2	1	188-2658		CABLE (0000-GA) (44-CM) (BLACK)						

E-ORDER BY THE CENTIMETER



GRAPHIC #1

<END>

g01054230

ELECTRICAL AND STARTING SYSTEM

266-8298 CABLE AS-BRAIDED

S/N: C5H1-UP

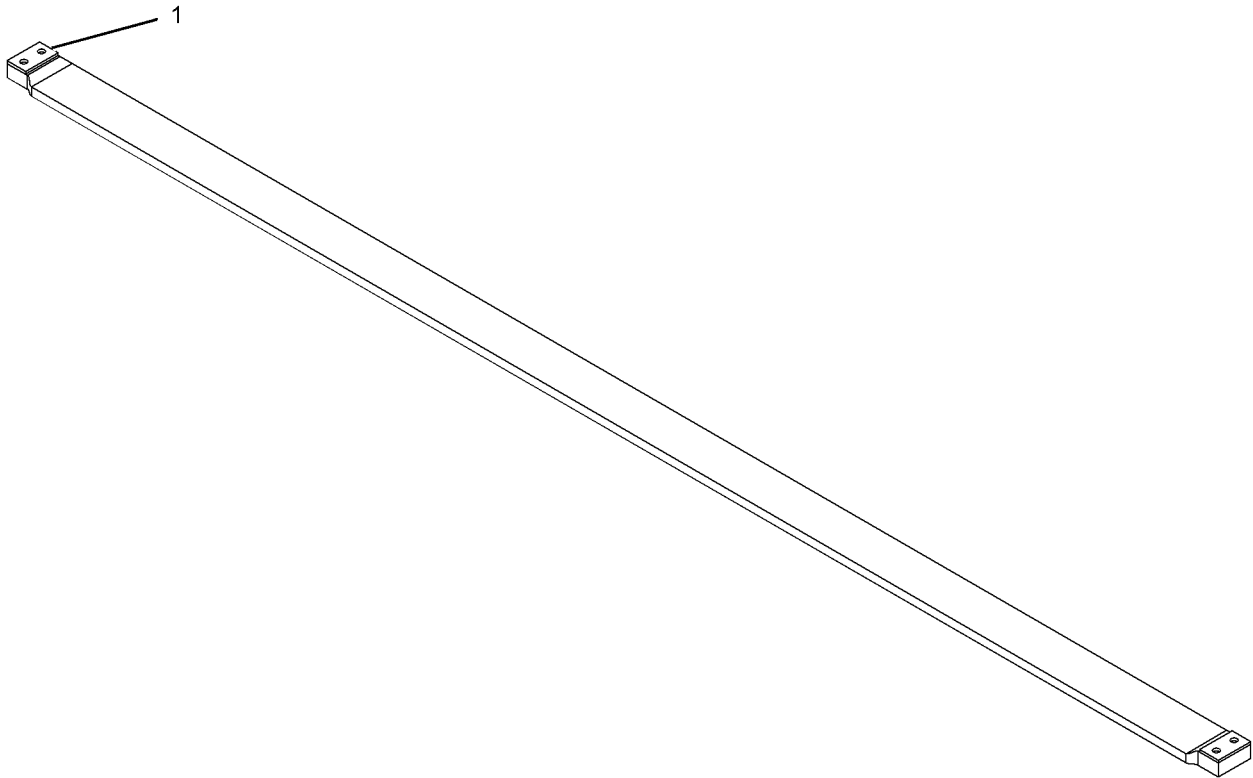
800 AMPERE, 1500-MM

PART OF 289-2768 CONNECTION GP-GENERATOR LEADS
AN ATTACHMENT

SMCS-4460

i02379671

NOTE	REF NO	GRAPHIC REF	PART NUMBER	QTY	PART NAME						SEE PAGE
					1	2	3	4	5	6 (PRODUCT LEVEL)	
	1	1	262-2866	2	PLATE						



GRAPHIC #1

<END>

g01190866

ELECTRICAL AND STARTING SYSTEM

240-1622 CABLE GP-GROUND STRAP

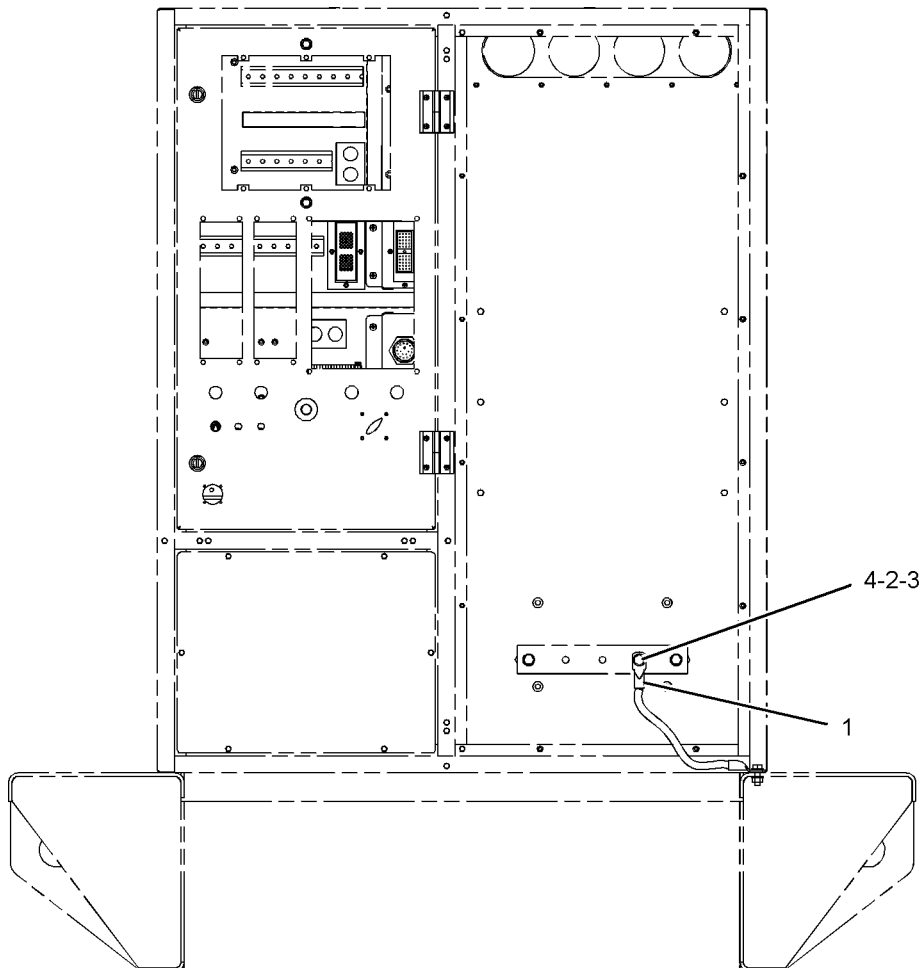
S/N: C5H1-UP
AN ATTACHMENT

SMCS-4480

i01948142

NOTE	REF NO	GRAPHIC REF	PART NUMBER	QTY	PART NAME						SEE PAGE
					1	2	3	4	5	6 (PRODUCT LEVEL)	
	1	1	238-6266	1	CABLE AS (GROUND STRAP)						
	2	1	8T-4121	2	WASHER-HARD (11X21X2.5-MM THK)						
M	3	1	8T-4133	1	NUT (M10X1.5-THD)						
M	4	1	8T-4186	1	BOLT (M10X1.5X40-MM)						

M-METRIC PART



GRAPHIC #1

<END>

g01015762

ELECTRICAL AND STARTING SYSTEM

6T-3645 CIRCUIT BREAKER GP

S/N: C5H1-UP

60-AMPERE

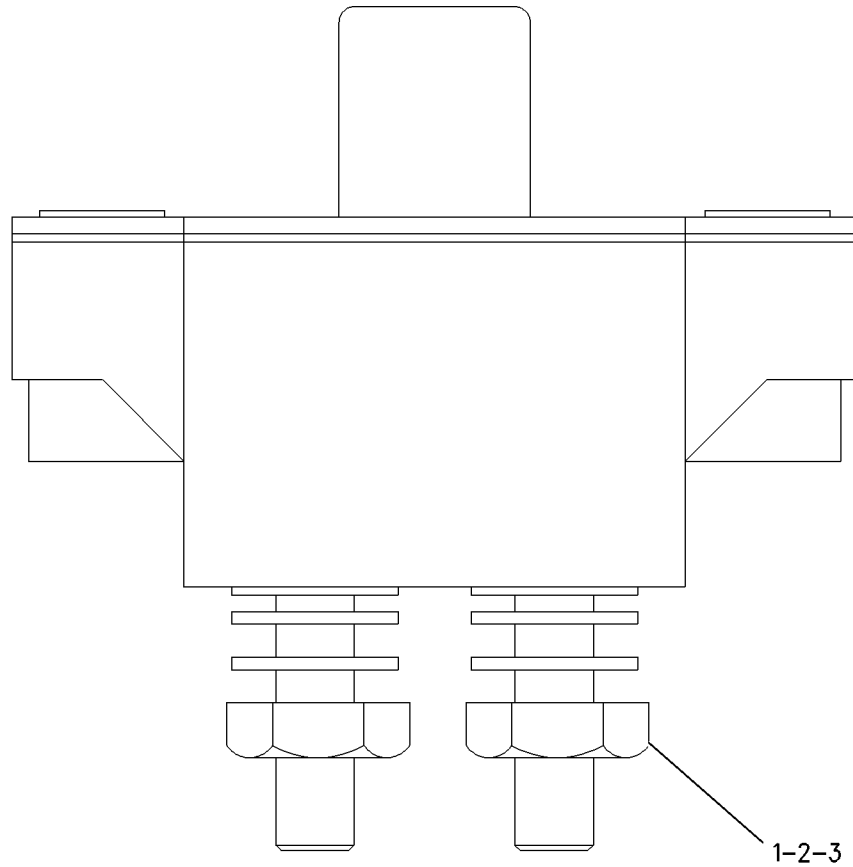
PART OF 166-0845 BOX GP-CONNECTION

AN ATTACHMENT

SMCS-1420, 4461

i02519980

NOTE	REF NO	GRAPHIC REF	PART NUMBER	QTY	PART NAME						SEE PAGE
					1	2	3	4	5	6 (PRODUCT LEVEL)	
	1	1	6V-8378	2	NUT (10-32-THD)						
	2	1	8F-1434	2	LOCKWASHER						
	3	1	8T-0328	2	WASHER-HARD (5.5X10X1-MM THK)						



GRAPHIC #1

<END>

g00890488

ELECTRICAL AND STARTING SYSTEM

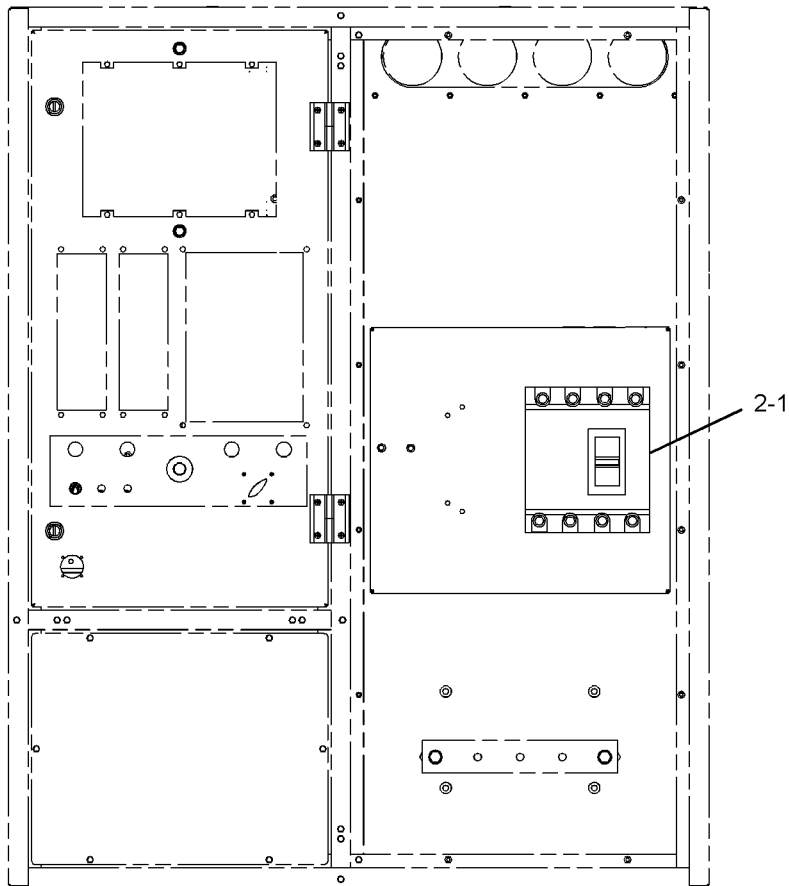
242-8188 CIRCUIT BREAKER GP

S/N: C5H1-UP
400-AMPERE
AN ATTACHMENT

SMCS-1420, 4461

i02477594

NOTE	REF NO	GRAPHIC REF	PART NUMBER	QTY	PART NAME						SEE PAGE
					1	2	3	4	5	6 (PRODUCT LEVEL)	
	1	1	169-1855	1	TERMINAL						
	2	1	241-8333	1	CIRCUIT BREAKER AS (400-AMPERE)						



GRAPHIC #1

<END>

g01273597

ELECTRICAL AND STARTING SYSTEM

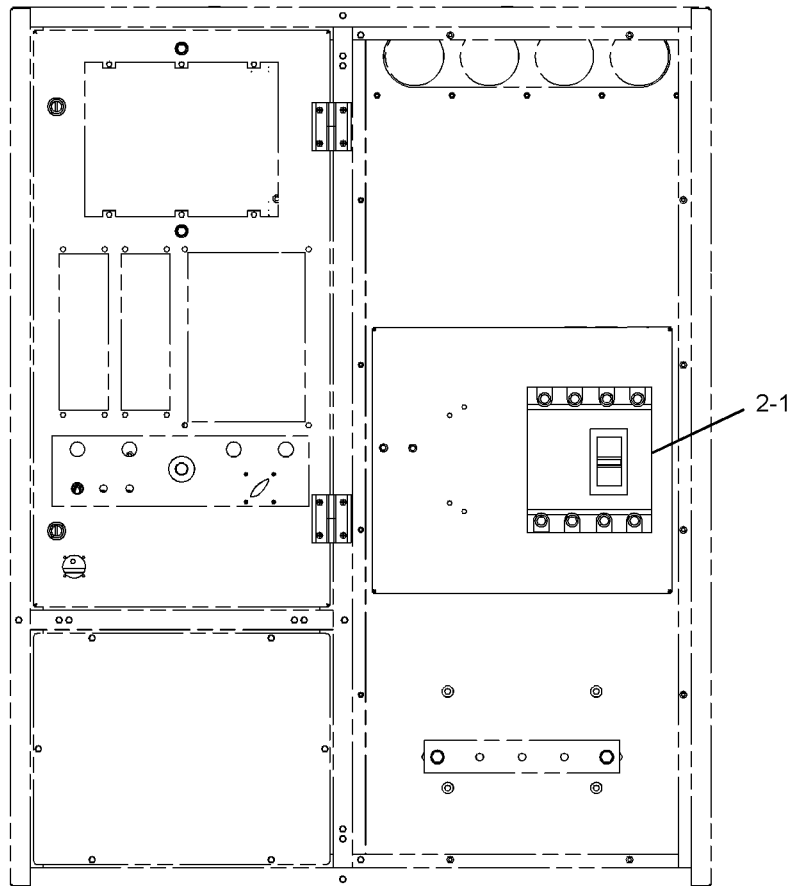
242-8189 CIRCUIT BREAKER GP

S/N: C5H1-UP
400-AMPERE
AN ATTACHMENT

SMCS-1420, 4461

i02477590

NOTE	REF NO	GRAPHIC REF	PART NUMBER	QTY	PART NAME						SEE PAGE
					1	2	3	4	5	6 (PRODUCT LEVEL)	
	1	1	143-5853	1	CIRCUIT BREAKER AS (400-AMPERE)						
	2	1	279-8724	1	LUG AS						



GRAPHIC #1

<END>

g01273597

ELECTRICAL AND STARTING SYSTEM

242-8191 CIRCUIT BREAKER GP

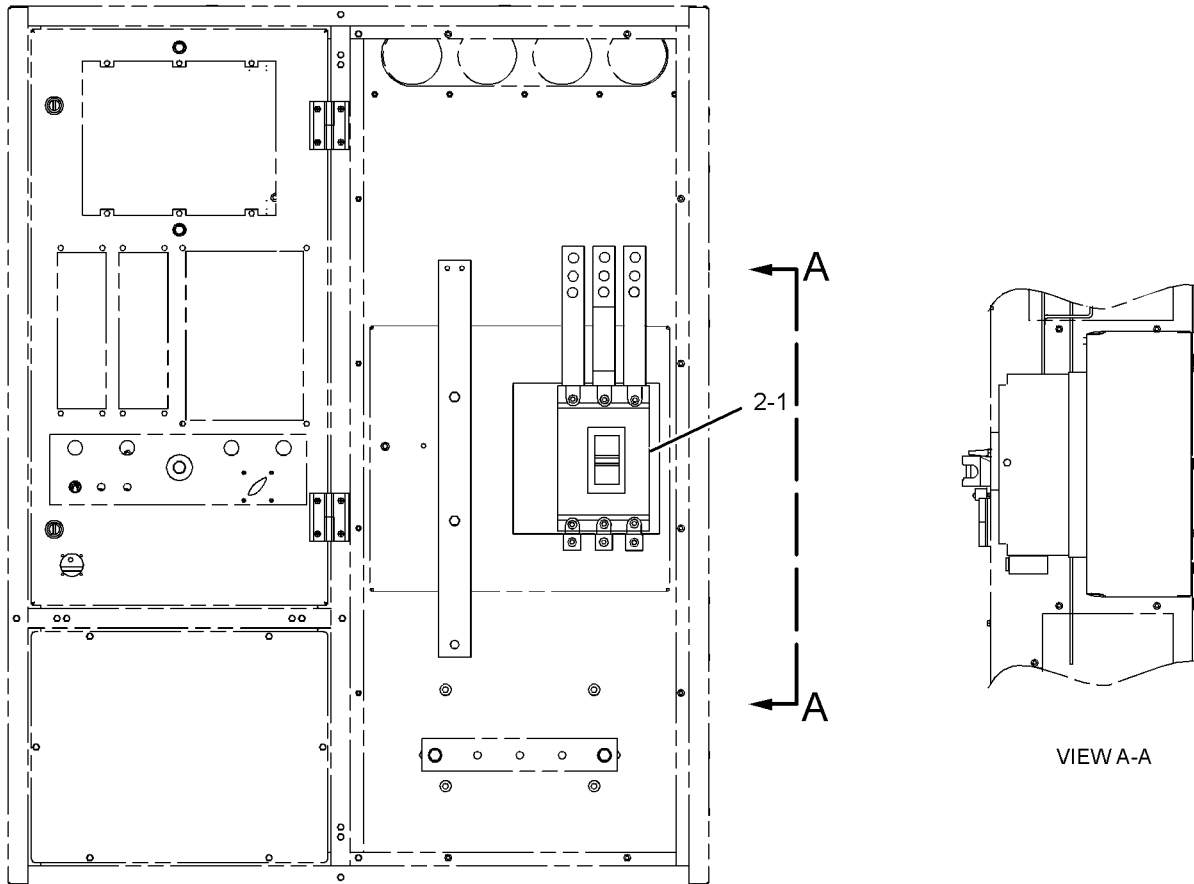
S/N: C5H1-UP
630-AMPERE
AN ATTACHMENT

SMCS-1420, 4461

i02624622

NOTE	REF NO	GRAPHIC REF	PART NUMBER	QTY	PART NAME						SEE PAGE
					1	2	3	4	5	6 (PRODUCT LEVEL)	
C	1	1	168-0345	1	TERMINAL						
	2	1	241-8335	1	CIRCUIT BREAKER AS (630-AMPERE)						

C-CHANGE FROM PREVIOUS TYPE



GRAPHIC #1

<END>

g01288864

ELECTRICAL AND STARTING SYSTEM

242-8192 CIRCUIT BREAKER GP

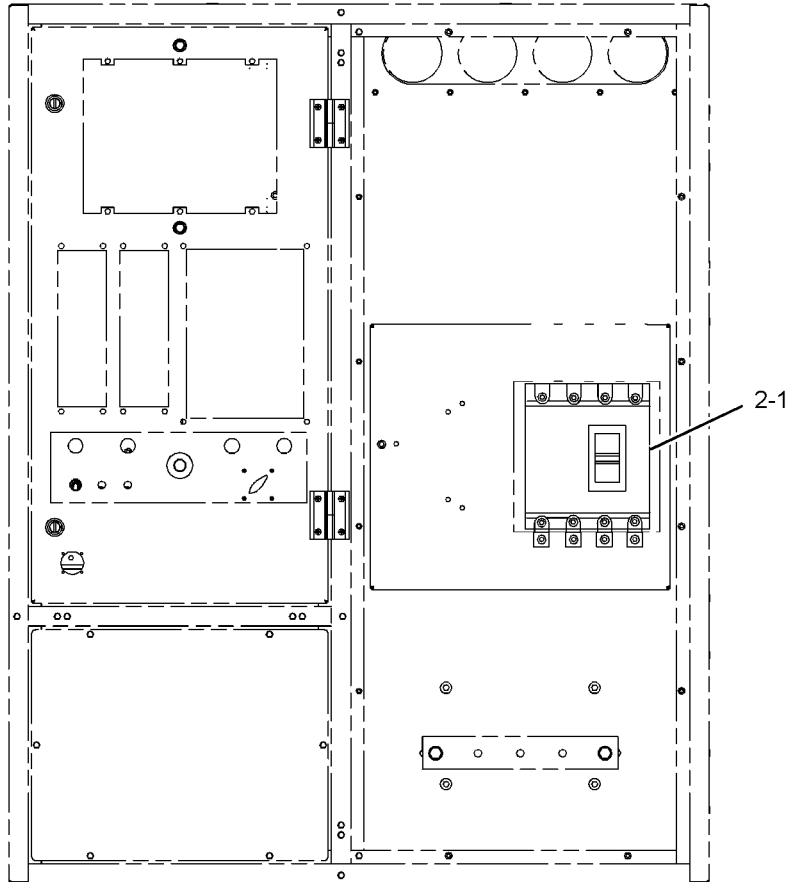
S/N: C5H1-UP
630-AMPERE
AN ATTACHMENT

SMCS-1420, 4461

i02571488

NOTE	REF NO	GRAPHIC REF	PART NUMBER	QTY	PART NAME						SEE PAGE
					1	2	3	4	5	6 (PRODUCT LEVEL)	
	1	1	143-7610	1	CIRCUIT BREAKER AS (630-AMPERE)						
C	2	1	279-8724	1	LUG AS						

C-CHANGE FROM PREVIOUS TYPE



GRAPHIC #1

<END>

g01288474

ELECTRICAL AND STARTING SYSTEM

242-8193 CIRCUIT BREAKER GP

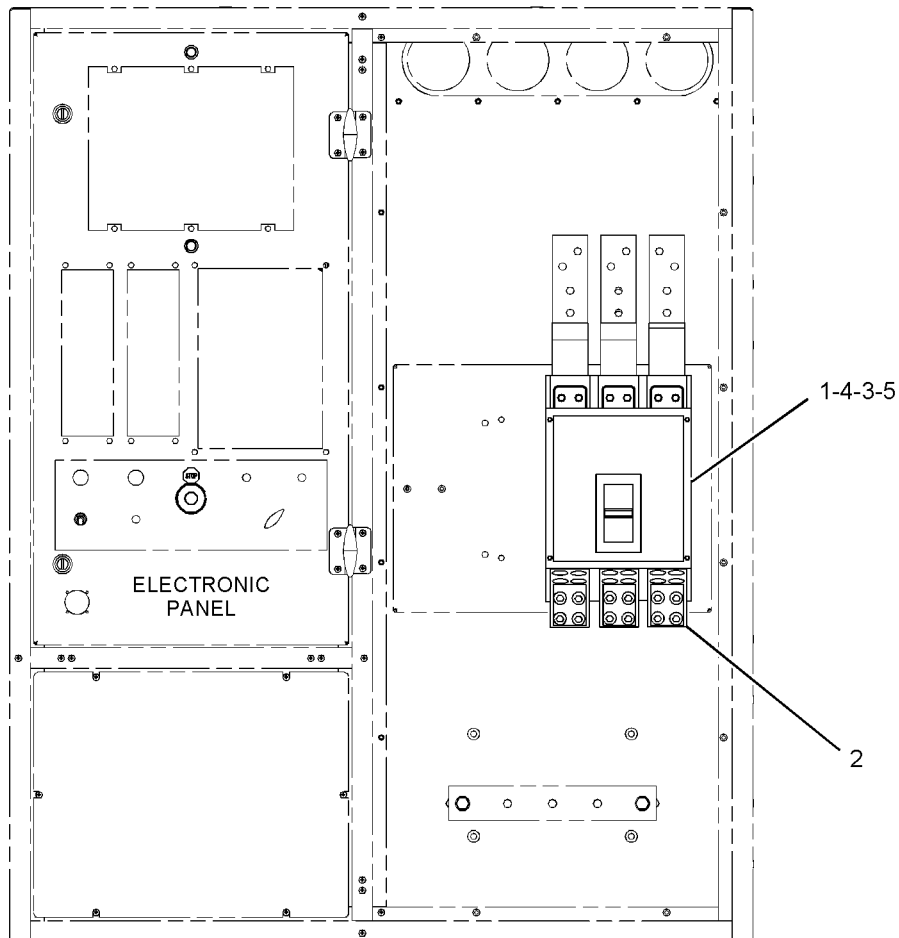
S/N: C5H1-UP
800-AMPERE
AN ATTACHMENT

SMCS-1420, 4461

i03630734

NOTE	REF NO	GRAPHIC REF	PART NUMBER	QTY	PART NAME						SEE PAGE
					1	2	3	4	5	6 (PRODUCT LEVEL)	
	1	1	241-8337	1	CIRCUIT BREAKER AS (800-AMPERE)						
	2	1	244-9847	1	TERMINAL-CIRCUIT BREAKER						
	3	1	096-0192	4	LOCKWASHER						
M	4	1	5C-2874	4	NUT (M5X0.8-THD)						
	5	1	8T-0328	4	WASHER-HARD (5.5X10X1-MM THK)						

M-METRIC PART



GRAPHIC #1

<END>

g01950879

ELECTRICAL AND STARTING SYSTEM

242-8194 CIRCUIT BREAKER GP

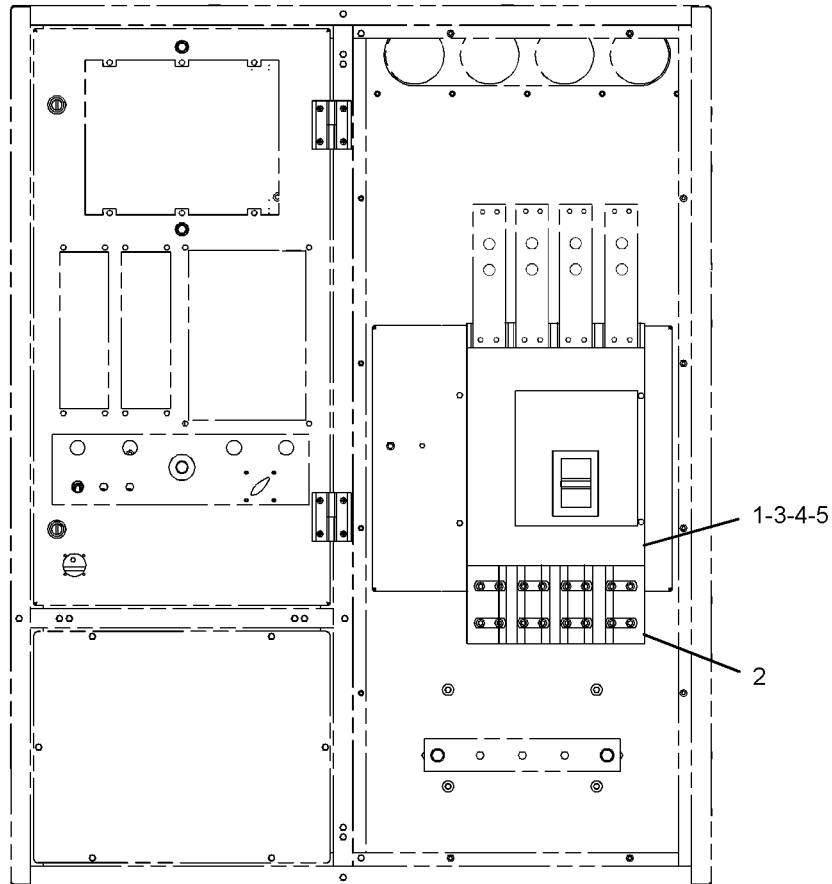
S/N: C5H1-UP
800-AMPERE
AN ATTACHMENT

SMCS-1420, 4461

i02571490

NOTE	REF NO	GRAPHIC REF	PART NUMBER	QTY	PART NAME						SEE PAGE
					1	2	3	4	5	6 (PRODUCT LEVEL)	
	1	1	241-8338	1	CIRCUIT BREAKER AS (800-AMPERE)						
	2	1	244-3631	1	KIT-TERMINAL (CIRCUIT BREAKER)						
	3	1	096-0192	4	LOCKWASHER						
M	4	1	5C-2874	4	NUT (M5X0.8-THD)						
	5	1	8T-0328	4	WASHER-HARD (5.5X10X1-MM THK)						

M-METRIC PART



GRAPHIC #1

<END>

g01288429

ELECTRICAL AND STARTING SYSTEM

242-8197 CIRCUIT BREAKER GP

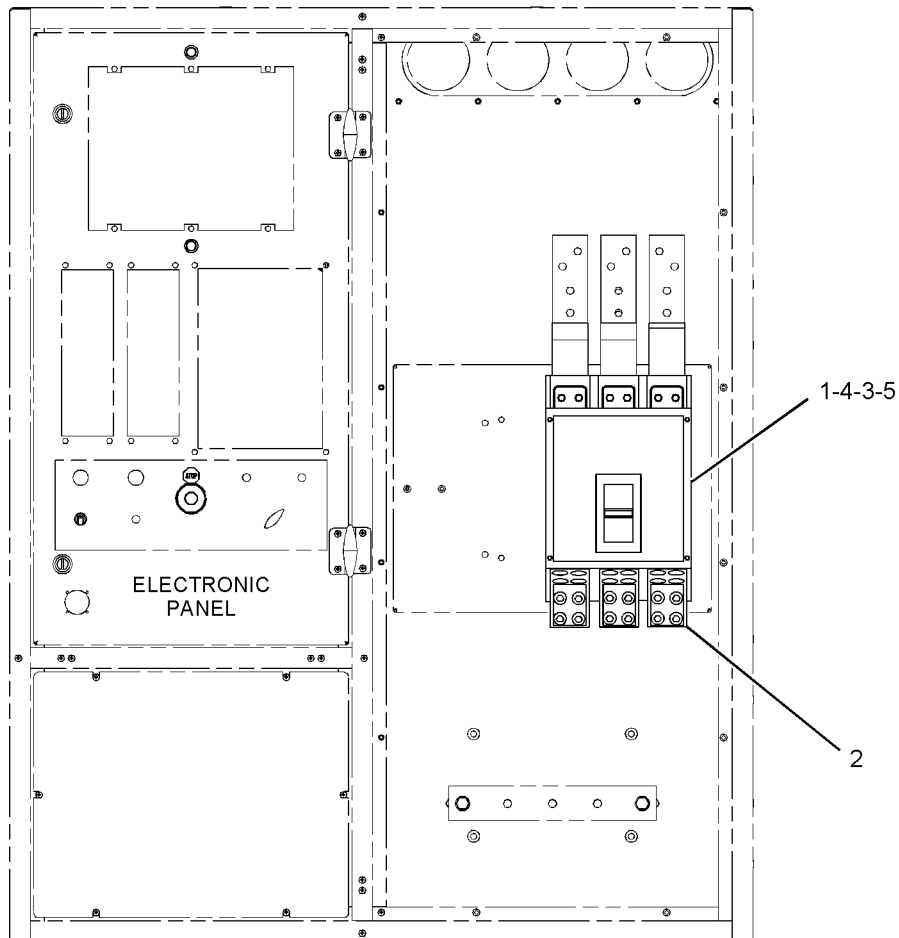
S/N: C5H1-UP
1250-AMPERE
AN ATTACHMENT

SMCS-1420, 4461

i03630735

NOTE	REF NO	GRAPHIC REF	PART NUMBER	QTY	PART NAME						SEE PAGE
					1	2	3	4	5	6 (PRODUCT LEVEL)	
	1	1	241-8339	1	CIRCUIT BREAKER AS (1250-AMPERE)						
	2	1	244-9847	1	TERMINAL-CIRCUIT BREAKER						
	3	1	096-0192	4	LOCKWASHER						
M	4	1	5C-2874	4	NUT (M5X0.8-THD)						
	5	1	8T-0328	4	WASHER-HARD (5.5X10X1-MM THK)						

M-METRIC PART



GRAPHIC #1

<END>

g01950879

ELECTRICAL AND STARTING SYSTEM

242-8198 CIRCUIT BREAKER GP

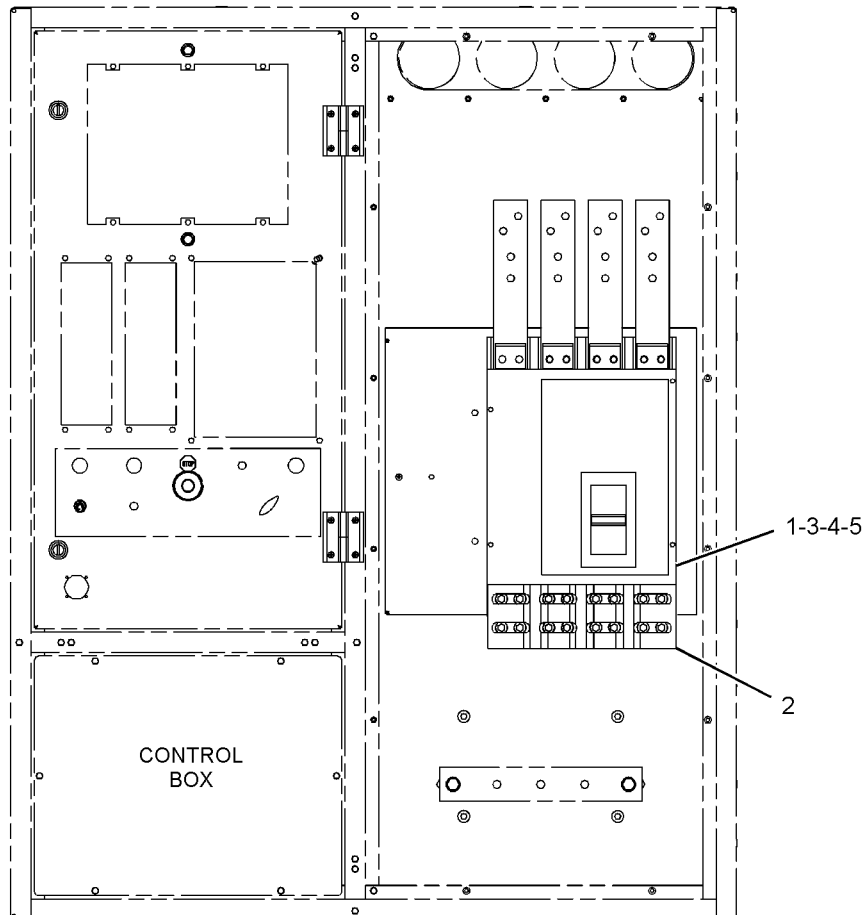
S/N: C5H1-UP
1250-AMPERE
AN ATTACHMENT

SMCS-1420, 4461

i02577905

NOTE	REF NO	GRAPHIC REF	PART NUMBER	QTY	PART NAME						SEE PAGE
					1	2	3	4	5	6 (PRODUCT LEVEL)	
	1	1	241-8340	1	CIRCUIT BREAKER AS (1250-AMPERE)						
	2	1	244-3631	1	KIT-TERMINAL (CIRCUIT BREAKER)						
	3	1	096-0192	4	LOCKWASHER						
M	4	1	5C-2874	4	NUT (M5X0.8-THD)						
	5	1	8T-0328	4	WASHER-HARD (5.5X10X1-MM THK)						

M-METRIC PART



GRAPHIC #1

<END>

g01294294

ELECTRICAL AND STARTING SYSTEM

242-8199 CIRCUIT BREAKER GP

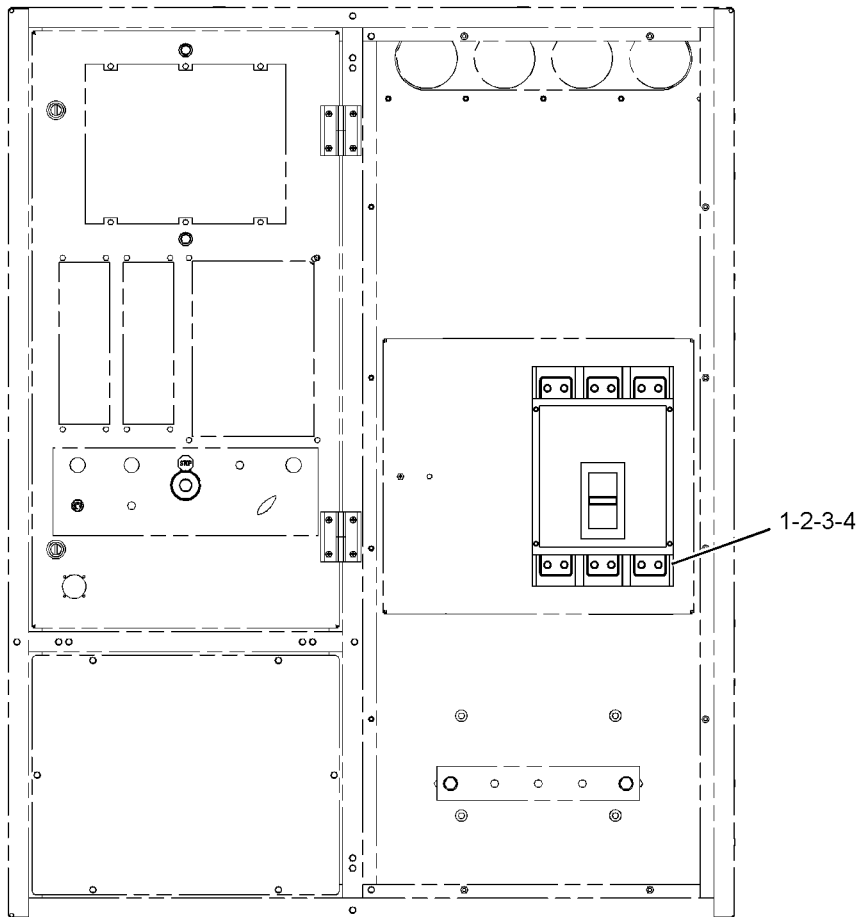
S/N: C5H1-UP
1600-AMPERE
AN ATTACHMENT

SMCS-1420, 4461

i02577906

NOTE	REF NO	GRAPHIC REF	PART NUMBER	QTY	PART NAME						SEE PAGE
					1	2	3	4	5	6 (PRODUCT LEVEL)	
	1	1	241-8341	1	CIRCUIT BREAKER AS (1600-AMPERE)						
	2	1	096-0192	4	LOCKWASHER						
M	3	1	5C-2874	4	NUT (M5X0.8-THD)						
	4	1	8T-0328	4	WASHER-HARD (5.5X10X1-MM THK)						

M-METRIC PART



GRAPHIC #1

<END>

g01291756

ELECTRICAL AND STARTING SYSTEM

242-8200 CIRCUIT BREAKER GP

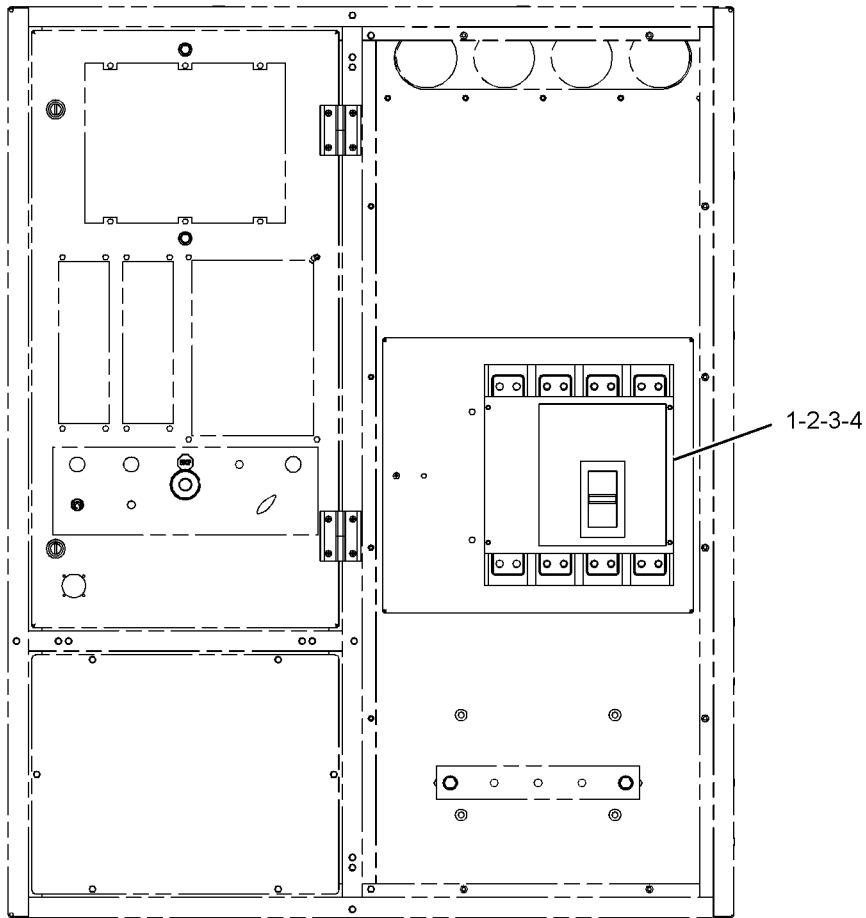
S/N: C5H1-UP
1600-AMPERE
AN ATTACHMENT

SMCS-1420, 4461

i02577907

NOTE	REF NO	GRAPHIC REF	PART NUMBER	QTY	PART NAME						SEE PAGE
					1	2	3	4	5	6 (PRODUCT LEVEL)	
	1	1	241-8342	1	CIRCUIT BREAKER AS (1600-AMPERE)						
	2	1	096-0192	4	LOCKWASHER						
M	3	1	5C-2874	4	NUT (M5X0.8-THD)						
	4	1	8T-0328	4	WASHER-HARD (5.5X10X1-MM THK)						

M-METRIC PART



GRAPHIC #1

<END>

g01291725

ELECTRICAL AND STARTING SYSTEM

243-3538 CIRCUIT BREAKER GP

S/N: C5H1-UP
400-AMPERE
AN ATTACHMENT

SMCS-1420, 4461

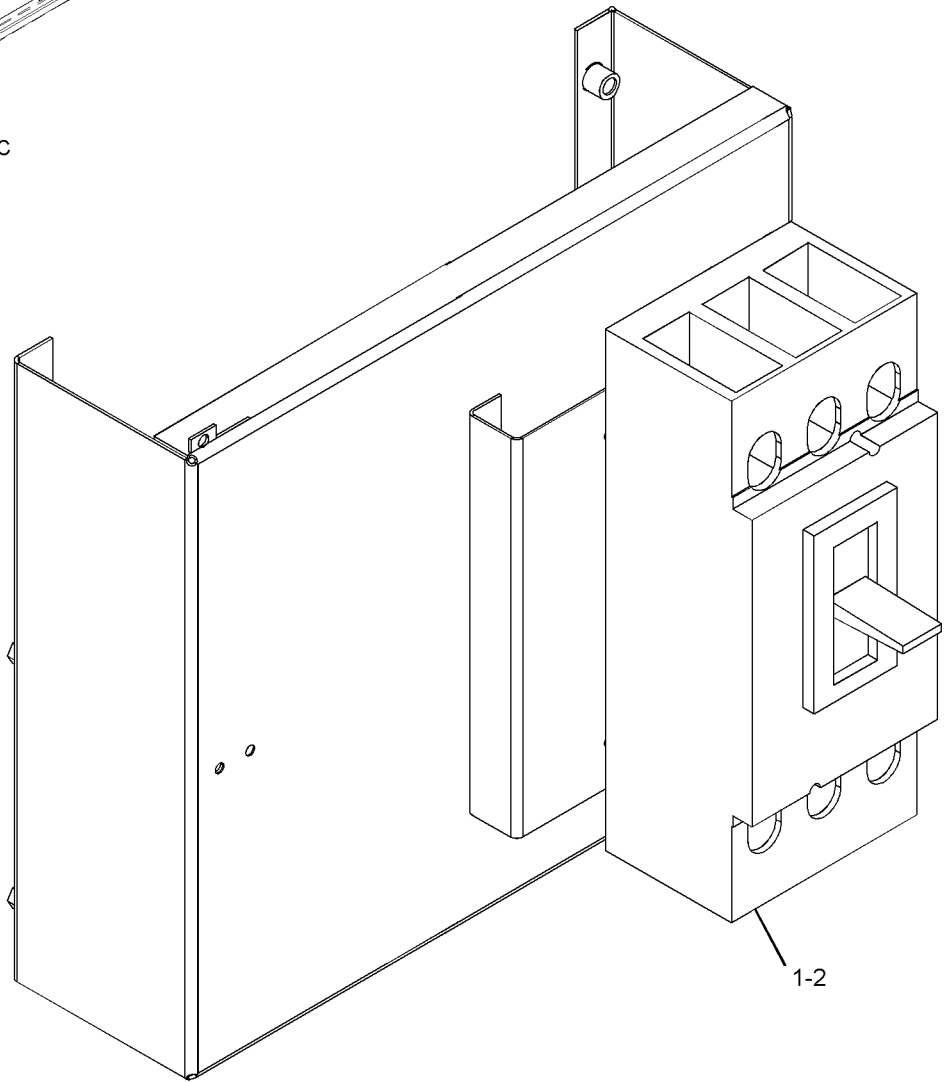
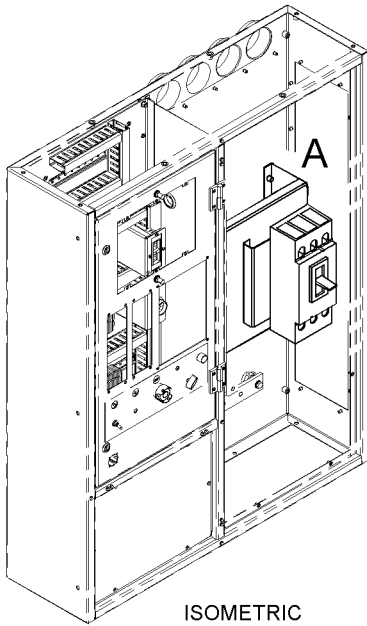
i02477589

NOTE	REF NO	GRAPHIC REF	PART NUMBER	QTY	PART NAME						SEE PAGE
					1	2	3	4	5	6 (PRODUCT LEVEL)	
	1	1	169-1855	1	TERMINAL (3-POLE)						
	2	1	242-4914	1	CIRCUIT BREAKER AS (400-AMPERE)						

ELECTRICAL AND STARTING SYSTEM

243-3538 CIRCUIT BREAKER GP (contd.)

i02477589



GRAPHIC #1

<END>

g01285992

ELECTRICAL AND STARTING SYSTEM

243-3539 CIRCUIT BREAKER GP

S/N: C5H1-UP
600-AMPERE
AN ATTACHMENT

SMCS-1420, 4461

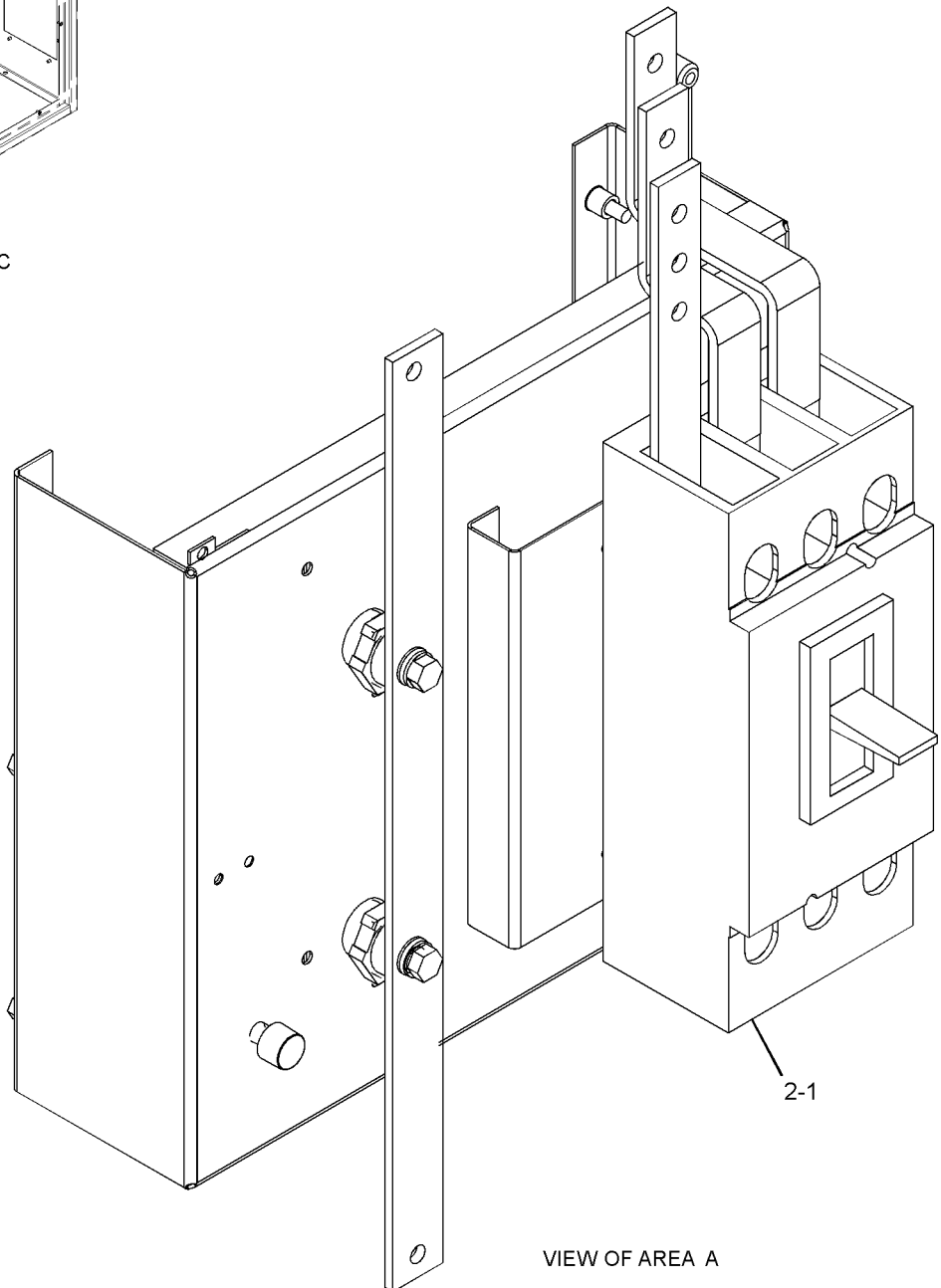
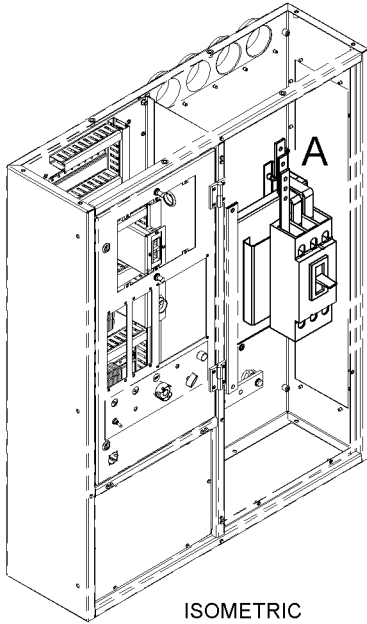
i02624437

NOTE	REF NO	GRAPHIC REF	PART NUMBER	QTY	PART NAME						SEE PAGE
					1	2	3	4	5	6 (PRODUCT LEVEL)	
C	1	1	168-0345	1	TERMINAL						
	2	1	242-4915	1	CIRCUIT BREAKER AS (600-AMPERE)						
C-CHANGE FROM PREVIOUS TYPE											

ELECTRICAL AND STARTING SYSTEM

243-3539 CIRCUIT BREAKER GP (contd.)

i02624437



GRAPHIC #1

<END>

g01288886

ELECTRICAL AND STARTING SYSTEM

243-3540 CIRCUIT BREAKER GP

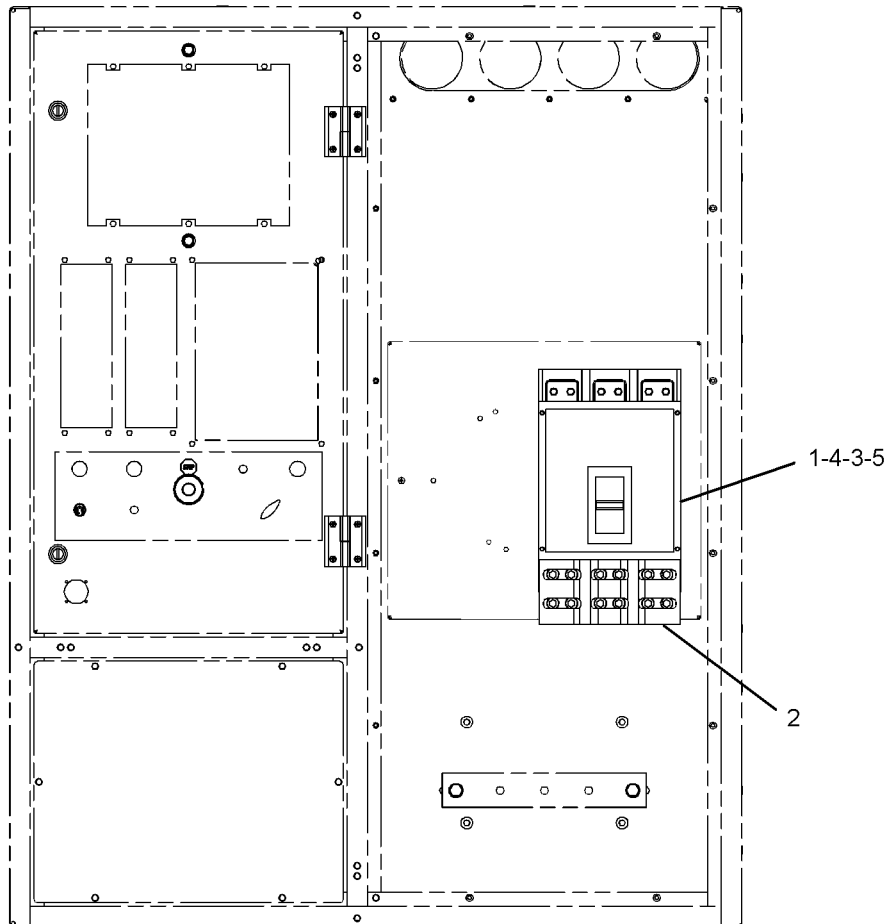
S/N: C5H1-UP
800-AMPERE
AN ATTACHMENT

SMCS-1420, 4461

i02577908

NOTE	REF NO	GRAPHIC REF	PART NUMBER	QTY	PART NAME						SEE PAGE
					1	2	3	4	5	6 (PRODUCT LEVEL)	
	1	1	242-2368	1	CIRCUIT BREAKER AS (800-AMPERE)						
	2	1	244-3630	1	KIT-TERMINAL (CIRCUIT BREAKER)						
	3	1	096-0192	4	LOCKWASHER						
M	4	1	5C-2874	4	NUT (M5X0.8-THD)						
	5	1	8T-0328	4	WASHER-HARD (5.5X10X1-MM THK)						

M-METRIC PART



GRAPHIC #1

<END>

g01291716

ELECTRICAL AND STARTING SYSTEM

243-3541 CIRCUIT BREAKER GP

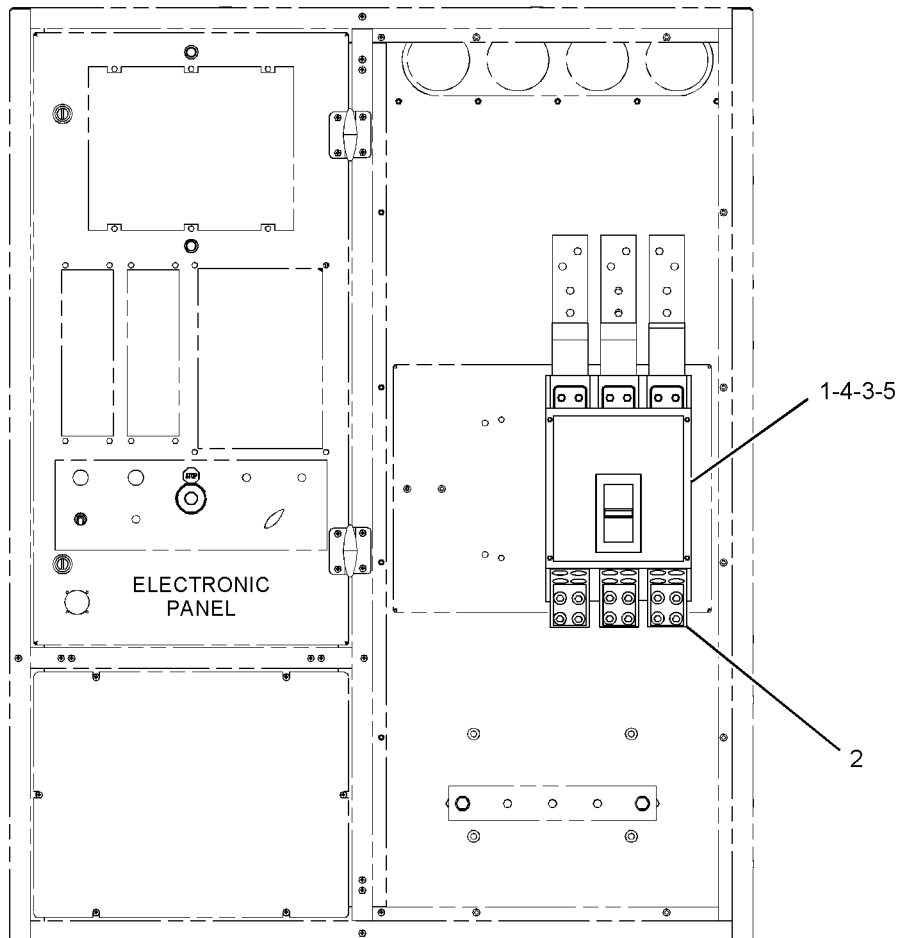
S/N: C5H1-UP
1200-AMPERE
AN ATTACHMENT

SMCS-1420, 4461

i03630736

NOTE	REF NO	GRAPHIC REF	PART NUMBER	QTY	PART NAME						SEE PAGE
					1	2	3	4	5	6 (PRODUCT LEVEL)	
	1	1	242-2369	1	CIRCUIT BREAKER AS (1200-AMPERE)						
	2	1	244-9847	1	TERMINAL-CIRCUIT BREAKER						
	3	1	096-0192	4	LOCKWASHER						
M	4	1	5C-2874	4	NUT (M5X0.8-THD)						
	5	1	8T-0328	4	WASHER-HARD (5.5X10X1-MM THK)						

M-METRIC PART



GRAPHIC #1

<END>

g01950879

ELECTRICAL AND STARTING SYSTEM

243-3542 CIRCUIT BREAKER GP

S/N: C5H1-267

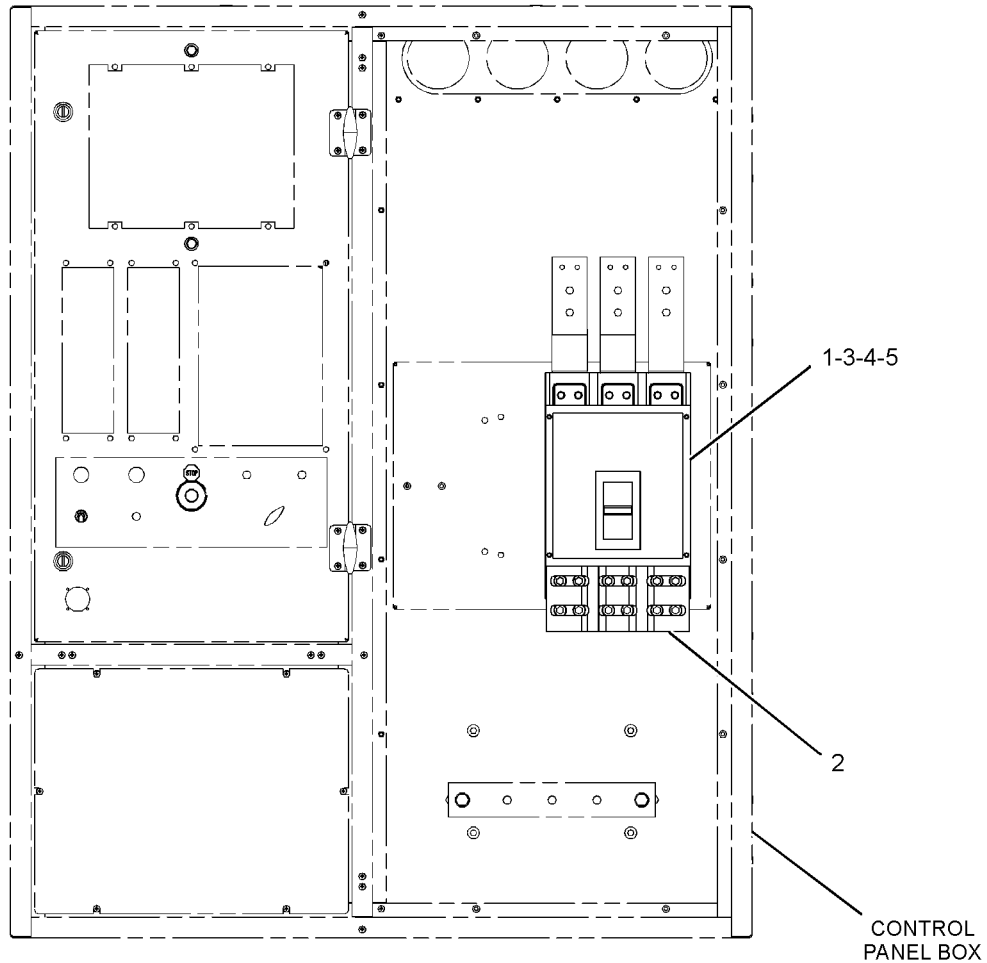
800-AMPERE
AN ATTACHMENT

SMCS-1420, 4461

i02577910

NOTE	REF NO	GRAPHIC REF	PART NUMBER	QTY	PART NAME						SEE PAGE
					1	2	3	4	5	6 (PRODUCT LEVEL)	
	1	1	242-2362	1	CIRCUIT BREAKER AS (800-AMPERE)						
	2	1	244-3630	1	KIT-TERMINAL (CIRCUIT BREAKER)						
	3	1	096-0192	4	LOCKWASHER						
M	4	1	5C-2874	4	NUT (M5X0.8-THD)						
	5	1	8T-0328	4	WASHER-HARD (5.5X10X1-MM THK)						

M-METRIC PART



GRAPHIC #1

<END>

g01292077

ELECTRICAL AND STARTING SYSTEM

243-3542 CIRCUIT BREAKER GP

S/N: C5H268-UP

800-AMPERE

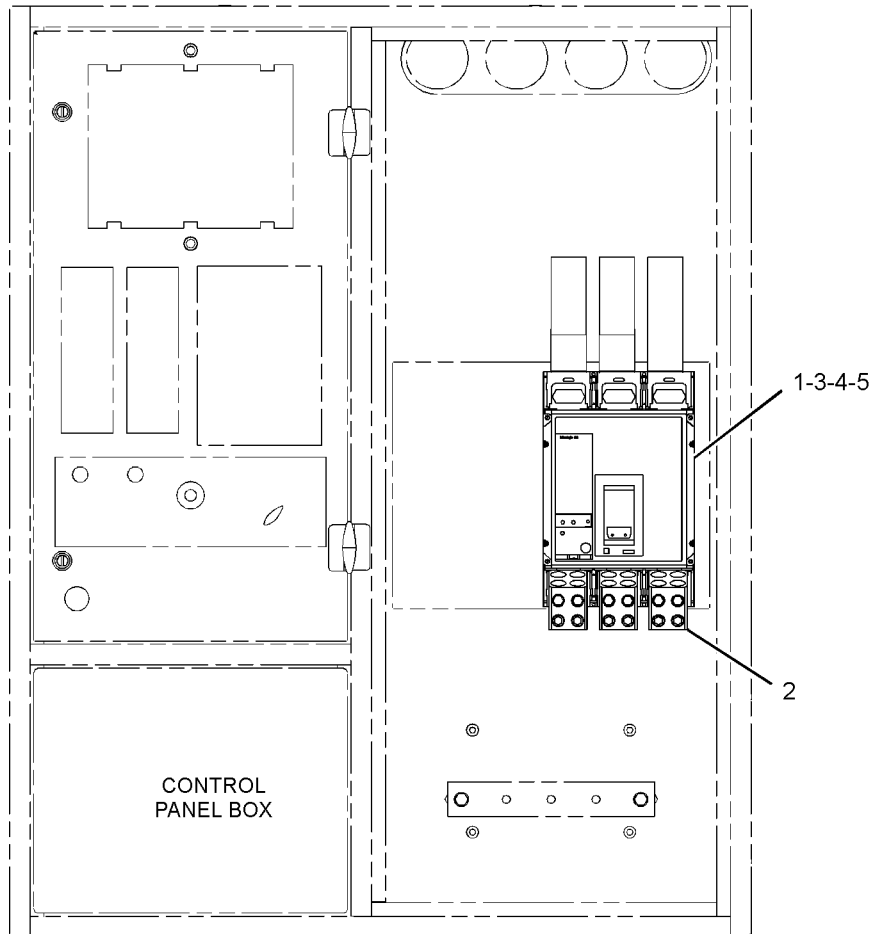
AN ATTACHMENT

SMCS-1420, 4461

i02980584

NOTE	REF NO	GRAPHIC REF	PART NUMBER	QTY	PART NAME						SEE PAGE
					1	2	3	4	5	6 (PRODUCT LEVEL)	
C	1	1	306-6387	1	CIRCUIT BREAKER AS (800-AMPERE)						
		1	275-4308	1	TRIP UNIT						
	2	1	244-9847	1	TERMINAL-CIRCUIT BREAKER						
	3	1	096-0192	4	LOCKWASHER						
M	4	1	5C-2874	4	NUT (M5X0.8-THD)						
	5	1	8T-0328	4	WASHER-HARD (5.5X10X1-MM THK)						

C-CHANGE FROM PREVIOUS TYPE
M-METRIC PART



FRONT VIEW

<END>

GRAPHIC #1

g01513256

ELECTRICAL AND STARTING SYSTEM

243-4027 CIRCUIT BREAKER GP

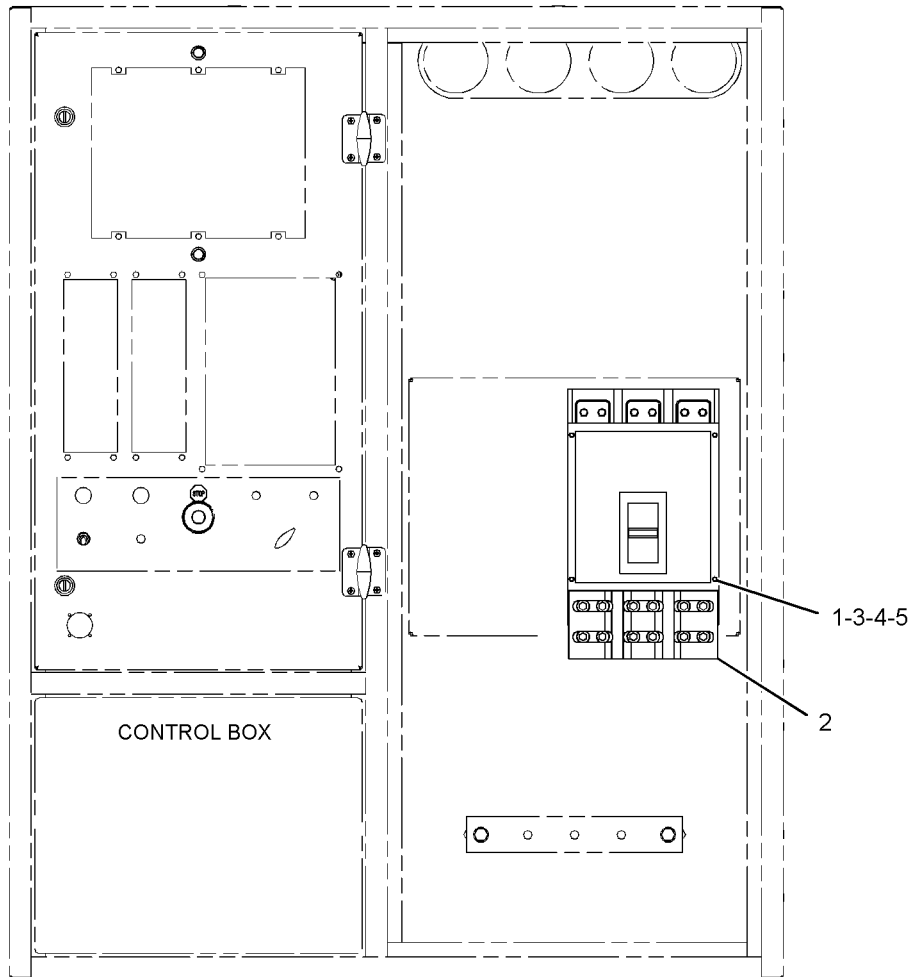
S/N: C5H1-267
1200-AMPERE
AN ATTACHMENT

SMCS-1420, 4461

i02577911

NOTE	REF NO	GRAPHIC REF	PART NUMBER	QTY	PART NAME						SEE PAGE
					1	2	3	4	5	6 (PRODUCT LEVEL)	
	1	1	242-2365	1	CIRCUIT BREAKER AS (1200-AMPERE)						
	2	1	244-3630	1	KIT-TERMINAL (CIRCUIT BREAKER)						
	3	1	096-0192	4	LOCKWASHER						
M	4	1	5C-2874	4	NUT (M5X0.8-THD)						
	5	1	8T-0328	4	WASHER-HARD (5.5X10X1-MM THK)						

M-METRIC PART



GRAPHIC #1

<END>

g01291820

ELECTRICAL AND STARTING SYSTEM

243-4027 CIRCUIT BREAKER GP

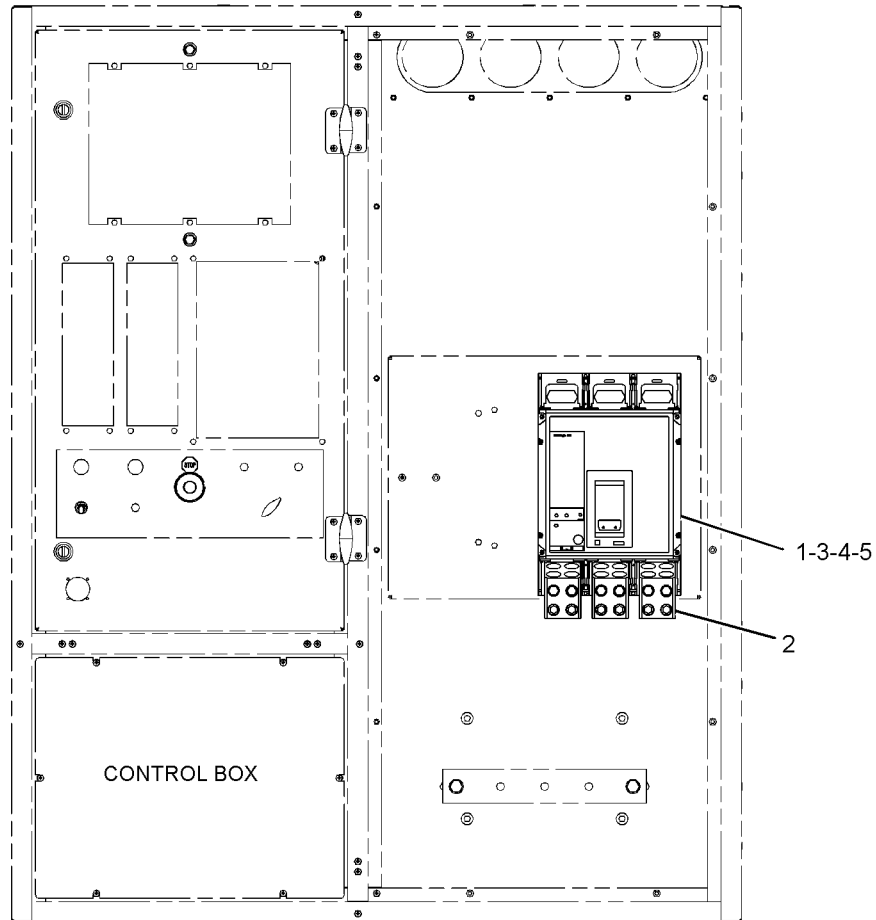
S/N: C5H268-UP
1200-AMPERE
AN ATTACHMENT

SMCS-1420, 4461

i02995420

NOTE	REF NO	GRAPHIC REF	PART NUMBER	QTY	PART NAME						SEE PAGE
					1	2	3	4	5	6 (PRODUCT LEVEL)	
C	1	1	306-6386	1	CIRCUIT BREAKER AS (1200-AMPERE)						
		1	275-4308	1	TRIP UNIT						
	2	1	244-9847	1	TERMINAL-CIRCUIT BREAKER						
	3	1	096-0192	4	LOCKWASHER						
M	4	1	5C-2874	4	NUT (M5X0.8-THD)						
	5	1	8T-0328	4	WASHER-HARD (5.5X10X1-MM THK)						

C-CHANGE FROM PREVIOUS TYPE
M-METRIC PART



FRONT VIEW
<END>

GRAPHIC #1

g01520145

ELECTRICAL AND STARTING SYSTEM

243-5636 CIRCUIT BREAKER GP

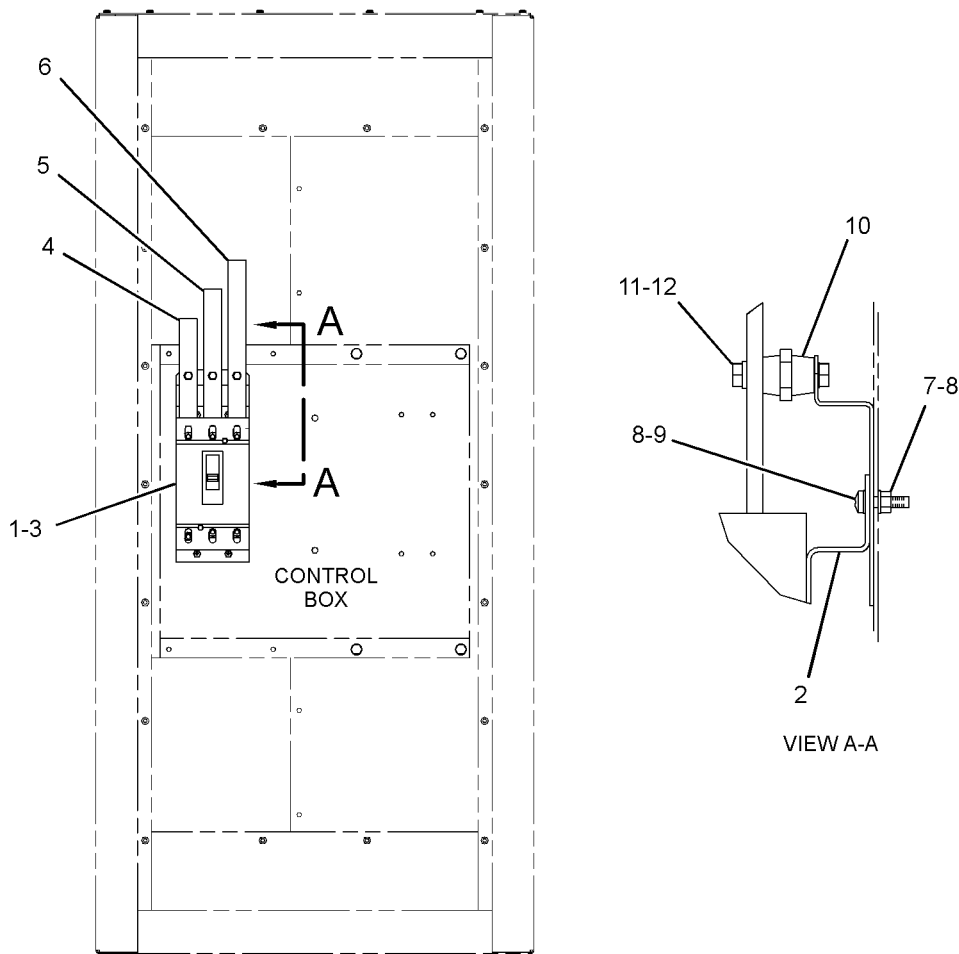
S/N: C5H1-UP
100-AMPERE
AN ATTACHMENT

SMCS-1420, 4461

i02673267

NOTE	REF NO	GRAPHIC REF	PART NUMBER	QTY	PART NAME						SEE PAGE
					1	2	3	4	5	6 (PRODUCT LEVEL)	
	1	1	207-8644	1	KIT-TERMINAL (CIRCUIT BREAKER)						
					(INCLUDES LUGS)						
	2	1	241-8798	1	BRACKET						
	3	1	242-4907	1	CIRCUIT BREAKER AS (100-AMPERE)						
	4	1	244-8560	1	TERMINAL						
	5	1	244-8562	1	TERMINAL AS						
	6	1	244-8563	1	TERMINAL AS						
M	7	1	5C-2874	4	NUT (M5X0.8-THD)						
	8	1	8T-0328	8	WASHER-HARD (5.5X10X1-MM THK)						
M	9	1	8T-4753	4	SCREW (M5X0.8X20-MM)						
Y	10	1	284-9230	1	CONNECTION GP-ELECTRICAL						366
	11	1	9X-8256	3	WASHER (6.6X12X2-MM THK)						
M	12	1	6V-8214	3	BOLT (M6X1X20-MM)						

M-METRIC PART
Y-SEPARATE ILLUSTRATION



GRAPHIC #1

<END>

g01292429

ELECTRICAL AND STARTING SYSTEM

243-5643 CIRCUIT BREAKER GP

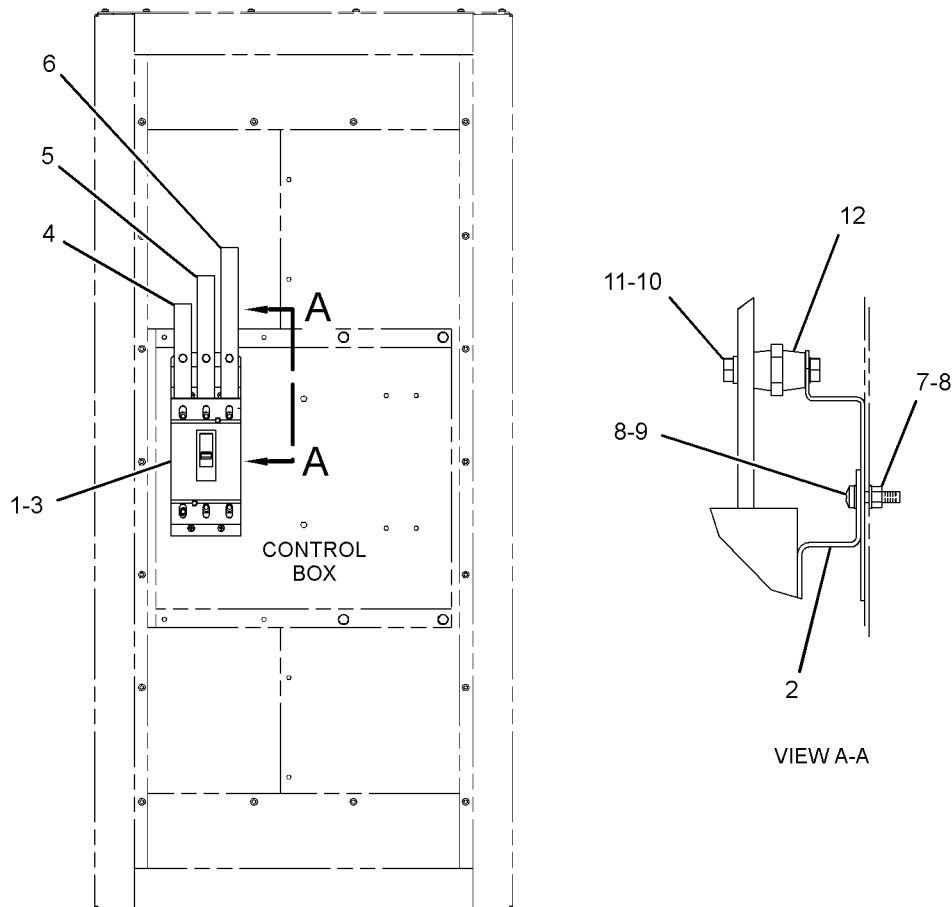
S/N: C5H1-UP
125-AMPERE
AN ATTACHMENT

SMCS-1420, 4461

i02673266

NOTE	REF NO	GRAPHIC REF	PART NUMBER	QTY	PART NAME						SEE PAGE
					1	2	3	4	5	6 (PRODUCT LEVEL)	
	1	1	207-8644	1	KIT-TERMINAL (CIRCUIT BREAKER)						
					(INCLUDES LUGS)						
	2	1	241-8798	1	BRACKET						
	3	1	242-4908	1	CIRCUIT BREAKER AS (125-AMPERE)						
	4	1	244-8560	1	TERMINAL						
	5	1	244-8562	1	TERMINAL AS						
	6	1	244-8563	1	TERMINAL AS						
M	7	1	5C-2874	4	NUT (M5X0.8-THD)						
	8	1	8T-0328	8	WASHER-HARD (5.5X10X1-MM THK)						
M	9	1	8T-4753	4	SCREW (M5X0.8X20-MM)						
M	10	1	6V-8214	3	BOLT (M6X1X20-MM)						
	11	1	9X-8256	3	WASHER (6.6X12X2-MM THK)						
Y	12	1	284-9230	1	CONNECTION GP-ELECTRICAL						366

M-METRIC PART
Y-SEPARATE ILLUSTRATION



GRAPHIC #1

<END>

g01292484

ELECTRICAL AND STARTING SYSTEM

243-5645 CIRCUIT BREAKER GP

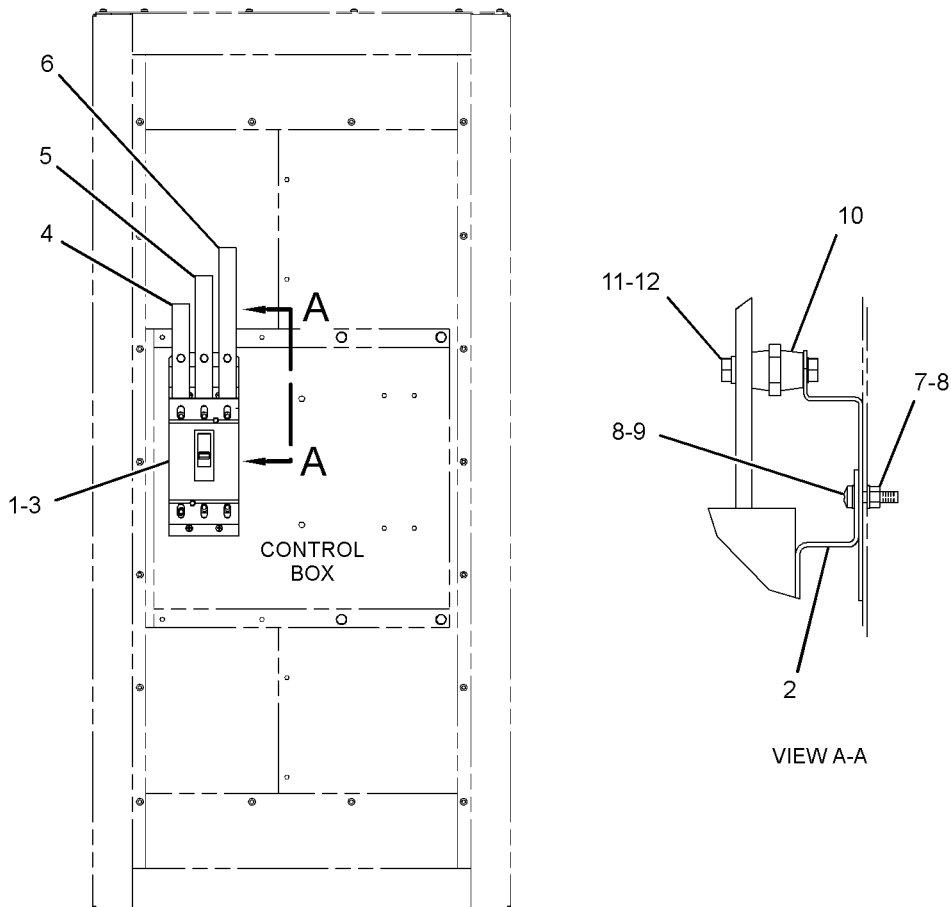
S/N: C5H1-UP
150-AMPERE
AN ATTACHMENT

SMCS-1420, 4461

i02673272

NOTE	REF NO	GRAPHIC REF	PART NUMBER	QTY	PART NAME						SEE PAGE
					1	2	3	4	5	6 (PRODUCT LEVEL)	
	1	1	207-8644	1	KIT-TERMINAL (CIRCUIT BREAKER)						
					(INCLUDES LUGS)						
	2	1	241-8798	1	BRACKET						
	3	1	242-4909	1	CIRCUIT BREAKER AS (150-AMPERE)						
	4	1	244-8560	1	TERMINAL						
	5	1	244-8562	1	TERMINAL AS						
	6	1	244-8563	1	TERMINAL AS						
M	7	1	5C-2874	4	NUT (M5X0.8-THD)						
	8	1	8T-0328	8	WASHER-HARD (5.5X10X1-MM THK)						
M	9	1	8T-4753	4	SCREW (M5X0.8X20-MM)						
Y	10	1	284-9230	1	CONNECTION GP-ELECTRICAL						366
	11	1	9X-8256	3	WASHER (6.6X12X2-MM THK)						
M	12	1	6V-8214	3	BOLT (M6X1X20-MM)						

M-METRIC PART
Y-SEPARATE ILLUSTRATION



GRAPHIC #1

<END>

g01292496

ELECTRICAL AND STARTING SYSTEM

243-5646 CIRCUIT BREAKER GP

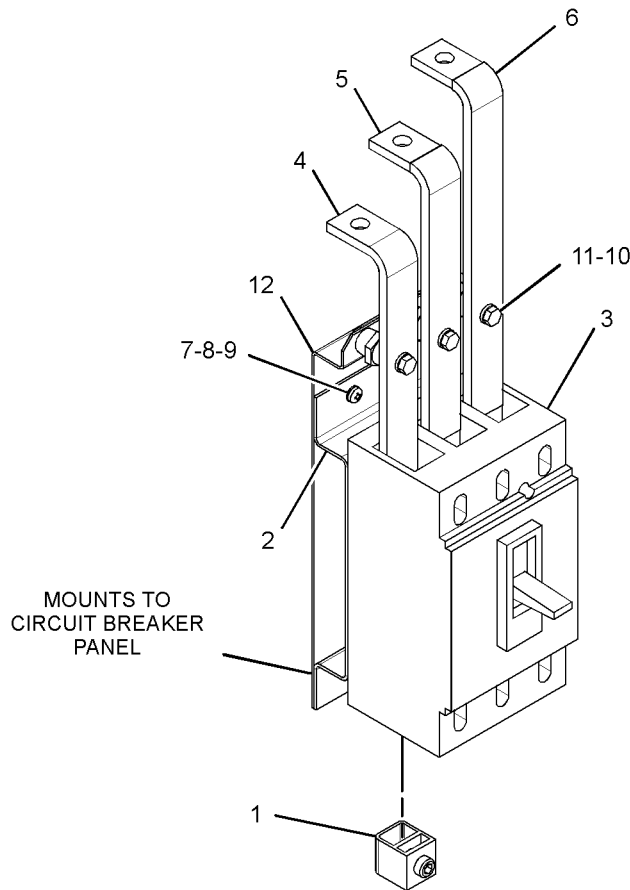
S/N: C5H1-UP
175-AMPERE
AN ATTACHMENT

SMCS-1420, 4461

i02656314

NOTE	REF NO	GRAPHIC REF	PART NUMBER	QTY	PART NAME						SEE PAGE
					1	2	3	4	5	6 (PRODUCT LEVEL)	
	1	1	207-8656	1	KIT-TERMINAL (CIRCUIT BREAKER)						
					(INCLUDES LUGS)						
	2	1	241-8798	1	BRACKET						
	3	1	242-4910	1	CIRCUIT BREAKER AS (175-AMPERE)						
	4	1	244-8560	1	TERMINAL						
	5	1	244-8562	1	TERMINAL AS						
	6	1	244-8563	1	TERMINAL AS						
M	7	1	5C-2874	4	NUT (M5X0.8-THD)						
	8	1	8T-0328	8	WASHER-HARD (5.5X10X1-MM THK)						
M	9	1	8T-4753	4	SCREW (M5X0.8X20-MM)						
M	10	1	6V-8214	3	BOLT (M6X1X20-MM)						
	11	1	9X-8256	3	WASHER (6.6X12X2-MM THK)						
Y	12	1	284-9230	1	CONNECTION GP-ELECTRICAL						366

M-METRIC PART
Y-SEPARATE ILLUSTRATION



GRAPHIC #1

<END>

g01336649

ELECTRICAL AND STARTING SYSTEM

243-5648 CIRCUIT BREAKER GP

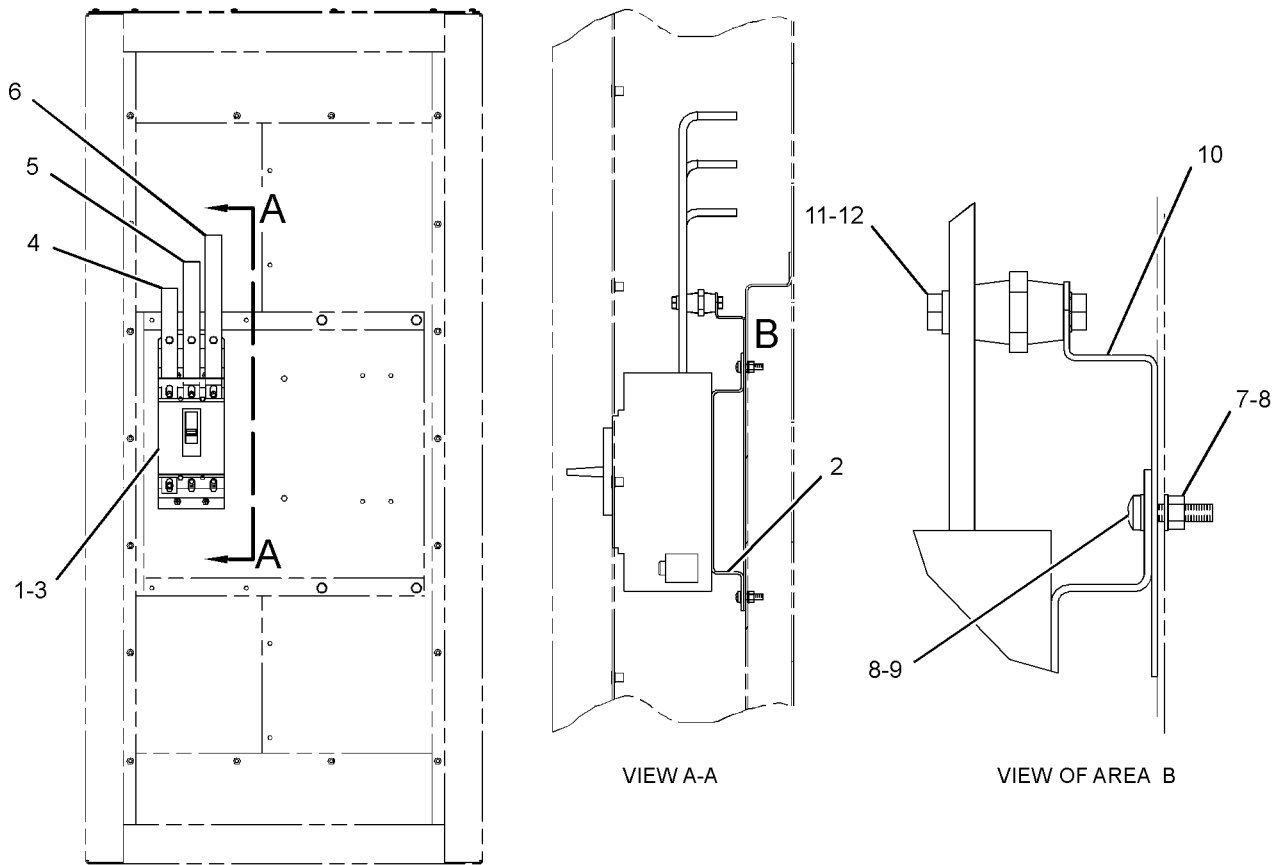
S/N: C5H1-UP
200-AMPERE
AN ATTACHMENT

SMCS-1420, 4461

i03539996

NOTE	REF NO	GRAPHIC REF	PART NUMBER	QTY	PART NAME						SEE PAGE
					1	2	3	4	5	6 (PRODUCT LEVEL)	
	1	1	207-8656	1	KIT-TERMINAL (CIRCUIT BREAKER)						
					(INCLUDES LUGS)						
	2	1	241-8798	1	BRACKET						
	3	1	242-4911	1	CIRCUIT BREAKER AS (200-AMPERE)						
	4	1	244-8560	1	TERMINAL						
	5	1	244-8562	1	TERMINAL AS						
	6	1	244-8563	1	TERMINAL AS						
M	7	1	5C-2874	4	NUT (M5X0.8-THD)						
	8	1	8T-0328	8	WASHER-HARD (5.5X10X1-MM THK)						
M	9	1	8T-4753	4	SCREW (M5X0.8X20-MM)						
Y	10	1	284-9230	1	CONNECTION GP-ELECTRICAL						366
	11	1	9X-8256	3	WASHER (6.6X12X2-MM THK)						
M	12	1	8T-4171	3	BOLT (M6X1X12-MM)						

M-METRIC PART
Y-SEPARATE ILLUSTRATION



GRAPHIC #1

<END>

g01292420

ELECTRICAL AND STARTING SYSTEM

243-5649 CIRCUIT BREAKER GP

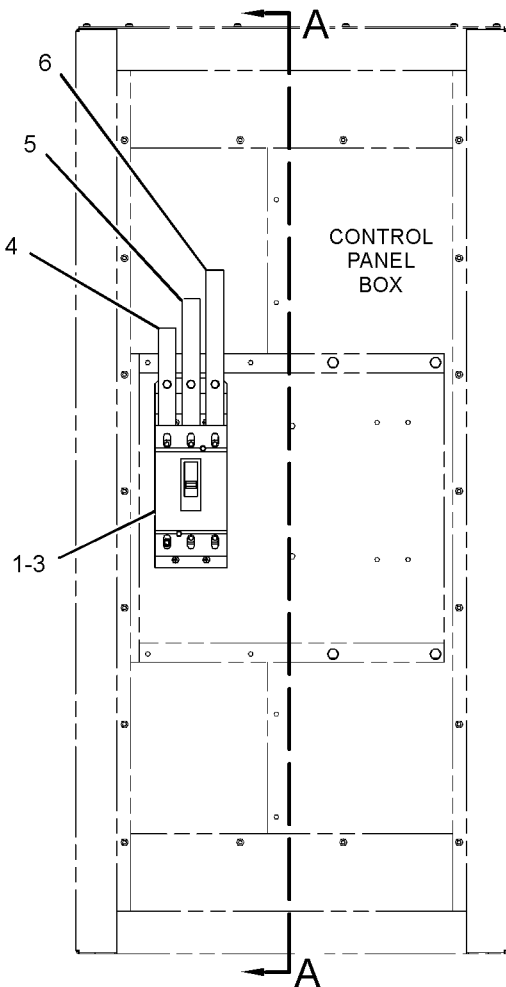
S/N: C5H1-UP
225-AMPERE
AN ATTACHMENT

SMCS-1420, 4461

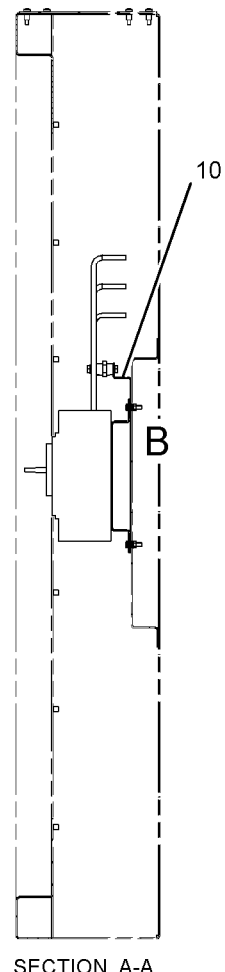
i02672349

NOTE	REF NO	GRAPHIC REF	PART NUMBER	QTY	PART NAME						SEE PAGE
					1	2	3	4	5	6 (PRODUCT LEVEL)	
	1	1	207-8656	1	KIT-TERMINAL (CIRCUIT BREAKER)						
					(INCLUDES LUGS)						
	2	1	241-8798	1	BRACKET						
	3	1	242-4912	1	CIRCUIT BREAKER AS (225-AMPERE)						
	4	1	244-8560	1	TERMINAL						
	5	1	244-8562	1	TERMINAL AS						
	6	1	244-8563	1	TERMINAL AS						
M	7	1	5C-2874	4	NUT (M5X0.8-THD)						
	8	1	8T-0328	8	WASHER-HARD (5.5X10X1-MM THK)						
M	9	1	8T-4753	4	SCREW (M5X0.8X20-MM)						
Y	10	1	284-9230	1	CONNECTION GP-ELECTRICAL						366
	11	1	9X-8256	3	WASHER (6.6X12X2-MM THK)						
M	12	1	6V-8214	3	BOLT (M6X1X20-MM)						

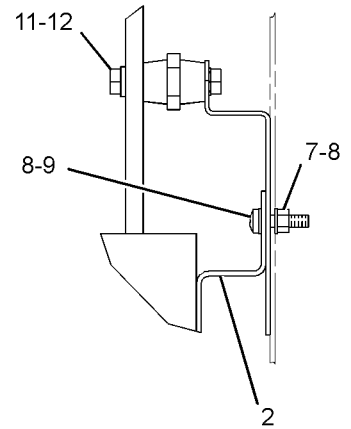
M-METRIC PART
Y-SEPARATE ILLUSTRATION



GRAPHIC #1



SECTION A-A



VIEW OF AREA B

<END>

g01292354

ELECTRICAL AND STARTING SYSTEM

243-5650 CIRCUIT BREAKER GP

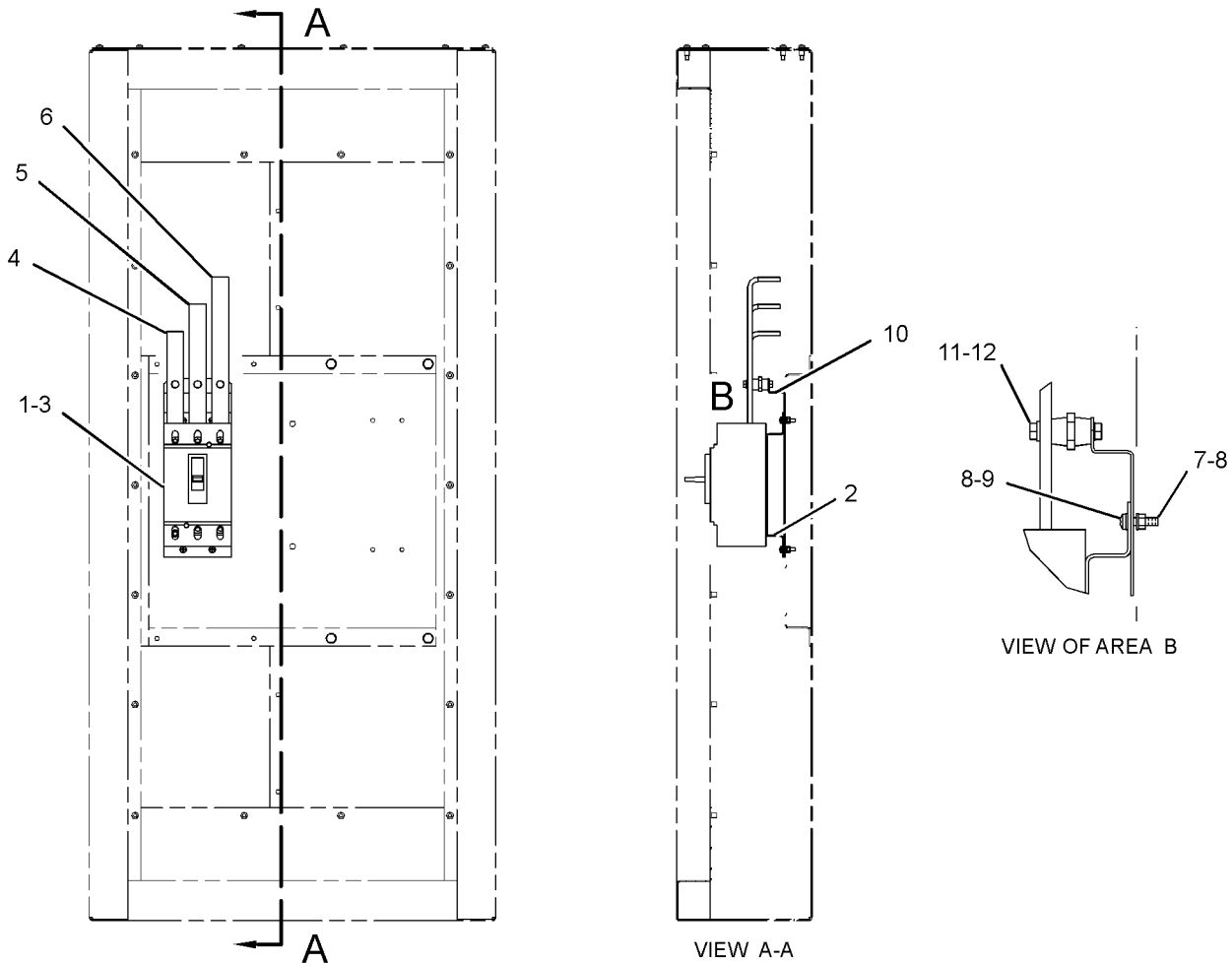
S/N: C5H1-UP
250-AMPERE
AN ATTACHMENT

SMCS-1420, 4461

i02673273

NOTE	REF NO	GRAPHIC REF	PART NUMBER	QTY	PART NAME						SEE PAGE
					1	2	3	4	5	6 (PRODUCT LEVEL)	
	1	1	207-8645	1	KIT-TERMINAL (CIRCUIT BREAKER)						
					(INCLUDES LUGS)						
	2	1	241-8798	1	BRACKET						
	3	1	242-4913	1	CIRCUIT BREAKER AS (250-AMPERE)						
	4	1	244-8560	1	TERMINAL						
	5	1	244-8562	1	TERMINAL AS						
	6	1	244-8563	1	TERMINAL AS						
M	7	1	5C-2874	4	NUT (M5X0.8-THD)						
	8	1	8T-0328	8	WASHER-HARD (5.5X10X1-MM THK)						
M	9	1	8T-4753	4	SCREW (M5X0.8X20-MM)						
Y	10	1	284-9230	1	CONNECTION GP-ELECTRICAL						366
	11	1	9X-8256	3	WASHER (6.6X12X2-MM THK)						
M	12	1	6V-8214	3	BOLT (M6X1X20-MM)						

M-METRIC PART
Y-SEPARATE ILLUSTRATION



GRAPHIC #1

<END>

g01292879

ELECTRICAL AND STARTING SYSTEM

243-5651 CIRCUIT BREAKER GP

S/N: C5H1-125

400-AMPERE

AN ATTACHMENT

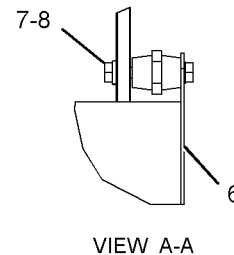
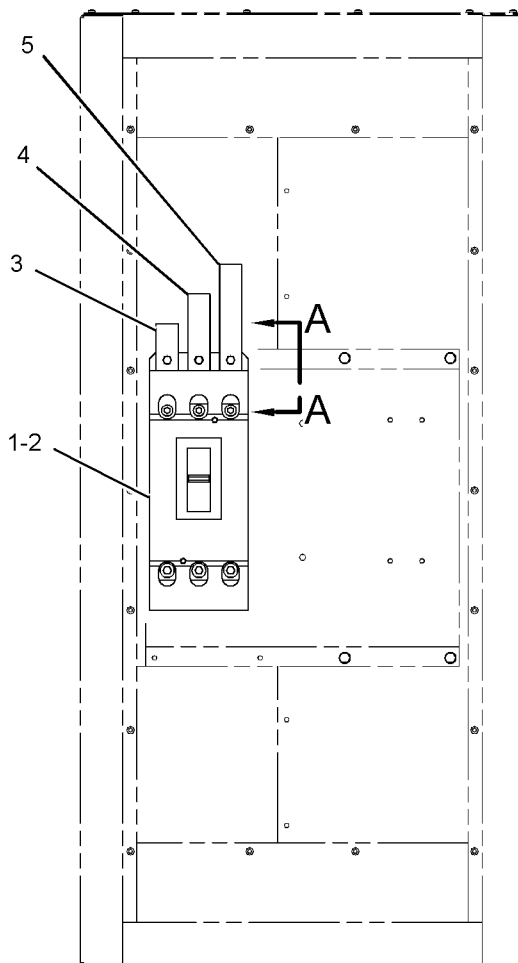
SMCS-1420, 4461

i02624439

NOTE	REF NO	GRAPHIC REF	PART NUMBER	QTY	PART NAME						SEE PAGE
					1	2	3	4	5	6 (PRODUCT LEVEL)	
	1	1	169-1855	3	TERMINAL						
	2	1	242-4914	1	CIRCUIT BREAKER AS (400-AMPERE)						
	3	1	244-8561	1	TERMINAL						
	4	1	244-8564	1	TERMINAL AS						
	5	1	244-8565	1	TERMINAL AS						
Y	6	1	284-9232	1	CONNECTION GP-ELECTRICAL						367
	7	1	9X-8256	3	WASHER (6.6X12X2-MM THK)						
M	8	1	6V-8214	3	BOLT (M6X1X20-MM)						

M-METRIC PART

Y-SEPARATE ILLUSTRATION



VIEW A-A

GRAPHIC #1

<END>

g01291848

ELECTRICAL AND STARTING SYSTEM

243-5651 CIRCUIT BREAKER GP

S/N: C5H126-UP

400-AMPERE

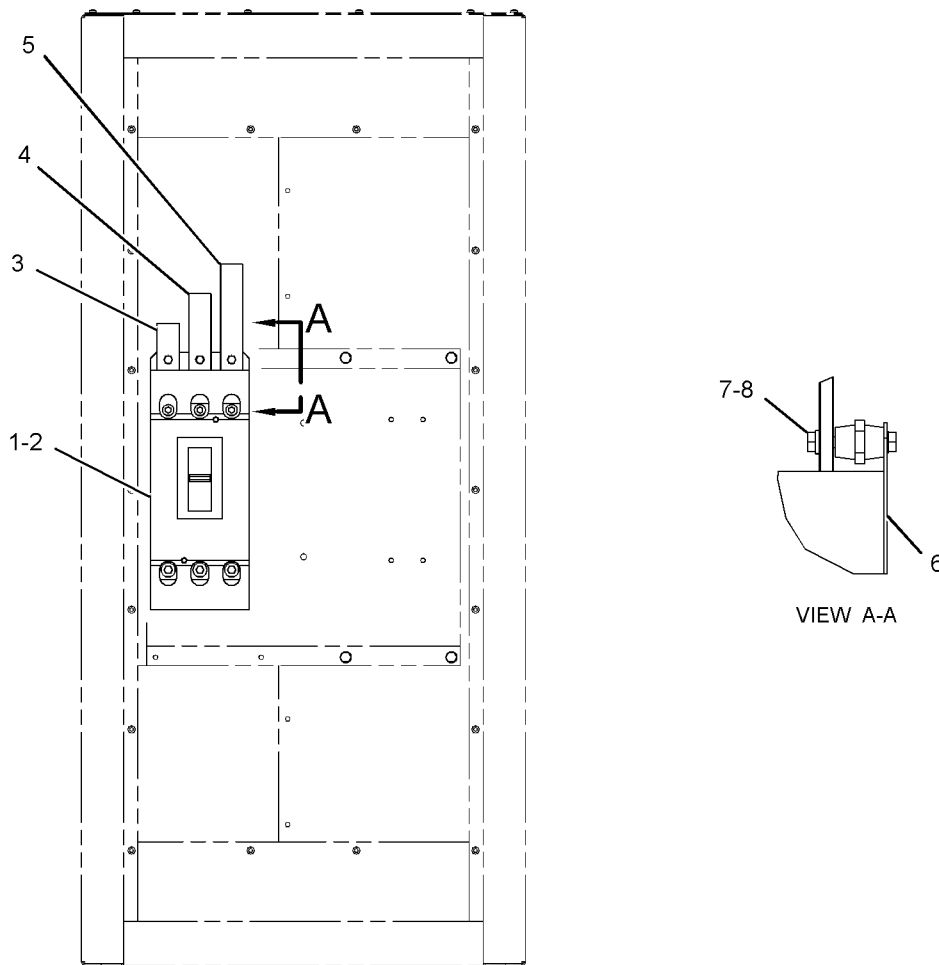
AN ATTACHMENT

SMCS-1420, 4461

i02624438

NOTE	REF NO	GRAPHIC REF	PART NUMBER	QTY	PART NAME						SEE PAGE
					1	2	3	4	5	6 (PRODUCT LEVEL)	
C	1	1	169-1855	1	TERMINAL						
	2	1	242-4914	1	CIRCUIT BREAKER AS (400-AMPERE)						
	3	1	244-8561	1	TERMINAL						
	4	1	244-8564	1	TERMINAL AS						
	5	1	244-8565	1	TERMINAL AS						
Y	6	1	284-9232	1	CONNECTION GP-ELECTRICAL						367
	7	1	9X-8256	3	WASHER (6.6X12X2-MM THK)						
M	8	1	6V-8214	3	BOLT (M6X1X20-MM)						

C-CHANGE FROM PREVIOUS TYPE
M-METRIC PART
Y-SEPARATE ILLUSTRATION



GRAPHIC #1

<END>

g01291848

ELECTRICAL AND STARTING SYSTEM

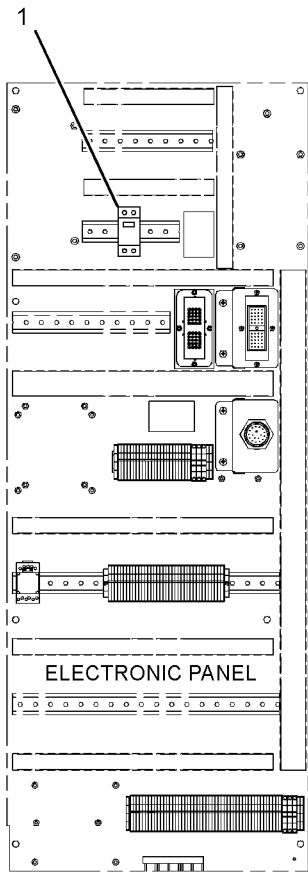
282-9957 CIRCUIT BREAKER GP

S/N: C5H1-UP
AN ATTACHMENT

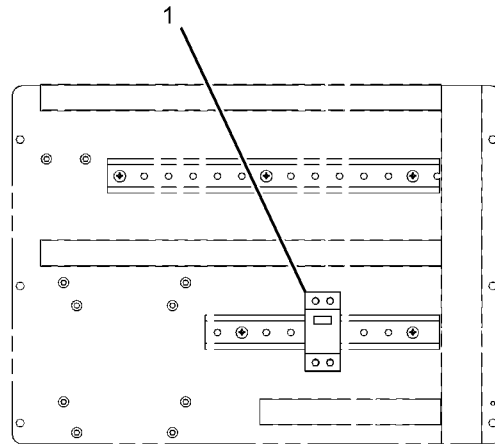
SMCS-1420, 4461

i03054515

NOTE	REF NO	GRAPHIC REF	PART NUMBER	QTY	PART NAME						SEE PAGE
					1	2	3	4	5	6 (PRODUCT LEVEL)	
	1	1	282-9885	1	CIRCUIT BREAKER (16-AMPERE)						



FRONT VIEW
(FOR EMCP2)



FRONT VIEW
(FOR EMCP3)

GRAPHIC #1

<END>

g01284790

ELECTRICAL AND STARTING SYSTEM

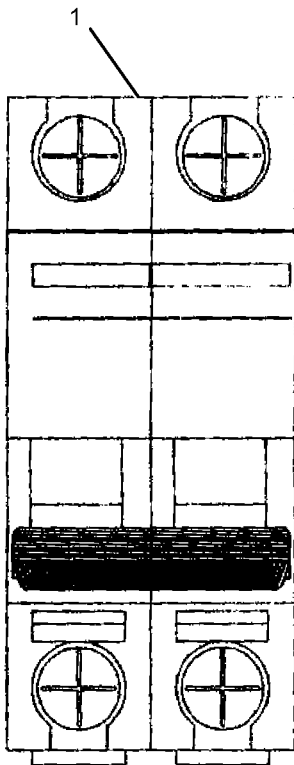
282-9958 CIRCUIT BREAKER GP

S/N: C5H1-UP
AN ATTACHMENT

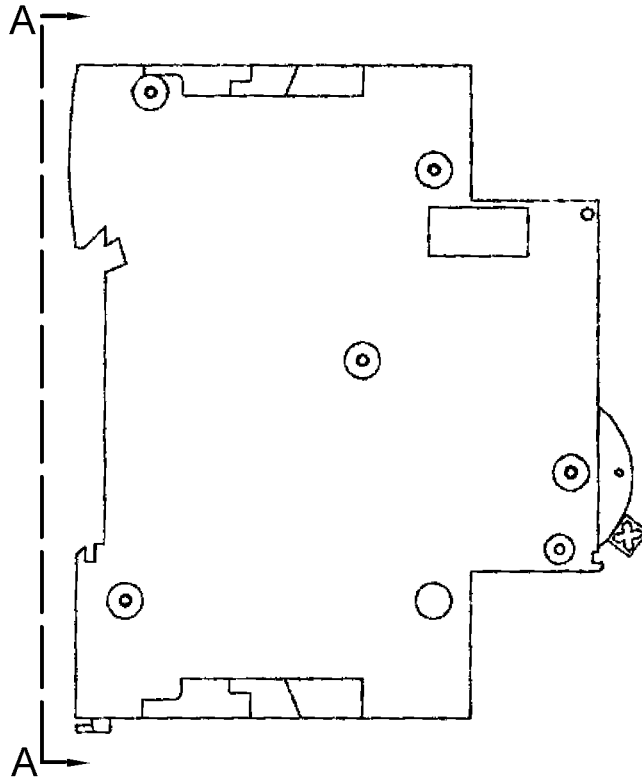
SMCS-1420, 4461

i02477595

NOTE	REF NO	GRAPHIC REF	PART NUMBER	QTY	PART NAME						SEE PAGE
					1	2	3	4	5	6 (PRODUCT LEVEL)	
	1	1	128-8065	1	CIRCUIT BREAKER AS (10-AMPERE)						



VIEW A-A



GRAPHIC #1

<END>

g01277514

ELECTRICAL AND STARTING SYSTEM

284-7639 CONDUIT GP

S/N: C5H1-UP
AN ATTACHMENT

SMCS-7553

i02608879

NOTE	PART NUMBER	QTY	PART NAME						SEE PAGE
			1	2	3	4	5	6 (PRODUCT LEVEL)	
B	8T-9043	2	BOLT (5/16-18X0.875-IN)						
	1S-2294	1	BOOT (CONDUIT)						
	4P-8134	2	CLIP						
B	4P-7581	2	CLIP						
D	6V-5818		CONDUIT-FLEXIBLE (2-M)						
	278-2341	1	CONNECTOR						
	6K-0806	6	STRAP-CABLE						
B	8T-4224	2	WASHER-HARD (8.8X16X2-MM THK)						

B-USE AS REQUIRED
D-ORDER BY THE METER

<END>

ELECTRICAL AND STARTING SYSTEM

300-9744 CONDUIT GP-BLOCK HEATER

S/N: C5H1-UP
AN ATTACHMENT

SMCS-7553

i02609957

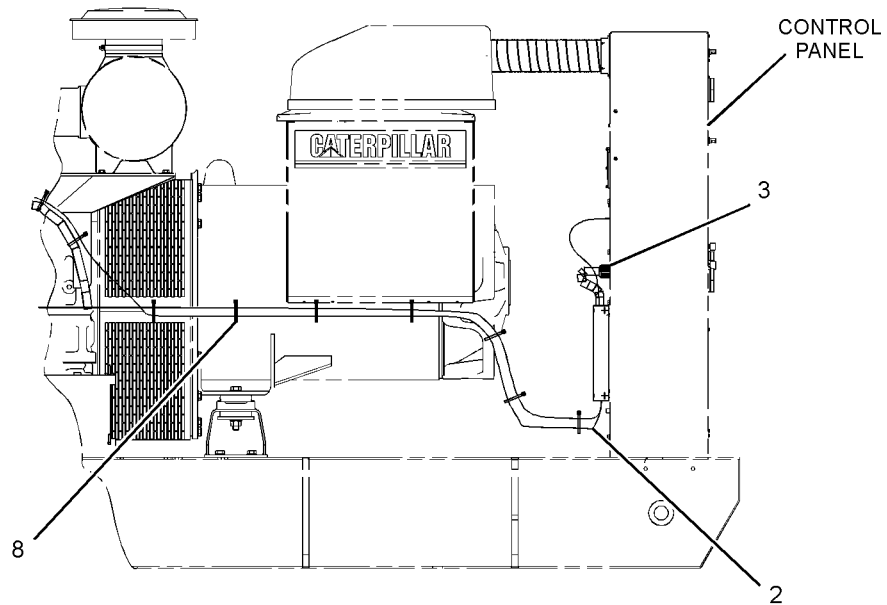
NOTE	REF NO	GRAPHIC REF	PART NUMBER	QTY	PART NAME	SEE PAGE
					1 2 3 4 5 6 (PRODUCT LEVEL)	
	1	1	1S-2294	5	BOOT	
D	2	1	6V-5818		CONDUIT-FLEXIBLE (5.5-M)	
	3	1	266-2693	1	CONNECTOR	
	4	1	4P-8134	2	CLIP	
	5	1	4P-7581	2	CLIP	
	6	1	8T-4224	2	WASHER-HARD (8.8X16X2-MM THK)	
	7	1	8T-9043	2	BOLT (5/16-18X0.875-IN)	
	8	1	6K-0806	13	STRAP-CABLE	

D-ORDER BY THE METER

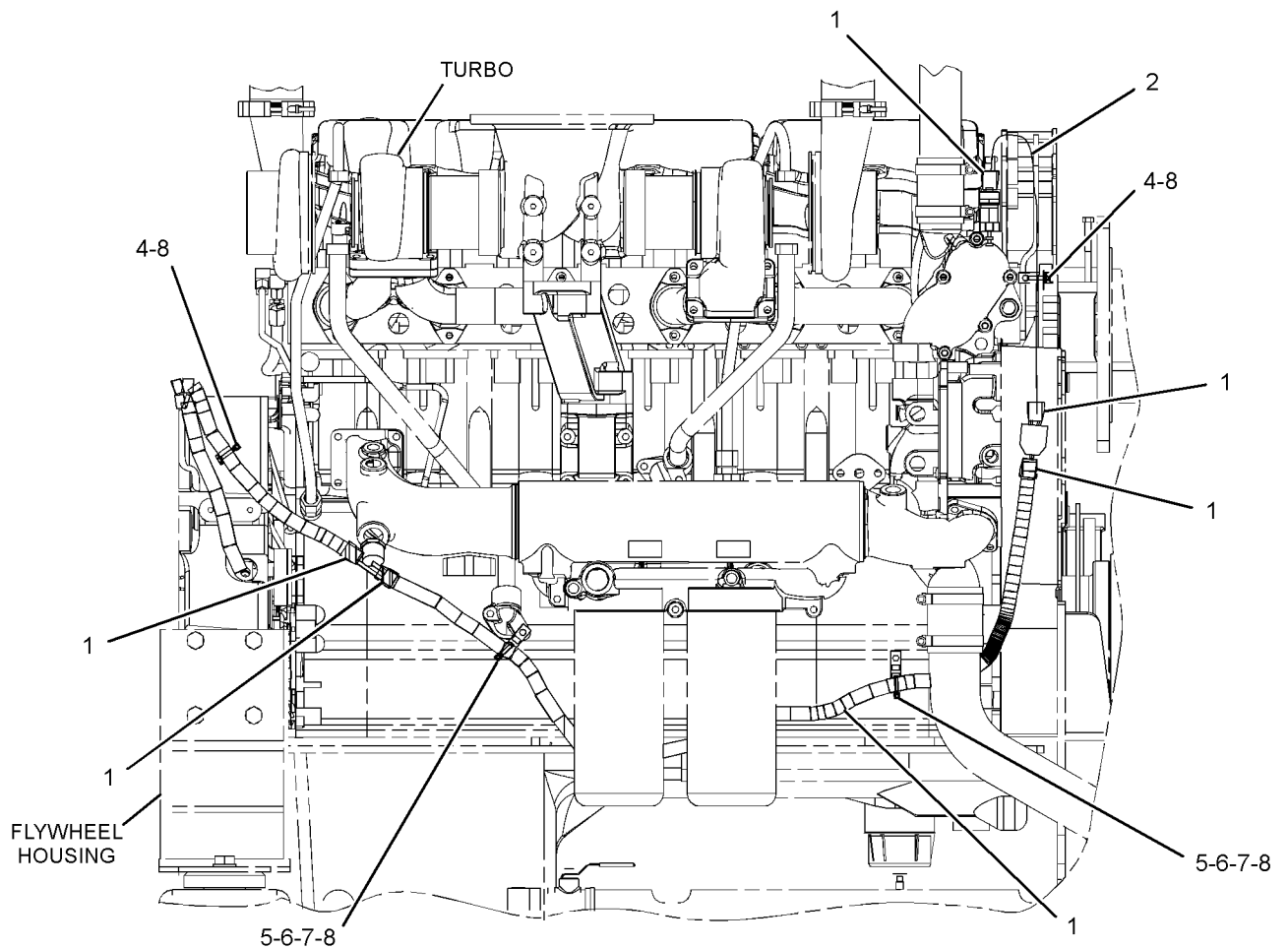
ELECTRICAL AND STARTING SYSTEM

300-9744 CONDUIT GP (contd.)

i02609957



RIGHT SIDE VIEW OF ENGINE



RIGHT SIDE VIEW OF ENGINE

GRAPHIC #1

<END>

g01309690

ELECTRICAL AND STARTING SYSTEM

300-9745 CONDUIT GP-ELECTRICAL

S/N: C5H1-UP
AN ATTACHMENT

SMCS-7553

i03278841

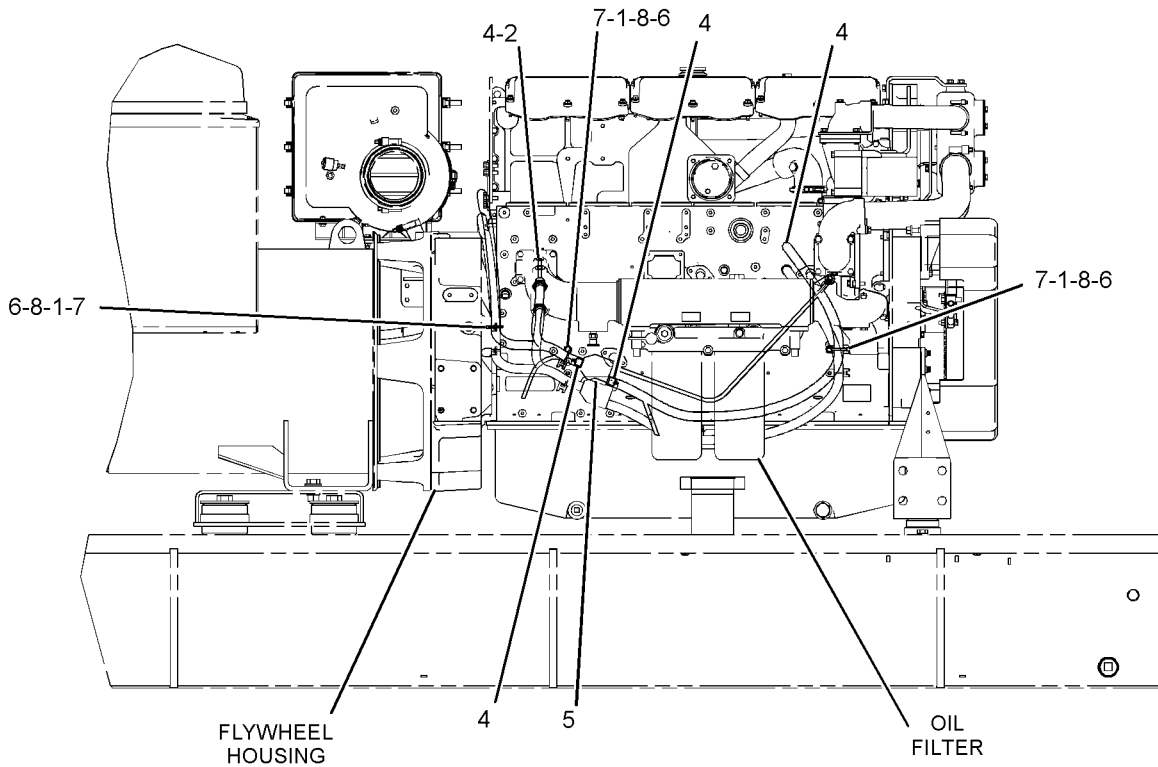
NOTE	REF NO	GRAPHIC REF	PART NUMBER	QTY	PART NAME						SEE PAGE
					1	2	3	4	5	6 (PRODUCT LEVEL)	
	1	1	6K-0806	15	STRAP-CABLE						
	2	1	9Y-2239	1	ELEMENT AS-JACKET WATER HEATER (240-VOLT, 1500-WATT)						
	3	1	266-2693	1	CONNECTOR						
	4	1	1S-2294	5	BOOT						
	5	1	267-7294	1	CORD AS-HEATER ELEMENT (120-VOLT)						
	6	1	4M-0061	3	BOLT (5/16-18X0.75-IN)						
	7	1	4P-7581	3	CLIP						
	8	1	5P-4116	3	WASHER-HARD (8.8X20.5X2-MM THK)						
D	9	1	6V-5818		CONDUIT-FLEXIBLE (58-M)						

D-ORDER BY THE METER

ELECTRICAL AND STARTING SYSTEM

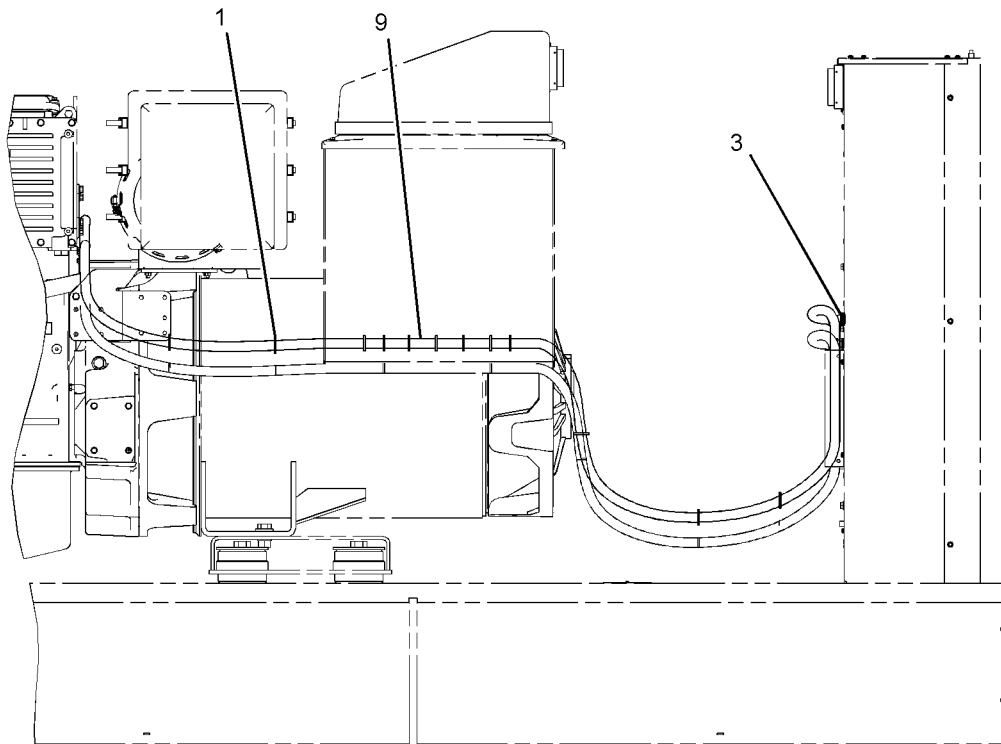
300-9745 CONDUIT GP-ELECTRICAL (contd.)

i03278841



RIGHT SIDE VIEW OF ENGINE

(MODEL C-18)



LEFT SIDE VIEW OF ENGINE

(MODEL C-18)

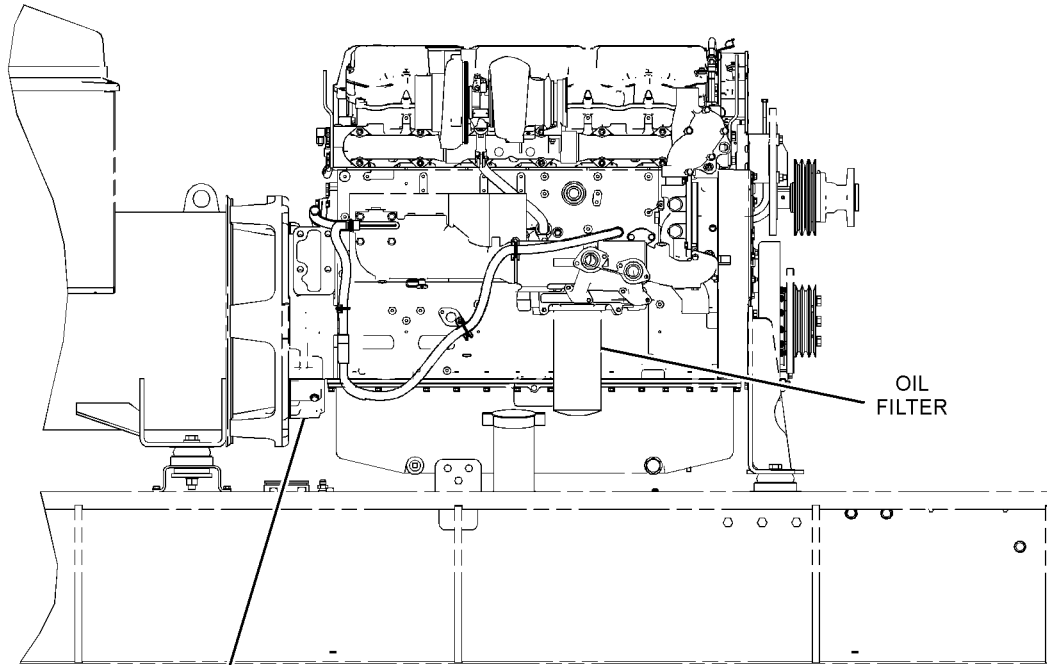
GRAPHIC #1

g01672936

ELECTRICAL AND STARTING SYSTEM

300-9745 CONDUIT GP-ELECTRICAL (contd.)

i03278841

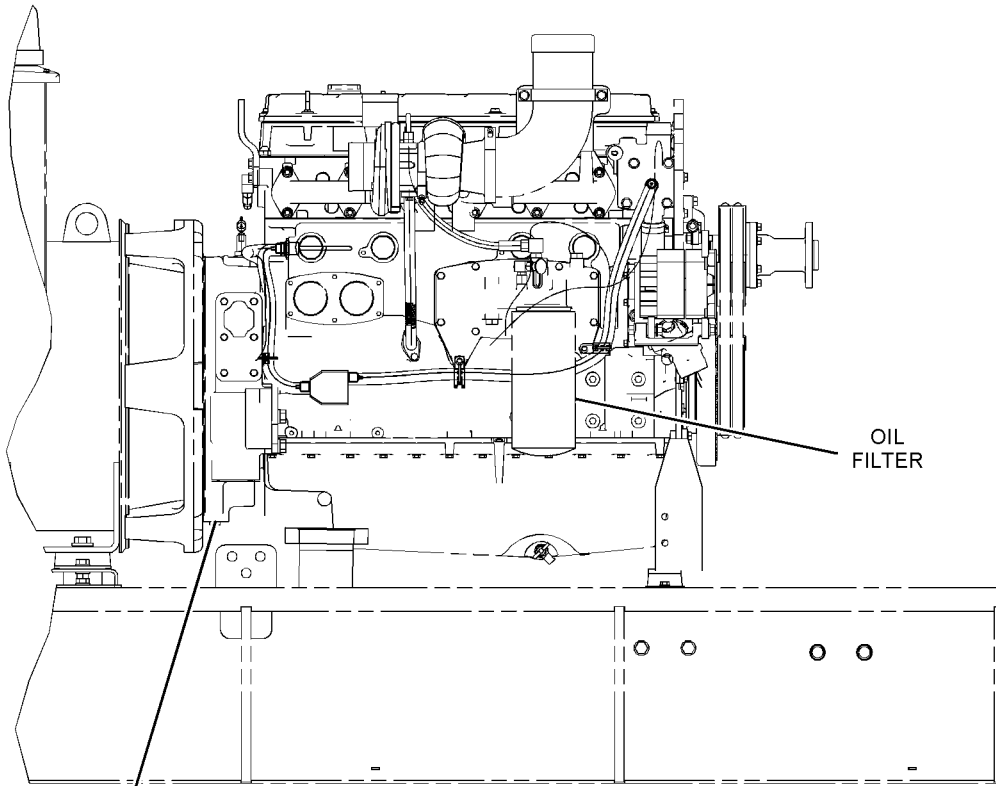


FLYWHEEL
HOUSING

RIGHT SIDE VIEW OF ENGINE

(MODEL C15)

OIL
FILTER



FLYWHEEL
HOUSING

RIGHT SIDE VIEW OF ENGINE

(MODEL C9)

OIL
FILTER

GRAPHIC #2

<END>

g01672974

ELECTRICAL AND STARTING SYSTEM

159-9107 CONNECTION GP-ELECTRICAL- CYLINDER HEAD GROUND

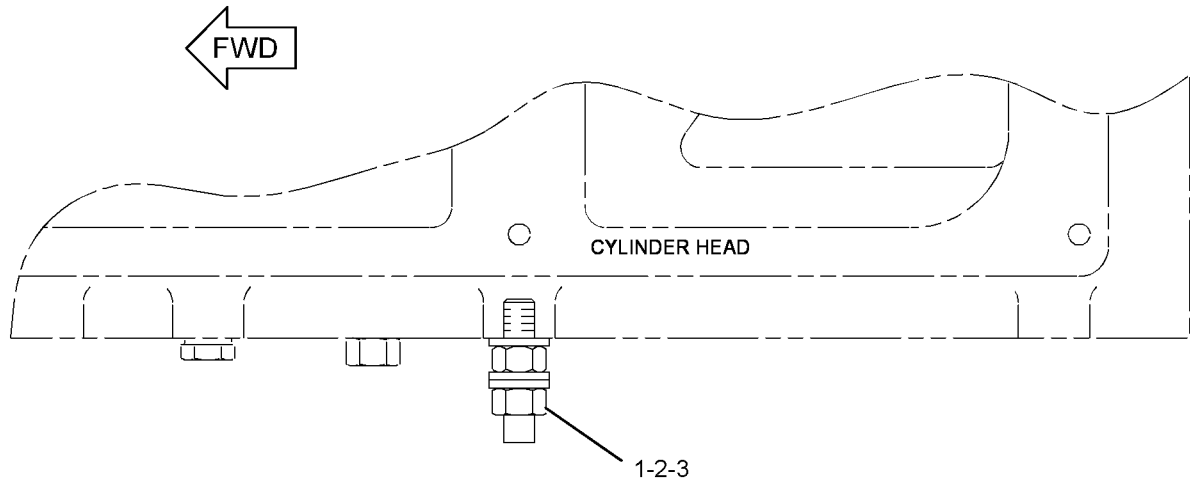
S/N: FFH1-UP

PROVIDES ALTERNATE GROUNDING LOCATION IN CYLINDER HEAD

SMCS-1408

i03238799

NOTE	REF NO	GRAPHIC REF	PART NUMBER	QTY	PART NAME						SEE PAGE
					1	2	3	4	5	6 (PRODUCT LEVEL)	
	1	1	174-9599	1	STUD (3/8-16-THD)						
	2	1	8T-4896	3	WASHER-HARD (10.2X18.5X2.5-MM THK)						
	3	1	6V-8801	1	NUT (3/8-16-THD)						



TOP VIEW

GRAPHIC #1

<END>

g01422079

ELECTRICAL AND STARTING SYSTEM

237-6169 CONNECTION GP-ELECTRICAL

S/N: C5H1-UP

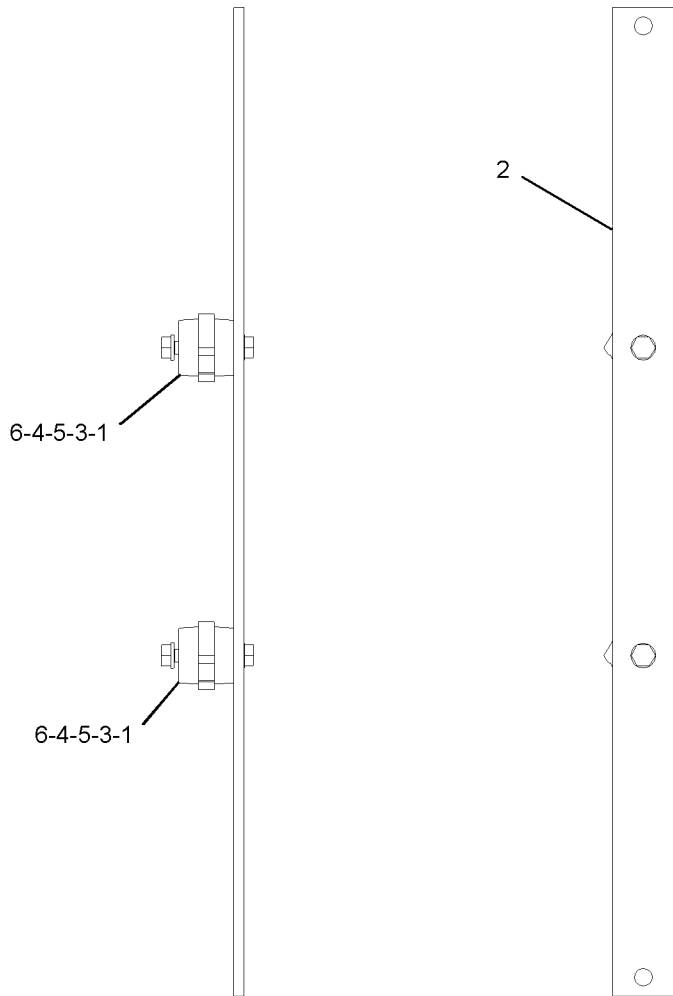
PART OF 284-9192 CONNECTION GP-ELECTRICAL
AN ATTACHMENT

SMCS-1408

i02012420

NOTE	REF NO	GRAPHIC REF	PART NUMBER	QTY	PART NAME						SEE PAGE
					1	2	3	4	5	6 (PRODUCT LEVEL)	
	1	1	143-4456	2	INSULATOR						
	2	1	237-6170	1	TERMINAL						
	3	1	3F-9556	2	LOCKWASHER						
M	4	1	8T-4199	2	BOLT (M8X1.25X12-MM)						
M	5	1	8T-4200	2	BOLT (M8X1.25X16-MM)						
	6	1	8T-4224	2	WASHER-HARD (8.8X16X2-MM THK)						

M-METRIC PART



GRAPHIC #1

<END>

g01015809

ELECTRICAL AND STARTING SYSTEM

246-5890 CONNECTION GP-ELECTRICAL

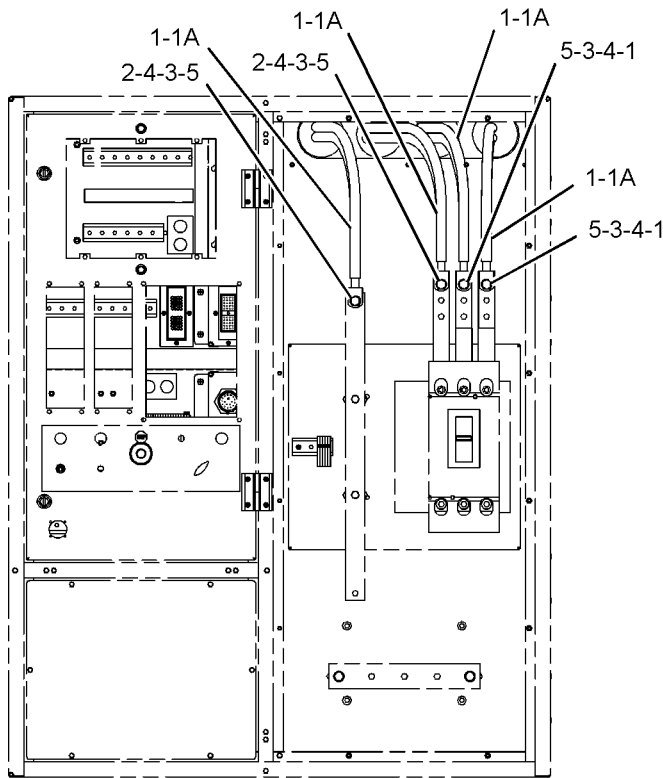
S/N: C5H1-UP
AN ATTACHMENT

SMCS-1408

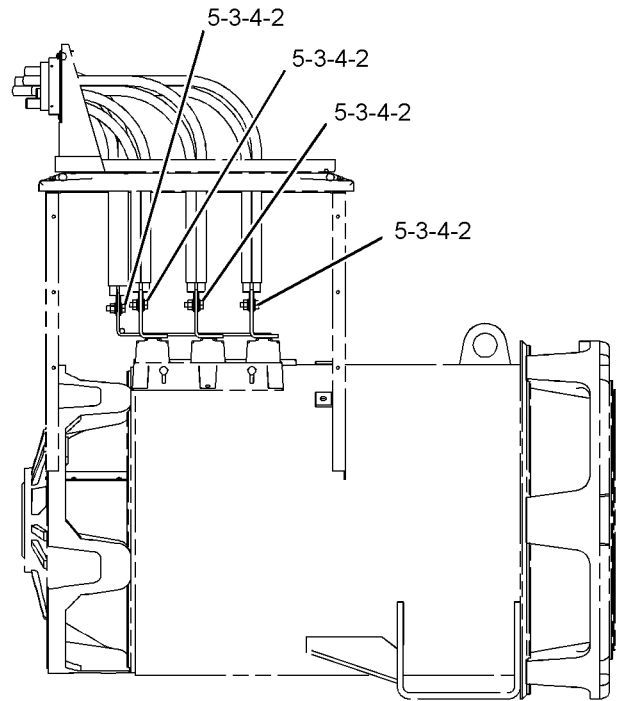
i03607325

NOTE	REF NO	GRAPHIC REF	PART NUMBER	QTY	PART NAME						SEE PAGE
					1	2	3	4	5	6 (PRODUCT LEVEL)	
	1	1	246-5892	8	CABLE AS						
					(EACH INCLUDES)						
	1A	1	031-9295	2	TERMINAL-RING (0000-GA, 3/8-IN SCREW)						
E		1	188-2658		CABLE (0000-GA) (145-CM)						
	2	1	4D-5243	8	LOCKWASHER						
	3	1	8T-4121	16	WASHER-HARD (11X21X2.5-MM THK)						
M	4	1	8T-4133	8	NUT (M10X1.5-THD)						
M	5	1	8T-4186	8	BOLT (M10X1.5X40-MM)						

E-ORDER BY THE CENTIMETER
M-METRIC PART



(BREAKER CONNECTION)



(ALTERNATOR CONNECTION)

GRAPHIC #1

<END>

g01053536

ELECTRICAL AND STARTING SYSTEM

283-9174 CONNECTION GP-ELECTRICAL

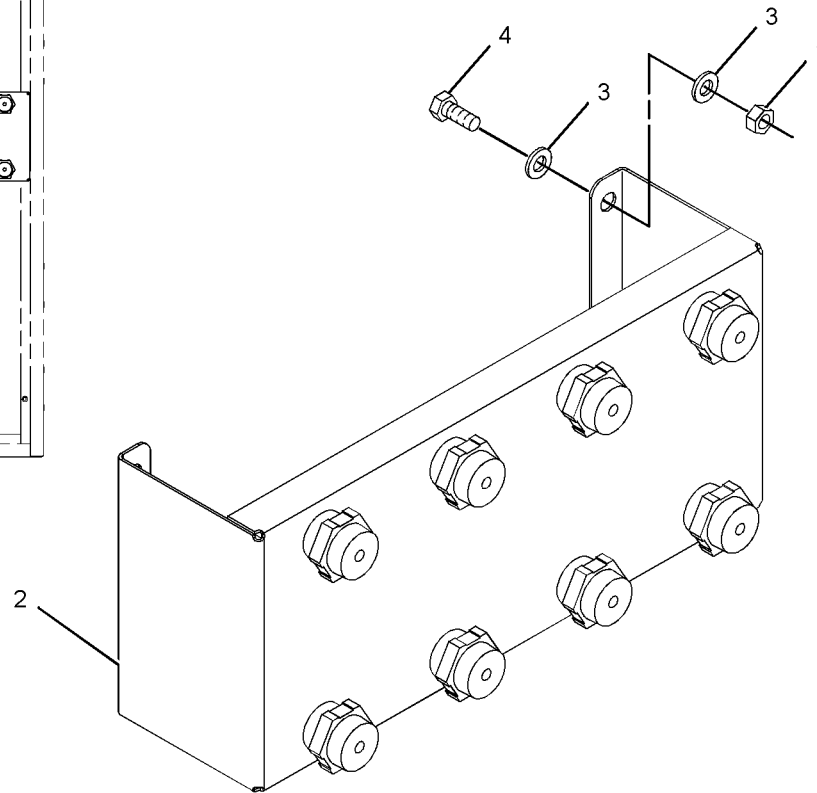
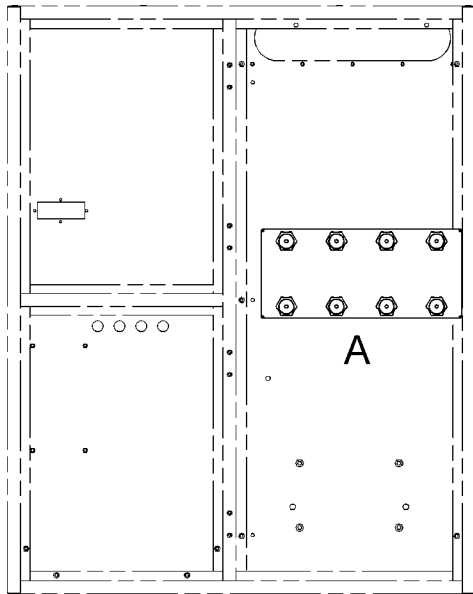
S/N: C5H1-UP
AN ATTACHMENT

SMCS-1408

i02469778

NOTE	REF NO	GRAPHIC REF	PART NUMBER	QTY	PART NAME						SEE PAGE
					1	2	3	4	5	6 (PRODUCT LEVEL)	
M	1	1	8T-4133	4	NUT (M10X1.5-THD)						
Y	2	1	283-9211	1	CONNECTION GP-ELECTRICAL						363
	3	1	8T-4121	8	WASHER-HARD (11X21X2.5-MM THK)						
M	4	1	8T-4136	4	BOLT (M10X1.5X25-MM)						

M-METRIC PART
Y-SEPARATE ILLUSTRATION



VIEW OF AREA A

GRAPHIC #1

<END>

g01231669

ELECTRICAL AND STARTING SYSTEM

283-9211 CONNECTION GP-ELECTRICAL

S/N: C5H1-UP

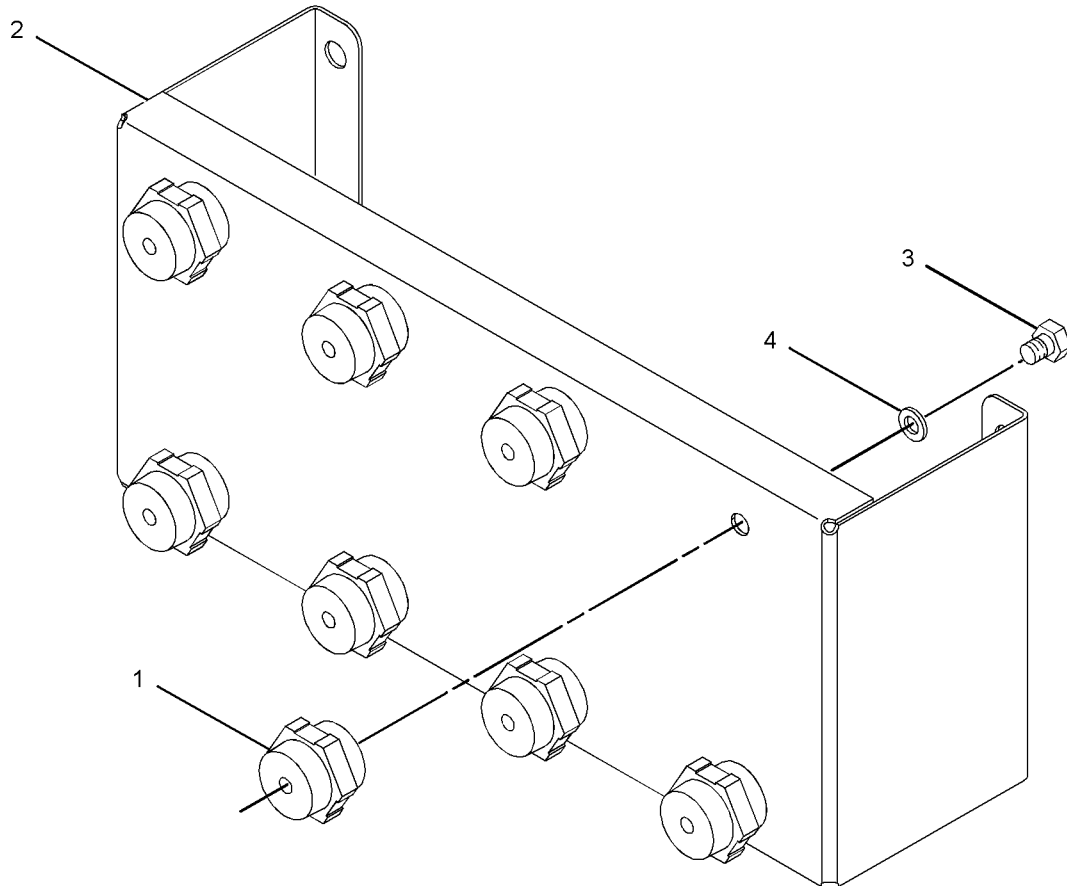
PART OF 283-9174 CONNECTION GP-ELECTRICAL
AN ATTACHMENT

SMCS-1408

i02987430

NOTE	REF NO	GRAPHIC REF	PART NUMBER	QTY	PART NAME						SEE PAGE
					1	2	3	4	5	6 (PRODUCT LEVEL)	
	1	1	143-5099	8	INSULATOR						
	2	1	283-9173	1	BRACKET						
M	3	1	7X-2621	8	BOLT (M10X1.5X12-MM)						
	4	1	8T-4121	8	WASHER-HARD (11X21X2.5-MM THK)						

M-METRIC PART



GRAPHIC #1

<END>

g01221626

ELECTRICAL AND STARTING SYSTEM

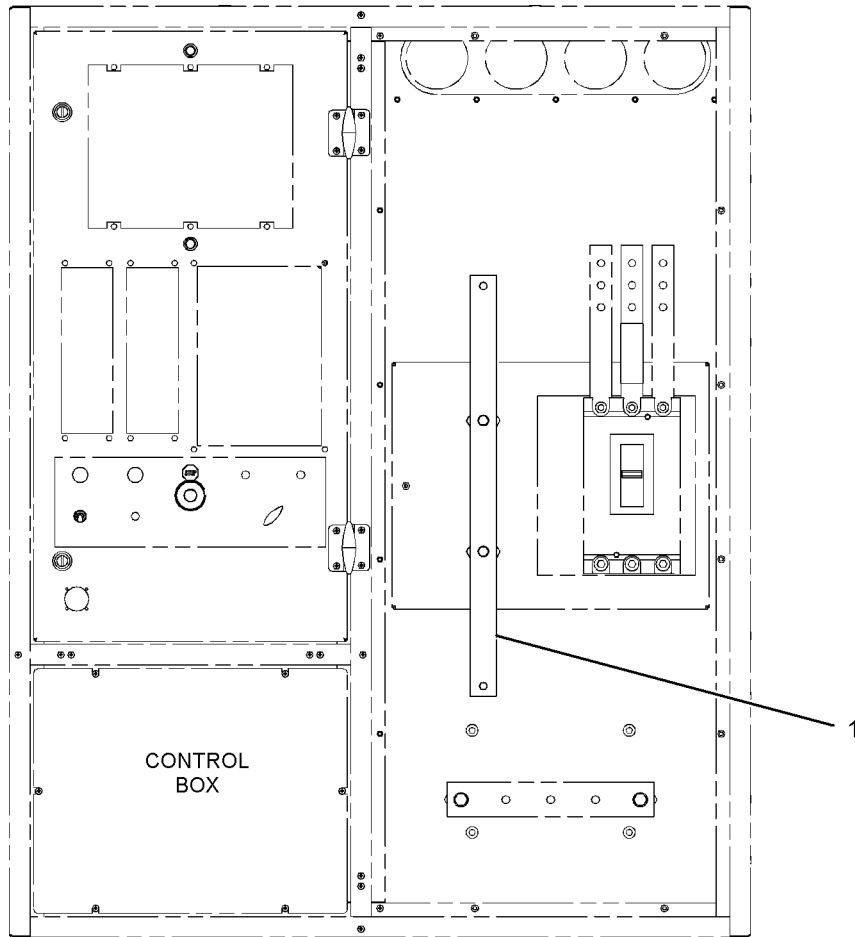
284-9192 CONNECTION GP-ELECTRICAL

S/N: C5H1-UP
400-AMPERE, IEC
AN ATTACHMENT

SMCS - 1408

i02491776

NOTE	REF NO	GRAPHIC REF	PART NUMBER	QTY	PART NAME						SEE PAGE
					1	2	3	4	5	6 (PRODUCT LEVEL)	
Y	1	1	237-6169	1	CONNECTION GP-ELECTRICAL						360
Y-SEPARATE ILLUSTRATION											



FRONT VIEW
<END>

GRAPHIC #1

g01266112

ELECTRICAL AND STARTING SYSTEM

284-9227 CONNECTION GP-ELECTRICAL

S/N: C5H1-UP

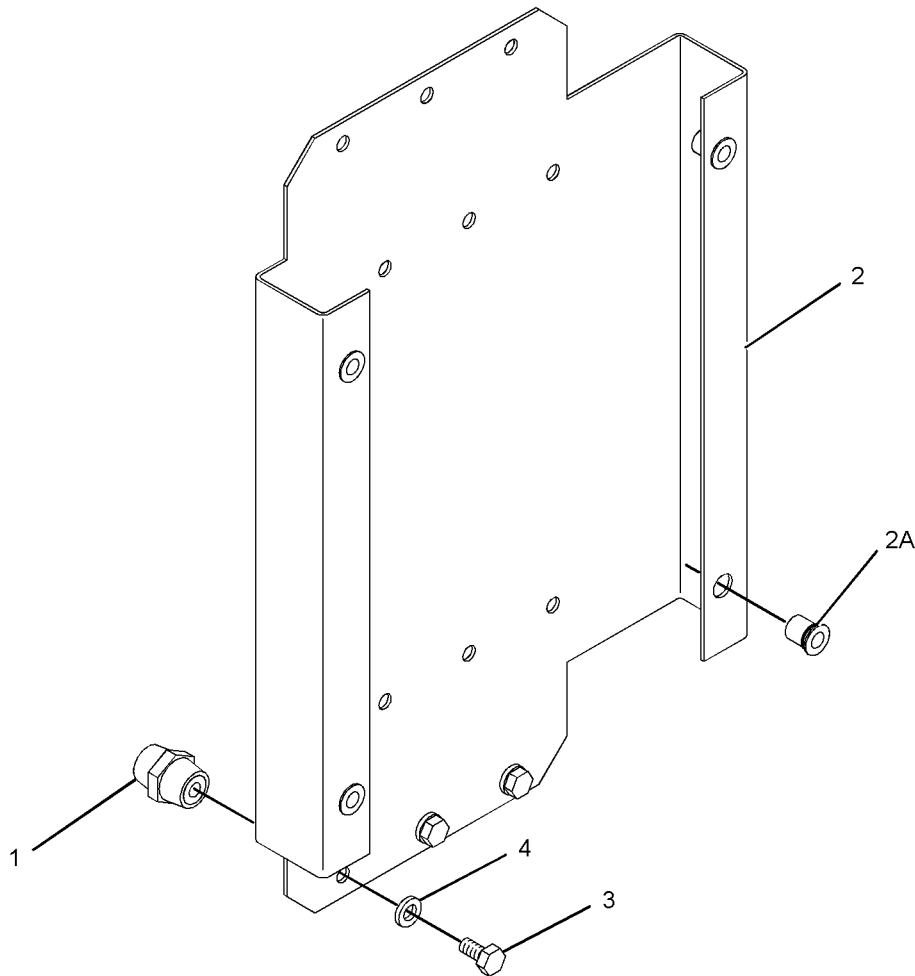
PART OF 284-9228 MOUNTING GP-PANEL
AN ATTACHMENT

SMCS-1408

i02547407

NOTE	REF NO	GRAPHIC REF	PART NUMBER	QTY	PART NAME						SEE PAGE
					1	2	3	4	5	6 (PRODUCT LEVEL)	
	1	1	169-4516	3	INSULATOR						
	2	1	283-9207	1	PANEL AS						
M	2A	1	3E-4304	4	INSERT-THREADED (M6X1-6H-THD)						
M	3	1	8T-0639	3	BOLT (M6X1X12-MM)						
	4	1	9X-8256	3	WASHER (6.6X12X2-MM THK)						

M-METRIC PART



GRAPHIC #1

<END>

g0127720

ELECTRICAL AND STARTING SYSTEM

284-9230 CONNECTION GP-ELECTRICAL

S/N: C5H1-UP

PART OF 243-5636, 243-5643, 243-5645, 243-5646, 243-5648, 243-5649, 243-5650

CIRCUIT BREAKER GP

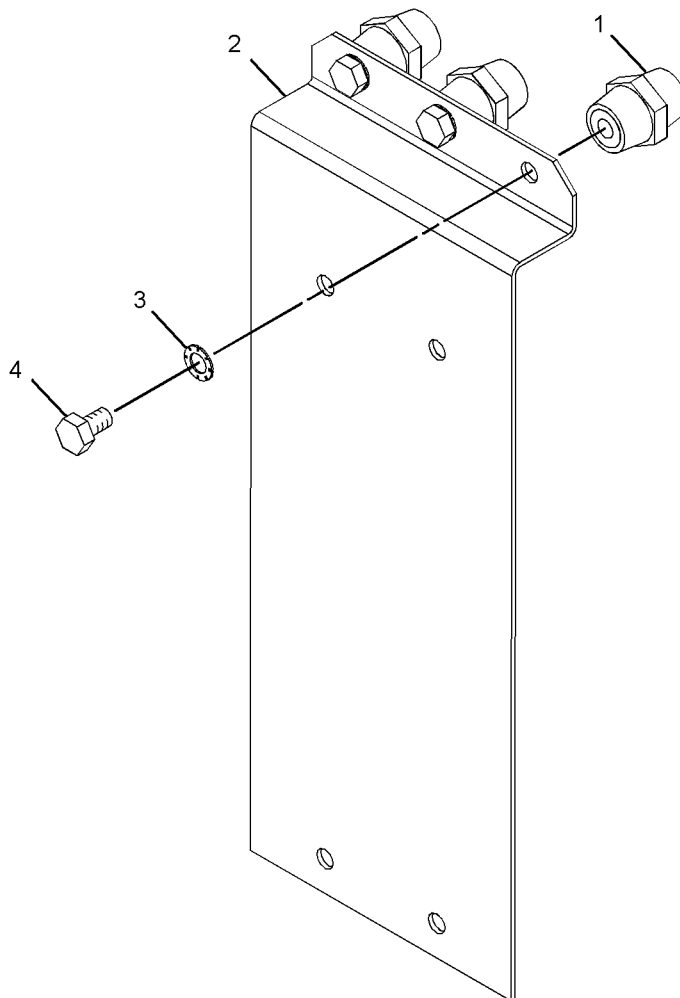
AN ATTACHMENT

SMCS-1408

i02577658

NOTE	REF NO	GRAPHIC REF	PART NUMBER	QTY	PART NAME						SEE PAGE
					1	2	3	4	5	6 (PRODUCT LEVEL)	
	1	1	169-4516	3	INSULATOR						
	2	1	284-9229	1	BRACKET						
	3	1	095-0827	3	LOCKWASHER						
M	4	1	7X-2619	3	BOLT (M6X1X10-MM)						

M-METRIC PART



GRAPHIC #1

<END>

g01292304

ELECTRICAL AND STARTING SYSTEM

284-9232 CONNECTION GP-ELECTRICAL

S/N: C5H1-UP

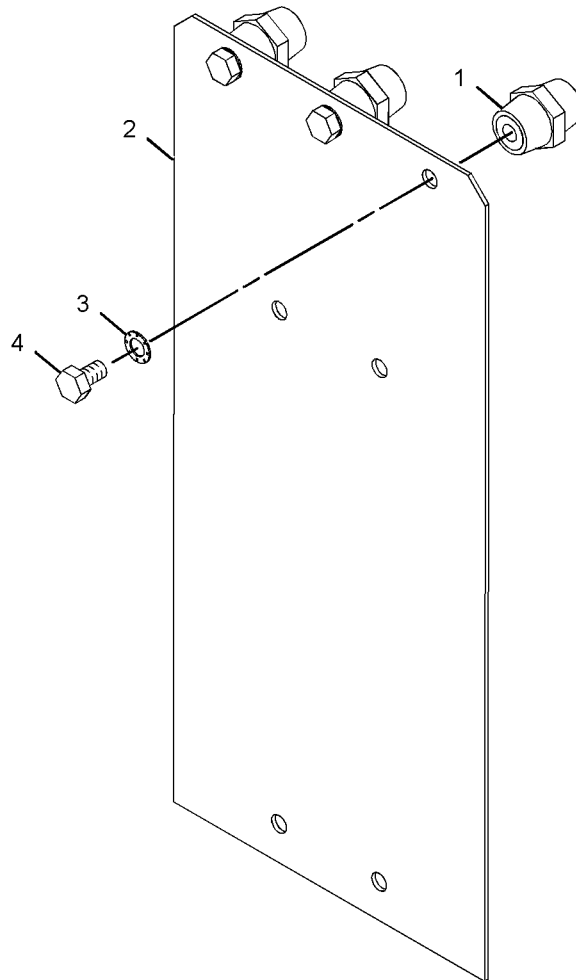
PART OF 243-5651 CIRCUIT BREAKER GP
AN ATTACHMENT

SMCS-1408

i02577664

NOTE	REF NO	GRAPHIC REF	PART NUMBER	QTY	PART NAME						SEE PAGE
					1	2	3	4	5	6 (PRODUCT LEVEL)	
	1	1	169-4516	3	INSULATOR						
	2	1	284-9231	1	PLATE						
	3	1	095-0827	3	LOCKWASHER						
M	4	1	7X-2619	3	BOLT (M6X1X10-MM)						

M-METRIC PART



GRAPHIC #1

<END>

g01292317

ELECTRICAL AND STARTING SYSTEM

307-0492 CONNECTION GP-ELECTRICAL

S/N: C5H1-UP
AN ATTACHMENT

SMCS - 1408

i03038529

NOTE	PART NUMBER	QTY	PART NAME						SEE PAGE
			1	2	3	4	5	6 (PRODUCT LEVEL)	
	139-1171	1	CONNECTOR						
	289-9478	1	HARNESS AS-WIRING						
<END>									

ELECTRICAL AND STARTING SYSTEM

323-5760 CONNECTION GP-ELECTRICAL

S/N: C5H1-UP

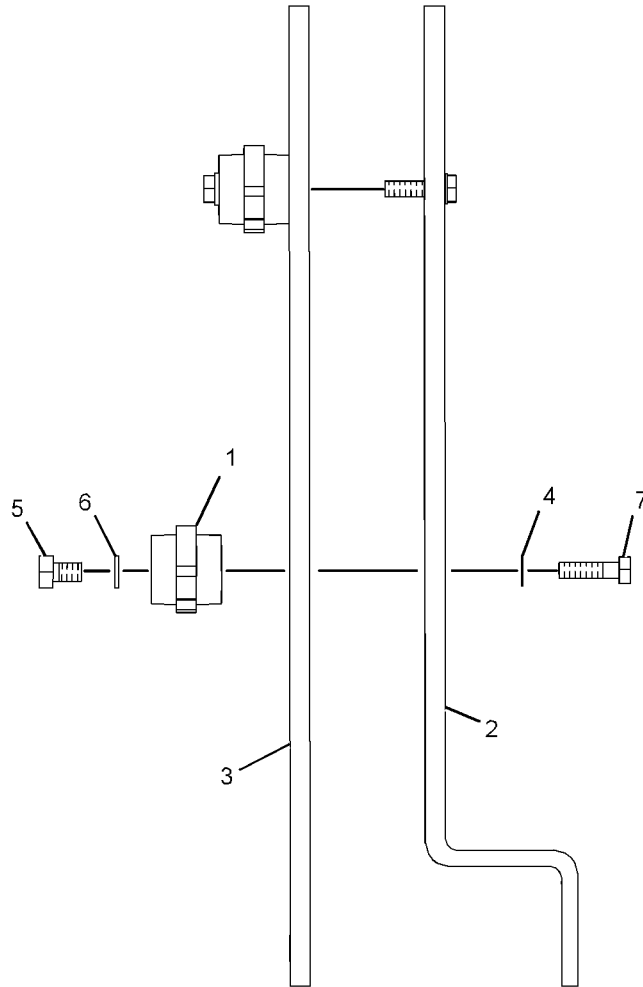
PART OF 237-2627 CONNECTION GP-TERMINAL STRIP
AN ATTACHMENT

SMCS-1408

i03327282

NOTE	REF NO	GRAPHIC REF	PART NUMBER	QTY	PART NAME						SEE PAGE
					1	2	3	4	5	6 (PRODUCT LEVEL)	
	1	1	143-4456	2	INSULATOR						
	2	1	319-6398	1	TERMINAL						
	3	1	319-6399	1	TERMINAL						
	4	1	3F-9556	2	LOCKWASHER						
M	5	1	8T-4199	2	BOLT (M8X1.25X12-MM)						
	6	1	8T-4224	2	WASHER-HARD (8.8X16X2-MM THK)						
M	7	1	8T-7547	2	BOLT (M8X1.25X30-MM)						

M-METRIC PART



<END>

GRAPHIC #1

g01708163

ELECTRICAL AND STARTING SYSTEM

329-4037 CONNECTOR AS

S/N: C5H1-UP

FOR USE WITH LOW FUEL LEVEL SENSOR WITH SUB FUEL TANK BASE
AN ATTACHMENT

SMCS-7553

i03188225

NOTE	PART NUMBER	QTY	PART NAME						SEE PAGE
			1	2	3	4	5	6 (PRODUCT LEVEL)	
	102-8802	1	KIT-RECEPTACLE (2-PIN)						
			(INCLUDES RECEPTACLE AS & WEDGE)						
	186-3735	1	PIN-CONNECTOR (16-GA TO 18-GA)						
<END>									

ELECTRICAL AND STARTING SYSTEM

261-7137 CONTACTOR GP-HEATERS

S/N: C5H1-UP

FOR USE WITH 110-VOLT AC HEATERS

AN ATTACHMENT

TYPE 1

SMCS-1400, 7400

i02650560

NOTE	REF NO	GRAPHIC REF	PART NUMBER	QTY	PART NAME						SEE PAGE
					1	2	3	4	5	6 (PRODUCT LEVEL)	
	1	1	160-9602	2	HOLDER-FUSE						
	2	1	169-0235	1	CONTACTOR						
	3	1	190-2558	1	FUSE (6-AMPERE)						
	4	1	261-7255	1	LINK						
	5	1	282-9883	1	CIRCUIT BREAKER (6-AMPERE)						
	7	1	7W-0482	1	FUSE (2-AMPERE)						
J	8	1	261-7256		SLEEVE (39-MM)						
F			282-7886	1	HARNESS AS-HEATER & AIR COND						
			8L-8413	16	STRAP-CABLE						

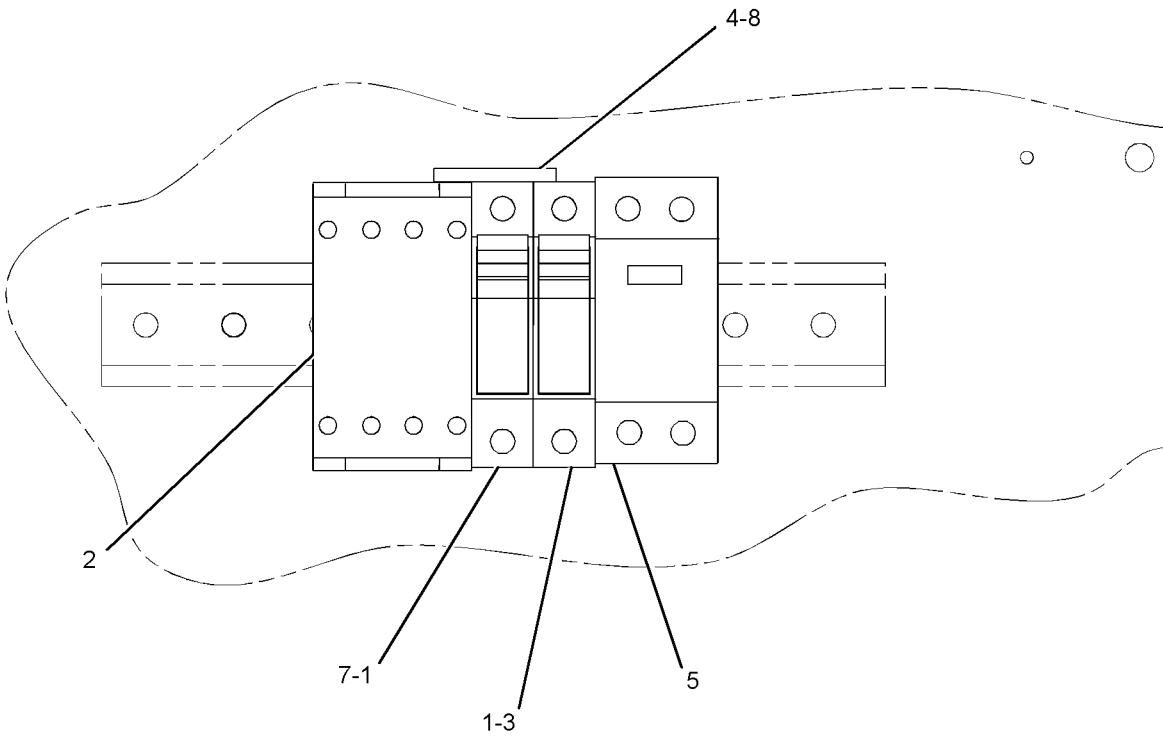
F-NOT SHOWN

J-ORDER BY THE MILLIMETER

ELECTRICAL AND STARTING SYSTEM

261-7137 CONTACTOR GP (contd.)

i02650560



GRAPHIC #1

<END>

g01238452

ELECTRICAL AND STARTING SYSTEM

261-7137 CONTACTOR GP-HEATERS

S/N: C5H1-UP

FOR USE WITH 110-VOLT AC HEATERS

AN ATTACHMENT

TYPE 2

SMCS-1400, 7400

i02640040

NOTE	REF NO	GRAPHIC REF	PART NUMBER	QTY	PART NAME						SEE PAGE
					1	2	3	4	5	6 (PRODUCT LEVEL)	
	1	1	160-9602	2	HOLDER-FUSE						
	2	1	169-0235	1	CONTACTOR						
C	3	1	6V-7802	1	FUSE (10-AMPERE)						
	4	1	265-7214	1	LINK (TERMINAL)						
	5	1	282-9883	1	CIRCUIT BREAKER (6-AMPERE)						
	7	1	7W-0482	1	FUSE (2-AMPERE)						
J	8	1	261-7256		SLEEVE (39-MM)						
			282-7886	1	HARNESS AS-HEATER & AIR COND						
			8L-8413	16	STRAP-CABLE						

C-CHANGE FROM PREVIOUS TYPE

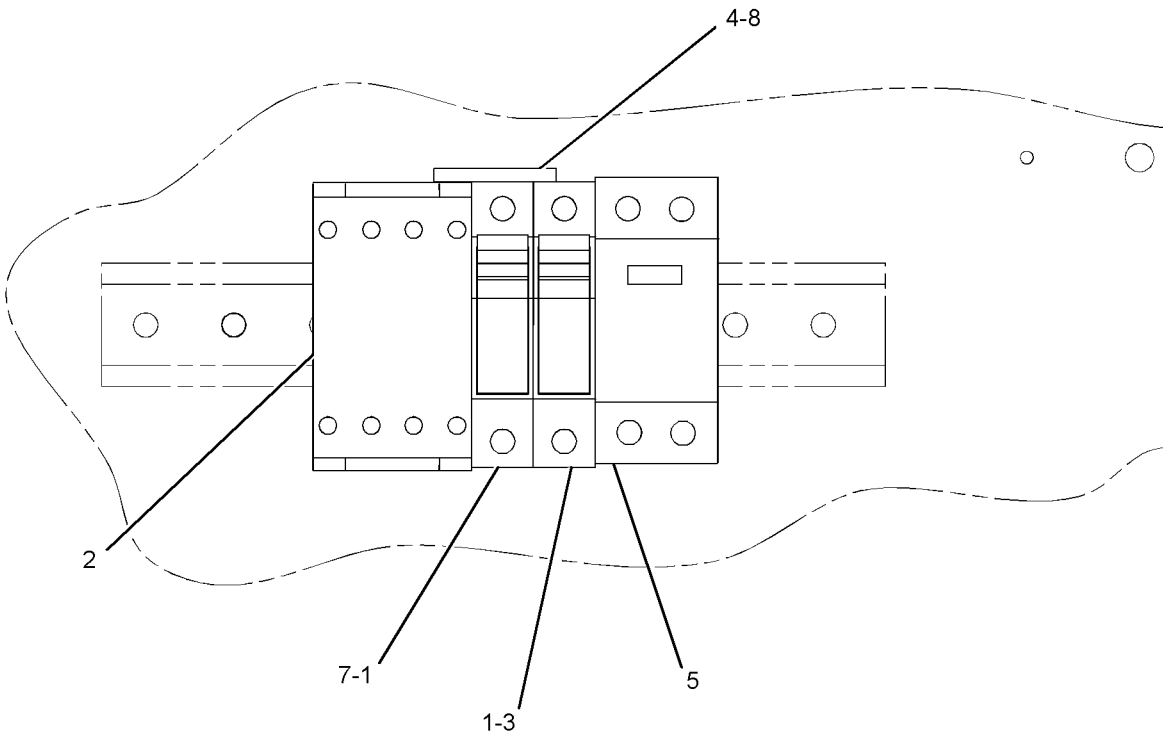
F-NOT SHOWN

J-ORDER BY THE MILLIMETER

ELECTRICAL AND STARTING SYSTEM

261-7137 CONTACTOR GP (contd.)

i02640040



GRAPHIC #1

<END>

g01238452

ELECTRICAL AND STARTING SYSTEM

282-9881 CONTACTOR GP

S/N: C5H1-125

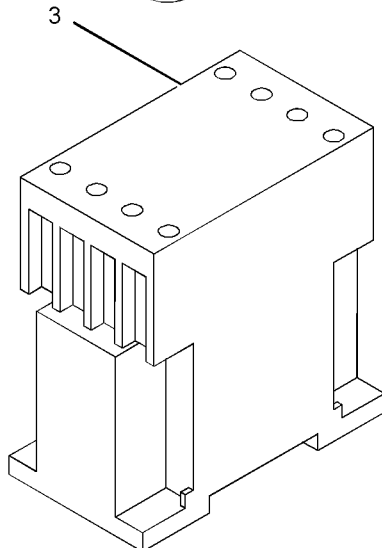
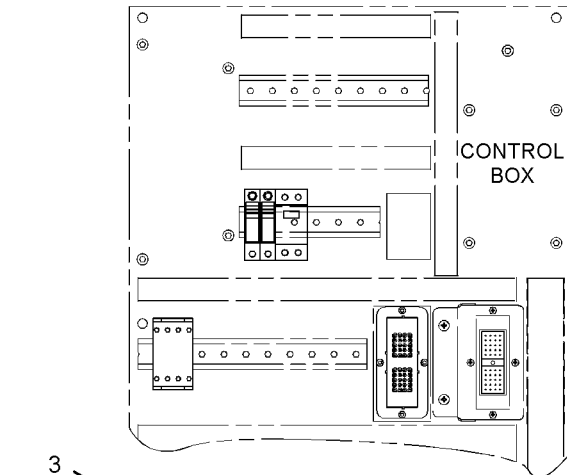
HEATERS, 2-POLE, 6-AMPERE, MCB
AN ATTACHMENT

SMCS-1400, 7400

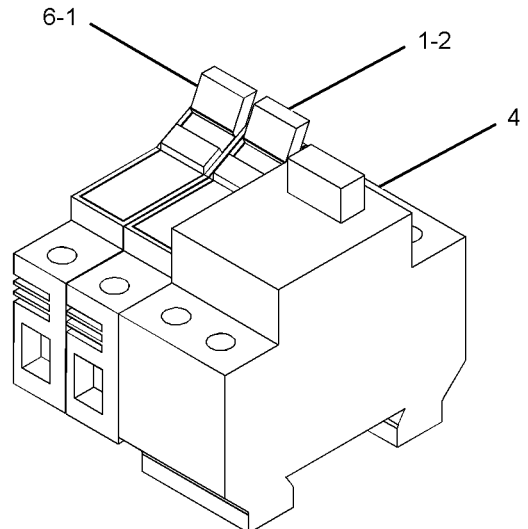
i02561387

NOTE	REF NO	GRAPHIC REF	PART NUMBER	QTY	PART NAME						SEE PAGE
					1	2	3	4	5	6 (PRODUCT LEVEL)	
	1	1	160-9602	2	HOLDER - FUSE						
	2	1	190-2558	1	FUSE (6-AMPERE)						
	3	1	209-7301	1	CONTACTOR						
		1	280-9010	1	COIL						
	4	1	282-9883	1	CIRCUIT BREAKER (6-AMPERE)						
	6	1	7W-0482	1	FUSE (2-AMPERE)						
F		1	237-0577	1	HARNESS AS-WIRING (BATTERY CHARGER)						
		1	2L-8075	1	TERMINAL-RING (14-GA TO 16-GA, NO. 8 SCREW)						
		1	240-1405	3	TERMINAL-BLADE (14-GA TO 16-GA)						
F		1	282-7884	1	HARNESS AS-WIRING (HEATER)						
		1	8L-8413	48	STRAP-CABLE						
E		1	119-3662		TUBE-HEAT SHRINK (10.85-MM DIA) (5-CM)						
E		1	125-7876		TUBE-HEAT SHRINK (17.78-MM DIA) (5-CM)						

E-ORDER BY THE CENTIMETER
F-NOT SHOWN



GRAPHIC #1



<END>

g01266754

ELECTRICAL AND STARTING SYSTEM

282-9881 CONTACTOR GP

S/N: C5H126-UP

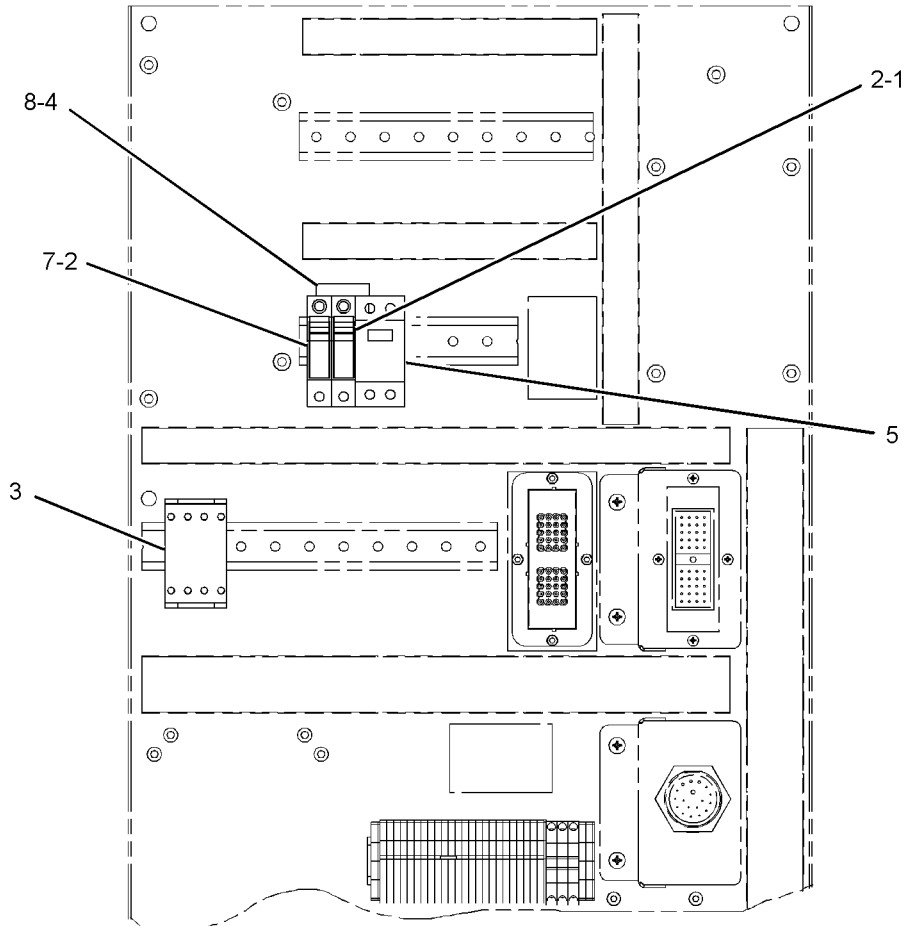
HEATERS, 2-POLE, 6-AMPERE, MCB
AN ATTACHMENT

SMCS-1400, 7400

i02641475

NOTE	REF NO	GRAPHIC REF	PART NUMBER	QTY	PART NAME						SEE PAGE
					1	2	3	4	5	6 (PRODUCT LEVEL)	
C	1	1	6V-7802	1	FUSE (10-AMPERE)						
	2	1	160-9602	2	HOLDER-FUSE						
	3	1	169-0235	1	CONTACTOR						
	4	1	265-7214	1	LINK (TERMINAL)						
	5	1	282-9883	1	CIRCUIT BREAKER (6-AMPERE)						
	7	1	7W-0482	1	FUSE (2-AMPERE)						
	L	8	1	261-7256		SLEEVE (39-MM)					
F			282-7884	1	HARNESS AS-WIRING (HEATER)						
F			8L-8413	48	STRAP-CABLE						
EF			119-3662		TUBE-HEAT SHRINK (10.85-MM DIA) (5-CM)						
EF			125-7876		TUBE-HEAT SHRINK (17.78-MM DIA) (5-CM)						

C-CHANGE FROM PREVIOUS TYPE
E-ORDER BY THE CENTIMETER
F-NOT SHOWN
L-ORDER BY THE MILLIMETER



GRAPHIC #1

<END>

g01329160

ELECTRICAL AND STARTING SYSTEM

243-1560 CONTROL & MTG GP-ENGINE ELEK

S/N: FFH1-242

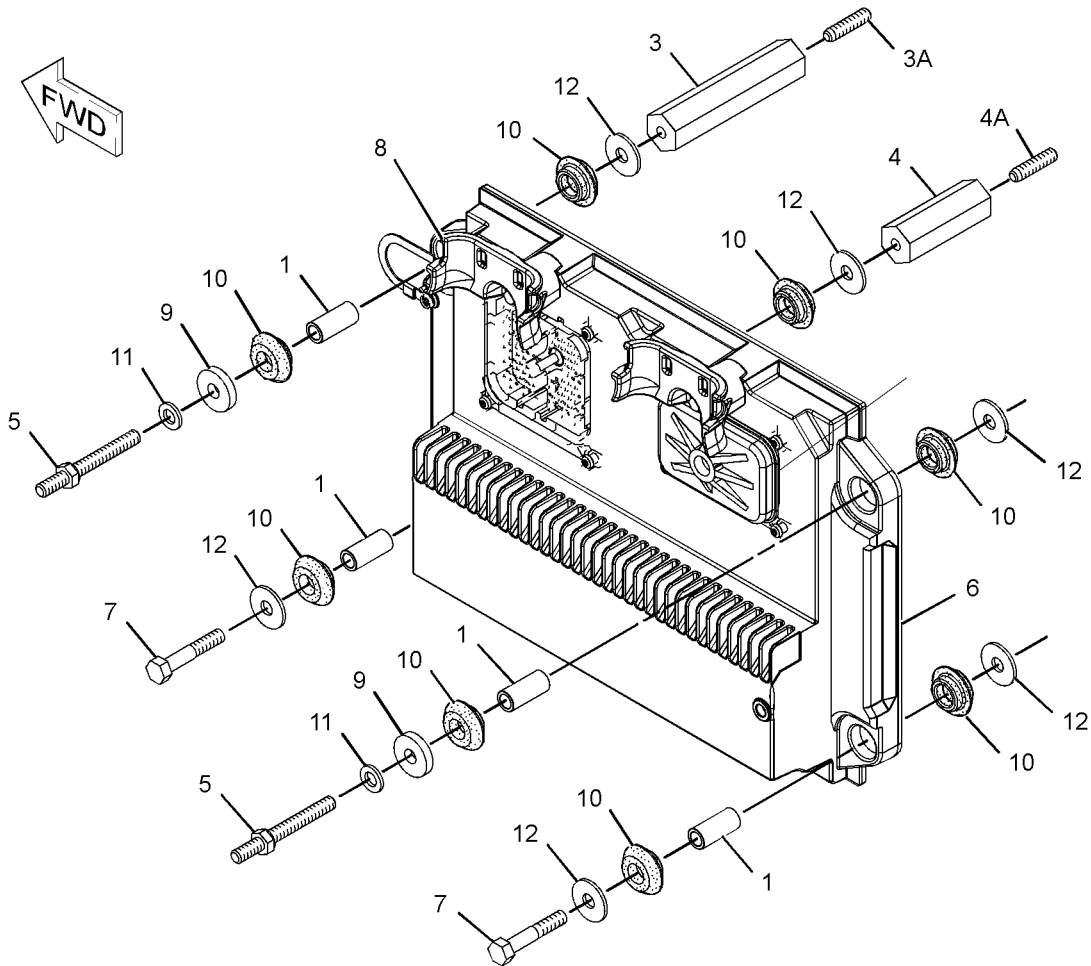
AIR COOLED

SMCS-1900, 1901

i03642360

NOTE	REF NO	GRAPHIC REF	PART NUMBER	QTY	PART NAME						SEE PAGE
					1	2	3	4	5	6 (PRODUCT LEVEL)	
	1	1	6I-1418	4	SPACER (8.2X12.7X28.7-MM THK)						
	3	1	155-0696	1	SUPPORT AS						
	3A	1	5L-3708	1	STUD-TAPERLOCK						
	4	1	155-0698	1	SUPPORT AS						
	4A	1	5L-3708	1	STUD-TAPERLOCK						
	5	1	161-7419	2	STUD						
	6	1	248-4068	2	CONTROL GP-UNPROGRAMMED (ENGINE)						
	7	1	1B-9575	2	BOLT (5/16-18X1.56-IN)						
	8	1	233-0891	2	BRACKET AS						
(EACH INCLUDES)											
M		1	232-1693	1	BOLT-FLANGE HEAD (M6X1X35-MM)						
	9	1	6V-3964	2	WASHER-HARD (8.8X25.5X5-MM THK)						
	10	1	8T-9655	8	MOUNT-ISOLATION						
	11	1	9M-1974	2	WASHER-HARD (8.8X16X2-MM THK)						
	12	1	9N-0869	6	WASHER-HARD (8.8X25.5X2-MM THK)						

M-METRIC PART



GRAPHIC #1

g01157703

ELECTRICAL AND STARTING SYSTEM

243-1560 CONTROL & MTG GP-ENGINE ELEK

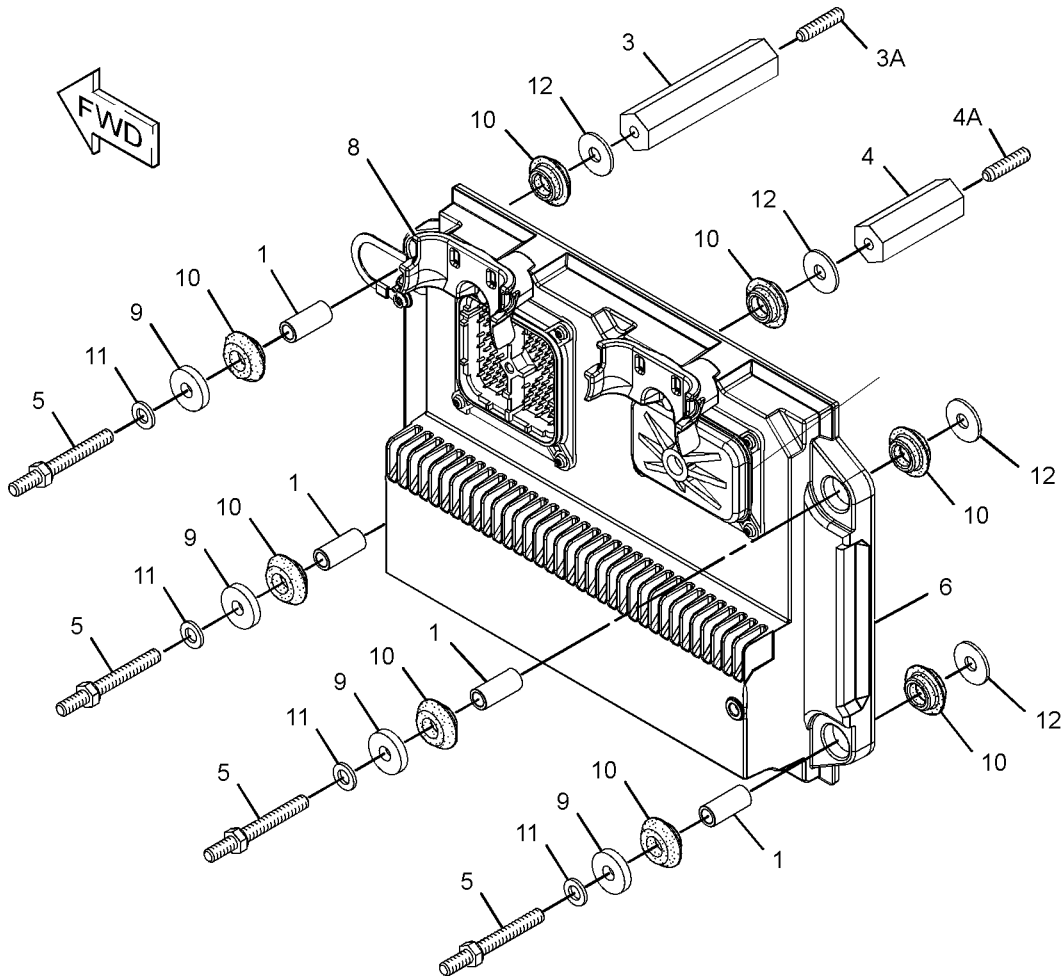
S/N: FFH243-UP
AIR COOLED

SMCS-1900, 1901

i03009843

NOTE	REF NO	GRAPHIC REF	PART NUMBER	QTY	PART NAME						SEE PAGE
					1	2	3	4	5	6 (PRODUCT LEVEL)	
	1	1	6I-1418	4	SPACER (8.2X12.7X28.7-MM THK)						
	3	1	155-0696	1	SUPPORT AS						
	3A	1	5L-3708	1	STUD-TAPERLOCK						
	4	1	155-0698	1	SUPPORT AS						
	4A	1	5L-3708	1	STUD-TAPERLOCK						
C	5	1	161-7419	4	STUD						
R	6	1	262-2878	1	CONTROL GP-UNPROGRAMMED (ENGINE)						
	8	1	233-0891	2	BRACKET AS						
					(EACH INCLUDES)						
M		1	232-1693	1	BOLT-FLANGE HEAD (M6X1X35-MM)						
C	9	1	6V-3964	4	WASHER-HARD (8.8X25.5X5-MM THK)						
	10	1	8T-9655	8	MOUNT-ISOLATION						
C	11	1	9M-1974	4	WASHER-HARD (8.8X16X2-MM THK)						
C	12	1	9N-0869	4	WASHER-HARD (8.8X25.5X2-MM THK)						

C-CHANGE FROM PREVIOUS TYPE
M-METRIC PART
R-REMFG PART MAY BE AVAILABLE



GRAPHIC #1

<END>

g01300423

ELECTRICAL AND STARTING SYSTEM

261-5825 CONTROL GP-ETHER ELECTRONIC-AIR SHUTOFF

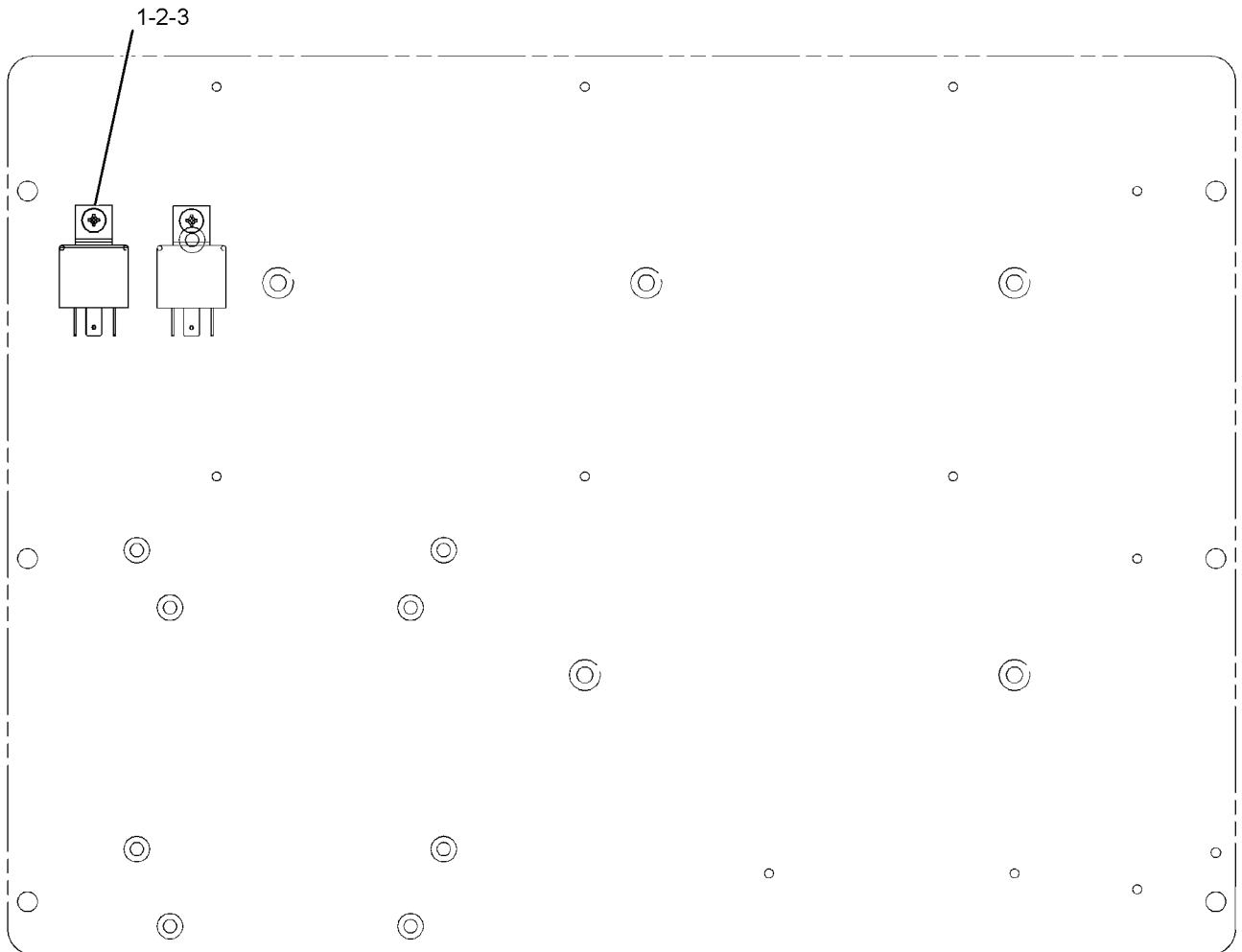
S/N: C5H1-UP
AN ATTACHMENT

SMCS-1456

i02400189

NOTE	REF NO	GRAPHIC REF	PART NUMBER	QTY	PART NAME						SEE PAGE
					1	2	3	4	5	6 (PRODUCT LEVEL)	
	1	1	206-9427	1	RELAY (24-VOLT) (AIR SHUTOFF)						
M	2	1	6V-9673	1	SCREW-MACHINE (M5X0.8X12-MM)						
	3	1	8T-0328	1	WASHER-HARD (5.5X10X1-MM THK)						

M-METRIC PART



GRAPHIC #1

<END>

g01150760

ELECTRICAL AND STARTING SYSTEM

270-5000 CONTROL GP-ETHER ELECTRONIC

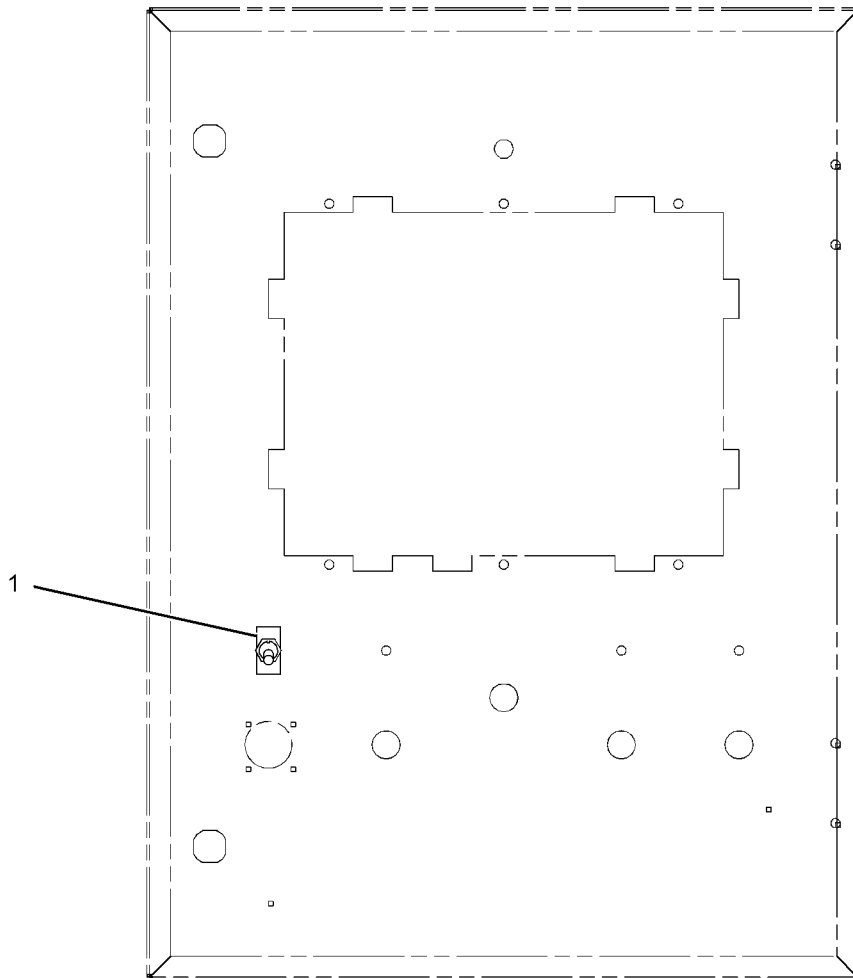
S/N: C5H1-UP
AN ATTACHMENT

SMCS-1456

i02537182

NOTE	REF NO	GRAPHIC REF	PART NUMBER	QTY	PART NAME						SEE PAGE
					1	2	3	4	5	6 (PRODUCT LEVEL)	
	1	1	9D-3721	1	SWITCH-TOGGLE (ETHER START)						
F		1	270-4997	1	HARNESS AS-WIRING						
F		1	1S-9593	20	STRAP-CABLE						

F - NOT SHOWN



GRAPHIC #1

<END>

g01164990

ELECTRICAL AND STARTING SYSTEM

288-8608 FASTENER GP-WIRING HARNESS

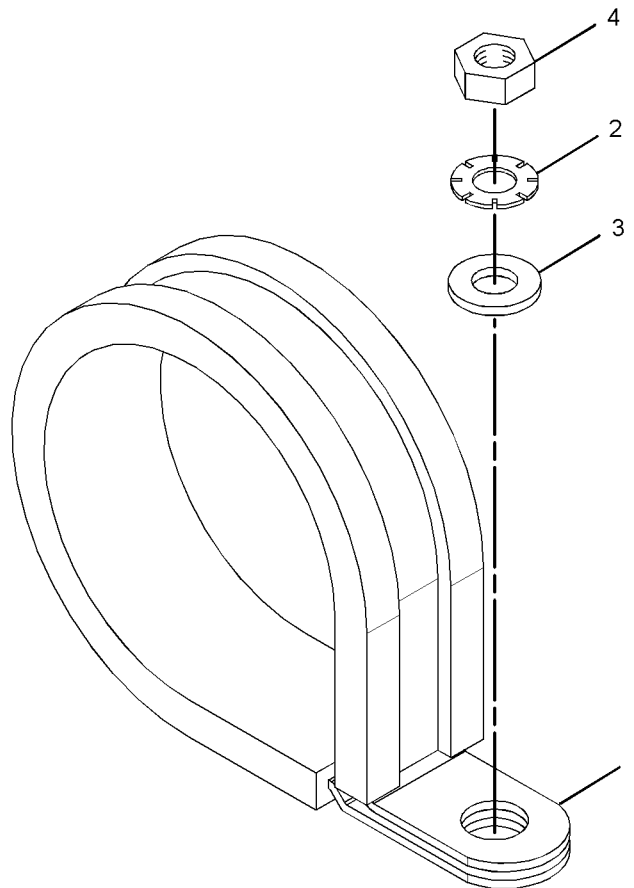
S/N: C5H1-UP
 PART OF 258-6783 DOOR GP
 AN ATTACHMENT
 TYPE 1

SMCS-1408, 7553

i02644616

NOTE	REF NO	GRAPHIC REF	PART NUMBER	QTY	PART NAME						SEE PAGE
					1	2	3	4	5	6 (PRODUCT LEVEL)	
	1	1	288-8593	1	CLIP - CABLE						
	2	1	095-0826	1	LOCKWASHER						
	3	1	096-6166	1	WASHER - HARD (4.5X9X1-MM THK)						
M	4	1	5C-8312	1	NUT (M4X0.7-THD)						

M-METRIC PART



GRAPHIC #1

<END>

g01283054

ELECTRICAL AND STARTING SYSTEM

288-8608 FASTENER GP-WIRING HARNESS

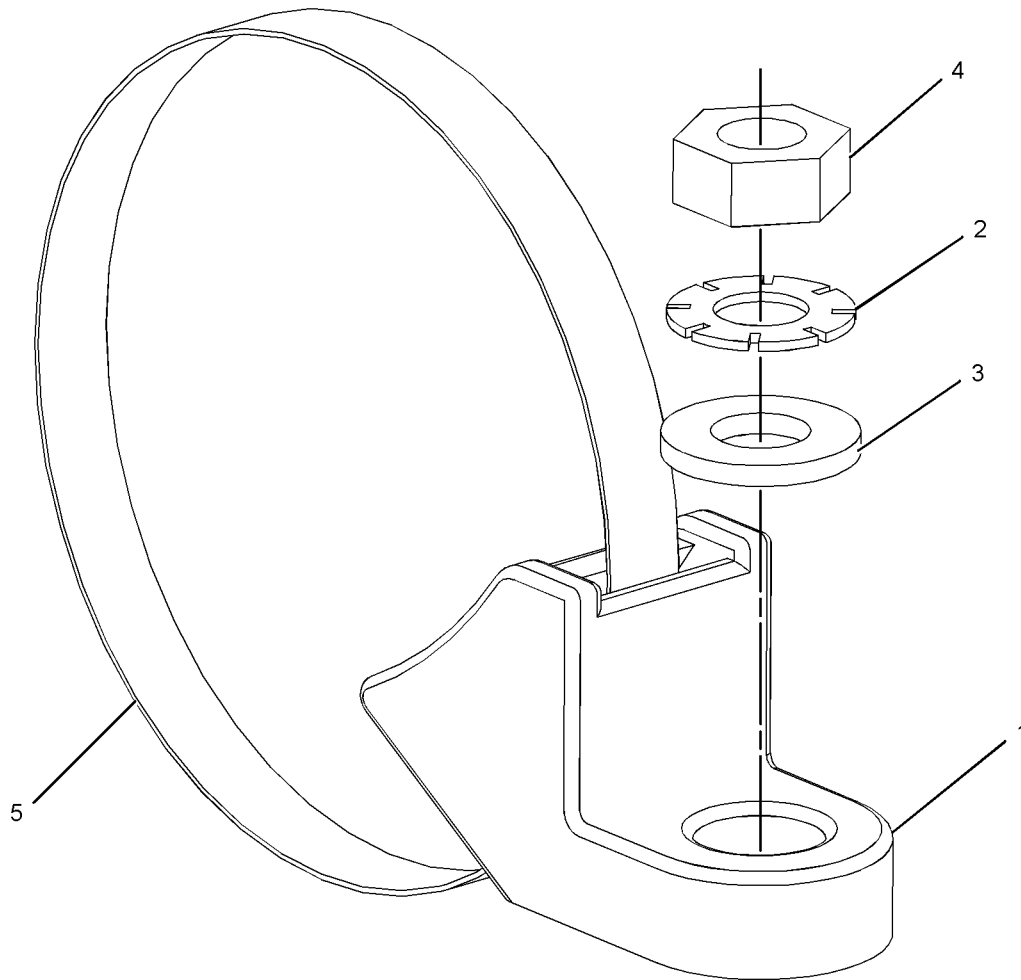
S/N: C5H1-UP
 PART OF 258-6783 DOOR GP
 AN ATTACHMENT
 TYPE 2

SMCS-1408, 7553

i02672420

NOTE	REF NO	GRAPHIC REF	PART NUMBER	QTY	PART NAME						SEE PAGE
					1	2	3	4	5	6 (PRODUCT LEVEL)	
C	1	1	298-5189	1	BRACKET-TIE						
	2	1	095-0826	1	LOCKWASHER						
	3	1	096-6166	1	WASHER-HARD (4.5X9X1-MM THK)						
M	4	1	5C-8312	1	NUT (M4X0.7-THD)						
C	5	1	108-9656	1	STRAP-CABLE						

C-CHANGE FROM PREVIOUS TYPE
 M-METRIC PART



GRAPHIC #1

<END>

g01331207

ELECTRICAL AND STARTING SYSTEM

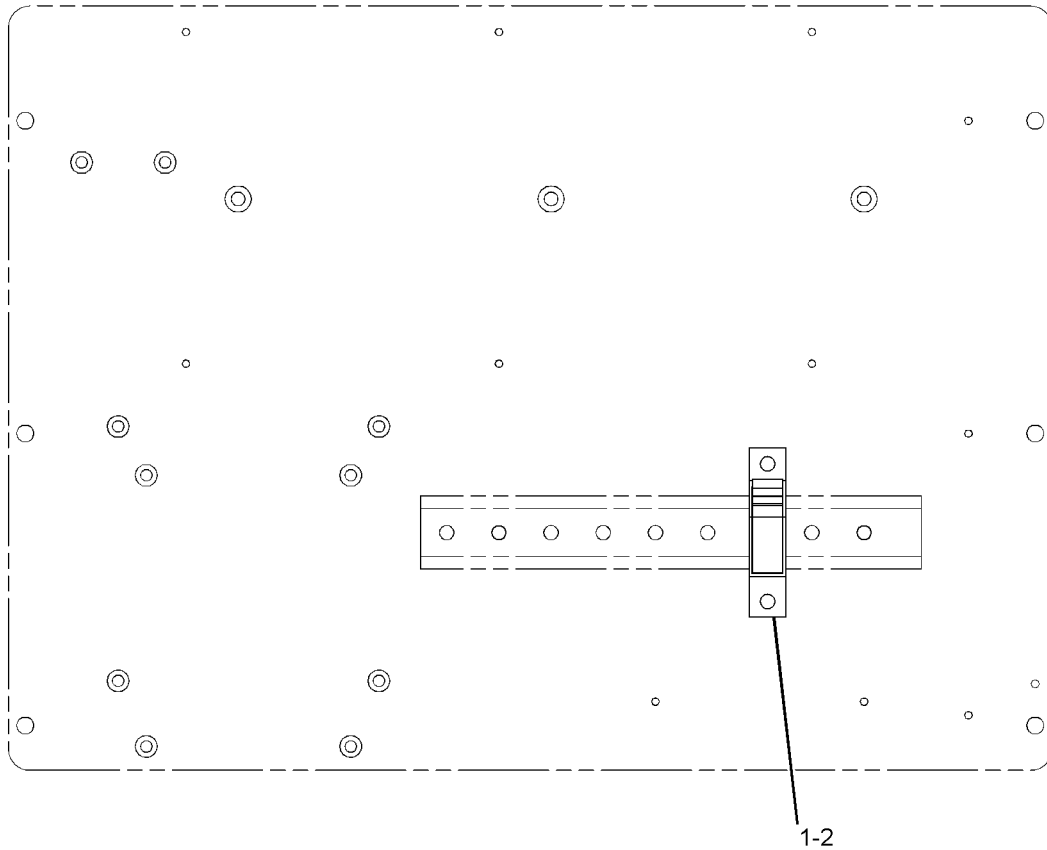
261-7123 FUSE GP-JACKET WATER HEATER

S/N: C5H1-UP
120-VOLT
AN ATTACHMENT

SMCS-1417

i02207853

NOTE	REF NO	GRAPHIC REF	PART NUMBER	QTY	PART NAME						SEE PAGE
					1	2	3	4	5	6 (PRODUCT LEVEL)	
	1	1	160-9602	1	HOLDER - FUSE						
	2	1	3E-7992	1	FUSE (30-AMPERE)						



GRAPHIC #1

<END>

g01137146

ELECTRICAL AND STARTING SYSTEM

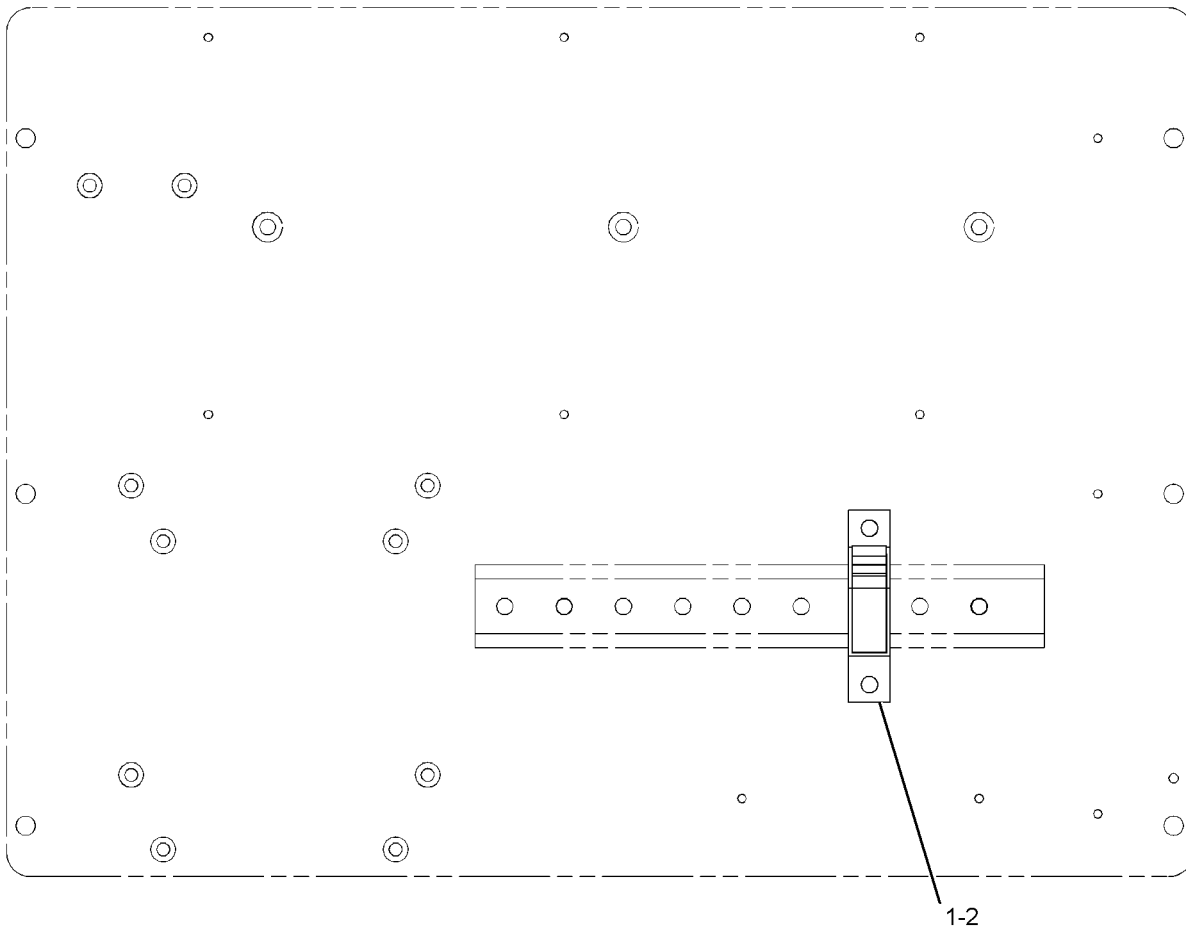
261-7124 FUSE GP-JACKET WATER HEATER

S/N: C5H1-UP
230-VOLT
AN ATTACHMENT

SMCS-1417

i02365983

NOTE	REF NO	GRAPHIC REF	PART NUMBER	QTY	PART NAME						SEE PAGE
					1	2	3	4	5	6 (PRODUCT LEVEL)	
	1	1	160-9602	1	HOLDER - FUSE						
	2	1	151-7710	1	FUSE (16-AMPERE)						



GRAPHIC #1

<END>

g01138256

ELECTRICAL AND STARTING SYSTEM

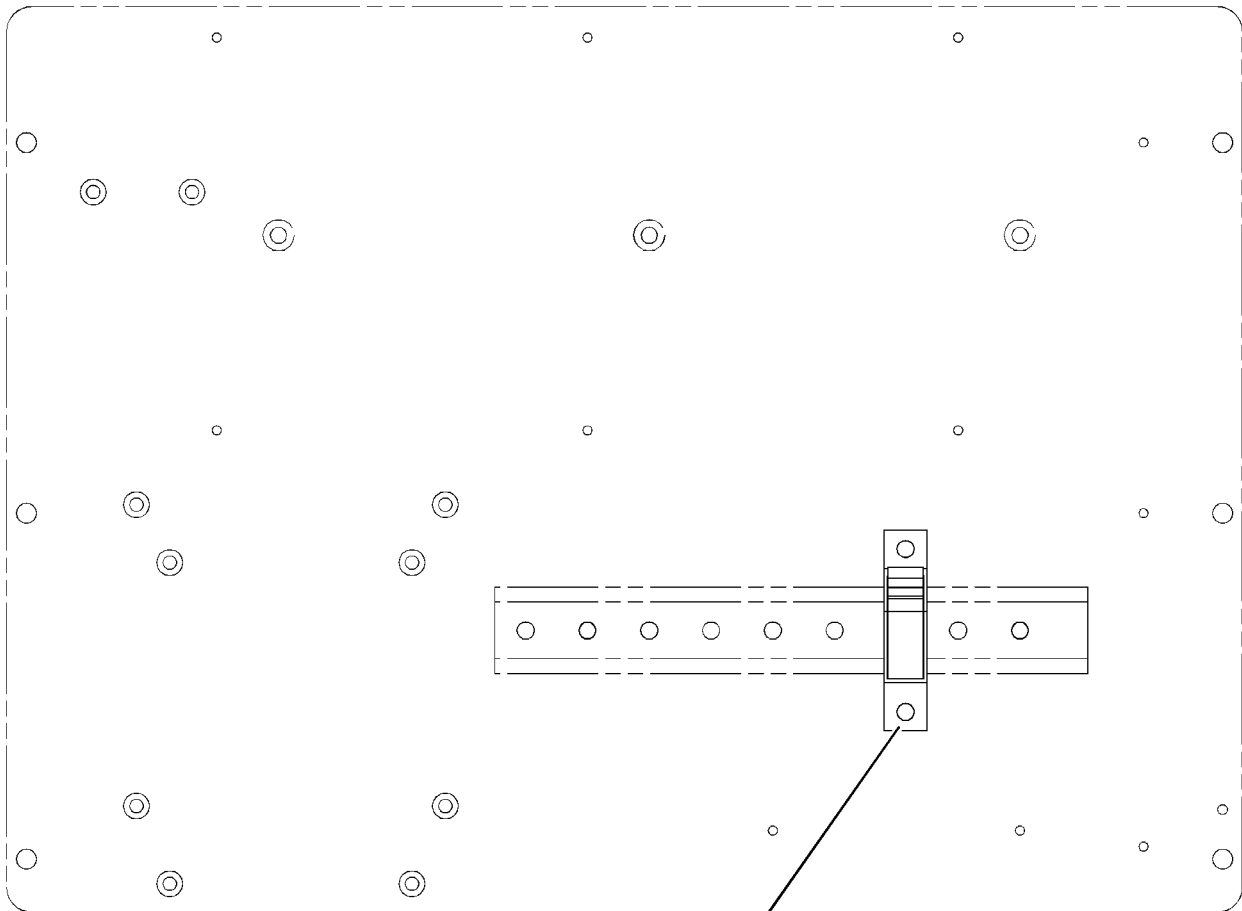
261-7125 FUSE GP-BLOCK HEATER

S/N: C5H1-UP
120-VOLT
AN ATTACHMENT

SMCS-1417

i02207866

NOTE	REF NO	GRAPHIC REF	PART NUMBER	QTY	PART NAME						SEE PAGE
					1	2	3	4	5	6 (PRODUCT LEVEL)	
	1	1	9U-6398	1	FUSE (15-AMPERE)						
	2	1	160-9602	1	HOLDER - FUSE						



2-1

GRAPHIC #1

<END>

g01137144

ELECTRICAL AND STARTING SYSTEM

261-7126 FUSE GP-BLOCK HEATER

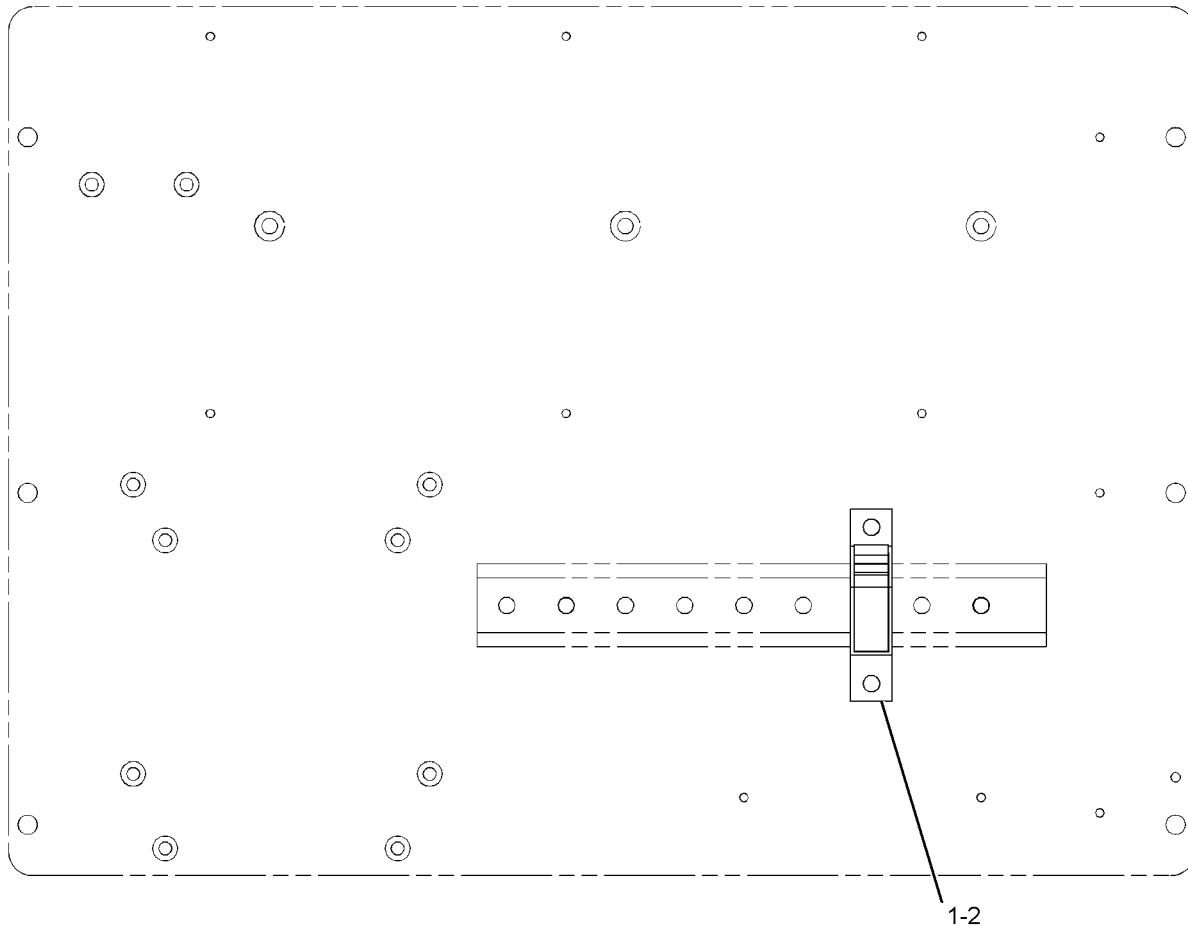
S/N: C5H1-UP
230-VOLT
AN ATTACHMENT

SMCS-1417

i03266882

NOTE	REF NO	GRAPHIC REF	PART NUMBER	QTY	PART NAME						SEE PAGE
					1	2	3	4	5	6 (PRODUCT LEVEL)	
	1	1	160-9602	1	HOLDER - FUSE						
B	2	1	143-5080	1	FUSE (10-AMPERE) (FOR EUROPEAN MANUFACTURE ONLY)						
					-OR-						
B		1	6V-7802	1	FUSE (10-AMPERE) (FOR US MANUFACTURE ONLY)						

B-USE AS REQUIRED



GRAPHIC #1

<END>

g01138256

ELECTRICAL AND STARTING SYSTEM

270-1902 FUSE GP-AIR SHUTOFF

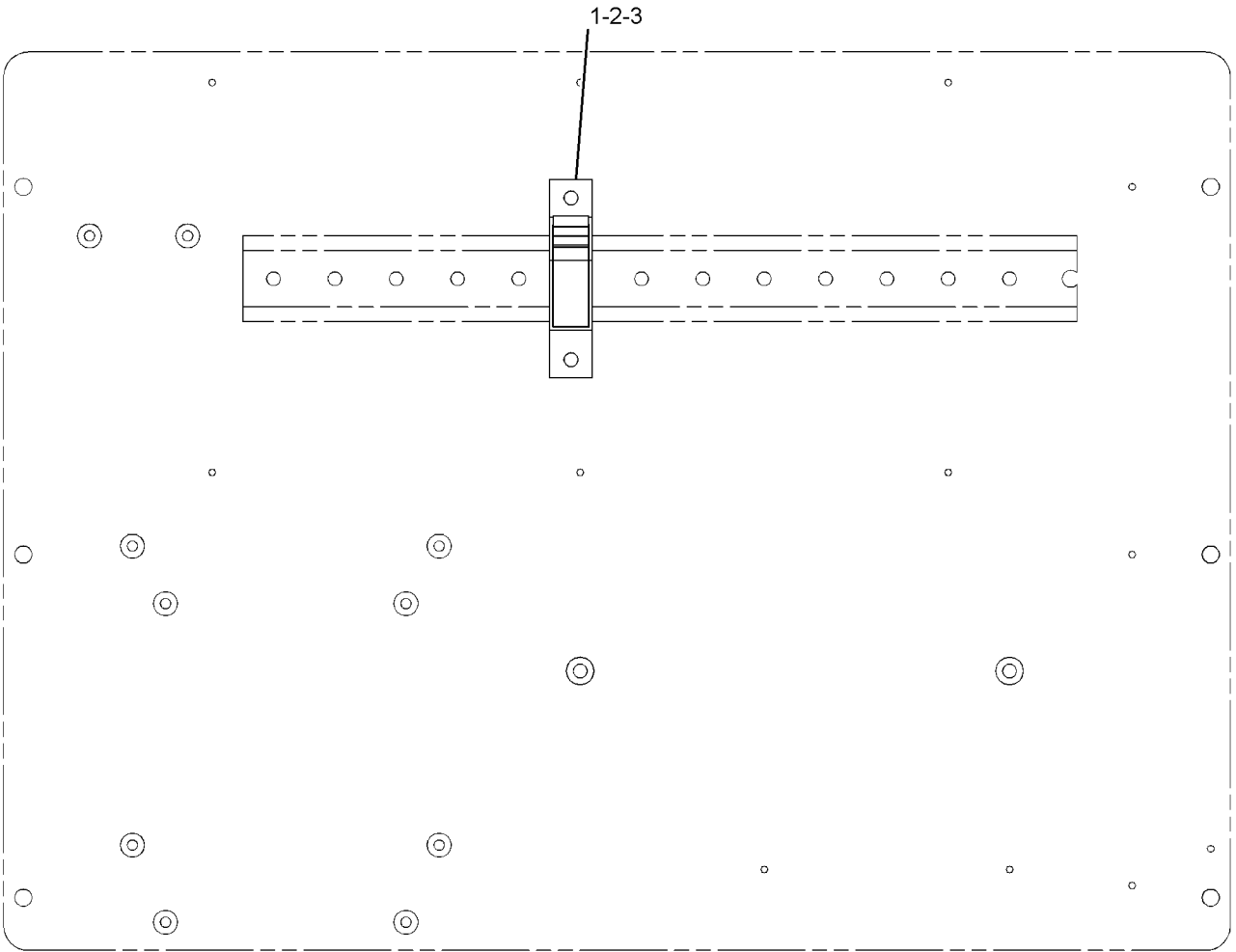
S/N: C5H1-UP
AN ATTACHMENT

SMCS-1417

i02481205

NOTE	REF NO	GRAPHIC REF	PART NUMBER	QTY	PART NAME						SEE PAGE
					1	2	3	4	5	6 (PRODUCT LEVEL)	
B	1	1	9U-6398	1	FUSE (15-AMPERE) (US SOURCED)						
	2	1	160-9602	1	HOLDER-FUSE						
B	3	1	151-7710	1	FUSE (16-AMPERE) (EUROPEAN SOURCED)						

B-USE AS REQUIRED



GRAPHIC #1

<END>

g01175778

ELECTRICAL AND STARTING SYSTEM

261-5614 HARNESS AS-CONTROL

S/N: C5H1-UP

DISCREET I/O

PART OF 261-8428 CONTROL GP-ENGINE MONITORING
AN ATTACHMENT

SMCS-1408

i02547224

NOTE	PART NUMBER	QTY	PART NAME						SEE PAGE
			1	2	3	4	5	6 (PRODUCT LEVEL)	
E	134-6258		CABLE-ELECTRICAL (16-GA) (97-CM)						
	155-2265	1	KIT-CONNECTING PLUG (8-PIN) (INCLUDES PLUG AS AND WEDGE)						
	8T-9834	1	PLUG AS-CONNECTOR (40-PIN)						
	1S-9593	16	STRAP-CABLE						
	7H-1189	3	TERMINAL AS (EACH INCLUDES)						
	2L-8076	1	TERMINAL-RING (14-GA TO 16-GA, NO. 10 SCREW)						
	E-ORDER BY THE CENTIMETER								
	<END>								

266-7116 HARNESS AS-ENGINE-ENGINE

S/N: C5H1-UP

AN ATTACHMENT

SMCS-1408

i02581597

NOTE	PART NUMBER	QTY	PART NAME						SEE PAGE
			1	2	3	4	5	6 (PRODUCT LEVEL)	
	9X-4391	1	PLUG AS-CONNECTOR (70-PIN)						
	155-2260	1	KIT-CONNECTING PLUG (3-PIN) (INCLUDES PLUG AS AND WEDGE)						
	155-2265	1	KIT-CONNECTING PLUG (8-PIN) (INCLUDES PLUG AS AND WEDGE)						
	155-2270	1	KIT-CONNECTING PLUG (2-PIN) (INCLUDES PLUG AS AND WEDGE)						
	160-7689	1	PLUG AS-CONNECTOR (70-PIN)						
	8T-8737	52	PLUG-SEAL						
<END>									

ELECTRICAL AND STARTING SYSTEM

283-5608 HARNESS AS-ENGINE

S/N: C5H1-UP
AN ATTACHMENT

SMCS-1408

i02643337

NOTE	PART NUMBER	QTY	PART NAME						SEE PAGE
			1	2	3	4	5	6 (PRODUCT LEVEL)	
	155-2265	1	KIT-CONNECTING PLUG (8-PIN)						
	155-2260	1	KIT-CONNECTING PLUG (3-PIN)						
	155-2270	3	KIT-CONNECTING PLUG (2-PIN)						
	9X-4391	1	PLUG AS-CONNECTOR (70-PIN)						
	3E-4367	1	RING-RETAINING						
M	3E-8557	1	BOLT (M5X0.8X39.37-MM)						
	9X-5615	2	SEAL (INTERFACE, 70-PIN)						
	160-7689	1	PLUG AS-CONNECTOR (70-PIN)						
	159-9322	1	SEAL-O-RING						
	2L-8081	9	TERMINAL-RING (14-GA TO 16-GA, 1/2-IN SCREW)						
	5W-1975	2	TERMINAL-RING (12-GA TO 14-GA, NO. 10 SCREW)						
	2L-8067	4	TERMINAL-RING (10-GA TO 12-GA, 1/4-IN SCREW)						
	2L-8076	5	TERMINAL-RING (14-GA TO 16-GA, NO. 10 SCREW)						
	2L-8077	3	TERMINAL (14-GA TO 16-GA, 1/4-IN SCREW)						

M-METRIC PART

<END>

246-4142 HARNESS AS-LIGHTING-CANOPY

S/N: C5H1-UP
AN ATTACHMENT

SMCS-1408

i02707729

NOTE	PART NUMBER	QTY	PART NAME						SEE PAGE
			1	2	3	4	5	6 (PRODUCT LEVEL)	
	155-2270	4	KIT-CONNECTING PLUG (2-PIN)						
			(EACH INCLUDES RECEPTACLE AS AND WEDGE)						

<END>

261-5621 HARNESS AS-MONITOR

S/N: C5H1-UP
THERMOCOUPLE MODULE
PART OF 262-4281 CONTROL GP-ENGINE MONITORING
AN ATTACHMENT

SMCS-7490

i02710113

NOTE	PART NUMBER	QTY	PART NAME						SEE PAGE
			1	2	3	4	5	6 (PRODUCT LEVEL)	
E	134-6258		CABLE-ELECTRICAL (16-GA) (90- CM)						
	9X-0141	1	PLUG AS-CONNECTOR (40-PIN)						
	155-2265		KIT-CONNECTING PLUG (8-PIN)						
			(INCLUDES PLUG AS AND WEDGE)						
	1S-9593	16	STRAP-CABLE						
	7H-1189	4	TERMINAL AS						
			(EACH INCLUDES)						
	2L-8076	1	TERMINAL-RING (14-GA TO 16-GA, NO. 10 SCREW)						

E-ORDER BY THE CENTIMETER

<END>

ELECTRICAL AND STARTING SYSTEM

258-4700 HARNESS AS-PANEL-EMCP3

S/N: C5H1-UP

PART OF 258-6792 PANEL GP-ELECTRONIC
AN ATTACHMENT

SMCS-1408, 7451

i02641648

NOTE	PART NUMBER	QTY	PART NAME						SEE PAGE
			1	2	3	4	5	6 (PRODUCT LEVEL)	
	8C-6354	1	CAP-RECEPTACLE						
	128-2312	1	CONNECTOR						
	186-3735	46	PIN-CONNECTOR (16-GA TO 18-GA)						
	160-7689	1	PLUG AS-CONNECTOR (70-PIN)						
	103-0213	1	RECEPTACLE AS-CONNECTOR (70-PIN)						
	126-1768	49	SOCKET-CONNECTOR (14-GA)						
	1S-9593	63	STRAP-CABLE						
	096-0061	1	STRAP-CABLE						
	2L-8075	9	TERMINAL-RING (14-GA TO 16-GA, NO. 8 SCREW)						
	5P-4571	2	TERMINAL-BLADE (14-GA TO 16-GA)						
	240-1405	11	TERMINAL-BLADE (14-GA TO 16-GA)						
<END>									

261-5613 HARNESS AS-POWER-SENSING

S/N: C5H1-UP

AN ATTACHMENT

SMCS-1408

i02508876

NOTE	PART NUMBER	QTY	PART NAME						SEE PAGE
			1	2	3	4	5	6 (PRODUCT LEVEL)	
(NO SERVICED PARTS)									
<END>									

183-2899 HARNESS AS-WIRING-OPTIONAL JACKET WATER HEATER

S/N: C5H1-UP

AN ATTACHMENT

SMCS-1408

i02349923

NOTE	PART NUMBER	QTY	PART NAME						SEE PAGE
			1	2	3	4	5	6 (PRODUCT LEVEL)	
(NO SERVICED PARTS)									
<END>									

237-8962 HARNESS AS-WIRING

S/N: C5H1-UP

AN ATTACHMENT

SMCS-1408

i03213927

NOTE	PART NUMBER	QTY	PART NAME						SEE PAGE
			1	2	3	4	5	6 (PRODUCT LEVEL)	
(NO SERVICED PARTS)									
<END>									

ELECTRICAL AND STARTING SYSTEM

246-1428 HARNESS AS-WIRING-EMERGENCY STOP, OPEN

S/N: C5H1-UP

AN ATTACHMENT

SMCS-1408

i01997818

NOTE	PART NUMBER	QTY	PART NAME						SEE PAGE
			1	2	3	4	5	6 (PRODUCT LEVEL)	
	3E-3388	1	RECEPTACLE AS-CONNECTOR (8-PIN)						
	102-8806	1	KIT-RECEPTACLE (8-PIN)						
			(INCLUDES RECEPTACLE AS AND WEDGE)						
<END>									

ELECTRICAL AND STARTING SYSTEM

246-3101 HARNESS AS-WIRING-FUEL TANK

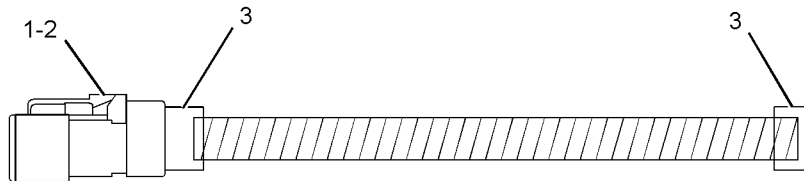
S/N: C5H1-UP
AN ATTACHMENT

SMCS-1408

i03551427

NOTE	REF NO	GRAPHIC REF	PART NUMBER	QTY	PART NAME						SEE PAGE
					1	2	3	4	5	6 (PRODUCT LEVEL)	
	1	1	155-2270	1	KIT-CONNECTING PLUG (2-PIN)						
					(INCLUDES PLUG AS, WEDGE & INTERFACE SEAL)						
	2	1	186-3736	2	SOCKET-CONNECTOR (16-GA TO 18-GA)						
E	3	1	6V-9023		TUBE-HEAT SHRINK (12.7-MM DIA) (3-CM EACH)						

E-ORDER BY THE CENTIMETER



GRAPHIC #1

<END>

g01937753

ELECTRICAL AND STARTING SYSTEM

246-3102 HARNESS AS-WIRING-FUEL TANK

S/N: C5H1-UP
AN ATTACHMENT

SMCS-1408

i02012247

NOTE	PART NUMBER	QTY	PART NAME						SEE PAGE
			1	2	3	4	5	6 (PRODUCT LEVEL)	
	155-2270	1	KIT-CONNECTING PLUG (2-PIN) (INCLUDES PLUG AS AND WEDGE)						
<END>									

247-2587 HARNESS AS-WIRING-BATTERY CHARGER

S/N: C5H1-UP
AN ATTACHMENT

SMCS-1408

i02012267

NOTE	PART NUMBER	QTY	PART NAME						SEE PAGE
			1	2	3	4	5	6 (PRODUCT LEVEL)	
			(NO SERVICED PARTS)						
<END>									

261-5616 HARNESS AS-WIRING-RESISTIVE TEMPERATURE DEVICE

S/N: C5H1-UP
PART OF 261-8427 CONTROL GP-ENGINE MONITORING
AN ATTACHMENT

SMCS-1408

i02809804

NOTE	PART NUMBER	QTY	PART NAME						SEE PAGE
			1	2	3	4	5	6 (PRODUCT LEVEL)	
			(NO SERVICED PARTS)						
<END>									

273-1051 HARNESS AS-WIRING-SPACE HEATER

S/N: C5H1-UP
PART OF 289-9728 HARNESS AS-WIRING
AN ATTACHMENT

SMCS-1408

i02574490

NOTE	PART NUMBER	QTY	PART NAME						SEE PAGE
			1	2	3	4	5	6 (PRODUCT LEVEL)	
	2L-8075	2	TERMINAL-RING (14-GA TO 16-GA, NO. 8 SCREW)						
			-OR-						
	5P-5592	2	TERMINAL (22-GA TO 18-GA)						
<END>									

ELECTRICAL AND STARTING SYSTEM

282-7884 HARNESS AS-WIRING

S/N: C5H1-UP
AN ATTACHMENT

SMCS-1408

i02643132

NOTE	PART NUMBER	QTY	PART NAME						SEE PAGE
			1	2	3	4	5	6 (PRODUCT LEVEL)	
	8L-8413	48	STRAP-CABLE						
E	119-3662		TUBE-HEAT SHRINK (10.85-MM DIA) (5-CM)						
E	125-7876		TUBE-HEAT SHRINK (17.78-MM DIA) (5-CM)						

E-ORDER BY THE CENTIMETER

<END>

ELECTRICAL AND STARTING SYSTEM

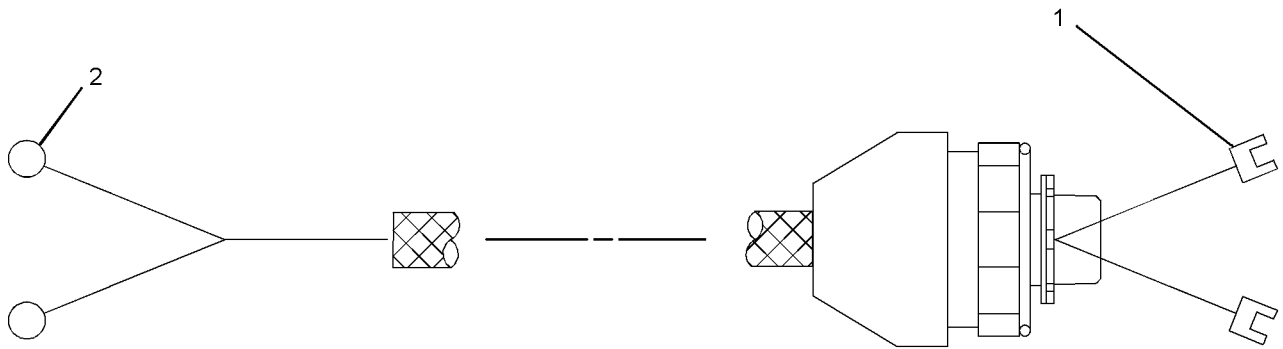
289-9478 HARNESS AS-WIRING

S/N: C5H1-UP
AN ATTACHMENT

SMCS-1408

i02700366

NOTE	REF NO	GRAPHIC REF	PART NUMBER	QTY	PART NAME						SEE PAGE
					1	2	3	4	5	6 (PRODUCT LEVEL)	
	1	1	5P-1475	2	TERMINAL-FORK (14-GA TO 16-GA, NO. 8 SCREW)						
	2	1	2L-8081	2	TERMINAL-RING (14-GA TO 16-GA, 1/2-IN SCREW)						



GRAPHIC #1

<END>

g01361351

ELECTRICAL AND STARTING SYSTEM

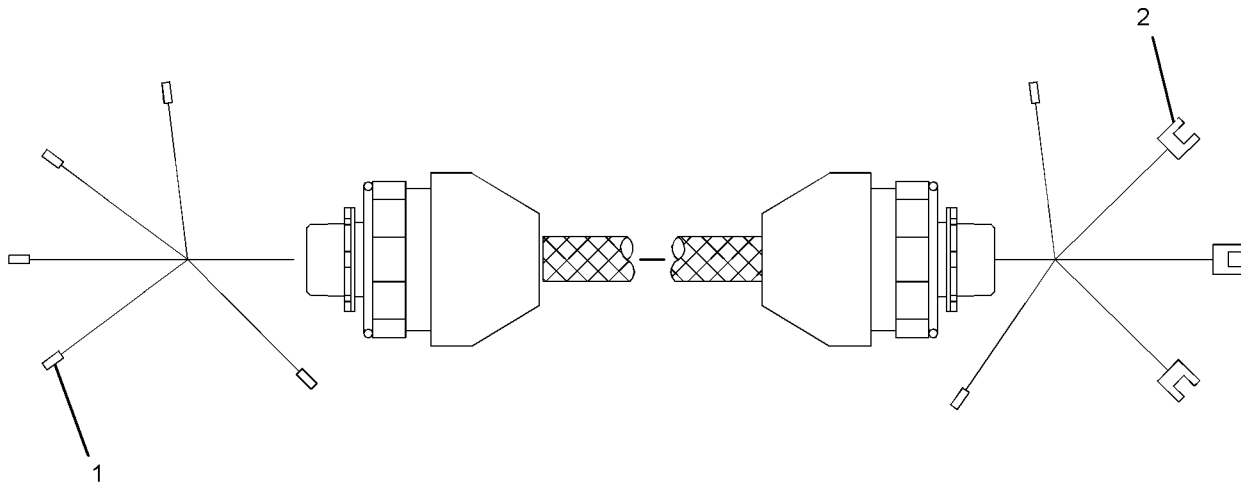
289-9479 HARNESS AS-WIRING-BATTERY CHARGER

S/N: C5H1-UP
AN ATTACHMENT

SMCS-1408

i02589789

NOTE	REF NO	GRAPHIC REF	PART NUMBER	QTY	PART NAME						SEE PAGE
					1	2	3	4	5	6 (PRODUCT LEVEL)	
	1	1	109-3038	7	END-WIRE (16-GA)						
	2	1	131-1475	3	TERMINAL AS						
					(EACH INCLUDES)						
		1	5P-1475	1	TERMINAL-FORK (14-GA TO 16-GA, NO. 8 SCREW)						
		1	125-7874	3	TUBE-HEAT SHRINK (5.72-MM DIA)						



GRAPHIC #1

<END>

g01296579

ELECTRICAL AND STARTING SYSTEM

289-9728 HARNESS AS-WIRING-SPACE HEATER

S/N: C5H1-UP
AN ATTACHMENT

SMCS-1408

i02544872

NOTE	PART NUMBER	QTY	PART NAME						SEE PAGE
			1	2	3	4	5	6 (PRODUCT LEVEL)	
Y	273-1051	1	HARNESS AS-WIRING (SPACE HEATER)						393
D	6V-5818		CONDUIT-FLEXIBLE (14-M)						

D-ORDER BY THE METER
Y-SEPARATE ILLUSTRATION

<END>

ELECTRICAL AND STARTING SYSTEM

329-4036 HARNESS AS-WIRING

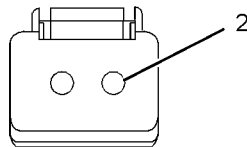
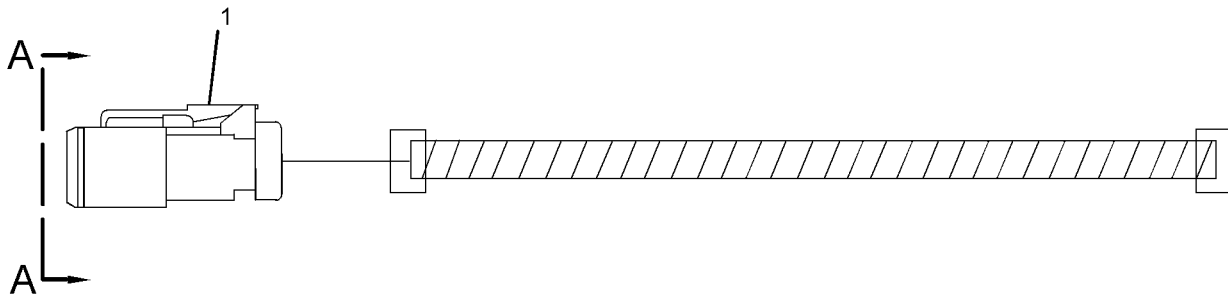
S/N: C5H1-UP

PROVIDES AN EXTENSION HARNESS FOR USE WITH I6 FUEL LEVEL SWITCHES INSTALLED
IN THE SUB FUEL TANK BASES
AN ATTACHMENT

SMCS-1408

i03188220

NOTE	REF NO	GRAPHIC REF	PART NUMBER	QTY	PART NAME						SEE PAGE
					1	2	3	4	5	6 (PRODUCT LEVEL)	
	1	1	155-2270	1	KIT-CONNECTING PLUG (2-PIN) (INCLUDES PLUG AS & WEDGE)						
	2	1	186-3736	2	SOCKET-CONNECTOR (16-GA TO 18-GA)						



VIEW A-A

GRAPHIC #1

<END>

g01626845

ELECTRICAL AND STARTING SYSTEM

194-5279 HEATER GP-JACKET WATER

S/N: C5H1-UP
110-VOLT/1500-WATT
AN ATTACHMENT

SMCS-1383

i02601391

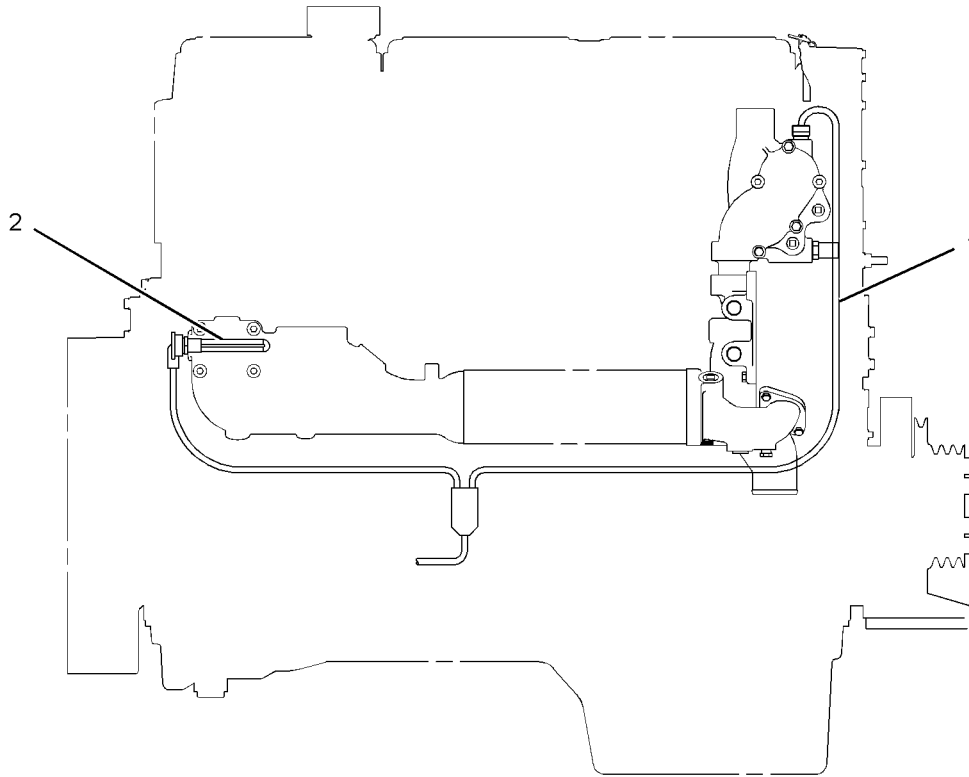
NOTE	REF NO	GRAPHIC REF	PART NUMBER	QTY	PART NAME						SEE PAGE
					1	2	3	4	5	6 (PRODUCT LEVEL)	
C	1	1	247-3472	1	CORD AS						
	2	1	9Y-1900	1	ELEMENT AS-JACKET WATER HEATER (120-VOLT, 1500-WATT)						

C-CHANGE FROM PREVIOUS TYPE

ELECTRICAL AND STARTING SYSTEM

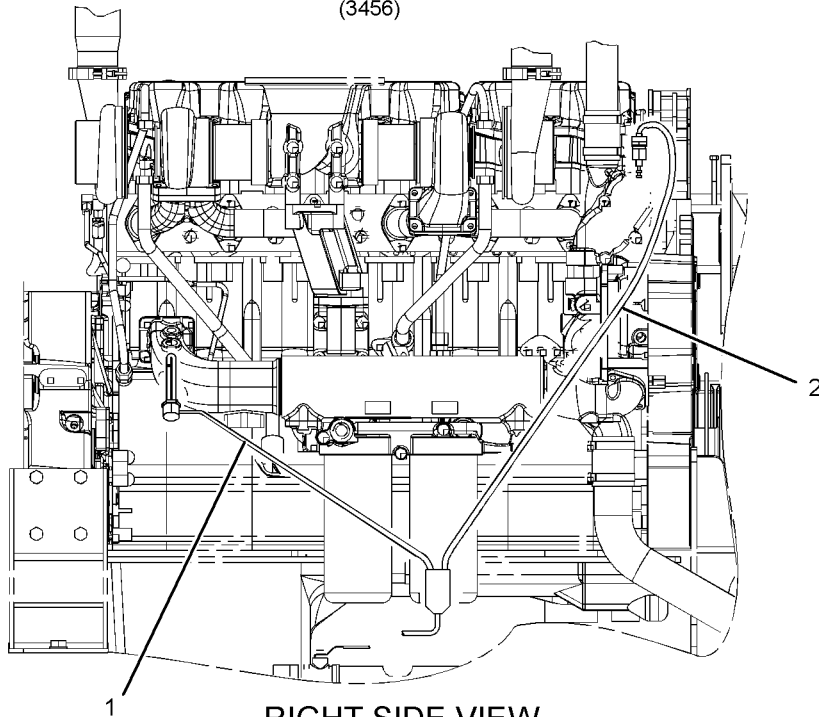
194-5279 HEATER GP-JACKET WATER (contd.)

i02601391



RIGHT SIDE VIEW

(3456)



RIGHT SIDE VIEW

(C-18)

GRAPHIC #1

<END>

g01158618

ELECTRICAL AND STARTING SYSTEM

194-5280 HEATER GP-JACKET WATER

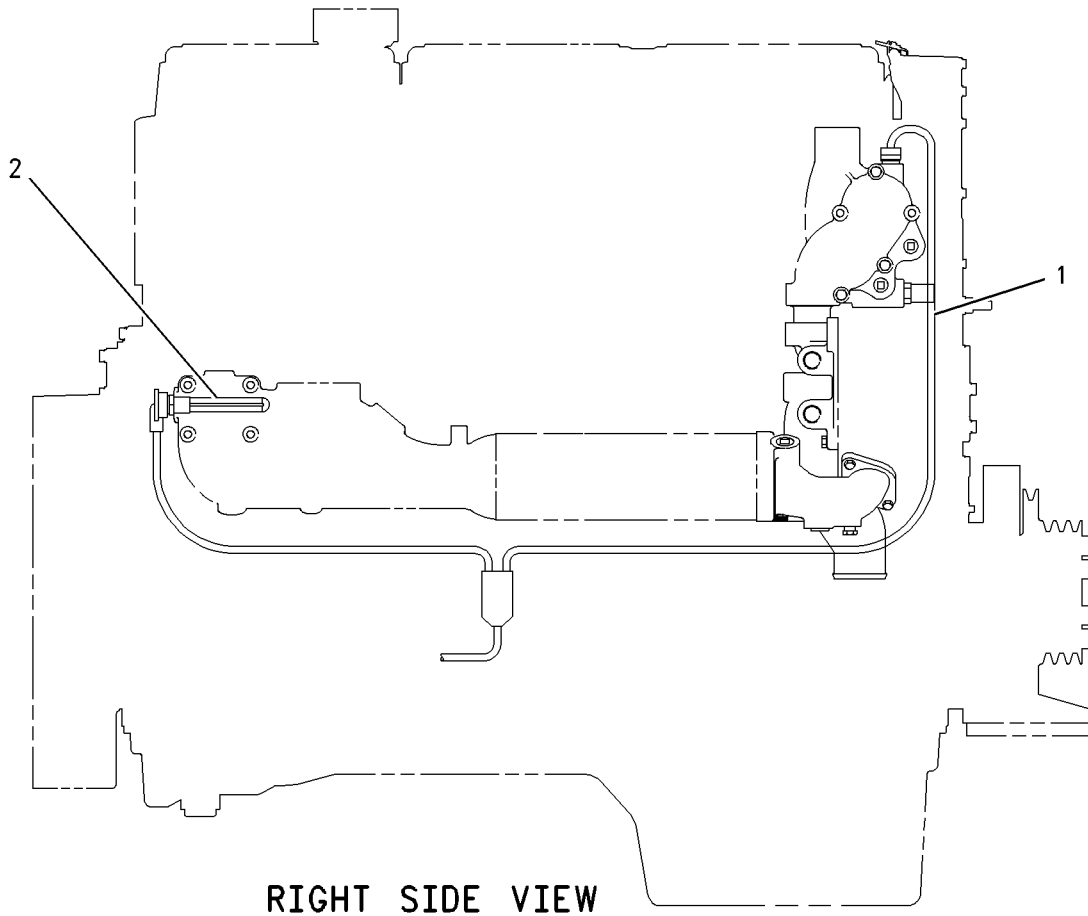
S/N: C5H1-UP
240-VOLT/ 1500-WATT
AN ATTACHMENT

SMCS-1383

i02601393

NOTE	REF NO	GRAPHIC REF	PART NUMBER	QTY	PART NAME						SEE PAGE
					1	2	3	4	5	6 (PRODUCT LEVEL)	
C	1	1	247-3472	1	CORD AS						
	2	1	9Y-2239	1	ELEMENT AS-JACKET WATER HEATER (240-VOLT, 1500-WATT)						

C-CHANGE FROM PREVIOUS TYPE



RIGHT SIDE VIEW

GRAPHIC #1

<END>

g00811014

ELECTRICAL AND STARTING SYSTEM

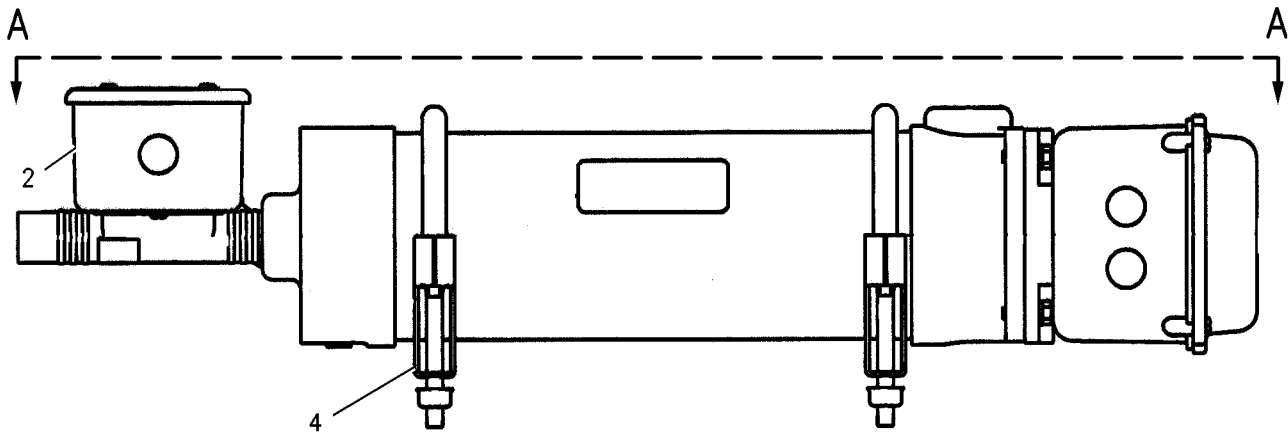
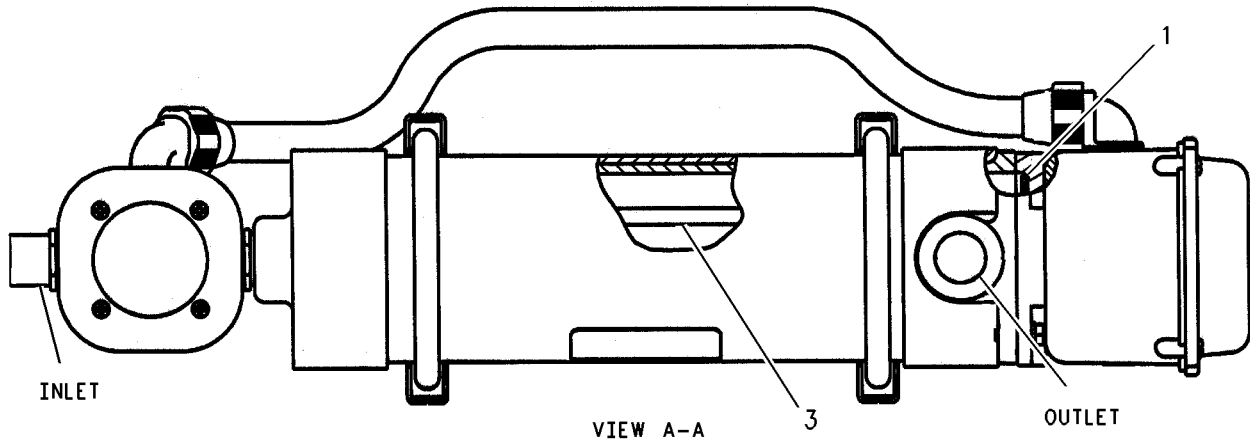
196-2236 HEATER GP-JACKET WATER

S/N: C5H1-UP
AN ATTACHMENT

SMCS-1383

i02825156

NOTE	REF NO	GRAPHIC REF	PART NUMBER	QTY	PART NAME						SEE PAGE
					1	2	3	4	5	6 (PRODUCT LEVEL)	
	1	1	169-2182	1	SEAL						
	2	1	171-4527	1	THERMOSTAT AS (90-DEG TO 130-DEG)						
	3	1	196-2237	1	ELEMENT AS-JACKET WATER HEATER (3000-WATT)						
	4	1	196-2343	1	KIT-CLAMP (JACKET WATER HEATER)						



GRAPHIC #1

<END>

g00791731

ELECTRICAL AND STARTING SYSTEM

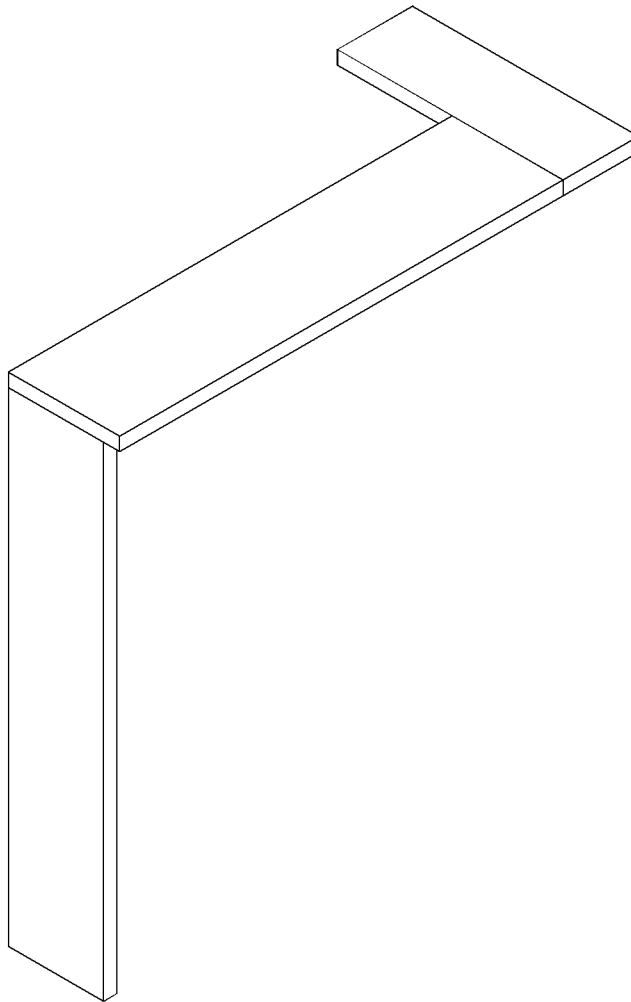
261-7837 KIT-INSULATION

S/N: C5H1-UP
AN ATTACHMENT

SMCS-7451

i02355369

NOTE	REF NO	GRAPHIC REF	PART NUMBER	QTY	PART NAME						SEE PAGE
					1	2	3	4	5	6 (PRODUCT LEVEL)	
(NO SERVICED PARTS)											



GRAPHIC #1

<END>

g01178281

ELECTRICAL AND STARTING SYSTEM

261-7632 MOUNTING GP-EXTENSION BOX

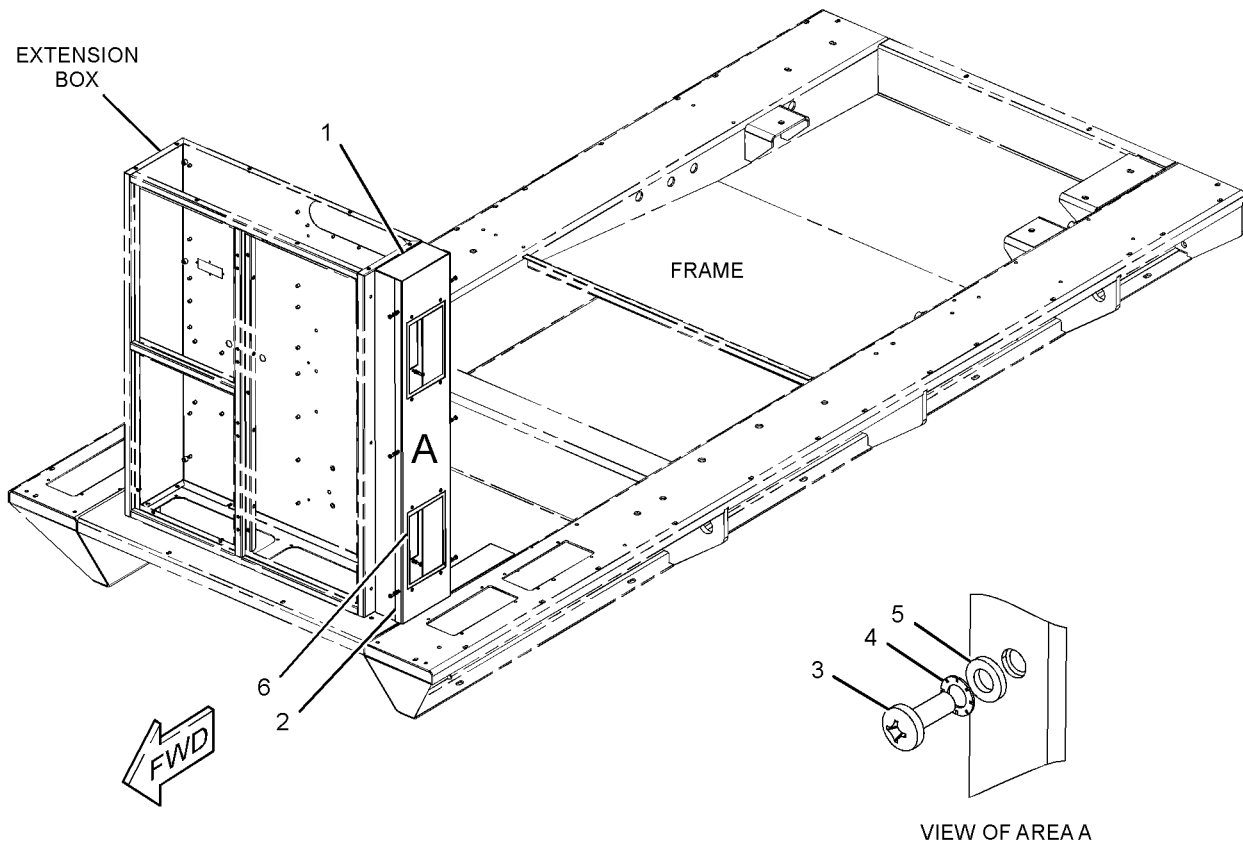
S/N: C5H1-UP
AN ATTACHMENT

SMCS-1000

i02640041

NOTE	REF NO	GRAPHIC REF	PART NUMBER	QTY	PART NAME						SEE PAGE
					1	2	3	4	5	6 (PRODUCT LEVEL)	
	1	1	261-7633	1	BOX AS						
M		1	3E-4304	6	INSERT-THREADED (M6X1-THD)						
	2	1	261-7635	1	COVER AS						
M		1	3E-4304	8	INSERT-THREADED (M6X1-THD)						
M	3	1	095-0742	14	SCREW-MACHINE (M6X1X16-MM)						
	4	1	095-0827	14	LOCKWASHER						
	5	1	9X-8256	14	WASHER (6.6X12X2-MM THK)						
E	6	1	3E-6600		SEAL (330-CM EACH)						

E-ORDER BY THE CENTIMETER
M-METRIC PART



GRAPHIC #1

<END>

g01186052

ELECTRICAL AND STARTING SYSTEM

268-2649 MOUNTING GP-BATTERY CHARGER

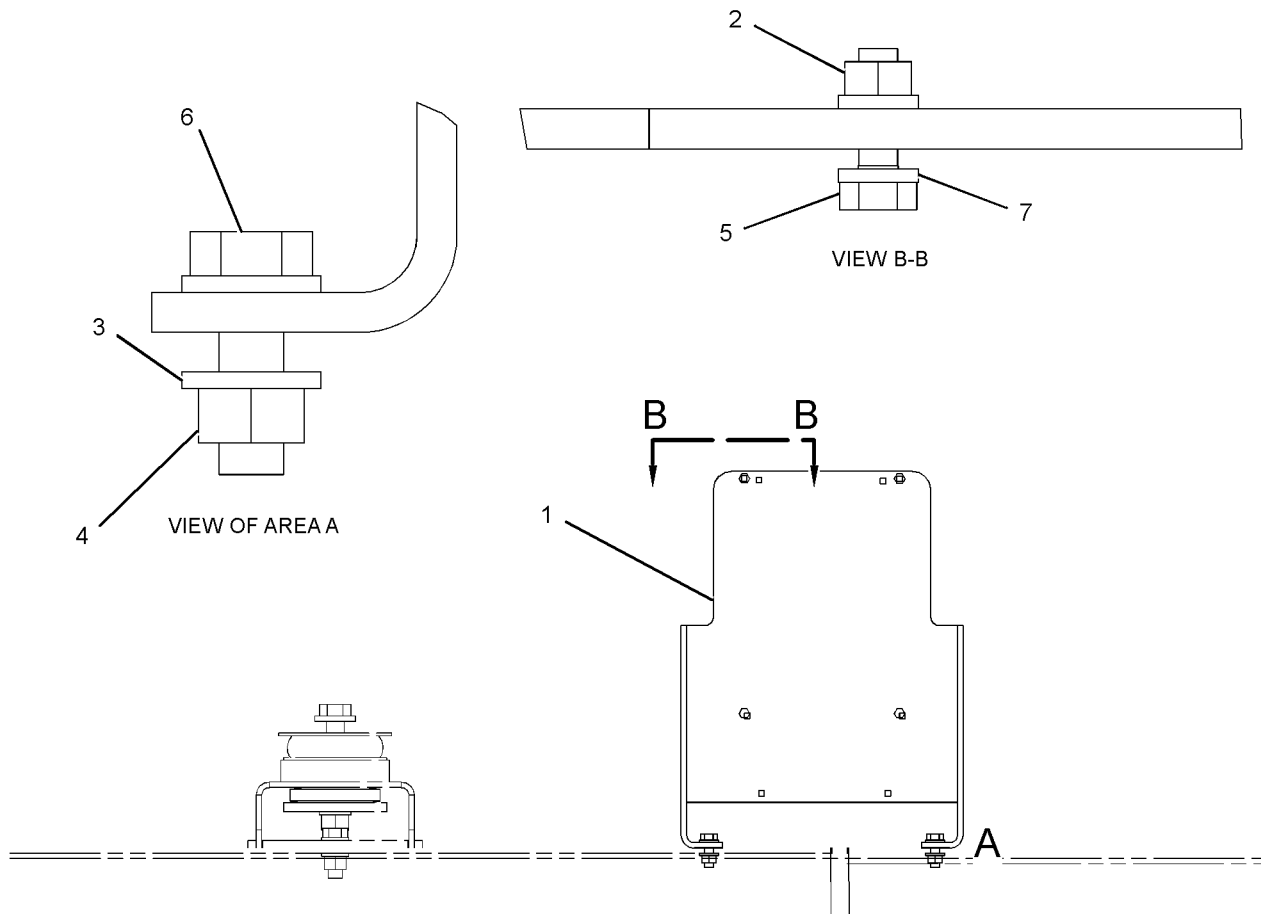
S/N: C5H1-UP
AN ATTACHMENT

SMCS-1406

i02370069

NOTE	REF NO	GRAPHIC REF	PART NUMBER	QTY	PART NAME						SEE PAGE
					1	2	3	4	5	6 (PRODUCT LEVEL)	
	1	1	268-2647	1	BRACKET						
M	2	1	5C-2890	4	NUT (M6X1-THD)						
	3	1	8T-4121	8	WASHER-HARD (11X21X2.5-MM THK)						
M	4	1	8T-4133	4	NUT (M10X1.5-THD)						
M	5	1	8T-4138	4	BOLT (M6X1X20-MM)						
M	6	1	8T-4195	4	BOLT (M10X1.5X30-MM)						
	7	1	9X-8256	8	WASHER (6.6X12X2-MM THK)						

M-METRIC PART



GRAPHIC #1

<END>

g01187270

ELECTRICAL AND STARTING SYSTEM

348-4103 MOUNTING GP-BATTERY CHARGER

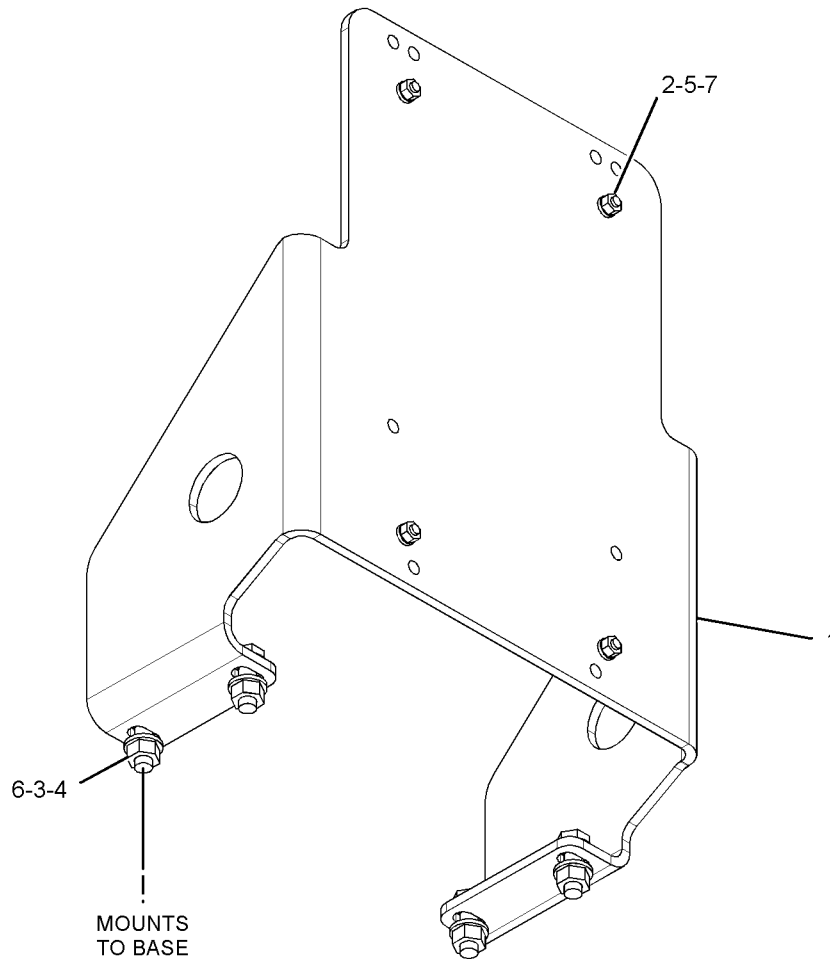
S/N: C5H1-UP
AN ATTACHMENT

SMCS-1406

i03658524

NOTE	REF NO	GRAPHIC REF	PART NUMBER	QTY	PART NAME						SEE PAGE
					1	2	3	4	5	6 (PRODUCT LEVEL)	
	1	1	348-5392	1	BRACKET						
M	2	1	5C-2890	4	NUT (M6X1-THD)						
	3	1	8T-4121	8	WASHER-HARD (11X21X2.5-MM THK)						
M	4	1	8T-4133	4	NUT (M10X1.5-THD)						
M	5	1	8T-4138	4	BOLT (M6X1X20-MM)						
M	6	1	8T-4195	4	BOLT (M10X1.5X30-MM)						
	7	1	9X-8256	8	WASHER (6.6X12X2-MM THK)						

M-METRIC PART



GRAPHIC #1

<END>

g01963053

ELECTRICAL AND STARTING SYSTEM

258-6773 MOUNTING GP-BRACKET-PANEL

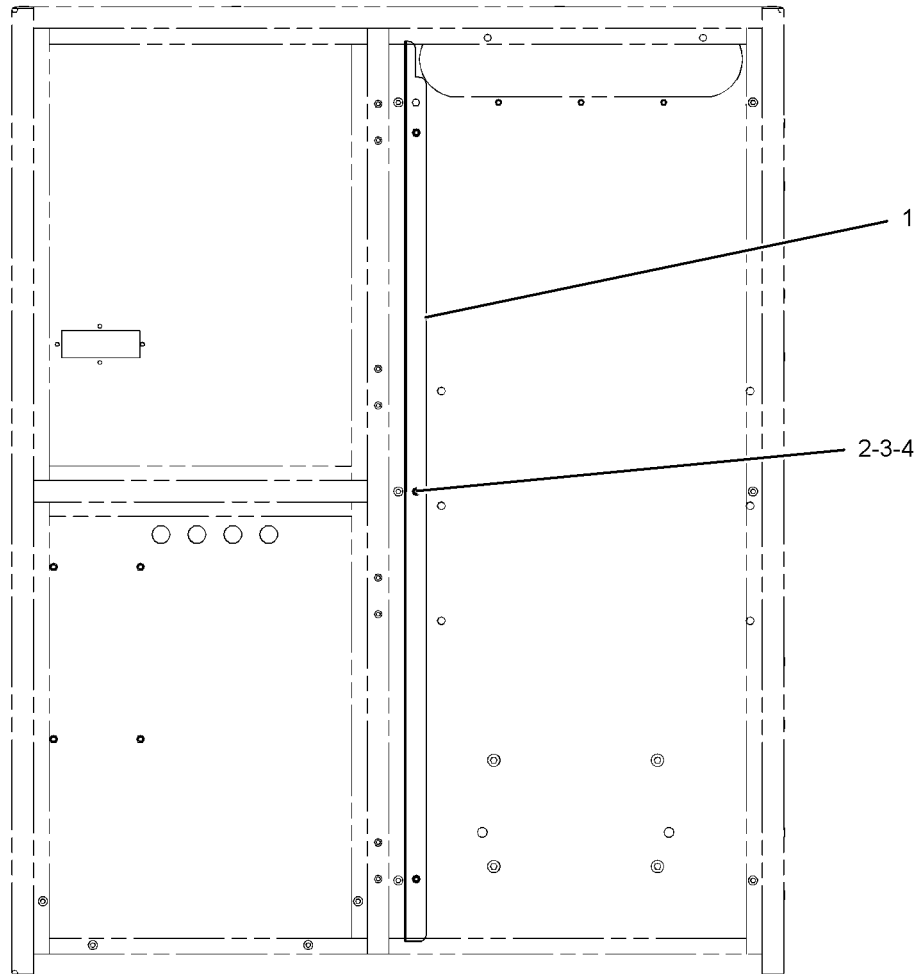
S/N: C5H1-UP
SUPPORT
AN ATTACHMENT

SMCS-1609

i02235377

NOTE	REF NO	GRAPHIC REF	PART NUMBER	QTY	PART NAME						SEE PAGE
					1	2	3	4	5	6 (PRODUCT LEVEL)	
	1	1	258-6774	1	SUPPORT AS						
M		1	3E-4304	7	INSERT-THREADED (M6X1-6H-THD)						
M	2	1	095-0742	3	SCREW-MACHINE (M6X1X16-MM)						
	3	1	095-0827	3	LOCKWASHER						
	4	1	9X-8256	3	WASHER (6.6X12X2-MM THK)						

M-METRIC PART



GRAPHIC #1

<END>

g01144561

ELECTRICAL AND STARTING SYSTEM

295-2383 MOUNTING GP-BRACKET

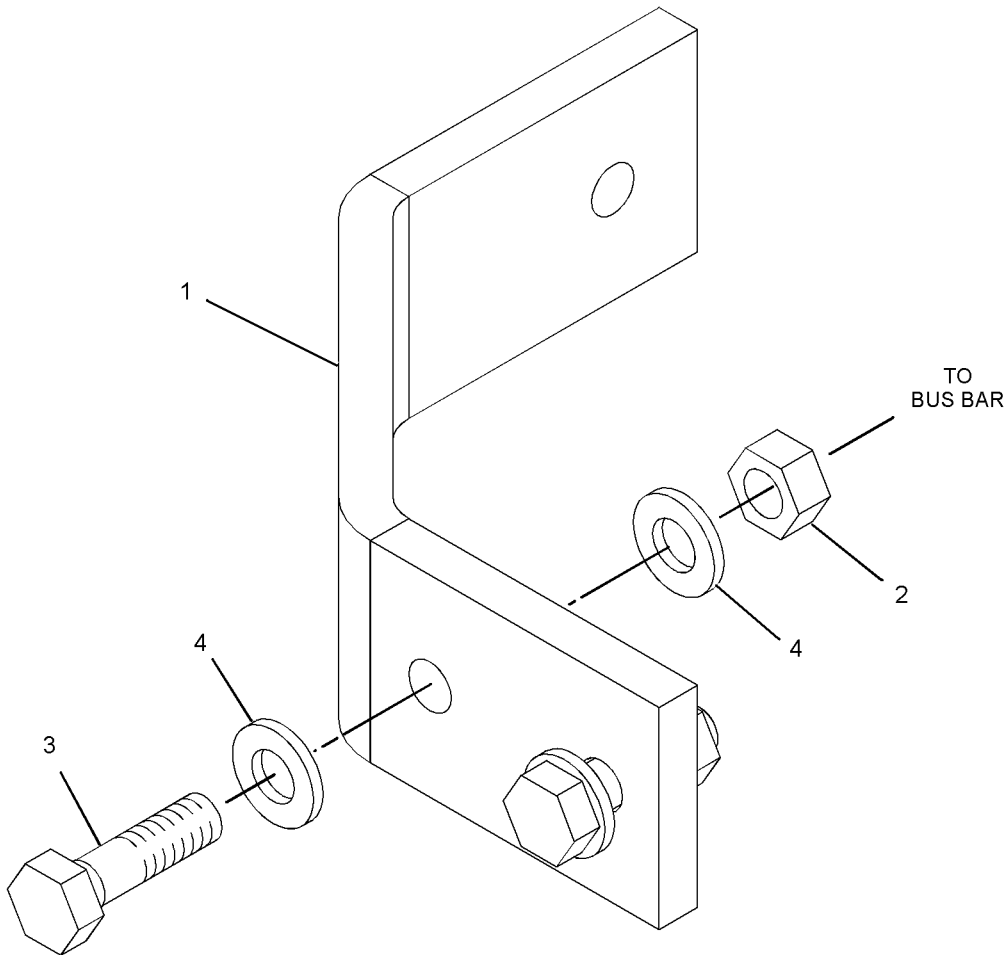
S/N: C5H1-UP
AN ATTACHMENT

SMCS-1609

i02592158

NOTE	REF NO	GRAPHIC REF	PART NUMBER	QTY	PART NAME						SEE PAGE
					1	2	3	4	5	6 (PRODUCT LEVEL)	
	1	1	295-2382	1	BRACKET						
M	2	1	2Y-5829	2	NUT (M10X1.5-THD)						
M	3	1	6V-3822	2	BOLT (M10X1.5X35-MM)						
	4	1	6V-5839	4	WASHER (11X21X2.5-MM THK)						

M-METRIC PART



GRAPHIC #1

<END>

g01298183

ELECTRICAL AND STARTING SYSTEM

295-2385 MOUNTING GP-BRACKET

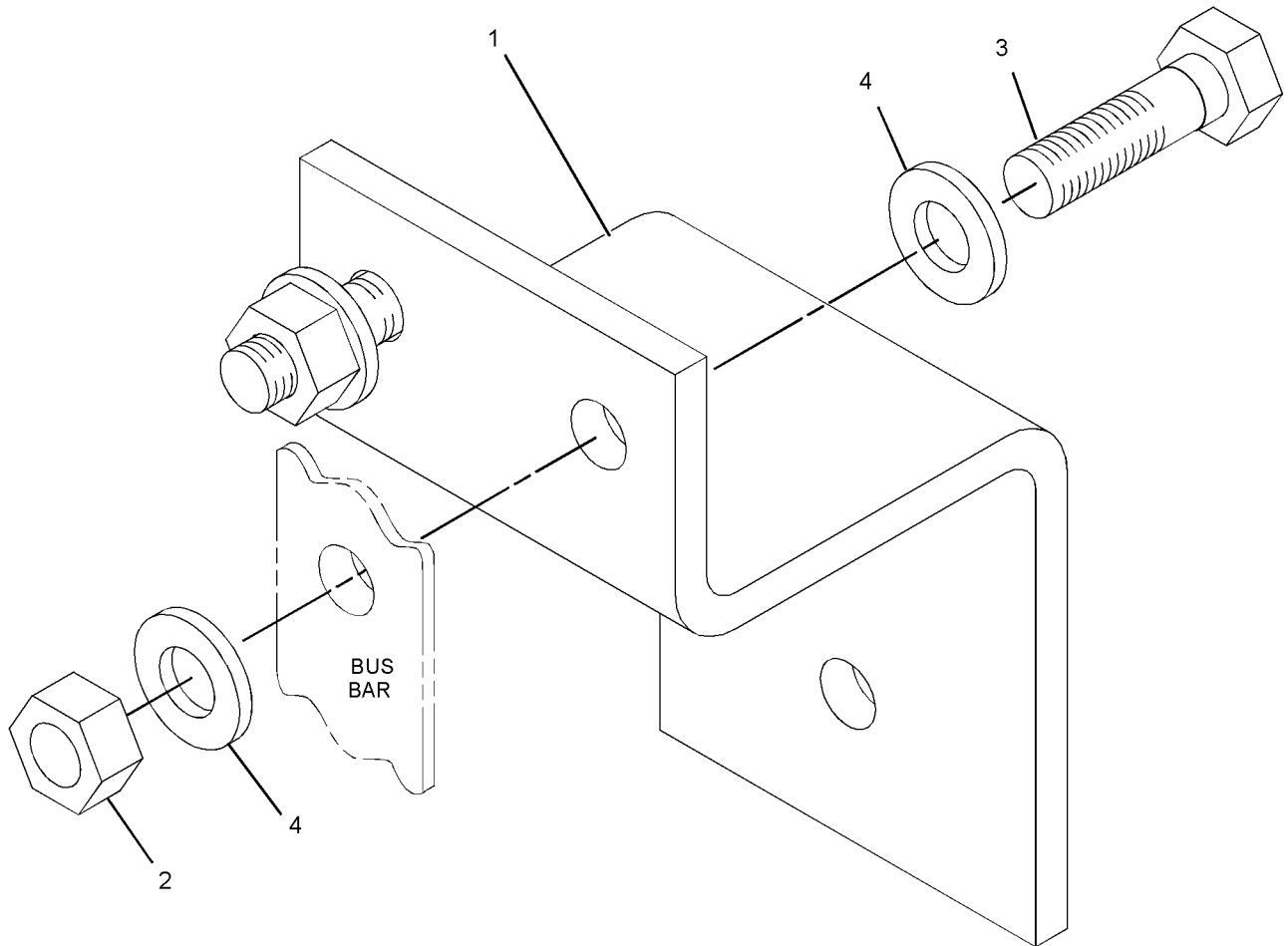
S/N: C5H1-UP
AN ATTACHMENT

SMCS-1609

i02592167

NOTE	REF NO	GRAPHIC REF	PART NUMBER	QTY	PART NAME						SEE PAGE
					1	2	3	4	5	6 (PRODUCT LEVEL)	
	1	1	295-2384	1	BRACKET						
M	2	1	2Y-5829	2	NUT (M10X1.5-THD)						
M	3	1	6V-3822	2	BOLT (M10X1.5X35-MM)						
	4	1	6V-5839	4	WASHER (11X21X2.5-MM THK)						

M-METRIC PART



GRAPHIC #1

<END>

g01298480

ELECTRICAL AND STARTING SYSTEM

258-6790 MOUNTING GP-BUS BAR-EARTH BAR

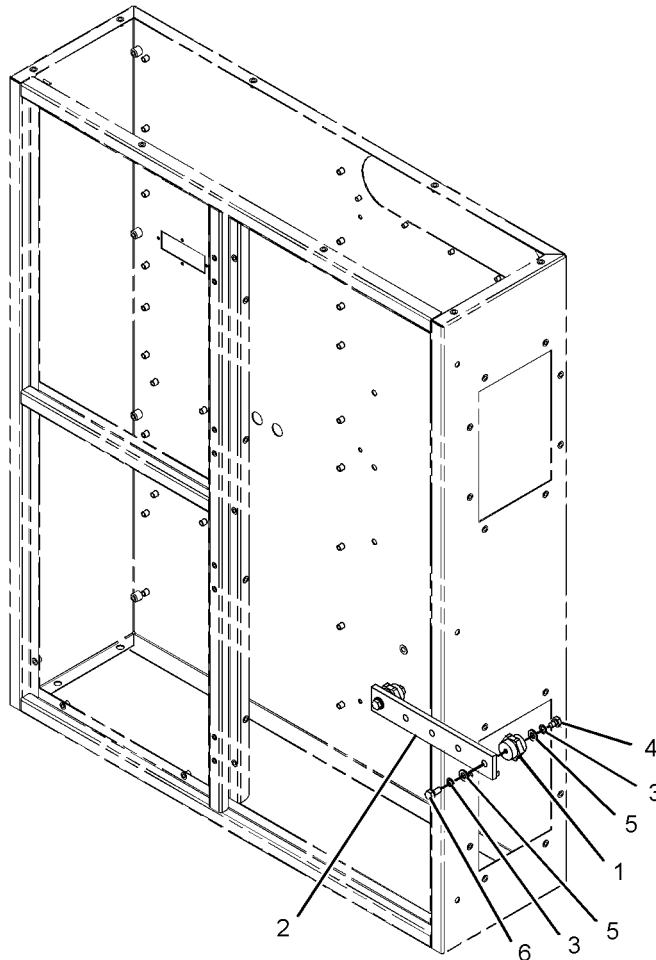
S/N: C5H1-UP
AN ATTACHMENT

SMCS-445B

i02235361

NOTE	REF NO	GRAPHIC REF	PART NUMBER	QTY	PART NAME						SEE PAGE
					1	2	3	4	5	6 (PRODUCT LEVEL)	
	1	1	143-5099	2	INSULATOR						
	2	1	155-2092	1	BAR						
	3	1	142-4899	4	LOCKWASHER						
M	4	1	7X-2621	2	BOLT (M10X1.5X12-MM)						
	5	1	8T-4121	4	WASHER-HARD (11X21X2.5-MM THK)						
M	6	1	8T-4137	2	BOLT (M10X1.5X20-MM)						

M-METRIC PART



GRAPHIC #1

<END>

g01142777

ELECTRICAL AND STARTING SYSTEM

247-2701 MOUNTING GP-ELECTRONIC CONTROL

S/N: C5H1-UP
AN ATTACHMENT

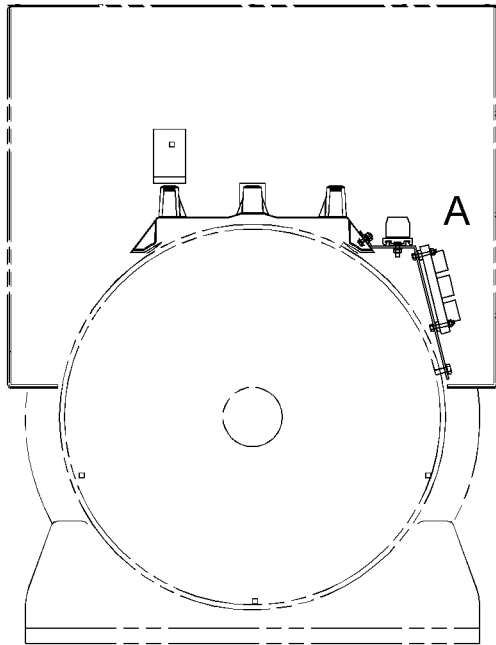
SMCS-1901

i02667777

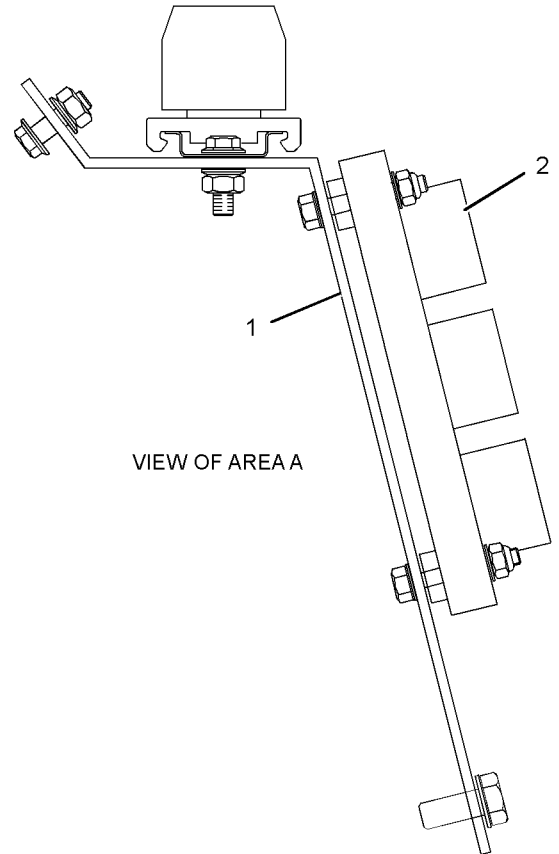
NOTE	REF NO	GRAPHIC REF	PART NUMBER	QTY	PART NAME						SEE PAGE
					1	2	3	4	5	6 (PRODUCT LEVEL)	
Y	1	1	255-1085	1	KIT-INSTALLATION						1244
	2	1	246-5894	1	MODULE AS-SENSING (3-PHASE VOLTAGE)						
F			246-4120	1	HARNESS AS-WIRING (VOLTAGE REGULATOR)						

F-NOT SHOWN

Y-SEPARATE ILLUSTRATION



GRAPHIC #1



VIEW OF AREA A

<END>

g01156841

ELECTRICAL AND STARTING SYSTEM

247-2705 MOUNTING GP-ELECTRONIC CONTROL

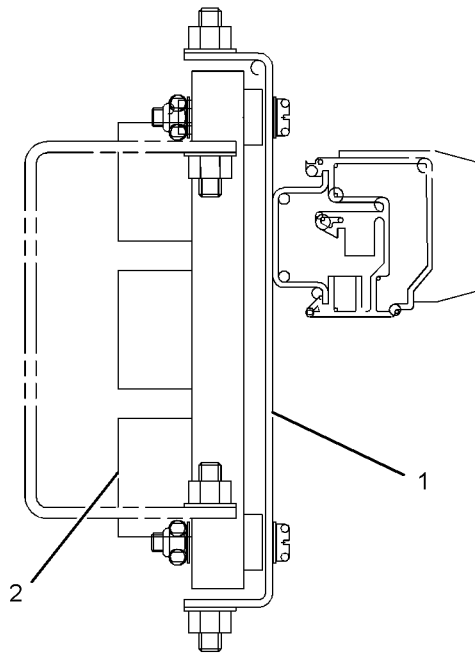
S/N: C5H1-UP
AN ATTACHMENT

SMCS-1901

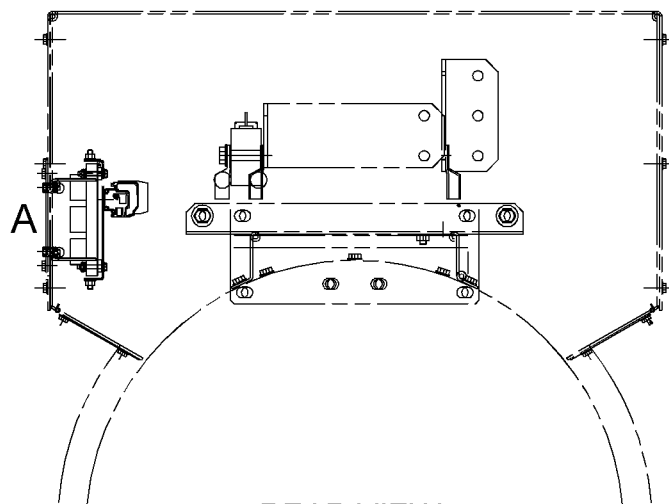
i02667784

NOTE	REF NO	GRAPHIC REF	PART NUMBER	QTY	PART NAME						SEE PAGE
					1	2	3	4	5	6 (PRODUCT LEVEL)	
Y	1	1	255-1087	1	MOUNTING GP-SENSOR						423
	2	1	246-5894	1	MODULE AS-SENSING (3-PHASE VOLTAGE)						
F			246-4120	1	HARNESS AS-WIRING (VOLTAGE REGULATOR)						

F-NOT SHOWN
Y-SEPARATE ILLUSTRATION



VIEW OF AREA A



REAR VIEW

GRAPHIC #1

<END>

g01183096

ELECTRICAL AND STARTING SYSTEM

268-3155 MOUNTING GP-JACKET WTR HEATER

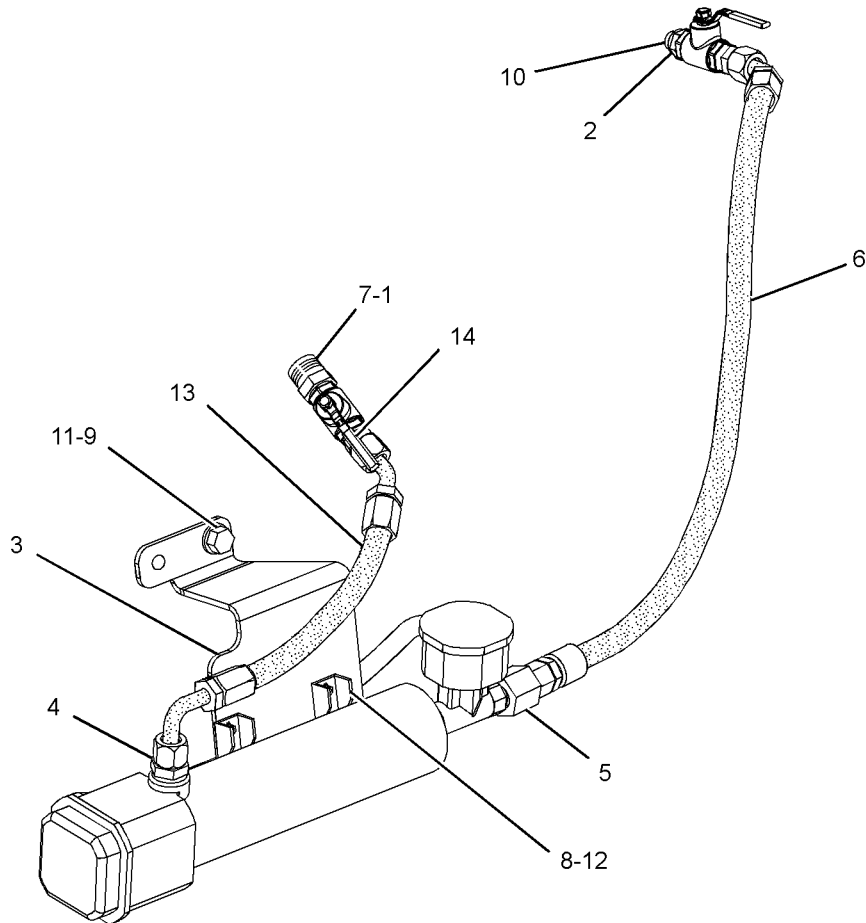
S/N: C5H1-139
AN ATTACHMENT

SMCS-1383

i02762647

NOTE	REF NO	GRAPHIC REF	PART NUMBER	QTY	PART NAME						SEE PAGE
					1	2	3	4	5	6 (PRODUCT LEVEL)	
	1	1	5S-2392	1	ADAPTER-PIPE						
	2	1	262-9570	1	FITTING						
	3	1	268-3156	1	BRACKET						
	4	1	004-3099	1	CONNECTOR						
	5	1	173-0880	1	CONNECTOR						
I	6	1	268-3157	1	HOSE AS						
	7	1	4S-6678	2	CONNECTOR						
M	8	1	5C-2890	4	NUT (M6X1-THD)						
	9	1	7X-0343	2	BOLT (5/8-11X1.25-IN)						
	10	1	8L-2786	1	SEAL-O-RING						
	11	1	8T-4122	2	WASHER-HARD (17X32X3.5-MM THK)						
	12	1	9X-8256	4	WASHER (6.6X12X2-MM THK)						
	13	1	268-3158	1	HOSE AS						
	14	1	112-4036	2	VALVE AS-SHUTOFF (JACKET WATER HEATER)						

I-REFER TO HYDRAULIC INFORMATION SYSTEM
M-METRIC PART



GRAPHIC #1

<END>

g01383896

ELECTRICAL AND STARTING SYSTEM

268-3155 MOUNTING GP-JACKET WTR HEATER

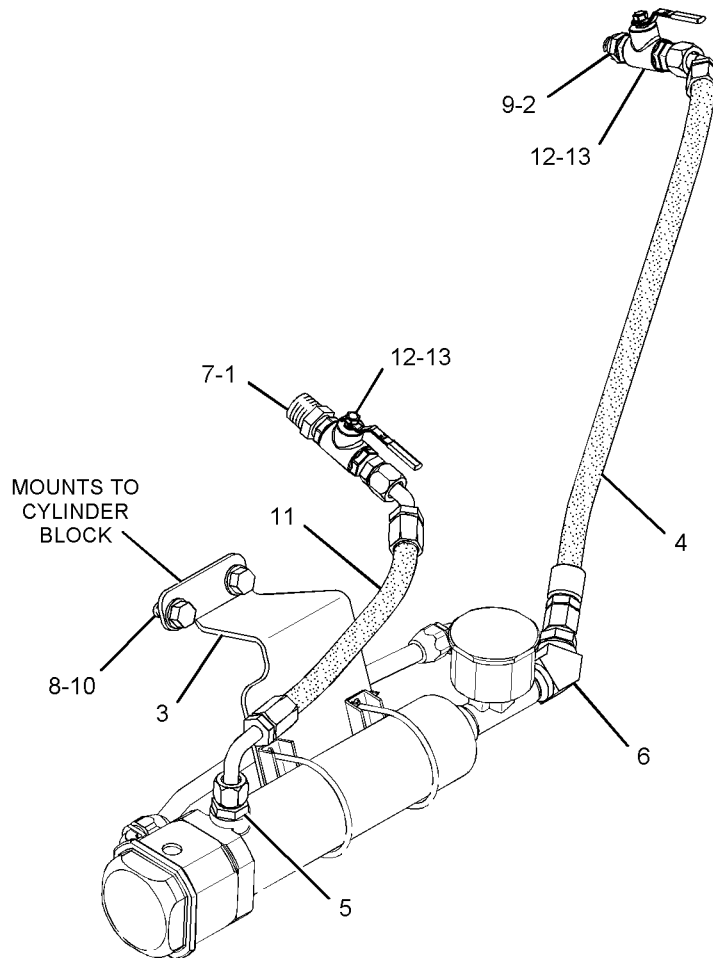
S/N: C5H140-UP
AN ATTACHMENT
TYPE 1

SMCS - 1383

i02882168

NOTE	REF NO	GRAPHIC REF	PART NUMBER	QTY	PART NAME						SEE PAGE
					1	2	3	4	5	6 (PRODUCT LEVEL)	
	1	1	5S-2392	1	ADAPTER-PIPE						
	2	1	311-8082	1	FITTING						
	3	1	268-3156	1	BRACKET						
I	4	1	268-3157	1	HOSE AS						
	5	1	004-3099	2	CONNECTOR						
	6	1	4B-9030	1	ELBOW						
	7	1	4S-6678	2	CONNECTOR						
	8	1	7X-0343	2	BOLT (5/8-11X1.25-IN)						
	9	1	8L-2786	1	SEAL-O-RING						
	10	1	8T-4122	2	WASHER-HARD (17X32X3.5-MM THK)						
	11	1	268-3158	1	HOSE AS						
	12	1	8C-1358	2	VALVE-BALL (EUROPEAN SOURCED)						
	13	1	112-4036	2	VALVE AS-SHUTOFF (US SOURCED)						

I-REFER TO HYDRAULIC INFORMATION SYSTEM



GRAPHIC #1

<END>

g01311804

ELECTRICAL AND STARTING SYSTEM

268-3155 MOUNTING GP-JACKET WTR HEATER

S/N: C5H140-UP

AN ATTACHMENT

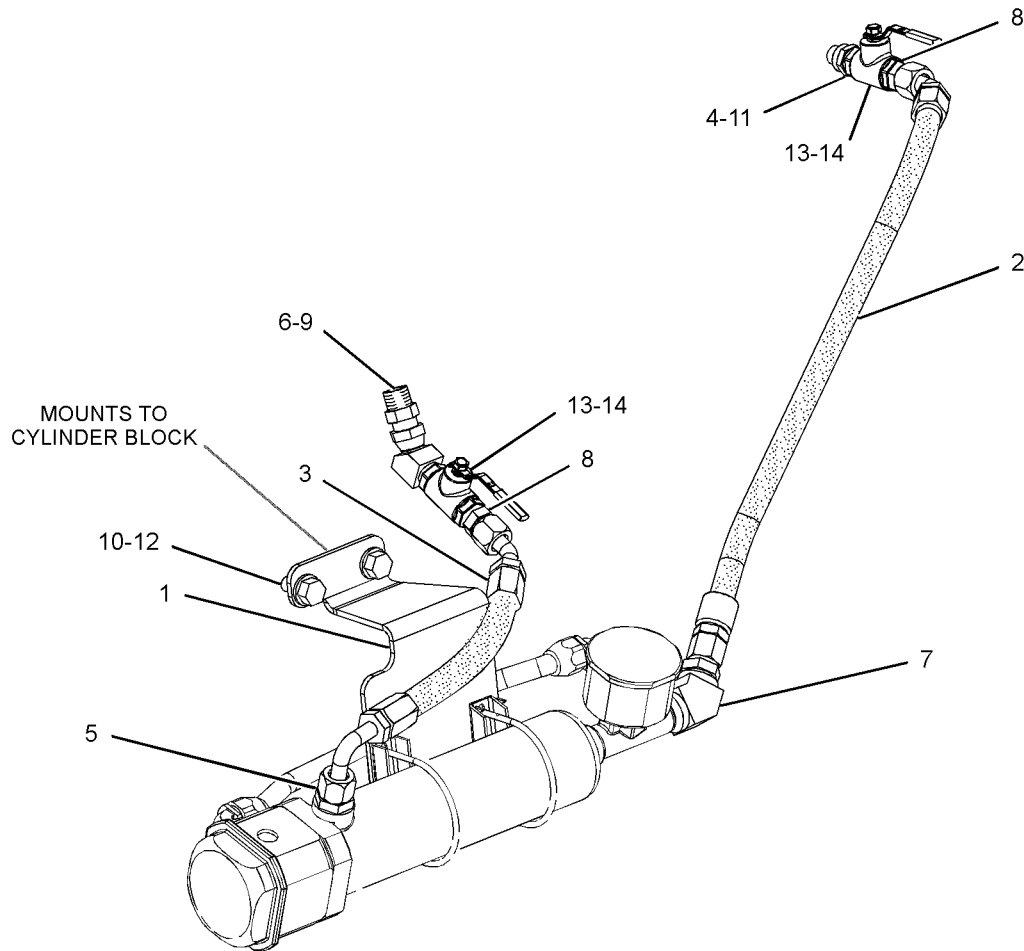
TYPE 2

SMCS-1383

i03404361

NOTE	REF NO	GRAPHIC REF	PART NUMBER	QTY	PART NAME						SEE PAGE
					1	2	3	4	5	6 (PRODUCT LEVEL)	
	1	1	268-3156	1	BRACKET						
I	2	1	268-3157	1	HOSE AS						
	3	1	268-3158	1	HOSE AS						
	4	1	311-8082	1	FITTING						
	5	1	004-3099	2	CONNECTOR						
	6	1	004-7270	1	FITTING-PIPE						
	7	1	4B-9030	1	ELBOW						
	8	1	4S-6678	2	CONNECTOR						
	9	1	6H-8297	1	ELBOW						
	10	1	7X-0343	2	BOLT (5/8-11X1.25-IN)						
	11	1	8L-2786	1	SEAL-O-RING						
	12	1	8T-4122	2	WASHER-HARD (17X32X3.5-MM THK)						
	13	1	8C-1358	2	VALVE-BALL (EUROPEAN SOURCED)						
	14	1	112-4036	2	VALVE AS-SHUTOFF (US SOURCED)						

I-REFER TO HYDRAULIC INFORMATION SYSTEM



GRAPHIC #1

<END>

g01771634

ELECTRICAL AND STARTING SYSTEM

295-2249 MOUNTING GP-JACKET WTR HEATER

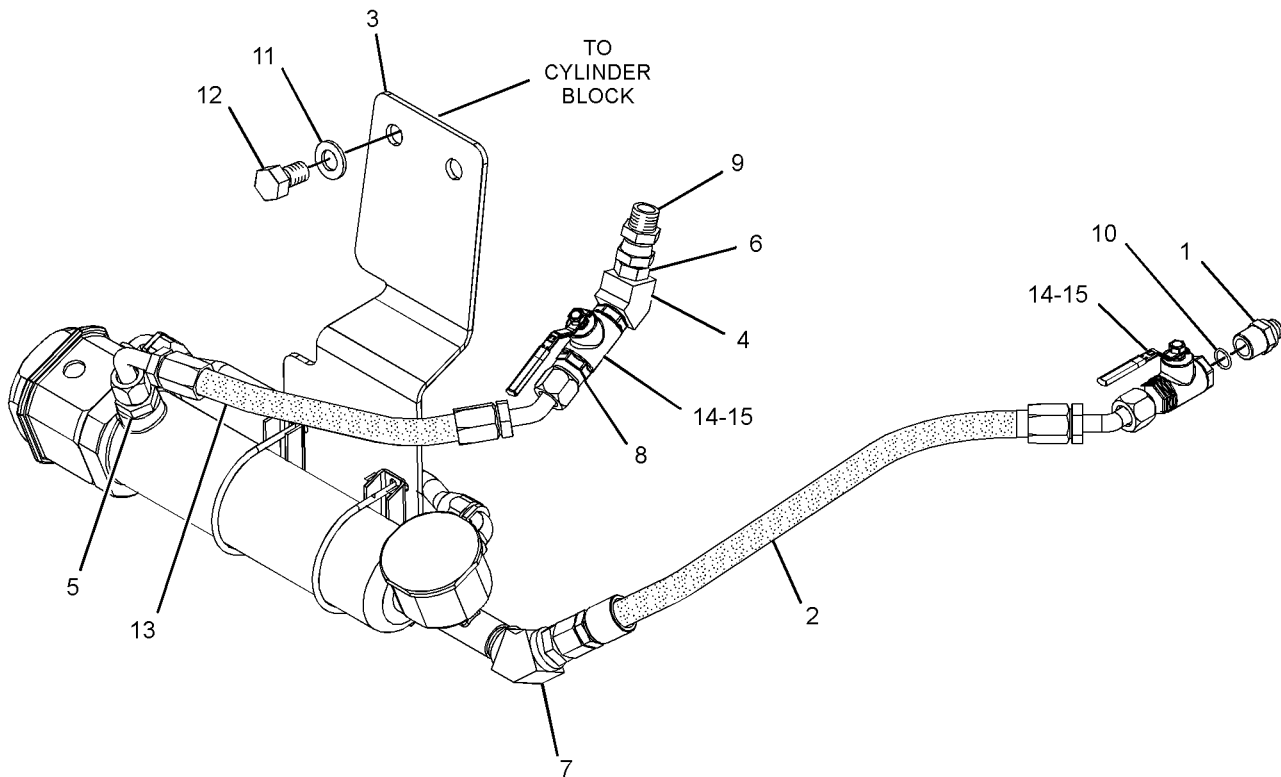
S/N: C5H1-146
AN ATTACHMENT

SMCS-1383

i02720814

NOTE	REF NO	GRAPHIC REF	PART NUMBER	QTY	PART NAME						SEE PAGE
					1	2	3	4	5	6 (PRODUCT LEVEL)	
	1	1	262-9570	1	FITTING						
I	2	1	268-3157	1	HOSE AS						
	3	1	295-2250	1	BRACKET						
	4	1	000-7246	1	ELBOW						
	5	1	004-3099	2	CONNECTOR						
	6	1	004-7270	1	FITTING-PIPE						
	7	1	4B-9030	1	ELBOW						
	8	1	4S-6678	2	CONNECTOR						
	9	1	5F-6371	1	CONNECTOR						
	10	1	8L-2786	1	SEAL-O-RING						
	11	1	8T-4122	2	WASHER-HARD (17X32X3.5-MM THK)						
	12	1	7X-0343	2	BOLT (5/8-11X1.25-IN)						
	13	1	268-3158	1	HOSE AS						
	14	1	8C-1358	2	VALVE-BALL (EUROPEAN SOURCED)						
	15	1	112-4036	2	VALVE AS-SHUTOFF (US SOURCED)						

I-REFER TO HYDRAULIC INFORMATION SYSTEM



GRAPHIC #1

<END>

g01363613

ELECTRICAL AND STARTING SYSTEM

295-2249 MOUNTING GP-JACKET WTR HEATER

S/N: C5H147-UP

AN ATTACHMENT

TYPE 1

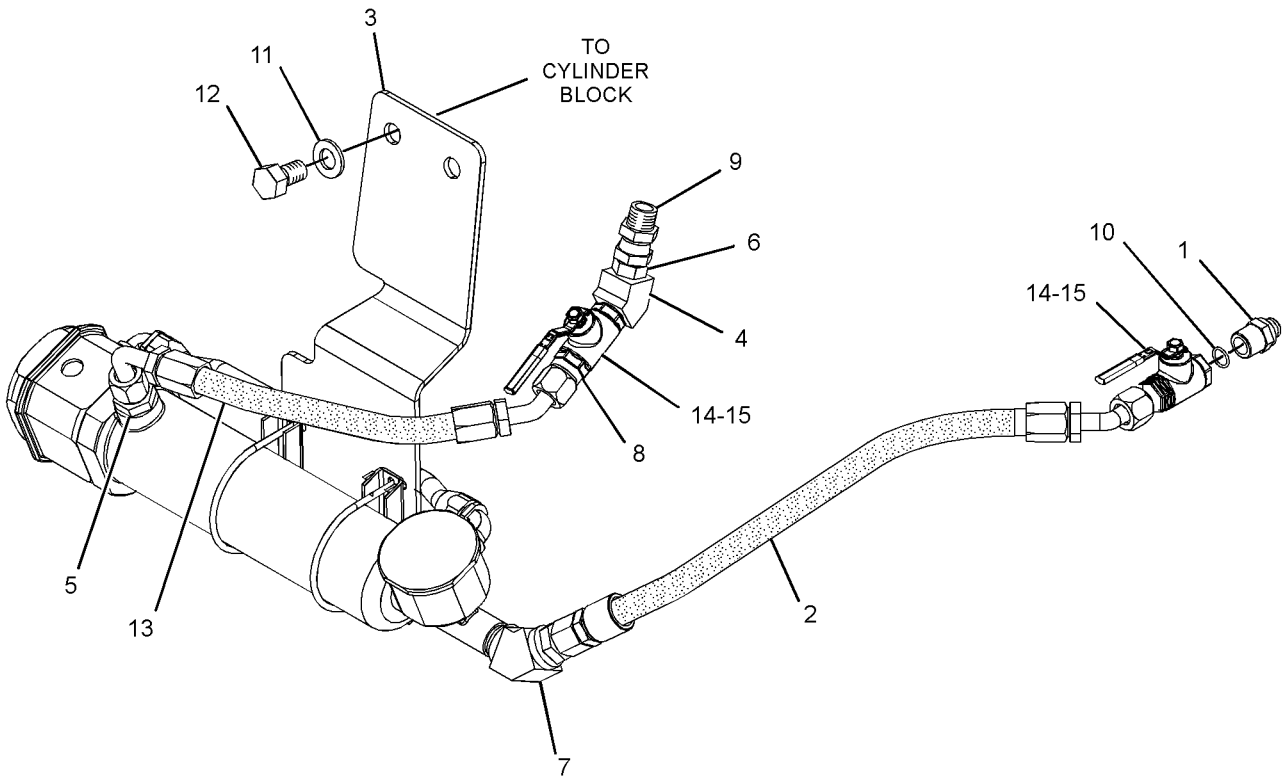
SMCS-1383

i02720838

NOTE	REF NO	GRAPHIC REF	PART NUMBER	QTY	PART NAME						SEE PAGE
					1	2	3	4	5	6 (PRODUCT LEVEL)	
	1	1	262-9570	1	FITTING						
I	2	1	268-3157	1	HOSE AS						
	3	1	295-2250	1	BRACKET						
	4	1	000-7246	1	ELBOW						
	5	1	004-3099	2	CONNECTOR						
	6	1	004-7270	1	FITTING-PIPE						
	7	1	4B-9030	1	ELBOW						
	8	1	4S-6678	2	CONNECTOR						
	9	1	5F-6371	1	CONNECTOR						
	10	1	8L-2786	1	SEAL-O-RING						
C	11	1	8T-4994	2	WASHER-HARD (20X36.5X3.5-MM THK)						
C	12	1	8T-9397	2	BOLT (3/4-10X1.25-IN)						
	13	1	268-3158	1	HOSE AS						
	14	1	8C-1358	2	VALVE-BALL (EUROPEAN SOURCED)						
	15	1	112-4036	2	VALVE AS-SHUTOFF (US SOURCED)						

C- CHANGE FROM PREVIOUS TYPE

I- REFER TO HYDRAULIC INFORMATION SYSTEM



GRAPHIC #1

<END>

g01363613

ELECTRICAL AND STARTING SYSTEM

295-2249 MOUNTING GP-JACKET WTR HEATER

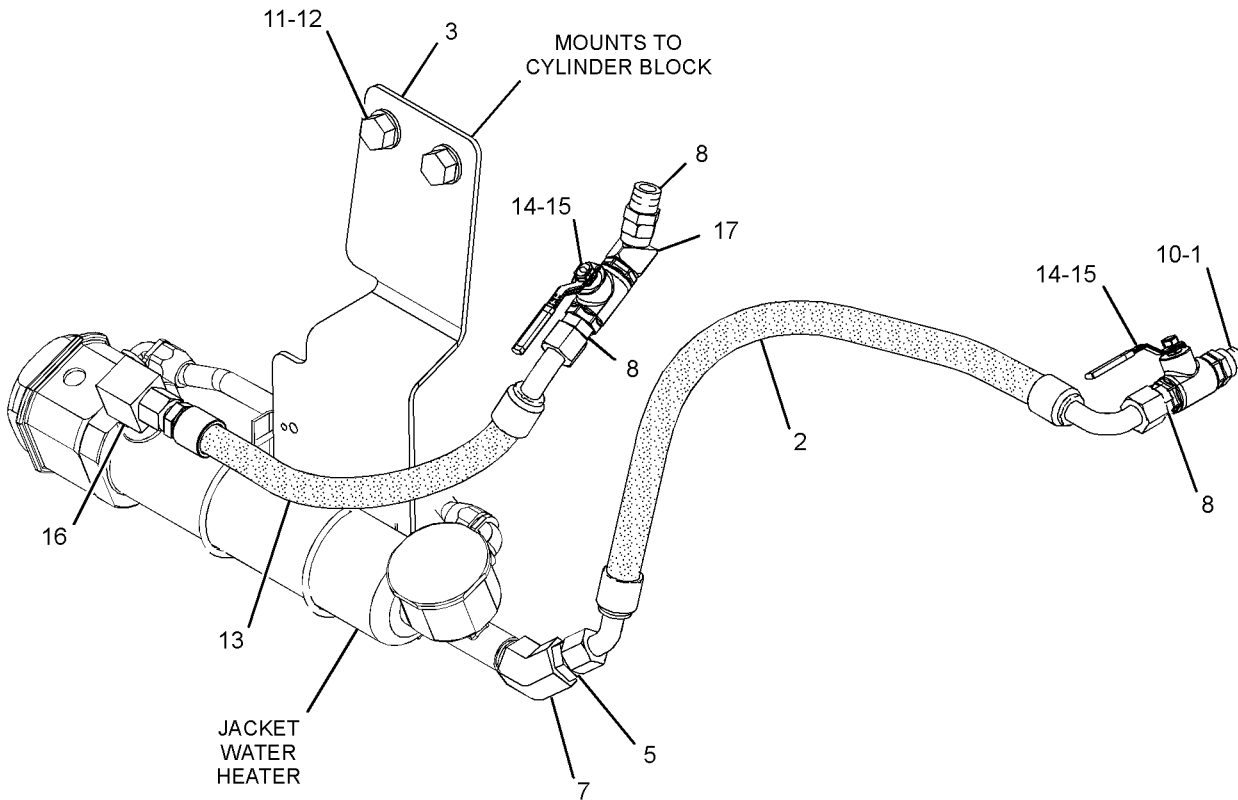
S/N: C5H147-UP
AN ATTACHMENT
TYPE 2

SMCS-1383

i03530300

NOTE	REF NO	GRAPHIC REF	PART NUMBER	QTY	PART NAME						SEE PAGE
					1	2	3	4	5	6 (PRODUCT LEVEL)	
C	1	1	311-8082	1	FITTING						
CI	2	1	242-8310	1	HOSE AS						
	3	1	295-2250	1	BRACKET						
C	5	1	004-3099	1	CONNECTOR						
	7	1	341-0082	1	ELBOW						
	8	1	4S-6678	3	CONNECTOR						
	10	1	8L-2786	1	SEAL-O-RING						
	11	1	8T-4994	2	WASHER-HARD (20X36.5X3.5-MM THK)						
	12	1	8T-9397	2	BOLT (3/4-10X1.25-IN)						
	13	1	311-1676	1	HOSE AS						
C	14	1	8C-1358	2	VALVE-BALL (EUROPEAN SOURCED)						
	15	1	112-4036	2	VALVE AS-SHUTOFF (US SOURCED)						
C	16	1	2P-8511	1	ELBOW-FLARED						
	17	1	326-0317	1	CONNECTOR						

C-CHANGE FROM PREVIOUS TYPE
I-REFER TO HYDRAULIC INFORMATION SYSTEM



GRAPHIC #1

<END>

g01877653

ELECTRICAL AND STARTING SYSTEM

284-9228 MOUNTING GP-PANEL

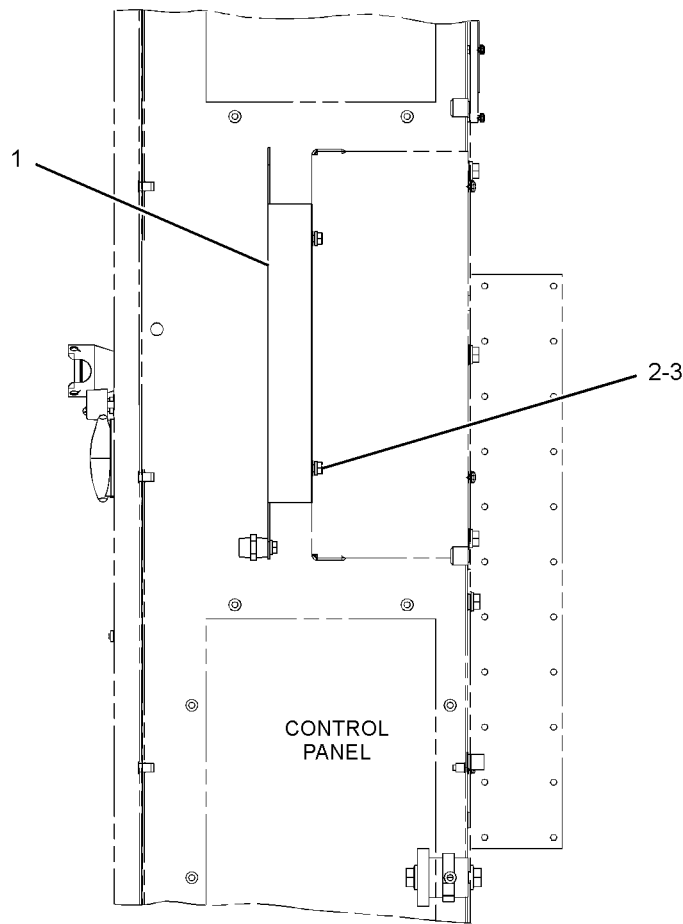
S/N: C5H1-UP
AN ATTACHMENT

SMCS-1609

i02547413

NOTE	REF NO	GRAPHIC REF	PART NUMBER	QTY	PART NAME						SEE PAGE
					1	2	3	4	5	6 (PRODUCT LEVEL)	
Y	1	1	284-9227	1	CONNECTION GP-ELECTRICAL						365
M	2	1	8T-4138	4	BOLT (M6X1X20-MM)						
	3	1	9X-8256	4	WASHER (6.6X12X2-MM THK)						

M-METRIC PART
Y-SEPARATE ILLUSTRATION



GRAPHIC #1

<END>

g01277577

ELECTRICAL AND STARTING SYSTEM

284-9245 MOUNTING GP-PANEL

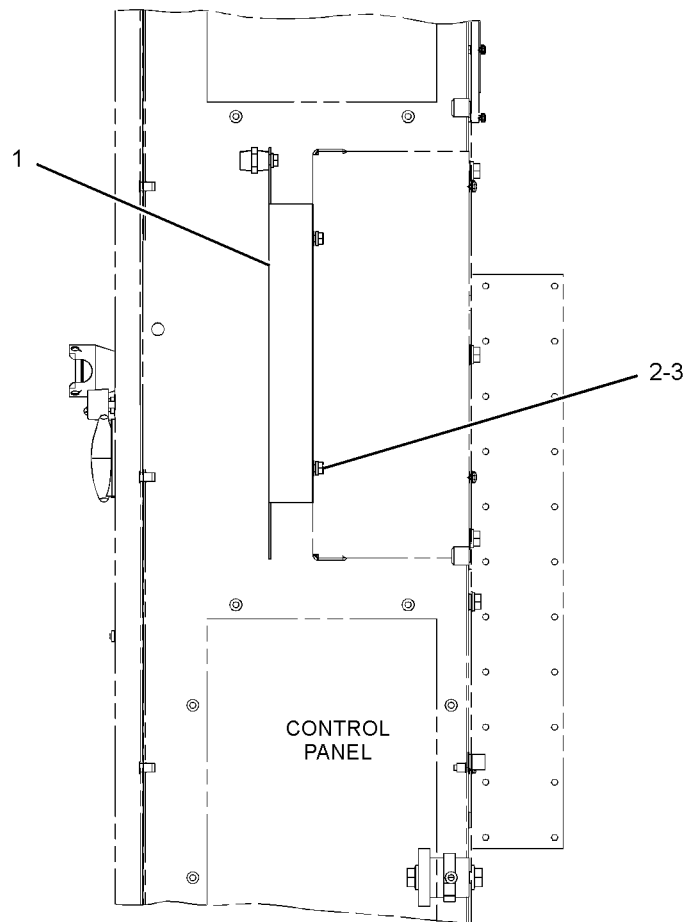
S/N: C5H1-UP
AN ATTACHMENT

SMCS-1609

i02548220

NOTE	REF NO	GRAPHIC REF	PART NUMBER	QTY	PART NAME						SEE PAGE
					1	2	3	4	5	6 (PRODUCT LEVEL)	
Y	1	1	284-9151	1	PANEL GP-CIRCUIT BREAKER						430
M	2	1	8T-4138	4	BOLT (M6X1X20-MM)						
	3	1	9X-8256	4	WASHER (6.6X12X2-MM THK)						

M-METRIC PART
Y-SEPARATE ILLUSTRATION



RIGHT SIDE VIEW

<END>

GRAPHIC #1

g01277907

ELECTRICAL AND STARTING SYSTEM

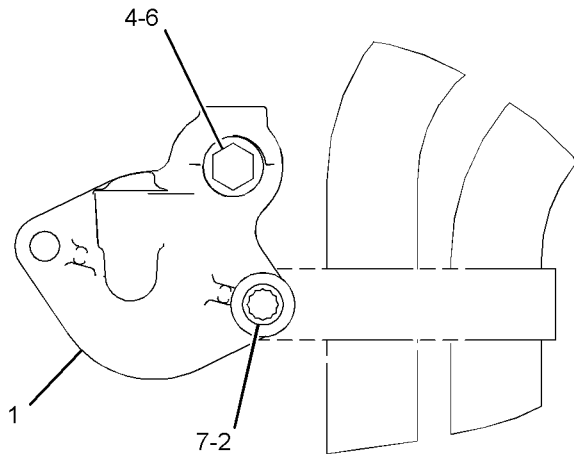
188-7501 MOUNTING GP-SENSOR

S/N: FFH1-UP

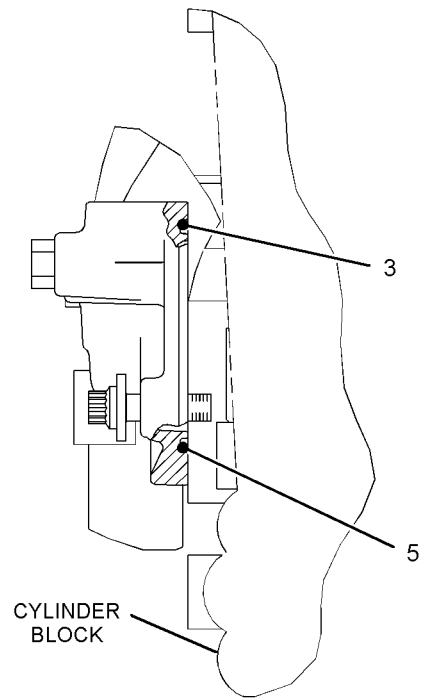
SMCS - 1439

i02948428

NOTE	REF NO	GRAPHIC REF	PART NUMBER	QTY	PART NAME						SEE PAGE
					1	2	3	4	5	6 (PRODUCT LEVEL)	
	1	1	166-6693	1	ADAPTER						
	2	1	5P-0076	1	BOLT-12 POINT HEAD (3/8-16X1.5-IN)						
	3	1	6V-3683	1	SEAL-O-RING						
	4	1	6V-5048	1	SEAL-O-RING						
	5	1	8J-4351	1	SEAL-O-RING						
	6	1	9S-4182	1	PLUG-O-RING						
	7	1	9X-6458	1	WASHER-HARD (10.2X22.5X3-MM THK)						



LEFT SIDE VIEW OF ENGINE



REAR VIEW OF ENGINE

GRAPHIC #1

<END>

g01356069

ELECTRICAL AND STARTING SYSTEM

197-7415 MOUNTING GP-SENSOR- ATMOSPHERIC AIR, ENGINE OIL

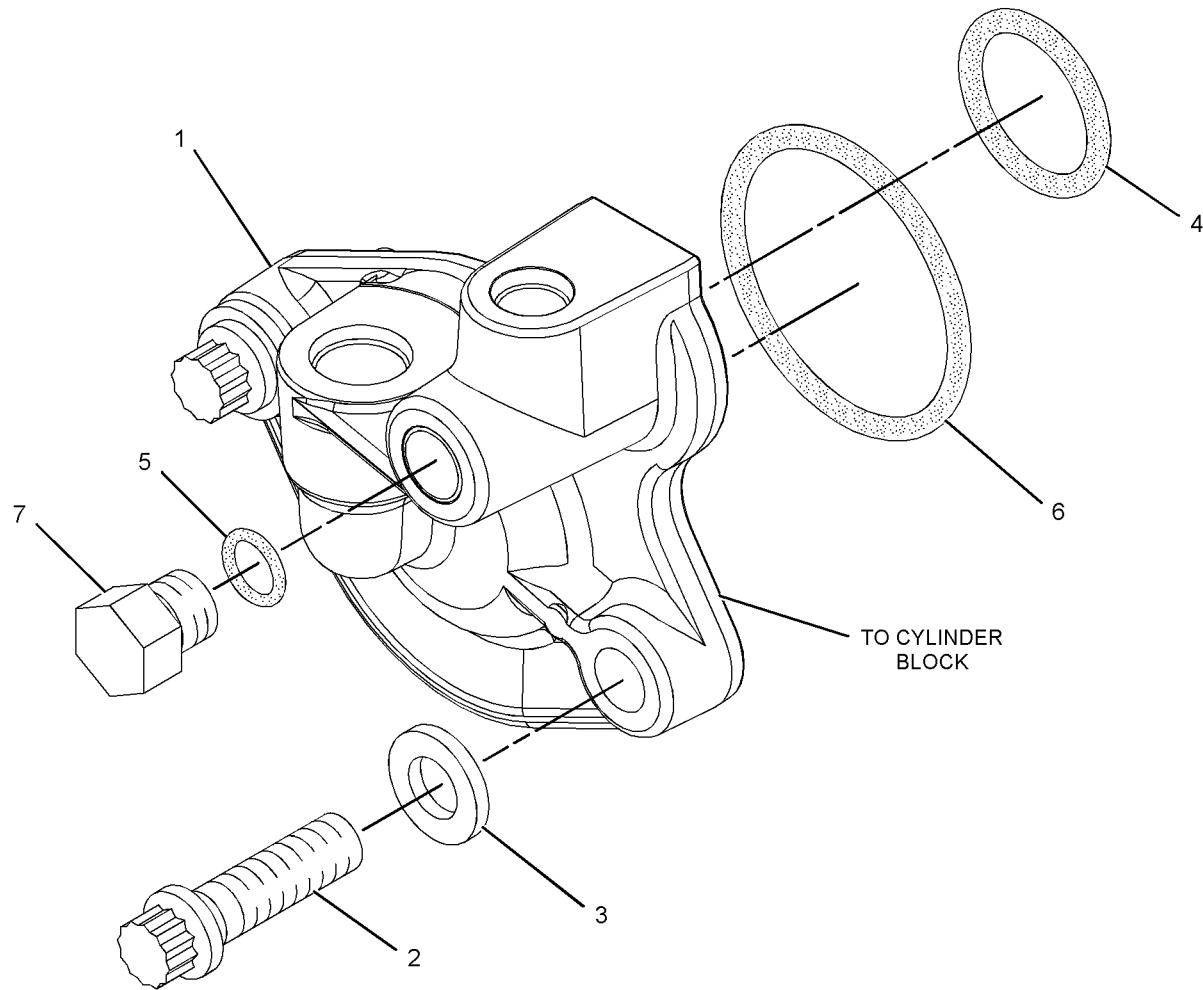
S/N: FFH1-UP

CUSTOMER OIL SUPPLY CONNECTION LOCATION WITH NO.4 PORT THREADS
FOR USE WITH OIL AND ATMOSPHERIC PRESSURE SENSORS

SMCS-1439

i02667181

NOTE	REF NO	GRAPHIC REF	PART NUMBER	QTY	PART NAME						SEE PAGE
					1	2	3	4	5	6	
	1	1	166-6693	1	ADAPTER						
	2	1	1T-0720	2	BOLT-12 POINT HEAD (3/8-16X1.25-IN)						
	3	1	5M-2894	2	WASHER-HARD (10.2X18.5X2.5-MM THK)						
	4	1	6V-3683	1	SEAL-O-RING						
	5	1	6V-5048	1	SEAL-O-RING						
	6	1	8J-4351	1	SEAL-O-RING						
	7	1	9S-4182	1	PLUG-O-RING						



GRAPHIC #1

<END>

g01341504

ELECTRICAL AND STARTING SYSTEM

255-1087 MOUNTING GP-SENSOR

S/N: C5H1-UP

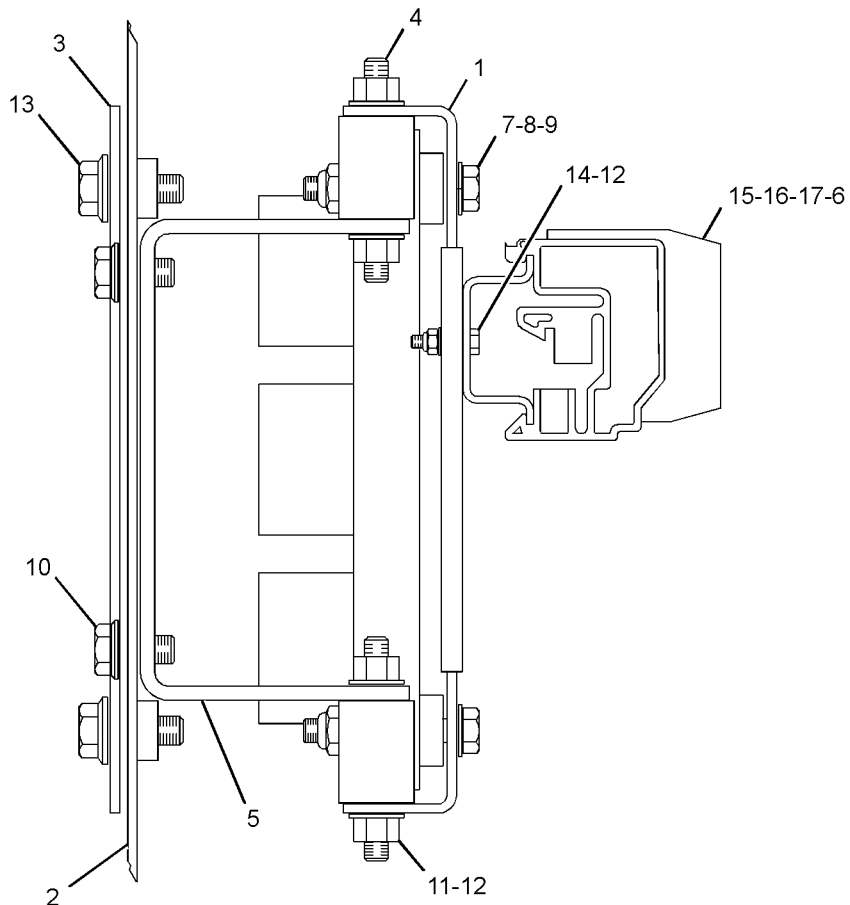
PART OF 247-2705 MOUNTING GP-ELECTRONIC CONTROL
AN ATTACHMENT

SMCS-1439

i02520504

NOTE	REF NO	GRAPHIC REF	PART NUMBER	QTY	PART NAME						SEE PAGE
					1	2	3	4	5	6 (PRODUCT LEVEL)	
	1	1	247-2628	1	BRACKET						
	2	1	254-4231	1	PLATE						
	3	1	254-4229	1	PLATE						
	4	1	254-4235	2	MOUNT						
	5	1	254-4233	1	BRACKET						
	6	1	254-5846	2	TERMINAL						
M	7	1	6V-2313	4	BOLT (M5X0.8X30-MM)						
M	8	1	7Y-5226	4	NUT (M5X0.8-THD)						
	9	1	8T-0328	4	WASHER-HARD (5.5X10X1-MM THK)						
M	10	1	6V-8931	2	SCREW-WASHER HEAD (M6X1X16-MM)						
	11	1	096-0192	4	LOCKWASHER						
M	12	1	135-2422	6	NUT						
M	13	1	130-2792	2	SCREW (M6X1X16-MM)						
M	14	1	3E-6900	2	BOLT (M5X0.8X12-MM)						
	15	1	254-4238	1	RAIL						
	16	1	254-5845	26	TERMINAL						
	17	1	254-5847	1	TERMINAL						

M-METRIC PART



GRAPHIC #1

<END>

g01279179

ELECTRICAL AND STARTING SYSTEM

258-6795 MOUNTING GP-TERMINAL STRIP

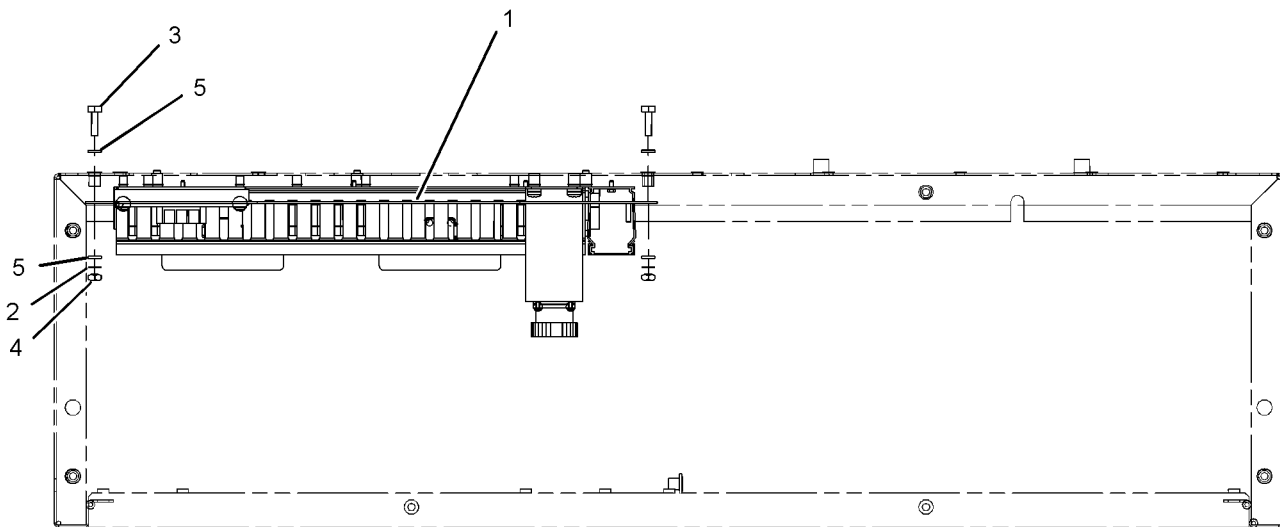
S/N: C5H1-UP
AN ATTACHMENT

SMCS-4460, 7426

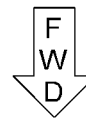
i02354951

NOTE	REF NO	GRAPHIC REF	PART NUMBER	QTY	PART NAME						SEE PAGE
					1	2	3	4	5	6 (PRODUCT LEVEL)	
Y	1	1	258-6796	1	TERMINAL & PLATE AS						523
	2	1	095-0827	8	LOCKWASHER						
	3	1	260-6688	8	BOLT (M6X1X30-MM)						
M	4	1	5C-2890	8	NUT (M6X1-THD)						
	5	1	9X-8256	16	WASHER (6.6X12X2-MM THK)						

M-METRIC PART
Y-SEPARATE ILLUSTRATION



TOP VIEW



GRAPHIC #1

<END>

g01169290

ELECTRICAL AND STARTING SYSTEM

284-9154 MOUNTING GP-TERMINAL STRIP

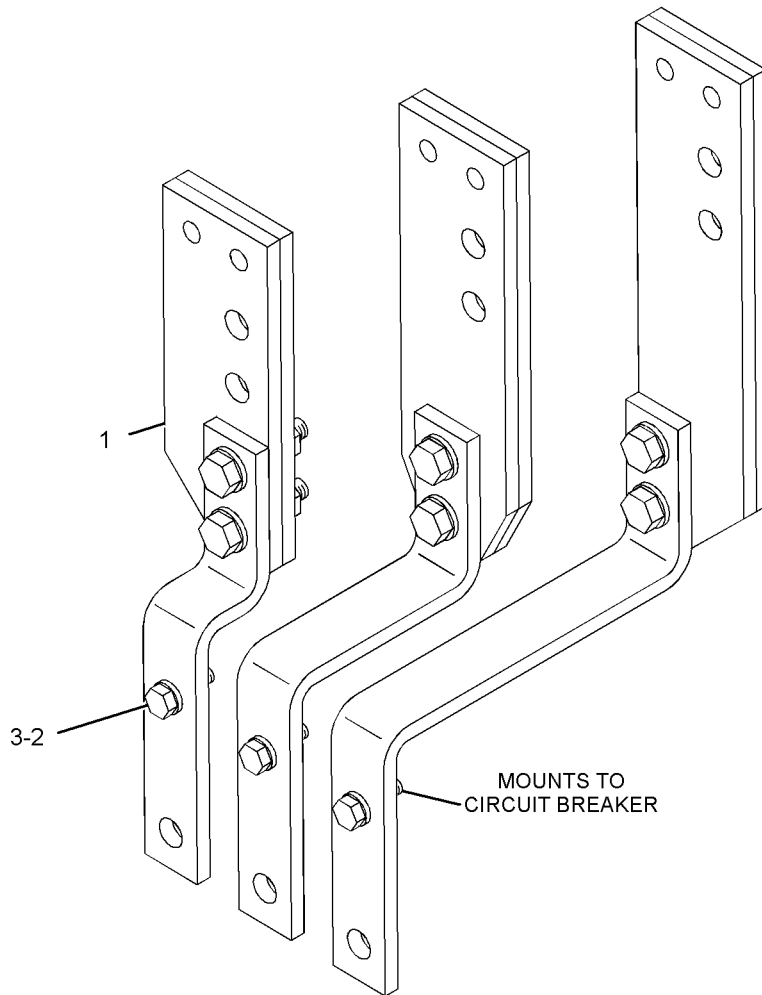
S/N: C5H1-UP
400-AMPERE
AN ATTACHMENT

SMCS-4460, 7426

i02478604

NOTE	REF NO	GRAPHIC REF	PART NUMBER	QTY	PART NAME						SEE PAGE
					1	2	3	4	5	6 (PRODUCT LEVEL)	
Y	1	1	284-9172	1	STRIP GP-TERMINAL						494
M	2	1	8T-4138	3	BOLT (M6X1X20-MM)						
	3	1	9X-8256	3	WASHER (6.6X12X2-MM THK)						

M-METRIC PART
Y-SEPARATE ILLUSTRATION



GRAPHIC #1

<END>

g01277020

ELECTRICAL AND STARTING SYSTEM

284-9155 MOUNTING GP-TERMINAL STRIP

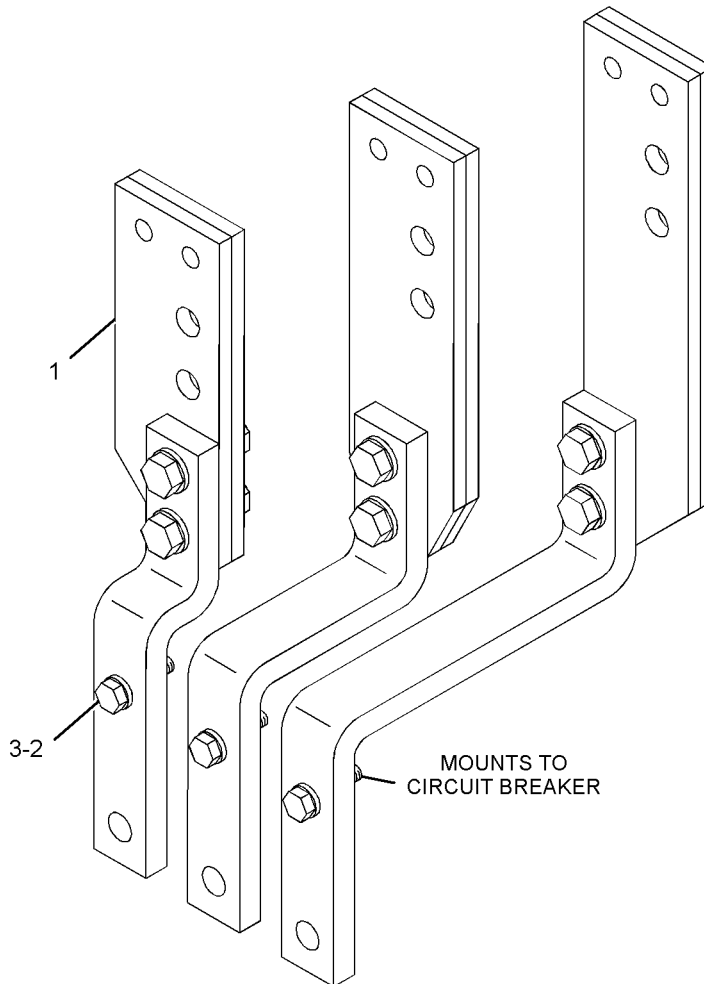
S/N: C5H1-UP
630-AMPERE
AN ATTACHMENT

SMCS-4460, 7426

i02478655

NOTE	REF NO	GRAPHIC REF	PART NUMBER	QTY	PART NAME						SEE PAGE
					1	2	3	4	5	6 (PRODUCT LEVEL)	
Y	1	1	284-9173	1	STRIP GP-TERMINAL						495
M	2	1	8T-4138	3	BOLT (M6X1X20-MM)						
	3	1	9X-8256	3	WASHER (6.6X12X2-MM THK)						

M-METRIC PART
Y-SEPARATE ILLUSTRATION



GRAPHIC #1

<END>

g01276999

ELECTRICAL AND STARTING SYSTEM

284-9241 MOUNTING GP-TERMINAL STRIP

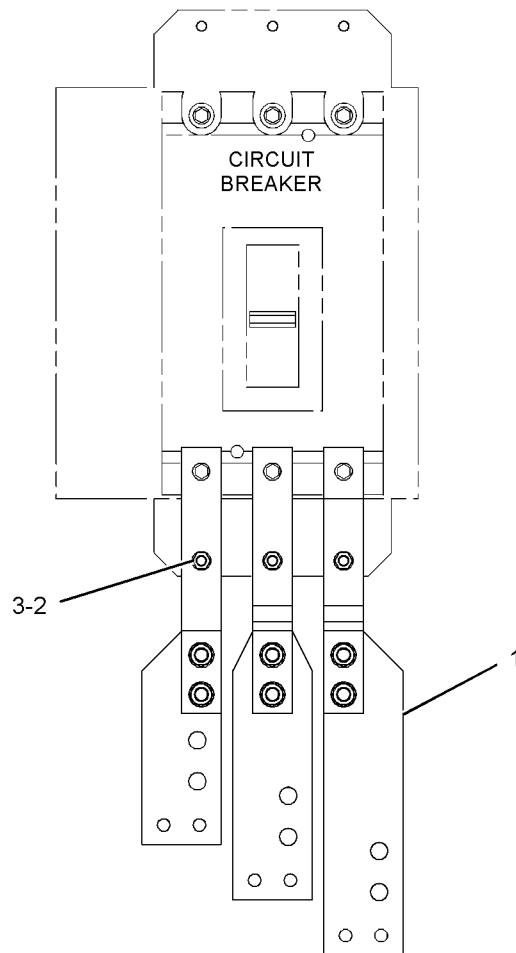
S/N: C5H1-UP
630-AMPERE
AN ATTACHMENT

SMCS-4460, 7426

i02547951

NOTE	REF NO	GRAPHIC REF	PART NUMBER	QTY	PART NAME	SEE PAGE
					1 2 3 4 5 6 (PRODUCT LEVEL)	
Y	1	1	284-9242	1	TERMINAL GP-CIRCUIT BREAKER	540
M	2	1	8T-4138	3	BOLT (M6X1X20-MM)	
	3	1	9X-8256	3	WASHER (6.6X12X2-MM THK)	

M-METRIC PART
Y-SEPARATE ILLUSTRATION



GRAPHIC #1

<END>

g01277773

ELECTRICAL AND STARTING SYSTEM

284-9243 MOUNTING GP-TERMINAL STRIP

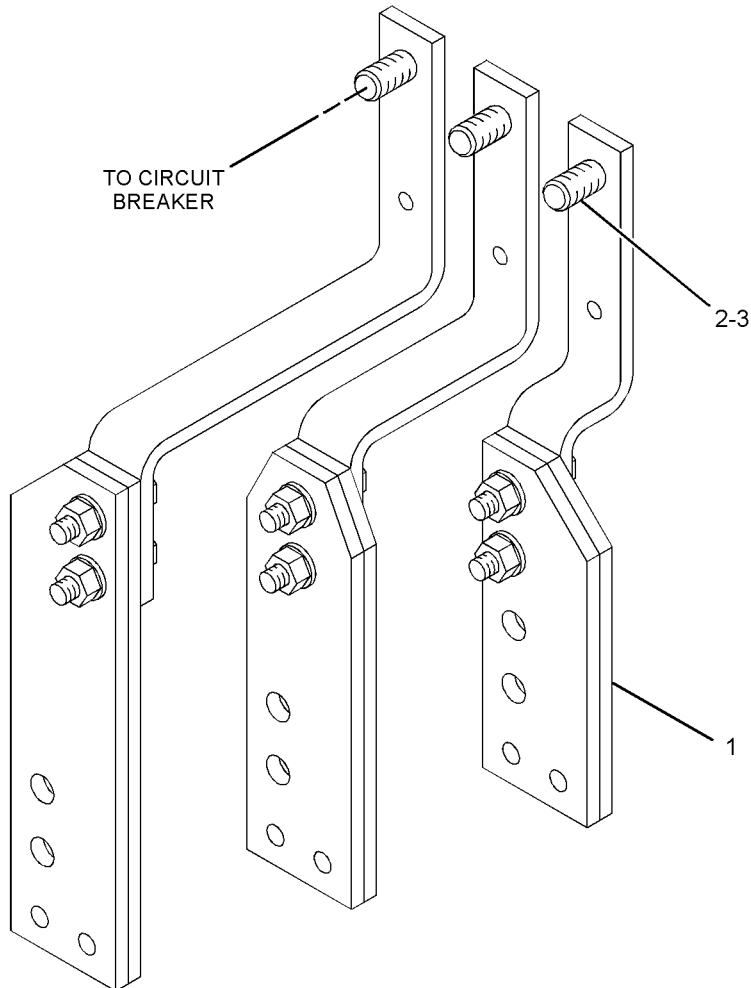
S/N: C5H1-UP
400-AMPERE
AN ATTACHMENT

SMCS-4460, 7426

i02548201

NOTE	REF NO	GRAPHIC REF	PART NUMBER	QTY	PART NAME						SEE PAGE
					1	2	3	4	5	6 (PRODUCT LEVEL)	
Y	1	1	284-9244	1	TERMINAL GP-CIRCUIT BREAKER						541
M	2	1	8T-4138	3	BOLT (M6X1X20-MM)						
	3	1	9X-8256	3	WASHER (6.6X12X2-MM THK)						

M-METRIC PART
Y-SEPARATE ILLUSTRATION



GRAPHIC #1

<END>

g01278110

ELECTRICAL AND STARTING SYSTEM

262-9635 MOUNTING GP-WIRING

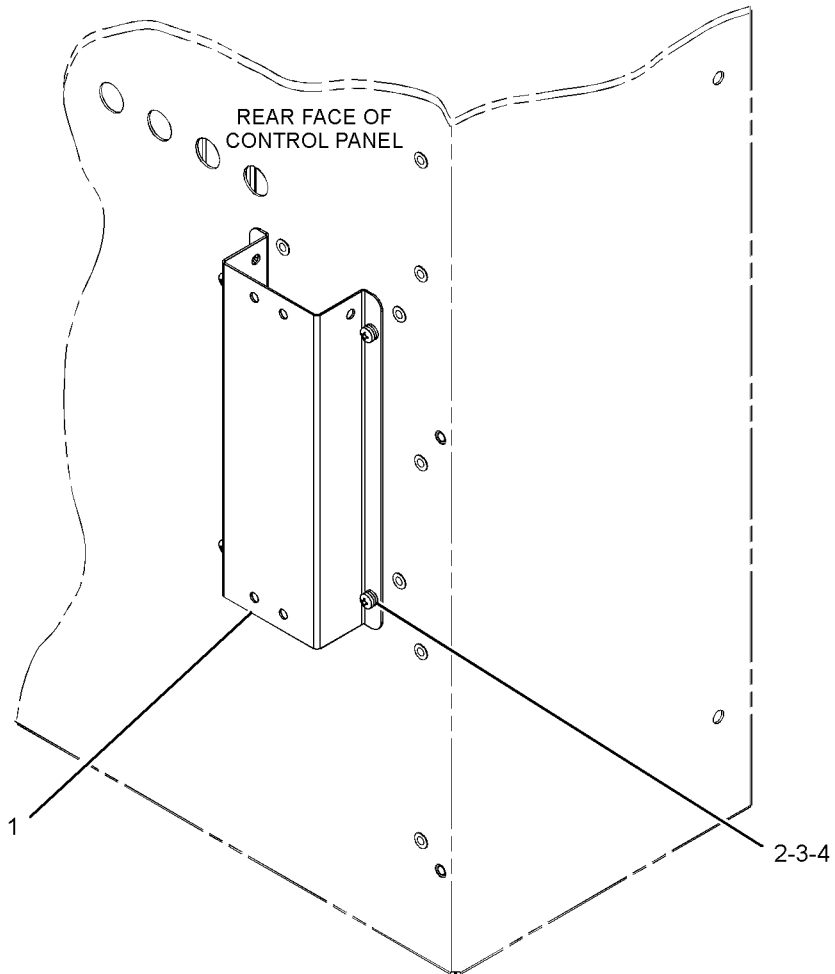
S/N: C5H1-UP
AN ATTACHMENT

SMCS-1408

i02355122

NOTE	REF NO	GRAPHIC REF	PART NUMBER	QTY	PART NAME						SEE PAGE
					1	2	3	4	5	6 (PRODUCT LEVEL)	
	1	1	264-6550	1	BRACKET						
M	2	1	095-0742	4	SCREW-MACHINE (M6X1X16-MM)						
	3	1	095-0827	4	LOCKWASHER						
	4	1	9X-8256	4	WASHER (6.6X12X2-MM THK)						

M-METRIC PART



GRAPHIC #1

<END>

g01179790

ELECTRICAL AND STARTING SYSTEM

284-9151 PANEL GP-CIRCUIT BREAKER

S/N: C5H1-UP

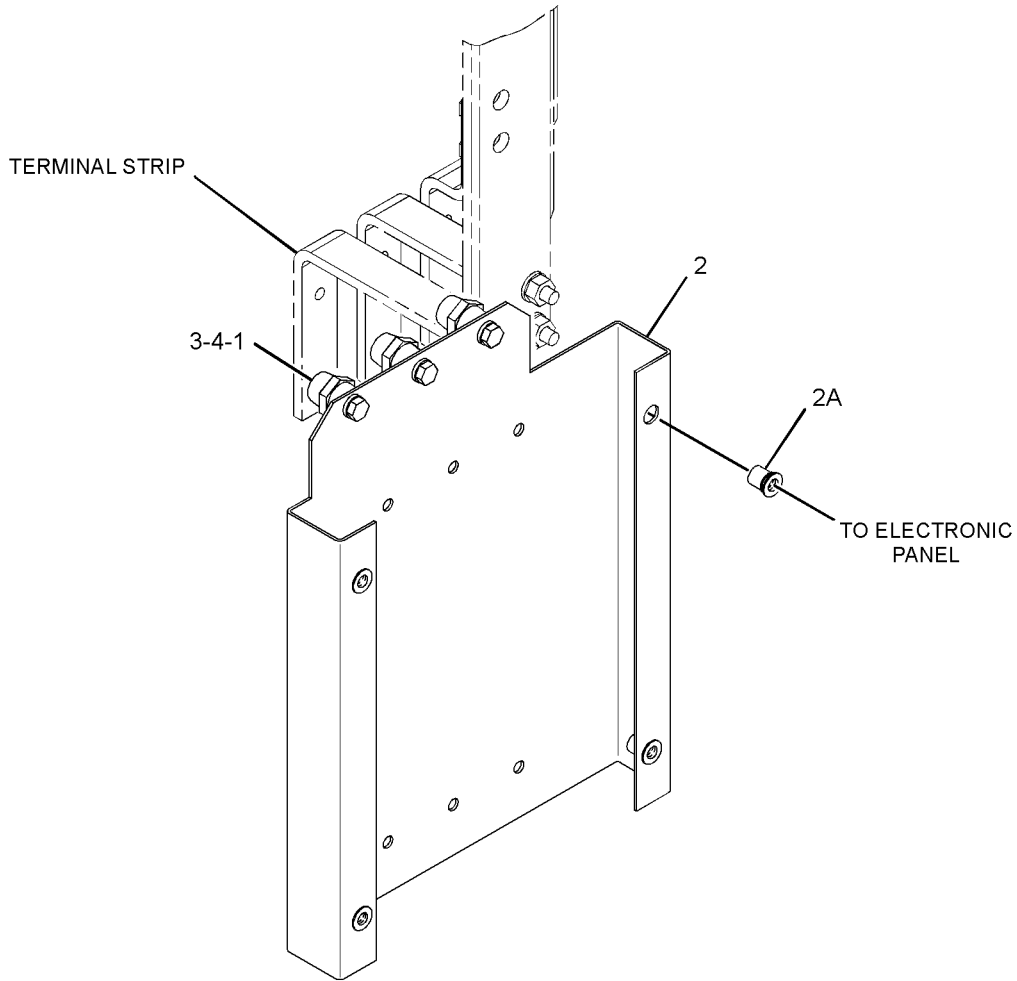
PART OF 284-9245 MOUNTING GP-PANEL
AN ATTACHMENT

SMCS-1417, 1420, 4461

i02478594

NOTE	REF NO	GRAPHIC REF	PART NUMBER	QTY	PART NAME						SEE PAGE
					1	2	3	4	5	6 (PRODUCT LEVEL)	
	1	1	169-4516	3	INSULATOR						
	2	1	283-9207	1	PANEL AS						
M	2A	1	3E-4304	4	INSERT-THREADED (M6X1-6H-THD)						
M	3	1	8T-0639	3	BOLT (M6X1X12-MM)						
	4	1	9X-8256	3	WASHER (6.6X12X2-MM THK)						

M-METRIC PART



GRAPHIC #1

<END>

g01283086

ELECTRICAL AND STARTING SYSTEM

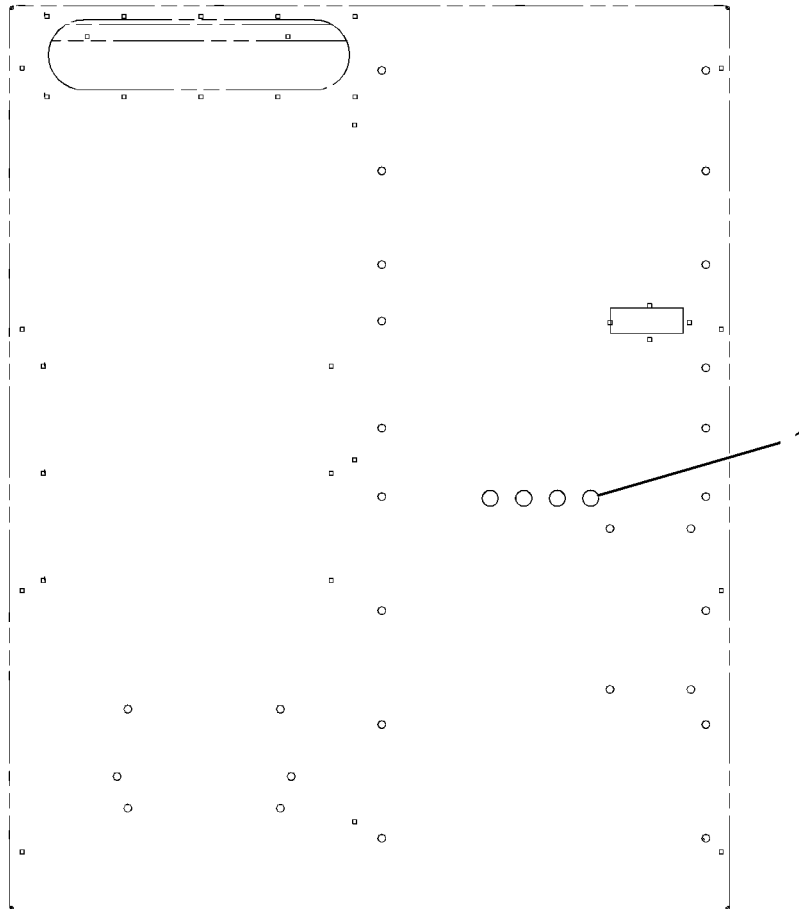
268-8667 PLUG GP-BOX

S/N: C5H1-UP
AN ATTACHMENT

SMCS-7426

i02305764

NOTE	REF NO	GRAPHIC REF	PART NUMBER	QTY	PART NAME						SEE PAGE
					1	2	3	4	5	6 (PRODUCT LEVEL)	
	1	1	213-0985	4	GROMMET						



GRAPHIC #1

<END>

g01181328

ELECTRICAL AND STARTING SYSTEM

261-5828 RELAY GP-GENERAL ALARM

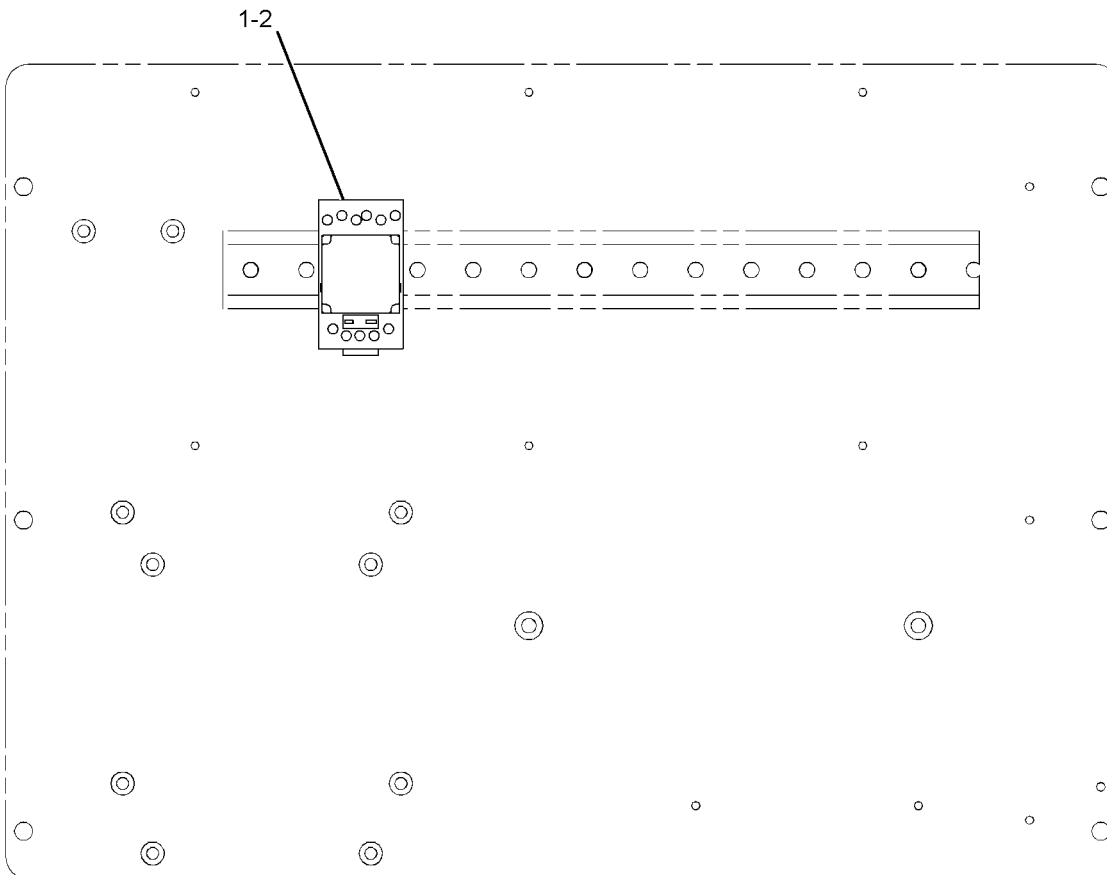
S/N: C5H1-UP
AN ATTACHMENT

SMCS-1422, 4493

i02611420

NOTE	REF NO	GRAPHIC REF	PART NUMBER	QTY	PART NAME						SEE PAGE
					1	2	3	4	5	6 (PRODUCT LEVEL)	
	1	1	245-2123	1	RELAY AS (24-VOLT)						
B		1	143-4478	1	RELAY (24-VOLT) (EUROPEAN SOURCED)						
B		1	223-6470	1	RELAY (10-AMPERE, 24-VOLT) (US SOURCED)						
	2	1	245-2124	1	BASE AS (RELAY)						
B		1	211-0640	1	SPRING (RELAY) (US SOURCED)						
B		1	252-1732	1	BASE-RELAY (US SOURCED)						
B		1	143-4479	1	SOCKET-RELAY (EUROPEAN SOURCED)						
F		1	258-4701	1	HARNESS AS-ALARM						
		1	1S-9593	8	STRAP-CABLE						

B- USE AS REQUIRED
F- NOT SHOWN



GRAPHIC #1

<END>

g01137171

ELECTRICAL AND STARTING SYSTEM

261-5829 RELAY GP-GROUND FAULT

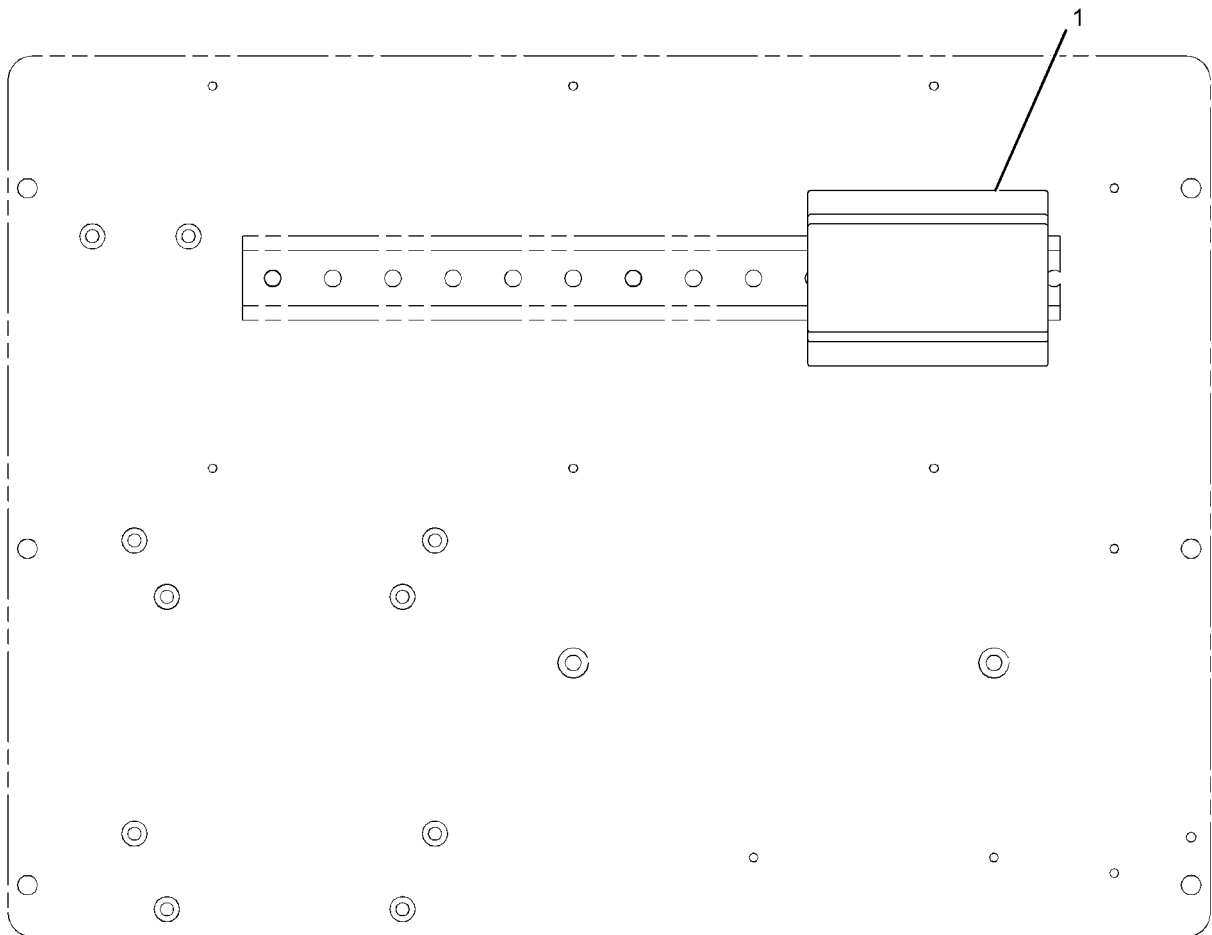
S/N: C5H1-401
AN ATTACHMENT

SMCS-4493

i03044929

NOTE	REF NO	GRAPHIC REF	PART NUMBER	QTY	PART NAME						SEE PAGE
					1	2	3	4	5	6 (PRODUCT LEVEL)	
C	1	1	304-0849	1	RELAY (GROUND FAULT, 24-VOLT, DC)						
CF			304-0855	1	HARNESS AS-WIRING (GROUND FAULT)						
			1S-9593	9	STRAP-CABLE						

C- CHANGE FROM PREVIOUS TYPE
F- NOT SHOWN



GRAPHIC #1

<END>

g01137173

ELECTRICAL AND STARTING SYSTEM

261-5829 RELAY GP-GROUND FAULT

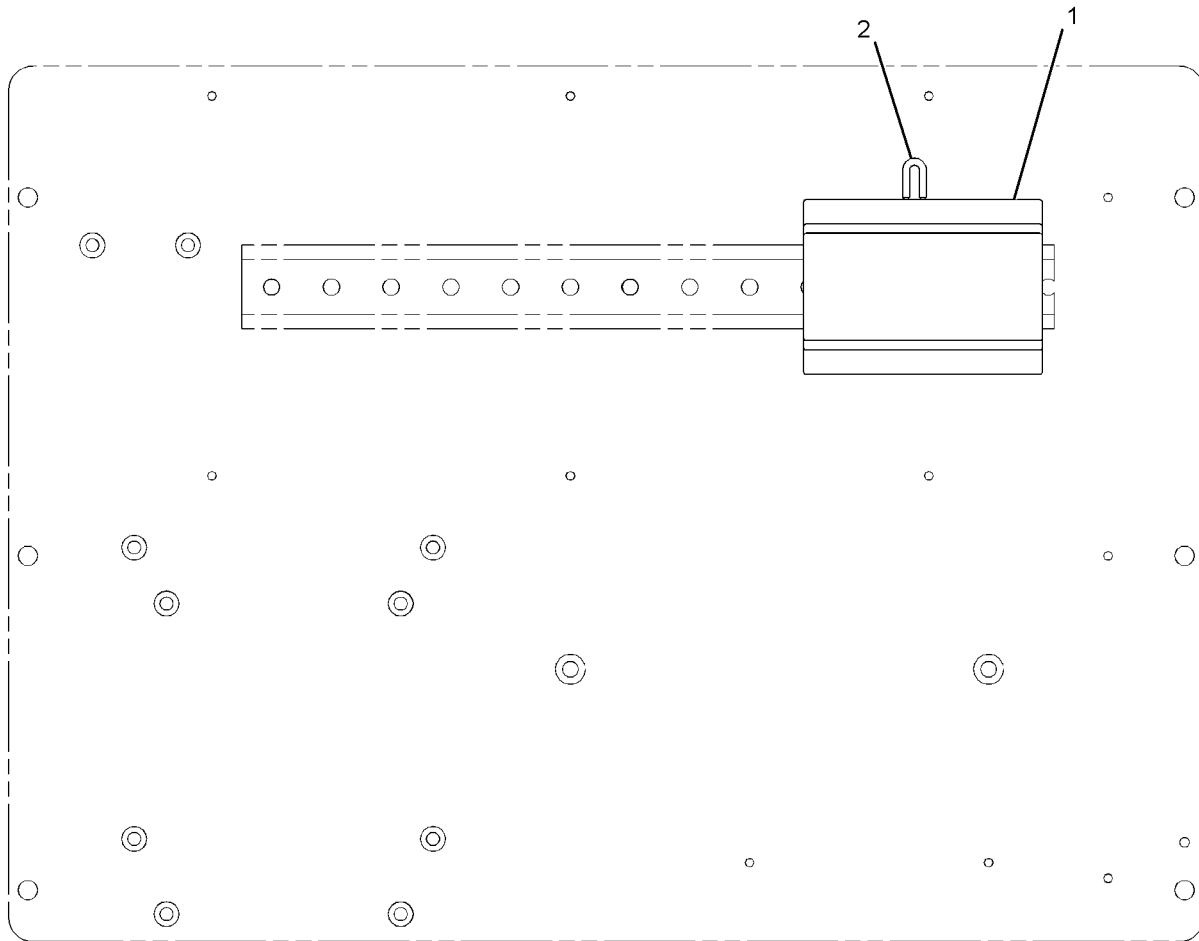
S/N: C5H402-UP
AN ATTACHMENT

SMCS-4493

i02939651

NOTE	REF NO	GRAPHIC REF	PART NUMBER	QTY	PART NAME						SEE PAGE
					1	2	3	4	5	6 (PRODUCT LEVEL)	
	1	1	317-9506	1	RELAY (GROUND FAULT, 24-VOLT, DC)						
C	2	1	311-8118	1	HARNESS AS-WIRING						
F			304-0855	1	HARNESS AS-WIRING (GROUND FAULT)						

C- CHANGE FROM PREVIOUS TYPE
F- NOT SHOWN



GRAPHIC #1

<END>

g01389376

ELECTRICAL AND STARTING SYSTEM

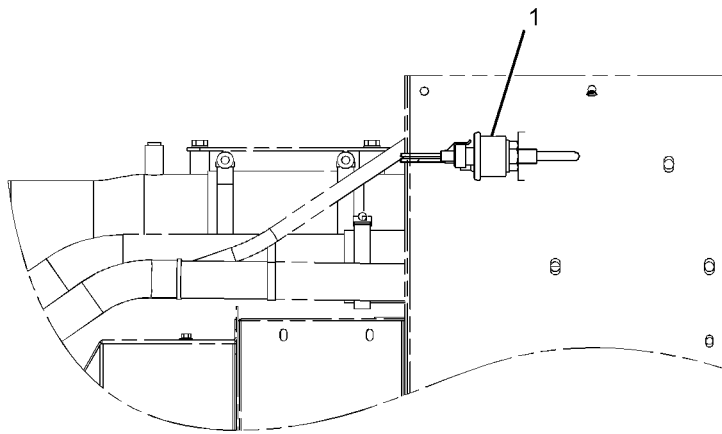
263-9343 SENSOR GP-COOLANT LEVEL

S/N: C5H1-UP
AN ATTACHMENT

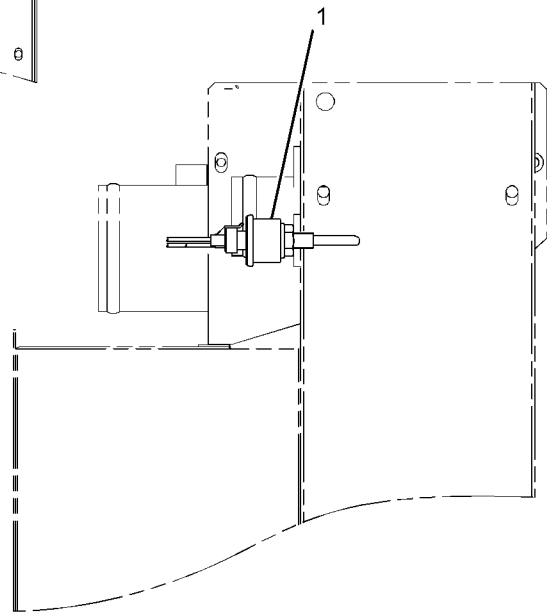
SMCS-7422

i03243561

NOTE	REF NO	GRAPHIC REF	PART NUMBER	QTY	PART NAME						SEE PAGE
					1	2	3	4	5	6 (PRODUCT LEVEL)	
Y	1	1	239-9957	1	SENSOR GP-LIQUID LEVEL						442
Y-SEPARATE ILLUSTRATION											



(C15 COOLANT LEVEL SENSOR)



(C9 COOLANT LEVEL SENSOR)

GRAPHIC #1

<END>

g01185566

ELECTRICAL AND STARTING SYSTEM

231-1973 SENSOR GP-ENGINE

S/N: FFH1-UP

SMCS-1000, 1050, 1718, 1906, 1907, 1912, 1917, 1923,
1924, 1925, 1928, 1929, 7400, 7422

i02696324

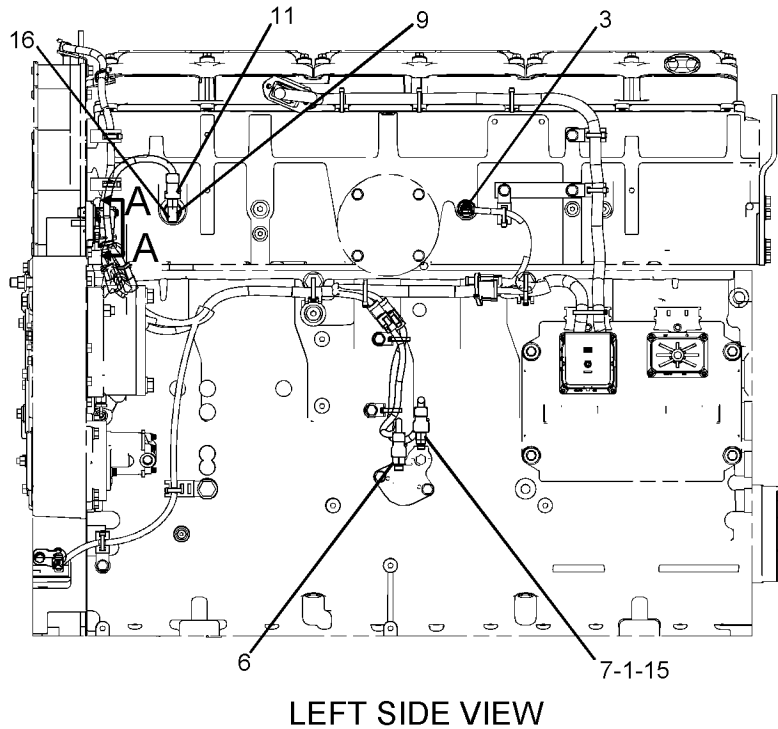
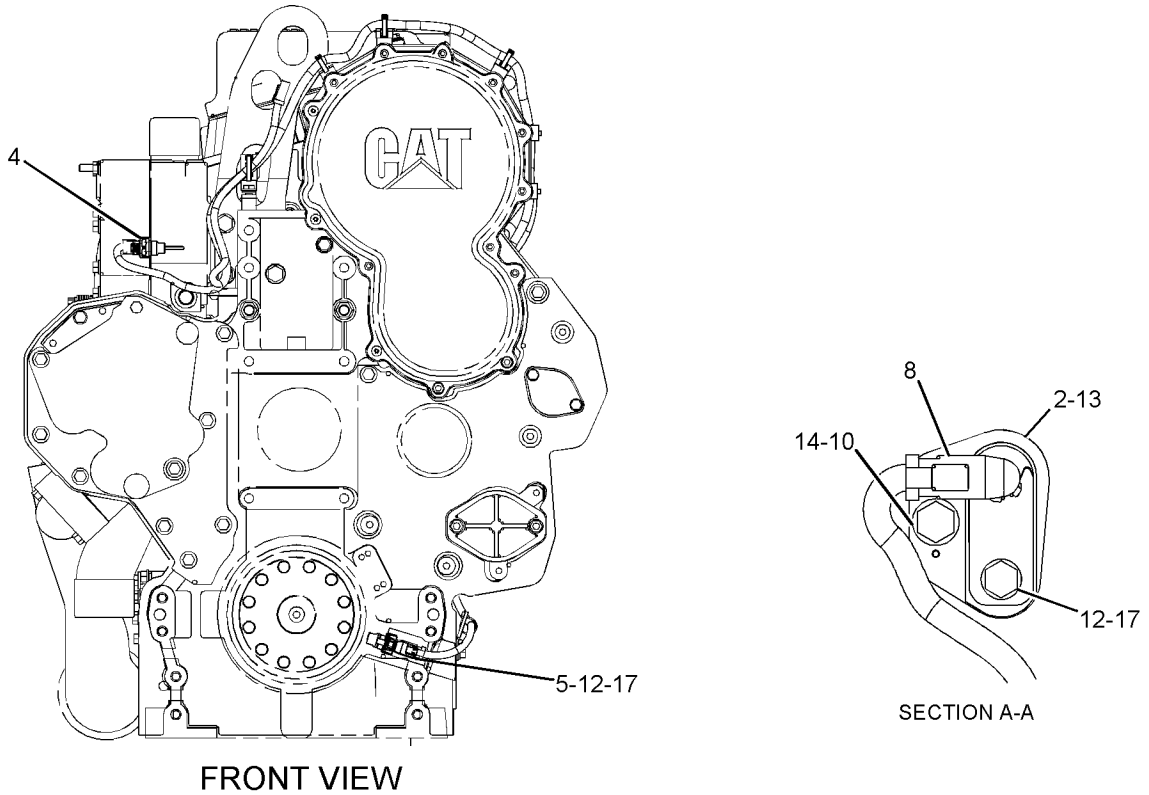
NOTE	REF NO	GRAPHIC REF	PART NUMBER	QTY	PART NAME	SEE PAGE
					1 2 3 4 5 6 (PRODUCT LEVEL)	
	1	1	9X-0262	1	ADAPTER	
	2	1	132-9770	1	SPACER AS	
		1	1W-6448	2	DOWEL	
CY	3	1	274-7395	1	SENSOR GP-TEMPERATURE (INTAKE AIR MANIFOLD)	468
CY	4	1	274-7396	1	SENSOR GP-TEMPERATURE (ENGINE COOLANT)	469
Y	5	1	214-2484	1	SENSOR GP-SPEED (TIMING, CRANKSHAFT)	456
Y	6	1	239-2395	1	SENSOR GP-PRESSURE (ATMOSPHERIC AIR)	445
Y	7	1	239-2396	1	SENSOR GP-PRESSURE (ENGINE OIL)	446
Y	8	1	239-5928	1	SENSOR GP-SPEED (TIMING, CAMSHAFT)	457
	9	1	241-6186	1	ELBOW	
	10	1	0S-1591	1	BOLT (3/8-16X1.5-IN)	
Y	11	1	239-5674	1	SENSOR GP-PRESSURE (AIR INLET MANIFOLD)	448
	12	1	2H-3755	2	BOLT (5/16-18X0.43-IN)	
	13	1	3P-1155	1	SEAL-O-RING	
	14	1	5M-2894	1	WASHER-HARD (10.2X18.5X2.5-MM THK)	
	15	1	6V-5048	1	SEAL-O-RING	
	16	1	6V-5049	1	SEAL-O-RING	
	17	1	9M-1974	2	WASHER-HARD (8.8X16X2-MM THK)	

C-CHANGE FROM PREVIOUS TYPE
Y-SEPARATE ILLUSTRATION

ELECTRICAL AND STARTING SYSTEM

231-1973 SENSOR GP-ENGINE (contd.)

i02696324



GRAPHIC #1

<END>

g01055021

ELECTRICAL AND STARTING SYSTEM

276-9769 SENSOR GP-ENGINE

S/N: FFH335-UP

SMCS-1000, 1050, 1718, 1906, 1907, 1912, 1917, 1923,
1924, 1925, 1928, 1929, 7400, 7422

i02551786

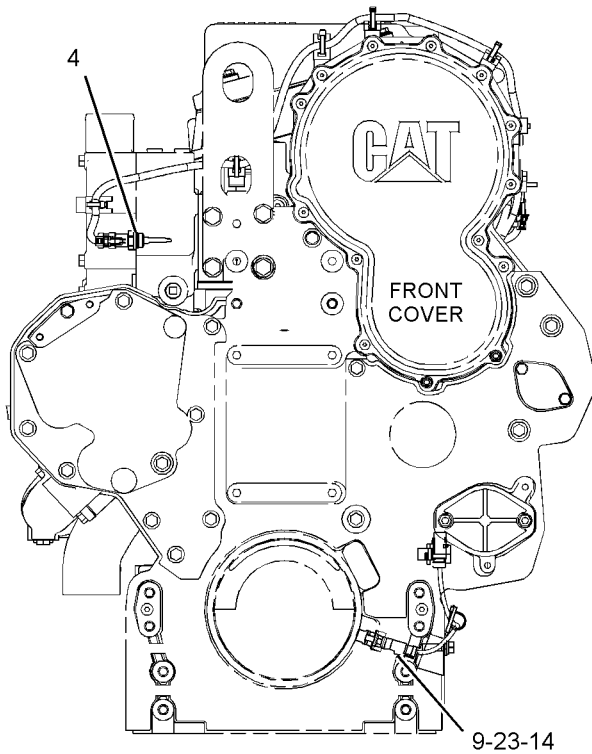
NOTE	REF NO	GRAPHIC REF	PART NUMBER	QTY	PART NAME	SEE PAGE
					1 2 3 4 5 6 (PRODUCT LEVEL)	
	1	1	3S-2093	2	STRAP-CABLE	
	2	1	9X-0262	1	ADAPTER	
	3	1	132-9770	1	SPACER AS	
		1	1W-6448	2	DOWEL	
Y	4	1	234-5012	1	SENSOR GP-TEMPERATURE (WATER, COOLANT)	464
Y	5	1	234-5013	1	SENSOR GP-TEMPERATURE (AIR INLET MANIFOLD)	465
	6	1	241-6217	1	ELBOW	
Y	7	1	249-0096	1	SENSOR GP-PRESSURE (AIR INLET MANIFOLD)	449
CY	8	1	271-7537	1	SENSOR GP-SPEED (TIMING, CAMSHAFT)	459
CY	9	1	271-7538	1	SENSOR GP-SPEED (TIMING, CRANKSHAFT)	460
Y	10	1	276-8548	1	SENSOR GP-PRESSURE (ATMOSPHERIC)	450
Y	11	1	276-9067	1	SENSOR GP-PRESSURE (ENGINE OIL)	451
	12	1	0S-1591	1	BOLT (3/8-16X1.5-IN)	
	13	1	1A-4273	1	BOLT (5/8-18X1.25-IN)	
	14	1	2H-3755	2	BOLT (5/16-18X0.43-IN)	
	15	1	3B-1915	1	BOLT (3/8-16X1.375-IN)	
	16	1	3P-1155	1	SEAL-O-RING	
	17	1	4P-7581	1	CLIP	
	18	1	4P-7582	1	CLIP	
	19	1	5M-2894	2	WASHER-HARD (10.2X18.5X2.5-MM THK)	
	20	1	5P-8247	1	WASHER-HARD (17X32X3.5-MM THK)	
	21	1	6V-5048	1	SEAL-O-RING	
	22	1	6V-5049	1	SEAL-O-RING	
	23	1	9M-1974	2	WASHER-HARD (8.8X16X2-MM THK)	

C-CHANGE FROM PREVIOUS TYPE
Y-SEPARATE ILLUSTRATION

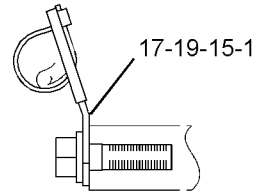
ELECTRICAL AND STARTING SYSTEM

276-9769 SENSOR GP-ENGINE (contd.)

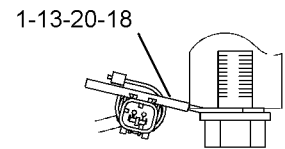
i02551786



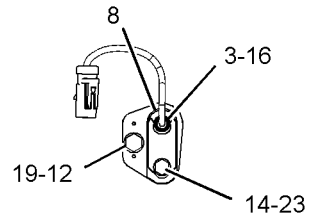
FRONT VIEW OF ENGINE



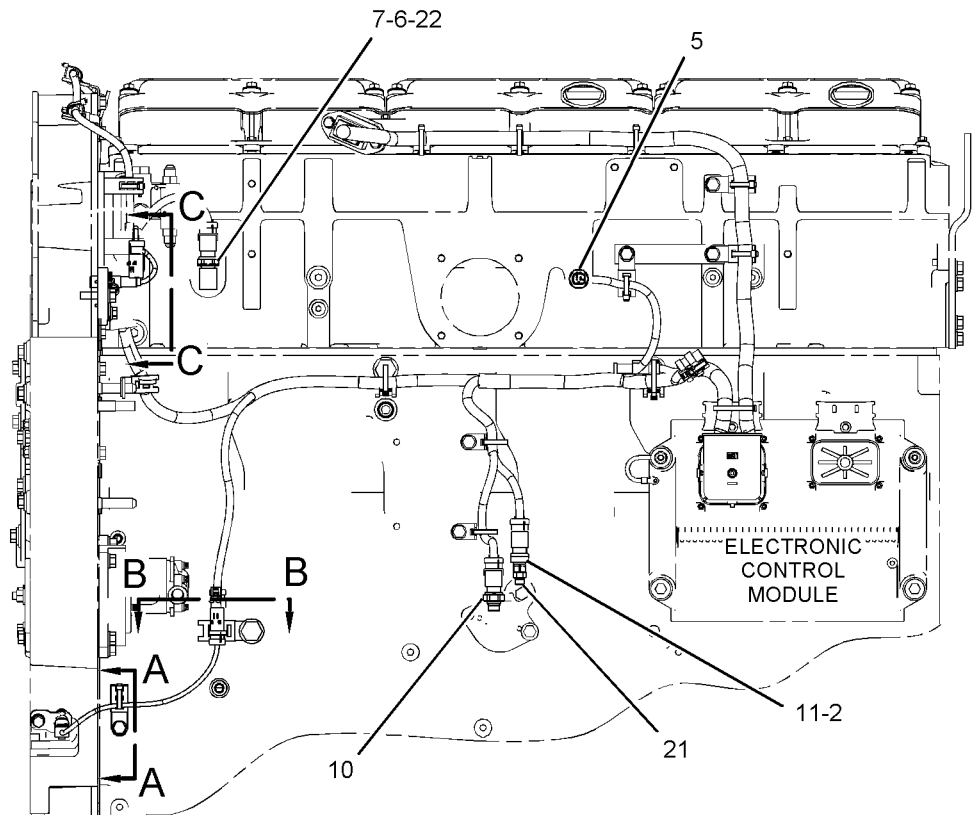
SECTION A-A



SECTION B-B



VIEW C-C



LEFT SIDE VIEW OF ENGINE

GRAPHIC #1

<END>

g01333636

ELECTRICAL AND STARTING SYSTEM

276-9769 SENSOR GP-ENGINE

S/N: FFH1-UP

SMCS-1000, 1050, 1718, 1906, 1907, 1912, 1917, 1923,
1924, 1925, 1928, 1929, 7400, 7422

i02999031

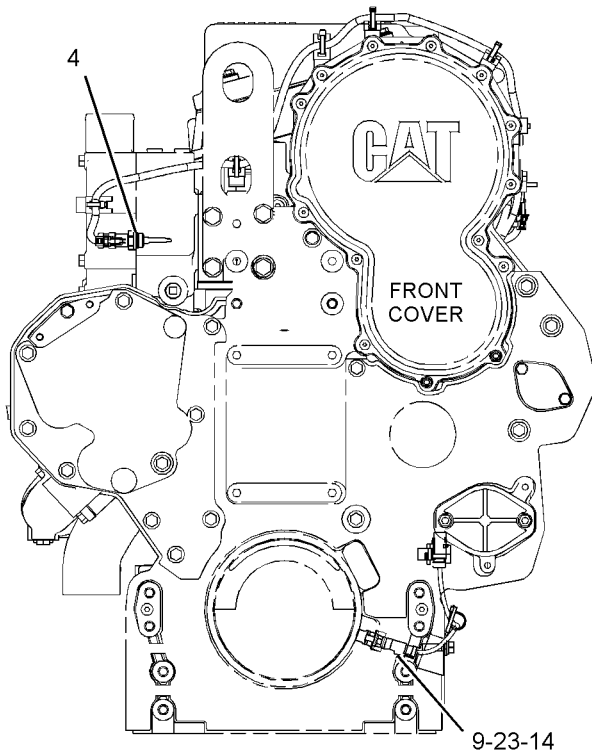
NOTE	REF NO	GRAPHIC REF	PART NUMBER	QTY	PART NAME						SEE PAGE
					1	2	3	4	5	6 (PRODUCT LEVEL)	
	1	1	3S-2093	2	STRAP-CABLE						
	2	1	9X-0262	1	ADAPTER						
	3	1	132-9770	1	SPACER AS						
		1	1W-6448	2	DOWEL						
Y	4	1	234-5012	1	SENSOR GP-TEMPERATURE (WATER, COOLANT)						464
Y	5	1	234-5013	1	SENSOR GP-TEMPERATURE (AIR INLET MANIFOLD)						465
	6	1	241-6217	1	ELBOW						
Y	7	1	249-0096	1	SENSOR GP-PRESSURE (AIR INLET MANIFOLD)						449
CY	8	1	300-9804	1	SENSOR GP-SPEED (TIMING, CAMSHAFT)						462
CY	9	1	300-9805	1	SENSOR GP-SPEED (TIMING, CRANKSHAFT)						463
Y	10	1	276-8548	1	SENSOR GP-PRESSURE (ATMOSPHERIC)						450
Y	11	1	276-9067	1	SENSOR GP-PRESSURE (ENGINE OIL)						451
	12	1	0S-1591	1	BOLT (3/8-16X1.5-IN)						
	13	1	1A-4273	1	BOLT (5/8-18X1.25-IN)						
	14	1	2H-3755	2	BOLT (5/16-18X0.43-IN)						
	16	1	3P-1155	1	SEAL-O-RING						
	17	1	4P-7581	1	CLIP						
	18	1	4P-7582	1	CLIP						
	19	1	5M-2894	1	WASHER-HARD (10.2X18.5X2.5-MM THK)						
	20	1	5P-8247	1	WASHER-HARD (17X32X3.5-MM THK)						
	21	1	6V-5048	1	SEAL-O-RING						
	22	1	6V-5049	1	SEAL-O-RING						
	23	1	9M-1974	2	WASHER-HARD (8.8X16X2-MM THK)						

C-CHANGE FROM PREVIOUS TYPE
Y-SEPARATE ILLUSTRATION

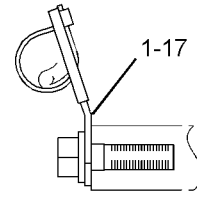
ELECTRICAL AND STARTING SYSTEM

276-9769 SENSOR GP-ENGINE (contd.)

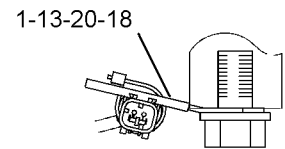
i02999031



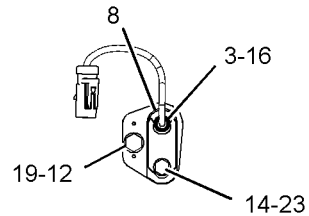
FRONT VIEW OF ENGINE



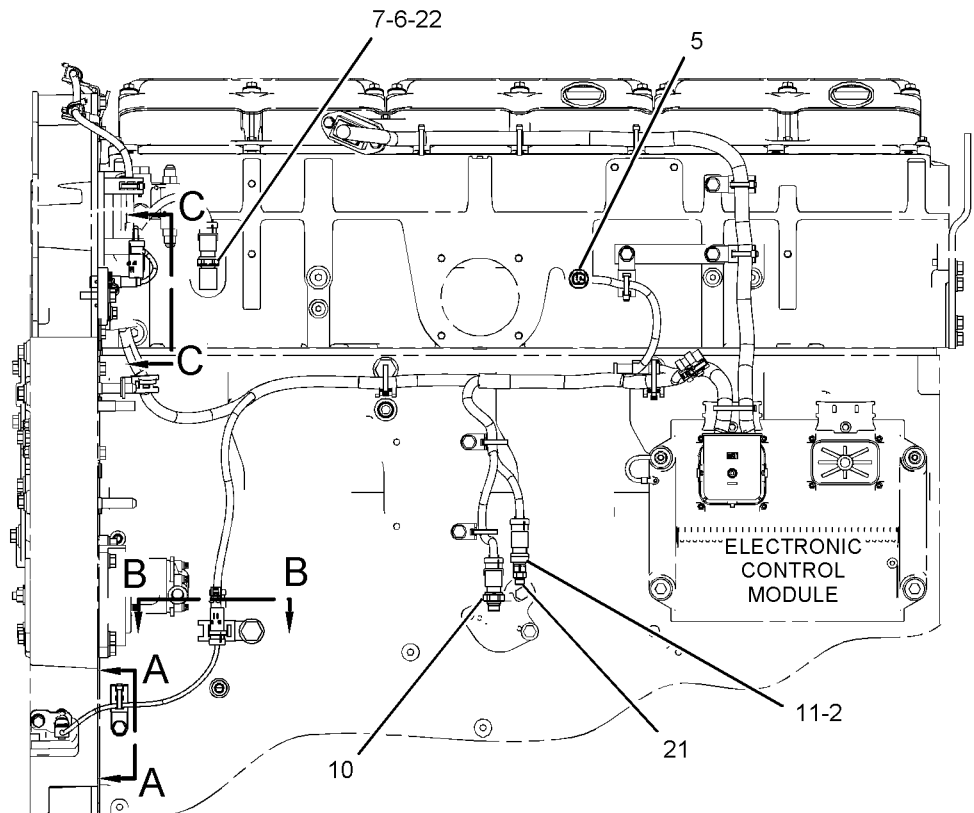
SECTION A-A



SECTION B-B



VIEW C-C



LEFT SIDE VIEW OF ENGINE

GRAPHIC #1

<END>

g01366792

ELECTRICAL AND STARTING SYSTEM

239-9957 SENSOR GP-LIQUID LEVEL

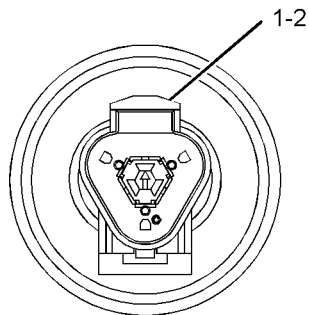
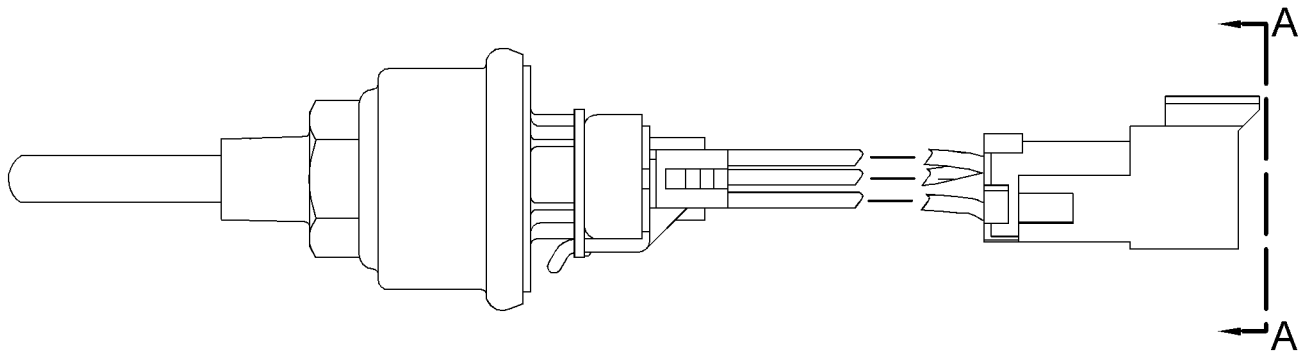
S/N: C5H1-UP

PART OF 263-9343 SENSOR GP-COOLANT LEVEL
AN ATTACHMENT

SMCS-7422

i03325600

NOTE	REF NO	GRAPHIC REF	PART NUMBER	QTY	PART NAME						SEE PAGE
					1	2	3	4	5	6 (PRODUCT LEVEL)	
	1	1	102-8803	1	KIT-RECEPTACLE (3-PIN) (INCLUDES RECEPTACLE AS & WEDGE)						
	2	1	186-3735	3	PIN-CONNECTOR (16-GA TO 18-GA)						



VIEW A-A

GRAPHIC #1

<END>

g01281047

ELECTRICAL AND STARTING SYSTEM

194-6722 SENSOR GP-PRESSURE

S/N: FFH1-UP

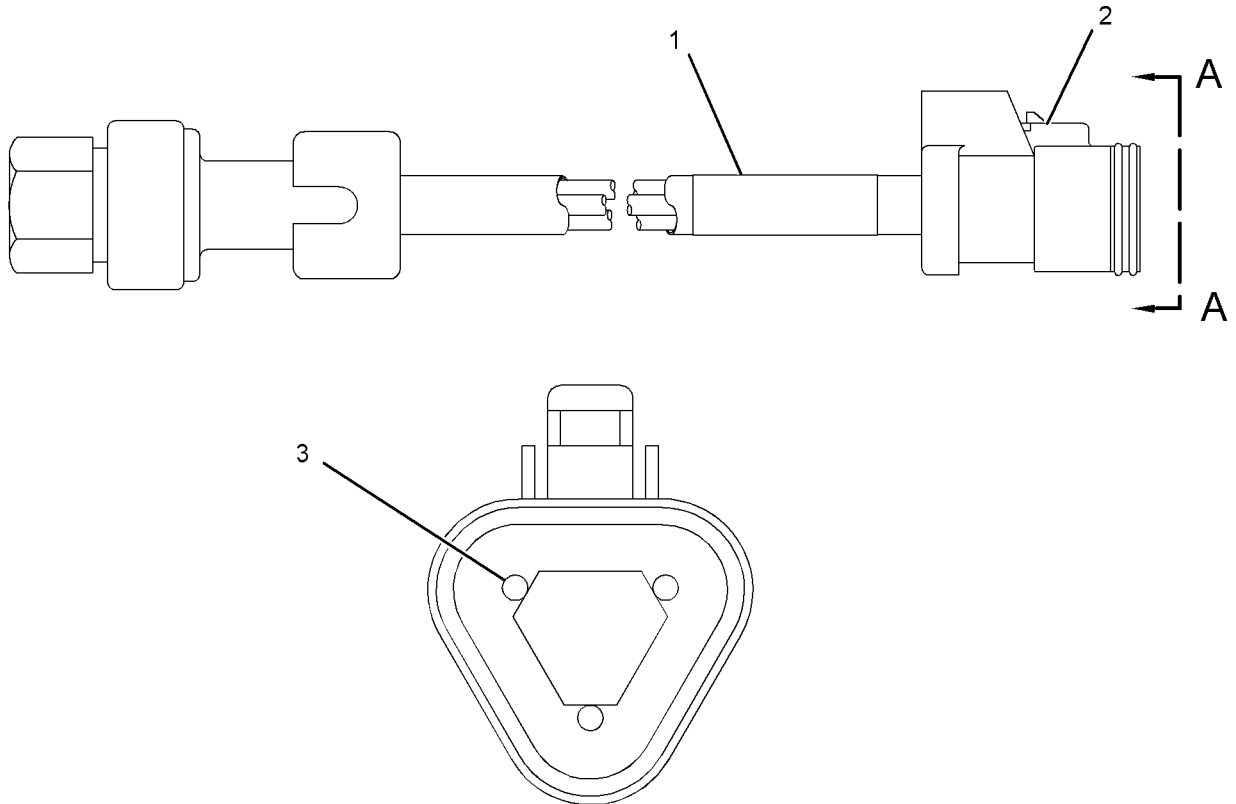
PART OF 239-2395 SENSOR GP-PRESSURE

SMCS-1718, 1916, 1917, 1923, 1924, 1925

i03572341

NOTE	REF NO	GRAPHIC REF	PART NUMBER	QTY	PART NAME						SEE PAGE
					1	2	3	4	5	6 (PRODUCT LEVEL)	
E	1	1	9X-1813		SLEEVE (34-CM)						
	2	1	155-2260	1	KIT-CONNECTING PLUG (3-PIN) (INCLUDES PLUG AS, WEDGE & INTERFACE SEAL)						
	3	1	180-9340	3	SOCKET-CONNECTOR (14-GA TO 18-GA)						

E-ORDER BY THE CENTIMETER



VIEW A-A

GRAPHIC #1

<END>

g01381175

ELECTRICAL AND STARTING SYSTEM

194-6725 SENSOR GP-PRESSURE

S/N: FFH1-UP

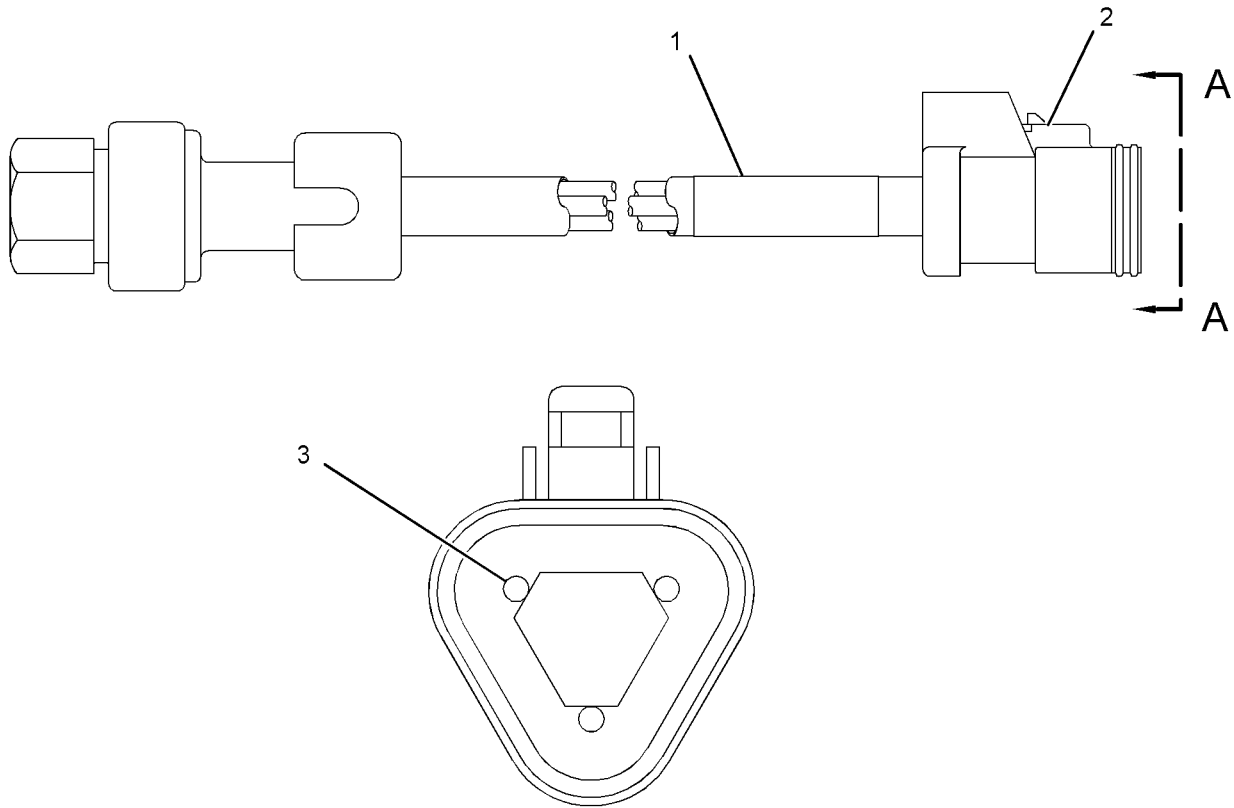
PART OF 239-2396 SENSOR GP-PRESSURE

SMCS-1718, 1916, 1917, 1923, 1924, 1925

i03642385

NOTE	REF NO	GRAPHIC REF	PART NUMBER	QTY	PART NAME						SEE PAGE
					1	2	3	4	5	6 (PRODUCT LEVEL)	
E	1	1	9X-1813		SLEEVE (34-CM)						
	2	1	155-2260	1	KIT-CONNECTING PLUG (3-PIN) (INCLUDES PLUG AS, INTERFACE SEAL & WEDGE)						
	3	1	180-9340	3	SOCKET-CONNECTOR (14-GA TO 18-GA)						

E-ORDER BY THE CENTIMETER



VIEW A-A

GRAPHIC #1

<END>

g01662003

ELECTRICAL AND STARTING SYSTEM

239-2395 SENSOR GP-PRESSURE

S/N: FFH1-UP

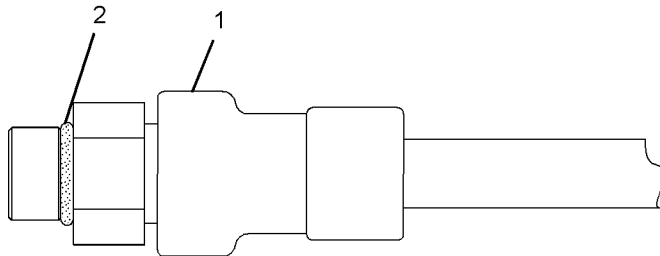
PART OF 231-1973 SENSOR GP-ENGINE

SMCS-1718, 1916, 1917, 1923, 1924, 1925

i02837580

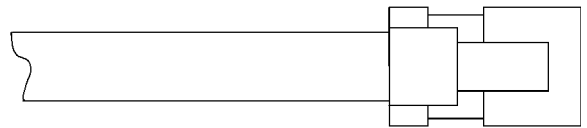
NOTE	REF NO	GRAPHIC REF	PART NUMBER	QTY	PART NAME						SEE PAGE
					1	2	3	4	5	6 (PRODUCT LEVEL)	
Y	1	1	194-6722	1	SENSOR GP-PRESSURE						443
	2	1	6V-5049	1	SEAL-O-RING						

Y-SEPARATE ILLUSTRATION



GRAPHIC #1

<END>



g01019702

ELECTRICAL AND STARTING SYSTEM

239-2396 SENSOR GP-PRESSURE

S/N: FFH1-UP

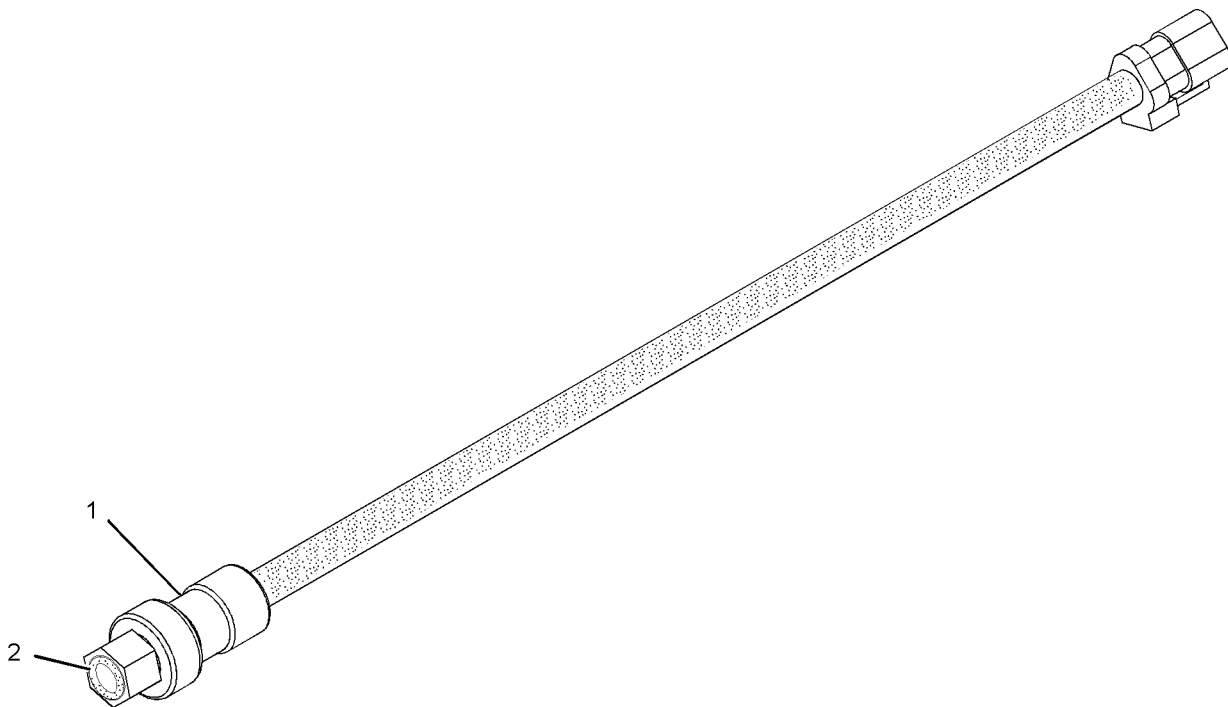
PART OF 254-9354 FILTER GP-FUEL, 231-1973 SENSOR GP-ENGINE

SMCS-1718, 1916, 1917, 1923, 1924, 1925

i02870189

NOTE	REF NO	GRAPHIC REF	PART NUMBER	QTY	PART NAME	SEE PAGE
					1 2 3 4 5 6 (PRODUCT LEVEL)	
Y	1	1	194-6725	1	SENSOR GP-PRESSURE	444
	2	1	6V-5048	1	SEAL-O-RING	

Y-SEPARATE ILLUSTRATION



GRAPHIC #1

<END>

g01019323

ELECTRICAL AND STARTING SYSTEM

239-3478 SENSOR GP-PRESSURE

S/N: FFH1-UP

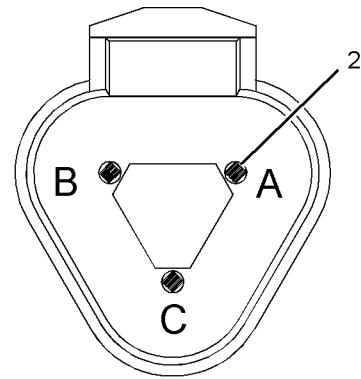
PART OF 239-5674 SENSOR GP-PRESSURE

SMCS-1718, 1916, 1917, 1923, 1924, 1925

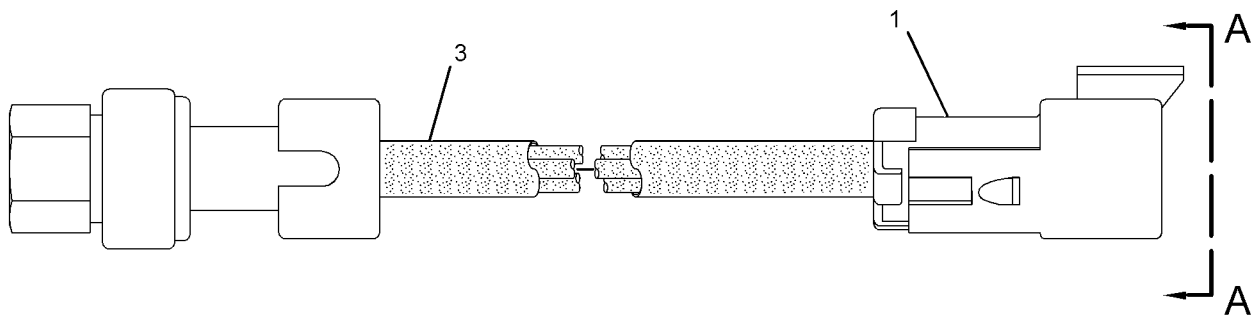
i03570562

NOTE	REF NO	GRAPHIC REF	PART NUMBER	QTY	PART NAME						SEE PAGE
					1	2	3	4	5	6 (PRODUCT LEVEL)	
	1	1	102-8803	1	KIT-RECEPTACLE (3-PIN)						
					(INCLUDES RECEPTACLE AS & WEDGE)						
	2	1	180-9339	3	PIN-CONNECTOR (14-GA TO 18-GA)						
E	3	1	9X-1813		SLEEVE (34-CM)						

E-ORDER BY THE CENTIMETER



VIEW A-A



GRAPHIC #1

<END>

g01896473

ELECTRICAL AND STARTING SYSTEM

239-5674 SENSOR GP-PRESSURE

S/N: FFH1-UP

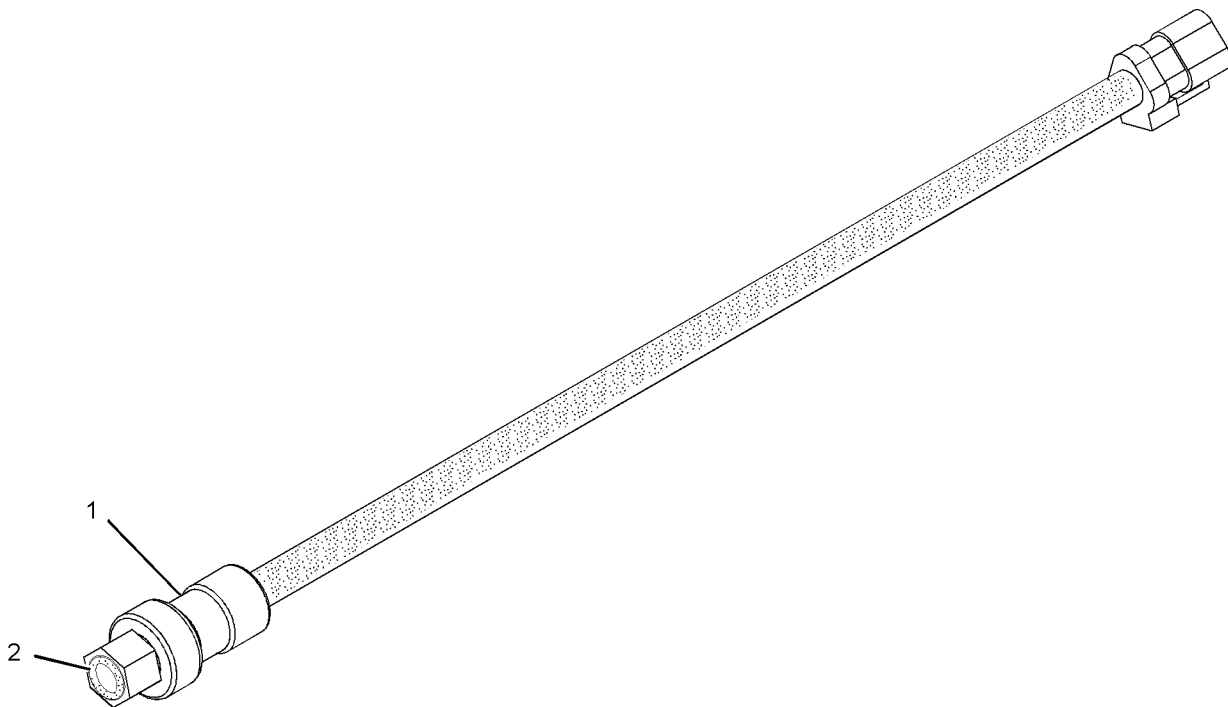
PART OF 231-1973 SENSOR GP-ENGINE

SMCS-1718, 1916, 1917, 1923, 1924, 1925

i02953984

NOTE	REF NO	GRAPHIC REF	PART NUMBER	QTY	PART NAME						SEE PAGE
					1	2	3	4	5	6 (PRODUCT LEVEL)	
Y	1	1	239-3478	1	SENSOR GP-PRESSURE						447
	2	1	6V-5048	1	SEAL-O-RING						

Y-SEPARATE ILLUSTRATION



GRAPHIC #1

<END>

g01019323

ELECTRICAL AND STARTING SYSTEM

249-0096 SENSOR GP-PRESSURE

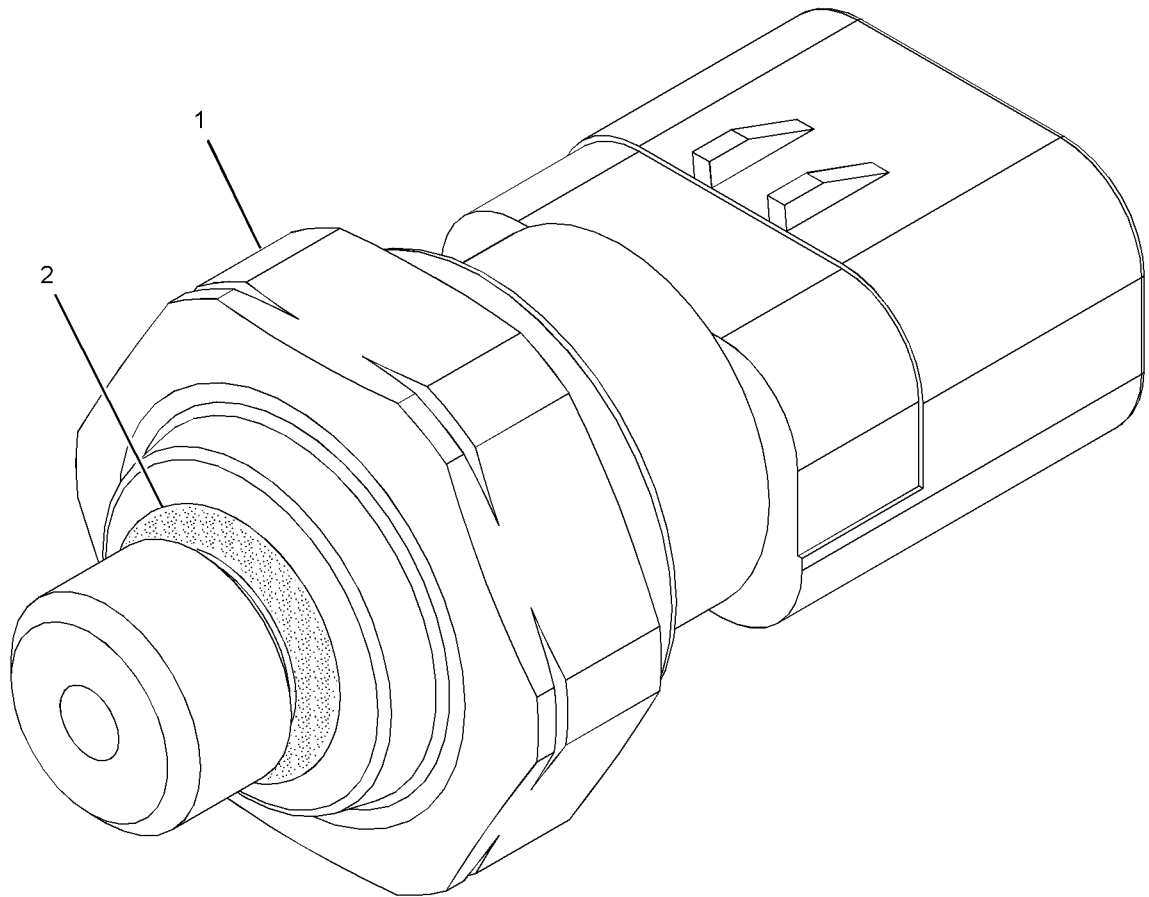
S/N: FFH1-UP

PART OF 276-9769 SENSOR GP-ENGINE

SMCS-1718, 1916, 1917, 1923, 1924, 1925

i02446047

NOTE	REF NO	GRAPHIC REF	PART NUMBER	QTY	PART NAME						SEE PAGE
					1	2	3	4	5	6 (PRODUCT LEVEL)	
	1	1	274-6718	1	SENSOR GP-PRESSURE						
	2	1	6V-5048	1	SEAL-O-RING						



GRAPHIC #1

<END>

g01224445

ELECTRICAL AND STARTING SYSTEM

276-8548 SENSOR GP-PRESSURE

S/N: FFH1-UP

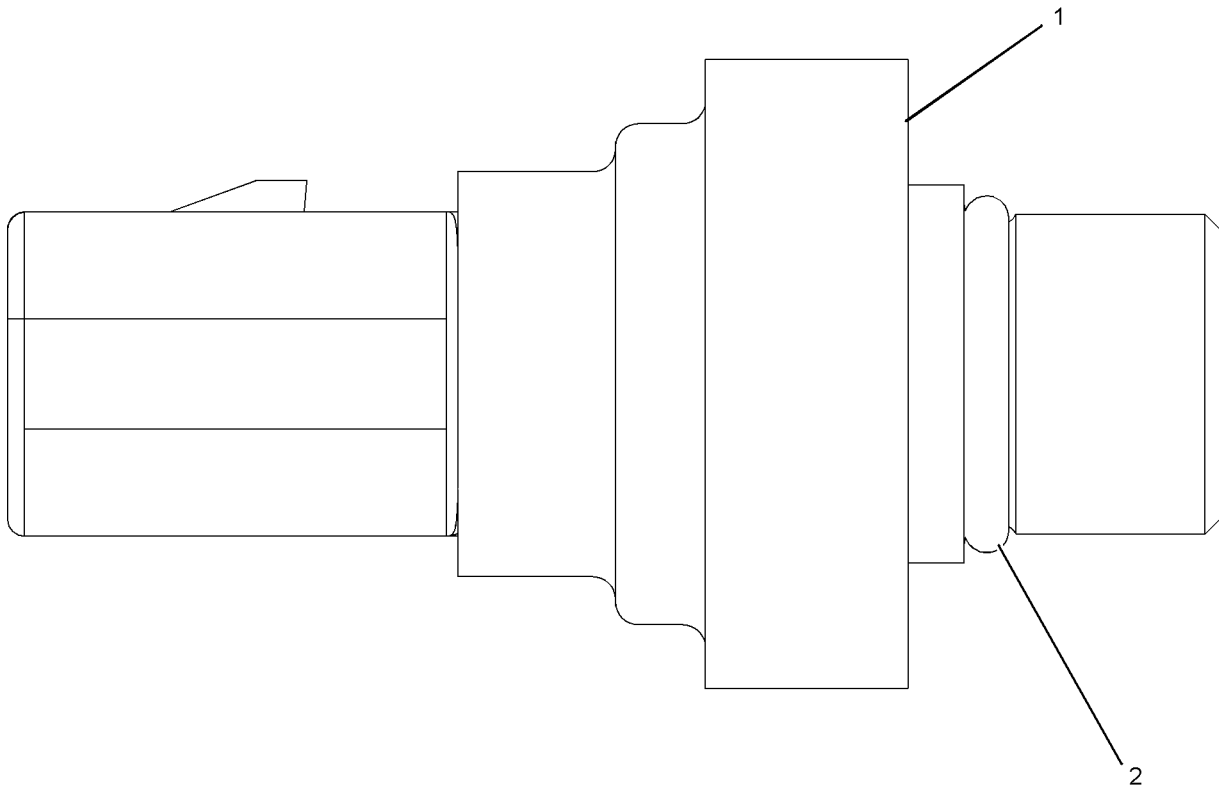
AMPSEAL CONNECTOR

PART OF 276-9769 SENSOR GP-ENGINE

SMCS-1718, 1916, 1917, 1923, 1924, 1925

i02565088

NOTE	REF NO	GRAPHIC REF	PART NUMBER	QTY	PART NAME						SEE PAGE
					1	2	3	4	5	6 (PRODUCT LEVEL)	
	1	1	274-6717	1	SENSOR GP-PRESSURE						
	2	1	6V-5049	1	SEAL-O-RING						



GRAPHIC #1

<END>

g01064278

ELECTRICAL AND STARTING SYSTEM

276-9067 SENSOR GP-PRESSURE

S/N: FFH1-UP

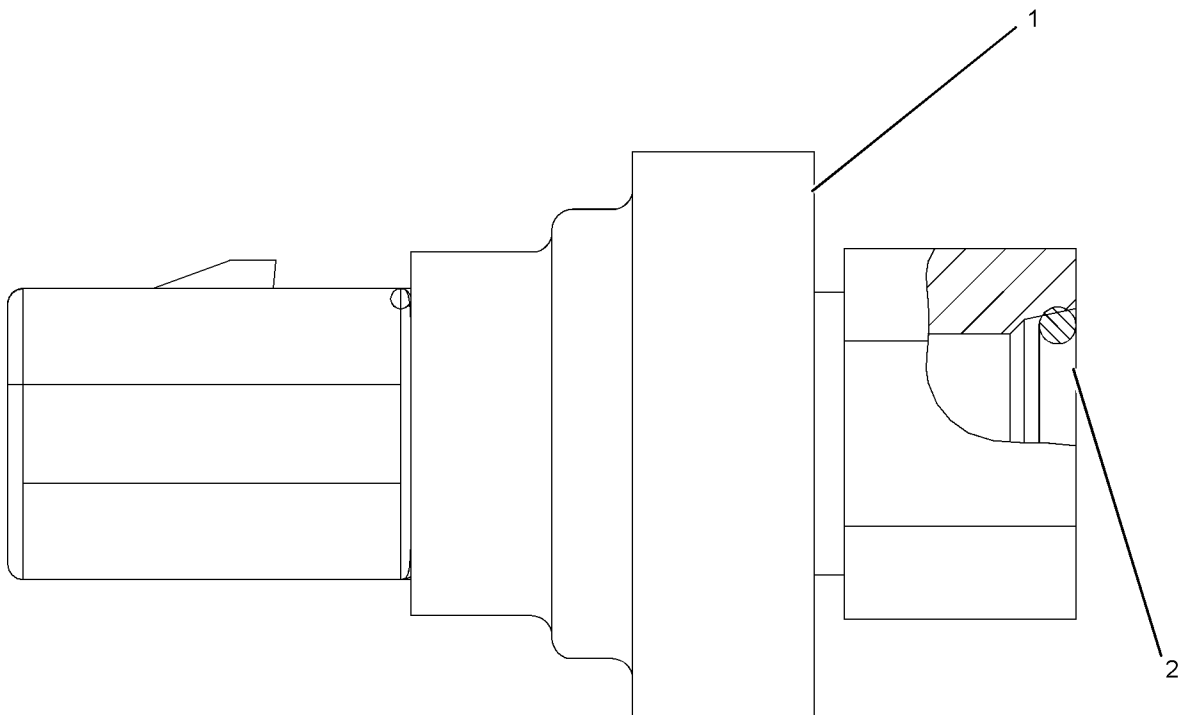
AMPSEAL CONNECTOR

PART OF 276-8020 PUMP GP-FUEL PRM & SEC FILTER, 276-9769 SENSOR GP-ENGINE

SMCS-1718, 1916, 1917, 1923, 1924, 1925

i02658634

NOTE	REF NO	GRAPHIC REF	PART NUMBER	QTY	PART NAME						SEE PAGE
					1	2	3	4	5	6 (PRODUCT LEVEL)	
	1	1	274-6719	1	SENSOR GP-PRESSURE						
	2	1	6V-5048	1	SEAL-O-RING						



GRAPHIC #1

<END>

g01064378

ELECTRICAL AND STARTING SYSTEM

4P-5820 SENSOR GP-SPEED

S/N: FFH285-UP

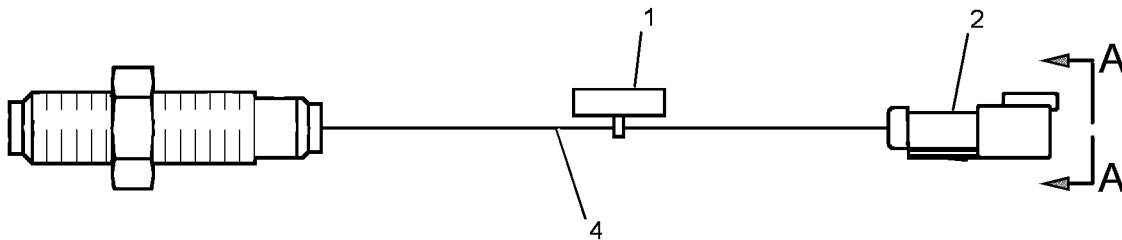
PART OF 4P-5963 SENSOR GP-SPEED

SMCS-1907

i03315080

NOTE	REF NO	GRAPHIC REF	PART NUMBER	QTY	PART NAME						SEE PAGE
					1	2	3	4	5	6 (PRODUCT LEVEL)	
	1	1	171-5349	1	STRAP-MARKER						
	2	1	102-8802	2	KIT-RECEPTACLE (2-PIN) (EACH INCLUDES RECEPTACLE AS & WEDGE)						
	3	1	186-3735	2	PIN-CONNECTOR (16-GA TO 18-GA)						
E	4	1	9X-1386		SLEEVE (14-CM)						

E-ORDER BY THE CENTIMETER



VIEW
A-A

GRAPHIC #1

<END>

g01242242

ELECTRICAL AND STARTING SYSTEM

4P-5963 SENSOR GP-SPEED

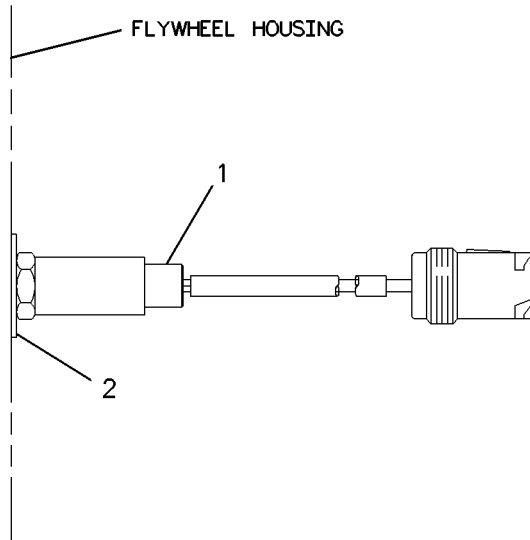
S/N: FFH285-UP

SMCS-1907

i03243643

NOTE	REF NO	GRAPHIC REF	PART NUMBER	QTY	PART NAME						SEE PAGE
					1	2	3	4	5	6 (PRODUCT LEVEL)	
Y	1	1	4P-5820	1	SENSOR GP-SPEED						452
		1	3E-3364	1	RECEPTACLE (2-PIN)						
		1	3E-3365	1	WEDGE-RECEPTACLE LOCK (2-PIN)						
		1	8T-8729	2	PIN-CONNECTOR (16-GA TO 18-GA)						
E		1	9X-1386		SLEEVE (14-CM)						
	2	1	5P-8248	1	WASHER-HARD (20X36.5X3.5-MM THK)						

E-ORDER BY THE CENTIMETER
Y-SEPARATE ILLUSTRATION



GRAPHIC #1

<END>

g00218249

ELECTRICAL AND STARTING SYSTEM

4P-7610 SENSOR GP-SPEED

S/N: FFH1-UP

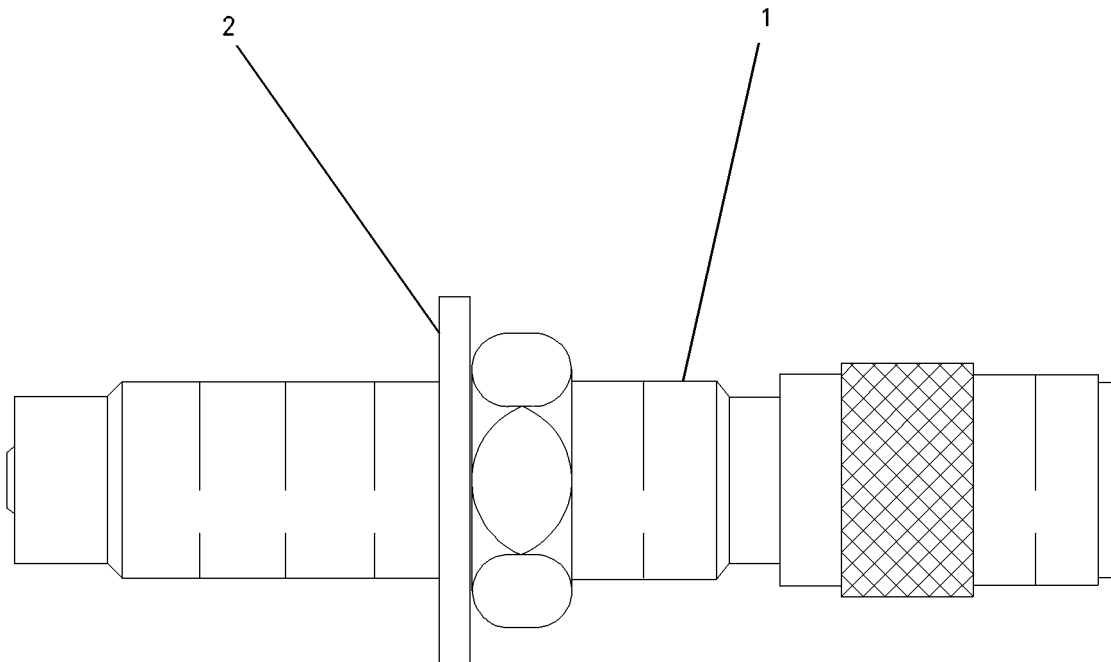
FOR USE WITH ELECTRONIC MODULAR CONTROL PANEL

SMCS-1907

i02601468

NOTE	REF NO	GRAPHIC REF	PART NUMBER	QTY	PART NAME						SEE PAGE
					1	2	3	4	5	6 (PRODUCT LEVEL)	
	1	1	6V-2455	1	SENSOR GP-SPEED (LOW OUTPUT)						
		1	171-5349	1	STRAP-MARKER						
		1	186-3735	2	PIN-CONNECTOR (16-GA TO 18-GA)						
E		1	9X-1386		SLEEVE (14-CM)						
		1	102-8802	1	KIT-RECEPTACLE (2-PIN)						
					(INCLUDES RECEPTACLE AS AND WEDGE)						
	2	1	8T-4122	1	WASHER-HARD (17X32X3.5-MM THK)						

E-ORDER BY THE CENTIMETER



GRAPHIC #1

<END>

g00722623

ELECTRICAL AND STARTING SYSTEM

201-6617 SENSOR GP-SPEED

S/N: FFH1-UP

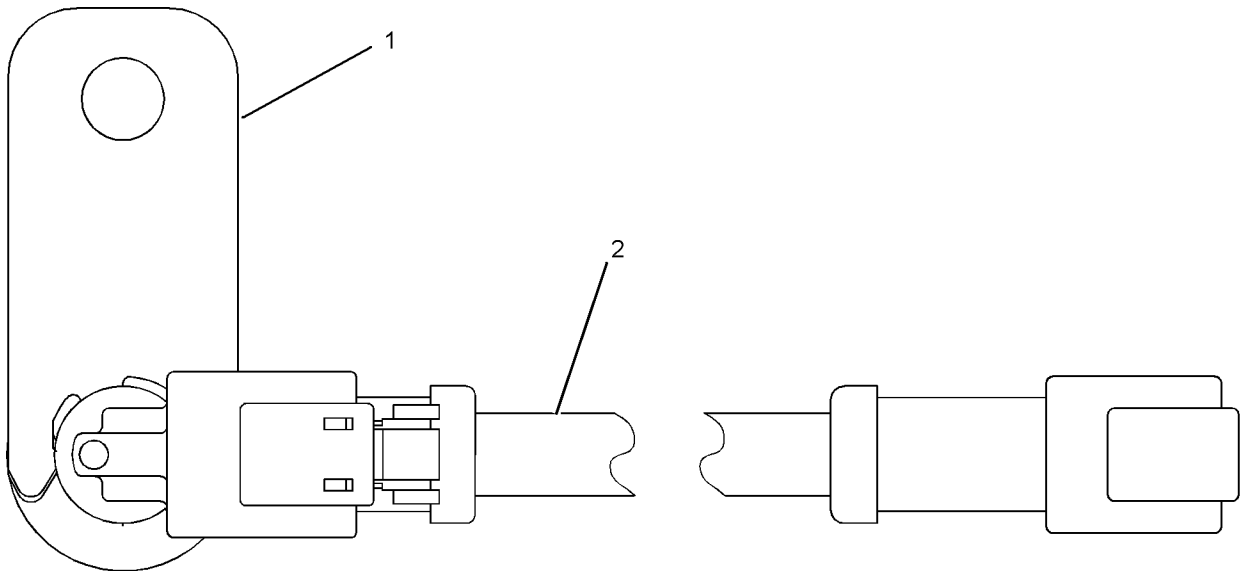
PART OF 239-5928 SENSOR GP-SPEED

SMCS-1907

i03644459

NOTE	REF NO	GRAPHIC REF	PART NUMBER	QTY	PART NAME						SEE PAGE
					1	2	3	4	5	6 (PRODUCT LEVEL)	
	1	1	133-0261	1	BRACKET						
	2	1	189-0852	1	HARNESS AS-WIRING (SPEED SENSOR)						
E		1	9X-1813		SLEEVE (16-CM)						
		1	180-9340	2	SOCKET-CONNECTOR (14-GA TO 18-GA)						
		1	9X-3401	2	PIN-CONNECTOR (16-GA TO 18-GA)						
					-OR-						
		1	126-1767	2	PIN-CONNECTOR (14-GA)						
		1	155-2270	1	KIT-CONNECTING PLUG (2-PIN)						
					(INCLUDES PLUG AS, WEDGE & INTERFACE SEAL)						
		1	102-8802	1	KIT-RECEPTACLE (2-PIN)						
					(INCLUDES RECEPTACLE AS & WEDGE)						

E-ORDER BY THE CENTIMETER



GRAPHIC #1

<END>

g01071396

ELECTRICAL AND STARTING SYSTEM

214-2484 SENSOR GP-SPEED

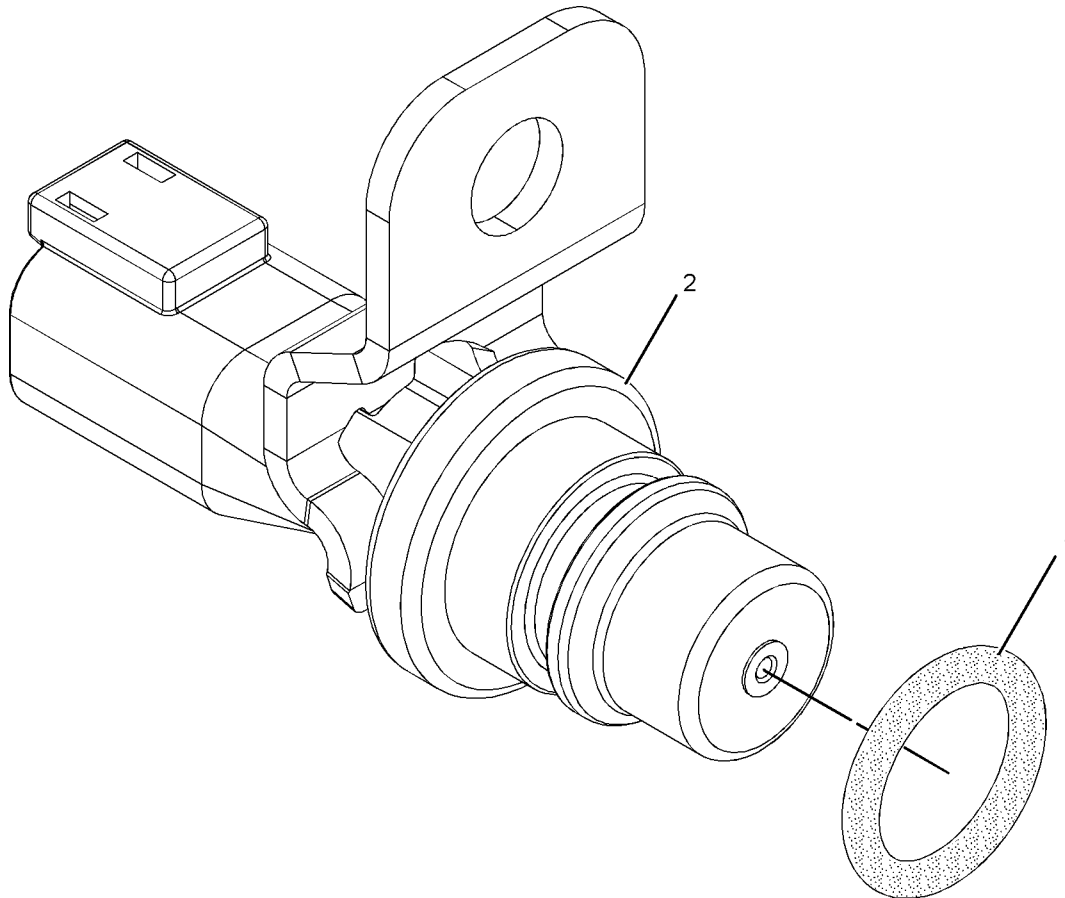
S/N: FFH1-UP

PART OF 231-1973 SENSOR GP-ENGINE

SMCS-1907

i03319926

NOTE	REF NO	GRAPHIC REF	PART NUMBER	QTY	PART NAME						SEE PAGE
					1	2	3	4	5	6 (PRODUCT LEVEL)	
	1	1	228-4947	1	SEAL-O-RING						
	2	1	191-8303	1	SENSOR GP-SPEED						
		1	137-6645	1	PAD (CONNECTOR)						



GRAPHIC #1

<END>

g01021497

ELECTRICAL AND STARTING SYSTEM

239-5928 SENSOR GP-SPEED

S/N: FFH1-UP

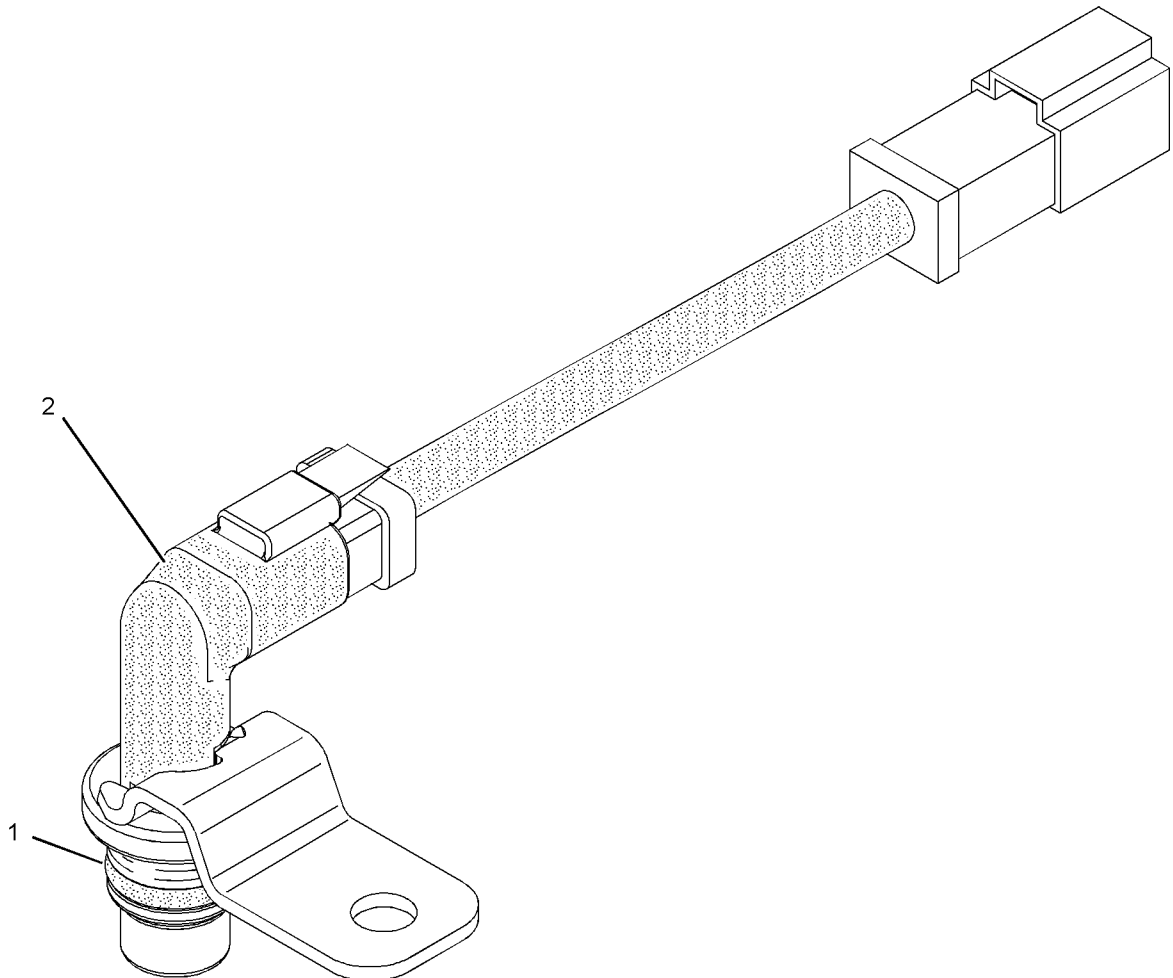
PART OF 231-1973 SENSOR GP-ENGINE

SMCS-1907

i03186390

NOTE	REF NO	GRAPHIC REF	PART NUMBER	QTY	PART NAME						SEE PAGE
					1	2	3	4	5	6 (PRODUCT LEVEL)	
	1	1	228-4947	1	SEAL-O-RING						
Y	2	1	201-6617	1	SENSOR GP-SPEED						455

Y-SEPARATE ILLUSTRATION



GRAPHIC #1

<END>

g01019337

ELECTRICAL AND STARTING SYSTEM

257-4301 SENSOR GP-SPEED

S/N: FFH1-UP

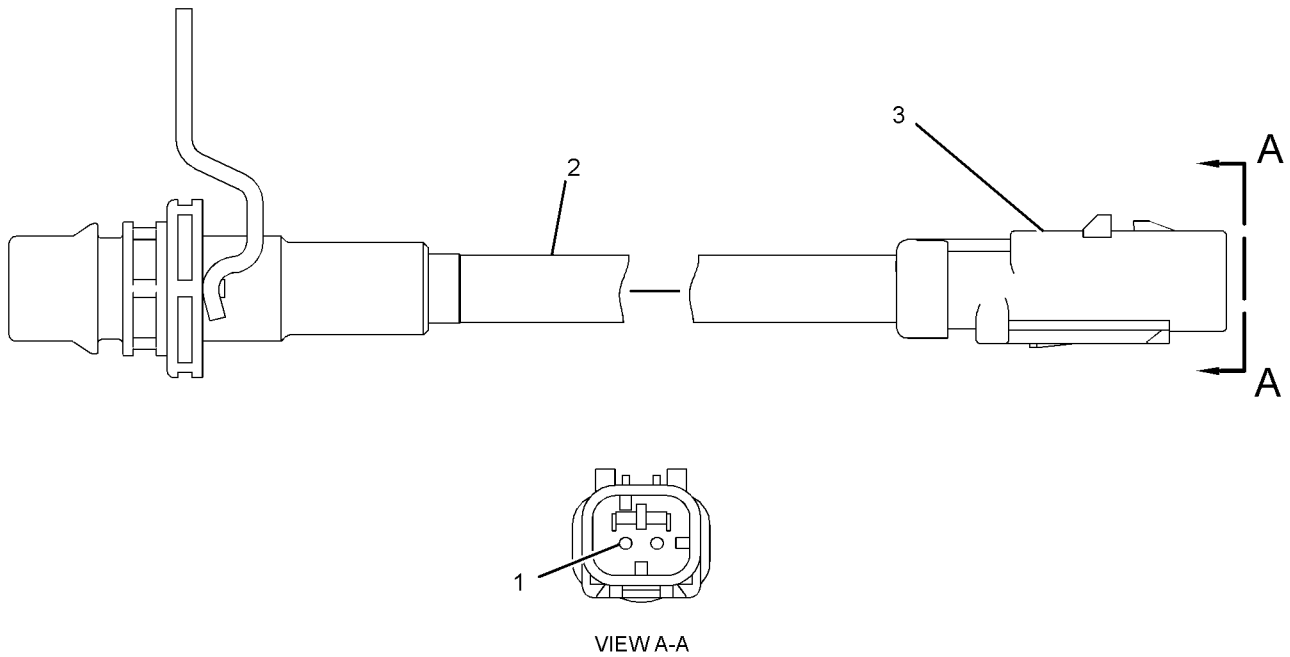
PART OF 271-7538 SENSOR GP-SPEED
FIELD REPLACEMENT ORDER 279-9828—PAGE 461

SMCS-1907

i02654725

NOTE	REF NO	GRAPHIC REF	PART NUMBER	QTY	PART NAME						SEE PAGE
					1	2	3	4	5	6 (PRODUCT LEVEL)	
	1	1	9X-3401	2	PIN-CONNECTOR (16-GA TO 18-GA)						
E	2	1	9X-1386		SLEEVE (28-CM)						
	3	1	230-4012	1	RECEPTACLE AS-CONNECTOR (2-PIN)						

E-ORDER BY THE CENTIMETER



GRAPHIC #1

<END>

g01215708

ELECTRICAL AND STARTING SYSTEM

271-7537 SENSOR GP-SPEED

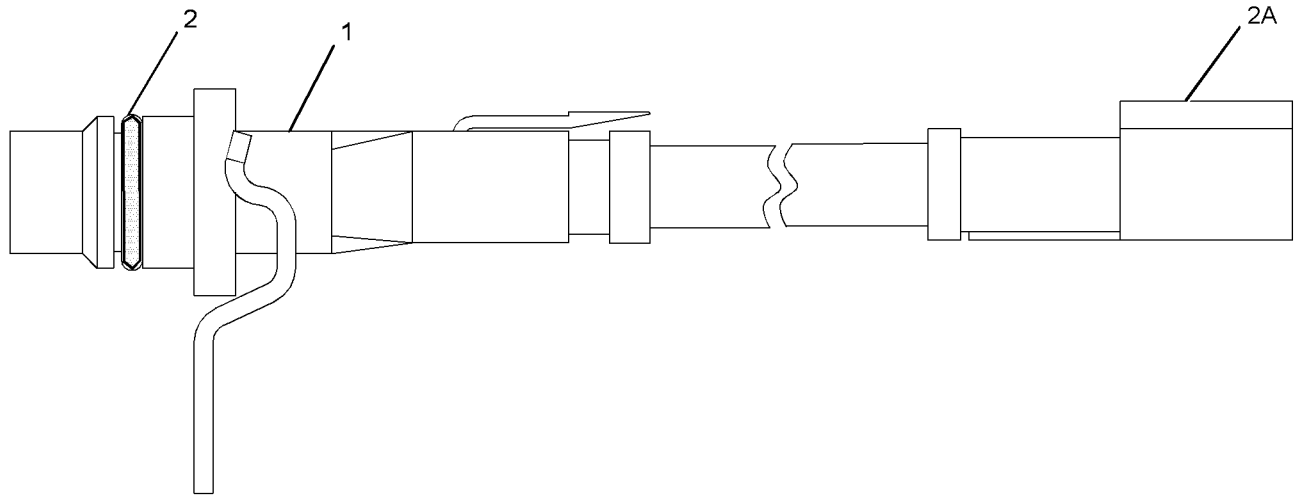
S/N: FFH1-UP

PART OF 276-9769 SENSOR GP-ENGINE

SMCS-1907

i03243698

NOTE	REF NO	GRAPHIC REF	PART NUMBER	QTY	PART NAME						SEE PAGE
					1	2	3	4	5	6 (PRODUCT LEVEL)	
	1	1	228-4947	1	SEAL-O-RING						
	2	1	279-9830	1	SENSOR GP-SPEED						
	2A	1	230-4012	1	RECEPTACLE AS-CONNECTOR (2-PIN)						



GRAPHIC #1

<END>

g01369877

ELECTRICAL AND STARTING SYSTEM

271-7538 SENSOR GP-SPEED

S/N: FFH1-UP

CONTAINS ALL NECESSARY FASTENERS AND REQUIRED ON ALL ENGINES TO PROTECT
COMPONENTS FROM THE HEAT OF THE EXHAUST MANIFOLD

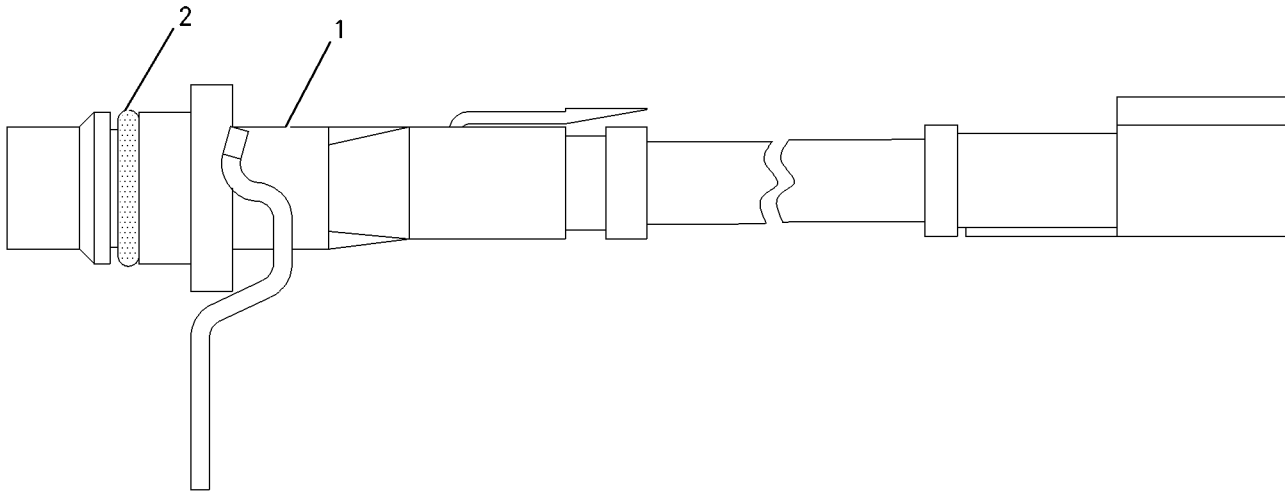
PART OF 276-9769 SENSOR GP-ENGINE
FOR USE WITH REFRIGERANT MOUNTING GP

SMCS-1907

i03186414

NOTE	REF NO	GRAPHIC REF	PART NUMBER	QTY	PART NAME						SEE PAGE
					1	2	3	4	5	6 (PRODUCT LEVEL)	
Y	1	1	257-4301	1	SENSOR GP-SPEED						458
	2	1	228-4947	1	SEAL-O-RING						

Y-SEPARATE ILLUSTRATION



GRAPHIC #1

<END>

g01007584

ELECTRICAL AND STARTING SYSTEM

279-9828 SENSOR GP-SPEED

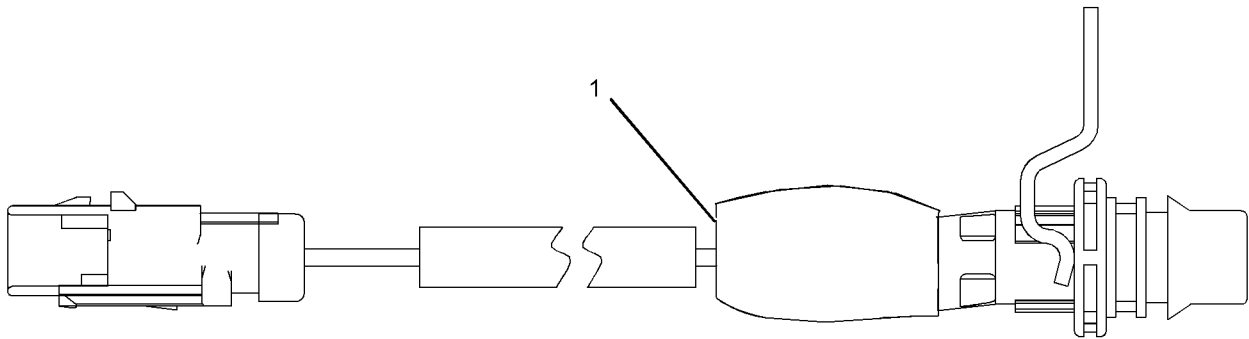
S/N: FFH1-UP

FIELD REPLACEMENT FOR 257-4301-PAGE 458

SMCS-1907

i02660096

NOTE	REF NO	GRAPHIC REF	PART NUMBER	QTY	PART NAME						SEE PAGE
					1	2	3	4	5	6 (PRODUCT LEVEL)	
	1	1	280-8706	1	HARNES AS-SENSOR						
		1	180-9339	2	PIN-CONNECTOR (14-GA TO 18-GA)						
		1	230-4012	1	RECEPTACLE AS-CONNECTOR (2-PIN)						



GRAPHIC #1

<END>

g01336482

ELECTRICAL AND STARTING SYSTEM

300-9804 SENSOR GP-SPEED

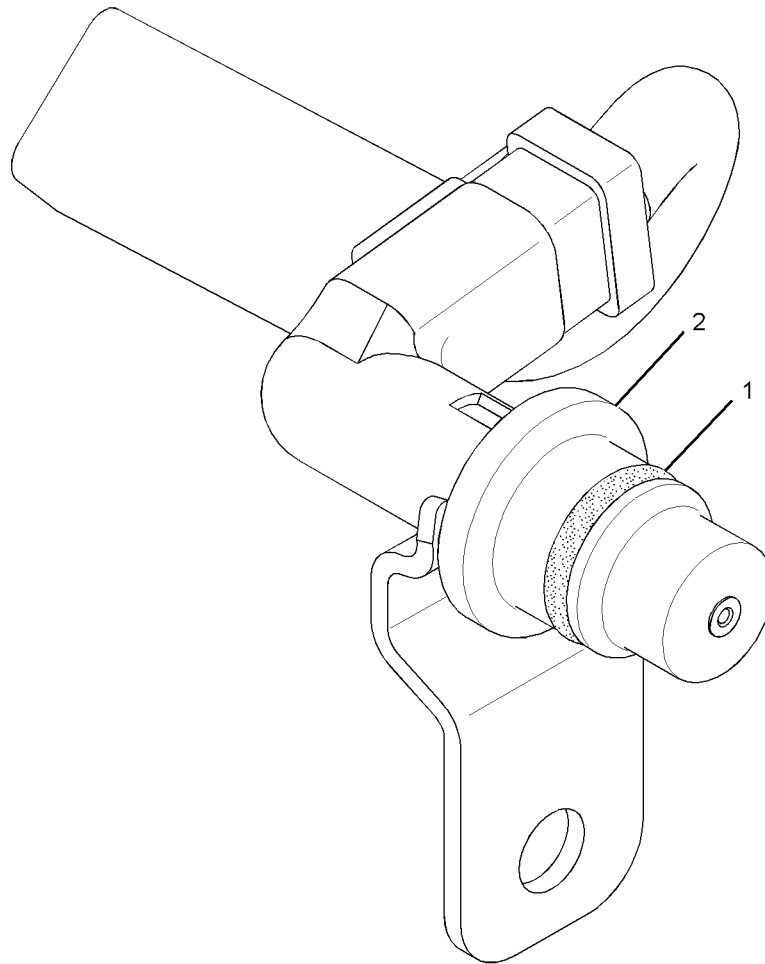
S/N: FFH1-UP

PART OF 276-9769 SENSOR GP-ENGINE

SMCS-1907

i02711041

NOTE	REF NO	GRAPHIC REF	PART NUMBER	QTY	PART NAME						SEE PAGE
					1	2	3	4	5	6 (PRODUCT LEVEL)	
	1	1	228-4947	1	SEAL-O-RING						
	2	1	279-9830	1	SENSOR GP-SPEED						



GRAPHIC #1

<END>

g01369583

ELECTRICAL AND STARTING SYSTEM

300-9805 SENSOR GP-SPEED

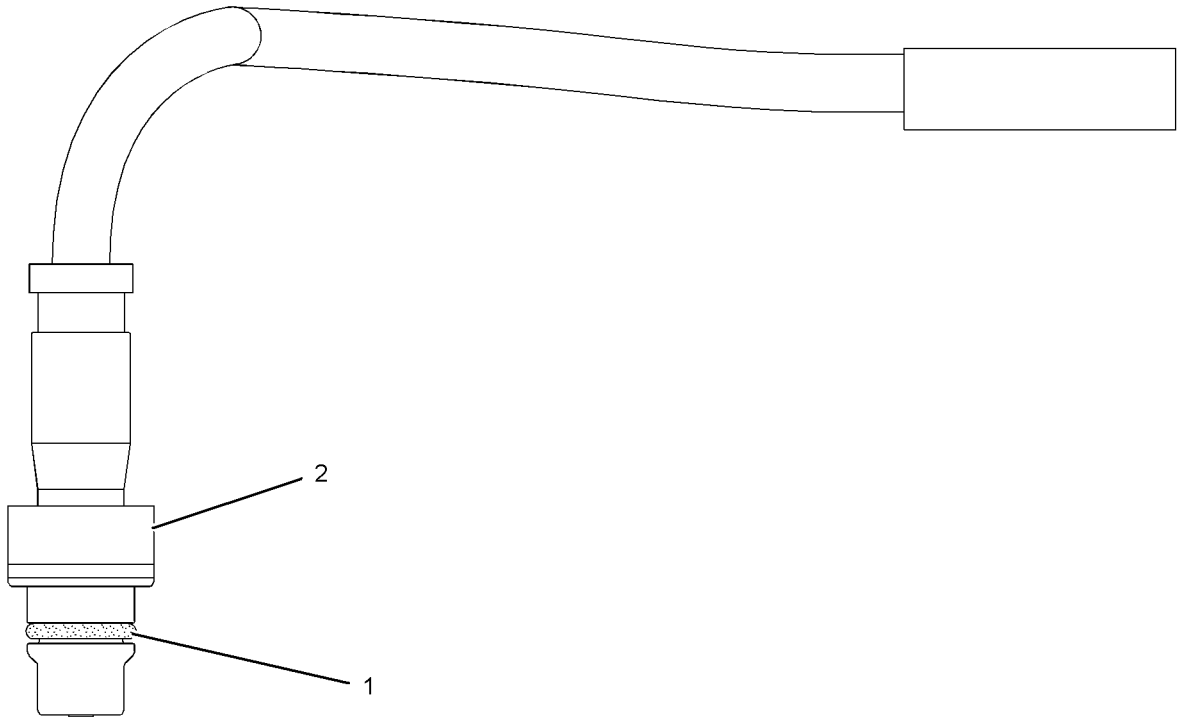
S/N: FFH1-UP

PART OF 276-9769 SENSOR GP-ENGINE

SMCS-1907

i03354550

NOTE	REF NO	GRAPHIC REF	PART NUMBER	QTY	PART NAME						SEE PAGE
					1	2	3	4	5	6 (PRODUCT LEVEL)	
	1	1	228-4947	1	SEAL-O-RING						
	2	1	279-9828	1	SENSOR GP-SPEED						



GRAPHIC #1

<END>

g01333675

ELECTRICAL AND STARTING SYSTEM

234-5012 SENSOR GP-TEMPERATURE

S/N: FFH1-UP

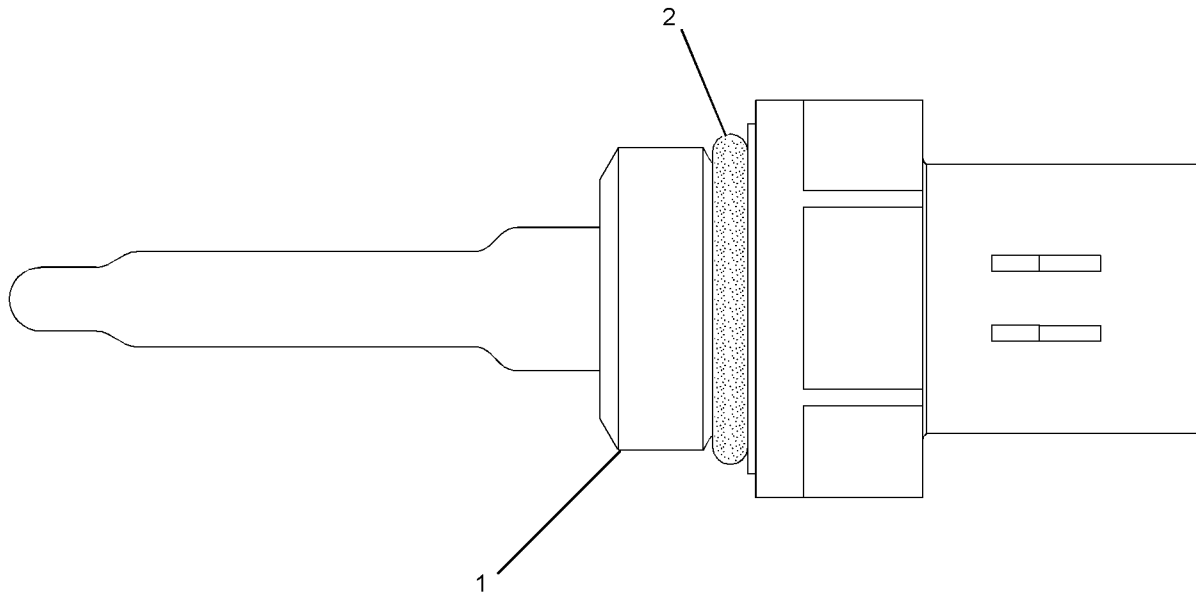
AMPSEAL CONNECTOR

PART OF 276-9769 SENSOR GP-ENGINE

SMCS-1906, 1919, 1921, 1922, 1928, 1929

i02660829

NOTE	REF NO	GRAPHIC REF	PART NUMBER	QTY	PART NAME						SEE PAGE
					1	2	3	4	5	6 (PRODUCT LEVEL)	
	1	1	256-6453	1	SENSOR AS-TEMPERATURE						
	2	1	6V-6609	1	SEAL-O-RING						



GRAPHIC #1

<END>

g01164284

ELECTRICAL AND STARTING SYSTEM

234-5013 SENSOR GP-TEMPERATURE

S/N: FFH1-UP

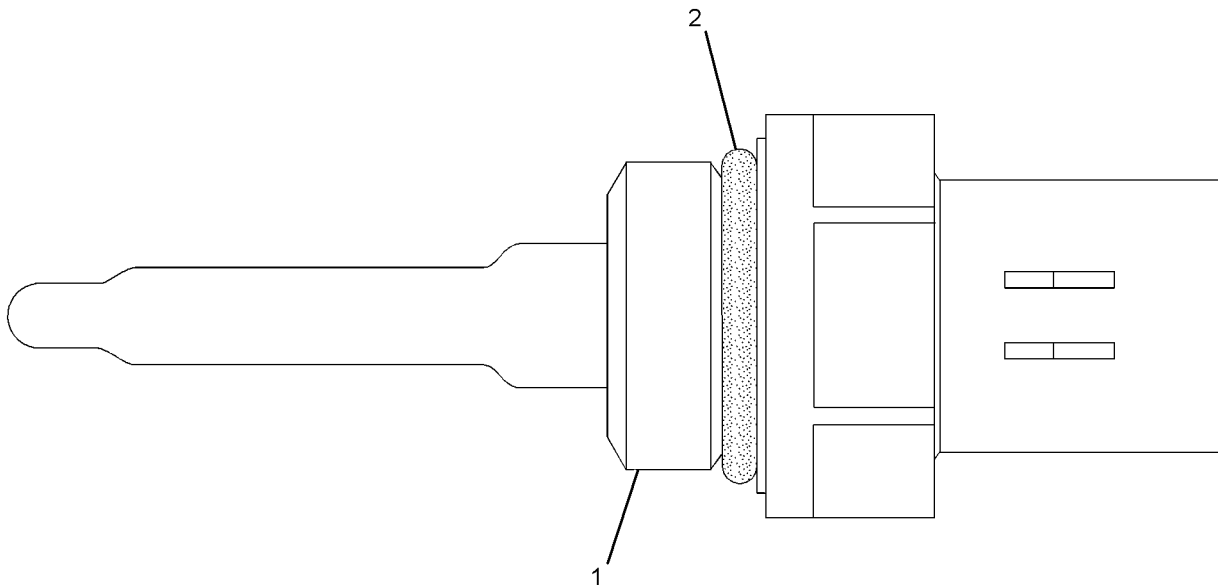
AMPSEAL CONNECTOR

PART OF 276-8020 PUMP GP-FUEL PRM & SEC FILTER, 276-9769 SENSOR GP-ENGINE

SMCS-1906, 1919, 1921, 1922, 1928, 1929

i03603728

NOTE	REF NO	GRAPHIC REF	PART NUMBER	QTY	PART NAME						SEE PAGE
					1	2	3	4	5	6 (PRODUCT LEVEL)	
	1	1	256-6453	1	SENSOR AS-TEMPERATURE						
	2	1	238-5080	1	SEAL-O-RING						



GRAPHIC #1

<END>

g01164268

ELECTRICAL AND STARTING SYSTEM

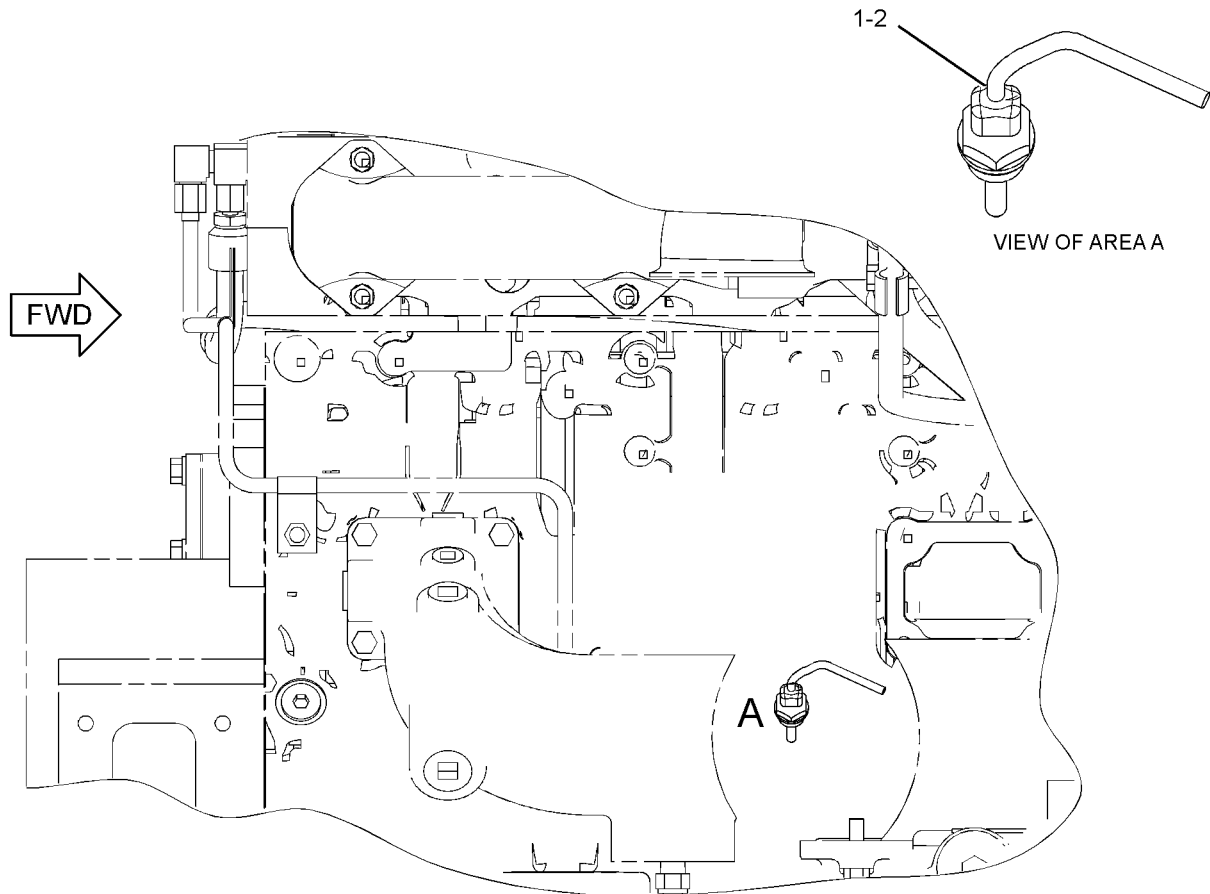
269-8078 SENSOR GP-TEMPERATURE-JACKET WATER

S/N: C5H1-UP
AN ATTACHMENT
TYPE 1

SMCS-1906, 1919, 1921, 1922, 1928, 1929

i03186440

NOTE	REF NO	GRAPHIC REF	PART NUMBER	QTY	PART NAME						SEE PAGE
					1	2	3	4	5	6 (PRODUCT LEVEL)	
	1	1	033-6028	11	SEAL-O-RING						
	2	1	130-9811	1	SENSOR GP-TEMPERATURE						



TOP VIEW

GRAPHIC #1

<END>

g01188416

ELECTRICAL AND STARTING SYSTEM

269-8078 SENSOR GP-TEMPERATURE-JACKET WATER

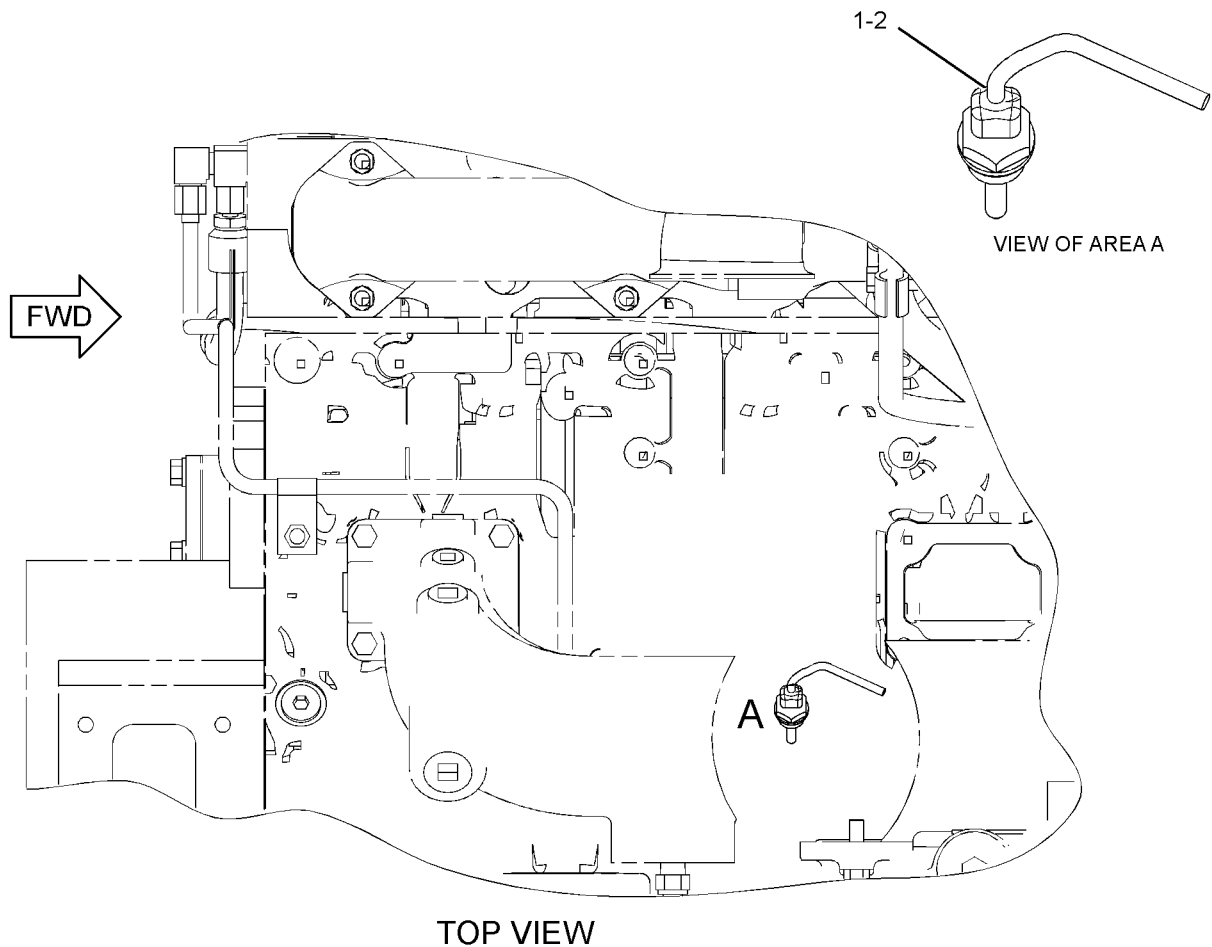
S/N: C5H1-UP
AN ATTACHMENT
TYPE 2

SMCS-1906, 1919, 1921, 1922, 1928, 1929

i03186454

NOTE	REF NO	GRAPHIC REF	PART NUMBER	QTY	PART NAME						SEE PAGE
					1	2	3	4	5	6 (PRODUCT LEVEL)	
	1	1	033-6028	11	SEAL-O-RING						
C	2	1	264-4297	1	SENSOR GP-TEMPERATURE						

C-CHANGE FROM PREVIOUS TYPE



GRAPHIC #1

<END>

g01188416

ELECTRICAL AND STARTING SYSTEM

274-7395 SENSOR GP-TEMPERATURE

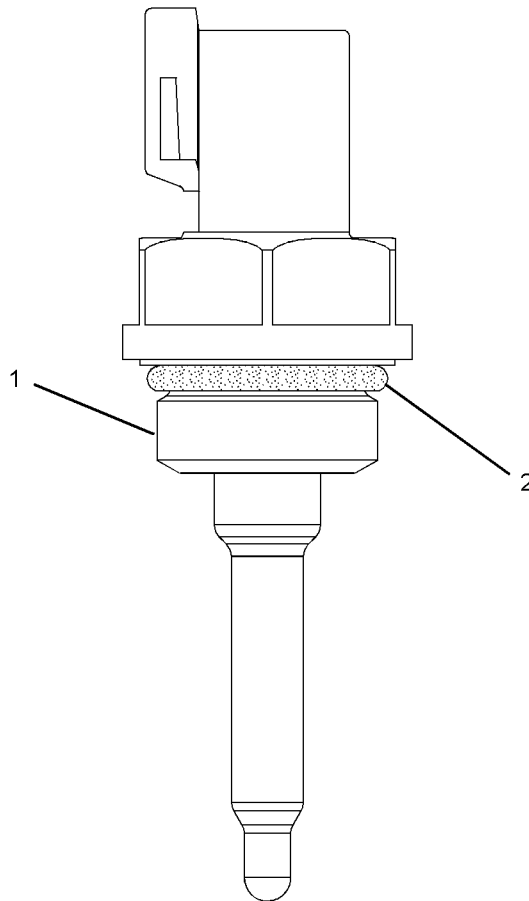
S/N: FFH1-UP

PART OF 231-1973 SENSOR GP-ENGINE

SMCS-1906, 1919, 1921, 1922, 1928, 1929

i03442321

NOTE	REF NO	GRAPHIC REF	PART NUMBER	QTY	PART NAME	SEE PAGE
					1 2 3 4 5 6 (PRODUCT LEVEL)	
	1	1	264-4297	1	SENSOR GP-TEMPERATURE	
		1	137-6645	1	PAD	
	2	1	8L-2786	1	SEAL-O-RING	



GRAPHIC #1

<END>

g01353734

ELECTRICAL AND STARTING SYSTEM

274-7396 SENSOR GP-TEMPERATURE

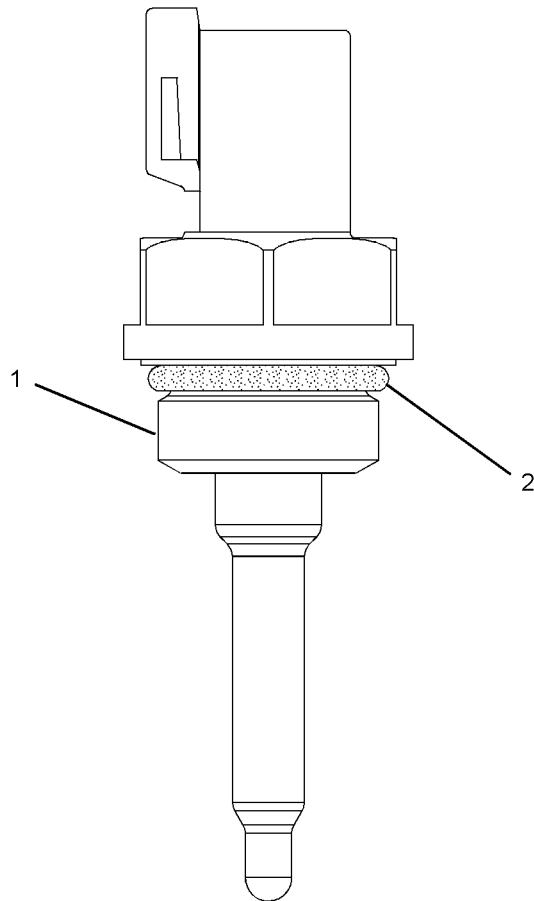
S/N: FFH1-UP

PART OF 231-1973 SENSOR GP-ENGINE

SMCS-1906, 1919, 1921, 1922, 1928, 1929

i03442340

NOTE	REF NO	GRAPHIC REF	PART NUMBER	QTY	PART NAME	SEE PAGE
					1 2 3 4 5 6 (PRODUCT LEVEL)	
	1	1	264-4297	1	SENSOR GP-TEMPERATURE	
		1	137-6645	1	PAD	
	2	1	6V-6609	1	SEAL-O-RING	



GRAPHIC #1

<END>

g01353734

ELECTRICAL AND STARTING SYSTEM

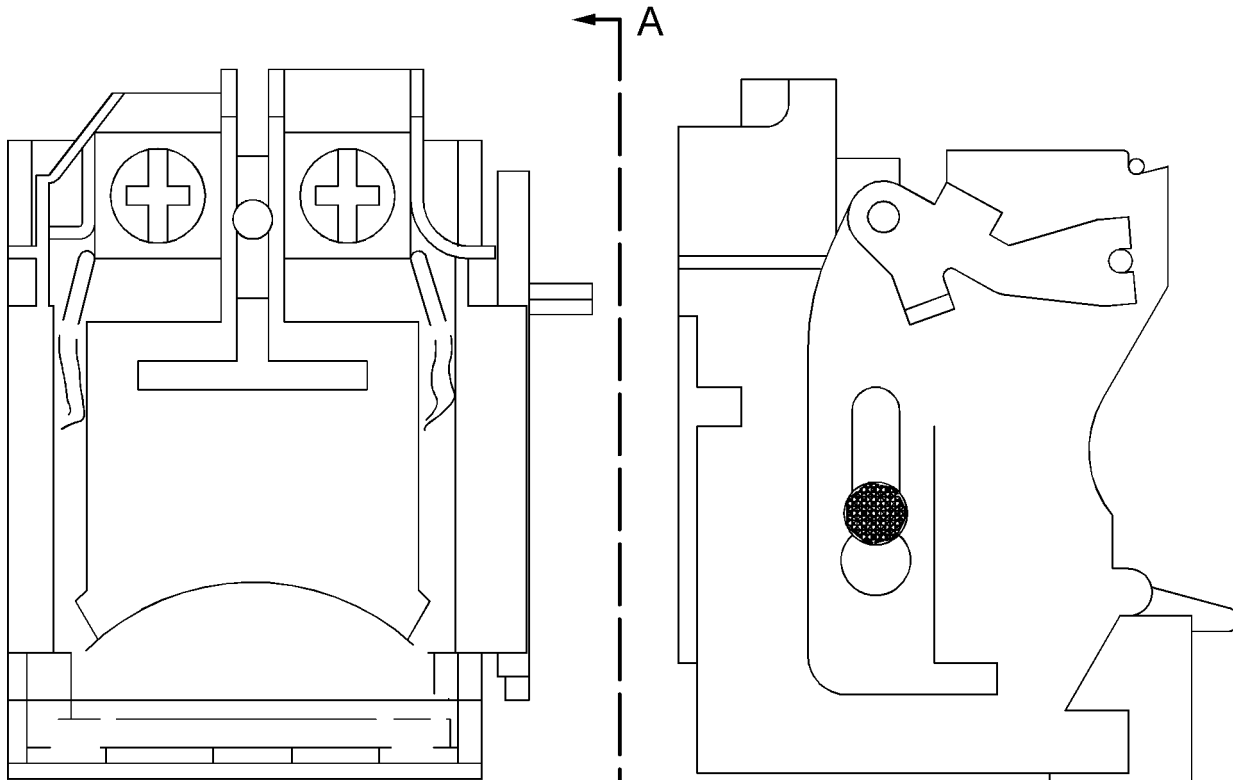
143-6856 SHUNT-TRIP

S/N: C5H1-UP
24-VOLT DC
AN ATTACHMENT

SMCS-1420, 4461

i02011749

NOTE	REF NO	GRAPHIC REF	PART NUMBER	QTY	PART NAME	SEE PAGE
					1 2 3 4 5 6 (PRODUCT LEVEL)	
(NO SERVICED PARTS)						



FRONT VIEW

VIEW A-A

GRAPHIC #1

<END>

g01042278

ELECTRICAL AND STARTING SYSTEM

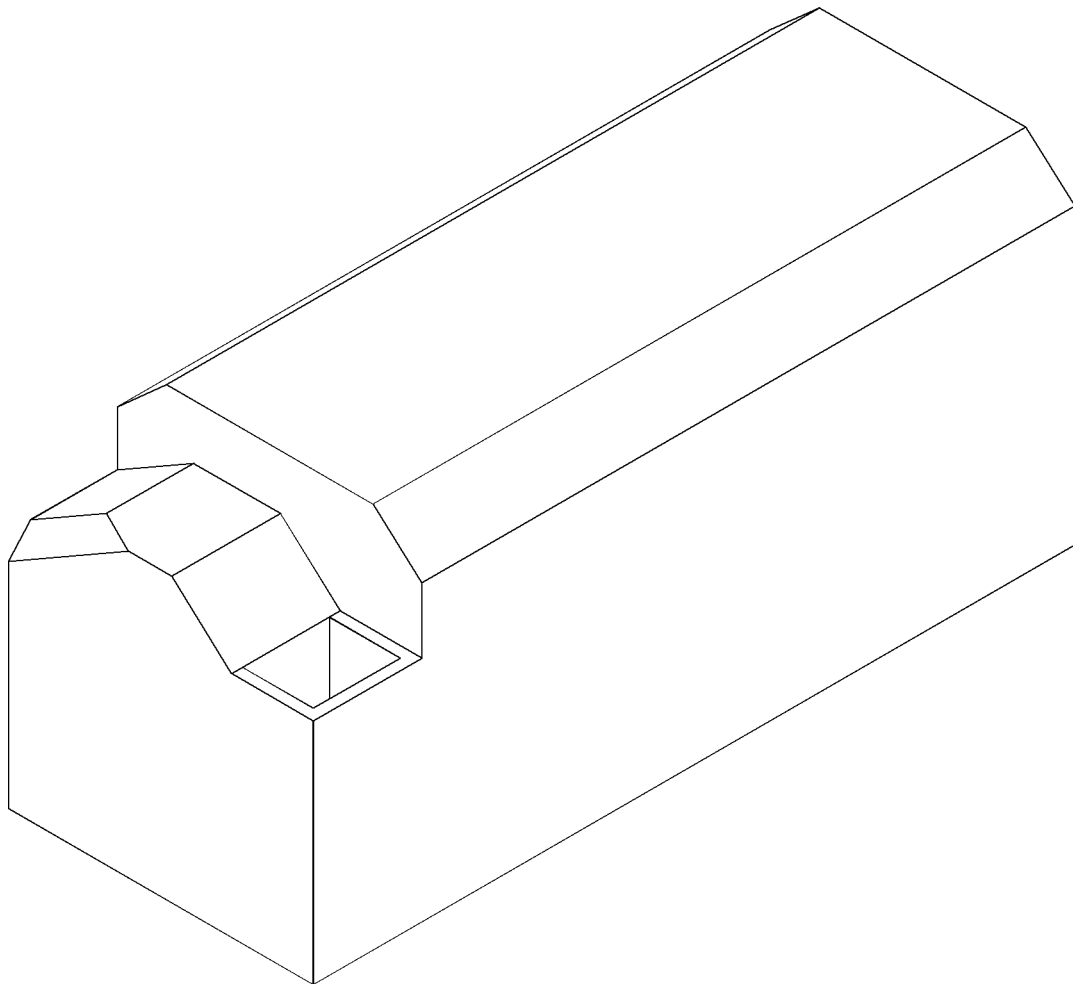
243-4797 SHUNT-TRIP

S/N: C5H1-UP
AN ATTACHMENT

SMCS-1420, 4461

i02093680

NOTE	REF NO	GRAPHIC REF	PART NUMBER	QTY	PART NAME						SEE PAGE
					1	2	3	4	5	6 (PRODUCT LEVEL)	
(NO SERVICED PARTS)											



GRAPHIC #1

<END>

g01068996

ELECTRICAL AND STARTING SYSTEM

264-0217 STARTING AID GP-ETHER

S/N: C5H1-UP
AN ATTACHMENT

SMCS-1456

i03243850

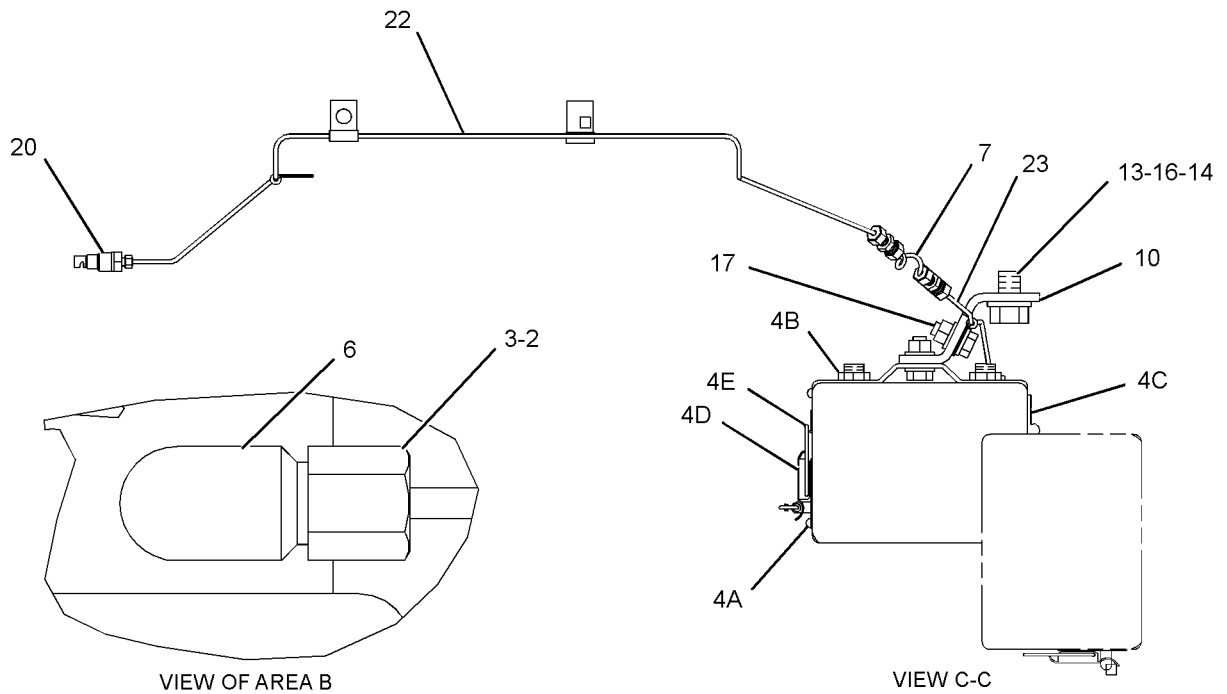
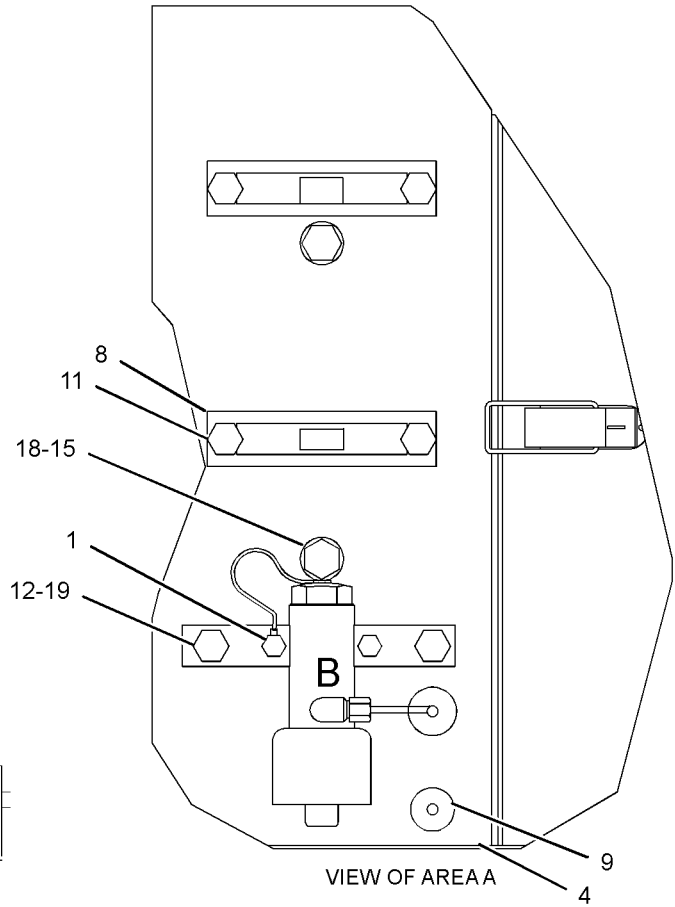
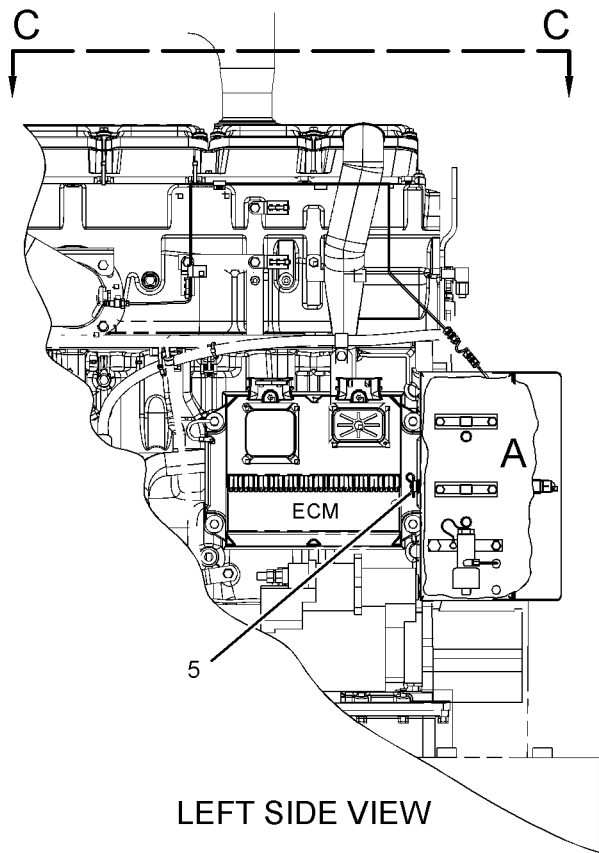
NOTE	REF NO	GRAPHIC REF	PART NUMBER	QTY	PART NAME						SEE PAGE
					1	2	3	4	5	6 (PRODUCT LEVEL)	
	1	1	3E-6332	1	VALVE GP-ETHER STARTING (24-VOLT)						
		1	102-8802	1	KIT-RECEPTACLE (2-PIN)						
					(INCLUDES RECEPTACLE AS AND WEDGE)						
		1	7N-9801	1	GASKET						
		1	186-3735	1	PIN-CONNECTOR (16-GA TO 18-GA)						
	2	1	4K-9821	1	SLEEVE						
	3	1	4K-9822	1	NUT (5/16-24-THD)						
	4	1	197-3309	1	BOX AS						
	4A	1	4B-4310	4	RIVET						
	4B	1	4K-9097	6	NUT-WELD (5/16-18-THD)						
	4C	1	9B-2923	2	HINGE						
	4D	1	9F-6595	1	CATCH						
	4E	1	9F-6596	1	HOOK						
	5	1	5P-0372	1	LOCK PIN						
	6	1	5P-6315	1	ELBOW-FLARELESS						
	7	1	7N-0140	1	TUBE AS-COIL						
	8	1	7N-2059	2	CLAMP AS (CYLINDER)						
	9	1	9D-7303	2	GROMMET						
	10	1	264-0218	1	BRACKET						
	11	1	4K-9097	6	NUT-WELD (5/16-18-THD)						
	12	1	4M-0061	6	BOLT (5/16-18X0.75-IN)						
	13	1	5C-6266	2	BOLT (5/8-11X1-IN)						
	14	1	6V-2686	4	CLIP						
	15	1	8T-4121	6	WASHER-HARD (11X21X2.5-MM THK)						
	16	1	8T-4122	2	WASHER-HARD (17X32X3.5-MM THK)						
M	17	1	8T-4133	3	NUT (M10X1.5-THD)						
M	18	1	8T-4136	3	BOLT (M10X1.5X25-MM)						
	19	1	8T-4224	6	WASHER-HARD (8.8X16X2-MM THK)						
	20	1	6N-7672	1	ATOMIZER-ETHER (STARTING AID)						
E	22	1	5P-1196		TUBE (105-CM)						
E	23	1	5P-1196		TUBE (49-CM)						
AF		1	7N-0296	1	CYLINDER AS-ETHER (STARTING AID)						
					(MUST BE PROCURED LOCALLY FROM YOUR CATERPILLAR DEALER)						

A-NOT PART OF THIS GROUP
E-ORDER BY THE CENTIMETER
F-NOT SHOWN
M-METRIC PART

ELECTRICAL AND STARTING SYSTEM

264-0217 STARTING AID GP-ETHER (contd.)

i03243850



GRAPHIC #1

<END>

g01342462

ELECTRICAL AND STARTING SYSTEM

276-0138 STARTING AID GP-ETHER

S/N: C5H1-UP
AN ATTACHMENT

SMCS-1456

i03243848

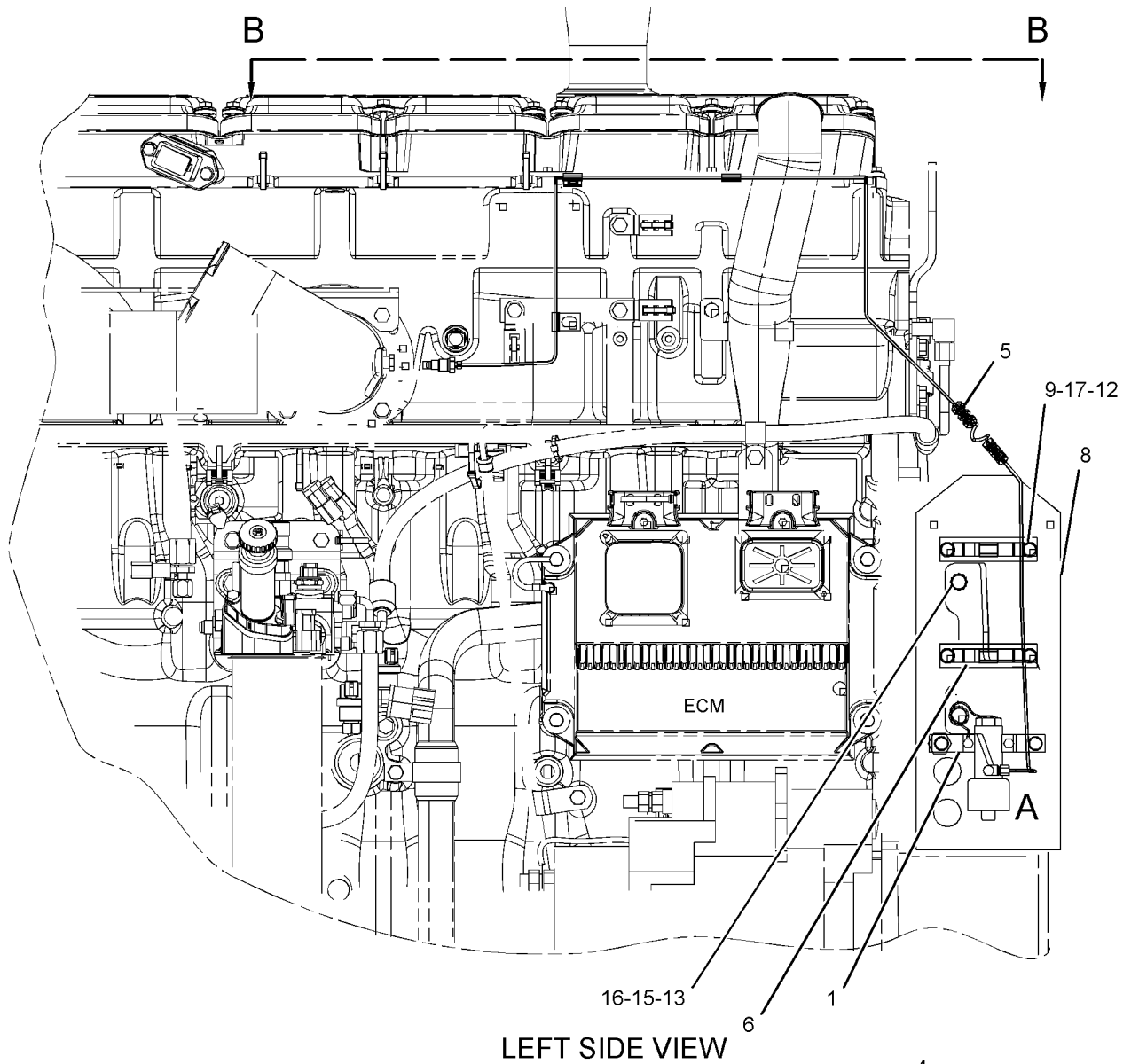
NOTE	REF NO	GRAPHIC REF	PART NUMBER	QTY	PART NAME						SEE PAGE
					1	2	3	4	5	6 (PRODUCT LEVEL)	
	1	1	3E-6332	1	VALVE GP-ETHER STARTING (24-VOLT)						
		1	7N-9801	1	GASKET						
		1	186-3735	2	PIN-CONNECTOR (16-GA TO 18-GA)						
		1	102-8802	1	KIT-RECEPTACLE (2-PIN)						
					(INCLUDES RECEPTACLE AS AND WEDGE)						
	2	1	4K-9821	1	SLEEVE						
	3	1	4K-9822	1	NUT (5/16-24-THD)						
	4	1	5P-6315	1	ELBOW-FLARELESS						
	5	1	7N-0140	1	TUBE AS-COIL						
	6	1	7N-2059	2	CLAMP AS						
	7	1	264-0218	1	BRACKET						
	8	1	276-1068	1	BRACKET						
	9	1	4M-6425	6	BOLT (5/16-18X1-IN)						
	10	1	5C-6266	2	BOLT (5/8-11X1-IN)						
	11	1	6V-2686	4	CLIP						
	12	1	6V-8189	6	NUT (5/16-18-THD)						
	13	1	8T-4121	6	WASHER-HARD (11X21X2.5-MM THK)						
	14	1	8T-4122	2	WASHER-HARD (17X32X3.5-MM THK)						
M	15	1	8T-4133	3	NUT (M10X1.5-THD)						
M	16	1	8T-4195	3	BOLT (M10X1.5X30-MM)						
	17	1	8T-4224	12	WASHER-HARD (8.8X16X2-MM THK)						
	18	1	6N-7672	1	ATOMIZER-ETHER (STARTING AID)						
E	20	1	5P-1196		TUBE (154-CM)						
AF			7N-0296	1	CYLINDER AS-ETHER						
					(MUST BE PROCURED LOCALLY FROM YOUR CATERPILLAR DEALER)						

A-NOT PART OF THIS GROUP
E-ORDER BY THE CENTIMETER
F-NOT SHOWN
M-METRIC PART

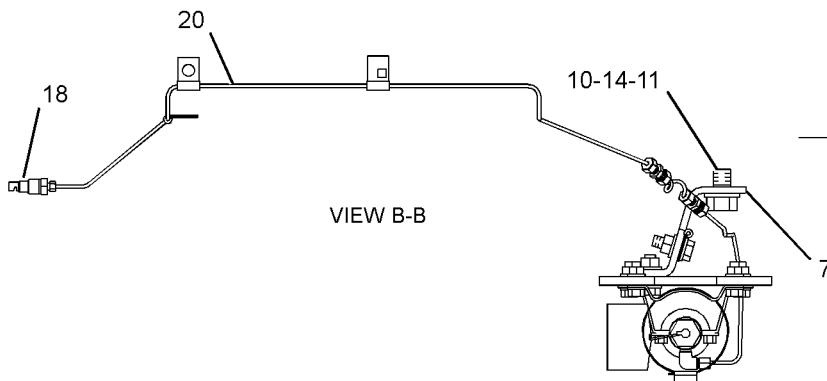
ELECTRICAL AND STARTING SYSTEM

276-0138 STARTING AID GP-ETHER (contd.)

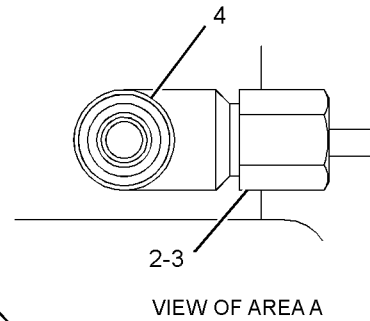
i03243848



LEFT SIDE VIEW



VIEW B-B



VIEW OF AREA A

GRAPHIC #1

<END>

g01187726

ELECTRICAL AND STARTING SYSTEM

295-2252 STARTING AID GP-ETHER

S/N: C5H1-UP
AN ATTACHMENT

SMCS - 1456

i03539300

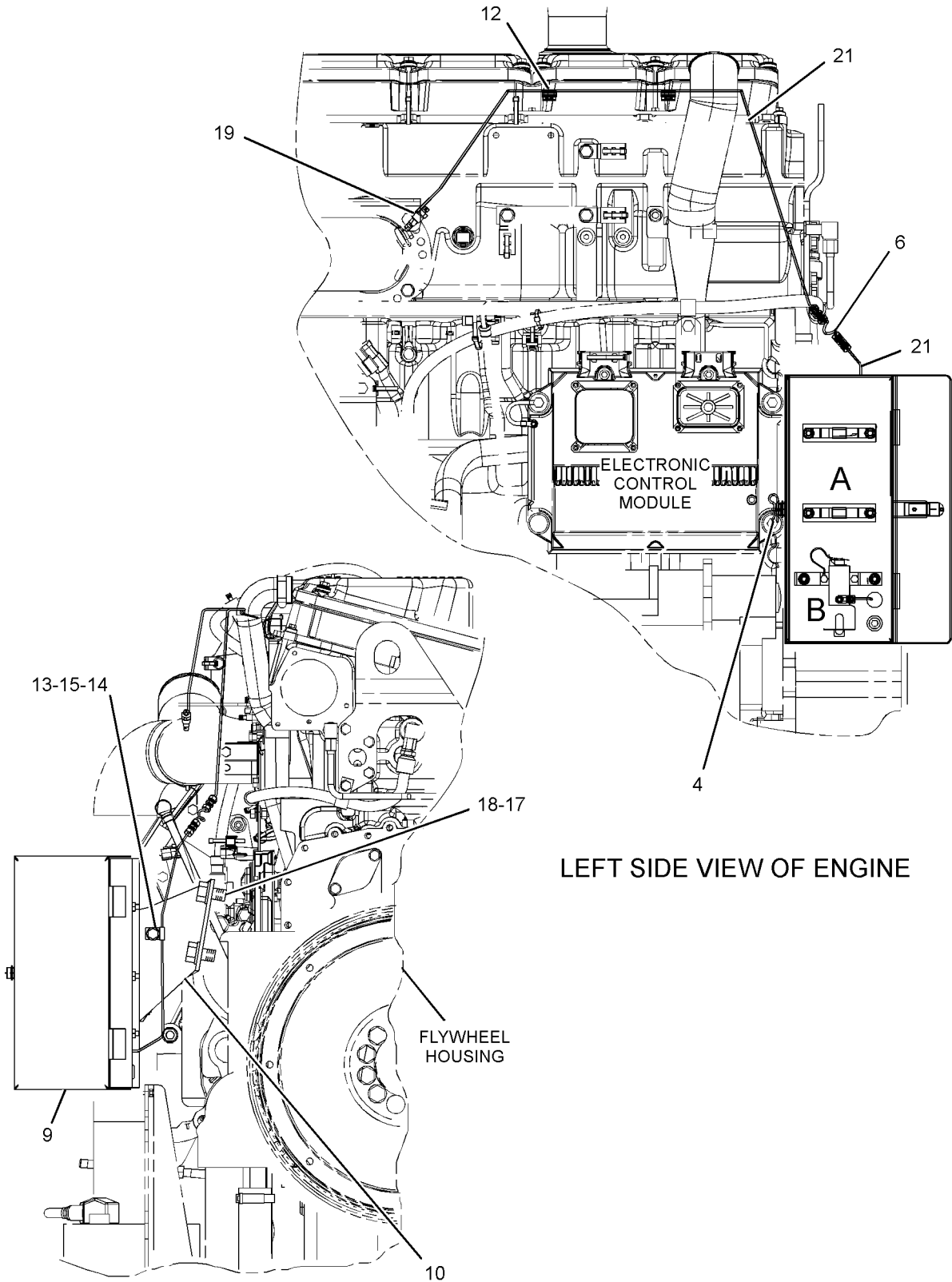
NOTE	REF NO	GRAPHIC REF	PART NUMBER	QTY	PART NAME						SEE PAGE
					1	2	3	4	5	6 (PRODUCT LEVEL)	
	1	2	3E-6332	1	VALVE GP-ETHER STARTING (24-VOLT)						
		2	7N-9801	1	GASKET						
		2	186-3735	2	PIN-CONNECTOR (16-GA TO 18-GA)						
		2	102-8802	1	KIT-RECEPTACLE (2-PIN)						
					(INCLUDES RECEPTACLE AS AND WEDGE)						
	2	2	4K-9821	1	SLEEVE						
	3	2	4K-9822	1	NUT (5/16-24-THD)						
	4	1	5P-0372	1	LOCK PIN						
	5	2	5P-6315	1	ELBOW-FLARELESS						
	6	1	7N-0140	1	TUBE AS-COIL						
	7	2	7N-2059	2	CLAMP AS						
	8	2	232-4944	2	GROMMET						
	9	1	197-3309	1	BOX AS						
		1	4B-4310	4	RIVET						
		1	4K-9097	6	NUT-WELD (5/16-18-THD)						
		1	9B-2923	2	HINGE						
		1	9F-6595	1	CATCH						
		1	9F-6596	1	HOOK						
	10	1	295-2251	1	BRACKET						
	11	2	4M-0061	6	BOLT (5/16-18X0.75-IN)						
	12	1	6V-2686	3	CLIP						
	13	1	8T-4121	6	WASHER-HARD (11X21X2.5-MM THK)						
M	14	1	8T-4133	3	NUT (M10X1.5-THD)						
M	15	1	8T-4136	3	BOLT (M10X1.5X25-MM)						
	16	2	8T-4224	6	WASHER-HARD (8.8X16X2-MM THK)						
	17	1	8T-4994	2	WASHER-HARD (20X36.5X3.5-MM THK)						
	18	1	8T-9397	2	BOLT (3/4-10X1.25-IN)						
	19	1	6N-7672	1	ATOMIZER-ETHER						
E	21	1	5P-1196		TUBE (154-CM)						
AF			7N-0296	1	CYLINDER AS-ETHER						
					(MUST BE PROCURED LOCALLY FROM YOUR CATERPILLAR DEALER)						

A-NOT PART OF THIS GROUP
E-ORDER BY THE CENTIMETER
F-NOT SHOWN
M-METRIC PART

ELECTRICAL AND STARTING SYSTEM

295-2252 STARTING AID GP-ETHER (contd.)

i03539300



REFER TO ALL ILLUSTRATIONS OF THIS GROUP FOR AUXILIARY VIEWS.

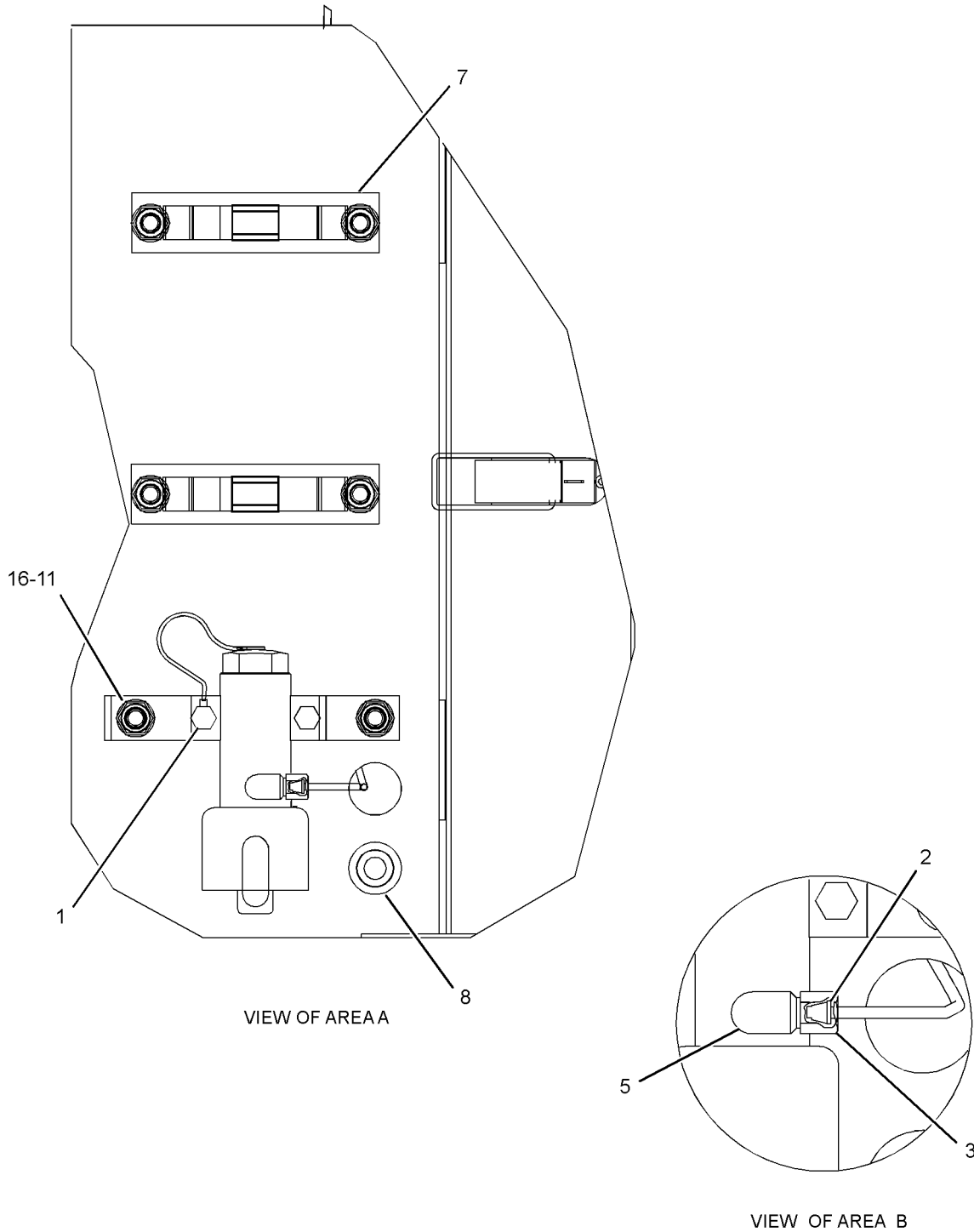
GRAPHIC #1

g01332551

ELECTRICAL AND STARTING SYSTEM

295-2252 STARTING AID GP-ETHER (contd.)

i03539300



GRAPHIC #2

<END>

g01332697

ELECTRICAL AND STARTING SYSTEM

295-2752 STARTING AID GP-ETHER

S/N: C5H1-146

AN ATTACHMENT

SMCS-1456

i02641455

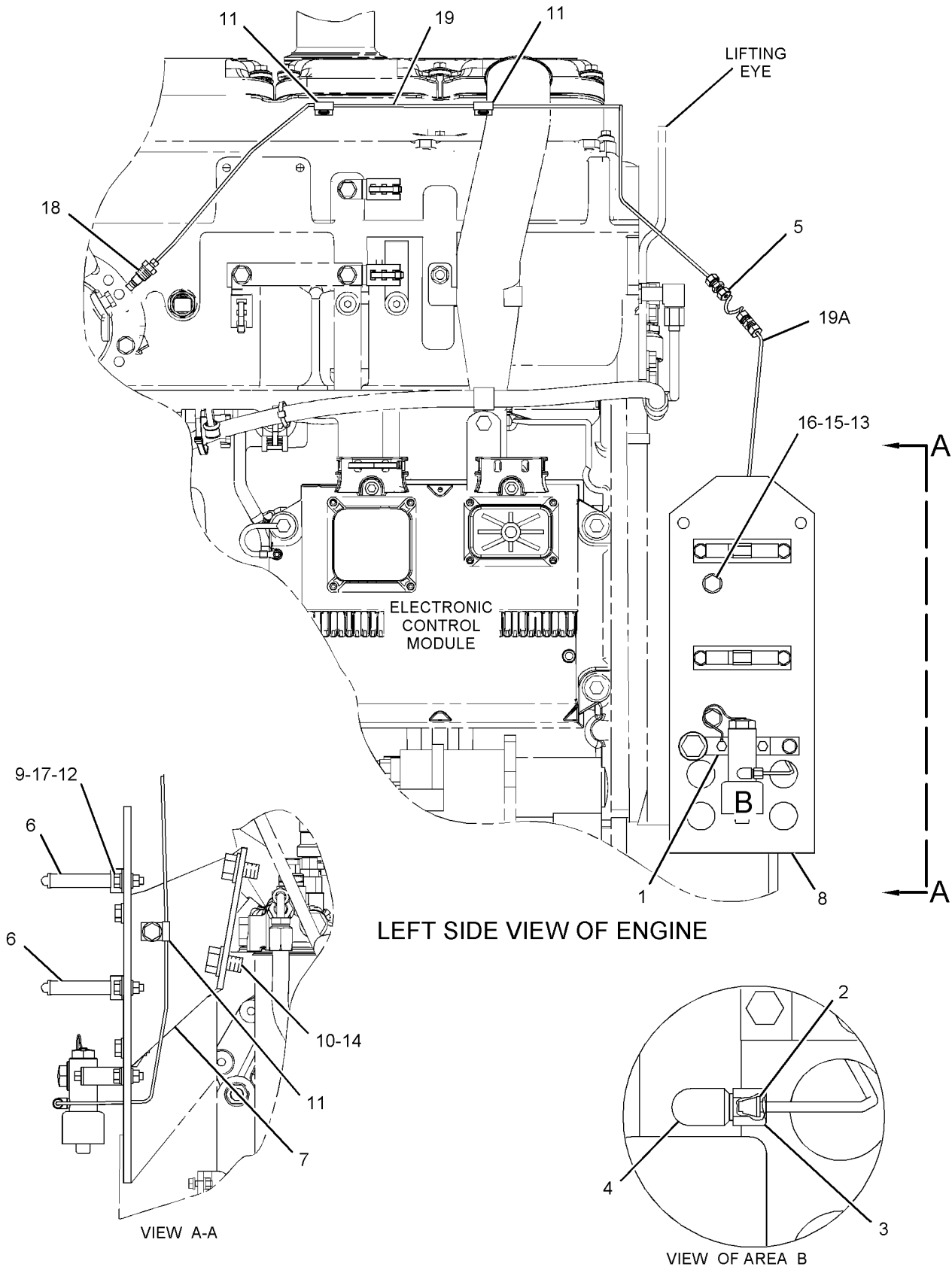
NOTE	REF NO	GRAPHIC REF	PART NUMBER	QTY	PART NAME						SEE PAGE
					1	2	3	4	5	6 (PRODUCT LEVEL)	
	1	1	3E-6332	1	VALVE GP-ETHER STARTING (24-VOLT)						
		1	7N-9801	1	GASKET						
		1	186-3735	2	PIN-CONNECTOR (16-GA TO 18-GA)						
		1	102-8802	2	KIT-RECEPTACLE (2-PIN)						
					(EACH KIT INCLUDES RECEPTACLE AS AND WEDGE)						
	2	1	4K-9821	1	SLEEVE						
	3	1	4K-9822	1	NUT (5/16-24-THD)						
	4	1	5P-6315	1	ELBOW-FLARELESS						
	5	1	7N-0140	1	TUBE AS-COIL						
	6	1	7N-2059	2	CLAMP AS						
	7	1	295-2251	1	BRACKET						
	8	1	276-1068	1	BRACKET						
	9	1	4M-6425	6	BOLT (5/16-18X1-IN)						
	10	1	5C-6266	2	BOLT (5/8-11X1-IN)						
	11	1	6V-2686	3	CLIP						
	12	1	6V-8189	6	NUT (5/16-18-THD)						
	13	1	8T-4121	6	WASHER-HARD (11X21X2.5-MM THK)						
	14	1	8T-4122	2	WASHER-HARD (17X32X3.5-MM THK)						
M	15	1	8T-4133	3	NUT (M10X1.5-THD)						
M	16	1	8T-4195	3	BOLT (M10X1.5X30-MM)						
	17	1	8T-4224	12	WASHER-HARD (8.8X16X2-MM THK)						
	18	1	6N-7672	1	ATOMIZER-ETHER						
E	19	1	5P-1196		TUBE (90-CM)						
E	19A	1	5P-1196		TUBE (64-CM)						
AF			7N-0296	1	CYLINDER AS-ETHER						
					(MUST BE PROCURED LOCALLY FROM YOUR CATERPILLAR DEALER)						

A-NOT PART OF THIS GROUP
 E-ORDER BY THE CENTIMETER
 F-NOT SHOWN
 M-METRIC PART

ELECTRICAL AND STARTING SYSTEM

295-2752 STARTING AID GP-ETHER (contd.)

i02641455



LEFT SIDE VIEW OF ENGINE

GRAPHIC #1

<END>

g01338096

ELECTRICAL AND STARTING SYSTEM

295-2752 STARTING AID GP-ETHER

S/N: C5H147-UP

AN ATTACHMENT

SMCS - 1456

i02694606

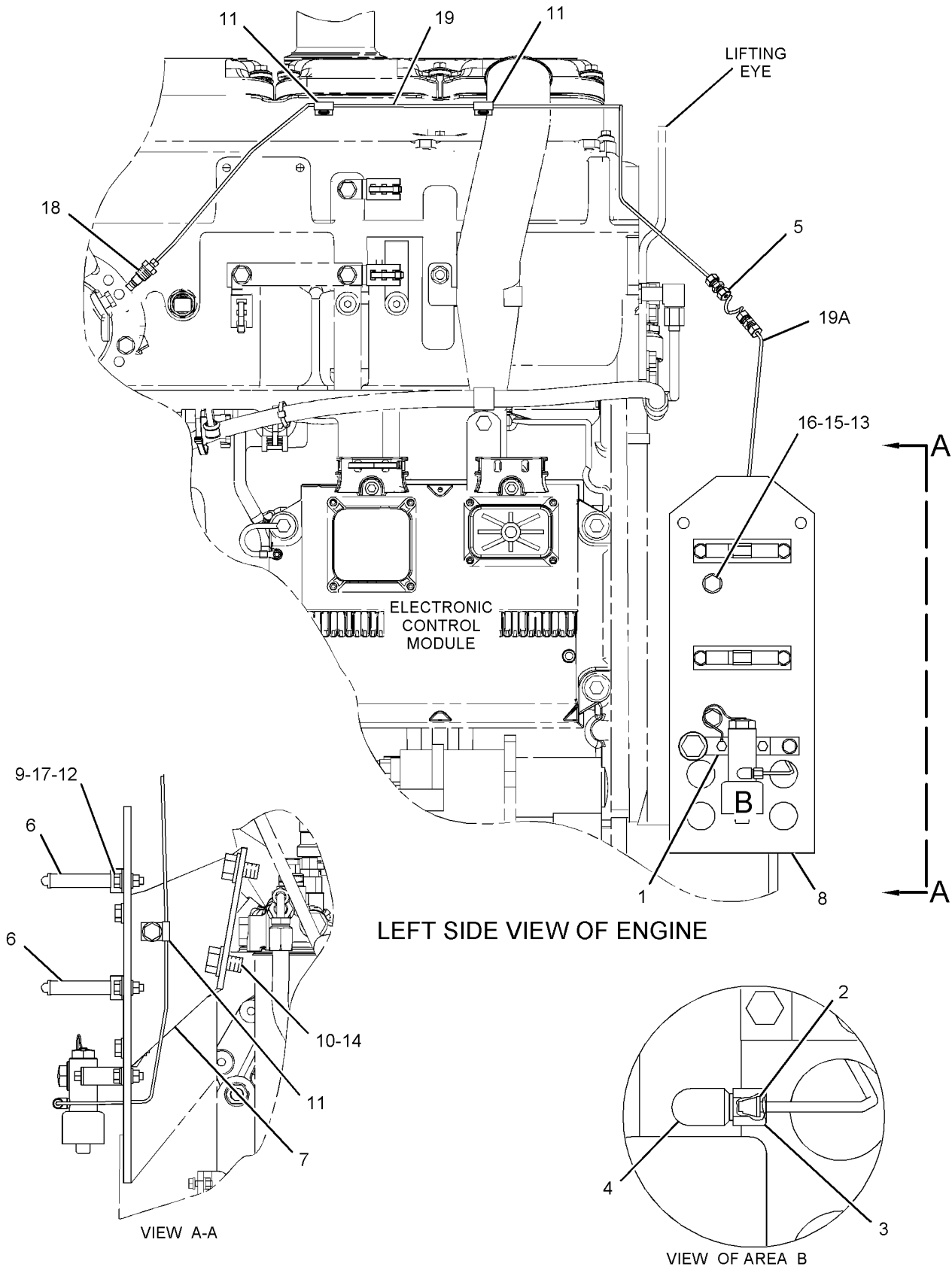
NOTE	REF NO	GRAPHIC REF	PART NUMBER	QTY	PART NAME						SEE PAGE
					1	2	3	4	5	6 (PRODUCT LEVEL)	
	1	1	3E-6332	1	VALVE GP-ETHER STARTING (24-VOLT)						
		1	7N-9801	1	GASKET						
		1	186-3735	2	PIN-CONNECTOR (16-GA TO 18-GA)						
		1	102-8802	2	KIT-RECEPTACLE (2-PIN)						
					(EACH KIT INCLUDES RECEPTACLE AS AND WEDGE)						
	2	1	4K-9821	1	SLEEVE						
	3	1	4K-9822	1	NUT (5/16-24-THD)						
	4	1	5P-6315	1	ELBOW-FLARELESS						
	5	1	7N-0140	1	TUBE AS-COIL						
	6	1	7N-2059	2	CLAMP AS						
	7	1	295-2251	1	BRACKET						
	8	1	276-1068	1	BRACKET						
	9	1	4M-6425	6	BOLT (5/16-18X1-IN)						
C	10	1	8T-9397	2	BOLT (3/4-10X1.25-IN)						
	11	1	6V-2686	3	CLIP						
	12	1	6V-8189	6	NUT (5/16-18-THD)						
	13	1	8T-4121	6	WASHER-HARD (11X21X2.5-MM THK)						
C	14	1	8T-4994	2	WASHER-HARD (20X36.5X3.5-MM THK)						
M	15	1	8T-4133	3	NUT (M10X1.5-THD)						
M	16	1	8T-4195	3	BOLT (M10X1.5X30-MM)						
	17	1	8T-4224	12	WASHER-HARD (8.8X16X2-MM THK)						
	18	1	6N-7672	1	ATOMIZER-ETHER						
E	19	1	5P-1196		TUBE (90-CM)						
E	19A	1	5P-1196		TUBE (64-CM)						
AF			7N-0296	1	CYLINDER AS-ETHER						
					(MUST BE PROCURED LOCALLY FROM YOUR CATERPILLAR DEALER)						

A-NOT PART OF THIS GROUP
 C-CHANGE FROM PREVIOUS TYPE
 E-ORDER BY THE CENTIMETER
 F-NOT SHOWN
 M-METRIC PART

ELECTRICAL AND STARTING SYSTEM

295-2752 STARTING AID GP-ETHER (contd.)

i02694606



LEFT SIDE VIEW OF ENGINE

GRAPHIC #1

<END>

g01338096

ELECTRICAL AND STARTING SYSTEM

120-9099 STARTING MOTOR GP-ELECTRIC

S/N: FFH1-UP

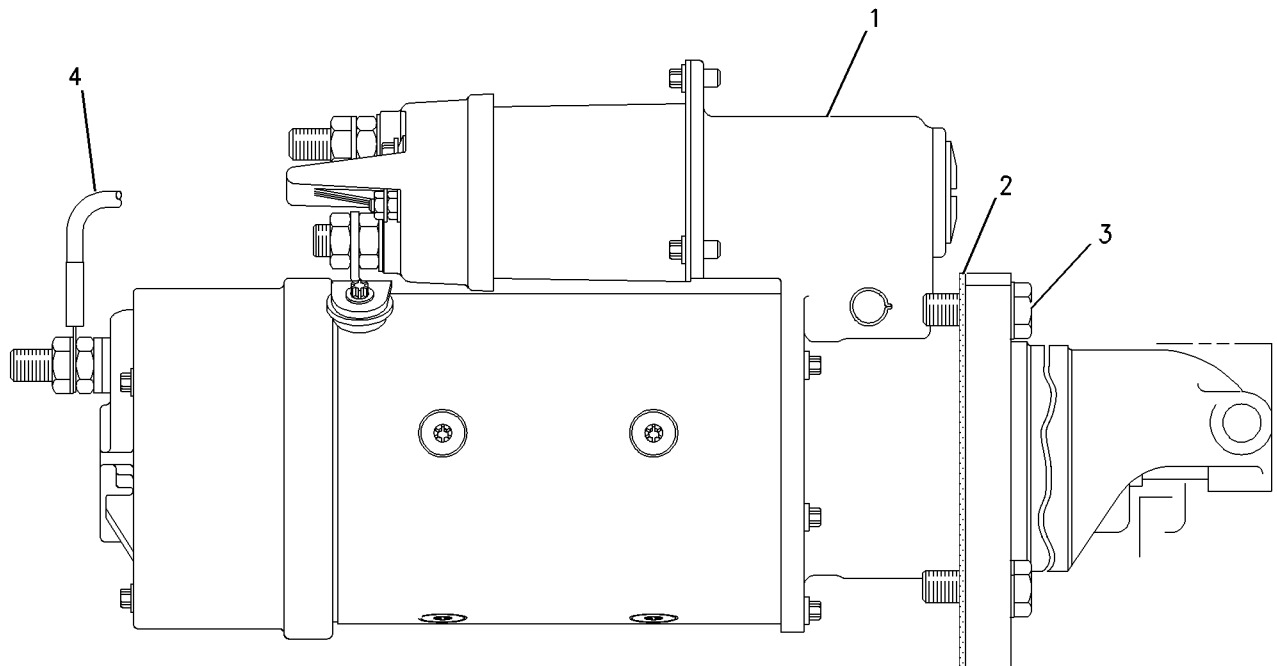
24-VOLT. INSTALL ON LH SIDE OF ENGINE

SMCS-1453

i02509090

NOTE	REF NO	GRAPHIC REF	PART NUMBER	QTY	PART NAME						SEE PAGE
					1	2	3	4	5	6 (PRODUCT LEVEL)	
CY	1	1	207-1564	1	STARTING MOTOR GP-ELECTRIC (24-VOLT)						485
	2	1	4N-1059	1	GASKET						
	3	1	8S-2332	3	BOLT-12 POINT HEAD (5/8-11X1.75-IN)						
	4	1	9F-4337	1	WIRE AS						

C-CHANGE FROM PREVIOUS TYPE
Y-SEPARATE ILLUSTRATION



GRAPHIC #1

<END>

g00824037

ELECTRICAL AND STARTING SYSTEM

120-9100 STARTING MOTOR GP-ELECTRIC

S/N: FFH1-215

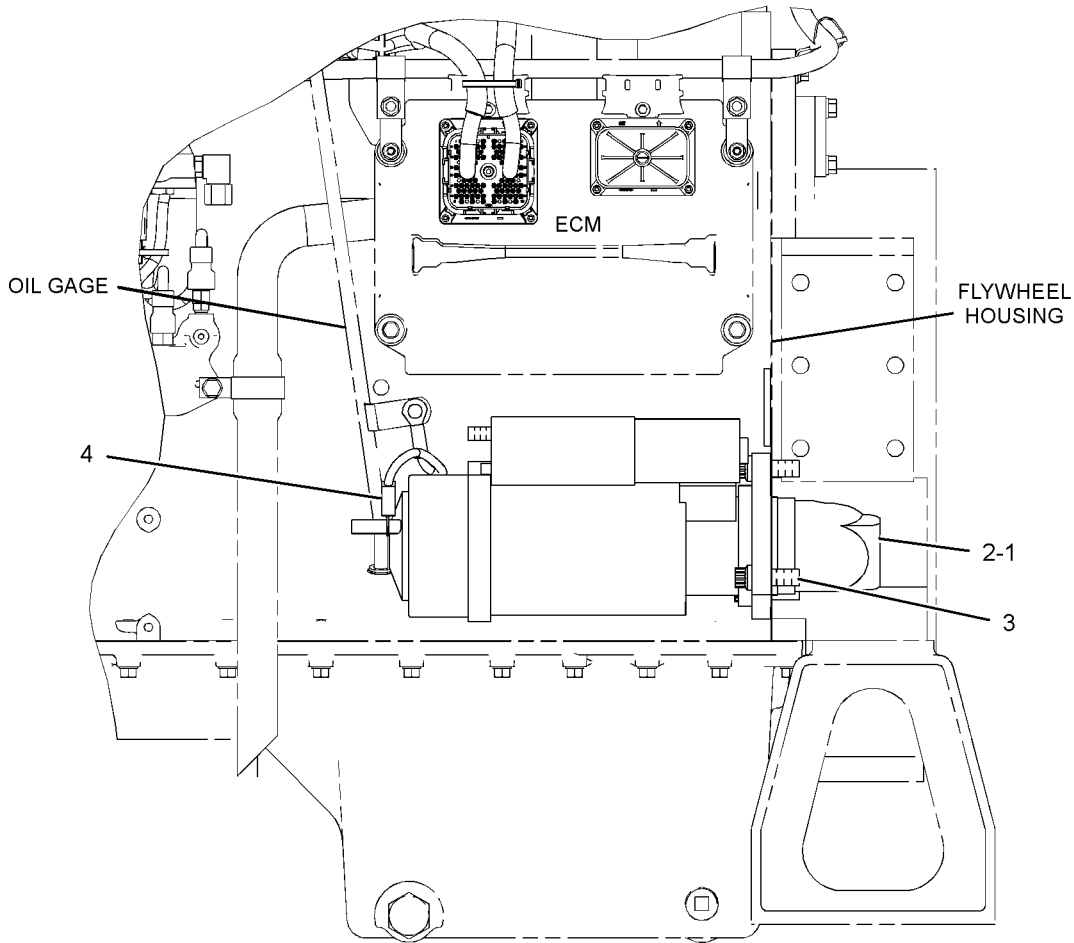
24-VOLT. INSTALL ON RH SIDE OF ENGINE

SMCS-1453

i02404712

NOTE	REF NO	GRAPHIC REF	PART NUMBER	QTY	PART NAME						SEE PAGE
					1	2	3	4	5	6 (PRODUCT LEVEL)	
	1	1	4N-1059	1	GASKET						
CYR	2	1	237-1962	1	STARTING MOTOR GP-ELECTRIC						487
	3	1	8S-2332	3	BOLT-12 POINT HEAD (5/8-11X1.75-IN)						
	4	1	9F-4337	1	WIRE AS						

C-CHANGE FROM PREVIOUS TYPE
 R-REMFG PART MAY BE AVAILABLE
 Y-SEPARATE ILLUSTRATION



LEFT SIDE VIEW

<END>

GRAPHIC #1

g01201497

ELECTRICAL AND STARTING SYSTEM

207-1564 STARTING MOTOR GP-ELECTRIC

S/N: FFH1-UP

24-VOLT

PART OF 120-9099 STARTING MOTOR GP-ELECTRIC

SMCS-1453

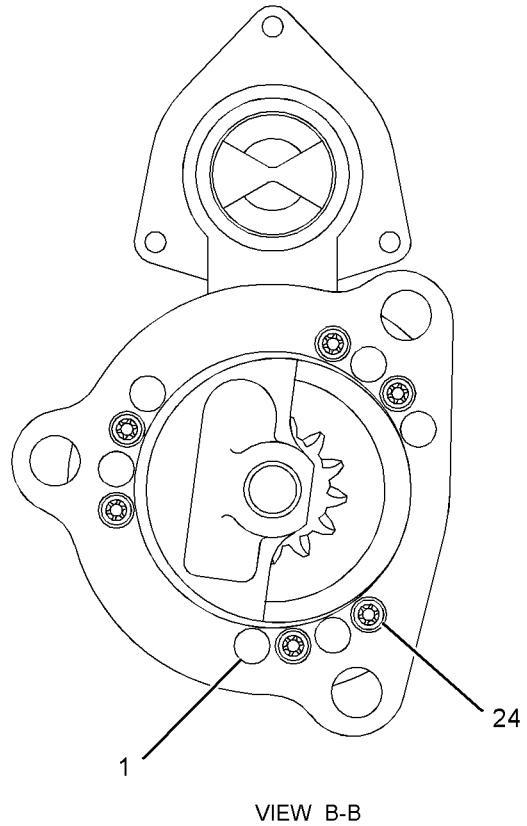
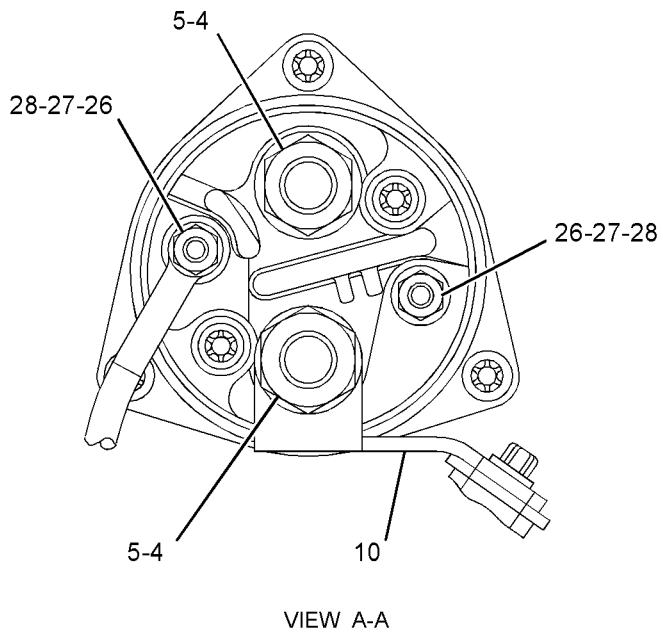
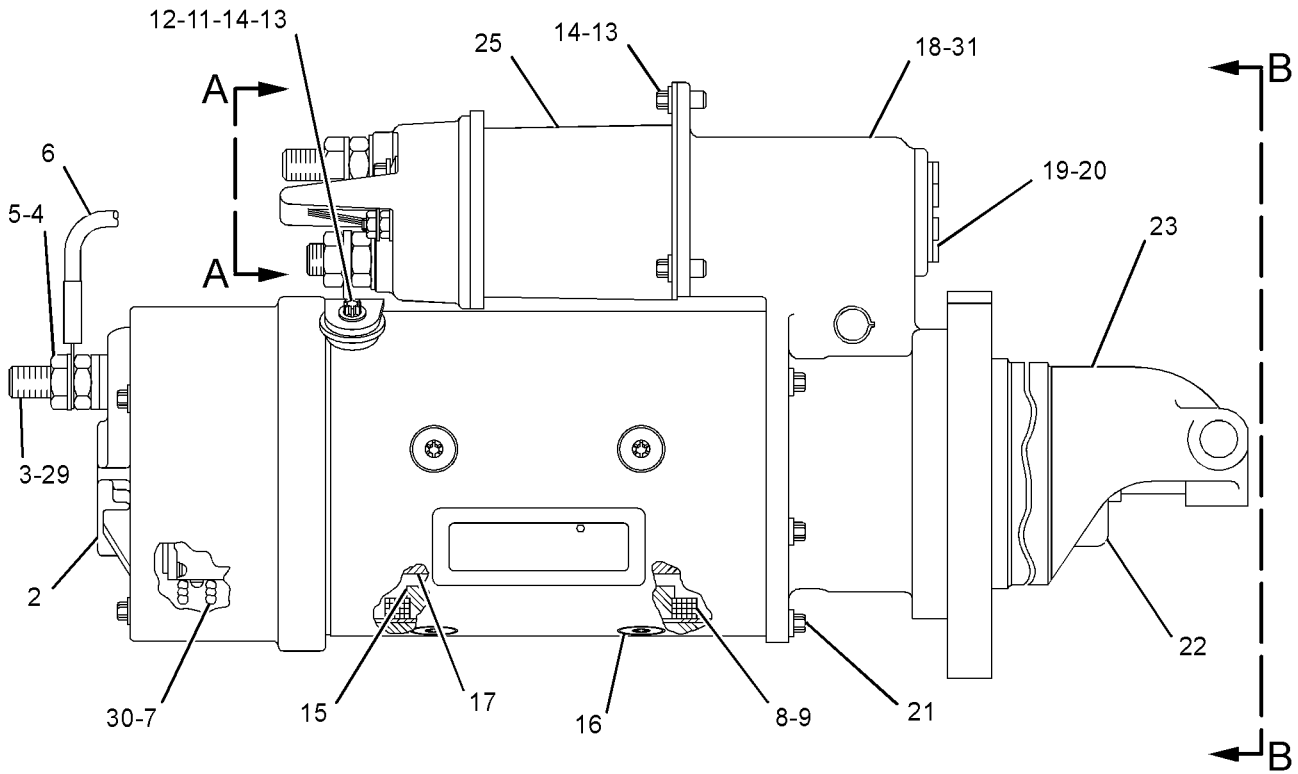
i03639535

NOTE	REF NO	GRAPHIC REF	PART NUMBER	QTY	PART NAME						SEE PAGE
					1	2	3	4	5	6 (PRODUCT LEVEL)	
	1	1	3T-3434	6	PLUG						
	2	1	7T-3279	1	HOUSING AS (STARTING MOTOR)						
	3	1	8T-8566	1	TERMINAL AS						
	4	1	6V-8188	4	NUT (1/2-13-THD)						
	5	1	7X-0562	4	WASHER-HARD (13.5X19X0.8-MM THK)						
	6	1	3T-3422	1	WIRE AS						
	7	1	7T-3278	1	HOLDER AS-BRUSH (STARTING MOTOR)						
	8	1	7T-3277	1	COIL AS-FIELD						
	9	1	7T-3454	1	INSULATOR						
	10	1	283-1107	1	KIT-CONNECTOR (STARTING MOTOR)						
		1	3E-7853	1	TERMINAL						
		1	5S-7349	1	BOLT (1/4-20X0.5-IN)						
		1	278-0592	1	CONNECTOR						
	11	1	7T-3451	1	KIT-INSULATOR (TERMINAL)						
	12	1	8T-8569	1	INSULATOR-TERMINAL						
	13	1	5S-7349	4	BOLT (1/4-20X0.5-IN)						
	14	1	8T-4205	4	WASHER-HARD (7.2X14.5X2-MM THK)						
	15	1	8H-1141	4	SHOE-POLE						
	16	1	3R-8797	8	SCREW & WASHER AS (3/8-24X0.72-IN)						
	17	1	7T-3276	1	ARMATURE AS (24-VOLT)						
	18	1	7T-3973	1	HOUSING AS-LEVER						
	19	1	4M-1831	1	PLUG-LEVER HOUSING						
	20	1	7L-2894	1	GASKET						
	21	1	036-9823	5	BOLT (1/4-28X1-IN)						
	22	1	6N-3826	1	DRIVE AS-MOTOR						
	23	1	7T-3974	1	HOUSING AS-DRIVE						
	24	1	7X-3373	6	BOLT (5/16-18X0.88-IN)						
	25	1	250-8279	1	KIT-SOLENOID (24-VOLT)						
	26	1	6V-8378	2	NUT (10-32-THD)						
	27	1	8F-1434	2	LOCKWASHER						
	28	1	8T-0328	2	WASHER-HARD (5.5X10X1-MM THK)						
	29	1	8T-9884	1	KIT-INSULATOR (STARTING MOTOR) (INCLUDES INSULATORS & BUSHING)						
	30	1	8C-3655	1	KIT-BRUSH (STARTING MOTOR) (INCLUDES SEAL, BRUSHES, SPRINGS, SCREWS & SCREW ASSEMBLIES)						
	31	1	7T-3268	1	KIT-LEVER (STARTING MOTOR) (INCLUDES NUT, GASKET, RETAINER, SEALS & LEVER ASSEMBLIES)						
					AVAILABLE REPAIR KIT(S):						
			7T-3267	1	KIT-BUSHING (STARTING MOTOR) (INCLUDES BUSHINGS, WICKS, CUP, SEALS, GASKET, SCREWS, WASHERS & NUT)						

ELECTRICAL AND STARTING SYSTEM

207-1564 STARTING MOTOR GP-ELECTRIC (contd.)

i03639535



GRAPHIC #1

<END>

g01470346

ELECTRICAL AND STARTING SYSTEM

237-1962 STARTING MOTOR GP-ELECTRIC*R

S/N: FFH1-215

24-VOLT

PART OF 120-9100 STARTING MOTOR GP-ELECTRIC

SMCS-1453

i03630206

NOTE	REF NO	GRAPHIC REF	PART NUMBER	QTY	PART NAME						SEE PAGE
					1	2	3	4	5	6 (PRODUCT LEVEL)	
	1	1	7M-0326	1	CONNECTOR						
	2	1	9H-3757	2	WASHER (0.516X1X0.094-IN THK)						
	3	1	1S-7446	3	SCREW-MACHINE (8-32X0.437-IN)						
	4	1	8C-9660	3	WASHER (4.6X7.9X0.8-MM THK)						
	5	1	9S-2544	9	SCREW-HEX HEAD (8-32X11.13-MM)						
	6	1	7M-0327	1	WASHER-THRUST (17.4X25.4X1.6-MM THK)						
	7	1	3T-3418	1	FRAME AS-END						
		1	3T-3423	1	CUP						
		1	3T-3424	1	PLUG-FELT						
		1	9G-4101	1	BUSHING-END						
	8	1	3T-9525	1	PLATE AS-BRUSH						
	8A	1	6T-0371	1	INSULATOR						
	8B	1	5P-6298	12	SCREW-MACHINE (10-32X0.5-IN)						
		1	9F-5599	12	LOCKWASHER						
	8C	1	7F-3525	6	WASHER-BUSHING (0.207X0.39X0.09-IN THK)						
	8D	1	6T-0372	1	PLATE						
	8E	1	3T-4709	3	PLATE						
	8F	1	2L-6679	3	PLATE-INSULATOR						
	8G	1	3T-4710	3	PLATE						
	8H	1	6T-0363	6	HOLDER AS-BRUSH (STARTING MOTOR)						
					(EACH INCLUDES)						
	8J	1	3T-9494	1	SPRING						
	9	1	1T-0808	2	WASHER (0.516X0.812X0.09-IN THK)						
	10	1	3T-3422	1	WIRE AS (STARTING MOTOR)						
	11	1	2J-8163	2	SEAL-O-RING						
	12	1	7X-3373	1	BOLT (5/16-18X0.88-IN)						
	13	1	3T-3434	6	PLUG						
	14	1	5J-5314	5	BOLT (5/16-18X1.5-IN)						
	15	1	3L-3380	1	BUSHING-TERMINAL						
	16	1	036-9821	1	WASHER						
	17	1	4M-1828	1	RETAINER-SPRING						
	18	1	306-3998	1	BOOT-RUBBER						
	19	1	9M-7609	1	SPRING (SHIFT LEVER)						
	20	1	4M-1827	1	RETAINER-SPRING						
	21	1	8C-3089	1	SEAL-O-RING						
	22	1	4M-1853	1	LEVER AS-SHIFT						
	23	1	5M-3034	1	LOCKNUT (5/16-24-THD)						
	24	1	7L-2894	4	GASKET						
	25	1	4M-1831	4	PLUG-LEVER HOUSING						
	26	1	4M-1854	1	SHAFT-LEVER						
	27	1	1H-1023	1	SEAL-O-RING						
	28	1	2D-6392	1	SEAL-O-RING						
	29	1	7T-3974	1	HOUSING AS-DRIVE						
	30	1	6N-3826	1	DRIVE AS-MOTOR						
	31	1	2H-3429	2	RING-RETAINING						
	32	1	6V-1322	4	BOLT (1/4-20X0.375-IN)						
	33	1	8T-4205	4	WASHER-HARD (7.2X14.5X2-MM THK)						
	34	1	6N-3279	1	INSULATOR						
	35	1	0S-1597	13	BOLT (1/4-28X1-IN)						
	36	1	1M-9971	1	SPACER (0.835X1.72X0.188-IN THK)						
	37	1	1H-2629	3	STRIP-INSULATION						
	38	1	7M-0324	1	COIL AS-FIELD						
	39	1	3R-8797	12	SCREW & WASHER AS (3/8-24X0.72-IN)						
	40	1	7F-3488	6	SHOE-POLE						
	41	1	7M-8651	1	ARMATURE AS						

ELECTRICAL AND STARTING SYSTEM

237-1962 STARTING MOTOR GP-ELECTRIC (contd.)

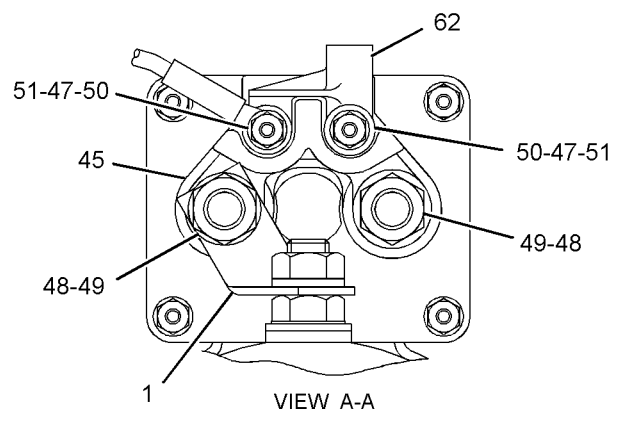
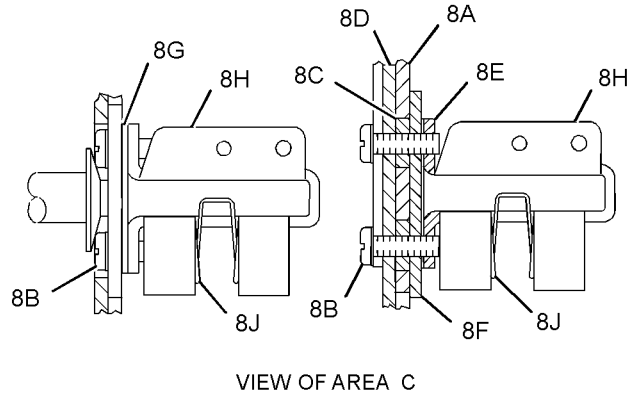
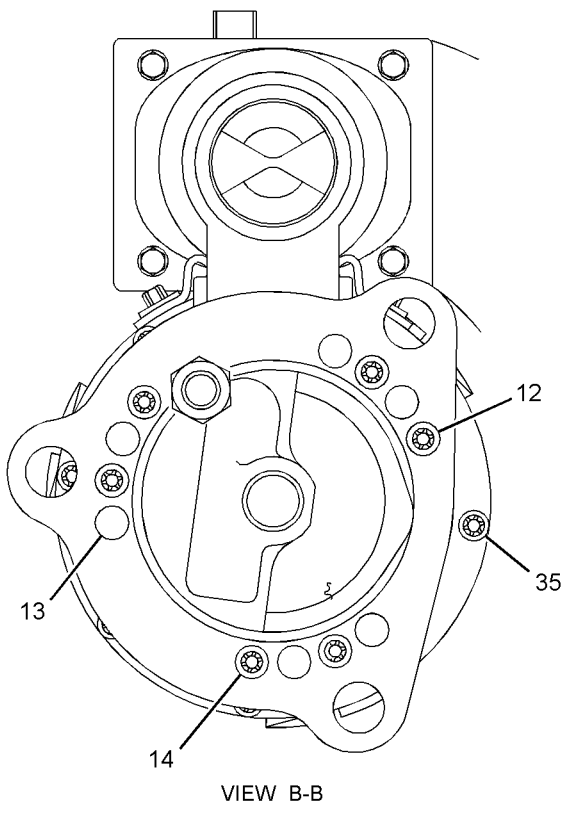
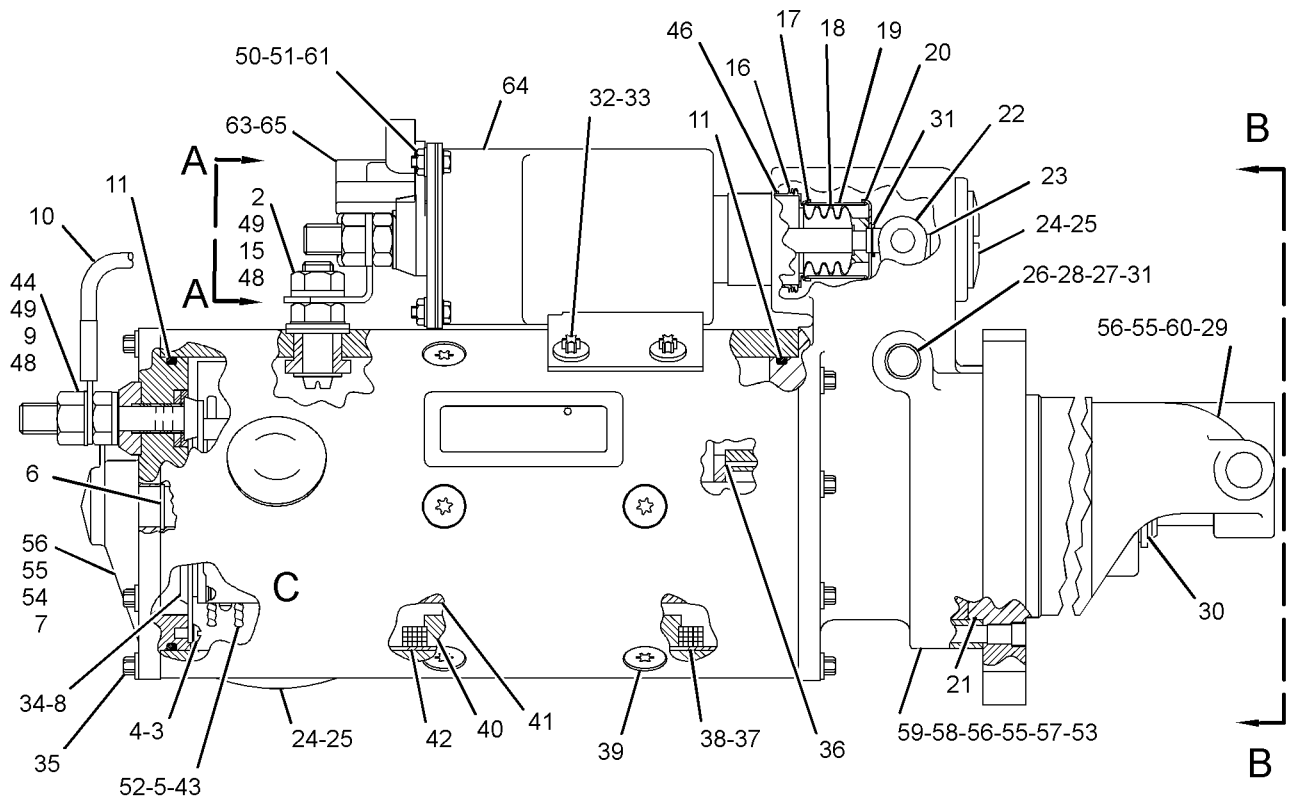
i03630206

NOTE	REF NO	GRAPHIC REF	PART NUMBER	QTY	PART NAME						SEE PAGE
					1	2	3	4	5	6 (PRODUCT LEVEL)	
	42	1	7M-0325	1	INSULATOR						
	43	1	3T-9524	6	BRUSH AS						
	44	1	3N-3763	1	KIT-TERMINAL (STARTING MOTOR) (INCLUDES BUSHINGS & WASHERS)						
	45	1	125-6537	1	INSULATOR						
	46	1	3R-8801	1	CLAMP						
	47	1	8F-1434	2	LOCKWASHER						
	48	1	6V-8188	6	NUT (1/2-13-THD)						
	49	1	7X-0562	6	WASHER-HARD (13.5X19X0.8-MM THK)						
	50	1	4B-2049	6	NUT (10-32-THD)						
	51	1	8T-0328	10	WASHER-HARD (5.5X10X1-MM THK)						
	52	1	3T-9494	6	SPRING (STARTING MOTOR)						
	53	1	3E-7771	1	HOUSING AS (STARTING MOTOR)						
	54	1	9G-4101	1	BUSHING-END						
	55	1	3T-3424	3	PLUG-FELT						
	56	1	3T-3423	3	CUP						
	57	1	1M-9968	1	BUSHING						
	58	1	2F-6678	1	SEAL-LIP TYPE						
	59	1	4L-2729	1	WASHER (0.844X1.9X0.188-IN THK)						
	60	1	4M-1896	1	BUSHING-TERMINAL						
	61	1	045-4065	4	SCREW-MACHINE (10-32X0.75-IN)						
	62	1	125-6535	1	COVER-STARTING MOTOR						
	63	1	7T-9123	1	GASKET-PLATE						
	64	1	318-2082	1	SOLENOID AS-STARTING MOTOR (24-VOLT)						
	65	1	125-6536	1	TERMINAL AS						

ELECTRICAL AND STARTING SYSTEM

237-1962 STARTING MOTOR GP-ELECTRIC (contd.)

i03630206



GRAPHIC #1

<END>

g01453239

ELECTRICAL AND STARTING SYSTEM

283-9183 STRIP GP-TERMINAL-CIRCUIT BREAKER

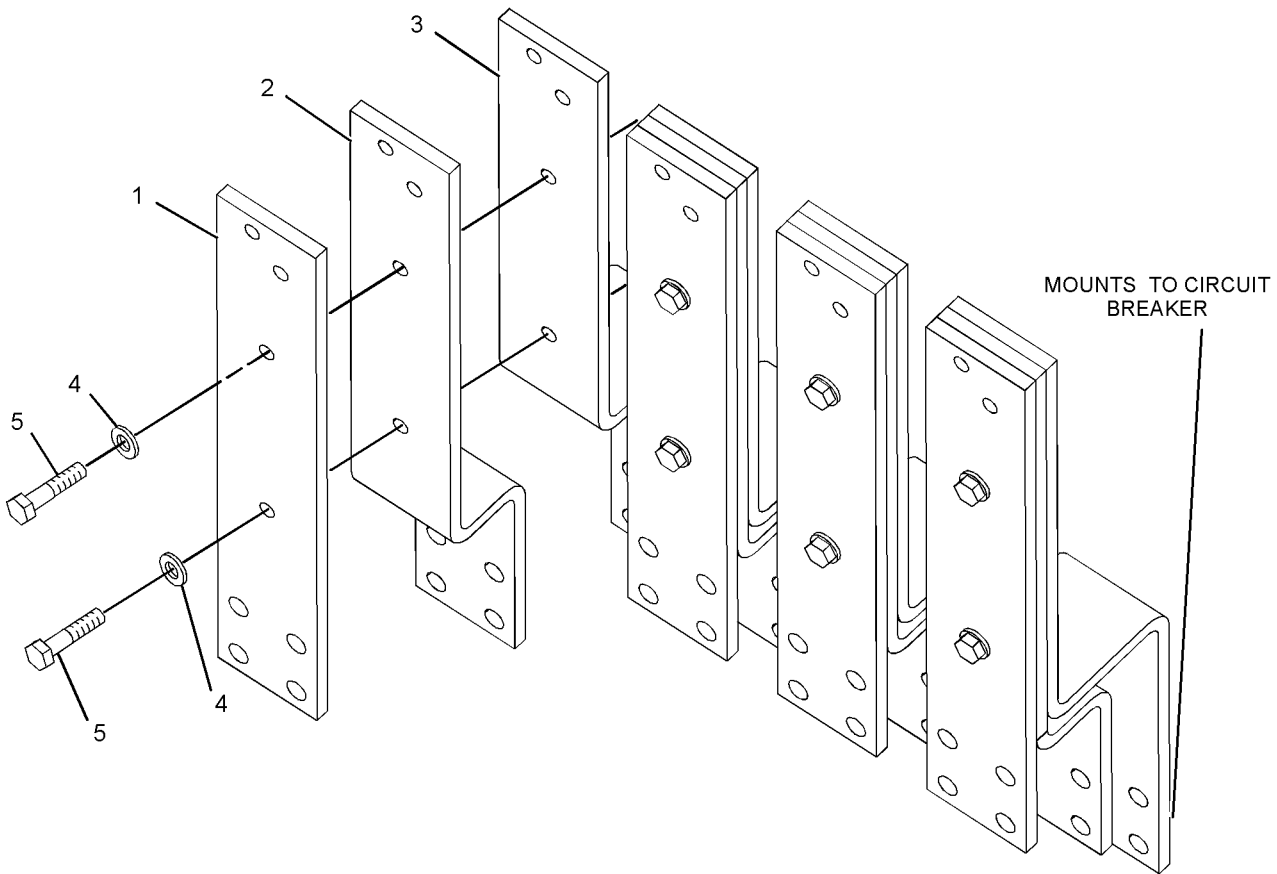
S/N: C5H1-UP
2000/2500-AMPERE
AN ATTACHMENT

SMCS-4460, 7426

i02830955

NOTE	REF NO	GRAPHIC REF	PART NUMBER	QTY	PART NAME						SEE PAGE
					1	2	3	4	5	6 (PRODUCT LEVEL)	
	1	1	283-9175	4	TERMINAL						
	2	1	283-9176	4	TERMINAL						
	3	1	283-9177	4	TERMINAL						
	4	1	8T-4121	8	WASHER-HARD (11X21X2.5-MM THK)						
M	5	1	8T-4186	8	BOLT (M10X1.5X40-MM)						

M-METRIC PART



GRAPHIC #1

<END>

g01214750

ELECTRICAL AND STARTING SYSTEM

283-9184 STRIP GP-TERMINAL-CIRCUIT BREAKER

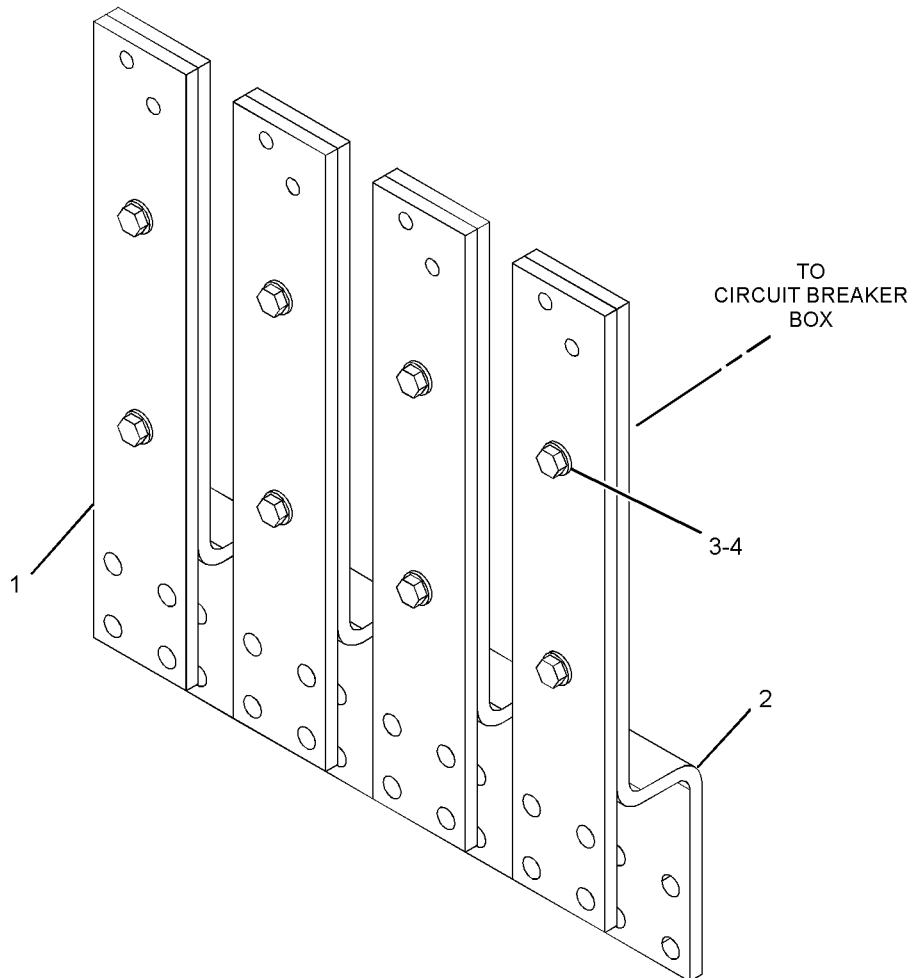
S/N: C5H1-UP
1250/1600-AMPERE
AN ATTACHMENT

SMCS-4460, 7426

i03317242

NOTE	REF NO	GRAPHIC REF	PART NUMBER	QTY	PART NAME						SEE PAGE
					1	2	3	4	5	6 (PRODUCT LEVEL)	
	1	1	283-9175	4	TERMINAL						
	2	1	283-9176	4	TERMINAL						
	3	1	8T-4121	8	WASHER-HARD (11X21X2.5-MM THK)						
M	4	1	8T-4195	8	BOLT (M10X1.5X30-MM)						

M-METRIC PART



GRAPHIC #1

<END>

g01214763

ELECTRICAL AND STARTING SYSTEM

283-9185 STRIP GP-TERMINAL-CONTROL PANEL

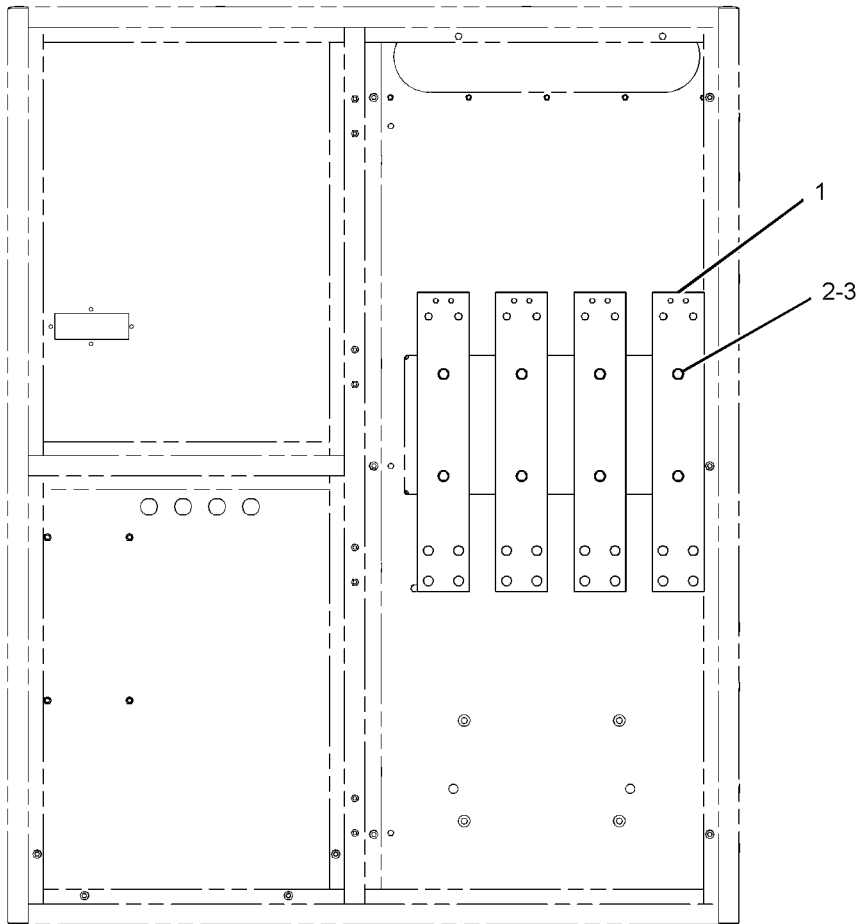
S/N: C5H1-UP
400/800-AMPERE
AN ATTACHMENT

SMCS-4460, 7426

i02490110

NOTE	REF NO	GRAPHIC REF	PART NUMBER	QTY	PART NAME						SEE PAGE
					1	2	3	4	5	6 (PRODUCT LEVEL)	
	1	1	283-9182	4	TERMINAL						
M	2	1	8T-4137	8	BOLT (M10X1.5X20-MM)						
	3	1	8T-4121	8	WASHER-HARD (11X21X2.5-MM THK)						

M-METRIC PART



GRAPHIC #1

<END>

g01214611

ELECTRICAL AND STARTING SYSTEM

284-9157 STRIP GP-TERMINAL

S/N: C5H1-UP

400-630-AMPERE

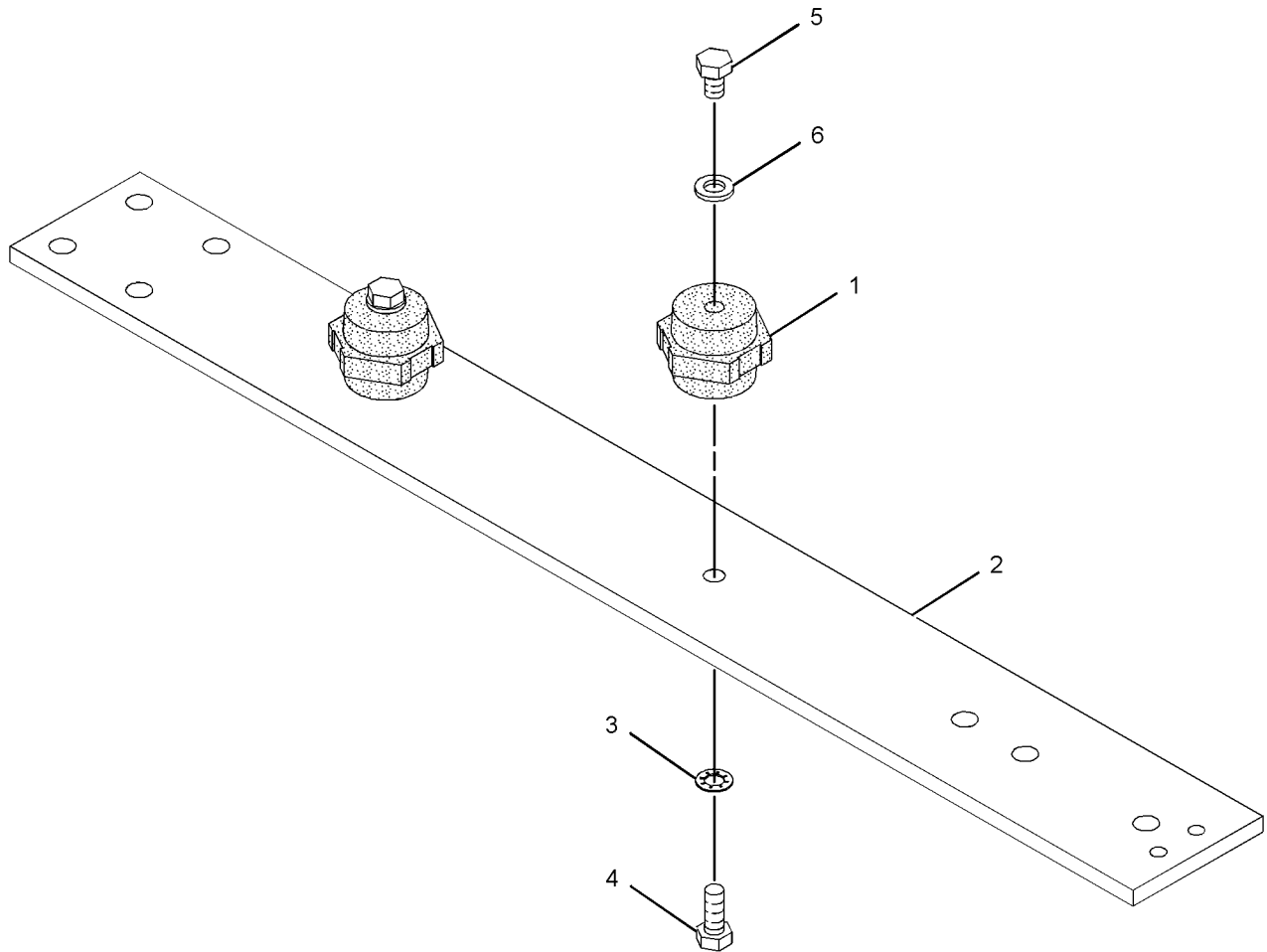
PART OF 284-9223 CONNECTION GP-TERMINAL STRIP
AN ATTACHMENT

SMCS-4460, 7426

i02478667

NOTE	REF NO	GRAPHIC REF	PART NUMBER	QTY	PART NAME						SEE PAGE
					1	2	3	4	5	6 (PRODUCT LEVEL)	
	1	1	143-4456	2	INSULATOR						
	2	1	284-9156	1	TERMINAL						
	3	1	3F-9556	2	LOCKWASHER						
M	4	1	8T-4189	2	BOLT (M8X1.25X20-MM)						
M	5	1	8T-4199	2	BOLT (M8X1.25X12-MM)						
	6	1	8T-4224	2	WASHER-HARD (8.8X16X2-MM THK)						

M-METRIC PART



GRAPHIC #1

<END>

g01265631

ELECTRICAL AND STARTING SYSTEM

284-9172 STRIP GP-TERMINAL

S/N: C5H1-UP

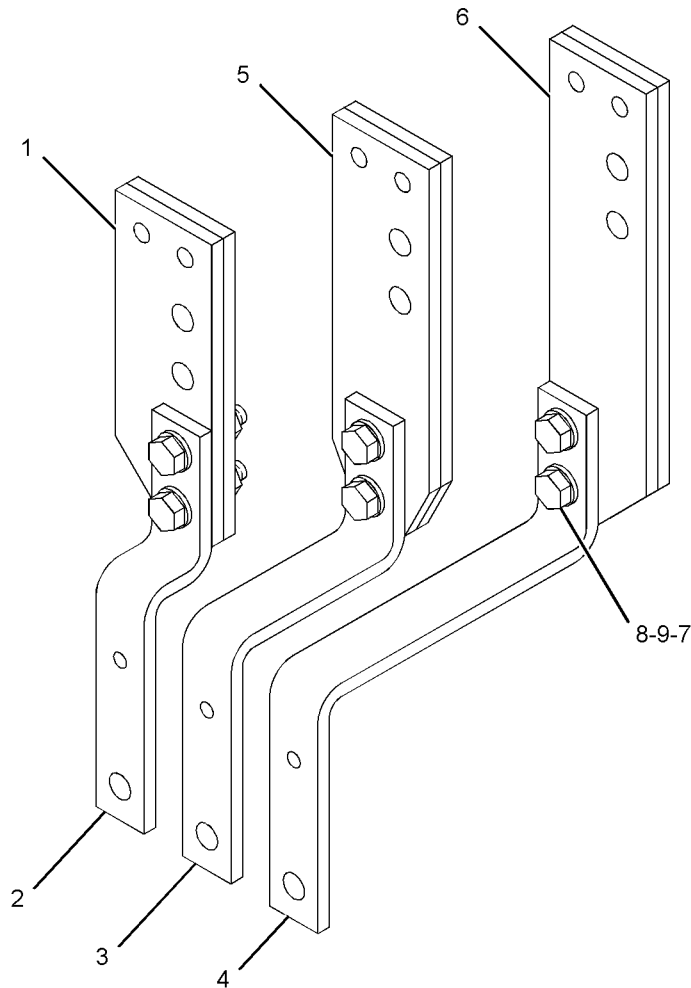
PART OF 284-9154 MOUNTING GP-TERMINAL STRIP
AN ATTACHMENT

SMCS-4460, 7426

i02478605

NOTE	REF NO	GRAPHIC REF	PART NUMBER	QTY	PART NAME						SEE PAGE
					1	2	3	4	5	6 (PRODUCT LEVEL)	
	1	1	283-9208	2	TERMINAL						
	2	1	283-9203	1	TERMINAL (COPPER)						
	3	1	283-9204	1	TERMINAL (COPPER)						
	4	1	283-9205	1	TERMINAL (COPPER)						
	5	1	283-9209	2	TERMINAL						
	6	1	283-9210	2	TERMINAL						
M	7	1	5C-7261	6	NUT (M8X1.25-THD)						
M	8	1	8T-4154	6	BOLT (M8X1.25X35-MM)						
	9	1	8T-4224	12	WASHER-HARD (8.8X16X2-MM THK)						

M-METRIC PART



GRAPHIC #1

<END>

g01283053

ELECTRICAL AND STARTING SYSTEM

284-9173 STRIP GP-TERMINAL

S/N: C5H1-UP

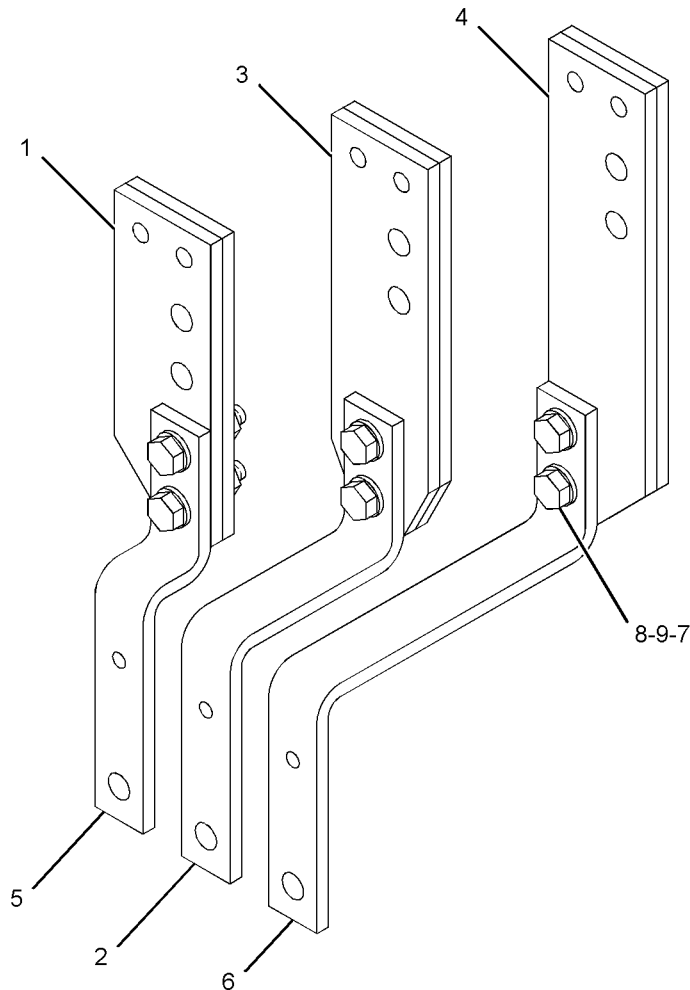
PART OF 284-9155 MOUNTING GP-TERMINAL STRIP
AN ATTACHMENT

SMCS-4460, 7426

i02478656

NOTE	REF NO	GRAPHIC REF	PART NUMBER	QTY	PART NAME						SEE PAGE
					1	2	3	4	5	6 (PRODUCT LEVEL)	
	1	1	283-9208	2	TERMINAL						
	2	1	284-9148	1	TERMINAL (COPPER)						
	3	1	283-9209	2	TERMINAL						
	4	1	283-9210	2	TERMINAL						
	5	1	284-9149	1	TERMINAL (COPPER)						
	6	1	284-9150	1	TERMINAL (COPPER)						
M	7	1	5C-7261	6	NUT (M8X1.25-THD)						
M	8	1	8T-4154	6	BOLT (M8X1.25X35-MM)						
	9	1	8T-4224	12	WASHER-HARD (8.8X16X2-MM THK)						

M-METRIC PART



GRAPHIC #1

<END>

g01283055

ELECTRICAL AND STARTING SYSTEM

142-2456 SUPPORT GP-BATTERY

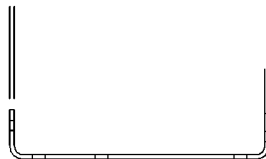
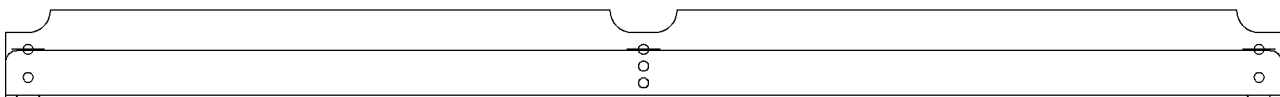
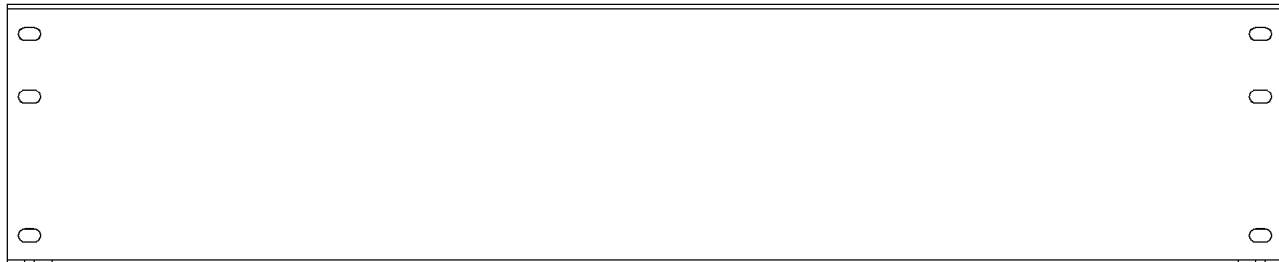
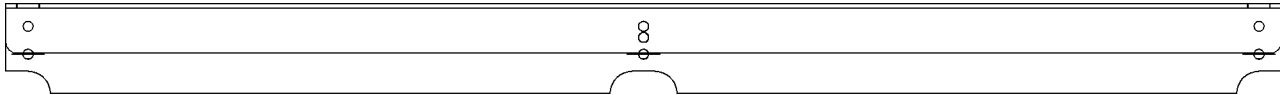
S/N: C5H1-UP

PART OF 237-7204, 274-1340 SUPPORT GP-BATTERY
AN ATTACHMENT

SMCS-7257

i01948402

NOTE	REF NO	GRAPHIC REF	PART NUMBER	QTY	PART NAME						SEE PAGE
					1	2	3	4	5	6 (PRODUCT LEVEL)	
(NO SERVICED PARTS)											



GRAPHIC #1

<END>

g01016654

ELECTRICAL AND STARTING SYSTEM

237-7204 SUPPORT GP-BATTERY

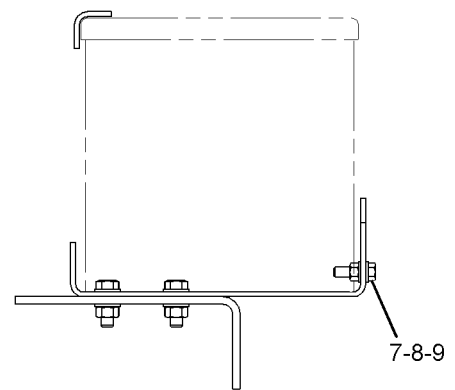
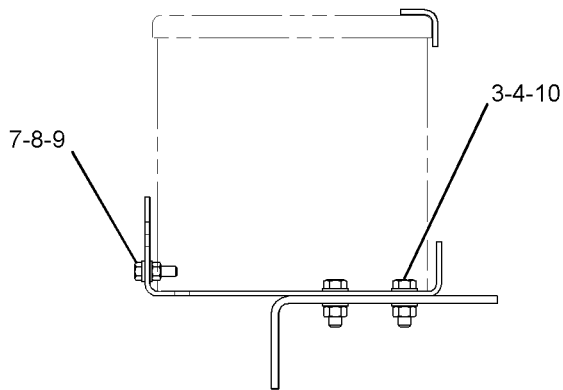
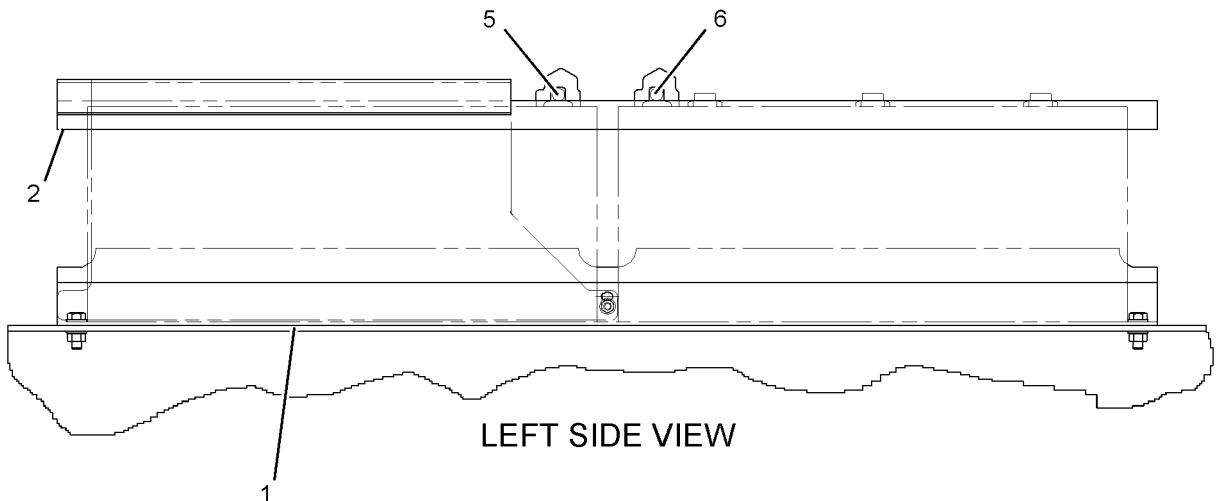
S/N: C5H1-125
AN ATTACHMENT

SMCS-7257

i02195294

NOTE	REF NO	GRAPHIC REF	PART NUMBER	QTY	PART NAME						SEE PAGE
					1	2	3	4	5	6 (PRODUCT LEVEL)	
	1	1	142-2456	1	SUPPORT GP-BATTERY						
	2	1	142-2457	1	ANGLE						
	3	1	8T-4121	8	WASHER-HARD (11X21X2.5-MM THK)						
M	4	1	8T-4133	4	NUT (M10X1.5-THD)						
	5	1	240-0467	1	CABLE AS-BATTERY (POSITIVE) (BATTERY TERMINAL) (RED)						
	6	1	240-0466	1	CABLE AS-BATTERY (NEGATIVE) (STARTER MOTOR TERMINAL) (BLACK)						
M	7	1	8T-7547	2	BOLT (M8X1.25X30-MM)						
	8	1	8T-4224	4	WASHER-HARD (8.8X16X2-MM THK)						
M	9	1	5C-7261	2	NUT (M8X1.25-THD)						
M	10	1	8T-4195	4	BOLT (M10X1.5X30-MM)						

M-METRIC PART



GRAPHIC #1

<END>

g01108822

ELECTRICAL AND STARTING SYSTEM

237-7204 SUPPORT GP-BATTERY

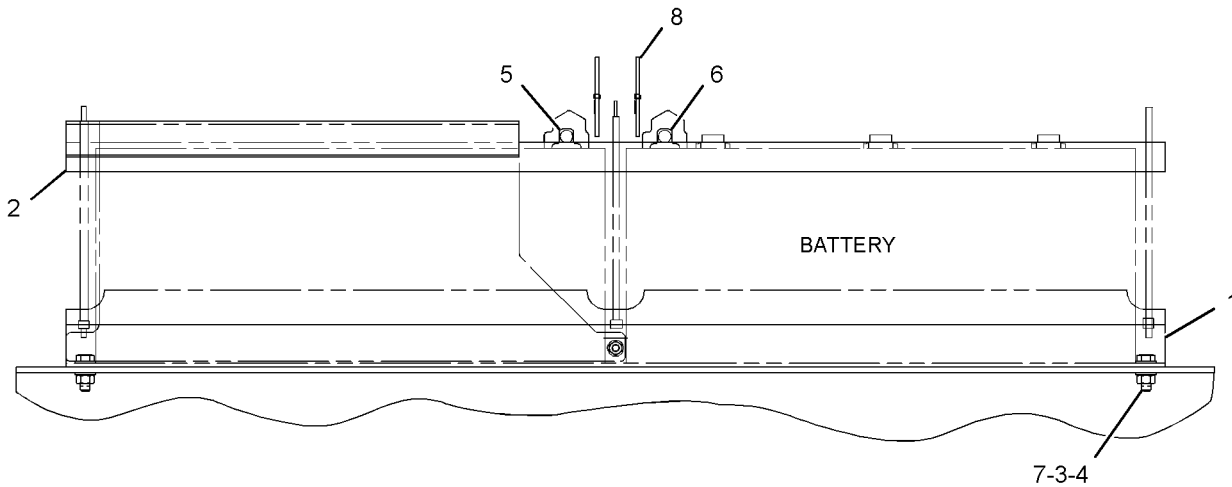
S/N: C5H126-UP
AN ATTACHMENT

SMCS-7257

i03317322

NOTE	REF NO	GRAPHIC REF	PART NUMBER	QTY	PART NAME						SEE PAGE
					1	2	3	4	5	6 (PRODUCT LEVEL)	
Y	1	1	142-2456	1	SUPPORT GP-BATTERY						496
	2	1	142-2457	1	ANGLE						
	3	1	8T-4121	8	WASHER-HARD (11X21X2.5-MM THK)						
M	4	1	8T-4133	4	NUT (M10X1.5-THD)						
	5	1	143-5968	1	CABLE AS (BATTERY TERMINAL) (RED)						
	6	1	240-0468	1	CABLE AS (STARTER MOTOR TERMINAL) (BLACK)						
M	7	1	8T-4195	4	BOLT (M10X1.5X30-MM)						
C	8	1	8L-8413	2	STRAP-CABLE						

C-CHANGE FROM PREVIOUS TYPE
M-METRIC PART
Y-SEPARATE ILLUSTRATION



LEFT SIDE VIEW

GRAPHIC #1

<END>

g01352849

ELECTRICAL AND STARTING SYSTEM

270-0171 SUPPORT GP-BATTERY

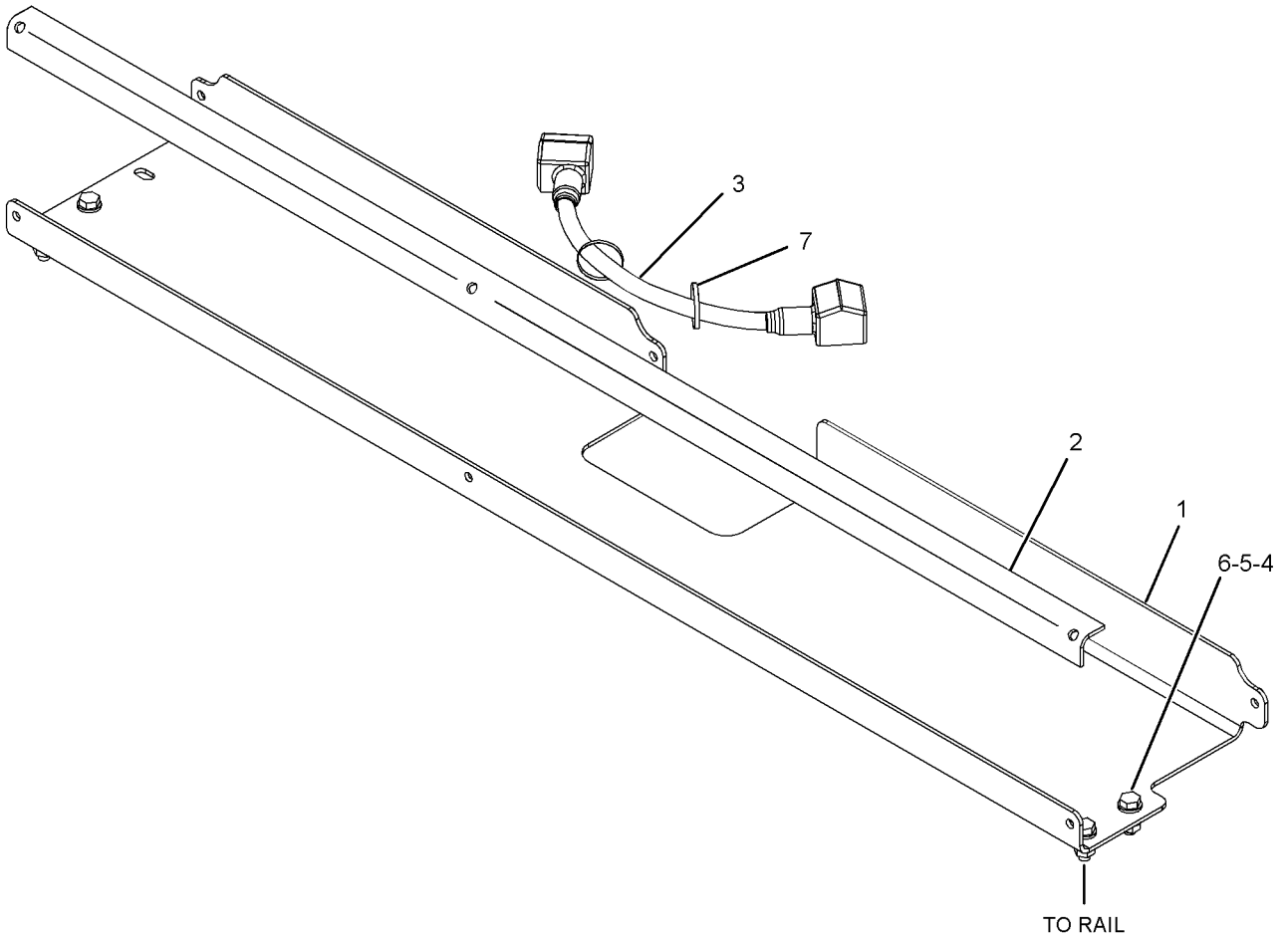
S/N: C5H1-UP
AN ATTACHMENT

SMCS-7257

i03186516

NOTE	REF NO	GRAPHIC REF	PART NUMBER	QTY	PART NAME						SEE PAGE
					1	2	3	4	5	6 (PRODUCT LEVEL)	
	1	1	270-0161	1	SUPPORT-BATTERY						
	2	1	270-0163	1	ANGLE						
	3	1	270-3235	1	CABLE AS (BATTERY)						
	4	1	8T-4121	8	WASHER-HARD (11X21X2.5-MM THK)						
M	5	1	8T-4133	4	NUT (M10X1.5-THD)						
M	6	1	8T-4195	4	BOLT (M10X1.5X30-MM)						
	7	1	8L-8413	2	STRAP-CABLE						

M-METRIC PART



GRAPHIC #1

<END>

g01330588

ELECTRICAL AND STARTING SYSTEM

274-1340 SUPPORT GP-BATTERY

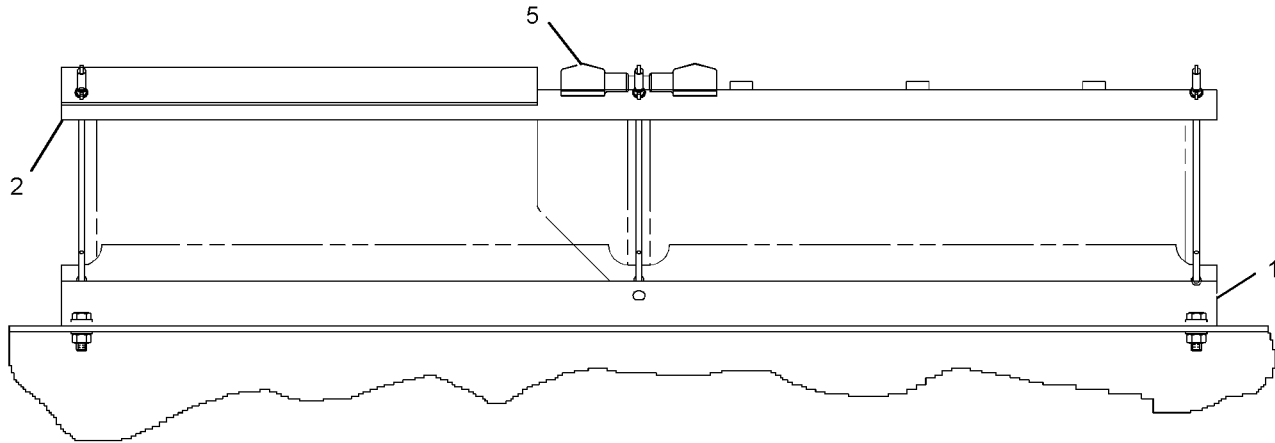
S/N: C5H1-UP
AN ATTACHMENT

SMCS-7257

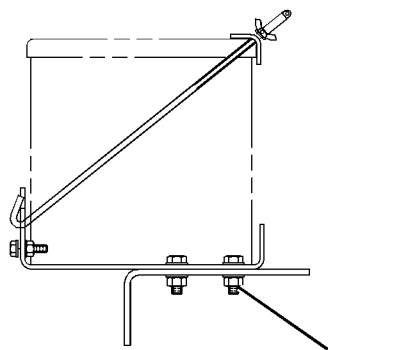
i03538183

NOTE	REF NO	GRAPHIC REF	PART NUMBER	QTY	PART NAME						SEE PAGE
					1	2	3	4	5	6 (PRODUCT LEVEL)	
Y	1	1	142-2456	1	SUPPORT GP-BATTERY						496
	2	1	142-2457	1	ANGLE						
	3	1	8T-4121	8	WASHER-HARD (11X21X2.5-MM THK)						
M	4	1	8T-4133	4	NUT (M10X1.5-THD)						
	5	1	240-0465	1	CABLE AS						
M	9	1	8T-4195	4	BOLT (M10X1.5X30-MM)						

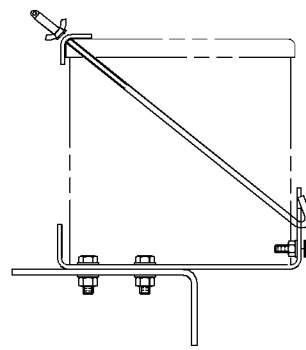
M-METRIC PART
Y-SEPARATE ILLUSTRATION



LEFT SIDE VIEW



FRONT VIEW



REAR VIEW

GRAPHIC #1

<END>

g01867493

ELECTRICAL AND STARTING SYSTEM

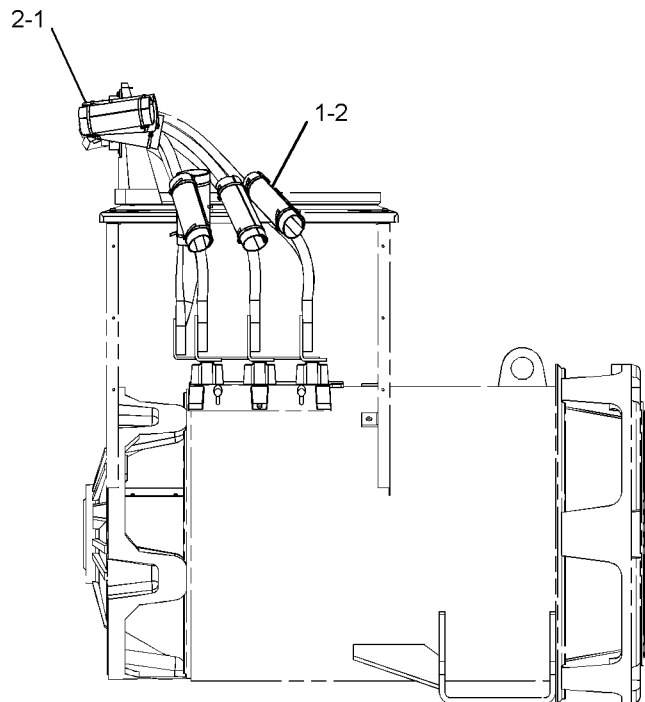
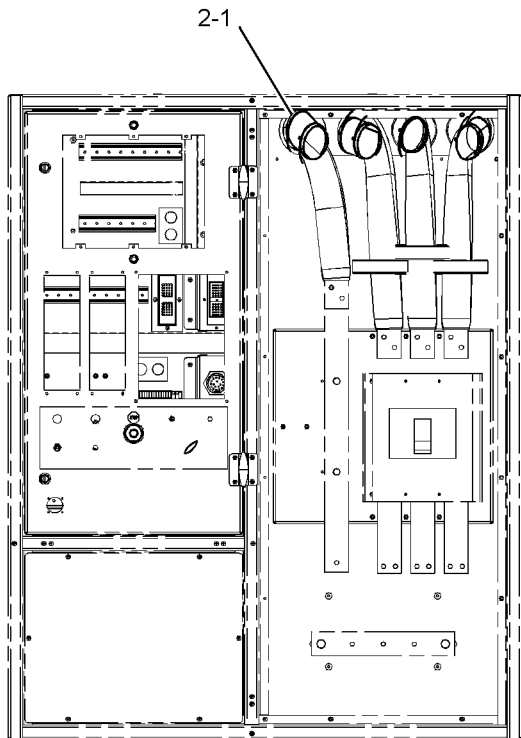
272-2205 SUPPORT GP-CABLE

S/N: C5H1-UP
AN ATTACHMENT

SMCS-0635, 4459

i02427777

NOTE	REF NO	GRAPHIC REF	PART NUMBER	QTY	PART NAME						SEE PAGE
					1	2	3	4	5	6 (PRODUCT LEVEL)	
	1	1	7H-8213	12	MAT						
	2	1	7K-1181	24	STRAP-CABLE						



GRAPHIC #1

<END>

g01176766

ELECTRICAL AND STARTING SYSTEM

143-7886 SWITCH AS-
CIRCUIT BREAKER POSITION, FAULT INDICATOR
S/N: C5H1-UP
FOR USE WITH NS CIRCUIT BREAKERS
AN ATTACHMENT

SMCS-1400, 1435, 4450

i01280111

NOTE	PART NUMBER	QTY	PART NAME						SEE PAGE
			1	2	3	4	5	6 (PRODUCT LEVEL)	
			(NO SERVICED PARTS)						
			<END>						

ELECTRICAL AND STARTING SYSTEM

261-5824 SWITCH AS-ETHER START

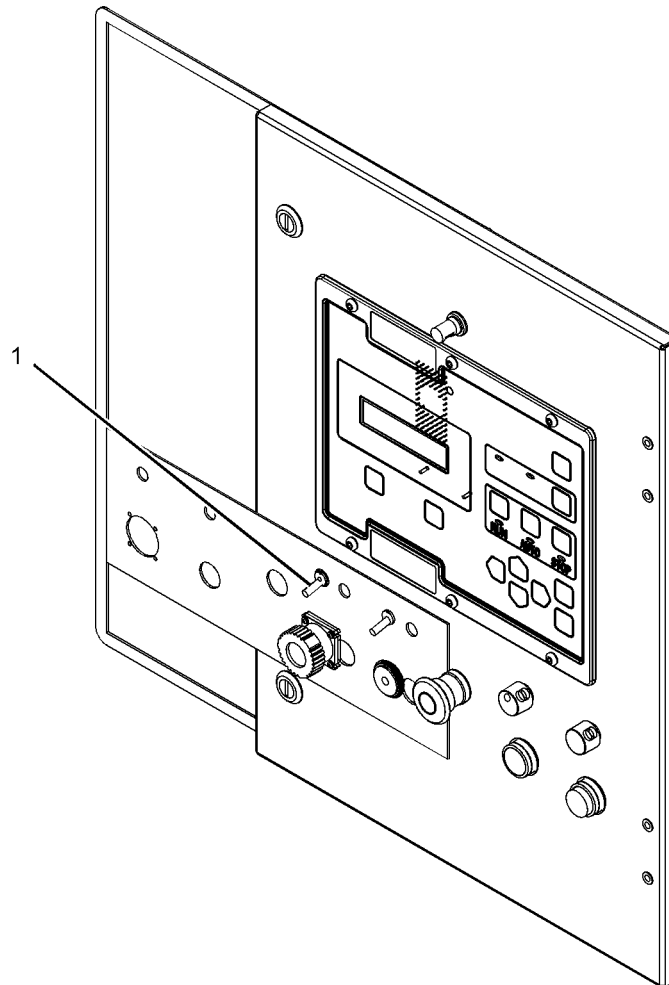
S/N: C5H1-UP
AN ATTACHMENT

SMCS-1400, 1435, 4450

i02461166

NOTE	REF NO	GRAPHIC REF	PART NUMBER	QTY	PART NAME						SEE PAGE
					1	2	3	4	5	6 (PRODUCT LEVEL)	
	1	1	9D-3721	1	SWITCH-TOGGLE (ETHER START)						
F			260-5312	1	HARNESS AS-STARTING AID						
			1S-9593	6	STRAP-CABLE						

F-NOT SHOWN



GRAPHIC #1

<END>

g01137018

ELECTRICAL AND STARTING SYSTEM

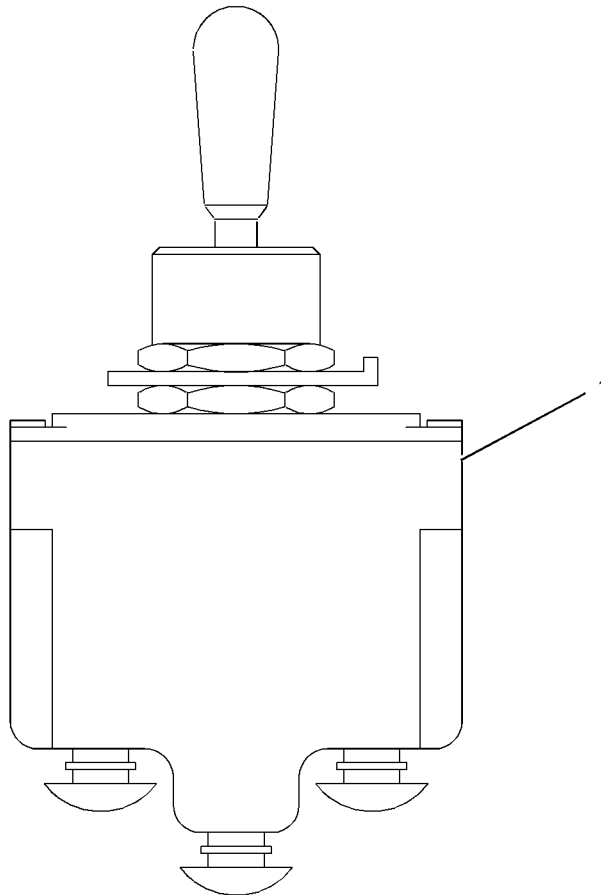
261-8430 SWITCH AS-VOLT ADJUST AVR

S/N: C5H1-UP
AN ATTACHMENT

SMCS-1400, 1435, 4450

i02207972

NOTE	REF NO	GRAPHIC REF	PART NUMBER	QTY	PART NAME	SEE PAGE
					1 2 3 4 5 6 (PRODUCT LEVEL)	
	1	1	110-7884	1	SWITCH AS-TOGGLE (MOMENTARY) (VOLTAGE ADJUSTMENT)	
		1	3L-8187	3	LOCKWASHER	
		1	6T-3631	2	NUT-HEX (15/32-32-THD)	
		1	6T-3632	1	LOCKWASHER	
		1	6T-3633	1	RING-LOCKING	
		1	6V-8374	3	SCREW-MACHINE (6-32X0.25-IN)	



GRAPHIC #1

<END>

g01137166

ELECTRICAL AND STARTING SYSTEM

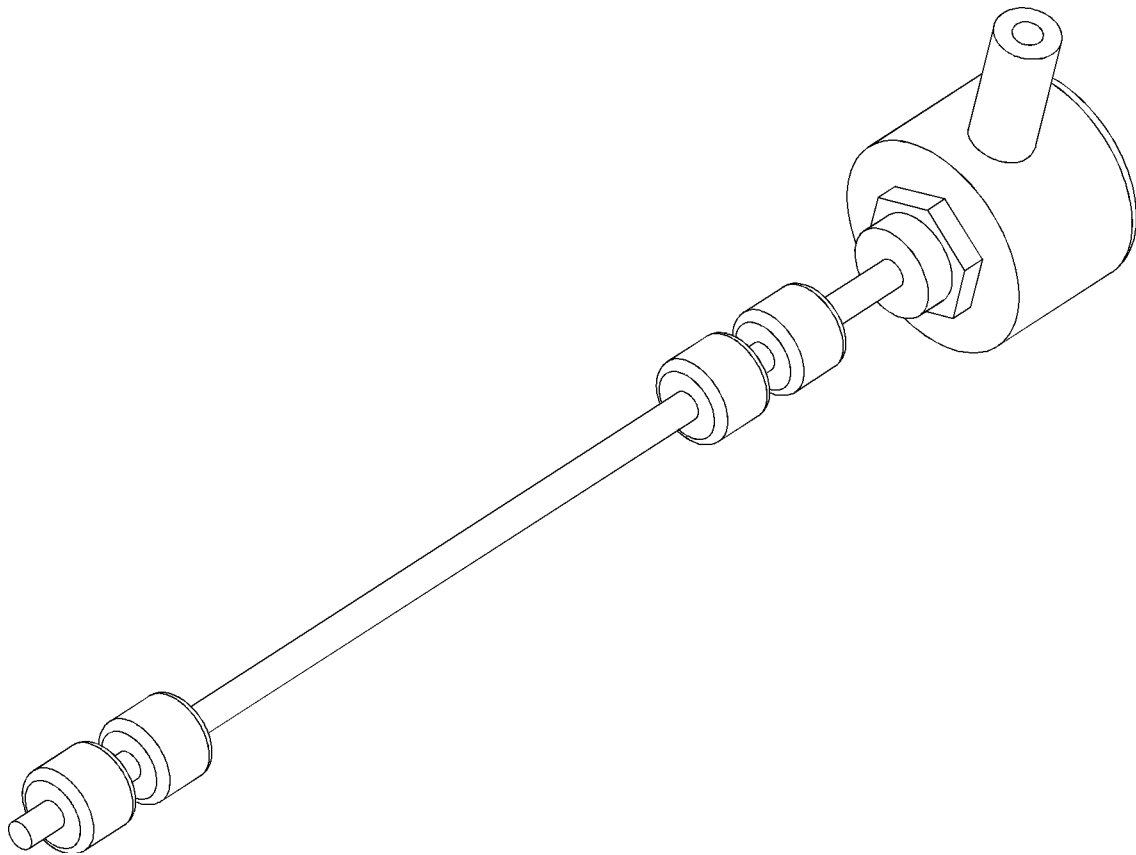
242-2093 SWITCH AS-LIQUID LEVEL-FUEL

S/N: C5H1-UP
LEVEL LENGTH 411-MM
AN ATTACHMENT

SMCS-7422

i01972717

NOTE	REF NO	GRAPHIC REF	PART NUMBER	QTY	PART NAME						SEE PAGE
					1	2	3	4	5	6 (PRODUCT LEVEL)	
(NO SERVICED PARTS)											



GRAPHIC #1

<END>

g01027201

ELECTRICAL AND STARTING SYSTEM

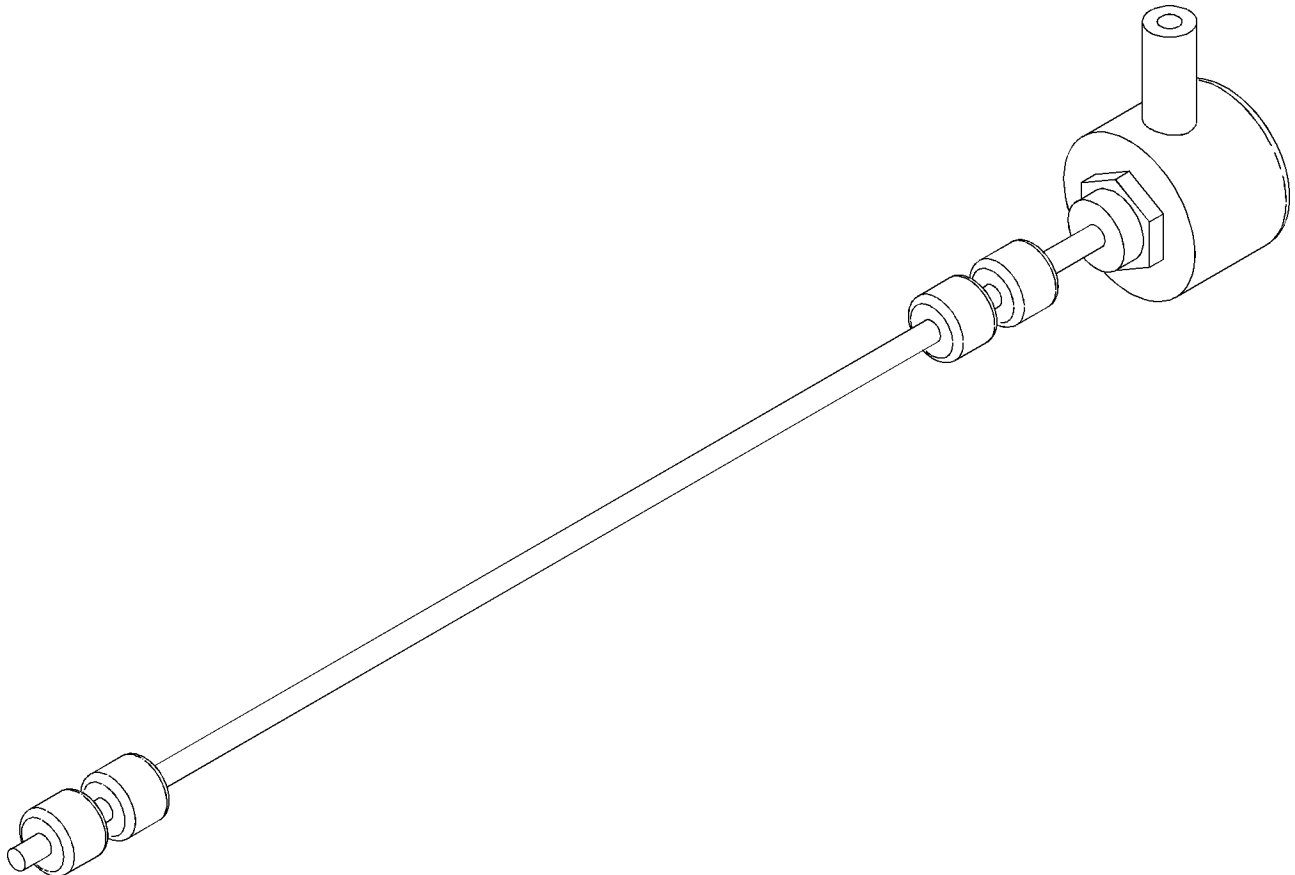
242-2094 SWITCH AS-LIQUID LEVEL-FUEL

S/N: C5H1-UP
LEVEL LENGTH 521-MM
AN ATTACHMENT

SMCS-7422

i01973449

NOTE	REF NO	GRAPHIC REF	PART NUMBER	QTY	PART NAME						SEE PAGE
					1	2	3	4	5	6 (PRODUCT LEVEL)	
(NO SERVICED PARTS)											



GRAPHIC #1

<END>

g01027271

ELECTRICAL AND STARTING SYSTEM

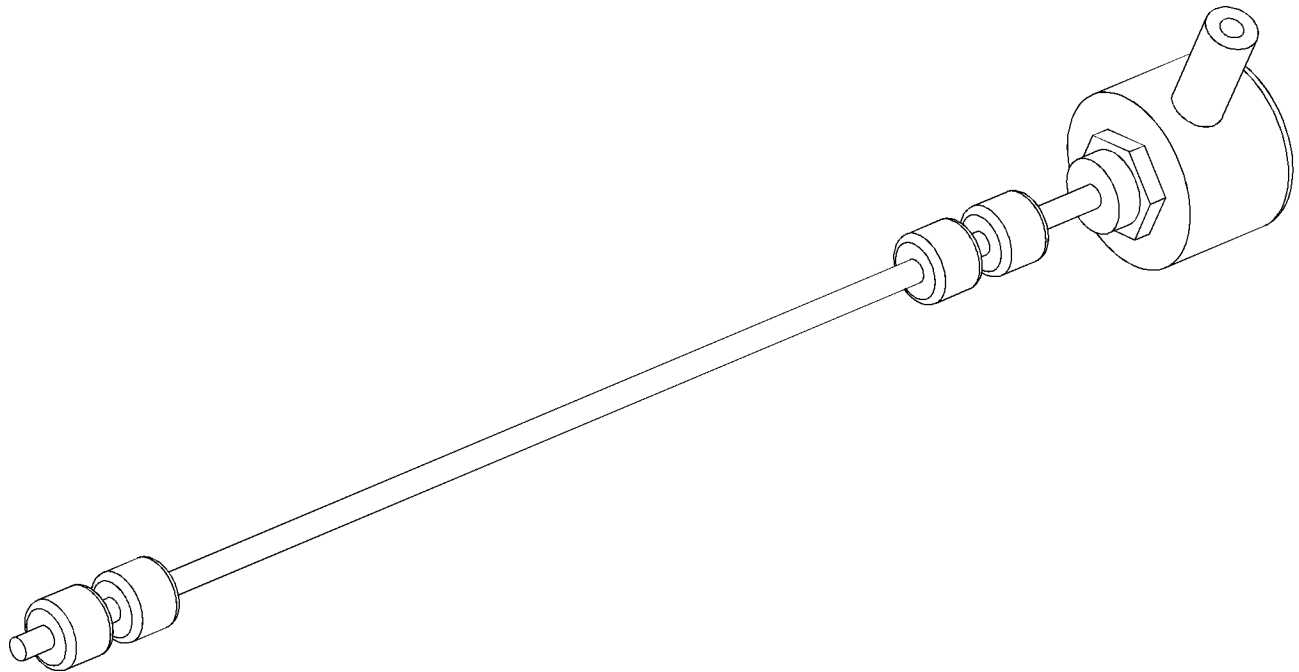
245-2112 SWITCH AS-LIQUID LEVEL-FUEL

S/N: C5H1-UP
LEVEL LENGTH 580-MM
AN ATTACHMENT

SMCS-7422

i02094213

NOTE	REF NO	GRAPHIC REF	PART NUMBER	QTY	PART NAME						SEE PAGE
					1	2	3	4	5	6 (PRODUCT LEVEL)	
(NO SERVICED PARTS)											



GRAPHIC #1

<END>

g01068259

ELECTRICAL AND STARTING SYSTEM

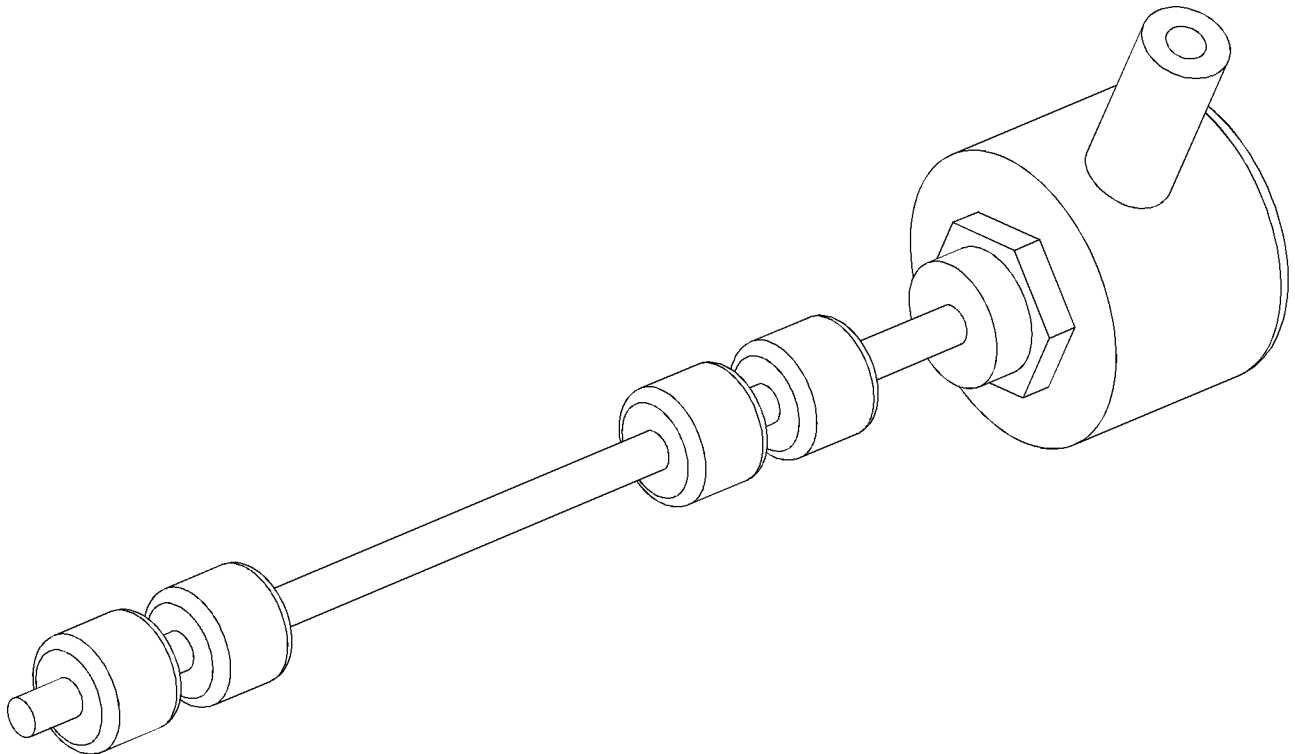
245-2113 SWITCH AS-LIQUID LEVEL-FUEL

S/N: C5H1-UP
LEVEL LENGTH 305-MM
AN ATTACHMENT

SMCS-7422

i02094208

NOTE	REF NO	GRAPHIC REF	PART NUMBER	QTY	PART NAME						SEE PAGE
					1	2	3	4	5	6 (PRODUCT LEVEL)	
(NO SERVICED PARTS)											



GRAPHIC #1

<END>

g01068167

ELECTRICAL AND STARTING SYSTEM

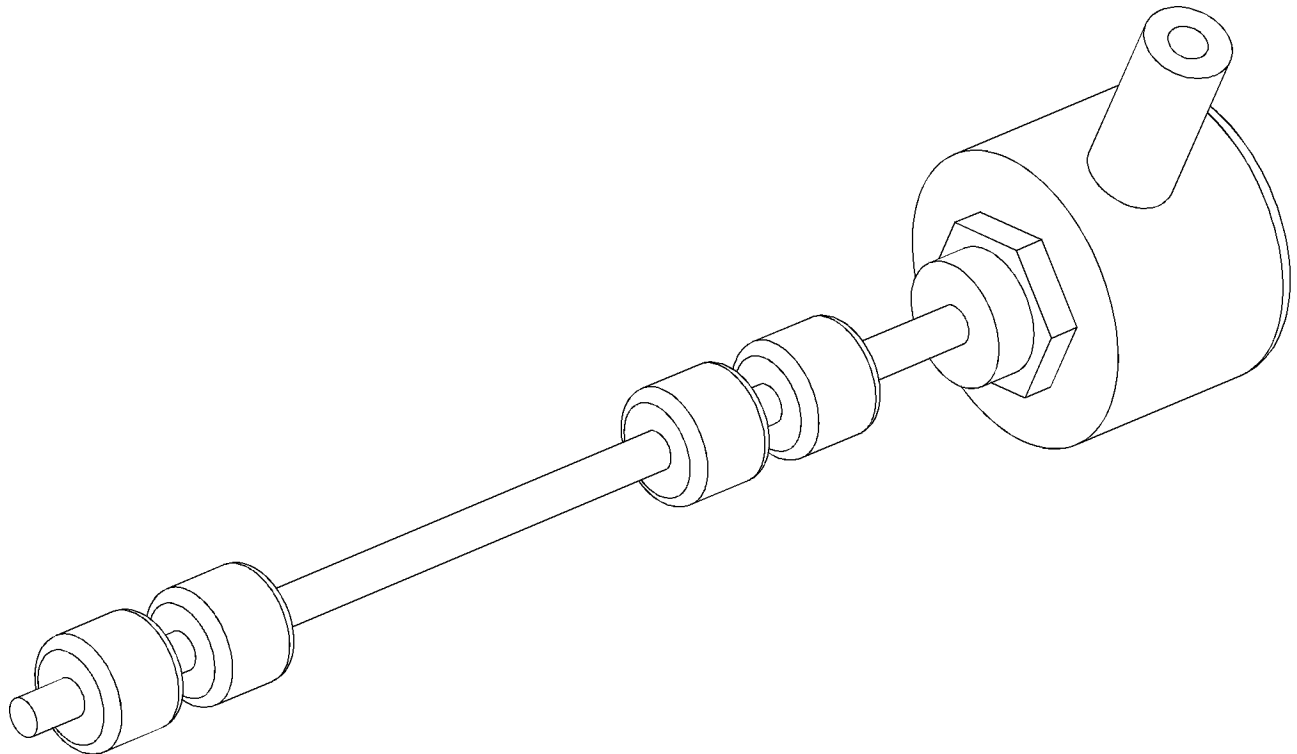
310-4586 SWITCH AS-LIQUID LEVEL-FUEL

S/N: C5H1-UP
LEVEL LENGTH 300 MM
AN ATTACHMENT

SMCS-7422

i02825092

NOTE	REF NO	GRAPHIC REF	PART NUMBER	QTY	PART NAME						SEE PAGE
					1	2	3	4	5	6 (PRODUCT LEVEL)	
(NO SERVICED PARTS)											



GRAPHIC #1

<END>

g01068167

ELECTRICAL AND STARTING SYSTEM

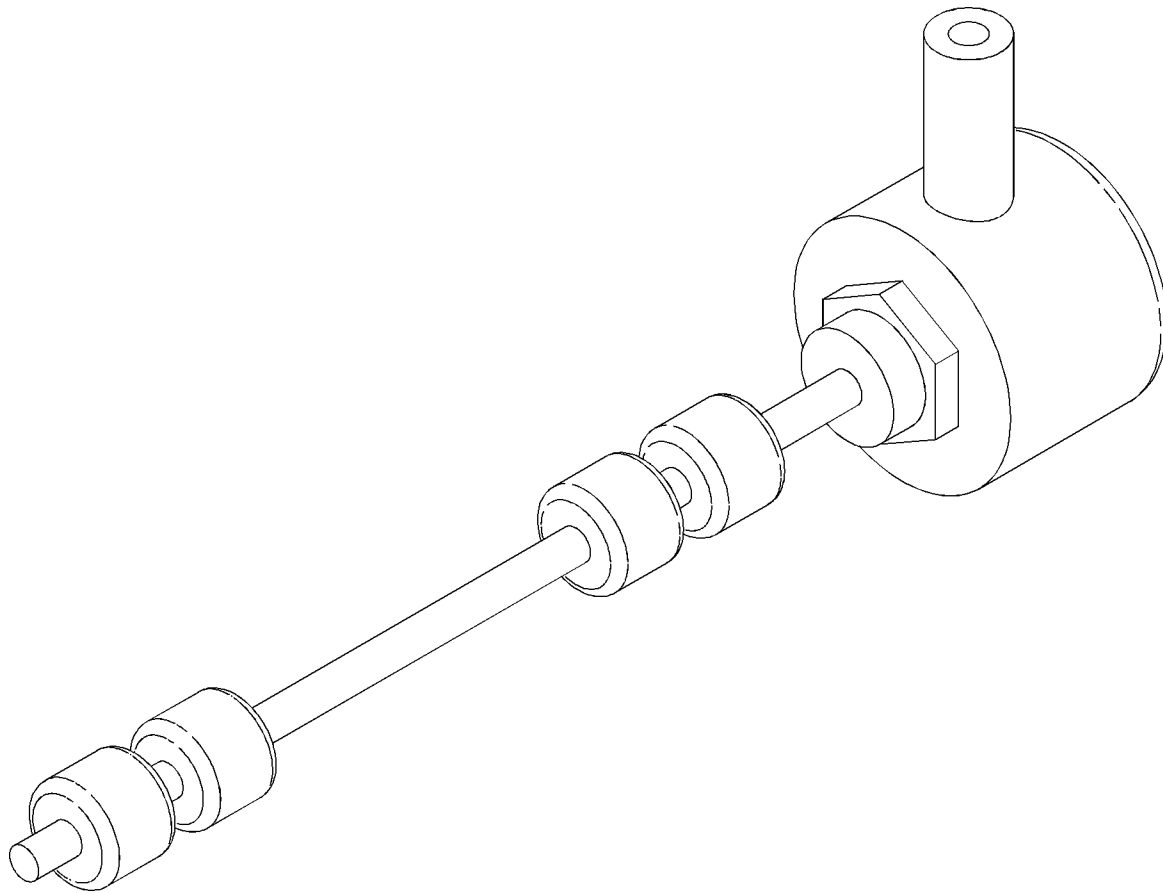
310-4588 SWITCH AS-LIQUID LEVEL-FUEL

S/N: C5H1-UP
LEVEL LENGTH 380 MM
AN ATTACHMENT

SMCS-7422

i02825103

NOTE	REF NO	GRAPHIC REF	PART NUMBER	QTY	PART NAME						SEE PAGE
					1	2	3	4	5	6 (PRODUCT LEVEL)	
(NO SERVICED PARTS)											



GRAPHIC #1

<END>

g01044282

ELECTRICAL AND STARTING SYSTEM

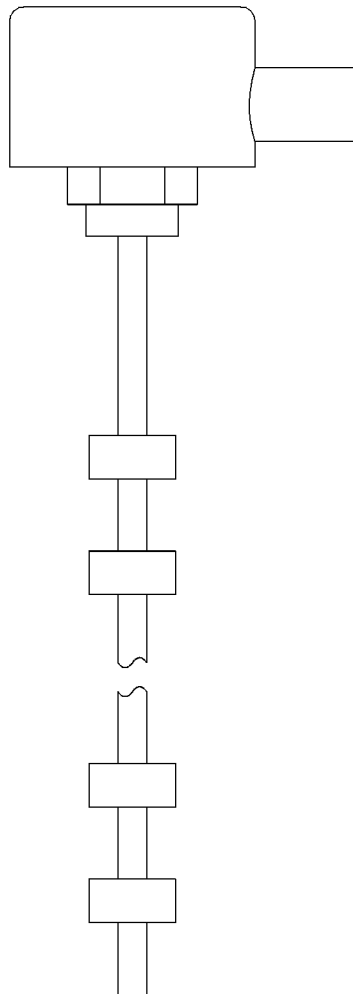
314-4707 SWITCH AS-LIQUID LEVEL-FUEL

S/N: C5H1-UP
LEVEL LENGTH 410MM
AN ATTACHMENT

SMCS-7422

i02797107

NOTE	REF NO	GRAPHIC REF	PART NUMBER	QTY	PART NAME						SEE PAGE
					1	2	3	4	5	6 (PRODUCT LEVEL)	
(NO SERVICED PARTS)											



GRAPHIC #1

<END>

g01398045

ELECTRICAL AND STARTING SYSTEM

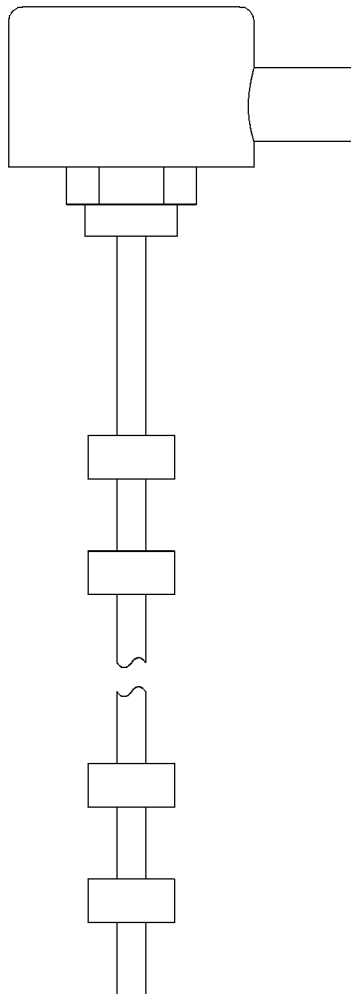
314-4711 SWITCH AS-LIQUID LEVEL-FUEL

S/N: C5H1-UP
LEVEL LENGTH 460-MM
AN ATTACHMENT

SMCS-7422

i02797114

NOTE	REF NO	GRAPHIC REF	PART NUMBER	QTY	PART NAME						SEE PAGE
					1	2	3	4	5	6 (PRODUCT LEVEL)	
(NO SERVICED PARTS)											



GRAPHIC #1

<END>

g01398045

ELECTRICAL AND STARTING SYSTEM

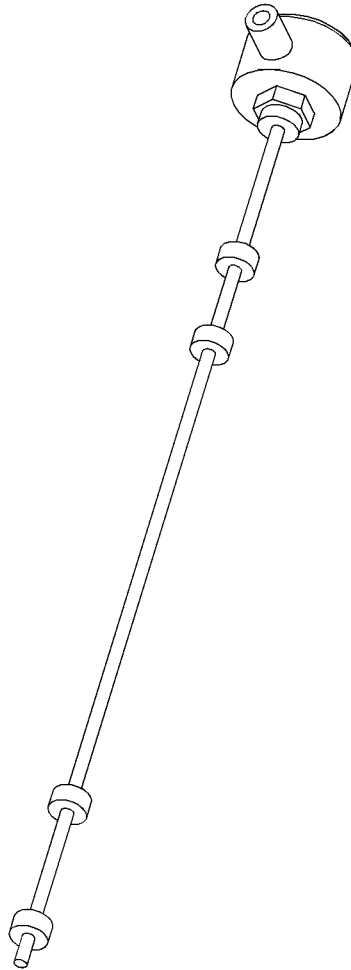
314-4712 SWITCH AS-LIQUID LEVEL

S/N: C5H1-UP
LEVEL LENGTH 660-MM
AN ATTACHMENT

SMCS-7422

i02797123

NOTE	REF NO	GRAPHIC REF	PART NUMBER	QTY	PART NAME						SEE PAGE
					1	2	3	4	5	6 (PRODUCT LEVEL)	
(NO SERVICED PARTS)											



GRAPHIC #1

<END>

g01397926

ELECTRICAL AND STARTING SYSTEM

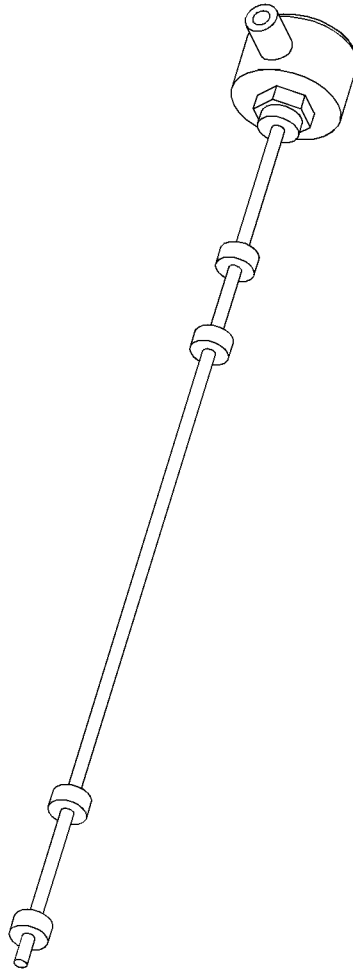
314-4714 SWITCH AS-LIQUID LEVEL

S/N: C5H1-UP
LEVEL LENGTH 810-MM
AN ATTACHMENT

SMCS-7422

i02797127

NOTE	REF NO	GRAPHIC REF	PART NUMBER	QTY	PART NAME						SEE PAGE
					1	2	3	4	5	6 (PRODUCT LEVEL)	
(NO SERVICED PARTS)											



GRAPHIC #1

<END>

g01397926

ELECTRICAL AND STARTING SYSTEM

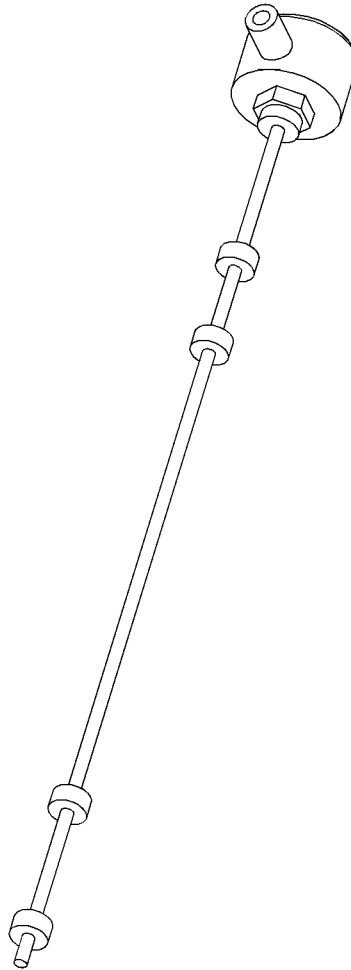
314-4715 SWITCH AS-LIQUID LEVEL

S/N: C5H1-UP
LEVEL LENGTH 930-MM
AN ATTACHMENT

SMCS-7422

i02797130

NOTE	REF NO	GRAPHIC REF	PART NUMBER	QTY	PART NAME						SEE PAGE
					1	2	3	4	5	6 (PRODUCT LEVEL)	
(NO SERVICED PARTS)											



GRAPHIC #1

<END>

g01397926

ELECTRICAL AND STARTING SYSTEM

7N-0718 SWITCH GP-DISCONNECT-BATTERY

S/N: C5H1-UP

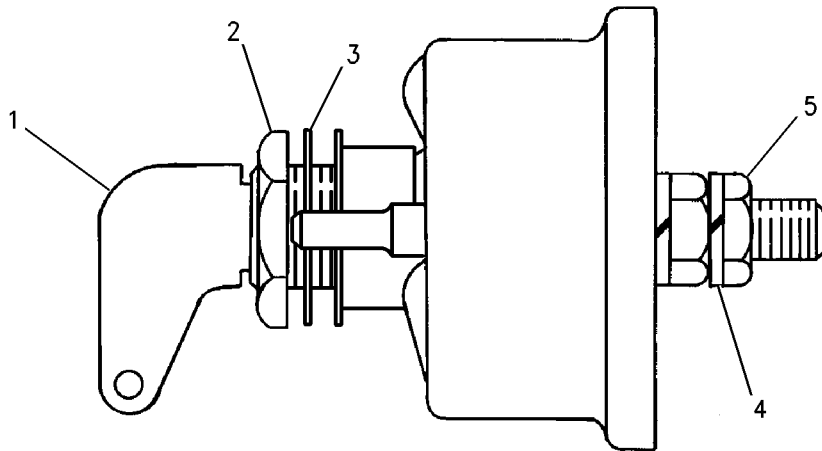
12-VOLT

PART OF 263-3102, 292-2291 SWITCH GP-DISCONNECT
AN ATTACHMENT

SMCS-1411

i02459121

NOTE	REF NO	GRAPHIC REF	PART NUMBER	QTY	PART NAME						SEE PAGE
					1	2	3	4	5	6 (PRODUCT LEVEL)	
	1	1	8H-5306	1	KEY (BATTERY DISCONNECT)						
	2	1	8H-5303	1	NUT (3/4-16-THD)						
	3	1	2H-3922	2	LOCKWASHER						
	4	1	9F-5644	2	LOCKWASHER						
	5	1	6F-7045	2	NUT-FULL (3/8-24-THD)						



GRAPHIC #1

<END>

g00715584

ELECTRICAL AND STARTING SYSTEM

263-3102 SWITCH GP-DISCONNECT-BATTERY

S/N: C5H1-125

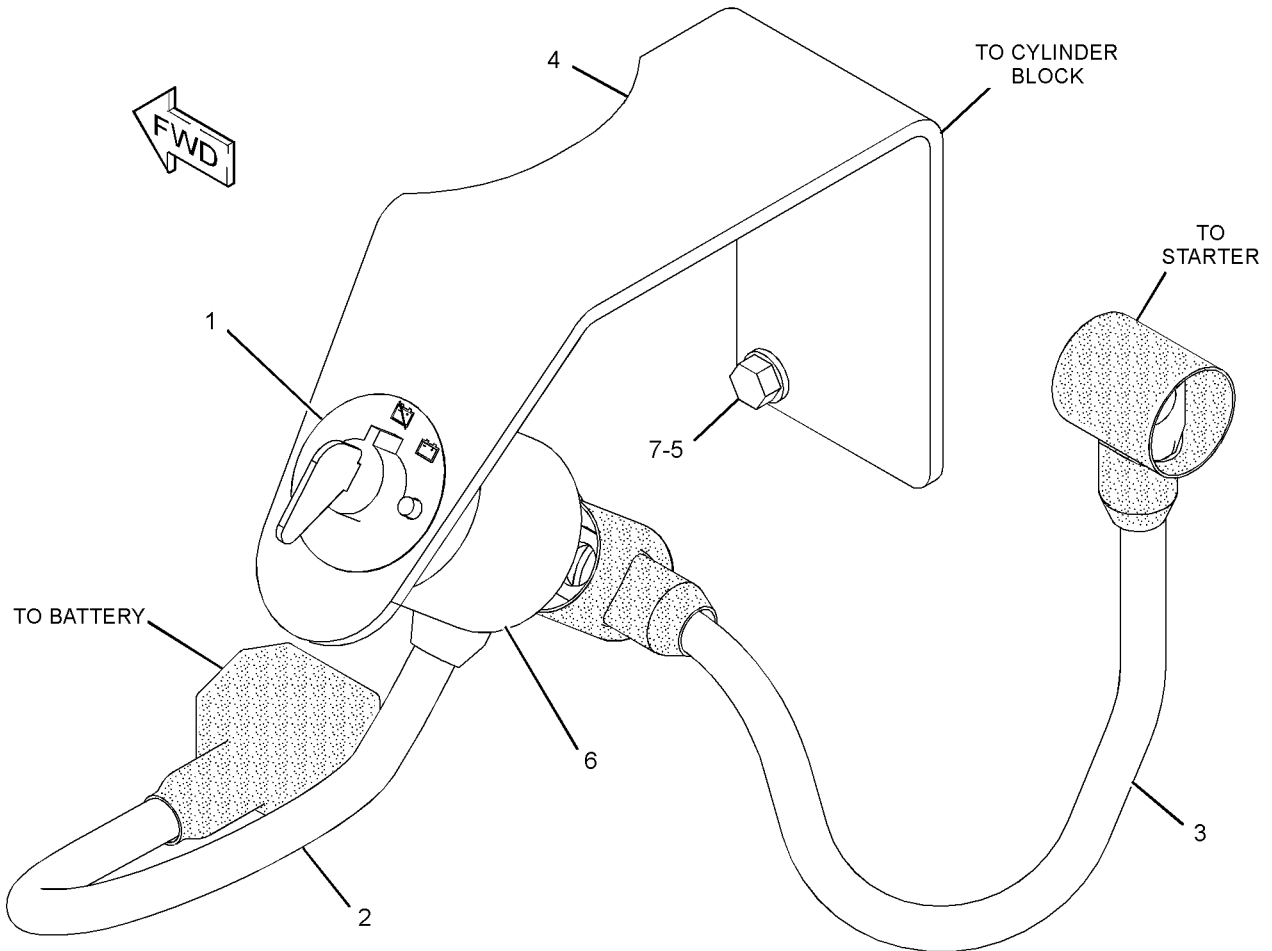
AN ATTACHMENT

SMCS-1411

i02368639

NOTE	REF NO	GRAPHIC REF	PART NUMBER	QTY	PART NAME						SEE PAGE
					1	2	3	4	5	6 (PRODUCT LEVEL)	
	1	1	144-3852	1	FILM-INFORMATION (BATTERY POWER DISCONNECT)						
	2	1	188-6183	1	CABLE AS						
		1	1S-7251	1	TERMINAL-CABLE (00-GA, 1/2-IN BOLT)						
		1	9G-0004	1	COVER-TERMINAL (RED)						
		1	3S-6049	1	TERMINAL AS-BATTERY (POSITIVE)						
		1	1M-6119	1	BOLT (5/16-18X1.375-IN)						
		1	1M-6120	1	NUT (5/16-18-THD)						
E		1	159-8049		CABLE (00-GA, RED) (37-CM)						
		1	221-9050	1	COVER-TERMINAL (RED)						
	3	1	263-1253	1	CABLE AS						
	4	1	263-3101	1	BRACKET						
	5	1	5M-3062	2	BOLT (3/8-16X0.75-IN)						
Y	6	1	7N-0718	1	SWITCH GP-DISCONNECT						516
	7	1	8T-4896	2	WASHER-HARD (10.2X18.5X2.5-MM THK)						

E-ORDER BY THE CENTIMETER
Y-SEPARATE ILLUSTRATION



GRAPHIC #1

<END>

g01186067

ELECTRICAL AND STARTING SYSTEM

263-3102 SWITCH GP-DISCONNECT-BATTERY

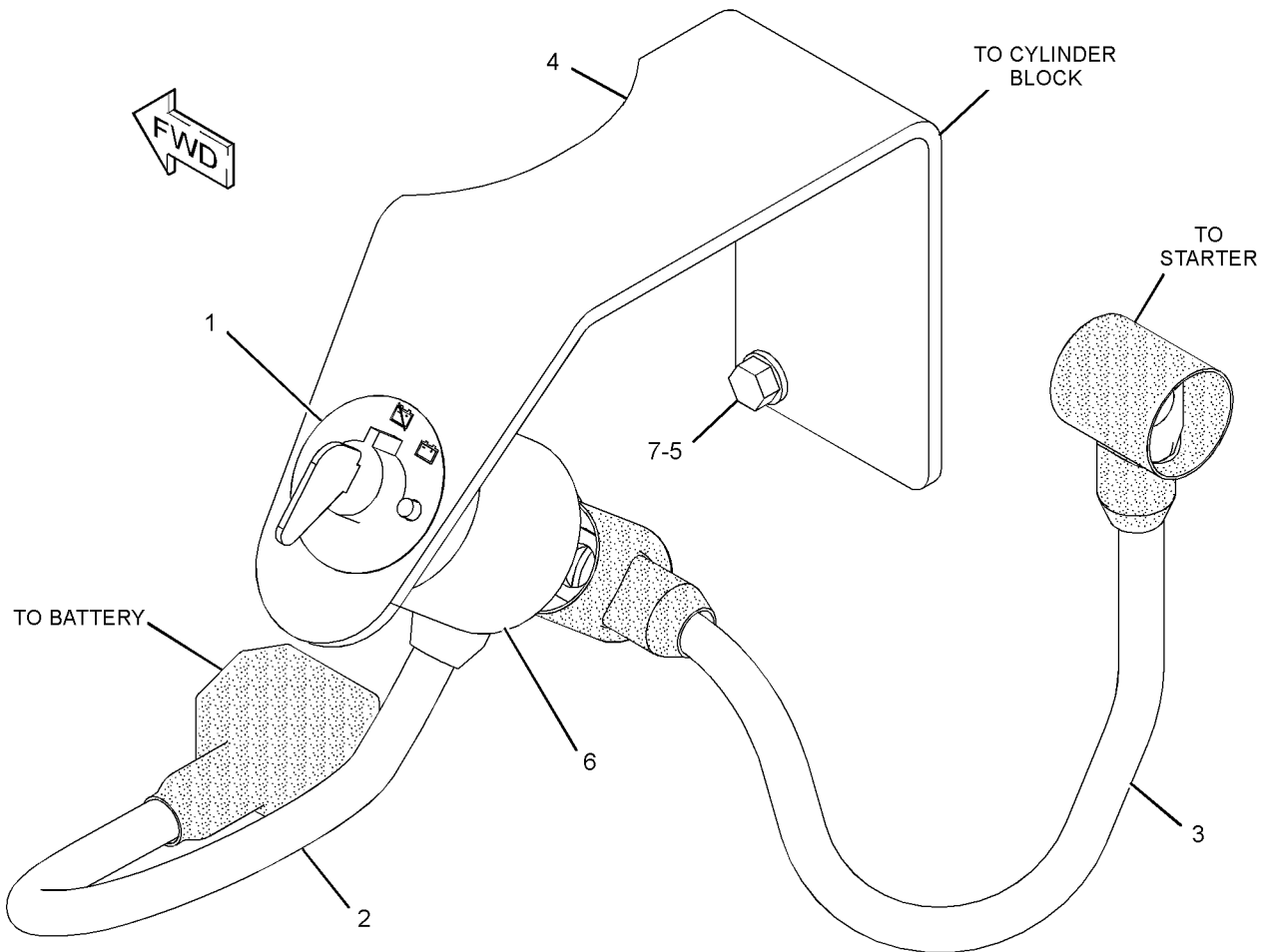
S/N: C5H126-UP
AN ATTACHMENT

SMCS-1411

i02583691

NOTE	REF NO	GRAPHIC REF	PART NUMBER	QTY	PART NAME						SEE PAGE
					1	2	3	4	5	6 (PRODUCT LEVEL)	
	1	1	144-3852	1	FILM-INFORMATION (BATTERY POWER DISCONNECT)						
C	2	1	255-2224	1	CABLE AS (NEGATIVE)						
	3	1	263-1253	1	CABLE AS						
	4	1	263-3101	1	BRACKET						
	5	1	5M-3062	2	BOLT (3/8-16X0.75-IN)						
Y	6	1	7N-0718	1	SWITCH GP-DISCONNECT						516
	7	1	8T-4896	2	WASHER-HARD (10.2X18.5X2.5-MM THK)						

C-CHANGE FROM PREVIOUS TYPE
Y-SEPARATE ILLUSTRATION



GRAPHIC #1

<END>

g01186067

ELECTRICAL AND STARTING SYSTEM

292-2291 SWITCH GP-DISCONNECT-BATTERY

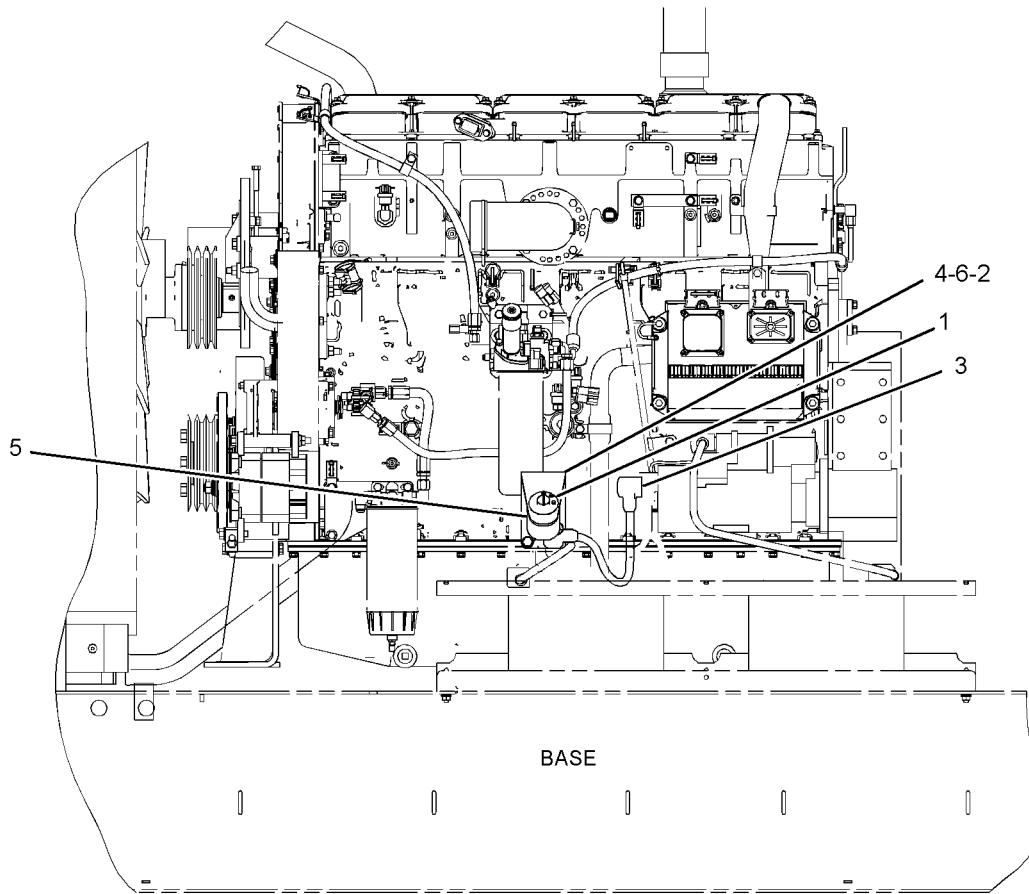
S/N: C5H1-UP
AN ATTACHMENT

SMCS-1411

i03328122

NOTE	REF NO	GRAPHIC REF	PART NUMBER	QTY	PART NAME						SEE PAGE
					1	2	3	4	5	6 (PRODUCT LEVEL)	
	1	1	144-3852	1	FILM-INFORMATION (BATTERY POWER DISCONNECT)						
	2	1	8T-4896	2	WASHER-HARD (10.2X18.5X2.5-MM THK)						
	3	1	263-1253	1	CABLE AS						
	4	1	263-3101	1	BRACKET						
	5	1	4L-6454	2	BOLT (3/8-16X1-IN)						
Y	6	1	7N-0718	1	SWITCH GP-DISCONNECT (BATTERY)						516

Y-SEPARATE ILLUSTRATION



LEFT SIDE VIEW OF ENGINE

<END>

GRAPHIC #1

g01760257

ELECTRICAL AND STARTING SYSTEM

172-8660 SWITCH GP-LIQUID LEVEL-FUEL

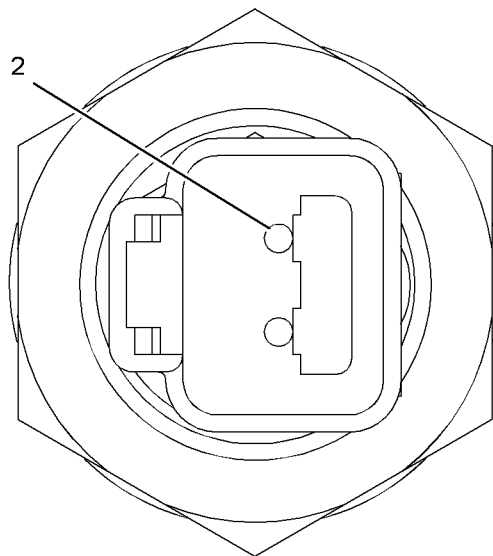
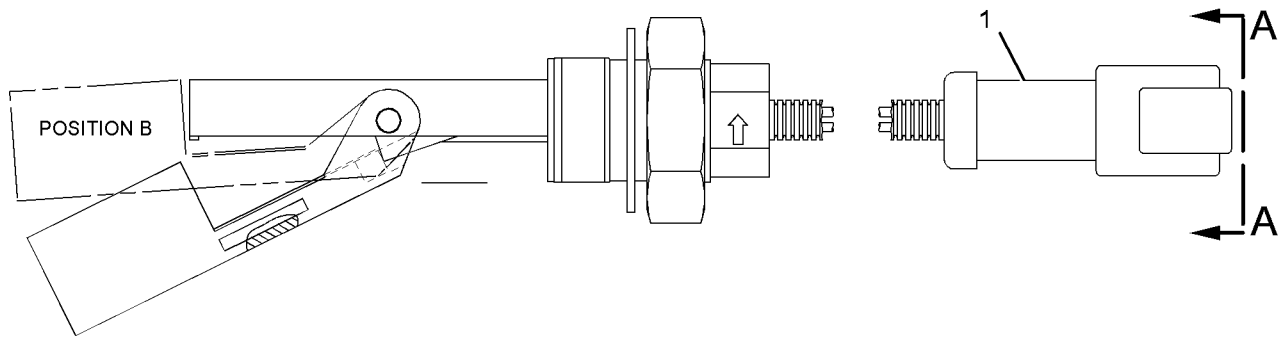
S/N: C5H1-UP

PART OF 279-6923 BASE GP-ENGINE & GENERATOR, 245-7694, 245-7695, 245-7696,
279-6898, 279-6912, 279-7065, 279-7081, 279-7085 BASE GP-FUEL TANK
AN ATTACHMENT

SMCS-7422

i03632078

NOTE	REF NO	GRAPHIC REF	PART NUMBER	QTY	PART NAME						SEE PAGE
					1	2	3	4	5	6 (PRODUCT LEVEL)	
	1	1	102-8802	1	KIT-RECEPTACLE (2-PIN)						
					(INCLUDES RECEPTACLE AS & WEDGE)						
	2	1	9X-3401	2	PIN-CONNECTOR (16-GA TO 18-GA)						



VIEW A-A

GRAPHIC #1

<END>

g01948478

ELECTRICAL AND STARTING SYSTEM

258-0883 SWITCH GP-PRESSURE

S/N: FFH1-UP

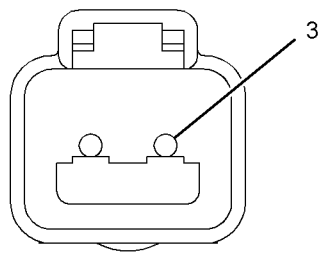
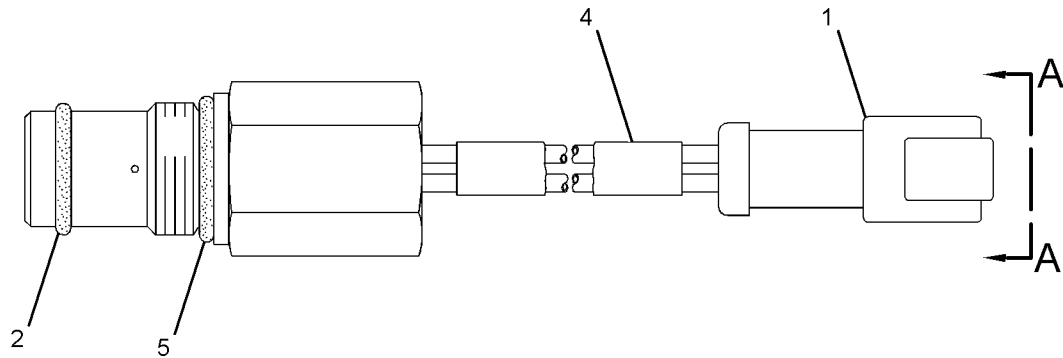
PART OF 254-9354 FILTER GP-FUEL

SMCS-7400, 7421

i03540160

NOTE	REF NO	GRAPHIC REF	PART NUMBER	QTY	PART NAME						SEE PAGE
					1	2	3	4	5	6 (PRODUCT LEVEL)	
	1	1	102-8802	1	KIT-RECEPTACLE (2-PIN)						
					(INCLUDES RECEPTACLE AS & WEDGE)						
	2	1	9X-7737	1	SEAL-O-RING						
	3	1	186-3735	2	PIN-CONNECTOR (16-GA TO 18-GA)						
E	4	1	9X-1813		SLEEVE (14-CM)						
	5	1	6V-4589	1	SEAL-O-RING						

E-ORDER BY THE CENTIMETER



VIEW A-A

GRAPHIC #1

<END>

g01862835

ELECTRICAL AND STARTING SYSTEM

235-4900 SWITCH GP-PUSH BUTTON

S/N: C5H1-UP

PART OF 274-7819, 274-7820, 274-7821, 274-7822, 275-2202, 275-2203,
275-2204, 275-2205, 275-2217, 275-2218, 275-2219, 275-2220, 275-5023,
275-5024, 275-5025, 275-5026, 275-5713, 275-5714, 275-5715, 275-5716

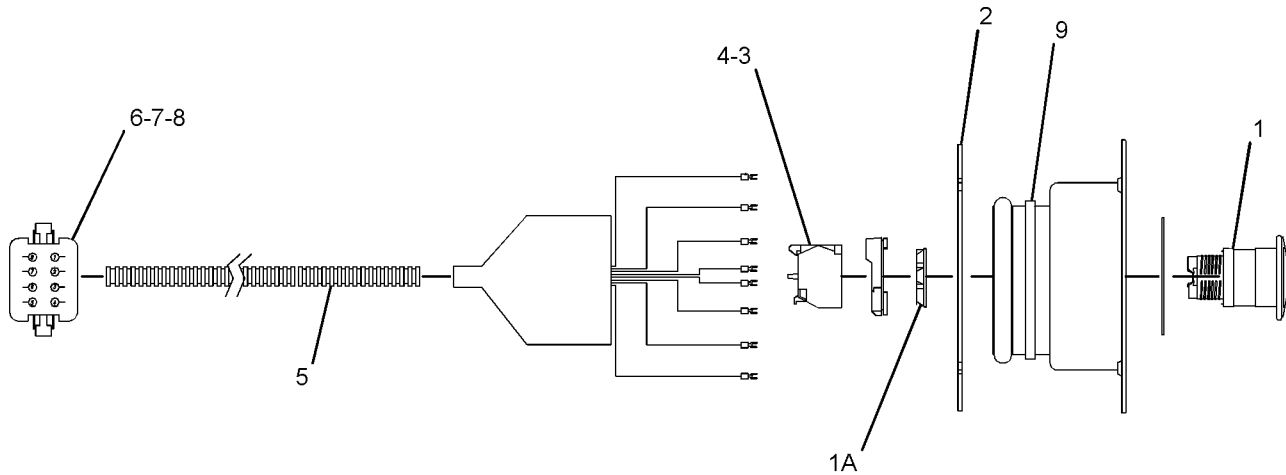
ENCLOSURE GP-GENERATOR
AN ATTACHMENT

SMCS-1435, 7332

i03197686

NOTE	REF NO	GRAPHIC REF	PART NUMBER	QTY	PART NAME	SEE PAGE
	1	1	226-6446	1	SWITCH AS-PUSH BUTTON (OPERATOR)	
		1	206-9509	1	BUTTON-STOP	
	1A	1	261-5503	1	PLATE	
	2	1	145-5579	1	GASKET	
	3	1	228-6935	1	BLOCK-CONTACT	
	4	1	206-9512	3	CONTACT	
D	5	1	6V-5818		CONDUIT-FLEXIBLE (3-M)	
	6	1	102-8806	1	KIT-RECEPTACLE (8-PIN) (INCLUDES RECEPTACLE AS AND WEDGE)	
	7	1	155-2265	1	KIT-CONNECTING PLUG (8-PIN) (INCLUDES PLUG AS AND WEDGE)	
	8	1	186-3736	8	SOCKET-CONNECTOR (16-GA TO 18-GA)	
	9	1	6K-0806	1	STRAP-CABLE	

D-ORDER BY THE METER



GRAPHIC #1

<END>

g01630013

ELECTRICAL AND STARTING SYSTEM

258-6796 TERMINAL & PLATE AS

S/N: C5H1-401

PART OF 258-6795 MOUNTING GP-TERMINAL STRIP
AN ATTACHMENT

SMCS-7332

i03244224

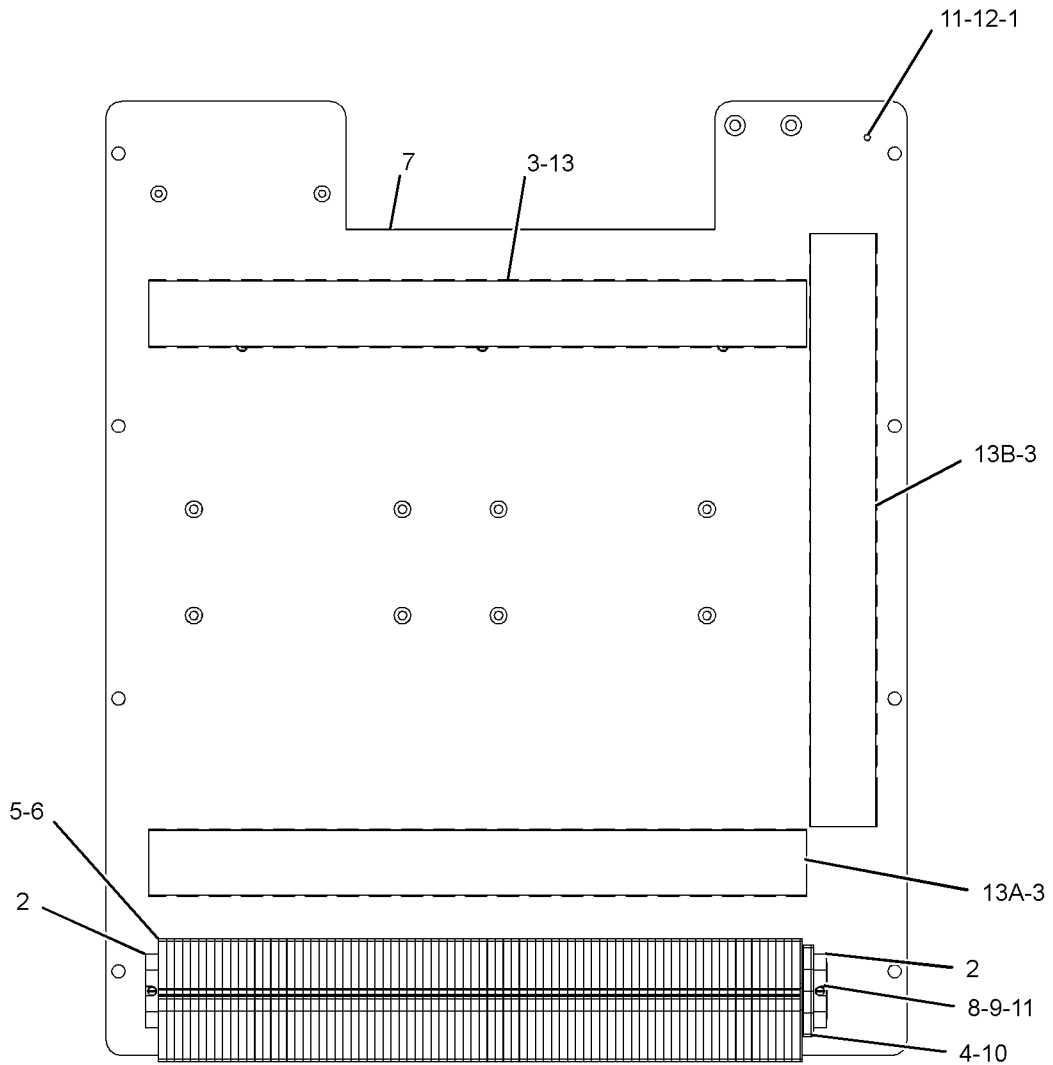
NOTE	REF NO	GRAPHIC REF	PART NUMBER	QTY	PART NAME						SEE PAGE
					1	2	3	4	5	6 (PRODUCT LEVEL)	
	1	1	2G-8922	1	CAP-PROTECTION						
	2	1	143-8789	2	BLOCK-TERMINAL						
	3	1	195-2637	9	SCREW (8-32X1/2-IN)						
	4	1	234-9423	1	TERMINAL (EARTH)						
	5	1	235-0453	80	TERMINAL (SPRING)						
	6	1	235-1140	1	COVER-END						
	7	1	258-6797	1	PLATE AS						
M		1	3E-4304	5	INSERT-THREADED (M6X1-THD)						
		1	197-7426	2	INSERT-THREADED (M4X0.7-THD)						
		1	203-5398	12	INSERT-THREADED (M5X0.8-THD)						
M	8	1	095-0742	3	SCREW-MACHINE (M6X1X16-MM)						
	9	1	095-0827	3	LOCKWASHER						
	10	1	235-1130	1	COVER-END						
	11	1	8C-9660	1	WASHER (4.6X7.9X0.8-MM THK)						
M	12	1	8T-7961	1	LOCKNUT (M4X0.7-THD)						
H	13	1	235-6970		DUCT (410-MM)						
H	13A	1	235-6970		DUCT (410-MM)						
H	13B	1	235-6970		DUCT (370-MM)						
L	14	1	204-8659		RAIL (5-DM)						

H-ORDER BY THE MILLIMETER
L-ORDER BY THE DECIMETER
M-METRIC PART

ELECTRICAL AND STARTING SYSTEM

258-6796 TERMINAL & PLATE AS (contd.)

i03244224



GRAPHIC #1

<END>

g01646393

ELECTRICAL AND STARTING SYSTEM

258-6796 TERMINAL & PLATE AS

S/N: C5H402-UP

PART OF 258-6795 MOUNTING GP-TERMINAL STRIP

AN ATTACHMENT

TYPE 1

SMCS-7332

i02773226

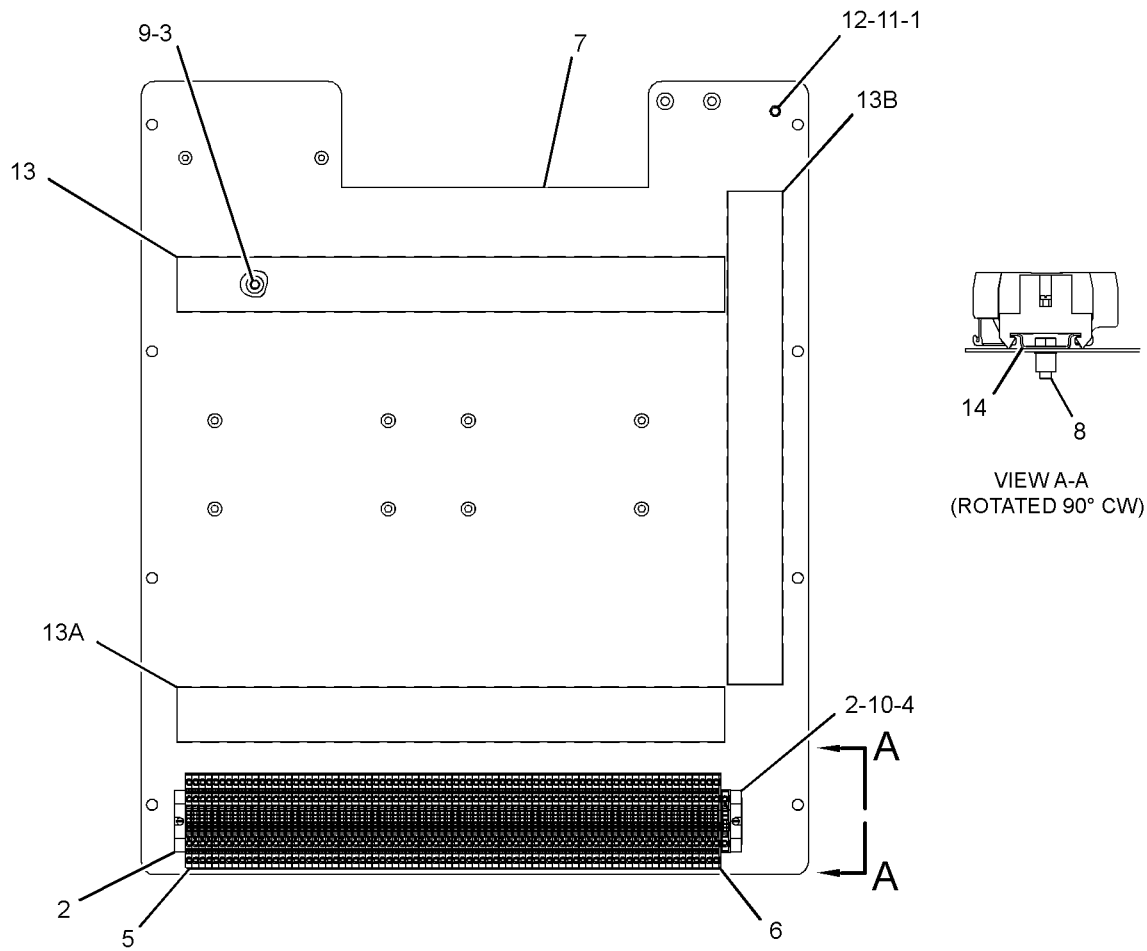
NOTE	REF NO	GRAPHIC REF	PART NUMBER	QTY	PART NAME						SEE PAGE
					1	2	3	4	5	6 (PRODUCT LEVEL)	
	1	1	2G-8922	1	CAP-PROTECTION						
	2	1	143-8789	2	BLOCK-TERMINAL						
	3	1	195-2637	9	SCREW (8-32X1/2-IN)						
C	4	1	301-8317	1	BLOCK-TERMINAL (EARTH)						
C	5	1	301-8313	80	BLOCK-TERMINAL (SPRING)						
C	6	1	301-8318	1	COVER-END						
	7	1	258-6797	1	PLATE AS						
M		1	3E-4304	5	INSERT-THREADED (M6X1-THD)						
		1	197-7426	2	INSERT-THREADED (M4X0.7-THD)						
		1	203-5398	12	INSERT-THREADED (M5X0.8-THD)						
CM	8	1	5C-9553	3	BOLT (M6X1X16-MM)						
C	9	1	4B-4274	9	WASHER (5.5X13X1.2-MM THK)						
C	10	1	301-8316	1	COVER-END						
	11	1	8C-9660	1	WASHER (4.6X7.9X0.8-MM THK)						
M	12	1	8T-7961	1	LOCKNUT (M4X0.7-THD)						
H	13	1	235-6970		DUCT (410-MM)						
H	13A	1	235-6970		DUCT (410-MM)						
H	13B	1	235-6970		DUCT (370-MM)						
L	14	1	204-8659		RAIL (5-DM)						

C-CHANGE FROM PREVIOUS TYPE
H-ORDER BY THE MILLIMETER
L-ORDER BY THE DECIMETER
M-METRIC PART

ELECTRICAL AND STARTING SYSTEM

258-6796 TERMINAL & PLATE AS (contd.)

i02773226



GRAPHIC #1

<END>

g01390056

ELECTRICAL AND STARTING SYSTEM

258-6796 TERMINAL & PLATE AS

S/N: C5H402-UP

PART OF 258-6795 MOUNTING GP-TERMINAL STRIP

AN ATTACHMENT

TYPE 2

SMCS-7332

i03474880

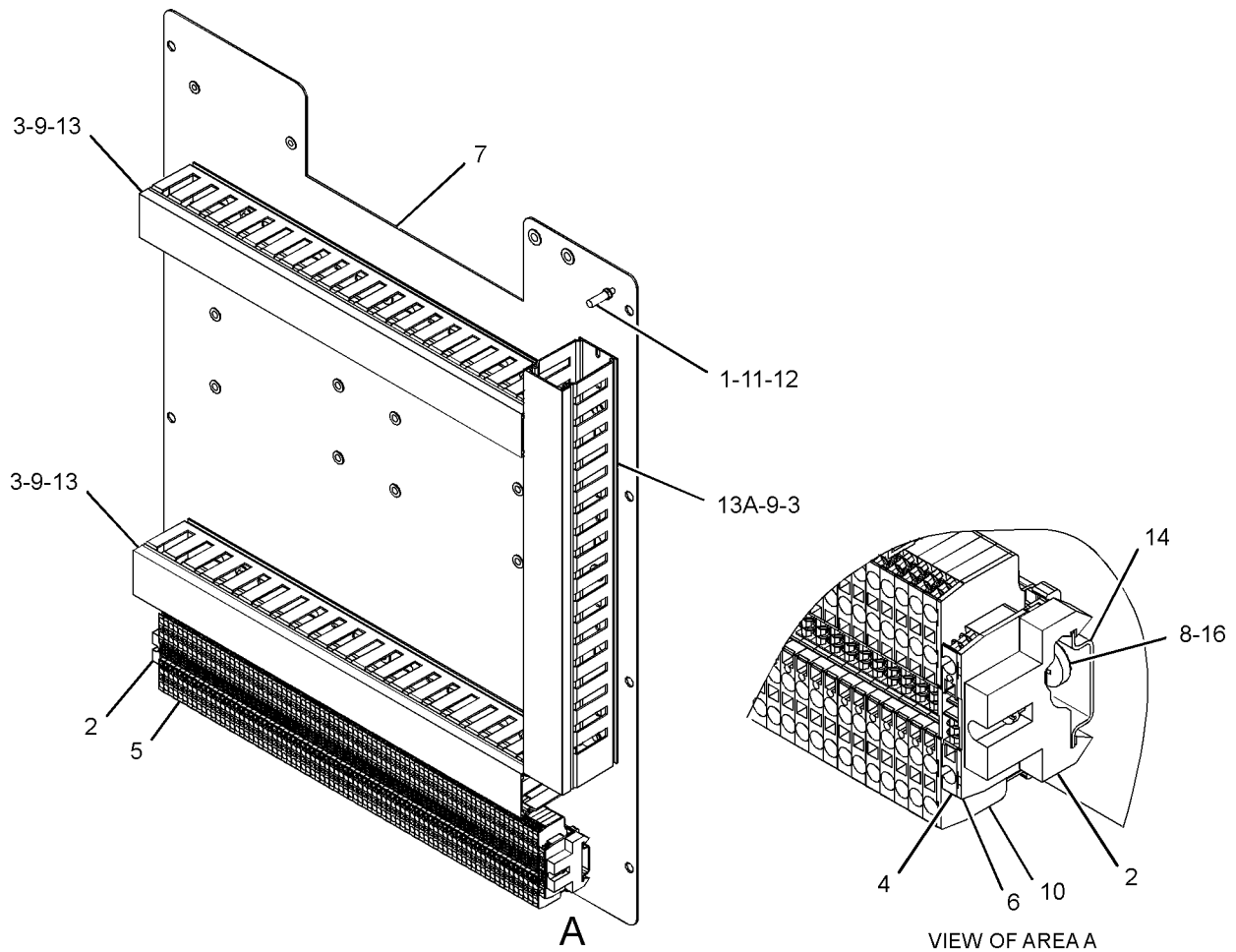
NOTE	REF NO	GRAPHIC REF	PART NUMBER	QTY	PART NAME						SEE PAGE
					1	2	3	4	5	6 (PRODUCT LEVEL)	
	1	1	2G-8922	1	CAP-PROTECTION						
	2	1	143-8789	2	BLOCK-TERMINAL						
	3	1	195-2637	9	SCREW (8-32X1/2-IN)						
	4	1	301-8317	1	BLOCK-TERMINAL (EARTH)						
	5	1	301-8313	80	BLOCK-TERMINAL (SPRING)						
	6	1	301-8318	1	COVER-END						
	7	1	258-6797	1	PLATE AS						
M		1	3E-4304	5	INSERT-THREADED (M6X1-THD)						
		1	197-7426	2	INSERT-THREADED (M4X0.7-THD)						
		1	203-5398	12	INSERT-THREADED (M5X0.8-THD)						
CM	8	1	8T-6411	3	SCREW-MACHINE (M6X1X12-MM)						
	9	1	4B-4274	9	WASHER (5.5X13X1.2-MM THK)						
	10	1	301-8316	1	COVER-END						
	11	1	8C-9660	1	WASHER (4.6X7.9X0.8-MM THK)						
M	12	1	8T-7961	1	LOCKNUT (M4X0.7-THD)						
H	13	1	235-6970		DUCT (410-MM EACH)						
H	13A	1	235-6970		DUCT (370-MM)						
L	14	1	204-8659		RAIL (5-DM)						
					-OR-						
CE		1	147-1960		RAIL (50-CM)						
					(FOR U.S. MANUFACTURE ONLY)						
C	16	1	095-0827	3	LOCKWASHER						

C-CHANGE FROM PREVIOUS TYPE
 E-ORDER BY THE CENTIMETER
 H-ORDER BY THE MILLIMETER
 L-ORDER BY THE DECIMETER
 M-METRIC PART

ELECTRICAL AND STARTING SYSTEM

258-6796 TERMINAL & PLATE AS (contd.)

i03474880



GRAPHIC #1

<END>

g01827215

ELECTRICAL AND STARTING SYSTEM

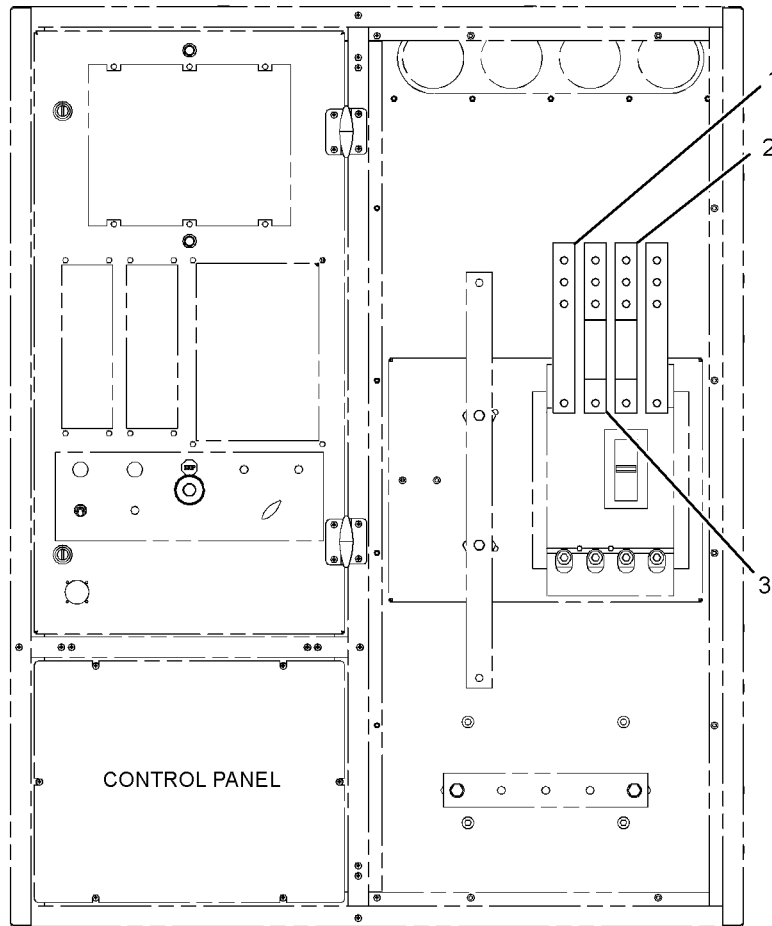
284-9184 TERMINAL GP-CIRCUIT BREAKER

S/N: C5H1-UP
 400-AMPERE/630-AMPERE IEC
 AN ATTACHMENT

SMCS-7553

i02491721

NOTE	REF NO	GRAPHIC REF	PART NUMBER	QTY	PART NAME						SEE PAGE
					1	2	3	4	5	6 (PRODUCT LEVEL)	
	1	1	241-4757	2	TERMINAL						
	2	1	243-7097	1	TERMINAL AS						
	3	1	243-7098	1	TERMINAL AS						



FRONT VIEW

<END>

GRAPHIC #1

g01265738

ELECTRICAL AND STARTING SYSTEM

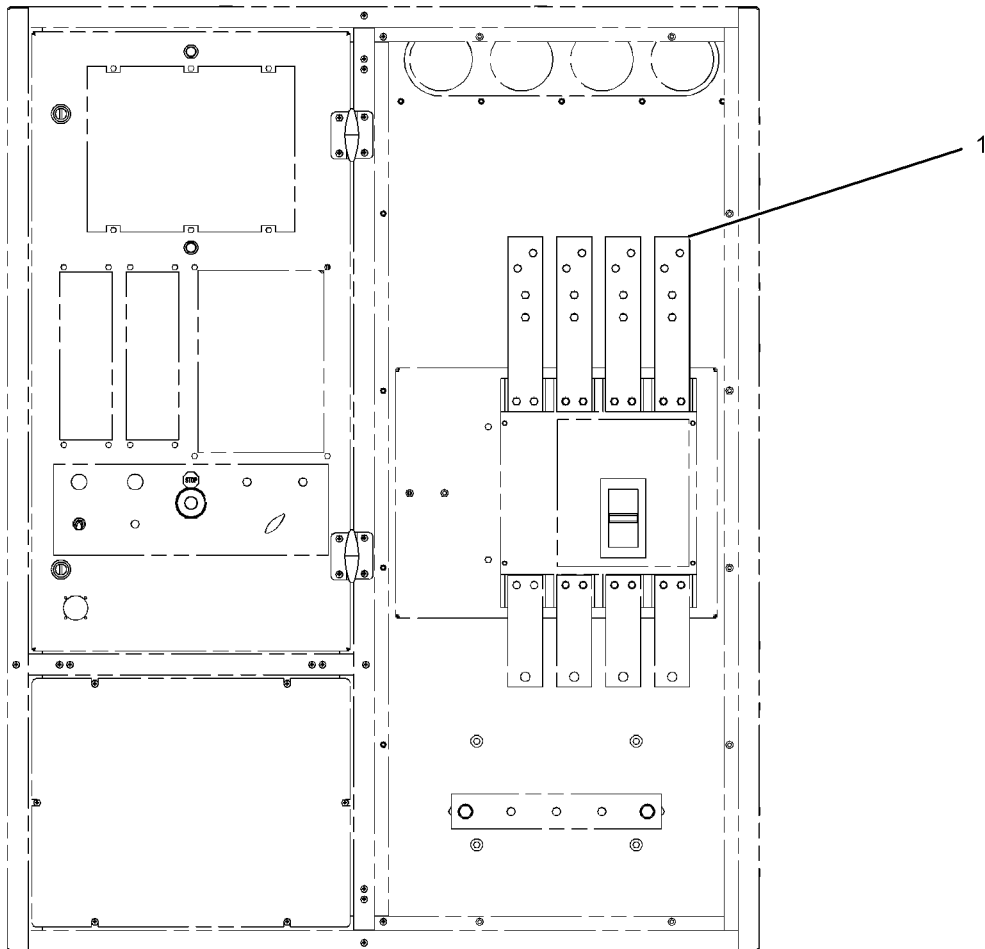
284-9186 TERMINAL GP-CIRCUIT BREAKER

S/N: C5H1-UP
4-POLE, 1600-AMPERE, IEC
AN ATTACHMENT

SMCS-7553

i02586987

NOTE	REF NO	GRAPHIC REF	PART NUMBER	QTY	PART NAME						SEE PAGE
					1	2	3	4	5	6 (PRODUCT LEVEL)	
	1	1	243-0168	8	TERMINAL						



GRAPHIC #1

<END>

g01296284

ELECTRICAL AND STARTING SYSTEM

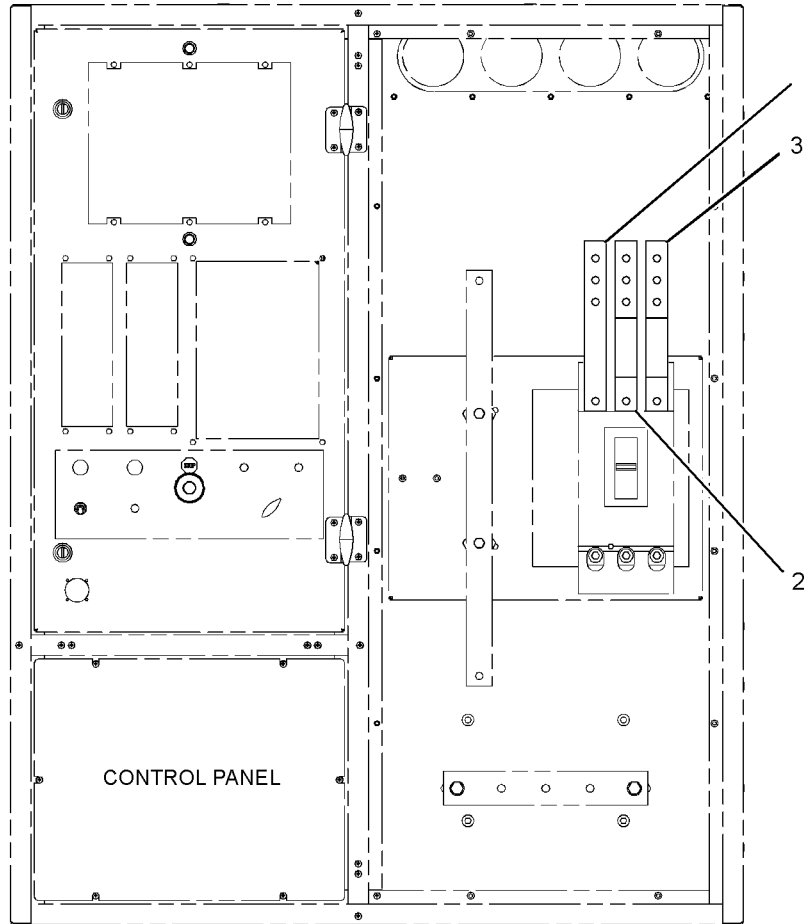
284-9187 TERMINAL GP-CIRCUIT BREAKER

S/N: C5H1-UP
400-AMPERE/600-AMPERE 100% UL
AN ATTACHMENT

SMCS-7553

i02491749

NOTE	REF NO	GRAPHIC REF	PART NUMBER	QTY	PART NAME						SEE PAGE
					1	2	3	4	5	6 (PRODUCT LEVEL)	
	1	1	241-4757	1	TERMINAL						
	2	1	243-7097	1	TERMINAL AS						
	3	1	243-7098	1	TERMINAL AS						



FRONT VIEW

<END>

GRAPHIC #1

g01265724

ELECTRICAL AND STARTING SYSTEM

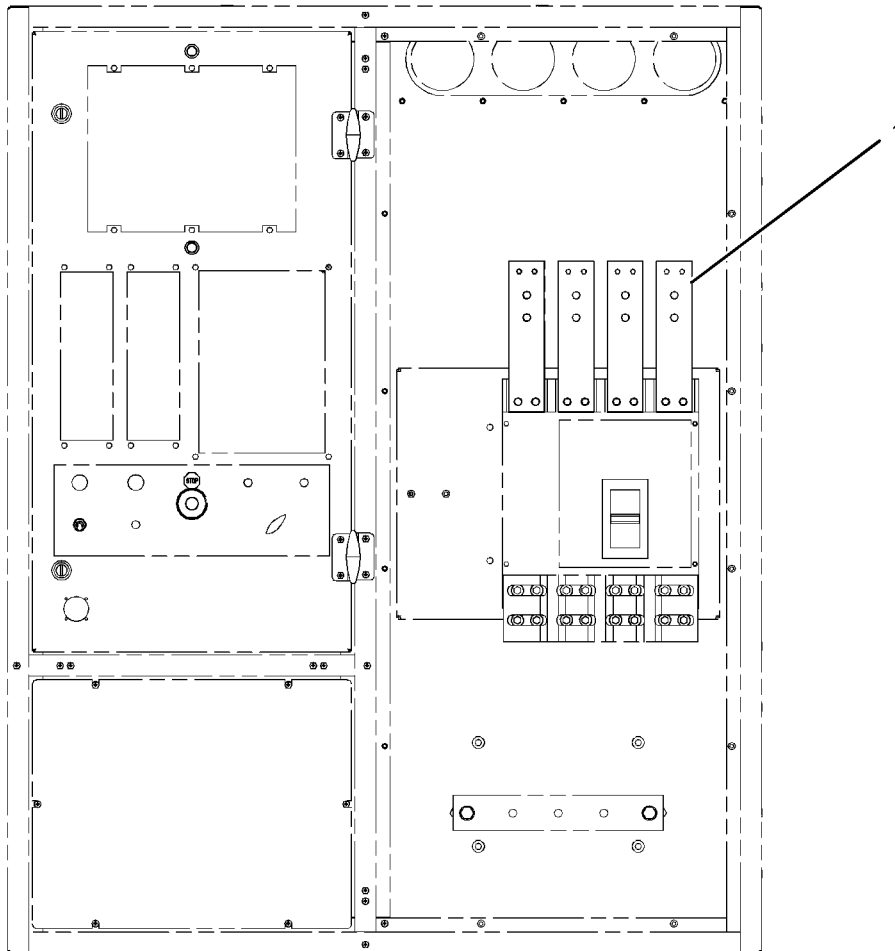
284-9188 TERMINAL GP-CIRCUIT BREAKER

S/N: C5H1-UP
4-POLE, 800-AMPERE, IEC
AN ATTACHMENT

SMCS-7553

i02585726

NOTE	REF NO	GRAPHIC REF	PART NUMBER	QTY	PART NAME						SEE PAGE
					1	2	3	4	5	6 (PRODUCT LEVEL)	
	1	1	241-4758	4	TERMINAL						



GRAPHIC #1

<END>

g01296280

ELECTRICAL AND STARTING SYSTEM

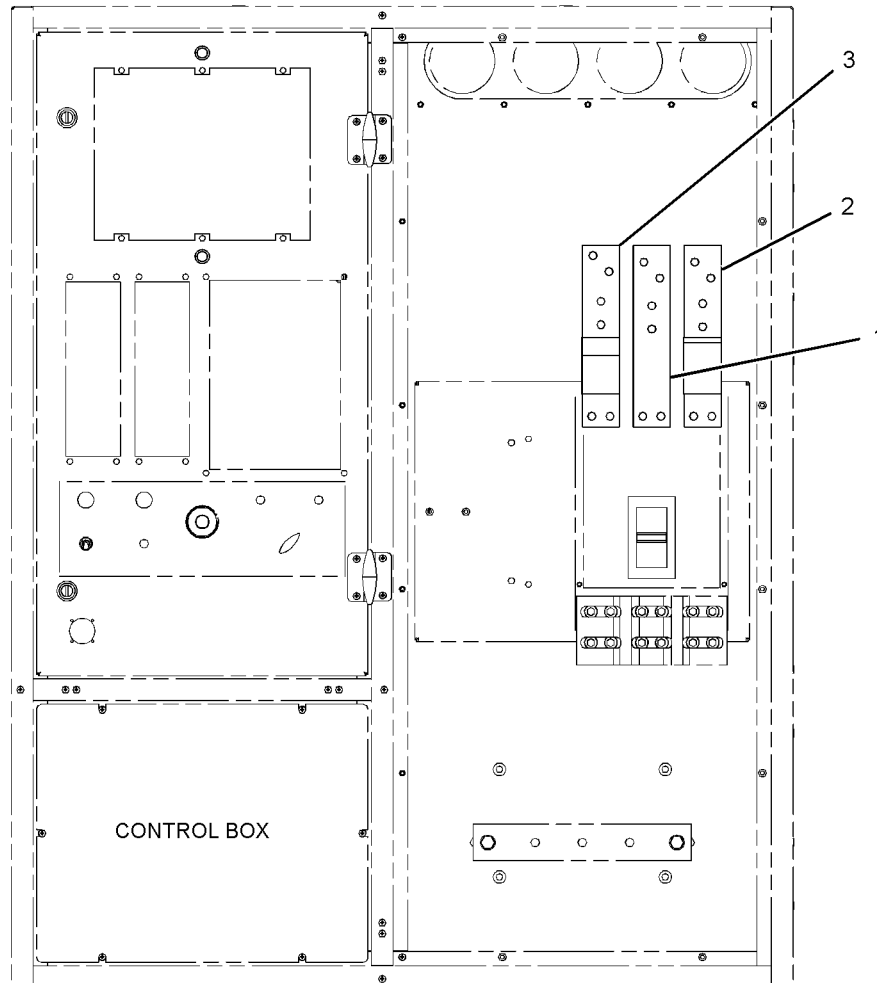
284-9189 TERMINAL GP-CIRCUIT BREAKER

S/N: C5H1-UP
1200-AMPERE, UL
AN ATTACHMENT

SMCS-7553

i02616358

NOTE	REF NO	GRAPHIC REF	PART NUMBER	QTY	PART NAME						SEE PAGE
					1	2	3	4	5	6 (PRODUCT LEVEL)	
	1	1	243-0167	2	TERMINAL						
	2	1	244-5760	1	TERMINAL AS						
	3	1	289-2815	1	TERMINAL AS						



GRAPHIC #1

<END>

g01311092

ELECTRICAL AND STARTING SYSTEM

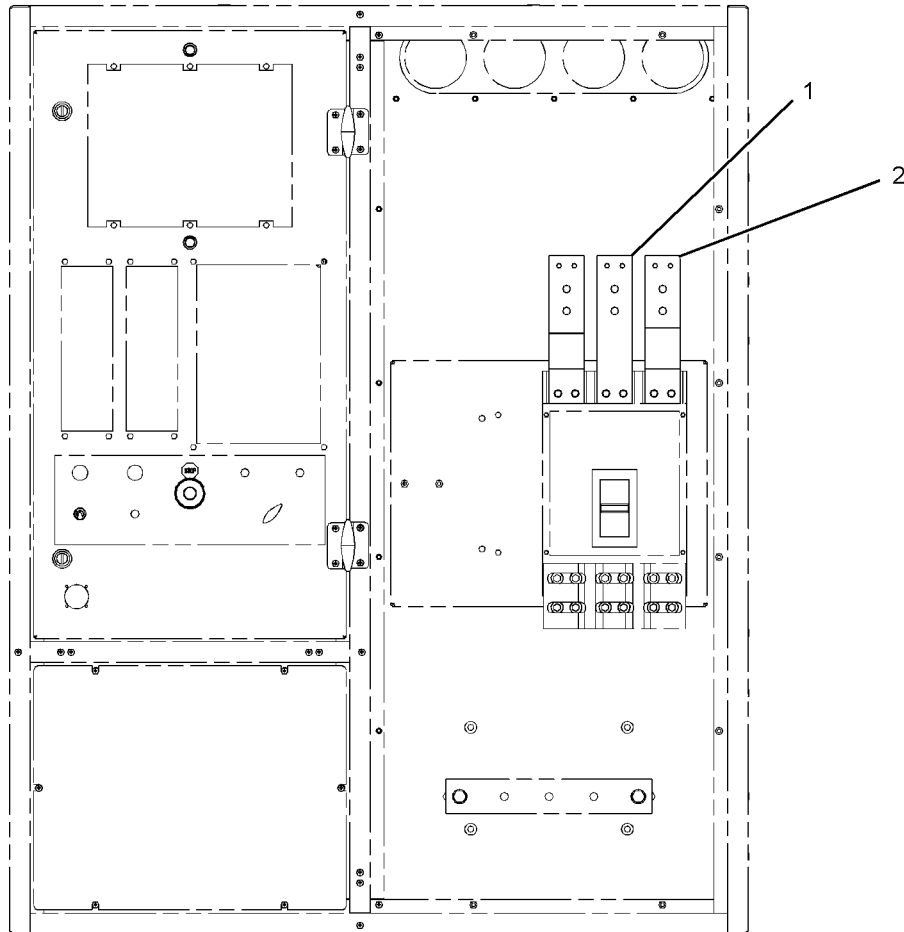
284-9190 TERMINAL GP-CIRCUIT BREAKER

S/N: C5H1-UP
800-AMPERE, UL
AN ATTACHMENT

SMCS-7553

i02585749

NOTE	REF NO	GRAPHIC REF	PART NUMBER	QTY	PART NAME						SEE PAGE
					1	2	3	4	5	6 (PRODUCT LEVEL)	
	1	1	241-4758	1	TERMINAL						
	2	1	244-3634	2	TERMINAL AS						



GRAPHIC #1

<END>

g01296301

ELECTRICAL AND STARTING SYSTEM

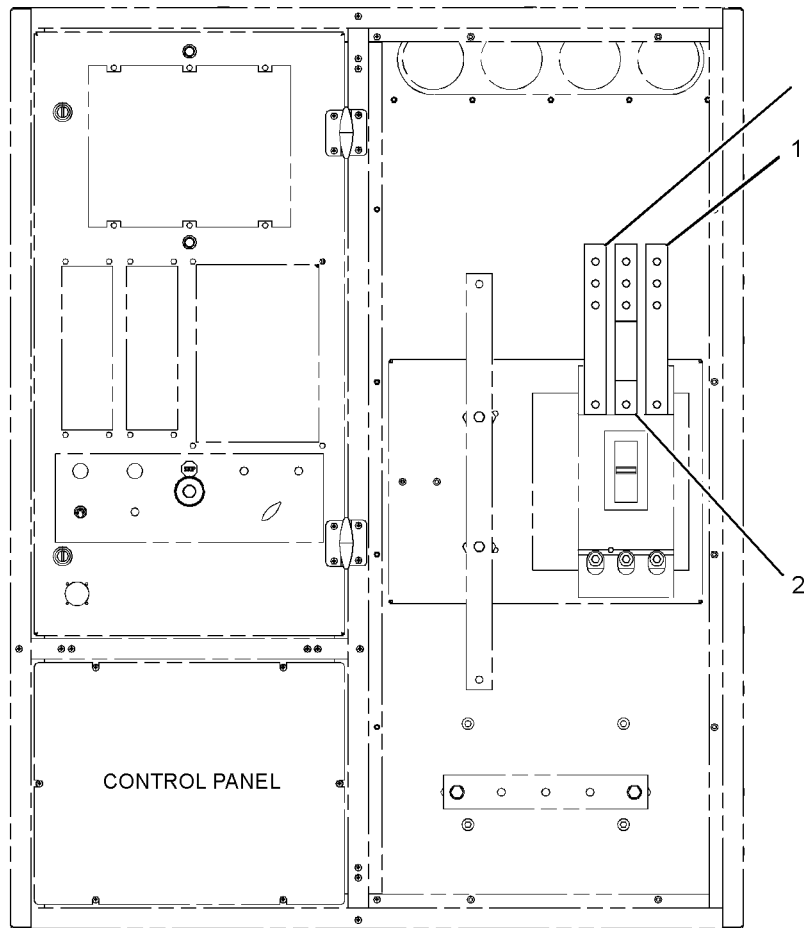
284-9191 TERMINAL GP-CIRCUIT BREAKER

S/N: C5H1-UP
 400-AMPERE/630-AMPERE IEC
 AN ATTACHMENT

SMCS-7553

i02491767

NOTE	REF NO	GRAPHIC REF	PART NUMBER	QTY	PART NAME						SEE PAGE
					1	2	3	4	5	6 (PRODUCT LEVEL)	
	1	1	241-4757	2	TERMINAL						
	2	1	243-7097	1	TERMINAL AS						



FRONT VIEW

<END>

GRAPHIC #1

g01265981

ELECTRICAL AND STARTING SYSTEM

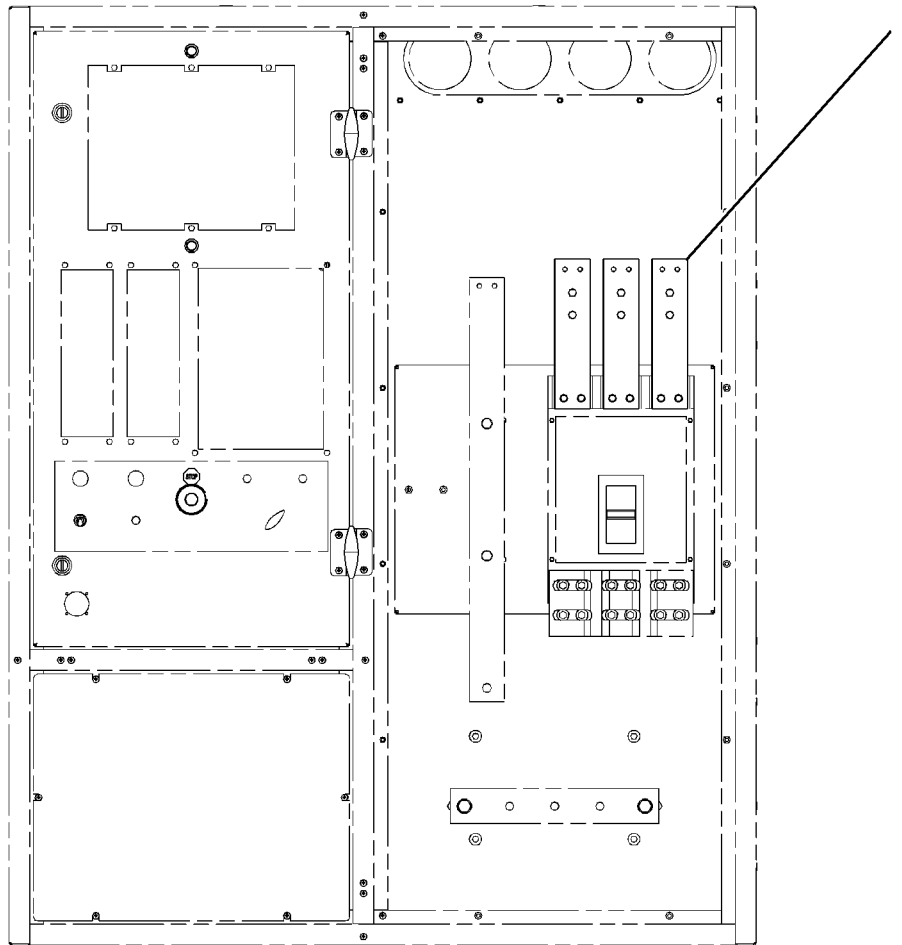
284-9195 TERMINAL GP-CIRCUIT BREAKER

S/N: C5H1-UP
3-POLE, 800-AMPERE, IEC
AN ATTACHMENT

SMCS-7553

i02585745

NOTE	REF NO	GRAPHIC REF	PART NUMBER	QTY	PART NAME						SEE PAGE
					1	2	3	4	5	6 (PRODUCT LEVEL)	
	1	1	241-4758	3	TERMINAL						



GRAPHIC #1

<END>

g01296305

ELECTRICAL AND STARTING SYSTEM

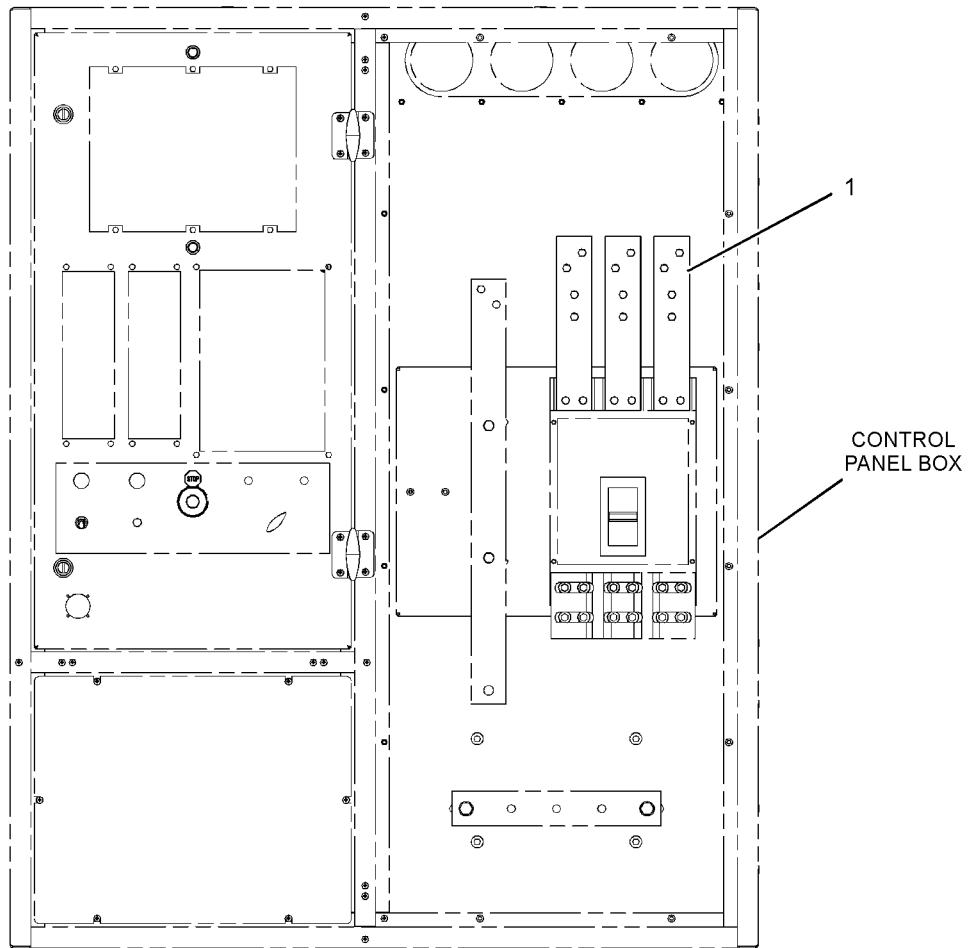
284-9197 TERMINAL GP-CIRCUIT BREAKER

S/N: C5H1-UP
 1250-AMPERE
 AN ATTACHMENT

SMCS-7553

i02548685

NOTE	REF NO	GRAPHIC REF	PART NUMBER	QTY	PART NAME						SEE PAGE
					1	2	3	4	5	6 (PRODUCT LEVEL)	
	1	1	243-0167	6	TERMINAL						



FRONT VIEW

<END>

GRAPHIC #1

g01277632

ELECTRICAL AND STARTING SYSTEM

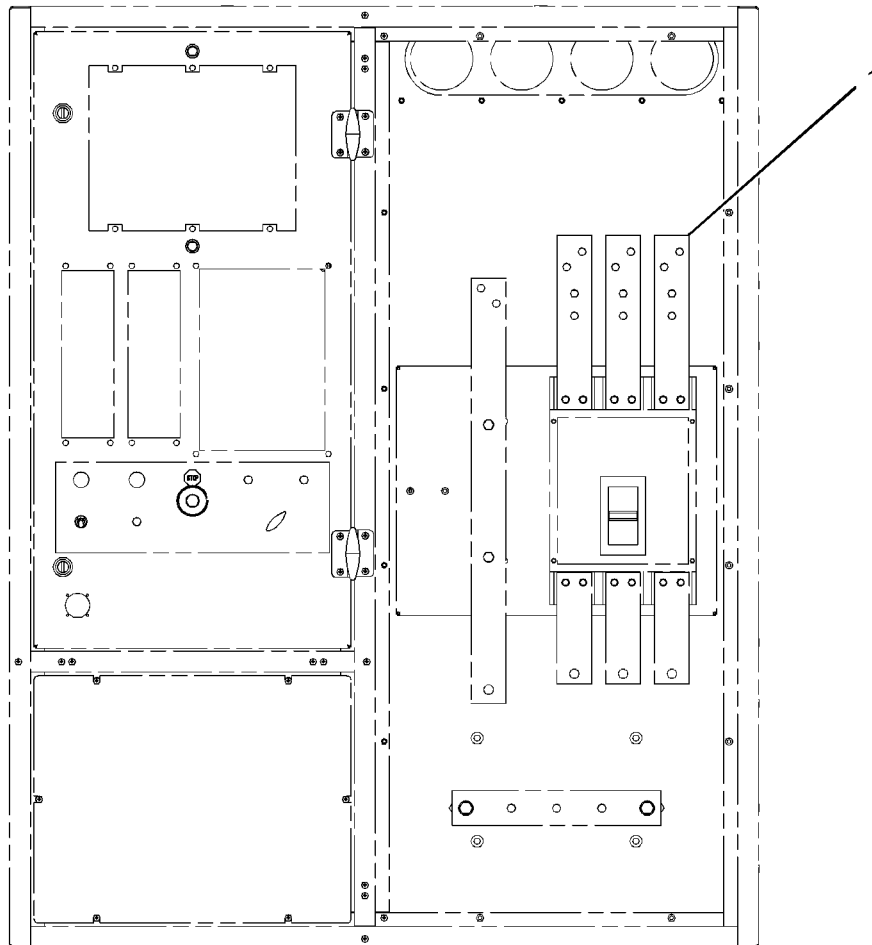
284-9199 TERMINAL GP-CIRCUIT BREAKER

S/N: C5H1-UP
3-POLE, 1600-AMPERE, IEC
AN ATTACHMENT

SMCS-7553

i02585722

NOTE	REF NO	GRAPHIC REF	PART NUMBER	QTY	PART NAME						SEE PAGE
					1	2	3	4	5	6 (PRODUCT LEVEL)	
	1	1	243-0168	6	TERMINAL						



GRAPHIC #1

<END>

g01296297

ELECTRICAL AND STARTING SYSTEM

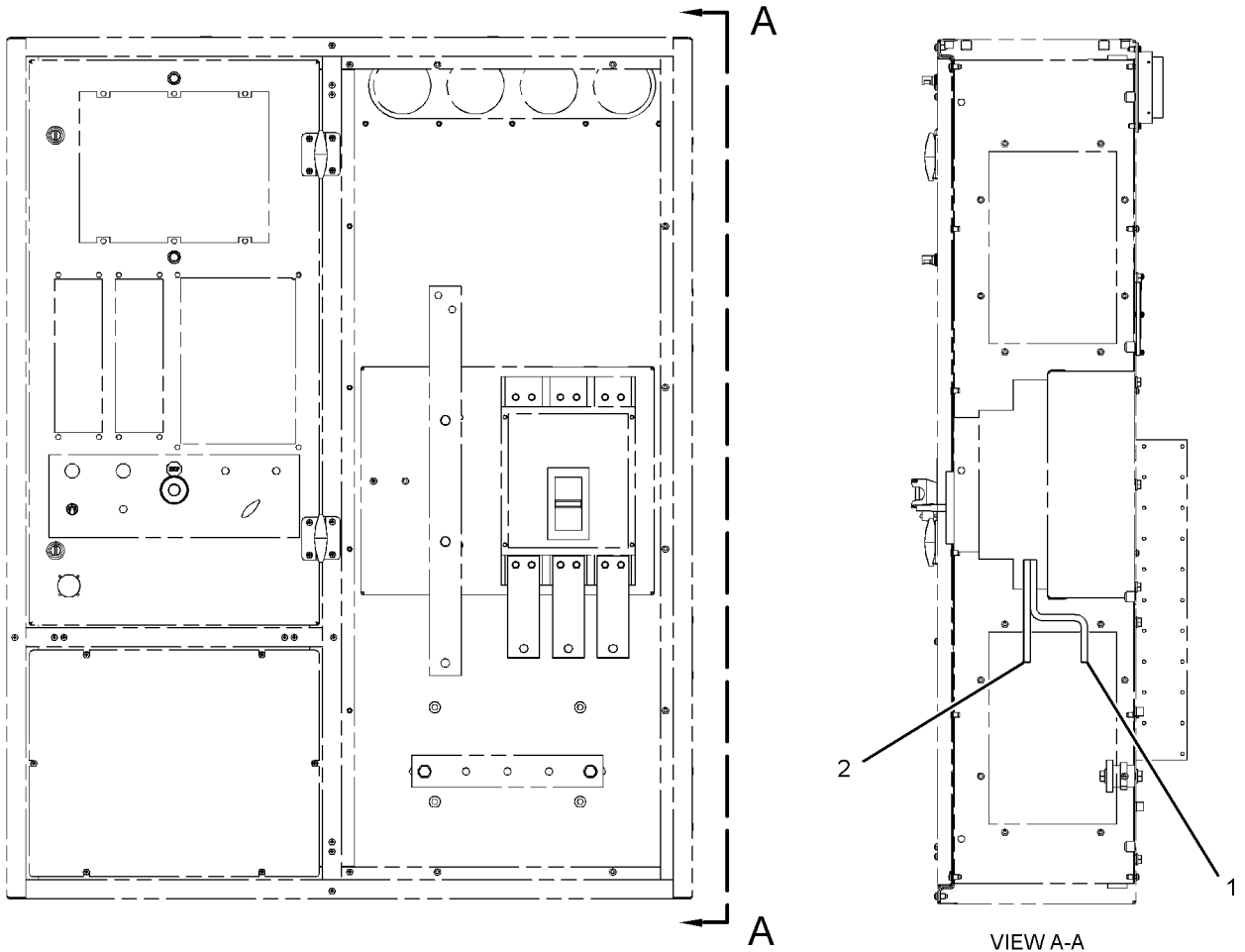
284-9225 TERMINAL GP-CIRCUIT BREAKER

S/N: C5H1-UP
 3-POLE, 1600-AMPERE
 AN ATTACHMENT

SMCS-7553

i02585712

NOTE	REF NO	GRAPHIC REF	PART NUMBER	QTY	PART NAME						SEE PAGE
					1	2	3	4	5	6 (PRODUCT LEVEL)	
	1	1	261-9206	3	TERMINAL						
	2	1	261-9207	3	TERMINAL						



GRAPHIC #1

<END>

g01296289

ELECTRICAL AND STARTING SYSTEM

284-9242 TERMINAL GP-CIRCUIT BREAKER

S/N: C5H1-UP

630-AMPERE

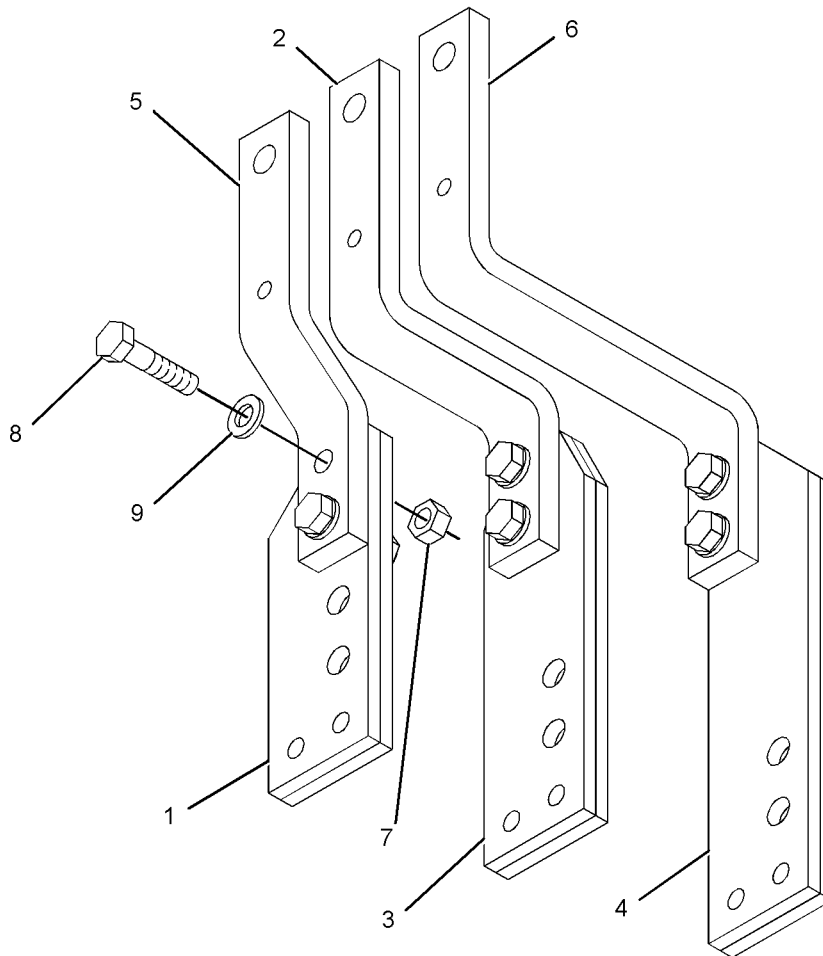
PART OF 284-9241 MOUNTING GP-TERMINAL STRIP
AN ATTACHMENT

SMCS-7553

i02547936

NOTE	REF NO	GRAPHIC REF	PART NUMBER	QTY	PART NAME						SEE PAGE
					1	2	3	4	5	6 (PRODUCT LEVEL)	
	1	1	283-9208	2	TERMINAL						
	2	1	284-9148	1	TERMINAL (COPPER)						
	3	1	283-9209	2	TERMINAL						
	4	1	283-9210	2	TERMINAL						
	5	1	284-9149	1	TERMINAL (COPPER)						
	6	1	284-9150	1	TERMINAL (COPPER)						
M	7	1	5C-7261	6	NUT (M8X1.25-THD)						
M	8	1	7X-2537	6	BOLT (M8X1.25X35-MM)						
	9	1	8T-4224	12	WASHER-HARD (8.8X16X2-MM THK)						

M-METRIC PART



GRAPHIC #1

<END>

g01277751

ELECTRICAL AND STARTING SYSTEM

284-9244 TERMINAL GP-CIRCUIT BREAKER

S/N: C5H1-UP

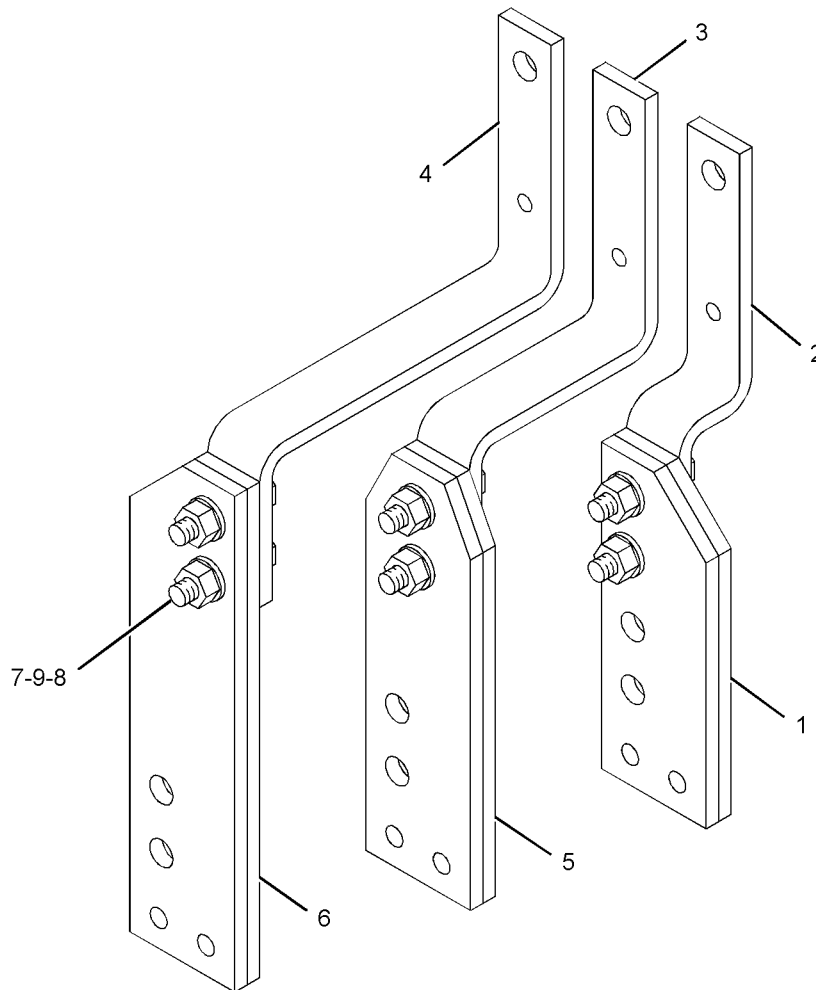
PART OF 284-9243 MOUNTING GP-TERMINAL STRIP
AN ATTACHMENT

SMCS-7553

i02548194

NOTE	REF NO	GRAPHIC REF	PART NUMBER	QTY	PART NAME						SEE PAGE
					1	2	3	4	5	6 (PRODUCT LEVEL)	
	1	1	283-9208	2	TERMINAL						
	2	1	283-9203	1	TERMINAL (COPPER)						
	3	1	283-9204	1	TERMINAL (COPPER)						
	4	1	283-9205	1	TERMINAL (COPPER)						
	5	1	283-9209	2	TERMINAL						
	6	1	283-9210	2	TERMINAL						
M	7	1	5C-7261	6	NUT (M8X1.25-THD)						
M	8	1	7X-2537	6	BOLT (M8X1.25X35-MM)						
	9	1	8T-4224	12	WASHER-HARD (8.8X16X2-MM THK)						

M-METRIC PART



GRAPHIC #1

<END>

g01278102

ELECTRICAL AND STARTING SYSTEM

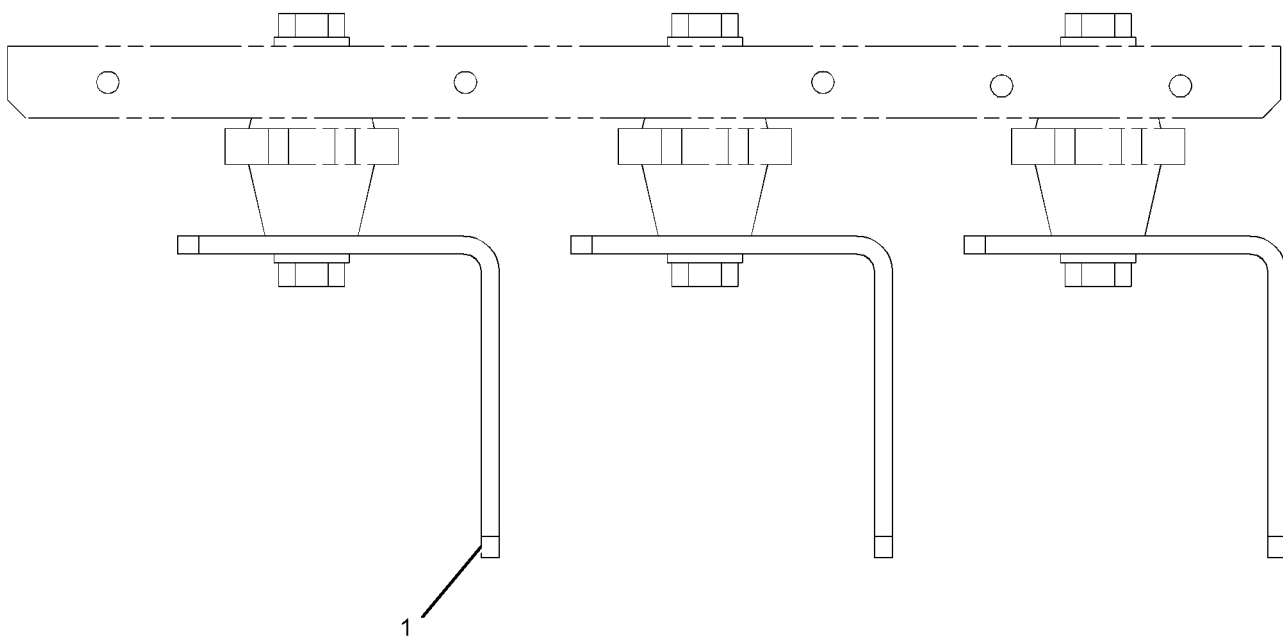
289-2814 TERMINAL GP-CIRCUIT BREAKER

S/N: C5H1-UP
AN ATTACHMENT

SMCS-7553

i02601095

NOTE	REF NO	GRAPHIC REF	PART NUMBER	QTY	PART NAME						SEE PAGE
					1	2	3	4	5	6 (PRODUCT LEVEL)	
	1	1	289-2813	3	TERMINAL						



GRAPHIC #1

<END>

g01304237

ELECTRICAL AND STARTING SYSTEM

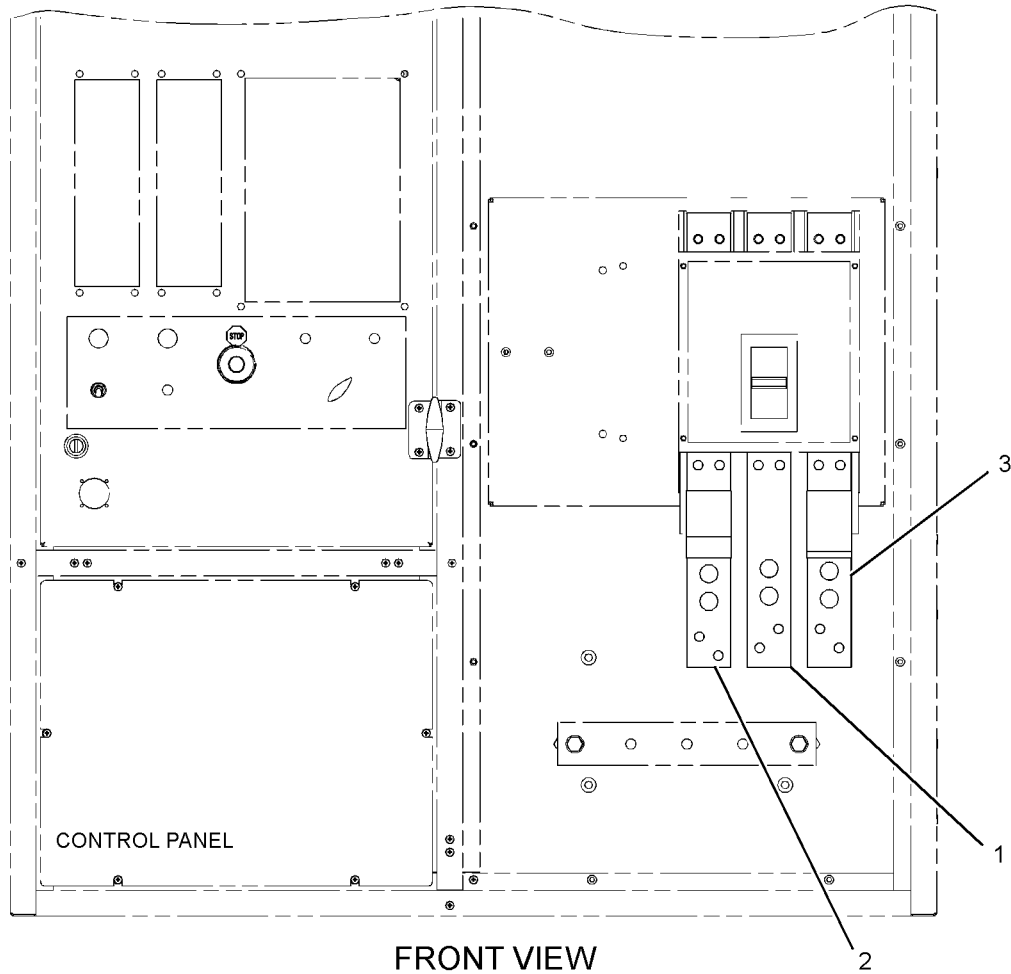
289-2817 TERMINAL GP-CIRCUIT BREAKER

S/N: C5H1-UP
1200-AMPERE
AN ATTACHMENT

SMCS-7553

i02587676

NOTE	REF NO	GRAPHIC REF	PART NUMBER	QTY	PART NAME						SEE PAGE
					1	2	3	4	5	6 (PRODUCT LEVEL)	
	1	1	243-0167	2	TERMINAL						
	2	1	244-5760	1	TERMINAL AS						
	3	1	289-2815	1	TERMINAL AS						



GRAPHIC #1

<END>

g01297372

ELECTRICAL AND STARTING SYSTEM

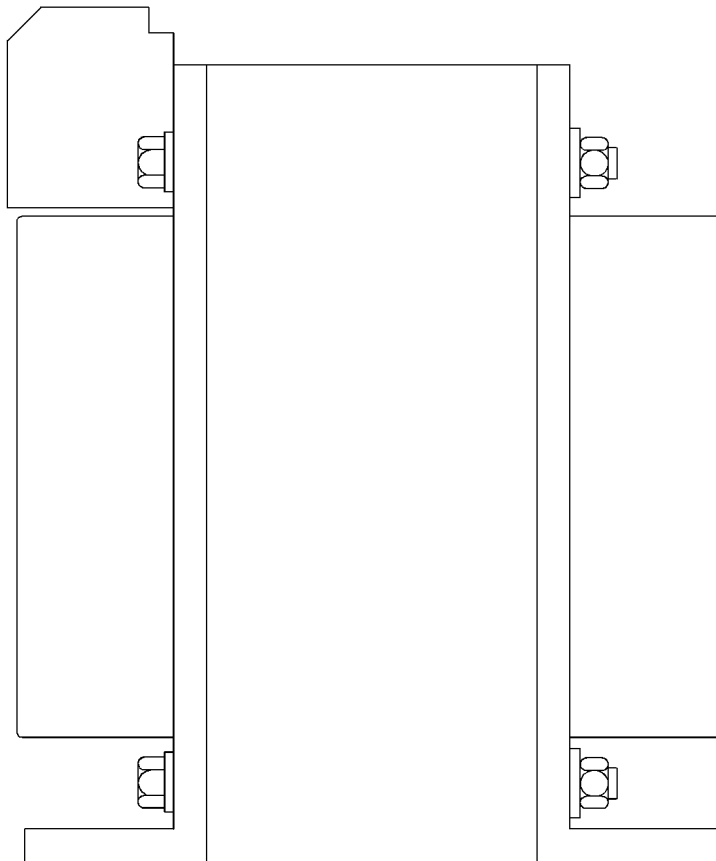
151-7745 TRANSFORMER-POTENTIAL

S/N: C5H1-UP
RATIO 440:60
AN ATTACHMENT

SMCS-1409

i03544062

NOTE	REF NO	GRAPHIC REF	PART NUMBER	QTY	PART NAME						SEE PAGE
					1	2	3	4	5	6 (PRODUCT LEVEL)	
(NO SERVICED PARTS)											



GRAPHIC #1

<END>

g01543419

ELECTRICAL AND STARTING SYSTEM

151-7746 TRANSFORMER

S/N: C5H1-UP

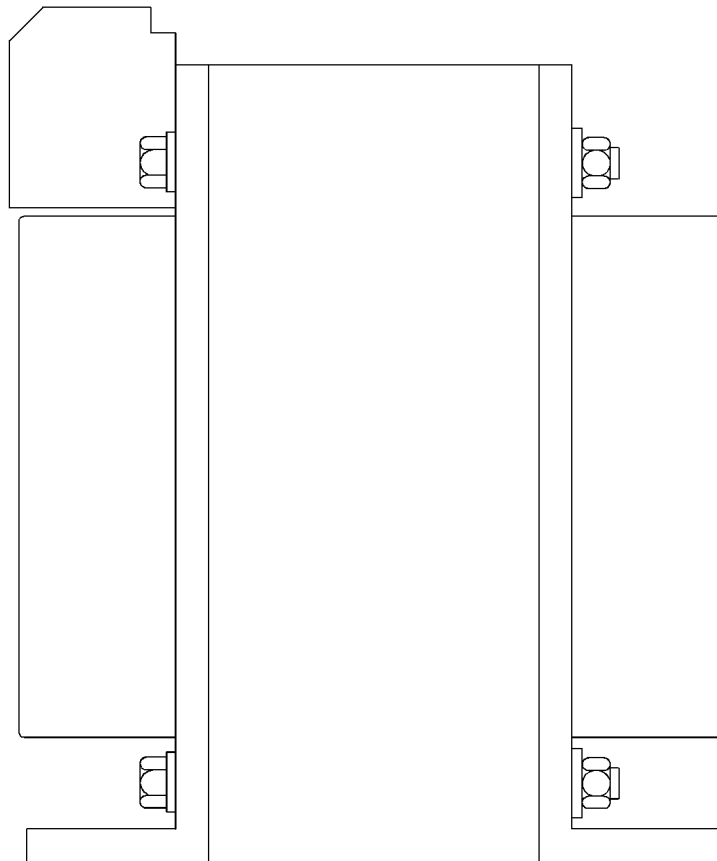
110/220-VOLT, 50/60-HERTZ

AN ATTACHMENT

SMCS-1409

i03040202

NOTE	REF NO	GRAPHIC REF	PART NUMBER	QTY	PART NAME						SEE PAGE
					1	2	3	4	5	6 (PRODUCT LEVEL)	
(NO SERVICED PARTS)											



GRAPHIC #1

<END>

g01543419

ELECTRICAL AND STARTING SYSTEM

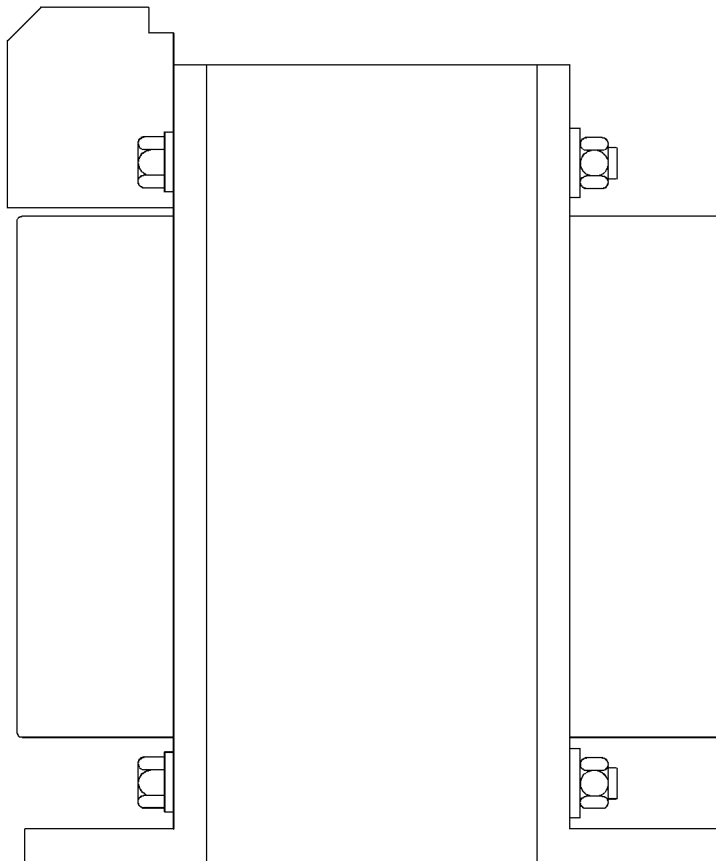
151-7747 TRANSFORMER

S/N: C5H1-UP
120/480-VOLT, 50/60-HERTZ
AN ATTACHMENT

SMCS-1409

i03040201

NOTE	REF NO	GRAPHIC REF	PART NUMBER	QTY	PART NAME						SEE PAGE
					1	2	3	4	5	6 (PRODUCT LEVEL)	
(NO SERVICED PARTS)											



GRAPHIC #1

<END>

g01543419

ELECTRICAL AND STARTING SYSTEM

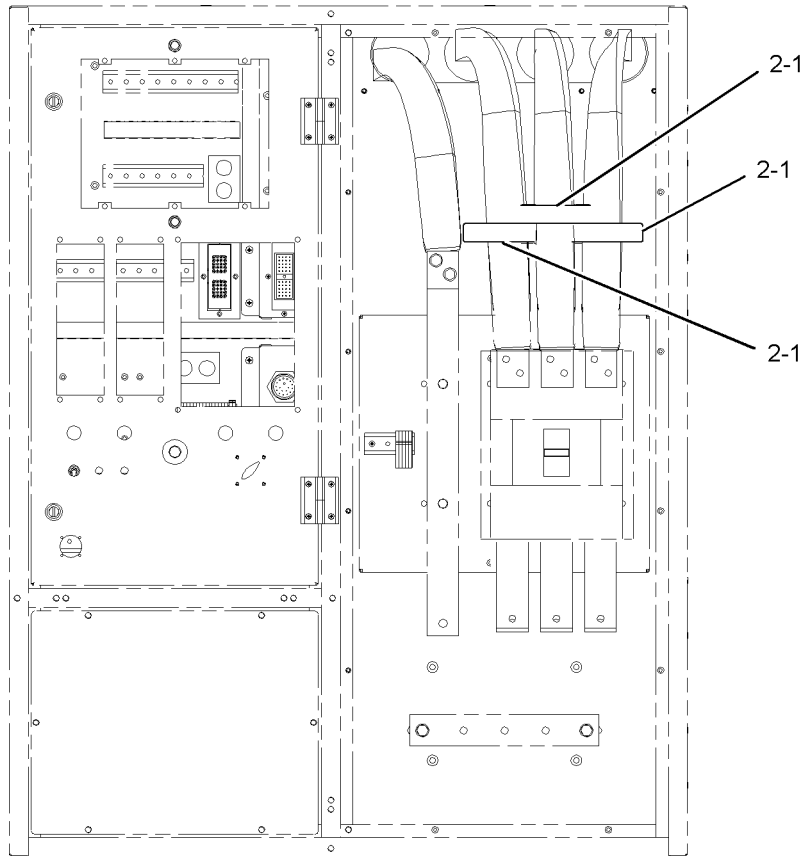
239-0410 TRANSFORMER GP-CURRENT

S/N: C5H1-UP
RATIO 800:5
AN ATTACHMENT

SMCS-4476

i01998089

NOTE	REF NO	GRAPHIC REF	PART NUMBER	QTY	PART NAME						SEE PAGE
					1	2	3	4	5	6 (PRODUCT LEVEL)	
	1	1	7K-1181	9	STRAP-CABLE						
	2	1	212-5883	3	TRANSFORMER-CURRENT (RATIO 800:5)						



(BREAKER CONNECTION)

<END>

GRAPHIC #1

g01033607

ELECTRICAL AND STARTING SYSTEM

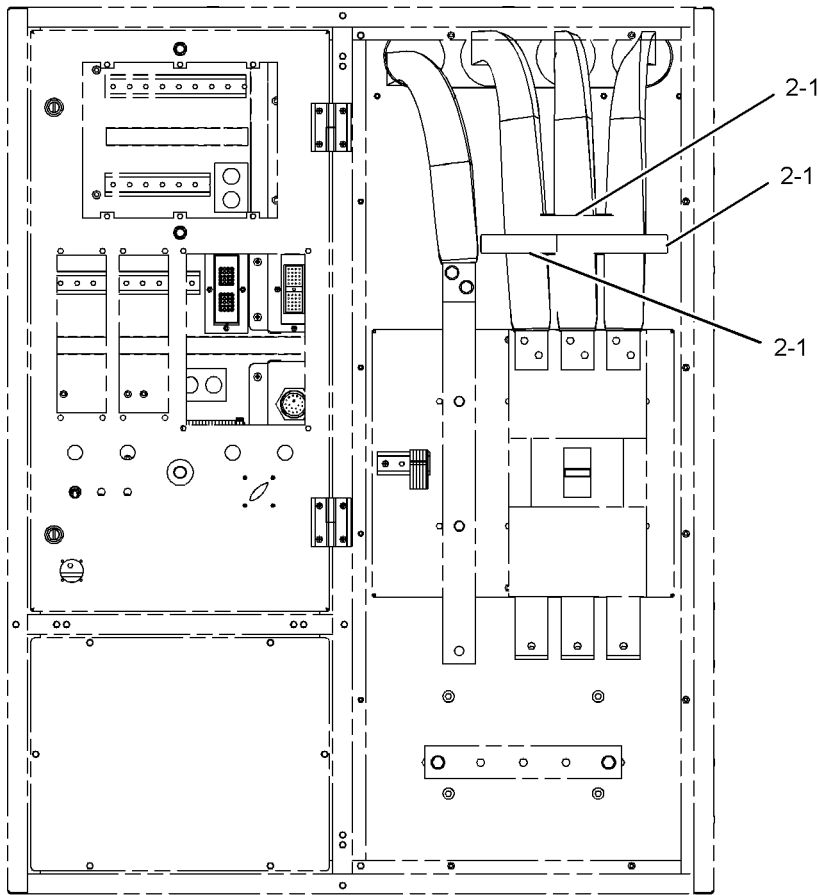
239-0431 TRANSFORMER GP-CURRENT

S/N: C5H1-UP
RATIO 1000:5
AN ATTACHMENT

SMCS-4476

i01992014

NOTE	REF NO	GRAPHIC REF	PART NUMBER	QTY	PART NAME						SEE PAGE
					1	2	3	4	5	6 (PRODUCT LEVEL)	
	1	1	7K-1181	9	STRAP-CABLE						
	2	1	212-5885	3	TRANSFORMER-CURRENT (RATIO 1000:5)						



(BREAKER CONNECTION)

<END>

GRAPHIC #1

g01015652

ELECTRICAL AND STARTING SYSTEM

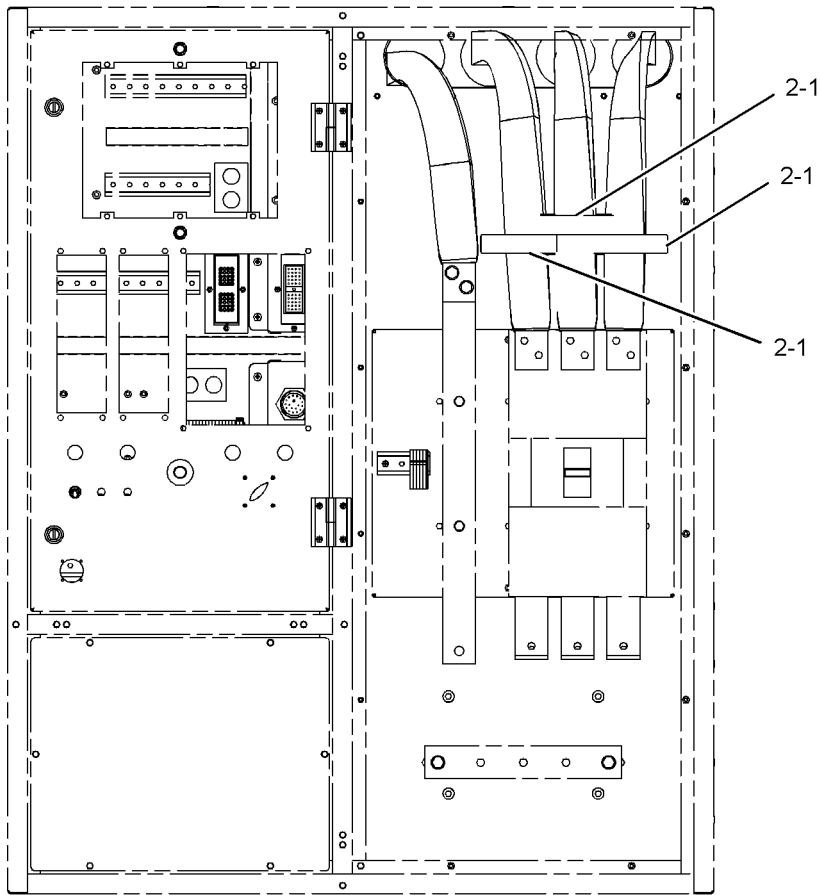
239-0432 TRANSFORMER GP-CURRENT

S/N: C5H1-UP
RATIO 1500:5
AN ATTACHMENT

SMCS-4476

i01992015

NOTE	REF NO	GRAPHIC REF	PART NUMBER	QTY	PART NAME						SEE PAGE
					1	2	3	4	5	6 (PRODUCT LEVEL)	
	1		7K-1181	9	STRAP-CABLE						
	2		212-5888	3	TRANSFORMER-CURRENT (RATIO 1500:5)						



GRAPHIC #1

<END>

g01015652

ELECTRICAL AND STARTING SYSTEM

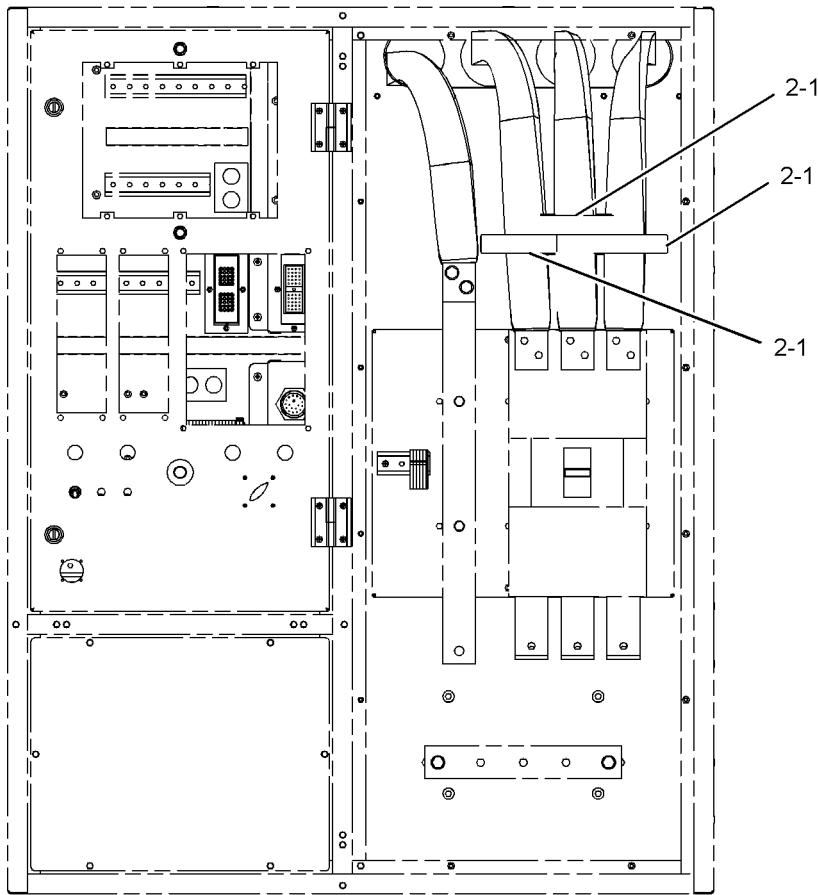
239-0433 TRANSFORMER GP-CURRENT

S/N: C5H1-UP
RATIO 2000:5
AN ATTACHMENT

SMCS-4476

i02250571

NOTE	REF NO	GRAPHIC REF	PART NUMBER	QTY	PART NAME						SEE PAGE
					1	2	3	4	5	6 (PRODUCT LEVEL)	
	1	1	7K-1181	9	STRAP-CABLE						
	2	1	212-5892	3	TRANSFORMER (RATIO 2000:5)						



(BREAKER CONNECTION)

<END>

GRAPHIC #1

g01015652

ELECTRICAL AND STARTING SYSTEM

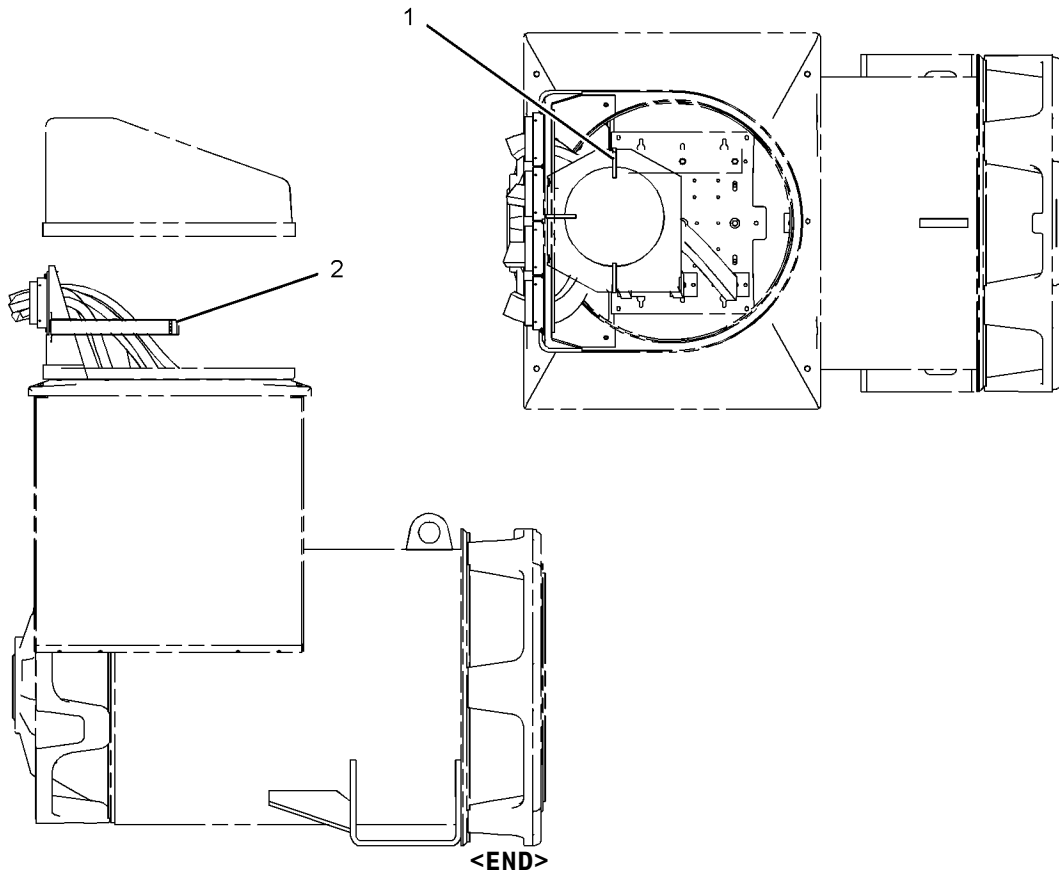
239-7137 TRANSFORMER GP-CURRENT

S/N: C5H1-UP
AN ATTACHMENT
TYPE 1

SMCS-4476

i02668147

NOTE	REF NO	GRAPHIC REF	PART NUMBER	QTY	PART NAME						SEE PAGE
					1	2	3	4	5	6 (PRODUCT LEVEL)	
	1	1	7K-1181	3	STRAP - CABLE						
	2	1	154-2987	1	TRANSFORMER AS-CURRENT						



GRAPHIC #1

<END>

g01015772

ELECTRICAL AND STARTING SYSTEM

239-7137 TRANSFORMER GP-CURRENT

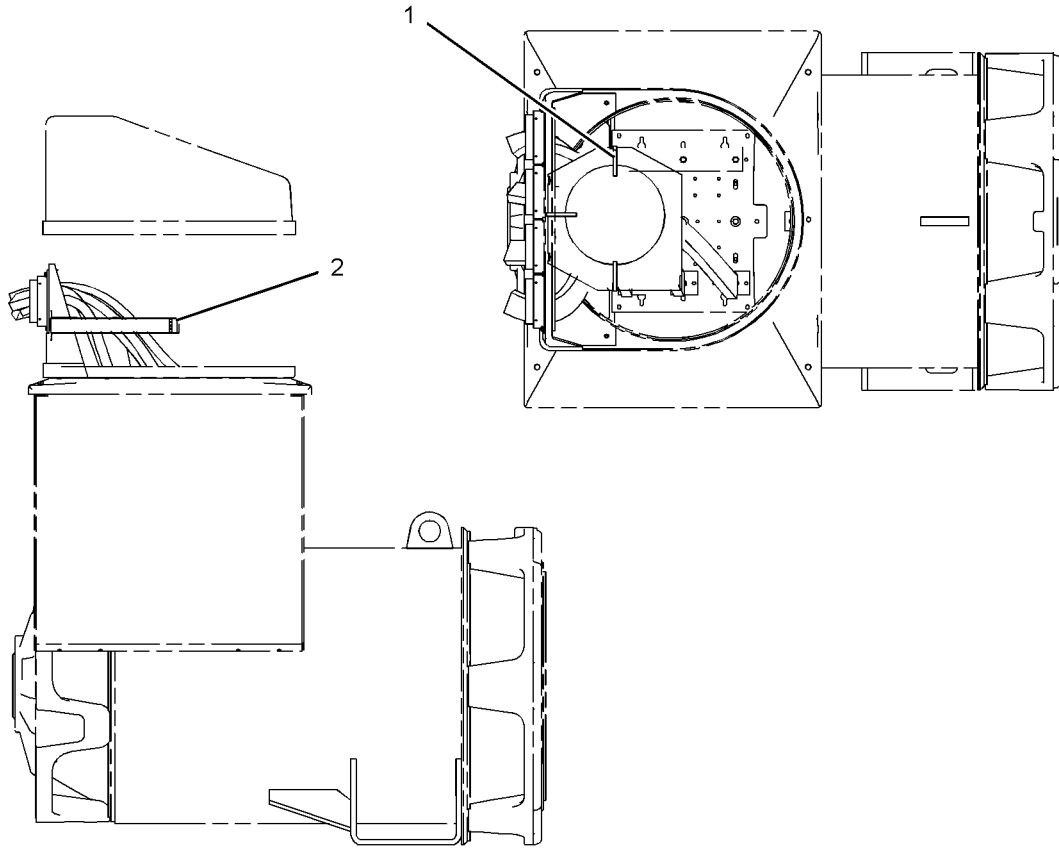
S/N: C5H1-UP
AN ATTACHMENT
TYPE 2

SMCS-4476

i03533154

NOTE	REF NO	GRAPHIC REF	PART NUMBER	QTY	PART NAME						SEE PAGE
					1	2	3	4	5	6 (PRODUCT LEVEL)	
	1	1	7K-1181	3	STRAP-CABLE						
C	2	1	317-9505	1	TRANSFORMER AS						

C-CHANGE FROM PREVIOUS TYPE



GRAPHIC #1

<END>

g01015772

ELECTRICAL AND STARTING SYSTEM

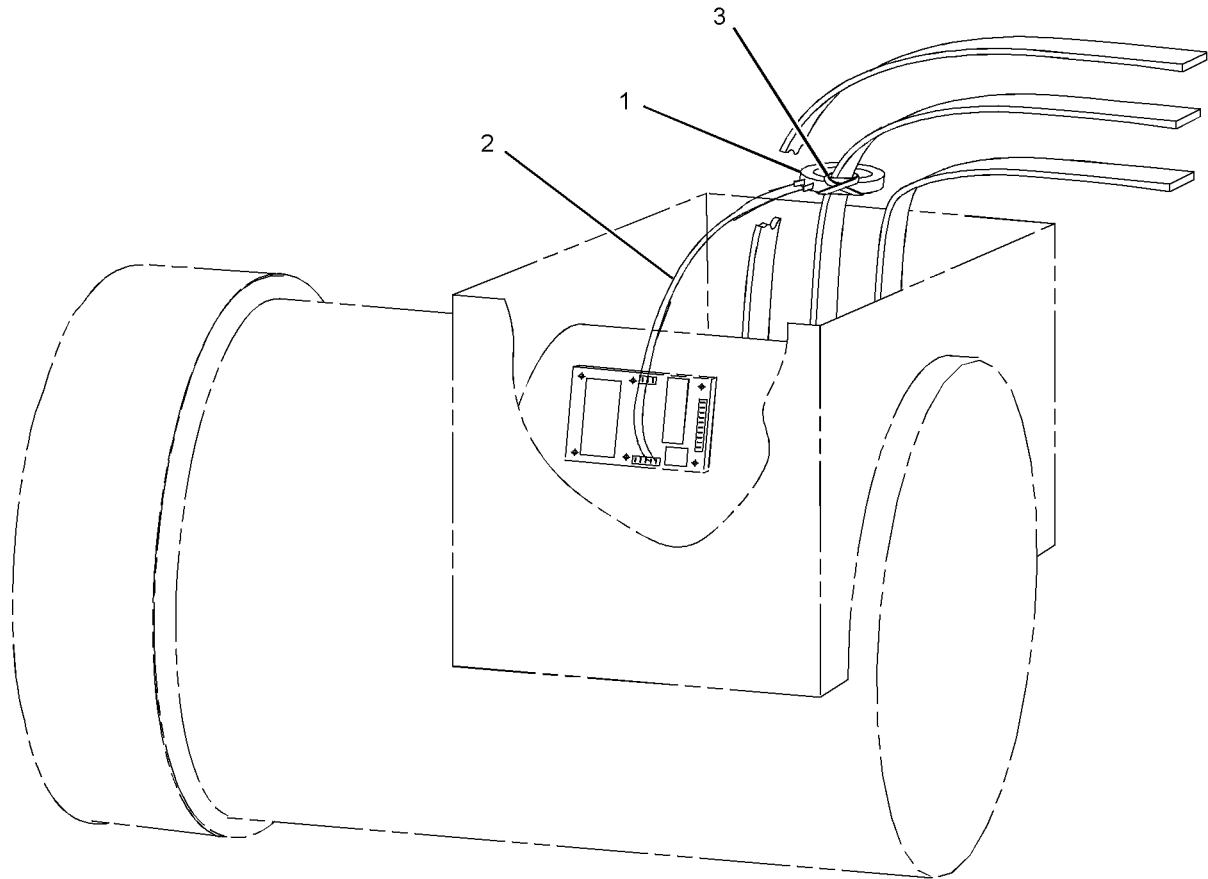
246-6490 TRANSFORMER GP-CURRENT

S/N: C5H1-UP
400-AMPERE
AN ATTACHMENT

SMCS-4476

i02668713

NOTE	REF NO	GRAPHIC REF	PART NUMBER	QTY	PART NAME						SEE PAGE
					1	2	3	4	5	6 (PRODUCT LEVEL)	
	1	1	241-6084	1	TRANSFORMER-CURRENT (RATIO 400:1)						
	2	1	246-3214	1	HARNESS AS-WIRING (CURRENT TRANSFORMER, DROOP)						
	3	1	7K-1181	2	STRAP-CABLE						



GRAPHIC #1

<END>

g01042442

ELECTRICAL AND STARTING SYSTEM

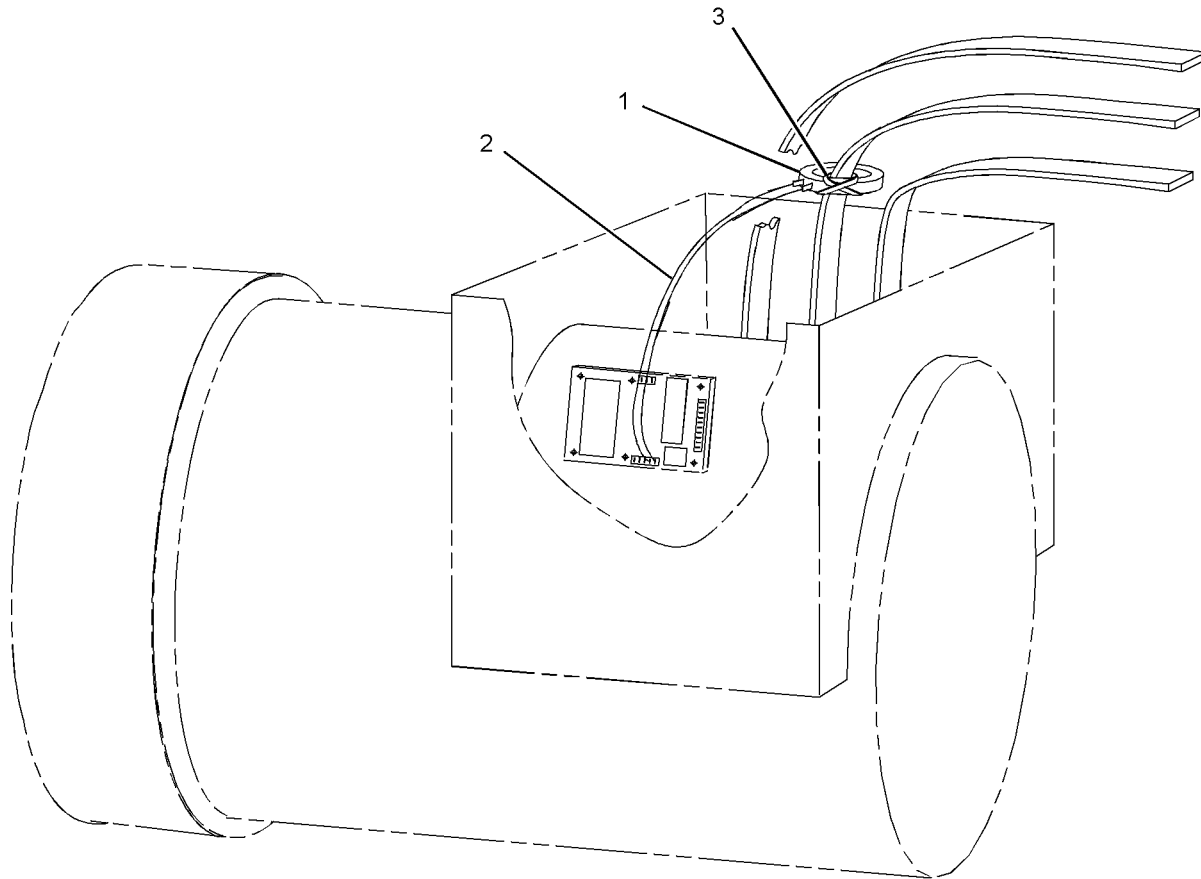
246-6491 TRANSFORMER GP-CURRENT

S/N: C5H1-UP
500-AMPERE
AN ATTACHMENT

SMCS-4476

i02668166

NOTE	REF NO	GRAPHIC REF	PART NUMBER	QTY	PART NAME	SEE PAGE
					1 2 3 4 5 6 (PRODUCT LEVEL)	
	1	1	246-5896	1	TRANSFORMER-CURRENT (RATIO 500:1)	
	2	1	246-3214	1	HARNESS AS-WIRING (CURRENT TRANSFORMER, DROOP)	
	3	1	7K-1181	2	STRAP-CABLE	



GRAPHIC #1

<END>

g01042442

ELECTRICAL AND STARTING SYSTEM

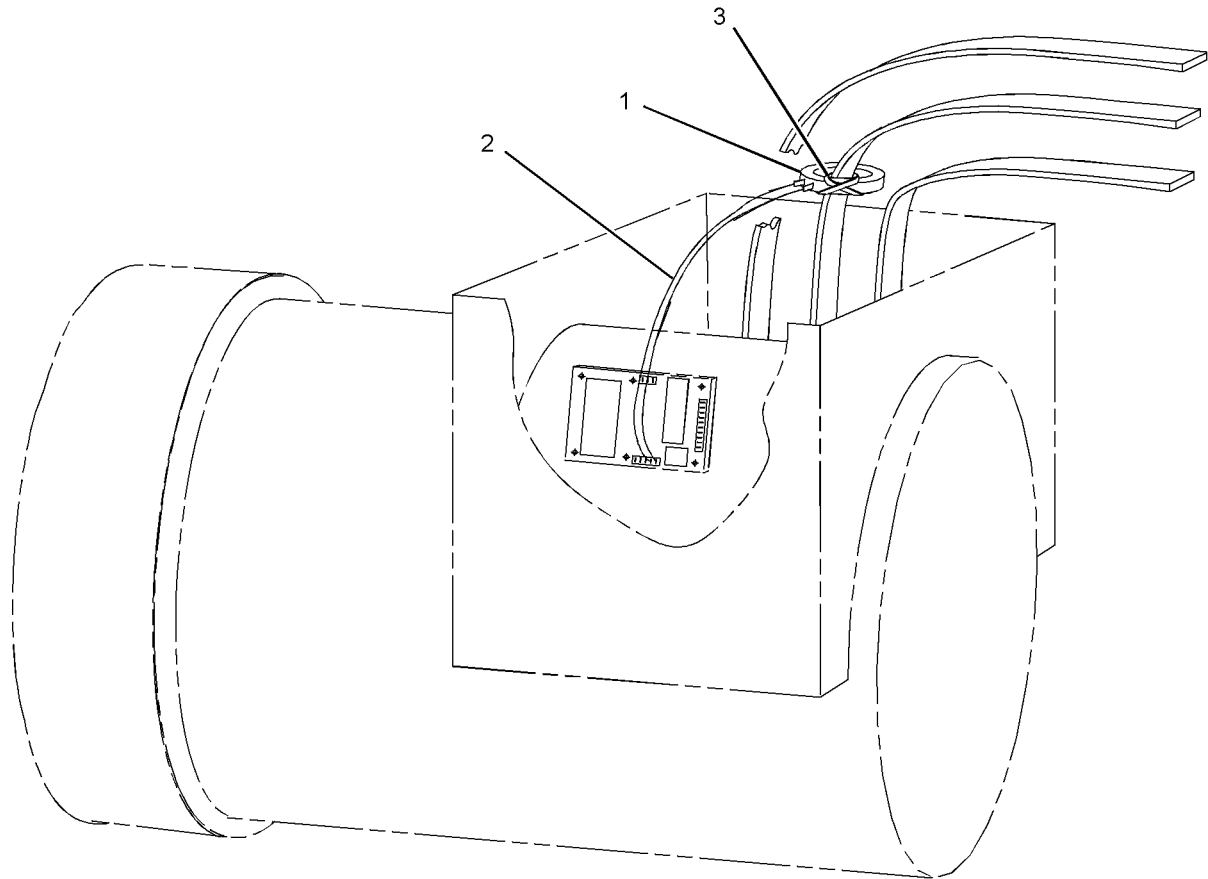
246-6492 TRANSFORMER GP-CURRENT

S/N: C5H1-UP
600-AMPERE
AN ATTACHMENT

SMCS-4476

i02668154

NOTE	REF NO	GRAPHIC REF	PART NUMBER	QTY	PART NAME	SEE PAGE
					1 2 3 4 5 6 (PRODUCT LEVEL)	
	1	1	246-6899	1	TRANSFORMER-CURRENT (RATIO 600:1)	
	2	1	246-3214	1	HARNESS AS-WIRING (CURRENT TRANSFORMER, DROOP)	
	3	1	7K-1181	2	STRAP-CABLE	



GRAPHIC #1

<END>

g01042442

ELECTRICAL AND STARTING SYSTEM

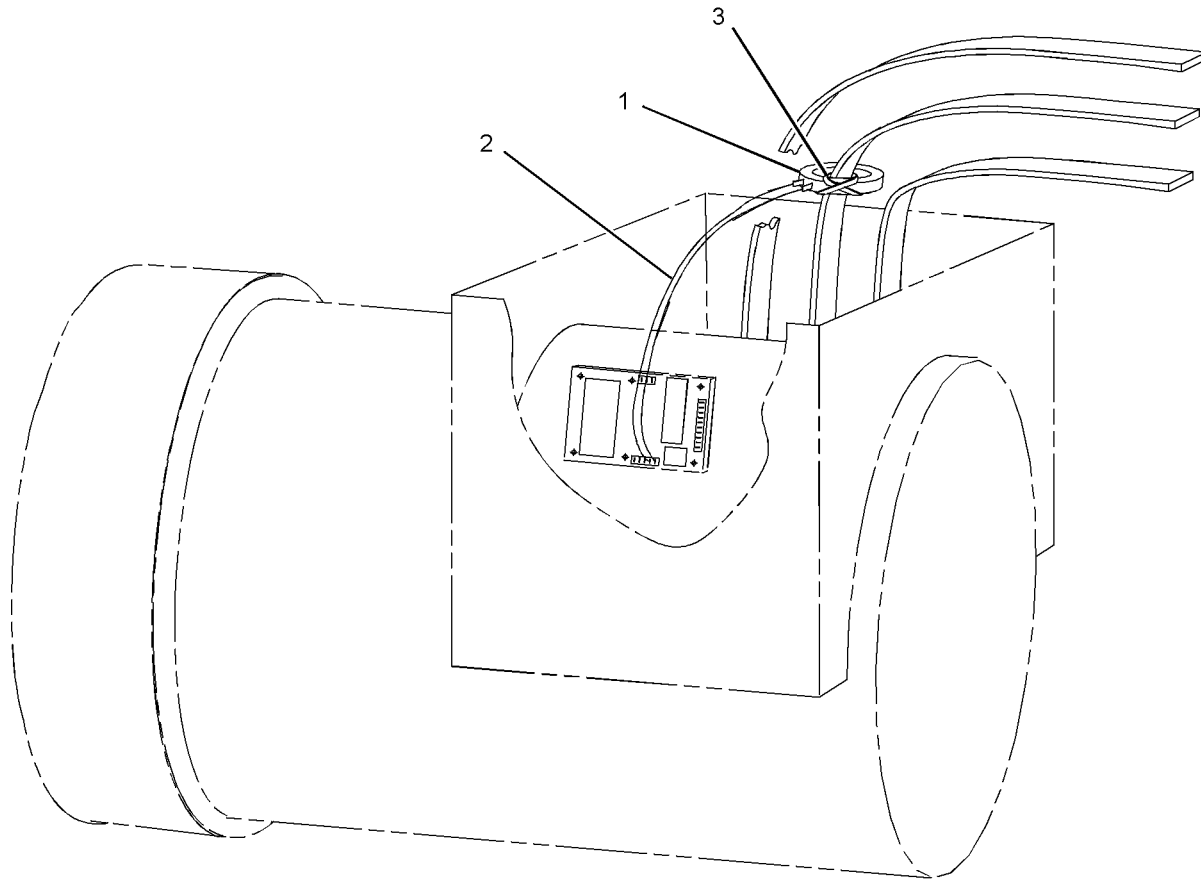
246-6493 TRANSFORMER GP-CURRENT

S/N: C5H1-UP
700-AMPERE
AN ATTACHMENT

SMCS-4476

i02668168

NOTE	REF NO	GRAPHIC REF	PART NUMBER	QTY	PART NAME	SEE PAGE
					1 2 3 4 5 6 (PRODUCT LEVEL)	
	1	1	246-6900	1	TRANSFORMER-CURRENT (RATIO 700:1)	
	2	1	246-3214	1	HARNESS AS-WIRING (CURRENT TRANSFORMER, DROOP)	
	3	1	7K-1181	2	STRAP-CABLE	



GRAPHIC #1

<END>

g01042442

ELECTRICAL AND STARTING SYSTEM

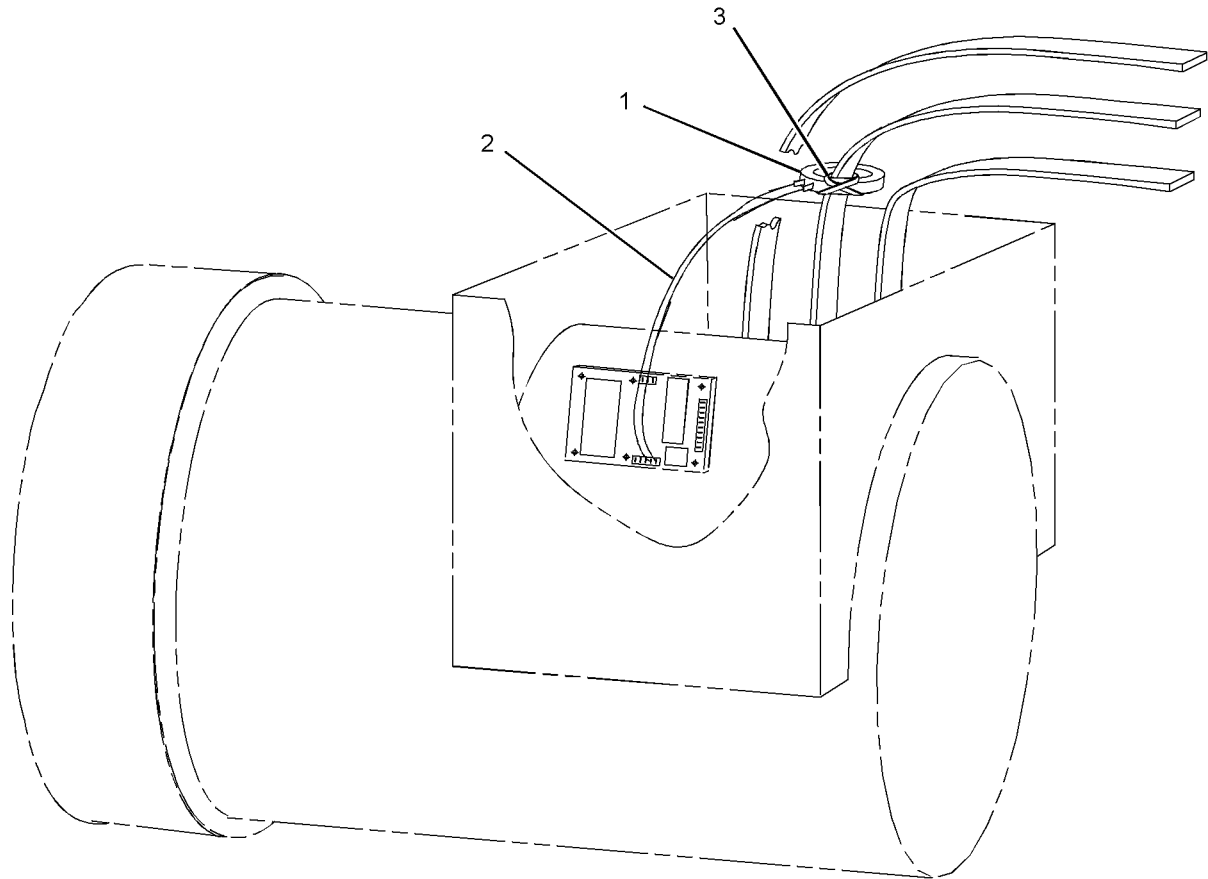
246-6494 TRANSFORMER GP-CURRENT

S/N: C5H1-UP
800-AMPERE
AN ATTACHMENT

SMCS-4476

i02668169

NOTE	REF NO	GRAPHIC REF	PART NUMBER	QTY	PART NAME	SEE PAGE
					1 2 3 4 5 6 (PRODUCT LEVEL)	
	1	1	246-6901	1	TRANSFORMER-CURRENT (RATIO 800:1)	
	2	1	246-3214	1	HARNESS AS-WIRING (CURRENT TRANSFORMER, DROOP)	
	3	1	7K-1181	2	STRAP-CABLE	



GRAPHIC #1

<END>

g01042442

ELECTRICAL AND STARTING SYSTEM

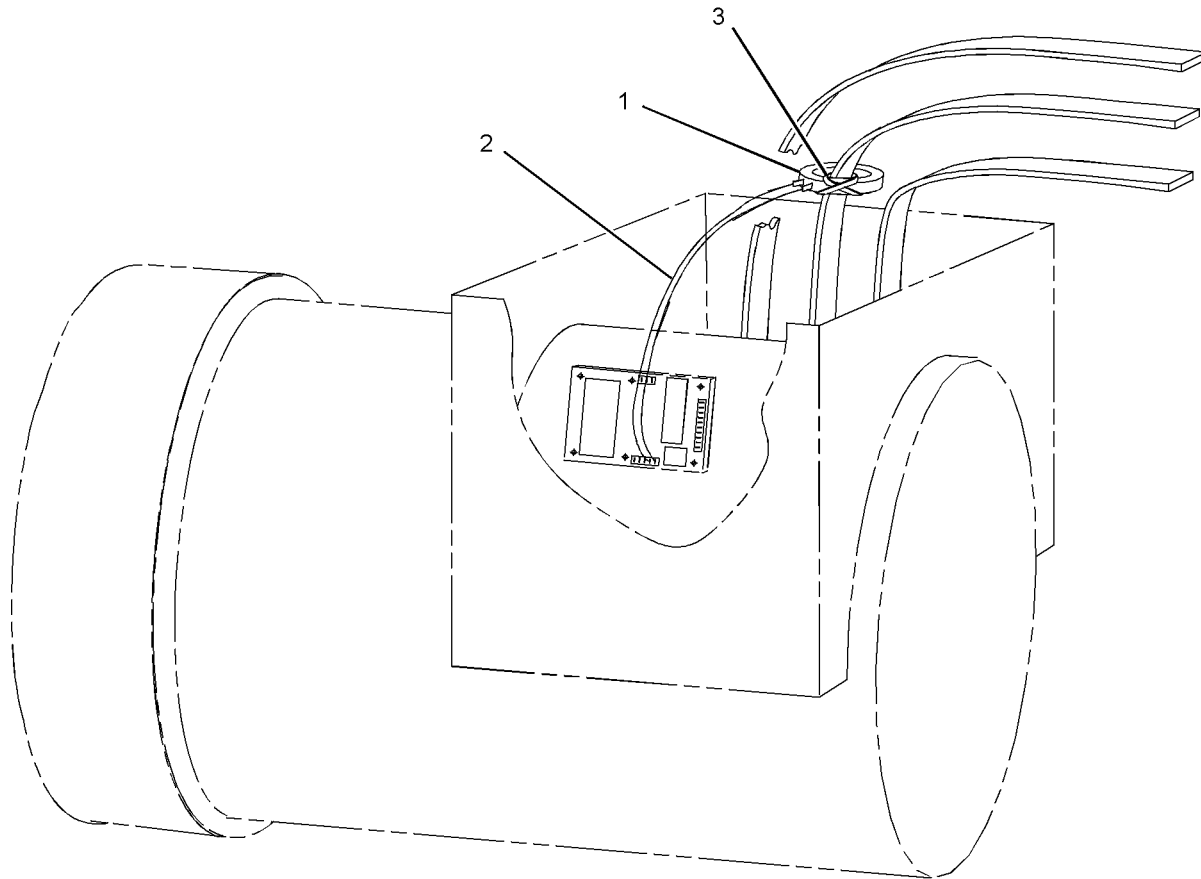
246-6495 TRANSFORMER GP-CURRENT

S/N: C5H1-UP
1000-AMPERE
AN ATTACHMENT

SMCS-4476

i02668170

NOTE	REF NO	GRAPHIC REF	PART NUMBER	QTY	PART NAME	SEE PAGE
					1 2 3 4 5 6 (PRODUCT LEVEL)	
	1	1	246-6902	1	TRANSFORMER-CURRENT (RATIO 1000:1)	
	2	1	246-3214	1	HARNESS AS-WIRING (CURRENT TRANSFORMER, DROOP)	
	3	1	7K-1181	2	STRAP-CABLE	



GRAPHIC #1

<END>

g01042442

ELECTRICAL AND STARTING SYSTEM

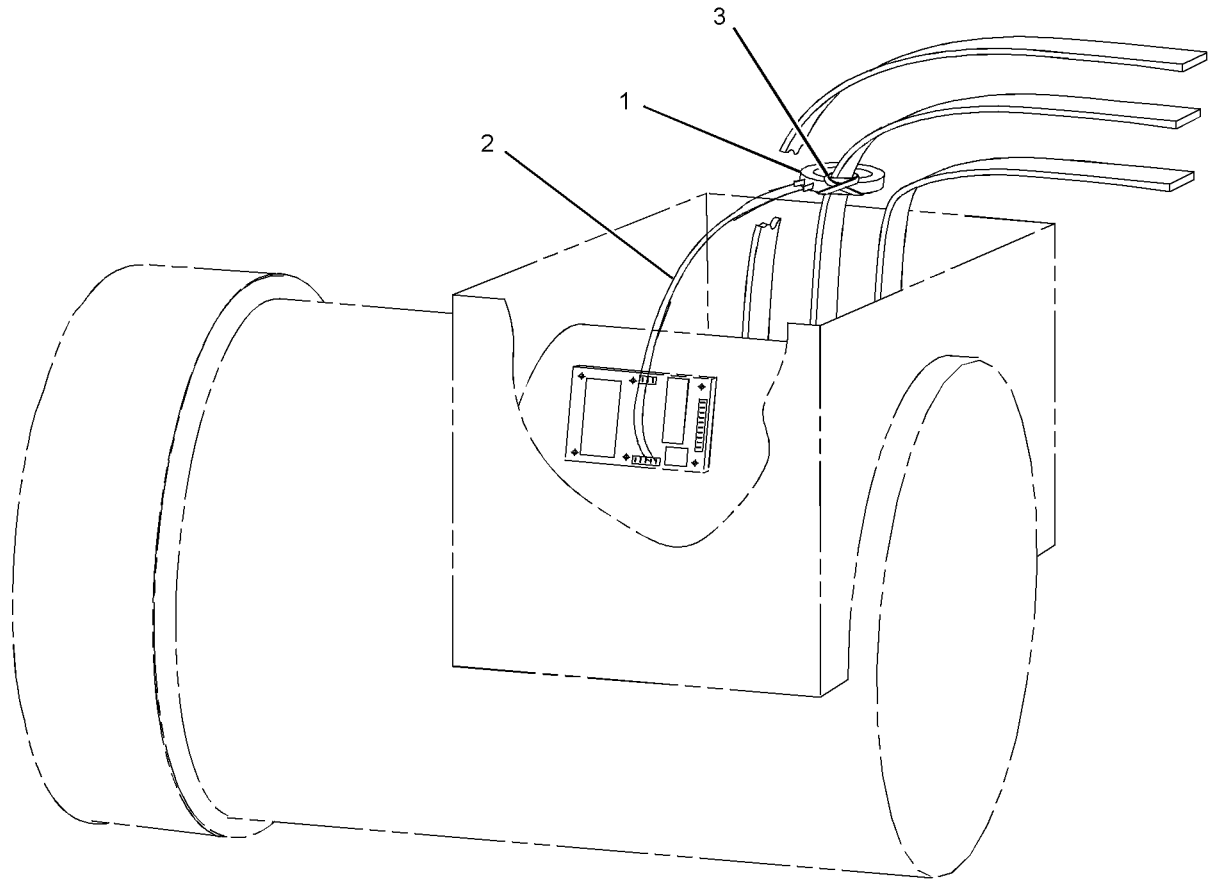
246-6496 TRANSFORMER GP-CURRENT

S/N: C5H1-UP
1200-AMPERE
AN ATTACHMENT

SMCS-4476

i02668171

NOTE	REF NO	GRAPHIC REF	PART NUMBER	QTY	PART NAME	SEE PAGE
					1 2 3 4 5 6 (PRODUCT LEVEL)	
	1	1	246-6903	1	TRANSFORMER-CURRENT (RATIO 1200:1)	
	2	1	246-3214	1	HARNESS AS-WIRING (CURRENT TRANSFORMER, DROOP)	
	3	1	7K-1181	2	STRAP-CABLE	



GRAPHIC #1

<END>

g01042442

ELECTRICAL AND STARTING SYSTEM

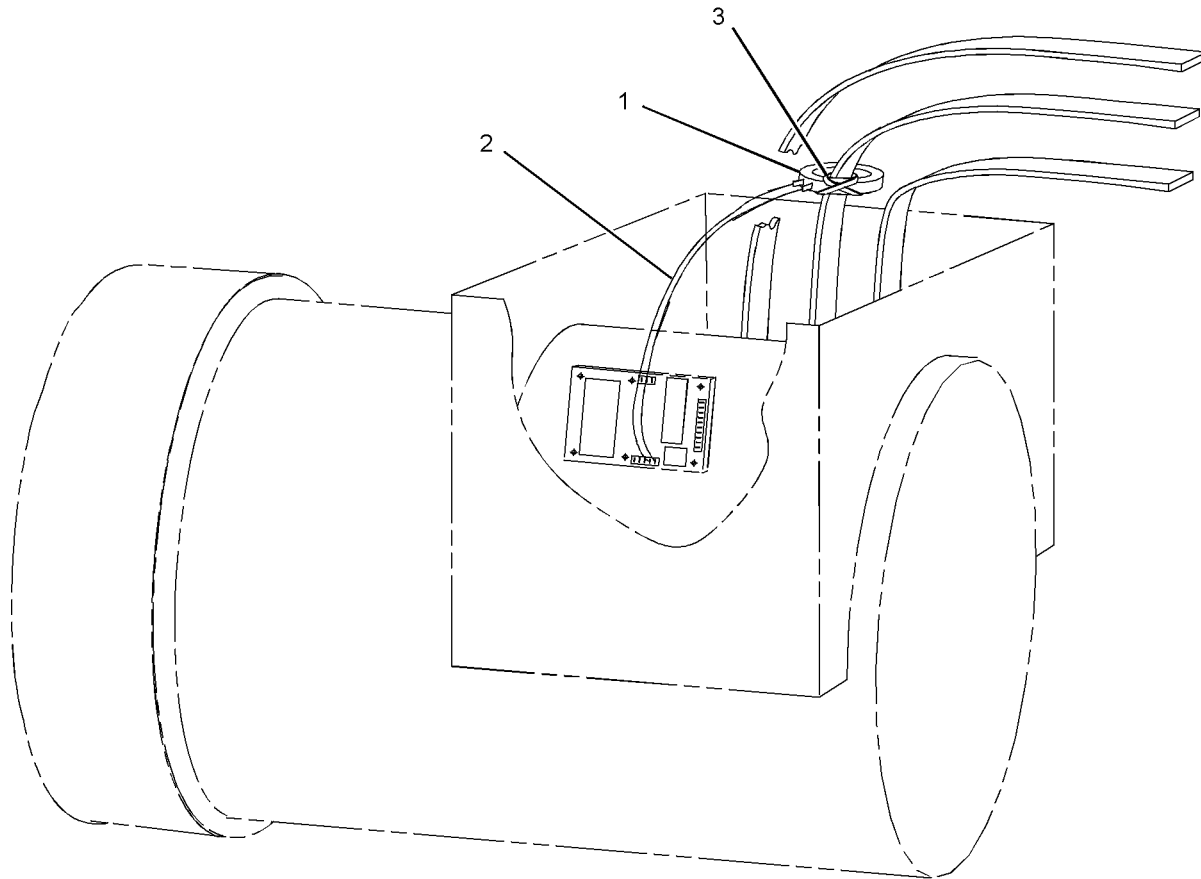
246-6497 TRANSFORMER GP-CURRENT

S/N: C5H1-UP
1600-AMPERE
AN ATTACHMENT

SMCS-4476

i02668172

NOTE	REF NO	GRAPHIC REF	PART NUMBER	QTY	PART NAME	SEE PAGE
					1 2 3 4 5 6 (PRODUCT LEVEL)	
	1	1	246-6904	1	TRANSFORMER-CURRENT (RATIO 1600:1)	
	2	1	246-3214	1	HARNESS AS-WIRING (CURRENT TRANSFORMER, DROOP)	
	3	1	7K-1181	2	STRAP-CABLE	



GRAPHIC #1

<END>

g01042442

ELECTRICAL AND STARTING SYSTEM

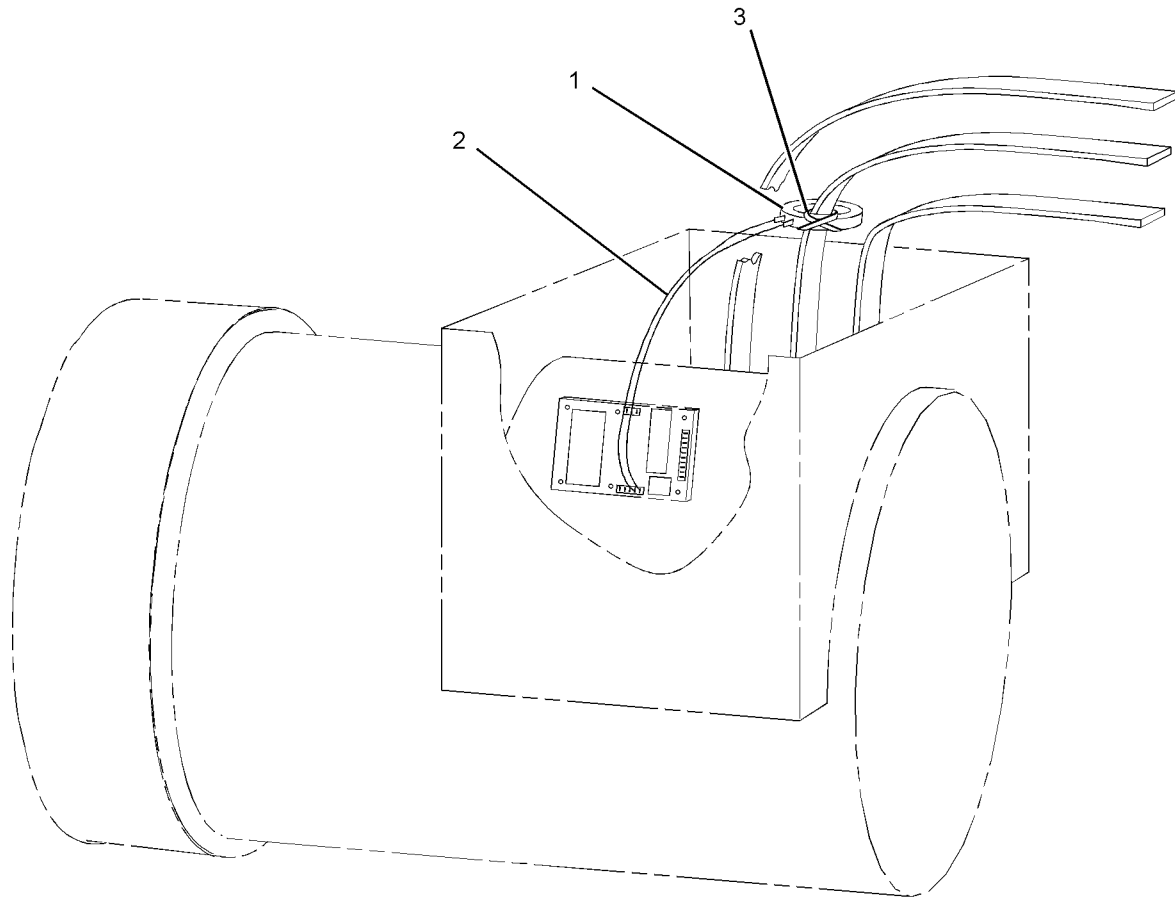
249-2695 TRANSFORMER GP-CURRENT

S/N: C5H1-UP
2000-AMPERE
AN ATTACHMENT

SMCS-4476

i02668173

NOTE	REF NO	GRAPHIC REF	PART NUMBER	QTY	PART NAME	SEE PAGE
					1 2 3 4 5 6 (PRODUCT LEVEL)	
	1	1	249-2696	1	TRANSFORMER-CURRENT (RATIO 2000:1)	
	2	1	246-3214	1	HARNESS AS-WIRING (CURRENT TRANSFORMER, DROOP)	
	3	1	7K-1181	2	STRAP-CABLE	



GRAPHIC #1

<END>

g01064911

ELECTRICAL AND STARTING SYSTEM

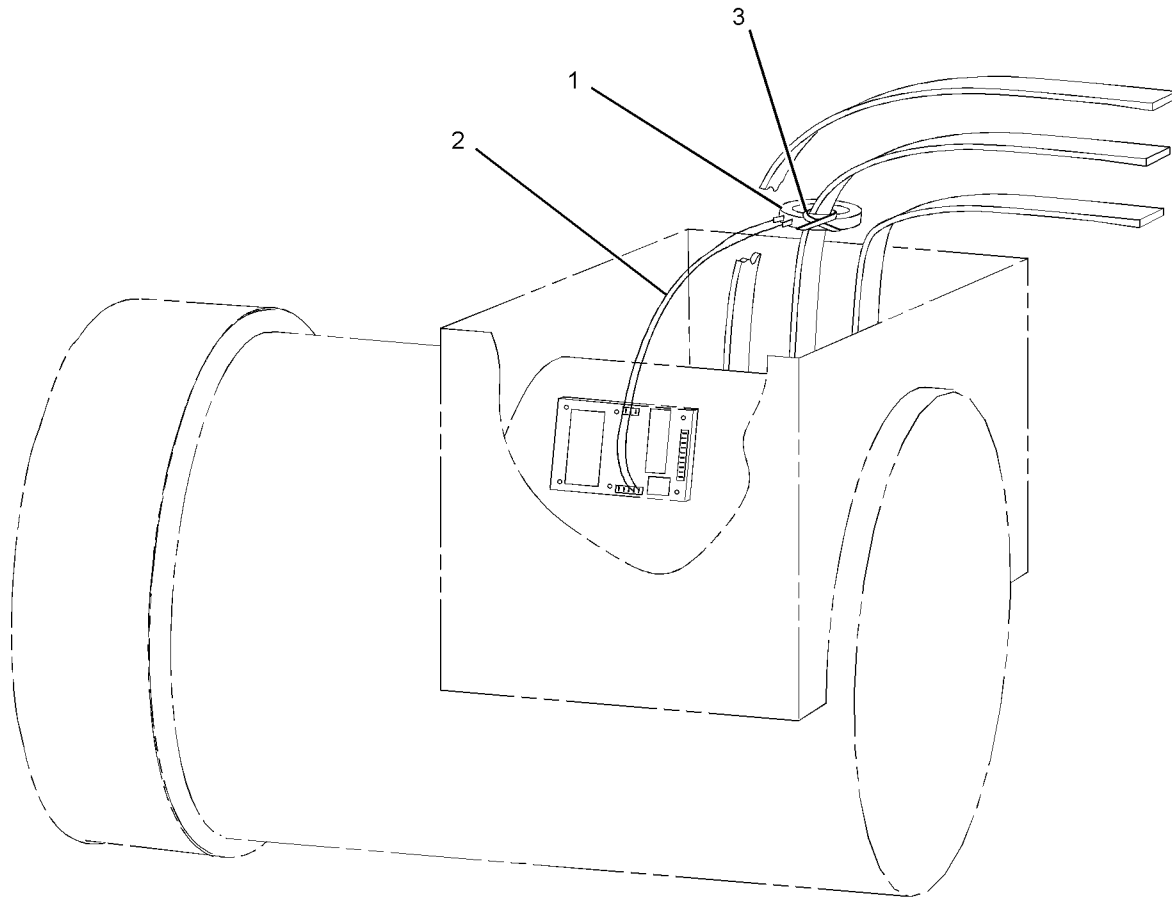
251-4165 TRANSFORMER GP-CURRENT

S/N: C5H1-UP
3000-AMPERE
AN ATTACHMENT

SMCS-4476

i02389666

NOTE	REF NO	GRAPHIC REF	PART NUMBER	QTY	PART NAME						SEE PAGE
					1	2	3	4	5	6 (PRODUCT LEVEL)	
	1	1	251-4152	1	TRANSFORMER (CURRENT)						
	2	1	246-3214	1	HARNESS AS-WIRING (CURRENT TRANSFORMER, DROOP)						
	3	1	7K-1181	2	STRAP-CABLE						



GRAPHIC #1

<END>

g01064911

ELECTRICAL AND STARTING SYSTEM

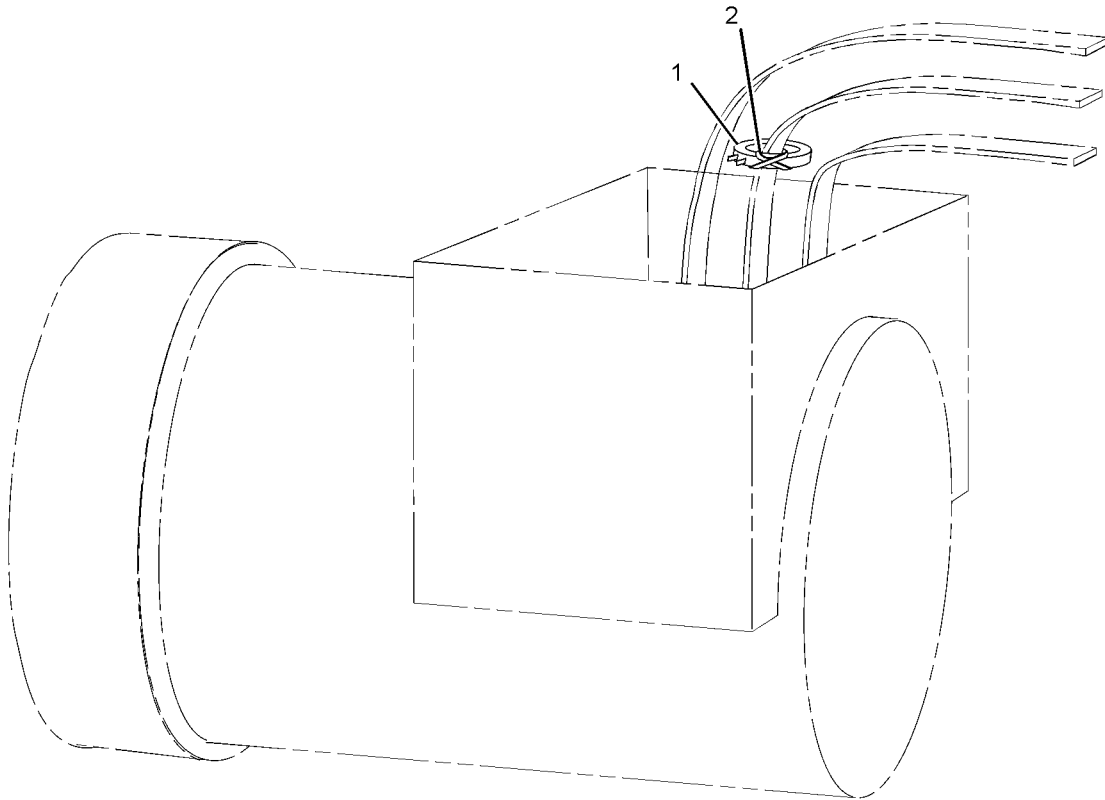
259-0240 TRANSFORMER GP-CURRENT

S/N: C5H1-UP
RATIO 800:5
AN ATTACHMENT

SMCS-4476

i02338083

NOTE	REF NO	GRAPHIC REF	PART NUMBER	QTY	PART NAME						SEE PAGE
					1	2	3	4	5	6 (PRODUCT LEVEL)	
	1	1	212-5883	1	TRANSFORMER-CURRENT (RATIO 800:5)						
	2	1	7K-1181	1	STRAP-CABLE						



GRAPHIC #1

<END>

g01178946

ELECTRICAL AND STARTING SYSTEM

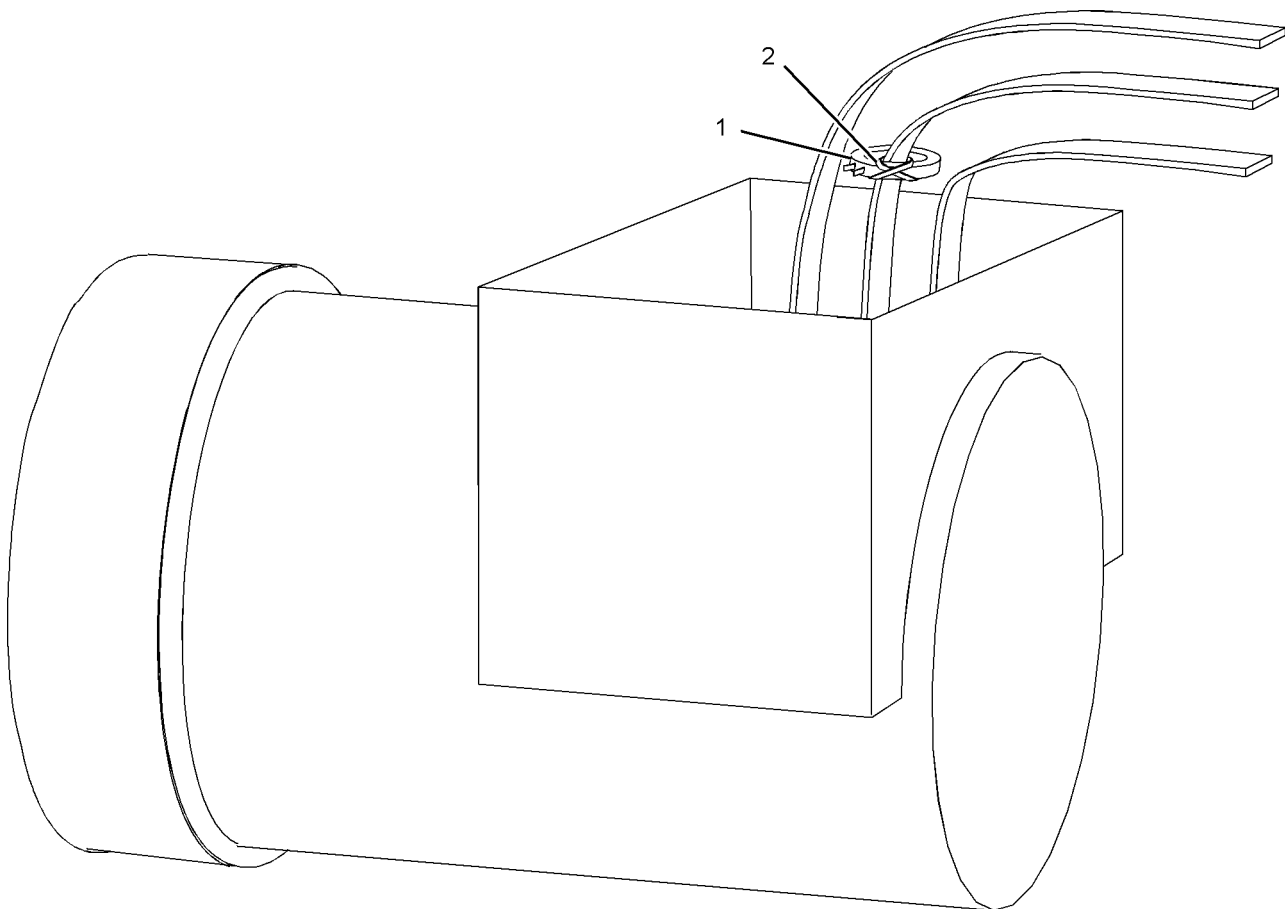
259-0241 TRANSFORMER GP-CURRENT

S/N: C5H1-UP
RATIO 1000:5
AN ATTACHMENT

SMCS-4476

i02154578

NOTE	REF NO	GRAPHIC REF	PART NUMBER	QTY	PART NAME						SEE PAGE
					1	2	3	4	5	6 (PRODUCT LEVEL)	
	1	1	212-5885	1	TRANSFORMER-CURRENT (RATIO 1000:5)						
	2	1	7K-1181	1	STRAP-CABLE						



GRAPHIC #1

<END>

g01092961

ELECTRICAL AND STARTING SYSTEM

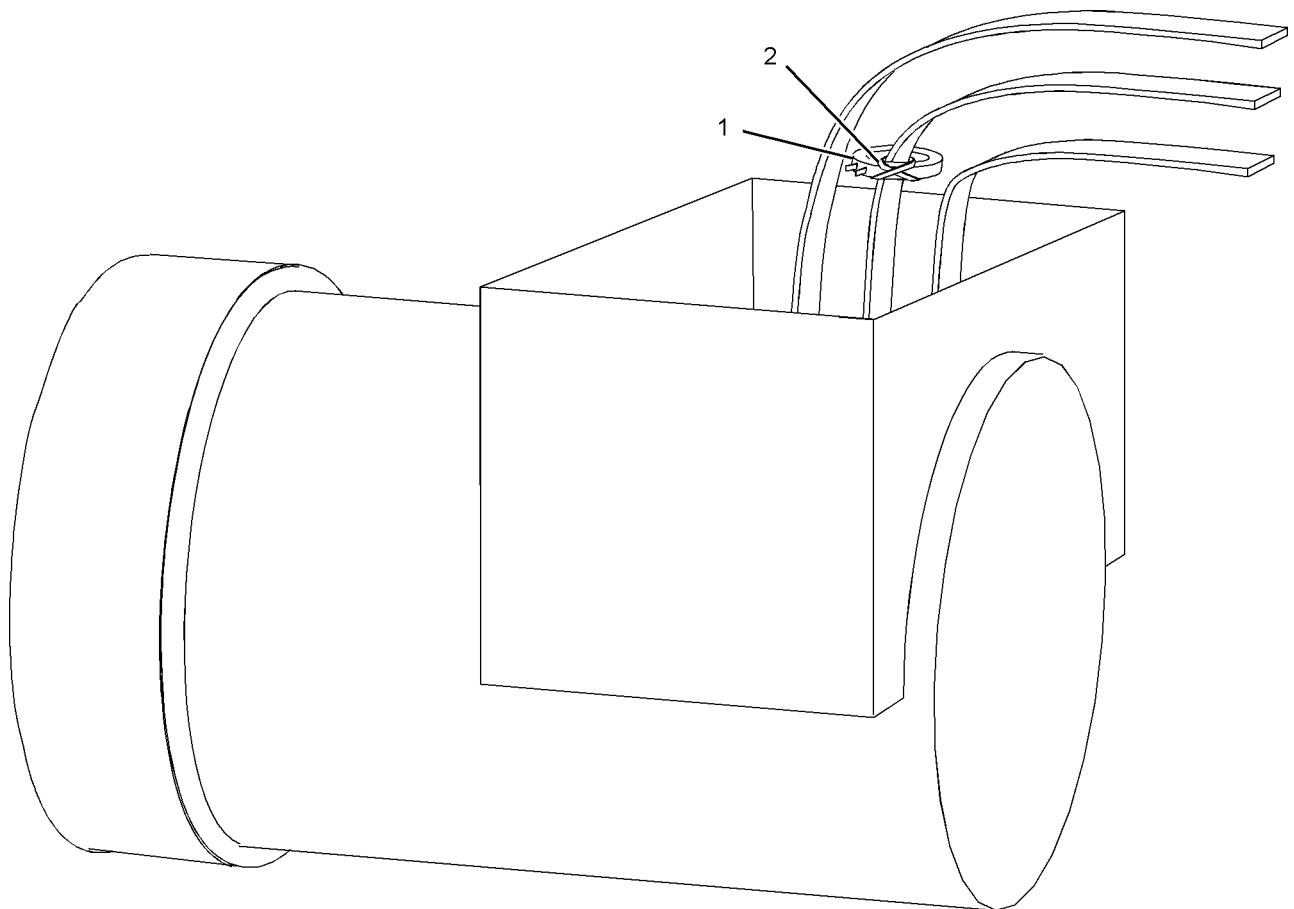
259-0242 TRANSFORMER GP-CURRENT

S/N: C5H1-UP
RATIO 1500:5
AN ATTACHMENT

SMCS-4476

i02154590

NOTE	REF NO	GRAPHIC REF	PART NUMBER	QTY	PART NAME						SEE PAGE
					1	2	3	4	5	6 (PRODUCT LEVEL)	
	1	1	212-5888	1	TRANSFORMER-CURRENT (RATIO 1500:5)						
	2	1	7K-1181	1	STRAP-CABLE						



GRAPHIC #1

<END>

g01092961

ELECTRICAL AND STARTING SYSTEM

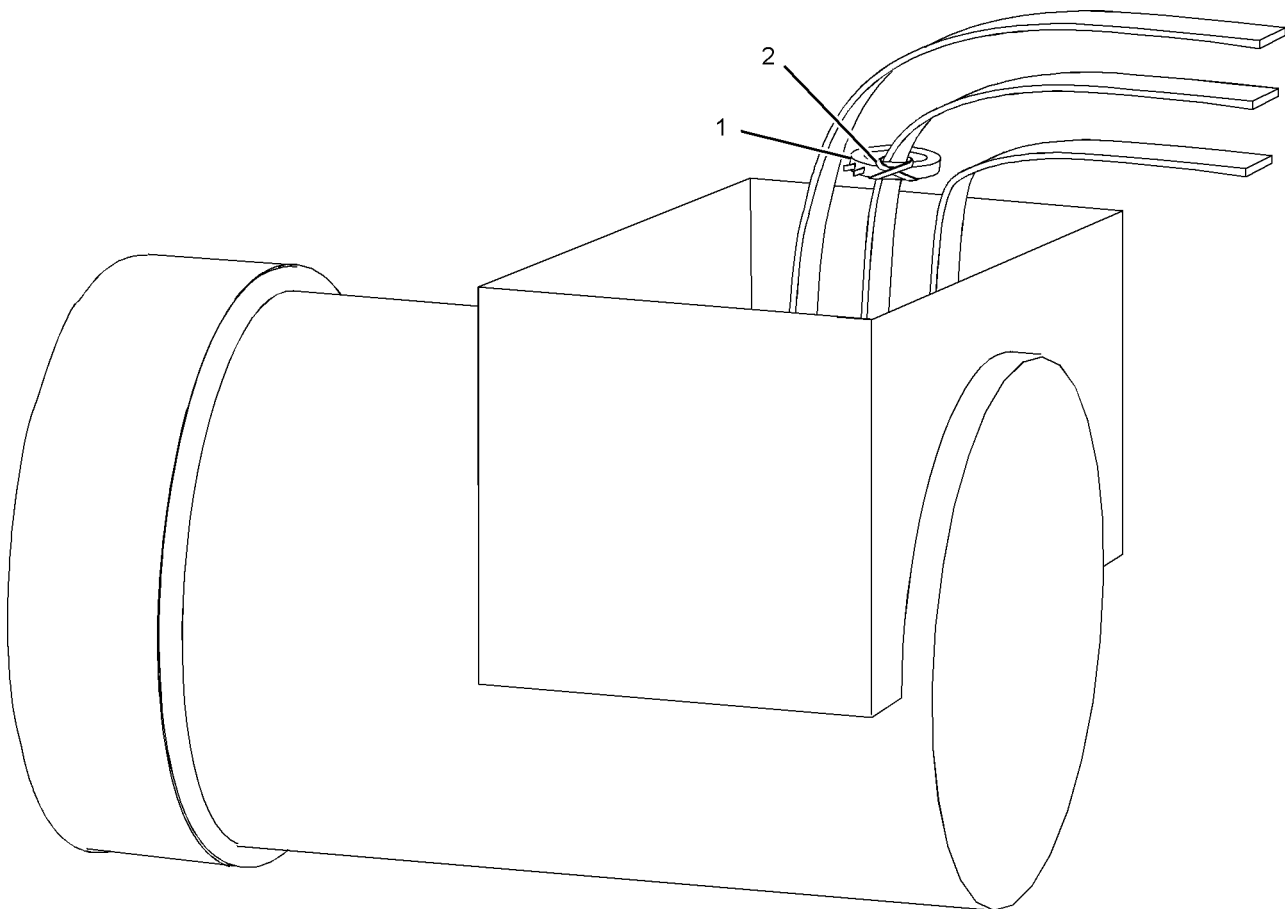
259-0243 TRANSFORMER GP-CURRENT

S/N: C5H1-UP
RATIO 2000:5
AN ATTACHMENT

SMCS-4476

i02250597

NOTE	REF NO	GRAPHIC REF	PART NUMBER	QTY	PART NAME						SEE PAGE
					1	2	3	4	5	6 (PRODUCT LEVEL)	
	1	1	212-5892	1	TRANSFORMER (RATIO 2000:5)						
	2	1	7K-1181	1	STRAP-CABLE						



GRAPHIC #1

<END>

g01092961

ELECTRICAL AND STARTING SYSTEM

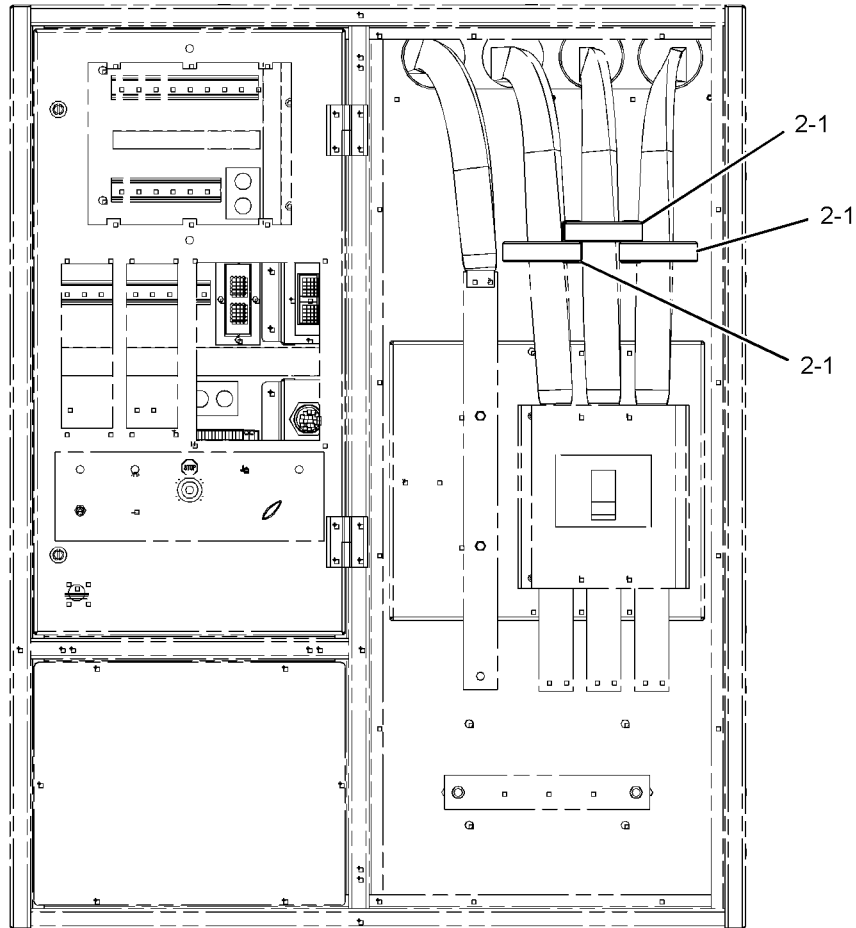
272-4886 TRANSFORMER GP-CURRENT

S/N: C5H1-UP
RATIO 600:5
AN ATTACHMENT

SMCS-4476

i02370205

NOTE	REF NO	GRAPHIC REF	PART NUMBER	QTY	PART NAME						SEE PAGE
					1	2	3	4	5	6 (PRODUCT LEVEL)	
	1	1	7K-1181	9	STRAP-CABLE						
	2	1	212-5878	3	TRANSFORMER-CURRENT (RATIO 600:5)						



GRAPHIC #1

<END>

g01187122

ELECTRICAL AND STARTING SYSTEM

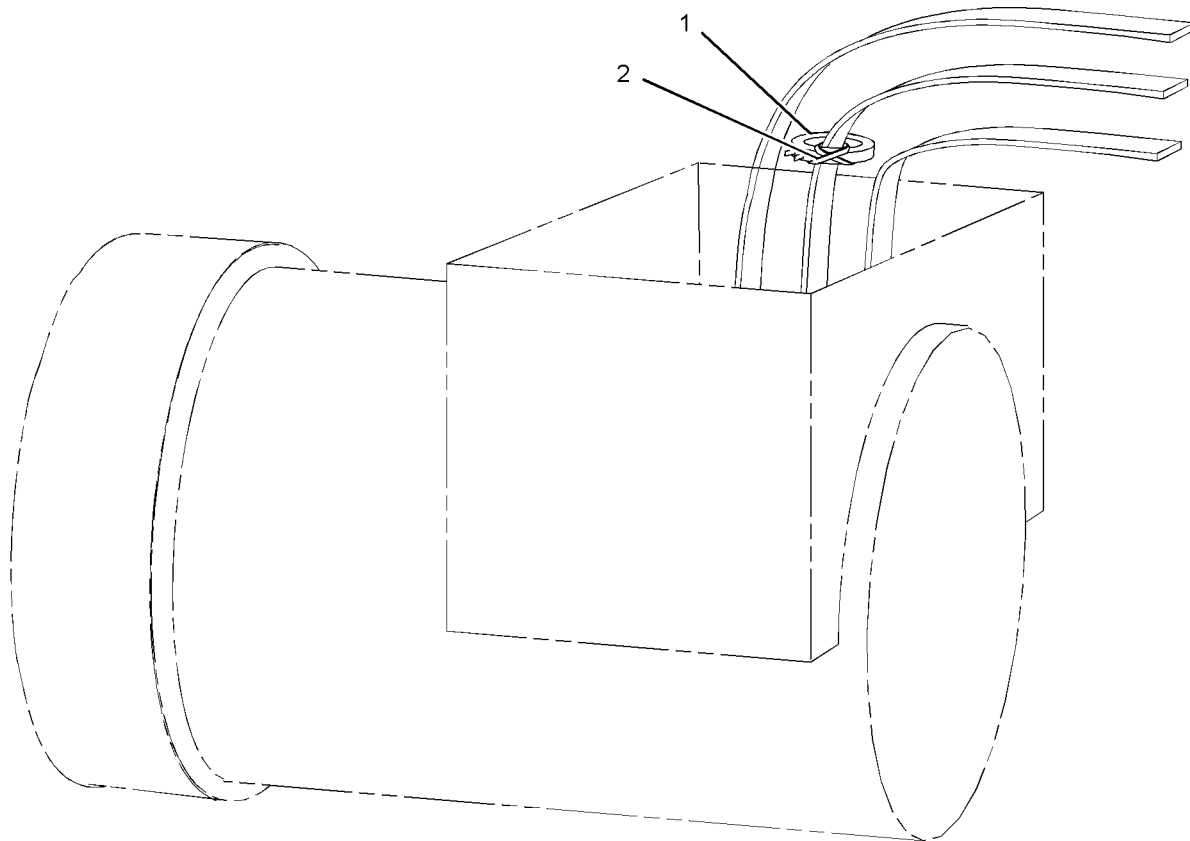
272-6954 TRANSFORMER GP-CURRENT

S/N: C5H1-UP
RATIO 600:5
AN ATTACHMENT

SMCS-4476

i02370225

NOTE	REF NO	GRAPHIC REF	PART NUMBER	QTY	PART NAME						SEE PAGE
					1	2	3	4	5	6 (PRODUCT LEVEL)	
	1	1	212-5878	1	TRANSFORMER-CURRENT (RATIO 600:5)						
	2	1	7K-1181	2	STRAP-CABLE						



GRAPHIC #1

<END>

g01187933

ELECTRICAL AND STARTING SYSTEM

266-5311 WIRING GP-ELECTRONIC CONTROL

S/N: FFH1-UP

SMCS-1408, 1900

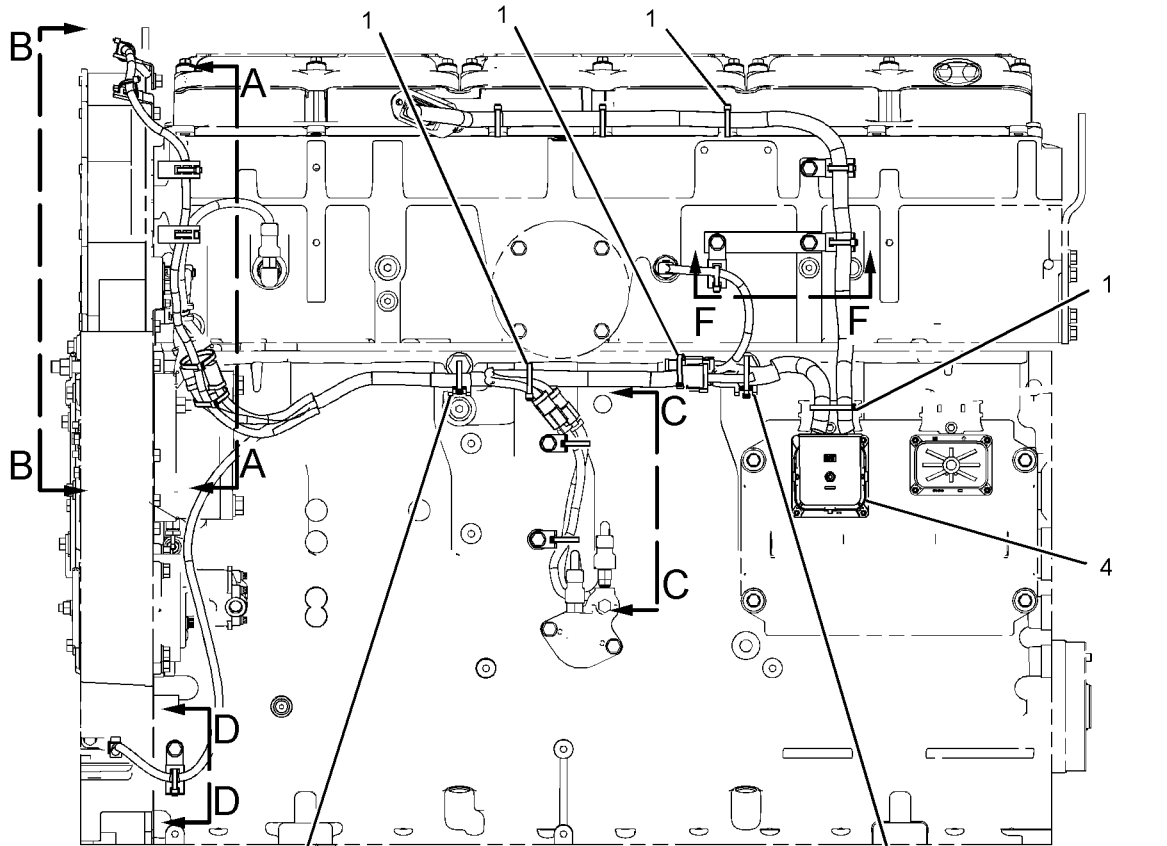
i03343861

NOTE	REF NO	GRAPHIC REF	PART NUMBER	QTY	PART NAME						SEE PAGE
					1	2	3	4	5	6 (PRODUCT LEVEL)	
	1	1	3S-2093	22	STRAP-CABLE						
	2	1	7T-0266	1	BRACKET AS						
		1	1F-0750	1	NUT-WELD (3/8-16-THD)						
	3	1	9R-9733	2	BOSS						
	4	1	239-5929	1	HARNESS AS-ENGINE						
	5	1	0L-1351	1	BOLT (3/8-16X0.875-IN)						
	6	1	0S-0509	2	BOLT (3/8-16X0.75-IN)						
	7	1	0S-1576	2	BOLT (5/8-18X2-IN)						
	8	1	0S-1594	2	BOLT (3/8-16X1-IN)						
	9	1	104-6202	2	CLIP						
	10	1	132-5789	4	CLIP						
	11	1	4P-7581	5	CLIP						
	12	1	4P-8134	3	CLIP						
	13	1	5M-2894	5	WASHER-HARD (10.2X18.5X2.5-MM THK)						
	14	1	5P-8247	2	WASHER-HARD (17X32X3.5-MM THK)						

ELECTRICAL AND STARTING SYSTEM

266-5311 WIRING GP-ELECTRONIC CONTROL (contd.)

i03343861



1-3-7-9-14

LEFT SIDE VIEW OF ENGINE

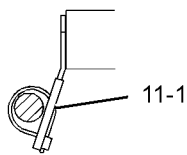
1-11

1-3-7-9-14

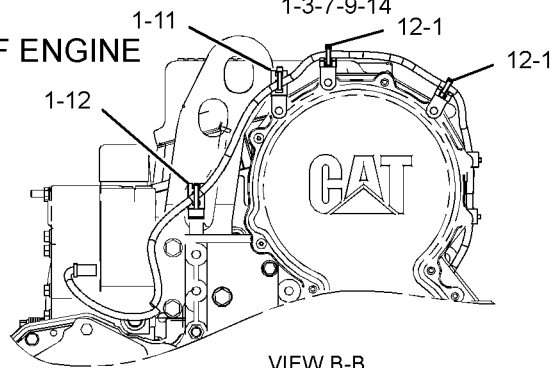
12-1

12-1

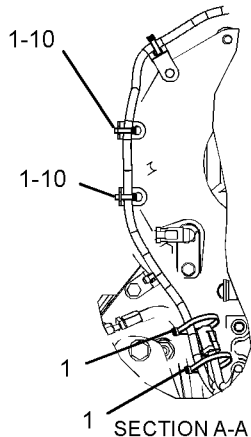
1-12



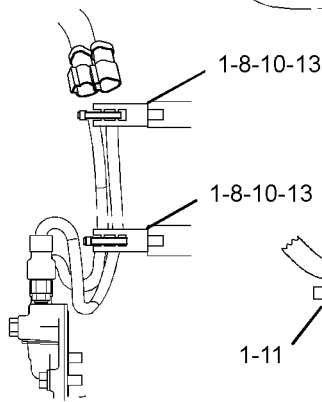
SECTION D-D



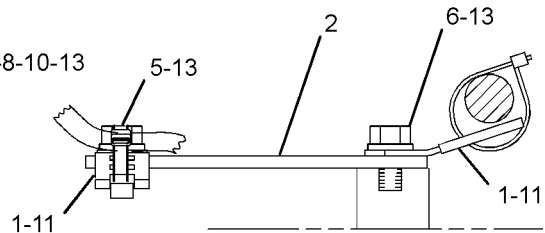
VIEW B-B



SECTION A-A



VIEW C-C



SECTION F-F

GRAPHIC #1

<END>

g01720678

ELECTRICAL AND STARTING SYSTEM

276-4753 WIRING GP-ELECTRONIC CONTROL

S/N: FFH1-242

SMCS-1408, 1900

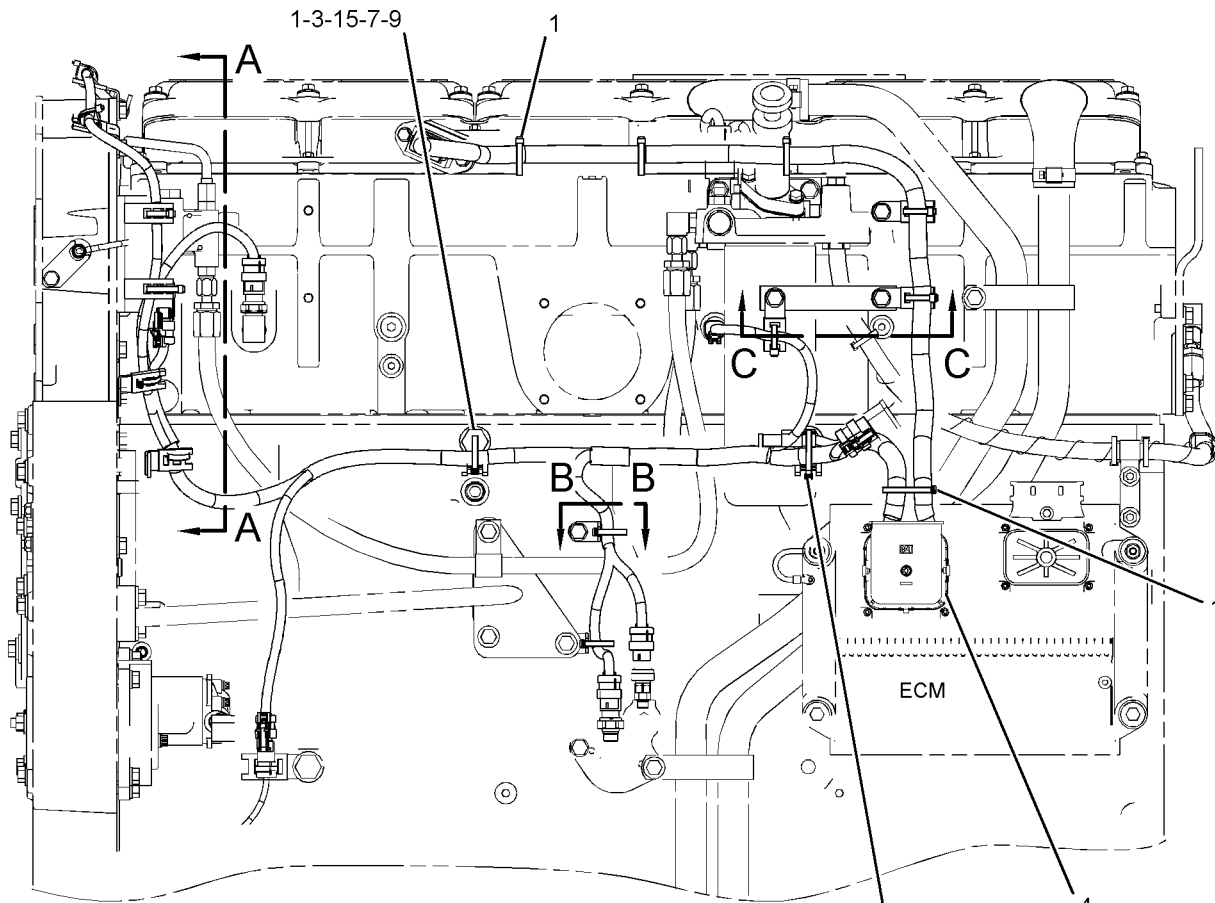
i02454213

NOTE	REF NO	GRAPHIC REF	PART NUMBER	QTY	PART NAME						SEE PAGE
					1	2	3	4	5	6 (PRODUCT LEVEL)	
	1	1	3S-2093	20	STRAP-CABLE						
	2	1	7T-0266	1	BRACKET AS						
	3	1	9R-9733	2	BOSS						
	4	1	276-4752	1	HARNESS AS-ENGINE						
		1	102-8802	1	KIT-RECEPTACLE (2-PIN) (INCLUDES RECEPTACLE AS AND WEDGE)						
		1	8T-8737	93	PLUG-SEAL						
		1	155-2255	1	KIT-CONNECTING PLUG (12-PIN)						
		1	155-2270	2	KIT-CONNECTING PLUG (2-PIN) (EACH PLUG KIT INCLUDES PLUG AS AND WEDGE)						
		1	211-6807	1	COVER (CONNECTOR)						
		1	227-4002	1	PLUG AS-CONNECTOR (108-PIN)						
		1	230-4011	4	PLUG AS-CONNECTOR (2-PIN)						
		1	230-4013	1	PLUG AS-CONNECTOR (3-PIN)						
		1	231-2295	1	PLUG AS-CONNECTOR (8-PIN)						
		1	237-0227	2	PLUG AS-CONNECTOR (3-PIN)						
	5	1	0L-1351	1	BOLT (3/8-16X0.875-IN)						
	6	1	0S-0509	2	BOLT (3/8-16X0.75-IN)						
	7	1	0S-1576	2	BOLT (5/8-18X2-IN)						
	8	1	0S-1594	1	BOLT (3/8-16X1-IN)						
	9	1	104-6202	2	CLIP						
	10	1	132-5789	4	CLIP						
	11	1	4P-7429	1	CLIP						
	12	1	4P-7581	4	CLIP						
	13	1	4P-8134	5	CLIP						
	14	1	5M-2894	4	WASHER-HARD (10.2X18.5X2.5-MM THK)						
	15	1	5P-8247	2	WASHER-HARD (17X32X3.5-MM THK)						
	16	1	8T-4223	1	WASHER-HARD (13.5X25.5X3-MM THK)						

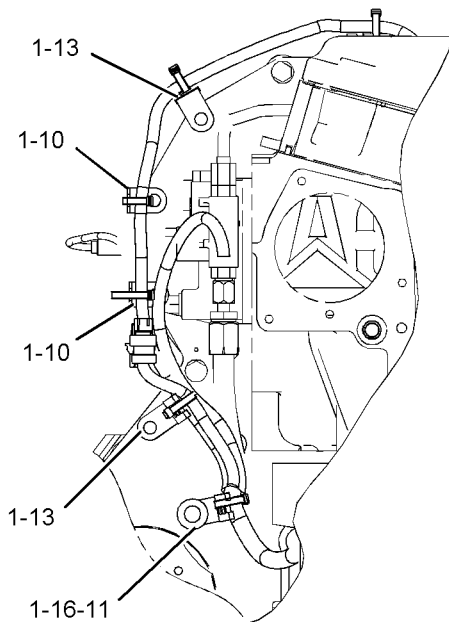
ELECTRICAL AND STARTING SYSTEM

276-4753 WIRING GP-ELECTRONIC CONTROL (contd.)

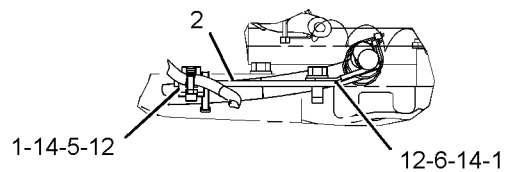
i02454213



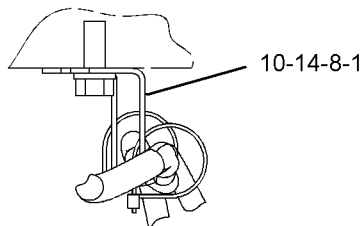
LEFT SIDE VIEW



SECTION A-A



SECTION C-C



SECTION B-B

GRAPHIC #1

<END>

g01227836

ELECTRICAL AND STARTING SYSTEM

293-5313 WIRING GP-ELECTRONIC CONTROL

S/N: FFH1-UP

SMCS-1408, 1900

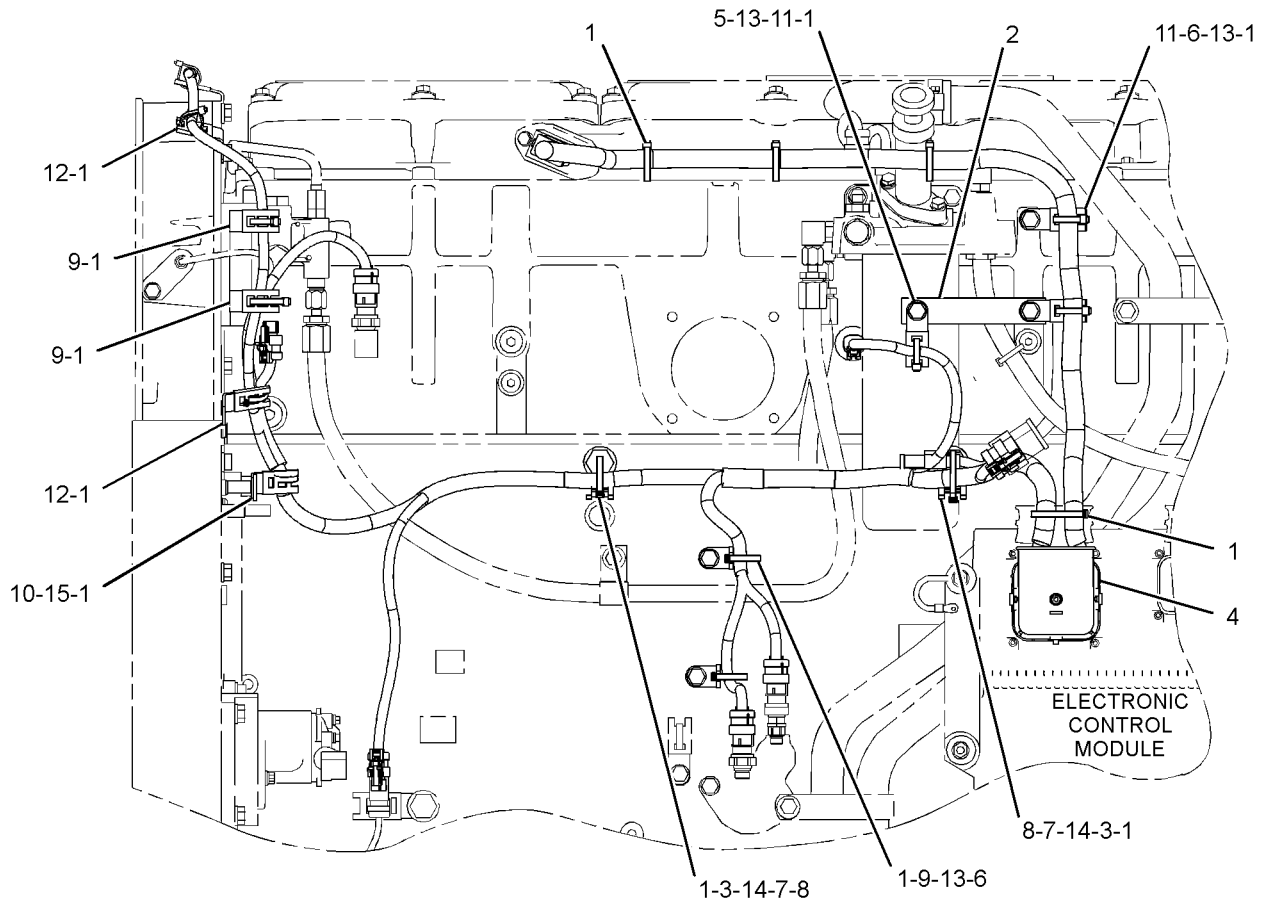
i02927724

NOTE	REF NO	GRAPHIC REF	PART NUMBER	QTY	PART NAME						SEE PAGE
					1	2	3	4	5	6 (PRODUCT LEVEL)	
	1	1	3S-2093	20	STRAP-CABLE						
	2	1	7T-0266	1	BRACKET AS						
		1	1F-0750	1	NUT-WELD (3/8-16-THD)						
	3	1	9R-9733	2	BOSS						
	4	1	276-4752	1	HARNESS AS-ENGINE						
		1	102-8802	1	KIT-RECEPTACLE (2-PIN) (INCLUDES RECEPTACLE AS AND WEDGE)						
		1	155-2255	1	KIT-CONNECTING PLUG (12-PIN) (INCLUDES PLUG AS AND WEDGE)						
		1	155-2270	1	KIT-CONNECTING PLUG (2-PIN) (INCLUDES PLUG AS AND WEDGE)						
		1	264-5732	1	PLUG AS-CONNECTOR (120-PIN)						
		1	230-4011	4	PLUG AS-CONNECTOR (2-PIN)						
		1	230-4013	1	PLUG AS-CONNECTOR (3-PIN)						
		1	231-2295	1	PLUG AS-CONNECTOR (8-PIN)						
		1	237-0227	2	PLUG AS-CONNECTOR (3-PIN)						
	5	1	0L-1351	1	BOLT (3/8-16X0.875-IN)						
	6	1	0S-0509	4	BOLT (3/8-16X0.75-IN)						
	7	1	0S-1576	2	BOLT (5/8-18X2-IN)						
	8	1	104-6202	2	CLIP						
	9	1	132-5789	4	CLIP						
	10	1	4P-7429	1	CLIP						
	11	1	4P-7581	3	CLIP						
	12	1	4P-8134	6	CLIP						
	13	1	5M-2894	5	WASHER-HARD (10.2X18.5X2.5-MM THK)						
	14	1	5P-8247	2	WASHER-HARD (17X32X3.5-MM THK)						
	15	1	8T-4223	1	WASHER-HARD (13.5X25.5X3-MM THK)						

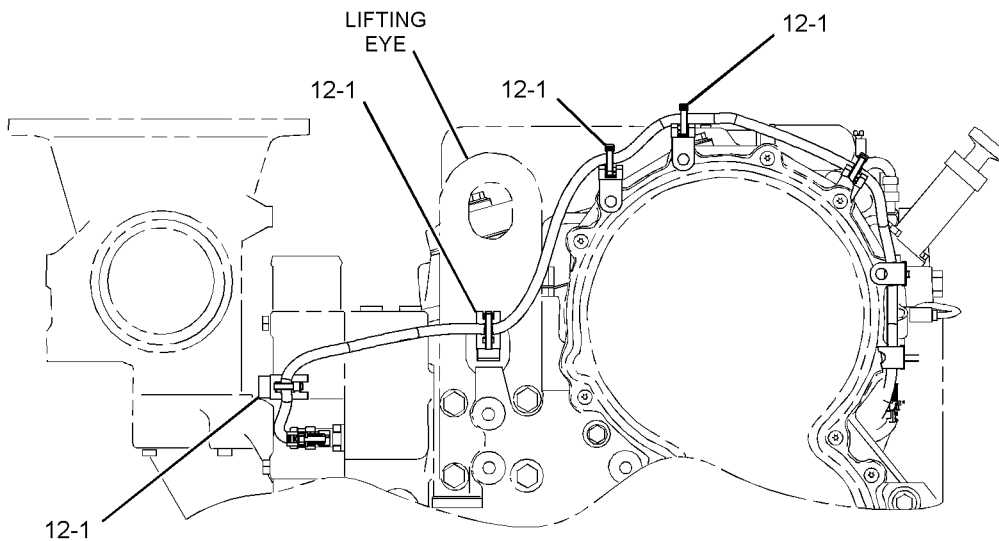
ELECTRICAL AND STARTING SYSTEM

293-5313 WIRING GP-ELECTRONIC CONTROL (contd.)

i02927724



LEFT SIDE VIEW OF ENGINE



FRONT VIEW OF ENGINE

GRAPHIC #1

<END>

g01454926

ELECTRICAL AND STARTING SYSTEM

240-1621 WIRING GP-GENERATOR

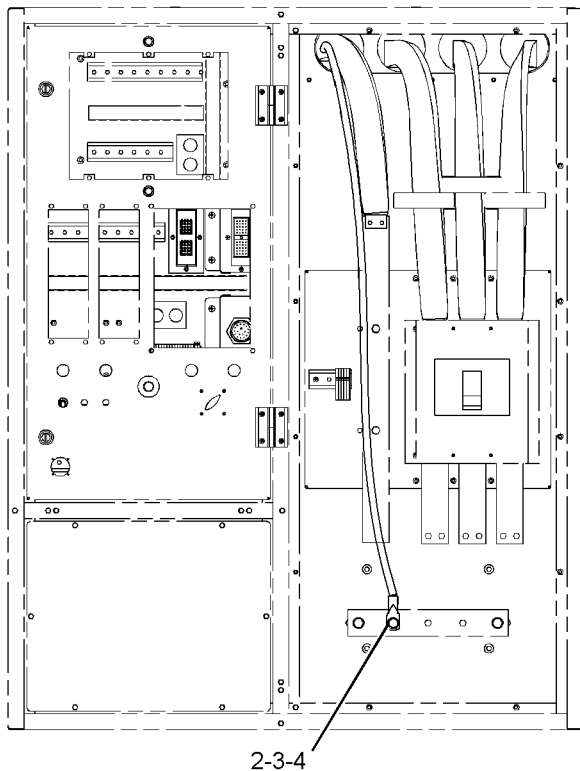
S/N: C5H1-UP
AN ATTACHMENT

SMCS-1404, 1408, 4459

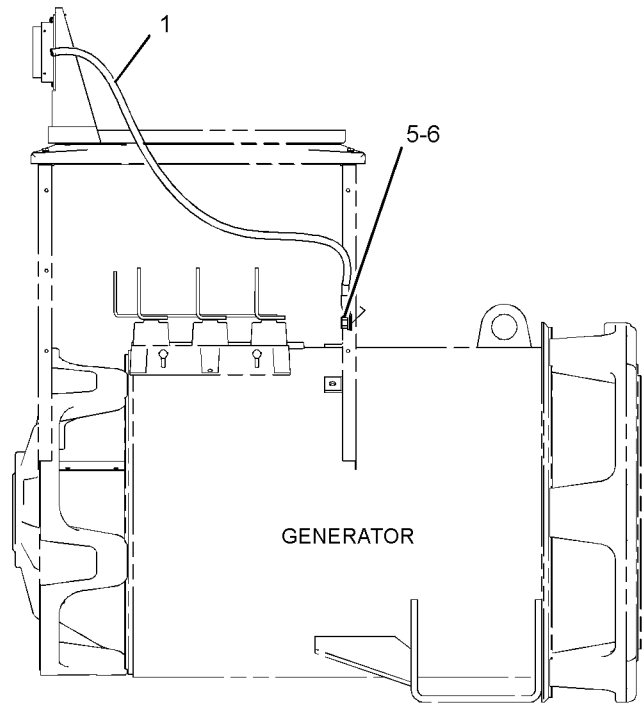
i03427225

NOTE	REF NO	GRAPHIC REF	PART NUMBER	QTY	PART NAME						SEE PAGE
					1	2	3	4	5	6 (PRODUCT LEVEL)	
	1	1	237-2147	1	CABLE AS (EARTH) (YELLOW/GREEN)						
	2	1	8T-4121	2	WASHER-HARD (11X21X2.5-MM THK)						
M	3	1	8T-4133	1	NUT (M10X1.5-THD)						
M	4	1	8T-4186	1	BOLT (M10X1.5X40-MM)						
	5	1	8T-4223	1	WASHER-HARD (13.5X25.5X3-MM THK)						
M	6	1	8T-4244	1	NUT (M12X1.75-THD)						

M-METRIC PART



REAR VIEW



RIGHT SIDE VIEW

GRAPHIC #1

<END>

g01820437

ELECTRICAL AND STARTING SYSTEM

261-8479 WIRING GP-GENERATOR

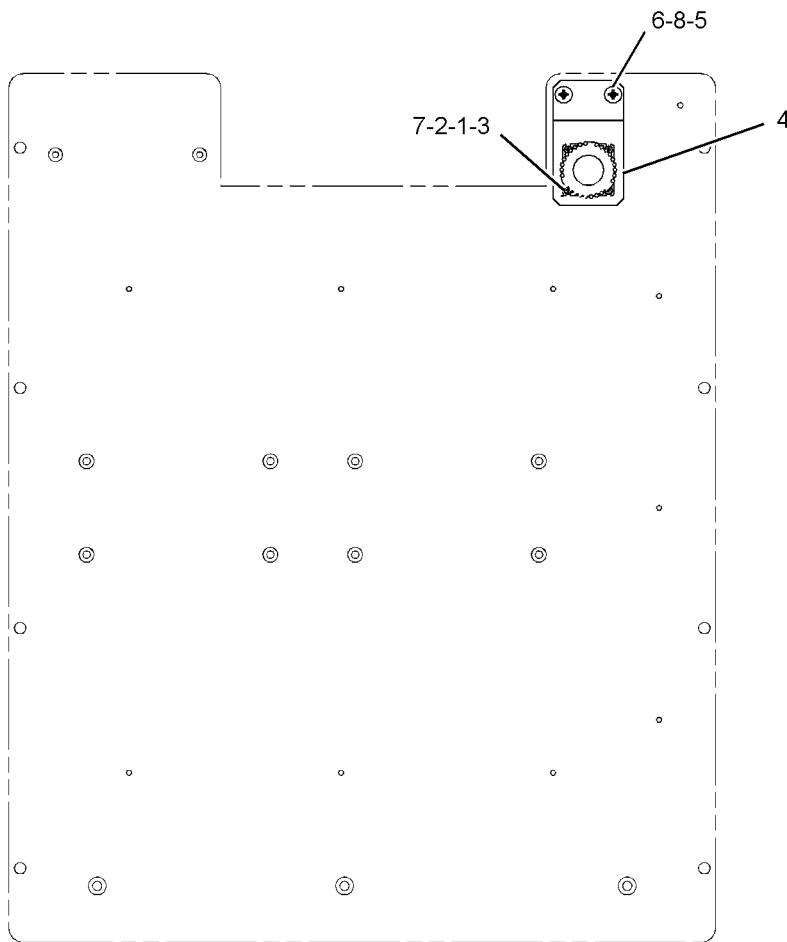
S/N: C5H1-UP
AN ATTACHMENT

SMCS-1404, 1408, 4459

i02610940

NOTE	REF NO	GRAPHIC REF	PART NUMBER	QTY	PART NAME						SEE PAGE
					1	2	3	4	5	6 (PRODUCT LEVEL)	
	1	1	169-9012	8	WASHER-HARD (2.7X6X0.5-MM THK)						
M	2	1	169-9016	4	NUT (M2.5X0.45-THD)						
	3	1	261-7139	1	HARNESS AS-WIRING (SERVICE CONNECTOR)						
		1	8C-6354	1	CAP-RECEPTACLE						
		1	128-2312	1	CONNECTOR						
	4	1	261-8480	1	BRACKET						
M	5	1	095-0742	2	SCREW-MACHINE (M6X1X16-MM)						
	6	1	095-0827	2	LOCKWASHER						
M	7	1	125-3295	4	SCREW-PAN HEAD (M2.5X0.45X12-MM)						
	8	1	9X-8256	2	WASHER (6.6X12X2-MM THK)						

M-METRIC PART



GRAPHIC #1

<END>

g01122598

PART NUMBER INDEX

Part	Page	Part	Page	Part	Page	Part	Page
0							
		OS-1595	35		278		1143
OL-1143	132		99	1P-1367	127		1145
OL-1351	108	OS-1597	487	1P-1669	93		1146
	260	OS-1601	85	1P-2807	1233		1148
	569	OS-1608	134		1235		1184
	571	OS-1619	40	1P-4278	170		1186
	573		134		172		1188
OL-1352	153		135		174		1203
	155		143		176		1204
OL-2070	78	OT-0055	144		187		1206
	80	OT-0065	95		189		1209
	95		267		191		1211
OS-0509	140	OT-0573	269		197	1T-0720	422
	141	OT-0772	92		199	1T-0765	275
	260		35		274		276
	569			1P-5121	1244	1T-0808	487
	571			1P-7346	87	1W-1456	103
	573				90		105
OS-0699	275	1		1P-9328	170	1W-6448	436
	276	1A-1460	103		172		438
OS-1571	87	1A-2029	37		174		440
	90		38		176	1W-7238	145
	92		78		185	1W-7239	145
	95		80		187	1W-9113	108
	143		134		189		
	144		143		191		
OS-1576	569		144		197		
	571		144		199		
	573	1A-4273	267	1P-9946	78	2A-2677	260
OS-1585	103		269		80		267
OS-1588	95		440	1R-0716	134		269
	108	1A-5183	95	1R-0749	278	2A-4429	66
	128	1A-5964	95	1R-0762	254		72
	135	1B-3867	29	1R-1808	135	2B-2695	133
	153	1B-5355	229	1S-0994	262		267
	213	1B-7182	162		264		269
OS-1589	41		163		265	2D-4867	78
OS-1590	82		164		266		80
	132		165		271	2D-6392	487
	142	1B-8705	278		272	2F-6678	488
OS-1591	92		87		273	2G-8922	523
	95		90	1S-2294	353		525
	108	1B-9575	377		354		527
	229	1F-0750	569		356		1184
	260		573	1S-4295	231		1186
	267	1F-7958	36		232		1188
	269		78		236		1204
	436		80		237		1206
	438		103	1S-4577	229		1214
	440	1H-1023	487	1S-7251	302		1217
OS-1594	37	1H-2629	487		303		1219
	40	1H-3244	289		517		1222
	83		292	1S-7446	487	2H-3429	487
	92	1H-8647	29	1S-9540	57	2H-3755	436
	95	1J-9671	93		59		438
	98	1M-0644	145	1S-9593	380		440
	103	1M-6119	302		388	2H-3922	516
	150		303		389	2J-3118	87
	153		517		390		90
	155	1M-6120	302		432	2J-8163	487
	254		303		433	2K-4973	108
	274		517		503	2L-6679	487
	569	1M-9968	488		1138	2L-8067	389
	571	1M-9971	487		1139	2L-8071	1193
		1P-0436	254		1142		1194

PART NUMBER INDEX

Part	Page	Part	Page	Part	Page	Part	Page
2L-8075	375		269	3E-6332	472	3P-1155	436
	390		438		474		438
	393	3B-4632	1134		476		440
	1209	3B-6489	250		479	3R-8797	485
2L-8076	388	3B-6491	250		481		487
	389	3B-7745	108	3E-6600	404	3R-8801	488
2L-8077	389	3B-7764	170		1202	3S-2093	30
2L-8081	389		172	3E-6772	67		438
	395		174		69		440
2M-9780	242		176		71		569
	243		185		74		571
	245		187	3E-6900	423		573
	246		189	3E-7419	170	3S-6049	302
	247		191		172		303
	248		197		174		517
	249		199		185	3S-6050	302
	250	3D-2824	116		187		303
	580	3E-0105	1184		189	3S-9643	153
2N-2765	212		1186		191		155
	231		1188		197	3T-0852	179
	232		1206		199		181
	236	3E-3364	453	3E-7771	488		182
	237	3E-3365	453	3E-7853	485		184
2N-2766	212	3E-3388	391	3E-7992	383		193
	221	3E-3854	1235	3E-8044	95		195
	231	3E-3855	1235	3E-8557	389	3T-3418	487
	232	3E-3856	1235	3F-9556	308	3T-3422	485
	236	3E-4041	174		360		487
	237		176		369	3T-3423	487
2P-1286	266		189		493		488
	273		191		622	3T-3424	487
	283		197		889		488
	284		199		890	3T-3434	485
	578	3E-4096	302		892		487
	579	3E-4304	170		900	3T-4709	487
2P-2772	40		172		902	3T-4710	487
2P-3205	108		174		904	3T-6354	289
	145		176		1150	3T-9494	487
2P-4304	129		185		1178		488
	135		187	3H-7654	76	3T-9524	488
2P-8511	418		189		77	3T-9525	487
2R-6806	142		191	3J-1907	254		
	254		197	3J-7354	127		
	267		199	3K-0360	254		
	269		304	3K-8460	93		
2S-2493	228		307	3L-1425	78	4B-2049	488
2S-2760	145		365		80	4B-4274	525
2S-3770	221		404	3L-3380	487		527
2S-6708	228		407	3L-7634	835		1219
2S-7905	145		430		836		1222
2V-4868	230		523	3L-8187	504	4B-4310	472
2W-3458	274		525		1184		476
2W-3773	227		527		1186	4B-4550	78
2Y-5829	408		619		1188		80
	409		620		1206	4B-5984	108
2Y-6338	304		1150	3L-9689	143	4B-9030	414
			1214		144		415
			1217	3M-7045	130		416
			1219		152		417
			1222	3N-3763	488	4B-9782	117
3B-0623	62	3E-4352	267	3N-6192	78		118
	64		269		80		120
3B-0645	62	3E-4367	389	3N-9344	1233	4D-1326	929
	64	3E-5454	289		1235		931
3B-1915	267		292	3P-0650	134		933

3

4

PART NUMBER INDEX

Part	Page	Part	Page	Part	Page	Part	Page
	935		1101		18		3
	937	4D-3704	41		19		5
	939	4D-5243	361		20		7
	941		803		▶132		14
	943		807	4N-2514	85		16
	945		824	4N-6289	80		▶454
	947	4D-7735	260	4N-8150	127	4P-8134	353
	949	4E-5724	182		135		354
	951	4F-0411	153	4N-8216	103		569
	953		155		105		571
	955	4F-7957	29	4N-9330	227		573
	957		30	4P-0902	260	4S-6137	221
	959		32	4P-1991	632	4S-6678	279
	961		33		634		281
	963	4K-0684	283		636		283
	969		284		638		284
	971		578		640		413
	987		579		646		414
	989	4K-9097	472		648		415
	991		476		650		416
	993	4K-9821	472		652		417
	995		474		669		418
	997		476		672	4T-6149	142
1009			479		675	4W-5698	54
1011			481		678	4W-5699	54
1013	4K-9822		472		691	4W-5700	54
1015			474		694	4W-5701	54
1017			476		697	4W-5828	204
1019			479		700		206
1022			481		703		▶211
1024	4L-2729		488		706	4W-5972	1163
1027	4L-6454		105		709		1227
1029			519		712	4W-9890	37
1032			835		719		38
1034			836		723		
1037			837		727		
1039			838		731		
1042	4L-9337		783	4P-5718	585		
1044	4M-0061		356	4P-5721	585	5C-2874	326
1046			472	4P-5820	▶452		327
1048			476		453		328
1050	4M-1827		487	4P-5963	9		329
1053	4M-1828		487		11		330
1055	4M-1831		485		14		331
1058			487		16		336
1060	4M-1853		487		▶453		337
1062	4M-1854		487	4P-6846	17		338
1064	4M-1896		488		18		339
1066	4M-6425		474		19		340
1068			479		20		341
1070			481		▶83		342
1072	4N-0683		57	4P-7373	108		343
1074			59	4P-7429	571		344
1076	4N-0684		54		573		345
1079			78	4P-7581	353		346
1081			80		354		347
1083	4N-1059		483		356		348
1085			484		438		1107
1087	4N-1114		41		440		1115
1089	4N-1151		108		569		1119
1091	4N-1650		57		571		1123
1093			59		573		1127
1095	4N-2040		143	4P-7582	438		1129
1097			144		440		1148
1099	4N-2481		17	4P-7610	1	5C-2890	151

PART NUMBER INDEX

Part	Page	Part	Page	Part	Page	Part	Page
	405		731		269		174
	406		1194		275		176
	413	5C-8312	304		276		185
	424		306		422		187
	632		381		436		189
	634		382		438		191
	636		1184		440		197
	638		1186		569		199
	640		1188		571	5P-1442	262
	669		1206		573	5P-1475	395
	672	5C-9553	525	5M-3034	487		396
	675		1219	5M-3062	262	5P-2094	130
	678	5E-8771	87		264		131
	691		90		265		146
	694	5F-4899	135		266		147
	697	5F-6371	416		517	5P-2228	149
	700		417		518	5P-2369	137
	703	5H-0244	92		784	5P-2566	105
	706	5H-1504	67	5M-6213	214	5P-4115	151
	709		69	5N-5692	1		178
	712		71		3	5P-4116	356
	804		74		5		783
	1148	5H-8331	216		7	5P-4142	87
	1156		217		9		90
	1157		219		11	5P-4255	95
	1158		220		13	5P-4571	390
	1203		227		15	5P-4868	170
	1204	5J-5314	487		▶289		172
	1213	5J-5793	92		▶292		174
	1215		93		293		176
5C-6266	472	5J-5794	84		294		185
	474	5J-9105	302	5P-0076	421		187
	479		303	5P-0372	472		189
5C-7261	494	5L-3708	377		476		191
	495		378	5P-0537	30		197
	497	5L-5180	1190		32		199
	540	5L-5840	1190		33	5P-5592	393
	541	5L-7631	214		278	5P-5637	1184
	594	5L-7635	214	5P-0598	176		1186
	595	5L-8854	212	5P-0600	210		1188
	609	5M-2894	37		228		1190
	632		38	5P-0763	138		1198
	634		40		139		1202
	636		78	5P-0798	611		1203
	638		80		613		1204
	640		82	5P-0840	57		1206
	646		83		59	5P-5678	30
	648		92		67		32
	650		93		69	5P-5846	108
	652		95		71	5P-5991	274
	669		98		74	5P-6298	487
	672		128	5P-1075	204	5P-6315	472
	675		132		206		474
	678		134		208		476
	691		140	5P-1196	472		479
	694		141		474		481
	697		142		476	5P-6442	170
	700		143		479		172
	703		144		481		174
	706		145	5P-1251	131		176
	709		213		146		185
	712		221		147		187
	719		254		148		189
	723		260		170		191
	727		267		172		197

PART NUMBER INDEX

Part	Page	Part	Page	Part	Page	Part	Page
	199	6I-3625	87		474	6V-3964	377
5P-6920	289		90		476		378
5P-6944	254	6I-3638	17		479	6V-3965	254
5P-7701	127		18		481		269
	135		19	6T-0363	487	6V-4298	1175
5P-7979	78		20	6T-0371	487	6V-4589	59
	80		▶82	6T-0372	487		144
5P-8068	108	6I-3944	1	6T-3631	504		238
5P-8244	35		3		1184		254
5P-8245	35		5		1186		285
	36		7		1188		521
	92		9		1206	6V-5048	108
	93		11	6T-3632	504		135
	99		13		1184		164
	103		15		1186		165
	124		▶133		1188		254
5P-8247	438	6I-3968	95		1206		421
	440	6I-4025	67	6T-3633	504		422
	569		69		1184		436
	571		71		1186		438
	573		74		1188		440
5P-8248	453	6I-4421	57		1206		446
5P-9617	127		59	6T-3645	304		448
	135	6I-4575	29		▶321		449
5S-0003	267	6I-4582	87	6V-0128	30		451
	269		90		32	6V-5049	127
5S-2106	78	6K-0806	176		33		135
	80		353	6V-0852	254		142
5S-2392	279		354		269		254
	281		356	6V-1197	34		267
	413		522	6V-1322	487		278
	414		1184	6V-1897	242		436
5S-7349	485		1186		243		438
5S-7382	835		1188		245		440
	836		1201		246		445
	837		1206		247		450
	838	6K-9194	142		248	6V-5063	153
5S-7383	227	6L-2927	1		249		155
5S-9062	78		3		250		170
	80		5		580		172
5W-1975	389		7	6V-2202	289		174
			9	6V-2313	423		176
			11		1244		185
			13	6V-2317	254		187
			15	6V-2455	454		189
6B-6684	103		▶214	6V-2492	130		191
6B-9081	108	6L-4502	▶1231	6V-2686	472		197
6D-5801	304	6L-5874	103		474		199
6F-7045	516		105		476	6V-5065	114
6H-8297	415	6N-1141	143		479	6V-5686	216
6I-0213	277		144		481		217
6I-0901	117	6N-1872	289	6V-3251	115		219
6I-0928	66	6N-1931	145	6V-3532	215		220
	72	6N-3279	487		219	6V-5818	353
6I-1055	57	6N-3826	485		220		354
	59		487		222		356
6I-1418	377	6N-6490	78		223		397
	378		80		224		522
6I-1458	100	6N-6598	78		226	6V-5839	408
	101		80	6V-3677	87		409
	102	6N-7378	76		90	6V-6609	36
6I-3623	87		77	6V-3683	421		112
	90	6N-7611	215		422		113
6I-3624	87		227	6V-3822	408		115
	90	6N-7672	472		409		464

6

PART NUMBER INDEX

Part	Page	Part	Page	Part	Page	Part	Page
	469		883		1027		1198
6V-6866	273		884		1029	7F-9504	170
6V-6923	286	6V-8367	1184		1032		172
6V-7357	182		1186		1034		174
6V-7742	215		1188		1037		176
	219		1206		1039		185
	220	6V-8374	504		1042		187
	222		1184		1044		189
	223		1186		1046		191
	224		1188		1048		197
	226		1206		1050		199
6V-7743	178	6V-8376	304		1053	7G-9730	1184
	893	6V-8377	289		1055		1186
	1138	6V-8378	321		1058		1188
	1142		485		1060		1206
	1143	6V-8382	1184		1062	7H-1189	388
	1145		1186		1064		389
	1146		1188		1066	7H-3937	1194
	1148		1206		1068	7H-8213	501
6V-7802	299	6V-8801	105		1070	7J-6285	36
	373		204		1072	7K-1181	139
	376		206		1074		170
	386		208		1076		172
	1142		227		1079		174
	1143		359		1081		176
	1145		783		1083		185
	1146		802		1085		187
	1209		835		1087		189
	1217		836		1089		191
	1219		837		1091		197
	1222		838		1093		199
6V-8187	289		929		1095		274
	292		931		1097		501
6V-8188	105		933		1099		547
	485		935		1101		548
	488		937	6V-8931	423		549
6V-8189	474		939		1148		550
	479		941	6V-9023	392		551
	481		943	6V-9492	1215		552
6V-8214	342		945	6V-9673	298		553
	343		947		299		554
	344		949		379		555
	345		951		1152		556
	347		953		1153		557
	348		955		1154		558
	349		957		1209		559
	350		959				560
6V-8225	790		961				561
	817		963				562
	818		969				563
	819		971				564
	820		987	7B-1597	142		565
	825		989	7B-2742	278		566
	826		991	7C-0145	153		567
	828		993	7C-4471	1163		568
	829		995	7C-4550	1163		568
	830		997		1190	7L-2505	239
	831		1009		1227		241
	863		1011	7C-8021	141		242
	864		1013	7C-9141	▶295		243
	865		1015	7E-6508	30		245
	866		1017		32		246
	876		1019		33		247
	877		1022	7F-3488	487		248
	878		1024	7F-3525	487		249
				7F-6998	782		250

7

PART NUMBER INDEX

Part	Page	Part	Page	Part	Page	Part	Page
	580	7N-7811	289		665	8	
7L-2894	485	7N-8827	78		667		
	487		80	7X-0606	266	8C-1358	414
7M-0324	487	7N-8828	78		273		415
7M-0325	488	7N-9021	289	7X-2153	204		416
7M-0326	487	7N-9023	289		206		417
7M-0327	487	7N-9024	289		208		418
7M-2220	142	7N-9801	472	7X-2532	107	8C-3089	170
7M-8485	170		474		789		172
	172		476	7X-2533	828		174
	174		479		829		176
	176		481		830		185
	179	7R-6776	203		831		187
	185	7S-0687	204	7X-2534	790		189
	187		206		825		191
	189		208		826		197
	191	7S-4411	222		863		199
	197	7S-5005	54	7X-2537	540		487
	199	7T-0266	569		541	8C-3445	127
7M-8651	487		571	7X-2552	632		135
7N-0060	300		573		634	8C-3446	127
7N-0140	472	7T-3267	485		636		135
	474	7T-3268	485		638	8C-3655	485
	476	7T-3276	485		640	8C-4413	632
	479	7T-3277	485		669		634
	481	7T-3278	485		672		636
7N-0296	472	7T-3279	485		675		638
	474	7T-3451	485		678		640
	476	7T-3454	485		691		646
	479	7T-3973	485		694		648
	481	7T-3974	485		697		650
7N-0452	83		487		700		652
7N-0718	▶ 516	7T-9123	488		703		669
	517	7W-0482	371		706		672
	518		373		709		675
	519		375		712		678
7N-2059	472		376	7X-2553	106		691
	474		1209		107		694
	476		1217		242		697
	479		1219		577		700
	481		1222		581		703
7N-2156	145	7W-1248	85		584		706
7N-2900	78	7W-2297	230		771		709
	80		233		774		712
7N-3448	143	7W-4176	103		775		719
	144		105		779		723
7N-4045	274	7X-0340	105		780		727
7N-5274	302	7X-0343	279	7X-2619	366		731
	303		283		367	8C-5230	134
7N-5876	1184		413	7X-2621	363		135
	1186		414		410	8C-6354	390
	1188		415	7X-3353	289		576
	1206		416	7X-3373	485	8C-8451	817
7N-7795	289	7X-0346	227		487		818
7N-7796	289	7X-0448	227	7X-3374	105		819
7N-7798	289	7X-0562	485	7X-7731	78		820
7N-7800	289		488		80		864
7N-7801	289	7X-0591	76		92		865
7N-7802	289		77		153		866
7N-7805	289	7X-0605	625		155		876
7N-7806	289		627	7Y-5226	423		877
7N-7807	289		629		1244		878
7N-7808	289		630				883
7N-7809	289		661				884
7N-7810	289		663			8C-8478	107

PART NUMBER INDEX

Part	Page	Part	Page	Part	Page	Part	Page
	789	8N-1725	302		341		945
8C-9660	306		303		342		947
	487	8N-2807	185		343		949
	523	8N-5305	78		344		951
	525		80		345		953
	527	8S-2332	483		346		955
	1156		484		347		957
	1157	8S-4950	267		348		959
	1158		269		379		961
	1214	8S-4951	254		423		963
	1215		259		485		969
	1217	8S-5383	103		488		971
	1219		105		586		987
	1222	8S-6511	145		587		989
8D-2676	1184	8S-9089	78		588		991
	1186		80		589		993
	1188	8S-9094	57		590		995
	1206	8S-9191	135		622		997
8F-1434	289		277		1107		1009
	321	8T-0192	929		1115		1011
	485		931		1119		1013
	488		933		1123		1015
8F-3030	92		935		1127		1017
8H-1141	485		937		1129		1019
8H-3127	30		939		1148		1022
	32		941		1152		1024
	33		943		1153		1027
8H-5303	516		945		1154		1029
8H-5306	516		947		1175		1032
8H-9789	78		949		1180		1034
	80		951		1184		1037
8J-4351	421		953		1186		1039
	422		955		1188		1042
8L-2777	117		957		1206		1044
	118		959		1209		1046
	119		961		1244		1048
8L-2779	238		963	8T-0389	39		1050
8L-2786	36		969	8T-0639	365		1053
	112		971		430		1055
	113		987	8T-0640	254		1058
	142		989	8T-1757	216		1060
	238		991		217		1062
	254		993		219		1064
	274		995		220		1066
	413		997	8T-2502	204		1068
	414		1009		206		1070
	415		1011		208		1072
	416		1013	8T-2659	585		1074
	417		1015	8T-2910	302		1076
	418		1017		303		1079
	468	8T-0328	289	8T-3282	215		1081
8L-8413	84		298		219		1083
	371		299		220		1085
	373		321		222		1087
	375		326		223		1089
	376		327		224		1091
	394		328		226		1093
	498		329	8T-4000	929		1095
	499		330		931		1097
8M-0506	254		331		933		1099
8M-2530	76		336		935		1101
	77		337		937		1139
8M-8489	145		338		939	8T-4121	107
8N-0869	302		339		941		170
	303		340		943		172

PART NUMBER INDEX

Part	Page	Part	Page	Part	Page	Part	Page
	174		837		781		675
	176		838		789		678
	185		839	8T-4133	107		681
	187		840		170		684
	189		866		172		687
	191		867		174		689
	197		868		176		691
	199		869		185		694
	210		870		187		697
	216		871		189		700
	217		873		191		703
	254		875		197		706
	265		876		199		709
	271		878		210		712
	279		879		216		715
	281		880		217		716
	283		881		254		717
	284		882		265		718
	320		883		271		719
	361		884		279		723
	362		885		281		727
	363		1198		283		731
	405		1202		284		782
	406	8T-4122	227		320		783
	410		279		361		801
	472		283		362		803
	474		413		405		807
	476		414		406		808
	479		415		472		809
	481		416		474		810
	490		454		476		811
	491		472		479		812
	492		474		481		813
	497		479		497		814
	498		584		498		815
	499	8T-4123	107		499		816
	500		582		500		821
	575		583		575		822
	594		772		594		823
	595		773		595		824
	596		776		596		832
	609		777		609		839
	782		778		625		840
	783		789		627		866
	784		1134		629		867
	801	8T-4127	1195		630		868
	802	8T-4131	107		632		869
	803		582		634		870
	807		583		636		871
	808		772		638		873
	809		773		640		875
	810		776		642		876
	811		777		643		878
	812		778		644		879
	813		789		645		880
	814		1134		646		881
	815	8T-4132	242		648		882
	816		577		650		883
	821		581		652		884
	822		584		661		885
	823		771		663		1202
	824		774		665	8T-4134	304
	832		775		667	8T-4136	362
	835		779		669		472
	836		780		672		476

PART NUMBER INDEX

Part	Page	Part	Page	Part	Page	Part	Page
	783		184	8T-4198	809		495
8T-4137	410		185		821		497
	492		187		823		540
	784		189		832		541
8T-4138	151		191		875		592
	166		193		876		593
	167		195		884		594
	178		197		885		595
	179		199	8T-4199	308		597
	181		493		360		598
	182		622		369		599
	184		783		493		600
	193		886		889		601
	195		888		890		602
	307		891		892		603
	405		895		896		604
	406		900		900		609
	419		1178		902		622
	420		1191		904		632
	425	8T-4192	1192	8T-4200	360		634
	426	8T-4193	107		889		636
	427		771		892		638
	428		774		902		640
8T-4139	146		775		904		646
	148		779	8T-4205	289		648
8T-4141	1134		780		292		650
8T-4154	494	8T-4195	107		485		652
	495		170		487		669
8T-4170	107		172	8T-4223	105		672
	789		174		146		675
8T-4171	346		176		148		678
	1138		185		149		691
	1148		187		571		694
8T-4172	875		189		573		697
	876		191		575		700
	884		197		1192		703
	885		199	8T-4224	170		706
8T-4178	808		210		172		709
	822		216		174		712
	871		217		176		719
	873		265		179		723
	875		271		181		727
8T-4185	803		405		182		731
	810		406		184		783
	811		474		185		886
	812		479		187		887
	813		481		189		888
	814		491		191		889
	815		497		193		890
	816		498		195		891
	876		499		197		892
	884		500		199		895
8T-4186	254		594		306		896
	320		595		308		900
	361		596		353		902
	490		609		354		904
	575		782		360		1150
	807		783		369		1166
	839		824		472		1167
	840		1198		474		1168
8T-4189	170		1202		476		1169
	172	8T-4196	279		479		1170
	174		281		481		1171
	176		283		493		1172
	181		284		494		1173

PART NUMBER INDEX

Part	Page	Part	Page	Part	Page	Part	Page
	1174		971	8T-4955	1134		772
	1178		987	8T-4971	146		773
	1191		989		148		776
	1225		991		828		777
	1226		993		829		778
8T-4244	146		995		830	8T-6466	39
	148		997		831		810
	575		1009		893		811
	625		1011		1142		812
	627		1013		1143		813
	629		1015		1145		814
	630		1017		1146		815
	661		1019	8T-4985	170		816
	663		1022		172		866
	665		1024		174		867
	667		1027		176		868
	1192		1029		185		869
8T-4753	342		1032		187		870
	343		1034		189		875
	344		1037		191		878
	345		1039		197		879
	346		1042		199		880
	347		1044	8T-4988	202		881
	348		1046		204		882
	586		1048		206		883
	587		1050		208		884
	588		1053		210		885
	589		1055	8T-4989	204	8T-6685	871
	590		1058		206		873
	622		1060		208	8T-6693	1180
8T-4835	105		1062	8T-4994	281	8T-6757	62
8T-4896	105		1064		284		64
	210		1066		417	8T-6761	108
	262		1068		418		153
	264		1070		476		155
	265		1072		481	8T-6762	153
	266		1074	8T-5005	801		155
	271		1076		803	8T-6765	92
	272		1079		808		213
	273		1081		809	8T-6767	153
	359		1083		821		155
	517		1085		822	8T-6935	629
	518		1087		823	8T-6936	618
	519		1089		832		625
	783		1091		866		627
	784		1093		867		630
	929		1095		868		642
	931		1097		869		643
	933		1099		870		644
	935		1101		878		645
	937	8T-4908	179		879		658
	939		182		880		661
	941		184		881		663
	943		193		882		665
	945		308		883		667
	947		594		884		681
	949		595		885		684
	951		597	8T-5439	107		687
	953		599		789		689
	955		600	8T-6411	527		715
	957		601		1214		716
	959		609		1217		717
	961		887		1222		718
	963		896	8T-6430	582		737
	969		1150		583	8T-7008	210

PART NUMBER INDEX

Part	Page	Part	Page	Part	Page	Part	Page
	271		1101	9M-0853	135		421
	272	8T-9378	802	9M-1974	133		422
	273	8T-9397	281		254	9S-4183	116
	802		284		278		153
8T-7338	781		417		377		155
	789		418		378	9S-4185	274
8T-7547	182		476		436	9S-4191	127
	369		481		438		135
	497	8T-9527	82		440		267
	783	8T-9655	377	9M-4584	144	9S-8002	36
	890		378	9M-7540	143		112
8T-7961	523	8T-9834	388		144		113
	525	8T-9884	485	9M-7609	487		164
	527			9M-7958	130		165
	1214				131	9S-8004	67
	1215	9			146		69
	1217				147		71
	1219	9B-0887	214		148		74
	1222	9B-2923	472		170		115
8T-8566	485		476		172	9S-8005	36
8T-8569	485	9B-7233	289		174		112
8T-8729	453		304		176		113
8T-8737	254	9B-7237	204		185		115
	278		206		187	9S-8006	59
	388		208		189		112
	571		783		191		113
8T-9043	353	9D-3721	380		197		115
	354		503		199	9S-8010	114
8T-9377	1019	9D-7303	472	9M-9085	304	9S-8752	82
	1022	9F-4337	483	9N-0869	377		87
	1024		484		378		90
	1027	9F-4446	78	9N-1324	1		95
	1029		80		3		103
	1032	9F-5599	487		5		143
	1034	9F-5644	516		7		144
	1037	9F-6595	472		11		260
	1039		476		16		275
	1042	9F-6596	472		▶125		276
	1044		476	9N-2038	230	9S-9334	127
	1046	9G-0004	517		233		135
	1048	9G-4101	487		234	9U-6398	385
	1050		488		235		387
	1053	9G-5578	289	9N-3167	108	9W-2275	1217
	1055	9H-1031	55	9N-3889	1		1219
	1058		61		3		1222
	1060	9H-3757	487		5	9W-6582	107
	1062	9H-8260	103		7		789
	1064	9L-2137	289		9	9W-6584	107
	1066	9L-2139	289		11		789
	1068	9L-2140	289		13	9W-9930	107
	1070	9L-4238	78		15		789
	1072		80		▶40	9W-9931	107
	1074	9L-5839	212	9N-5120	78		789
	1076	9L-5854	56		80	9X-0141	389
	1079		61	9R-1175	303	9X-0261	254
	1081	9L-6641	126	9R-9733	569		278
	1083	9L-6770	289		571	9X-0262	436
	1085		292		573		438
	1087	9L-7657	129	9S-2437	289		440
	1089	9L-8925	30	9S-2544	289	9X-1386	452
	1091		32		487		453
	1093		33	9S-4167	238		454
	1095	9M-0164	137		254		458
	1097		138		257	9X-1813	443
	1099		139	9S-4182	108		444

PART NUMBER INDEX

Part	Page	Part	Page	Part	Page	Part	Page
036-9821	487		591		59	108-9656	170
036-9823	485		605	101-0852	1160		172
045-4065	488		606		1161		174
053-2313	108		607		1162		185
061-7539	254		608	101-3120	95		187
061-7540	128		804	101-8468	87		189
061-8639	117		1156		90		191
	118		1157	102-5861	87		197
	121		1158		90		199
061-9455	133		1176	102-8501	221		382
061-9458	108		1177	102-8608	221	109-0077	153
067-2551	260		1178	102-8801	30		155
	267		1179	102-8802	370	109-1657	17
	269		1201		452		18
068-0710	242		1203		454		19
	243		1204		455		20
	245		1213		472		▶84
	246		1214		474	109-3038	396
	247		1215		476	109-9985	98
	248		1217		479	110-2220	56
	249		1222		481		61
	250	095-1233	1134		520	110-7884	504
	580	095-1387	179		521	111-2088	1
068-4497	133		181		571		3
069-4269	170		185		573		5
	172		195	102-8803	254		7
	185	096-0061	390		442		9
	187	096-0192	326		447		11
095-0728	304		327	102-8806	254		13
095-0742	306		328		391		15
	404		329		522		▶98
	407		330		643	111-2721	162
	429		331	102-9089	34		163
	523		336	103-0126	86		164
	576		337	103-0213	390	111-6138	▶296
	591		338	103-6272	1190	112-3540	143
	605		339	103-8134	30		144
	606		340		32	112-4036	108
	607		341		33		152
	608		423	104-6202	569		279
	1176		1107		571		281
	1177		1115		573		283
	1178		1119	105-3482	306		284
	1179		1123	106-1792	103		413
	1201		1127		105		414
	1202		1129		221		415
095-0826	304		1148	106-5673	67		416
	381	096-3772	585		69		417
	382	096-5028	210		71		418
	1156	096-6166	381		74	112-9119	289
	1157		382	107-0583	87	112-9217	87
	1158		585		90		90
	1184			107-5769	275	113-9543	219
	1186				276		222
	1188			108-3612	221		223
	1206				267	113-9848	215
095-0827	366	100-3098	95		269		220
	367	100-5072	277		271		224
	404	100-5218	30		272		226
	407		32		273	115-2353	108
	424		33	108-4744	92	115-2369	108
	429	100-5219	30	108-7930	162	115-2421	▶301
	523		32		163		303
	527		33		164	117-8801	87
	576	100-7399	57		165		90

PART NUMBER INDEX

Part	Page	Part	Page	Part	Page	Part	Page
118-4304	▶297	122-8612	62		185		648
118-4728	274		64		187		650
118-5068	140	122-9458	1227		189		652
	141	123-1373	301		191		669
118-6229	617	123-3202	30		197		672
118-7809	260		32		199		675
	267		33	127-5728	1		678
	269	124-0657	1		3		691
119-0036	34		3		5		694
119-0781	618		5		7		697
	623		7		13		700
	632		9		15		703
	636		11		▶41		706
	638		14	127-6356	145		709
	640		16	128-2312	390		712
	646		▶229		576		719
	648	124-0658	229	128-8065	352		723
	650	124-1854	67	129-0375	256		727
	652		69	129-3172	134		731
	658		71	129-3178	146	131-7123	87
	669		74		148		90
	675	124-1855	67		166	132-5789	569
	678		69		167		571
	691		71		632		573
	694		74		634	132-9770	436
	697	125-0434	153		636		438
	700		155		638		440
	703	125-3295	576		640	133-0125	155
	706		1184		646	133-0261	455
	709		1186		648	133-5671	1
	712		1188		650		3
	719		1206		652		5
	723	125-6535	488		669		7
	727	125-6536	488		672		▶256
	731	125-6537	488		675	133-5673	256
	737	125-7874	396		678	133-9116	275
119-3662	30	125-7875	30		691		276
	375	125-7876	375		694	133-9906	29
	376		376		697	133-9907	▶29
	394		394		700		82
120-9099	1	126-1756	87		703	134-6258	388
	3		90		706		389
	5	126-1757	95		709		1203
	7	126-1767	30		712		1204
	9		455		719	134-7258	1233
	11	126-1768	390		723		1235
	14	126-2702	143		727	135-2422	423
	16		144		731	135-7634	1
	▶483	126-4935	37	129-5427	95		3
120-9100	1		153	129-5428	95		5
	3		155	129-9452	221		7
	5	127-0563	99	130-2792	423		13
	7	127-0564	1		1244		15
	▶484		3	130-4698	87		▶92
120-9243	95		5		90	136-1107	162
122-0447	62		7	130-4701	87		163
	64		9		90		164
122-1472	30		11	130-9811	466		165
	32		13	131-1475	396	136-5017	238
	33		15	131-3540	632	136-7226	143
122-3772	159		▶99		634	136-7227	112
	160	127-0929	170		636		113
	161		172		638		143
122-7375	62		174		640	137-4367	256
	64		176		646	137-5110	267

PART NUMBER INDEX

Part	Page	Part	Page	Part	Page	Part	Page
	269		646		672		716
137-5541	254		648		675		717
	278		650		678		718
137-6645	456		652		691		719
	468		658		694		723
	469		669		697		727
137-7343	143		672		700		731
139-1171	368		675		703		735
139-6873	238		678		706		736
	254		691		709		737
	▶287		694		712		738
141-0284	256		697		719		744
141-6381	181		700		723		750
	195		703		727		755
142-2329	57		706		731		756
	59		709	142-7072	56		759
142-2452	219		712		61		762
	222		719	142-7543	1233		765
	223		723		1235		768
142-2456	▶496		727	142-8194	582		772
	497		731		583		773
	498		737		618		776
	500		755		623		777
142-2457	497	142-5867	123		625		778
	498	142-5868	122		627		784
	500	142-6217	56		629		1181
142-2458	302		61		630		1182
142-4899	410	142-6867	131		632	142-8212	623
	618	142-6870	146		634		654
	623		148		636		656
	632	142-6950	632		638		658
	634		634		640		659
	636		636		642		691
	638		638		643		694
	640		640		644		697
	646		646		645		700
	648		648		646		703
	650		650		648		706
	652		652		650		709
	658		669		652		712
	669		672		654		719
	672		675		656		723
	675		678		658		727
	678		691		659		731
	691		694		661		737
	694		697		663		738
	697		700		665		744
	700		703		667		755
	703		706		669		756
	706		709		672		759
	709		712		675		762
	712		719		678		765
	719		723		681		768
	723		727		684		1181
	727		731		687		1182
	731	142-6952	632		689	142-8239	632
	737		634		691		634
	755		636		694		636
142-4901	618		638		697		638
	623		640		700		640
	632		646		703		646
	634		648		706		648
	636		650		709		650
	638		652		712		652
	640		669		715		669

PART NUMBER INDEX

Part	Page	Part	Page	Part	Page	Part	Page
	672		1217		712		90
	675		1219		736	151-7710	384
	678		1222		737		387
	691	143-4479	432		738	151-7736	▶201
	694		1208		755		204
	697		1217		756		206
	700		1219		1181		208
	703		1222		1182	151-7737	201
	706	143-4480	1217	144-7184	▶39	151-7745	▶544
	709		1219	144-7185	39	151-7746	▶545
	712		1222	144-7187	226	151-7747	▶546
	719	143-4495	298	145-3849	37	153-1256	162
	723	143-5080	299	145-4933	215		163
	727		386		220		164
	731		1209		224		165
142-8240	625		1217	145-4936	215	153-6680	128
	627		1219		224	153-7023	66
	629		1222	145-4937	▶226	153-7024	66
	630	143-5099	363	145-5568	215		72
	642		410	145-5569	215	154-2987	551
	643	143-5853	323	145-5579	522	154-4325	9
	644	143-5968	302	145-5582	216		11
	645		303		217		13
	661		498	147-1960	527		15
	663	143-6856	▶470		1214		▶134
	665	143-6923	146		1217	154-4327	▶127
	667		147		1219		128
	681	143-7610	325		1222	154-9024	153
	684	143-7886	▶502	148-2871	76		155
	687	143-8789	523		77	154-9672	304
	689		525	148-8405	93	154-9676	306
	715		527	148-8408	116	155-0696	377
	716		1142	149-7376	44		378
	717		1143	149-7378	43	155-0698	377
	718		1145		44		378
142-9459	303		1146		46	155-0950	304
143-0857	225		1164		47	155-2092	410
	226		1212		50	155-2255	571
143-2933	238		1217		51		573
143-4445	1134		1219		53	155-2260	388
143-4446	1134		1222	149-7994	299		389
143-4447	279	144-0875	1233	149-9106	90		443
	281		1235	149-9107	90		444
	283	144-0876	1233	149-9110	87	155-2263	1204
	284		1235		90	155-2265	388
143-4456	308	144-3790	1235	150-1714	208		389
	360	144-3852	517		▶228		522
	369		518	150-2557	43	155-2270	254
	493		519	150-3135	▶43		388
	889	144-7183	632		48		389
	890		634		49		392
	892		636	150-3141	▶44		393
	896		638		45		398
	900		640	150-4279	1		455
	902		669		3		571
	904		672		5		573
143-4471	1209		675		7	155-2273	1204
	1217		678		9	155-2274	1203
	1219		691		11		1204
	1222		694		13	155-2629	256
143-4472	298		697		15	155-5005	▶128
	299		700		▶275		134
	1209		703		▶276	155-5619	92
143-4478	432		706	151-5925	110	155-8522	1186
	1208		709	151-5966	87		1206

PART NUMBER INDEX

Part	Page	Part	Page	Part	Page	Part	Page
155-9524	95	160-8746	929		1095	166-2904	62
156-5198	158		931		1097		64
156-6198	616		933		1099	166-3501	153
	617		935		1101		155
157-0670	153		937	160-9602	298	166-3777	1155
	155		939		299		1160
157-1206	256		941		371		1161
157-2853	1233		943		373		1162
	1235		945		375	166-5002	131
158-0344	227		947		376	166-5919	267
158-0345	▶227		949		383		269
158-3416	87		951		384	166-5971	95
	90		953		385	166-6693	421
159-1533	87		955		386		422
	90		957		387	166-9144	95
159-6159	1		959		1142	167-4407	153
	3		961		1143		155
	5		963		1145	167-8081	55
	7		969		1146		61
	9		971		1209	167-8083	55
	11		987		1211		61
	13		989		1217	168-0345	324
	15		991		1219		334
	▶42		993		1222	168-4854	153
159-8049	517		995	160-9631	▶225	169-0235	371
159-8524	87		997		226		373
	90		1009	161-0797	▶251		376
159-9107	1		1011	161-1825	140		1211
	3		1013		141	169-1855	322
	5		1015	161-4113	17		332
	7		1017		18		349
	9		1019		19		350
	11		1022		20	169-2182	402
	13		1024		▶145	169-4516	365
	15		1027	161-6622	137		366
	▶359		1029	161-7419	377		367
159-9322	389		1032		378		430
159-9339	1		1034	162-8682	153	169-9012	576
	3		1037		155		1184
	5		1039	162-8697	153		1186
	7		1042		155		1188
	13		1044	163-0851	269		1206
	15		1046	163-2478	66	169-9016	576
	▶45		1048		72		1184
159-9343	45		1050	163-4565	42		1186
	▶46		1053	163-9385	155		1188
159-9362	1		1055	164-4187	110		1206
	3		1058	164-4637	1	170-4860	153
	5		1060		3		155
	7		1062		5	171-4358	153
	9		1064		7		155
	11		1066		9	171-4527	402
	13		1068		11	171-5349	452
	15		1070		13		454
	▶137		1072		15	171-9893	201
160-5120	54		1074		▶221	171-9912	201
160-7037	37		1076	165-3925	93	172-6059	135
	38		1079	165-3929	93	172-8660	242
	143		1081	165-3931	93		243
	144		1083	165-6170	140		245
160-7271	42		1085		141		246
160-7307	1201		1087	166-0845	▶304		247
160-7689	388		1089		306		248
	389		1091	166-2340	153		249
	390		1093		155		250

PART NUMBER INDEX

Part	Page	Part	Page	Part	Page	Part	Page
	►520		74		20		90
	580		115	►100	197-7415		1
173-0880	413	183-3409	36	►101			3
173-7619	783		113	►102			5
174-9599	359	186-2001	66	1209			7
175-1366	42		72	190-2557			►422
175-1367	42	186-3735	370	190-2558	298	197-7426	523
175-1483	95		390		299		525
175-3265	1195		442		371		527
176-1363	127		452		375	197-8006	153
	►129		454		1209		155
177-4152	30		472	191-5055	►238	197-8039	632
	32		474		278		634
177-4639	46		476	191-8303	456		636
178-7074	1		479	192-4151	117		638
	3		481		118		640
	5		521		121		646
	7	186-3736	392	192-4522	610		648
	9		398		612		650
	11		522		1183		652
	13	187-0672	1		1196		669
	15		3		1197		672
	►37		5		1200		675
179-0672	213		7	192-4645	784		678
180-3748	592		9	194-5279	►399		691
	593		11	194-5280	►401		694
	597		13	194-6722	►443		697
	598		15		445		700
	599		►141	194-6725	►444		703
	600	187-1325	47		446		706
	601	187-1326	►47	194-8124	67		709
	602		48		69		712
	603	187-1328	9		71		719
	604		11		74		723
	619		13	195-0319	162		727
	620		15		163		731
	622		►48		164		1230
	783		►49		165	197-9322	56
	886	187-2034	289	195-1068	257		61
	887		292	195-2637	523	198-4767	78
	888	187-8979	87		525		80
	891	188-2658	309		527	198-6068	143
	895		310		1214		144
	1150		315		1217		
	1166		316		1219		
	1167		317		1222		
	1168		318	196-2236	►402		
	1169		361	196-2237	402	200-8577	304
	1170		807	196-2343	402	201-0824	1
	1171		824	196-4813	153		3
	1172		837		155		5
	1173		838	196-5069	117		7
	1174	188-6181	302		118		►153
	1225	188-6183	517		121	201-4340	59
	1226	188-7501	9	196-5070	117	201-6617	►455
180-7350	110		11		118		457
180-9339	447		13		121	202-2173	210
	461		15	197-0714	254	203-3831	162
180-9340	443		►421	197-3309	472		163
	444	189-0202	206		476		164
	455		208	197-3691	204		165
183-2899	►390	189-0852	455		206	203-5398	523
183-3408	67	190-0009	17		208		525
	69		18		210		527
	71		19	197-4971	87		611

PART NUMBER INDEX

Part	Page	Part	Page	Part	Page	Part	Page
	613		712		565	219-7350	632
	619	206-4202	289	212-5892	550		634
	620	206-9427	304		566		636
	622		379	213-0985	431		638
	886	206-9509	522	213-3199	76		640
	887		1184	213-3217	110		646
	888		1186	213-3595	1		648
	891		1188		3		650
	895		1206		5		652
	1184	206-9512	522		7		669
	1186		1184		9		672
	1188		1186		11		675
	1195		1188		13		678
	1201		1206		15		691
	1203	207-0449	17		▶274		694
	1204		18	213-9697	578		697
	1206		▶87	213-9908	592		700
	1214	207-1564	483		593		703
203-6100	77		▶485		598		706
203-8824	117	207-5248	117		602		709
	118	207-8128	137		603		712
204-1116	632	207-8644	342		604		719
	634		343		1166		723
	636		344		1167		727
	638	207-8645	348		1168		731
	640	207-8656	345		1169	220-0409	146
	669		346		1170	220-1204	9
	672		347		1171		11
	675	208-9270	1219		1172		13
	678		1222		1173		15
	691	208-9490	19		1174		▶116
	694		20		1225	220-5619	216
	697		▶90		1226		217
	700	209-3569	42	214-2484	436		219
	703	209-7301	375		▶456		220
	706		1209	214-4677	85	220-8678	253
	709	210-2521	100	214-7568	67	221-9050	517
	712		▶117		69	221-9360	54
204-8659	523	210-3257	204		71	222-3487	204
	525		206		74		206
	527		208		115		208
	1143	211-0640	432		269	222-7944	1233
	1214		1208	215-3790	1195		1235
	1217		1217	216-5582	62	222-7945	1233
	1219		1219		64		1235
	1222		1222	216-7883	1	223-0533	95
204-9316	▶86	211-3122	66		3	223-4730	1
	87		72		5		3
	90	211-4360	1		7		5
205-5148	632		3		9		7
	634		5		11		9
	636		7		13		11
	638		▶150		15		13
	640	211-6807	571		▶85		15
	669	212-0862	1184	216-8997	93		▶36
	672		1186	216-9064	93	223-4738	9
	675		1188	216-9065	93		11
	678		1206	217-0751	62		13
	691	212-5878	567		64		15
	694		568	217-0752	62		▶93
	697	212-5883	547		64	223-6470	432
	700		563	217-6022	149		1208
	703	212-5885	548	218-4698	▶149		1217
	706		564	219-3484	1140		1219
	709	212-5888	549	219-4458	110		1222

PART NUMBER INDEX

Part	Page	Part	Page	Part	Page	Part	Page
223-7263	▶62 66	227-3019	216 217		669 675		1182 117
223-9250	▶66 67 71 74	227-4002	219 220 571		678 691 694	232-0253	377 378 110
223-9252	17 18 19 20 ▶57 ▶59	227-5633	737 756 1181		697 700 703	232-1693	110 110 476
223-9731	17 18 19 20 ▶54	227-5635	623 654 656		706 709 712	232-3235	632 634 636
224-3239	1 3 5 7 9 11 14 16 ▶158 ▶159 ▶160 ▶161	227-5640	623 654 656 658 737 744 755 759 762 765 768		719 723 727 731 61 170	232-3236	640 646 648 650 652 669
224-3245	110	228-4798	1233 1235		172 174 176 185 187 189 191 197 199	232-4944	672 675 678 691 694 697 700 703 706
224-3246	110	228-4947	456 457 459 460 462		277 277 278 571 573		709 712 719 723 727
224-3983	62	228-6351	621 623 735 750 755		230-3728		731
224-5122	67 69 71 74	228-6733	242 243 245 522		230-3775		76
224-6818	1233 1235	228-6736	243 245 522		230-4011		77
224-6821	1233 1235	228-6737	245 522		230-4012		103
224-7683	1239	228-6935	522 1184 1186 1188 1206		230-4013		105
224-7684	1242	228-7280	1184 1186 1188 1206		230-5379		78
225-0014	216 217	229-5048	1233 1235				80
225-1144	50	229-6259	110				1
225-1148	▶50 52	229-6711	1 3 5 7 9 11 13 15				3
225-3233	1233 1235						5
225-4152	▶253 257						7
225-4153	▶257 258						9
225-4257	1233 1235						11
226-5561	62 64						13
226-5868	578						15
226-6446	522 1184 1186 1188 1206						15
227-1204	57 59						▶38
							632

PART NUMBER INDEX

Part	Page	Part	Page	Part	Page	Part	Page
	634		738	235-1132	1142		768
	636		755		1143		1181
	638		756		1145		1182
	640		1181		1146	235-3330	219
	646	233-9377	594	235-1133	1217		220
	648	233-9378	594		1219	235-4426	▶771
	650	233-9379	594		1222	235-4427	▶577
	652		609	235-1136	1217	235-4451	170
	669	233-9381	771	235-1140	523		172
	672	233-9382	577		1217		174
	675	233-9390	216	235-1182	886		176
	678		217		887		185
	691	233-9391	▶202		888		187
	694	233-9392	1132		891		189
	697	233-9393	787		895		191
	700		788	235-1203	▶905		197
	703	233-9395	638	235-1204	▶905		199
	706		787	235-1205	▶905		632
	709	233-9396	638	235-1206	▶905		634
	712		787	235-1207	▶905		636
	719	234-0275	1153	235-1208	▶906		638
	723	234-1644	1154	235-1209	▶906		640
	727	234-1645	1152	235-1210	▶906		646
	731	234-5002	30	235-1211	▶906		648
232-7799	621	234-5005	17	235-1212	▶906		650
232-7800	621		18	235-1213	▶907		652
232-7801	621		19	235-1214	▶907		669
232-7802	621		20	235-1215	▶907		672
232-7804	▶621		▶30	235-1216	▶907		675
	746	234-5012	438	235-1217	▶907		678
	747		440	235-1218	▶908		691
	748		▶464	235-1220	▶908		694
	749	234-5013	278	235-1237	▶908		697
	751		438	235-1242	107		700
	752		440	235-1245	107		703
	753		▶465		789		706
	754	234-5557	783	235-1403	17		709
233-0891	377	234-5558	783		18		712
	378	234-5997	57		19		719
233-2229	1134		▶61		20		723
233-2239	691	234-8937	40		▶277		727
	697	234-9183	1	235-1587	145		731
	703		3	235-2780	1217		1103
	709		5	235-3304	623		1105
	788		7		654		1111
233-2241	737		▶113		656		1113
	755	234-9185	19		658		1115
	1182		20		737		1117
233-2244	738		▶67		744		1119
	756		▶69		755		1121
233-2245	772	234-9409	1142		759		1123
233-2251	750		1145		762		1125
233-2266	737	234-9423	523		765		1127
	738		1217		768		1129
	755	234-9424	1142	235-3316	654		1148
	756		1145		656	235-4454	625
	1182		1164		658		627
233-6742	238	234-9425	1217		737		629
	254		1219		738		630
	▶285		1222		744		642
233-7742	1156	235-0453	523		755		643
	1157		1164		756		644
	1158		1217		759		645
233-9351	▶35	235-1130	523		762		661
233-9361	737		1217		765		663

PART NUMBER INDEX

Part	Page	Part	Page	Part	Page	Part	Page
	665	235-6970	523		640		709
	667		525		646		712
	681		527		648		719
	684		1214		650		723
	687		1217		652		727
	689		1219		669		731
	715		1222		672	237-5072	632
	716	235-7944	611		675		634
	717		613		678		636
	718		1184		691		638
	▶1134		1186		694		640
235-4475	632		1188		697		646
	634		1203		700		648
	636		1204		703		650
	638		1206		706		652
	640	236-0384	1195		709		669
	646	236-0386	1195		712		672
	648	236-0387	1195		719		675
	650	236-0389	1180		723		678
	652		1195		727		691
	669	236-1158	1155		731		694
	672	236-1159	▶1155	237-5070	632		697
	675		1159		634		700
	678	236-2027	241		636		703
	691	236-2031	239		638		706
	694	236-5605	72		640		709
	697	237-0227	278		646		712
	700		571		648		719
	703		573		650		723
	706	237-0577	375		652		727
	709	237-1962	484		669		731
	712		▶487		672	237-6169	▶360
	719	237-2147	575		675		364
	723	237-2625	▶886		678	237-6170	360
	727	237-2626	▶887		691	237-6178	▶889
	731	237-2627	▶888		694		893
235-4476	106	237-5068	632		697	237-6179	889
235-4479	594		634		700	237-7177	▶578
	595		636		703	237-7180	578
	609		638		706	237-7182	▶106
235-4480	▶772		640		709	237-7201	266
235-4900	▶522		646		712		273
	625		648		719		283
	627		650		723		284
	629		652		727		578
	630		669		731		579
	642		672	237-5071	632	237-7204	▶497
	643		675		634		▶498
	644		678		636	237-7213	▶594
	645		691		638	237-8962	▶390
	661		694		640	237-9314	254
	663		697		646	237-9987	▶890
	665		700		648		891
	667		703		650	237-9988	890
	681		706		652	237-9989	890
	684		709		669	237-9990	▶891
	687		712		672	238-0025	1
	689		719		675		3
	715		723		678		5
	716		727		691		7
	717		731		694		9
	718	237-5069	632		697		11
235-5725	▶1140		634		700		14
	1142		636		703		16
	1145		638		706		▶124

PART NUMBER INDEX

Part	Page	Part	Page	Part	Page	Part	Page
238-0029	618		629		15	239-9491	927
	691		630		▶52		971
	694		632	239-5348	▶617		979
	697		634	239-5674	436		981
	700		636		▶448		983
	703		638	239-5928	436		985
	706		640		▶457		997
	709		642	239-5929	569		1003
	712		643	239-6758	▶1195		1007
	719		644	239-6766	1195		1137
	723		645	239-7137	▶551	239-9728	▶801
	727		646		▶552		▶802
	731		648	239-7790	▶791	239-9736	▶803
	735		650	239-7791	▶792	239-9808	▶804
	750		652	239-7792	▶793	239-9957	435
	784		661	239-7793	▶794		▶442
238-0294	110		663	239-7794	▶795	240-0170	▶306
238-3255	1209		665	239-7795	▶796	240-0239	1131
238-4633	625		667	239-7796	▶797	240-0465	500
	627		669	239-7797	▶798	240-0466	497
	629		672	239-7798	▶799	240-0467	497
	630		675	239-7799	▶800	240-0468	498
	632		678	239-7814	825	240-0528	▶1194
	634		681		863	240-0547	1193
	636		684	239-7815	790	240-0548	1194
	638		687		826	240-1405	375
	640		689	239-7817	791		390
	642		691		818	240-1411	▶782
	643		694		829	240-1621	▶575
	644		697	239-7818	792	240-1622	▶320
	645		700		819	240-2117	806
	646		703		830		812
	648		706	239-7819	793	240-2118	▶806
	650		709		820	240-6064	595
	652		712		831	240-6065	595
	661		715	239-7820	794		609
	663		716		809	240-6067	▶595
	665		717		814	240-6068	▶609
	667		718	239-7821	795	240-6070	264
	669		719		815		272
	672		723		821	240-6079	279
	675		727	239-7822	796		281
	678		731		816	240-8703	1155
	681	238-5080	465		822	240-8721	254
	684	238-6266	320	239-7823	797	240-9567	254
	687	239-0410	▶547		810	241-0158	1141
	689	239-0431	▶548	239-7824	798	241-0397	283
	691	239-0432	▶549		811		284
	694	239-0433	▶550	239-7825	799	241-0398	279
	697	239-2395	436		823		281
	700		▶445	239-7826	800		283
	703	239-2396	254		832		284
	706		436	239-9373	▶1136	241-1182	1178
	709		▶446	239-9387	▶1137	241-1183	1178
	712	239-3478	▶447	239-9399	▶1131	241-2942	133
	715		448	239-9401	▶1193	241-3091	1228
	716	239-3811	616	239-9490	937	241-3092	▶1228
	717		617		945	241-3114	1151
	718	239-3812	▶616		953	241-3917	210
	719	239-4106	53		961	241-4187	1
	723	239-4111	▶51		1011		3
	727		52		1013		5
	731	239-4113	9		1015		7
238-4743	625		11		1017		▶135
	627		13		1136	241-4577	929

PART NUMBER INDEX

Part	Page	Part	Page	Part	Page	Part	Page
	931		1097		963		955
	933		1099		969		957
	935		1101		971		959
	937	241-4580	925		987		961
	939		927		989		963
	941		965		991		969
	943		967		993		971
	945		973		995		987
	947		975		997		989
	949		977		1009		991
	951		979		1011		993
	953		981		1013		995
	955		983		1015		997
	957		985		1017		1009
	959		999		1019		1011
	961		1001		1022		1013
	963		1003		1024		1015
	969		1005		1027		1017
	971		1007		1029		1019
	987		1103		1032		1022
	989		1105		1034		1024
	991		1107		1037		1027
	993		1109		1039		1029
	995		1111		1042		1032
	997		1113		1044		1034
	1009		1115		1046		1037
	1011		1117		1048		1039
	1013		1119		1050		1042
	1015		1121		1053		1044
	1017		1123		1055		1046
	1019		1125		1058		1048
	1022		1127		1060		1050
	1024		1129		1062		1053
	1027	241-4590	925		1064		1055
	1029		927		1066		1058
	1032		967		1068		1060
	1034		973		1070		1062
	1037		975		1072		1064
	1039		977		1074		1066
	1042		979		1076		1068
	1044		981		1079		1070
	1046		983		1081		1072
	1048		985		1083		1074
	1050		999		1085		1076
	1053		1001		1087		1079
	1055		1003		1089		1081
	1058		1005		1091		1083
	1060		1007		1093		1085
	1062	241-4594	929		1095		1087
	1064		931		1097		1089
	1066		933		1099		1091
	1068		935		1101		1093
	1070		937	241-4595	929		1095
	1072		939		931		1097
	1074		941		933		1099
	1076		943		935		1101
	1079		945		937	241-4597	929
	1081		947		939		931
	1083		949		941		933
	1085		951		943		935
	1087		953		945		937
	1089		955		947		939
	1091		957		949		941
	1093		959		951		943
	1095		961		953		945

PART NUMBER INDEX

Part	Page	Part	Page	Part	Page	Part	Page
	947		975		1015		997
	949		977		1017		1009
	951		979		1019		1011
	953		981		1022		1013
	955		983		1024		1015
	957		985		1027		1017
	959		999		1029		1019
	961		1001		1032		1022
	963		1003		1034		1024
	969		1005		1037		1027
	971		1007		1039		1029
	987		1103		1042		1032
	989		1105		1044		1034
	991		1107		1046		1037
	993		1109		1048		1039
	995		1111		1050		1042
	997		1113		1053		1044
1009			1115		1055		1046
1011			1117		1058		1048
1013			1119		1060		1050
1015			1121		1062		1053
1017			1123		1064		1055
1019			1125		1066		1058
1022			1127		1068		1060
1024			1129		1070		1062
1027	241-4612		925		1072		1064
1029			927		1074		1066
1032			1103		1076		1068
1034			1107		1079		1070
1037			1111		1081		1072
1039			1115		1083		1074
1042			1119		1085		1076
1044			1123		1087		1079
1046			1127		1089		1081
1048			1129		1091		1083
1050			1148		1093		1085
1053	241-4618		929		1095		1087
1055			931		1097		1089
1058			933		1099		1091
1060			935		1101		1093
1062			937	241-4619	929		1095
1064			939		931		1097
1066			941		933		1099
1068			943		935		1101
1070			945		937	241-4620	929
1072			947		939		931
1074			949		941		933
1076			951		943		935
1079			953		945		937
1081			955		947		939
1083			957		949		941
1085			959		951		943
1087			961		953		945
1089			963		955		947
1091			969		957		949
1093			971		959		951
1095			987		961		953
1097			989		963		955
1099			991		969		957
			993		971		959
241-4603			995		987		961
			997		989		963
			1009		991		969
			1011		993		971
			1013		995		987

PART NUMBER INDEX

Part	Page	Part	Page	Part	Page	Part	Page
	989		963		1107		1009
	991		969		1111		1011
	993		971		1115		1013
	995		987		1119		1015
	997		989		1123		1017
	1009		991		1127		1019
	1011		993		1129		1022
	1013		995		1148		1024
	1015		997	241-4630	925		1027
	1017		1009		927		1029
	1019		1011		965		1032
	1022		1013		967		1034
	1024		1015		973		1037
	1027		1017		975		1039
	1029		1019		977		1042
	1032		1022		979		1044
	1034		1024		981		1046
	1037		1027		983		1048
	1039		1029		985		1050
	1042		1032		999		1053
	1044		1034		1001		1055
	1046		1037		1003		1058
	1048		1039		1005		1060
	1050		1042		1007		1062
	1053		1044		1103		1064
	1055		1046		1105		1066
	1058		1048		1107		1068
	1060		1050		1109		1070
	1062		1053		1111		1072
	1064		1055		1113		1074
	1066		1058		1115		1076
	1068		1060		1117		1079
	1070		1062		1119		1081
	1072		1064		1121		1083
	1074		1066		1123		1085
	1076		1068		1125		1087
	1079		1070		1127		1089
	1081		1072		1129		1091
	1083		1074		1148		1093
	1085		1076	241-4633	929		1095
	1087		1079		931		1097
	1089		1081		933		1099
	1091		1083		935		1101
	1093		1085		937	241-4635	925
	1095		1087		939		927
	1097		1089		941		965
	1099		1091		943		967
	1101		1093		945		973
241-4622	929		1095		947		975
	931		1097		949		977
	933		1099		951		979
	935		1101		953		981
	937	241-4624	925		955		983
	939		927		957		985
	941		1103		959		999
	943		1107		961		1001
	945		1111		963		1003
	947		1115		969		1005
	949		1119		971		1007
	951		1123		987		1103
	953		1127		989		1105
	955		1129		991		1107
	957	241-4629	925		993		1109
	959		927		995		1111
	961		1103		997		1113

PART NUMBER INDEX

Part	Page	Part	Page	Part	Page	Part	Page
	1115		1125		965		979
	1117		1127		967		981
	1119		1129		973		983
	1121	241-4639	925		975		985
	1123		927		977		999
	1125		965		979		1001
	1127		967		981		1003
	1129		973		983		1005
241-4636	925		975		985		1007
	927		977		999		1103
	965		979		1001		1105
	967		981		1003		1107
	973		983		1005		1109
	975		985		1007		1111
	977		999		1103		1113
	979		1001		1105		1115
	981		1003		1107		1117
	983		1005		1109		1119
	985		1007		1111		1121
	999		1103		1113		1123
	1001		1105		1115		1125
	1003		1107		1117		1127
	1005		1109		1119		1129
	1007		1111		1121	241-4645	925
	1103		1113		1123		927
	1105		1115		1125		965
	1107		1117		1127		967
	1109		1119		1129		973
	1111		1121	241-4642	925		975
	1113		1123		927		977
	1115		1125		965		979
	1117		1127		967		981
	1119		1129		973		983
	1121	241-4640	925		975		985
	1123		927		977		999
	1125		965		979		1001
	1127		967		981		1003
	1129		973		983		1005
241-4637	925		975		985		1007
	927		977		999		1103
	965		979		1001		1105
	967		981		1003		1107
	973		983		1005		1109
	975		985		1007		1111
	977		999		1103		1113
	979		1001		1105		1115
	981		1003		1107		1117
	983		1005		1109		1119
	985		1007		1111		1121
	999		1103		1113		1123
	1001		1105		1115		1125
	1003		1107		1117		1127
	1005		1109		1119		1129
	1007		1111		1121	241-4646	925
	1103		1113		1123		927
	1105		1115		1125		965
	1107		1117		1127		967
	1109		1119		1129		973
	1111		1121	241-4644	925		975
	1113		1123		927		977
	1115		1125		965		979
	1117		1127		967		981
	1119		1129		973		983
	1121	241-4641	925		975		985
	1123		927		977		999

PART NUMBER INDEX

Part	Page	Part	Page	Part	Page	Part	Page
	1001		1105		1115		1125
	1003		1107		1117		1127
	1005		1109		1119		1129
	1007		1111		1121	241-4653	925
	1103		1113		1123		927
	1105		1115		1125		965
	1107		1117		1127		967
	1109		1119		1129		973
	1111		1121	241-4651	925		975
	1113		1123		927		977
	1115		1125		965		979
	1117		1127		967		981
	1119		1129		973		983
	1121	241-4649	925		975		985
	1123		927		977		999
	1125		965		979		1001
	1127		967		981		1003
	1129		973		983		1005
241-4647	925		975		985		1007
	927		977		999		1103
	965		979		1001		1105
	967		981		1003		1107
	973		983		1005		1109
	975		985		1007		1111
	977		999		1103		1113
	979		1001		1105		1115
	981		1003		1107		1117
	983		1005		1109		1119
	985		1007		1111		1121
	999		1103		1113		1123
	1001		1105		1115		1125
	1003		1107		1117		1127
	1005		1109		1119		1129
	1007		1111		1121	241-4654	925
	1103		1113		1123		927
	1105		1115		1125		965
	1107		1117		1127		967
	1109		1119		1129		973
	1111		1121	241-4652	925		975
	1113		1123		927		977
	1115		1125		965		979
	1117		1127		967		981
	1119		1129		973		983
	1121	241-4650	925		975		985
	1123		927		977		999
	1125		965		979		1001
	1127		967		981		1003
	1129		973		983		1005
241-4648	925		975		985		1007
	927		977		999		1103
	965		979		1001		1105
	967		981		1003		1107
	973		983		1005		1109
	975		985		1007		1111
	977		999		1103		1113
	979		1001		1105		1115
	981		1003		1107		1117
	983		1005		1109		1119
	985		1007		1111		1121
	999		1103		1113		1123
	1001		1105		1115		1125
	1003		1107		1117		1127
	1005		1109		1119		1129
	1007		1111		1121	241-4656	925
	1103		1113		1123		927

PART NUMBER INDEX

Part	Page	Part	Page	Part	Page	Part	Page
	965		979		1001		1105
	967		981		1003		1107
	973		983		1005		1109
	975		985		1007		1111
	977		999		1103		1113
	979		1001		1105		1115
	981		1003		1107		1117
	983		1005		1109		1119
	985		1007		1111		1121
	999		1103		1113		1123
	1001		1105		1115		1125
	1003		1107		1117		1127
	1005		1109		1119		1129
	1007		1111		1121	241-4665	925
	1103		1113		1123		927
	1105		1115		1125		965
	1107		1117		1127		967
	1109		1119		1129		973
	1111		1121	241-4663	925		975
	1113		1123		927		977
	1115		1125		965		979
	1117		1127		967		981
	1119		1129		973		983
	1121	241-4660	925		975		985
	1123		927		977		999
	1125		965		979		1001
	1127		967		981		1003
	1129		973		983		1005
241-4657	925		975		985		1007
	927		977		999		1103
	965		979		1001		1105
	967		981		1003		1107
	973		983		1005		1109
	975		985		1007		1111
	977		999		1103		1113
	979		1001		1105		1115
	981		1003		1107		1117
	983		1005		1109		1119
	985		1007		1111		1121
	999		1103		1113		1123
	1001		1105		1115		1125
	1003		1107		1117		1127
	1005		1109		1119		1129
	1007		1111		1121	241-4666	925
	1103		1113		1123		927
	1105		1115		1125		965
	1107		1117		1127		967
	1109		1119		1129		973
	1111		1121	241-4664	925		975
	1113		1123		927		977
	1115		1125		965		979
	1117		1127		967		981
	1119		1129		973		983
	1121	241-4662	925		975		985
	1123		927		977		999
	1125		965		979		1001
	1127		967		981		1003
	1129		973		983		1005
241-4658	925		975		985		1007
	927		977		999		1103
	965		979		1001		1105
	967		981		1003		1107
	973		983		1005		1109
	975		985		1007		1111
	977		999		1103		1113

PART NUMBER INDEX

Part	Page	Part	Page	Part	Page	Part	Page
	1115	242-2369	337	242-2986	925		975
	1117	242-2980	965		927		977
	1119		1007		965		979
	1121		1107		967		981
	1123		1109		973		983
	1125	242-2981	925		975		985
	1127		927		977		999
	1129		965		979		1001
241-4757	529		967		981		1003
	531		973		983		1005
	535		975		985		1007
241-4758	532		977		999		1103
	534		979		1001		1105
	536		981		1003		1107
241-6058	▶1132		983		1005		1109
241-6070	304		985		1007		1111
	1184		999		1103		1113
	1186		1001		1105		1115
	1188		1003		1107		1117
	1199		1005		1109		1119
	1206		1007		1111		1121
	1229		1103		1113		1123
241-6078	▶1229		1105		1115		1125
241-6084	553		1107		1117		1127
241-6186	436		1109		1119		1129
241-6217	438		1111		1121	242-2989	925
	440		1113		1123		927
241-6703	307		1115		1125		965
241-8022	1217		1117		1127		967
	1219		1119		1129		973
	1222		1121	242-2987	925		975
241-8333	322		1123		927		977
241-8335	324		1125		965		979
241-8337	326		1127		967		981
241-8338	327		1129		973		983
241-8339	328	242-2982	925		975		985
241-8340	329		927		977		999
241-8341	330		965		979		1001
241-8342	331		967		981		1003
241-8792	622		973		983		1005
241-8793	622		975		985		1007
241-8794	588		977		999		1103
241-8795	589		979		1001		1105
241-8796	622		981		1003		1107
241-8797	590		983		1005		1109
241-8798	342		985		1007		1111
	343		999		1103		1113
	344		1001		1105		1115
	345		1003		1107		1117
	346		1005		1109		1119
	347		1007		1111		1121
	348		1103		1113		1123
242-2080	239		1105		1115		1125
	241		1107		1117		1127
242-2082	239		1109		1119		1129
	241		1111		1121	242-2990	965
242-2083	239		1113		1123		1007
	241		1115		1125		1107
242-2085	239		1117		1127		1109
242-2086	241		1119		1129	242-2991	925
242-2093	▶505		1121	242-2988	925		927
242-2094	▶506		1123		927		965
242-2362	338		1125		965		967
242-2365	340		1127		967		973
242-2368	336		1129		973		975

PART NUMBER INDEX

Part	Page	Part	Page	Part	Page	Part	Page
	977		1044		1058		1070
	979		1046		1060		1072
	981		1048		1066		1074
	983		1050		1068		1076
	985		1053		1070		1079
	999		1055		1072		1081
	1001		1058		1079		1083
	1003		1060		1081		1085
	1005		1062		1087		1087
	1007		1064		1089		1089
	1103		1066		1095		1091
	1105		1068		1097		1093
	1107		1070	242-3924	929		1095
	1109		1072		931		1097
	1111		1074		933		1099
	1113		1076		935		1101
	1115		1079		937	242-3926	929
	1117		1081		939		931
	1119		1083		941		933
	1121		1085		943		935
	1123		1087		945		937
	1125		1089		947		939
	1127		1091		949		941
	1129		1093		951		943
242-3419	1242		1095		953		945
242-3919	931		1097		955		947
	933		1099		957		949
	935		1101		959		951
	937	242-3922	929		961		953
	939		931		963		955
	941		933		969		957
	943		935		971		959
	945		937		987		961
	947		939		989		963
	949		941		991		969
	951		943		993		971
	953		945		995		987
	955		947		997		989
	957		949		1009		991
	959		951		1011		993
	961		953		1013		995
	963		955		1015		997
	969		957		1017		1009
	971		959		1019		1011
	987		961		1022		1013
	989		963		1024		1015
	991		1009		1027		1017
	993		1011		1029		1019
	995		1013		1032		1022
	997		1015		1034		1024
	1009		1017		1037		1027
	1011		1019		1039		1029
	1013		1022		1042		1032
	1015		1024		1044		1034
	1017		1027		1046		1037
	1019		1029		1048		1039
	1022		1032		1050		1042
	1024		1034		1053		1044
	1027		1037		1055		1046
	1029		1039		1058		1048
	1032		1042		1060		1050
	1034		1044		1062		1053
	1037		1046		1064		1055
	1039		1048		1066		1058
	1042		1050		1068		1060

PART NUMBER INDEX

Part	Page	Part	Page	Part	Page	Part	Page
	1062		1053		1044		1034
	1064		1055		1046		1037
	1066		1058		1048		1039
	1068		1060		1050		1042
	1070		1062		1053		1044
	1072		1064		1055		1046
	1074		1066		1058		1048
	1076		1068		1060		1050
	1079		1070		1062		1053
	1081		1072		1064		1055
	1083		1074		1066		1058
	1085		1076		1068		1060
	1087		1079		1070		1062
	1089		1081		1072		1064
	1091		1083		1074		1066
	1093		1085		1076		1068
	1095		1087		1079		1070
	1097		1089		1081		1072
	1099		1091		1083		1074
	1101		1093		1085		1076
242-3928	929		1095		1087		1079
	931		1097		1089		1081
	933		1099		1091		1083
	935		1101		1093		1085
	937	242-3929	929		1095		1087
	939		931		1097		1089
	941		933		1099		1091
	943		935		1101		1093
	945		937	242-3930	929		1095
	947		939		931		1097
	949		941		933		1099
	951		943		935		1101
	953		945		937	242-3931	929
	955		947		939		931
	957		949		941		933
	959		951		943		935
	961		953		945		937
	963		955		947		939
	969		957		949		941
	971		959		951		943
	987		961		953		945
	989		963		955		947
	991		969		957		949
	993		971		959		951
	995		987		961		953
	997		989		963		955
	1009		991		969		957
	1011		993		971		959
	1013		995		987		961
	1015		997		989		963
	1017		1009		991		965
	1019		1011		993		969
	1022		1013		995		971
	1024		1015		997		987
	1027		1017		1009		989
	1029		1019		1011		991
	1032		1022		1013		993
	1034		1024		1015		995
	1037		1027		1017		997
	1039		1029		1019		1009
	1042		1032		1022		1011
	1044		1034		1024		1013
	1046		1037		1027		1015
	1048		1039		1029		1017
	1050		1042		1032		1019

PART NUMBER INDEX

Part	Page	Part	Page	Part	Page	Part	Page
	1022		1009		991		969
	1024		1011		993		971
	1027		1013		995		987
	1029		1015		997		989
	1032		1017		1009		991
	1034		1019		1011		993
	1037		1022		1013		995
	1039		1024		1015		997
	1042		1027		1017		1009
	1044		1029		1019		1011
	1046		1032		1022		1013
	1048		1034		1024		1015
	1050		1037		1027		1017
	1053		1039		1029		1019
	1055		1042		1032		1022
	1058		1044		1034		1024
	1060		1046		1037		1027
	1062		1048		1039		1029
	1064		1050		1042		1032
	1066		1053		1044		1034
	1068		1055		1046		1037
	1070		1058		1048		1039
	1072		1060		1050		1042
	1074		1062		1053		1044
	1076		1064		1055		1046
	1079		1066		1058		1048
	1081		1068		1060		1050
	1083		1070		1062		1053
	1085		1072		1064		1055
	1087		1074		1066		1058
	1089		1076		1068		1060
	1091		1079		1070		1062
	1093		1081		1072		1064
	1095		1083		1074		1066
	1097		1085		1076		1068
	1099		1087		1079		1070
	1101		1089		1081		1072
	1107		1091		1083		1074
	1109		1093		1085		1076
242-3932	929		1095		1087		1079
	931		1097		1089		1081
	933		1099		1091		1083
	935		1101		1093		1085
	937	242-3936	929		1095		1087
	939		931		1097		1089
	941		933		1099		1091
	943		935		1101		1093
	945		937	242-3938	929		1095
	947		939		931		1097
	949		941		933		1099
	951		943		935		1101
	953		945		937	242-3941	929
	955		947		939		931
	957		949		941		933
	959		951		943		935
	961		953		945		937
	963		955		947		939
	969		957		949		941
	971		959		951		943
	987		961		953		945
	989		963		955		947
	991		969		957		949
	993		971		959		951
	995		987		961		953
	997		989		963		955

PART NUMBER INDEX

Part	Page	Part	Page	Part	Page	Part	Page
	957		949		941		933
	959		951		943		935
	961		953		945		937
	963		955		947		939
	969		957		949		941
	971		959		951		943
	987		961		953		945
	989		963		955		947
	991		969		957		949
	993		971		959		951
	995		987		961		953
	997		989		963		955
	1009		991		969		957
	1011		993		971		959
	1013		995		987		961
	1015		997		989		963
	1017		1009		991		969
	1019		1011		993		971
	1022		1013		995		987
	1024		1015		997		989
	1027		1017		1009		991
	1029		1019		1011		993
	1032		1022		1013		995
	1034		1024		1015		997
	1037		1027		1017		1009
	1039		1029		1019		1011
	1042		1032		1022		1013
	1044		1034		1024		1015
	1046		1037		1027		1017
	1048		1039		1029		1019
	1050		1042		1032		1022
	1053		1044		1034		1024
	1055		1046		1037		1027
	1058		1048		1039		1029
	1060		1050		1042		1032
	1062		1053		1044		1034
	1064		1055		1046		1037
	1066		1058		1048		1039
	1068		1060		1050		1042
	1070		1062		1053		1044
	1072		1064		1055		1046
	1074		1066		1058		1048
	1076		1068		1060		1050
	1079		1070		1062		1053
	1081		1072		1064		1055
	1083		1074		1066		1058
	1085		1076		1068		1060
	1087		1079		1070		1062
	1089		1081		1072		1064
	1091		1083		1074		1066
	1093		1085		1076		1068
	1095		1087		1079		1070
	1097		1089		1081		1072
	1099		1091		1083		1074
	1101		1093		1085		1076
			1095		1087		1079
242-3942	929		1097		1089		1081
	931		1099		1091		1083
	933		1101		1093		1085
	935		929		1095		1087
	937	242-3943	931		1097		1089
	939		933		1099		1091
	941		935		1101		1093
	943		937	242-3951	929		1095
	945		939		931		1097
	947						

PART NUMBER INDEX

Part	Page	Part	Page	Part	Page	Part	Page
	1099		1091		1083		941
	1101		1093		1085		943
242-3956	929		1095		1087		945
	931		1097		1089		947
	933		1099		1091		949
	935		1101		1093		951
	937	242-3957	929		1095		953
	939		931		1097		955
	941		933		1099		957
	943		935		1101		959
	945		937	242-3959	929		961
	947		939		931		963
	949		941		933		969
	951		943		935		971
	953		945		937		987
	955		947		939		989
	957		949		941		991
	959		951		943		993
	961		953		945		995
	963		955		947		997
	969		957		949		1009
	971		959		951		1011
	987		961		953		1013
	989		963		955		1015
	991		969		957		1017
	993		971		959		1019
	995		987		961		1022
	997		989		963		1024
1009			991		1009		1027
1011			993		1011		1029
1013			995		1013		1032
1015			997		1015		1034
1017			1009		1017		1037
1019			1011		1019		1039
1022			1013		1022		1042
1024			1015		1024		1044
1027			1017		1027		1046
1029			1019		1029		1048
1032			1022		1032		1050
1034			1024		1034		1053
1037			1027		1037		1055
1039			1029		1039		1058
1042			1032		1042		1060
1044			1034		1044		1062
1046			1037		1046		1064
1048			1039		1048		1066
1050			1042		1050		1068
1053			1044		1058		1070
1055			1046		1060		1072
1058			1048		1066		1074
1060			1050		1068		1076
1062			1053		1070		1079
1064			1055		1072		1081
1066			1058		1079		1083
1068			1060		1081		1085
1070			1062		1087		1087
1072			1064		1089		1089
1074			1066		1095		1091
1076			1068		1097		1093
1079			1070	242-3960	929		1095
1081			1072		931		1097
1083			1074		933		1099
1085			1076		935		1101
1087			1079		937	242-3965	929
1089			1081		939		931

PART NUMBER INDEX

Part	Page	Part	Page	Part	Page	Part	Page
	933		1099		1091		1083
	935		1101		1093		1085
	937	242-3966	929		1095		1087
	939		931		1097		1089
	941		933		1099		1091
	943		935		1101		1093
	945		937	242-3967	929		1095
	947		939		931		1097
	949		941		933		1099
	951		943		935		1101
	953		945		937	242-3968	929
	955		947		939		931
	957		949		941		933
	959		951		943		935
	961		953		945		937
	963		955		947		939
	969		957		949		941
	971		959		951		943
	987		961		953		945
	989		963		955		947
	991		969		957		949
	993		971		959		951
	995		987		961		953
	997		989		963		955
1009			991		969		957
1011			993		971		959
1013			995		987		961
1015			997		989		963
1017			1009		991		969
1019			1011		993		971
1022			1013		995		987
1024			1015		997		989
1027			1017		1009		991
1029			1019		1011		993
1032			1022		1013		995
1034			1024		1015		997
1037			1027		1017		1009
1039			1029		1019		1011
1042			1032		1022		1013
1044			1034		1024		1015
1046			1037		1027		1017
1048			1039		1029		1019
1050			1042		1032		1022
1053			1044		1034		1024
1055			1046		1037		1027
1058			1048		1039		1029
1060			1050		1042		1032
1062			1053		1044		1034
1064			1055		1046		1037
1066			1058		1048		1039
1068			1060		1050		1042
1070			1062		1053		1044
1072			1064		1055		1046
1074			1066		1058		1048
1076			1068		1060		1050
1079			1070		1062		1053
1081			1072		1064		1055
1083			1074		1066		1058
1085			1076		1068		1060
1087			1079		1070		1062
1089			1081		1072		1064
1091			1083		1074		1066
1093			1085		1076		1068
1095			1087		1079		1070
1097			1089		1081		1072

PART NUMBER INDEX

Part	Page	Part	Page	Part	Page	Part	Page
	1074		46		538		943
	1076		47	243-0551	17		945
	1079		50		18		947
	1081		51		19		949
	1083		53		20		951
	1085	243-0141	933		▶34		953
	1087		935	243-1159	43		955
	1089		937		44		957
	1091		939		46		959
	1093		1011		47		961
	1095	243-0142	941		50		963
	1097		943		51		969
	1099		945		53		971
	1101		947	243-1560	1		987
242-4907	342		1013		3		989
242-4908	343	243-0143	949		5		991
242-4909	344		951		7		993
242-4910	345		953		9		995
242-4911	346		955		11		997
242-4912	347		987		13		1009
242-4913	348		991		15		1011
242-4914	332		993		▶377		1013
	349		1015		▶378		1015
	350	243-0144	957	243-1586	892		1017
242-4915	334		959	243-1601	▶892		1019
242-4994	▶908		961		895		1022
242-8188	▶322		963	243-2906	219		1024
242-8189	▶323		989	243-2907	▶220		1027
242-8191	▶324		995	243-2909	222		1029
242-8192	▶325		997	243-2911	222		1032
242-8193	▶326		1017	243-2913	222		1034
242-8194	▶327	243-0145	933		223		1037
242-8197	▶328		937	243-2914	▶222		1039
242-8198	▶329	243-0146	941	243-2916	▶223		1042
242-8199	▶330		945	243-2917	▶224		1044
242-8200	▶331	243-0147	931	243-2919	▶215		1046
242-8291	▶239		949	243-2933	759		1048
242-8292	▶241		953		762		1050
242-8298	239		987		765		1053
	241		993		768		1055
	242	243-0148	929	243-3538	▶332		1058
	243		957	243-3539	▶334		1060
	245		961	243-3540	▶336		1062
	246		989	243-3541	▶337		1064
	247	243-0149	935	243-3542	▶338		1066
	248	243-0150	943		▶339		1068
	249	243-0151	951	243-4027	▶340		1070
	250		991		▶341		1072
	580	243-0152	959	243-4797	▶471		1074
242-8300	239	243-0153	939	243-5027	166		1076
242-8301	241		1011		167		1079
242-8310	279	243-0154	947		179		1081
	281		1013		181		1083
	418	243-0155	955		182		1085
242-8314	239		1015		184		1087
	241	243-0156	963		193		1089
242-8315	▶219		995		195		1091
242-9328	965		1017		1244		1093
	1001	243-0167	533	243-5220	929		1095
242-9332	965		537		931		1097
	1001		543		933		1099
	1003		827		935		1101
	1007		839		937	243-5241	▶622
242-9537	43		840		939	243-5380	925
	44	243-0168	530		941		927

PART NUMBER INDEX

Part	Page	Part	Page	Part	Page	Part	Page
	929		1066	244-5760	533		768
	931		1068		543	245-2097	755
	933		1070		839		759
	935		1072		840		762
	937		1074	244-8559	893		765
	939		1076	244-8560	342		768
	941		1079		343	245-2098	755
	943		1081		344		759
	945		1083		345		762
	947		1085		346		765
	949		1087		347		768
	951		1089		348	245-2112	▶507
	953		1091	244-8561	349	245-2113	▶508
	955		1093		350	245-2115	242
	957		1095	244-8562	342	245-2116	243
	959		1097		343		245
	961		1099		344	245-2118	755
	963		1101		345		759
	965		1103		346		762
	967		1105		347		765
	969		1107		348		768
	971		1109	244-8563	342	245-2119	691
	973		1111		343		694
	975		1113		344		697
	977		1115		345		700
	979		1117		346		703
	981		1119		347		706
	983		1121		348		709
	985		1123	244-8564	349		712
	987		1125		350	245-2123	432
	989		1127	244-8565	349		1208
	991		1129		350		1217
	993	243-5599	▶585	244-9570	638		1219
	995	243-5636	▶342		787		1222
	997	243-5643	▶343	244-9572	623	245-2124	432
	999	243-5645	▶344	244-9578	▶259		1208
	1001	243-5646	▶345	244-9579	▶596		1217
	1003	243-5648	▶346	244-9580	596		1219
	1005	243-5649	▶347	244-9613	1190		1222
	1007	243-5650	▶348	244-9847	326	245-2634	142
	1009	243-5651	▶349		328	245-2639	▶893
	1011		▶350		337	245-2875	242
	1013	243-6288	▶586		339		243
	1015	243-6326	586		341		245
	1017	243-6327	587	245-2065	1		246
	1019	243-6718	54		3		247
	1022	243-7092	▶587		5		248
	1024	243-7093	▶588		7		249
	1027	243-7094	▶589		▶142		250
	1029	243-7095	▶590	245-2084	▶309		580
	1032	243-7097	529	245-2085	▶310	245-2987	1156
	1034		531	245-2094	623		1157
	1037		535	245-2095	623		1158
	1039	243-7098	529		654	245-2989	1158
	1042		531		656	245-2991	1156
	1044	244-0908	304		658	245-2992	1157
	1046	244-1645	162		744	245-3599	▶1202
	1048	244-1857	755		759	245-5739	1217
	1050	244-1878	220		762		1219
	1053	244-3630	336		765		1222
	1055		338		768	245-7694	▶242
	1058		340	245-2096	755	245-7695	▶243
	1060	244-3631	327		759	245-7696	▶245
	1062		329		762	246-0985	691
	1064	244-3634	534		765		697

PART NUMBER INDEX

Part	Page	Part	Page	Part	Page	Part	Page
	703		955		▶925	249-2696	561
	709		963	247-1829	910	249-4654	241
246-0988	242		969		▶927	250-0466	57
246-0989	243		971	247-2587	▶393		59
	245		981	247-2628	423	250-2940	110
246-0992	216		995	247-2701	▶411	250-7842	999
	217		1009	247-2705	▶412		1005
246-0993	242		1011	247-3472	399	250-7843	979
	243		1013		401	250-7844	973
	245		1015	247-4778	654	250-7845	981
246-0994	246		1017		656	250-7846	1003
	247		1029		658		1007
	248		1032		744	250-7847	967
	249		1044		759	250-7848	975
	250		1046		762	250-7849	983
	580		1066		765	250-7850	927
246-0999	654		1068		768	250-7851	977
	656		1087	247-4779	654	250-7852	925
	658		1089		656	250-7853	979
	744		1091		658		999
	759		1093		744		1005
	762		1095		759	250-7854	973
	765		1097		762		981
	768		1099		765	250-7855	927
246-1428	▶391		1101		768		967
246-2207	804	246-5896	554	247-6119	▶910		975
246-3101	▶392	246-5897	1244	247-6121	▶911		983
246-3102	▶393	246-6074	203	247-6122	▶911	250-7856	925
246-3129	162	246-6087	▶203	247-6124	▶911		977
	163		210	247-6125	▶911		985
	164	246-6490	▶553	247-6126	▶911	250-7868	925
	165	246-6491	▶554	247-6127	▶912		927
246-3130	162	246-6492	▶555	247-6128	▶912		967
	163	246-6493	▶556	247-6129	▶912		973
	164	246-6494	▶557	247-6130	110		975
	165	246-6495	▶558	247-7133	153		977
246-3131	162	246-6496	▶559		155		979
	163	246-6497	▶560	247-9908	66		981
246-3132	158	246-6851	▶311		72		983
	▶162		845	248-4068	377		985
246-3214	553	246-6852	▶312	248-6502	170		999
	554		843		172		1001
	555		847		174		1003
	556	246-6853	▶313		176		1005
	557		844		185		1103
	558	246-6868	▶314		187		1105
	559		846		189		1111
	560	246-6899	555		191		1113
	561	246-6900	556		197		1115
	562	246-6901	557		199		1117
246-4120	411	246-6902	558	248-7330	170		1119
	412	246-6903	559		172		1121
246-4142	▶389	246-6904	560		174		1123
246-4168	124	246-7180	210		176		1125
246-5009	203	247-1705	▶908		185		1127
246-5010	203	247-1706	▶909		187		1129
246-5890	▶361	247-1707	▶909		189	250-7869	925
246-5891	▶807	247-1708	▶909		191		927
246-5892	361	247-1709	▶909		197		967
	824	247-1710	▶909		199		973
246-5893	807	247-1711	▶910	249-0096	438		975
246-5894	411	247-1712	▶910		440		977
	412	247-1713	▶910		▶449		979
246-5895	939	247-1714	▶910	249-0991	230		981
	947	247-1824	909	249-2695	▶561		983

PART NUMBER INDEX

Part	Page	Part	Page	Part	Page	Part	Page
	985		1099		11		17
	999		1101		15	257-3276	1
	1001	251-4152	562		▶80		3
	1003	251-4165	▶562	254-8096	246		5
	1005	251-8101	304		247		7
	1103	251-9202	1138		248		9
	1105		▶1142		249		11
	1111		▶1143		250		13
	1113		1148		580		15
	1115	252-0476	▶1232	254-9353	1		▶95
	1117	252-0652	17		3	257-4301	▶458
	1119		18		5		460
	1121		19		7	258-0883	254
	1123		20		▶260		▶521
	1125		▶110	254-9354	1	258-4700	▶390
	1127	252-0656	110		3		1217
	1129	252-1731	1217		5		1219
250-8279	485		1219		7		1222
251-1413	▶1192		1222		▶254	258-4701	432
251-1455	985	252-1732	432	255-1085	411	258-4702	1208
251-3484	969		1208		▶1244	258-6763	▶619
	1009		1217	255-1087	412	258-6773	▶407
251-3485	997		1219		▶423	258-6774	407
251-3486	971		1222	255-2224	518	258-6776	▶1201
251-3487	969	252-1846	▶230	255-5477	233	258-6778	▶1213
	971		231		234	258-6779	1213
	1009	252-2050	1139	255-6092	1		▶1214
251-3488	969		▶1145		3	258-6780	1214
	971		▶1146		5	258-6782	▶1183
	987	253-0618	277		7	258-6783	1183
	989	253-1752	54		9		▶1184
	991	253-3023	▶1191		11		▶1186
	993	253-3265	260		13		▶1188
	995	253-3266	260		15	258-6784	1184
	997	254-1265	1142		▶212		1186
	1053		1143	255-6093	212		1188
	1055		1145	256-4285	835	258-6786	▶610
	1062		1146		836	258-6787	610
	1064	254-1490	▶783	256-5280	239		▶611
	1074	254-1492	783	256-6453	464	258-6788	611
	1076	254-1493	783		465	258-6790	▶410
	1083	254-4229	423	257-3111	1	258-6791	▶1215
	1085		1148		3	258-6792	1215
	1091	254-4231	423		5		▶1217
	1093		1148		7		▶1219
	1099	254-4233	423		9		▶1222
	1101	254-4235	423		11	258-6793	1217
251-3489	969		1107		13		1219
	971		1115		15		1222
	987		1119		▶143	258-6795	▶424
	989		1123		▶144	258-6796	424
	991		1127	257-3113	1		▶523
	993		1129		3		▶525
	995		1148		5		▶527
	997	254-4238	423		7	258-6797	523
	1053		1244		9		525
	1055	254-4293	210		11		527
	1062	254-5845	423		13	258-6799	▶1196
	1064		1244		15	258-6800	1196
	1074	254-5846	423		▶108		▶1203
	1076		1244	257-3199	14	258-6801	1203
	1083	254-5847	423		16	258-6802	▶620
	1085		1244		18	258-6810	▶1176
	1091	254-5858	3	257-3201	9	258-6811	1176
	1093		7		11	258-6812	▶605

PART NUMBER INDEX

Part	Page	Part	Page	Part	Page	Part	Page
258-8684	▶166		174	261-7124	▶384		830
	170		185	261-7125	▶385		831
	172		187	261-7126	▶386		833
	174		189	261-7127	▶1190		841
	176	260-4791	170	261-7137	▶371		845
	197		172		▶373		855
258-8685	▶167		174	261-7139	576		856
	185		185	261-7255	371		857
	187		187		1209		863
	189		189		1217	262-2878	378
	191	260-4793	170		1219	262-3933	170
	199		172	261-7256	371		172
258-8721	117		174		373		174
	118		176		376		176
	119		185		1209		197
258-9451	1142		187		1217	262-4281	▶1154
	1143		189		1219	262-7996	17
258-9452	1138		191	261-7632	▶404		18
	1148		197	261-7633	404		▶71
258-9454	1145		199	261-7635	404	262-9570	413
	1146	260-5144	▶606	261-7645	▶1178		416
259-0240	▶563	260-5145	606	261-7646	1178		417
259-0241	▶564	260-5311	298	261-7828	1184	262-9625	▶1151
259-0242	▶565	260-5312	503		1186	262-9635	▶429
259-0243	▶566	260-6688	424		1188	263-1253	517
259-0982	▶1138		1213		1206		518
259-0983	▶1139		1215	261-7829	1184		519
259-6385	216	261-0000	1177		1186	263-3101	517
	217	261-0001	▶1177		1188		518
260-0526	605	261-0002	607		1206		519
260-0556	▶789	261-0003	▶607	261-7837	▶403	263-3102	▶517
260-0568	▶1150	261-3429	62	261-7982	1203		▶518
260-0569	1150		64		1204	263-4920	62
260-4784	▶170	261-3430	62	261-8427	▶1152		64
	▶172		64	261-8428	▶1153	263-5055	69
	▶174	261-3854	1184	261-8429	▶1227		▶72
	▶176		1186	261-8430	▶504	263-5057	1160
260-4786	170		1188	261-8479	▶576		1161
	172		1206	261-8480	576		1162
	174	261-5132	▶1156	261-9206	539	263-5120	▶138
	176	261-5133	▶1157		899		▶139
	185	261-5503	522	261-9207	539	263-5804	1233
	187		1184		899		1235
	189		1186	261-9338	613	263-8004	▶146
	191		1188	262-0971	18	263-9327	654
	197		1206		▶231		656
	199	261-5611	1209	262-1758	1		658
260-4787	170	261-5612	299		3		744
	172	261-5613	▶390		5		759
	174	261-5614	▶388		7		762
	176		1153		▶77		765
	185	261-5616	▶393	262-2866	311		768
	187		1152		319	263-9328	654
	189	261-5621	▶389		790		656
	191		1154		791		658
	197	261-5824	▶503		792		744
	199	261-5825	▶379		793		759
260-4788	170	261-5828	▶432		817		762
	172	261-5829	▶433		818		765
	174		▶434		819		768
	185	261-6623	▶1208		820	263-9331	654
	187	261-6626	▶298		825		656
	189	261-6627	▶299		826		658
260-4790	170	261-6630	▶1209		828		744
	172	261-7123	▶383		829		759

PART NUMBER INDEX

Part	Page	Part	Page	Part	Page	Part	Page
	762		652		172	267-1112	623
	765		719		174		737
	768		723		176		755
263-9334	654		727		185	267-1226	▶1159
	656		731		187		1203
	658	264-4297	254		189		1204
	744		467		191	267-1370	755
	759		468		197	267-2566	755
	762		469		199	267-2839	162
	765	264-5732	573	266-0602	623		163
	768	264-5847	▶623		738		164
263-9335	654		740		756	267-4631	▶55
	656		741	266-1417	▶612		56
	658		742	266-1419	612	267-4632	▶56
	744		743		▶613		59
263-9336	654	264-6041	1179	266-1422	▶1179	267-7280	1184
	656	264-6550	429	266-1425	▶1197		1186
	658	264-6806	1204	266-1426	1197		1188
	744	264-7090	▶147		▶1204		1206
	759	264-7111	170	266-1427	▶1158	267-7294	356
	762		172	266-1500	638	267-9283	579
	765		174		691	268-0084	230
	768		176		697	268-0220	230
263-9337	654		185		703		235
	656		187		709	268-0866	▶895
	658		189		787	268-0889	▶579
	744		191		788	268-1236	▶315
263-9343	▶435		197	266-1503	691	268-1237	▶316
263-9344	107		199		697	268-1238	▶317
263-9345	107	264-7112	170		703	268-1239	▶318
263-9346	▶107		172		709	268-1458	1184
264-0217	▶472		174		788	268-1474	249
264-0218	472		176	266-2125	1233	268-1475	246
	474		185	266-2693	354	268-1476	248
264-0255	▶152		187		356		250
264-0256	▶130		189	266-2701	▶1180	268-1477	247
264-0258	▶131		191	266-5311	1	268-1478	580
264-2467	9		197		3	268-1480	249
	11		199		5	268-1481	246
	13	264-7113	▶204		7	268-1482	248
	15	264-7114	▶206		▶569		250
	▶258	264-7115	▶208	266-6038	57	268-1483	247
264-3318	654	264-7116	204		59	268-1484	580
	656		206	266-7103	▶912	268-2647	405
	658		208	266-7104	▶912	268-2649	▶405
	744	265-0740	▶1233	266-7105	▶913	268-2960	234
	759	265-0745	262	266-7106	▶913		235
	762		264	266-7107	▶913	268-3155	▶413
	765		265	266-7108	▶913		▶414
	768		266	266-7109	▶913		▶415
264-3319	654	265-0746	152	266-7116	▶388	268-3156	413
	656		266	266-7424	▶1163		414
	658		273	266-8298	▶319		415
	744	265-0747	266		817	268-3157	413
264-3320	654		273		828		414
	656	265-2887	755		833		415
	658	265-2888	737	266-8550	179		416
	744		755		181		417
	759	265-2889	755		195	268-3158	413
	762	265-2890	737	266-8948	808		414
	765		755		813		415
	768	265-7214	373		834		416
264-3325	646		376	267-1111	623		417
	648		1209		737	268-3645	279
	650	265-7676	170		755		281

PART NUMBER INDEX

Part	Page	Part	Page	Part	Page	Part	Page
	283		798	272-4927	179		759
	284		799	272-4928	179		762
268-3649	279		800	272-4929	179		765
	283		806	272-4930	179		768
268-5543	1201		808	272-4932	179	273-2082	623
268-5582	93		809	272-4982	179		738
268-5589	93		810		181		756
268-8667	▶431		811		195	273-2083	623
268-9918	▶279		812	272-4985	182	273-2084	623
	▶281		813	272-5064	182	273-2092	623
269-0483	▶262		814	272-5101	182		738
	▶264		815	272-5102	182		756
269-2436	614		816	272-5105	182	273-2093	623
269-2437	614		821	272-5107	182		738
269-2455	265		822	272-5108	182		756
	271		823	272-5121	182	273-2094	1182
269-2571	262		832	272-5123	182	273-2095	1181
	264		834		184	273-2983	▶21
	272		842		193	273-2984	▶22
269-2572	262		843	272-5125	182	273-2985	▶23
269-3785	784		844	272-5127	182	273-2986	▶24
269-3786	784		846	272-5167	166	273-4923	654
269-3802	784		847		167		656
269-3851	▶784		848	272-5700	166		659
269-5164	591		849		▶179		744
269-5165	608		850		▶181		759
269-6348	51		851	272-5701	166		762
269-7000	▶283		852		▶182		765
	▶284		853		▶184		768
269-7344	283		854	272-6954	▶568	273-4924	654
	284		858	272-9739	▶1		656
269-7403	▶265		859		21		659
269-8078	▶466		860	272-9740	▶3		744
	▶467		861		22		759
269-8107	1211		862	272-9741	▶5		762
269-8111	▶1211	270-8266	1		23		765
269-8150	1184		3	272-9742	▶7		768
269-8465	▶591		5		24	273-4925	756
269-8466	▶608		7	273-0023	1	273-4926	654
269-8483	584		9		3		656
269-8486	▶584		11		▶17		658
269-8609	▶614		13	273-0024	5		744
	615		15		7	273-4927	654
270-0161	499		▶213		▶18		656
270-0163	499	271-2733	178	273-0028	9		658
270-0171	▶499	271-4381	▶178		11		744
270-1902	▶387	271-7537	438		▶19	273-4928	654
270-3124	▶302		▶459	273-0029	13		656
270-3125	▶303	271-7538	438		15		658
270-3235	499		▶460		▶20		744
270-3862	▶737	271-9984	610	273-1051	▶393		759
	746		612		397		762
	747		1183	273-1540	1158		765
	748		1196	273-1541	1156		768
	749		1197	273-1542	1157	273-4929	618
270-4997	380		1200	273-2074	623		658
270-5000	▶380	272-0225	▶266		737	273-4930	654
270-5320	253	272-0390	33		755		656
270-8174	312	272-1732	1233	273-2081	623		658
	313	272-2205	▶501		654		744
	314	272-2645	1231		656		755
	794	272-4886	▶567		658		759
	795	272-4921	179		737		762
	796	272-4923	179		744		765
	797	272-4925	179		755		768

PART NUMBER INDEX

Part	Page	Part	Page	Part	Page	Part	Page
273-4932	▶618		656		752		▶703
	654		658		753		▶706
	656		744		754	275-5030	689
	658		759	275-3266	750		▶709
	744		762	275-3268	750		▶712
	759		765	275-3269	750	275-5031	691
	762		768	275-3270	750		694
	765	274-9892	654	275-3271	750		▶751
	768		656	275-3272	750	275-5032	697
273-5578	618		658	275-3273	737		700
	658		744		755		▶752
273-5579	623		759	275-4132	623	275-5033	703
	▶1181		762		654		706
273-5581	623		765		656		▶753
	▶1182		768		658	275-5034	709
274-1340	▶500	274-9893	654		737		712
274-1978	288		656		744		▶754
274-1979	▶288		658		755	275-5035	751
274-2195	1231		744		759		752
274-4053	17	275-2202	▶642		762		753
	▶232	275-2203	▶643		765		754
274-4491	118	275-2204	▶644		768		▶755
	119	275-2205	▶645	275-4133	623	275-5713	▶715
274-6295	232	275-2206	642		737	275-5714	▶716
	▶233		▶646		755	275-5715	▶717
274-6717	450	275-2207	643	275-4134	755	275-5716	▶718
274-6718	449		▶648	275-4135	755	275-5717	715
274-6719	451	275-2208	644	275-4136	737		▶719
274-7395	436		▶650		755	275-5718	716
	▶468	275-2209	645	275-4137	737		▶723
274-7396	436		▶652		738	275-5719	717
	▶469	275-2210	646		755		▶727
274-7819	▶625		▶744		756	275-5720	718
274-7820	▶627	275-2213	648	275-4139	737		▶731
274-7821	▶629		▶654		755	275-5721	719
274-7822	▶630	275-2214	650	275-4287	737		▶759
274-7823	625		▶656		755	275-5722	723
	▶632	275-2215	652	275-4288	737		▶762
274-7824	627		▶658		738	275-5723	727
	▶634	275-2217	▶661		756		▶765
274-7825	629	275-2218	▶663	275-4290	737	275-5724	731
	▶636	275-2219	▶665		756		▶768
274-7826	630	275-2220	▶667	275-4293	738	275-7687	1239
	▶638	275-2221	661		756	275-8520	1146
	▶640		▶669	275-4294	737		1217
274-7827	632	275-2222	663		755		1219
	▶740		▶672	275-4305	788		1222
274-7828	634	275-2223	665	275-4306	691	275-8628	▶1235
	▶741		▶675		697	276-0138	▶474
274-7829	636	275-2224	667		703	276-1068	474
	▶742		▶678		709		479
274-7830	638	275-2225	669		788		481
	640		▶746	275-4308	339	276-1784	216
	▶743	275-2226	672		341	276-1785	▶216
274-7838	691		▶747	275-5023	▶681		661
	697	275-2227	675	275-5024	▶684		663
	703		▶748	275-5025	▶687		665
	709	275-2228	678	275-5026	▶689		667
	788		▶749	275-5027	681		681
274-9044	691	275-3265	746		▶691		684
	697		747		▶694		687
	703		748	275-5028	684		689
	709		749		▶697	276-2658	1160
	788		▶750		▶700	276-2665	1161
274-9891	654		751	275-5029	687	276-2672	1162

PART NUMBER INDEX

Part	Page	Part	Page	Part	Page	Part	Page
276-4752	571		603		199	282-6075	593
	573		1166	280-8706	461	282-6076	▶1166
276-4753	14		1167	280-9010	375	282-6077	1166
	16		1225	281-1640	▶64	282-6078	▶1167
	▶571		1226		72	282-6079	1167
276-4754	278	279-6986	603	281-2725	285	282-6264	1168
276-4755	159		1225		▶286	282-6265	▶1168
	▶163		1226	281-4494	▶1198	282-6280	1169
276-4756	163	279-7015	▶598	281-6706	776	282-6281	▶1169
	164	279-7038	603	281-6707	▶776	282-6284	1170
	165	279-7047	598	281-7409	735	282-6285	▶1170
276-5317	117	279-7048	▶1225	281-7414	735	282-6286	▶603
	118	279-7049	602	281-7417	735	282-6287	▶1171
	119	279-7050	▶1226	281-7420	735	282-6288	▶604
276-6993	597	279-7064	248	281-7422	735	282-6296	1172
276-6994	▶597	279-7065	▶248	281-7425	735	282-6297	▶1172
276-8020	9	279-7080	249	281-7426	▶735	282-6300	1173
	11	279-7081	▶249		740	282-6301	▶1173
	13	279-7084	250		741	282-6302	785
	15	279-7085	▶250		742		786
	▶278	279-8724	323		743	282-6303	▶785
276-8548	438		325	281-7429	625	282-6305	▶786
	440	279-8770	9		627	282-6310	583
	▶450		11		629	282-6311	▶583
276-9067	278		13		630	282-6314	1174
	438		15		▶736	282-6315	▶1174
	440		▶155	281-7430	623	282-6319	▶780
	▶451	279-8774	9	281-7431	638	282-6320	780
276-9769	19		11		787	282-6372	1226
	20		13		▶1133	282-6373	1225
	▶438		15	281-7432	1133	282-7884	375
	▶440		▶267	281-7435	735		376
277-3571	▶1230		▶269	281-7436	735		▶394
278-0592	485	279-9828	▶461	281-7437	735	282-7886	371
278-1365	118		463	281-7464	623		373
	121	279-9830	459	281-7481	▶777	282-9881	▶375
278-1929	101		462	281-7482	777		▶376
	▶118	280-0777	604	281-7494	▶217	282-9883	371
278-2341	353	280-0780	1171		625		373
278-5657	32	280-0785	▶773		627		375
278-5662	17	280-0786	773		629		376
	18	280-0801	217		630	282-9885	351
	19	280-0819	599	281-7498	1133	282-9957	▶351
	20	280-0820	▶599	281-7503	736	282-9958	▶352
	▶32	280-0824	600	281-7504	736	283-0572	210
	▶33	280-0825	600	281-7505	736	283-0603	▶210
278-7096	▶1239	280-0826	▶600	281-7506	736	283-1107	485
	▶1240	280-0846	▶774	281-7514	▶778	283-4610	184
278-7743	638	280-0847	774	281-7515	778	283-4611	184
	691	280-3979	64	281-7527	▶582	283-4612	184
	697	280-3988	▶775	281-7528	582		193
	703	280-3989	775	281-7534	601	283-4613	184
	709	280-3999	▶581	281-7535	▶601	283-4614	184
	787	280-4000	581	281-7568	638		193
	788	280-7359	▶185		787	283-4615	184
279-1152	110		▶187	281-7569	638		193
279-3444	▶615		▶189		787	283-4616	184
279-6898	▶246		▶191	281-7696	▶779	283-4617	184
279-6899	246	280-7373	164	281-7698	779	283-4618	184
279-6912	▶247	280-7374	160	282-0624	217	283-4621	167
279-6913	247		▶164	282-2737	▶151		▶193
279-6923	▶580	280-7672	185	282-4835	▶602	283-4622	167
279-6924	580		187	282-6051	▶592		▶195
279-6979	592		189	282-6052	592	283-4623	195
	593		191	282-6074	▶593	283-4624	167

PART NUMBER INDEX

Part	Page	Part	Page	Part	Page	Part	Page
283-4625	167	283-9204	494	284-9192	▶364	287-3368	▶28
283-4626	167		541	284-9195	▶536	287-4914	▶197
283-4627	167	283-9205	494	284-9197	▶537	287-4958	271
283-4628	195		541	284-9199	▶538		272
283-4629	195	283-9207	365	284-9215	▶307		273
283-4894	166		430	284-9216	▶828	287-4959	▶271
	167	283-9208	494	284-9217	▶829	287-4961	▶272
283-4895	166		495	284-9218	▶830	287-4962	▶273
283-4896	166		540	284-9219	▶831	287-4963	▶293
	167		541	284-9220	896		▶294
283-4897	166	283-9209	494	284-9221	896	287-8076	623
283-4898	166		495	284-9222	▶896	288-4881	64
283-5476	181		540		898	288-4882	64
283-5477	181		541	284-9223	▶897	288-4883	62
	195	283-9210	494	284-9224	▶898		64
283-5478	181		495	284-9225	▶539	288-4884	62
	195		540	284-9226	▶899		64
283-5479	181		541	284-9227	▶365	288-8593	381
283-5480	181	283-9211	362		419	288-8608	▶381
283-5481	181		▶363	284-9228	▶419		▶382
	195	284-1428	▶1164	284-9229	366		1188
283-5482	181		▶1165	284-9230	342	289-2764	1206
283-5608	▶389	284-2711	▶234		343	289-2766	1175
283-7921	195		237		344	289-2768	▶833
283-7922	195	284-2712	▶235		345	289-2769	▶834
283-7923	193		236		346	289-2770	▶835
283-7924	193	284-2776	18		347	289-2771	835
283-7925	193		20		348	289-2772	835
283-7926	193		▶236		▶366		836
283-7927	193	284-2777	17	284-9231	367	289-2773	835
283-7928	193		19	284-9232	349	289-2774	835
283-9151	1164		▶237		350	289-2775	▶836
	1165	284-7639	▶353		▶367	289-2776	836
283-9152	▶781	284-8095	2	284-9241	▶427	289-2777	836
283-9173	363		6	284-9242	427	289-2778	836
283-9174	▶362		9		▶540	289-2789	▶837
283-9175	490		14	284-9243	▶428	289-2790	837
	491		▶126	284-9244	428		838
283-9176	490	284-9148	495		▶541	289-2791	837
	491		540	284-9245	▶420	289-2792	837
283-9177	490	284-9149	495	284-9247	▶832	289-2793	837
283-9178	▶1199		540	285-0823	36	289-2794	838
283-9182	492	284-9150	495	285-9134	202	289-2795	838
283-9183	▶490		540	286-0607	170	289-2796	838
283-9184	▶491	284-9151	420		172	289-2797	▶838
283-9185	▶492		▶430		174	289-2797	542
283-9186	▶808	284-9154	▶425		176	289-2814	▶542
283-9187	▶809	284-9155	▶426		187	289-2815	533
283-9188	▶810	284-9156	493		189		543
283-9189	▶811	284-9157	▶493		191		839
283-9190	▶812		897		197		840
283-9191	▶813	284-9158	▶825		199	289-2816	▶839
283-9192	▶814	284-9159	▶826	286-2426	▶1242	289-2817	▶543
283-9193	▶815	284-9172	425		▶1243	289-2818	▶840
283-9194	▶816		▶494	286-4918	▶9	289-2819	839
283-9195	▶817	284-9173	426		25		840
283-9196	▶818		▶495	286-4919	▶11	289-4769	925
283-9197	▶819	284-9184	▶529		26		927
283-9198	▶820	284-9185	▶827	286-4920	▶13		929
283-9199	▶821	284-9186	▶530		27		931
283-9200	▶822	284-9187	▶531	286-4921	▶15		1019
283-9201	▶823	284-9188	▶532		28		1024
283-9202	▶824	284-9189	▶533	287-3365	▶25		1029
283-9203	494	284-9190	▶534	287-3366	▶26		1034
	541	284-9191	▶535	287-3367	▶27		1039

PART NUMBER INDEX

Part	Page	Part	Page	Part	Page	Part	Page
	1044	295-2252	▶476		861	304-4156	93
	1048	295-2367	900	299-5917	▶858	305-9196	59
	1053	295-2372	▶900	299-5918	859		▶114
	1058		901	299-5919	▶859	306-3998	487
	1062	295-2373	▶901	299-5920	860	306-6386	341
	1066	295-2374	902	299-5921	▶860	306-6387	339
	1070	295-2379	▶902	299-5922	▶861	307-0492	▶368
	1074		903	299-5937	1214	307-6560	929
	1079	295-2381	▶903	299-8145	1243		931
	1083	295-2382	408				933
	1087	295-2383	▶408				935
	1091	295-2384	409	3			937
	1095	295-2385	▶409				939
	1099	295-2752	▶479	300-7645	1158		941
	1103		▶481		▶1160		943
	1107	296-3167	1235	300-7646	1156		945
	1111	297-1813	42		▶1161		947
	1115	297-9744	654	300-7647	1157		949
	1119		656		▶1162		951
	1123		658	300-9744	▶354		953
	1127		744	300-9745	▶356		955
	1129		759	300-9804	440		957
289-8215	33		762		▶462		959
289-9478	368		765	300-9805	440		961
	▶395		768		▶463		963
289-9479	▶396	297-9745	654	301-3039	862		969
289-9728	▶397		656	301-3040	▶862		971
290-3741	▶1200		658	301-8312	1143		987
290-3742	1200		744		1146		989
	▶1206		759	301-8313	525		991
290-4433	1209		762		527		993
290-6339	▶199		765		1165		995
291-4001	632		768		1219		997
	634	298-1574	737		1222		1009
	636	298-5189	382	301-8315	1143		1011
	640	298-5296	▶842		1146		1013
	▶787	298-5297	842	301-8316	525		1015
291-4002	669	299-1524	281		527		1017
	672		284		1165		1019
	675	299-5889	▶843		1219		1022
	678	299-5890	▶844		1222		1024
	694	299-5891	▶845	301-8317	525		1027
	700	299-5892	▶846		527		1029
	706	299-5893	▶847		1219		1032
	712	299-5894	848		1222		1034
	▶788		854	301-8318	525		1037
292-0233	841	299-5895	▶848		527		1039
292-0234	▶841	299-5896	▶849		1219		1042
292-2291	▶519	299-5897	849		1222		1044
292-5967	▶1212		853	301-8325	1219		1046
293-2811	▶1175	299-5898	▶850		1222		1048
293-5313	9	299-5899	850	301-8326	1219		1050
	11	299-5900	851		1222		1053
	14	299-5901	▶851	301-8327	1219		1055
	16	299-5902	852		1222		1058
	▶573	299-5903	▶852	303-3430	1232		1060
295-2249	▶416	299-5905	▶853	303-3431	1240		1062
	▶417	299-5907	▶854	303-3433	1243		1064
	▶418	299-5908	855	303-3434	1232		1066
295-2250	416	299-5909	856	303-3440	1240		1068
	417	299-5910	▶855	303-3443	1232		1070
	418	299-5911	▶856	303-8698	165		1072
295-2251	476	299-5914	857	304-0849	433		1074
	479	299-5915	▶857	304-0855	433		1076
	481	299-5916	858		434		1079

PART NUMBER INDEX

Part	Page	Part	Page	Part	Page	Part	Page
	1081	318-2082	488		▶955	328-1509	1148
	1083	319-0785	92	324-7689	907	328-4236	102
	1085		93		▶957		▶120
	1087		▶122	324-7690	907	328-4238	120
	1089	319-3523	1148		▶959		▶121
	1091	319-5267	9	324-7691	907	329-4036	▶398
	1093		11		▶961	329-4037	▶370
	1095		13	324-7692	908	330-0841	883
	1097		15		▶963	330-0842	883
	1099		▶140	324-7693	908		884
	1101	319-6395	904		▶965	330-0843	866
307-8322	118	319-6397	308	324-7694	908		878
	120	319-6398	369		▶967		883
307-9598	672	319-6399	369	324-7698	908		884
308-9037	1152	319-6796	308		▶969	330-0844	864
309-1583	▶252	319-7401	54	324-7699	908		866
309-8691	▶863		▶123		▶971		877
309-8692	▶790	320-2796	▶119	324-7700	909		878
310-4511	197		120		▶973		883
	199	320-2797	119	324-7701	909		884
310-4512	176	320-4712	597		▶975	330-0845	864
	191		599	324-7702	909		866
310-4518	176		600		▶977		876
	191		601	324-7703	909		877
	197	320-9973	140		▶979	330-0846	864
	199	321-7814	789	324-7704	910		876
310-4519	176	322-0601	▶148		▶981		877
	191	322-0602	148	324-7705	910		878
	197	322-8926	914		▶983	330-0847	864
	199		▶929	324-7706	910		876
310-4586	▶509	322-8927	▶914		▶985	330-0848	865
310-4588	▶510	322-8928	929	324-7707	910		876
310-9221	▶105	323-5758	886		▶987	330-0849	865
	294		▶904	324-7708	911		877
311-1676	418	323-5759	▶308		▶989	330-0850	865
311-8082	414		887	324-7709	911		877
	415	323-5760	▶369		▶991	330-0851	865
	418		888	324-7710	911		877
311-8118	434	323-6296	914		▶993	330-0871	884
314-3063	62		▶931	324-7711	911		885
314-3064	62	323-6297	▶914		▶995	330-0872	876
314-3065	62	323-6298	931	324-7712	911		884
314-3066	62	324-7677	905		▶997		885
314-3067	62		▶933	324-7713	912	330-0873	875
314-3068	62	324-7678	905		▶999		876
314-3069	62		▶935	324-7714	912		884
314-4707	▶511	324-7679	905		▶1001		885
314-4711	▶512		▶937	324-7715	912	330-0874	871
314-4712	▶513	324-7680	905		▶1003		875
314-4714	▶514		▶939	324-7722	912		876
314-4715	▶515	324-7681	905		▶1005		884
314-5155	161		▶941	324-7723	912		885
	▶165	324-7682	906		▶1007	330-0875	871
314-7316	19		▶943	324-7724	913		875
	20	324-7683	906		▶1009		876
	▶74		▶945	324-7725	913	330-0876	871
314-7755	▶1141	324-7684	906		▶1011		875
	1143		▶947	324-7726	913	330-0877	873
	1146	324-7685	906		▶1013		875
315-6645	165		▶949	324-7727	913	330-0878	873
316-6864	276	324-7686	906		▶1015		875
317-1547	164		▶951	324-7728	913	330-0879	873
317-8766	54	324-7687	907		▶1017		875
317-9505	552		▶953	326-0317	418	330-0880	873
317-9506	434	324-7688	907	326-1641	253	330-0901	883

PART NUMBER INDEX

Part	Page	Part	Page	Part	Page	Part	Page
330-0902	883	330-0993	▶864		878		▶1055
	885	330-0994	▶864		879	338-2023	▶917
330-0903	868	330-0995	▶864		880	338-2024	917
	880	330-0996	▶865		881		▶1058
	883	330-0997	▶865		882	338-2025	▶917
	885	330-0998	▶865		883	338-2026	917
330-0904	867	330-0999	▶866		884		▶1060
	868	330-1000	▶866		885	338-2027	▶918
	879	330-1001	▶866	331-7460	864	338-2028	918
	880	330-1002	▶867		865		▶1062
	883	330-1003	▶867		866	338-2029	▶918
	885	330-1004	▶867		876	338-2030	918
330-0905	866	330-1005	▶868		877		▶1064
	868	330-1006	▶868		878	338-2031	▶918
	879	330-1007	▶868		883	338-2032	918
330-0906	866	330-1008	▶869		884		▶1066
	867	330-1009	▶869	332-7297	34	338-2033	▶918
	878	330-1010	▶869	336-8902	▶1148	338-2034	918
	879	330-1011	▶870	338-1990	▶914		▶1068
	880	330-1012	▶870	338-1991	914	338-2052	▶918
330-0907	866	330-1013	▶870		▶1019	338-2053	918
	879	330-1014	▶871	338-1992	▶914		▶1070
330-0908	868	330-1015	▶873	338-1993	914	338-2054	▶919
	878	330-1016	▶875		▶1022	338-2055	919
	880	330-1017	▶875	338-1994	▶914		▶1072
330-0909	867	330-1019	▶875	338-1995	914	338-2056	▶919
	868	330-1020	▶876		▶1024	338-2057	919
	879	330-1021	▶876	338-1996	▶915		▶1074
	880	330-1022	▶876	338-1997	915	338-2058	▶919
330-0910	867	330-1023	▶877		▶1027	338-2059	▶1076
	880	330-1024	▶877	338-1998	▶915	338-2060	▶919
330-0911	867	330-1025	▶877	338-1999	915	338-2061	919
	879	330-1026	▶878		▶1029		▶1079
330-0931	884	330-1027	▶878	338-2000	▶915	338-2062	▶919
330-0932	885	330-1028	▶878	338-2001	915	338-2063	919
330-0933	870	330-1029	▶879		▶1032		▶1081
	883	330-1030	▶879	338-2003	▶915	338-2064	▶920
	884	330-1031	▶879	338-2004	915	338-2065	920
	885	330-1032	▶880		▶1034		▶1083
330-0934	869	330-1033	▶880	338-2005	▶915	338-2066	▶920
	870	330-1034	▶880	338-2006	915	338-2067	920
	881	330-1035	▶881		▶1037		▶1085
	883	330-1036	▶881	338-2007	▶916	338-2068	▶920
	884	330-1037	▶881	338-2008	916	338-2069	920
	885	330-1038	▶882		▶1039		▶1087
330-0935	869	330-1039	▶882	338-2009	▶916	338-2070	▶920
	870	330-1040	▶882	338-2010	916	338-2071	920
	881	330-1041	▶883		▶1042		▶1089
330-0936	868	330-1074	▶883	338-2011	▶916	338-2072	▶920
	869	330-1075	▶883	338-2012	916	338-2073	920
	881	330-1076	▶884		▶1044		▶1091
	883	330-1077	▶884	338-2013	▶916	338-2074	▶921
330-0937	868	330-1078	▶884	338-2014	916	338-2075	921
	869	330-1079	▶885		▶1046		▶1093
	881	330-1080	▶885	338-2015	▶916	338-2080	▶921
330-0938	870	330-1081	▶885	338-2016	916	338-2081	921
	882	331-4932	866		▶1048		▶1095
330-0939	869		867	338-2017	▶917	338-2082	▶921
	870		868	338-2018	917	338-2083	921
	882		869		▶1050		▶1097
330-0940	869		870	338-2019	▶917	338-2084	▶921
	870		871	338-2020	917	338-2085	921
	882		873		▶1053		▶1099
330-0941	869		875	338-2021	▶917	338-2086	▶921
	882		876	338-2022	917	338-2087	921

PART NUMBER INDEX

Part	Page	Part	Page	Part	Page	Part	Page
	▶1101	338-7363	1070		1097		
338-2088	▶922		1072		1099		
338-2089	922		1074		1101		
	▶1103		1076	338-7383	1103		
338-2090	▶922	338-7364	1079		1105		
338-2091	922		1081	338-7384	1129		
	▶1105		1083	338-7386	1107		
338-2092	▶922		1085		1109		
338-2093	922	338-7365	1087		1111		
	▶1107		1089		1113		
338-2094	▶922		1091	338-7387	1115		
338-2095	922		1093		1117		
	▶1109	338-7366	1095		1119		
338-2096	▶922		1097		1121		
338-2097	922		1099	338-7388	1123		
	▶1111		1101		1125		
338-2098	▶923	338-7367	1103		1127		
338-2099	923		1105	341-0082	418		
	▶1113	338-7368	1129	341-6804	49		
338-2100	▶923	338-7369	1107		▶53		
338-2101	923		1109	343-9866	33		
	▶1115		1111	348-4103	▶406		
338-2102	▶923		1113	348-5392	406		
338-2103	923	338-7370	1115				
	▶1117		1117				
338-2104	▶923	338-7371	1119				
338-2105	923		1121				
	▶1119	338-7372	1123				
338-2106	▶923		1125				
338-2107	923	338-7373	1127				
	▶1121	338-7378	1019				
338-2108	▶924		1022				
338-2109	924		1024				
	▶1123		1027				
338-2110	▶924		1029				
338-2111	924		1032				
	▶1125	338-7379	1034				
338-2112	▶924		1037				
338-2113	924		1039				
	▶1127		1042				
338-2129	▶924		1044				
338-2130	924		1046				
	▶1129	338-7380	1048				
338-7354	1019		1050				
	1022		1053				
338-7355	1024		1055				
	1027		1058				
338-7356	1029		1060				
	1032		1062				
338-7357	1034		1064				
	1037		1066				
338-7358	1039		1068				
	1042	338-7381	1070				
338-7359	1044		1072				
	1046		1074				
338-7360	1048		1076				
	1050		1079				
	1053		1081				
	1055		1083				
338-7361	1058		1085				
	1060		1087				
	1062		1089				
	1064		1091				
338-7362	1066		1093				
	1068	338-7382	1095				

MEMORANDA



**SEBP4325-17
VOLUME I
Pages 1-576**

C15 Standby Generator Set

G6B1-Up

