

Parts Manual



See "General Information"
for New Parts Manual
Features.

C18 Marine Engine

J2K1-Up (Engine)
T2P1-Up (Engine)

Product and Dealer Information

Note: For product identification plate locations, see the section "Product Identification Information" in the Operation and Maintenance Manual.

Delivery Date: _____

Product Information

Model: _____

Product Identification Number: _____

Engine Serial Number: _____

Transmission Serial Number: _____

Generator Serial Number: _____

Attachment Serial Numbers: _____

Attachment Information: _____

Customer Equipment Number: _____

Dealer Equipment Number: _____

Dealer Information

Name: _____ Branch: _____

Address: _____

Dealer Contact

Phone Number

Hours

Sales: _____

Parts: _____

Service: _____

MEMORANDA

TABLE OF CONTENTS

Name	Page	Name	Page
GENERAL INFORMATION	A4	PLUG GP-CYLINDER BLOCK	218
REPAIR ALTERNATIVES	A6	PLUG GP-CYLINDER HEAD	228
SUPPLEMENTAL COOLANT ADDITIVES	A7	PLUG GP-ENGINE	229
MAINTENANCE PARTS	A8	PLUG GP-FLYWHEEL HOUSING	233
INDEX	A13	POWER TAKE-OFF GP	235
		ROCKER ARM GP	236
		SEAL GP-CRANKSHAFT	240
		SUPPORT GP-ENGINE	242
		V-BELT GP	245
ENGINE ARRANGEMENT	1	LUBRICATION SYSTEM	246
ENGINE AR	1	COVER GP-OIL FILLER	246
ENGINE AR-COMPLETE	29	COVER-FILTER	247
ENGINE AR-CORE	69	FASTENER GP-OIL PUMP MOUNTING	248
ENGINE AR-PRIMARY	83	FILLER GP-ENGINE OIL	249
BASIC ENGINE	95	FILTER & LINES GP-ENGINE OIL	253
ADAPTER GP-PUMP DRIVE	95	FILTER AS-ENGINE OIL	285
BASE GP-VALVE COVER & INJ HARN	96	FILTER GP-ENGINE OIL	286
CAMSHAFT GP	97	FILTER GP-FUMES DISPOSAL	329
CLUTCH AS	100	FUMES DISPOSAL GP	330
CLUTCH GP	102	GAUGE GP-OIL LEVEL (DIPSTICK)	332
COVER GP-CYLINDER BLOCK	104	LINES GP-ENGINE OIL	343
COVER GP-FLYWHEEL HOUSING	108	LINES GP-ENGINE OIL DRAIN	344
COVER GP-FRONT HOUSING	112	LINES GP-TURBOCHARGER OIL	345
COVER GP-VALVE MECHANISM	114	PLUG GP-OIL FILTER MOUNTING	350
CRANKSHAFT GP	122	PUMP GP-ENGINE OIL	352
CYLINDER BLOCK AS	123	PUMP GP-SUMP	354
CYLINDER BLOCK GP	126	SHIELD GP-ENGINE OIL LINES	361
CYLINDER HEAD AS	130	COOLING SYSTEM	368
CYLINDER HEAD GP	132	BODY AS-PUMP	368
DAMPER & PULLEY GP	136	COOLER GP-MARINE TMSN OIL	369
DRIVE GP-PUMP	139	COOLER GP-MARINE XMSN OIL	371
FASTENER GP-ENGINE	140	FLANGE GP-COOLANT LINES	374
FASTENER GP-FLYWHEEL	144	FOOT VALVE & STRAINER AS	376
FASTENER GP-FRONT COVER	146	HEAT EXCHANGER GP-SEA WATER	377
FASTENER GP-FRONT HOUSING	148	HOUSING GP-THERMOSTAT	398
FASTENER GP-VALVE MECHANISM	150	LINES GP-AUXILIARY FRESH WATER	399
FITTING GP-OIL PAN	151	LINES GP-AUXILIARY SEA WATER	403
FLYWHEEL GP	155	LINES GP-WATER	404
GEAR GP-CAMSHAFT	159	MOUNTING GP-PUMP	437
GEAR GP-FRONT	160	PLATE GP-HEAT EXCHANGER	439
GUARD GP-DAMPER	163	PLUG GP-EXPANSION TANK	444
HOUSING GP-FLYWHEEL	167	PLUG GP-WATER LINES	445
HOUSING GP-FRONT	178	PUMP AS-BILGE	452
LIFTING GP-ENGINE	182	PUMP GP-AUXILIARY SEA WATER	453
MECHANISM GP-FUEL PUMP & VALVE	185	PUMP GP-BILGE	467
MOUNTING GP-ALTERNATOR	187	PUMP GP-WATER	468
MOUNTING GP-BRACKET	194	RECOVERY GP-COOLANT	470
MOUNTING GP-ENGINE FLEXIBLE	196	SWITCH GP-COOLANT LEVEL	472
MOUNTING GP-HYD PUMP DRIVE	198	AIR INLET AND EXHAUST SYSTEM	473
PAN GP-OIL	202	AFTERCOOLER GP-RAW WATER	473
PISTON & ROD GP	210	AIR CLEANER AS	480
PLATE AS-FRONT HOUSING	217	AIR CLEANER GP	481

TABLE OF CONTENTS

Name	Page	Name	Page
BRACKET AS	516	HARNESS AS-PANEL	744
ELBOW GP-EXHAUST	517	HARNESS AS-POWER	747
FASTENER GP-AIR CLEANER	524	HARNESS AS-SENSOR	748
FASTENER GP-EXHAUST MANIFOLD	525	HARNESS AS-TRANSMISSION	749
FITTING GP-EXHAUST	526	HARNESS AS-WIRING	750
FLANGE GP-EXHAUST	528	HEATER GP-JACKET WATER	756
LINES GP-AFTERCOOLER DRAIN	531	MODULE GP-INTERFACE	764
LINES GP-AIR	532	MOUNTING GP-CIRCUIT BREAKER	767
MANIFOLD GP-EXHAUST	536	MOUNTING GP-SENSOR	769
MUFFLER	543	PANEL AS-BOX	772
MUFFLER GP-SPARK ARRESTOR	546	SENSOR GP-COOLANT LEVEL	773
SHIELD GP-TURBOCHARGER	547	SENSOR GP-ENGINE	774
SHUTOFF GP-AIR	549	SENSOR GP-LIQUID LEVEL	784
TURBOCHARGER GP	551	SENSOR GP-POSITION	785
		SENSOR GP-PRESSURE	787
		SENSOR GP-SPEED	794
		SENSOR GP-TEMPERATURE	802
FUEL SYSTEM	562	SILENCER-AIR STARTING	810
CONTROL-THROTTLE	562	STARTING MOTOR GP-AIR	811
COOLER GP-FUEL	568	STARTING MOTOR GP-ELECTRIC	815
COVER-FILTER	569	STRAINER GP-AIR LINES	841
FILTER GP-FUEL	570	SWITCH GP-AIR SHUTOFF	842
FITTING GP-FUEL FILTER	575	SWITCH GP-MAGNETIC	843
FITTING GP-FUEL LINES	578	VALVE GP-AIR STARTING	846
LINE AS-FUEL	580	WIRING GP-ELECTRONIC CONTROL	848
LINES GP-FLEXIBLE FUEL	581	WIRING GP-ENGINE	857
LINES GP-FUEL	582	WIRING GP-INSTRUMENT PANEL	912
PLUG GP-FUEL FILTER BASE	655	WIRING GP-JACKET WATER HEATER	912
PUMP GP-FUEL INJECTION	656	WIRING GP-PANEL	913
PUMP GP-FUEL TRANSFER	659	WIRING GP-UNIT INJECTOR	914
SHIELD GP-FUEL LINES	662		
VALVE GP-CHECK	670		
		MARINE TRANSMISSION	915
ELECTRICAL AND STARTING SYSTEM	672	CONTROL GP-POWER TRAIN	915
ADAPTER GP-SENSOR	672		
ALTERNATOR GP-CHARGING	674	OPERATOR STATION	917
BAND	686	AMMETER GP	917
BATTERY CHARGER	687	BRACKET GP-MOUNTING	918
BATTERY GP	688	CONTROL GP-DIRECTION	919
BOX GP-JUNCTION	692	CONTROL GP-DIRECTION & SPEED	925
CABLE-COMMUNICATION	694	CONTROL GP-MONITOR	938
CAMERA GP	695	CONTROL GP-UNPRGMED MONITOR	940
CIRCUIT BREAKER GP	698	DISPLAY GP-MONITOR	941
CONNECTOR	702	GAUGE GP-COOLANT	
CONNECTOR AS	703	TEMPERATURE	948
CONTROL & MTG GP-ENGINE ELEK	704	GAUGE GP-ENGINE OIL PRESSURE	951
CONTROL GP-AUTO START/STOP	707	GAUGE GP-ENGINE OIL TEMP	954
CONTROL GP-COMMUNICATION	721	GAUGE GP-ENGINE PERCENT LOAD	955
CONTROL GP-ENGINE ELECTRONIC	722	GAUGE GP-FUEL CONSUMPTION	
CONTROL GP-ENGINE SPEED	724	RATE	958
CONTROL GP-START/STOP	726	GAUGE GP-FUEL LEVEL	961
CONVERTER GP-ELECTRICAL	732	GAUGE GP-FUEL PRESSURE	963
CORD AS	733	GAUGE GP-FUEL TEMPERATURE	965
HARNESS AS	734	GAUGE GP-GEAR OIL PRESSURE	967
HARNESS AS-CONTROL	738	GAUGE GP-MANIFOLD AIR TEMP	970
HARNESS AS-ENGINE	739	GAUGE GP-MANIFOLD PRESSURE	974
HARNESS AS-MONITOR	743		

TABLE OF CONTENTS

Name	Page	Name	Page
GAUGE GP-OIL TEMPERATURE	977		
METER GP-SERVICE	981		
MODULE GP-DISPLAY	983		
MOUNTING GP-CONTROL	984		
MOUNTING GP-CONTROL PANEL	989		
MOUNTING GP-TACHOMETER	990		
PANEL AS-CONTROL	991		
PANEL GP-CONTROL	992		
SPEEDOMETER GP	1001		
TACHOMETER GP-ELECTRIC	1004		
VOLTMETER GP	1010		
SERVICE EQUIPMENT AND SUPPLIES	1015		
CHART-PLATE & FILM	1015		
COVER-PROTECTION	1016		
KIT-CONTROL PANEL INSTALLATION	1017		
SERVICE GP-MONITOR	1018		
PART NUMBER INDEX	B1		

GENERAL INFORMATION

1. ENGINE IDENTIFICATION

Caterpillar engines are identified with Serial Numbers and Arrangement Numbers. In some cases, Modification Numbers are also used. The serial number plate which shows these numbers is mounted on the engine.

Caterpillar dealers need this information to determine which components were included on the engine when it was assembled at the factory. This permits accurate identification of replacement part numbers.

2. ORDERING PARTS



When replacement parts are required for this product Caterpillar recommends using Caterpillar replacement parts or parts with equivalent specifications including, but not limited to, physical dimensions, type, strength and material.

Failure to heed this warning can lead to premature failures, product damage, personal injury or death.

Quality Caterpillar replacement parts are available from Caterpillar dealers throughout the world. Their parts inventories are up to date and include all parts normally required to protect your investment in Caterpillar Engines. Dealers may offer repair kits or remanufactured parts to allow selection of the most effective repair alternative for a particular situation. When ordering parts, your order should specify the quantity, part number, part name, and the serial number/product identification number of the engine for which the parts are needed.

3. PARTS MANUAL ORGANIZATION

Product information in this manual is presented as "information elements" that represent all of the components for the specific model. An Engine Arrangement is an example of an information element. The information elements are organized alphabetically by part name and secondarily by part number within each major section of the manual.

4. TABLE OF CONTENTS

A table of contents (TOC) is found at the beginning of the manual. The TOC lists each section of the manual with a complete list of all information elements organized as they appear in the manual. Page numbers are provided for quick reference to detailed parts identification illustrations and serviceable consist lists.

5. MAINTENANCE PARTS INDEX

The Maintenance Parts Index, located near the beginning of the manual, references most frequently used maintenance part numbers, providing description, quantity, usage and page number. This information is organized alphabetically by part description.

6. INDEX

The index located near the front of the manual is an alphabetical listing of all information elements included in the manual. Page numbers are provided for quick reference to detailed parts identification illustrations and serviceable consist lists.

7. PART NUMBER INDEX

A numerical index listing all part numbers and the corresponding page number(s) appears at the back of the manual.

8. CAPTIONS

Captions located at the beginning each information element identify the part number and part name along with additional descriptive information. S/N information found in each caption should be used to select correct information for a specific engine. Field replacement options, identification of optional attachment components, and where used ("part of") information is also provided.

The first line of a caption is shown in larger type font to indicate the beginning of an information element. Captions for additional pages that may be required to illustrate an information element will be shown in standard type font and will include the term (*contd.*) .

9. NON-SERVICED PARTS

In some instances it is necessary to display non-serviced parts that are a link to lower level serviceable consist lists. These non-serviced part numbers are shown in *italic* type indicating that they are not available. All consist lists have not been converted to reflect this enhancement.

GENERAL INFORMATION

10. PARTS LIST REFERENCE NUMBERS

Numbers shown in the Ref No column correspond to numbers used in the associated graphic(s). An alphabetic suffix may be added to a reference number to identify lower level consist items. Numbers shown in the Graphic Ref column refer to the graphic number identifier displayed in the lower left corner of each illustration. The Graphic Ref number may be used in combination with the item Ref No to determine the correct part number. There may be intentional omission of a Ref No in a consist list as information is updated to reflect the latest serviceable part numbers.

11. INDENTED PART NAMES

When a part name is indented in a parts list, it is part of (included in) the group or assembly under which it is indented.

12. ILLUSTRATION REFERENCE LETTERS

When necessary, illustrations contain reference letters (A, B, C etc.) that are intended to track lines and harnesses from one point to another. They are also used to show where to reconnect illustrations that have been separated.

13. ABBREVIATIONS AND SYMBOLS

O.D. – Outside Diameter
I.D. – Inside Diameter
A – Not Part Of This Group
B – Use As Required
C – Change From Previous Type
D – Order By The Meter
E – Order By The Centimeter
F – Not Shown
G – Order By The Inch
I – Refer To Hydraulic Information System
M – Metric Part
R – Remfg Part May Be Available
Y – Separate Illustration
Z – Not Serviced Separately



14. DESCRIPTION OF TYPE CHANGES

Type - A type is defined as any configuration change that requires an additional Information Element for an Arrangement, Group, or Assembly. If serial number breaks for types are not available, a type # (Type 1, Type 2, etc.) will be displayed in the caption. These "type" changes are identified with a "C" note (change from previous type) in the Parts List. Only the "types" that apply to this Parts Manual will be included. Additional types may exist causing "C" notes to appear on an Information Element when no other types are shown.

15. <END>

This symbol indicates the end of an information element.

NOTE:

Continuing improvement and advancement of product design may cause changes to your engine which may not be included in this publication. Whenever a question arises regarding your Caterpillar product or this publication, please consult your Caterpillar dealer for the latest available information.

REPAIR ALTERNATIVES

REMANUFACTURED COMPONENTS

As an option when making repairs consider Caterpillar Remanufactured Components. Components that are available through the Caterpillar Remanufactured Program are identified three ways in the parts book:

- with the letter R in the note field of the parts list
- with an R* at the beginning of the first line of the caption
- with an *R at the end of the first line of the caption

Typical components included in the Remanufacturing Program include:

ALTERNATORS
CONNECTING RODS
CRANKSHAFTS - UNDERSIZE
CRANKSHAFTS - UPGRADE TO NEW
CYLINDER HEADS
ELECTRONIC CONTROL MODULES (ECM)
ELECTRONIC SENSORS
FUEL INJECTORS
FUEL NOZZLES
FUEL PUMPS
GOVERNORS
OIL PUMPS
PISTONS
SHORT BLOCKS
STARTERS
TURBOCHARGERS - COMPLETE
TURBOCHARGER CARTRIDGES
WATER PUMPS

Caterpillar Remanufactured engines for many engine arrangements are also available.

SUPPLEMENTAL COOLANT ADDITIVES

CUSTOMER BENEFITS:

Protects against cavitation, foam, erosion, corrosion, and scale buildup in cooling systems.

- Provides measured coolant conditioner.

DESCRIPTION:

Additives deplete from the coolant with normal operation. For this reason, Supplemental Coolant Additives (SCA) must be added to all heavy duty coolants at regular intervals. In addition, when not using a fully formulated, pre-charged antifreeze, like Caterpillar's DEAC, an initial charge of SCA must be added to the cooling system. The amount of SCA added to the system is dependent on the capacity of the system.

The SCA for initial fill is provided as a liquid. SCA's for maintenance intervals are available in liquid form and as a spin-on element. (No Spin-on available for 3600 Family of Engines)

NOTE:

The amount of SCA added at initial fill is not the same as the amount added at maintenance intervals.

The coolant additive elements can be used with any ethylene or propylene glycol type antifreeze which meets ASTM D4985 or ASTM D5345 Specifications.

NOTE:

For use with standard heavy duty coolant only, not for use with Extended Life Coolant.

PARTS NEEDED:

Cooling System Capacity		Liquid SCA at Initial Fill	Liquid SCA at Maintenance*	Spin-on SCA Maintenance Element*
Liters	Gallons			
22-30	(6-8)	3P-2044 (1)	6V-3542 (1)	111-2370 (1)
30-38	(8-10)	3P-2044 (1) 6V-3542 (1)	111-2372 (1)	111-2369 (1)
38-49	(10-13)	3P-2044 (1) 8T-1589 (1)	111-2372 (1)	111-2369 (1)
49-64	(13-17)	3P-2044 (2)	8T-1589 (1)	9N-3368 (1)
64-83	(17-22)	3P-2044 (2) 8T-1589 (1)	111-2372 (1) 6V-3542 (1)	111-2371 (1)
83-114	(22-30)	3P-2044 (3) 8T-1589 (1)	3P-2044 (1)	9N-3718 (1)
114-163	(30-43)	3P-2044 (5)	3P-2044 (1) 6V-3542 (1)	111-2371 (2)
163-242	(43-64)	3P-2044 (8)	3P-2044 (2)	9N-3718 (2)

* Normal maintenance period is 250 hrs. See your Operation and Maintenance Manual for complete coolant maintenance instructions.

() Indicates quantity required.

MAINTENANCE PARTS

DESCRIPTION	PART NUMBER	QTY	WHERE USED	PAGE
AIR INLET AND EXHAUST SYSTEM				
FILTER ELEMENT AS-AIR (PRIMARY)	4N-0015	1	AIR CLEANER GP	492
FILTER ELEMENT-AIR (PRIMARY)	177-7375	1	AIR CLEANER AS	480
		1	AIR CLEANER GP	514
		1	AIR CLEANER GP	515
BASIC ENGINE				
CAP AS-FILLER (ENGINE OIL)	113-5253	1	COVER GP-VALVE MECHANISM	115
PLUG-DRAIN (ENGINE OIL PAN)	9X-6451	1	PAN GP-OIL	202
		1	PAN GP-OIL	207
		1	PAN GP-OIL	208
PLUG-DRAIN (MAGNETIC) (ENGINE OIL PAN)	206-7331	1	PAN GP-OIL	203
		1	PAN GP-OIL	205
SCREEN AS-SUCTION (ENGINE OIL SUMP)	4N-0913	1	PAN GP-OIL	203
		1	PAN GP-OIL	208
SEAL-VALVE COVER	242-9537	1	COVER GP-VALVE MECHANISM	114
		1	COVER GP-VALVE MECHANISM	115
		1	COVER GP-VALVE MECHANISM	116
		1	COVER GP-VALVE MECHANISM	118
		1	COVER GP-VALVE MECHANISM	119
		1	COVER GP-VALVE MECHANISM	121
V-BELT (ALTERNATOR)	9L-6643	1	MOUNTING GP-ALTERNATOR	189
	9L-6645	1	MOUNTING GP-ALTERNATOR	187
		1	MOUNTING GP-ALTERNATOR	188
V-BELT GP (1-GROOVE) (ALTERNATOR)	9L-6647	1	MOUNTING GP-ALTERNATOR	192
V-BELT GP (ALTERNATOR)	9L-6647	1	MOUNTING GP-ALTERNATOR	191
COOLING SYSTEM				
CAP AS-RADIATOR (SEA WATER HEAT EXCHANGER)	036-1865	1	HEAT EXCHANGER GP-SEA WATER	390
CAP-RADIATOR (SEA WATER HEAT EXCHANGER)	125-5274	1	HEAT EXCHANGER GP-SEA WATER	379
		1	HEAT EXCHANGER GP-SEA WATER	383
		1	HEAT EXCHANGER GP-SEA WATER	396
CAP-VENTED (COOLANT TANK)	336-2022	1	RECOVERY GP-COOLANT	471
GASKET (WATER TEMPERATURE REGULATOR)	124-9052	1	LINES GP-AUXILIARY FRESH WATER	399
		1	LINES GP-WATER	412
		1	LINES GP-WATER	428
		1	LINES GP-WATER	432
PLUG-DRAIN (SEA WATER HEAT EXCHANGER)	5B-9169	1	HEAT EXCHANGER GP-SEA WATER	383
PLUG-ZINC (AUXILIARY SEA WATER LINES)	5B-9651	1	LINES GP-WATER	432
	7E-5076	1	LINES GP-AUXILIARY SEA WATER	403
		1	LINES GP-WATER	426
		1	LINES GP-WATER	427
PLUG-ZINC (AUXILIARY SEA WATER PUMP)	7E-5076	1	PUMP GP-AUXILIARY SEA WATER	453
PLUG-ZINC (WATER LINES)	7E-5076	1	LINES GP-WATER	435
REGULATOR-TEMPERATURE (92-DEG C)	248-5513	1	LINES GP-AUXILIARY FRESH WATER	399

MAINTENANCE PARTS

DESCRIPTION	PART NUMBER	QTY	WHERE USED	PAGE
		1	LINES GP-WATER	428
REGULATOR-TEMPERATURE (92-DEG C) (COOLANT)	248 - 5513	1	HEAT EXCHANGER GP-SEA WATER	392
		1	HEAT EXCHANGER GP-SEA WATER	394
		1	LINES GP-WATER	412
		1	LINES GP-WATER	432
REGULATOR-TEMPERATURE (92-DEG C) (HEAT EXCHANGER)	248 - 5513	1	HEAT EXCHANGER GP-SEA WATER	377
		1	HEAT EXCHANGER GP-SEA WATER	381
		1	HEAT EXCHANGER GP-SEA WATER	385
REGULATOR-TEMPERATURE (92-DEG C) (WATER)	248 - 5513	1	HEAT EXCHANGER GP-SEA WATER	388
ROD AS-ZINC (SEA WATER HEAT EXCHANGER)	237 - 1936	2	HEAT EXCHANGER GP-SEA WATER	379
		2	HEAT EXCHANGER GP-SEA WATER	383
ROD-ZINC	6L - 2280	1	PUMP GP-AUXILIARY SEA WATER	454
ROD-ZINC (OIL COOLER)	6L - 2280	2	COOLER GP-MARINE TMSN OIL	370
		2	COOLER GP-MARINE XMSN OIL	373
ROD-ZINC (SEA WATER HEAT EXCHANGER)	6L - 2280	1	HEAT EXCHANGER GP-SEA WATER	383
SEAL-LIP TYPE (WATER TEMPERATURE REGULATOR)	3S - 9643	1	HEAT EXCHANGER GP-SEA WATER	383
		1	HEAT EXCHANGER GP-SEA WATER	390
		1	HEAT EXCHANGER GP-SEA WATER	396
		1	LINES GP-AUXILIARY FRESH WATER	399
		1	LINES GP-WATER	412
		1	LINES GP-WATER	432

MAINTENANCE PARTS

DESCRIPTION	PART NUMBER	QTY	WHERE USED	PAGE
ELECTRICAL AND STARTING SYSTEM				
BATTERY (12-VOLT) (DRY)	9X-9720	2	BATTERY GP	688
BATTERY GP (12-VOLT, MAINTENANCE FREE, DRY)	115-2421	2	BATTERY GP	691
CAP AS-FILLER (BATTERY)	123-1373	6	BATTERY GP	691
CIRCUIT BREAKER AS (135-AMPERE)	171-2213	1	CIRCUIT BREAKER GP	699
CIRCUIT BREAKER AS (15-AMPERE) (ENGINE STARTING)	6T-3643	1	CONTROL GP-AUTO START/STOP	707
		1	CONTROL GP-AUTO START/STOP	709
		1	CONTROL GP-AUTO START/STOP	711
		1	CONTROL GP-AUTO START/STOP	713
		1	CONTROL GP-AUTO START/STOP	716
		1	CONTROL GP-AUTO START/STOP	719
		1	CONTROL GP-START/STOP	726
		1	CONTROL GP-START/STOP	728
		1	CONTROL GP-START/STOP	730
CIRCUIT BREAKER AS (40-AMPERE)	171-2205	1	CIRCUIT BREAKER GP	701
CIRCUIT BREAKER AS (70-AMPERE)	171-2209	1	CIRCUIT BREAKER GP	700
CIRCUIT BREAKER GP (60-AMPERE)	6T-3645	1	CIRCUIT BREAKER GP	698
LAMP (12-VOLT)	2N-2372	3	CONTROL GP-AUTO START/STOP	707
		3	CONTROL GP-AUTO START/STOP	716
		3	CONTROL GP-START/STOP	728
LAMP (24-VOLT, 0.2-AMPERE)	7N-5876	3	CONTROL GP-AUTO START/STOP	709
		3	CONTROL GP-AUTO START/STOP	711
		3	CONTROL GP-AUTO START/STOP	713
		3	CONTROL GP-AUTO START/STOP	718
		3	CONTROL GP-START/STOP	726
		3	CONTROL GP-START/STOP	730
LAMP AS (INDICATOR)	141-9228	1	CONTROL GP-START/STOP	726
		1	CONTROL GP-START/STOP	728
		1	CONTROL GP-START/STOP	730
LAMP AS-INDICATOR (RED)	2N-2371	2	CONTROL GP-AUTO START/STOP	707
		2	CONTROL GP-AUTO START/STOP	716
		2	CONTROL GP-START/STOP	726
		2	CONTROL GP-START/STOP	728
		2	CONTROL GP-START/STOP	730
SCREEN-STRAINER (STARTING MOTOR AIR LINES)	146-5216	1	STRAINER GP-AIR LINES	841

MAINTENANCE PARTS

DESCRIPTION	PART NUMBER	QTY	WHERE USED	PAGE
FUEL SYSTEM				
ELEMENT-WATER SEPARATOR	133-5673	1	FILTER GP-FUEL	571
FILTER AS-WATER SEP & FUEL	129-0372	1	FILTER GP-FUEL	571
FILTER ELEMENT-FUEL (PRIMARY)	9M-2342	1	FILTER GP-FUEL	570
FILTER-FUEL (ADVANCED EFFICIENCY)	1R-0749	1	FILTER GP-FUEL	572
GASKET (FUEL PRIMING PUMP)	1P-0436	2	FILTER GP-FUEL	573
		1	LINES GP-FUEL	582
		1	LINES GP-FUEL	586
		1	LINES GP-FUEL	590
		1	LINES GP-FUEL	593
		1	LINES GP-FUEL	595
		1	LINES GP-FUEL	599
		1	LINES GP-FUEL	604
		1	LINES GP-FUEL	608
		1	LINES GP-FUEL	613
		1	LINES GP-FUEL	616
		1	LINES GP-FUEL	620
		1	LINES GP-FUEL	624
		1	LINES GP-FUEL	628
		1	LINES GP-FUEL	632
		1	LINES GP-FUEL	636
		ROD-ZINC (FUEL COOLER)	6L-2281	1
1	LINES GP-FUEL			647
1	LINES GP-FUEL			651
1	COOLER GP-FUEL			568

MAINTENANCE PARTS

DESCRIPTION	PART NUMBER	QTY	WHERE USED	PAGE
LUBRICATION SYSTEM				
CAP AS-FILLER (ENGINE OIL)	5L - 2952	1	FILLER GP-ENGINE OIL	251
		1	FILLER GP-ENGINE OIL	252
CAP-OIL FILLER (ENGINE)	068 - 4497	1	FILLER GP-ENGINE OIL	249
	9L - 8439	1	FILLER GP-ENGINE OIL	250
FILTER AS-ENGINE OIL (STANDARD EFFICIENCY)	1R - 0716	2	FILTER GP-ENGINE OIL	309
		2	FILTER GP-ENGINE OIL	311
FILTER ELEMENT AS-AIR (CRANKCASE VENTILATION)	274 - 7913	1	FILTER GP-FUMES DISPOSAL	329
FILTER-ENGINE OIL (ADVANCED EFFICIENCY)	1R - 1808	2	FILTER & LINES GP-ENGINE OIL	253
		2	FILTER & LINES GP-ENGINE OIL	258
		2	FILTER & LINES GP-ENGINE OIL	263
		2	FILTER & LINES GP-ENGINE OIL	266
		2	FILTER & LINES GP-ENGINE OIL	271
		2	FILTER & LINES GP-ENGINE OIL	276
		2	FILTER & LINES GP-ENGINE OIL	281
		2	FILTER GP-ENGINE OIL	286
		2	FILTER GP-ENGINE OIL	288
		2	FILTER GP-ENGINE OIL	292
		2	FILTER GP-ENGINE OIL	296
		2	FILTER GP-ENGINE OIL	299
		2	FILTER GP-ENGINE OIL	305
		2	FILTER GP-ENGINE OIL	309
		2	FILTER GP-ENGINE OIL	313
		2	FILTER GP-ENGINE OIL	316
		2	FILTER GP-ENGINE OIL	320
		2	FILTER GP-ENGINE OIL	323
SCREEN AS-SUCTION (ENGINE OIL SUMP)	4N - 0913	1	LINES GP-ENGINE OIL	343

INDEX

Name	Page	Name	Page
A			
ADAPTER GP-PUMP DRIVE	95	BOX GP-JUNCTION-CONTROLS	692
ADAPTER GP-SENSOR-TRANSMISSION	672		693
	673	BRACKET AS-AIR CLEANER	516
AFTERCOOLER GP-RAW WATER	473	BRACKET GP-MOUNTING-	
	475	MESSENGER DISPLAY	918
	477	C	
AIR CLEANER AS	480	CABLE-COMMUNICATION	694
AIR CLEANER GP	481	CAMERA GP	695
	483		696
	485		697
	486	CAMSHAFT GP	97
	488		98
	490		99
	491	CAP AS-FILLER (BATTERY)	691
	492	CAP AS-FILLER (ENGINE OIL)	115
	493		251
	495		252
	497	CAP AS-RADIATOR	
	499	(SEA WATER HEAT EXCHANGER)	390
	501	CAP-OIL FILLER (ENGINE)	249
	503		250
	514	CAP-RADIATOR	
	515	(SEA WATER HEAT EXCHANGER)	379
AIR CLEANER GP-CRANKCASE BREATHER ...	505		383
	507		396
	509	CAP-VENTED (COOLANT TANK)	471
	511	CARTRIDGE GP-TURBOCHARGER	551
ALTERNATOR GP-CHARGING	674		554
	677		556
	680		558
	682	CHART-PLATE & FILM	1015
	684	CIRCUIT BREAKER AS (135-AMPERE)	699
AMMETER GP	917	CIRCUIT BREAKER AS (15-AMPERE)	
B			
		(ENGINE STARTING)	707
BAND-PROPELLER SHAFT SPEED PICKUP ...	686		709
BASE GP-OIL FILTER (ENGINE)	291		711
	292		713
	294	CIRCUIT BREAKER AS (40-AMPERE)	701
	309	CIRCUIT BREAKER AS (70-AMPERE)	700
BASE GP-VALVE COVER & INJ HARN	96	CIRCUIT BREAKER GP	698
BATTERY (12-VOLT) (DRY)	688		699
BATTERY CHARGER	687		700
BATTERY COMPARTMENT DRIP PAN	207	CIRCUIT BREAKER GP (60-AMPERE)	698
BATTERY GP	688		100
	689	CLUTCH AS	102
	691	CLUTCH GP	702
BATTERY GP (12-VOLT) (DRY)	689	CONNECTOR	703
BATTERY GP		CONNECTOR AS-ELECTRONIC CONTROL ...	
(12-VOLT, MAINTENANCE FREE, DRY)	691		
BATTERY GP-DRY	690		
BODY AS-PUMP	368		

INDEX

Name	Page	Name	Page
CONTROL & MTG GP-ENGINE ELEK	704	CONTROL GP-POWER TRAIN- PROCESSOR	915
CONTROL GP-AUTO START/STOP	705	CONTROL GP-START/STOP	726
	707		728
	709		730
	711	CONTROL GP-UNPRGMED MONITOR- ELECTRONIC	940
	713	CONTROL-THROTTLE- BLACK, LH SLANT HANDLE	567
CONTROL GP-COMMUNICATION-PL1000E	721	CONTROL-THROTTLE- BLACK, RH SLANT HANDLE	563
CONTROL GP-DIRECTION & SPEED	936	CONTROL-THROTTLE- BLACK, STRAIGHT HANDLE	565
	937	CONTROL-THROTTLE- CLEAR, LH SLANT HANDLE	566
CONTROL GP-DIRECTION & SPEED- BLACK, LH SLANT HANDLE	933	CONTROL-THROTTLE- CLEAR, RH SLANT HANDLE	562
CONTROL GP-DIRECTION & SPEED- BLACK, RH SLANT HANDLE	928	CONTROL-THROTTLE- CLEAR, STRAIGHT HANDLE	564
	929	CONVERTER GP-ELECTRICAL	732
CONTROL GP-DIRECTION & SPEED- BLACK, STRAIGHT HANDLE	931	COOLER AS	373
CONTROL GP-DIRECTION & SPEED- CLEAR, LH SLANT HANDLE	932	COOLER AS (MARINE TRANSMISSION OIL)	370
CONTROL GP-DIRECTION & SPEED- CLEAR, STRAIGHT HANDLE	930	COOLER GP-FUEL	568
CONTROL GP-DIRECTION & SPEED- INTEGRATED CONTROL HEAD, BLACK	926	COOLER GP-MARINE TMSN OIL	369
CONTROL GP-DIRECTION & SPEED- INTEGRATED CONTROL HEAD, CHROME	925		370
CONTROL GP-DIRECTION & SPEED- INTEGRATED CONTROL HEAD, GOLD	927	COOLER GP-MARINE XMSN OIL	371
CONTROL GP-DIRECTION & SPEED- PORT, SIDE MOUNT	934		373
CONTROL GP-DIRECTION & SPEED- STARBOARD, SIDE MOUNT	935	CORD AS-JACKET WATER HEATER	733
CONTROL GP-DIRECTION- BLACK, LH SLANT HANDLE	924	CORE AS-AFTERCOOLER	473
CONTROL GP-DIRECTION- BLACK, RH SLANT HANDLE	920		475
CONTROL GP-DIRECTION- BLACK, STRAIGHT HANDLE	922	CORE AS-OIL COOLER (ENGINE)	399
CONTROL GP-DIRECTION- CLEAR, LH SLANT HANDLE	923		405
CONTROL GP-DIRECTION- CLEAR, RH SLANT HANDLE	919	COVER GP-CYLINDER BLOCK	104
CONTROL GP-DIRECTION- CLEAR, STRAIGHT HANDLE	921		105
CONTROL GP-ENGINE ELECTRONIC	705	COVER GP-FLYWHEEL HOUSING	108
CONTROL GP-ENGINE ELECTRONIC- THROTTLE POSITION	722		109
	723	COVER GP-FRONT HOUSING	112
CONTROL GP-ENGINE SPEED- ELECTRONIC TROLL PROCESSOR	724		113
CONTROL GP-ENGINE SPEED-TROLLING	725	COVER GP-OIL FILLER-ENGINE	246
CONTROL GP-MONITOR-ENGINE VISION	938	COVER GP-VALVE MECHANISM	114
	939		115
CONTROL GP-POWER TRAIN	916		116
			117
			118
			119
			120

INDEX

Name	Page	Name	Page
	121		17
COVER-FILTER-ENGINE	247		18
COVER-FILTER-FUEL FILTER	569		19
COVER-PROTECTION	1016		20
CRANKSHAFT GP	122		21
CYLINDER BLOCK AS	123		22
	124		23
	125		24
CYLINDER BLOCK GP	126		25
	128		26
CYLINDER HEAD AS	130		27
CYLINDER HEAD GP	132		28
	133	ENGINE AR-COMPLETE	29
	135		30
			31
			32
			33
			34
DAMPER & PULLEY GP	136		35
	137		36
	138		37
DISPLAY GP-MONITOR	943		38
	947		39
DISPLAY GP-MONITOR-			40
MARINE POWER DISPLAY	941		41
	944		42
	945		43
	946		44
DISPLAY GP-MONITOR-UNPROGRAMMED . . .	942		45
DRIVE GP-PUMP	139		46
			47
			48
			49
ELBOW GP-EXHAUST	517		50
	518		51
	519		52
	520		53
	522		54
	523		55
ELEMENT-WATER SEPARATOR	571		56
ENGINE AR	1		57
	2		58
	3		59
	4		60
	5		61
	6		62
	7		63
	8		64
	9		65
	10		66
	11		67
	12		68
	13		69
	14	ENGINE AR-CORE	70
	15		71
	16		

INDEX

Name	Page	Name	Page
	72		726
	73		728
	74		730
	75	FILM-DUPLEX VALVE (FUEL FILTER, LH)	1015
	76	FILM-DUPLEX VALVE (FUEL FILTER, RH)	1015
	77	FILM-IDENTIFICATION (CATERPILLAR)	732
	78	FILM-IDENTIFICATION (SERVICE METER)	726
	79	FILM-INFORMATION (LIFT EYE LOCATION)	1015
	80	FILM-WARNING	
	81	(CSA CONTROL PANEL APPROVAL)	721
	82	FILTER & LINES GP-ENGINE OIL	253
ENGINE AR-PRIMARY	83		257
	84		262
	85		266
	86		271
	87		276
	88	FILTER & LINES GP-ENGINE OIL-	
	89	DUPLEX OIL FILTER	281
	90	FILTER AS-ENGINE OIL	285
	91	FILTER AS-ENGINE OIL	
	92	(STANDARD EFFICIENCY)	309
	93		311
	94	FILTER AS-WATER SEP & FUEL	571
		FILTER ELEMENT AS-AIR	
		(CRANKCASE VENTILATION)	329
		FILTER ELEMENT AS-AIR (PRIMARY)	492
		FILTER ELEMENT-AIR (PRIMARY)	480
			514
			515
FASTENER GP-AIR CLEANER	524	FILTER ELEMENT-FUEL (PRIMARY)	570
FASTENER GP-CYLINDER HEAD	133	FILTER GP-ENGINE OIL	286
	135		288
FASTENER GP-ENGINE	140		291
	142		292
FASTENER GP-ENGINE-HEAT EXCHANGER	141		294
	143		296
FASTENER GP-EXHAUST MANIFOLD	525		299
FASTENER GP-FLYWHEEL	144		304
	145		309
FASTENER GP-FRONT COVER	146		311
	147		313
FASTENER GP-FRONT HOUSING	148		316
	149		320
FASTENER GP-OIL PUMP MOUNTING-			323
ENGINE	248		327
FASTENER GP-VALVE MECHANISM	150		328
FILLER GP-ENGINE OIL	249		570
	250		571
	251		572
	252	FILTER GP-FUEL	573
FILM (OIL FILTER DUPLEX VALVE)	282		329
	1015		329
FILM-CONTROL PANEL	707		253
	709		258
	711		263
	713	FILTER GP-FUMES DISPOSAL	329
	716	FILTER-ENGINE OIL	
	718	(ADVANCED EFFICIENCY)	253

INDEX

Name	Page	Name	Page
	266		632
	271		636
	276		641
	281		647
	286		651
	288	GASKET	
	292	(WATER TEMPERATURE REGULATOR)	399
	296		412
	299		428
	305		432
	309	GAUGE AS-OIL LEVEL (DIPSTICK, ENGINE) . . .	332
	313		333
	316		334
	320		335
	323		337
FILTER-FUEL (ADVANCED EFFICIENCY)	572		338
	573		339
FITTING GP-ELBOW	419		340
FITTING GP-EXHAUST	527		341
FITTING GP-EXHAUST-FLEXIBLE	526		342
FITTING GP-FUEL FILTER	575	GAUGE GP-COOLANT TEMPERATURE	950
	576	GAUGE GP-COOLANT TEMPERATURE-	
FITTING GP-FUEL FILTER-OUTLET	577	ENGINE	948
FITTING GP-FUEL LINES	578		949
	579	GAUGE GP-ENGINE OIL PRESSURE	951
FITTING GP-OIL PAN-ENGINE	151		952
	152		953
	153	GAUGE GP-ENGINE OIL TEMP	954
FLANGE GP-COOLANT LINES	374	GAUGE GP-ENGINE PERCENT LOAD	955
FLANGE GP-COOLANT LINES-THREADED	375		956
FLANGE GP-EXHAUST	528		957
	529	GAUGE GP-FUEL CONSUMPTION RATE	958
	530		959
FLYWHEEL GP	155		960
	156	GAUGE GP-FUEL LEVEL	961
	157		962
	158	GAUGE GP-FUEL PRESSURE	963
FOOT VALVE & STRAINER AS	376		964
FUMES DISPOSAL GP	330	GAUGE GP-FUEL TEMPERATURE	965
			966
		GAUGE GP-GEAR OIL PRESSURE-	
		TRANSMISSION	967
			968
			969
		GAUGE GP-MANIFOLD AIR TEMP-	
		EXHAUST	970
			971
		GAUGE GP-MANIFOLD AIR TEMP-INLET	972
			973
		GAUGE GP-MANIFOLD PRESSURE-BOOST . . .	976
		GAUGE GP-MANIFOLD PRESSURE-INLET	974
			975
		GAUGE GP-OIL LEVEL (DIPSTICK)-ENGINE . . .	332
			333
			334

G

GASKET (FUEL PRIMING PUMP)	582
	586
	590
	593
	595
	599
	604
	608
	613
	616
	620
	624
	628

INDEX

Name	Page	Name	Page
	335	HARNESS AS-CONTROL-TROLL	738
	336		739
	337	HARNESS AS-ENGINE	857
	338		859
	339		875
	340		877
	341		880
	342		884
GAUGE GP-OIL TEMPERATURE-ENGINE	978		887
GAUGE GP-OIL TEMPERATURE-			890
TRANSMISSION	977		894
	979		908
	980	HARNESS AS-ENGINE (ENGINE ECM, J1)	848
GEAR GP-CAMSHAFT	159		852
GEAR GP-FRONT	160		862
GUARD GP-DAMPER	163		865
	164		868
	165		871
	166	HARNESS AS-ENGINE (ENGINE ECM, J2)	848
			852
			862
			865
			868
			871
			887
			890
			894
			898
			900
			908
		HARNESS AS-ENGINE (ENGINE ECM, J2)	
		(J2 CONNECTOR)	904
		HARNESS AS-ENGINE (J1 CONNECTOR)	898
			900
			904
		HARNESS AS-ENGINE	
		(PANEL INTERCONNECT)	848
			853
			868
			872
			880
			884
			887
			890
			909
		HARNESS AS-ENGINE	
		(PANEL INTERCONNECT)	
		(CONTROL PANEL)	904
		HARNESS AS-ENGINE (UNIT INJECTOR)	96
		HARNESS AS-ENGINE-ENGINE TO ENGINE ...	739
			740
		HARNESS AS-ENGINE-OEM INTERFACE	739
			740

H

HARNESS AS-CAT DATA LINK	735		
HARNESS AS-CONTROL STATION	736		
HARNESS AS-CUSTOM PANEL	734		
HARNESS AS-DISPLAY	738		
HARNESS AS-DISPLAY PANEL DATA			
LINK/POWER SUPPLY	734		
HARNESS AS-			
DUAL POINT CONTROL STATION	738		
HARNESS AS-			
ELECTRONIC TROLL PROCESSOR	737		
HARNESS AS-			
POWERTRAIN CONTROL PROCESSOR	737		
HARNESS AS-POWERTRAIN CONTROL			
PROCESSOR MAIN POWER SUPPLY	737		
HARNESS AS-POWERTRAIN CONTROL			
PROCESSOR TO GEAR	735		
HARNESS AS-STATION DROP	736		
HARNESS AS-SYNC PANEL	736		
HARNESS AS-			
TEE TO MARINE POWER DISPLAY	735		
HARNESS AS-THROTTLE CAT CONTROLS ...	736		
HARNESS AS-THROTTLE DUAL ENGINE	734		
HARNESS AS-THROTTLE SINGLE ENGINE ...	738		
HARNESS AS-WARNING LAMP	734		
HARNESS AS-CONTROL	707		
	709		
	711		
	713		
	716		
	718		
	726		
	728		
	730		

INDEX

Name	Page	Name	Page
	770	PLUG GP-WATER LINES	445
	771		446
MOUNTING GP-TACHOMETER	990		447
MUFFLER	543		448
	544		449
	545		450
MUFFLER GP-SPARK ARRESTOR	546	PLUG GP-WATER LINES-EXHAUST	451
		PLUG-DRAIN (ENGINE OIL PAN)	202
			207
			208
P			
PAN GP-OIL-ENGINE	202	PLUG-DRAIN (MAGNETIC)	
	203	(ENGINE OIL PAN)	203
	205		205
	207	PLUG-DRAIN	
	208	(SEA WATER HEAT EXCHANGER)	383
PANEL AS-BOX	772	PLUG-ZINC (AUXILIARY SEA WATER LINES)...	403
PANEL AS-CONTROL-			426
STATION TRANSFER LOCKOUT	991		427
PANEL GP-CONTROL	992		432
	993	PLUG-ZINC (AUXILIARY SEA WATER PUMP)...	453
	995	PLUG-ZINC (WATER LINES)	435
	996	POWER TAKE-OFF GP	235
	997	PUMP AS-BILGE	452
	998	PUMP GP-AUXILIARY SEA WATER	453
	999		454
	1000		456
PANEL GP-CONTROL-BACK-UP	994		457
PISTON & ROD GP	210		459
	211		460
	213		461
	215		463
PLATE AS-FRONT HOUSING	217		465
PLATE GP-HEAT EXCHANGER	439	PUMP GP-BILGE	467
	441	PUMP GP-ENGINE OIL	352
PLUG GP-CYLINDER BLOCK	218		353
	219	PUMP GP-FUEL INJECTION	656
	220		657
	221		658
	222	PUMP GP-FUEL PRIMING	582
	223		586
	224		590
	225		593
	226		595
PLUG GP-CYLINDER BLOCK-DIPSTICK	227		599
PLUG GP-CYLINDER HEAD	228		604
PLUG GP-ENGINE	229		608
	230		613
	231		616
	232		620
PLUG GP-EXPANSION TANK	444		624
PLUG GP-FLYWHEEL HOUSING	233		628
	234		632
PLUG GP-FUEL FILTER BASE	655		636
PLUG GP-OIL FILTER MOUNTING	350		641
	351		647

INDEX

Name	Page	Name	Page
	651	SCREEN-STRAINER	
PUMP GP-FUEL TFR & PRIMING	659	(STARTING MOTOR AIR LINES).....	841
PUMP GP-FUEL TRANSFER	659	SEAL GP-CRANKSHAFT-FRONT	241
	660	SEAL GP-CRANKSHAFT-REAR	240
	661	SEAL-CRANKSHAFT (REAR)	240
PUMP GP-SUMP	354	SEAL-CRANKSHAFT	
	355	(REAR)(FLYWHEEL HOUSING)	168
	356		174
	357		176
	358	SEAL-LIP TYPE	
	359	(WATER TEMPERATURE REGULATOR)	383
	360		390
PUMP GP-WATER	468		396
	469		399
			412
			432
		SEAL-VALVE COVER	114
			115
			116
			118
			119
			121
		SENSOR AS-PRESSURE (ENGINE OIL)	848
			852
			862
			865
			868
			871
		SENSOR AS-PRESSURE (FUEL)	848
			852
			862
			865
			868
			871
		SENSOR GP-COOLANT LEVEL	773
		SENSOR GP-ENGINE	774
			776
			777
			779
			780
			781
			782
		SENSOR GP-EXHAUST TEMPERATURE	805
			807
			808
			809
		SENSOR GP-LIQUID LEVEL	784
			848
			853
			862
			866
			868
			871
		SENSOR GP-LIQUID LEVEL	
		(COOLANT LOSS)	779

R

S

INDEX

Name	Page	Name	Page
	780		905
SENSOR GP-LIQUID LEVEL (COOLANT)	773	SENSOR GP-SPEED (FLYWHEEL)	801
SENSOR GP-POSITION	786	SENSOR GP-SPEED (PRIMARY, TIMING)	862
SENSOR GP-POSITION-ROTARY	785		866
SENSOR GP-PRESSURE	787		868
	788		872
	789	SENSOR GP-SPEED (SECONDARY, TIMING) . . .	862
	790		866
	791		868
	792		872
	793	SENSOR GP-SPEED (TIMING, CAMSHAFT)	800
SENSOR GP-PRESSURE		SENSOR GP-SPEED	
(AIR INLET MANIFOLD)	774	(TIMING, CRANKSHAFT)	774
	776		800
	777	SENSOR GP-SPEED (TIMING-PRIMARY)	848
	868		853
	872	SENSOR GP-SPEED (TIMING-SECONDARY) . . .	848
	880		853
	894	SENSOR GP-SPEED-PROPELLER	797
	905	SENSOR GP-TEMPERATURE	802
SENSOR GP-PRESSURE (ENGINE OIL)	776		803
	777		804
	781		805
	782		807
	880		808
	894		809
	904	SENSOR GP-TEMPERATURE	
SENSOR GP-PRESSURE		(AIR INLET MANIFOLD)	868
(ENGINE OIL, FUEL)	791		871
SENSOR GP-PRESSURE (FUEL)	776		880
	777		894
	781		905
	782	SENSOR GP-TEMPERATURE (AIR INLET)	862
	880		865
	894	SENSOR GP-TEMPERATURE (COOLANT)	848
	904		853
SENSOR GP-PRESSURE (INLET MANIFOLD) . . .	779		862
	780		865
	781	SENSOR GP-TEMPERATURE	
	782	(COOLANT, WATER)	880
	848		894
	853		905
	862	SENSOR GP-TEMPERATURE	
	866	(FUEL OUTLET)	848
SENSOR GP-SPEED	794		853
	795		862
	796		865
	798		868
	799		871
	800	SENSOR GP-TEMPERATURE (FUEL)	848
	801		853
SENSOR GP-SPEED (ENGINE TIMING)	774		862
	880		865
	894		868
	904		871

INDEX

Name	Page	Name	Page
	880		713
	894	SWITCH (PUSH BUTTON)	
	905	(MAINTENANCE INDICATOR RESET)	707
SENSOR GP-TEMPERATURE (INLET AIR)	848		709
	853		726
SENSOR GP-TEMPERATURE (WATER, COOLANT)	868		728
	871	SWITCH AS-LIMIT (AIR SHUTOFF)	730
SERVICE GP-MONITOR	1018	SWITCH AS-PUSH BUTTON	549
	1019	SWITCH AS-PUSH BUTTON	718
	1020	(EMERGENCY STOP)	716
SHIELD GP-ENGINE OIL LINES	361	SWITCH AS-PUSH BUTTON (STOP)	707
	363		709
	365		711
	366		713
	367		726
SHIELD GP-FUEL LINES	662		728
	664		730
	666	SWITCH AS-START (KEY)	707
	668		709
	669		711
SHIELD GP-TURBOCHARGER	547		713
	548		716
SHUTOFF GP-AIR-24-VOLT	549		718
SILENCER-AIR STARTING	810		726
SOLENOID AS (24-VOLT) (AIR SHUTOFF)	549		728
SOLENOID AS-STARTING MOTOR (24-VOLT)	827		730
	835	SWITCH GP-AIR SHUTOFF	842
SPEEDOMETER GP	1001	SWITCH GP-COOLANT LEVEL	472
	1002	SWITCH GP-MAGNETIC	843
	1003		844
STARTING MOTOR GP-AIR	811		845
	813	SWITCH-LIQUID LEVEL (COOLANT)	472
STARTING MOTOR GP-ELECTRIC	815		
	816		
	817		
	818		
	819	T	
	821	TACHOMETER GP (ELECTRONIC)	1004
	823	TACHOMETER GP-ELECTRIC	1004
	825		1005
	827		1006
	830		1007
	832		1008
	834		1009
	837	TURBOCHARGER GP	551
	838		552
STRAINER GP-AIR LINES	841		553
SUPPORT GP-ENGINE	242		554
	243		555
	244		556
SWITCH (PUSH BUTTON)	716		557
	718		558
SWITCH (PUSH BUTTON)			559
(ENGINE DIAGNOSTIC)	711		560
			561

INDEX

Name	Page	Name	Page
V			
V-BELT (ALTERNATOR)	187	WIRING GP-PANEL	913
	188	WIRING GP-UNIT INJECTOR	914
	189		
V-BELT GP (1-GROOVE) (ALTERNATOR)	192		
V-BELT GP (ALTERNATOR)	191		
V-BELT GP-FAN DRIVE	245		
VALVE GP (CONDENSATION CHECK)	344		
	531		
VALVE GP-AIR STARTING	846		
VALVE GP-CHECK-FUEL	670		
	671		
VALVE GP-FLUID CONTROL	262		
VALVE GP-FLUID CONTROL (ENGINE OIL)	253		
	257		
	266		
	271		
	276		
	281		
	296		
	299		
	304		
VALVE GP-FLUID SAMPLING (3/8-18 NPTF THD)	412		
VALVE GP-FLUID SAMPLING (COOLANT)	405		
VOLTMETER GP	1010		
	1011		
	1012		
	1013		
	1014		
W			
WIRING GP-ELECTRONIC CONTROL	848		
	852		
WIRING GP-ENGINE	857		
	859		
	862		
	865		
	868		
	871		
	875		
	877		
	880		
	884		
	887		
	890		
	894		
	898		
	900		
	904		
	908		
WIRING GP-INSTRUMENT PANEL	912		
WIRING GP-JACKET WATER HEATER	912		

MEMORANDA

ENGINE ARRANGEMENT

345-8303 ENGINE AR

S/N: T2P1-UP

651 BRAKE KW (873BHP) AT 2200 RPM

SMCS-1000

i03641568

NOTE	PART NUMBER	QTY	PART NAME						SEE PAGE
			1	2	3	4	5	6 (PRODUCT LEVEL)	
Y	316-5245	1	AFTERCOOLER GP-RAW WATER						477
Y	345-8291	1	ENGINE AR-COMPLETE						57
Y	319-8538	1	FASTENER GP-FLYWHEEL						145
Y	201-1518	1	LINES GP-TURBOCHARGER OIL						346
Y	294-0105	1	LINES GP-TURBOCHARGER OIL						349
Y	277-5752	1	LINES GP-WATER						417
Y	277-6302	1	LINES GP-WATER						419
Y	201-7251	1	TURBOCHARGER GP (REAR MOUNT)						552
Y	201-7252	1	TURBOCHARGER GP (SIDE MOUNT)						553
	293-3827	1	ELECTRONICS GP-ENGINE RATINGS						

Y-SEPARATE ILLUSTRATION

ENGINE ARRANGEMENT

345-8304 ENGINE AR

S/N: T2P1-UP

651 BRAKE KW (873 BHP) AT 2200 RPM

FOR USE WITH NON-REMOTE LUBE GPS, SHALLOW PAN, SAE#1 APPLICATIONS

SMCS-1000

i03641579

NOTE	PART NUMBER	QTY	PART NAME						SEE PAGE
			1	2	3	4	5	6 (PRODUCT LEVEL)	
Y	316-5245	1	AFTERCOOLER GP-RAW WATER						477
Y	345-8292	1	ENGINE AR-COMPLETE						58
Y	319-6612	1	FASTENER GP-FLYWHEEL						144
Y	201-1518	1	LINES GP-TURBOCHARGER OIL						346
Y	277-5797	1	LINES GP-TURBOCHARGER OIL						348
Y	277-5786	1	LINES GP-WATER						418
Y	277-6302	1	LINES GP-WATER						419
Y	201-7251	1	TURBOCHARGER GP (REAR MOUNT)						552
Y	201-7252	1	TURBOCHARGER GP (SIDE MOUNT)						553
	293-3827	1	ELECTRONICS GP-ENGINE RATINGS						

Y-SEPARATE ILLUSTRATION

ENGINE ARRANGEMENT

345-8305 ENGINE AR

S/N: T2P1-UP

447 BRAKE KW (600 BHP) AT 1800 RPM

FOR USE WITH NON-REMOTE LUBE GPS, SHALLOW PAN, SAE#0 APPLICATIONS

SMCS-1000

i03641586

NOTE	PART NUMBER	QTY	PART NAME						SEE PAGE
			1	2	3	4	5	6 (PRODUCT LEVEL)	
Y	316-5245	1	AFTERCOOLER GP-RAW WATER						477
Y	345-8293	1	ENGINE AR-COMPLETE						59
Y	319-8538	1	FASTENER GP-FLYWHEEL						145
Y	294-0105	1	LINES GP-TURBOCHARGER OIL						349
Y	277-5752	1	LINES GP-WATER						417
Y	301-4315	1	TURBOCHARGER GP						559
	293-3835	1	ELECTRONICS GP-ENGINE RATINGS						

Y-SEPARATE ILLUSTRATION

ENGINE ARRANGEMENT

345-8306 ENGINE AR

S/N: T2P1-UP

412 BRAKE KW (553 BHP) AT 2100 RPM

FOR USE WITH NON-REMOTE LUBE GPS, SHALLOW PAN, SAE#0 APPLICATIONS

SMCS-1000

i03641597

NOTE	PART NUMBER	QTY	PART NAME						SEE PAGE
			1	2	3	4	5	6 (PRODUCT LEVEL)	
Y	316-5245	1	AFTERCOOLER GP-RAW WATER						477
Y	345-8293	1	ENGINE AR-COMPLETE						59
Y	319-8538	1	FASTENER GP-FLYWHEEL						145
Y	294-0105	1	LINES GP-TURBOCHARGER OIL						349
Y	277-5752	1	LINES GP-WATER						417
Y	301-4315	1	TURBOCHARGER GP						559
	293-3833	1	ELECTRONICS GP-ENGINE RATINGS						

Y-SEPARATE ILLUSTRATION

ENGINE ARRANGEMENT

345-8307 ENGINE AR

S/N: T2P1-UP

500 BRAKE KW (670 BHP) AT 2100 RPM

FOR USE WITH NON-REMOTE LUBE GPS, SHALLOW PAN, SAE#0 APPLICATIONS

SMCS-1000

i03641600

NOTE	PART NUMBER	QTY	PART NAME						SEE PAGE
			1	2	3	4	5	6 (PRODUCT LEVEL)	
Y	316-5245	1	AFTERCOOLER GP-RAW WATER						477
Y	345-8293	1	ENGINE AR-COMPLETE						59
Y	319-8538	1	FASTENER GP-FLYWHEEL						145
Y	294-0105	1	LINES GP-TURBOCHARGER OIL						349
Y	277-5752	1	LINES GP-WATER						417
Y	241-9421	1	TURBOCHARGER GP						555
	293-3837	1	ELECTRONICS GP-ENGINE RATINGS						

Y-SEPARATE ILLUSTRATION

ENGINE ARRANGEMENT

345-8308 ENGINE AR

S/N: T2P1-UP

533 BRAKE KW (715 BHP) AT 2100 RPM

FOR USE WITH NON-REMOTE LUBE GPS, SHALLOW PAN, SAE#0 APPLICATIONS

SMCS-1000

i03641604

NOTE	PART NUMBER	QTY	PART NAME						SEE PAGE
			1	2	3	4	5	6 (PRODUCT LEVEL)	
Y	316-5245	1	AFTERCOOLER GP-RAW WATER						477
Y	345-8293	1	ENGINE AR-COMPLETE						59
Y	319-8538	1	FASTENER GP-FLYWHEEL						145
Y	294-0105	1	LINES GP-TURBOCHARGER OIL						349
Y	277-5752	1	LINES GP-WATER						417
Y	241-9421	1	TURBOCHARGER GP						555
	293-3829	1	ELECTRONICS GP-ENGINE RATINGS						

Y-SEPARATE ILLUSTRATION

ENGINE ARRANGEMENT

345-8309 ENGINE AR

S/N: T2P1-UP

447 BRAKE KW (600 BHP) AT 1800 RPM

FOR USE WITH NON-REMOTE LUBE GPS, SHALLOW, SAE#1 APPLICATIONS

SMCS-1000

i03641605

NOTE	PART NUMBER	QTY	PART NAME						SEE PAGE
			1	2	3	4	5	6 (PRODUCT LEVEL)	
Y	316-5245	1	AFTERCOOLER GP-RAW WATER						477
Y	345-8294	1	ENGINE AR-COMPLETE						60
Y	319-6612	1	FASTENER GP-FLYWHEEL						144
Y	277-5797	1	LINES GP-TURBOCHARGER OIL						348
Y	277-5786	1	LINES GP-WATER						418
Y	301-4315	1	TURBOCHARGER GP						559
	293-3835	1	ELECTRONICS GP-ENGINE RATINGS						

Y-SEPARATE ILLUSTRATION

ENGINE ARRANGEMENT

345-8310 ENGINE AR

S/N: T2P1-UP

412 BRAKE KW (553 BHP) AT 2100 RPM

FOR USE WITH NON-REMOTE, LUBE GPS, SHALLOW PAN, SAE#1 APPLICATIONS

SMCS-1000

i03641608

NOTE	PART NUMBER	QTY	PART NAME						SEE PAGE
			1	2	3	4	5	6 (PRODUCT LEVEL)	
Y	316-5245	1	AFTERCOOLER GP-RAW WATER						477
Y	345-8294	1	ENGINE AR-COMPLETE						60
Y	319-6612	1	FASTENER GP-FLYWHEEL						144
Y	277-5797	1	LINES GP-TURBOCHARGER OIL						348
Y	277-5786	1	LINES GP-WATER						418
Y	301-4315	1	TURBOCHARGER GP						559
	293-3833	1	ELECTRONICS GP-ENGINE RATINGS						

Y-SEPARATE ILLUSTRATION

ENGINE ARRANGEMENT

345-8311 ENGINE AR

S/N: T2P612-UP

500 BRAKE KW (670 BHP) AT 2100 RPM

FOR USE WITH NON-REMOTE, LUBE GPS, SHALLOW PAN, SAE#1 APPLICATIONS

SMCS-1000

i03641616

NOTE	PART NUMBER	QTY	PART NAME						SEE PAGE
			1	2	3	4	5	6 (PRODUCT LEVEL)	
Y	316-5245	1	AFTERCOOLER GP-RAW WATER						477
Y	345-8294	1	ENGINE AR-COMPLETE						60
Y	319-6612	1	FASTENER GP-FLYWHEEL						144
Y	277-5797	1	LINES GP-TURBOCHARGER OIL						348
Y	277-5786	1	LINES GP-WATER						418
Y	241-9421	1	TURBOCHARGER GP						555
	293-3837	1	ELECTRONICS GP-ENGINE RATINGS						

Y-SEPARATE ILLUSTRATION

ENGINE ARRANGEMENT

345-8312 ENGINE AR

S/N: T2P1-UP

533 BRAKE KW (715 BHP) AT 2100 RPM

FOR USE WITH NON-REMOTE LUBE GPS, SHALLOW PAN, SAE#1 APPLICATIONS

SMCS-1000

i03641625

NOTE	PART NUMBER	QTY	PART NAME						SEE PAGE
			1	2	3	4	5	6 (PRODUCT LEVEL)	
Y	316-5245	1	AFTERCOOLER GP-RAW WATER						477
Y	345-8294	1	ENGINE AR-COMPLETE						60
Y	319-6612	1	FASTENER GP-FLYWHEEL						144
Y	277-5797	1	LINES GP-TURBOCHARGER OIL						348
Y	277-5786	1	LINES GP-WATER						418
Y	241-9421	1	TURBOCHARGER GP						555
	293-3829	1	ELECTRONICS GP-ENGINE RATINGS						

Y-SEPARATE ILLUSTRATION

ENGINE ARRANGEMENT

345-8313 ENGINE AR

S/N: T2P1-UP

339 BRAKE KW (454 BHP) AT 1800 RPM

FOR USE WITH NON-REMOTE LUBE GPS, SHALLOW PAN, SAE#0 APPLICATIONS

SMCS-1000

i03641630

NOTE	PART NUMBER	QTY	PART NAME						SEE PAGE
			1	2	3	4	5	6 (PRODUCT LEVEL)	
Y	316-5245	1	AFTERCOOLER GP-RAW WATER						477
Y	345-8295	1	ENGINE AR-COMPLETE						61
Y	319-8538	1	FASTENER GP-FLYWHEEL						145
Y	294-0105	1	LINES GP-TURBOCHARGER OIL						349
Y	277-5752	1	LINES GP-WATER						417
Y	301-4315	1	TURBOCHARGER GP						559
	293-3841	1	ELECTRONICS GP-ENGINE RATINGS						

Y-SEPARATE ILLUSTRATION

ENGINE ARRANGEMENT

345-8314 ENGINE AR

S/N: T2P1-UP

357 BRAKE KW (479 BHP) AT 1800 RPM

FOR USE WITH NON-REMOTE LUBE GPS, SHALLOW PAN, SAE#0 APLPLICATIONS

SMCS-1000

i03641631

NOTE	PART NUMBER	QTY	PART NAME						SEE PAGE
			1	2	3	4	5	6 (PRODUCT LEVEL)	
Y	316-5245	1	AFTERCOOLER GP-RAW WATER						477
Y	345-8295	1	ENGINE AR-COMPLETE						61
Y	319-8538	1	FASTENER GP-FLYWHEEL						145
Y	294-0105	1	LINES GP-TURBOCHARGER OIL						349
Y	277-5752	1	LINES GP-WATER						417
Y	301-4315	1	TURBOCHARGER GP						559
	293-3831	1	ELECTRONICS GP-ENGINE RATINGS						

Y-SEPARATE ILLUSTRATION

ENGINE ARRANGEMENT

345-8315 ENGINE AR

S/N: T2P1-UP

339 BRAKE KW (454 BHP) AT 1800 RPM

FOR USE WITH NON-REMOTE LUBE GPS, SHALLOW PAN, SAE#1 APPLICATIONSS

SMCS-1000

i03641632

NOTE	PART NUMBER	QTY	PART NAME						SEE PAGE
			1	2	3	4	5	6 (PRODUCT LEVEL)	
Y	316-5245	1	AFTERCOOLER GP-RAW WATER						477
Y	345-8296	1	ENGINE AR-COMPLETE						62
Y	319-6612	1	FASTENER GP-FLYWHEEL						144
Y	277-5797	1	LINES GP-TURBOCHARGER OIL						348
Y	277-5786	1	LINES GP-WATER						418
Y	301-4315	1	TURBOCHARGER GP						559
	293-3841	1	ELECTRONICS GP-ENGINE RATINGS						

Y-SEPARATE ILLUSTRATION

ENGINE ARRANGEMENT

345-8316 ENGINE AR

S/N: T2P1-UP

357 BRAKE KW (479 BHP) AT 1800 RPM

FOR USE WITH NON-REMOTE LUBE GPS, SHALLOW PAN, SAE#1 APPLICATIONS

SMCS-1000

i03641640

NOTE	PART NUMBER	QTY	PART NAME						SEE PAGE
			1	2	3	4	5	6 (PRODUCT LEVEL)	
Y	316-5245	1	AFTERCOOLER GP-RAW WATER						477
Y	345-8296	1	ENGINE AR-COMPLETE						62
Y	319-6612	1	FASTENER GP-FLYWHEEL						144
Y	277-5797	1	LINES GP-TURBOCHARGER OIL						348
Y	277-5786	1	LINES GP-WATER						418
Y	301-4315	1	TURBOCHARGER GP						559
	293-3831	1	ELECTRONICS GP-ENGINE RATINGS						

Y-SEPARATE ILLUSTRATION

ENGINE ARRANGEMENT

345-8317 ENGINE AR

S/N: T2P1-UP

651 BRAKE KW (873 BHP) AT 2200 RPM

FOR USE WITH REMOTE LUBE GPS, SHALLOW PAN, SAE#0 APPLICATIONS

SMCS-1000

i03641643

NOTE	PART NUMBER	QTY	PART NAME						SEE PAGE
			1	2	3	4	5	6 (PRODUCT LEVEL)	
Y	316-5245	1	AFTERCOOLER GP-RAW WATER						477
Y	345-8297	1	ENGINE AR-COMPLETE						63
Y	319-8538	1	FASTENER GP-FLYWHEEL						145
Y	201-1518	1	LINES GP-TURBOCHARGER OIL						346
Y	294-0105	1	LINES GP-TURBOCHARGER OIL						349
Y	277-5752	1	LINES GP-WATER						417
Y	277-6302	1	LINES GP-WATER						419
Y	201-7251	1	TURBOCHARGER GP (REAR MOUNT)						552
Y	201-7252	1	TURBOCHARGER GP (SIDE MOUNT)						553
	293-3827	1	ELECTRONICS GP-ENGINE RATINGS						

Y-SEPARATE ILLUSTRATION

ENGINE ARRANGEMENT

345-8318 ENGINE AR

S/N: T2P1-UP

651 BRAKE KW (873 BHP) AT 2200 RPM

FOR USE WITH REMOTE LUBE GPS, SHALLOW PAN, SAE#1 APPLICATIONS

SMCS-1000

i03641644

NOTE	PART NUMBER	QTY	PART NAME						SEE PAGE
			1	2	3	4	5	6 (PRODUCT LEVEL)	
Y	316-5245	1	AFTERCOOLER GP-RAW WATER						477
Y	345-8298	1	ENGINE AR-COMPLETE						64
Y	319-6612	1	FASTENER GP-FLYWHEEL						144
Y	201-1518	1	LINES GP-TURBOCHARGER OIL						346
Y	277-5797	1	LINES GP-TURBOCHARGER OIL						348
Y	277-5786	1	LINES GP-WATER						418
Y	277-6302	1	LINES GP-WATER						419
Y	201-7251	1	TURBOCHARGER GP (REAR MOUNT)						552
Y	201-7252	1	TURBOCHARGER GP (SIDE MOUNT)						553
	293-3827	1	ELECTRONICS GP-ENGINE RATINGS						

Y-SEPARATE ILLUSTRATION

ENGINE ARRANGEMENT

345-8319 ENGINE AR

S/N: T2P1-UP

447 BRAKE KW (600 BHP) AT 1800 RPM

FOR USE WITH REMOTE LUBE GPS, SHALLOW PAN, SAE#0 APPLICATIONS

SMCS-1000

i03641657

NOTE	PART NUMBER	QTY	PART NAME	SEE PAGE
			1 2 3 4 5 6 (PRODUCT LEVEL)	
Y	316-5245	1	AFTERCOOLER GP-RAW WATER	477
Y	345-8299	1	ENGINE AR-COMPLETE	65
Y	319-8538	1	FASTENER GP-FLYWHEEL	145
Y	294-0105	1	LINES GP-TURBOCHARGER OIL	349
Y	277-5752	1	LINES GP-WATER	417
Y	301-4315	1	TURBOCHARGER GP	559
	293-3835	1	ELECTRONICS GP-ENGINE RATINGS	

Y-SEPARATE ILLUSTRATION

ENGINE ARRANGEMENT

345-8320 ENGINE AR

S/N: T2P1-UP

412 BRAKE KW (553 BHP) AT 2100 RPM

FOR USE WITH REMOTE LUBE GPS, SHALLOW PAN, SAE#0 APPLICATIONS

SMCS-1000

i03641659

NOTE	PART NUMBER	QTY	PART NAME	SEE PAGE
			1 2 3 4 5 6 (PRODUCT LEVEL)	
Y	316-5245	1	AFTERCooler GP-RAW WATER	477
Y	345-8299	1	ENGINE AR-COMPLETE	65
Y	319-8538	1	FASTENER GP-FLYWHEEL	145
Y	294-0105	1	LINES GP-TURBOCHARGER OIL	349
Y	277-5752	1	LINES GP-WATER	417
Y	301-4315	1	TURBOCHARGER GP	559
	293-3833	1	ELECTRONICS GP-ENGINE RATINGS	

Y-SEPARATE ILLUSTRATION

ENGINE ARRANGEMENT

345-8321 ENGINE AR

S/N: T2P1-UP

500 BRAKE KW (670 BHP) AT 2100 RPM

FOR USE WITH REMOTE LUBE GPS, SHALLOW PAN, SAE#0 APPLICATIONS

SMCS-1000

i03641662

NOTE	PART NUMBER	QTY	PART NAME	SEE PAGE
			1 2 3 4 5 6 (PRODUCT LEVEL)	
Y	316-5245	1	AFTERCOOLER GP-RAW WATER	477
Y	345-8299	1	ENGINE AR-COMPLETE	65
Y	319-8538	1	FASTENER GP-FLYWHEEL	145
Y	294-0105	1	LINES GP-TURBOCHARGER OIL	349
Y	277-5752	1	LINES GP-WATER	417
Y	241-9421	1	TURBOCHARGER GP	555
	293-3837	1	ELECTRONICS GP-ENGINE RATINGS	

Y-SEPARATE ILLUSTRATION

ENGINE ARRANGEMENT

345-8322 ENGINE AR

S/N: T2P1-UP

533 BRAKE KW (715 BHP) AT 2100 RPM

FOR USE WITH REMOTE LUBE GPS, SHALLOW PAN SAE#0 APPLICATIONS

SMCS-1000

i03641668

NOTE	PART NUMBER	QTY	PART NAME						SEE PAGE
			1	2	3	4	5	6 (PRODUCT LEVEL)	
Y	316-5245	1	AFTERCOOLER GP-RAW WATER						477
Y	345-8299	1	ENGINE AR-COMPLETE						65
Y	319-8538	1	FASTENER GP-FLYWHEEL						145
Y	294-0105	1	LINES GP-TURBOCHARGER OIL						349
Y	277-5752	1	LINES GP-WATER						417
Y	241-9421	1	TURBOCHARGER GP						555
	293-3829	1	ELECTRONICS GP-ENGINE RATINGS						

Y-SEPARATE ILLUSTRATION

ENGINE ARRANGEMENT

345-8323 ENGINE AR

S/N: T2P1-UP

447 BRAKE KW (600BHP) AT 1800 RPM

SMCS-1000

i03641678

NOTE	PART NUMBER	QTY	PART NAME						SEE PAGE
			1	2	3	4	5	6 (PRODUCT LEVEL)	
Y	316-5245	1	AFTERCOOLER GP-RAW WATER						477
Y	345-8300	1	ENGINE AR-COMPLETE						66
Y	319-6612	1	FASTENER GP-FLYWHEEL						144
Y	277-5797	1	LINES GP-TURBOCHARGER OIL						348
Y	277-5786	1	LINES GP-WATER						418
Y	301-4315	1	TURBOCHARGER GP						559
	293-3835	1	ELECTRONICS GP-ENGINE RATINGS						

Y-SEPARATE ILLUSTRATION

ENGINE ARRANGEMENT

345-8324 ENGINE AR

S/N: T2P1-UP

412 BRAKE KW (553BHP) AT 2100 RPM

SMCS-1000

i03641679

NOTE	PART NUMBER	QTY	PART NAME						SEE PAGE
			1	2	3	4	5	6 (PRODUCT LEVEL)	
Y	316-5245	1	AFTERCOOLER GP-RAW WATER						477
Y	345-8300	1	ENGINE AR-COMPLETE						66
Y	319-6612	1	FASTENER GP-FLYWHEEL						144
Y	277-5797	1	LINES GP-TURBOCHARGER OIL						348
Y	277-5786	1	LINES GP-WATER						418
Y	301-4315	1	TURBOCHARGER GP						559
	293-3833	1	ELECTRONICS GP-ENGINE RATINGS						

Y-SEPARATE ILLUSTRATION

ENGINE ARRANGEMENT

345-8325 ENGINE AR

S/N: T2P609-UP

500 BRAKE KW (670BHP) AT 2100 RPM

SMCS-1000

i03641683

NOTE	PART NUMBER	QTY	PART NAME						SEE PAGE
			1	2	3	4	5	6 (PRODUCT LEVEL)	
Y	316-5245	1	AFTERCOOLER GP-RAW WATER						477
Y	345-8300	1	ENGINE AR-COMPLETE						66
Y	319-6612	1	FASTENER GP-FLYWHEEL						144
Y	277-5797	1	LINES GP-TURBOCHARGER OIL						348
Y	277-5786	1	LINES GP-WATER						418
Y	241-9421	1	TURBOCHARGER GP						555
	293-3837	1	ELECTRONICS GP-ENGINE RATINGS						

Y-SEPARATE ILLUSTRATION

ENGINE ARRANGEMENT

345-8326 ENGINE AR

S/N: T2P1-UP

533 BRAKE KW (715BHP) AT 2100 RPM

SMCS-1000

i03641684

NOTE	PART NUMBER	QTY	PART NAME						SEE PAGE
			1	2	3	4	5	6 (PRODUCT LEVEL)	
Y	316-5245	1	AFTERCOOLER GP-RAW WATER						477
Y	345-8300	1	ENGINE AR-COMPLETE						66
Y	319-6612	1	FASTENER GP-FLYWHEEL						144
Y	277-5797	1	LINES GP-TURBOCHARGER OIL						348
Y	277-5786	1	LINES GP-WATER						418
Y	241-9421	1	TURBOCHARGER GP						555
	293-3829	1	ELECTRONICS GP-ENGINE RATINGS						

Y-SEPARATE ILLUSTRATION

ENGINE ARRANGEMENT

345-8327 ENGINE AR

S/N: T2P1-UP

339 BRAKE KW (454 BHP) AT 1800 RPM

FOR USE WITH REMOTE LUBE GPS, SHALLOW PAN, SAE#0 APPLICATIONS

SMCS-1000

i03641686

NOTE	PART NUMBER	QTY	PART NAME	SEE PAGE
			1 2 3 4 5 6 (PRODUCT LEVEL)	
Y	316-5245	1	AFTERCOOLER GP-RAW WATER	477
Y	345-8301	1	ENGINE AR-COMPLETE	67
Y	319-8538	1	FASTENER GP-FLYWHEEL	145
Y	294-0105	1	LINES GP-TURBOCHARGER OIL	349
Y	277-5752	1	LINES GP-WATER	417
Y	301-4315	1	TURBOCHARGER GP	559
	293-3841	1	ELECTRONICS GP-ENGINE RATINGS	

Y-SEPARATE ILLUSTRATION

ENGINE ARRANGEMENT

345-8328 ENGINE AR

S/N: T2P1-UP

357 BRAKE KW (479 BHP) AT 1800 RPM

FOR USE WITH REMOTE LUBE GPS, SHALLOW PAN, SAE#0 APPLICATIONS

SMCS-1000

i03641688

NOTE	PART NUMBER	QTY	PART NAME						SEE PAGE
			1	2	3	4	5	6 (PRODUCT LEVEL)	
Y	316-5245	1	AFTERCOOLER GP-RAW WATER						477
Y	345-8301	1	ENGINE AR-COMPLETE						67
Y	319-8538	1	FASTENER GP-FLYWHEEL						145
Y	294-0105	1	LINES GP-TURBOCHARGER OIL						349
Y	277-5752	1	LINES GP-WATER						417
Y	301-4315	1	TURBOCHARGER GP						559
	293-3831	1	ELECTRONICS GP-ENGINE RATINGS						

Y-SEPARATE ILLUSTRATION

ENGINE ARRANGEMENT

345-8329 ENGINE AR

S/N: T2P1-UP

339 BRAKE KW (454 BHP) AT 1800 RPM

FOR USE WITH REMOTE LUBE GPS, SHALLOW PAN, SAE#1 APPLICATIONS

SMCS-1000

i03641691

NOTE	PART NUMBER	QTY	PART NAME	SEE PAGE
			1 2 3 4 5 6 (PRODUCT LEVEL)	
Y	316-5245	1	AFTERCOOLER GP-RAW WATER	477
Y	345-8302	1	ENGINE AR-COMPLETE	68
Y	319-6612	1	FASTENER GP-FLYWHEEL	144
Y	277-5797	1	LINES GP-TURBOCHARGER OIL	348
Y	277-5786	1	LINES GP-WATER	418
Y	301-4315	1	TURBOCHARGER GP	559
	293-3841	1	ELECTRONICS GP-ENGINE RATINGS	

Y-SEPARATE ILLUSTRATION

ENGINE ARRANGEMENT

345-8330 ENGINE AR

S/N: T2P1-UP

357 BRAKE KW (479 BHP) AT 1800 RPM

FOR USE WITH REMOTE LUBE GPS, SHALLOW PAN, SAE#1 APPLICATIONS

SMCS-1000

i03641692

NOTE	PART NUMBER	QTY	PART NAME	SEE PAGE
			1 2 3 4 5 6 (PRODUCT LEVEL)	
Y	316-5245	1	AFTERCOOLER GP-RAW WATER	477
Y	345-8302	1	ENGINE AR-COMPLETE	68
Y	319-6612	1	FASTENER GP-FLYWHEEL	144
Y	277-5797	1	LINES GP-TURBOCHARGER OIL	348
Y	277-5786	1	LINES GP-WATER	418
Y	301-4315	1	TURBOCHARGER GP	559
	293-3831	1	ELECTRONICS GP-ENGINE RATINGS	
Y-SEPARATE ILLUSTRATION				

ENGINE ARRANGEMENT

320-9784 ENGINE AR-COMPLETE

S/N: T2P1-UP

885 MHP AT 2200 RPM, "D" RATING

FOR USE WITH NON-REMOTE LUBE GROUPS, DEEP OIL PAN APPLICATIONS, SAE NO.0
FLYWHEEL APPLICATIONS

SMCS-1000

i03116066

NOTE	PART NUMBER	QTY	PART NAME						SEE PAGE
			1	2	3	4	5	6 (PRODUCT LEVEL)	
Y	316-5245	1	AFTERCOOLER GP-RAW WATER						477
Y	320-9772	1	ENGINE AR-PRIMARY						83
Y	319-8538	1	FASTENER GP-FLYWHEEL						145
Y	294-0105	1	LINES GP-TURBOCHARGER OIL						349
Y	201-1518	1	LINES GP-TURBOCHARGER OIL						346
Y	277-5752	1	LINES GP-WATER						417
Y	277-6302	1	LINES GP-WATER						419
Y	201-7251	1	TURBOCHARGER GP (REAR MOUNT)						552
Y	201-7252	1	TURBOCHARGER GP (SIDE MOUNT)						553
	293-3827	1	ELECTRONICS GP-ENGINE RATINGS						

Y-SEPARATE ILLUSTRATION

ENGINE ARRANGEMENT

320-9785 ENGINE AR-COMPLETE

S/N: T2P1-UP

885 MHP AT 2200 RPM, "D" RATING

FOR USE WITH NON-REMOTE LUBE GROUPS, DEEP ENGINE OIL PAN APPLICATIONS, SAE
NO.1 FLYWHEEL APPLICATIONS

SMCS-1000

i03553067

NOTE	PART NUMBER	QTY	PART NAME						SEE PAGE
			1	2	3	4	5	6 (PRODUCT LEVEL)	
Y	316-5245	1	AFTERCOOLER GP-RAW WATER						477
Y	320-9773	1	ENGINE AR-PRIMARY						84
Y	319-6612	1	FASTENER GP-FLYWHEEL						144
Y	277-5797	1	LINES GP-TURBOCHARGER OIL (FLYWHEEL HOUSING)						348
Y	201-1518	1	LINES GP-TURBOCHARGER OIL (FORWARD, RH)						346
Y	277-5786	1	LINES GP-WATER (REAR TURBOCHARGER, ENGINE)						418
Y	277-6302	1	LINES GP-WATER (FORWARD, RH)						419
Y	201-7251	1	TURBOCHARGER GP (REAR MOUNT)						552
Y	201-7252	1	TURBOCHARGER GP (SIDE MOUNT)						553
	293-3827	1	ELECTRONICS GP-ENGINE RATINGS						

Y-SEPARATE ILLUSTRATION

ENGINE ARRANGEMENT

320-9786 ENGINE AR-COMPLETE

S/N: T2P1-UP

885 MHP AT 2200 RPM, "D" RATING

FOR USE WITH REMOTE LUBE GROUPS, DEEP ENGINE OIL PAN APPLICATIONS, SAE NO.0
FLYWHEEL APPLICATIONS

SMCS-1000

i03553066

NOTE	PART NUMBER	QTY	PART NAME						SEE PAGE
			1	2	3	4	5	6 (PRODUCT LEVEL)	
Y	316-5245	1	AFTERCOOLER GP-RAW WATER						477
Y	320-9778	1	ENGINE AR-PRIMARY						89
Y	319-8538	1	FASTENER GP-FLYWHEEL						145
Y	294-0105	1	LINES GP-TURBOCHARGER OIL (REAR, RH)						349
Y	201-1518	1	LINES GP-TURBOCHARGER OIL (FORWARD, RH)						346
Y	277-5752	1	LINES GP-WATER (REAR, RH)						417
Y	277-6302	1	LINES GP-WATER (FORWARD, RH)						419
Y	201-7251	1	TURBOCHARGER GP (REAR MOUNT)						552
Y	201-7252	1	TURBOCHARGER GP (SIDE MOUNT)						553
	293-3827	1	ELECTRONICS GP-ENGINE RATINGS						

Y-SEPARATE ILLUSTRATION

ENGINE ARRANGEMENT

320-9787 ENGINE AR-COMPLETE

S/N: T2P1-UP

885 MHP AT 2200 RPM, "D" RATING

FOR USE WITH REMOTE LUBE GROUPS, DEEP ENGINE OIL PAN APPLICATIONS, SAE NO.1
FLYWHEEL APPLICATIONS

SMCS-1000

i03116073

NOTE	PART NUMBER	QTY	PART NAME						SEE PAGE
			1	2	3	4	5	6 (PRODUCT LEVEL)	
Y	316-5245	1	AFTERCOOLER GP-RAW WATER						477
Y	320-9779	1	ENGINE AR-PRIMARY						90
Y	319-6612	1	FASTENER GP-FLYWHEEL						144
Y	277-5797	1	LINES GP-TURBOCHARGER OIL						348
Y	201-1518	1	LINES GP-TURBOCHARGER OIL						346
Y	277-5786	1	LINES GP-WATER						418
Y	277-6302	1	LINES GP-WATER						419
Y	201-7251	1	TURBOCHARGER GP (REAR MOUNT)						552
Y	201-7252	1	TURBOCHARGER GP (SIDE MOUNT)						553
	293-3827	1	ELECTRONICS GP-ENGINE RATINGS						

Y-SEPARATE ILLUSTRATION

ENGINE ARRANGEMENT

320-9788 ENGINE AR-COMPLETE

S/N: T2P1-UP

725 MHP AT 2100 RPM, "C" RATING

FOR USE WITH NON-REMOTE LUBE GROUPS, DEEP ENGINE OIL PAN APPLICATIONS, SAE
NO.0 FLYWHEEL HOUSING APPLICATION

SMCS-1000

i03116074

NOTE	PART NUMBER	QTY	PART NAME						SEE PAGE
			1	2	3	4	5	6 (PRODUCT LEVEL)	
Y	316-5245	1	AFTERCOOLER GP-RAW WATER						477
Y	320-9774	1	ENGINE AR-PRIMARY						85
Y	319-8538	1	FASTENER GP-FLYWHEEL						145
Y	294-0105	1	LINES GP-TURBOCHARGER OIL						349
Y	277-5752	1	LINES GP-WATER						417
Y	241-9421	1	TURBOCHARGER GP						555
	293-3829	1	ELECTRONICS GP-ENGINE RATINGS						
Y-SEPARATE ILLUSTRATION									

ENGINE ARRANGEMENT

320-9789 ENGINE AR-COMPLETE

S/N: T2P1-UP

725 MHP AT 2100 RPM, "C" RATING

FOR USE WITH NON-REMOTE LUBE GROUPS, DEEP ENGINE OIL PAN APPLICATION, SAE
NO.1 FLYWHEEL HOUSING APPLICATION

SMCS-1000

i03116075

NOTE	PART NUMBER	QTY	PART NAME						SEE PAGE
			1	2	3	4	5	6 (PRODUCT LEVEL)	
Y	316-5245	1	AFTERCOOLER GP-RAW WATER						477
Y	320-9775	1	ENGINE AR-PRIMARY						86
Y	319-6612	1	FASTENER GP-FLYWHEEL						144
Y	277-5797	1	LINES GP-TURBOCHARGER OIL						348
Y	277-5786	1	LINES GP-WATER						418
Y	241-9421	1	TURBOCHARGER GP						555
	293-3829	1	ELECTRONICS GP-ENGINE RATINGS						
Y-SEPARATE ILLUSTRATION									

ENGINE ARRANGEMENT

320-9790 ENGINE AR-COMPLETE

S/N: T2P1-UP

725 MHP AT 2100 RPM, "C" RATING

FOR USE WITH REMOTE LUBE GROUPS, DEEP ENGINE OIL PAN APPLICATIONS, SAE NO.0
FLYWHEEL HOUSING APPLICATIONS

SMCS-1000

i03116077

NOTE	PART NUMBER	QTY	PART NAME						SEE PAGE
			1	2	3	4	5	6 (PRODUCT LEVEL)	
Y	316-5245	1	AFTERCOOLER GP-RAW WATER						477
Y	320-9780	1	ENGINE AR-PRIMARY						91
Y	319-8538	1	FASTENER GP-FLYWHEEL						145
Y	294-0105	1	LINES GP-TURBOCHARGER OIL						349
Y	277-5752	1	LINES GP-WATER						417
Y	241-9421	1	TURBOCHARGER GP						555
	293-3829	1	ELECTRONICS GP-ENGINE RATINGS						
Y-SEPARATE ILLUSTRATION									

ENGINE ARRANGEMENT

320-9791 ENGINE AR-COMPLETE

S/N: T2P1-UP

725 MHP AT 2100 RPM, "C" RATING

FOR USE WITH REMOTE LUBE GROUPS, DEEP ENGINE OIL PAN APPLICATIONS, SAE NO.1
FLYWHEEL HOUSING APPLICATIONS

SMCS-1000

i03116079

NOTE	PART NUMBER	QTY	PART NAME						SEE PAGE
			1	2	3	4	5	6 (PRODUCT LEVEL)	
Y	316-5245	1	AFTERCOOLER GP-RAW WATER						477
Y	320-9781	1	ENGINE AR-PRIMARY						92
Y	319-6612	1	FASTENER GP-FLYWHEEL						144
Y	277-5797	1	LINES GP-TURBOCHARGER OIL						348
Y	277-5786	1	LINES GP-WATER						418
Y	241-9421	1	TURBOCHARGER GP						555
	293-3829	1	ELECTRONICS GP-ENGINE RATINGS						
Y-SEPARATE ILLUSTRATION									

ENGINE ARRANGEMENT

320-9792 ENGINE AR-COMPLETE

S/N: T2P1-UP

680 MHP AT 2100 RPM, "B" RATING

FOR USE WITH NON-REMOTE LUBE GROUPS, DEEP ENGINE OIL PAN APPLICATIONS, SAE
NO.0 FLYWHEEL HOUSING APPLICATIONS

SMCS-1000

i03116080

NOTE	PART NUMBER	QTY	PART NAME						SEE PAGE
			1	2	3	4	5	6 (PRODUCT LEVEL)	
Y	316-5245	1	AFTERCOOLER GP-RAW WATER						477
Y	320-9774	1	ENGINE AR-PRIMARY						85
Y	319-8538	1	FASTENER GP-FLYWHEEL						145
Y	294-0105	1	LINES GP-TURBOCHARGER OIL						349
Y	277-5752	1	LINES GP-WATER						417
Y	241-9421	1	TURBOCHARGER GP						555
	293-3837	1	ELECTRONICS GP-ENGINE RATINGS						
Y-SEPARATE ILLUSTRATION									

ENGINE ARRANGEMENT

320-9793 ENGINE AR-COMPLETE

S/N: T2P1-UP

680 MHP AT 2100 RPM, "B" RATING

FOR USE WITH NON-REMOTE LUBE GROUPS, DEEP ENGINE OIL PAN APPLICATIONS, SAE
NO.1 FLYWHEEL HOUSING APPLICATIONS

SMCS-1000

i03116082

NOTE	PART NUMBER	QTY	PART NAME						SEE PAGE
			1	2	3	4	5	6 (PRODUCT LEVEL)	
Y	316-5245	1	AFTERCOOLER GP-RAW WATER						477
Y	320-9775	1	ENGINE AR-PRIMARY						86
Y	319-6612	1	FASTENER GP-FLYWHEEL						144
Y	277-5797	1	LINES GP-TURBOCHARGER OIL						348
Y	277-5786	1	LINES GP-WATER						418
Y	241-9421	1	TURBOCHARGER GP						555
	293-3837	1	ELECTRONICS GP-ENGINE RATINGS						
Y-SEPARATE ILLUSTRATION									

ENGINE ARRANGEMENT

320-9794 ENGINE AR-COMPLETE

S/N: T2P1-UP

680 MHP AT 2100 RPM, "B" RATING

FOR USE WITH REMOTE LUBE GROUPS, DEEP ENGINE OIL PAN APPLICATIONS, SAE NO.0
FLYWHEEL HOUSING APPLICATIONS

SMCS-1000

i03116083

NOTE	PART NUMBER	QTY	PART NAME						SEE PAGE
			1	2	3	4	5	6 (PRODUCT LEVEL)	
Y	316-5245	1	AFTERCOOLER GP-RAW WATER						477
Y	320-9780	1	ENGINE AR-PRIMARY						91
Y	319-8538	1	FASTENER GP-FLYWHEEL						145
Y	294-0105	1	LINES GP-TURBOCHARGER OIL						349
Y	277-5752	1	LINES GP-WATER						417
Y	241-9421	1	TURBOCHARGER GP						555
	293-3837	1	ELECTRONICS GP-ENGINE RATINGS						
Y-SEPARATE ILLUSTRATION									

ENGINE ARRANGEMENT

320-9795 ENGINE AR-COMPLETE

S/N: T2P1-UP

680 MHP AT 2100 RPM, "B" RATING

FOR USE WITH REMOTE LUBE GROUPS, DEEP ENGINE OIL PAN APPLICATIONS, SAE NO.1
FLYWHEEL HOUSING APPLICATIONS

SMCS-1000

i03116084

NOTE	PART NUMBER	QTY	PART NAME						SEE PAGE
			1	2	3	4	5	6 (PRODUCT LEVEL)	
Y	316-5245	1	AFTERCOOLER GP-RAW WATER						477
Y	320-9781	1	ENGINE AR-PRIMARY						92
Y	319-6612	1	FASTENER GP-FLYWHEEL						144
Y	277-5797	1	LINES GP-TURBOCHARGER OIL						348
Y	277-5786	1	LINES GP-WATER						418
Y	241-9421	1	TURBOCHARGER GP						555
	293-3837	1	ELECTRONICS GP-ENGINE RATINGS						
Y-SEPARATE ILLUSTRATION									

ENGINE ARRANGEMENT

320-9796 ENGINE AR-COMPLETE

S/N: T2P1-UP

560 MHP AT 2100 RPM, "B" RATING

FOR USE WITH NON-REMOTE LUBE GROUPS, DEEP ENGINE OIL PAN APPLICATIONS, SAE
NO.0 FLYWHEEL HOUSING APPLICATIONS

SMCS-1000

i03116085

NOTE	PART NUMBER	QTY	PART NAME						SEE PAGE
			1	2	3	4	5	6 (PRODUCT LEVEL)	
Y	316-5245	1	AFTERCOOLER GP-RAW WATER						477
Y	320-9774	1	ENGINE AR-PRIMARY						85
Y	319-8538	1	FASTENER GP-FLYWHEEL						145
Y	294-0105	1	LINES GP-TURBOCHARGER OIL						349
Y	277-5752	1	LINES GP-WATER						417
Y	301-4315	1	TURBOCHARGER GP						559
	293-3833	1	ELECTRONICS GP-ENGINE RATINGS						
Y-SEPARATE ILLUSTRATION									

ENGINE ARRANGEMENT

320-9797 ENGINE AR-COMPLETE

S/N: T2P1-UP

560 MHP AT 2100 RPM, "B" RATING

FOR USE WITH NON-REMOTE LUBE GROUPS, DEEP ENGINE OIL PAN APPLICATIONS, SAE
NO.1 FLYWHEEL HOUSING APPLICATIONS

SMCS-1000

i03116086

NOTE	PART NUMBER	QTY	PART NAME						SEE PAGE
			1	2	3	4	5	6 (PRODUCT LEVEL)	
Y	316-5245	1	AFTERCOOLER GP-RAW WATER						477
Y	320-9775	1	ENGINE AR-PRIMARY						86
Y	319-6612	1	FASTENER GP-FLYWHEEL						144
Y	277-5797	1	LINES GP-TURBOCHARGER OIL						348
Y	277-5786	1	LINES GP-WATER						418
Y	301-4315	1	TURBOCHARGER GP						559
	293-3833	1	ELECTRONICS GP-ENGINE RATINGS						
Y-SEPARATE ILLUSTRATION									

ENGINE ARRANGEMENT

320-9798 ENGINE AR-COMPLETE

S/N: T2P1-UP

560 MHP AT 2100 RPM, "B" RATING

FOR USE WITH REMOTE LUBE GROUPS, DEEP ENGINE OIL PAN APPLICATIONS, SAE NO.0
FLYWHEEL HOUSING APPLICATIONS

SMCS-1000

i03116087

NOTE	PART NUMBER	QTY	PART NAME						SEE PAGE
			1	2	3	4	5	6 (PRODUCT LEVEL)	
Y	316-5245	1	AFTERCOOLER GP-RAW WATER						477
Y	320-9780	1	ENGINE AR-PRIMARY						91
Y	319-8538	1	FASTENER GP-FLYWHEEL						145
Y	294-0105	1	LINES GP-TURBOCHARGER OIL						349
Y	277-5752	1	LINES GP-WATER						417
Y	301-4315	1	TURBOCHARGER GP						559
	293-3833	1	ELECTRONICS GP-ENGINE RATINGS						
Y-SEPARATE ILLUSTRATION									

ENGINE ARRANGEMENT

320-9799 ENGINE AR-COMPLETE

S/N: T2P1-UP

560 MHP AT 2100 RPM, "B" RATING

FOR USE WITH REMOTE LUBE GROUPS, DEEP ENGINE OIL PAN APPLICATIONS, SAE NO.1
FLYWHEEL HOUSING APPLICATIONS

SMCS-1000

i03116088

NOTE	PART NUMBER	QTY	PART NAME						SEE PAGE
			1	2	3	4	5	6 (PRODUCT LEVEL)	
Y	316-5245	1	AFTERCOOLER GP-RAW WATER						477
Y	320-9781	1	ENGINE AR-PRIMARY						92
Y	319-6612	1	FASTENER GP-FLYWHEEL						144
Y	277-5797	1	LINES GP-TURBOCHARGER OIL						348
Y	277-5786	1	LINES GP-WATER						418
Y	301-4315	1	TURBOCHARGER GP						559
	293-3833	1	ELECTRONICS GP-ENGINE RATINGS						
Y-SEPARATE ILLUSTRATION									

ENGINE ARRANGEMENT

320-9800 ENGINE AR-COMPLETE

S/N: T2P1-UP

608 MHP AT 1800 RPM, "B" RATING

FOR USE WITH NON-REMOTE LUBE GROUPS, DEEP ENGINE OIL PAN APPLICATIONS, SAE
NO.0 FLYWHEEL HOUSING APPLICATIONS

SMCS-1000

i03116089

NOTE	PART NUMBER	QTY	PART NAME						SEE PAGE
			1	2	3	4	5	6 (PRODUCT LEVEL)	
Y	316-5245	1	AFTERCOOLER GP-RAW WATER						477
Y	320-9774	1	ENGINE AR-PRIMARY						85
Y	319-8538	1	FASTENER GP-FLYWHEEL						145
Y	294-0105	1	LINES GP-TURBOCHARGER OIL						349
Y	277-5752	1	LINES GP-WATER						417
Y	301-4315	1	TURBOCHARGER GP						559
	293-3835	1	ELECTRONICS GP-ENGINE RATINGS						
Y-SEPARATE ILLUSTRATION									

ENGINE ARRANGEMENT

320-9801 ENGINE AR-COMPLETE

S/N: T2P1-UP

608 MHP AT 1800 RPM, "B" RATING

FOR USE WITH NON-REMOTE LUBE GROUPS, DEEP ENGINE OIL PAN APPLICATIONS, SAE
NO.1 FLYWHEEL HOUSING APPLICATIONS

SMCS-1000

i03116126

NOTE	PART NUMBER	QTY	PART NAME						SEE PAGE
			1	2	3	4	5	6 (PRODUCT LEVEL)	
Y	316-5245	1	AFTERCOOLER GP-RAW WATER						477
Y	320-9775	1	ENGINE AR-PRIMARY						86
Y	319-6612	1	FASTENER GP-FLYWHEEL						144
Y	277-5797	1	LINES GP-TURBOCHARGER OIL						348
Y	277-5786	1	LINES GP-WATER						418
Y	301-4315	1	TURBOCHARGER GP						559
	293-3835	1	ELECTRONICS GP-ENGINE RATINGS						
Y-SEPARATE ILLUSTRATION									

ENGINE ARRANGEMENT

320-9802 ENGINE AR-COMPLETE

S/N: T2P1-UP

608 MHP AT 1800 RPM, "B" RATING

FOR USE WITH REMOTE LUBE GROUPS, DEEP ENGINE OIL PAN APPLICATIONS, SAE NO.0
FLYWHEEL HOUSING APPLICATIONS

SMCS-1000

i03116127

NOTE	PART NUMBER	QTY	PART NAME						SEE PAGE
			1	2	3	4	5	6 (PRODUCT LEVEL)	
Y	316-5245	1	AFTERCOOLER GP-RAW WATER						477
Y	320-9780	1	ENGINE AR-PRIMARY						91
Y	319-8538	1	FASTENER GP-FLYWHEEL						145
Y	294-0105	1	LINES GP-TURBOCHARGER OIL						349
Y	277-5752	1	LINES GP-WATER						417
Y	301-4315	1	TURBOCHARGER GP						559
	293-3835	1	ELECTRONICS GP-ENGINE RATINGS						
Y-SEPARATE ILLUSTRATION									

ENGINE ARRANGEMENT

320-9803 ENGINE AR-COMPLETE

S/N: T2P1-UP

608 MHP AT 1800 RPM, "B" RATING

FOR USE WITH REMOTE LUBE GROUPS, DEEP ENGINE OIL PAN APPLICATIONS, SAE NO.1
FLYWHEEL HOUSING APPLICATIONS

SMCS-1000

i03116128

NOTE	PART NUMBER	QTY	PART NAME						SEE PAGE
			1	2	3	4	5	6 (PRODUCT LEVEL)	
Y	316-5245	1	AFTERCOOLER GP-RAW WATER						477
Y	320-9781	1	ENGINE AR-PRIMARY						92
Y	319-6612	1	FASTENER GP-FLYWHEEL						144
Y	277-5797	1	LINES GP-TURBOCHARGER OIL						348
Y	277-5786	1	LINES GP-WATER						418
Y	301-4315	1	TURBOCHARGER GP						559
	293-3835	1	ELECTRONICS GP-ENGINE RATINGS						

Y-SEPARATE ILLUSTRATION

ENGINE ARRANGEMENT

320-9804 ENGINE AR-COMPLETE

S/N: T2P1-UP

485 MHP AT 1800 RPM, "A" RATING

FOR USE WITH NON-REMOTE LUBE GROUPS, DEEP ENGINE OIL PAN APPLICATIONS, SAE
NO.0 FLYWHEEL HOUSING APPLICATIONS

SMCS-1000

i03116129

NOTE	PART NUMBER	QTY	PART NAME						SEE PAGE
			1	2	3	4	5	6 (PRODUCT LEVEL)	
Y	316-5245	1	AFTERCOOLER GP-RAW WATER						477
Y	320-9776	1	ENGINE AR-PRIMARY						87
Y	319-8538	1	FASTENER GP-FLYWHEEL						145
Y	294-0105	1	LINES GP-TURBOCHARGER OIL						349
Y	277-5752	1	LINES GP-WATER						417
Y	301-4315	1	TURBOCHARGER GP						559
	293-3831	1	ELECTRONICS GP-ENGINE RATINGS						
Y-SEPARATE ILLUSTRATION									

ENGINE ARRANGEMENT

320-9805 ENGINE AR-COMPLETE

S/N: T2P1-UP

485 MHP AT 1800 RPM, "A" RATING

FOR USE WITH NON-REMOTE LUBE GROUPS, DEEP ENGINE OIL PAN APPLICATIONS, SAE
NO.1 FLYWHEEL HOUSING APPLICATIONS

SMCS-1000

i03116130

NOTE	PART NUMBER	QTY	PART NAME						SEE PAGE
			1	2	3	4	5	6 (PRODUCT LEVEL)	
Y	316-5245	1	AFTERCOOLER GP-RAW WATER						477
Y	320-9777	1	ENGINE AR-PRIMARY						88
Y	319-6612	1	FASTENER GP-FLYWHEEL						144
Y	277-5797	1	LINES GP-TURBOCHARGER OIL						348
Y	277-5786	1	LINES GP-WATER						418
Y	301-4315	1	TURBOCHARGER GP						559
	293-3831	1	ELECTRONICS GP-ENGINE RATINGS						
Y-SEPARATE ILLUSTRATION									

ENGINE ARRANGEMENT

320-9806 ENGINE AR-COMPLETE

S/N: T2P1-UP

485 MHP AT 1800 RPM, "A" RATING

FOR USE WITH REMOTE LUBE GROUPS, DEEP ENGINE OIL PAN APPLICATIONS, SAE NO.0
FLYWHEEL HOUSING APPLICATIONS

SMCS-1000

i03116131

NOTE	PART NUMBER	QTY	PART NAME						SEE PAGE
			1	2	3	4	5	6 (PRODUCT LEVEL)	
Y	316-5245	1	AFTERCOOLER GP-RAW WATER						477
Y	320-9782	1	ENGINE AR-PRIMARY						93
Y	319-8538	1	FASTENER GP-FLYWHEEL						145
Y	294-0105	1	LINES GP-TURBOCHARGER OIL						349
Y	277-5752	1	LINES GP-WATER						417
Y	301-4315	1	TURBOCHARGER GP						559
	293-3831	1	ELECTRONICS GP-ENGINE RATINGS						
Y-SEPARATE ILLUSTRATION									

ENGINE ARRANGEMENT

320-9807 ENGINE AR-COMPLETE

S/N: T2P1-UP

485 MHP AT 1800 RPM, "A" RATING

FOR USE WITH REMOTE LUBE GROUPS, DEEP ENGINE OIL PAN APPLICATIONS, SAE NO.1
FLYWHEEL HOUSING APPLICATIONS

SMCS-1000

i03116134

NOTE	PART NUMBER	QTY	PART NAME						SEE PAGE
			1	2	3	4	5	6 (PRODUCT LEVEL)	
Y	316-5245	1	AFTERCOOLER GP-RAW WATER						477
Y	320-9783	1	ENGINE AR-PRIMARY						94
Y	319-6612	1	FASTENER GP-FLYWHEEL						144
Y	277-5797	1	LINES GP-TURBOCHARGER OIL						348
Y	277-5786	1	LINES GP-WATER						418
Y	301-4315	1	TURBOCHARGER GP						559
	293-3831	1	ELECTRONICS GP-ENGINE RATINGS						
Y-SEPARATE ILLUSTRATION									

ENGINE ARRANGEMENT

320-9808 ENGINE AR-COMPLETE

S/N: T2P1-UP

460 MHP AT 1800 RPM, "A" RATING

FOR USE WITH NON-REMOTE LUBE GROUPS, DEEP ENGINE OIL PAN APPLICATIONS, SAE
NO.0 FLYWHEEL HOUSING APPLICATIONS

SMCS-1000

i03116135

NOTE	PART NUMBER	QTY	PART NAME						SEE PAGE
			1	2	3	4	5	6 (PRODUCT LEVEL)	
Y	316-5245	1	AFTERCOOLER GP-RAW WATER						477
Y	320-9776	1	ENGINE AR-PRIMARY						87
Y	319-8538	1	FASTENER GP-FLYWHEEL						145
Y	294-0105	1	LINES GP-TURBOCHARGER OIL						349
Y	277-5752	1	LINES GP-WATER						417
Y	301-4315	1	TURBOCHARGER GP						559
	293-3841	1	ELECTRONICS GP-ENGINE RATINGS						
Y-SEPARATE ILLUSTRATION									

ENGINE ARRANGEMENT

320-9809 ENGINE AR-COMPLETE

S/N: T2P1-UP

460 MHP AT 1800 RPM, "A" RATING

FOR USE WITH NON-REMOTE LUBE GROUPS, DEEP ENGINE OIL PAN APPLICATIONS, SAE
NO.1 FLYWHEEL HOUSING APPLICATIONS

SMCS-1000

i03116136

NOTE	PART NUMBER	QTY	PART NAME						SEE PAGE
			1	2	3	4	5	6 (PRODUCT LEVEL)	
Y	316-5245	1	AFTERCOOLER GP-RAW WATER						477
Y	320-9777	1	ENGINE AR-PRIMARY						88
Y	319-6612	1	FASTENER GP-FLYWHEEL						144
Y	277-5797	1	LINES GP-TURBOCHARGER OIL						348
Y	277-5786	1	LINES GP-WATER						418
Y	301-4315	1	TURBOCHARGER GP						559
	293-3841	1	ELECTRONICS GP-ENGINE RATINGS						
Y-SEPARATE ILLUSTRATION									

ENGINE ARRANGEMENT

320-9810 ENGINE AR-COMPLETE

S/N: T2P1-UP

460 MHP AT 1800 RPM, "A" RATING

FOR USE WITH REMOTE LUBE GROUPS, DEEP ENGINE OIL PAN APPLICATIONS, SAE NO.0
FLYWHEEL HOUSING APPLICATIONS

SMCS-1000

i03116137

NOTE	PART NUMBER	QTY	PART NAME						SEE PAGE
			1	2	3	4	5	6 (PRODUCT LEVEL)	
Y	316-5245	1	AFTERCOOLER GP-RAW WATER						477
Y	320-9782	1	ENGINE AR-PRIMARY						93
Y	319-8538	1	FASTENER GP-FLYWHEEL						145
Y	294-0105	1	LINES GP-TURBOCHARGER OIL						349
Y	277-5752	1	LINES GP-WATER						417
Y	301-4315	1	TURBOCHARGER GP						559
	293-3841	1	ELECTRONICS GP-ENGINE RATINGS						
Y-SEPARATE ILLUSTRATION									

ENGINE ARRANGEMENT

320-9811 ENGINE AR-COMPLETE

S/N: T2P1-UP

460 MHP AT 1800 RPM, "A" RATING

FOR USE WITH REMOTE LUBE GROUPS, DEEP ENGINE OIL PAN APPLICATIONS, SAE NO.1
FLYWHEEL HOUSING APPLICATIONS

SMCS-1000

i03116139

NOTE	PART NUMBER	QTY	PART NAME						SEE PAGE
			1	2	3	4	5	6 (PRODUCT LEVEL)	
Y	316-5245	1	AFTERCOOLER GP-RAW WATER						477
Y	320-9783	1	ENGINE AR-PRIMARY						94
Y	319-6612	1	FASTENER GP-FLYWHEEL						144
Y	277-5797	1	LINES GP-TURBOCHARGER OIL						348
Y	277-5786	1	LINES GP-WATER						418
Y	301-4315	1	TURBOCHARGER GP						559
	293-3841	1	ELECTRONICS GP-ENGINE RATINGS						
Y-SEPARATE ILLUSTRATION									

ENGINE ARRANGEMENT

345-8291 ENGINE AR-COMPLETE

S/N: T2P1-UP

SMCS - 1000

i03669444

NOTE	PART NUMBER	QTY	PART NAME						SEE PAGE
			1	2	3	4	5	6 (PRODUCT LEVEL)	
Y	107-6736	1	COVER GP-CYLINDER BLOCK (TURBOCHARGER DRAIN COVER) (LOW MOUNT)						104
Y	107-6737	1	COVER GP-CYLINDER BLOCK (OIL FILLER)						105
Y	109-1223	1	COVER GP-CYLINDER BLOCK (TURBOCHARGER DRAIN COVER) (MID MOUNT)						106
Y	140-9746	1	COVER GP-CYLINDER BLOCK (WATER INLET)						107
Y	127-5728	1	COVER GP-FLYWHEEL HOUSING (FRONT, RH)						109
Y	133-3089	1	COVER GP-FLYWHEEL HOUSING (LH)						110
Y	329-9507	1	COVER GP-FLYWHEEL HOUSING (RH)						111
Y	120-9847	1	COVER GP-FRONT HOUSING (OIL FILLER)						112
Y	159-6159	1	COVER GP-FRONT HOUSING (CAM, IDLER GEAR)						113
Y	187-3316	1	COVER GP-VALVE MECHANISM						117
Y	320-9925	1	ENGINE AR-CORE						77
Y	313-4606	1	FITTING GP-FUEL LINES						578
Y	140-6330	1	FITTING GP-OIL PAN (REAR, LH)						151
Y	140-6331	1	FITTING GP-OIL PAN (REAR, RH)						152
Y	319-8539	1	FLYWHEEL GP						158
Y	248-0312	1	HOUSING GP-FLYWHEEL						176
			S/N: T2P1-693						
Y	178-8579	1	HOUSING GP-FLYWHEEL						168
			S/N: T2P694-UP						
Y	127-0564	1	LIFTING GP-ENGINE (FRONT)						183
Y	310-5806	1	LIFTING GP-ENGINE (REAR)						184
Y	212-1404	1	MOUNTING GP-SENSOR						770
Y	228-1644	1	PAN GP-OIL						203
Y	234-9222	1	PLUG GP-CYLINDER BLOCK (OIL GALLERY)						220
Y	235-2387	1	PLUG GP-CYLINDER BLOCK (OIL SUPPLY)						221
Y	240-7051	1	PLUG GP-CYLINDER BLOCK (COOLANT)						222
Y	316-1444	1	PLUG GP-CYLINDER BLOCK (DIPSTICK, ENGINE)						227
Y	234-9219	1	PLUG GP-CYLINDER HEAD						228
Y	329-9616	1	PLUG GP-FLYWHEEL HOUSING						234
			S/N: T2P1-693						
Y	284-8240	1	PLUG GP-FLYWHEEL HOUSING						233
			S/N: T2P694-UP						
Y	292-5906	1	PUMP GP-FUEL TRANSFER						661

PLEASE USE THE GASKET KIT LINK IN SIS OR CONTACT YOUR LOCAL DEALER FOR THE LATEST GASKET KIT INFORMATION

Y-SEPARATE ILLUSTRATION

ENGINE ARRANGEMENT

345-8292 ENGINE AR-COMPLETE

S/N: T2P1-UP

SMCS-1000

i03643279

NOTE	PART NUMBER	QTY	PART NAME						SEE PAGE
			1	2	3	4	5	6 (PRODUCT LEVEL)	
Y	107-6736	1	COVER GP-CYLINDER BLOCK (TURBOCHARGER DRAIN COVER)						104
Y	107-6737	1	COVER GP-CYLINDER BLOCK						105
Y	109-1223	1	COVER GP-CYLINDER BLOCK (TURBOCHARGER DRAIN COVER)						106
Y	140-9746	1	COVER GP-CYLINDER BLOCK						107
Y	9N-3889	1	COVER GP-FLYWHEEL HOUSING						108
Y	127-5728	1	COVER GP-FLYWHEEL HOUSING						109
Y	133-3089	1	COVER GP-FLYWHEEL HOUSING						110
Y	120-9847	1	COVER GP-FRONT HOUSING						112
Y	159-6159	1	COVER GP-FRONT HOUSING (CAM, IDLER GEAR)						113
Y	187-3316	1	COVER GP-VALVE MECHANISM						117
Y	320-9925	1	ENGINE AR-CORE						77
Y	313-4606	1	FITTING GP-FUEL LINES						578
Y	140-6330	1	FITTING GP-OIL PAN (REAR, LH)						151
Y	140-6331	1	FITTING GP-OIL PAN (REAR, RH)						152
Y	319-6611	1	FLYWHEEL GP						157
Y	198-1295	1	HOUSING GP-FLYWHEEL						172
Y	127-0564	1	LIFTING GP-ENGINE (FRONT)						183
Y	310-5806	1	LIFTING GP-ENGINE (REAR)						184
Y	212-1404	1	MOUNTING GP-SENSOR						770
Y	228-1644	1	PAN GP-OIL						203
Y	234-9222	1	PLUG GP-CYLINDER BLOCK (OIL GALLERY)						220
Y	235-2387	1	PLUG GP-CYLINDER BLOCK						221
Y	240-7051	1	PLUG GP-CYLINDER BLOCK						222
Y	316-1444	1	PLUG GP-CYLINDER BLOCK						227
Y	234-9219	1	PLUG GP-CYLINDER HEAD						228
Y	292-5906	1	PUMP GP-FUEL TRANSFER						661

Y-SEPARATE ILLUSTRATION

ENGINE ARRANGEMENT

345-8293 ENGINE AR-COMPLETE

S/N: T2P1-UP

SMCS - 1000

i03669445

NOTE	PART NUMBER	QTY	PART NAME						SEE PAGE
			1	2	3	4	5	6 (PRODUCT LEVEL)	
Y	107-6736	1	COVER GP-CYLINDER BLOCK (TURBOCHARGER DRAIN COVER)						104
Y	107-6737	1	COVER GP-CYLINDER BLOCK						105
Y	109-1223	1	COVER GP-CYLINDER BLOCK (TURBOCHARGER DRAIN COVER)						106
Y	140-9746	1	COVER GP-CYLINDER BLOCK						107
Y	127-5728	1	COVER GP-FLYWHEEL HOUSING						109
Y	133-3089	1	COVER GP-FLYWHEEL HOUSING						110
Y	329-9507	1	COVER GP-FLYWHEEL HOUSING						111
Y	120-9847	1	COVER GP-FRONT HOUSING						112
Y	159-6159	1	COVER GP-FRONT HOUSING (CAM, IDLER GEAR)						113
Y	187-3316	1	COVER GP-VALVE MECHANISM						117
Y	320-9927	1	ENGINE AR-CORE						79
Y	313-4606	1	FITTING GP-FUEL LINES						578
Y	140-6330	1	FITTING GP-OIL PAN (REAR, LH)						151
Y	140-6331	1	FITTING GP-OIL PAN (REAR, RH)						152
Y	319-8539	1	FLYWHEEL GP						158
Y	248-0312	1	HOUSING GP-FLYWHEEL						176
			S/N: T2P1-693						
Y	178-8579	1	HOUSING GP-FLYWHEEL						168
			S/N: T2P694-UP						
Y	127-0564	1	LIFTING GP-ENGINE (FRONT)						183
Y	310-5806	1	LIFTING GP-ENGINE (REAR)						184
Y	212-1404	1	MOUNTING GP-SENSOR						770
Y	228-1644	1	PAN GP-OIL						203
Y	234-9222	1	PLUG GP-CYLINDER BLOCK (OIL GALLERY)						220
Y	235-2387	1	PLUG GP-CYLINDER BLOCK						221
Y	240-7051	1	PLUG GP-CYLINDER BLOCK						222
Y	316-1444	1	PLUG GP-CYLINDER BLOCK						227
Y	234-9219	1	PLUG GP-CYLINDER HEAD						228
Y	329-9616	1	PLUG GP-FLYWHEEL HOUSING						234
			S/N: T2P1-693						
Y	284-8240	1	PLUG GP-FLYWHEEL HOUSING						233
			S/N: T2P694-UP						
Y	292-5906	1	PUMP GP-FUEL TRANSFER						661

Y-SEPARATE ILLUSTRATION

ENGINE ARRANGEMENT

345-8294 ENGINE AR-COMPLETE

S/N: T2P1-UP

SMCS - 1000

i03643256

NOTE	PART NUMBER	QTY	PART NAME						SEE PAGE
			1	2	3	4	5	6 (PRODUCT LEVEL)	
Y	107-6736	1	COVER GP-CYLINDER BLOCK (TURBOCHARGER DRAIN COVER)						104
Y	107-6737	1	COVER GP-CYLINDER BLOCK						105
Y	109-1223	1	COVER GP-CYLINDER BLOCK (TURBOCHARGER DRAIN COVER)						106
Y	140-9746	1	COVER GP-CYLINDER BLOCK						107
Y	9N-3889	1	COVER GP-FLYWHEEL HOUSING						108
Y	127-5728	1	COVER GP-FLYWHEEL HOUSING						109
Y	133-3089	1	COVER GP-FLYWHEEL HOUSING						110
Y	120-9847	1	COVER GP-FRONT HOUSING						112
Y	159-6159	1	COVER GP-FRONT HOUSING (CAM, IDLER GEAR)						113
Y	187-3316	1	COVER GP-VALVE MECHANISM						117
Y	320-9927	1	ENGINE AR-CORE						79
Y	313-4606	1	FITTING GP-FUEL LINES						578
Y	140-6330	1	FITTING GP-OIL PAN (REAR, LH)						151
Y	140-6331	1	FITTING GP-OIL PAN (REAR, RH)						152
Y	319-6611	1	FLYWHEEL GP						157
Y	198-1295	1	HOUSING GP-FLYWHEEL						172
Y	127-0564	1	LIFTING GP-ENGINE (FRONT)						183
Y	310-5806	1	LIFTING GP-ENGINE (REAR)						184
Y	212-1404	1	MOUNTING GP-SENSOR						770
Y	228-1644	1	PAN GP-OIL						203
Y	234-9222	1	PLUG GP-CYLINDER BLOCK (OIL GALLERY)						220
Y	235-2387	1	PLUG GP-CYLINDER BLOCK						221
Y	240-7051	1	PLUG GP-CYLINDER BLOCK						222
Y	316-1444	1	PLUG GP-CYLINDER BLOCK						227
Y	234-9219	1	PLUG GP-CYLINDER HEAD						228
Y	292-5906	1	PUMP GP-FUEL TRANSFER						661

Y-SEPARATE ILLUSTRATION

ENGINE ARRANGEMENT

345-8295 ENGINE AR-COMPLETE

S/N: T2P1-UP

SMCS - 1000

i03669446

NOTE	PART NUMBER	QTY	PART NAME						SEE PAGE
			1	2	3	4	5	6 (PRODUCT LEVEL)	
Y	107-6736	1	COVER GP-CYLINDER BLOCK (TURBOCHARGER DRAIN COVER)						104
Y	107-6737	1	COVER GP-CYLINDER BLOCK						105
Y	109-1223	1	COVER GP-CYLINDER BLOCK (TURBOCHARGER DRAIN COVER)						106
Y	140-9746	1	COVER GP-CYLINDER BLOCK						107
Y	127-5728	1	COVER GP-FLYWHEEL HOUSING						109
Y	133-3089	1	COVER GP-FLYWHEEL HOUSING						110
Y	329-9507	1	COVER GP-FLYWHEEL HOUSING						111
Y	120-9847	1	COVER GP-FRONT HOUSING						112
Y	159-6159	1	COVER GP-FRONT HOUSING (CAM, IDLER GEAR)						113
Y	187-3316	1	COVER GP-VALVE MECHANISM						117
Y	320-9929	1	ENGINE AR-CORE						81
Y	313-4606	1	FITTING GP-FUEL LINES						578
Y	140-6330	1	FITTING GP-OIL PAN (REAR, LH)						151
Y	140-6331	1	FITTING GP-OIL PAN (REAR, RH)						152
Y	319-8539	1	FLYWHEEL GP						158
Y	248-0312	1	HOUSING GP-FLYWHEEL						176
			S/N: T2P1-693						
Y	178-8579	1	HOUSING GP-FLYWHEEL						168
			S/N: T2P694-UP						
Y	127-0564	1	LIFTING GP-ENGINE (FRONT)						183
Y	310-5806	1	LIFTING GP-ENGINE (REAR)						184
Y	212-1404	1	MOUNTING GP-SENSOR						770
Y	228-1644	1	PAN GP-OIL						203
Y	234-9222	1	PLUG GP-CYLINDER BLOCK (OIL GALLERY)						220
Y	235-2387	1	PLUG GP-CYLINDER BLOCK						221
Y	240-7051	1	PLUG GP-CYLINDER BLOCK						222
Y	316-1444	1	PLUG GP-CYLINDER BLOCK						227
Y	234-9219	1	PLUG GP-CYLINDER HEAD						228
Y	329-9616	1	PLUG GP-FLYWHEEL HOUSING						234
			S/N: T2P1-693						
Y	284-8240	1	PLUG GP-FLYWHEEL HOUSING						233
			S/N: T2P694-UP						
Y	292-5906	1	PUMP GP-FUEL TRANSFER						661

Y-SEPARATE ILLUSTRATION

ENGINE ARRANGEMENT

345-8296 ENGINE AR-COMPLETE

S/N: T2P1-UP

SMCS-1000

i03643251

NOTE	PART NUMBER	QTY	PART NAME						SEE PAGE
			1	2	3	4	5	6 (PRODUCT LEVEL)	
Y	107-6736	1	COVER GP-CYLINDER BLOCK (TURBOCHARGER DRAIN COVER)						104
Y	107-6737	1	COVER GP-CYLINDER BLOCK						105
Y	109-1223	1	COVER GP-CYLINDER BLOCK (TURBOCHARGER DRAIN COVER)						106
Y	140-9746	1	COVER GP-CYLINDER BLOCK						107
Y	9N-3889	1	COVER GP-FLYWHEEL HOUSING						108
Y	127-5728	1	COVER GP-FLYWHEEL HOUSING						109
Y	133-3089	1	COVER GP-FLYWHEEL HOUSING						110
Y	120-9847	1	COVER GP-FRONT HOUSING						112
Y	159-6159	1	COVER GP-FRONT HOUSING (CAM, IDLER GEAR)						113
Y	187-3316	1	COVER GP-VALVE MECHANISM						117
Y	320-9929	1	ENGINE AR-CORE						81
Y	313-4606	1	FITTING GP-FUEL LINES						578
Y	140-6330	1	FITTING GP-OIL PAN (REAR, LH)						151
Y	140-6331	1	FITTING GP-OIL PAN (REAR, RH)						152
Y	319-6611	1	FLYWHEEL GP						157
Y	198-1295	1	HOUSING GP-FLYWHEEL						172
Y	127-0564	1	LIFTING GP-ENGINE (FRONT)						183
Y	310-5806	1	LIFTING GP-ENGINE (REAR)						184
Y	212-1404	1	MOUNTING GP-SENSOR						770
Y	228-1644	1	PAN GP-OIL						203
Y	234-9222	1	PLUG GP-CYLINDER BLOCK (OIL GALLERY)						220
Y	235-2387	1	PLUG GP-CYLINDER BLOCK						221
Y	240-7051	1	PLUG GP-CYLINDER BLOCK						222
Y	316-1444	1	PLUG GP-CYLINDER BLOCK						227
Y	234-9219	1	PLUG GP-CYLINDER HEAD						228
Y	292-5906	1	PUMP GP-FUEL TRANSFER						661

Y-SEPARATE ILLUSTRATION

ENGINE ARRANGEMENT

345-8297 ENGINE AR-COMPLETE

S/N: T2P1-UP

SMCS - 1000

i03669447

NOTE	PART NUMBER	QTY	PART NAME						SEE PAGE
			1	2	3	4	5	6 (PRODUCT LEVEL)	
Y	107-6736	1	COVER GP-CYLINDER BLOCK (TURBOCHARGER DRAIN COVER)						104
Y	107-6737	1	COVER GP-CYLINDER BLOCK						105
Y	109-1223	1	COVER GP-CYLINDER BLOCK (TURBOCHARGER DRAIN COVER)						106
Y	140-9746	1	COVER GP-CYLINDER BLOCK						107
Y	127-5728	1	COVER GP-FLYWHEEL HOUSING						109
Y	133-3089	1	COVER GP-FLYWHEEL HOUSING						110
Y	329-9507	1	COVER GP-FLYWHEEL HOUSING						111
Y	120-9847	1	COVER GP-FRONT HOUSING						112
Y	159-6159	1	COVER GP-FRONT HOUSING (CAM, IDLER GEAR)						113
Y	187-3316	1	COVER GP-VALVE MECHANISM						117
Y	320-9926	1	ENGINE AR-CORE						78
Y	313-4606	1	FITTING GP-FUEL LINES						578
Y	140-6330	1	FITTING GP-OIL PAN (REAR, LH)						151
Y	140-6331	1	FITTING GP-OIL PAN (REAR, RH)						152
Y	319-8539	1	FLYWHEEL GP						158
Y	248-0312	1	HOUSING GP-FLYWHEEL						176
			S/N: T2P1-693						
Y	178-8579	1	HOUSING GP-FLYWHEEL						168
			S/N: T2P694-UP						
Y	127-0564	1	LIFTING GP-ENGINE (FRONT)						183
Y	310-5806	1	LIFTING GP-ENGINE (REAR)						184
Y	212-1404	1	MOUNTING GP-SENSOR						770
Y	228-1644	1	PAN GP-OIL						203
Y	234-9222	1	PLUG GP-CYLINDER BLOCK (OIL GALLERY)						220
Y	235-2387	1	PLUG GP-CYLINDER BLOCK						221
Y	240-7051	1	PLUG GP-CYLINDER BLOCK						222
Y	316-1444	1	PLUG GP-CYLINDER BLOCK						227
Y	234-9219	1	PLUG GP-CYLINDER HEAD						228
Y	329-9616	1	PLUG GP-FLYWHEEL HOUSING						234
			S/N: T2P1-693						
Y	284-8240	1	PLUG GP-FLYWHEEL HOUSING						233
			S/N: T2P694-UP						
Y	292-5906	1	PUMP GP-FUEL TRANSFER						661

Y-SEPARATE ILLUSTRATION

ENGINE ARRANGEMENT

345-8298 ENGINE AR-COMPLETE

S/N: T2P1-UP

SMCS-1000

i03643246

NOTE	PART NUMBER	QTY	PART NAME						SEE PAGE
			1	2	3	4	5	6 (PRODUCT LEVEL)	
Y	107-6736	1	COVER GP-CYLINDER BLOCK (TURBOCHARGER DRAIN COVER)						104
Y	107-6737	1	COVER GP-CYLINDER BLOCK						105
Y	109-1223	1	COVER GP-CYLINDER BLOCK (TURBOCHARGER DRAIN COVER)						106
Y	140-9746	1	COVER GP-CYLINDER BLOCK						107
Y	9N-3889	1	COVER GP-FLYWHEEL HOUSING						108
Y	127-5728	1	COVER GP-FLYWHEEL HOUSING						109
Y	133-3089	1	COVER GP-FLYWHEEL HOUSING						110
Y	120-9847	1	COVER GP-FRONT HOUSING						112
Y	159-6159	1	COVER GP-FRONT HOUSING (CAM, IDLER GEAR)						113
Y	187-3316	1	COVER GP-VALVE MECHANISM						117
Y	320-9926	1	ENGINE AR-CORE						78
Y	313-4606	1	FITTING GP-FUEL LINES						578
Y	140-6330	1	FITTING GP-OIL PAN (REAR, LH)						151
Y	140-6331	1	FITTING GP-OIL PAN (REAR, RH)						152
Y	319-6611	1	FLYWHEEL GP						157
Y	198-1295	1	HOUSING GP-FLYWHEEL						172
Y	127-0564	1	LIFTING GP-ENGINE (FRONT)						183
Y	310-5806	1	LIFTING GP-ENGINE (REAR)						184
Y	212-1404	1	MOUNTING GP-SENSOR						770
Y	228-1644	1	PAN GP-OIL						203
Y	234-9222	1	PLUG GP-CYLINDER BLOCK (OIL GALLERY)						220
Y	235-2387	1	PLUG GP-CYLINDER BLOCK						221
Y	240-7051	1	PLUG GP-CYLINDER BLOCK						222
Y	316-1444	1	PLUG GP-CYLINDER BLOCK						227
Y	234-9219	1	PLUG GP-CYLINDER HEAD						228
Y	292-5906	1	PUMP GP-FUEL TRANSFER						661

Y-SEPARATE ILLUSTRATION

ENGINE ARRANGEMENT

345-8299 ENGINE AR-COMPLETE

S/N: T2P1-UP

SMCS - 1000

i03669448

NOTE	PART NUMBER	QTY	PART NAME						SEE PAGE
			1	2	3	4	5	6 (PRODUCT LEVEL)	
Y	107-6736	1	COVER GP-CYLINDER BLOCK (TURBOCHARGER DRAIN COVER)						104
Y	107-6737	1	COVER GP-CYLINDER BLOCK						105
Y	109-1223	1	COVER GP-CYLINDER BLOCK (TURBOCHARGER DRAIN COVER)						106
Y	140-9746	1	COVER GP-CYLINDER BLOCK						107
Y	127-5728	1	COVER GP-FLYWHEEL HOUSING						109
Y	133-3089	1	COVER GP-FLYWHEEL HOUSING						110
Y	329-9507	1	COVER GP-FLYWHEEL HOUSING						111
Y	120-9847	1	COVER GP-FRONT HOUSING						112
Y	159-6159	1	COVER GP-FRONT HOUSING (CAM, IDLER GEAR)						113
Y	187-3316	1	COVER GP-VALVE MECHANISM						117
Y	320-9928	1	ENGINE AR-CORE						80
Y	313-4606	1	FITTING GP-FUEL LINES						578
Y	140-6330	1	FITTING GP-OIL PAN (REAR, LH)						151
Y	140-6331	1	FITTING GP-OIL PAN (REAR, RH)						152
Y	319-8539	1	FLYWHEEL GP						158
Y	248-0312	1	HOUSING GP-FLYWHEEL						176
			S/N: T2P1-693						
Y	178-8579	1	HOUSING GP-FLYWHEEL						168
			S/N: T2P694-UP						
Y	127-0564	1	LIFTING GP-ENGINE (FRONT)						183
Y	310-5806	1	LIFTING GP-ENGINE (REAR)						184
Y	212-1404	1	MOUNTING GP-SENSOR						770
Y	228-1644	1	PAN GP-OIL						203
Y	234-9222	1	PLUG GP-CYLINDER BLOCK (OIL GALLERY)						220
Y	235-2387	1	PLUG GP-CYLINDER BLOCK						221
Y	240-7051	1	PLUG GP-CYLINDER BLOCK						222
Y	316-1444	1	PLUG GP-CYLINDER BLOCK						227
Y	234-9219	1	PLUG GP-CYLINDER HEAD						228
Y	329-9616	1	PLUG GP-FLYWHEEL HOUSING						234
			S/N: T2P1-693						
Y	284-8240	1	PLUG GP-FLYWHEEL HOUSING						233
			S/N: T2P694-UP						
Y	292-5906	1	PUMP GP-FUEL TRANSFER						661

Y-SEPARATE ILLUSTRATION

ENGINE ARRANGEMENT

345-8300 ENGINE AR-COMPLETE

S/N: T2P1-UP

SMCS - 1000

i03647233

NOTE	PART NUMBER	QTY	PART NAME						SEE PAGE
			1	2	3	4	5	6 (PRODUCT LEVEL)	
Y	107-6736	1	COVER GP-CYLINDER BLOCK (TURBOCHARGER DRAIN COVER)						104
Y	107-6737	1	COVER GP-CYLINDER BLOCK						105
Y	109-1223	1	COVER GP-CYLINDER BLOCK (TURBOCHARGER DRAIN COVER)						106
Y	140-9746	1	COVER GP-CYLINDER BLOCK						107
Y	9N-3889	1	COVER GP-FLYWHEEL HOUSING						108
Y	127-5728	1	COVER GP-FLYWHEEL HOUSING						109
Y	133-3089	1	COVER GP-FLYWHEEL HOUSING						110
Y	120-9847	1	COVER GP-FRONT HOUSING						112
Y	159-6159	1	COVER GP-FRONT HOUSING (CAM, IDLER GEAR)						113
Y	187-3316	1	COVER GP-VALVE MECHANISM						117
Y	320-9928	1	ENGINE AR-CORE						80
Y	313-4606	1	FITTING GP-FUEL LINES						578
Y	140-6330	1	FITTING GP-OIL PAN (REAR, LH)						151
Y	140-6331	1	FITTING GP-OIL PAN (REAR, RH)						152
Y	319-6611	1	FLYWHEEL GP						157
Y	198-1295	1	HOUSING GP-FLYWHEEL						172
Y	127-0564	1	LIFTING GP-ENGINE (FRONT)						183
Y	310-5806	1	LIFTING GP-ENGINE (REAR)						184
Y	212-1404	1	MOUNTING GP-SENSOR						770
Y	228-1644	1	PAN GP-OIL						203
Y	234-9222	1	PLUG GP-CYLINDER BLOCK (OIL GALLERY)						220
Y	235-2387	1	PLUG GP-CYLINDER BLOCK						221
Y	240-7051	1	PLUG GP-CYLINDER BLOCK						222
Y	316-1444	1	PLUG GP-CYLINDER BLOCK						227
Y	234-9219	1	PLUG GP-CYLINDER HEAD						228
Y	292-5906	1	PUMP GP-FUEL TRANSFER						661

Y-SEPARATE ILLUSTRATION

ENGINE ARRANGEMENT

345-8301 ENGINE AR-COMPLETE

S/N: T2P1-UP

SMCS - 1000

i03669460

NOTE	PART NUMBER	QTY	PART NAME						SEE PAGE
			1	2	3	4	5	6 (PRODUCT LEVEL)	
Y	107-6736	1	COVER GP-CYLINDER BLOCK (TURBOCHARGER DRAIN COVER)						104
Y	107-6737	1	COVER GP-CYLINDER BLOCK						105
Y	109-1223	1	COVER GP-CYLINDER BLOCK (TURBOCHARGER DRAIN COVER)						106
Y	140-9746	1	COVER GP-CYLINDER BLOCK						107
Y	127-5728	1	COVER GP-FLYWHEEL HOUSING						109
Y	133-3089	1	COVER GP-FLYWHEEL HOUSING						110
Y	329-9507	1	COVER GP-FLYWHEEL HOUSING						111
Y	120-9847	1	COVER GP-FRONT HOUSING						112
Y	159-6159	1	COVER GP-FRONT HOUSING (CAM, IDLER GEAR)						113
Y	187-3316	1	COVER GP-VALVE MECHANISM						117
Y	320-9930	1	ENGINE AR-CORE						82
Y	313-4606	1	FITTING GP-FUEL LINES						578
Y	140-6330	1	FITTING GP-OIL PAN (REAR, LH)						151
Y	140-6331	1	FITTING GP-OIL PAN (REAR, RH)						152
Y	319-8539	1	FLYWHEEL GP						158
Y	248-0312	1	HOUSING GP-FLYWHEEL						176
			S/N: T2P1-693						
Y	178-8579	1	HOUSING GP-FLYWHEEL						168
			S/N: T2P694-UP						
Y	127-0564	1	LIFTING GP-ENGINE (FRONT)						183
Y	310-5806	1	LIFTING GP-ENGINE (REAR)						184
Y	212-1404	1	MOUNTING GP-SENSOR						770
Y	228-1644	1	PAN GP-OIL						203
Y	234-9222	1	PLUG GP-CYLINDER BLOCK (OIL GALLERY)						220
Y	235-2387	1	PLUG GP-CYLINDER BLOCK						221
Y	240-7051	1	PLUG GP-CYLINDER BLOCK						222
Y	316-1444	1	PLUG GP-CYLINDER BLOCK						227
Y	234-9219	1	PLUG GP-CYLINDER HEAD						228
Y	329-9616	1	PLUG GP-FLYWHEEL HOUSING						234
			S/N: T2P1-693						
Y	284-8240	1	PLUG GP-FLYWHEEL HOUSING						233
			S/N: T2P694-UP						
Y	292-5906	1	PUMP GP-FUEL TRANSFER						661

Y-SEPARATE ILLUSTRATION

ENGINE ARRANGEMENT

345-8302 ENGINE AR-COMPLETE

S/N: T2P1-UP

SMCS - 1000

i03643106

NOTE	PART NUMBER	QTY	PART NAME						SEE PAGE
			1	2	3	4	5	6 (PRODUCT LEVEL)	
Y	107-6736	1	COVER GP-CYLINDER BLOCK (TURBOCHARGER DRAIN COVER)						104
Y	107-6737	1	COVER GP-CYLINDER BLOCK						105
Y	109-1223	1	COVER GP-CYLINDER BLOCK (TURBOCHARGER DRAIN COVER)						106
Y	140-9746	1	COVER GP-CYLINDER BLOCK						107
Y	9N-3889	1	COVER GP-FLYWHEEL HOUSING						108
Y	127-5728	1	COVER GP-FLYWHEEL HOUSING						109
Y	133-3089	1	COVER GP-FLYWHEEL HOUSING						110
Y	120-9847	1	COVER GP-FRONT HOUSING						112
Y	159-6159	1	COVER GP-FRONT HOUSING (CAM, IDLER GEAR)						113
Y	187-3316	1	COVER GP-VALVE MECHANISM						117
Y	320-9930	1	ENGINE AR-CORE						82
Y	313-4606	1	FITTING GP-FUEL LINES						578
Y	140-6330	1	FITTING GP-OIL PAN (REAR, LH)						151
Y	140-6331	1	FITTING GP-OIL PAN (REAR,RH)						152
Y	319-6611	1	FLYWHEEL GP						157
Y	198-1295	1	HOUSING GP-FLYWHEEL						172
Y	127-0564	1	LIFTING GP-ENGINE (FRONT)						183
Y	310-5806	1	LIFTING GP-ENGINE (REAR)						184
Y	212-1404	1	MOUNTING GP-SENSOR						770
Y	228-1644	1	PAN GP-OIL						203
Y	234-9222	1	PLUG GP-CYLINDER BLOCK (OIL GALLERY)						220
Y	235-2387	1	PLUG GP-CYLINDER BLOCK						221
Y	240-7051	1	PLUG GP-CYLINDER BLOCK						222
Y	316-1444	1	PLUG GP-CYLINDER BLOCK						227
Y	234-9219	1	PLUG GP-CYLINDER HEAD						228
Y	292-5906	1	PUMP GP-FUEL TRANSFER						661

Y-SEPARATE ILLUSTRATION

ENGINE ARRANGEMENT

290-5687 ENGINE AR-CORE

S/N: J2K1-UP

725 MHP AT 2100 RPM - C RATING. RH SERVICE

SMCS-1000

i02838405

NOTE	PART NUMBER	QTY	PART NAME						SEE PAGE
			1	2	3	4	5	6 (PRODUCT LEVEL)	
Y	278-5662	1	BASE GP-VALVE COVER & INJ HARN						96
Y	243-0551	1	CAMSHAFT GP						98
Y	189-4917	1	CRANKSHAFT GP						122
Y	261-0191	1	CYLINDER BLOCK GP						126
Y	272-9707	1	CYLINDER HEAD GP						133
Y	6I-3638	1	DRIVE GP-PUMP						139
Y	4P-6846	1	FASTENER GP-FRONT HOUSING						148
Y	4N-2481	1	FASTENER GP-OIL PUMP MOUNTING						248
Y	109-1657	1	FASTENER GP-VALVE MECHANISM						150
Y	283-5149	1	GEAR GP-FRONT						160
Y	190-0009	1	MECHANISM GP-FUEL PUMP & VALVE						185
Y	308-4486	6	PISTON & ROD GP						215
Y	235-1403	6	PUMP GP-FUEL INJECTION						657
Y	241-9421	1	TURBOCHARGER GP						555
	293-3829	1	ELECTRONICS GP-ENGINE RATINGS						

Y-SEPARATE ILLUSTRATION

ENGINE ARRANGEMENT

290-5689 ENGINE AR-CORE

S/N: J2K102-UP

485 MHP @ 1800 RPM B RATING. RH SERVICE

SMCS-1000

i02686329

NOTE	PART NUMBER	QTY	PART NAME						SEE PAGE
			1	2	3	4	5	6 (PRODUCT LEVEL)	
Y	278-5662	1	BASE GP-VALVE COVER & INJ HARN						96
Y	243-0551	1	CAMSHAFT GP						98
Y	189-4917	1	CRANKSHAFT GP						122
Y	261-0191	1	CYLINDER BLOCK GP						126
Y	272-9707	1	CYLINDER HEAD GP						133
Y	6I-3638	1	DRIVE GP-PUMP (FUEL TRANSFER PUMP)						139
Y	4P-6846	1	FASTENER GP-FRONT HOUSING (REMOTE)						148
Y	4N-2481	1	FASTENER GP-OIL PUMP MOUNTING (ENGINE)						248
Y	109-1657	1	FASTENER GP-VALVE MECHANISM						150
Y	283-5149	1	GEAR GP-FRONT						160
Y	190-0009	1	MECHANISM GP-FUEL PUMP & VALVE						185
Y	220-1441	6	PISTON & ROD GP						210
Y	235-1401	6	PUMP GP-FUEL INJECTION						656
Y	301-4315	1	TURBOCHARGER GP						559
	293-3831	1	ELECTRONICS GP-ENGINE RATINGS						

Y-SEPARATE ILLUSTRATION

ENGINE ARRANGEMENT

290-5691 ENGINE AR-CORE

S/N: J2K1-UP

560 MPH AT 2100 RPM B RATING

SMCS-1000

i02838242

NOTE	PART NUMBER	QTY	PART NAME						SEE PAGE
			1	2	3	4	5	6 (PRODUCT LEVEL)	
Y	278-5662	1	BASE GP-VALVE COVER & INJ HARN						96
Y	243-0551	1	CAMSHAFT GP						98
Y	189-4917	1	CRANKSHAFT GP						122
Y	261-0191	1	CYLINDER BLOCK GP						126
Y	272-9707	1	CYLINDER HEAD GP						133
Y	6I-3638	1	DRIVE GP-PUMP						139
Y	4P-6846	1	FASTENER GP-FRONT HOUSING						148
Y	4N-2481	1	FASTENER GP-OIL PUMP MOUNTING						248
Y	109-1657	1	FASTENER GP-VALVE MECHANISM						150
Y	283-5149	1	GEAR GP-FRONT						160
Y	190-0009	1	MECHANISM GP-FUEL PUMP & VALVE						185
Y	308-4486	6	PISTON & ROD GP						215
Y	235-1403	6	PUMP GP-FUEL INJECTION						657
Y	301-4315	1	TURBOCHARGER GP						559
	293-3833	1	ELECTRONICS GP-ENGINE RATINGS						

Y-SEPARATE ILLUSTRATION

ENGINE ARRANGEMENT

290-5693 ENGINE AR-CORE

S/N: J2K1-UP

608 MHP AT 1800 RPM B RATING

SMCS-1000

i02837925

NOTE	PART NUMBER	QTY	PART NAME						SEE PAGE
			1	2	3	4	5	6 (PRODUCT LEVEL)	
Y	278-5662	1	BASE GP-VALVE COVER & INJ HARN						96
Y	243-0551	1	CAMSHAFT GP						98
Y	189-4917	1	CRANKSHAFT GP						122
Y	261-0191	1	CYLINDER BLOCK GP						126
Y	272-9707	1	CYLINDER HEAD GP						133
Y	6I-3638	1	DRIVE GP-PUMP						139
Y	4P-6846	1	FASTENER GP-FRONT HOUSING						148
Y	4N-2481	1	FASTENER GP-OIL PUMP MOUNTING						248
Y	109-1657	1	FASTENER GP-VALVE MECHANISM						150
Y	283-5149	1	GEAR GP-FRONT						160
Y	190-0009	1	MECHANISM GP-FUEL PUMP & VALVE						185
Y	308-4486	6	PISTON & ROD GP						215
Y	235-1403	6	PUMP GP-FUEL INJECTION						657
Y	301-4315	1	TURBOCHARGER GP						559
	293-3835	1	ELECTRONICS GP-ENGINE RATINGS						

Y-SEPARATE ILLUSTRATION

ENGINE ARRANGEMENT

290-5695 ENGINE AR-CORE

S/N: J2K1-UP

680 MHP AT 2100 RPM B RATING

SMCS-1000

i02838255

NOTE	PART NUMBER	QTY	PART NAME						SEE PAGE
			1	2	3	4	5	6 (PRODUCT LEVEL)	
Y	278-5662	1	BASE GP-VALVE COVER & INJ HARN						96
Y	243-0551	1	CAMSHAFT GP						98
Y	189-4917	1	CRANKSHAFT GP						122
Y	261-0191	1	CYLINDER BLOCK GP						126
Y	272-9707	1	CYLINDER HEAD GP						133
Y	6I-3638	1	DRIVE GP-PUMP						139
Y	4P-6846	1	FASTENER GP-FRONT HOUSING						148
Y	4N-2481	1	FASTENER GP-OIL PUMP MOUNTING						248
Y	109-1657	1	FASTENER GP-VALVE MECHANISM						150
Y	283-5149	1	GEAR GP-FRONT						160
Y	190-0009	1	MECHANISM GP-FUEL PUMP & VALVE						185
Y	308-4486	6	PISTON & ROD GP						215
Y	235-1403	6	PUMP GP-FUEL INJECTION						657
Y	241-9421	1	TURBOCHARGER GP						555
	293-3837	1	ELECTRONICS GP-ENGINE RATINGS						

Y-SEPARATE ILLUSTRATION

ENGINE ARRANGEMENT

290-5697 ENGINE AR-CORE

S/N: J2K1-UP

595 MHP AT 1800 RPM - A RATING. RH SERVICE

SMCS-1000

i02681149

NOTE	PART NUMBER	QTY	PART NAME						SEE PAGE
			1	2	3	4	5	6 (PRODUCT LEVEL)	
Y	278-5662	1	BASE GP-VALVE COVER & INJ HARN						96
YR	130-9710	1	CAMSHAFT GP						97
Y	189-4917	1	CRANKSHAFT GP						122
Y	261-0191	1	CYLINDER BLOCK GP						126
Y	272-9707	1	CYLINDER HEAD GP						133
Y	6I-3638	1	DRIVE GP-PUMP						139
Y	4P-6846	1	FASTENER GP-FRONT HOUSING						148
Y	4N-2481	1	FASTENER GP-OIL PUMP MOUNTING						248
Y	109-1657	1	FASTENER GP-VALVE MECHANISM						150
Y	283-5149	1	GEAR GP-FRONT						160
Y	190-0009	1	MECHANISM GP-FUEL PUMP & VALVE						185
Y	235-6394	6	PISTON & ROD GP						211
Y	235-1403	6	PUMP GP-FUEL INJECTION						657
Y	245-4791	1	TURBOCHARGER GP						557
	293-3839	1	ELECTRONICS GP-ENGINE RATINGS						

R-REMG PART MAY BE AVAILABLE
Y-SEPARATE ILLUSTRATION

ENGINE ARRANGEMENT

290-5699 ENGINE AR-CORE

S/N: J2K1-UP

460 MPH AT 1800 A RATING

SMCS-1000

i02696738

NOTE	PART NUMBER	QTY	PART NAME						SEE PAGE
			1	2	3	4	5	6 (PRODUCT LEVEL)	
Y	278-5662	1	BASE GP-VALVE COVER & INJ HARN						96
Y	243-0551	1	CAMSHAFT GP						98
Y	189-4917	1	CRANKSHAFT GP						122
Y	261-0191	1	CYLINDER BLOCK GP						126
Y	272-9707	1	CYLINDER HEAD GP						133
Y	6I-3638	1	DRIVE GP-PUMP						139
Y	4P-6846	1	FASTENER GP-FRONT HOUSING						148
Y	4N-2481	1	FASTENER GP-OIL PUMP MOUNTING						248
Y	109-1657	1	FASTENER GP-VALVE MECHANISM						150
Y	283-5149	1	GEAR GP-FRONT						160
Y	190-0009	1	MECHANISM GP-FUEL PUMP & VALVE						185
Y	220-1441	6	PISTON & ROD GP						210
Y	235-1401	6	PUMP GP-FUEL INJECTION						656
Y	301-4315	1	TURBOCHARGER GP						559
	293-3841	1	ELECTRONICS GP-ENGINE RATINGS						

Y-SEPARATE ILLUSTRATION

ENGINE ARRANGEMENT

290-9815 ENGINE AR-CORE

S/N: J2K1-UP

875 MHP AT 2200 RPM - D RATING. RH SERVICE

SMCS-1000

i02680711

NOTE	PART NUMBER	QTY	PART NAME						SEE PAGE
			1	2	3	4	5	6 (PRODUCT LEVEL)	
Y	278-5662	1	BASE GP-VALVE COVER & INJ HARN						96
Y	299-1446	1	CAMSHAFT GP						99
Y	189-4917	1	CRANKSHAFT GP						122
Y	261-0191	1	CYLINDER BLOCK GP						126
Y	272-9707	1	CYLINDER HEAD GP						133
Y	6I-3638	1	DRIVE GP-PUMP						139
Y	4P-6846	1	FASTENER GP-FRONT HOUSING						148
Y	4N-2481	1	FASTENER GP-OIL PUMP MOUNTING						248
Y	109-1657	1	FASTENER GP-VALVE MECHANISM						150
Y	283-5149	1	GEAR GP-FRONT						160
Y	190-0009	1	MECHANISM GP-FUEL PUMP & VALVE						185
Y	283-7669	6	PISTON & ROD GP						213
Y	261-0048	6	PUMP GP-FUEL INJECTION						658
Y	201-7251	1	TURBOCHARGER GP (REAR MOUNT)						552
Y	201-7252	1	TURBOCHARGER GP (SIDE MOUNT)						553
	293-3827	1	ELECTRONICS GP-ENGINE RATINGS						

Y-SEPARATE ILLUSTRATION

ENGINE ARRANGEMENT

320-9925 ENGINE AR-CORE

S/N: T2P1-UP

FOR USE WITH LOWER PRESSURE OIL PUMP AND NON-REMOTE OIL FILTER FOR MARINE
TIER II APPLICATIONS

SMCS-1000

i02891009

NOTE	PART NUMBER	QTY	PART NAME						SEE PAGE
			1	2	3	4	5	6 (PRODUCT LEVEL)	
Y	278-5662	1	BASE GP-VALVE COVER & INJ HARN						96
Y	299-1446	1	CAMSHAFT GP						99
Y	189-4917	1	CRANKSHAFT GP						122
Y	261-0191	1	CYLINDER BLOCK GP						126
Y	312-8590	1	CYLINDER HEAD GP						135
Y	6I-3638	1	DRIVE GP-PUMP						139
Y	4P-6846	1	FASTENER GP-FRONT HOUSING						148
Y	4N-2481	1	FASTENER GP-OIL PUMP MOUNTING						248
Y	109-1657	1	FASTENER GP-VALVE MECHANISM						150
Y	283-5149	1	GEAR GP-FRONT						160
Y	291-4880	1	HOUSING GP-FRONT						178
Y	190-0009	1	MECHANISM GP-FUEL PUMP & VALVE						185
Y	283-7669	6	PISTON & ROD GP						213
YR	161-4113	1	PUMP GP-ENGINE OIL						352
Y	261-0048	6	PUMP GP-FUEL INJECTION						658
Y	313-3505	1	SENSOR GP-SPEED						800

R-REMG PART MAY BE AVAILABLE
Y-SEPARATE ILLUSTRATION

ENGINE ARRANGEMENT

320-9926 ENGINE AR-CORE

S/N: T2P1-UP

FOR USE WITH HIGHER PRESSURE OIL PUMP AND REMOTE OIL FILTER FOR MARINE TIER
II APPLICATIONS

SMCS-1000

i02891099

NOTE	PART NUMBER	QTY	PART NAME						SEE PAGE
			1	2	3	4	5	6 (PRODUCT LEVEL)	
Y	278-5662	1	BASE GP-VALVE COVER & INJ HARN						96
Y	299-1446	1	CAMSHAFT GP						99
Y	189-4917	1	CRANKSHAFT GP						122
Y	261-0191	1	CYLINDER BLOCK GP						126
Y	312-8590	1	CYLINDER HEAD GP						135
Y	6I-3638	1	DRIVE GP-PUMP						139
Y	4P-6846	1	FASTENER GP-FRONT HOUSING						148
Y	4N-2481	1	FASTENER GP-OIL PUMP MOUNTING						248
Y	109-1657	1	FASTENER GP-VALVE MECHANISM						150
Y	283-5149	1	GEAR GP-FRONT						160
Y	291-4880	1	HOUSING GP-FRONT						178
Y	190-0009	1	MECHANISM GP-FUEL PUMP & VALVE						185
Y	283-7669	6	PISTON & ROD GP						213
Y	226-1191	1	PUMP GP-ENGINE OIL						353
Y	261-0048	6	PUMP GP-FUEL INJECTION						658
Y	313-3505	1	SENSOR GP-SPEED						800

Y-SEPARATE ILLUSTRATION

ENGINE ARRANGEMENT

320-9927 ENGINE AR-CORE

S/N: T2P1-UP

FOR USE WITH LOWER PRESSURE OIL PUMP AND NON-REMOTE OIL FILTER FOR MARINE
TIER II APPLICATIONS

SMCS-1000

i02891102

NOTE	PART NUMBER	QTY	PART NAME						SEE PAGE
			1	2	3	4	5	6 (PRODUCT LEVEL)	
Y	278-5662	1	BASE GP-VALVE COVER & INJ HARN						96
Y	243-0551	1	CAMSHAFT GP						98
Y	189-4917	1	CRANKSHAFT GP						122
Y	261-0191	1	CYLINDER BLOCK GP						126
Y	312-8590	1	CYLINDER HEAD GP						135
Y	6I-3638	1	DRIVE GP-PUMP						139
Y	4P-6846	1	FASTENER GP-FRONT HOUSING						148
Y	4N-2481	1	FASTENER GP-OIL PUMP MOUNTING						248
Y	109-1657	1	FASTENER GP-VALVE MECHANISM						150
Y	283-5149	1	GEAR GP-FRONT						160
Y	291-4880	1	HOUSING GP-FRONT						178
Y	190-0009	1	MECHANISM GP-FUEL PUMP & VALVE						185
Y	308-4486	6	PISTON & ROD GP						215
YR	161-4113	1	PUMP GP-ENGINE OIL						352
Y	235-1403	6	PUMP GP-FUEL INJECTION						657
Y	313-3505	1	SENSOR GP-SPEED						800

R-REMG PART MAY BE AVAILABLE
Y-SEPARATE ILLUSTRATION

ENGINE ARRANGEMENT

320-9928 ENGINE AR-CORE

S/N: T2P1-UP

FOR USE WITH HIGHER PRESSURE OIL PUMP AND NON-REMOTE OIL FILTER FOR MARINE
TIER II APPLICATIONS

SMCS-1000

i02891105

NOTE	PART NUMBER	QTY	PART NAME						SEE PAGE
			1	2	3	4	5	6 (PRODUCT LEVEL)	
Y	278-5662	1	BASE GP-VALVE COVER & INJ HARN						96
Y	243-0551	1	CAMSHAFT GP						98
Y	189-4917	1	CRANKSHAFT GP						122
Y	261-0191	1	CYLINDER BLOCK GP						126
Y	312-8590	1	CYLINDER HEAD GP						135
Y	6I-3638	1	DRIVE GP-PUMP						139
Y	4P-6846	1	FASTENER GP-FRONT HOUSING						148
Y	4N-2481	1	FASTENER GP-OIL PUMP MOUNTING						248
Y	109-1657	1	FASTENER GP-VALVE MECHANISM						150
Y	283-5149	1	GEAR GP-FRONT						160
Y	291-4880	1	HOUSING GP-FRONT						178
Y	190-0009	1	MECHANISM GP-FUEL PUMP & VALVE						185
Y	308-4486	6	PISTON & ROD GP						215
Y	226-1191	1	PUMP GP-ENGINE OIL						353
Y	235-1403	6	PUMP GP-FUEL INJECTION						657
Y	313-3505	1	SENSOR GP-SPEED						800

Y-SEPARATE ILLUSTRATION

ENGINE ARRANGEMENT

320-9929 ENGINE AR-CORE

S/N: T2P1-UP

FOR USE WITH LOWER PRESSURE OIL PUMP AND NON-REMOTE OIL FILTER FOR MARINE
TIER II APPLICATIONS

SMCS-1000

i02891161

NOTE	PART NUMBER	QTY	PART NAME						SEE PAGE
			1	2	3	4	5	6 (PRODUCT LEVEL)	
Y	278-5662	1	BASE GP-VALVE COVER & INJ HARN						96
Y	243-0551	1	CAMSHAFT GP						98
Y	189-4917	1	CRANKSHAFT GP						122
Y	261-0191	1	CYLINDER BLOCK GP						126
Y	312-8590	1	CYLINDER HEAD GP						135
Y	6I-3638	1	DRIVE GP-PUMP						139
Y	4P-6846	1	FASTENER GP-FRONT HOUSING						148
Y	4N-2481	1	FASTENER GP-OIL PUMP MOUNTING						248
Y	109-1657	1	FASTENER GP-VALVE MECHANISM						150
Y	283-5149	1	GEAR GP-FRONT						160
Y	291-4880	1	HOUSING GP-FRONT						178
Y	190-0009	1	MECHANISM GP-FUEL PUMP & VALVE						185
Y	220-1441	6	PISTON & ROD GP						210
YR	161-4113	1	PUMP GP-ENGINE OIL						352
Y	235-1401	6	PUMP GP-FUEL INJECTION						656
Y	313-3505	1	SENSOR GP-SPEED						800

R-REMG PART MAY BE AVAILABLE
Y-SEPARATE ILLUSTRATION

ENGINE ARRANGEMENT

320-9930 ENGINE AR-CORE

S/N: T2P1-UP

FOR USE WITH HIGHER PRESSURE OIL PUMP AND NON-REMOTE OIL FILTER FOR MARINE
TIER II APPLICATIONS

SMCS-1000

i02891166

NOTE	PART NUMBER	QTY	PART NAME						SEE PAGE
			1	2	3	4	5	6 (PRODUCT LEVEL)	
Y	278-5662	1	BASE GP-VALVE COVER & INJ HARN						96
Y	243-0551	1	CAMSHAFT GP						98
Y	189-4917	1	CRANKSHAFT GP						122
Y	261-0191	1	CYLINDER BLOCK GP						126
Y	312-8590	1	CYLINDER HEAD GP						135
Y	6I-3638	1	DRIVE GP-PUMP						139
Y	4P-6846	1	FASTENER GP-FRONT HOUSING						148
Y	4N-2481	1	FASTENER GP-OIL PUMP MOUNTING						248
Y	109-1657	1	FASTENER GP-VALVE MECHANISM						150
Y	283-5149	1	GEAR GP-FRONT						160
Y	291-4880	1	HOUSING GP-FRONT						178
Y	190-0009	1	MECHANISM GP-FUEL PUMP & VALVE						185
Y	220-1441	6	PISTON & ROD GP						210
Y	226-1191	1	PUMP GP-ENGINE OIL						353
Y	235-1401	6	PUMP GP-FUEL INJECTION						656
Y	313-3505	1	SENSOR GP-SPEED						800

Y-SEPARATE ILLUSTRATION

ENGINE ARRANGEMENT

320-9772 ENGINE AR-PRIMARY

S/N: T2P1-UP

SMCS - 1000

i03675401

NOTE	PART NUMBER	QTY	PART NAME						SEE PAGE
			1	2	3	4	5	6 (PRODUCT LEVEL)	
Y	107-6737	1	COVER GP-CYLINDER BLOCK (OIL FILLER)						105
Y	109-1223	1	COVER GP-CYLINDER BLOCK (TURBOCHARGER DRAIN COVER) (MID MOUNT)						106
Y	140-9746	1	COVER GP-CYLINDER BLOCK (WATER INLET)						107
Y	107-6736	1	COVER GP-CYLINDER BLOCK (TURBOCHARGER DRAIN COVER) (LOW MOUNT)						104
Y	127-5728	1	COVER GP-FLYWHEEL HOUSING (MOTOR STARTER)						109
Y	9N-3889	2	COVER GP-FLYWHEEL HOUSING (RH)						108
			S/N: T2P1-141						
Y	329-9507	1	COVER GP-FLYWHEEL HOUSING (RH)						111
			S/N: T2P142-UP						
Y	133-3089	1	COVER GP-FLYWHEEL HOUSING (LH)						110
Y	159-6159	1	COVER GP-FRONT HOUSING (CAM, IDLER GEAR)						113
Y	120-9847	1	COVER GP-FRONT HOUSING (OIL FILLER)						112
Y	187-3316	1	COVER GP-VALVE MECHANISM						117
Y	320-9925	1	ENGINE AR-CORE						77
Y	313-4606	1	FITTING GP-FUEL LINES						578
Y	140-6330	1	FITTING GP-OIL PAN (REAR, LH)						151
Y	140-6331	1	FITTING GP-OIL PAN (REAR, RH)						152
Y	319-8539	1	FLYWHEEL GP						158
Y	248-0312	1	HOUSING GP-FLYWHEEL						176
			S/N: T2P1-693						
Y	178-8579	1	HOUSING GP-FLYWHEEL						168
			S/N: T2P694-UP						
Y	127-0564	1	LIFTING GP-ENGINE (FRONT)						183
Y	310-5806	1	LIFTING GP-ENGINE (REAR)						184
Y	212-1404	1	MOUNTING GP-SENSOR						770
Y	322-8954	1	PAN GP-OIL						208
Y	234-9222	1	PLUG GP-CYLINDER BLOCK (OIL GALLERY)						220
Y	235-2387	1	PLUG GP-CYLINDER BLOCK (OIL SUPPLY)						221
Y	240-7051	1	PLUG GP-CYLINDER BLOCK (COOLANT)						222
Y	316-1444	1	PLUG GP-CYLINDER BLOCK (DIPSTICK)						227
Y	234-9219	1	PLUG GP-CYLINDER HEAD						228
Y	329-9616	1	PLUG GP-FLYWHEEL HOUSING						234
			S/N: T2P142-693						
Y	284-8240	1	PLUG GP-FLYWHEEL HOUSING						233
			S/N: T2P694-UP						
Y	292-5906	1	PUMP GP-FUEL TRANSFER						661

Y-SEPARATE ILLUSTRATION

ENGINE ARRANGEMENT

320-9773 ENGINE AR-PRIMARY

S/N: T2P1-UP

FOR USE WITH SAE NO.1 FLYWHEEL HOUSING AND A LOWER PRESSURE OIL PUMP FOR
NON-REMOTE LUBE GROUPS

SMCS-1000

i02898285

NOTE	PART NUMBER	QTY	PART NAME						SEE PAGE
			1	2	3	4	5	6 (PRODUCT LEVEL)	
Y	107-6737	1	COVER GP-CYLINDER BLOCK						105
Y	109-1223	1	COVER GP-CYLINDER BLOCK (TURBOCHARGER DRAIN COVER)						106
Y	140-9746	1	COVER GP-CYLINDER BLOCK						107
Y	107-6736	1	COVER GP-CYLINDER BLOCK (TURBOCHARGER DRAIN COVER)						104
Y	9N-3889	1	COVER GP-FLYWHEEL HOUSING						108
Y	127-5728	1	COVER GP-FLYWHEEL HOUSING						109
Y	133-3089	1	COVER GP-FLYWHEEL HOUSING						110
Y	159-6159	1	COVER GP-FRONT HOUSING (CAM, IDLER GEAR)						113
Y	120-9847	1	COVER GP-FRONT HOUSING						112
Y	187-3316	1	COVER GP-VALVE MECHANISM						117
Y	320-9925	1	ENGINE AR-CORE						77
Y	313-4606	1	FITTING GP-FUEL LINES						578
Y	140-6330	1	FITTING GP-OIL PAN (REAR, LH)						151
Y	140-6331	1	FITTING GP-OIL PAN (REAR,RH)						152
Y	319-6611	1	FLYWHEEL GP						157
Y	198-1295	1	HOUSING GP-FLYWHEEL						172
Y	127-0564	1	LIFTING GP-ENGINE (FRONT)						183
Y	310-5806	1	LIFTING GP-ENGINE (REAR)						184
Y	212-1404	1	MOUNTING GP-SENSOR						770
Y	322-8954	1	PAN GP-OIL						208
Y	234-9222	1	PLUG GP-CYLINDER BLOCK (OIL GALLERY)						220
Y	235-2387	1	PLUG GP-CYLINDER BLOCK						221
Y	240-7051	1	PLUG GP-CYLINDER BLOCK						222
Y	316-1444	1	PLUG GP-CYLINDER BLOCK						227
Y	234-9219	1	PLUG GP-CYLINDER HEAD						228
Y	292-5906	1	PUMP GP-FUEL TRANSFER						661

Y-SEPARATE ILLUSTRATION

ENGINE ARRANGEMENT

320-9774 ENGINE AR-PRIMARY

S/N: T2P1-UP

FOR USE WITH SAE NO.0 FLYWHEEL HOUSING AND A LOWER PRESSURE OIL PUMP FOR
NON-REMOTE LUBE GROUPS, DEEP ENGINE OIL PAN

SMCS-1000

i03675400

NOTE	PART NUMBER	QTY	PART NAME						SEE PAGE
			1	2	3	4	5	6 (PRODUCT LEVEL)	
Y	107-6737	1	COVER GP-CYLINDER BLOCK						105
Y	109-1223	1	COVER GP-CYLINDER BLOCK (TURBOCHARGER DRAIN COVER)						106
Y	140-9746	1	COVER GP-CYLINDER BLOCK						107
Y	107-6736	1	COVER GP-CYLINDER BLOCK (TURBOCHARGER DRAIN COVER)						104
Y	9N-3889	2	COVER GP-FLYWHEEL HOUSING						108
			S/N: T2P1-141						
Y	329-9507	1	COVER GP-FLYWHEEL HOUSING						111
			S/N: T2P142-UP						
Y	127-5728	1	COVER GP-FLYWHEEL HOUSING						109
Y	133-3089	1	COVER GP-FLYWHEEL HOUSING						110
Y	159-6159	1	COVER GP-FRONT HOUSING (CAM, IDLER GEAR)						113
Y	120-9847	1	COVER GP-FRONT HOUSING						112
Y	187-3316	1	COVER GP-VALVE MECHANISM						117
Y	320-9927	1	ENGINE AR-CORE						79
Y	313-4606	1	FITTING GP-FUEL LINES						578
Y	140-6330	1	FITTING GP-OIL PAN (REAR, LH)						151
Y	140-6331	1	FITTING GP-OIL PAN (REAR, RH)						152
Y	319-8539	1	FLYWHEEL GP						158
Y	248-0312	1	HOUSING GP-FLYWHEEL						176
			S/N: T2P1-693						
Y	178-8579	1	HOUSING GP-FLYWHEEL						168
			S/N: T2P694-UP						
Y	127-0564	1	LIFTING GP-ENGINE (FRONT)						183
Y	310-5806	1	LIFTING GP-ENGINE (REAR)						184
Y	212-1404	1	MOUNTING GP-SENSOR						770
Y	322-8954	1	PAN GP-OIL						208
Y	234-9222	1	PLUG GP-CYLINDER BLOCK (OIL GALLERY)						220
Y	235-2387	1	PLUG GP-CYLINDER BLOCK						221
Y	240-7051	1	PLUG GP-CYLINDER BLOCK						222
Y	316-1444	1	PLUG GP-CYLINDER BLOCK						227
Y	234-9219	1	PLUG GP-CYLINDER HEAD						228
Y	329-9616	1	PLUG GP-FLYWHEEL HOUSING						234
			S/N: T2P142-693						
Y	284-8240	1	PLUG GP-FLYWHEEL HOUSING						233
			S/N: T2P694-UP						
Y	292-5906	1	PUMP GP-FUEL TRANSFER						661

Y-SEPARATE ILLUSTRATION

ENGINE ARRANGEMENT

320-9775 ENGINE AR-PRIMARY

S/N: T2P1-UP

FOR USE WITH SAE NO.1 FLYWHEEL HOUSING AND A LOWER PRESSURE OIL PUMP FOR
NON-REMOTE LUBE GROUPS, DEEP ENGINE OIL PAN

SMCS-1000

i02898288

NOTE	PART NUMBER	QTY	PART NAME						SEE PAGE
			1	2	3	4	5	6 (PRODUCT LEVEL)	
Y	107-6737	1	COVER GP-CYLINDER BLOCK						105
Y	109-1223	1	COVER GP-CYLINDER BLOCK (TURBOCHARGER DRAIN COVER)						106
Y	140-9746	1	COVER GP-CYLINDER BLOCK						107
Y	107-6736	1	COVER GP-CYLINDER BLOCK (TURBOCHARGER DRAIN COVER)						104
Y	9N-3889	1	COVER GP-FLYWHEEL HOUSING						108
Y	127-5728	1	COVER GP-FLYWHEEL HOUSING						109
Y	133-3089	1	COVER GP-FLYWHEEL HOUSING						110
Y	159-6159	1	COVER GP-FRONT HOUSING (CAM, IDLER GEAR)						113
Y	120-9847	1	COVER GP-FRONT HOUSING						112
Y	187-3316	1	COVER GP-VALVE MECHANISM						117
Y	320-9927	1	ENGINE AR-CORE						79
Y	313-4606	1	FITTING GP-FUEL LINES						578
Y	140-6330	1	FITTING GP-OIL PAN (REAR, LH)						151
Y	140-6331	1	FITTING GP-OIL PAN (REAR,RH)						152
Y	319-6611	1	FLYWHEEL GP						157
Y	198-1295	1	HOUSING GP-FLYWHEEL						172
Y	127-0564	1	LIFTING GP-ENGINE (FRONT)						183
Y	310-5806	1	LIFTING GP-ENGINE (REAR)						184
Y	212-1404	1	MOUNTING GP-SENSOR						770
Y	322-8954	1	PAN GP-OIL						208
Y	234-9222	1	PLUG GP-CYLINDER BLOCK (OIL GALLERY)						220
Y	235-2387	1	PLUG GP-CYLINDER BLOCK						221
Y	240-7051	1	PLUG GP-CYLINDER BLOCK						222
Y	316-1444	1	PLUG GP-CYLINDER BLOCK						227
Y	234-9219	1	PLUG GP-CYLINDER HEAD						228
Y	292-5906	1	PUMP GP-FUEL TRANSFER						661

Y-SEPARATE ILLUSTRATION

ENGINE ARRANGEMENT

320-9776 ENGINE AR-PRIMARY

S/N: T2P1-UP

FOR USE WITH SAE NO.0 FLYWHEEL HOUSING AND A LOWER PRESSURE OIL PUMP FOR
NON-REMOTE LUBE GROUPS, DEEP ENGINE OIL PAN

SMCS-1000

i03675399

NOTE	PART NUMBER	QTY	PART NAME						SEE PAGE
			1	2	3	4	5	6 (PRODUCT LEVEL)	
Y	107-6737	1	COVER GP-CYLINDER BLOCK (OIL FILLER)						105
Y	109-1223	1	COVER GP-CYLINDER BLOCK (TURBOCHARGER DRAIN COVER) (MID MOUNT)						106
Y	140-9746	1	COVER GP-CYLINDER BLOCK (WATER INLET)						107
Y	107-6736	1	COVER GP-CYLINDER BLOCK (TURBOCHARGER DRAIN COVER) (LOW MOUNT)						104
Y	9N-3889	2	COVER GP-FLYWHEEL HOUSING (RH)						108
			S/N: T2P1-141						
Y	329-9507	1	COVER GP-FLYWHEEL HOUSING (RH)						111
			S/N: T2P142-UP						
Y	127-5728	1	COVER GP-FLYWHEEL HOUSING (MOTOR STARTER)						109
Y	133-3089	1	COVER GP-FLYWHEEL HOUSING (LH)						110
Y	159-6159	1	COVER GP-FRONT HOUSING (CAM, IDLER GEAR)						113
Y	120-9847	1	COVER GP-FRONT HOUSING (OIL FILLER)						112
Y	187-3316	1	COVER GP-VALVE MECHANISM						117
Y	320-9929	1	ENGINE AR-CORE						81
Y	313-4606	1	FITTING GP-FUEL LINES						578
Y	140-6330	1	FITTING GP-OIL PAN (REAR, LH)						151
Y	140-6331	1	FITTING GP-OIL PAN (REAR, RH)						152
Y	319-8539	1	FLYWHEEL GP						158
Y	248-0312	1	HOUSING GP-FLYWHEEL						176
			S/N: T2P1-693						
Y	178-8579	1	HOUSING GP-FLYWHEEL						168
			S/N: T2P694-UP						
Y	127-0564	1	LIFTING GP-ENGINE (FRONT)						183
Y	310-5806	1	LIFTING GP-ENGINE (REAR)						184
Y	212-1404	1	MOUNTING GP-SENSOR						770
Y	322-8954	1	PAN GP-OIL						208
Y	234-9222	1	PLUG GP-CYLINDER BLOCK (OIL GALLERY)						220
Y	235-2387	1	PLUG GP-CYLINDER BLOCK (OIL SUPPLY)						221
Y	240-7051	1	PLUG GP-CYLINDER BLOCK (COOLANT)						222
Y	316-1444	1	PLUG GP-CYLINDER BLOCK (DIPSTICK)						227
Y	234-9219	1	PLUG GP-CYLINDER HEAD						228
Y	329-9616	1	PLUG GP-FLYWHEEL HOUSING						234
			S/N: T2P142-693						
Y	284-8240	1	PLUG GP-FLYWHEEL HOUSING						233
			S/N: T2P694-UP						
Y	292-5906	1	PUMP GP-FUEL TRANSFER						661

Y-SEPARATE ILLUSTRATION

ENGINE ARRANGEMENT

320-9777 ENGINE AR-PRIMARY

S/N: T2P1-UP

FOR USE WITH SAE NO.1 FLYWHEEL HOUSING AND A LOWER PRESSURE OIL PUMP FOR
NON-REMOTE LUBE GROUPS, DEEP ENGINE OIL PAN

SMCS-1000

i02898290

NOTE	PART NUMBER	QTY	PART NAME						SEE PAGE
			1	2	3	4	5	6 (PRODUCT LEVEL)	
Y	107-6737	1	COVER GP-CYLINDER BLOCK						105
Y	109-1223	1	COVER GP-CYLINDER BLOCK (TURBOCHARGER DRAIN COVER)						106
Y	140-9746	1	COVER GP-CYLINDER BLOCK						107
Y	107-6736	1	COVER GP-CYLINDER BLOCK (TURBOCHARGER DRAIN COVER)						104
Y	9N-3889	1	COVER GP-FLYWHEEL HOUSING						108
Y	127-5728	1	COVER GP-FLYWHEEL HOUSING						109
Y	133-3089	1	COVER GP-FLYWHEEL HOUSING						110
Y	159-6159	1	COVER GP-FRONT HOUSING (CAM, IDLER GEAR)						113
Y	120-9847	1	COVER GP-FRONT HOUSING						112
Y	187-3316	1	COVER GP-VALVE MECHANISM						117
Y	320-9929	1	ENGINE AR-CORE						81
Y	313-4606	1	FITTING GP-FUEL LINES						578
Y	140-6330	1	FITTING GP-OIL PAN (REAR, LH)						151
Y	140-6331	1	FITTING GP-OIL PAN (REAR,RH)						152
Y	319-6611	1	FLYWHEEL GP						157
Y	198-1295	1	HOUSING GP-FLYWHEEL						172
Y	127-0564	1	LIFTING GP-ENGINE (FRONT)						183
Y	310-5806	1	LIFTING GP-ENGINE (REAR)						184
Y	212-1404	1	MOUNTING GP-SENSOR						770
Y	322-8954	1	PAN GP-OIL						208
Y	234-9222	1	PLUG GP-CYLINDER BLOCK (OIL GALLERY)						220
Y	235-2387	1	PLUG GP-CYLINDER BLOCK						221
Y	240-7051	1	PLUG GP-CYLINDER BLOCK						222
Y	316-1444	1	PLUG GP-CYLINDER BLOCK						227
Y	234-9219	1	PLUG GP-CYLINDER HEAD						228
Y	292-5906	1	PUMP GP-FUEL TRANSFER						661

Y-SEPARATE ILLUSTRATION

ENGINE ARRANGEMENT

320-9778 ENGINE AR-PRIMARY

S/N: T2P1-UP

FOR USE WITH SAE NO.0 FLYWHEEL HOUSING AND A HIGHER PRESSURE OIL PUMP FOR
REMOTE LUBE GROUPS, DEEP ENGINE OIL PAN

SMCS-1000

i03675398

NOTE	PART NUMBER	QTY	PART NAME						SEE PAGE
			1	2	3	4	5	6 (PRODUCT LEVEL)	
Y	107-6737	1	COVER GP-CYLINDER BLOCK						105
Y	109-1223	1	COVER GP-CYLINDER BLOCK (TURBOCHARGER DRAIN COVER)						106
Y	140-9746	1	COVER GP-CYLINDER BLOCK						107
Y	107-6736	1	COVER GP-CYLINDER BLOCK (TURBOCHARGER DRAIN COVER)						104
Y	9N-3889	2	COVER GP-FLYWHEEL HOUSING						108
			S/N: T2P1-141						
Y	329-9507	1	COVER GP-FLYWHEEL HOUSING						111
			S/N: T2P142-UP						
Y	127-5728	1	COVER GP-FLYWHEEL HOUSING (MOTOR STARTER)						109
Y	133-3089	1	COVER GP-FLYWHEEL HOUSING (LH)						110
Y	159-6159	1	COVER GP-FRONT HOUSING (CAM, IDLER GEAR)						113
Y	120-9847	1	COVER GP-FRONT HOUSING (OIL FILLER)						112
Y	187-3316	1	COVER GP-VALVE MECHANISM						117
Y	320-9926	1	ENGINE AR-CORE						78
Y	313-4606	1	FITTING GP-FUEL LINES						578
Y	140-6330	1	FITTING GP-OIL PAN (REAR, LH)						151
Y	140-6331	1	FITTING GP-OIL PAN (REAR, RH)						152
Y	319-8539	1	FLYWHEEL GP						158
Y	248-0312	1	HOUSING GP-FLYWHEEL						176
			S/N: T2P1-693						
Y	178-8579	1	HOUSING GP-FLYWHEEL						168
			S/N: T2P694-UP						
Y	127-0564	1	LIFTING GP-ENGINE (FRONT)						183
Y	310-5806	1	LIFTING GP-ENGINE (REAR)						184
Y	212-1404	1	MOUNTING GP-SENSOR						770
Y	322-8954	1	PAN GP-OIL						208
Y	234-9222	1	PLUG GP-CYLINDER BLOCK (OIL GALLERY)						220
Y	235-2387	1	PLUG GP-CYLINDER BLOCK						221
Y	240-7051	1	PLUG GP-CYLINDER BLOCK						222
Y	316-1444	1	PLUG GP-CYLINDER BLOCK (DIPSTICK)						227
Y	234-9219	1	PLUG GP-CYLINDER HEAD						228
Y	329-9616	1	PLUG GP-FLYWHEEL HOUSING						234
			S/N: T2P142-693						
Y	284-8240	1	PLUG GP-FLYWHEEL HOUSING						233
			S/N: T2P694-UP						
Y	292-5906	1	PUMP GP-FUEL TRANSFER						661

Y-SEPARATE ILLUSTRATION

ENGINE ARRANGEMENT

320-9779 ENGINE AR-PRIMARY

S/N: T2P1-UP

FOR USE WITH SAE NO.1 FLYWHEEL HOUSING AND A HIGHER PRESSURE OIL PUMP FOR
REMOTE LUBE GROUPS, DEEP ENGINE OIL PAN

SMCS-1000

i02898292

NOTE	PART NUMBER	QTY	PART NAME						SEE PAGE
			1	2	3	4	5	6 (PRODUCT LEVEL)	
Y	107-6737	1	COVER GP-CYLINDER BLOCK						105
Y	109-1223	1	COVER GP-CYLINDER BLOCK (TURBOCHARGER DRAIN COVER)						106
Y	140-9746	1	COVER GP-CYLINDER BLOCK						107
Y	107-6736	1	COVER GP-CYLINDER BLOCK (TURBOCHARGER DRAIN COVER)						104
Y	9N-3889	1	COVER GP-FLYWHEEL HOUSING						108
Y	127-5728	1	COVER GP-FLYWHEEL HOUSING						109
Y	133-3089	1	COVER GP-FLYWHEEL HOUSING						110
Y	159-6159	1	COVER GP-FRONT HOUSING (CAM, IDLER GEAR)						113
Y	120-9847	1	COVER GP-FRONT HOUSING						112
Y	187-3316	1	COVER GP-VALVE MECHANISM						117
Y	320-9926	1	ENGINE AR-CORE						78
Y	313-4606	1	FITTING GP-FUEL LINES						578
Y	140-6330	1	FITTING GP-OIL PAN (REAR, LH)						151
Y	140-6331	1	FITTING GP-OIL PAN (REAR,RH)						152
Y	319-6611	1	FLYWHEEL GP						157
Y	198-1295	1	HOUSING GP-FLYWHEEL						172
Y	127-0564	1	LIFTING GP-ENGINE (FRONT)						183
Y	310-5806	1	LIFTING GP-ENGINE (REAR)						184
Y	212-1404	1	MOUNTING GP-SENSOR						770
Y	322-8954	1	PAN GP-OIL						208
Y	234-9222	1	PLUG GP-CYLINDER BLOCK (OIL GALLERY)						220
Y	235-2387	1	PLUG GP-CYLINDER BLOCK						221
Y	240-7051	1	PLUG GP-CYLINDER BLOCK						222
Y	316-1444	1	PLUG GP-CYLINDER BLOCK						227
Y	234-9219	1	PLUG GP-CYLINDER HEAD						228
Y	292-5906	1	PUMP GP-FUEL TRANSFER						661

Y-SEPARATE ILLUSTRATION

ENGINE ARRANGEMENT

320-9780 ENGINE AR-PRIMARY

S/N: T2P1-UP

FOR USE WITH SAE NO.0 FLYWHEEL HOUSING AND A HIGHER PRESSURE OIL PUMP FOR
REMOTE LUBE GROUPS, DEEP ENGINE OIL PAN

SMCS-1000

i03675397

NOTE	PART NUMBER	QTY	PART NAME						SEE PAGE
			1	2	3	4	5	6 (PRODUCT LEVEL)	
Y	107-6737	1	COVER GP-CYLINDER BLOCK						105
Y	109-1223	1	COVER GP-CYLINDER BLOCK (TURBOCHARGER DRAIN COVER)						106
Y	140-9746	1	COVER GP-CYLINDER BLOCK						107
Y	107-6736	1	COVER GP-CYLINDER BLOCK (TURBOCHARGER DRAIN COVER)						104
Y	9N-3889	2	COVER GP-FLYWHEEL HOUSING						108
			S/N: T2P1-141						
Y	329-9507	1	COVER GP-FLYWHEEL HOUSING						111
			S/N: T2P142-UP						
Y	127-5728	1	COVER GP-FLYWHEEL HOUSING						109
Y	133-3089	1	COVER GP-FLYWHEEL HOUSING						110
Y	159-6159	1	COVER GP-FRONT HOUSING (CAM, IDLER GEAR)						113
Y	120-9847	1	COVER GP-FRONT HOUSING						112
Y	187-3316	1	COVER GP-VALVE MECHANISM						117
Y	320-9928	1	ENGINE AR-CORE						80
Y	313-4606	1	FITTING GP-FUEL LINES						578
Y	140-6330	1	FITTING GP-OIL PAN (REAR, LH)						151
Y	140-6331	1	FITTING GP-OIL PAN (REAR, RH)						152
Y	319-8539	1	FLYWHEEL GP						158
Y	248-0312	1	HOUSING GP-FLYWHEEL						176
			S/N: T2P1-693						
Y	178-8579	1	HOUSING GP-FLYWHEEL						168
			S/N: T2P694-UP						
Y	127-0564	1	LIFTING GP-ENGINE (FRONT)						183
Y	310-5806	1	LIFTING GP-ENGINE (REAR)						184
Y	212-1404	1	MOUNTING GP-SENSOR						770
Y	322-8954	1	PAN GP-OIL						208
Y	234-9222	1	PLUG GP-CYLINDER BLOCK (OIL GALLERY)						220
Y	235-2387	1	PLUG GP-CYLINDER BLOCK						221
Y	240-7051	1	PLUG GP-CYLINDER BLOCK						222
Y	316-1444	1	PLUG GP-CYLINDER BLOCK						227
Y	234-9219	1	PLUG GP-CYLINDER HEAD						228
Y	329-9616	1	PLUG GP-FLYWHEEL HOUSING						234
			S/N: T2P142-693						
Y	284-8240	1	PLUG GP-FLYWHEEL HOUSING						233
			S/N: T2P694-UP						
Y	292-5906	1	PUMP GP-FUEL TRANSFER						661

Y-SEPARATE ILLUSTRATION

ENGINE ARRANGEMENT

320-9781 ENGINE AR-PRIMARY

S/N: T2P1-UP

FOR USE WITH SAE NO.1 FLYWHEEL HOUSING AND A HIGHER PRESSURE OIL PUMP FOR
REMOTE LUBE GROUPS, DEEP ENGINE OIL PAN

SMCS-1000

i02898294

NOTE	PART NUMBER	QTY	PART NAME						SEE PAGE
			1	2	3	4	5	6 (PRODUCT LEVEL)	
Y	107-6737	1	COVER GP-CYLINDER BLOCK						105
Y	109-1223	1	COVER GP-CYLINDER BLOCK (TURBOCHARGER DRAIN COVER)						106
Y	140-9746	1	COVER GP-CYLINDER BLOCK						107
Y	107-6736	1	COVER GP-CYLINDER BLOCK (TURBOCHARGER DRAIN COVER)						104
Y	9N-3889	1	COVER GP-FLYWHEEL HOUSING						108
Y	127-5728	1	COVER GP-FLYWHEEL HOUSING						109
Y	133-3089	1	COVER GP-FLYWHEEL HOUSING						110
Y	159-6159	1	COVER GP-FRONT HOUSING (CAM, IDLER GEAR)						113
Y	120-9847	1	COVER GP-FRONT HOUSING						112
Y	187-3316	1	COVER GP-VALVE MECHANISM						117
Y	320-9928	1	ENGINE AR-CORE						80
Y	313-4606	1	FITTING GP-FUEL LINES						578
Y	140-6330	1	FITTING GP-OIL PAN (REAR, LH)						151
Y	140-6331	1	FITTING GP-OIL PAN (REAR,RH)						152
Y	319-6611	1	FLYWHEEL GP						157
Y	198-1295	1	HOUSING GP-FLYWHEEL						172
Y	127-0564	1	LIFTING GP-ENGINE (FRONT)						183
Y	310-5806	1	LIFTING GP-ENGINE (REAR)						184
Y	212-1404	1	MOUNTING GP-SENSOR						770
Y	322-8954	1	PAN GP-OIL						208
Y	234-9222	1	PLUG GP-CYLINDER BLOCK (OIL GALLERY)						220
Y	235-2387	1	PLUG GP-CYLINDER BLOCK						221
Y	240-7051	1	PLUG GP-CYLINDER BLOCK						222
Y	316-1444	1	PLUG GP-CYLINDER BLOCK						227
Y	234-9219	1	PLUG GP-CYLINDER HEAD						228
Y	292-5906	1	PUMP GP-FUEL TRANSFER						661

Y-SEPARATE ILLUSTRATION

ENGINE ARRANGEMENT

320-9782 ENGINE AR-PRIMARY

S/N: T2P1-UP

FOR USE WITH SAE NO.0 FLYWHEEL HOUSING AND A HIGHER PRESSURE OIL PUMP FOR
REMOTE LUBE GROUPS, DEEP ENGINE OIL PAN

SMCS-1000

i03675396

NOTE	PART NUMBER	QTY	PART NAME						SEE PAGE
			1	2	3	4	5	6 (PRODUCT LEVEL)	
Y	107-6737	1	COVER GP-CYLINDER BLOCK						105
Y	109-1223	1	COVER GP-CYLINDER BLOCK (TURBOCHARGER DRAIN COVER)						106
Y	140-9746	1	COVER GP-CYLINDER BLOCK (CENTRAL STRUCTURE)						107
Y	107-6736	1	COVER GP-CYLINDER BLOCK (TURBOCHARGER DRAIN COVER)						104
Y	9N-3889	2	COVER GP-FLYWHEEL HOUSING						108
			S/N: T2P1-141						
Y	329-9507	1	COVER GP-FLYWHEEL HOUSING						111
			S/N: T2P142-UP						
Y	127-5728	1	COVER GP-FLYWHEEL HOUSING (MOTOR STARTER)						109
Y	133-3089	1	COVER GP-FLYWHEEL HOUSING (LH)						110
Y	159-6159	1	COVER GP-FRONT HOUSING (CAM, IDLER GEAR)						113
Y	120-9847	1	COVER GP-FRONT HOUSING						112
Y	187-3316	1	COVER GP-VALVE MECHANISM						117
Y	320-9930	1	ENGINE AR-CORE						82
Y	313-4606	1	FITTING GP-FUEL LINES						578
Y	140-6330	1	FITTING GP-OIL PAN (REAR, LH)						151
Y	140-6331	1	FITTING GP-OIL PAN (REAR, RH)						152
Y	319-8539	1	FLYWHEEL GP						158
Y	248-0312	1	HOUSING GP-FLYWHEEL						176
			S/N: T2P1-693						
Y	178-8579	1	HOUSING GP-FLYWHEEL						168
			S/N: T2P694-UP						
Y	127-0564	1	LIFTING GP-ENGINE (FRONT)						183
Y	310-5806	1	LIFTING GP-ENGINE (REAR)						184
Y	212-1404	1	MOUNTING GP-SENSOR						770
Y	322-8954	1	PAN GP-OIL						208
Y	234-9222	1	PLUG GP-CYLINDER BLOCK (OIL GALLERY)						220
Y	235-2387	1	PLUG GP-CYLINDER BLOCK (OIL SUPPLY)						221
Y	240-7051	1	PLUG GP-CYLINDER BLOCK (COOLANT)						222
Y	316-1444	1	PLUG GP-CYLINDER BLOCK (DIPSTICK, ENGINE)						227
Y	234-9219	1	PLUG GP-CYLINDER HEAD						228
Y	329-9616	1	PLUG GP-FLYWHEEL HOUSING						234
			S/N: T2P142-693						
Y	284-8240	1	PLUG GP-FLYWHEEL HOUSING						233
			S/N: T2P694-UP						
Y	292-5906	1	PUMP GP-FUEL TRANSFER						661

Y-SEPARATE ILLUSTRATION

ENGINE ARRANGEMENT

320-9783 ENGINE AR-PRIMARY

S/N: T2P1-UP

FOR USE WITH SAE NO.1 FLYWHEEL HOUSING AND A HIGHER PRESSURE OIL PUMP FOR
REMOTE LUBE GROUPS, DEEP ENGINE OIL PAN

SMCS-1000

i02898296

NOTE	PART NUMBER	QTY	PART NAME						SEE PAGE
			1	2	3	4	5	6 (PRODUCT LEVEL)	
Y	107-6737	1	COVER GP-CYLINDER BLOCK						105
Y	109-1223	1	COVER GP-CYLINDER BLOCK (TURBOCHARGER DRAIN COVER)						106
Y	140-9746	1	COVER GP-CYLINDER BLOCK						107
Y	107-6736	1	COVER GP-CYLINDER BLOCK (TURBOCHARGER DRAIN COVER)						104
Y	9N-3889	1	COVER GP-FLYWHEEL HOUSING						108
Y	127-5728	1	COVER GP-FLYWHEEL HOUSING						109
Y	133-3089	1	COVER GP-FLYWHEEL HOUSING						110
Y	159-6159	1	COVER GP-FRONT HOUSING (CAM, IDLER GEAR)						113
Y	120-9847	1	COVER GP-FRONT HOUSING						112
Y	187-3316	1	COVER GP-VALVE MECHANISM						117
Y	320-9930	1	ENGINE AR-CORE						82
Y	313-4606	1	FITTING GP-FUEL LINES						578
Y	140-6330	1	FITTING GP-OIL PAN (REAR, LH)						151
Y	140-6331	1	FITTING GP-OIL PAN (REAR,RH)						152
Y	319-6611	1	FLYWHEEL GP						157
Y	198-1295	1	HOUSING GP-FLYWHEEL						172
Y	127-0564	1	LIFTING GP-ENGINE (FRONT)						183
Y	310-5806	1	LIFTING GP-ENGINE (REAR)						184
Y	212-1404	1	MOUNTING GP-SENSOR						770
Y	322-8954	1	PAN GP-OIL						208
Y	234-9222	1	PLUG GP-CYLINDER BLOCK (OIL GALLERY)						220
Y	235-2387	1	PLUG GP-CYLINDER BLOCK						221
Y	240-7051	1	PLUG GP-CYLINDER BLOCK						222
Y	316-1444	1	PLUG GP-CYLINDER BLOCK						227
Y	234-9219	1	PLUG GP-CYLINDER HEAD						228
Y	292-5906	1	PUMP GP-FUEL TRANSFER						661

Y-SEPARATE ILLUSTRATION

BASIC ENGINE

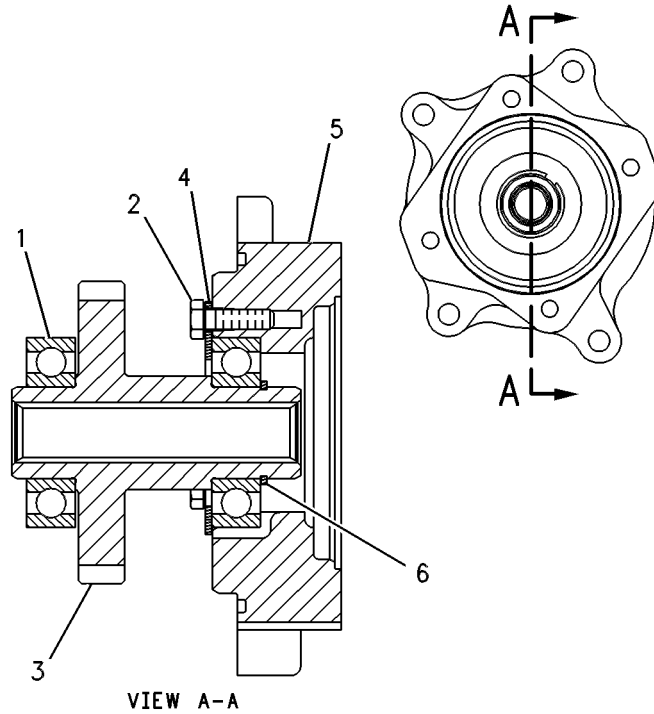
133-9907 ADAPTER GP-PUMP DRIVE

PART OF 6I-3638 DRIVE GP-PUMP

SMCS-1313, 3108

i03260721

NOTE	REF NO	GRAPHIC REF	PART NUMBER	QTY	PART NAME						SEE PAGE
					1	2	3	4	5	6 (PRODUCT LEVEL)	
	1	1	1B-3867	2	BALL BEARING						
	2	1	4F-7957	3	BOLT (1/4-20X0.875-IN)						
	3	1	6I-4575	1	GEAR (34-TEETH)						
	4	1	9X-2038	3	WASHER (7X19X2-MM THK)						
	5	1	133-9906	1	ADAPTER						
	6	1	1H-8647	1	RING-SNAP						



VIEW A-A

GRAPHIC #1

<END>

g00263602

BASIC ENGINE

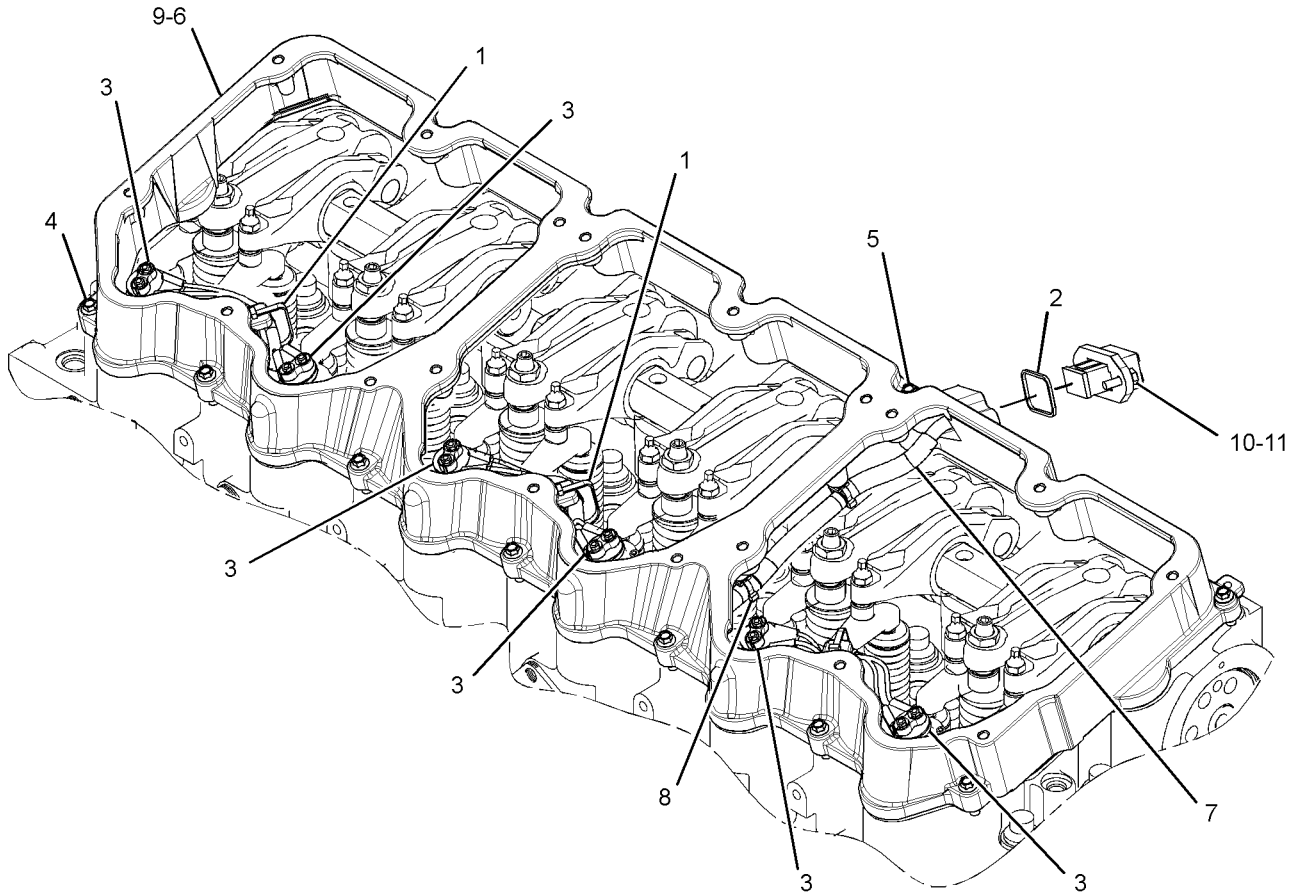
278-5662 BASE GP-VALVE COVER & INJ HARN

SMCS-1120, 1408

i03858037

NOTE	REF NO	GRAPHIC REF	PART NUMBER	QTY	PART NAME						SEE PAGE
					1	2	3	4	5	6 (PRODUCT LEVEL)	
	1	1	123-3202	3	STRAP - CABLE						
	2	1	6V-0128	1	SEAL - CONNECTOR						
	3	1	7E-6508	6	CAP AS						
	4	1	9L-8925	14	BOLT (5/16-18X1.25-IN)						
	5	1	122-1472	1	BOLT (5/16-18X2.36-IN)						
C	6	1	289-8215	1	BASE-VALVE MECHANISM COVER						
	7	1	343-9866	1	HARNES AS-ENGINE (UNIT INJECTOR)						
		1	103-8134	1	KIT-RECEPTACLE (12-PIN)						
		1	102-8801	1	KIT-RECEPTACLE (12-PIN)						
					(EACH KIT INCLUDES RECEPTACLE AS & WEDGE)						
		1	7E-6513	6	CONNECTOR AS						
		1	8T-8737	3	PLUG-SEAL						
		1	180-9339	9	PIN-CONNECTOR (14-GA TO 18-GA)						
	8	1	326-4512	6	MOUNTING-CABLE TIE						
C	9	1	272-0390	1	SEAL						
	10	1	4F-7957	2	BOLT (1/4-20X0.875-IN)						
	11	1	5P-0537	2	WASHER-HARD (7.2X14.5X2-MM THK)						

C-CHANGE FROM PREVIOUS TYPE



GRAPHIC #1

<END>

g02060774

BASIC ENGINE

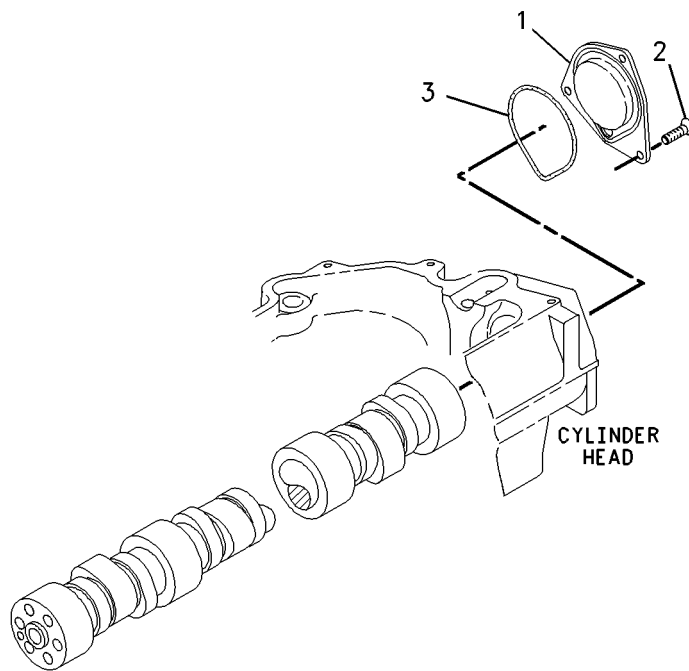
130-9710 CAMSHAFT GP

S/N: J2K1-UP

SMCS-1210

i02604621

NOTE	REF NO	GRAPHIC REF	PART NUMBER	QTY	PART NAME						SEE PAGE
					1	2	3	4	5	6 (PRODUCT LEVEL)	
	1	1	102-9089	1	COVER						
	2	1	119-0036	3	SCREW-FLAT HEAD (5/16-18X0.875-IN)						
	3	1	6V-1197	1	SEAL-O-RING						



GRAPHIC #1

<END>

g00790333

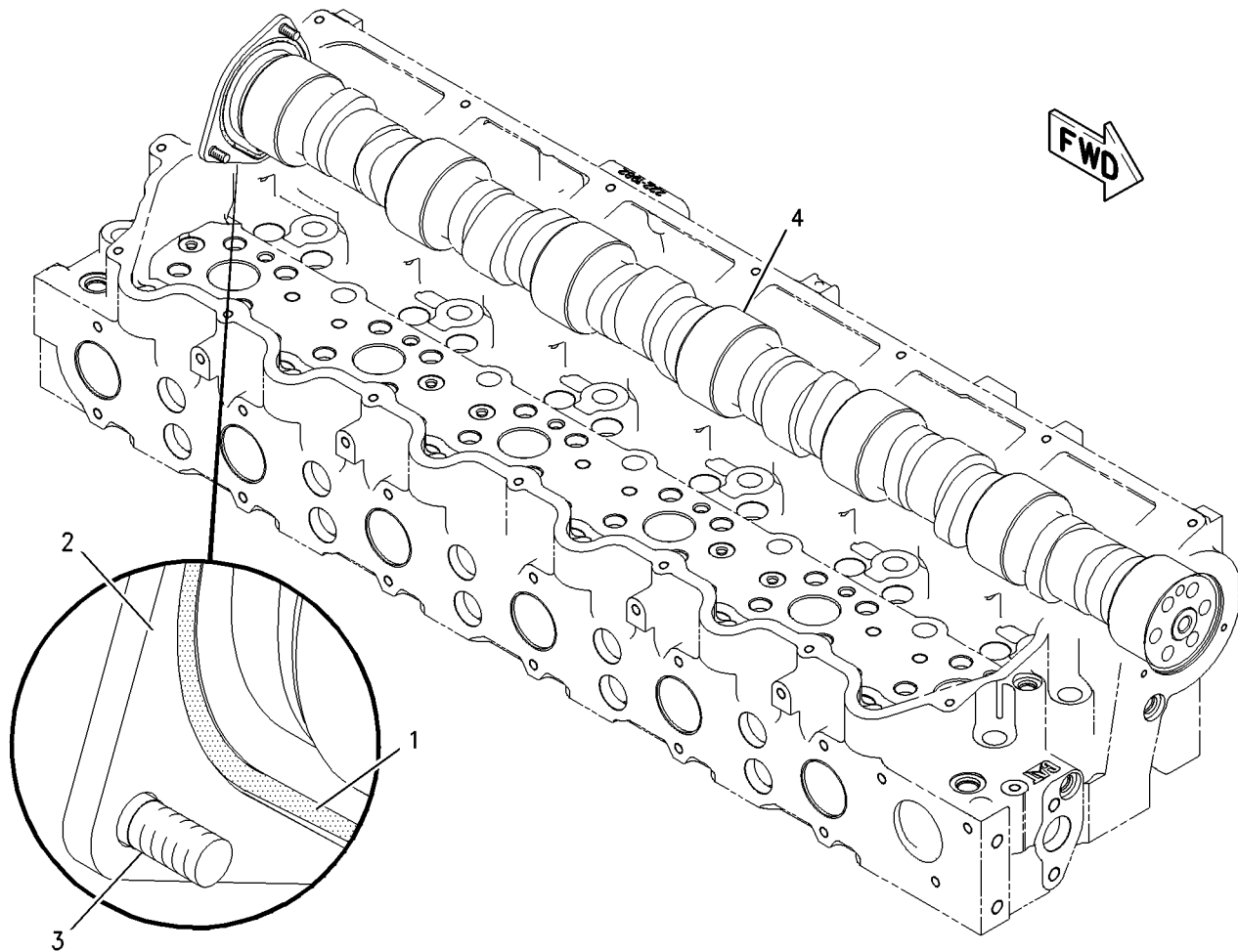
BASIC ENGINE

243-0551 CAMSHAFT GP

SMCS-1210

i03531784

NOTE	REF NO	GRAPHIC REF	PART NUMBER	QTY	PART NAME						SEE PAGE
					1	2	3	4	5	6 (PRODUCT LEVEL)	
	1	1	6V-1197	1	SEAL-O-RING						
	2	1	102-9089	1	COVER						
	3	1	119-0036	3	SCREW-FLAT HEAD (5/16-18X0.875-IN)						
	4	1	332-7297	1	CAMSHAFT						



GRAPHIC #1

<END>

g01002422

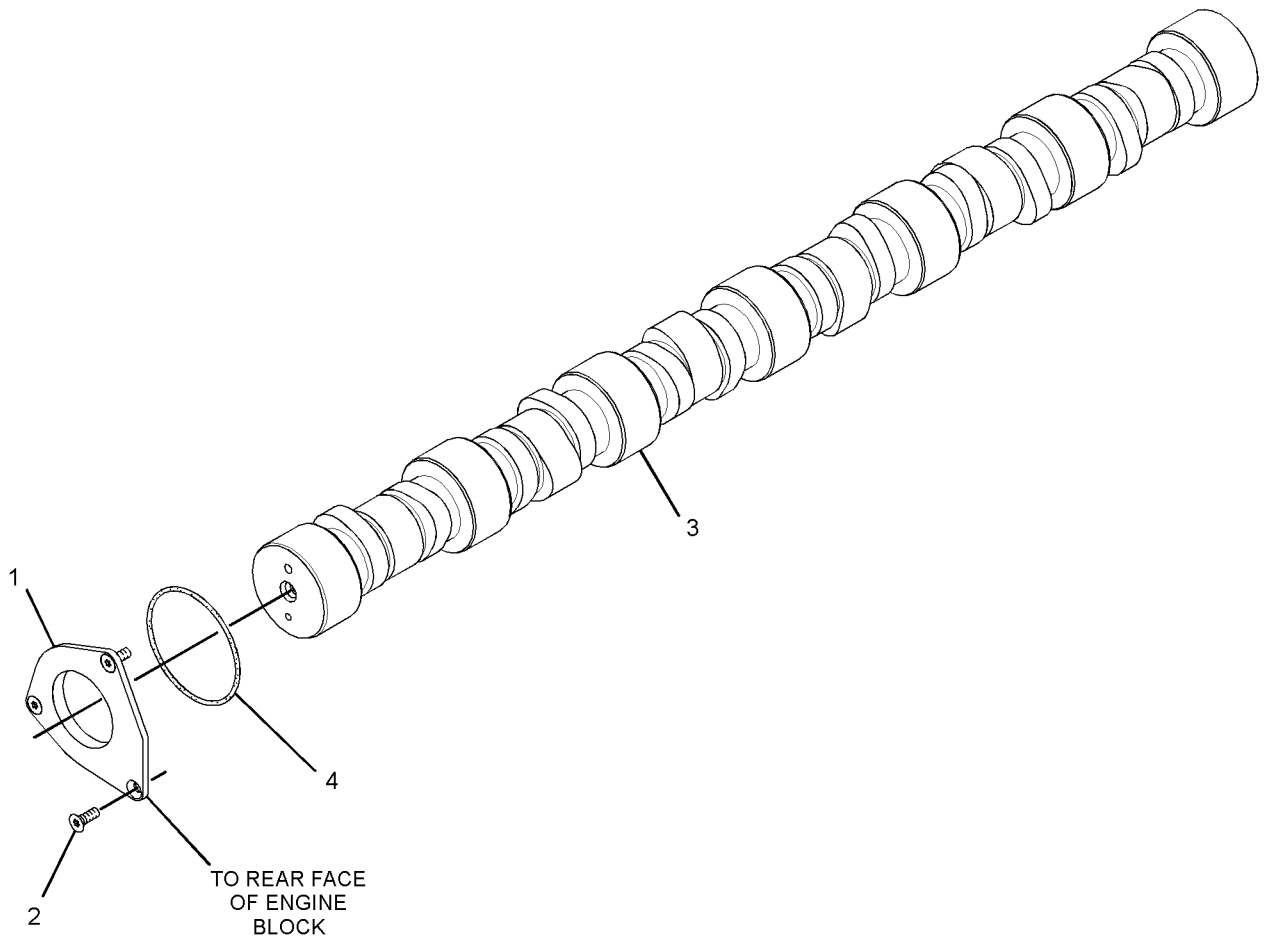
BASIC ENGINE

299-1446 CAMSHAFT GP

SMCS-1210

i03607275

NOTE	REF NO	GRAPHIC REF	PART NUMBER	QTY	PART NAME						SEE PAGE
					1	2	3	4	5	6 (PRODUCT LEVEL)	
	1	1	102-9089	1	COVER						
	2	1	119-0036	3	SCREW-FLAT HEAD (5/16-18X0.875-IN)						
	3	1	332-7315	1	CAMSHAFT						
	4	1	6V-1197	1	SEAL-O-RING						



GRAPHIC #1

<END>

g01347700

BASIC ENGINE

5N-3790 CLUTCH AS

PART OF 5N-7330 CLUTCH GP
AN ATTACHMENT

SMCS - 1007

i02603329

NOTE	REF NO	GRAPHIC REF	PART NUMBER	QTY	PART NAME						SEE PAGE
					1	2	3	4	5	6 (PRODUCT LEVEL)	
	1	1	5L-2016	1	PLATE-HUB & BACK						
	2	1	3N-7952	2	PLATE-DRIVE						
	3	1	5L-2012	1	PLATE-CENTER						
	4	1	3N-7953	1	PLATE AS						
	5	1	3N-7954	1	LOCK PIN						
	6	1	3N-7955	1	SPRING						
	7	1	6L-3966	3	PIN (0.374-IN OD)						
	8	1	6L-3964	3	PIN-COTTER						
	9	1	2L-8259	3	LEVER						
	10	1	5B-5251	6	LINK						
	11	1	6L-3960	6	PIN-COTTER						
	12	1	6L-3965	6	PIN						
	13	1	5D-2751	6	WASHER-SPRING (0.406X0.687X0.125-IN THK)						
	14	1	1K-2811	1	COLLAR AS						
		1	0L-0639	2	BOLT (3/8-24X2.25-IN)						
		1	2L-6267	2	LOCKNUT (3/8-24-THD)						
B		1	1K-3621	2	SHIM						
	15	1	5L-9647	1	SLEEVE-SLIDING						
	16	1	2L-8262	1	RING-ADJUSTMENT						

B-USE AS REQUIRED

BASIC ENGINE

5N-7330 CLUTCH GP

PART OF 257-7442 POWER TAKE-OFF GP
AN ATTACHMENT

SMCS-1007

i02890178

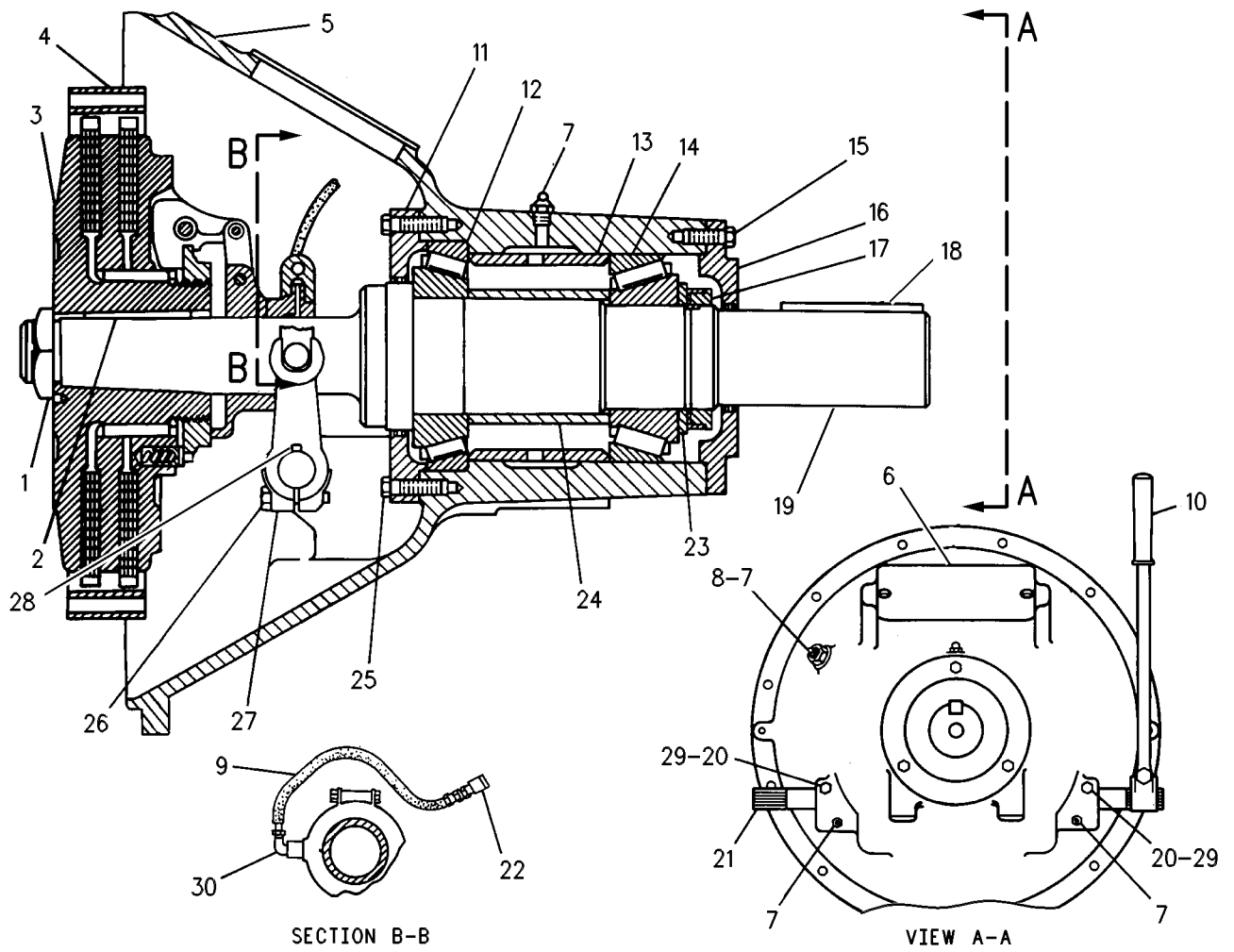
NOTE	REF NO	GRAPHIC REF	PART NUMBER	QTY	PART NAME						SEE PAGE
					1	2	3	4	5	6 (PRODUCT LEVEL)	
	1	1	5L-2017	1	NUT (1-3/4-16-THD)						
		1	5L-2026	1	LOCK						
	2	1	1N-7513	1	KEY-WOODRUFF						
Y	3	1	5N-3790	1	CLUTCH AS						100
	4	1	3L-8049	1	RING-DRIVE (72-TEETH)						
C	5	1	7W-5729	1	HOUSING-CLUTCH						
	6	1	108-3561	1	PLATE-INSTRUCTION (POWER TAKE-OFF)						
		1	1L-6931	2	SCREW AS-MACHINE (1/4-20X0.5-IN)						
	7	1	3B-8489	4	FITTING-GREASE (CLUTCH)						
	8	1	9S-1354	1	NUT (5/8-18-THD)						
		1	4K-0499	1	LOCKWASHER						
CI	9	1	4W-8403	1	HOSE AS						
	10	1	4B-4810	1	LEVER AS-HAND						
		1	0S-1587	1	BOLT (1/2-13X1.75-IN)						
	11	1	5N-7095	1	PLATE-SEAL						
	12	1	1P-4693	1	CUP-BEARING						
		1	6V-2735	1	CONE-BEARING						
	13	1	5N-7094	1	SPACER (120.65X136X93.69-MM THK)						
	14	1	2D-9454	1	CUP-BEARING (TAPERED ROLLER)						
		1	6V-2734	1	CONE-BEARING						
	15	1	0S-1594	3	BOLT (3/8-16X1-IN)						
	16	1	5N-7440	1	PLATE-SEAL						
	17	1	5P-5813	1	LOCKNUT-BEARING (2.75X18-THD)						
		1	4V-7173	1	LOCKNUT						
	18	1	6B-8865	1	KEY-WOODRUFF						
	19	1	5N-7442	1	SHAFT-CLUTCH						
	20	1	012-7950	2	PLUG						
	21	1	4B-4756	1	SHAFT						
C	22	1	4W-8404	1	FITTING						
	23	1	5N-7471	1	WASHER (72X100X6-MM THK)						
	24	1	5N-7153	1	SPACER (76X88.9X93.63-MM THK)						
	25	1	3B-1915	6	BOLT (3/8-16X1.375-IN)						
	26	1	0S-1591	2	BOLT (3/8-16X1.5-IN)						
	27	1	1K-2673	1	YOKE-THROW-OUT						
	28	1	6L-5151	2	KEY-WOODRUFF						
	29	1	3B-0623	2	PLUG-CUP						
C	30	1	2N-1287	1	ELBOW-FLARED						

C-CHANGE FROM PREVIOUS TYPE
I-REFER TO HYDRAULIC INFORMATION SYSTEM
Y-SEPARATE ILLUSTRATION

BASIC ENGINE

5N-7330 CLUTCH GP (contd.)

i02890178



GRAPHIC #1

<END>

g00257987

BASIC ENGINE

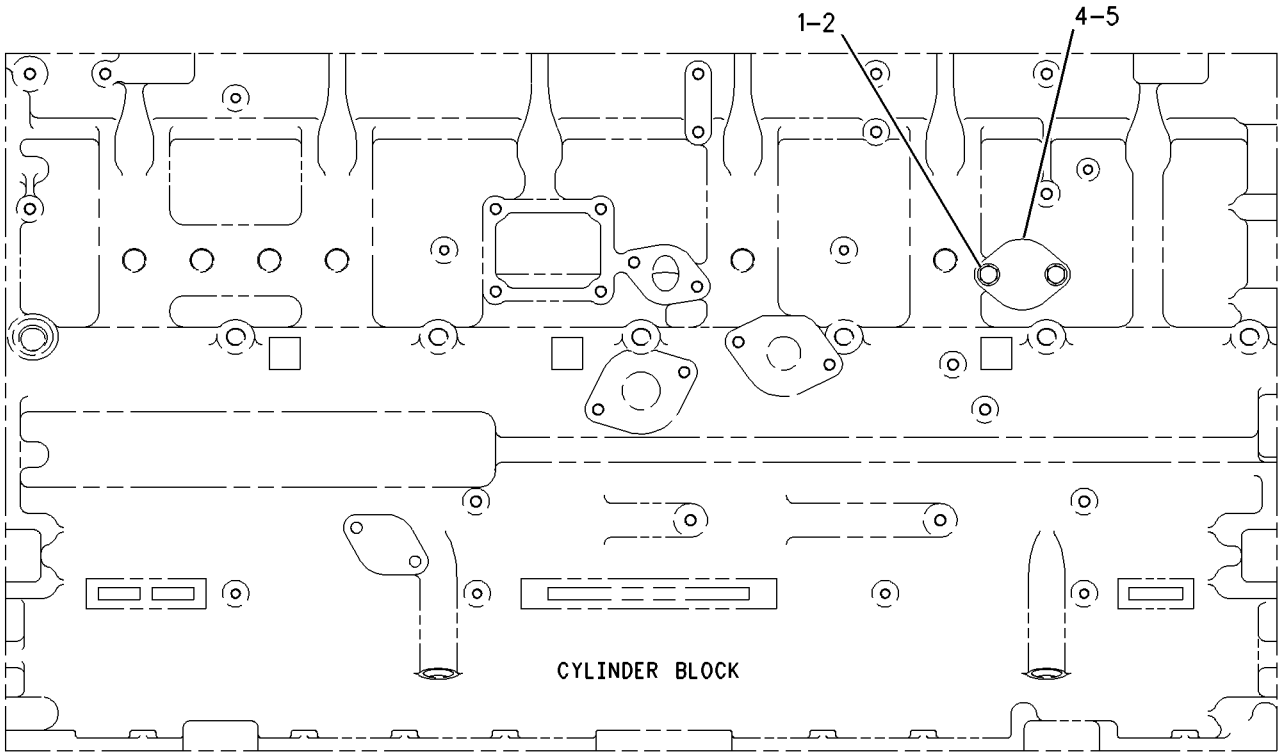
107-6737 COVER GP-CYLINDER BLOCK

CANNOT BE USED WITH RIGHT SIDE OIL FILLER
ALSO AN ATTACHMENT

SMCS-1201

i01847626

NOTE	REF NO	GRAPHIC REF	PART NUMBER	QTY	PART NAME						SEE PAGE
					1	2	3	4	5	6 (PRODUCT LEVEL)	
	1	1	0S-1594	2	BOLT (3/8-16X1 IN)						
	2	1	5M-2894	2	WASHER-HARD (10.2X18.5X2.5MM THK)						
	4	1	4N-0699	1	GASKET						
	5	1	4W-9890	1	COVER						



LEFT SIDE VIEW

GRAPHIC #1

<END>

g00942208

BASIC ENGINE

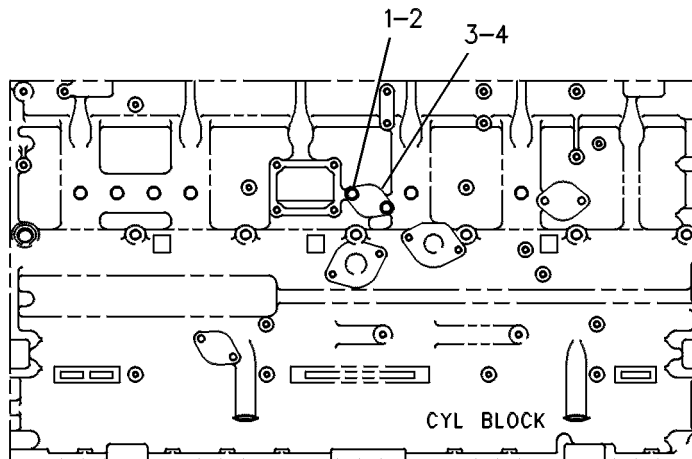
109-1223 COVER GP-CYLINDER BLOCK

FOR USE WITH LOW OR CENTER MOUNTED TURBOCHARGER
ALSO AN ATTACHMENT

SMCS-1201

i03128427

NOTE	REF NO	GRAPHIC REF	PART NUMBER	QTY	PART NAME	SEE PAGE
					1 2 3 4 5 6 (PRODUCT LEVEL)	
	1	1	0S-1594	2	BOLT (3/8-16X1-IN)	
	2	1	5M-2894	2	WASHER-HARD (10.2X18.5X2.5-MM THK)	
	3	1	4W-9890	1	COVER	
	4	1	4N-0699	1	GASKET	



LEFT SIDE VIEW

GRAPHIC #1

<END>

g00237956

BASIC ENGINE

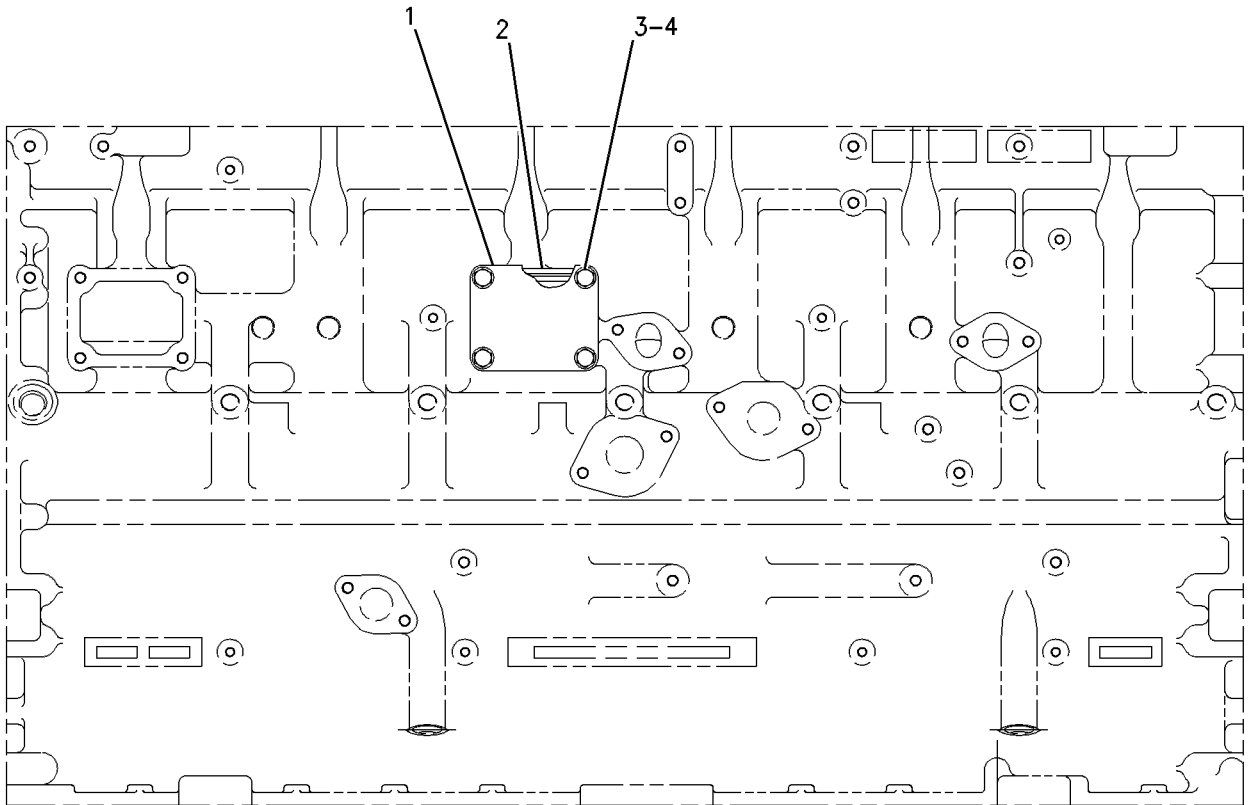
140-9746 COVER GP-CYLINDER BLOCK

NO. 4 CYLINDER WATER OPENING
ALSO AN ATTACHMENT

SMCS-1201

i02668546

NOTE	REF NO	GRAPHIC REF	PART NUMBER	QTY	PART NAME						SEE PAGE
					1	2	3	4	5	6 (PRODUCT LEVEL)	
	1	1	145-3849	1	COVER						
	2	1	126-4935	1	SEAL - INTEGRAL						
	3	1	0S-1594	4	BOLT (3/8-16X1-IN)						
	4	1	5M-2894	4	WASHER-HARD (10.2X18.5X2.5-MM THK)						



GRAPHIC #1

<END>

g00506684

BASIC ENGINE

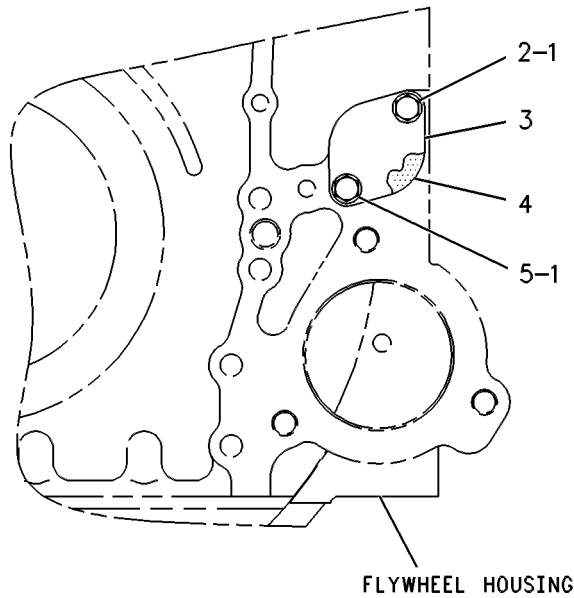
9N-3889 COVER GP-FLYWHEEL HOUSING

FOR USE WITH SAE NO. 1 FLYWHEEL HOUSING
ALSO AN ATTACHMENT

SMCS-1157

i03460022

NOTE	REF NO	GRAPHIC REF	PART NUMBER	QTY	PART NAME						SEE PAGE
					1	2	3	4	5	6 (PRODUCT LEVEL)	
	1	1	5M-2894	2	WASHER-HARD (10.2X18.5X2.5-MM THK)						
	2	1	0S-1619	1	BOLT (3/8-16X3-IN)						
	3	1	2P-2772	1	COVER						
	4	1	234-8937	1	SEAL-INTEGRAL						
	5	1	0S-1594	1	BOLT (3/8-16X1-IN)						



GRAPHIC #1

<END>

g00109207

BASIC ENGINE

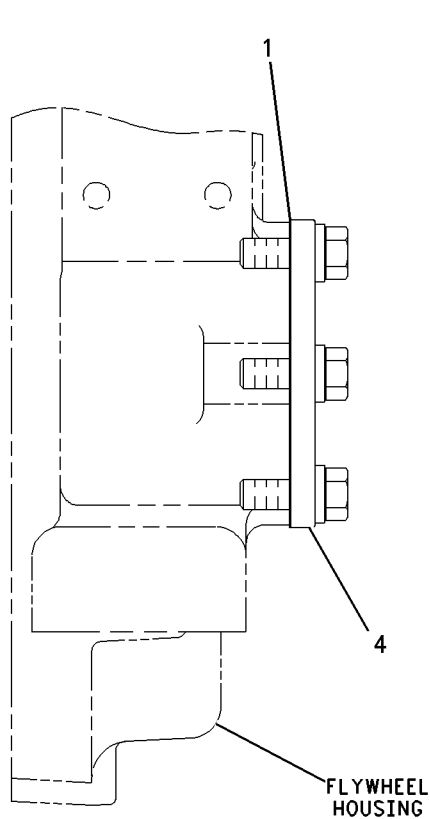
127-5728 COVER GP-FLYWHEEL HOUSING

FOR USE WITH LH MOUNTED STARTER
ALSO AN ATTACHMENT

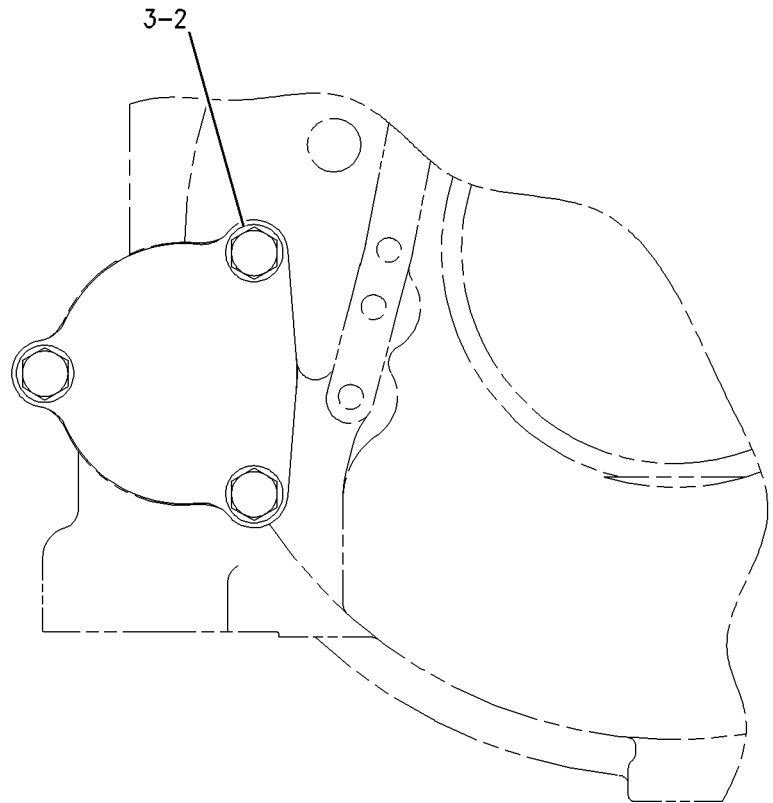
SMCS-1157

i02426209

NOTE	REF NO	GRAPHIC REF	PART NUMBER	QTY	PART NAME						SEE PAGE
					1	2	3	4	5	6 (PRODUCT LEVEL)	
	1	1	9Y-6089	1	GASKET						
	2	1	OS-1589	3	BOLT (5/8-11X1.75-IN)						
	3	1	4D-3704	3	WASHER-HARD (17X30X5-MM THK)						
	4	1	4N-1114	1	COVER						



RIGHT SIDE VIEW



FRONT VIEW

GRAPHIC #1

<END>

g00783561

BASIC ENGINE

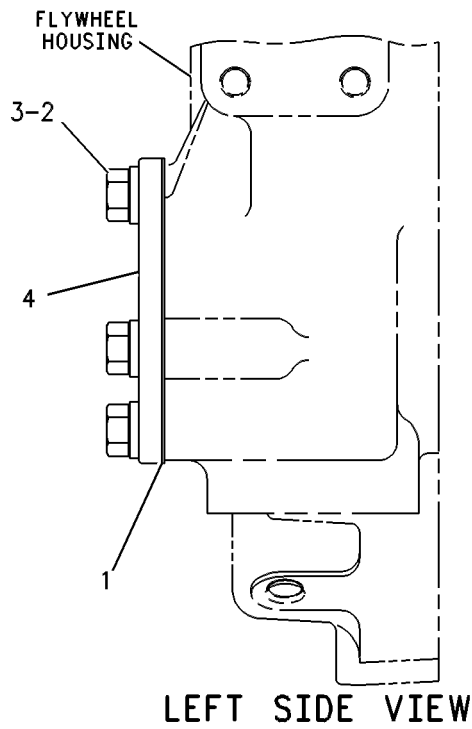
133-3089 COVER GP-FLYWHEEL HOUSING

FOR USE WITH RH MOUNTED STARTER, 131-3401-PAGE 816, 131-4850-PAGE 817
ALSO AN ATTACHMENT

SMCS-1157

i02202316

NOTE	REF NO	GRAPHIC REF	PART NUMBER	QTY	PART NAME						SEE PAGE
					1	2	3	4	5	6 (PRODUCT LEVEL)	
	1	1	9Y-6089	1	GASKET						
	2	1	OS-1589	3	BOLT (5/8-11X1.75-IN)						
	3	1	4D-3704	3	WASHER-HARD (17X30X5-MM THK)						
	4	1	4N-1114	1	COVER						



GRAPHIC #1

<END>

g00263620

BASIC ENGINE

329-9507 COVER GP-FLYWHEEL HOUSING

S/N: T2P1-UP

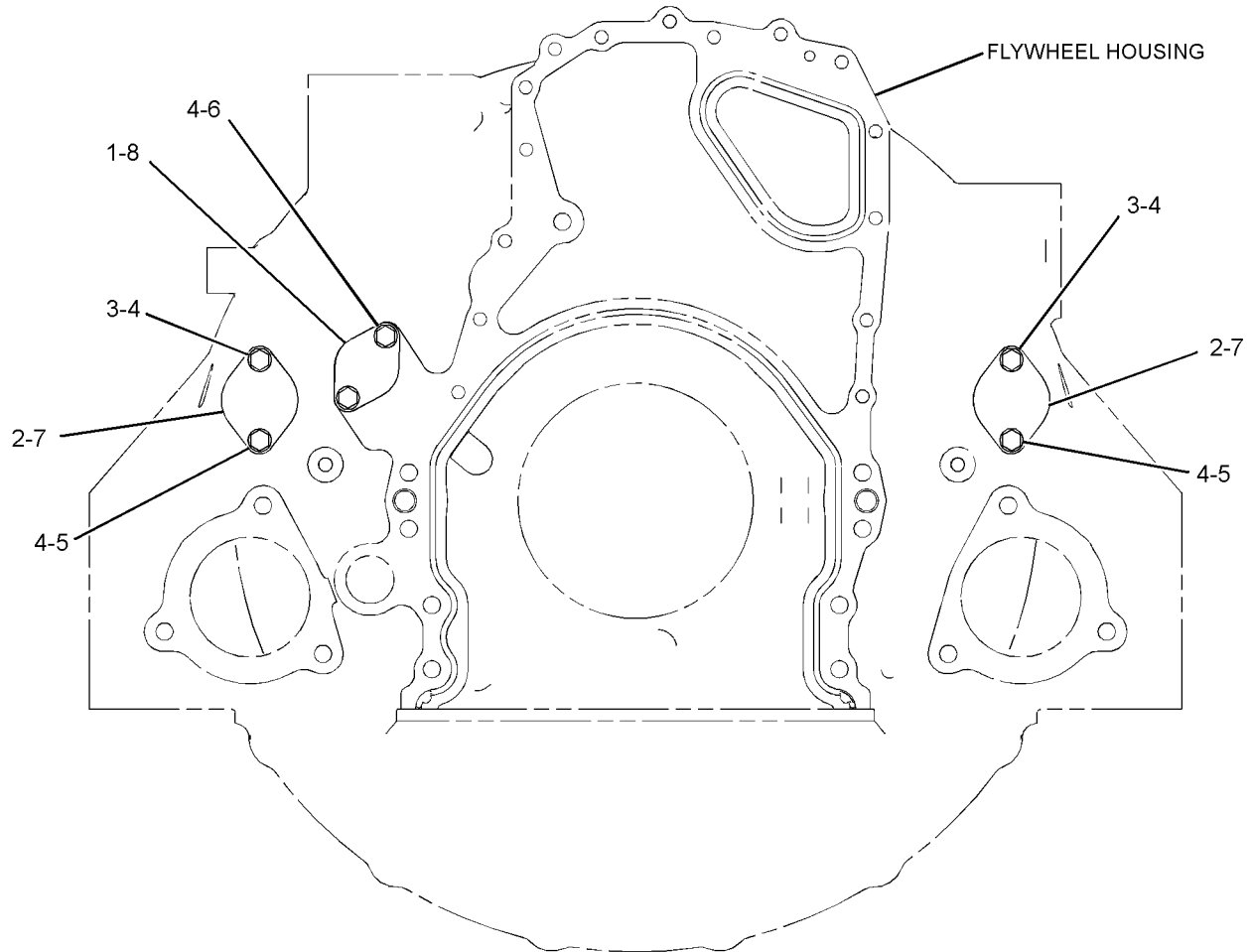
PROVIDES COVER GROUPS FOR FLYWHEEL TURNING TOOL PORTS AND TURBO OIL DRAIN
LINE PORT

FOR USE WITH SAE NO. 0 FLYWHEEL HOUSING

SMCS-1157

i03101848

NOTE	REF NO	GRAPHIC REF	PART NUMBER	QTY	PART NAME						SEE PAGE
					1	2	3	4	5	6 (PRODUCT LEVEL)	
	1	1	160-7037	1	SEAL - INTEGRAL						
	2	1	4N-0933	2	GASKET						
	3	1	0S-1619	2	BOLT (3/8-16X3-IN)						
	4	1	5M-2894	6	WASHER-HARD (10.2X18.5X2.5-MM THK)						
	5	1	0S-1594	2	BOLT (3/8-16X1-IN)						
	6	1	1A-2029	2	BOLT (3/8-16X1.125-IN)						
	7	1	2P-2772	2	COVER						
	8	1	4W-9890	1	COVER						



FRONT VIEW OF ENGINE

<END>

GRAPHIC #1

g01587654

BASIC ENGINE

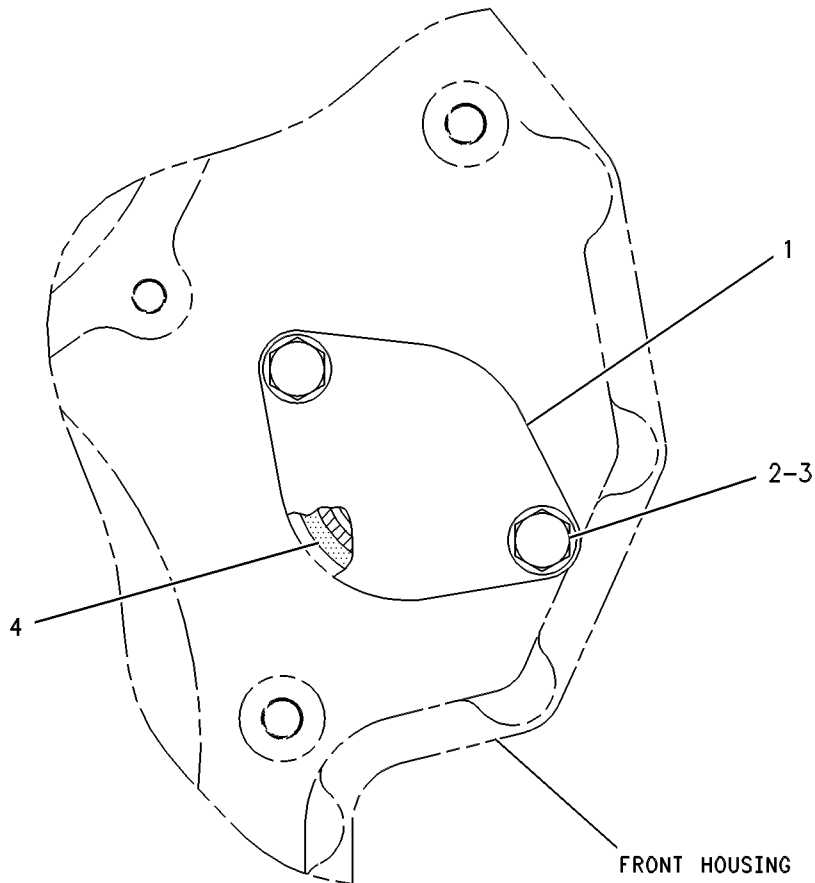
120-9847 COVER GP-FRONT HOUSING

PROVIDES COVER FOR OIL FILLER OPENING ON FRONT HOUSING
ALSO AN ATTACHMENT

SMCS-1151, 1166

i00670788

NOTE	REF NO	GRAPHIC REF	PART NUMBER	QTY	PART NAME						SEE PAGE
					1	2	3	4	5	6 (PRODUCT LEVEL)	
	1	1	7C-1445	1	COVER						
	2	1	2B-2695	2	BOLT (5/16-18X0.875-IN)						
	3	1	9M-1974	2	WASHER-HARD (8.8X16X2-MM THK)						
	4	1	061-9455	1	SEAL-O-RING						



GRAPHIC #1

<END>

g00252251

BASIC ENGINE

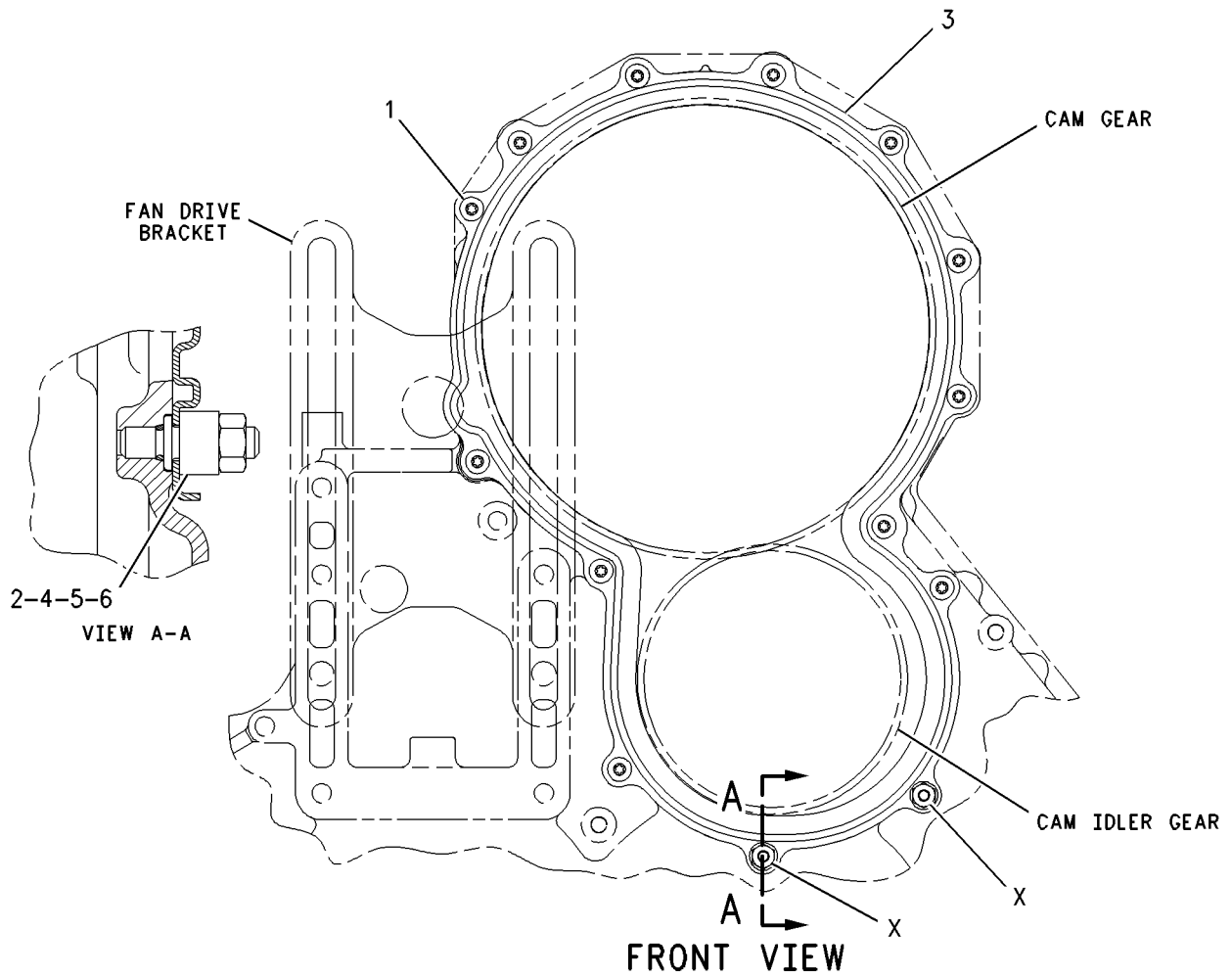
159-6159 COVER GP-FRONT HOUSING

CAM AND IDLER GEAR ACCESS
ALSO AN ATTACHMENT

SMCS-1151, 1166

i03784814

NOTE	REF NO	GRAPHIC REF	PART NUMBER	QTY	PART NAME						SEE PAGE
					1	2	3	4	5	6 (PRODUCT LEVEL)	
	1	1	297-1813	12	SCREW-HEAD (5/16-18X1-IN)						
	2	1	175-1367	2	SPACER (8.8X16X10-MM THK) (MARKED X)						
	3	1	209-3569	1	COVER GP-FRONT HOUSING						
		1	160-7271	1	SEAL						
	4	1	031-4155	2	LOCKNUT (5/16-18-THD) (MARKED X)						
	5	1	175-1366	2	STUD (MARKED X)						
	6	1	238-5078	2	SEAL-O-RING (MARKED X)						



GRAPHIC #1

<END>

g00631258

BASIC ENGINE

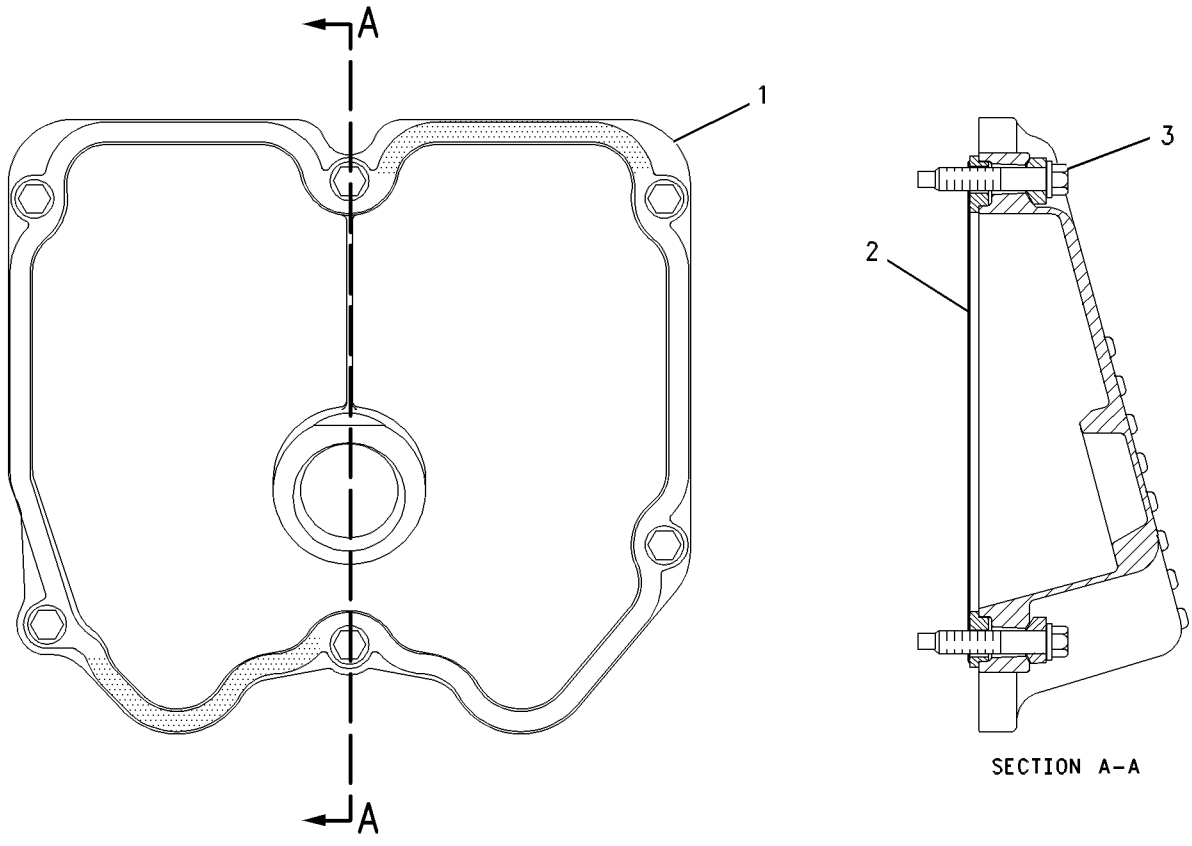
150-3141 COVER GP-VALVE MECHANISM

PART OF 187-3316 COVER GP-VALVE MECHANISM
ALSO AN ATTACHMENT

SMCS-1107

i02207391

NOTE	REF NO	GRAPHIC REF	PART NUMBER	QTY	PART NAME						SEE PAGE
					1	2	3	4	5	6 (PRODUCT LEVEL)	
	1	1	149-7376	1	COVER-VALVE MECHANISM						
	2	1	242-9537	1	SEAL-VALVE COVER						
	3	1	243-1159	6	FASTENER AS						
					(EACH INCLUDES)						
		1	149-7378	1	GROMMET						



GRAPHIC #1

<END>

g00299930

BASIC ENGINE

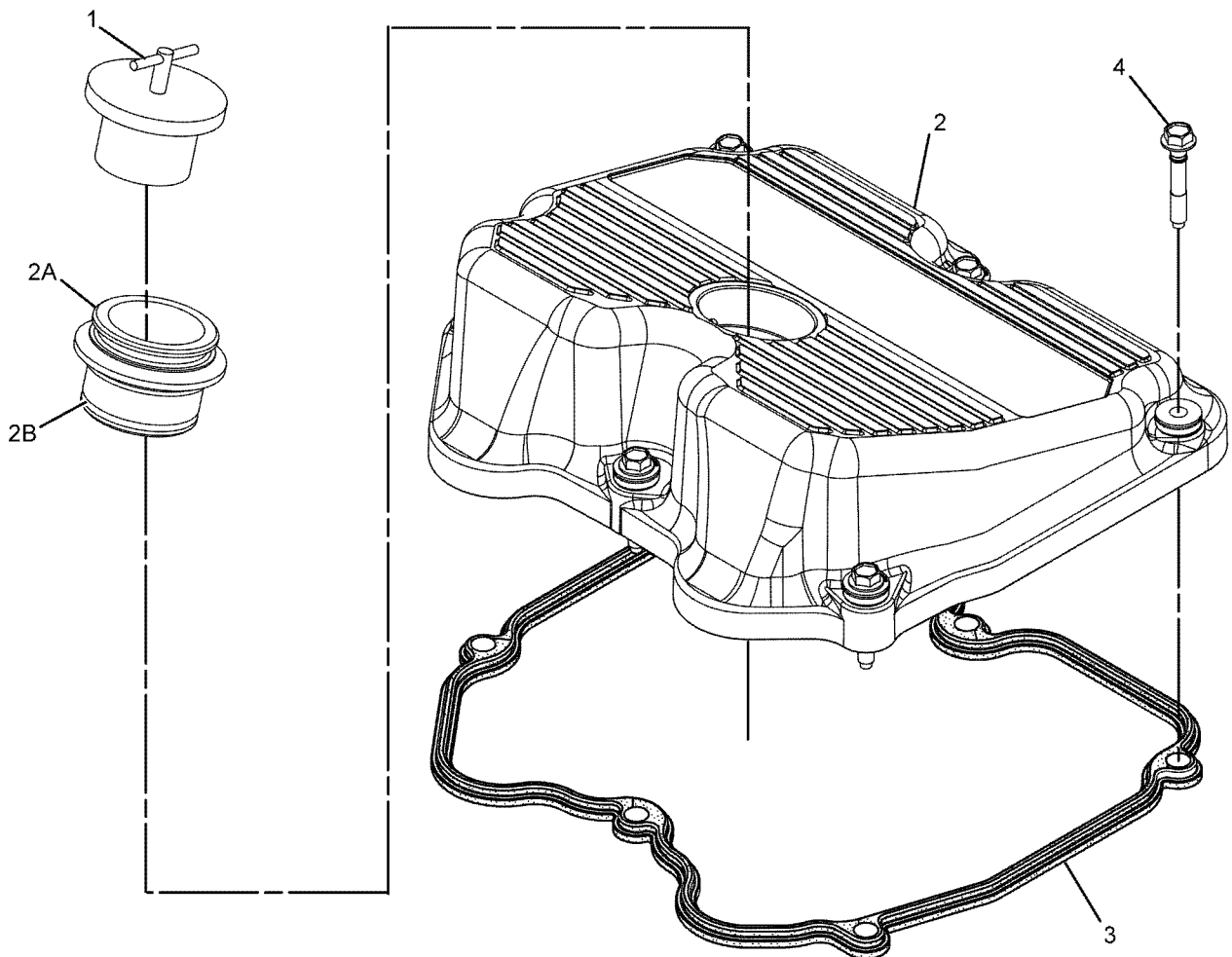
150-3142 COVER GP-VALVE MECHANISM

AN ATTACHMENT

SMCS-1107

i02473621

NOTE	REF NO	GRAPHIC REF	PART NUMBER	QTY	PART NAME						SEE PAGE
					1	2	3	4	5	6 (PRODUCT LEVEL)	
	1	1	113-5253	1	CAP AS-FILLER (ENGINE OIL)						
	2	1	150-3138	1	COVER AS-VALVE MECHANISM						
	2A	1	7C-6514	1	ADAPTER						
	2B	1	272-2583	1	SEAL-O-RING						
	3	1	242-9537	1	SEAL-VALVE COVER						
	4	1	243-1159	6	FASTENER AS						
					(EACH INCLUDES)						
		1	149-7378	1	GROMMET						



GRAPHIC #1

<END>

g01053169

BASIC ENGINE

159-9343 COVER GP-VALVE MECHANISM

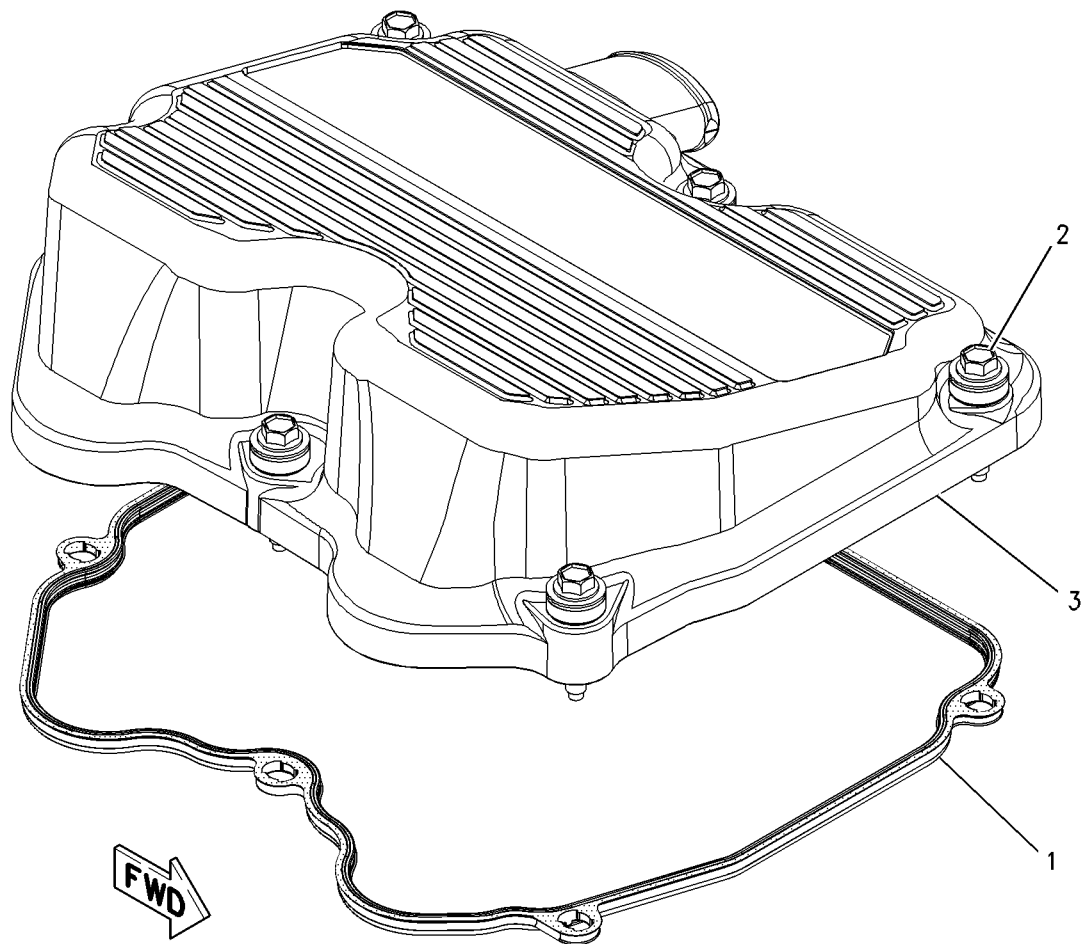
PART OF 187-3316 COVER GP-VALVE MECHANISM

ALSO AN ATTACHMENT

SMCS-1107

i02649910

NOTE	REF NO	GRAPHIC REF	PART NUMBER	QTY	PART NAME						SEE PAGE
					1	2	3	4	5	6 (PRODUCT LEVEL)	
	1	1	242-9537	1	SEAL-VALVE COVER						
	2	1	243-1159	6	FASTENER AS (VALVE COVER)						
					(EACH INCLUDES)						
		1	149-7378	1	GROMMET						
	3	1	177-4639	1	COVER AS-VALVE (BREATHER)						



GRAPHIC #1

<END>

g00832454

BASIC ENGINE

187-3316 COVER GP-VALVE MECHANISM

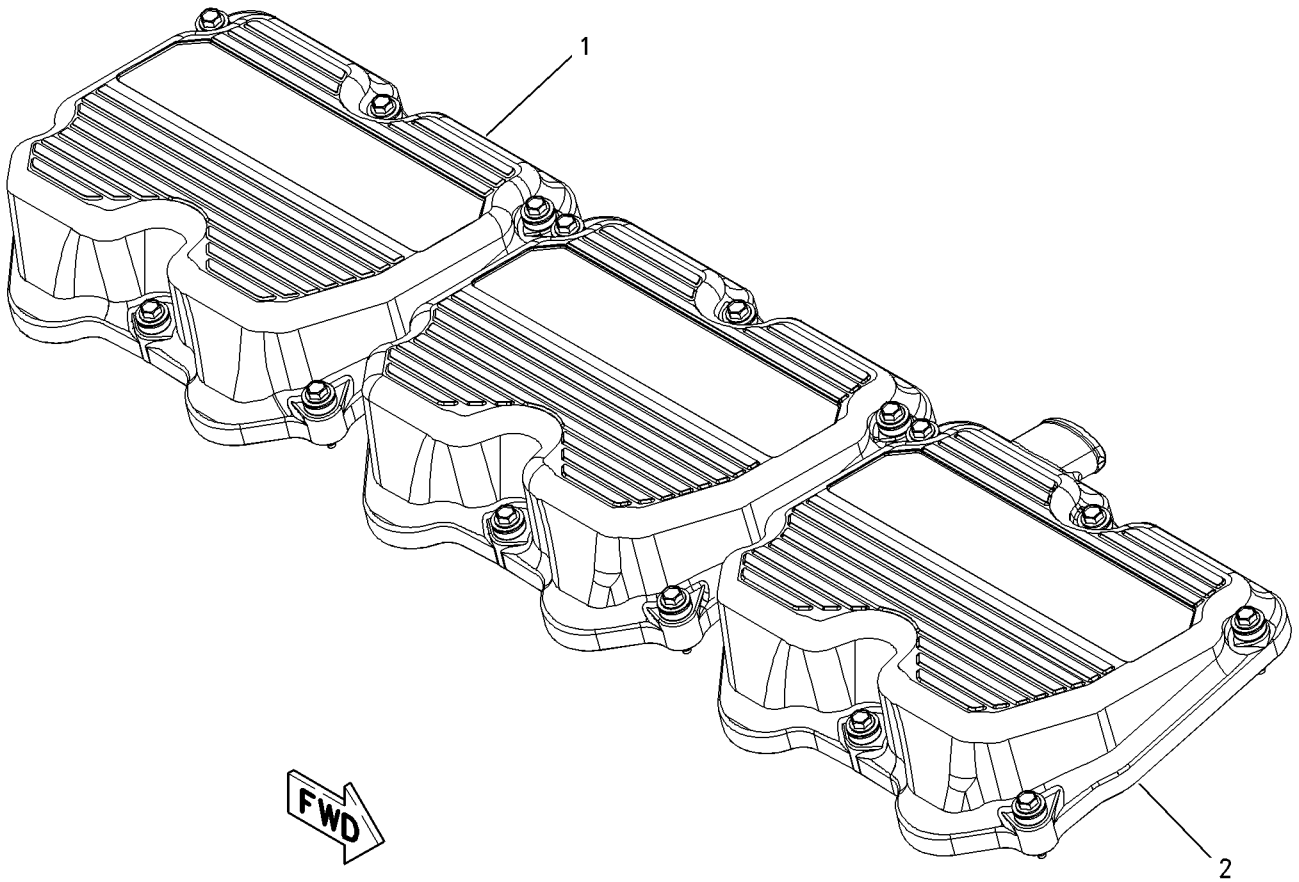
PROVIDES FRONT MOUNTED BREATHER
ALSO AN ATTACHMENT

SMCS-1107

i01606152

NOTE	REF NO	GRAPHIC REF	PART NUMBER	QTY	PART NAME						SEE PAGE
					1	2	3	4	5	6 (PRODUCT LEVEL)	
Y	1	1	150-3141	2	COVER GP-VALVE MECHANISM						114
Y	2	1	159-9343	1	COVER GP-VALVE MECHANISM						116

Y-SEPARATE ILLUSTRATION



GRAPHIC #1

<END>

g00832456

BASIC ENGINE

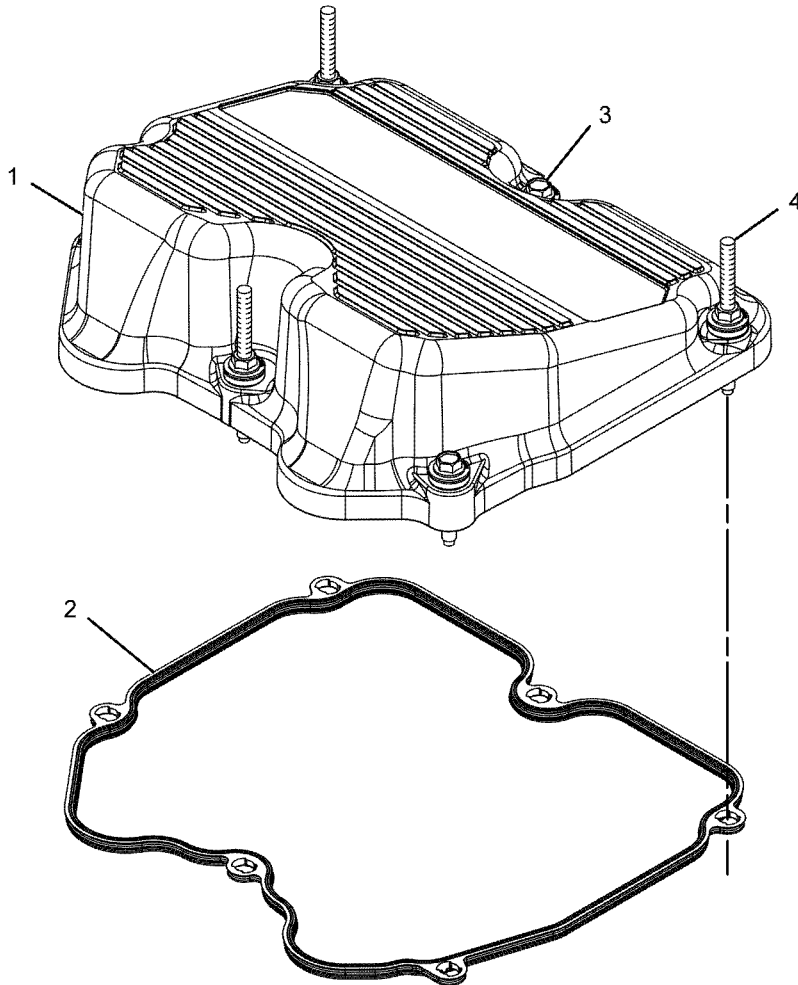
250-9986 COVER GP-VALVE MECHANISM

PART OF 250-9990 COVER GP-VALVE MECHANISM
FOR USE WITH DUAL ECM
AN ATTACHMENT

SMCS-1107

i02285132

NOTE	REF NO	GRAPHIC REF	PART NUMBER	QTY	PART NAME						SEE PAGE
					1	2	3	4	5	6 (PRODUCT LEVEL)	
	1	1	149-7376	1	COVER-VALVE MECHANISM						
	2	1	242-9537	1	SEAL-VALVE COVER						
	3	1	243-1159	3	FASTENER AS (EACH INCLUDES)						
		1	149-7378	1	GROMMET						
	4	1	251-4679	3	FASTENER AS (EACH INCLUDES)						
		1	149-7378	1	GROMMET						



GRAPHIC #1

<END>

g01145199

BASIC ENGINE

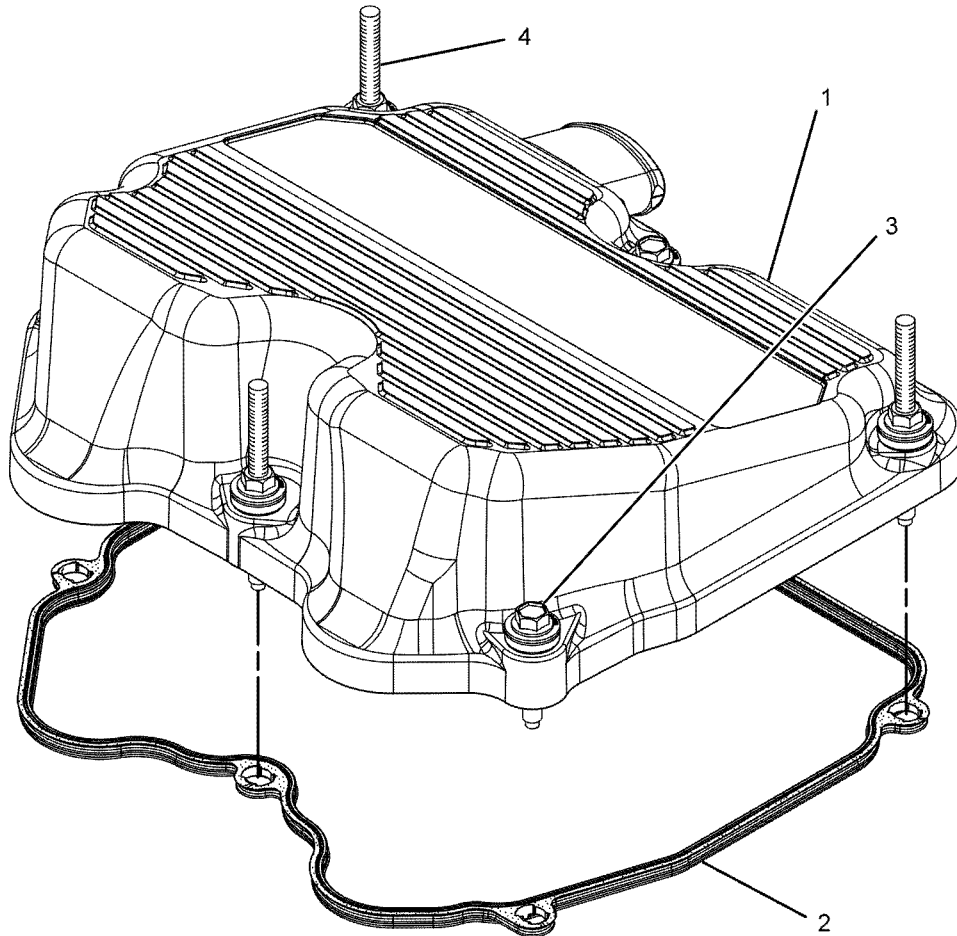
250-9987 COVER GP-VALVE MECHANISM

PART OF 250-9990 COVER GP-VALVE MECHANISM
AN ATTACHMENT

SMCS-1107

i02285100

NOTE	REF NO	GRAPHIC REF	PART NUMBER	QTY	PART NAME						SEE PAGE
					1	2	3	4	5	6 (PRODUCT LEVEL)	
	1	1	177-4639	1	COVER AS-VALVE						
	2	1	242-9537	1	SEAL-VALVE COVER						
	3	1	243-1159	3	FASTENER AS (EACH INCLUDES)						
		1	149-7378	1	GROMMET						
	4	1	251-4679	3	FASTENER AS (EACH INCLUDES)						
		1	149-7378	1	GROMMET						



GRAPHIC #1

<END>

g01145193

BASIC ENGINE

250-9990 COVER GP-VALVE MECHANISM

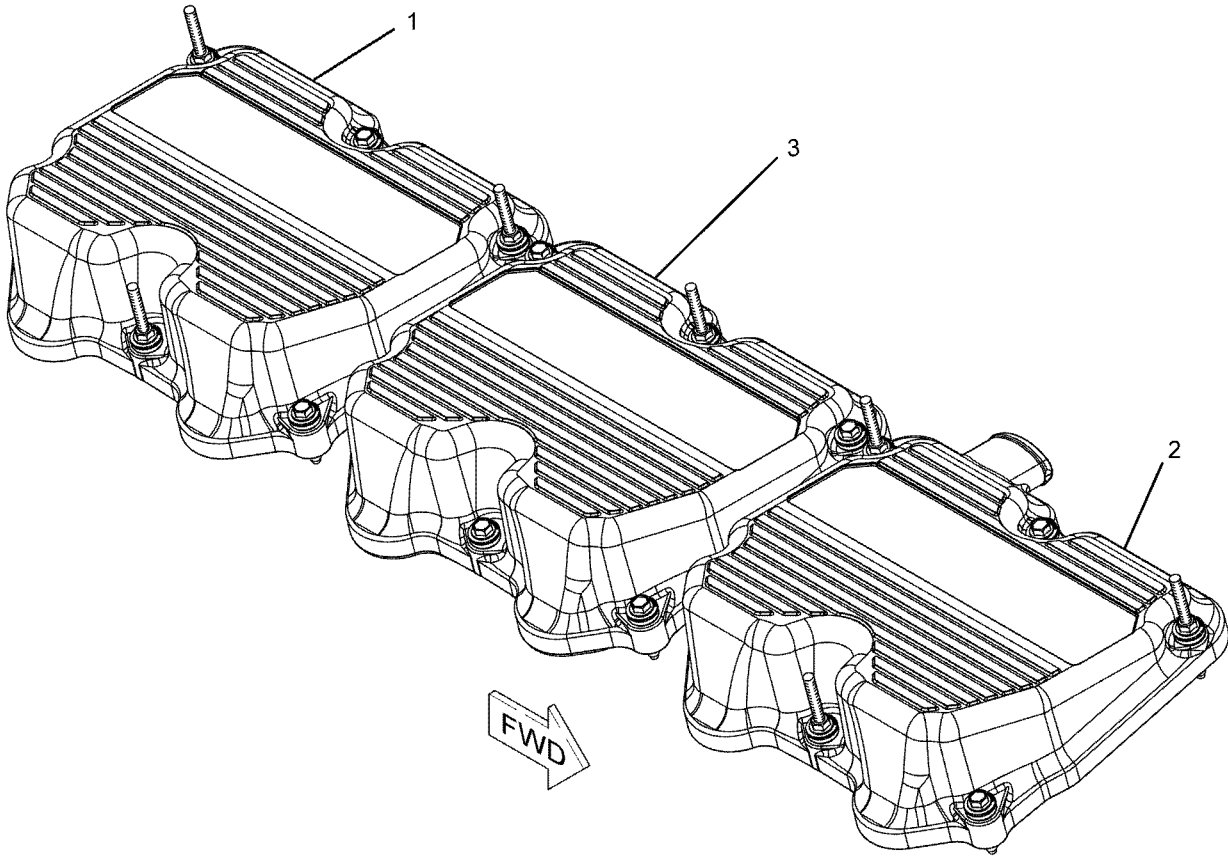
NO OIL FILL
FOR USE WITH DUAL ECM
AN ATTACHMENT

SMCS-1107

i02285077

NOTE	REF NO	GRAPHIC REF	PART NUMBER	QTY	PART NAME						SEE PAGE	
					1	2	3	4	5	6 (PRODUCT LEVEL)		
Y	1	1	250-9986	1	COVER	GP-	VALVE	MECHANISM				118
Y	2	1	250-9987	1	COVER	GP-	VALVE	MECHANISM				119
Y	3	1	261-7166	1	COVER	GP-	VALVE	MECHANISM				121

Y- SEPARATE ILLUSTRATION



GRAPHIC #1

<END>

g01145265

BASIC ENGINE

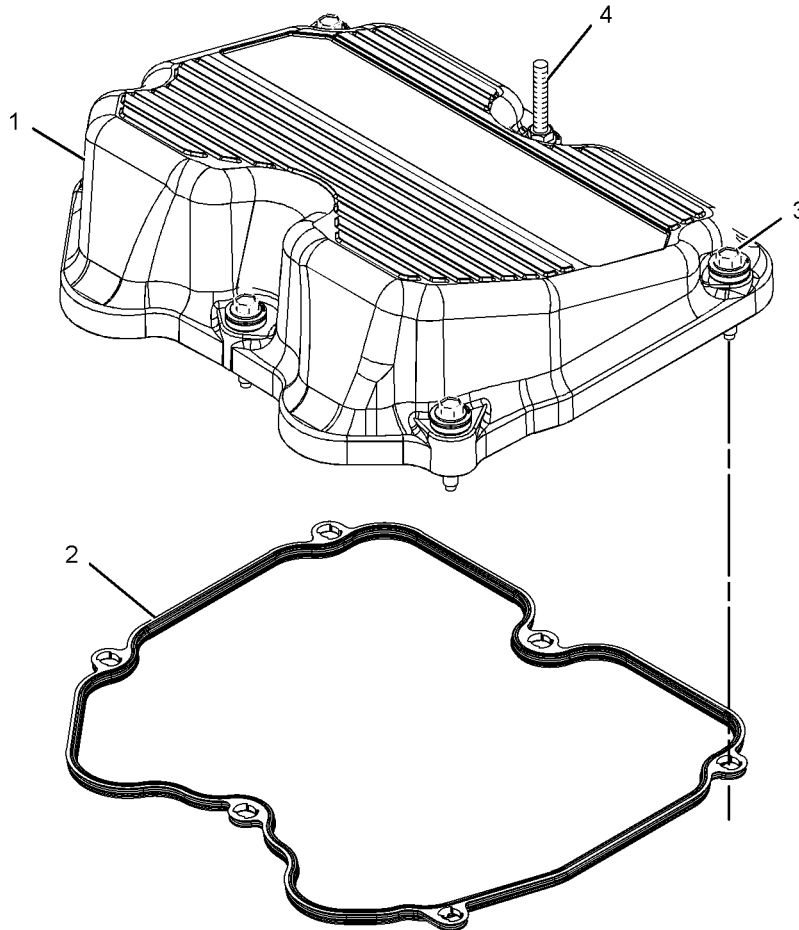
261-7166 COVER GP-VALVE MECHANISM

PART OF 250-9990 COVER GP-VALVE MECHANISM
AN ATTACHMENT

SMCS-1107

i02285092

NOTE	REF NO	GRAPHIC REF	PART NUMBER	QTY	PART NAME						SEE PAGE
					1	2	3	4	5	6 (PRODUCT LEVEL)	
	1	1	149-7376	1	COVER-VALVE MECHANISM						
	2	1	242-9537	1	SEAL-VALVE COVER						
	3	1	243-1159	5	FASTENER AS						
					(EACH INCLUDES)						
		1	149-7378	1	GROMMET						
4		1	251-4679	1	FASTENER AS						
		1	149-7378	1	GROMMET						



GRAPHIC #1

<END>

g01152989

BASIC ENGINE

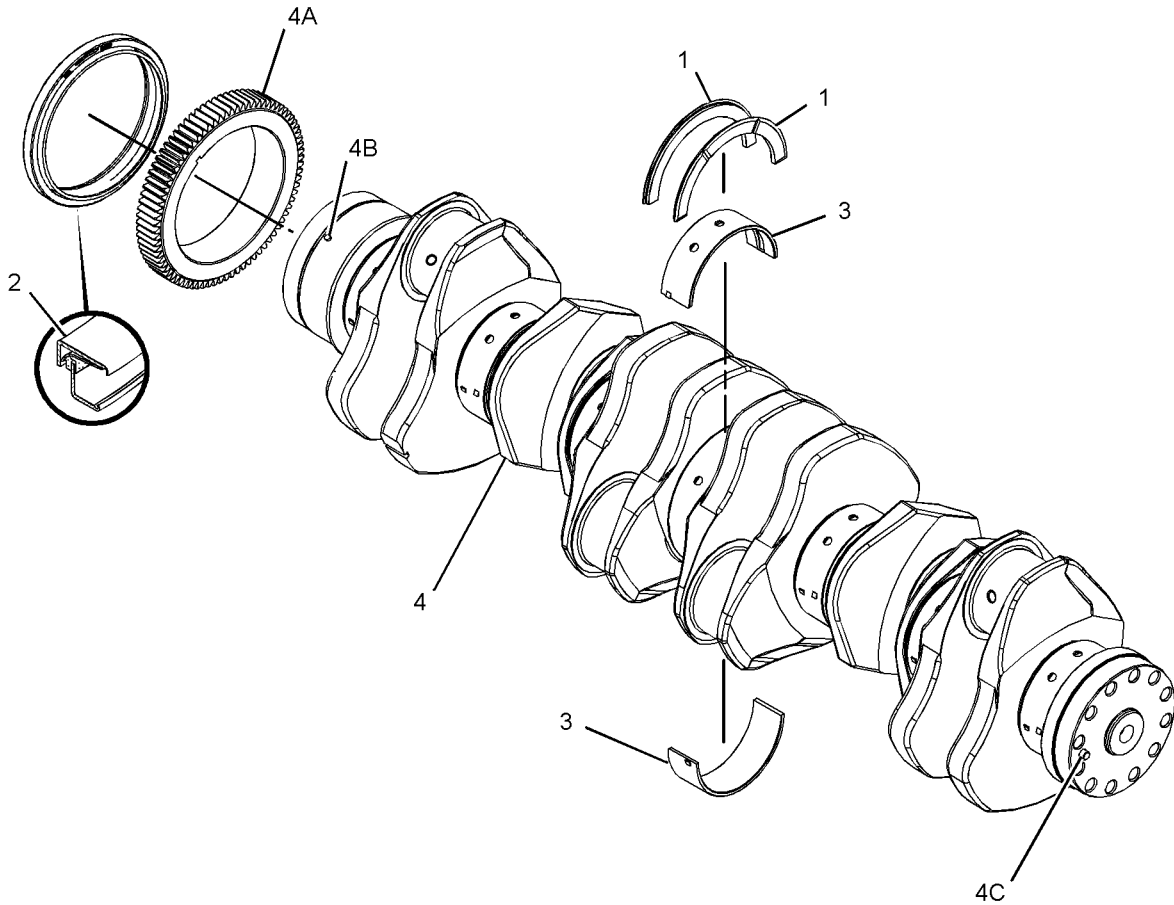
189-4917 CRANKSHAFT GP

SMCS - 1202

i04019294

NOTE	REF NO	GRAPHIC REF	PART NUMBER	QTY	PART NAME						SEE PAGE
					1	2	3	4	5	6 (PRODUCT LEVEL)	
J	1	1	253-1752	2	PLATE-THRUST						
Y	2	1	319-7401	1	SEAL GP-CRANKSHAFT (FRONT)						241
J	3	1	317-8766	7	BEARING-MAIN (STANDARD)						
AB		1	4W-5698		BEARING-MAIN (0.63-MM US)						
AB		1	4W-5699		BEARING-MAIN (1.27-MM US)						
AB		1	4W-5700		BEARING-MAIN (0.63-MM OS)						
AB		1	4W-5701		BEARING-MAIN (0.63-MM OS, 0.63-MM US)						
R	4	1	189-4918	1	CRANKSHAFT AS						
	4A	1	187-8981	1	GEAR-CRANKSHAFT (80-TEETH)						
	4B	1	7S-5005	1	DOWEL						
	4C	1	4N-0684	1	DOWEL						
					AVAILABLE REPAIR KIT(S):						
AJ			243-6718	1	KIT-CRANKSHAFT BEARING (STANDARD) (INCLUDES A COMPLETE SET OF MAIN BEARINGS AND TRUST PLATES)						

A-NOT PART OF THIS GROUP
 B-USE AS REQUIRED
 J-KIT MARKED J INCLUDES PARTS MARKED J
 R-REMG PART MAY BE AVAILABLE
 Y-SEPARATE ILLUSTRATION



GRAPHIC #1

<END>

g02192473

BASIC ENGINE

267-4631 CYLINDER BLOCK AS*R

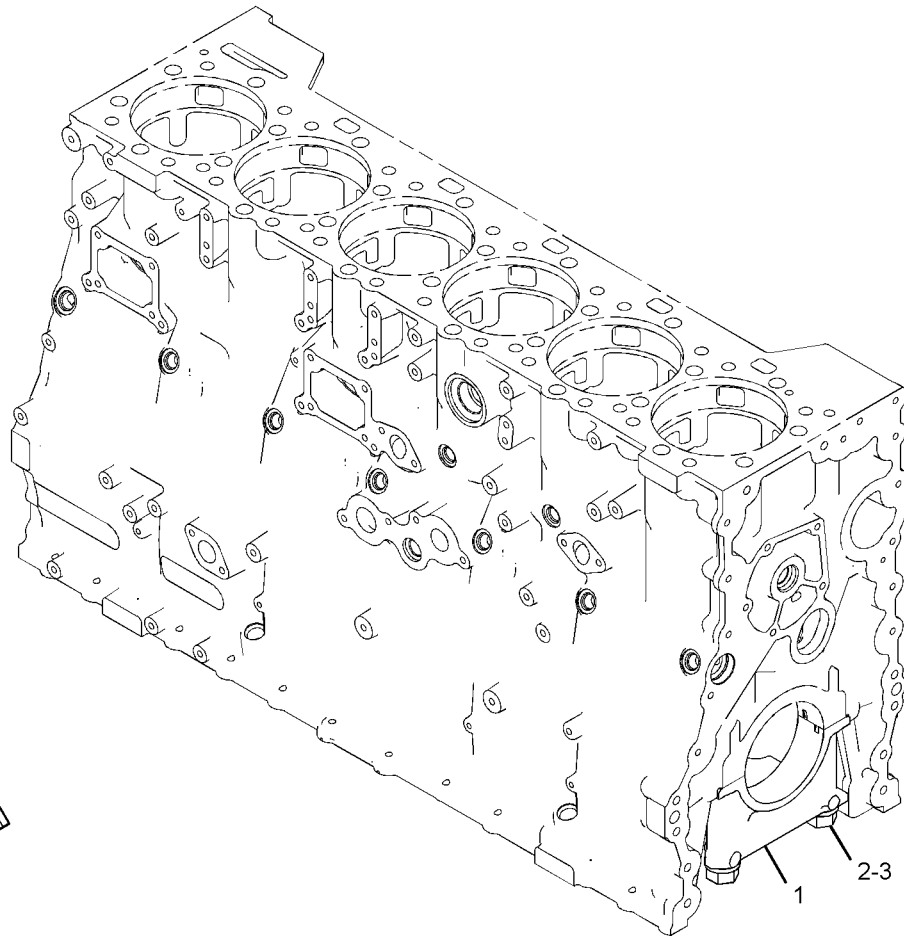
S/N: J2K111-UP; T2P1-UP

PART OF 301-3018, 323-8451 CYLINDER BLOCK AS

SMCS-1201

i03853517

NOTE	REF NO	GRAPHIC REF	PART NUMBER	QTY	PART NAME						SEE PAGE
					1	2	3	4	5	6 (PRODUCT LEVEL)	
	1	1	167-8081	7	CAP-CRANKSHAFT BEARING						
	2	1	3P-1323	14	BOLT-BEARING CAP (7/8-14X7.75-IN)						
	3	1	9H-1031	14	WASHER-HARD (24X41.5X6-MM THK)						



GRAPHIC #1

<END>

g01177294

BASIC ENGINE

301-3018 CYLINDER BLOCK AS

S/N: J2K111-UP; T2P1-252

PART OF 261-0191 CYLINDER BLOCK GP

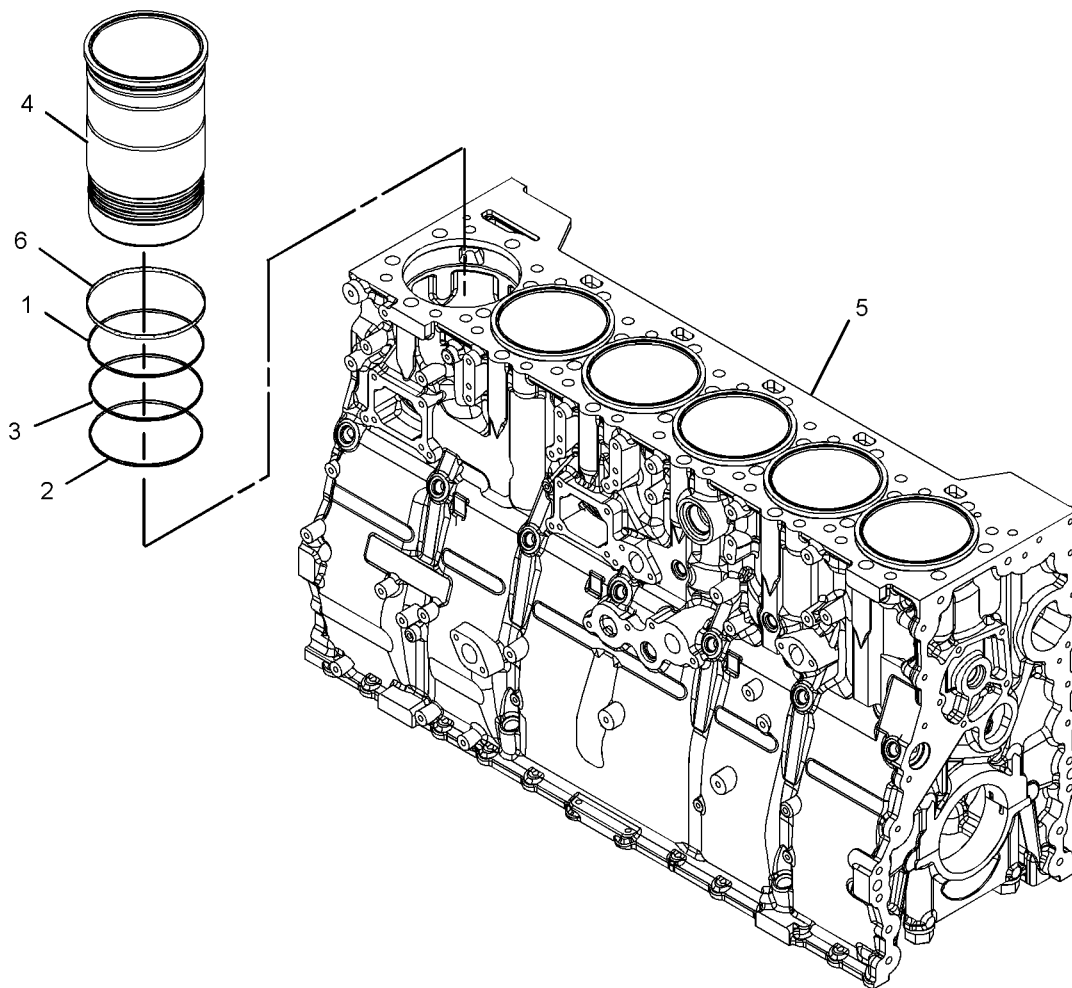
FIELD REPLACEMENT ORDER 323-8451—PAGE 125

SMCS-1201

i02680503

NOTE	REF NO	GRAPHIC REF	PART NUMBER	QTY	PART NAME						SEE PAGE
					1	2	3	4	5	6 (PRODUCT LEVEL)	
	1	1	155-0809	6	SEAL-LINER						
	2	1	155-0810	6	SEAL-LINER						
	3	1	155-2793	6	SEAL-LINER						
	4	1	253-8766	6	LINER-CYLINDER						
Y	5	1	267-4631	1	CYLINDER BLOCK AS						123
	6	1	9L-5854	6	BAND-FILLER (130.2-MM ID)						

Y-SEPARATE ILLUSTRATION



GRAPHIC #1

<END>

g01347377

BASIC ENGINE

323-8451 CYLINDER BLOCK AS

S/N: J2K1-UP; T2P253-UP

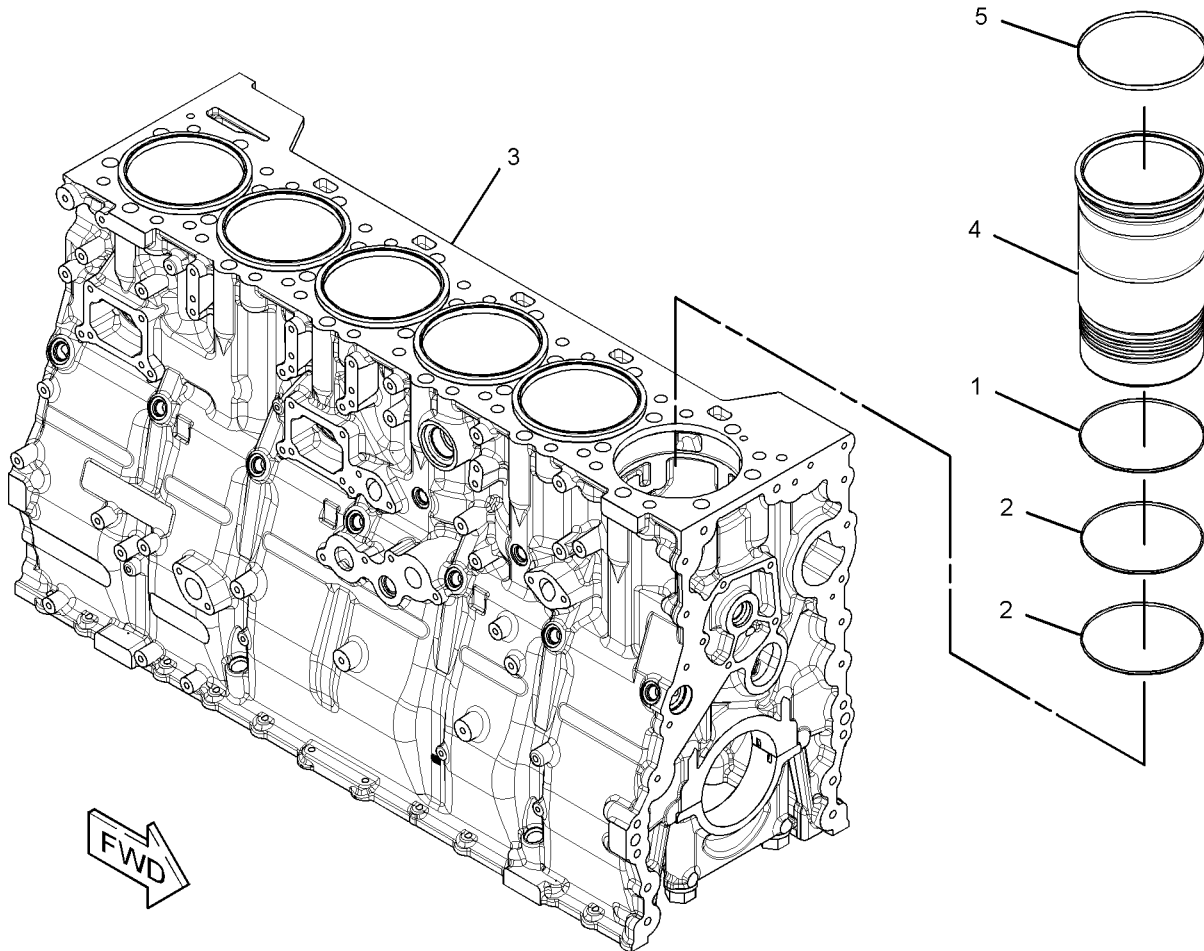
PART OF 261-0191 CYLINDER BLOCK GP
FIELD REPLACEMENT FOR 301-3018—PAGE 124

SMCS-1201

i03148541

NOTE	REF NO	GRAPHIC REF	PART NUMBER	QTY	PART NAME						SEE PAGE
					1	2	3	4	5	6 (PRODUCT LEVEL)	
	1	1	155-0809	6	SEAL-LINER						
	2	1	155-2793	12	SEAL-LINER						
Y	3	1	267-4631	1	CYLINDER BLOCK AS						123
	4	1	322-1126	6	LINER-CYLINDER						
	5	1	9L-5854	6	BAND-FILLER (130.2-MM ID)						

Y-SEPARATE ILLUSTRATION



GRAPHIC #1

<END>

g01620021

BASIC ENGINE

261-0191 CYLINDER BLOCK GP

S/N: J2K111-UP; T2P1-252

SMCS-1201

i03596103

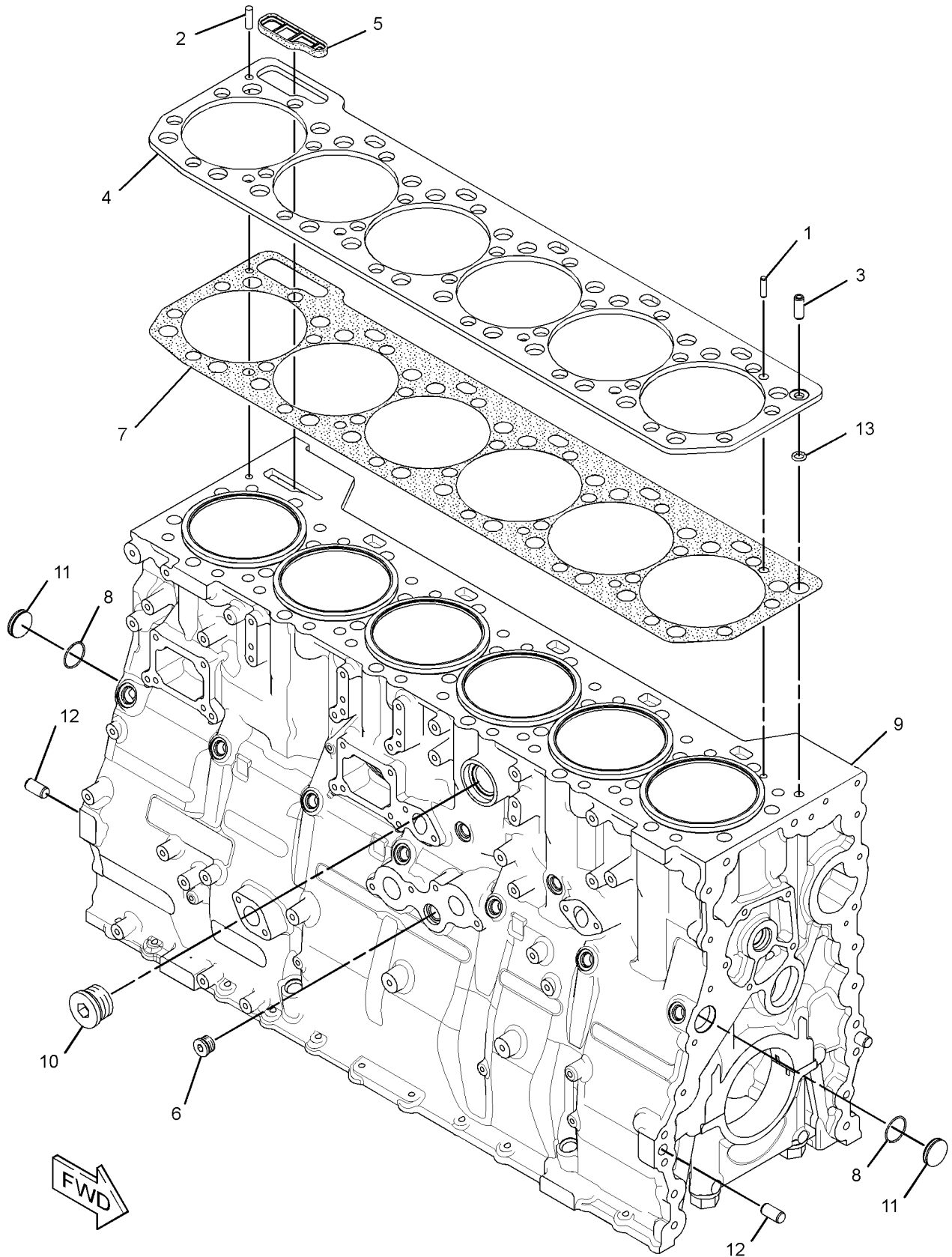
NOTE	REF NO	GRAPHIC REF	PART NUMBER	QTY	PART NAME						SEE PAGE
					1	2	3	4	5	6 (PRODUCT LEVEL)	
	1	1	1S-9540	1	DOWEL						
	2	1	4N-1650	1	DOWEL						
	3	1	6I-1055	1	DOWEL						
	4	1	6I-4421	1	PLATE-SPACER						
	5	1	142-2329	1	SEAL						
C	6	1	<i>201-4340</i>	1	PLUG AS						
		1	6V-4589	1	SEAL-O-RING						
		1	9S-8006	1	PLUG-O-RING						
	7	1	227-1204	1	GASKET						
	8	1	250-0466	2	SEAL-O-RING						
CY	9	1	<i>301-3018</i>	1	CYLINDER BLOCK AS						124
CY	10	1	<i>305-9196</i>	1	PLUG GP-CYLINDER BLOCK						226
	11	1	100-7399	2	PLUG						
	12	1	4N-0683	4	DOWEL						
	13	1	5P-0840	1	SEAL-O-RING						

C-CHANGE FROM PREVIOUS TYPE
Y-SEPARATE ILLUSTRATION

BASIC ENGINE

261-0191 CYLINDER BLOCK GP (contd.)

i03596103



GRAPHIC #1

<END>

g01347328

BASIC ENGINE

261-0191 CYLINDER BLOCK GP

S/N: J2K111-UP; T2P253-UP

SMCS-1201

i03833976

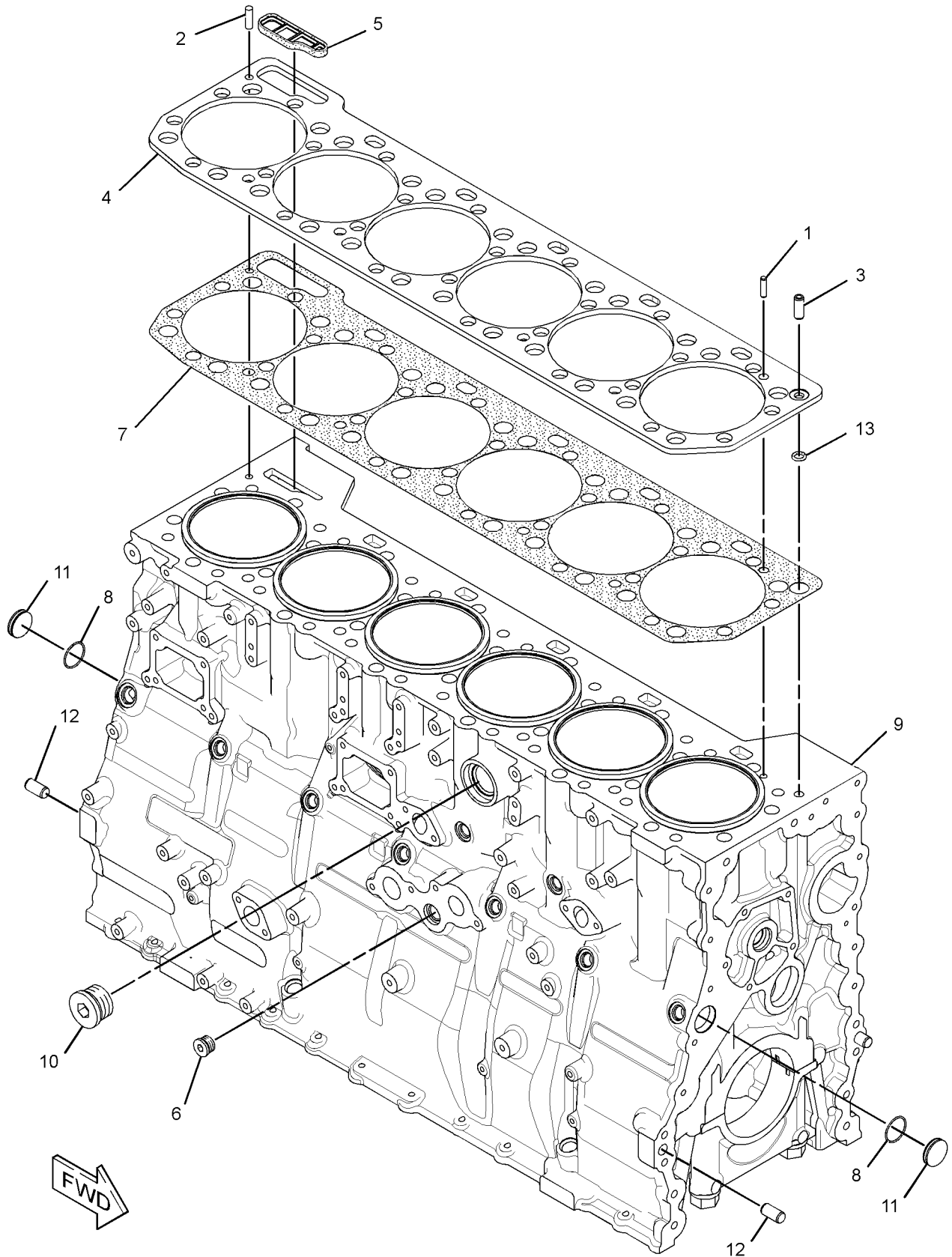
NOTE	REF NO	GRAPHIC REF	PART NUMBER	QTY	PART NAME						SEE PAGE
					1	2	3	4	5	6 (PRODUCT LEVEL)	
	1	1	1S-9540	1	DOWEL						
	2	1	4N-1650	1	DOWEL						
	3	1	6I-1055	1	DOWEL						
	4	1	6I-4421	1	PLATE-SPACER						
	5	1	142-2329	1	SEAL						
	6	1	<i>309-5131</i>	1	PLUG AS						
		1	238-5081	1	SEAL-O-RING						
		1	9S-8006	1	PLUG-O-RING						
	7	1	227-1204	1	GASKET						
	8	1	250-0466	2	SEAL-O-RING						
CY	9	1	<i>323-8451</i>	1	CYLINDER BLOCK AS						125
Y	10	1	<i>305-9196</i>	1	PLUG GP-CYLINDER BLOCK						226
	11	1	100-7399	2	PLUG						
	12	1	4N-0683	4	DOWEL						
	13	1	5P-0840	1	SEAL-O-RING						

C-CHANGE FROM PREVIOUS TYPE
Y-SEPARATE ILLUSTRATION

BASIC ENGINE

261-0191 CYLINDER BLOCK GP (contd.)

i03833976



GRAPHIC #1

<END>

g01347328

BASIC ENGINE

223-7263 CYLINDER HEAD AS

WITH PRE-FINISHED VALVE SEAT INSERTS

PART OF 223-9250 CYLINDER HEAD GP

SMCS-1100, 1101

i02844808

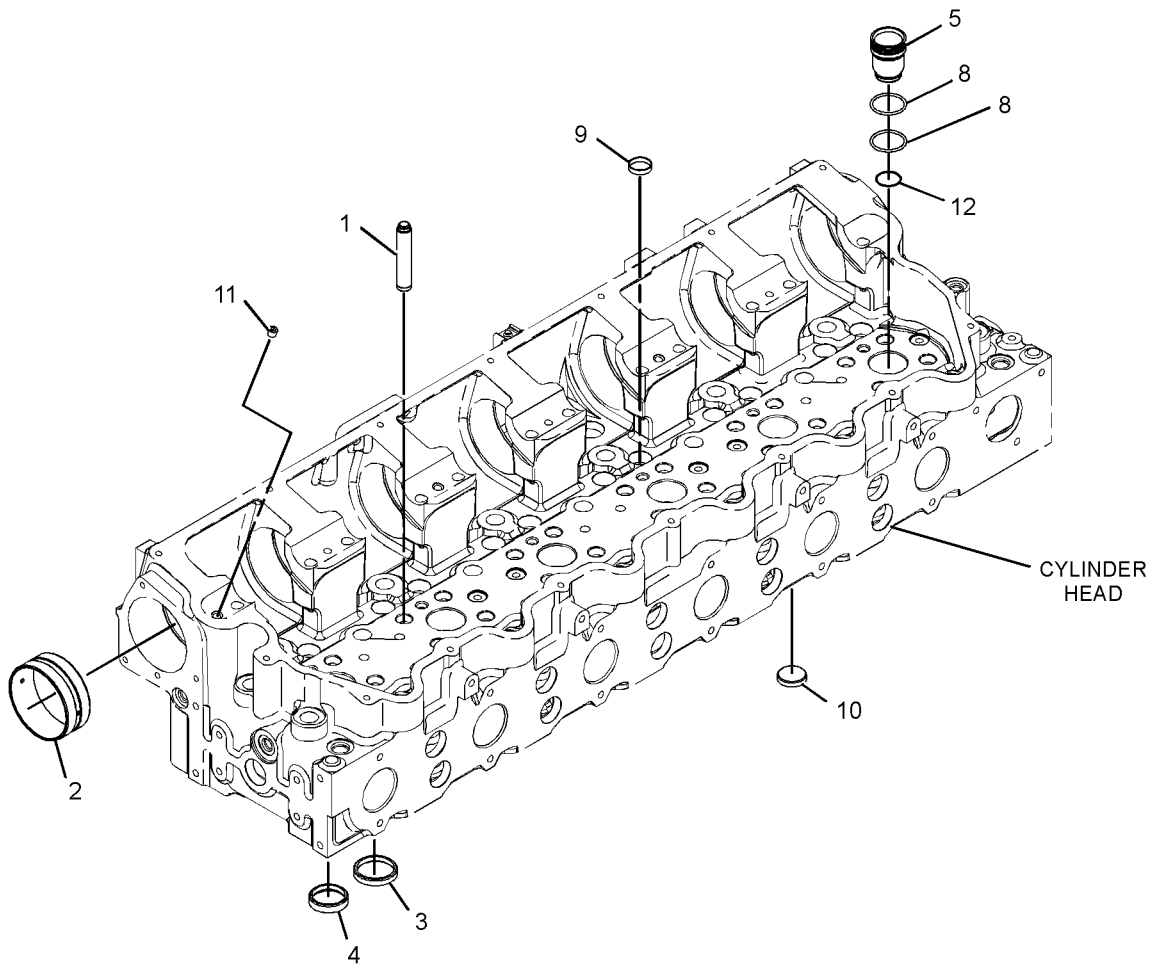
NOTE	REF NO	GRAPHIC REF	PART NUMBER	QTY	PART NAME						SEE PAGE
					1	2	3	4	5	6 (PRODUCT LEVEL)	
	1	1	122-7375	24	GUIDE-VALVE (STANDARD)						
AB		1	122-0447		GUIDE-VALVE (0.51-MM OS)						
AB		1	122-8612		GUIDE-VALVE (0.13-MM OS)						
	2	1	216-5582	7	BUSHING (STANDARD)						
AB		1	217-0751		BUSHING (0.25-MM OS)						
AB		1	217-0752		BUSHING (0.762-MM OS)						
AB		1	261-3429		BUSHING (1.778-MM OS)						
AB		1	261-3430		BUSHING (1.27-MM OS)						
	3	1	224-3983	12	INSERT-SEAT (INLET) (STANDARD)						
AB		1	314-3063		INSERT-VALVE SEAT (0.55-MM THK)						
AB		1	314-3064		INSERT-VALVE SEAT (0.13-MM OS, INLET)						
AB		1	314-3065		INSERT-VALVE SEAT (0.13-MM OS)						
AB		1	314-3066		INSERT-VALVE SEAT (0.26-MM OS, INLET)						
AB		1	314-3067		INSERT-VALVE SEAT (0.26-MM OS)						
AB		1	314-3068		INSERT-VALVE SEAT (0.51-MM OS, INLET)						
AB		1	314-3069		INSERT-VALVE SEAT (0.51-MM OS)						
	4	1	226-5561	12	INSERT-VALVE SEAT (EXHAUST) (STANDARD)						
AB		1	288-4883		INSERT-VALVE SEAT (0.51-MM OS, EXHAUST)						
AB		1	288-4884		INSERT-VALVE SEAT (0.76-MM OS, EXHAUST)						
	5	1	263-4920	6	SLEEVE-INJECTOR (INLET)						
	8	1	166-2904	12	SEAL-O-RING						
	9	1	3B-0623	17	PLUG-CUP						
	10	1	3B-0645	20	PLUG-CUP						
	11	1	8T-6757	3	PLUG-PIPE						
	12	1	9X-7430	6	SEAL-O-RING						

A-NOT PART OF THIS GROUP
B-USE AS REQUIRED

BASIC ENGINE

223-7263 CYLINDER HEAD AS (contd.)

i02844808



GRAPHIC #1

<END>

g01370336

BASIC ENGINE

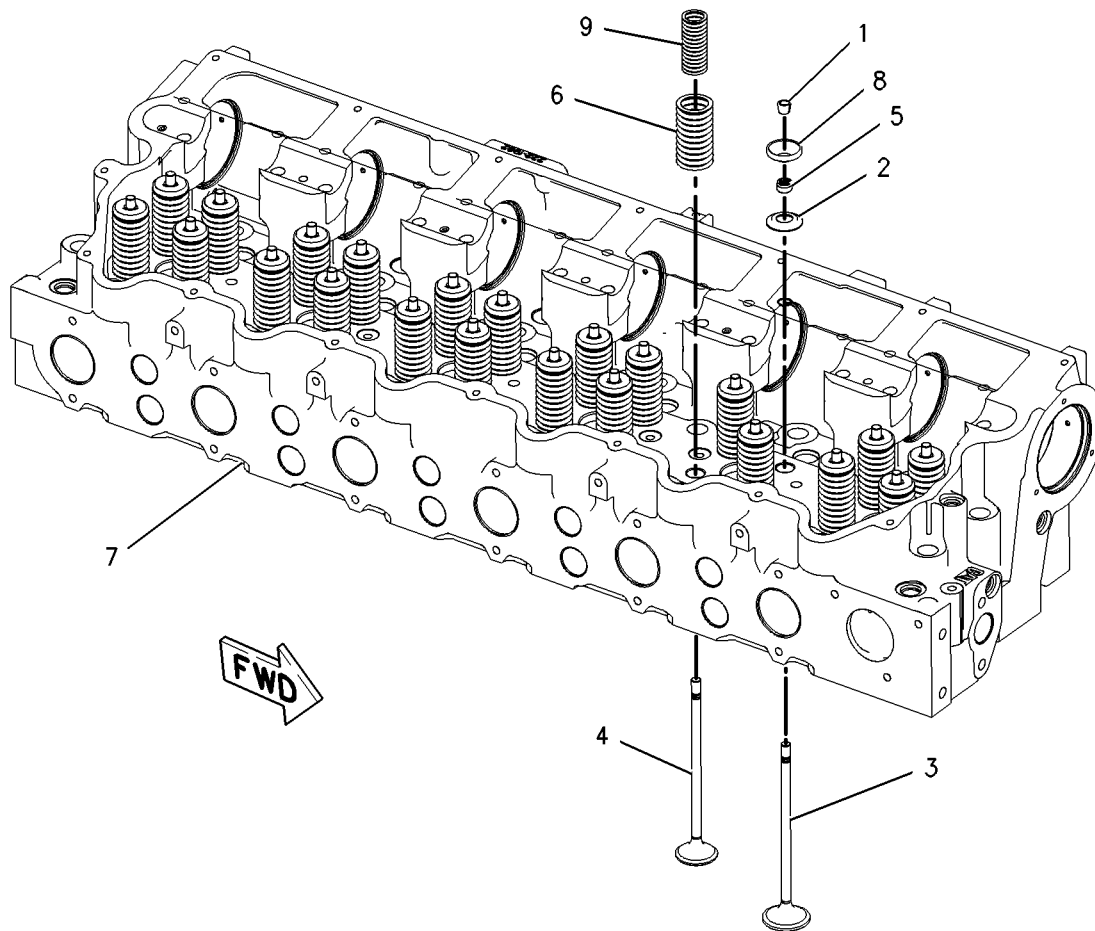
223-9250 CYLINDER HEAD GP*R PART OF 272-9707, 312-8590 CYLINDER HEAD GP

SMCS-1100

i03373121

NOTE	REF NO	GRAPHIC REF	PART NUMBER	QTY	PART NAME						SEE PAGE
					1	2	3	4	5	6 (PRODUCT LEVEL)	
	1	1	2A-4429	48	LOCK-RETAINER						
	2	1	6I-0928	24	WASHER-SPECIAL						
	3	1	153-7023	12	VALVE-INLET						
	4	1	153-7024	12	VALVE-EXHAUST						
	5	1	163-2478	24	SEAL-VALVE STEM						
	6	1	247-9908	24	SPRING-VALVE (OUTER)						
CY	7	1	223-7263	1	CYLINDER HEAD AS						130
	8	1	186-2001	24	ROTOCOIL AS						
	9	1	211-3122	24	SPRING-VALVE (INNER)						

C- CHANGE FROM PREVIOUS TYPE
Y- SEPARATE ILLUSTRATION



GRAPHIC #1

<END>

g00955632

BASIC ENGINE

272-9707 CYLINDER HEAD GP

S/N: J2K1-UP

SMCS-1100

i02681145

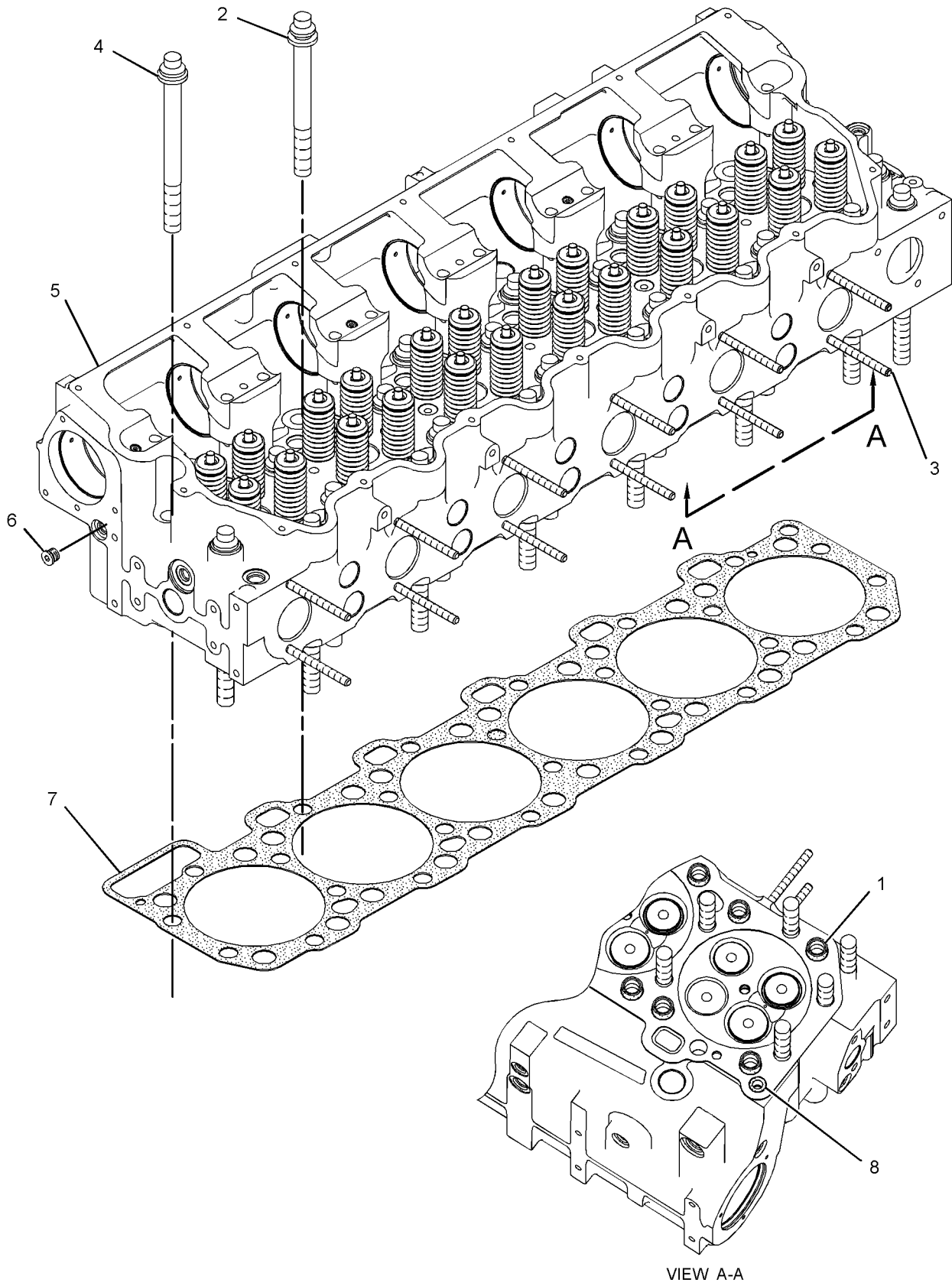
NOTE	REF NO	GRAPHIC REF	PART NUMBER	QTY	PART NAME						SEE PAGE
					1	2	3	4	5	6 (PRODUCT LEVEL)	
	1	1	3E-6772	24	SEAL						
	2	1	<i>6I-4025</i>	16	FASTENER GP-CYLINDER HEAD						
					(EACH INCLUDES)						
		1	5H-1504	1	WASHER-HARD (20X33.5X5-MM THK)						
		1	124-1855	1	BOLT-12 POINT HEAD (3/4-16X7.638-IN)						
	3	1	106-1792	12	STUD-TAPERLOCK (3/8-16X4-IN)						
	4	1	<i>106-5673</i>	10	FASTENER GP-CYLINDER HEAD						
					(EACH INCLUDES)						
		1	5H-1504	1	WASHER-HARD (20X33.5X5-MM THK)						
		1	124-1855	1	BOLT-12 POINT HEAD (3/4-16X7.638-IN)						
YR	5	1	223-9250	1	CYLINDER HEAD GP						132
	6	1	<i>183-3408</i>	3	PLUG AS						
					(EACH INCLUDES)						
		1	6V-5049	1	SEAL-O-RING						
		1	9S-8004	1	PLUG-O-RING						
	7	1	224-5122	1	GASKET (CYLINDER HEAD)						
	8	1	5P-0840	1	SEAL-O-RING						

R-REMG PART MAY BE AVAILABLE
Y-SEPARATE ILLUSTRATION

BASIC ENGINE

272-9707 CYLINDER HEAD GP (contd.)

i02681145



VIEW A-A

GRAPHIC #1

<END>

g01251197

BASIC ENGINE

312-8590 CYLINDER HEAD GP

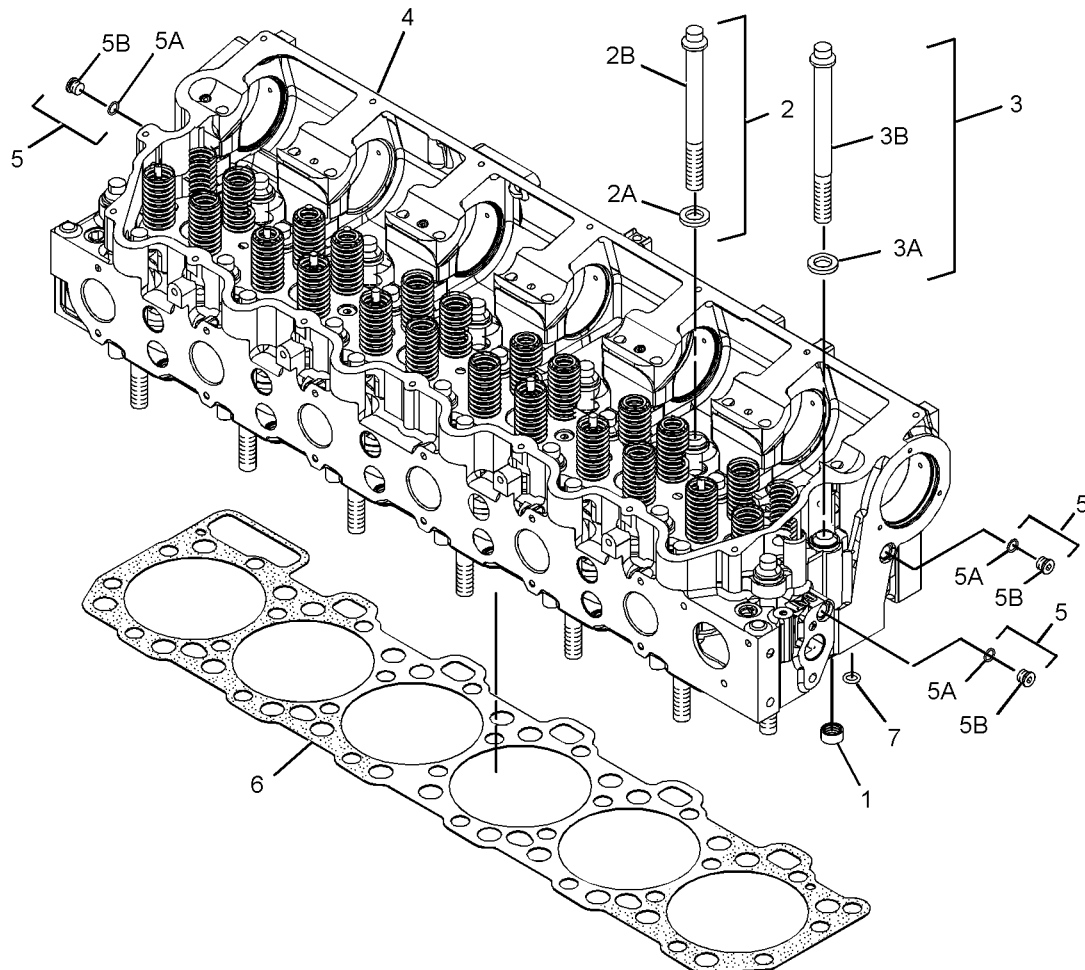
S/N: T2P1-UP

SMCS-1100

i03906717

NOTE	REF NO	GRAPHIC REF	PART NUMBER	QTY	PART NAME						SEE PAGE
					1	2	3	4	5	6 (PRODUCT LEVEL)	
	1	1	3E-6772	24	SEAL						
	2	1	6I-4025	16	FASTENER GP-CYLINDER HEAD						
					(EACH INCLUDES)						
	2A	1	5H-1504	1	WASHER-HARD (20X33.5X5-MM THK)						
	2B	1	124-1855	1	BOLT-12 POINT HEAD (3/4-16X7.638-IN)						
	3	1	106-5673	10	FASTENER GP-CYLINDER HEAD						
					(EACH INCLUDES)						
	3A	1	5H-1504	1	WASHER-HARD (20X33.5X5-MM THK)						
	3B	1	124-1854	1	BOLT-12 POINT HEAD (3/4-16X8.5-IN)						
YR	4	1	223-9250	1	CYLINDER HEAD GP						132
	5	1	183-3407	3	PLUG AS						
					(EACH INCLUDES)						
	5A	1	214-7568	1	SEAL-O-RING						
	5B	1	9S-8004	1	PLUG-O-RING						
	6	1	224-5122	1	GASKET (CYLINDER HEAD)						
	7	1	5P-0840	1	SEAL-O-RING						

R-REMFG PART MAY BE AVAILABLE
Y-SEPARATE ILLUSTRATION



GRAPHIC #1

<END>

g01400400

BASIC ENGINE

209-2786 DAMPER & PULLEY GP

2 GROOVE

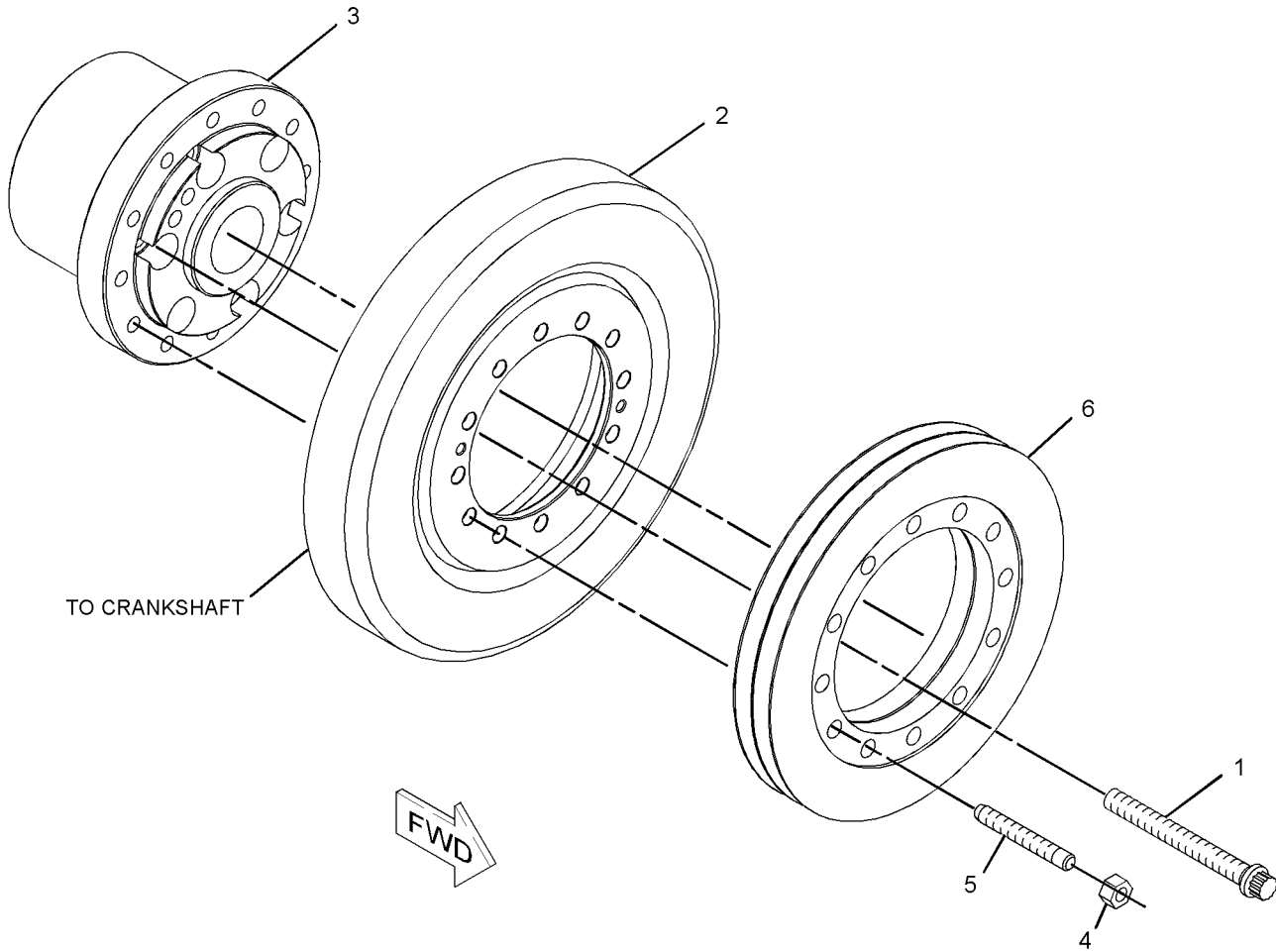
FOR USE WITH 16 INCH DAMPER
AN ATTACHMENT

SMCS-1205

i02508948

NOTE	REF NO	GRAPHIC REF	PART NUMBER	QTY	PART NAME						SEE PAGE
					1	2	3	4	5	6 (PRODUCT LEVEL)	
	1	1	131-7880	6	BOLT (5/8-18X5.5-IN)						
R	2	1	167-8130	1	DAMPER AS						
	3	1	241-5732	1	ADAPTER-DAMPER						
	4	1	1F-7958	12	NUT-FULL (1/2-13-THD)						
	5	1	2D-8155	12	STUD-TAPERLOCK (1/2-13X3.58-IN)						
	6	1	3N-9540	2	PULLEY (1-GROOVE)						

R-REMFG PART MAY BE AVAILABLE



GRAPHIC #1

<END>

g01105930

BASIC ENGINE

209-3600 DAMPER & PULLEY GP

6 GROOVES

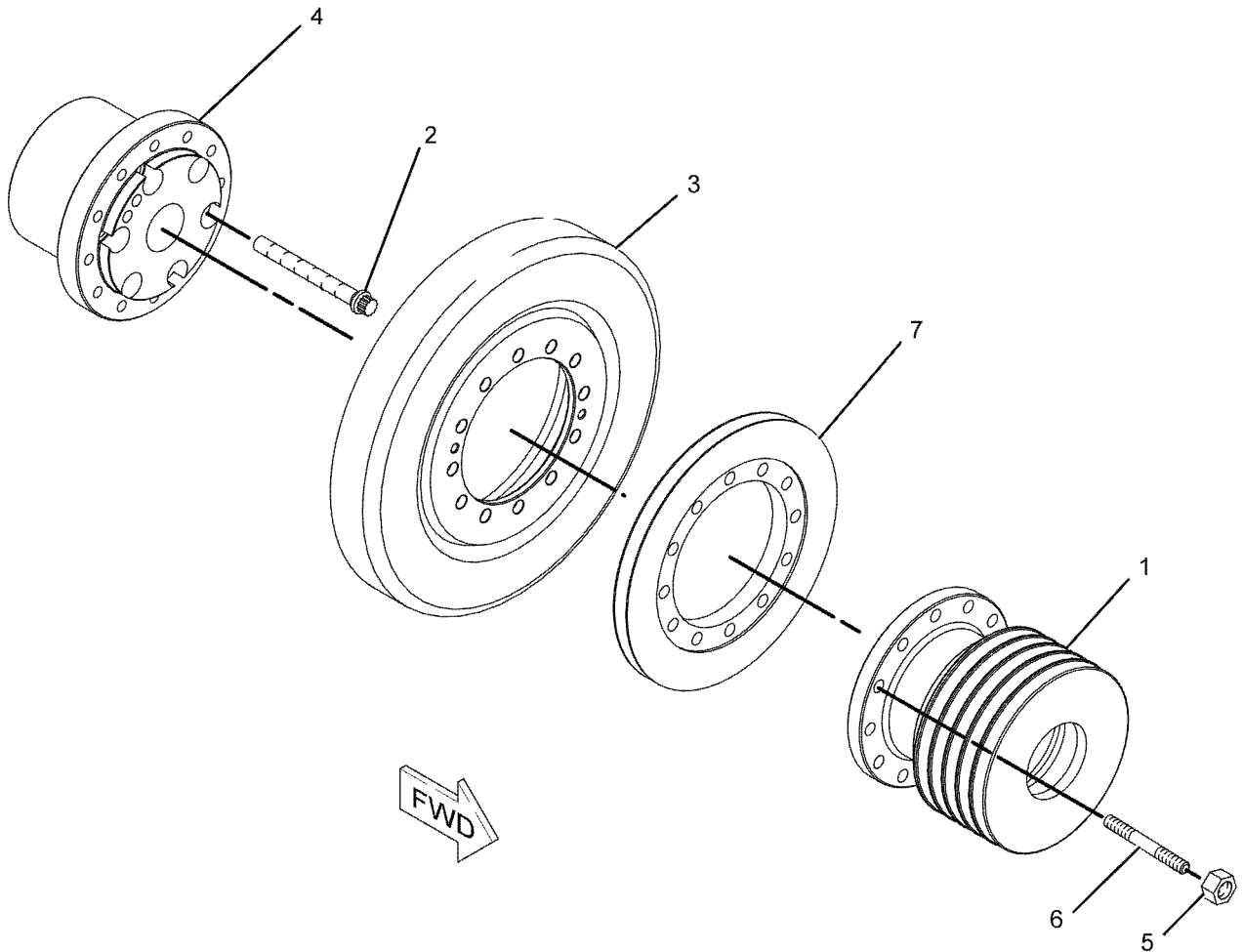
FOR USE WITH 16 INCH DAMPER
AN ATTACHMENT

SMCS-1205

i02508949

NOTE	REF NO	GRAPHIC REF	PART NUMBER	QTY	PART NAME						SEE PAGE
					1	2	3	4	5	6 (PRODUCT LEVEL)	
	1	1	6N-7785	1	PULLEY (5-GROOVE)						
	2	1	131-7880	6	BOLT (5/8-18X5.5-IN)						
R	3	1	167-8130	1	DAMPER AS						
	4	1	241-5732	1	ADAPTER-DAMPER						
	5	1	1F-7958	12	NUT-FULL (1/2-13-THD)						
	6	1	2D-8155	12	STUD-TAPERLOCK (1/2-13X3.58-IN)						
	7	1	3N-9540	1	PULLEY (1-GROOVE)						

R-REMFG PART MAY BE AVAILABLE



GRAPHIC #1

<END>

g01111743

BASIC ENGINE

209-3603 DAMPER & PULLEY GP

1 GROOVE

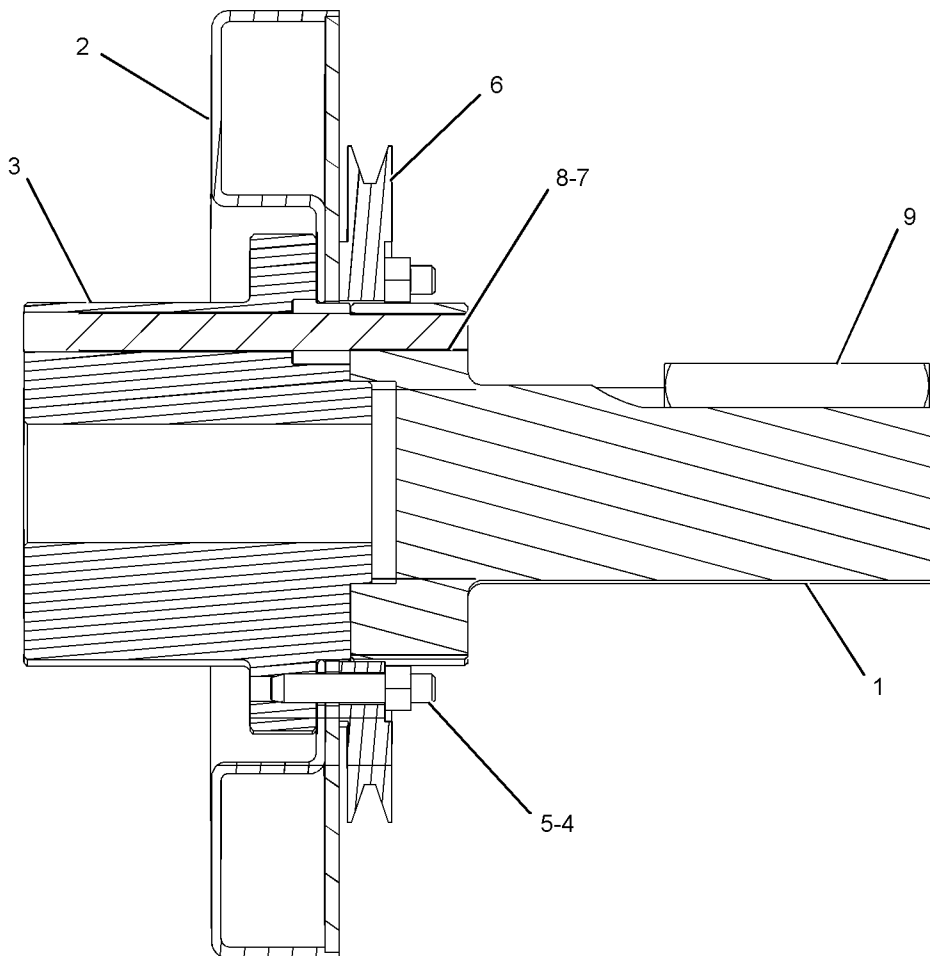
FOR USE WITH NON FINNED DAMPER
AN ATTACHMENT

SMCS-1205

i03743646

NOTE	REF NO	GRAPHIC REF	PART NUMBER	QTY	PART NAME						SEE PAGE
					1	2	3	4	5	6 (PRODUCT LEVEL)	
	1	1	3N-6059	1	SHAFT-STUB						
R	2	1	167-8130	1	DAMPER AS						
	3	1	241-5732	1	ADAPTER-DAMPER						
	4	1	1F-7958	12	NUT-FULL (1/2-13-THD)						
	5	1	3D-0472	12	STUD-TAPERLOCK (1/2-13X2.80-IN)						
	6	1	3N-9540	1	PULLEY (1-GROOVE)						
	7	1	5P-8247	6	WASHER-HARD (17X32X3.5-MM THK)						
	8	1	6V-1873	6	BOLT (5/8-18X8.5-IN)						
	9	1	9F-2186	1	KEY-WOODRUFF						

R-REMFG PART MAY BE AVAILABLE



GRAPHIC #1

<END>

g01027231

BASIC ENGINE

6I-3638 DRIVE GP-PUMP

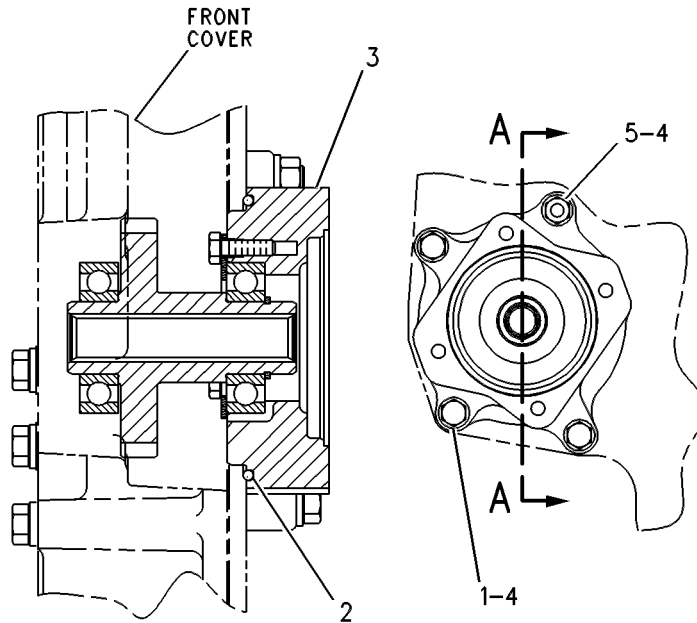
LEFT HAND REARWARD FACING SAE 2 BOLT FLANGE WITH SPLINE DRIVE
FOR USE WITH THE 2.5 BASE MODULE LARGE CAM GEAR TRAIN, CUSTOMER SUPPLIED SAE
"A" PUMP WITH 11 TOOTH 16/32 DEPTH SPLINE

SMCS-1017, 1207, 3108

i01949792

NOTE	REF NO	GRAPHIC REF	PART NUMBER	QTY	PART NAME						SEE PAGE
					1	2	3	4	5	6 (PRODUCT LEVEL)	
	1	1	0S-1590	3	BOLT (3/8-16X2-IN)						
	2	1	8T-9527	1	SEAL-O-RING						
YC	3	1	133-9907	1	ADAPTER GP-PUMP DRIVE						95
	4	1	5M-2894	4	WASHER-HARD (10.2X18.5X2.5-MM THK)						
	5	1	9S-8752	1	NUT-FULL (3/8-16-THD)						

C-CHANGE FROM PREVIOUS TYPE
Y-SEPARATE ILLUSTRATION



VIEW A-A

GRAPHIC #1

<END>

g00263601

BASIC ENGINE

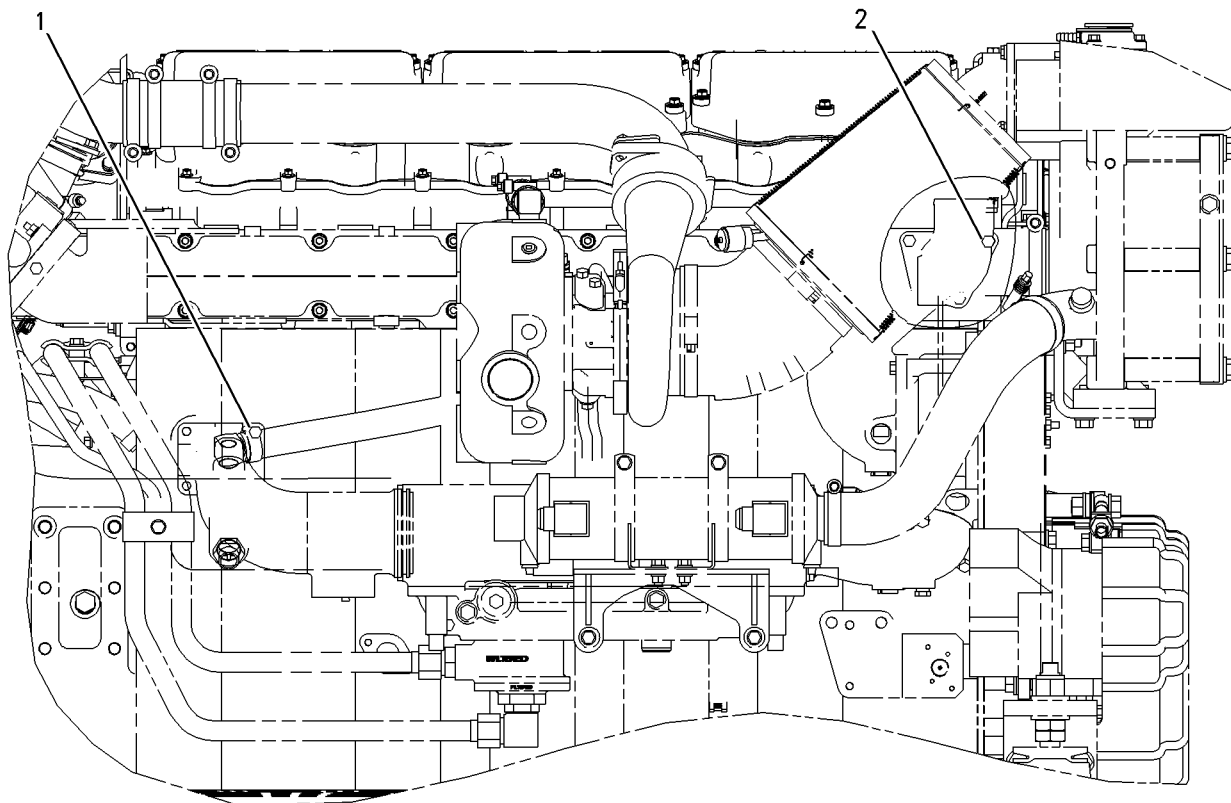
209-8304 FASTENER GP-ENGINE

FOR USE WITH LH SERVICE ENGINE
AN ATTACHMENT

SMCS-1000

i01719522

NOTE	REF NO	GRAPHIC REF	PART NUMBER	QTY	PART NAME						SEE PAGE
					1	2	3	4	5	6 (PRODUCT LEVEL)	
	1	1	OS-1588	1	BOLT (3/8-16X1.25 IN)						
	2	1	OS-1594	1	BOLT (3/8-16X1 IN)						



RIGHT SIDE VIEW

GRAPHIC #1

<END>

g00885706

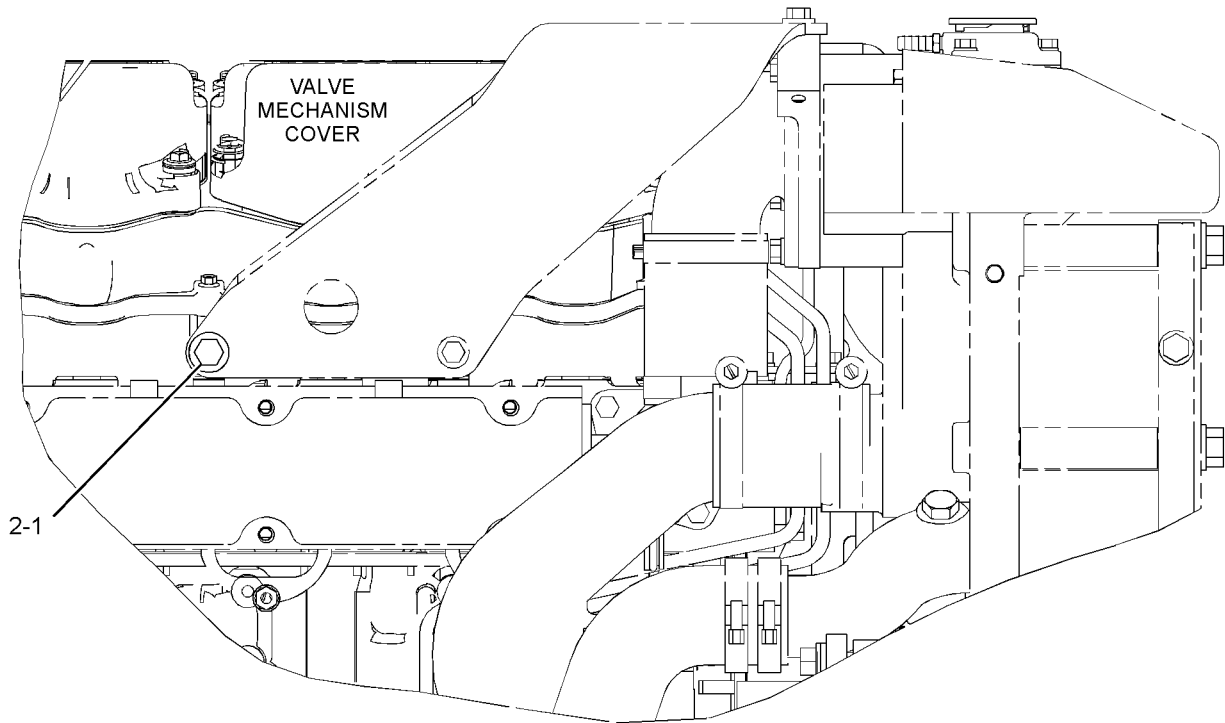
BASIC ENGINE

323-6984 FASTENER GP-ENGINE-HEAT EXCHANGER FOR USE WITH RH SERVICE ENGINE AN ATTACHMENT

SMCS-1000

i03113946

NOTE	REF NO	GRAPHIC REF	PART NUMBER	QTY	PART NAME						SEE PAGE
					1	2	3	4	5	6 (PRODUCT LEVEL)	
	1	1	0S-1588	1	BOLT (3/8-16X1.25-IN)						
	2	1	5M-2894	1	WASHER-HARD (10.2X18.5X2.5-MM THK)						



RIGHT SIDE VIEW OF ENGINE

GRAPHIC #1

<END>

g01608779

BASIC ENGINE

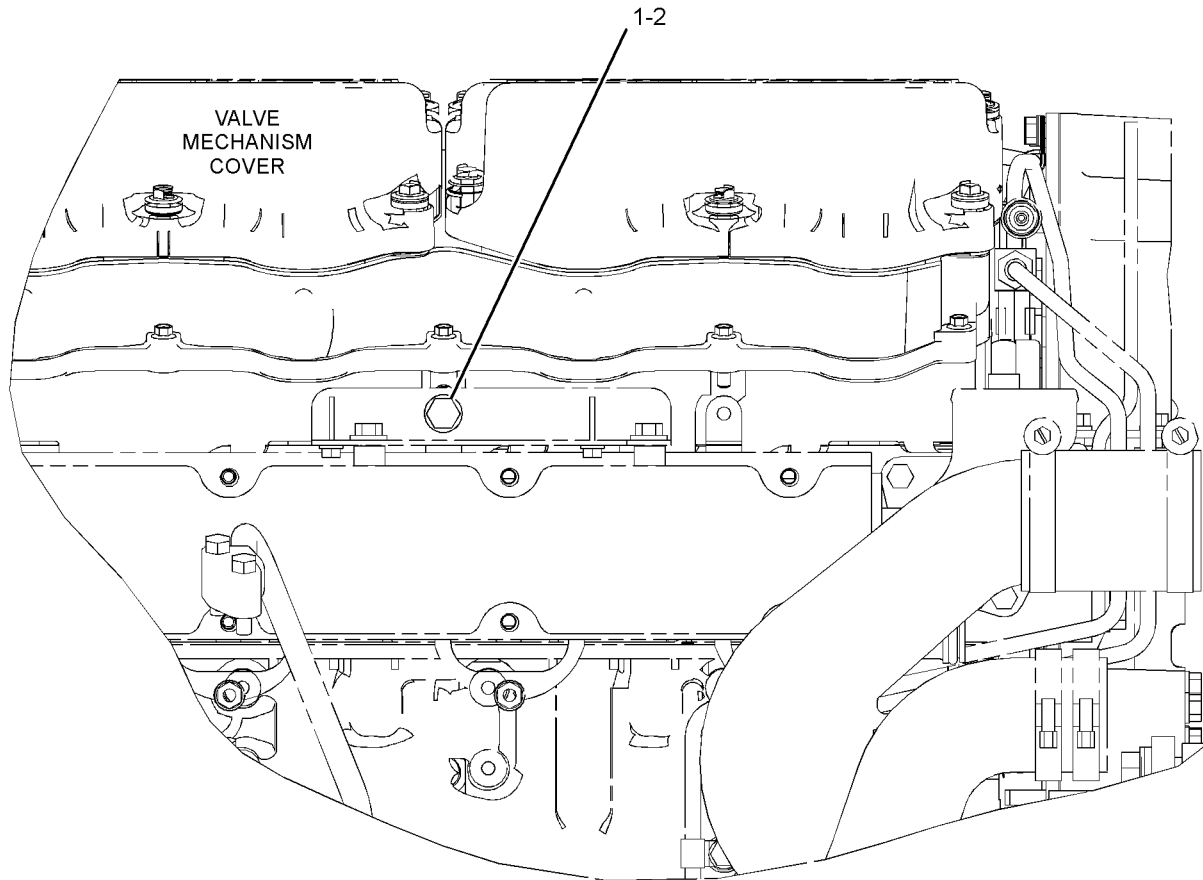
323-7423 FASTENER GP-ENGINE

FOR USE WITH KEEL COOLED RH SERVICE
AN ATTACHMENT

SMCS-1000

i03113948

NOTE	REF NO	GRAPHIC REF	PART NUMBER	QTY	PART NAME						SEE PAGE
					1	2	3	4	5	6 (PRODUCT LEVEL)	
	1	1	0L-1351	1	BOLT (3/8-16X0.875-IN)						
	2	1	5M-2894	1	WASHER-HARD (10.2X18.5X2.5-MM THK)						



RIGHT SIDE VIEW OF ENGINE

GRAPHIC #1

<END>

g01608778

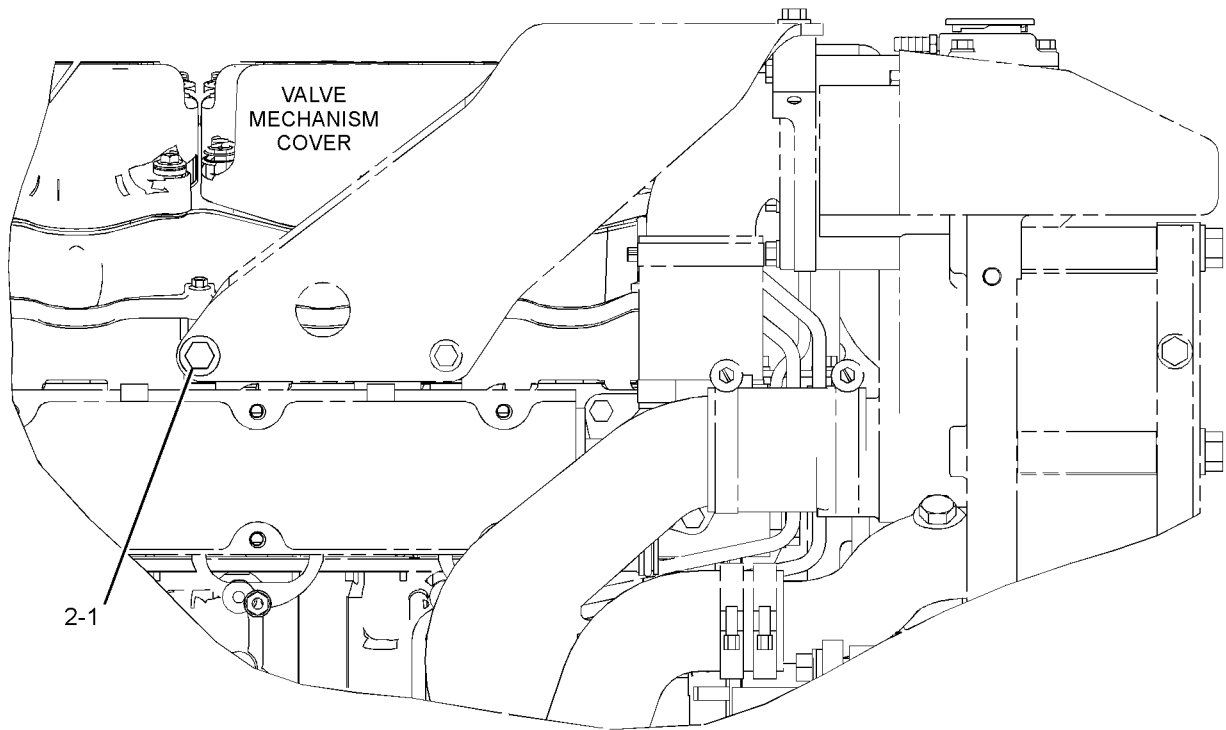
BASIC ENGINE

323-7424 FASTENER GP-ENGINE-HEAT EXCHANGER FOR USE WITH LH SERVICE ENGINE AN ATTACHMENT

SMCS-1000

i03113949

NOTE	REF NO	GRAPHIC REF	PART NUMBER	QTY	PART NAME						SEE PAGE
					1	2	3	4	5	6 (PRODUCT LEVEL)	
	1	1	1A-2029	1	BOLT (3/8-16X1.125-IN)						
	2	1	9X-6458	1	WASHER-HARD (10.2X22.5X3-MM THK)						



RIGHT SIDE VIEW OF ENGINE

GRAPHIC #1

<END>

g01608780

BASIC ENGINE

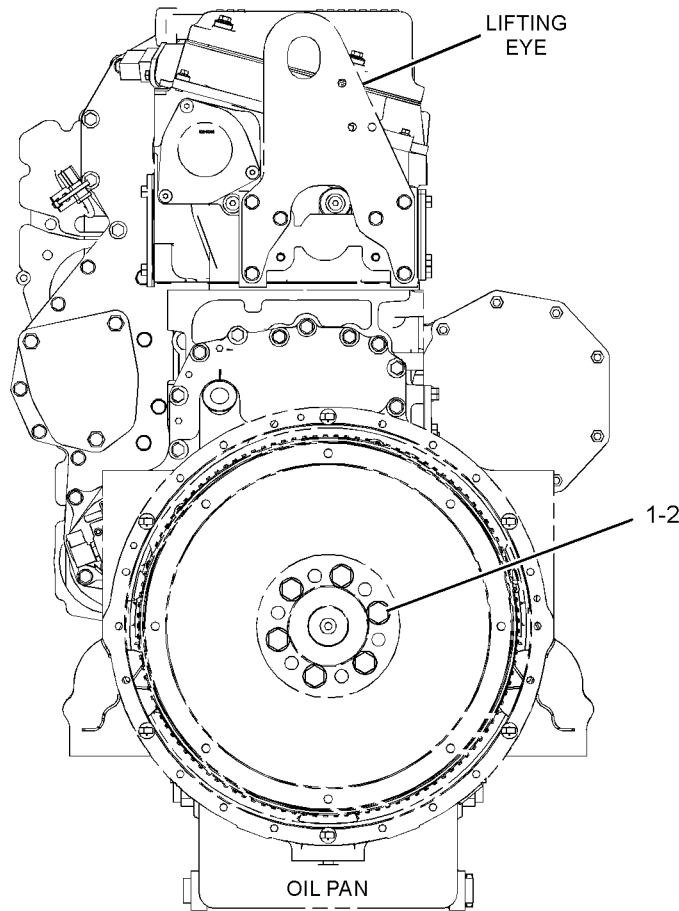
319-6612 FASTENER GP-FLYWHEEL

PROVIDES A SAE NO.1 FLYWHEEL HOUSING FASTENER GROUP
 FOR USE WITH 6-BOLTS AND 6-WASHERS FOUND IN THE FLYWHEEL HOUSING GROUP,
 REQUIRES 12-BOLTS AND 12-WASHERS FOR SAFE OPERATION OF THIS GROUP,
 319-6611-PAGE 157
 ALSO AN ATTACHMENT

SMCS-1156

i02865441

NOTE	REF NO	GRAPHIC REF	PART NUMBER	QTY	PART NAME						SEE PAGE
					1	2	3	4	5	6 (PRODUCT LEVEL)	
	1	1	OS-1601	6	BOLT (5/8-18X2.75-IN)						
	2	1	4D-3704	6	WASHER-HARD (17X30X5-MM THK)						



GRAPHIC #1

<END>

g01428722

BASIC ENGINE

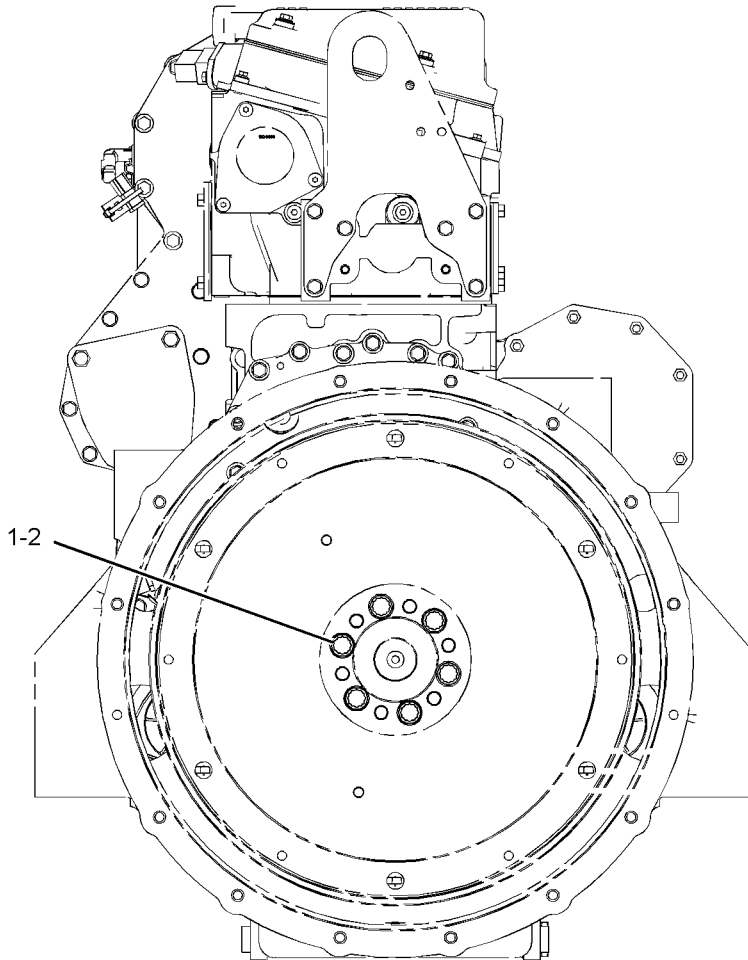
319-8538 FASTENER GP-FLYWHEEL

FOR USE WITH MARINE SAE NO.0 FLYWHEEL OPTION, A TOTAL OF 12-BOLTS AND 12-WASHERS ARE REQUIRED FOR SAFE OPERATION OF THIS GROUP, THIS REQUIREMENT IS COMPLETED BY THE FLYWHEEL GROUP, 319-8539-PAGE 158 ALSO AN ATTACHMENT

SMCS-1156

i02887799

NOTE	REF NO	GRAPHIC REF	PART NUMBER	QTY	PART NAME						SEE PAGE
					1	2	3	4	5	6 (PRODUCT LEVEL)	
	1	1	3G-8856	6	WASHER (17X30X5-MM THK)						
	2	1	9Y-8545	6	BOLT-12 POINT HEAD (5/8-18X3.5-IN)						



REAR VIEW OF ENGINE

<END>

GRAPHIC #1

g01438546

BASIC ENGINE

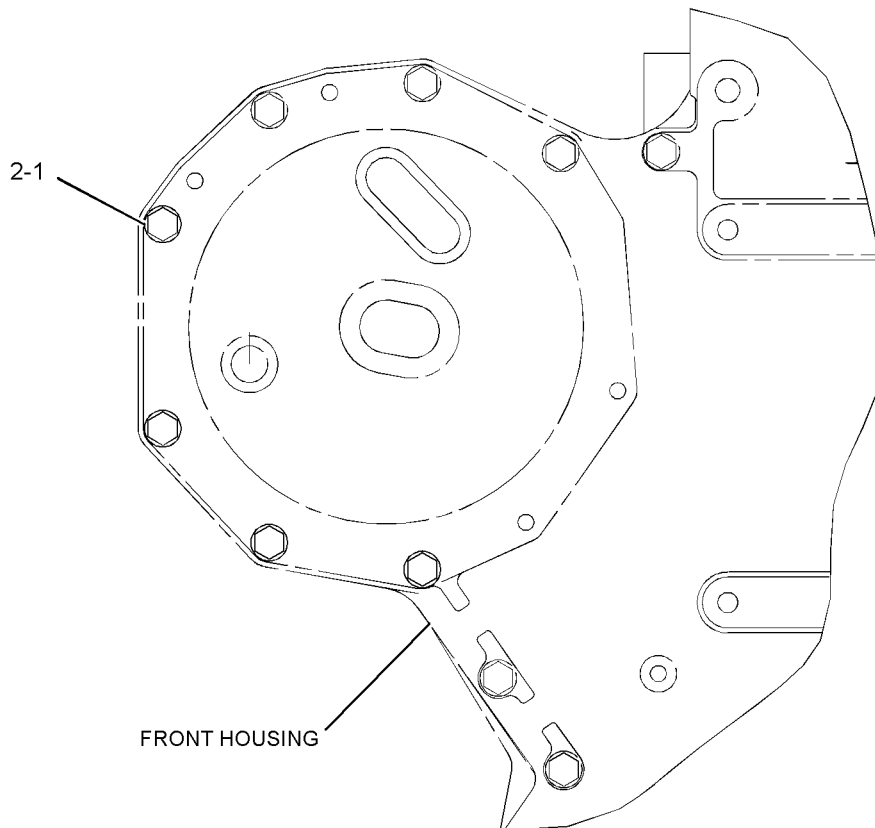
254-6021 FASTENER GP-FRONT COVER

AN ATTACHMENT

SMCS-1151

i02294557

NOTE	REF NO	GRAPHIC REF	PART NUMBER	QTY	PART NAME						SEE PAGE
					1	2	3	4	5	6 (PRODUCT LEVEL)	
	1	1	0T-0055	4	BOLT (3/8-16X4.25-IN)						
	2	1	5M-2894	4	WASHER-HARD (10.2X18.5X2.5-MM THK)						



FRONT VIEW

GRAPHIC #1

<END>

g01154143

BASIC ENGINE

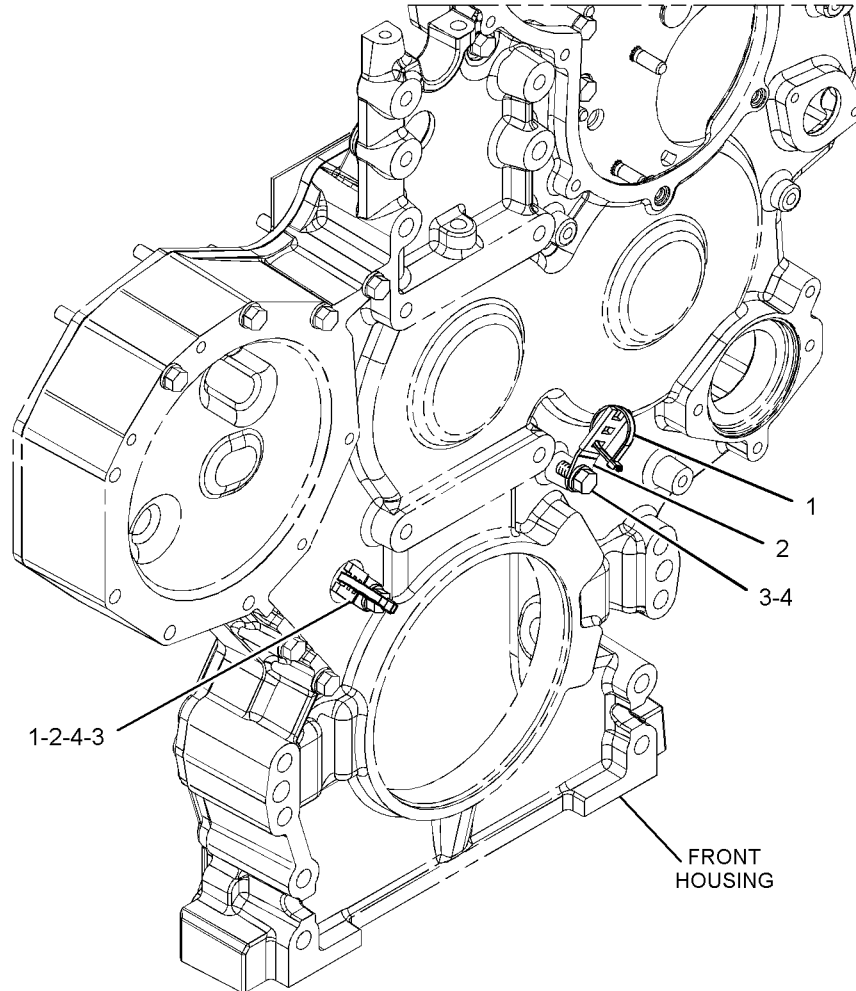
339-6214 FASTENER GP-FRONT COVER

CANNOT BE USED WITH 309-5588-PAGE 200
AN ATTACHMENT

SMCS-1151

i03605907

NOTE	REF NO	GRAPHIC REF	PART NUMBER	QTY	PART NAME						SEE PAGE
					1	2	3	4	5	6 (PRODUCT LEVEL)	
	1	1	3S-2093	2	STRAP-CABLE						
	2	1	4P-7581	2	CLIP						
	3	1	5M-3062	2	BOLT (3/8-16X0.75-IN)						
	4	1	8T-4896	2	WASHER-HARD (10.2X18.5X2.5-MM THK)						



GRAPHIC #1

<END>

g01932197

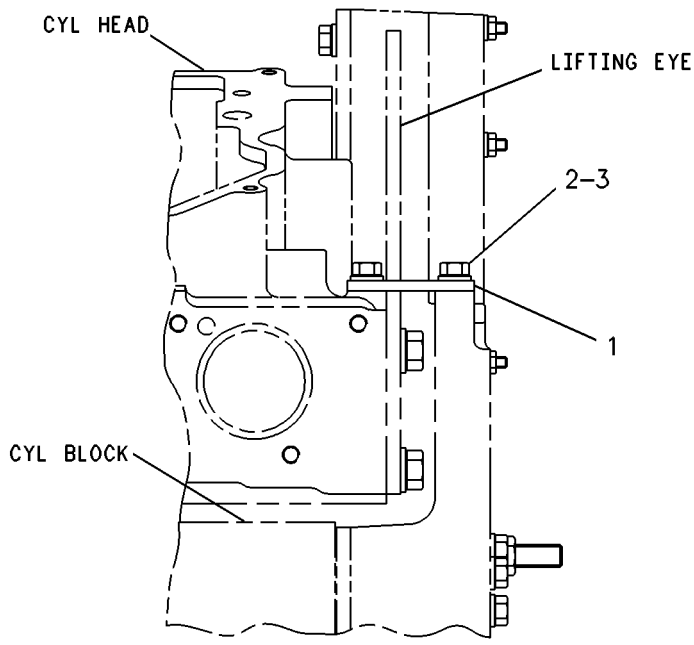
BASIC ENGINE

4P-6846 FASTENER GP-FRONT HOUSING

SMCS-1151, 1162

i02544049

NOTE	REF NO	GRAPHIC REF	PART NUMBER	QTY	PART NAME						SEE PAGE
					1	2	3	4	5	6 (PRODUCT LEVEL)	
	1	1	7N-0452	1	PLATE						
	2	1	0S-1594	2	BOLT (3/8-16X1-IN)						
	3	1	5M-2894	2	WASHER-HARD (10.2X18.5X2.5-MM THK)						



RIGHT SIDE VIEW

GRAPHIC #1

<END>

g00231021

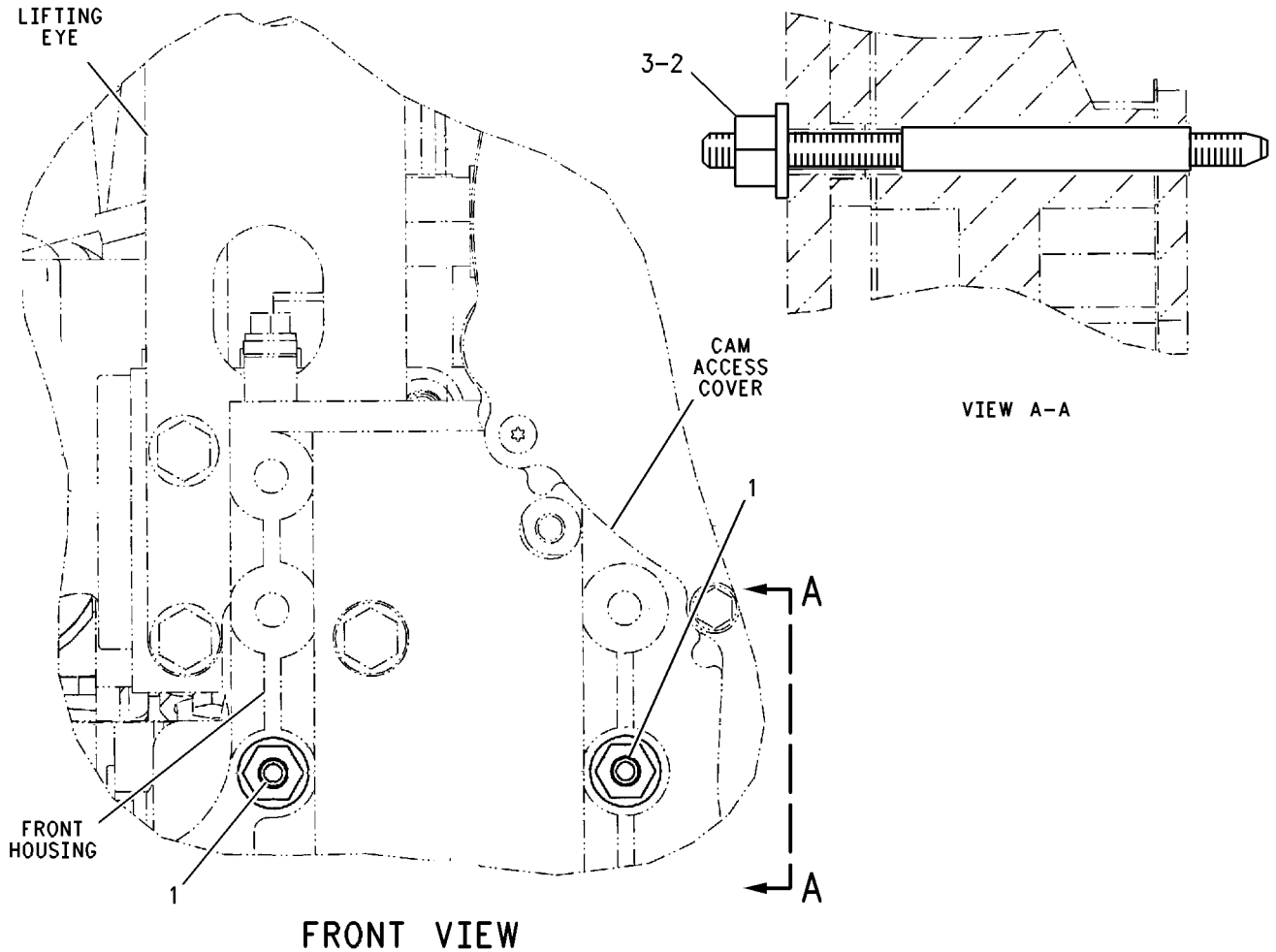
BASIC ENGINE

201-8358 FASTENER GP-FRONT HOUSING AN ATTACHMENT

SMCS-1151, 1162

i02509386

NOTE	REF NO	GRAPHIC REF	PART NUMBER	QTY	PART NAME						SEE PAGE
					1	2	3	4	5	6 (PRODUCT LEVEL)	
	1	1	156-0853	2	STUD-TAPERLOCK (1/2-13X0.8-IN, 1/2-13X2.17-IN)						
	2	1	1F-7958	2	NUT-FULL (1/2-13-THD)						
	3	1	5P-8245	2	WASHER-HARD (13.5X25.5X3-MM THK)						



GRAPHIC #1

<END>

g00769339

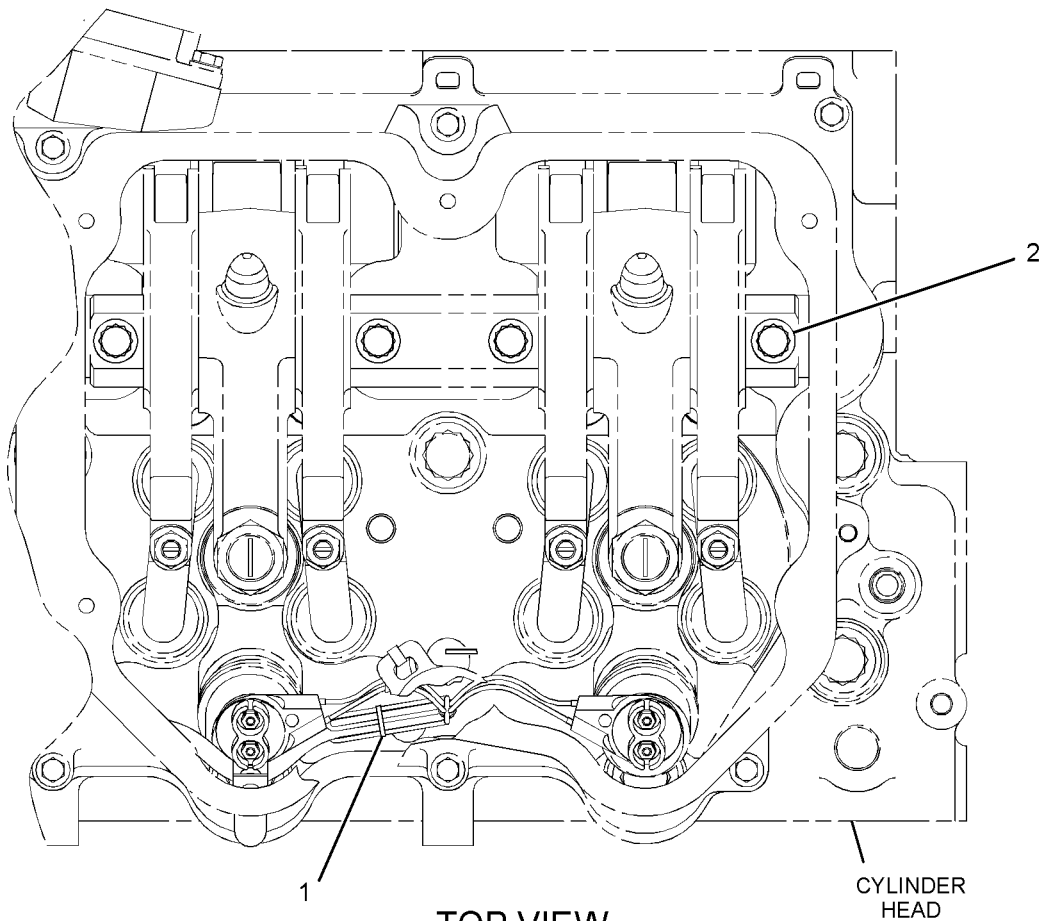
BASIC ENGINE

109-1657 FASTENER GP-VALVE MECHANISM

SMCS-1102

i04042337

NOTE	REF NO	GRAPHIC REF	PART NUMBER	QTY	PART NAME						SEE PAGE
					1	2	3	4	5	6 (PRODUCT LEVEL)	
	1	1	8L-8413	6	STRAP-CABLE						
	2	1	356-5212	12	BOLT-12 POINT HEAD						



TOP VIEW

GRAPHIC #1

<END>

g02257193

BASIC ENGINE

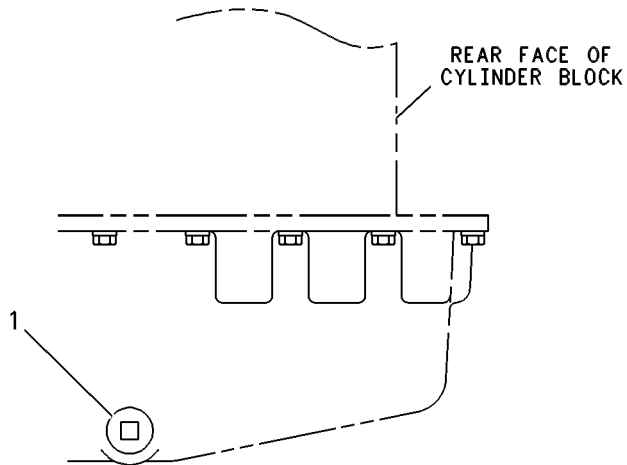
140-6330 FITTING GP-OIL PAN-ENGINE

PROVIDES PLUG FOR LH REAR OPENING IN OIL PAN
FOR USE WITH RH SUMP PUMP
ALSO AN ATTACHMENT

SMCS-1302

i03607251

NOTE	REF NO	GRAPHIC REF	PART NUMBER	QTY	PART NAME						SEE PAGE
					1	2	3	4	5	6 (PRODUCT LEVEL)	
	1	1	8T-6761	1	PLUG-PIPE						



LEFT SIDE VIEW

GRAPHIC #1

<END>

g00265488

BASIC ENGINE

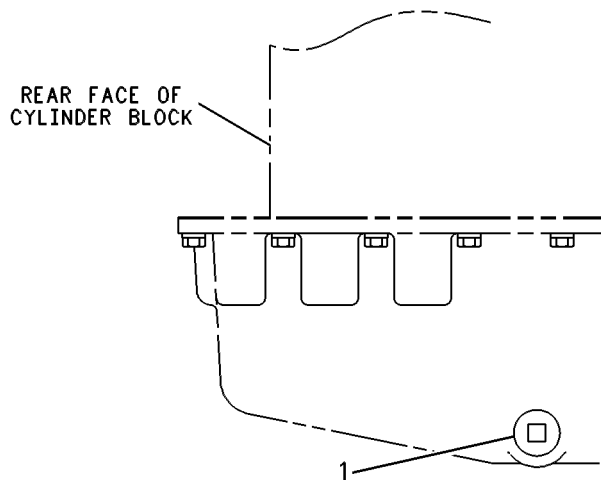
140-6331 FITTING GP-OIL PAN-ENGINE

PROVIDES PLUG FOR RH REAR OPENING IN OIL PAN
FOR USE WITH LH SUMP PUMP
ALSO AN ATTACHMENT

SMCS-1302

i03607252

NOTE	REF NO	GRAPHIC REF	PART NUMBER	QTY	PART NAME						SEE PAGE
					1	2	3	4	5	6 (PRODUCT LEVEL)	
	1	1	8T-6761	1	PLUG-PIPE						



RIGHT SIDE VIEW

GRAPHIC #1

<END>

g00265497

BASIC ENGINE

284-1486 FITTING GP-OIL PAN-ENGINE

FOR USE WITH SUMP PUMP AND DUPLEX OIL FILTERS
AN ATTACHMENT

SMCS-1302

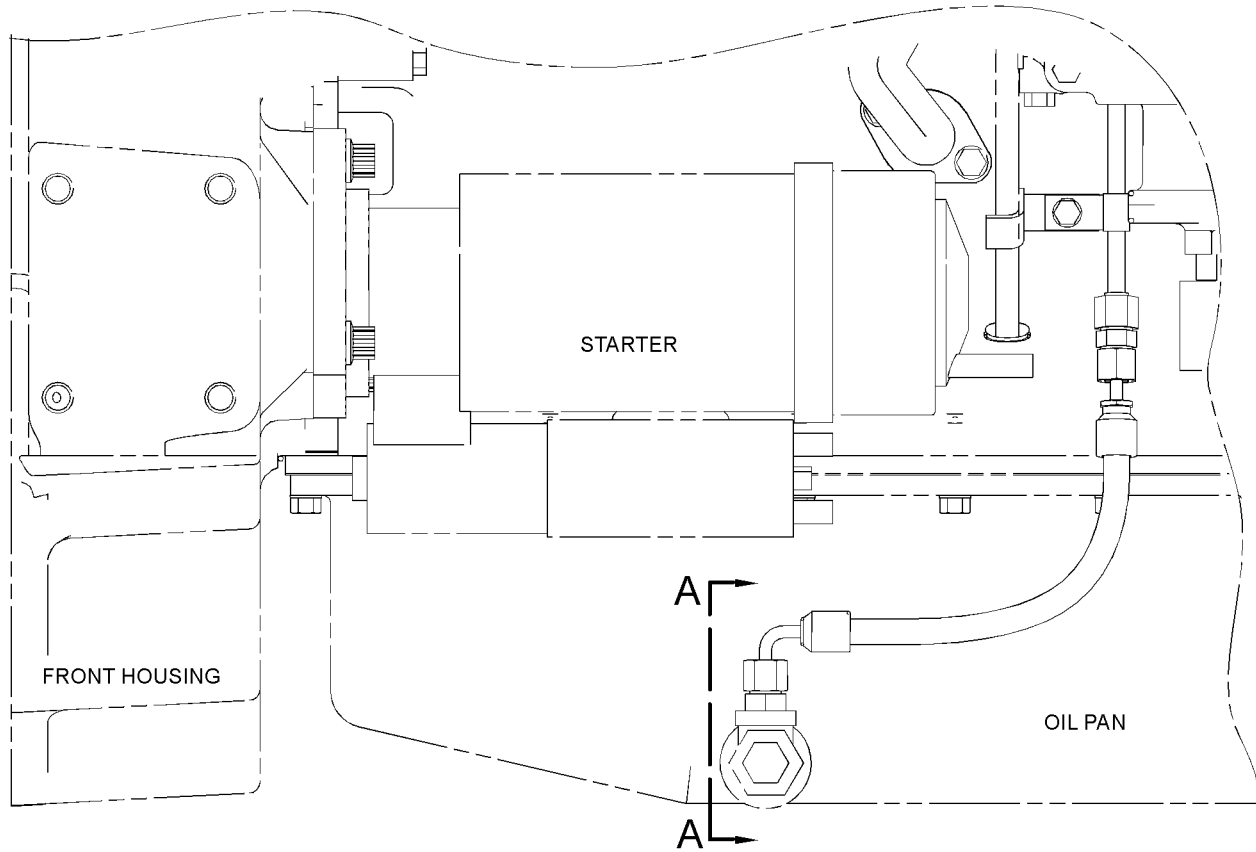
i02525890

NOTE	REF NO	GRAPHIC REF	PART NUMBER	QTY	PART NAME						SEE PAGE
					1	2	3	4	5	6 (PRODUCT LEVEL)	
	1	1	5B-4855	1	BUSHING-REDUCER						

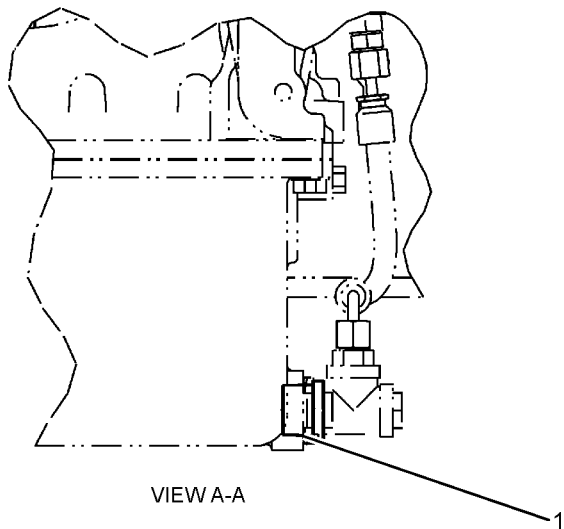
BASIC ENGINE

284-1486 FITTING GP-OIL PAN (contd.)

i02525890



LEFT SIDE VIEW



GRAPHIC #1

<END>

g01263603

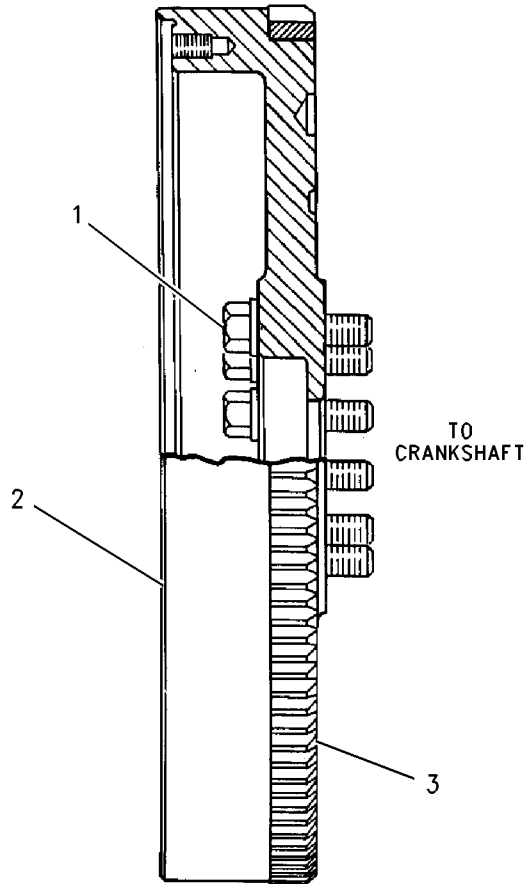
BASIC ENGINE

7N-3060 FLYWHEEL GP FOR USE WITH SAE NO. 1 FLYWHEEL HOUSING AN ATTACHMENT

SMCS-1156

i02727984

NOTE	REF NO	GRAPHIC REF	PART NUMBER	QTY	PART NAME						SEE PAGE
					1	2	3	4	5	6 (PRODUCT LEVEL)	
	1	1	0S-1601	12	BOLT (5/8-18X2.75-IN)						
		1	4D-3704	12	WASHER-HARD (17X30X5-MM THK)						
	2	1	7W-1248	1	FLYWHEEL AS						
	3	1	4N-2514	1	GEAR (113-TEETH)						



GRAPHIC #1

<END>

g00768376

BASIC ENGINE

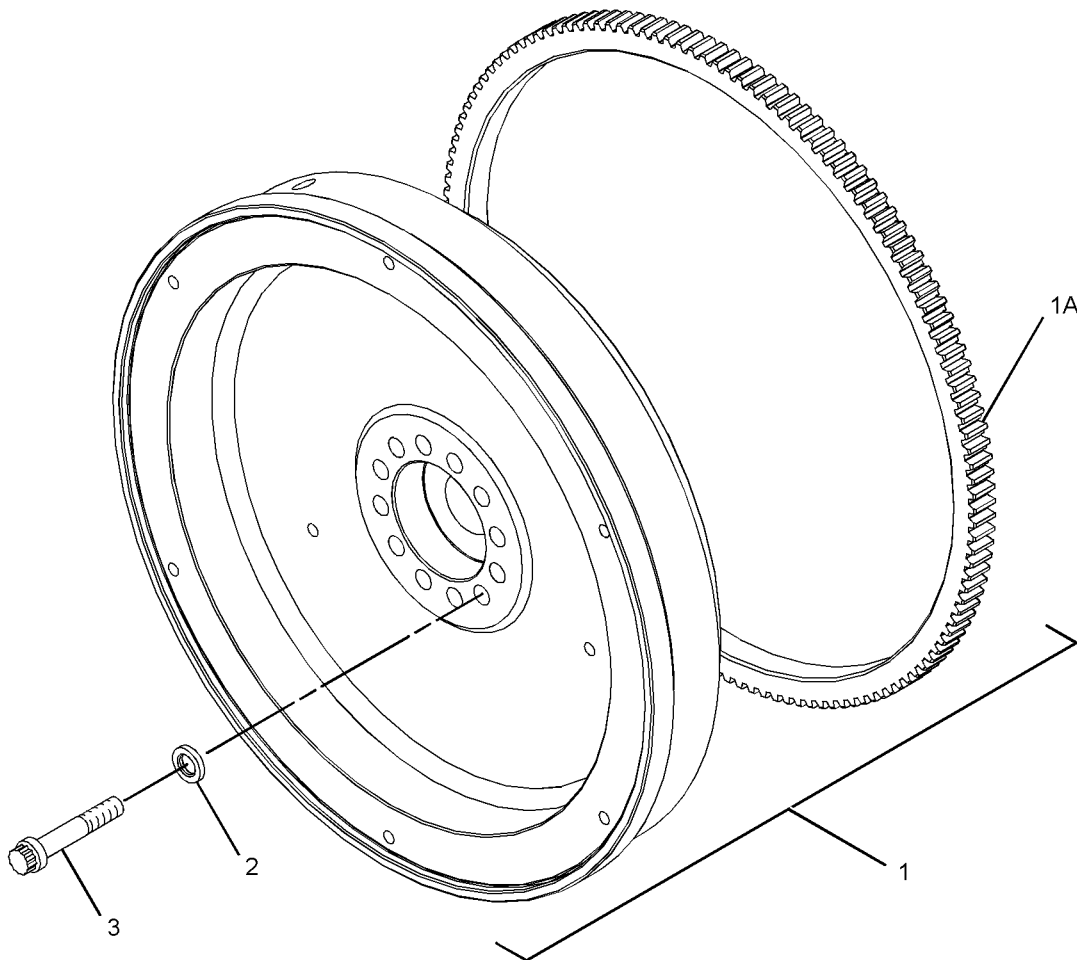
9Y-7571 FLYWHEEL GP

FOR USE WITH SAE NO. 0 FLYWHEEL HOUSING
AN ATTACHMENT

SMCS-1156

i04035955

NOTE	REF NO	GRAPHIC REF	PART NUMBER	QTY	PART NAME						SEE PAGE
					1	2	3	4	5	6 (PRODUCT LEVEL)	
	1	1	2W-0765	1	FLYWHEEL AS						
	1A	1	8M-6755	1	GEAR-FLYWHEEL (136-TEETH)						
	2	1	3G-8856	12	WASHER (17X30X5-MM THK)						
	3	1	9Y-8545	12	BOLT-12 POINT HEAD (5/8-18X3.5-IN)						



GRAPHIC #1

<END>

g01442751

BASIC ENGINE

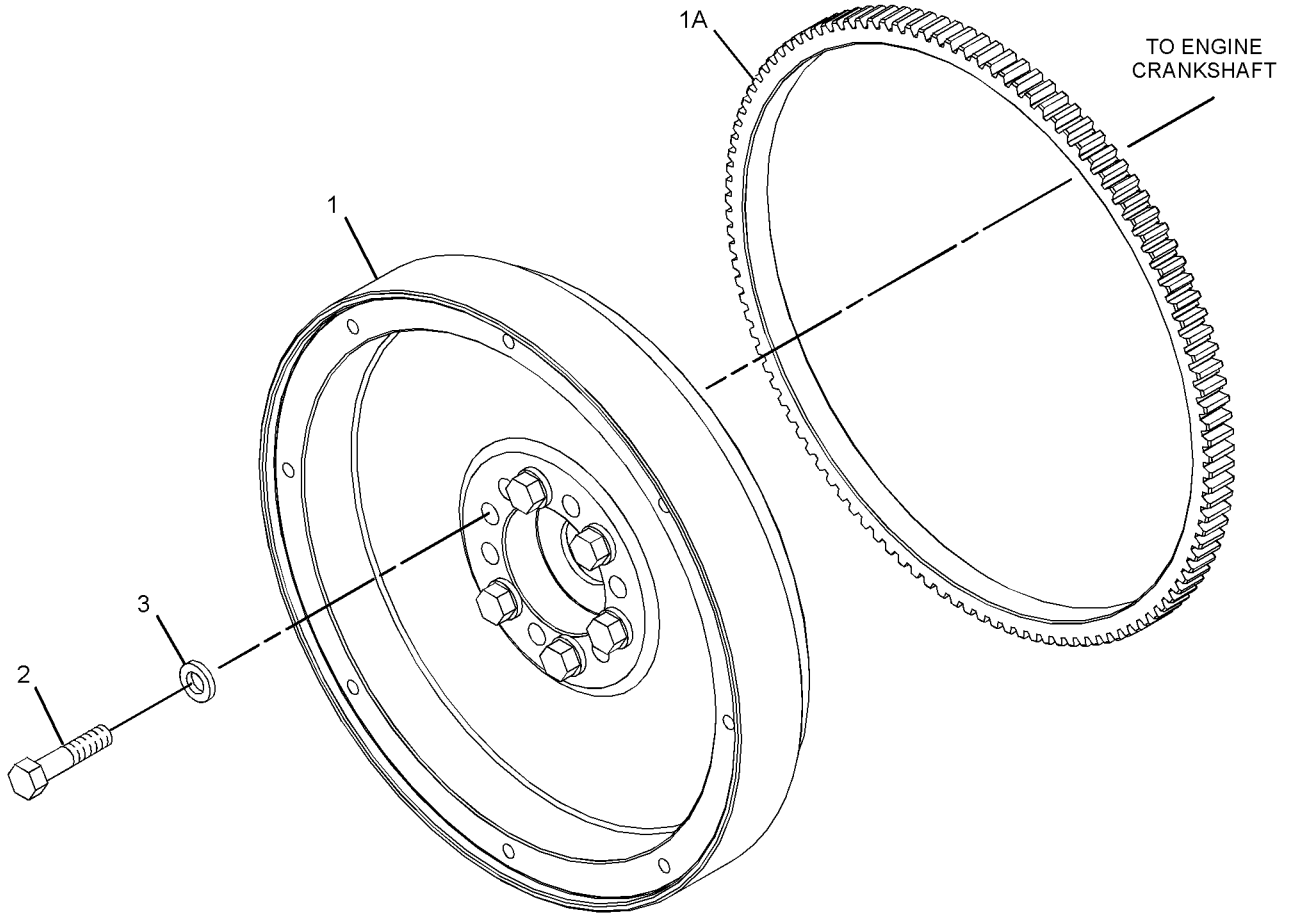
319-6611 FLYWHEEL GP

FOR USE WITH 319-6612—PAGE 144, 6-BOLTS AND 6-WASHERS FOUND IN THE FLYWHEEL GROUP, A TOTAL OF 12-BOLTS AND 12-WASHERS ARE REQUIRED FOR SAFE OPERATION OF THIS GROUP
ALSO AN ATTACHMENT

SMCS-1156

i02894708

NOTE	REF NO	GRAPHIC REF	PART NUMBER	QTY	PART NAME						SEE PAGE
					1	2	3	4	5	6 (PRODUCT LEVEL)	
	1	1	7W-1248	1	FLYWHEEL AS						
	1A	1	4N-2514	1	GEAR (113-TEETH)						
	2	1	0S-1601	6	BOLT (5/8-18X2.75-IN)						
	3	1	4D-3704	6	WASHER-HARD (17X30X5-MM THK)						



GRAPHIC #1

<END>

g01442143

BASIC ENGINE

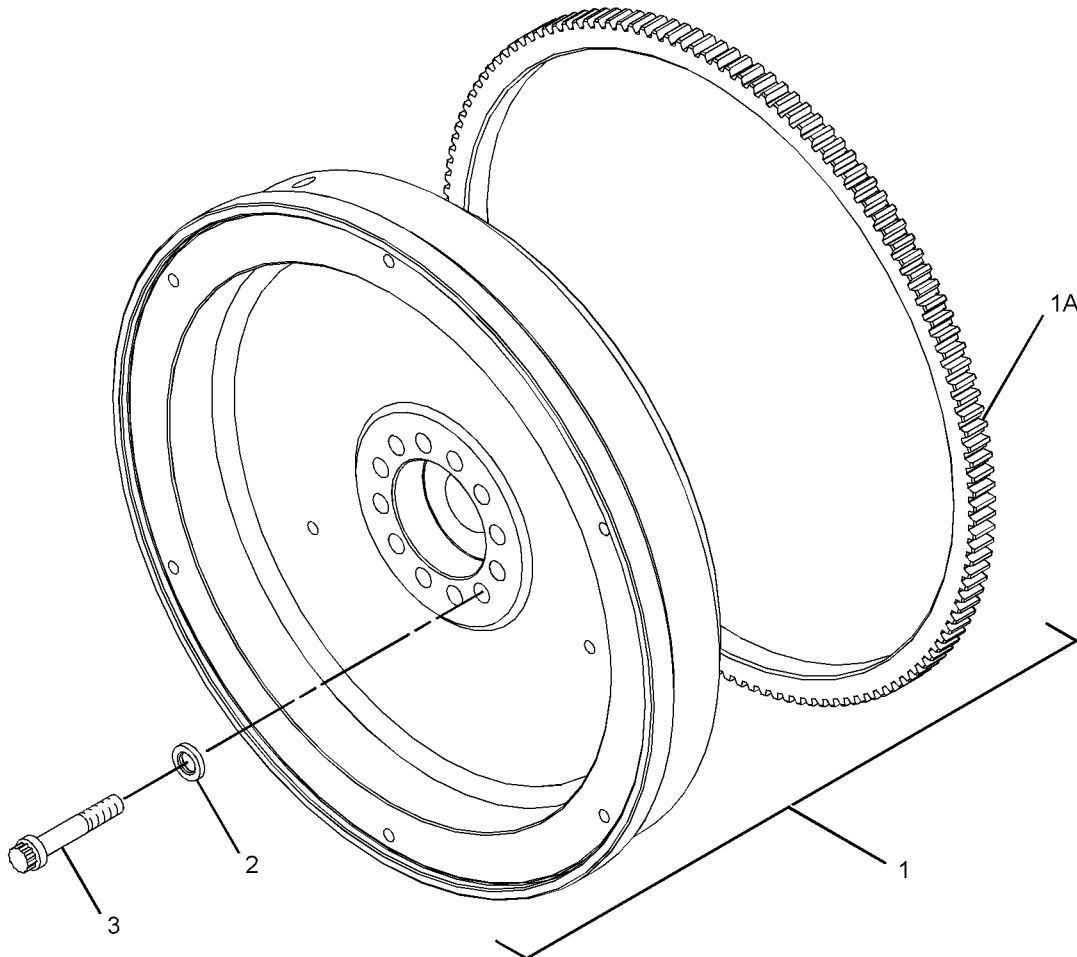
319-8539 FLYWHEEL GP

FOR USE WITH MARINE SAE NO.0 FLYWHEEL OPTION, A TOTAL OF 12-BOLTS AND
 12-WASHERS ARE REQUIRED FOR SAFE OPERATION OF THIS GROUP, THIS REQUIREMENT
 IS COMPLETED BY THE FASTENER GROUP, 319-8538-PAGE 145
 ALSO AN ATTACHMENT

SMCS-1156

i02894766

NOTE	REF NO	GRAPHIC REF	PART NUMBER	QTY	PART NAME						SEE PAGE
					1	2	3	4	5	6 (PRODUCT LEVEL)	
	1	1	2W-0765	1	FLYWHEEL AS						
	1A	1	8M-6755	1	GEAR-FLYWHEEL (136-TEETH)						
	2	1	3G-8856	6	WASHER (17X30X5-MM THK)						
	3	1	9Y-8545	6	BOLT-12 POINT HEAD (5/8-18X3.5-IN)						



GRAPHIC #1

<END>

g01442751

BASIC ENGINE

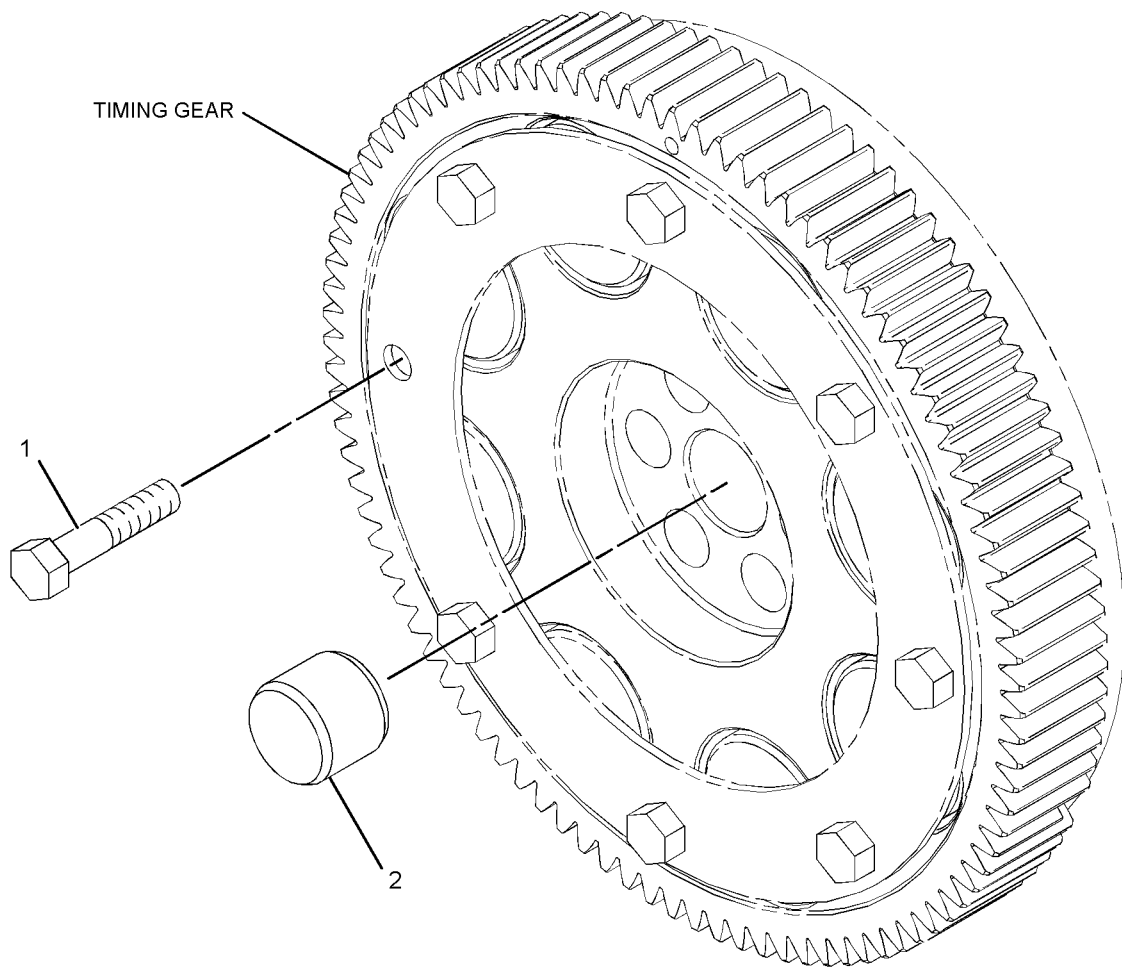
249-3360 GEAR GP-CAMSHAFT

PART OF 283-5149 GEAR GP-FRONT

SMCS-1212

i02411846

NOTE	REF NO	GRAPHIC REF	PART NUMBER	QTY	PART NAME						SEE PAGE
					1	2	3	4	5	6 (PRODUCT LEVEL)	
	1	1	0S-1571	8	BOLT (3/8-16X1.75-IN)						
	2	1	103-0126	1	DOWEL						



GRAPHIC #1

<END>

g01207068

BASIC ENGINE

283-5149 GEAR GP-FRONT

SMCS-1151, 1162, 1206

i02630037

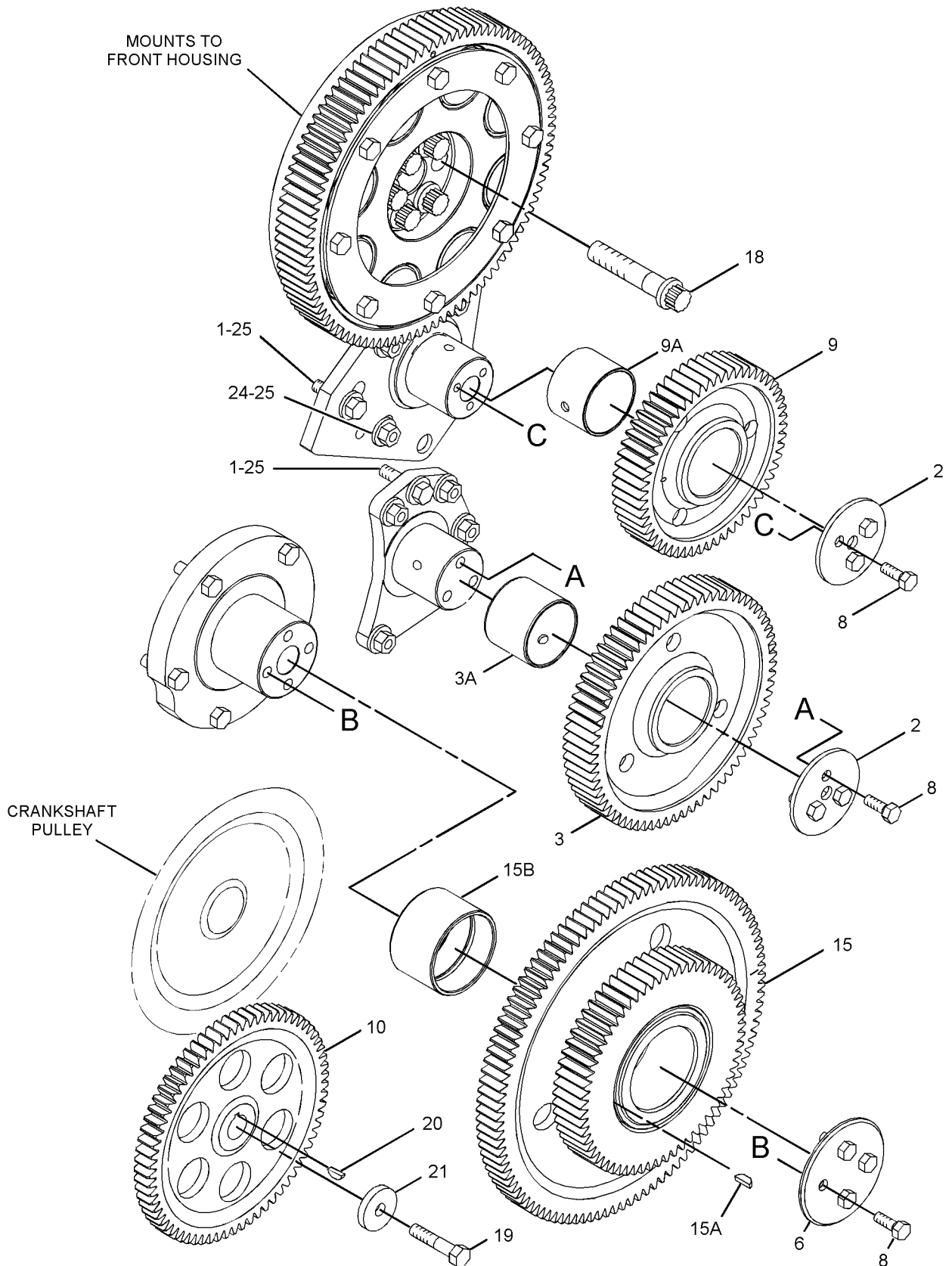
NOTE	REF NO	GRAPHIC REF	PART NUMBER	QTY	PART NAME						SEE PAGE
					1	2	3	4	5	6 (PRODUCT LEVEL)	
	1	1	5P-4142	2	BOLT-LOCKING (3/8-16X1.5-IN)						
	2	1	6I-3624	2	PLATE-THRUST						
	3	1	6I-3625	1	GEAR AS (71-TEETH)						
	3A	1	101-8468	1	BEARING-SLEEVE						
	4	2	102-5861	1	PLATE-THRUST						
	5	2	107-0583	3	BOLT-LOCKING (1/4-20X0.87-IN)						
	6	1	112-9217	1	PLATE-THRUST						
	7	2	117-8801	1	SEAL-O-RING						
	8	1	126-1756	10	BOLT-LOCKING (5/16-18X0.875-IN)						
	9	1	130-4701	1	GEAR AS (56-TEETH)						
	9A	1	130-4698	1	BEARING-SLEEVE						
	10	1	149-9110	1	GEAR-OIL PUMP DRIVE (69-TEETH)						
	11	2	151-5966	1	SHAFT AS-STUB						
	11A	2	6I-3623	1	DOWEL						
	12	2	158-3416	1	SHAFT-STUB						
	13	2	159-1533	1	PLATE-SEALING						
	14	2	159-8524	1	ADAPTER AS						
	14A	2	6V-3677	1	DOWEL						
	15	1	187-8979	1	GEAR AS (105, 63-TEETH)						
	15A	1	1B-8705	1	KEY-WOODRUFF						
	15B	1	131-7123	1	BEARING-SLEEVE						
	16	2	197-4971	1	SHAFT-STUB						
Y	17	2	249-3360	1	GEAR GP-CAMSHAFT						159
	18	1	031-3185	6	BOLT-12 POINT HEAD (5/8-11X3-IN)						
	19	1	0S-1571	1	BOLT (3/8-16X1.75-IN)						
	20	1	1B-8705	1	KEY-WOODRUFF						
	21	1	1P-7346	1	WASHER-HARD (10.2X35X6-MM THK)						
	22	2	2J-3118	5	BOLT-LOCKING (3/8-16X1.25-IN)						
	23	2	5E-8771	1	SEAL-O-RING						
	24	1	9S-8752	10	NUT-FULL (3/8-16-THD)						
	25	1	9X-6458	12	WASHER-HARD (10.2X22.5X3-MM THK)						

Y-SEPARATE ILLUSTRATION

BASIC ENGINE

283-5149 GEAR GP-FRONT (contd.)

i02630037



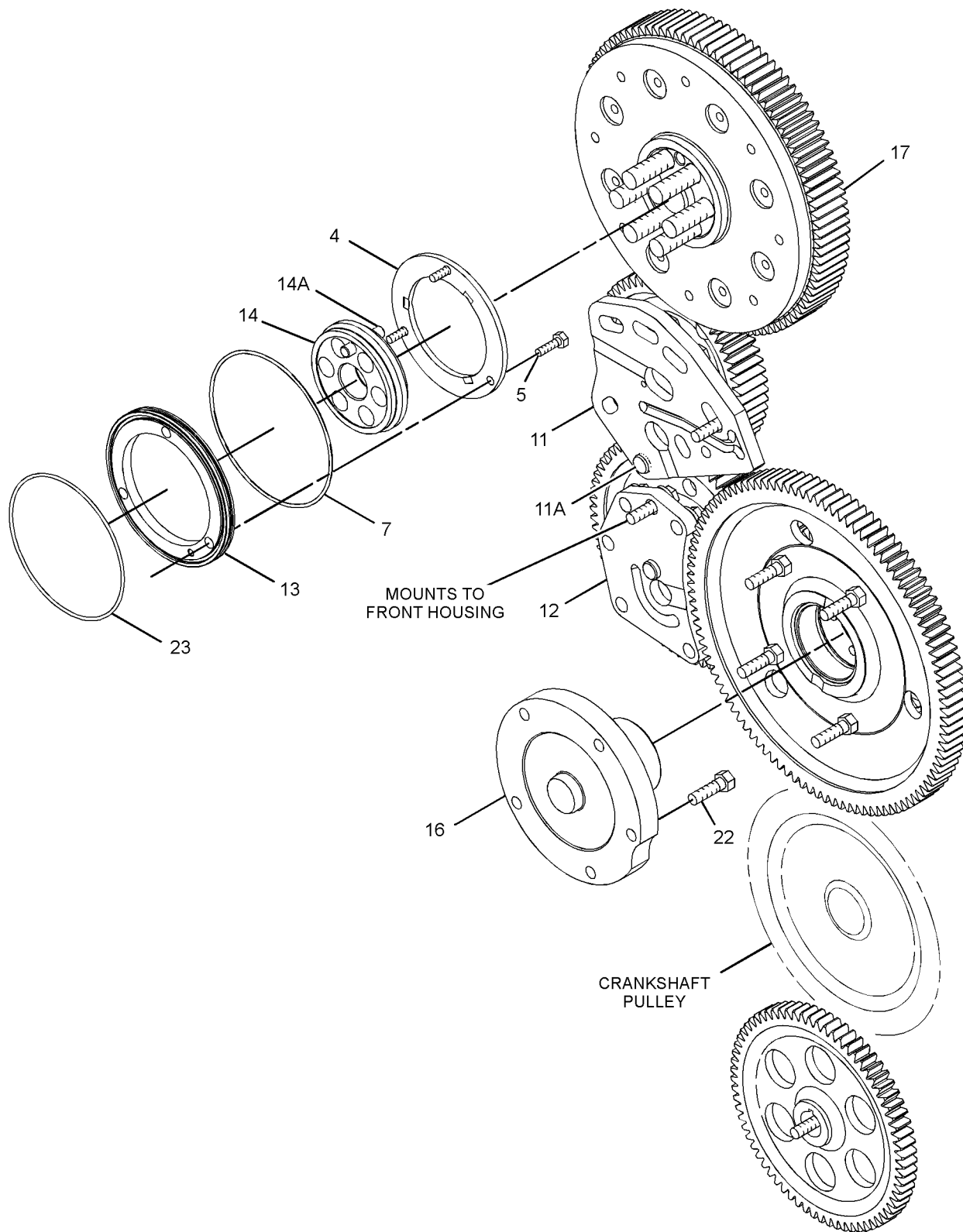
GRAPHIC #1

g01324846

BASIC ENGINE

283-5149 GEAR GP-FRONT (contd.)

i02630037



GRAPHIC #2

<END>

g01324847

BASIC ENGINE

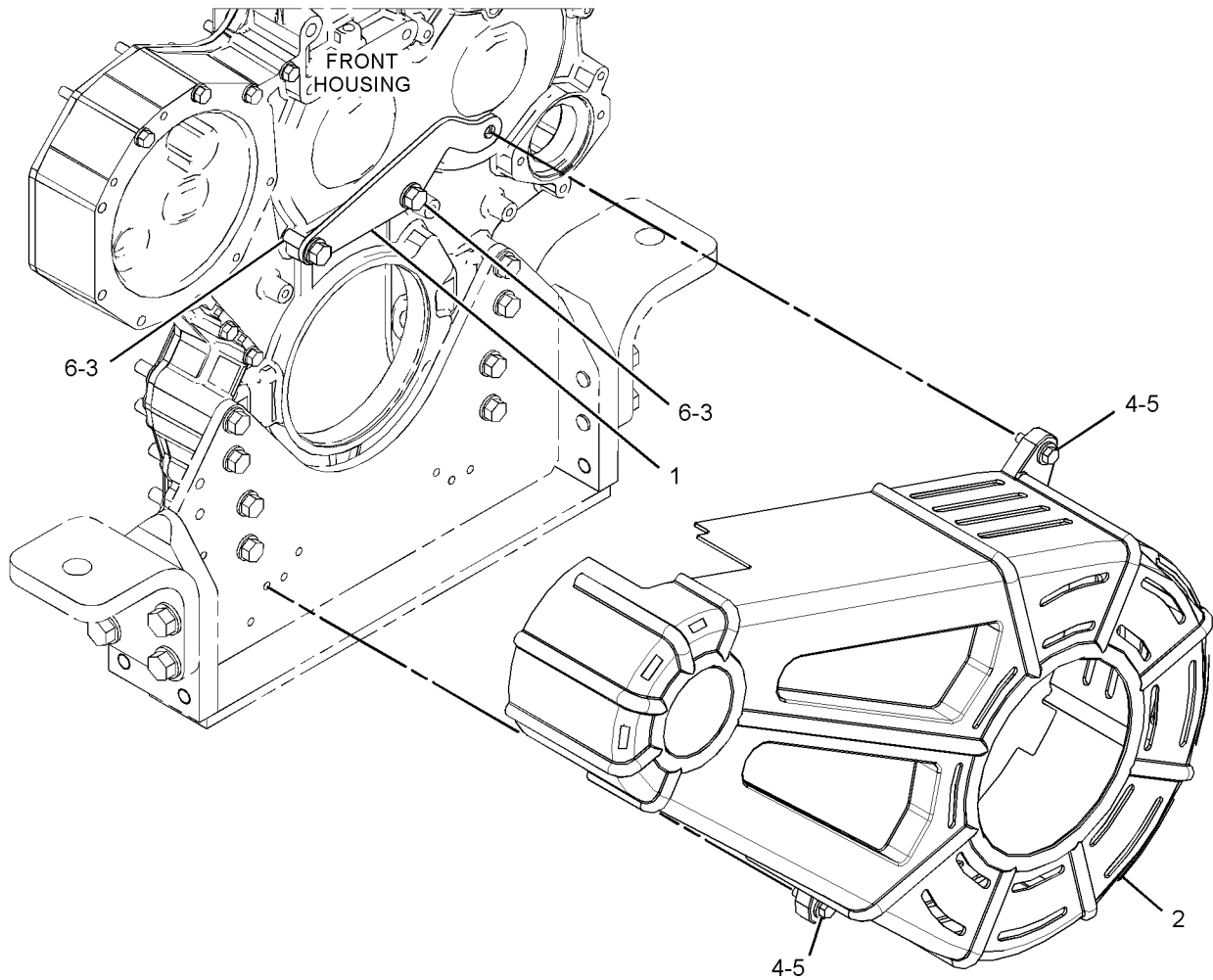
254-6038 GUARD GP-DAMPER

FOR USE WITH SIX GROOVE PULLEY, 16 INCH DAMPER, ALTERNATOR MOUNTING OFF OF THE FRONT HOUSING ON THE MARINE ENGINES
AN ATTACHMENT

SMCS-1205

i03924029

NOTE	REF NO	GRAPHIC REF	PART NUMBER	QTY	PART NAME						SEE PAGE
					1	2	3	4	5	6 (PRODUCT LEVEL)	
	1	1	350-7770	1	BRACKET AS						
		1	1F-0750	1	NUT-WELD (3/8-16-THD)						
2		1	352-9715	1	GUARD AS-ALTERNATOR						
		1	254-6037	1	GUARD						
3		1	0S-1585	2	BOLT (1/2-13X1.5-IN)						
4		1	351-2247	3	BOLT (3/8-16X1.5-IN)						
5		1	5P-1075	3	WASHER-HARD (10.2X22.5X3-MM THK)						
6		1	5P-8245	2	WASHER-HARD (13.5X25.5X3-MM THK)						



GRAPHIC #1

<END>

g02151694

BASIC ENGINE

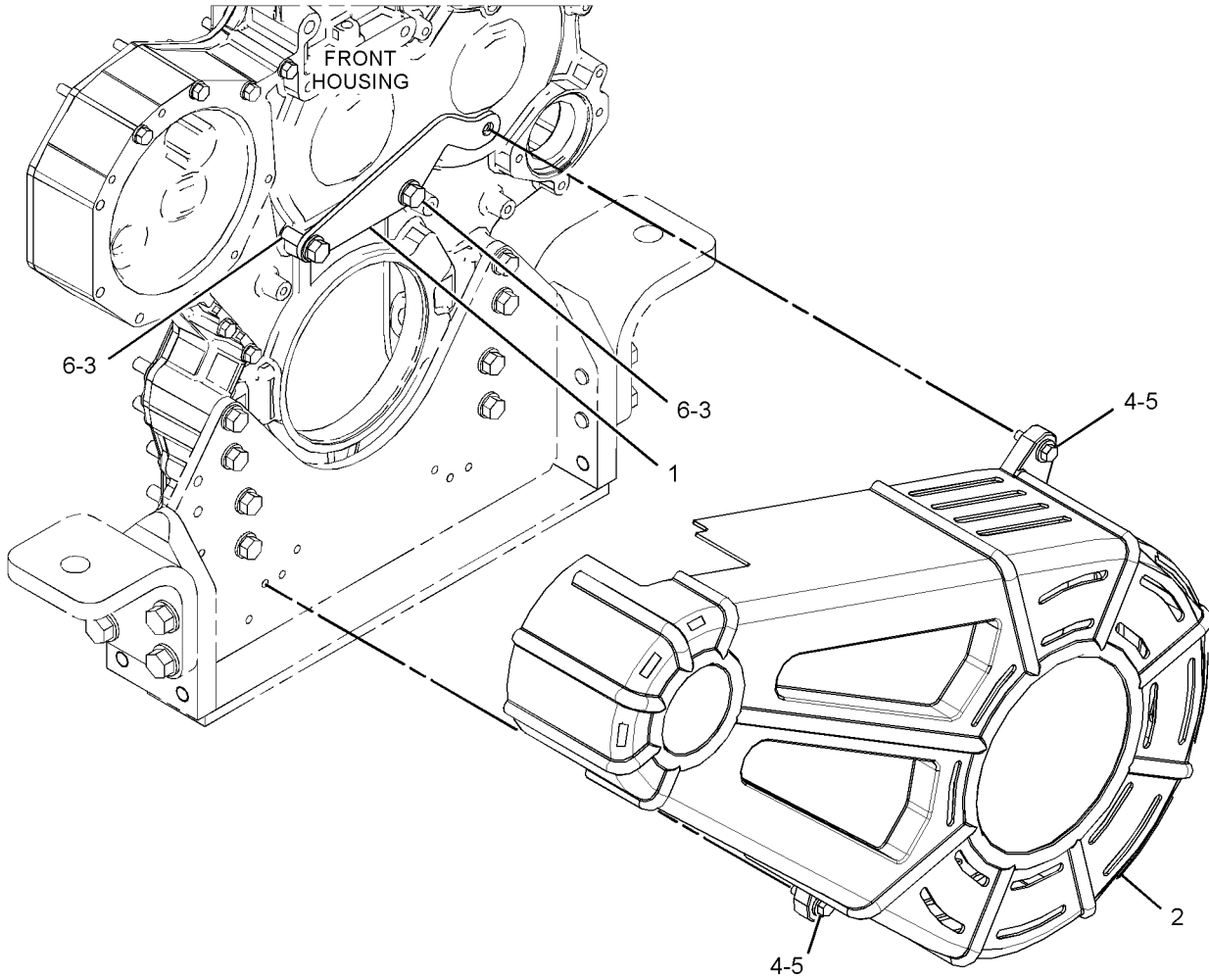
254-6039 GUARD GP-DAMPER

FOR USE WITH 16 INCH DAMPER, ALTERNATOR MOUNTING OFF OF THE FRONT HOUSING
ON THE MARINE ENGINES
AN ATTACHMENT

SMCS-1205

i03904026

NOTE	REF NO	GRAPHIC REF	PART NUMBER	QTY	PART NAME						SEE PAGE
					1	2	3	4	5	6 (PRODUCT LEVEL)	
	1	1	350-7770	1	BRACKET AS						
		1	1F-0750	1	NUT-WELD (3/8-16-THD)						
2		1	352-9716	1	GUARD AS-ALTERNATOR						
		1	254-6022	1	GUARD						
3		1	0S-1585	2	BOLT (1/2-13X1.5-IN)						
4		1	351-2247	3	BOLT (3/8-16X1.5-IN)						
5		1	5P-1075	3	WASHER-HARD (10.2X22.5X3-MM THK)						
6		1	5P-8245	2	WASHER-HARD (13.5X25.5X3-MM THK)						



GRAPHIC #1

<END>

g02152033

BASIC ENGINE

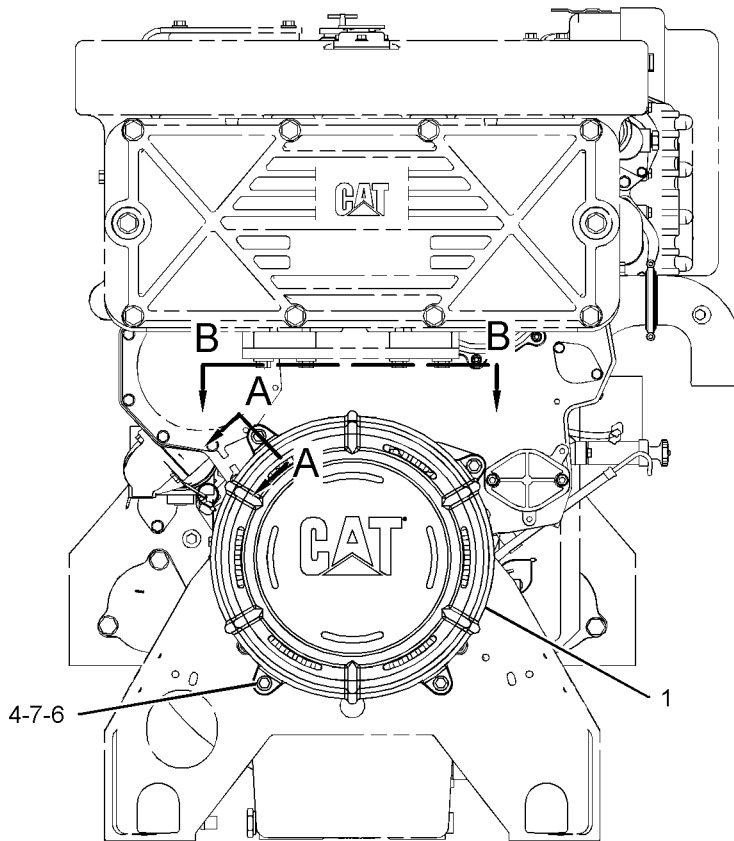
343-9768 GUARD GP-DAMPER

FOR USE WITH C18 MARINE GENSET ENGINES. CANNOT BE USED WITH 140-3694-
PAGE 243, 241-5812-PAGE 188, 253-5677-PAGE 191, 309-5588-PAGE 200
AN ATTACHMENT
TYPE 1

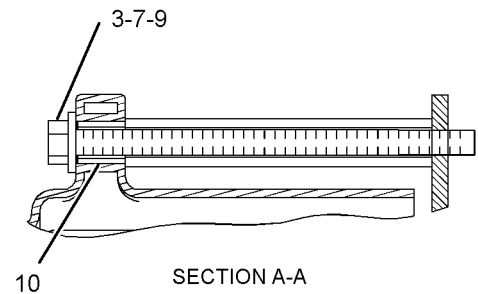
SMCS-1205

i03640790

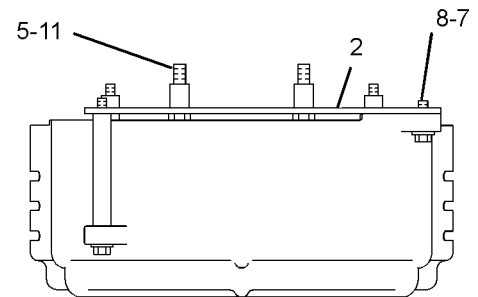
NOTE	REF NO	GRAPHIC REF	PART NUMBER	QTY	PART NAME						SEE PAGE
					1	2	3	4	5	6 (PRODUCT LEVEL)	
	1	1	307-1543	1	GUARD-DAMPER						
	2	1	346-0481	1	BRACKET						
	3	1	348-4871	1	SPACER						
	4	1	348-4872	2	SPACER						
	5	1	348-6772	2	SPACER						
	6	1	4L-6459	2	BOLT (3/8-16X2.5-IN)						
	7	1	5P-1075	4	WASHER-HARD (10.2X22.5X3-MM THK)						
	8	1	5S-7382	1	BOLT (3/8-16X1.375-IN)						
	9	1	8C-7323	1	BOLT (3/8-16X6-IN)						
	10	1	8R-8088	4	SPACER (11.66X15.88X18-MM THK)						
	11	1	8T-4835	2	BOLT (1/2-13X2-IN)						



FRONT VIEW OF ENGINE



SECTION A-A



VIEW B-B

GRAPHIC #1

<END>

g01953978

BASIC ENGINE

343-9768 GUARD GP-DAMPER

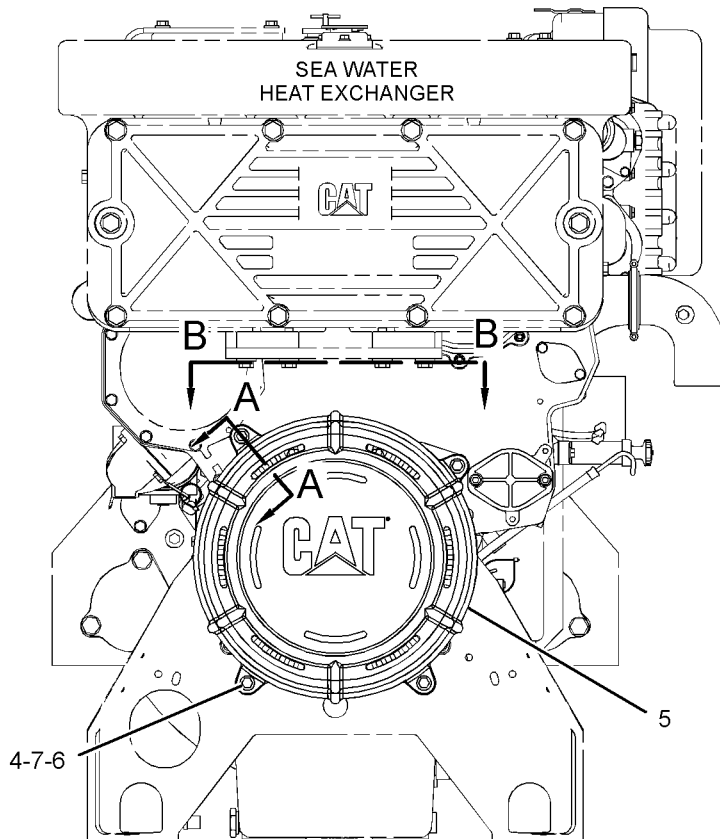
FOR USE WITH C18 MARINE GENSET ENGINES. CANNOT BE USED WITH 140-3694-
PAGE 243, 241-5812-PAGE 188, 253-5677-PAGE 191, 309-5588-PAGE 200
AN ATTACHMENT
TYPE 2

SMCS-1205

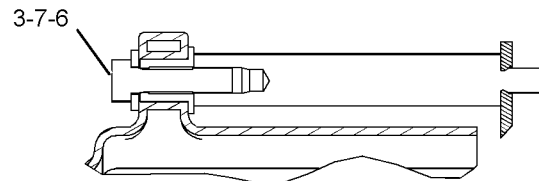
i04047979

NOTE	REF NO	GRAPHIC REF	PART NUMBER	QTY	PART NAME						SEE PAGE
					1	2	3	4	5	6 (PRODUCT LEVEL)	
	1	1	346-0481	1	PLATE AS						
	2	1	348-6772	2	SPACER						
C	3	1	350-8823	1	BOSS						
C	4	1	351-3219	2	BOSS						
C	5	1	352-9719	1	GUARD AS-DAMPER						
			307-1543	1	GUARD-DAMPER						
C	6	1	351-2247	4	BOLT (3/8-16X1.5-IN)						
	7	1	5P-1075	4	WASHER-HARD (10.2X22.5X3-MM THK)						
	8	1	8T-4835	2	BOLT (1/2-13X2-IN)						

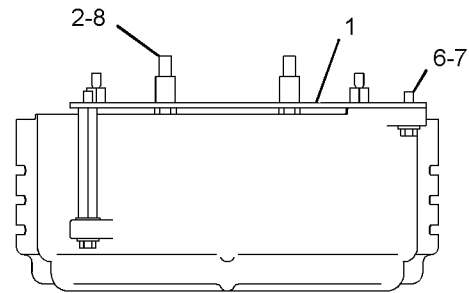
C-CHANGE FROM PREVIOUS TYPE



FRONT VIEW OF ENGINE



SECTION A-A



VIEW B-B

GRAPHIC #1

<END>

g02160234

BASIC ENGINE

167-7564 HOUSING GP-FLYWHEEL

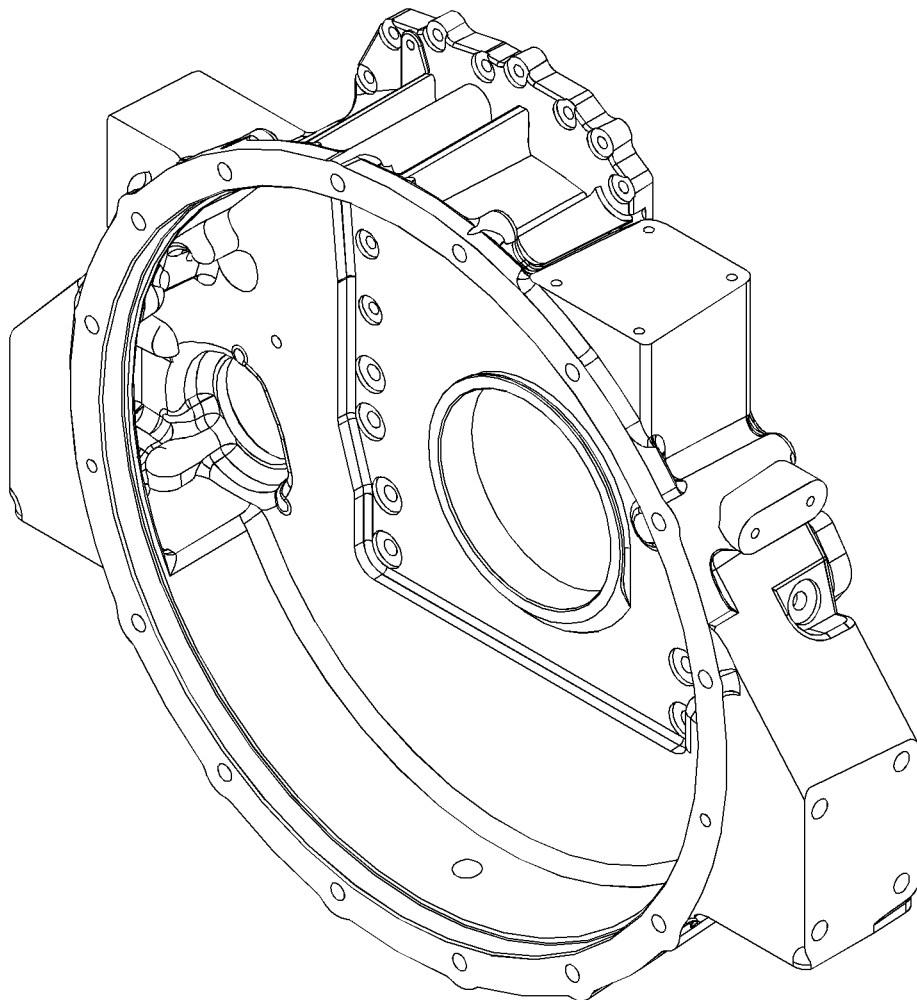
S/N: J2K1-UP

FOR USE WITH SAE NO. 0 FLYWHEEL
FIELD INSTALLATION

SMCS-1157

i02703518

NOTE	REF NO	GRAPHIC REF	PART NUMBER	QTY	PART NAME						SEE PAGE
					1	2	3	4	5	6 (PRODUCT LEVEL)	
(NO SERVICED PARTS)											



GRAPHIC #1

<END>

g01356956

BASIC ENGINE

178-8579 HOUSING GP-FLYWHEEL

S/N: J2K1-110

FOR USE WITH SAE NO. 0 FLYWHEEL
AN ATTACHMENT

SMCS-1157

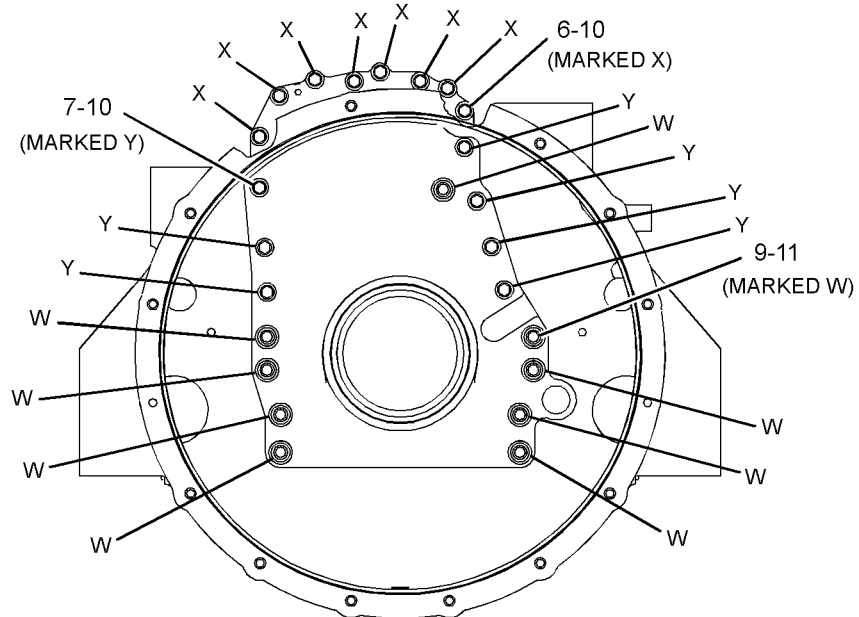
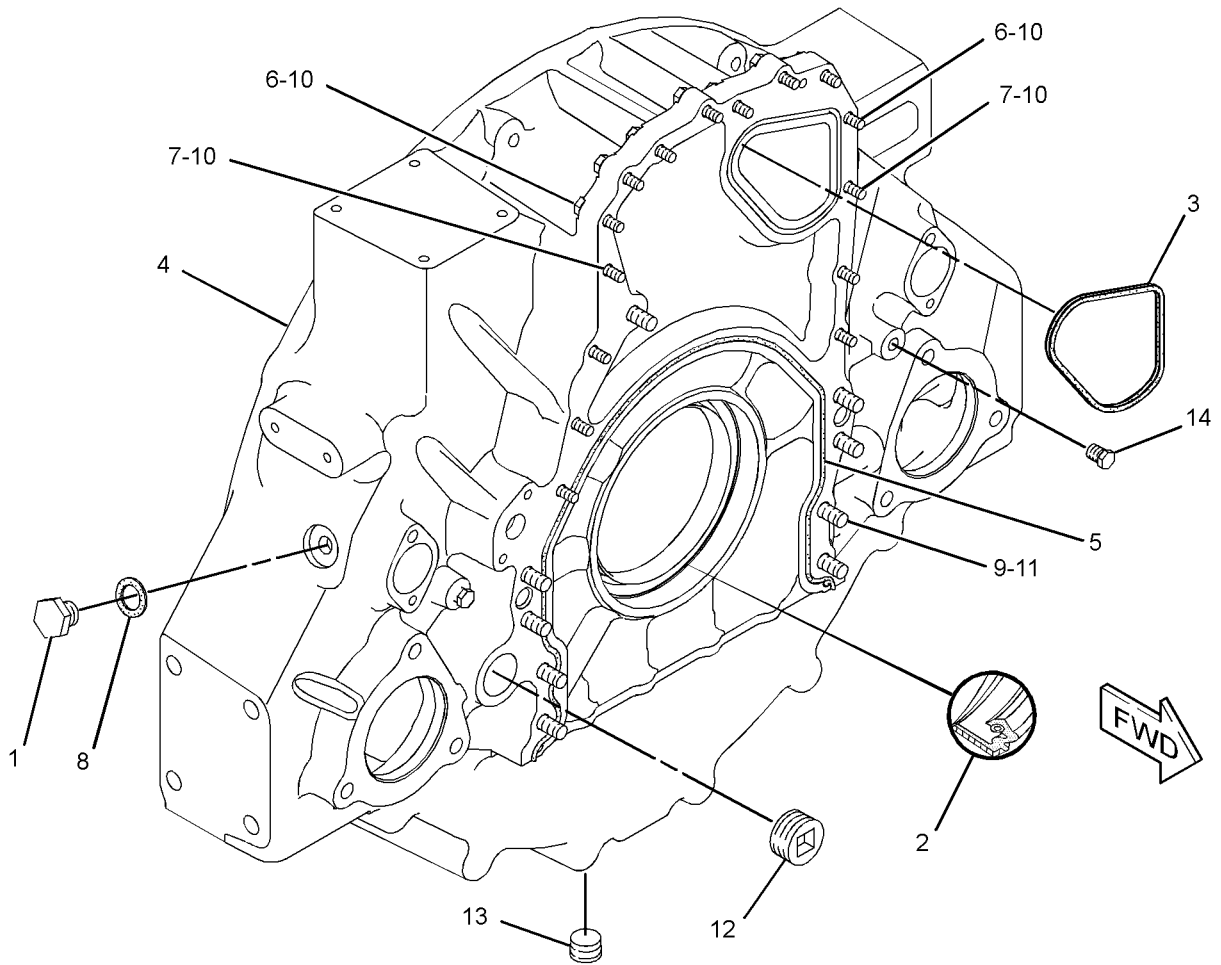
i02887939

NOTE	REF NO	GRAPHIC REF	PART NUMBER	QTY	PART NAME						SEE PAGE
					1	2	3	4	5	6 (PRODUCT LEVEL)	
	1	1	5F-0304	1	PLUG (FLYWHEEL HOUSING)						
	2	1	142-5868	1	SEAL-CRANKSHAFT (REAR) (FLYWHEEL HOUSING)						
	3	1	268-5589	1	SEAL						
	4	1	167-7564	1	HOUSING GP-FLYWHEEL						
	5	1	268-5582	1	SEAL						
	6	1	165-3929	8	BOLT (3/8-16X1.5-IN) (MARKED X)						
	7	1	165-3931	7	BOLT (3/8-16X1.75-IN) (MARKED Y)						
	8	1	2A-1162	1	GASKET						
	9	1	5J-5793	9	BOLT-12 POINT HEAD (1/2-13X1.75-IN) (MARKED W)						
	10	1	5M-2894	15	WASHER-HARD (10.2X18.5X2.5-MM THK)						
	11	1	5P-8245	9	WASHER-HARD (13.5X25.5X3-MM THK)						
	12	1	7X-7730	1	PLUG-PIPE						
	13	1	7X-7731	1	PLUG-PIPE						
	14	1	8T-6765	2	PLUG-PIPE						

BASIC ENGINE

178-8579 HOUSING GP-FLYWHEEL (contd.)

i02887939



REAR VIEW

<END>

GRAPHIC #1

g01231897

BASIC ENGINE

178-8579 HOUSING GP-FLYWHEEL

S/N: J2K111-UP; T2P694-UP
FOR USE WITH SAE NO. 0 FLYWHEEL
ALSO AN ATTACHMENT

SMCS-1157

i03267641

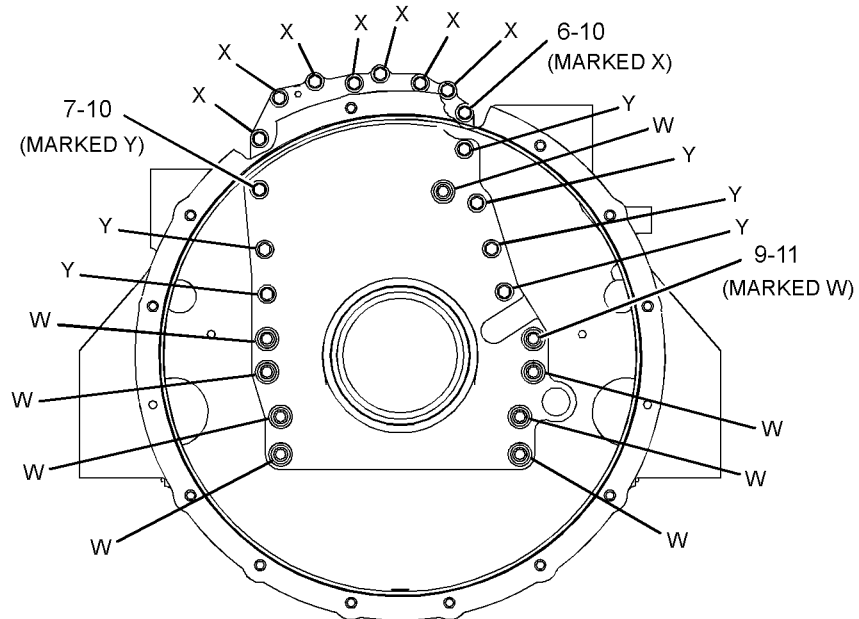
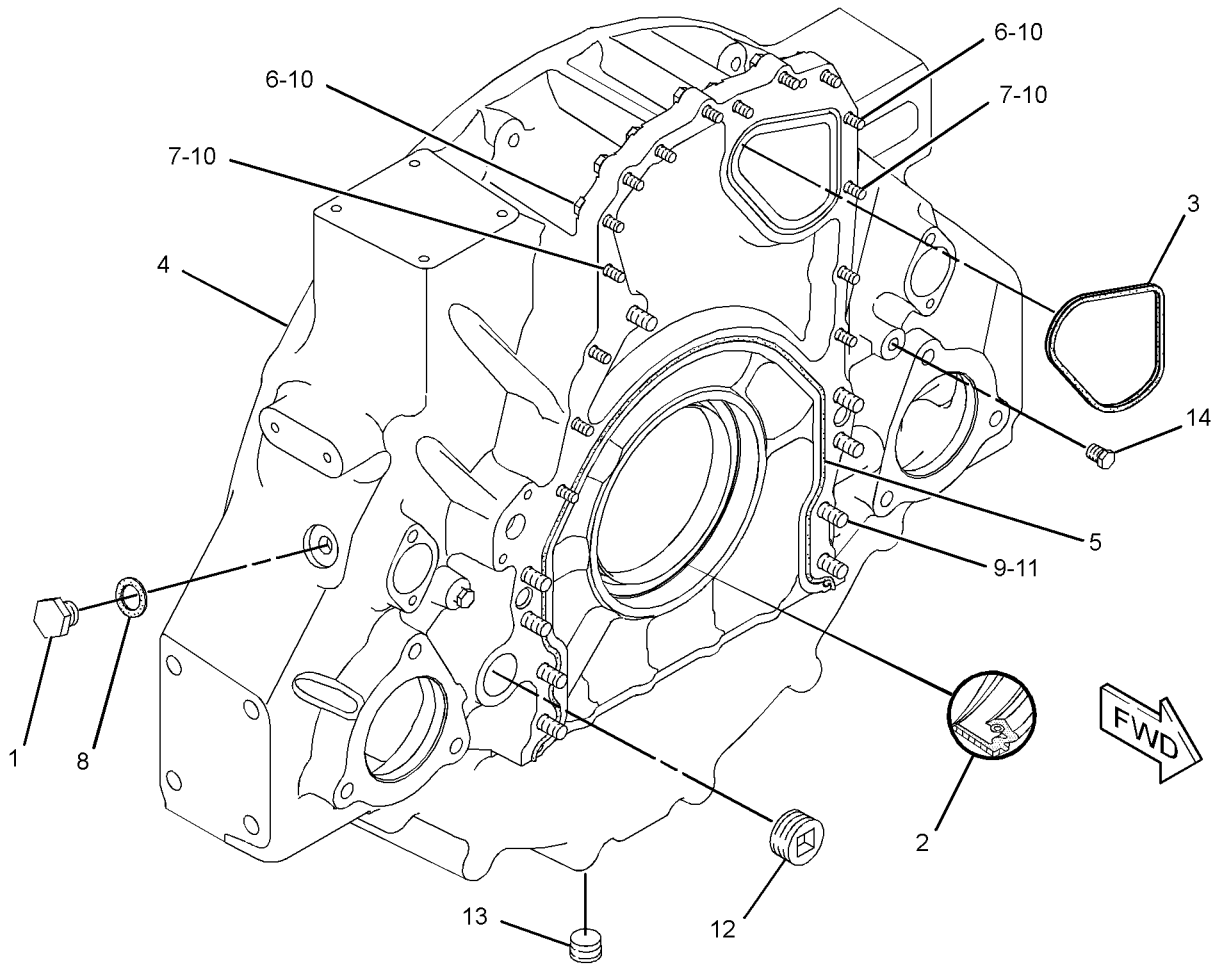
NOTE	REF NO	GRAPHIC REF	PART NUMBER	QTY	PART NAME						SEE PAGE
					1	2	3	4	5	6 (PRODUCT LEVEL)	
	1	1	5F-0304	1	PLUG (FLYWHEEL HOUSING)						
Y	2	1	319-0785	1	SEAL GP-CRANKSHAFT (REAR FLYWHEEL HOUSING)						240
	3	1	268-5589	1	SEAL						
C	4	1	302-4535	1	HOUSING-FLYWHEEL						
	5	1	268-5582	1	SEAL						
	6	1	165-3929	8	BOLT (3/8-16X1.5-IN) (MARKED X)						
	7	1	165-3931	7	BOLT (3/8-16X1.75-IN) (MARKED Y)						
	8	1	2A-1162	1	GASKET						
	9	1	5J-5793	9	BOLT-12 POINT HEAD (1/2-13X1.75-IN) (MARKED W)						
	10	1	5M-2894	15	WASHER-HARD (10.2X18.5X2.5-MM THK)						
	11	1	5P-8245	9	WASHER-HARD (13.5X25.5X3-MM THK)						
	12	1	7X-7730	1	PLUG-PIPE						
	13	1	7X-7731	1	PLUG-PIPE						
	14	1	8T-6765	2	PLUG-PIPE						

C-CHANGE FROM PREVIOUS TYPE
Y-SEPARATE ILLUSTRATION

BASIC ENGINE

178-8579 HOUSING GP-FLYWHEEL (contd.)

i03267641



REAR VIEW

<END>

GRAPHIC #1

g01231897

BASIC ENGINE

198-1295 HOUSING GP-FLYWHEEL

FOR USE WITH 196-0220-PAGE 345

ALSO AN ATTACHMENT

SMCS-1157

i02972482

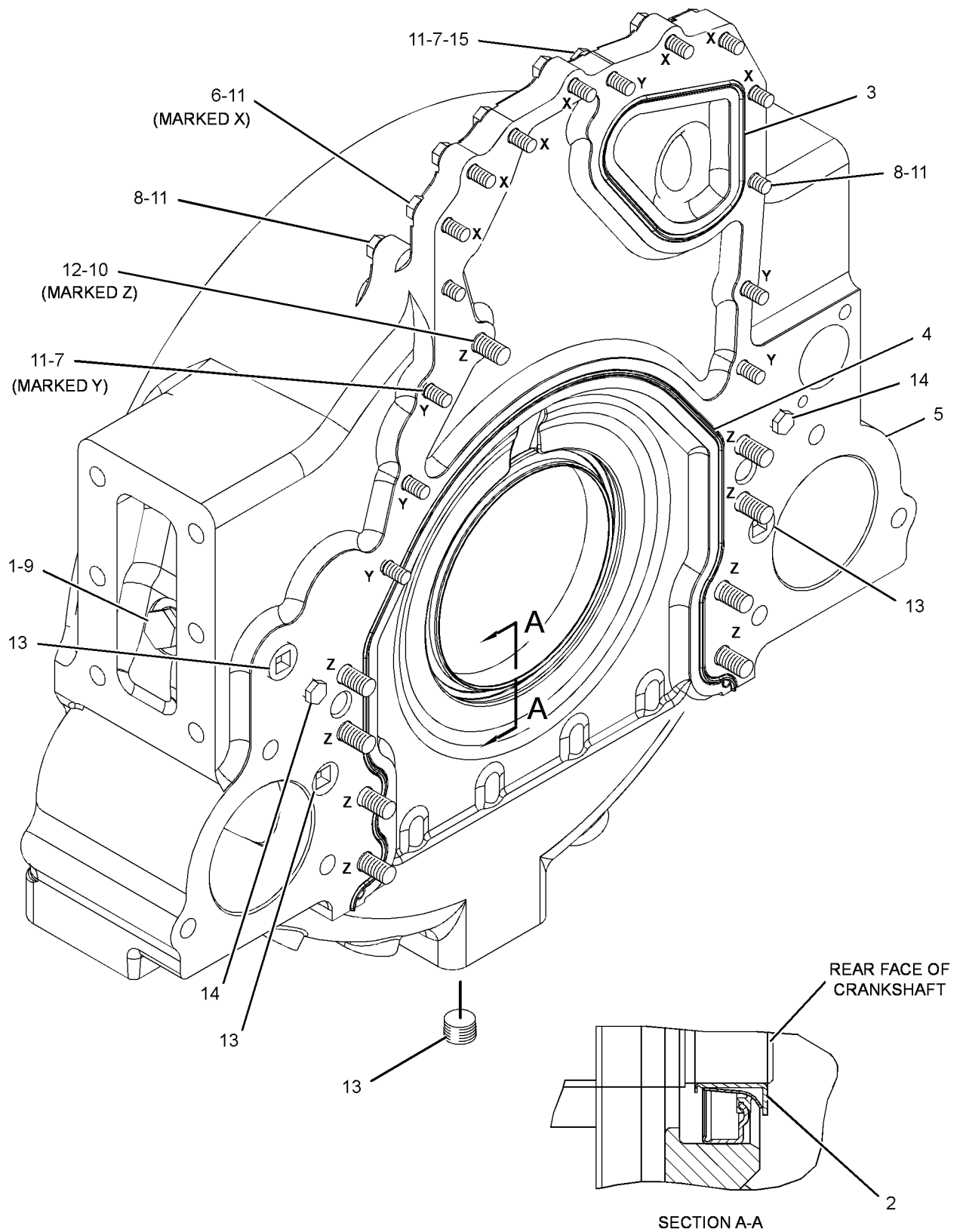
NOTE	REF NO	GRAPHIC REF	PART NUMBER	QTY	PART NAME						SEE PAGE
					1	2	3	4	5	6 (PRODUCT LEVEL)	
	1	1	5F-0304	1	PLUG (FLYWHEEL HOUSING)						
Y	2	1	319-0785	1	SEAL GP-CRANKSHAFT (REAR FLYWHEEL HOUSING)						240
C	3	1	268-5589	1	SEAL						
C	4	1	268-5582	1	SEAL						
	5	1	198-1294	1	HOUSING-FLYWHEEL						
	6	1	165-3929	7	BOLT (3/8-16X1.5-IN) (MARKED X)						
	7	1	165-3931	6	BOLT (3/8-16X1.75-IN) (MARKED Y)						
	8	1	165-3934	2	BOLT (3/8-16X2.75-IN)						
	9	1	2A-1162	1	GASKET						
	10	1	5J-5793	9	BOLT-12 POINT HEAD (1/2-13X1.75-IN) (MARKED Z)						
	11	1	5M-2894	15	WASHER-HARD (10.2X18.5X2.5-MM THK)						
	12	1	5P-8245	9	WASHER-HARD (13.5X25.5X3-MM THK)						
	13	1	7X-7731	4	PLUG-PIPE						
	14	1	8T-6765	2	PLUG-PIPE						
	15	1	7G-1239	1	SPACER (10.5X19X4.5-MM THK)						

C-CHANGE FROM PREVIOUS TYPE
Y-SEPARATE ILLUSTRATION

BASIC ENGINE

198-1295 HOUSING GP-FLYWHEEL (contd.)

i02972482



GRAPHIC #1

<END>

g01429292

BASIC ENGINE

198-1295 HOUSING GP-FLYWHEEL

S/N: T2P1-UP

FOR USE WITH 196-0220-PAGE 345

SMCS-1157

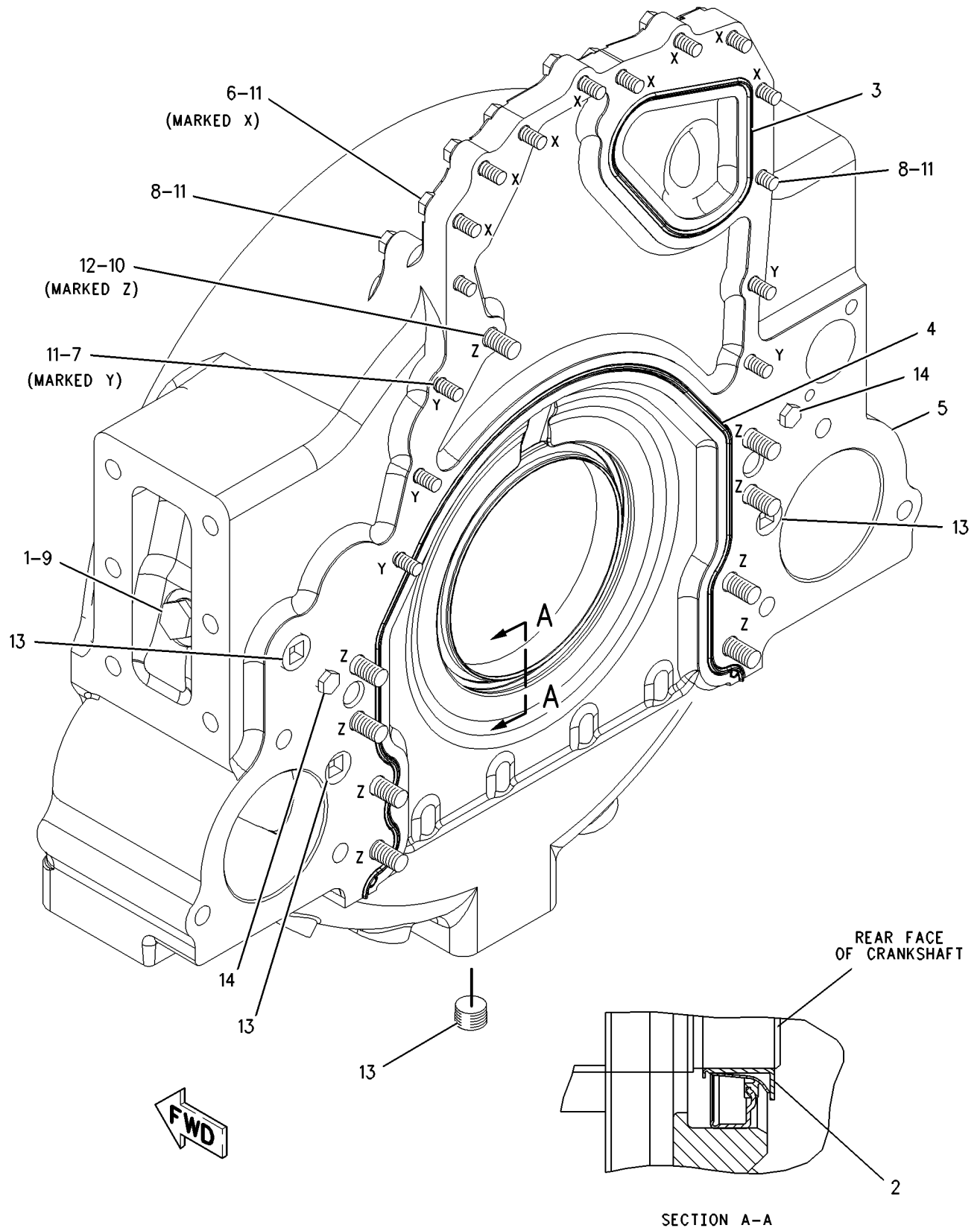
i02570942

NOTE	REF NO	GRAPHIC REF	PART NUMBER	QTY	PART NAME						SEE PAGE
					1	2	3	4	5	6 (PRODUCT LEVEL)	
	1	1	5F-0304	1	PLUG (FLYWHEEL HOUSING)						
	2	1	142-5868	1	SEAL-CRANKSHAFT (REAR) (FLYWHEEL HOUSING)						
	3	1	159-3955	1	SEAL						
	4	1	169-4703	1	SEAL						
	5	1	198-1294	1	HOUSING-FLYWHEEL						
	6	1	165-3929	8	BOLT (3/8-16X1.5-IN) (MARKED X)						
	7	1	165-3931	5	BOLT (3/8-16X1.75-IN) (MARKED Y)						
	8	1	165-3934	2	BOLT (3/8-16X2.75-IN)						
	9	1	2A-1162	1	GASKET						
	10	1	5J-5793	9	BOLT-12 POINT HEAD (1/2-13X1.75-IN) (MARKED Z)						
	11	1	5M-2894	15	WASHER-HARD (10.2X18.5X2.5-MM THK)						
	12	1	5P-8245	9	WASHER-HARD (13.5X25.5X3-MM THK)						
	13	1	7X-7731	4	PLUG-PIPE						
	14	1	8T-6765	2	PLUG-PIPE						

BASIC ENGINE

198-1295 HOUSING GP-FLYWHEEL (contd.)

i02570942



GRAPHIC #1

<END>

g00989679

BASIC ENGINE

248-0312 HOUSING GP-FLYWHEEL

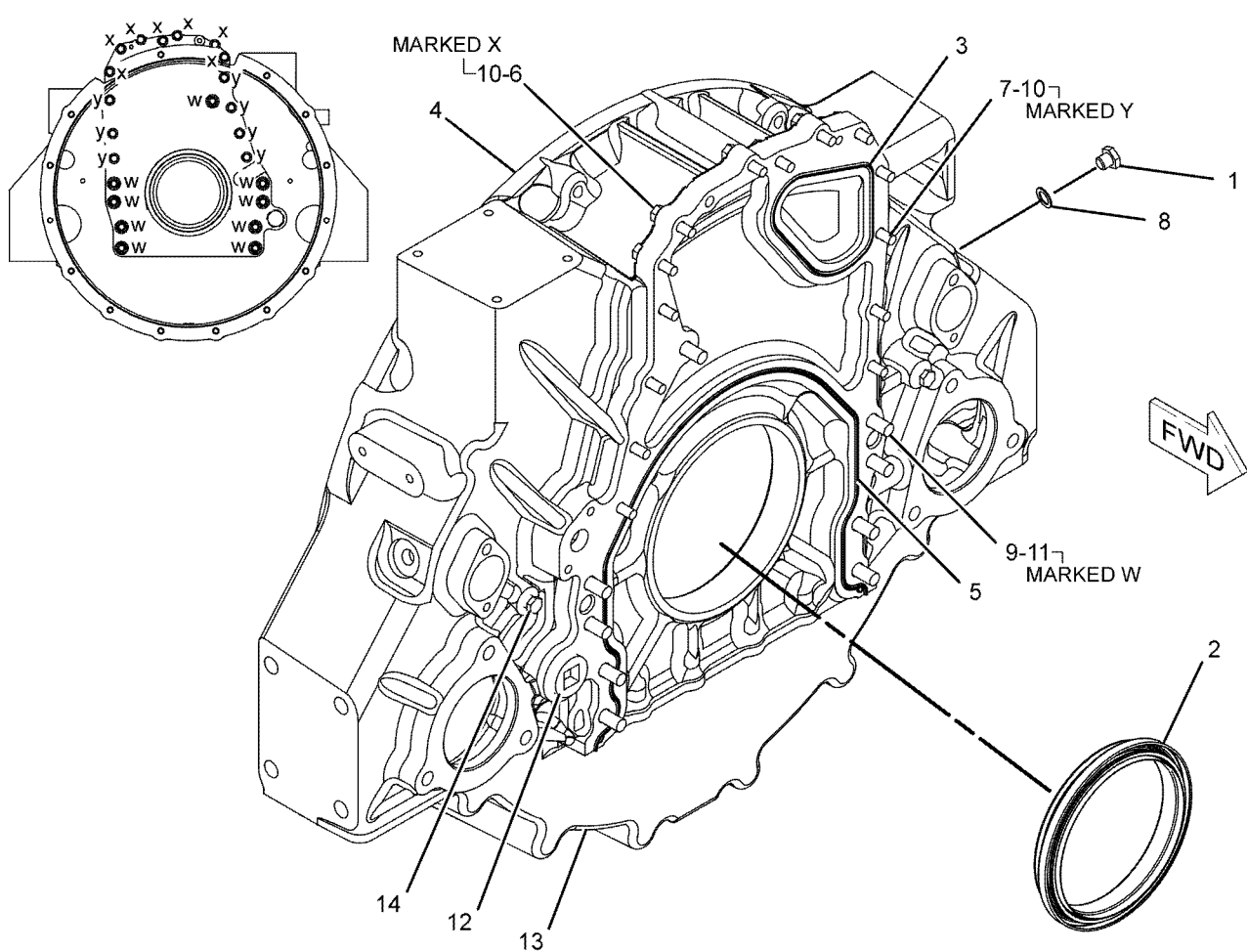
S/N: J2K1-110; T2P1-UP

SAE NO. 0 FLYWHEEL
ALSO AN ATTACHMENT

SMCS-1157

i02704869

NOTE	REF NO	GRAPHIC REF	PART NUMBER	QTY	PART NAME	1 2 3 4 5 6 (PRODUCT LEVEL)						SEE PAGE
	1	1	5F-0304	1	PLUG (FLYWHEEL HOUSING)							
	2	1	142-5868	1	SEAL-CRANKSHAFT (REAR) (FLYWHEEL HOUSING)							
	3	1	268-5589	1	SEAL							
	4	1	167-7564	1	HOUSING GP-FLYWHEEL							
	5	1	268-5582	1	SEAL							
	6	1	165-3929	7	BOLT (3/8-16X1.5-IN) (MARKED X)							
	7	1	165-3931	7	BOLT (3/8-16X1.75-IN) (MARKED Y)							
	8	1	2A-1162	1	GASKET							
	9	1	5J-5793	9	BOLT-12 POINT HEAD (1/2-13X1.75-IN) (MARKED W)							
	10	1	5M-2894	14	WASHER-HARD (10.2X18.5X2.5-MM THK)							
	11	1	5P-8245	9	WASHER-HARD (13.5X25.5X3-MM THK)							
	12	1	7X-7730	1	PLUG-PIPE							
	13	1	7X-7731	1	PLUG-PIPE							
	14	1	8T-6765	2	PLUG-PIPE							



GRAPHIC #1

<END>

g01062593

BASIC ENGINE

248-0312 HOUSING GP-FLYWHEEL

S/N: J2K111-UP; T2P1-693

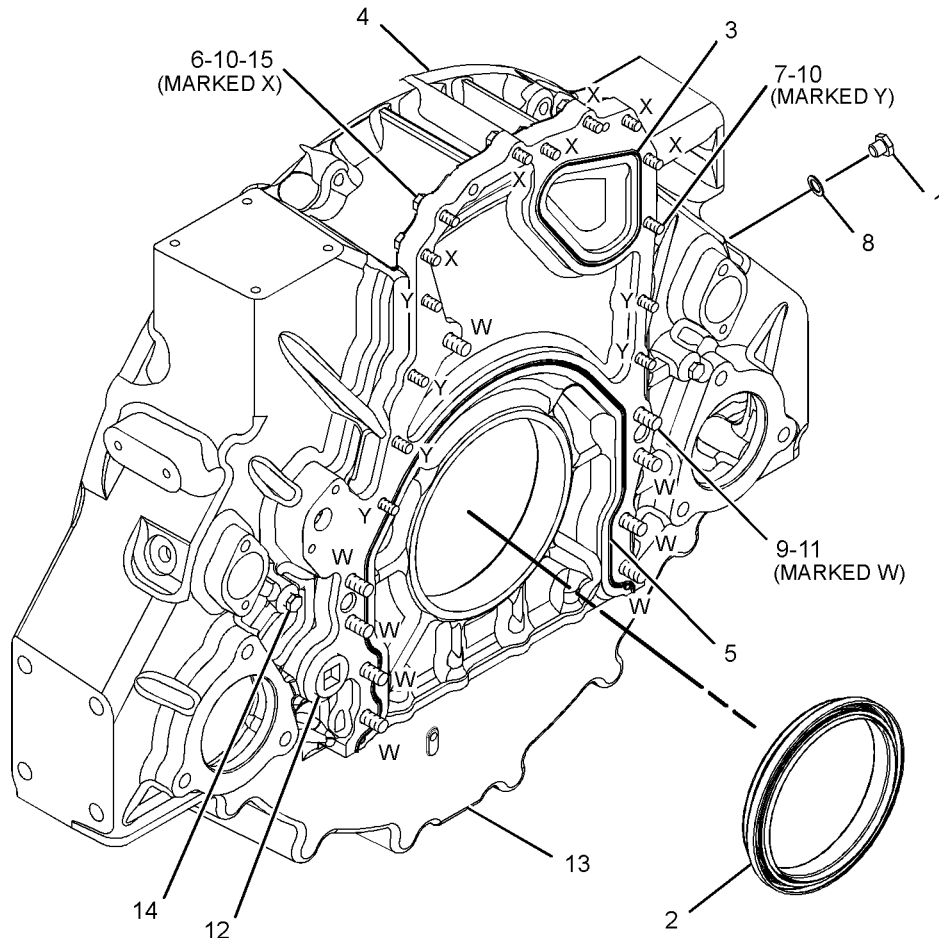
SAE NO. 0 FLYWHEEL
ALSO AN ATTACHMENT

SMCS-1157

i03119135

NOTE	REF NO	GRAPHIC REF	PART NUMBER	QTY	PART NAME	1 2 3 4 5 6 (PRODUCT LEVEL)						SEE PAGE
	1	1	5F-0304	1	PLUG (FLYWHEEL HOUSING OIL DRAIN)							
Y	2	1	319-0785	1	SEAL GP-CRANKSHAFT (REAR FLYWHEEL HOUSING)							240
	3	1	268-5589	1	SEAL							
C	4	1	302-4535	1	HOUSING-FLYWHEEL							
	5	1	268-5582	1	SEAL							
	6	1	165-3929	6	BOLT (3/8-16X1.5-IN) (MARKED X)							
	7	1	165-3931	8	BOLT (3/8-16X1.75-IN) (MARKED Y)							
	8	1	2A-1162	1	GASKET							
	9	1	5J-5793	9	BOLT-12 POINT HEAD (1/2-13X1.75-IN) (MARKED W)							
	10	1	5M-2894	14	WASHER-HARD (10.2X18.5X2.5-MM THK)							
	11	1	5P-8245	9	WASHER-HARD (13.5X25.5X3-MM THK)							
	12	1	7X-7730	1	PLUG-PIPE							
	13	1	7X-7731	1	PLUG-PIPE							
	14	1	8T-6765	2	PLUG-PIPE							
	15	1	7G-1239	1	SPACER (10.5X19X4.5-MM THK)							

C-CHANGE FROM PREVIOUS TYPE
Y-SEPARATE ILLUSTRATION



GRAPHIC #1

<END>

g01423592

BASIC ENGINE

291-4880 HOUSING GP-FRONT

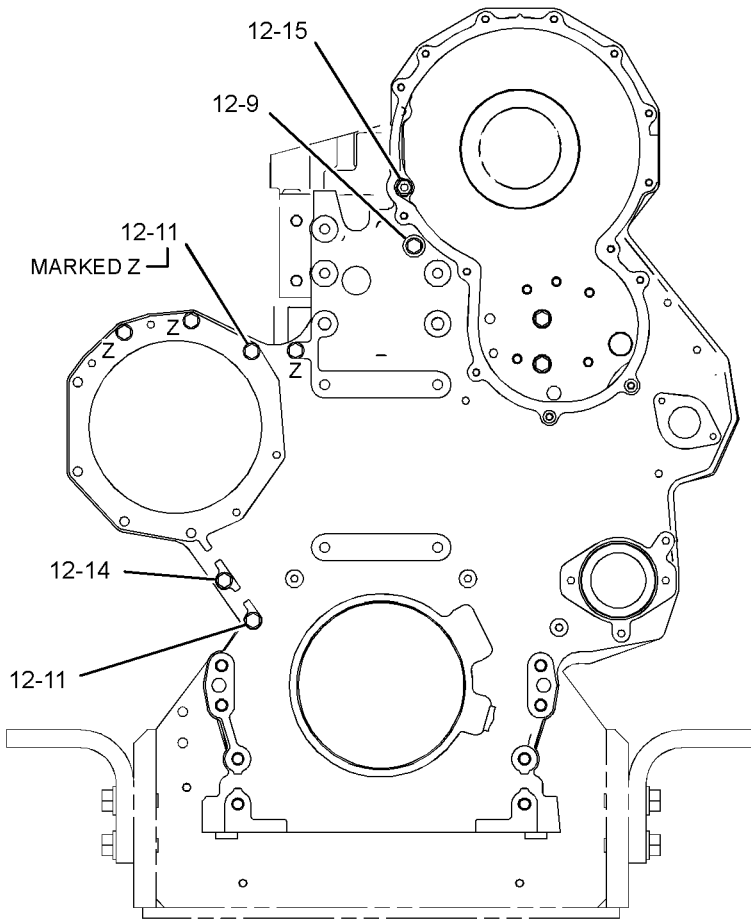
S/N: J2K1-113

FOR USE WITH C18 ACERT TIER II MARINE ENGINES
AN ATTACHMENT

SMCS-1151, 1162, 1206

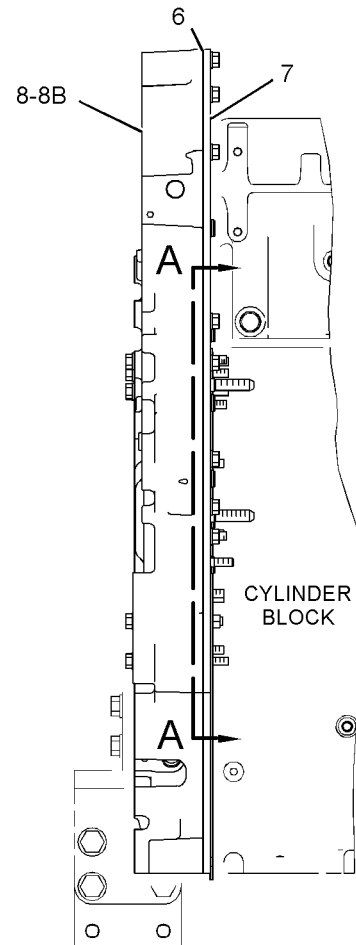
i03258352

NOTE	REF NO	GRAPHIC REF	PART NUMBER	QTY	PART NAME						SEE PAGE
					1	2	3	4	5	6 (PRODUCT LEVEL)	
	1	2	120-9243	2	STUD-SPECIAL (BRAKE)						
	2	2	126-1757	9	WASHER (10.85X19.3X1.27-MM THK)						
	3	2	129-5427	2	WASHER-SPECIAL (SEALING)						
	4	2	129-5428	12	STUD (BRAKE) (MARKED V)						
	5	2	155-9524	1	SEAL-INTEGRAL						
	6	1	166-9144	1	GASKET						
	7	1	306-7634	1	PLATE						
	8	1	248-2607	1	HOUSING AS-FRONT						
	8A	2	3E-8044	1	STUD (1/2-13X2.95-IN)						
	8B	1	246-4730	1	HOUSING-FRONT						
	9	1	0L-2070	1	BOLT (3/8-16X2.25-IN)						
	10	2	0S-1588	7	BOLT (3/8-16X1.25-IN) (MARKED T)						
	11	1	0T-0055	5	BOLT (3/8-16X4.25-IN) (MARKED Z)						
	12	1,2	5M-2894	24	WASHER-HARD (10.2X18.5X2.5-MM THK)						
	13	2	5P-4255	8	BOLT-LOCKING (3/8-16X1-IN) (MARKED X)						
	14	1	8S-9191	1	BOLT (3/8-16X4-IN)						
	15	1,2	9S-8752	2	NUT-FULL (3/8-16-THD)						



FRONT VIEW OF ENGINE

GRAPHIC #1



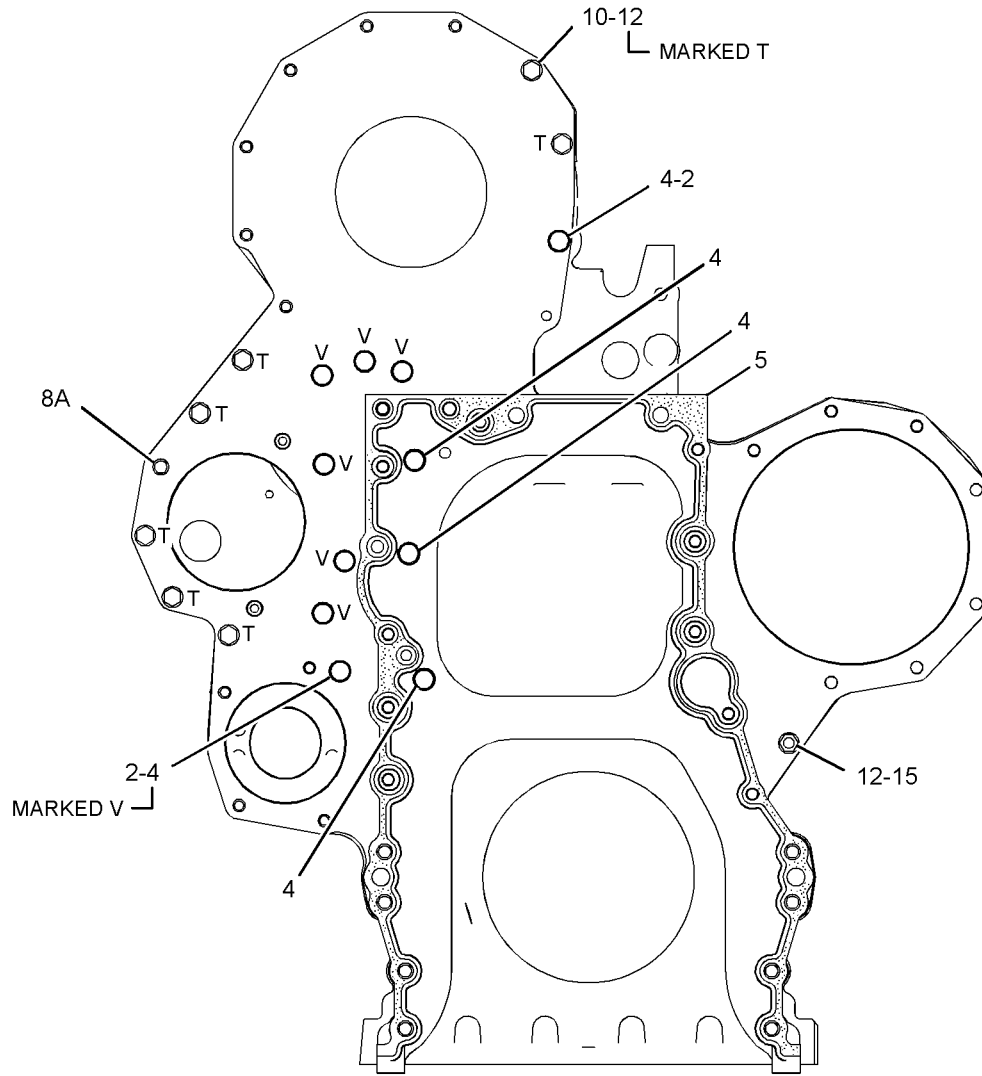
LEFT SIDE VIEW OF ENGINE

g01323112

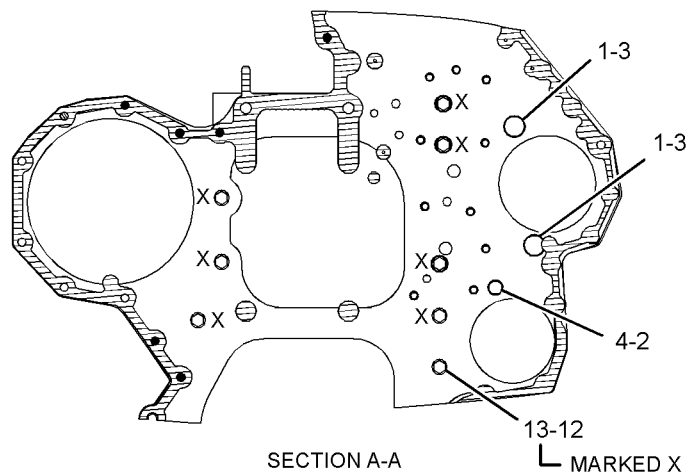
BASIC ENGINE

291-4880 HOUSING GP-FRONT (contd.)

i03258352



REAR VIEW OF ENGINE



SECTION A-A

<END>

GRAPHIC #2

g01328910

BASIC ENGINE

291-4880 HOUSING GP-FRONT

S/N: J2K114-UP; T2P1-UP
FOR USE WITH C18 ACERT TIER II MARINE ENGINES
ALSO AN ATTACHMENT

SMCS-1151, 1162, 1206

i03906491

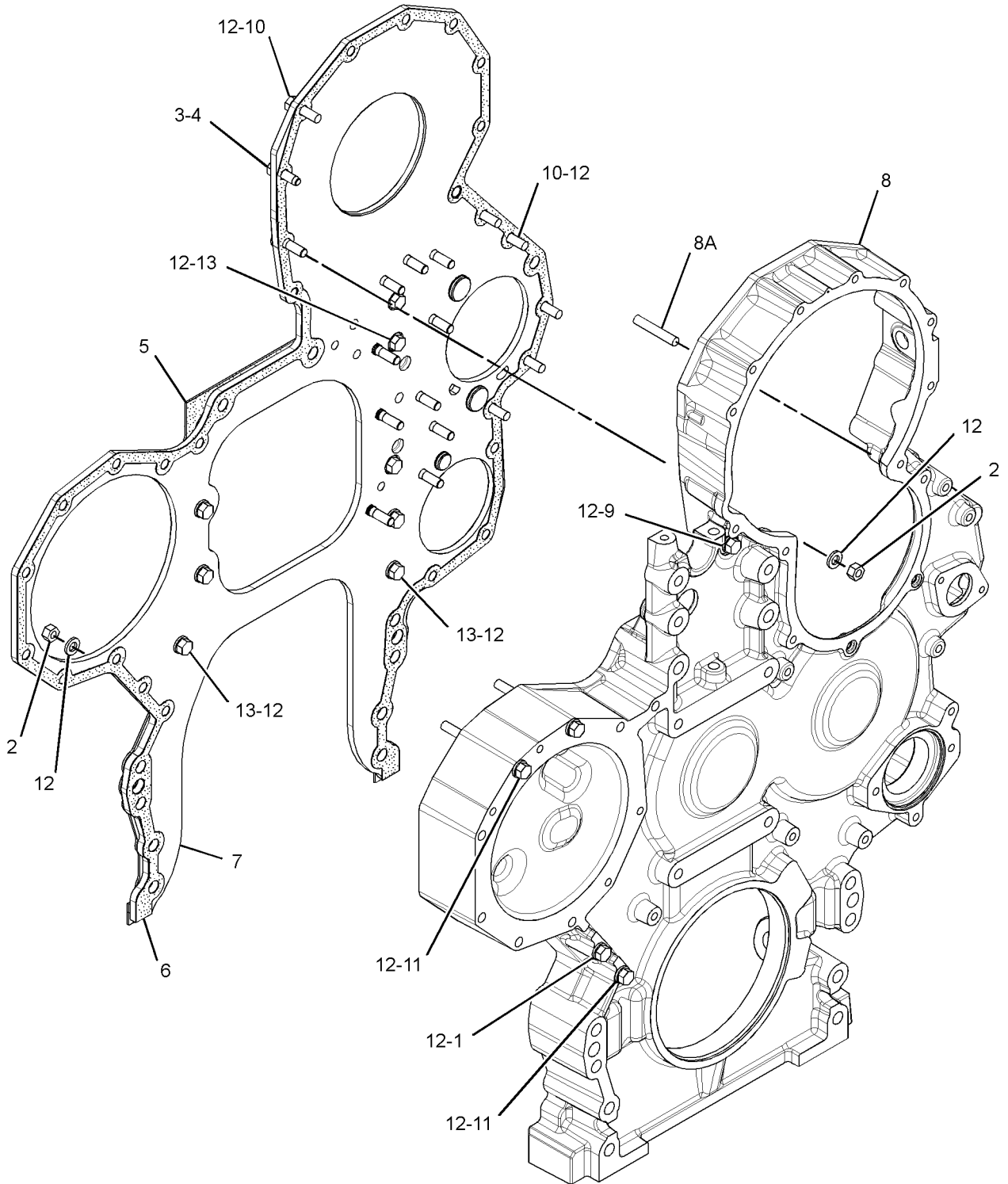
NOTE	REF NO	GRAPHIC REF	PART NUMBER	QTY	PART NAME						SEE PAGE
					1	2	3	4	5	6 (PRODUCT LEVEL)	
	1	1	8S-9191	1	BOLT (3/8-16X4-IN)						
	2	1	9S-8752	2	NUT-FULL (3/8-16-THD)						
	3	1	2M-1538	1	STUD-TAPERLOCK (3/8-16X1.6-IN)						
	4	1	235-1088	1	NUT (3/8-16-THD)						
	5	1	155-9524	1	SEAL-INTEGRAL						
	6	1	166-9144	1	GASKET						
Y	7	1	353-9983	1	PLATE AS-FRONT HOUSING						217
C	8	1	248-2607	1	HOUSING AS-FRONT						
		1	311-3933	1	HOUSING-FRONT						
	8A	1	3E-8044	1	STUD (1/2-13X2.95-IN)						
	9	1	0L-2070	1	BOLT (3/8-16X2.25-IN)						
	10	1	0S-1588	6	BOLT (3/8-16X1.25-IN) (MARKED T)						
	11	1	0T-0055	3	BOLT (3/8-16X4.25-IN) (MARKED Z)						
	12	1	5M-2894	21	WASHER-HARD (10.2X18.5X2.5-MM THK)						
	13	1	5P-4255	8	BOLT-LOCKING (3/8-16X1-IN) (MARKED X)						

C-CHANGE FROM PREVIOUS TYPE
Y-SEPARATE ILLUSTRATION

BASIC ENGINE

291-4880 HOUSING GP-FRONT (contd.)

i03906491



GRAPHIC #1

<END>

g02155566

BASIC ENGINE

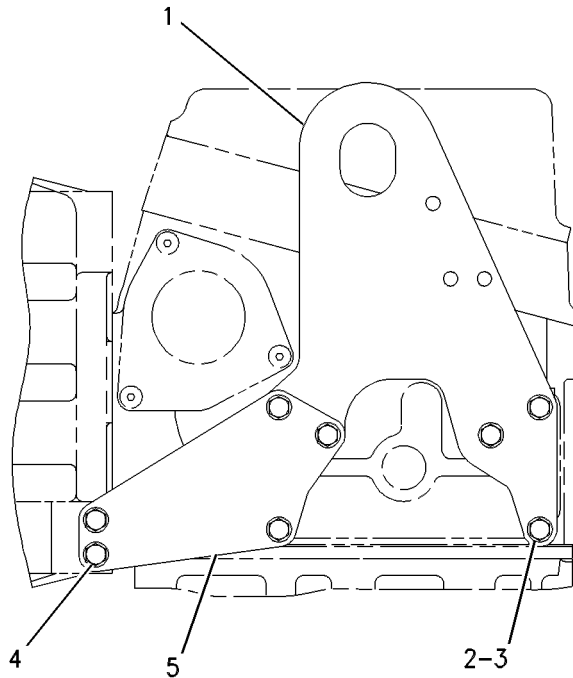
124-6328 LIFTING GP-ENGINE

REAR
AN ATTACHMENT

SMCS-1122

i02763876

NOTE	REF NO	GRAPHIC REF	PART NUMBER	QTY	PART NAME						SEE PAGE
					1	2	3	4	5	6 (PRODUCT LEVEL)	
	1	1	124-6327	1	EYE-LIFTING						
	2	1	5M-2894	8	WASHER-HARD (10.2X18.5X2.5-MM THK)						
	3	1	OS-1594	3	BOLT (3/8-16X1-IN)						
	4	1	OS-1588	5	BOLT (3/8-16X1.25-IN)						
	5	1	140-6333	1	PLATE						



GRAPHIC #1

<END>

g00282518

BASIC ENGINE

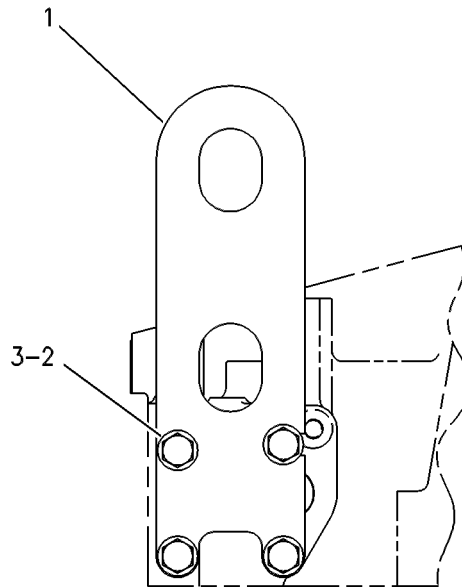
127-0564 LIFTING GP-ENGINE

FRONT
ALSO AN ATTACHMENT

SMCS-1122

i00671604

NOTE	REF NO	GRAPHIC REF	PART NUMBER	QTY	PART NAME						SEE PAGE
					1	2	3	4	5	6 (PRODUCT LEVEL)	
	1	1	127-0563	1	EYE-LIFTING						
	2	1	0S-1595	4	BOLT (1/2-13X1.25-IN)						
	3	1	5P-8245	4	WASHER-HARD (13.5X25.5X3-MM THK)						



FRONT VIEW

GRAPHIC #1

<END>

g00257294

BASIC ENGINE

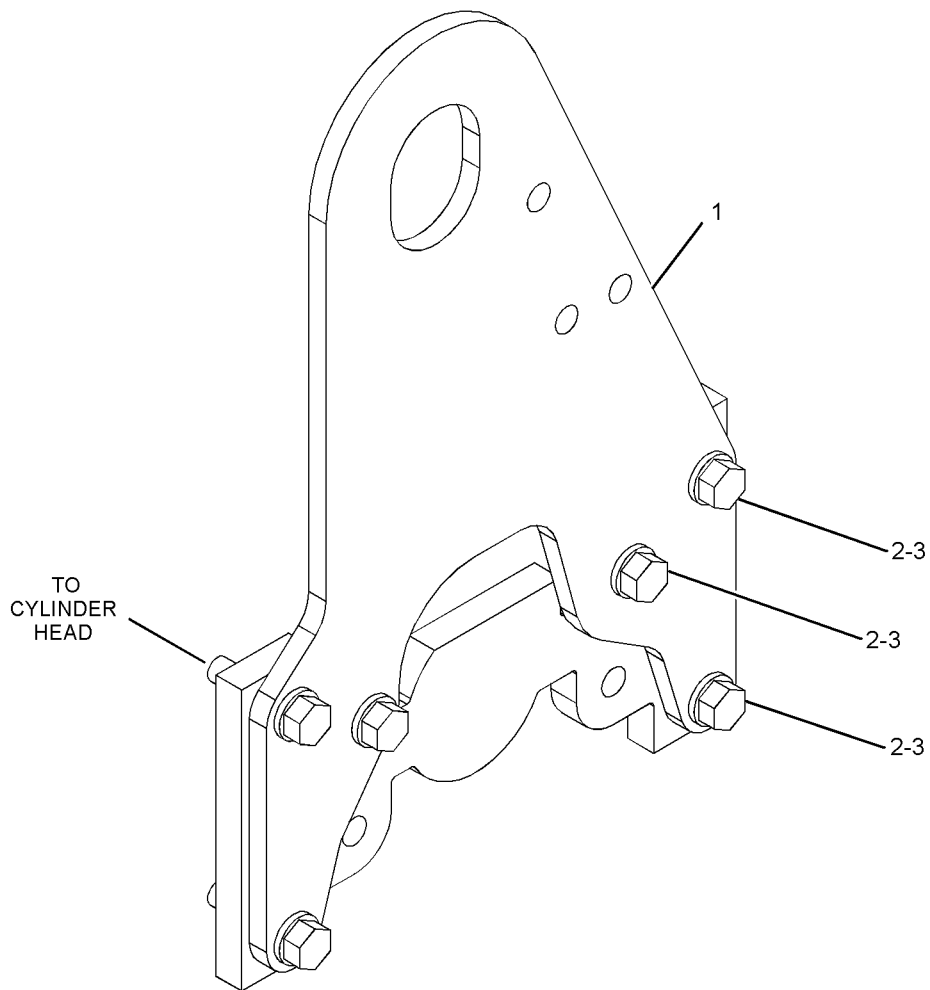
310-5806 LIFTING GP-ENGINE-REAR

S/N: T2P1-UP

SMCS-1122

i03267000

NOTE	REF NO	GRAPHIC REF	PART NUMBER	QTY	PART NAME						SEE PAGE
					1	2	3	4	5	6 (PRODUCT LEVEL)	
	1	1	124-6327	1	EYE-LIFTING						
	2	1	0S-1594	3	BOLT (3/8-16X1-IN)						
	3	1	5M-2894	3	WASHER-HARD (10.2X18.5X2.5-MM THK)						



GRAPHIC #1

<END>

g01666313

BASIC ENGINE

190-0009 MECHANISM GP-FUEL PUMP & VALVE

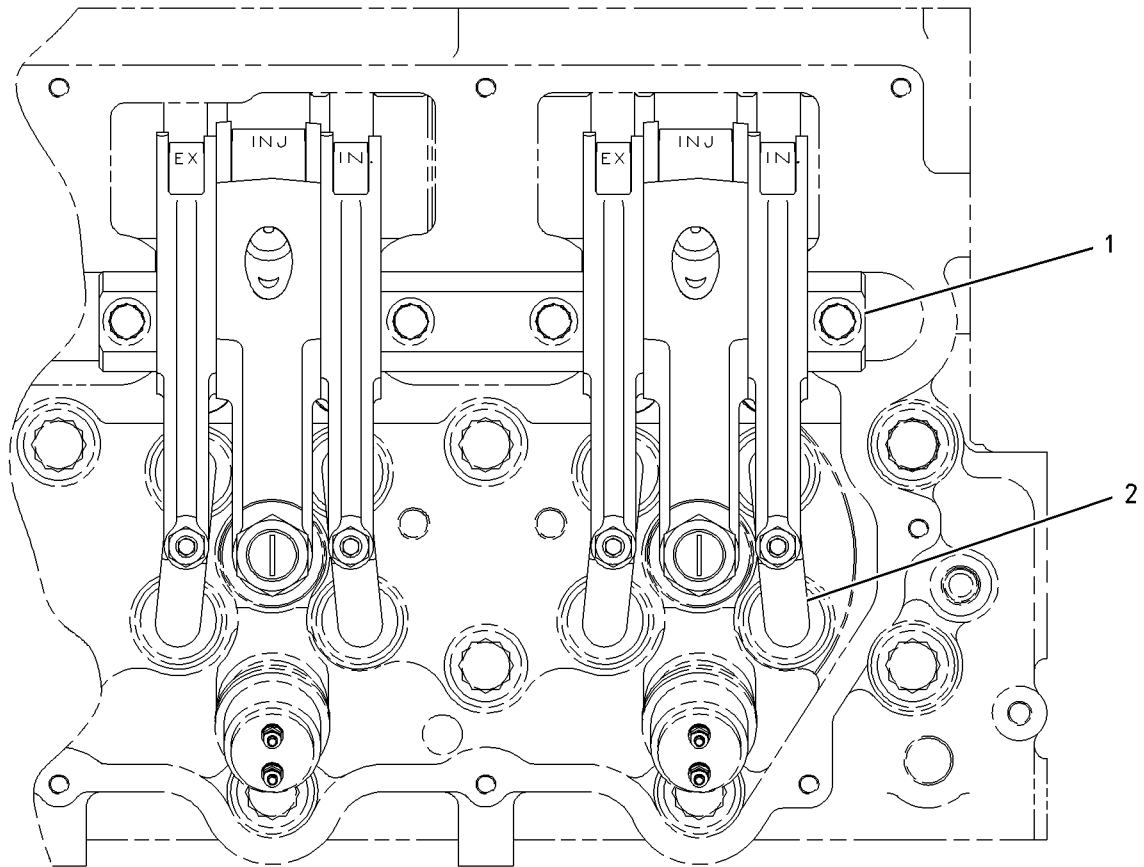
S/N: J2K1-UP; T2P1-751

SMCS-1102, 1123

i02518515

NOTE	REF NO	GRAPHIC REF	PART NUMBER	QTY	PART NAME						SEE PAGE
					1	2	3	4	5	6 (PRODUCT LEVEL)	
CY	1	1	278-1929	3	ROCKER ARM GP						236
	2	1	6I-1458	12	BRIDGE-VALVE						

C-CHANGE FROM PREVIOUS TYPE
Y-SEPARATE ILLUSTRATION



TOP VIEW

GRAPHIC #1

<END>

g00814910

BASIC ENGINE

190-0009 MECHANISM GP-FUEL PUMP & VALVE

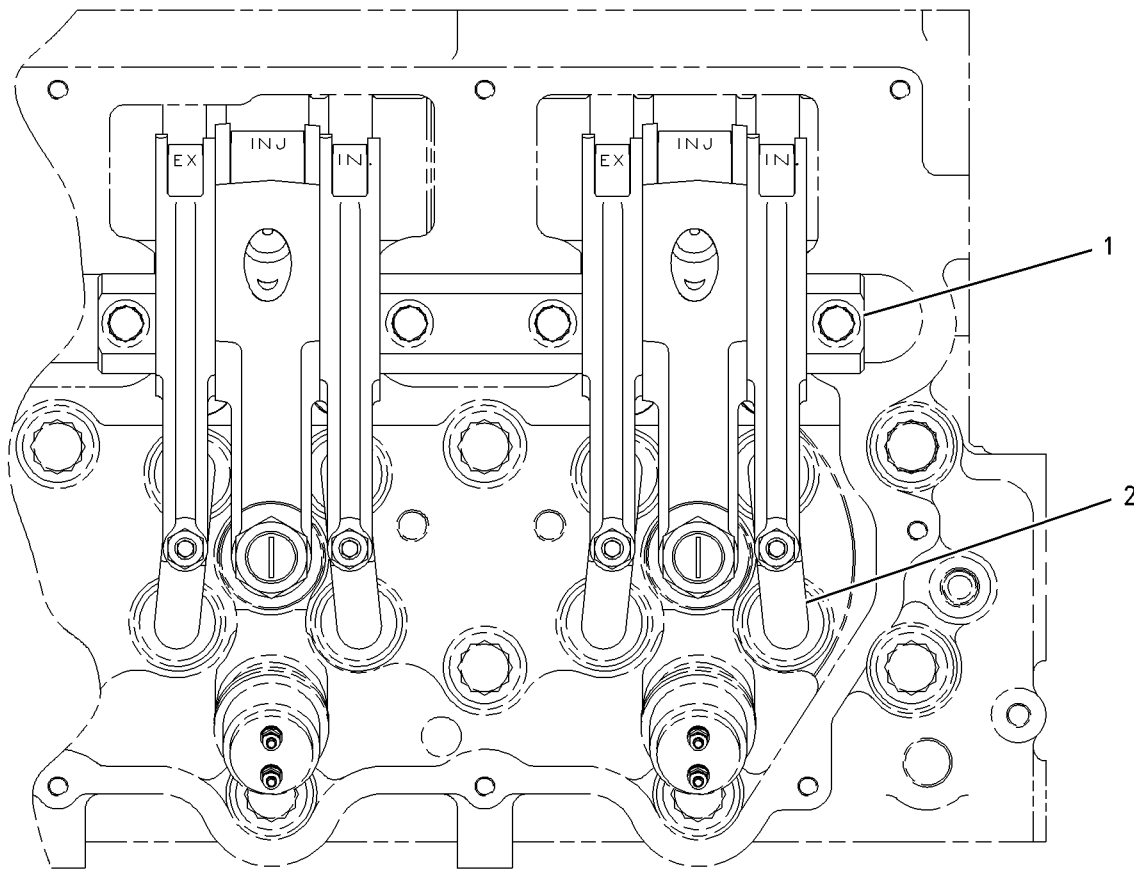
S/N: J2K1-UP; T2P752-UP

SMCS-1102, 1123

i03690834

NOTE	REF NO	GRAPHIC REF	PART NUMBER	QTY	PART NAME						SEE PAGE
					1	2	3	4	5	6 (PRODUCT LEVEL)	
CY	1	1	328-4236	3	ROCKER ARM GP						238
	2	1	348-7743	12	BRIDGE-VALVE						

C-CHANGE FROM PREVIOUS TYPE
Y-SEPARATE ILLUSTRATION



TOP VIEW

GRAPHIC #1

<END>

g00814910

BASIC ENGINE

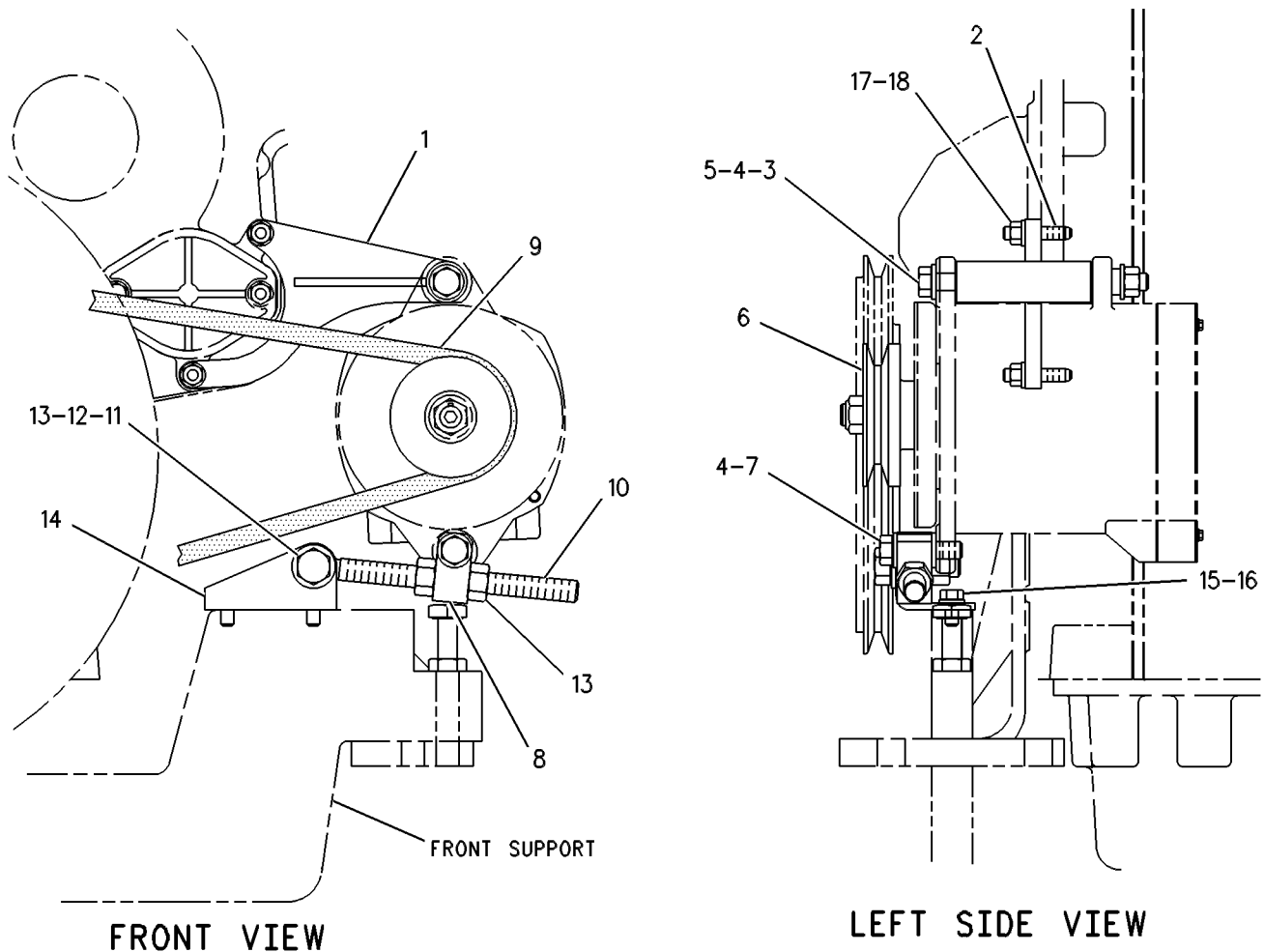
131-8293 MOUNTING GP-ALTERNATOR

FOR USE WITH HEAVY DUTY ALTERNATOR WHEN USED WITH FRONT PTO OR FRONT STUB
SHAFT
AN ATTACHMENT

SMCS-1154, 1405

i01628776

NOTE	REF NO	GRAPHIC REF	PART NUMBER	QTY	PART NAME						SEE PAGE
					1	2	3	4	5	6 (PRODUCT LEVEL)	
	1	1	136-9501	1	BRACKET AS						
	2	1	1J-8668	2	STUD-TAPERLOCK (3/8-16X1.97-IN)						
	3	1	7X-0339	1	BOLT (1/2-13X6.25-IN)						
	4	1	8T-4223	4	WASHER-HARD (13.5X25.5X3-MM THK)						
	5	1	6V-8188	1	NUT (1/2-13-THD)						
	6	1	1W-4846	1	PULLEY-ALTERNATOR						
	7	1	8T-4835	1	BOLT (1/2-13X2-IN)						
	8	1	8S-5383	1	BLOCK						
	9	1	9L-6645	1	V-BELT (ALTERNATOR)						
	10	1	1S-4589	1	ROD						
	11	1	7X-0345	1	BOLT (5/8-11X1.75-IN)						
	12	1	8T-4122	2	WASHER-HARD (17X32X3.5-MM THK)						
	13	1	7X-0448	3	NUT (5/8-11-THD)						
	14	1	1W-4845	1	CLIP						
	15	1	0S-0509	2	BOLT (3/8-16X0.75-IN)						
	16	1	9L-9132	2	WASHER (10.2X25.5X2.5-MM THK)						
	17	1	5M-2894	2	WASHER-HARD (10.2X18.5X2.5-MM THK)						
	18	1	9S-8752	2	NUT-FULL (3/8-16-THD)						



GRAPHIC #1

<END>

g00272460

BASIC ENGINE

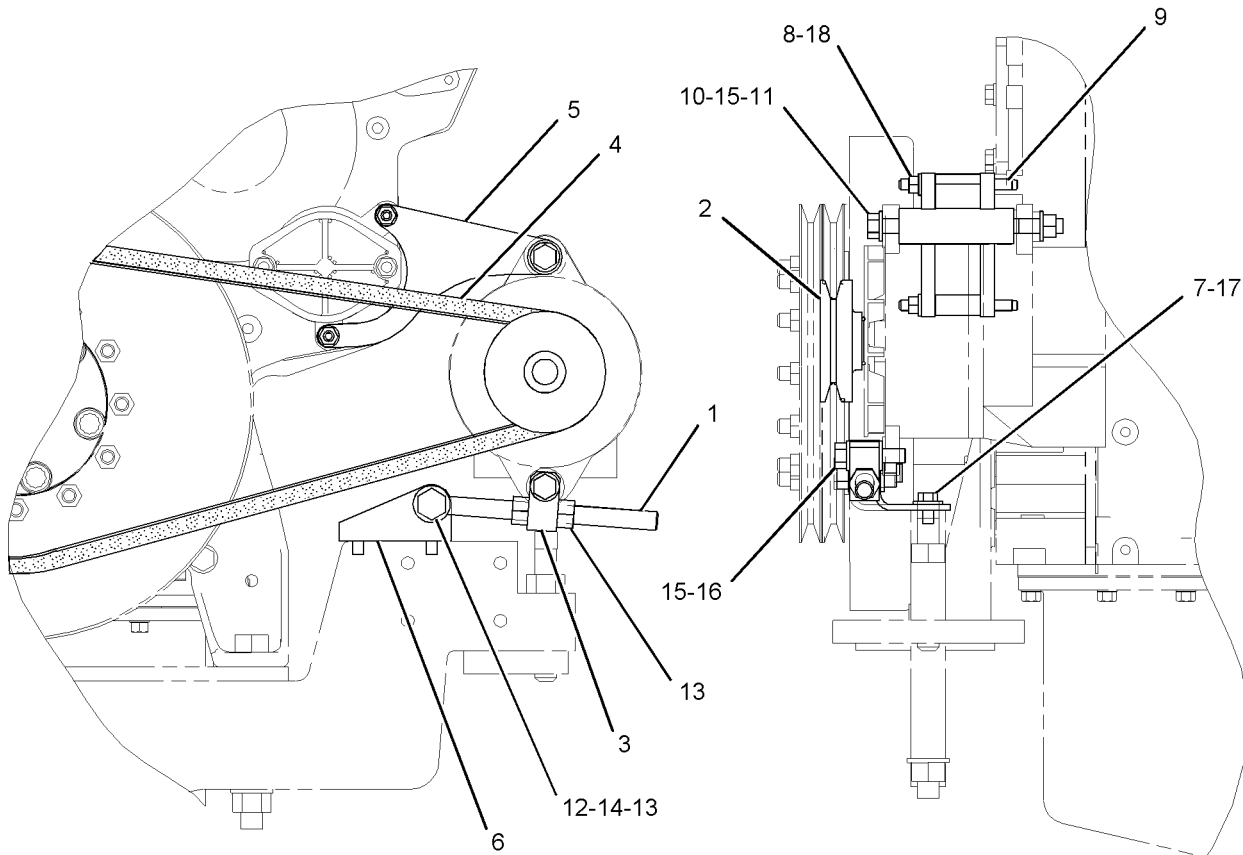
241-5812 MOUNTING GP-ALTERNATOR

FOR USE WITH HEAVY DUTY FRONT SUPPORT, 140-3694—PAGE 243
AN ATTACHMENT

SMCS-1154, 1405

i03686222

NOTE	REF NO	GRAPHIC REF	PART NUMBER	QTY	PART NAME						SEE PAGE
					1	2	3	4	5	6 (PRODUCT LEVEL)	
	1	1	1S-4589	1	ROD						
	2	1	1W-4846	1	PULLEY-ALTERNATOR (1-GROOVE)						
	3	1	8S-5383	1	BLOCK						
	4	1	9L-6645	1	V-BELT (ALTERNATOR)						
	5	1	241-5816	1	BRACKET AS						
	6	1	241-5817	1	CLIP						
	7	1	0S-0509	2	BOLT (3/8-16X0.75-IN)						
	8	1	5M-2894	2	WASHER-HARD (10.2X18.5X2.5-MM THK)						
	9	1	6L-4428	2	STUD-TAPERLOCK (3/8-16X4.01-IN)						
	10	1	6V-8188	1	NUT (1/2-13-THD)						
	11	1	7X-0339	1	BOLT (1/2-13X6.25-IN)						
	12	1	7X-0345	1	BOLT (5/8-11X1.75-IN)						
	13	1	7X-0448	3	NUT (5/8-11-THD)						
	14	1	8T-4122	2	WASHER-HARD (17X32X3.5-MM THK)						
	15	1	8T-4223	4	WASHER-HARD (13.5X25.5X3-MM THK)						
	16	1	8T-4835	1	BOLT (1/2-13X2-IN)						
	17	1	9L-9132	2	WASHER (10.2X25.5X2.5-MM THK)						
	18	1	9S-8752	2	NUT-FULL (3/8-16-THD)						



FRONT VIEW

LEFT SIDE VIEW

GRAPHIC #1

<END>

g01029831

BASIC ENGINE

241-5813 MOUNTING GP-ALTERNATOR

FOR USE WITH HEAVY DUTY FRONT SUPPORT, 140-3694-PAGE 243
AN ATTACHMENT

SMCS-1154, 1405

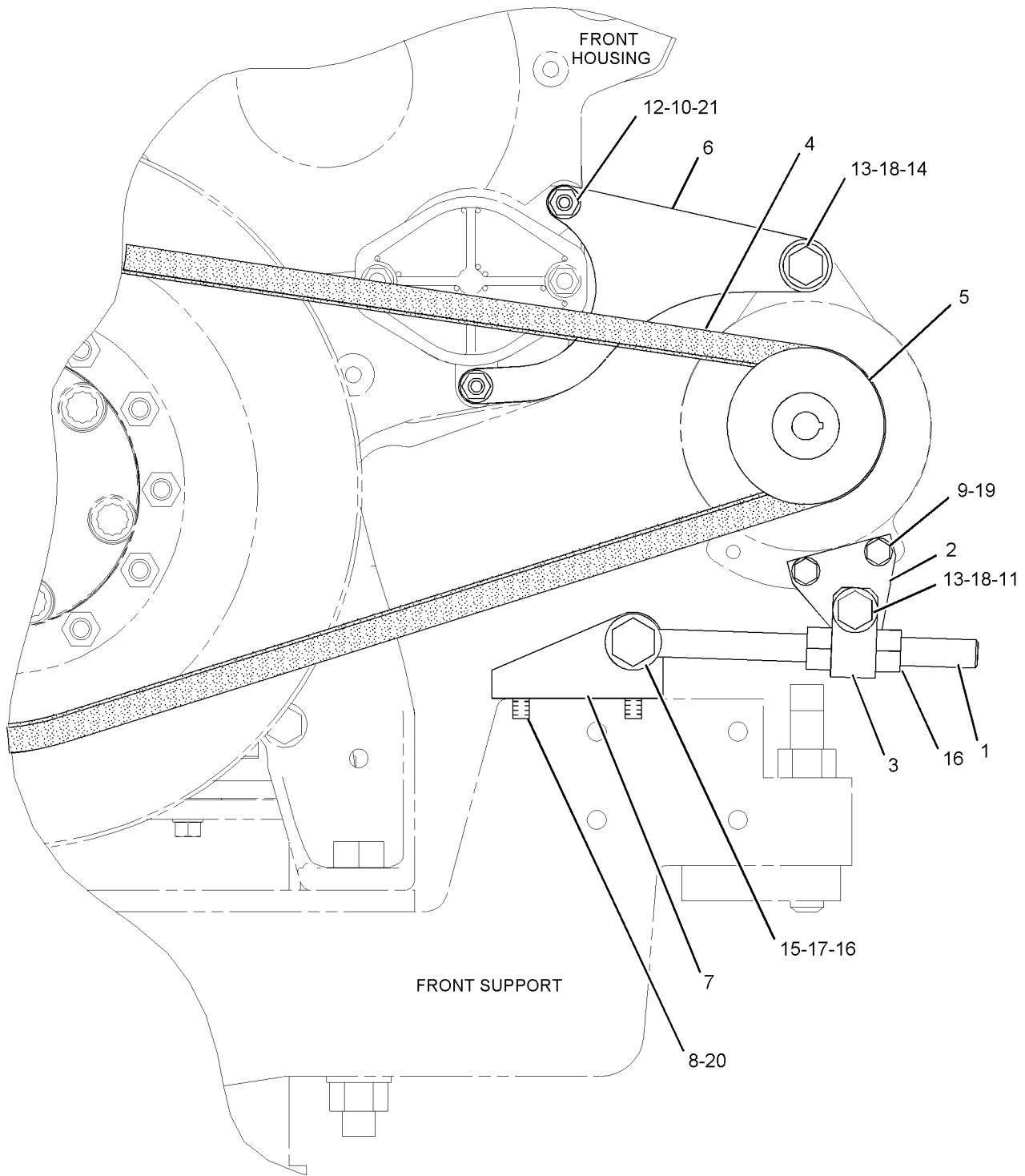
i03687573

NOTE	REF NO	GRAPHIC REF	PART NUMBER	QTY	PART NAME						SEE PAGE
					1	2	3	4	5	6 (PRODUCT LEVEL)	
	1	1	1S-4589	1	ROD						
	2	1	3N-2704	1	PLATE-MOUNTING						
	3	1	8S-5383	1	BLOCK						
	4	1	9L-6643	1	V-BELT (ALTERNATOR)						
	5	1	116-3224	1	PULLEY (1-GROOVE)						
	6	1	241-5815	1	BRACKET AS						
	7	1	241-5817	1	CLIP						
	8	1	0S-0509	2	BOLT (3/8-16X0.75-IN)						
	9	1	4M-6425	2	BOLT (5/16-18X1-IN)						
	10	1	5M-2894	2	WASHER-HARD (10.2X18.5X2.5-MM THK)						
	11	1	5P-2424	1	BOLT (1/2-13X2.25-IN)						
	12	1	6L-4428	2	STUD-TAPERLOCK (3/8-16X4.01-IN)						
	13	1	6V-8188	2	NUT (1/2-13-THD)						
	14	1	7X-0337	1	BOLT (1/2-13X5.75-IN)						
	15	1	7X-0345	1	BOLT (5/8-11X1.75-IN)						
	16	1	7X-0448	3	NUT (5/8-11-THD)						
	17	1	8T-4122	2	WASHER-HARD (17X32X3.5-MM THK)						
	18	1	8T-4223	5	WASHER-HARD (13.5X25.5X3-MM THK)						
	19	1	8T-4224	2	WASHER-HARD (8.8X16X2-MM THK)						
	20	1	9L-9132	2	WASHER (10.2X25.5X2.5-MM THK)						
	21	1	9S-8752	2	NUT-FULL (3/8-16-THD)						

BASIC ENGINE

241-5813 MOUNTING GP-ALTERNATOR (contd.)

i03687573



FRONT VIEW
<END>

GRAPHIC #1

g01030190

BASIC ENGINE

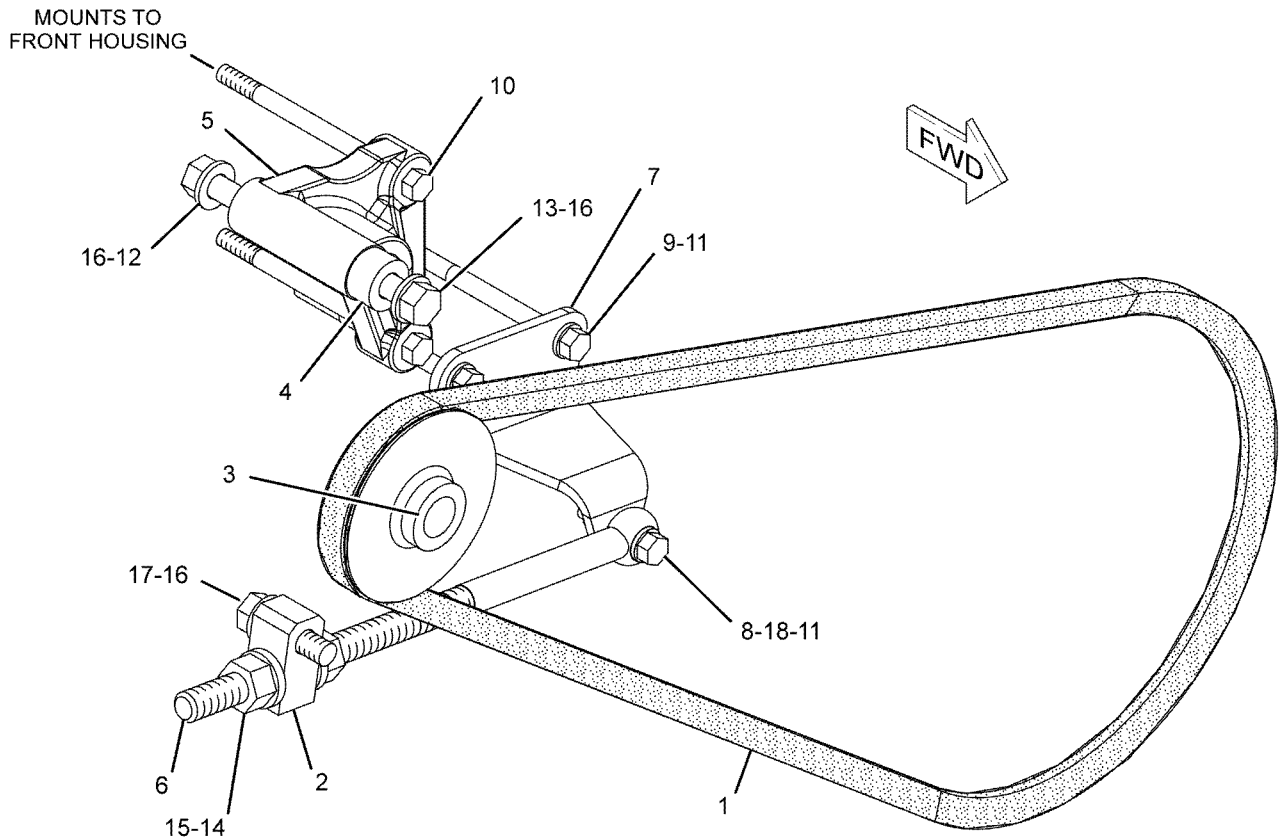
253-5677 MOUNTING GP-ALTERNATOR

FOR USE WITH MARINE ENGINES
AN ATTACHMENT

SMCS-1154, 1405

i02509412

NOTE	REF NO	GRAPHIC REF	PART NUMBER	QTY	PART NAME						SEE PAGE
					1	2	3	4	5	6 (PRODUCT LEVEL)	
	1	1	9L-6647	1	V-BELT GP (ALTERNATOR)						
	2	1	8S-5383	1	BLOCK						
	3	1	131-8269	1	PULLEY (1-GROOVE)						
	4	1	194-7882	1	SPACER (14.8X28X16-MM THK)						
	5	1	253-5682	1	SUPPORT-ALTERNATOR						
	6	1	254-1582	1	ROD						
	7	1	260-0203	1	BRACKET						
	8	1	0S-1571	1	BOLT (3/8-16X1.75-IN)						
	9	1	1A-5964	2	BOLT (3/8-16X4.5-IN)						
	10	1	5B-2638	2	BOLT (3/8-16X5.25-IN)						
	11	1	5M-2894	4	WASHER-HARD (10.2X18.5X2.5-MM THK)						
	12	1	6V-8188	1	NUT (1/2-13-THD)						
	13	1	7X-0338	1	BOLT (1/2-13X6-IN)						
	14	1	7X-0448	2	NUT (5/8-11-THD)						
	15	1	7X-0513	2	WASHER-HARD (17X30X5-MM THK)						
	16	1	8T-4223	3	WASHER-HARD (13.5X25.5X3-MM THK)						
	17	1	8T-8919	1	BOLT (1/2-13X1.75-IN)						
	18	1	9S-8752	1	NUT-FULL (3/8-16-THD)						



GRAPHIC #1

<END>

g01145182

BASIC ENGINE

254-3854 MOUNTING GP-ALTERNATOR

MOUNTS OFF OF THE FRONT HOUSING INSTEAD OF THE FRONT SUPPORT
AN ATTACHMENT

SMCS-1154, 1405

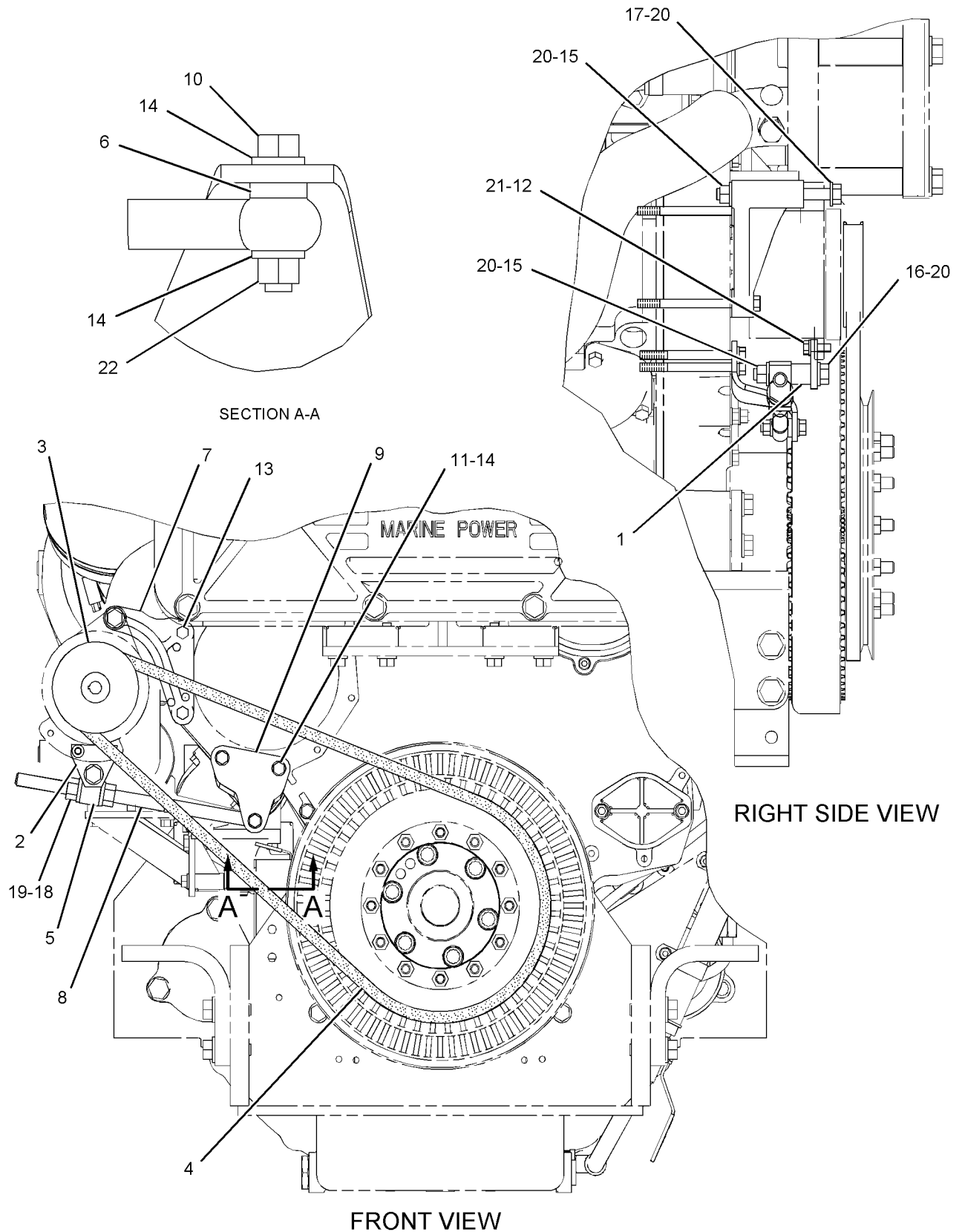
i03687740

NOTE	REF NO	GRAPHIC REF	PART NUMBER	QTY	PART NAME	SEE PAGE
					1 2 3 4 5 6 (PRODUCT LEVEL)	
	1	1	1J-0921	1	ADAPTER	
	2	1	3N-2704	1	PLATE-MOUNTING	
	3	1	6N-0216	1	PULLEY-ALTERNATOR (1-GROOVE)	
	4	1	9L-6647	1	V-BELT GP (1-GROOVE) (ALTERNATOR)	
	5	1	8S-5383	1	BLOCK	
	6	1	206-5017	1	SPACER (11X20X5-MM THK)	
	7	1	253-5682	1	SUPPORT-ALTERNATOR	
	8	1	254-1582	1	ROD	
	9	1	260-0203	1	BRACKET	
	10	1	0S-1571	1	BOLT (3/8-16X1.75-IN)	
	11	1	1A-5964	2	BOLT (3/8-16X4.5-IN)	
	12	1	4M-6425	2	BOLT (5/16-18X1-IN)	
	13	1	5B-2638	2	BOLT (3/8-16X5.25-IN)	
	14	1	5M-2894	4	WASHER-HARD (10.2X18.5X2.5-MM THK)	
	15	1	6V-8188	2	NUT (1/2-13-THD)	
	16	1	7X-0326	1	BOLT (1/2-13X3-IN)	
	17	1	7X-0335	1	BOLT (1/2-13X5.25-IN)	
	18	1	7X-0448	2	NUT (5/8-11-THD)	
	19	1	7X-0513	2	WASHER-HARD (17X30X5-MM THK)	
	20	1	8T-4223	4	WASHER-HARD (13.5X25.5X3-MM THK)	
	21	1	8T-4224	2	WASHER-HARD (8.8X16X2-MM THK)	
	22	1	9S-8752	1	NUT-FULL (3/8-16-THD)	

BASIC ENGINE

254-3854 MOUNTING GP-ALTERNATOR (contd.)

i03687740



GRAPHIC #1

<END>

g01145138

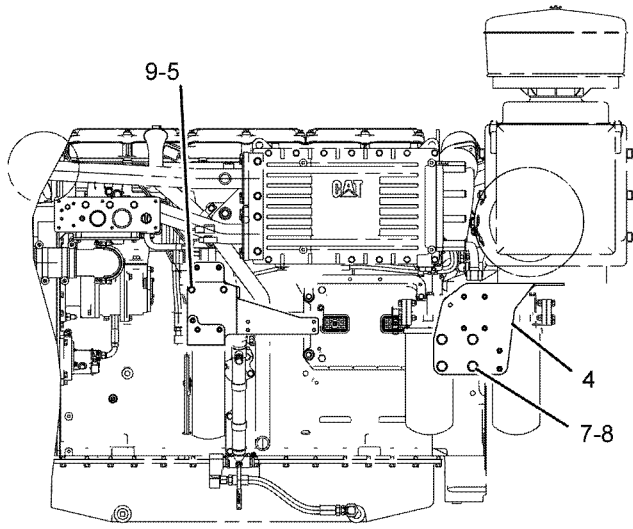
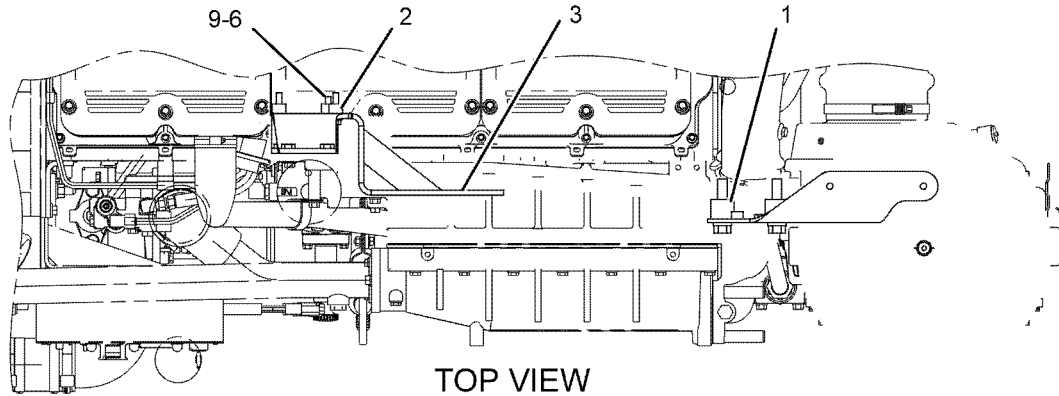
BASIC ENGINE

243-6426 MOUNTING GP-BRACKET FOR USE WITH 245-5849-PAGE 491, 243-3842-PAGE 330 AN ATTACHMENT

SMCS-7174

i02509435

NOTE	REF NO	GRAPHIC REF	PART NUMBER	QTY	PART NAME						SEE PAGE
					1	2	3	4	5	6 (PRODUCT LEVEL)	
	1	1	3R-8530	4	BOSS						
	2	1	8D-7209	4	BOSS						
	3	1	231-7695	1	BRACKET AS						
		1	8T-5912	5	NUT-WELD (3/8-16-THD)						
	4	1	243-3809	1	BRACKET AS						
		1	8T-5912	6	NUT-WELD (3/8-16-THD)						
	5	1	OS-1571	3	BOLT (3/8-16X1.75-IN)						
	6	1	OS-1591	1	BOLT (3/8-16X1.5-IN)						
	7	1	1B-4367	4	BOLT (5/8-11X3-IN)						
	8	1	4D-3704	4	WASHER-HARD (17X30X5-MM THK)						
	9	1	5M-2894	4	WASHER-HARD (10.2X18.5X2.5-MM THK)						



GRAPHIC #1

<END>

g01065473

BASIC ENGINE

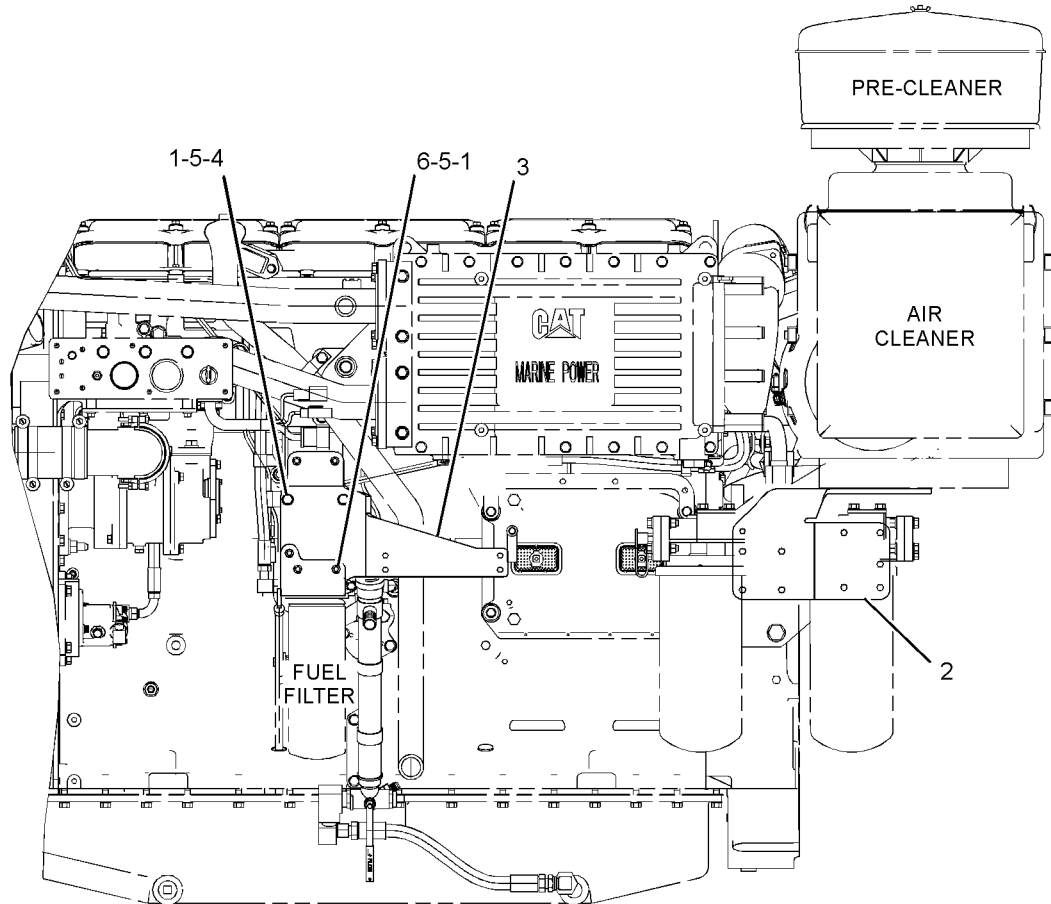
243-6427 MOUNTING GP-BRACKET

FOR USE WITH 245-5849-PAGE 491, 243-3842-PAGE 330, 178-8579-PAGE 168
AN ATTACHMENT

SMCS-7174

i03101765

NOTE	REF NO	GRAPHIC REF	PART NUMBER	QTY	PART NAME						SEE PAGE
					1	2	3	4	5	6 (PRODUCT LEVEL)	
	1	1	8D-7209	4	BOSS						
	2	1	205-9197	1	BRACKET AS						
	3	1	231-7695	1	BRACKET AS						
		1	8T-5912	5	NUT-WELD (3/8-16-THD)						
	4	1	0S-1571	3	BOLT (3/8-16X1.75-IN)						
	5	1	5M-2894	4	WASHER-HARD (10.2X18.5X2.5-MM THK)						
	6	1	0S-1591	1	BOLT (3/8-16X1.5-IN)						



LEFT SIDE VIEW OF ENGINE

<END>

GRAPHIC #1

g01587415

BASIC ENGINE

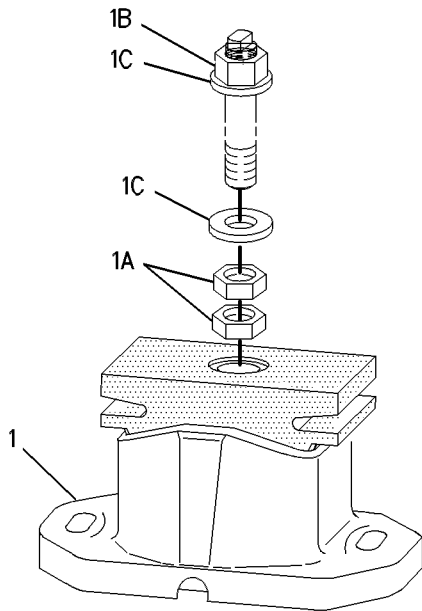
174-9897 MOUNTING GP-ENGINE FLEXIBLE

FOR USE WITH ENGINES WITH H CODE
AN ATTACHMENT

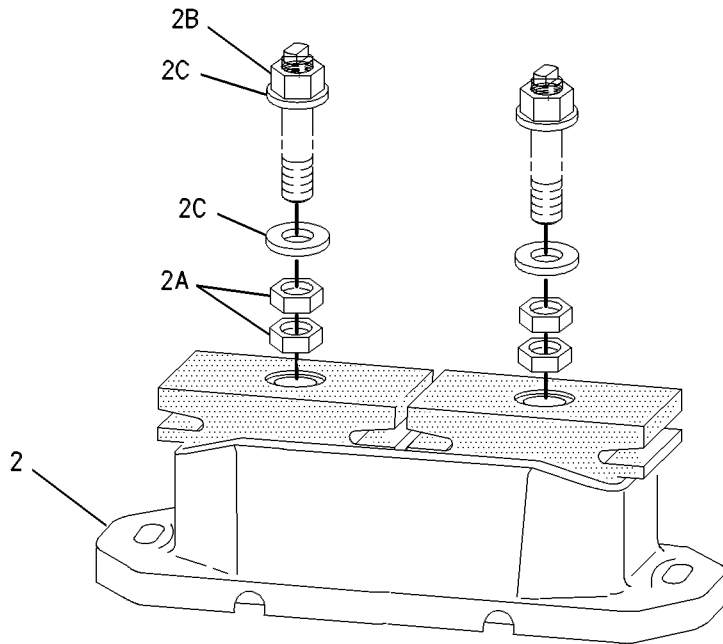
SMCS-1152

i02728149

NOTE	REF NO	GRAPHIC REF	PART NUMBER	QTY	PART NAME						SEE PAGE
					1	2	3	4	5	6 (PRODUCT LEVEL)	
	1	1	174-5516	2	MOUNT-ENGINE						
					(EACH INCLUDES)						
	1A	1	2H-3786	2	NUT-JAM (1-14-THD)						
	1B	1	5J-4561	1	LOCKNUT (1-14-THD)						
	1C	1	8T-5361	2	WASHER-HARD (28X49X5-MM THK)						
	2	1	174-5517	2	MOUNT AS-ENGINE						
					(EACH INCLUDES)						
	2A	1	2H-3786	4	NUT-JAM (1-14-THD)						
	2B	1	5J-4561	2	LOCKNUT (1-14-THD)						
	2C	1	8T-5361	4	WASHER-HARD (28X49X5-MM THK)						



FRONT MOUNT



REAR MOUNT

GRAPHIC #1

<END>

g00603565

BASIC ENGINE

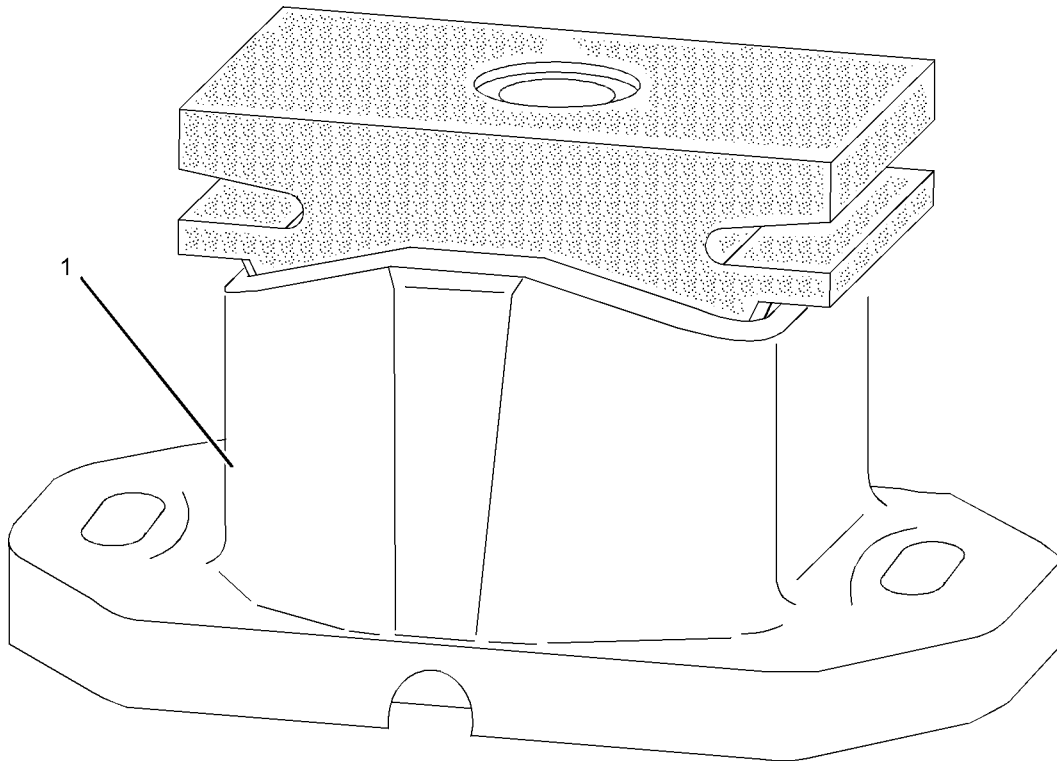
241-3780 MOUNTING GP-ENGINE FLEXIBLE

RUBBER VIBRATION ISOLATOR MOUNTS
AN ATTACHMENT

SMCS-1152

i01988229

NOTE	REF NO	GRAPHIC REF	PART NUMBER	QTY	PART NAME						SEE PAGE
					1	2	3	4	5	6 (PRODUCT LEVEL)	
	1	1	241-3779	4	MOUNT-ENGINE						



GRAPHIC #1

<END>

g01030216

BASIC ENGINE

242-1906 MOUNTING GP-HYD PUMP DRIVE AN ATTACHMENT

SMCS-1207

i03276331

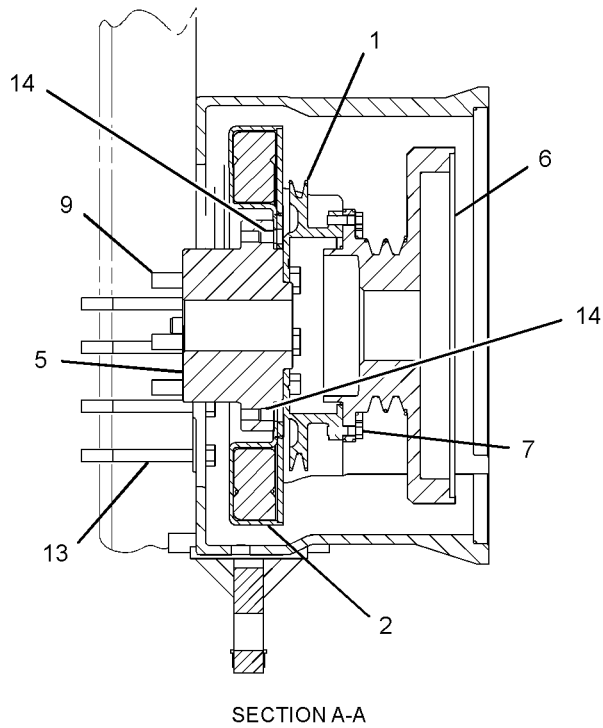
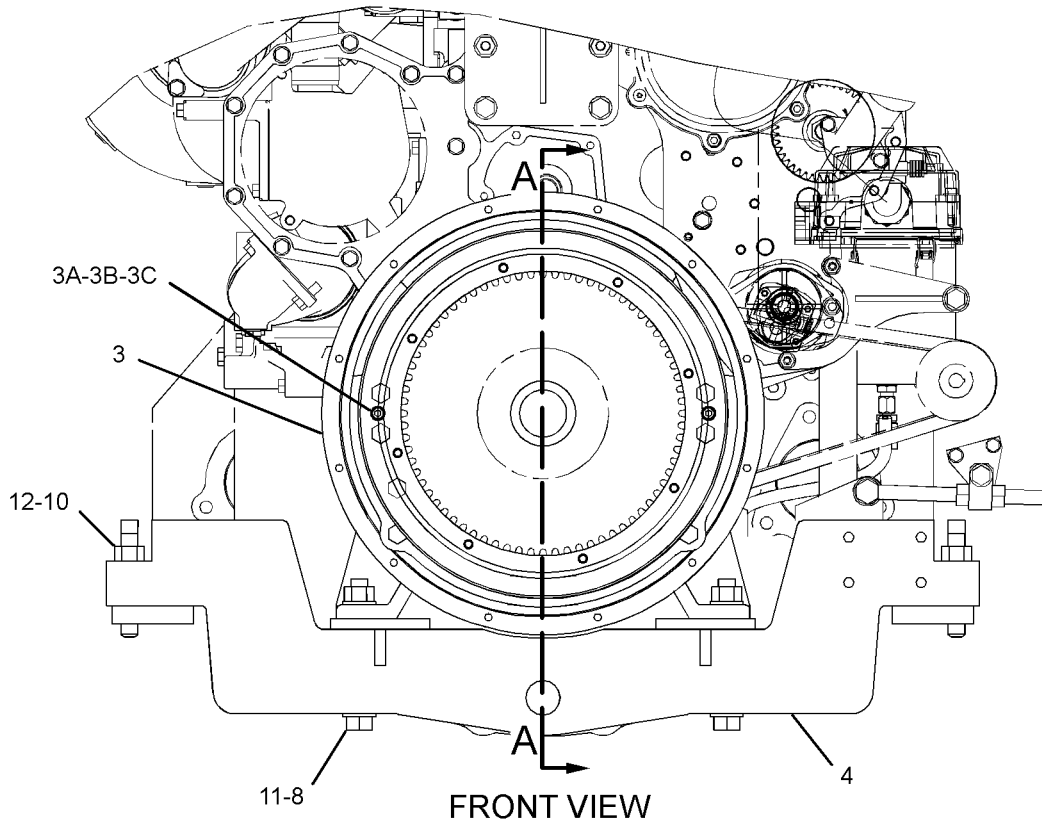
NOTE	REF NO	GRAPHIC REF	PART NUMBER	QTY	PART NAME						SEE PAGE
					1	2	3	4	5	6 (PRODUCT LEVEL)	
	1	1	3N-8473	1	ADAPTER						
R	2	1	167-8130	1	DAMPER AS						
	3	1	242-1905	1	ADAPTER AS						
	3A	1	4W-8688	2	DOWEL - THREADED (5/16-18-THD)						
	3B	1	4W-8689	2	DOWEL - BUSHING						
	3C	1	9F-6641	2	BOLT (5/16-18X1.25-IN)						
	4	1	243-4345	1	SUPPORT AS-FRONT						
	5	1	243-4348	1	ADAPTER-DAMPER						
	6	1	257-7441	1	COUPLING						
	7	1	1A-2029	12	BOLT (3/8-16X1.125-IN)						
	8	1	1D-4616	2	BOLT (3/4-10X6-IN)						
	9	1	2A-2814	6	BOLT (5/8-18X5.5-IN)						
	10	1	2J-3506	4	NUT-FULL (3/4-10-THD)						
	11	1	5P-8248	4	WASHER-HARD (20X36.5X3.5-MM THK)						
	12	1	8T-4162	2	SETSCREW (3/4-10X4.5-IN)						
	13	1	9X-8877	8	BOLT (1/2-13X5-IN)						
	14	1	1K-7945	12	DOWEL						

R-REMFG PART MAY BE AVAILABLE

BASIC ENGINE

242-1906 MOUNTING GP-HYD PUMP DRIVE (contd.)

i03276331



GRAPHIC #1

<END>

g01250010

BASIC ENGINE

309-5588 MOUNTING GP-HYD PUMP DRIVE AN ATTACHMENT

SMCS-1207

i03568364

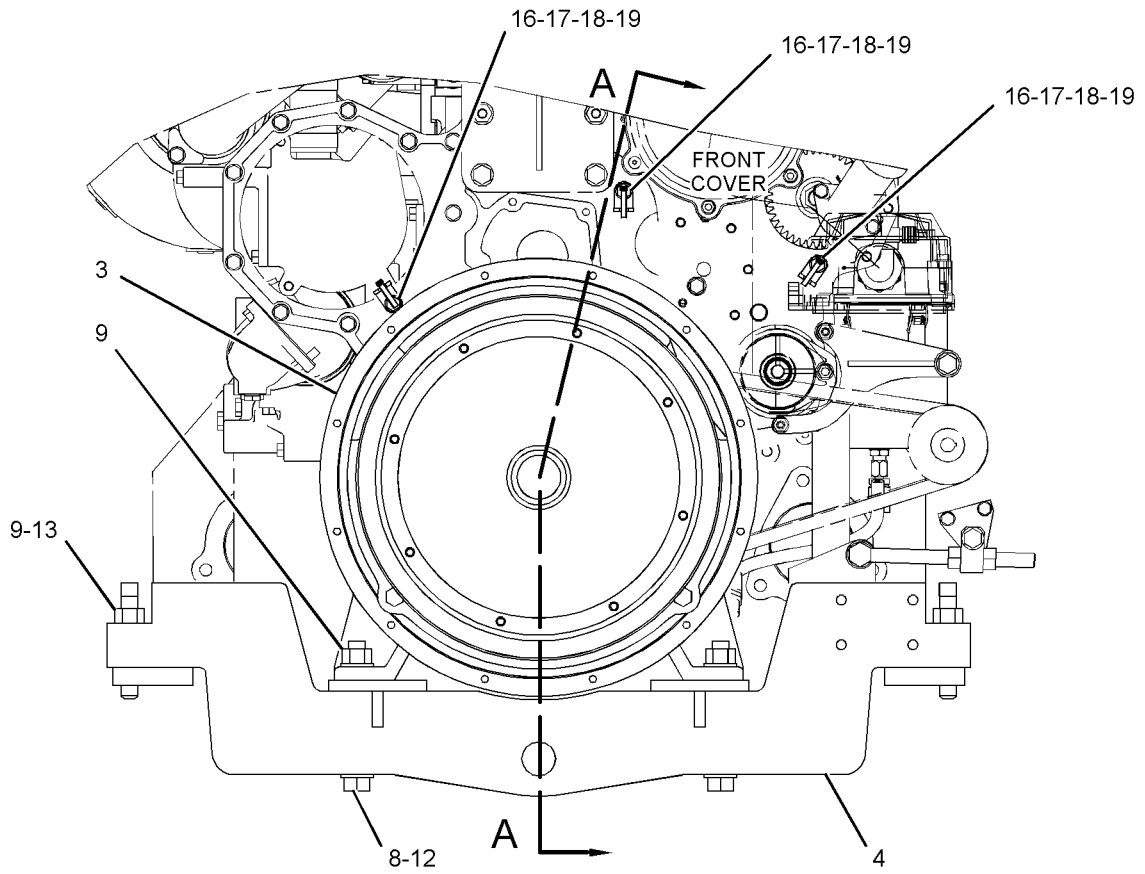
NOTE	REF NO	GRAPHIC REF	PART NUMBER	QTY	PART NAME						SEE PAGE
					1	2	3	4	5	6 (PRODUCT LEVEL)	
	1	1	6N-4400	1	ADAPTER						
R	2	1	167-8130	1	DAMPER AS						
	3	1	242-1905	1	ADAPTER AS						
		1	4W-8688	2	DOWEL - THREADED (5/16-18-THD)						
		1	4W-8689	2	DOWEL - BUSHING						
		1	9F-6641	2	BOLT (5/16-18X1.25-IN)						
4	1	1	243-4345	1	SUPPORT AS-FRONT						
5	1	1	257-7441	1	COUPLING						
6	1	1	309-5587	1	ADAPTER						
7	1	1	1B-7538	6	BOLT (5/8-18X5.75-IN)						
8	1	1	1D-4616	2	BOLT (3/4-10X6-IN)						
9	1	1	2J-3506	4	NUT-FULL (3/4-10-THD)						
10	1	1	3B-1915	12	BOLT (3/8-16X1.375-IN)						
11	1	1	5M-2894	12	WASHER-HARD (10.2X18.5X2.5-MM THK)						
12	1	1	5P-8248	4	WASHER-HARD (20X36.5X3.5-MM THK)						
13	1	1	8T-4162	2	SETSCREW (3/4-10X4.5-IN)						
14	1	1	8T-8920	12	BOLT (1/2-13X3.25-IN)						
15	1	1	9X-8877	8	BOLT (1/2-13X5-IN)						
16	1	1	3S-2093	3	STRAP-CABLE						
17	1	1	4L-6454	3	BOLT (3/8-16X1-IN)						
18	1	1	8T-4896	3	WASHER-HARD (10.2X18.5X2.5-MM THK)						
19	1	1	132-5789	3	CLIP						

R-REMFG PART MAY BE AVAILABLE

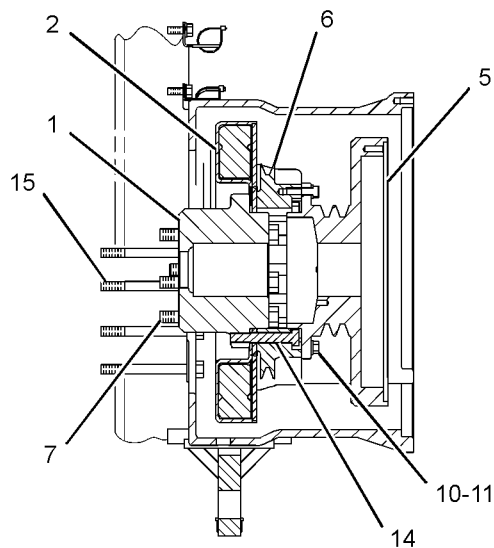
BASIC ENGINE

309-5588 MOUNTING GP-HYD PUMP DRIVE (contd.)

i03568364



FRONT VIEW OF ENGINE



SECTION A-A

GRAPHIC #1

<END>

g01937734

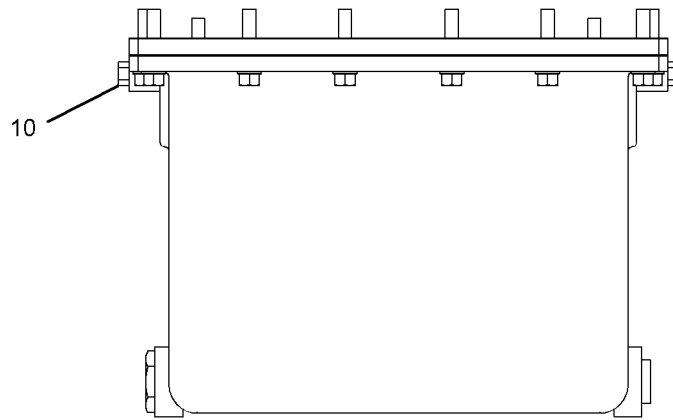
BASIC ENGINE

228-0880 PAN GP-OIL-ENGINE AN ATTACHMENT

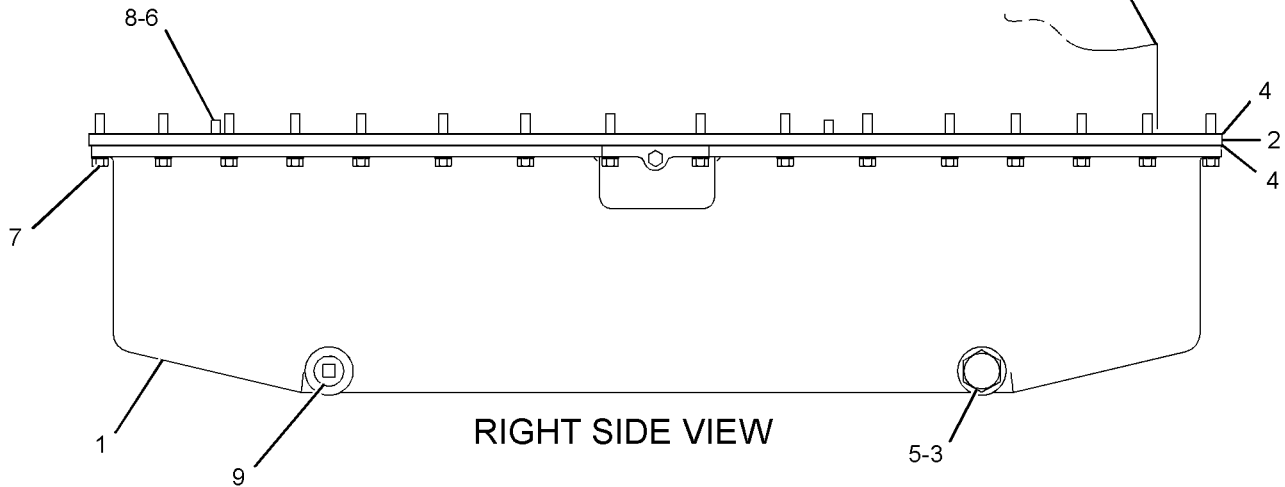
SMCS-1302

i03922275

NOTE	REF NO	GRAPHIC REF	PART NUMBER	QTY	PART NAME						SEE PAGE
					1	2	3	4	5	6 (PRODUCT LEVEL)	
	1	1	1W-9113	1	PAN-OIL						
	2	1	9N-3167	1	PLATE						
	3	1	9X-6451	1	PLUG-DRAIN (ENGINE OIL PAN)						
	4	1	188-0210	2	GASKET (ENGINE OIL PAN)						
	5	1	061-9458	1	SEAL-O-RING						
	6	1	1A-2029	3	BOLT (3/8-16X1.125-IN)						
	7	1	2P-3205	40	BOLT-WASHER HEAD (3/8-16X1.75-IN)						
	8	1	5M-2894	3	WASHER-HARD (10.2X18.5X2.5-MM THK)						
	9	1	8T-6761	3	PLUG-PIPE						
	10	1	307-2671	1	PLUG AS						
		1	214-7566	1	SEAL-O-RING						
		1	9S-8002	1	PLUG-O-RING						



FRONT VIEW



RIGHT SIDE VIEW

GRAPHIC #1

<END>

g02153081

BASIC ENGINE

228-1644 PAN GP-OIL-ENGINE

S/N: J2K1-114; T2P1-UP

ALSO AN ATTACHMENT

SMCS-1302

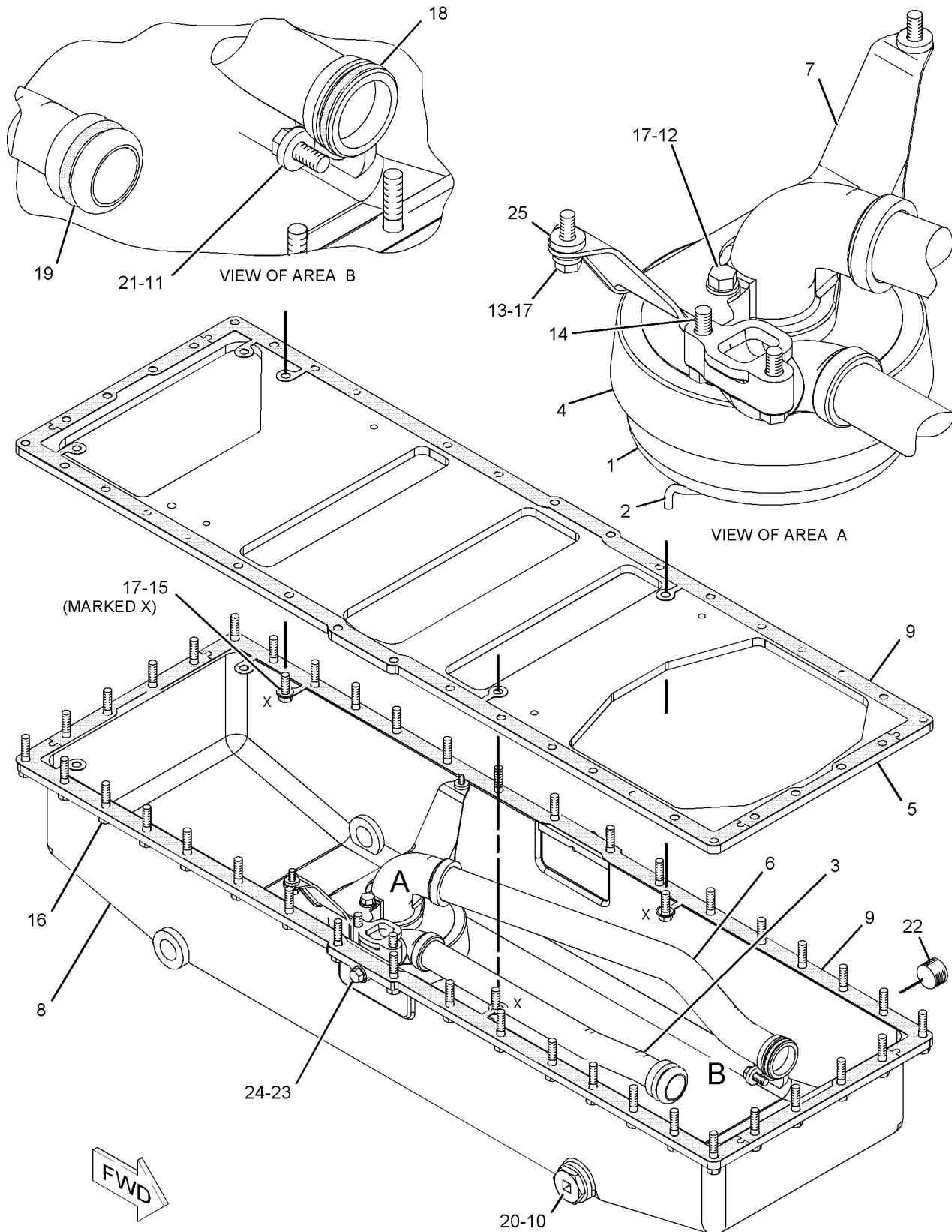
i03301322

NOTE	REF NO	GRAPHIC REF	PART NUMBER	QTY	PART NAME						SEE PAGE
					1	2	3	4	5	6 (PRODUCT LEVEL)	
	1	1	4N-0913	1	SCREEN AS-SUCTION (ENGINE OIL SUMP)						
	2	1	4N-0914	1	CLIP						
	3	1	7W-5909	1	TUBE AS						
	4	1	8N-2104	1	BELL AS-SUCTION (ENGINE OIL PAN)						
		1	1F-0750	2	NUT-WELD (3/8-16-THD)						
	5	1	9N-3167	1	PLATE						
	6	1	126-9138	1	TUBE AS						
	7	1	126-9139	1	SUPPORT						
	8	1	126-9141	1	PAN-OIL						
	9	1	188-0210	2	GASKET (ENGINE OIL PAN)						
	10	1	206-7331	1	PLUG-DRAIN (MAGNETIC) (ENGINE OIL PAN)						
	11	1	0L-1351	1	BOLT (3/8-16X0.875-IN)						
	12	1	0L-2070	2	BOLT (3/8-16X2.25-IN)						
	13	1	0S-0509	2	BOLT (3/8-16X0.75-IN)						
	14	1	0S-1591	2	BOLT (3/8-16X1.5-IN)						
	15	1	1A-2029	3	BOLT (3/8-16X1.125-IN) (MARKED X)						
	16	1	2P-3205	40	BOLT-WASHER HEAD (3/8-16X1.75-IN)						
	17	1	5M-2894	7	WASHER-HARD (10.2X18.5X2.5-MM THK)						
	18	1	5P-5846	1	SEAL-O-RING						
	19	1	5P-8068	1	SEAL-O-RING						
	20	1	5P-8210	1	SEAL-O-RING						
	21	1	8M-9024	1	WASHER-HARD (10.2X22.5X5-MM THK)						
	22	1	8T-6761	1	PLUG-PIPE						
	23	1	9S-4182	1	PLUG-O-RING						
	24	1	9X-7378	1	SEAL-O-RING						
	25	1	9X-6458	2	WASHER-HARD (10.2X22.5X3-MM THK)						

BASIC ENGINE

228-1644 PAN GP-OIL (contd.)

i03301322



GRAPHIC #1

<END>

g01034101

BASIC ENGINE

228-1644 PAN GP-OIL-ENGINE

S/N: J2K115-UP; T2P1-UP

ALSO AN ATTACHMENT

SMCS-1302

i04022099

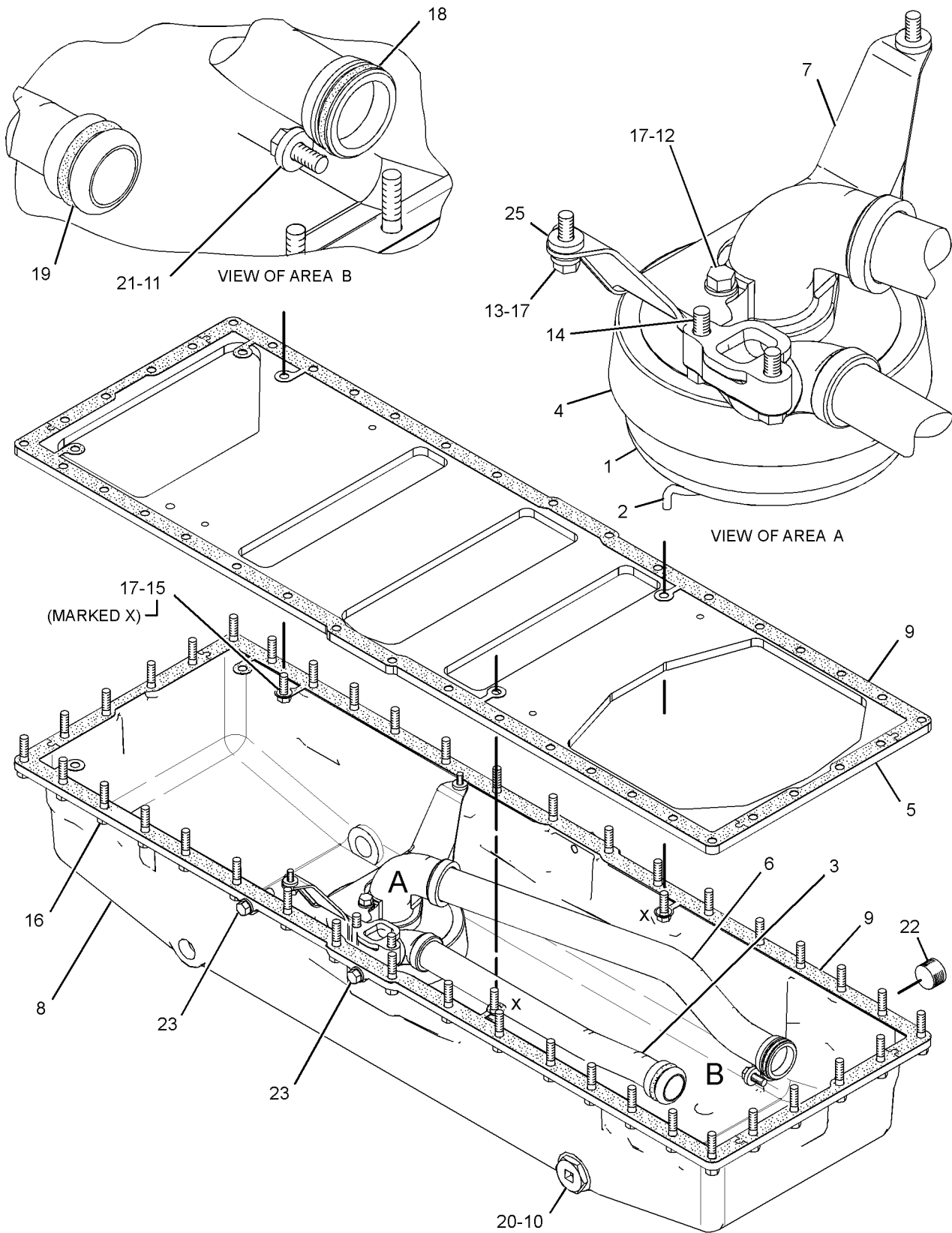
NOTE	REF NO	GRAPHIC REF	PART NUMBER	QTY	PART NAME						SEE PAGE
					1	2	3	4	5	6 (PRODUCT LEVEL)	
	1	1	4N-0913	1	SCREEN AS-SUCTION (ENGINE OIL SUMP)						
	2	1	4N-0914	1	CLIP						
	3	1	7W-5909	1	TUBE AS						
	4	1	8N-2104	1	BELL AS-SUCTION (ENGINE OIL PAN)						
	5	1	9N-3167	1	PLATE						
	6	1	126-9138	1	TUBE AS						
	7	1	126-9139	1	SUPPORT						
C	8	1	313-3458	1	PAN-OIL						
	9	1	188-0210	2	GASKET						
	10	1	206-7331	1	PLUG-DRAIN (MAGNETIC) (ENGINE OIL PAN)						
	11	1	0L-1351	1	BOLT (3/8-16X0.875-IN)						
	12	1	0L-2070	2	BOLT (3/8-16X2.25-IN)						
C	13	1	0S-1588	2	BOLT (3/8-16X1.25-IN)						
	14	1	0S-1591	2	BOLT (3/8-16X1.5-IN)						
	15	1	1A-2029	3	BOLT (3/8-16X1.125-IN) (MARKED X)						
	16	1	2P-3205	40	BOLT-WASHER HEAD (3/8-16X1.75-IN)						
	17	1	5M-2894	7	WASHER-HARD (10.2X18.5X2.5-MM THK)						
	18	1	5P-5846	1	SEAL-O-RING						
	19	1	5P-8068	1	SEAL-O-RING						
	20	1	5P-8210	1	SEAL-O-RING						
	21	1	8M-9024	1	WASHER-HARD (10.2X22.5X5-MM THK)						
	22	1	8T-6761	1	PLUG-PIPE						
C	23	1	309-5130	2	PLUG AS						
					(EACH INCLUDES)						
		1	9S-4182	1	PLUG-O-RING						
		1	214-7566	1	SEAL-O-RING						
	25	1	9X-6458	2	WASHER-HARD (10.2X22.5X3-MM THK)						

C-CHANGE FROM PREVIOUS TYPE

BASIC ENGINE

228-1644 PAN GP-OIL (contd.)

i04022099



GRAPHIC #1

<END>

g01417148

BASIC ENGINE

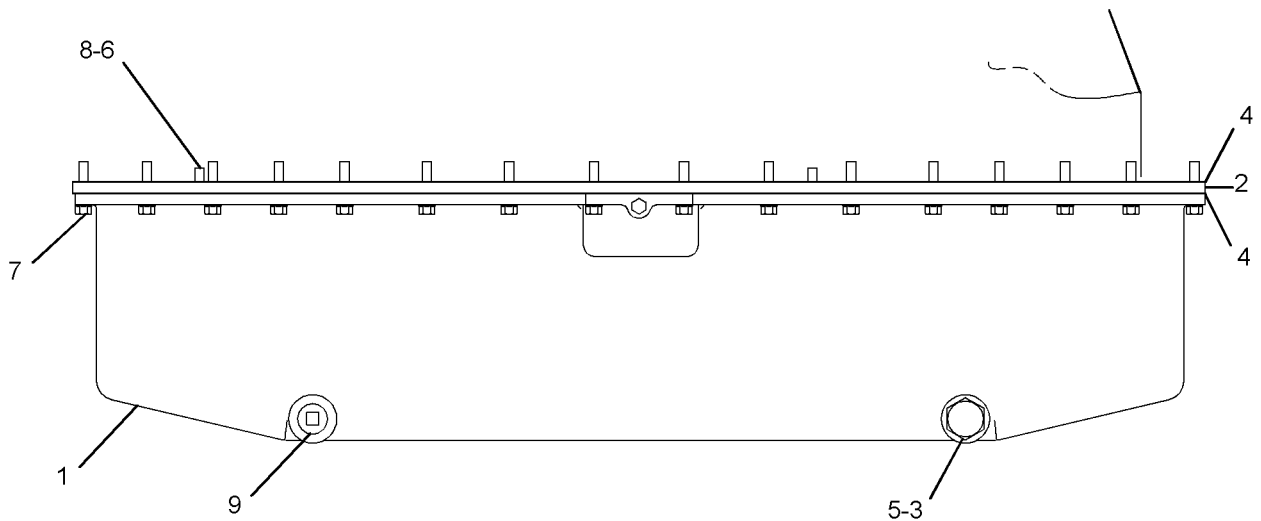
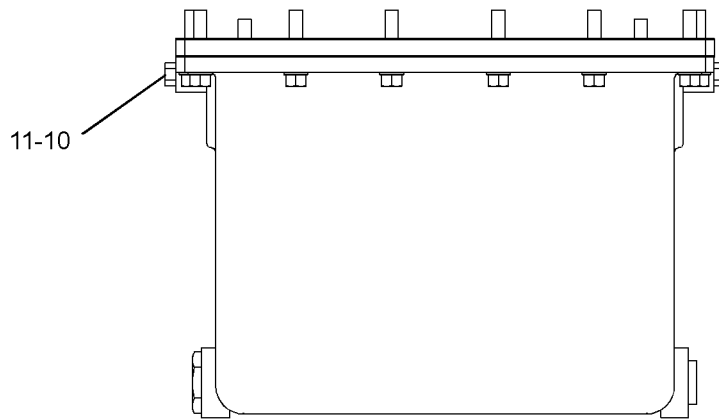
302-5449 PAN GP-OIL-ENGINE

DEEP PAN, SHALLOW SUMP
AN ATTACHMENT

SMCS-1302

i03607250

NOTE	REF NO	GRAPHIC REF	PART NUMBER	QTY	PART NAME						SEE PAGE
					1	2	3	4	5	6 (PRODUCT LEVEL)	
	1	1	1W-9113	1	PAN-OIL						
	2	1	9N-3167	1	PLATE						
	3	1	9X-6451	1	PLUG-DRAIN (ENGINE OIL PAN)						
	4	1	188-0210	2	GASKET						
	5	1	061-9458	1	SEAL-O-RING						
	6	1	1A-2029	3	BOLT (3/8-16X1.125-IN)						
	7	1	2P-3205	40	BOLT-WASHER HEAD (3/8-16X1.75-IN)						
	8	1	5M-2894	3	WASHER-HARD (10.2X18.5X2.5-MM THK)						
	9	1	8T-6761	1	PLUG-PIPE						
	10	1	9S-4182	1	PLUG-O-RING						
	11	1	9X-7378	1	SEAL-O-RING						



GRAPHIC #1

<END>

g01324950

BASIC ENGINE

322-8954 PAN GP-OIL-ENGINE

S/N: T2P1-UP

DEEP SUMP

SMCS-1302

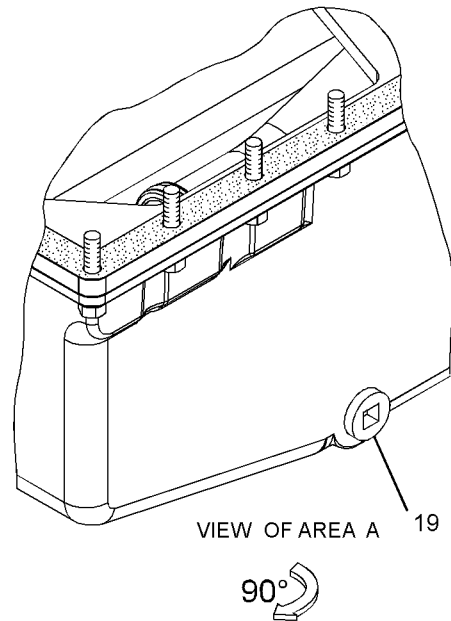
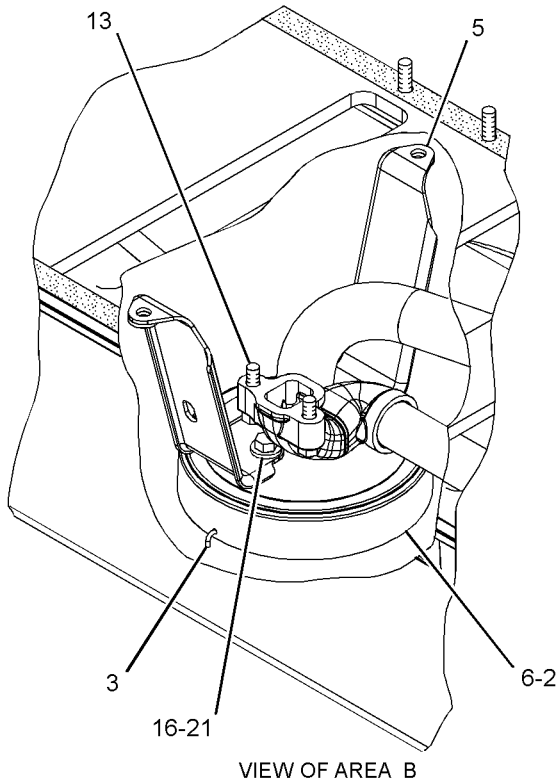
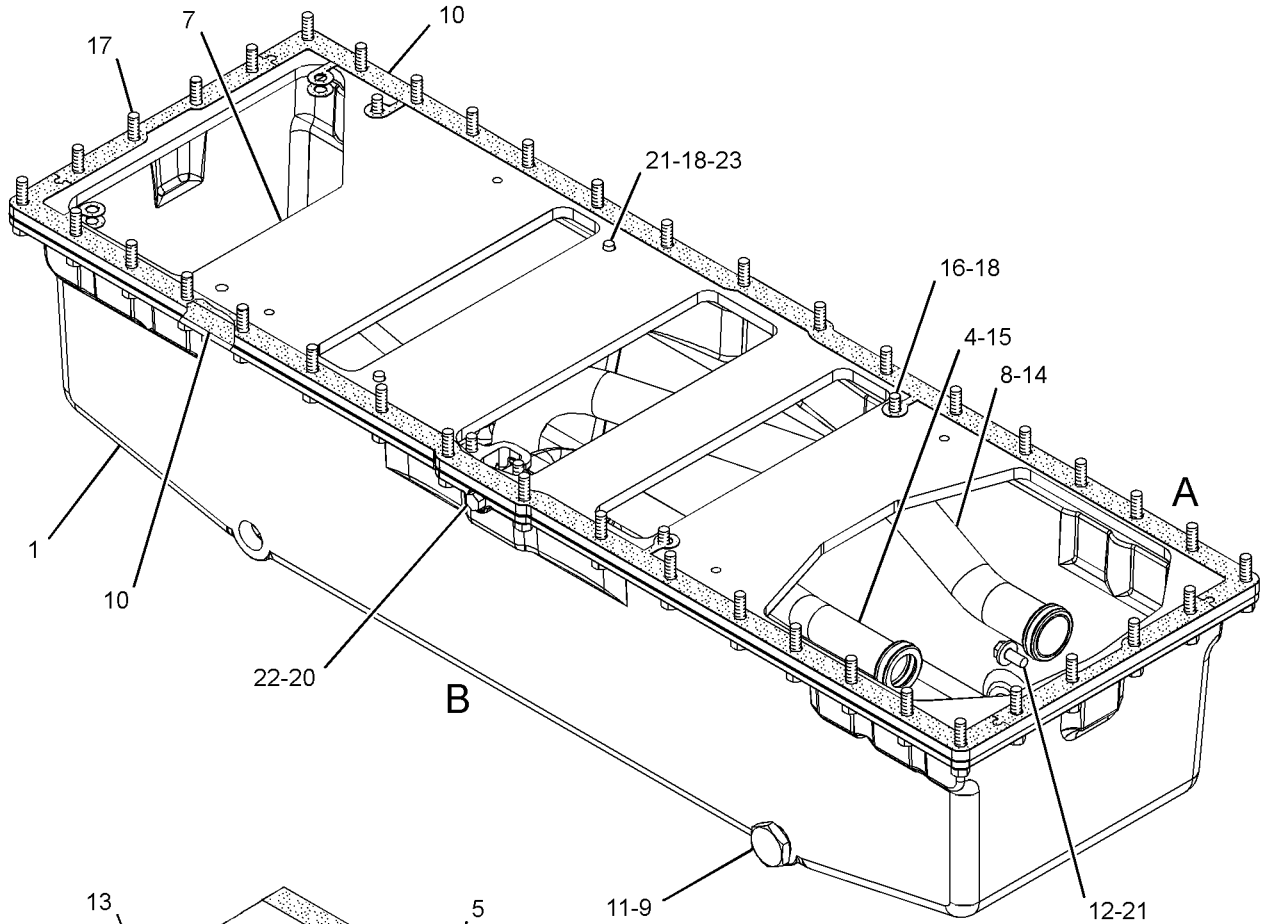
i03819089

NOTE	REF NO	GRAPHIC REF	PART NUMBER	QTY	PART NAME						SEE PAGE
					1	2	3	4	5	6 (PRODUCT LEVEL)	
	1	1	1W-9113	1	PAN-OIL						
	2	1	4N-0913	1	SCREEN AS-SUCTION (ENGINE OIL SUMP)						
	3	1	4N-0914	1	CLIP						
	4	1	4P-7373	1	TUBE AS						
	5	1	6N-7249	1	SUPPORT-SUCTION BELL						
	6	1	8N-2104	1	BELL AS-SUCTION						
		1	1F-0750	2	NUT-WELD (3/8-16-THD)						
	7	1	9N-3167	1	PLATE						
	8	1	9N-5124	1	TUBE AS-PUMP SUCTION						
	9	1	9X-6451	1	PLUG-DRAIN (ENGINE OIL PAN)						
	10	1	188-0210	2	GASKET (RAIL)						
	11	1	061-9458	1	SEAL-O-RING						
	12	1	0L-1351	1	BOLT (3/8-16X0.875-IN)						
	13	1	0S-1591	2	BOLT (3/8-16X1.5-IN)						
	14	1	5P-5846	1	SEAL-O-RING						
	15	1	5P-8068	1	SEAL-O-RING						
	16	1	1A-2029	5	BOLT (3/8-16X1.125-IN)						
	17	1	2P-3205	40	BOLT-WASHER HEAD (3/8-16X1.75-IN)						
	18	1	5M-2894	5	WASHER-HARD (10.2X18.5X2.5-MM THK)						
	19	1	3B-0551	1	PLUG-PIPE						
	20	1	9S-8002	1	PLUG-O-RING						
	21	1	9X-6458	5	WASHER-HARD (10.2X22.5X3-MM THK)						
	22	1	9X-7378	1	SEAL-O-RING						
	23	1	0S-1588	2	BOLT (3/8-16X1.25-IN)						

BASIC ENGINE

322-8954 PAN GP-OIL (contd.)

i03819089



GRAPHIC #1

<END>

g01590965

BASIC ENGINE

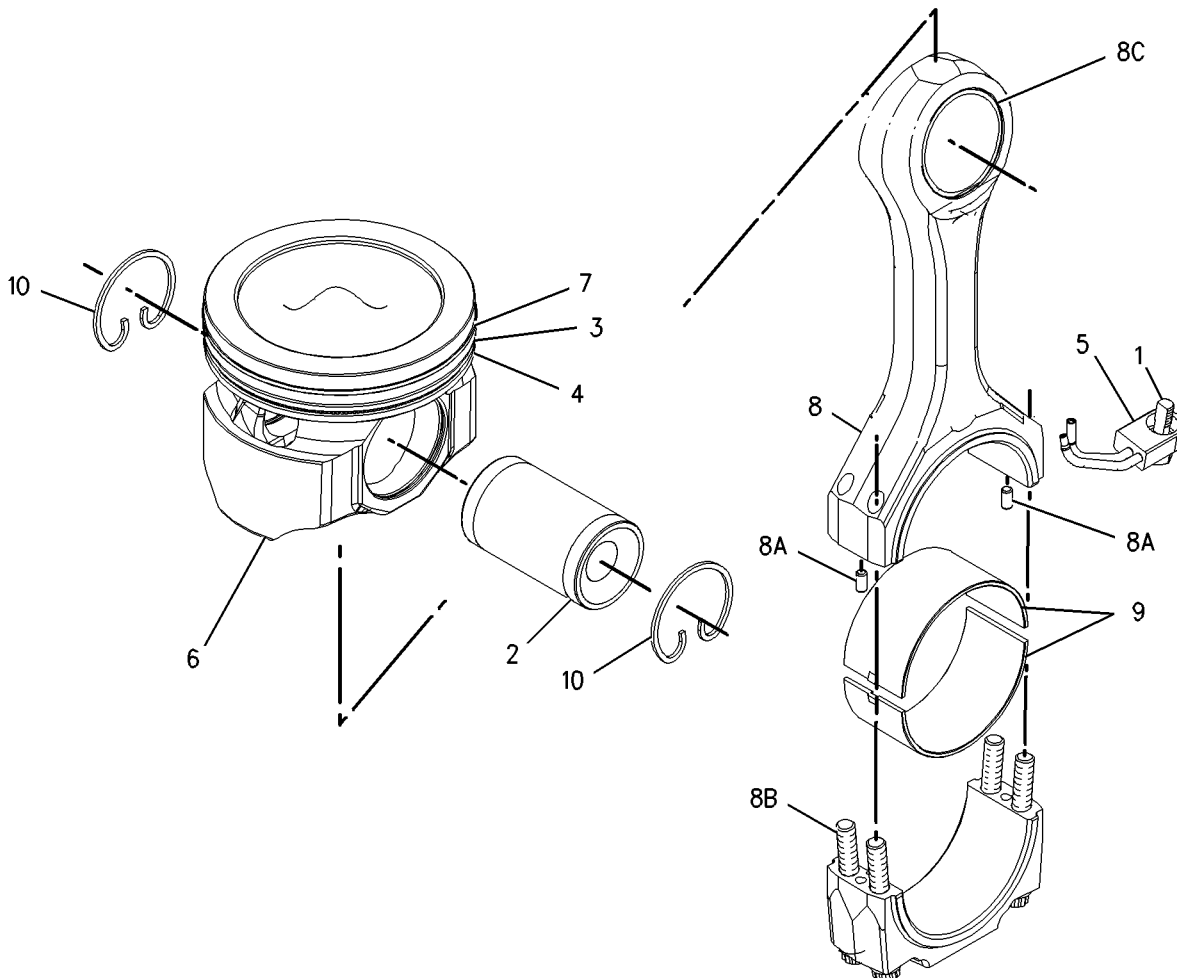
220-1441 PISTON & ROD GP 18:1 COMPRESSION RATIO

SMCS-1225

i03595722

NOTE	REF NO	GRAPHIC REF	PART NUMBER	QTY	PART NAME						SEE PAGE
					1	2	3	4	5	6 (PRODUCT LEVEL)	
	1	1	151-5925	1	BOLT (7/16-14-THD)						
	2	1	180-7350	1	PIN-PISTON						
	3	1	238-2707	1	RING-PISTON (INTERMEDIATE)						
	4	1	246-5659	1	RING-PISTON (OIL CONTROL)						
	5	1	274-8359	1	TUBE AS						
R	6	1	329-4511	1	BODY AS-PISTON						
	7	1	223-9159	1	RING-PISTON-TOP						
R	8	1	224-3245	1	ROD AS						
	8A	1	219-4458	2	PIN-DOWEL						
	8B	1	213-3217	4	BOLT (M11X1.25X84-MM)						
	8C	1	229-6259	1	BEARING						
	9	1	224-3246	1	BEARING-CONNECTING ROD (STANDARD)						
AB		1	232-3235		BEARING-CONNECTING ROD (0.64-MM US)						
AB		1	232-3236		BEARING-CONNECTING ROD (1.27-MM US)						
	10	1	230-2569	2	RETAINER-PIN						

A-NOT PART OF THIS GROUP
B-USE AS REQUIRED
R-REMFG PART MAY BE AVAILABLE



GRAPHIC #1

<END>

g01002106

BASIC ENGINE

235-6394 PISTON & ROD GP

S/N: J2K1-UP

16.5:1 COMPRESSION RATIO

SMCS-1225

i02577952

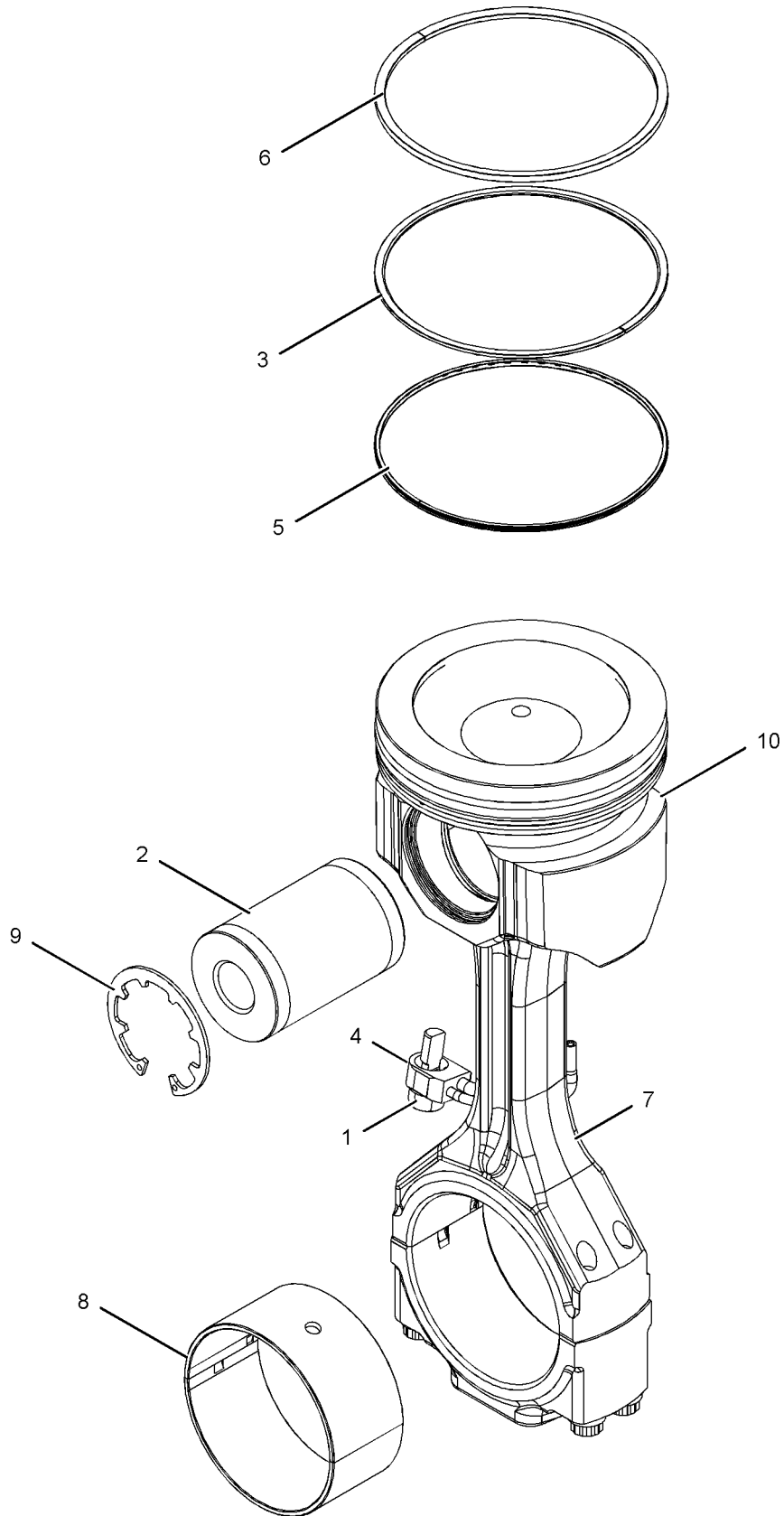
NOTE	REF NO	GRAPHIC REF	PART NUMBER	QTY	PART NAME						SEE PAGE
					1	2	3	4	5	6 (PRODUCT LEVEL)	
	1	1	151-5925	1	BOLT (7/16-14-THD)						
	2	1	180-7350	1	PIN-PISTON						
	3	1	187-1503	1	RING-PISTON (INTERMEDIATE)						
	4	1	196-2429	1	JET AS-PISTON COOLING						
C	5	1	246-5659	1	RING-PISTON (OIL CONTROL)						
	6	1	223-9159	1	RING-PISTON-TOP (4-MM THK)						
R	7	1	224-3245	1	ROD AS						
			7N-2043	2	DOWEL						
			213-3217	4	BOLT (M11X1.25X84-MM)						
			229-6259	1	BEARING						
	8	1	224-3246	1	BEARING-CONNECTING ROD (STANDARD)						
AB		1	232-3235		BEARING-CONNECTING ROD (0.64-MM US)						
AB		1	232-3236		BEARING-CONNECTING ROD (1.27-MM US)						
	9	1	230-2569	2	RETAINER-PIN						
	10	1	239-7844	1	BODY AS						

A-NOT PART OF THIS GROUP
 B-USE AS REQUIRED
 C-CHANGE FROM PREVIOUS TYPE
 R-REMFG PART MAY BE AVAILABLE

BASIC ENGINE

235-6394 PISTON & ROD GP (contd.)

i02577952



GRAPHIC #1

<END>

g01106809

BASIC ENGINE

283-7669 PISTON & ROD GP 14.5:1 COMPRESSION RATIO

SMCS-1225

i03596107

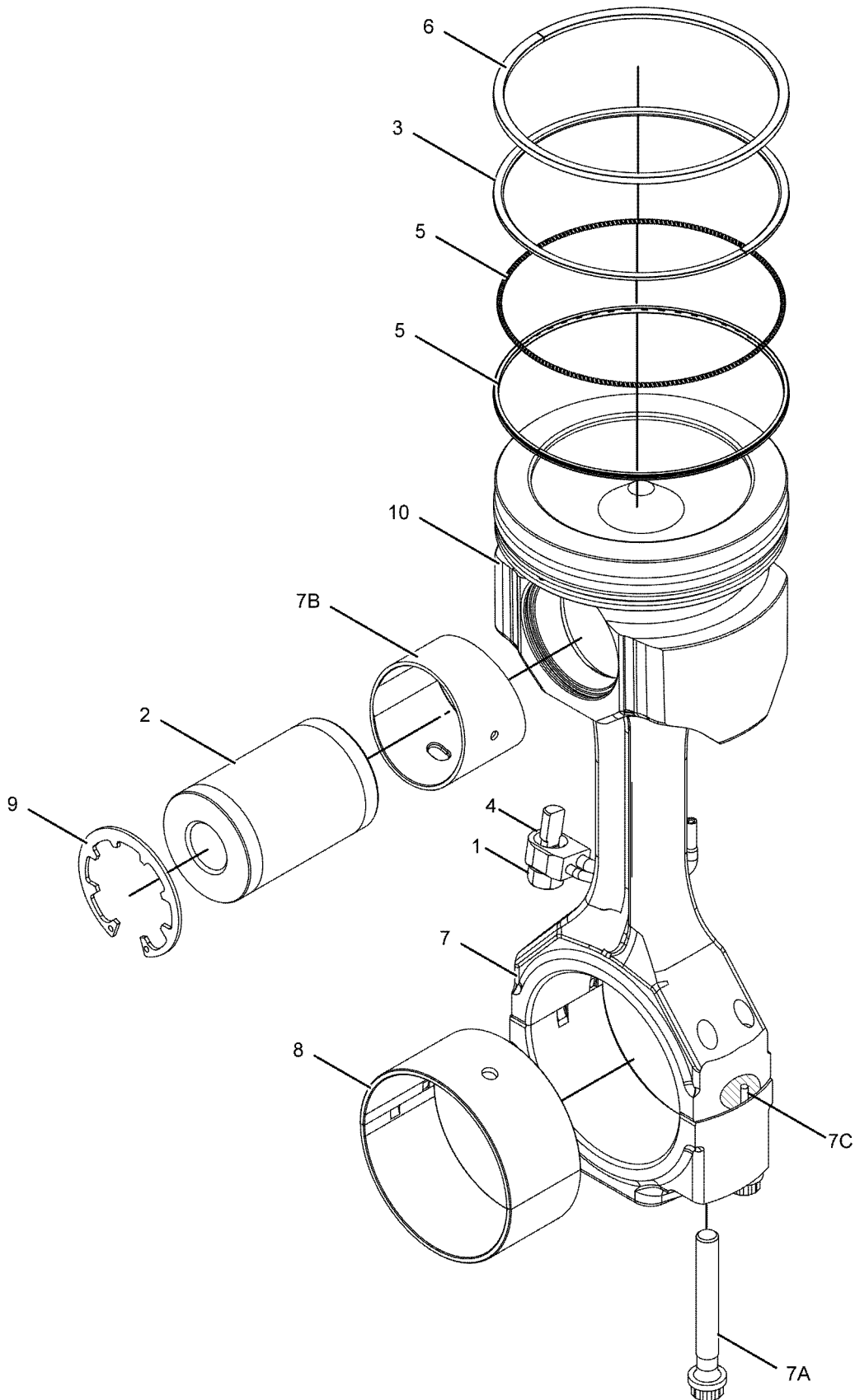
NOTE	REF NO	GRAPHIC REF	PART NUMBER	QTY	PART NAME						SEE PAGE
					1	2	3	4	5	6 (PRODUCT LEVEL)	
	1	1	151-5925	1	BOLT (7/16-14-THD)						
	2	1	180-7350	1	PIN-PISTON						
	3	1	238-2707	1	RING-PISTON (INTERMEDIATE)						
	4	1	274-8359	1	TUBE AS (OIL JET)						
	5	1	246-5659	1	RING-PISTON (OIL CONTROL)						
	6	1	223-9159	1	RING-PISTON-TOP						
R	7	1	224-3245	1	ROD AS						
	7A	1	213-3217	4	BOLT (M11X1.25X84-MM)						
	7B	1	229-6259	1	BEARING						
	7C	1	219-4458	2	PIN-DOWEL						
	8	1	261-3450	1	BEARING-CONNECTING ROD (STANDARD)						
AB		1	232-3235		BEARING-CONNECTING ROD (0.64-MM US)						
AB		1	232-3236		BEARING-CONNECTING ROD (1.27-MM US)						
	9	1	230-2569	2	RETAINER-PIN						
	10	1	319-6715	1	BODY AS-PISTON						

A-NOT PART OF THIS GROUP
 B-USE AS REQUIRED
 R-REMG PART MAY BE AVAILABLE

BASIC ENGINE

283-7669 PISTON & ROD GP (contd.)

i03596107



BASIC ENGINE

308-4486 PISTON & ROD GP

18L/16.5:1 COMPRESSION RATIO

SMCS-1225

i03595727

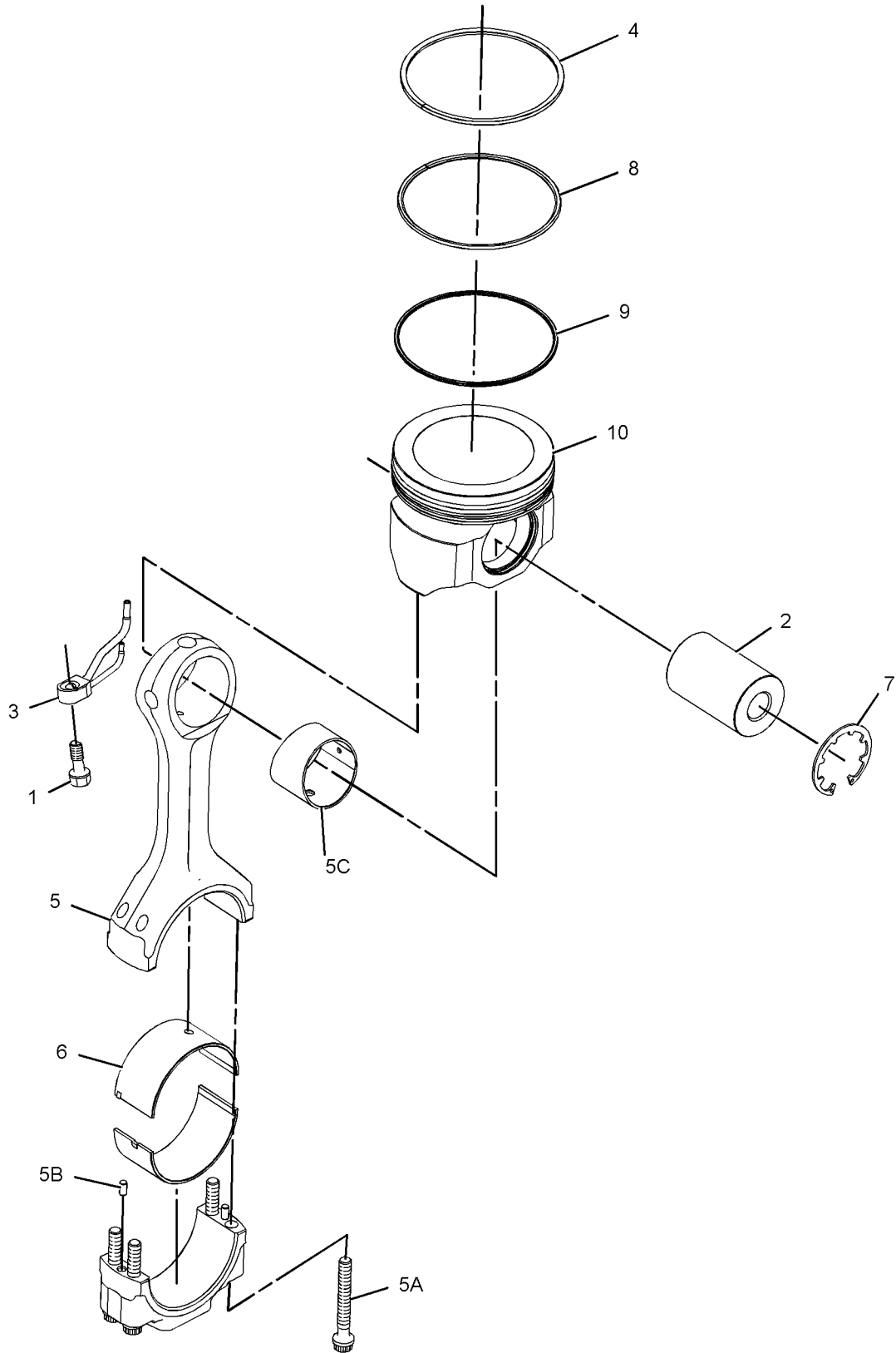
NOTE	REF NO	GRAPHIC REF	PART NUMBER	QTY	PART NAME						SEE PAGE
					1	2	3	4	5	6 (PRODUCT LEVEL)	
	1	1	151-5925	1	BOLT (7/16-14-THD)						
	2	1	180-7350	1	PIN-PISTON						
	3	1	196-2429	1	JET AS-PISTON COOLING						
	4	1	223-9159	1	RING-PISTON-TOP						
R	5	1	224-3245	1	ROD AS						
	5A	1	213-3217	4	BOLT (M11X1.25X84-MM)						
	5B	1	219-4458	2	PIN-DOWEL						
	5C	1	229-6259	1	BEARING						
	6	1	224-3246	1	BEARING-CONNECTING ROD (STANDARD)						
ABF		1	232-3235		BEARING-CONNECTING ROD (0.64-MM US)						
ABF		1	232-3236		BEARING-CONNECTING ROD (1.27-MM US)						
	7	1	230-2569	2	RETAINER-PIN						
	8	1	238-2707	1	RING-PISTON (INTERMEDIATE)						
	9	1	246-5659	1	RING-PISTON (OIL CONTROL)						
	10	1	329-4509	1	BODY AS-PISTON						

A-NOT PART OF THIS GROUP
 B-USE AS REQUIRED
 F-NOT SHOWN
 R-REMFG PART MAY BE AVAILABLE

BASIC ENGINE

308-4486 PISTON & ROD GP (contd.)

i03595727



GRAPHIC #1

<END>

g01416312

BASIC ENGINE

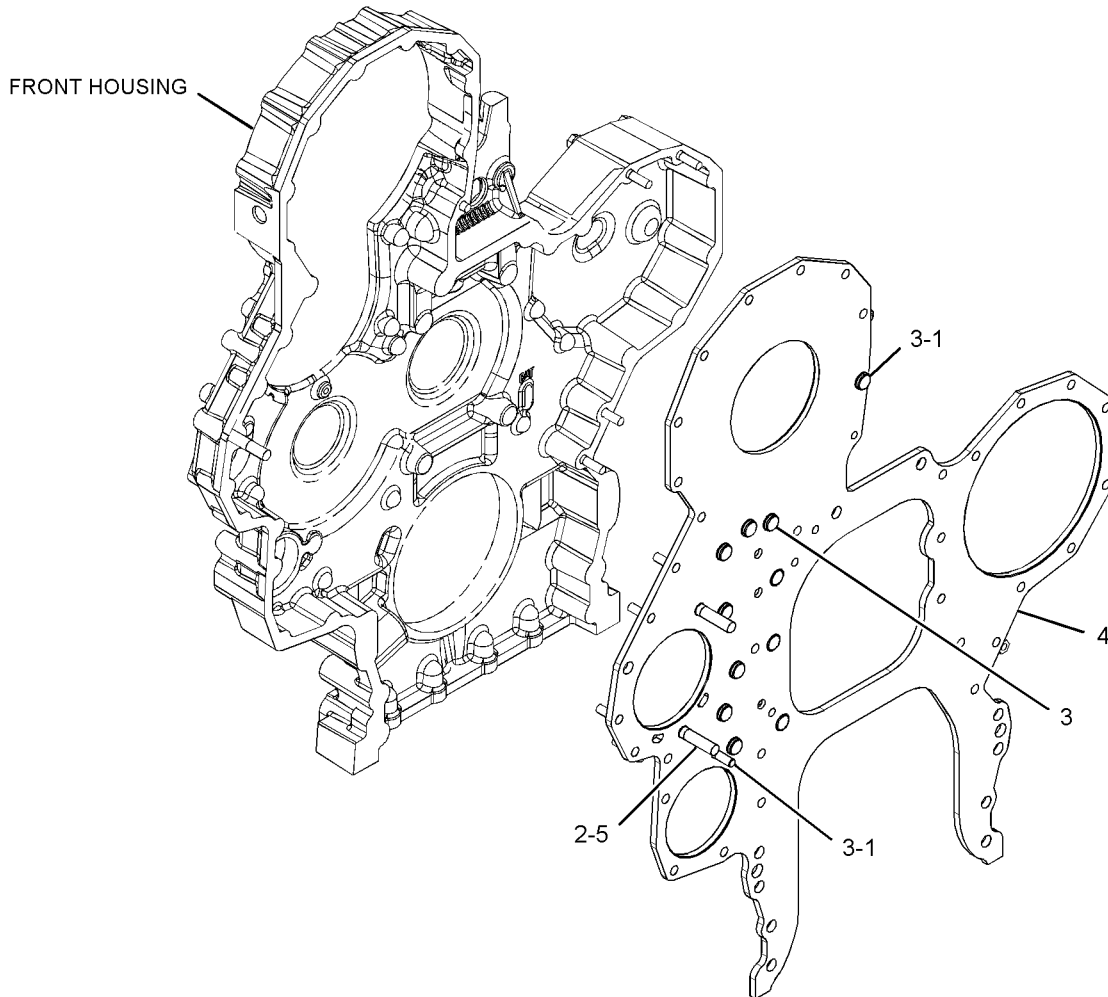
353-9983 PLATE AS-FRONT HOUSING

S/N: J2K114-UP; T2P1-UP
PART OF 291-4880 HOUSING GP-FRONT
ALSO AN ATTACHMENT

SMCS-1151, 1162

i03934449

NOTE	REF NO	GRAPHIC REF	PART NUMBER	QTY	PART NAME						SEE PAGE
					1	2	3	4	5	6 (PRODUCT LEVEL)	
	1	1	126-1757	9	WASHER (10.85X19.3X1.27-MM THK)						
	2	1	129-5427	2	WASHER-SPECIAL (SEALING)						
	3	1	129-5428	12	STUD (BRAKE)						
	4	1	306-7634	1	PLATE						
	5	1	334-6832	2	STUD-SPECIAL (BRAKE)						



GRAPHIC #1

<END>

g02155653

BASIC ENGINE

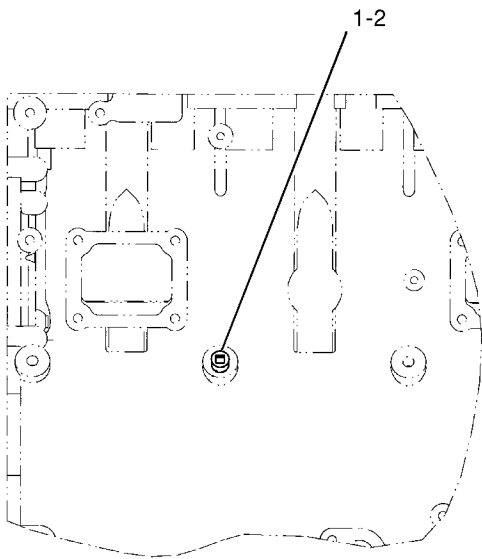
203-0342 PLUG GP-CYLINDER BLOCK AN ATTACHMENT

SMCS-1201

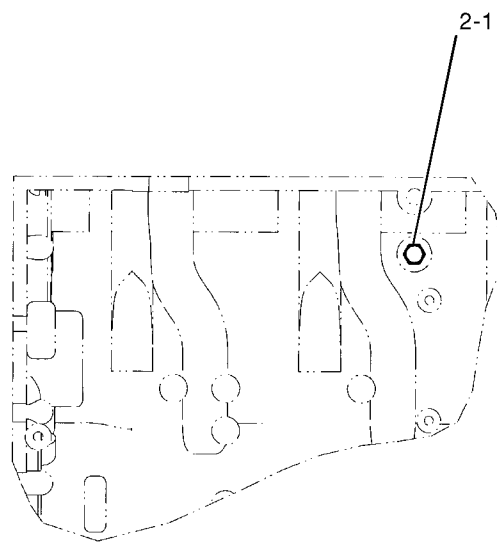
i01986616

NOTE	REF NO	GRAPHIC REF	PART NUMBER	QTY	PART NAME						SEE PAGE
					1	2	3	4	5	6 (PRODUCT LEVEL)	
C	1	1	8L-2786	2	SEAL-O-RING						
C	2	1	9S-8005	2	PLUG-O RING						

C-CHANGE FROM PREVIOUS TYPE



RIGHT SIDE VIEW



LEFT SIDE VIEW

GRAPHIC #1

<END>

g01029659

BASIC ENGINE

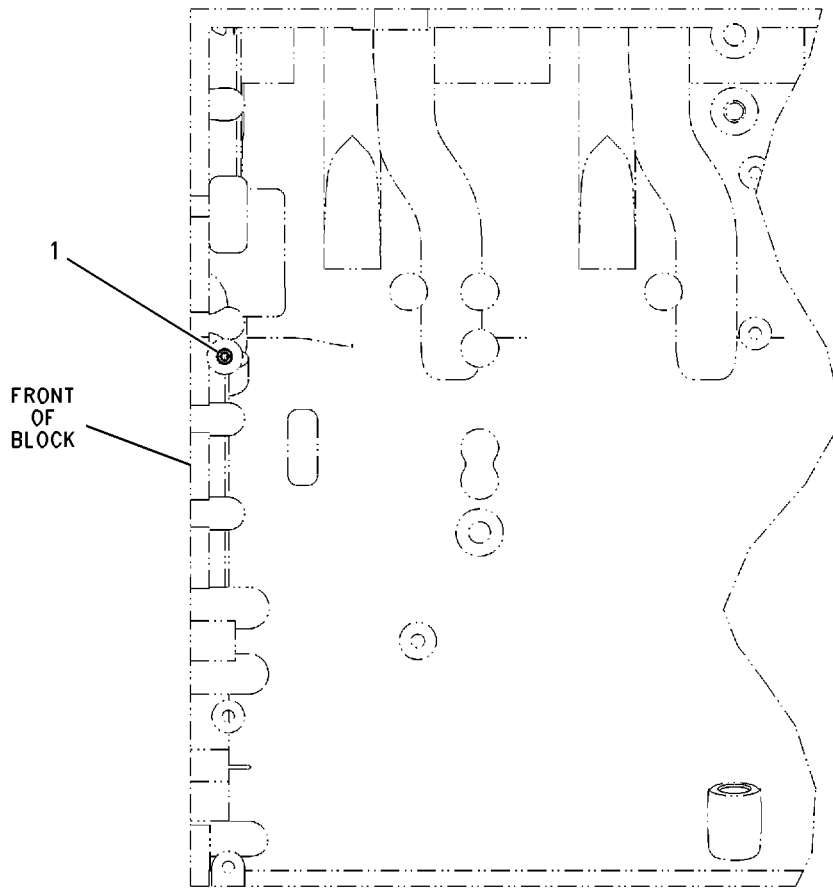
207-8156 PLUG GP-CYLINDER BLOCK

FOR USE WITH 194-2450-PAGE 453, 207-7001-PAGE 457
AN ATTACHMENT

SMCS-1201

i01544941

NOTE	REF NO	GRAPHIC REF	PART NUMBER	QTY	PART NAME						SEE PAGE
					1	2	3	4	5	6 (PRODUCT LEVEL)	
	1	1	8T-6757	1	PLUG-PIPE						



LEFT SIDE VIEW

GRAPHIC #1

<END>

g00803352

BASIC ENGINE

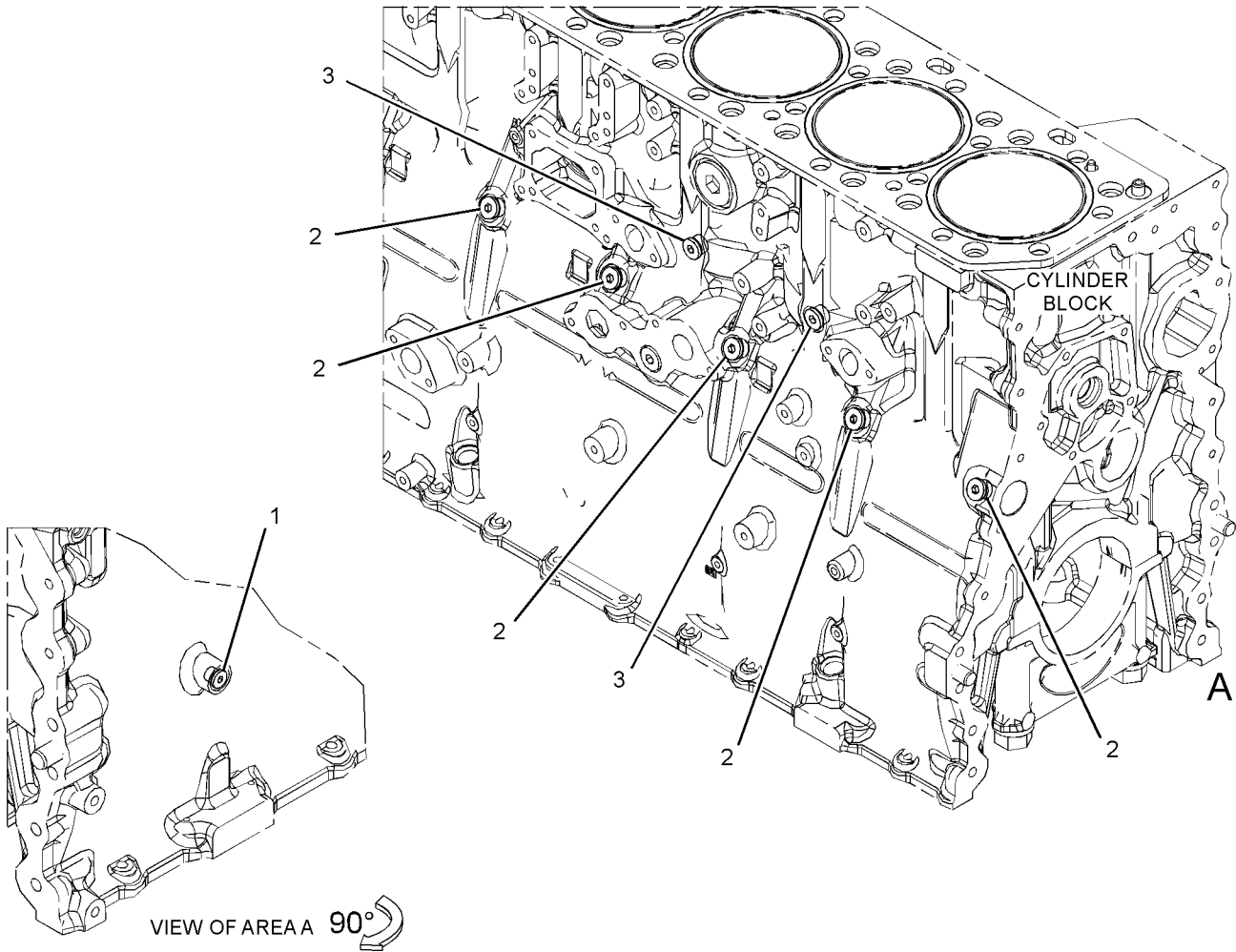
234-9222 PLUG GP-CYLINDER BLOCK

ALSO AN ATTACHMENT

SMCS-1201

i03905742

NOTE	REF NO	GRAPHIC REF	PART NUMBER	QTY	PART NAME						SEE PAGE
					1	2	3	4	5	6 (PRODUCT LEVEL)	
	1	1	307-2671	1	PLUG AS						
		1	9S-8002	1	PLUG-O-RING						
		1	214-7566	1	SEAL-O-RING						
	2	1	307-2673	5	PLUG AS						
					(EACH INCLUDES)						
		1	9S-8005	1	PLUG-O-RING						
		1	238-5080	1	SEAL-O-RING						
	3	1	353-5126	2	PLUG AS						
					(EACH INCLUDES)						
		1	6V-6609	1	SEAL-O-RING						
		1	9S-8005	1	PLUG-O-RING						



GRAPHIC #1

<END>

g02152015

BASIC ENGINE

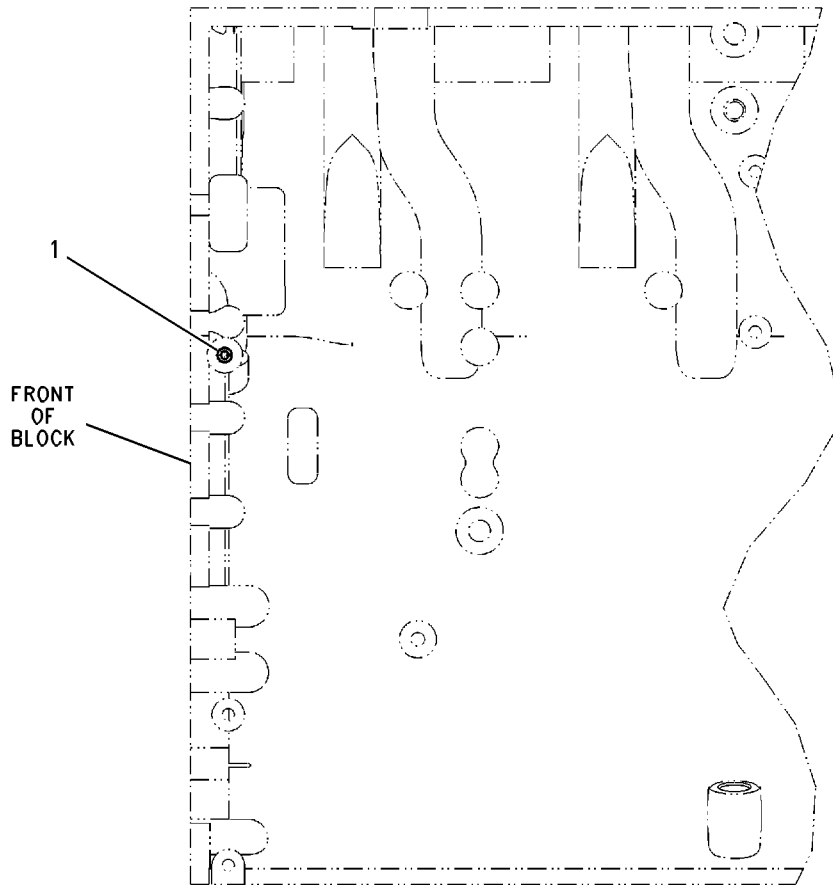
235-2387 PLUG GP-CYLINDER BLOCK

PROVIDES AN O-RING PLUG AND SEAL FOR THE BLOCK LH SIDE AT THE FRONT OIL
SUPPLY HOLE
ALSO AN ATTACHMENT

SMCS-1201

i03915391

NOTE	REF NO	GRAPHIC REF	PART NUMBER	QTY	PART NAME						SEE PAGE
					1	2	3	4	5	6 (PRODUCT LEVEL)	
	1	1	307-2671	1	PLUG AS						
		1	9S-8002	1	PLUG-O-RING						
		1	214-7566	1	SEAL-O-RING						



LEFT SIDE VIEW

GRAPHIC #1

<END>

g00803352

BASIC ENGINE

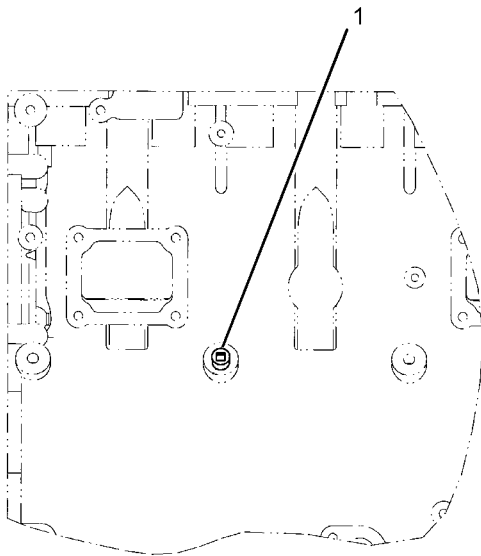
240-7051 PLUG GP-CYLINDER BLOCK

ALSO AN ATTACHMENT

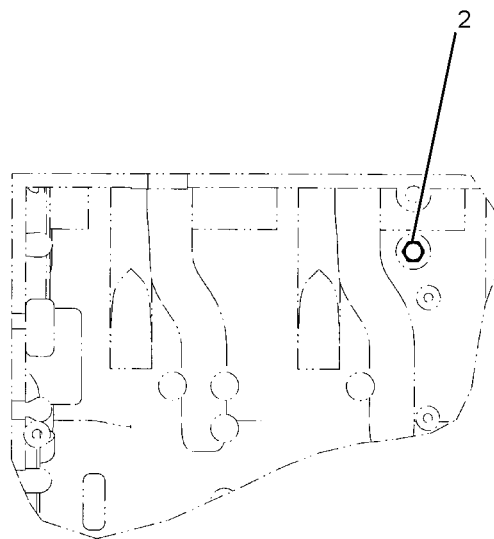
SMCS-1201

i03915571

NOTE	REF NO	GRAPHIC REF	PART NUMBER	QTY	PART NAME						SEE PAGE
					1	2	3	4	5	6 (PRODUCT LEVEL)	
	1	1	307-2673	1	PLUG AS						
		1	9S-8005	1	PLUG-O-RING						
		1	238-5080	1	SEAL-O-RING						
	2	1	353-5126	1	PLUG AS						
		1	6V-6609	1	SEAL-O-RING						
		1	9S-8005	1	PLUG-O-RING						



RIGHT SIDE VIEW



LEFT SIDE VIEW

GRAPHIC #1

<END>

g02157023

BASIC ENGINE

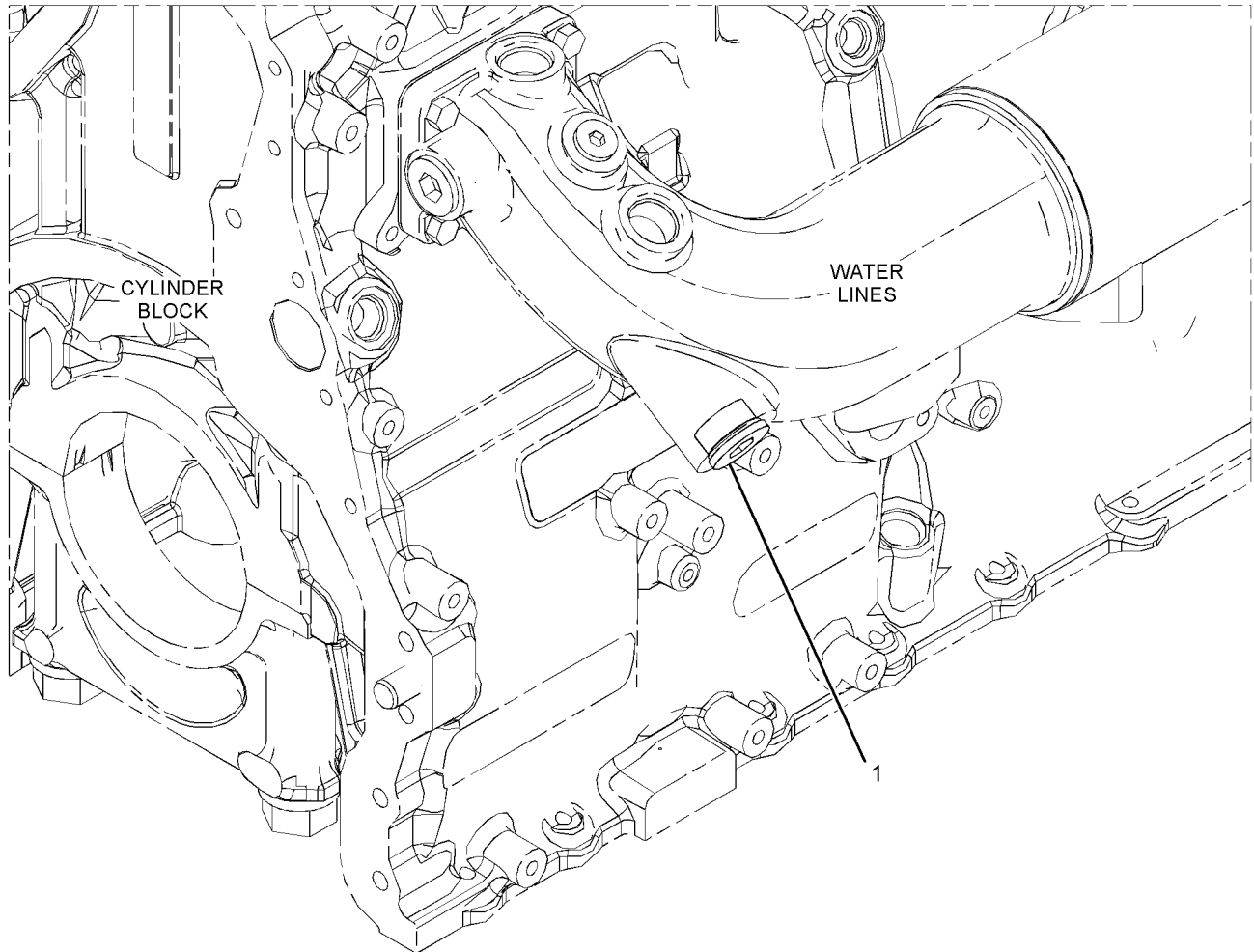
279-5062 PLUG GP-CYLINDER BLOCK

FOR USE WITH C18 ACERT MARINE ENGINES
AN ATTACHMENT

SMCS-1201

i03935735

NOTE	REF NO	GRAPHIC REF	PART NUMBER	QTY	PART NAME						SEE PAGE
					1	2	3	4	5	6 (PRODUCT LEVEL)	
	1	1	3R-2437	1	PLUG AS						
		1	4K-1388	1	SEAL-O-RING						
		1	9S-8005	1	PLUG-O-RING						



GRAPHIC #1

<END>

g02157811

BASIC ENGINE

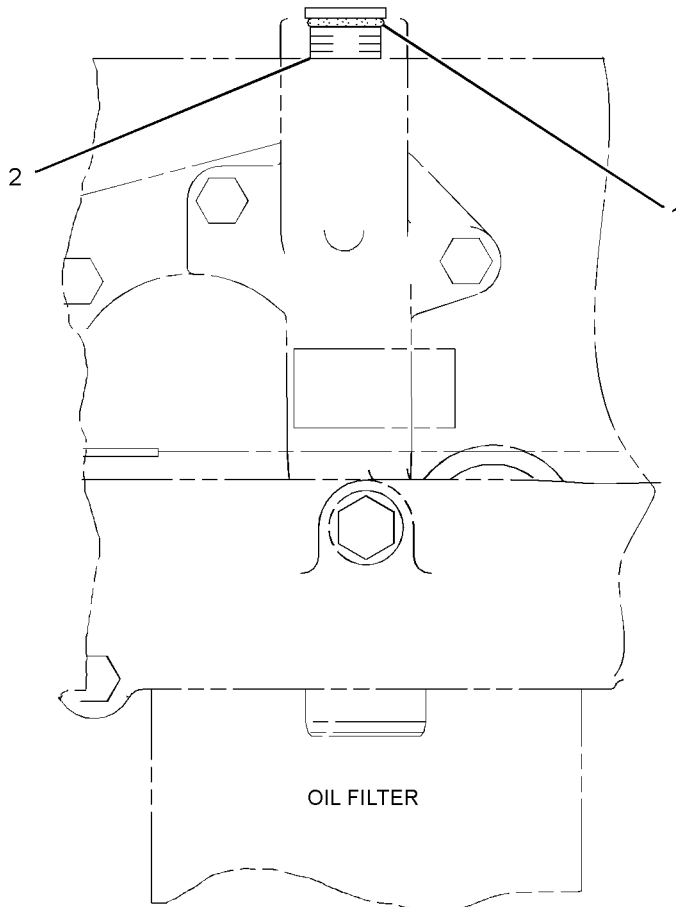
294-8674 PLUG GP-CYLINDER BLOCK

FOR USE WITH C18 ACERT DITA MARINE ENGINES
AN ATTACHMENT

SMCS-1201

i02630763

NOTE	REF NO	GRAPHIC REF	PART NUMBER	QTY	PART NAME						SEE PAGE
					1	2	3	4	5	6 (PRODUCT LEVEL)	
	1	1	114-4427	1	SEAL-O-RING						
	2	1	9S-8006	1	PLUG-O-RING						



RIGHT SIDE VIEW OF ENGINE

<END>

GRAPHIC #1

g01323325

BASIC ENGINE

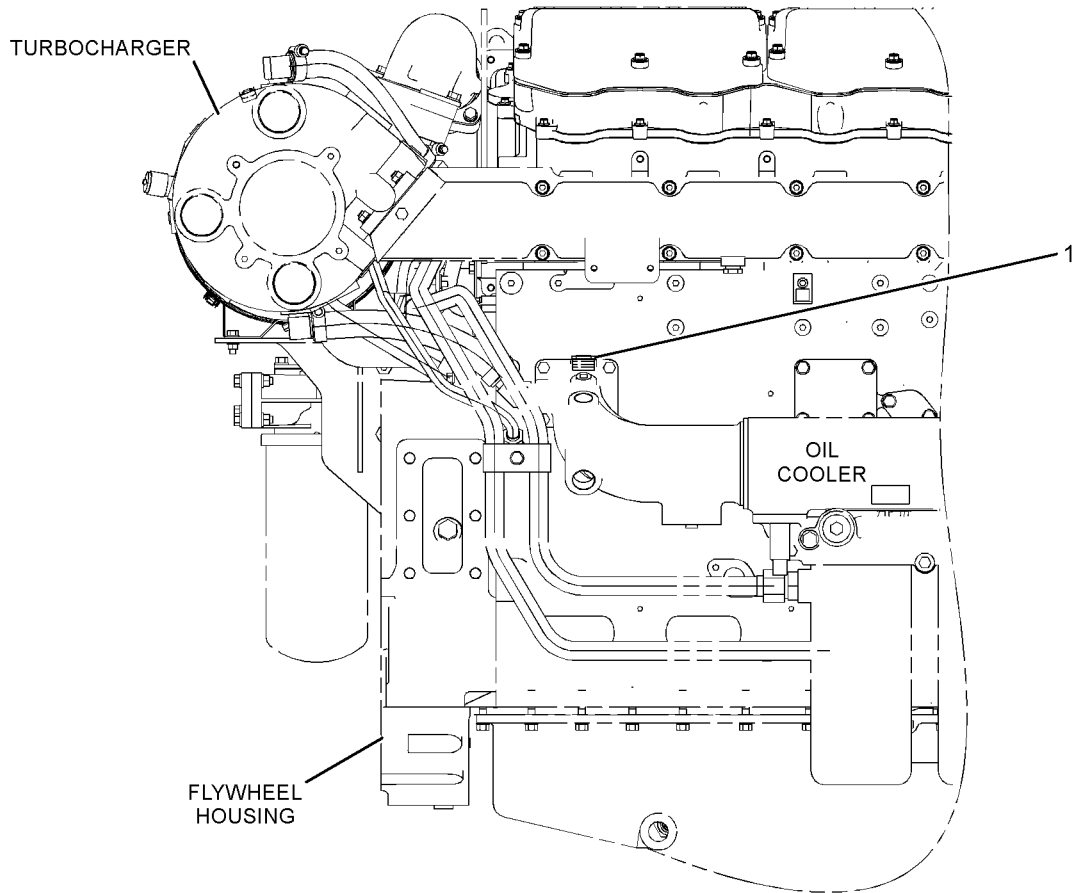
294-8675 PLUG GP-CYLINDER BLOCK

FOR USE WITH JACKET WATER OIL COOLER BONNET, SAE NO. 0 FLYWHEEL HOUSING
AN ATTACHMENT

SMCS-1201

i03935911

NOTE	REF NO	GRAPHIC REF	PART NUMBER	QTY	PART NAME						SEE PAGE
					1	2	3	4	5	6 (PRODUCT LEVEL)	
	1	1	148-8409	1	PLUG AS						
		1	3D-2824	1	SEAL-O-RING						
		1	9S-8008	1	PLUG-O-RING						



RIGHT SIDE VIEW OF ENGINE

<END>

GRAPHIC #1

g02157029

BASIC ENGINE

305-9196 PLUG GP-CYLINDER BLOCK

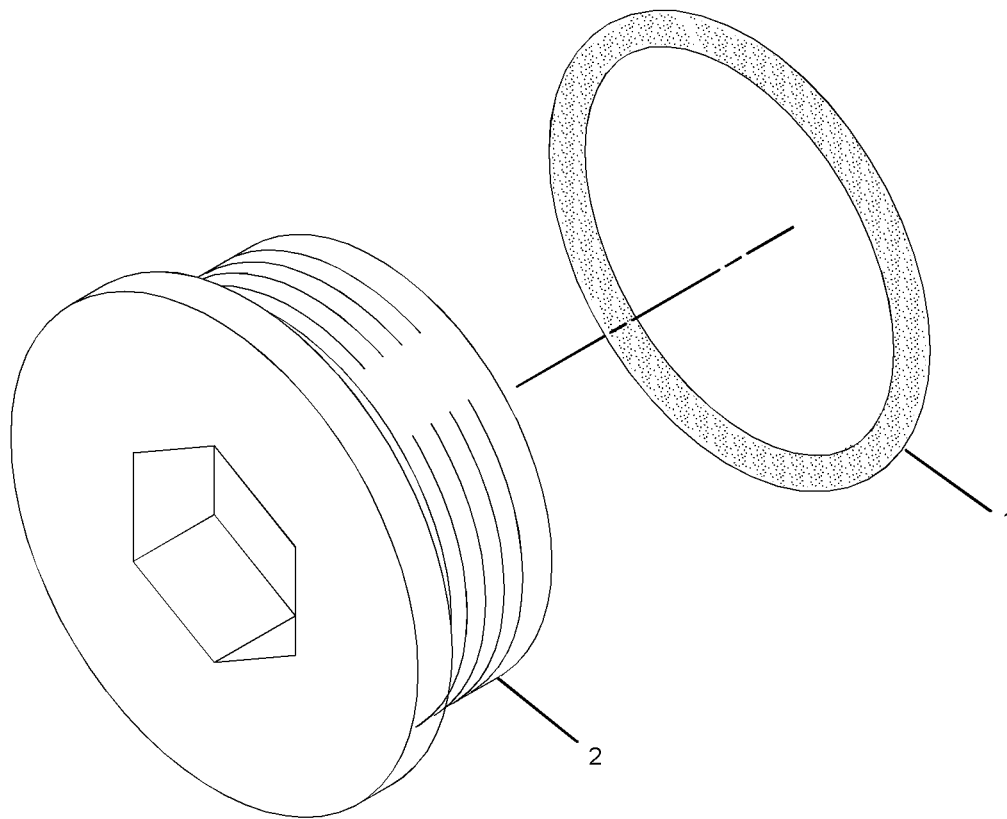
S/N: J2K111-UP; T2P1-UP

PART OF 261-0191 CYLINDER BLOCK GP

SMCS-1201

i02680401

NOTE	REF NO	GRAPHIC REF	PART NUMBER	QTY	PART NAME						SEE PAGE
					1	2	3	4	5	6 (PRODUCT LEVEL)	
	1	1	6V-5065	1	SEAL-O-RING						
	2	1	9S-8010	1	PLUG						



GRAPHIC #1

<END>

g01347363

BASIC ENGINE

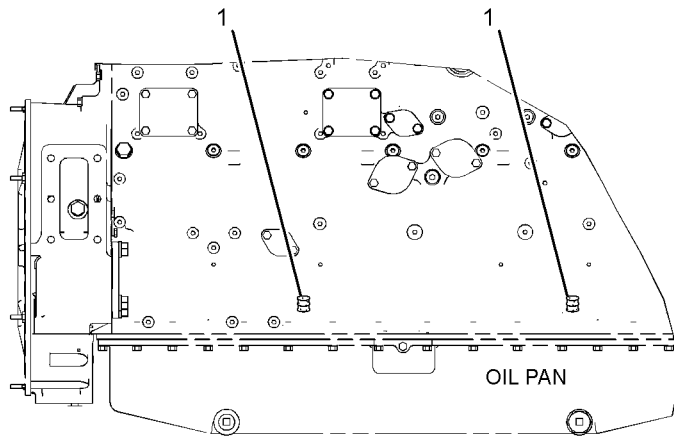
316-1444 PLUG GP-CYLINDER BLOCK-DIPSTICK

S/N: T2P1-UP

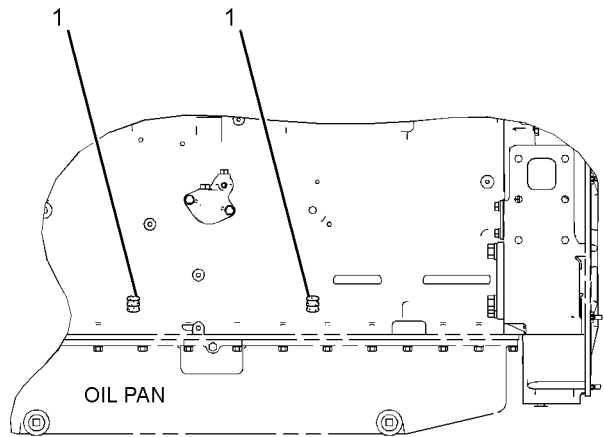
SMCS-1201

i02862700

NOTE	REF NO	GRAPHIC REF	PART NUMBER	QTY	PART NAME						SEE PAGE
					1	2	3	4	5	6 (PRODUCT LEVEL)	
	1	1	165-6170	4	PLUG						



RIGHT SIDE VIEW OF ENGINE



LEFT SIDE VIEW OF ENGINE

GRAPHIC #1

<END>

g01427872

BASIC ENGINE

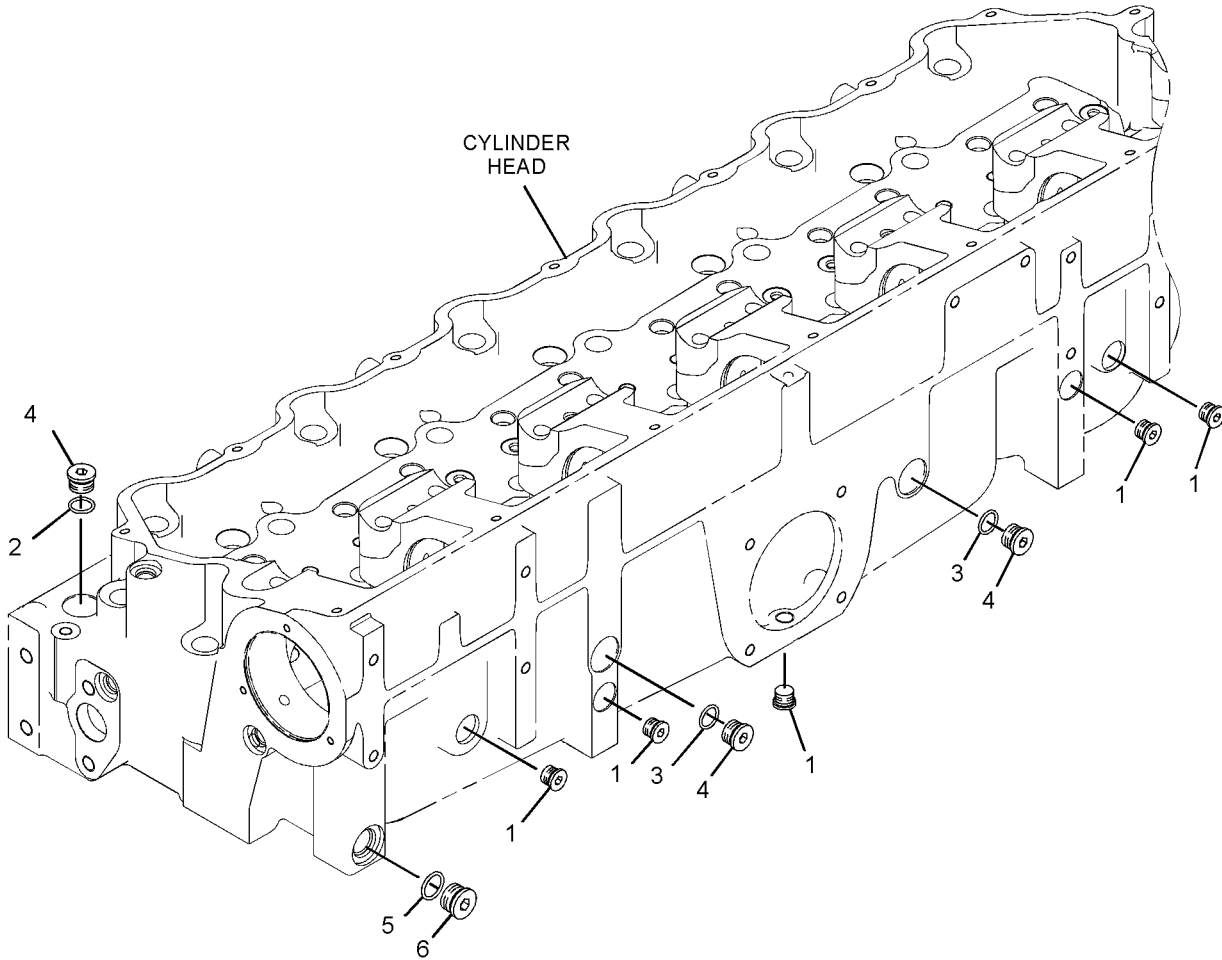
234-9219 PLUG GP-CYLINDER HEAD

FOR USE WITH 222-1982 CYLINDER HEAD
ALSO AN ATTACHMENT

SMCS-1100

i03905602

NOTE	REF NO	GRAPHIC REF	PART NUMBER	QTY	PART NAME						SEE PAGE
					1	2	3	4	5	6 (PRODUCT LEVEL)	
	1	1	183-3407	5	PLUG AS						
					(EACH INCLUDES)						
		1	214-7568	1	SEAL-O-RING						
		1	9S-8004	1	PLUG-O-RING						
	2	1	6V-6609	1	SEAL-O-RING						
	3	1	238-5080	2	SEAL-O-RING						
	4	1	9S-8005	3	PLUG-O-RING						
	5	1	238-5081	1	SEAL-O-RING						
	6	1	9S-8006	1	PLUG-O-RING						



GRAPHIC #1

<END>

g01416395

BASIC ENGINE

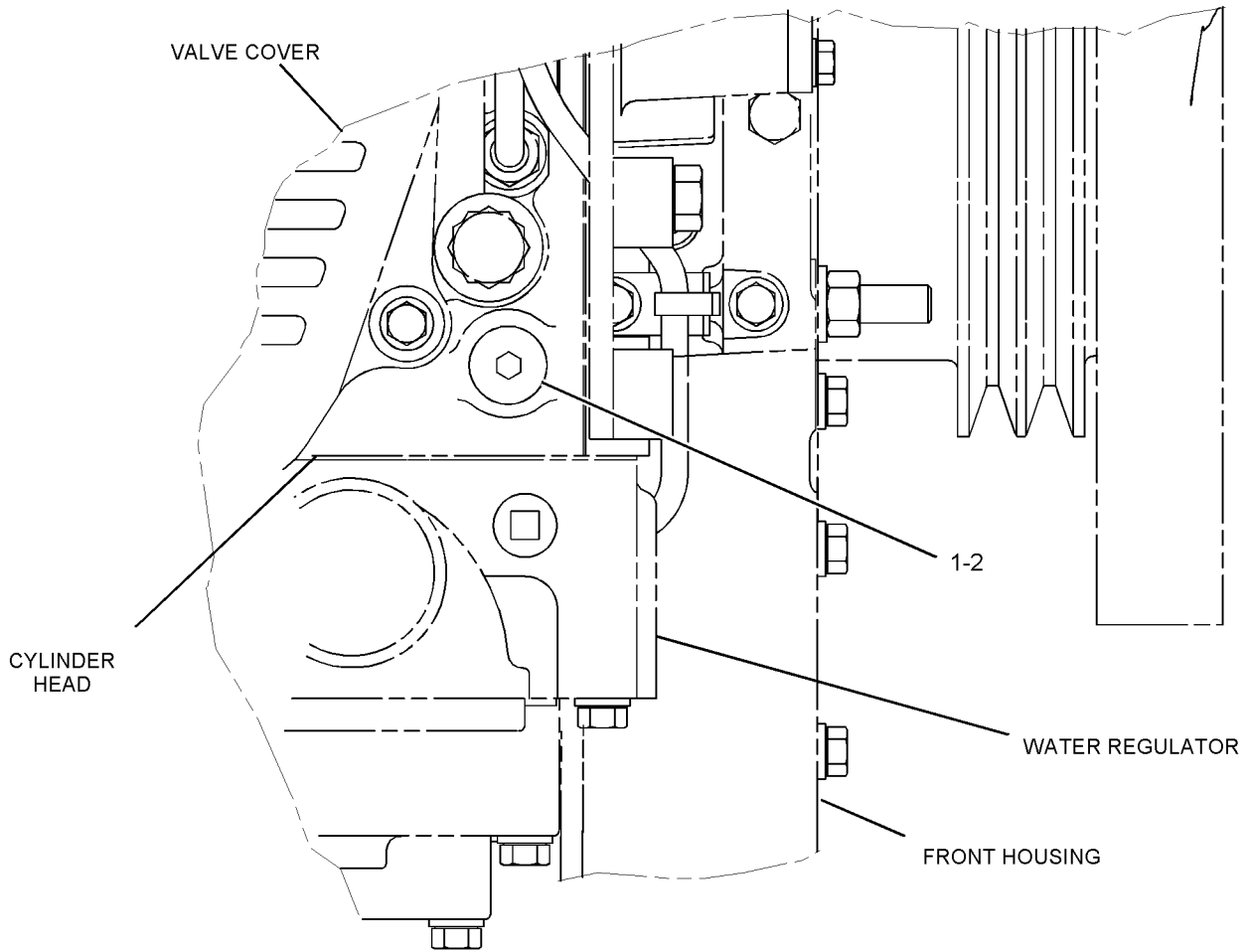
234-9776 PLUG GP-ENGINE

STRAIGHT THREAD O-RING PORTS
AN ATTACHMENT

SMCS-1100

i02006055

NOTE	REF NO	GRAPHIC REF	PART NUMBER	QTY	PART NAME						SEE PAGE
					1	2	3	4	5	6 (PRODUCT LEVEL)	
	1	1	9S-8005	1	PLUG-O RING						
	2	1	6V-6609	1	SEAL-O-RING						



TOP VIEW
<END>

GRAPHIC #1

g01037853

BASIC ENGINE

246-0709 PLUG GP-ENGINE

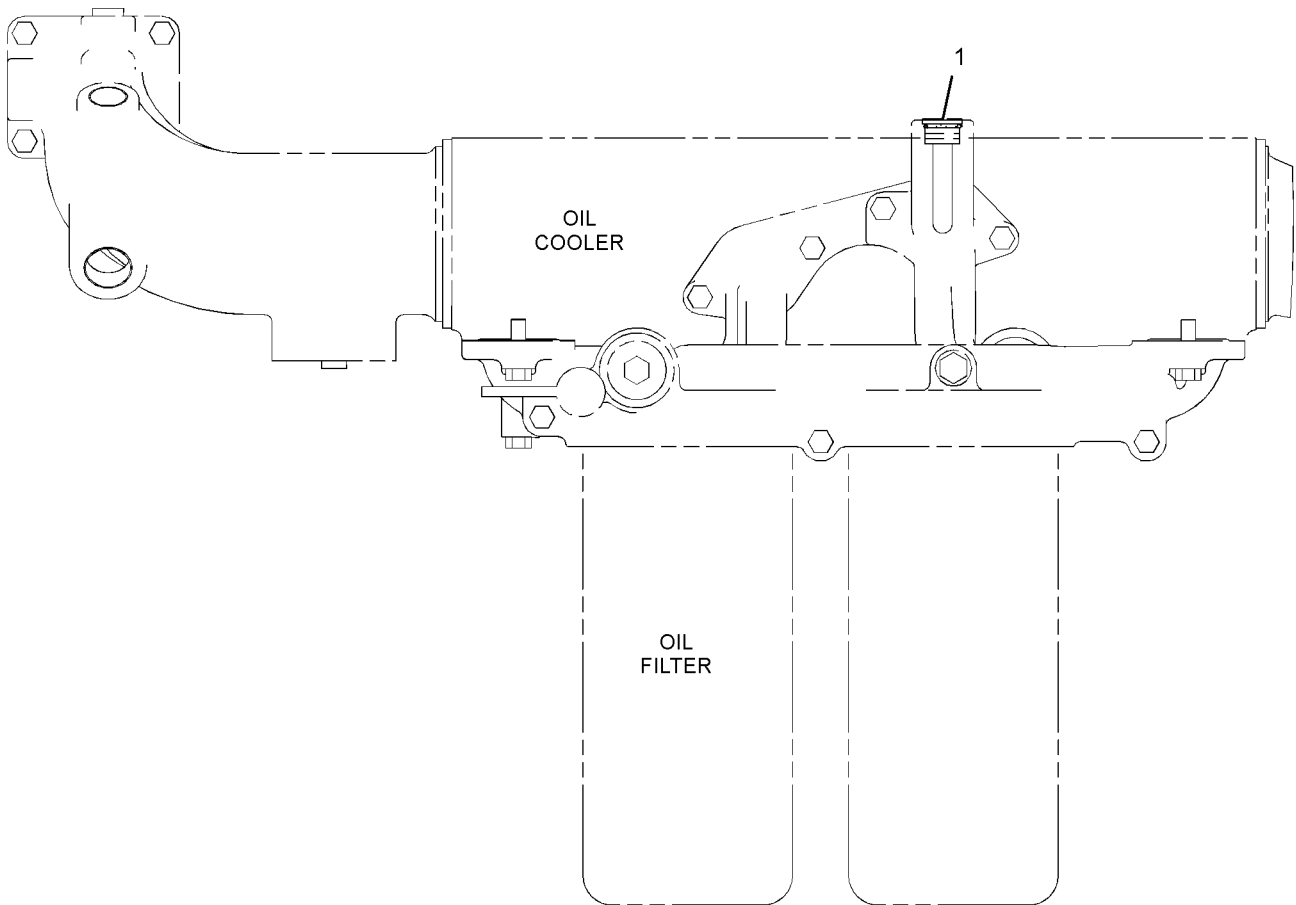
OIL SUPPLY PORT

FOR USE WITH SINGLE TURBO ENGINES. CANNOT BE USED WITH TWIN TURBO ENGINES
AN ATTACHMENT

SMCS-1100

i03935623

NOTE	REF NO	GRAPHIC REF	PART NUMBER	QTY	PART NAME						SEE PAGE
					1	2	3	4	5	6 (PRODUCT LEVEL)	
	1	1	164-5619	1	PLUG AS						
		1	2M-9780	1	SEAL-O-RING						
		1	9S-8006	1	PLUG-O-RING						



RIGHT SIDE VIEW OF ENGINE

<END>

GRAPHIC #1

g02157024

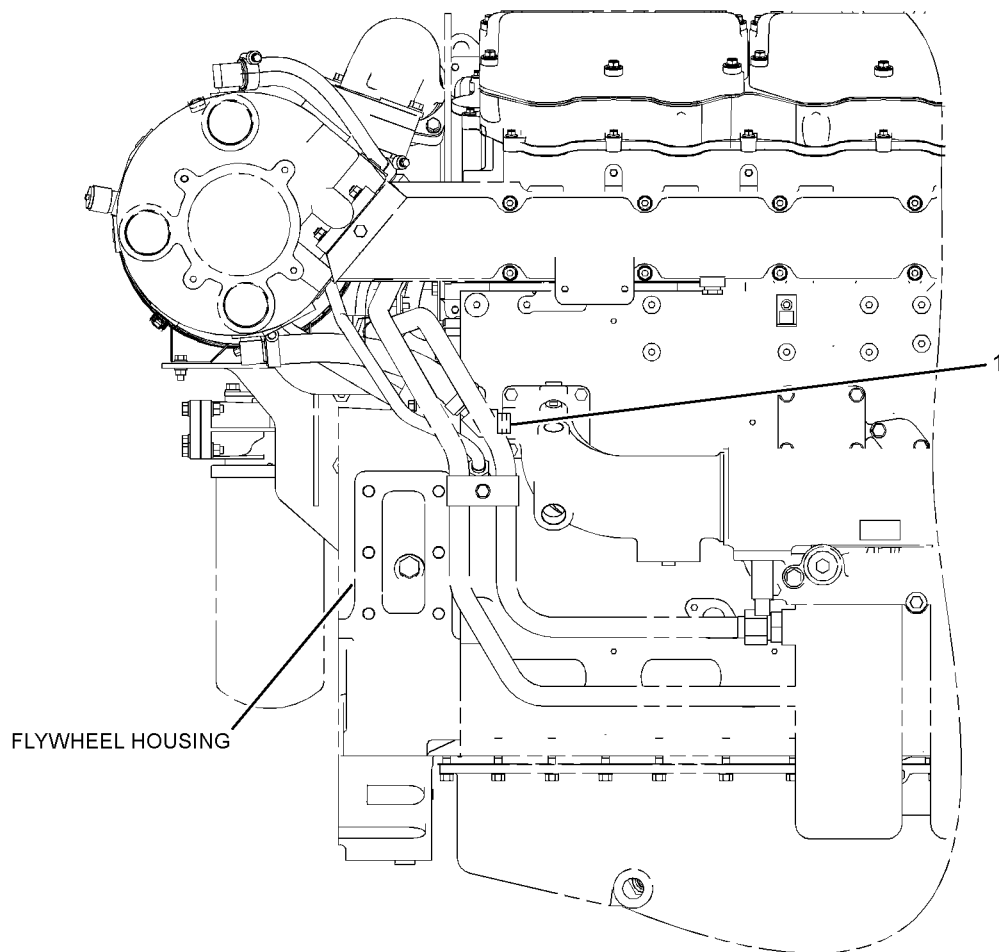
BASIC ENGINE

262-9957 PLUG GP-ENGINE FOR USE WITH SAE NO. 0 FLYWHEEL HOUSING AN ATTACHMENT

SMCS-1100

i02477733

NOTE	REF NO	GRAPHIC REF	PART NUMBER	QTY	PART NAME						SEE PAGE
					1	2	3	4	5	6 (PRODUCT LEVEL)	
	1	1	1B-5174	1	PLUG-PIPE						



RIGHT SIDE VIEW

<END>

GRAPHIC #1

g01251017

BASIC ENGINE

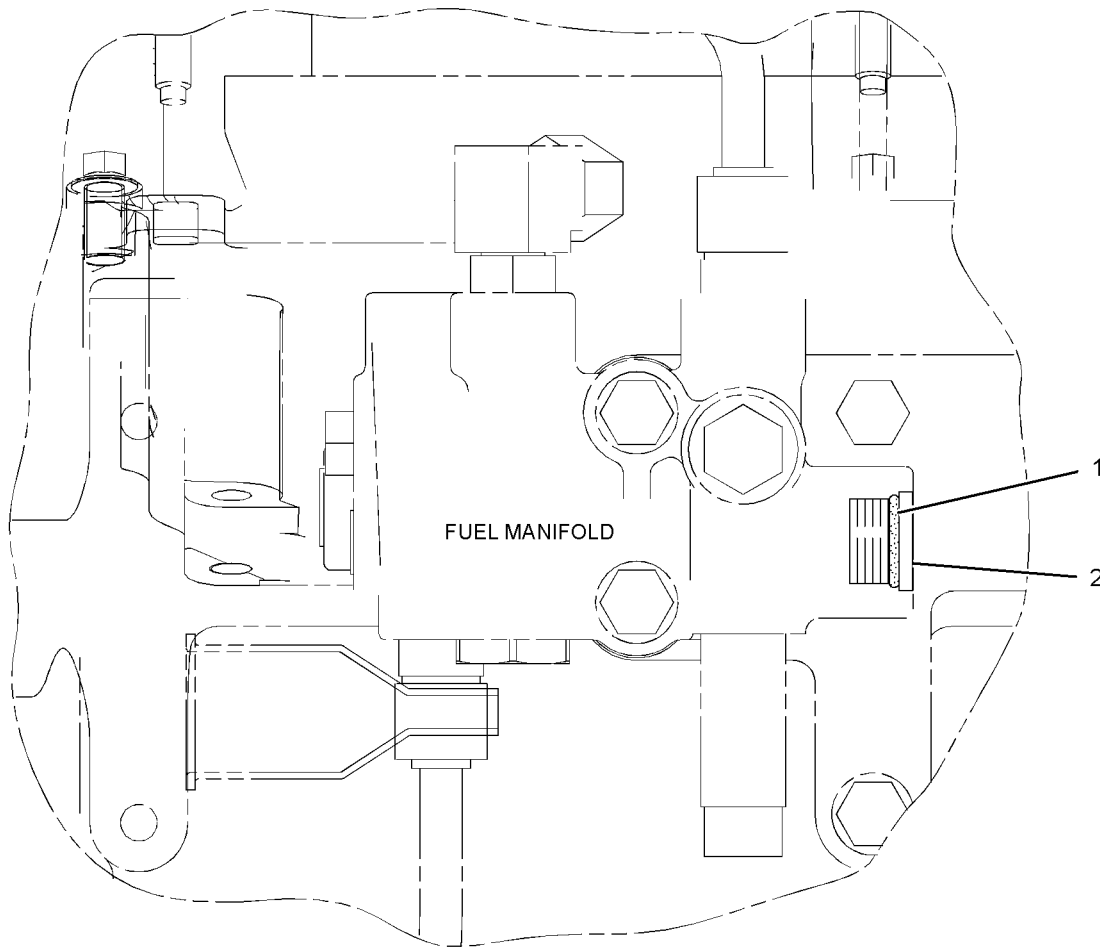
305-4500 PLUG GP-ENGINE

FOR USE WITH FUEL MANIFOLD
AN ATTACHMENT

SMCS-1100

i02696838

NOTE	REF NO	GRAPHIC REF	PART NUMBER	QTY	PART NAME						SEE PAGE
					1	2	3	4	5	6 (PRODUCT LEVEL)	
	1	1	8L-2786	1	SEAL-O-RING						
	2	1	9S-8005	1	PLUG-O-RING						



LEFT SIDE VIEW OF ENGINE

<END>

GRAPHIC #1

g01354181

BASIC ENGINE

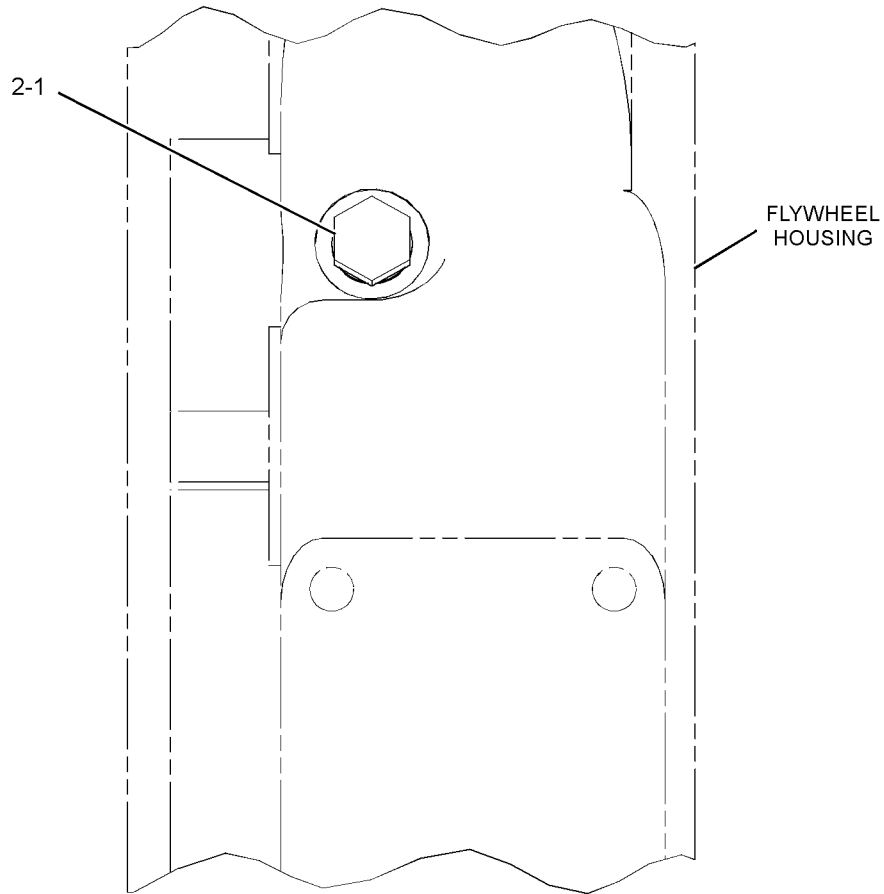
284-8240 PLUG GP-FLYWHEEL HOUSING

S/N: T2P694-UP

SMCS-1157

i02518619

NOTE	REF NO	GRAPHIC REF	PART NUMBER	QTY	PART NAME						SEE PAGE
					1	2	3	4	5	6 (PRODUCT LEVEL)	
	1	1	5F-0304	1	PLUG (DRAIN)						
	2	1	2A-1162	1	GASKET						



LEFT SIDE VIEW

<END>

GRAPHIC #1

g01262693

BASIC ENGINE

329-9616 PLUG GP-FLYWHEEL HOUSING

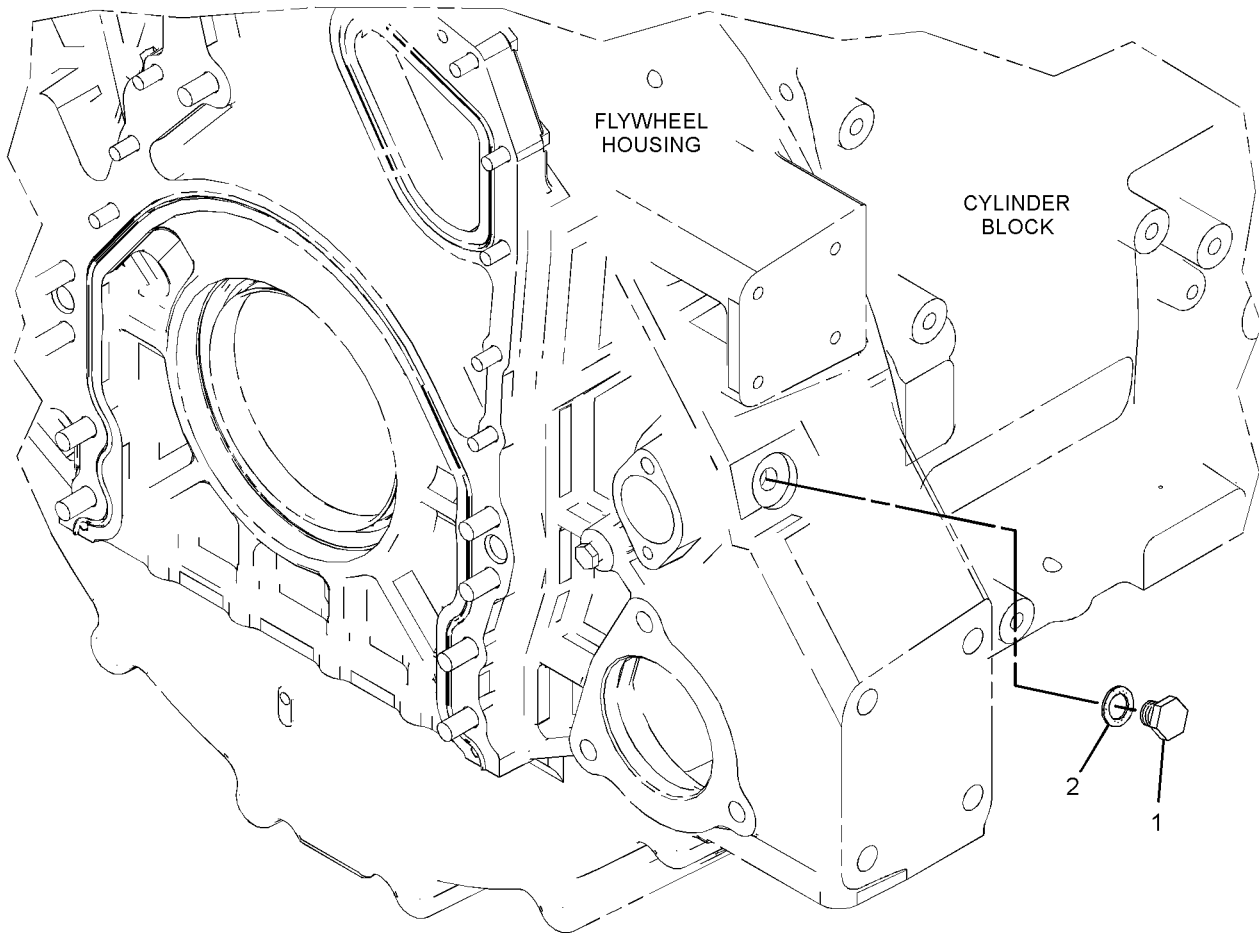
S/N: T2P1-693

FOR USE WITH SAE NO. 0 FLYWHEEL HOUSING

SMCS-1157

i03114042

NOTE	REF NO	GRAPHIC REF	PART NUMBER	QTY	PART NAME						SEE PAGE
					1	2	3	4	5	6 (PRODUCT LEVEL)	
	1	1	5F-0304	1	PLUG						
	2	1	2A-1162	1	GASKET						



GRAPHIC #1

<END>

g01597131

BASIC ENGINE

257-7442 POWER TAKE-OFF GP

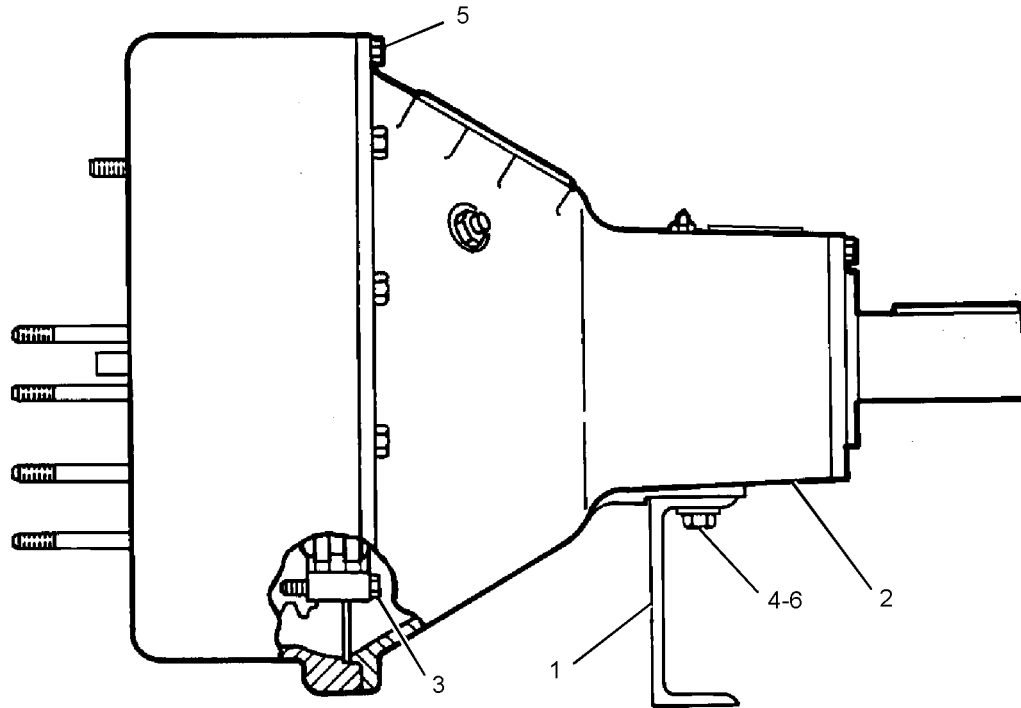
FOR USE WITH 16-INCH DAMPER
AN ATTACHMENT

SMCS-1165

i02281880

NOTE	REF NO	GRAPHIC REF	PART NUMBER	QTY	PART NAME						SEE PAGE
					1	2	3	4	5	6 (PRODUCT LEVEL)	
	1	1	5N-6958	1	CHANNEL						
Y	2	1	5N-7330	1	CLUTCH GP						102
	3	1	0L-1143	8	BOLT (3/8-16X2.5-IN)						
	4	1	0S-1566	2	BOLT (5/8-11X1.5-IN)						
	5	1	0S-1591	12	BOLT (3/8-16X1.5-IN)						
	6	1	5P-8247	2	WASHER-HARD (17X32X3.5-MM THK)						

Y-SEPARATE ILLUSTRATION



GRAPHIC #1

<END>

g01142233

BASIC ENGINE

278-1929 ROCKER ARM GP

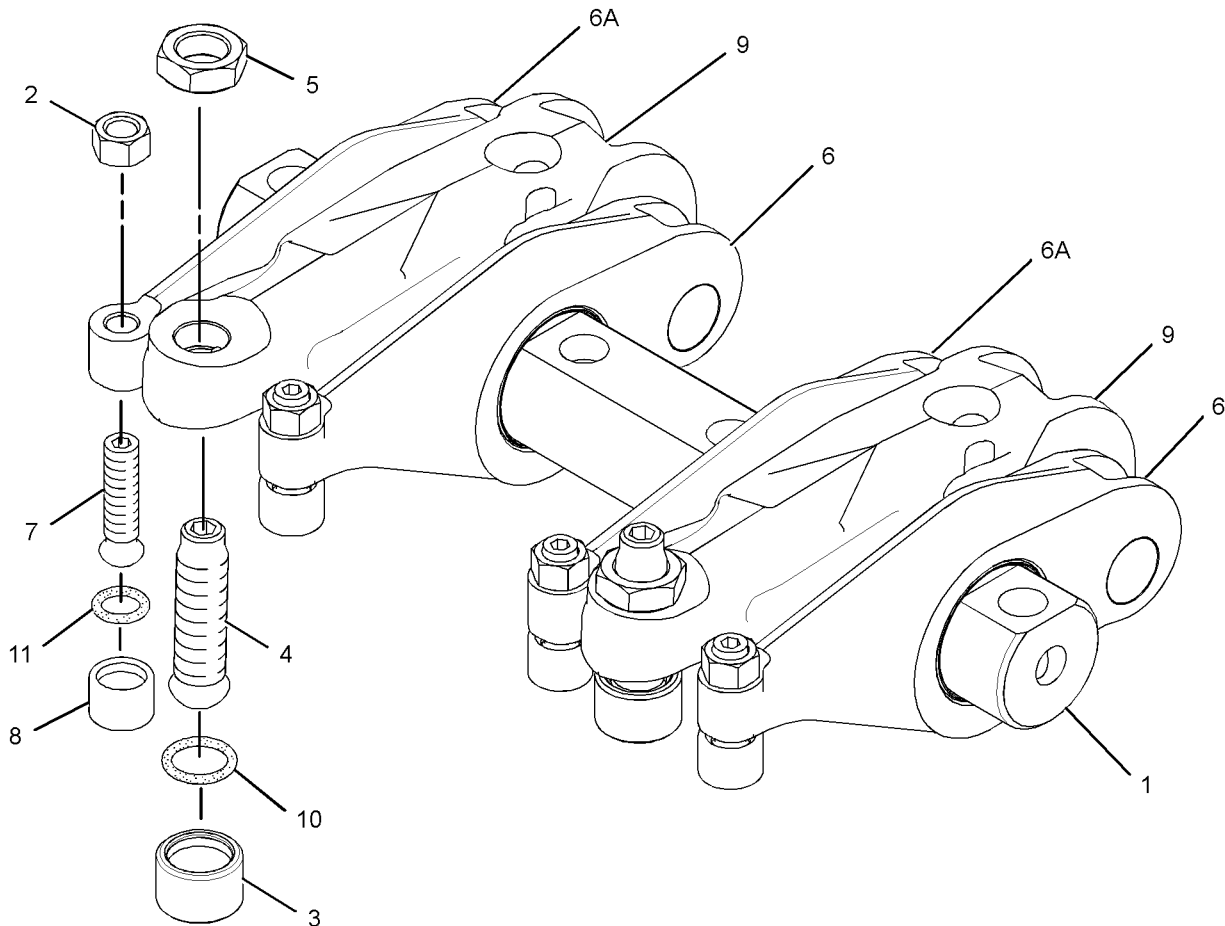
PART OF 190-0009 MECHANISM GP-FUEL PUMP & VALVE

SMCS-1123

i03626649

NOTE	REF NO	GRAPHIC REF	PART NUMBER	QTY	PART NAME						SEE PAGE
					1	2	3	4	5	6 (PRODUCT LEVEL)	
	1	1	307-8322	1	SHAFT AS-ROCKER ARM						
		1	4B-9782	2	BALL						
	2	1	276-5317	4	NUT (3/8-24-THD)						
	3	1	192-4151	2	BUTTON (24-MM OD)						
	4	1	196-5069	2	SCREW-ARM ADJUSTMENT (9/16-18X2-IN)						
	5	1	196-5070	2	NUT-JAM (9/16-18-THD)						
R	6	1	203-8824	2	ROCKER ARM AS (INLET VALVE ROCKER)						
R	6A	1	203-8824	2	ROCKER ARM AS (EXHAUST VALVE ROCKER)						
	7	1	274-4491	4	SCREW-ARM ADJUSTMENT (3/8-24X1.20-IN)						
	8	1	258-8721	4	BUTTON						
R	9	1	278-1365	2	ROCKER ARM AS (UNIT INJECTOR ROCKER)						
	10	1	061-8639	2	SEAL-O-RING						
	11	1	8L-2777	4	SEAL-O-RING						

R-REMFG PART MAY BE AVAILABLE



GRAPHIC #1

<END>

g01915276

BASIC ENGINE

320-2796 ROCKER ARM GP*R

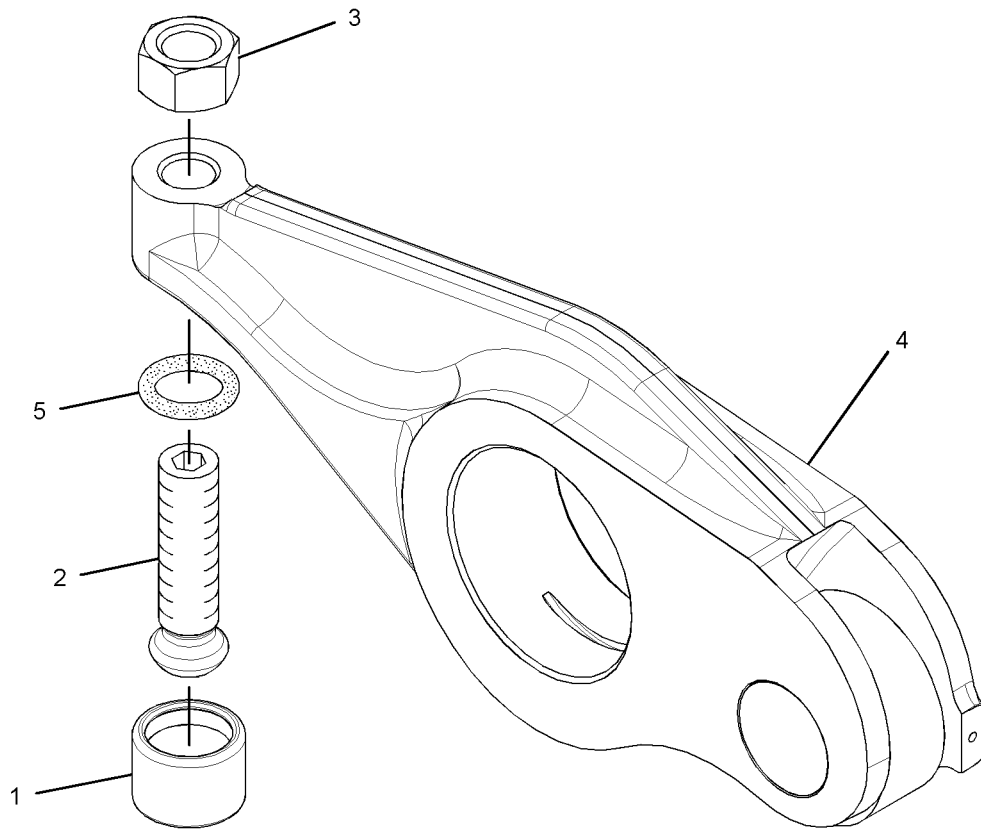
PART OF 328-4236 ROCKER ARM GP

SMCS-1123

i03008827

NOTE	REF NO	GRAPHIC REF	PART NUMBER	QTY	PART NAME						SEE PAGE
					1	2	3	4	5	6 (PRODUCT LEVEL)	
	1	1	258-8721	1	BUTTON						
	2	1	274-4491	1	SCREW-ARM ADJUSTMENT (3/8-24X1.20-IN)						
	3	1	276-5317	1	NUT (3/8-24-THD)						
R	4	1	320-2797	1	ROCKER ARM AS						
	5	1	8L-2777	1	SEAL-O-RING						

R-REMFG PART MAY BE AVAILABLE



GRAPHIC #1

<END>

g01526902

BASIC ENGINE

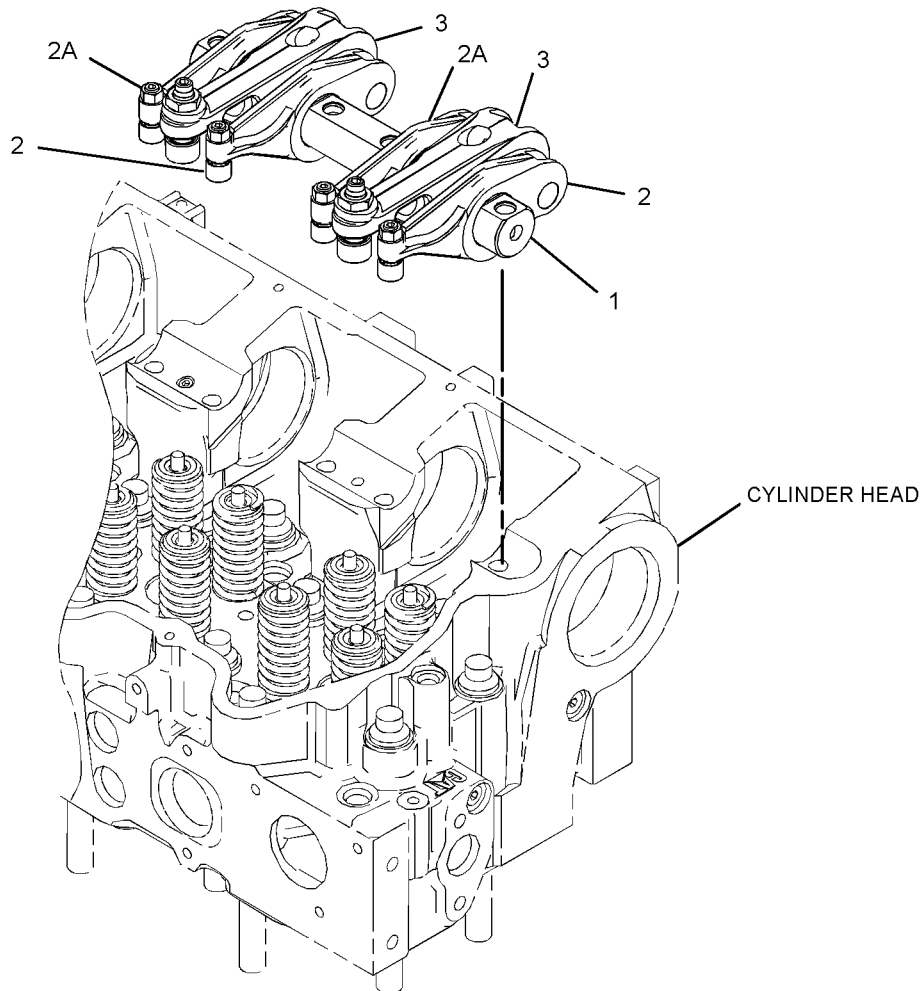
328-4236 ROCKER ARM GP-NON-BRAKE PART OF 190-0009 MECHANISM GP-FUEL PUMP & VALVE

SMCS-1123

i03837671

NOTE	REF NO	GRAPHIC REF	PART NUMBER	QTY	PART NAME						SEE PAGE
					1	2	3	4	5	6 (PRODUCT LEVEL)	
	1	1	307-8322	1	SHAFT AS-ROCKER ARM						
		1	4B-9782	2	BALL						
YR	2	1	320-2796	2	ROCKER ARM GP (INTAKE)						237
YR	2A	1	320-2796	2	ROCKER ARM GP (EXHAUST)						237
YR	3	1	328-4238	2	ROCKER ARM GP (UNIT INJECTOR)						239

R-REMG PART MAY BE AVAILABLE
Y-SEPARATE ILLUSTRATION



GRAPHIC #1

<END>

g02086418

BASIC ENGINE

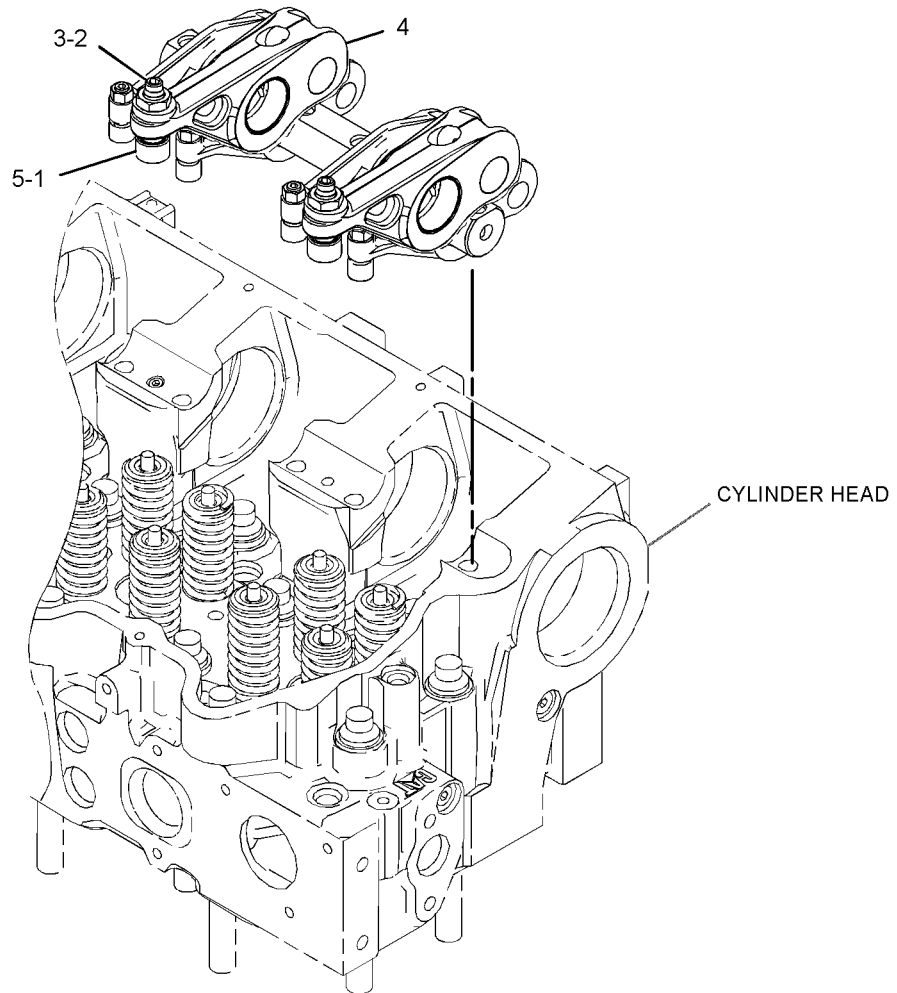
328-4238 ROCKER ARM GP*R PART OF 328-4236 ROCKER ARM GP

SMCS-1123

i03326327

NOTE	REF NO	GRAPHIC REF	PART NUMBER	QTY	PART NAME						SEE PAGE
					1	2	3	4	5	6 (PRODUCT LEVEL)	
	1	1	192-4151	1	BUTTON						
	2	1	196-5069	1	SCREW-ARM ADJUSTMENT (9/16-18X2-IN)						
	3	1	196-5070	1	NUT-JAM (9/16-18-THD)						
R	4	1	278-1365	1	ROCKER ARM AS						
	5	1	061-8639	1	SEAL-O-RING						

R-REMFG PART MAY BE AVAILABLE



GRAPHIC #1

<END>

g01707153

BASIC ENGINE

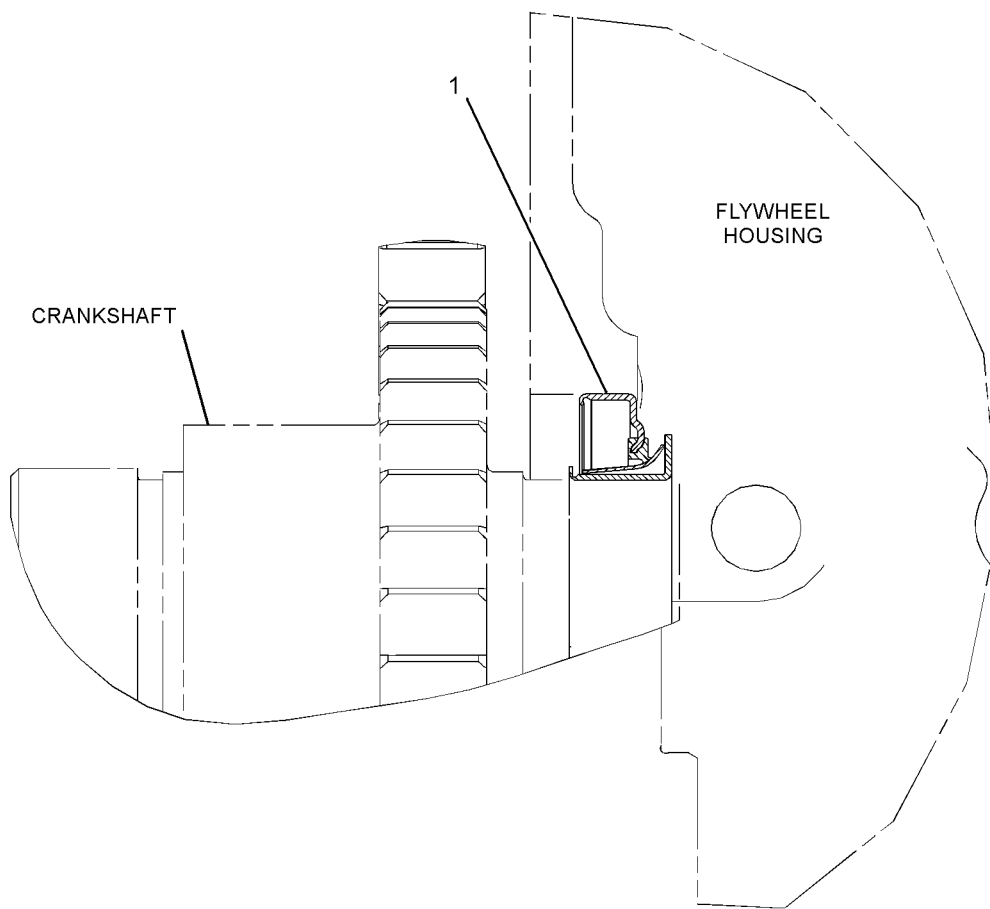
319-0785 SEAL GP-CRANKSHAFT-REAR

PART OF 178-8579, 198-1295, 248-0312 HOUSING GP-FLYWHEEL
FOR USE WITH CCW ROTATION, REAR
ALSO AN ATTACHMENT

SMCS-1160, 1161

i02958100

NOTE	REF NO	GRAPHIC REF	PART NUMBER	QTY	PART NAME						SEE PAGE
					1	2	3	4	5	6 (PRODUCT LEVEL)	
	1	1	142-5868	1	SEAL-CRANKSHAFT (REAR)						



RIGHT SIDE VIEW OF ENGINE

GRAPHIC #1

<END>

g01496733

BASIC ENGINE

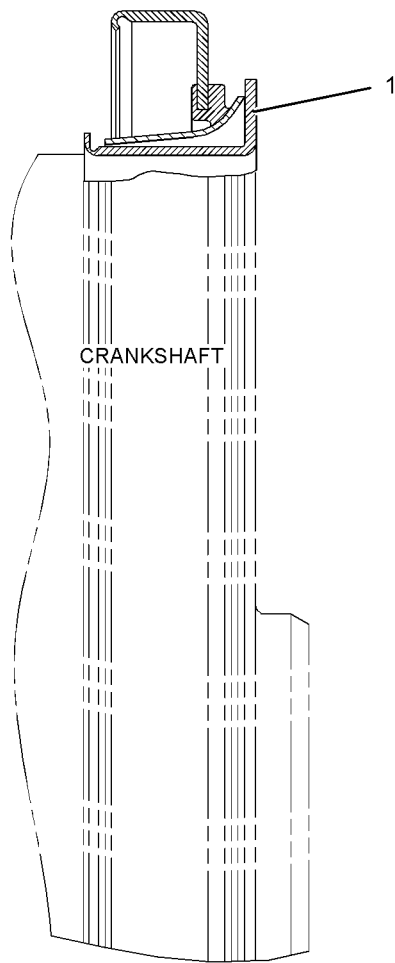
319-7401 SEAL GP-CRANKSHAFT-FRONT

PART OF 189-4917 CRANKSHAFT GP

SMCS-1160, 1161

i02957871

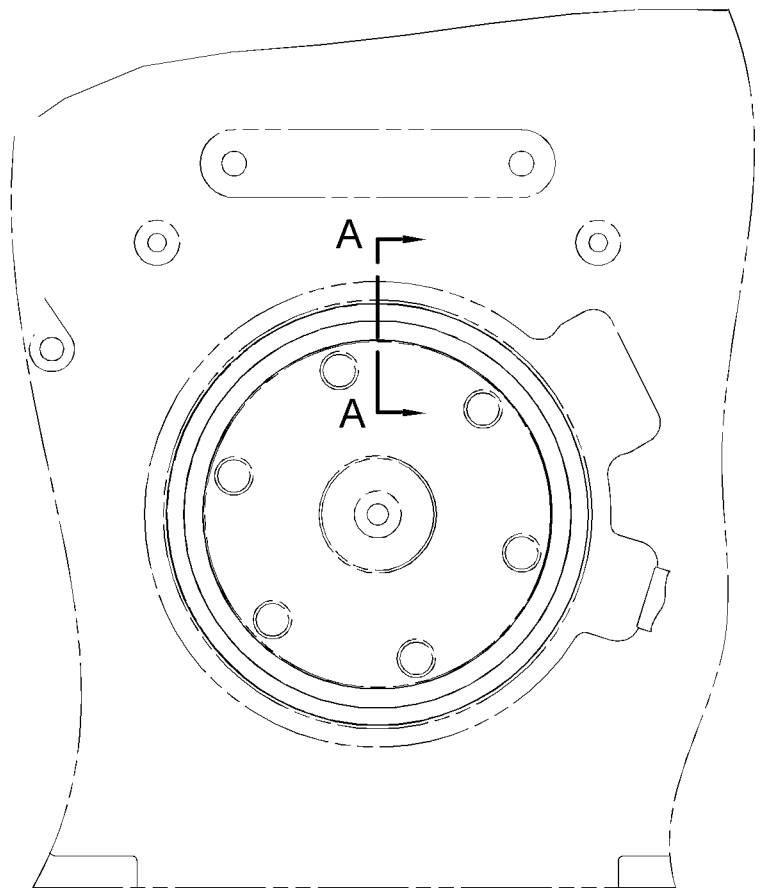
NOTE	REF NO	GRAPHIC REF	PART NUMBER	QTY	PART NAME						SEE PAGE
					1	2	3	4	5	6 (PRODUCT LEVEL)	
	1	1	142-5867	1	SEAL-CRANKSHAFT (FRONT)						



CRANKSHAFT

SECTION A-A

GRAPHIC #1



FRONT VIEW OF ENGINE

<END>

g01516169

BASIC ENGINE

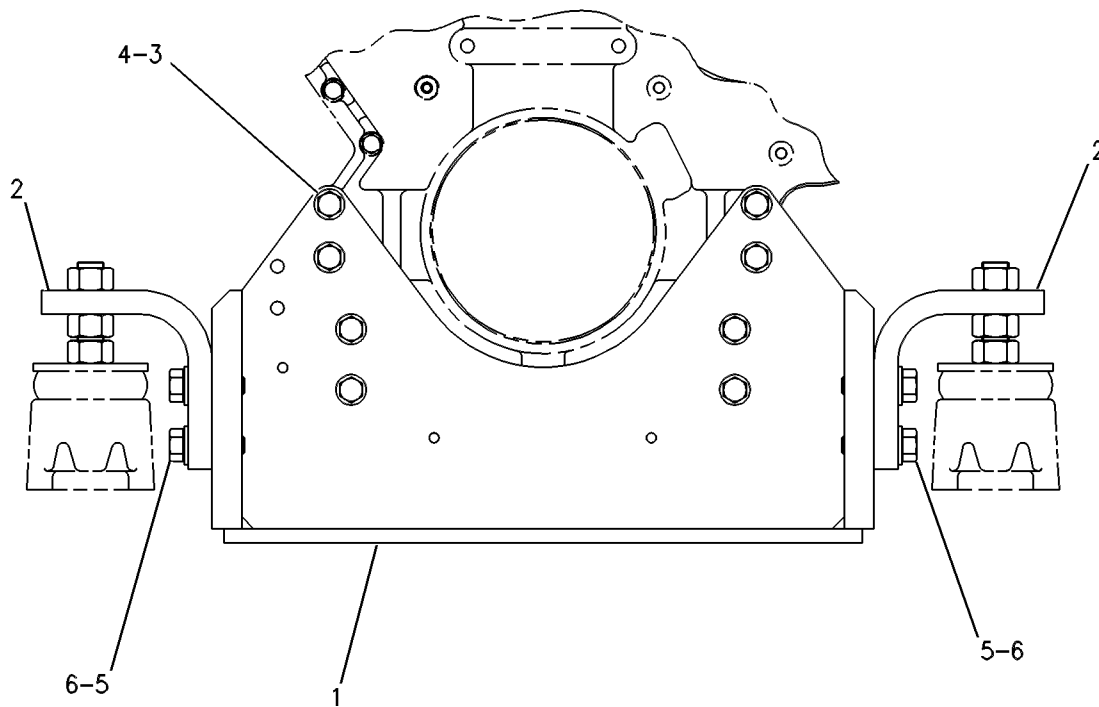
124-3388 SUPPORT GP-ENGINE

FRONT
AN ATTACHMENT

SMCS-1152, 1153, 1154

i01994517

NOTE	REF NO	GRAPHIC REF	PART NUMBER	QTY	PART NAME						SEE PAGE
					1	2	3	4	5	6 (PRODUCT LEVEL)	
	1	1	124-3389	1	SUPPORT AS						
	2	1	131-0117	2	BRACKET						
	3	1	5P-8245	8	WASHER-HARD (13.5X25.5X3-MM THK)						
	4	1	2H-6488	8	BOLT (1/2-13X5-IN)						
	5	1	5P-8247	8	WASHER-HARD (17X32X3.5-MM THK)						
	6	1	9X-8880	8	BOLT (5/8-11X2-IN)						



GRAPHIC #1

<END>

g00257289

BASIC ENGINE

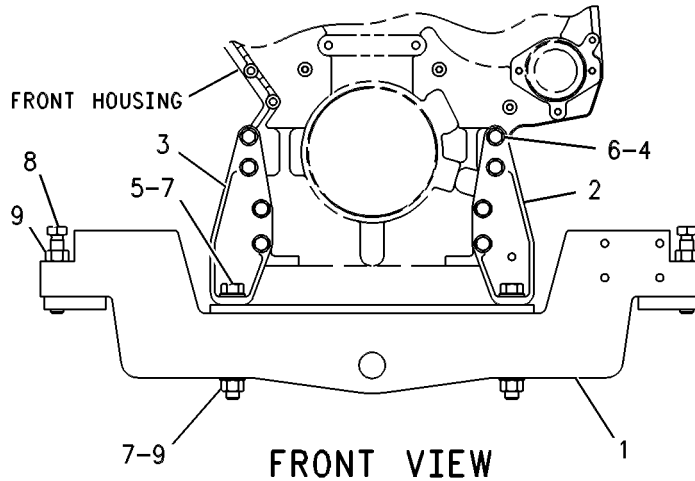
140-3694 SUPPORT GP-ENGINE

FOR USE WITH FRONT STUB SHAFT
AN ATTACHMENT

SMCS-1152, 1153, 1154

i03834857

NOTE	REF NO	GRAPHIC REF	PART NUMBER	QTY	PART NAME						SEE PAGE
					1	2	3	4	5	6 (PRODUCT LEVEL)	
	1	1	8N-9339	1	SUPPORT AS-FRONT						
	2	1	6N-0163	1	SUPPORT-ENGINE-LH						
	3	1	4N-1359	1	SUPPORT-ENGINE-RH						
	4	1	2H-6488	8	BOLT (1/2-13X5-IN)						
	5	1	1D-4616	2	BOLT (3/4-10X6-IN)						
	6	1	5P-8245	8	WASHER-HARD (13.5X25.5X3-MM THK)						
	7	1	5P-8248	6	WASHER-HARD (20X36.5X3.5-MM THK)						
	8	1	8T-4162	2	SETSCREW (3/4-10X4.5-IN)						
	9	1	2J-3506	4	NUT-FULL (3/4-10-THD)						



GRAPHIC #1

<END>

g00272459

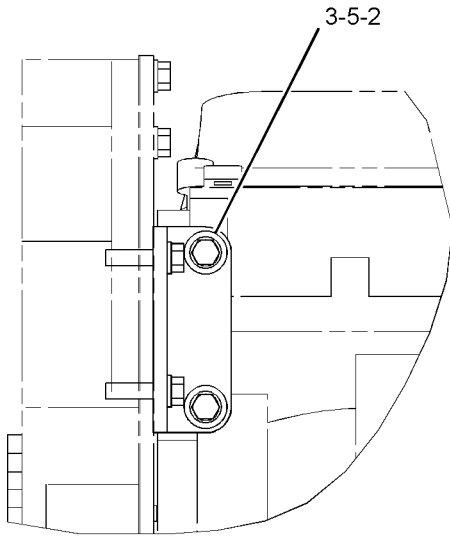
BASIC ENGINE

235-5805 SUPPORT GP-ENGINE AN ATTACHMENT

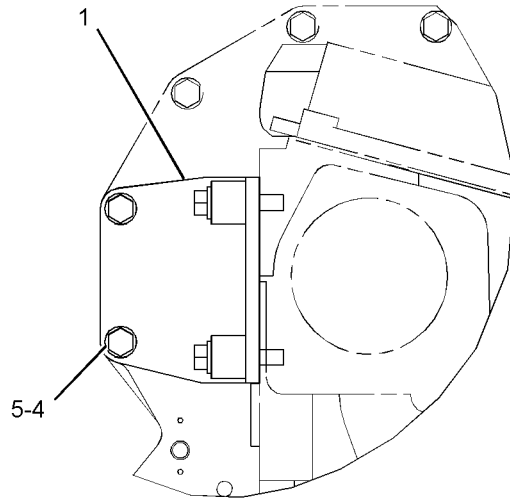
SMCS-1152, 1153, 1154

i02676633

NOTE	REF NO	GRAPHIC REF	PART NUMBER	QTY	PART NAME						SEE PAGE
					1	2	3	4	5	6 (PRODUCT LEVEL)	
	1	1	6I-3968	1	BRACKET-SUPPORT						
	2	1	101-3120	2	SPACER (10.5X25X20-MM THK)						
	3	1	OS-1571	2	BOLT (3/8-16X1.75-IN)						
	4	1	OS-1591	2	BOLT (3/8-16X1.5-IN)						
	5	1	5M-2894	4	WASHER-HARD (10.2X18.5X2.5-MM THK)						



LEFT SIDE VIEW



REAR VIEW

GRAPHIC #1

<END>

g01071857

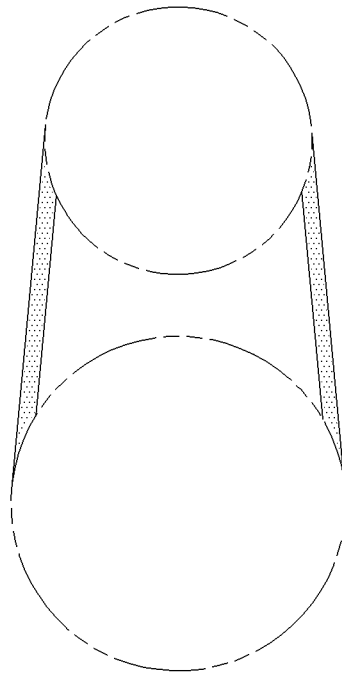
BASIC ENGINE

5F-3581 V-BELT GP-FAN DRIVE AN ATTACHMENT

SMCS-1357

i01351414

NOTE	REF NO	GRAPHIC REF	PART NUMBER	QTY	PART NAME						SEE PAGE
					1	2	3	4	5	6 (PRODUCT LEVEL)	
(NO SERVICED PARTS)											



GRAPHIC #1

<END>

g00714751

LUBRICATION SYSTEM

250-9297 COVER GP-OIL FILLER-ENGINE

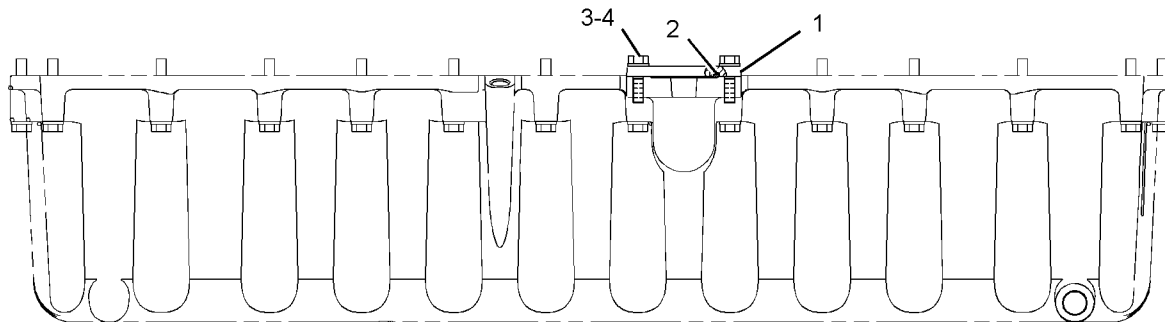
PROVIDES COVER GP FOR THE OIL PAN WHEN PAN MOUNTED OIL FILL IS NOT USED
AN ATTACHMENT

SMCS-1316

i02066374

NOTE	REF NO	GRAPHIC REF	PART NUMBER	QTY	PART NAME						SEE PAGE
					1	2	3	4	5	6 (PRODUCT LEVEL)	
	1	1	7C-1445	1	COVER						
	2	1	061-9455	1	SEAL-O-RING						
M	3	1	6V-2317	2	BOLT (M8X1.25X30-MM)						
	4	1	9M-1974	2	WASHER-HARD (8.8X16X2-MM THK)						

M-METRIC PART



RIGHT SIDE VIEW
<END>

GRAPHIC #1

g01062511

LUBRICATION SYSTEM

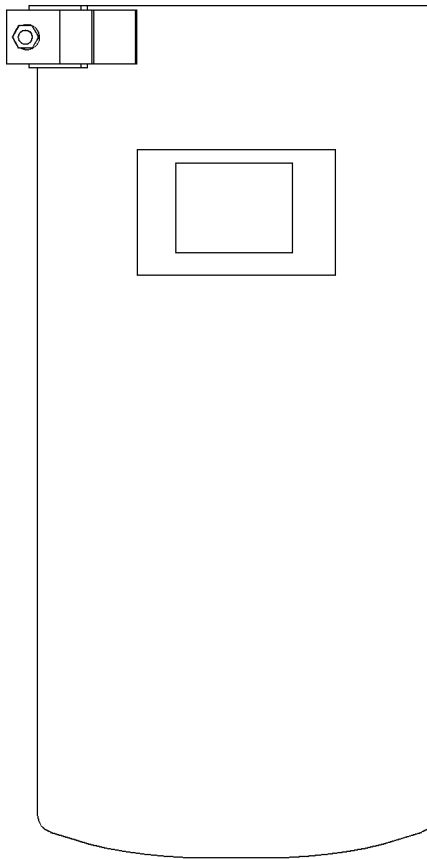
225-8576 COVER-FILTER-ENGINE

140.1MM DIA. POLISHED STAINLESS STEEL
AN ATTACHMENT

SMCS-1261, 1308

i01967476

NOTE	REF NO	GRAPHIC REF	PART NUMBER	QTY	PART NAME						SEE PAGE
					1	2	3	4	5	6 (PRODUCT LEVEL)	
(NO SERVICED PARTS)											



GRAPHIC #1

<END>

g01022056

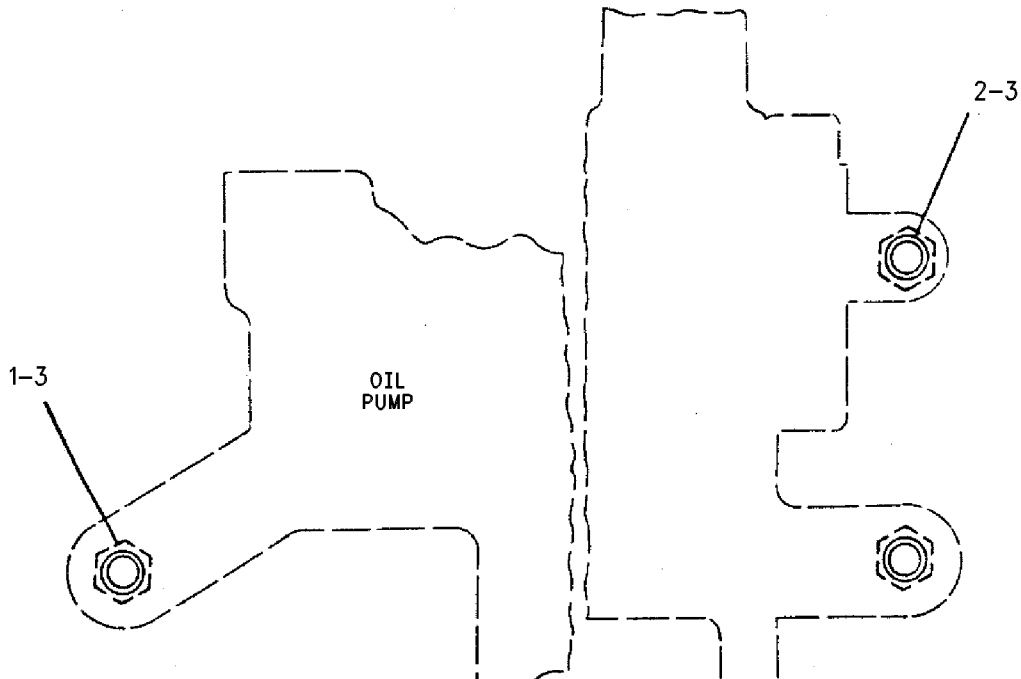
LUBRICATION SYSTEM

4N-2481 FASTENER GP-OIL PUMP MOUNTING-ENGINE

SMCS-1304

i02728826

NOTE	REF NO	GRAPHIC REF	PART NUMBER	QTY	PART NAME						SEE PAGE
					1	2	3	4	5	6 (PRODUCT LEVEL)	
	1	1	OL-1143	2	BOLT (3/8-16X2.5-IN)						
	2	1	OS-1590	1	BOLT (3/8-16X2-IN)						
	3	1	5M-2894	3	WASHER-HARD (10.2X18.5X2.5-MM THK)						



GRAPHIC #1

<END>

g00604525

LUBRICATION SYSTEM

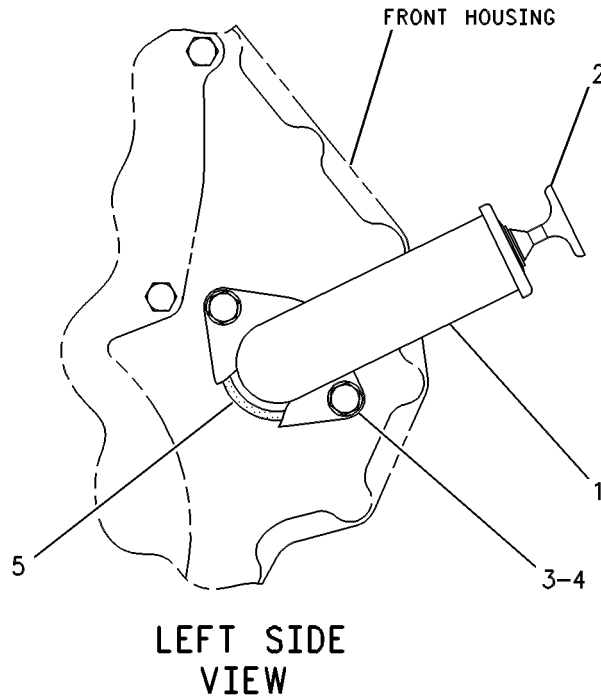
131-0118 FILLER GP-ENGINE OIL

FOR USE WITH LH SERVICE
AN ATTACHMENT

SMCS-1316

i03901689

NOTE	REF NO	GRAPHIC REF	PART NUMBER	QTY	PART NAME						SEE PAGE
					1	2	3	4	5	6 (PRODUCT LEVEL)	
	1	1	156-6905	1	TUBE AS-FILLER						
	2	1	068-4497	1	CAP-OIL FILLER (ENGINE)						
	3	1	2B-2695	2	BOLT (5/16-18X0.875-IN)						
	4	1	9M-1974	2	WASHER-HARD (8.8X16X2-MM THK)						
	5	1	061-9455	1	SEAL-O-RING						



GRAPHIC #1

<END>

g00257261

LUBRICATION SYSTEM

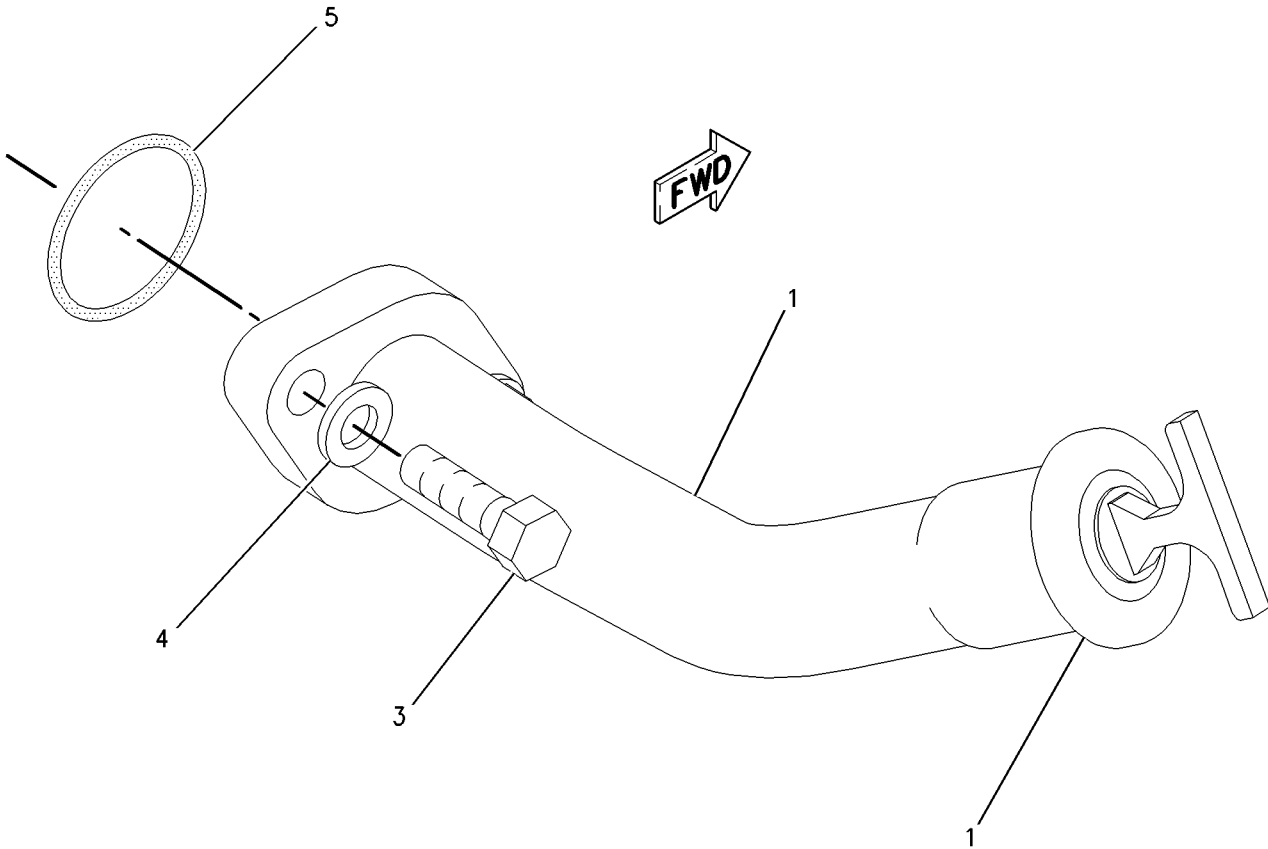
202-9646 FILLER GP-ENGINE OIL

FOR USE WITH RH SERVICE
AN ATTACHMENT

SMCS-1316

i03743700

NOTE	REF NO	GRAPHIC REF	PART NUMBER	QTY	PART NAME						SEE PAGE
					1	2	3	4	5	6 (PRODUCT LEVEL)	
	1	1	9L-8439	1	CAP-OIL FILLER (ENGINE)						
	2	1	103-4699	1	TUBE AS-OIL FILLER (ENGINE)						
	3	1	0S-1588	2	BOLT (3/8-16X1.25-IN)						
	4	1	5M-2894	2	WASHER-HARD (10.2X18.5X2.5-MM THK)						
	5	1	8C-0624	1	SEAL-O-RING						



GRAPHIC #1

<END>

g00774630

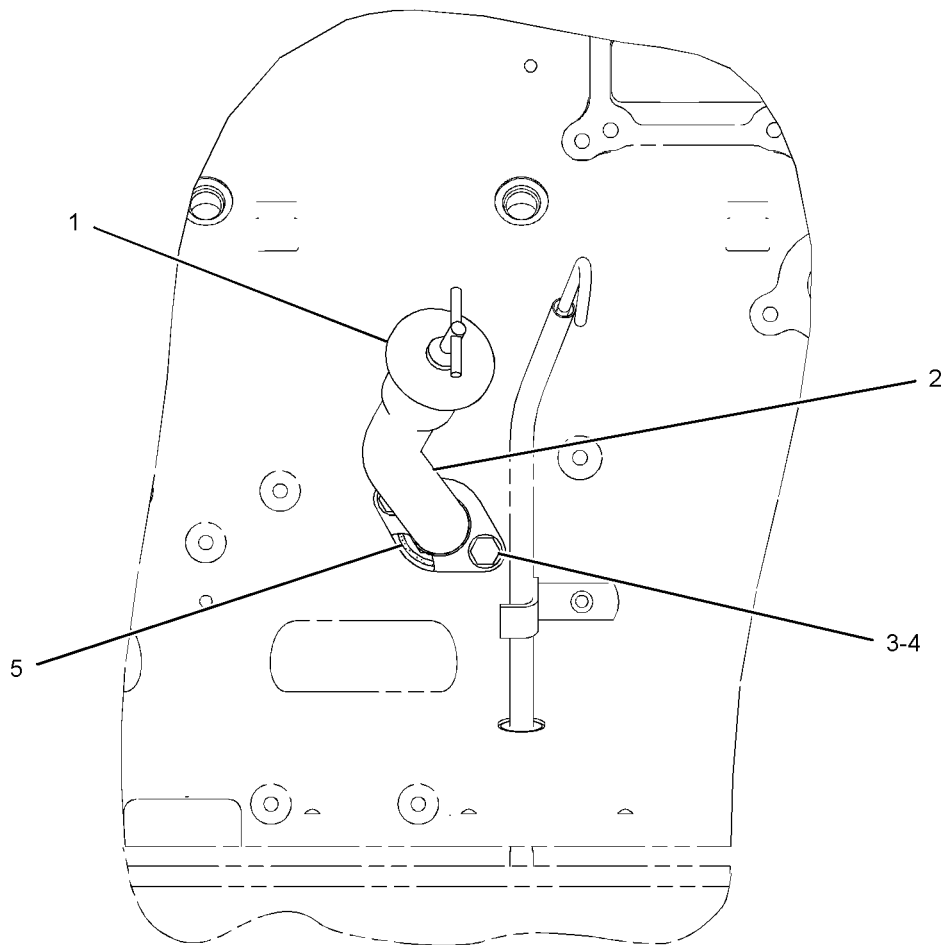
LUBRICATION SYSTEM

267-3051 FILLER GP-ENGINE OIL FOR USE WITH RH SERVICE TIER II MARINE ENGINE AN ATTACHMENT

SMCS-1316

i02696610

NOTE	REF NO	GRAPHIC REF	PART NUMBER	QTY	PART NAME						SEE PAGE
					1	2	3	4	5	6 (PRODUCT LEVEL)	
	1	1	5L-2952	1	CAP AS-FILLER (ENGINE OIL)						
		1	6L-2609	1	SEAL-RUBBER						
	2	1	267-3052	1	TUBE AS-OIL						
	3	1	0S-1588	2	BOLT (3/8-16X1.25-IN)						
	4	1	5M-2894	2	WASHER-HARD (10.2X18.5X2.5-MM THK)						
	5	1	8C-0624	1	SEAL-O-RING						



RIGHT SIDE VIEW OF ENGINE

<END>

GRAPHIC #1

g01354111

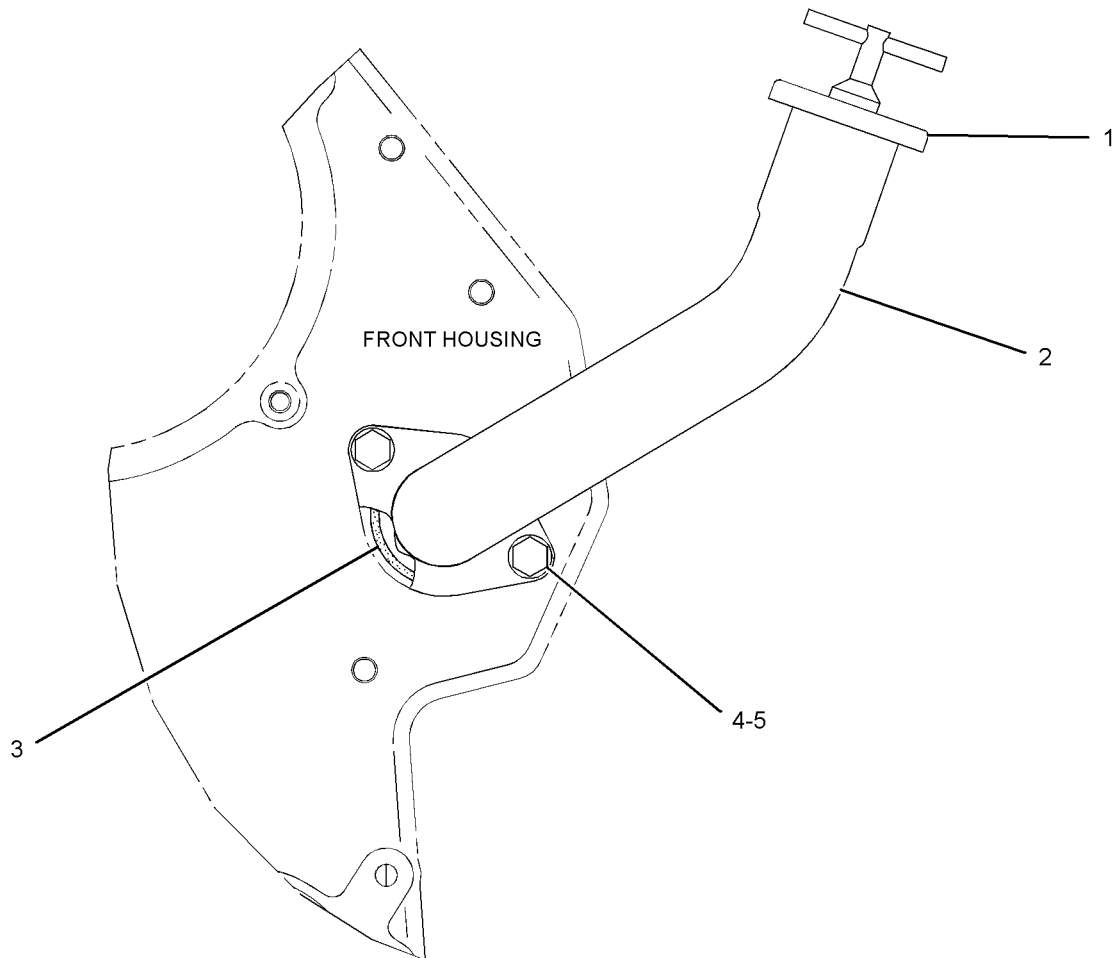
LUBRICATION SYSTEM

280-1439 FILLER GP-ENGINE OIL FOR USE WITH LH SERVICE TIER II MARINE ENGINE AN ATTACHMENT

SMCS-1316

i02696631

NOTE	REF NO	GRAPHIC REF	PART NUMBER	QTY	PART NAME						SEE PAGE
					1	2	3	4	5	6 (PRODUCT LEVEL)	
	1	1	5L-2952	1	CAP AS-FILLER (ENGINE OIL)						
		1	6L-2609	1	SEAL-RUBBER						
	2	1	280-1440	1	TUBE AS-OIL						
	3	1	061-9455	1	SEAL-O-RING						
	4	1	2B-2695	2	BOLT (5/16-18X0.875-IN)						
	5	1	9M-1974	2	WASHER-HARD (8.8X16X2-MM THK)						



FRONT VIEW OF ENGINE

<END>

GRAPHIC #1

g01354076

LUBRICATION SYSTEM

243-3376 FILTER & LINES GP-ENGINE OIL

LH MOUNTED

FOR USE WITH SAE NO. 1 FLYWHEEL HOUSING, 198-1295-PAGE 172, 201-1270-

PAGE 481, 245-9806-PAGE 336

AN ATTACHMENT

SMCS-1306, 1307, 1308

i03574404

NOTE	REF NO	GRAPHIC REF	PART NUMBER	QTY	PART NAME						SEE PAGE
					1	2	3	4	5	6 (PRODUCT LEVEL)	
	1	2	1B-8704	2	KEY-WOODRUFF						
	2	2	1R-1808	2	FILTER-ENGINE OIL (ADVANCED EFFICIENCY)						
	3	2	2N-0178	1	PANEL						
	4	2	2N-0179	1	COVER-PANEL						
	5	2	7W-2731	2	RETAINER						
	6	2	2N-5848	1	BASE AS						
	7	2	2P-3760	2	GASKET						
	8	2	2P-3761	2	COVER						
	9	2	2P-4301	2	BASE AS (OIL FILTER)						
					(EACH INCLUDES)						
		2	2P-4304	1	STUD-HOLLOW						
	10	2	2P-4305	4	GASKET						
C	11	1	2T-1397	2	CLAMP						
	12	2	2W-3681	2	INDICATOR AS (ENGINE OIL PRESSURE)						
I	13	2	3N-4579	2	HOSE AS						
	14	2	4H-9756	1	LEVER-RELEASE CONTROL						
	15	2	4N-7082	2	SHIELD-OIL FILTER						
	16	2	4N-8150	2	SPRING						
	18	2	6N-0824	2	GASKET						
	19	2	6N-1258	1	HOUSING						
	20	2	6N-1259	1	POINTER						
	21	2	6N-7420	1	COVER AS						
		2	6N-3926	1	COVER						
	22	2	6N-7422	1	COVER AS						
	23	2	7N-0912	1	VALVE GP-FLUID CONTROL (ENGINE OIL)						
		2	7N-0911	1	VALVE AS						
		2	3F-9190	1	PIN						
	24	2	7N-0914	1	DETENT AS						
		2	6J-8356	2	SPRING						
		2	6N-4204	2	PIN						
		2	6N-4205	1	PLATE						
		2	7N-0913	1	RING						
		2	8F-8833	1	PIN						
	25	2	9M-0853	2	PLUNGER-VALVE						
CI	26	2	180-4132	1	HOSE AS						
	27	1	208-5033	1	COVER						
	28	1	208-5034	1	ADAPTER						
	29	1	211-2048	1	COVER						
	30	1	243-3379	1	TUBE AS						
	31	1	243-3380	1	TUBE AS						
	32	2	243-3383	1	BRACKET						
	33	2	243-3385	1	BRACKET						
	34	2	243-3386	2	COVER AS						
					(EACH INCLUDES)						
		2	7J-5225	1	FITTING (1-1/16-12-THD)						
	35	2	243-3387	1	BRACE						
	36	1	256-0811	1	ADAPTER						
C	37	1	257-8424	1	TUBE AS						
C	38	1	257-8425	1	TUBE AS						
C	39	1	257-9878	1	CONNECTOR						
	40	1	061-8639	1	SEAL-O-RING						
	41	1,2	0S-1571	9	BOLT (3/8-16X1.75-IN)						
	42	2	0S-1588	5	BOLT (3/8-16X1.25-IN)						
	43	2	0S-1590	2	BOLT (3/8-16X2-IN)						

LUBRICATION SYSTEM

243-3376 FILTER & LINES GP-ENGINE OIL (contd.)

i03574404

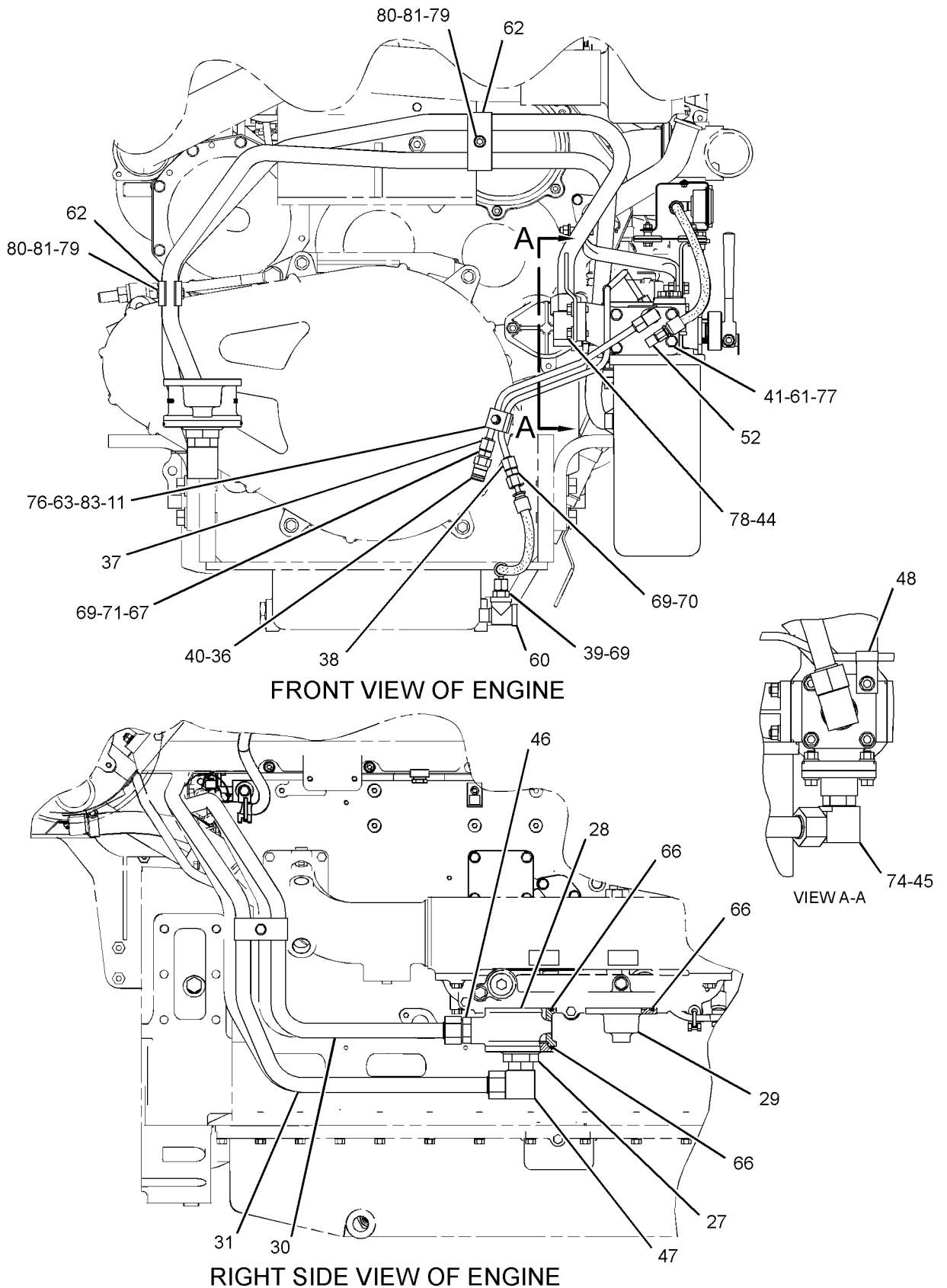
NOTE	REF NO	GRAPHIC REF	PART NUMBER	QTY	PART NAME						SEE PAGE
					1	2	3	4	5	6 (PRODUCT LEVEL)	
	44	1	0S-1594	2	BOLT (3/8-16X1-IN)						
	45	1,2	106-9586	2	SEAL-O-RING						
	46	1	148-8335	1	CONNECTOR AS						
		1	5K-9090	1	SEAL-O-RING						
		1	6V-8635	1	CONNECTOR						
		1	7M-8485	1	SEAL-O-RING						
	47	1	148-8357	1	ELBOW AS						
		1	5K-9090	1	SEAL-O-RING						
		1	6V-9008	1	ELBOW						
		1	7M-8485	1	SEAL-O-RING						
C	48	1	186-0357	1	CLIP						
	49	2	1L-6561	1	PLUG						
	50	2	2A-2677	2	SPACER (10.7X17.14X19.05-MM THK)						
	51	2	2M-1538	8	STUD-TAPERLOCK (3/8-16X1.6-IN)						
	52	1,2	2N-1287	2	ELBOW-FLARED						
	53	2	2T-2305	2	ELBOW						
	54	2	3B-1915	4	BOLT (3/8-16X1.375-IN)						
	55	2	3P-0656	1	SEAL-O-RING						
	56	2	4B-2041	2	NUT (6-32-THD)						
	57	2	4B-5324	4	WASHER (3.9X9.6X1.2-MM THK)						
	58	2	5F-4899	4	BOLT (3/8-16X5.5-IN)						
	59	2	5H-8936	2	ADAPTER						
C	60	1	5L-5502	1	FITTING						
	61	1,2	5M-2894	49	WASHER-HARD (10.2X18.5X2.5-MM THK)						
	62	1	5M-7087	4	CLAMP-TUBE						
C	63	1,2	8T-4205	11	WASHER-HARD (7.2X14.5X2-MM THK)						
	64	2	5S-7348	2	SCREW-MACHINE (6-32X0.375-IN)						
	65	2	6V-3507	2	SEAL-RECTANGULAR						
	66	1	6V-3908	3	SEAL-O-RING						
	67	1	6V-5048	1	SEAL-O-RING						
	68	2	6V-5050	2	SEAL-O-RING						
C	69	1,2	6V-8397	6	SEAL-O-RING						
C	70	1	6V-8730	1	UNION (FACE SEAL)						
	71	1	6V-9872	1	CONNECTOR						
	72	2	7F-9090	4	SCREW-DRIVE (NO 8X03/8-IN)						
	73	2	8B-4884	2	ELBOW						
	74	1,2	8T-6684	2	ELBOW						
C	75	2	7X-2501	3	BOLT (1/4-20X1.25-IN)						
C	76	1,2	6V-8185	4	NUT (1/4-20-THD)						
	77	1,2	9S-8752	26	NUT-FULL (3/8-16-THD)						
	78	1,2	9X-6458	3	WASHER-HARD (10.2X22.5X3-MM THK)						
	79	1	5S-7382	2	BOLT (3/8-16X1.375-IN)						
	80	1,2	6V-8801	5	NUT (3/8-16-THD)						
	81	1,2	8T-4896	9	WASHER-HARD (10.2X18.5X2.5-MM THK)						
	82	2	4L-6454	2	BOLT (3/8-16X1-IN)						
	83	1	6D-2928	1	BOLT (1/4-20X1.125-IN)						
	84	2	5P-1075	1	WASHER-HARD (10.2X22.5X3-MM THK)						
	85	2	5S-7383	1	BOLT (3/8-16X1.75-IN)						

C-CHANGE FROM PREVIOUS TYPE
I-REFER TO HYDRAULIC INFORMATION SYSTEM

LUBRICATION SYSTEM

243-3376 FILTER & LINES GP-ENGINE OIL (contd.)

i03574404



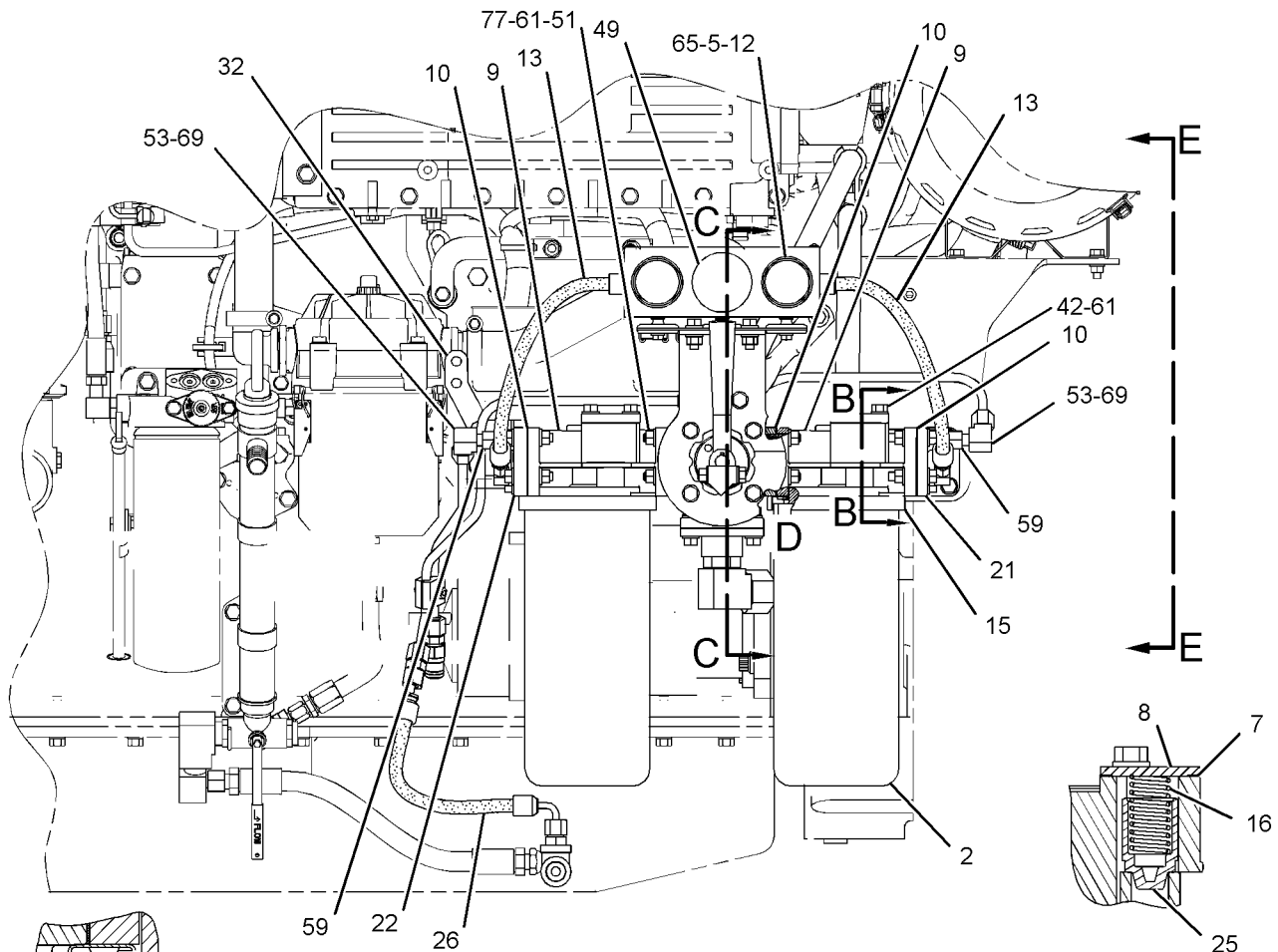
GRAPHIC #1

g01943701

LUBRICATION SYSTEM

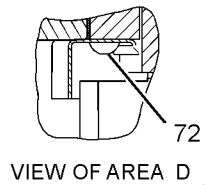
243-3376 FILTER & LINES GP-ENGINE OIL (contd.)

i03574404

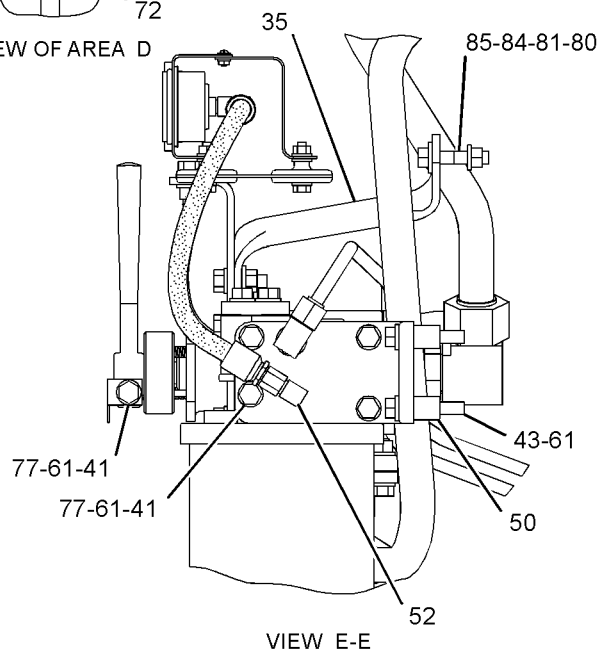


LEFT SIDE VIEW OF ENGINE

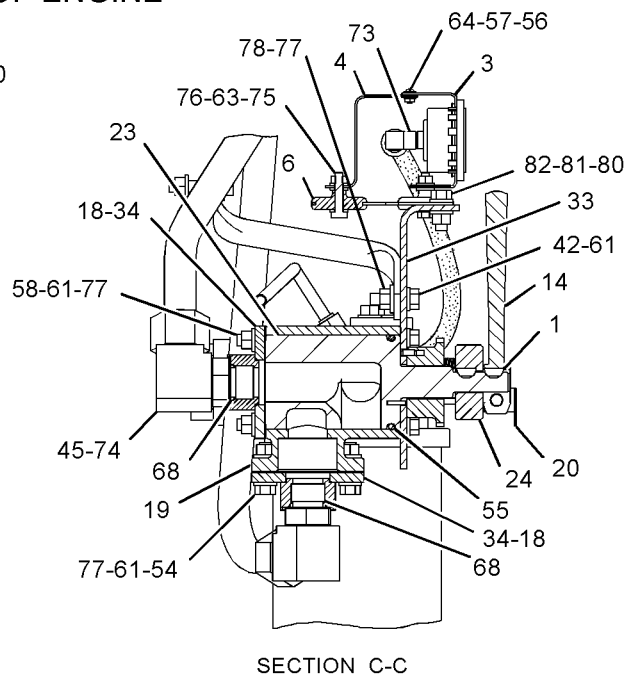
SECTION B-B



VIEW OF AREA D



VIEW E-E



SECTION C-C

GRAPHIC #2

<END>

g01943702

LUBRICATION SYSTEM

243-3377 FILTER & LINES GP-ENGINE OIL

LH MOUNTED

FOR USE WITH SAE NO. 0 FLYWHEEL HOUSING, 178-8579-PAGE 168, 205-9196-
PAGE 486, 245-9806-PAGE 336

AN ATTACHMENT

SMCS-1306, 1307, 1308

i03506425

NOTE	REF NO	GRAPHIC REF	PART NUMBER	QTY	PART NAME						SEE PAGE
					1	2	3	4	5	6 (PRODUCT LEVEL)	
	1	2	2N-0178	1	PANEL						
	2	2	2N-0179	1	COVER-PANEL						
	3	2	2N-5848	1	BASE AS						
	4	2	2P-3761	2	COVER						
	5	1	2P-4301	2	BASE AS (OIL FILTER)						
					(EACH INCLUDES)						
		1	2P-4304	1	STUD-HOLLOW						
	6	1,2	2P-4305	4	GASKET						
C	7	2	2T-1397	2	CLAMP						
	8	1	2W-3681	2	INDICATOR AS (ENGINE OIL PRESSURE)						
I	9	1	3N-4579	2	HOSE AS						
	10	2	4H-9756	1	LEVER-RELEASE CONTROL						
	11	1	4N-7082	2	SHIELD-OIL FILTER						
	12	2	4N-8150	2	SPRING						
	14	2	6N-0824	2	GASKET						
	15	2	6N-1258	1	HOUSING						
	16	2	6N-1259	1	POINTER						
	17	1	6N-7420	1	COVER AS						
	18	1	6N-7422	1	COVER AS						
	19	2	7N-0912	1	VALVE GP-FLUID CONTROL (ENGINE OIL)						
		2	7N-0911	1	VALVE AS						
		2	3F-9190	1	PIN						
	20	2	7N-0914	1	DETENT AS						
		2	6J-8356	2	SPRING						
		2	6N-4204	2	PIN						
		2	6N-4205	1	PLATE						
		2	7N-0913	1	RING						
		2	8F-8833	1	PIN						
	21	1	7W-2731	2	RETAINER						
	22	2	9M-0853	2	PLUNGER-VALVE						
CI	23	1	180-4132	1	HOSE AS						
	24	3	208-5033	1	COVER						
	25	3	208-5034	1	ADAPTER						
	26	3	211-2048	1	COVER						
	27	2	243-3385	1	BRACKET						
	28	2	243-3386	2	COVER AS						
					(EACH INCLUDES)						
		2	7J-5225	1	FITTING (1-1/16-12-THD)						
	29	3	243-3388	1	TUBE AS						
	30	3	243-3389	1	TUBE AS						
	31	2	243-3808	1	BRACKET AS						
	32	2	256-0811	1	ADAPTER						
C	33	2	257-9878	1	CONNECTOR						
C	34	2	258-9978	1	TUBE AS						
C	35	2	258-9979	1	TUBE AS						
	36	2	061-8639	1	SEAL-O-RING						
	37	2,3	0S-1571	9	BOLT (3/8-16X1.75-IN)						
	38	1,2,3	0S-1588	10	BOLT (3/8-16X1.25-IN)						
	39	3	0S-1591	2	BOLT (3/8-16X1.5-IN)						
	40	2,3	106-9586	2	SEAL-O-RING						
	41	3	148-8335	1	CONNECTOR AS						
		3	5K-9090	1	SEAL-O-RING						
		3	6V-8635	1	CONNECTOR						
		3	7M-8485	1	SEAL-O-RING						

LUBRICATION SYSTEM

243-3377 FILTER & LINES GP-ENGINE OIL (contd.)

i03506425

NOTE	REF NO	GRAPHIC REF	PART NUMBER	QTY	PART NAME						SEE PAGE
					1	2	3	4	5	6 (PRODUCT LEVEL)	
	42	3	148-8357	1	ELBOW AS						
		3	5K-9090	1	SEAL-O-RING						
		3	6V-9008	1	ELBOW						
		3	7M-8485	1	SEAL-O-RING						
C	43	3	186-0357	1	CLIP						
	44	2	1B-8704	2	KEY-WOODRUFF						
	45	1	1L-6561	1	PLUG						
	46	1	1R-1808	2	FILTER-ENGINE OIL (ADVANCED EFFICIENCY)						
	47	1	2M-1538	8	STUD-TAPERLOCK (3/8-16X1.6-IN)						
	48	2,3	2N-1287	2	ELBOW-FLARED						
	49	2	2P-3760	2	GASKET						
	50	1	2T-2305	2	ELBOW						
	51	2	3B-1915	4	BOLT (3/8-16X1.375-IN)						
	52	2	3P-0656	1	SEAL-O-RING						
	53	2	4B-2041	2	NUT (6-32-THD)						
	54	2	4B-5324	4	WASHER (3.9X9.6X1.2-MM THK)						
	55	2	4L-6454	2	BOLT (3/8-16X1-IN)						
	56	2	5F-4899	4	BOLT (3/8-16X5.5-IN)						
	57	1	5H-8936	2	ADAPTER						
C	58	2	5L-5502	1	FITTING						
	59	1,2,3	5M-2894	56	WASHER-HARD (10.2X18.5X2.5-MM THK)						
	60	2	5M-7087	4	CLAMP-TUBE						
	61	2	5S-7348	2	SCREW-MACHINE (6-32X0.375-IN)						
	62	2	5S-7382	2	BOLT (3/8-16X1.375-IN)						
	63	2	6D-2928	1	BOLT (1/4-20X1.125-IN)						
	64	1	6V-3507	2	SEAL-RECTANGULAR						
	65	3	6V-3908	3	SEAL-O-RING						
	66	2	6V-5048	1	SEAL-O-RING						
	67	2	6V-5050	2	SEAL-O-RING						
	68	2	6V-8185	4	NUT (1/4-20-THD)						
C	69	1,2	6V-8397	6	SEAL-O-RING						
C	70	2	6V-8730	1	UNION (FACE SEAL)						
	71	2	6V-8801	4	NUT (3/8-16-THD)						
	72	2	6V-9872	1	CONNECTOR						
	73	2	7F-9090	4	SCREW-DRIVE (NO 8X03/8-IN)						
	74	2	7X-2501	3	BOLT (1/4-20X1.25-IN)						
	75	2	8B-4884	2	ELBOW						
	76	2	8T-4205	11	WASHER-HARD (7.2X14.5X2-MM THK)						
	77	2	8T-4896	8	WASHER-HARD (10.2X18.5X2.5-MM THK)						
	78	2,3	8T-6684	2	ELBOW						
	79	1,2,3	9S-8752	27	NUT-FULL (3/8-16-THD)						

C-CHANGE FROM PREVIOUS TYPE

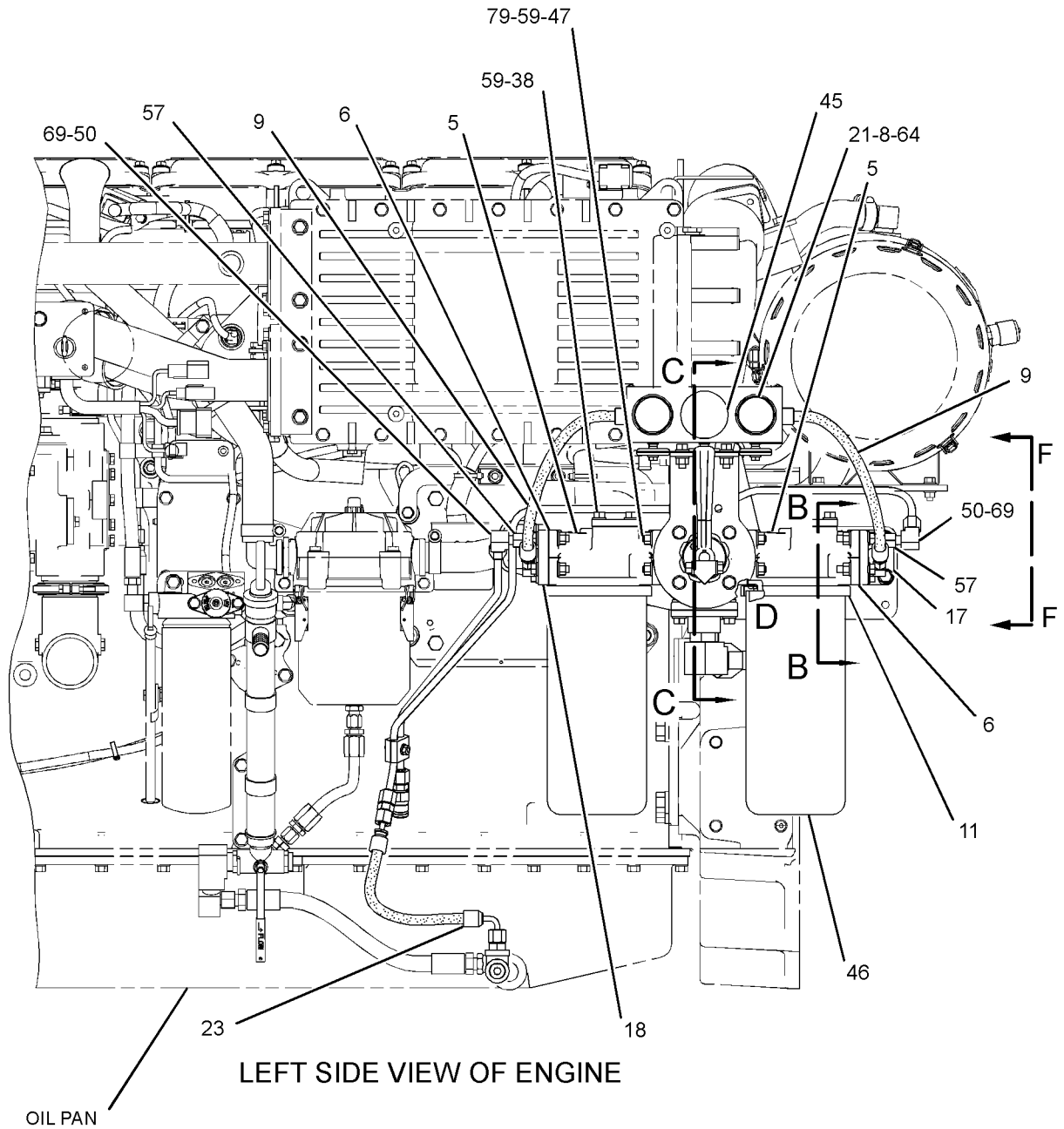
I-REFER TO HYDRAULIC INFORMATION SYSTEM

LUBRICATION SYSTEM

243-3377 FILTER & LINES GP-ENGINE OIL (contd.)

i03506425

REFER TO ALL ILLUSTRATIONS OF THIS GROUP FOR AUXILIARY VIEWS



GRAPHIC #1

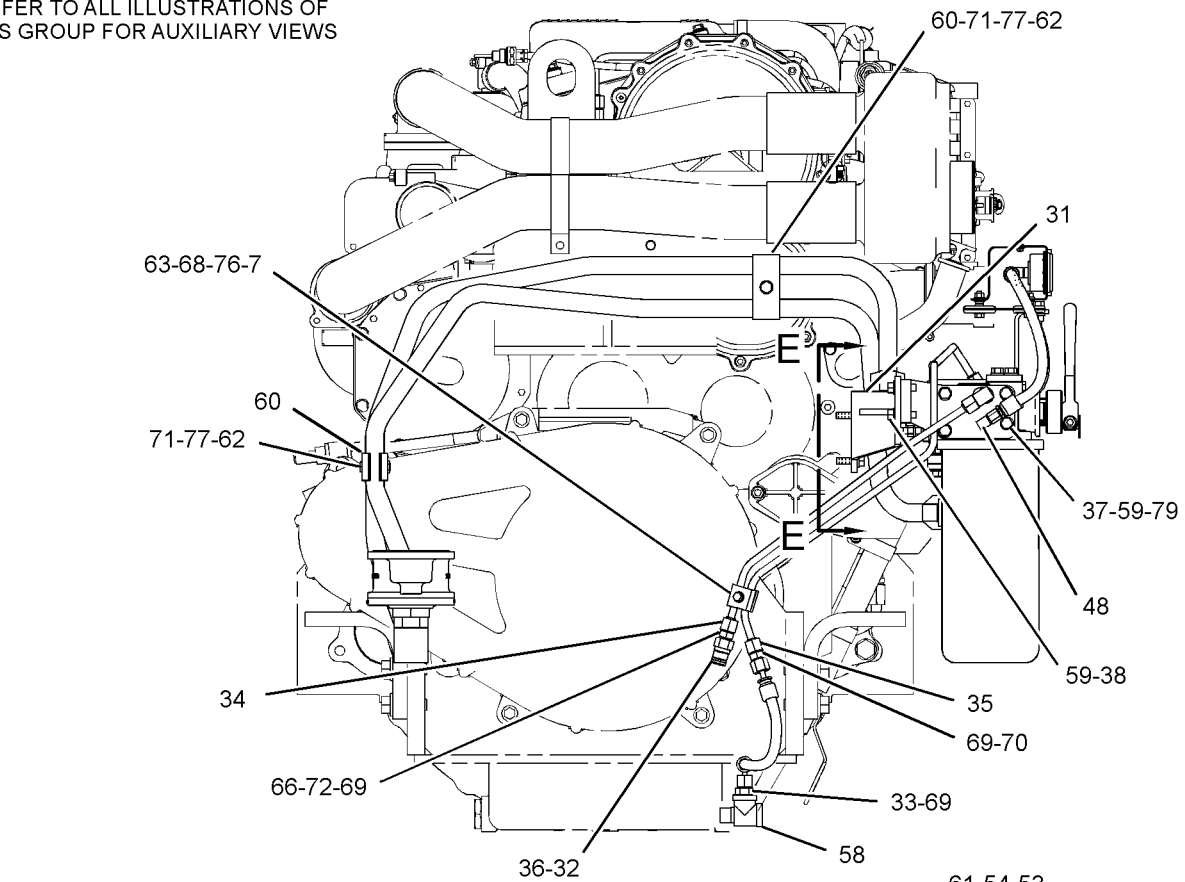
g01934555

LUBRICATION SYSTEM

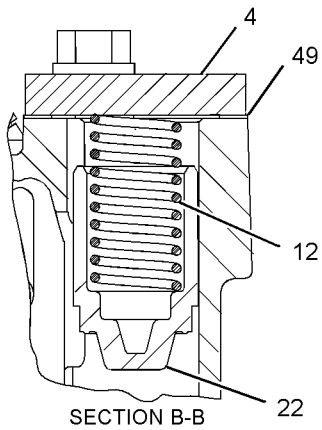
243-3377 FILTER & LINES GP-ENGINE OIL (contd.)

i03506425

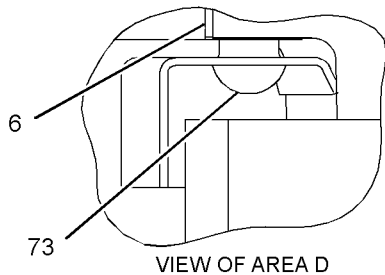
REFER TO ALL ILLUSTRATIONS OF THIS GROUP FOR AUXILIARY VIEWS



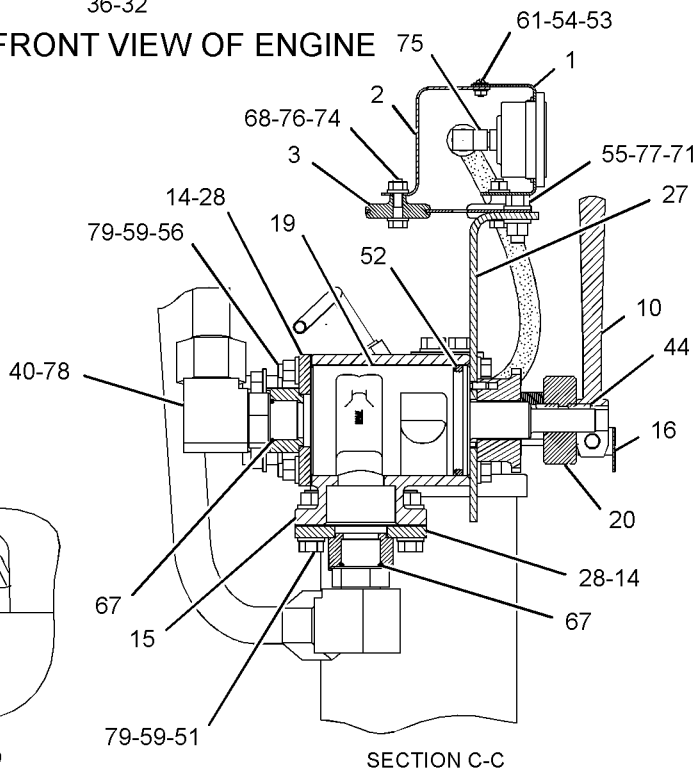
FRONT VIEW OF ENGINE



SECTION B-B



VIEW OF AREA D



SECTION C-C

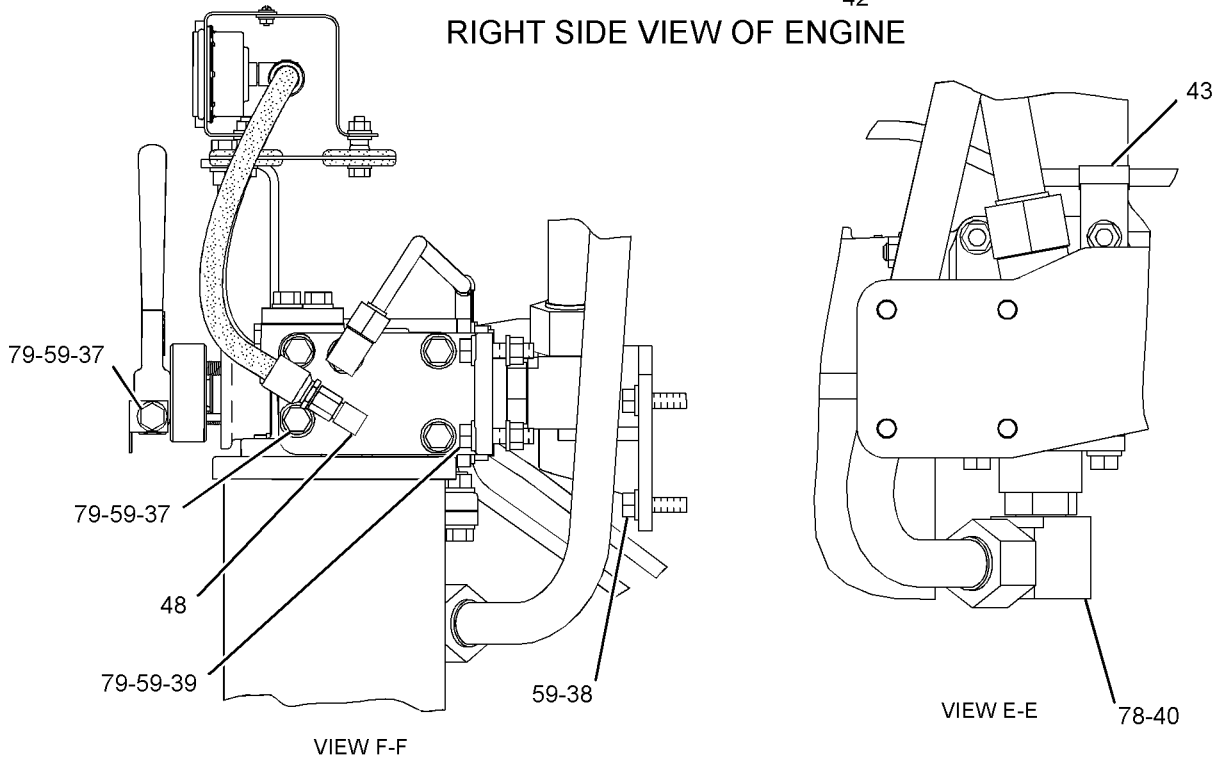
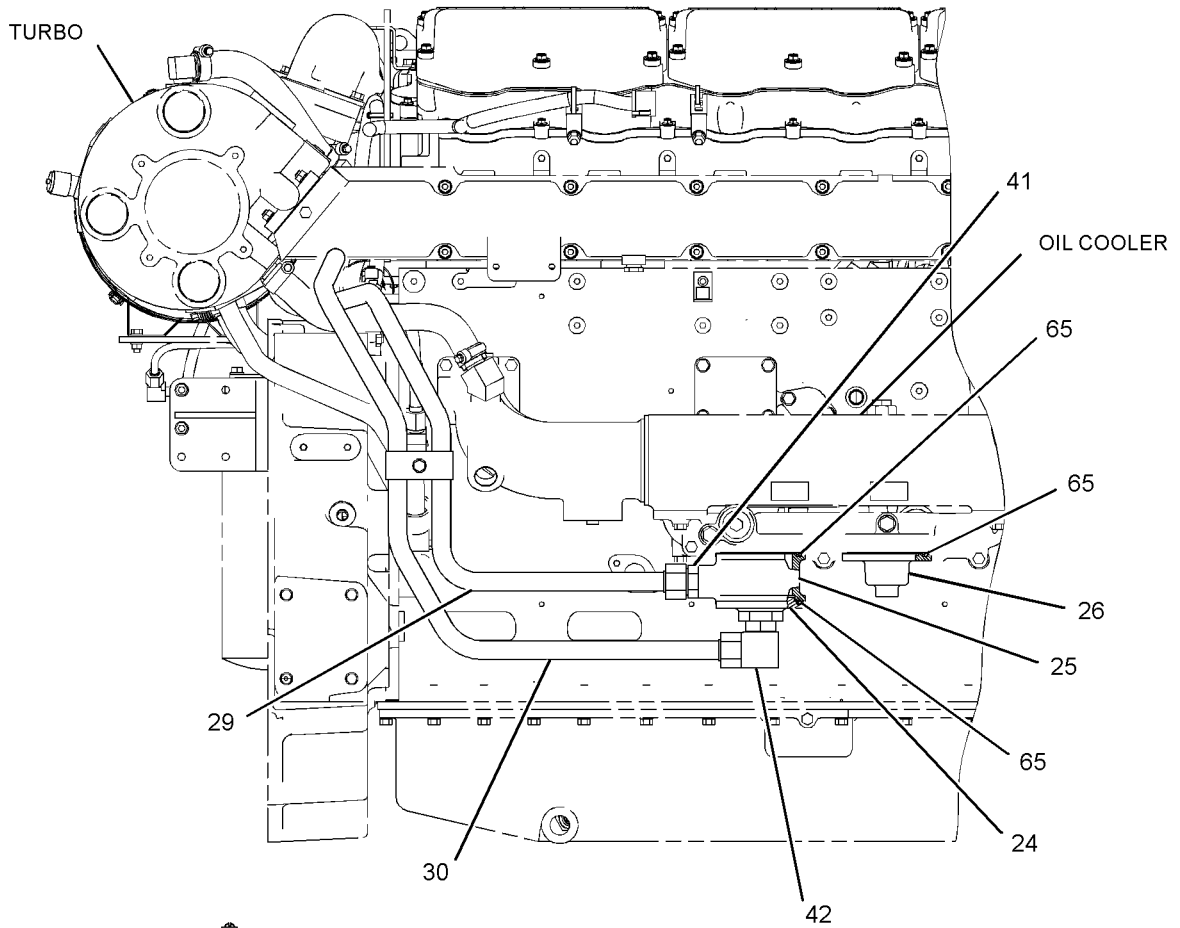
GRAPHIC #2

g01934554

LUBRICATION SYSTEM

243-3377 FILTER & LINES GP-ENGINE OIL (contd.)

i03506425



GRAPHIC #3

<END>

g01934556

LUBRICATION SYSTEM

243-3378 FILTER & LINES GP-ENGINE OIL

RH SERVICE

FOR USE WITH 245-9794-PAGE 335
AN ATTACHMENT

SMCS-1306, 1307, 1308

i03502892

NOTE	REF NO	GRAPHIC REF	PART NUMBER	QTY	PART NAME						SEE PAGE
					1	2	3	4	5	6 (PRODUCT LEVEL)	
	1	1	1B-8704	2	KEY-WOODRUFF						
	2	1	2N-0178	1	PANEL						
	3	1	2N-0179	1	COVER-PANEL						
	4	1	2N-5848	1	BASE AS						
	5	2	2P-3760	2	GASKET						
	6	2	2P-3761	2	COVER						
	7	2	2P-4301	2	BASE AS (OIL FILTER)						
					(EACH INCLUDES)						
		2	2P-4304	1	STUD-HOLLOW						
	8	1,2	2P-4305	4	GASKET						
	9	2	2W-3681	2	INDICATOR AS (ENGINE OIL PRESSURE)						
I	10	1,2	3N-4622	2	HOSE AS						
	11	1	4H-9756	1	LEVER-RELEASE CONTROL						
	12	1	4N-7082	2	SHIELD-OIL FILTER						
	13	2	4N-8150	2	SPRING						
	15	1	6N-0824	2	GASKET						
	16	1	6N-1258	1	HOUSING						
	17	1	6N-1259	1	POINTER						
	18	2	6N-7420	1	COVER AS						
	19	2	6N-7422	1	COVER AS						
	20	1	7N-0912	1	VALVE GP-FLUID CONTROL						
		1	3F-9190	1	PIN						
	21	1	7N-0914	1	DETENT AS						
		1	6J-8356	2	SPRING						
		1	6N-4204	2	PIN						
		1	6N-4205	1	PLATE						
		1	7N-0913	1	RING						
		1	8F-8833	1	PIN						
	22	2	7W-2731	2	RETAINER						
	23	2	9M-0853	2	PLUNGER-VALVE						
CI	24	2	188-9834	1	HOSE AS						
	25	1	208-5033	1	COVER						
	26	1	208-5034	1	ADAPTER						
	27	1	211-2048	1	COVER						
	28	1	243-3384	1	BRACKET						
	29	1	243-3386	2	COVER AS						
					(EACH INCLUDES)						
		1	7J-5225	1	FITTING (1-1/16-12-THD)						
	30	1	243-3392	1	TUBE AS						
	31	1	243-3393	1	TUBE AS						
	32	1	243-3396	1	BRACKET AS						
	33	1	243-3397	1	BRACKET AS						
		1	1F-0750	1	NUT-WELD (3/8-16-THD)						
	34	2	256-0811	1	ADAPTER						
C	35	2	257-9878	1	CONNECTOR						
C	36	1	258-6605	1	TUBE AS						
C	37	2	258-6606	1	TUBE AS						
	38	2	061-8639	1	SEAL-O-RING						
	39	2	0S-1571	9	BOLT (3/8-16X1.75-IN)						
	40	1,2	0S-1588	8	BOLT (3/8-16X1.25-IN)						
	41	1,2	0S-1594	5	BOLT (3/8-16X1-IN)						
	42	1	106-9586	2	SEAL-O-RING						
	43	1	148-8335	1	CONNECTOR AS						
		1	5K-9090	1	SEAL-O-RING						
		1	6V-8635	1	CONNECTOR (SEAL)						

LUBRICATION SYSTEM

243-3378 FILTER & LINES GP-ENGINE OIL (contd.)

i03502892

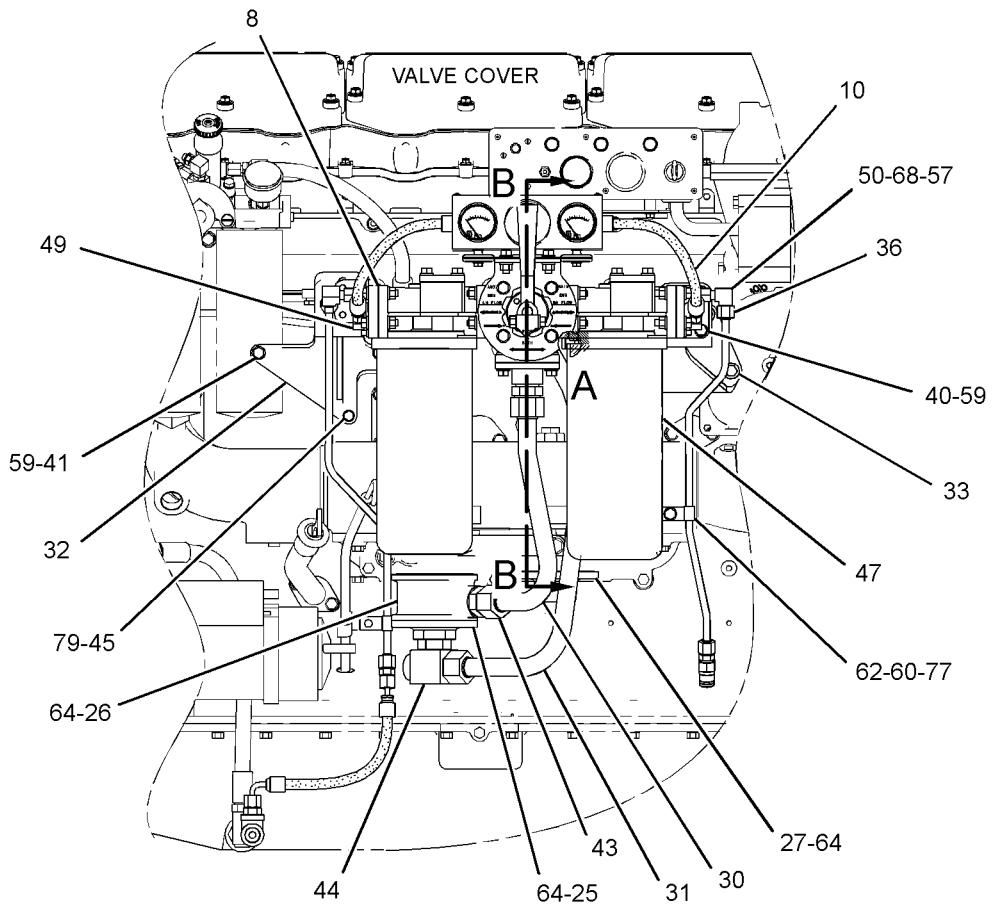
NOTE	REF NO	GRAPHIC REF	PART NUMBER	QTY	PART NAME						SEE PAGE
					1	2	3	4	5	6 (PRODUCT LEVEL)	
		1	7M-8485	1	SEAL-O-RING						
	44	1	<i>148-8357</i>	1	ELBOW AS						
		1	5K-9090	1	SEAL-O-RING						
		1	7M-8485	1	SEAL-O-RING						
	45	1	1H-5514	1	BOLT (5/16-18X1.625-IN)						
	46	2	1L-6561	1	PLUG						
	47	1	1R-1808	2	FILTER-ENGINE OIL (ADVANCED EFFICIENCY)						
	48	2	2M-1538	8	STUD-TAPERLOCK (3/8-16X1.6-IN)						
	49	1,2	2N-1287	2	ELBOW-FLARED						
C	50	1	2T-2305	2	ELBOW						
	51	1	3B-1915	4	BOLT (3/8-16X1.375-IN)						
	52	1	3P-0656	1	SEAL-O-RING						
	53	1	4B-2041	2	NUT (6-32-THD)						
	54	1	4B-5324	4	WASHER (3.9X9.6X1.2-MM THK)						
	55	1	4L-6454	2	BOLT (3/8-16X1-IN)						
	56	1	5F-4899	4	BOLT (3/8-16X5.5-IN)						
C	57	2	5H-8936	2	ADAPTER						
C	58	2	5L-5502	1	FITTING						
C	59	1,2	5M-2894	50	WASHER-HARD (10.2X18.5X2.5-MM THK)						
	60	1	5M-3062	1	BOLT (3/8-16X0.75-IN)						
	61	1	5S-7348	2	SCREW-MACHINE (6-32X0.375-IN)						
C	62	1	6V-3265	2	CLIP						
	63	2	6V-3507	2	SEAL-RECTANGULAR						
	64	1,2	6V-3908	3	SEAL-O-RING						
	65	2	6V-5048	1	SEAL-O-RING						
	66	1	6V-5050	2	SEAL-O-RING						
	67	2	6V-8185	3	NUT (1/4-20-THD)						
C	68	1,2	6V-8397	6	SEAL-O-RING						
	69	1	6V-8714	1	CONNECTOR						
C	70	2	6V-8730	1	UNION (FACE SEAL)						
	71	1	6V-8801	2	NUT (3/8-16-THD)						
	72	2	6V-9872	1	CONNECTOR						
	73	1	7F-9090	4	SCREW-DRIVE (NO 8X03/8-IN)						
	74	2	7X-2501	3	BOLT (1/4-20X1.25-IN)						
	75	1	8B-4884	2	ELBOW						
	76	2	8T-4205	9	WASHER-HARD (7.2X14.5X2-MM THK)						
	77	1	8T-4896	5	WASHER-HARD (10.2X18.5X2.5-MM THK)						
	78	1	8T-6684	1	ELBOW						
	79	1	9M-1974	1	WASHER-HARD (8.8X16X2-MM THK)						
	80	1,2	9S-8752	25	NUT-FULL (3/8-16-THD)						
C	81	2	9X-6458	5	WASHER-HARD (10.2X22.5X3-MM THK)						

C-CHANGE FROM PREVIOUS TYPE
I-REFER TO HYDRAULIC INFORMATION SYSTEM

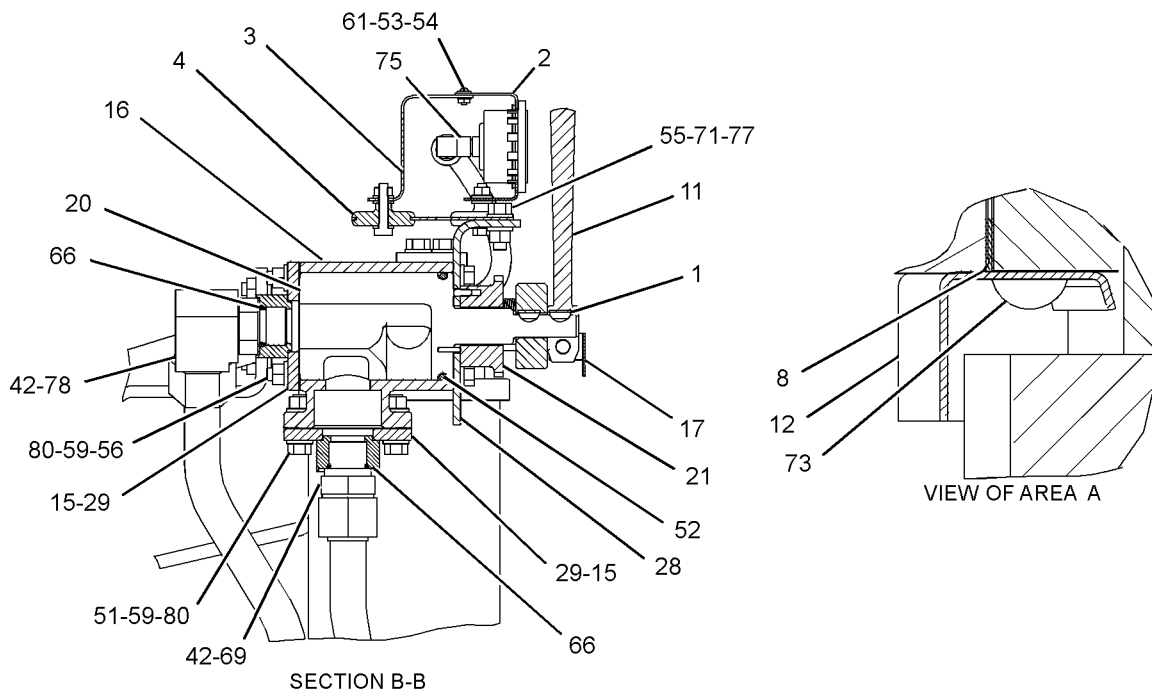
LUBRICATION SYSTEM

243-3378 FILTER & LINES GP-ENGINE OIL (contd.)

i03502892



RIGHT SIDE VIEW OF ENGINE



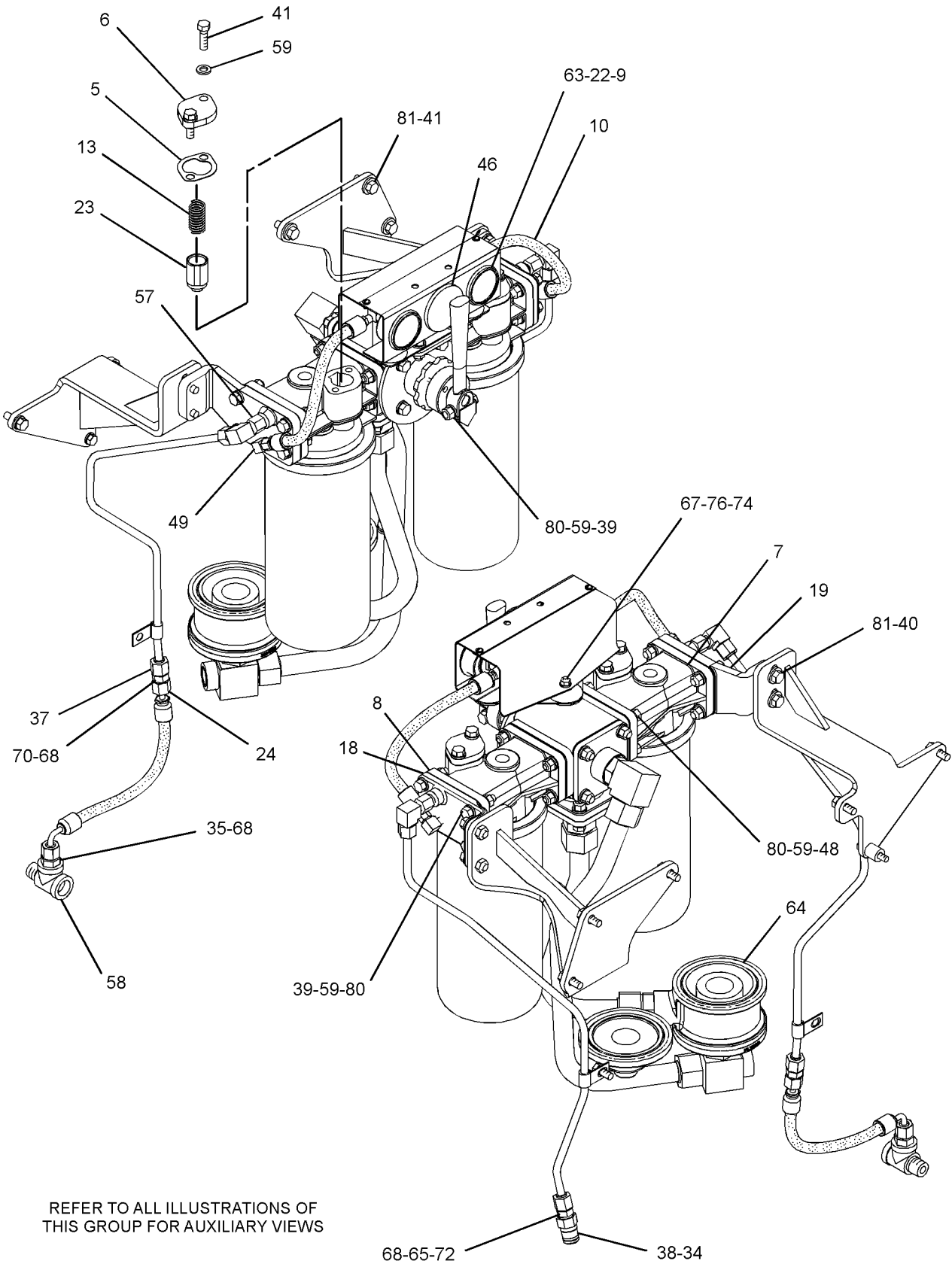
GRAPHIC #1

g01939058

LUBRICATION SYSTEM

243-3378 FILTER & LINES GP-ENGINE OIL (contd.)

i03502892



REFER TO ALL ILLUSTRATIONS OF THIS GROUP FOR AUXILIARY VIEWS

<END>

GRAPHIC #2

g01939059

LUBRICATION SYSTEM

295-1557 FILTER & LINES GP-ENGINE OIL

FOR USE WITH RIGHT HAND SERVICE REMOTE MOUNTED DUPLEX OIL FILTER ON THE TIER
II MARINE ENGINE
AN ATTACHMENT

SMCS-1306, 1307, 1308

i03654046

NOTE	REF NO	GRAPHIC REF	PART NUMBER	QTY	PART NAME						SEE PAGE
					1	2	3	4	5	6 (PRODUCT LEVEL)	
	1	2	1B-8704	2	KEY-WOODRUFF						
	2	1	1R-1808	2	FILTER-ENGINE OIL (ADVANCED EFFICIENCY)						
	3	2	2N-0178	1	PANEL						
	4	2	2N-0179	1	COVER-PANEL						
	5	2	2N-5848	1	BASE AS						
	6	1	2P-3760	2	GASKET						
	7	1	2P-3761	2	COVER						
	8	1	2P-4301	2	BASE AS						
					(EACH INCLUDES)						
		1	2P-4304	1	STUD-HOLLOW						
	9	1	2P-4305	4	GASKET						
	10	1	2W-3681	2	INDICATOR AS (ENGINE OIL PRESSURE)						
	11	2	4H-9756	1	LEVER-RELEASE CONTROL						
	12	1	4N-7082	2	SHIELD-OIL FILTER						
	13	1	4N-8150	2	SPRING						
	14	1	5L-5709	1	CONNECTOR-SHIELD						
	16	2	6N-0824	1	GASKET						
	17	2	6N-1258	1	HOUSING						
	18	2	6N-1259	1	POINTER						
I	19	1	7C-0824	2	HOSE AS						
	20	2	7N-0912	1	VALVE GP-FLUID CONTROL (ENGINE OIL)						
		2	3F-9190	1	PIN						
		2	7N-0911	1	VALVE AS						
	21	2	7N-0914	1	DETENT AS						
		2	6J-8356	2	SPRING						
		2	6N-4204	2	PIN						
		2	6N-4205	1	PLATE						
		2	7N-0913	1	RING						
		2	8F-8833	1	PIN						
	22	1	7W-2731	2	RETAINER						
	23	2	8C-3445	1	CAP-DUST						
	24	1	9M-0853	2	PLUNGER-VALVE (OIL COOLER)						
I	25	1	188-2866	1	HOSE AS						
I	26	2	188-9834	1	HOSE AS						
	27	1	211-2048	1	COVER						
I	28	1	211-6801	1	HOSE AS						
	29	2	243-3384	1	BRACKET						
	30	2	243-3396	1	BRACKET AS						
	31	2	250-1424	2	ELBOW AS						
					(EACH INCLUDES)						
		2	6V-8724	1	ELBOW						
		2	214-7568	1	SEAL-O-RING						
		2	221-3494	1	SEAL-O-RING						
	32	1	256-0811	1	ADAPTER						
	33	2	257-9878	1	CONNECTOR						
	34	1	292-8184	1	COVER						
	35	1	292-8185	1	ADAPTER						
	36	2	292-8186	1	COVER AS						
	37	1	295-5782	1	TUBE AS						
	38	2	295-5783	1	BRACKET AS						
	39	2	311-3065	1	BRACKET AS						
	40	2	311-3066	1	BRACKET AS						
	41	2	311-3067	1	TUBE AS						
	42	1	314-9335	1	TUBE AS						
	43	1	315-6142	1	TUBE AS						

LUBRICATION SYSTEM

295-1557 FILTER & LINES GP-ENGINE OIL (contd.)

i03654046

NOTE	REF NO	GRAPHIC REF	PART NUMBER	QTY	PART NAME						SEE PAGE
					1	2	3	4	5	6 (PRODUCT LEVEL)	
	44	1	061-8639	1	SEAL-O-RING						
	45	2	0S-1571	1	BOLT (3/8-16X1.75-IN)						
	46	1	0S-1588	4	BOLT (3/8-16X1.25-IN)						
	47	2	0S-1591	4	BOLT (3/8-16X1.5-IN)						
	48	1,2	0S-1594	5	BOLT (3/8-16X1-IN)						
	49	2	109-0078	1	SEAL-O-RING						
	50	1	148-8458	2	UNION AS (ORFS)						
					(EACH INCLUDES)						
		1	6V-8397	2	SEAL-O-RING						
		1	6V-9807	1	UNION						
51	2		164-5570	1	UNION AS						
		2	6V-8397	2	SEAL-O-RING						
		2	6V-8730	1	UNION (FACE SEAL)						
52	1		164-6875	2	ELBOW AS						
					(EACH INCLUDES)						
		1	3J-7354	1	SEAL-O-RING						
		1	030-7946	1	ELBOW						
53	1		1A-2029	1	BOLT (3/8-16X1.125-IN)						
54	1		8C-6876	1	BOLT (5/16-18X1.625-IN)						
55	1		1L-6561	1	PLUG						
56	2		2A-4639	8	BOLT (3/8-16X1.625-IN)						
57	1		2M-1538	8	STUD-TAPERLOCK (3/8-16X1.6-IN)						
58	1		5P-4116	1	WASHER-HARD (8.8X20.5X2-MM THK)						
60	2		3P-0656	1	SEAL-O-RING						
61	2		4B-2041	2	NUT (6-32-THD)						
62	2		4B-5324	4	WASHER (3.9X9.6X1.2-MM THK)						
63	2		4L-6454	2	BOLT (3/8-16X1-IN)						
64	1		4M-0061	1	BOLT (5/16-18X0.75-IN)						
65	2		5L-5502	1	FITTING						
66	1,2		5M-2894	48	WASHER-HARD (10.2X18.5X2.5-MM THK)						
67	1		5M-3062	1	BOLT (3/8-16X0.75-IN)						
68	2		5P-1075	4	WASHER-HARD (10.2X22.5X3-MM THK)						
70	2		5S-7348	2	SCREW-MACHINE (6-32X0.375-IN)						
71	1		6V-3265	2	CLIP						
72	1		6V-3507	2	SEAL-RECTANGULAR						
73	1		6V-3908	3	SEAL-O-RING						
75	2		6V-8185	3	NUT (1/4-20-THD)						
76	2		6V-8397	1	SEAL-O-RING						
78	2		6V-8801	2	NUT (3/8-16-THD)						
79	1,2		148-8356	3	ELBOW AS						
					(EACH INCLUDES)						
		1,2	2S-4078	1	SEAL-O-RING						
		1,2	6V-8400	1	SEAL-O-RING						
		1,2	6V-9009	1	ELBOW						
80	1		148-8326	1	CONNECTOR AS						
		1	3J-7354	1	SEAL-O-RING						
		1	6V-8397	1	SEAL-O-RING						
		1	6V-9872	1	CONNECTOR						
81	1		7F-3425	4	BOLT (3/8-16X5.75-IN)						
82	1		7F-9090	4	SCREW-DRIVE (NO 8X03/8-IN)						
83	1		7N-3718	1	CLIP						
84	2		7X-2501	3	BOLT (1/4-20X1.25-IN)						
85	2		8B-4884	2	ELBOW						
86	1		321-8649	1	VALVE AS-FLUID SAMPLING						
		1	8C-3446	1	VALVE-FLUID SAMPLING						
		1	214-7566	1	SEAL-O-RING						
87	2		8T-4205	9	WASHER-HARD (7.2X14.5X2-MM THK)						
88	1		8T-4224	1	WASHER-HARD (8.8X16X2-MM THK)						
89	1,2		8T-4896	5	WASHER-HARD (10.2X18.5X2.5-MM THK)						

LUBRICATION SYSTEM

295-1557 FILTER & LINES GP-ENGINE OIL (contd.)

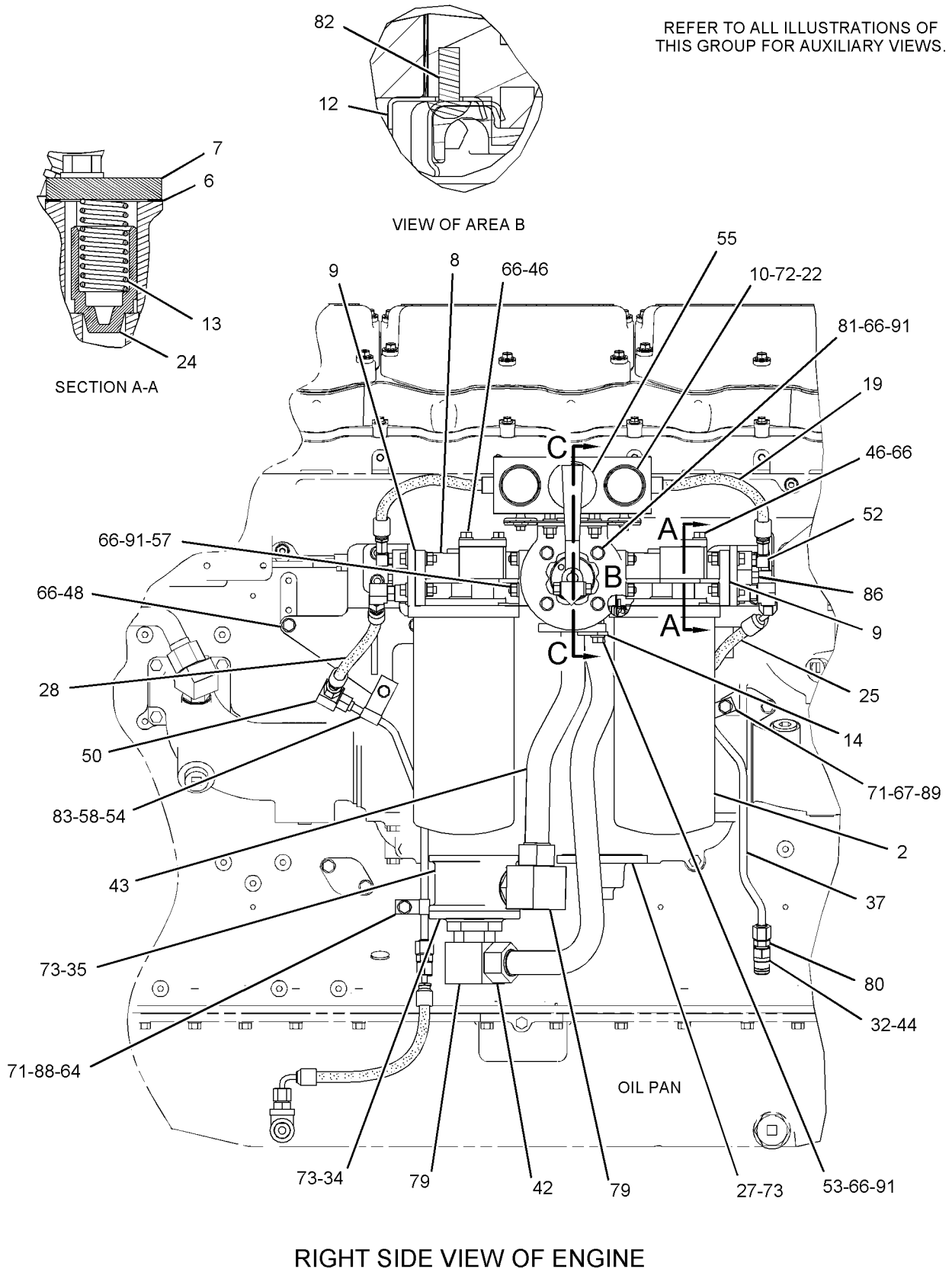
i03654046

NOTE	REF NO	GRAPHIC REF	PART NUMBER	QTY	PART NAME						SEE PAGE
					1	2	3	4	5	6 (PRODUCT LEVEL)	
	90	2	155-3624	1	PLUG AS						
		2	3J-7354	1	SEAL-O-RING						
		2	9S-4182	1	PLUG-O-RING						
	91	1,2	9S-8752	26	NUT-FULL (3/8-16-THD)						
I-REFER TO HYDRAULIC INFORMATION SYSTEM											

LUBRICATION SYSTEM

295-1557 FILTER & LINES GP-ENGINE OIL (contd.)

i03654046



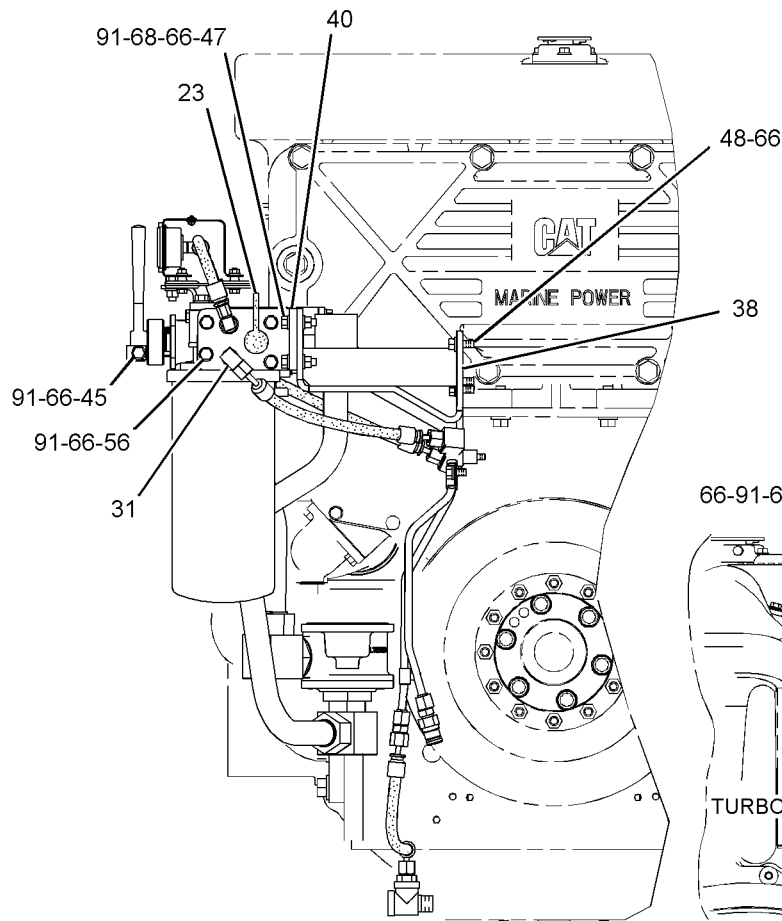
GRAPHIC #1

g01978659

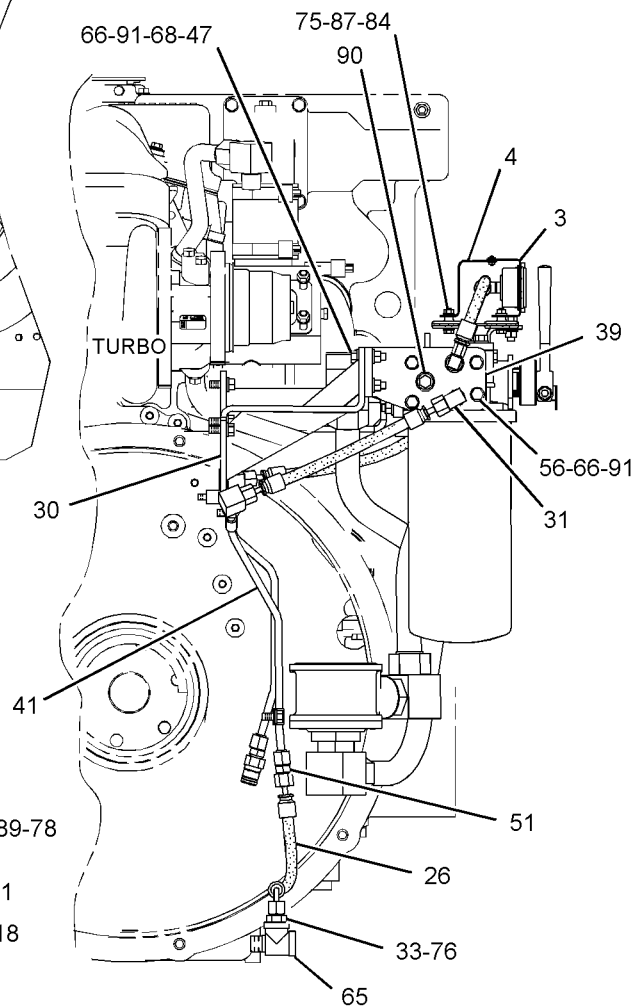
LUBRICATION SYSTEM

295-1557 FILTER & LINES GP-ENGINE OIL (contd.)

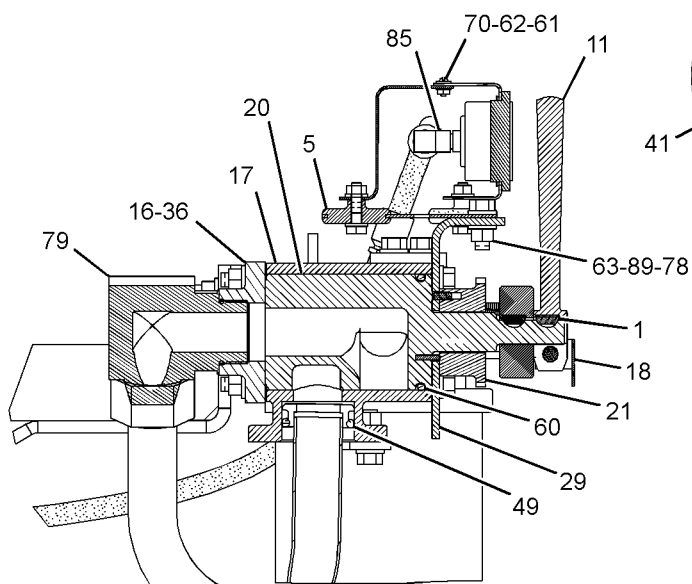
i03654046



FRONT VIEW OF ENGINE



REAR VIEW OF ENGINE



SECTION C-C

GRAPHIC #2

<END>

g01978660

LUBRICATION SYSTEM

295-6141 FILTER & LINES GP-ENGINE OIL

S/N: J2K1-261; T2P1-UP

FOR USE WITH TIER II MARINE ENGINES, SAE NO.0 FLYWHEEL HOUSING, LEFT HAND
SERVICE ENGINES
AN ATTACHMENT

SMCS-1306, 1307, 1308

i02905547

NOTE	REF NO	GRAPHIC REF	PART NUMBER	QTY	PART NAME						SEE PAGE
					1	2	3	4	5	6 (PRODUCT LEVEL)	
	1	2	1B-8704	2	KEY-WOODRUFF						
	2	2,3	1K-5845	4	CLAMP-HOSE						
	3	1	1R-1808	2	FILTER-ENGINE OIL (ADVANCED EFFICIENCY)						
	4	2	2N-0178	1	PANEL						
	5	2	2N-0179	1	COVER-PANEL						
	6	2	2N-5848	1	BASE AS						
	7	1	2P-3760	2	GASKET						
	8	1	2P-3761	2	COVER						
	9	1	2P-4301	2	BASE AS						
					(EACH INCLUDES)						
		1	2P-4304	1	STUD-HOLLOW						
	10	1	2P-4305	4	GASKET						
	11	2	2T-1397	2	CLAMP						
	12	1	2W-3681	2	INDICATOR AS (ENGINE OIL PRESSURE)						
I	13	1	3N-4579	2	HOSE AS						
	14	2	4H-9756	1	LEVER-RELEASE CONTROL						
	15	1	4N-7082	2	SHIELD-OIL FILTER						
	16	1	4N-8150	2	SPRING						
	18	2	6N-0824	2	GASKET						
	19	2	6N-1258	1	HOUSING						
	20	2	6N-1259	1	POINTER						
	21	2	7N-0912	1	VALVE GP-FLUID CONTROL (ENGINE OIL)						
		2	3F-9190	1	PIN						
		2	7N-0911	1	VALVE AS						
	22	2	7N-0914	1	DETENT AS						
		2	6J-8356	2	SPRING						
		2	6N-4204	2	PIN						
		2	6N-4205	1	PLATE						
		2	7N-0913	1	RING						
		2	8F-8833	1	PIN						
	23	1	7W-2731	2	RETAINER						
	24	3	8C-3445	1	CAP-DUST						
	25	1	9M-0853	2	PLUNGER-VALVE (OIL COOLER)						
I	26	1	180-4132	1	HOSE AS						
	27	3	211-2048	1	COVER						
	28	2	243-3385	1	BRACKET						
	29	2	243-3808	1	BRACKET AS						
	30	2	256-0811	1	ADAPTER						
	31	2	257-9878	1	CONNECTOR						
	32	3	292-8184	1	COVER						
	33	3	292-8185	1	ADAPTER						
	34	2	292-8186	2	COVER AS						
	35	3	295-6144	1	TUBE AS						
	36	3	295-6145	1	TUBE AS						
	37	2	295-7976	1	TUBE AS						
	38	2	295-7977	1	TUBE AS						
	39	1	311-3065	1	BRACKET AS						
	40	3	311-3066	1	BRACKET AS						
	41	2	061-8639	1	SEAL-O-RING						
	42	2,3	0S-1571	9	BOLT (3/8-16X1.75-IN)						
	43	3	0S-1588	4	BOLT (3/8-16X1.25-IN)						
	44	2,3	0S-1590	4	BOLT (3/8-16X2-IN)						
	45	2,3	0S-1594	8	BOLT (3/8-16X1-IN)						

LUBRICATION SYSTEM

295-6141 FILTER & LINES GP-ENGINE OIL (contd.)

i02905547

NOTE	REF NO	GRAPHIC REF	PART NUMBER	QTY	PART NAME						SEE PAGE
					1	2	3	4	5	6 (PRODUCT LEVEL)	
	46	2	148-8326	3	CONNECTOR AS						
					(EACH INCLUDES)						
		2	3J-7354	1	SEAL-O-RING						
		2	6V-8397	1	SEAL-O-RING						
		2	6V-9872	1	CONNECTOR						
	47	3	148-8334	1	CONNECTOR AS						
		3	2S-4078	1	SEAL-O-RING						
		3	6V-8400	1	SEAL-O-RING						
		3	8T-3611	1	CONNECTOR						
	48	2,3	148-8356	3	ELBOW AS						
					(EACH INCLUDES)						
		2,3	2S-4078	1	SEAL-O-RING						
		2,3	6V-8400	1	SEAL-O-RING						
		2,3	6V-9009	1	ELBOW						
	49	1,3	148-8367	2	ELBOW AS						
					(EACH INCLUDES)						
		1,3	6V-8397	1	SEAL-O-RING						
		1,3	6V-9850	1	ELBOW						
	50	2,3	154-2302	4	SPACER (11X20X15-MM THK)						
	51	2	155-3624	1	PLUG AS						
		2	3J-7354	1	SEAL-O-RING						
		2	9S-4182	1	PLUG-O-RING						
	52	2	164-5570	1	UNION AS						
		2	6V-8397	2	SEAL-O-RING						
		2	6V-8730	1	UNION (FACE SEAL)						
	53	2,3	164-5584	2	ELBOW AS						
					(EACH INCLUDES)						
		2,3	3J-1907	1	SEAL-O-RING						
		2,3	7J-4026	1	ELBOW						
	54	2	186-0357	1	CLIP						
	55	1	1L-6561	1	PLUG						
	56	1	2M-1538	8	STUD-TAPERLOCK (3/8-16X1.6-IN)						
	57	2	3B-1915	4	BOLT (3/8-16X1.375-IN)						
	58	2	3P-0656	1	SEAL-O-RING						
	59	2	4B-2041	2	NUT (6-32-THD)						
	60	2	4B-5324	4	WASHER (3.9X9.6X1.2-MM THK)						
	61	2	5F-4899	4	BOLT (3/8-16X5.5-IN)						
	62	2	5L-5502	1	FITTING						
	63	1,2,3	5M-2894	66	WASHER-HARD (10.2X18.5X2.5-MM THK)						
	64	2	5P-0537	8	WASHER-HARD (7.2X14.5X2-MM THK)						
	65	2	5S-7348	2	SCREW-MACHINE (6-32X0.375-IN)						
	66	1	6V-3507	2	SEAL-RECTANGULAR						
	67	3	6V-3908	3	SEAL-O-RING						
	68	2	6V-8397	1	SEAL-O-RING						
	69	1	7F-9090	4	SCREW-DRIVE (NO 8X03/8-IN)						
	70	2	8B-4884	2	ELBOW						
	71	3	8C-3446	1	VALVE-FLUID SAMPLING (ENGINE OIL)						
	72	2	9F-6580	4	BOLT (1/4-20X1.125-IN)						
	73	2	9S-8750	4	NUT-FULL (1/4-20-THD)						
	74	1,2,3	9S-8752	33	NUT-FULL (3/8-16-THD)						

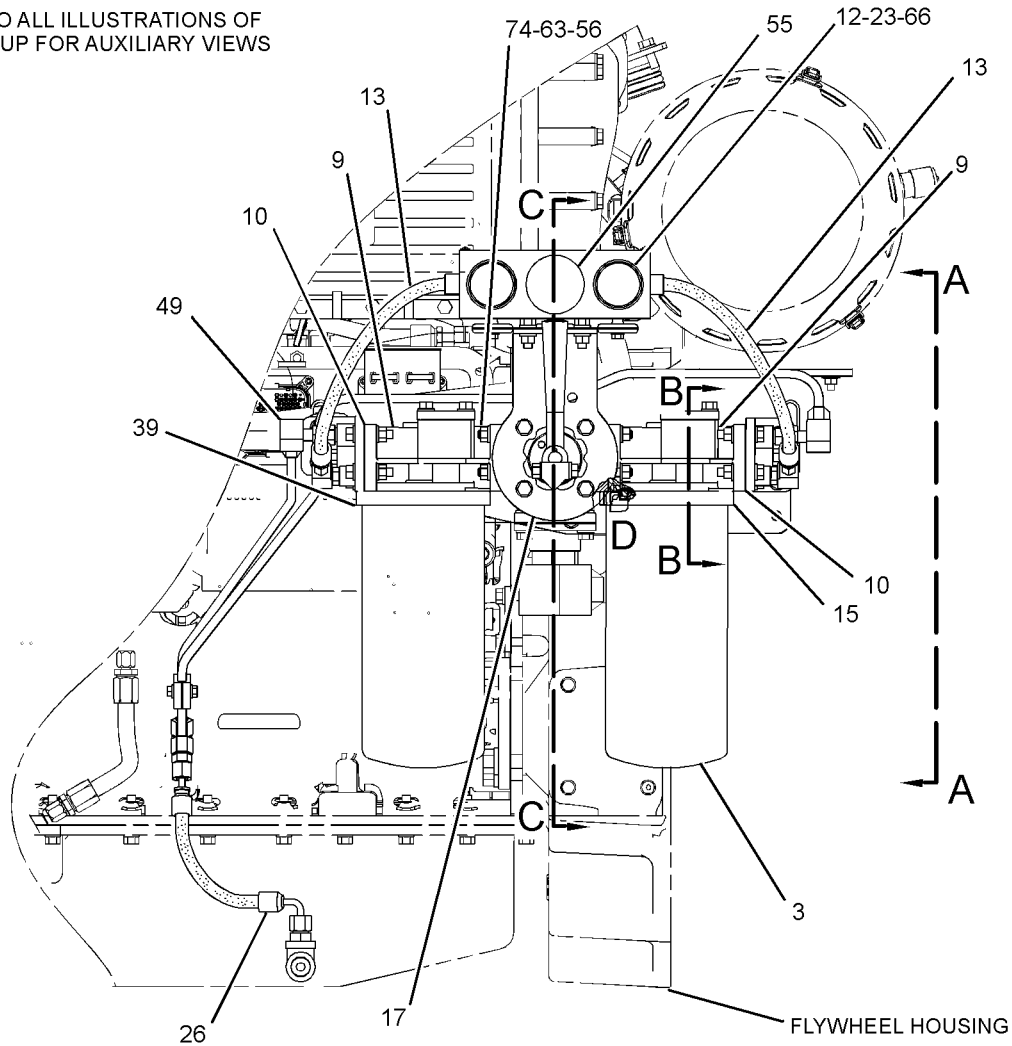
I-REFER TO HYDRAULIC INFORMATION SYSTEM

LUBRICATION SYSTEM

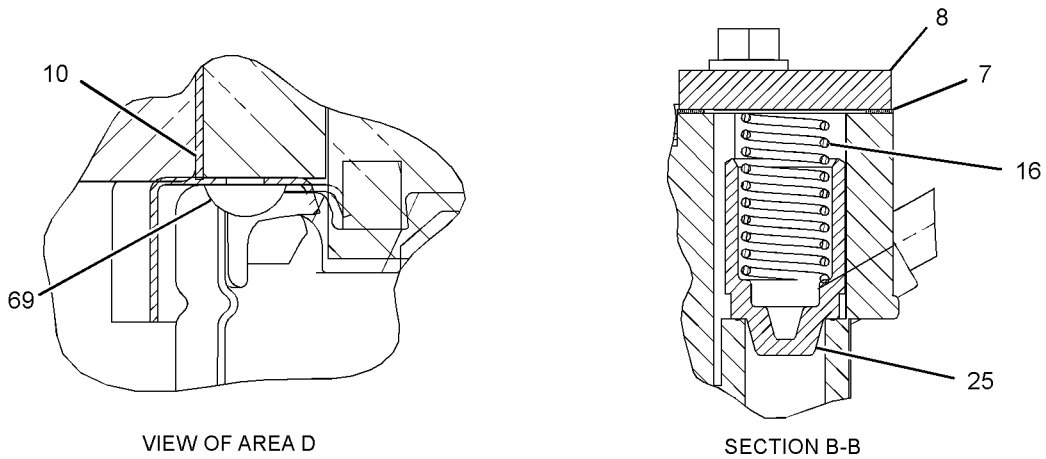
295-6141 FILTER & LINES GP-ENGINE OIL (contd.)

i02905547

REFER TO ALL ILLUSTRATIONS OF THIS GROUP FOR AUXILIARY VIEWS



LEFT SIDE VIEW OF ENGINE



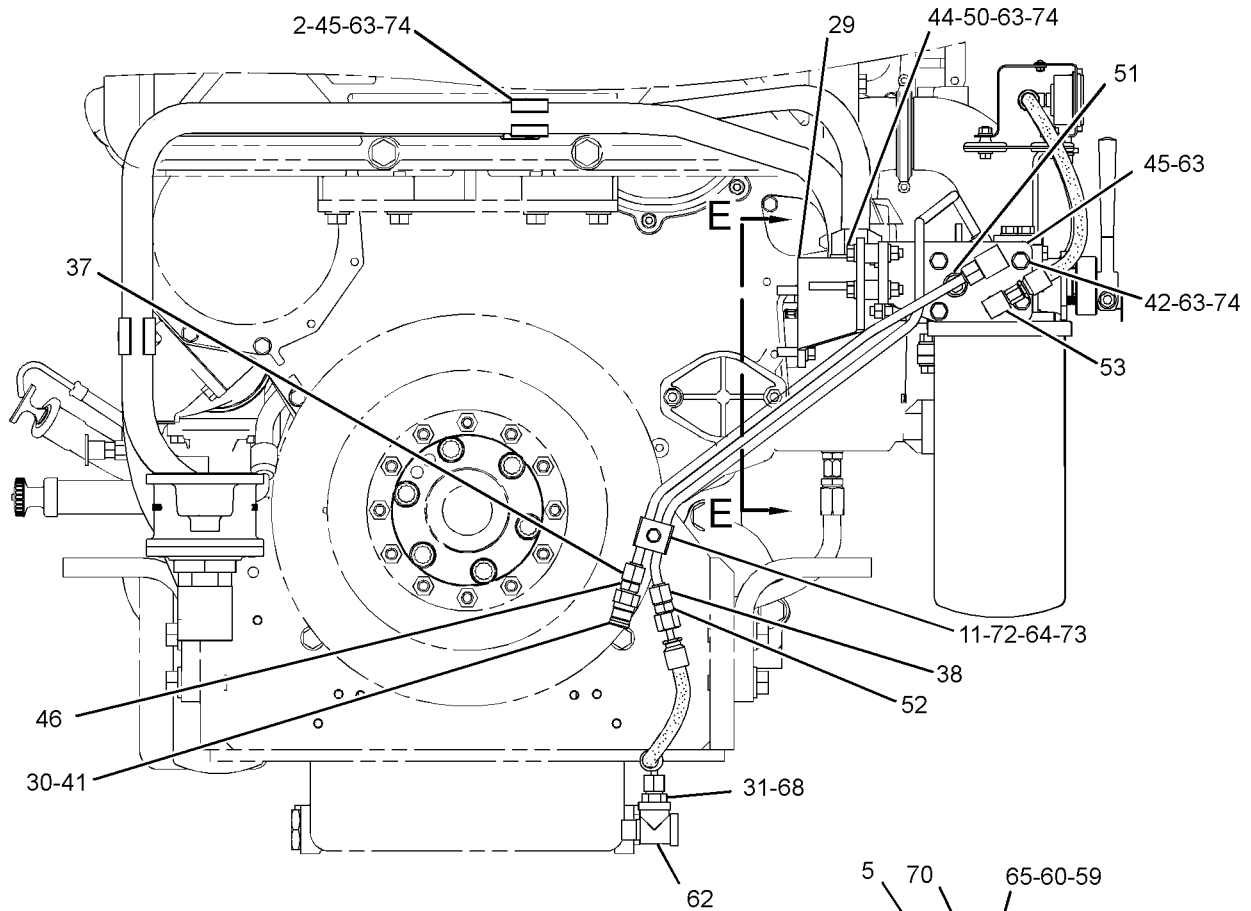
GRAPHIC #1

g01625238

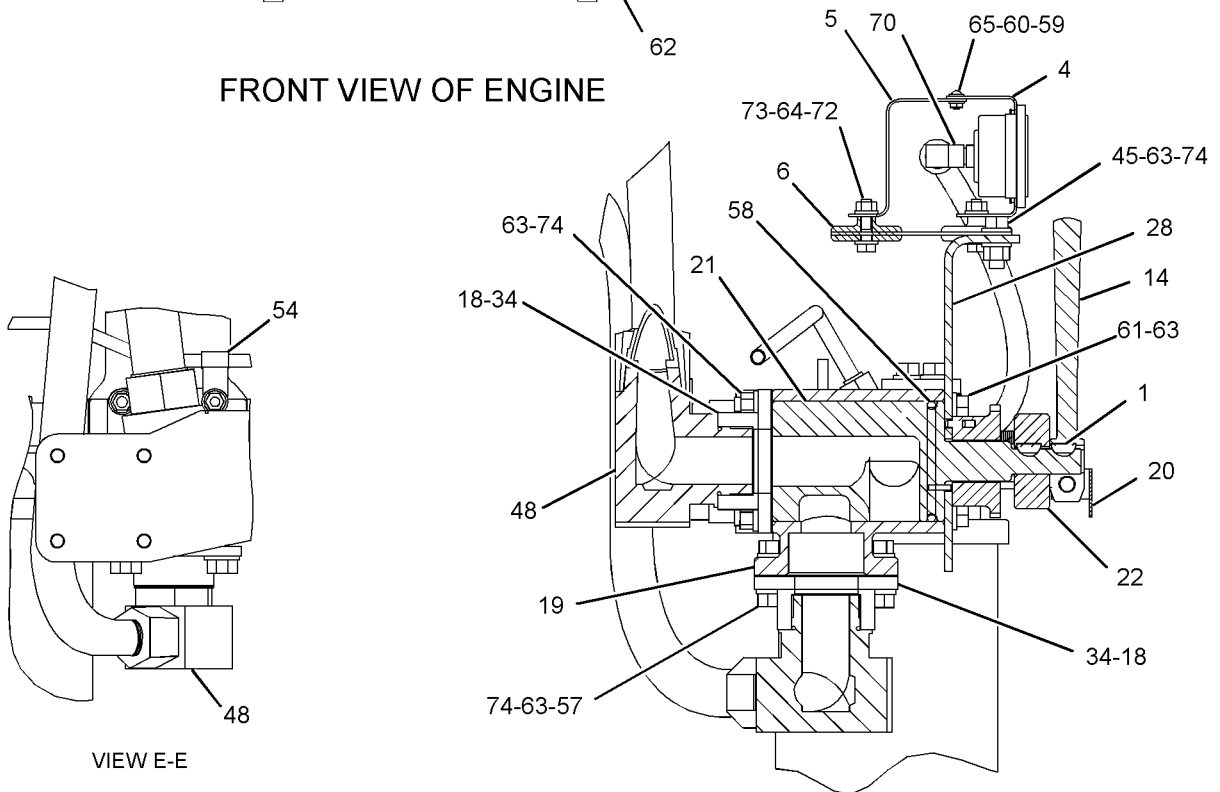
LUBRICATION SYSTEM

295-6141 FILTER & LINES GP-ENGINE OIL (contd.)

i02905547



FRONT VIEW OF ENGINE



VIEW E-E

SECTION C-C

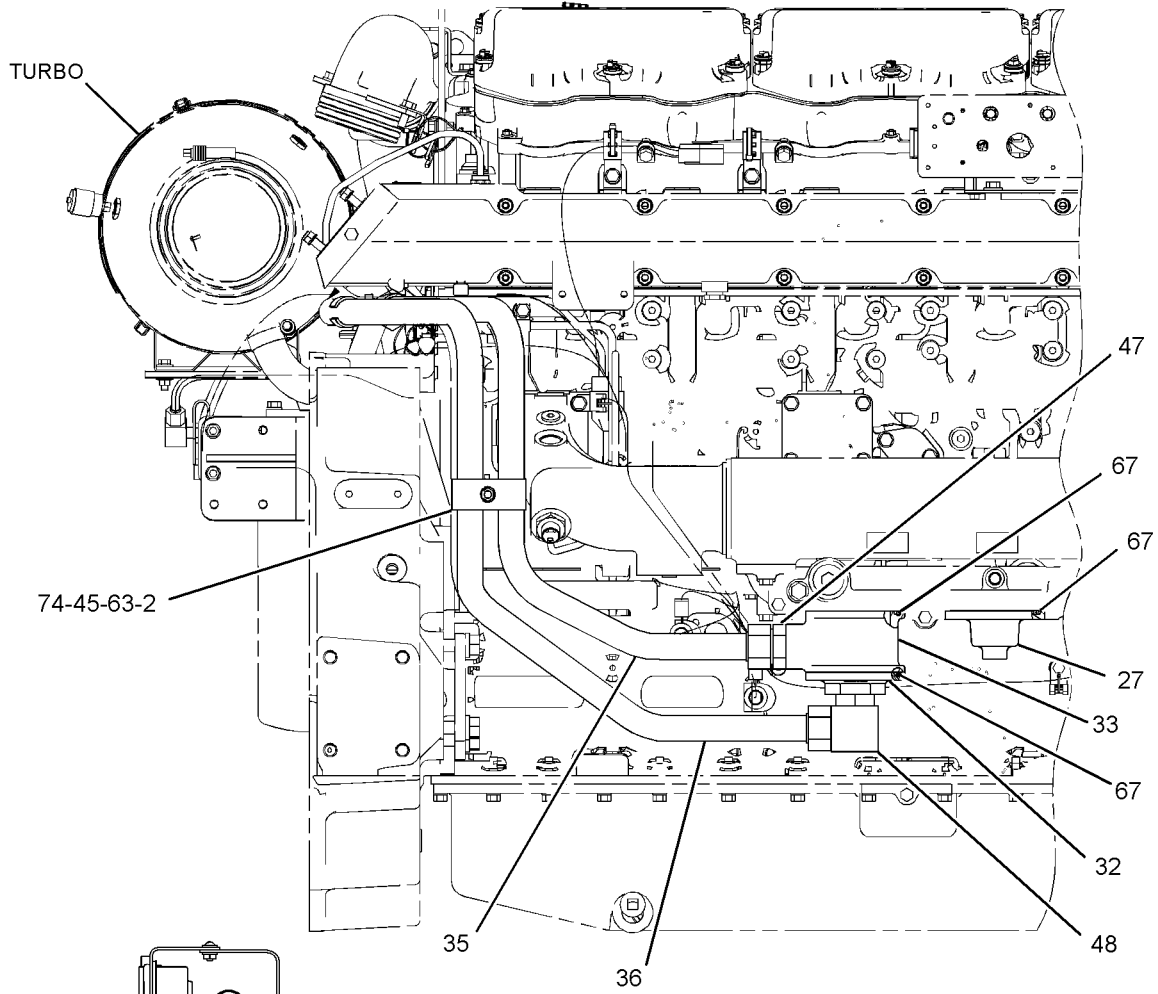
GRAPHIC #2

g01625241

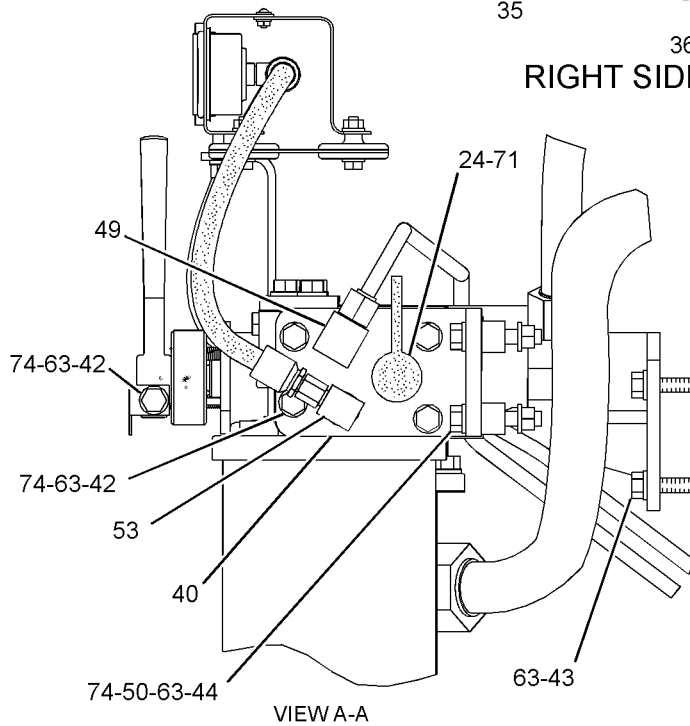
LUBRICATION SYSTEM

295-6141 FILTER & LINES GP-ENGINE OIL (contd.)

i02905547



RIGHT SIDE VIEW OF ENGINE



VIEW A-A

GRAPHIC #3

<END>

g01625243

LUBRICATION SYSTEM

295-6141 FILTER & LINES GP-ENGINE OIL

S/N: J2K262-UP; T2P1-UP

FOR USE WITH TIER II MARINE ENGINES, SAE NO.0 FLYWHEEL HOUSING, LEFT HAND
SERVICE ENGINES
AN ATTACHMENT

SMCS-1306, 1307, 1308

i03645038

NOTE	REF NO	GRAPHIC REF	PART NUMBER	QTY	PART NAME						SEE PAGE
					1	2	3	4	5	6 (PRODUCT LEVEL)	
	1	2	1B-8704	2	KEY-WOODRUFF						
	2	1	1R-1808	2	FILTER-ENGINE OIL (ADVANCED EFFICIENCY)						
	3	2	2N-0178	1	PANEL						
	4	2	2N-0179	1	COVER-PANEL						
	5	2	2N-5848	1	BASE AS						
	6	1	2P-3760	2	GASKET						
	7	1	2P-3761	2	COVER						
	8	1	2P-4301	2	BASE AS						
					(EACH INCLUDES)						
		1	2P-4304	1	STUD-HOLLOW						
	9	1	2P-4305	4	GASKET						
	10	3	2T-1397	4	CLAMP						
	11	1	2W-3681	2	INDICATOR AS (ENGINE OIL PRESSURE)						
I	12	1	3N-4579	2	HOSE AS						
	13	2	4H-9756	1	LEVER-RELEASE CONTROL						
	14	1	4N-7082	2	SHIELD-OIL FILTER						
	15	1	4N-8150	2	SPRING						
	17	2	6N-0824	2	GASKET						
	18	2	6N-1258	1	HOUSING						
	19	2	6N-1259	1	POINTER						
	20	2	7N-0912	1	VALVE GP-FLUID CONTROL (ENGINE OIL)						
		2	3F-9190	1	PIN						
		2	7N-0911	1	VALVE AS						
	21	2	7N-0914	1	DETENT AS						
		2	6J-8356	2	SPRING						
		2	6N-4204	2	PIN						
		2	6N-4205	1	PLATE						
		2	7N-0913	1	RING						
		2	8F-8833	1	PIN						
	22	1	7W-2731	2	RETAINER						
	23	2	8C-3445	1	CAP-DUST						
	24	1	9M-0853	2	PLUNGER-VALVE (OIL COOLER)						
I	25	1	180-4132	1	HOSE AS						
	26	2	211-2048	1	COVER						
	27	2	243-3385	1	BRACKET						
	28	3	243-3808	1	BRACKET AS						
	29	3	256-0811	1	ADAPTER						
	30	3	257-9878	1	CONNECTOR						
	31	2	292-8184	1	COVER						
	32	2	292-8185	1	ADAPTER						
	33	2	292-8186	2	COVER AS						
	34	2	295-6144	1	TUBE AS						
	35	2	295-6145	1	TUBE AS						
	36	3	295-7976	1	TUBE AS						
	37	3	295-7977	1	TUBE AS						
	38	1	311-3065	1	BRACKET AS						
	39	2	311-3066	1	BRACKET AS						
C	40	3	322-3639	1	TUBE AS						
C	41	3	322-3640	1	TUBE AS						
C	42	2	323-3494	1	BRACKET						
	43	3	061-8639	1	SEAL-O-RING						
C	44	2	5S-7379	2	BOLT (3/8-16X0.875-IN)						
C	45	2,3	0S-1571	9	BOLT (3/8-16X1.75-IN)						
	46	2,3	0S-1588	8	BOLT (3/8-16X1.25-IN)						

LUBRICATION SYSTEM

295-6141 FILTER & LINES GP-ENGINE OIL (contd.)

i03645038

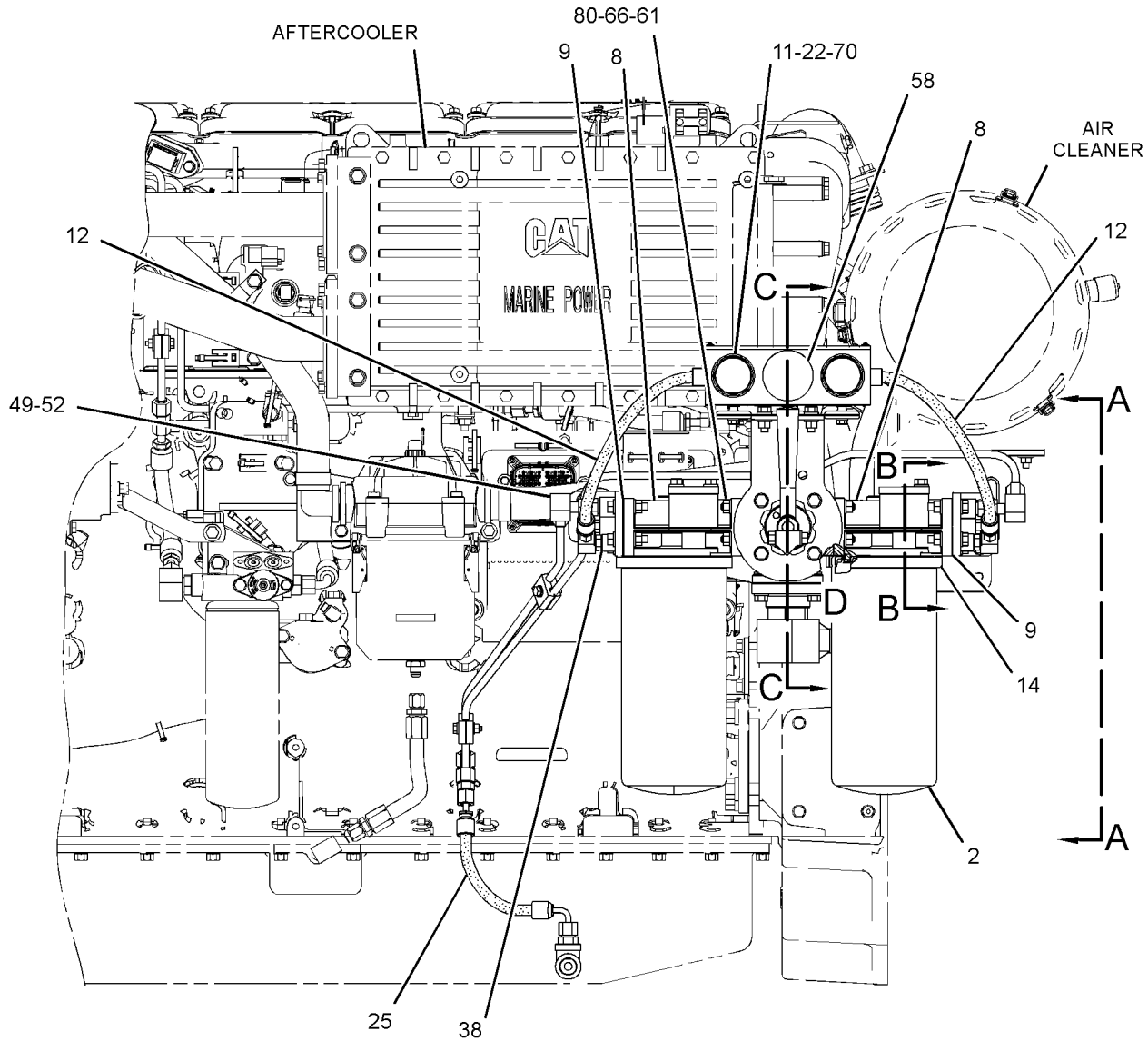
NOTE	REF NO	GRAPHIC REF	PART NUMBER	QTY	PART NAME	SEE PAGE
	47	2,3	OS-1590	4	BOLT (3/8-16X2-IN)	
C	48	2,3	4L-6454	3	BOLT (3/8-16X1-IN)	
	49	1,2,3	148-8326	3	CONNECTOR AS (EACH INCLUDES)	
		1,2,3	3J-7354	1	SEAL-O-RING	
		1,2,3	6V-8397	1	SEAL-O-RING	
		1,2,3	6V-9872	1	CONNECTOR	
	50	2	148-8334	1	CONNECTOR AS	
		2	2S-4078	1	SEAL-O-RING	
		2	6V-8400	1	SEAL-O-RING	
		2	8T-3611	1	CONNECTOR	
	51	2,3	148-8356	3	ELBOW AS (EACH INCLUDES)	
		2,3	2S-4078	1	SEAL-O-RING	
		2,3	6V-8400	1	SEAL-O-RING	
		2,3	6V-9009	1	ELBOW	
	52	1,2	148-8367	2	ELBOW AS (EACH INCLUDES)	
		1,2	6V-8397	1	SEAL-O-RING	
		1,2	6V-9850	1	ELBOW	
	53	2,3	154-2302	4	SPACER (11X20X15-MM THK)	
	54	3	155-3624	1	PLUG AS	
		3	3J-7354	1	SEAL-O-RING	
		3	9S-4182	1	PLUG-O-RING	
	55	3	164-5570	1	UNION AS	
		3	6V-8397	2	SEAL-O-RING	
		3	6V-8730	1	UNION (FACE SEAL)	
	56	2,3	164-5584	2	ELBOW AS (EACH INCLUDES)	
		2,3	3J-1907	1	SEAL-O-RING	
		2,3	7J-4026	1	ELBOW	
	57	3	186-0357	1	CLIP	
	58	1	1L-6561	1	PLUG	
C	59	2	2A-2677	1	SPACER (10.7X17.14X19.05-MM THK)	
C	60	2	OS-1591	4	BOLT (3/8-16X1.5-IN)	
	61	1	2M-1538	8	STUD-TAPERLOCK (3/8-16X1.6-IN)	
	62	2	3P-0656	1	SEAL-O-RING	
	63	2	4B-2041	2	NUT (6-32-THD)	
	64	2	4B-5324	4	WASHER (3.9X9.6X1.2-MM THK)	
	65	3	5L-5502	1	FITTING	
C	66	1,2,3	5M-2894	54	WASHER-HARD (10.2X18.5X2.5-MM THK)	
C	67	2,3	8T-4205	13	WASHER-HARD (7.2X14.5X2-MM THK)	
	68	2	5S-7348	2	SCREW-MACHINE (6-32X0.375-IN)	
C	69	2,3	6D-9392	4	CLAMP	
	70	1	6V-3507	2	SEAL-RECTANGULAR	
	71	2	6V-3908	3	SEAL-O-RING	
	72	3	6V-8397	1	SEAL-O-RING	
C	73	3	6V-8400	2	SEAL-O-RING	
C	74	2	7F-3425	4	BOLT (3/8-16X5.75-IN)	
	75	1	7F-9090	4	SCREW-DRIVE (NO 8X03/8-IN)	
	76	2	8B-4884	2	ELBOW	
	77	2	321-8649	1	VALVE AS-FLUID SAMPLING (ENGINE OIL)	
		1	8C-3446	1	VALVE-FLUID SAMPLING	
		1	214-7566	11	SEAL-O-RING	
C	78	2,3	7X-2501	5	BOLT (1/4-20X1.25-IN)	
C	79	2,3	6V-8185	5	NUT (1/4-20-THD)	
	80	1,2,3	9S-8752	29	NUT-FULL (3/8-16-THD)	
	81	2	5S-7383	1	BOLT (3/8-16X1.75-IN)	
	82	2,3	8T-4896	10	WASHER-HARD (10.2X18.5X2.5-MM THK)	
	83	2,3	6V-8801	4	NUT (3/8-16-THD)	

LUBRICATION SYSTEM

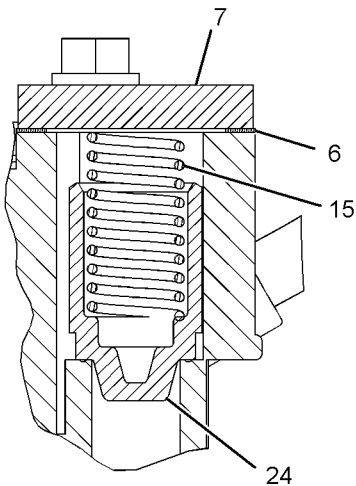
295-6141 FILTER & LINES GP-ENGINE OIL (contd.)

i03645038

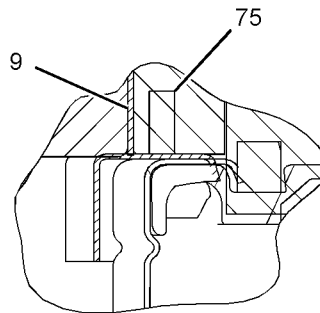
C-CHANGE FROM PREVIOUS TYPE
I-REFER TO HYDRAULIC INFORMATION SYSTEM



LEFT SIDE VIEW OF ENGINE



SECTION B-B



VIEW OF AREA D

REFER TO ALL ILLUSTRATIONS OF THIS GROUP FOR AUXILIARY VIEWS

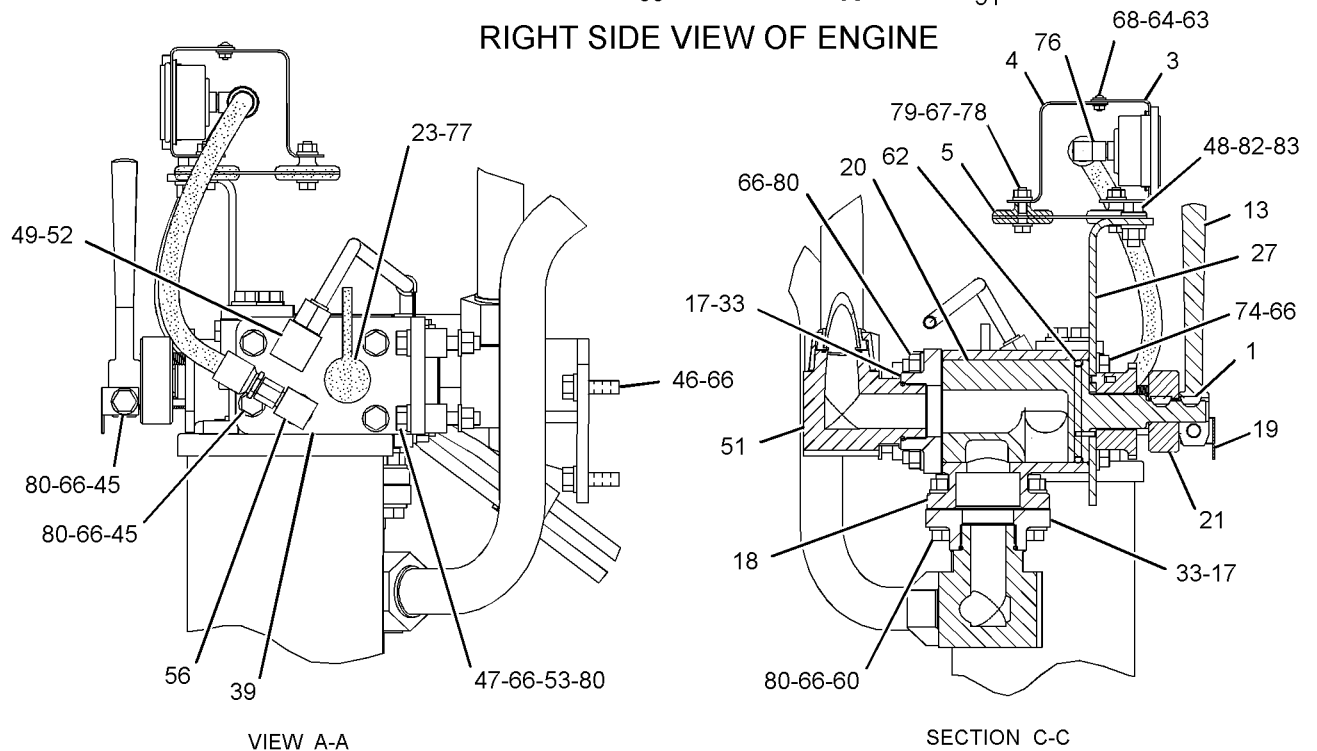
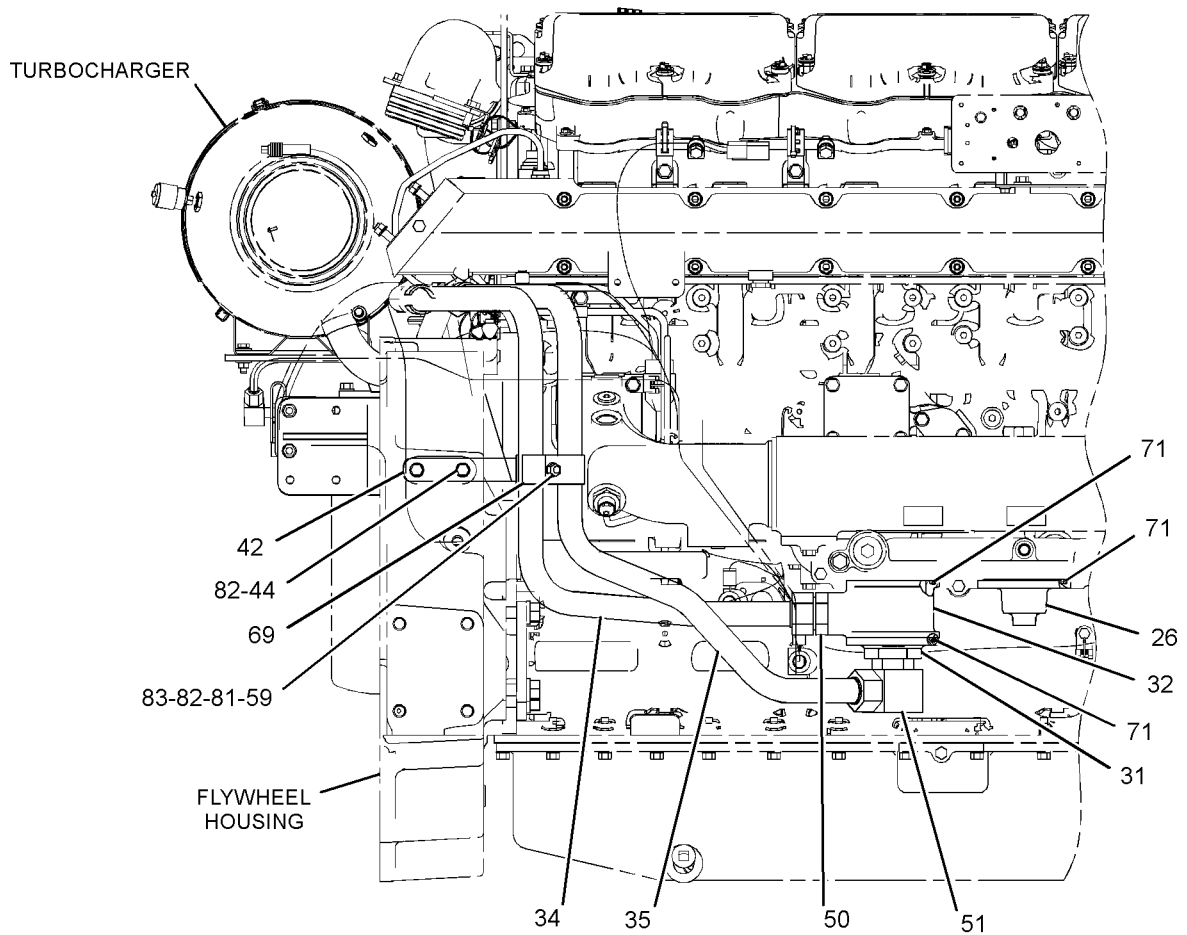
GRAPHIC #1

g01943751

LUBRICATION SYSTEM

295-6141 FILTER & LINES GP-ENGINE OIL (contd.)

i03645038



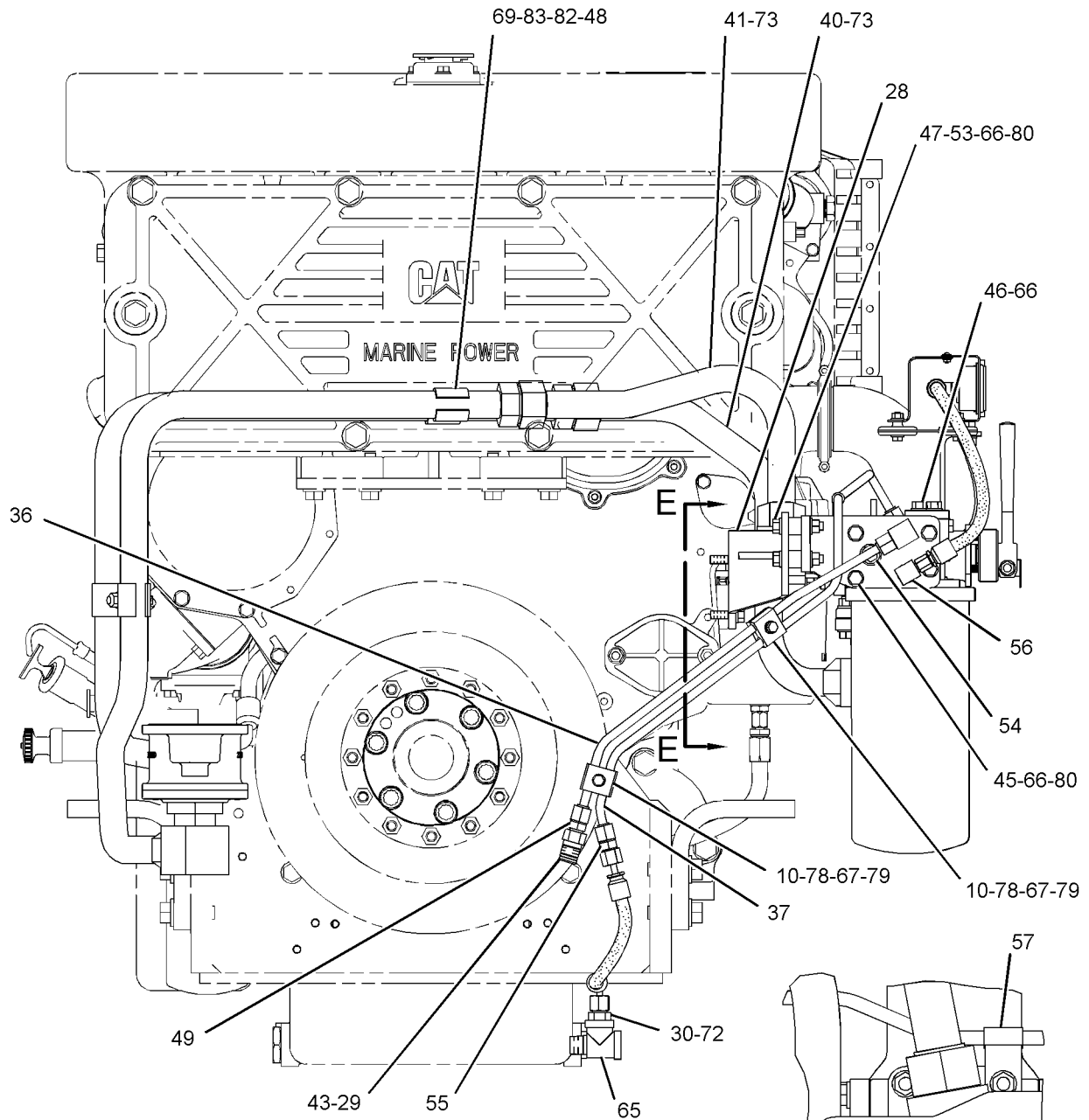
GRAPHIC #2

g01943752

LUBRICATION SYSTEM

295-6141 FILTER & LINES GP-ENGINE OIL (contd.)

i03645038



FRONT VIEW OF ENGINE

VIEW E-E

GRAPHIC #3

<END>

g01943753

LUBRICATION SYSTEM

325-3357 FILTER & LINES GP-ENGINE OIL- DUPLEX OIL FILTER

S/N: J2K1-UP

FOR USE WITH RH SERVICE, TIER I MARINE APPLICATIONS. CANNOT BE USED WITH
TIER II FUEL LINES
AN ATTACHMENT

SMCS-1306, 1307, 1308

i03506280

NOTE	REF NO	GRAPHIC REF	PART NUMBER	QTY	PART NAME						SEE PAGE
					1	2	3	4	5	6 (PRODUCT LEVEL)	
	1	2	1B-8704	2	KEY-WOODRUFF						
	2	1	1R-1808	2	FILTER-ENGINE OIL (ADVANCED EFFICIENCY)						
	3	2	2N-0178	1	PANEL						
	4	2	2N-0179	1	COVER-PANEL						
	5	2	2N-5848	1	BASE AS						
	6	1	2P-3760	2	GASKET						
	7	1	2P-3761	2	COVER						
	8	1	2P-4301	2	BASE AS						
					(EACH INCLUDES)						
		1	2P-4304	1	STUD-HOLLOW						
	9	1	2P-4305	4	GASKET						
	10	1	2W-3681	2	INDICATOR AS (ENGINE OIL PRESSURE)						
I	11	1	3N-4622	2	HOSE AS						
	12	2	4H-9756	1	LEVER-RELEASE CONTROL						
	13	1	4N-7082	2	SHIELD-OIL FILTER						
	14	1	4N-8150	2	SPRING						
	15	1	5L-5709	1	CONNECTOR-SHIELD						
	16	2	6N-0824	1	GASKET						
	17	2	6N-1258	1	HOUSING						
	18	2	6N-1259	1	POINTER						
	19	1	6N-7420	1	COVER AS						
	20	1	6N-7422	1	COVER AS						
	21	2	7N-0912	1	VALVE GP-FLUID CONTROL (ENGINE OIL)						
		2	3F-9190	1	PIN						
		2	7N-0911	1	VALVE AS (ENGINE OIL FILTER)						
	22	2	7N-0914	1	DETENT AS						
		2	6J-8356	2	SPRING						
		2	6N-4204	2	PIN						
		2	6N-4205	1	PLATE						
		2	7N-0913	1	RING						
		2	8F-8833	1	PIN						
	23	1	7W-2731	2	RETAINER						
	24	1	9M-0853	2	PLUNGER-VALVE						
I	25	2	188-9834	1	HOSE AS						
	26	1	211-2048	1	COVER						
	27	2	243-3384	1	BRACKET						
	28	1	243-3396	1	BRACKET AS						
	29	1	243-3397	1	BRACKET AS						
		1	1F-0750	2	NUT-WELD (3/8-16-THD)						
	30	2	256-0811	1	ADAPTER						
	31	2	257-9878	1	CONNECTOR						
	32	1	258-6605	1	TUBE AS						
	33	2	258-6606	1	TUBE AS						
	34	1	292-8184	1	COVER						
	35	1	292-8185	1	ADAPTER						
	36	2	292-8186	1	COVER AS						
	37	1	314-9335	1	TUBE AS						
	38	1	315-6142	1	TUBE AS						
	39	2	061-8639	1	SEAL-O-RING						
	40	1	5M-3062	1	BOLT (3/8-16X0.75-IN)						
	41	1,2	0S-1571	9	BOLT (3/8-16X1.75-IN)						
	42	1,2	0S-1588	8	BOLT (3/8-16X1.25-IN)						
	43	1,2	0S-1594	5	BOLT (3/8-16X1-IN)						

LUBRICATION SYSTEM

325-3357 FILTER & LINES GP-ENGINE OIL (contd.)

i03506280

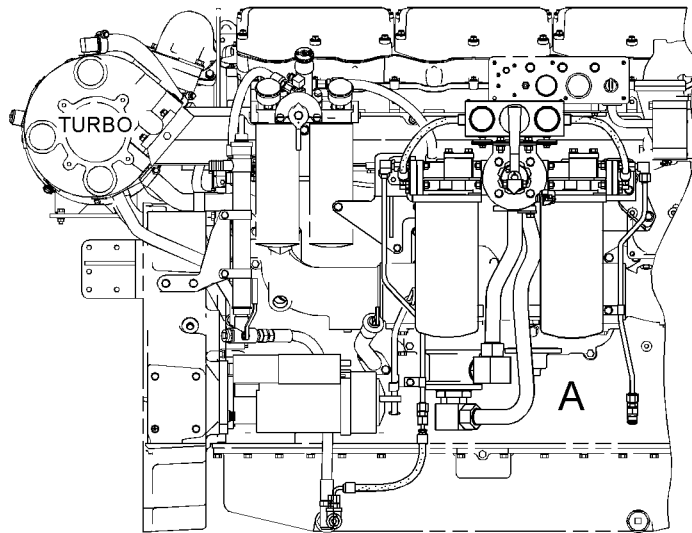
NOTE	REF NO	GRAPHIC REF	PART NUMBER	QTY	PART NAME						SEE PAGE
					1	2	3	4	5	6 (PRODUCT LEVEL)	
	44	2	109-0078	1	SEAL-O-RING						
	45	1,2	148-8356	3	ELBOW AS						
					(EACH INCLUDES)						
		1,2	2S-4078	1	SEAL-O-RING						
		1,2	6V-8400	1	SEAL-O-RING						
		1,2	6V-9009	1	ELBOW						
	46	2	1A-2029	1	BOLT (3/8-16X1.125-IN)						
	47	1	1H-5514	1	BOLT (5/16-18X1.625-IN)						
	48	1	1L-6561	1	PLUG						
	49	1	2M-1538	8	STUD-TAPERLOCK (3/8-16X1.6-IN)						
	50	1	2N-1287	2	ELBOW-FLARED						
	51	1	2T-2305	2	ELBOW						
	52	2	3P-0656	1	SEAL-O-RING						
	53	2	4B-2041	2	NUT (6-32-THD)						
	54	2	4B-5324	4	WASHER (3.9X9.6X1.2-MM THK)						
	55	1	5H-8936	2	ADAPTER						
	56	2	5L-5502	1	FITTING						
	57	1,2	5M-2894	44	WASHER-HARD (10.2X18.5X2.5-MM THK)						
	58	2	8T-4205	9	WASHER-HARD (7.2X14.5X2-MM THK)						
	59	2	5S-7348	2	SCREW-MACHINE (6-32X0.375-IN)						
	60	1	6V-3265	2	CLIP						
	61	1	6V-3507	2	SEAL-RECTANGULAR						
	62	1	6V-3908	3	SEAL-O-RING						
	63	2	6V-5048	1	SEAL-O-RING						
	64	1,2	6V-8397	6	SEAL-O-RING						
	65	2	6V-8730	1	UNION (FACE SEAL)						
	66	2	6V-9872	1	CONNECTOR						
	67	2	7F-3425	4	BOLT (3/8-16X5.75-IN)						
	68	1	7F-9090	4	SCREW-DRIVE (NO 8X03/8-IN)						
	69	2	8B-4884	2	ELBOW						
	70	2	8N-7043	1	FILM (OIL FILTER DUPLEX VALVE)						
	71	2	7X-2501	3	BOLT (1/4-20X1.25-IN)						
	72	1	9M-1974	1	WASHER-HARD (8.8X16X2-MM THK)						
	73	2	6V-8185	3	NUT (1/4-20-THD)						
	74	1,2	9S-8752	22	NUT-FULL (3/8-16-THD)						
	75	2	9X-6458	5	WASHER-HARD (10.2X22.5X3-MM THK)						
	76	2	6V-8801	2	NUT (3/8-16-THD)						
	77	1,2	8T-4896	5	WASHER-HARD (10.2X18.5X2.5-MM THK)						
	78	2	4L-6454	2	BOLT (3/8-16X1-IN)						
	79	1	8T-4224	1	WASHER-HARD (8.8X16X2-MM THK)						
	80	1	4M-0061	2	BOLT (5/16-18X0.75-IN)						

I-REFER TO HYDRAULIC INFORMATION SYSTEM

LUBRICATION SYSTEM

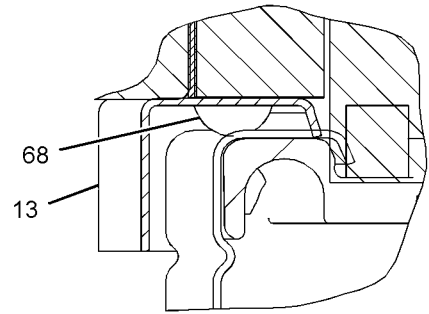
325-3357 FILTER & LINES GP-ENGINE OIL (contd.)

i03506280

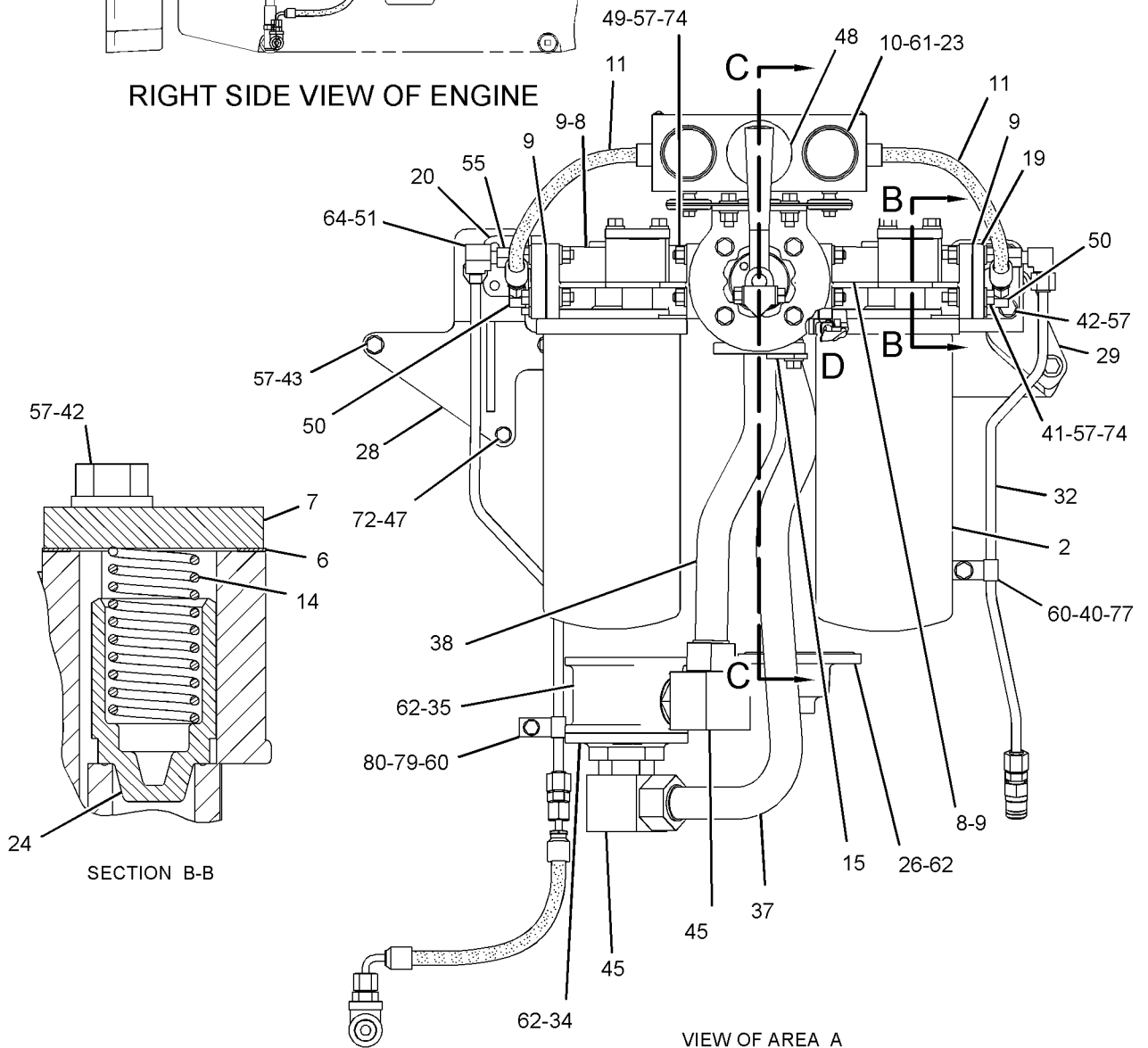


RIGHT SIDE VIEW OF ENGINE

REFER TO ALL ILLUSTRATIONS OF THIS GROUP FOR AUXILIARY VIEWS



VIEW OF AREA D



VIEW OF AREA A

SECTION B-B

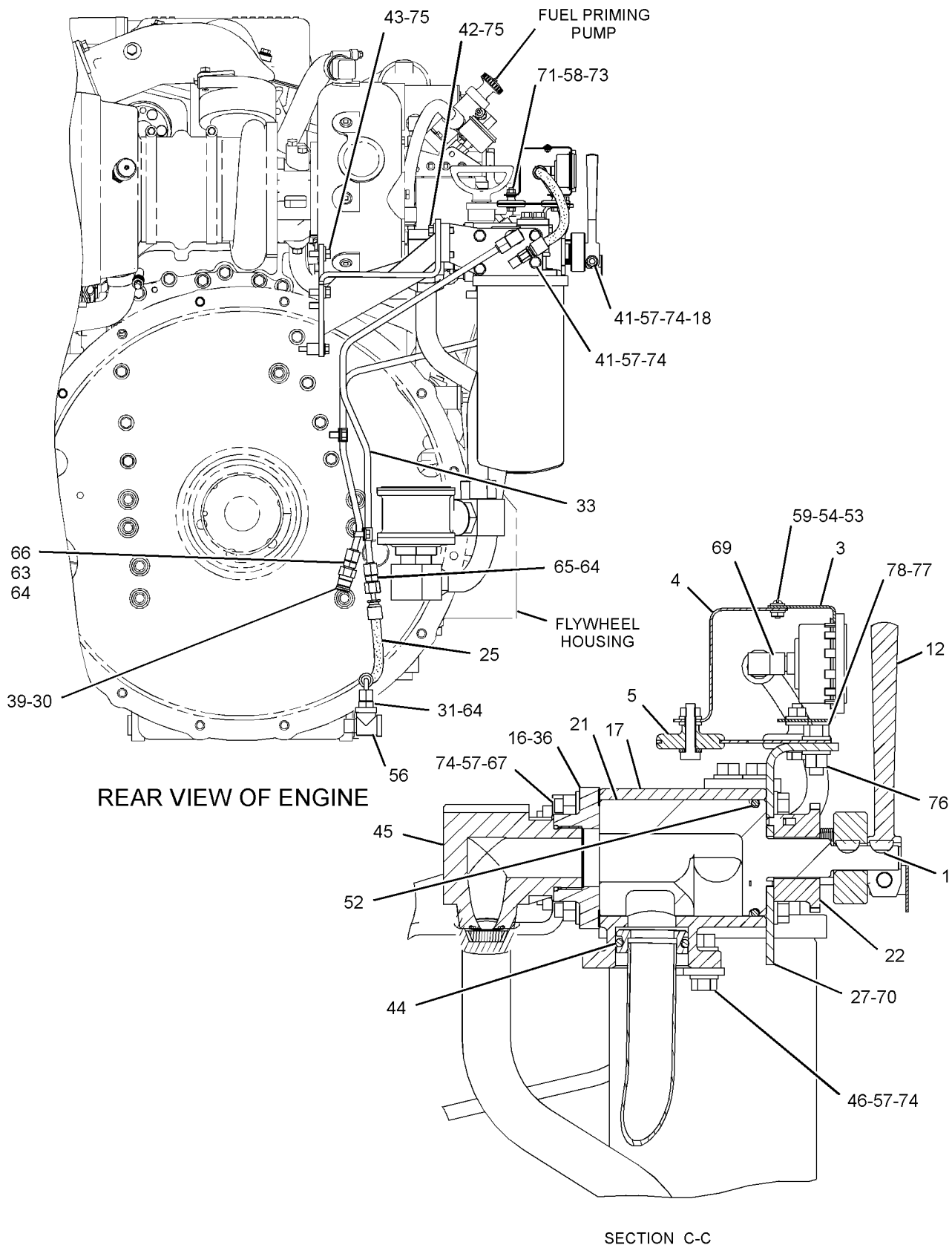
GRAPHIC #1

g01953834

LUBRICATION SYSTEM

325-3357 FILTER & LINES GP-ENGINE OIL (contd.)

i03506280



GRAPHIC #2

<END>

g01953835

LUBRICATION SYSTEM

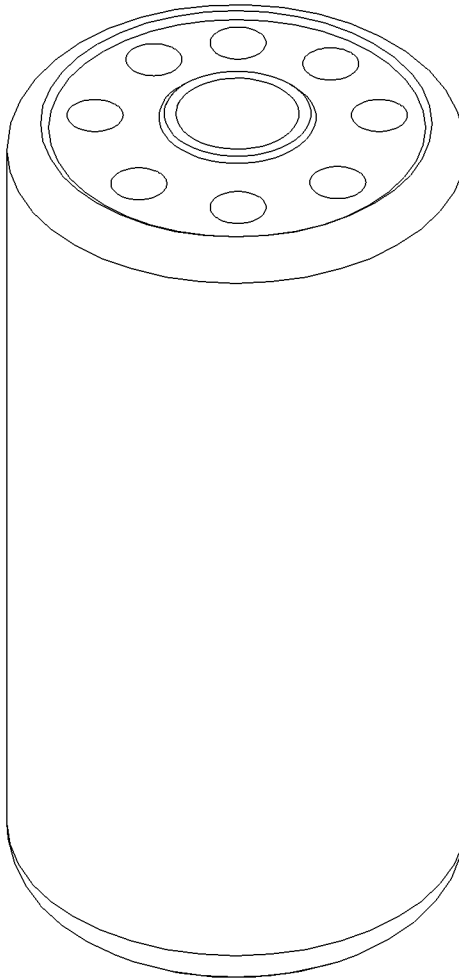
211-4359 FILTER AS-ENGINE OIL

TO PROVIDE A SHORTER VERSION OF THE 1R-0716 LUBE FILTER TO BE USED FOR
MARINE APPLICATIONS
AN ATTACHMENT

SMCS-1308

i01797515

NOTE	REF NO	GRAPHIC REF	PART NUMBER	QTY	PART NAME						SEE PAGE
					1	2	3	4	5	6 (PRODUCT LEVEL)	
(NO SERVICED PARTS)											



GRAPHIC #1

<END>

g00921132

LUBRICATION SYSTEM

202-4393 FILTER GP-ENGINE OIL

FOR USE WITH LEFT HAND SERVICE ENGINE WITH SAE NO.1 FLYWHEEL HOUSING
AN ATTACHMENT

SMCS-1306, 1308

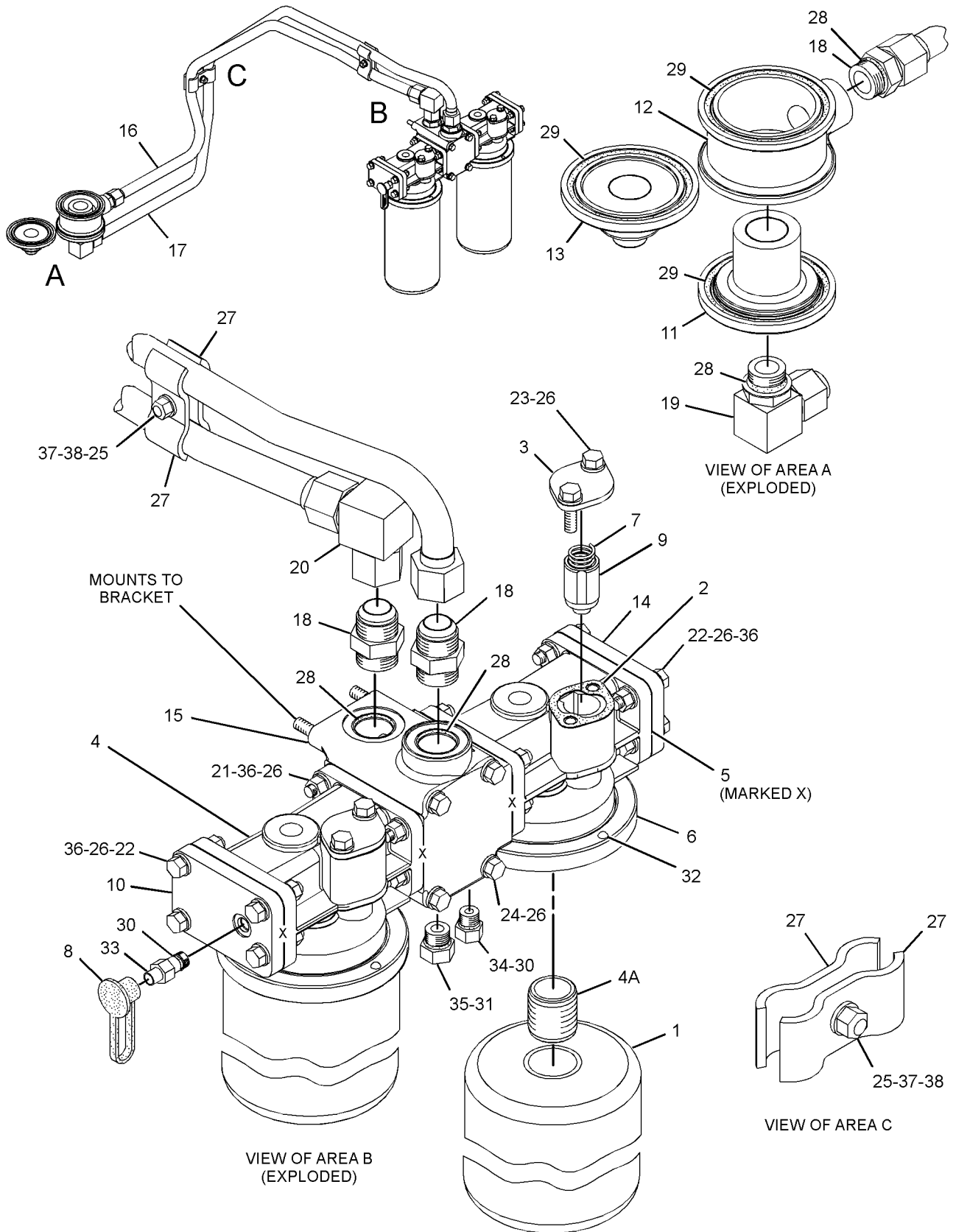
i03502912

NOTE	REF NO	GRAPHIC REF	PART NUMBER	QTY	PART NAME						SEE PAGE
					1	2	3	4	5	6 (PRODUCT LEVEL)	
	1	1	1R-1808	2	FILTER-ENGINE OIL (ADVANCED EFFICIENCY)						
	2	1	2P-3760	2	GASKET						
	3	1	2P-3761	2	COVER						
	4	1	2P-4301	2	BASE AS						
					(EACH INCLUDES)						
	4A	1	2P-4304	1	STUD-HOLLOW						
	5	1	2P-4305	4	GASKET (MARKED X)						
	6	1	4N-7082	2	SHIELD-OIL FILTER						
	7	1	4N-8150	2	SPRING						
	8	1	8C-3445	1	CAP-DUST (ENGINE OIL FILTER)						
	9	1	1P-1367	2	PLUNGER						
	10	1	202-8797	1	COVER						
	11	1	208-5033	1	COVER						
	12	1	208-5034	1	ADAPTER						
	13	1	211-2048	1	COVER						
	14	1	212-5976	1	COVER						
	15	1	212-6019	1	ADAPTER-OIL FILTER						
	16	1	231-0218	1	TUBE AS						
	17	1	231-0220	1	TUBE AS						
	18	1	030-7935	3	CONNECTOR						
	19	1	030-7951	1	ELBOW-FLARED						
	20	1	031-5744	1	ELBOW						
	21	1	0L-0765	8	STUD (3/8-16X1.75-IN)						
	22	1	0S-1571	8	BOLT (3/8-16X1.75-IN)						
	23	1	0S-1588	4	BOLT (3/8-16X1.25-IN)						
	24	1	1D-4706	4	BOLT (3/8-16X6-IN)						
	25	1	5S-7382	2	BOLT (3/8-16X1.375-IN)						
	26	1	5M-2894	32	WASHER-HARD (10.2X18.5X2.5-MM THK)						
	27	1	5M-7087	4	CLAMP-TUBE						
	28	1	5P-7701	4	SEAL-O-RING						
	29	1	6V-3908	3	SEAL-O-RING						
	30	1	6V-5048	2	SEAL-O-RING						
	31	1	214-7568	1	SEAL-O-RING						
	32	1	7F-9090	4	SCREW-DRIVE (NO 8X03/8-IN)						
	33	1	8C-3446	1	VALVE-FLUID SAMPLING (ENGINE OIL)						
	34	1	9S-4182	1	PLUG-O-RING						
	35	1	9S-4191	1	PLUG-O-RING						
	36	1	9S-8752	16	NUT-FULL (3/8-16-THD)						
	37	1	6V-8801	2	NUT (3/8-16-THD)						
	38	1	8T-4896	4	WASHER-HARD (10.2X18.5X2.5-MM THK)						

LUBRICATION SYSTEM

202-4393 FILTER GP-ENGINE OIL (contd.)

i03502912



GRAPHIC #1

<END>

g01951230

LUBRICATION SYSTEM

205-9187 FILTER GP-ENGINE OIL

FOR USE WITH LH SERVICE ENGINE WITH SAE NO.0 FLYWHEEL HOUSING
AN ATTACHMENT

SMCS-1306, 1308

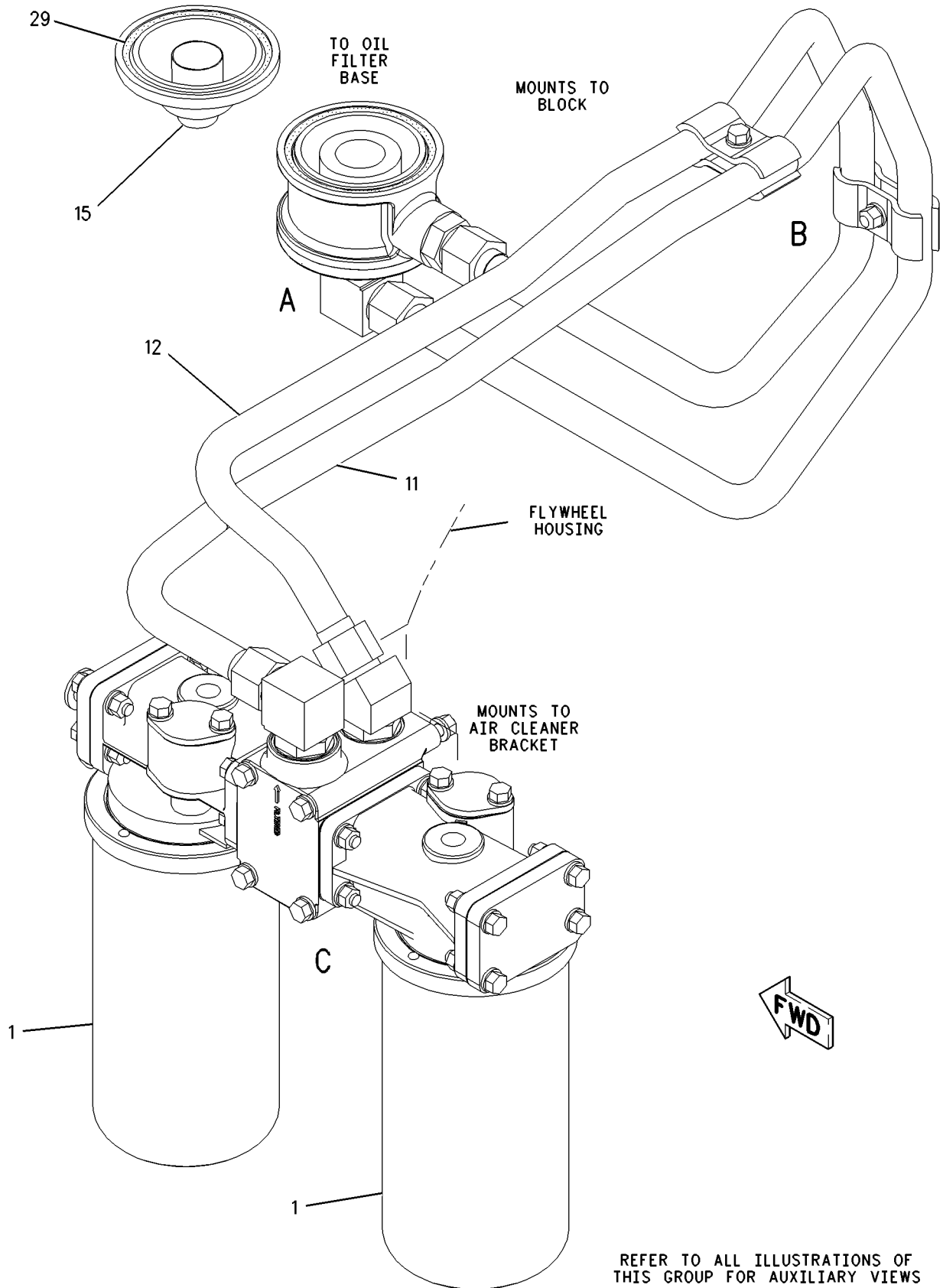
i02870014

NOTE	REF NO	GRAPHIC REF	PART NUMBER	QTY	PART NAME						SEE PAGE
					1	2	3	4	5	6 (PRODUCT LEVEL)	
	1	1	1R-1808	2	FILTER-ENGINE OIL (ADVANCED EFFICIENCY)						
	2	2	2P-3760	2	GASKET						
	3	2	2P-3761	2	COVER						
	4	2	2P-4301	2	BASE AS						
					(EACH INCLUDES)						
	4A	2	2P-4304	1	STUD-HOLLOW						
	5	2	2P-4305	4	GASKET						
	6	2	4N-7082	2	SHIELD-OIL FILTER						
	7	2	4N-8150	2	SPRING						
	8	2	8C-3445	1	CAP-DUST						
	9	2	1P-1367	2	PLUNGER						
	10	2	202-8797	1	COVER						
	11	1	205-9188	1	TUBE AS						
	12	1	205-9189	1	TUBE AS						
	13	2	208-5033	1	COVER						
	14	2	208-5034	1	ADAPTER						
	15	1	211-2048	1	COVER						
	16	2	212-5976	1	COVER						
	17	2	212-6019	1	ADAPTER-OIL FILTER						
	18	2	030-7935	1	CONNECTOR						
	19	2	030-7945	1	ELBOW						
	20	2	030-7951	2	ELBOW-FLARED						
	21	2	0L-0765	8	STUD (3/8-16X1.75-IN)						
	22	2	0S-1571	8	BOLT (3/8-16X1.75-IN)						
	23	2	0S-1588	4	BOLT (3/8-16X1.25-IN)						
	24	2	1D-4706	4	BOLT (3/8-16X6-IN)						
	25	2	3B-1915	2	BOLT (3/8-16X1.375-IN)						
	26	2	5M-2894	40	WASHER-HARD (10.2X18.5X2.5-MM THK)						
	27	2	5M-7087	4	CLAMP-TUBE						
	28	2	5P-7701	4	SEAL-O-RING						
	29	1,2	6V-3908	3	SEAL-O-RING						
	30	2	6V-5048	2	SEAL-O-RING						
	31	2	6V-5049	1	SEAL-O-RING						
	32	2	7F-9090	4	SCREW-DRIVE (NO 8X03/8-IN)						
	33	2	8C-3446	1	VALVE-FLUID SAMPLING (ENGINE OIL)						
	34	2	9S-4182	1	PLUG-O-RING						
	35	2	9S-4191	1	PLUG-O-RING						
	36	2	9S-8752	22	NUT-FULL (3/8-16-THD)						

LUBRICATION SYSTEM

205-9187 FILTER GP-ENGINE OIL (contd.)

i02870014



REFER TO ALL ILLUSTRATIONS OF THIS GROUP FOR AUXILIARY VIEWS

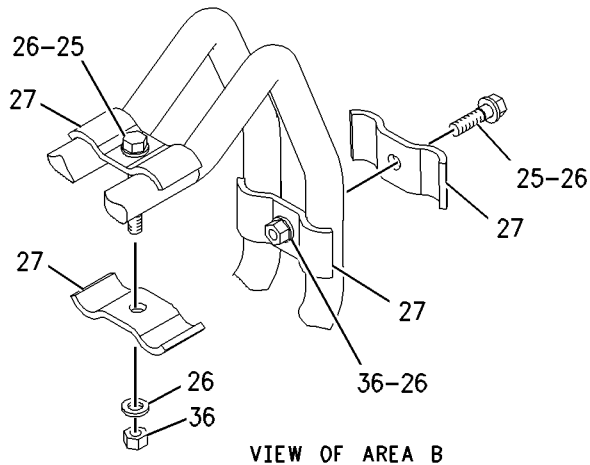
GRAPHIC #1

g00914464

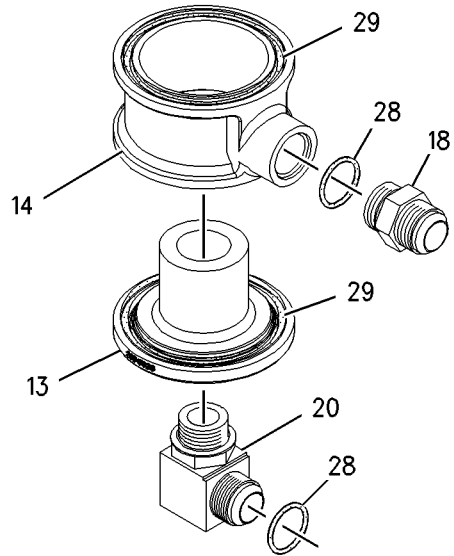
LUBRICATION SYSTEM

205-9187 FILTER GP-ENGINE OIL (contd.)

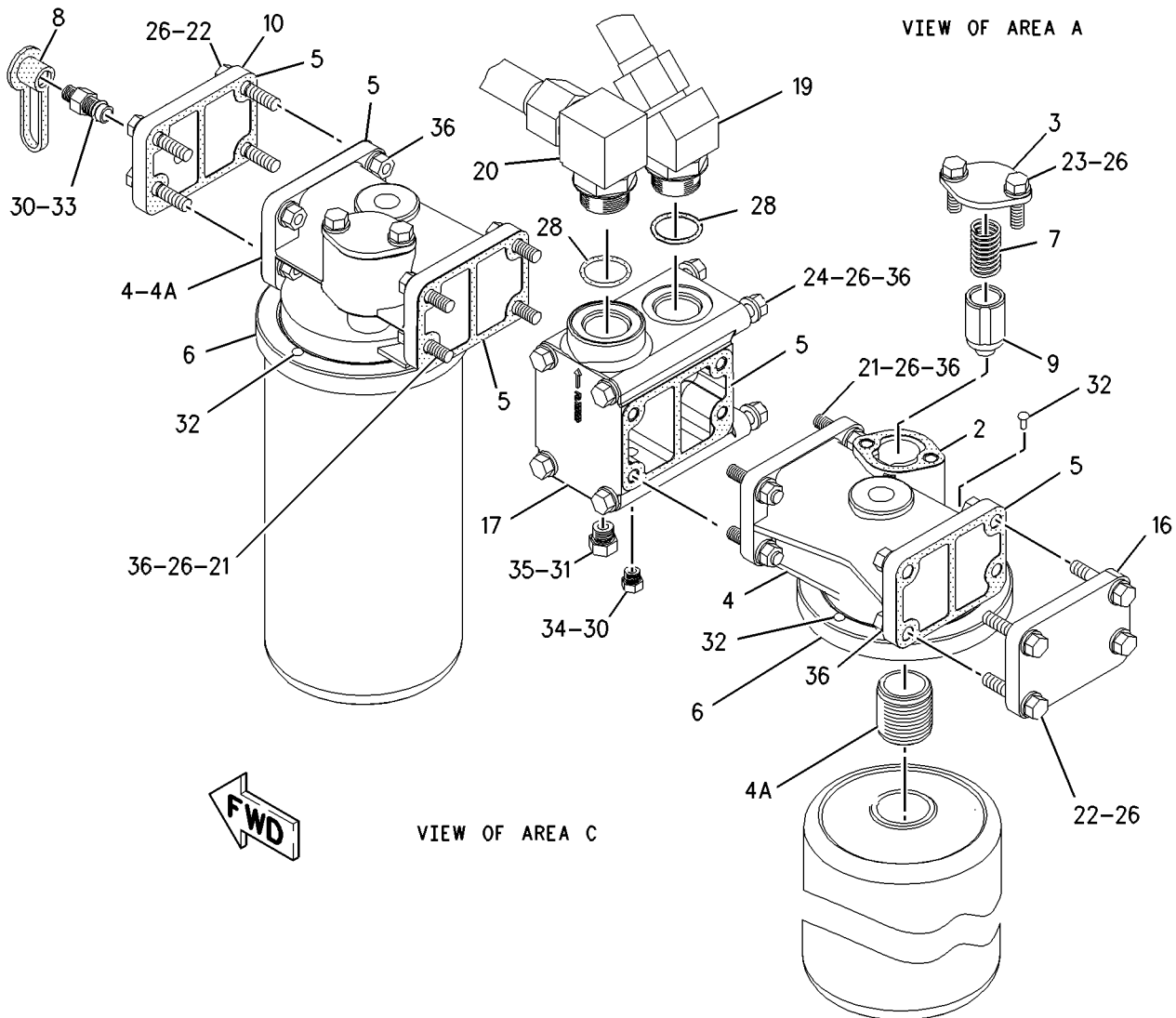
i02870014



VIEW OF AREA B



VIEW OF AREA A



VIEW OF AREA C

GRAPHIC #2

<END>

g00914465

LUBRICATION SYSTEM

211-2089 FILTER GP-ENGINE OIL

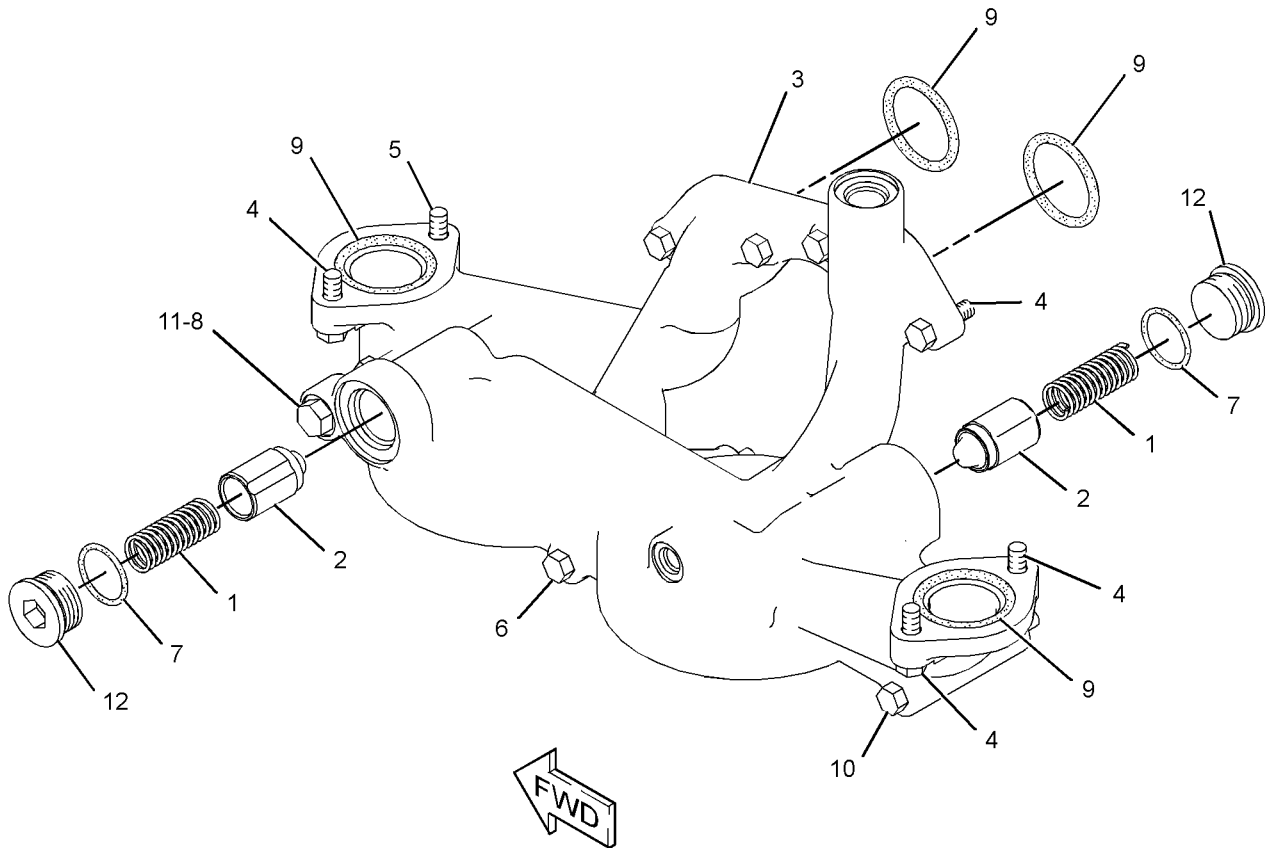
FOR USE WITH LEFT HAND SERVICE
AN ATTACHMENT

SMCS-1306, 1308

i03610282

NOTE	REF NO	GRAPHIC REF	PART NUMBER	QTY	PART NAME						SEE PAGE
					1	2	3	4	5	6 (PRODUCT LEVEL)	
C	1	1	4N-8150	2	SPRING						
C	2	1	1P-1367	2	PLUNGER						
C	3	1	172-6059	1	BASE GP-OIL FILTER (ENGINE)						
		1	2P-4304	2	STUD-HOLLOW						
	4	1	0S-1588	7	BOLT (3/8-16X1.25-IN)						
	5	1	0S-1619	1	BOLT (3/8-16X3-IN)						
	6	1	5F-4899	1	BOLT (3/8-16X5.5-IN)						
C	7	1	5P-7701	2	SEAL-O-RING						
	8	1	6V-5049	1	SEAL-O-RING						
	9	1	8C-5230	4	SEAL-O-RING						
	10	1	8S-9191	2	BOLT (3/8-16X4-IN)						
	11	1	9S-4191	1	PLUG-O-RING						
C	12	1	9S-9334	2	PLUG-O-RING						

C-CHANGE FROM PREVIOUS TYPE



GRAPHIC #1

<END>

g01196387

LUBRICATION SYSTEM

241-4187 FILTER GP-ENGINE OIL

RH OIL FILTER WITH SAMPLE VALVE
AN ATTACHMENT

SMCS-1306, 1308

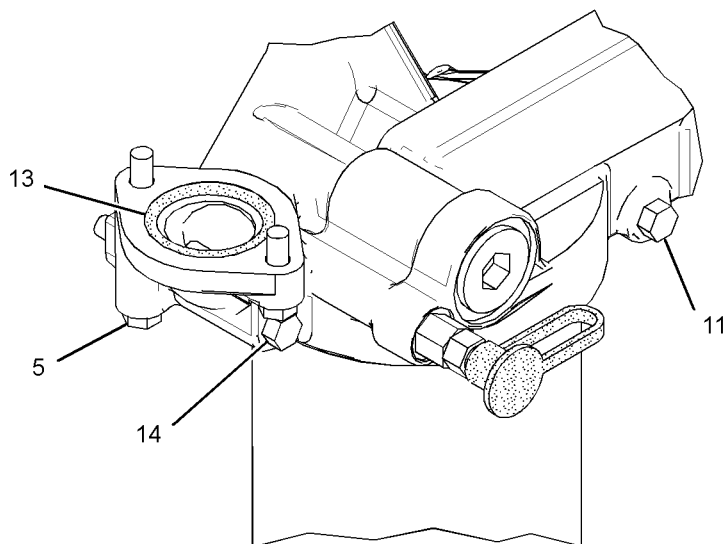
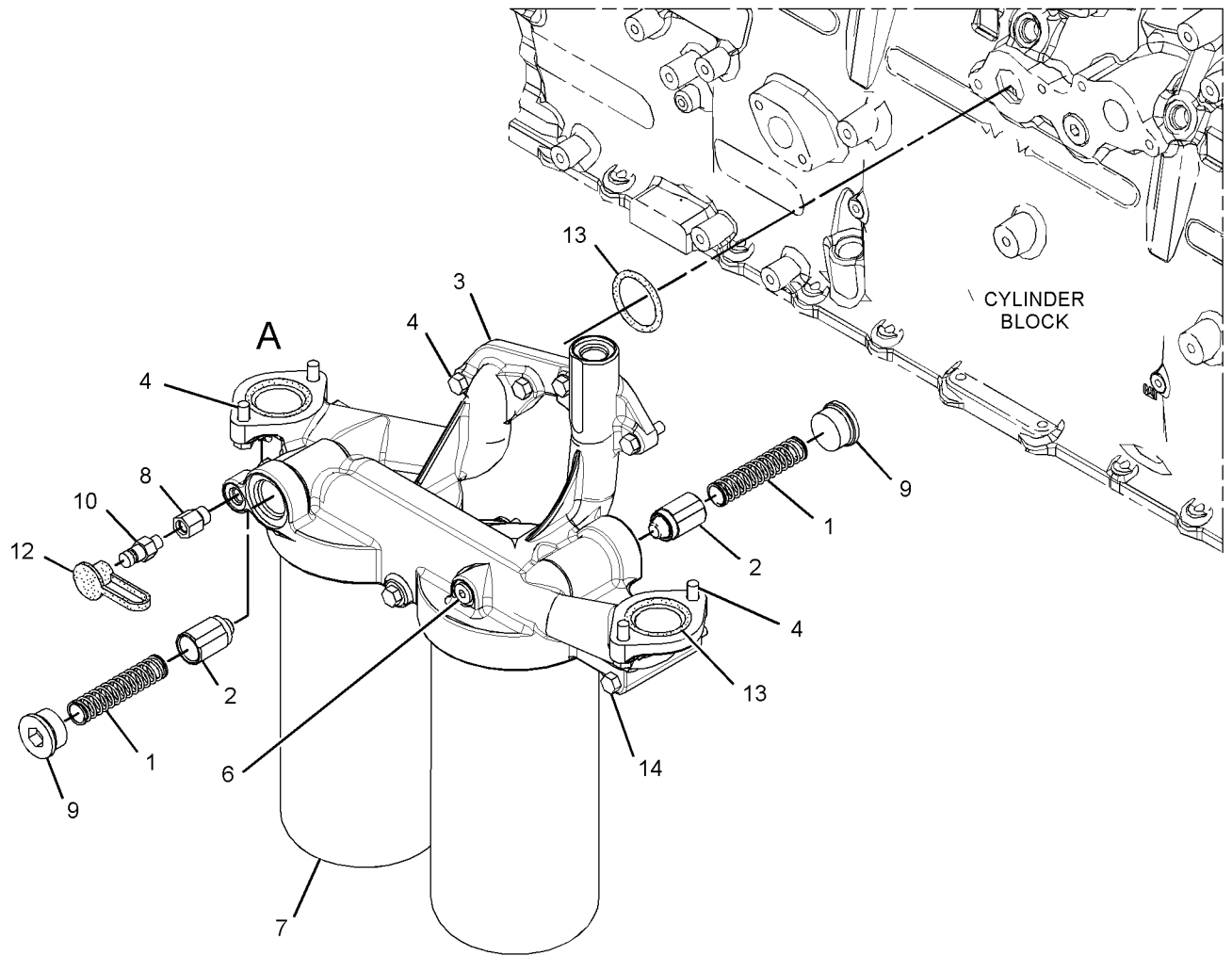
i03935430

NOTE	REF NO	GRAPHIC REF	PART NUMBER	QTY	PART NAME						SEE PAGE
					1	2	3	4	5	6 (PRODUCT LEVEL)	
	1	1	4N-8150	2	SPRING						
	2	1	9M-0853	2	PLUNGER-VALVE						
	3	1	172-6059	1	BASE GP-OIL FILTER (ENGINE)						
		1	2P-4304	2	STUD-HOLLOW						
	4	1	0S-1588	7	BOLT (3/8-16X1.25-IN)						
	5	1	0S-1619	1	BOLT (3/8-16X3-IN)						
	6	1	183-3407	1	PLUG AS						
		1	9S-8004	1	PLUG-O-RING						
		1	214-7568	1	SEAL-O-RING						
	7	1	1R-1808	2	FILTER-ENGINE OIL (ADVANCED EFFICIENCY)						
	8	1	319-6208	1	ADAPTER AS						
		1	5P-9617	1	ADAPTER						
		1	214-7568	1	SEAL-O-RING						
	9	1	319-6234	2	PLUG AS						
					(EACH INCLUDES)						
		1	5P-9617	1	ADAPTER						
		1	214-7568	1	SEAL-O-RING						
	10	1	321-8649	1	VALVE AS-FLUID SAMPLING						
		1	8C-3446	1	VALVE-FLUID SAMPLING						
		1	214-7566	1	SEAL-O-RING						
	11	1	5F-4899	1	BOLT (3/8-16X5.5-IN)						
	12	1	8C-3445	1	CAP-DUST						
	13	1	8C-5230	4	SEAL-O-RING						
	14	1	8S-9191	2	BOLT (3/8-16X4-IN)						

LUBRICATION SYSTEM

241-4187 FILTER GP-ENGINE OIL (contd.)

i03935430



GRAPHIC #1

<END>

g02157301

LUBRICATION SYSTEM

246-0704 FILTER GP-ENGINE OIL

FOR USE WITH 243-3376-PAGE 253, 243-3377-PAGE 257, 243-3378-PAGE 262, RIGHT
HAND SERVICE
AN ATTACHMENT

SMCS-1306, 1308

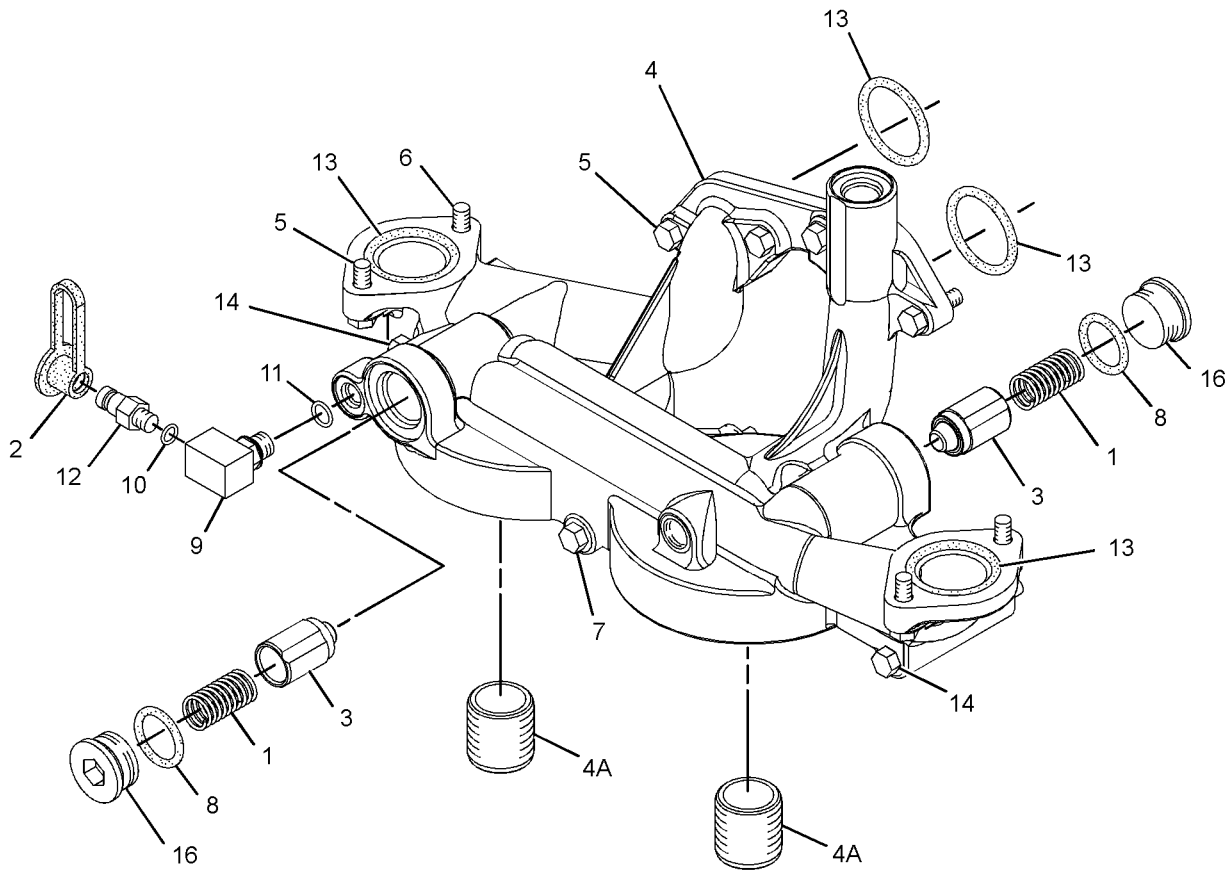
i03610283

NOTE	REF NO	GRAPHIC REF	PART NUMBER	QTY	PART NAME						SEE PAGE
					1	2	3	4	5	6 (PRODUCT LEVEL)	
	1	1	4N-8150	2	SPRING						
	2	1	8C-3445	1	CAP-DUST						
	3	1	9M-0853	2	PLUNGER-VALVE						
	4	1	172-6059	1	BASE GP-OIL FILTER (ENGINE)						
	4A	1	2P-4304	2	STUD-HOLLOW						
	5	1	0S-1588	7	BOLT (3/8-16X1.25-IN)						
	6	1	0S-1619	1	BOLT (3/8-16X3-IN)						
	7	1	5F-4899	1	BOLT (3/8-16X5.5-IN)						
	8	1	5P-7701	2	SEAL-O-RING						
	9	1	8C-6712	1	ELBOW						
	10	1	6V-5048	1	SEAL-O-RING						
	11	1	6V-5049	1	SEAL-O-RING						
	12	1	8C-3446	1	VALVE-FLUID SAMPLING (ENGINE OIL)						
	13	1	8C-5230	4	SEAL-O-RING						
	14	1	8S-9191	2	BOLT (3/8-16X4-IN)						
	16	1	9S-9334	2	PLUG-O-RING (1 5/16-12 THD)						

LUBRICATION SYSTEM

246-0704 FILTER GP-ENGINE OIL (contd.)

i03610283



GRAPHIC #1

<END>

g01476844

LUBRICATION SYSTEM

246-1126 FILTER GP-ENGINE OIL AN ATTACHMENT

SMCS-1306, 1308

i02867615

NOTE	REF NO	GRAPHIC REF	PART NUMBER	QTY	PART NAME						SEE PAGE
					1	2	3	4	5	6 (PRODUCT LEVEL)	
	1	1	1B-8704	2	KEY-WOODRUFF						
	2	1	1R-1808	2	FILTER-ENGINE OIL (ADVANCED EFFICIENCY)						
	3	1	2N-0178	1	PANEL						
	4	1	2N-0179	1	COVER-PANEL						
	5	1	7W-2731	2	RETAINER						
	6	1	2N-5848	1	BASE AS						
	7	1	2P-3760	2	GASKET						
	8	1	2P-3761	2	COVER						
	9	1	2P-4301	2	BASE AS						
					(EACH INCLUDES)						
		1	2P-4304	1	STUD-HOLLOW						
	10	1	2P-4305	4	GASKET						
	11	1	2W-3681	2	INDICATOR AS (ENGINE OIL PRESSURE)						
I	12	1	3N-4622	2	HOSE AS						
	13	1	4H-9756	1	LEVER-RELEASE CONTROL						
	14	1	4N-7082	2	SHIELD-OIL FILTER						
	15	1	4N-8150	2	SPRING						
	17	1	6N-0824	2	GASKET						
	18	1	6N-1258	1	HOUSING						
	19	1	6N-1259	1	POINTER						
	20	1	6N-7420	1	COVER AS						
	21	1	6N-7422	1	COVER AS						
	22	1	7N-0912	1	VALVE GP-FLUID CONTROL (ENGINE OIL)						
		1	3F-9190	1	PIN						
		1	7N-0911	1	VALVE AS (OIL SAMPLING, ENGINE OIL)						
	23	1	7N-0914	1	DETENT AS						
	23A	1	6J-8356	2	SPRING						
	23B	1	6N-4204	2	PIN						
	23C	1	6N-4205	1	PLATE						
	23D	1	7N-0913	1	RING						
	23E	1	8F-8833	1	PIN						
	24	1	9M-0853	2	PLUNGER-VALVE						
	25	1	243-3384	1	BRACKET						
	26	1	243-3386	2	COVER AS						
					(EACH INCLUDES)						
		1	7J-5225	1	FITTING (1-1/16-12-THD)						
	29	1	148-8362	1	ELBOW AS						
		1	8T-6684	1	ELBOW						
		1	5K-9090	1	SEAL-O-RING						
	29A	1	3D-2824	1	SEAL-O-RING						
	30	1	1L-6561	1	PLUG						
	31	1	2M-1538	8	STUD-TAPERLOCK (3/8-16X1.6-IN)						
	32	1	2N-1287	2	ELBOW-FLARED						
C	33	1	2T-2305	2	ELBOW						
	34	1	3P-0656	1	SEAL-O-RING						
	35	1	4B-2041	2	NUT (6-32-THD)						
	36	1	4B-5324	4	WASHER (3.9X9.6X1.2-MM THK)						
	37	1	4L-6454	6	BOLT (3/8-16X1-IN)						
C	38	1	5H-8936	2	ADAPTER						
	39	1	5S-7348	2	SCREW-MACHINE (6-32X0.375-IN)						
	40	1	5S-7382	4	BOLT (3/8-16X1.375-IN)						
	41	1	5S-7383	9	BOLT (3/8-16X1.75-IN)						
	42	1	6D-2928	3	BOLT (1/4-20X1.125-IN)						
	43	1	6V-3507	2	SEAL-RECTANGULAR						
	45	1	6V-8185	3	NUT (1/4-20-THD)						
C	46	1	6V-8397	2	SEAL-O-RING						
	47	1	148-8317	1	CONNECTOR AS						

LUBRICATION SYSTEM

246-1126 FILTER GP-ENGINE OIL (contd.)

i02867615

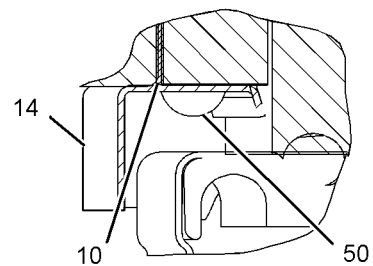
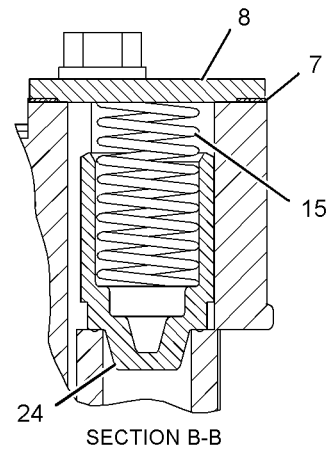
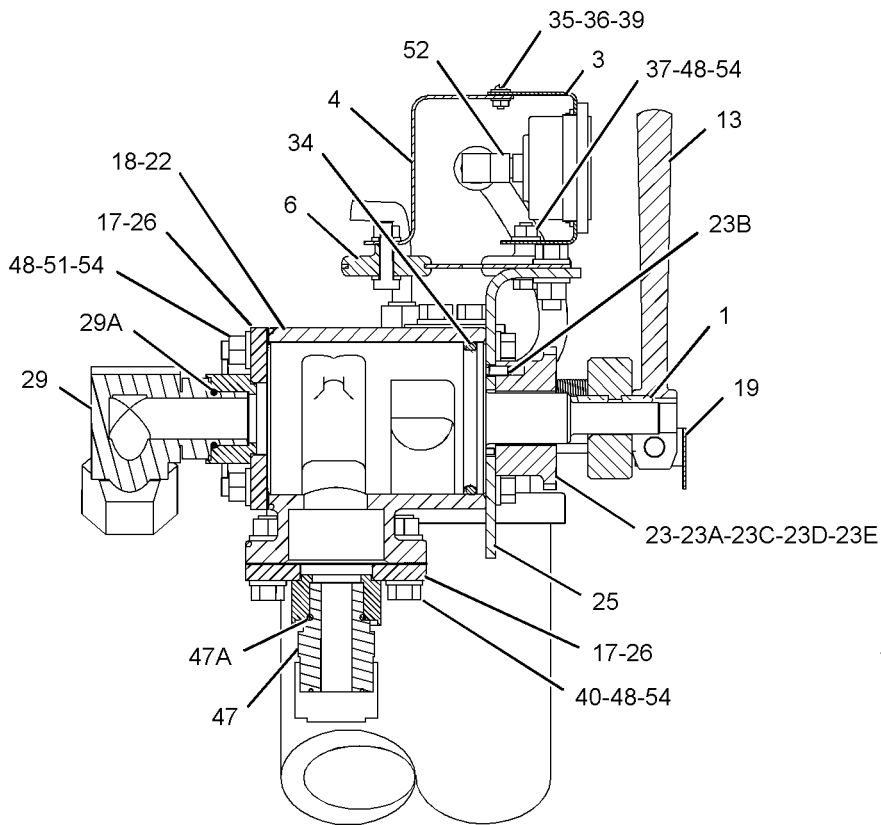
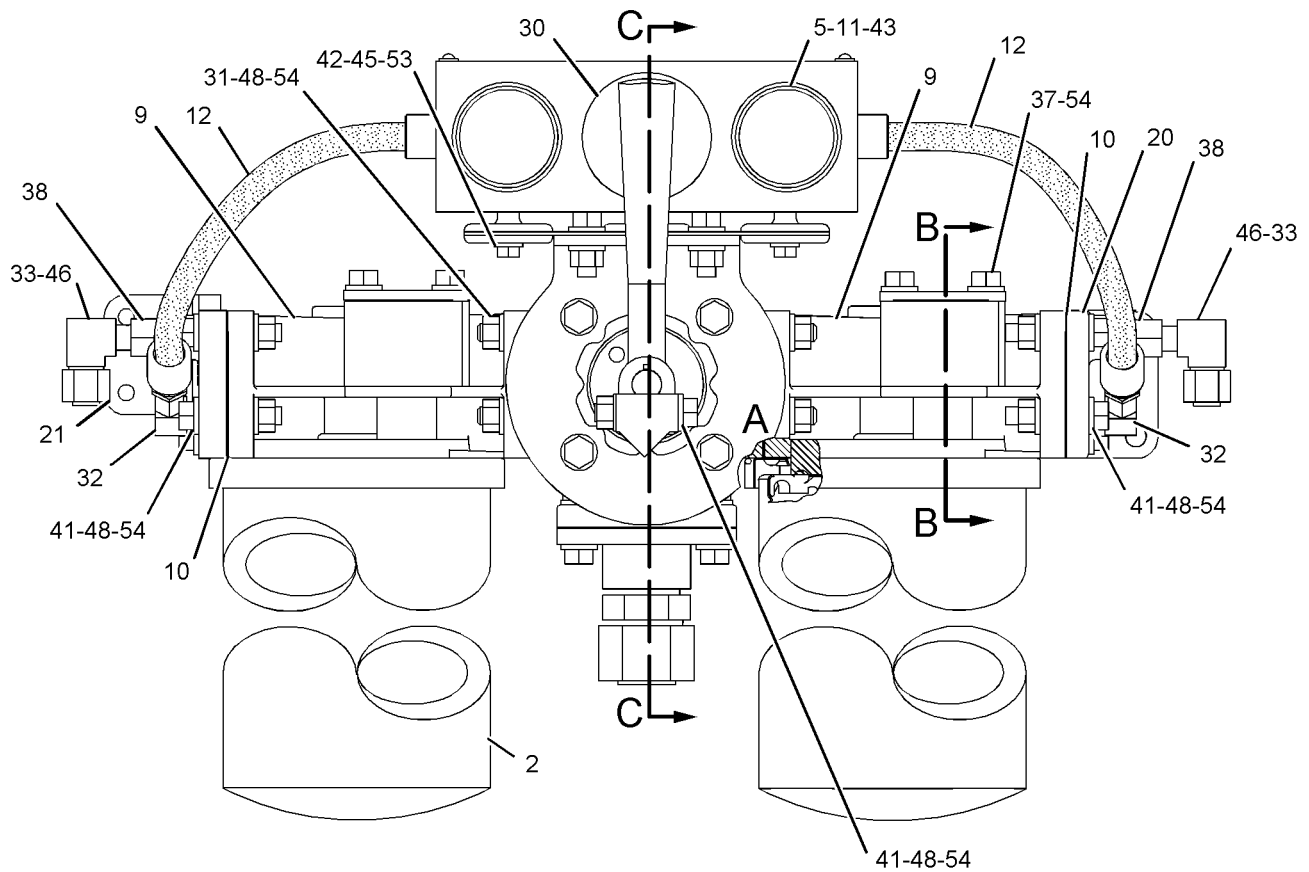
NOTE	REF NO	GRAPHIC REF	PART NUMBER	QTY	PART NAME						SEE PAGE
					1	2	3	4	5	6 (PRODUCT LEVEL)	
		1	6V-8714	1	CONNECTOR						
		1	5K-9090	1	SEAL-O-RING						
	47A	1	3D-2824	1	SEAL-O-RING						
	48	1	6V-8801	27	NUT (3/8-16-THD)						
	50	1	7F-9090	4	SCREW-DRIVE (NO 8X03/8-IN)						
	51	1	7X-0296	4	BOLT (3/8-16X5.5-IN)						
	52	1	8B-4884	2	ELBOW						
	53	1	8T-4205	6	WASHER-HARD (7.2X14.5X2-MM THK)						
	54	1	8T-4896	50	WASHER-HARD (10.2X18.5X2.5-MM THK)						

C-CHANGE FROM PREVIOUS TYPE
 I-REFER TO HYDRAULIC INFORMATION SYSTEM

LUBRICATION SYSTEM

246-1126 FILTER GP-ENGINE OIL (contd.)

i02867615



GRAPHIC #1

<END>

g01139924

LUBRICATION SYSTEM

247-5669 FILTER GP-ENGINE OIL

FOR USE WITH 198-1295-PAGE 172, RIGHT HAND SERVICE DITTA ENGINE
AN ATTACHMENT

SMCS-1306, 1308

i03649908

NOTE	REF NO	GRAPHIC REF	PART NUMBER	QTY	PART NAME						SEE PAGE
					1	2	3	4	5	6 (PRODUCT LEVEL)	
	1	3	1B-8704	2	KEY-WOODRUFF						
	2	1	1R-1808	2	FILTER-ENGINE OIL (ADVANCED EFFICIENCY)						
	3	3	2N-0178	1	PANEL						
	4	3	2N-0179	1	COVER-PANEL						
	5	1	7W-2731	2	RETAINER						
	6	3	2N-5848	1	BASE AS						
	7	2	2P-3760	2	GASKET						
	8	2	2P-3761	2	COVER						
	9	1	2P-4301	2	BASE AS (OIL FILTER)						
					(EACH INCLUDES)						
		1	2P-4304	1	STUD-HOLLOW						
	10	1	2P-4305	4	GASKET						
C	11	1	2T-1397	2	CLAMP						
	12	1	2W-3681	2	INDICATOR AS (ENGINE OIL PRESSURE)						
I	13	1	3N-4579	2	HOSE AS						
	14	3	4H-9756	1	LEVER-RELEASE CONTROL						
	15	1	4N-7082	2	SHIELD-OIL FILTER						
	16	2	4N-8150	2	SPRING						
	18	3	6N-0824	2	GASKET						
	19	3	6N-1258	1	HOUSING						
	20	3	6N-1259	1	POINTER						
	21	1	6N-7420	1	COVER AS						
	22	1	6N-7422	1	COVER AS						
	23	3	7N-0912	1	VALVE GP-FLUID CONTROL (ENGINE OIL)						
23A		3	3F-9190	1	PIN						
		3	7N-0911	1	VALVE AS (ENGINE OIL FILTER)						
24		3	7N-0914	1	DETENT AS						
		3	6J-8356	2	SPRING						
		3	6N-4204	2	PIN						
		3	6N-4205	1	PLATE						
		3	7N-0913	1	RING						
		3	8F-8833	1	PIN						
	25	2	9M-0853	2	PLUNGER-VALVE						
CI	26	1	180-4132	1	HOSE AS						
	27	3	208-5033	1	COVER						
	28	3	208-5034	1	ADAPTER						
	29	3	211-2048	1	COVER						
	30	1	243-3383	1	BRACKET						
	31	3	243-3385	1	BRACKET						
	32	3	243-3386	2	COVER AS						
					(EACH INCLUDES)						
		3	7J-5225	1	FITTING (1-1/16-12-THD)						
33		3	243-3387	1	BRACE						
34		3	247-5670	1	TUBE AS						
35		3	247-5671	1	TUBE AS						
36		2	256-0811	1	ADAPTER						
C	37	2	257-8424	1	TUBE AS						
C	38	2	257-8425	1	TUBE AS						
C	39	2	257-9878	1	CONNECTOR						
	40	2	061-8639	1	SEAL-O-RING						
	41	2,3	0S-1571	9	BOLT (3/8-16X1.75-IN)						
	42	1,3	0S-1588	5	BOLT (3/8-16X1.25-IN)						
	43	3	0S-1590	2	BOLT (3/8-16X2-IN)						
	44	2,3	0S-1594	2	BOLT (3/8-16X1-IN)						
	45	2,3	106-9586	2	SEAL-O-RING						
	46	3	148-8335	1	CONNECTOR AS						

LUBRICATION SYSTEM

247-5669 FILTER GP-ENGINE OIL (contd.)

i03649908

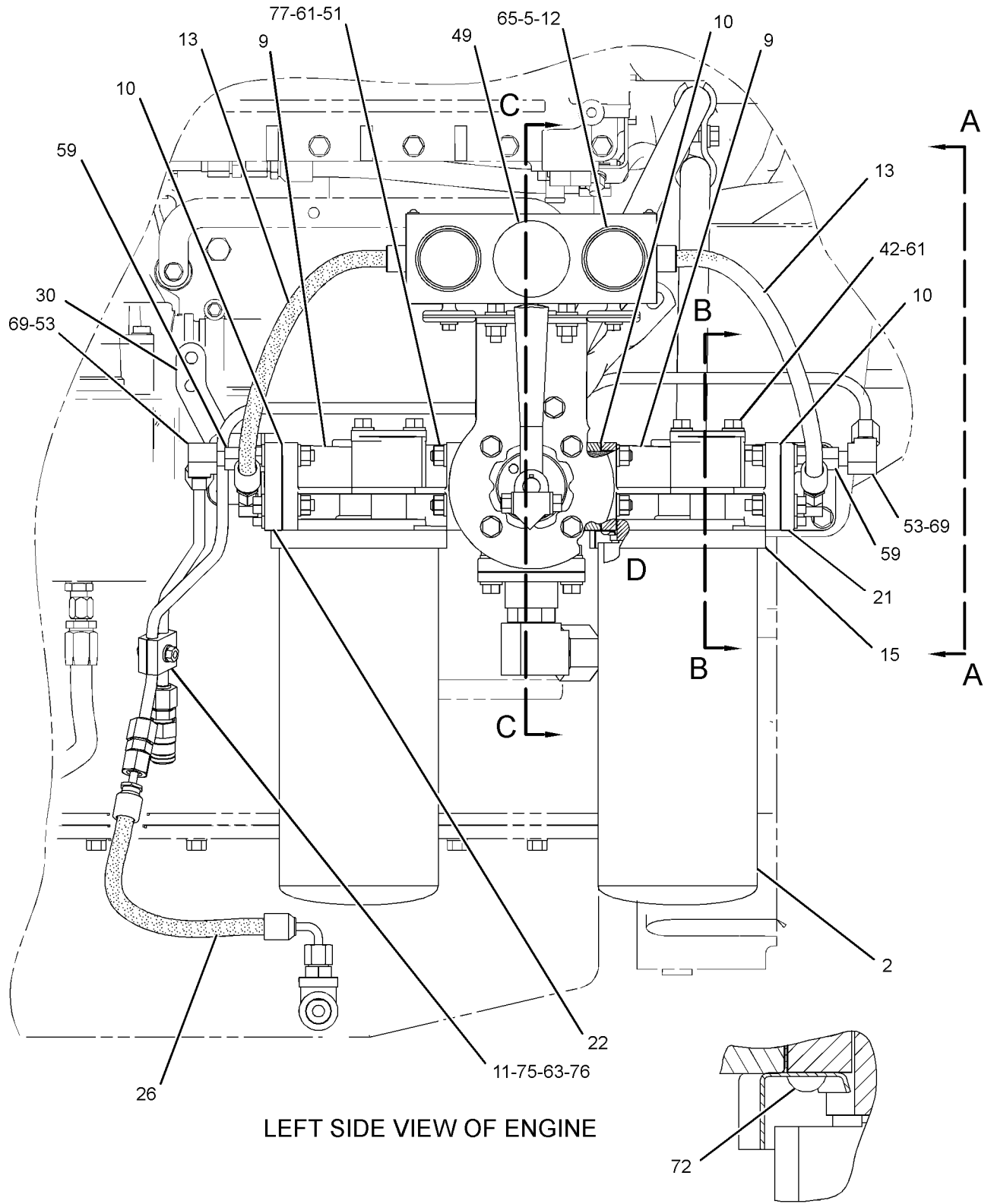
NOTE	REF NO	GRAPHIC REF	PART NUMBER	QTY	PART NAME						SEE PAGE
					1	2	3	4	5	6 (PRODUCT LEVEL)	
		3	5K-9090	1	SEAL-O-RING						
		3	6V-8635	1	CONNECTOR						
		3	7M-8485	1	SEAL-O-RING						
	47	3	148-8357	1	ELBOW AS						
		3	5K-9090	1	SEAL-O-RING						
		3	6V-9008	1	ELBOW						
		3	7M-8485	1	SEAL-O-RING						
C	48	2	186-0357	1	CLIP						
	49	1	1L-6561	1	PLUG						
	50	3	2A-2677	2	SPACER (10.7X17.14X19.05-MM THK)						
	51	1	2M-1538	8	STUD-TAPERLOCK (3/8-16X1.6-IN)						
	52	2,3	2N-1287	2	ELBOW-FLARED						
	53	1	2T-2305	2	ELBOW						
	54	2,3	3B-1915	4	BOLT (3/8-16X1.375-IN)						
	55	3	3P-0656	1	SEAL-O-RING						
	56	3	4B-2041	2	NUT (6-32-THD)						
	57	3	4B-5324	4	WASHER (3.9X9.6X1.2-MM THK)						
	58	3	5F-4899	4	BOLT (3/8-16X5.5-IN)						
	59	1	5H-8936	2	ADAPTER						
C	60	2	5L-5502	1	FITTING						
	61	1,2,3	5M-2894	49	WASHER-HARD (10.2X18.5X2.5-MM THK)						
	62	2	5M-7087	4	CLAMP-TUBE						
C	63	1,3	8T-4205	11	WASHER-HARD (7.2X14.5X2-MM THK)						
	64	3	5S-7348	2	SCREW-MACHINE (6-32X0.375-IN)						
	65	1	6V-3507	2	SEAL-RECTANGULAR						
	66	3	6V-3908	3	SEAL-O-RING						
	67	2	6V-5048	1	SEAL-O-RING						
	68	3	6V-5050	2	SEAL-O-RING						
C	69	1,2	6V-8397	6	SEAL-O-RING						
C	70	2	6V-8730	1	UNION (FACE SEAL)						
	71	2	6V-9872	1	CONNECTOR						
	72	1	7F-9090	4	SCREW-DRIVE (NO 8X03/8-IN)						
	73	3	8B-4884	2	ELBOW						
	74	2,3	8T-6684	2	ELBOW						
C	75	1,3	6D-2928	1	BOLT (1/4-20X1.125-IN)						
C	76	1,3	6V-8185	4	NUT (1/4-20-THD)						
	77	1,2,3	9S-8752	26	NUT-FULL (3/8-16-THD)						
	78	2,3	9X-6458	3	WASHER-HARD (10.2X22.5X3-MM THK)						
	79	1	8T-4896	8	WASHER-HARD (10.2X18.5X2.5-MM THK)						
	80	1	5S-7382	2	BOLT (3/8-16X1.375-IN)						
	81	1	4L-6454	2	BOLT (3/8-16X1-IN)						
	82	1	7X-2501	3	BOLT (1/4-20X1.25-IN)						
	83	1	6V-8801	4	NUT (3/8-16-THD)						

C-CHANGE FROM PREVIOUS TYPE
I-REFER TO HYDRAULIC INFORMATION SYSTEM

LUBRICATION SYSTEM

247-5669 FILTER GP-ENGINE OIL (contd.)

i03649908



LEFT SIDE VIEW OF ENGINE

VIEW OF AREA D

REFER TO ALL ILLUSTRATIONS OF THIS GROUP FOR AUXILIARY VIEWS

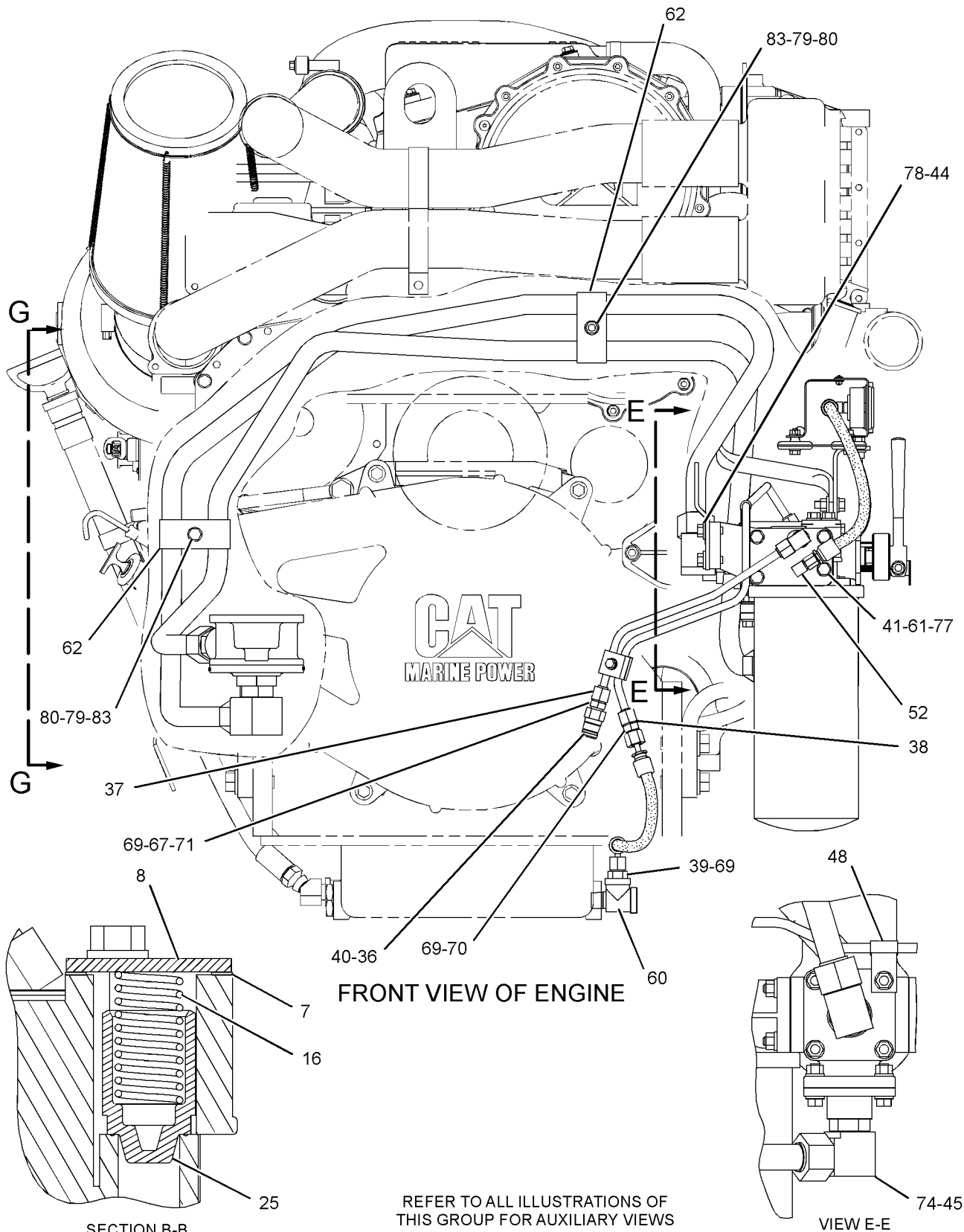
GRAPHIC #1

g01939277

LUBRICATION SYSTEM

247-5669 FILTER GP-ENGINE OIL (contd.)

i03649908



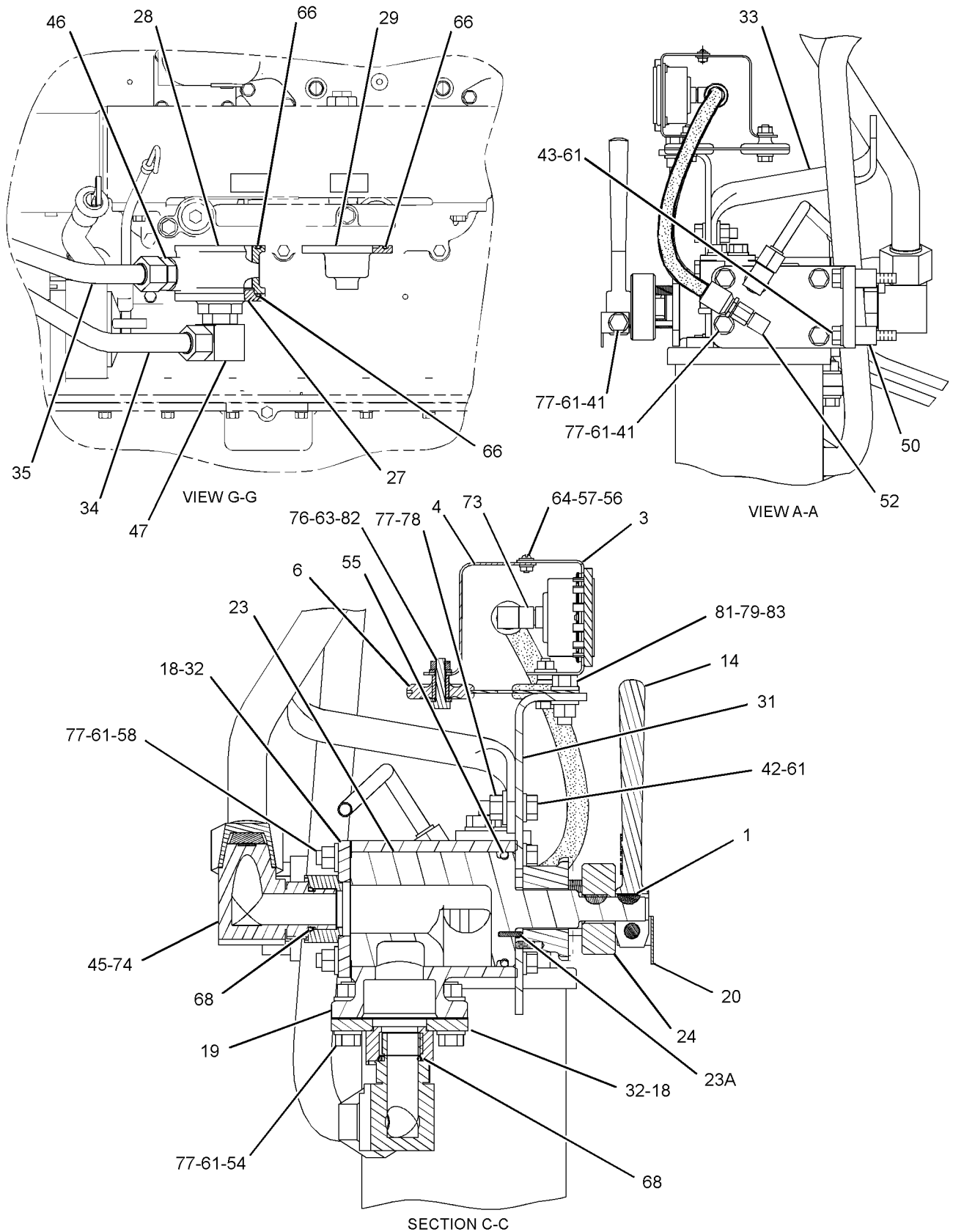
GRAPHIC #2

g01951192

LUBRICATION SYSTEM

247-5669 FILTER GP-ENGINE OIL (contd.)

i03649908



GRAPHIC #3

<END>

g01951193

LUBRICATION SYSTEM

247-5672 FILTER GP-ENGINE OIL FOR USE WITH 201-1270-PAGE 481, RIGHT HAND SERVICE AN ATTACHMENT

SMCS-1306, 1308

i03506424

NOTE	REF NO	GRAPHIC REF	PART NUMBER	QTY	PART NAME						SEE PAGE
					1	2	3	4	5	6 (PRODUCT LEVEL)	
	1	2	2N-0178	1	PANEL						
	2	2	2N-0179	1	COVER-PANEL						
	3	2	2N-5848	1	BASE AS						
	4	2	2P-3761	2	COVER						
	5	1	2P-4301	2	BASE AS (OIL FILTER) (EACH INCLUDES)						
		1	2P-4304	1	STUD-HOLLOW						
	6	1	2P-4305	4	GASKET						
C	7	2	2T-1397	2	CLAMP						
	8	1	2W-3681	2	INDICATOR AS (ENGINE OIL PRESSURE)						
I	9	1	3N-4579	2	HOSE AS						
	10	2	4H-9756	1	LEVER-RELEASE CONTROL						
	11	1	4N-7082	2	SHIELD-OIL FILTER						
	12	2	4N-8150	2	SPRING						
	14	2	6N-0824	2	GASKET						
	15	2	6N-1258	1	HOUSING						
	16	2	6N-1259	1	POINTER						
	17	1	6N-7420	1	COVER AS						
	18	1	6N-7422	1	COVER AS						
	19	2	7N-0912	1	VALVE GP-FLUID CONTROL (ENGINE OIL)						
		2	7N-0911	1	VALVE AS (ENGINE OIL FILTER)						
		2	3F-9190	1	PIN						
	20	2	7N-0914	1	DETENT AS						
		2	6J-8356	2	SPRING						
		2	6N-4204	2	PIN						
		2	6N-4205	1	PLATE						
		2	7N-0913	1	RING						
		2	8F-8833	1	PIN						
	21	1	7W-2731	2	RETAINER						
	22	2	9M-0853	2	PLUNGER-VALVE						
CI	23	1	180-4132	1	HOSE AS						
	24	3	208-5033	1	COVER						
	25	3	208-5034	1	ADAPTER						
	26	3	211-2048	1	COVER						
	27	2	243-3385	1	BRACKET						
	28	2	243-3386	2	COVER AS (EACH INCLUDES)						
		2	7J-5225	1	FITTING (1-1/16-12-THD)						
	29	2	243-3808	1	BRACKET AS						
	30	3	247-5673	1	TUBE AS						
	31	3	247-5674	1	TUBE AS						
	32	2	256-0811	1	ADAPTER						
C	33	2	257-9878	1	CONNECTOR						
C	34	2	258-9978	1	TUBE AS						
C	35	2	258-9979	1	TUBE AS						
	36	2	061-8639	1	SEAL-O-RING						
	37	2,3	0S-1571	9	BOLT (3/8-16X1.75-IN)						
	38	1,2,3	0S-1588	10	BOLT (3/8-16X1.25-IN)						
	39	3	0S-1591	2	BOLT (3/8-16X1.5-IN)						
	40	2	106-9586	2	SEAL-O-RING						
	41	3	148-8335	1	CONNECTOR AS						
		3	5K-9090	1	SEAL-O-RING						
		3	6V-8635	1	CONNECTOR						
		3	7M-8485	1	SEAL-O-RING						
	42	3	148-8357	1	ELBOW AS						
		3	5K-9090	1	SEAL-O-RING						

LUBRICATION SYSTEM

247-5672 FILTER GP-ENGINE OIL (contd.)

i03506424

NOTE	REF NO	GRAPHIC REF	PART NUMBER	QTY	PART NAME						SEE PAGE
					1	2	3	4	5	6 (PRODUCT LEVEL)	
		3	6V-9008	1	ELBOW						
		3	7M-8485	1	SEAL-O-RING						
C	43	2	186-0357	1	CLIP						
	44	2	1B-8704	2	KEY-WOODRUFF						
	45	1	1L-6561	1	PLUG						
	46	1	1R-1808	2	FILTER-ENGINE OIL (ADVANCED EFFICIENCY)						
	47	1	2M-1538	8	STUD-TAPERLOCK (3/8-16X1.6-IN)						
	48	2,3	2N-1287	2	ELBOW-FLARED						
	49	2	2P-3760	2	GASKET						
	50	1	2T-2305	2	ELBOW						
	51	2	3B-1915	4	BOLT (3/8-16X1.375-IN)						
	52	2	3P-0656	1	SEAL-O-RING						
	53	2	4B-2041	2	NUT (6-32-THD)						
	54	2	4B-5324	4	WASHER (3.9X9.6X1.2-MM THK)						
	55	2	4L-6454	2	BOLT (3/8-16X1-IN)						
	56	2	5F-4899	4	BOLT (3/8-16X5.5-IN)						
	57	1	5H-8936	2	ADAPTER						
C	58	2	5L-5502	1	FITTING						
	59	1,2,3	5M-2894	56	WASHER-HARD (10.2X18.5X2.5-MM THK)						
	60	2	5M-7087	4	CLAMP-TUBE						
	61	2	5S-7348	2	SCREW-MACHINE (6-32X0.375-IN)						
	62	2	5S-7382	2	BOLT (3/8-16X1.375-IN)						
C	63	2	6D-2928	1	BOLT (1/4-20X1.125-IN)						
	64	1	6V-3507	2	SEAL-RECTANGULAR						
	65	3	6V-3908	3	SEAL-O-RING						
	66	2	6V-5048	1	SEAL-O-RING						
	67	2	6V-5050	2	SEAL-O-RING						
C	68	2	6V-8185	4	NUT (1/4-20-THD)						
C	69	1,2	6V-8397	6	SEAL-O-RING						
C	70	2	6V-8730	1	UNION (FACE SEAL)						
	71	2	6V-8801	4	NUT (3/8-16-THD)						
	72	2	6V-9872	1	CONNECTOR						
	73	1	7F-9090	4	SCREW-DRIVE (NO 8X03/8-IN)						
	74	2	7X-2501	3	BOLT (1/4-20X1.25-IN)						
	75	2	8B-4884	2	ELBOW						
C	76	2	8T-4205	11	WASHER-HARD (7.2X14.5X2-MM THK)						
	77	2	8T-4896	8	WASHER-HARD (10.2X18.5X2.5-MM THK)						
	78	2	8T-6684	2	ELBOW						
	79	1,2,3	9S-8752	27	NUT-FULL (3/8-16-THD)						

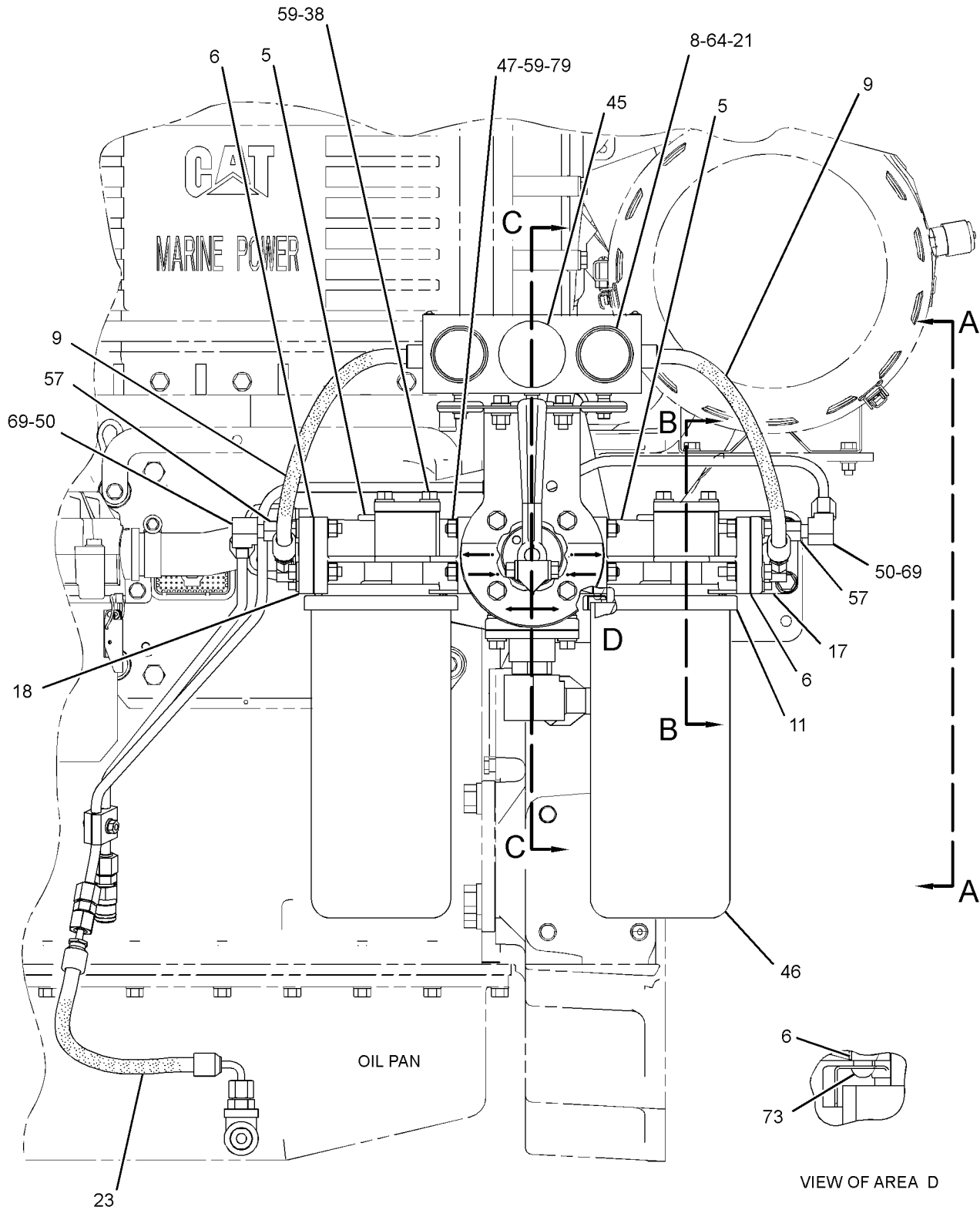
C-CHANGE FROM PREVIOUS TYPE
I-REFER TO HYDRAULIC INFORMATION SYSTEM

LUBRICATION SYSTEM

247-5672 FILTER GP-ENGINE OIL (contd.)

i03506424

REFER TO ALL ILLUSTRATIONS OF THIS GROUP FOR AUXILIARY VIEWS



LEFT SIDE VIEW OF ENGINE

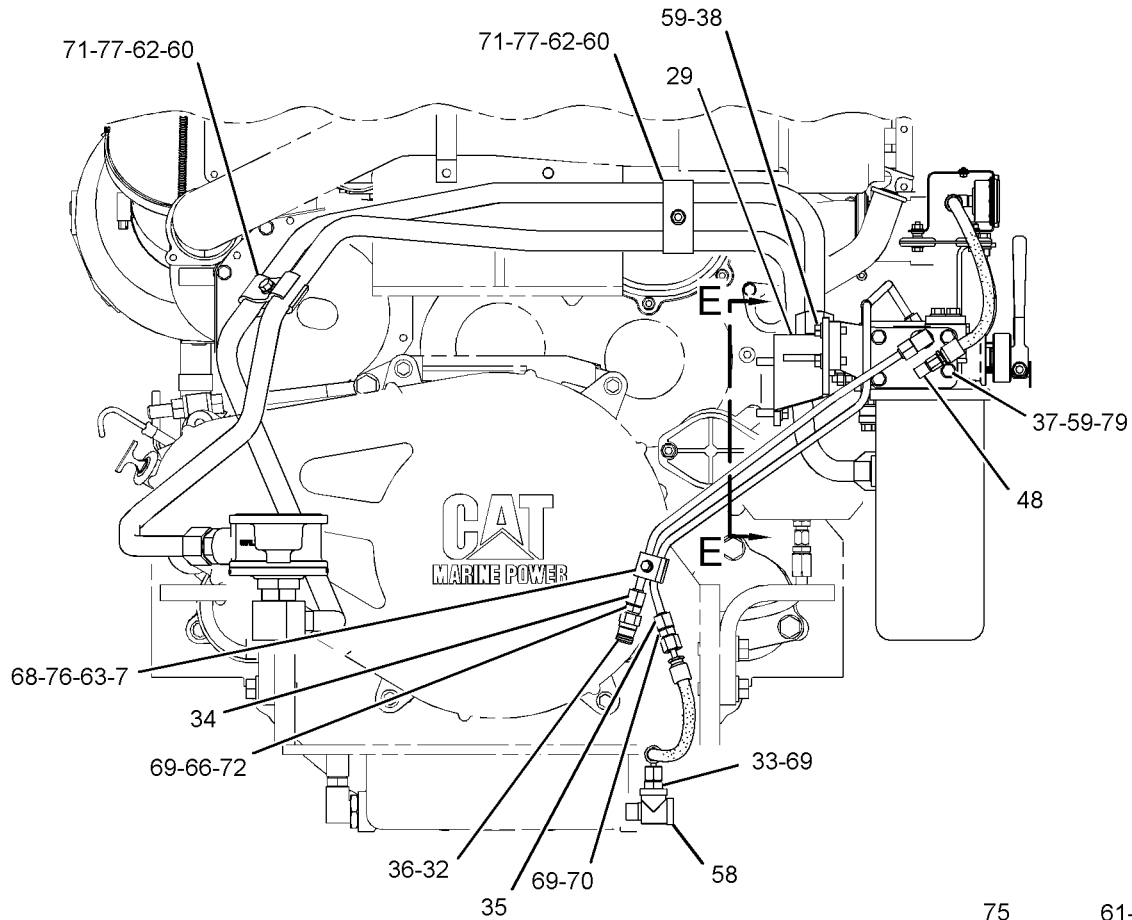
GRAPHIC #1

g01928254

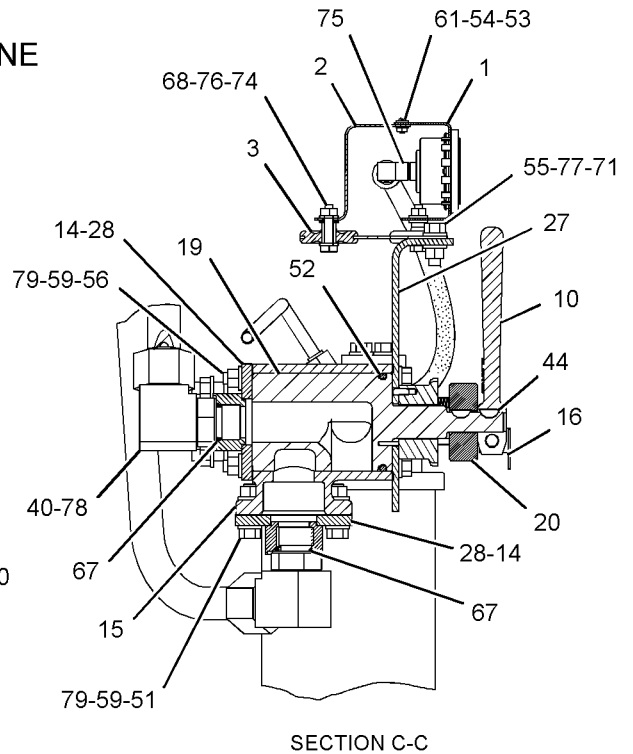
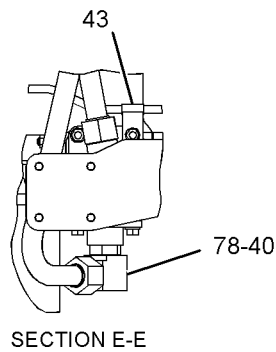
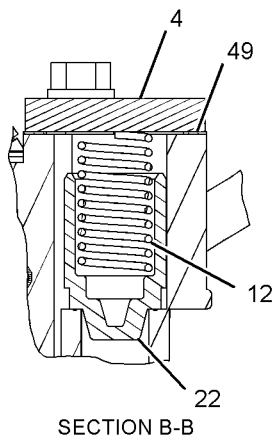
LUBRICATION SYSTEM

247-5672 FILTER GP-ENGINE OIL (contd.)

i03506424



FRONT VIEW OF ENGINE



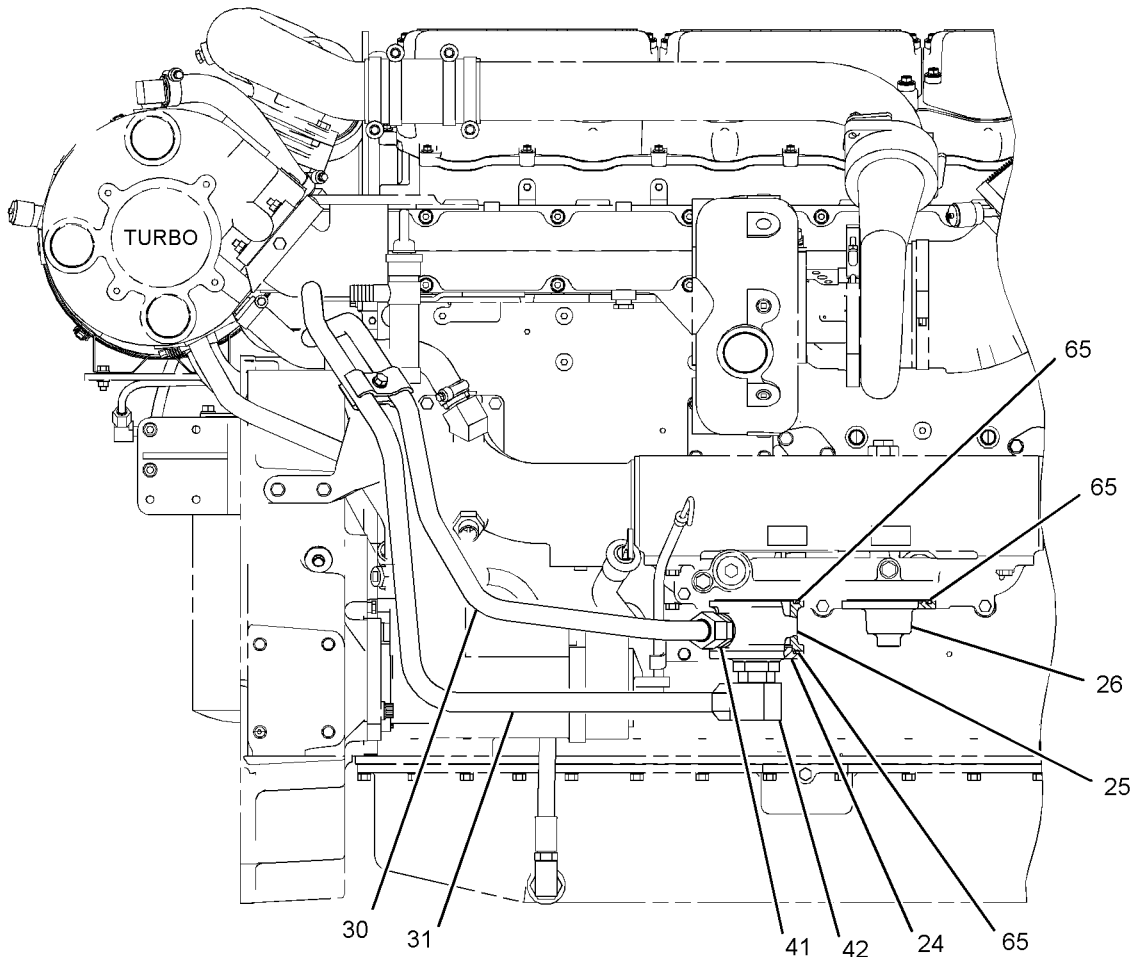
GRAPHIC #2

g01928255

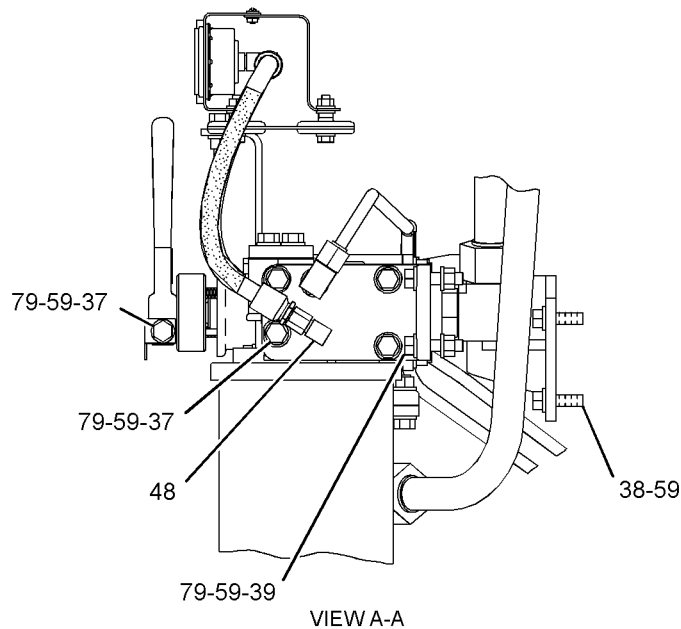
LUBRICATION SYSTEM

247-5672 FILTER GP-ENGINE OIL (contd.)

i03506424



RIGHT SIDE VIEW OF ENGINE



GRAPHIC #3

<END>

g01928257

LUBRICATION SYSTEM

264-6621 FILTER GP-ENGINE OIL

MARINE RIGHT HAND SERVICE

FOR USE WITH WHEN DUEL ECM NOT ORDERED, 257-6934-PAGE 350, SENSOR GROUP FOR
DUEL ECM CONFIGURATION
AN ATTACHMENT

SMCS-1306, 1308

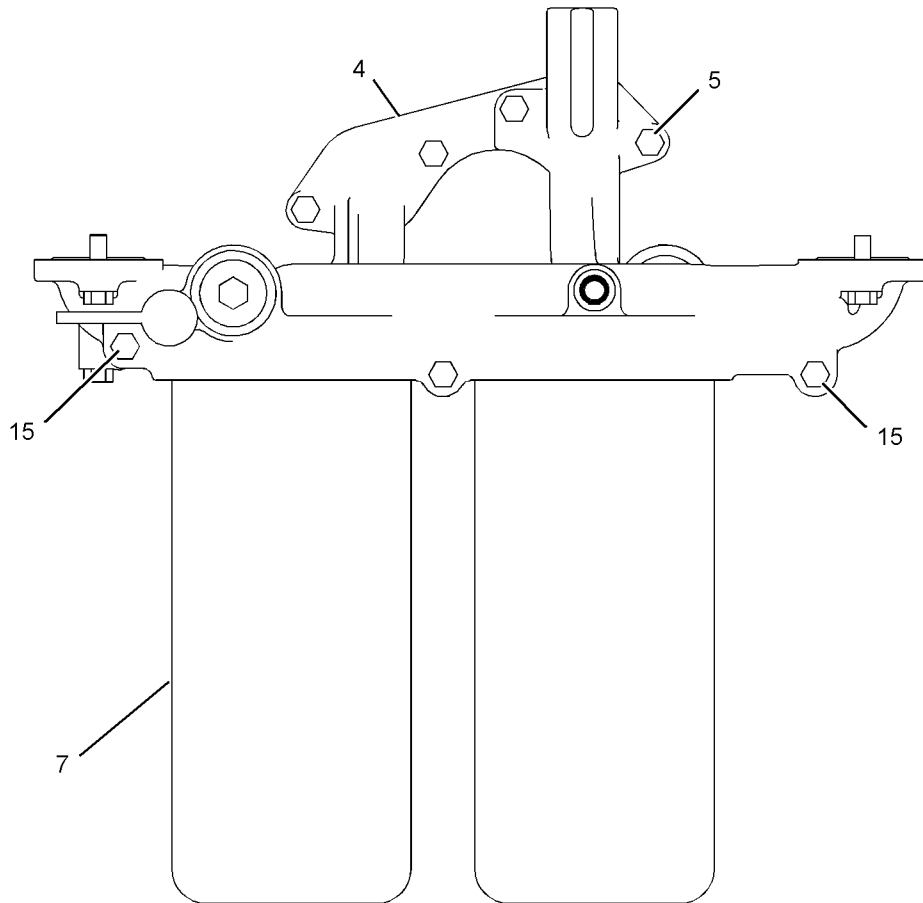
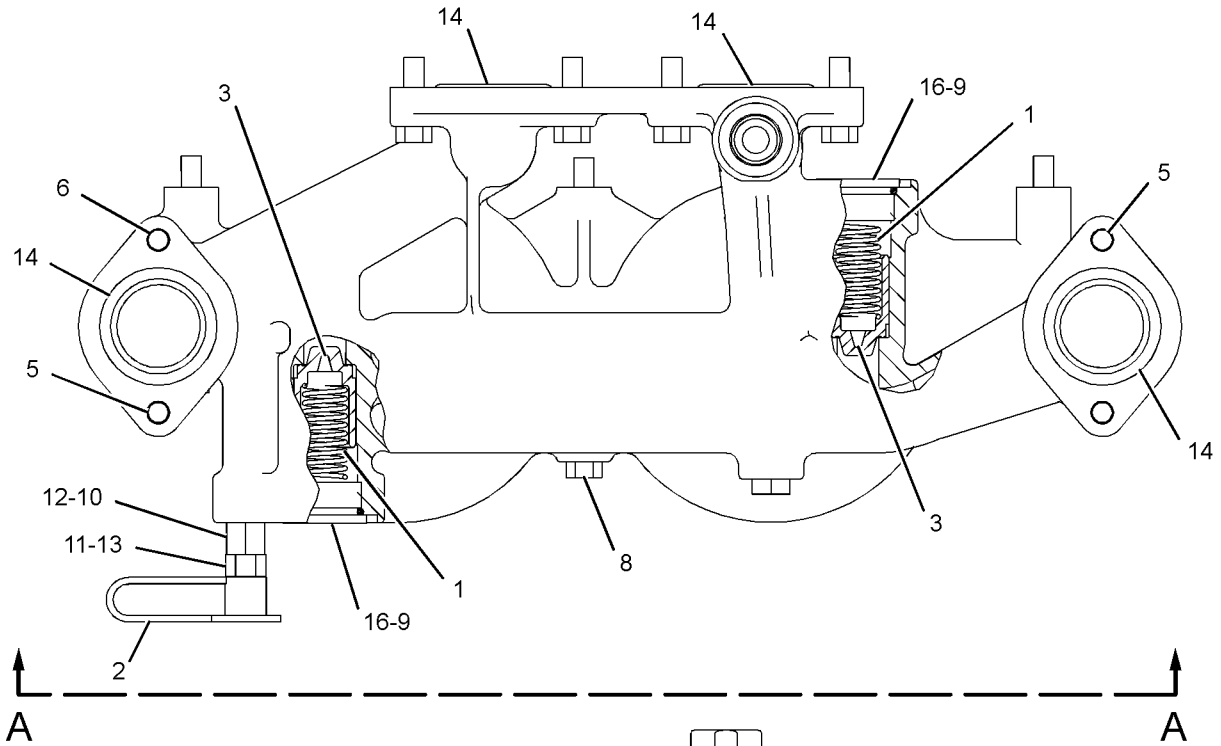
i03610281

NOTE	REF NO	GRAPHIC REF	PART NUMBER	QTY	PART NAME						SEE PAGE
					1	2	3	4	5	6 (PRODUCT LEVEL)	
	1	1	4N-8150	2	SPRING						
	2	1	8C-3445	1	CAP-DUST						
	3	1	9M-0853	2	PLUNGER-VALVE						
	4	1	172-6059	1	BASE GP-OIL FILTER (ENGINE)						
	4A	1	2P-4304	2	STUD-HOLLOW						
	5	1	0S-1588	7	BOLT (3/8-16X1.25-IN)						
	6	1	0S-1619	1	BOLT (3/8-16X3-IN)						
	7	1	1R-1808	2	FILTER-ENGINE OIL (ADVANCED EFFICIENCY)						
					-OR-						
		1	1R-0716	2	FILTER AS-ENGINE OIL (STANDARD EFFICIENCY)						
	8	1	5F-4899	1	BOLT (3/8-16X5.5-IN)						
	9	1	5P-7701	2	SEAL-O-RING						
	10	1	5P-9617	1	ADAPTER						
	11	1	6V-5048	1	SEAL-O-RING						
	12	1	6V-5049	1	SEAL-O-RING						
	13	1	8C-3446	1	VALVE-FLUID SAMPLING (ENGINE OIL)						
	14	1	8C-5230	4	SEAL-O-RING						
	15	1	8S-9191	2	BOLT (3/8-16X4-IN)						
	16	1	9S-9334	2	PLUG-O-RING						

LUBRICATION SYSTEM

264-6621 FILTER GP-ENGINE OIL (contd.)

i03610281



VIEW A-A
<END>

GRAPHIC #1

g01143459

LUBRICATION SYSTEM

293-4687 FILTER GP-ENGINE OIL

S/N: J2K1-103

SIMPLEX LH SAE NO.1

FOR USE WITH ACERT ENGINE

AN ATTACHMENT

SMCS-1306, 1308

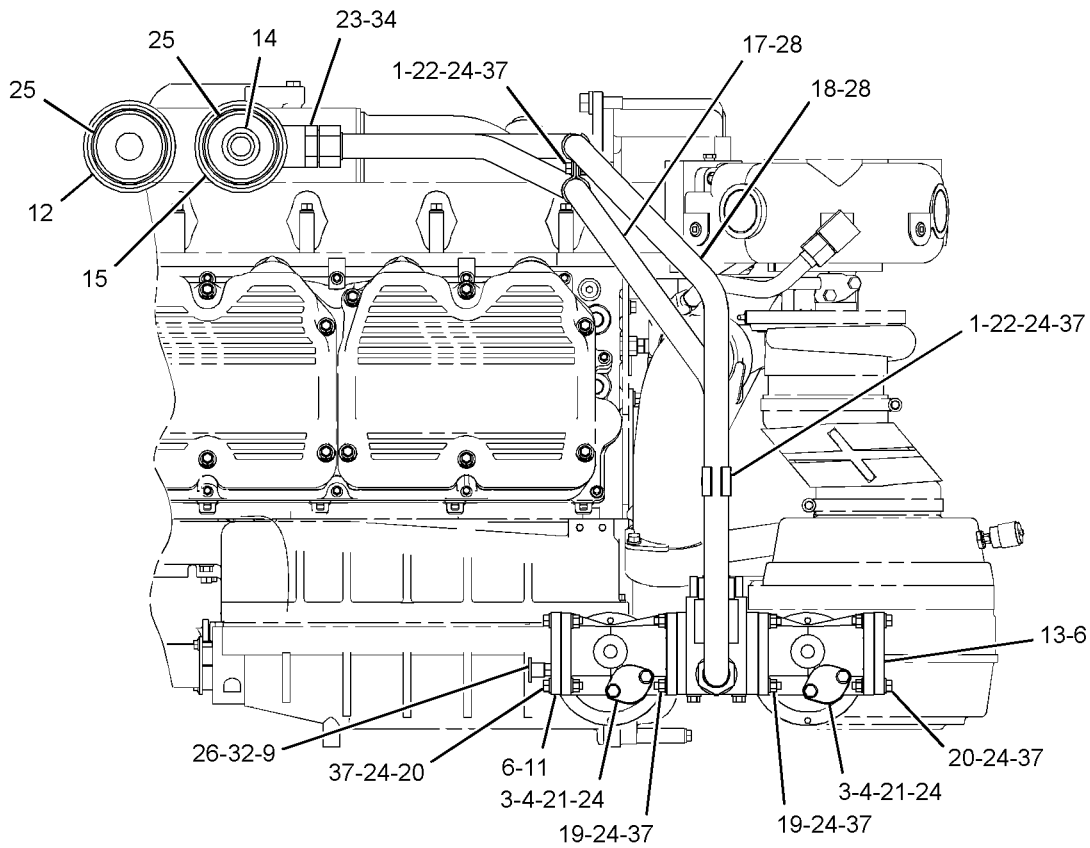
i02640780

NOTE	REF NO	GRAPHIC REF	PART NUMBER	QTY	PART NAME						SEE PAGE
					1	2	3	4	5	6 (PRODUCT LEVEL)	
	1	1	1K-5845	4	CLAMP-HOSE						
	2	1	1R-0716	2	FILTER AS-ENGINE OIL (STANDARD EFFICIENCY)						
	3	1	2P-3760	2	GASKET						
	4	1	2P-3761	2	COVER						
	5	1	2P-4301	2	BASE AS						
					(EACH INCLUDES)						
	5A	1	2P-4304	1	STUD-HOLLOW						
	6	1	2P-4305	4	GASKET						
	7	1	4N-7082	2	SHIELD-OIL FILTER						
	8	1	4N-8150	2	SPRING						
	9	1	8C-3445	1	CAP-DUST						
	10	1	9M-0853	2	PLUNGER-VALVE						
	11	1	202-8797	1	COVER						
	12	1	211-2048	1	COVER						
	13	1	212-5976	1	COVER						
	14	1	292-8184	1	COVER						
	15	1	292-8185	1	ADAPTER						
	16	1	293-4688	1	ADAPTER-OIL FILTER						
	17	1	293-4689	1	TUBE AS						
	18	1	293-4690	1	TUBE AS						
	19	1	0L-0765	8	STUD (3/8-16X1.75-IN)						
	20	1	0S-1571	8	BOLT (3/8-16X1.75-IN)						
	21	1	0S-1588	4	BOLT (3/8-16X1.25-IN)						
	22	1	0S-1594	2	BOLT (3/8-16X1-IN)						
	23	1	2S-4078	4	SEAL-O-RING						
	24	1	5M-2894	36	WASHER-HARD (10.2X18.5X2.5-MM THK)						
	25	1	6V-3908	3	SEAL-O-RING						
	26	1	6V-5048	2	SEAL-O-RING						
	27	1	6V-5049	1	SEAL-O-RING						
	28	1	6V-8400	5	SEAL-O-RING						
	29	1	6V-9009	1	ELBOW						
	30	1	6V-9855	1	ELBOW						
	31	1	7F-9090	4	SCREW-DRIVE (NO 8X03/8-IN)						
	32	1	8C-3446	1	VALVE-FLUID SAMPLING						
	33	1	8F-8544	4	BOLT (3/8-16X6.25-IN)						
	34	1	8T-3611	3	CONNECTOR						
	35	1	9S-4182	1	PLUG-O-RING						
	36	1	9S-4191	1	PLUG-O-RING						
	37	1	9S-8752	18	NUT-FULL (3/8-16-THD)						

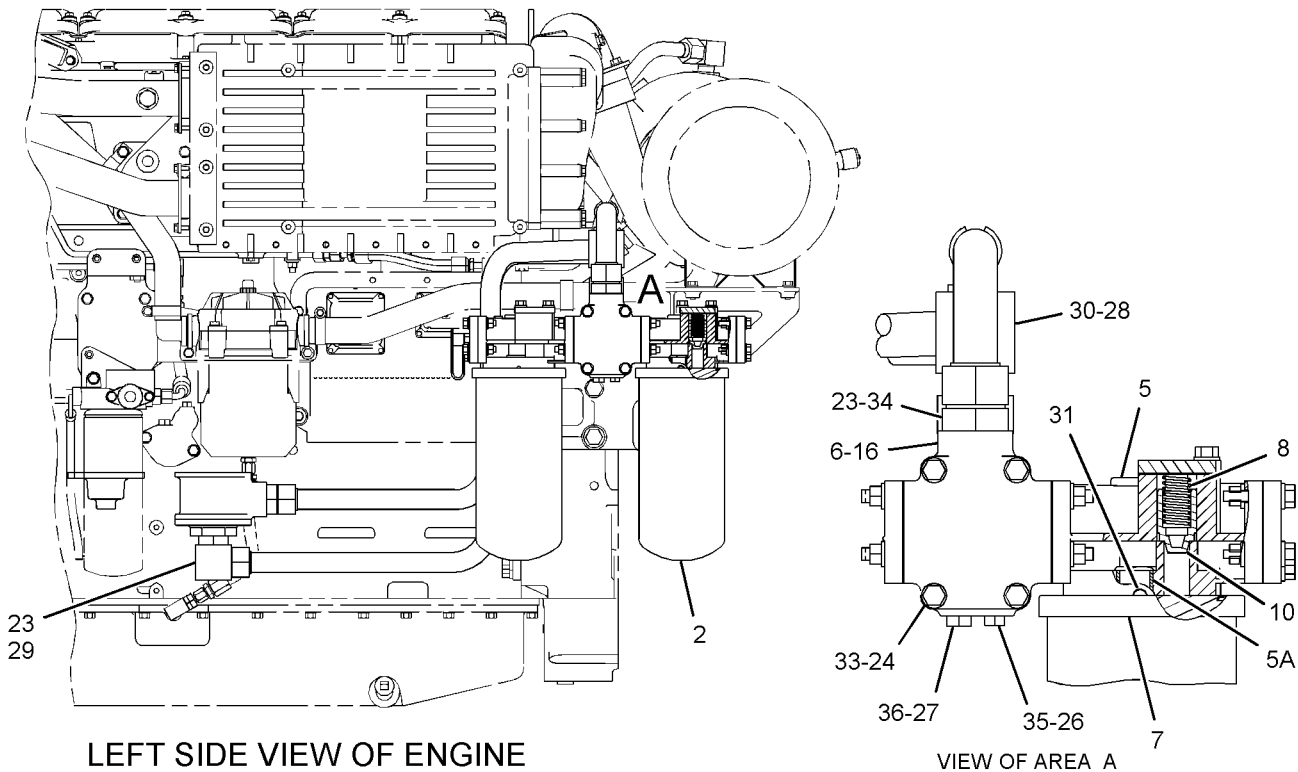
LUBRICATION SYSTEM

293-4687 FILTER GP-ENGINE OIL (contd.)

i02640780



TOP VIEW OF ENGINE



LEFT SIDE VIEW OF ENGINE

VIEW OF AREA A

GRAPHIC #1

<END>

g01329057

LUBRICATION SYSTEM

293-4687 FILTER GP-ENGINE OIL

S/N: J2K104-261

SIMPLEX LH SAE NO.1

FOR USE WITH ACERT ENGINE

AN ATTACHMENT

SMCS-1306, 1308

i02681124

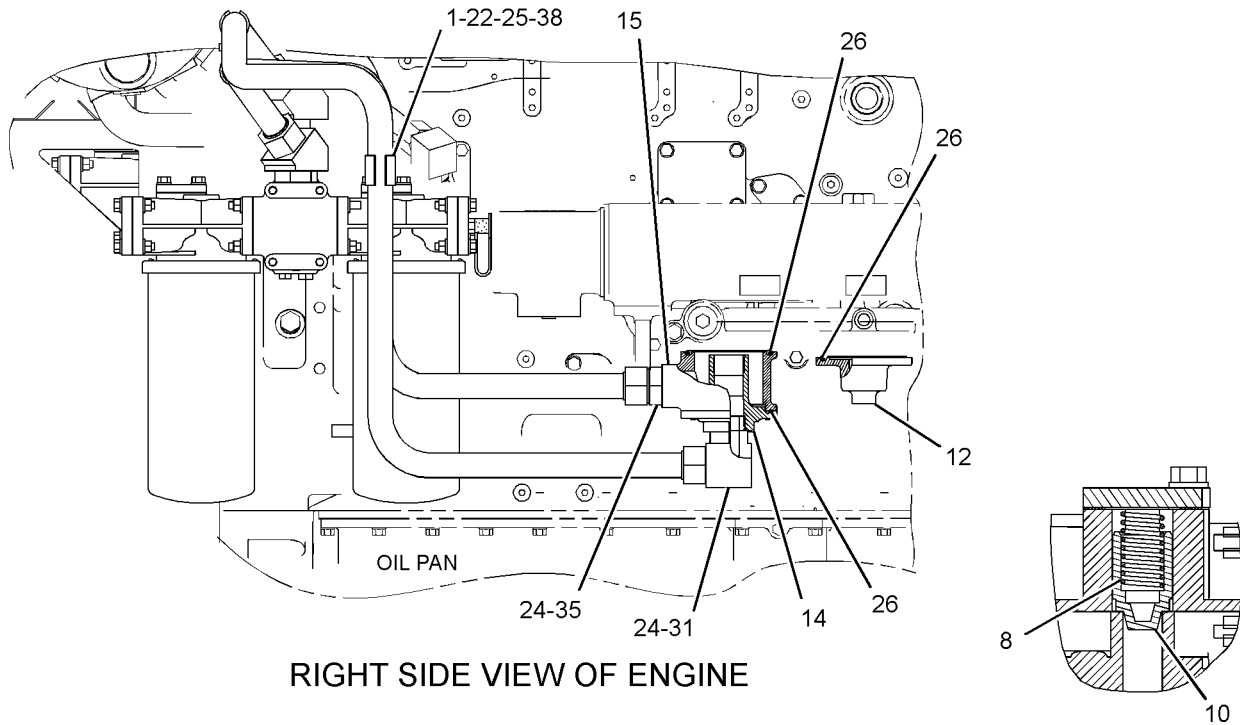
NOTE	REF NO	GRAPHIC REF	PART NUMBER	QTY	PART NAME						SEE PAGE
					1	2	3	4	5	6 (PRODUCT LEVEL)	
	1	1,2	1K-5845	4	CLAMP-HOSE						
C	2	1	1R-1808	2	FILTER-ENGINE OIL (ADVANCED EFFICIENCY)						
	3	1	2P-3760	2	GASKET						
	4	1	2P-3761	2	COVER						
	5	2	2P-4301	2	BASE AS						
					(EACH INCLUDES)						
	5A	2	2P-4304	1	STUD-HOLLOW						
	6	1,2	2P-4305	4	GASKET						
	7	2	4N-7082	2	SHIELD-OIL FILTER						
	8	1	4N-8150	2	SPRING						
	9	1	8C-3445	1	CAP-DUST						
	10	1	9M-0853	2	PLUNGER-VALVE						
	11	2	202-8797	1	COVER						
	12	1	211-2048	1	COVER						
	13	2	212-5976	1	COVER						
	14	1	292-8184	1	COVER						
	15	1	292-8185	1	ADAPTER						
	16	1	293-4688	1	ADAPTER-OIL FILTER						
C	17	2	306-2170	1	TUBE AS						
C	18	2	306-2171	1	TUBE AS						
	19	2	0L-0765	8	STUD (3/8-16X1.75-IN)						
	20	2	0S-1571	8	BOLT (3/8-16X1.75-IN)						
	21	2	0S-1588	4	BOLT (3/8-16X1.25-IN)						
	22	1,2	0S-1594	2	BOLT (3/8-16X1-IN)						
C	23	2	229-1444	1	ELBOW						
	24	1,2	2S-4078	4	SEAL-O-RING						
	25	1,2	5M-2894	36	WASHER-HARD (10.2X18.5X2.5-MM THK)						
	26	1	6V-3908	3	SEAL-O-RING						
	27	1	6V-5048	2	SEAL-O-RING						
	28	1	6V-5049	1	SEAL-O-RING						
	29	2	6V-8400	5	SEAL-O-RING						
C	30	2	6V-9006	1	ELBOW						
	31	1	6V-9009	1	ELBOW						
	32	2	7F-9090	4	SCREW-DRIVE (NO 8X03/8-IN)						
	33	1	8C-3446	1	VALVE-FLUID SAMPLING						
	34	1	8F-8544	4	BOLT (3/8-16X6.25-IN)						
C	35	1,2	8T-3611	2	CONNECTOR						
	36	1	9S-4182	1	PLUG-O-RING						
	37	1	9S-4191	1	PLUG-O-RING						
	38	1,2	9S-8752	18	NUT-FULL (3/8-16-THD)						

C-CHANGE FROM PREVIOUS TYPE

LUBRICATION SYSTEM

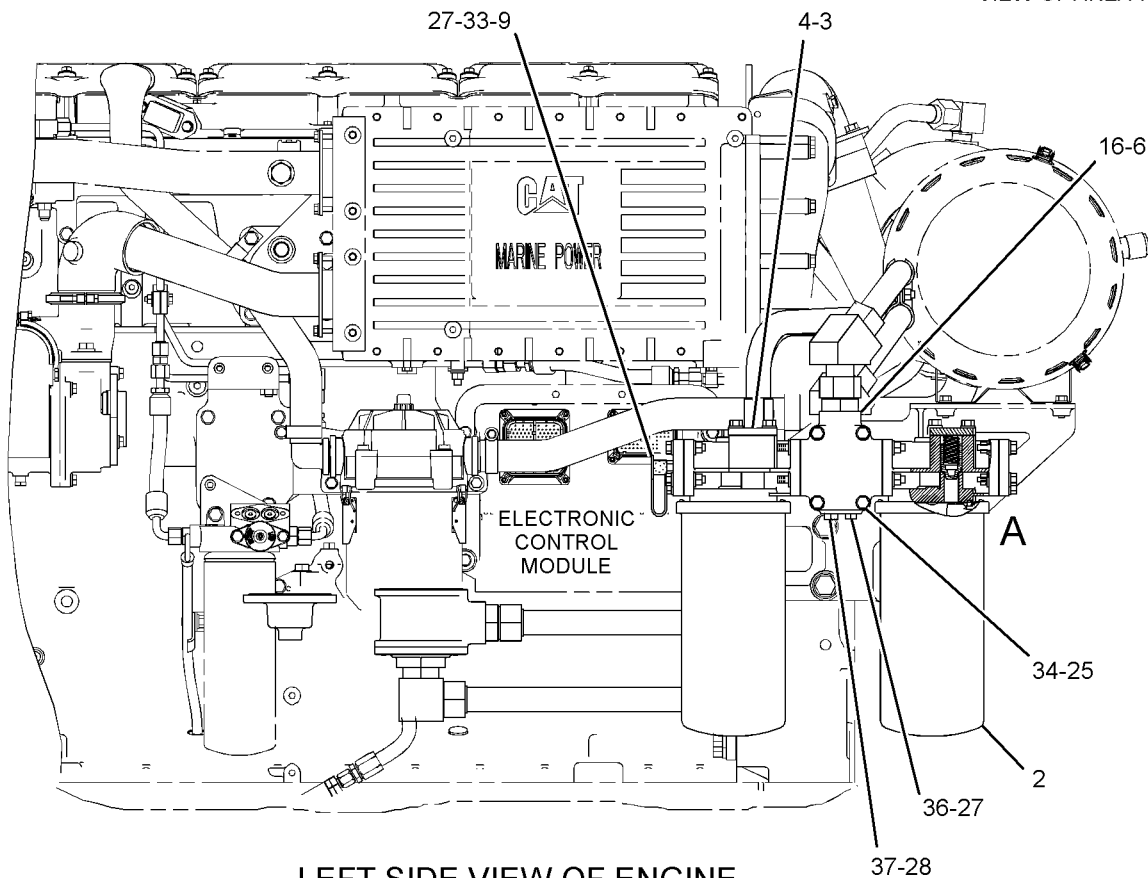
293-4687 FILTER GP-ENGINE OIL (contd.)

i02681124



RIGHT SIDE VIEW OF ENGINE

VIEW OF AREA A



LEFT SIDE VIEW OF ENGINE

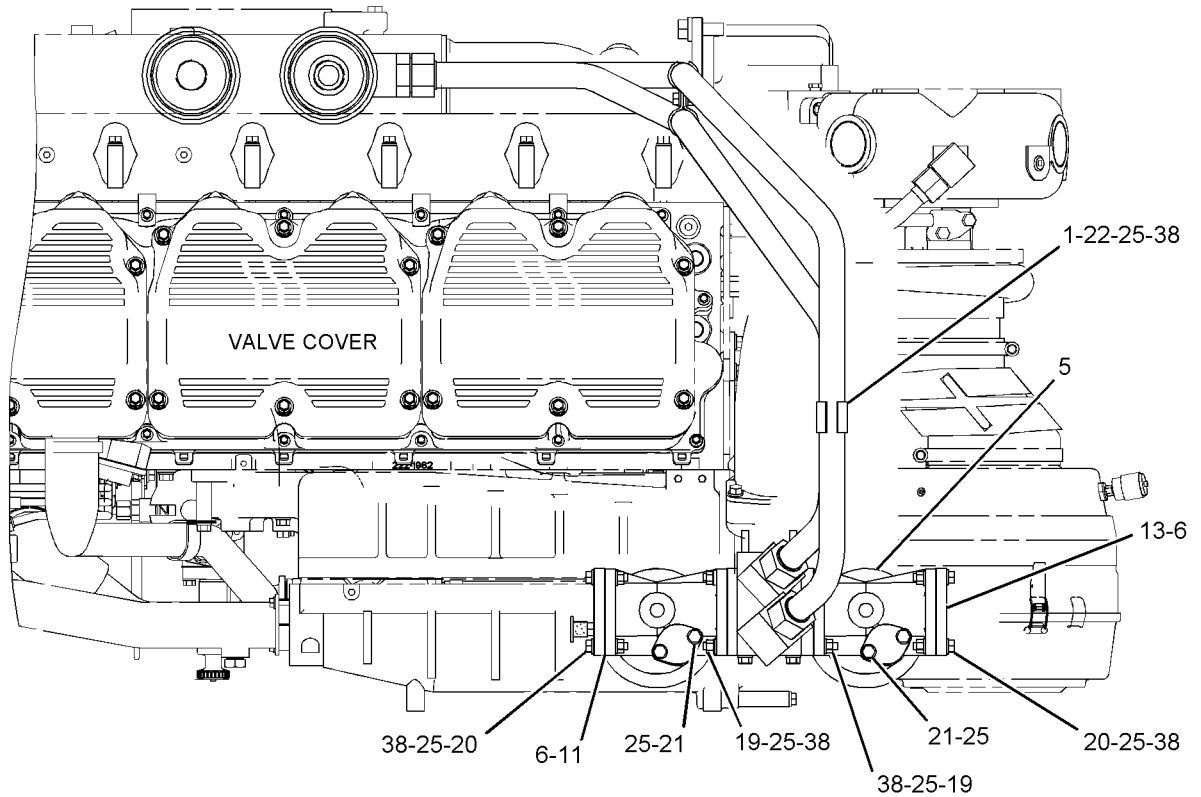
GRAPHIC #1

g01347732

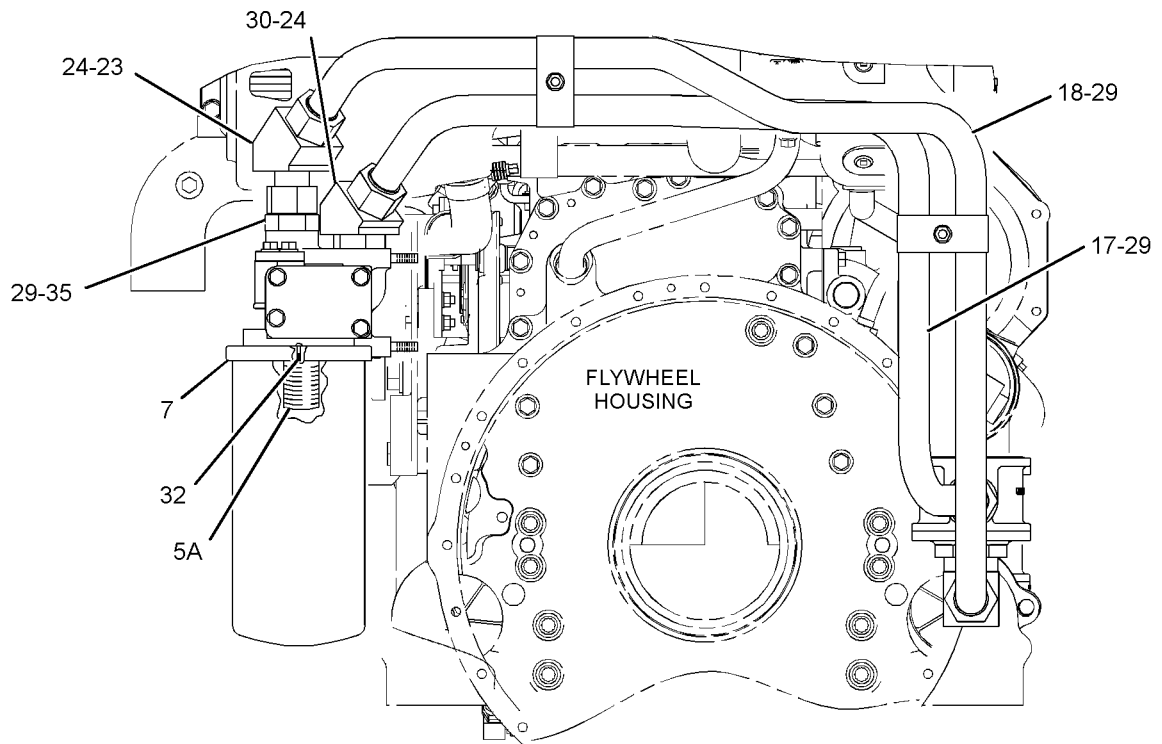
LUBRICATION SYSTEM

293-4687 FILTER GP-ENGINE OIL (contd.)

i02681124



TOP VIEW OF ENGINE



REAR VIEW OF ENGINE

GRAPHIC #2

<END>

g01347771

LUBRICATION SYSTEM

293-4687 FILTER GP-ENGINE OIL

S/N: J2K262-UP; T2P1-UP
SIMPLEX LH SAE NO.1
FOR USE WITH ACERT ENGINE
AN ATTACHMENT

SMCS-1306, 1308

i03654038

NOTE	REF NO	GRAPHIC REF	PART NUMBER	QTY	PART NAME						SEE PAGE
					1	2	3	4	5	6 (PRODUCT LEVEL)	
	1	1	1R-1808	2	FILTER-ENGINE OIL (ADVANCED EFFICIENCY)						
	2	1	2P-3760	2	GASKET						
	3	1	2P-3761	2	COVER						
	4	2	2P-4301	2	BASE AS						
					(EACH INCLUDES)						
		2	2P-4304	1	STUD-HOLLOW						
	5	1,2	2P-4305	4	GASKET						
	6	2	4N-7082	2	SHIELD-OIL FILTER						
	7	2	4N-8150	2	SPRING						
	8	1	8C-3445	1	CAP-DUST						
	9	2	9M-0853	2	PLUNGER-VALVE						
C	10	2	132-5789	1	CLIP						
C	11	2	142-5991	2	SPACER (16.5X40X30-MM THK)						
	12	2	202-8797	1	COVER						
	13	1	211-2048	1	COVER						
	14	2	212-5976	1	COVER						
	15	1	292-8184	1	COVER						
	16	1	292-8185	1	ADAPTER						
	17	1	293-4688	1	ADAPTER-OIL FILTER						
	18	2	306-2170	1	TUBE AS						
	19	2	306-2171	1	TUBE AS						
C	20	2	323-3495	1	BRACKET						
C	21	2	3S-2093	1	STRAP-CABLE						
	22	2	0L-0765	8	STUD (3/8-16X1.75-IN)						
C	23	2	0S-1571	8	BOLT (3/8-16X1.75-IN)						
	24	2	0S-1588	4	BOLT (3/8-16X1.25-IN)						
C	25	2	4L-6454	1	BOLT (3/8-16X1-IN)						
	26	2	250-1487	1	ELBOW AS						
		2	6V-8400	1	SEAL-O-RING						
		2	229-1444	1	ELBOW						
C	27	2	2A-2677	1	SPACER (10.7X17.14X19.05-MM THK)						
	29	1,2	5M-2894	32	WASHER-HARD (10.2X18.5X2.5-MM THK)						
C	30	2	5P-8247	2	WASHER-HARD (17X32X3.5-MM THK)						
	31	2	6D-9392	4	CLAMP						
	32	1	6V-3908	3	SEAL-O-RING						
	36	2	153-6238	1	ELBOW AS						
		2	2S-4078	1	SEAL-O-RING						
		2	6V-8400	1	SEAL-O-RING						
		2	6V-9006	1	ELBOW						
	37	1	148-8356	1	ELBOW AS						
		1	2S-4078	1	SEAL-O-RING						
		1	6V-8400	1	SEAL-O-RING						
		1	6V-9009	1	ELBOW						
	38	2	7F-9090	4	SCREW-DRIVE (NO 8X03/8-IN)						
	39	1	321-8649	1	VALVE AS-FLUID SAMPLING						
		1	8C-3446	1	VALVE-FLUID SAMPLING						
		1	214-7566	1	SEAL-O-RING						
	40	1	8F-8544	4	BOLT (3/8-16X6.25-IN)						
	41	1,2	148-8334	2	CONNECTOR AS						
					(EACH INCLUDES)						
		1,2	2S-4078	1	SEAL-O-RING						
		1,2	6V-8400	1	SEAL-O-RING						
		1,2	8T-3611	1	CONNECTOR						
	42	1	309-5130	1	PLUG AS						

LUBRICATION SYSTEM

293-4687 FILTER GP-ENGINE OIL (contd.)

i03654038

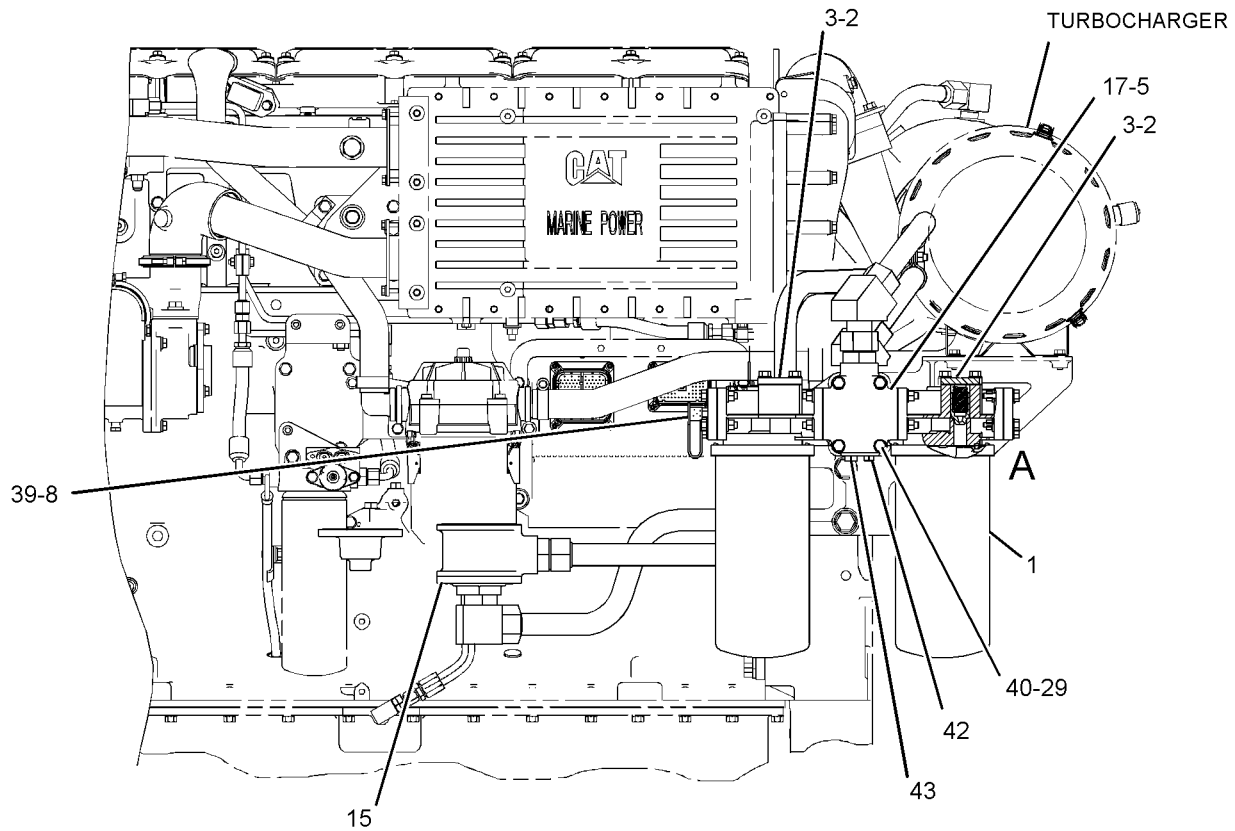
NOTE	REF NO	GRAPHIC REF	PART NUMBER	QTY	PART NAME						SEE PAGE
					1	2	3	4	5	6 (PRODUCT LEVEL)	
		1	9S-4182	1	PLUG-O-RING						
		1	214-7566	1	SEAL-O-RING						
43		1	<i>183-3406</i>	1	PLUG AS						
		1	214-7568	1	SEAL-O-RING						
		1	9S-4191	1	PLUG-O-RING						
44		2	9S-8752	16	NUT-FULL (3/8-16-THD)						
45		2	9X-8882	2	BOLT (5/8-11X2.5-IN)						
46		2	5S-7383	1	BOLT (3/8-16X1.75-IN)						
47		2	8T-4896	4	WASHER-HARD (10.2X18.5X2.5-MM THK)						
48		2	6V-8801	2	NUT (3/8-16-THD)						

C-CHANGE FROM PREVIOUS TYPE

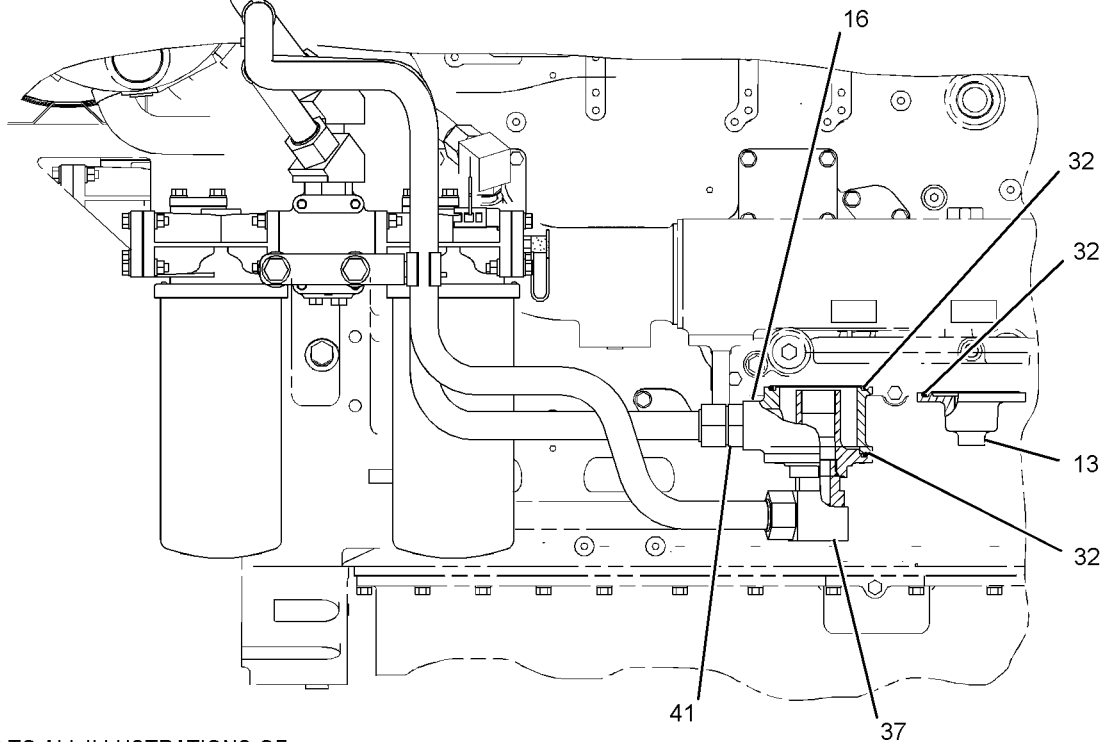
LUBRICATION SYSTEM

293-4687 FILTER GP-ENGINE OIL (contd.)

i03654038



LEFT SIDE VIEW OF ENGINE



RIGHT SIDE VIEW OF ENGINE

REFER TO ALL ILLUSTRATIONS OF THIS GROUP FOR AUXILIARY VIEWS

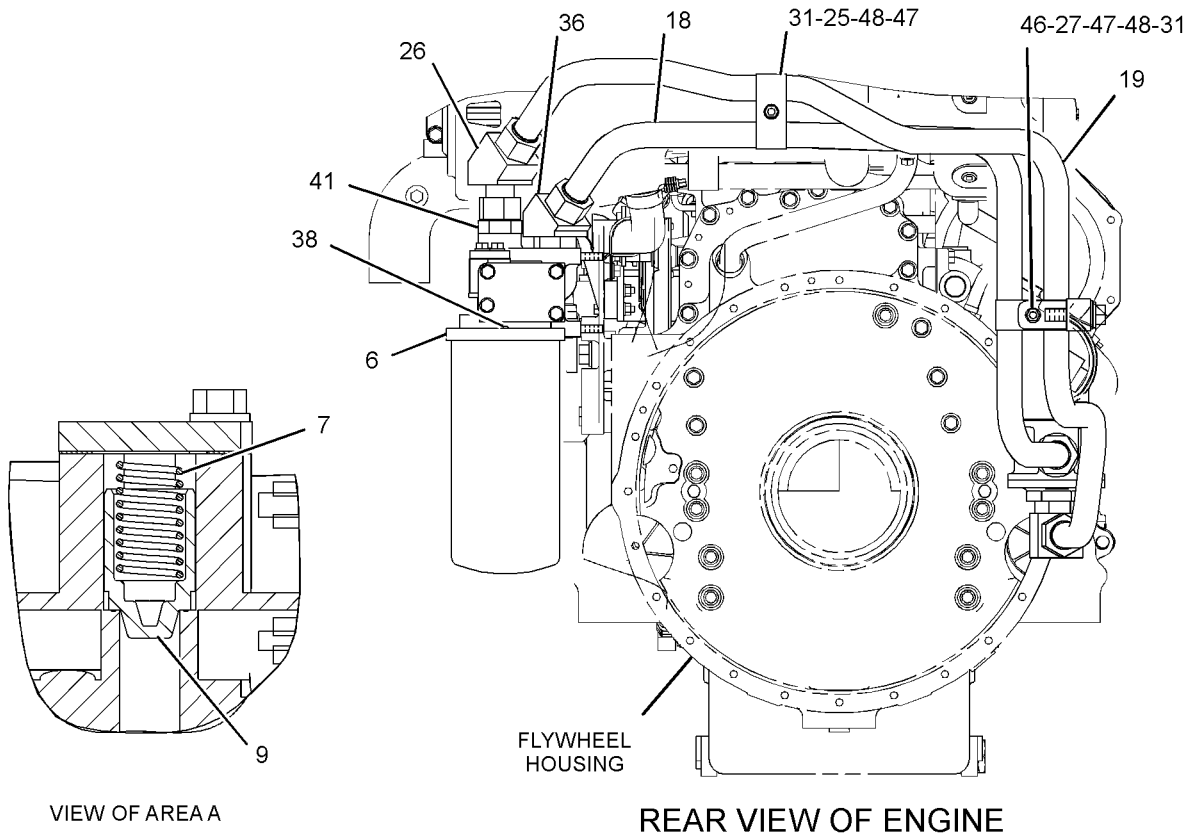
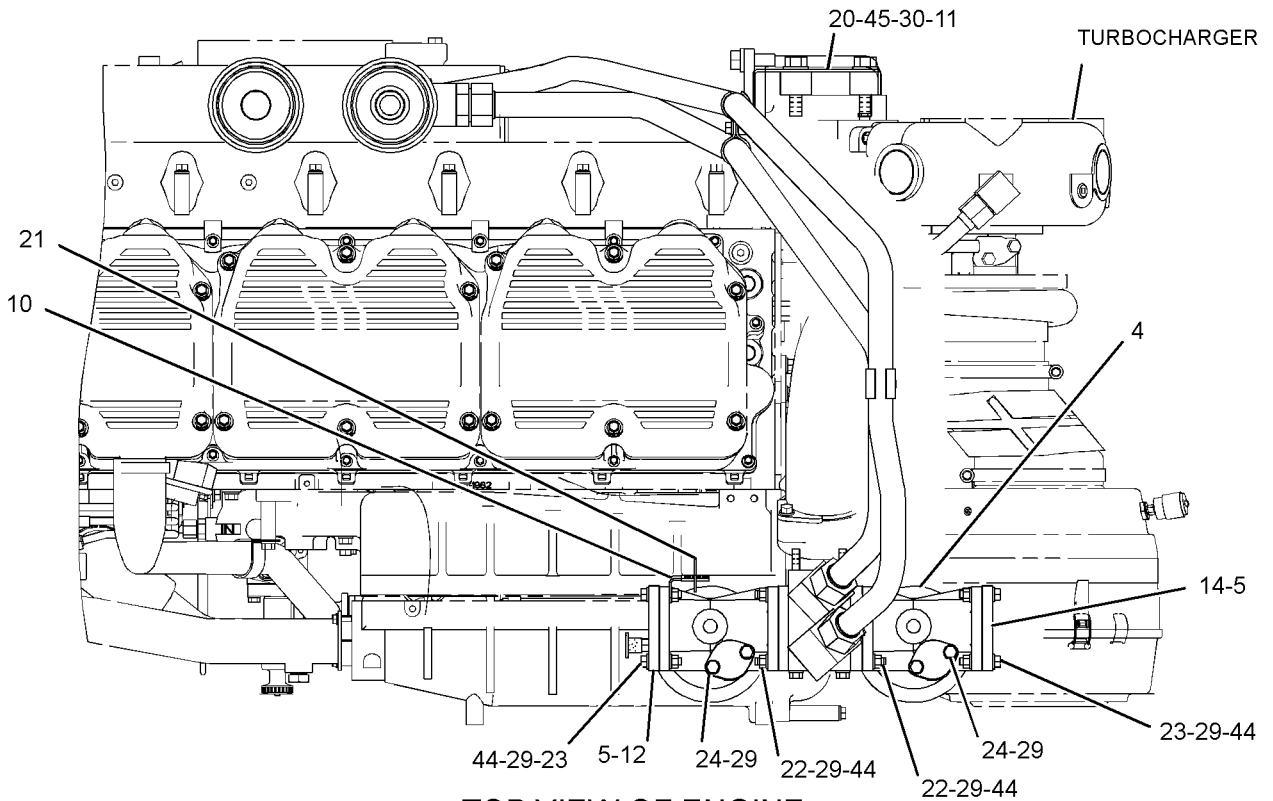
GRAPHIC #1

g01978474

LUBRICATION SYSTEM

293-4687 FILTER GP-ENGINE OIL (contd.)

i03654038



GRAPHIC #2

<END>

g01978475

LUBRICATION SYSTEM

295-0081 FILTER GP-ENGINE OIL

FOR USE WITH SAE NO.0 FLYWHEEL HOUSING LEFT HAND SERVICE FOR TIER II MARINE
ENGINES
AN ATTACHMENT
TYPE 1

SMCS-1306, 1308

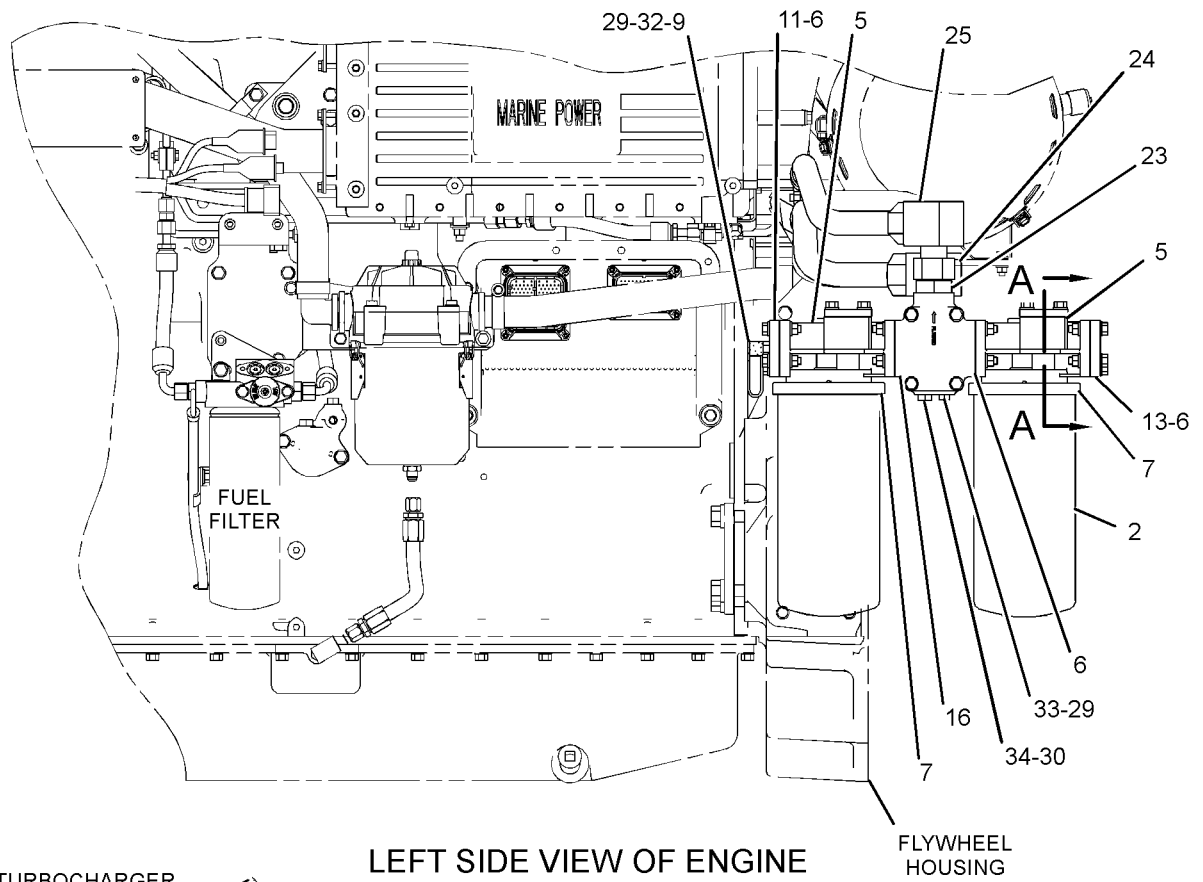
i02894596

NOTE	REF NO	GRAPHIC REF	PART NUMBER	QTY	PART NAME						SEE PAGE
					1	2	3	4	5	6 (PRODUCT LEVEL)	
	1	1,2	1K-5845	4	CLAMP-HOSE						
	2	1	1R-1808	2	FILTER-ENGINE OIL (ADVANCED EFFICIENCY)						
	3	2	2P-3760	2	GASKET						
	4	2	2P-3761	2	COVER						
	5	1	2P-4301	2	BASE AS						
					(EACH INCLUDES)						
		1	2P-4304	1	STUD-HOLLOW						
	6	1,2	2P-4305	4	GASKET						
	7	1	4N-7082	2	SHIELD-OIL FILTER						
	8	2	4N-8150	2	SPRING						
	9	1	8C-3445	1	CAP-DUST						
	10	2	1P-1367	2	PLUNGER (OIL COOLER RELIEF VALVE)						
	11	1	202-8797	1	COVER						
	12	1	211-2048	1	COVER						
	13	1	212-5976	1	COVER						
	14	1	292-8184	1	COVER						
	15	1	292-8185	1	ADAPTER						
	16	1	293-4688	1	ADAPTER-OIL FILTER						
	17	2	295-0082	1	TUBE AS						
	18	2	295-0083	1	TUBE AS						
	19	2	0L-0765	8	STUD (3/8-16X1.75-IN)						
	20	2	0S-1571	8	BOLT (3/8-16X1.75-IN)						
	21	2	0S-1588	4	BOLT (3/8-16X1.25-IN)						
	22	1,2	0S-1594	2	BOLT (3/8-16X1-IN)						
	23	1	148-8334	2	CONNECTOR AS						
					(EACH INCLUDES)						
		1	2S-4078	1	SEAL-O-RING						
		1	6V-8400	1	SEAL-O-RING						
		1	8T-3611	1	CONNECTOR						
	24	1	148-8356	2	ELBOW AS						
					(EACH INCLUDES)						
		1	2S-4078	1	SEAL-O-RING						
		1	6V-8400	1	SEAL-O-RING						
		1	6V-9009	1	ELBOW						
	25	1	148-8387	1	ELBOW AS						
		1	6V-8400	1	SEAL-O-RING						
		1	6V-9855	1	ELBOW						
	26	2	1D-4706	4	BOLT (3/8-16X6-IN)						
	27	1,2	5M-2894	40	WASHER-HARD (10.2X18.5X2.5-MM THK)						
	28	1	6V-3908	3	SEAL-O-RING						
	29	1	6V-5048	2	SEAL-O-RING						
	30	1	6V-5049	1	SEAL-O-RING						
	31	2	7F-9090	4	SCREW-DRIVE (NO 8X03/8-IN)						
	32	1	8C-3446	1	VALVE-FLUID SAMPLING (ENGINE OIL)						
	33	1	9S-4182	1	PLUG-O-RING						
	34	1	9S-4191	1	PLUG-O-RING						
	35	1,2	9S-8752	22	NUT-FULL (3/8-16-THD)						

LUBRICATION SYSTEM

295-0081 FILTER GP-ENGINE OIL (contd.)

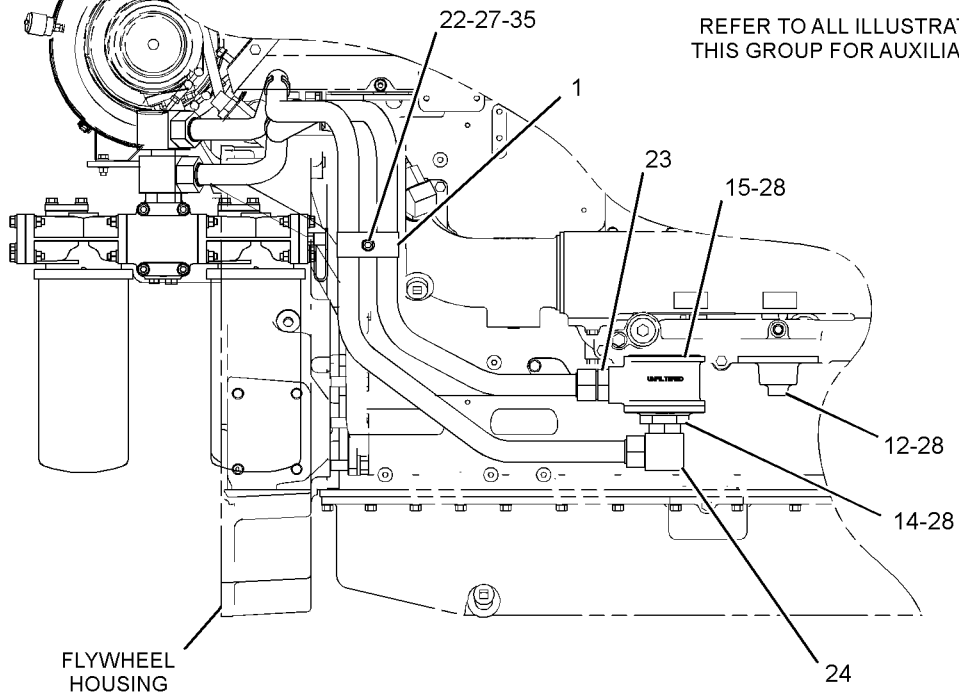
i02894596



LEFT SIDE VIEW OF ENGINE

FLYWHEEL HOUSING

TURBOCHARGER



RIGHT SIDE VIEW OF ENGINE

REFER TO ALL ILLUSTRATIONS OF THIS GROUP FOR AUXILIARY VIEWS

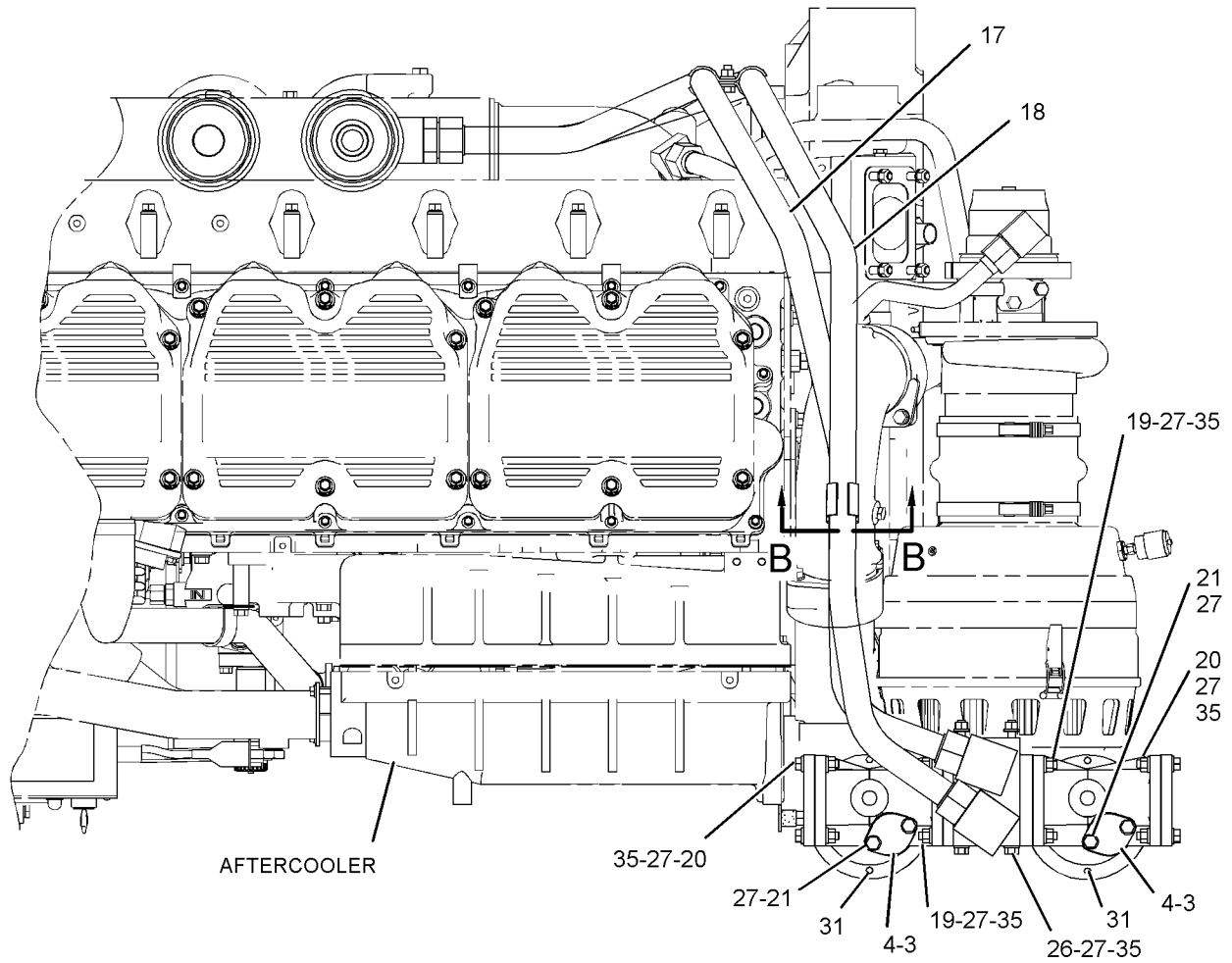
GRAPHIC #1

g01442752

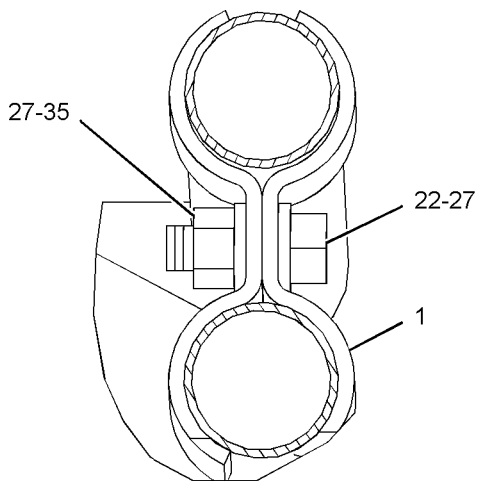
LUBRICATION SYSTEM

295-0081 FILTER GP-ENGINE OIL (contd.)

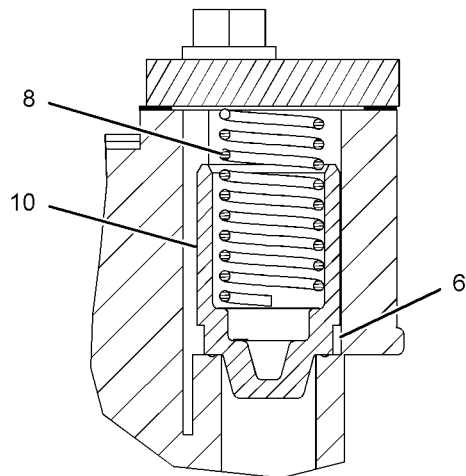
i02894596



TOP VIEW OF ENGINE



SECTION B-B



SECTION A-A

GRAPHIC #2

<END>

g01442753

LUBRICATION SYSTEM

295-0081 FILTER GP-ENGINE OIL

FOR USE WITH SAE NO.0 FLYWHEEL HOUSING LEFT HAND SERVICE FOR TIER II MARINE
ENGINES
AN ATTACHMENT
TYPE 2

SMCS-1306, 1308

i03654044

NOTE	REF NO	GRAPHIC REF	PART NUMBER	QTY	PART NAME						SEE PAGE
					1	2	3	4	5	6 (PRODUCT LEVEL)	
C	1	1,2	6D-9392	4	CLAMP						
	2	1	1R-1808	2	FILTER-ENGINE OIL (ADVANCED EFFICIENCY)						
	3	2	2P-3760	2	GASKET						
	4	2	2P-3761	2	COVER						
	5	1	2P-4301	2	BASE AS						
					(EACH INCLUDES)						
		1	2P-4304	1	STUD-HOLLOW						
	6	1	2P-4305	4	GASKET						
	7	1	4N-7082	2	SHIELD-OIL FILTER						
	8	2	4N-8150	2	SPRING						
	9	1	8C-3445	1	CAP-DUST						
	10	2	1P-1367	2	PLUNGER (OIL COOLER RELIEF VALVE)						
	11	1	202-8797	1	COVER						
	12	1	211-2048	1	COVER						
	13	1	212-5976	1	COVER						
	14	1	292-8184	1	COVER						
	15	1	292-8185	1	ADAPTER						
	16	1	293-4688	1	ADAPTER-OIL FILTER						
	17	2	295-0082	1	TUBE AS						
18	2	295-0083	1	TUBE AS							
19	2	0L-0765	8	STUD (3/8-16X1.75-IN)							
C	20	2	0S-1571	8	BOLT (3/8-16X1.75-IN)						
	21	2	0S-1588	4	BOLT (3/8-16X1.25-IN)						
	23	1	148-8334	2	CONNECTOR AS						
					(EACH INCLUDES)						
		1	2S-4078	1	SEAL-O-RING						
		1	6V-8400	1	SEAL-O-RING						
		1	8T-3611	1	CONNECTOR						
	24	1	148-8356	2	ELBOW AS						
					(EACH INCLUDES)						
		1	2S-4078	1	SEAL-O-RING						
	1	6V-8400	1	SEAL-O-RING							
	1	6V-9009	1	ELBOW							
25	1	148-8387	1	ELBOW AS							
	1	6V-8400	1	SEAL-O-RING							
	1	6V-9855	1	ELBOW							
26	2	1D-4706	4	BOLT (3/8-16X6-IN)							
C	27	2	5M-2894	36	WASHER-HARD (10.2X18.5X2.5-MM THK)						
	28	1	6V-3908	3	SEAL-O-RING						
	31	2	7F-9090	4	SCREW-DRIVE (NO 8X03/8-IN)						
	32	1	321-8649	1	VALVE AS-FLUID SAMPLING						
		1	8C-3446	1	VALVE-FLUID SAMPLING						
		1	214-7566	1	SEAL-O-RING						
	33	1	309-5130	1	PLUG AS						
		1	9S-4182	1	PLUG-O-RING						
		1	214-7566	1	SEAL-O-RING						
	34	1	183-3406	1	PLUG AS						
		1	214-7568	1	SEAL-O-RING						
		1	9S-4191	1	PLUG-O-RING						
35	2	9S-8752	20	NUT-FULL (3/8-16-THD)							
C	36	2	4L-6454	3	BOLT (3/8-16X1-IN)						
C	37	1	2A-2677	1	SPACER (10.7X17.14X19.05-MM THK)						
C	38	2	323-3494	1	BRACKET						
39	1,2	8T-4896	6	WASHER-HARD (10.2X18.5X2.5-MM THK)							

LUBRICATION SYSTEM

295-0081 FILTER GP-ENGINE OIL (contd.)

i03654044

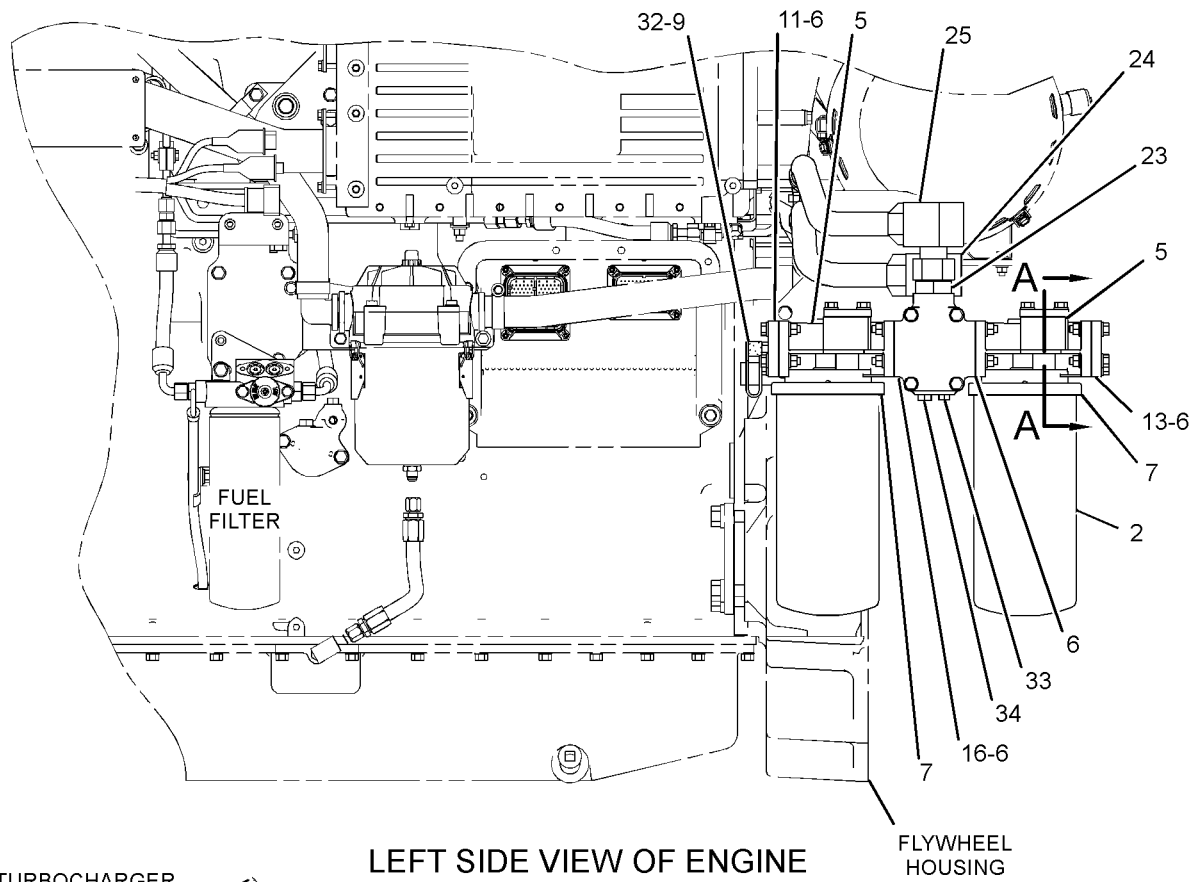
NOTE	REF NO	GRAPHIC REF	PART NUMBER	QTY	PART NAME	SEE PAGE
					1 2 3 4 5 6 (PRODUCT LEVEL)	
	40	1	5S-7383	1	BOLT (3/8-16X1.75-IN)	
	41	1,2	6V-8801	2	NUT (3/8-16-THD)	

C-CHANGE FROM PREVIOUS TYPE

LUBRICATION SYSTEM

295-0081 FILTER GP-ENGINE OIL (contd.)

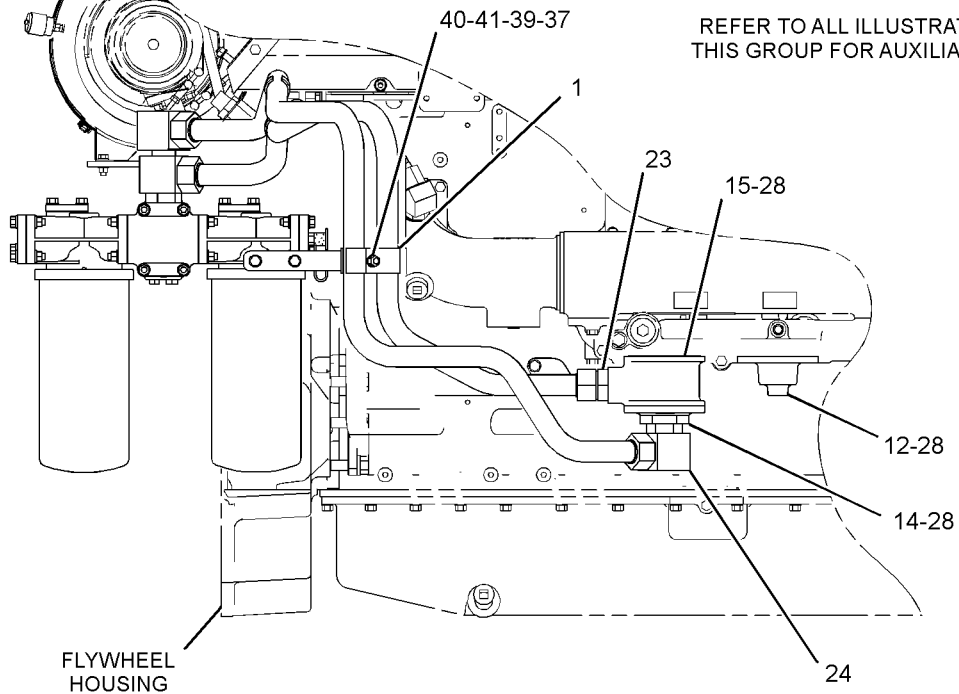
i03654044



LEFT SIDE VIEW OF ENGINE

FLYWHEEL HOUSING

TURBOCHARGER



RIGHT SIDE VIEW OF ENGINE

REFER TO ALL ILLUSTRATIONS OF THIS GROUP FOR AUXILIARY VIEWS

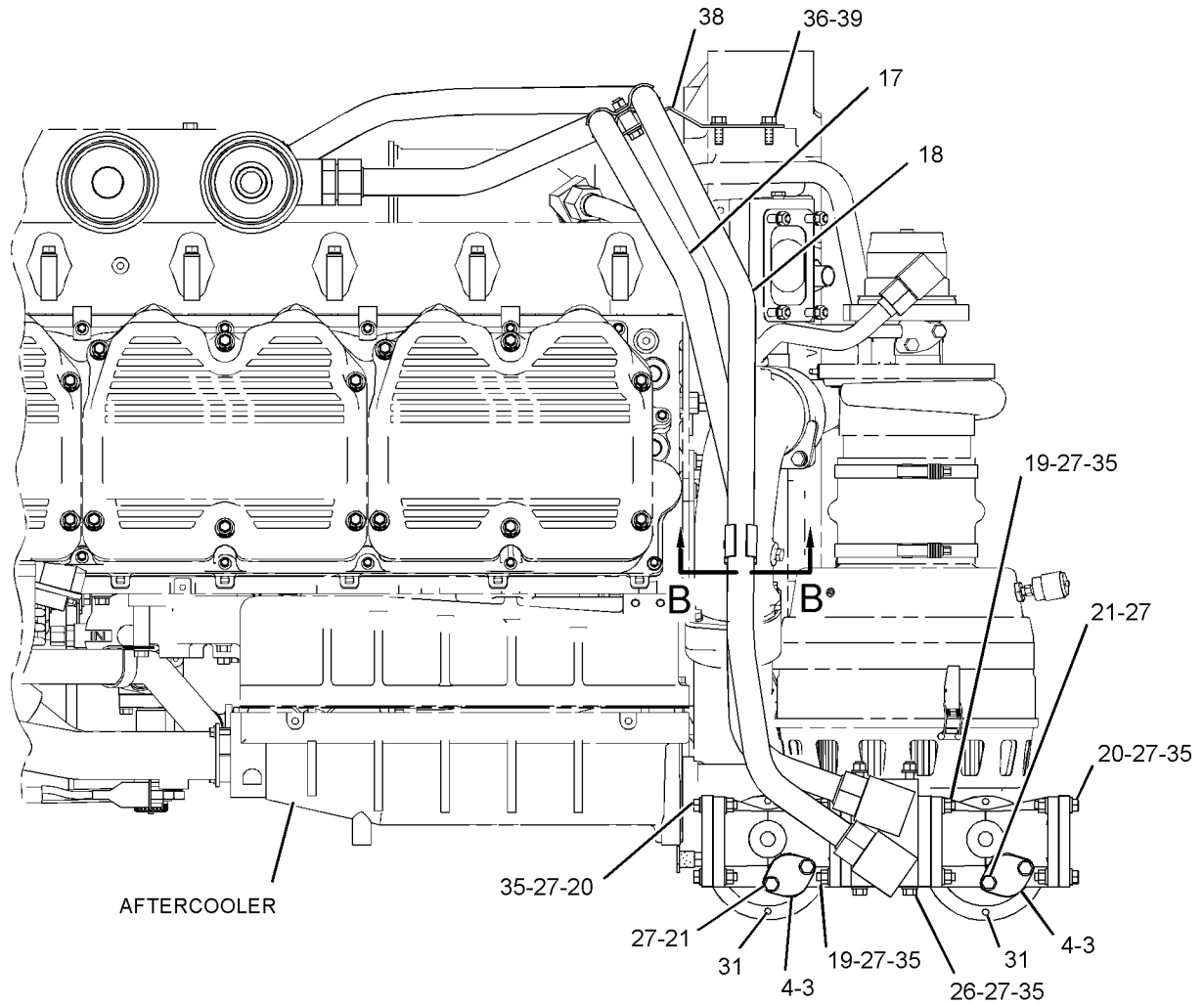
GRAPHIC #1

g01978553

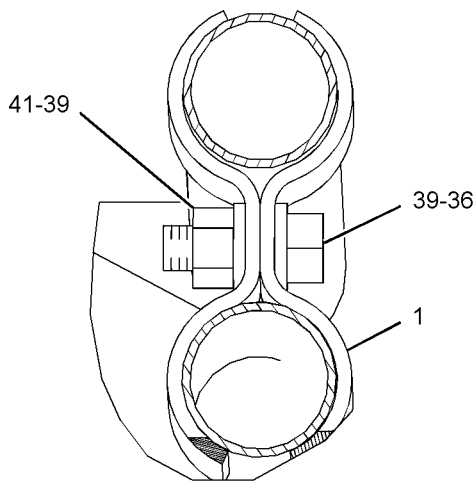
LUBRICATION SYSTEM

295-0081 FILTER GP-ENGINE OIL (contd.)

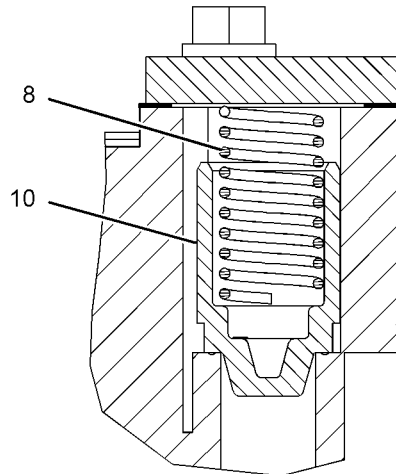
i03654044



TOP VIEW OF ENGINE



SECTION B-B



SECTION A-A

GRAPHIC #2

<END>

g01978554

LUBRICATION SYSTEM

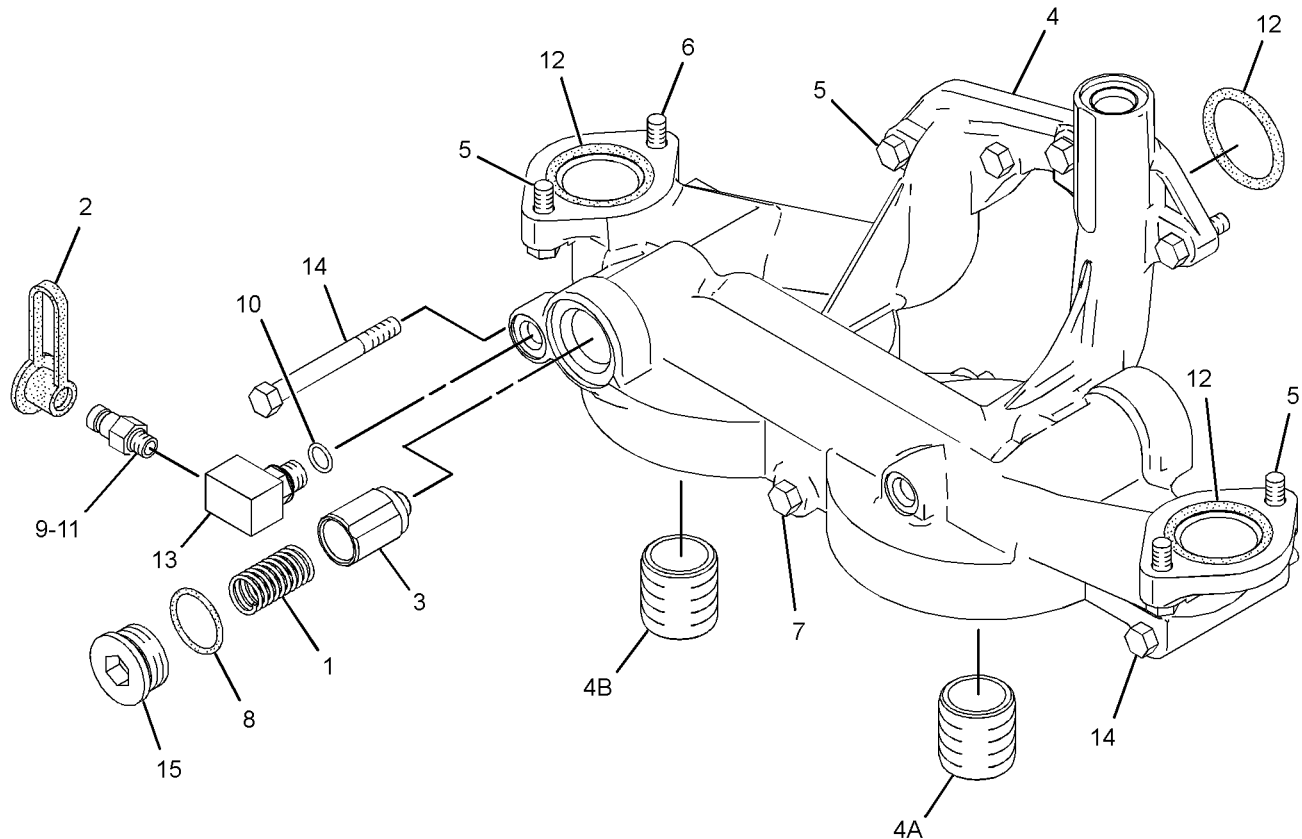
296-6644 FILTER GP-ENGINE OIL

FOR USE WITH REMOTE OIL FILTER ONLY
AN ATTACHMENT

SMCS-1306, 1308

i03640701

NOTE	REF NO	GRAPHIC REF	PART NUMBER	QTY	PART NAME						SEE PAGE
					1	2	3	4	5	6 (PRODUCT LEVEL)	
	1	1	4N-8150	1	SPRING						
	2	1	8C-3445	1	CAP-DUST						
	3	1	9M-0853	1	PLUNGER-VALVE						
	4	1	295-5551	1	BASE AS-OIL FILTER (ENGINE)						
	4A	1	2P-4304	1	STUD-HOLLOW						
	4B	1	296-6642	1	STUD-TAPERLOCK						
	5	1	OS-1588	7	BOLT (3/8-16X1.25-IN)						
	6	1	OS-1619	1	BOLT (3/8-16X3-IN)						
	7	1	5F-4899	1	BOLT (3/8-16X5.5-IN)						
	8	1	5P-7701	1	SEAL-O-RING						
	9	1	6V-5048	1	SEAL-O-RING						
	10	1	6V-5049	1	SEAL-O-RING						
	11	1	8C-3446	1	VALVE-FLUID SAMPLING (ENGINE OIL)						
	12	1	8C-5230	4	SEAL-O-RING						
	13	1	8C-6712	1	ELBOW						
	14	1	8S-9191	2	BOLT (3/8-16X4-IN)						
	15	1	9S-9334	1	PLUG-O-RING						



GRAPHIC #1

<END>

g01328745

LUBRICATION SYSTEM

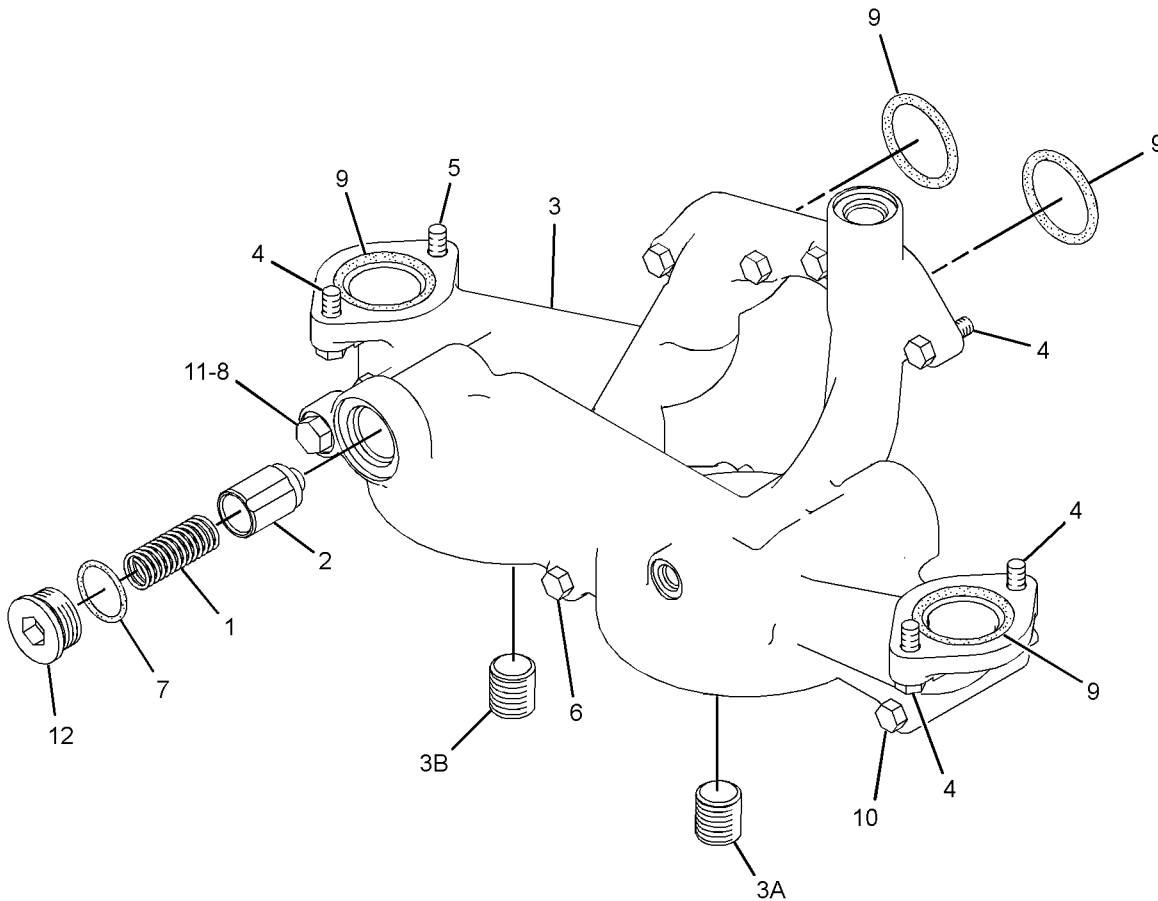
297-9084 FILTER GP-ENGINE OIL

FOR USE WITH REMOTE OIL FILTER ONLY
AN ATTACHMENT

SMCS-1306, 1308

i03640703

NOTE	REF NO	GRAPHIC REF	PART NUMBER	QTY	PART NAME						SEE PAGE
					1	2	3	4	5	6 (PRODUCT LEVEL)	
	1	1	4N-8150	1	SPRING						
	2	1	9M-0853	1	PLUNGER-VALVE						
	3	1	295-5551	1	BASE AS-OIL FILTER (ENGINE)						
	3A	1	2P-4304	1	STUD-HOLLOW						
	3B	1	296-6642	1	STUD-TAPERLOCK						
	4	1	0S-1588	7	BOLT (3/8-16X1.25-IN)						
	5	1	0S-1619	1	BOLT (3/8-16X3-IN)						
	6	1	5F-4899	1	BOLT (3/8-16X5.5-IN)						
	7	1	5P-7701	1	SEAL-O-RING						
	8	1	6V-5049	1	SEAL-O-RING						
	9	1	8C-5230	4	SEAL-O-RING						
	10	1	8S-9191	2	BOLT (3/8-16X4-IN)						
	11	1	9S-4191	1	PLUG-O-RING						
	12	1	9S-9334	1	PLUG-O-RING						



GRAPHIC #1

<END>

g01329508

LUBRICATION SYSTEM

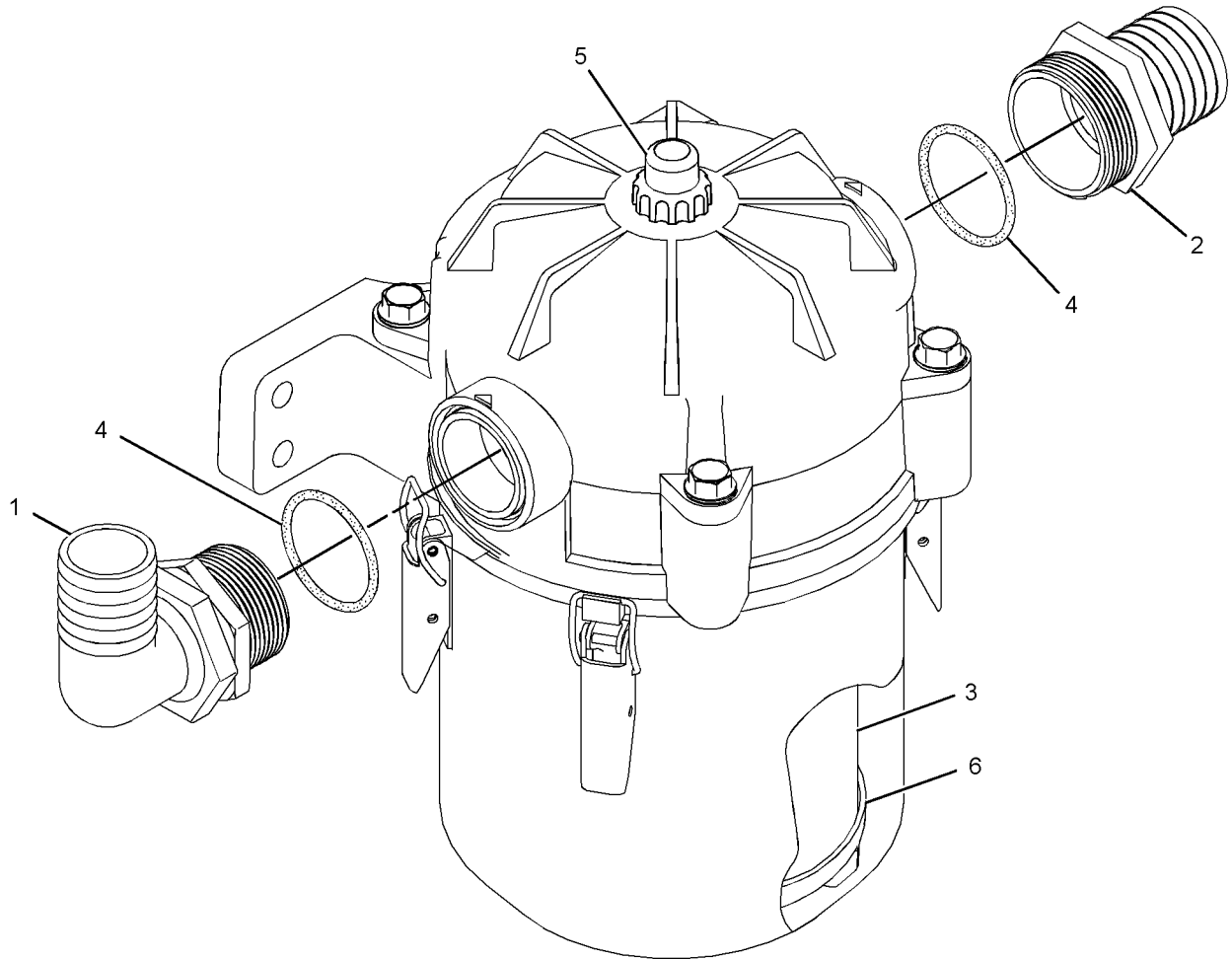
280-4014 FILTER GP-FUMES DISPOSAL

PART OF 201-1270, 205-9196, 291-3797, 291-3798 AIR CLEANER GP
AN ATTACHMENT

SMCS-1074

i03112590

NOTE	REF NO	GRAPHIC REF	PART NUMBER	QTY	PART NAME						SEE PAGE
					1	2	3	4	5	6 (PRODUCT LEVEL)	
	1	1	198-6867	1	ELBOW						
	2	1	201-7292	1	CONNECTOR						
	3	1	274-7913	1	FILTER ELEMENT AS-AIR (CRANKCASE VENTILATION)						
	4	1	2S-4078	2	SEAL-O-RING						
	5	1	195-4550	1	CAP						
	6	1	322-2815	1	PAD						



GRAPHIC #1

<END>

g01597495

LUBRICATION SYSTEM

243-3842 FUMES DISPOSAL GP

FOR USE WITH 243-6427-PAGE 195, 243-6426-PAGE 194, 245-5849-PAGE 491. CANNOT
BE USED WITH 201-1270-PAGE 481, 205-9196-PAGE 486
AN ATTACHMENT

SMCS-1317

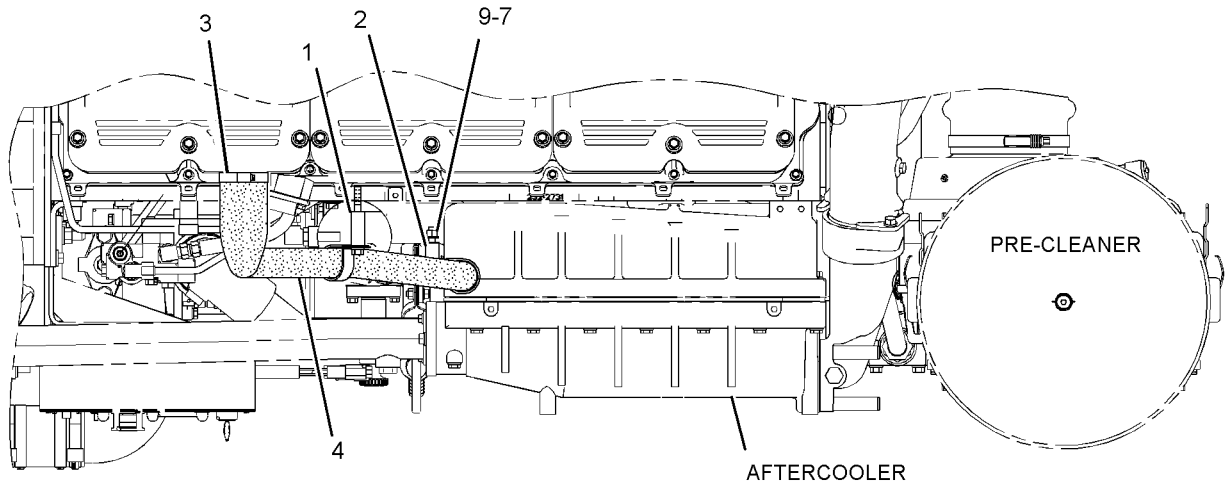
i03101766

NOTE	REF NO	GRAPHIC REF	PART NUMBER	QTY	PART NAME						SEE PAGE
					1	2	3	4	5	6 (PRODUCT LEVEL)	
	1	1	1F-7854	1	SPACER (11.01X19.05X49.21-MM THK)						
	2	1	4P-4369	1	SPACER (12X19X23.5-MM THK)						
	3	1	9M-0164	1	CLAMP-HOSE						
	4	1	243-3843	1	HOSE-DISPOSAL (FUMES)						
	5	1	8T-8911	1	BOLT (5/16-18X2-IN)						
	6	1	7X-0290	1	BOLT (3/8-16X3.5-IN)						
	7	1	8T-4224	2	WASHER-HARD (8.8X16X2-MM THK)						
	8	1	5P-2369	2	CLIP						
	9	1	6V-8189	1	NUT (5/16-18-THD)						
	10	1	8T-4896	1	WASHER-HARD (10.2X18.5X2.5-MM THK)						

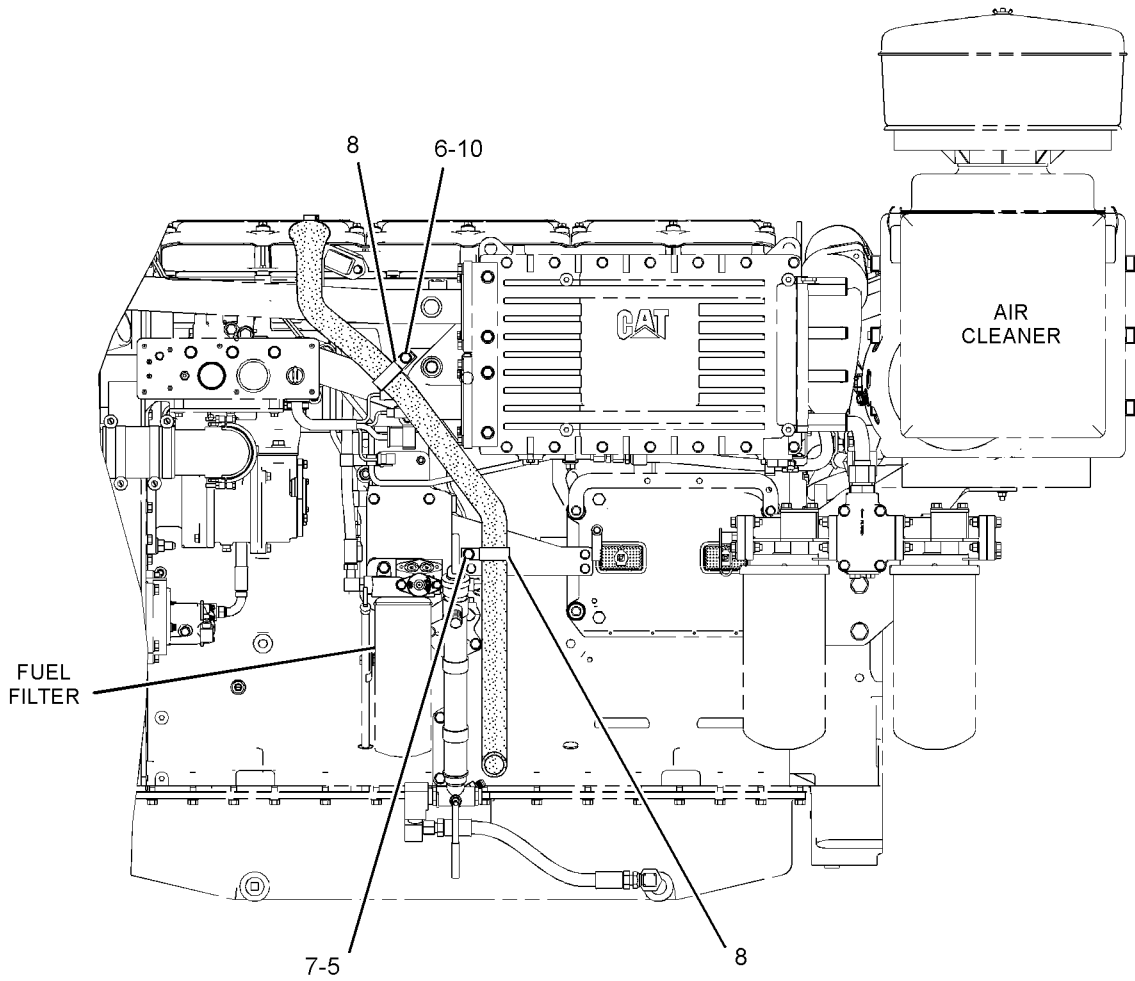
LUBRICATION SYSTEM

243-3842 FUMES DISPOSAL GP (contd.)

i03101766



TOP VIEW OF ENGINE



LEFT SIDE VIEW OF ENGINE

GRAPHIC #1

<END>

g01587496

LUBRICATION SYSTEM

201-2067 GAUGE GP-OIL LEVEL (DIPSTICK)-ENGINE

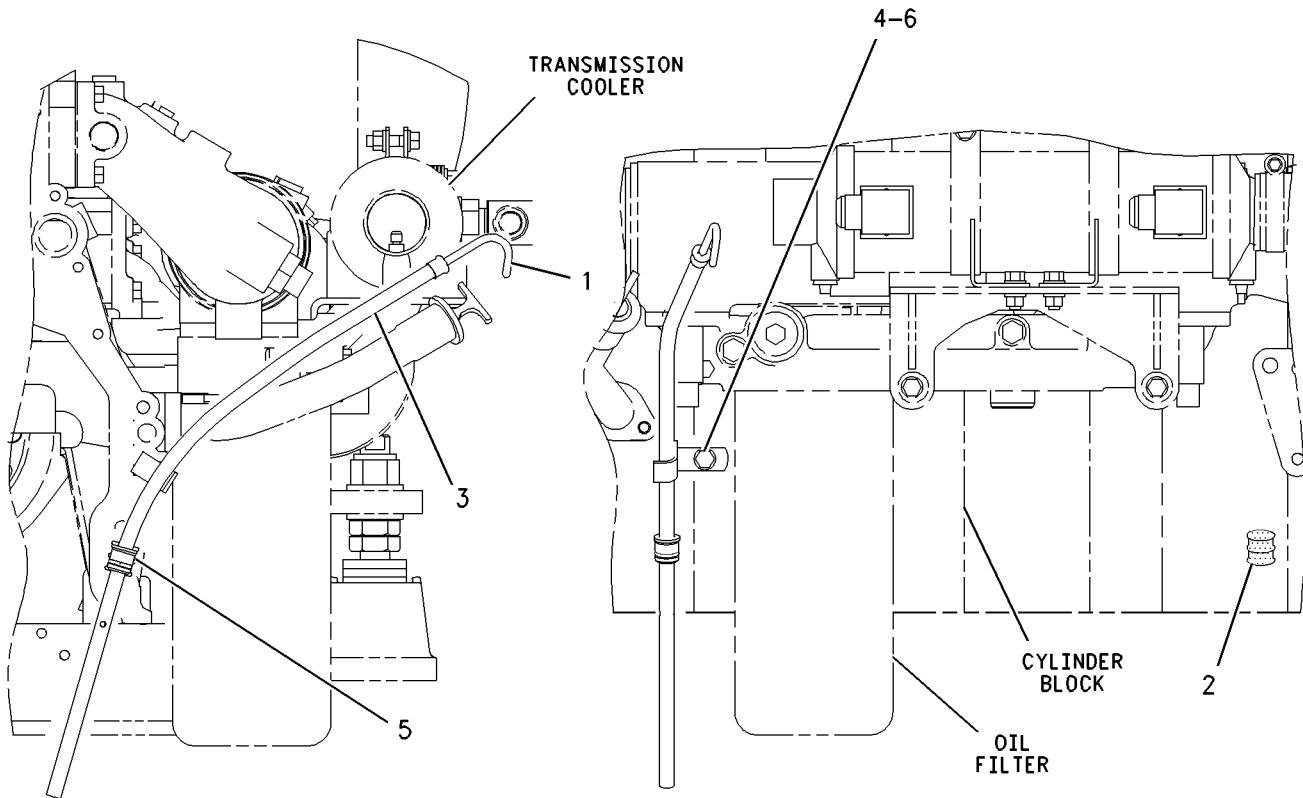
RH SERVICE
AN ATTACHMENT

SMCS-1326

i02895370

NOTE	REF NO	GRAPHIC REF	PART NUMBER	QTY	PART NAME						SEE PAGE
					1	2	3	4	5	6 (PRODUCT LEVEL)	
	1	1	119-3749	1	GAUGE AS-OIL LEVEL (DIPSTICK, ENGINE)						
J	2	1	165-6170	3	PLUG						
C	3	1	239-8016	1	TUBE AS-GUIDE						
	4	1	0S-1617	1	BOLT (5/16-18X0.75-IN)						
	5	1	112-3102	1	SEAL-O-RING						
	6	1	9M-1974	1	WASHER-HARD (8.8X16X2-MM THK)						

C-CHANGE FROM PREVIOUS TYPE
J-USE TO PLUG OPTIONAL DIPSTICK LOCATIONS



REAR VIEW

RIGHT SIDE VIEW

GRAPHIC #1

<END>

g00779388

LUBRICATION SYSTEM

203-1887 GAUGE GP-OIL LEVEL (DIPSTICK)-ENGINE

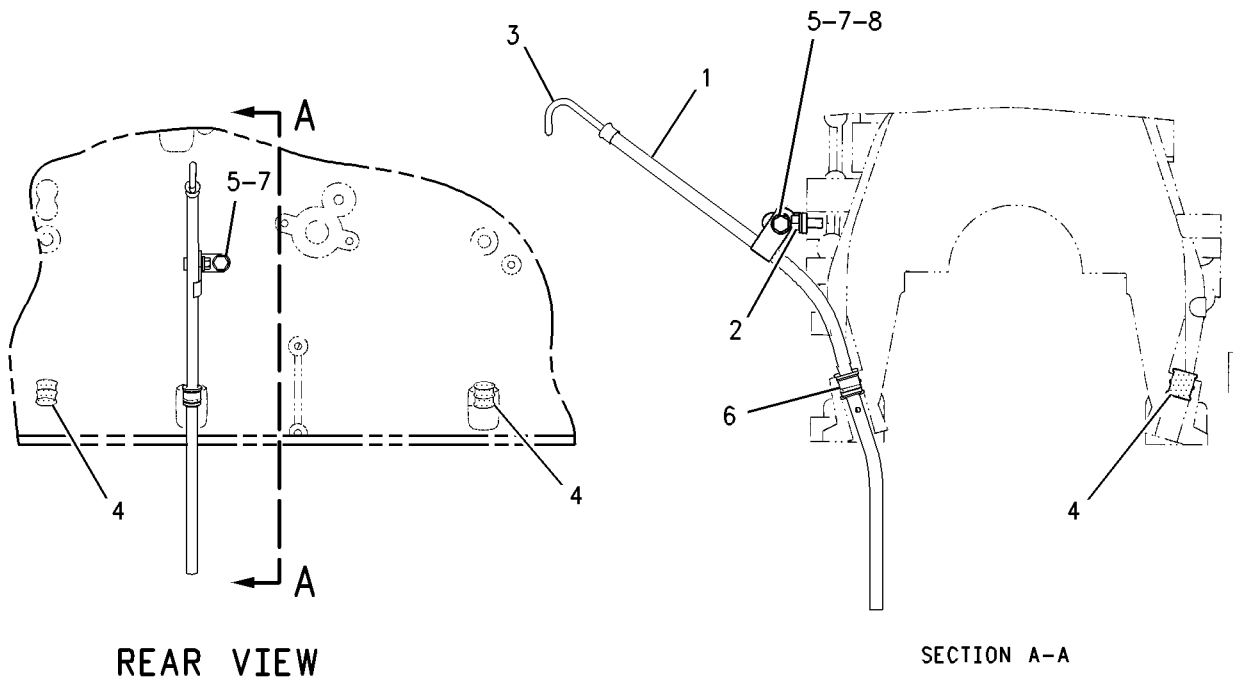
LH SERVICE
AN ATTACHMENT

SMCS-1326

i02897268

NOTE	REF NO	GRAPHIC REF	PART NUMBER	QTY	PART NAME						SEE PAGE
					1	2	3	4	5	6 (PRODUCT LEVEL)	
	1	1	1N-3810	1	GUIDE AS-OIL LEVEL GAUGE (DIPSTICK, ENGINE)						
	2	1	2L-6243	1	BRACKET						
	3	1	119-3749	1	GAUGE AS-OIL LEVEL (DIPSTICK, ENGINE)						
J	4	1	165-6170	3	PLUG						
	5	1	0L-1351	2	BOLT (3/8-16X0.875-IN)						
	6	1	118-5068	1	SEAL-O-RING						
	7	1	5M-2894	3	WASHER-HARD (10.2X18.5X2.5-MM THK)						
	8	1	9S-8752	1	NUT-FULL (3/8-16-THD)						

J-USE TO PLUG OPTIONAL DIPSTICK LOCATIONS



GRAPHIC #1

<END>

g00779433

LUBRICATION SYSTEM

241-1724 GAUGE GP-OIL LEVEL (DIPSTICK)-ENGINE

LH

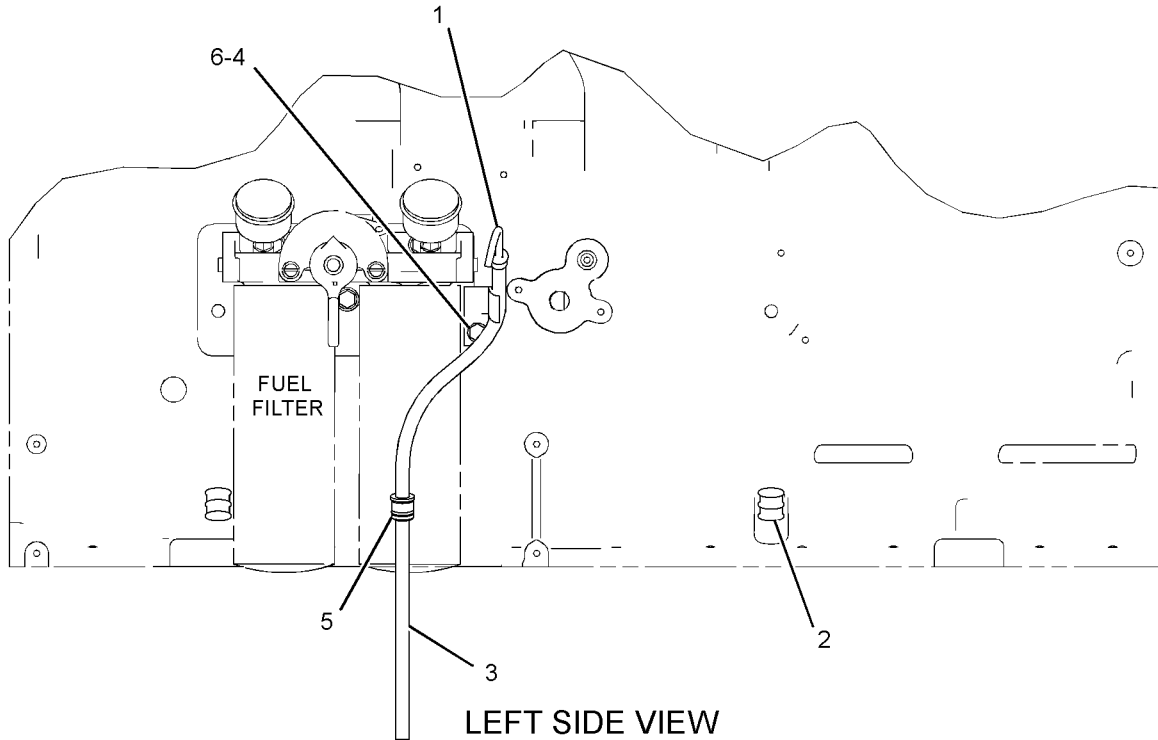
FOR USE WITH 239-9351-PAGE 599
AN ATTACHMENT

SMCS-1326

i02895362

NOTE	REF NO	GRAPHIC REF	PART NUMBER	QTY	PART NAME						SEE PAGE
					1	2	3	4	5	6 (PRODUCT LEVEL)	
	1	1	119-3749	1	GAUGE AS-OIL LEVEL (DIPSTICK, ENGINE)						
J	2	1	165-6170	3	PLUG						
C	3	1	259-1393	1	TUBE AS						
	4	1	0L-1351	1	BOLT (3/8-16X0.875-IN)						
	5	1	118-5068	1	SEAL-O-RING (15.54MM ID)						
	6	1	5M-2894	1	WASHER-HARD (10.2X18.5X2.5-MM THK)						

C-CHANGE FROM PREVIOUS TYPE
J-USE TO PLUG OPTIONAL DIPSTICK LOCATIONS



GRAPHIC #1

<END>

g01156229

LUBRICATION SYSTEM

245-9794 GAUGE GP-OIL LEVEL (DIPSTICK)-ENGINE

RH SERVICE

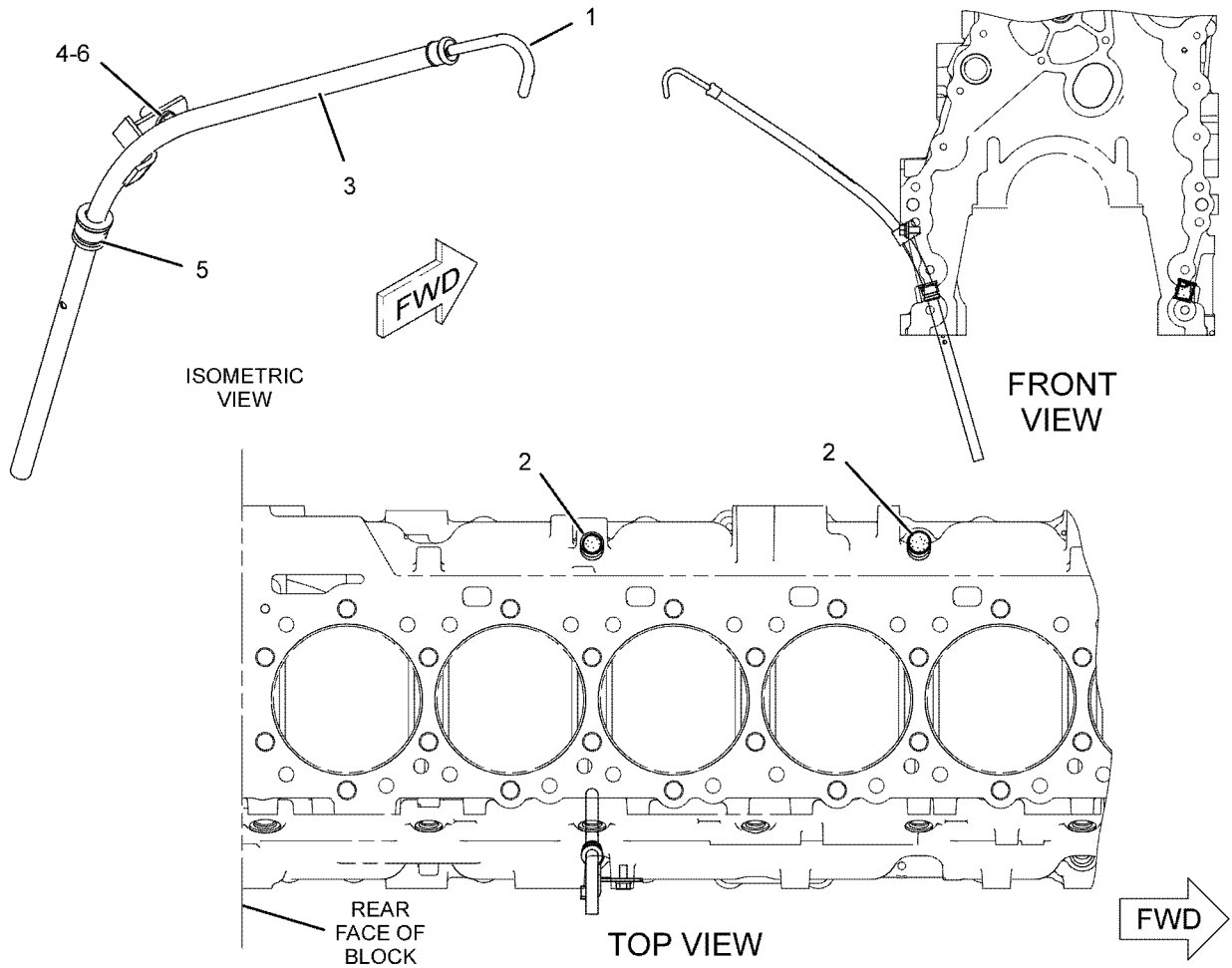
FOR USE WITH 243-3378-PAGE 262
AN ATTACHMENT

SMCS-1326

i02895353

NOTE	REF NO	GRAPHIC REF	PART NUMBER	QTY	PART NAME						SEE PAGE
					1	2	3	4	5	6 (PRODUCT LEVEL)	
	1	1	119-3749	1	GAUGE AS-OIL LEVEL (DIPSTICK, ENGINE)						
J	2	1	165-6170	2	PLUG						
	3	1	239-8016	1	TUBE AS-GUIDE						
	4	1	0S-1617	1	BOLT (5/16-18X0.75-IN)						
	5	1	112-3102	1	SEAL-O-RING						
	6	1	9M-1974	1	WASHER-HARD (8.8X16X2-MM THK)						

J-USE TO PLUG OPTIONAL DIPSTICK LOCATIONS



GRAPHIC #1

<END>

g01030811

LUBRICATION SYSTEM

245-9806 GAUGE GP-OIL LEVEL (DIPSTICK)-ENGINE

LH SERVICE

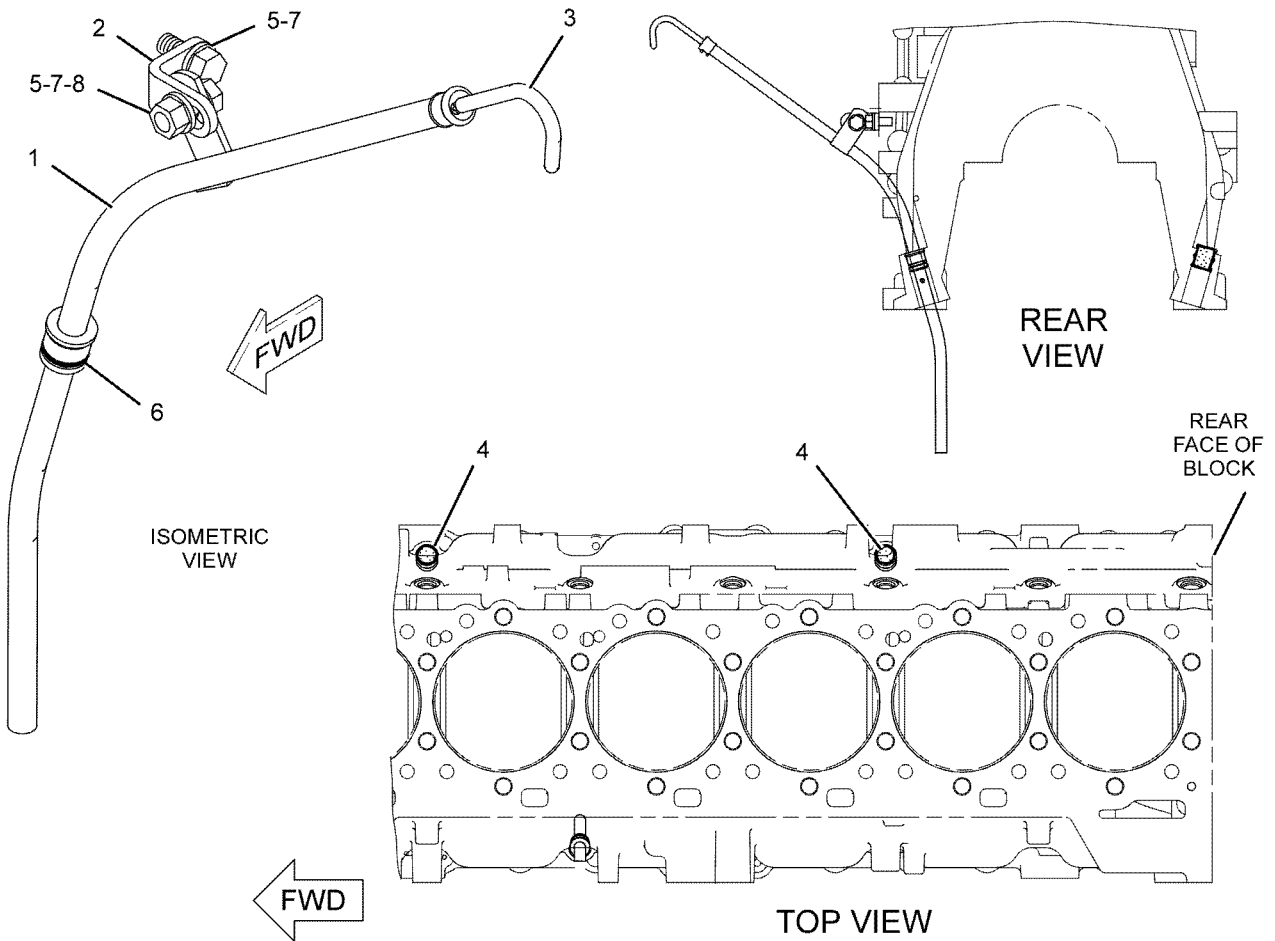
FOR USE WITH 243-3376-PAGE 253, 243-3377-PAGE 257
AN ATTACHMENT

SMCS-1326

i02325117

NOTE	REF NO	GRAPHIC REF	PART NUMBER	QTY	PART NAME						SEE PAGE
					1	2	3	4	5	6 (PRODUCT LEVEL)	
	1	1	1N-3810	1	GUIDE AS-OIL LEVEL GAUGE (DIPSTICK, ENGINE)						
	2	1	2L-6243	1	BRACKET						
	3	1	119-3749	1	GAUGE AS-OIL LEVEL (DIPSTICK, ENGINE)						
J	4	1	165-6170	2	PLUG						
	5	1	0L-1351	2	BOLT (3/8-16X0.875-IN)						
	6	1	118-5068	1	SEAL-O-RING						
	7	1	5M-2894	3	WASHER-HARD (10.2X18.5X2.5-MM THK)						
	8	1	9S-8752	1	NUT-FULL (3/8-16-THD)						

J-USE TO PLUG OPTIONAL DIPSTICK LOCATIONS



GRAPHIC #1

<END>

g01030103

LUBRICATION SYSTEM

273-7187 GAUGE GP-OIL LEVEL (DIPSTICK)-ENGINE

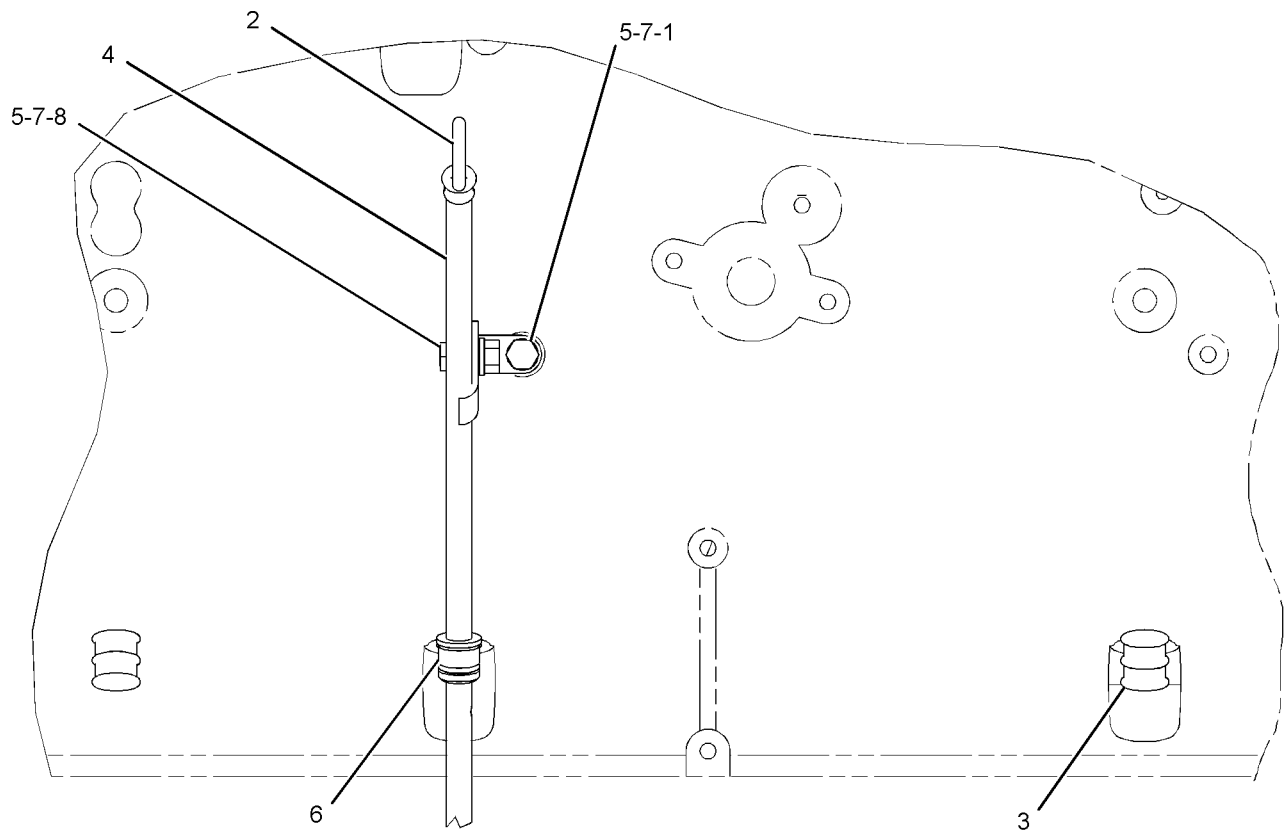
MARINE RH SERVICE ENGINES
AN ATTACHMENT

SMCS-1326

i02897239

NOTE	REF NO	GRAPHIC REF	PART NUMBER	QTY	PART NAME						SEE PAGE
					1	2	3	4	5	6 (PRODUCT LEVEL)	
	1	1	2L-6243	1	BRACKET						
	2	1	119-3749	1	GAUGE AS-OIL LEVEL (DIPSTICK, ENGINE)						
J	3	1	165-6170	3	PLUG						
	4	1	273-7188	1	TUBE AS-OIL LEVEL GUIDE						
	5	1	0L-1351	2	BOLT (3/8-16X0.875-IN)						
	6	1	118-5068	1	SEAL-O-RING						
	7	1	5M-2894	3	WASHER-HARD (10.2X18.5X2.5-MM THK)						
	8	1	9S-8752	1	NUT-FULL (3/8-16-THD)						

J-USE TO PLUG OPTIONAL DIPSTICK LOCATIONS



LEFT SIDE VIEW

GRAPHIC #1

<END>

g01197518

LUBRICATION SYSTEM

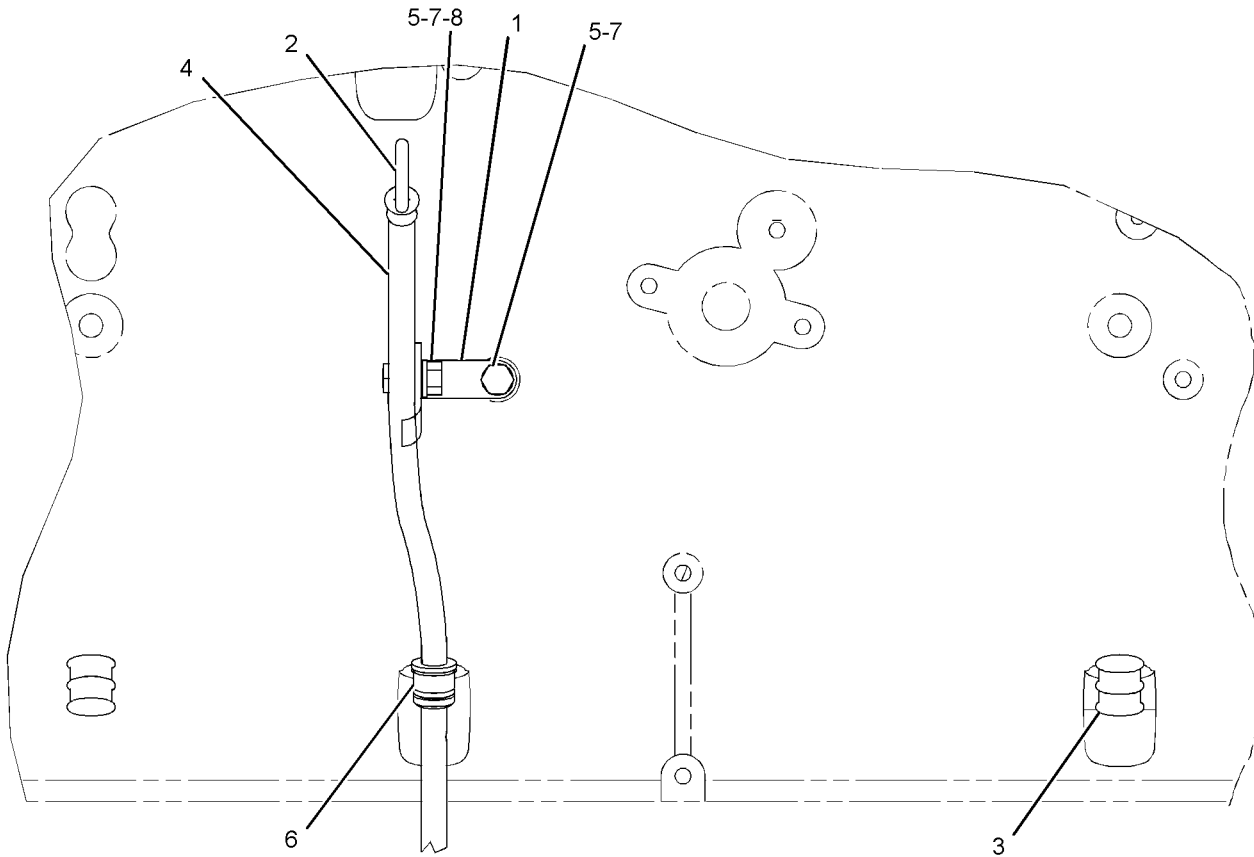
294-4711 GAUGE GP-OIL LEVEL (DIPSTICK)-ENGINE FOR USE WITH LEFT HAND SERVICE TIER-II MARINE ENGINE AN ATTACHMENT

SMCS-1326

i02897269

NOTE	REF NO	GRAPHIC REF	PART NUMBER	QTY	PART NAME						SEE PAGE
					1	2	3	4	5	6 (PRODUCT LEVEL)	
	1	1	7T-2035	1	ANGLE						
	2	1	119-3749	1	GAUGE AS-OIL LEVEL (DIPSTICK, ENGINE)						
J	3	1	165-6170	3	PLUG						
	4	1	294-4712	1	TUBE AS-OIL LEVEL GUIDE (ENGINE)						
	5	1	0L-1351	2	BOLT (3/8-16X0.875-IN)						
	6	1	118-5068	1	SEAL-O-RING						
	7	1	5M-2894	3	WASHER-HARD (10.2X18.5X2.5-MM THK)						
	8	1	9S-8752	1	NUT-FULL (3/8-16-THD)						

J-USE TO PLUG OPTIONAL DIPSTICK LOCATIONS



LEFT SIDE VIEW

GRAPHIC #1

<END>

g01428474

LUBRICATION SYSTEM

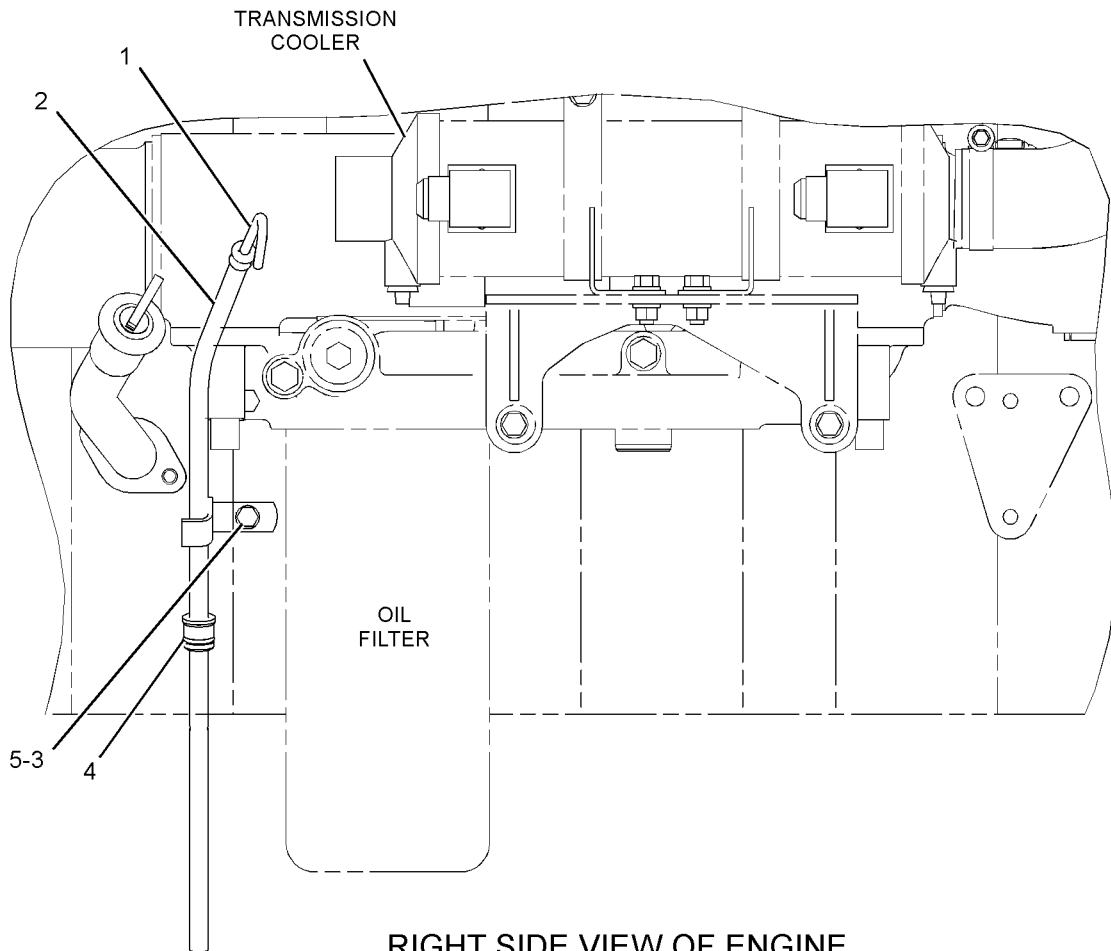
316-4989 GAUGE GP-OIL LEVEL (DIPSTICK)-ENGINE

RH
AN ATTACHMENT

SMCS-1326

i02897270

NOTE	REF NO	GRAPHIC REF	PART NUMBER	QTY	PART NAME						SEE PAGE
					1	2	3	4	5	6 (PRODUCT LEVEL)	
	1	1	119-3749	1	GAUGE AS-OIL LEVEL (DIPSTICK, ENGINE)						
	2	1	239-8016	1	TUBE AS-GUIDE						
	3	1	0S-1617	1	BOLT (5/16-18X0.75-IN)						
	4	1	112-3102	1	SEAL-O-RING						
	5	1	9M-1974	1	WASHER-HARD (8.8X16X2-MM THK)						



RIGHT SIDE VIEW OF ENGINE

GRAPHIC #1

<END>

g01428726

LUBRICATION SYSTEM

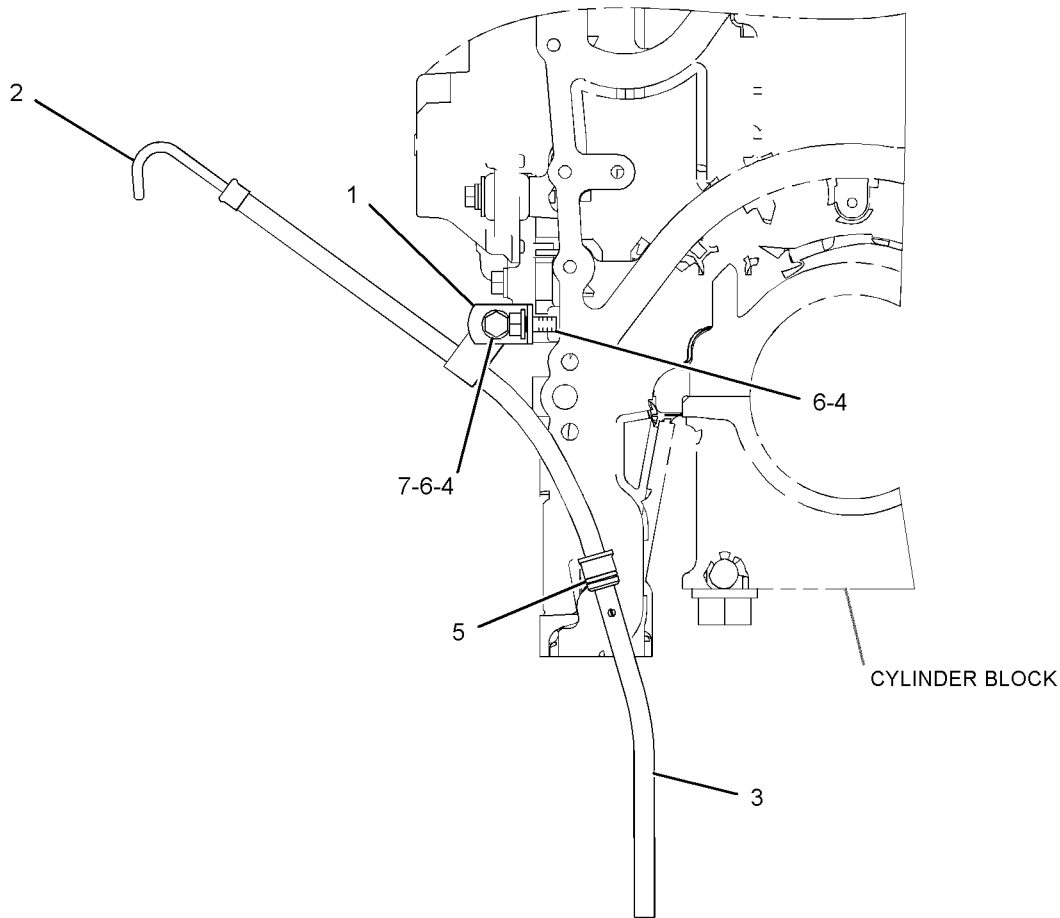
317-5271 GAUGE GP-OIL LEVEL (DIPSTICK)-ENGINE

TIER II, LH
AN ATTACHMENT

SMCS-1326

i03251717

NOTE	REF NO	GRAPHIC REF	PART NUMBER	QTY	PART NAME						SEE PAGE
					1	2	3	4	5	6 (PRODUCT LEVEL)	
	1	1	7T-2035	1	ANGLE						
	2	1	119-3749	1	GAUGE AS-OIL LEVEL (DIPSTICK, ENGINE)						
	3	1	294-4712	1	TUBE AS-OIL GAUGE						
	4	1	0L-1351	2	BOLT (3/8-16X0.875-IN)						
	5	1	118-5068	1	SEAL-O-RING						
	6	1	5M-2894	3	WASHER-HARD (10.2X18.5X2.5-MM THK)						
	7	1	9S-8752	1	NUT-FULL (3/8-16-THD)						



REAR VIEW OF ENGINE

GRAPHIC #1

<END>

g01592337

LUBRICATION SYSTEM

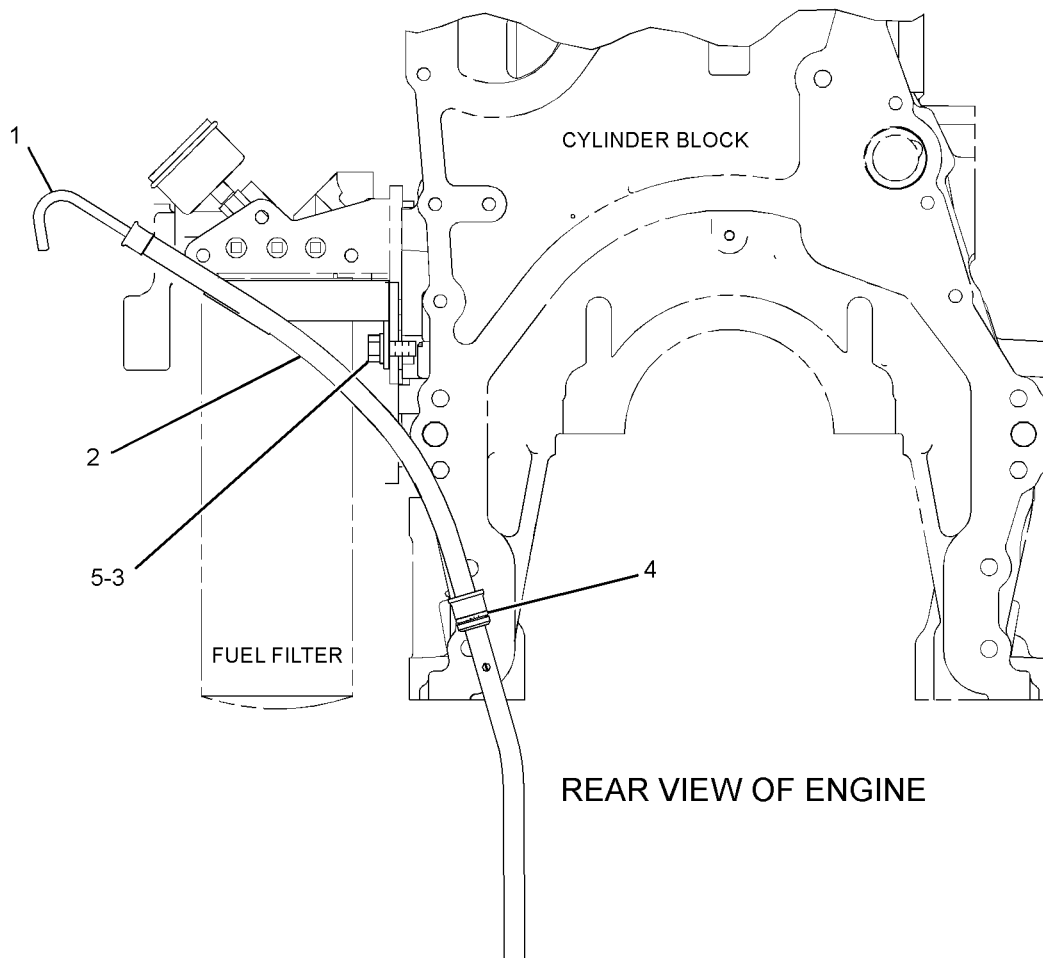
324-0476 GAUGE GP-OIL LEVEL (DIPSTICK)-ENGINE

LH
AN ATTACHMENT

SMCS-1326

i03251716

NOTE	REF NO	GRAPHIC REF	PART NUMBER	QTY	PART NAME						SEE PAGE
					1	2	3	4	5	6 (PRODUCT LEVEL)	
	1	1	119-3749	1	GAUGE AS-OIL LEVEL (DIPSTICK, ENGINE)						
	2	1	259-1393	1	TUBE AS						
	3	1	0L-1351	1	BOLT (3/8-16X0.875-IN)						
	4	1	118-5068	1	SEAL-O-RING						
	5	1	5M-2894	1	WASHER-HARD (10.2X18.5X2.5-MM THK)						



GRAPHIC #1

<END>

g01648713

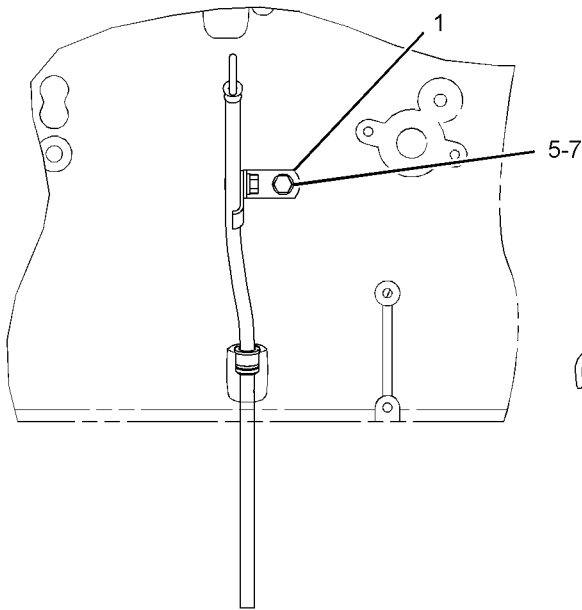
LUBRICATION SYSTEM

333-2407 GAUGE GP-OIL LEVEL (DIPSTICK)-ENGINE FOR USE WITH LH SERVICE AN ATTACHMENT

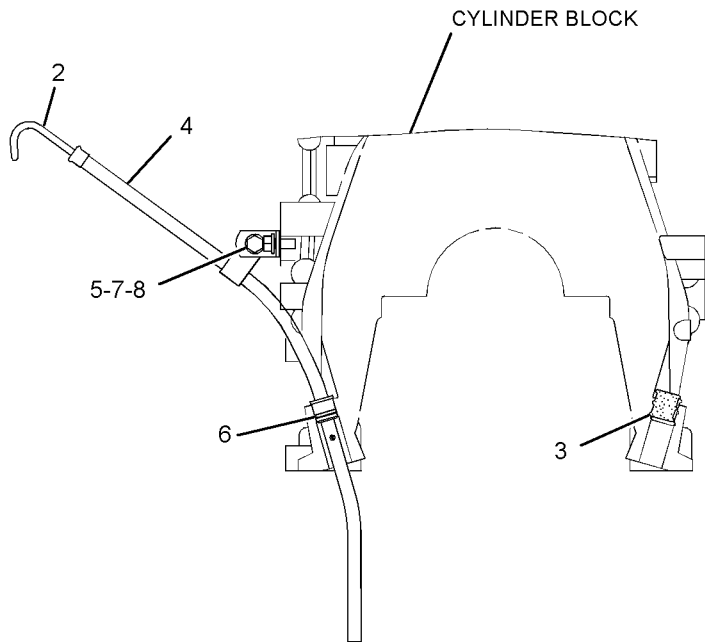
SMCS-1326

i03251718

NOTE	REF NO	GRAPHIC REF	PART NUMBER	QTY	PART NAME						SEE PAGE
					1	2	3	4	5	6 (PRODUCT LEVEL)	
	1	1	7T-2035	1	ANGLE						
	2	1	119-3749	1	GAUGE AS-OIL LEVEL (DIPSTICK, ENGINE)						
	3	1	165-6170	2	PLUG						
	4	1	294-4712	1	TUBE AS-OIL GAUGE						
	5	1	0L-1351	2	BOLT (3/8-16X0.875-IN)						
	6	1	118-5068	1	SEAL-O-RING						
	7	1	5M-2894	3	WASHER-HARD (10.2X18.5X2.5-MM THK)						
	8	1	9S-8752	1	NUT-FULL (3/8-16-THD)						



LEFT SIDE VIEW OF ENGINE



REAR VIEW OF ENGINE

GRAPHIC #1

<END>

g01627851

LUBRICATION SYSTEM

4N-1128 LINES GP-ENGINE OIL

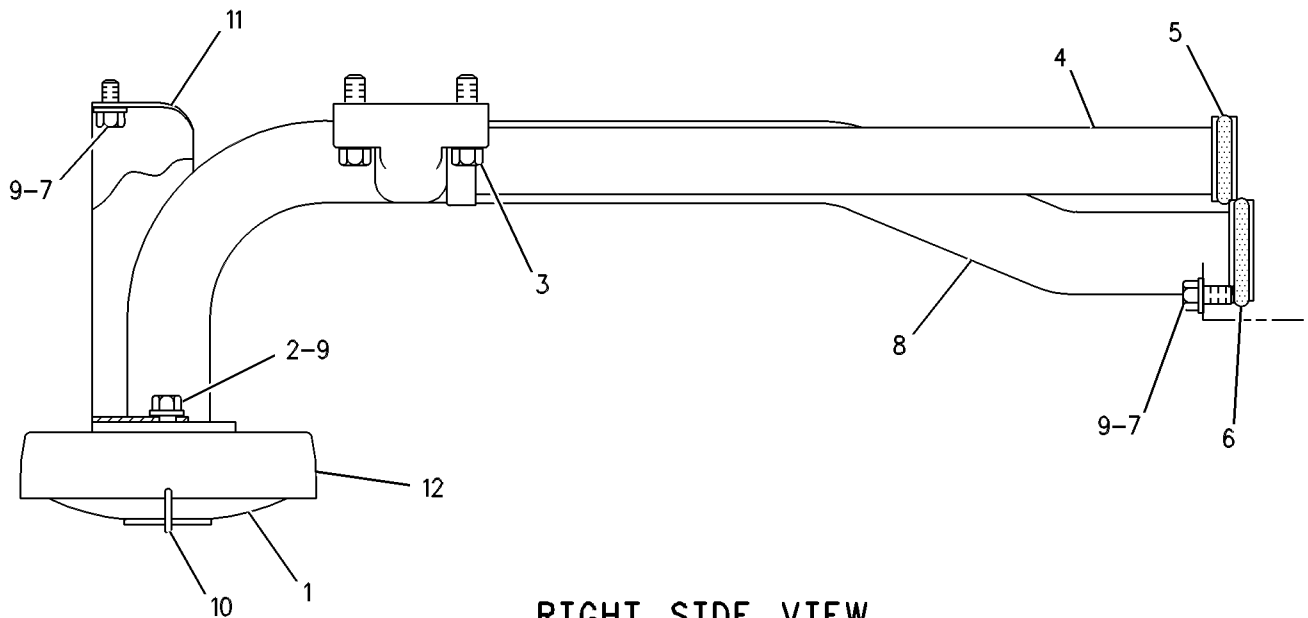
FOR USE WITH DEEP SUMP OIL PAN
AN ATTACHMENT

SMCS-1307

i03906628

NOTE	REF NO	GRAPHIC REF	PART NUMBER	QTY	PART NAME						SEE PAGE
					1	2	3	4	5	6 (PRODUCT LEVEL)	
	1	1	4N-0913	1	SCREEN AS-SUCTION (ENGINE OIL SUMP)						
	2	1	1A-2029	2	BOLT (3/8-16X1.125-IN)						
	3	1	0S-1591	2	BOLT (3/8-16X1.5-IN)						
C	4	1	4P-7373	1	TUBE AS						
	5	1	5P-8068	1	SEAL-O-RING						
	6	1	5P-5846	1	SEAL-O-RING						
	7	1	0L-1351	3	BOLT (3/8-16X0.875-IN)						
	8	1	9N-5124	1	TUBE AS-PUMP SUCTION						
	9	1	9X-6458	5	WASHER-HARD (10.2X22.5X3-MM THK)						
	10	1	4N-0914	1	CLIP						
	11	1	6N-7249	1	SUPPORT-SUCTION BELL						
	12	1	8N-2104	1	BELL AS-SUCTION						

C- CHANGE FROM PREVIOUS TYPE



RIGHT SIDE VIEW

GRAPHIC #1

<END>

g00260084

LUBRICATION SYSTEM

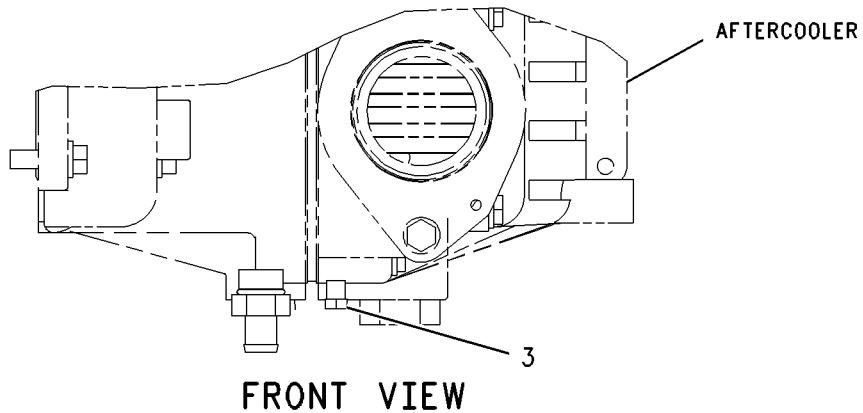
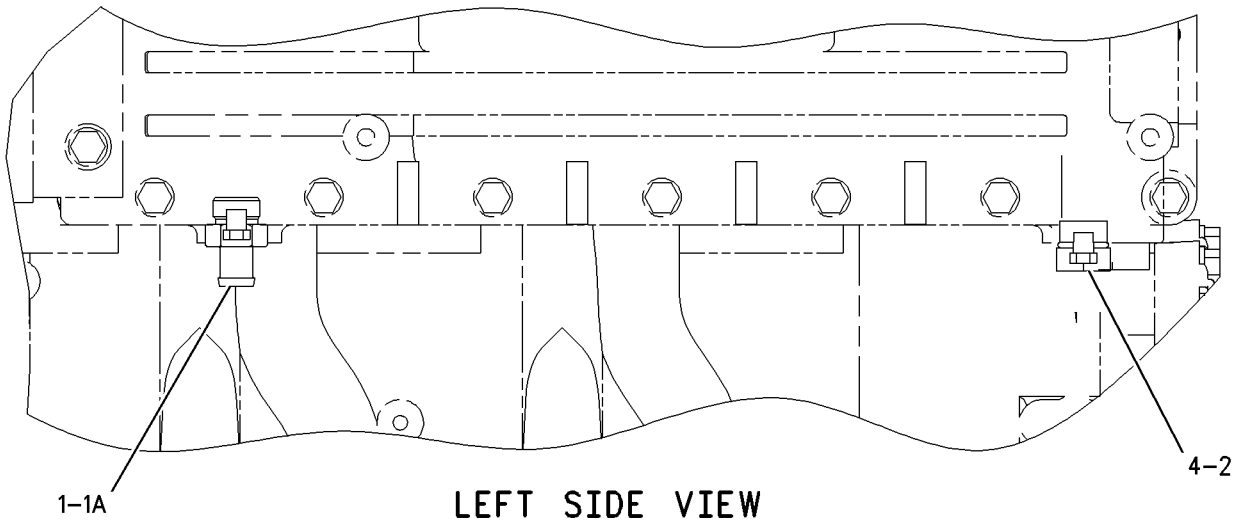
224-2383 LINES GP-ENGINE OIL DRAIN

FOR USE WITH FRONT DOWN ENGINE INSTALLATION
AN ATTACHMENT

SMCS-1307

i01905296

NOTE	REF NO	GRAPHIC REF	PART NUMBER	QTY	PART NAME						SEE PAGE
					1	2	3	4	5	6 (PRODUCT LEVEL)	
	1	1	108-1478	1	VALVE GP (CONDENSATION CHECK)						
	1A	1	2M-9780	1	SEAL-O-RING						
	2	1	2M-9780	1	SEAL-O-RING						
	3	1	8T-6764	2	PLUG-PIPE						
	4	1	9S-4190	1	PLUG-O-RING						



GRAPHIC #1

<END>

g00909681

LUBRICATION SYSTEM

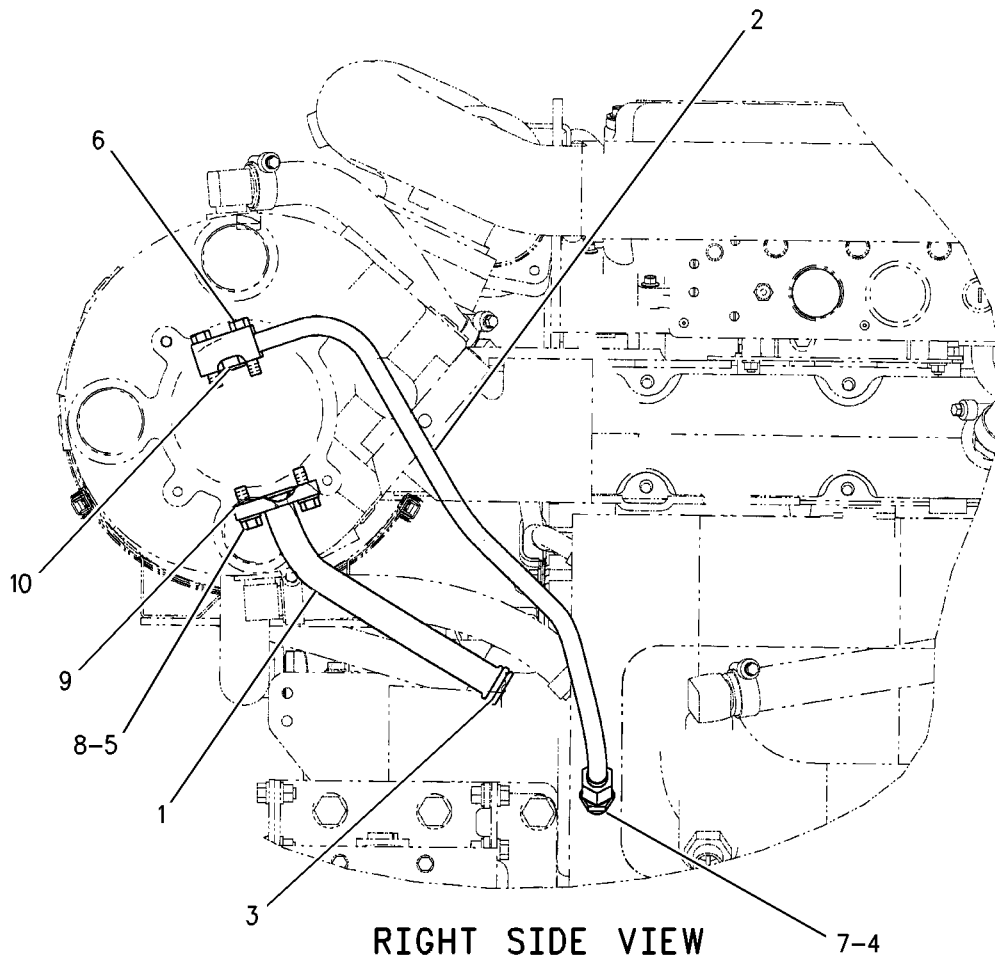
196-0220 LINES GP-TURBOCHARGER OIL

FOR USE WITH SAE NO.1 FLYWHEEL HOUSING
AN ATTACHMENT

SMCS-1052, 1307

i01533707

NOTE	REF NO	GRAPHIC REF	PART NUMBER	QTY	PART NAME						SEE PAGE
					1	2	3	4	5	6 (PRODUCT LEVEL)	
	1	1	195-6386	1	TUBE AS						
	2	1	196-0219	1	TUBE AS						
	3	1	114-2687	1	SEAL-O-RING						
	4	1	114-4427	1	SEAL-O-RING						
	5	1	1A-2029	2	BOLT (3/8-16X1.125-IN)						
	6	1	2A-4639	2	BOLT (3/8-16X1.625-IN)						
	7	1	9M-4584	1	CONNECTOR						
	8	1	5M-2894	2	WASHER-HARD (10.2X18.5X2.5-MM THK)						
	9	1	5P-7530	1	SEAL-O-RING						
	10	1	6J-2245	1	SEAL-O-RING						



GRAPHIC #1

<END>

g00775351

LUBRICATION SYSTEM

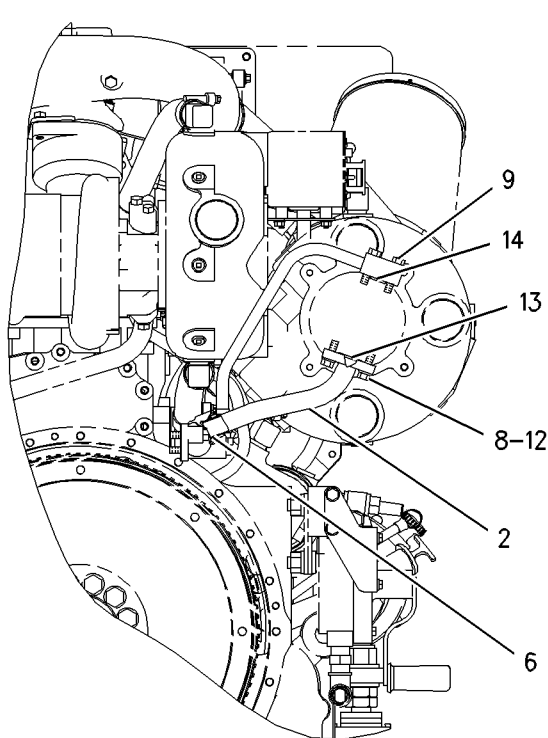
201-1518 LINES GP-TURBOCHARGER OIL

FOR USE WITH MIDDLE MOUNTED TURBOCHARGER
ALSO AN ATTACHMENT

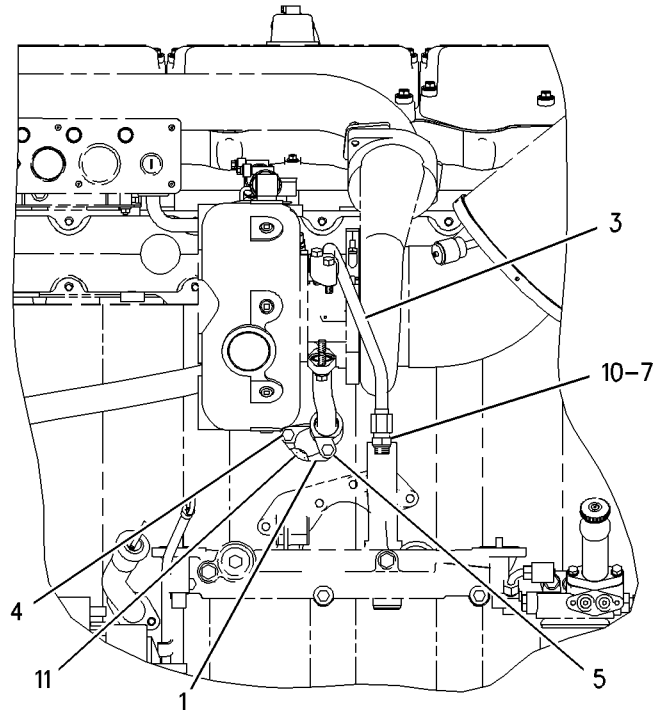
SMCS-1052, 1307

i01719721

NOTE	REF NO	GRAPHIC REF	PART NUMBER	QTY	PART NAME						SEE PAGE
					1	2	3	4	5	6 (PRODUCT LEVEL)	
	1	1	4N-2040	1	ELBOW-DRAIN						
	2	1	196-0217	1	TUBE AS						
	3	1	196-0218	1	TUBE AS						
	4	1	0S-1571	1	BOLT (3/8-16X1.75-IN)						
	5	1	0S-1619	1	BOLT (3/8-16X3-IN)						
	6	1	114-2687	1	SEAL-O-RING						
	7	1	114-4427	1	SEAL-O-RING						
	8	1	1A-2029	2	BOLT (3/8-16X1.125-IN)						
	9	1	2A-4639	2	BOLT (3/8-16X1.625-IN)						
	10	1	9M-4584	1	CONNECTOR						
	11	1	4N-0699	1	GASKET						
	12	1	5M-2894	2	WASHER-HARD (10.2X18.5X2.5-MM THK)						
	13	1	5P-7530	1	SEAL-O-RING						
	14	1	6J-2245	1	SEAL-O-RING						



REAR VIEW



RIGHT SIDE VIEW

GRAPHIC #1

<END>

g00770811

LUBRICATION SYSTEM

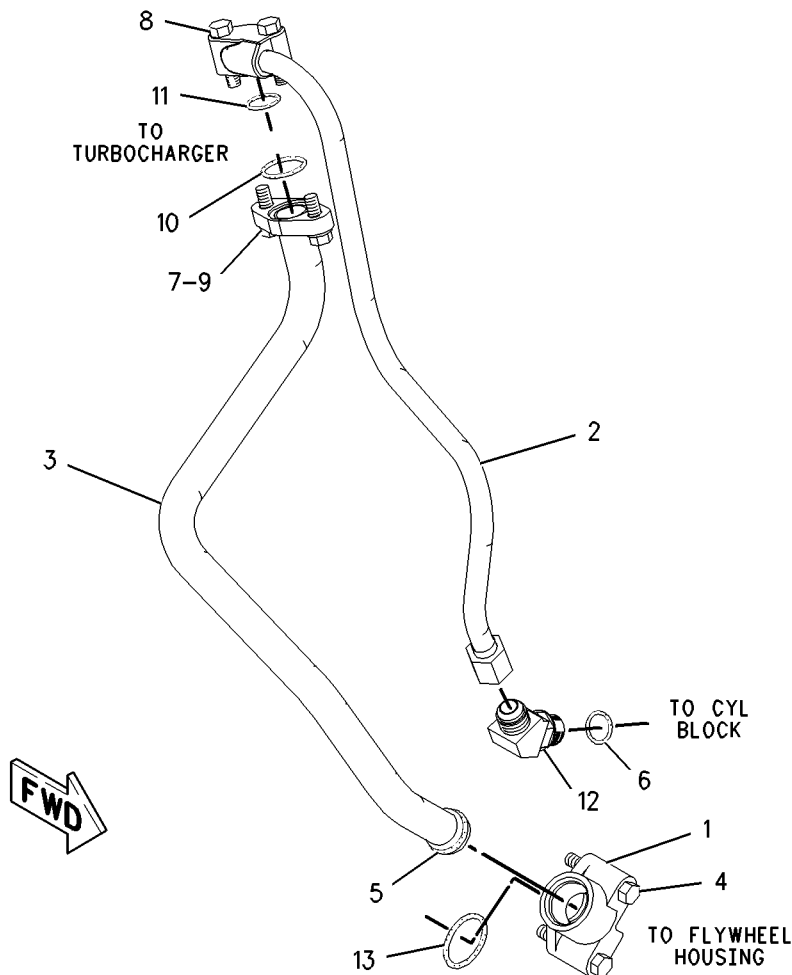
205-9174 LINES GP-TURBOCHARGER OIL

FOR USE WITH SAE NO. 0 FLYWHEEL HOUSING
AN ATTACHMENT

SMCS-1052, 1307

i01549451

NOTE	REF NO	GRAPHIC REF	PART NUMBER	QTY	PART NAME						SEE PAGE
					1	2	3	4	5	6 (PRODUCT LEVEL)	
	1	1	106-3942	1	ELBOW						
	2	1	205-9175	1	TUBE AS						
	3	1	205-9176	1	TUBE AS						
	4	1	0L-2070	2	BOLT (3/8-16X2.25-IN)						
	5	1	112-3540	1	SEAL-O-RING						
	6	1	136-7227	1	SEAL-O-RING						
	7	1	1A-2029	2	BOLT (3/8-16X1.125-IN)						
	8	1	2A-4639	2	BOLT (3/8-16X1.625-IN)						
	9	1	5M-2894	2	WASHER-HARD (10.2X18.5X2.5-MM THK)						
	10	1	5P-7530	1	SEAL-O-RING						
	11	1	6J-2245	1	SEAL-O-RING						
	12	1	6M-7476	1	ELBOW						
	13	1	6V-5266	1	SEAL-O-RING						



GRAPHIC #1

<END>

g00809085

LUBRICATION SYSTEM

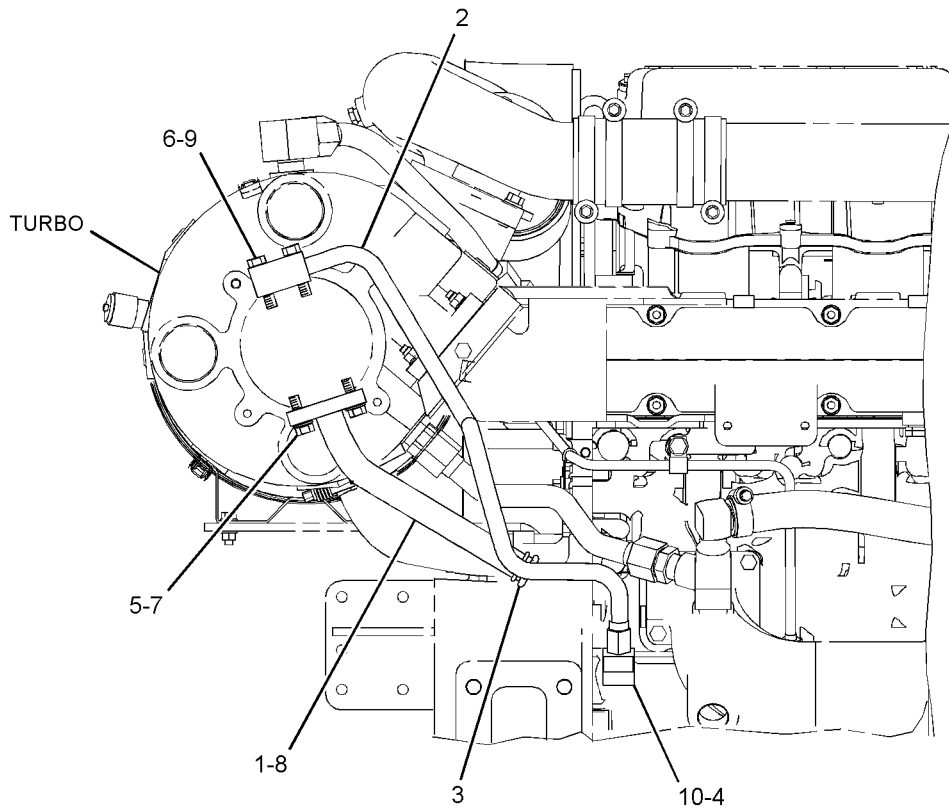
277-5797 LINES GP-TURBOCHARGER OIL

FOR USE WITH C18 ACERT TIER II MARINE ENGINES, SAE NO.1 FLYWHEEL HOUSING
ALSO AN ATTACHMENT

SMCS-1052, 1307

i02640253

NOTE	REF NO	GRAPHIC REF	PART NUMBER	QTY	PART NAME						SEE PAGE
					1	2	3	4	5	6 (PRODUCT LEVEL)	
	1	1	195-6386	1	TUBE AS						
	2	1	277-5794	1	TUBE AS						
	3	1	114-2687	1	SEAL-O-RING						
	4	1	114-4427	1	SEAL-O-RING						
	5	1	1A-2029	2	BOLT (3/8-16X1.125-IN)						
	6	1	2A-4639	2	BOLT (3/8-16X1.625-IN)						
	7	1	5M-2894	2	WASHER-HARD (10.2X18.5X2.5-MM THK)						
	8	1	5P-7530	1	SEAL-O-RING						
	9	1	6J-2245	1	SEAL-O-RING						
	10	1	6M-7476	1	ELBOW						



RIGHT SIDE VIEW OF ENGINE

GRAPHIC #1

<END>

g01325798

LUBRICATION SYSTEM

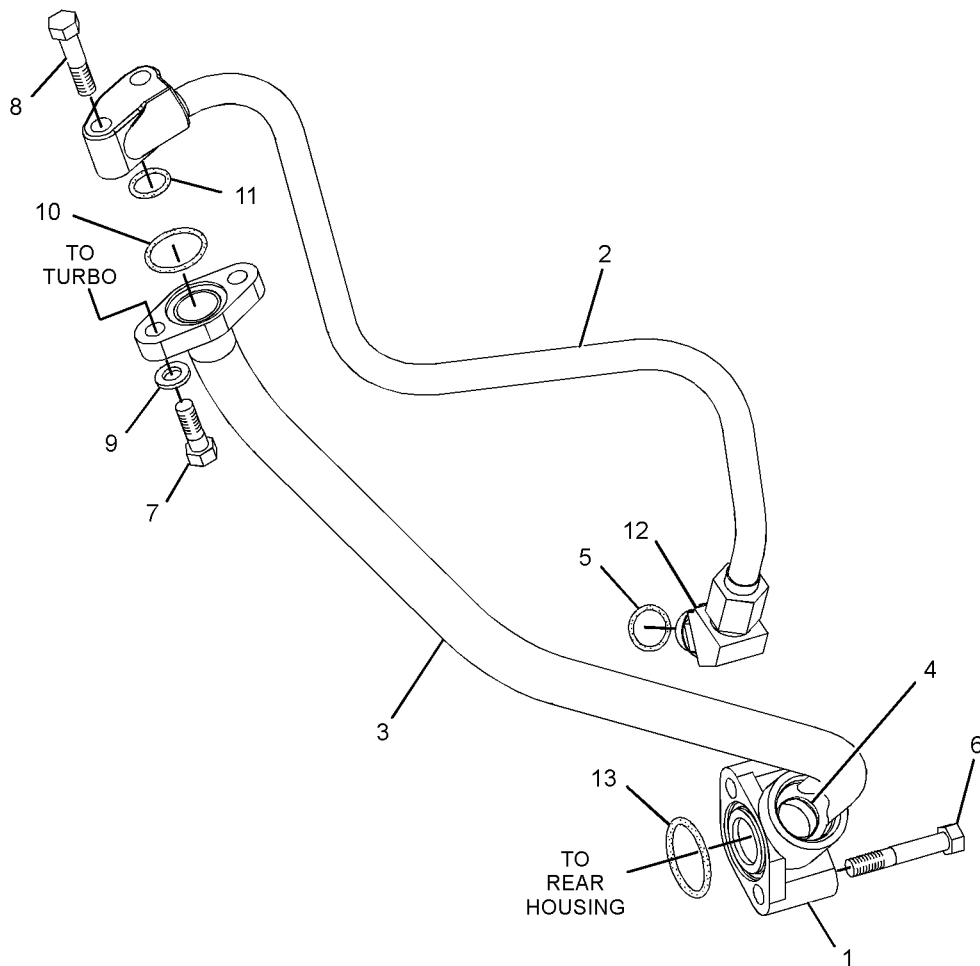
294-0105 LINES GP-TURBOCHARGER OIL

FOR USE WITH REAR MOUNTED TURBO
ALSO AN ATTACHMENT

SMCS-1052, 1307

i02676759

NOTE	REF NO	GRAPHIC REF	PART NUMBER	QTY	PART NAME						SEE PAGE
					1	2	3	4	5	6 (PRODUCT LEVEL)	
	1	1	106-3942	1	ELBOW						
	2	1	205-9175	1	TUBE AS						
	3	1	294-0106	1	TUBE AS						
	4	1	112-3540	1	SEAL-O-RING						
	5	1	136-7227	1	SEAL-O-RING						
	6	1	0L-2070	2	BOLT (3/8-16X2.25-IN)						
	7	1	1A-2029	2	BOLT (3/8-16X1.125-IN)						
	8	1	2A-4639	2	BOLT (3/8-16X1.625-IN)						
	9	1	5M-2894	2	WASHER-HARD (10.2X18.5X2.5-MM THK)						
	10	1	5P-7530	1	SEAL-O-RING						
	11	1	6J-2245	1	SEAL-O-RING						
	12	1	6M-7476	1	ELBOW						
	13	1	6V-5266	1	SEAL-O-RING						



GRAPHIC #1

<END>

g01346000

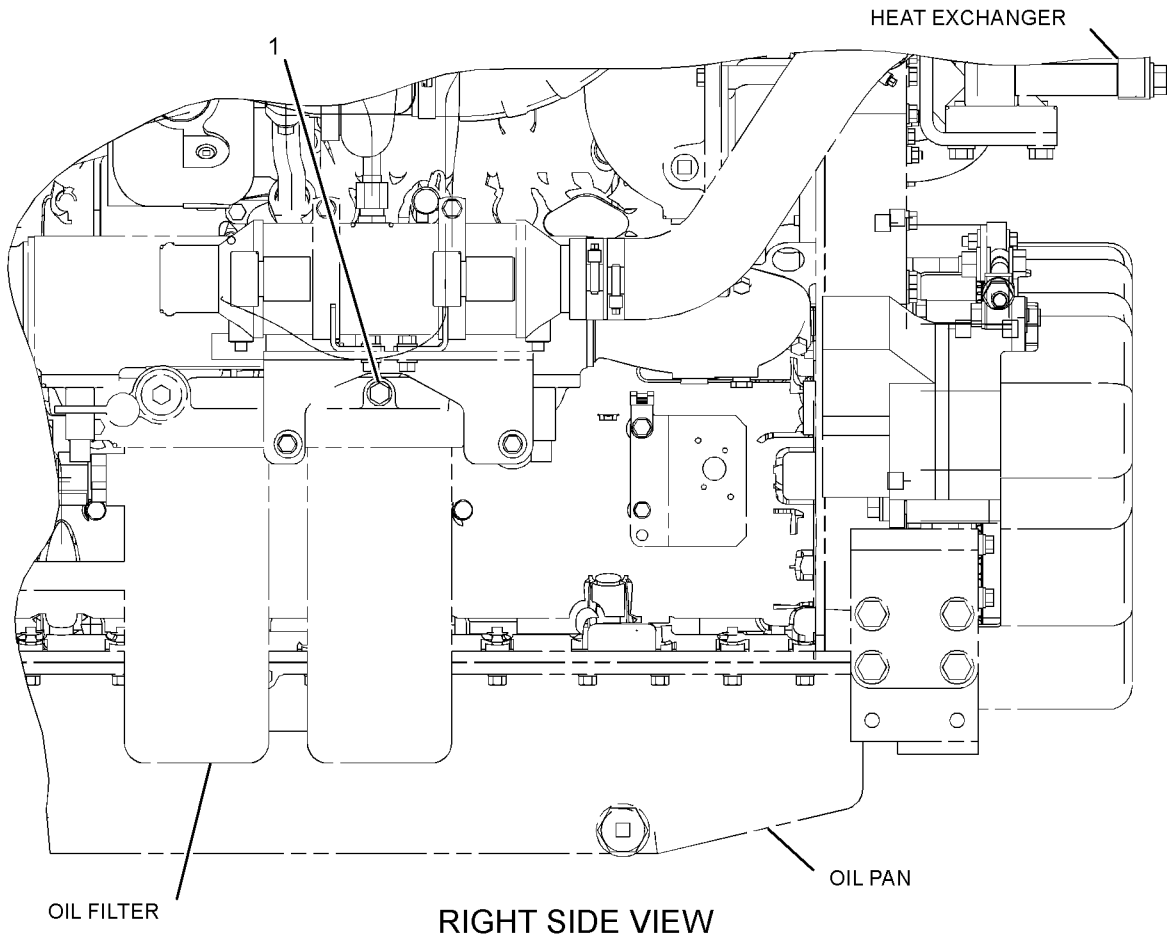
LUBRICATION SYSTEM

257-6934 PLUG GP-OIL FILTER MOUNTING FOR USE WITH MARINE ENGINES. CANNOT BE USED WITH DUEL ECM OPTION AN ATTACHMENT

SMCS-1306

i03842949

NOTE	REF NO	GRAPHIC REF	PART NUMBER	QTY	PART NAME						SEE PAGE
					1	2	3	4	5	6 (PRODUCT LEVEL)	
	1	1	244-3712	1	PLUG AS						
		1	214-7568	1	SEAL-O-RING						
		1	9S-4191	1	PLUG-O-RING						



GRAPHIC #1

<END>

g02090757

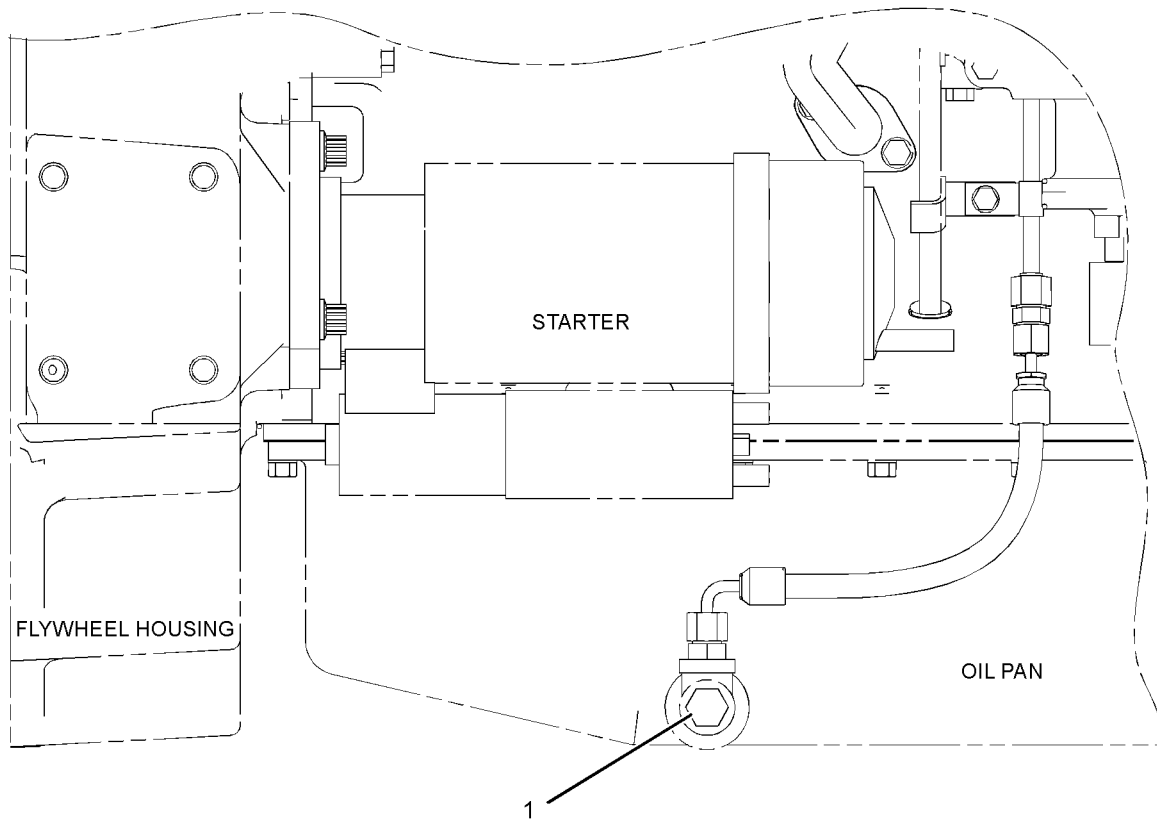
LUBRICATION SYSTEM

260-1519 PLUG GP-OIL FILTER MOUNTING FOR USE WITH DUPLEX OIL SYSTEM. CANNOT BE USED WITH SUMP PUMP AN ATTACHMENT

SMCS-1306

i03112591

NOTE	REF NO	GRAPHIC REF	PART NUMBER	QTY	PART NAME						SEE PAGE
					1	2	3	4	5	6 (PRODUCT LEVEL)	
	1	1	7W-6492	1	PLUG-PIPE						



RIGHT SIDE VIEW

<END>

GRAPHIC #1

g01591413

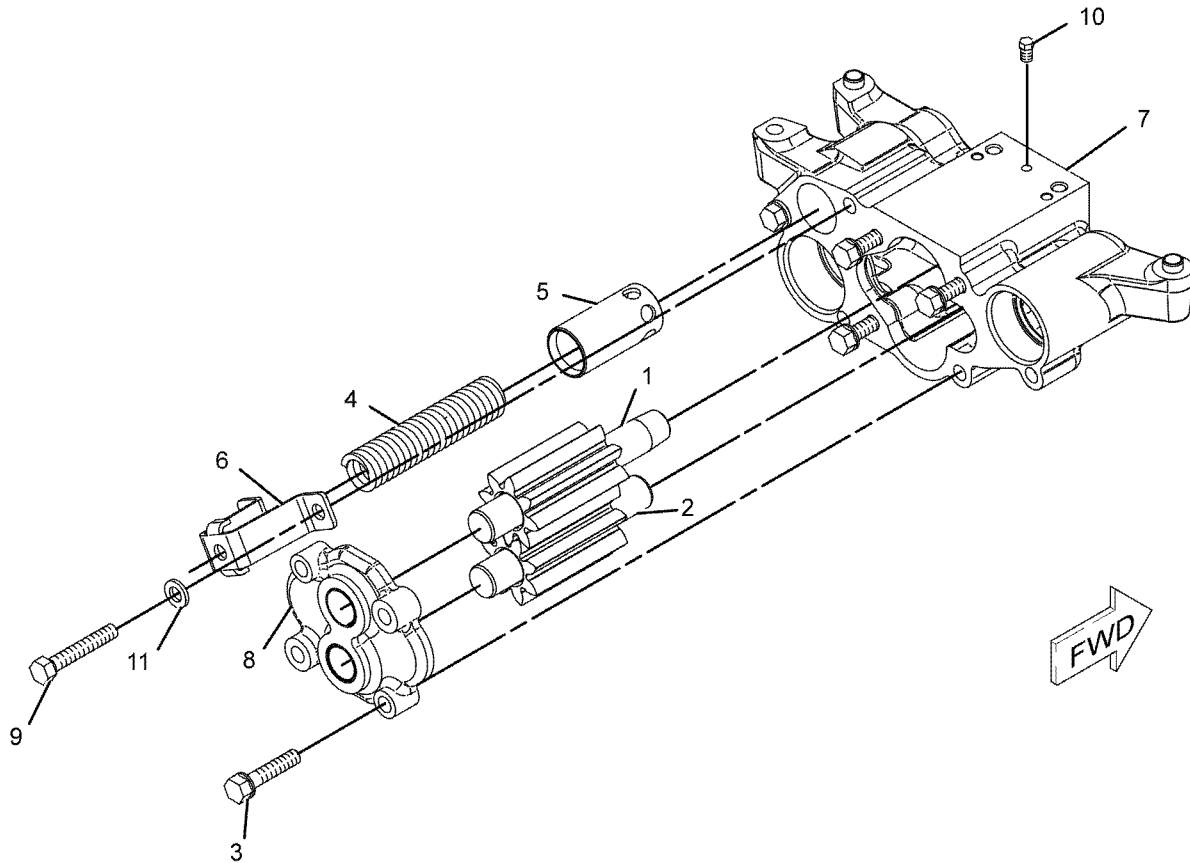
LUBRICATION SYSTEM

161-4113 PUMP GP-ENGINE OIL*R ALSO AN ATTACHMENT

SMCS-1304, 1315

i03709503

NOTE	REF NO	GRAPHIC REF	PART NUMBER	QTY	PART NAME						SEE PAGE
					1	2	3	4	5	6 (PRODUCT LEVEL)	
	1	1	1W-7238	1	SHAFT AS-PUMP DRIVE (8-TEETH)						
	2	1	1W-7239	1	SHAFT AS-IDLER (8-TEETH)						
	3	1	2P-3205	4	BOLT-WASHER HEAD (3/8-16X1.75-IN)						
	4	1	2S-2760	1	SPRING						
	5	1	6N-1931	1	PLUNGER						
	6	1	9Y-1792	1	RETAINER						
	7	1	235-1587	1	BODY AS						
		1	7N-2156	2	BEARING-SLEEVE						
		1	8M-8489	2	DOWEL						
8		1	127-6356	1	COVER AS-PUMP						
		1	8S-6511	2	BEARING-SLEEVE						
9		1	1M-0644	2	BOLT (3/8-16X2.25-IN)						
10		1	2S-7905	1	PLUG-PIPE						
11		1	5M-2894	2	WASHER-HARD (10.2X18.5X2.5-MM THK)						



GRAPHIC #1

<END>

g01066948

LUBRICATION SYSTEM

226-1191 PUMP GP-ENGINE OIL

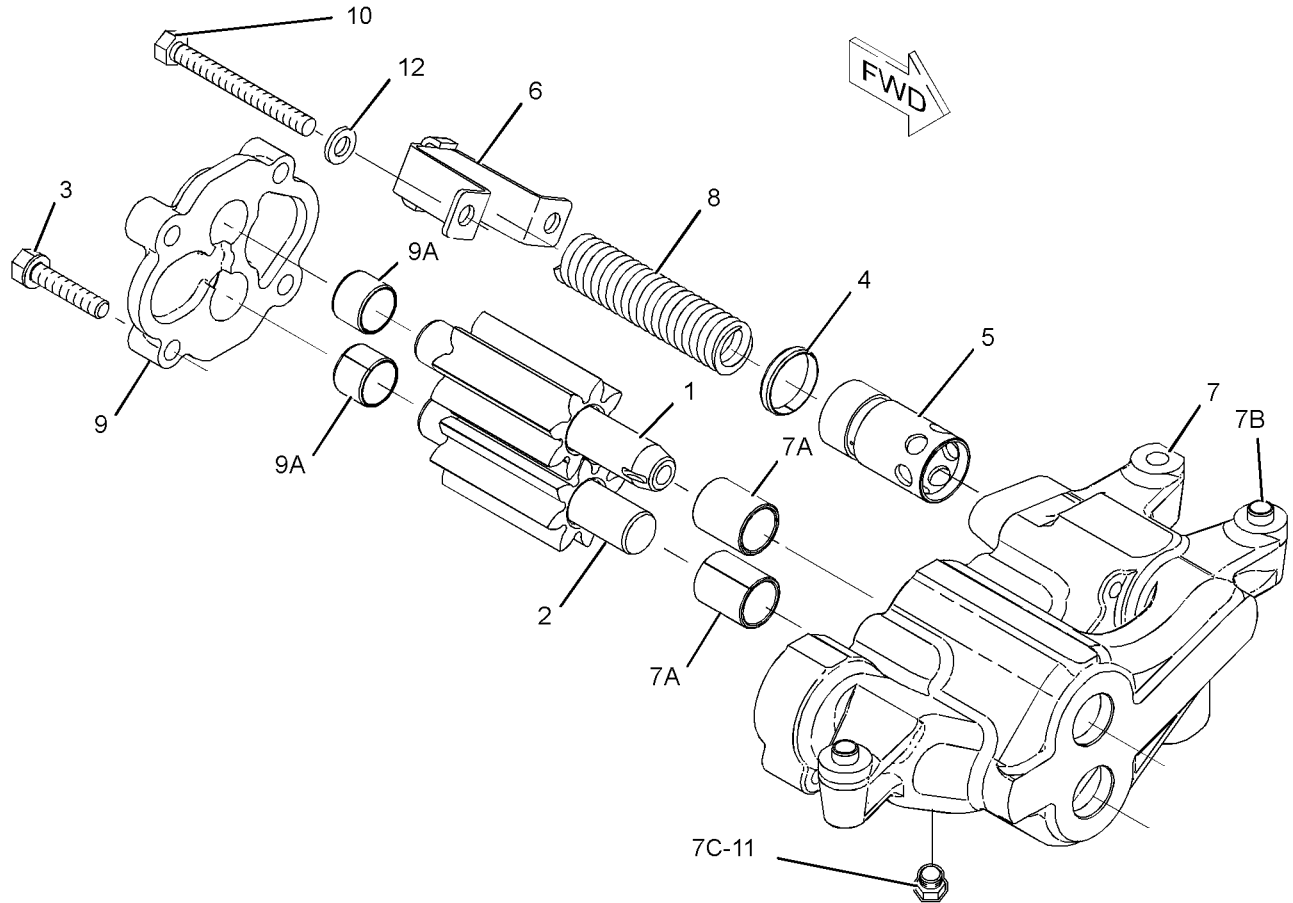
FOR USE WITH LEFT HAND OIL FILTER
ALSO AN ATTACHMENT

SMCS-1304, 1315

i02763869

NOTE	REF NO	GRAPHIC REF	PART NUMBER	QTY	PART NAME						SEE PAGE
					1	2	3	4	5	6 (PRODUCT LEVEL)	
	1	1	1W-7238	1	SHAFT AS-PUMP DRIVE						
	2	1	1W-7239	1	SHAFT AS-IDLER						
	3	1	2P-3205	4	BOLT-WASHER HEAD (3/8-16X1.75-IN)						
	4	1	7C-1511	1	RING-PLUNGER						
	5	1	7C-1512	1	PLUNGER						
	6	1	9Y-1792	1	RETAINER						
C	7	1	236-9918	1	BODY AS						
	7A	1	7N-2156	2	BEARING-SLEEVE						
	7B	1	8M-8489	2	DOWEL						
J	7C	1	2S-7905	1	PLUG-PIPE						
C	8	1	236-6733	1	SPRING						
	9	1	127-6356	1	COVER AS-PUMP						
	9A	1	8S-6511	2	BEARING-SLEEVE						
C	10	1	1M-0644	2	BOLT (3/8-16X2.25-IN)						
CJ	11	1	2S-7905	1	PLUG-PIPE						
	12	1	5M-2894	2	WASHER-HARD (10.2X18.5X2.5-MM THK)						

C-CHANGE FROM PREVIOUS TYPE
J-PARTS MARKED J ARE THE SAME PART



GRAPHIC #1

<END>

g01383549

LUBRICATION SYSTEM

200-3123 PUMP GP-SUMP

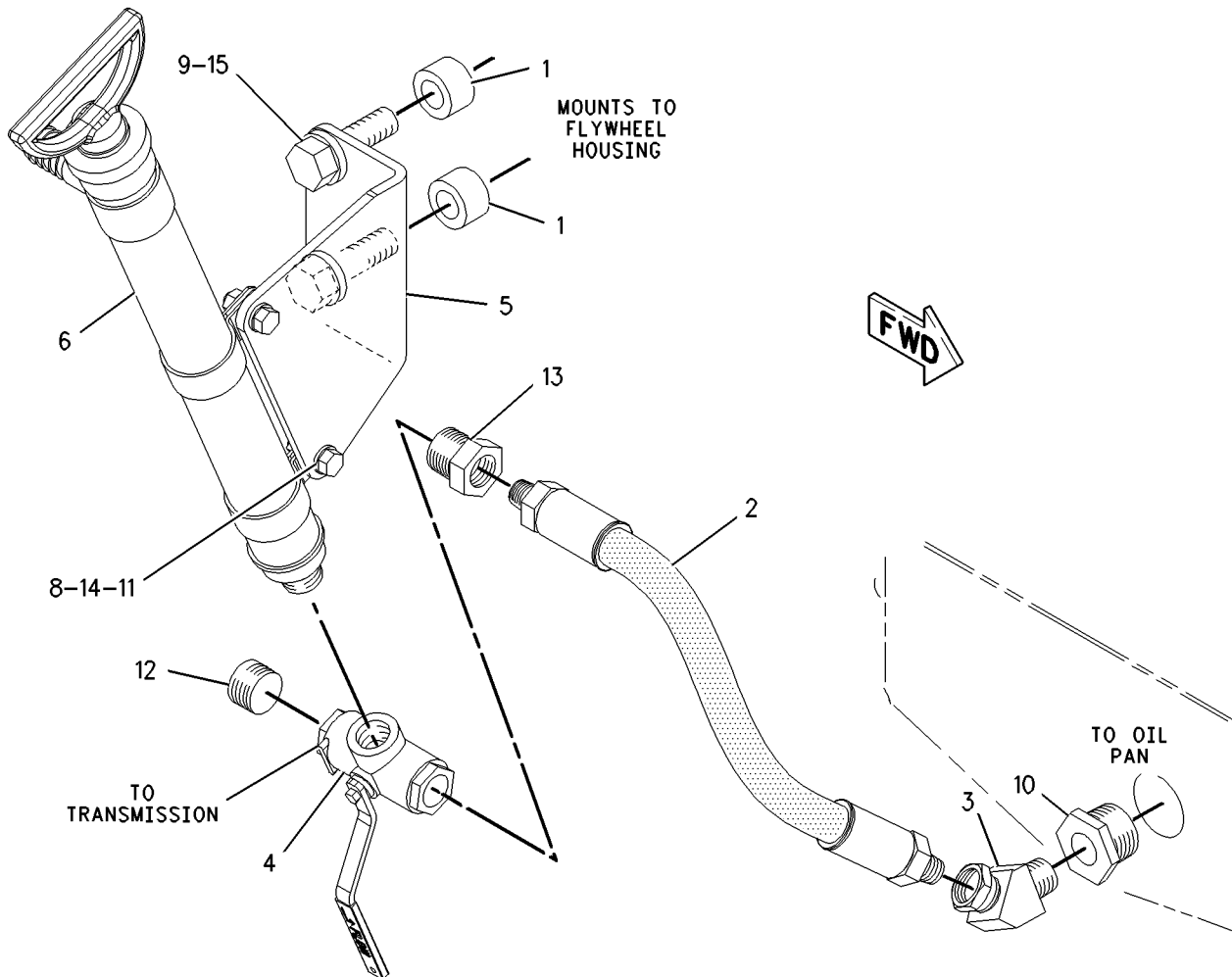
FOR USE WITH RH SERVICE ENGINE AND SAE NO. 1 FLYWHEEL HOUSING
AN ATTACHMENT
TYPE 1

SMCS-1324

i03167220

NOTE	REF NO	GRAPHIC REF	PART NUMBER	QTY	PART NAME						SEE PAGE
					1	2	3	4	5	6 (PRODUCT LEVEL)	
	1	1	2A-1314	2	SPACER (16.7X23.8X25.4-MM THK)						
I	2	1	2W-4338	1	HOSE AS						
	3	1	4D-3734	1	ELBOW						
	4	1	130-1166	1	VALVE AS-MANUAL (DIRECTIONAL FLOW)						
	5	1	200-3121	1	BRACKET						
Y	6	1	206-7473	1	PUMP GP-SUMP						359
	8	1	4M-6425	2	BOLT (5/16-18X1-IN)						
	9	1	4D-3704	2	WASHER-HARD (17X30X5-MM THK)						
	10	1	5B-4855	1	BUSHING-REDUCER						
	11	1	6V-8189	2	NUT (5/16-18-THD)						
	12	1	7X-7731	1	PLUG-PIPE						
	13	1	8B-2664	1	BUSHING-REDUCER						
	14	1	8T-4224	4	WASHER-HARD (8.8X16X2-MM THK)						
	15	1	9X-8881	2	BOLT (5/8-11X2.25-IN)						

I-REFER TO HYDRAULIC INFORMATION SYSTEM
Y-SEPARATE ILLUSTRATION



GRAPHIC #1

<END>

g00884455

LUBRICATION SYSTEM

200-3123 PUMP GP-SUMP

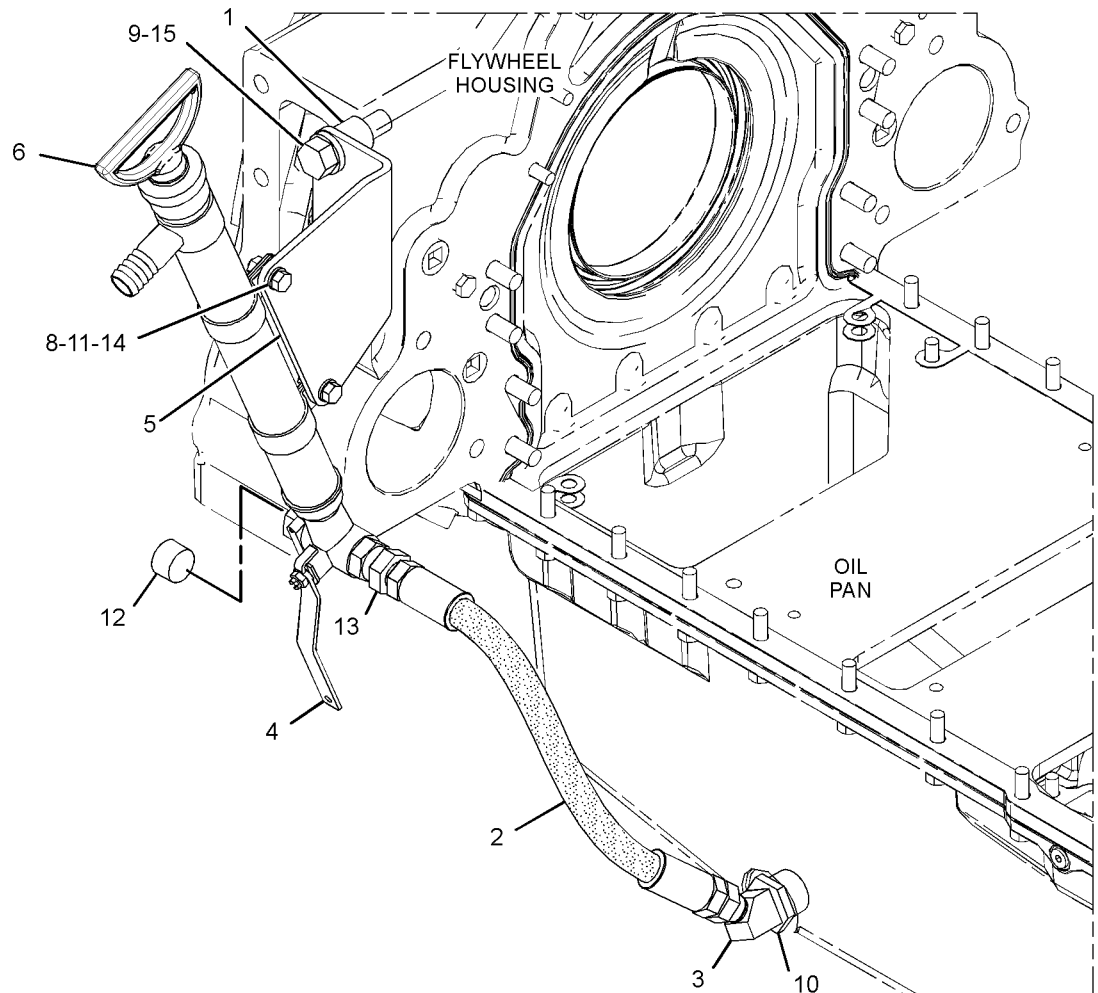
FOR USE WITH RH SERVICE ENGINE AND SAE NO. 1 FLYWHEEL HOUSING
AN ATTACHMENT
TYPE 2

SMCS-1324

i03918012

NOTE	REF NO	GRAPHIC REF	PART NUMBER	QTY	PART NAME						SEE PAGE
					1	2	3	4	5	6 (PRODUCT LEVEL)	
	1	1	2A-1314	2	SPACER (16.7X23.8X25.4-MM THK)						
I	2	1	2W-4338	1	HOSE AS						
	3	1	4D-3734	1	ELBOW						
	4	1	130-1166	1	VALVE AS-MANUAL (DIRECTIONAL FLOW)						
	5	1	200-3121	1	BRACKET						
CY	6	1	354-3456	1	PUMP GP-SUMP						360
	8	1	4M-6425	2	BOLT (5/16-18X1-IN)						
	9	1	4D-3704	2	WASHER-HARD (17X30X5-MM THK)						
	10	1	5B-4855	1	BUSHING-REDUCER						
	11	1	6V-8189	2	NUT (5/16-18-THD)						
	12	1	7X-7731	1	PLUG-PIPE						
	13	1	8B-2664	1	BUSHING-REDUCER						
	14	1	8T-4224	4	WASHER-HARD (8.8X16X2-MM THK)						
	15	1	9X-8881	2	BOLT (5/8-11X2.25-IN)						

C-CHANGE FROM PREVIOUS TYPE
I-REFER TO HYDRAULIC INFORMATION SYSTEM
Y-SEPARATE ILLUSTRATION



GRAPHIC #1

<END>

g02157145

LUBRICATION SYSTEM

205-9167 PUMP GP-SUMP

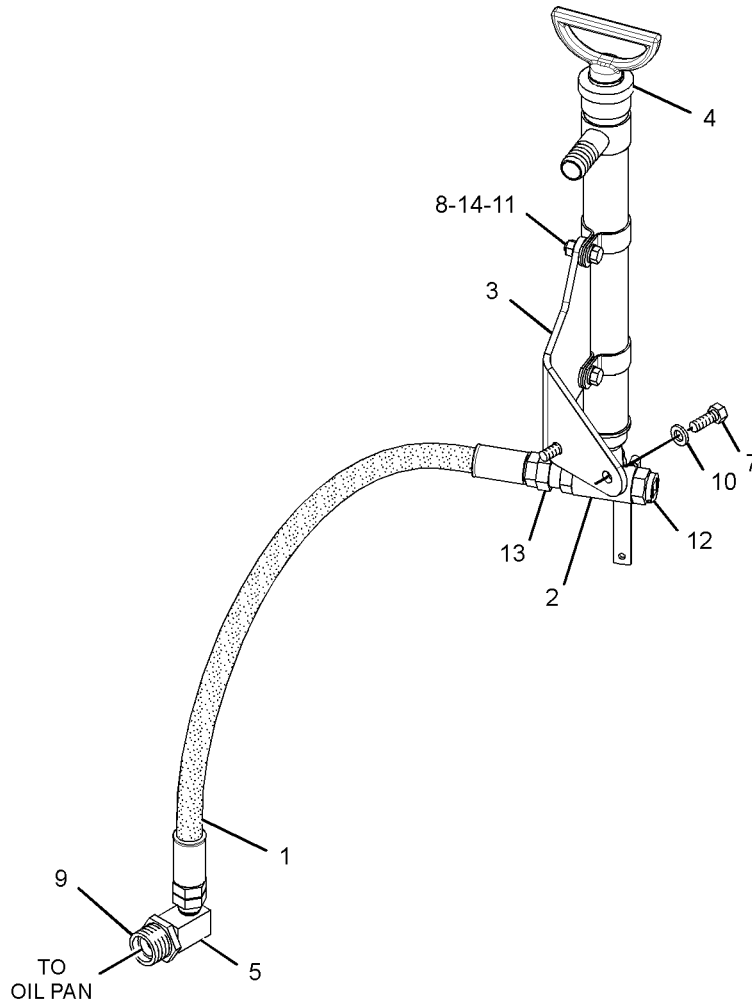
FOR USE WITH RH SERVICE ENGINE AND SAE NO. 0 FLYWHEEL HOUSING
AN ATTACHMENT
TYPE 1

SMCS-1324

i03507981

NOTE	REF NO	GRAPHIC REF	PART NUMBER	QTY	PART NAME						SEE PAGE
					1	2	3	4	5	6 (PRODUCT LEVEL)	
I	1	1	3N-4828	1	HOSE AS						
	2	1	130-1166	1	VALVE AS-MANUAL (DIRECTIONAL FLOW)						
C	3	1	276-5709	1	BRACKET						
Y	4	1	206-7473	1	PUMP GP-SUMP						359
	5	1	2H-3940	1	ELBOW						
	7	1	4L-6454	2	BOLT (3/8-16X1-IN)						
	8	1	4M-6425	2	BOLT (5/16-18X1-IN)						
	9	1	5B-4855	1	BUSHING-REDUCER						
	10	1	8T-4896	2	WASHER-HARD (10.2X18.5X2.5-MM THK)						
	11	1	6V-8189	2	NUT (5/16-18-THD)						
	12	1	7X-7731	1	PLUG-PIPE						
	13	1	8B-2664	1	BUSHING-REDUCER						
	14	1	8T-4224	4	WASHER-HARD (8.8X16X2-MM THK)						

C-CHANGE FROM PREVIOUS TYPE
I-REFER TO HYDRAULIC INFORMATION SYSTEM
Y-SEPARATE ILLUSTRATION



GRAPHIC #1

<END>

g01930540

LUBRICATION SYSTEM

205-9167 PUMP GP-SUMP

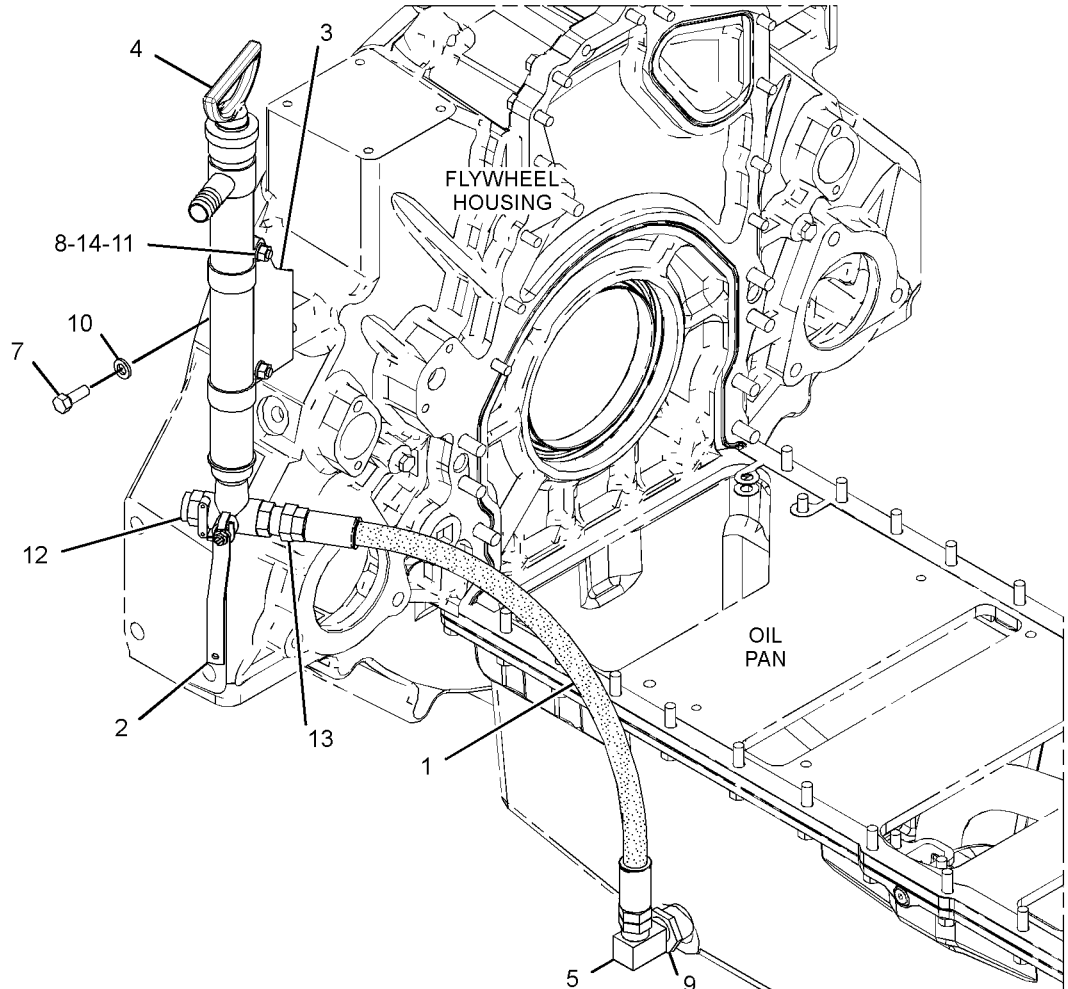
FOR USE WITH RH SERVICE ENGINE AND SAE NO. 0 FLYWHEEL HOUSING
AN ATTACHMENT
TYPE 2

SMCS-1324

i03919089

NOTE	REF NO	GRAPHIC REF	PART NUMBER	QTY	PART NAME						SEE PAGE
					1	2	3	4	5	6 (PRODUCT LEVEL)	
I	1	1	3N-4828	1	HOSE AS						
	2	1	130-1166	1	VALVE AS-MANUAL (DIRECTIONAL FLOW)						
	3	1	276-5709	1	BRACKET						
CY	4	1	354-3456	1	PUMP GP-SUMP						360
	5	1	2H-3940	1	ELBOW						
	7	1	4L-6454	2	BOLT (3/8-16X1-IN)						
	8	1	4M-6425	2	BOLT (5/16-18X1-IN)						
	9	1	5B-4855	1	BUSHING-REDUCER						
	10	1	8T-4896	2	WASHER-HARD (10.2X18.5X2.5-MM THK)						
	11	1	6V-8189	2	NUT (5/16-18-THD)						
	12	1	7X-7731	1	PLUG-PIPE						
	13	1	8B-2664	1	BUSHING-REDUCER						
	14	1	8T-4224	4	WASHER-HARD (8.8X16X2-MM THK)						

C-CHANGE FROM PREVIOUS TYPE
I-REFER TO HYDRAULIC INFORMATION SYSTEM
Y-SEPARATE ILLUSTRATION



GRAPHIC #1

<END>

g02157184

LUBRICATION SYSTEM

206-7472 PUMP GP-SUMP

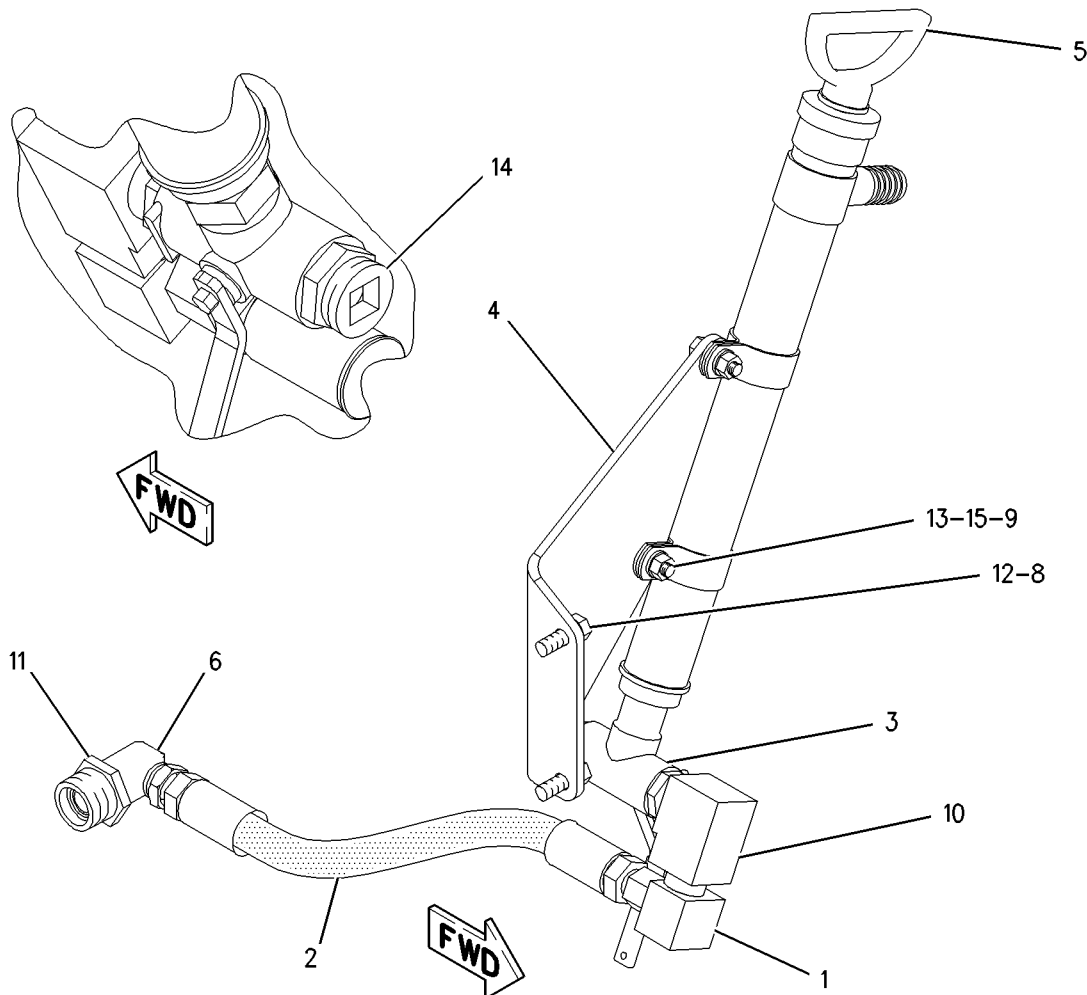
FOR USE WITH LH SERVICE ENGINE
AN ATTACHMENT

SMCS-1324

i03956331

NOTE	REF NO	GRAPHIC REF	PART NUMBER	QTY	PART NAME						SEE PAGE
					1	2	3	4	5	6 (PRODUCT LEVEL)	
	1	1	2L-8228	1	ELBOW						
I	2	1	2W-4338	1	HOSE AS						
	3	1	130-1166	1	VALVE AS-MANUAL (DIRECTIONAL FLOW)						
	4	1	200-3122	1	BRACKET						
Y	5	1	354-3456	1	PUMP GP-SUMP						360
	6	1	2H-3940	1	ELBOW						
	8	1	0S-1594	2	BOLT (3/8-16X1-IN)						
	9	1	4M-6425	2	BOLT (5/16-18X1-IN)						
	10	1	003-9163	1	ELBOW						
	11	1	5B-4855	1	BUSHING-REDUCER						
	12	1	5M-2894	2	WASHER-HARD (10.2X18.5X2.5-MM THK)						
	13	1	6V-8189	2	NUT (5/16-18-THD)						
	14	1	7X-7731	1	PLUG-PIPE						
	15	1	8T-4224	4	WASHER-HARD (8.8X16X2-MM THK)						

I-REFER TO HYDRAULIC INFORMATION SYSTEM
Y-SEPARATE ILLUSTRATION



GRAPHIC #1

<END>

g00894880

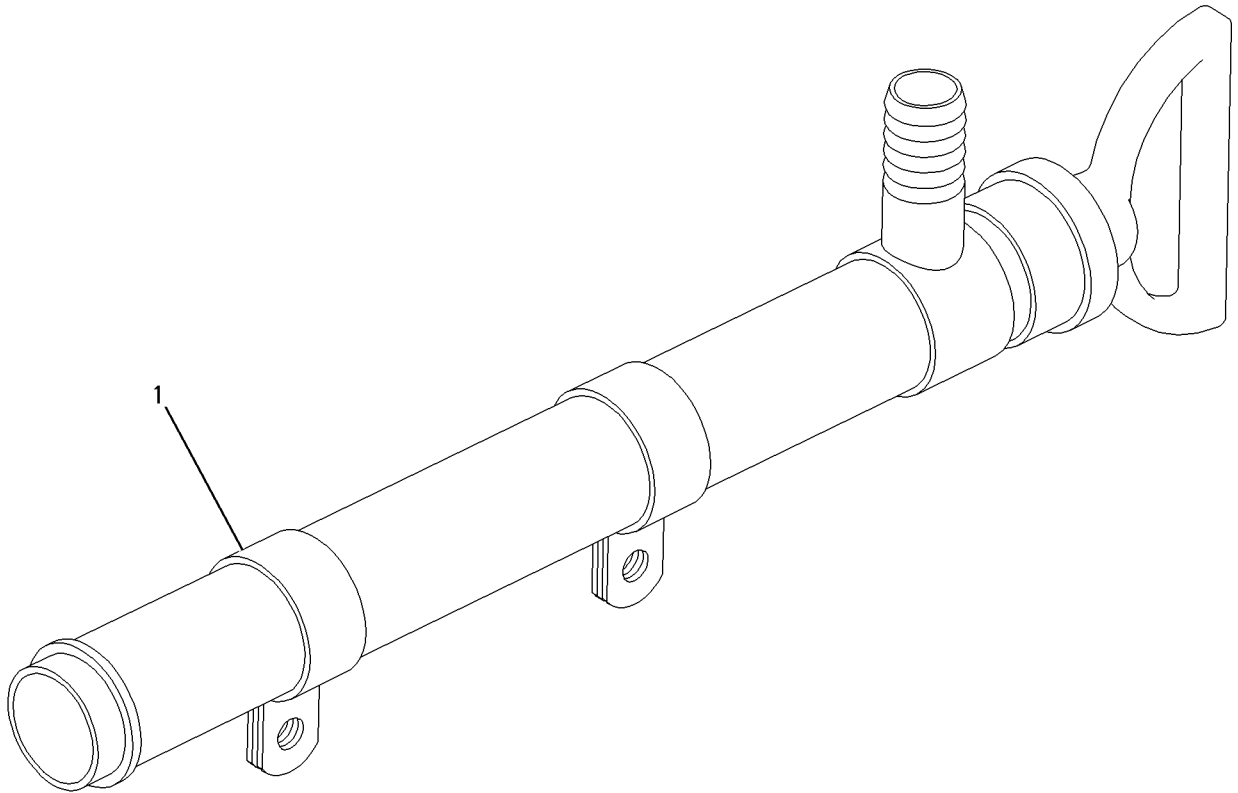
LUBRICATION SYSTEM

206-7473 PUMP GP-SUMP PART OF 200-3123, 205-9167 PUMP GP-SUMP AN ATTACHMENT

SMCS-1324

i01549415

NOTE	REF NO	GRAPHIC REF	PART NUMBER	QTY	PART NAME						SEE PAGE
					1	2	3	4	5	6 (PRODUCT LEVEL)	
	1	1	208-4615	2	CLIP						



GRAPHIC #1

<END>

g00807196

LUBRICATION SYSTEM

354-3456 PUMP GP-SUMP

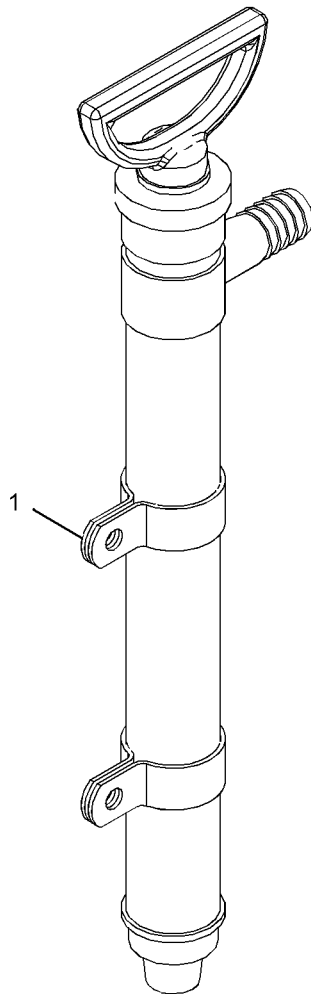
OIL

PART OF 200-3123, 205-9167, 206-7472 PUMP GP-SUMP
AN ATTACHMENT

SMCS-1324

i03918050

NOTE	REF NO	GRAPHIC REF	PART NUMBER	QTY	PART NAME						SEE PAGE
					1	2	3	4	5	6 (PRODUCT LEVEL)	
	1	1	208-4615	2	CLIP						



<END>

GRAPHIC #1

g02154250

LUBRICATION SYSTEM

347-0693 SHIELD GP-ENGINE OIL LINES

S/N: J2K1-UP

LH, DUPLEX

FOR USE WITH COMMERCIAL GENSET ENGINES
AN ATTACHMENT

SMCS-1307

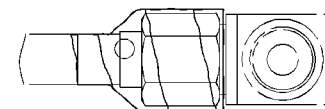
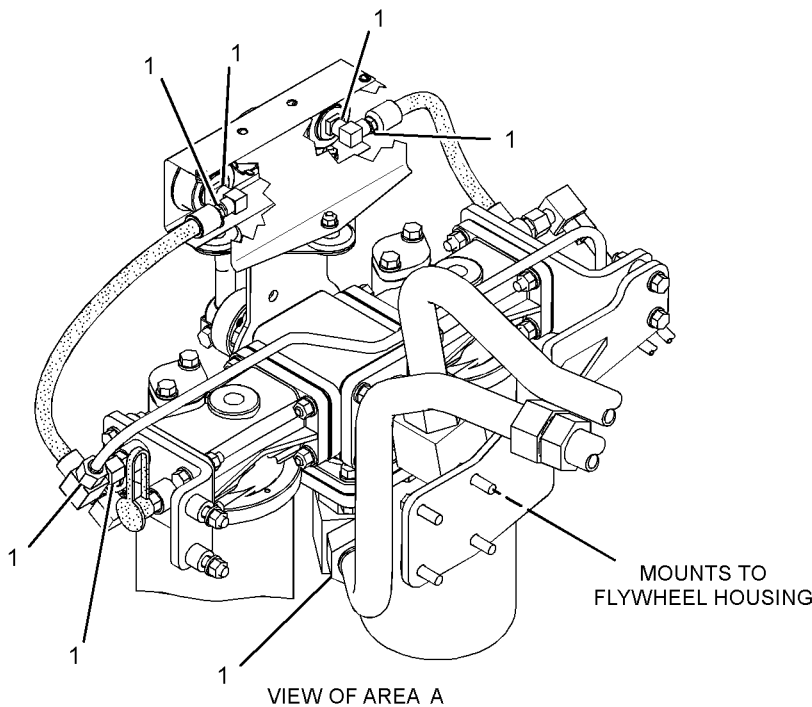
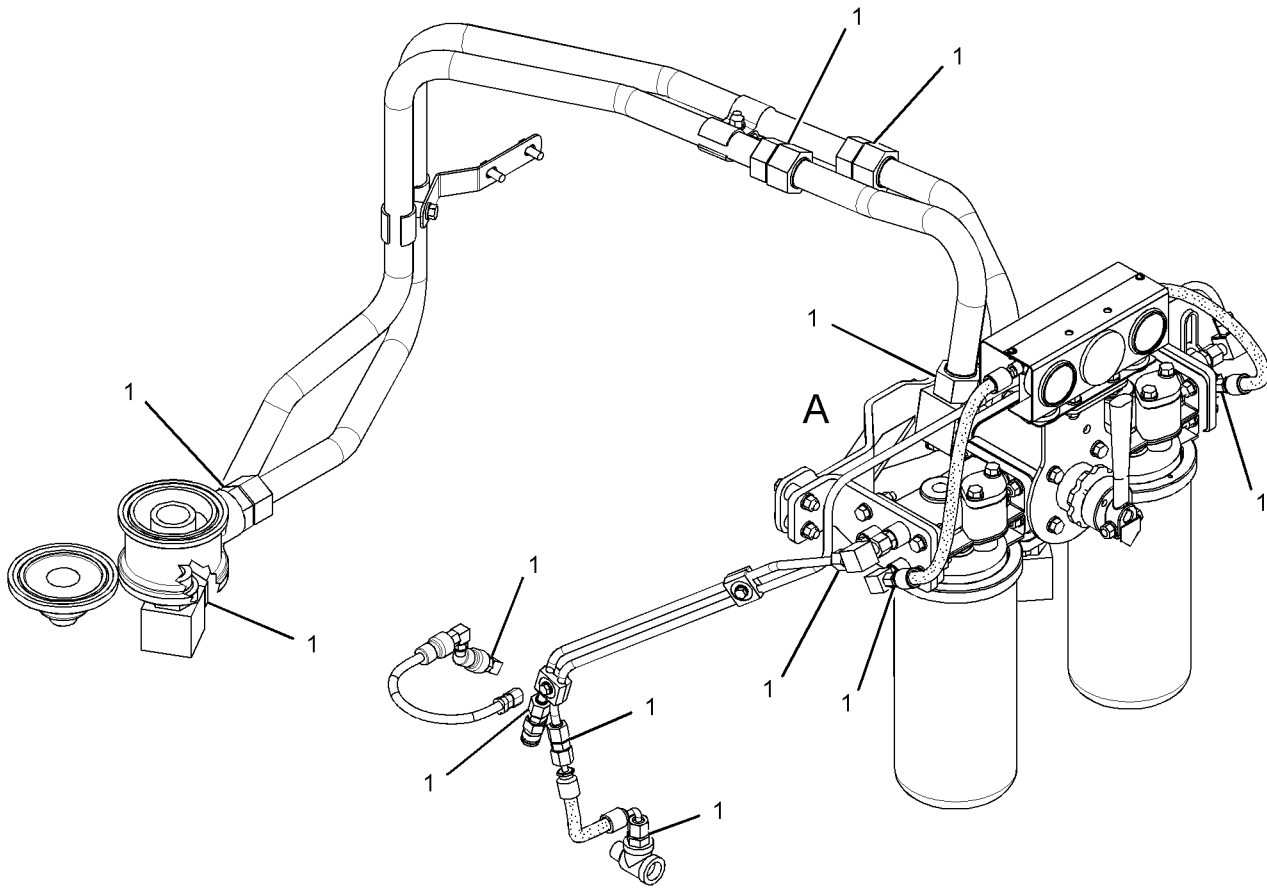
i04016842

NOTE	REF NO	GRAPHIC REF	PART NUMBER	QTY	PART NAME						SEE PAGE
					1	2	3	4	5	6 (PRODUCT LEVEL)	
E	1	1	237-3860	1	TAPE (ANTI-SPLASH, 50-MM WIDE) (387-CM)						
E-ORDER BY THE CENTIMETER											

LUBRICATION SYSTEM

347-0693 SHIELD GP-ENGINE OIL LINES (contd.)

i04016842



(TYPICAL VIEW OF TAPE JOINT)

GRAPHIC #1

<END>

g02163122

LUBRICATION SYSTEM

347-0694 SHIELD GP-ENGINE OIL LINES

S/N: J2K1-UP

RH, DUPLEX

FOR USE WITH COMMERCIAL GENSET ENGINES
AN ATTACHMENT

SMCS-1307

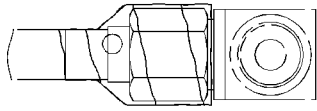
i04016840

NOTE	REF NO	GRAPHIC REF	PART NUMBER	QTY	PART NAME						SEE PAGE
					1	2	3	4	5	6 (PRODUCT LEVEL)	
E	1	1	237-3860	1	TAPE (ANTI-SPLASH, 50-MM WIDE) (302-CM)						
E-ORDER BY THE CENTIMETER											

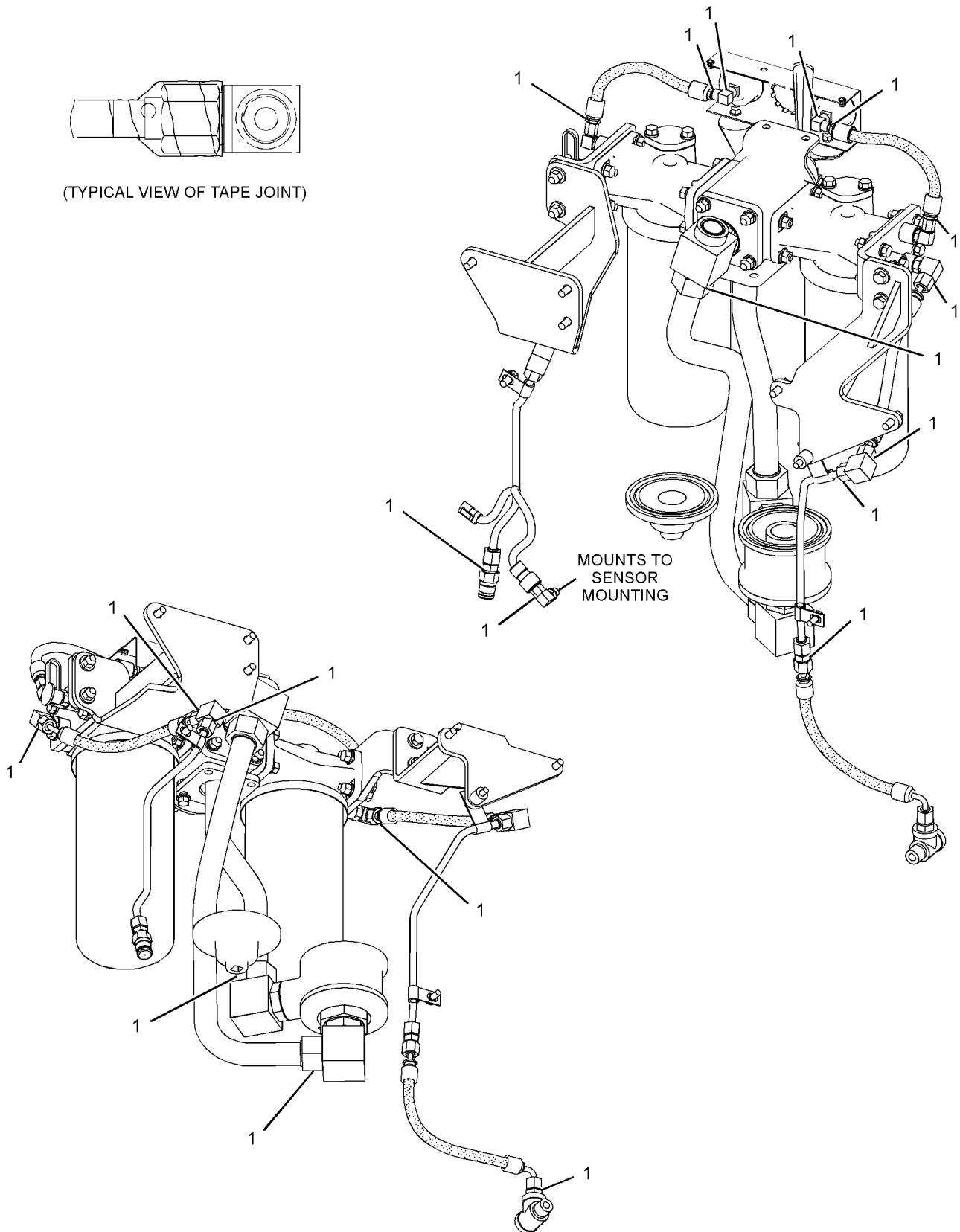
LUBRICATION SYSTEM

347-0694 SHIELD GP-ENGINE OIL LINES (contd.)

i04016840



(TYPICAL VIEW OF TAPE JOINT)



GRAPHIC #1

<END>

g02162974

LUBRICATION SYSTEM

349-2456 SHIELD GP-ENGINE OIL LINES

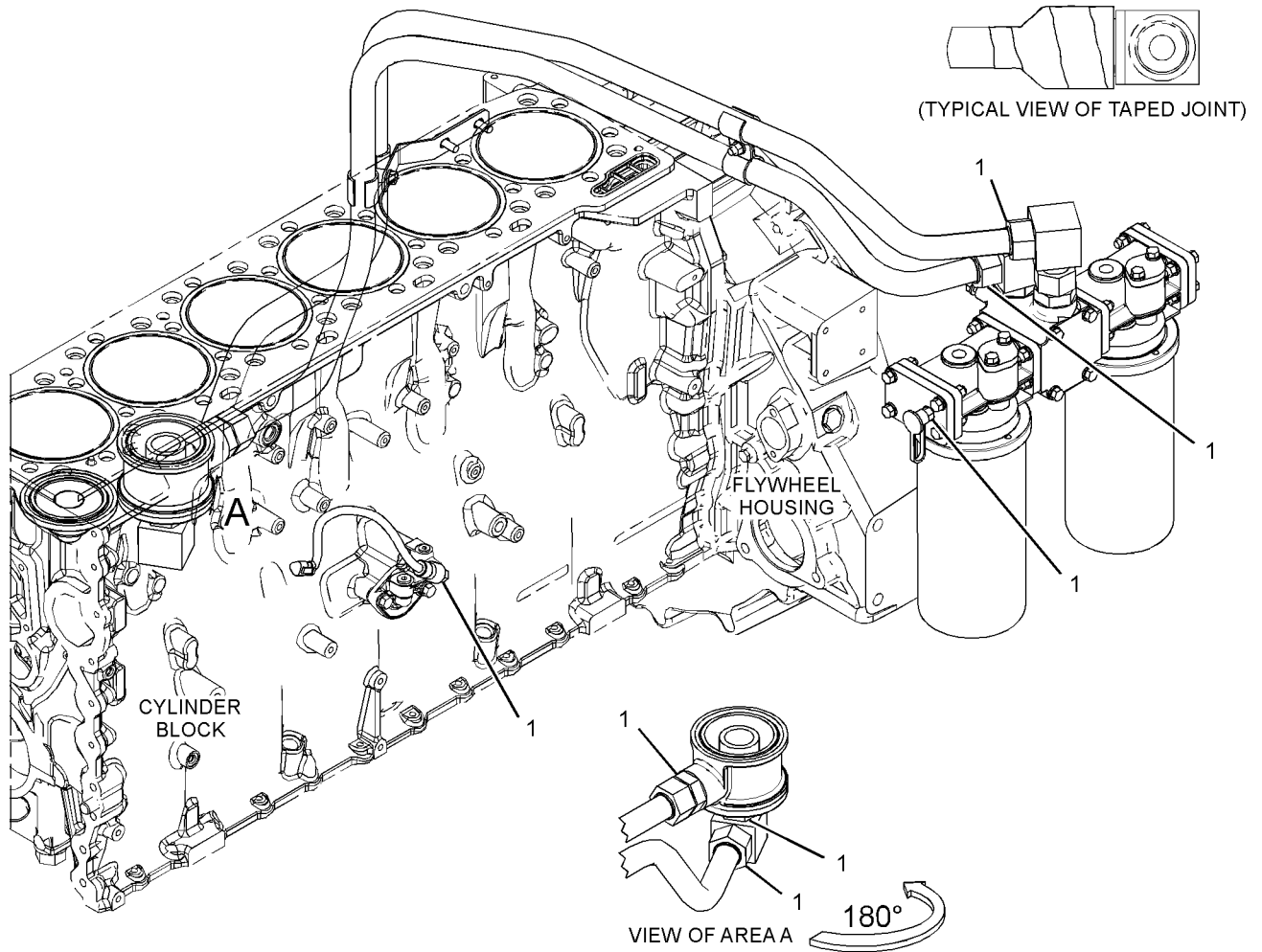
FOR USE WITH C18 COMMERCIAL GENSET PACKAGES, LH SIMPLEX OIL LINES
AN ATTACHMENT

SMCS-1307

i03938352

NOTE	REF NO	GRAPHIC REF	PART NUMBER	QTY	PART NAME						SEE PAGE
					1	2	3	4	5	6 (PRODUCT LEVEL)	
B	1	1	237-3860		TAPE (ANTI-SPLASH, 50-MM WIDE)						

B-USE AS REQUIRED



GRAPHIC #1

<END>

g02149354

LUBRICATION SYSTEM

349-2457 SHIELD GP-ENGINE OIL LINES

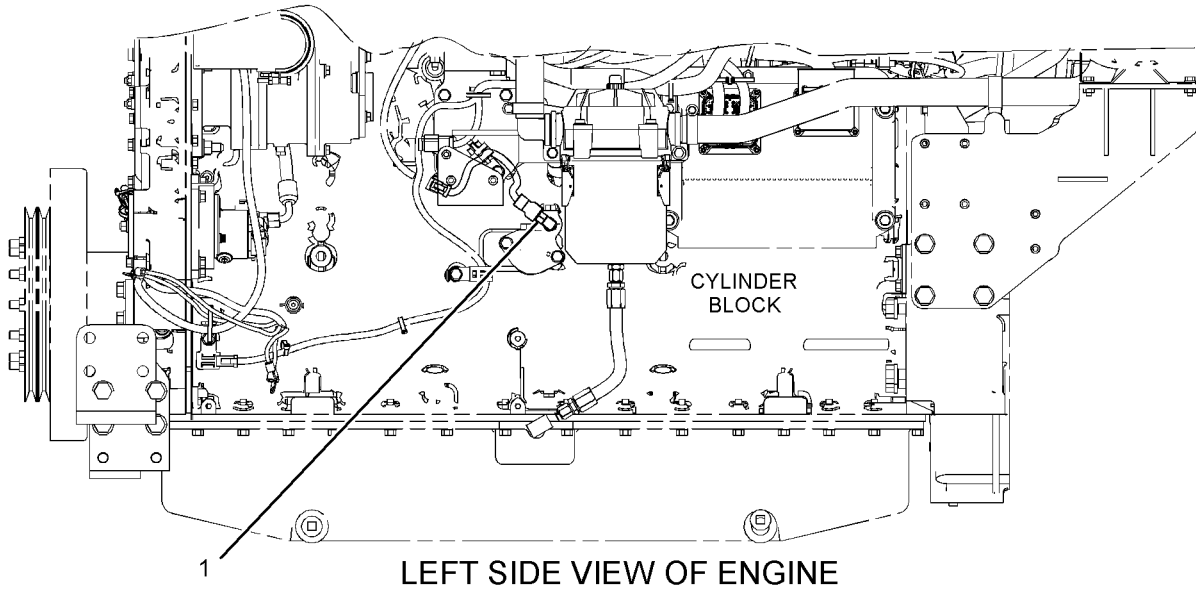
RH SIMPLEX OIL FILTER
 FOR USE WITH COMMERCIAL GENSET ENGINES
 AN ATTACHMENT

SMCS-1307

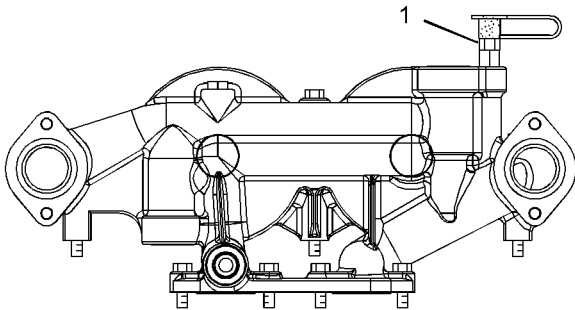
i03664929

NOTE	REF NO	GRAPHIC REF	PART NUMBER	QTY	PART NAME						SEE PAGE
					1	2	3	4	5	6 (PRODUCT LEVEL)	
B	1	1	237-3860		TAPE (ANTI-SPLASH, 50-MM WIDE)						

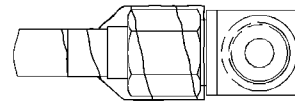
B-USE AS REQUIRED



LEFT SIDE VIEW OF ENGINE



TOP VIEW OF ENGINE



TYPICAL VIEW OF TAPED JOINT

GRAPHIC #1

<END>

g01969115

LUBRICATION SYSTEM

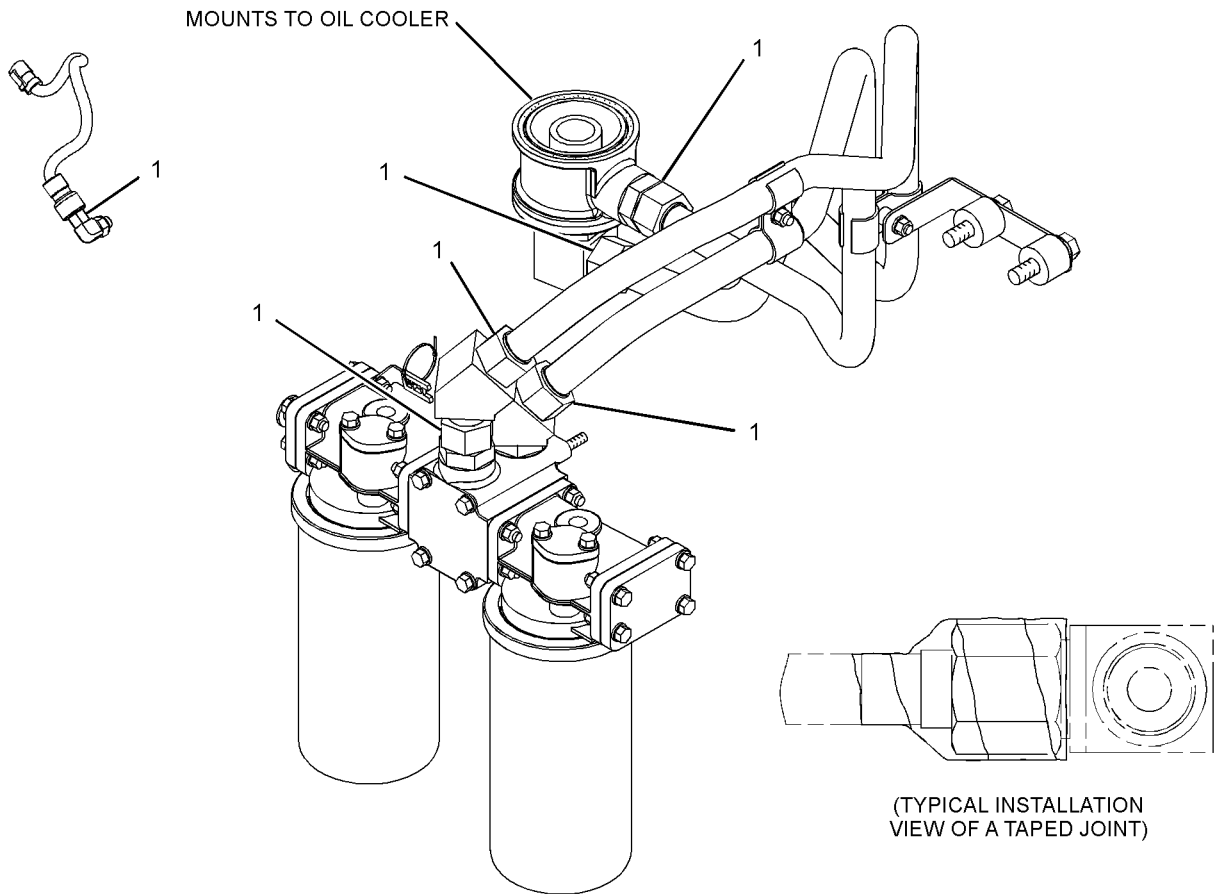
350-9044 SHIELD GP-ENGINE OIL LINES

TIER 1 LH SIMPLEX
AN ATTACHMENT

SMCS-1307

i03683140

NOTE	REF NO	GRAPHIC REF	PART NUMBER	QTY	PART NAME	SEE PAGE
	1	1	237-3860		1 2 3 4 5 6 (PRODUCT LEVEL) TAPE (ANTI-SPLASH, 50-MM WIDE) (185-CM)	



GRAPHIC #1

<END>

g01979535

COOLING SYSTEM

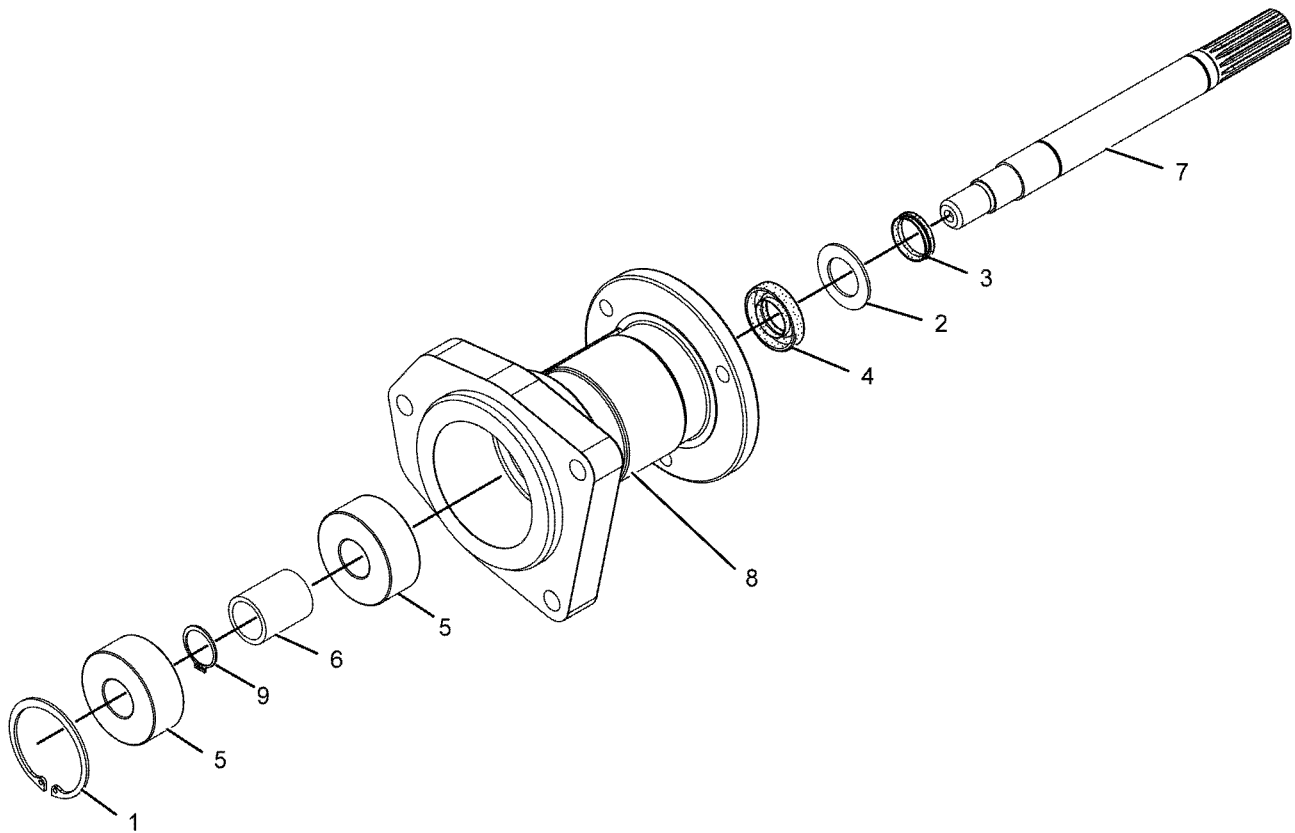
238-9936 BODY AS-PUMP

PART OF 207-7001 PUMP GP-AUXILIARY SEA WATER
AN ATTACHMENT

SMCS-1371

i02195924

NOTE	REF NO	GRAPHIC REF	PART NUMBER	QTY	PART NAME						SEE PAGE
					1	2	3	4	5	6 (PRODUCT LEVEL)	
	1	1	1L-4775	1	RING-RETAINING						
	2	1	109-5330	1	WASHER						
	3	1	109-5333	1	SEAL						
	4	1	148-9767	1	SEAL						
	5	1	238-9932	2	BEARING						
	6	1	238-9933	1	SPACER						
	7	1	238-9934	1	SHAFT						
	8	1	238-9938	1	BODY						
	9	1	1L-8497	1	RING-SNAP						



GRAPHIC #1

<END>

g01110750

COOLING SYSTEM

197-8433 COOLER GP-MARINE TMSN OIL

FOR USE WITH 200-7101-PAGE 377, 201-6757-PAGE 381

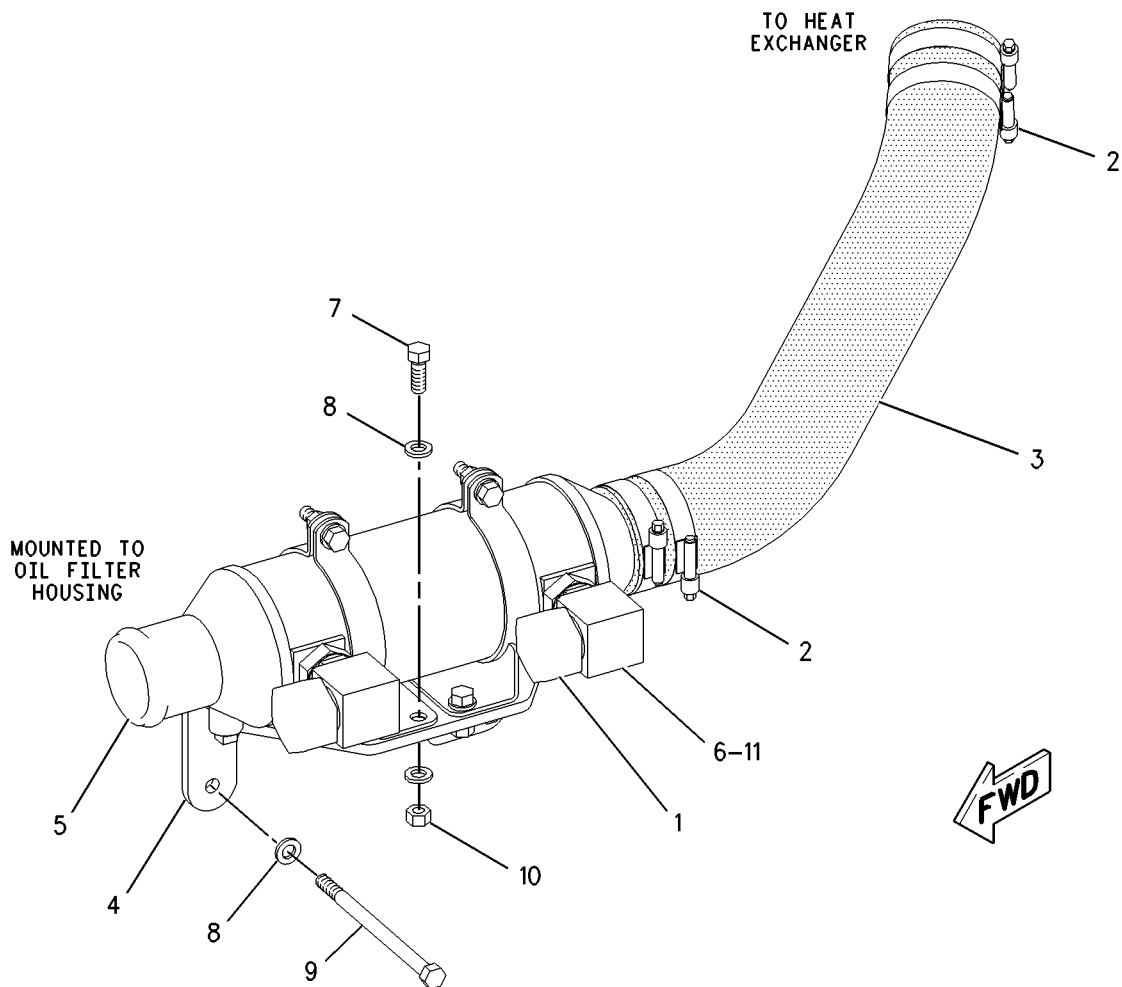
AN ATTACHMENT

SMCS-3320

i02635683

NOTE	REF NO	GRAPHIC REF	PART NUMBER	QTY	PART NAME						SEE PAGE
					1	2	3	4	5	6 (PRODUCT LEVEL)	
	1	1	3R-6789	2	CAP-FLARED						
	2	1	8T-4984	4	CLAMP-HOSE						
C	3	1	261-2994	1	HOSE						
	4	1	197-8432	1	BRACKET AS						
Y	5	1	202-1063	1	COOLER GP-MARINE TMSN OIL						370
	6	1	008-8381	2	ELBOW						
	7	1	0S-1594	4	BOLT (3/8-16X1-IN)						
	8	1	5M-2894	10	WASHER-HARD (10.2X18.5X2.5-MM THK)						
	9	1	1D-4706	2	BOLT (3/8-16X6-IN)						
	10	1	9S-8752	4	NUT-FULL (3/8-16-THD)						
	11	1	6V-5050	2	SEAL-O-RING						

C-CHANGE FROM PREVIOUS TYPE
Y-SEPARATE ILLUSTRATION



GRAPHIC #1

<END>

g00908236

COOLING SYSTEM

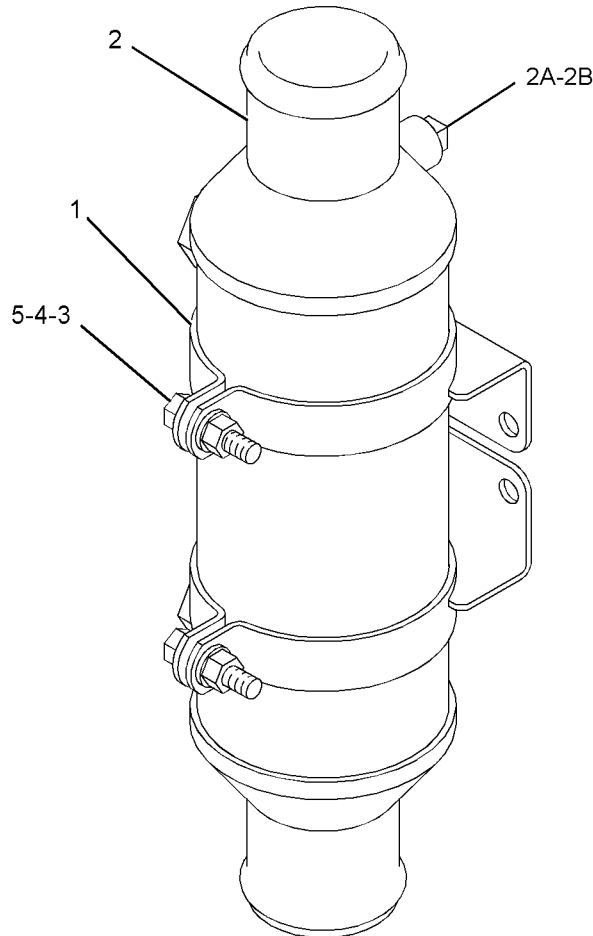
202-1063 COOLER GP-MARINE TMSN OIL

PART OF 197-8433 COOLER GP-MARINE XMSN OIL
AN ATTACHMENT

SMCS-3320

i02856316

NOTE	REF NO	GRAPHIC REF	PART NUMBER	QTY	PART NAME						SEE PAGE
					1	2	3	4	5	6 (PRODUCT LEVEL)	
	1	1	211-2013	2	CLAMP						
	2	1	202-1062	1	COOLER AS (MARINE TRANSMISSION OIL)						
	2A	1	6L-2279	2	PLUG-PIPE						
	2B	1	6L-2280	2	ROD-ZINC (OIL COOLER)						
	3	1	0S-1591	2	BOLT (3/8-16X1.5-IN)						
	4	1	5M-2894	4	WASHER-HARD (10.2X18.5X2.5-MM THK)						
	5	1	9S-8752	2	NUT-FULL (3/8-16-THD)						



GRAPHIC #1

<END>

g01400728

COOLING SYSTEM

319-9080 COOLER GP-MARINE XMSN OIL AN ATTACHMENT

SMCS-3320

i03111064

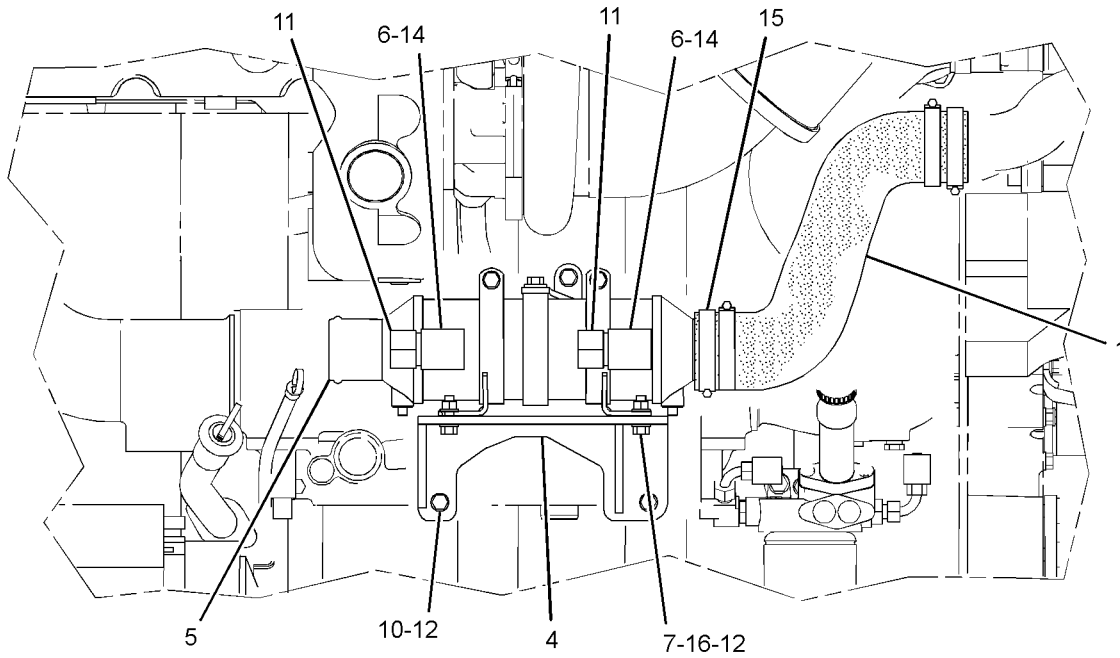
NOTE	REF NO	GRAPHIC REF	PART NUMBER	QTY	PART NAME						SEE PAGE
					1	2	3	4	5	6 (PRODUCT LEVEL)	
	1	1	319-9079	1	HOSE						
	2	1	321-7900	1	BRACE						
	3	1	321-7906	1	CLAMP						
	4	1	321-7907	1	BRACKET AS						
	4A	1	6W-6672	1	SPACER (10.5X20X38-MM THK)						
Y	5	1	<i>322-8511</i>	1	COOLER GP-MARINE XMSN OIL						373
	6	1	008-8381	2	ELBOW						
	7	1	0S-1588	4	BOLT (3/8-16X1.25-IN)						
	8	1	0S-1591	1	BOLT (3/8-16X1.5-IN)						
	9	1	0S-1594	1	BOLT (3/8-16X1-IN)						
	10	1	1D-4706	2	BOLT (3/8-16X6-IN)						
	11	1	3R-6789	2	CAP-FLARED						
	12	1	5M-2894	11	WASHER-HARD (10.2X18.5X2.5-MM THK)						
	13	1	5P-1075	2	WASHER-HARD (10.2X22.5X3-MM THK)						
	14	1	6V-5050	2	SEAL-O-RING						
	15	1	8T-4984	4	CLAMP-HOSE						
	16	1	9S-8752	5	NUT-FULL (3/8-16-THD)						

Y-SEPARATE ILLUSTRATION

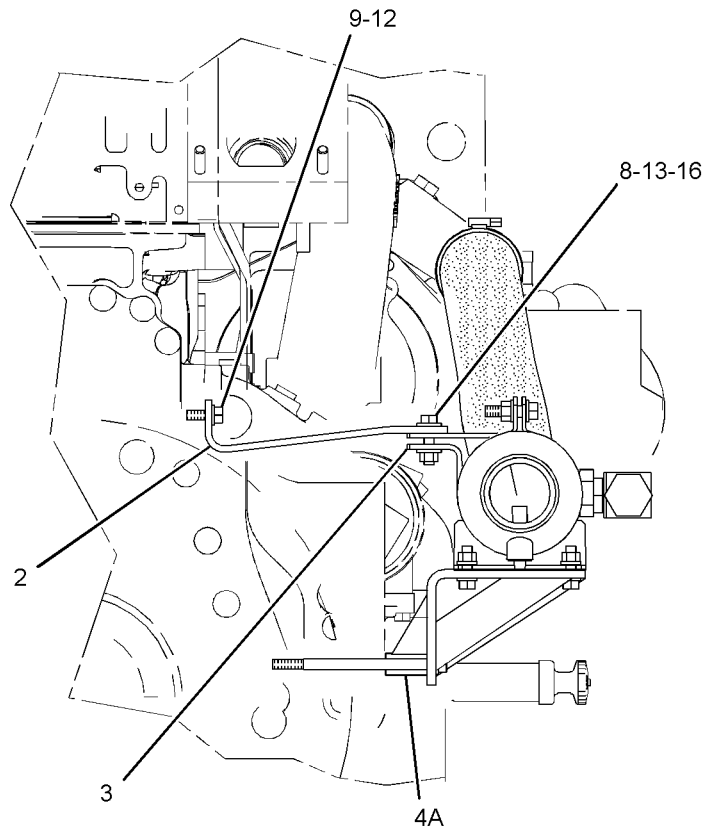
COOLING SYSTEM

319-9080 COOLER GP-MARINE XMSN OIL (contd.)

i03111064



RIGHT SIDE VIEW OF ENGINE



REAR VIEW OF ENGINE

<END>

GRAPHIC #1

g01592488

COOLING SYSTEM

322-8511 COOLER GP-MARINE XMSN OIL

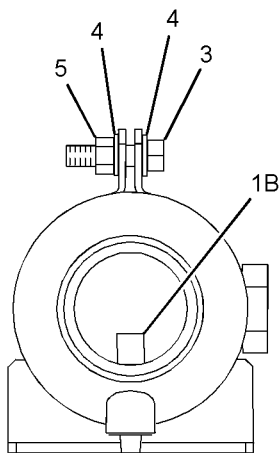
PART OF 319-9080 COOLER GP-MARINE XMSN OIL

AN ATTACHMENT

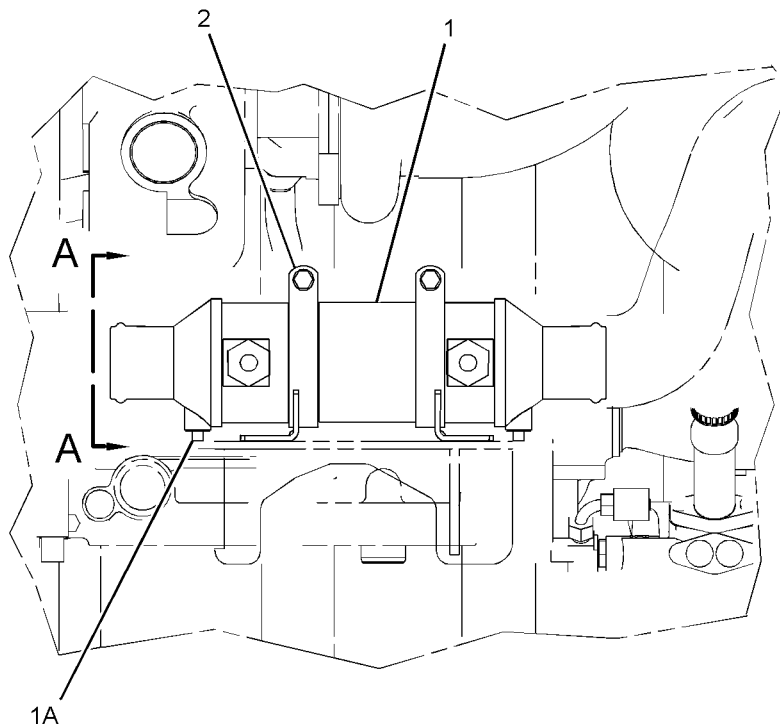
SMCS-3320

i03487600

NOTE	REF NO	GRAPHIC REF	PART NUMBER	QTY	PART NAME						SEE PAGE
					1	2	3	4	5	6 (PRODUCT LEVEL)	
	1	1	202-1062	1	COOLER AS						
	1A	1	6L-2279	2	PLUG-PIPE						
	1B	1	6L-2280	2	ROD-ZINC (OIL COOLER)						
	2	1	322-8525	2	CLAMP						
	3	1	0S-1591	2	BOLT (3/8-16X1.5-IN)						
	4	1	5M-2894	4	WASHER-HARD (10.2X18.5X2.5-MM THK)						
	5	1	9S-8752	2	NUT-FULL (3/8-16-THD)						



VIEW A-A



RIGHT SIDE VIEW OF ENGINE

GRAPHIC #1

<END>

g01592433

COOLING SYSTEM

240-9045 FLANGE GP-COOLANT LINES

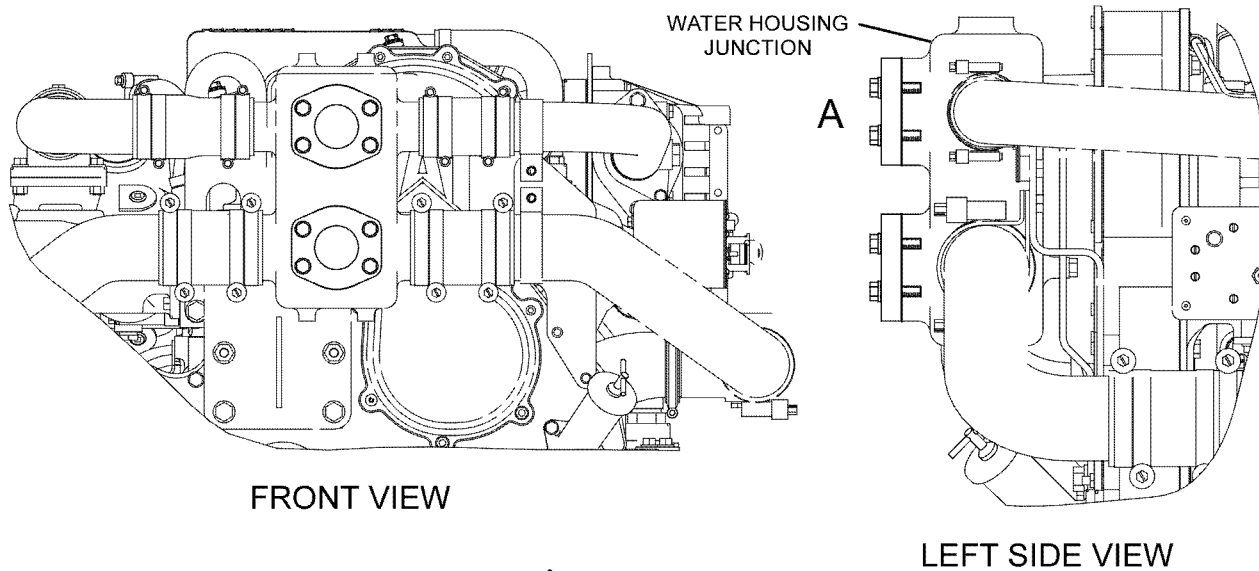
FOR USE WITH 240-9044-PAGE 412. CANNOT BE USED WITH 240-9048-PAGE 375
AN ATTACHMENT

SMCS-1380

i02203579

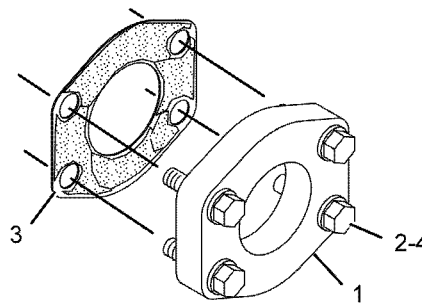
NOTE	REF NO	GRAPHIC REF	PART NUMBER	QTY	PART NAME						SEE PAGE
					1	2	3	4	5	6 (PRODUCT LEVEL)	
	1	1	243-0492	2	FLANGE						
C	2	1	1A-9579	8	BOLT (5/16-18X1.5-IN)						
C	3	1	252-9284	2	GASKET						
C	4	1	9M-1974	8	WASHER-HARD (8.8X16X2-MM THK)						

C- CHANGE FROM PREVIOUS TYPE



FRONT VIEW

LEFT SIDE VIEW



ISOMETRIC VIEW
OF AREA A

GRAPHIC #1

<END>

g01028698

COOLING SYSTEM

240-9048 FLANGE GP-COOLANT LINES-THREADED

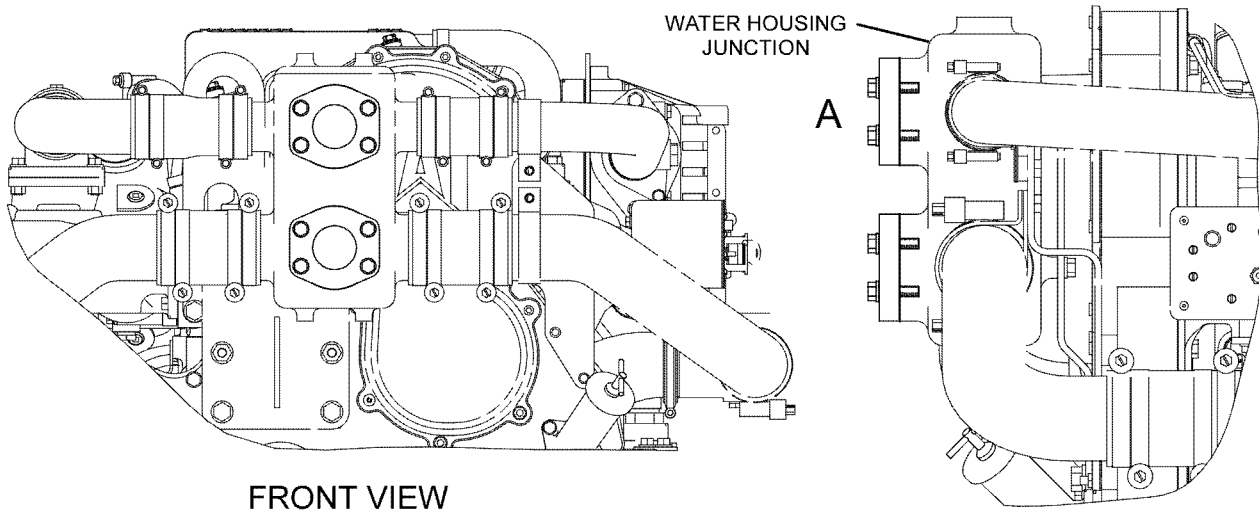
FOR USE WITH 240-9044-PAGE 412. CANNOT BE USED WITH 240-9045-PAGE 374
AN ATTACHMENT

SMCS-1380

i02203674

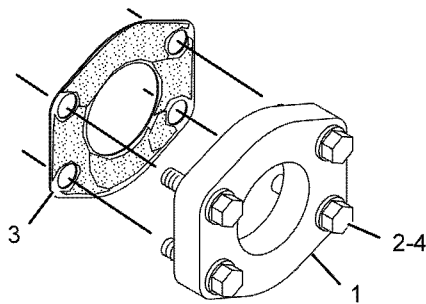
NOTE	REF NO	GRAPHIC REF	PART NUMBER	QTY	PART NAME						SEE PAGE
					1	2	3	4	5	6 (PRODUCT LEVEL)	
	1	1	240-9050	2	FLANGE - THREADED						
C	2	1	1A-9579	8	BOLT (5/16-18X1.5-IN)						
C	3	1	252-9284	2	GASKET						
C	4	1	9M-1974	8	WASHER-HARD (8.8X16X2-MM THK)						

C- CHANGE FROM PREVIOUS TYPE



FRONT VIEW

LEFT SIDE VIEW



ISOMETRIC VIEW
OF AREA A

GRAPHIC #1

<END>

g01028698

COOLING SYSTEM

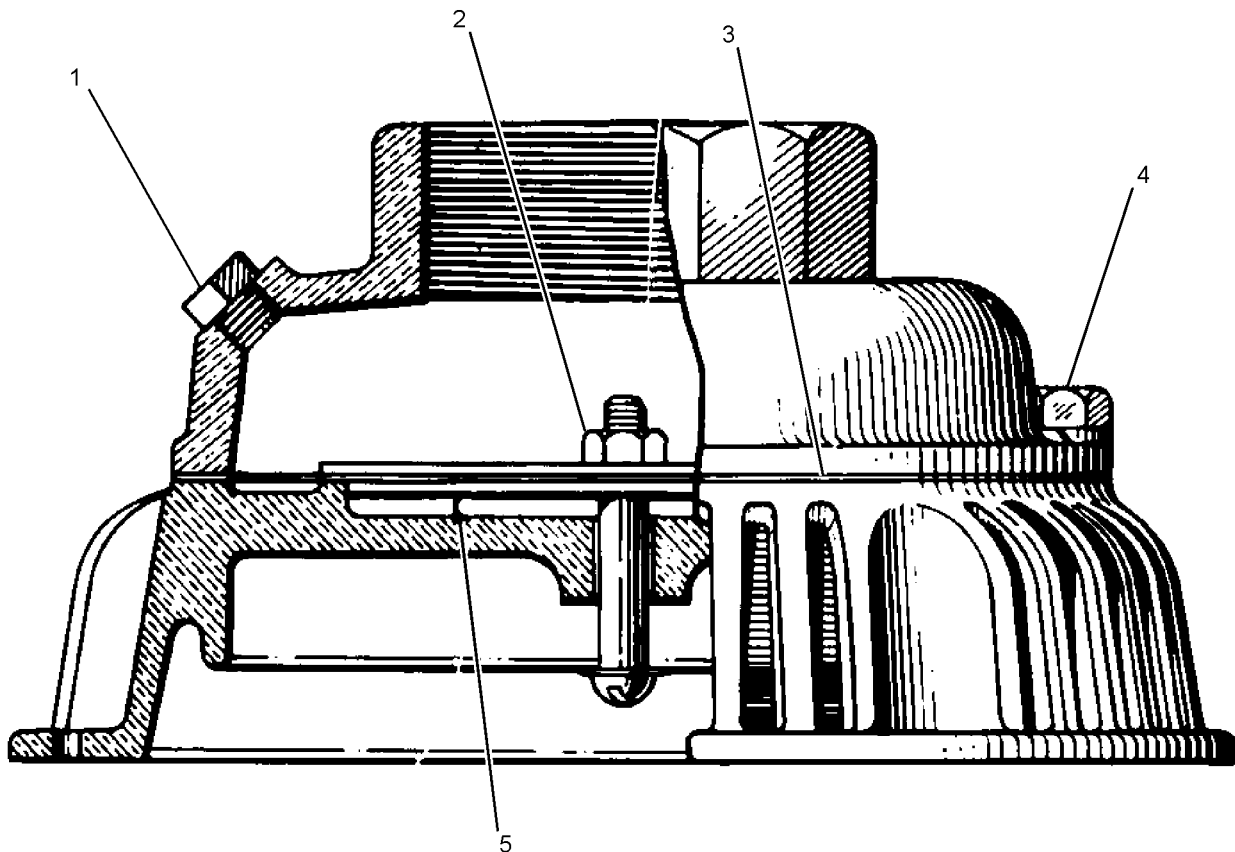
3F-4394 FOOT VALVE & STRAINER AS

PART OF 6L-5858 PUMP GP-BILGE
AN ATTACHMENT

SMCS-1371

i02509675

NOTE	REF NO	GRAPHIC REF	PART NUMBER	QTY	PART NAME						SEE PAGE
					1	2	3	4	5	6 (PRODUCT LEVEL)	
	1	1	6B-7440	1	PLUG-PIPE						
	2	1	4B-2048	1	NUT (10-32-THD)						
	3	1	5F-1051	1	GASKET						
	4	1	0S-1614	3	BOLT (1/4-20X0.5-IN)						
			3B-4504	3	LOCKWASHER						
	5	1	5F-1053	1	SEAL-FOOT VALVE						



GRAPHIC #1

<END>

g01256341

COOLING SYSTEM

200-7101 HEAT EXCHANGER GP-SEA WATER

DOES NOT INCLUDE FUEL COOLER
AN ATTACHMENT

SMCS-1379

i03662421

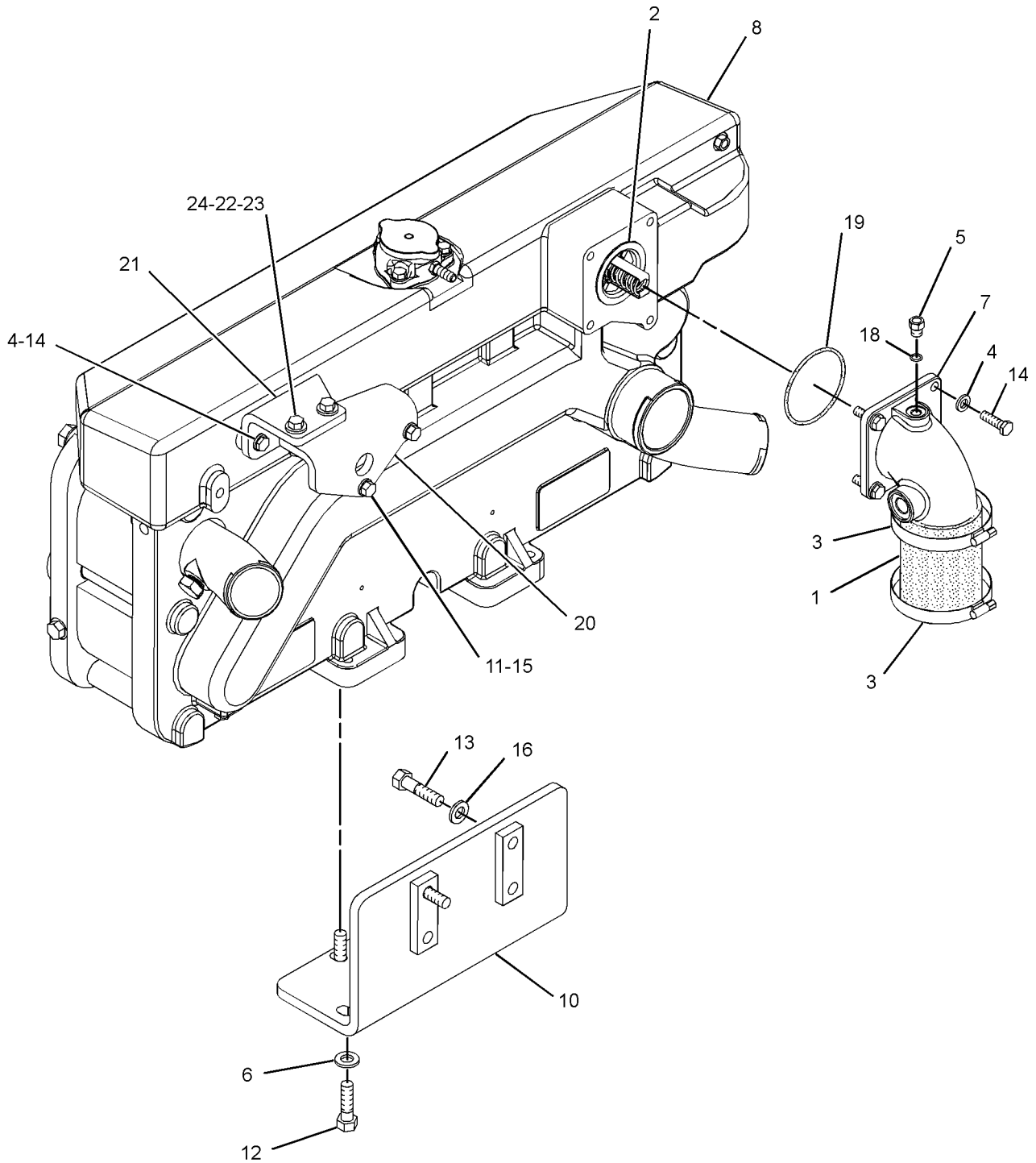
NOTE	REF NO	GRAPHIC REF	PART NUMBER	QTY	PART NAME						SEE PAGE
					1	2	3	4	5	6 (PRODUCT LEVEL)	
E	1	1	5P-1265		HOSE (10-CM)						
	2	1	248-5513	1	REGULATOR-TEMPERATURE (92-DEG C) (HEAT EXCHANGER)						
	3	1	8T-4985	2	CLAMP-HOSE						
	4	1	110-8314	6	WASHER (10.3X18.3X2.66-MM THK)						
	5	1	116-3260	1	PLUG						
	6	1	8T-4223	4	WASHER-HARD (13.5X25.5X3-MM THK)						
	7	1	199-3321	1	ELBOW						
Y	8	1	<i>200-7102</i>	1	HEAT EXCHANGER GP-SEA WATER						379
	10	1	200-7124	1	SUPPORT AS						
	11	1	0S-1591	2	BOLT (3/8-16X1.5-IN)						
	12	1	8T-8919	4	BOLT (1/2-13X1.75-IN)						
	13	1	1A-1460	2	BOLT (1/2-13X2-IN)						
	14	1	3H-6622	6	BOLT (3/8-16X1.25-IN)						
	15	1	5M-2894	2	WASHER-HARD (10.2X18.5X2.5-MM THK)						
	16	1	5P-8245	2	WASHER-HARD (13.5X25.5X3-MM THK)						
	18	1	6V-9027	1	SEAL-O-RING						
	19	1	8C-3073	1	SEAL-O-RING						
	20	1	348-2308	1	BRACKET						
	21	1	308-1427	1	BRACKET						
	22	1	9X-6458	4	WASHER-HARD (10.2X22.5X3-MM THK)						
	23	1	9S-8752	2	NUT-FULL (3/8-16-THD)						
	24	1	3B-1915	2	BOLT (3/8-16X1.375-IN)						

E-ORDER BY THE CENTIMETER
Y-SEPARATE ILLUSTRATION

COOLING SYSTEM

200-7101 HEAT EXCHANGER GP-SEA WATER (contd.)

i03662421



GRAPHIC #1

<END>

g01972335

COOLING SYSTEM

200-7102 HEAT EXCHANGER GP-SEA WATER

PART OF 200-7101 HEAT EXCHANGER GP-SEA WATER

AN ATTACHMENT

SMCS-1379

i04000903

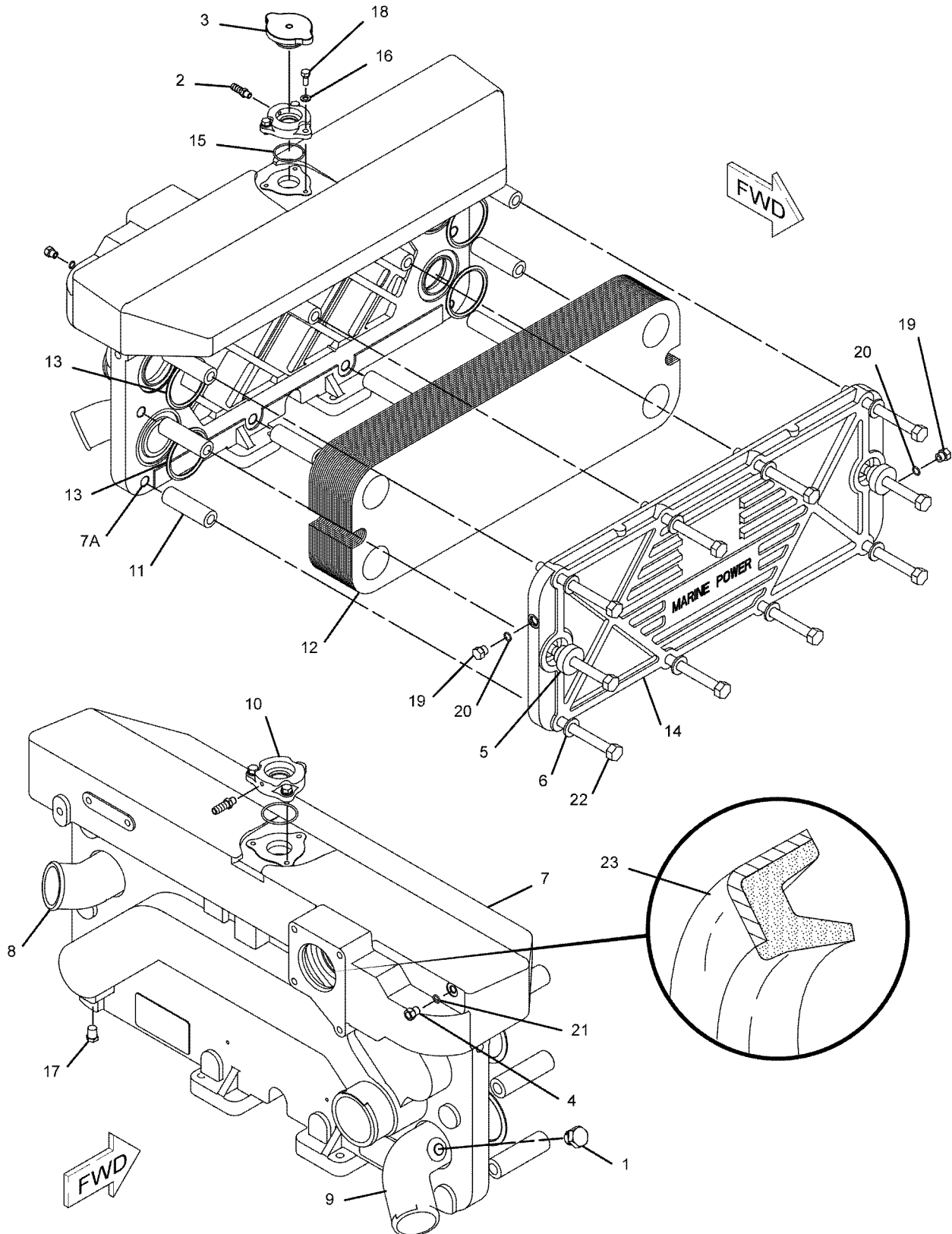
NOTE	REF NO	GRAPHIC REF	PART NUMBER	QTY	PART NAME						SEE PAGE
					1	2	3	4	5	6 (PRODUCT LEVEL)	
	1	1	237-1936	2	ROD AS-ZINC (SEA WATER HEAT EXCHANGER)						
	2	1	8T-2173	1	CONNECTOR-HOSE						
	3	1	125-5274	1	CAP-RADIATOR (SEA WATER HEAT EXCHANGER)						
	4	1	116-3260	1	PLUG						
	5	1	166-4392	2	SPACER-SPECIAL						
	6	1	164-4537	10	WASHER (17X32X3.5-MM THK)						
	7	1	200-7103	1	FRAME AS						
	7A	1	7U-6984	10	INSERT (5/8-11-THD)						
	8	1	200-7104	1	ELBOW						
	9	1	200-7105	1	ELBOW						
	10	1	200-7106	1	NECK AS						
	11	1	357-5429	10	SPACER-SPECIAL						
Y	12	1	202-7528	1	PLATE GP-HEAT EXCHANGER						439
	13	1	202-7530	4	SEAL						
	14	1	203-2085	1	FRAME-FRONT						
	15	1	204-7844	1	SEAL-O-RING						
	16	1	190-7541	3	WASHER (8.8X16X2-MM THK)						
	17	1	3E-7428	1	PLUG-PIPE						
	18	1	3H-6591	3	BOLT (5/16-18X0.75-IN)						
	19	1	6V-0431	2	PLUG						
	20	1	6V-5049	2	SEAL-O-RING						
	21	1	6V-9027	1	SEAL-O-RING						
	22	1	7X-0361	10	BOLT (5/8-11X6.5-IN)						
	23	1	3S-9643	1	SEAL-LIP TYPE (WATER TEMPERATURE REGULATOR)						

Y-SEPARATE ILLUSTRATION

COOLING SYSTEM

200-7102 HEAT EXCHANGER GP-SEA WATER (contd.)

i04000903



GRAPHIC #1

<END>

g01086748

COOLING SYSTEM

201-6757 HEAT EXCHANGER GP-SEA WATER

INCLUDES FUEL COOLER
AN ATTACHMENT

SMCS-1379

i03651244

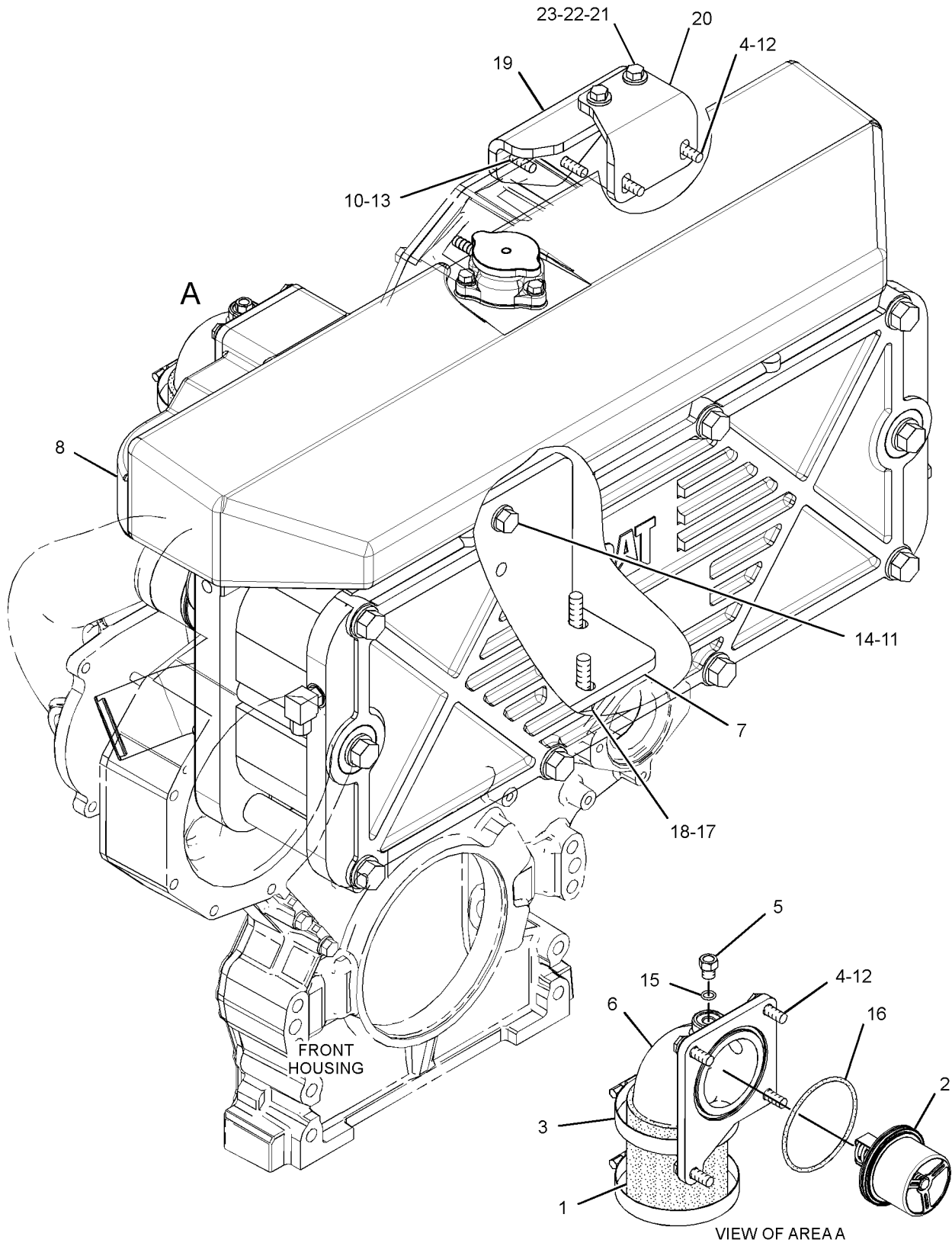
NOTE	REF NO	GRAPHIC REF	PART NUMBER	QTY	PART NAME						SEE PAGE
					1	2	3	4	5	6 (PRODUCT LEVEL)	
E	1	1	5P-1265		HOSE (10-CM)						
	2	1	248-5513	1	REGULATOR-TEMPERATURE (92-DEG C) (HEAT EXCHANGER)						
	3	1	8T-4985	2	CLAMP-HOSE						
	4	1	110-8314	6	WASHER (10.3X18.3X2.66-MM THK)						
	5	1	116-3260	1	PLUG						
	6	1	199-3321	1	ELBOW						
	7	1	200-7124	1	SUPPORT AS						
Y	8	1	201-6758	1	HEAT EXCHANGER GP-SEA WATER						383
	10	1	0S-1591	2	BOLT (3/8-16X1.5-IN)						
	11	1	1A-1460	2	BOLT (1/2-13X2-IN)						
	12	1	3H-6622	6	BOLT (3/8-16X1.25-IN)						
	13	1	5M-2894	2	WASHER-HARD (10.2X18.5X2.5-MM THK)						
	14	1	5P-8245	2	WASHER-HARD (13.5X25.5X3-MM THK)						
	15	1	6V-9027	1	SEAL-O-RING						
	16	1	8C-3073	1	SEAL-O-RING						
	17	1	8T-4223	4	WASHER-HARD (13.5X25.5X3-MM THK)						
	18	1	8T-8919	4	BOLT (1/2-13X1.75-IN)						
	19	1	348-2308	1	BRACKET						
	20	1	308-1427	1	BRACKET						
	21	1	9X-6458	4	WASHER-HARD (10.2X22.5X3-MM THK)						
	22	1	9S-8752	2	NUT-FULL (3/8-16-THD)						
	23	1	3B-1915	2	BOLT (3/8-16X1.375-IN)						

E-ORDER BY THE CENTIMETER
Y-SEPARATE ILLUSTRATION

COOLING SYSTEM

201-6757 HEAT EXCHANGER GP-SEA WATER (contd.)

i03651244



GRAPHIC #1

<END>

g01960139

COOLING SYSTEM

201-6758 HEAT EXCHANGER GP-SEA WATER

PART OF 201-6757 HEAT EXCHANGER GP-SEA WATER

AN ATTACHMENT

SMCS-1379

i04032500

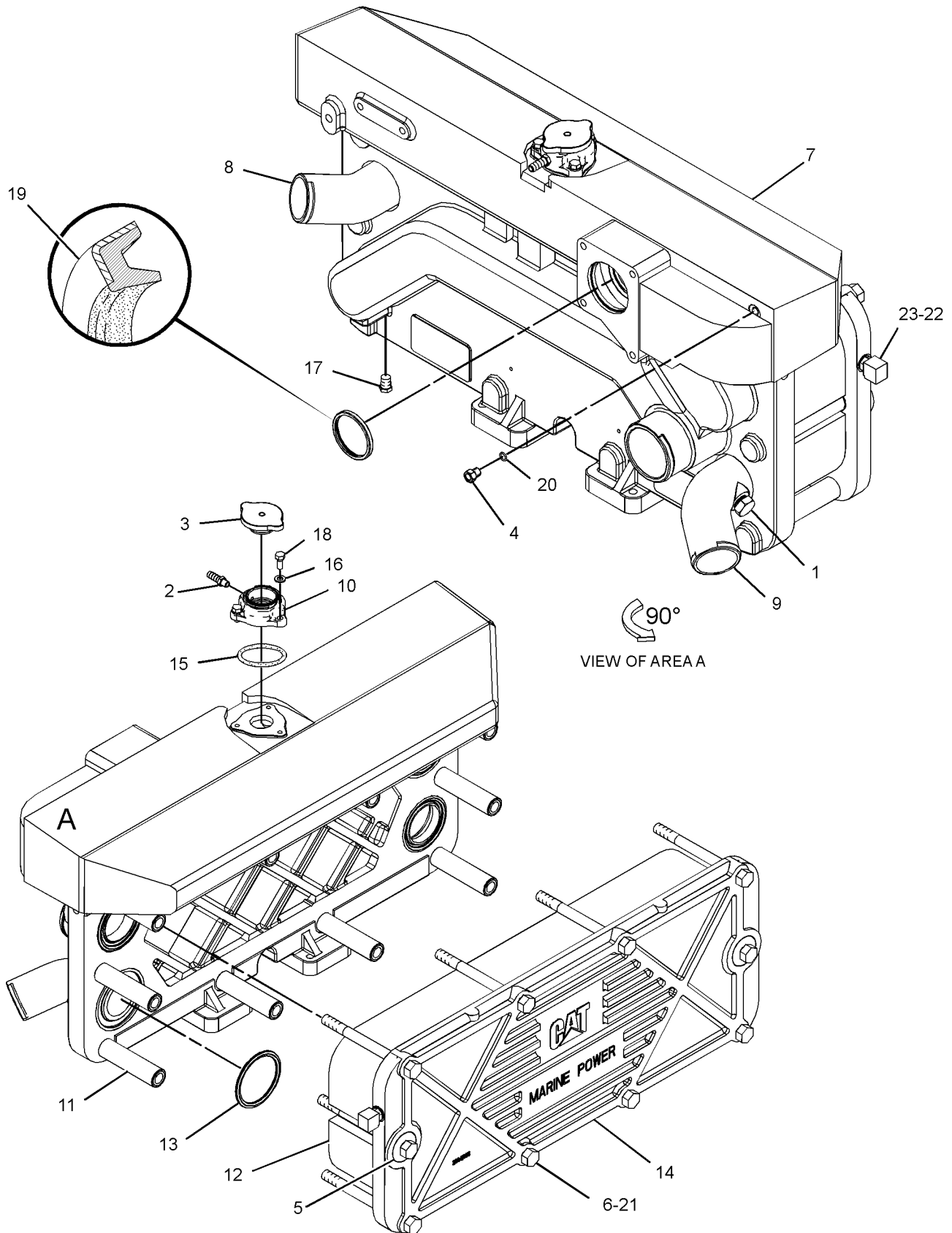
NOTE	REF NO	GRAPHIC REF	PART NUMBER	QTY	PART NAME						SEE PAGE
					1	2	3	4	5	6 (PRODUCT LEVEL)	
	1	1	237-1936	2	ROD AS-ZINC (SEA WATER HEAT EXCHANGER)						
					(EACH INCLUDES)						
		1	5B-9169	1	PLUG-DRAIN (SEA WATER HEAT EXCHANGER)						
		1	6L-2280	1	ROD-ZINC (SEA WATER HEAT EXCHANGER)						
	2	1	8T-2173	1	CONNECTOR-HOSE						
	3	1	125-5274	1	CAP-RADIATOR (SEA WATER HEAT EXCHANGER)						
	4	1	116-3260	1	PLUG						
	5	1	166-4392	2	SPACER-SPECIAL						
	6	1	164-4537	10	WASHER (17X32X3.5-MM THK)						
	7	1	200-7103	1	FRAME AS						
		1	7U-6984	10	INSERT (5/8-11-THD)						
	8	1	200-7104	1	ELBOW						
	9	1	200-7105	1	ELBOW						
	10	1	200-7106	1	NECK AS						
	11	1	357-5978	10	SPACER AS						
Y	12	1	202-7529	1	PLATE GP-HEAT EXCHANGER						441
	13	1	202-7530	4	SEAL						
	14	1	203-2085	1	FRAME-FRONT						
	15	1	204-7844	1	SEAL-O-RING						
	16	1	190-7541	3	WASHER (8.8X16X2-MM THK)						
	17	1	3E-7428	1	PLUG-PIPE						
	18	1	3H-6591	3	BOLT (5/16-18X0.75-IN)						
	19	1	3S-9643	1	SEAL-LIP TYPE (WATER TEMPERATURE REGULATOR)						
	20	1	6V-9027	1	SEAL-O-RING						
	21	1	7X-0362	10	BOLT (5/8-11X7-IN)						
	22	1	214-7568	1	SEAL-O-RING						
	23	1	030-7947	1	ELBOW						

Y-SEPARATE ILLUSTRATION

COOLING SYSTEM

201-6758 HEAT EXCHANGER GP-SEA WATER (contd.)

i04032500



GRAPHIC #1

<END>

g02230414

COOLING SYSTEM

290-3988 HEAT EXCHANGER GP-SEA WATER

S/N: J2K1-UP
NON FUEL COOLED
AN ATTACHMENT

SMCS-1379

i02856321

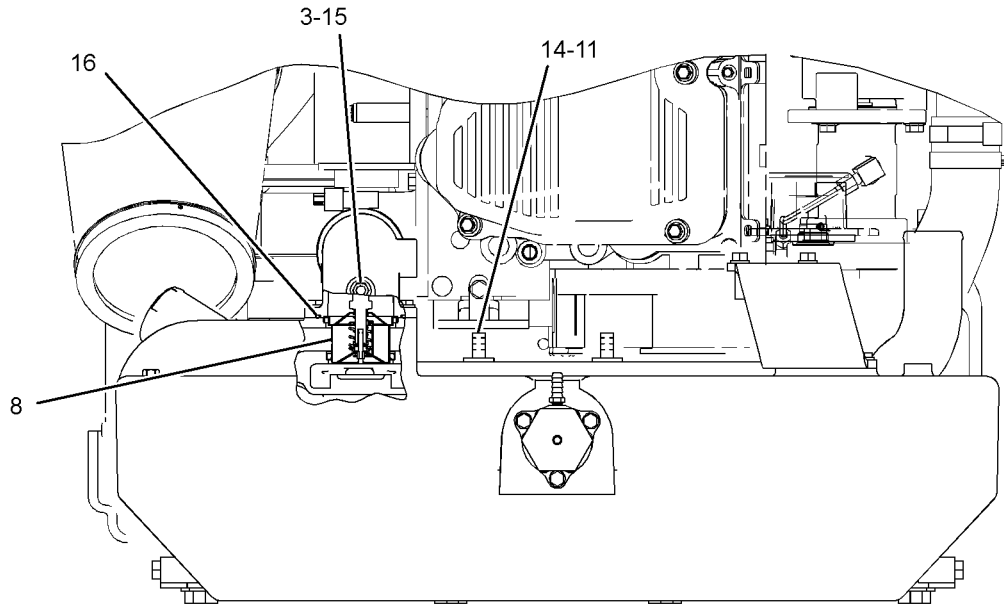
NOTE	REF NO	GRAPHIC REF	PART NUMBER	QTY	PART NAME						SEE PAGE
					1	2	3	4	5	6 (PRODUCT LEVEL)	
	1	2	8T-4985	2	CLAMP-HOSE						
	2	2	110-8314	6	WASHER (10.3X18.3X2.66-MM THK)						
	3	1	116-3260	1	PLUG						
	5	2	199-3321	1	ELBOW						
	6	2	200-7124	1	SUPPORT AS						
	7	2	224-6805	1	BRACKET AS						
	8	1	248-5513	1	REGULATOR-TEMPERATURE (92-DEG C) (HEAT EXCHANGER)						
Y	9	1	<i>290-3989</i>	1	HEAT EXCHANGER GP-SEA WATER						390
	10	2	0S-1591	2	BOLT (3/8-16X1.5-IN)						
	11	1	1A-1460	2	BOLT (1/2-13X2-IN)						
	12	2	3H-6622	6	BOLT (3/8-16X1.25-IN)						
	13	2	5M-2894	2	WASHER-HARD (10.2X18.5X2.5-MM THK)						
	14	1	5P-8245	2	WASHER-HARD (13.5X25.5X3-MM THK)						
	15	1	6V-9027	1	SEAL-O-RING						
	16	1	8C-3073	1	SEAL-O-RING						
	17	1	8T-4223	4	WASHER-HARD (13.5X25.5X3-MM THK)						
	18	1	8T-8919	4	BOLT (1/2-13X1.75-IN)						
E	19	2	5P-1265		HOSE (10-CM)						

E-ORDER BY THE CENTIMETER
Y-SEPARATE ILLUSTRATION

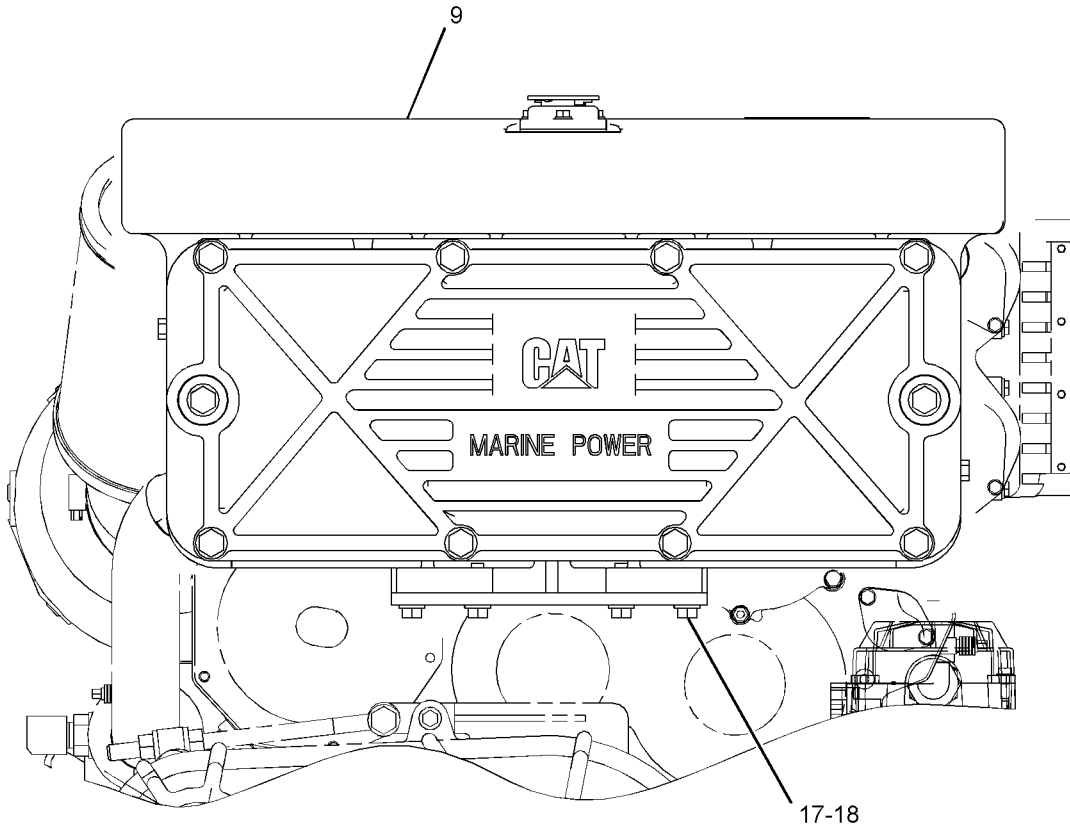
COOLING SYSTEM

290-3988 HEAT EXCHANGER GP-SEA WATER (contd.)

i02856321



TOP VIEW OF ENGINE



FRONT VIEW OF ENGINE

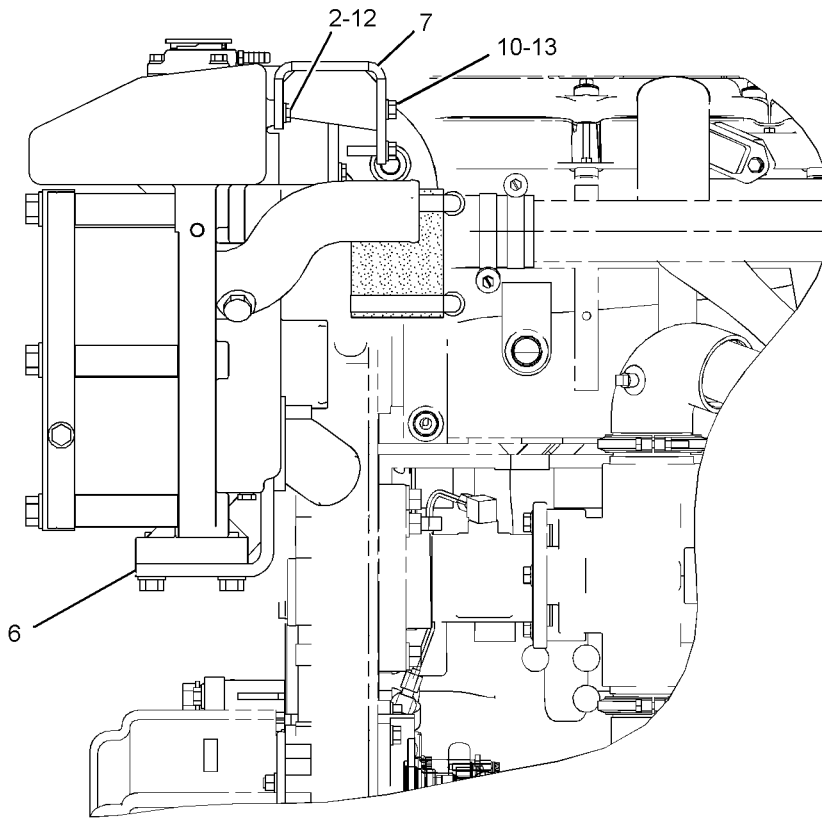
GRAPHIC #1

g01324455

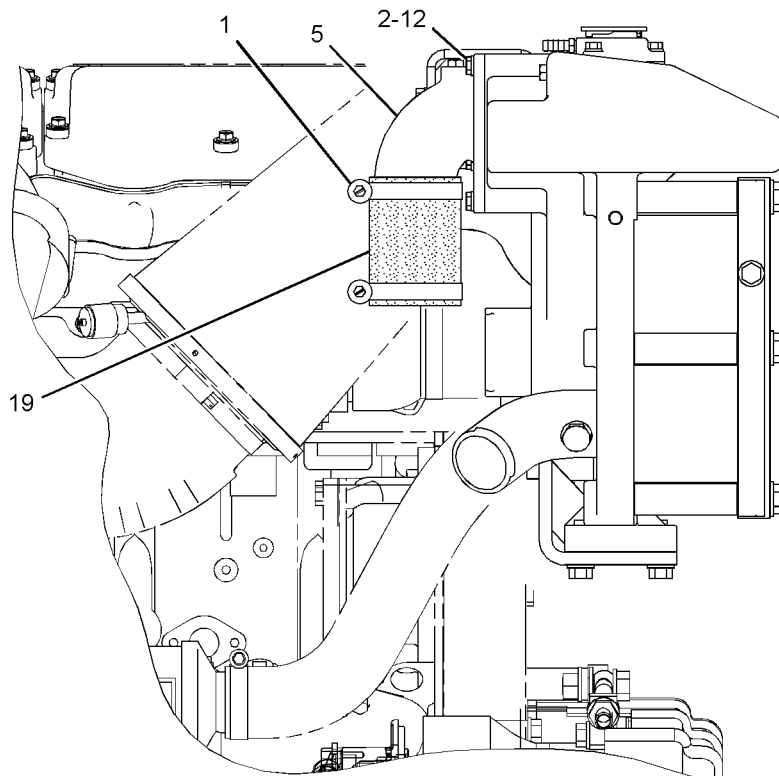
COOLING SYSTEM

290-3988 HEAT EXCHANGER GP-SEA WATER (contd.)

i02856321



LEFT SIDE VIEW OF ENGINE



RIGHT SIDE VIEW OF ENGINE

<END>

GRAPHIC #2

g01324459

COOLING SYSTEM

290-3988 HEAT EXCHANGER GP-SEA WATER

NON FUEL COOLED
AN ATTACHMENT

SMCS-1379

i04016824

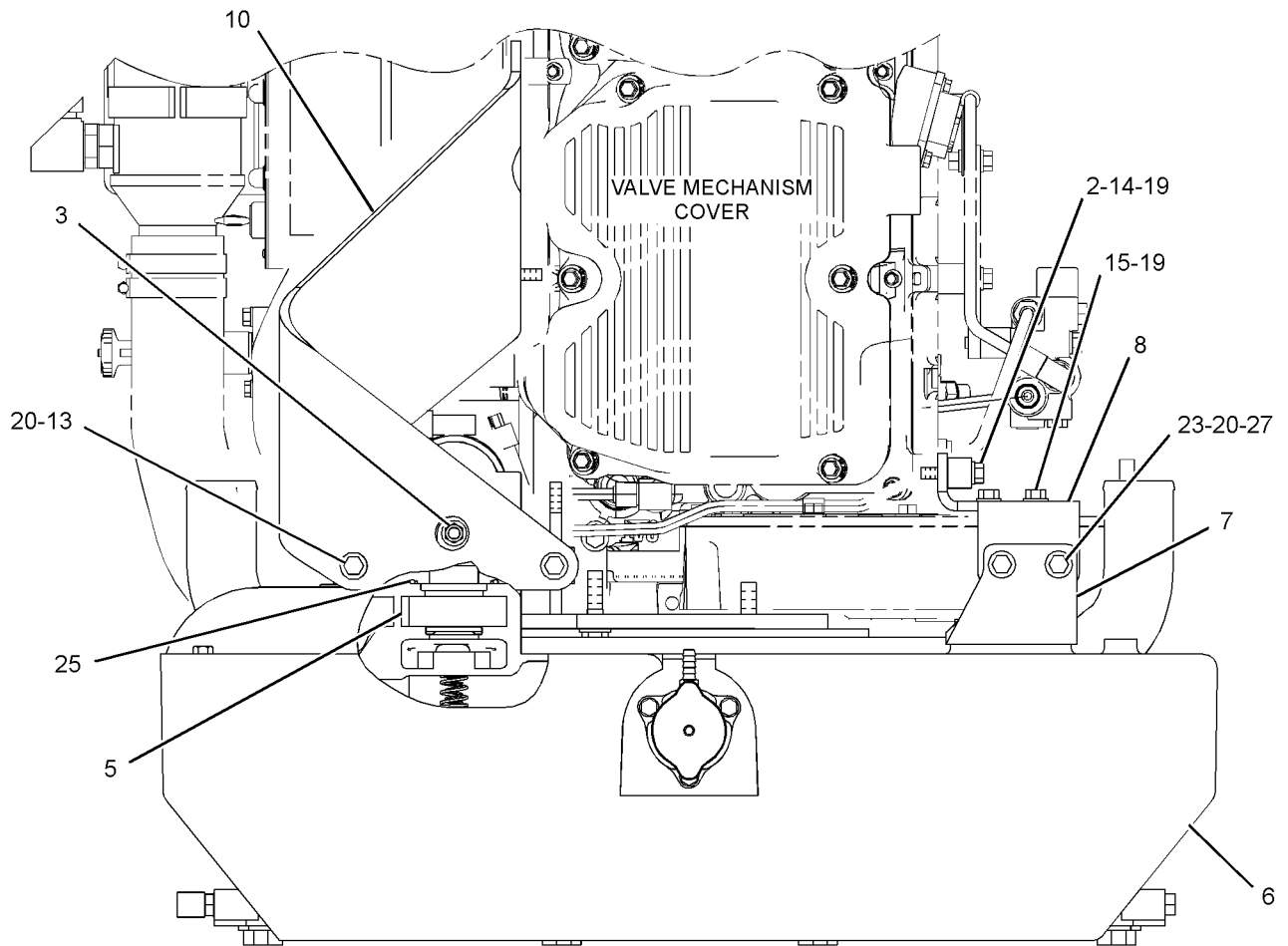
NOTE	REF NO	GRAPHIC REF	PART NUMBER	QTY	PART NAME						SEE PAGE
					1	2	3	4	5	6 (PRODUCT LEVEL)	
	1	1	8T-4985	2	CLAMP-HOSE						
C	2	1	101-3120	2	SPACER (10.5X25X20-MM THK)						
	3	1	318-2946	1	PLUG AS						
		1	6V-9027	1	SEAL-O-RING						
		1	9S-4182	1	PLUG-O-RING						
	4	1	199-3321	1	ELBOW						
	5	1	248-5513	1	REGULATOR-TEMPERATURE (92-DEG C) (WATER)						
Y	6	1	290-3989	1	HEAT EXCHANGER GP-SEA WATER						390
C	7	1	308-1427	1	BRACKET						
C	8	1	308-1428	1	BRACKET						
C	9	1	308-1429	1	SUPPORT						
C	10	1	308-1432	1	BRACKET						
C	11	1	308-9502	1	PLATE-SEAL						
C	12	1	310-5510	1	SPACER						
C	13	1	0L-2070	2	BOLT (3/8-16X2.25-IN)						
C	14	1	0S-1571	5	BOLT (3/8-16X1.75-IN)						
C	15	1	0S-1591	3	BOLT (3/8-16X1.5-IN)						
C	16	1	1A-1460	1	BOLT (1/2-13X2-IN)						
C	17	1	1A-2029	1	BOLT (3/8-16X1.125-IN)						
C	18	1	5F-4899	2	BOLT (3/8-16X5.5-IN)						
C	19	1	5M-2894	11	WASHER-HARD (10.2X18.5X2.5-MM THK)						
C	20	1	9X-6458	9	WASHER-HARD (10.2X22.5X3-MM THK)						
C	21	1	5P-1076	4	WASHER-HARD (13.5X30X4-MM THK)						
	22	1	8T-4835	4	BOLT (1/2-13X2-IN)						
C	23	1	3B-1915	4	BOLT (3/8-16X1.375-IN)						
C	25	1	8C-3073	2	SEAL-O-RING						
C	26	1	5P-8245	3	WASHER-HARD (13.5X25.5X3-MM THK)						
C	27	1	9S-8752	2	NUT-FULL (3/8-16-THD)						
C	28	1	9X-8873	2	BOLT (1/2-13X2.25-IN)						
	29	1	2R-1005	1	STUD						
E	30	1	5P-1265		HOSE (12-CM)						

C-CHANGE FROM PREVIOUS TYPE
E-ORDER BY THE CENTIMETER
Y-SEPARATE ILLUSTRATION

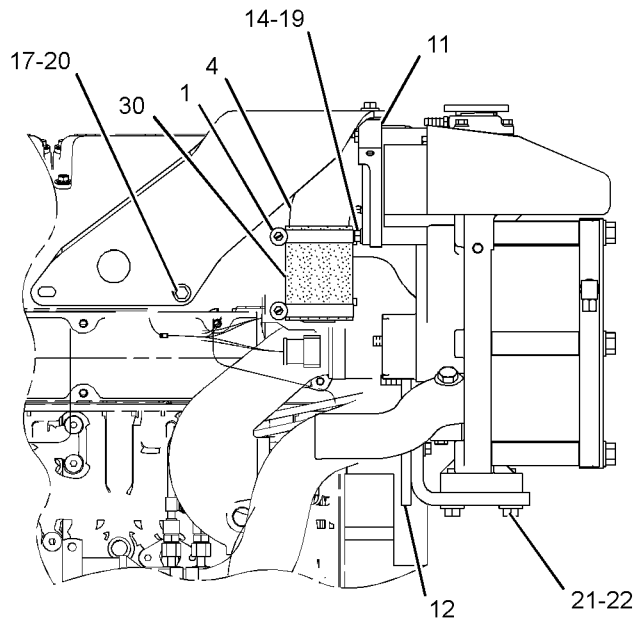
COOLING SYSTEM

290-3988 HEAT EXCHANGER GP-SEA WATER (contd.)

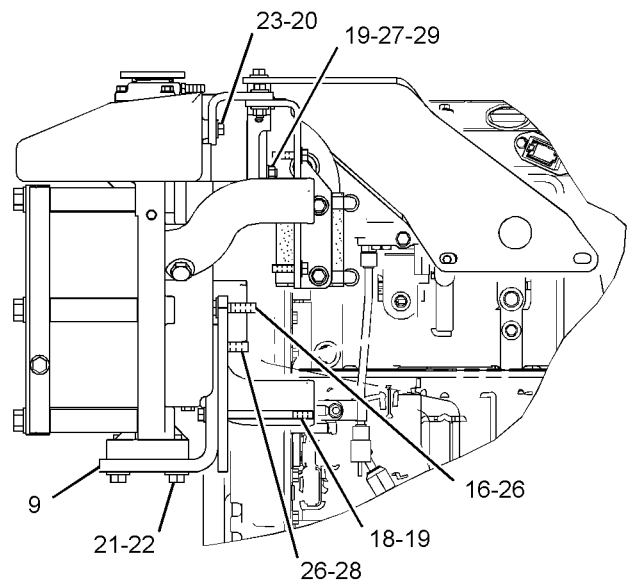
i04016824



TOP VIEW OF ENGINE



RIGHT SIDE VIEW OF ENGINE



LEFT SIDE VIEW OF ENGINE

GRAPHIC #1

<END>

g02191983

COOLING SYSTEM

290-3989 HEAT EXCHANGER GP-SEA WATER

PART OF 290-3988 HEAT EXCHANGER GP-SEA WATER

AN ATTACHMENT

SMCS-1379

i04032505

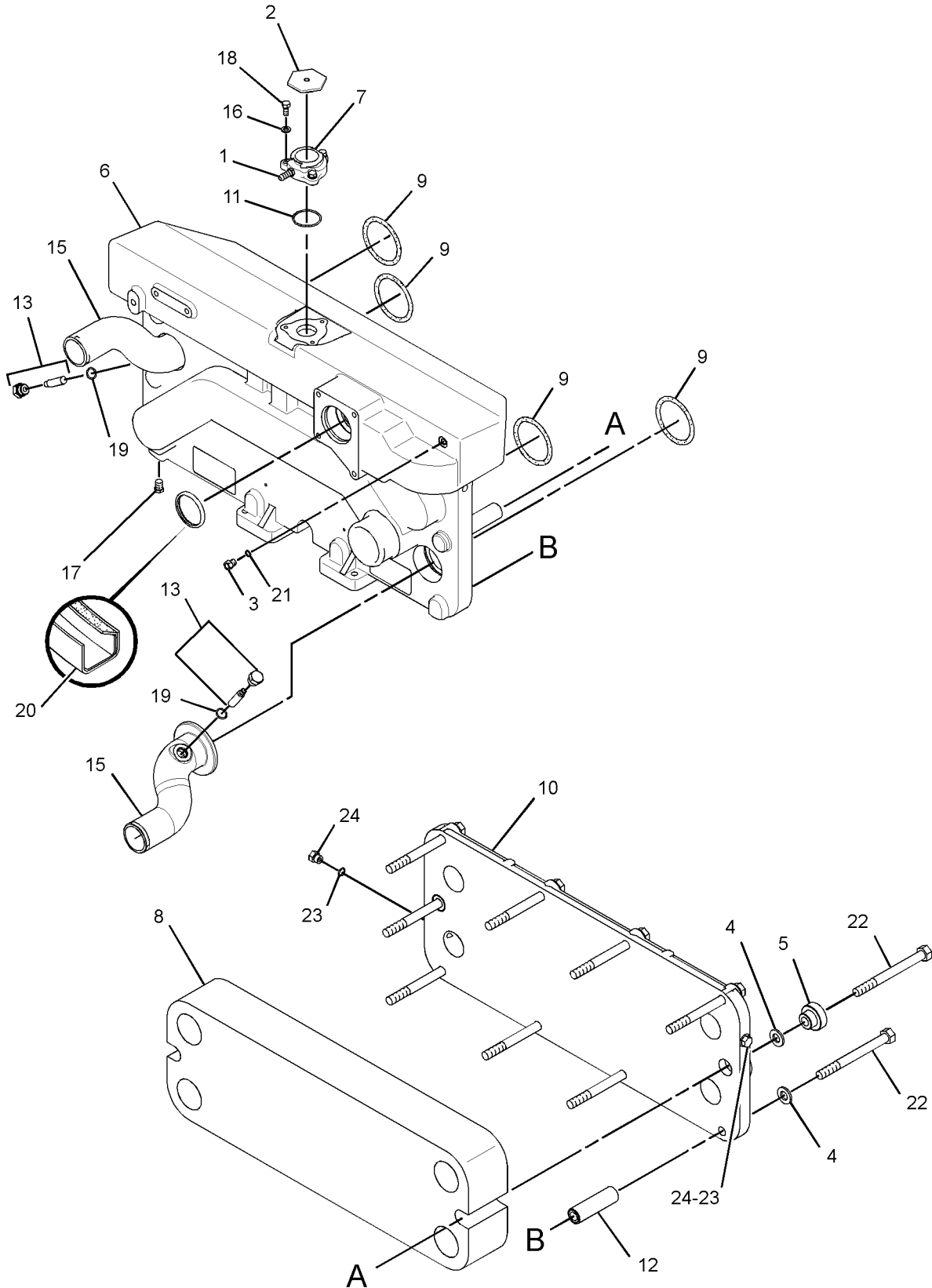
NOTE	REF NO	GRAPHIC REF	PART NUMBER	QTY	PART NAME	SEE PAGE
					1 2 3 4 5 6 (PRODUCT LEVEL)	
	1	1	8T-2173	1	CONNECTOR-HOSE	
	2	1	036-1865	1	CAP AS-RADIATOR (SEA WATER HEAT EXCHANGER)	
	3	1	116-3260	1	PLUG	
	4	1	164-4537	10	WASHER (17X32X3.5-MM THK)	
	5	1	166-4392	2	SPACER-SPECIAL	
	6	1	200-7103	1	FRAME AS	
		1	7U-6984	10	INSERT (5/8-11-THD)	
	7	1	200-7106	1	NECK AS	
Y	8	1	202-7528	1	PLATE GP-HEAT EXCHANGER	439
	9	1	202-7530	4	SEAL	
	10	1	203-2085	1	FRAME-FRONT	
	11	1	204-7844	1	SEAL-O-RING	
	12	1	357-5429	10	SPACER-SPECIAL	
	13	1	280-7123	2	PLUG AS	
	15	1	291-1979	2	ELBOW	
	16	1	190-7541	3	WASHER (8.8X16X2-MM THK)	
	17	1	3E-7428	1	PLUG-PIPE	
	18	1	3H-6591	3	BOLT (5/16-18X0.75-IN)	
	19	1	3K-0360	2	SEAL-O-RING	
	20	1	3S-9643	1	SEAL-LIP TYPE (WATER TEMPERATURE REGULATOR)	
	21	1	6V-9027	1	SEAL-O-RING	
	22	1	7X-0361	10	BOLT (5/8-11X6.5-IN)	
	23	1	214-7568	2	SEAL-O-RING	
	24	1	6V-0431	2	PLUG	

Y-SEPARATE ILLUSTRATION

COOLING SYSTEM

290-3989 HEAT EXCHANGER GP-SEA WATER (contd.)

i04032505



GRAPHIC #1

<END>

g02237737

COOLING SYSTEM

290-3990 HEAT EXCHANGER GP-SEA WATER

S/N: J2K1-155
FUEL COOLED
AN ATTACHMENT

SMCS-1379

i02630172

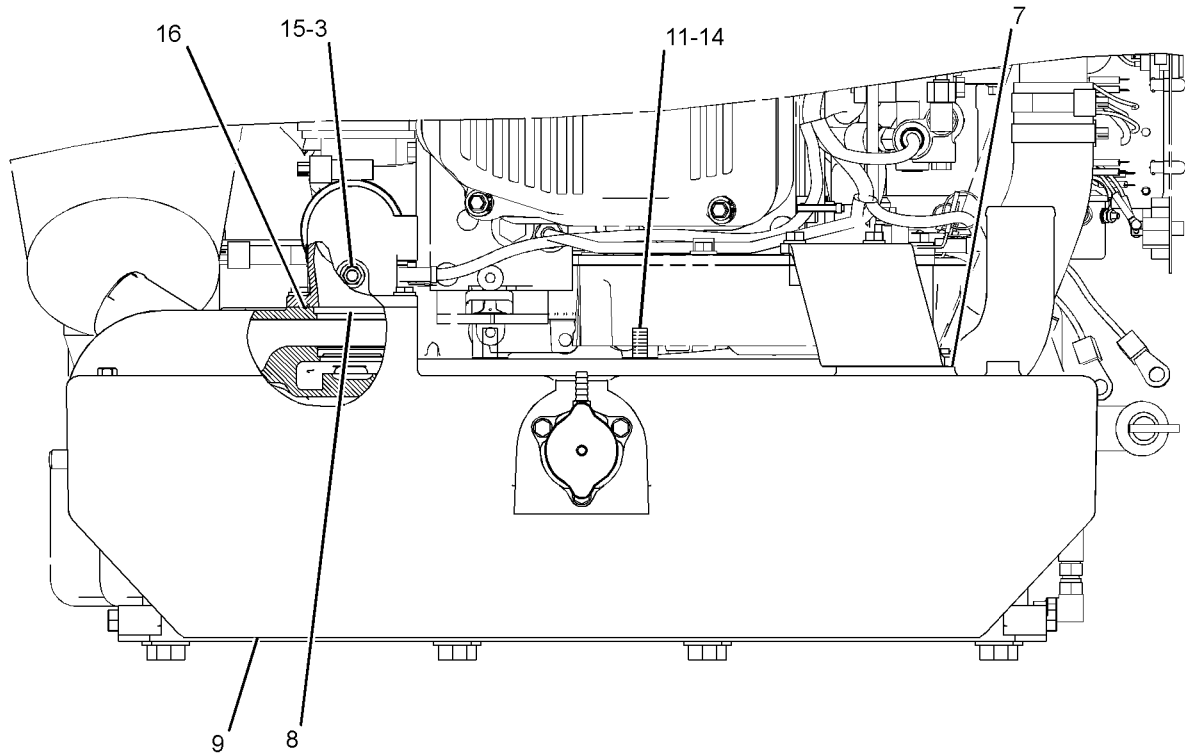
NOTE	REF NO	GRAPHIC REF	PART NUMBER	QTY	PART NAME						SEE PAGE
					1	2	3	4	5	6 (PRODUCT LEVEL)	
	1	1	8T-4985	2	CLAMP-HOSE						
	2	1	110-8314	6	WASHER (10.3X18.3X2.66-MM THK)						
	3	1	116-3260	1	PLUG						
	5	1	199-3321	1	ELBOW						
	6	1	200-7124	1	SUPPORT AS						
	7	1	224-6805	1	BRACKET AS						
	8	1	248-5513	1	REGULATOR-TEMPERATURE (92-DEG C) (COOLANT)						
Y	9	1	290-3991	1	HEAT EXCHANGER GP-SEA WATER						396
	10	1	0S-1591	2	BOLT (3/8-16X1.5-IN)						
	11	1	1A-1460	2	BOLT (1/2-13X2-IN)						
	12	1	3H-6622	6	BOLT (3/8-16X1.25-IN)						
	13	1	5M-2894	2	WASHER-HARD (10.2X18.5X2.5-MM THK)						
	14	1	5P-8245	2	WASHER-HARD (13.5X25.5X3-MM THK)						
	15	1	6V-9027	1	SEAL-O-RING						
	16	1	8C-3073	1	SEAL-O-RING						
	17	1	8T-4223	4	WASHER-HARD (13.5X25.5X3-MM THK)						
	18	1	8T-8919	4	BOLT (1/2-13X1.75-IN)						
E	19	1	5P-1265		HOSE (10-CM)						

E-ORDER BY THE CENTIMETER
Y-SEPARATE ILLUSTRATION

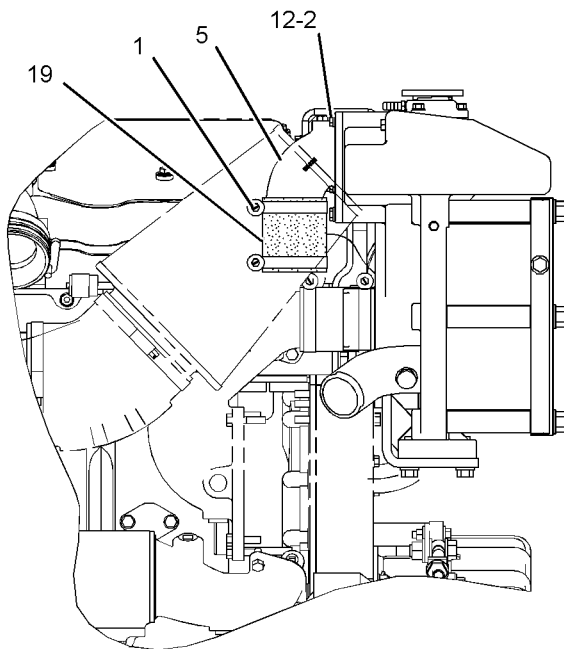
COOLING SYSTEM

290-3990 HEAT EXCHANGER GP-SEA WATER (contd.)

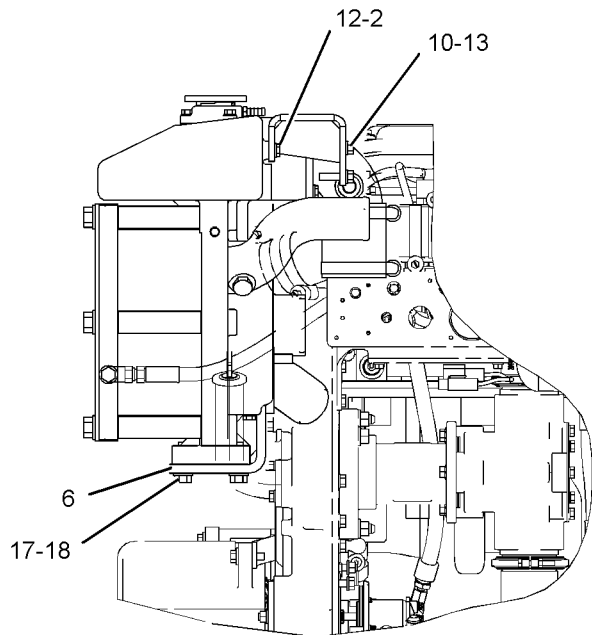
i02630172



TOP VIEW OF ENGINE



RIGHT SIDE VIEW OF ENGINE



LEFT SIDE VIEW OF ENGINE

GRAPHIC #1

<END>

g01325124

COOLING SYSTEM

290-3990 HEAT EXCHANGER GP-SEA WATER

S/N: J2K156-UP; T2P1-UP

FUEL COOLED
AN ATTACHMENT

SMCS-1379

i04016827

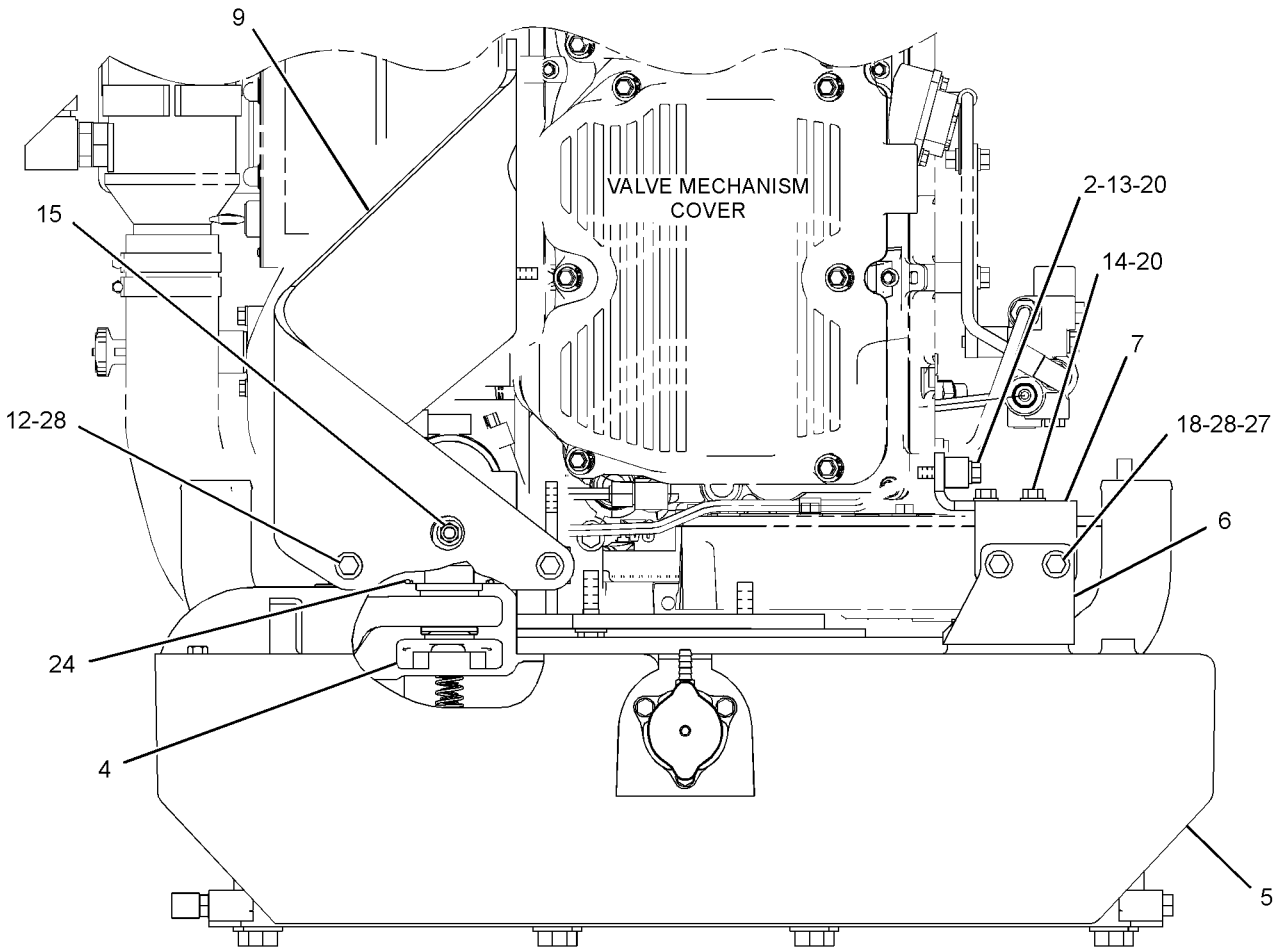
NOTE	REF NO	GRAPHIC REF	PART NUMBER	QTY	PART NAME						SEE PAGE
					1	2	3	4	5	6 (PRODUCT LEVEL)	
	1	1	2R-1005	1	STUD						
C	2	1	101-3120	2	SPACER (10.5X25X20-MM THK)						
	3	1	199-3321	1	ELBOW						
	4	1	248-5513	1	REGULATOR-TEMPERATURE (92-DEG C) (COOLANT)						
Y	5	1	<i>290-3991</i>	1	HEAT EXCHANGER GP-SEA WATER						396
C	6	1	308-1427	1	BRACKET						
C	7	1	308-1428	1	BRACKET (LH)						
C	8	1	308-1429	1	SUPPORT						
C	9	1	308-1432	1	BRACKET (RH)						
C	10	1	308-9502	1	PLATE-SEAL						
C	11	1	310-5510	1	SPACER (PLATE)						
C	12	1	0L-2070	2	BOLT (3/8-16X2.25-IN)						
C	13	1	0S-1571	5	BOLT (3/8-16X1.75-IN)						
C	14	1	0S-1591	3	BOLT (3/8-16X1.5-IN)						
	15	1	318-2946	1	PLUG AS						
		1	6V-9027	1	SEAL-O-RING						
		1	9S-4182	1	PLUG-O-RING						
C	16	1	1A-1460	1	BOLT (1/2-13X2-IN)						
C	17	1	1A-2029	1	BOLT (3/8-16X1.125-IN)						
C	18	1	3B-1915	4	BOLT (3/8-16X1.375-IN)						
C	19	1	5F-4899	2	BOLT (3/8-16X5.5-IN)						
C	20	1	5M-2894	11	WASHER-HARD (10.2X18.5X2.5-MM THK)						
C	21	1	5P-1076	4	WASHER-HARD (13.5X30X4-MM THK)						
C	22	1	5P-8245	3	WASHER-HARD (13.5X25.5X3-MM THK)						
C	24	1	8C-3073	2	SEAL-O-RING						
	25	1	8T-4835	4	BOLT (1/2-13X2-IN)						
	26	1	8T-4985	2	CLAMP-HOSE						
	27	1	9S-8752	3	NUT-FULL (3/8-16-THD)						
	28	1	9X-6458	9	WASHER-HARD (10.2X22.5X3-MM THK)						
C	29	1	9X-8873	2	BOLT (1/2-13X2.25-IN)						
E	30	1	5P-1265		HOSE (12-CM)						

C-CHANGE FROM PREVIOUS TYPE
E-ORDER BY THE CENTIMETER
Y-SEPARATE ILLUSTRATION

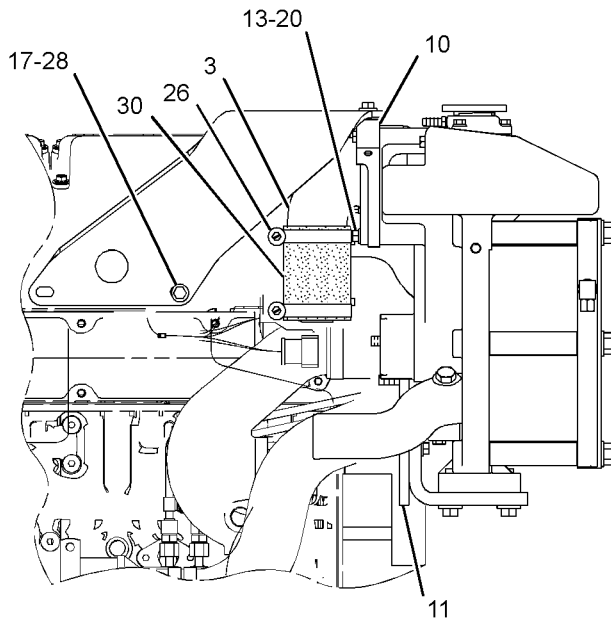
COOLING SYSTEM

290-3990 HEAT EXCHANGER GP-SEA WATER (contd.)

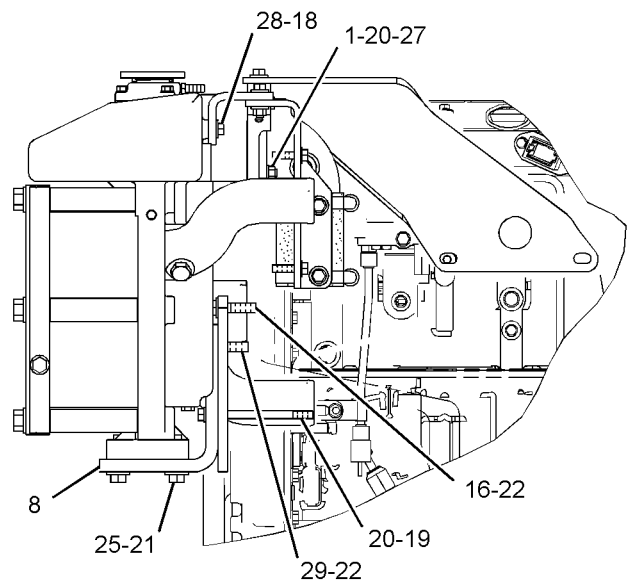
i04016827



TOP VIEW OF ENGINE



RIGHT SIDE VIEW OF ENGINE



LEFT SIDE VIEW OF ENGINE

GRAPHIC #1

<END>

g02191989

COOLING SYSTEM

290-3991 HEAT EXCHANGER GP-SEA WATER

PART OF 290-3990 HEAT EXCHANGER GP-SEA WATER

AN ATTACHMENT

SMCS-1379

i04032512

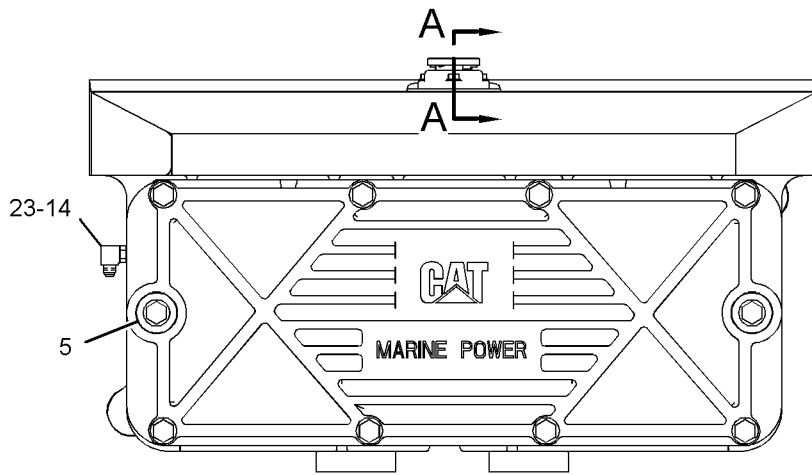
NOTE	REF NO	GRAPHIC REF	PART NUMBER	QTY	PART NAME	SEE PAGE
					1 2 3 4 5 6 (PRODUCT LEVEL)	
	1	1	8T-2173	1	CONNECTOR-HOSE	
	2	1	116-3260	1	PLUG	
	3	1	125-5274	1	CAP-RADIATOR (SEA WATER HEAT EXCHANGER)	
	4	1	164-4537	10	WASHER (17X32X3.5-MM THK)	
	5	1	166-4392	2	SPACER-SPECIAL	
	6	1	200-7103	1	FRAME AS	
		1	7U-6984	10	INSERT (5/8-11-THD)	
	7	1	200-7106	1	NECK AS	
Y	8	1	202-7529	1	PLATE GP-HEAT EXCHANGER	441
	9	1	202-7530	4	SEAL	
	10	1	203-2085	1	FRAME-FRONT	
	11	1	204-7844	1	SEAL-O-RING	
	12	1	357-5978	10	SPACER AS	
	13	1	280-7123	2	PLUG AS	
	14	1	030-7947	1	ELBOW	
	15	1	291-1979	2	ELBOW	
	16	1	190-7541	3	WASHER (8.8X16X2-MM THK)	
	17	1	3E-7428	1	PLUG-PIPE	
	18	1	3H-6591	3	BOLT (5/16-18X0.75-IN)	
	19	1	3K-0360	2	SEAL-O-RING	
	20	1	3S-9643	1	SEAL-LIP TYPE (WATER TEMPERATURE REGULATOR)	
	21	1	6V-9027	1	SEAL-O-RING	
	22	1	7X-0362	10	BOLT (5/8-11X7-IN)	
	23	1	214-7568	1	SEAL-O-RING	

Y-SEPARATE ILLUSTRATION

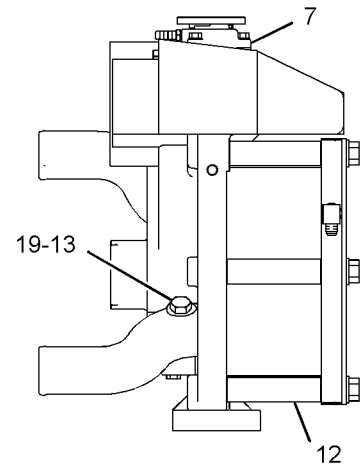
COOLING SYSTEM

290-3991 HEAT EXCHANGER GP-SEA WATER (contd.)

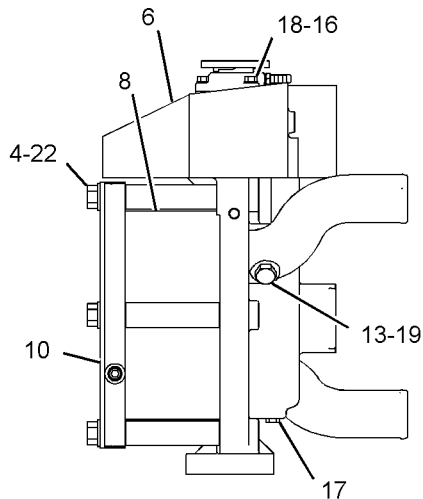
i04032512



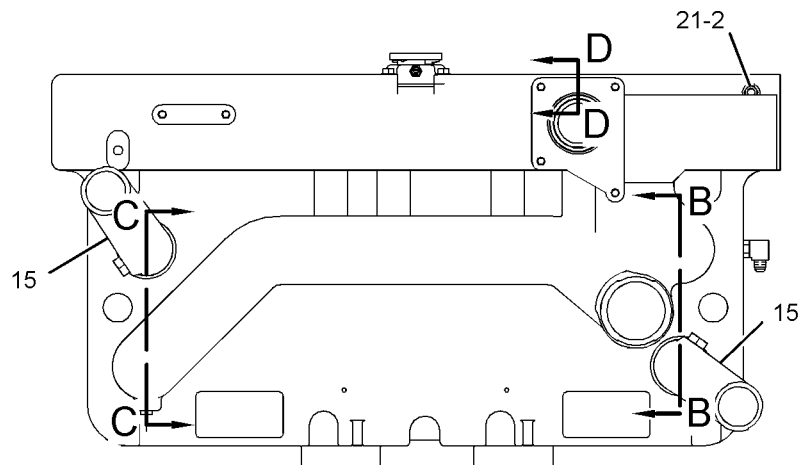
FRONT VIEW OF ENGINE



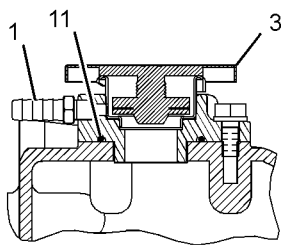
RIGHT SIDE VIEW OF ENGINE



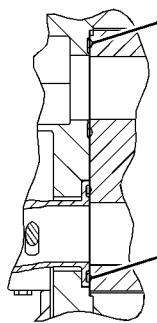
LEFT SIDE VIEW OF ENGINE



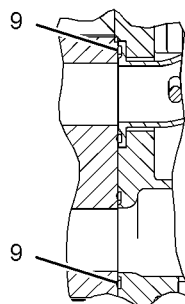
REAR VIEW OF ENGINE



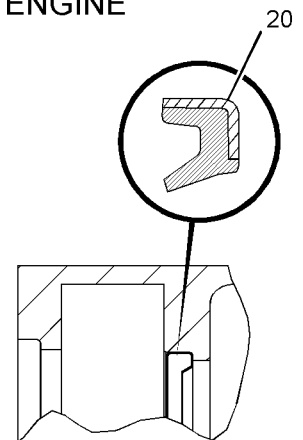
SECTION A-A



SECTION B-B



SECTION C-C



SECTION D-D

GRAPHIC #1

<END>

g01626394

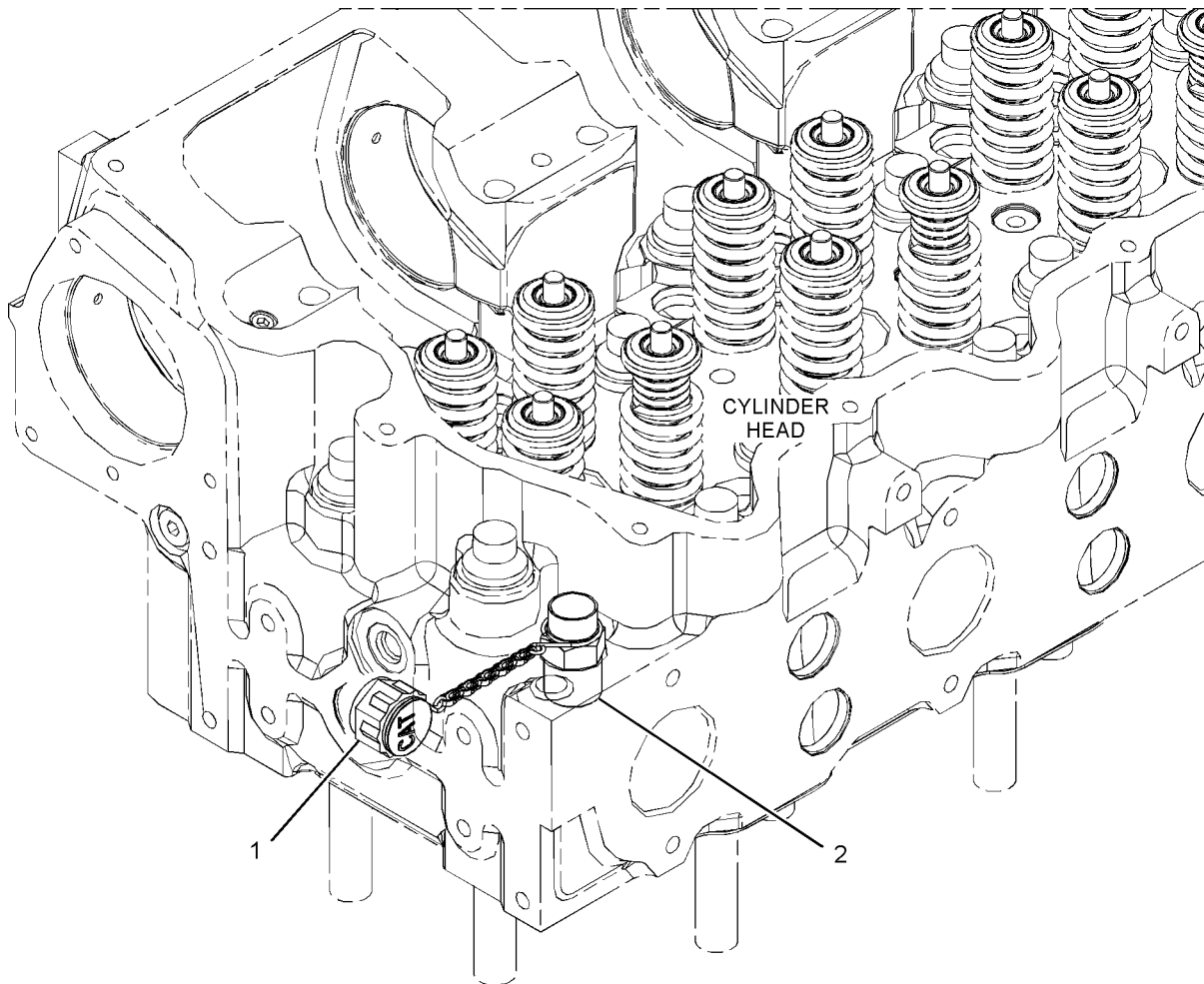
COOLING SYSTEM

356-2534 HOUSING GP-THERMOSTAT PART OF 293-4160, 293-4161 HEATER GP-JACKET WATER AN ATTACHMENT

SMCS-1355

i03905870

NOTE	REF NO	GRAPHIC REF	PART NUMBER	QTY	PART NAME						SEE PAGE
					1	2	3	4	5	6 (PRODUCT LEVEL)	
	1	1	133-6517	1	CAP AS-DUST						
	2	1	235-5863	1	HOUSING (THERMOSTAT)						



GRAPHIC #1

<END>

g02149369

COOLING SYSTEM

309-0104 LINES GP-AUXILIARY FRESH WATER FOR USE WITH TIER II. CANNOT BE USED WITH HEAT EXCHANGED ENGINE AN ATTACHMENT

SMCS-1380

i04047579

NOTE	REF NO	GRAPHIC REF	PART NUMBER	QTY	PART NAME	1 2 3 4 5 6 (PRODUCT LEVEL)						SEE PAGE	
						1	2	3	4	5	6		
	1	1	2N-0931	1	GASKET								
	2	2	4N-1156	1	GASKET-REGULATOR COVER								
E	3	1	5P-0763		HOSE (8-CM)								
R	4	2	7C-0145	1	CORE AS-OIL COOLER (ENGINE)								
	5	2	9S-8752	2	NUT-FULL (3/8-16-THD)								
	6	1	8T-4983	2	CLAMP-HOSE								
	7	2	101-3120	2	SPACER (10.5X25X20-MM THK)								
	8	2	121-7745	2	SLEEVE-RETAINER								
	9	1	124-3393	1	COVER-WATER PUMP								
	10	2	124-3401	1	HOUSING								
	11	1	124-3402	1	HOUSING								
	12	2	124-9052	1	GASKET (WATER TEMPERATURE REGULATOR)								
	13	1	125-0434	1	SEAL-INTEGRAL								
	14	1	126-4935	1	SEAL-INTEGRAL								
	15	1	157-0670	1	CAP-DUST								
	16	1	217-9060	1	VALVE AS-FLUID SAMPLING (ENGINE OIL)								
		1	3J-7354	1	SEAL-O-RING								
		1	154-9023	1	VALVE-SAMPLING								
	17	1	229-2282	1	BONNET-OIL COOLER								
	18	2	248-5513	1	REGULATOR-TEMPERATURE (92-DEG C)								
	19	2	262-4167	1	BONNET-OUTLET								
	20	1	262-6127	1	ELBOW AS								
	21	2	308-4321	1	BRACKET								
	22	2	308-7071	1	CLIP-2 PIECE								
	23	2	308-7072	1	CLIP-2 PIECE								
	24	2	309-0099	1	TUBE AS								
	25	1	311-2827	1	TUBE AS-INLET								
	26	1	148-8409	3	PLUG AS								
					(EACH INCLUDES)								
		1	9S-8008	1	PLUG-O-RING								
		1	3D-2824	1	SEAL-O-RING								
	27	2	348-6657	1	HOSE								
	28	2	350-3565	1	TUBE AS								
	29	2	0S-1571	2	BOLT (3/8-16X1.75-IN)								
	30	1	0S-1588	4	BOLT (3/8-16X1.25-IN)								
	31	1,2	0S-1591	8	BOLT (3/8-16X1.5-IN)								
	32	1,2	0S-1594	3	BOLT (3/8-16X1-IN)								
	33	1	0T-0055	1	BOLT (3/8-16X4.25-IN)								
	34	1	0T-0065	2	BOLT (3/8-16X3.5-IN)								
	35	1	109-0077	2	SEAL-O-RING								
	36	2	144-0367	1	CLAMP-HOSE								
	37	1	162-0177	1	PLUG AS								
		1	3J-1907	1	SEAL-O-RING								
		1	9S-8004	1	PLUG-O-RING								
	38	1,2	1A-2029	9	BOLT (3/8-16X1.125-IN)								
	39	1	1F-7958	2	NUT-FULL (1/2-13-THD)								
	40	1	2M-1395	1	GASKET								
	41	1,2	183-7263	2	PLUG AS								
					(EACH INCLUDES)								
		1,2	9S-8002	1	PLUG-O-RING								
		1,2	3J-7354	1	SEAL-O-RING								
	42	1	148-8395	1	PLUG AS								
		1	9S-8005	1	PLUG-O-RING								
		1	3K-0360	1	SEAL-O-RING								
	43	1,2	6K-0806	3	STRAP-CABLE								
	44	2	3S-9643	1	SEAL-LIP TYPE (WATER TEMPERATURE REGULATOR)								

COOLING SYSTEM

309-0104 LINES GP-AUXILIARY FRESH WATER (contd.)

i04047579

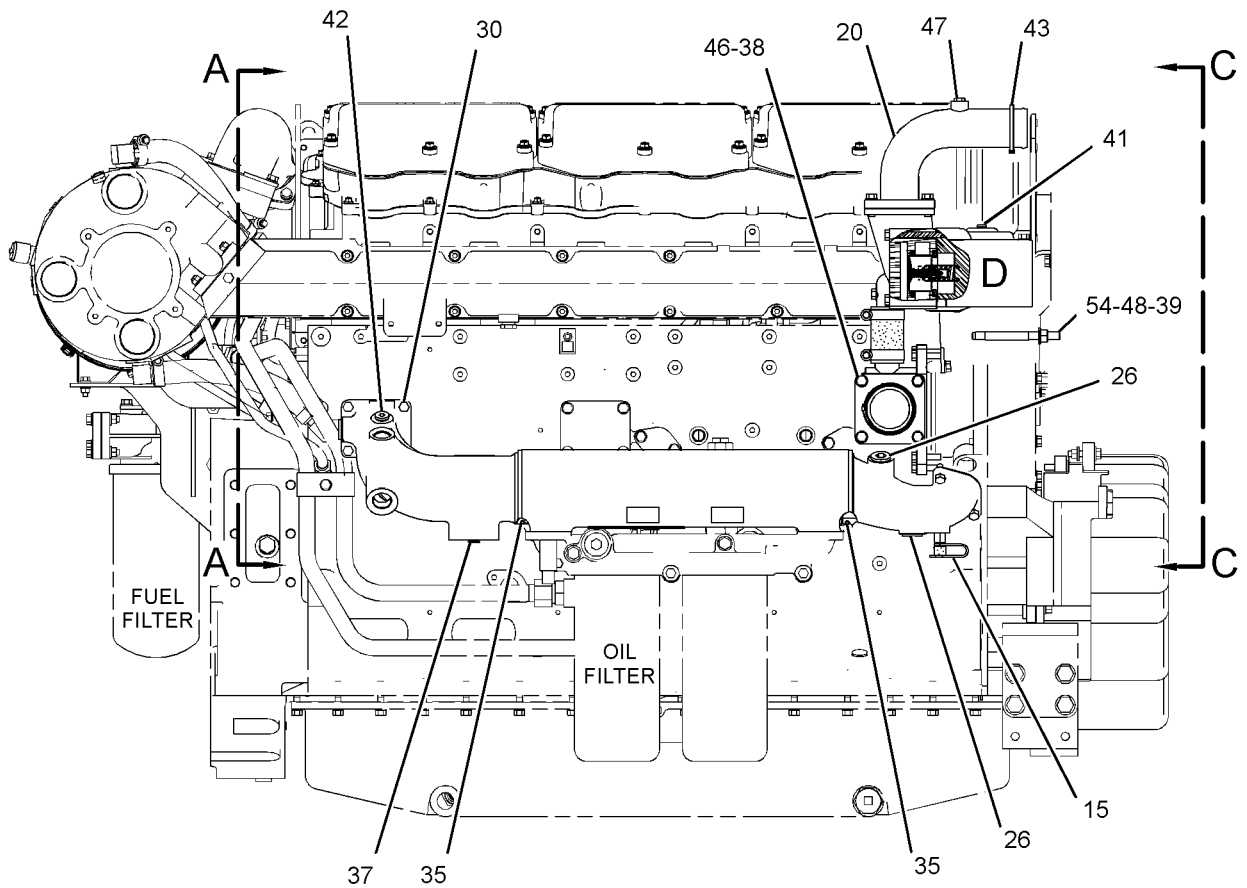
NOTE	REF NO	GRAPHIC REF	PART NUMBER	QTY	PART NAME	SEE PAGE
					1 2 3 4 5 6 (PRODUCT LEVEL)	
	45	2	4M-5281	4	BOLT (1/4-20X0.75-IN)	
	46	1,2	5M-2894	16	WASHER-HARD (10.2X18.5X2.5-MM THK)	
	47	1	5M-6213	1	PLUG-PIPE	
	48	1	5P-8245	2	WASHER-HARD (13.5X25.5X3-MM THK)	
	49	1	5P-9617	1	ADAPTER	
	50	2	6L-1650	2	SEAL-O-RING	
	51	1	7X-7731	2	PLUG-PIPE	
	52	2	8T-4205	4	WASHER-HARD (7.2X14.5X2-MM THK)	
	53	2	8T-4984	1	CLAMP-HOSE	
	54	1	8T-7061	2	STUD	

E-ORDER BY THE CENTIMETER
R-REMFG PART MAY BE AVAILABLE

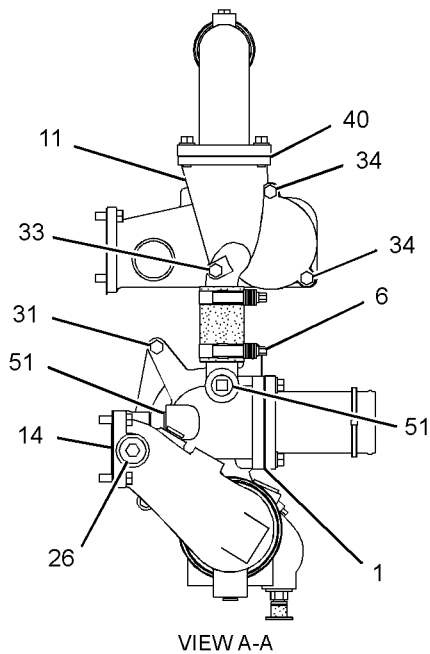
COOLING SYSTEM

309-0104 LINES GP-AUXILIARY FRESH WATER (contd.)

i04047579

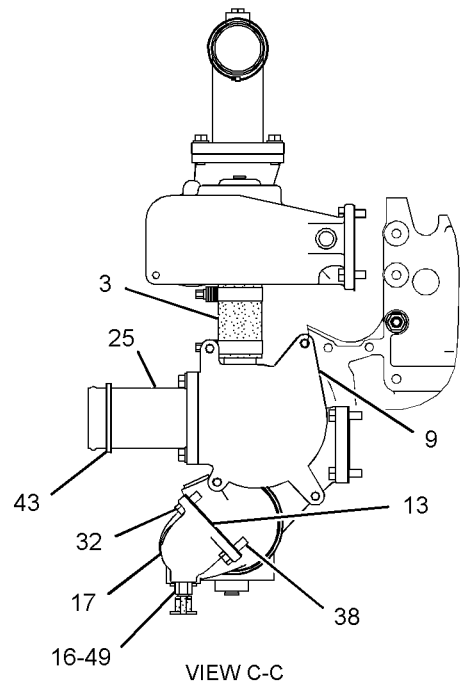


RIGHT SIDE VIEW OF ENGINE



VIEW A-A

REFER TO ALL ILLUSTRATIONS OF THIS GROUP FOR AUXILIARY VIEWS



VIEW C-C

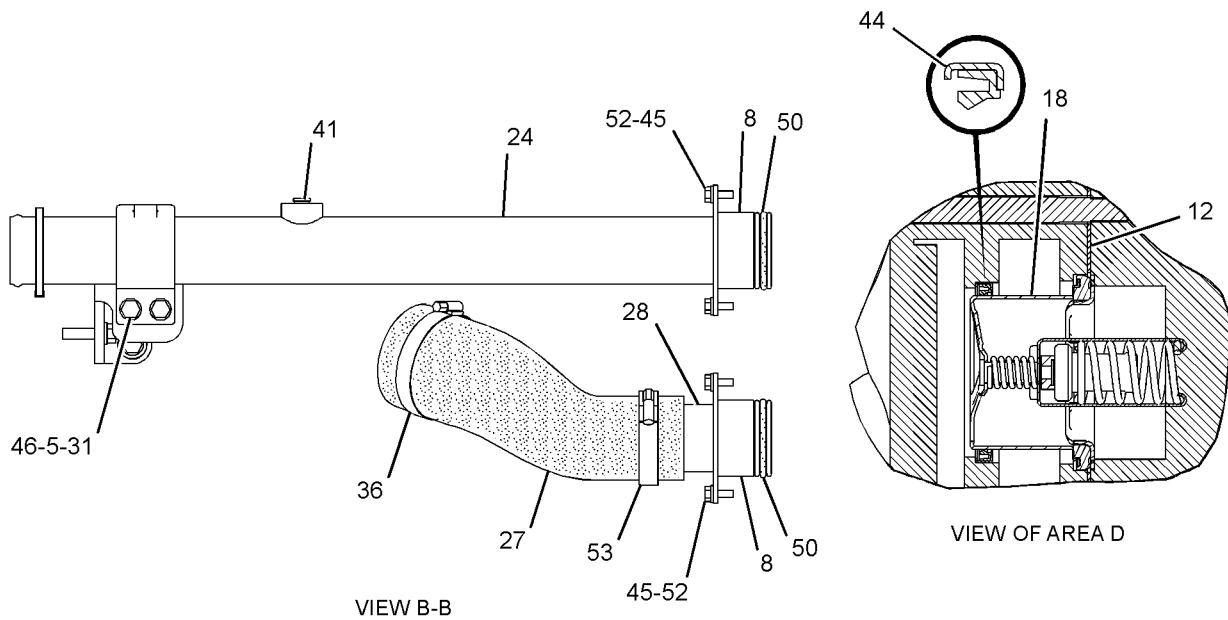
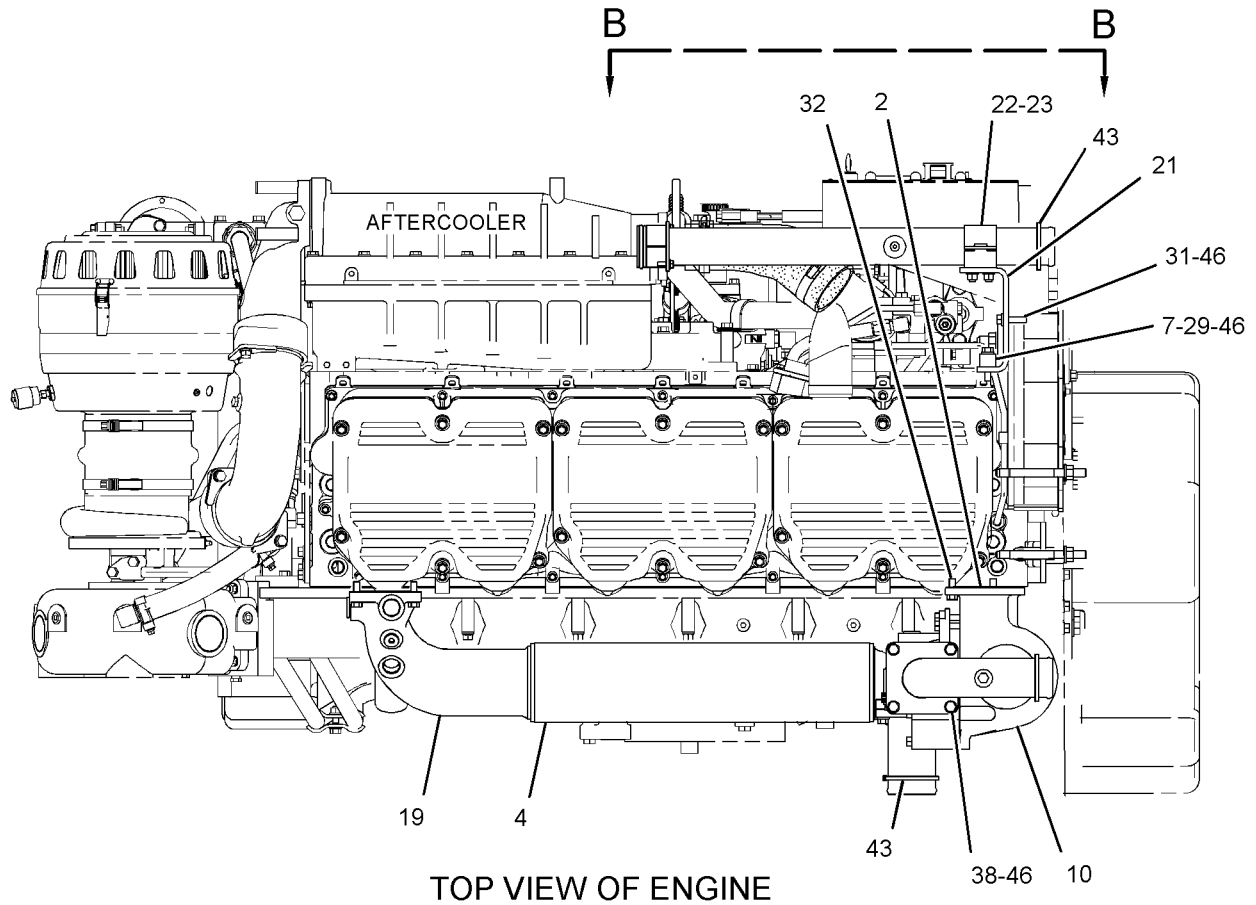
GRAPHIC #1

g02121576

COOLING SYSTEM

309-0104 LINES GP-AUXILIARY FRESH WATER (contd.)

i04047579



GRAPHIC #2

<END>

g02121575

COOLING SYSTEM

333-0485 LINES GP-AUXILIARY SEA WATER

S/N: J2K1-UP

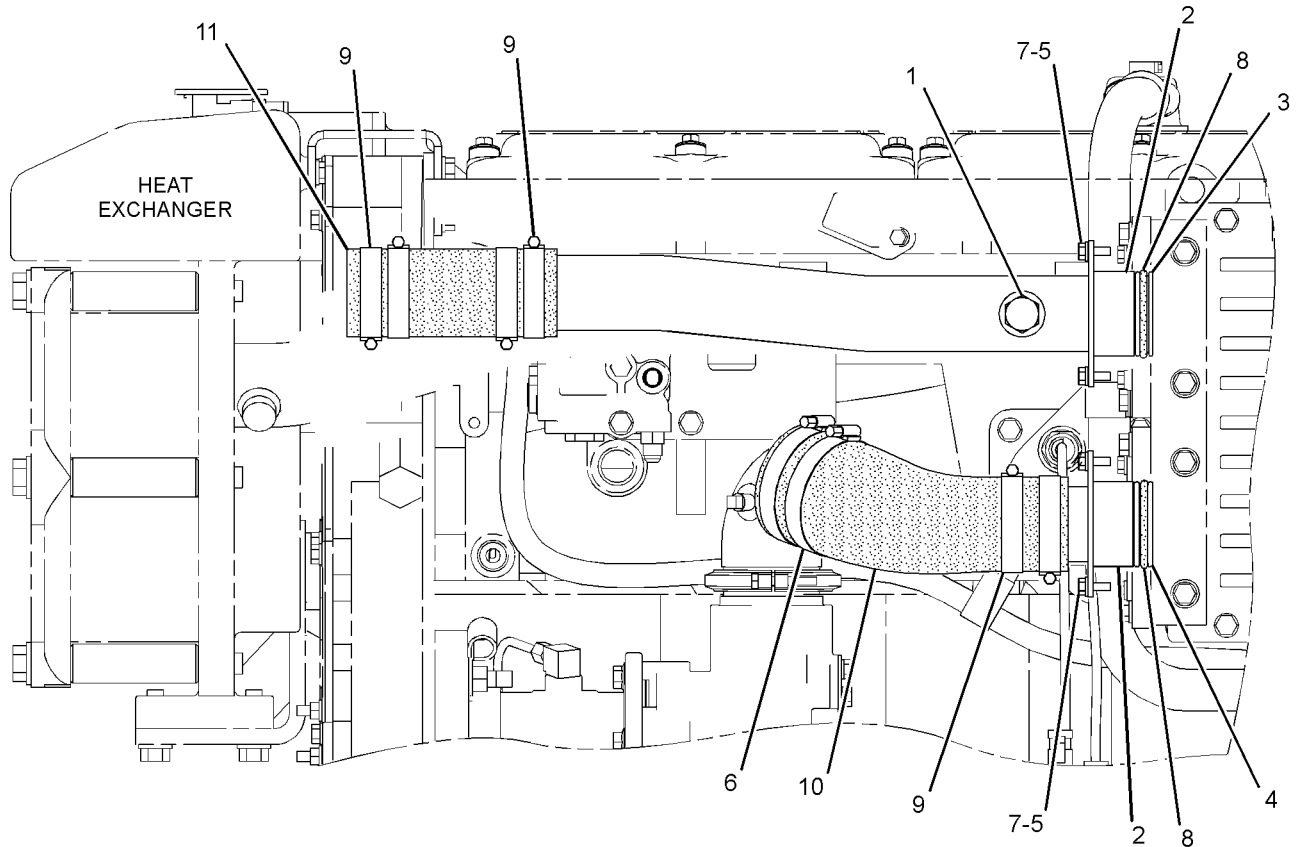
FOR USE WITH 290-3988-PAGE 385, 290-3990-PAGE 392
AN ATTACHMENT

SMCS-1380, 3319

i03874147

NOTE	REF NO	GRAPHIC REF	PART NUMBER	QTY	PART NAME						SEE PAGE
					1	2	3	4	5	6 (PRODUCT LEVEL)	
	1	1	7E-5076	1	PLUG-ZINC (AUXILIARY SEA WATER LINES)						
	2	1	121-7745	2	SLEEVE-RETAINER						
	3	1	290-3995	1	TUBE AS						
	4	1	350-3565	1	TUBE AS						
	5	1	0S-1615	4	BOLT (1/4-20X0.75-IN)						
	6	1	144-0367	2	CLAMP-HOSE						
	7	1	5P-0537	4	WASHER-HARD (7.2X14.5X2-MM THK)						
	8	1	6L-1650	2	SEAL-O-RING						
	9	1	8T-4984	6	CLAMP-HOSE						
	10	1	348-7211	1	HOSE						
E	11	1	5P-1260		HOSE (16-CM)						

E-ORDER BY THE CENTIMETER



LEFT SIDE VIEW OF ENGINE

GRAPHIC #1

<END>

g02114616

COOLING SYSTEM

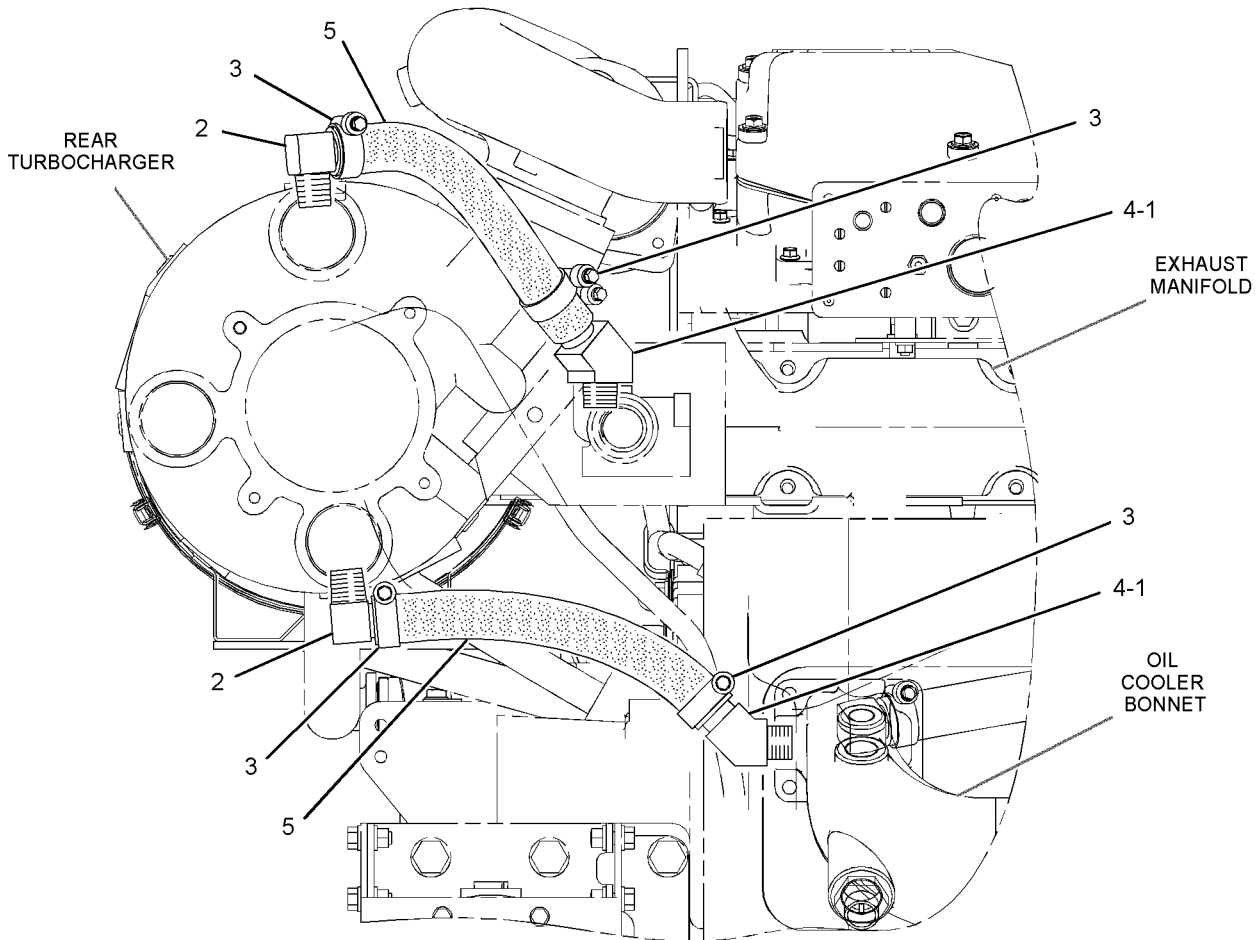
195-4722 LINES GP-WATER FOR USE WITH SAE NO.1 FLYWHEEL HOUSING AN ATTACHMENT

SMCS-1355, 1380, 1393

i03257809

NOTE	REF NO	GRAPHIC REF	PART NUMBER	QTY	PART NAME						SEE PAGE
					1	2	3	4	5	6 (PRODUCT LEVEL)	
	1	1	053-2313	2	CONNECTOR						
	2	1	7W-1890	2	ELBOW						
	3	1	7X-7958	4	CLAMP-HOSE						
	4	1	000-7246	2	ELBOW						
E	5	1	5P-1251		HOSE (26.5-CM EACH)						

E-ORDER BY THE CENTIMETER



RIGHT SIDE VIEW OF ENGINE

GRAPHIC #1

<END>

g01662413

COOLING SYSTEM

196-9223 LINES GP-WATER FOR USE WITH HEAT EXCHANGER COOLED ENGINES AN ATTACHMENT

SMCS-1355, 1380, 1393

i03934989

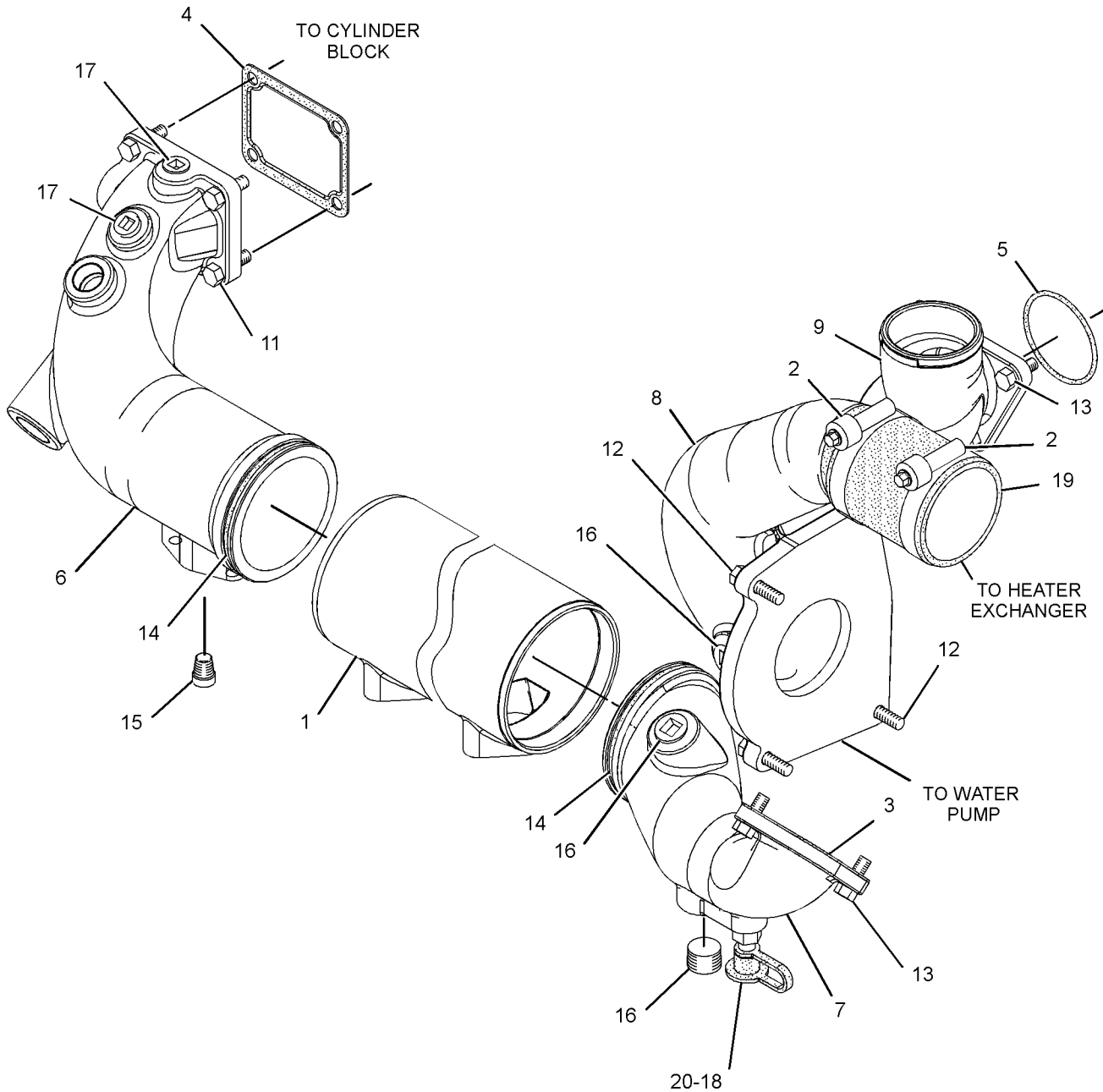
NOTE	REF NO	GRAPHIC REF	PART NUMBER	QTY	PART NAME						SEE PAGE	
					1	2	3	4	5	6 (PRODUCT LEVEL)		
R	1	1	7C-0145	1	CORE AS-OIL COOLER (ENGINE)							
	2	1	8T-4985	2	CLAMP-HOSE							
	3	1	125-0434	1	SEAL-INTEGRAL							
	4	1	126-4935	1	SEAL-INTEGRAL							
	5	1	167-4407	1	SEAL-O-RING							
	6	1	168-4854	1	BONNET-OUTLET							
	7	1	170-4860	1	BONNET-INLET							
	8	1	198-9184	1	COVER-WATER PUMP							
	9	1	199-6573	1	ELBOW							
	11	1	0S-1588	4	BOLT (3/8-16X1.25-IN)							
	12	1	0S-1591	4	BOLT (3/8-16X1.5-IN)							
	13	1	0S-1594	4	BOLT (3/8-16X1-IN)							
	14	1	109-0077	2	SEAL-O-RING							
	15	1	4B-4845	1	PLUG							
	16	1	7X-7731	4	PLUG-PIPE							
	17	1	8T-6762	2	PLUG-PIPE							
	E	18	1	154-9024	1	VALVE GP-FLUID SAMPLING (COOLANT)						
		19	1	5P-1265		HOSE (10-CM)						
20		1	157-0670	1	CAP-DUST							

E-ORDER BY THE CENTIMETER
R-REMFG PART MAY BE AVAILABLE

COOLING SYSTEM

196-9223 LINES GP-WATER (contd.)

i03934989



GRAPHIC #1

<END>

g02157013

COOLING SYSTEM

201-1400 LINES GP-WATER

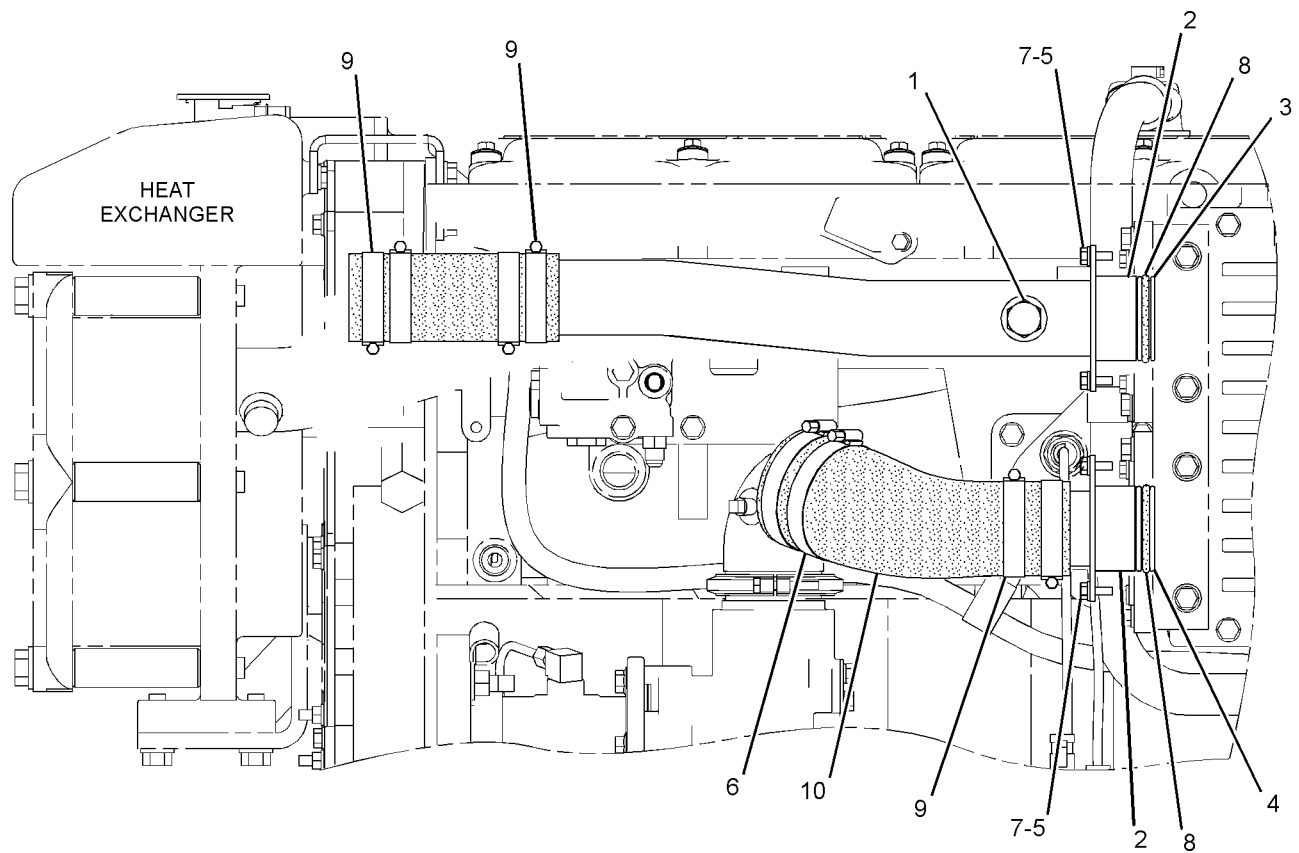
FOR USE WITH 194-2450-PAGE 453

AN ATTACHMENT

SMCS-1355, 1380, 1393

i03918211

NOTE	REF NO	GRAPHIC REF	PART NUMBER	QTY	PART NAME						SEE PAGE
					1	2	3	4	5	6 (PRODUCT LEVEL)	
	1	1	121-7745	1	SLEEVE-RETAINER						
	2	1	350-3565	1	TUBE AS						
	3	1	201-1434	1	HOSE						
	4	1	239-9965	1	TUBE AS (AFTERCOOLER OUTLET)						
	5	1	144-0367	2	CLAMP-HOSE						
	6	1	4M-5281	4	BOLT (1/4-20X0.75-IN)						
	7	1	2N-0475	2	SEAL-O-RING						
	8	1	8T-4205	4	WASHER-HARD (7.2X14.5X2-MM THK)						
	9	1	8T-4984	6	CLAMP-HOSE						
	10	1	348-6657	1	HOSE						



LEFT SIDE VIEW OF ENGINE

GRAPHIC #1

<END>

g02159599

COOLING SYSTEM

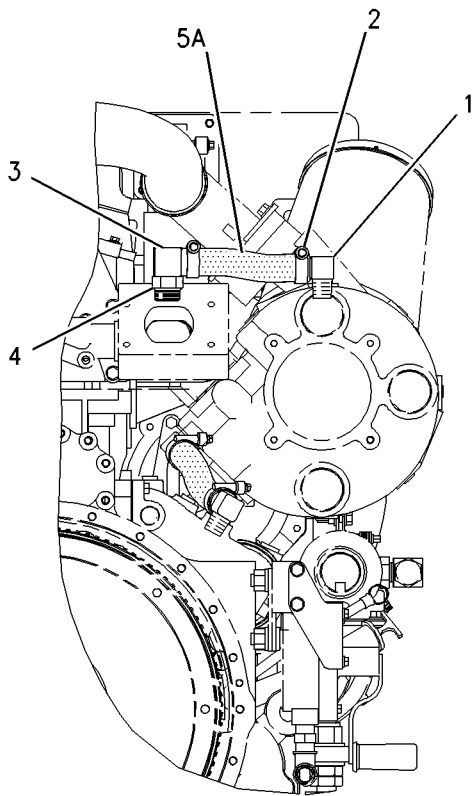
201-1517 LINES GP-WATER FOR USE WITH MIDDLE MOUNTED TURBOCHARGER AN ATTACHMENT

SMCS-1355, 1380, 1393

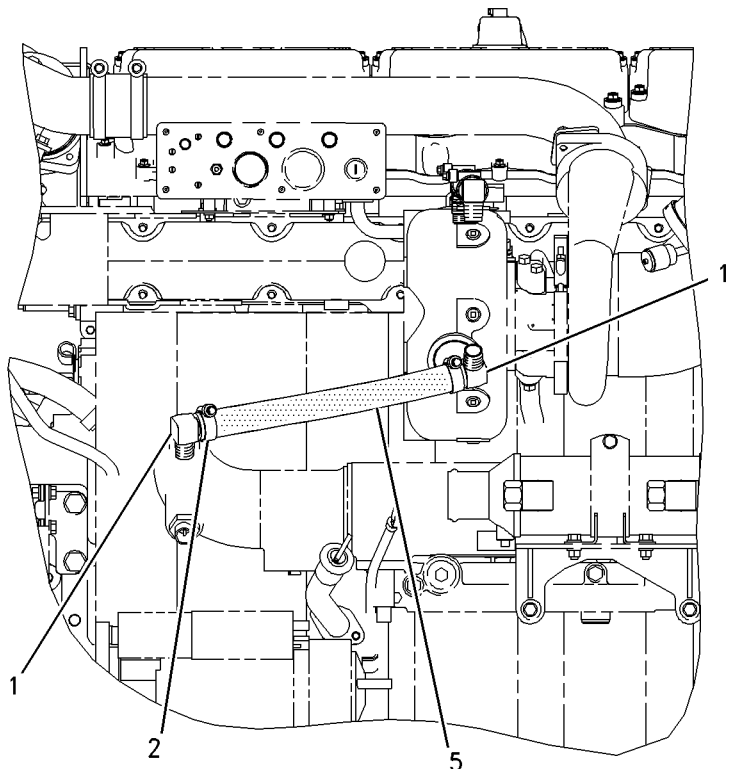
i03149287

NOTE	REF NO	GRAPHIC REF	PART NUMBER	QTY	PART NAME						SEE PAGE
					1	2	3	4	5	6 (PRODUCT LEVEL)	
	1	1	7W-1890	3	ELBOW						
	2	1	7X-7958	4	CLAMP - HOSE						
	3	1	034-4202	1	ELBOW						
	4	1	7M-8485	1	SEAL - O-RING						
E	5	1	5P-1251		HOSE (37-CM)						
E	5A	1	5P-1251		HOSE (16-CM)						

E-ORDER BY THE CENTIMETER



REAR VIEW



RIGHT SIDE VIEW

GRAPHIC #1

<END>

g00770756

COOLING SYSTEM

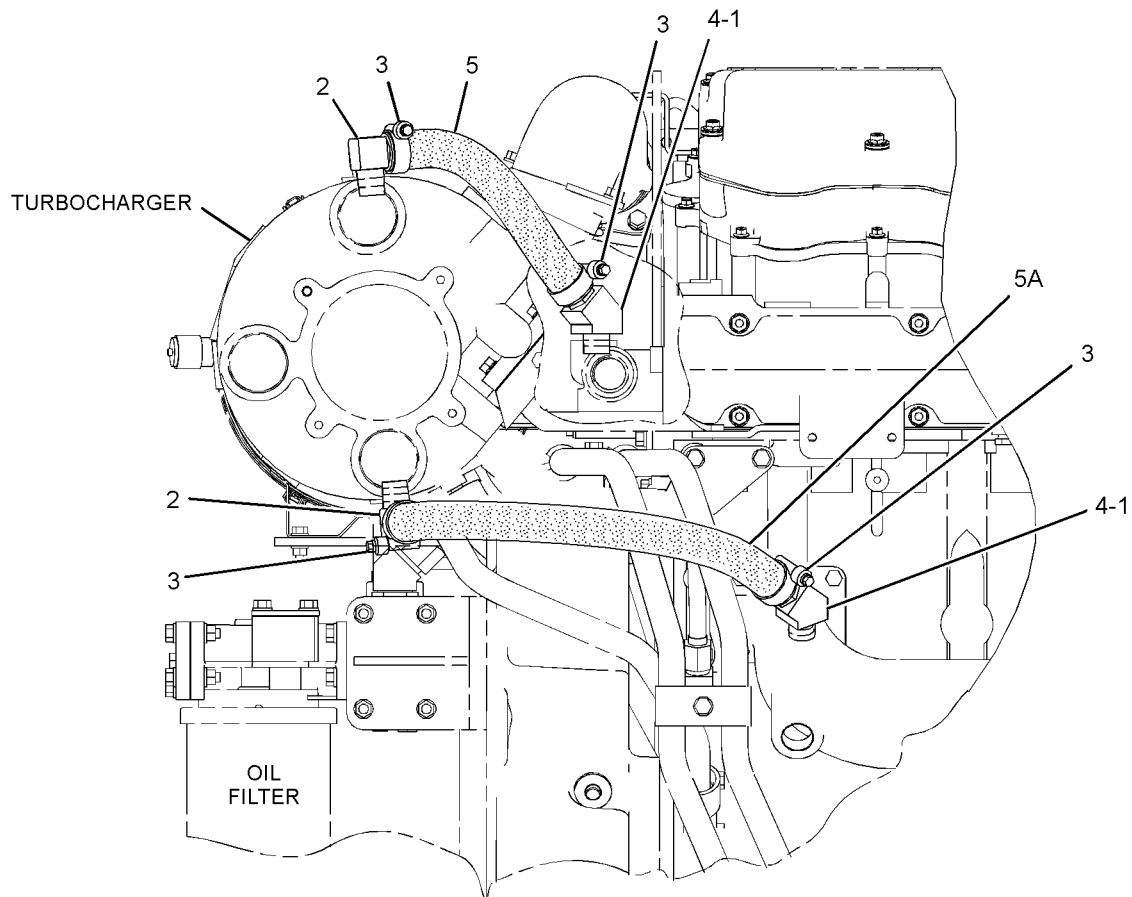
205-9191 LINES GP-WATER FOR USE WITH SAE NO. 0 FLYWHEEL HOUSING AN ATTACHMENT

SMCS-1355, 1380, 1393

i03266986

NOTE	REF NO	GRAPHIC REF	PART NUMBER	QTY	PART NAME						SEE PAGE
					1	2	3	4	5	6 (PRODUCT LEVEL)	
	1	1	053-2313	2	CONNECTOR						
	2	1	7W-1890	2	ELBOW						
	3	1	7X-7958	4	CLAMP-HOSE						
	4	1	000-7246	2	ELBOW						
E	5	1	5P-1251		HOSE (27-CM)						
E	5A	1	5P-1251		HOSE (51-CM)						

E-ORDER BY THE CENTIMETER



RIGHT SIDE VIEW OF ENGINE

<END>

GRAPHIC #1

g01593053

COOLING SYSTEM

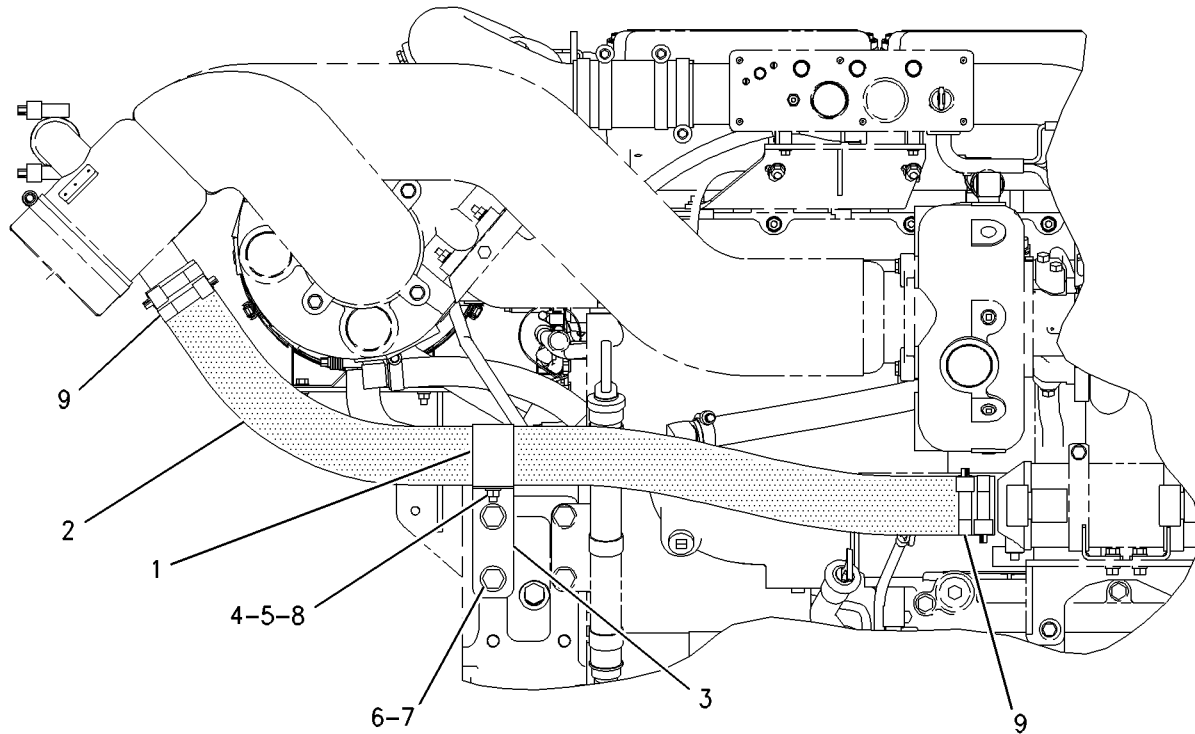
235-5920 LINES GP-WATER

FOR USE WITH EXHAUST RISER, ENGINE MOUNTED TRANSMISSION COOLER
AN ATTACHMENT

SMCS-1355, 1380, 1393

i01897250

NOTE	REF NO	GRAPHIC REF	PART NUMBER	QTY	PART NAME						SEE PAGE
					1	2	3	4	5	6 (PRODUCT LEVEL)	
	1	1	122-3608	1	CLIP						
	2	1	235-5939	1	HOSE						
	3	1	235-8127	1	SUPPORT						
	4	1	4L-6454	1	BOLT (3/8-16X1-IN)						
	5	1	6V-8801	1	NUT (3/8-16-THD)						
	6	1	7X-0343	2	BOLT (5/8-11X1.25-IN)						
	7	1	8T-4122	2	WASHER-HARD (17X32X3.5-MM THK)						
	8	1	8T-4896	2	WASHER-HARD (10.2X18.5X2.5-MM THK)						
	9	1	8T-4984	4	CLAMP-HOSE						



RIGHT SIDE VIEW

GRAPHIC #1

<END>

g00987352

COOLING SYSTEM

235-6222 LINES GP-WATER

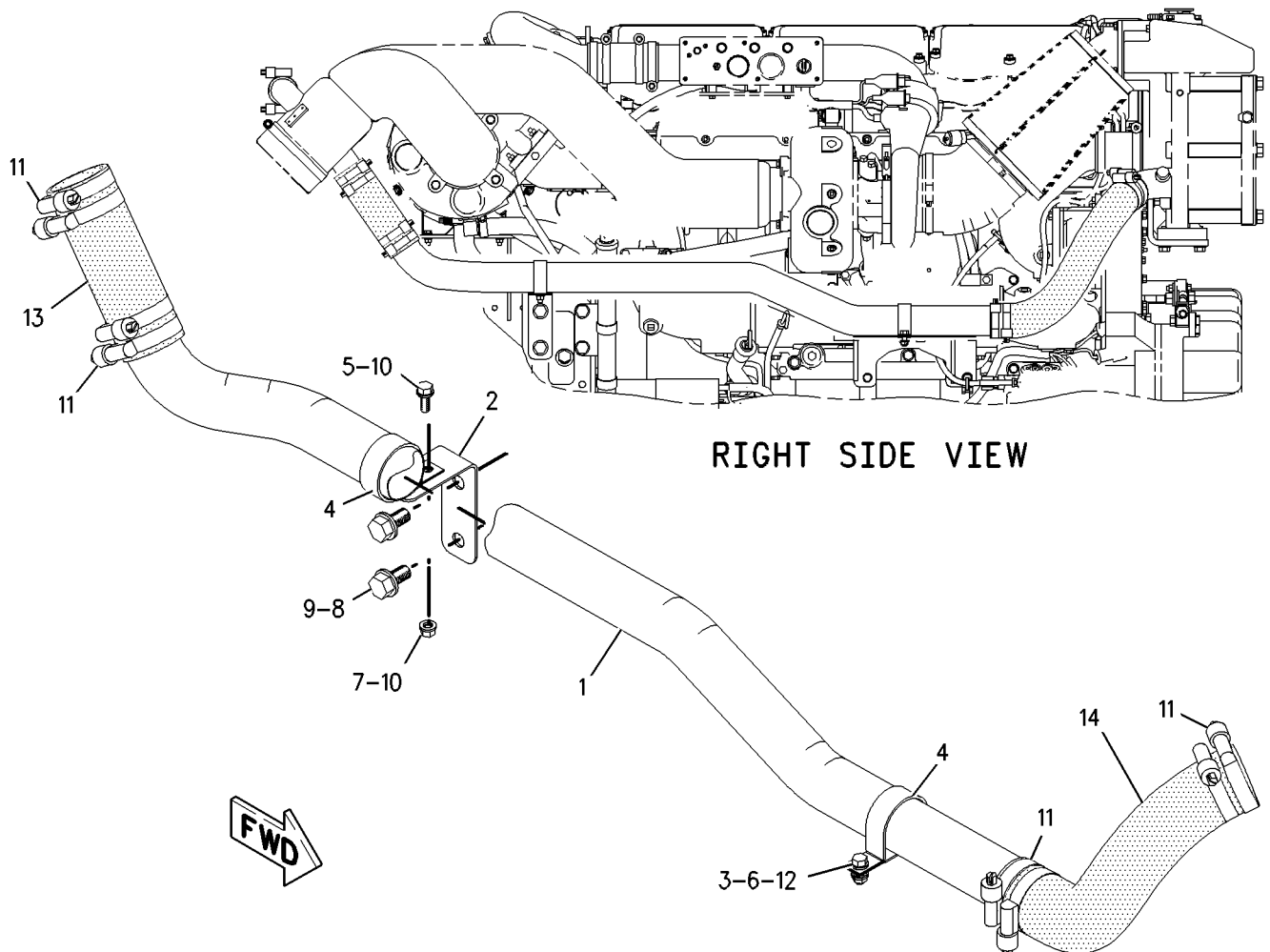
FOR USE WITH EXHAUST RISER. CANNOT BE USED WITH ENGINE MOUNTED TRANSMISSION COOLER
AN ATTACHMENT

SMCS-1355, 1380, 1393

i03610360

NOTE	REF NO	GRAPHIC REF	PART NUMBER	QTY	PART NAME						SEE PAGE
					1	2	3	4	5	6 (PRODUCT LEVEL)	
	1	1	235-6221	1	TUBE						
	2	1	235-8127	1	SUPPORT						
	3	1	0S-1594	1	BOLT (3/8-16X1-IN)						
	4	1	3P-9847	2	CLIP						
	5	1	4L-6454	1	BOLT (3/8-16X1-IN)						
	6	1	5M-2894	2	WASHER-HARD (10.2X18.5X2.5-MM THK)						
	7	1	6V-8801	1	NUT (3/8-16-THD)						
	8	1	7X-0343	2	BOLT (5/8-11X1.25-IN)						
	9	1	8T-4122	2	WASHER-HARD (17X32X3.5-MM THK)						
	10	1	8T-4896	2	WASHER-HARD (10.2X18.5X2.5-MM THK)						
	11	1	8T-4984	8	CLAMP-HOSE						
	12	1	9S-8752	1	NUT-FULL (3/8-16-THD)						
E	13	1	5P-1262		HOSE (21-CM)						
E	14	1	5P-1262		HOSE (47-CM)						

E-ORDER BY THE CENTIMETER



GRAPHIC #1

<END>

g00987692

COOLING SYSTEM

240-9044 LINES GP-WATER

AN ATTACHMENT

SMCS-1355, 1380, 1393

i04047576

NOTE	REF NO	GRAPHIC REF	PART NUMBER	QTY	PART NAME						SEE PAGE
					1	2	3	4	5	6 (PRODUCT LEVEL)	
	1	2	2N-0931	1	GASKET						
C	2	2	4N-1156	1	GASKET-REGULATOR COVER						
R	3	1	7C-0145	1	CORE AS-OIL COOLER (ENGINE)						
	4	3	7W-1944	2	RETAINER						
	5	2	121-7517	1	ELBOW						
	6	3	121-7745	2	SLEEVE-RETAINER						
	7	3	124-3393	1	COVER-WATER PUMP						
	8	3	124-3401	1	HOUSING						
	9	2	124-3402	1	HOUSING						
	10	2	124-9052	1	GASKET (WATER TEMPERATURE REGULATOR)						
	11	1	126-4935	1	SEAL-INTEGRAL						
	12	2	150-8057	1	ELBOW						
	13	2	157-0670	1	CAP-DUST						
	14	2	168-4854	1	BONNET-OUTLET						
	15	2	170-4860	1	BONNET-INLET						
	16	3	350-3565	1	TUBE AS						
	17	3	240-9046	1	TUBE						
	18	3	240-9047	1	TUBE						
	19	2	240-9049	1	BRACKET AS						
		2	1F-0750	2	NUT-WELD (3/8-16-THD)						
	20	3	240-9051	1	TUBE AS						
	21	3	240-9052	1	TUBE						
	22	3	240-9053	1	HOSE						
	23	3	240-9055	1	HOUSING						
	24	3	240-9056	1	BRACKET AS						
	25	2	248-5513	1	REGULATOR-TEMPERATURE (92-DEG C) (COOLANT)						
	26	1	249-2899	1	BRACKET						
	27	2	252-9284	2	GASKET						
	28	2	253-3309	2	COVER						
	29	3	0S-0509	1	BOLT (3/8-16X0.75-IN)						
	30	3	0S-1585	2	BOLT (1/2-13X1.5-IN)						
	31	2,3	0S-1588	6	BOLT (3/8-16X1.25-IN)						
	32	3	0S-1591	4	BOLT (3/8-16X1.5-IN)						
C	33	1,2,3	0S-1594	20	BOLT (3/8-16X1-IN)						
	34	2	0T-0055	3	BOLT (3/8-16X4.25-IN)						
	35	2	0T-0065	2	BOLT (3/8-16X3.5-IN)						
	36	2	109-0077	2	SEAL-O-RING						
	37	2	125-0434	1	SEAL-INTEGRAL						
	38	2	154-9024	1	VALVE GP-FLUID SAMPLING (3/8-18 NPTF THD)						
C	39	2	1B-2790	8	BOLT (5/16-18X1.375-IN)						
	40	3	1F-7958	2	NUT-FULL (1/2-13-THD)						
	41	2	2A-4639	2	BOLT (3/8-16X1.625-IN)						
	42	3	2M-1395	1	GASKET						
	44	2	3E-7428	1	PLUG-PIPE						
C	45	1	3E-7430	1	PLUG-PIPE						
	46	2	3P-0655	1	SEAL-O-RING						
	47	2	3P-0657	1	SEAL-O-RING						
	48	2	3S-9643	1	SEAL-LIP TYPE (WATER TEMPERATURE REGULATOR)						
	49	2	4B-4845	1	PLUG						
	50	3	4M-5281	4	BOLT (1/4-20X0.75-IN)						
	51	3	5L-3244	1	CLIP						
C	52	1,2,3	5M-2894	12	WASHER-HARD (10.2X18.5X2.5-MM THK)						
	53	1	5M-6213	1	PLUG-PIPE						
	54	3	5P-8245	4	WASHER-HARD (13.5X25.5X3-MM THK)						
	55	3	2N-0475	2	SEAL-O-RING						
	56	3	6V-3378	1	CLIP						
	58	3	7W-6492	1	PLUG-PIPE						

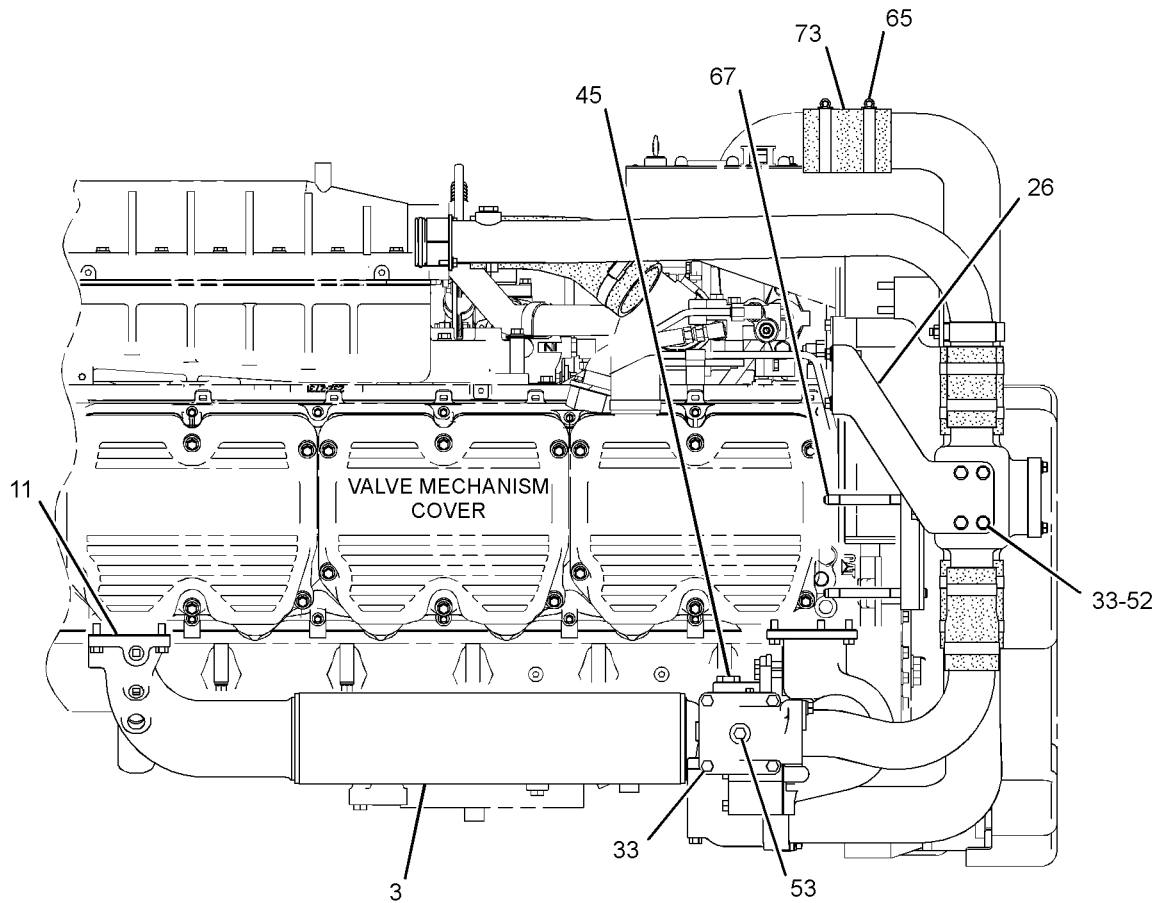
COOLING SYSTEM

240-9044 LINES GP-WATER (contd.)

i04047576

NOTE	REF NO	GRAPHIC REF	PART NUMBER	QTY	PART NAME						SEE PAGE
					1	2	3	4	5	6 (PRODUCT LEVEL)	
	59	2	7X-7731	3	PLUG-PIPE (3/4-14 NPTF THD)						
	60	3	8T-2502	2	BOLT (3/8-16X1.125-IN)						
	61	3	8T-4205	4	WASHER-HARD (7.2X14.5X2-MM THK)						
	62	3	8T-4896	2	WASHER-HARD (10.2X18.5X2.5-MM THK)						
	63	2	8T-4983	2	CLAMP-HOSE						
	64	3	8T-4984	5	CLAMP-HOSE						
	65	1,3	8T-4985	6	CLAMP-HOSE						
	66	2	8T-6762	2	PLUG-PIPE (1/2-14 NPTF THD)						
	67	1	8T-7061	2	STUD						
	68	2	9M-1974	8	WASHER-HARD (8.8X16X2-MM THK)						
	70	3	9X-6458	2	WASHER-HARD (10.2X22.5X3-MM THK)						
E	71	2	5P-0763		HOSE (8-CM)						
E	72	3	5P-1260		HOSE (11-CM)						
E	73	1,3	5P-1265		HOSE (12-CM EACH)						
	74	3	144-0367	1	CLAMP-HOSE						
	75	2	307-2671	1	PLUG AS						
		2	9S-8002	1	PLUG-O-RING						
		2	214-7566	1	SEAL-O-RING						
	76	3	348-6657	1	HOSE						

C-CHANGE FROM PREVIOUS TYPE
 E-ORDER BY THE CENTIMETER
 R-REMFG PART MAY BE AVAILABLE



TOP VIEW OF ENGINE

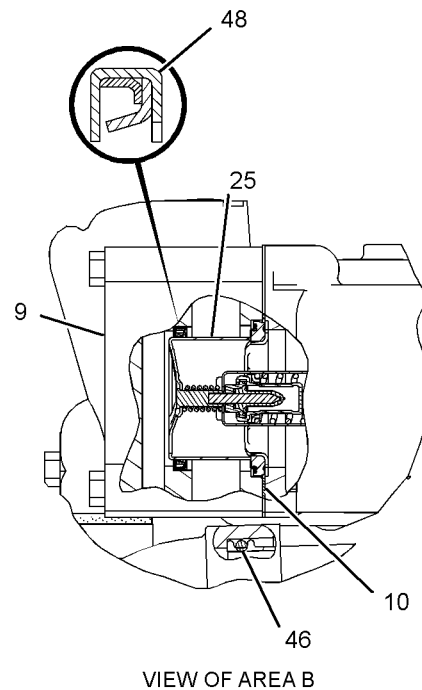
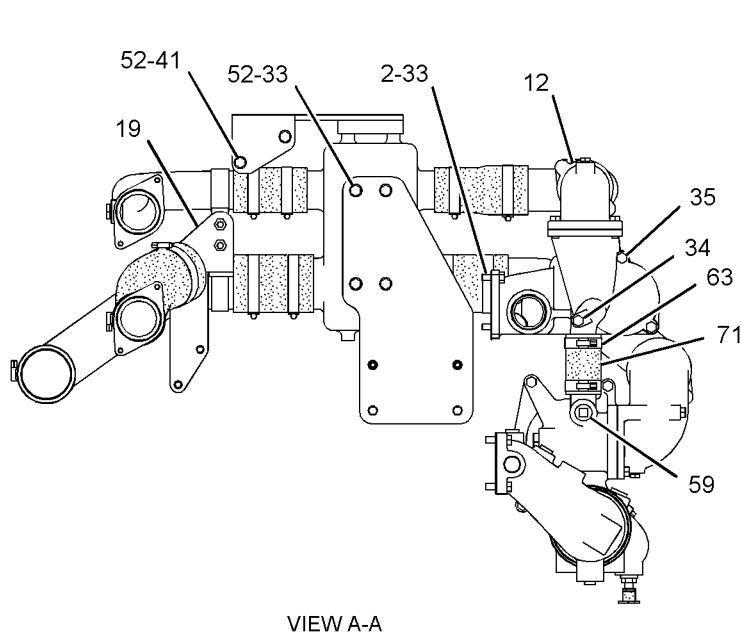
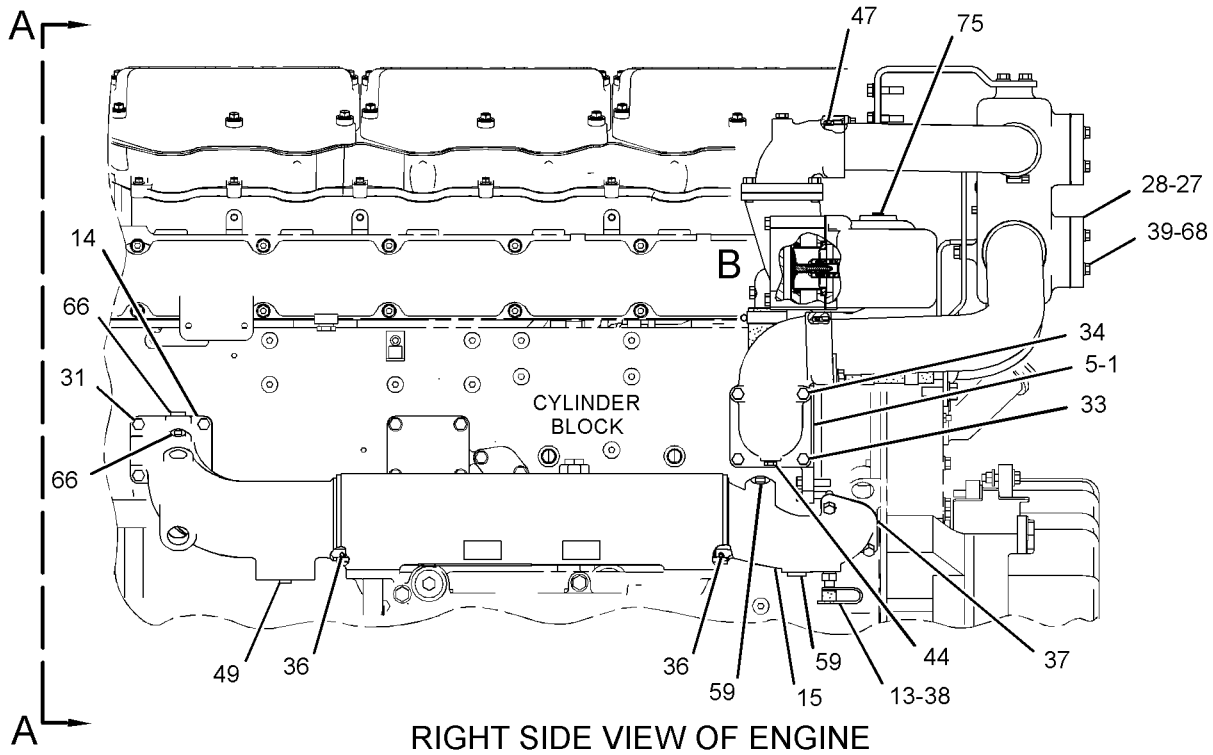
GRAPHIC #1

g02157055

COOLING SYSTEM

240-9044 LINES GP-WATER (contd.)

i04047576



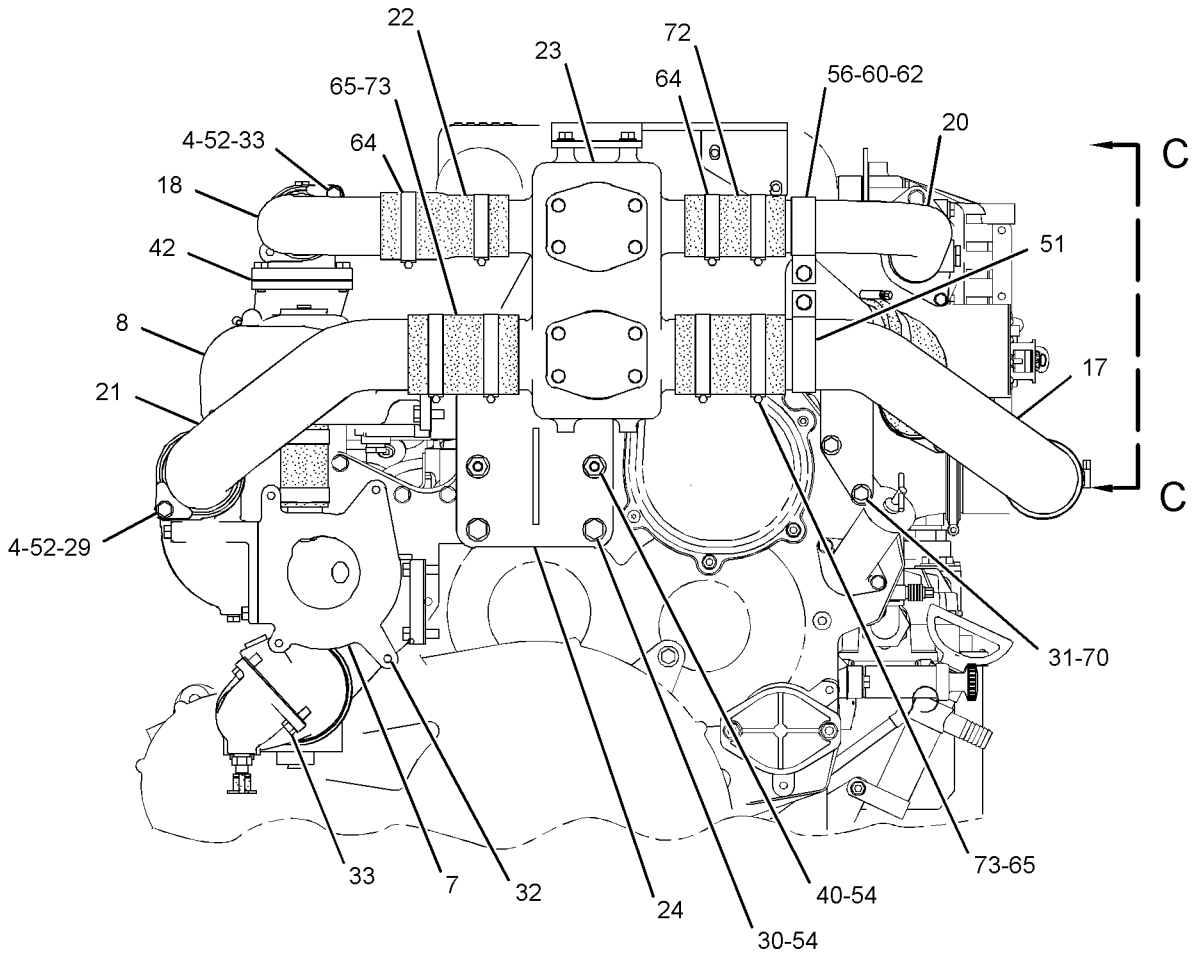
GRAPHIC #2

g02157056

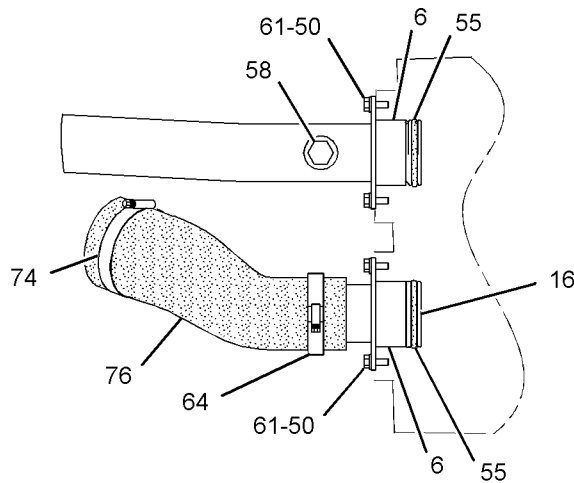
COOLING SYSTEM

240-9044 LINES GP-WATER (contd.)

i04047576



FRONT VIEW OF ENGINE



VIEW C-C

GRAPHIC #3

<END>

g02157057

COOLING SYSTEM

247-9998 LINES GP-WATER

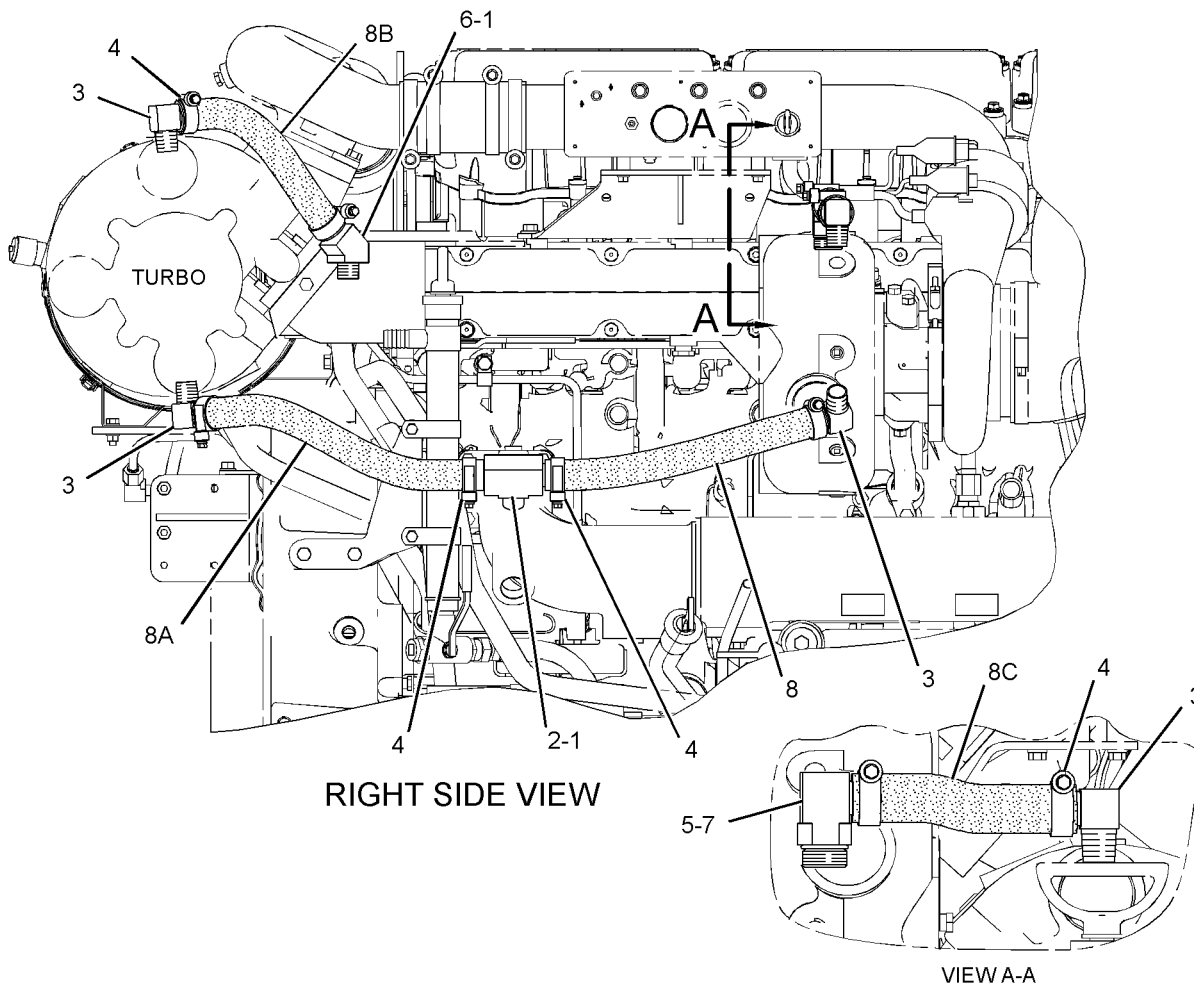
CANNOT BE USED WITH SAE NO. 0 FLYWHEEL HOUSING
AN ATTACHMENT

SMCS-1355, 1380, 1393

i02305203

NOTE	REF NO	GRAPHIC REF	PART NUMBER	QTY	PART NAME						SEE PAGE
					1	2	3	4	5	6 (PRODUCT LEVEL)	
	1	1	4W-8527	3	FITTING						
	2	1	5P-8753	1	TEE						
	3	1	7W-1890	4	ELBOW (90 DEGREE)						
	4	1	7X-7958	8	CLAMP-HOSE						
	5	1	034-4202	1	ELBOW (90 DEGREE)						
	6	1	000-7246	1	ELBOW (45 DEGREE PIPE)						
	7	1	7M-8485	1	SEAL-O-RING						
E	8	1	5P-1251		HOSE (37-CM)						
E	8A	1	5P-1251		HOSE (43-CM)						
E	8B	1	5P-1251		HOSE (27-CM)						
E	8C	1	5P-1251		HOSE (15.2-CM)						

E-ORDER BY THE CENTIMETER



GRAPHIC #1

<END>

g01156218

COOLING SYSTEM

277-5752 LINES GP-WATER

S/N: J2K1-261; T2P1-UP

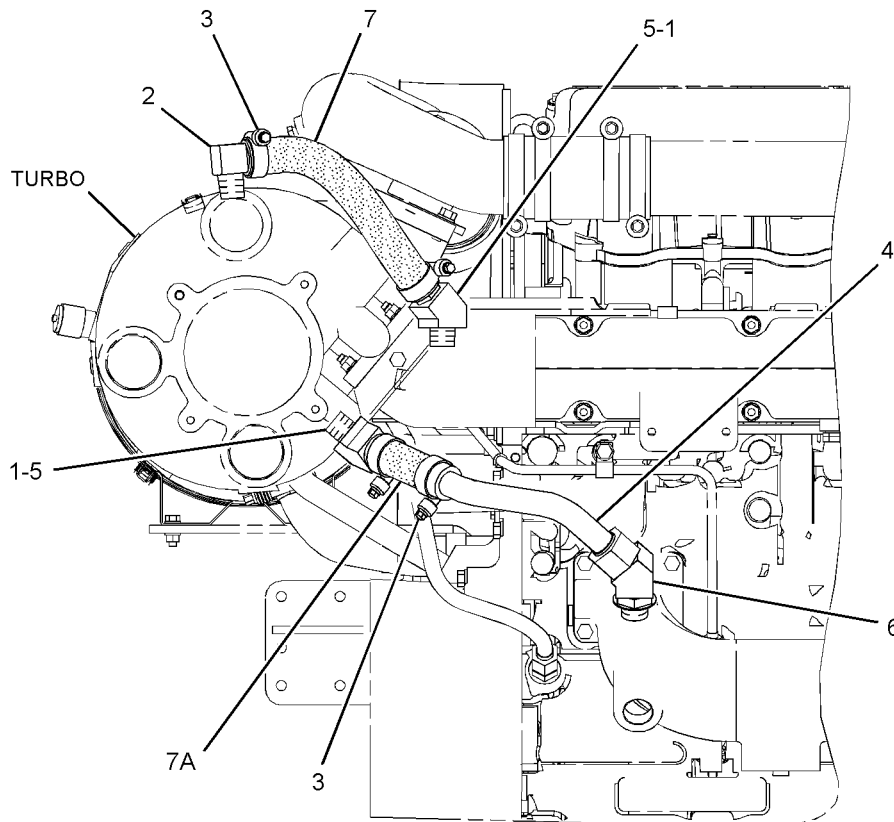
FOR USE WITH C18 ACERT TIER II MARINE, SAE NO.0 FLYWHEEL HOUSING
ALSO AN ATTACHMENT

SMCS-1355, 1380, 1393

i04016831

NOTE	REF NO	GRAPHIC REF	PART NUMBER	QTY	PART NAME						SEE PAGE
					1	2	3	4	5	6 (PRODUCT LEVEL)	
	1	1	053-2313	2	CONNECTOR						
	2	1	7W-1890	1	ELBOW						
	3	1	7X-7958	4	CLAMP-HOSE						
	4	1	300-1401	1	TUBE AS						
	5	1	000-7246	2	ELBOW						
	6	1	188-2008	1	ELBOW AS						
		1	3D-2824	1	SEAL-O-RING						
		1	5K-9090	1	SEAL-O-RING						
		1	8T-7970	1	ELBOW						
E	7	1	5P-1251		HOSE (26-CM)						
E	7A	1	5P-1251		HOSE (11-CM)						

E-ORDER BY THE CENTIMETER



RIGHT SIDE VIEW OF ENGINE

GRAPHIC #1

<END>

g02191994

COOLING SYSTEM

277-5786 LINES GP-WATER

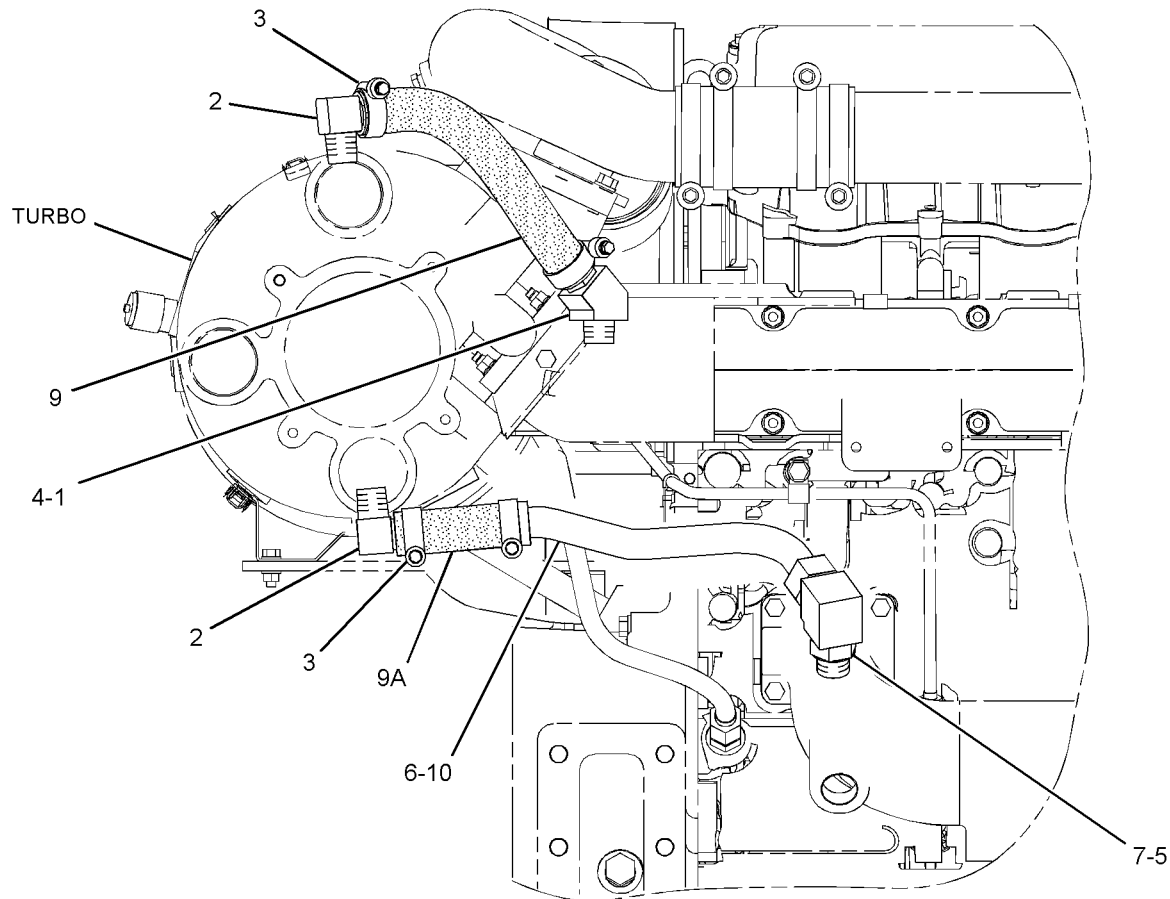
FOR USE WITH C18 ACERT TIER II MARINE ENGINES, SAE NO.1 FLYWHEEL HOUSING
ALSO AN ATTACHMENT

SMCS-1355, 1380, 1393

i03384767

NOTE	REF NO	GRAPHIC REF	PART NUMBER	QTY	PART NAME						SEE PAGE
					1	2	3	4	5	6 (PRODUCT LEVEL)	
	1	1	053-2313	1	CONNECTOR						
	2	1	7W-1890	2	ELBOW						
	3	1	7X-7958	4	CLAMP-HOSE						
	4	1	000-7246	1	ELBOW						
	5	1	3D-2824	1	SEAL-O-RING						
	6	1	5K-9090	1	SEAL-O-RING						
	7	1	8T-6684	1	ELBOW						
E	9	1	5P-1251		HOSE (26.5-CM)						
E	9A	1	5P-1251		HOSE (11-CM)						
	10	1	300-1367	1	TUBE AS						

E-ORDER BY THE CENTIMETER



RIGHT SIDE VIEW OF ENGINE

GRAPHIC #1

<END>

g01593018

COOLING SYSTEM

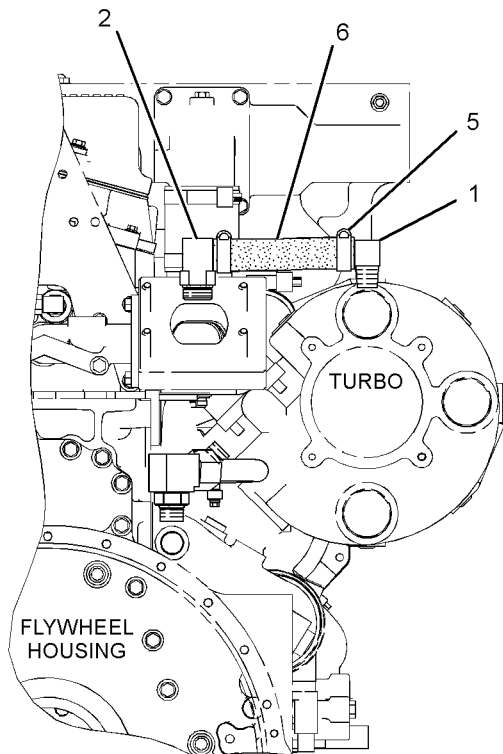
277-6302 LINES GP-WATER ALSO AN ATTACHMENT

SMCS-1355, 1380, 1393

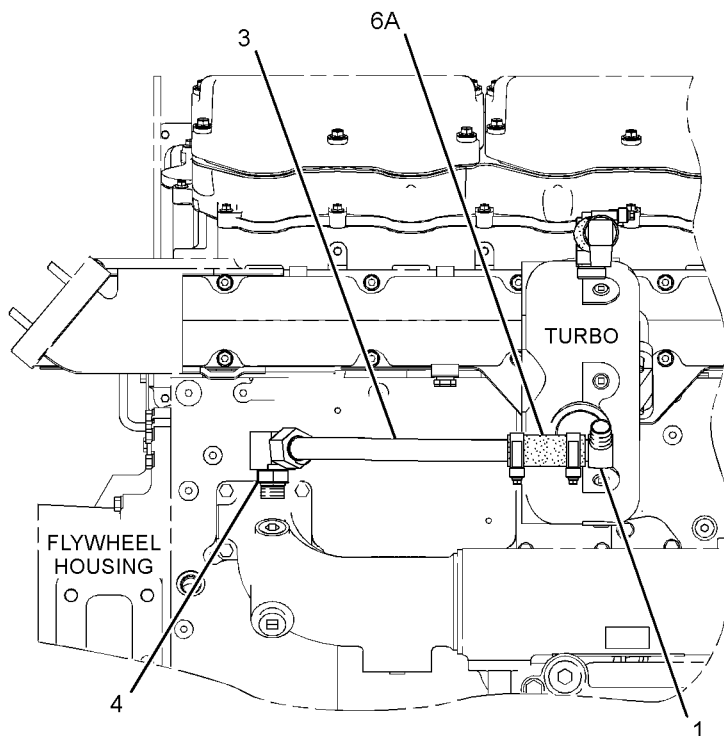
i04016825

NOTE	REF NO	GRAPHIC REF	PART NUMBER	QTY	PART NAME						SEE PAGE
					1	2	3	4	5	6 (PRODUCT LEVEL)	
	1	1	7W-1890	2	ELBOW						
	2	1	9U-6999	1	FITTING GP-ELBOW						
		1	7M-8485	1	SEAL-O-RING						
		1	034-4202	1	ELBOW						
	3	1	277-5881	1	TUBE AS						
	4	1	148-8362	1	ELBOW AS						
		1	3D-2824	1	SEAL-O-RING						
		1	5K-9090	1	SEAL-O-RING						
		1	8T-6684	1	ELBOW						
	5	1	7X-7958	4	CLAMP-HOSE						
E	6	1	5P-1251		HOSE (17-CM)						
E	6A	1	5P-1251		HOSE (9-CM)						

E-ORDER BY THE CENTIMETER



REAR VIEW OF ENGINE



LEFT SIDE VIEW OF ENGINE

GRAPHIC #1

<END>

g02191987

COOLING SYSTEM

278-4911 LINES GP-WATER AN ATTACHMENT

SMCS-1355, 1380, 1393

i02568215

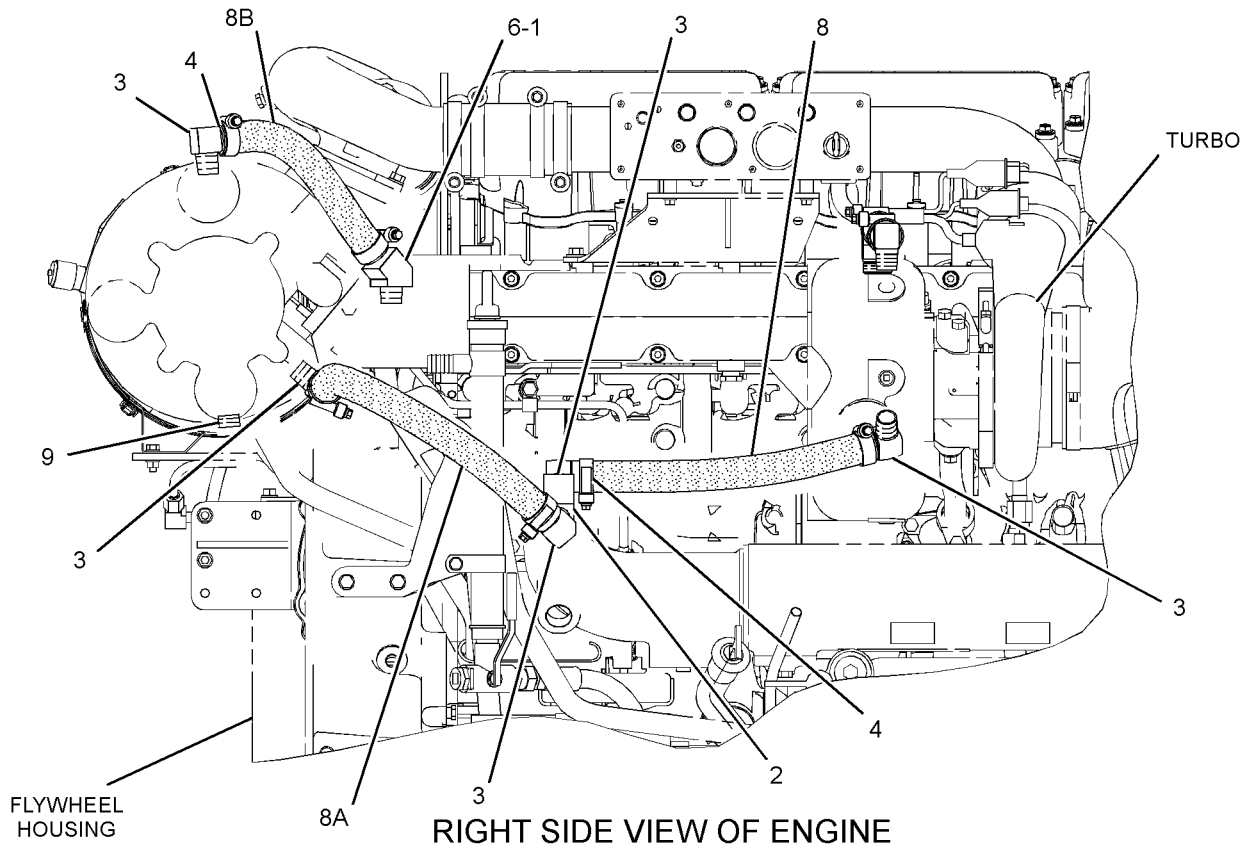
NOTE	REF NO	GRAPHIC REF	PART NUMBER	QTY	PART NAME						SEE PAGE
					1	2	3	4	5	6 (PRODUCT LEVEL)	
C	1	1	4W-8527	2	FITTING (NIPPLE)						
	2	1	5P-8753	1	TEE (PIPE)						
C	3	1	7W-1890	5	ELBOW (90-DEG)						
	4	1	7X-7958	8	CLAMP-HOSE						
	5	1	034-4202	1	ELBOW (90-DEG)						
C	6	1	000-7246	2	ELBOW (45-DEG)						
	7	1	7M-8485	1	SEAL-O-RING						
E	8	1	5P-1251		HOSE (37-CM)						
E	8A	1	5P-1251		HOSE (43-CM)						
E	8B	1	5P-1251		HOSE (27-CM)						
E	8C	1	5P-1251		HOSE (15.2-CM)						
C	9	1	9L-8412	1	PLUG-PIPE						

C-CHANGE FROM PREVIOUS TYPE
E-ORDER BY THE CENTIMETER

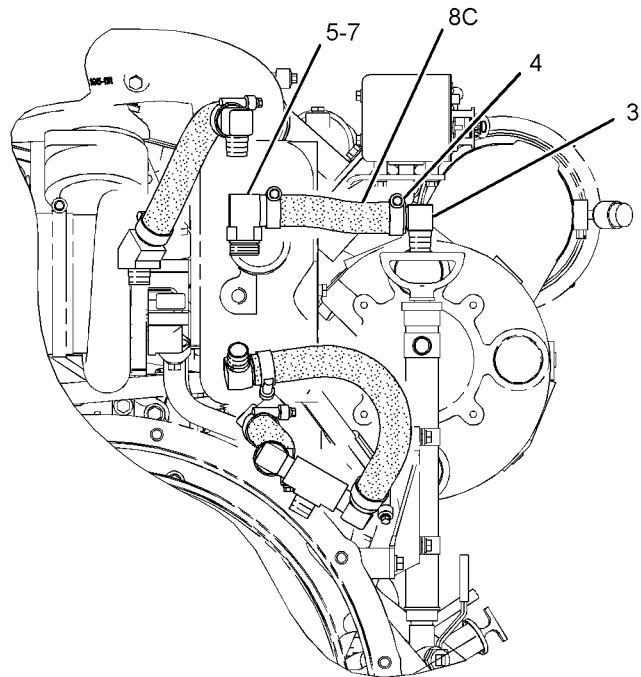
COOLING SYSTEM

278-4911 LINES GP-WATER (contd.)

i02568215



RIGHT SIDE VIEW OF ENGINE



REAR VIEW OF ENGINE

GRAPHIC #1

<END>

g01292021

COOLING SYSTEM

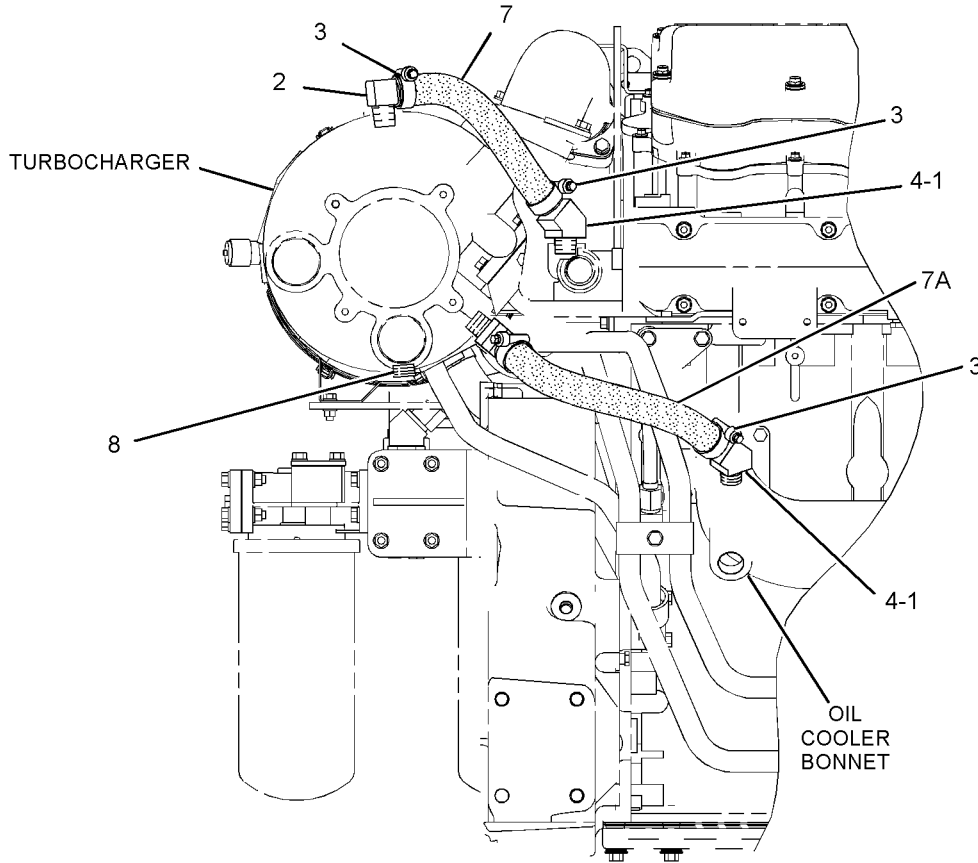
278-4912 LINES GP-WATER-TURBOCHARGER AN ATTACHMENT

SMCS-1355, 1380, 1393

i02709285

NOTE	REF NO	GRAPHIC REF	PART NUMBER	QTY	PART NAME						SEE PAGE
					1	2	3	4	5	6 (PRODUCT LEVEL)	
	1	1	4W-8527	3	FITTING (NIPPLE)						
	2	1	7W-1890	1	ELBOW (90-DEG)						
	3	1	7X-7958	4	CLAMP-HOSE						
C	4	1	000-7246	3	ELBOW (45-DEG)						
E	7	1	5P-1251		HOSE (27-CM)						
E	7A	1	5P-1251		HOSE (40.5-CM)						
C	8	1	9L-8412	1	PLUG-PIPE						

C-CHANGE FROM PREVIOUS TYPE
E-ORDER BY THE CENTIMETER



RIGHT SIDE VIEW OF ENGINE

GRAPHIC #1

<END>

g01292055

COOLING SYSTEM

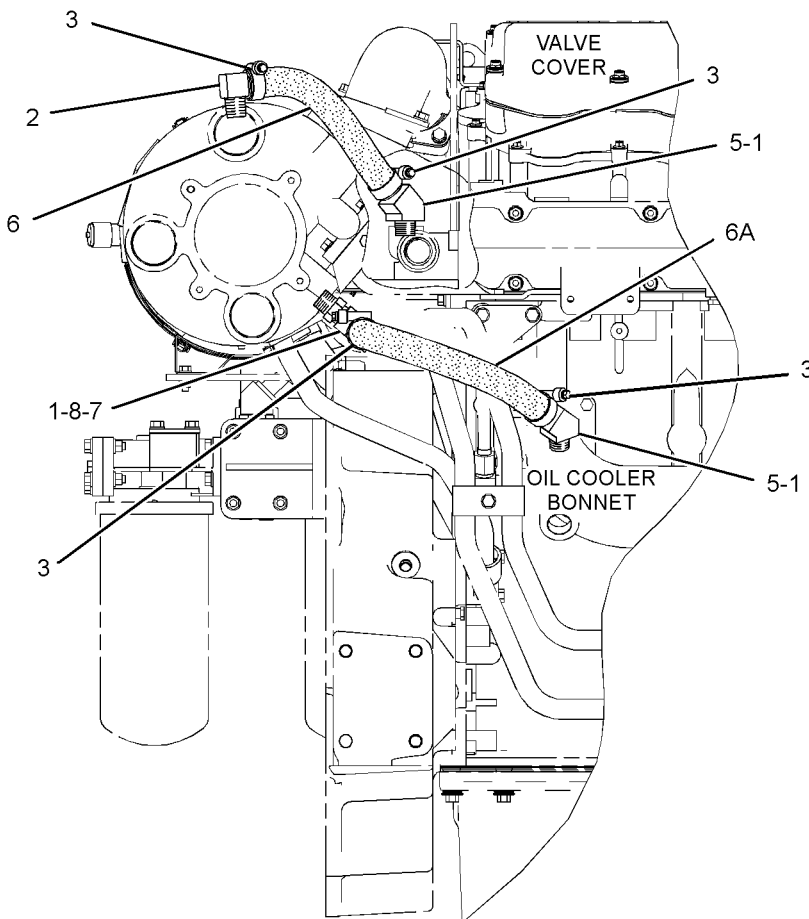
287-3042 LINES GP-WATER-TURBOCHARGER FOR USE WITH SAE NO. 0 FLYWHEEL HOUSING AN ATTACHMENT

SMCS-1355, 1380, 1393

i03474613

NOTE	REF NO	GRAPHIC REF	PART NUMBER	QTY	PART NAME						SEE PAGE
					1	2	3	4	5	6 (PRODUCT LEVEL)	
	1	1	053-2313	3	CONNECTOR						
	2	1	7W-1890	1	ELBOW (90-DEG)						
	3	1	7X-7958	4	CLAMP-HOSE						
C	5	1	000-7246	2	ELBOW (45-DEG)						
E	6	1	5P-1251		HOSE (27-CM)						
E	6A	1	5P-1251		HOSE (41-CM)						
C	7	1	1K-6937	1	ELBOW-PIPE						
C	8	1	004-7270	1	FITTING-PIPE						

C-CHANGE FROM PREVIOUS TYPE
E-ORDER BY THE CENTIMETER



RIGHT SIDE VIEW OF ENGINE

GRAPHIC #1

<END>

g01938114

COOLING SYSTEM

290-3992 LINES GP-WATER

FOR USE WITH C18 TIER-II RATING, HEX COOLING ONLY
AN ATTACHMENT

SMCS-1355, 1380, 1393

i03935790

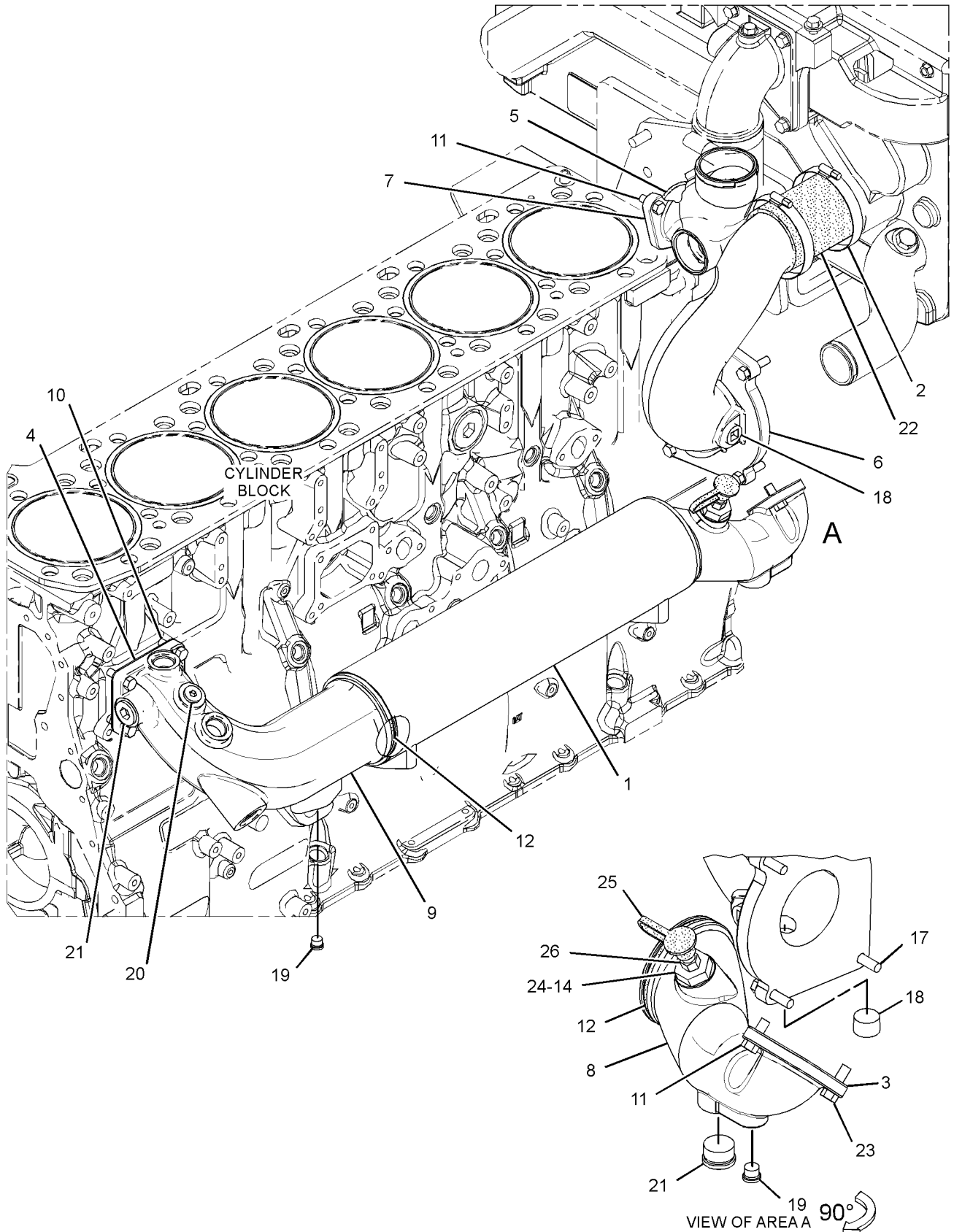
NOTE	REF NO	GRAPHIC REF	PART NUMBER	QTY	PART NAME						SEE PAGE	
					1	2	3	4	5	6 (PRODUCT LEVEL)		
R	1	1	7C-0145	1	CORE AS-OIL COOLER (ENGINE)							
	2	1	8T-4985	2	CLAMP-HOSE							
	3	1	125-0434	1	SEAL-INTEGRAL							
	4	1	126-4935	1	SEAL-INTEGRAL							
	5	1	167-4407	1	SEAL-O-RING							
	6	1	198-9184	1	COVER-WATER PUMP							
	7	1	199-6573	1	ELBOW							
	8	1	229-2282	1	BONNET-OIL COOLER							
	9	1	262-4167	1	BONNET-OUTLET							
	10	1	0S-1588	4	BOLT (3/8-16X1.25-IN)							
	11	1	0S-1594	3	BOLT (3/8-16X1-IN)							
	12	1	109-0077	2	SEAL-O-RING							
	14	1	3D-2824	1	SEAL-O-RING							
	17	1	0S-1591	4	BOLT (3/8-16X1.5-IN)							
	18	1	7X-7731	2	PLUG-PIPE							
	19	1	162-0177	2	PLUG AS							
						(EACH INCLUDES)						
			1	3J-1907	1	SEAL-O-RING						
			1	9S-8004	1	PLUG-O-RING						
20	1		148-8395	1	PLUG AS							
		1	3K-0360	1	SEAL-O-RING							
		1	9S-8005	1	PLUG-O-RING							
21	1		148-8409	2	PLUG AS							
					(EACH INCLUDES)							
		1	3D-2824	1	SEAL-O-RING							
		1	9S-8008	1	PLUG-O-RING							
E	22	1	5P-1265		HOSE (11-CM)							
	23	1	1A-2029	1	BOLT (3/8-16X1.125-IN)							
	24	1	5P-4499	1	ADAPTER-O-RING							
	25	1	157-0670	1	CAP-DUST							
	26	1	217-9060	1	VALVE AS-FLUID SAMPLING (ENGINE OIL)							
		1	3J-7354	1	SEAL-O-RING							
		1	154-9023	1	VALVE-SAMPLING (ENGINE OIL)							

E-ORDER BY THE CENTIMETER
R-REMFG PART MAY BE AVAILABLE

COOLING SYSTEM

290-3992 LINES GP-WATER (contd.)

i03935790



GRAPHIC #1

<END>

g02157845

COOLING SYSTEM

290-3994 LINES GP-WATER

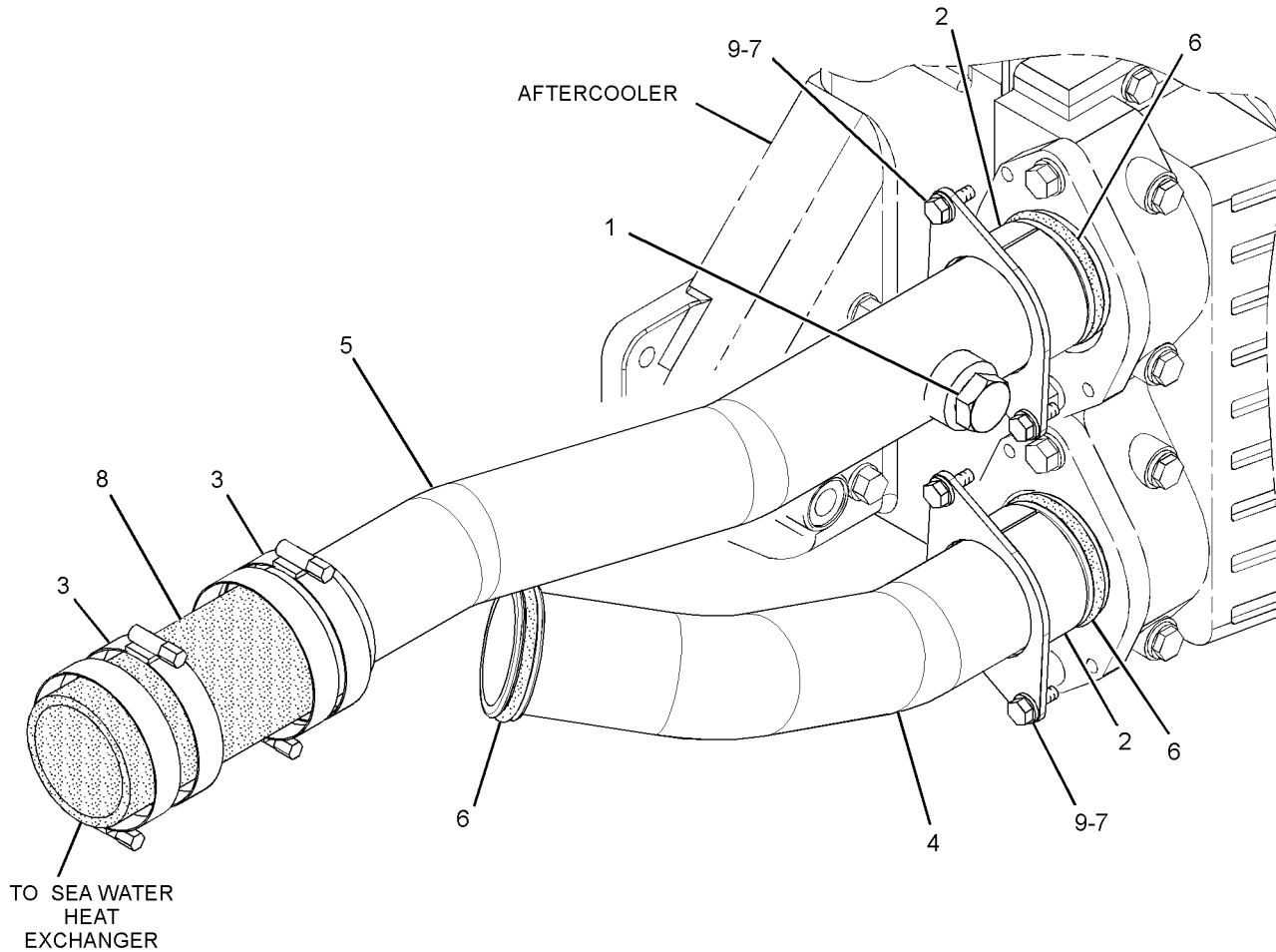
FOR USE WITH TIER 2 ENGINES, BRONZE IMPELLER PUMP
AN ATTACHMENT
TYPE 1

SMCS-1355, 1380, 1393

i03935830

NOTE	REF NO	GRAPHIC REF	PART NUMBER	QTY	PART NAME						SEE PAGE
					1	2	3	4	5	6 (PRODUCT LEVEL)	
	1	1	7E-5076	1	PLUG-ZINC (AUXILIARY SEA WATER LINES)						
	2	1	121-7745	2	SLEEVE-RETAINER						
	3	1	8T-4984	4	CLAMP-HOSE						
	4	1	350-3565	1	TUBE AS						
	5	1	290-3995	1	TUBE AS						
	6	1	2N-0475	3	SEAL-O-RING						
	7	1	4M-5281	4	BOLT (1/4-20X0.75-IN)						
E	8	1	5P-1260		HOSE (16-CM)						
	9	1	8T-4205	4	WASHER-HARD (7.2X14.5X2-MM THK)						

E-ORDER BY THE CENTIMETER



GRAPHIC #1

<END>

g02159577

COOLING SYSTEM

290-3994 LINES GP-WATER

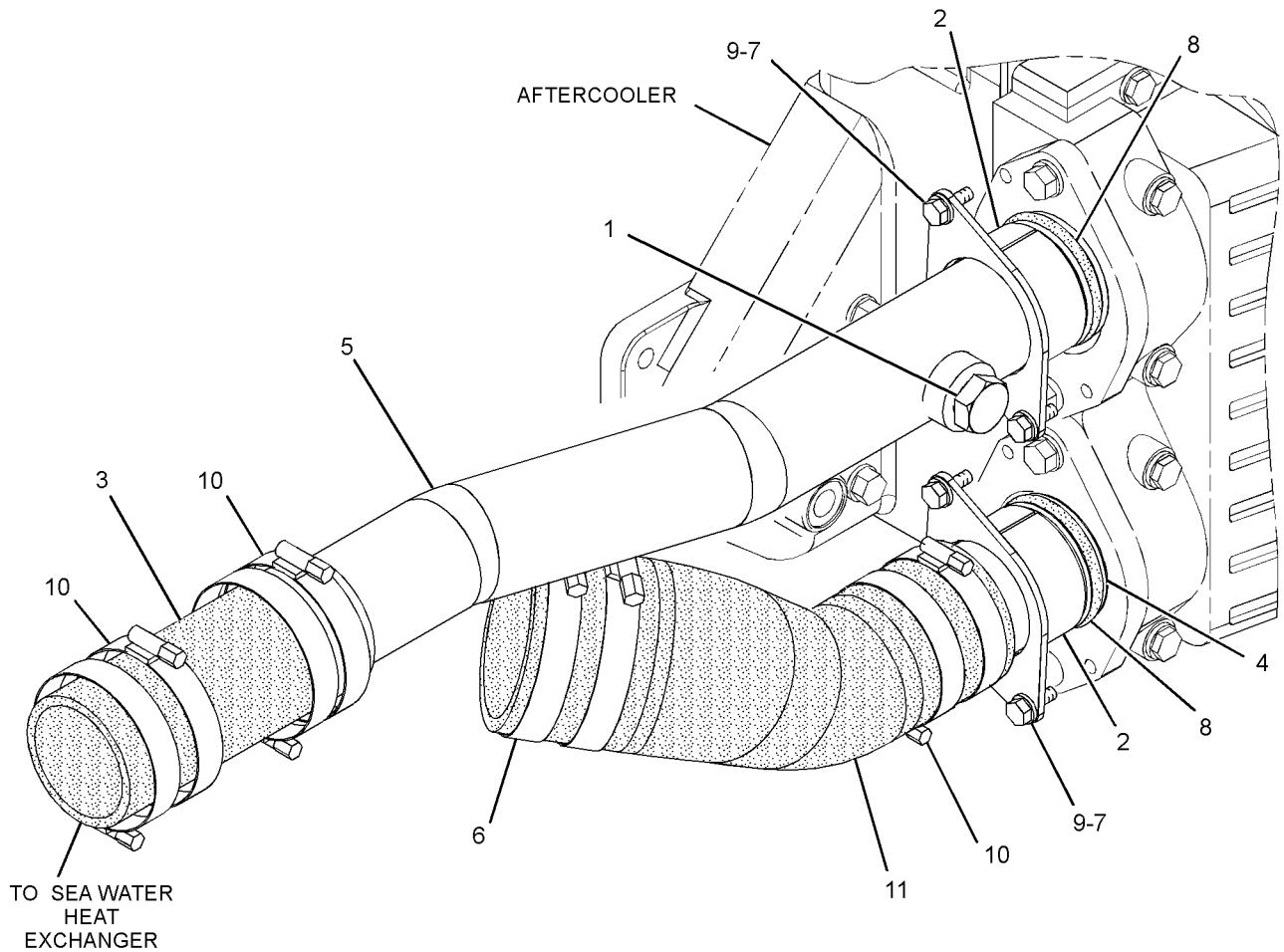
FOR USE WITH TIER 2 ENGINES, BRONZE IMPELLER PUMP
AN ATTACHMENT
TYPE 2

SMCS-1355, 1380, 1393

i03807669

NOTE	REF NO	GRAPHIC REF	PART NUMBER	QTY	PART NAME						SEE PAGE
					1	2	3	4	5	6 (PRODUCT LEVEL)	
	1	1	7E-5076	1	PLUG-ZINC (AUXILIARY SEA WATER LINES)						
	2	1	121-7745	2	SLEEVE-RETAINER						
E	3	1	5P-1260		HOSE (16-CM)						
	4	1	350-3565	1	TUBE AS						
	5	1	290-3995	1	TUBE AS						
C	6	1	144-0367	2	CLAMP-HOSE						
	7	1	4M-5281	4	BOLT (1/4-20X0.75-IN)						
C	8	1	2N-0475	2	SEAL-O-RING						
	9	1	8T-4205	4	WASHER-HARD (7.2X14.5X2-MM THK)						
C	10	1	8T-4984	6	CLAMP-HOSE						
C	11	1	348-6657	1	HOSE						

C-CHANGE FROM PREVIOUS TYPE
E-ORDER BY THE CENTIMETER



GRAPHIC #1

<END>

g02160221

COOLING SYSTEM

293-3914 LINES GP-WATER

TIER-II

FOR USE WITH 240-9057 PUMP GP-AUXILIARY SEA WATER. CANNOT BE USED WITH HEAT EXCHANGER COOLING AN ATTACHMENT

SMCS-1355, 1380, 1393

i02886701

NOTE	REF NO	GRAPHIC REF	PART NUMBER	QTY	PART NAME						SEE PAGE
					1	2	3	4	5	6 (PRODUCT LEVEL)	
	1	2	2N-0931	1	GASKET						
	2	2	4N-1156	1	GASKET-REGULATOR COVER						
R	3	1	7C-0145	1	CORE AS-OIL COOLER (ENGINE)						
	4	1	7W-1944	1	RETAINER						
	5	1	8N-5872	2	RETAINER						
	6	2	8T-4983	2	CLAMP-HOSE						
	7	1	8T-4984	8	CLAMP-HOSE						
	8	1	8T-4985	12	CLAMP-HOSE						
	9	2	121-7517	1	ELBOW						
	10	1	121-7745	2	SLEEVE-RETAINER						
	11	1	124-3393	1	COVER-WATER PUMP						
	12	1	124-3401	1	HOUSING						
	13	2	124-3402	1	HOUSING						
	14	2	124-9052	1	GASKET (WATER TEMPERATURE REGULATOR)						
	15	2	125-0434	1	SEAL-INTEGRAL						
	16	1	126-4935	1	SEAL-INTEGRAL						
	17	2	150-8057	1	ELBOW						
	18	1	193-2444	1	TUBE AS						
	19	2	229-2282	1	BONNET-OIL COOLER						
	20	1	240-9046	1	TUBE						
	21	1	240-9047	1	TUBE						
	22	2	240-9049	1	BRACKET AS						
	22A	2	1F-0750	2	NUT-WELD (3/8-16-THD)						
	23	1	240-9051	1	TUBE AS						
	24	1	240-9052	1	TUBE						
	25	1	240-9053	1	HOSE						
	26	1	240-9055	1	HOUSING						
	27	1	240-9056	1	BRACKET AS						
	28	2	248-5513	1	REGULATOR-TEMPERATURE (92-DEG C)						
	29	1	249-2899	1	BRACKET						
	30	2	262-4167	1	BONNET-OUTLET						
	31	1	0S-0509	1	BOLT (3/8-16X0.75-IN)						
	32	1	0S-1585	2	BOLT (1/2-13X1.5-IN)						
	33	1	0S-1588	5	BOLT (3/8-16X1.25-IN)						
	34	1	0S-1591	4	BOLT (3/8-16X1.5-IN)						
	35	1,2	0S-1594	21	BOLT (3/8-16X1-IN)						
	36	1	0S-1615	4	BOLT (1/4-20X0.75-IN)						
	37	2	0T-0055	3	BOLT (3/8-16X4.25-IN)						
	38	2	0T-0065	2	BOLT (3/8-16X3.5-IN)						
	39	2	109-0077	2	SEAL-O-RING						
	40	1	1A-2029	2	BOLT (3/8-16X1.125-IN)						
	41	2	1B-2790	1	BOLT (5/16-18X1.375-IN)						
	42	1	1F-7958	2	NUT-FULL (1/2-13-THD)						
	43	2	2A-4639	2	BOLT (3/8-16X1.625-IN)						
	44	1	2M-1395	1	GASKET						
	45	1	2N-0475	1	SEAL-O-RING						
	46	2	3D-2824	3	SEAL-O-RING						
	47	2	3E-7428	1	PLUG-PIPE						
	48	1	3E-7430	1	PLUG-PIPE						
	49	2	3J-1907	2	SEAL-O-RING						
	50	2	3K-0360	1	SEAL-O-RING						
	51	2	3P-0655	1	SEAL-O-RING						
	52	2	3P-0657	1	SEAL-O-RING						
	53	2	3S-9643	1	SEAL-LIP TYPE (WATER TEMPERATURE REGULATOR)						

COOLING SYSTEM

293-3914 LINES GP-WATER (contd.)

i02886701

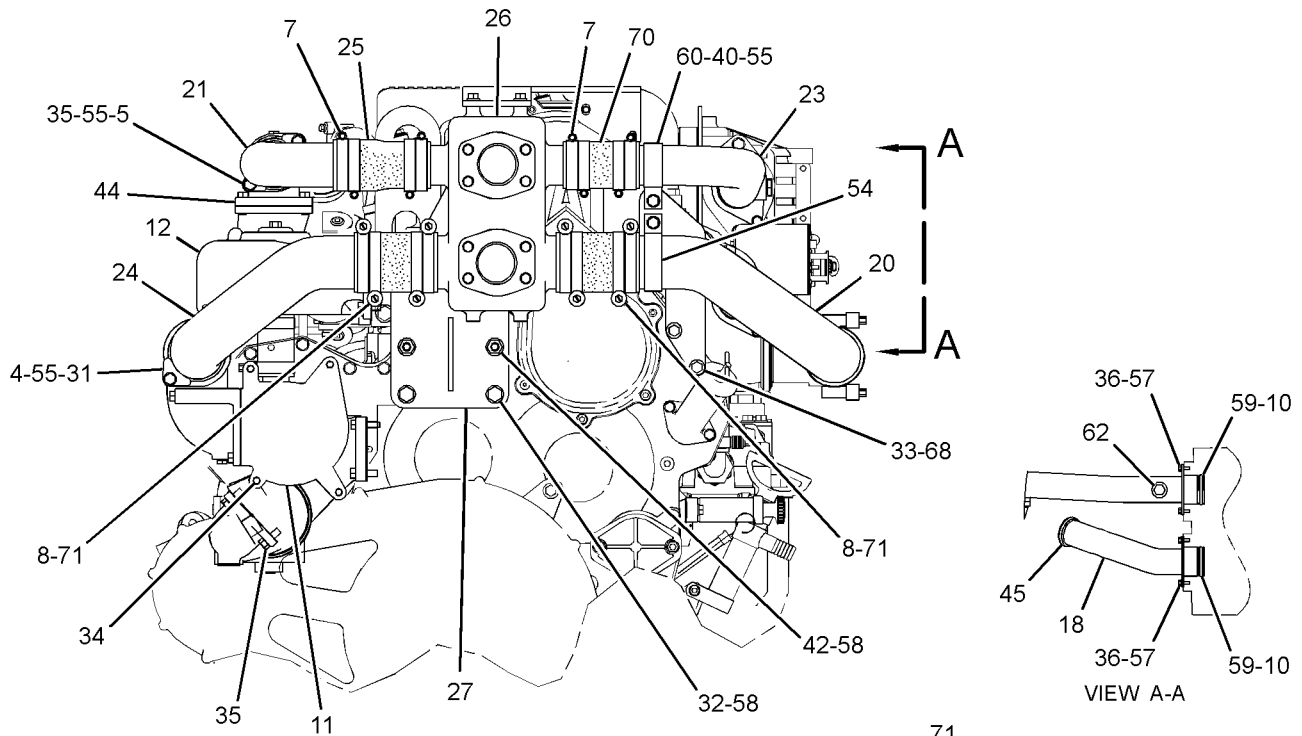
NOTE	REF NO	GRAPHIC REF	PART NUMBER	QTY	PART NAME						SEE PAGE
					1	2	3	4	5	6 (PRODUCT LEVEL)	
	54	1	5L-3244	1	CLIP						
	55	1,2	5M-2894	15	WASHER-HARD (10.2X18.5X2.5-MM THK)						
	56	1	5M-6213	1	PLUG-PIPE						
	57	1	5P-0537	4	WASHER-HARD (7.2X14.5X2-MM THK)						
	58	1	5P-8245	4	WASHER-HARD (13.5X25.5X3-MM THK)						
	59	1	6L-1650	2	SEAL-O-RING						
	60	1	6V-3378	1	CLIP						
	61	2	6V-9027	1	SEAL-O-RING						
	62	1	7W-6492	1	PLUG-PIPE						
	63	1	8T-7061	2	STUD						
	64	2	9S-4182	1	PLUG-O-RING						
	65	2	9S-8004	2	PLUG-O-RING						
	66	2	9S-8005	1	PLUG-O-RING						
	67	2	9S-8008	3	PLUG-O-RING						
	68	1	9X-6458	2	WASHER-HARD (10.2X22.5X3-MM THK)						
E	69	2	5P-0763		HOSE (8-CM)						
E	70	1	5P-1260		HOSE (11-CM)						
E	71	1	5P-1265		HOSE (12-CM EACH)						

E-ORDER BY THE CENTIMETER
R-REMFG PART MAY BE AVAILABLE

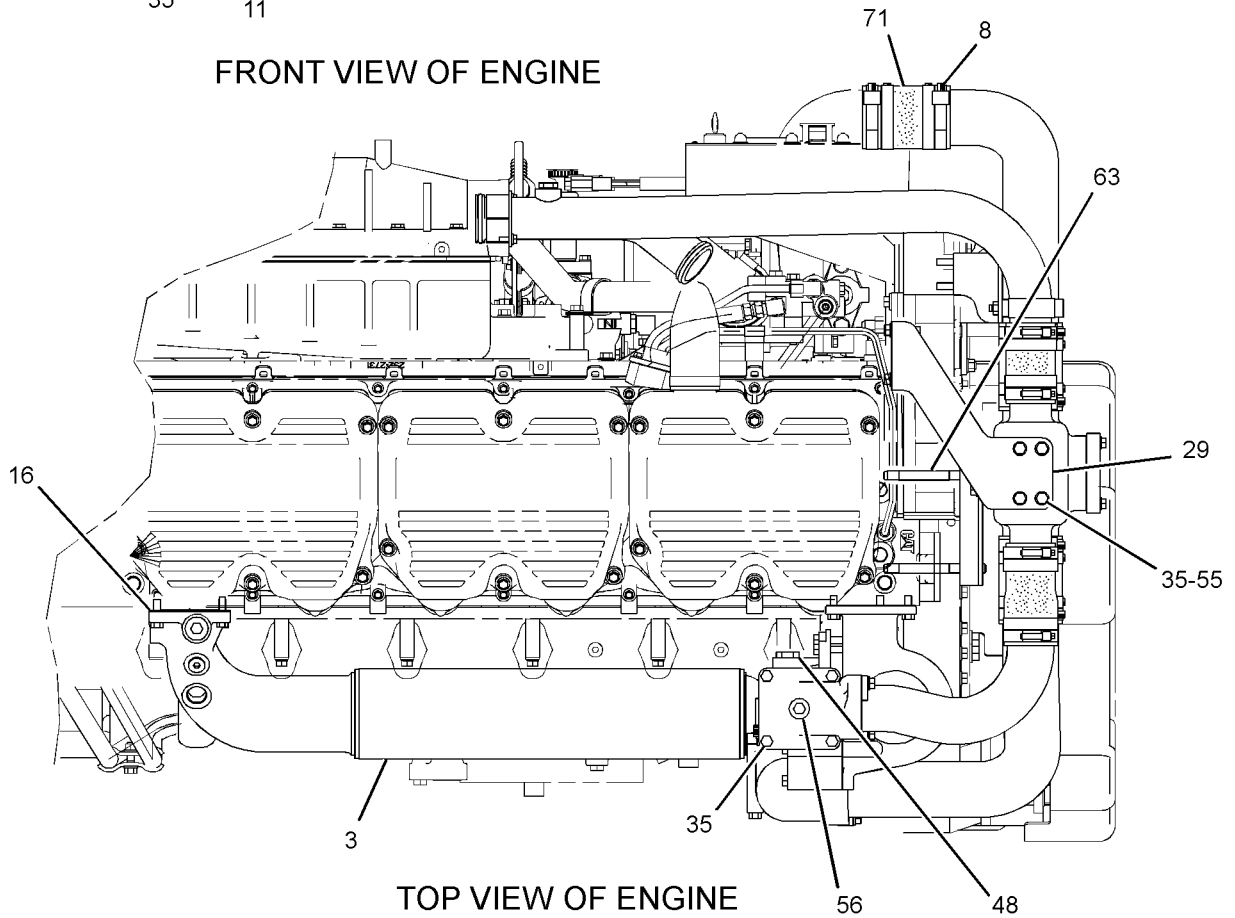
COOLING SYSTEM

293-3914 LINES GP-WATER (contd.)

i02886701



FRONT VIEW OF ENGINE



TOP VIEW OF ENGINE

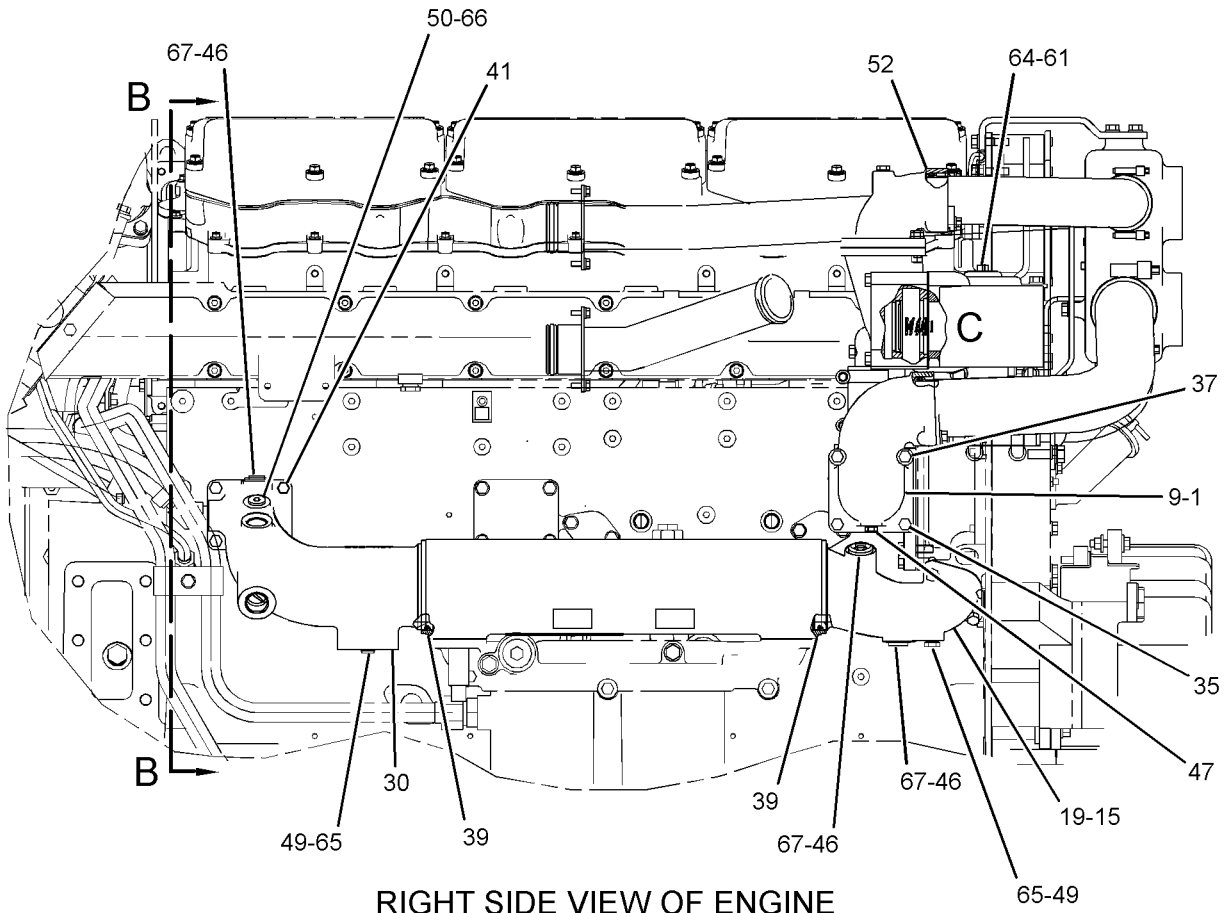
GRAPHIC #1

g01328925

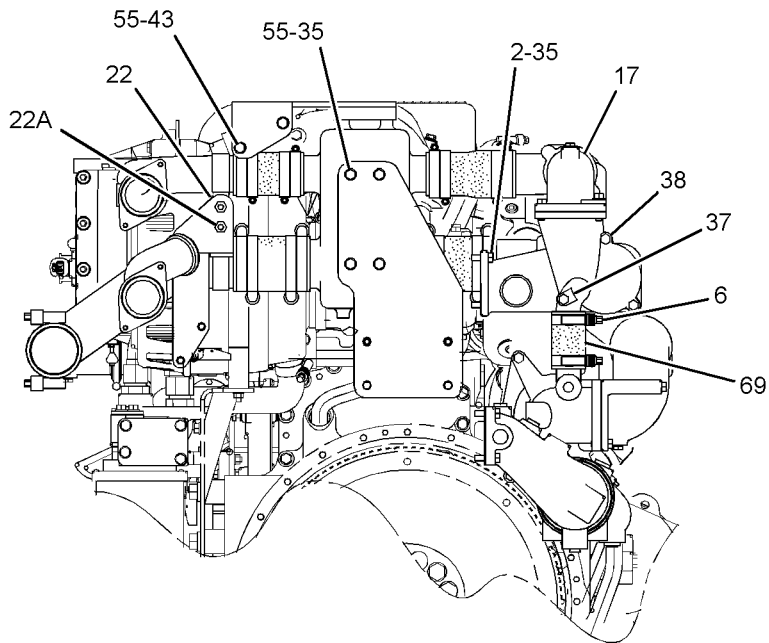
COOLING SYSTEM

293-3914 LINES GP-WATER (contd.)

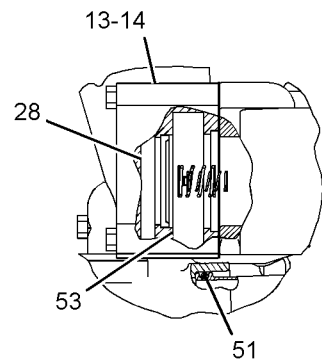
i02886701



RIGHT SIDE VIEW OF ENGINE



VIEW B-B



VIEW OF AREA C

GRAPHIC #2

<END>

g01328933

COOLING SYSTEM

293-3925 LINES GP-WATER

TIER-II

CANNOT BE USED WITH HEAT EXCHANGER
AN ATTACHMENT

SMCS-1355, 1380, 1393

i04047580

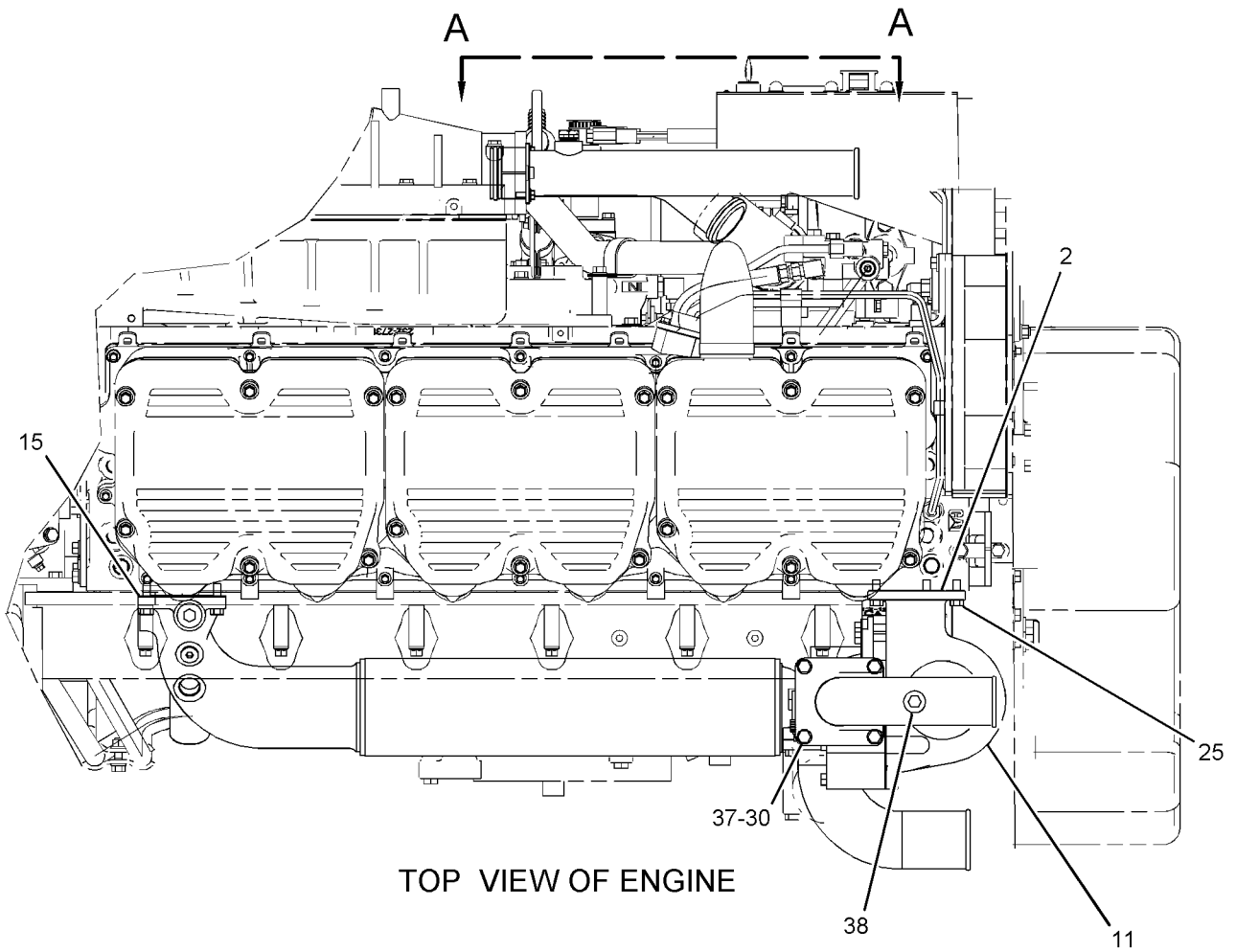
NOTE	REF NO	GRAPHIC REF	PART NUMBER	QTY	PART NAME						SEE PAGE
					1	2	3	4	5	6 (PRODUCT LEVEL)	
	1	2	2N-0931	1	GASKET						
	2	1	4N-1156	1	GASKET-REGULATOR COVER						
R	5	2	7C-0145	1	CORE AS-OIL COOLER (ENGINE)						
	6	1	5B-9651	1	PLUG-ZINC (AUXILIARY SEA WATER LINES)						
	8	2	8T-4983	2	CLAMP-HOSE						
	9	1	121-7745	2	SLEEVE-RETAINER						
	10	2	124-3393	1	COVER-WATER PUMP						
	11	1	124-3401	1	HOUSING						
	12	2	124-3402	1	HOUSING						
	13	2	124-9052	1	GASKET (WATER TEMPERATURE REGULATOR)						
	14	2	125-0434	1	SEAL-INTEGRAL						
	15	1	126-4935	1	SEAL-INTEGRAL						
	16	1	193-2444	1	TUBE AS						
	17	1	201-1298	1	TUBE AS						
	18	2	229-2282	1	BONNET-OIL COOLER						
	19	2	248-5513	1	REGULATOR-TEMPERATURE (92-DEG C) (COOLANT)						
	20	2	262-4167	1	BONNET-OUTLET						
	21	2	262-6127	1	ELBOW AS						
	22	2	267-5615	1	ELBOW AS						
	23	2	0S-1588	3	BOLT (3/8-16X1.25-IN)						
	24	2	0S-1591	4	BOLT (3/8-16X1.5-IN)						
	25	1,2	0S-1594	5	BOLT (3/8-16X1-IN)						
	26	1	0S-1615	4	BOLT (1/4-20X0.75-IN)						
	27	2	0T-0055	1	BOLT (3/8-16X4.25-IN)						
	28	2	0T-0065	2	BOLT (3/8-16X3.5-IN)						
	29	2	109-0077	2	SEAL-O-RING						
	30	1,2	1A-2029	8	BOLT (3/8-16X1.125-IN)						
	31	2	2M-1395	1	GASKET						
	32	1	2N-0475	1	SEAL-O-RING						
	33	2	3D-2824	3	SEAL-O-RING						
	34	2	3J-1907	2	SEAL-O-RING						
	35	2	3K-0360	1	SEAL-O-RING						
	36	2	3S-9643	1	SEAL-LIP TYPE (WATER TEMPERATURE REGULATOR)						
	37	1	5M-2894	4	WASHER-HARD (10.2X18.5X2.5-MM THK)						
	38	1	5M-6213	1	PLUG-PIPE						
	39	1	5P-0537	4	WASHER-HARD (7.2X14.5X2-MM THK)						
	40	1	6L-1650	2	SEAL-O-RING						
	41	2	6V-9027	1	SEAL-O-RING						
	42	2	9S-4182	1	PLUG-O-RING						
	43	2	9S-8004	2	PLUG-O-RING						
	44	2	9S-8005	1	PLUG-O-RING						
	45	2	9S-8008	3	PLUG-O-RING						
E	46	2	5P-0763		HOSE (8-CM)						

E-ORDER BY THE CENTIMETER
R-REMFG PART MAY BE AVAILABLE

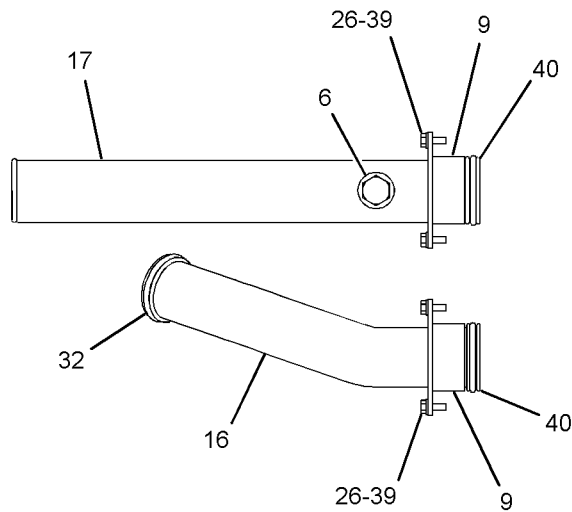
COOLING SYSTEM

293-3925 LINES GP-WATER (contd.)

i04047580



TOP VIEW OF ENGINE



VIEW A-A

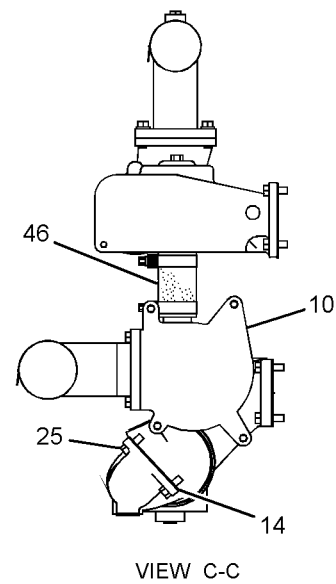
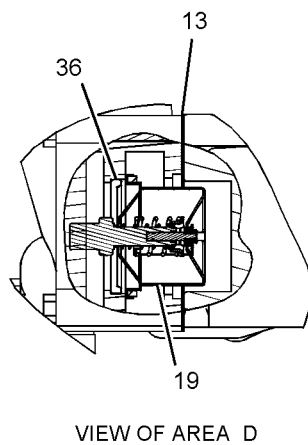
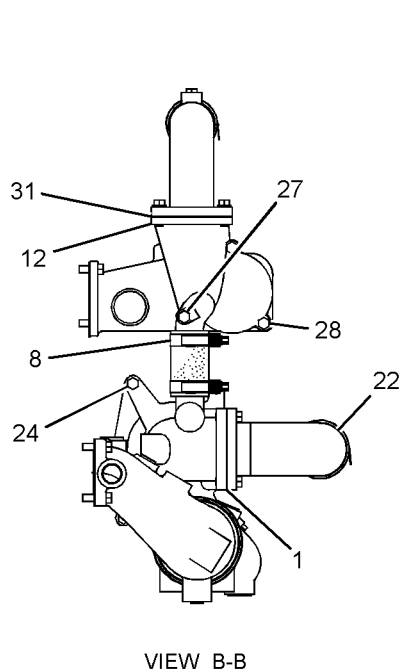
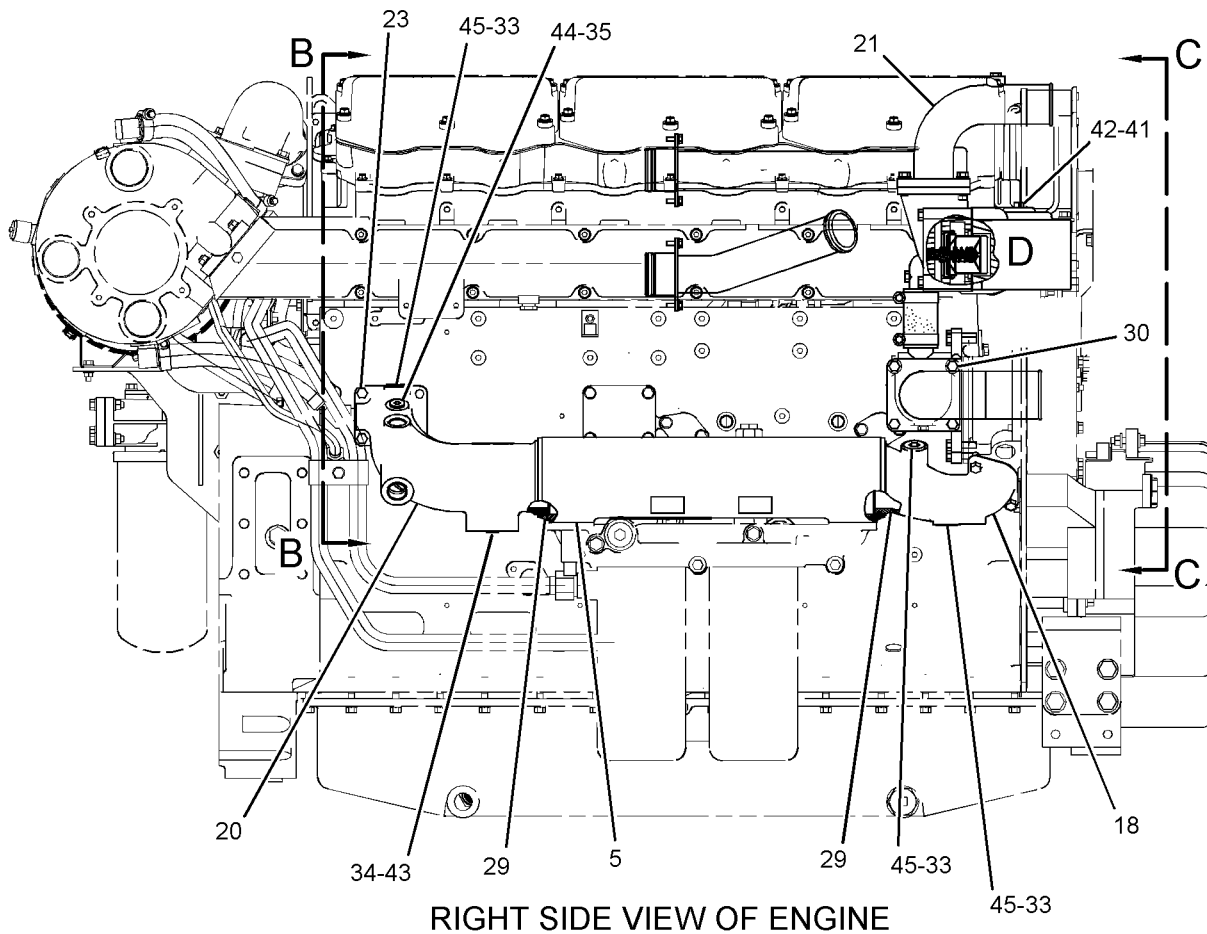
GRAPHIC #1

g01329141

COOLING SYSTEM

293-3925 LINES GP-WATER (contd.)

i04047580



GRAPHIC #2

<END>

g01329142

COOLING SYSTEM

294-0103 LINES GP-WATER

AN ATTACHMENT

SMCS-1355, 1380, 1393

i03838575

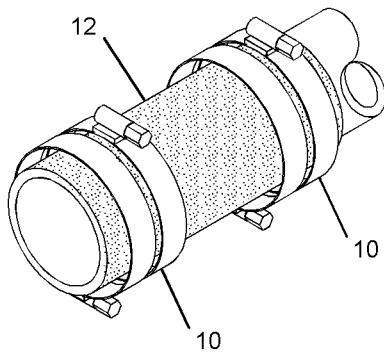
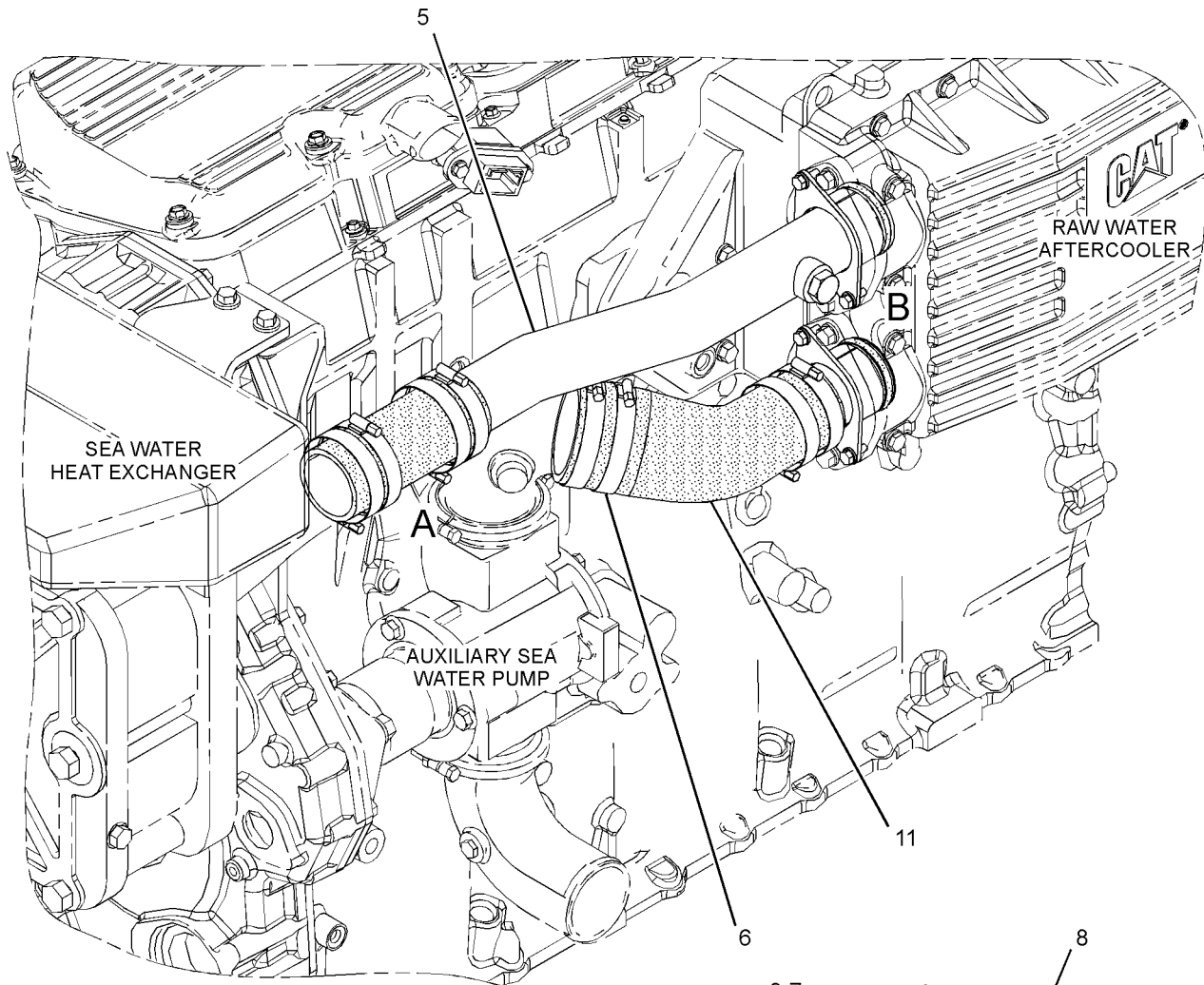
NOTE	REF NO	GRAPHIC REF	PART NUMBER	QTY	PART NAME	SEE PAGE
					1 2 3 4 5 6 (PRODUCT LEVEL)	
	1	1	7E-5076	1	PLUG-ZINC (WATER LINES)	
	2	1	121-7745	2	SLEEVE-RETAINER	
	4	1	350-3565	1	TUBE AS	
	5	1	290-3995	1	TUBE AS	
	6	1	144-0367	2	CLAMP-HOSE	
	7	1	4M-5281	4	BOLT (1/4-20X0.75-IN)	
	8	1	2N-0475	2	SEAL-O-RING	
	9	1	8T-4205	4	WASHER-HARD (7.2X14.5X2-MM THK)	
	10	1	8T-4984	6	CLAMP-HOSE	
	11	1	348-7211	1	HOSE	
E	12	1	5P-1260		HOSE (16-CM)	

E-ORDER BY THE CENTIMETER

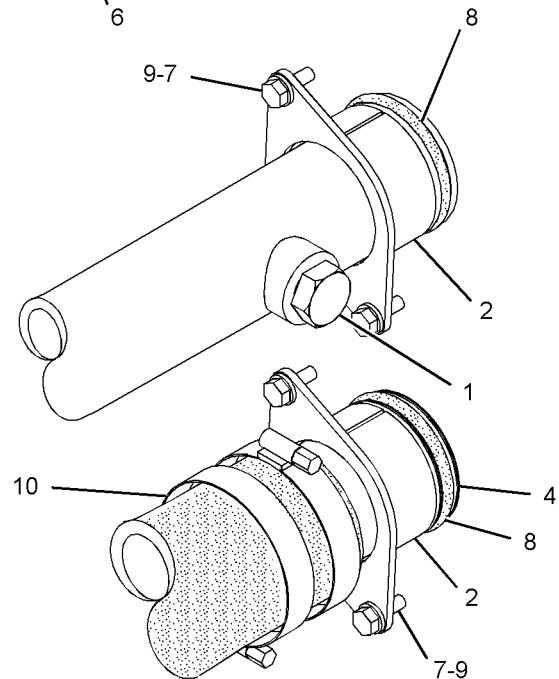
COOLING SYSTEM

294-0103 LINES GP-WATER (contd.)

i03838575



VIEW OF AREA A



VIEW OF AREA B

GRAPHIC #1

<END>

g02208393

COOLING SYSTEM

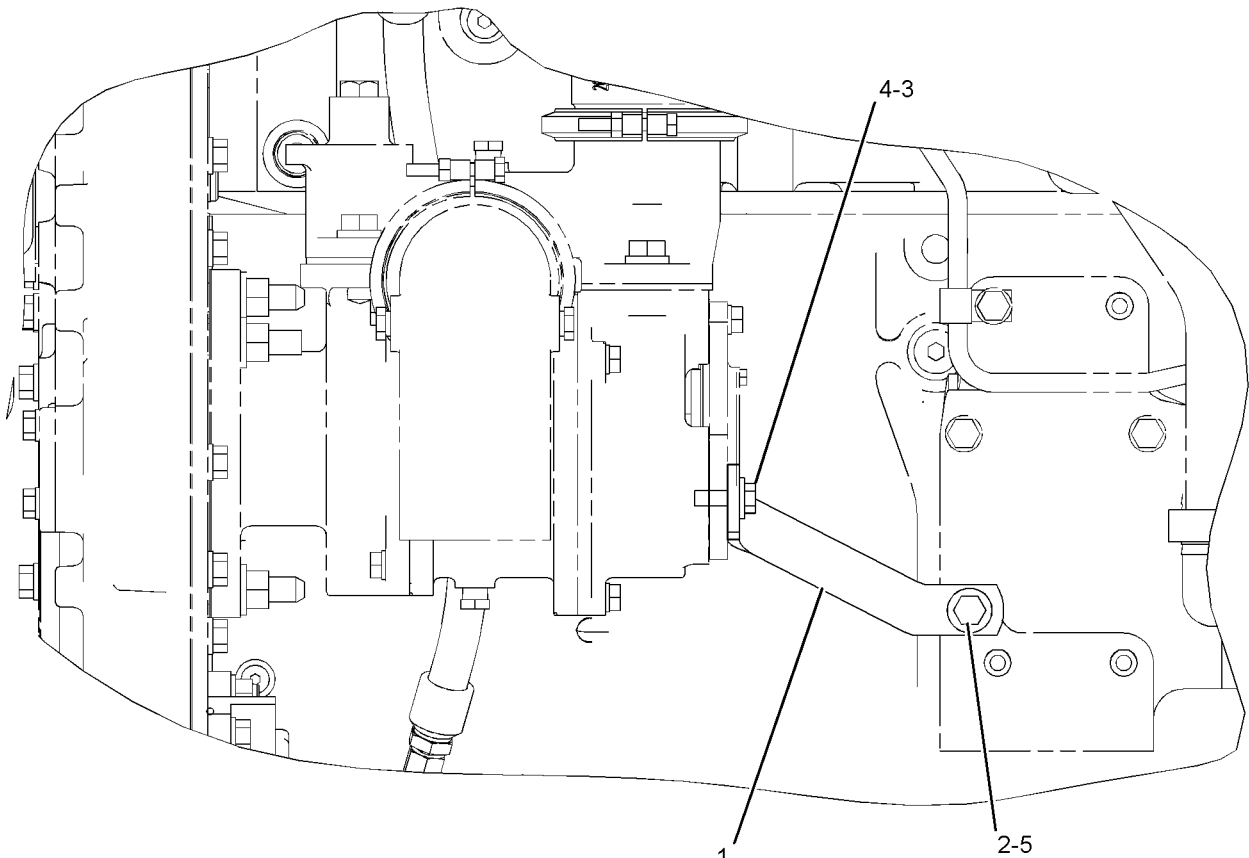
248-6619 MOUNTING GP-PUMP-SEA WATER PROVIDE ADDITIONAL SUPPORT TO THE REAR OF THE SEA WATER PUMP AN ATTACHMENT

SMCS-1361

i02240659

NOTE	REF NO	GRAPHIC REF	PART NUMBER	QTY	PART NAME						SEE PAGE
					1	2	3	4	5	6 (PRODUCT LEVEL)	
	1	1	248-6597	1	BRACKET						
	2	1	0S-1588	1	BOLT (3/8-16X1.25-IN)						
	3	1	3E-4352	1	WASHER-HARD (8.8X20.5X2.5-MM THK)						
M	4	1	6V-3940	1	BOLT (M8X1.25X25-MM)						
	5	1	9X-6458	1	WASHER-HARD (10.2X22.5X3-MM THK)						

M-METRIC PART



LEFT SIDE VIEW
<END>

GRAPHIC #1

g01065310

COOLING SYSTEM

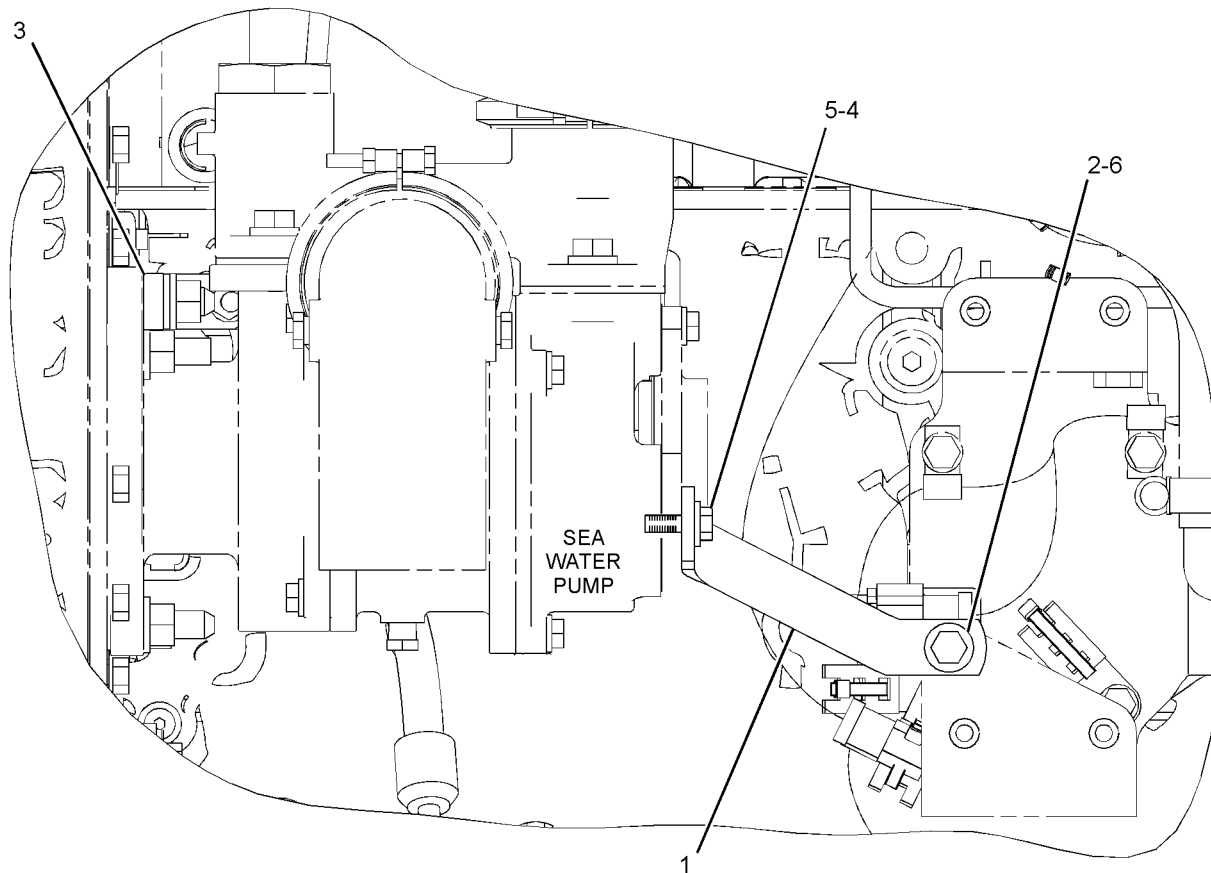
307-0711 MOUNTING GP-PUMP AN ATTACHMENT

SMCS-1361

i03550913

NOTE	REF NO	GRAPHIC REF	PART NUMBER	QTY	PART NAME						SEE PAGE
					1	2	3	4	5	6 (PRODUCT LEVEL)	
	1	1	248-6597	1	BRACKET						
	2	1	0S-1588	1	BOLT (3/8-16X1.25-IN)						
	3	1	128-2477	1	SPACER (14X25X9-MM THK)						
	4	1	3E-4352	1	WASHER-HARD (8.8X20.5X2.5-MM THK)						
M	5	1	6V-3940	1	BOLT (M8X1.25X25-MM)						
	6	1	9X-6458	1	WASHER-HARD (10.2X22.5X3-MM THK)						

M-METRIC PART



LEFT SIDE VIEW OF ENGINE

<END>

GRAPHIC #1

g01345810

COOLING SYSTEM

202-7528 PLATE GP-HEAT EXCHANGER PART OF 200-7102, 290-3989 HEAT EXCHANGER GP-SEA WATER AN ATTACHMENT

SMCS-1379

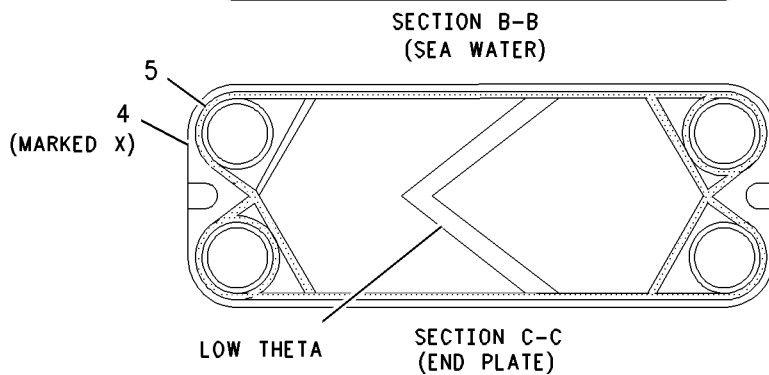
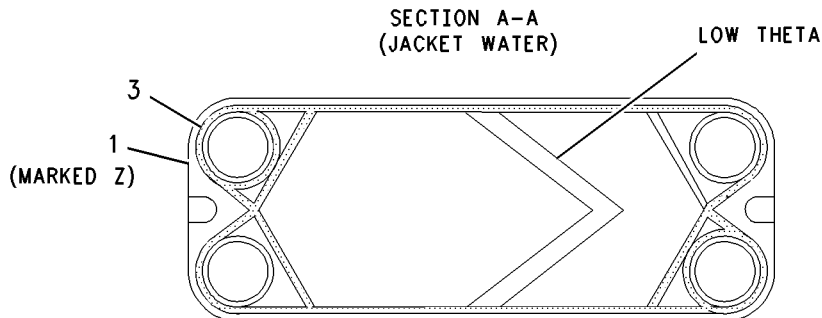
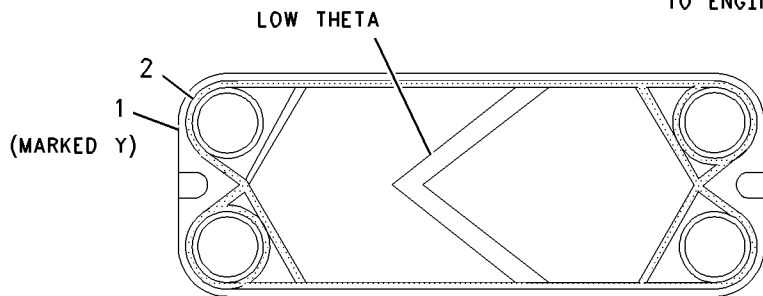
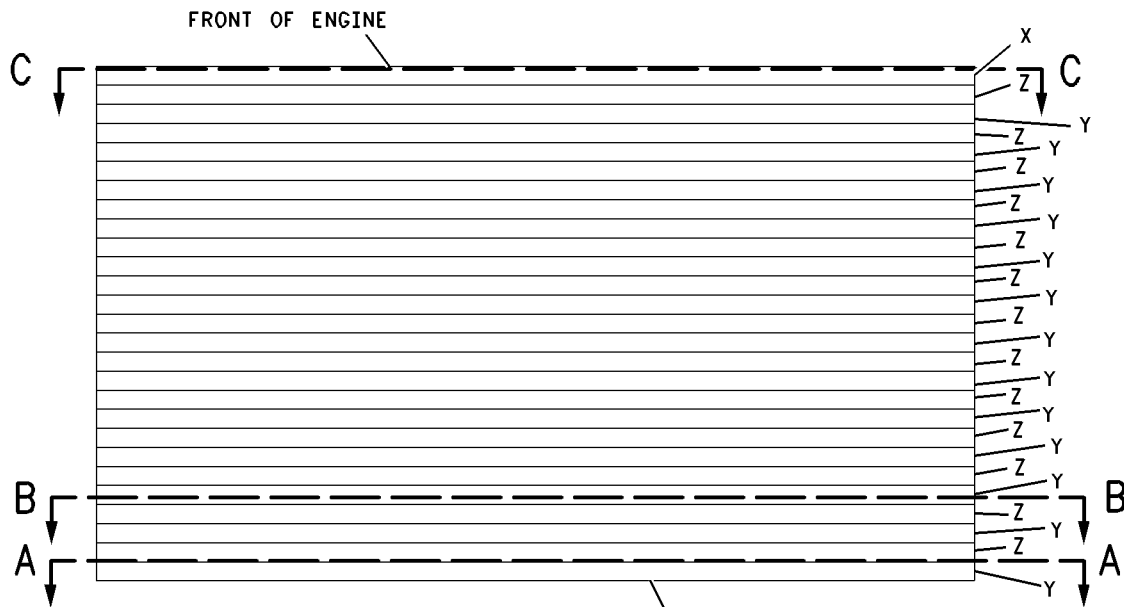
i02765174

NOTE	REF NO	GRAPHIC REF	PART NUMBER	QTY	PART NAME						SEE PAGE
					1	2	3	4	5	6 (PRODUCT LEVEL)	
	1	1	202-7531	24	PLATE (MARKED Y,Z)						
	2	1	202-7533	12	GASKET (MARKED Y)						
	3	1	202-7534	12	GASKET (MARKED Z)						
	4	1	202-7535	1	PLATE-END (MARKED X)						
	5	1	202-7536	1	GASKET (MARKED X)						

COOLING SYSTEM

202-7528 PLATE GP-HEAT EXCHANGER (contd.)

i02765174



GRAPHIC #1

<END>

g00818557

COOLING SYSTEM

202-7529 PLATE GP-HEAT EXCHANGER

PART OF 201-6758, 290-3991 HEAT EXCHANGER GP-SEA WATER
AN ATTACHMENT

SMCS-1379

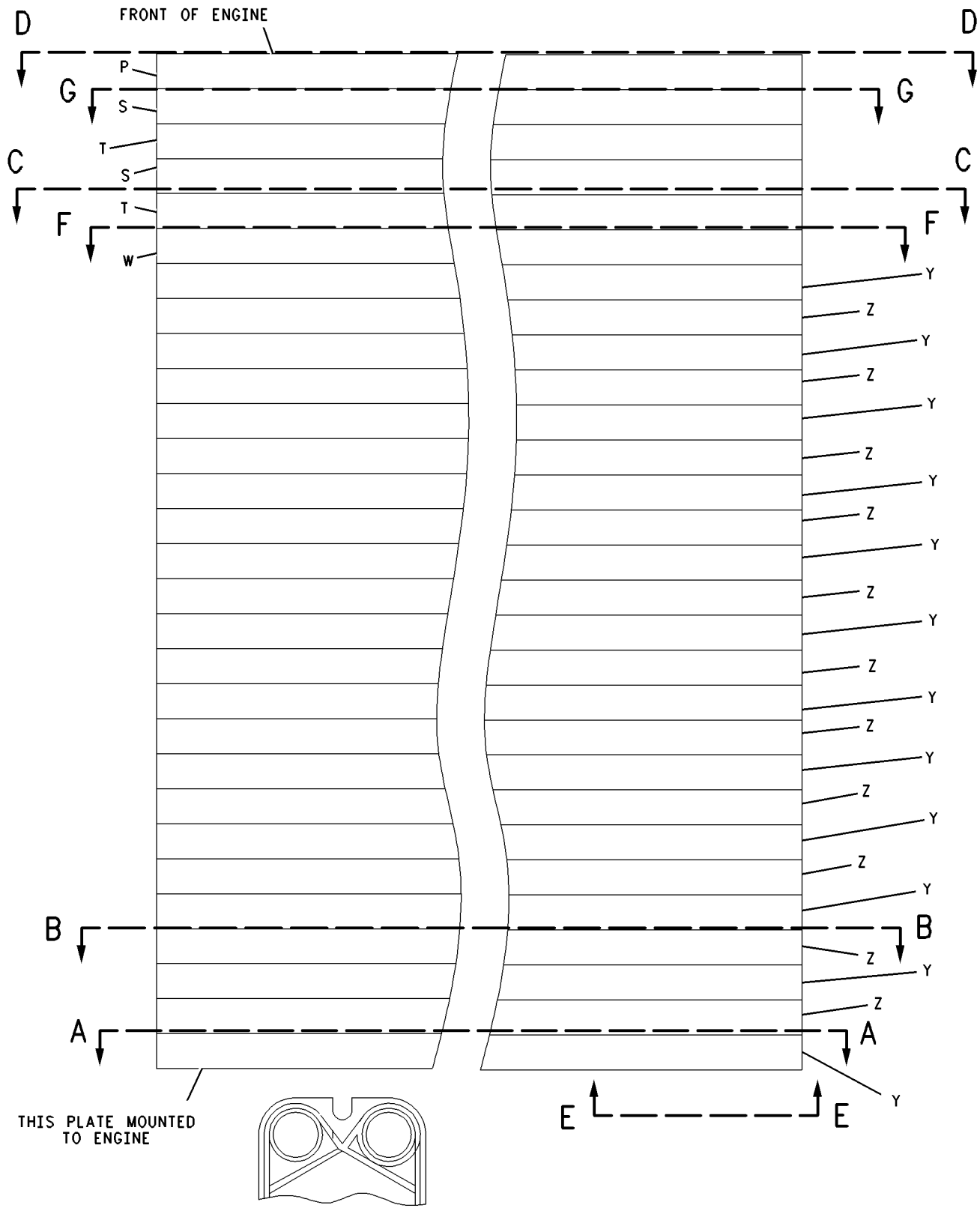
i02765173

NOTE	REF NO	GRAPHIC REF	PART NUMBER	QTY	PART NAME						SEE PAGE
					1	2	3	4	5	6 (PRODUCT LEVEL)	
	1	2	202-7531	23	PLATE (MARKED Y,Z)						
	2	2	202-7533	14	GASKET (MARKED T,Y)						
	3	2	202-7534	14	GASKET (MARKED S,W,Z)						
	4	2	202-7536	1	GASKET (MARKED P)						
	5	2	202-7537	1	PLATE (MARKED W)						
	6	2	202-7538	4	PLATE (MARKED S,T)						
	7	2	202-7539	1	PLATE-END (MARKED P)						

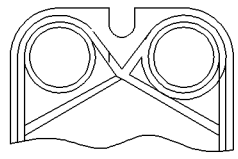
COOLING SYSTEM

202-7529 PLATE GP-HEAT EXCHANGER (contd.)

i02765173



THIS PLATE MOUNTED TO ENGINE



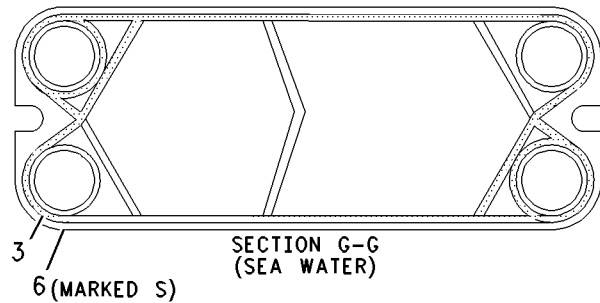
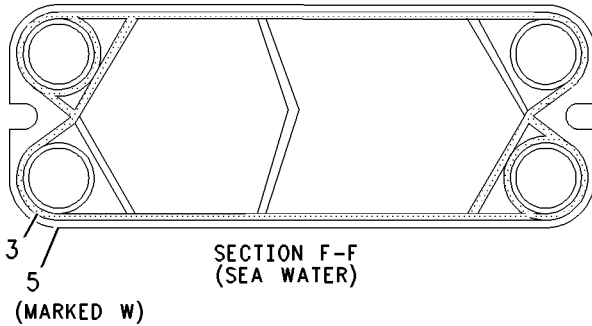
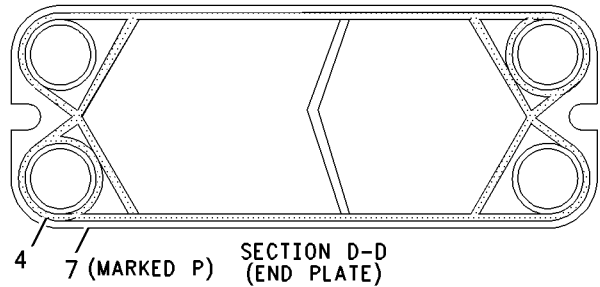
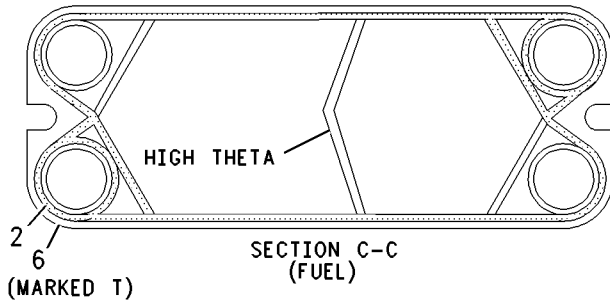
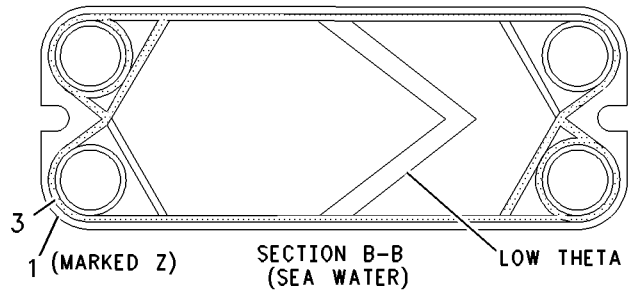
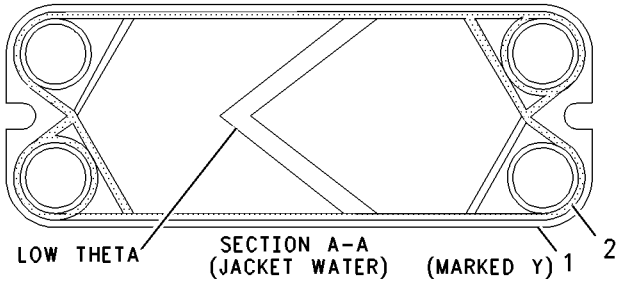
VIEW E-E
(ROTATED 90° CCW)

REFER TO ALL ILLUSTRATIONS OF THIS GROUP FOR AUXILIARY VIEWS

COOLING SYSTEM

202-7529 PLATE GP-HEAT EXCHANGER (contd.)

i02765173



REFER TO ALL ILLUSTRATIONS OF THIS GROUP FOR AUXILIARY VIEWS

GRAPHIC #2

<END>

g00915267

COOLING SYSTEM

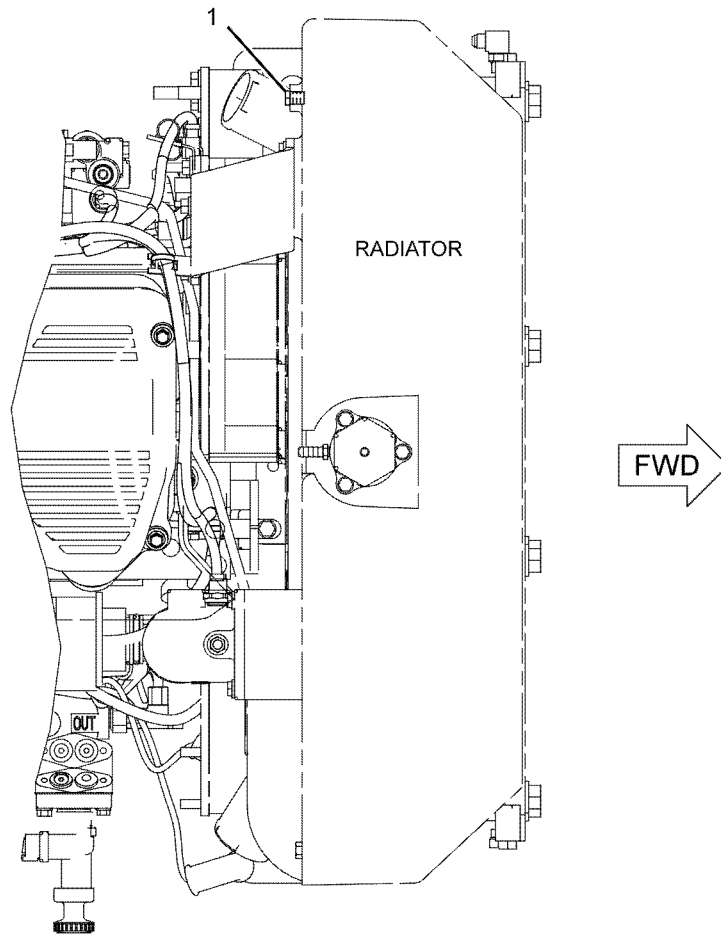
246-0536 PLUG GP-EXPANSION TANK

USE WHEN COOLANT LEVEL SENSOR IS NOT USED
AN ATTACHMENT

SMCS-1354

i02050380

NOTE	REF NO	GRAPHIC REF	PART NUMBER	QTY	PART NAME						SEE PAGE
					1	2	3	4	5	6 (PRODUCT LEVEL)	
	1	1	5M-6213	1	PLUG-PIPE						



TOP VIEW
<END>

GRAPHIC #1

g01077659

COOLING SYSTEM

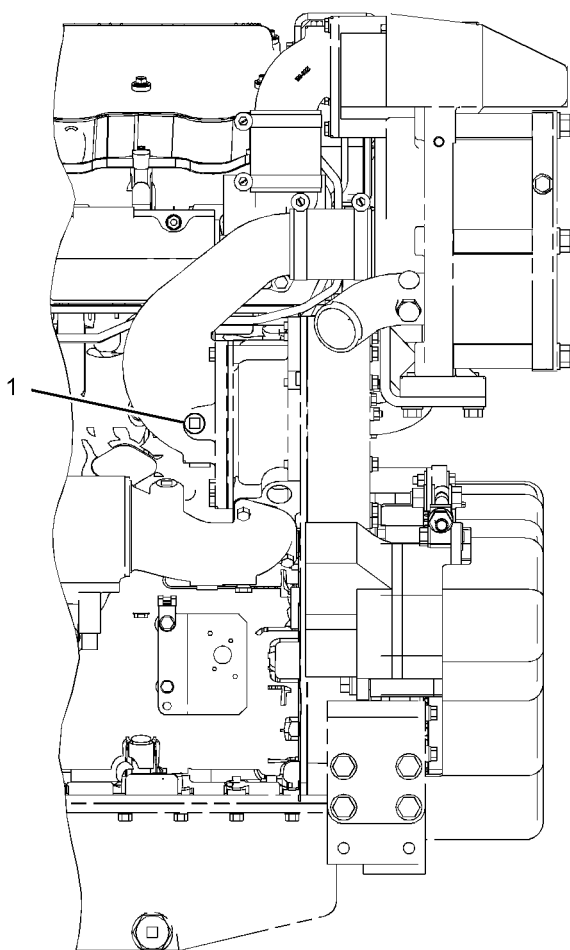
257-6950 PLUG GP-WATER LINES

FOR USE WITH DUAL ECM OPTION
AN ATTACHMENT

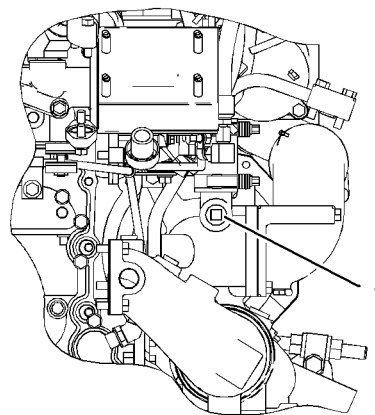
SMCS-1380

i02285811

NOTE	REF NO	GRAPHIC REF	PART NUMBER	QTY	PART NAME						SEE PAGE
					1	2	3	4	5	6 (PRODUCT LEVEL)	
	1	1	7X-7731	1	PLUG-PIPE						



RIGHT SIDE VIEW



REAR VIEW
(ALTERNATE MOUNTING
COMBINED COOLING)

GRAPHIC #1

<END>

g01145630

COOLING SYSTEM

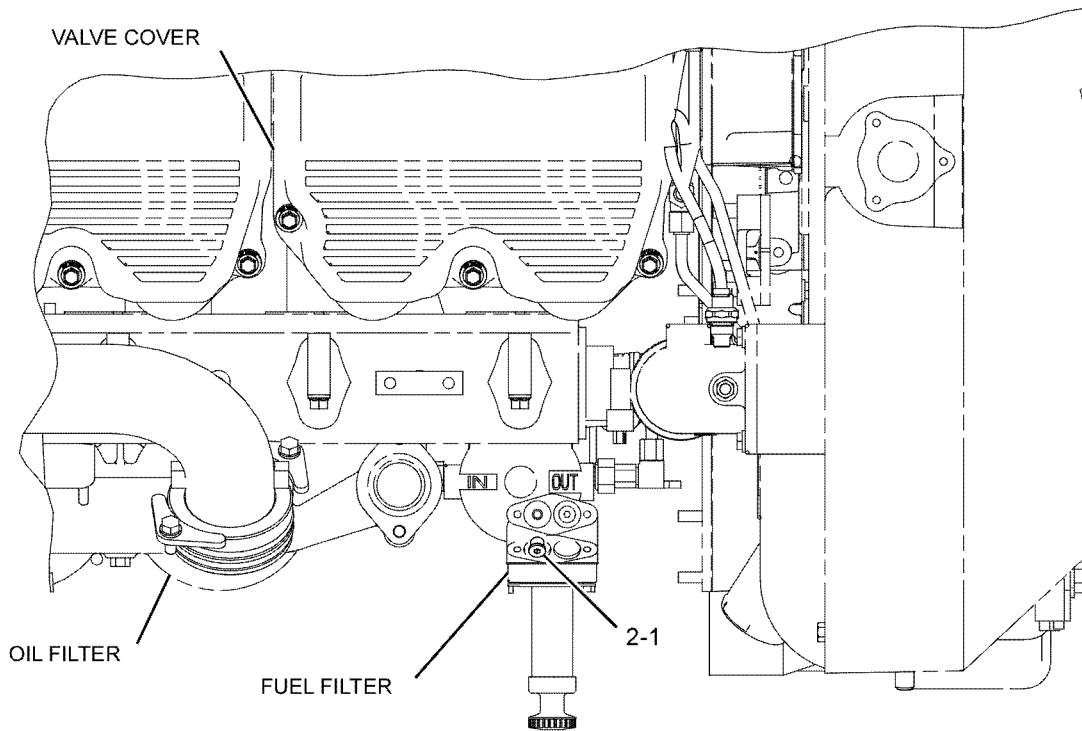
257-6954 PLUG GP-WATER LINES

FOR USE WITH DUAL ECM
AN ATTACHMENT

SMCS-1380

i02285775

NOTE	REF NO	GRAPHIC REF	PART NUMBER	QTY	PART NAME						SEE PAGE
					1	2	3	4	5	6 (PRODUCT LEVEL)	
	1	1	6V-5048	1	SEAL-O-RING						
	2	1	9S-8002	1	PLUG-O-RING						



TOP VIEW



GRAPHIC #1

<END>

g01145643

COOLING SYSTEM

257-6955 PLUG GP-WATER LINES

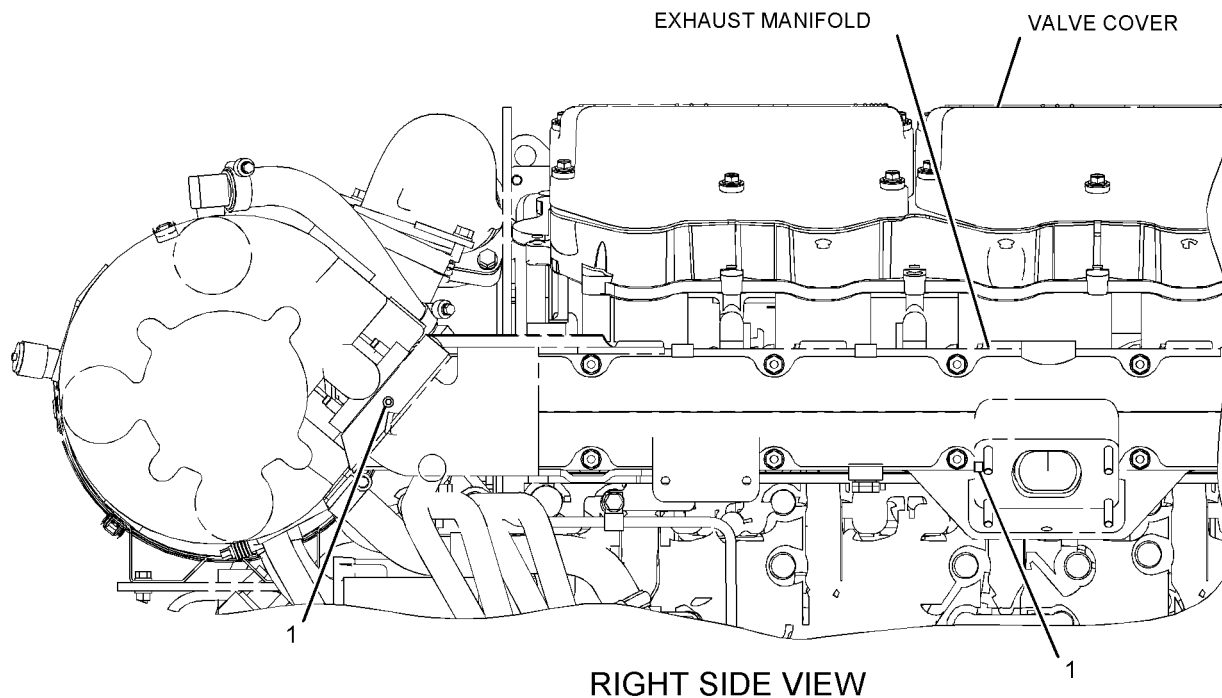
S/N: J2K1-110

FOR USE WITH DUAL ECM, TWIN TURBOCHARGER
AN ATTACHMENT

SMCS-1380

i02285768

NOTE	REF NO	GRAPHIC REF	PART NUMBER	QTY	PART NAME						SEE PAGE
					1	2	3	4	5	6 (PRODUCT LEVEL)	
	1	1	8T-6757	2	PLUG-PIPE						



GRAPHIC #1

<END>

g01145635

COOLING SYSTEM

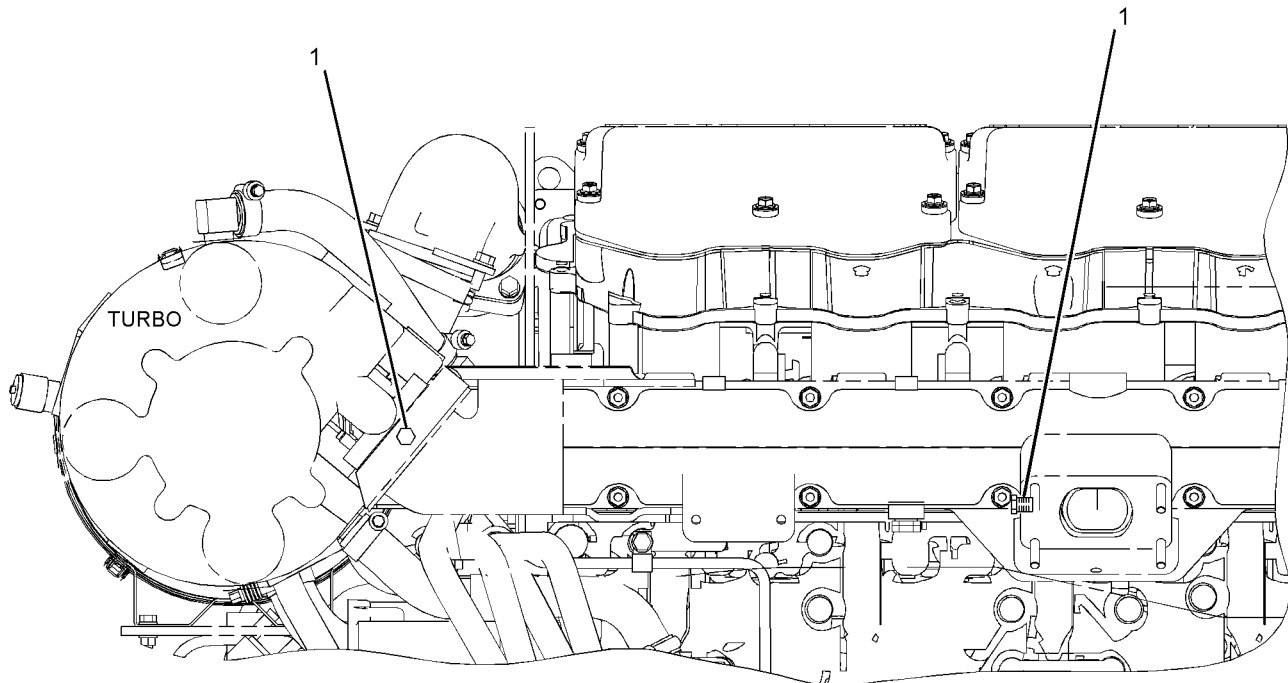
257-6955 PLUG GP-WATER LINES

S/N: J2K111-UP; T2P1-UP
 FOR USE WITH DUAL ECM, TWIN TURBOCHARGER
 AN ATTACHMENT

SMCS-1380

i02751382

NOTE	REF NO	GRAPHIC REF	PART NUMBER	QTY	PART NAME						SEE PAGE
					1	2	3	4	5	6 (PRODUCT LEVEL)	
C	1	1	8T-6765	2	PLUG-PIPE						
C-CHANGE FROM PREVIOUS TYPE											



RIGHT SIDE VIEW OF ENGINE

GRAPHIC #1

<END>

g01386753

COOLING SYSTEM

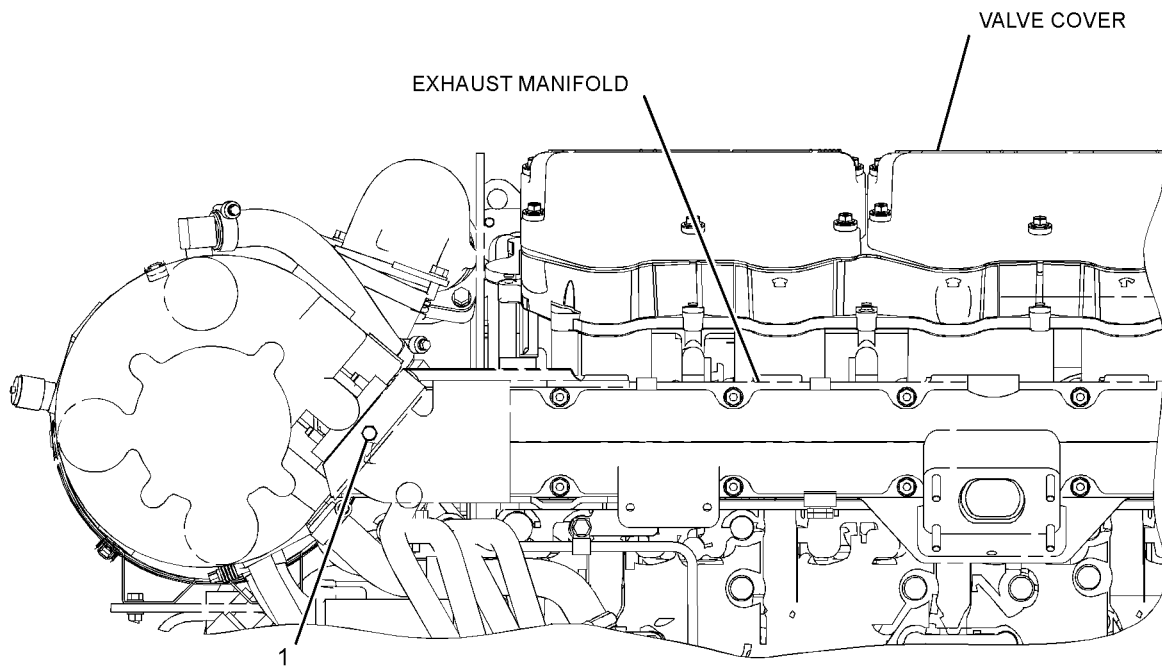
257-6956 PLUG GP-WATER LINES

FOR USE WITH DUAL ECM, SINGLE TURBOCHARGER
AN ATTACHMENT

SMCS-1380

i03101838

NOTE	REF NO	GRAPHIC REF	PART NUMBER	QTY	PART NAME						SEE PAGE
					1	2	3	4	5	6 (PRODUCT LEVEL)	
	1	1	8T-6765	1	PLUG-PIPE						



RIGHT SIDE VIEW OF ENGINE

GRAPHIC #1

<END>

g01587633

COOLING SYSTEM

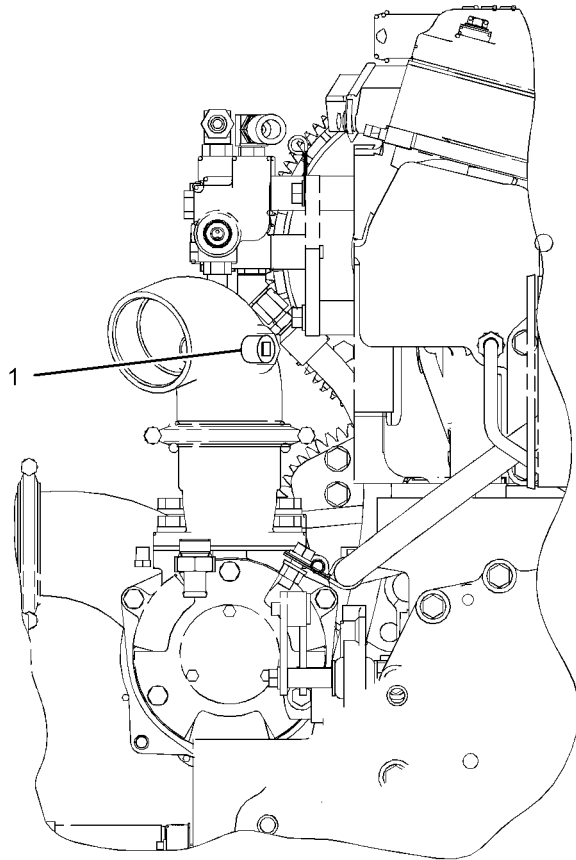
257-7864 PLUG GP-WATER LINES

CANNOT BE USED WITH DUAL ECM CONFIGURATION
AN ATTACHMENT

SMCS-1380

i02285534

NOTE	REF NO	GRAPHIC REF	PART NUMBER	QTY	PART NAME						SEE PAGE
					1	2	3	4	5	6 (PRODUCT LEVEL)	
	1	1	8B-8817	1	PLUG						



REAR VIEW

GRAPHIC #1

<END>

g01144953

COOLING SYSTEM

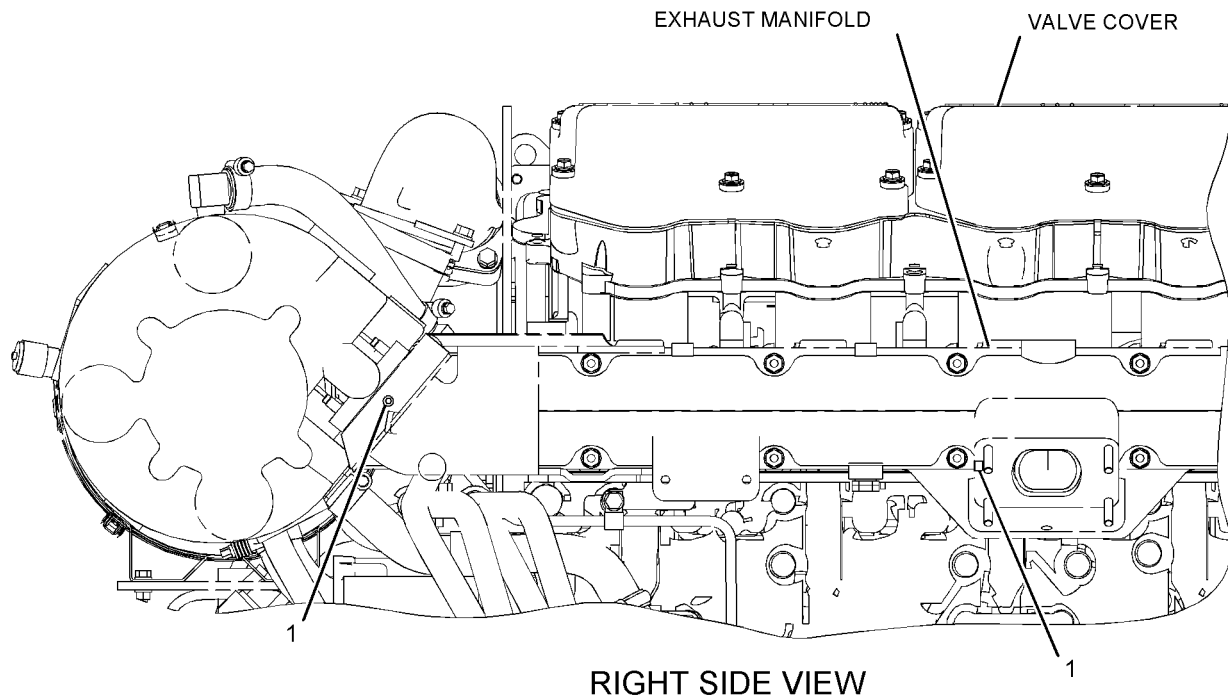
342-6548 PLUG GP-WATER LINES-EXHAUST

CANNOT BE USED WITH 310-5809-PAGE 539
AN ATTACHMENT

SMCS-1380

i03785289

NOTE	REF NO	GRAPHIC REF	PART NUMBER	QTY	PART NAME						SEE PAGE
					1	2	3	4	5	6 (PRODUCT LEVEL)	
	1	1	8T-6765	1	PLUG-PIPE						



GRAPHIC #1

<END>

g01145635

COOLING SYSTEM

206-2866 PUMP AS-BILGE

PART OF 6L-5858 PUMP GP-BILGE
AN ATTACHMENT

SMCS-1371

i01978238

NOTE	PART NUMBER	QTY	PART NAME						SEE PAGE
			1	2	3	4	5	6 (PRODUCT LEVEL)	
	234-7496	1	ADAPTER (HOUSING AS TO PEDESTAL AS)						
	234-7495	1	CLAMP AS (SHAFT TO ADAPTER)						
	234-7498	1	CLUTCH & MOUNTING GP (TO ADAPTER AS)						
	234-7497	1	PEDESTAL AS						
	234-7499	1	CLUTCH AS						
	2N-3955	1	GASKET (HOUSING AS TO ADAPTER)						
	234-7489	1	HOUSING AS (BILGE PUMP)						
	234-7490	1	IMPELLER (TO SHAFT)						
	2N-3960	1	KEY-WOODRUFF (IMPELLER TO SHAFT)						
	234-7491	1	LOCKNUT (IMPELLER TO SHAFT)						
	234-7494	1	SEAL AS (SHAFT TO ADAPTER)						
	234-7492	1	SLEEVE (CLAMP TO SHAFT)						
<END>									

COOLING SYSTEM

194-2450 PUMP GP-AUXILIARY SEA WATER

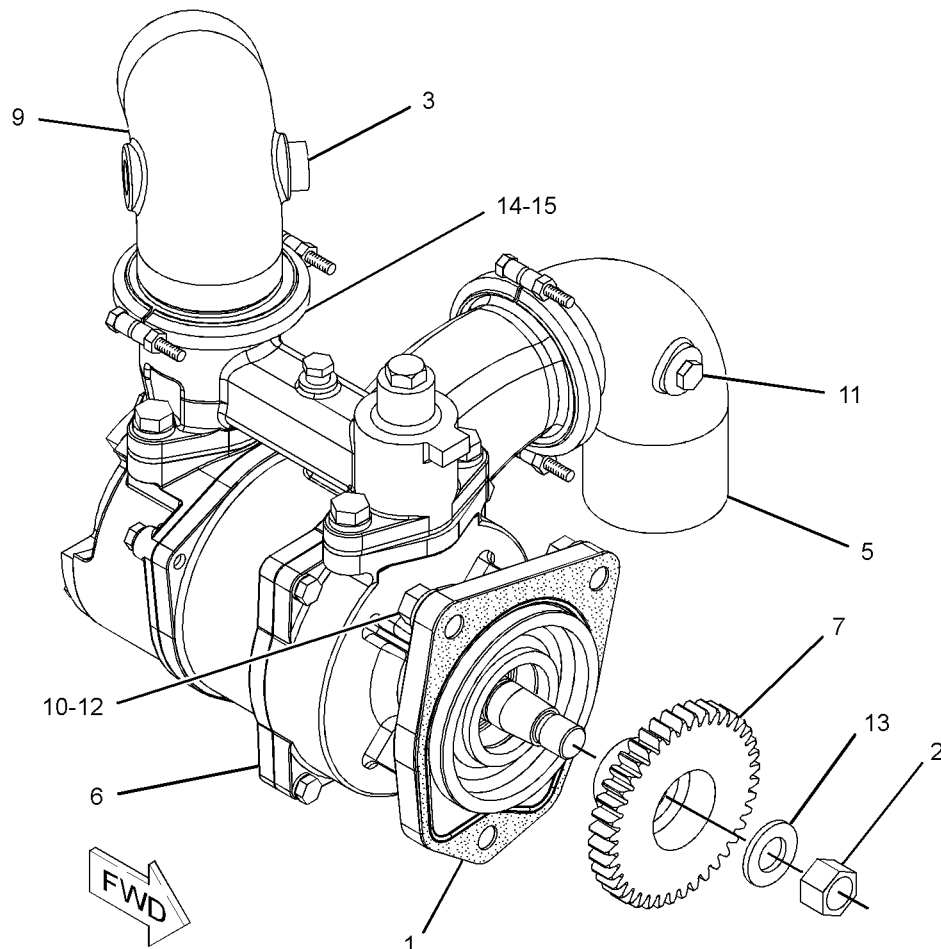
S/N: J2K1-UP; T2P1-724
AN ATTACHMENT

SMCS-1371

i03935337

NOTE	REF NO	GRAPHIC REF	PART NUMBER	QTY	PART NAME						SEE PAGE
					1	2	3	4	5	6 (PRODUCT LEVEL)	
	1	1	144-6142	1	SEAL-INTEGRAL (AUXILIARY SEA WATER PUMP)						
	2	1	6B-6682	1	NUT-FULL (3/4-16-THD)						
	3	1	7E-5076	1	PLUG-ZINC (AUXILIARY SEA WATER PUMP)						
	5	1	125-4356	1	ELBOW						
CYR	6	1	276-5906	1	PUMP GP-AUXILIARY SEA WATER						463
	7	1	195-0315	1	GEAR-SPUR (40-TEETH)						
	9	1	204-6104	1	ELBOW						
	10	1	1F-7958	3	NUT-FULL (1/2-13-THD)						
	11	1	3E-7428	3	PLUG-PIPE						
	12	1	5P-8245	3	WASHER-HARD (13.5X25.5X3-MM THK)						
	13	1	5P-8248	1	WASHER-HARD (20X36.5X3.5-MM THK)						
	14	1	5M-3038	2	SEAL-O-RING						
	15	1	3N-8468	2	CLAMP AS						
(EACH INCLUDES)											
		1	1B-9575	2	BOLT (5/16-18X1.56-IN)						
		1	5S-0003	2	NUT (5/16-18-THD)						

C-CHANGE FROM PREVIOUS TYPE
R-REMFG PART MAY BE AVAILABLE
Y-SEPARATE ILLUSTRATION



GRAPHIC #1

<END>

g01428524

COOLING SYSTEM

194-2450 PUMP GP-AUXILIARY SEA WATER

S/N: J2K1-UP; T2P725-UP
AN ATTACHMENT

SMCS-1371

i03941849

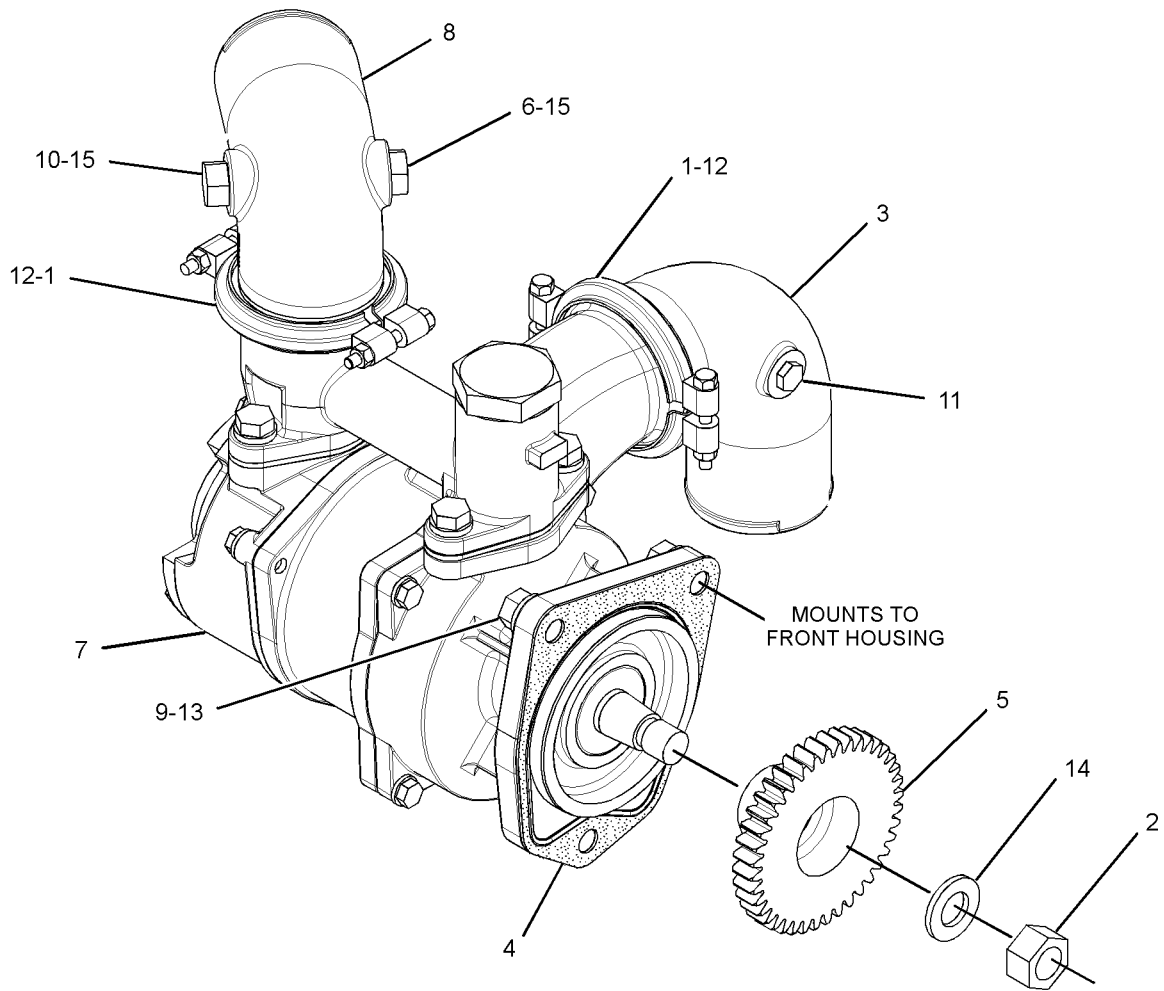
NOTE	REF NO	GRAPHIC REF	PART NUMBER	QTY	PART NAME						SEE PAGE
					1	2	3	4	5	6 (PRODUCT LEVEL)	
	1	1	3N-8468	2	CLAMP AS						
					(EACH INCLUDES)						
		1	1B-9575	2	BOLT (5/16-18X1.56-IN)						
		1	5S-0003	2	NUT (5/16-18-THD)						
	2	1	6B-6682	1	NUT-FULL (3/4-16-THD)						
	3	1	125-4356	1	ELBOW						
	4	1	144-6142	1	SEAL-INTEGRAL (AUXILIARY SEA WATER PUMP)						
	5	1	195-0315	1	GEAR-SPUR (40-TEETH)						
	6	1	280-7123	1	PLUG AS (AUXILIARY SEA WATER PUMP)						
		1	6L-2280	1	ROD-ZINC						
		1	280-7136	1	PLUG-O-RING						
CYR	7	1	340-7732	1	PUMP GP-AUXILIARY SEA WATER						465
	8	1	350-3558	1	ELBOW						
	9	1	1F-7958	3	NUT-FULL (1/2-13-THD)						
	10	1	287-7296	1	PLUG-BRASS						
	11	1	3E-7428	2	PLUG-PIPE						
	12	1	205-4832	2	SEAL-O-RING						
	13	1	5P-8245	3	WASHER-HARD (13.5X25.5X3-MM THK)						
	14	1	5P-8248	1	WASHER-HARD (20X36.5X3.5-MM THK)						
	15	1	3K-0360	2	SEAL-O-RING						

C-CHANGE FROM PREVIOUS TYPE
R-REMG PART MAY BE AVAILABLE
Y-SEPARATE ILLUSTRATION

COOLING SYSTEM

194-2450 PUMP GP-AUXILIARY SEA WATER (contd.)

i03941849



GRAPHIC #1

<END>

g02156008

COOLING SYSTEM

207-6998 PUMP GP-AUXILIARY SEA WATER

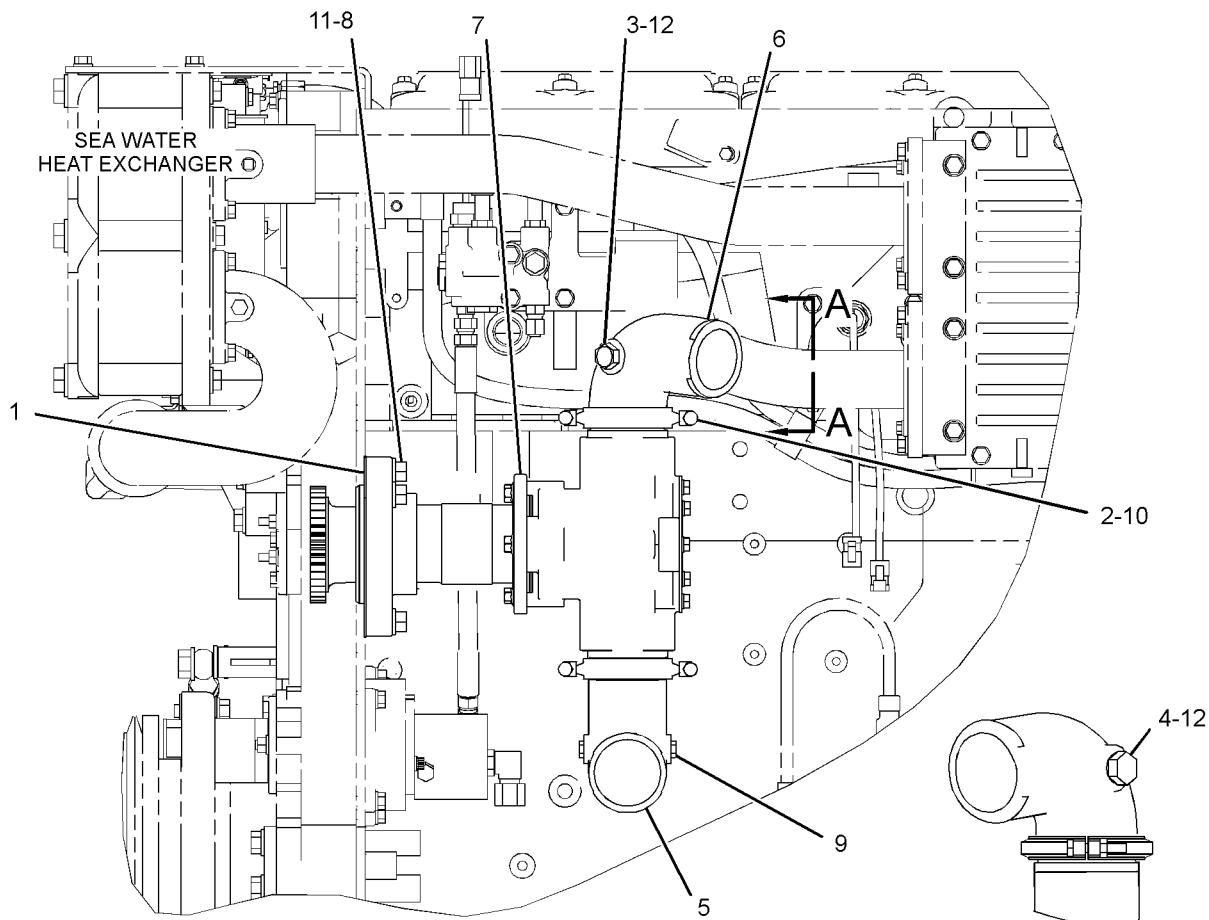
FOR USE WITH 207-8156-PAGE 219
AN ATTACHMENT

SMCS-1371

i03935030

NOTE	REF NO	GRAPHIC REF	PART NUMBER	QTY	PART NAME						SEE PAGE
					1	2	3	4	5	6 (PRODUCT LEVEL)	
	1	1	144-6142	1	SEAL-INTEGRAL						
	2	1	3N-8468	2	CLAMP AS						
	3	1	280-7123	1	PLUG AS (AUXILIARY SEA WATER PUMP)						
	4	1	287-7296	1	PLUG-BRASS						
	5	1	125-4356	1	ELBOW						
	6	1	350-3558	1	ELBOW						
Y	7	1	207-7001	1	PUMP GP-AUXILIARY SEA WATER						457
	8	1	1F-7958	3	NUT-FULL (1/2-13-THD)						
	9	1	3E-7428	2	PLUG-PIPE						
	10	1	205-4832	2	SEAL-O-RING						
	11	1	5P-8245	3	WASHER-HARD (13.5X25.5X3-MM THK)						
	12	1	3K-0360	2	SEAL-O-RING						

Y-SEPARATE ILLUSTRATION



LEFT SIDE VIEW OF ENGINE

VIEW A-A

GRAPHIC #1

<END>

g02156993

COOLING SYSTEM

207-7001 PUMP GP-AUXILIARY SEA WATER

PART OF 207-6998, 247-8505 PUMP GP-AUXILIARY SEA WATER

AN ATTACHMENT

SMCS-1371

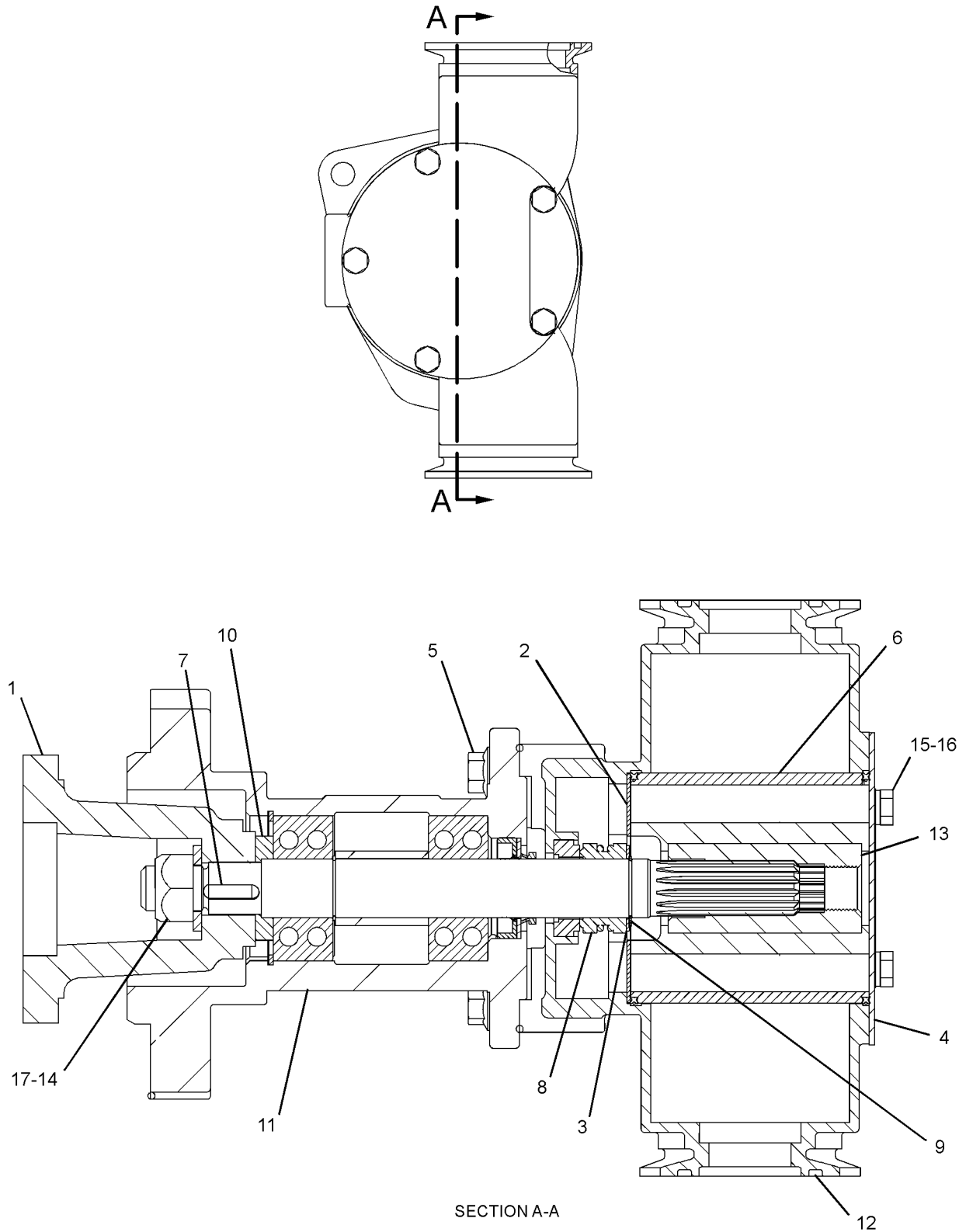
i03688026

NOTE	REF NO	GRAPHIC REF	PART NUMBER	QTY	PART NAME						SEE PAGE
					1	2	3	4	5	6 (PRODUCT LEVEL)	
	1	1	101-9640	1	GEAR (40-TEETH)						
NP	2	1	109-5322	1	PLATE-WEAR						
P	3	1	109-5323	1	WASHER (25.17X36.58X1.22-MM THK)						
NP	4	1	109-5325	1	COVER						
M	5	1	109-5326	3	BOLT (M10X1.5X35-MM)						
NP	6	1	136-9490	2	LINER-CAM						
	7	1	173-3998	1	KEY-WOODRUFF						
P	8	1	195-0763	1	SEAL AS						
P	9	1	197-4870	1	RING-RETAINING						
	10	1	238-9935	1	SPACER (22.13X35.05X7.62-MM THK)						
PY	11	1	238-9936	1	BODY AS-PUMP (AUXILIARY SEA WATER)						368
	12	1	279-9884	1	HOUSING						
NPW	13	1	282-0683	1	IMPELLER						
	14	1	2K-0337	1	LOCKNUT (3/4-16-THD)						
M	15	1	3E-9854	5	BOLT (M8X1.25X20-MM)						
	16	1	3L-6789	5	LOCKWASHER						
	17	1	5P-8248	1	WASHER-HARD (20X36.5X3.5-MM THK)						
AVAILABLE REPAIR KIT(S):											
W			284-5561	1	KIT-IMPELLER (RAW WATER PUMP) (INCLUDES IMPELLER AND SEALS-QUAD RING)						
N			284-5562	1	KIT-IMPELLER (RAW WATER PUMP) (INCLUDES PLATE-WEAR, COVER, SEALANT, SEALS-QUAD RING, PIN, LINERS-CAM, AND IMPELLER)						
P			284-5565	1	KIT-WATER PUMP (INCLUDES PLATE-WEAR, WASHER, COVER, SEALANT, SEAL-QUAD RING, PIN, LINER-CAM, SEAL AS, RING-RETAINING, BODY AS, IMPELLER)						
M-METRIC PART N-KIT MARKED N INCLUDES PARTS MARKED N P-KIT MARKED P INCLUDES PARTS MARKED P W-KIT MARKED W INCLUDES PARTS MARKED W Y-SEPARATE ILLUSTRATION											

COOLING SYSTEM

207-7001 PUMP GP-AUXILIARY SEA WATER (contd.)

i03688026



GRAPHIC #1

<END>

g01298645

COOLING SYSTEM

240-9057 PUMP GP-AUXILIARY SEA WATER

FOR USE WITH 240-9044-PAGE 412

AN ATTACHMENT

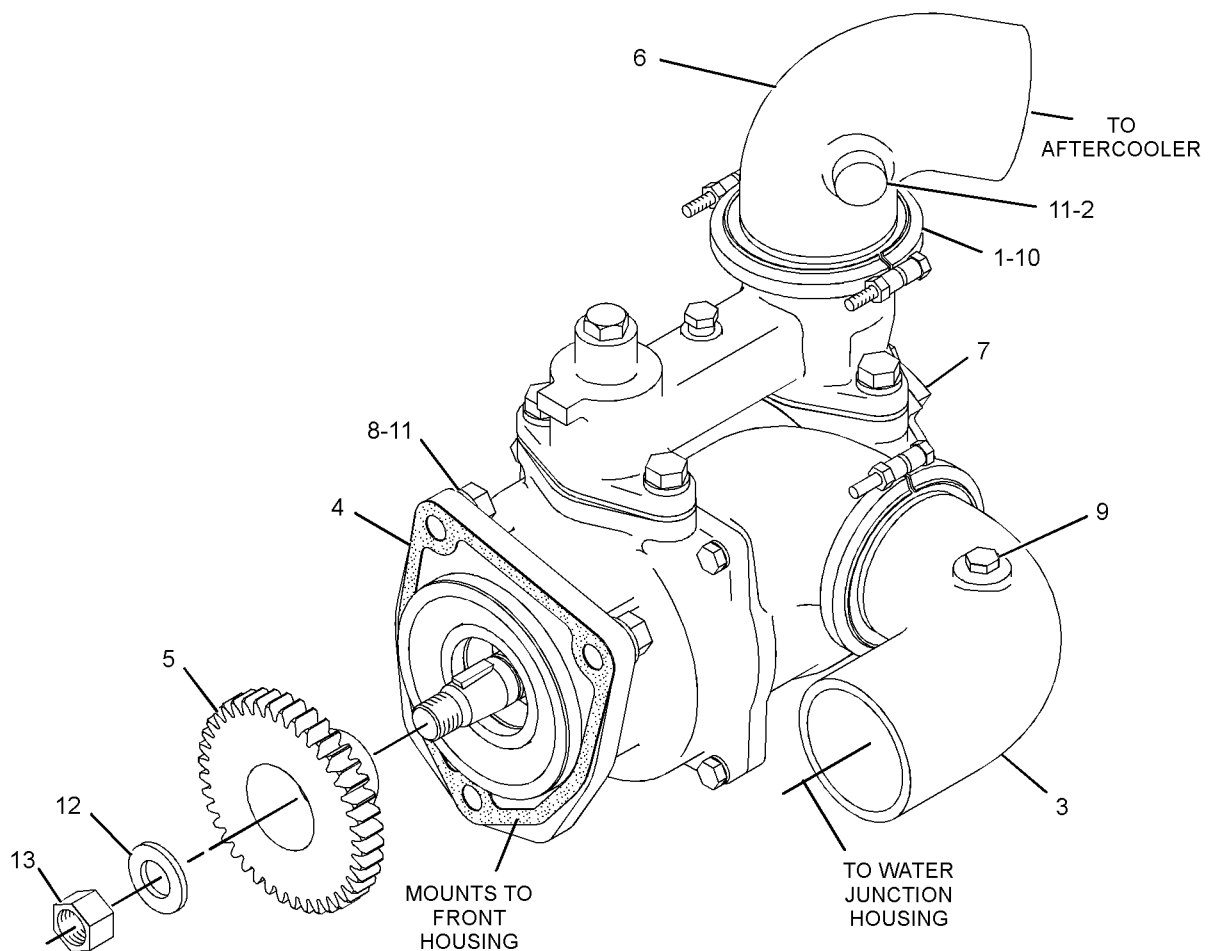
TYPE 1

SMCS-1371

i03808089

NOTE	REF NO	GRAPHIC REF	PART NUMBER	QTY	PART NAME						SEE PAGE
					1	2	3	4	5	6 (PRODUCT LEVEL)	
	1	1	3N-8468	2	CLAMP AS						
	2	1	8B-8817	1	PLUG (AUXILIARY SEA WATER PUMP)						
	3	1	125-4356	1	ELBOW						
	4	1	144-6142	1	SEAL-INTEGRAL						
	5	1	195-0315	1	GEAR-SPUR (40-TEETH)						
	6	1	204-6104	1	ELBOW						
CYR	7	1	340-7732	1	PUMP GP-AUXILIARY SEA WATER						465
	8	1	1F-7958	3	NUT-FULL (1/2-13-THD)						
	9	1	3E-7428	2	PLUG-PIPE (1/4-18 NPTF THD)						
	10	1	5M-3038	2	SEAL-O-RING						
	11	1	5P-8245	3	WASHER-HARD (13.5X25.5X3-MM THK)						
	12	1	5P-8248	1	WASHER-HARD (20X36.5X3.5-MM THK)						
	13	1	6B-6682	1	NUT-FULL (3/4-16-THD)						

C-CHANGE FROM PREVIOUS TYPE
R-REMG PART MAY BE AVAILABLE
Y-SEPARATE ILLUSTRATION



GRAPHIC #1

<END>

g01935176

COOLING SYSTEM

240-9057 PUMP GP-AUXILIARY SEA WATER

FOR USE WITH 240-9044-PAGE 412

AN ATTACHMENT

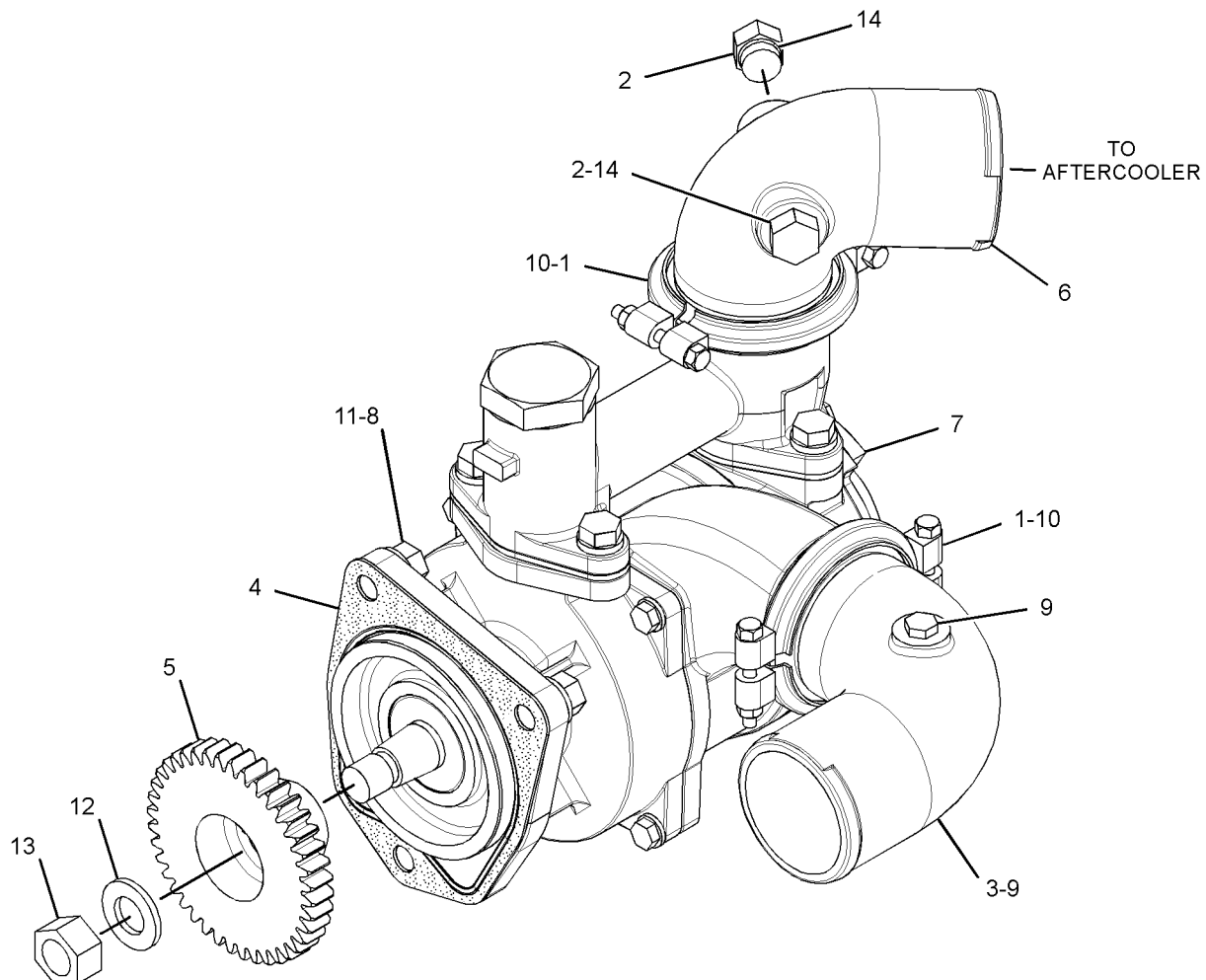
TYPE 2

SMCS-1371

i03935309

NOTE	REF NO	GRAPHIC REF	PART NUMBER	QTY	PART NAME						SEE PAGE
					1	2	3	4	5	6 (PRODUCT LEVEL)	
	1	1	3N-8468	2	CLAMP AS						
	2	1	287-7296	2	PLUG-BRASS						
	3	1	125-4356	1	ELBOW						
	4	1	144-6142	1	SEAL-INTEGRAL						
	5	1	195-0315	1	GEAR-SPUR (40-TEETH)						
C	6	1	350-3558	1	ELBOW						
YR	7	1	340-7732	1	PUMP GP-AUXILIARY SEA WATER						465
	8	1	1F-7958	3	NUT-FULL (1/2-13-THD)						
	9	1	3E-7428	2	PLUG-PIPE (1/4-18 NPTF THD)						
	10	1	205-4832	2	SEAL-O-RING						
	11	1	5P-8245	3	WASHER-HARD (13.5X25.5X3-MM THK)						
	12	1	5P-8248	1	WASHER-HARD (20X36.5X3.5-MM THK)						
	13	1	6B-6682	1	NUT-FULL (3/4-16-THD)						
	14	1	3K-0360	2	SEAL-O-RING						

C-CHANGE FROM PREVIOUS TYPE
R-REMG PART MAY BE AVAILABLE
Y-SEPARATE ILLUSTRATION



GRAPHIC #1

<END>

g02160663

COOLING SYSTEM

247-8505 PUMP GP-AUXILIARY SEA WATER AN ATTACHMENT

SMCS-1371

i04046310

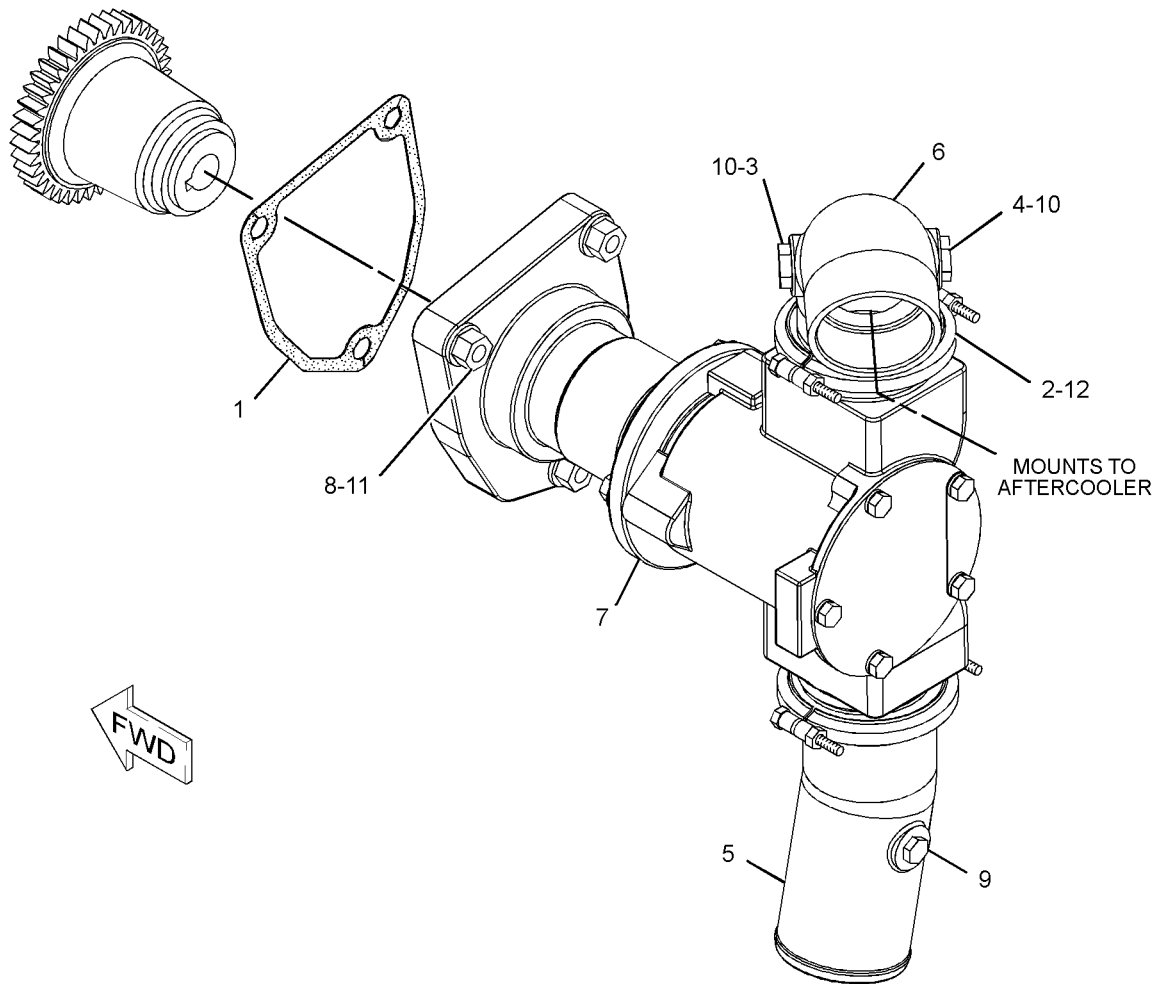
NOTE	REF NO	GRAPHIC REF	PART NUMBER	QTY	PART NAME						SEE PAGE
					1	2	3	4	5	6 (PRODUCT LEVEL)	
	1	1	144-6142	1	SEAL-INTEGRAL						
	2	1	3N-8468	2	CLAMP AS						
	3	1	280-7123	1	PLUG AS (AUXILIARY SEA WATER PUMP)						
	4	1	287-7296	1	PLUG-BRASS						
	5	1	151-5697	1	ELBOW						
	6	1	350-3558	1	ELBOW						
Y	7	1	207-7001	1	PUMP GP-AUXILIARY SEA WATER						457
	8	1	1F-7958	3	NUT-FULL (1/2-13-THD)						
	9	1	3E-7428	1	PLUG-PIPE						
	10	1	3K-0360	2	SEAL-O-RING						
	11	1	5P-8245	3	WASHER-HARD (13.5X25.5X3-MM THK)						
	12	1	205-4832	2	SEAL-O-RING						

Y-SEPARATE ILLUSTRATION

COOLING SYSTEM

247-8505 PUMP GP-AUXILIARY SEA WATER (contd.)

i04046310



GRAPHIC #1

<END>

g02257773

COOLING SYSTEM

276-5906 PUMP GP-AUXILIARY SEA WATER*R

S/N: J2K1-UP; T2P1-724

PART OF 194-2450 PUMP GP-AUXILIARY SEA WATER
AN ATTACHMENT

SMCS-1371

i02763990

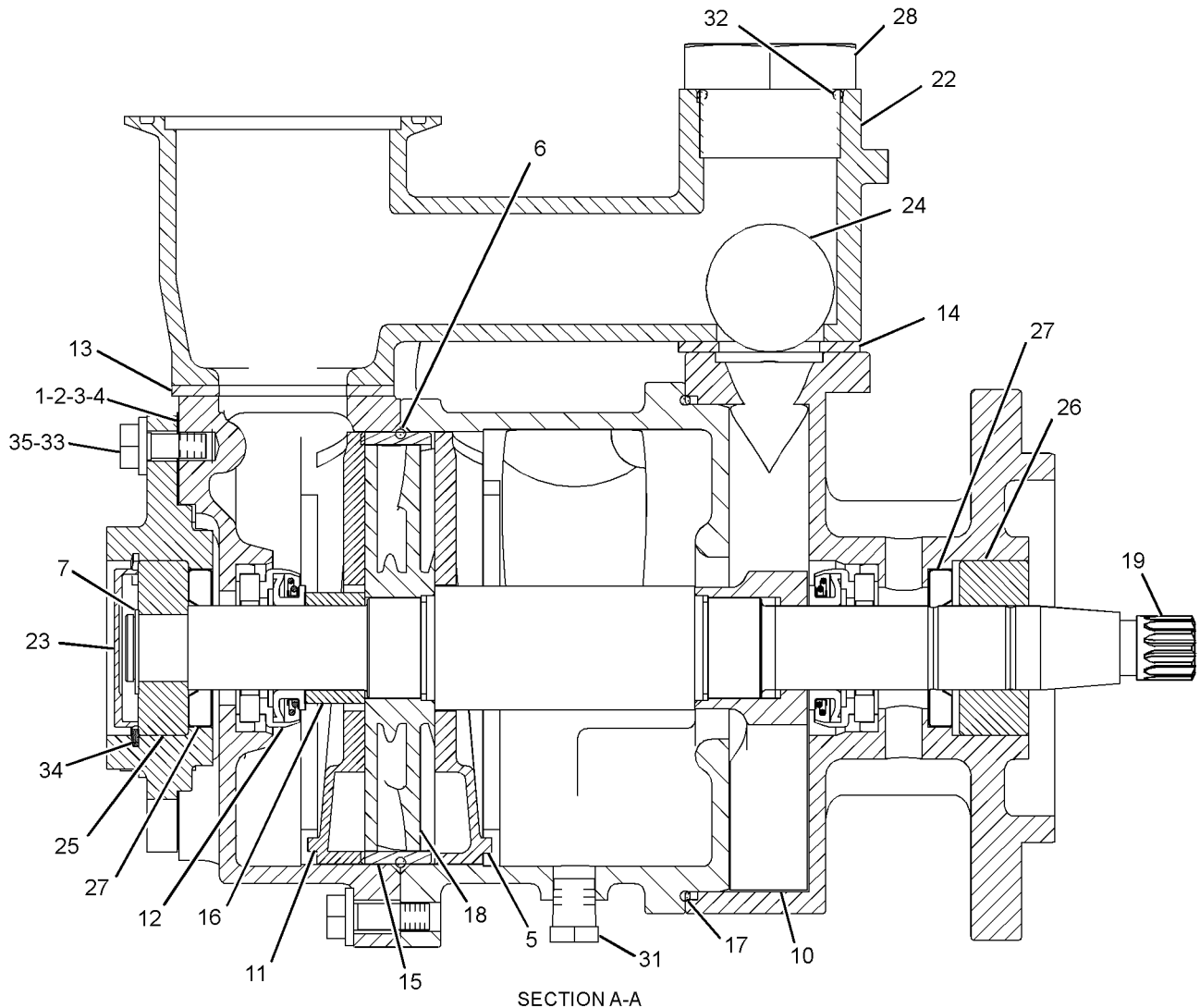
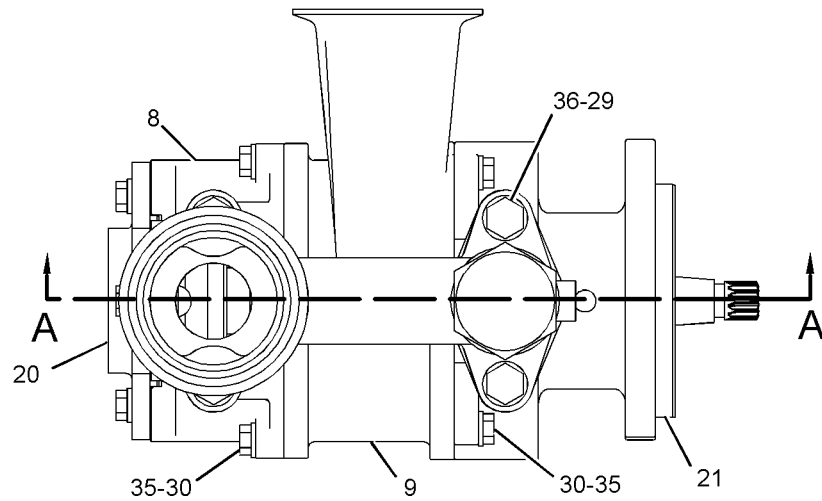
NOTE	REF NO	GRAPHIC REF	PART NUMBER	QTY	PART NAME						SEE PAGE
					1	2	3	4	5	6 (PRODUCT LEVEL)	
B	1	1	100-3061	1	SHIM (0.127-MM THK)						
B	2	1	100-3062	1	SHIM (0.254-MM THK)						
B	3	1	100-3063	1	SHIM (0.305-MM THK)						
B	4	1	100-3064	1	SHIM (0.381-MM THK)						
	5	1	131-0058	1	PLATE-PORT						
	6	1	131-0074	1	SEAL-O-RING						
	7	1	131-3295	1	RING-RETAINING						
	8	1	193-9119	1	BODY						
	9	1	193-9120	1	BODY						
	10	1	193-9125	1	IMPELLER						
	11	1	193-9127	1	PLATE						
	12	1	193-9201	2	SEAL AS						
	13	1	193-9205	1	SEAL-GASKET						
	14	1	193-9206	1	SEAL-GASKET						
	15	1	193-9207	1	RING						
	16	1	193-9211	1	SPACER (25.2X33X18-MM THK)						
	17	1	195-3443	1	SEAL-O-RING						
	18	1	231-3495	1	IMPELLER						
	19	1	276-5415	1	SHAFT						
	20	1	276-5419	1	HOUSING-BEARING						
	21	1	276-5427	1	BODY						
	22	1	276-5431	1	MANIFOLD						
	23	1	276-5432	1	BOOT						
	24	1	276-7333	1	VALVE-BALL (SELF PRIMING)						
	25	1	277-9758	1	BALL BEARING						
	26	1	277-9759	1	BEARING						
	27	1	277-9760	2	SEAL-LIP TYPE						
	28	1	277-9782	1	PLUG-PIPE						
	29	1	150-5311	4	LOCKWASHER						
M	30	1	156-2603	7	BOLT (M8X1.25X25-MM)						
	31	1	168-3349	1	PLUG-PIPE						
	32	1	2S-4078	1	SEAL-O-RING						
M	33	1	3E-9854	3	BOLT (M8X1.25X20-MM)						
	34	1	4M-0034	1	RING-RETAINING						
	35	1	7F-7259	10	LOCKWASHER						
M	36	1	8T-4192	4	BOLT (M12X1.75X25-MM)						

B-USE AS REQUIRED
M-METRIC PART

COOLING SYSTEM

276-5906 PUMP GP-AUXILIARY SEA WATER (contd.)

i02763990



GRAPHIC #1

<END>

g01250891

COOLING SYSTEM

340-7732 PUMP GP-AUXILIARY SEA WATER*R

PART OF 194-2450, 240-9057 PUMP GP-AUXILIARY SEA WATER

AN ATTACHMENT

SMCS-1371

i03760690

NOTE	REF NO	GRAPHIC REF	PART NUMBER	QTY	PART NAME						SEE PAGE
					1	2	3	4	5	6 (PRODUCT LEVEL)	
B	1	1	100-3061	1	SHIM (0.127-MM THK)						
B	2	1	100-3062	1	SHIM (0.254-MM THK)						
B	3	1	100-3063	1	SHIM (0.305-MM THK)						
B	4	1	100-3064	1	SHIM (0.381-MM THK)						
	5	1	131-0058	1	PLATE-PORT						
	6	1	131-0074	1	SEAL-O-RING						
	7	1	131-3295	1	RING-RETAINING						
	8	1	193-9119	1	BODY						
	9	1	193-9120	1	BODY						
	10	1	193-9125	1	IMPELLER						
	11	1	193-9127	1	PLATE						
	12	1	352-1586	2	SEAL AS						
	13	1	193-9205	1	SEAL-GASKET						
	14	1	193-9206	1	SEAL-GASKET						
	15	1	193-9207	1	RING						
	16	1	193-9211	1	SPACER (25.2X33X18-MM THK)						
	17	1	195-3443	1	SEAL-O-RING						
	18	1	231-3495	1	IMPELLER						
	19	1	276-5415	1	SHAFT						
	20	1	276-5419	1	HOUSING-BEARING						
	21	1	276-5427	1	BODY						
	22	1	276-5431	1	MANIFOLD						
	23	1	276-5432	1	BOOT						
	24	1	276-7333	1	VALVE-BALL (SELF PRIMING)						
	25	1	277-9758	1	BALL BEARING						
	26	1	277-9759	1	BEARING						
	27	1	277-9760	2	SEAL-LIP TYPE						
	28	1	277-9782	1	PLUG-PIPE						
	29	1	150-5311	4	LOCKWASHER						
M	30	1	156-2603	7	BOLT (M8X1.25X25-MM)						
	31	1	168-3349	1	PLUG-PIPE						
	32	1	2S-4078	1	SEAL-O-RING						
M	33	1	3E-9854	3	BOLT (M8X1.25X20-MM)						
	34	1	4M-0034	1	RING-RETAINING						
	35	1	7F-7259	10	LOCKWASHER						
M	36	1	8T-4192	4	BOLT (M12X1.75X25-MM)						

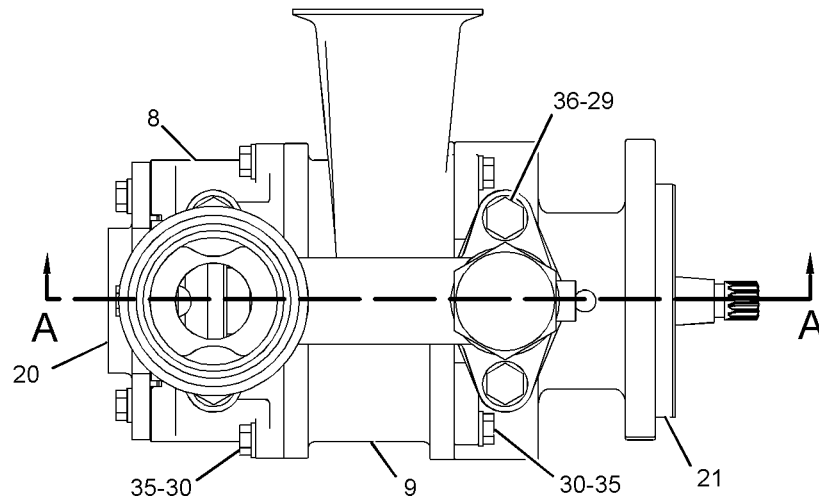
B-USE AS REQUIRED

M-METRIC PART

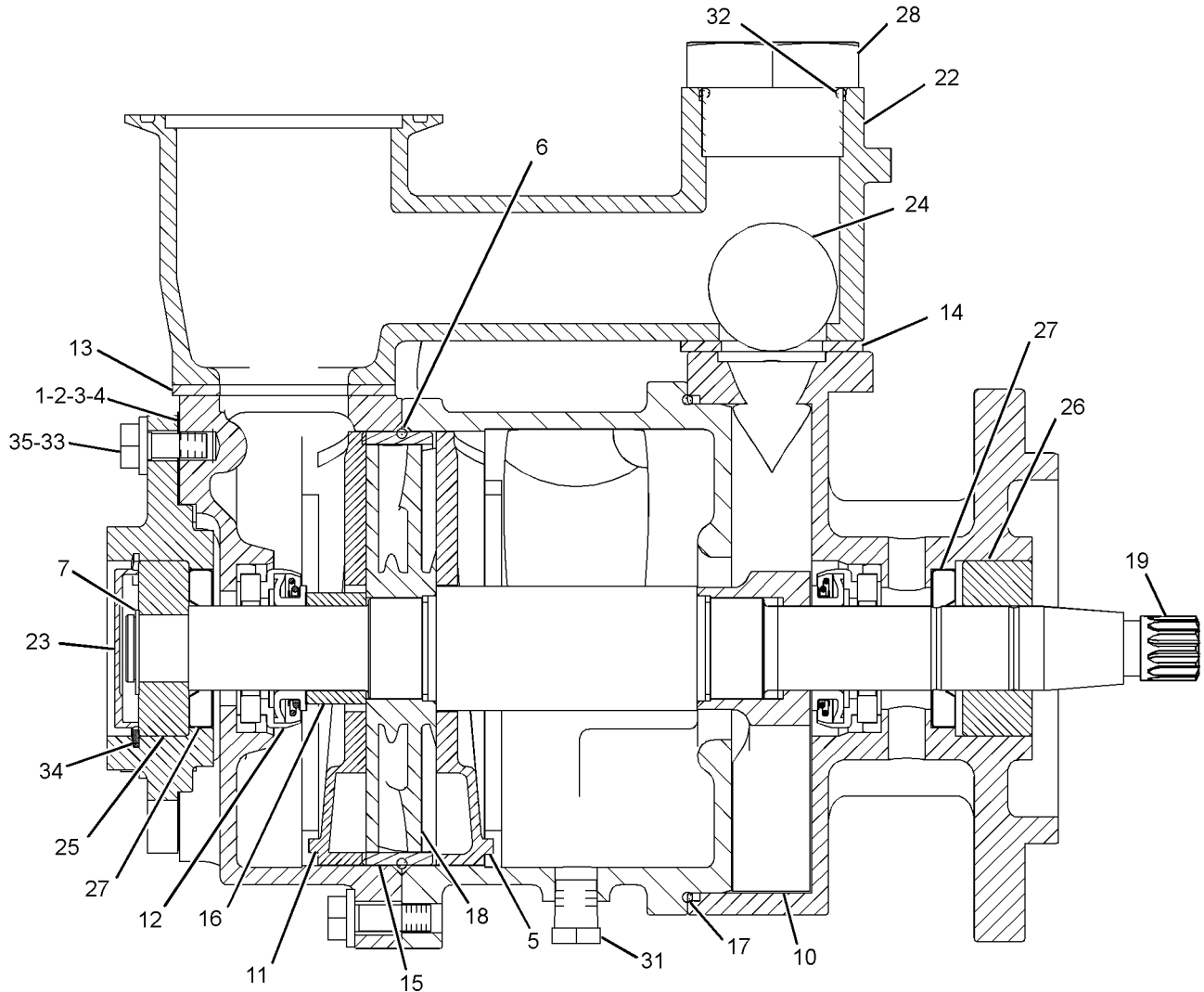
COOLING SYSTEM

340-7732 PUMP GP-AUXILIARY SEA WATER (contd.)

i03760690



TOP VIEW



SECTION A-A

GRAPHIC #1

<END>

g01250891

COOLING SYSTEM

6L-5858 PUMP GP-BILGE

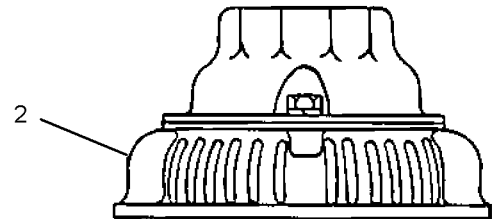
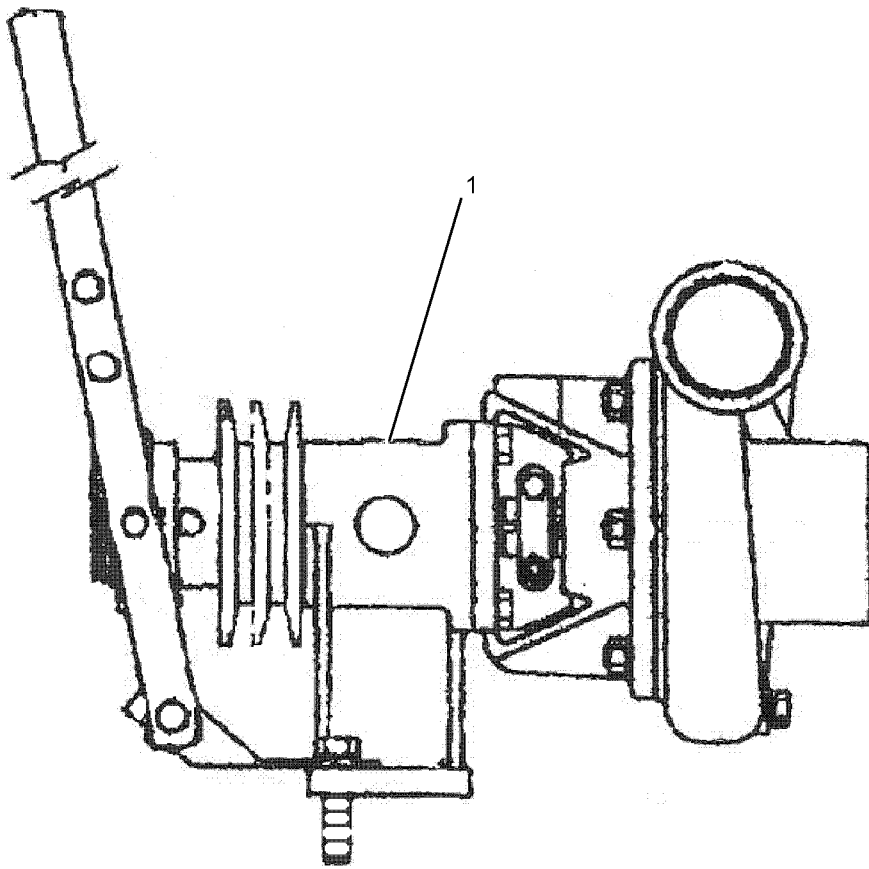
NOTE: 2 5F-3581 VEE BELTS ARE AVAILABLE FOR USE WITH FRONT POWER TAKE-OFF.
FOR USE WITH MARINE AUXILIARY ENGINE
AN ATTACHMENT

SMCS-1371

i02519701

NOTE	REF NO	GRAPHIC REF	PART NUMBER	QTY	PART NAME						SEE PAGE
					1	2	3	4	5	6 (PRODUCT LEVEL)	
CY	1	1	206-2866	1	PUMP AS-BILGE						452
Y	2	1	3F-4394	1	FOOT VALVE & STRAINER AS						376

C-CHANGE FROM PREVIOUS TYPE
Y-SEPARATE ILLUSTRATION



GRAPHIC #1

<END>

g01261021

COOLING SYSTEM

161-5719 PUMP GP-WATER*R

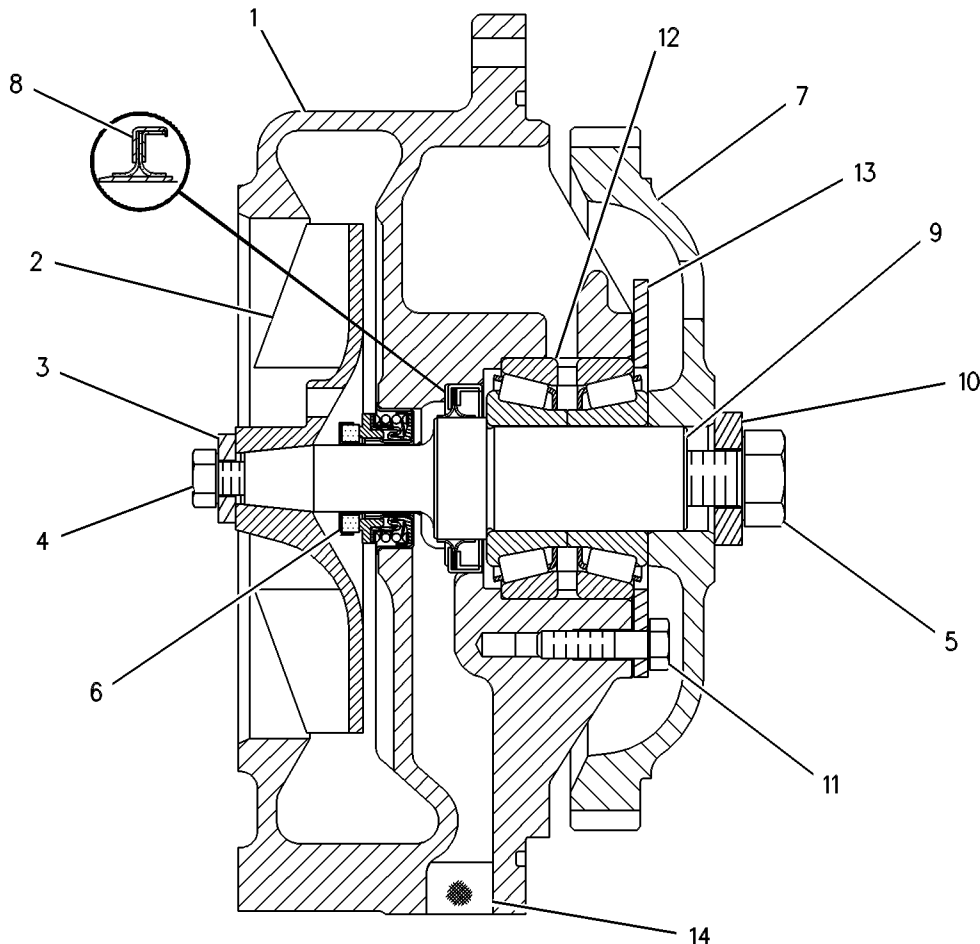
PART OF 174-5986 PUMP GP-WATER
AN ATTACHMENT

SMCS-1361

i02740969

NOTE	REF NO	GRAPHIC REF	PART NUMBER	QTY	PART NAME						SEE PAGE
					1	2	3	4	5	6 (PRODUCT LEVEL)	
	1	1	161-5718	1	HOUSING-WATER PUMP						
	2	1	129-9907	1	IMPELLER-PUMP						
W	3	1	9M-6527	1	WASHER-HARD (10.2X25.5X5-MM THK)						
	4	1	0S-1591	1	BOLT (3/8-16X1.5-IN)						
	5	1	1A-1135	1	BOLT (5/8-11X2-IN)						
W	6	1	128-0317	1	SEAL GP (WATER PUMP)						
	7	1	153-9023	1	GEAR (74-TEETH)						
W	8	1	153-1256	1	SEAL-LIP TYPE						
W	9	1	135-4928	1	SHAFT-WATER PUMP						
W	10	1	5S-0581	1	WASHER-HARD (17X38X8-MM THK)						
	11	1	1B-7182	4	BOLT (5/16-18X1.25-IN)						
W	12	1	108-7930	1	BEARING AS-ROLLER						
W	13	1	136-1107	1	RETAINER						
W	14	1	136-3742	1	PLUG-FELT						
AVAILABLE REPAIR KIT(S):											
W			138-6744	1	KIT-PUMP REBUILD (WATER)						
INCLUDES WASHER, SEALS, BEARING AS, FILTERS, SHAFT-WATER PUMP, AND RETAINER											

W-KIT MARKED W INCLUDES PARTS MARKED W



GRAPHIC #1

<END>

g00263499

COOLING SYSTEM

174-5986 PUMP GP-WATER

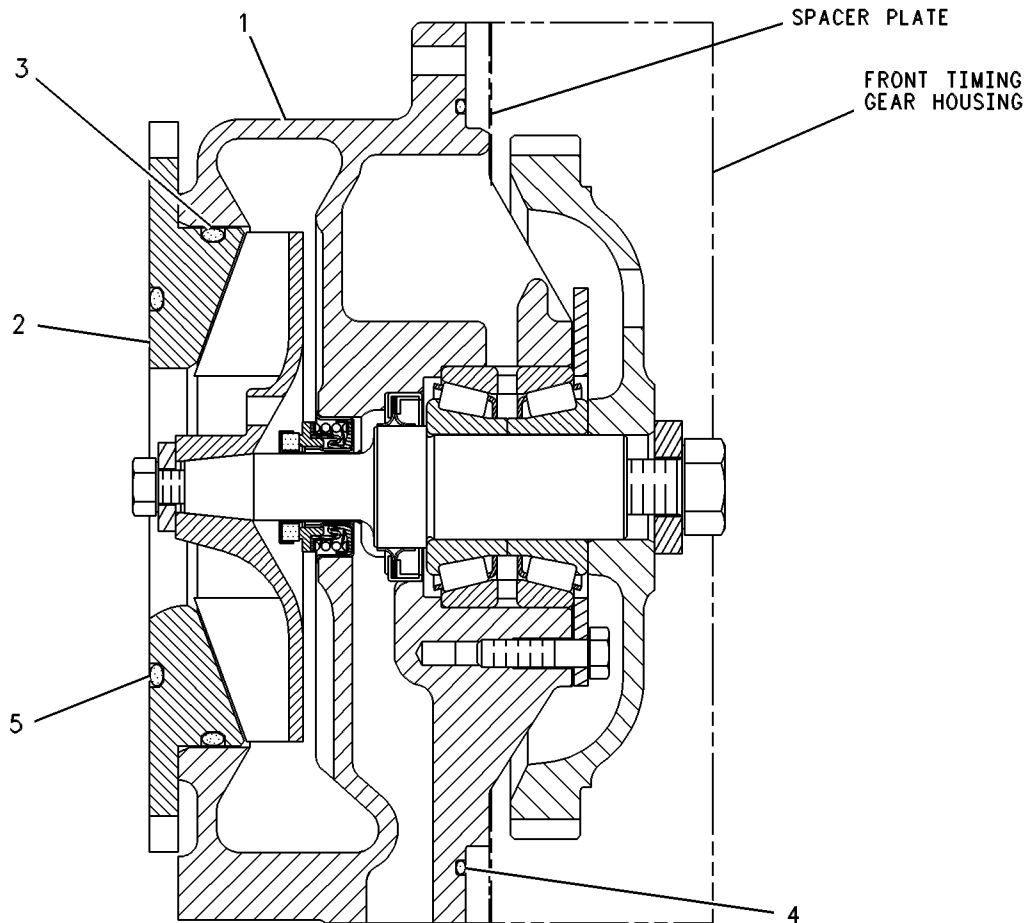
HEAVY DUTY PUMP
AN ATTACHMENT

SMCS-1361

i02610618

NOTE	REF NO	GRAPHIC REF	PART NUMBER	QTY	PART NAME						SEE PAGE
					1	2	3	4	5	6 (PRODUCT LEVEL)	
YR	1	1	161-5719	1	PUMP GP-WATER						468
	2	1	4P-2383	1	ADAPTER						
	3	1	9M-3786	1	SEAL-O-RING						
	4	1	122-3772	1	SEAL-O-RING						
	5	1	109-0077	1	SEAL-O-RING						

R-REMFG PART MAY BE AVAILABLE
Y-SEPARATE ILLUSTRATION



GRAPHIC #1

<END>

g00263504

COOLING SYSTEM

102-9220 RECOVERY GP-COOLANT

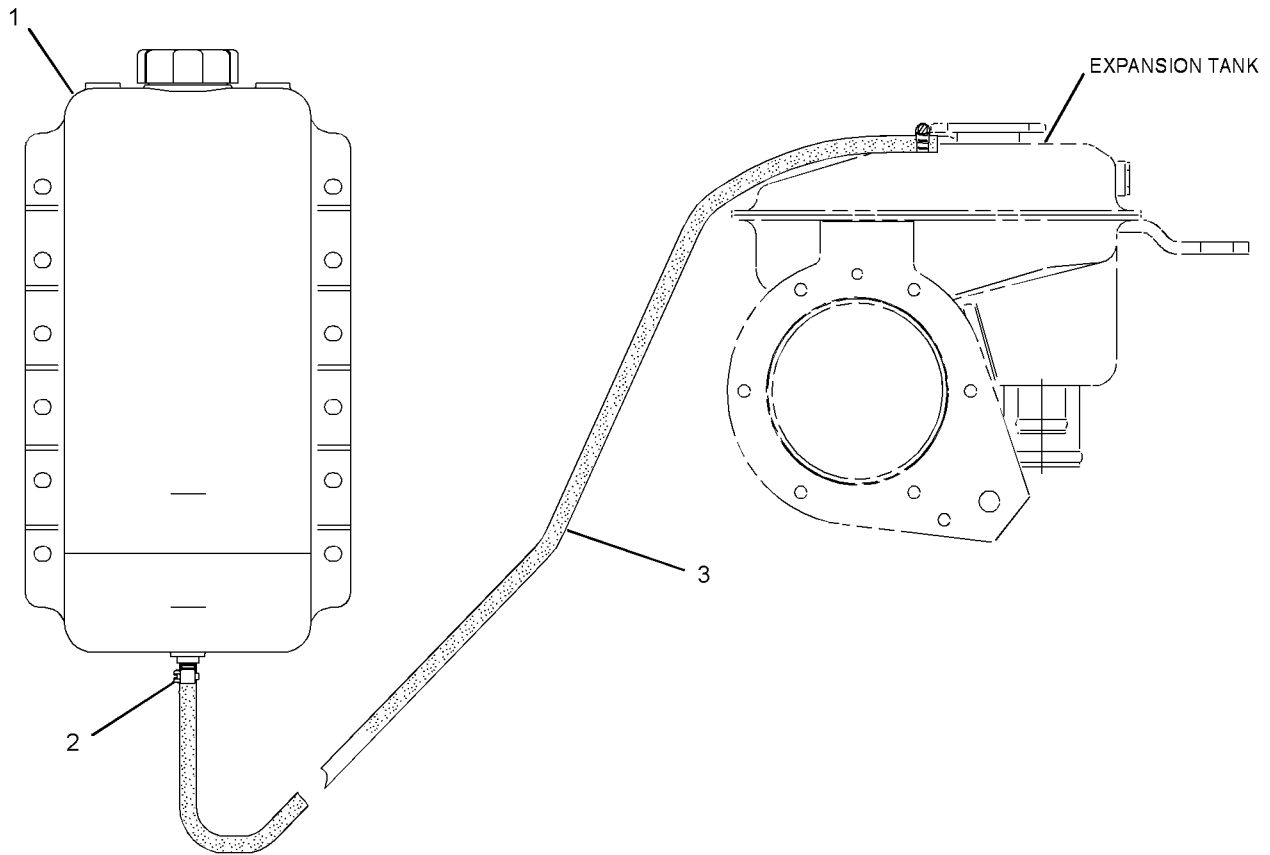
FOR USE WITH EXPANSION TANK
AN ATTACHMENT

SMCS-1354

i03581860

NOTE	REF NO	GRAPHIC REF	PART NUMBER	QTY	PART NAME						SEE PAGE
					1	2	3	4	5	6 (PRODUCT LEVEL)	
Y	1	1	336-2020	1	RECOVERY GP-COOLANT						471
	2	1	1P-4278	2	CLAMP-HOSE						
E	3	1	8C-3681		HOSE (200-CM)						

E-ORDER BY THE CENTIMETER
Y-SEPARATE ILLUSTRATION



GRAPHIC #1

<END>

g01910373

COOLING SYSTEM

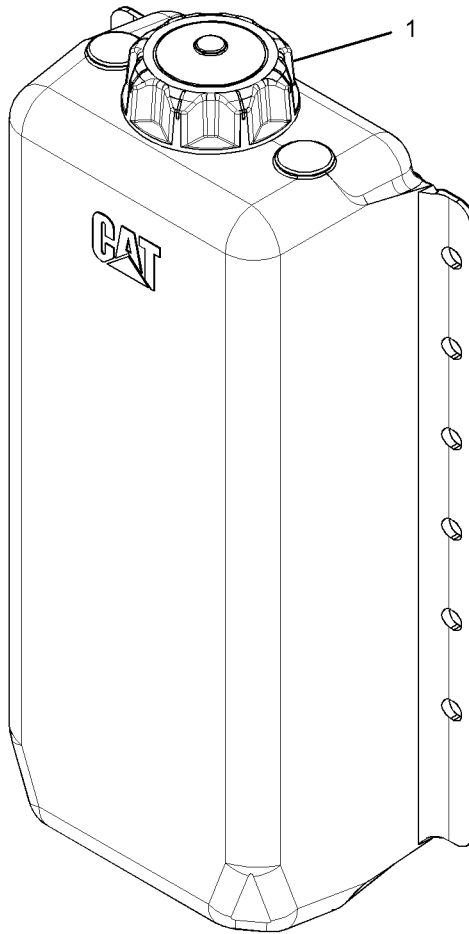
336-2020 RECOVERY GP-COOLANT

PART OF 102-9220 RECOVERY GP-COOLANT
AN ATTACHMENT

SMCS-1354

i03446660

NOTE	REF NO	GRAPHIC REF	PART NUMBER	QTY	PART NAME						SEE PAGE
					1	2	3	4	5	6 (PRODUCT LEVEL)	
	1	1	336-2022	1	CAP-VENTED (COOLANT TANK)						



GRAPHIC #1

<END>

g01798415

COOLING SYSTEM

105-8044 SWITCH GP-COOLANT LEVEL

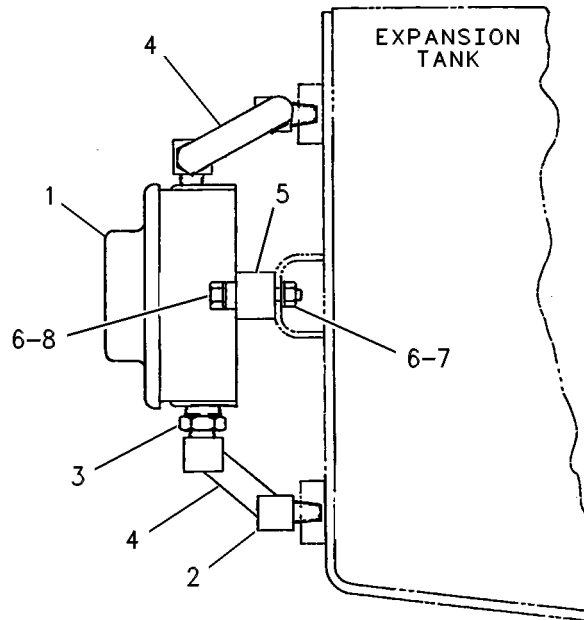
FOR USE WITH FRONT MOUNTED EXPANSION TANKS
AN ATTACHMENT

SMCS-7470

i01624047

NOTE	REF NO	GRAPHIC REF	PART NUMBER	QTY	PART NAME						SEE PAGE
					1	2	3	4	5	6 (PRODUCT LEVEL)	
	1	1	2N-9768	1	SWITCH-LIQUID LEVEL (COOLANT)						
	2	1	6K-1972	4	ELBOW-FLARED						
	3	1	6B-5072	1	BUSHING-REDUCING						
I	4	1	7W-1831	2	HOSE AS						
	5	1	104-6564	2	MOUNT						
	6	1	8T-4205	4	WASHER-HARD (7.2X14.5X2-MM THK)						
	7	1	6V-8185	2	NUT (1/4-20-THD)						
	8	1	8T-9364	2	BOLT (1/4-20X0.625-IN)						

I-REFER TO HYDRAULIC INFORMATION SYSTEM



FRONT VIEW

GRAPHIC #1

<END>

g00237688

AIR INLET AND EXHAUST SYSTEM

198-3433 AFTERCOOLER GP-RAW WATER

S/N: J2K1-114

FOR USE WITH MARINE ENGINE
AN ATTACHMENT

SMCS-1063

i02867764

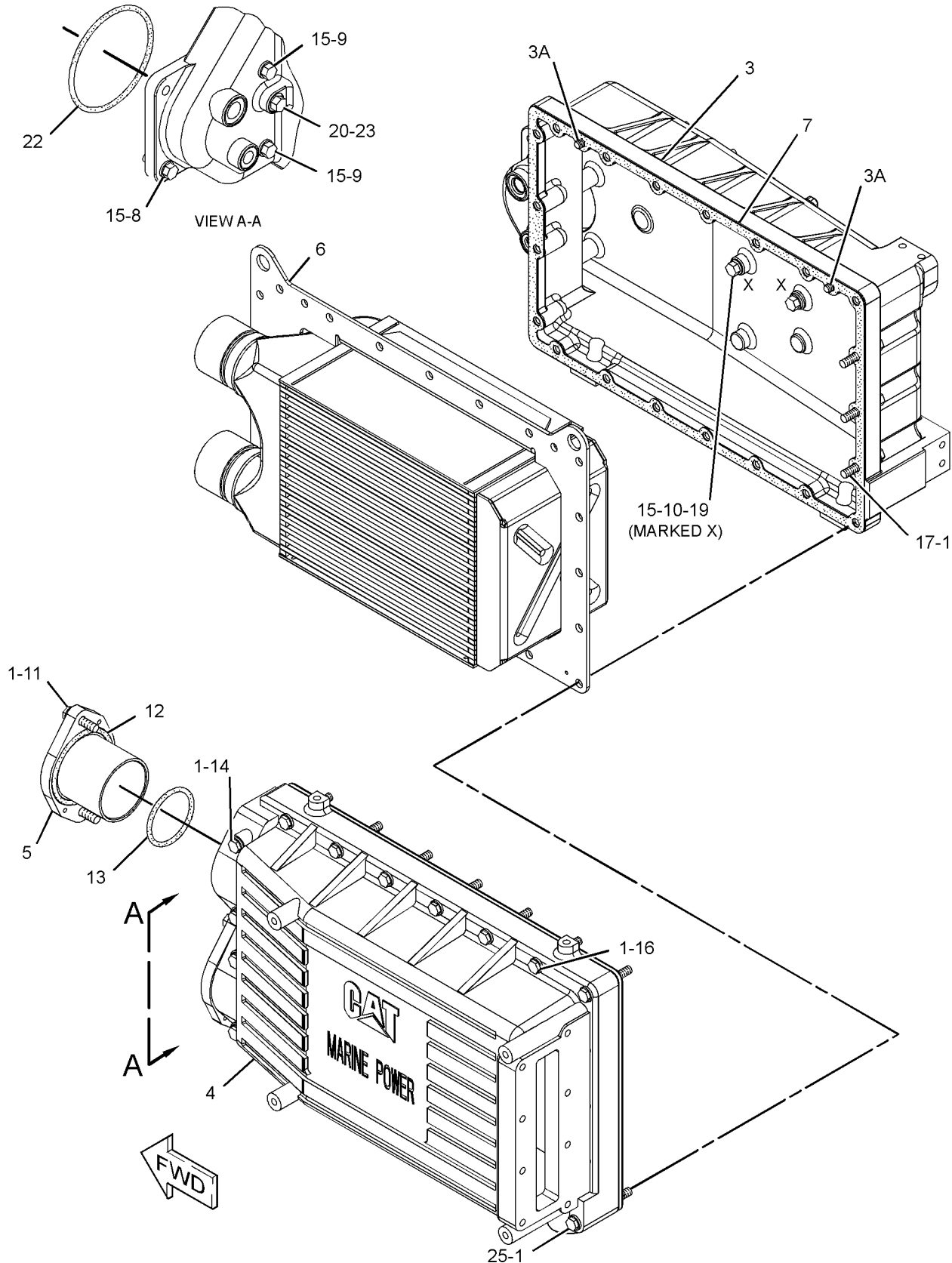
NOTE	REF NO	GRAPHIC REF	PART NUMBER	QTY	PART NAME						SEE PAGE
					1	2	3	4	5	6 (PRODUCT LEVEL)	
	1	1	110-8314	25	WASHER (10.3X18.3X2.66-MM THK)						
	3	1	226-3515	1	BASE AS						
	3A	1	6V-3535	2	DOWEL						
	4	1	251-9228	1	COVER						
	5	1	144-3288	2	ADAPTER						
C	6	1	266-0053	1	CORE AS-AFTERCOOLER						
	7	1	201-4233	2	GASKET						
	8	1	0S-1588	1	BOLT (3/8-16X1.25-IN)						
	9	1	0L-1352	2	BOLT (3/8-16X3.25-IN)						
	10	1	1C-2251	5	BOLT (3/8-16X1.87-IN) (MARKED X)						
	11	1	3H-5844	4	BOLT (3/8-16X1.5-IN)						
	12	1	3P-0654	2	SEAL-O-RING						
	13	1	3P-0657	2	SEAL-O-RING						
	14	1	5L-6566	4	BOLT (3/8-16X4.5-IN)						
	15	1	5M-2894	8	WASHER-HARD (10.2X18.5X2.5-MM THK)						
	16	1	5P-2755	13	BOLT-HIGH TEMPERATURE (3/8-16X2.75-IN)						
	17	1	5P-7128	3	BOLT-HIGH TEMPERATURE (3/8-16X2-IN)						
	19	1	6V-4365	5	SEAL-O-RING						
	20	1	6V-5048	1	SEAL-O-RING						
	22	1	7D-7111	1	SEAL-O-RING						
	23	1	9S-4182	1	PLUG-O-RING						
	25	1	9X-2068	1	BOLT-HIGH TEMPERATURE (3/8-16X3.5-IN)						

C-CHANGE FROM PREVIOUS TYPE

AIR INLET AND EXHAUST SYSTEM

198-3433 AFTERCOOLER GP-RAW WATER (contd.)

i02867764



GRAPHIC #1

<END>

g01155933

AIR INLET AND EXHAUST SYSTEM

198-3433 AFTERCOOLER GP-RAW WATER

S/N: J2K115-UP; T2P1-UP
FOR USE WITH MARINE ENGINE
AN ATTACHMENT

SMCS-1063

i02867762

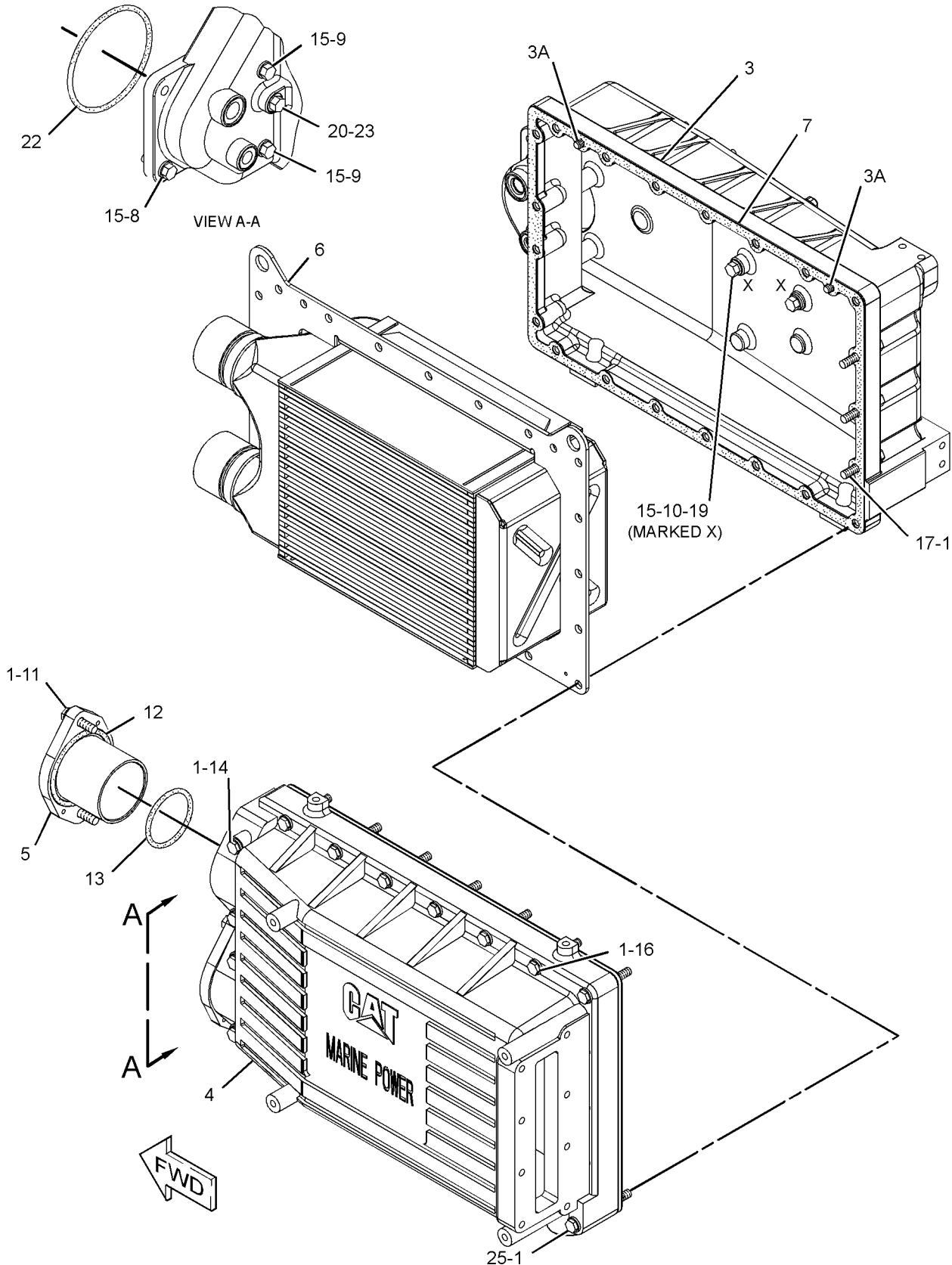
NOTE	REF NO	GRAPHIC REF	PART NUMBER	QTY	PART NAME						SEE PAGE
					1	2	3	4	5	6 (PRODUCT LEVEL)	
	1	1	110-8314	25	WASHER (10.3X18.3X2.66-MM THK)						
	3	1	226-3515	1	BASE AS						
	3A	1	6V-3535	2	DOWEL						
	4	1	251-9228	1	COVER						
	5	1	144-3288	2	ADAPTER						
C	6	1	315-0047	1	CORE AS-AFTERCOOLER						
	7	1	201-4233	2	GASKET						
	8	1	0S-1588	1	BOLT (3/8-16X1.25-IN)						
	9	1	0L-1352	2	BOLT (3/8-16X3.25-IN)						
	10	1	1C-2251	5	BOLT (3/8-16X1.87-IN) (MARKED X)						
	11	1	3H-5844	4	BOLT (3/8-16X1.5-IN)						
	12	1	3P-0654	2	SEAL-O-RING						
	13	1	3P-0657	2	SEAL-O-RING						
	14	1	5L-6566	4	BOLT (3/8-16X4.5-IN)						
	15	1	5M-2894	8	WASHER-HARD (10.2X18.5X2.5-MM THK)						
	16	1	5P-2755	13	BOLT-HIGH TEMPERATURE (3/8-16X2.75-IN)						
	17	1	5P-7128	3	BOLT-HIGH TEMPERATURE (3/8-16X2-IN)						
	19	1	6V-4365	5	SEAL-O-RING						
	20	1	6V-5048	1	SEAL-O-RING						
	22	1	7D-7111	1	SEAL-O-RING						
	23	1	9S-4182	1	PLUG-O-RING						
	25	1	9X-2068	1	BOLT-HIGH TEMPERATURE (3/8-16X3.5-IN)						

C-CHANGE FROM PREVIOUS TYPE

AIR INLET AND EXHAUST SYSTEM

198-3433 AFTERCOOLER GP-RAW WATER (contd.)

i02867762



GRAPHIC #1

<END>

g01155933

AIR INLET AND EXHAUST SYSTEM

316-5245 AFTERCOOLER GP-RAW WATER

S/N: T2P1-UP

SMCS - 1063

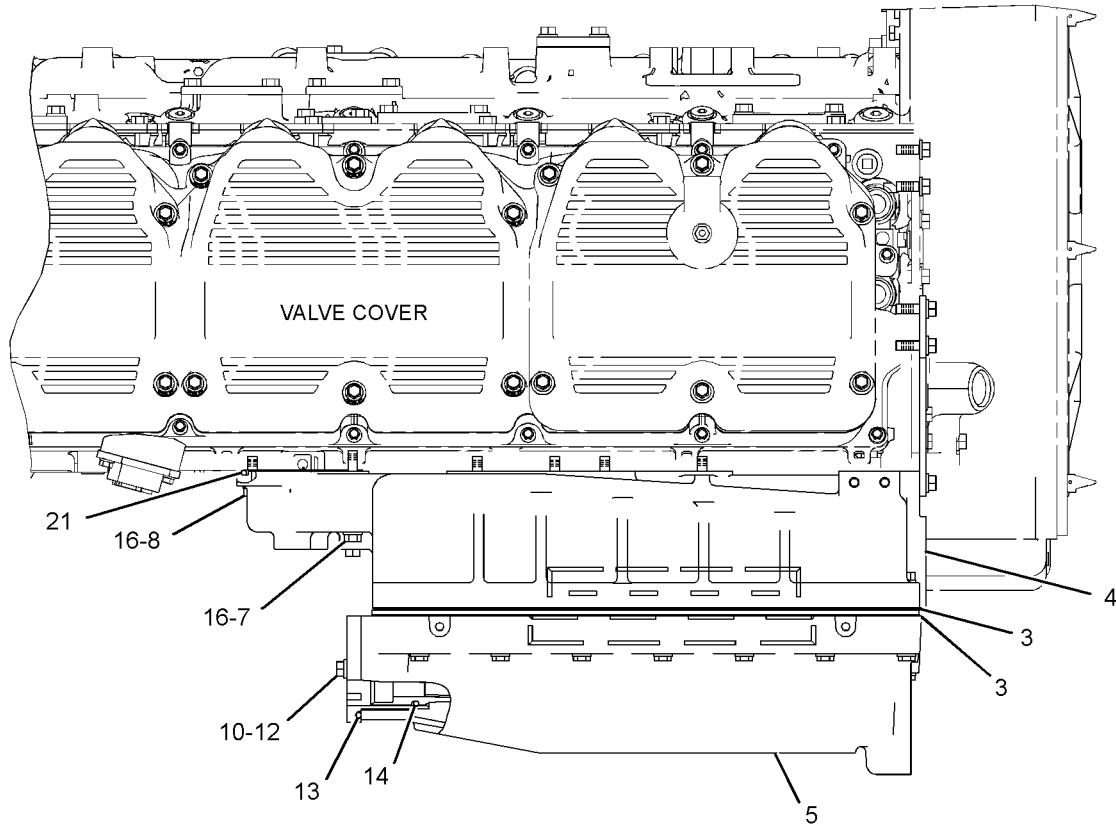
i04035724

NOTE	REF NO	GRAPHIC REF	PART NUMBER	QTY	PART NAME						SEE PAGE
					1	2	3	4	5	6 (PRODUCT LEVEL)	
	1	2	140-6333	1	PLATE						
	2	1	144-3288	2	ADAPTER						
	3	1	201-4233	2	GASKET						
	4	1	226-3515	1	BASE AS (AFTERCOOLER)						
		1	6V-3535	2	DOWEL						
	5	1	251-9228	1	COVER						
	6	1	315-0047	1	CORE AS-AFTERCOOLER						
	7	1	0L-1352	2	BOLT (3/8-16X3.25-IN)						
	8	1,2	0S-1588	6	BOLT (3/8-16X1.25-IN)						
	9	1	9X-2068	1	BOLT-HIGH TEMPERATURE (3/8-16X3.5-IN)						
	10	1,2	110-8314	25	WASHER (10.3X18.3X2.66-MM THK)						
	11	2	1C-2251	5	BOLT (3/8-16X1.87-IN)						
	12	1	3H-5844	4	BOLT (3/8-16X1.5-IN)						
	13	1	3P-0654	2	SEAL-O-RING						
	14	1	3P-0657	2	SEAL-O-RING						
	15	1	5L-6566	4	BOLT (3/8-16X4.5-IN)						
	16	1,2	5M-2894	13	WASHER-HARD (10.2X18.5X2.5-MM THK)						
	17	1	5P-2755	13	BOLT-HIGH TEMPERATURE (3/8-16X2.75-IN)						
	18	2	5P-7128	3	BOLT-HIGH TEMPERATURE (3/8-16X2-IN)						
	19	2	6V-4365	5	SEAL-O-RING						
	20	1	309-5130	1	PLUG AS						
		1	9S-4182	1	PLUG-O-RING						
		1	214-7566	1	SEAL-O-RING						
	21	1	7D-7111	1	SEAL-O-RING						

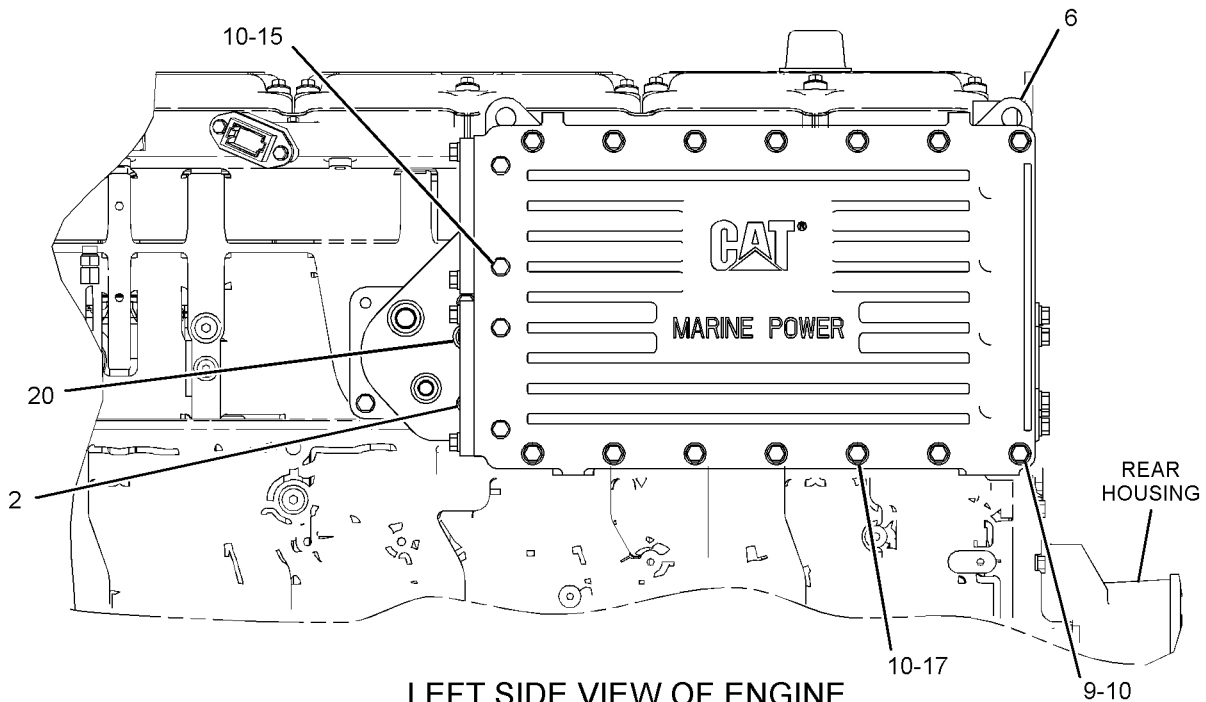
AIR INLET AND EXHAUST SYSTEM

316-5245 AFTERCOOLER GP-RAW WATER (contd.)

i04035724



TOP VIEW OF ENGINE



LEFT SIDE VIEW OF ENGINE

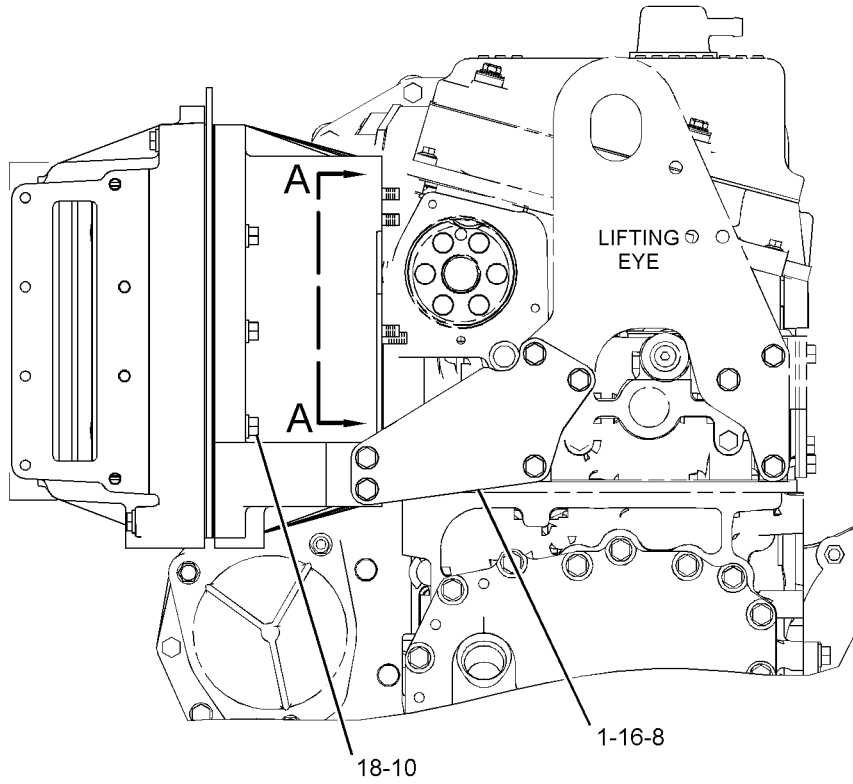
GRAPHIC #1

g02238353

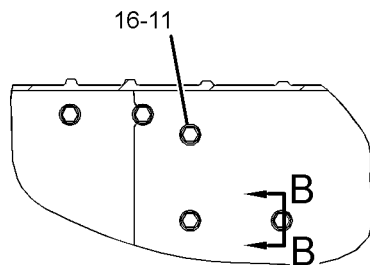
AIR INLET AND EXHAUST SYSTEM

316-5245 AFTERCOOLER GP-RAW WATER (contd.)

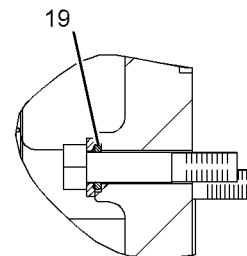
i04035724



REAR VIEW OF ENGINE



SECTION A-A



SECTION B-B

GRAPHIC #2

<END>

g01666520

AIR INLET AND EXHAUST SYSTEM

208-0570 AIR CLEANER AS

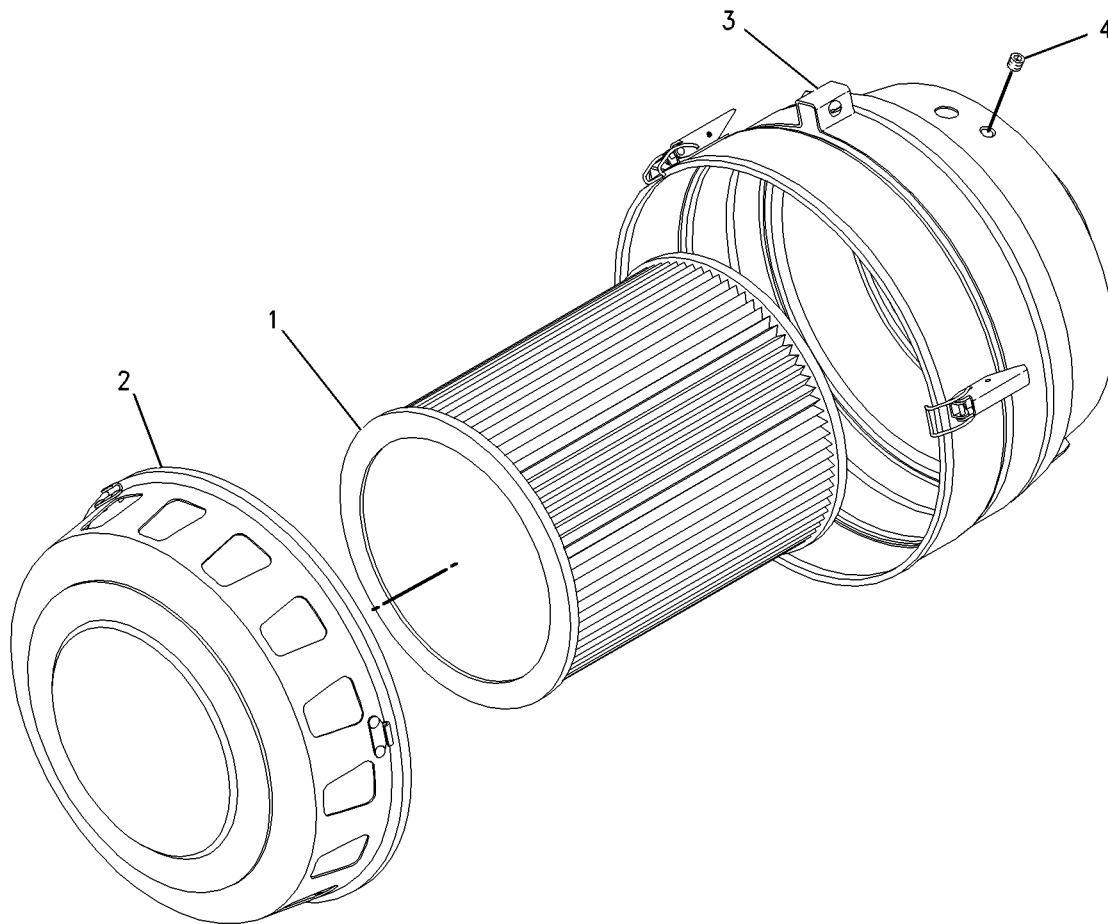
S/N: J2K1-UP

PART OF 201-1270, 205-9196, 291-3797, 291-3798 AIR CLEANER GP
AN ATTACHMENT

SMCS-1051, 1054

i02510541

NOTE	REF NO	GRAPHIC REF	PART NUMBER	QTY	PART NAME						SEE PAGE
					1	2	3	4	5	6 (PRODUCT LEVEL)	
	1	1	177-7375	1	FILTER ELEMENT-AIR (PRIMARY)						
	2	1	178-0184	1	COVER						
	3	1	190-4182	1	CLAMP-BAND						
	4	1	9F-2247	1	PLUG-PIPE						



GRAPHIC #1

<END>

g00780309

AIR INLET AND EXHAUST SYSTEM

201-1270 AIR CLEANER GP

S/N: J2K1-114

FOR USE WITH SAE NO. 1 FLYWHEEL HOUSING
AN ATTACHMENT

SMCS-1051, 1054

i03689344

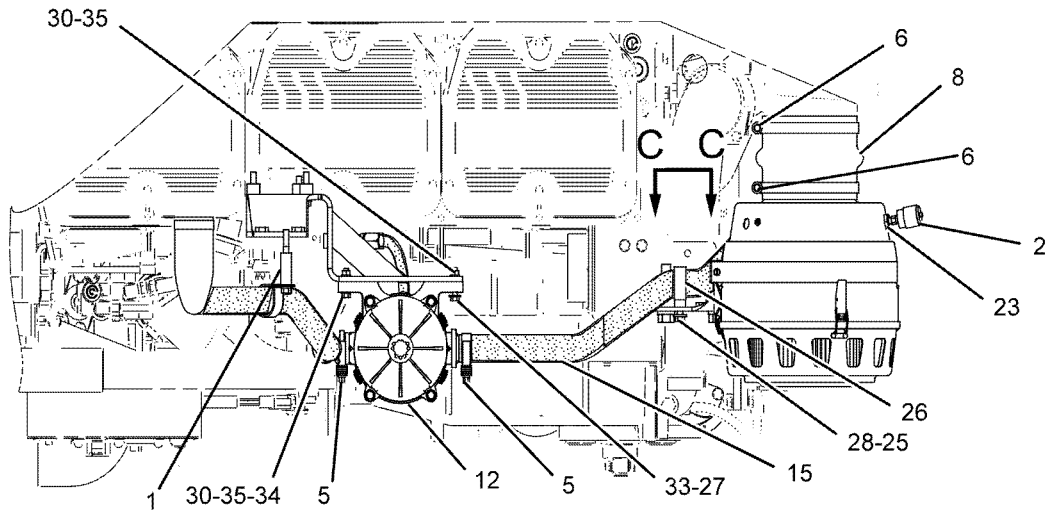
NOTE	REF NO	GRAPHIC REF	PART NUMBER	QTY	PART NAME						SEE PAGE
					1	2	3	4	5	6 (PRODUCT LEVEL)	
	1	1	1F-7854	1	SPACER (11.01X19.05X49.21-MM THK)						
	2	1	2N-3323	1	INDICATOR-AIR FILTER CHANGE						
	3	1	3R-8530	4	BOSS						
	4	1	8D-7209	4	BOSS						
	5	1	8T-4983	3	CLAMP-HOSE						
	6	1	8T-4988	2	CLAMP-HOSE						
	7	1	9M-0164	1	CLAMP-HOSE						
	8	1	9S-2592	1	HOSE						
I	9	1	136-9506	1	HOSE AS						
	10	1	177-7374	1	VALVE-CHECK						
	11	1	201-1266	1	HOSE						
CY	12	1	280-4014	1	FILTER GP-FUMES DISPOSAL (AIR CLEANER)						329
Y	13	1	208-0570	1	AIR CLEANER AS						480
	14	1	231-7695	1	BRACKET AS						
			8T-5912	5	NUT-WELD (3/8-16-THD)						
	15	1	234-7839	1	HOSE						
	16	1	243-3809	1	BRACKET AS						
		1	8T-5912	6	NUT-WELD (3/8-16-THD)						
	17	1	0S-1571	3	BOLT (3/8-16X1.75-IN)						
	18	1	0S-1591	1	BOLT (3/8-16X1.5-IN)						
	19	1	151-5145	1	ELBOW						
	20	1	1B-4367	4	BOLT (5/8-11X3-IN)						
	21	1	4D-3704	4	WASHER-HARD (17X30X5-MM THK)						
	22	1	4M-6425	2	BOLT (5/16-18X1-IN)						
	23	1	5K-5068	1	FITTING-PIPE						
	24	1	5M-2894	4	WASHER-HARD (10.2X18.5X2.5-MM THK)						
	25	1	5P-1075	1	WASHER-HARD (10.2X22.5X3-MM THK)						
	26	1	5P-2369	2	CLIP						
	27	1	5P-4116	2	WASHER-HARD (8.8X20.5X2-MM THK)						
	28	1	5S-7383	1	BOLT (3/8-16X1.75-IN)						
	29	1	6V-5048	2	SEAL-O-RING						
	30	1	6V-8189	6	NUT (5/16-18-THD)						
	31	1	6V-8801	1	NUT (3/8-16-THD)						
	32	1	7X-0290	1	BOLT (3/8-16X3.5-IN)						
	33	1	7X-0440	2	BOLT (5/16-18X1.75-IN)						
	34	1	8C-3121	2	BOLT (5/16-18X1.5-IN)						
	35	1	8T-4224	10	WASHER-HARD (8.8X16X2-MM THK)						
	36	1	8T-4896	2	WASHER-HARD (10.2X18.5X2.5-MM THK)						

C-CHANGE FROM PREVIOUS TYPE
I-REFER TO HYDRAULIC INFORMATION SYSTEM
Y-SEPARATE ILLUSTRATION

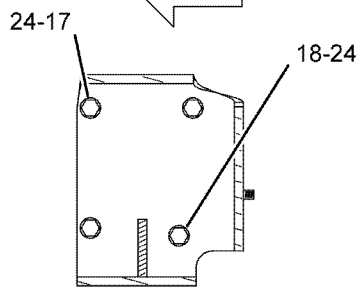
AIR INLET AND EXHAUST SYSTEM

201-1270 AIR CLEANER GP (contd.)

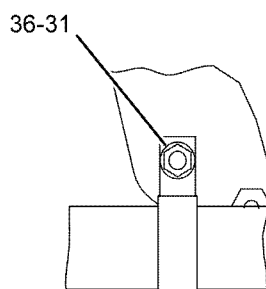
i03689344



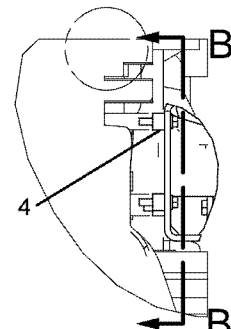
TOP VIEW



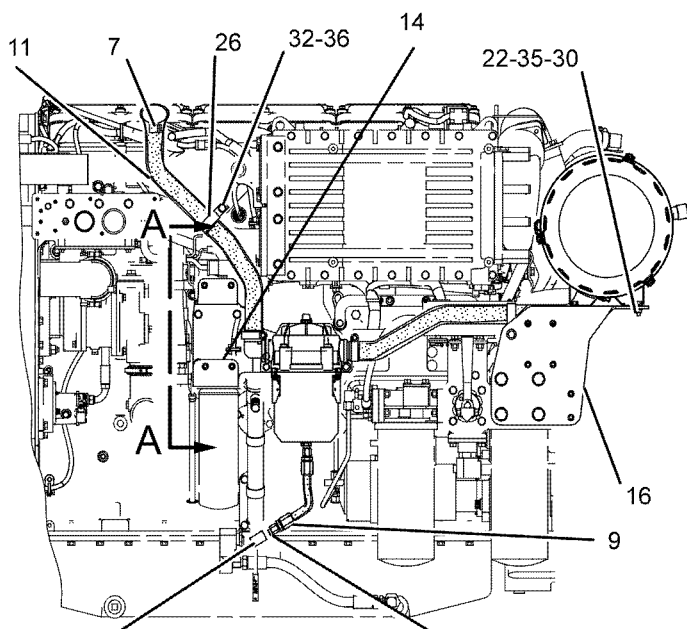
SECTION B-B



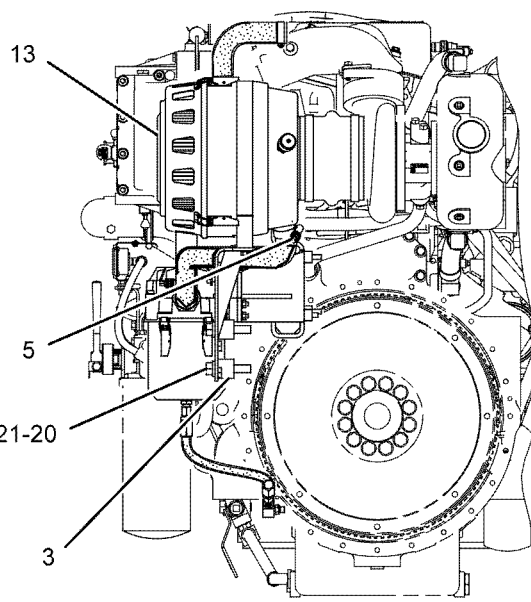
VIEW C-C



VIEW A-A



LEFT SIDE VIEW



REAR VIEW

GRAPHIC #1

<END>

g01063230

AIR INLET AND EXHAUST SYSTEM

201-1270 AIR CLEANER GP

S/N: J2K115-UP; T2P1-UP

FOR USE WITH SAE NO. 1 FLYWHEEL HOUSING
AN ATTACHMENT

SMCS-1051, 1054

i03625553

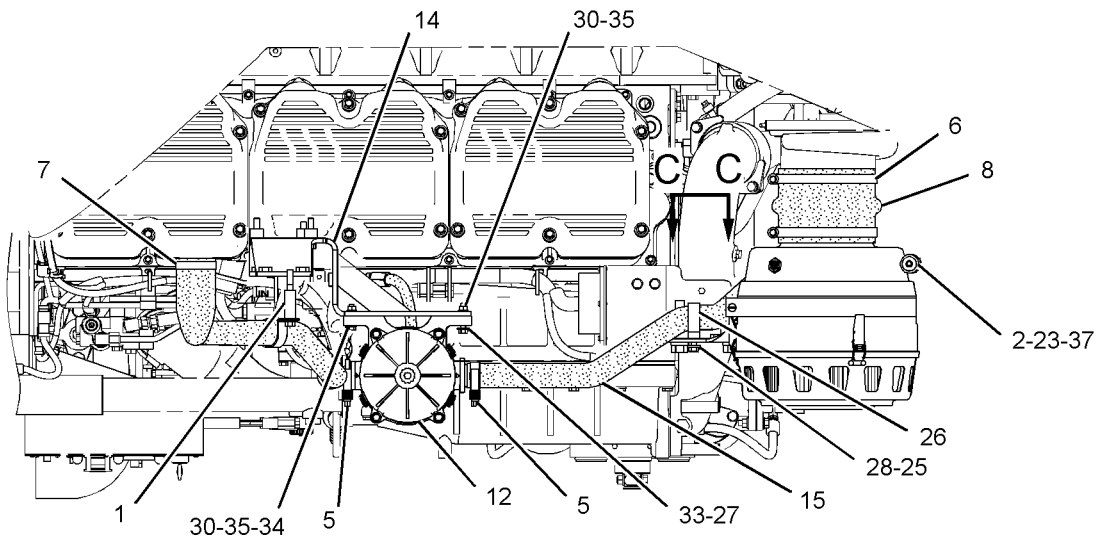
NOTE	REF NO	GRAPHIC REF	PART NUMBER	QTY	PART NAME						SEE PAGE
					1	2	3	4	5	6 (PRODUCT LEVEL)	
	1	1	1F-7854	1	SPACER (11.01X19.05X49.21-MM THK)						
	2	1	096-5028	1	INDICATOR-AIR FILTER CHANGE						
	3	1	3R-8530	4	BOSS						
	4	1	8D-7209	4	BOSS						
	5	1	8T-4983	3	CLAMP-HOSE						
	6	1	8T-4988	2	CLAMP-HOSE						
	7	1	9M-0164	1	CLAMP-HOSE						
	8	1	9S-2592	1	HOSE						
I	9	1	136-9506	1	HOSE AS						
	10	1	300-9952	1	VALVE AS-CHECK						
		1	6V-5048	1	SEAL-O-RING						
		1	177-7374	1	VALVE-CHECK						
	11	1	201-1266	1	HOSE						
Y	12	1	280-4014	1	FILTER GP-FUMES DISPOSAL (AIR CLEANER)						329
CY	13	1	310-3947	1	AIR CLEANER GP						515
	14	1	231-7695	1	BRACKET AS						
		1	8T-5912	5	NUT-WELD (3/8-16-THD)						
	15	1	234-7839	1	HOSE						
	16	1	243-3809	1	BRACKET AS						
		1	8T-5912	6	NUT-WELD (3/8-16-THD)						
	17	1	0S-1571	3	BOLT (3/8-16X1.75-IN)						
	18	1	0S-1591	1	BOLT (3/8-16X1.5-IN)						
	19	1	151-5145	1	ELBOW						
	20	1	1B-4367	4	BOLT (5/8-11X3-IN)						
	21	1	4D-3704	4	WASHER-HARD (17X30X5-MM THK)						
	22	1	4M-6425	2	BOLT (5/16-18X1-IN)						
	23	1	5K-5068	1	FITTING-PIPE						
	24	1	5M-2894	4	WASHER-HARD (10.2X18.5X2.5-MM THK)						
	25	1	5P-1075	1	WASHER-HARD (10.2X22.5X3-MM THK)						
	26	1	5P-2369	2	CLIP						
	27	1	5P-4116	2	WASHER-HARD (8.8X20.5X2-MM THK)						
	28	1	5S-7383	1	BOLT (3/8-16X1.75-IN)						
	29	1	6V-5048	1	SEAL-O-RING						
	30	1	6V-8189	6	NUT (5/16-18-THD)						
	31	1	6V-8801	1	NUT (3/8-16-THD)						
	32	1	7X-0290	1	BOLT (3/8-16X3.5-IN)						
	33	1	7X-0440	2	BOLT (5/16-18X1.75-IN)						
	34	1	8C-3121	2	BOLT (5/16-18X1.5-IN)						
	35	1	8T-4224	10	WASHER-HARD (8.8X16X2-MM THK)						
	36	1	8T-4896	2	WASHER-HARD (10.2X18.5X2.5-MM THK)						
	37	1	3B-6552	1	ELBOW-PIPE (90-DEG)						

C-CHANGE FROM PREVIOUS TYPE
I-REFER TO HYDRAULIC INFORMATION SYSTEM
Y-SEPARATE ILLUSTRATION

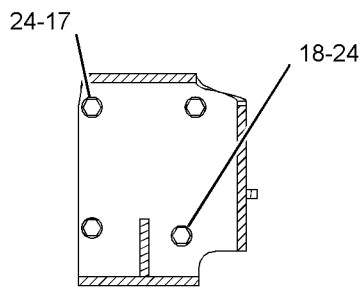
AIR INLET AND EXHAUST SYSTEM

201-1270 AIR CLEANER GP (contd.)

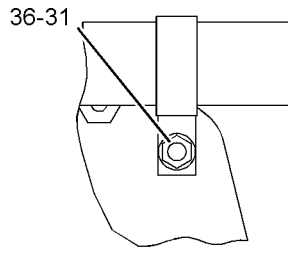
i03625553



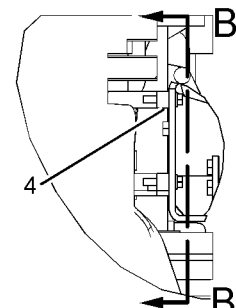
TOP VIEW OF ENGINE



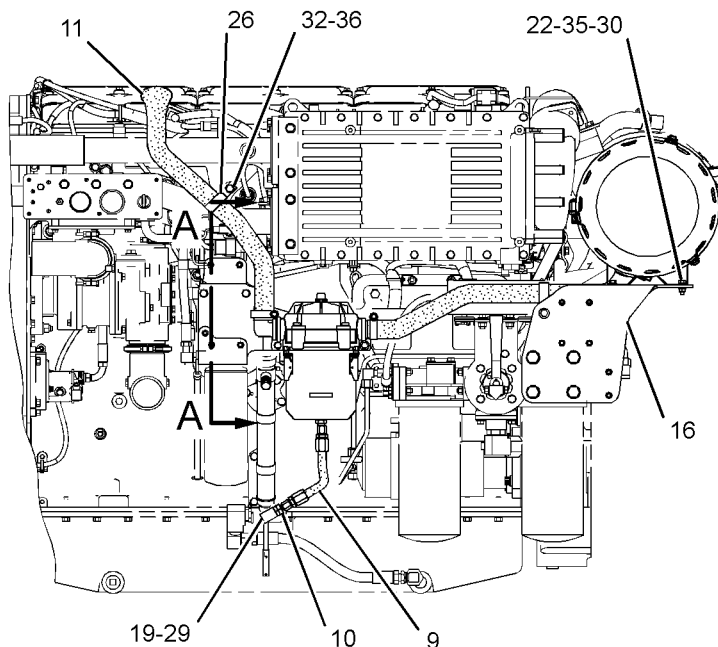
SECTION B-B



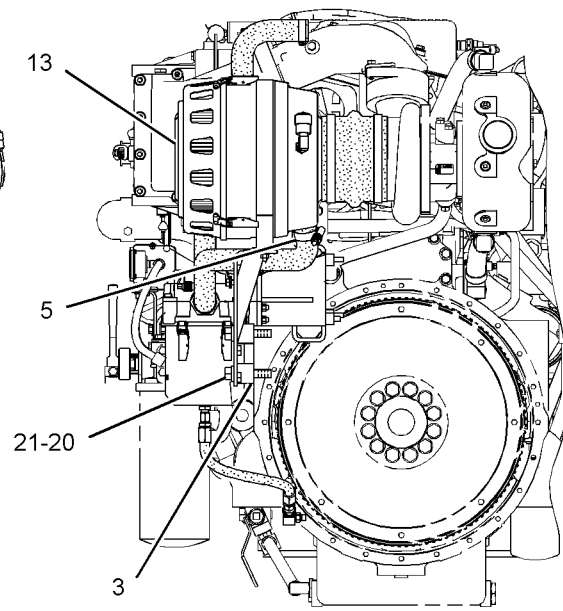
VIEW C-C



VIEW A-A



LEFT SIDE VIEW OF ENGINE



REAR VIEW OF ENGINE

GRAPHIC #1

<END>

g01944834

AIR INLET AND EXHAUST SYSTEM

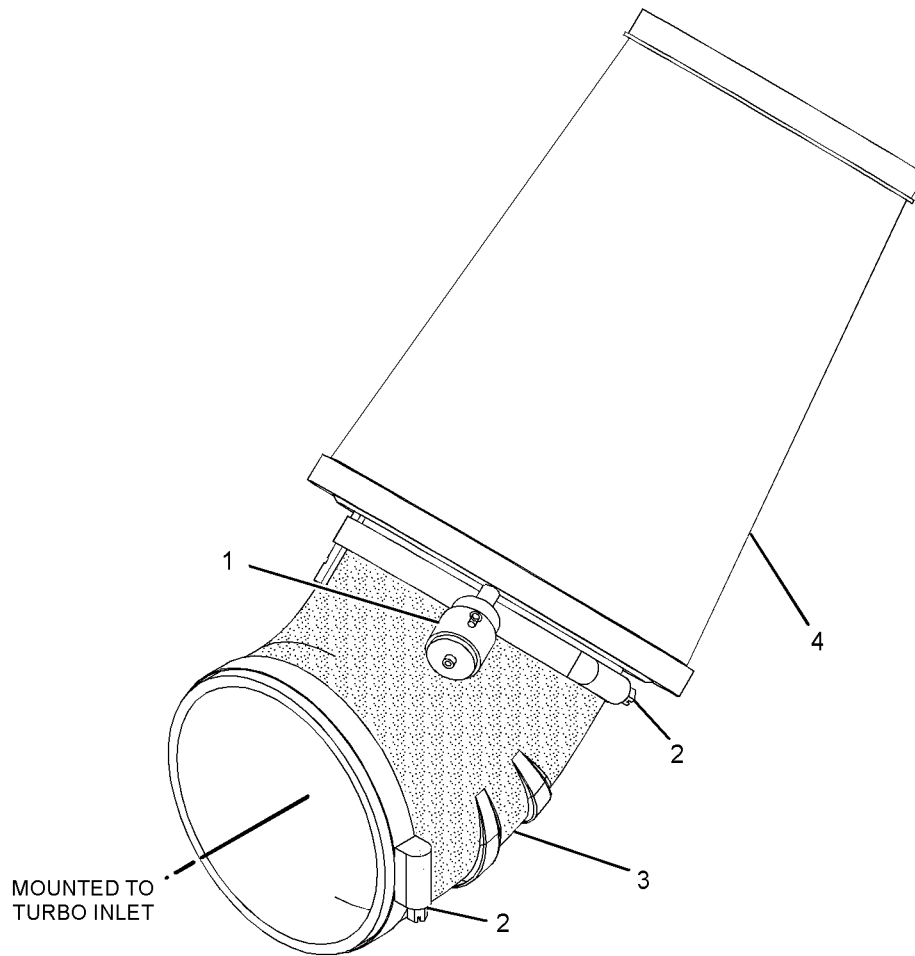
201-7237 AIR CLEANER GP FOR USE WITH SIDE MOUNTED TURBOCHARGER AN ATTACHMENT

SMCS-1051, 1054

i03601508

NOTE	REF NO	GRAPHIC REF	PART NUMBER	QTY	PART NAME						SEE PAGE
					1	2	3	4	5	6 (PRODUCT LEVEL)	
	1	1	096-5028	1	INDICATOR-AIR FILTER CHANGE						
	2	1	5P-3860	2	CLAMP-HOSE						
	3	1	9Y-6102	1	ELBOW						
C	4	1	251-7222	1	AIR CLEANER						

C- CHANGE FROM PREVIOUS TYPE



GRAPHIC #1

<END>

g01246626

AIR INLET AND EXHAUST SYSTEM

205-9196 AIR CLEANER GP

S/N: J2K1-114

FOR USE WITH SAE NO.0 FLYWHEEL HOUSING
AN ATTACHMENT

SMCS-1051, 1054

i03301641

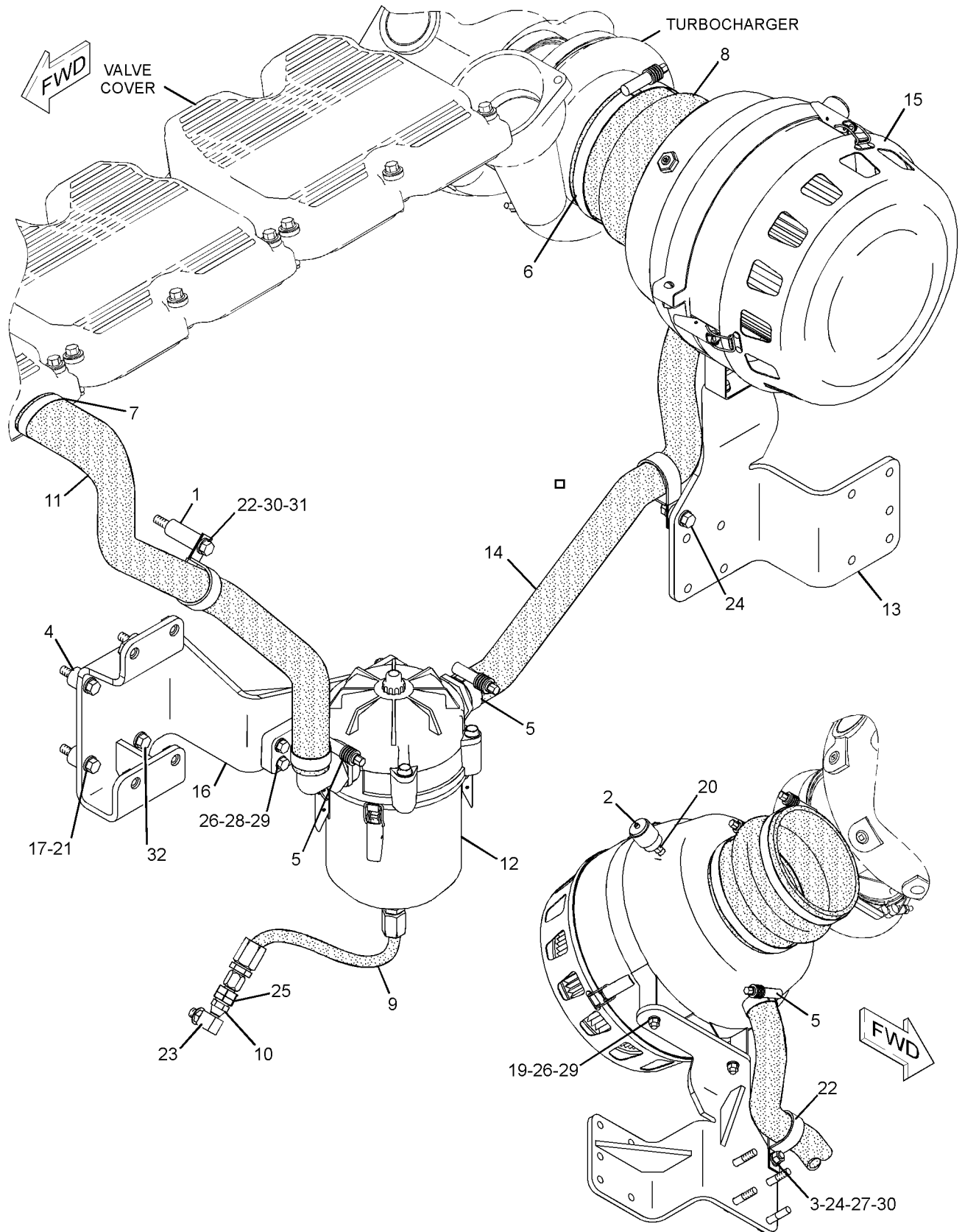
NOTE	REF NO	GRAPHIC REF	PART NUMBER	QTY	PART NAME						SEE PAGE
					1	2	3	4	5	6 (PRODUCT LEVEL)	
	1	1	1F-7854	1	SPACER (11.01X19.05X49.21-MM THK)						
	2	1	2N-3323	1	INDICATOR-AIR FILTER CHANGE						
	3	1	7W-9094	1	SPACER (10.5X20X9-MM THK)						
	4	1	8D-7209	4	BOSS						
	5	1	8T-4983	3	CLAMP-HOSE						
	6	1	8T-4988	2	CLAMP-HOSE						
	7	1	9M-0164	1	CLAMP-HOSE						
	8	1	259-4501	1	HOSE						
I	9	1	136-9506	1	HOSE AS						
	10	1	177-7374	1	VALVE-CHECK (TURBOCHARGER AIR LINE)						
	11	1	201-1266	1	HOSE						
CY	12	1	280-4014	1	FILTER GP-FUMES DISPOSAL						329
	13	1	205-9197	1	BRACKET AS						
	14	1	205-9198	1	HOSE						
Y	15	1	208-0570	1	AIR CLEANER AS						480
	16	1	231-7695	1	BRACKET AS						
		1	8T-5912	5	NUT-WELD (3/8-16-THD)						
	17	1	0S-1571	3	BOLT (3/8-16X1.75-IN)						
	19	1	4M-6425	2	BOLT (5/16-18X1-IN)						
	20	1	5K-5068	1	FITTING-PIPE						
	21	1	5M-2894	4	WASHER-HARD (10.2X18.5X2.5-MM THK)						
	22	1	5P-2369	2	CLIP						
	23	1	151-5145	1	ELBOW						
	24	1	5S-7382	1	BOLT (3/8-16X1.375-IN)						
	25	1	6V-5048	2	SEAL-O-RING						
	26	1	6V-8189	6	NUT (5/16-18-THD)						
	27	1	6V-8801	1	NUT (3/8-16-THD)						
	28	1	8C-3121	4	BOLT (5/16-18X1.5-IN)						
	29	1	8T-4224	12	WASHER-HARD (8.8X16X2-MM THK)						
	30	1	8T-4896	3	WASHER-HARD (10.2X18.5X2.5-MM THK)						
	31	1	8T-7008	1	BOLT (3/8-16X3-IN)						
	32	1	0S-1591	1	BOLT (3/8-16X1.5-IN)						

C-CHANGE FROM PREVIOUS TYPE
I-REFER TO HYDRAULIC INFORMATION SYSTEM
Y-SEPARATE ILLUSTRATION

AIR INLET AND EXHAUST SYSTEM

205-9196 AIR CLEANER GP (contd.)

i03301641



GRAPHIC #1

<END>

g01383263

AIR INLET AND EXHAUST SYSTEM

205-9196 AIR CLEANER GP

S/N: J2K115-UP; T2P1-UP

FOR USE WITH SAE NO.0 FLYWHEEL HOUSING
AN ATTACHMENT

SMCS-1051, 1054

i03442941

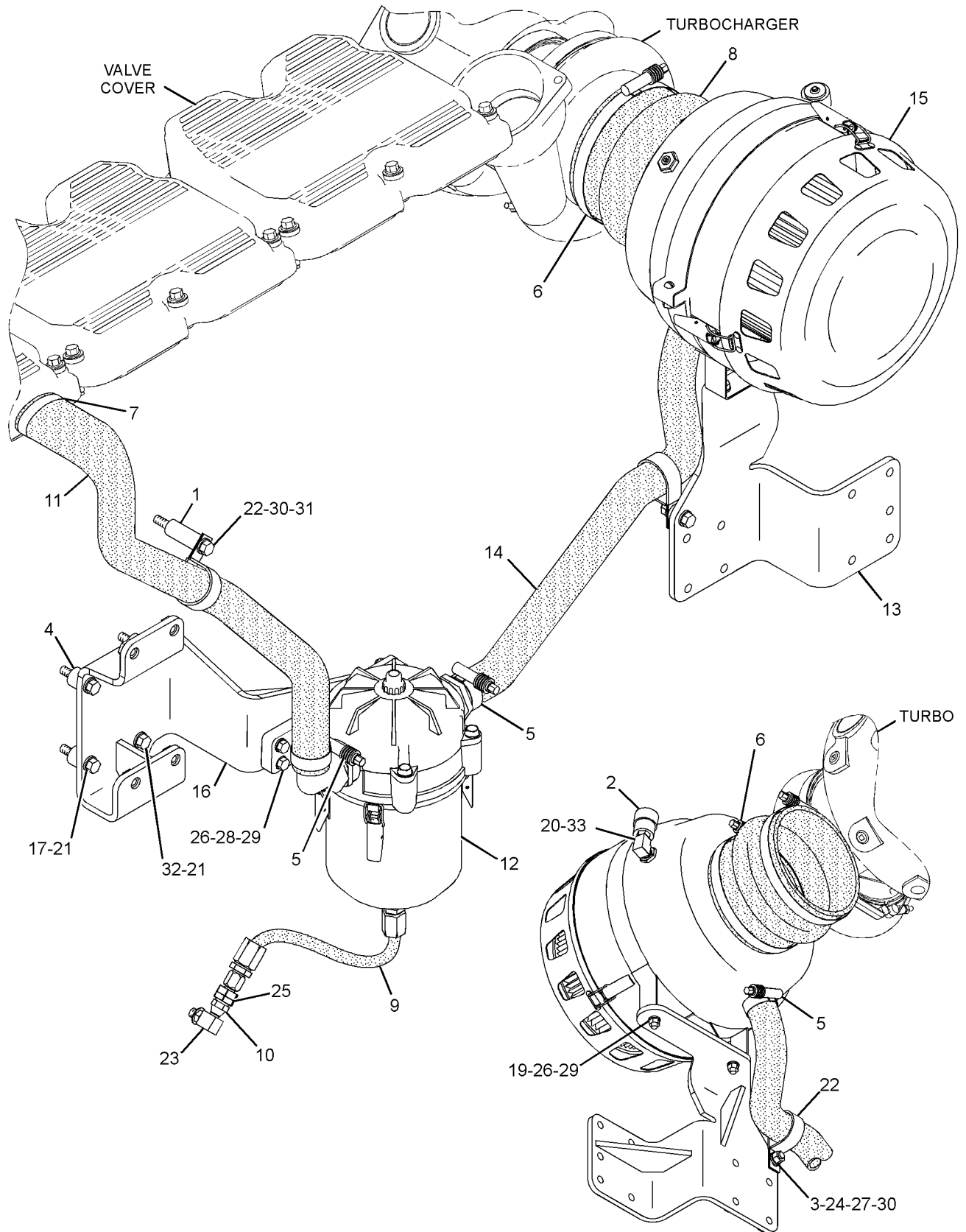
NOTE	REF NO	GRAPHIC REF	PART NUMBER	QTY	PART NAME						SEE PAGE
					1	2	3	4	5	6 (PRODUCT LEVEL)	
	1	1	1F-7854	1	SPACER (11.01X19.05X49.21-MM THK)						
	2	1	096-5028	1	INDICATOR-AIR FILTER CHANGE						
	3	1	7W-9094	1	SPACER (10.5X20X9-MM THK)						
	4	1	8D-7209	4	BOSS						
	5	1	8T-4983	3	CLAMP-HOSE						
	6	1	8T-4988	2	CLAMP-HOSE						
	7	1	9M-0164	1	CLAMP-HOSE						
	8	1	259-4501	1	HOSE						
I	9	1	136-9506	1	HOSE AS						
	10	1	300-9952	1	VALVE AS-CHECK (TURBOCHARGER AIR LINE)						
		1	6V-5048	1	SEAL-O-RING						
		1	177-7374	1	VALVE-CHECK						
	11	1	201-1266	1	HOSE						
Y	12	1	280-4014	1	FILTER GP-FUMES DISPOSAL						329
	13	1	205-9197	1	BRACKET AS						
	14	1	205-9198	1	HOSE						
CY	15	1	310-3947	1	AIR CLEANER GP						515
	16	1	231-7695	1	BRACKET AS						
		1	8T-5912	5	NUT-WELD (3/8-16-THD)						
	17	1	0S-1571	3	BOLT (3/8-16X1.75-IN)						
	19	1	4M-6425	2	BOLT (5/16-18X1-IN)						
	20	1	5K-5068	1	FITTING-PIPE						
	21	1	5M-2894	4	WASHER-HARD (10.2X18.5X2.5-MM THK)						
	22	1	5P-2369	2	CLIP						
	23	1	151-5145	1	ELBOW						
	24	1	5S-7382	1	BOLT (3/8-16X1.375-IN)						
	25	1	6V-5048	1	SEAL-O-RING						
	26	1	6V-8189	6	NUT (5/16-18-THD)						
	27	1	6V-8801	1	NUT (3/8-16-THD)						
	28	1	8C-3121	4	BOLT (5/16-18X1.5-IN)						
	29	1	8T-4224	12	WASHER-HARD (8.8X16X2-MM THK)						
	30	1	8T-4896	3	WASHER-HARD (10.2X18.5X2.5-MM THK)						
	31	1	7X-0290	1	BOLT (3/8-16X3.5-IN)						
	32	1	0S-1591	1	BOLT (3/8-16X1.5-IN)						
	33	1	3B-6552	1	ELBOW-PIPE						

C-CHANGE FROM PREVIOUS TYPE
I-REFER TO HYDRAULIC INFORMATION SYSTEM
Y-SEPARATE ILLUSTRATION

AIR INLET AND EXHAUST SYSTEM

205-9196 AIR CLEANER GP (contd.)

i03442941



GRAPHIC #1

<END>

g01929574

AIR INLET AND EXHAUST SYSTEM

244-7612 AIR CLEANER GP

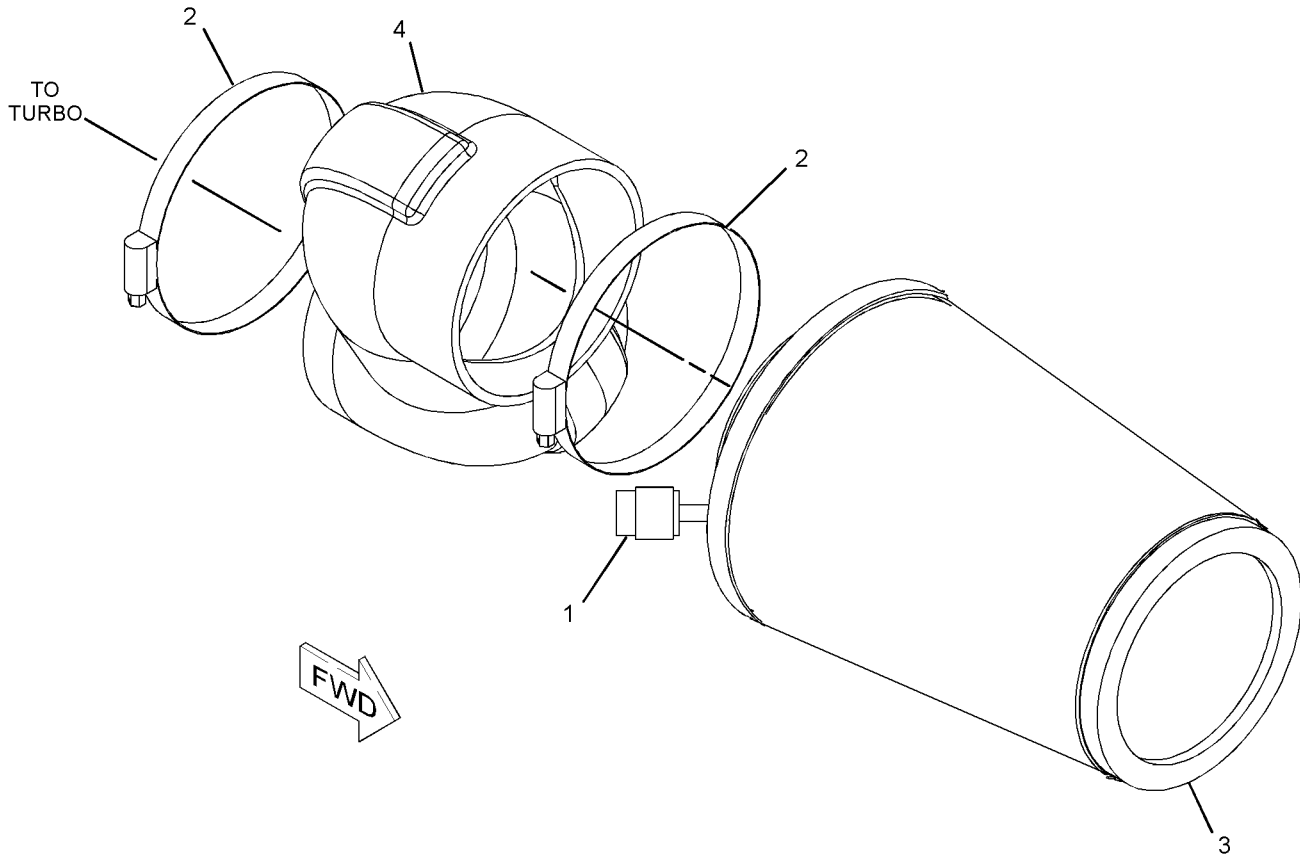
RH SERVICE
AN ATTACHMENT

SMCS-1051, 1054

i03923410

NOTE	REF NO	GRAPHIC REF	PART NUMBER	QTY	PART NAME						SEE PAGE
					1	2	3	4	5	6 (PRODUCT LEVEL)	
	1	1	096-5028	1	INDICATOR-AIR FILTER CHANGE						
	2	1	5P-3860	2	CLAMP-HOSE						
C	3	1	251-7222	1	AIR CLEANER						
	4	1	244-7605	1	HOSE						

C- CHANGE FROM PREVIOUS TYPE



GRAPHIC #1

<END>

g01221433

AIR INLET AND EXHAUST SYSTEM

245-5849 AIR CLEANER GP

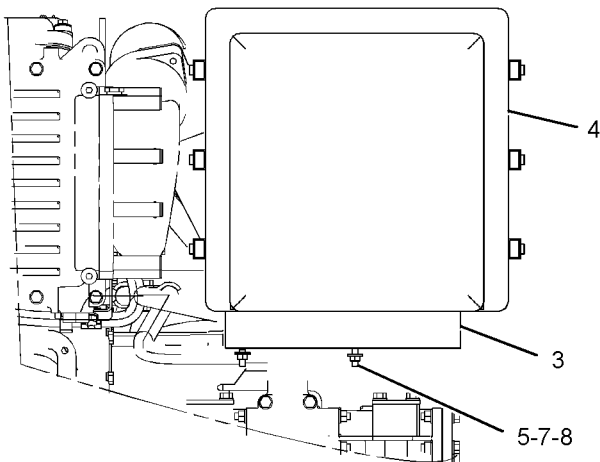
FOR USE WITH 243-6426—PAGE 194, 243-6427—PAGE 195, 243-3842—PAGE 330,
178-8579—PAGE 168
AN ATTACHMENT

SMCS-1051, 1054

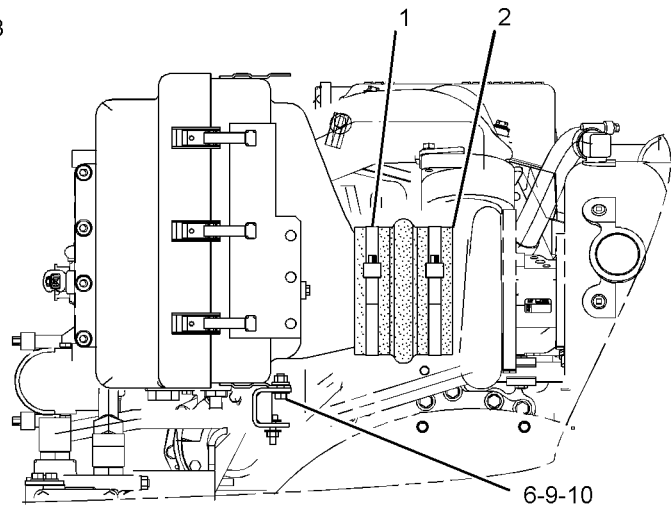
i03468208

NOTE	REF NO	GRAPHIC REF	PART NUMBER	QTY	PART NAME						SEE PAGE
					1	2	3	4	5	6 (PRODUCT LEVEL)	
	1	1	8T-4988	2	CLAMP-HOSE						
	2	1	259-4501	1	HOSE						
	3	1	244-7752	1	BRACKET AS						
Y	4	1	246-2623	1	AIR CLEANER GP						492
	5	1	6V-8918	2	BOLT (5/16-18X1.25-IN)						
	6	1	4L-6454	3	BOLT (3/8-16X1-IN)						
	7	1	5P-4116	4	WASHER-HARD (8.8X20.5X2-MM THK)						
	8	1	6V-8189	2	NUT (5/16-18-THD)						
	9	1	6V-8801	3	NUT (3/8-16-THD)						
	10	1	5P-1075	6	WASHER-HARD (10.2X22.5X3-MM THK)						

Y-SEPARATE ILLUSTRATION



LEFT SIDE VIEW OF ENGINE



REAR VIEW OF ENGINE

GRAPHIC #1

<END>

g01944423

AIR INLET AND EXHAUST SYSTEM

246-2623 AIR CLEANER GP

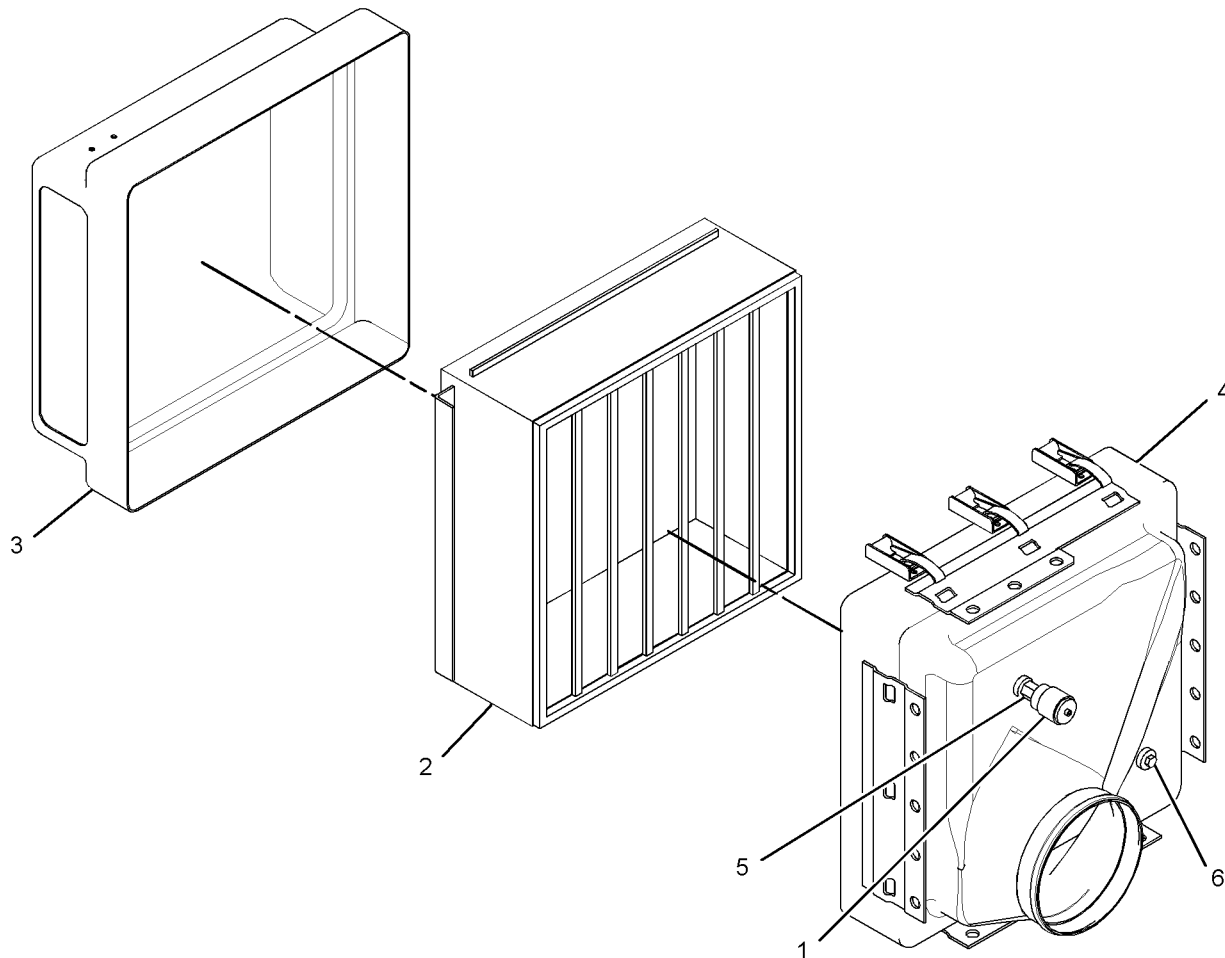
PART OF 245-5849, 296-2980, 296-2982 AIR CLEANER GP
AN ATTACHMENT

SMCS-1051, 1054

i03602321

NOTE	REF NO	GRAPHIC REF	PART NUMBER	QTY	PART NAME	SEE PAGE
C	1	1	096-5028	1	INDICATOR-AIR FILTER CHANGE	
	2	1	4N-0015	1	FILTER ELEMENT AS-AIR (PRIMARY)	
J	3	1	4N-0045	1	COVER AS-AIR CLEANER	
		1	8N-4455	6	CLAMP AS	
	4	1	8N-5761	1	HOUSING AS-AIR CLEANER	
C	5	1	5K-5068	1	FITTING-PIPE	
	6	1	8T-6764	1	PLUG-PIPE	
AVAILABLE REPAIR KIT(S):						
J			8N-4617	1	KIT-AIR CLEANER CLAMP (INCLUDES CLIP AS AND RIVET)	

C-CHANGE FROM PREVIOUS TYPE
J-KIT MARKED J SERVICES PART MARKED J



GRAPHIC #1

<END>

g01836856

AIR INLET AND EXHAUST SYSTEM

291-3797 AIR CLEANER GP

S/N: J2K1-103

FOR USE WITH TIER II ENGINES, SAE NO.1 FLYWHEEL HOUSING
AN ATTACHMENT

SMCS-1051, 1054

i02640434

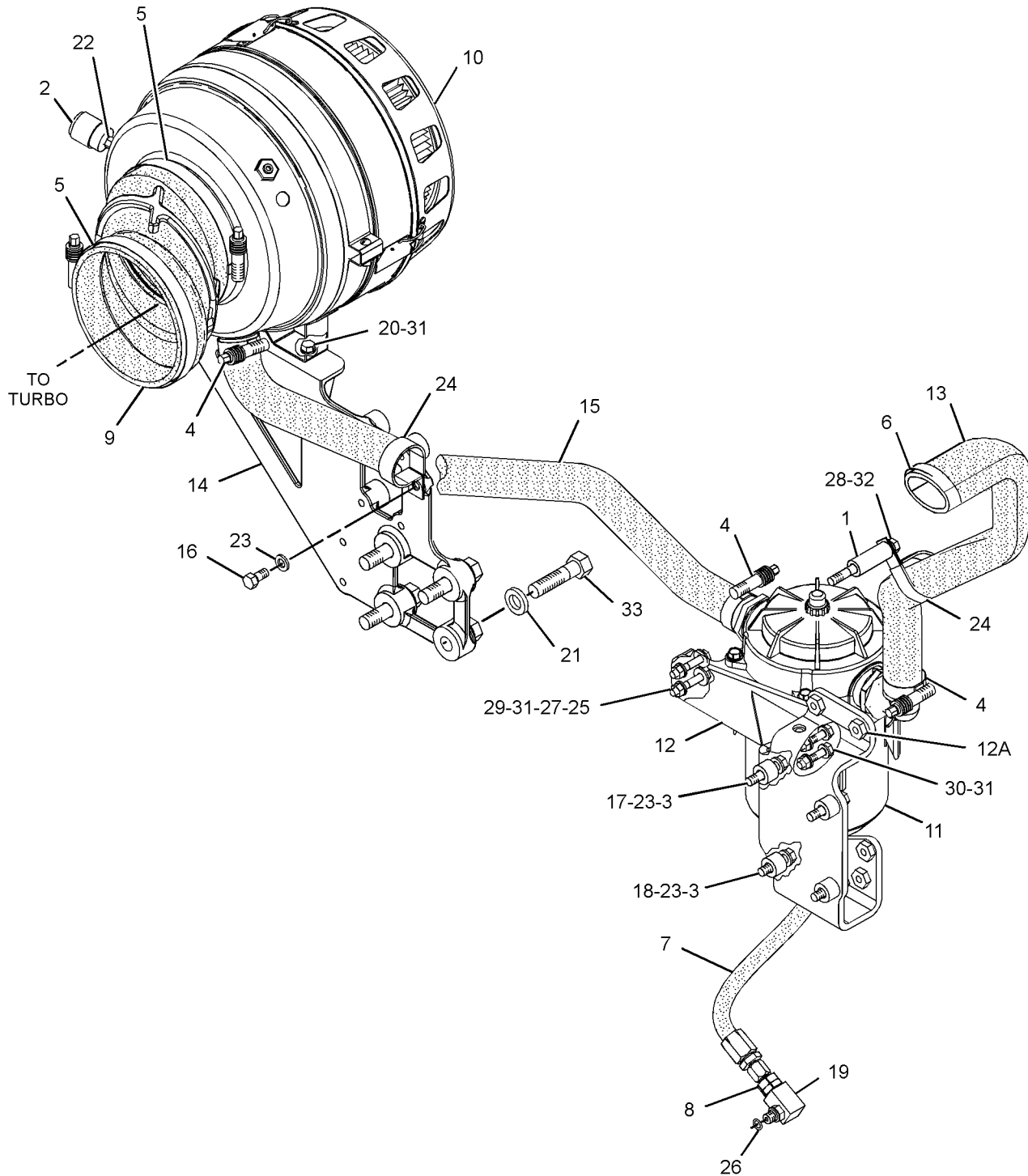
NOTE	REF NO	GRAPHIC REF	PART NUMBER	QTY	PART NAME						SEE PAGE
					1	2	3	4	5	6 (PRODUCT LEVEL)	
	1	1	1F-7854	1	SPACER (11.01X19.05X49.21-MM THK)						
	2	1	4W-5820	1	INDICATOR-AIR FILTER CHANGE						
	3	1	8D-7209	4	BOSS						
	4	1	8T-4983	3	CLAMP-HOSE						
	5	1	8T-4988	2	CLAMP-HOSE						
	6	1	9M-0164	1	CLAMP-HOSE						
I	7	1	136-9506	1	HOSE AS						
	8	1	177-7374	1	VALVE-CHECK						
	9	1	205-8673	1	HOSE						
Y	10	1	208-0570	1	AIR CLEANER AS						480
Y	11	1	280-4014	1	FILTER GP-FUMES DISPOSAL						329
	12	1	290-7517	1	BRACKET AS						
	12A	1	8T-5912	6	NUT-WELD (3/8-16-THD)						
	13	1	291-3799	1	HOSE						
	14	1	293-7387	1	SUPPORT						
	15	1	294-2174	1	HOSE						
	16	1	0S-0509	1	BOLT (3/8-16X0.75-IN)						
	17	1	0S-1571	2	BOLT (3/8-16X1.75-IN)						
	18	1	0S-1591	2	BOLT (3/8-16X1.5-IN)						
	19	1	151-5145	1	ELBOW						
	20	1	2B-2695	2	BOLT (5/16-18X0.875-IN)						
	21	1	4D-3704	4	WASHER-HARD (17X30X5-MM THK)						
	22	1	5K-5068	1	FITTING-PIPE						
	23	1	5M-2894	5	WASHER-HARD (10.2X18.5X2.5-MM THK)						
	24	1	5P-2369	2	CLIP						
	25	1	5P-4116	2	WASHER-HARD (8.8X20.5X2-MM THK)						
	26	1	6V-5048	2	SEAL-O-RING						
	27	1	6V-8189	4	NUT (5/16-18-THD)						
	28	1	7X-0290	1	BOLT (3/8-16X3.5-IN)						
	29	1	7X-0440	2	BOLT (5/16-18X1.75-IN)						
	30	1	8C-3121	2	BOLT (5/16-18X1.5-IN)						
	31	1	8T-4224	8	WASHER-HARD (8.8X16X2-MM THK)						
	32	1	8T-4896	1	WASHER-HARD (10.2X18.5X2.5-MM THK)						
	33	1	9X-8882	4	BOLT (5/8-11X2.5-IN)						

I-REFER TO HYDRAULIC INFORMATION SYSTEM
Y-SEPARATE ILLUSTRATION

AIR INLET AND EXHAUST SYSTEM

291-3797 AIR CLEANER GP (contd.)

i02640434



GRAPHIC #1

<END>

g01326617

AIR INLET AND EXHAUST SYSTEM

291-3797 AIR CLEANER GP

S/N: J2K104-114

FOR USE WITH TIER II ENGINES, SAE NO.1 FLYWHEEL HOUSING
AN ATTACHMENT

SMCS-1051, 1054

i02680573

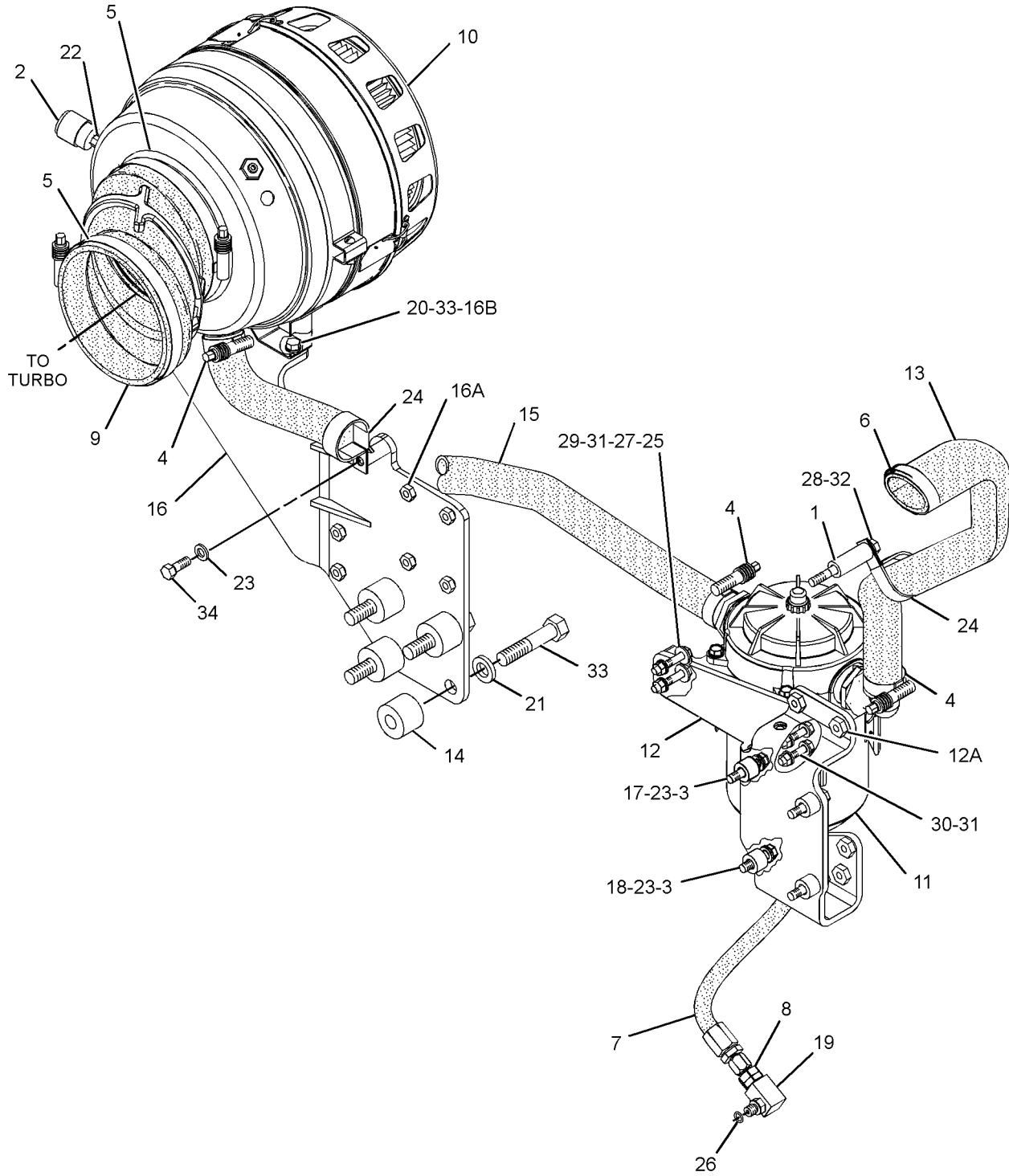
NOTE	REF NO	GRAPHIC REF	PART NUMBER	QTY	PART NAME						SEE PAGE
					1	2	3	4	5	6 (PRODUCT LEVEL)	
	1	1	1F-7854	1	SPACER (11.01X19.05X49.21-MM THK)						
	2	1	4W-5820	1	INDICATOR-AIR FILTER CHANGE						
	3	1	8D-7209	4	BOSS						
	4	1	8T-4983	3	CLAMP-HOSE						
	5	1	8T-4988	2	CLAMP-HOSE						
	6	1	9M-0164	1	CLAMP-HOSE						
I	7	1	136-9506	1	HOSE AS						
	8	1	177-7374	1	VALVE-CHECK						
	9	1	205-8673	1	HOSE						
Y	10	1	208-0570	1	AIR CLEANER AS						480
Y	11	1	280-4014	1	FILTER GP-FUMES DISPOSAL						329
	12	1	290-7517	1	BRACKET AS						
	12A	1	8T-5912	6	NUT-WELD (3/8-16-THD)						
	13	1	291-3799	1	HOSE						
C	14	1	142-5991	4	SPACER (16.5X40X30-MM THK)						
	15	1	294-2174	1	HOSE						
C	16	1	305-3332	1	BRACKET AS						
	16A	1	1F-0750	6	NUT-WELD (3/8-16-THD)						
	16B	1	4K-9097	2	NUT-WELD (5/16-18-THD)						
C	17	1	0S-1571	3	BOLT (3/8-16X1.75-IN)						
C	18	1	0S-1591	1	BOLT (3/8-16X1.5-IN)						
	19	1	151-5145	1	ELBOW						
	20	1	2B-2695	2	BOLT (5/16-18X0.875-IN)						
	21	1	4D-3704	4	WASHER-HARD (17X30X5-MM THK)						
	22	1	5K-5068	1	FITTING-PIPE						
	23	1	5M-2894	5	WASHER-HARD (10.2X18.5X2.5-MM THK)						
	24	1	5P-2369	2	CLIP						
	25	1	5P-4116	2	WASHER-HARD (8.8X20.5X2-MM THK)						
	26	1	6V-5048	2	SEAL-O-RING						
	27	1	6V-8189	4	NUT (5/16-18-THD)						
	28	1	7X-0290	1	BOLT (3/8-16X3.5-IN)						
	29	1	7X-0440	2	BOLT (5/16-18X1.75-IN)						
	30	1	8C-3121	2	BOLT (5/16-18X1.5-IN)						
	31	1	8T-4224	8	WASHER-HARD (8.8X16X2-MM THK)						
	32	1	8T-4896	1	WASHER-HARD (10.2X18.5X2.5-MM THK)						
C	33	1	1B-4367	4	BOLT (5/8-11X3-IN)						
C	34	1	0S-1594	1	BOLT (3/8-16X1-IN)						

C-CHANGE FROM PREVIOUS TYPE
I-REFER TO HYDRAULIC INFORMATION SYSTEM
Y-SEPARATE ILLUSTRATION

AIR INLET AND EXHAUST SYSTEM

291-3797 AIR CLEANER GP (contd.)

i02680573



GRAPHIC #1

<END>

g01348199

AIR INLET AND EXHAUST SYSTEM

291-3797 AIR CLEANER GP

S/N: J2K115-UP; T2P1-1000

FOR USE WITH TIER II ENGINES, SAE NO.1 FLYWHEEL HOUSING
AN ATTACHMENT

SMCS-1051, 1054

i03606145

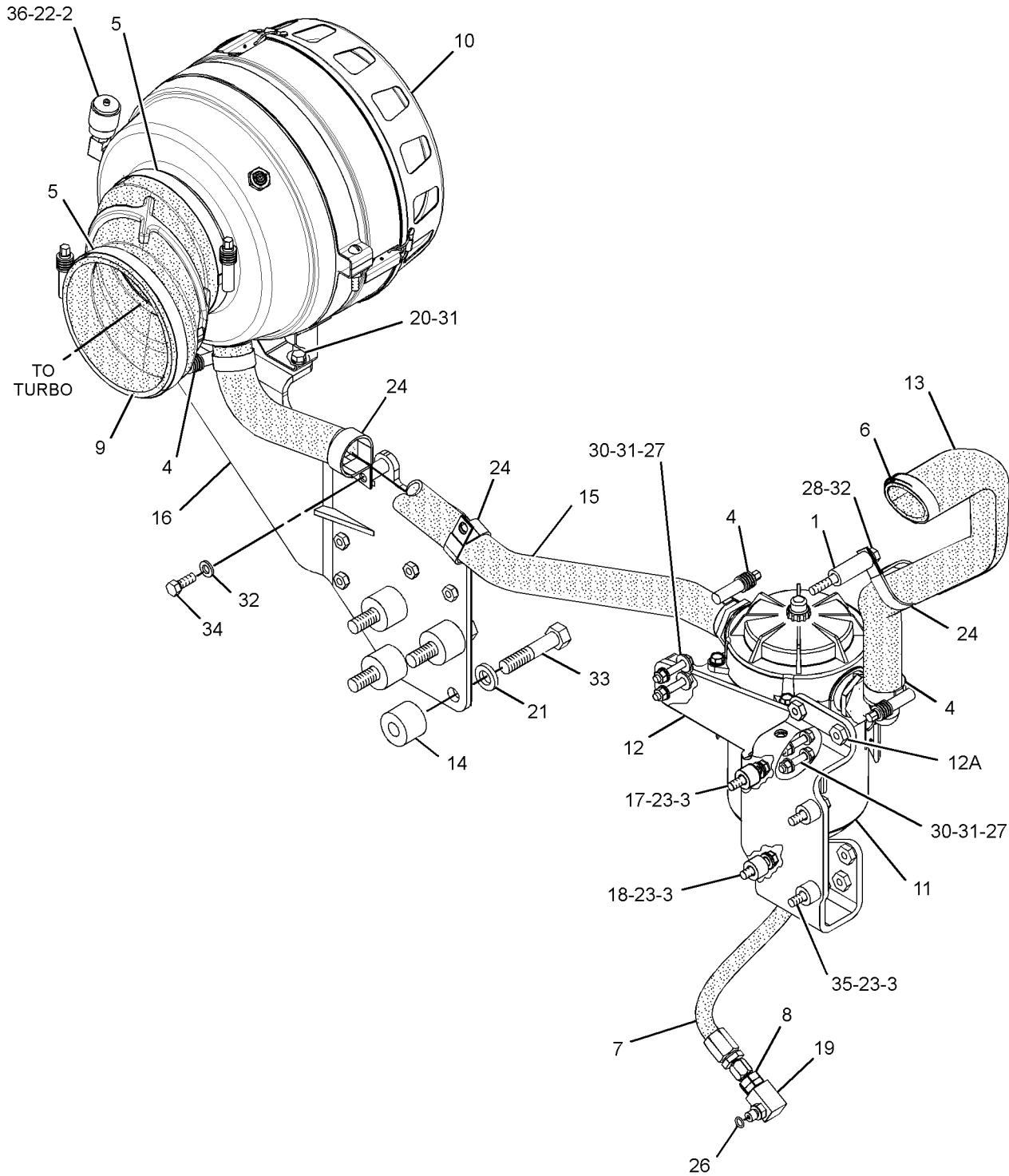
NOTE	REF NO	GRAPHIC REF	PART NUMBER	QTY	PART NAME						SEE PAGE
					1	2	3	4	5	6 (PRODUCT LEVEL)	
	1	1	1F-7854	1	SPACER (11.01X19.05X49.21-MM THK)						
	2	1	096-5028	1	INDICATOR-AIR FILTER CHANGE						
	3	1	8D-7209	4	BOSS						
	4	1	8T-4983	3	CLAMP-HOSE						
	5	1	8T-4988	2	CLAMP-HOSE						
	6	1	9M-0164	1	CLAMP-HOSE						
I	7	1	136-9506	1	HOSE AS						
	8	1	300-9952	1	VALVE AS-CHECK						
		1	6V-5048	1	SEAL-O-RING						
		1	177-7374	1	VALVE-CHECK						
	9	1	205-8673	1	HOSE						
CY	10	1	310-3947	1	AIR CLEANER GP						515
Y	11	1	280-4014	1	FILTER GP-FUMES DISPOSAL						329
	12	1	290-7517	1	BRACKET AS						
	12A	1	8T-5912	6	NUT-WELD (3/8-16-THD)						
	13	1	291-3799	1	HOSE						
	14	1	142-5991	4	SPACER (16.5X40X30-MM THK)						
	15	1	326-2681	1	HOSE						
	16	1	305-3332	1	BRACKET AS						
	17	1	2A-4639	2	BOLT (3/8-16X1.625-IN)						
	18	1	0S-1591	1	BOLT (3/8-16X1.5-IN)						
	19	1	151-5145	1	ELBOW						
	20	1	8T-9043	2	BOLT (5/16-18X0.875-IN)						
	21	1	4D-3704	4	WASHER-HARD (17X30X5-MM THK)						
	22	1	5K-5068	1	FITTING-PIPE						
	23	1	5M-2894	4	WASHER-HARD (10.2X18.5X2.5-MM THK)						
	24	1	5P-2369	3	CLIP						
	26	1	6V-5048	1	SEAL-O-RING						
	27	1	6V-8189	4	NUT (5/16-18-THD)						
	28	1	7X-0290	1	BOLT (3/8-16X3.5-IN)						
	30	1	8C-3121	4	BOLT (5/16-18X1.5-IN)						
	31	1	8T-4224	10	WASHER-HARD (8.8X16X2-MM THK)						
	32	1	8T-4896	2	WASHER-HARD (10.2X18.5X2.5-MM THK)						
C	33	1	9X-8883	4	BOLT (5/8-11X2.75-IN)						
C	34	1	4L-6454	1	BOLT (3/8-16X1-IN)						
	35	1	3B-1915	1	BOLT (3/8-16X1.375-IN)						
	36	1	3B-6552	1	ELBOW-PIPE						

C-CHANGE FROM PREVIOUS TYPE
I-REFER TO HYDRAULIC INFORMATION SYSTEM
Y-SEPARATE ILLUSTRATION

AIR INLET AND EXHAUST SYSTEM

291-3797 AIR CLEANER GP (contd.)

i03606145



GRAPHIC #1

<END>

g01944768

AIR INLET AND EXHAUST SYSTEM

291-3798 AIR CLEANER GP

S/N: J2K1-UP

FOR USE WITH TIER II ENGINES, SAE NO.0 FLYWHEEL HOUSING
AN ATTACHMENT

SMCS-1051, 1054

i02640465

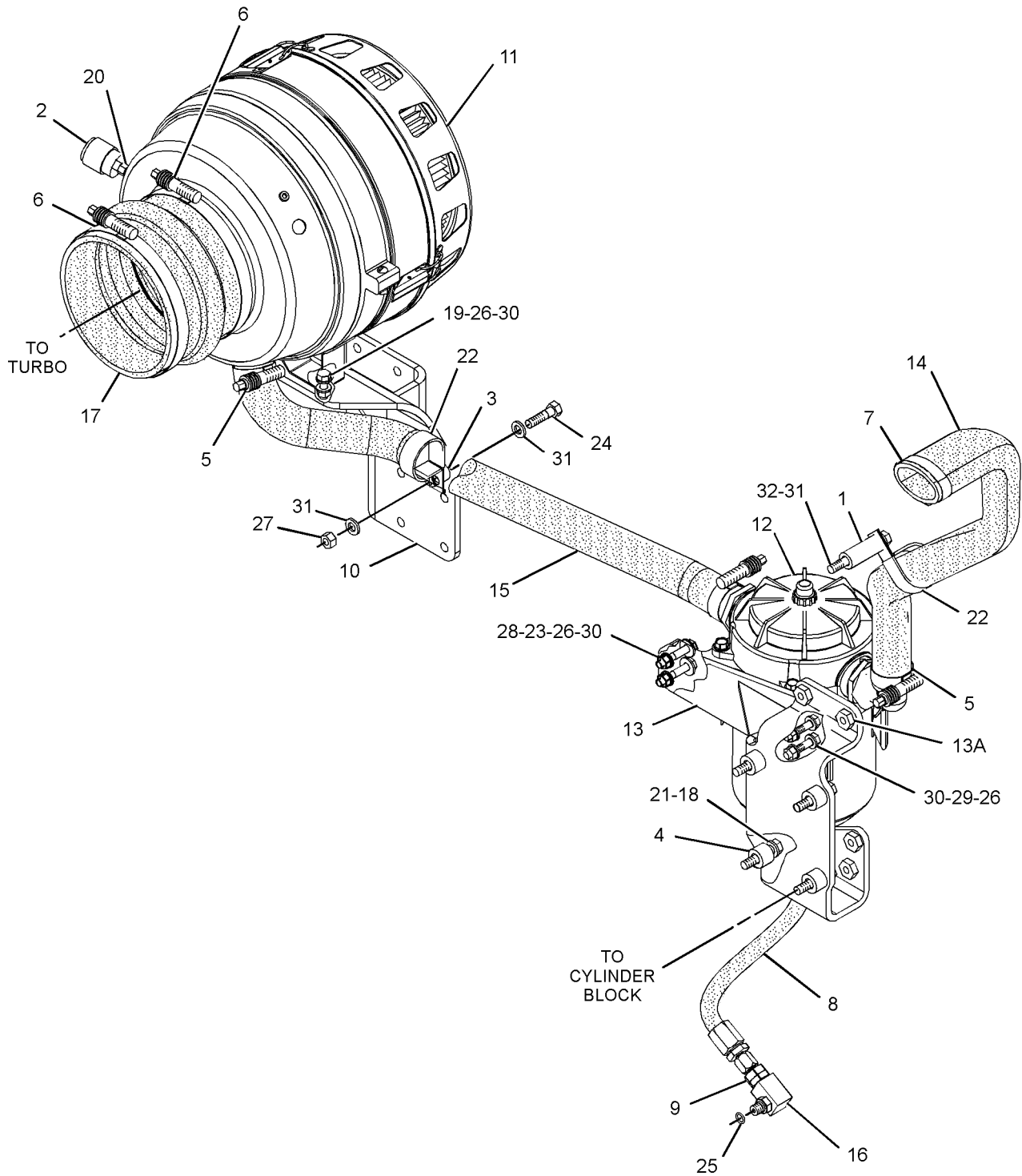
NOTE	REF NO	GRAPHIC REF	PART NUMBER	QTY	PART NAME						SEE PAGE
					1	2	3	4	5	6 (PRODUCT LEVEL)	
	1	1	1F-7854	1	SPACER (11.01X19.05X49.21-MM THK)						
	2	1	4W-5820	1	INDICATOR-AIR FILTER CHANGE						
	3	1	7W-9094	1	SPACER (10.5X20X9-MM THK)						
	4	1	8D-7209	4	BOSS						
	5	1	8T-4983	3	CLAMP-HOSE						
	6	1	8T-4988	2	CLAMP-HOSE						
	7	1	9M-0164	1	CLAMP-HOSE						
I	8	1	136-9506	1	HOSE AS						
	9	1	177-7374	1	VALVE-CHECK						
	10	1	205-9197	1	BRACKET AS						
Y	11	1	208-0570	1	AIR CLEANER AS						480
Y	12	1	280-4014	1	FILTER GP-FUMES DISPOSAL						329
	13	1	290-7517	1	BRACKET AS						
	13A	1	8T-5912	6	NUT-WELD (3/8-16-THD)						
	14	1	291-3799	1	HOSE						
	15	1	291-5458	1	HOSE						
	16	1	151-5145	1	ELBOW						
	17	1	259-4501	1	HOSE						
	18	1	0S-1571	4	BOLT (3/8-16X1.75-IN)						
	19	1	4M-6425	2	BOLT (5/16-18X1-IN)						
	20	1	5K-5068	1	FITTING-PIPE						
	21	1	5M-2894	4	WASHER-HARD (10.2X18.5X2.5-MM THK)						
	22	1	5P-2369	2	CLIP						
	23	1	5P-4116	2	WASHER-HARD (8.8X20.5X2-MM THK)						
	24	1	5S-7382	1	BOLT (3/8-16X1.375-IN)						
	25	1	6V-5048	1	SEAL-O-RING						
	26	1	6V-8189	6	NUT (5/16-18-THD)						
	27	1	6V-8801	1	NUT (3/8-16-THD)						
	28	1	7X-0440	2	BOLT (5/16-18X1.75-IN)						
	29	1	8C-3121	2	BOLT (5/16-18X1.5-IN)						
	30	1	8T-4224	10	WASHER-HARD (8.8X16X2-MM THK)						
	31	1	8T-4896	3	WASHER-HARD (10.2X18.5X2.5-MM THK)						
	32	1	8T-7008	1	BOLT (3/8-16X3-IN)						

I-REFER TO HYDRAULIC INFORMATION SYSTEM
Y-SEPARATE ILLUSTRATION

AIR INLET AND EXHAUST SYSTEM

291-3798 AIR CLEANER GP (contd.)

i02640465



GRAPHIC #1

<END>

g01326438

AIR INLET AND EXHAUST SYSTEM

291-3798 AIR CLEANER GP

S/N: J2K1-261; T2P1-UP

FOR USE WITH TIER II ENGINES, SAE NO.0 FLYWHEEL HOUSING
AN ATTACHMENT

SMCS-1051, 1054

i02799127

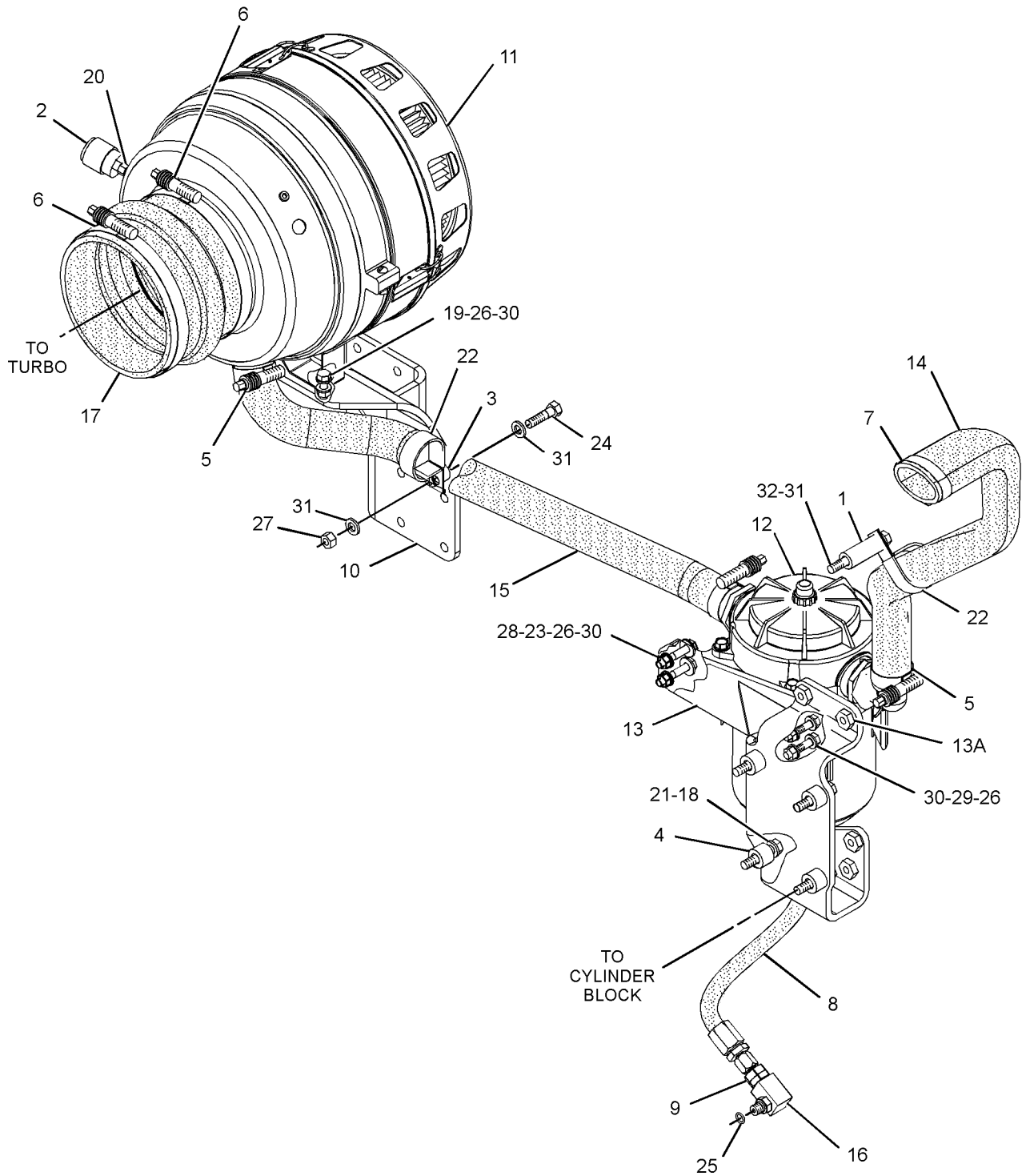
NOTE	REF NO	GRAPHIC REF	PART NUMBER	QTY	PART NAME						SEE PAGE
					1	2	3	4	5	6 (PRODUCT LEVEL)	
	1	1	1F-7854	1	SPACER (11.01X19.05X49.21-MM THK)						
	2	1	4W-5820	1	INDICATOR-AIR FILTER CHANGE						
	3	1	7W-9094	1	SPACER (10.5X20X9-MM THK)						
	4	1	8D-7209	4	BOSS						
	5	1	8T-4983	3	CLAMP-HOSE						
	6	1	8T-4988	2	CLAMP-HOSE						
	7	1	9M-0164	1	CLAMP-HOSE						
I	8	1	136-9506	1	HOSE AS						
	9	1	177-7374	1	VALVE-CHECK						
	10	1	205-9197	1	BRACKET AS						
CY	11	1	310-3947	1	AIR CLEANER GP						515
Y	12	1	280-4014	1	FILTER GP-FUMES DISPOSAL						329
	13	1	290-7517	1	BRACKET AS						
	13A	1	8T-5912	6	NUT-WELD (3/8-16-THD)						
	14	1	291-3799	1	HOSE						
	15	1	291-5458	1	HOSE						
	16	1	151-5145	1	ELBOW						
	17	1	259-4501	1	HOSE						
	18	1	0S-1571	4	BOLT (3/8-16X1.75-IN)						
	19	1	4M-6425	2	BOLT (5/16-18X1-IN)						
	20	1	5K-5068	1	FITTING-PIPE						
	21	1	5M-2894	4	WASHER-HARD (10.2X18.5X2.5-MM THK)						
	22	1	5P-2369	2	CLIP						
	23	1	5P-4116	2	WASHER-HARD (8.8X20.5X2-MM THK)						
	24	1	5S-7382	1	BOLT (3/8-16X1.375-IN)						
	25	1	6V-5048	1	SEAL-O-RING						
	26	1	6V-8189	6	NUT (5/16-18-THD)						
	27	1	6V-8801	1	NUT (3/8-16-THD)						
	28	1	7X-0440	2	BOLT (5/16-18X1.75-IN)						
	29	1	8C-3121	2	BOLT (5/16-18X1.5-IN)						
	30	1	8T-4224	10	WASHER-HARD (8.8X16X2-MM THK)						
	31	1	8T-4896	3	WASHER-HARD (10.2X18.5X2.5-MM THK)						
	32	1	8T-7008	1	BOLT (3/8-16X3-IN)						

C-CHANGE FROM PREVIOUS TYPE
I-REFER TO HYDRAULIC INFORMATION SYSTEM
Y-SEPARATE ILLUSTRATION

AIR INLET AND EXHAUST SYSTEM

291-3798 AIR CLEANER GP (contd.)

i02799127



GRAPHIC #1

<END>

g01326438

AIR INLET AND EXHAUST SYSTEM

291-3798 AIR CLEANER GP

S/N: J2K262-UP; T2P1-UP

FOR USE WITH TIER II ENGINES, SAE NO.0 FLYWHEEL HOUSING
AN ATTACHMENT

SMCS-1051, 1054

i04036908

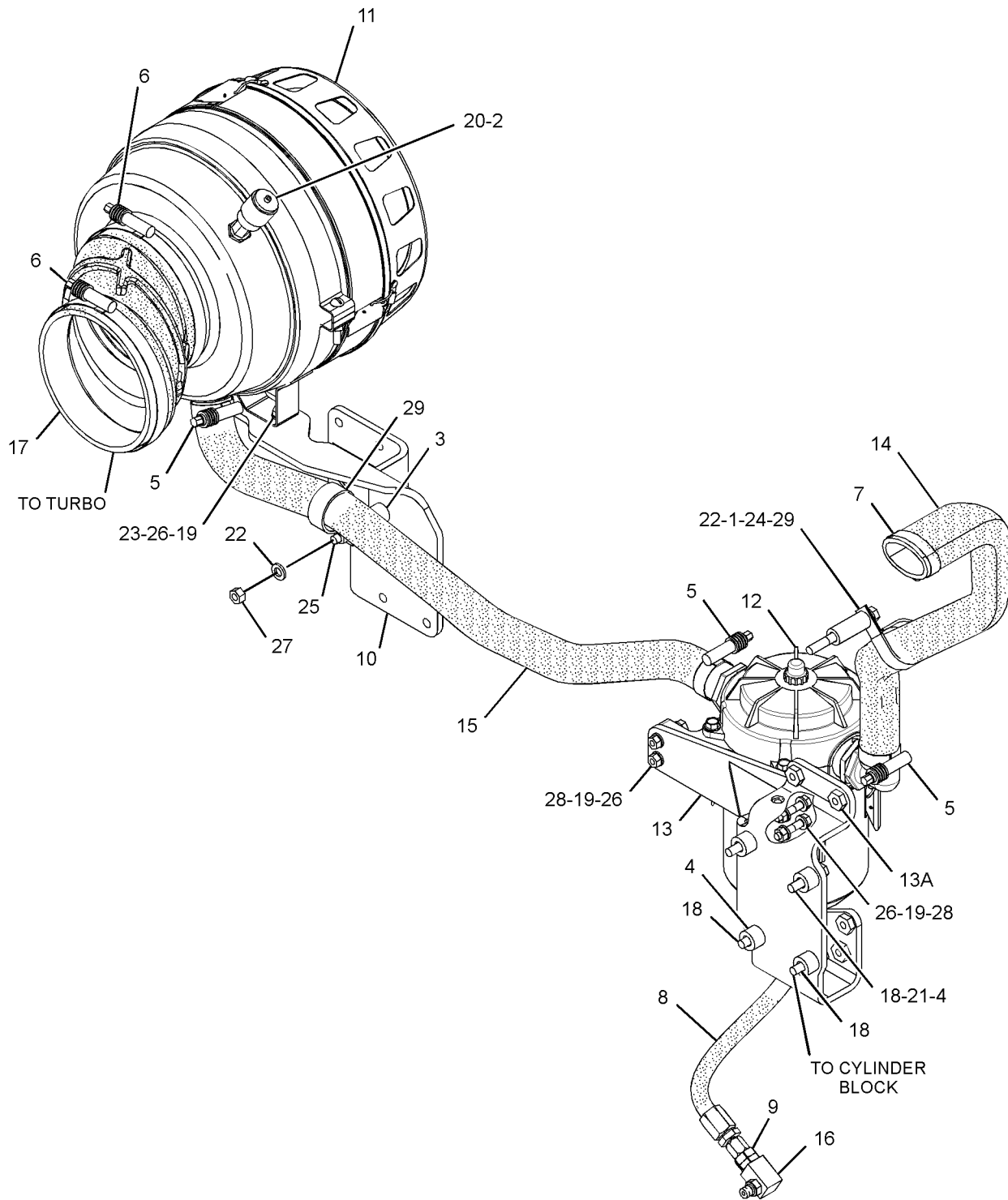
NOTE	REF NO	GRAPHIC REF	PART NUMBER	QTY	PART NAME						SEE PAGE
					1	2	3	4	5	6 (PRODUCT LEVEL)	
	1	1	1F-7854	1	SPACER (11.01X19.05X49.21-MM THK)						
	2	1	096-5028	1	INDICATOR-AIR FILTER CHANGE						
C	3	1	4W-4065	1	SPACER (10.5X22X50.8-MM THK)						
	4	1	8D-7209	4	BOSS						
	5	1	8T-4983	3	CLAMP-HOSE						
	6	1	8T-4988	2	CLAMP-HOSE						
	7	1	9M-0164	1	CLAMP-HOSE						
I	8	1	136-9506	1	HOSE AS						
	9	1	300-9952	1	VALVE AS-CHECK (TURBOCHARGER AIR LINE)						
		1	6V-5048	1	SEAL-O-RING						
		1	177-7374	1	VALVE-CHECK						
C	10	1	317-9523	1	BRACKET AS						
Y	11	1	310-3947	1	AIR CLEANER GP						515
Y	12	1	280-4014	1	FILTER GP-FUMES DISPOSAL						329
	13	1	290-7517	1	BRACKET AS						
	13A	1	8T-5912	6	NUT-WELD (3/8-16-THD)						
	14	1	291-3799	1	HOSE						
C	15	1	326-2681	1	HOSE						
	16	1	347-4430	1	ELBOW AS						
		1	151-5145	1	ELBOW						
		1	214-7566	1	SEAL-O-RING						
C	17	1	205-8673	1	HOSE						
C	18	1	2A-4639	4	BOLT (3/8-16X1.625-IN)						
C	19	1	8T-4224	12	WASHER-HARD (8.8X16X2-MM THK)						
	20	1	5K-5068	1	FITTING-PIPE						
	21	1	5M-2894	4	WASHER-HARD (10.2X18.5X2.5-MM THK)						
	22	1	8T-4896	3	WASHER-HARD (10.2X18.5X2.5-MM THK)						
	23	1	8T-9043	2	BOLT (5/16-18X0.875-IN)						
C	24	1	7X-0290	1	BOLT (3/8-16X3.5-IN)						
	25	1	8T-8915	1	BOLT (3/8-16X3.25-IN)						
	26	1	6V-8189	6	NUT (5/16-18-THD)						
	27	1	6V-8801	1	NUT (3/8-16-THD)						
	28	1	8C-3121	4	BOLT (5/16-18X1.5-IN)						
	29	1	5P-2369	2	CLIP						

C-CHANGE FROM PREVIOUS TYPE
I-REFER TO HYDRAULIC INFORMATION SYSTEM
Y-SEPARATE ILLUSTRATION

AIR INLET AND EXHAUST SYSTEM

291-3798 AIR CLEANER GP (contd.)

i04036908



GRAPHIC #1

<END>

g02238118

AIR INLET AND EXHAUST SYSTEM

296-2980 AIR CLEANER GP-CRANKCASE BREATHER

S/N: J2K1-UP; T2P1-1000

CANNOT BE USED WITH CLOSED CRANK CASE VENTILATION ENGINES
AN ATTACHMENT

SMCS-1051, 1054

i03131725

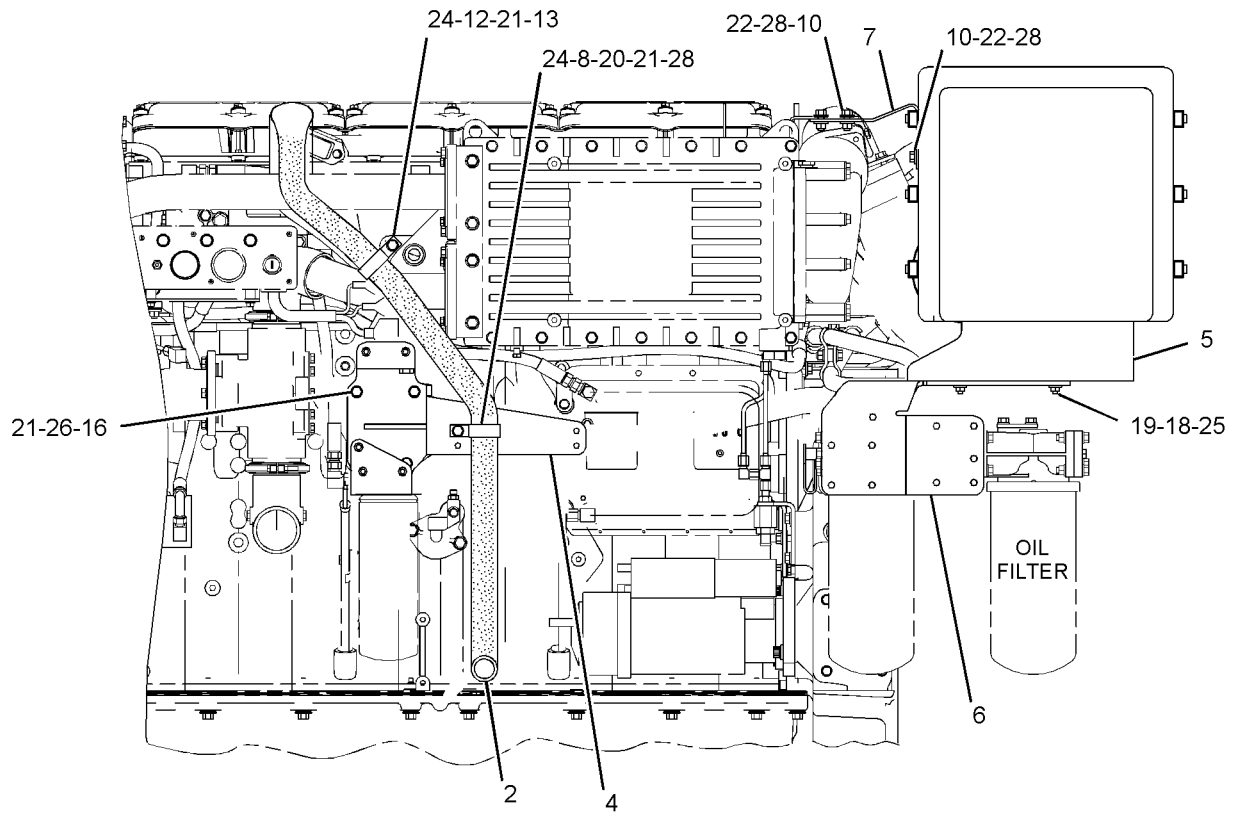
NOTE	REF NO	GRAPHIC REF	PART NUMBER	QTY	PART NAME						SEE PAGE
					1	2	3	4	5	6 (PRODUCT LEVEL)	
	1	1	8T-4988	2	CLAMP-HOSE						
	2	1	243-3843	1	HOSE-DISPOSAL						
Y	3	1	246-2623	1	AIR CLEANER GP						492
	4	1	290-7517	1	BRACKET AS						
		1	8T-5912	6	NUT-WELD (3/8-16-THD)						
	5	1	296-2986	1	BRACKET AS						
	6	1	317-9523	1	BRACKET AS						
	7	1	321-6572	1	BRACE						
	8	1	0S-1590	1	BOLT (3/8-16X2-IN)						
	9	1	0S-1591	1	BOLT (3/8-16X1.5-IN)						
	10	1	0S-1594	4	BOLT (3/8-16X1-IN)						
	11	1	0S-1595	3	BOLT (1/2-13X1.25-IN)						
	12	1	0T-0065	1	BOLT (3/8-16X3.5-IN)						
	13	1	1F-7854	1	SPACER (11.01X19.05X49.21-MM THK)						
	14	1	1F-7958	3	NUT-FULL (1/2-13-THD)						
	15	1	205-8673	1	HOSE						
	16	1	2A-4639	2	BOLT (3/8-16X1.625-IN)						
	17	1	3B-1915	1	BOLT (3/8-16X1.375-IN)						
	18	1	3E-4352	4	WASHER-HARD (8.8X20.5X2.5-MM THK)						
	19	1	4B-3388	2	BOLT (5/16-18X1.125-IN)						
	20	1	4P-4369	1	SPACER (12X19X23.5-MM THK)						
	21	1	5M-2894	7	WASHER-HARD (10.2X18.5X2.5-MM THK)						
	22	1	5P-1075	8	WASHER-HARD (10.2X22.5X3-MM THK)						
	23	1	5P-1076	6	WASHER-HARD (13.5X30X4-MM THK)						
	24	1	5P-2369	2	CLIP						
	25	1	5S-0003	2	NUT (5/16-18-THD)						
	26	1	8D-7209	4	BOSS						
	27	1	9M-0164	1	CLAMP-HOSE						
	28	1	9S-8752	5	NUT-FULL (3/8-16-THD)						

Y-SEPARATE ILLUSTRATION

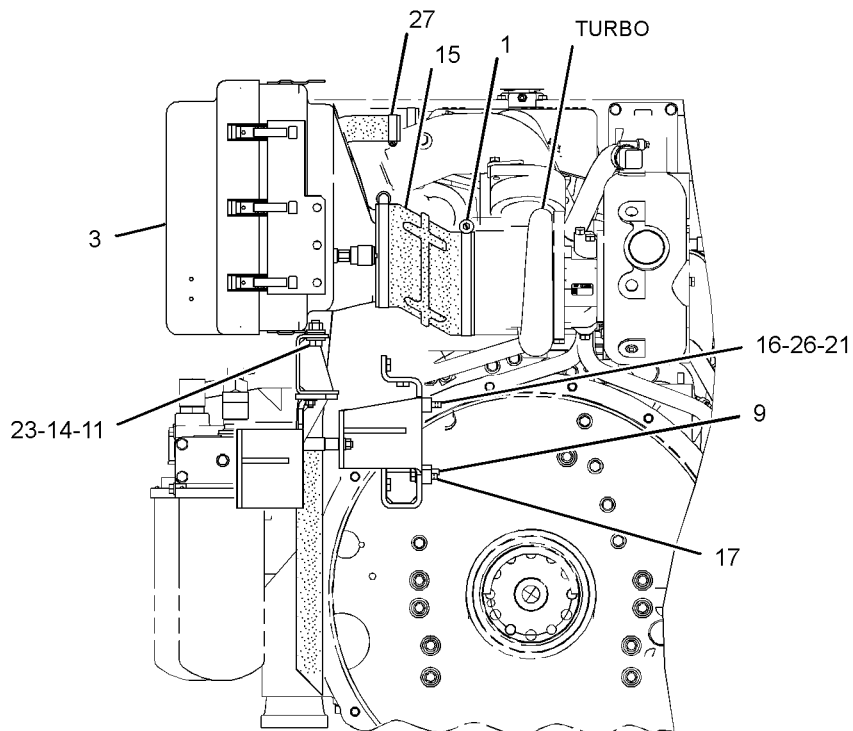
AIR INLET AND EXHAUST SYSTEM

296-2980 AIR CLEANER GP (contd.)

i03131725



LEFT SIDE VIEW OF ENGINE



REAR VIEW OF ENGINE

GRAPHIC #1

<END>

g01625674

AIR INLET AND EXHAUST SYSTEM

296-2980 AIR CLEANER GP-CRANKCASE BREATHER

S/N: J2K1-UP; T2P1001-UP

CANNOT BE USED WITH CLOSED CRANK CASE VENTILATION ENGINES
AN ATTACHMENT

SMCS-1051, 1054

i04036933

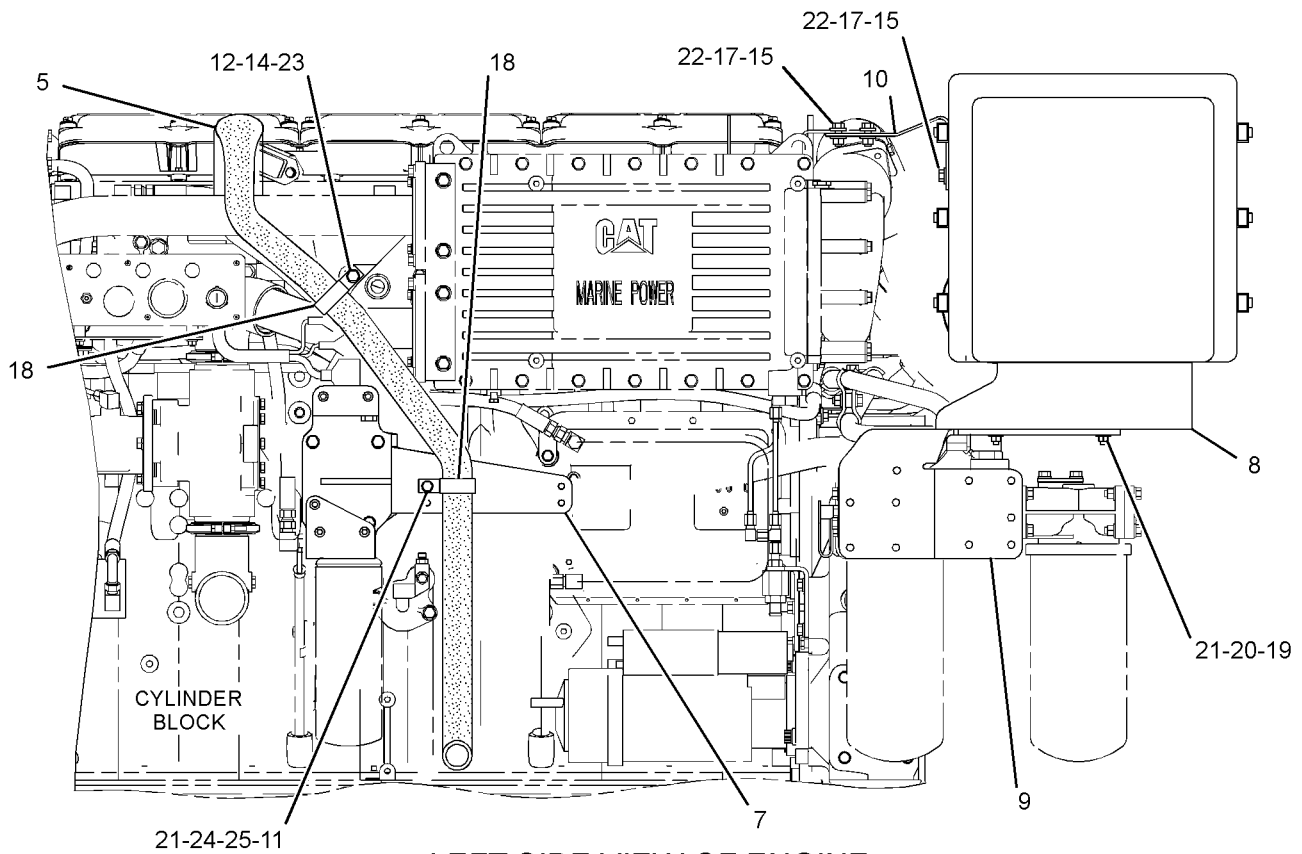
NOTE	REF NO	GRAPHIC REF	PART NUMBER	QTY	PART NAME						SEE PAGE
					1	2	3	4	5	6 (PRODUCT LEVEL)	
	1	1	8D-7209	4	BOSS						
	2	1	8T-4988	2	CLAMP-HOSE						
	3	1	9M-0164	1	CLAMP-HOSE						
	4	1	205-8673	1	HOSE						
	5	1	243-3843	1	HOSE-DISPOSAL						
Y	6	1	246-2623	1	AIR CLEANER GP						492
	7	1	290-7517	1	BRACKET AS						
		1	8T-5912	6	NUT-WELD (3/8-16-THD)						
	8	1	296-2986	1	BRACKET AS						
	9	1	317-9523	1	BRACKET AS						
	10	1	321-6572	1	BRACE						
C	11	1	8T-8911	1	BOLT (5/16-18X2-IN)						
	12	1	1F-7854	1	SPACER (11.01X19.05X49.21-MM THK)						
	13	1	2A-4639	4	BOLT (3/8-16X1.625-IN)						
C	14	1	8T-4896	1	WASHER-HARD (10.2X18.5X2.5-MM THK)						
C	15	1	4L-6454	7	BOLT (3/8-16X1-IN)						
C	16	1	5M-2894	4	WASHER-HARD (10.2X18.5X2.5-MM THK)						
C	17	1	5P-1075	14	WASHER-HARD (10.2X22.5X3-MM THK)						
	18	1	5P-2369	2	CLIP						
C	19	1	5P-4116	4	WASHER-HARD (8.8X20.5X2-MM THK)						
C	20	1	6V-5782	2	BOLT (5/16-18X1.125-IN)						
C	21	1	6V-8189	3	NUT (5/16-18-THD)						
C	22	1	6V-8801	7	NUT (3/8-16-THD)						
C	23	1	7X-0290	1	BOLT (3/8-16X3.5-IN)						
C	24	1	7C-6921	1	SPACER (11X20X22.8-MM THK)						
C	25	1	8T-4224	2	WASHER-HARD (8.8X16X2-MM THK)						

C-CHANGE FROM PREVIOUS TYPE
Y-SEPARATE ILLUSTRATION

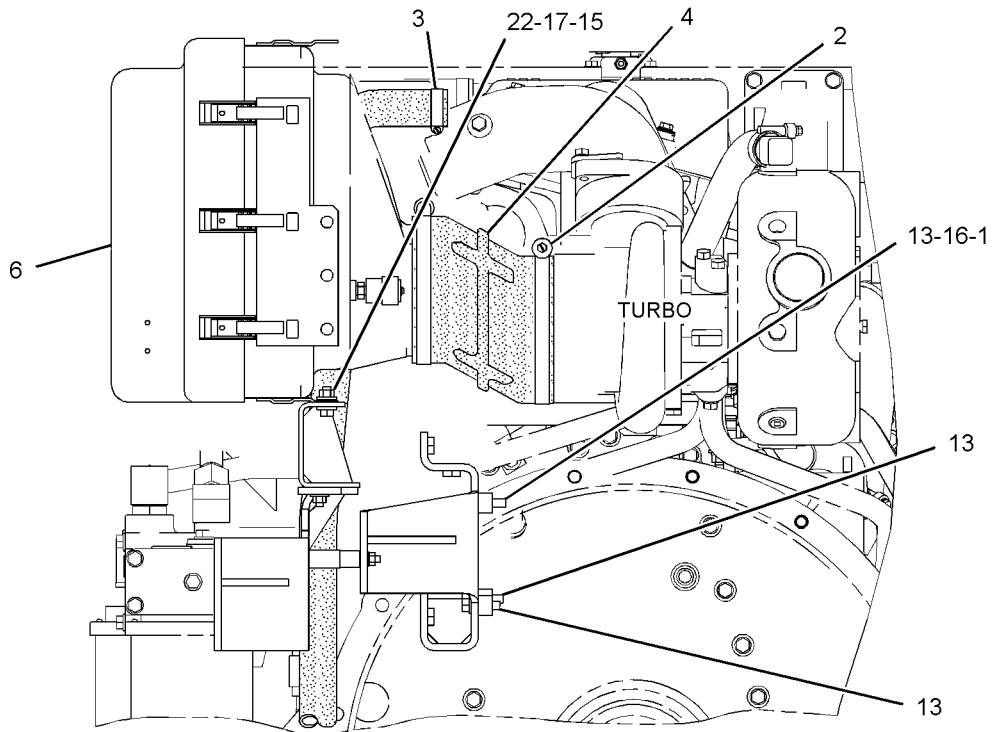
AIR INLET AND EXHAUST SYSTEM

296-2980 AIR CLEANER GP (contd.)

i04036933



LEFT SIDE VIEW OF ENGINE



REAR VIEW OF ENGINE

GRAPHIC #1

<END>

g02238259

AIR INLET AND EXHAUST SYSTEM

296-2982 AIR CLEANER GP-CRANKCASE BREATHER

S/N: J2K1-UP; T2P1-1000

AN ATTACHMENT

SMCS-1051, 1054

i03131775

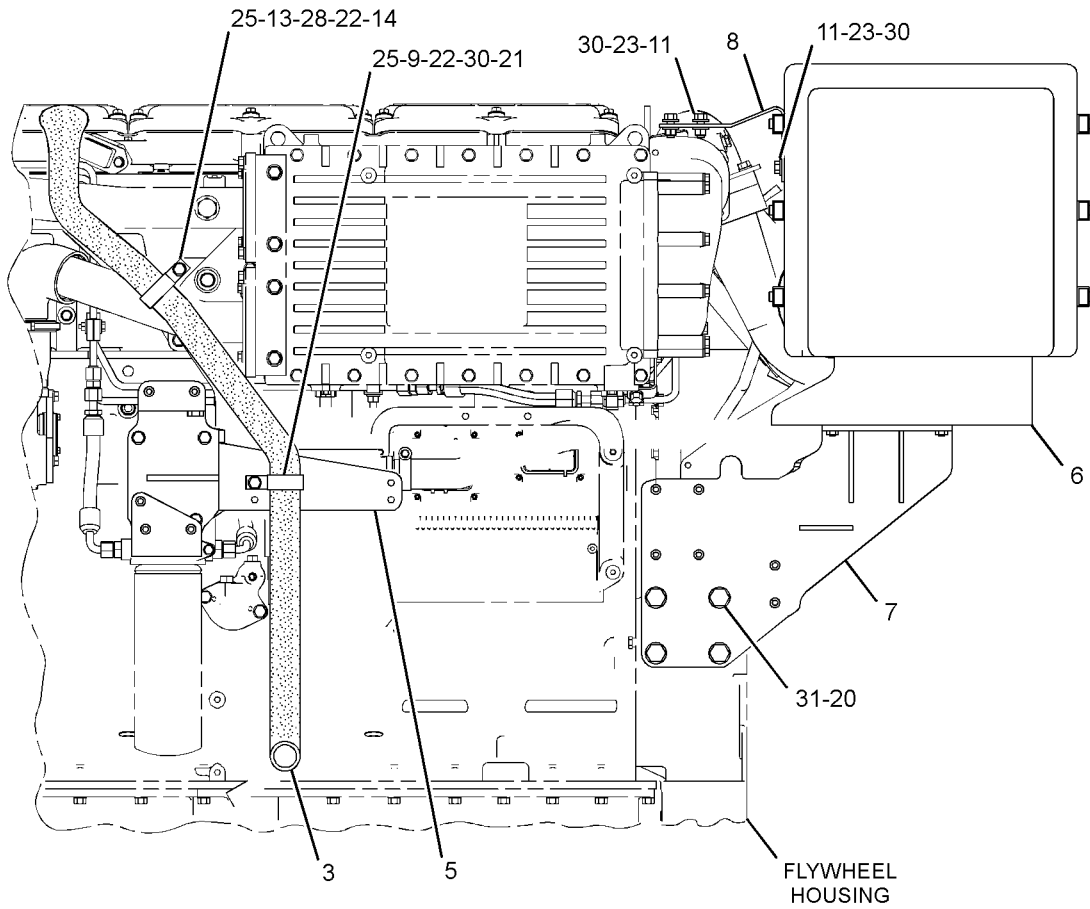
NOTE	REF NO	GRAPHIC REF	PART NUMBER	QTY	PART NAME						SEE PAGE
					1	2	3	4	5	6 (PRODUCT LEVEL)	
	1	1	8T-4988	2	CLAMP-HOSE						
	2	1	142-5991	4	SPACER (16.5X40X30-MM THK)						
	3	1	243-3843	1	HOSE-DISPOSAL						
Y	4	1	246-2623	1	AIR CLEANER GP						492
	5	1	290-7517	1	BRACKET AS						
		1	8T-5912	6	NUT-WELD (3/8-16-THD)						
	6	1	296-2986	1	BRACKET AS						
	7	1	305-3332	1	BRACKET AS						
		1	1F-0750	6	NUT-WELD (3/8-16-THD)						
		1	4K-9097	2	NUT-WELD (5/16-18-THD)						
	8	1	321-6572	1	BRACE						
	9	1	0S-1590	1	BOLT (3/8-16X2-IN)						
	10	1	0S-1591	1	BOLT (3/8-16X1.5-IN)						
	11	1	0S-1594	4	BOLT (3/8-16X1-IN)						
	12	1	0S-1595	3	BOLT (1/2-13X1.25-IN)						
	13	1	0T-0065	1	BOLT (3/8-16X3.5-IN)						
	14	1	1F-7854	1	SPACER (11.01X19.05X49.21-MM THK)						
	15	1	1F-7958	3	NUT-FULL (1/2-13-THD)						
	16	1	205-8673	1	HOSE						
	17	1	2A-4639	2	BOLT (3/8-16X1.625-IN)						
	18	1	2B-2695	2	BOLT (5/16-18X0.875-IN)						
	19	1	3B-1915	1	BOLT (3/8-16X1.375-IN)						
	20	1	4D-3704	4	WASHER-HARD (17X30X5-MM THK)						
	21	1	4P-4369	1	SPACER (12X19X23.5-MM THK)						
	22	1	5M-2894	7	WASHER-HARD (10.2X18.5X2.5-MM THK)						
	23	1	5P-1075	8	WASHER-HARD (10.2X22.5X3-MM THK)						
	24	1	5P-1076	6	WASHER-HARD (13.5X30X4-MM THK)						
	25	1	5P-2369	2	CLIP						
	26	1	5P-4116	2	WASHER-HARD (8.8X20.5X2-MM THK)						
	27	1	8D-7209	4	BOSS						
	28	1	8T-4896	1	WASHER-HARD (10.2X18.5X2.5-MM THK)						
	29	1	9M-0164	1	CLAMP-HOSE						
	30	1	9S-8752	5	NUT-FULL (3/8-16-THD)						
	31	1	9X-8883	4	BOLT (5/8-11X2.75-IN)						

Y-SEPARATE ILLUSTRATION

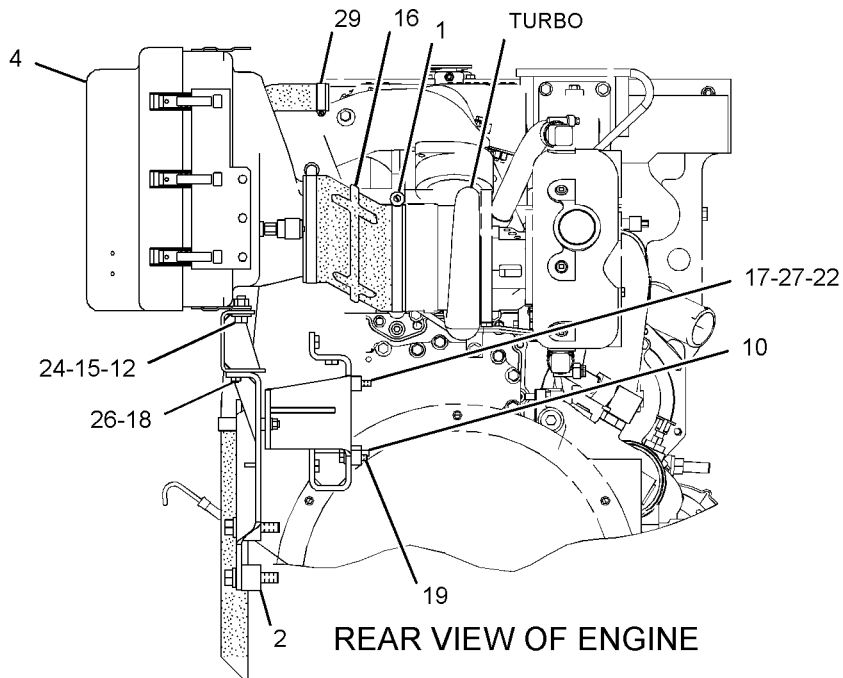
AIR INLET AND EXHAUST SYSTEM

296-2982 AIR CLEANER GP (contd.)

i03131775



LEFT SIDE VIEW OF ENGINE



REAR VIEW OF ENGINE

GRAPHIC #1

<END>

g01626119

AIR INLET AND EXHAUST SYSTEM

296-2982 AIR CLEANER GP-CRANKCASE BREATHER

S/N: J2K1-UP; T2P1001-UP

AN ATTACHMENT

SMCS-1051, 1054

i04036834

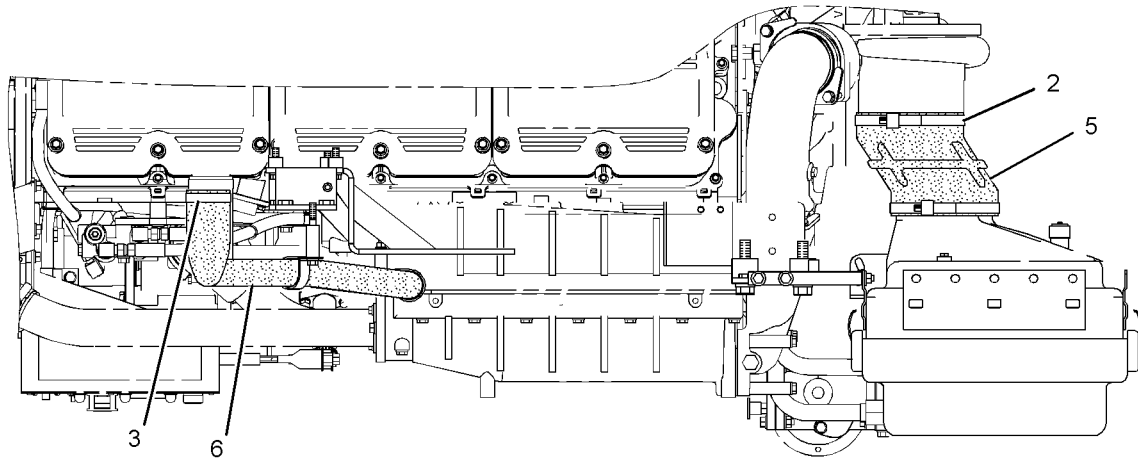
NOTE	REF NO	GRAPHIC REF	PART NUMBER	QTY	PART NAME						SEE PAGE
					1	2	3	4	5	6 (PRODUCT LEVEL)	
	1	1	8D-7209	4	BOSS						
	2	1	8T-4988	2	CLAMP-HOSE						
	3	1	9M-0164	1	CLAMP-HOSE						
	4	2	142-5991	4	SPACER (16.5X40X30-MM THK)						
	5	1	205-8673	1	HOSE						
	6	1	243-3843	1	HOSE-DISPOSAL						
Y	7	2	246-2623	1	AIR CLEANER GP						492
	8	1	290-7517	1	BRACKET AS						
	8A	1	8T-5912	6	NUT-WELD (3/8-16-THD)						
	9	1	296-2986	1	BRACKET AS						
	10	1	305-3332	1	BRACKET AS						
		1	1F-0750	6	NUT-WELD (3/8-16-THD)						
		1	4K-9097	2	NUT-WELD (5/16-18-THD)						
	11	1	321-6572	1	BRACE						
C	12	2	8T-9043	2	BOLT (5/16-18X0.875-IN)						
	13	1	1F-7854	1	SPACER (11.01X19.05X49.21-MM THK)						
	14	1,2	2A-4639	4	BOLT (3/8-16X1.625-IN)						
	15	1	9X-8883	4	BOLT (5/8-11X2.75-IN)						
	16	1	4D-3704	4	WASHER-HARD (17X30X5-MM THK)						
C	17	1,2	4L-6454	7	BOLT (3/8-16X1-IN)						
C	18	1	5M-2894	4	WASHER-HARD (10.2X18.5X2.5-MM THK)						
C	19	1,2	5P-1075	14	WASHER-HARD (10.2X22.5X3-MM THK)						
	20	1	5P-2369	2	CLIP						
	21	2	5P-4116	2	WASHER-HARD (8.8X20.5X2-MM THK)						
C	22	1	6V-8189	1	NUT (5/16-18-THD)						
C	23	1,2	6V-8801	7	NUT (3/8-16-THD)						
C	24	1	7X-0290	1	BOLT (3/8-16X3.5-IN)						
C	25	1	7C-6921	1	SPACER (11X20X22.8-MM THK)						
C	26	1	8T-4224	2	WASHER-HARD (8.8X16X2-MM THK)						
	27	1	8T-4896	1	WASHER-HARD (10.2X18.5X2.5-MM THK)						
C	28	1	8T-8911	1	BOLT (5/16-18X2-IN)						

C-CHANGE FROM PREVIOUS TYPE
Y-SEPARATE ILLUSTRATION

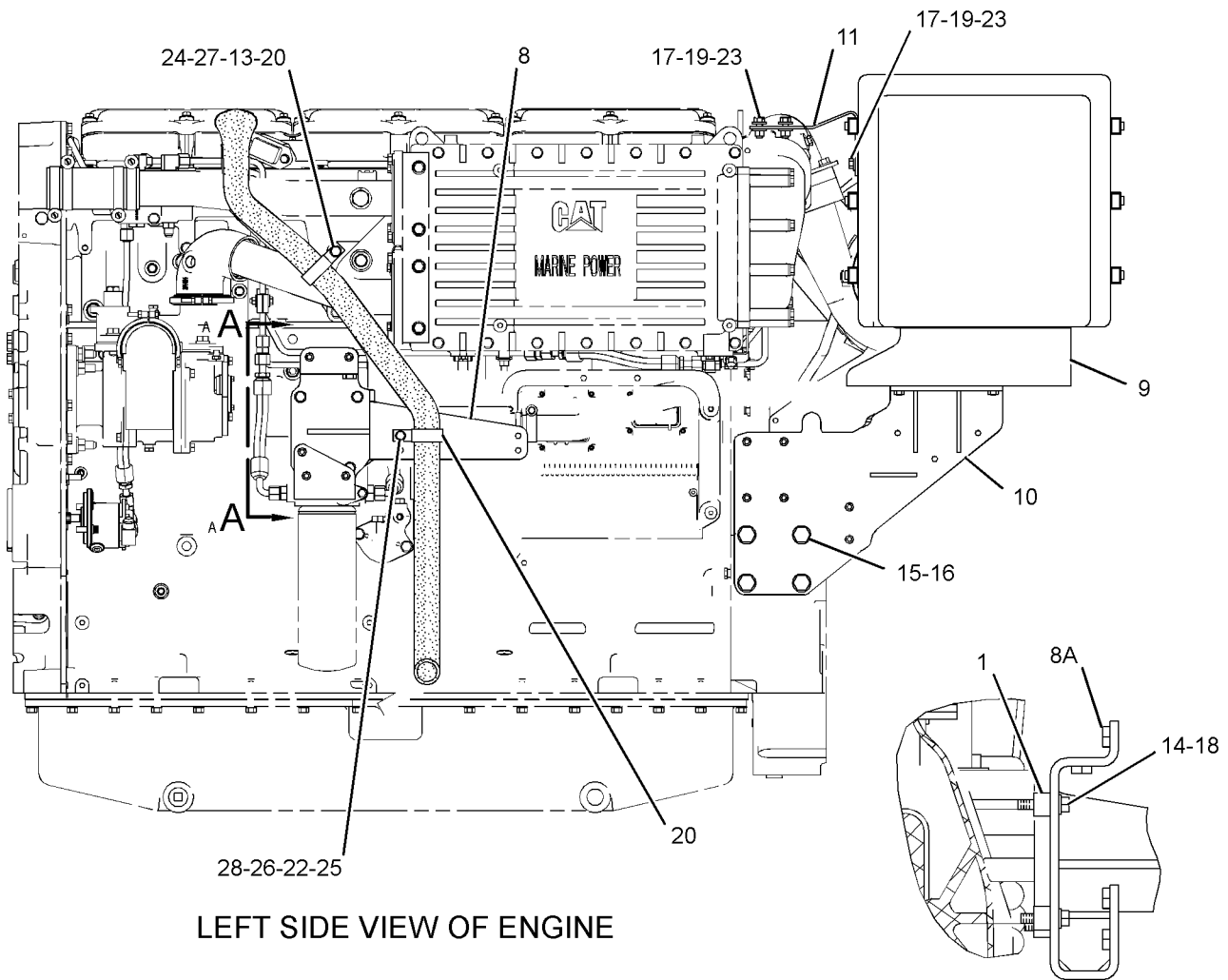
AIR INLET AND EXHAUST SYSTEM

296-2982 AIR CLEANER GP (contd.)

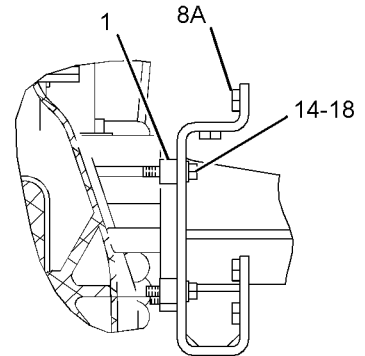
i04036834



TOP VIEW OF ENGINE



LEFT SIDE VIEW OF ENGINE



VIEW A-A

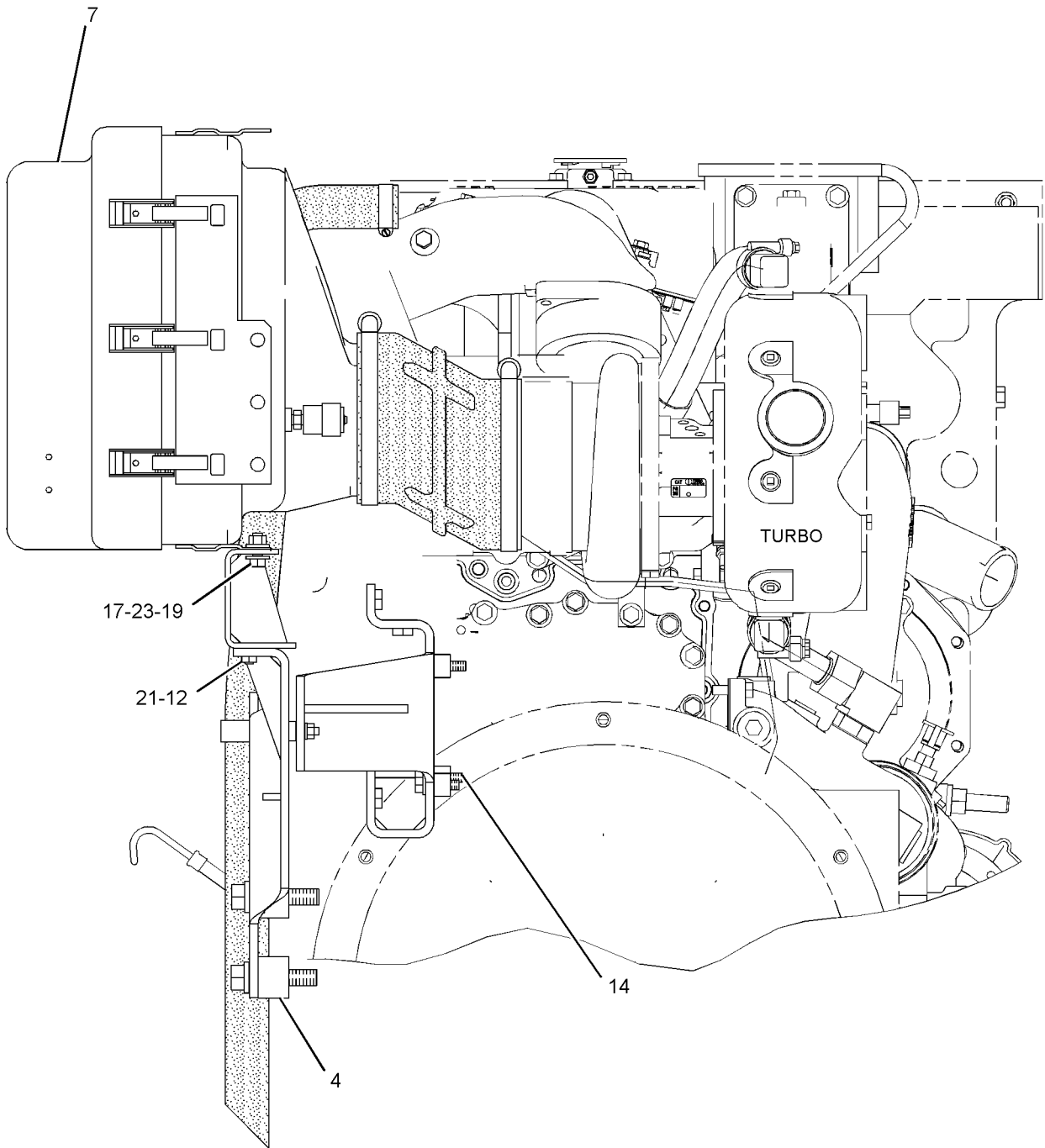
GRAPHIC #1

g02238294

AIR INLET AND EXHAUST SYSTEM

296-2982 AIR CLEANER GP (contd.)

i04036834



REAR VIEW OF ENGINE

GRAPHIC #2

<END>

g02238296

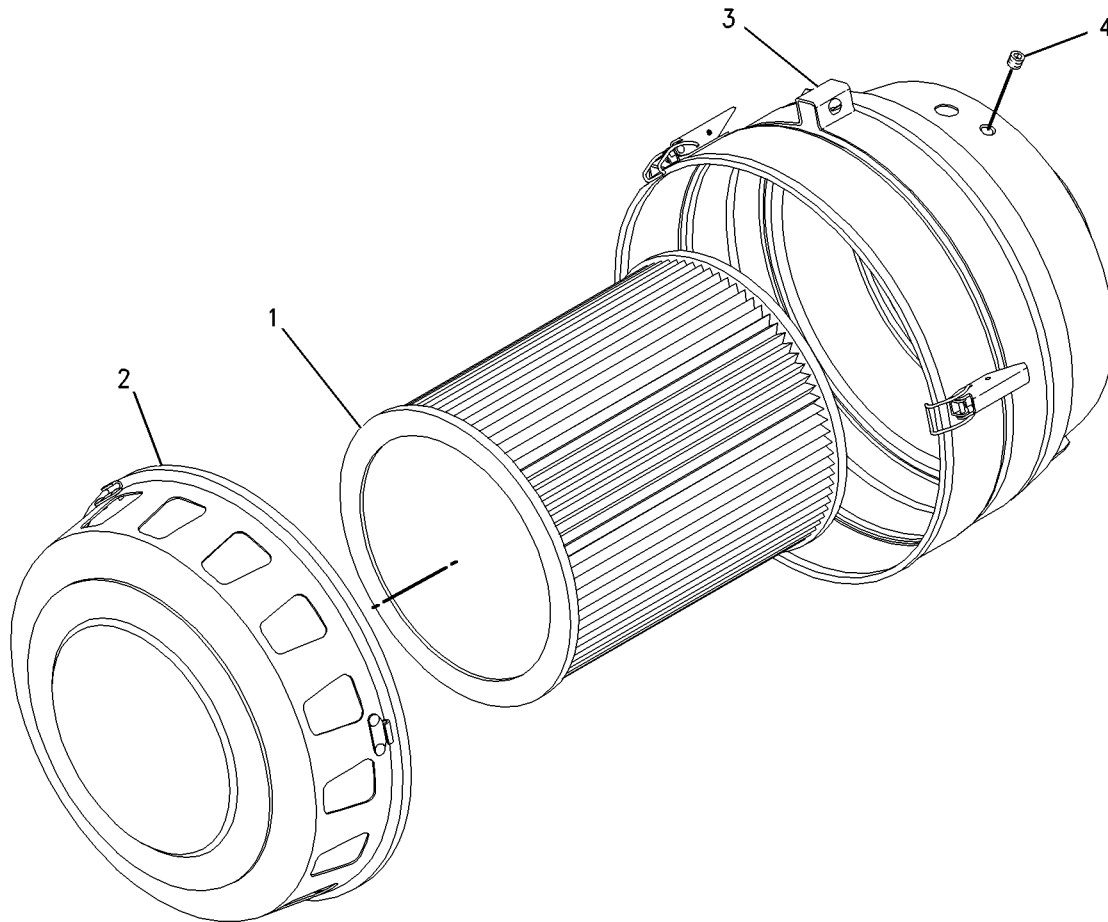
AIR INLET AND EXHAUST SYSTEM

308-9316 AIR CLEANER GP FIELD INSTALLATION

SMCS-1051, 1054

i04041746

NOTE	REF NO	GRAPHIC REF	PART NUMBER	QTY	PART NAME						SEE PAGE
					1	2	3	4	5	6 (PRODUCT LEVEL)	
	1	1	177-7375	1	FILTER ELEMENT-AIR (PRIMARY)						
	2	1	178-0184	1	COVER						
	3	1	190-4182	1	CLAMP-BAND						
	4	1	9F-2247	2	PLUG-PIPE						



GRAPHIC #1

<END>

g00780309

AIR INLET AND EXHAUST SYSTEM

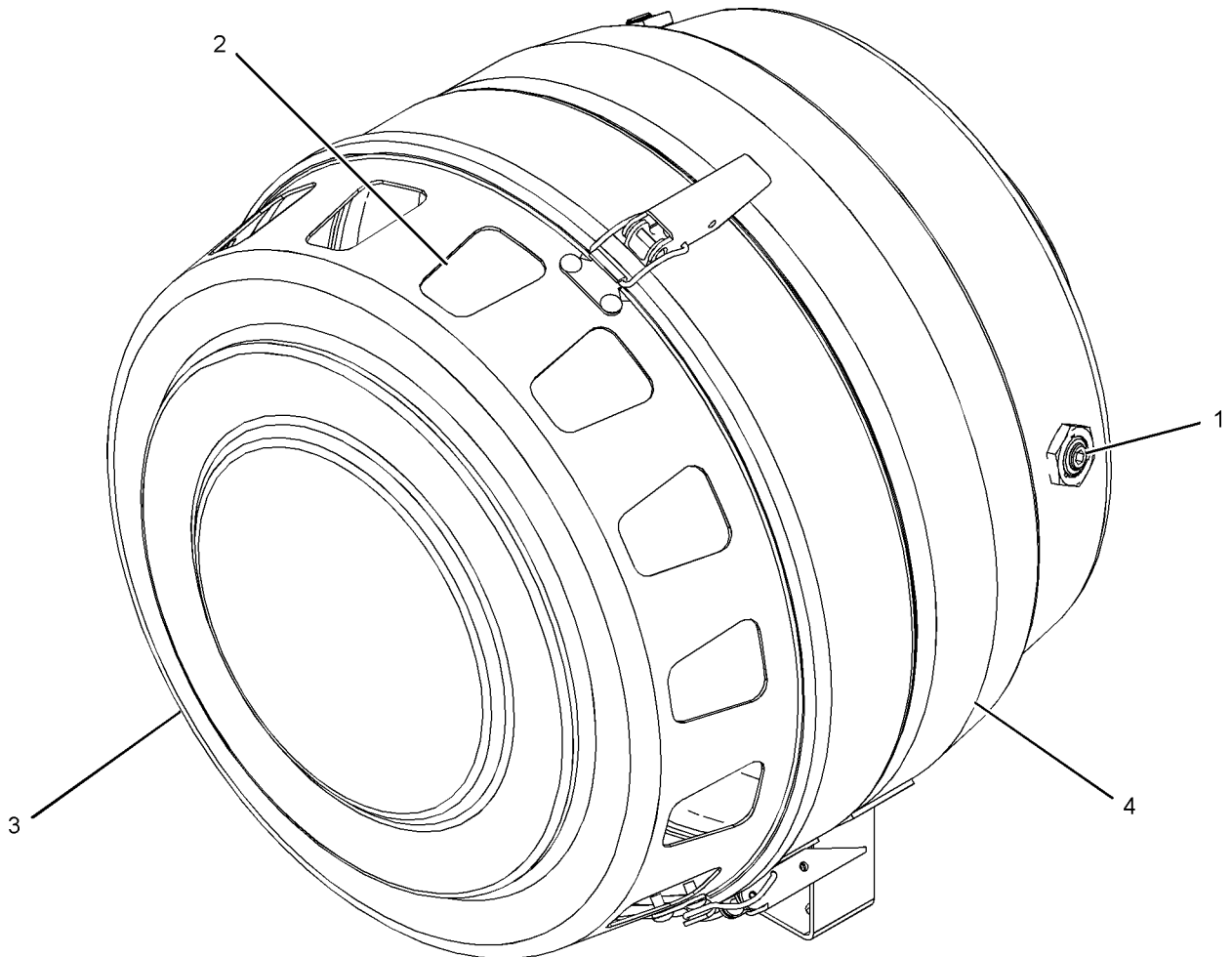
310-3947 AIR CLEANER GP

PART OF 201-1270, 205-9196, 291-3797, 291-3798 AIR CLEANER GP
 FIELD REPLACEMENT ORDER 308-9316—PAGE 514
 AN ATTACHMENT

SMCS-1051, 1054

i02799132

NOTE	REF NO	GRAPHIC REF	PART NUMBER	QTY	PART NAME						SEE PAGE
					1	2	3	4	5	6 (PRODUCT LEVEL)	
	1	1	9F-2247	2	PLUG-PIPE						
	2	1	177-7375	1	FILTER ELEMENT-AIR (PRIMARY)						
	3	1	178-0184	1	COVER						
	4	1	190-4182	1	CLAMP-BAND						



GRAPHIC #1

<END>

g01402481

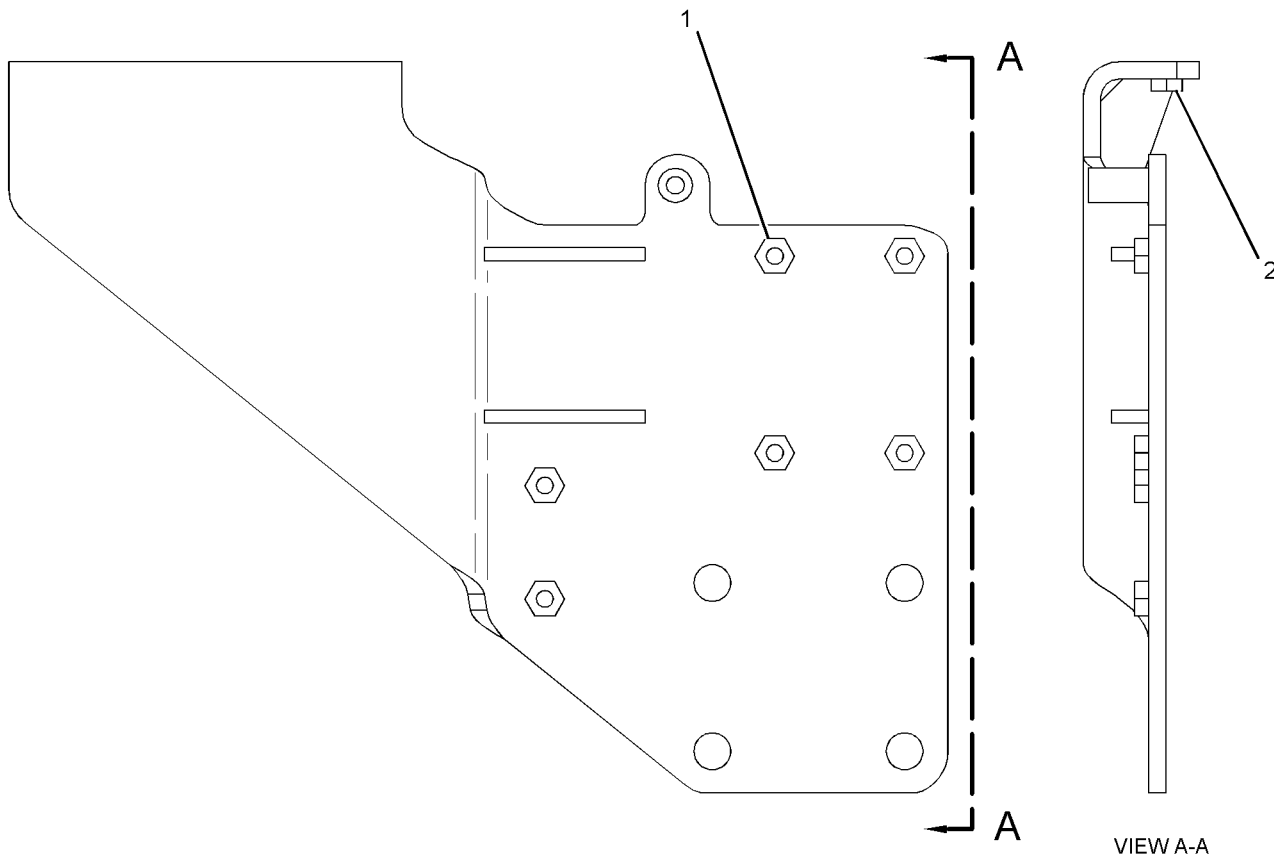
AIR INLET AND EXHAUST SYSTEM

305-3332 BRACKET AS-AIR CLEANER AN ATTACHMENT

SMCS-1052

i02696827

NOTE	REF NO	GRAPHIC REF	PART NUMBER	QTY	PART NAME						SEE PAGE
					1	2	3	4	5	6 (PRODUCT LEVEL)	
	1	1	1F-0750	6	NUT-WELD (3/8-16-THD)						
	2	1	4K-9097	2	NUT-WELD (5/16-18-THD)						



GRAPHIC #1

<END>

g01354015

AIR INLET AND EXHAUST SYSTEM

6N-4432 ELBOW GP-EXHAUST

203-MM (8-IN)

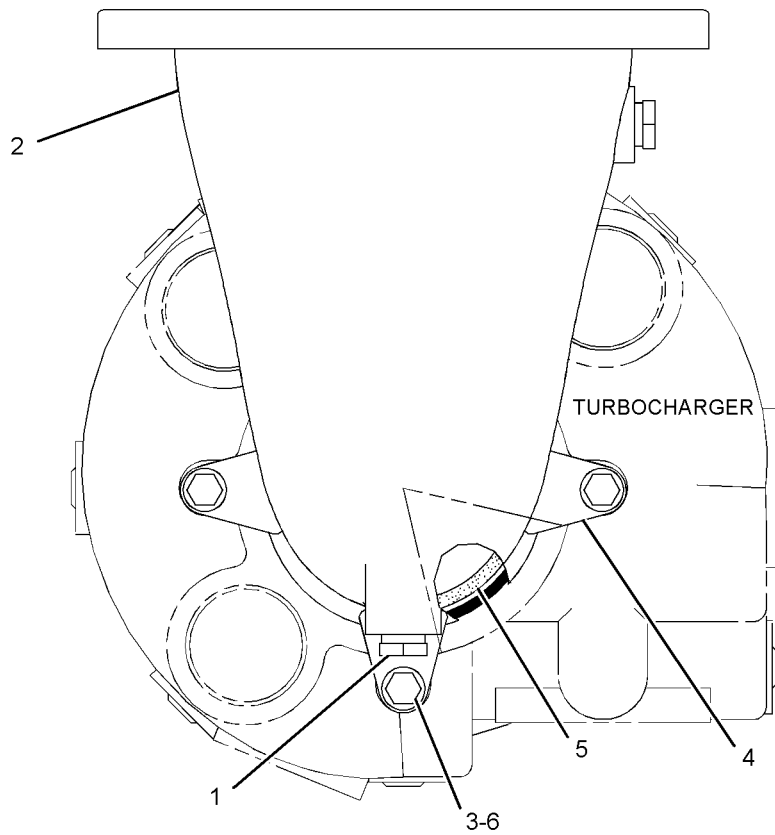
FOR USE WITH DIT ENGINE RATED AT 1800 OR 2100 RPM, OR DITA ENGINE RATED AT
1200 RPM

AN ATTACHMENT

SMCS-1061

i02729074

NOTE	REF NO	GRAPHIC REF	PART NUMBER	QTY	PART NAME						SEE PAGE
					1	2	3	4	5	6 (PRODUCT LEVEL)	
	1	1	3J-5389	2	PLUG						
	2	1	4N-4352	1	ELBOW-EXHAUST						
	3	1	0S-1594	4	BOLT (3/8-16X1-IN)						
	4	1	6N-0561	4	CLIP						
	5	1	255-6863	1	GASKET						
	6	1	8M-9124	4	WASHER (10X22.5X8-MM THK)						



RIGHT SIDE VIEW

GRAPHIC #1

<END>

g01185043

AIR INLET AND EXHAUST SYSTEM

6N-6093 ELBOW GP-EXHAUST

152-MM (6-INCH)

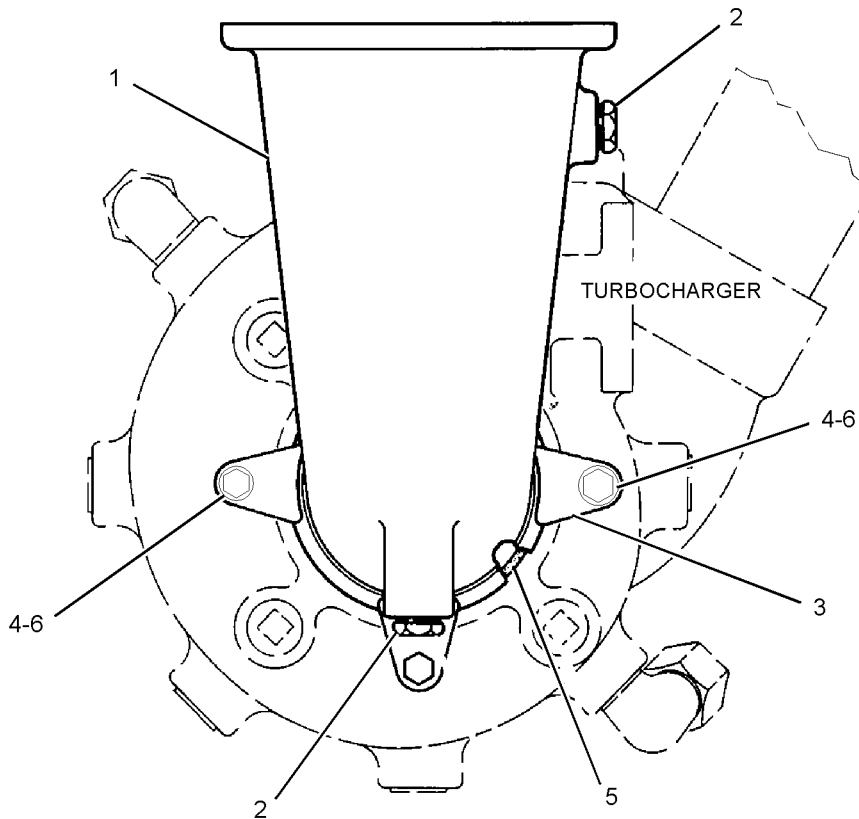
CANNOT BE USED WITH EXHAUST RESTRICTOR, 128-4113—PAGE 519
AN ATTACHMENT

SMCS-1061

i02342324

NOTE	REF NO	GRAPHIC REF	PART NUMBER	QTY	PART NAME						SEE PAGE
					1	2	3	4	5	6 (PRODUCT LEVEL)	
	1	1	4N-4967	1	ELBOW-EXHAUST						
	2	1	3J-5389	2	PLUG						
	3	1	6N-0561	4	CLIP						
C	4	1	0S-1594	4	BOLT (3/8-16X1-IN)						
C	5	1	255-6863	1	GASKET						
C	6	1	8M-9124	4	WASHER (10X22.5X8-MM THK)						

C-CHANGE FROM PREVIOUS TYPE



GRAPHIC #1

<END>

g01168946

AIR INLET AND EXHAUST SYSTEM

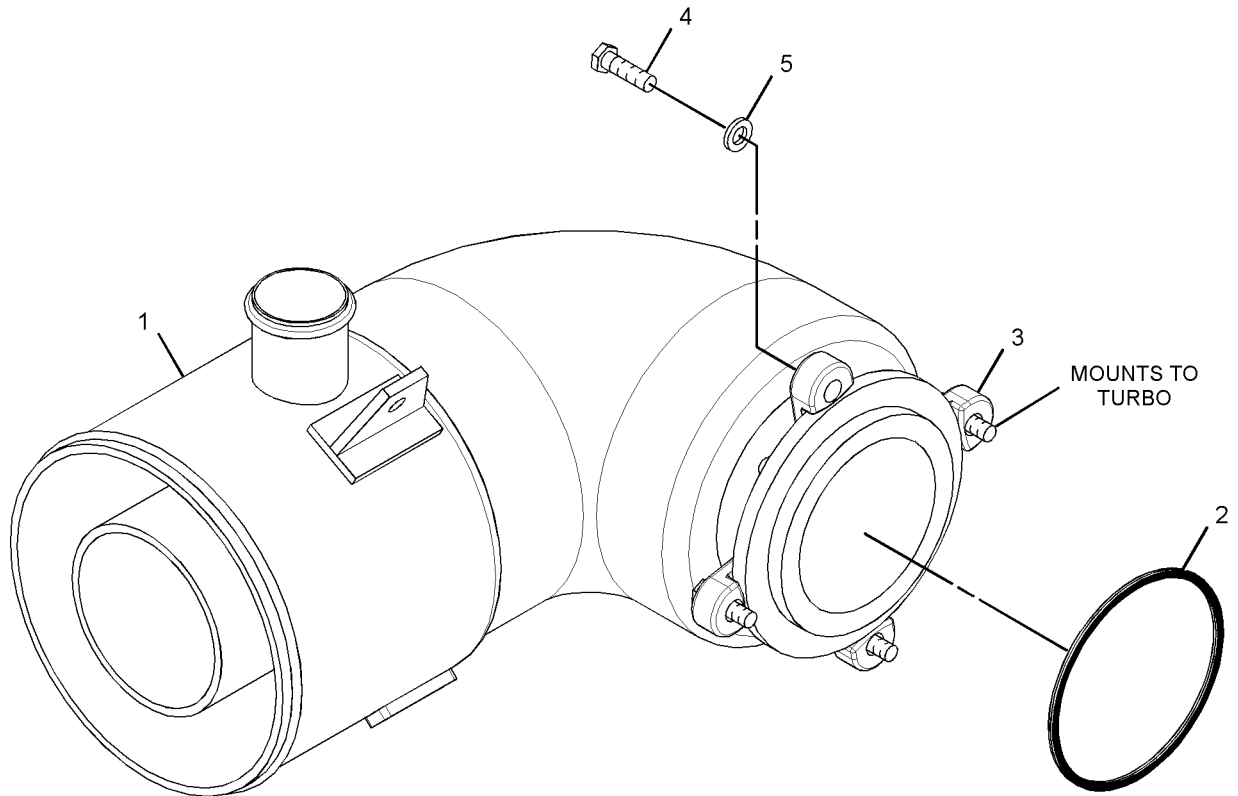
128-4113 ELBOW GP-EXHAUST

WATERCOOLED, 8-INCH. O.D.
AN ATTACHMENT

SMCS-1061

i02755943

NOTE	REF NO	GRAPHIC REF	PART NUMBER	QTY	PART NAME						SEE PAGE
					1	2	3	4	5	6 (PRODUCT LEVEL)	
	1	1	128-4114	1	ELBOW AS-EXHAUST						
		1	129-1667	2	PLUG-PIPE						
	2	1	255-6863	1	GASKET						
	3	1	129-1666	4	CLIP						
	4	1	3H-6622	4	BOLT (3/8-16X1.25-IN)						
	5	1	110-8314	4	WASHER (10.3X18.3X2.66-MM THK)						



GRAPHIC #1

<END>

g01394174

AIR INLET AND EXHAUST SYSTEM

210-6947 ELBOW GP-EXHAUST

6 IN OD. PROVIDES WATER COOLED REAR AND SIDE EXHAUST RISER
AN ATTACHMENT

SMCS-1061

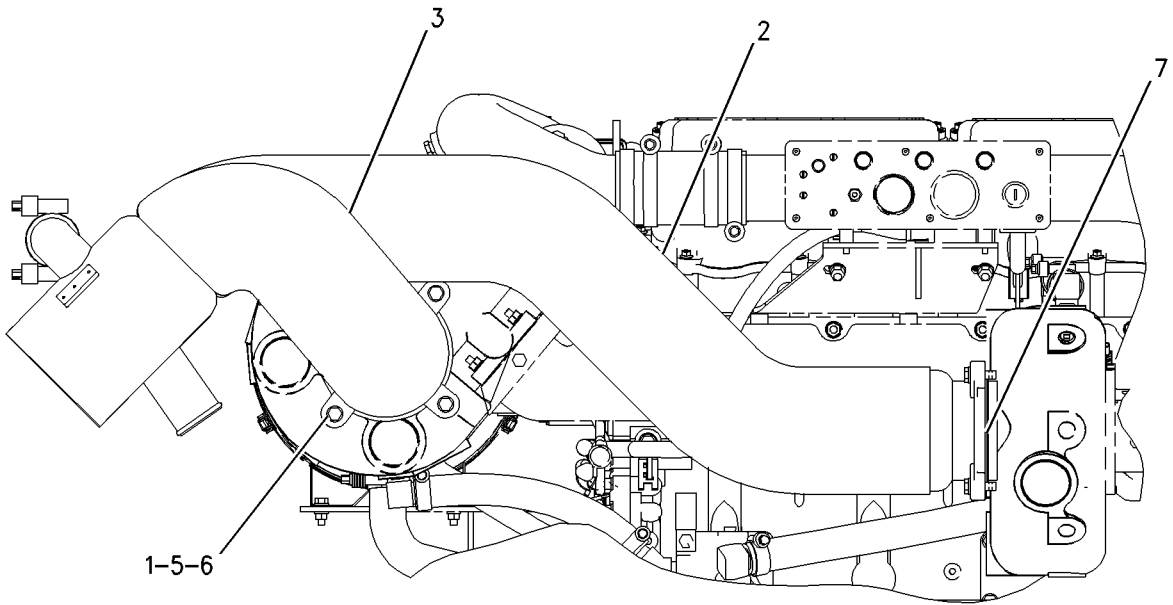
i02346454

NOTE	REF NO	GRAPHIC REF	PART NUMBER	QTY	PART NAME	SEE PAGE
					1 2 3 4 5 6 (PRODUCT LEVEL)	
	1	1	110-8314	8	WASHER (10.3X18.3X2.66-MM THK)	
	2	1	210-6949	1	ELBOW GP-EXHAUST	
		1	129-1667	2	PLUG-PIPE	
	3	1	225-0071	1	ELBOW GP-EXHAUST	
		1	129-1667	2	PLUG-PIPE	
	4	1	235-2384	1	HOSE	
	5	1	129-1666	8	CLIP	
	6	1	3H-6622	8	BOLT (3/8-16X1.25-IN)	
	7	1	255-6863	2	GASKET	
	8	1	8T-4984	4	CLAMP-HOSE	

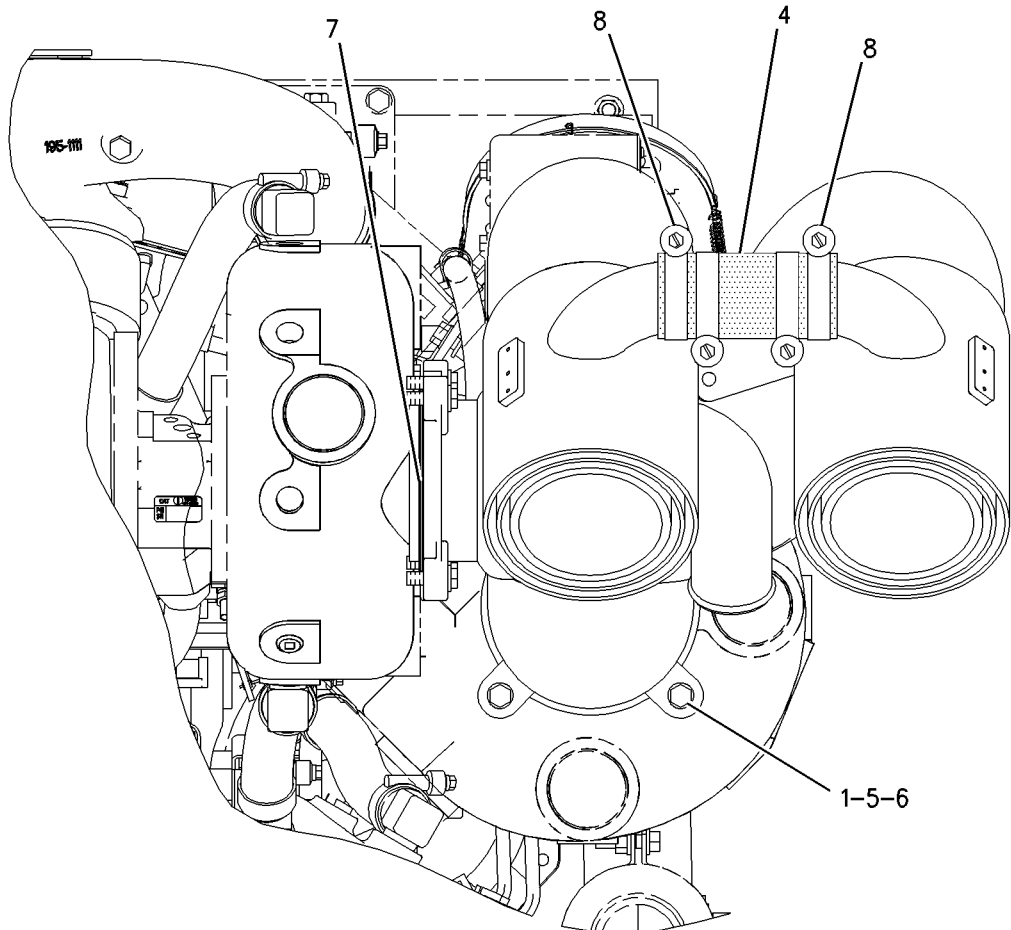
AIR INLET AND EXHAUST SYSTEM

210-6947 ELBOW GP-EXHAUST (contd.)

i02346454



RIGHT SIDE VIEW



REAR VIEW

GRAPHIC #1

<END>

g00987316

AIR INLET AND EXHAUST SYSTEM

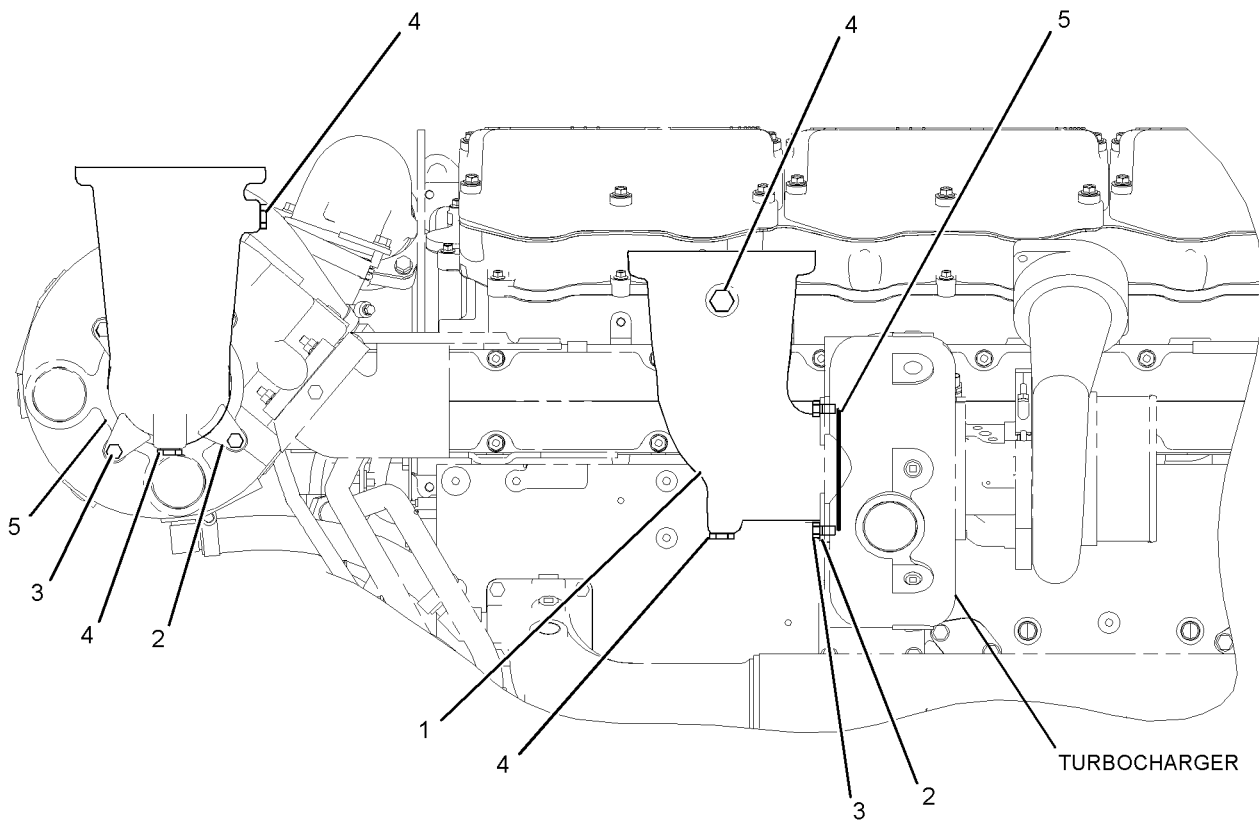
243-3764 ELBOW GP-EXHAUST

RH SERVICE ENGINES
FOR USE WITH 235-4609-PAGE 987
AN ATTACHMENT
TYPE 1

SMCS-1061

i01981932

NOTE	REF NO	GRAPHIC REF	PART NUMBER	QTY	PART NAME						SEE PAGE
					1	2	3	4	5	6 (PRODUCT LEVEL)	
	1	1	4N-4967	2	ELBOW-EXHAUST						
	2	1	6N-0561	8	CLIP						
	3	1	0T-0102	8	BOLT (3/8-16X0.625-IN)						
	4	1	3J-5389	4	PLUG (1/2-14 NPTF THD)						
	5	1	4N-3955	2	GASKET						



LEFT SIDE VIEW

<END>

GRAPHIC #1

g01028118

AIR INLET AND EXHAUST SYSTEM

243-3764 ELBOW GP-EXHAUST

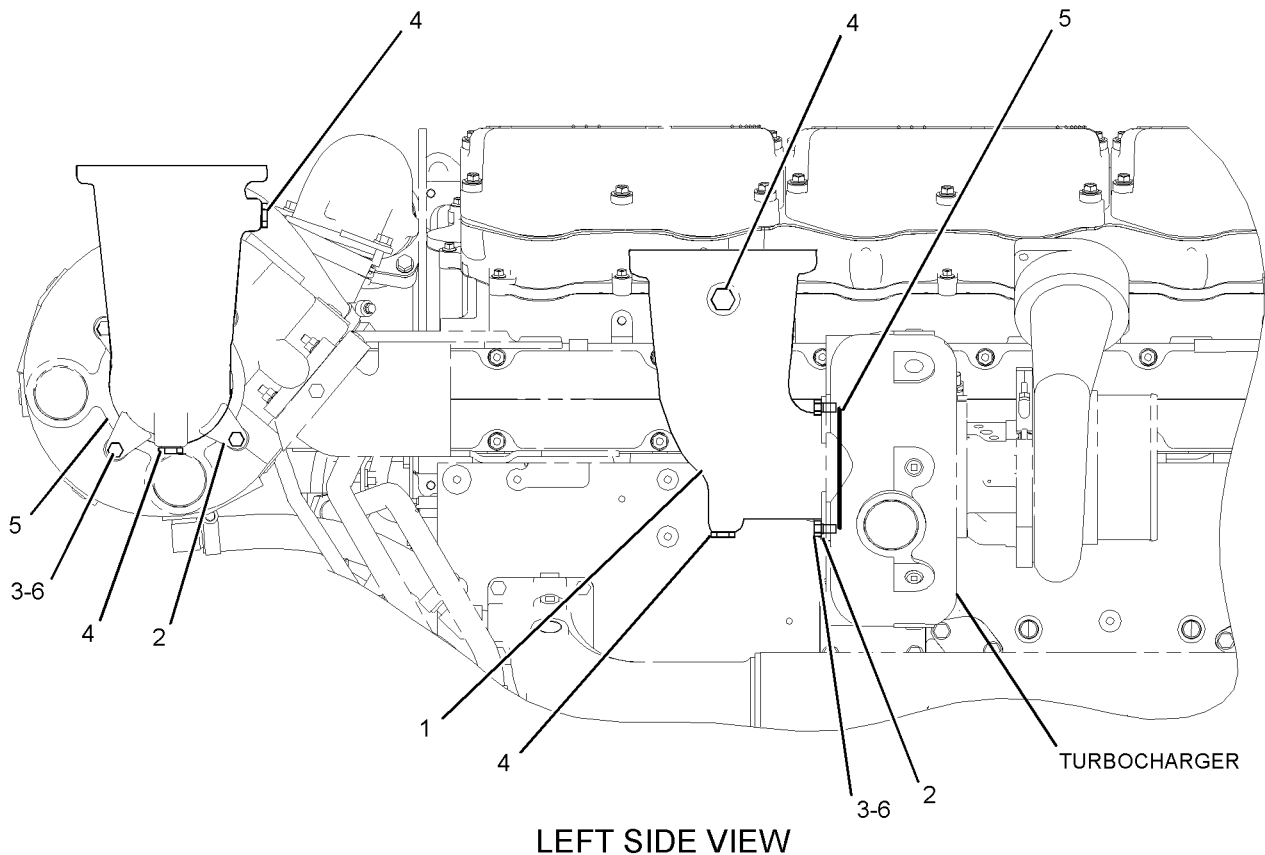
RH SERVICE ENGINES
FOR USE WITH 235-4609-PAGE 987
AN ATTACHMENT
TYPE 2

SMCS-1061

i02559038

NOTE	REF NO	GRAPHIC REF	PART NUMBER	QTY	PART NAME						SEE PAGE
					1	2	3	4	5	6 (PRODUCT LEVEL)	
	1	1	4N-4967	2	ELBOW-EXHAUST						
	2	1	6N-0561	8	CLIP						
C	3	1	0S-1594	8	BOLT (3/8-16X1-IN)						
	4	1	3J-5389	4	PLUG (1/2-14 NPTF THD)						
C	5	1	255-6863	2	GASKET						
C	6	1	8M-9124	8	WASHER (10X22.5X8-MM THK)						

C-CHANGE FROM PREVIOUS TYPE



LEFT SIDE VIEW

GRAPHIC #1

<END>

g01187756

AIR INLET AND EXHAUST SYSTEM

243-3807 FASTENER GP-AIR CLEANER

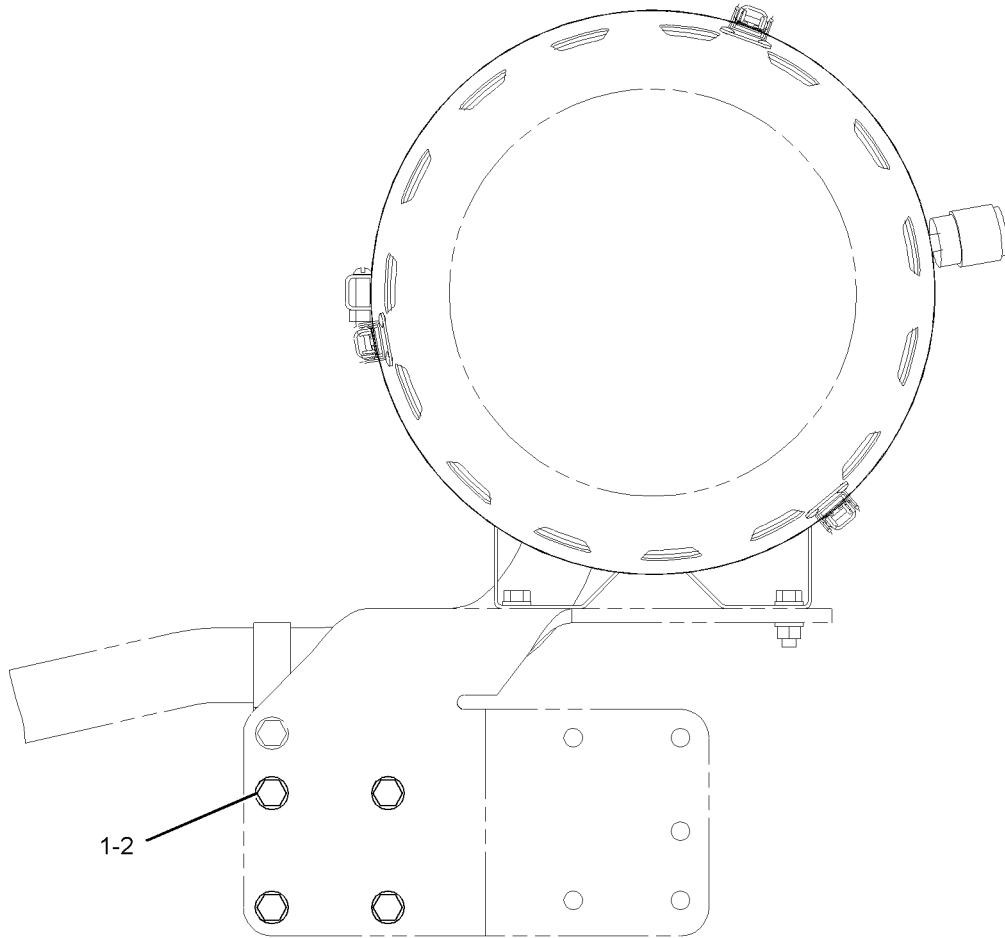
LH AND RH SERVICE

CANNOT BE USED WITH 243-3377-PAGE 257
AN ATTACHMENT

SMCS-1051

i01990271

NOTE	REF NO	GRAPHIC REF	PART NUMBER	QTY	PART NAME						SEE PAGE
					1	2	3	4	5	6 (PRODUCT LEVEL)	
	1	1	0S-1594	4	BOLT (3/8-16X1 IN)						
	2	1	5M-2894	4	WASHER-HARD (10.2X18.5X2.5MM THK)						



LEFT SIDE VIEW

<END>

GRAPHIC #1

g01031165

AIR INLET AND EXHAUST SYSTEM

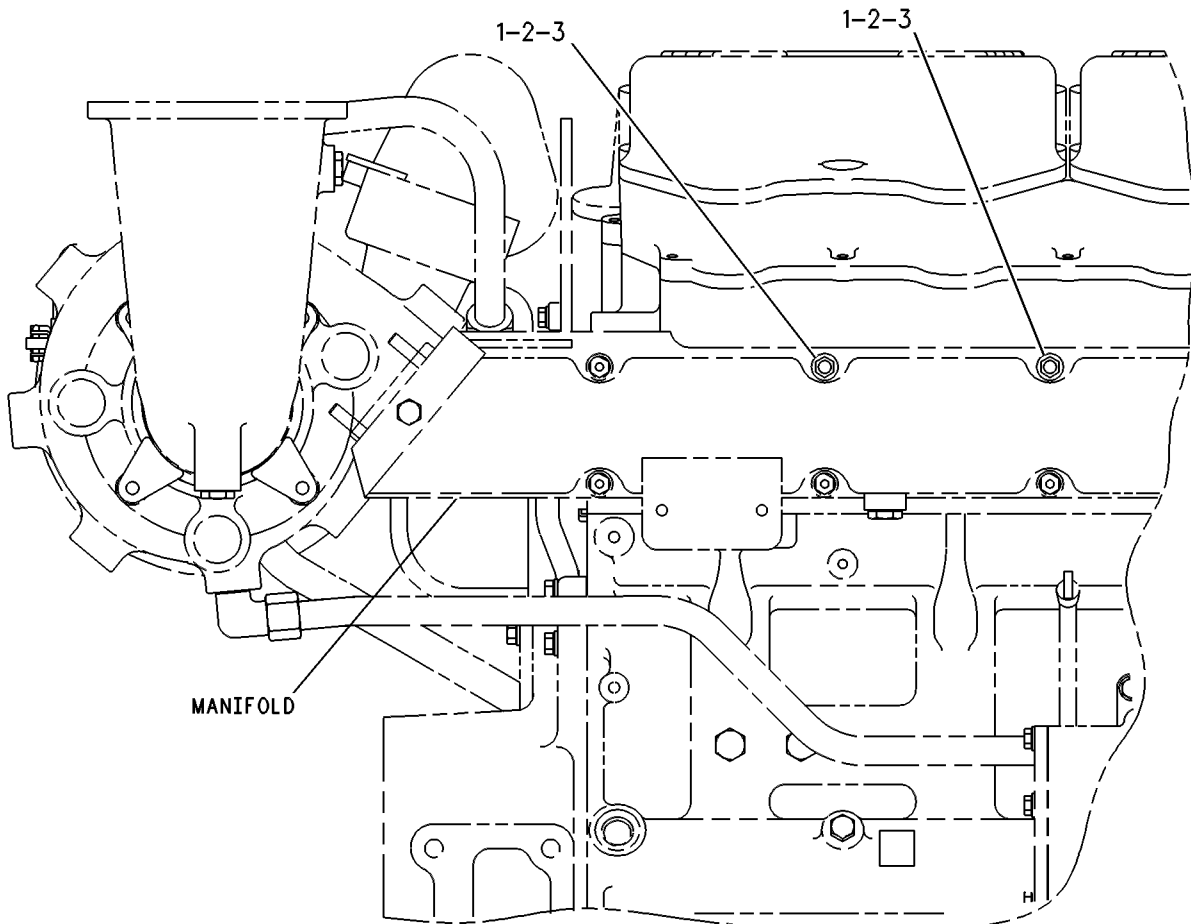
142-3951 FASTENER GP-EXHAUST MANIFOLD

FOR USE WITH EXHAUST MANIFOLD WHEN THERE IS NO MARINE GEAR OIL COOLER
AN ATTACHMENT

SMCS-1059

i00670510

NOTE	REF NO	GRAPHIC REF	PART NUMBER	QTY	PART NAME						SEE PAGE
					1	2	3	4	5	6 (PRODUCT LEVEL)	
	1	1	2N-2766	2	LOCKNUT (3/8-16 NPTF THD)						
	2	1	5M-2894	2	WASHER (2.5MM THK)						
	3	1	108-3612	2	SPACER (53MM THK)						



RIGHT SIDE VIEW

GRAPHIC #1

<END>

g00272430

AIR INLET AND EXHAUST SYSTEM

2W-7847 FITTING GP-EXHAUST-FLEXIBLE

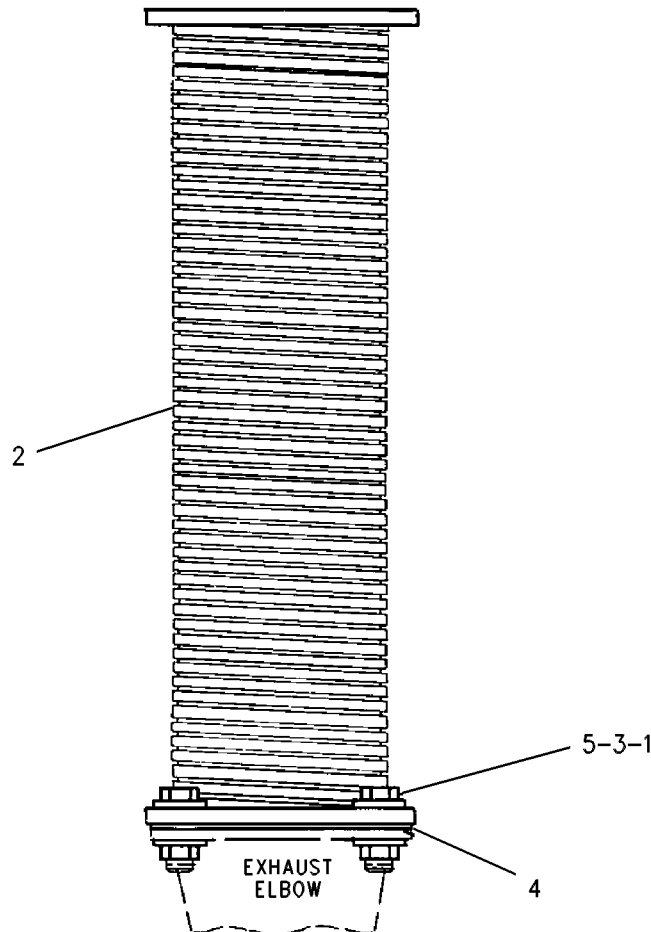
152-MM (6-INCH)

AN ATTACHMENT

SMCS-1061

i02459985

NOTE	REF NO	GRAPHIC REF	PART NUMBER	QTY	PART NAME						SEE PAGE
					1	2	3	4	5	6 (PRODUCT LEVEL)	
	1	1	5P-8247	8	WASHER-HARD (17X32X3.5-MM THK)						
	2	1	3N-3017	1	ADAPTER AS (FLEXIBLE)						
		1	5N-4739	2	FLANGE						
	3	1	1B-5358	4	NUT-FULL (5/8-11-THD)						
	4	1	5H-8331	1	GASKET						
	5	1	8S-9092	4	BOLT (5/8-11X2.25-IN)						



GRAPHIC #1

<END>

g00617939

AIR INLET AND EXHAUST SYSTEM

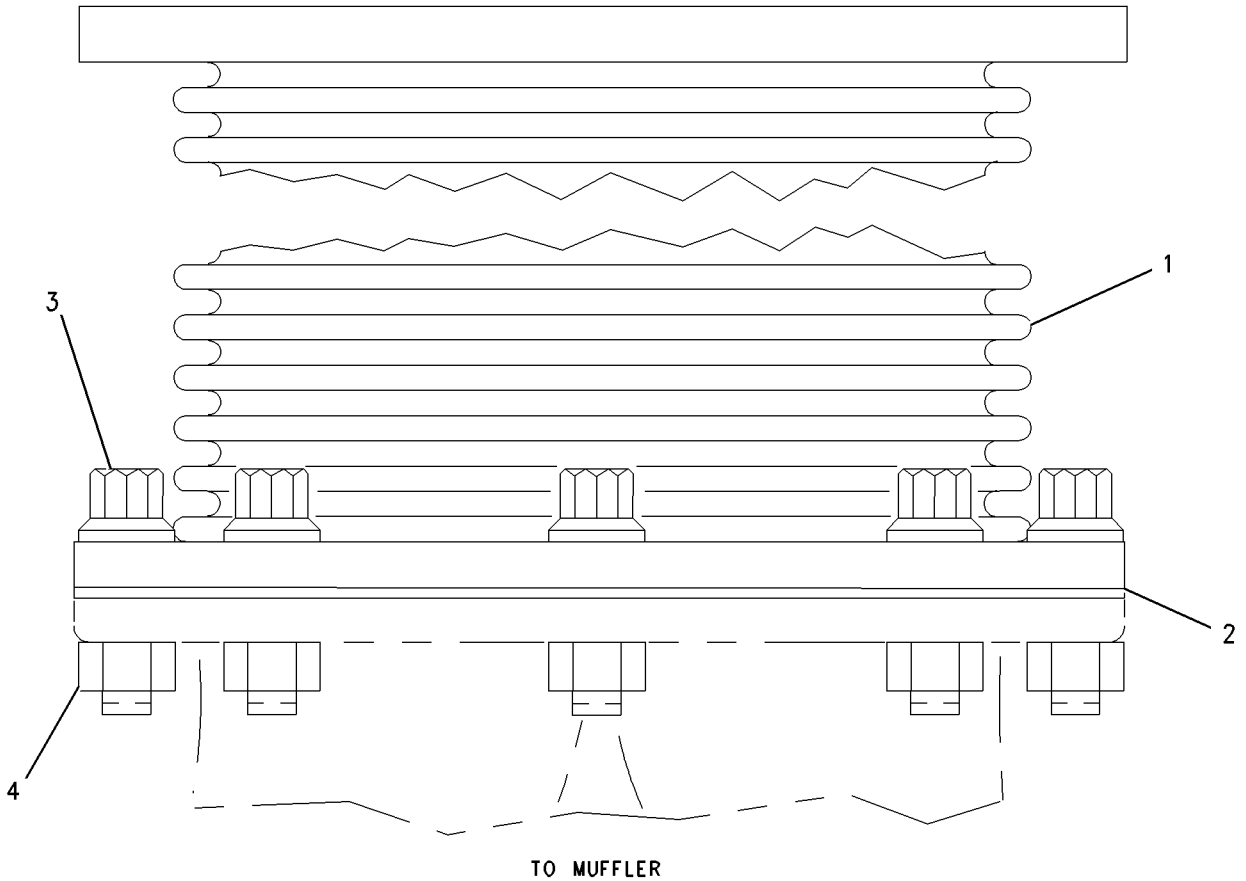
2W-7848 FITTING GP-EXHAUST

203-MM (8-IN). FLEXIBLE
AN ATTACHMENT

SMCS-1061

i02729078

NOTE	REF NO	GRAPHIC REF	PART NUMBER	QTY	PART NAME						SEE PAGE
					1	2	3	4	5	6 (PRODUCT LEVEL)	
	1	1	214-6045	1	BELLOWS AS						
	2	1	5L-3773	1	GASKET-EXHAUST ELBOW						
	3	1	5P-5855	8	BOLT-12 POINT HEAD (1/2-13X1.75-IN)						
	4	1	1B-5357	8	NUT-FULL (1/2-13-THD)						



GRAPHIC #1

<END>

g00768725

AIR INLET AND EXHAUST SYSTEM

2W-7851 FLANGE GP-EXHAUST

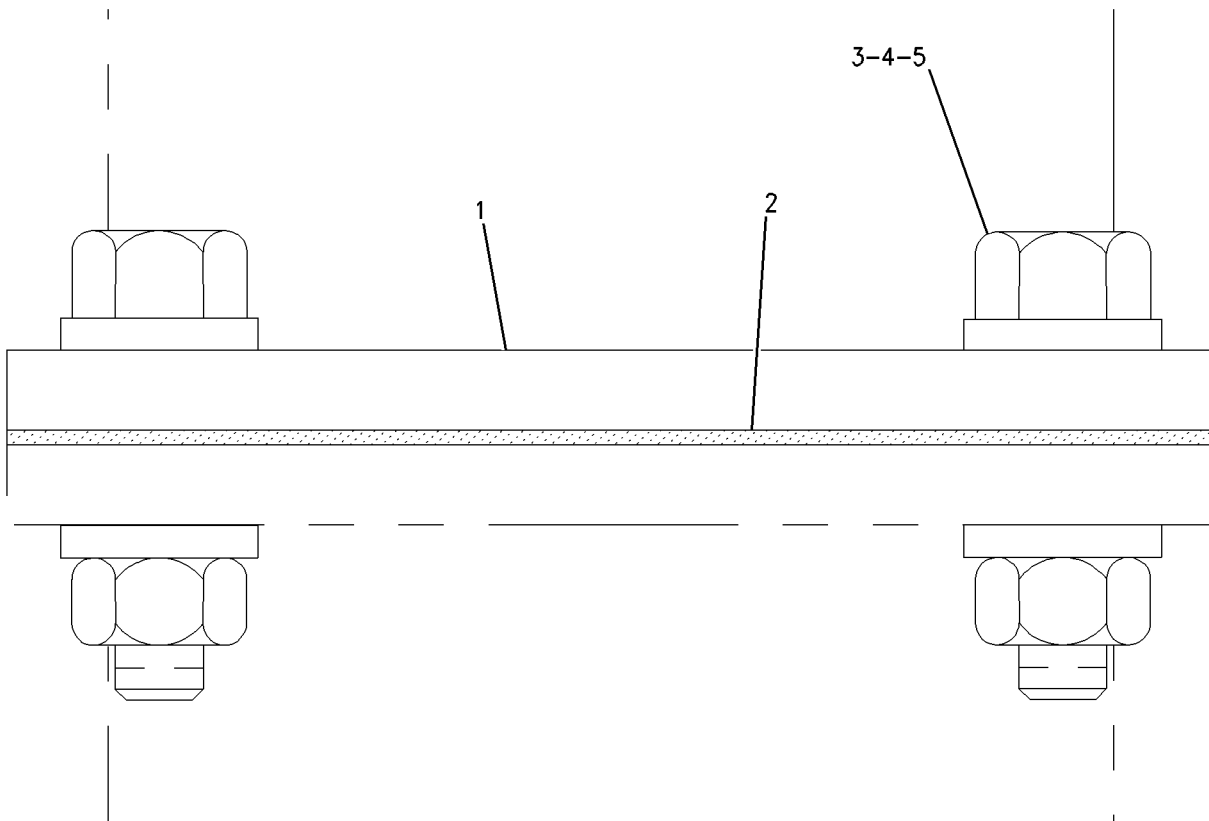
152-MM (6-INCH) DIAMETER PIPE

FOR USE WITH EXHAUST PIPE AND ELBOW. CANNOT BE USED WITH WATERCOOLED EXHAUST
ELBOW
AN ATTACHMENT

SMCS-1061

i02460004

NOTE	REF NO	GRAPHIC REF	PART NUMBER	QTY	PART NAME						SEE PAGE
					1	2	3	4	5	6 (PRODUCT LEVEL)	
	1	1	5N-4739	1	FLANGE						
	2	1	5H-8331	1	GASKET						
	3	1	1A-1135	4	BOLT (5/8-11X2-IN)						
	4	1	1B-5358	4	NUT-FULL (5/8-11-THD)						
	5	1	5P-8247	8	WASHER-HARD (17X32X3.5-MM THK)						



GRAPHIC #1

<END>

g00768712

AIR INLET AND EXHAUST SYSTEM

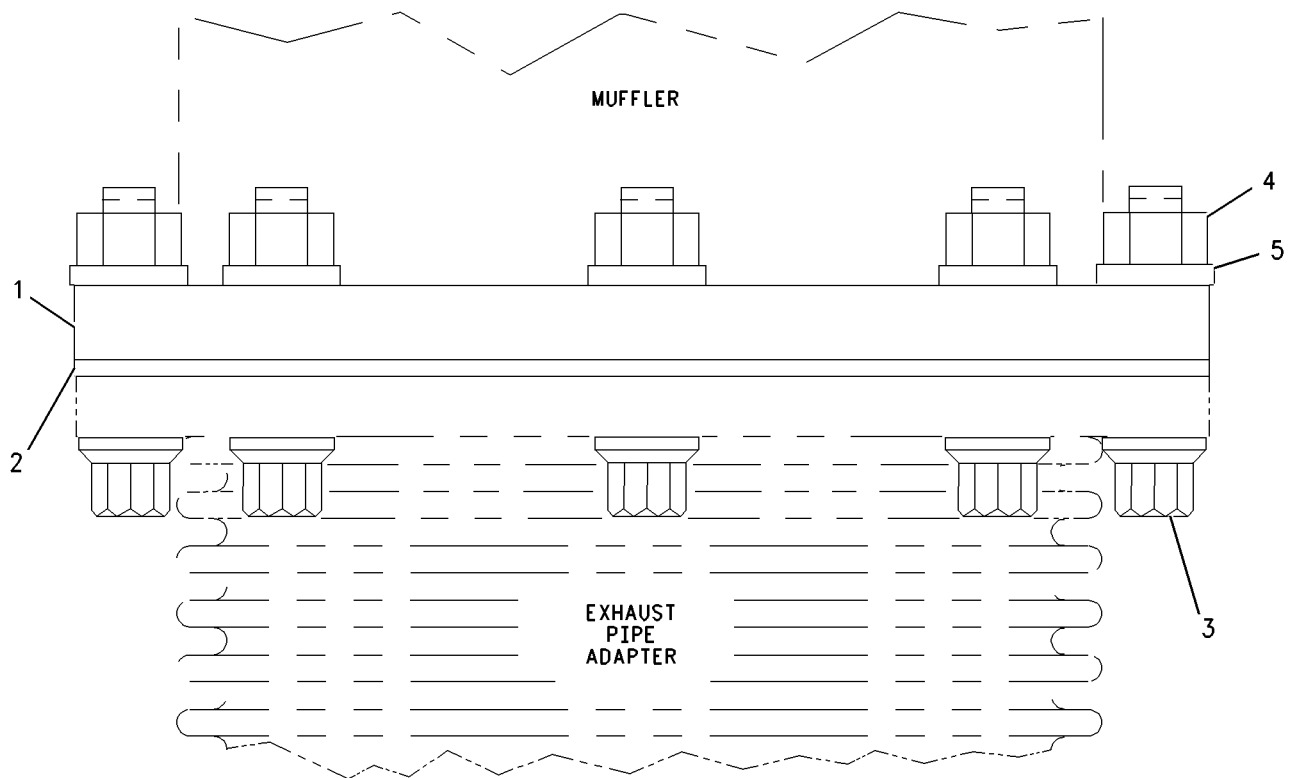
2W-7852 FLANGE GP-EXHAUST

203-MM (8-IN). 5L7520 ELBOW-EXHAUST IS AVAILABLE
AN ATTACHMENT

SMCS-1061

i02729678

NOTE	REF NO	GRAPHIC REF	PART NUMBER	QTY	PART NAME						SEE PAGE
					1	2	3	4	5	6 (PRODUCT LEVEL)	
	1	1	2W-7853	1	FLANGE - EXHAUST						
	2	1	5L-3773	1	GASKET - EXHAUST ELBOW						
	3	1	5P-5855	8	BOLT-12 POINT HEAD (1/2-13X1.75-IN)						
	4	1	1B-5357	8	NUT-FULL (1/2-13-THD)						
	5	1	5P-8245	8	WASHER-HARD (13.5X25.5X3-MM THK)						



GRAPHIC #1

<END>

g00768710

AIR INLET AND EXHAUST SYSTEM

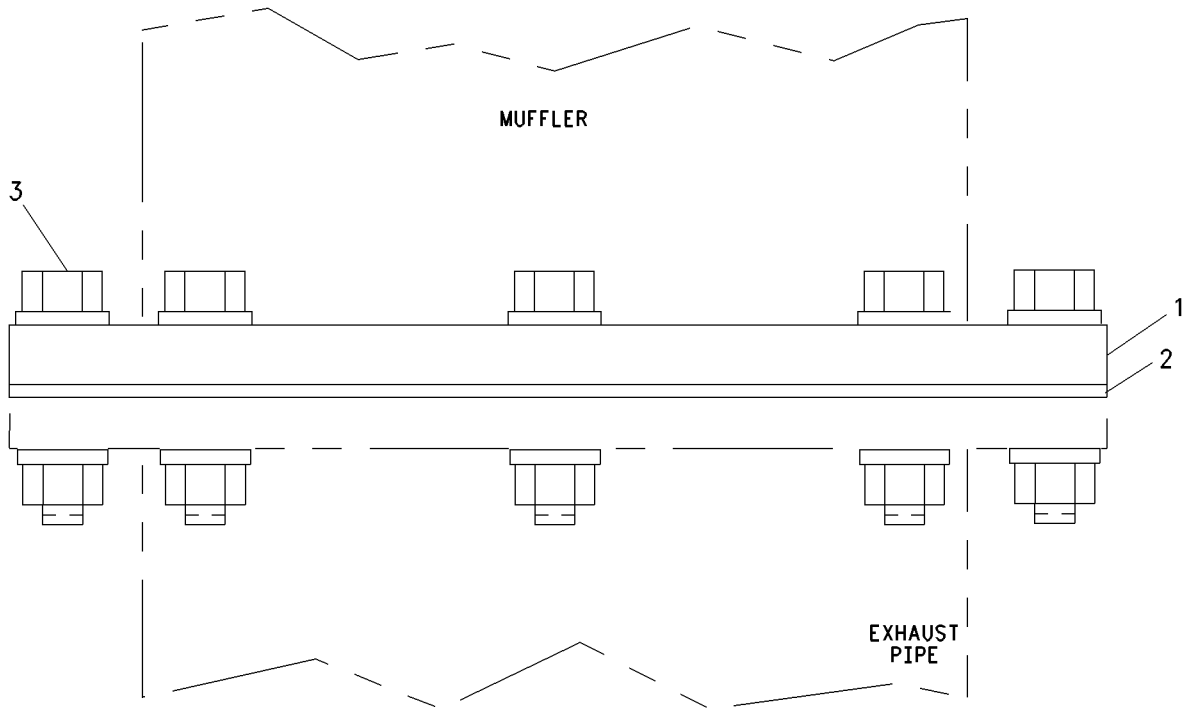
2W-7863 FLANGE GP-EXHAUST

203-MM (8-INCH) DIAMETER PIPE
AN ATTACHMENT

SMCS-1061

i01837207

NOTE	REF NO	GRAPHIC REF	PART NUMBER	QTY	PART NAME						SEE PAGE
					1	2	3	4	5	6 (PRODUCT LEVEL)	
	1	1	2W-7864	1	FLANGE - EXHAUST						
	2	1	2W-7865	1	GASKET - EXHAUST						
	3	1	5L-4398	8	BOLT (1/2-13X2.25-IN)						
		1	1B-5357	8	NUT - FULL (1/2-13-THD)						
		1	5P-8245	16	WASHER - HARD (13.5X25.5X3-MM THK)						



GRAPHIC #1

<END>

g00938529

AIR INLET AND EXHAUST SYSTEM

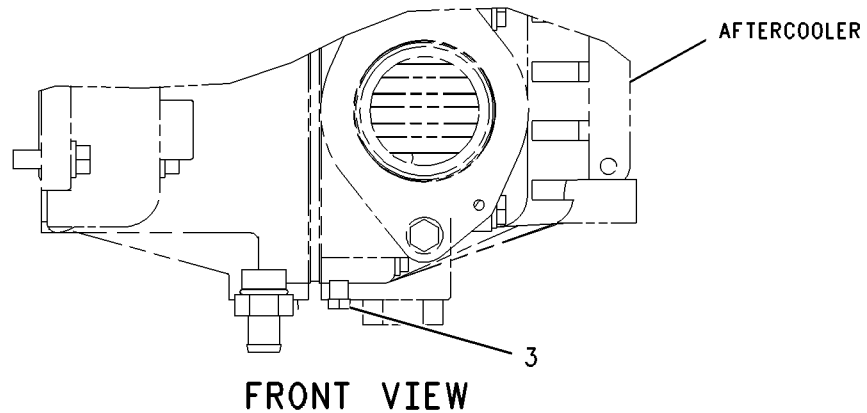
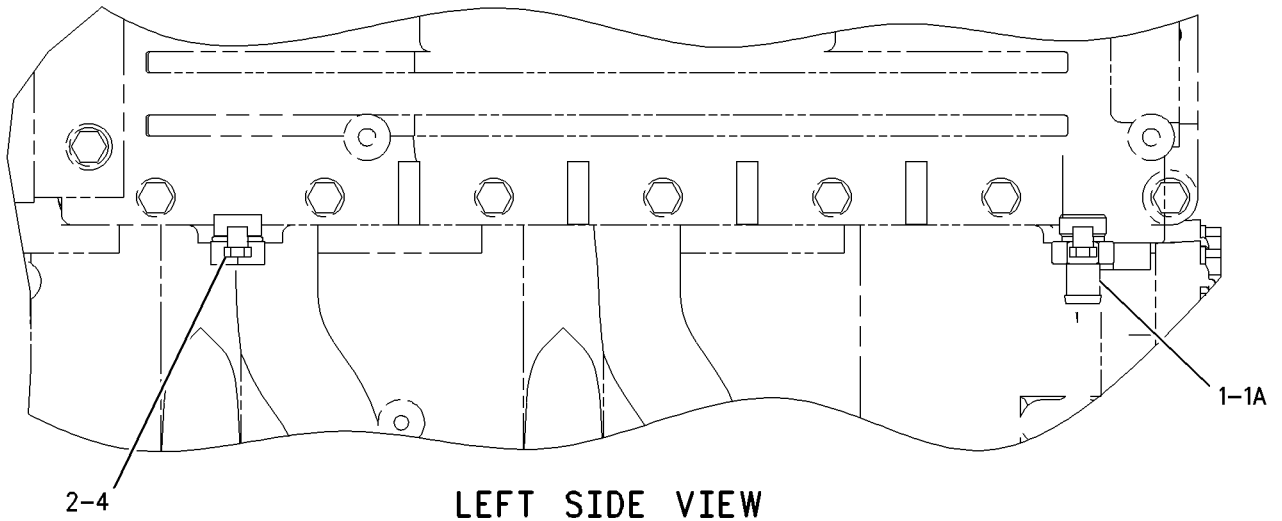
224-2382 LINES GP-AFTERCooler DRAIN

FOR USE WITH REAR DOWN ENGINE INSTALLATION
AN ATTACHMENT

SMCS-1063

i01905295

NOTE	REF NO	GRAPHIC REF	PART NUMBER	QTY	PART NAME						SEE PAGE
					1	2	3	4	5	6 (PRODUCT LEVEL)	
	1	1	108-1478	1	VALVE GP (CONDENSATION CHECK)						
	1A	1	2M-9780	1	SEAL-O-RING						
	2	1	2M-9780	1	SEAL-O-RING						
	3	1	8T-6764	2	PLUG-PIPE						
	4	1	9S-4190	1	PLUG-O-RING						



<END>

GRAPHIC #1

g00909193

AIR INLET AND EXHAUST SYSTEM

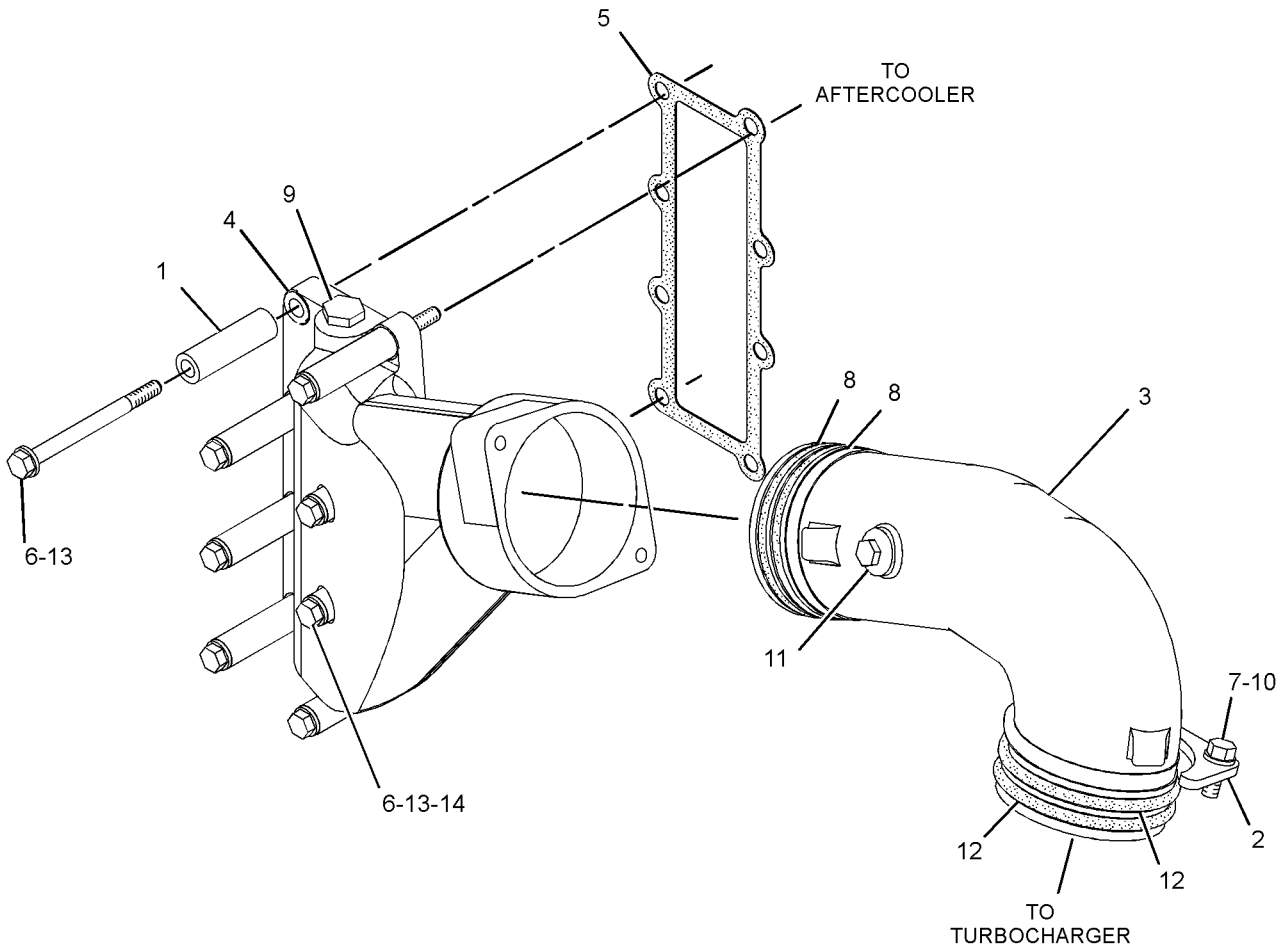
130-6521 LINES GP-AIR

FOR USE WITH SINGLE TURBO
AN ATTACHMENT

SMCS-1071

i03934669

NOTE	REF NO	GRAPHIC REF	PART NUMBER	QTY	PART NAME						SEE PAGE
					1	2	3	4	5	6 (PRODUCT LEVEL)	
	1	1	6N-0905	6	SPACER (0.43X0.59X2.5-IN THK)						
	2	1	313-2757	1	RETAINER						
	3	1	206-4160	1	PIPE						
	4	1	141-6436	1	ADAPTER						
	5	1	150-4104	1	GASKET						
	6	1	193-1417	8	BOLT (3/8-16X4.25-IN)						
	7	1	0S-1594	1	BOLT (3/8-16X1-IN)						
	8	1	130-5694	2	SEAL-O-RING						
	9	1	3J-5389	1	PLUG						
	10	1	5M-2894	1	WASHER-HARD (10.2X18.5X2.5-MM THK)						
	11	1	5M-6213	1	PLUG-PIPE						
	12	1	6V-3917	2	SEAL-O-RING						
	13	1	110-8314	8	WASHER (10.3X18.3X2.66-MM THK)						
	14	1	6W-6672	2	SPACER (10.5X20X38-MM THK)						



GRAPHIC #1

<END>

g01587395

AIR INLET AND EXHAUST SYSTEM

196-4933 LINES GP-AIR

FOR USE WITH 1000 HP AT 2300 RPM, E RATED TWIN TURBOCHARGED ENGINE
AN ATTACHMENT

SMCS-1071

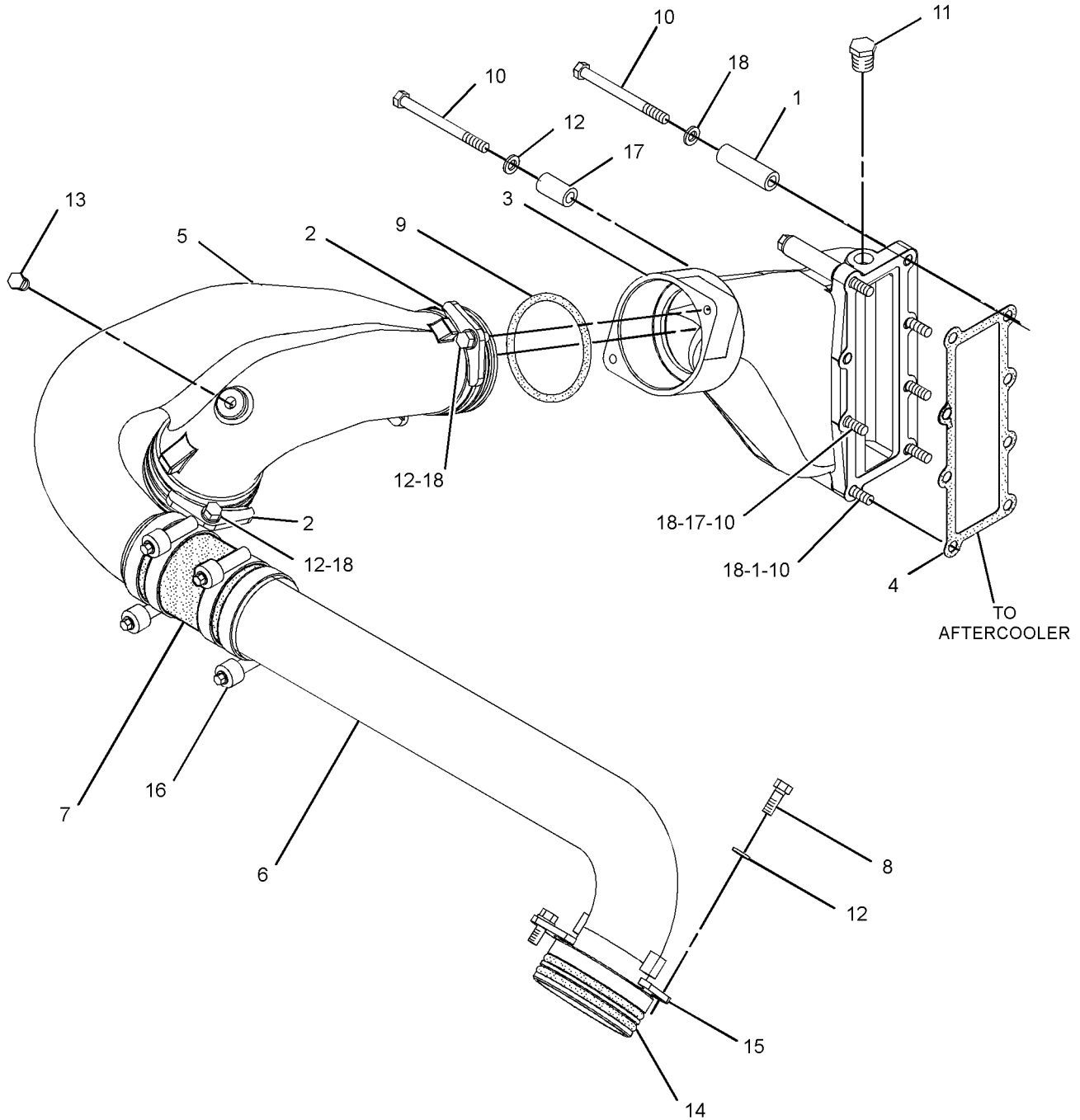
i03075423

NOTE	REF NO	GRAPHIC REF	PART NUMBER	QTY	PART NAME	SEE PAGE
					1 2 3 4 5 6 (PRODUCT LEVEL)	
	1	1	6N-0905	6	SPACER (0.43X0.59X2.5-IN THK)	
	2	1	7W-3145	3	PLATE	
	3	1	141-6436	1	ADAPTER	
	4	1	150-4104	1	GASKET	
	5	1	195-1111	1	TUBE-AIR	
	6	1	195-2193	1	TUBE AS	
	7	1	205-6041	1	HOSE	
	8	1	0S-1594	5	BOLT (3/8-16X1-IN)	
	9	1	130-5694	2	SEAL-O-RING	
	10	1	193-1417	8	BOLT (3/8-16X4.25-IN)	
	11	1	3J-5389	1	PLUG	
	12	1	5M-2894	5	WASHER-HARD (10.2X18.5X2.5-MM THK)	
	13	1	5M-6213	2	PLUG-PIPE	
	14	1	6V-3917	4	SEAL-O-RING	
	15	1	313-2757	2	RETAINER	
	16	1	144-0367	4	CLAMP-HOSE	
	17	1	6W-6672	2	SPACER (10.5X20X38-MM THK)	
	18	1	110-8314	8	WASHER (10.3X18.3X2.66-MM THK)	

AIR INLET AND EXHAUST SYSTEM

196-4933 LINES GP-AIR (contd.)

i03075423



GRAPHIC #1

<END>

g01590438

AIR INLET AND EXHAUST SYSTEM

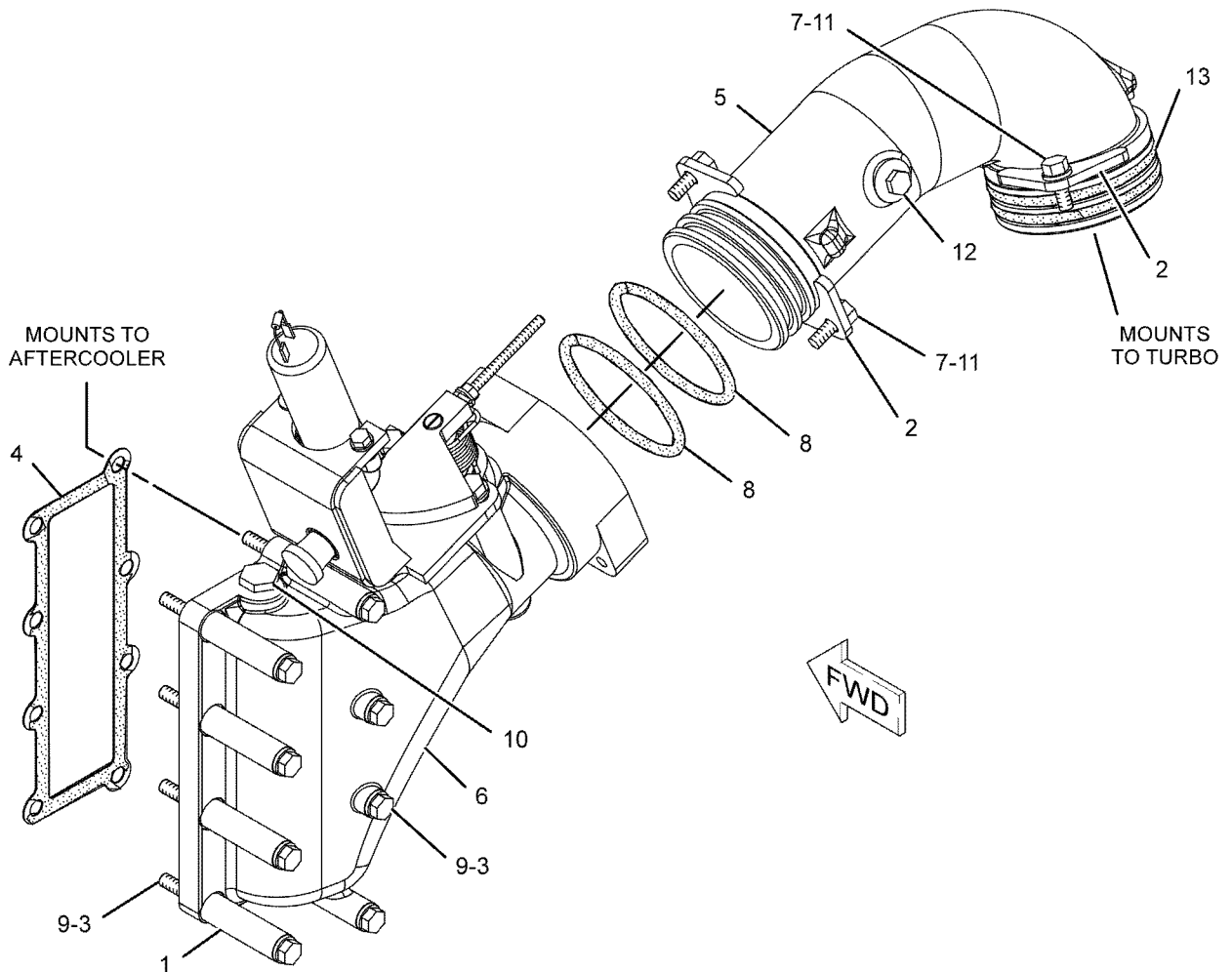
245-4676 LINES GP-AIR AN ATTACHMENT

SMCS-1071

i02765167

NOTE	REF NO	GRAPHIC REF	PART NUMBER	QTY	PART NAME						SEE PAGE
					1	2	3	4	5	6 (PRODUCT LEVEL)	
	1	1	6N-0905	4	SPACER (0.43X0.59X2.5-IN THK)						
	2	1	7W-3145	4	PLATE						
	3	1	110-8314	8	WASHER (10.3X18.3X2.66-MM THK)						
	4	1	150-4104	1	GASKET						
	5	1	206-4160	1	PIPE						
Y	6	1	245-4677	1	SHUTOFF GP-AIR						549
	7	1	0S-1594	4	BOLT (3/8-16X1-IN)						
	8	1	130-5694	2	SEAL-O-RING						
	9	1	193-1417	8	BOLT (3/8-16X4.25-IN)						
	10	1	3J-5389	1	PLUG						
	11	1	5M-2894	4	WASHER-HARD (10.2X18.5X2.5-MM THK)						
	12	1	5M-6213	1	PLUG-PIPE						
	13	1	6V-3917	2	SEAL-O-RING						

Y-SEPARATE ILLUSTRATION



GRAPHIC #1

<END>

g01146302

AIR INLET AND EXHAUST SYSTEM

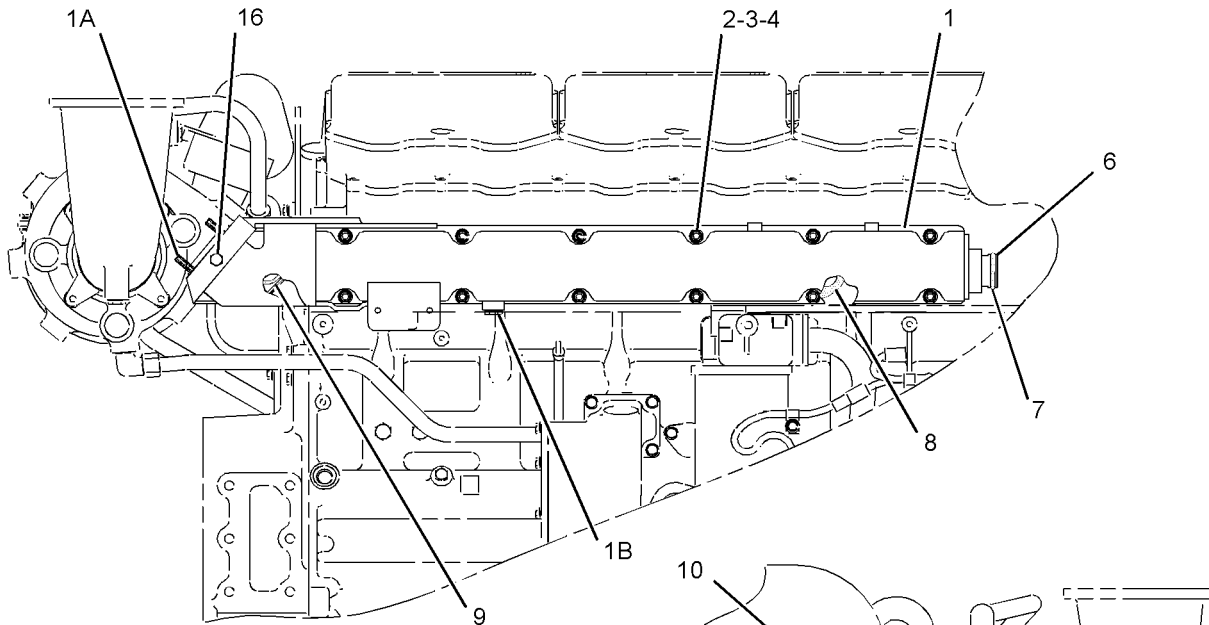
126-5052 MANIFOLD GP-EXHAUST

FOR USE WITH SINGLE TURBO
AN ATTACHMENT

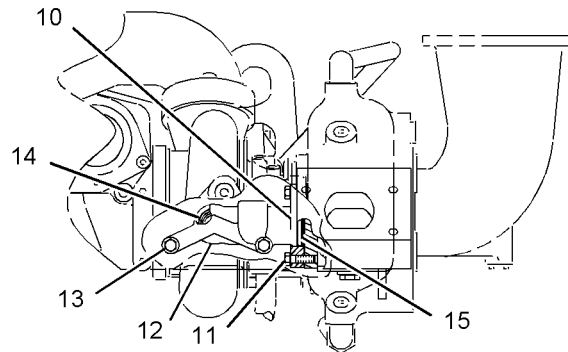
SMCS - 1059

i02214621

NOTE	REF NO	GRAPHIC REF	PART NUMBER	QTY	PART NAME						SEE PAGE
					1	2	3	4	5	6 (PRODUCT LEVEL)	
	1	1	142-4162	1	MANIFOLD AS						
	1A	1	7L-0520	4	STUD-TAPERLOCK (3/8-16X1.968-IN)						
	1B	1	7W-6492	1	PLUG-PIPE						
	2	1	2N-2766	10	LOCKNUT (3/8-16-THD)						
	3	1	5M-2894	10	WASHER-HARD (10.2X18.5X2.5-MM THK)						
	4	1	108-3612	10	SPACER (11.13X19.05X53-MM THK)						
	6	1	4N-0822	1	COUPLING						
	7	1	109-0072	2	SEAL-O-RING						
	8	1	129-9452	6	GASKET-EXHAUST MANIFOLD						
	9	1	6I-2517	1	GASKET						
	10	1	4N-4859	1	FLANGE						
	11	1	0S-1588	2	BOLT (3/8-16X1.25-IN)						
	12	1	118-7374	1	ELBOW						
	13	1	0S-1608	2	BOLT (3/8-16X3.75-IN)						
	14	1	6V-4367	1	SEAL-O-RING						
	15	1	109-0073	1	SEAL-O-RING						
	16	1	8T-6765	1	PLUG-PIPE						



RIGHT SIDE VIEW



REAR VIEW

GRAPHIC #1

<END>

g01118910

AIR INLET AND EXHAUST SYSTEM

201-2087 MANIFOLD GP-EXHAUST FOR USE WITH TWIN TURBO, RH AND LH SERVICE ENGINE AN ATTACHMENT

SMCS - 1059

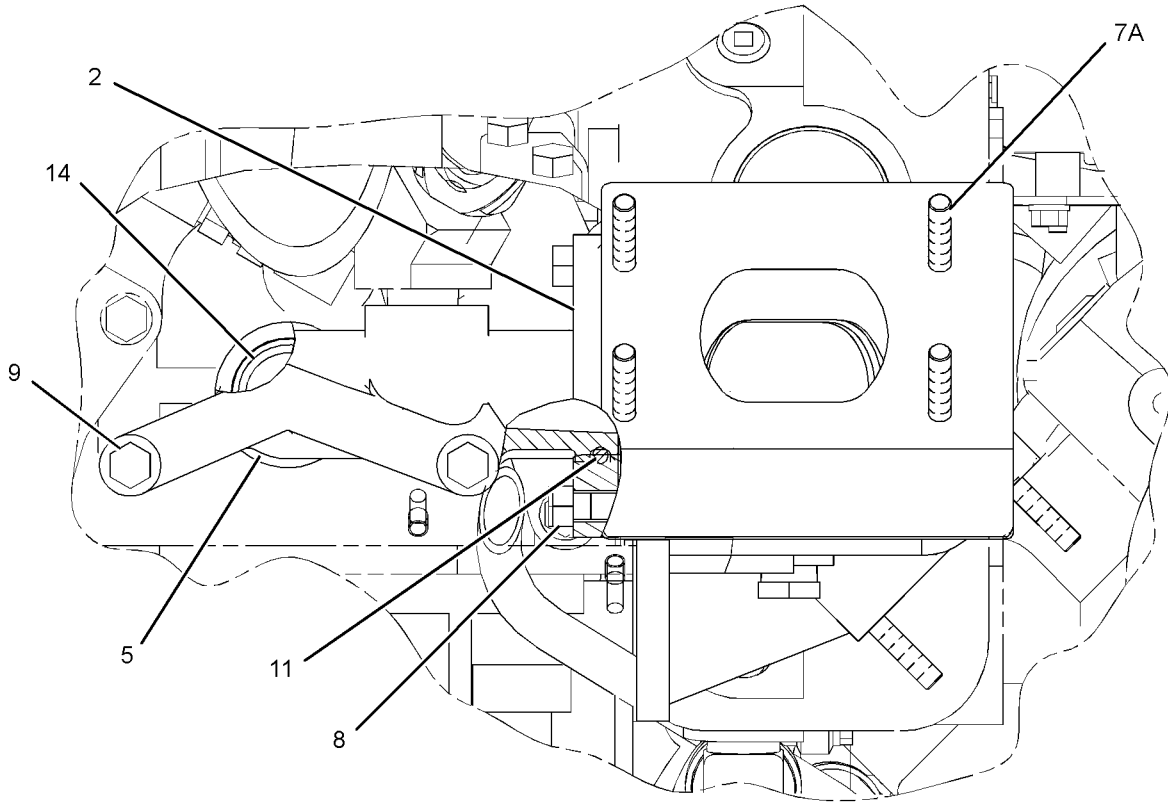
i03572144

NOTE	REF NO	GRAPHIC REF	PART NUMBER	QTY	PART NAME						SEE PAGE
					1	2	3	4	5	6 (PRODUCT LEVEL)	
	1	1	4N-0822	1	COUPLING						
	2	1	4N-4859	1	FLANGE						
	3	1	6I-2517	1	GASKET						
	4	1	108-3612	12	SPACER (11.13X19.05X53-MM THK)						
	5	1	118-7374	1	ELBOW						
	6	1	129-9452	6	GASKET-EXHAUST MANIFOLD						
	7	1	193-2246	1	MANIFOLD AS						
	7A	1	6L-8562	8	STUD-TAPERLOCK (3/8-16X1.77-IN)						
	7B	1	7W-6492	1	PLUG-PIPE						
	7C	1	4V-7717	2	BOSS (3/8-16-THD)						
	8	1	0S-1588	2	BOLT (3/8-16X1.25-IN)						
	9	1	0S-1608	2	BOLT (3/8-16X3.75-IN)						
	10	1	109-0072	2	SEAL-O-RING						
	11	1	109-0073	1	SEAL-O-RING						
	12	1	2N-2766	12	LOCKNUT (3/8-16-THD)						
	13	1	5M-2894	12	WASHER-HARD (10.2X18.5X2.5-MM THK)						
	14	1	6V-4367	1	SEAL-O-RING						

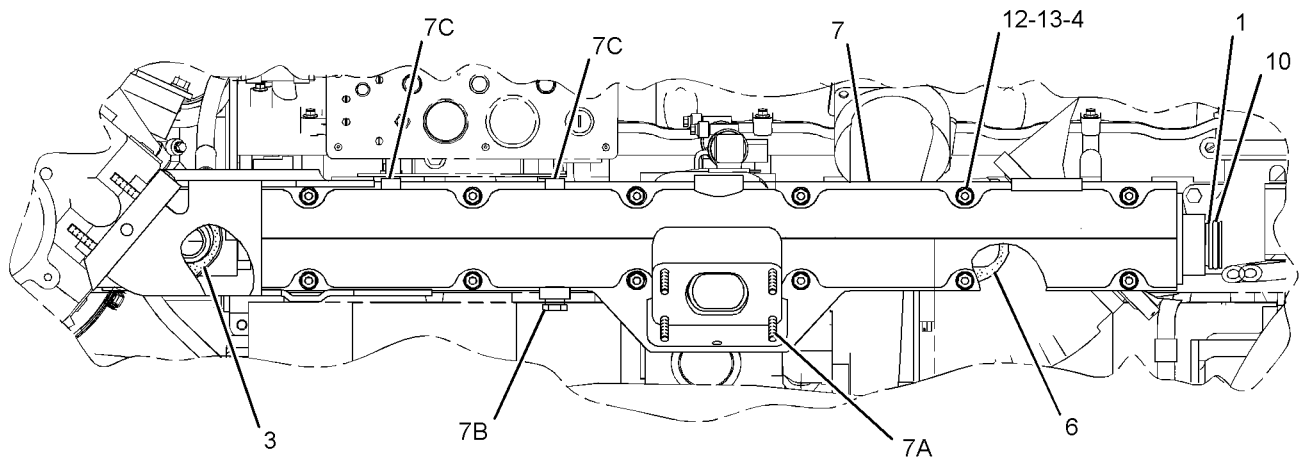
AIR INLET AND EXHAUST SYSTEM

201-2087 MANIFOLD GP-EXHAUST (contd.)

i03572144



REAR VIEW OF ENGINE



RIGHT SIDE VIEW OF ENGINE

GRAPHIC #1

<END>

g01905533

AIR INLET AND EXHAUST SYSTEM

310-5809 MANIFOLD GP-EXHAUST

FOR USE WITH MARINE ENGINE
AN ATTACHMENT

SMCS-1059

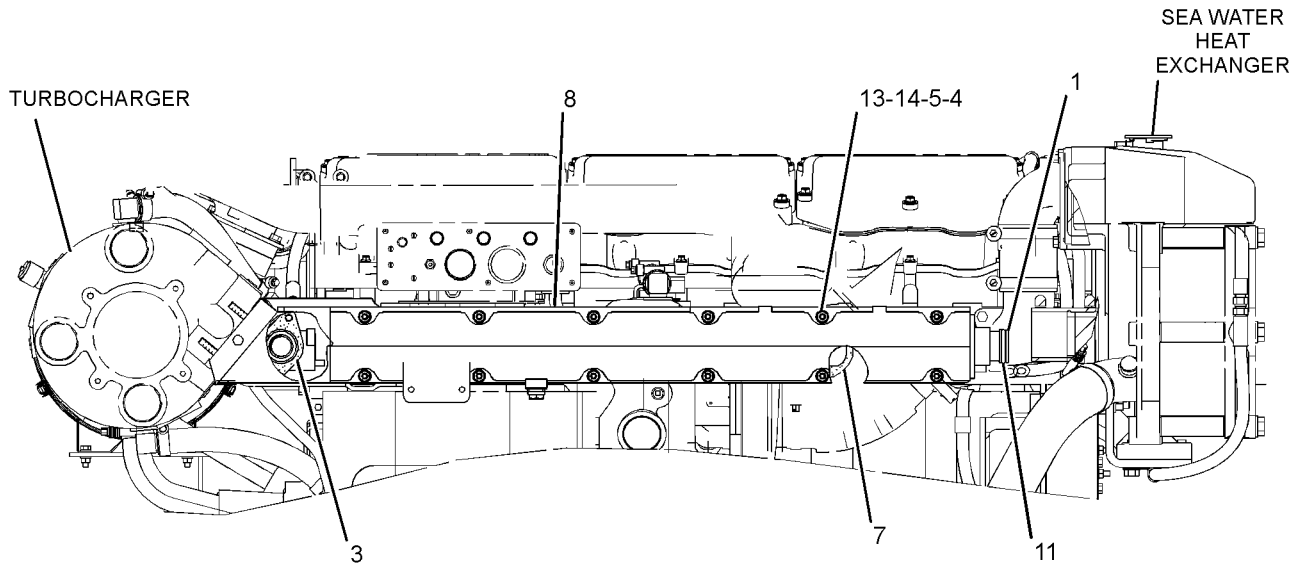
i03041981

NOTE	REF NO	GRAPHIC REF	PART NUMBER	QTY	PART NAME						SEE PAGE
					1	2	3	4	5	6 (PRODUCT LEVEL)	
	1	1	4N-0822	1	COUPLING						
	2	1	4N-4859	1	FLANGE						
	3	1	6I-2517	1	GASKET						
	4	1	106-1792	12	STUD-TAPERLOCK (3/8-16X4-IN)						
	5	1	108-3612	12	SPACER (11.13X19.05X53-MM THK)						
	6	1	118-7374	1	ELBOW						
	7	1	129-9452	6	GASKET-EXHAUST MANIFOLD						
	8	1	142-4162	1	MANIFOLD AS						
		1	6L-8562	4	STUD-TAPERLOCK (3/8-16X1.77-IN)						
	9	1	0S-1588	2	BOLT (3/8-16X1.25-IN)						
	10	1	0S-1608	2	BOLT (3/8-16X3.75-IN)						
	11	1	109-0072	2	SEAL-O-RING						
	12	1	109-0073	1	SEAL-O-RING						
	13	1	2N-2766	12	LOCKNUT (3/8-16-THD)						
	14	1	5M-2894	12	WASHER-HARD (10.2X18.5X2.5-MM THK)						
	15	1	6V-4367	1	SEAL-O-RING						

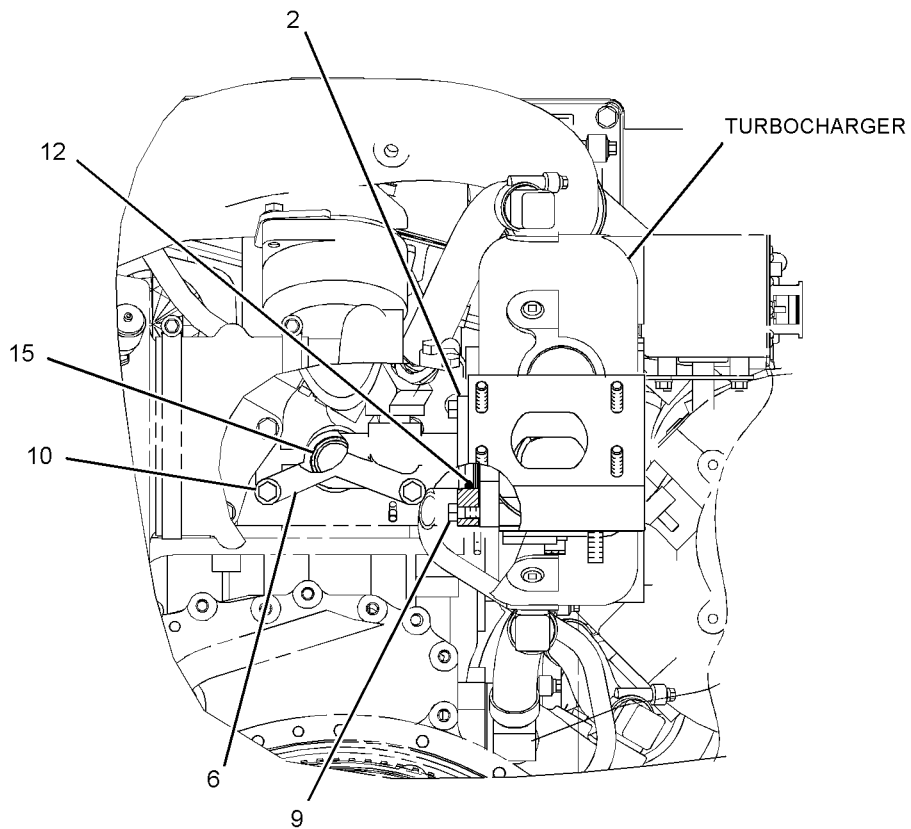
AIR INLET AND EXHAUST SYSTEM

310-5809 MANIFOLD GP-EXHAUST (contd.)

i03041981



RIGHT SIDE VIEW OF ENGINE



REAR VIEW OF ENGINE

GRAPHIC #1

<END>

g01628454

AIR INLET AND EXHAUST SYSTEM

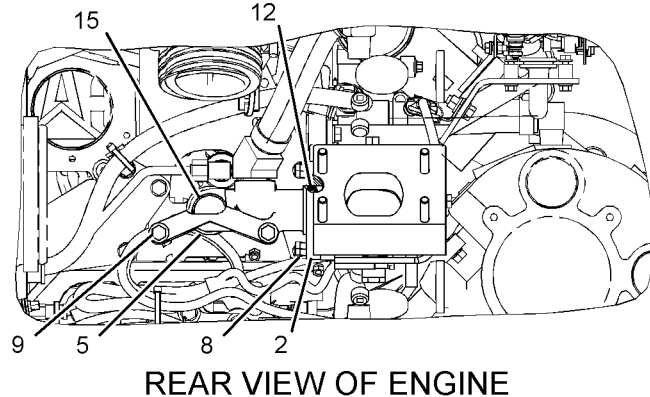
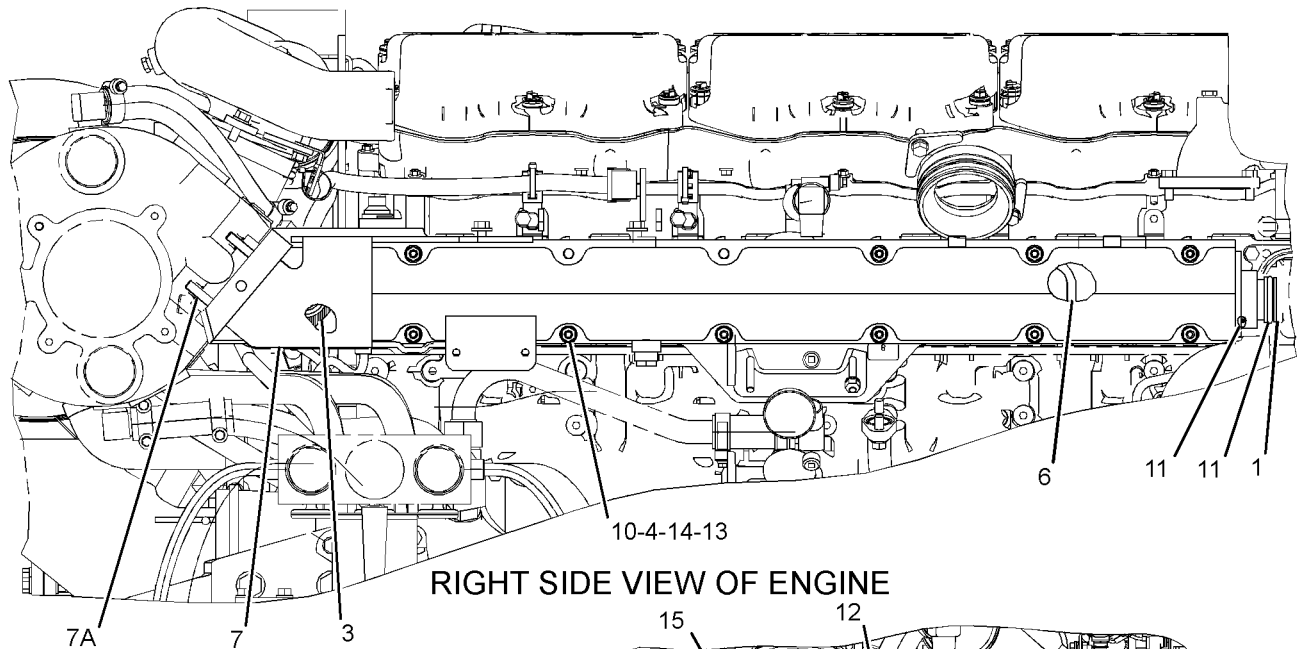
317-4419 MANIFOLD GP-EXHAUST

FOR USE WITH C18 MARINE MCOE APPLICATIONS, SINGLE TURBO RATINGS
AN ATTACHMENT

SMCS-1059

i02887787

NOTE	REF NO	GRAPHIC REF	PART NUMBER	QTY	PART NAME						SEE PAGE
					1	2	3	4	5	6 (PRODUCT LEVEL)	
	1	1	4N-0822	1	COUPLING						
	2	1	4N-4859	1	FLANGE						
	3	1	6I-2517	1	GASKET						
	4	1	108-3612	10	SPACER (11.13X19.05X53-MM THK)						
	5	1	118-7374	1	ELBOW						
	6	1	129-9452	6	GASKET-EXHAUST MANIFOLD						
	7	1	142-4162	1	MANIFOLD AS						
	7A	1	7L-0520	4	STUD-TAPERLOCK (3/8-16X1.968-IN)						
	8	1	0S-1588	2	BOLT (3/8-16X1.25-IN)						
	9	1	0S-1608	2	BOLT (3/8-16X3.75-IN)						
	10	1	106-1792	10	STUD-TAPERLOCK (3/8-16X4-IN)						
	11	1	109-0072	2	SEAL-O-RING						
	12	1	109-0073	1	SEAL-O-RING						
	13	1	2N-2766	10	LOCKNUT (3/8-16-THD)						
	14	1	5M-2894	10	WASHER-HARD (10.2X18.5X2.5-MM THK)						
	15	1	6V-4367	1	SEAL-O-RING						



GRAPHIC #1

<END>

g01438171

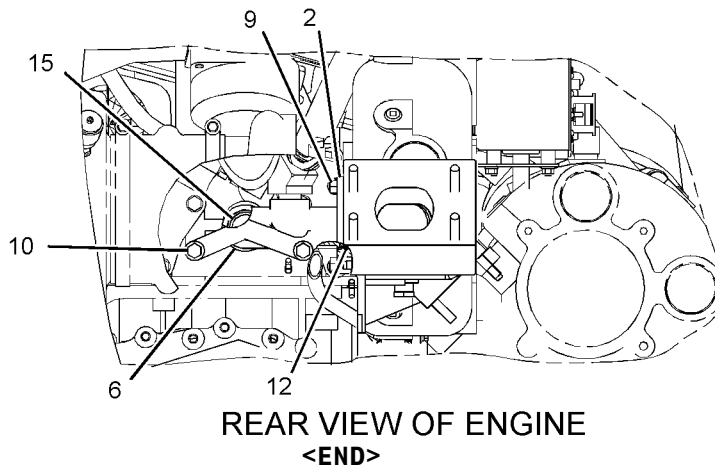
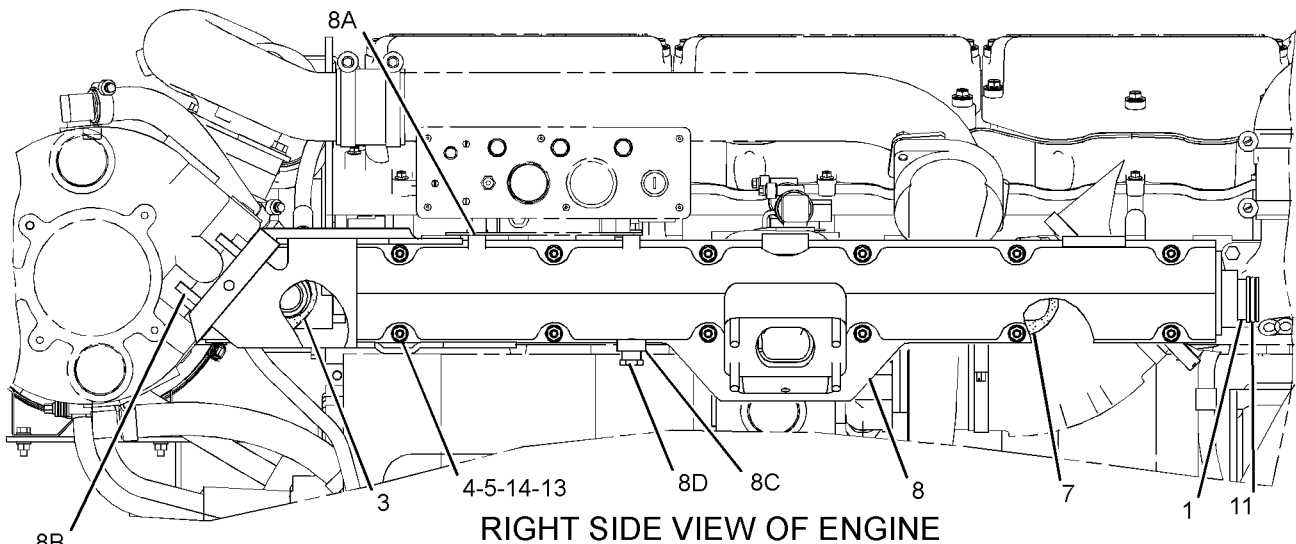
AIR INLET AND EXHAUST SYSTEM

320-7495 MANIFOLD GP-EXHAUST FOR USE WITH C18 MARINE LONG BLOCK APPLICATIONS AN ATTACHMENT

SMCS-1059

i02887818

NOTE	REF NO	GRAPHIC REF	PART NUMBER	QTY	PART NAME	1 2 3 4 5 6 (PRODUCT LEVEL)						SEE PAGE
	1	1	4N-0822	1	COUPLING							
	2	1	4N-4859	1	FLANGE							
	3	1	6I-2517	1	GASKET							
	4	1	106-1792	12	STUD-TAPERLOCK (3/8-16X4-IN)							
	5	1	108-3612	12	SPACER (11.13X19.05X53-MM THK)							
	6	1	118-7374	1	ELBOW							
	7	1	129-9452	6	GASKET-EXHAUST MANIFOLD							
	8	1	193-2246	1	MANIFOLD AS							
	8A	1	4V-7717	2	BOSS (3/8-16-THD)							
	8B	1	6L-8562	8	STUD-TAPERLOCK (3/8-16X1.77-IN)							
	8C	1	7L-3092	1	BOSS (1/2-14-THD)							
	8D	1	7W-6492	1	PLUG-PIPE							
	9	1	0S-1588	2	BOLT (3/8-16X1.25-IN)							
	10	1	0S-1608	2	BOLT (3/8-16X3.75-IN)							
	11	1	109-0072	2	SEAL-O-RING							
	12	1	109-0073	1	SEAL-O-RING							
	13	1	2N-2766	12	LOCKNUT (3/8-16-THD)							
	14	1	5M-2894	12	WASHER-HARD (10.2X18.5X2.5-MM THK)							
	15	1	6V-4367	1	SEAL-O-RING							



<END>

GRAPHIC #1

g01438579

AIR INLET AND EXHAUST SYSTEM

2W-4073 MUFFLER

203.2-MM ID
AN ATTACHMENT
TYPE 1

SMCS - 1062

i01906751

NOTE	REF NO	GRAPHIC REF	PART NUMBER	QTY	PART NAME						SEE PAGE
					1	2	3	4	5	6 (PRODUCT LEVEL)	
	1	1	4J-4382	2	PLUG-PIPE						



GRAPHIC #1

<END>

g00993158

AIR INLET AND EXHAUST SYSTEM

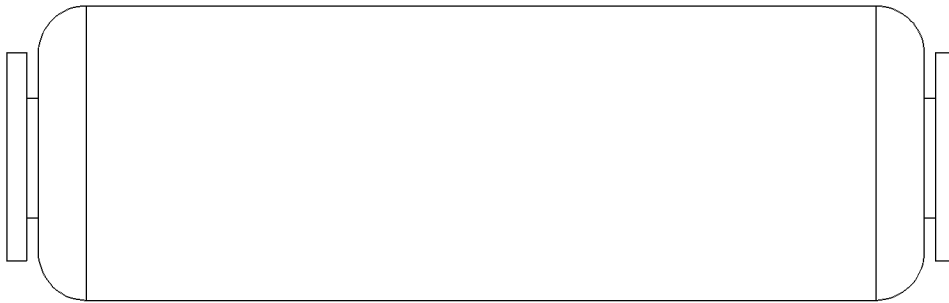
2W-4073 MUFFLER

203.2-MM ID
AN ATTACHMENT
TYPE 2

SMCS - 1062

i01083027

NOTE	REF NO	GRAPHIC REF	PART NUMBER	QTY	PART NAME						SEE PAGE
					1	2	3	4	5	6 (PRODUCT LEVEL)	
(NO SERVICED PARTS)											



GRAPHIC #1

<END>

g00567618

AIR INLET AND EXHAUST SYSTEM

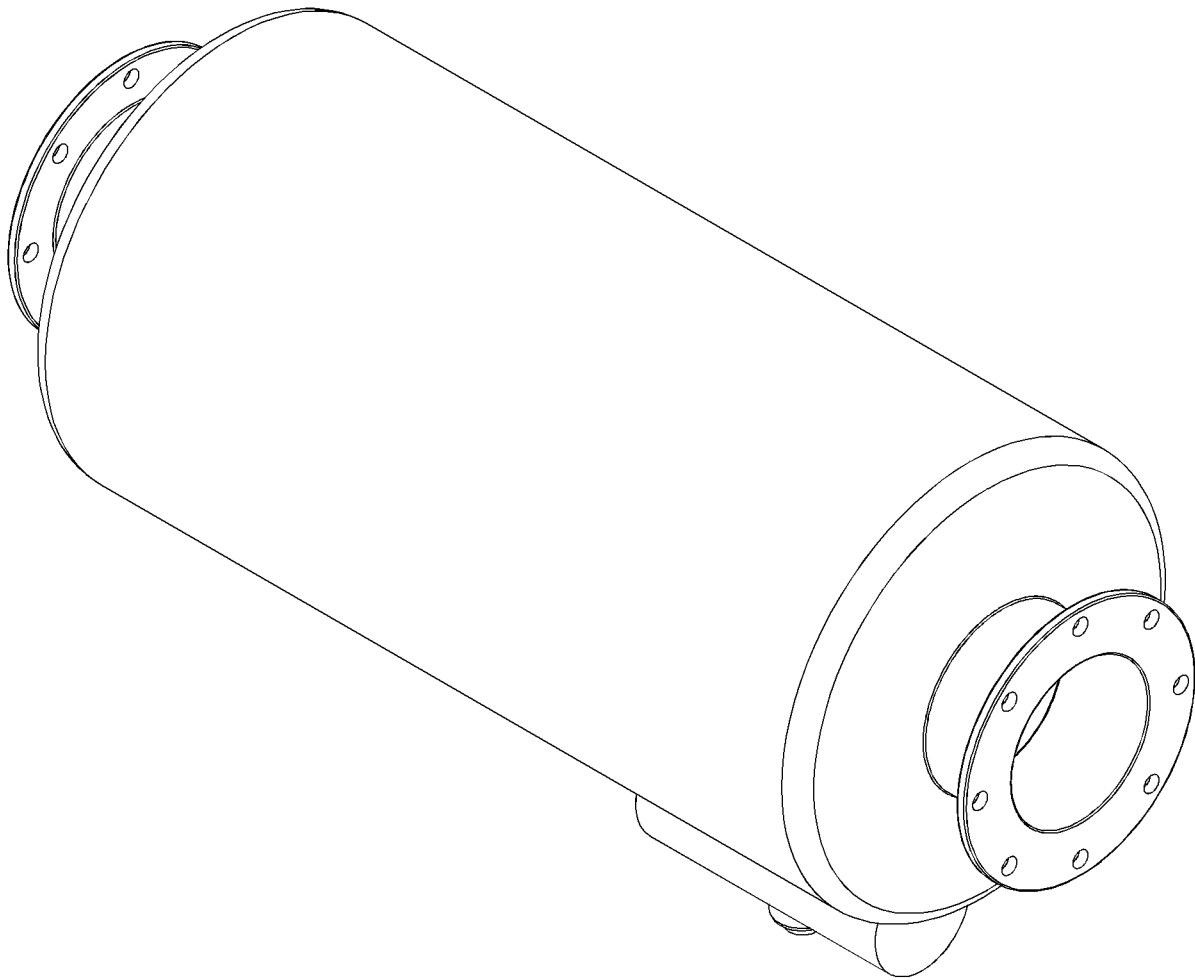
262-6877 MUFFLER

203.2-MM (8-IN) ID
AN ATTACHMENT

SMCS-1062

i02729688

NOTE	REF NO	GRAPHIC REF	PART NUMBER	QTY	PART NAME	SEE PAGE
					1 2 3 4 5 6 (PRODUCT LEVEL)	
(NO SERVICED PARTS)						



GRAPHIC #1

<END>

g01158823

AIR INLET AND EXHAUST SYSTEM

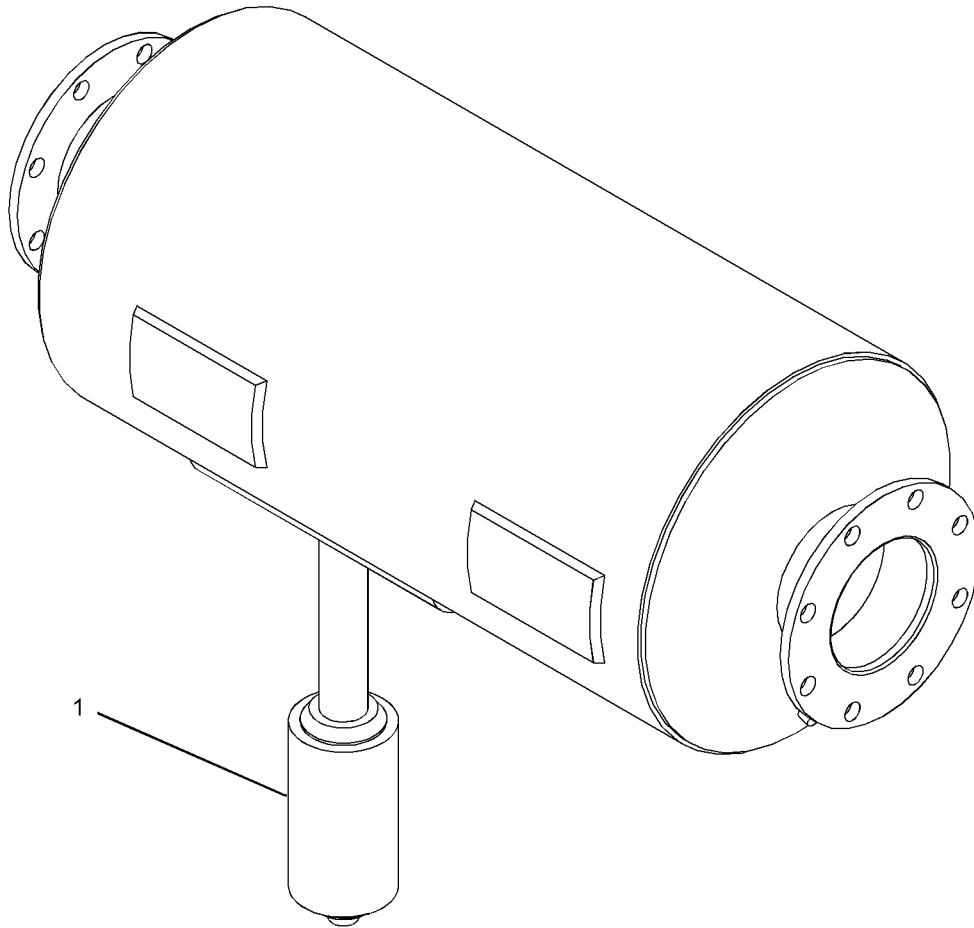
165-6557 MUFFLER GP-SPARK ARRESTOR

152 MM (6 INCH)
AN ATTACHMENT

SMCS-1062

i03653691

NOTE	REF NO	GRAPHIC REF	PART NUMBER	QTY	PART NAME						SEE PAGE
					1	2	3	4	5	6 (PRODUCT LEVEL)	
	1	1	346-9090	1	ARRESTOR-SPARK						



GRAPHIC #1

<END>

g01961445

AIR INLET AND EXHAUST SYSTEM

347-0695 SHIELD GP-TURBOCHARGER

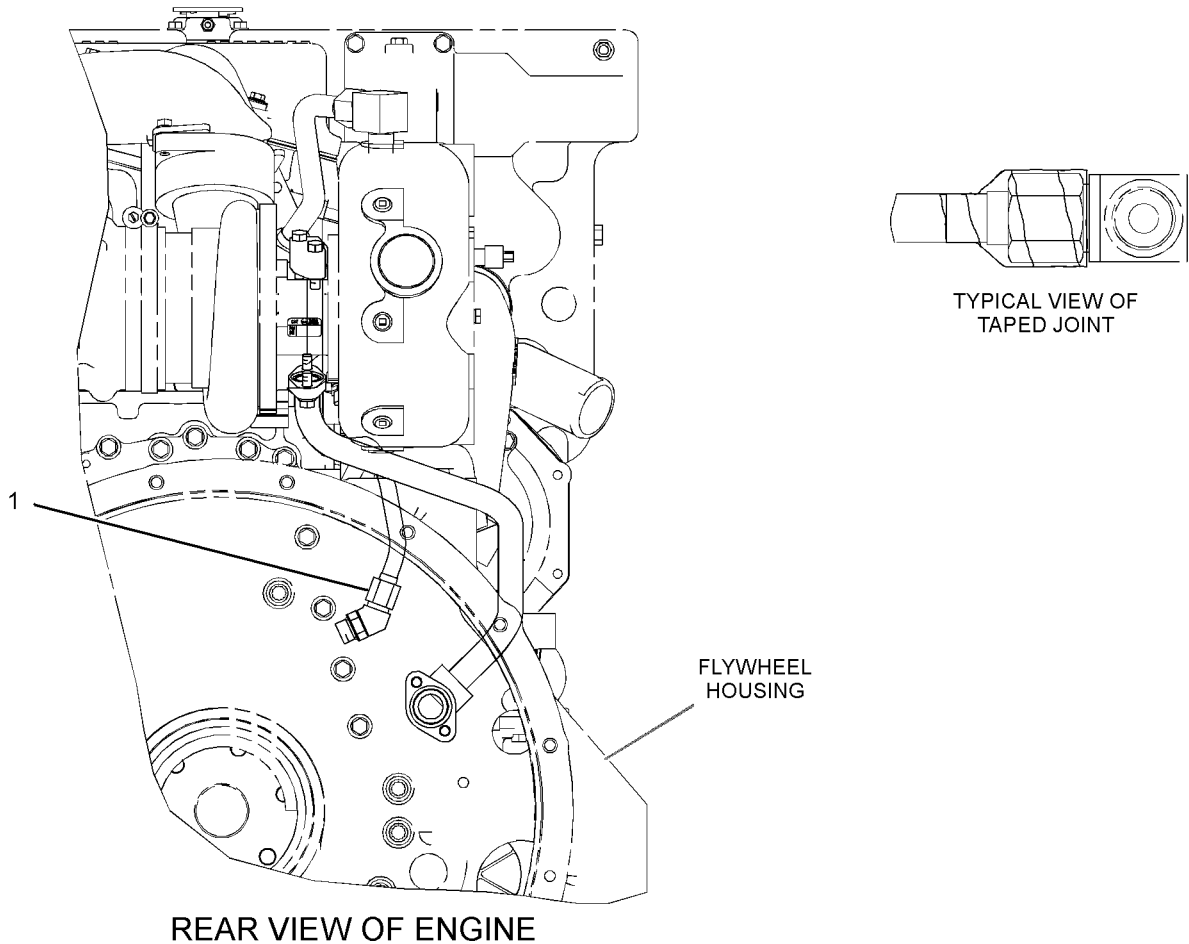
REAR TURBO OIL LINES
AN ATTACHMENT

SMCS-1073

i03664921

NOTE	REF NO	GRAPHIC REF	PART NUMBER	QTY	PART NAME						SEE PAGE
					1	2	3	4	5	6 (PRODUCT LEVEL)	
B	1	1	237-3860		TAPE (ANTI-SPLASH, 50-MM WIDE)						

B-USE AS REQUIRED



REAR VIEW OF ENGINE

TYPICAL VIEW OF
TAPED JOINT

FLYWHEEL
HOUSING

GRAPHIC #1

<END>

g01971034

AIR INLET AND EXHAUST SYSTEM

347-0696 SHIELD GP-TURBOCHARGER

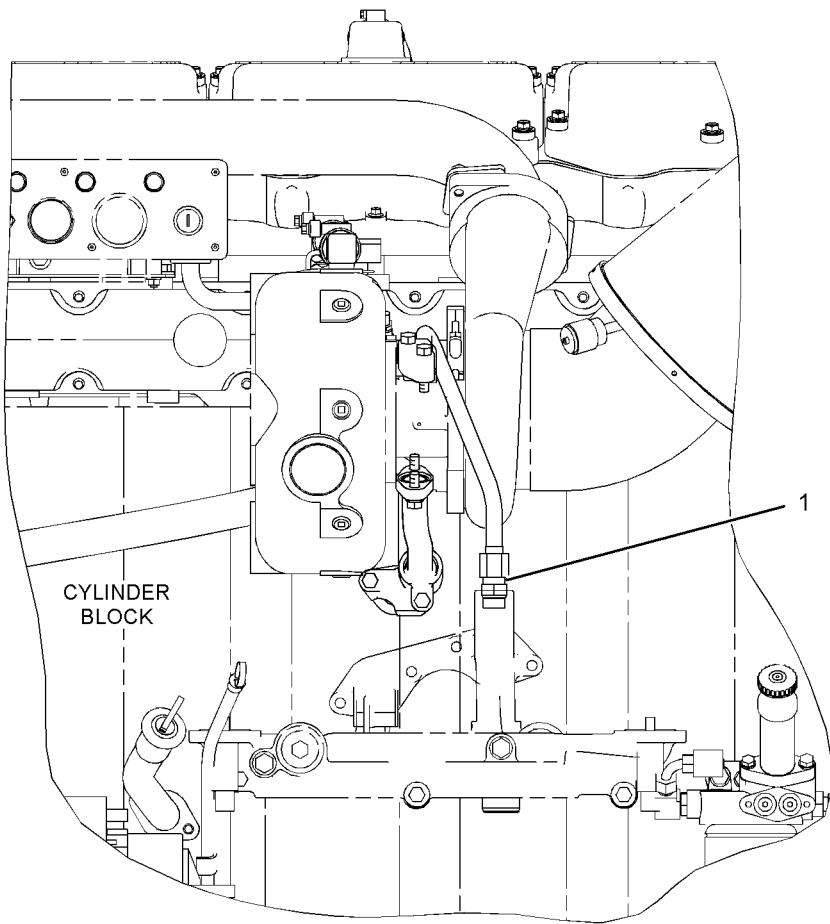
SIDE TURBO OIL LINES
AN ATTACHMENT

SMCS-1073

i03664924

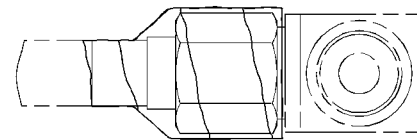
NOTE	REF NO	GRAPHIC REF	PART NUMBER	QTY	PART NAME						SEE PAGE
					1	2	3	4	5	6 (PRODUCT LEVEL)	
B	1	1	237-3860		TAPE (ANTI-SPLASH, 50-MM WIDE)						

B-USE AS REQUIRED



CYLINDER
BLOCK

RIGHT SIDE VIEW OF ENGINE



TYPICAL VIEW OF TAPED JOINT

GRAPHIC #1

<END>

g01970854

AIR INLET AND EXHAUST SYSTEM

245-4677 SHUTOFF GP-AIR-24-VOLT

PART OF 245-4676 LINES GP-AIR
AN ATTACHMENT

SMCS-1078

i03490443

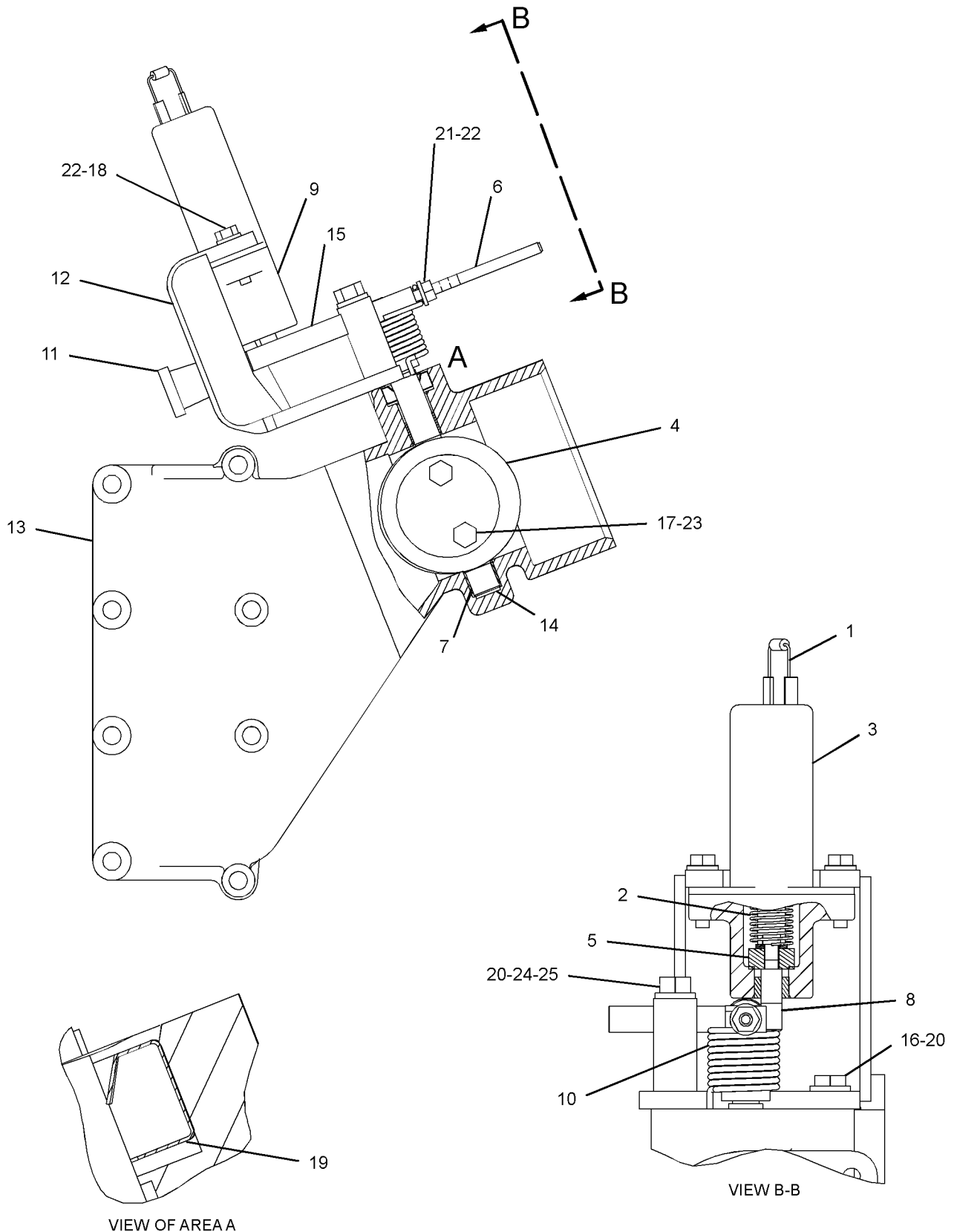
NOTE	REF NO	GRAPHIC REF	PART NUMBER	QTY	PART NAME						SEE PAGE
					1	2	3	4	5	6 (PRODUCT LEVEL)	
	1	1	1W-9070	1	DIODE AS						
	2	1	3N-7848	1	SPRING						
	3	1	4N-3890	1	SOLENOID AS (24-VOLT) (AIR SHUTOFF)						
		1	6V-8362	2	SCREW-MACHINE (8-32X0.31-IN)						
		1	9B-7233	2	LOCKWASHER						
	4	1	4P-8021	1	VALVE AS (AIR SHUTOFF)						
	5	1	5N-1703	1	SPACER (6.8X21X9.52-MM THK)						
	6	1	5N-3160	1	STUD (1/4-20X2-IN)						
	7	1	5N-3852	2	BEARING						
	8	1	5N-5129	1	SHAFT						
	9	1	5N-5131	1	BLOCK AS						
		1	5H-5744	1	BUSHING-TERMINAL						
	10	1	135-4649	1	SPRING						
	11	1	155-2698	1	SWITCH AS-LIMIT (AIR SHUTOFF)						
		1	186-3735	2	PIN-CONNECTOR (16-GA TO 18-GA)						
		1	102-8802	1	KIT-RECEPTACLE (2-PIN)						
					(INCLUDES RECEPTACLE AS & WEDGE)						
		1	2H-3922	1	LOCKWASHER						
		1	6V-8370	1	NUT-HEX (3/4-32-THD)						
		1	9X-0199	1	BOOT-SWITCH						
	12	1	180-6364	1	BRACKET AS						
	13	1	246-4623	1	ADAPTER						
	14	1	246-5949	1	SHAFT AS						
		1	246-5944	1	SHAFT						
		1	2L-3605	1	PIN-SPRING						
		1	5N-2829	1	BUSHING-TERMINAL						
	15	1	252-0033	1	LATCH						
C	16	1	0S-1594	1	BOLT (3/8-16X1-IN)						
	17	1	1C-0569	2	BOLT (5/16-18X0.5-IN)						
C	18	1	6D-2928	2	BOLT (1/4-20X1.125-IN)						
	19	1	5H-1190	1	SEAL-LIP TYPE						
	20	1	5M-2894	2	WASHER-HARD (10.2X18.5X2.5-MM THK)						
	21	1	6V-8185	1	NUT (1/4-20-THD)						
	22	1	8T-4205	3	WASHER-HARD (7.2X14.5X2-MM THK)						
	23	1	9S-5282	2	WASHER-HARD (8.8X14.5X2-MM THK)						
C	24	1	9M-9224	1	SPACER (0.406X0.75X1.688-IN THK)						
C	25	1	0T-0573	1	BOLT (3/8-16X2.75-IN)						

C-CHANGE FROM PREVIOUS TYPE

AIR INLET AND EXHAUST SYSTEM

245-4677 SHUTOFF GP-AIR (contd.)

i03490443



GRAPHIC #1

<END>

g01322898

AIR INLET AND EXHAUST SYSTEM

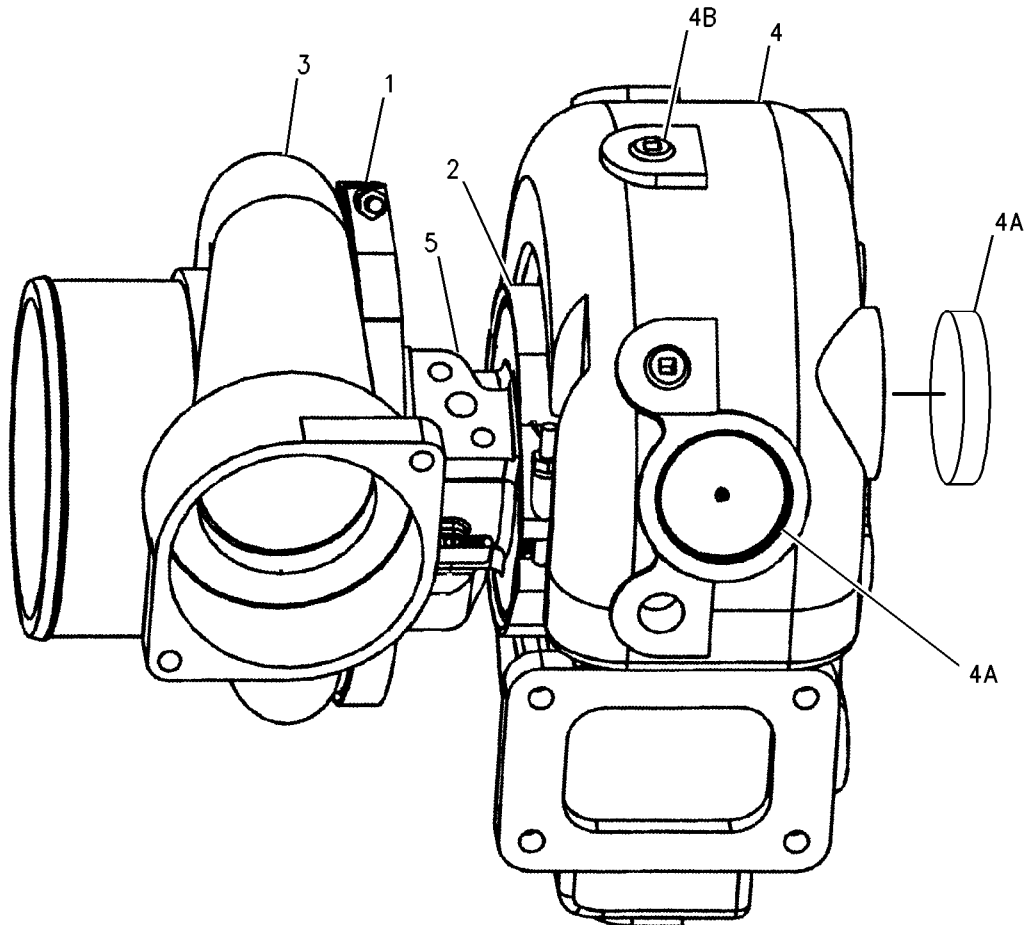
201-4824 TURBOCHARGER GP

PART OF 201-7251 TURBOCHARGER GP
FIELD REPLACEMENT FOR 201-7275—PAGE 554

SMCS-1052, 1053

i01914771

NOTE	REF NO	GRAPHIC REF	PART NUMBER	QTY	PART NAME						SEE PAGE
					1	2	3	4	5	6 (PRODUCT LEVEL)	
	1	1	7W-7778	1	CLAMP AS (COMPRESSOR)						
	2	1	5S-4517	1	CLAMP AS (TURBINE)						
	3	1	204-1256	1	COVER-COMPRESSOR						
	4	1	204-1531	1	HOUSING AS-TURBINE						
	4A	1	0L-1024	6	PLUG-CUP						
	4B	1	9L-8412	5	PLUG-PIPE						
	5	1	204-1530	1	CARTRIDGE GP-TURBOCHARGER						



GRAPHIC #1

<END>

g00786949

AIR INLET AND EXHAUST SYSTEM

201-7251 TURBOCHARGER GP

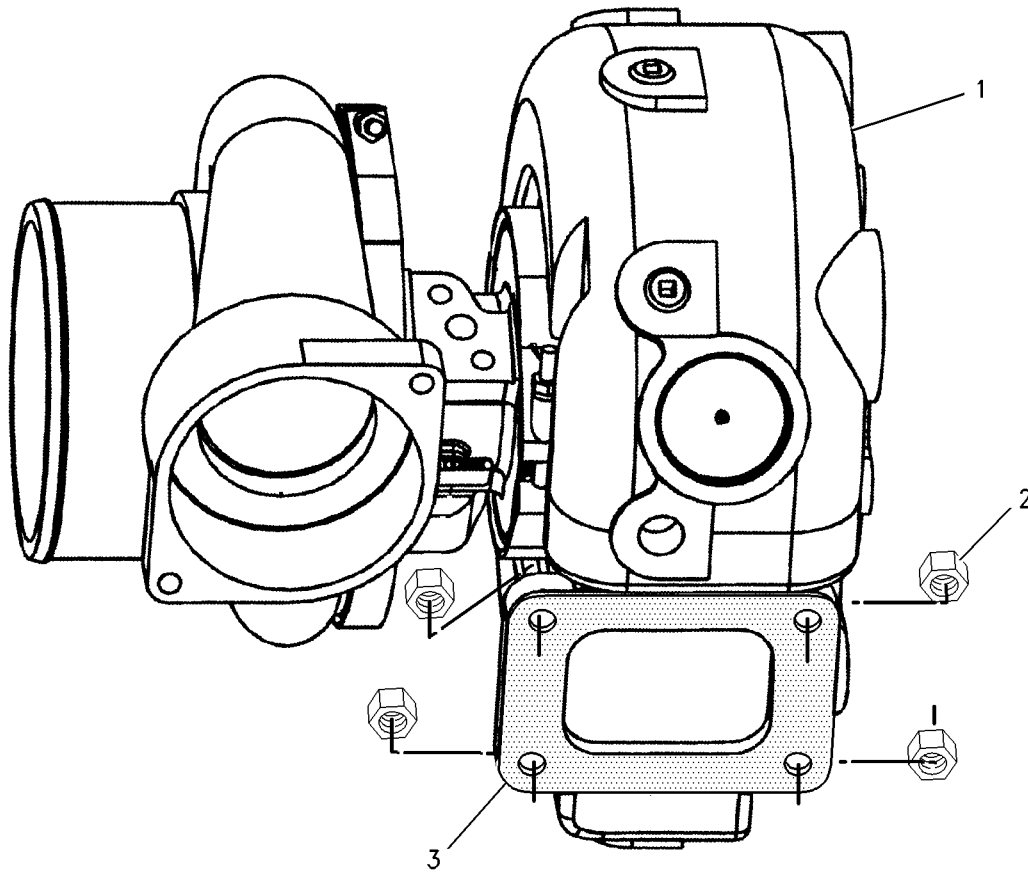
REAR MOUNTED

SMCS-1052, 1053

i01513200

NOTE	REF NO	GRAPHIC REF	PART NUMBER	QTY	PART NAME						SEE PAGE
					1	2	3	4	5	6 (PRODUCT LEVEL)	
Y	1	1	201-4824	1	TURBOCHARGER GP						551
	2	1	2N-2766	4	LOCKNUT (3/8-16-THD)						
	3	1	7M-7273	1	GASKET						

Y-SEPARATE ILLUSTRATION



GRAPHIC #1

<END>

g00786950

AIR INLET AND EXHAUST SYSTEM

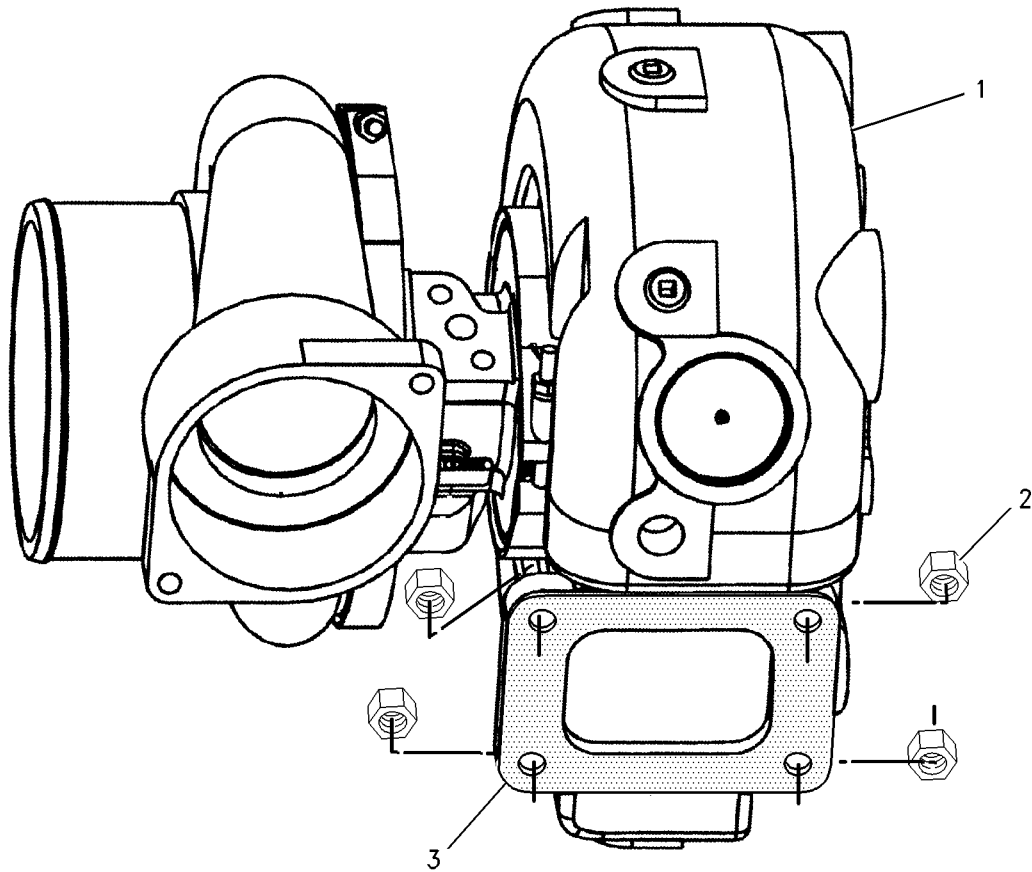
201-7252 TURBOCHARGER GP SIDE MOUNTED

SMCS-1052, 1053

i01790947

NOTE	REF NO	GRAPHIC REF	PART NUMBER	QTY	PART NAME						SEE PAGE
					1	2	3	4	5	6 (PRODUCT LEVEL)	
Y	1	1	201-7275	1	TURBOCHARGER GP						554
	2	1	7M-7273	1	GASKET - TURBOCHARGER						
	3	1	2N-2766	4	LOCKNUT						

Y-SEPARATE ILLUSTRATION



GRAPHIC #1

<END>

g00786950

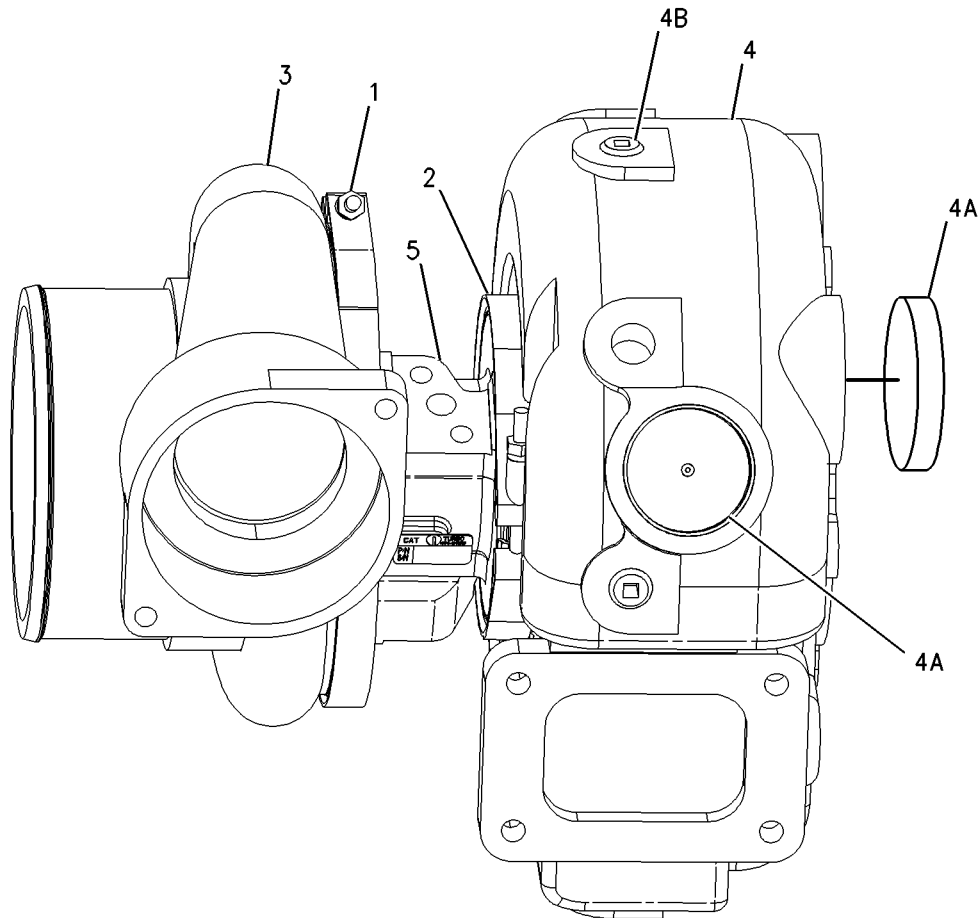
AIR INLET AND EXHAUST SYSTEM

201-7275 TURBOCHARGER GP PART OF 201-7252 TURBOCHARGER GP FIELD REPLACEMENT ORDER 201-4824—PAGE 551

SMCS-1052, 1053

i01914774

NOTE	REF NO	GRAPHIC REF	PART NUMBER	QTY	PART NAME						SEE PAGE
					1	2	3	4	5	6 (PRODUCT LEVEL)	
	1	1	7W-7778	1	CLAMP AS (COMPRESSOR)						
	2	1	5S-4517	1	CLAMP AS (TURBINE)						
	3	1	204-1256	1	COVER-COMPRESSOR						
	4	1	204-1531	1	HOUSING AS-TURBINE						
	4A	1	0L-1024	6	PLUG-CUP						
	4B	1	9L-8412	5	PLUG-PIPE						
	5	1	204-1530	1	CARTRIDGE GP-TURBOCHARGER						



GRAPHIC #1

<END>

g00998710

AIR INLET AND EXHAUST SYSTEM

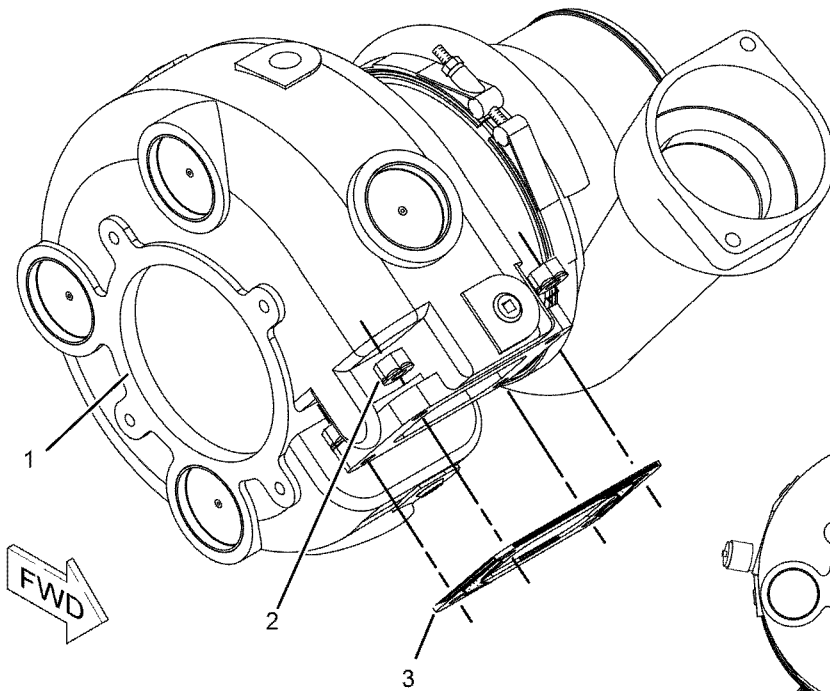
241-9421 TURBOCHARGER GP

SMCS-1052, 1053

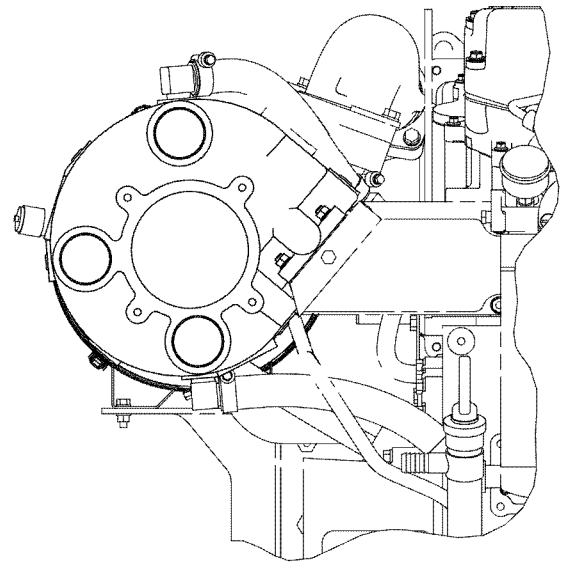
i01975304

NOTE	REF NO	GRAPHIC REF	PART NUMBER	QTY	PART NAME						SEE PAGE
					1	2	3	4	5	6 (PRODUCT LEVEL)	
Y	1	1	242-0267	1	TURBOCHARGER GP						556
	2	1	2N-2766	4	LOCKNUT (3/8X16X2 THD)						
	3	1	7M-7273	1	GASKET						

Y-SEPARATE ILLUSTRATION



ISOMETRIC VIEW



RIGHT SIDE VIEW

GRAPHIC #1

<END>

g01034087

AIR INLET AND EXHAUST SYSTEM

242-0267 TURBOCHARGER GP

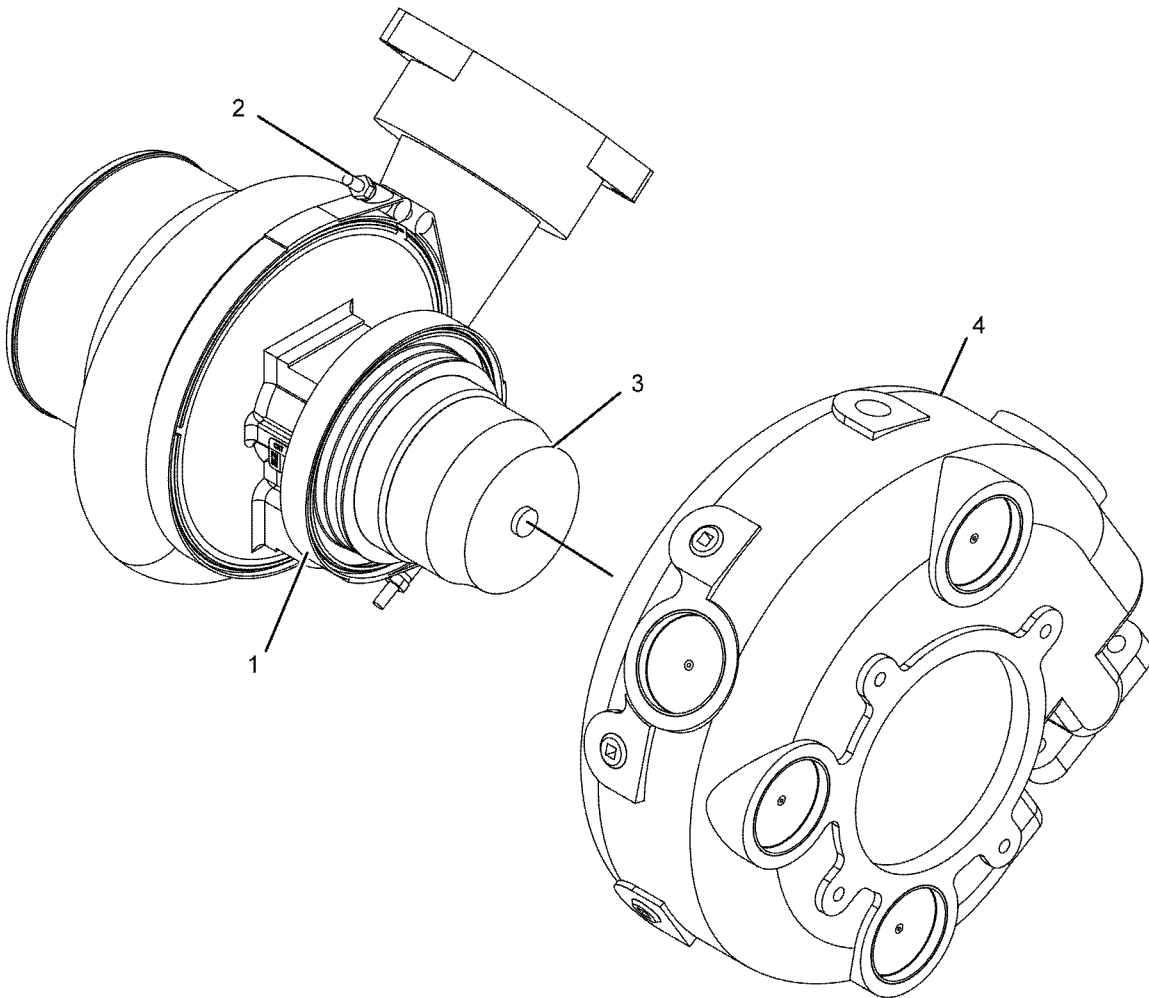
WATER COOLED

PART OF 241-9421 TURBOCHARGER GP

SMCS-1052, 1053

i02009788

NOTE	REF NO	GRAPHIC REF	PART NUMBER	QTY	PART NAME						SEE PAGE
					1	2	3	4	5	6 (PRODUCT LEVEL)	
	1		5S-4517	1	CLAMP AS (TURBINE)						
	2		7W-7778	1	CLAMP AS (COMPRESSOR)						
	3		242-1288	1	CARTRIDGE GP-TURBOCHARGER						
	4		243-0940	1	HOUSING AS-TURBINE (WATERCOOLED)						
			0L-1024	6	PLUG-CUP						
			9L-8412	7	PLUG-PIPE						



GRAPHIC #1

<END>

g01034662

AIR INLET AND EXHAUST SYSTEM

245-4791 TURBOCHARGER GP

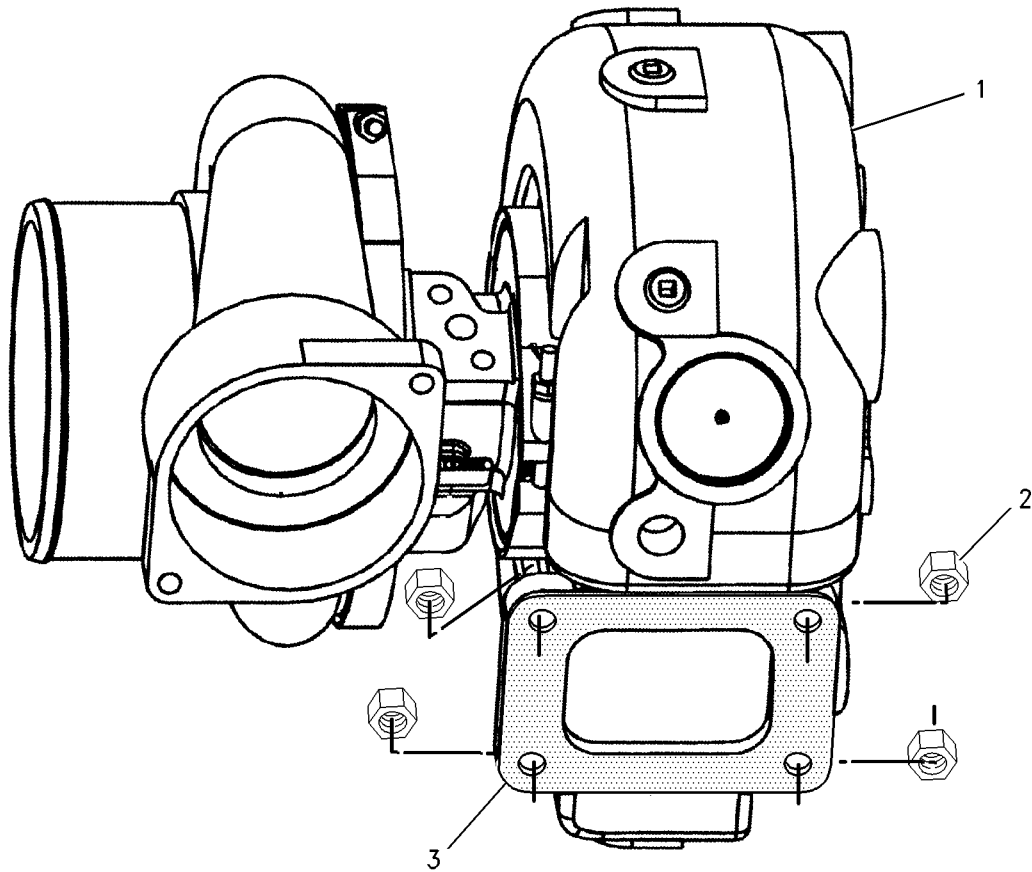
S/N: J2K1-UP

SMCS-1052, 1053

i01995052

NOTE	REF NO	GRAPHIC REF	PART NUMBER	QTY	PART NAME						SEE PAGE
					1	2	3	4	5	6 (PRODUCT LEVEL)	
Y	1	1	245-9734	1	TURBOCHARGER GP						558
	2	1	2N-2766	4	LOCKNUT (3/8X16X2 THD)						
	3	1	7M-7273	1	GASKET						

Y-SEPARATE ILLUSTRATION



GRAPHIC #1

<END>

g00786950

AIR INLET AND EXHAUST SYSTEM

245-9734 TURBOCHARGER GP

S/N: J2K1-UP

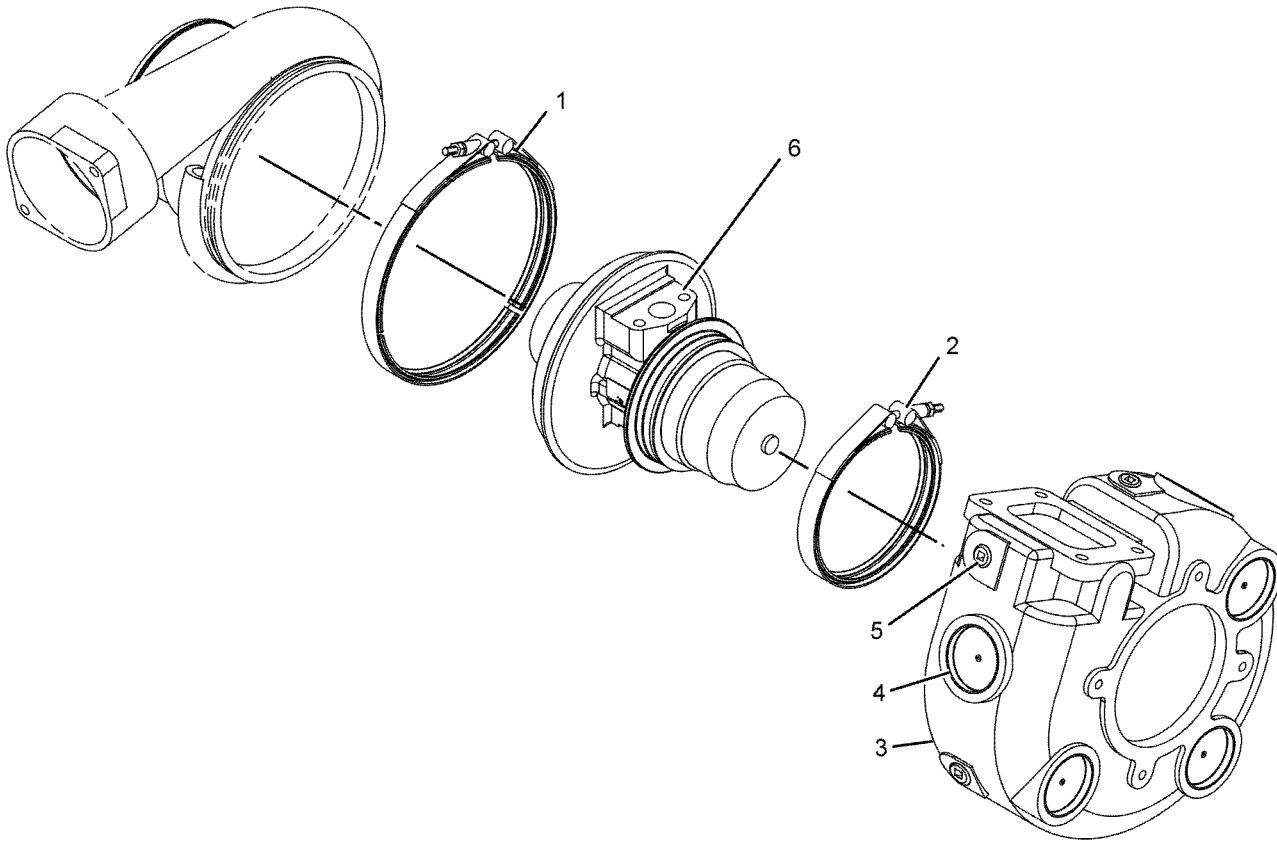
WATERCOOLED

PART OF 245-4791 TURBOCHARGER GP

SMCS-1052, 1053

i01995021

NOTE	REF NO	GRAPHIC REF	PART NUMBER	QTY	PART NAME						SEE PAGE
					1	2	3	4	5	6 (PRODUCT LEVEL)	
	1	1	7W-7778	1	CLAMP AS (COMPRESSOR)						
	2	1	5S-4517	1	CLAMP AS (TURBINE)						
	3	1	246-2105	1	HOUSING AS-TURBINE						
	4	1	0L-1024	6	PLUG-CUP						
	5	1	9L-8412	5	PLUG-PIPE						
	6	1	149-7499	1	CARTRIDGE GP-TURBOCHARGER						



GRAPHIC #1

<END>

g01032555

AIR INLET AND EXHAUST SYSTEM

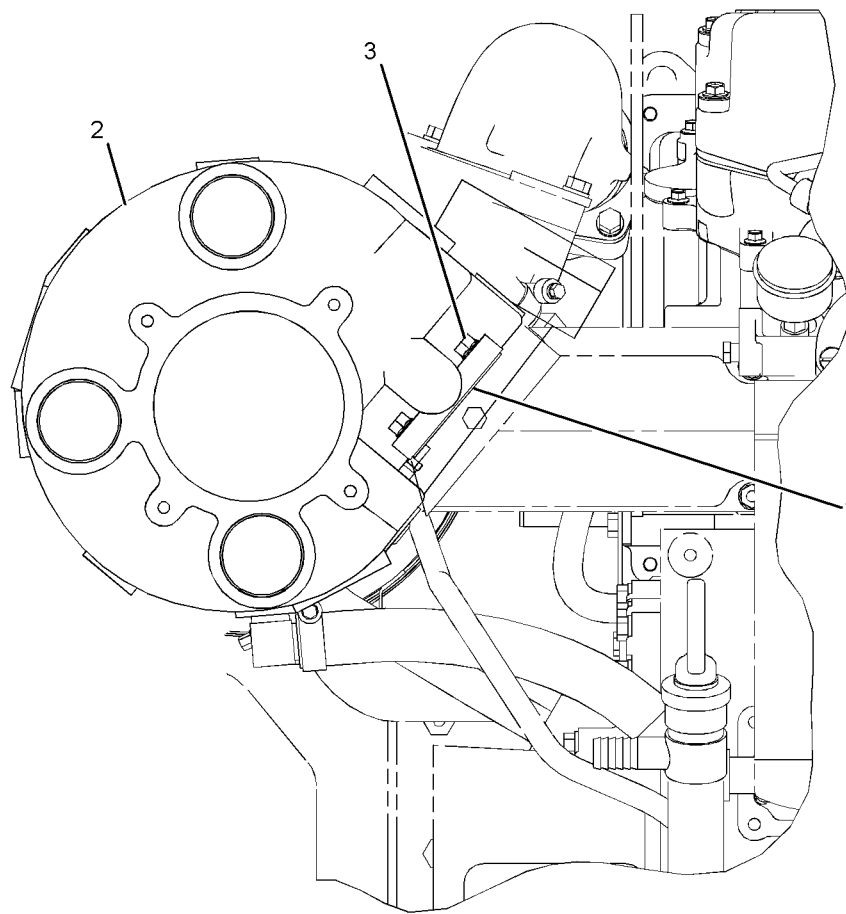
301-4315 TURBOCHARGER GP

SMCS-1052, 1053

i02680593

NOTE	REF NO	GRAPHIC REF	PART NUMBER	QTY	PART NAME						SEE PAGE
					1	2	3	4	5	6 (PRODUCT LEVEL)	
	1	1	7M-7273	1	GASKET						
Y	2	1	302-0372	1	TURBOCHARGER GP						560
	3	1	2N-2766	4	LOCKNUT (3/8-16-THD)						

Y-SEPARATE ILLUSTRATION



RIGHT SIDE VIEW OF ENGINE

<END>

GRAPHIC #1

g01347703

AIR INLET AND EXHAUST SYSTEM

302-0372 TURBOCHARGER GP

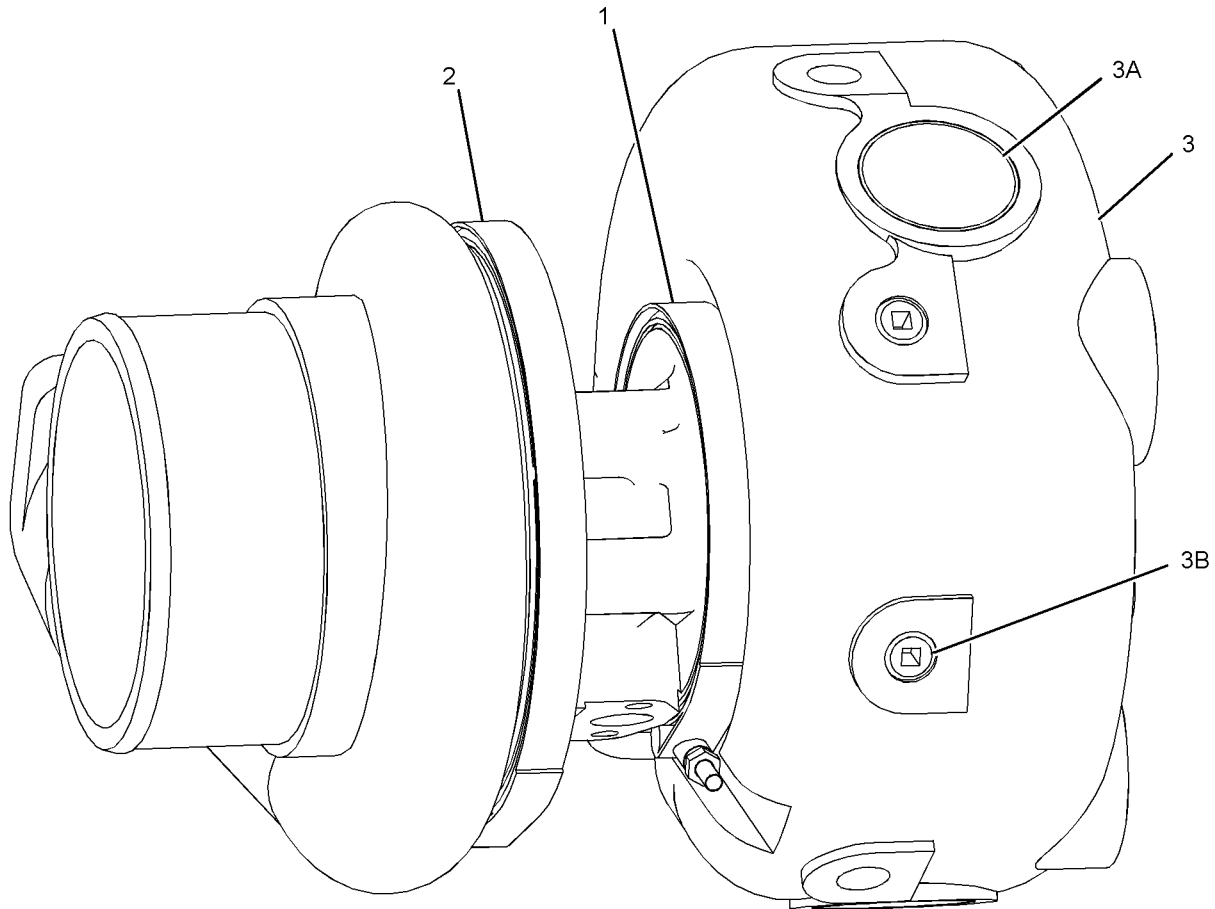
S/N: J2K1-UP

PART OF 301-4315 TURBOCHARGER GP

SMCS-1052, 1053

i02682268

NOTE	REF NO	GRAPHIC REF	PART NUMBER	QTY	PART NAME						SEE PAGE
					1	2	3	4	5	6 (PRODUCT LEVEL)	
	1	1	5S-4517	1	CLAMP AS (TURBINE)						
	2	1	7W-7778	1	CLAMP AS (COMPRESSOR)						
	3	1	155-4929	1	HOUSING AS-TURBINE						
	3A	1	0L-1024	6	PLUG-CUP						
	3B	1	9L-8412	7	PLUG-PIPE						



GRAPHIC #1

<END>

g01347693

AIR INLET AND EXHAUST SYSTEM

302-0372 TURBOCHARGER GP

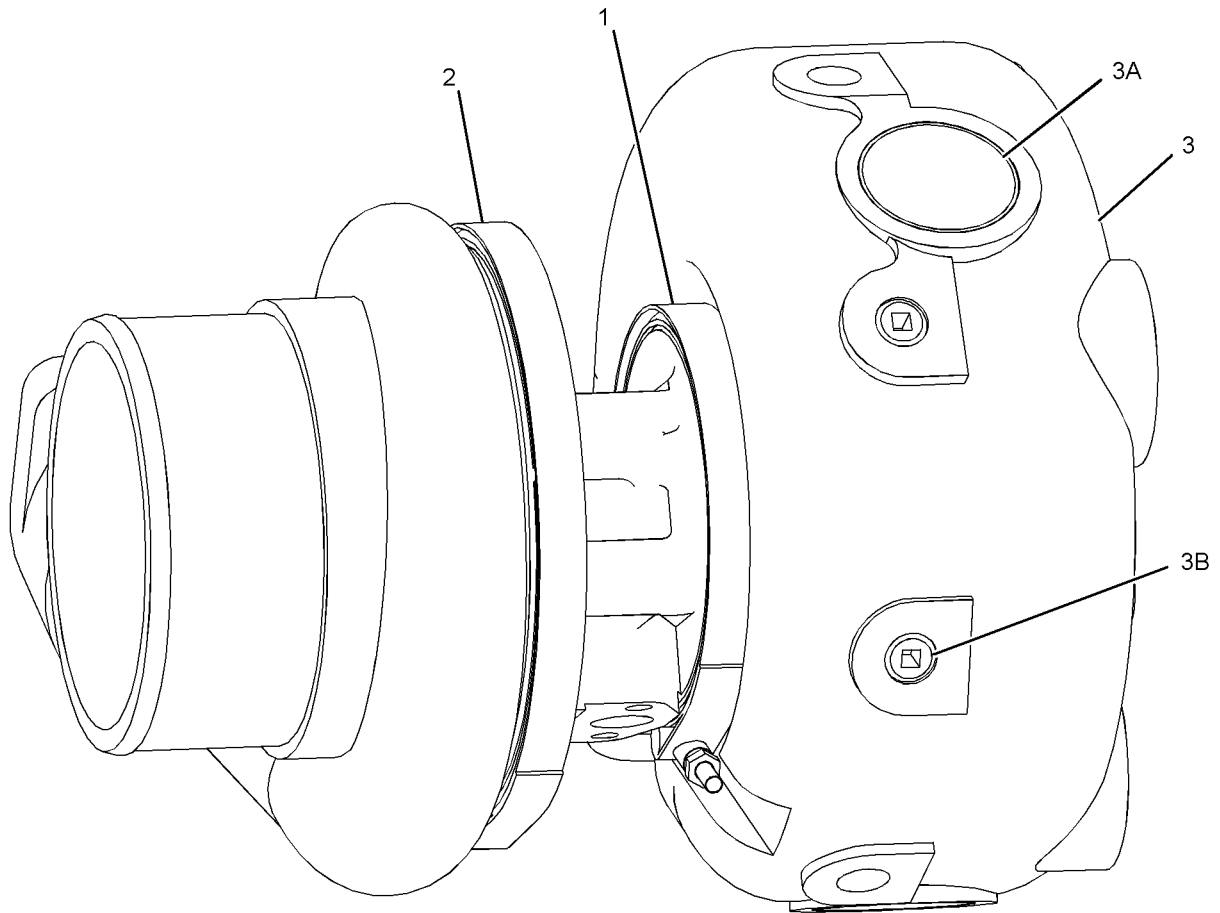
PART OF 301-4315 TURBOCHARGER GP

SMCS-1052, 1053

i02838122

NOTE	REF NO	GRAPHIC REF	PART NUMBER	QTY	PART NAME						SEE PAGE
					1	2	3	4	5	6 (PRODUCT LEVEL)	
	1	1	5S-4517	1	CLAMP AS (TURBINE)						
	2	1	7W-7778	1	CLAMP AS (COMPRESSOR)						
C	3	1	314-5160	1	HOUSING AS-TURBOCHARGER						
	3A	1	0L-1024	6	PLUG-CUP						
	3B	1	9L-8412	7	PLUG-PIPE						

C-CHANGE FROM PREVIOUS TYPE



GRAPHIC #1

<END>

g01347693

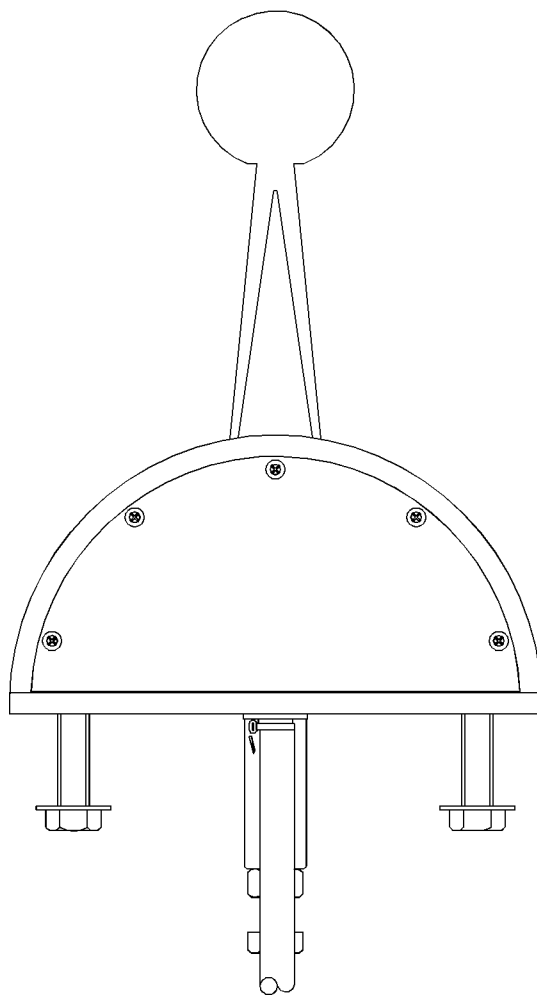
FUEL SYSTEM

223-8200 CONTROL-THROTTLE-CLEAR, RH SLANT HANDLE FOR USE WITH MULTI-STATION CONTROL SYSTEM AN ATTACHMENT

SMCS-1269

i01976275

NOTE	REF NO	GRAPHIC REF	PART NUMBER	QTY	PART NAME						SEE PAGE
					1	2	3	4	5	6 (PRODUCT LEVEL)	
(NO SERVICED PARTS)											



GRAPHIC #1

<END>

g01025840

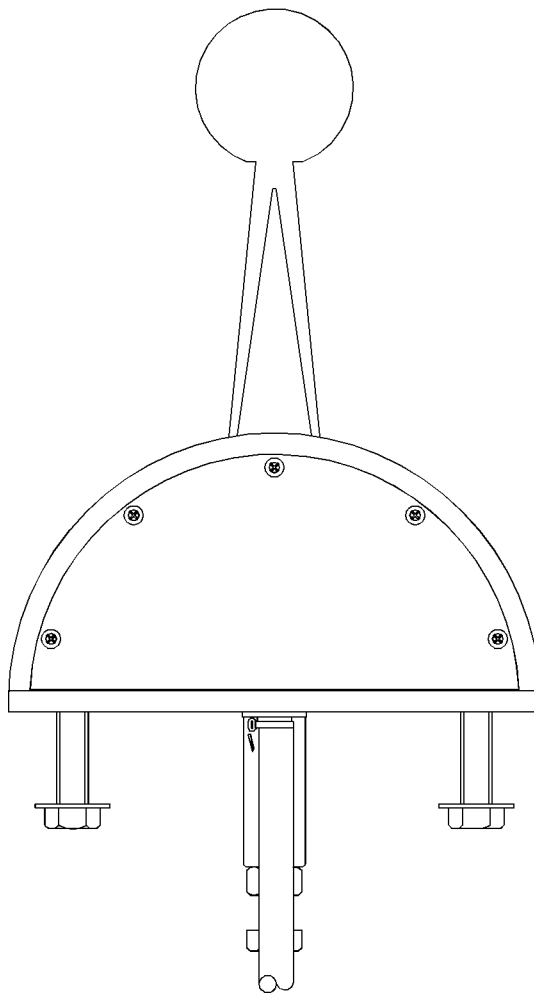
FUEL SYSTEM

223-8205 CONTROL-THROTTLE-BLACK, RH SLANT HANDLE FOR USE WITH MULTI-STATION CONTROL SYSTEM AN ATTACHMENT

SMCS-1269

i01976304

NOTE	REF NO	GRAPHIC REF	PART NUMBER	QTY	PART NAME						SEE PAGE
					1	2	3	4	5	6 (PRODUCT LEVEL)	
(NO SERVICED PARTS)											



GRAPHIC #1

<END>

g01025840

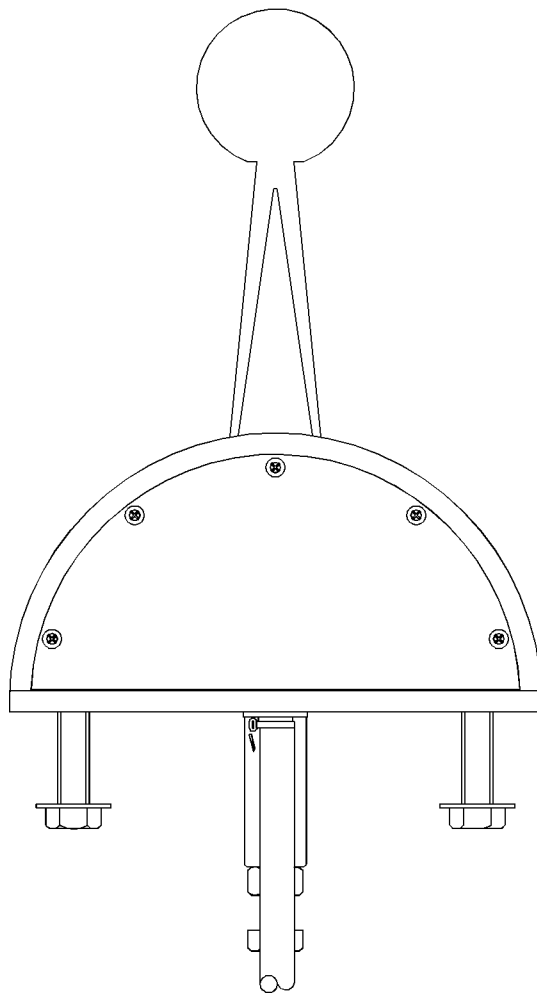
FUEL SYSTEM

223-8211 CONTROL-THROTTLE-CLEAR, STRAIGHT HANDLE FOR USE WITH MULTI-STATION CONTROL SYSTEM AN ATTACHMENT

SMCS-1269

i01976310

NOTE	REF NO	GRAPHIC REF	PART NUMBER	QTY	PART NAME	SEE PAGE
					1 2 3 4 5 6 (PRODUCT LEVEL)	
(NO SERVICED PARTS)						



GRAPHIC #1

<END>

g01025840

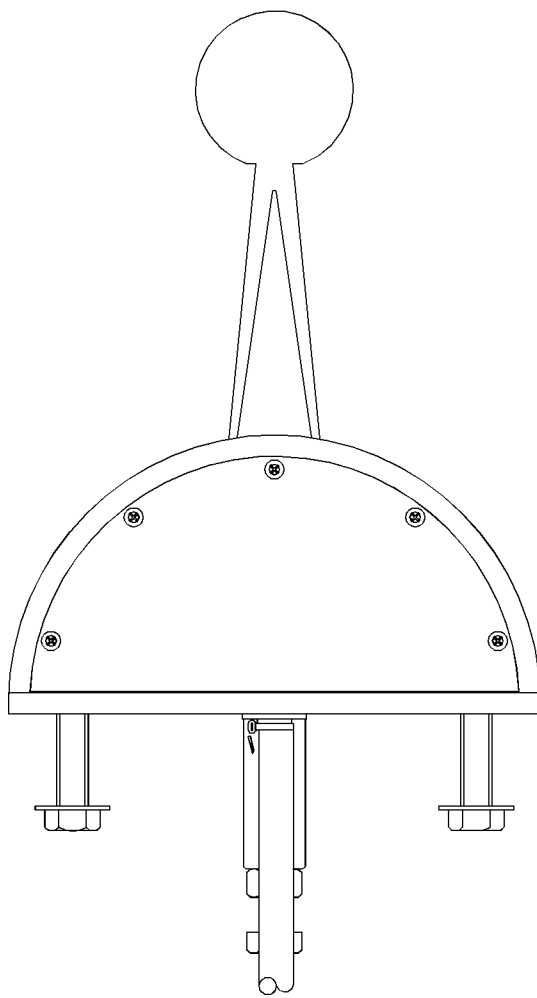
FUEL SYSTEM

223-8216 CONTROL-THROTTLE-BLACK, STRAIGHT HANDLE FOR USE WITH MULTI-STATION CONTROL SYSTEM AN ATTACHMENT

SMCS-1269

i01976322

NOTE	REF NO	GRAPHIC REF	PART NUMBER	QTY	PART NAME						SEE PAGE
					1	2	3	4	5	6 (PRODUCT LEVEL)	
(NO SERVICED PARTS)											



GRAPHIC #1

<END>

g01025840

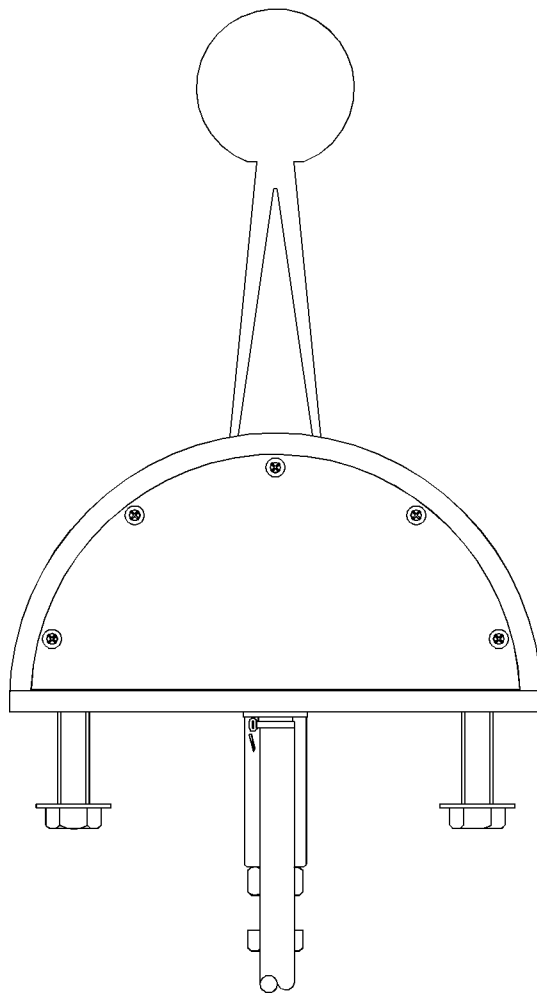
FUEL SYSTEM

223-8220 CONTROL-THROTTLE-CLEAR, LH SLANT HANDLE FOR USE WITH MULTI-STATION CONTROL SYSTEM AN ATTACHMENT

SMCS-1269

i01976329

NOTE	REF NO	GRAPHIC REF	PART NUMBER	QTY	PART NAME	SEE PAGE
					1 2 3 4 5 6 (PRODUCT LEVEL)	
(NO SERVICED PARTS)						



GRAPHIC #1

<END>

g01025840

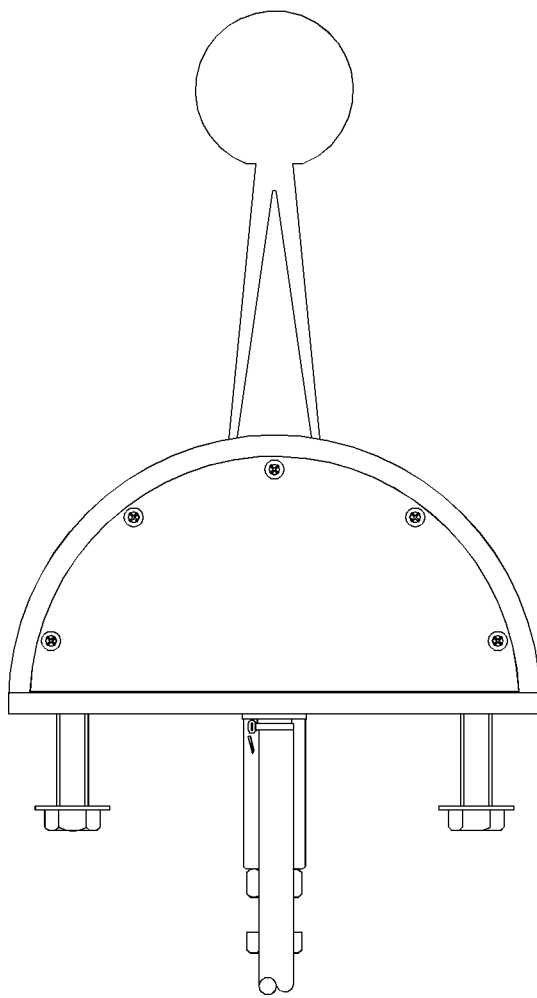
FUEL SYSTEM

223-8223 CONTROL-THROTTLE-BLACK, LH SLANT HANDLE FOR USE WITH MULTI-STATION CONTROL SYSTEM AN ATTACHMENT

SMCS-1269

i01976341

NOTE	REF NO	GRAPHIC REF	PART NUMBER	QTY	PART NAME						SEE PAGE
					1	2	3	4	5	6 (PRODUCT LEVEL)	
(NO SERVICED PARTS)											



GRAPHIC #1

<END>

g01025840

FUEL SYSTEM

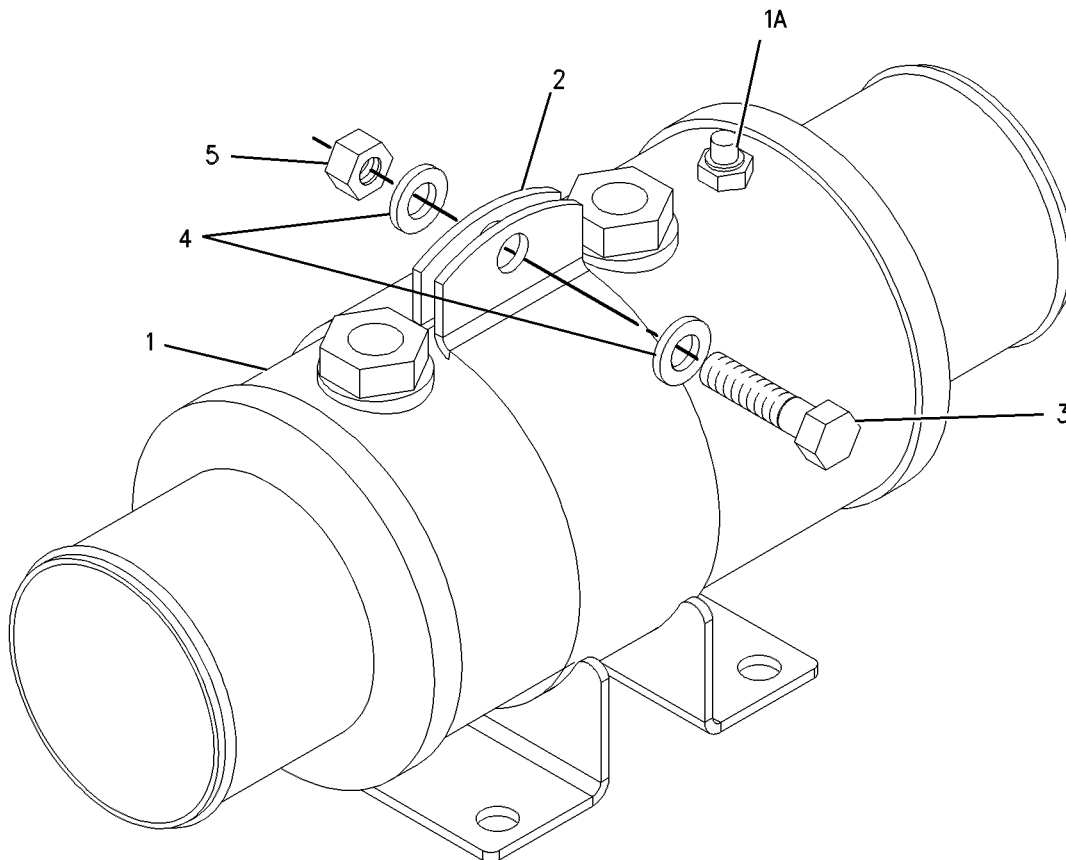
164-0449 COOLER GP-FUEL

REQUIRES AUXILIARY SEAWATER PUMP
FOR USE WITH CUSTOMER SUPPLIED FUEL LINES
AN ATTACHMENT

SMCS-1712

i02318818

NOTE	REF NO	GRAPHIC REF	PART NUMBER	QTY	PART NAME						SEE PAGE
					1	2	3	4	5	6 (PRODUCT LEVEL)	
	1	1	140-9545	1	COOLER AS						
	1A	1	6L-2279	1	PLUG-PIPE						
		1	6L-2281	1	ROD-ZINC (FUEL COOLER)						
	2	1	164-0436	1	CLAMP						
	3	1	0S-1591	1	BOLT (3/8-16X1.5-IN)						
	4	1	5M-2894	2	WASHER-HARD (10.2X18.5X2.5-MM THK)						
	5	1	9S-8752	1	NUT-FULL (3/8-16-THD)						



GRAPHIC #1

<END>

g00597749

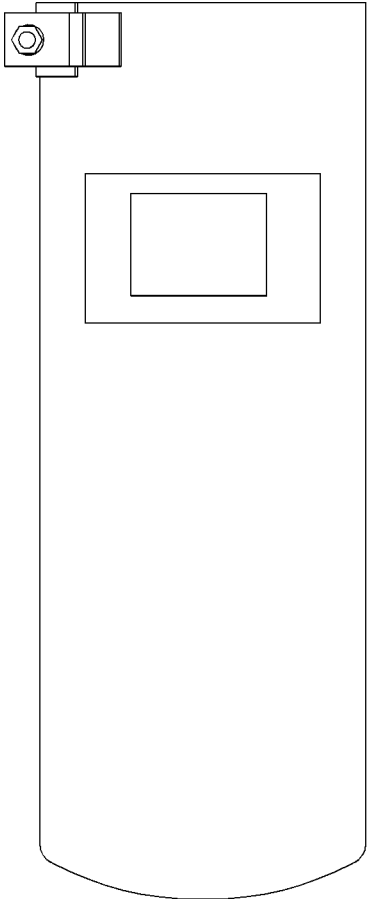
FUEL SYSTEM

225-8575 COVER-FILTER-FUEL FILTER 97.1MM DIA. POLISHED STAINLESS STEEL AN ATTACHMENT

SMCS-1261

i01967474

NOTE	REF NO	GRAPHIC REF	PART NUMBER	QTY	PART NAME						SEE PAGE
					1	2	3	4	5	6 (PRODUCT LEVEL)	
(NO SERVICED PARTS)											



GRAPHIC #1

<END>

g01022065

FUEL SYSTEM

8H-7204 FILTER GP-FUEL

PRIMARY

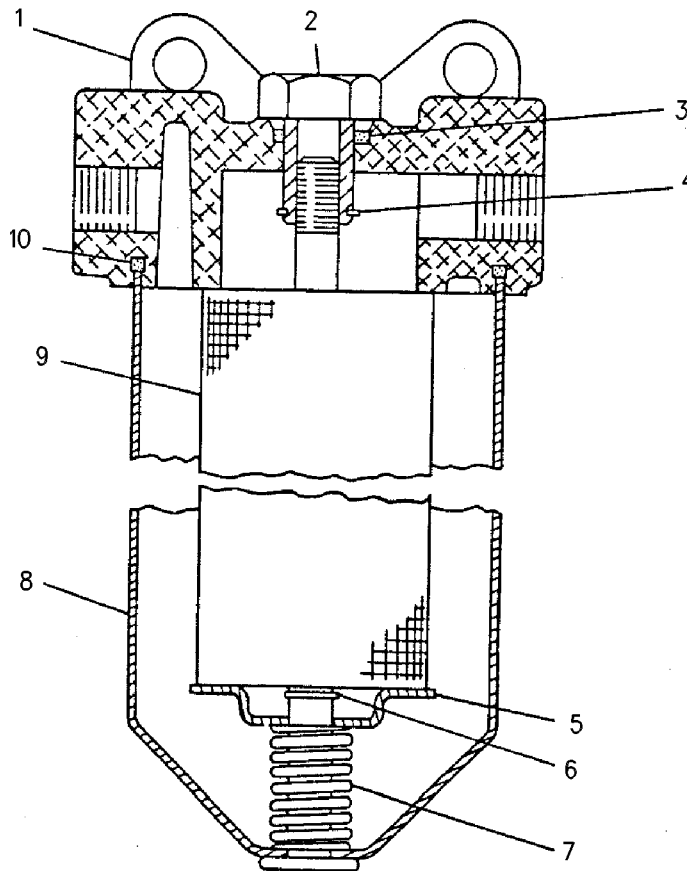
CANNOT BE USED WITH 130-2960—PAGE 571
AN ATTACHMENT

SMCS-1261

i02019520

NOTE	REF NO	GRAPHIC REF	PART NUMBER	QTY	PART NAME						SEE PAGE
					1	2	3	4	5	6 (PRODUCT LEVEL)	
C	1	1	1N-3583	1	BASE-FUEL FILTER						
C	2	1	7N-1628	1	NUT (3/8-24-THD)						
C	3	1	2J-0157	1	SEAL-O-RING						
	4	1	1L-3769	1	RING-RETAINING						
	5	1	7H-9678	1	RETAINER-ELEMENT						
	6	1	2H-3429	1	RING-RETAINING						
	7	1	7S-9323	1	SPRING						
	8	1	8H-7202	1	CASE AS-FUEL FILTER						
	9	1	9M-2342	1	FILTER ELEMENT-FUEL (PRIMARY)						
	10	1	8H-2778	1	SEAL-RING (FUEL FILTER BASE)						

C-CHANGE FROM PREVIOUS TYPE



GRAPHIC #1

<END>

g00605452

FUEL SYSTEM

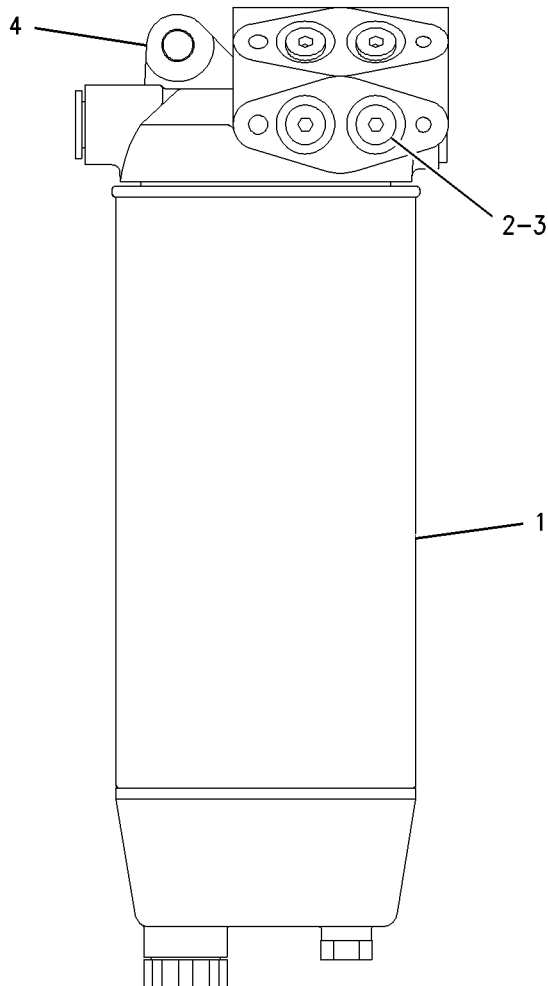
130-2960 FILTER GP-FUEL

FOR USE WITH WATER SEPARATOR
AN ATTACHMENT

SMCS-1261

i02325452

NOTE	REF NO	GRAPHIC REF	PART NUMBER	QTY	PART NAME						SEE PAGE
					1	2	3	4	5	6 (PRODUCT LEVEL)	
	1	1	129-0372	1	FILTER AS-WATER SEP & FUEL						
		1	133-5673	1	ELEMENT-WATER SEPARATOR						
		1	129-0375	1	BOWL AS-WATER COLLECTION (FUEL, WATER SEPARATOR)						
		1	141-0284	1	KIT-FUEL FILTER & WATER SEP (INCLUDES SEAL AND GASKET)						
2		1	9S-8002	6	PLUG-O-RING						
3		1	6V-5048	6	SEAL-O-RING						
4		1	127-0291	1	BASE AS						
		1	9S-4167	1	STUD-HOLLOW (1-14X1.47-IN)						



GRAPHIC #1

<END>

g00785612

FUEL SYSTEM

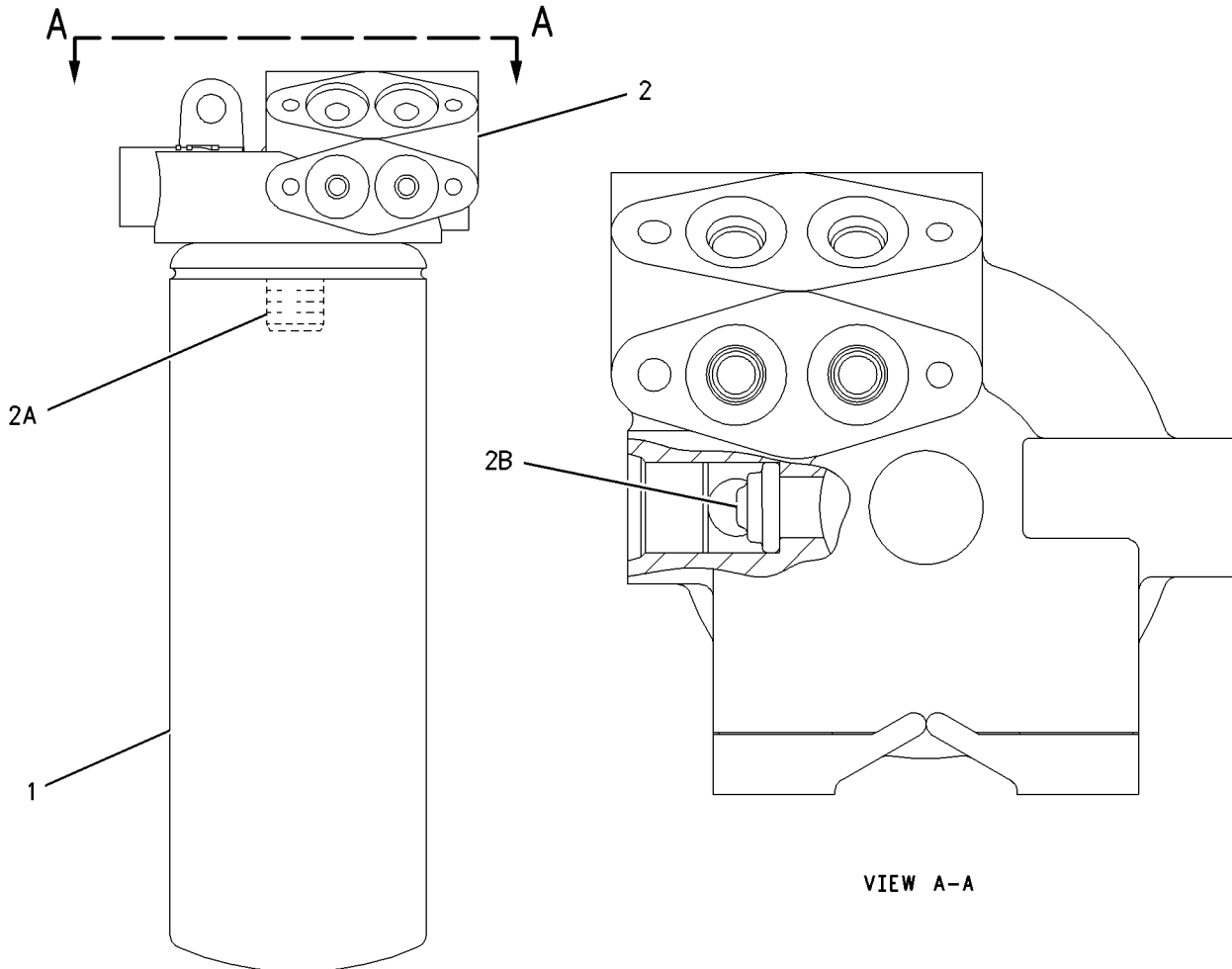
203-0100 FILTER GP-FUEL

PART OF 320-9815, 320-9816 LINES GP-FUEL
AN ATTACHMENT

SMCS-1261

i03640760

NOTE	REF NO	GRAPHIC REF	PART NUMBER	QTY	PART NAME						SEE PAGE
					1	2	3	4	5	6 (PRODUCT LEVEL)	
	1	1	1R-0749	1	FILTER-FUEL (ADVANCED EFFICIENCY)						
	2	1	128-8557	1	BASE AS-FILTER (PRIMARY FUEL FILTER)						
	2A	1	9S-4167	1	STUD-HOLLOW (1-14X1.47-IN)						
	2B	1	7E-5346	1	VALVE AS (FUEL CHECK)						



VIEW A-A

GRAPHIC #1

<END>

g00780260

FUEL SYSTEM

239-2340 FILTER GP-FUEL

DUPLEX

PART OF 323-6475, 323-6480 LINES GP-FUEL
AN ATTACHMENT

SMCS-1261

i03695965

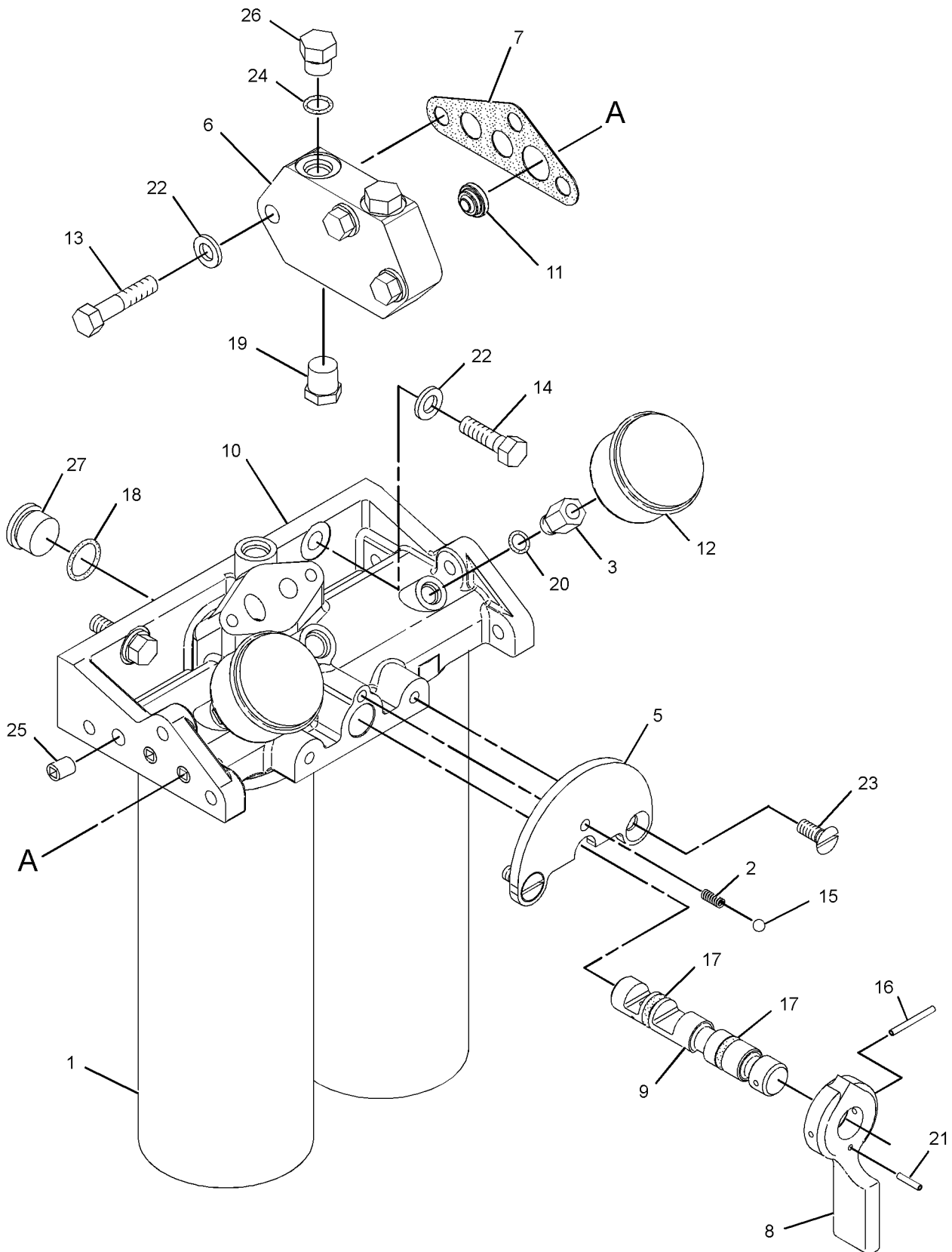
NOTE	REF NO	GRAPHIC REF	PART NUMBER	QTY	PART NAME						SEE PAGE
					1	2	3	4	5	6 (PRODUCT LEVEL)	
	1	1	1R-0749	2	FILTER-FUEL (ADVANCED EFFICIENCY)						
	2	1	2S-3992	1	SPRING						
	3	1	5P-5528	2	ADAPTER-O-RING (1/8-27 NPTF THD)						
	5	1	6N-6248	1	PLATE						
C	6	1	6N-6249	1	JUNCTION BLOCK						
C	7	1	6N-6250	1	GASKET						
	8	1	6N-6251	1	LEVER						
	9	1	6N-6252	1	VALVE-FUEL FILTER						
	10	1	6N-6259	1	BASE AS-FUEL FILTER						
		1	9S-4167	2	STUD-HOLLOW (1-14X1.47-IN)						
C	11	1	7E-5346	1	VALVE AS (FUEL FILTER)						
	12	1	163-7833	2	INDICATOR AS (FUEL PRESSURE)						
C	13	1	0S-1571	3	BOLT (3/8-16X1.75-IN)						
	14	1	0S-1588	3	BOLT (3/8-16X1.25-IN)						
	15	1	2D-6642	1	BALL						
	16	1	2K-8467	1	PIN-SPRING						
	17	1	2M-4453	2	SEAL-O-RING						
	18	1	2M-9780	1	SEAL-O-RING						
C	19	1	3J-5390	1	PLUG (PIPE)						
	20	1	3J-7354	2	SEAL-O-RING						
	21	1	4H-1641	1	PIN-SPRING						
C	22	1	5M-2894	6	WASHER-HARD (10.2X18.5X2.5-MM THK)						
	23	1	6L-3428	2	SCREW-MACHINE						
C	24	1	6V-5049	2	SEAL-O-RING						
	25	1	7F-9504	3	PLUG-PIPE (1/4-18 NPTF THD)						
C	26	1	9S-4191	2	PLUG-O-RING						
	27	1	9S-8006	1	PLUG-O-RING (7/8-14 THD)						

C-CHANGE FROM PREVIOUS TYPE

FUEL SYSTEM

239-2340 FILTER GP-FUEL (contd.)

i03695965



GRAPHIC #1

<END>

g01239369

FUEL SYSTEM

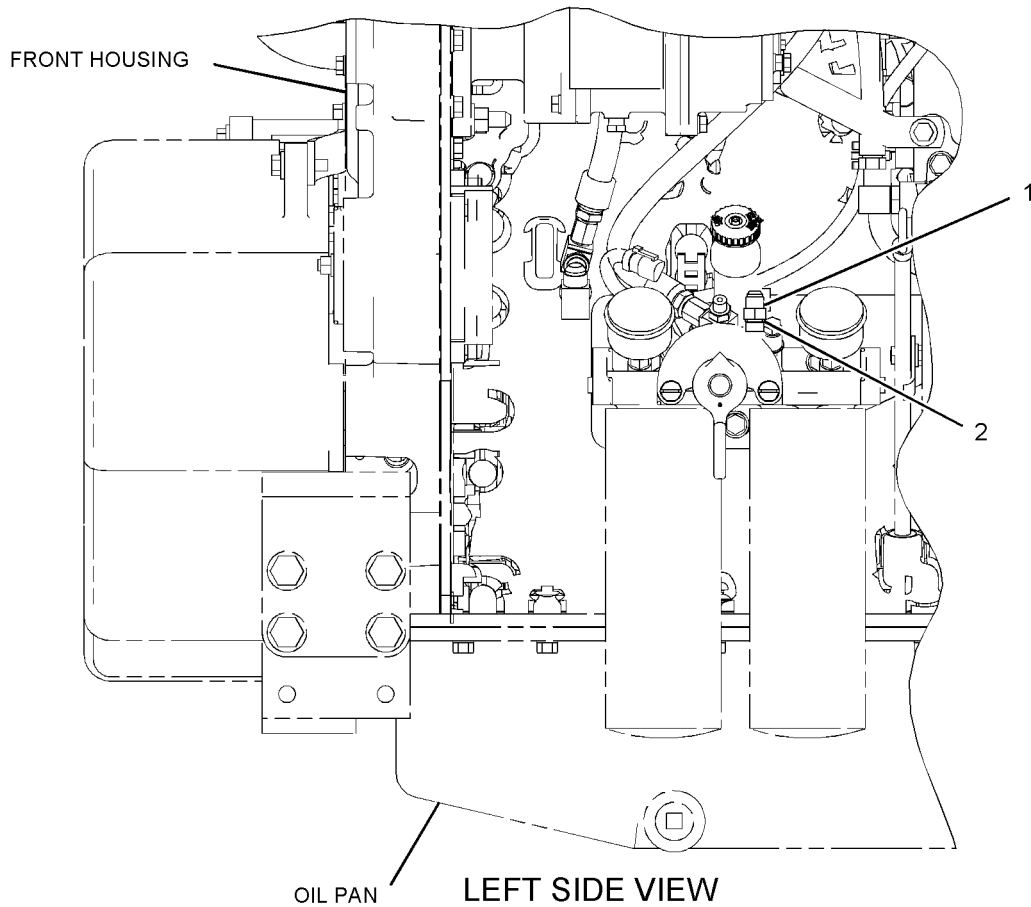
257-7481 FITTING GP-FUEL FILTER

FOR USE WITH LEFT HAND SERVICE DUPLEX FUEL MARINE ENGINE WITH DUAL ECM
OPTION
AN ATTACHMENT

SMCS-1261

i02285749

NOTE	REF NO	GRAPHIC REF	PART NUMBER	QTY	PART NAME						SEE PAGE
					1	2	3	4	5	6 (PRODUCT LEVEL)	
	1	1	2R-6806	1	CONNECTOR-O-RING						
	2	1	6V-5048	1	SEAL-O-RING						



GRAPHIC #1

<END>

g01145625

FUEL SYSTEM

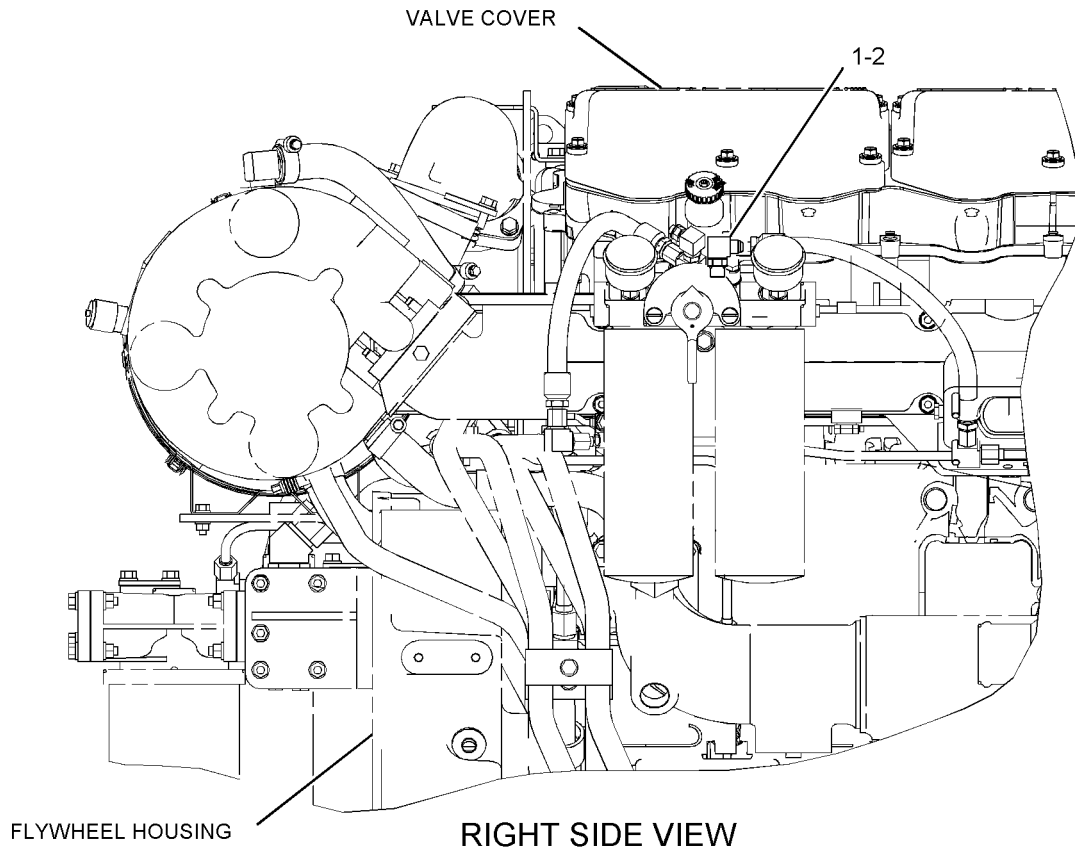
257-7497 FITTING GP-FUEL FILTER

FOR USE WITH RIGHT HAND SERVICE DUPLEX FUEL ENGINE WITH THE DUAL ECM OPTION
AN ATTACHMENT

SMCS-1261

i02285727

NOTE	REF NO	GRAPHIC REF	PART NUMBER	QTY	PART NAME						SEE PAGE
					1	2	3	4	5	6 (PRODUCT LEVEL)	
	1	1	030-7947	1	ELBOW						
	2	1	033-6042	1	SEAL-O-RING						



GRAPHIC #1

<END>

g01145589

FUEL SYSTEM

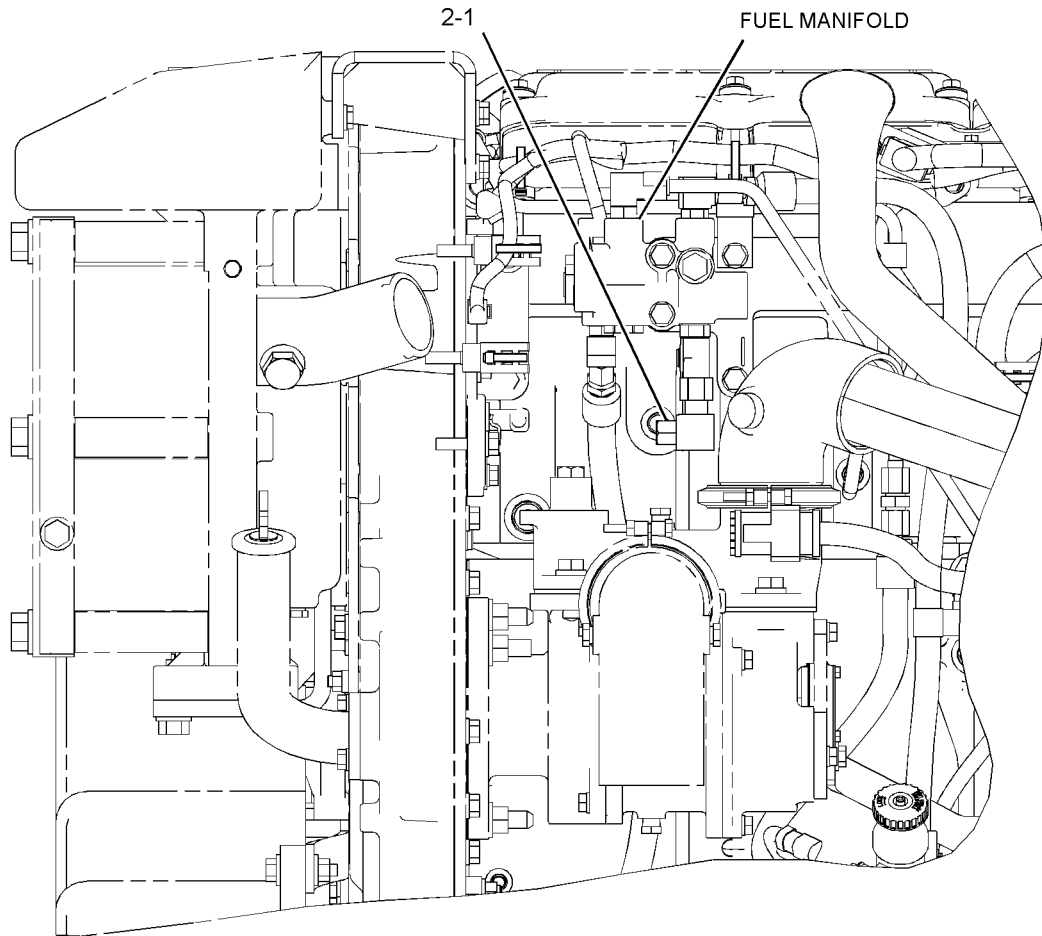
263-0872 FITTING GP-FUEL FILTER-OUTLET

CANNOT BE USED WITH FUEL COOLED HEAT EXCHANGER
AN ATTACHMENT

SMCS-1261

i02486456

NOTE	REF NO	GRAPHIC REF	PART NUMBER	QTY	PART NAME						SEE PAGE
					1	2	3	4	5	6 (PRODUCT LEVEL)	
	1	1	5I-8883	1	ELBOW						
	2	1	8S-4950	1	CAP						



RIGHT SIDE VIEW

<END>

GRAPHIC #1

g01246307

FUEL SYSTEM

313-4606 FITTING GP-FUEL LINES

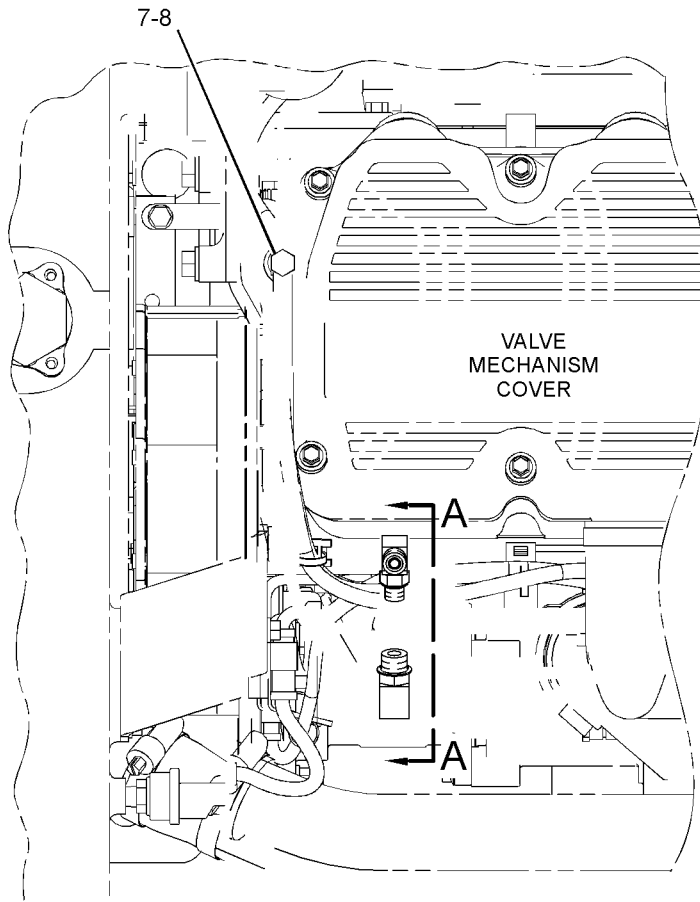
S/N: T2P1-UP

TYPE 1

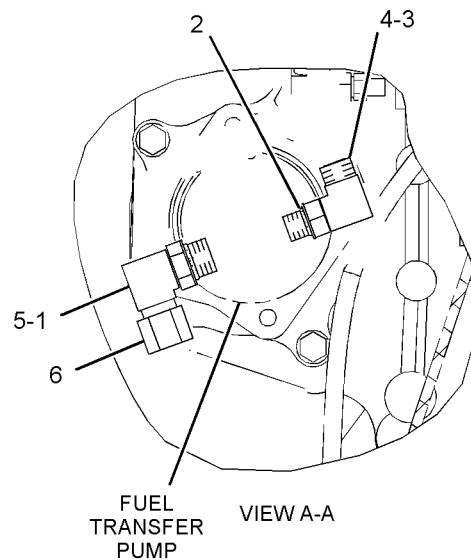
SMCS-1274

i03041299

NOTE	REF NO	GRAPHIC REF	PART NUMBER	QTY	PART NAME						SEE PAGE
					1	2	3	4	5	6 (PRODUCT LEVEL)	
	1	1	118-4728	1	ELBOW						
	2	1	033-6042	1	SEAL-O-RING						
	3	1	6V-8397	1	SEAL-O-RING						
	4	1	6V-8724	1	ELBOW						
	5	1	8L-2786	1	SEAL-O-RING						
	6	1	8S-4951	1	CAP (FLARED)						
	7	1	3J-1907	1	SEAL-O-RING						
	8	1	9S-4191	1	PLUG-O-RING						



TOP VIEW OF ENGINE



FUEL TRANSFER PUMP
VIEW A-A

GRAPHIC #1

<END>

g01550493

FUEL SYSTEM

313-4606 FITTING GP-FUEL LINES

S/N: T2P1-UP

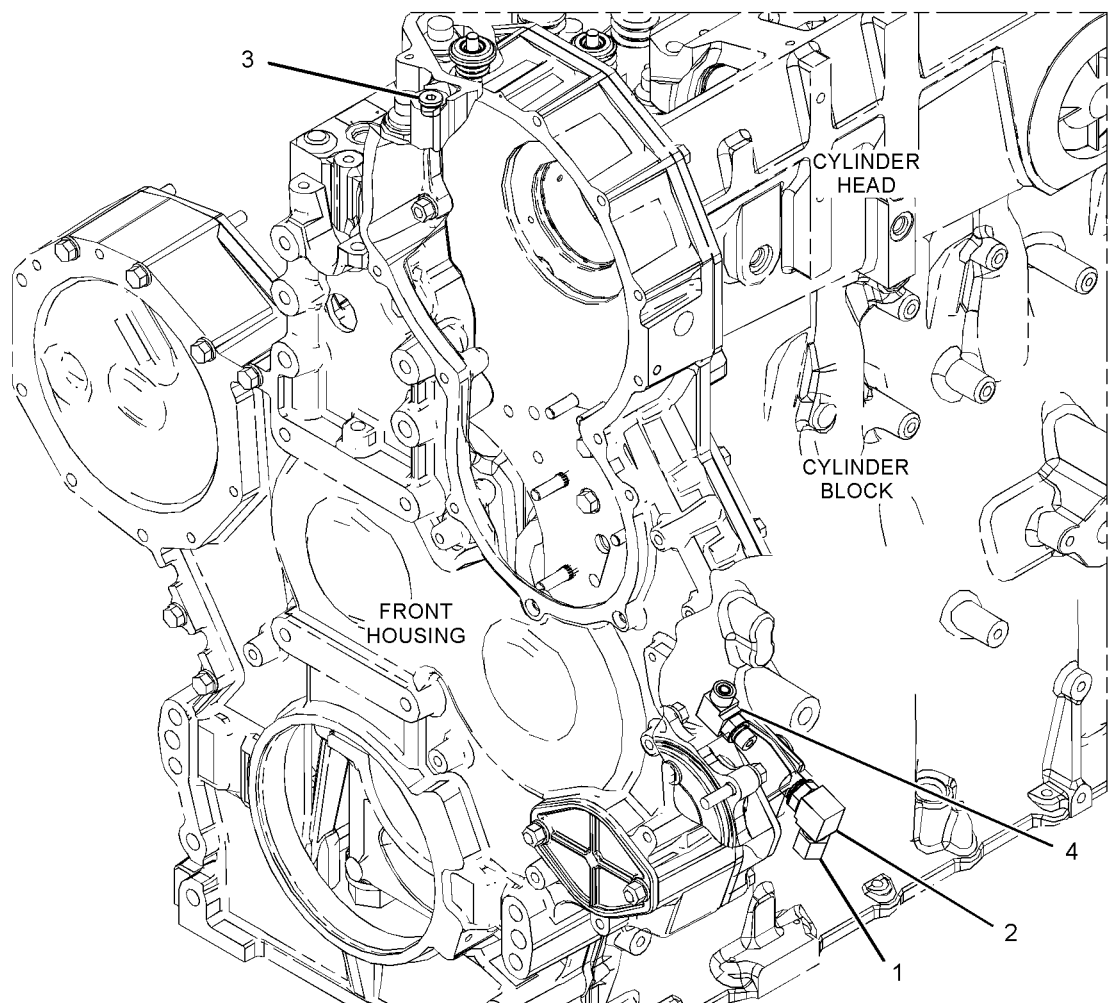
TYPE 2

SMCS-1274

i03933269

NOTE	REF NO	GRAPHIC REF	PART NUMBER	QTY	PART NAME						SEE PAGE
					1	2	3	4	5	6 (PRODUCT LEVEL)	
	1	1	8S-4951	1	CAP (FLARED)						
C	2	1	353-5134	1	ELBOW AS						
		1	118-4728	1	ELBOW						
		1	238-5080	1	SEAL-O-RING						
C	3	1	183-3407	1	PLUG AS						
		1	9S-8004	1	PLUG-O-RING						
		1	214-7568	1	SEAL-O-RING						
C	4	1	250-1424	1	ELBOW AS						
		1	6V-8724	1	ELBOW						
		1	214-7568	1	SEAL-O-RING						
		1	228-7089	1	SEAL-O-RING						

C-CHANGE FROM PREVIOUS TYPE



GRAPHIC #1

<END>

g02154152

FUEL SYSTEM

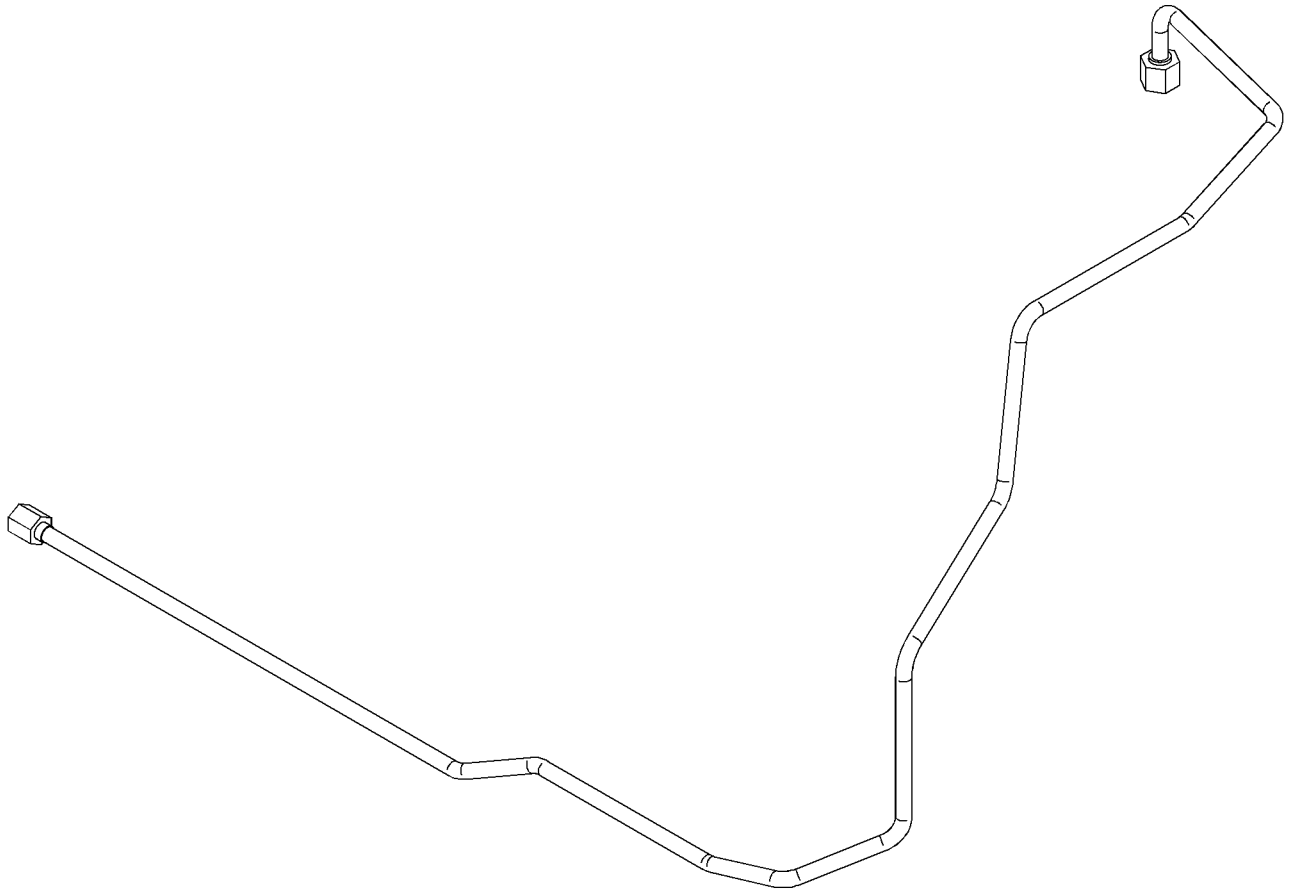
239-2335 LINE AS-FUEL

FOR ROUTING FUEL FROM THE FUEL MANIFOLD TO THE FUEL FILTER BASE ON THE
DUPLEX FUEL SYSTEM, INSTALLED ON THE MARINE ENGINE SERVICED RIGHT HAND
AN ATTACHMENT

SMCS-1274

i02308879

NOTE	REF NO	GRAPHIC REF	PART NUMBER	QTY	PART NAME						SEE PAGE
					1	2	3	4	5	6 (PRODUCT LEVEL)	
(NO SERVICED PARTS)											



GRAPHIC #1

<END>

g01156738

FUEL SYSTEM

153-9084 LINES GP-FLEXIBLE FUEL

AN ATTACHMENT

SMCS-1274

i03279345

NOTE	PART NUMBER	QTY	PART NAME						SEE PAGE
			1	2	3	4	5	6 (PRODUCT LEVEL)	
	8L-3282	1	CONNECTOR (FUEL RETURN TO TANK)						
I	116-2578	1	HOSE AS (FUEL RETURN TO TANK)						
I	153-9085	1	HOSE AS (INLET FROM TANK)						

I-REFER TO HYDRAULIC INFORMATION SYSTEM

<END>

FUEL SYSTEM

199-3154 LINES GP-FUEL

FOR USE WITH RH SERVICE ENGINE, 201-6757-PAGE 381
AN ATTACHMENT

SMCS-1274

i04048010

NOTE	REF NO	GRAPHIC REF	PART NUMBER	QTY	PART NAME	1 2 3 4 5 6 (PRODUCT LEVEL)						SEE PAGE	
	1	1	1P-0436	1	GASKET (FUEL PRIMING PUMP)								
	2	2	3G-4005	2	LINK								
	3	2	4D-7735	1	CLIP								
	4	1	5K-8652	1	BRACKET								
	5	1	137-5541	1	PUMP GP-FUEL PRIMING								
CI	6	1	153-7950	1	HOSE AS								
I	7	1	153-9086	1	HOSE AS								
I	8	1	183-5425	1	HOSE AS								
I	9	1,2	197-9441	2	HOSE AS								
	10	1	204-0130	1	BRACKET								
	11	2	223-6345	1	MANIFOLD-FUEL								
	12	2	230-2462	1	SUPPORT AS								
		2	7W-9094	1	SPACER (10.5X20X9-MM THK)								
	13	2	230-2463	1	TUBE AS								
	14	1	231-1954	1	TUBE AS								
	15	1	231-2770	1	TUBE AS								
CY	16	2	233-6742	1	VALVE GP-CHECK (FUEL)							670	
	17	2	005-4362	1	ELBOW								
C	18	2	030-7942	1	ELBOW								
	19	1,2	030-7947	2	ELBOW								
	20	2	118-4728	1	ELBOW								
	21	2	030-8194	1	CONNECTOR								
	22	2	033-6042	4	SEAL-O-RING								
	23	1	067-2551	1	CLIP								
	24	2	0S-1588	2	BOLT (3/8-16X1.25-IN)								
	25	2	0S-1590	2	BOLT (3/8-16X2-IN)								
	26	1,2	0S-1594	4	BOLT (3/8-16X1-IN)								
	27	2	0T-0065	2	BOLT (3/8-16X3.5-IN)								
	28	2	101-3121	4	SPACER (10.5X25X25-MM THK)								
	29	1	148-8336	1	CONNECTOR AS								
		1	3J-1907	1	SEAL-O-RING								
		1	6V-8397	1	SEAL-O-RING								
		1	6V-8636	1	CONNECTOR								
	30	2	186-0357	1	CLIP								
	31	1	1A-2029	1	BOLT (3/8-16X1.125-IN)								
	32	2	1B-7182	2	BOLT (5/16-18X1.25-IN)								
C	33	1,2	2R-6806	2	CONNECTOR-O-RING								
	34	1	3J-1907	1	SEAL-O-RING								
	35	1,2	4D-7794	6	CLIP								
	36	2	5K-5338	1	CLIP								
	37	1,2	5M-2894	14	WASHER-HARD (10.2X18.5X2.5-MM THK)								
	38	2	5P-0537	1	WASHER-HARD (7.2X14.5X2-MM THK)								
	39	1	5P-8247	1	WASHER-HARD (17X32X3.5-MM THK)								
	40	1	6F-7316	1	BOLT (5/8-18X1-IN)								
	41	1,2	6K-9194	2	ELBOW-FLARED								
C	42	2	6V-4589	1	SEAL-O-RING								
	43	1,2	6V-5048	4	SEAL-O-RING								
	44	1,2	6V-5049	5	SEAL-O-RING								
	45	1,2	6V-8397	3	SEAL-O-RING								
	46	1	6V-8724	2	ELBOW								
	47	2	7B-2742	1	BOLT (1/4-20X1.25-IN)								
	48	1	7K-4129	1	UNION-FLARED								
	49	2	8L-2786	2	SEAL-O-RING								
	50	2	9M-1974	2	WASHER-HARD (8.8X16X2-MM THK)								
	51	2	9S-4182	1	PLUG-O-RING								
	52	1,2	9S-4191	2	PLUG-O-RING								

FUEL SYSTEM

199-3154 LINES GP-FUEL (contd.)

i04048010

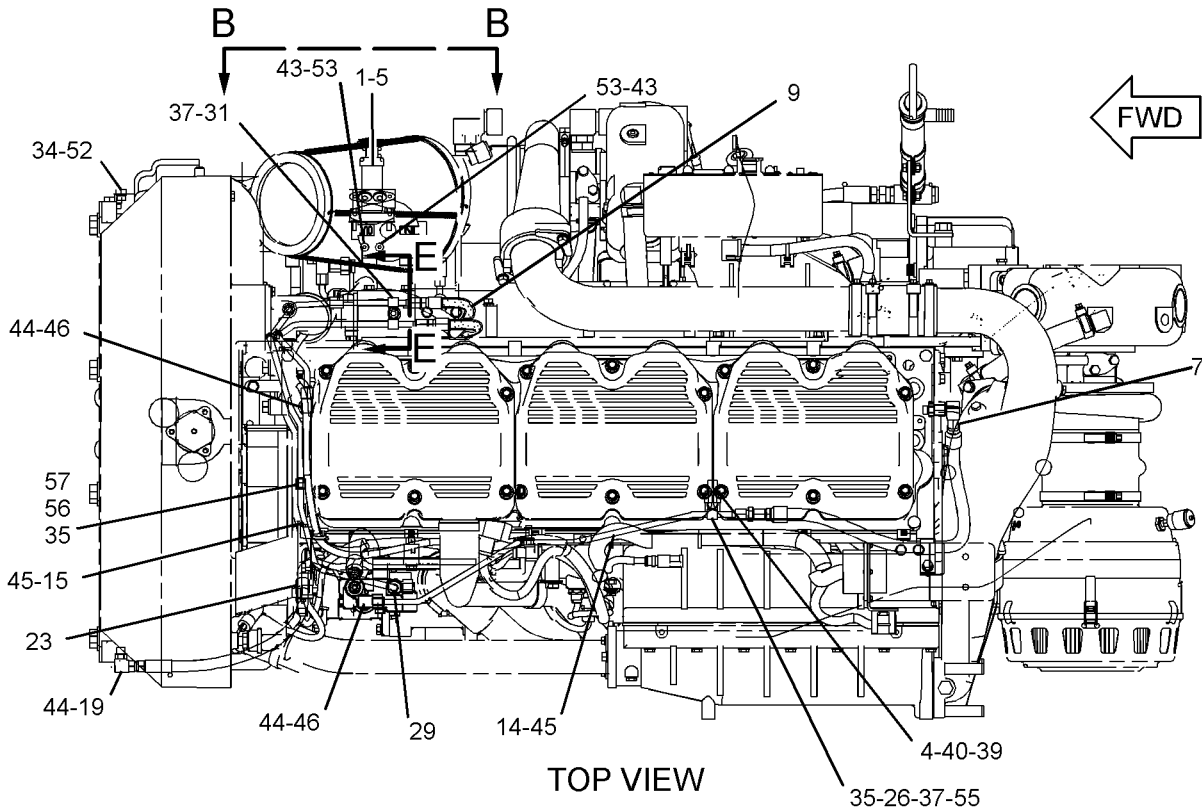
NOTE	REF NO	GRAPHIC REF	PART NUMBER	QTY	PART NAME	SEE PAGE
					1 2 3 4 5 6 (PRODUCT LEVEL)	
	53	1,2	9S-8002	3	PLUG-O-RING	
	54	2	9S-8004	1	PLUG-O-RING	
	55	1,2	9S-8752	3	NUT-FULL (3/8-16-THD)	
	56	1	0S-1591	1	BOLT (3/8-16X1.5-IN)	
	57	1	9X-6458	1	WASHER-HARD (10.2X22.5X3-MM THK)	

C-CHANGE FROM PREVIOUS TYPE
 I-REFER TO HYDRAULIC INFORMATION SYSTEM
 Y-SEPARATE ILLUSTRATION

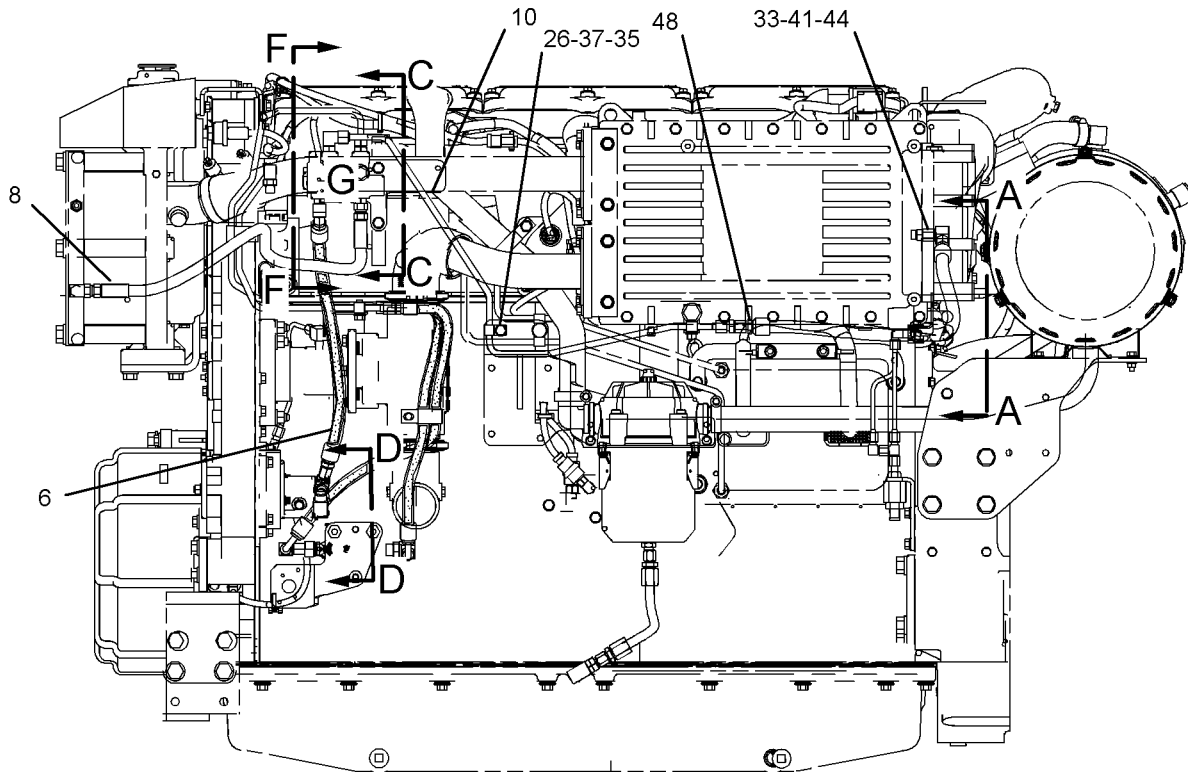
FUEL SYSTEM

199-3154 LINES GP-FUEL (contd.)

i04048010



TOP VIEW



LEFT SIDE VIEW

REFER TO ALL ILLUSTRATIONS OF THIS GROUP FOR AUXILIARY VIEWS

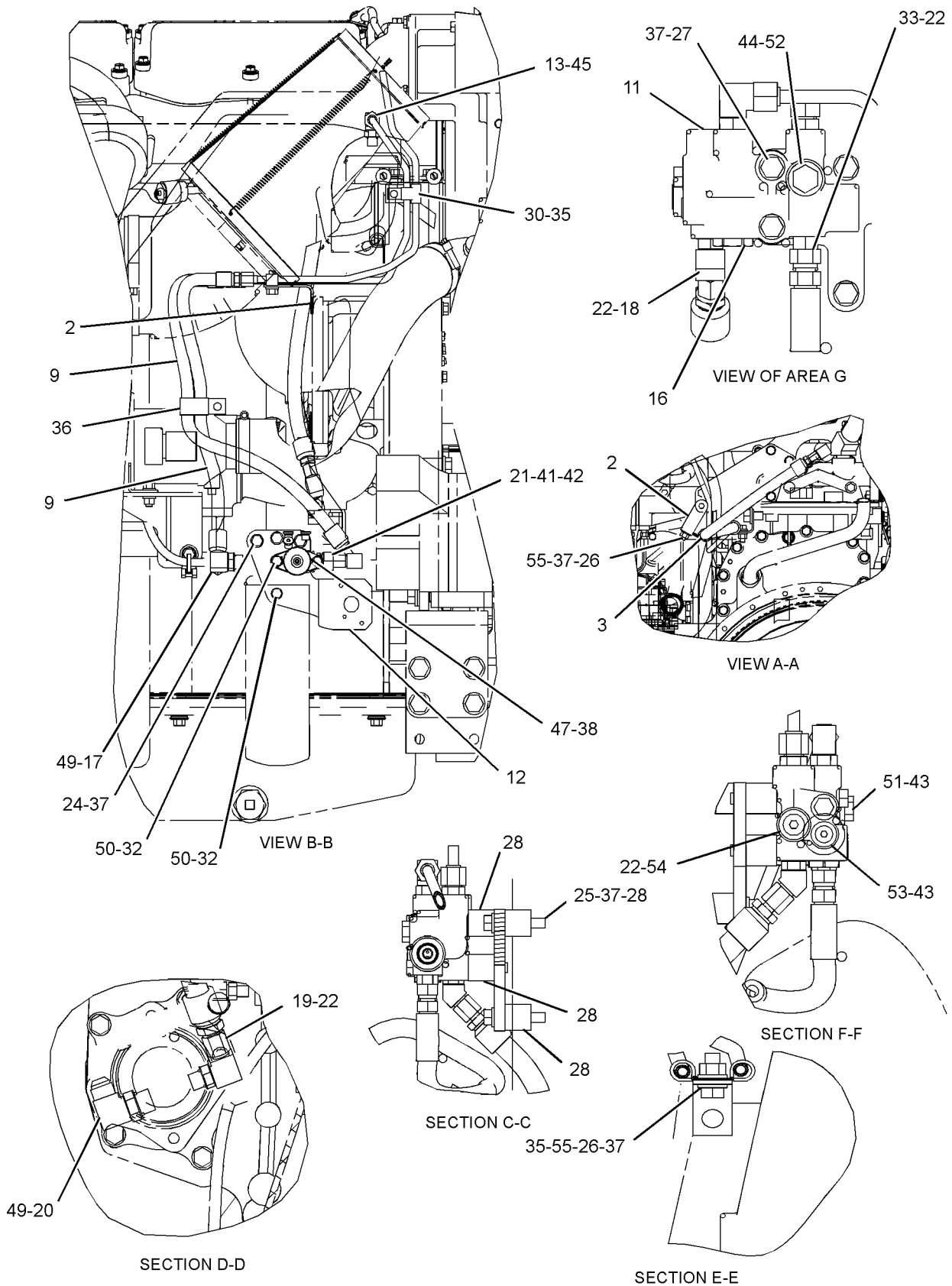
GRAPHIC #1

g01248839

FUEL SYSTEM

199-3154 LINES GP-FUEL (contd.)

i04048010



GRAPHIC #2

<END>

g01161682

FUEL SYSTEM

202-2048 LINES GP-FUEL

FOR USE WITH RH SERVICE ENGINE, NON FUEL COOLED, 200-7101-PAGE 377
AN ATTACHMENT

SMCS-1274

i04048009

NOTE	REF NO	GRAPHIC REF	PART NUMBER	QTY	PART NAME 1 2 3 4 5 6 (PRODUCT LEVEL)	SEE PAGE
	1	2	1P-0436	1	GASKET (FUEL PRIMING PUMP)	
	2	2	3G-4005	2	LINK	
	3	1	5K-8652	1	BRACKET	
	4	2	137-5541	1	PUMP GP-FUEL PRIMING	
CI	5	1	153-7950	1	HOSE AS	
I	6	1	153-9086	1	HOSE AS	
I	7	2	197-9441	2	HOSE AS	
	8	2	204-0130	1	BRACKET	
	9	2	223-6345	1	MANIFOLD-FUEL	
	10	2	230-2462	1	SUPPORT AS	
		2	7W-9094	1	SPACER (10.5X20X9-MM THK)	
	11	2	230-2463	1	TUBE AS	
	12	1	231-1954	1	TUBE AS	
	13	1	231-2770	1	TUBE AS	
CY	14	2	233-6742	1	VALVE GP-CHECK (FUEL)	670
	15	2	005-4362	1	ELBOW	
C	16	2	030-7942	1	ELBOW	
	17	2	030-7947	1	ELBOW	
	18	2	118-4728	1	ELBOW	
	19	2	030-8194	1	CONNECTOR	
C	20	2	033-6042	4	SEAL-O-RING	
	21	2	0S-1588	2	BOLT (3/8-16X1.25-IN)	
	22	2	0S-1590	2	BOLT (3/8-16X2-IN)	
	23	1,2	0S-1594	4	BOLT (3/8-16X1-IN)	
	24	2	0T-0065	2	BOLT (3/8-16X3.5-IN)	
	25	2	101-3121	4	SPACER (10.5X25X25-MM THK)	
	26	1	148-8336	1	CONNECTOR AS	
		1	3J-1907	1	SEAL-O-RING	
		1	6V-8397	1	SEAL-O-RING (12.83MM OD)	
		1	6V-8636	1	CONNECTOR	
	27	2	186-0357	1	CLIP	
	28	1	1A-2029	1	BOLT (3/8-16X1.125-IN)	
	29	2	1B-7182	2	BOLT (5/16-18X1.25-IN)	
C	30	1,2	2R-6806	2	CONNECTOR-O-RING	
	31	1	3J-1907	2	SEAL-O-RING	
	32	2	4D-7735	1	CLIP	
	33	1,2	4D-7794	6	CLIP	
	34	2	5K-5338	1	CLIP	
	35	1,2	5M-2894	14	WASHER-HARD (10.2X18.5X2.5-MM THK)	
	36	2	5P-0537	1	WASHER-HARD (7.2X14.5X2-MM THK)	
	37	1	5P-8247	1	WASHER-HARD (17X32X3.5-MM THK)	
	38	1	6F-7316	1	BOLT (5/8-18X1-IN)	
C	39	1,2	6K-9194	2	ELBOW-FLARED	
	40	2	6V-4589	1	SEAL-O-RING	
	41	1,2	6V-5048	4	SEAL-O-RING	
	42	1,2	6V-5049	4	SEAL-O-RING	
	43	1,2	6V-8397	2	SEAL-O-RING	
	44	1	6V-8724	2	ELBOW	
	45	2	7B-2742	1	BOLT (1/4-20X1.25-IN)	
	46	1	7K-4129	1	UNION-FLARED	
	47	2	8L-2786	2	SEAL-O-RING	
	48	2	9M-1974	2	WASHER-HARD (8.8X16X2-MM THK)	
	49	2	9S-4182	1	PLUG-O-RING	
	50	1,2	9S-4191	3	PLUG-O-RING	
	51	1,2	9S-8002	3	PLUG-O-RING	
	52	2	9S-8004	1	PLUG-O-RING	

FUEL SYSTEM

202-2048 LINES GP-FUEL (contd.)

i04048009

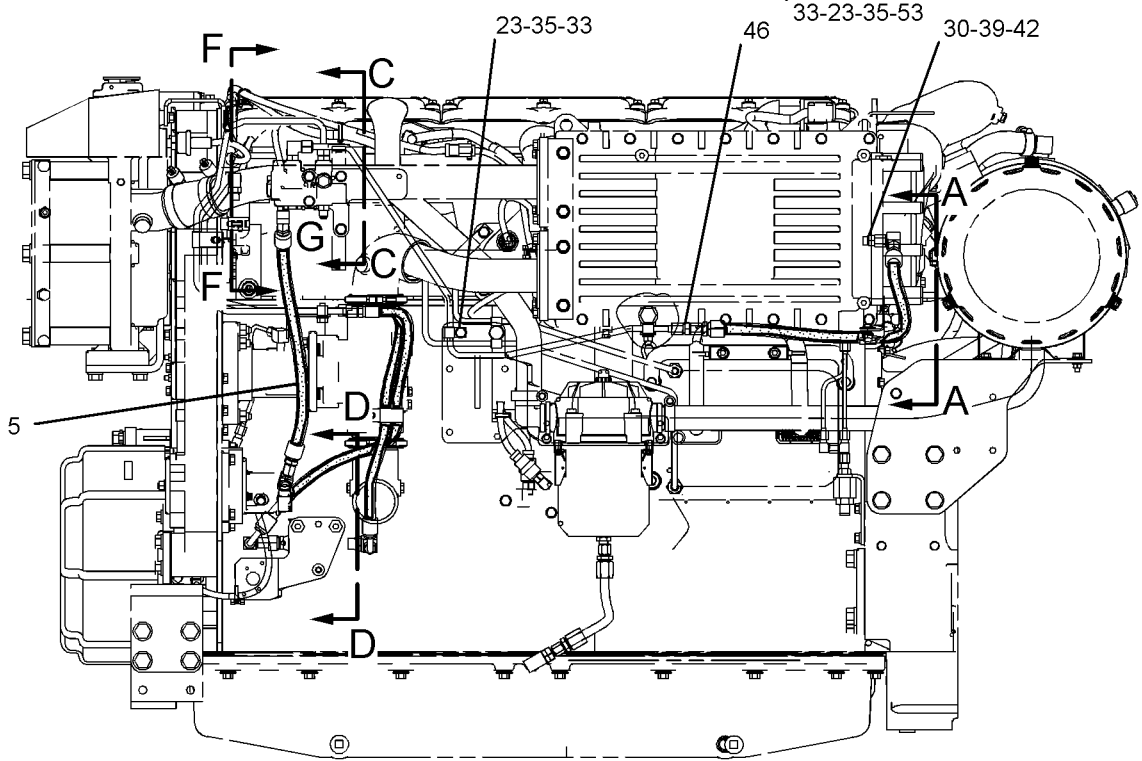
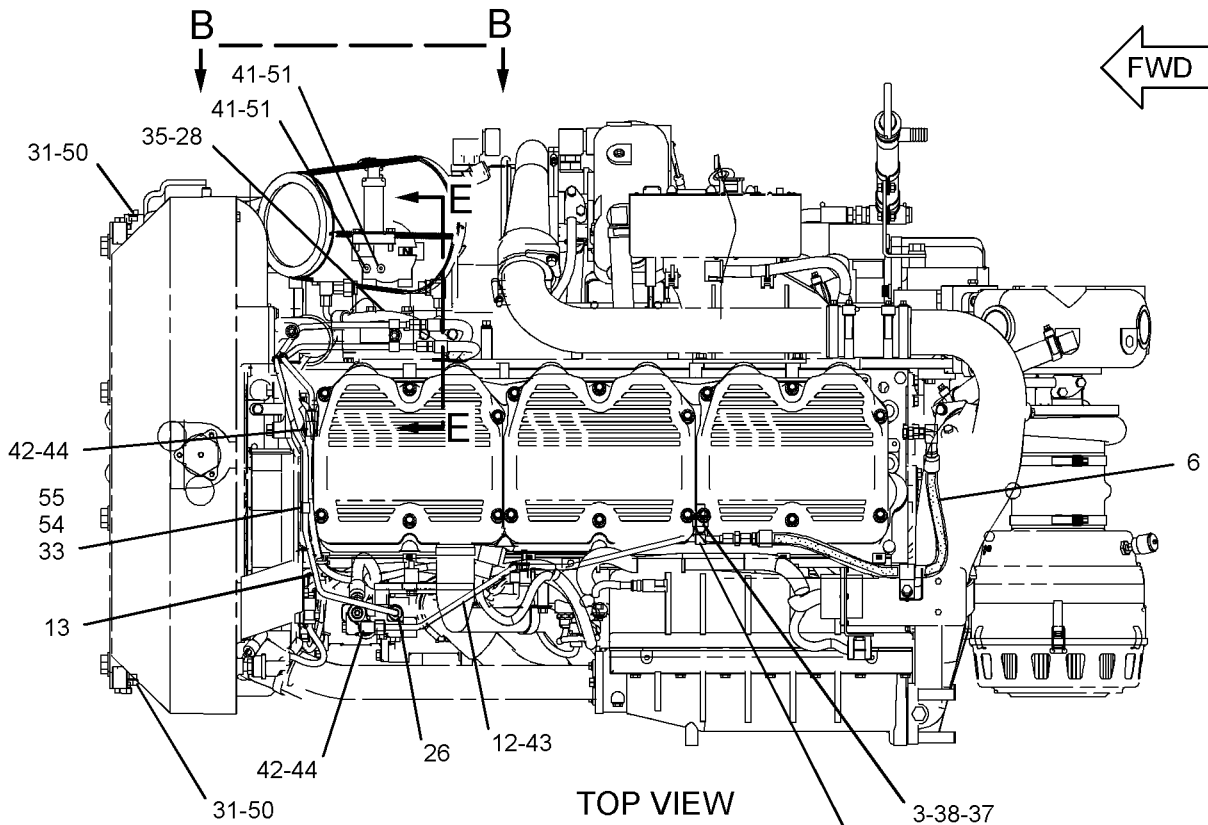
NOTE	REF NO	GRAPHIC REF	PART NUMBER	QTY	PART NAME						SEE PAGE
					1	2	3	4	5	6 (PRODUCT LEVEL)	
	53	1,2	9S-8752	3	NUT-FULL (3/8-16-THD)						
	54	1	0S-1591	1	BOLT (3/8-16X1.5-IN)						
	55	1	9X-6458	1	WASHER-HARD (10.2X22.5X3-MM THK)						

C-CHANGE FROM PREVIOUS TYPE
 I-REFER TO HYDRAULIC INFORMATION SYSTEM
 Y-SEPARATE ILLUSTRATION

FUEL SYSTEM

202-2048 LINES GP-FUEL (contd.)

i04048009



REFER TO ALL ILLUSTRATIONS OF THIS GROUP FOR AUXILIARY VIEWS

LEFT SIDE VIEW

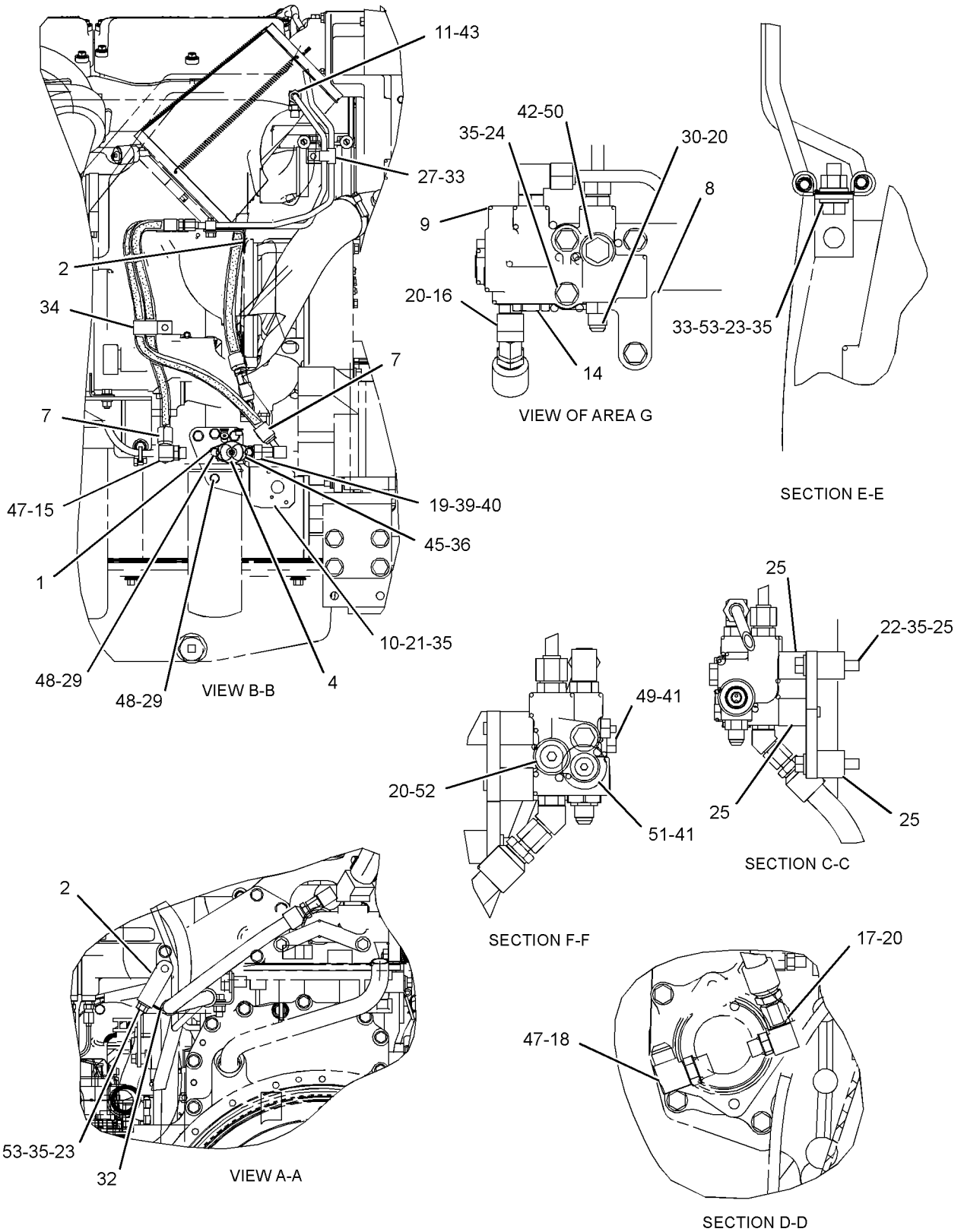
GRAPHIC #1

g01248878

FUEL SYSTEM

202-2048 LINES GP-FUEL (contd.)

i04048009



GRAPHIC #2

<END>

g01162001

FUEL SYSTEM

202-2049 LINES GP-FUEL

FOR USE WITH LH SERVICE ENGINES, FUEL COOLED, 201-6757-PAGE 381
AN ATTACHMENT

SMCS-1274

i03649887

NOTE	REF NO	GRAPHIC REF	PART NUMBER	QTY	PART NAME						SEE PAGE
					1	2	3	4	5	6 (PRODUCT LEVEL)	
	1	1	1P-0436	1	GASKET (FUEL PRIMING PUMP)						
	2	1	5K-8652	1	BRACKET						
I	3	2	6P-5353	1	HOSE AS						
	4	2	101-3121	4	SPACER (10.5X25X25-MM THK)						
	5	1	137-5541	1	PUMP GP-FUEL PRIMING						
I	6	1	153-7950	1	HOSE AS						
I	7	1	153-9086	1	HOSE AS						
I	8	1	183-5425	1	HOSE AS						
I	9	1	193-0158	1	HOSE AS						
	10	2	204-0130	1	BRACKET						
	11	2	223-6345	1	MANIFOLD-FUEL						
	12	1	231-1954	1	TUBE AS						
	13	1	231-3856	1	TUBE AS						
Y	14	2	233-6742	1	VALVE GP-CHECK (FUEL)						670
	15	1	005-4362	1	ELBOW						
	16	2	030-7942	1	ELBOW						
	17	1,2	030-7947	3	ELBOW						
	18	2	118-4728	1	ELBOW						
	19	1	030-8194	1	CONNECTOR						
	20	1,2	033-6042	7	SEAL-O-RING						
	21	2	067-2551	1	CLIP						
	22	2	0S-1590	2	BOLT (3/8-16X2-IN)						
C	23	1	0S-1591	3	BOLT (3/8-16X1.5-IN)						
	24	1,2	0S-1594	3	BOLT (3/8-16X1-IN)						
	25	2	0T-0065	2	BOLT (3/8-16X3.5-IN)						
	26	1,2	186-0357	2	CLIP						
	27	1	1B-7182	1	BOLT (5/16-18X1.25-IN)						
	28	1	1P-7009	1	CLIP						
	29	1,2	2R-6806	2	CONNECTOR-O-RING						
	30	2	3G-4005	1	LINK						
	31	2	4D-7735	1	CLIP						
	32	1	4D-7794	3	CLIP						
	33	1,2	5M-2894	11	WASHER-HARD (10.2X18.5X2.5-MM THK)						
	34	1	5P-0537	1	WASHER-HARD (7.2X14.5X2-MM THK)						
	35	1	5P-8247	1	WASHER-HARD (17X32X3.5-MM THK)						
	36	1	6F-7316	1	BOLT (5/8-18X1-IN)						
	37	1	6K-9194	2	ELBOW-FLARED						
	38	1	6V-4589	1	SEAL-O-RING						
C	39	1,2	6V-5048	4	SEAL-O-RING						
	40	1,2	214-7568	3	SEAL-O-RING						
	41	1	6V-8397	2	SEAL-O-RING						
	42	1	6V-8724	1	ELBOW						
	43	1	7B-2742	1	BOLT (1/4-20X1.25-IN)						
	44	1	7K-4129	1	UNION-FLARED						
	45	1,2	8L-2786	2	SEAL-O-RING						
	46	1	9M-1974	1	WASHER-HARD (8.8X16X2-MM THK)						
	47	2	9S-4182	1	PLUG-O-RING						
	48	2	9S-4191	1	PLUG-O-RING						
C	49	1,2	9S-8002	3	PLUG-O-RING						
	50	2	9S-8004	1	PLUG-O-RING						
	51	1,2	9S-8752	2	NUT-FULL (3/8-16-THD)						
	52	1	9X-2297	1	CONNECTOR						
C	53	1	9X-6458	1	WASHER-HARD (10.2X22.5X3-MM THK)						

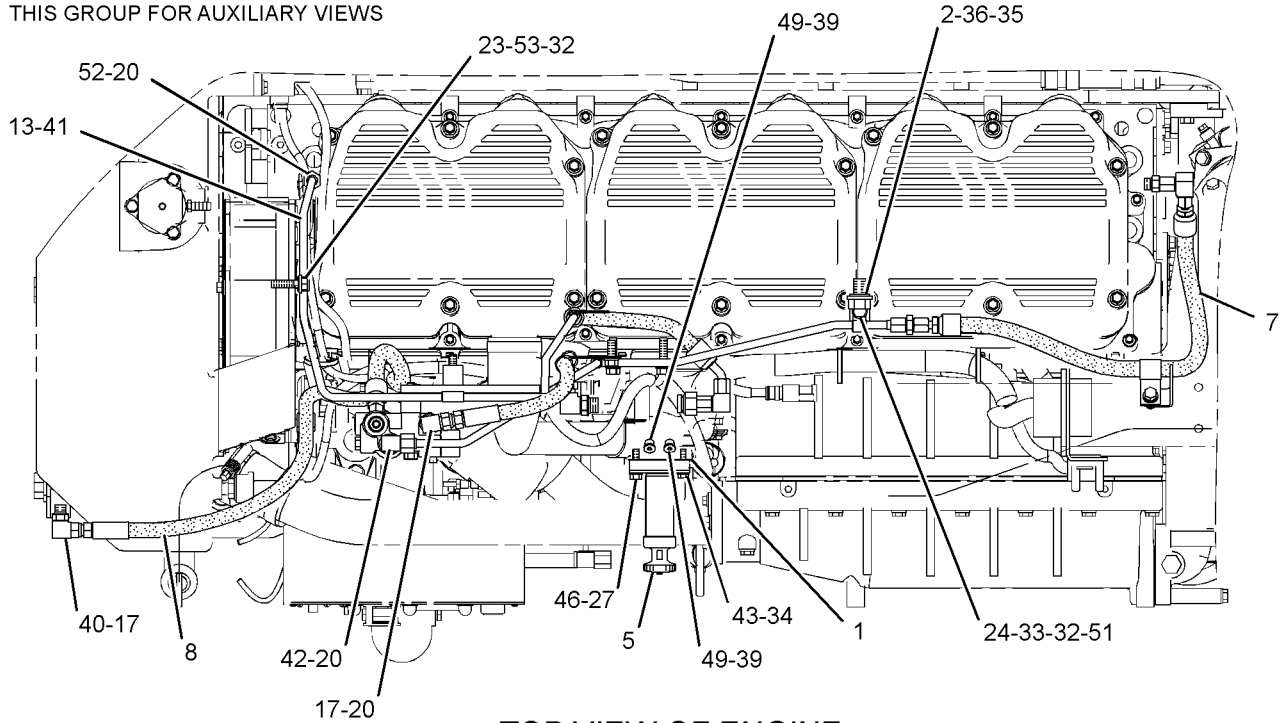
C-CHANGE FROM PREVIOUS TYPE
I-REFER TO HYDRAULIC INFORMATION SYSTEM
Y-SEPARATE ILLUSTRATION

FUEL SYSTEM

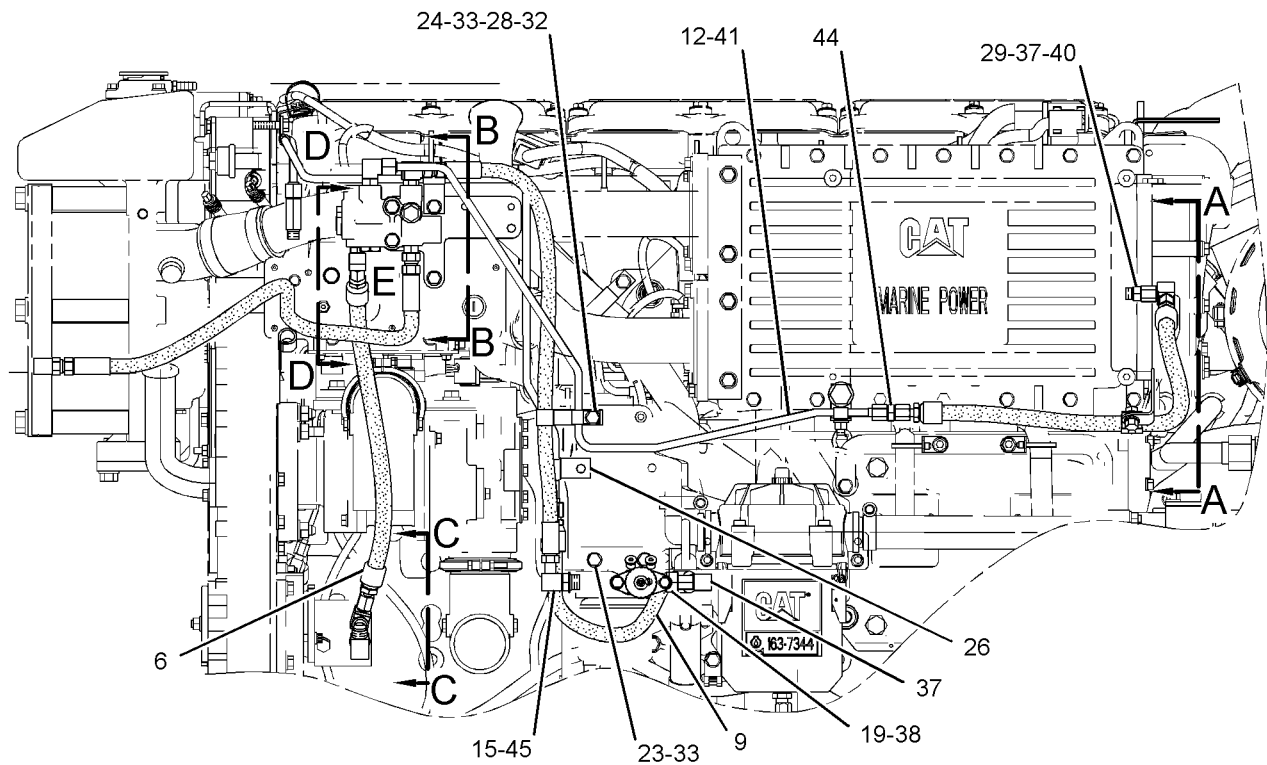
202-2049 LINES GP-FUEL (contd.)

i03649887

REFER TO ALL ILLUSTRATIONS OF THIS GROUP FOR AUXILIARY VIEWS



TOP VIEW OF ENGINE



LEFT SIDE VIEW OF ENGINE

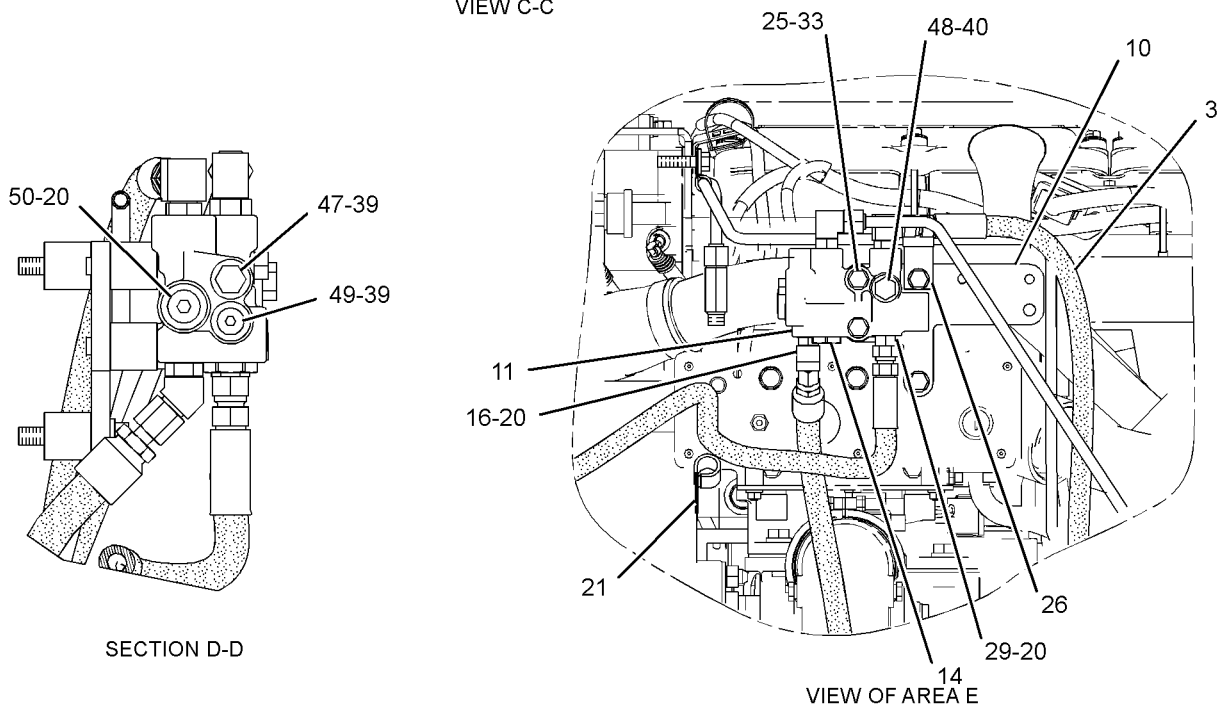
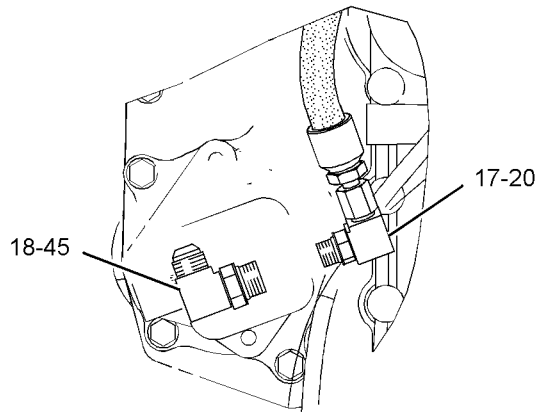
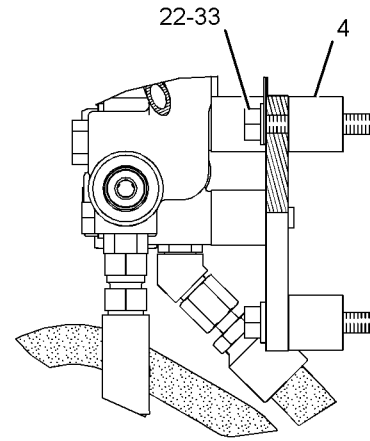
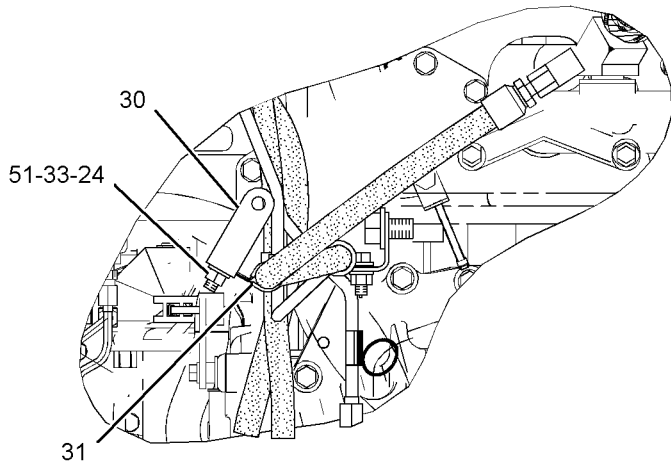
GRAPHIC #1

g01965009

FUEL SYSTEM

202-2049 LINES GP-FUEL (contd.)

i03649887



GRAPHIC #2

<END>

g01944062

FUEL SYSTEM

202-2050 LINES GP-FUEL

FOR USE WITH LH SERVICE ENGINES, NON FUEL COOLED, 200-7101-PAGE 377
AN ATTACHMENT

SMCS-1274

i02896686

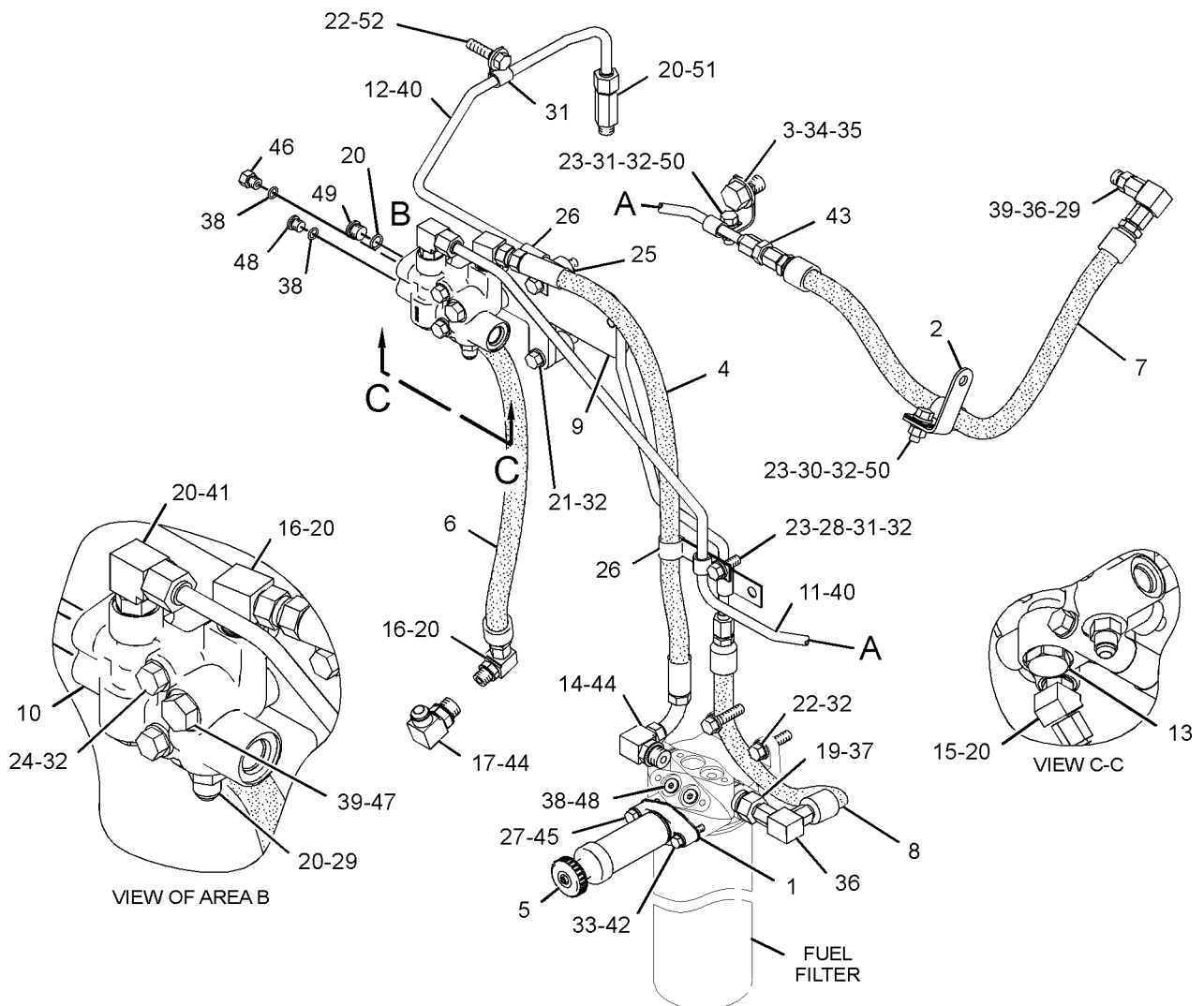
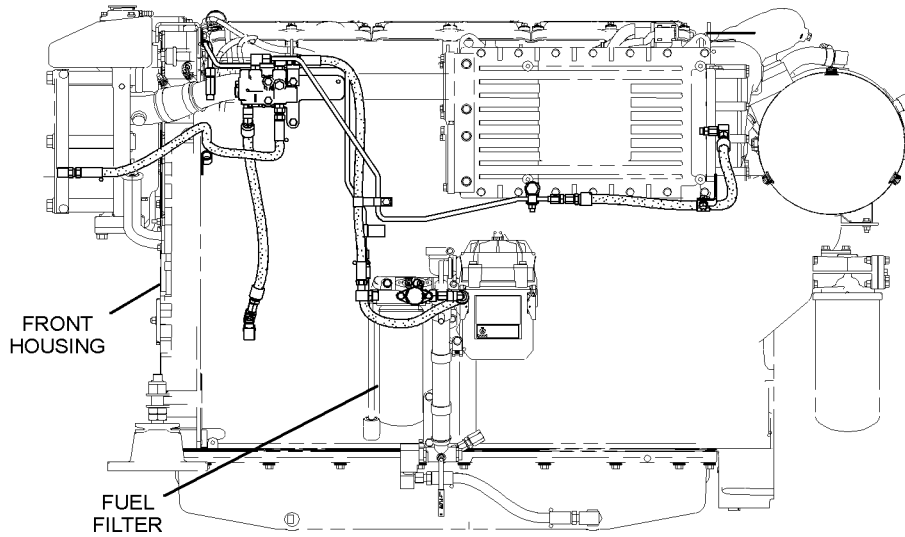
NOTE	REF NO	GRAPHIC REF	PART NUMBER	QTY	PART NAME						SEE PAGE
					1	2	3	4	5	6 (PRODUCT LEVEL)	
	1	1	1P-0436	1	GASKET (FUEL PRIMING PUMP)						
	2	1	3G-4005	1	LINK						
	3	1	5K-8652	1	BRACKET						
I	4	1	6P-5353	1	HOSE AS						
	5	1	137-5541	1	PUMP GP-FUEL PRIMING						
I	6	1	153-7950	1	HOSE AS						
I	7	1	153-9086	1	HOSE AS						
I	8	1	193-0158	1	HOSE AS						
	9	1	204-0130	1	BRACKET						
	10	1	223-6345	1	MANIFOLD-FUEL						
	11	1	231-1954	1	TUBE AS						
	12	1	231-3856	1	TUBE AS						
Y	13	1	233-6742	1	VALVE GP-CHECK (FUEL)						670
	14	1	005-4362	1	ELBOW						
	15	1	030-7942	1	ELBOW						
	16	1	030-7947	2	ELBOW						
	17	1	118-4728	1	ELBOW						
	18	1	030-7962	1	ELBOW						
	19	1	030-8194	1	CONNECTOR						
	20	1	033-6042	7	SEAL-O-RING						
	21	1	0S-1590	2	BOLT (3/8-16X2-IN)						
C	22	1	0S-1591	3	BOLT (3/8-16X1.5-IN)						
	23	1	0S-1594	3	BOLT (3/8-16X1-IN)						
	24	1	0T-0065	2	BOLT (3/8-16X3.5-IN)						
	25	1	101-3121	4	SPACER (10.5X25X25-MM THK)						
	26	1	186-0357	2	CLIP						
	27	1	1B-7182	1	BOLT (5/16-18X1.25-IN)						
	28	1	1P-7009	1	CLIP						
	29	1	2R-6806	2	CONNECTOR-O-RING						
	30	1	4D-7735	1	CLIP						
	31	1	4D-7794	3	CLIP						
	32	1	5M-2894	11	WASHER-HARD (10.2X18.5X2.5-MM THK)						
	33	1	5P-0537	1	WASHER-HARD (7.2X14.5X2-MM THK)						
	34	1	5P-8247	1	WASHER-HARD (17X32X3.5-MM THK)						
	35	1	6F-7316	1	BOLT (5/8-18X1-IN)						
	36	1	6K-9194	2	ELBOW-FLARED						
	37	1	6V-4589	1	SEAL-O-RING						
C	38	1	6V-5048	4	SEAL-O-RING						
	39	1	6V-5049	2	SEAL-O-RING						
	40	1	6V-8397	2	SEAL-O-RING						
	41	1	6V-8724	1	ELBOW						
	42	1	7B-2742	1	BOLT (1/4-20X1.25-IN)						
	43	1	7K-4129	1	UNION-FLARED						
	44	1	8L-2786	2	SEAL-O-RING						
	45	1	9M-1974	1	WASHER-HARD (8.8X16X2-MM THK)						
	46	1	9S-4182	1	PLUG-O-RING						
	47	1	9S-4191	1	PLUG-O-RING						
C	48	1	9S-8002	3	PLUG-O-RING						
	49	1	9S-8004	1	PLUG-O-RING						
	50	1	9S-8752	2	NUT-FULL (3/8-16-THD)						
	51	1	9X-2297	1	CONNECTOR						
C	52	1	9X-6458	1	WASHER-HARD (10.2X22.5X3-MM THK)						

C-CHANGE FROM PREVIOUS TYPE
I-REFER TO HYDRAULIC INFORMATION SYSTEM
Y-SEPARATE ILLUSTRATION

FUEL SYSTEM

202-2050 LINES GP-FUEL (contd.)

i02896686



GRAPHIC #1

<END>

g01275660

FUEL SYSTEM

239-2339 LINES GP-FUEL

RIGHT HAND SERVICE

FOR USE WITH 200-7101-PAGE 377

AN ATTACHMENT

SMCS-1274

i03163262

NOTE	REF NO	GRAPHIC REF	PART NUMBER	QTY	PART NAME						SEE PAGE
					1	2	3	4	5	6 (PRODUCT LEVEL)	
	1	1	1P-0436	1	GASKET (FUEL PRIMING PUMP)						
C	2	1,2	2T-1397	6	CLAMP						
C	3	2	2Y-3812	1	CLIP						
	4	1,2	3G-4005	2	LINK						
	5	1	5K-8652	1	BRACKET						
I	6	1	111-7015	1	HOSE AS						
	7	1	112-9069	1	BRACKET						
	8	1	127-0785	1	ELBOW						
I	9	1	136-9506	1	HOSE AS						
	10	1	137-5541	1	PUMP GP-FUEL PRIMING						
I	11	1	149-8754	1	HOSE AS						
I	12	2	153-7950	1	HOSE AS						
I	13	1	153-9086	1	HOSE AS						
	14	1	168-3357	1	TEE						
	15	2	204-0130	1	BRACKET						
	16	2	223-6345	1	MANIFOLD-FUEL						
Y	17	2	233-6742	1	VALVE GP-CHECK (FUEL)						670
	18	2	239-2336	1	LINE AS-FUEL						
	19	1	239-2337	1	LINE AS-FUEL						
	20	1	239-2341	1	SUPPORT AS						
	21	2	262-5302	1	TUBE AS						
	22	2	262-5303	1	TUBE AS						
C	23	1	273-5099	1	TUBE AS						
	24	2	030-7942	1	ELBOW						
C	25	1,2	030-7947	2	ELBOW						
	26	2	118-4728	1	ELBOW						
	27	1,2	033-6042	5	SEAL-O-RING						
	28	1	061-8257	2	ELBOW-FLARED						
	29	1	0S-0509	1	BOLT (3/8-16X0.75-IN)						
	30	2	0S-1590	2	BOLT (3/8-16X2-IN)						
C	31	1	0S-1591	1	BOLT (3/8-16X1.5-IN)						
	32	1,2	0S-1594	8	BOLT (3/8-16X1-IN)						
	33	2	0T-0065	2	BOLT (3/8-16X3.5-IN)						
	34	2	101-3121	4	SPACER (10.5X25X25-MM THK)						
	35	2	148-8336	1	CONNECTOR AS						
		2	3J-1907	1	SEAL-O-RING						
		2	6V-8397	1	SEAL-O-RING						
		2	6V-8636	1	CONNECTOR						
	36	1	1B-7182	1	BOLT (5/16-18X1.25-IN)						
	37	1	2R-6806	1	CONNECTOR-O-RING						
	38	1	4D-7735	1	CLIP						
C	39	1,2	4D-7794	10	CLIP						
	40	1,2	5M-2894	17	WASHER-HARD (10.2X18.5X2.5-MM THK)						
	41	1	5P-0537	1	WASHER-HARD (7.2X14.5X2-MM THK)						
C	42	1,2	5P-4115	6	WASHER-HARD (7.2X19X2-MM THK)						
	43	1	5P-8247	1	WASHER-HARD (17X32X3.5-MM THK)						
	44	1	6F-7316	1	BOLT (5/8-18X1-IN)						
	45	1	6K-9194	1	ELBOW-FLARED						
	46	1,2	6V-5048	3	SEAL-O-RING						
C	47	1,2	6V-5049	6	SEAL-O-RING						
C	48	1,2	6V-8397	9	SEAL-O-RING						
	49	1,2	6V-8724	2	ELBOW						
C	50	1,2	6V-8730	2	UNION (FACE SEAL)						
C	51	2	6V-8781	1	TEE-FACE SEAL						
C	52	1,2	7B-2742	4	BOLT (1/4-20X1.25-IN)						

FUEL SYSTEM

239-2339 LINES GP-FUEL (contd.)

i03163262

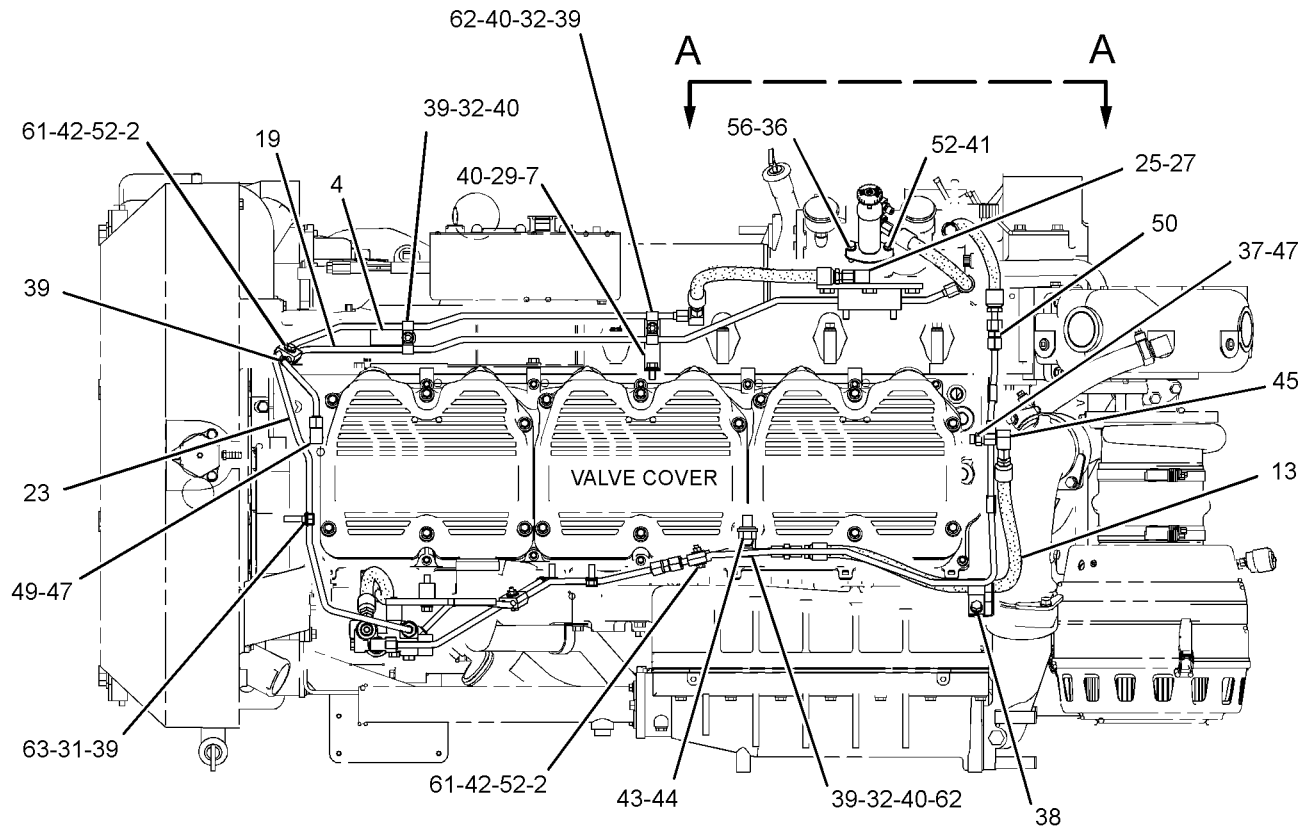
NOTE	REF NO	GRAPHIC REF	PART NUMBER	QTY	PART NAME	SEE PAGE
					1 2 3 4 5 6 (PRODUCT LEVEL)	
	53	2	7K-4129	1	UNION-FLARED (9/16-18 THD)	
C	54	1	8C-6869	1	CONNECTOR	
	55	2	8L-2786	1	SEAL-O-RING	
	56	1	9M-1974	1	WASHER-HARD (8.8X16X2-MM THK)	
	57	2	9S-4182	1	PLUG-O-RING	
C	58	1,2	9S-4191	2	PLUG-O-RING	
	59	2	9S-8002	1	PLUG-O-RING (7/16-20 THD)	
	60	2	9S-8004	1	PLUG-O-RING (9/16-18 THD)	
C	61	1,2	9S-8750	3	NUT-FULL (1/4-20-THD)	
C	62	1,2	9S-8752	4	NUT-FULL (3/8-16-THD)	
C	63	1	9X-6458	1	WASHER-HARD (10.2X22.5X3-MM THK)	
	64	2	186-0357	2	CLIP	

C-CHANGE FROM PREVIOUS TYPE
 I-REFER TO HYDRAULIC INFORMATION SYSTEM
 Y-SEPARATE ILLUSTRATION

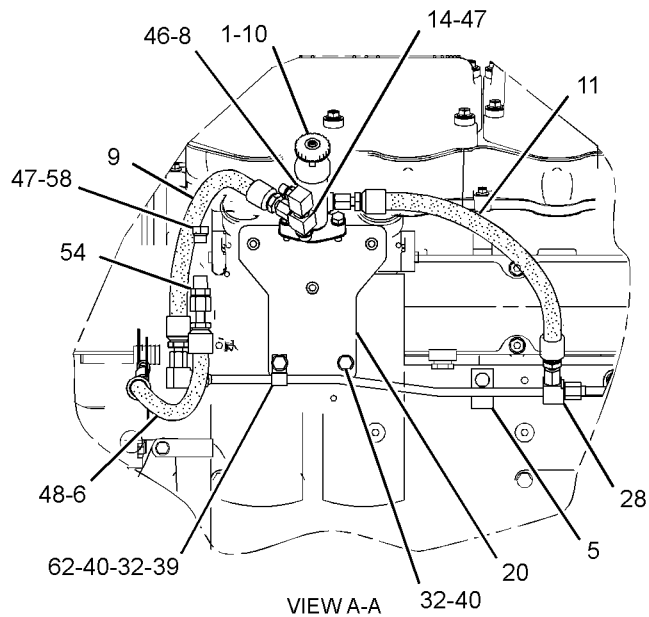
FUEL SYSTEM

239 - 2339 LINES GP - FUEL (contd.)

i03163262



TOP VIEW OF ENGINE



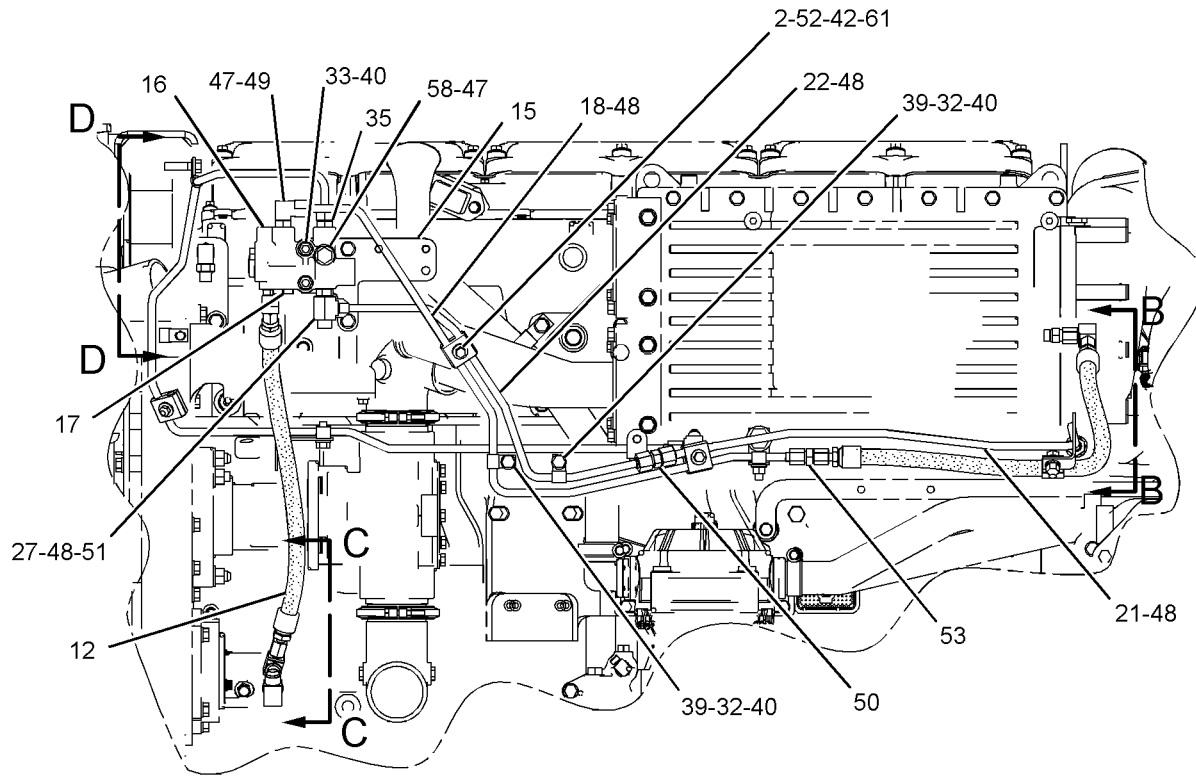
GRAPHIC #1

g01624737

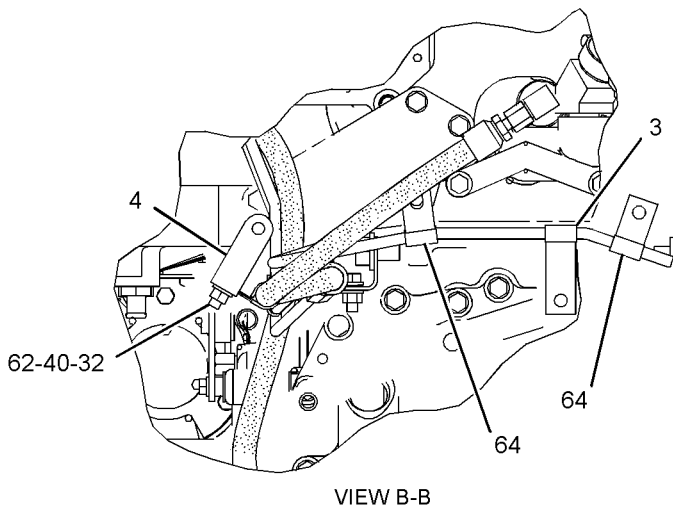
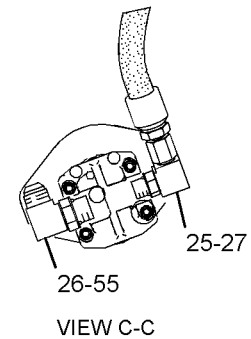
FUEL SYSTEM

239-2339 LINES GP-FUEL (contd.)

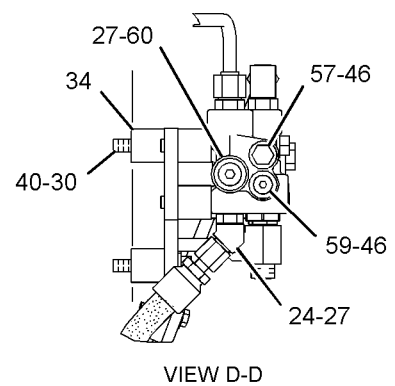
i03163262



LEFT SIDE VIEW OF ENGINE



VIEW B-B



VIEW D-D

GRAPHIC #2

<END>

g01624738

FUEL SYSTEM

239-9351 LINES GP-FUEL

LH, NON FUEL COOLED

FOR USE WITH 241-1724-PAGE 334, 200-7101-PAGE 377
AN ATTACHMENT

SMCS-1274

i03793114

NOTE	REF NO	GRAPHIC REF	PART NUMBER	QTY	PART NAME						SEE PAGE
					1	2	3	4	5	6 (PRODUCT LEVEL)	
	1	2	1P-0436	1	GASKET (FUEL PRIMING PUMP)						
	2	2	3G-4005	1	LINK						
C	3	1,2	3S-2093	2	STRAP-CABLE						
	4	1	5K-8652	1	BRACKET						
CI	5	2	111-7015	1	HOSE AS						
	6	1	127-0785	1	ELBOW						
I	7	2	131-0113	1	HOSE AS						
	8	2	137-5541	1	PUMP GP-FUEL PRIMING						
		2	061-7539	1	SEAL-O-RING						
		2	229-3218	2	VALVE AS (FUEL PRIMING PUMP)						
I	9	1	153-7950	1	HOSE AS						
I	10	1	153-9086	1	HOSE AS						
I	11	1	162-1548	1	HOSE AS						
	12	1	168-3357	1	TEE						
	13	1	204-0130	1	BRACKET						
	14	1	223-6345	1	MANIFOLD-FUEL						
Y	15	1	233-6742	1	VALVE GP-CHECK (FUEL)						670
	16	1	239-2336	1	LINE AS-FUEL						
	17	1	239-9349	1	LINE AS-FUEL						
	18	1	241-3286	1	HARNES AS-SENSOR						
		1	102-8803	1	KIT-RECEPTACLE (3-PIN)						
					(INCLUDES RECEPTACLE AS AND WEDGE)						
		1	6I-4347	2	BOOT (4-PIN)						
		1	155-2260	1	KIT-CONNECTING PLUG (3-PIN)						
					(INCLUDES PLUG AS AND WEDGE)						
		1	9X-3401	3	PIN-CONNECTOR (16-GA TO 18-GA)						
	19	1	259-1386	1	SUPPORT AS						
		1	8T-5912	4	NUT-WELD (3/8-16-THD)						
C	20	2	291-4339	1	TUBE AS						
	21	1	030-7942	1	ELBOW						
	22	1	030-7947	2	ELBOW						
	23	1	118-4728	1	ELBOW						
C	24	1	033-6042	7	SEAL-O-RING						
	25	1	0S-1590	2	BOLT (3/8-16X2-IN)						
C	26	1	0S-1591	1	BOLT (3/8-16X1.5-IN)						
	27	1,2	0S-1594	4	BOLT (3/8-16X1-IN)						
	28	1	0T-0065	2	BOLT (3/8-16X3.5-IN)						
	29	1	0T-0102	1	BOLT (3/8-16X0.625-IN)						
	30	1	101-3121	4	SPACER (10.5X25X25-MM THK)						
	31	1,2	132-5789	1	CLIP						
	32	1	186-0357	1	CLIP						
	33	2	1B-7182	1	BOLT (5/16-18X1.25-IN)						
	34	1	1P-7009	1	CLIP						
C	35	2	1V-1984	1	CLIP						
	36	1,2	186-1667	2	CONNECTOR AS						
					(EACH INCLUDES)						
		1,2	2R-6806	1	CONNECTOR-O-RING						
		1,2	214-7568	1	SEAL-O-RING						
	37	2	4D-7735	1	CLIP						
	38	1,2	4D-7794	4	CLIP						
	39	2	4H-4033	1	BOLT (5/8-18X1.375-IN)						
C	40	2	4P-7581	1	CLIP						
	41	1,2	5M-2894	11	WASHER-HARD (10.2X18.5X2.5-MM THK)						
	42	2	5P-0537	1	WASHER-HARD (7.2X14.5X2-MM THK)						
	43	1,2	5P-8247	2	WASHER-HARD (17X32X3.5-MM THK)						

FUEL SYSTEM

239-9351 LINES GP-FUEL (contd.)

i03793114

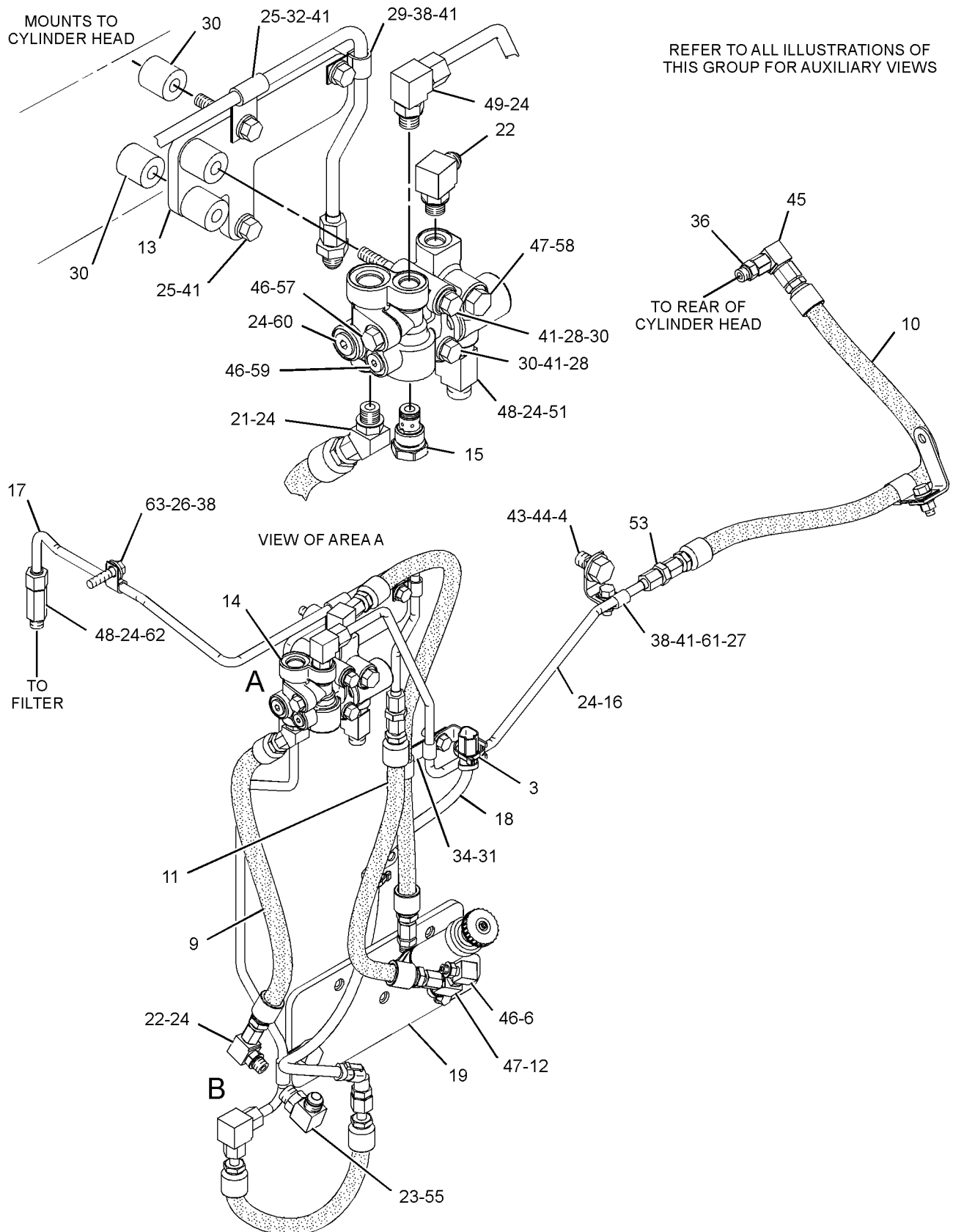
NOTE	REF NO	GRAPHIC REF	PART NUMBER	QTY	PART NAME						SEE PAGE
					1	2	3	4	5	6 (PRODUCT LEVEL)	
	44	1	6F-7316	1	BOLT (5/8-18X1-IN)						
	45	1	6K-9194	1	ELBOW-FLARED						
	46	1	6V-5048	3	SEAL-O-RING						
	47	1	214-7568	2	SEAL-O-RING						
C	48	1,2	6V-8397	7	SEAL-O-RING						
	49	1	6V-8724	1	ELBOW						
C	50	2	6V-9807	1	UNION						
C	51	1	6V-8781	1	TEE-FACE SEAL						
	52	2	7B-2742	1	BOLT (1/4-20X1.25-IN)						
	53	1,2	7K-4129	2	UNION-FLARED (9/16-18 THD)						
C	54	2	8C-6869	1	CONNECTOR						
	55	1	8L-2786	1	SEAL-O-RING						
	56	2	9M-1974	1	WASHER-HARD (8.8X16X2-MM THK)						
	57	1	9S-4182	1	PLUG-O-RING						
	58	1	9S-4191	1	PLUG-O-RING						
	59	1	9S-8002	1	PLUG-O-RING (7/16-20 THD)						
	60	1	9S-8004	1	PLUG-O-RING (9/16-18 THD)						
	61	1,2	9S-8752	2	NUT-FULL (3/8-16-THD)						
	62	1	9X-2297	1	CONNECTOR						
C	63	1	9X-6458	1	WASHER-HARD (10.2X22.5X3-MM THK)						

C-CHANGE FROM PREVIOUS TYPE
 I-REFER TO HYDRAULIC INFORMATION SYSTEM
 Y-SEPARATE ILLUSTRATION

FUEL SYSTEM

239-9351 LINES GP-FUEL (contd.)

i03793114



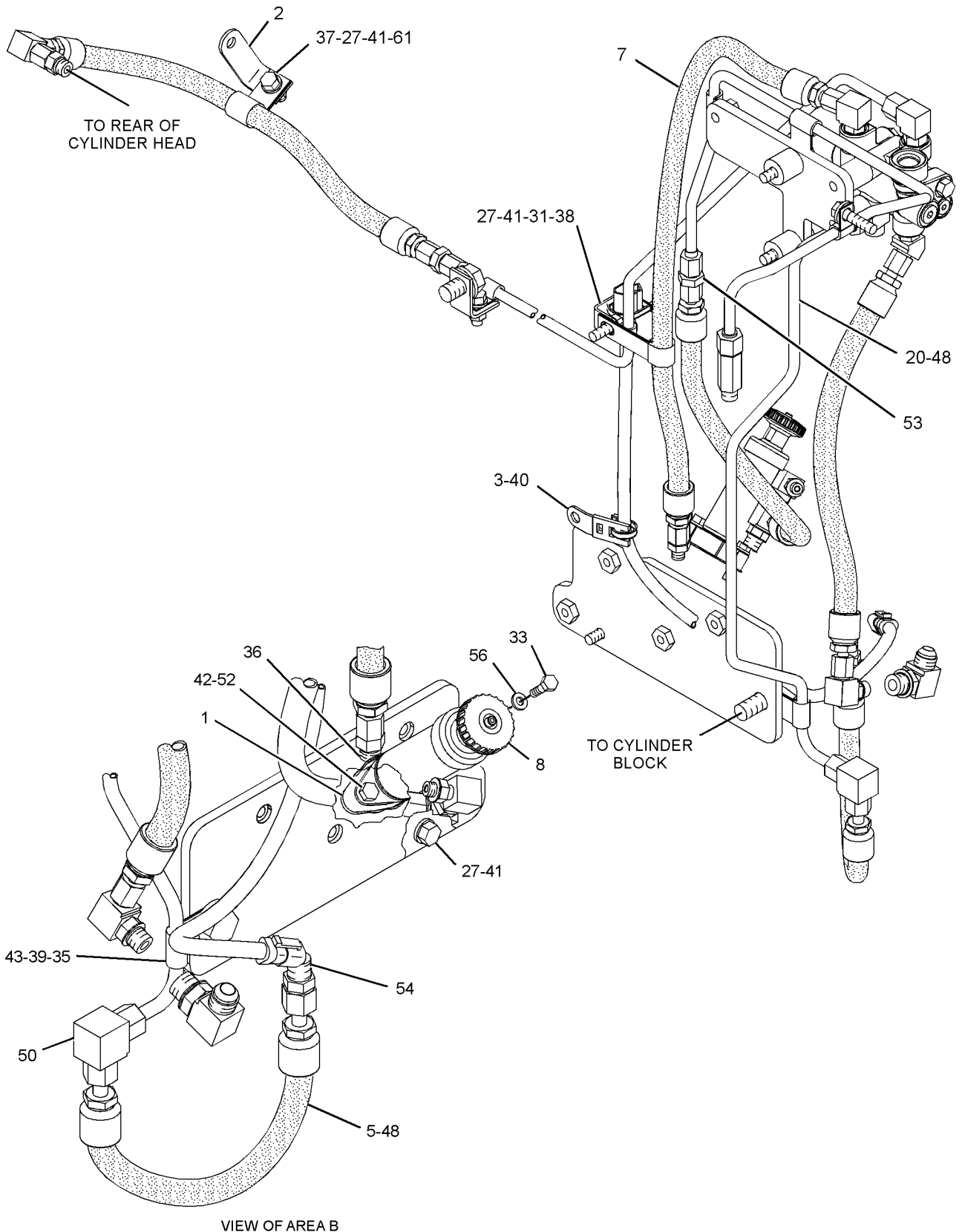
GRAPHIC #1

g01595695

FUEL SYSTEM

239-9351 LINES GP-FUEL (contd.)

i03793114



GRAPHIC #2

<END>

g01595696

FUEL SYSTEM

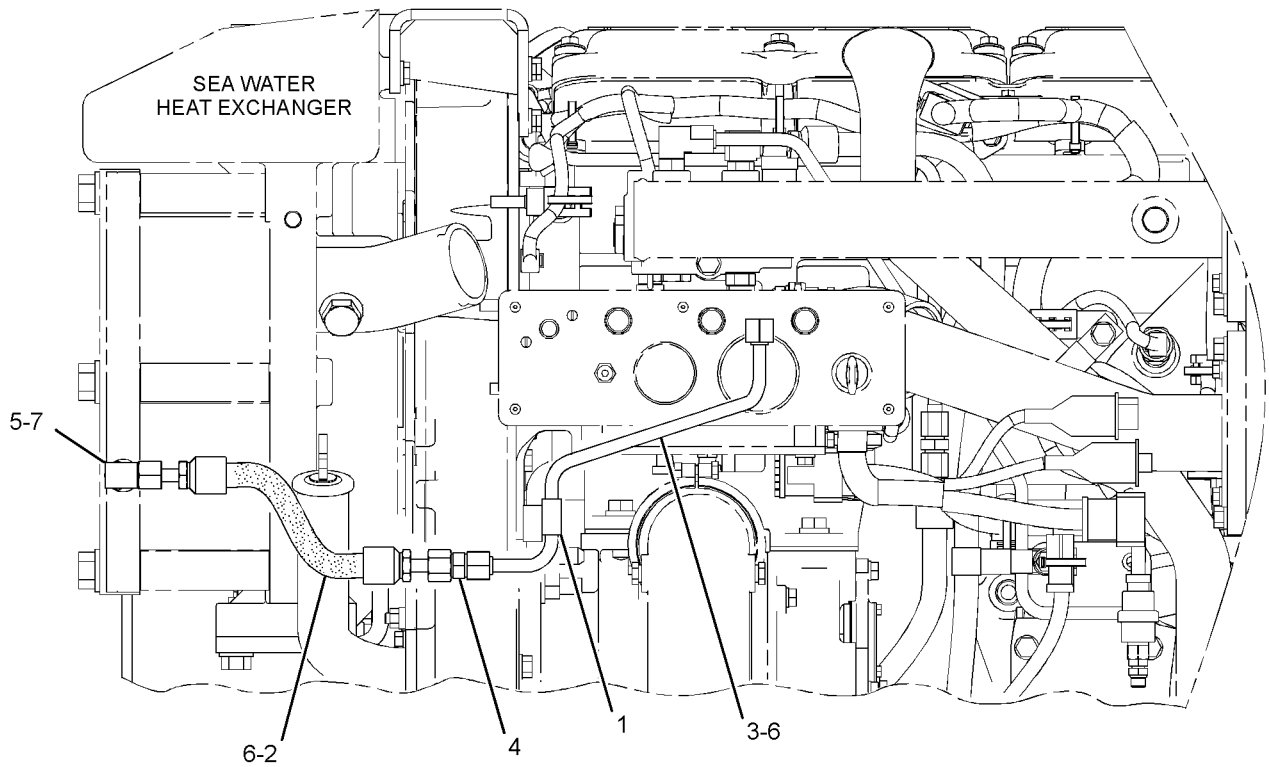
263-0871 LINES GP-FUEL FOR USE WITH FUEL COOLED HEAT EXCHANGER AN ATTACHMENT

SMCS-1274

i03041493

NOTE	REF NO	GRAPHIC REF	PART NUMBER	QTY	PART NAME						SEE PAGE
					1	2	3	4	5	6 (PRODUCT LEVEL)	
	1	1	2Y-3812	1	CLIP						
I	2	1	113-1547	1	HOSE AS						
	3	1	263-0870	1	TUBE AS						
	4	1	6V-8730	1	UNION (FACE SEAL)						
	5	1	3J-1907	1	SEAL-O-RING						
	6	1	6V-8397	3	SEAL-O-RING						
	7	1	6V-8724	1	ELBOW						

I-REFER TO HYDRAULIC INFORMATION SYSTEM



LEFT SIDE VIEW OF ENGINE

GRAPHIC #1

<END>

g01547396

FUEL SYSTEM

293-3050 LINES GP-FUEL

S/N: J2K1-103

TIER II

AN ATTACHMENT

SMCS-1274

i03669664

NOTE	REF NO	GRAPHIC REF	PART NUMBER	QTY	PART NAME						SEE PAGE
					1	2	3	4	5	6 (PRODUCT LEVEL)	
	1	1	1P-0436	1	GASKET (FUEL PRIMING PUMP)						
	2	1	2T-1397	2	CLAMP						
	3	2	3G-4005	1	LINK						
	4	2	3W-6181	1	BRACKET						
	5	2	5K-8652	1	BRACKET						
	6	1	9J-6189	1	CLIP						
	7	1	137-5541	1	PUMP GP-FUEL PRIMING						
		1	061-7539	1	SEAL-O-RING						
		1	229-3218	2	VALVE AS						
I	8	1	163-7994	1	HOSE AS						
I	9	1	203-7947	1	HOSE AS						
	10	2	204-0130	1	BRACKET						
I	11	1	212-7568	1	HOSE AS						
I	12	1	221-8209	1	HOSE AS						
	13	2	223-6345	1	MANIFOLD-FUEL						
Y	14	2	233-6742	1	VALVE GP-CHECK (FUEL)						670
	15	1	292-8057	1	TUBE AS						
	16	1	292-8125	1	TUBE AS						
	17	1	293-3052	1	TUBE AS						
	18	1	293-3053	1	TUBE AS						
	19	1	293-3054	1	TUBE AS						
	20	1	118-4728	1	ELBOW						
	21	1,2	033-6042	10	SEAL-O-RING						
	22	1,2	0L-1351	2	BOLT (3/8-16X0.875-IN)						
	23	1	0S-0509	1	BOLT (3/8-16X0.75-IN)						
	24	2	0S-1590	2	BOLT (3/8-16X2-IN)						
	25	1	0S-1591	2	BOLT (3/8-16X1.5-IN)						
	26	2	0S-1594	2	BOLT (3/8-16X1-IN)						
	27	2	0T-0065	2	BOLT (3/8-16X3.5-IN)						
	28	2	101-3121	4	SPACER (10.5X25X25-MM THK)						
	29	2	147-0385	1	CLIP						
	30	1,2	186-0357	3	CLIP						
	31	1	1B-7182	1	BOLT (5/16-18X1.25-IN)						
	32	1,2	4D-7794	2	CLIP						
	33	1,2	5M-2894	14	WASHER-HARD (10.2X18.5X2.5-MM THK)						
	34	1	5P-0537	1	WASHER-HARD (7.2X14.5X2-MM THK)						
	35	1	5P-4115	2	WASHER-HARD (7.2X19X2-MM THK)						
	36	2	5P-8247	1	WASHER-HARD (17X32X3.5-MM THK)						
	37	2	6F-7316	1	BOLT (5/8-18X1-IN)						
	38	1	6V-4589	1	SEAL-O-RING						
	39	1,2	6V-5048	5	SEAL-O-RING						
	40	1,2	6V-8397	19	SEAL-O-RING						
	41	1	6V-8634	1	CONNECTOR						
	42	2	6V-8636	1	CONNECTOR						
	43	1	6V-8715	1	CONNECTOR						
	44	1	6V-8724	4	ELBOW						
	45	1	6V-8730	3	UNION (FACE SEAL)						
	46	1	6V-9807	2	UNION						
	47	1	7B-2742	2	BOLT (1/4-20X1.25-IN)						
	48	1	7W-7381	1	FITTING-OUTLET						
	49	1	8L-2786	2	SEAL-O-RING						
	50	1	9M-1974	1	WASHER-HARD (8.8X16X2-MM THK)						
	51	2	9S-4182	1	PLUG-O-RING						
	52	2	9S-4191	1	PLUG-O-RING						
	53	1,2	9S-8002	4	PLUG-O-RING						

FUEL SYSTEM

293-3050 LINES GP-FUEL (contd.)

i03669664

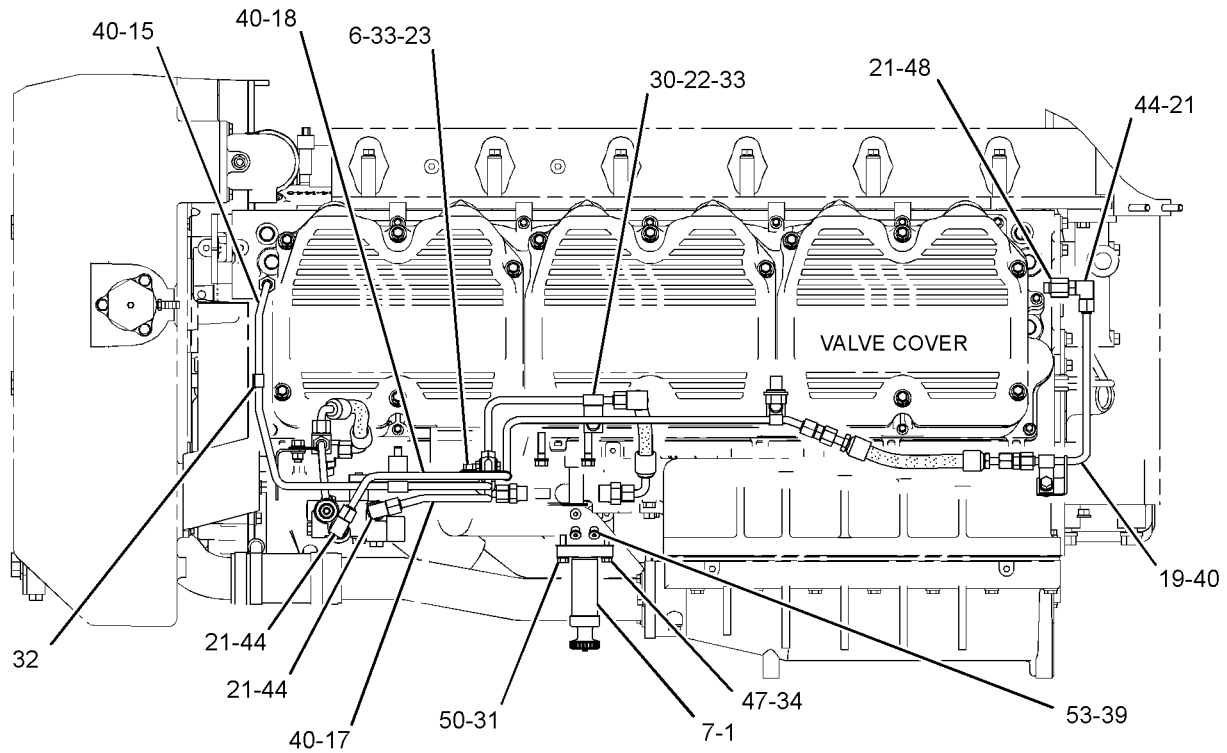
NOTE	REF NO	GRAPHIC REF	PART NUMBER	QTY	PART NAME						SEE PAGE
					1	2	3	4	5	6 (PRODUCT LEVEL)	
	54	2	9S-8004	1	PLUG-O-RING						
	55	1	9S-8750	1	NUT-FULL (1/4-20-THD)						
	56	2	9S-8752	3	NUT-FULL (3/8-16-THD)						
	57	2	9X-2297	2	CONNECTOR						

I-REFER TO HYDRAULIC INFORMATION SYSTEM
 Y-SEPARATE ILLUSTRATION

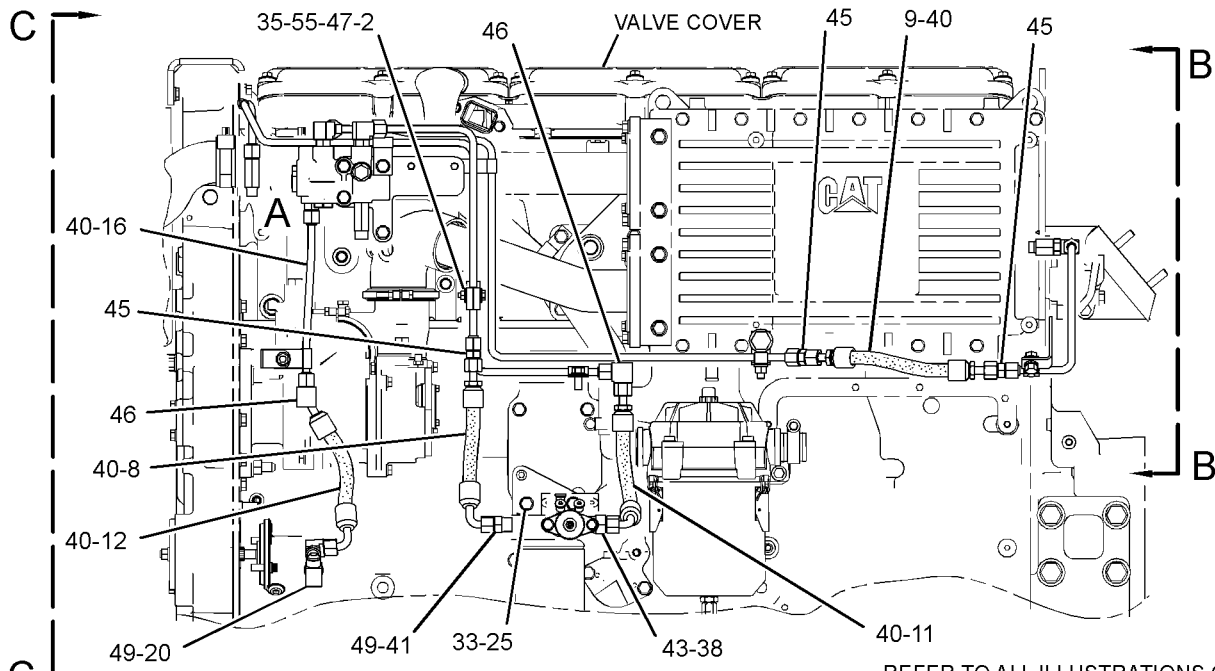
FUEL SYSTEM

293-3050 LINES GP-FUEL (contd.)

i03669664



TOP VIEW OF ENGINE



LEFT SIDE VIEW OF ENGINE

REFER TO ALL ILLUSTRATIONS OF THIS GROUP FOR AUXILIARY VIEWS

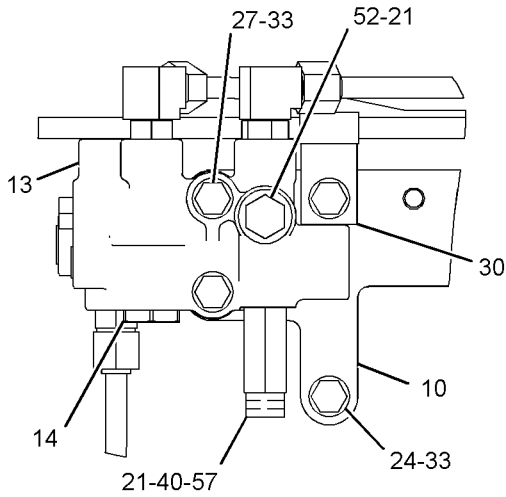
GRAPHIC #1

g01348073

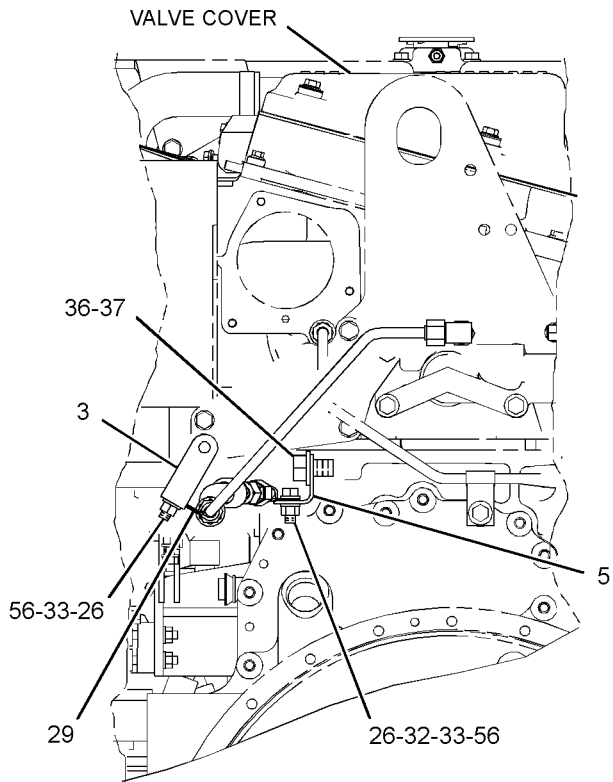
FUEL SYSTEM

293-3050 LINES GP-FUEL (contd.)

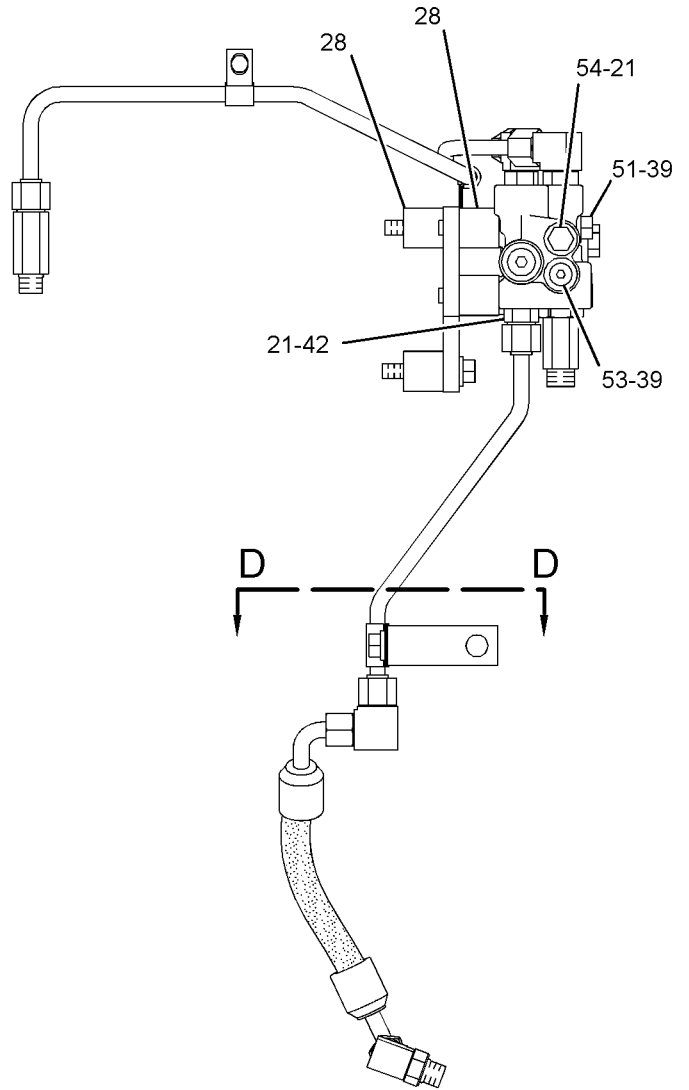
i03669664



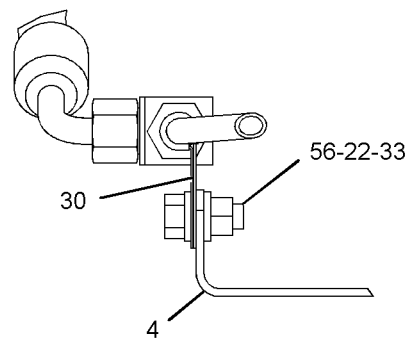
VIEW OF AREA A



VIEW B-B



VIEW C-C



SECTION D-D

GRAPHIC #2

<END>

g01326457

FUEL SYSTEM

293-3050 LINES GP-FUEL

S/N: J2K104-UP; T2P1-UP

TIER II

AN ATTACHMENT

SMCS-1274

i03278324

NOTE	REF NO	GRAPHIC REF	PART NUMBER	QTY	PART NAME						SEE PAGE
					1	2	3	4	5	6 (PRODUCT LEVEL)	
	1	1	1P-0436	1	GASKET (FUEL PRIMING PUMP)						
	2	3	2T-1397	2	CLAMP						
	3	3	3G-4005	1	LINK						
	4	2	3W-6181	1	BRACKET						
	5	3	5K-8652	1	BRACKET						
	6	1	137-5541	1	PUMP GP-FUEL PRIMING						
		1	061-7539	1	SEAL-O-RING						
		1	229-3218	2	VALVE AS (FUEL PRIMING PUMP)						
I	7	1	189-7500	1	HOSE AS						
CI	8	1	198-7670	1	HOSE AS						
I	9	1	203-7947	1	HOSE AS						
I	10	1	221-8209	1	HOSE AS						
	11	2	223-6345	1	MANIFOLD-FUEL						
Y	12	2	233-6742	1	VALVE GP-CHECK (FUEL)						670
	13	1	292-8057	1	TUBE AS						
	14	1	292-8125	1	TUBE AS						
	15	1	293-3052	1	TUBE AS						
	16	1	293-3053	1	TUBE AS						
	17	1	293-3054	1	TUBE AS						
C	18	2	308-5344	1	BRACKET						
	19	2	118-4728	1	ELBOW						
	20	1,2	033-6042	10	SEAL-O-RING						
	21	1,2	0L-1351	2	BOLT (3/8-16X0.875-IN)						
	22	2	0S-1590	2	BOLT (3/8-16X2-IN)						
C	23	1	0S-1591	3	BOLT (3/8-16X1.5-IN)						
	24	3	0S-1594	2	BOLT (3/8-16X1-IN)						
	25	2	0T-0065	2	BOLT (3/8-16X3.5-IN)						
	26	2	101-3121	4	SPACER (10.5X25X25-MM THK)						
	27	1	186-0358	2	CLIP						
	28	1,2,3	186-0357	4	CLIP						
	29	1	1B-7182	1	BOLT (5/16-18X1.25-IN)						
C	30	1	306-5494	1	CLIP						
	31	1,3	4D-7794	2	CLIP						
C	32	1,2,3	5M-2894	18	WASHER-HARD (10.2X18.5X2.5-MM THK)						
	33	1	5P-0537	1	WASHER-HARD (7.2X14.5X2-MM THK)						
	34	3	5P-4115	2	WASHER-HARD (7.2X19X2-MM THK)						
	35	3	5P-8247	1	WASHER-HARD (17X32X3.5-MM THK)						
	36	3	6F-7316	1	BOLT (5/8-18X1-IN)						
	37	1	6V-4589	1	SEAL-O-RING						
	38	1,2	6V-5048	5	SEAL-O-RING						
	39	1,2	6V-8397	19	SEAL-O-RING						
	40	1	6V-8723	1	ELBOW						
	41	2	6V-8636	1	CONNECTOR						
	42	1	6V-8715	1	CONNECTOR						
	43	1,2	6V-8724	4	ELBOW						
	44	1	6V-8730	3	UNION (FACE SEAL)						
	45	1	6V-9807	2	UNION						
	46	1,3	7B-2742	2	BOLT (1/4-20X1.25-IN)						
	47	1	7W-7381	1	FITTING-OUTLET						
	48	1,2	8L-2786	2	SEAL-O-RING						
	49	1	9M-1974	1	WASHER-HARD (8.8X16X2-MM THK)						
	50	2	9S-4182	1	PLUG-O-RING						
	51	2	9S-4191	1	PLUG-O-RING						
	52	1,2	9S-8002	4	PLUG-O-RING						
	53	2	9S-8004	1	PLUG-O-RING						

FUEL SYSTEM

293-3050 LINES GP-FUEL (contd.)

i03278324

NOTE	REF NO	GRAPHIC REF	PART NUMBER	QTY	PART NAME						SEE PAGE
					1	2	3	4	5	6 (PRODUCT LEVEL)	
	54	3	9S-8750	1	NUT-FULL (1/4-20-THD)						
C	55	1,2,3	9S-8752	4	NUT-FULL (3/8-16-THD)						
	56	2	9X-2297	2	CONNECTOR						
	57	1	6V-8189	1	NUT (5/16-18-THD)						
	58	1	2H-3755	1	BOLT (5/16-18X0.43-IN)						
	59	1	1A-2029	1	BOLT (3/8-16X1.125-IN)						

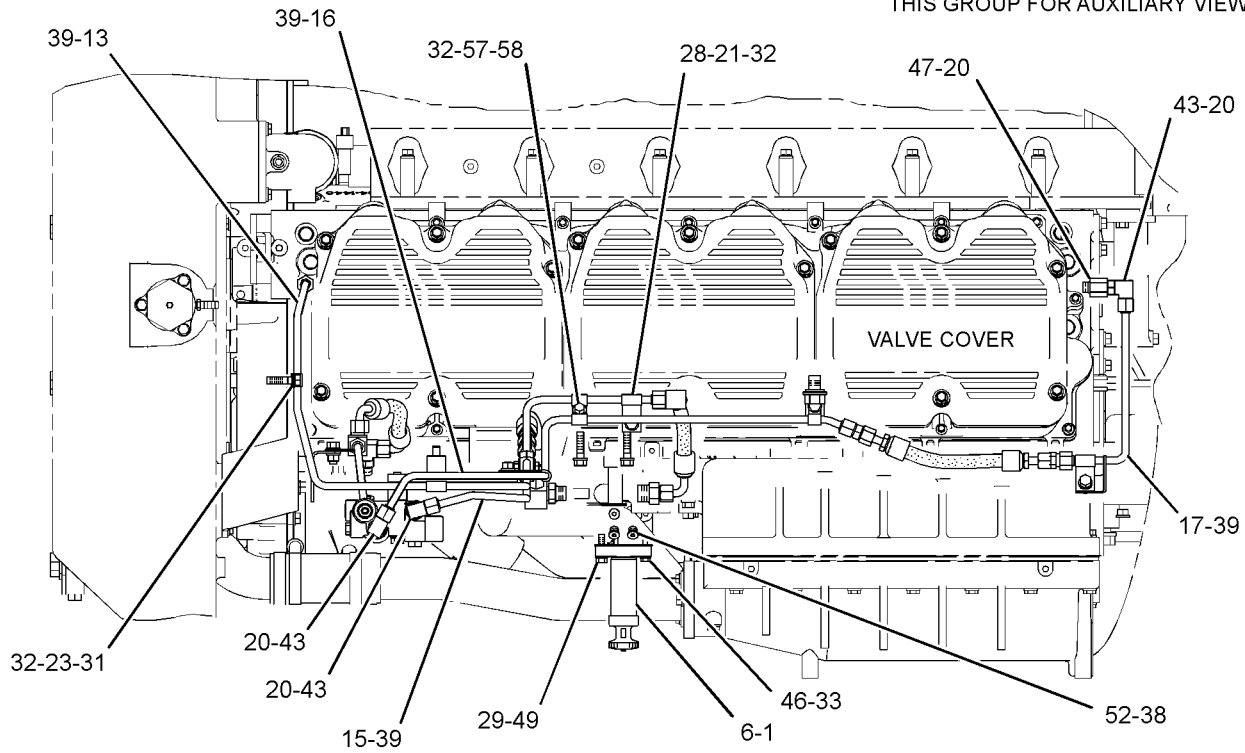
C-CHANGE FROM PREVIOUS TYPE
 I-REFER TO HYDRAULIC INFORMATION SYSTEM
 Y-SEPARATE ILLUSTRATION

FUEL SYSTEM

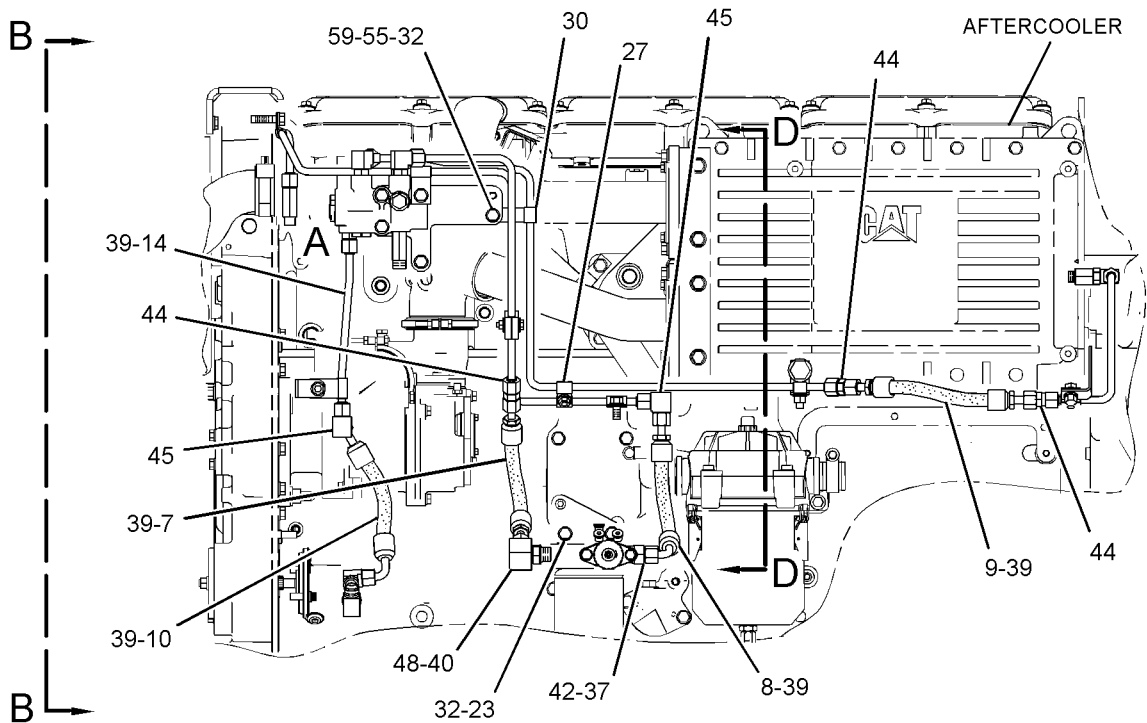
293-3050 LINES GP-FUEL (contd.)

i03278324

REFER TO ALL ILLUSTRATIONS OF THIS GROUP FOR AUXILIARY VIEWS.



TOP VIEW OF ENGINE



LEFT SIDE VIEW OF ENGINE

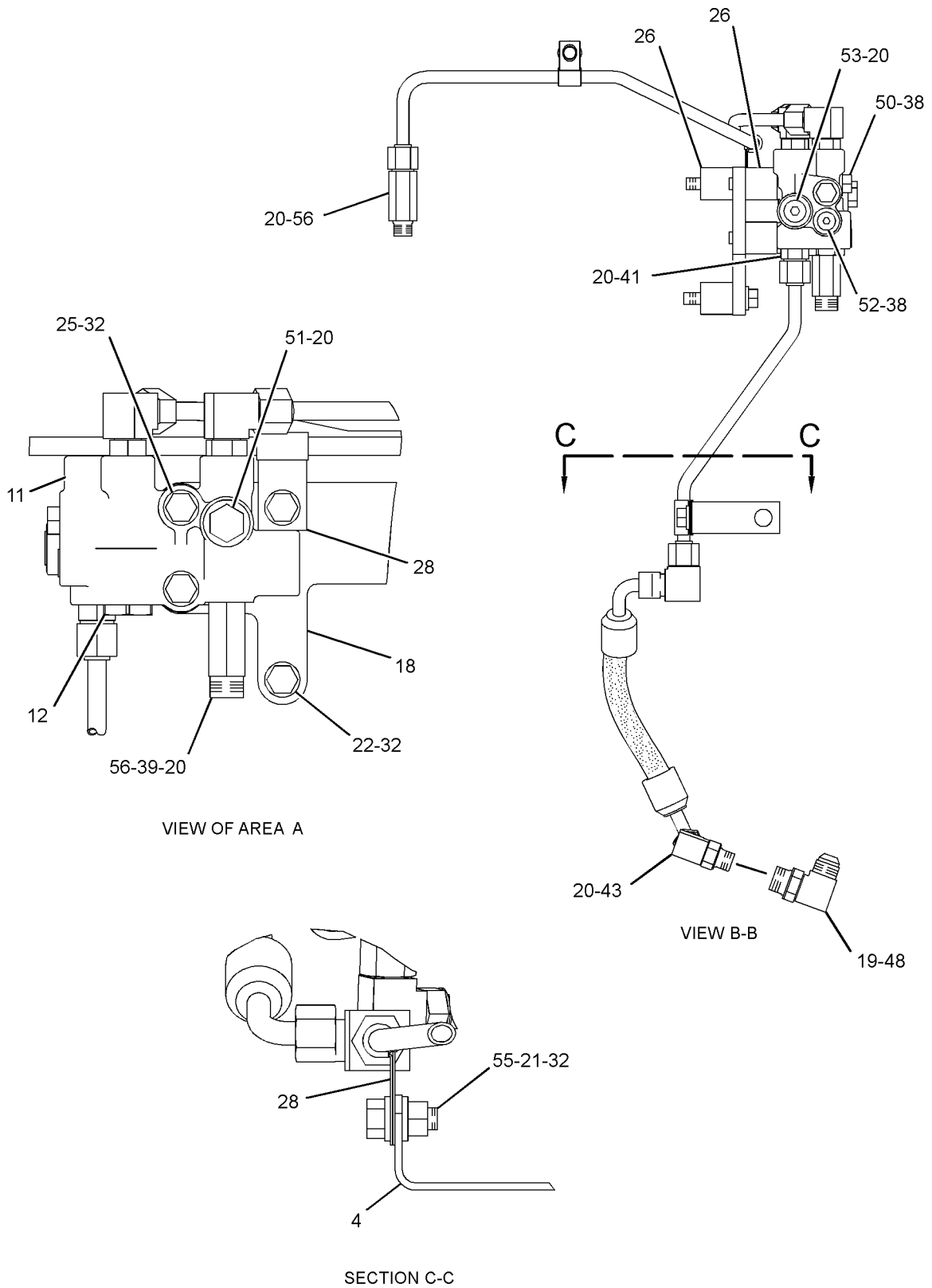
GRAPHIC #1

g01428654

FUEL SYSTEM

293-3050 LINES GP-FUEL (contd.)

i03278324



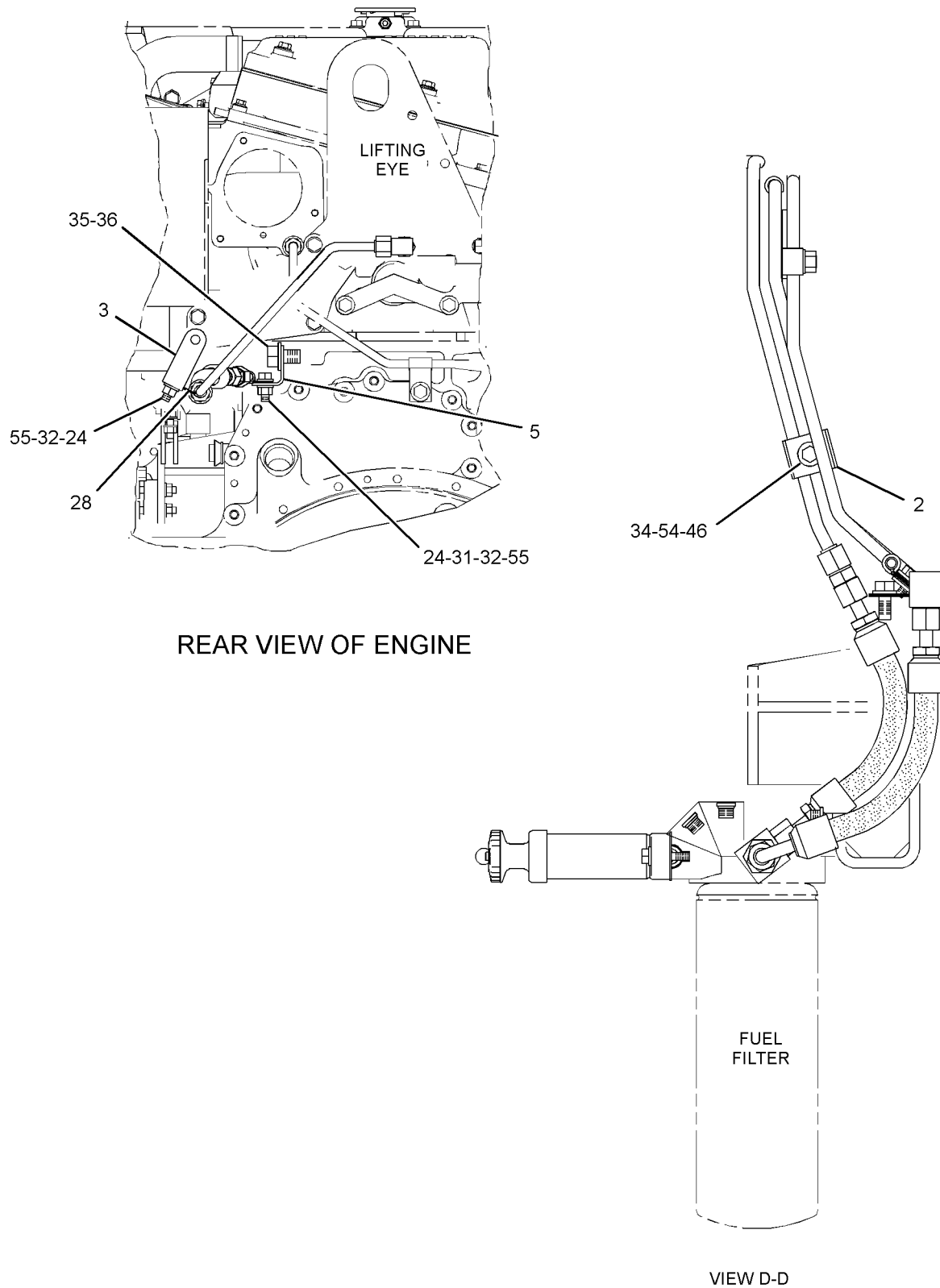
GRAPHIC #2

g01428743

FUEL SYSTEM

293-3050 LINES GP-FUEL (contd.)

i03278324



REAR VIEW OF ENGINE

VIEW D-D

GRAPHIC #3

<END>

g01428658

FUEL SYSTEM

293-3051 LINES GP-FUEL

S/N: J2K1-103

TIER II, RH

AN ATTACHMENT

SMCS-1274

i04048008

NOTE	REF NO	GRAPHIC REF	PART NUMBER	QTY	PART NAME						SEE PAGE
					1	2	3	4	5	6 (PRODUCT LEVEL)	
	1	1	1P-0436	1	GASKET (FUEL PRIMING PUMP)						
	2	2	2T-1397	2	CLAMP						
	3	2	3G-4005	1	LINK						
	4	2	5K-8652	1	BRACKET						
	6	2	9G-7101	1	SPACER (10.5X20X30-MM THK)						
	7	1	9J-6189	1	CLIP						
	8	1	137-5541	1	PUMP GP-FUEL PRIMING						
		1	061-7539	1	SEAL-O-RING						
		1	229-3218	2	VALVE AS						
I	9	2	148-7027	1	HOSE AS						
I	10	2	187-4085	1	HOSE AS						
I	11	1	203-7947	1	HOSE AS						
	12	2	204-0130	1	BRACKET						
I	13	2	221-8209	1	HOSE AS						
	14	2	223-6345	1	MANIFOLD-FUEL						
	15	2	230-2462	1	SUPPORT AS						
		2	8T-5912	2	NUT-WELD (3/8-16-THD)						
Y	16	2	233-6742	1	VALVE GP-CHECK (FUEL)						670
	17	2	292-8125	1	TUBE AS						
	18	1	293-0851	1	TUBE AS						
	19	1	293-0852	1	TUBE AS						
	20	1	293-3053	1	TUBE AS						
	21	1	293-3054	1	TUBE AS						
	22	2	118-4728	1	ELBOW						
	23	1,2	033-6042	10	SEAL-O-RING						
	24	2	0L-1351	1	BOLT (3/8-16X0.875-IN)						
	25	2	0L-2070	1	BOLT (3/8-16X2.25-IN)						
	26	1	0S-0509	1	BOLT (3/8-16X0.75-IN)						
	27	2	0S-1588	2	BOLT (3/8-16X1.25-IN)						
	28	2	0S-1590	2	BOLT (3/8-16X2-IN)						
	29	2	0S-1594	2	BOLT (3/8-16X1-IN)						
	30	2	0T-0065	2	BOLT (3/8-16X3.5-IN)						
	31	2	101-3121	4	SPACER (10.5X25X25-MM THK)						
	32	1	147-0385	1	CLIP						
	33	2	186-0357	2	CLIP						
	34	2	1A-2029	1	BOLT (3/8-16X1.125-IN)						
	35	1,2	1B-7182	2	BOLT (5/16-18X1.25-IN)						
	36	1,2	4D-7794	4	CLIP						
	37	1,2	5M-2894	15	WASHER-HARD (10.2X18.5X2.5-MM THK)						
	38	1	5P-0537	1	WASHER-HARD (7.2X14.5X2-MM THK)						
	39	2	5P-4115	2	WASHER-HARD (7.2X19X2-MM THK)						
	40	2	5P-8247	1	WASHER-HARD (17X32X3.5-MM THK)						
	41	2	6F-7316	1	BOLT (5/8-18X1-IN)						
	42	1	6V-4589	1	SEAL-O-RING						
	43	1,2	6V-5048	5	SEAL-O-RING						
	44	1,2	6V-8397	19	SEAL-O-RING						
	45	2	6V-8636	2	CONNECTOR						
	46	1	6V-8715	1	CONNECTOR						
	47	1	6V-8723	1	ELBOW						
	48	1,2	6V-8724	4	ELBOW						
	49	1,2	6V-8730	1	UNION (FACE SEAL)						
	50	2	6V-9807	1	UNION						
	51	1	6V-9850	1	ELBOW						
	52	1,2	7B-2742	2	BOLT (1/4-20X1.25-IN)						
	53	1	7W-7381	1	FITTING-OUTLET						

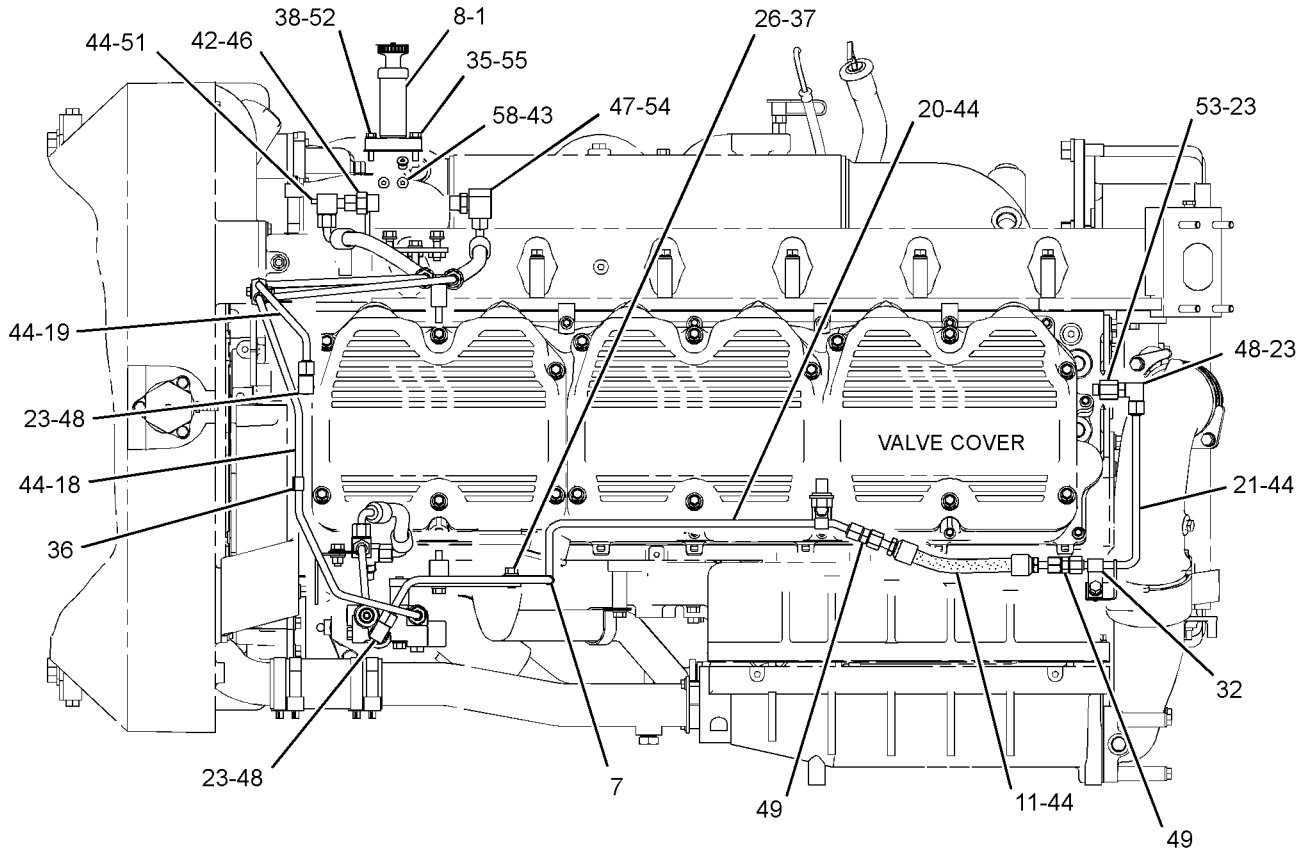
FUEL SYSTEM

293-3051 LINES GP-FUEL (contd.)

i04048008

NOTE	REF NO	GRAPHIC REF	PART NUMBER	QTY	PART NAME						SEE PAGE
					1	2	3	4	5	6 (PRODUCT LEVEL)	
	54	1,2	8L-2786	2	SEAL-O-RING						
	55	1,2	9M-1974	2	WASHER-HARD (8.8X16X2-MM THK)						
	56	2	9S-4182	1	PLUG-O-RING						
	57	2	9S-4191	1	PLUG-O-RING						
	58	1,2	9S-8002	4	PLUG-O-RING						
	59	2	9S-8004	1	PLUG-O-RING						
	60	2	9S-8750	1	NUT-FULL (1/4-20-THD)						
	61	2	9S-8752	3	NUT-FULL (3/8-16-THD)						
	62	2	9X-2297	1	CONNECTOR						

I-REFER TO HYDRAULIC INFORMATION SYSTEM
Y-SEPARATE ILLUSTRATION



TOP VIEW OF ENGINE

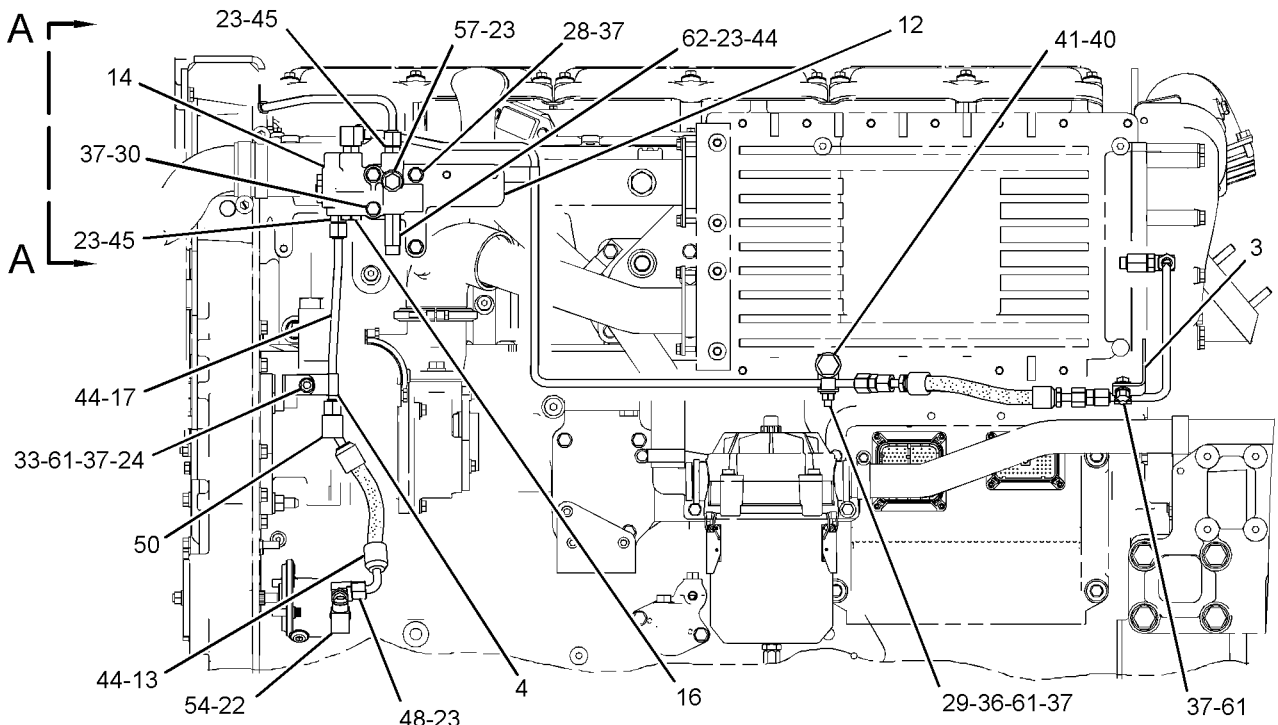
GRAPHIC #1

g01326722

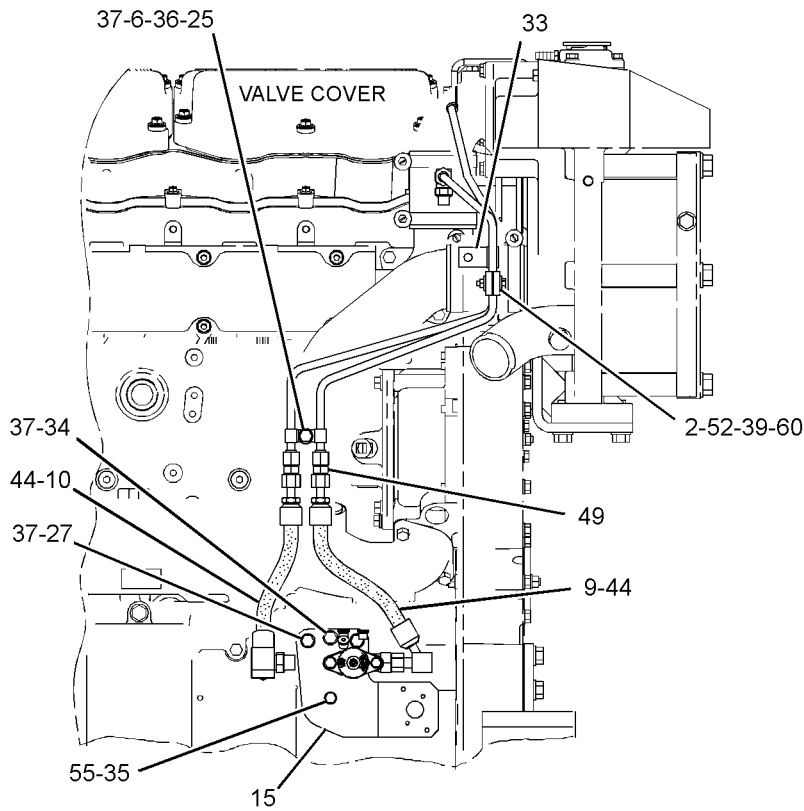
FUEL SYSTEM

293-3051 LINES GP-FUEL (contd.)

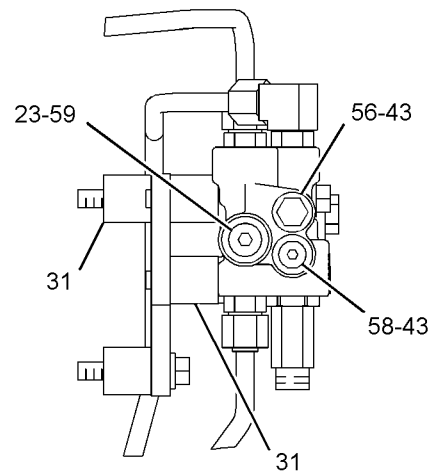
i04048008



LEFT SIDE VIEW OF ENGINE



RIGHT SIDE VIEW OF ENGINE



VIEW A-A

GRAPHIC #2

<END>

g01326831

FUEL SYSTEM

293-3051 LINES GP-FUEL

S/N: J2K104-UP; T2P1-UP

TIER II, RH
AN ATTACHMENT

SMCS-1274

i02906506

NOTE	REF NO	GRAPHIC REF	PART NUMBER	QTY	PART NAME						SEE PAGE
					1	2	3	4	5	6 (PRODUCT LEVEL)	
	1	2	1P-0436	1	GASKET (FUEL PRIMING PUMP)						
	2	2	2T-1397	2	CLAMP						
	3	2	3G-4005	1	LINK						
	4	1	3W-6181	1	BRACKET						
	5	1	5K-8652	2	BRACKET						
	6	2	9G-7101	1	SPACER (10.5X20X30-MM THK)						
	7	2	137-5541	1	PUMP GP-FUEL PRIMING						
		2	061-7539	1	SEAL-O-RING						
		2	229-3218	2	VALVE AS (FUEL PRIMING PUMP)						
I	8	2	148-7027	1	HOSE AS						
I	9	2	187-4085	1	HOSE AS						
I	10	1	203-7947	1	HOSE AS						
I	11	1	221-8209	1	HOSE AS						
	12	2	223-6345	1	MANIFOLD-FUEL						
	13	2	230-2462	1	SUPPORT AS						
Y	14	2	233-6742	1	VALVE GP-CHECK (FUEL)						670
	15	1	292-8125	1	TUBE AS						
	16	1	293-0851	1	TUBE AS						
	17	1	293-0852	1	TUBE AS						
	18	1	293-3053	1	TUBE AS						
	19	1	293-3054	1	TUBE AS						
	20	2	118-4728	1	ELBOW						
	21	1,2	033-6042	10	SEAL-O-RING						
	22	1	0L-1351	1	BOLT (3/8-16X0.875-IN)						
	23	2	0S-1588	2	BOLT (3/8-16X1.25-IN)						
	24	1	0S-1590	2	BOLT (3/8-16X2-IN)						
C	25	1	0S-1591	1	BOLT (3/8-16X1.5-IN)						
	26	1,2	0S-1594	3	BOLT (3/8-16X1-IN)						
	27	2	0T-0065	2	BOLT (3/8-16X3.5-IN)						
	28	2	101-3121	4	SPACER (10.5X25X25-MM THK)						
C	29	1,2	186-0357	3	CLIP						
	30	2	8T-9041	1	CONNECTOR						
C	31	1,2	1A-2029	3	BOLT (3/8-16X1.125-IN)						
	32	1,2	1B-7182	2	BOLT (5/16-18X1.25-IN)						
	33	2	1C-2251	1	BOLT (3/8-16X1.87-IN)						
C	34	1	306-5494	1	CLIP						
C	35	1	308-5344	1	BRACKET						
	36	1,2	4D-7794	5	CLIP						
C	37	1,2	5M-2894	20	WASHER-HARD (10.2X18.5X2.5-MM THK)						
	38	1	5P-0537	1	WASHER-HARD (7.2X14.5X2-MM THK)						
	39	2	5P-4115	2	WASHER-HARD (7.2X19X2-MM THK)						
	40	1	5P-8247	2	WASHER-HARD (17X32X3.5-MM THK)						
	41	1	6F-7316	2	BOLT (5/8-18X1-IN)						
	42	1	6V-4589	1	SEAL-O-RING						
	43	1,2	6V-5048	5	SEAL-O-RING						
C	44	1,2	6V-8397	21	SEAL-O-RING						
	45	2	6V-8636	2	CONNECTOR						
	46	1	6V-8715	1	CONNECTOR						
	47	1	6V-8723	1	ELBOW						
	48	1,2	6V-8724	3	ELBOW						
	49	1,2	6V-8730	1	UNION (FACE SEAL)						
	50	1	6V-9807	1	UNION						
	51	1	6V-9850	2	ELBOW						
	52	1,2	7B-2742	2	BOLT (1/4-20X1.25-IN)						
	53	1	7W-7381	1	FITTING-OUTLET						

FUEL SYSTEM

293-3051 LINES GP-FUEL (contd.)

i02906506

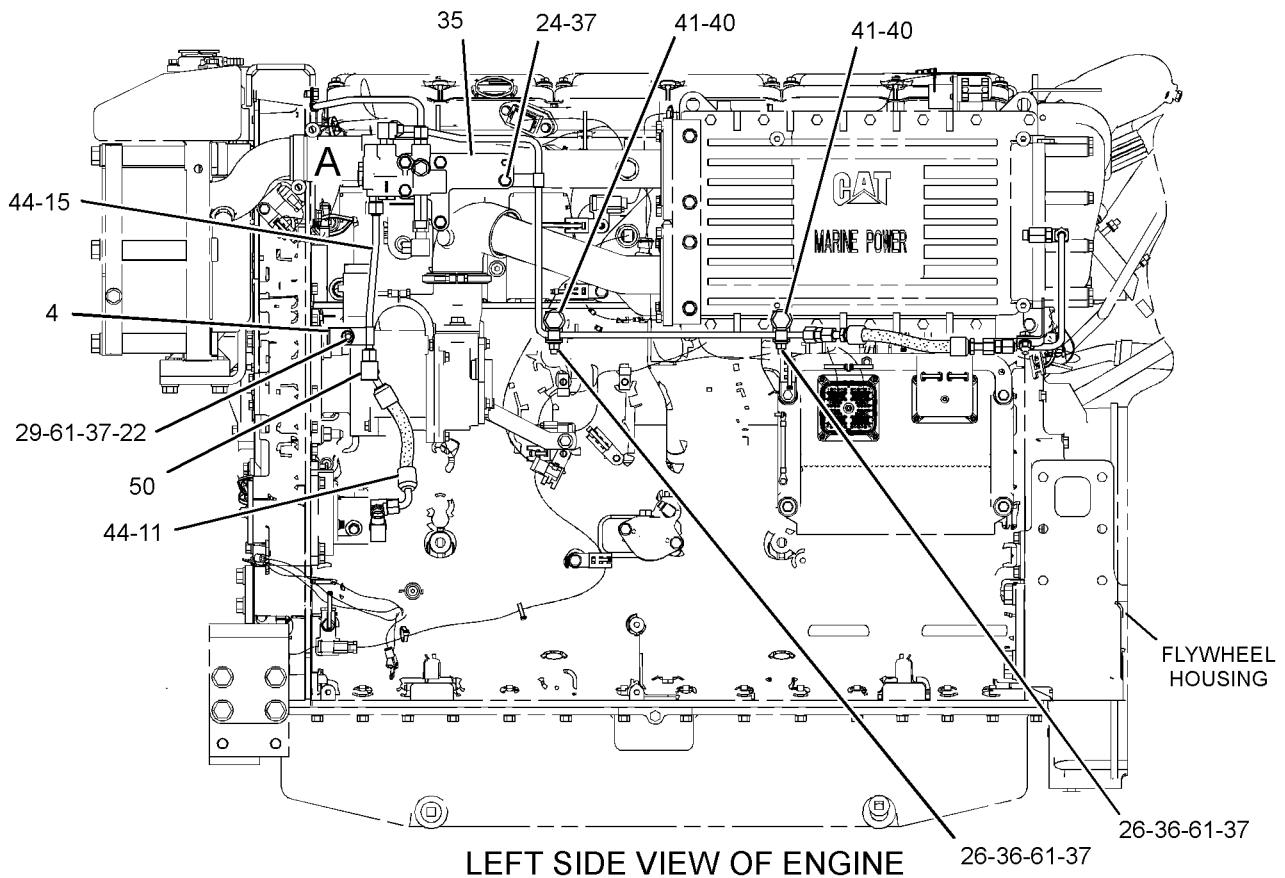
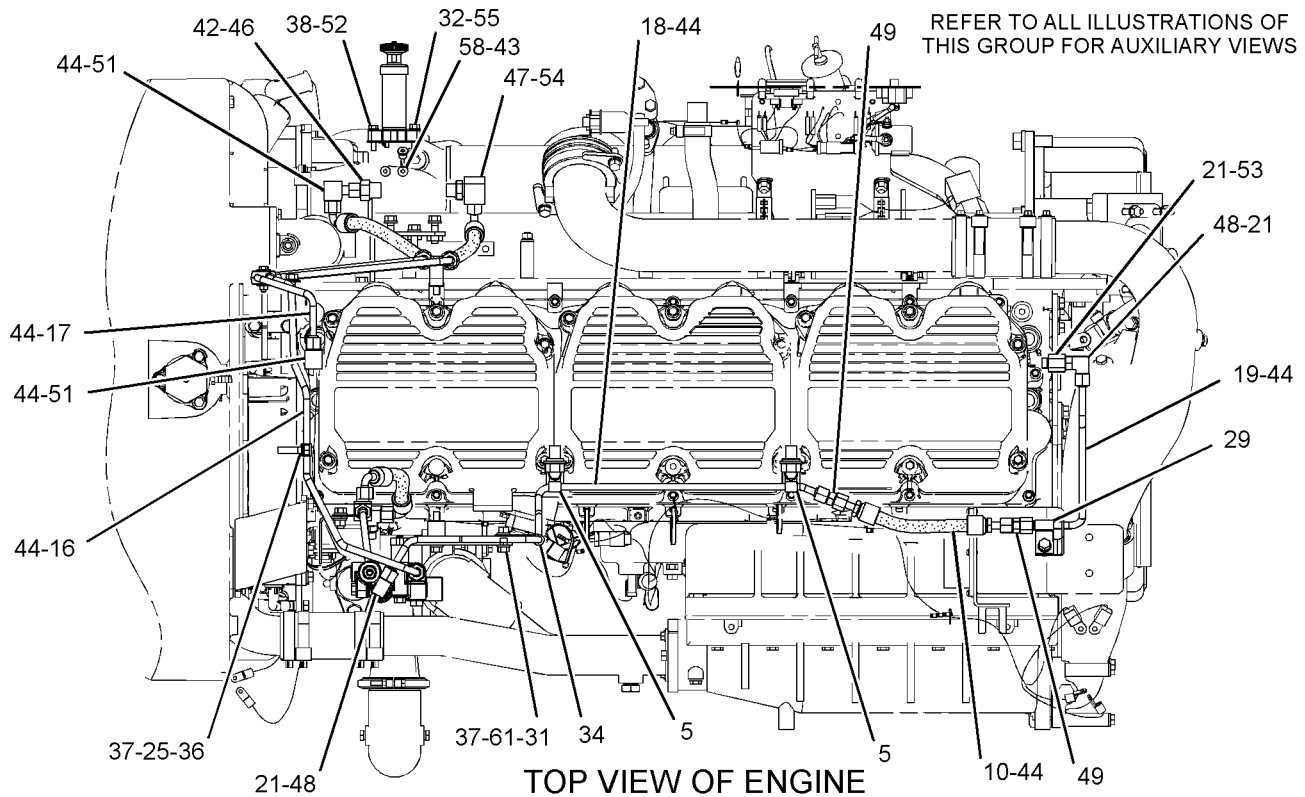
NOTE	REF NO	GRAPHIC REF	PART NUMBER	QTY	PART NAME						SEE PAGE
					1	2	3	4	5	6 (PRODUCT LEVEL)	
	54	1,2	8L-2786	2	SEAL-O-RING						
	55	1,2	9M-1974	2	WASHER-HARD (8.8X16X2-MM THK)						
	56	2	9S-4182	1	PLUG-O-RING						
	57	2	9S-4191	1	PLUG-O-RING						
	58	1,2	9S-8002	4	PLUG-O-RING						
	59	2	9S-8004	1	PLUG-O-RING						
	60	2	9S-8750	1	NUT-FULL (1/4-20-THD)						
C	61	1,2	9S-8752	5	NUT-FULL (3/8-16-THD)						
	62	2	9X-2297	1	CONNECTOR						

C-CHANGE FROM PREVIOUS TYPE
 I-REFER TO HYDRAULIC INFORMATION SYSTEM
 Y-SEPARATE ILLUSTRATION

FUEL SYSTEM

293-3051 LINES GP-FUEL (contd.)

i02906506



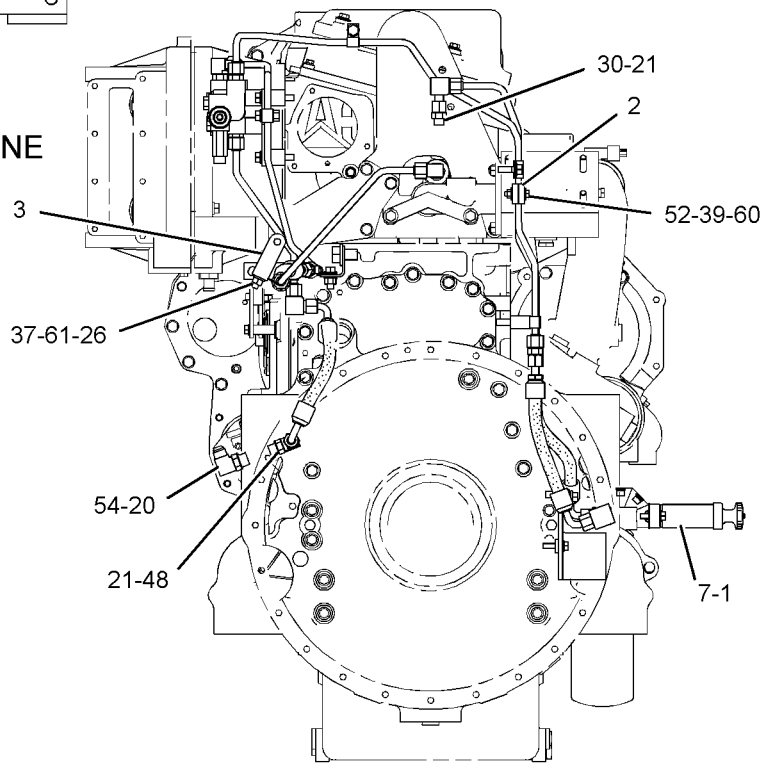
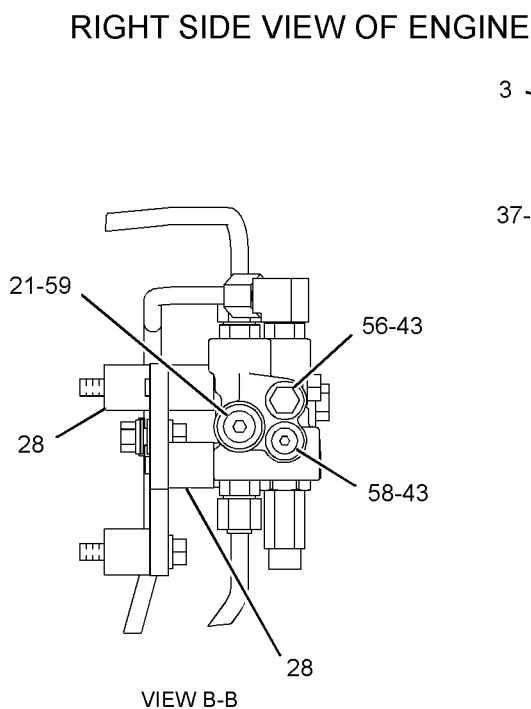
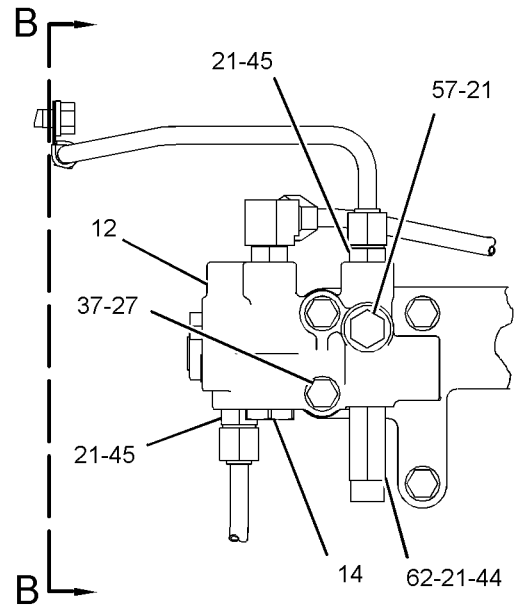
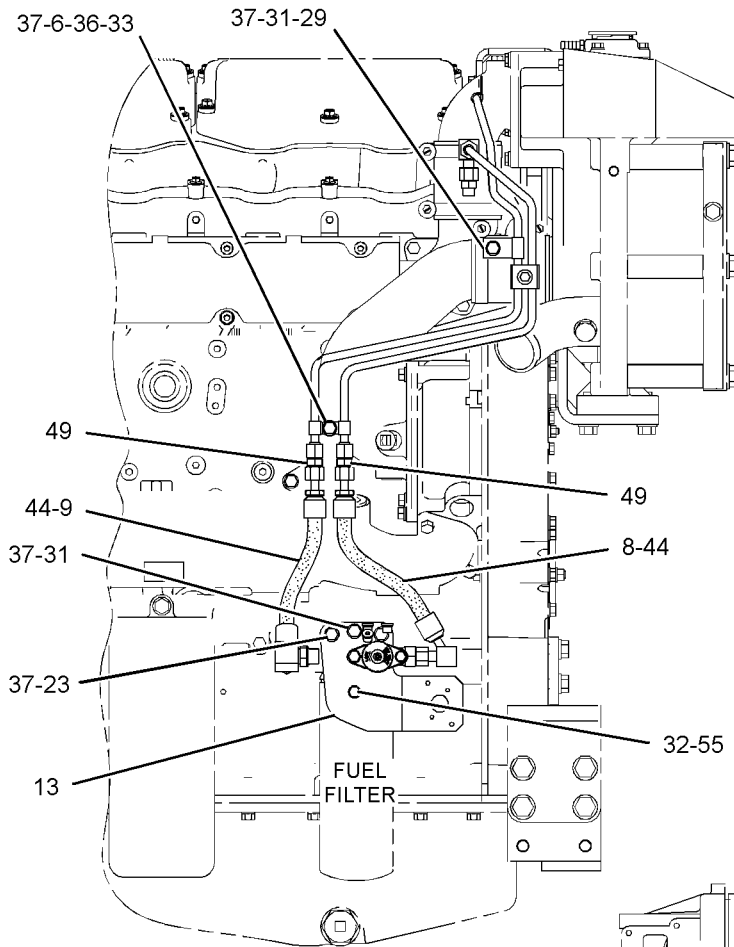
GRAPHIC #1

g01436395

FUEL SYSTEM

293-3051 LINES GP-FUEL (contd.)

i02906506



GRAPHIC #2

<END>

g01436396

FUEL SYSTEM

296-4370 LINES GP-FUEL

RH TIER II
AN ATTACHMENT

SMCS-1274

i03169490

NOTE	REF NO	GRAPHIC REF	PART NUMBER	QTY	PART NAME						SEE PAGE
					1	2	3	4	5	6 (PRODUCT LEVEL)	
	1	3	1P-0436	1	GASKET (FUEL PRIMING PUMP)						
	2	1,2	2T-1397	4	CLAMP						
	3	3	3E-2332	1	ELBOW						
	4	2	3G-4005	2	LINK						
	5	3	3W-6181	1	BRACKET						
	6	2	5K-8652	1	BRACKET						
	8	2	112-9069	1	BRACKET						
	9	2	126-2743	1	SPACER (12X20X9-MM THK)						
	10	3	137-5541	1	PUMP GP-FUEL PRIMING						
		3	107-3288	4	LUG-MOUNTING						
		3	109-3104	5	ADAPTER-TIP						
	11	2	155-4568	1	SPACER (11X20X8-MM THK)						
I	12	2	203-7947	1	HOSE AS						
I	13	3	221-8209	1	HOSE AS						
	14	3	223-6345	1	MANIFOLD-FUEL						
Y	15	3	233-6742	1	VALVE GP-CHECK (FUEL)						670
	16	3	292-8125	1	TUBE AS						
	17	2	293-3053	1	TUBE AS						
	18	2	293-3054	1	TUBE AS						
	19	2	296-4372	1	TUBE AS						
	20	2	296-4373	1	TUBE AS						
	21	2	297-8309	1	TUBE AS						
	22	1	297-8310	1	TUBE AS						
	23	3	300-4929	1	SUPPORT AS						
	24	2	302-4044	1	TUBE AS						
	25	1	308-5344	1	BRACKET						
	26	3	118-4728	1	ELBOW						
	27	2,3	033-6042	12	SEAL-O-RING						
	28	2,3	0L-1351	2	BOLT (3/8-16X0.875-IN)						
	29	2	0S-0509	1	BOLT (3/8-16X0.75-IN)						
	30	2	0S-1588	2	BOLT (3/8-16X1.25-IN)						
	31	3	0S-1590	2	BOLT (3/8-16X2-IN)						
	32	1	0S-1591	1	BOLT (3/8-16X1.5-IN)						
	33	2,3	0S-1594	4	BOLT (3/8-16X1-IN)						
	34	3	0T-0065	2	BOLT (3/8-16X3.5-IN)						
	35	3	101-3121	4	SPACER (10.5X25X25-MM THK)						
	36	3	126-6872	1	TEE						
I	37	3	155-3677	2	HOSE AS						
	38	2,3	186-0357	5	CLIP						
	40	2	186-0359	1	CLIP						
	41	1,2	1A-2029	2	BOLT (3/8-16X1.125-IN)						
	42	3	1B-7182	1	BOLT (5/16-18X1.25-IN)						
I	43	3	276-9039	1	HOSE AS						
	44	2	2B-2695	1	BOLT (5/16-18X0.875-IN)						
	45	1	306-5494	1	CLIP						
	46	3	3J-1907	1	SEAL-O-RING						
	47	1,2	4D-7794	8	CLIP						
	48	1,2,3	5M-2894	22	WASHER-HARD (10.2X18.5X2.5-MM THK)						
	49	3	5P-0537	1	WASHER-HARD (7.2X14.5X2-MM THK)						
	50	1,2	5P-4115	4	WASHER-HARD (7.2X19X2-MM THK)						
	51	2	5P-8247	1	WASHER-HARD (17X32X3.5-MM THK)						
	52	3	5P-9297	1	CLIP						
	53	2	6F-7316	1	BOLT (5/8-18X1-IN)						
	54	3	6V-5048	2	SEAL-O-RING						
	55	2	6V-8189	1	NUT (5/16-18-THD)						
	56	1,2,3	6V-8397	26	SEAL-O-RING						

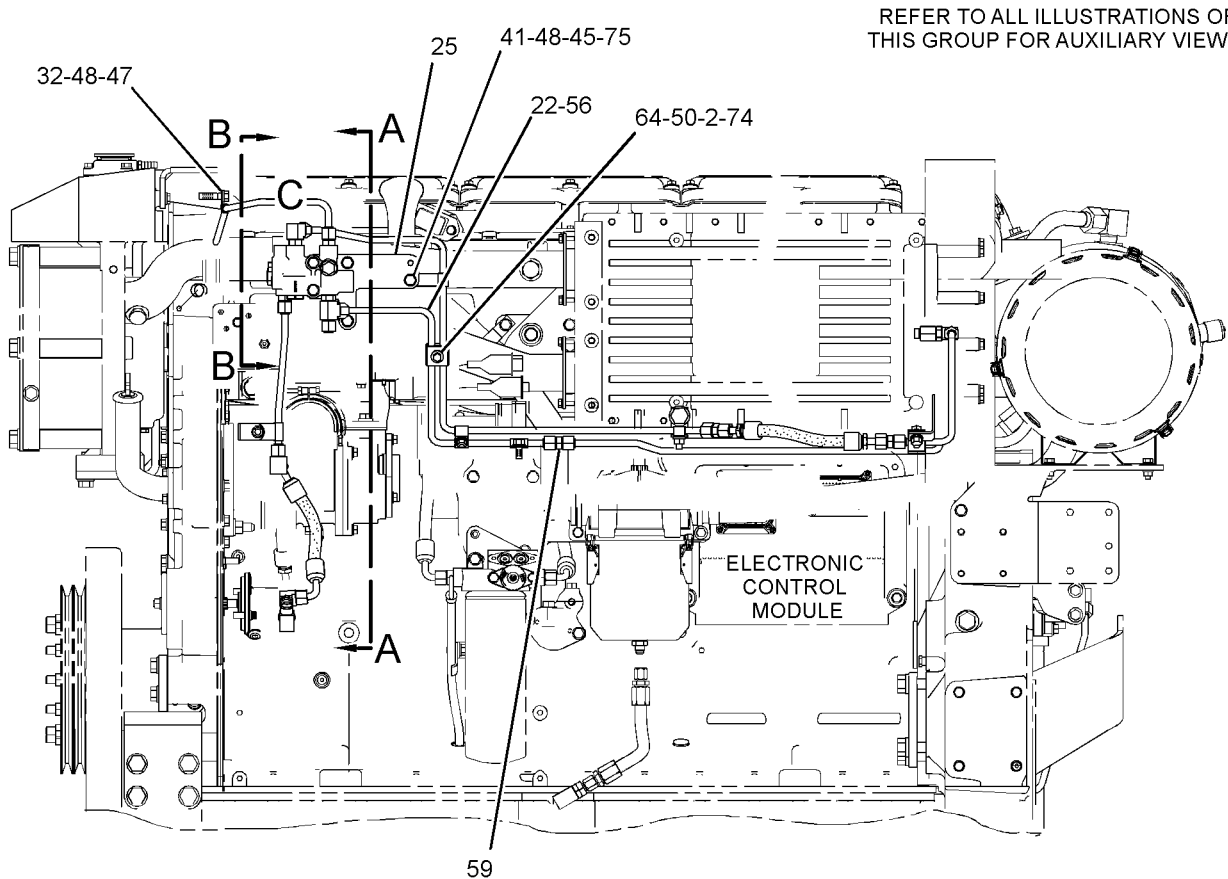
FUEL SYSTEM

296-4370 LINES GP-FUEL (contd.)

i03169490

NOTE	REF NO	GRAPHIC REF	PART NUMBER	QTY	PART NAME						SEE PAGE
					1	2	3	4	5	6 (PRODUCT LEVEL)	
	57	3	6V-8636	2	CONNECTOR						
	58	2,3	6V-8724	4	ELBOW						
	59	1,2,3	6V-8730	7	UNION (FACE SEAL)						
	60	3	6V-8781	1	TEE-FACE SEAL						
	61	3	6V-9807	1	UNION						
	62	3	6V-9829	1	CAP AS						
	63	2	6V-9850	1	ELBOW						
	64	1,2,3	7B-2742	3	BOLT (1/4-20X1.25-IN)						
	65	2	7W-7381	1	FITTING-OUTLET						
	66	3	8C-6869	1	CONNECTOR						
	67	3	8L-2786	1	SEAL-O-RING						
	68	2	8T-9041	1	CONNECTOR						
	69	2,3	9M-1974	3	WASHER-HARD (8.8X16X2-MM THK)						
	70	3	9S-4182	1	PLUG-O-RING						
	71	3	9S-4191	1	PLUG-O-RING						
	72	3	9S-8002	1	PLUG-O-RING						
	73	3	9S-8004	1	PLUG-O-RING						
	74	1,2	9S-8750	2	NUT-FULL (1/4-20-THD)						
	75	1,2,3	9S-8752	6	NUT-FULL (3/8-16-THD)						

I-REFER TO HYDRAULIC INFORMATION SYSTEM
Y-SEPARATE ILLUSTRATION



LEFT SIDE VIEW OF ENGINE

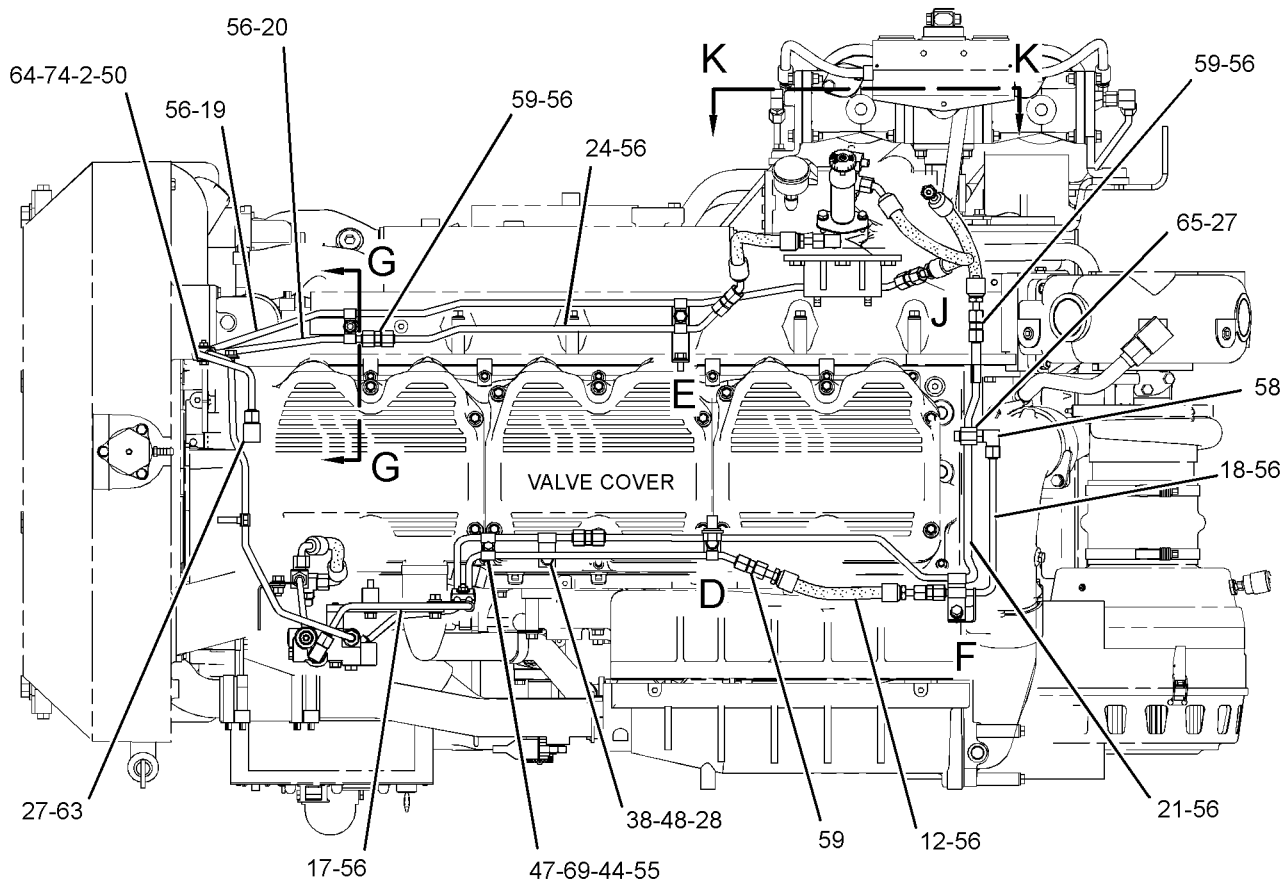
GRAPHIC #1

g01626468

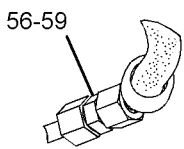
FUEL SYSTEM

296-4370 LINES GP-FUEL (contd.)

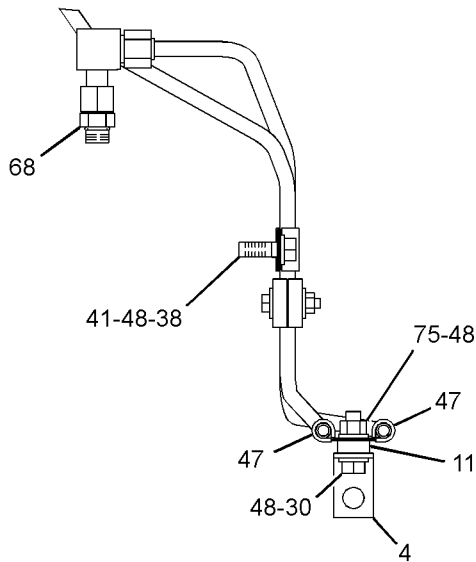
i03169490



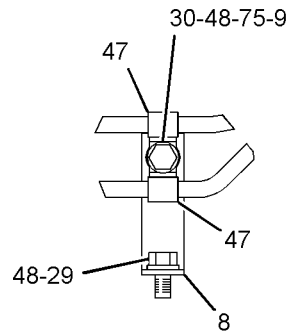
TOP VIEW OF ENGINE



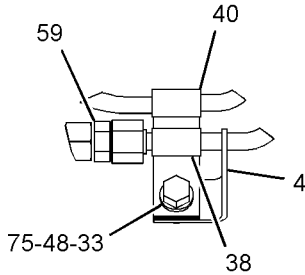
VIEW OF AREA J



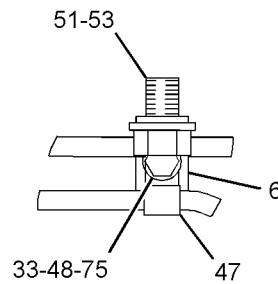
SECTION G-G



VIEW OF AREA E



VIEW OF AREA F



VIEW OF AREA D

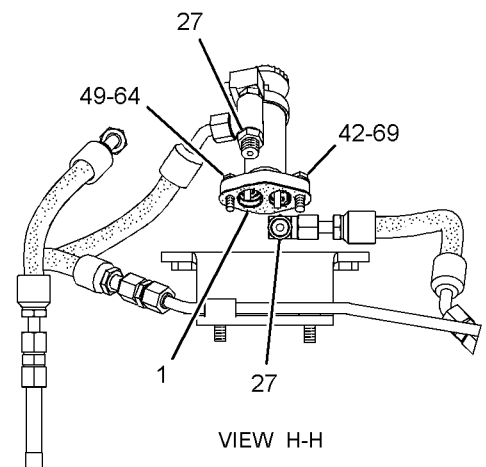
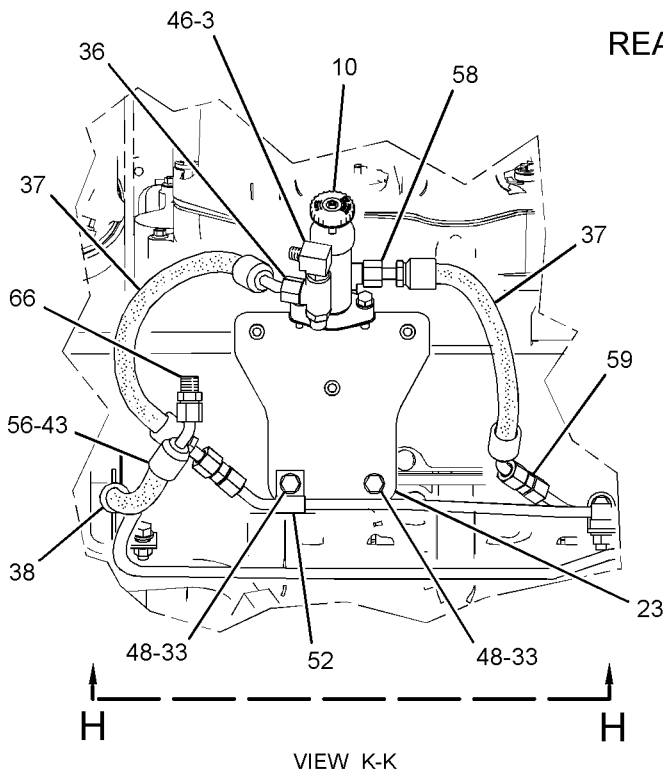
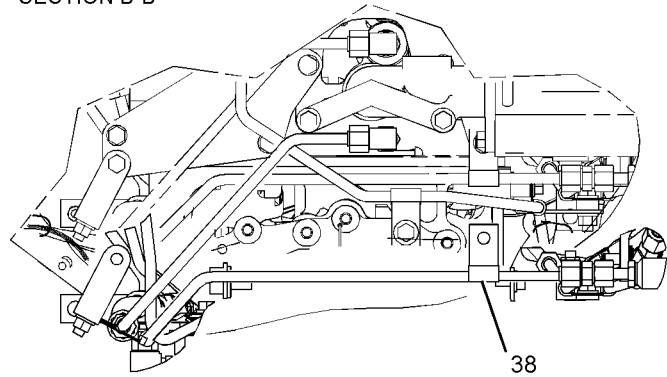
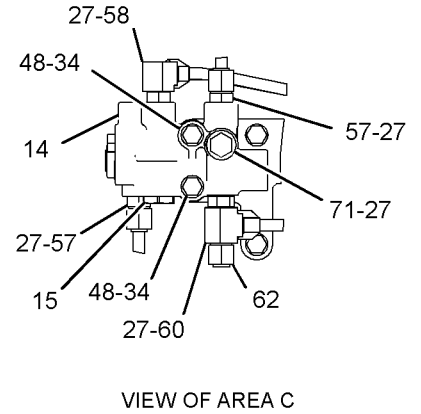
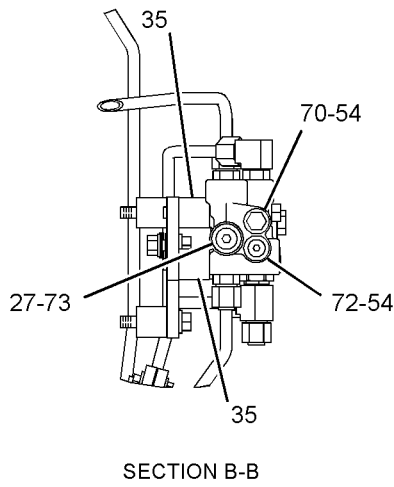
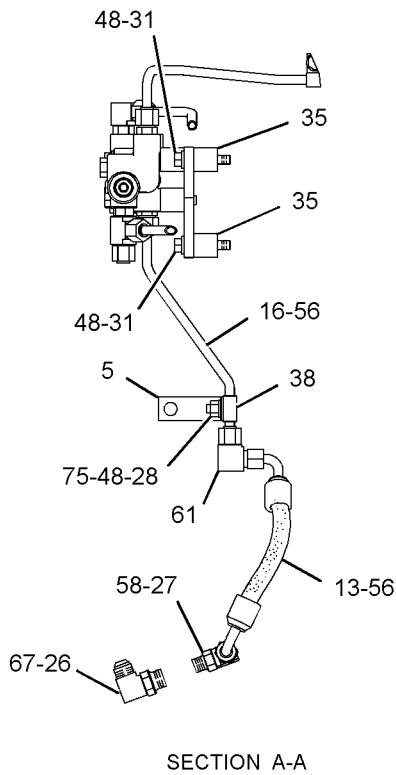
GRAPHIC #2

g01625890

FUEL SYSTEM

296-4370 LINES GP-FUEL (contd.)

i03169490



GRAPHIC #3

<END>

g01625889

FUEL SYSTEM

296-4371 LINES GP-FUEL

LH TIER II
AN ATTACHMENT
TYPE 1

SMCS-1274

i03134680

NOTE	REF NO	GRAPHIC REF	PART NUMBER	QTY	PART NAME						SEE PAGE
					1	2	3	4	5	6 (PRODUCT LEVEL)	
	1	2	1P-0436	1	GASKET (FUEL PRIMING PUMP)						
	2	1	2T-1397	2	CLAMP						
	3	2	3S-2093	2	STRAP-CABLE						
	4	2	3W-6181	1	BRACKET						
	5	2	5K-8652	2	BRACKET						
I	7	1	125-0971	1	HOSE AS						
	8	2	137-5541	1	PUMP GP-FUEL PRIMING						
I	9	2	196-3617	1	HOSE AS						
I	10	2	203-7947	1	HOSE AS						
I	11	1	221-8209	1	HOSE AS						
	12	1	223-6345	1	MANIFOLD-FUEL						
Y	13	1	233-6742	1	VALVE GP-CHECK (FUEL)						670
	14	2	241-3286	1	HARNES AS-SENSOR						
	15	2	259-1386	1	SUPPORT AS						
		2	8T-5912	4	NUT-WELD (3/8-16-THD)						
	16	1	291-4339	1	TUBE AS						
	17	1	292-8125	1	TUBE AS						
	18	2	293-3053	1	TUBE AS						
	19	1	293-3054	1	TUBE AS						
	20	2	296-4374	1	TUBE AS						
I	21	2	307-7683	1	HOSE AS						
	22	1	308-5344	1	BRACKET						
	23	1	313-5683	1	TUBE AS						
	24	1	118-4728	1	ELBOW						
	25	1,2	033-6042	10	SEAL-O-RING						
	26	2	0L-1351	1	BOLT (3/8-16X0.875-IN)						
	27	1	0S-1590	2	BOLT (3/8-16X2-IN)						
	28	1	0S-1591	1	BOLT (3/8-16X1.5-IN)						
	29	2	0S-1594	4	BOLT (3/8-16X1-IN)						
	30	1	0T-0065	2	BOLT (3/8-16X3.5-IN)						
	31	1	101-3121	4	SPACER (10.5X25X25-MM THK)						
	32	2	126-6872	1	TEE						
	33	2	186-0357	2	CLIP						
	34	2	186-0359	1	CLIP						
	35	1	1A-2029	1	BOLT (3/8-16X1.125-IN)						
	36	2	1B-7182	1	BOLT (5/16-18X1.25-IN)						
	37	2	1V-1984	1	CLIP						
	38	1	306-5494	2	CLIP						
	39	2	3J-1907	2	SEAL-O-RING						
	40	1	3K-0360	1	SEAL-O-RING						
	41	1,2	4D-7794	3	CLIP						
	42	2	4H-4033	1	BOLT (5/8-18X1.375-IN)						
	43	1	5P-8167	1	BOLT (3/8-16X0.625-IN)						
	44	1,2	5M-2894	17	WASHER-HARD (10.2X18.5X2.5-MM THK)						
	45	2	5P-0537	1	WASHER-HARD (7.2X14.5X2-MM THK)						
	46	1	5P-4115	2	WASHER-HARD (7.2X19X2-MM THK)						
	47	2	5P-8247	3	WASHER-HARD (17X32X3.5-MM THK)						
	48	2	6F-7316	2	BOLT (5/8-18X1-IN)						
	49	1	6V-5048	2	SEAL-O-RING						
	50	1,2	6V-8397	23	SEAL-O-RING						
	51	1	6V-8636	1	CONNECTOR						
	52	1,2	6V-8724	5	ELBOW						
	53	1	6V-8730	3	UNION (FACE SEAL)						
	54	1	6V-8781	1	TEE-FACE SEAL						
	55	1,2	6V-9807	3	UNION						

FUEL SYSTEM

296-4371 LINES GP-FUEL (contd.)

i03134680

NOTE	REF NO	GRAPHIC REF	PART NUMBER	QTY	PART NAME						SEE PAGE
					1	2	3	4	5	6 (PRODUCT LEVEL)	
	56	1	6V-9829	1	CAP AS						
	57	1,2	7B-2742	2	BOLT (1/4-20X1.25-IN)						
	58	2	7W-7381	1	FITTING-OUTLET						
	59	2	8C-6869	1	CONNECTOR						
	60	1	8L-2786	1	SEAL-O-RING						
	61	2	9M-1974	1	WASHER-HARD (8.8X16X2-MM THK)						
	62	1	9S-4182	1	PLUG-O-RING						
	63	1	9S-4191	1	PLUG-O-RING						
	64	1	9S-8002	1	PLUG-O-RING						
	65	1	9S-8004	1	PLUG-O-RING						
	66	1	9S-8005	1	PLUG-O-RING						
	67	1	9S-8750	1	NUT-FULL (1/4-20-THD)						
	68	1,2	9S-8752	5	NUT-FULL (3/8-16-THD)						
	69	2	3E-2332	1	ELBOW						
	70	2	3G-4005	1	LINK						
	71	1	9X-2297	1	CONNECTOR						

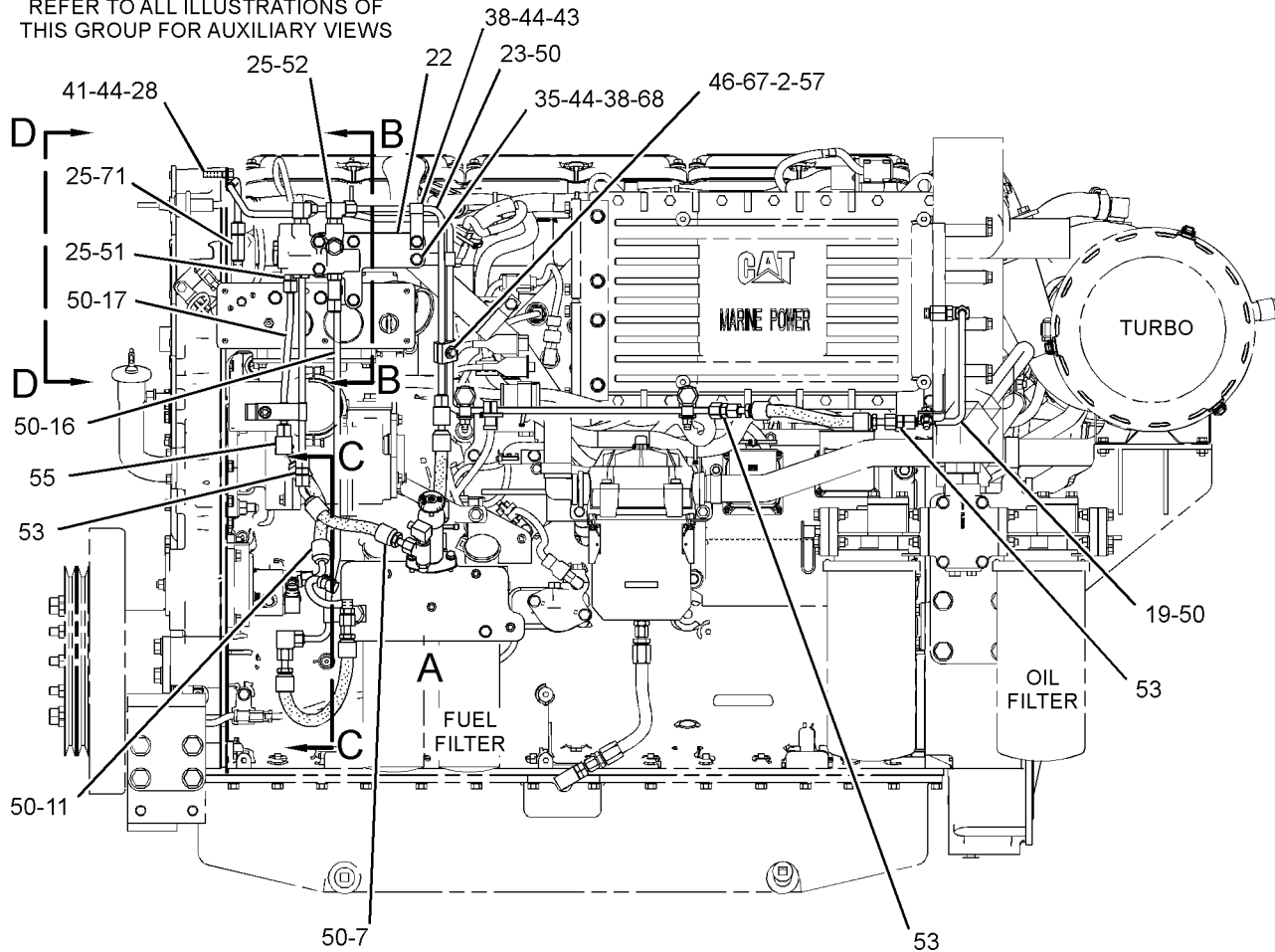
I-REFER TO HYDRAULIC INFORMATION SYSTEM
 Y-SEPARATE ILLUSTRATION

FUEL SYSTEM

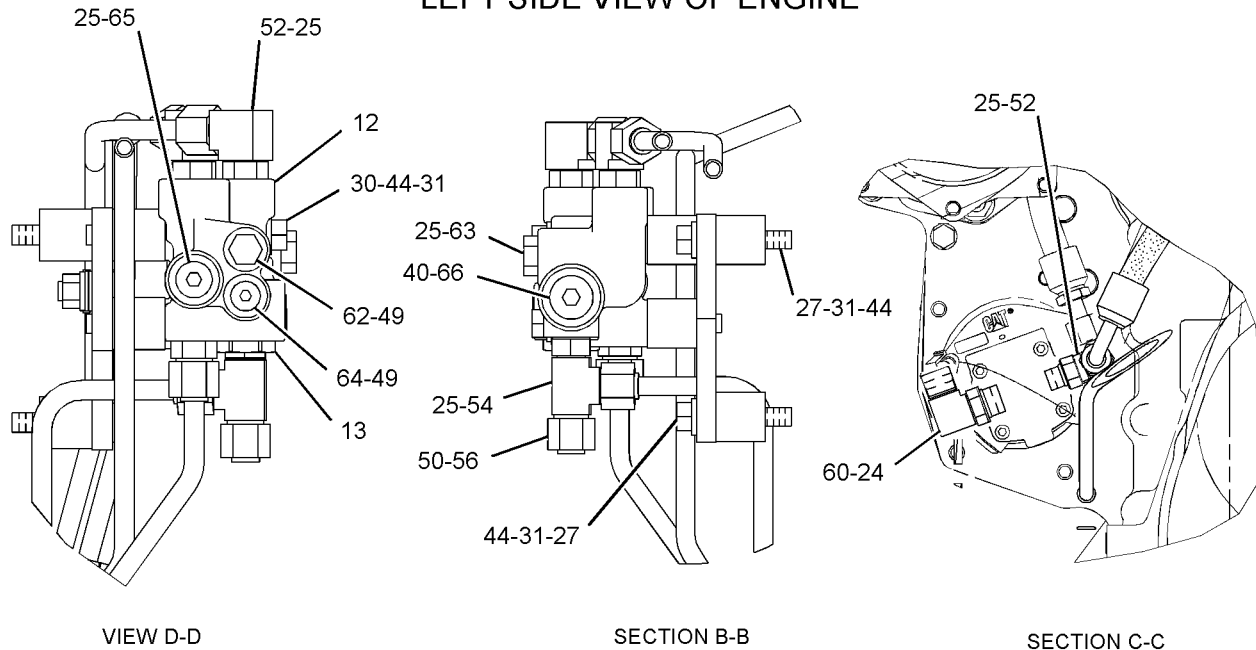
296-4371 LINES GP-FUEL (contd.)

i03134680

REFER TO ALL ILLUSTRATIONS OF THIS GROUP FOR AUXILIARY VIEWS



LEFT SIDE VIEW OF ENGINE



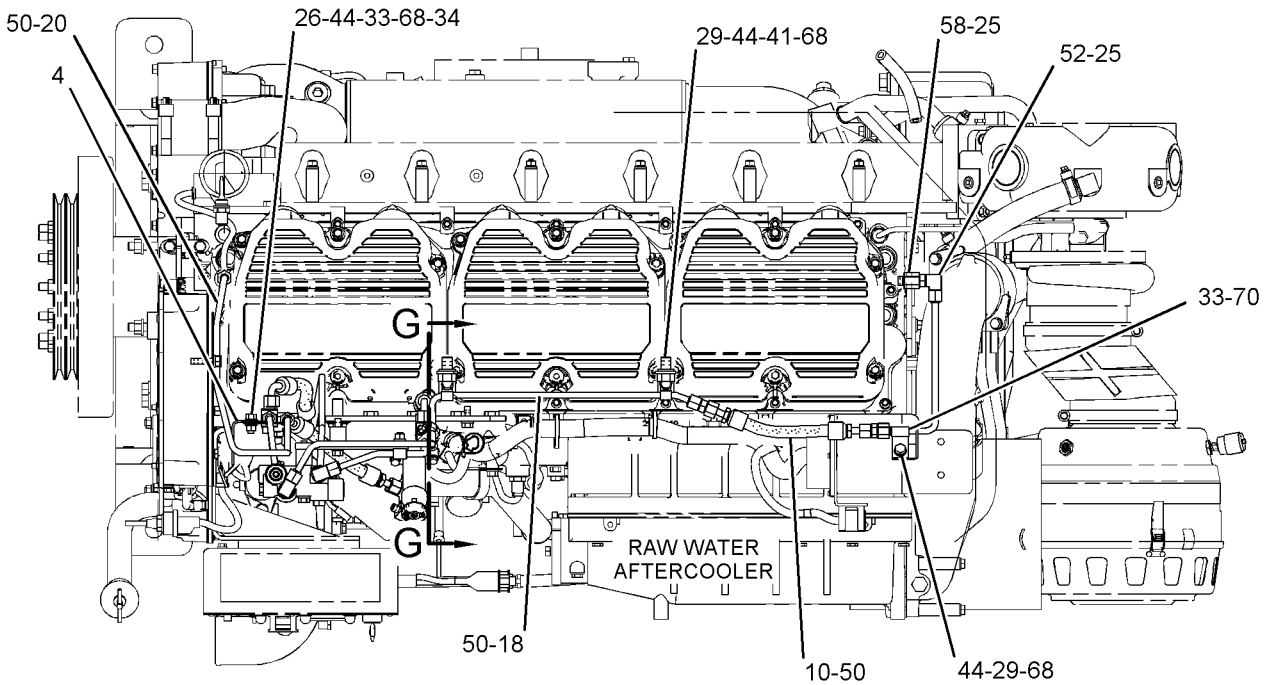
GRAPHIC #1

g01627125

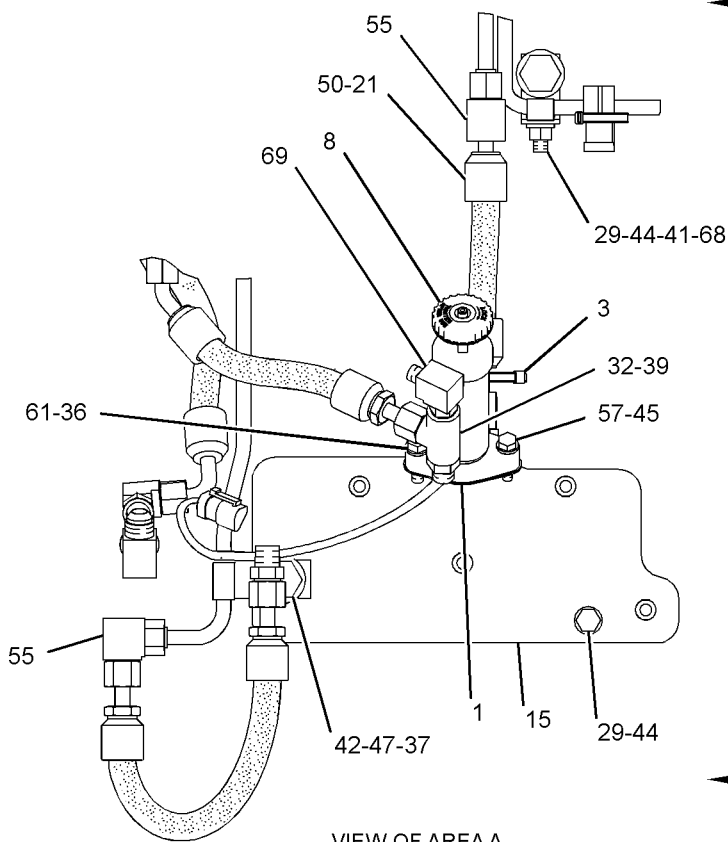
FUEL SYSTEM

296-4371 LINES GP-FUEL (contd.)

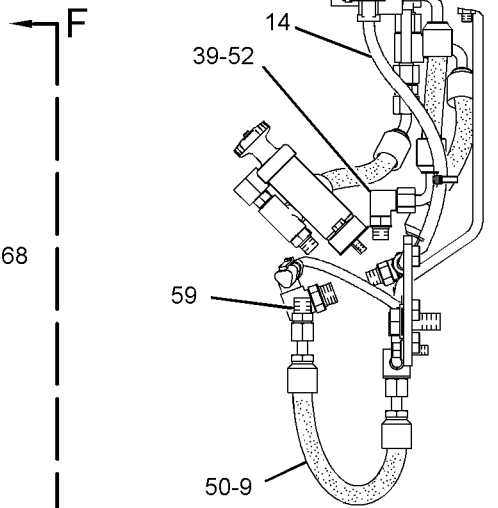
i03134680



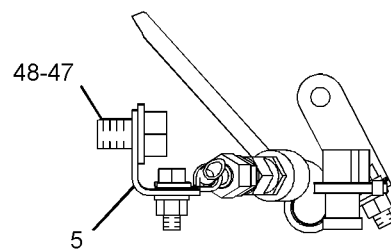
TOP VIEW OF ENGINE



VIEW OF AREA A



VIEW F-F



SECTION G-G

GRAPHIC #2

<END>

g01627126

FUEL SYSTEM

296-4371 LINES GP-FUEL

LH TIER II
AN ATTACHMENT
TYPE 2

SMCS-1274

i03607269

NOTE	REF NO	GRAPHIC REF	PART NUMBER	QTY	PART NAME						SEE PAGE
					1	2	3	4	5	6 (PRODUCT LEVEL)	
	1	2	1P-0436	1	GASKET (FUEL PRIMING PUMP)						
	2	1	2T-1397	2	CLAMP						
	3	2	3S-2093	2	STRAP-CABLE						
	4	2	3W-6181	1	BRACKET						
	5	2	5K-8652	2	BRACKET						
	7	2	137-5541	1	PUMP GP-FUEL PRIMING						
CI	8	1	175-7076	1	HOSE AS						
I	9	2	196-3617	1	HOSE AS						
I	10	2	203-7947	1	HOSE AS						
I	11	1	221-8209	1	HOSE AS						
	12	1	223-6345	1	MANIFOLD-FUEL						
Y	13	1	233-6742	1	VALVE GP-CHECK (FUEL)						670
	14	2	241-3286	1	HARNES AS-SENSOR						
		2	102-8803	1	KIT-RECEPTACLE (3-PIN) (INCLUDES RECEPTACLE AS & WEDGE)						
		2	155-2260	1	KIT-CONNECTING PLUG (3-PIN) (INCLUDES PLUG AS & WEDGE)						
		2	9X-3401	3	PIN-CONNECTOR (16-GA TO 18-GA) -OR-						
		2	126-1767	3	PIN-CONNECTOR (14-GA TO 16-GA)						
		2	6I-4347	2	BOOT (4-PIN)						
	15	2	259-1386	1	SUPPORT AS						
		2	8T-5912	4	NUT-WELD (3/8-16-THD)						
	16	1	291-4339	1	TUBE AS						
	17	1	292-8125	1	TUBE AS						
	18	2	293-3053	1	TUBE AS						
	19	2	293-3054	1	TUBE AS						
	20	2	296-4374	1	TUBE AS						
I	21	2	307-7683	1	HOSE AS						
	22	1	308-5344	1	BRACKET						
	23	1	313-5683	1	TUBE AS						
	24	1	118-4728	1	ELBOW						
	25	1,2	033-6042	10	SEAL-O-RING						
	26	2	0L-1351	1	BOLT (3/8-16X0.875-IN)						
	27	1	0S-1590	2	BOLT (3/8-16X2-IN)						
	28	1	0S-1591	1	BOLT (3/8-16X1.5-IN)						
	29	2	0S-1594	4	BOLT (3/8-16X1-IN)						
	30	1	0T-0065	2	BOLT (3/8-16X3.5-IN)						
	31	1	101-3121	4	SPACER (10.5X25X25-MM THK)						
	32	2	126-6872	1	TEE						
	33	2	186-0357	2	CLIP						
	34	2	186-0359	1	CLIP						
	35	1	1A-2029	1	BOLT (3/8-16X1.125-IN)						
	36	2	1B-7182	1	BOLT (5/16-18X1.25-IN)						
	37	2	1V-1984	1	CLIP						
C	38	2	214-7568	1	SEAL-O-RING						
	39	1	306-5494	2	CLIP						
	40	2	3J-1907	2	SEAL-O-RING						
	41	1	3K-0360	1	SEAL-O-RING						
	42	1,2	4D-7794	3	CLIP						
	43	2	4H-4033	1	BOLT (5/8-18X1.375-IN)						
	44	1,2	5M-2894	17	WASHER-HARD (10.2X18.5X2.5-MM THK)						
	45	2	5P-0537	1	WASHER-HARD (7.2X14.5X2-MM THK)						
	46	1	5P-4115	2	WASHER-HARD (7.2X19X2-MM THK)						
	47	1	5P-8167	1	BOLT (3/8-16X0.625-IN)						

FUEL SYSTEM

296-4371 LINES GP-FUEL (contd.)

i03607269

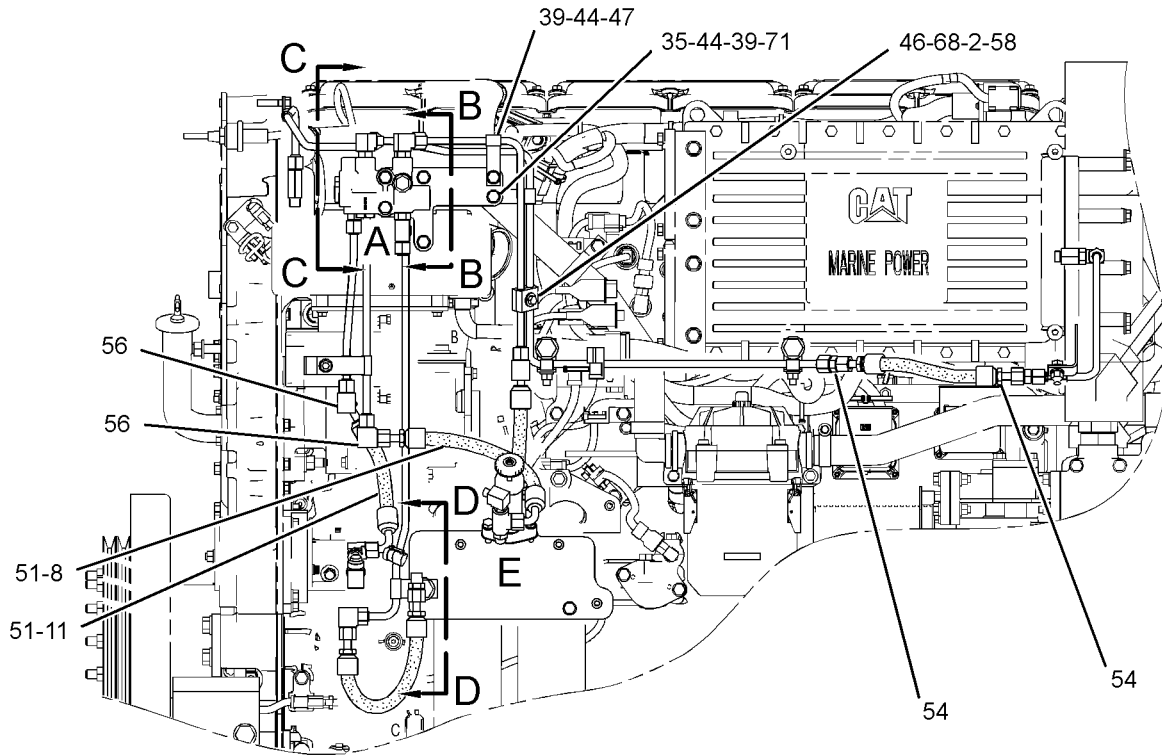
NOTE	REF NO	GRAPHIC REF	PART NUMBER	QTY	PART NAME						SEE PAGE
					1	2	3	4	5	6 (PRODUCT LEVEL)	
	48	2	5P-8247	3	WASHER-HARD (17X32X3.5-MM THK)						
	49	2	6F-7316	2	BOLT (5/8-18X1-IN)						
	50	1	6V-5048	2	SEAL-O-RING						
	51	1,2	6V-8397	23	SEAL-O-RING						
	52	1	6V-8636	1	CONNECTOR						
	53	1,2	6V-8724	5	ELBOW						
C	54	1	6V-8730	2	UNION (FACE SEAL)						
	55	1	6V-8781	1	TEE-FACE SEAL						
C	56	1,2	6V-9807	4	UNION						
	57	1	6V-9829	1	CAP AS						
	58	1,2	7B-2742	2	BOLT (1/4-20X1.25-IN)						
	59	2	7W-7381	1	FITTING-OUTLET						
	60	2	8C-6869	1	CONNECTOR						
	61	1	8L-2786	1	SEAL-O-RING						
	62	2	9M-1974	1	WASHER-HARD (8.8X16X2-MM THK)						
	63	1	9S-4182	1	PLUG-O-RING						
	64	1	9S-4191	1	PLUG-O-RING						
	65	1	9S-8002	1	PLUG-O-RING						
	66	1	9S-8004	1	PLUG-O-RING						
	67	1	9S-8005	1	PLUG-O-RING						
	68	1	9S-8750	1	NUT-FULL (1/4-20-THD)						
	69	2	3E-2332	1	ELBOW						
	70	2	3G-4005	1	LINK						
	71	1,2	9S-8752	5	NUT-FULL (3/8-16-THD)						
	72	1	9X-2297	1	CONNECTOR						

C-CHANGE FROM PREVIOUS TYPE
 I-REFER TO HYDRAULIC INFORMATION SYSTEM
 Y-SEPARATE ILLUSTRATION

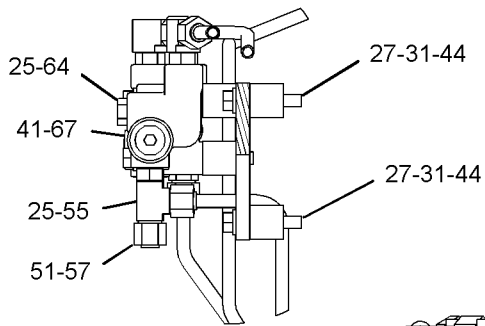
FUEL SYSTEM

296-4371 LINES GP-FUEL (contd.)

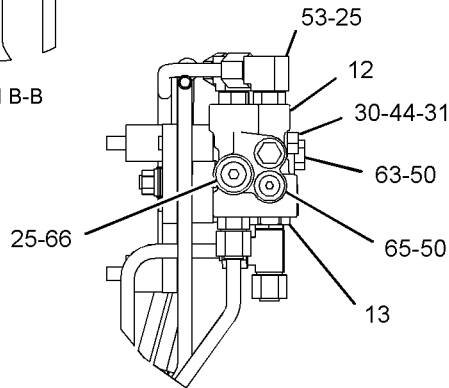
i03607269



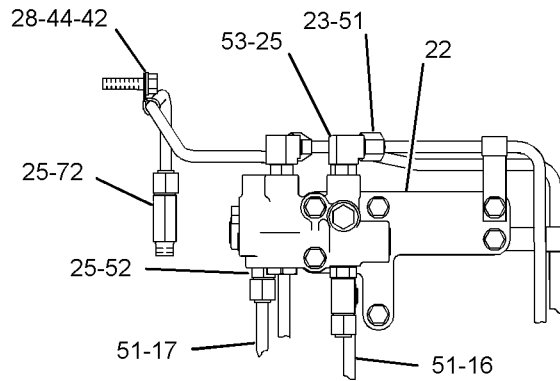
LEFT SIDE VIEW OF ENGINE



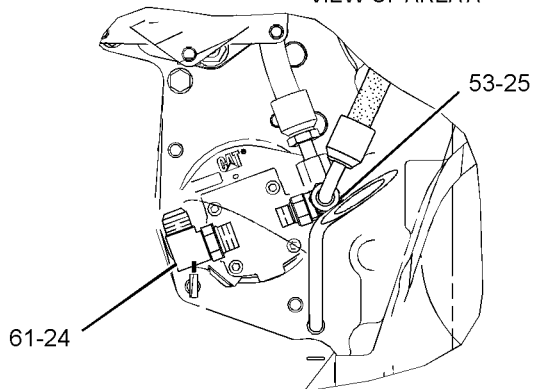
SECTION B-B



SECTION C-C



VIEW OF AREA A



SECTION D-D

REFER TO ALL ILLUSTRATIONS OF THIS GROUP FOR AUXILLARY VIEWS

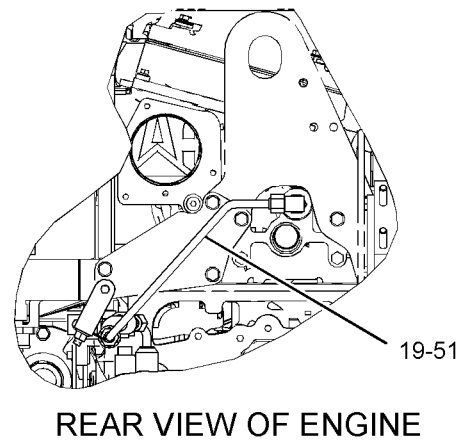
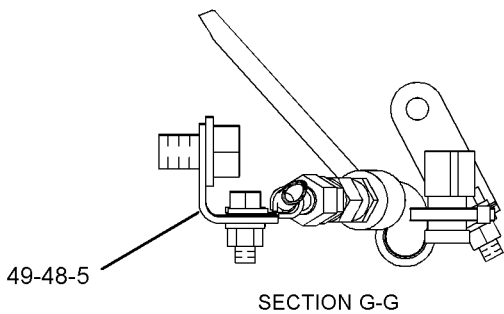
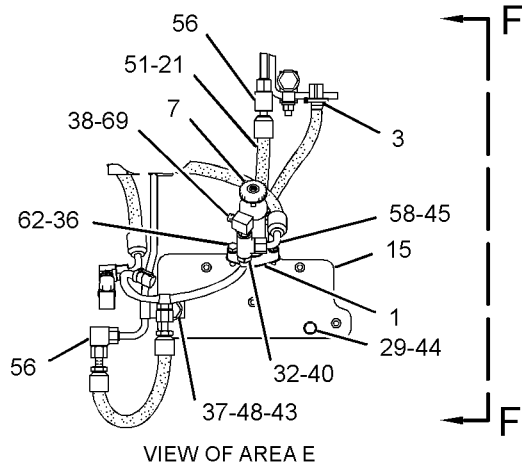
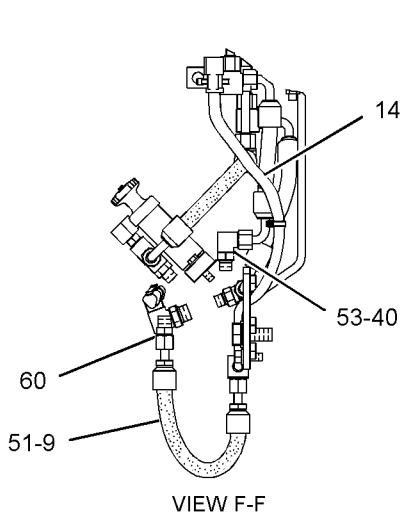
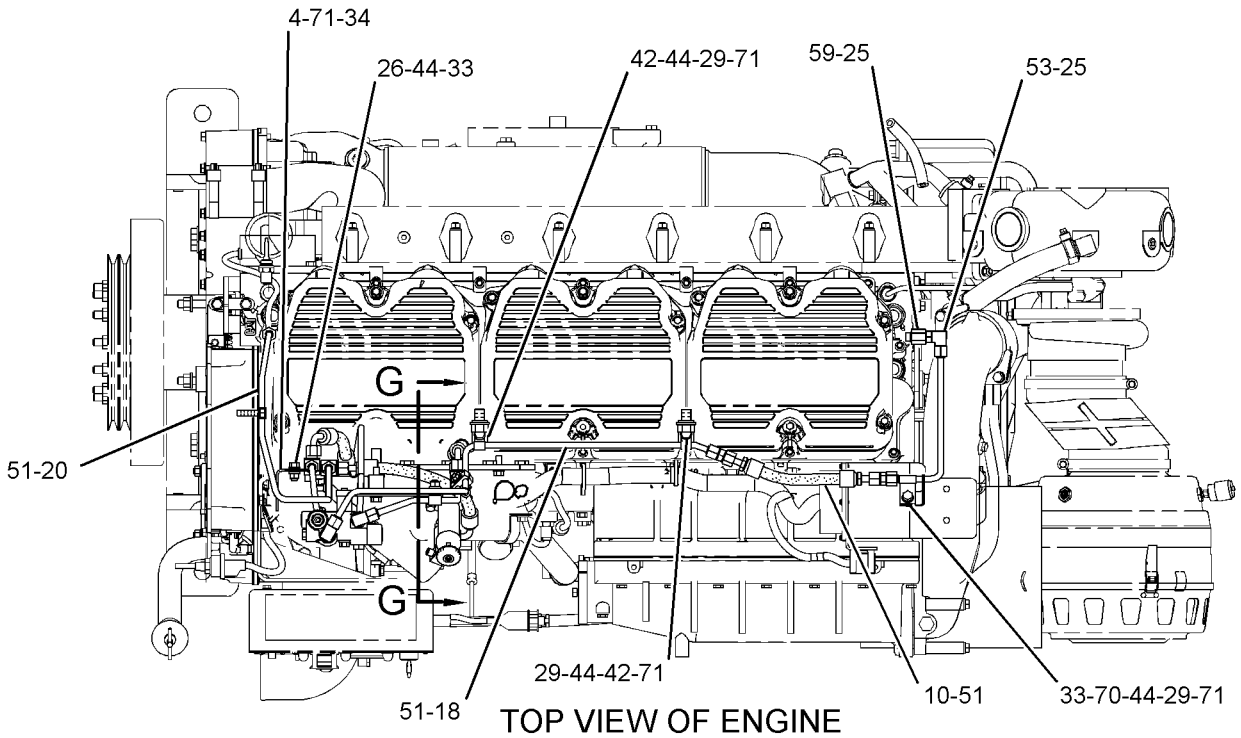
GRAPHIC #1

g01937913

FUEL SYSTEM

296-4371 LINES GP-FUEL (contd.)

i03607269



GRAPHIC #2

<END>

g01939113

FUEL SYSTEM

320-9815 LINES GP-FUEL FOR USE WITH LEFT HAND SIMPLEX FUEL AN ATTACHMENT

SMCS-1274

i04029934

NOTE	REF NO	GRAPHIC REF	PART NUMBER	QTY	PART NAME 1 2 3 4 5 6 (PRODUCT LEVEL)	SEE PAGE
	1	2	1P-0436	1	GASKET (FUEL PRIMING PUMP)	
	2	1	2T-1397	2	CLAMP	
	3	1	3G-4005	1	LINK	
	4	2	3W-6181	1	BRACKET	
	5	1	5K-8652	1	BRACKET	
	6	2	137-5541	1	PUMP GP-FUEL PRIMING	
		2	061-7539	1	SEAL-O-RING	
		2	229-3218	2	VALVE AS (FUEL PRIMING PUMP)	
I	7	1	189-7500	1	HOSE AS	
I	8	1	198-7670	1	HOSE AS	
Y	9	1	203-0100	1	FILTER GP-FUEL	572
I	10	1	203-7947	1	HOSE AS	
I	11	1	221-8209	1	HOSE AS	
	12	1	223-6345	1	MANIFOLD-FUEL	
Y	13	1	233-6742	1	VALVE GP-CHECK (FUEL)	670
	14	2	292-8057	1	TUBE AS	
	15	2	292-8125	1	TUBE AS	
	16	2	293-3052	1	TUBE AS	
	17	2	293-3053	1	TUBE AS	
	18	2	293-3054	1	TUBE AS	
	19	1	308-5344	1	BRACKET	
	20	1,2	033-6042	9	SEAL-O-RING	
	21	2	5S-7379	2	BOLT (3/8-16X0.875-IN)	
	22	1	0S-1590	2	BOLT (3/8-16X2-IN)	
	23	1	0S-1591	2	BOLT (3/8-16X1.5-IN)	
	24	1,2	0S-1594	1	BOLT (3/8-16X1-IN)	
	25	1	0T-0065	2	BOLT (3/8-16X3.5-IN)	
	26	2	101-3121	4	SPACER (10.5X25X25-MM THK)	
	27	1	186-0358	2	CLIP	
	28	1,2	186-0357	4	CLIP	
	29	2	1B-7182	1	BOLT (5/16-18X1.25-IN)	
	30	1	306-5494	1	CLIP	
	31	1,2	4D-7794	2	CLIP	
	32	1	5M-2894	6	WASHER-HARD (10.2X18.5X2.5-MM THK)	
	33	2	5P-0537	1	WASHER-HARD (7.2X14.5X2-MM THK)	
	34	1	5P-4115	2	WASHER-HARD (7.2X19X2-MM THK)	
	35	1	5P-8247	1	WASHER-HARD (17X32X3.5-MM THK)	
	36	1	6F-7316	1	BOLT (5/8-18X1-IN)	
	37	1	6V-4589	1	SEAL-O-RING	
	38	2	6V-5048	5	SEAL-O-RING	
	39	1,2	6V-8397	18	SEAL-O-RING	
	40	1	6V-8723	1	ELBOW	
	41	2	6V-8636	1	CONNECTOR	
	42	1	6V-8715	1	CONNECTOR	
	43	2	6V-8724	3	ELBOW	
	44	1	6V-8730	3	UNION (FACE SEAL)	
	45	1,2	6V-9807	2	UNION	
	46	2	7B-2742	1	BOLT (1/4-20X1.25-IN)	
	47	2	7W-7381	1	FITTING-OUTLET	
	48	1	8L-2786	2	SEAL-O-RING	
	49	2	9M-1974	1	WASHER-HARD (8.8X16X2-MM THK)	
	50	2	9S-4182	1	PLUG-O-RING	
	51	1	9S-4191	1	PLUG-O-RING	
	52	2	9S-8002	4	PLUG-O-RING	
	53	2	9S-8004	1	PLUG-O-RING	
	54	1	6V-8185	1	NUT (1/4-20-THD)	

FUEL SYSTEM

320-9815 LINES GP-FUEL (contd.)

i04029934

NOTE	REF NO	GRAPHIC REF	PART NUMBER	QTY	PART NAME						SEE PAGE
					1	2	3	4	5	6 (PRODUCT LEVEL)	
	55	1,2	6V-8801	4	NUT (3/8-16-THD)						
	56	1,2	9X-2297	2	CONNECTOR						
	57	2	6V-8189	1	NUT (5/16-18-THD)						
	58	2	4M-0061	1	BOLT (5/16-18X0.75-IN)						
	59	1	8T-2502	1	BOLT (3/8-16X1.125-IN)						
	60	1	9S-8005	1	PLUG-O-RING						
	61	2	5P-4116	2	WASHER-HARD (8.8X20.5X2-MM THK)						
	62	2	4L-9337	1	BOLT (3/8-16X1.5-IN)						
	63	1	4L-6454	2	BOLT (3/8-16X1-IN)						
	64	1,2	8T-4896	10	WASHER-HARD (10.2X18.5X2.5-MM THK)						
	65	1	7X-2501	1	BOLT (1/4-20X1.25-IN)						

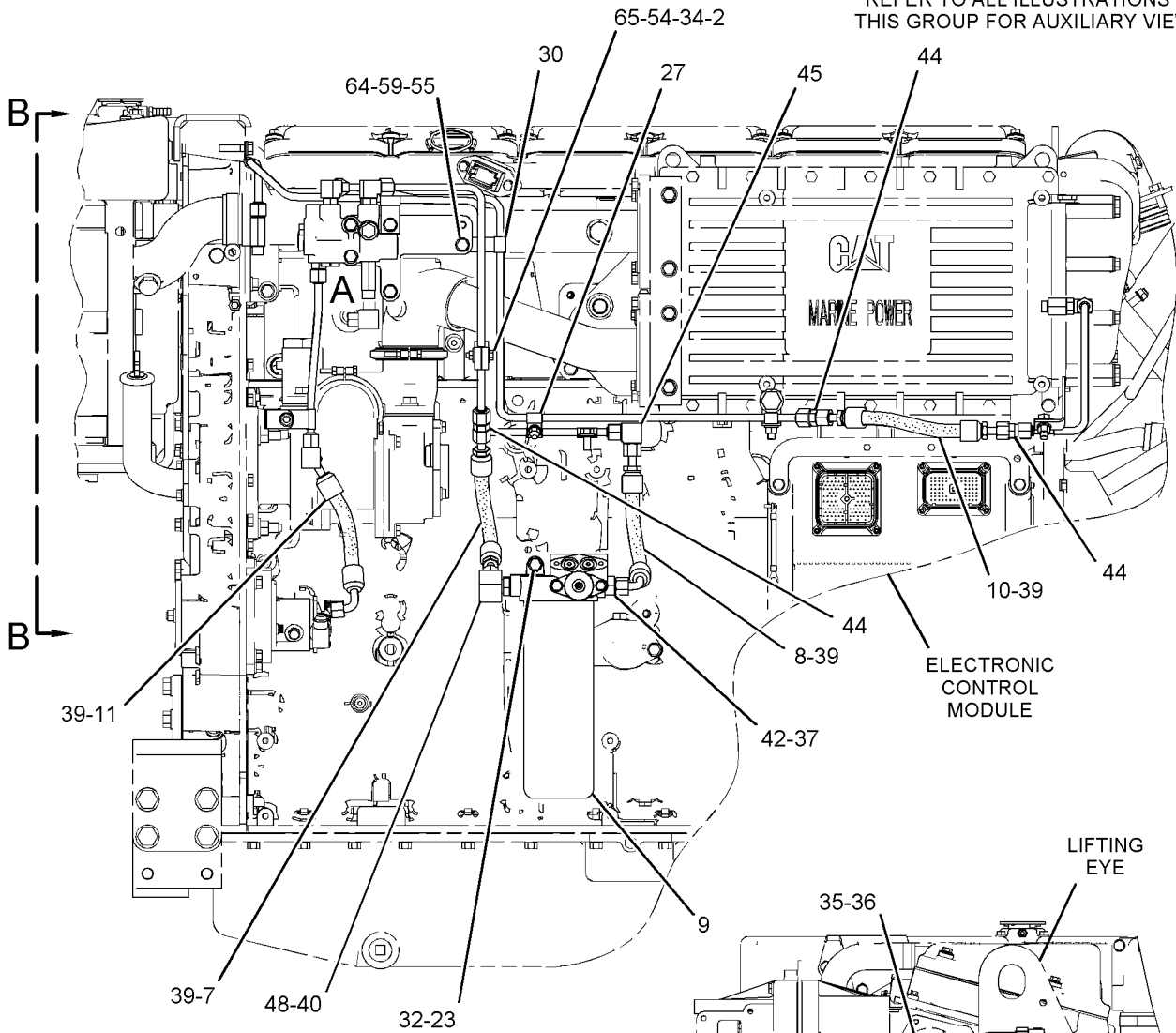
I-REFER TO HYDRAULIC INFORMATION SYSTEM
 Y-SEPARATE ILLUSTRATION

FUEL SYSTEM

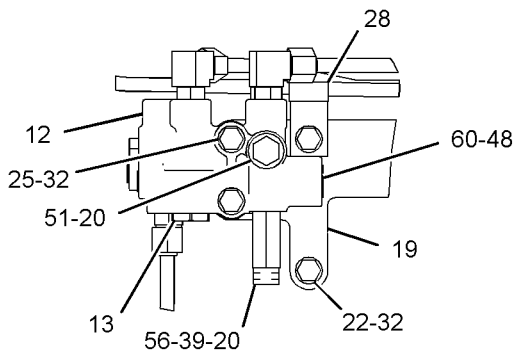
320-9815 LINES GP-FUEL (contd.)

i04029934

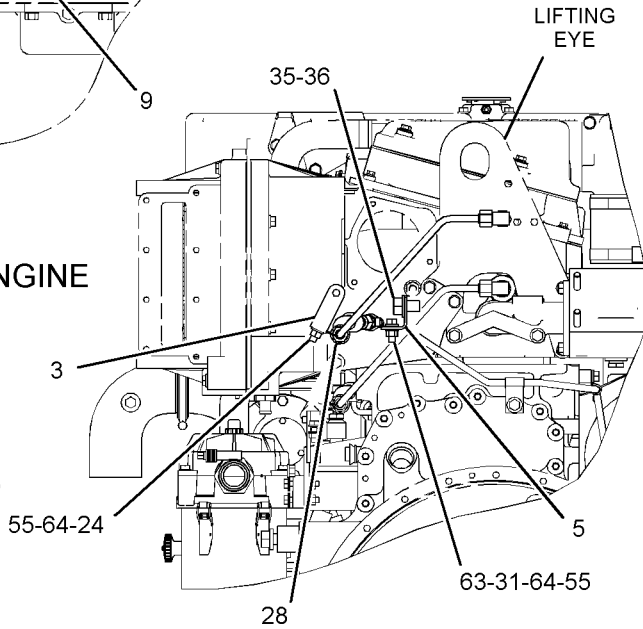
REFER TO ALL ILLUSTRATIONS OF THIS GROUP FOR AUXILIARY VIEWS.



LEFT SIDE VIEW OF ENGINE



VIEW OF AREA A



REAR VIEW OF ENGINE

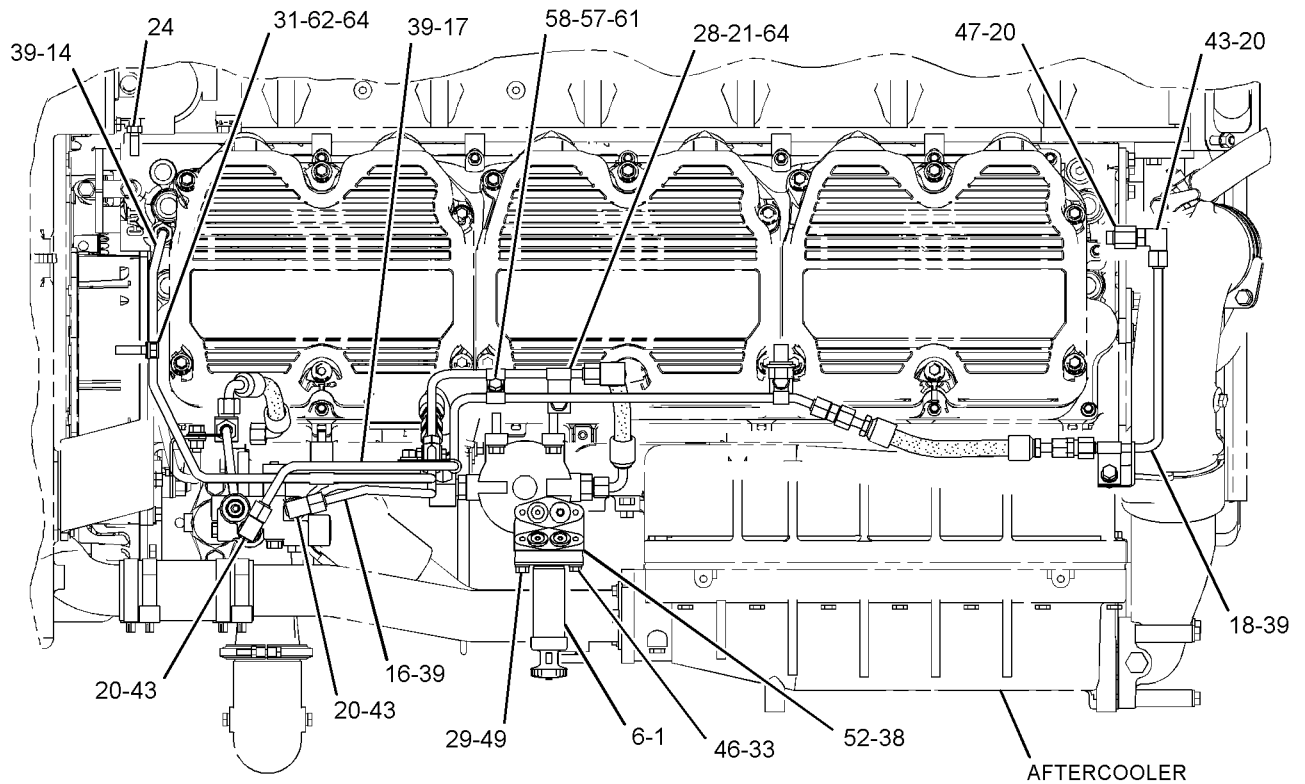
GRAPHIC #1

g01931233

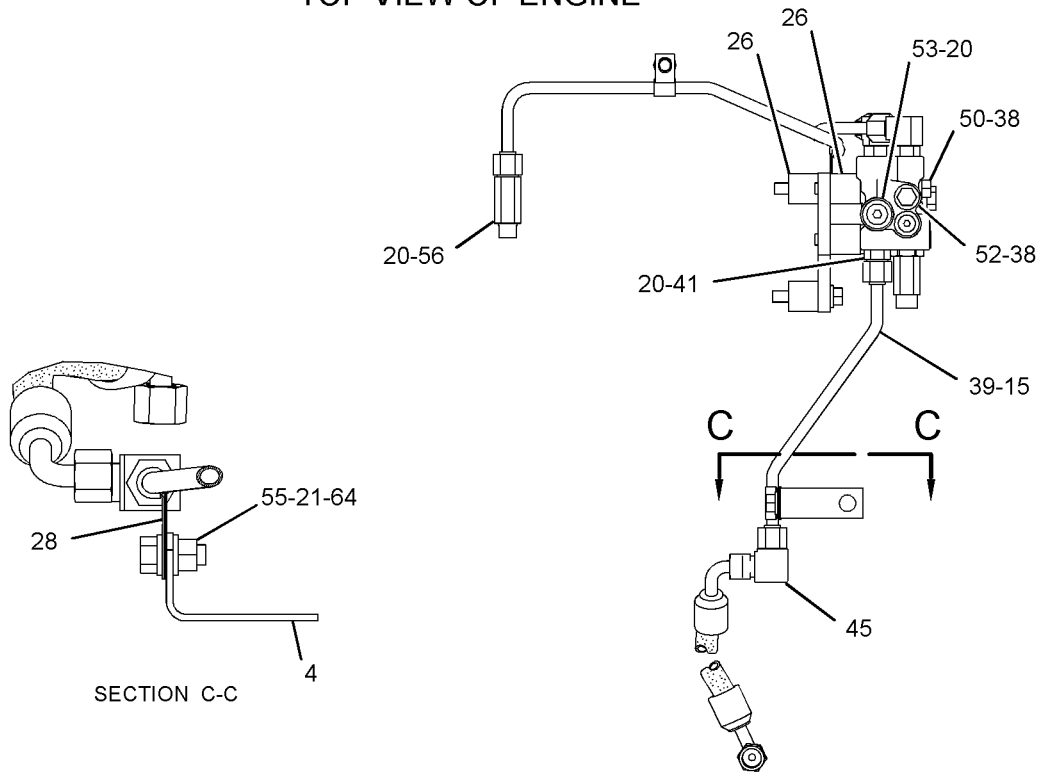
FUEL SYSTEM

320-9815 LINES GP-FUEL (contd.)

i04029934



TOP VIEW OF ENGINE



VIEW B-B

SECTION C-C

GRAPHIC #2

<END>

g01931234

FUEL SYSTEM

320-9816 LINES GP-FUEL FOR USE WITH RIGHT HAND SIMPLEX FUEL AN ATTACHMENT

SMCS-1274

i04030069

NOTE	REF NO	GRAPHIC REF	PART NUMBER	QTY	PART NAME 1 2 3 4 5 6 (PRODUCT LEVEL)	SEE PAGE
	1	2	1P-0436	1	GASKET (FUEL PRIMING PUMP)	
	2	2	2T-1397	2	CLAMP	
	3	2	3G-4005	1	LINK	
	4	1	3W-6181	1	BRACKET	
	5	3	5K-8652	2	BRACKET	
	6	1	9G-7101	1	SPACER (10.5X20X30-MM THK)	
	7	2	137-5541	1	PUMP GP-FUEL PRIMING	
		2	061-7539	1	SEAL-O-RING	
		2	229-3218	2	VALVE AS (FUEL PRIMING PUMP)	
I	8	1	148-7027	1	HOSE AS	
I	9	1	187-4085	1	HOSE AS	
Y	10	1	203-0100	1	FILTER GP-FUEL	572
I	11	3	203-7947	1	HOSE AS	
I	12	1	221-8209	1	HOSE AS	
	13	1	223-6345	1	MANIFOLD-FUEL	
	14	1	230-2462	1	SUPPORT AS	
Y	15	1	233-6742	1	VALVE GP-CHECK (FUEL)	670
	16	1	292-8125	1	TUBE AS	
	17	3	293-0851	1	TUBE AS	
	18	3	293-0852	1	TUBE AS	
	19	3	293-3053	1	TUBE AS	
	20	3	293-3054	1	TUBE AS	
	21	1, 2, 3	033-6042	9	SEAL-O-RING	
	22	1	5S-7379	1	BOLT (3/8-16X0.875-IN)	
	23	1	0S-1588	2	BOLT (3/8-16X1.25-IN)	
	24	1	0S-1590	2	BOLT (3/8-16X2-IN)	
	25	3	4L-9337	1	BOLT (3/8-16X1.5-IN)	
	26	3	0S-1594	1	BOLT (3/8-16X1-IN)	
	27	1	0T-0065	2	BOLT (3/8-16X3.5-IN)	
	28	2	101-3121	4	SPACER (10.5X25X25-MM THK)	
	29	1, 3	186-0357	3	CLIP	
	30	2	8T-9041	1	CONNECTOR	
	31	1, 3	8T-2502	2	BOLT (3/8-16X1.125-IN)	
	32	3	1B-7182	1	BOLT (5/16-18X1.25-IN)	
	33	1	7X-0289	1	BOLT (3/8-16X1.875-IN)	
	34	3	306-5494	1	CLIP	
	35	1	308-5344	1	BRACKET	
	36	1, 3	4D-7794	5	CLIP	
	37	1, 3	5M-2894	7	WASHER-HARD (10.2X18.5X2.5-MM THK)	
	38	3	5P-0537	1	WASHER-HARD (7.2X14.5X2-MM THK)	
	39	2	5P-4115	2	WASHER-HARD (7.2X19X2-MM THK)	
	40	1	5P-8247	2	WASHER-HARD (17X32X3.5-MM THK)	
	41	1	6F-7316	2	BOLT (5/8-18X1-IN)	
	42	3	6V-4589	1	SEAL-O-RING	
	43	2, 3	6V-5048	5	SEAL-O-RING	
	44	1, 3	6V-8397	20	SEAL-O-RING	
	45	1	6V-8636	2	CONNECTOR	
	46	3	6V-8715	1	CONNECTOR	
	47	3	6V-8723	1	ELBOW	
	48	3	6V-8724	2	ELBOW	
	49	1, 3	6V-8730	4	UNION (FACE SEAL)	
	50	1	6V-9807	1	UNION	
	51	3	6V-9850	2	ELBOW	
	52	3	7B-2742	1	BOLT (1/4-20X1.25-IN)	
	53	3	7W-7381	1	FITTING-OUTLET	
	54	2, 3	8L-2786	2	SEAL-O-RING	

FUEL SYSTEM

320-9816 LINES GP-FUEL (contd.)

i04030069

NOTE	REF NO	GRAPHIC REF	PART NUMBER	QTY	PART NAME						SEE PAGE
					1	2	3	4	5	6 (PRODUCT LEVEL)	
	55	3	9M-1974	1	WASHER-HARD (8.8X16X2-MM THK)						
	56	2	9S-4182	1	PLUG-O-RING						
	57	1	9S-4191	1	PLUG-O-RING						
	58	2,3	9S-8002	4	PLUG-O-RING						
	59	2	9S-8004	1	PLUG-O-RING						
	60	2	6V-8185	1	NUT (1/4-20-THD)						
	61	1,2,3	6V-8801	5	NUT (3/8-16-THD)						
	62	1	9X-2297	1	CONNECTOR						
	63	2	4B-3388	1	BOLT (5/16-18X1.125-IN)						
	64	1,2	4L-6454	3	BOLT (3/8-16X1-IN)						
	65	2	7X-2501	1	BOLT (1/4-20X1.25-IN)						
	66	1,2,3	8T-4896	13	WASHER-HARD (10.2X18.5X2.5-MM THK)						
	67	2	9S-8005	1	PLUG-O-RING						
	68	2	3E-4352	1	WASHER-HARD (8.8X20.5X2.5-MM THK)						

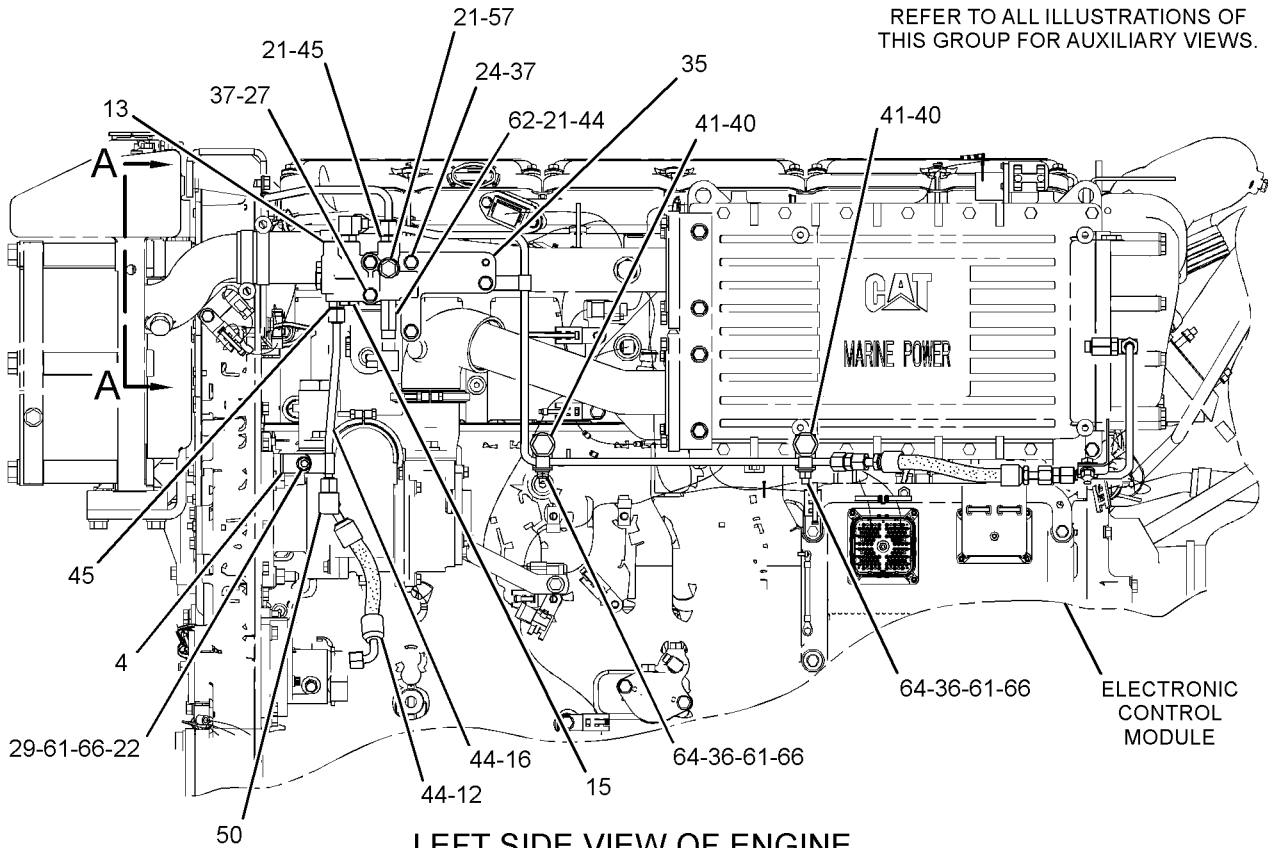
I-REFER TO HYDRAULIC INFORMATION SYSTEM
 Y-SEPARATE ILLUSTRATION

FUEL SYSTEM

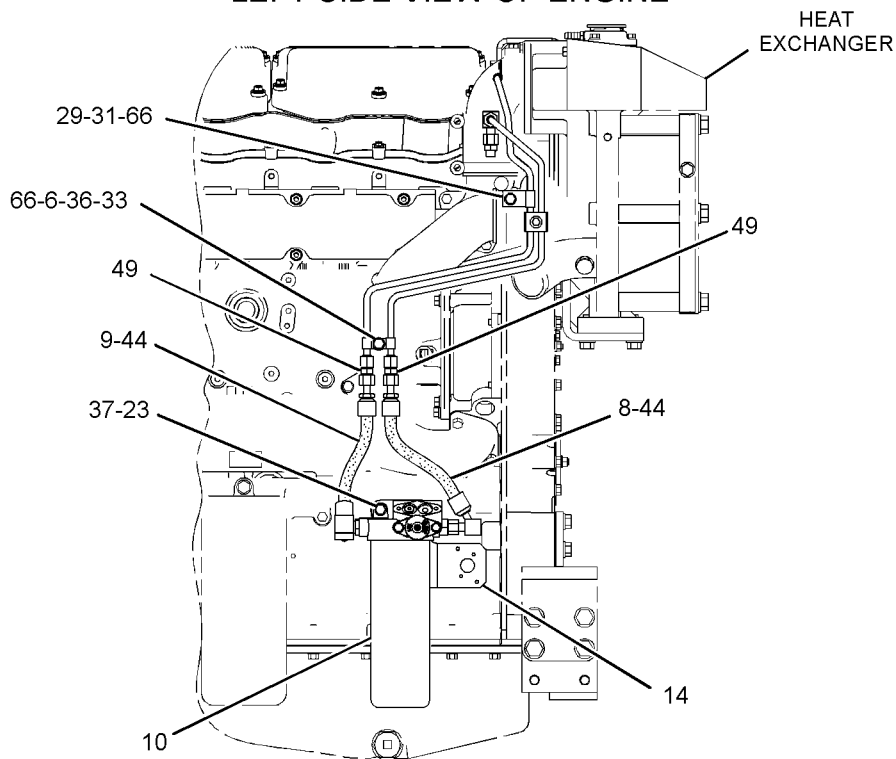
320-9816 LINES GP-FUEL (contd.)

i04030069

REFER TO ALL ILLUSTRATIONS OF THIS GROUP FOR AUXILIARY VIEWS.



LEFT SIDE VIEW OF ENGINE



RIGHT SIDE VIEW OF ENGINE

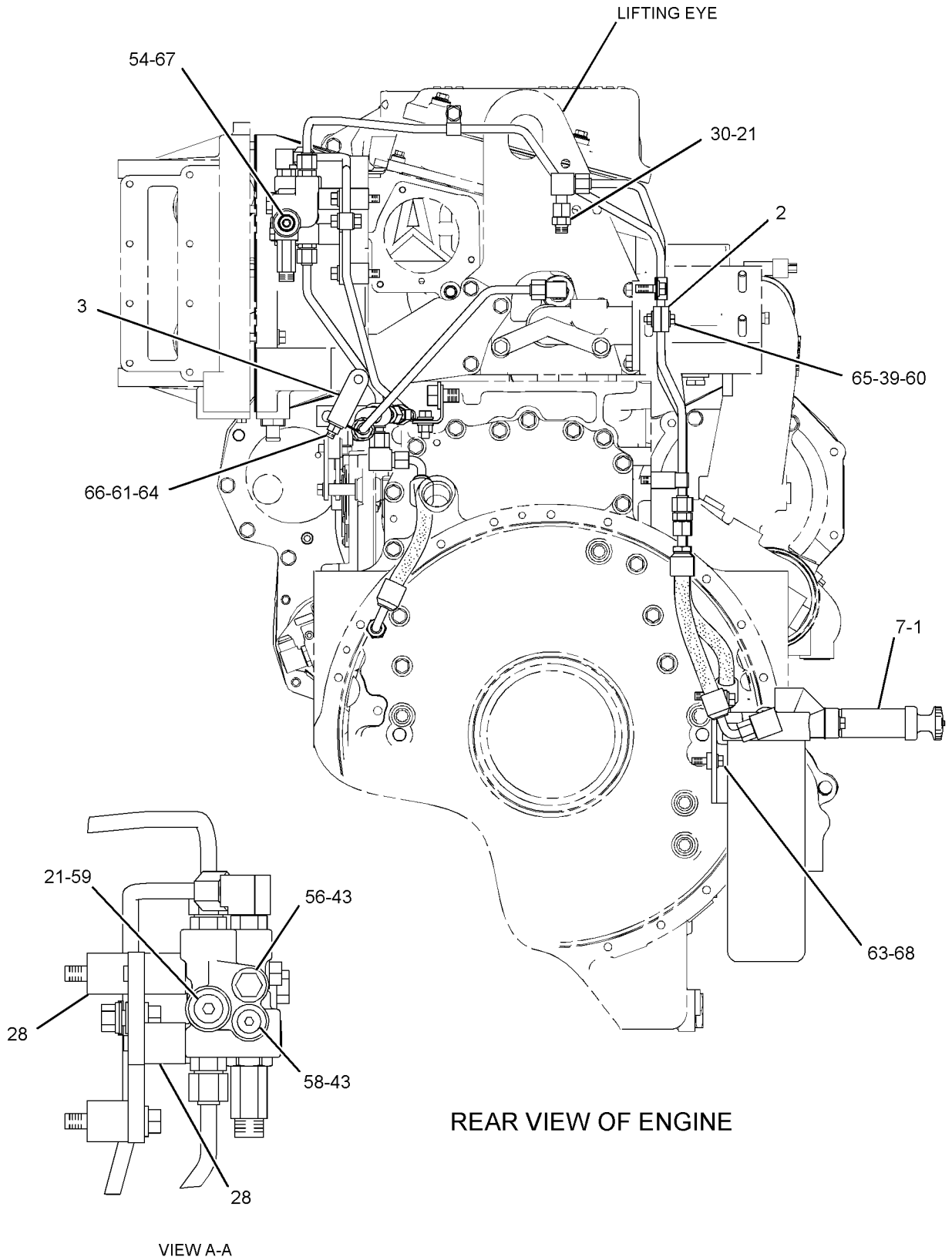
GRAPHIC #1

g02225255

FUEL SYSTEM

320-9816 LINES GP-FUEL (contd.)

i04030069



REAR VIEW OF ENGINE

VIEW A-A

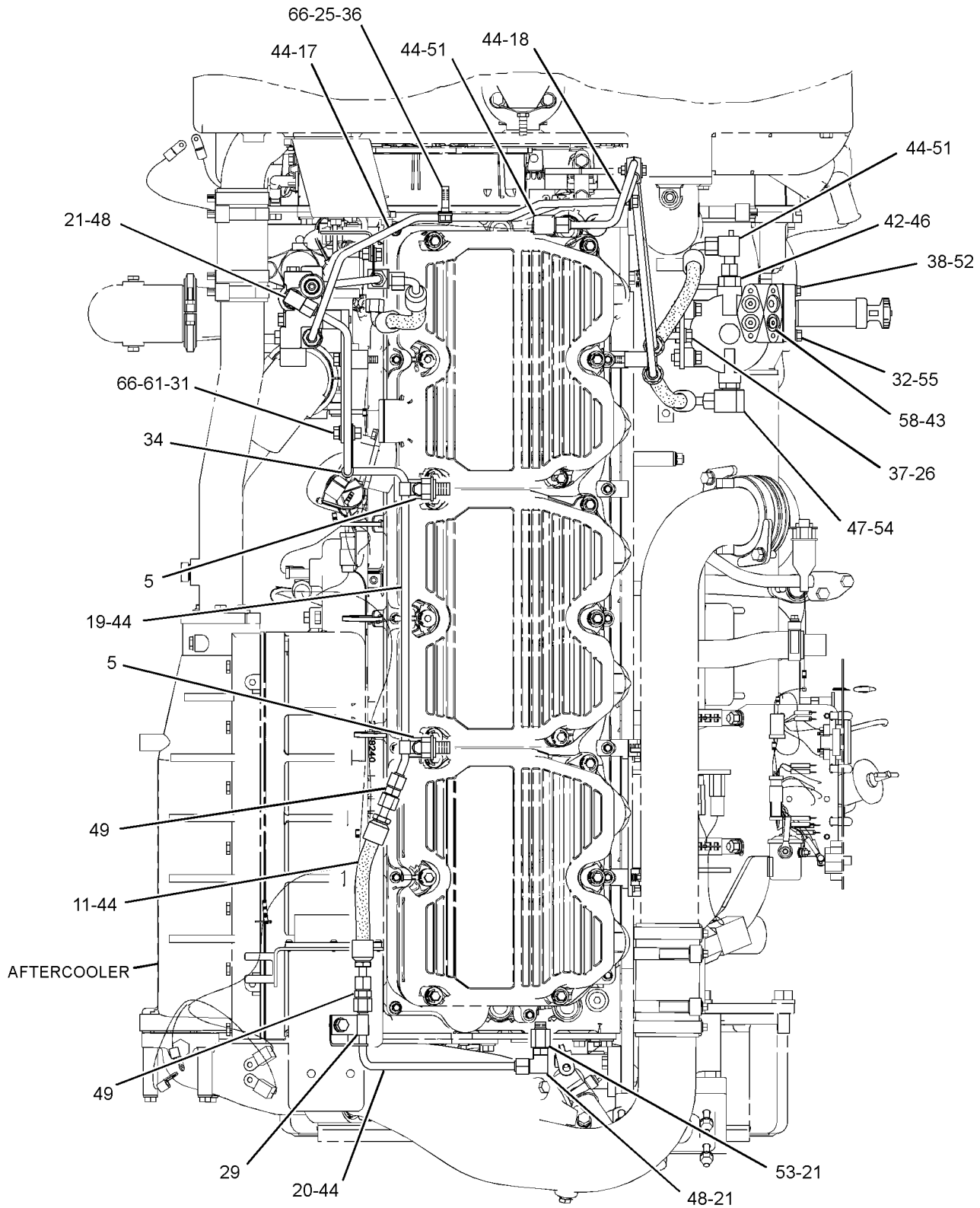
GRAPHIC #2

g02225259

FUEL SYSTEM

320-9816 LINES GP-FUEL (contd.)

i04030069



TOP VIEW OF ENGINE

<END>

GRAPHIC #3

g01931335

FUEL SYSTEM

323-6475 LINES GP-FUEL-DUPLEX, RH AN ATTACHMENT

SMCS-1274

i04031939

NOTE	REF NO	GRAPHIC REF	PART NUMBER	QTY	PART NAME	1 2 3 4 5 6 (PRODUCT LEVEL)						SEE PAGE
	1	4	1P-0436	1	GASKET (FUEL PRIMING PUMP)							
	2	1,2	2T-1397	4	CLAMP							
	3	2	3E-2332	1	ELBOW							
	4	4	3G-4005	2	LINK							
	5	3	3W-6181	1	BRACKET							
	6	3	5K-8652	1	BRACKET							
	7	3	112-9069	1	BRACKET							
	8	3	126-2743	1	SPACER (12X20X9-MM THK)							
	9	2	137-5541	1	PUMP GP-FUEL PRIMING							
		2	061-7539	1	SEAL-O-RING							
		2	229-3218	2	VALVE AS (FUEL PRIMING PUMP)							
	10	4	155-4568	1	SPACER (11X20X8-MM THK)							
I	11	1	203-7947	1	HOSE AS							
I	12	3	221-8209	1	HOSE AS							
	13	3	223-6345	1	MANIFOLD-FUEL							
Y	14	3	233-6742	1	VALVE GP-CHECK (FUEL)							670
Y	15	1	239-2340	1	FILTER GP-FUEL							573
	16	3	292-8125	1	TUBE AS							
	17	1	293-3053	1	TUBE AS							
	18	1	293-3054	1	TUBE AS							
	19	1	296-4372	1	TUBE AS							
	20	1	296-4373	1	TUBE AS							
	21	1	297-8309	1	TUBE AS							
	22	2	297-8310	1	TUBE AS							
	23	4	300-4929	1	SUPPORT AS							
	24	1	302-4044	1	TUBE AS							
	25	2	308-5344	1	BRACKET							
	26	1,2,3,4	033-6042	12	SEAL-O-RING							
	27	1,3	5S-7379	2	BOLT (3/8-16X0.875-IN)							
	28	3	5M-3062	1	BOLT (3/8-16X0.75-IN)							
	29	3,4	9B-7237	2	BOLT (3/8-16X1.25-IN)							
	30	3	0S-1590	2	BOLT (3/8-16X2-IN)							
	31	2	4L-9337	1	BOLT (3/8-16X1.5-IN)							
	32	4	0S-1594	2	BOLT (3/8-16X1-IN)							
	33	3	0T-0065	2	BOLT (3/8-16X3.5-IN)							
	34	3	101-3121	4	SPACER (10.5X25X25-MM THK)							
	35	2	126-6872	1	TEE							
I	36	2	155-3677	1	HOSE AS							
	37	1,3,4	186-0357	5	CLIP							
	38	1	186-0358	2	CLIP							
	39	4	186-0359	1	CLIP							
	40	2,4	8T-2502	2	BOLT (3/8-16X1.125-IN)							
	41	4	1B-7182	1	BOLT (5/16-18X1.25-IN)							
I	42	2	276-9039	1	HOSE AS							
	43	1	5K-0906	1	BOLT (5/16-18X0.625-IN)							
	44	2	306-5494	1	CLIP							
	46	2,3,4	4D-7794	6	CLIP							
	47	3,4	5M-2894	6	WASHER-HARD (10.2X18.5X2.5-MM THK)							
	48	4	5P-0537	1	WASHER-HARD (7.2X14.5X2-MM THK)							
	49	1,2	5P-4115	4	WASHER-HARD (7.2X19X2-MM THK)							
	50	3	5P-8247	1	WASHER-HARD (17X32X3.5-MM THK)							
	51	4	5P-9297	2	CLIP							
	52	3	6F-7316	1	BOLT (5/8-18X1-IN)							
	53	3	6V-5048	2	SEAL-O-RING							
	54	1	6V-8189	1	NUT (5/16-18-THD)							
	55	1,2,3	6V-8397	27	SEAL-O-RING							

FUEL SYSTEM

323-6475 LINES GP-FUEL (contd.)

i04031939

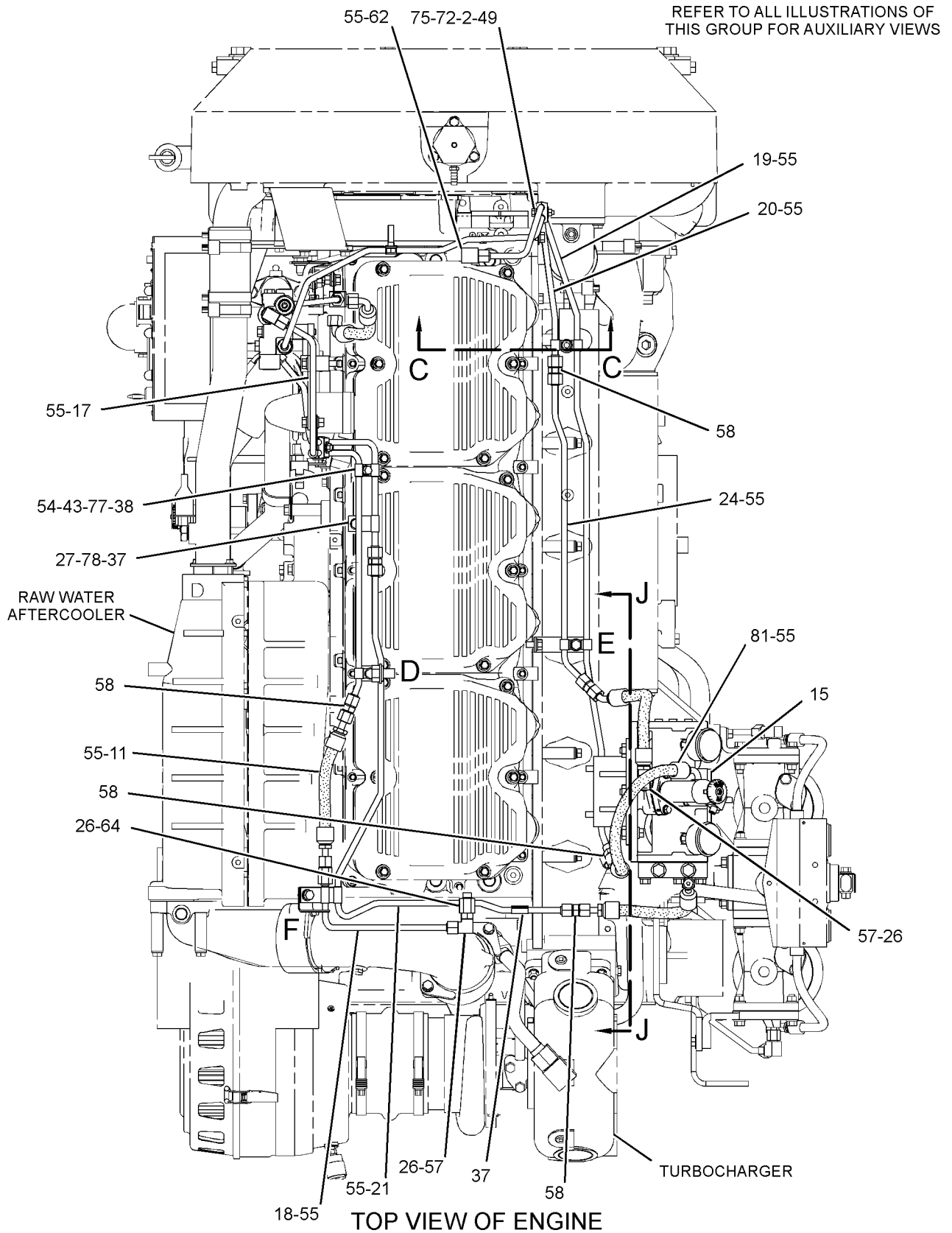
NOTE	REF NO	GRAPHIC REF	PART NUMBER	QTY	PART NAME						SEE PAGE
					1	2	3	4	5	6 (PRODUCT LEVEL)	
	56	3	6V-8636	2	CONNECTOR						
	57	1,3	6V-8724	3	ELBOW						
	58	1,2,4	6V-8730	7	UNION (FACE SEAL)						
	59	3	6V-8781	1	TEE-FACE SEAL						
	60	3	6V-9807	1	UNION						
	62	1	6V-9850	1	ELBOW						
	63	4	7B-2742	1	BOLT (1/4-20X1.25-IN)						
	64	1	7W-7381	1	FITTING-OUTLET						
	65	2	8C-6869	1	CONNECTOR						
	66	4	8T-9041	1	CONNECTOR						
	67	4	9M-1974	1	WASHER-HARD (8.8X16X2-MM THK)						
	68	3	9S-4182	1	PLUG-O-RING						
	69	3	9S-4191	1	PLUG-O-RING						
	70	3	9S-8002	1	PLUG-O-RING						
	71	3	9S-8004	1	PLUG-O-RING						
	72	1,2	6V-8185	2	NUT (1/4-20-THD)						
	73	2,3,4	6V-8801	6	NUT (3/8-16-THD)						
	74	3	9S-8005	1	PLUG-O-RING						
	75	1,2	7X-2501	2	BOLT (1/4-20X1.25-IN)						
	76	3	8L-2786	1	SEAL-O-RING						
	77	1	5P-4116	2	WASHER-HARD (8.8X20.5X2-MM THK)						
	78	1,2,3,4	8T-4896	17	WASHER-HARD (10.2X18.5X2.5-MM THK)						
	79	4	7X-0288	1	BOLT (3/8-16X1.625-IN)						
	80	3,4	4L-6454	2	BOLT (3/8-16X1-IN)						
	81	1	339-1587	1	HOSE AS						

I-REFER TO HYDRAULIC INFORMATION SYSTEM
Y-SEPARATE ILLUSTRATION

FUEL SYSTEM

323-6475 LINES GP-FUEL (contd.)

i04031939



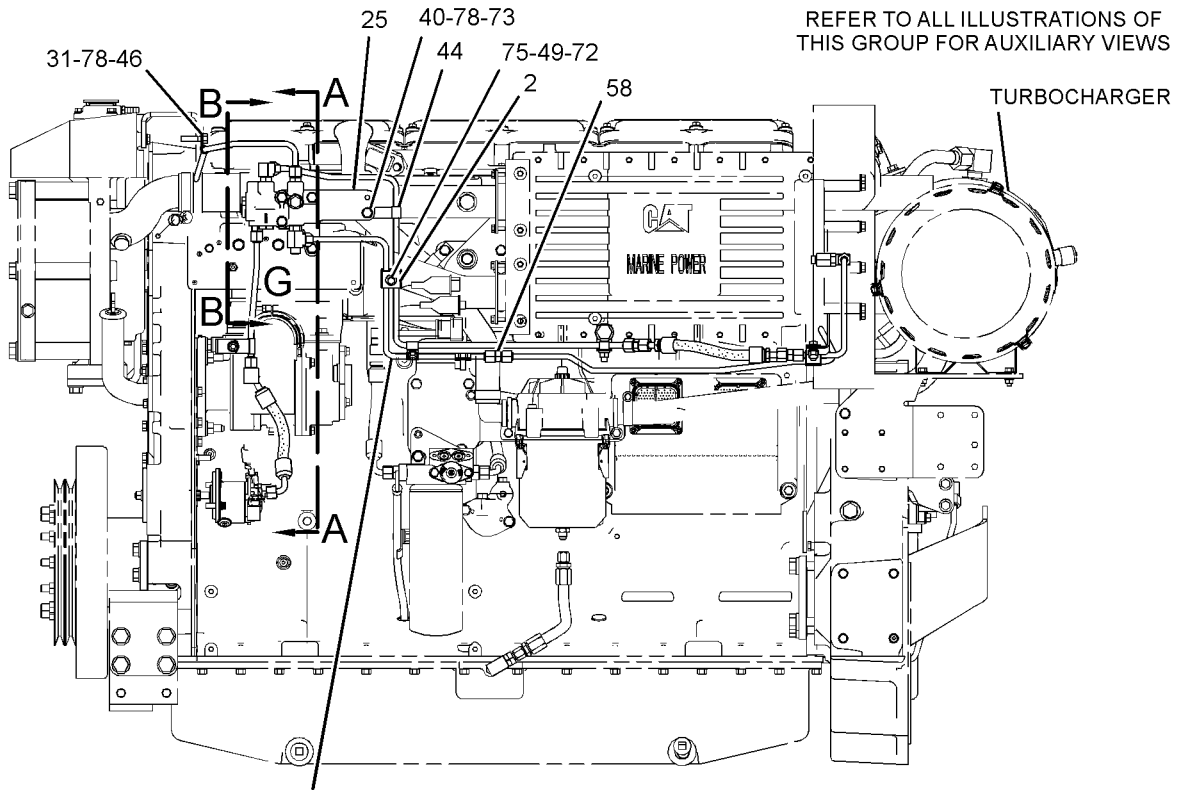
GRAPHIC #1

g01931456

FUEL SYSTEM

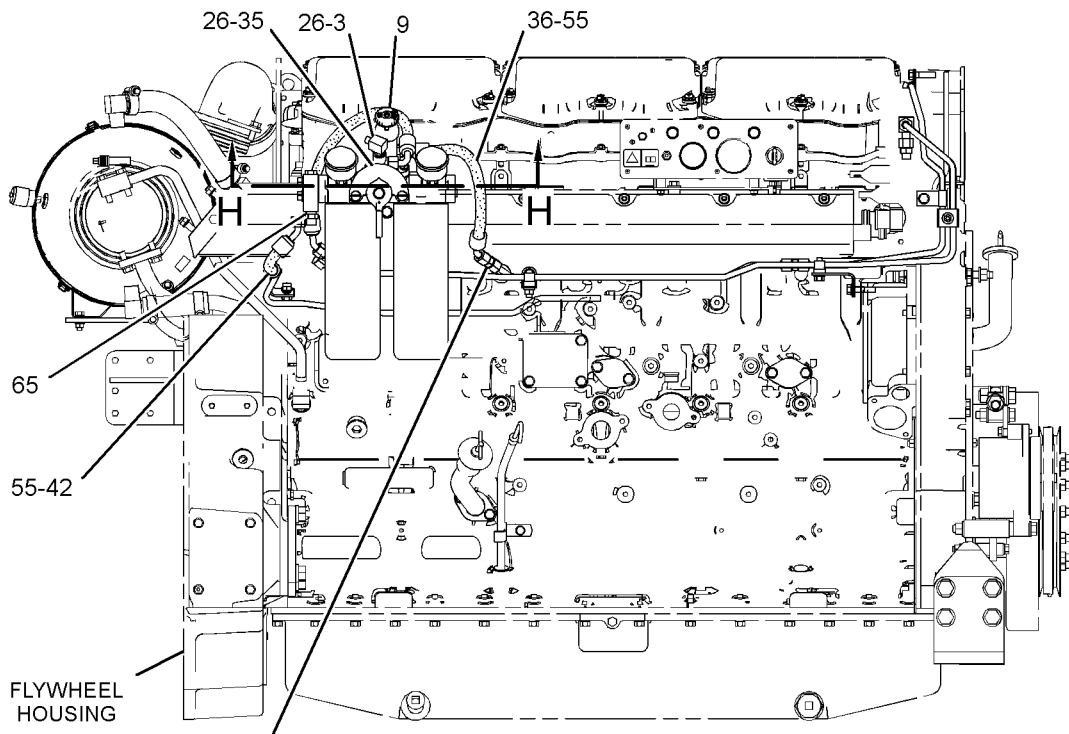
323-6475 LINES GP-FUEL (contd.)

i04031939



REFER TO ALL ILLUSTRATIONS OF THIS GROUP FOR AUXILIARY VIEWS

55-22 LEFT SIDE VIEW OF ENGINE



58 RIGHT SIDE VIEW OF ENGINE

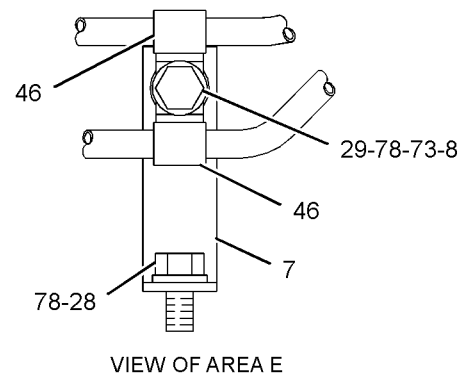
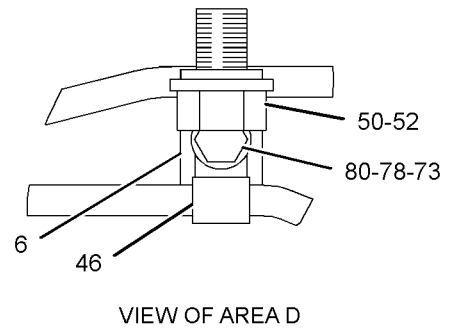
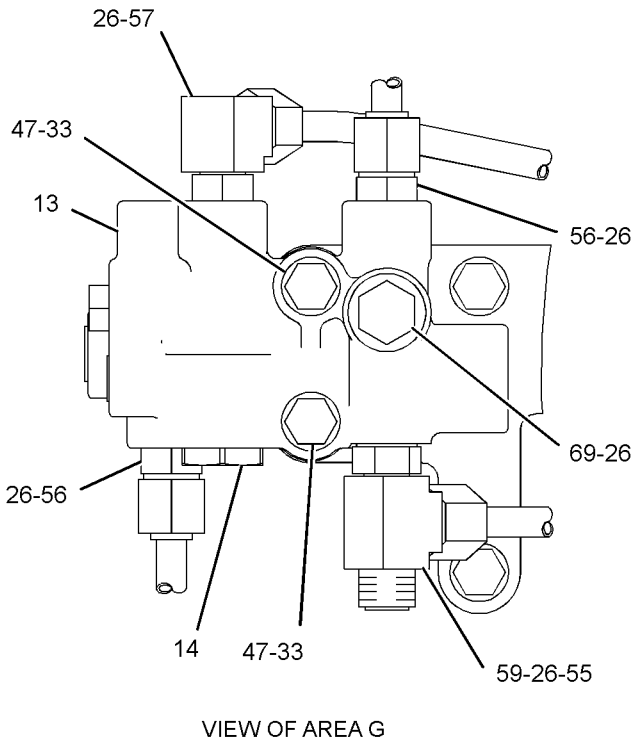
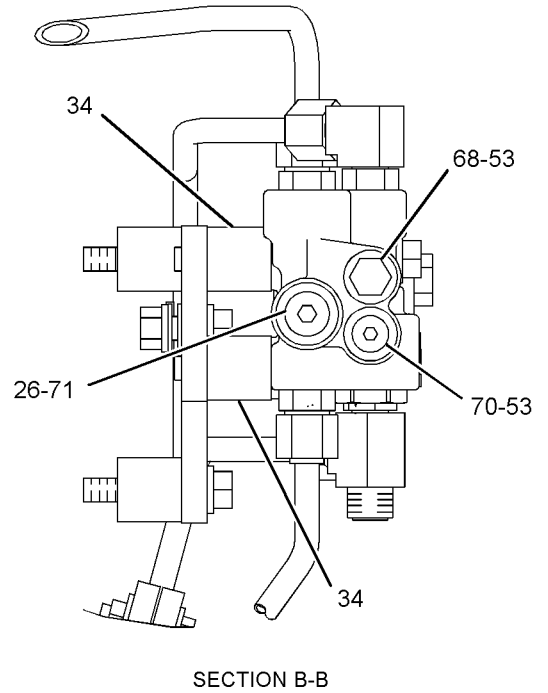
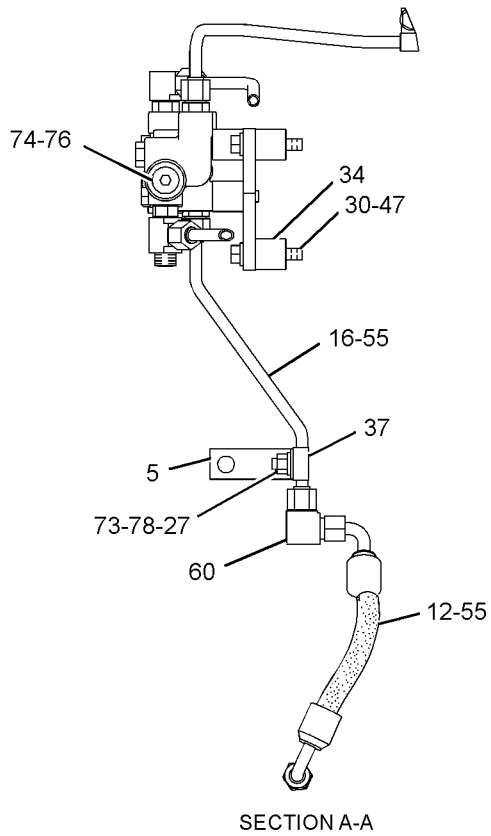
GRAPHIC #2

g01931462

FUEL SYSTEM

323-6475 LINES GP-FUEL (contd.)

i04031939



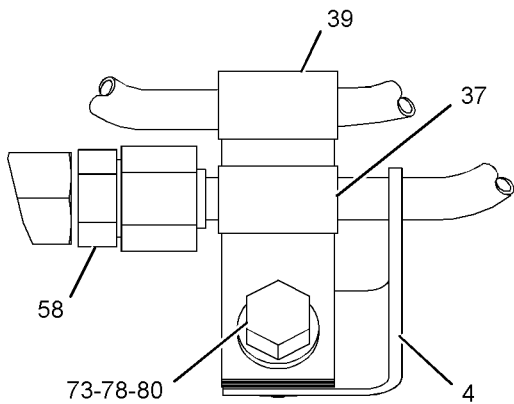
GRAPHIC #3

g01931463

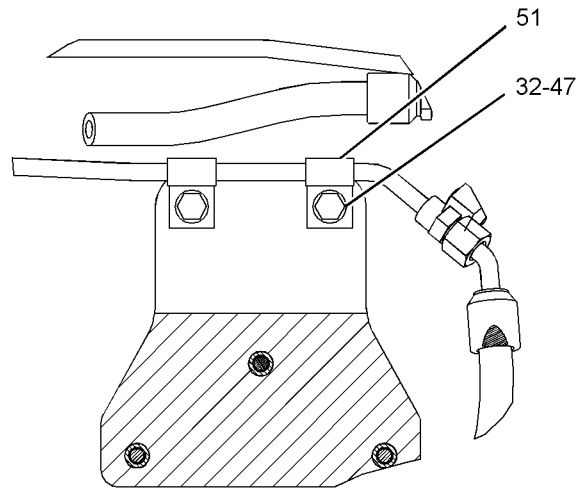
FUEL SYSTEM

323-6475 LINES GP-FUEL (contd.)

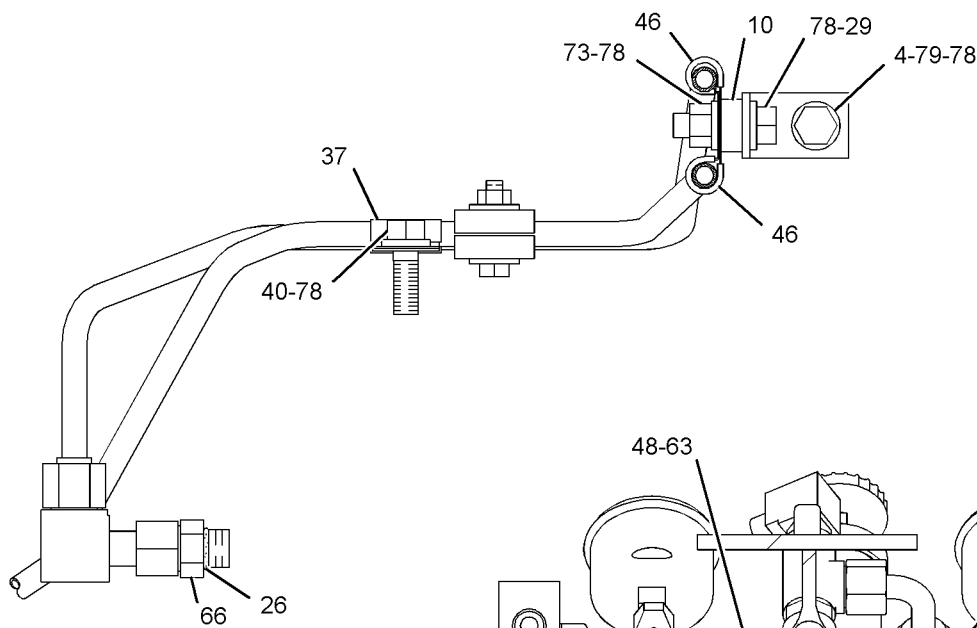
i04031939



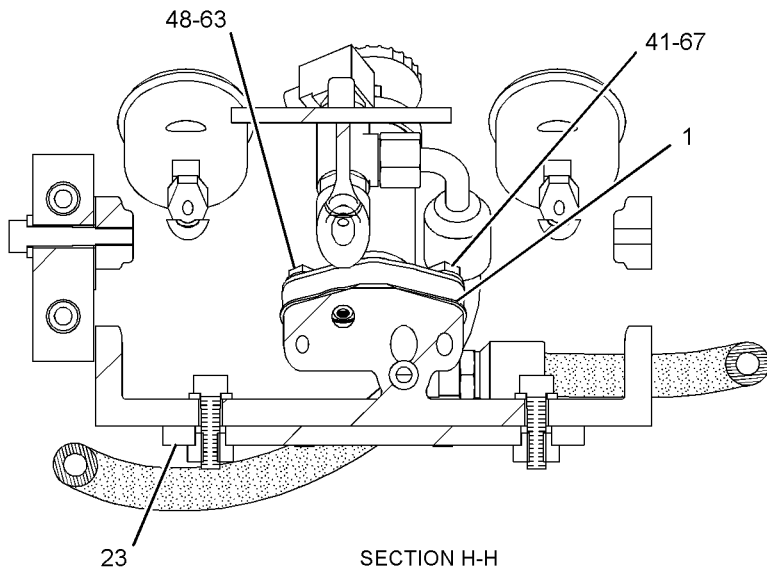
VIEW OF AREA F



SECTION J-J



SECTION C-C



SECTION H-H

<END>

GRAPHIC #4

g01931464

FUEL SYSTEM

323-6480 LINES GP-FUEL

DUPLEX, LH
AN ATTACHMENT
TYPE 1

SMCS-1274

i03598743

NOTE	REF NO	GRAPHIC REF	PART NUMBER	QTY	PART NAME						SEE PAGE
					1	2	3	4	5	6 (PRODUCT LEVEL)	
	1	2	1P-0436	1	GASKET (FUEL PRIMING PUMP)						
	2	1	2T-1397	2	CLAMP						
	3	2	3S-2093	2	STRAP-CABLE						
	4	2	3W-6181	1	BRACKET						
	5	2	5K-8652	2	BRACKET						
	6	2	137-5541	1	PUMP GP-FUEL PRIMING						
I	7	2	196-3617	1	HOSE AS						
I	8	1	203-7947	1	HOSE AS						
I	9	1	221-8209	1	HOSE AS						
	10	1	223-6345	1	MANIFOLD-FUEL						
Y	11	1	233-6742	1	VALVE GP-CHECK (FUEL)						670
Y	12	1	239-2340	1	FILTER GP-FUEL						573
	13	2	241-3286	1	HARNES AS-SENSOR						
		2	102-8803	1	KIT-RECEPTACLE (3-PIN) (INCLUDES RECEPTACLE AS & WEDGE)						
		2	155-2260	1	KIT-CONNECTING PLUG (3-PIN) (INCLUDES PLUG AS & WEDGE)						
		2	9X-3401	3	PIN-CONNECTOR (16-GA TO 18-GA) -OR-						
		2	126-1767	3	PIN-CONNECTOR (14-GA TO 16-GA)						
		2	6I-4347	2	BOOT (4-PIN)						
	14	1	259-1386	1	SUPPORT AS						
		1	8T-5912	4	NUT-WELD (3/8-16-THD)						
	15	2	291-4339	1	TUBE AS						
	16	2	292-8125	1	TUBE AS						
	17	1	293-3053	1	TUBE AS						
	18	1	293-3054	1	TUBE AS						
	19	2	296-4374	1	TUBE AS						
I	20	2	307-7683	1	HOSE AS						
	21	1	308-5344	1	BRACKET						
	22	1	313-5683	1	TUBE AS						
	23	1	033-5853	2	SEAL-O-RING						
	24	1,2	033-6042	12	SEAL-O-RING						
	25	2	5S-7379	4	BOLT (3/8-16X0.875-IN)						
	26	1	0S-1590	2	BOLT (3/8-16X2-IN)						
	27	1	4L-9337	1	BOLT (3/8-16X1.5-IN)						
	28	2	0S-1594	2	BOLT (3/8-16X1-IN)						
	29	1	0T-0065	2	BOLT (3/8-16X3.5-IN)						
	30	1	101-3121	4	SPACER (10.5X25X25-MM THK)						
I	31	1	200-4262	1	HOSE AS						
	32	2	126-6872	1	TEE						
	33	2	186-0357	2	CLIP						
	34	2	186-0359	1	CLIP						
	35	1	8T-2502	1	BOLT (3/8-16X1.125-IN)						
	36	2	1B-7182	1	BOLT (5/16-18X1.25-IN)						
	37	2	1V-1984	1	CLIP						
	38	1	306-5494	2	CLIP						
	39	1	3K-0360	1	SEAL-O-RING						
	40	1,2	4D-7794	3	CLIP						
	41	2	4H-4033	1	BOLT (5/8-18X1.375-IN)						
	42	1,2	5M-2894	5	WASHER-HARD (10.2X18.5X2.5-MM THK)						
	43	2	5P-0537	1	WASHER-HARD (7.2X14.5X2-MM THK)						
	44	1	5P-4115	2	WASHER-HARD (7.2X19X2-MM THK)						
	45	1	5P-8167	1	BOLT (3/8-16X0.625-IN)						
	46	2	5P-8247	3	WASHER-HARD (17X32X3.5-MM THK)						

FUEL SYSTEM

323-6480 LINES GP-FUEL (contd.)

i03598743

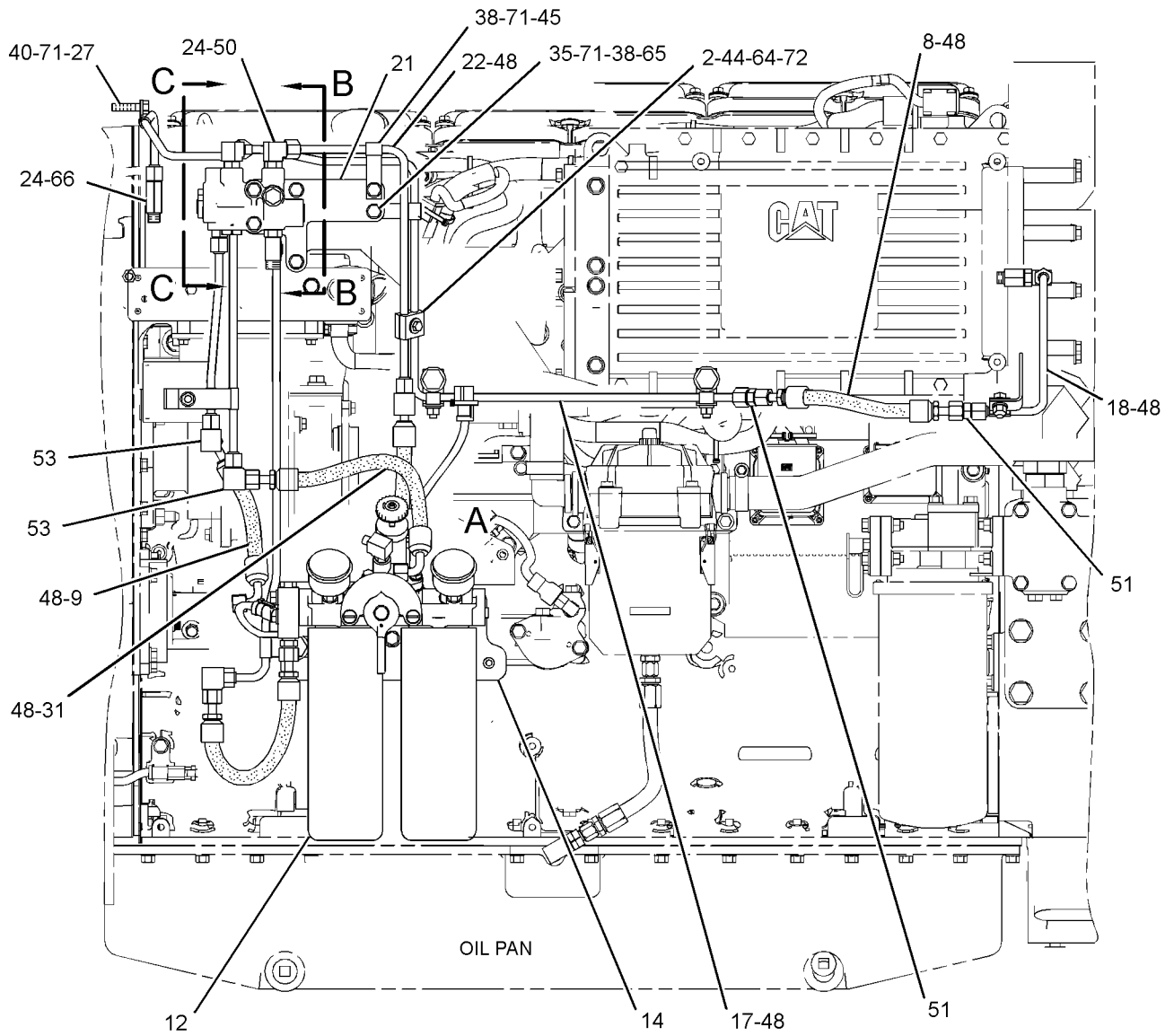
NOTE	REF NO	GRAPHIC REF	PART NUMBER	QTY	PART NAME						SEE PAGE
					1	2	3	4	5	6 (PRODUCT LEVEL)	
	47	2	6F-7316	2	BOLT (5/8-18X1-IN)						
	48	1,2	6V-8397	22	SEAL-O-RING						
	49	1	6V-8636	1	CONNECTOR						
	50	1,2	6V-8724	4	ELBOW						
	51	1	6V-8730	2	UNION (FACE SEAL)						
	52	1	6V-8781	1	TEE-FACE SEAL						
	53	1,2	6V-9807	4	UNION						
	55	2	7B-2742	1	BOLT (1/4-20X1.25-IN)						
	56	2	7W-7381	1	FITTING-OUTLET						
	57	2	8C-6869	1	CONNECTOR						
	58	2	9M-1974	1	WASHER-HARD (8.8X16X2-MM THK)						
	59	1	9S-4182	1	PLUG-O-RING						
	60	1	9S-4191	1	PLUG-O-RING						
	61	1	9S-8002	1	PLUG-O-RING						
	62	1	9S-8004	1	PLUG-O-RING						
	63	1,2	9S-8005	1	PLUG-O-RING						
	64	1	6V-8185	1	NUT (1/4-20-THD)						
	65	1,2	6V-8801	5	NUT (3/8-16-THD)						
	66	1	9X-2297	1	CONNECTOR						
	69	2	3E-2332	1	ELBOW						
	70	2	3G-4005	1	LINK						
	71	1,2	8T-4896	12	WASHER-HARD (10.2X18.5X2.5-MM THK)						
	72	1	7X-2501	1	BOLT (1/4-20X1.25-IN)						

I-REFER TO HYDRAULIC INFORMATION SYSTEM
Y-SEPARATE ILLUSTRATION

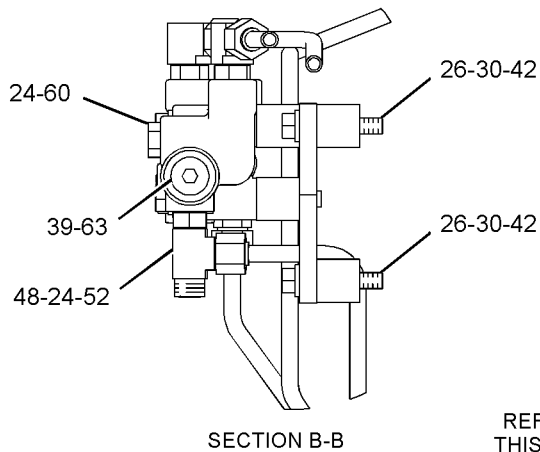
FUEL SYSTEM

323-6480 LINES GP-FUEL (contd.)

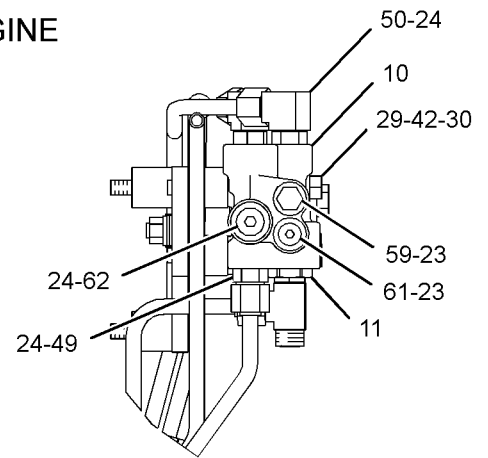
i03598743



LEFT SIDE VIEW OF ENGINE



SECTION B-B



SECTION C-C

REFER TO ALL ILLUSTRATIONS OF THIS GROUP FOR AUXILIARY VIEWS

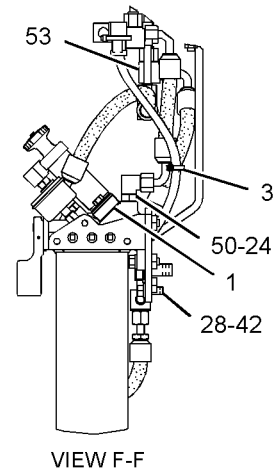
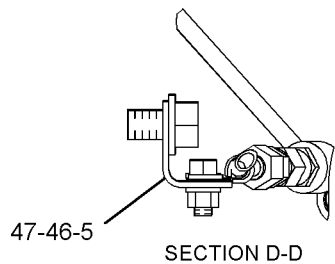
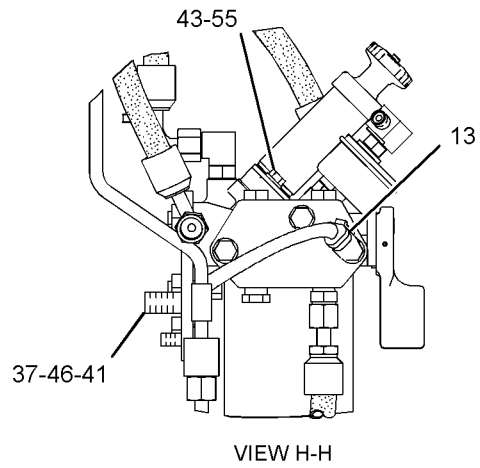
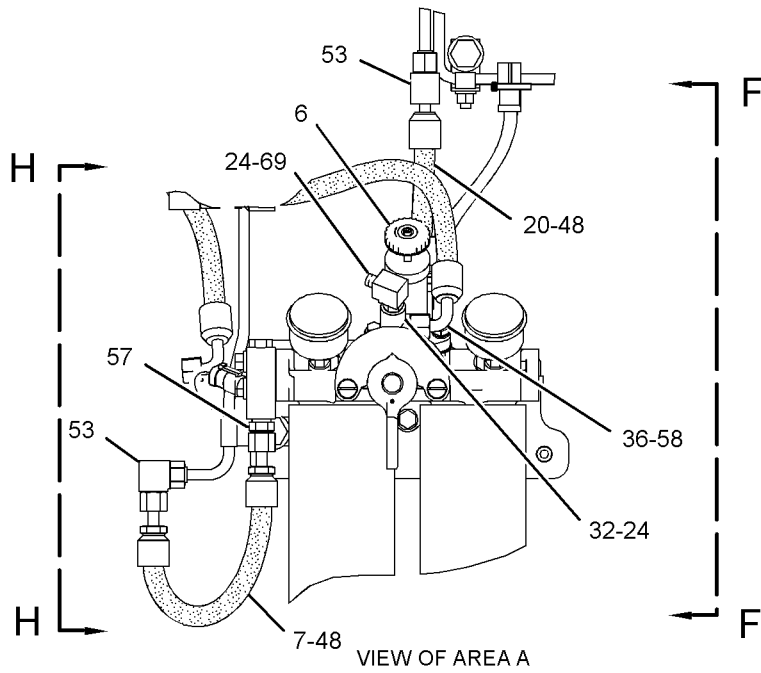
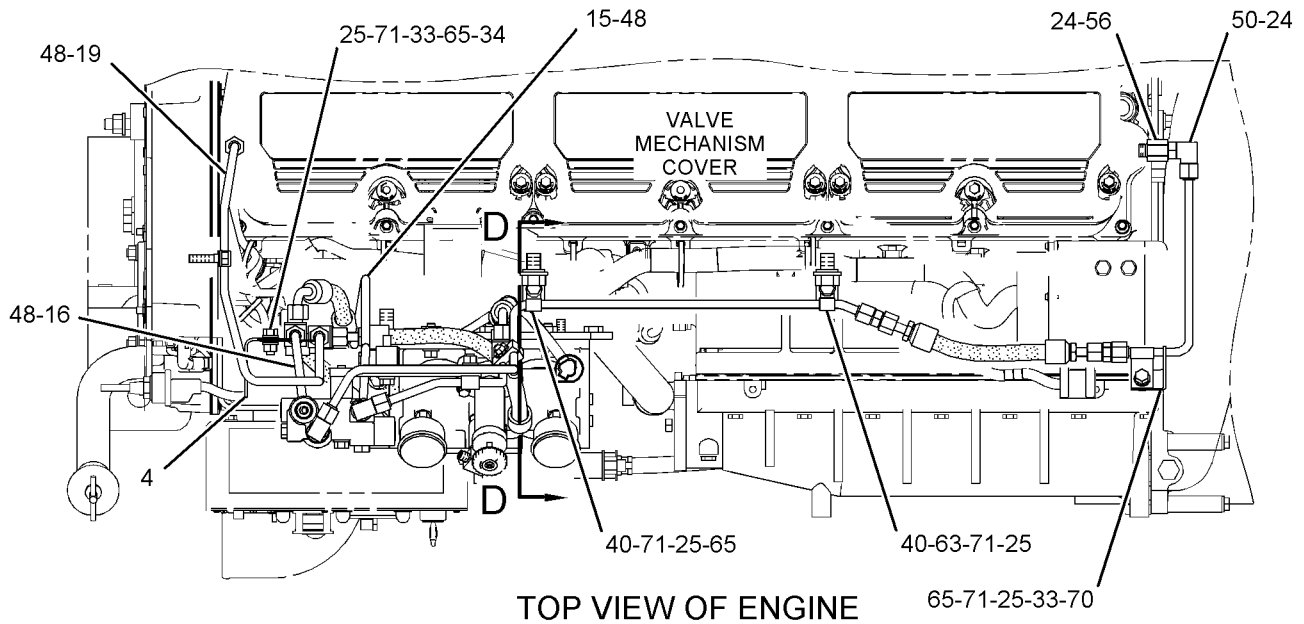
GRAPHIC #1

g01924253

FUEL SYSTEM

323-6480 LINES GP-FUEL (contd.)

i03598743



GRAPHIC #2

<END>

g01924254

FUEL SYSTEM

323-6480 LINES GP-FUEL

DUPLEX, LH
AN ATTACHMENT
TYPE 2

SMCS-1274

i04034844

NOTE	REF NO	GRAPHIC REF	PART NUMBER	QTY	PART NAME						SEE PAGE
					1	2	3	4	5	6 (PRODUCT LEVEL)	
	1	2	1P-0436	1	GASKET (FUEL PRIMING PUMP)						
	2	1	2T-1397	2	CLAMP						
	3	1,2	8T-4896	12	WASHER-HARD (10.2X18.5X2.5-MM THK)						
	4	2	3W-6181	1	BRACKET						
	5	2	5K-8652	2	BRACKET						
	6	2	137-5541	1	PUMP GP-FUEL PRIMING						
I	7	2	196-3617	1	HOSE AS						
I	8	1	203-7947	1	HOSE AS						
I	9	1	221-8209	1	HOSE AS						
	10	1	223-6345	1	MANIFOLD-FUEL						
Y	11	1	233-6742	1	VALVE GP-CHECK (FUEL)						670
Y	12	1	239-2340	1	FILTER GP-FUEL						573
	13	1	7X-2501	1	BOLT (1/4-20X1.25-IN)						
	14	1	259-1386	1	SUPPORT AS						
		1	8T-5912	4	NUT-WELD (3/8-16-THD)						
	15	2	291-4339	1	TUBE AS						
	16	2	292-8125	1	TUBE AS						
	17	1	293-3053	1	TUBE AS						
	18	1	293-3054	1	TUBE AS						
	19	2	296-4374	1	TUBE AS						
I	20	2	307-7683	1	HOSE AS						
	21	1	308-5344	1	BRACKET						
	22	1	313-5683	1	TUBE AS						
	23	1	033-5853	2	SEAL-O-RING						
	24	1,2	033-6042	12	SEAL-O-RING						
	25	2	5S-7379	4	BOLT (3/8-16X0.875-IN)						
	26	1	0S-1590	2	BOLT (3/8-16X2-IN)						
	27	1	4L-9337	1	BOLT (3/8-16X1.5-IN)						
	28	2	0S-1594	2	BOLT (3/8-16X1-IN)						
	29	1	0T-0065	2	BOLT (3/8-16X3.5-IN)						
	30	1	101-3121	4	SPACER (10.5X25X25-MM THK)						
I	31	1	200-4262	1	HOSE AS						
	32	2	126-6872	1	TEE						
	33	2	186-0357	2	CLIP						
	34	2	186-0359	1	CLIP						
	35	1	8T-2502	1	BOLT (3/8-16X1.125-IN)						
	36	2	1B-7182	1	BOLT (5/16-18X1.25-IN)						
	37	2	1V-1984	1	CLIP						
	38	1	306-5494	2	CLIP						
	39	1	3K-0360	1	SEAL-O-RING						
	40	1,2	4D-7794	3	CLIP						
	41	2	4H-4033	1	BOLT (5/8-18X1.375-IN)						
	42	1,2	5M-2894	5	WASHER-HARD (10.2X18.5X2.5-MM THK)						
	43	2	5P-0537	1	WASHER-HARD (7.2X14.5X2-MM THK)						
	44	1	5P-4115	2	WASHER-HARD (7.2X19X2-MM THK)						
	45	1	5P-8167	1	BOLT (3/8-16X0.625-IN)						
	46	2	5P-8247	3	WASHER-HARD (17X32X3.5-MM THK)						
	47	2	6F-7316	2	BOLT (5/8-18X1-IN)						
	48	1,2	6V-8397	22	SEAL-O-RING						
	49	1	6V-8636	1	CONNECTOR						
	50	1,2	6V-8724	4	ELBOW						
	51	1	6V-8730	2	UNION (FACE SEAL)						
	52	1	6V-8781	1	TEE-FACE SEAL						
	53	1,2	6V-9807	4	UNION						
	54	2	3E-2332	1	ELBOW						

FUEL SYSTEM

323-6480 LINES GP-FUEL (contd.)

i04034844

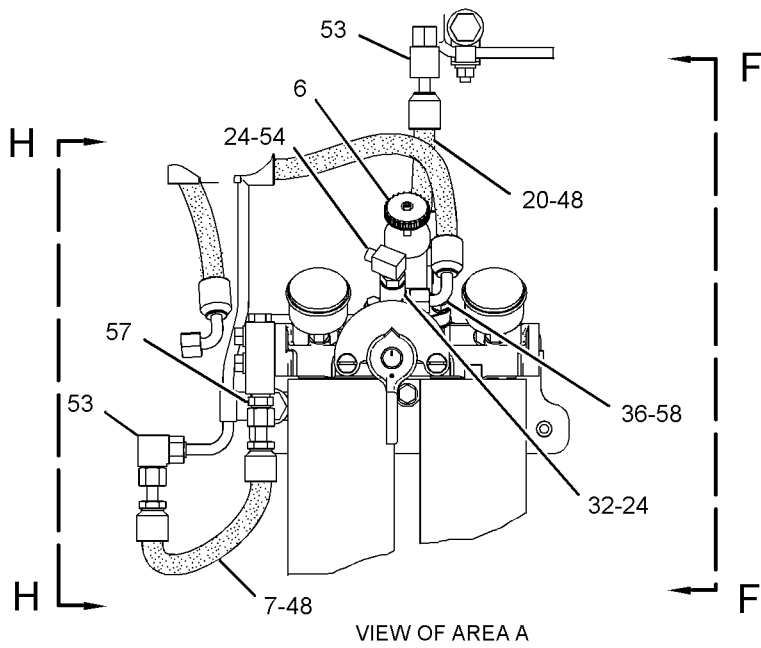
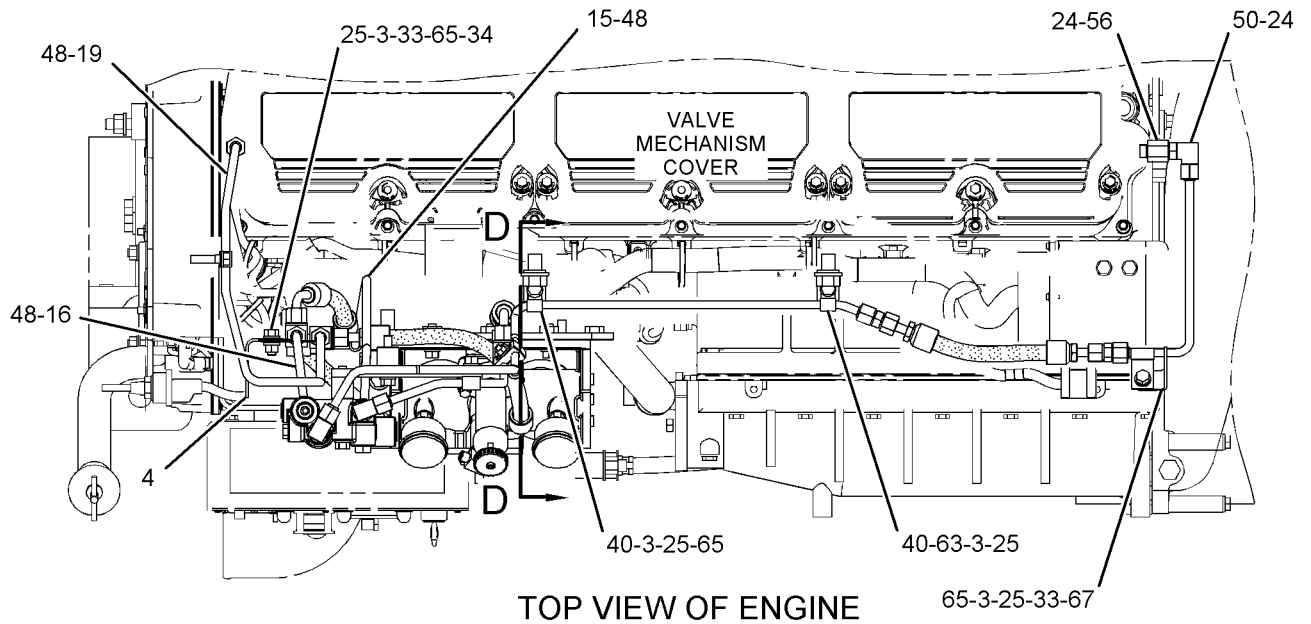
NOTE	REF NO	GRAPHIC REF	PART NUMBER	QTY	PART NAME						SEE PAGE
					1	2	3	4	5	6 (PRODUCT LEVEL)	
	55	2	7B-2742	1	BOLT (1/4-20X1.25-IN)						
	56	2	7W-7381	1	FITTING-OUTLET						
	57	2	8C-6869	1	CONNECTOR						
	58	2	9M-1974	1	WASHER-HARD (8.8X16X2-MM THK)						
	59	1	9S-4182	1	PLUG-O-RING						
	60	1	9S-4191	1	PLUG-O-RING						
	61	1	9S-8002	1	PLUG-O-RING						
	62	1	9S-8004	1	PLUG-O-RING						
	63	1,2	9S-8005	1	PLUG-O-RING						
	64	1	6V-8185	1	NUT (1/4-20-THD)						
	65	1,2	6V-8801	5	NUT (3/8-16-THD)						
	66	1	9X-2297	1	CONNECTOR						
	67	2	3G-4005	1	LINK						

I-REFER TO HYDRAULIC INFORMATION SYSTEM
 Y-SEPARATE ILLUSTRATION

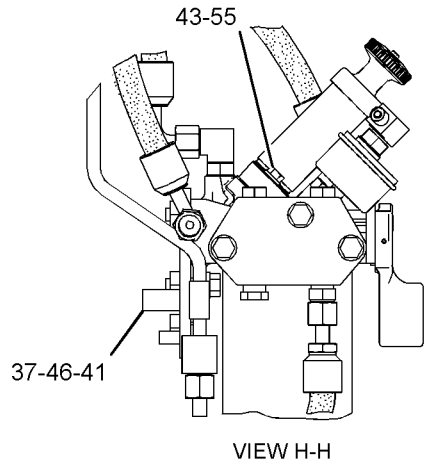
FUEL SYSTEM

323-6480 LINES GP-FUEL (contd.)

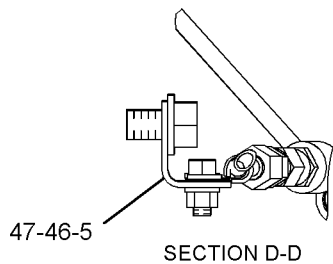
i04034844



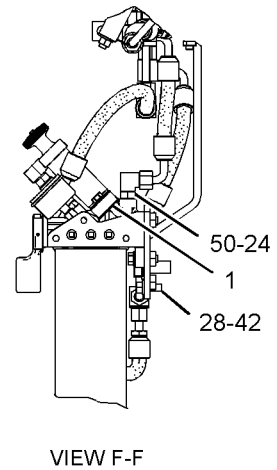
VIEW OF AREA A



VIEW H-H



SECTION D-D



VIEW F-F

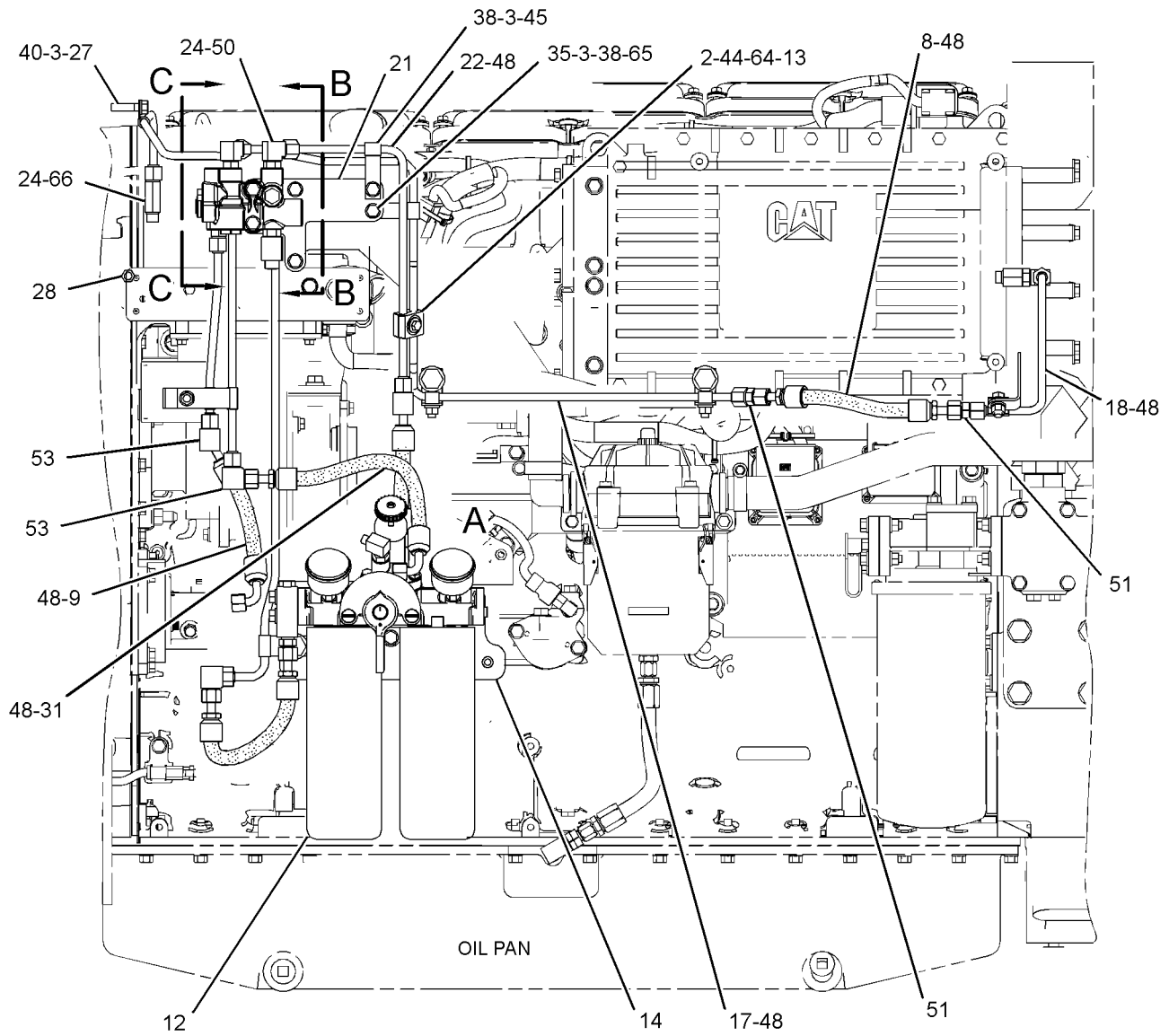
GRAPHIC #1

g02225855

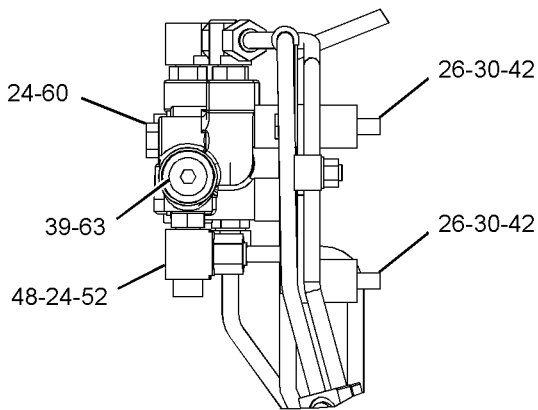
FUEL SYSTEM

323-6480 LINES GP-FUEL (contd.)

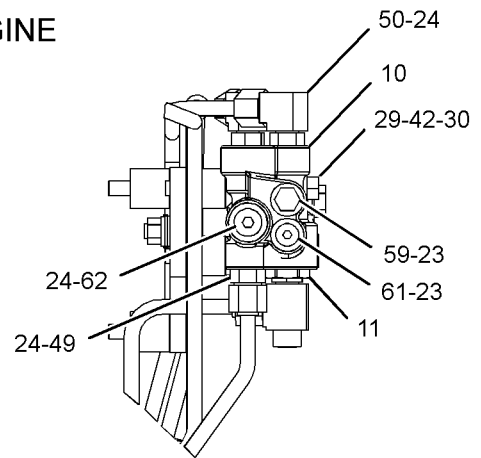
i04034844



LEFT SIDE VIEW OF ENGINE



SECTION B-B



SECTION C-C

REFER TO ALL ILLUSTRATIONS OF THIS GROUP FOR AUXILIARY VIEWS

GRAPHIC #2

<END>

g02225854

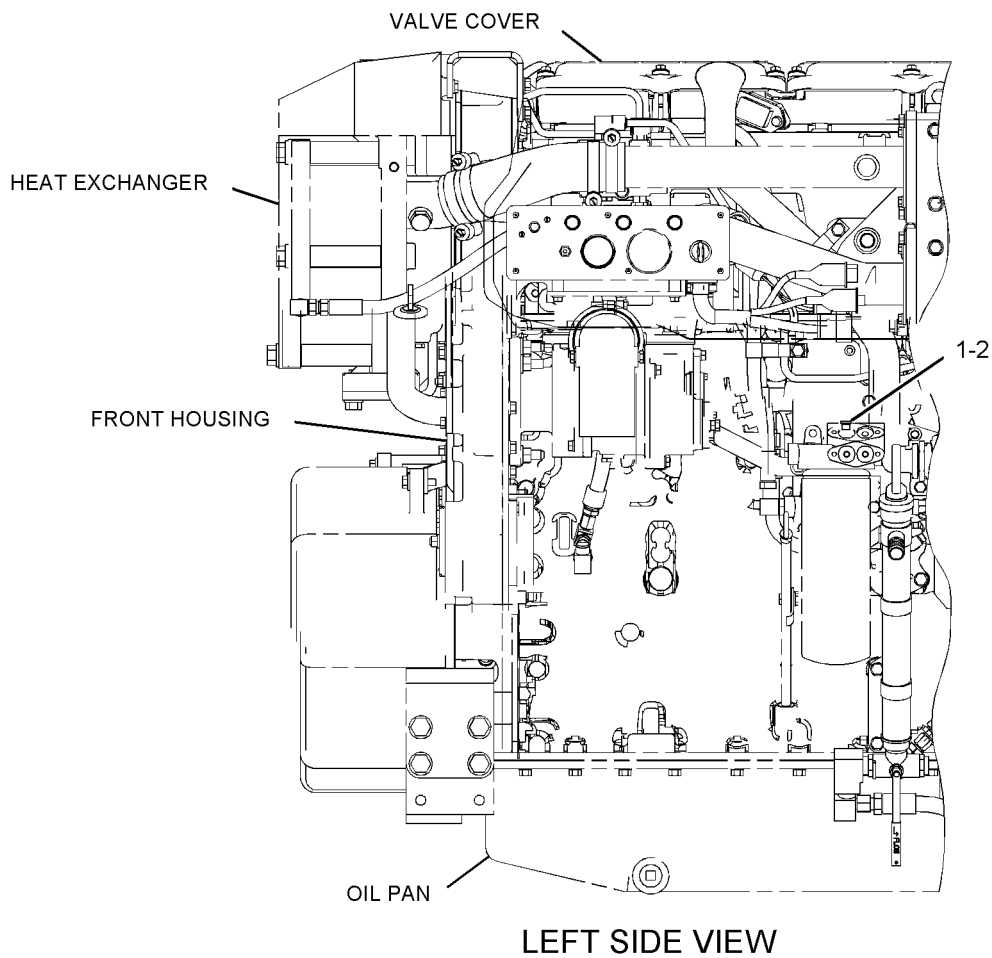
FUEL SYSTEM

265-7332 PLUG GP-FUEL FILTER BASE FOR USE WITH WHEN THE DUAL ECM OPTION IS NOT ORDERED AN ATTACHMENT

SMCS-1262

i02283729

NOTE	REF NO	GRAPHIC REF	PART NUMBER	QTY	PART NAME						SEE PAGE
					1	2	3	4	5	6 (PRODUCT LEVEL)	
	1	1	6V-5048	1	SEAL-O-RING						
	2	1	9S-8002	1	PLUG-O-RING						



LEFT SIDE VIEW

GRAPHIC #1

<END>

g01144055

FUEL SYSTEM

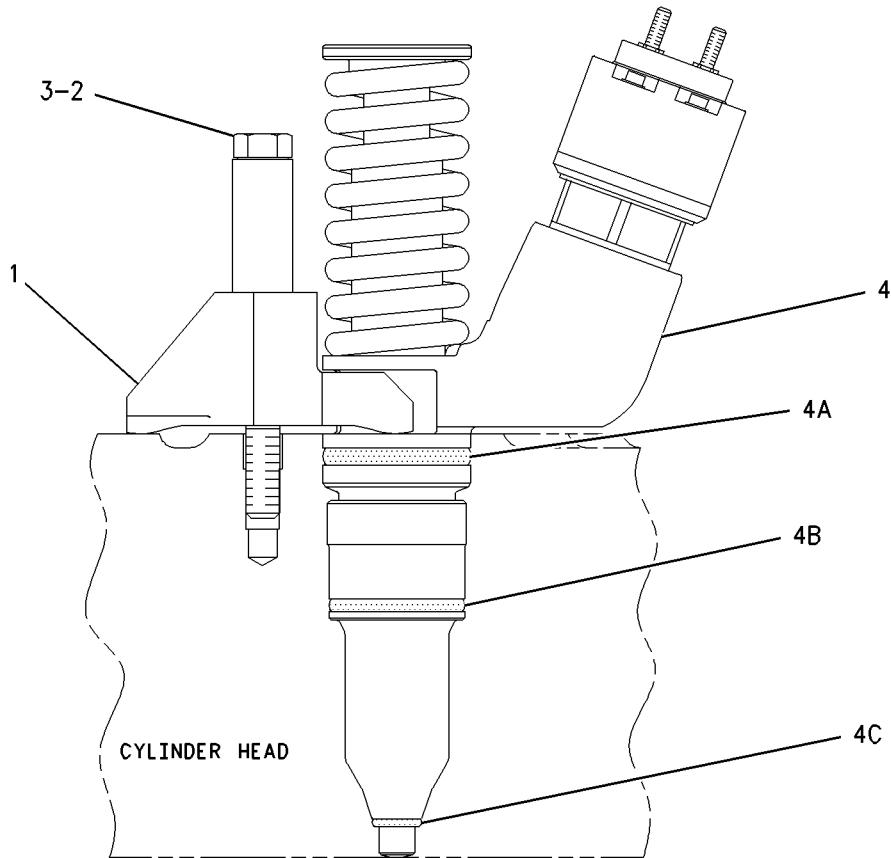
235-1401 PUMP GP-FUEL INJECTION

SMCS-1251, 1290

i02423636

NOTE	REF NO	GRAPHIC REF	PART NUMBER	QTY	PART NAME						SEE PAGE
					1	2	3	4	5	6 (PRODUCT LEVEL)	
	1	1	6I-0213	1	CLAMP						
	2	1	8S-9191	1	BOLT (3/8-16X4-IN)						
	3	1	100-5072	1	SPACER (9.8X15.85X37.6-MM THK)						
CR	4	1	253-0615	1	INJECTOR GP-FUEL						
	4A	1	230-3775	1	SEAL-O-RING						
	4B	1	230-3728	1	SEAL-O-RING						
	4C	1	9X-7317	1	SEAL-O-RING						

C-CHANGE FROM PREVIOUS TYPE
R-REMFG PART MAY BE AVAILABLE



GRAPHIC #1

<END>

g00900391

FUEL SYSTEM

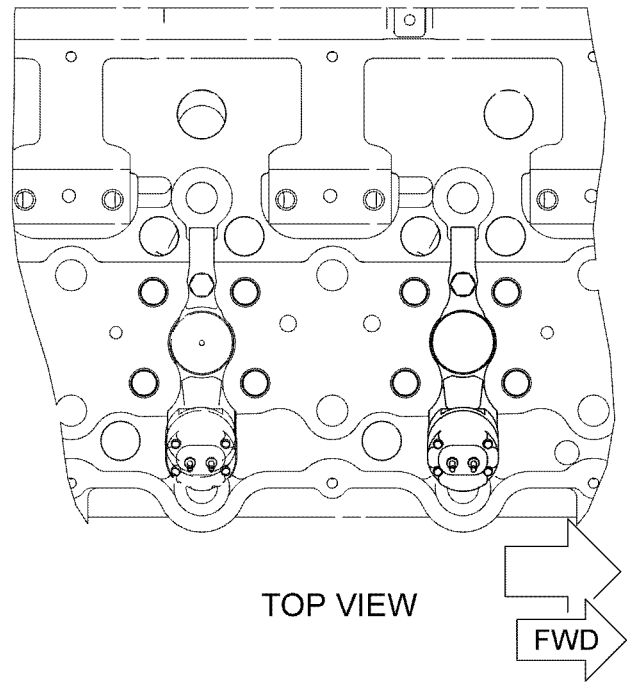
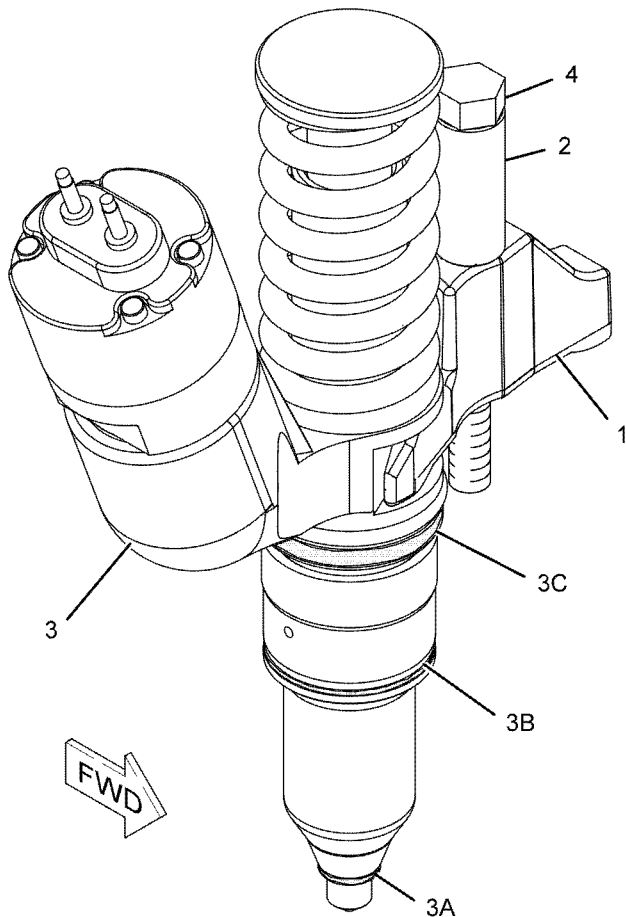
235-1403 PUMP GP-FUEL INJECTION

SMCS-1251, 1290

i02310975

NOTE	REF NO	GRAPHIC REF	PART NUMBER	QTY	PART NAME						SEE PAGE
					1	2	3	4	5	6 (PRODUCT LEVEL)	
	1	1	6I-0213	1	CLAMP						
	2	1	100-5072	1	SPACER (9.8X15.85X37.6-MM THK)						
CR	3	1	253-0618	1	INJECTOR GP-FUEL						
	3A	1	9X-7317	1	SEAL-O-RING						
	3B	1	230-3728	1	SEAL-O-RING						
	3C	1	230-3775	1	SEAL-O-RING						
	4	1	8S-9191	1	BOLT (3/8-16X4-IN)						

C-CHANGE FROM PREVIOUS TYPE
R-REMFG PART MAY BE AVAILABLE



TOP VIEW

FWD

GRAPHIC #1

<END>

g01033421

FUEL SYSTEM

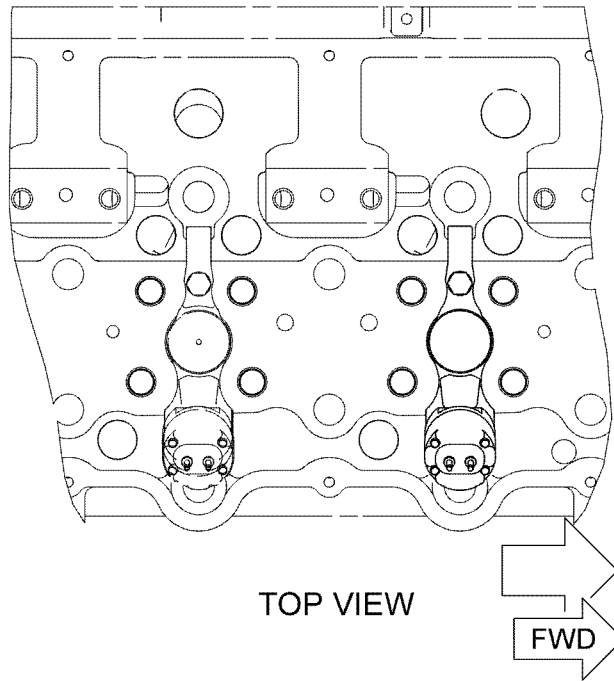
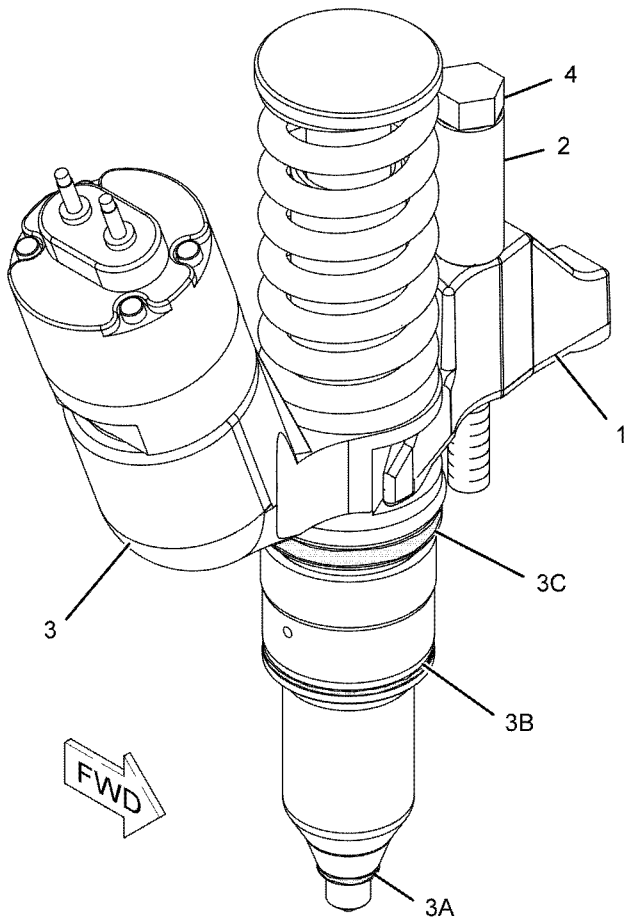
261-0048 PUMP GP-FUEL INJECTION

SMCS-1251, 1290

i02503337

NOTE	REF NO	GRAPHIC REF	PART NUMBER	QTY	PART NAME						SEE PAGE
					1	2	3	4	5	6 (PRODUCT LEVEL)	
	1	1	6I-0213	1	CLAMP						
	2	1	100-5072	1	SPACER (9.8X15.85X37.6-MM THK)						
C	3	1	276-8307	1	INJECTOR GP-FUEL						
	3A	1	9X-7317	1	SEAL-O-RING						
	3B	1	230-3728	1	SEAL-O-RING						
	3C	1	230-3775	1	SEAL-O-RING						
	4	1	8S-9191	1	BOLT (3/8-16X4-IN)						

C-CHANGE FROM PREVIOUS TYPE



GRAPHIC #1

<END>

g01033421

FUEL SYSTEM

131-8270 PUMP GP-FUEL TRANSFER

S/N: J2K1-114; T2P1-UP

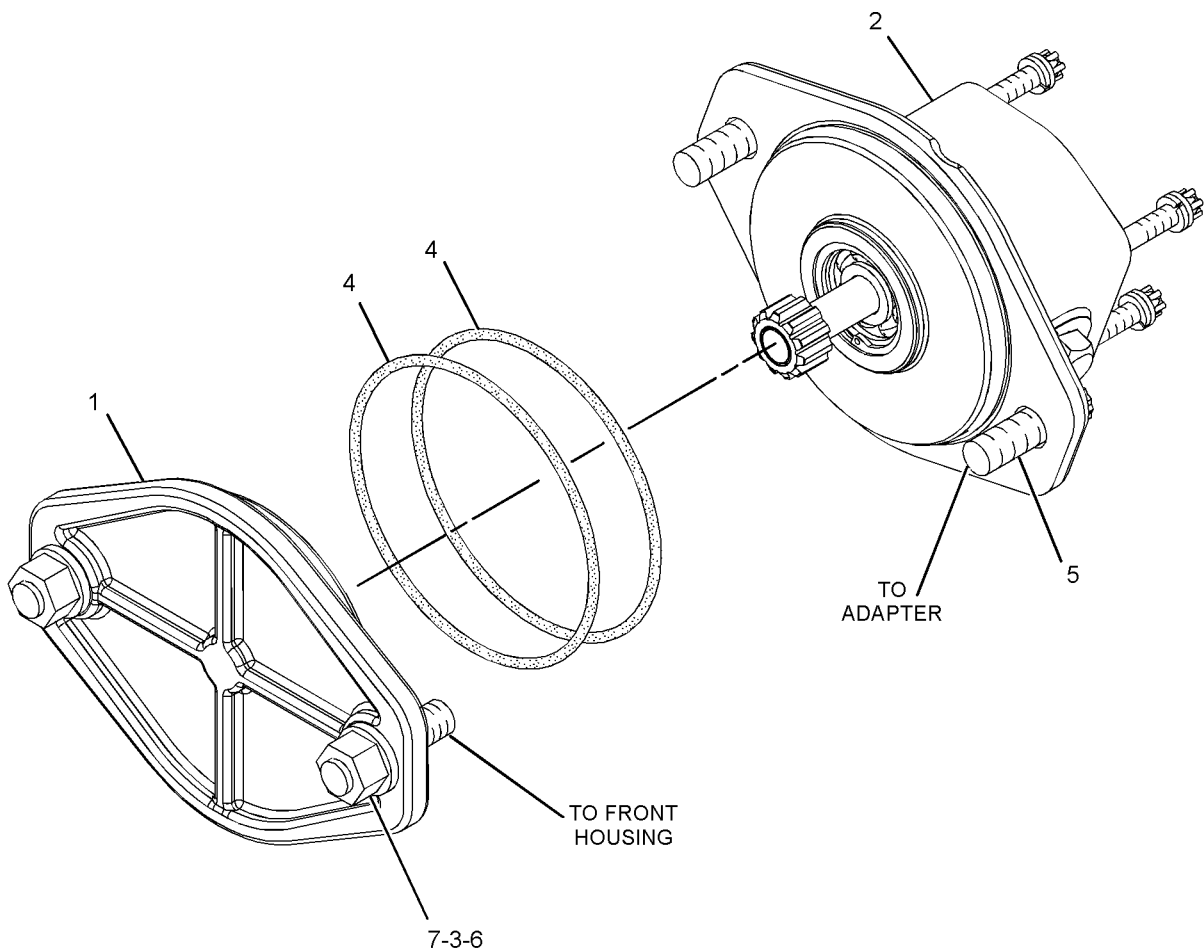
ALLOWS USE OF FRONT MOUNTED PUMP EXCEPT WHEN LH MOUNTING GP-ALTERNATOR IS PROVIDED, REAR AN ATTACHMENT

SMCS-1256

i02900419

NOTE	REF NO	GRAPHIC REF	PART NUMBER	QTY	PART NAME						SEE PAGE
					1	2	3	4	5	6 (PRODUCT LEVEL)	
	1	1	133-9116	1	COVER						
C	2	1	290-8866	1	PUMP GP-FUEL TFR & PRIMING						
	3	1	0S-0699	2	STUD						
	4	1	107-5769	2	SEAL-O-RING						
	5	1	1T-0765	2	BOLT (3/8-16X1-IN)						
	6	1	5M-2894	2	WASHER-HARD (10.2X18.5X2.5-MM THK)						
	7	1	9S-8752	2	NUT-FULL (3/8-16-THD)						

C-CHANGE FROM PREVIOUS TYPE



GRAPHIC #1

<END>

g01296749

FUEL SYSTEM

131-8270 PUMP GP-FUEL TRANSFER

S/N: J2K115-UP; T2P1-UP

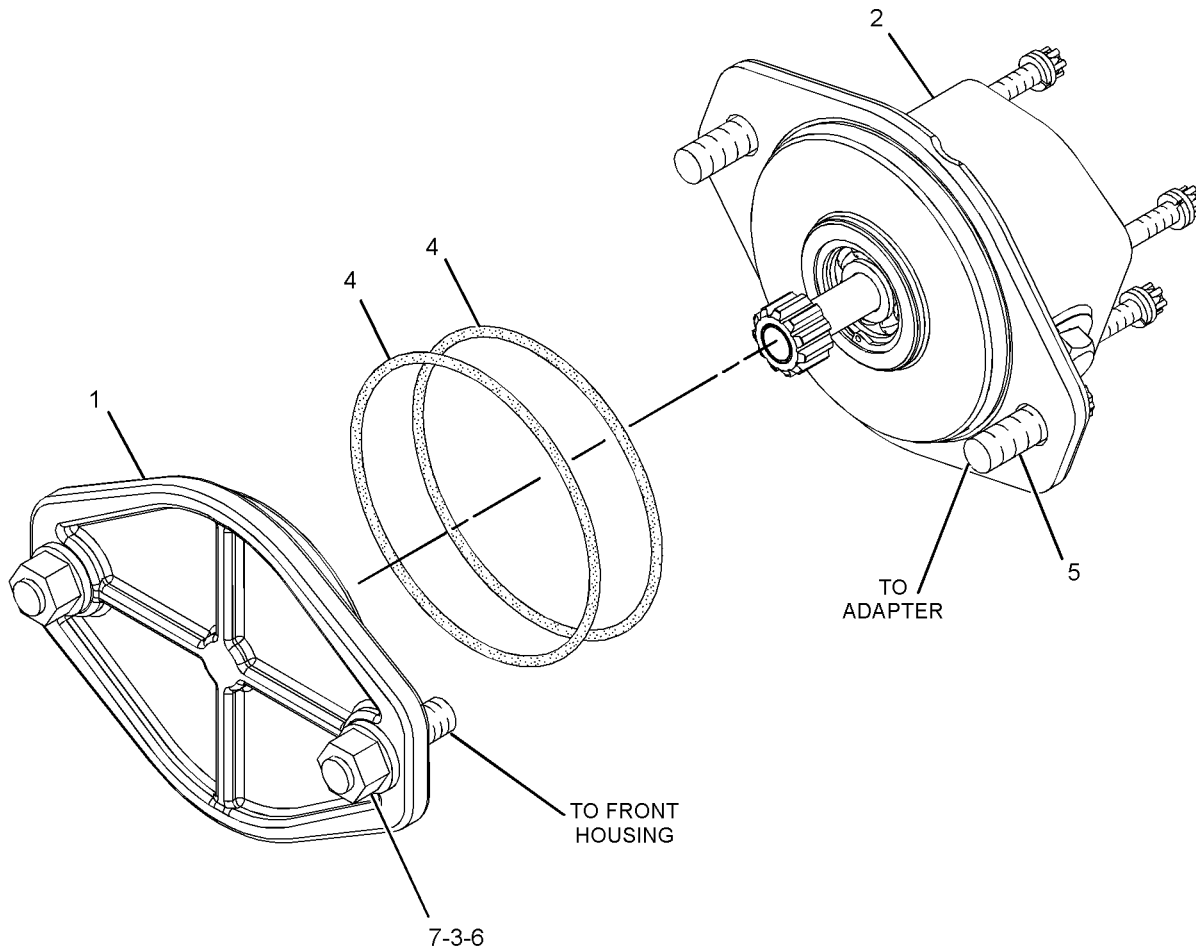
ALLOWS USE OF FRONT MOUNTED PUMP EXCEPT WHEN LH MOUNTING GP-ALTERNATOR IS PROVIDED, REAR AN ATTACHMENT

SMCS-1256

i02900420

NOTE	REF NO	GRAPHIC REF	PART NUMBER	QTY	PART NAME						SEE PAGE
					1	2	3	4	5	6 (PRODUCT LEVEL)	
	1	1	133-9116	1	COVER						
CR	2	1	316-6864	1	PUMP GP-FUEL TRANSFER						
	3	1	0S-0699	2	STUD						
	4	1	107-5769	2	SEAL-O-RING						
	5	1	1T-0765	2	BOLT (3/8-16X1-IN)						
	6	1	5M-2894	2	WASHER-HARD (10.2X18.5X2.5-MM THK)						
	7	1	9S-8752	2	NUT-FULL (3/8-16-THD)						

C-CHANGE FROM PREVIOUS TYPE
R-REMFG PART MAY BE AVAILABLE



GRAPHIC #1

<END>

g01296749

FUEL SYSTEM

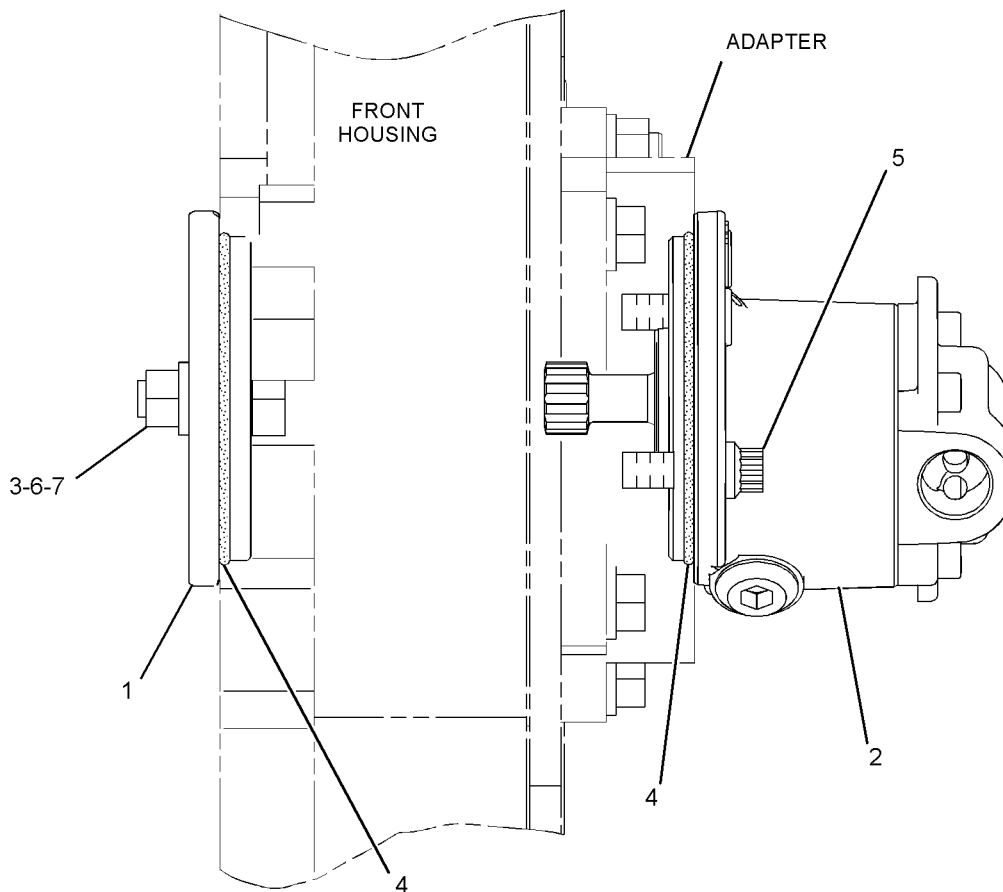
292-5906 PUMP GP-FUEL TRANSFER

ALSO AN ATTACHMENT

SMCS - 1256

i03489609

NOTE	REF NO	GRAPHIC REF	PART NUMBER	QTY	PART NAME						SEE PAGE
					1	2	3	4	5	6	
	1	1	133-9116	1	COVER						
JR	2	1	316-6864	1	PUMP GP-FUEL TRANSFER						
	3	1	0S-0699	2	STUD						
	4	1	107-5769	2	SEAL-O-RING						
	5	1	1T-0765	2	BOLT (3/8-16X1-IN)						
	6	1	5M-2894	2	WASHER-HARD (10.2X18.5X2.5-MM THK)						
	7	1	9S-8752	2	NUT-FULL (3/8-16-THD)						
AVAILABLE REPAIR KIT(S):											
J			339-4983	1	KIT-SPRING						
INCLUDES PLUG, SEAL-O-RING, & SPRING											
J-KIT MARKED J INCLUDES PART(S) MARKED J											
R-REMG PART MAY BE AVAILABLE											



LEFT SIDE VIEW OF ENGINE

<END>

GRAPHIC #1

g01387147

FUEL SYSTEM

347-0689 SHIELD GP-FUEL LINES

S/N: J2K1-UP
RH, SIMPLEX
AN ATTACHMENT

SMCS-1067, 1252

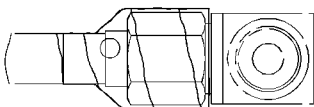
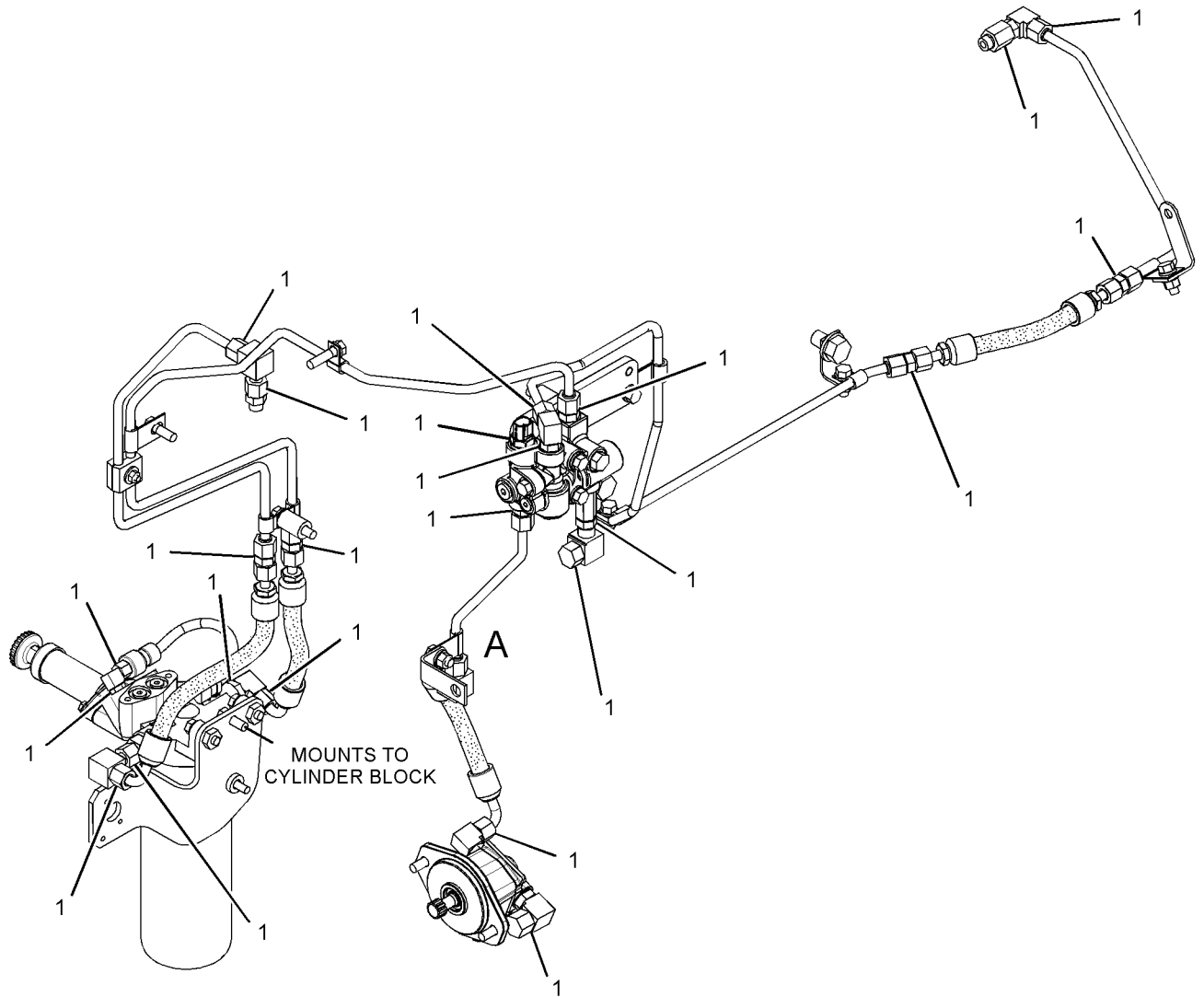
i04016837

NOTE	REF NO	GRAPHIC REF	PART NUMBER	QTY	PART NAME						SEE PAGE
					1	2	3	4	5	6 (PRODUCT LEVEL)	
	1	1	237-3860		TAPE (ANTI-SPLASH, 50-MM WIDE) (250-CM)						

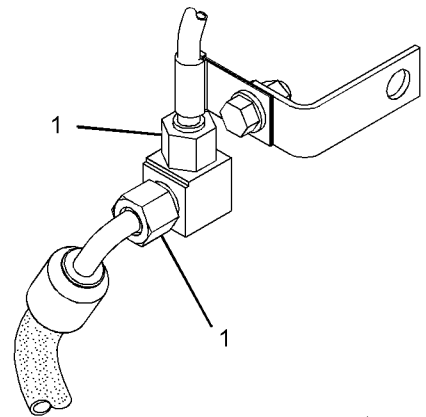
FUEL SYSTEM

347-0689 SHIELD GP-FUEL LINES (contd.)

i04016837



(TYPICAL VIEW OF TAPE JOINT)



VIEW OF AREA A



GRAPHIC #1

<END>

g02160701

FUEL SYSTEM

347-0691 SHIELD GP-FUEL LINES

S/N: J2K1-UP
LH, DUPLEX
AN ATTACHMENT

SMCS-1067, 1252

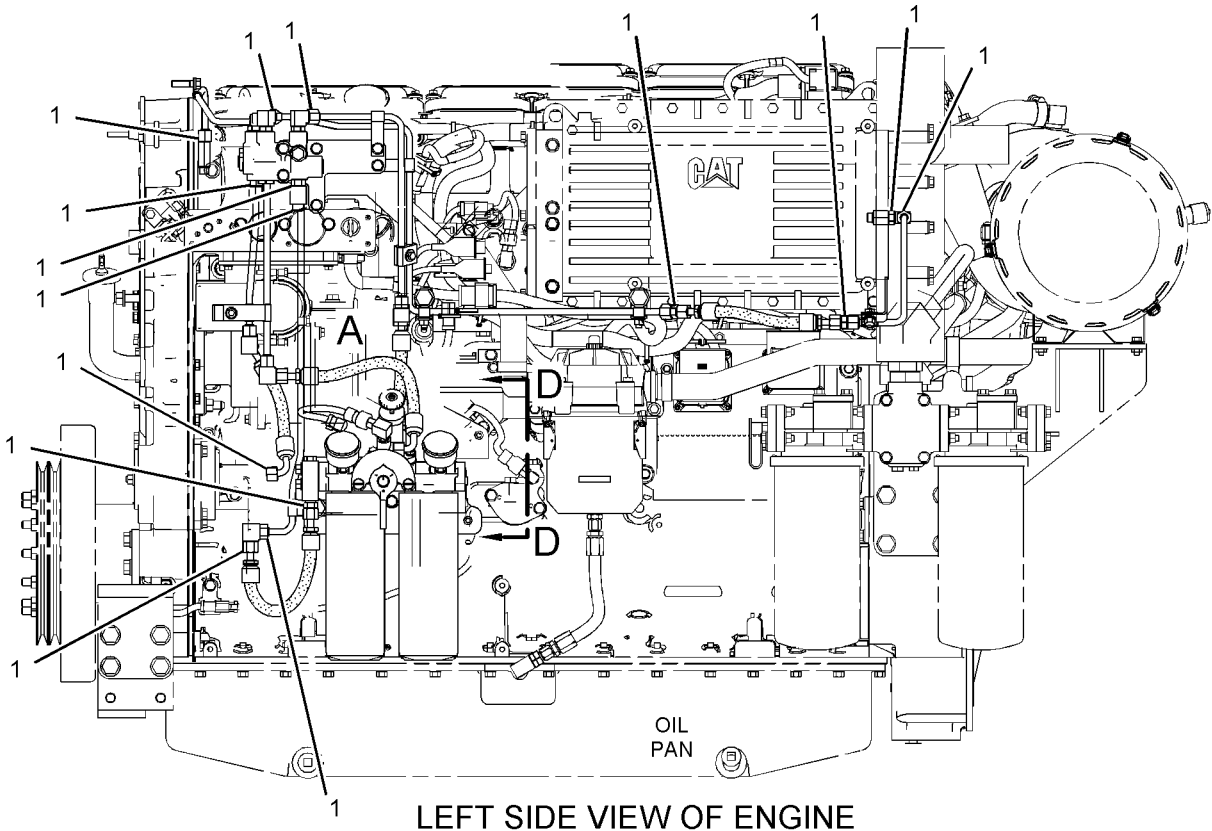
i03878997

NOTE	REF NO	GRAPHIC REF	PART NUMBER	QTY	PART NAME						SEE PAGE
					1	2	3	4	5	6 (PRODUCT LEVEL)	
	1	1	237-3860		TAPE (ANTI-SPLASH, 50-MM WIDE) (305-CM)						

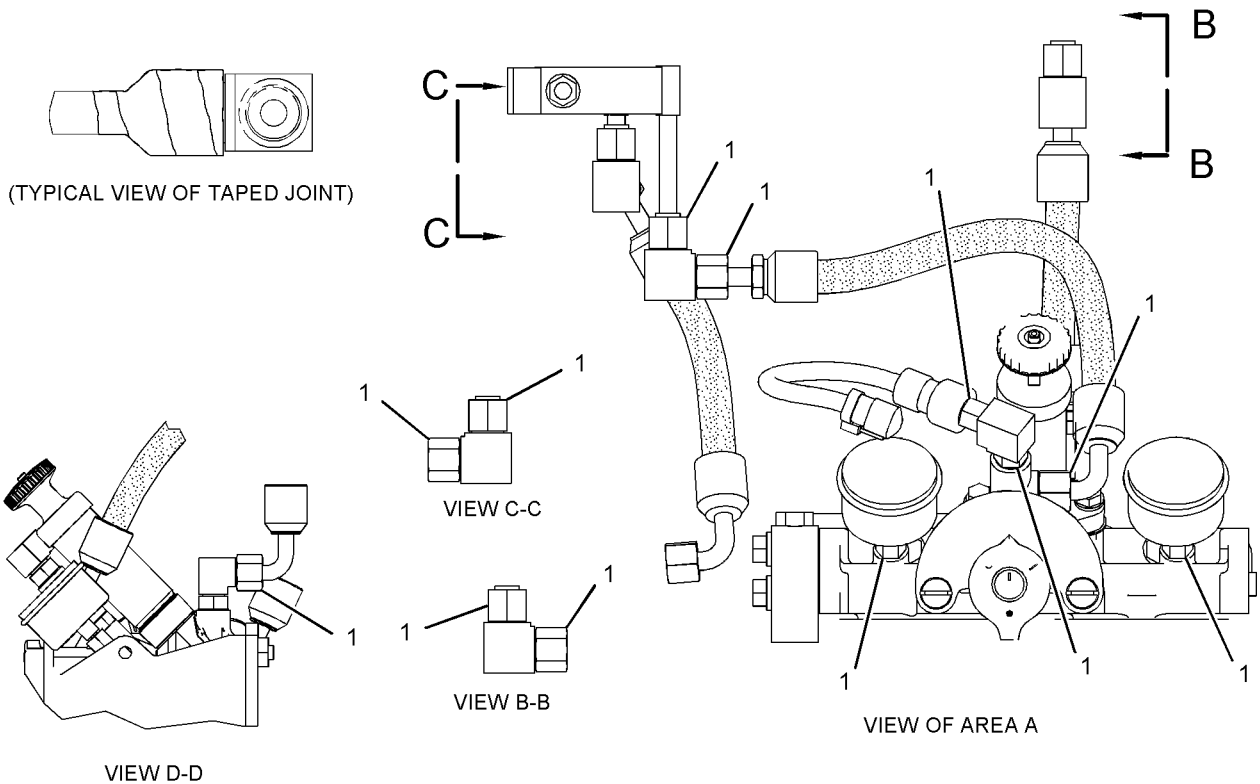
FUEL SYSTEM

347-0691 SHIELD GP-FUEL LINES (contd.)

i03878997



LEFT SIDE VIEW OF ENGINE



GRAPHIC #1

<END>

g02158357

FUEL SYSTEM

347-0692 SHIELD GP-FUEL LINES

S/N: J2K1-UP
RH, DUPLEX
AN ATTACHMENT

SMCS-1067, 1252

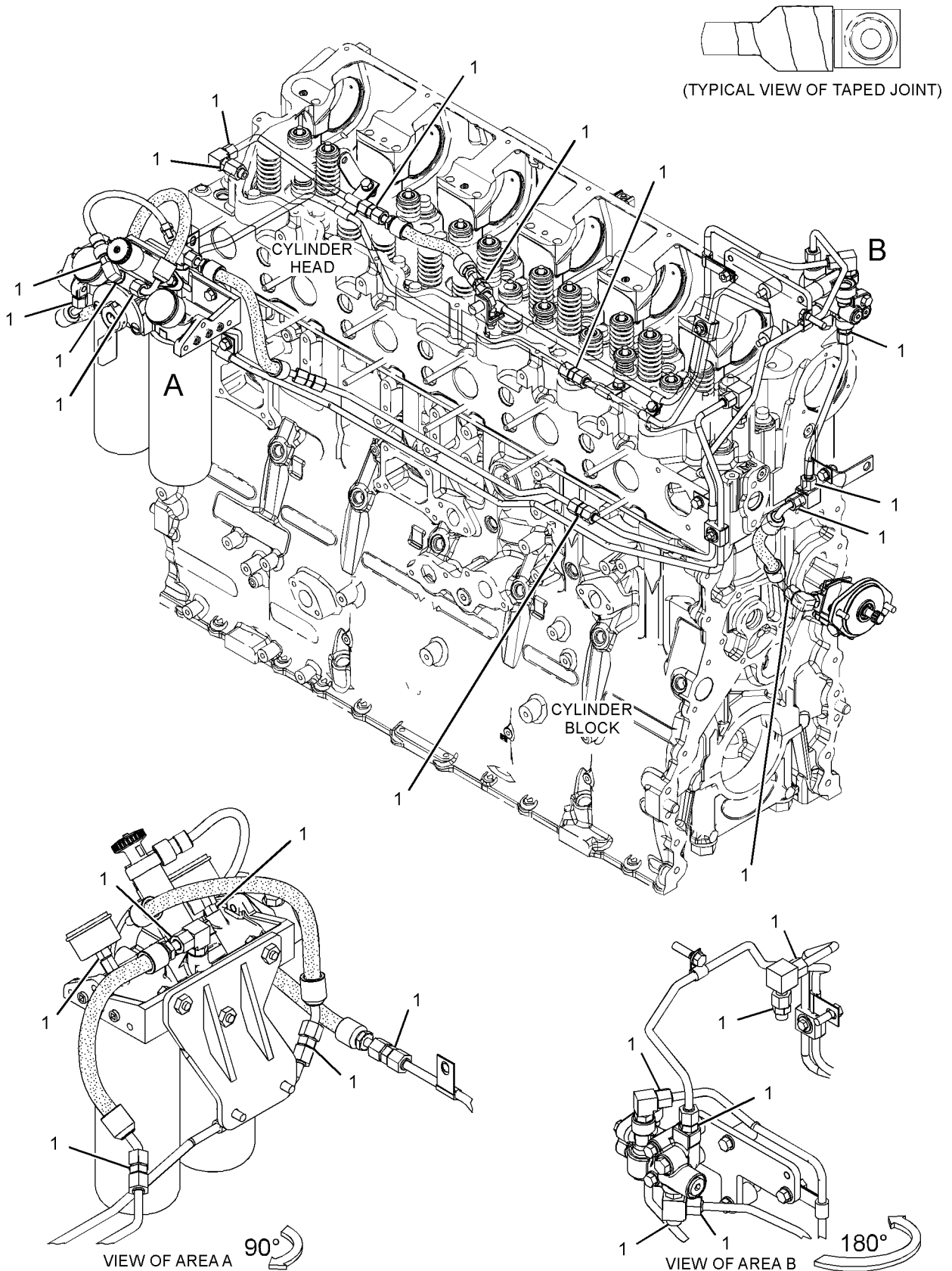
i03879000

NOTE	REF NO	GRAPHIC REF	PART NUMBER	QTY	PART NAME						SEE PAGE
					1	2	3	4	5	6 (PRODUCT LEVEL)	
	1	1	237-3860		TAPE (ANTI-SPLASH, 50-MM WIDE) (380-CM)						

FUEL SYSTEM

347-0692 SHIELD GP-FUEL LINES (contd.)

i03879000



GRAPHIC #1

<END>

g02161015

FUEL SYSTEM

349-2454 SHIELD GP-FUEL LINES

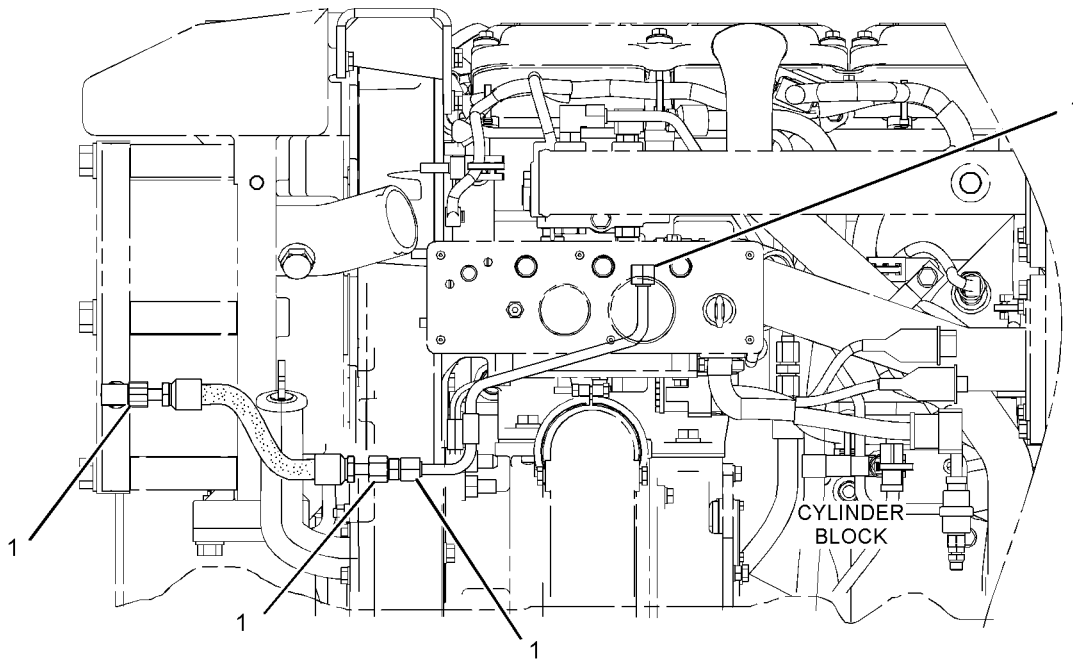
HEX FUEL COOL LINE
AN ATTACHMENT

SMCS-1067, 1252

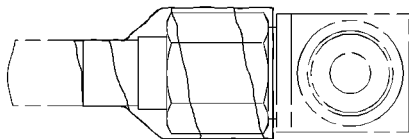
i03904862

NOTE	REF NO	GRAPHIC REF	PART NUMBER	QTY	PART NAME						SEE PAGE
					1	2	3	4	5	6 (PRODUCT LEVEL)	
B	1	1	237-3860		TAPE (ANTI-SPLASH, 50-MM WIDE)						

B-USE AS REQUIRED



LEFT SIDE VIEW OF ENGINE



TYPICAL VIEW OF TAPED JOINT

GRAPHIC #1

<END>

g01970974

FUEL SYSTEM

349-2455 SHIELD GP-FUEL LINES

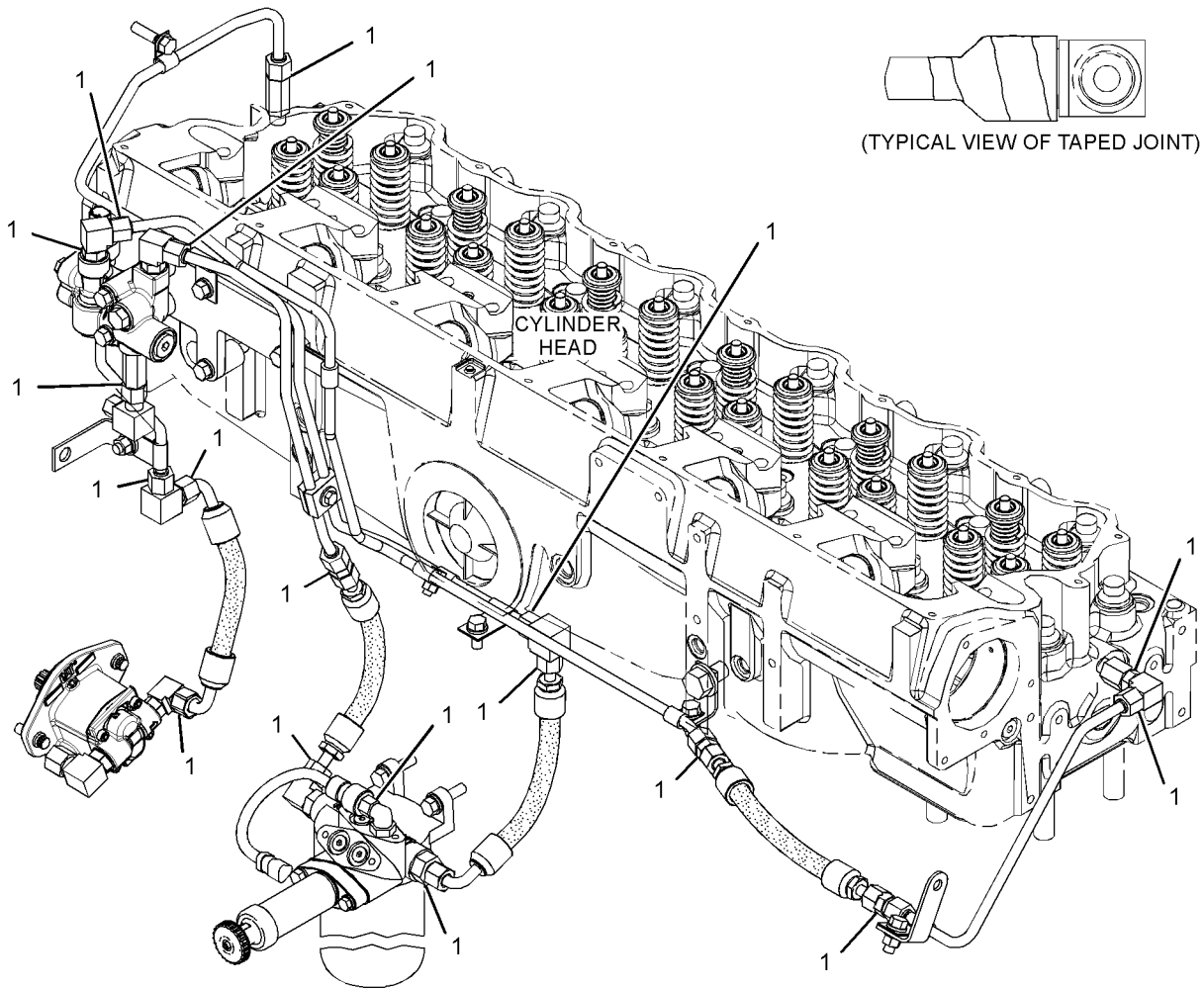
FOR USE WITH COMMERCIAL GENSET PACKAGES
AN ATTACHMENT

SMCS-1067, 1252

i03904872

NOTE	REF NO	GRAPHIC REF	PART NUMBER	QTY	PART NAME						SEE PAGE
					1	2	3	4	5	6 (PRODUCT LEVEL)	
E	1	1	237-3860		TAPE (ANTI-SPLASH, 50-MM WIDE) (235-CM)						

E-ORDER BY THE CENTIMETER



GRAPHIC #1

<END>

g02149307

FUEL SYSTEM

233-6742 VALVE GP-CHECK-FUEL

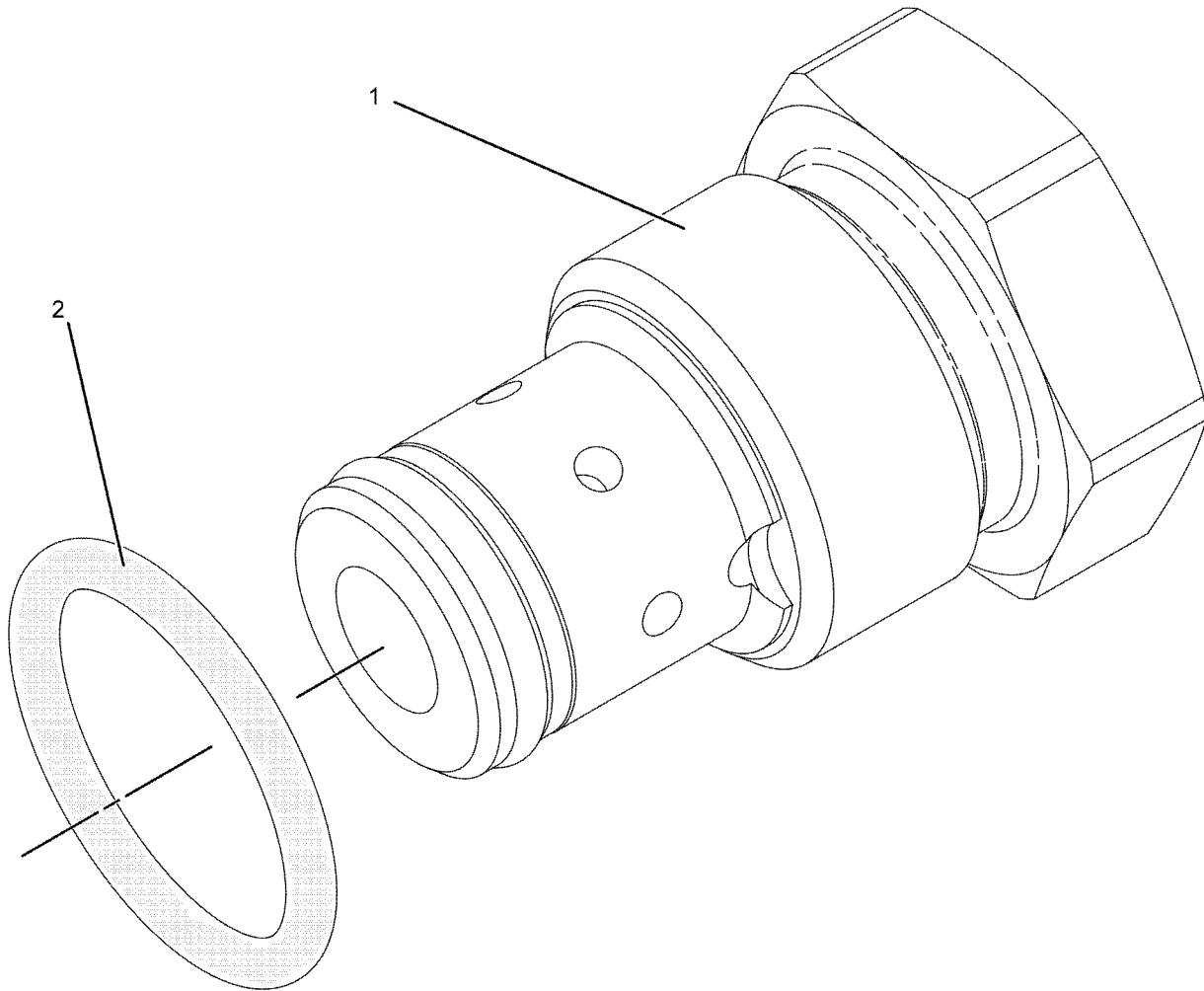
PART OF 199-3154, 202-2048, 202-2049, 202-2050, 239-2339, 239-9351,
293-3050, 293-3051, 296-4370, 296-4371, 320-9815, 320-9816, 323-6475,
323-6480 LINES GP-FUEL
AN ATTACHMENT

SMCS-1262

i03808154

NOTE	REF NO	GRAPHIC REF	PART NUMBER	QTY	PART NAME						SEE PAGE
					1	2	3	4	5	6 (PRODUCT LEVEL)	
CY	1	1	281-2725	1	VALVE GP-CHECK (FUEL)						671
	2	1	238-5081	1	SEAL-O-RING						

C-CHANGE FROM PREVIOUS TYPE
Y-SEPARATE ILLUSTRATION



GRAPHIC #1

<END>

g01031823

FUEL SYSTEM

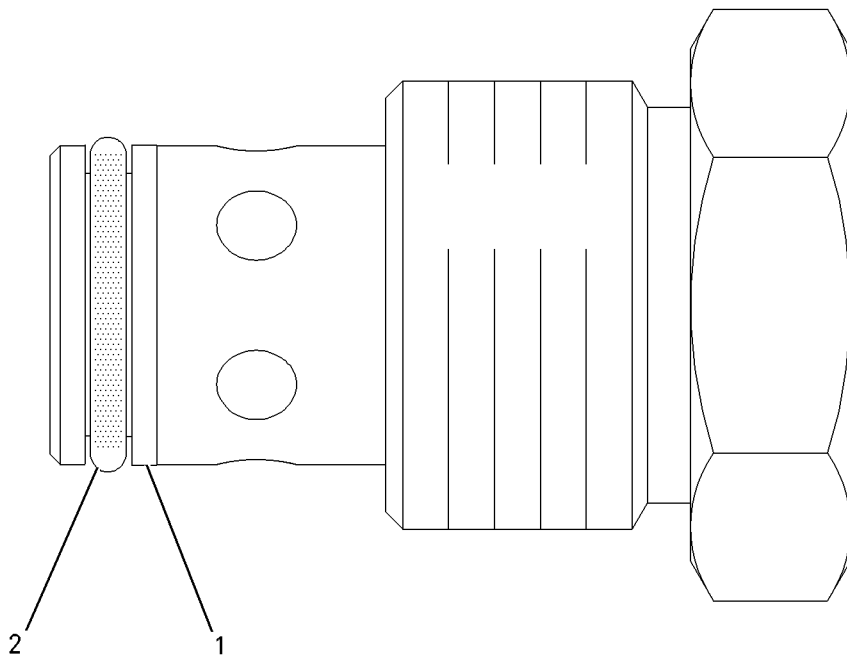
281-2725 VALVE GP-CHECK-FUEL

PART OF 233-6742 VALVE GP-CHECK
AN ATTACHMENT

SMCS-1262

i02444582

NOTE	REF NO	GRAPHIC REF	PART NUMBER	QTY	PART NAME						SEE PAGE
					1	2	3	4	5	6 (PRODUCT LEVEL)	
	1	1	6V-6923	1	RING-BACKUP						
	2	1	033-6033	1	SEAL-O-RING						



GRAPHIC #1

<END>

g00864141

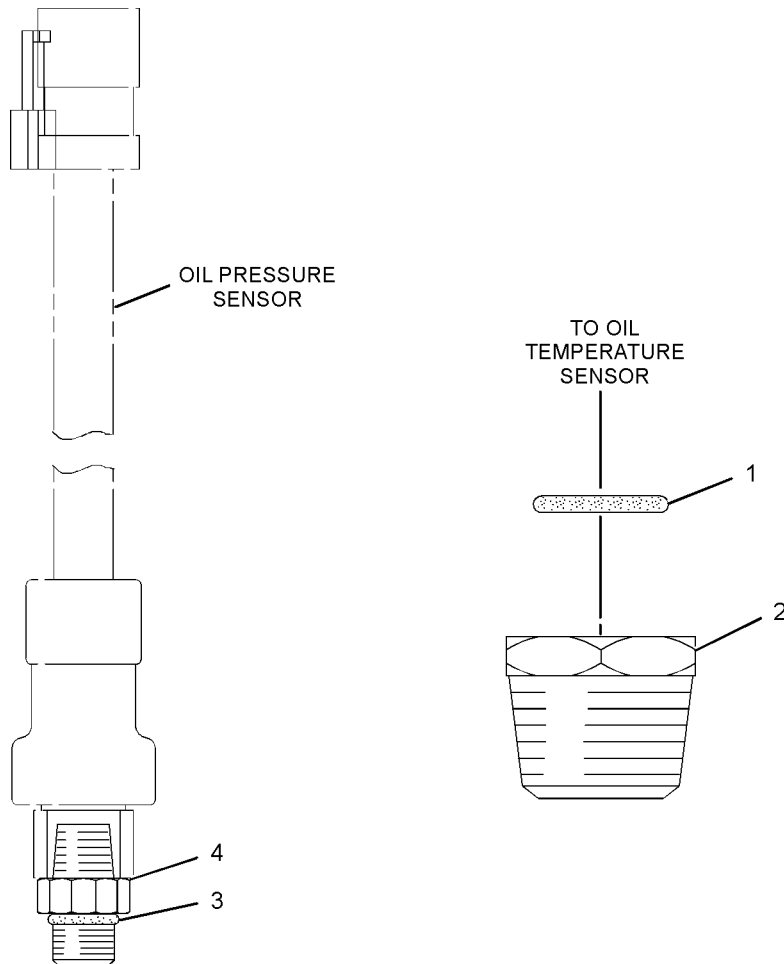
ELECTRICAL AND STARTING SYSTEM

118-9476 ADAPTER GP-SENSOR-TRANSMISSION FOR USE WITH TRANSMISSION TEMPERATURE AND PRESSURE SENSORS AN ATTACHMENT

SMCS - 1900

i03306447

NOTE	REF NO	GRAPHIC REF	PART NUMBER	QTY	PART NAME						SEE PAGE
					1	2	3	4	5	6 (PRODUCT LEVEL)	
	1	1	214-7568	1	SEAL-O-RING						
	2	1	9X-3271	1	ADAPTER (1/2-14-NPTF-THD) (TRANSMISSION OIL TEMPERATURE)						
	3	1	6V-5048	1	SEAL-O-RING						
	4	1	9X-0263	1	ADAPTER (TRANSMISSION OIL PRESSURE)						



GRAPHIC #1

<END>

g01715913

ELECTRICAL AND STARTING SYSTEM

229-2012 ADAPTER GP-SENSOR-TRANSMISSION FOR USE WITH TRANSMISSION TEMPERATURE AND PRESSURE SENSORS AN ATTACHMENT

SMCS - 1900

i02868849

NOTE	PART NUMBER	QTY	PART NAME						SEE PAGE
			1	2	3	4	5	6 (PRODUCT LEVEL)	
J	9X-0263	1	ADAPTER (TRANSMISSION OIL PRESSURE)						
N	112-3231	1	ADAPTER (1/2-14-NPTF-THD) (TRANSMISSION OIL TEMPERATURE)						
J	6V-5048	1	SEAL-O-RING						
N	112-5282	1	SEAL-O-RING						

J-PARTS MARKED J ARE USED TOGETHER
N-PARTS MARKED N ARE USED TOGETHER

<END>

ELECTRICAL AND STARTING SYSTEM

4N-3986 ALTERNATOR GP-CHARGING*R

24-VOLT, 60-AMPERE

FIELD REPLACEMENT ORDER 331-5717-PAGE 682, 333-1184-PAGE 684
AN ATTACHMENT

SMCS-1405

i02858057

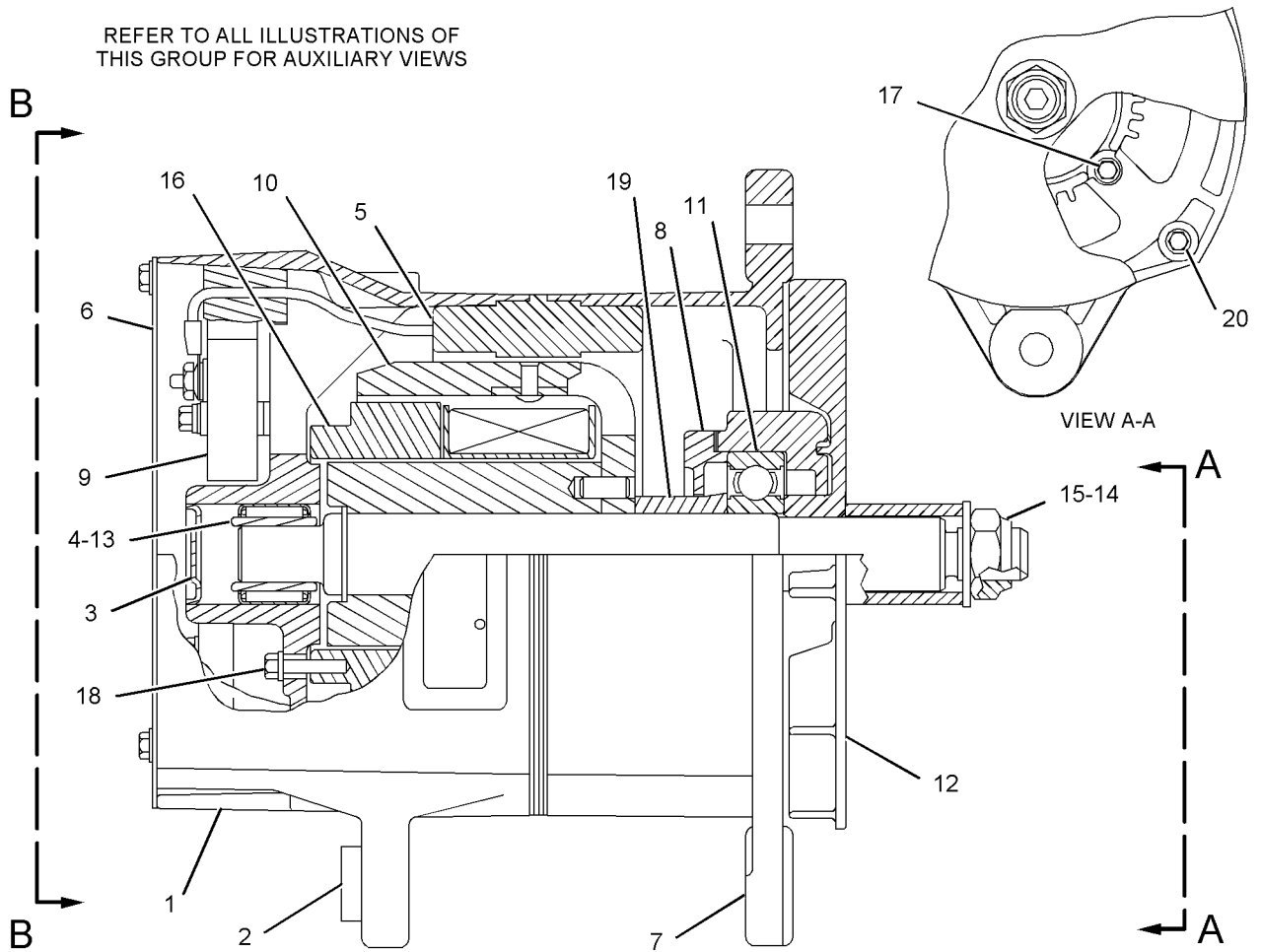
NOTE	REF NO	GRAPHIC REF	PART NUMBER	QTY	PART NAME						SEE PAGE
					1	2	3	4	5	6 (PRODUCT LEVEL)	
	1	1	6N-1876	1	HOUSING AS (RECTIFIER)						
	2	1	9S-2396	1	BUSHING-TERMINAL						
	3	1	9N-0943	1	PLUG-BEARING WELL						
	4	1	5P-3418	1	BEARING-ROLLER						
	5	1	6N-1968	1	STATOR AS						
		1	2L-8075	3	TERMINAL-RING (14-GA TO 16-GA, NO. 8 SCREW)						
		1	9N-0939	1	GROMMET						
	6	1	9N-0942	1	PLATE-COVER						
	7	1	2P-5616	1	FRAME-DRIVE END						
	8	1	9S-2390	1	RETAINER						
	9	1	9N-0937	1	RECTIFIER AS						
	10	1	9S-2302	1	ROTOR AS						
	11	1	5P-7807	1	BALL BEARING						
	12	1	100-6531	1	FAN-ALTERNATOR (11-BLADE)						
	13	1	5P-3419	1	RACE-BEARING INNER						
	14	1	7F-7621	1	WASHER (0.635X1.25X0.09-IN THK)						
	15	1	2K-4821	1	LOCKNUT (5/8-18-THD)						
	16	1	6N-1945	1	COIL AS-FIELD						
	17	1	9X-2500	4	SCREW-HEX FLANGE (10-24X38.1-MM)						
	18	1	9N-3388	5	BOLT (10-24X0.75-IN)						
	19	1	100-6532	1	COLLAR-ALTERNATOR						
	20	1	9S-2009	4	BOLT-FLANGE HEAD (10-24X3.625-IN)						
	21	2	6N-1944	1	DIODE AS						
	22	2	6N-1870	2	SCREW AS (8-32X34-MM)						
	23	2	8T-0328	2	WASHER-HARD (5.5X10X1-MM THK)						
	24	2	9S-2544	7	SCREW-HEX HEAD (8-32X11.13-MM)						
	25	2	9B-7233	11	LOCKWASHER						
	26	2	4B-2043	4	NUT (8-32-THD)						
	27	2	6V-8187	2	NUT (1/4-28-THD)						
	28	2	1H-3244	2	LOCKWASHER						
	29	2	6N-1925	1	BRACKET						
	30	2	6N-1946	1	CAPACITOR AS						
	31	2	6N-1872	3	SCREW AS (8-32X1.25-IN)						
	32	2	3T-6354	1	REGULATOR AS-VOLTAGE (24-VOLT) (ALTERNATOR)						
	33	2	6N-1873	1	LEAD AS						
	34	2	2L-8075	3	TERMINAL-RING (14-GA TO 16-GA, NO. 8 SCREW)						
	35	2	8T-4205	2	WASHER-HARD (7.2X14.5X2-MM THK)						
	36	2	6N-1871	1	LEAD AS						
	37	2	8M-6701	3	WASHER (0.281X0.5X0.032-IN THK)						
	38	2	6N-1856	4	BUSHING-TERMINAL						
					AVAILABLE REPAIR KIT(S):						
			6N-1875	1	KIT-OUTPUT TERMINAL (ALTERNATOR) (INCLUDES TERMINAL, LEAD ASSEMBLY, BUSHING, WASHERS, NUTS AND LOCKWASHERS)						
			105-3762	1	KIT-ALTERNATOR TERMINAL (INCLUDES TERMINAL ASSEMBLY, INSULATOR, BUSHING, WASHER, NUTS AND LOCKWASHERS)						

ELECTRICAL AND STARTING SYSTEM

4N-3986 ALTERNATOR GP-CHARGING (contd.)

i02858057

REFER TO ALL ILLUSTRATIONS OF THIS GROUP FOR AUXILIARY VIEWS



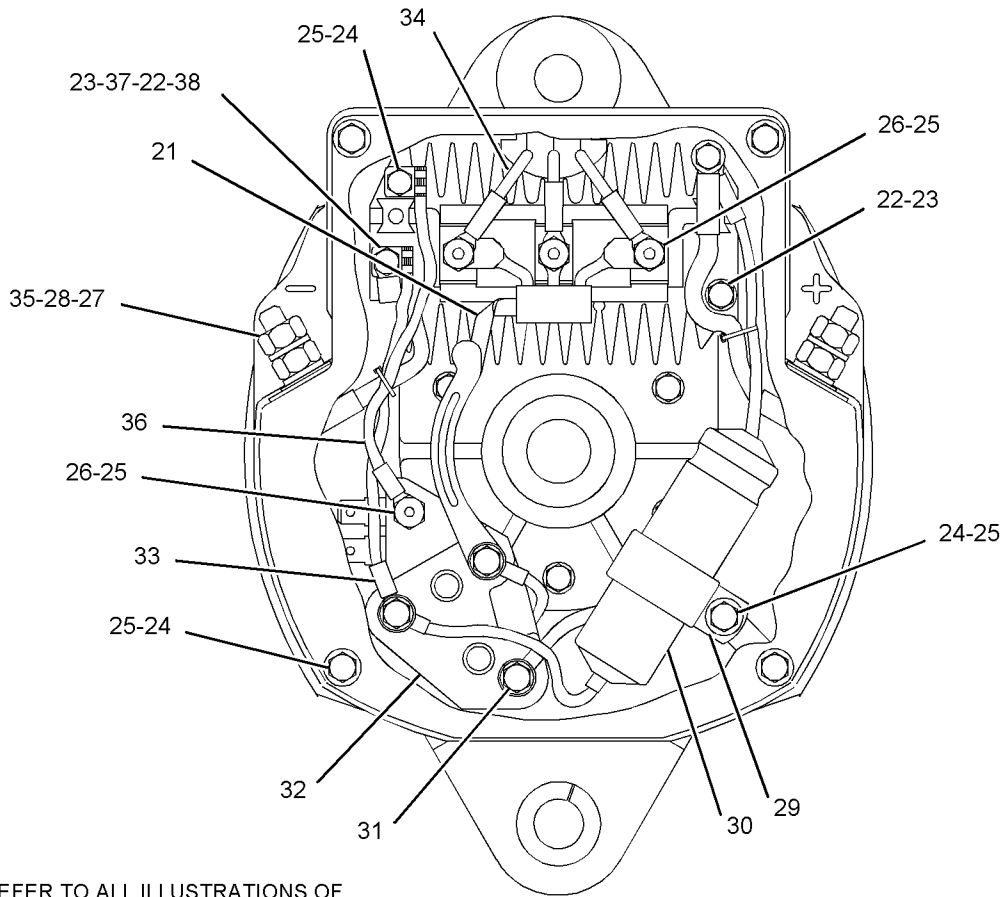
GRAPHIC #1

g01100218

ELECTRICAL AND STARTING SYSTEM

4N-3986 ALTERNATOR GP-CHARGING (contd.)

i02858057



REFER TO ALL ILLUSTRATIONS OF THIS GROUP FOR AUXILIARY VIEWS

VIEW B-B

<END>

GRAPHIC #2

g01117023

ELECTRICAL AND STARTING SYSTEM

4N-3986 ALTERNATOR GP-CHARGING*R

S/N: J2K1-UP; T2P331-UP

24-VOLT, 60-AMPERE

FIELD REPLACEMENT ORDER 331-5717-PAGE 682, 333-1184-PAGE 684

AN ATTACHMENT

SMCS-1405

i03507497

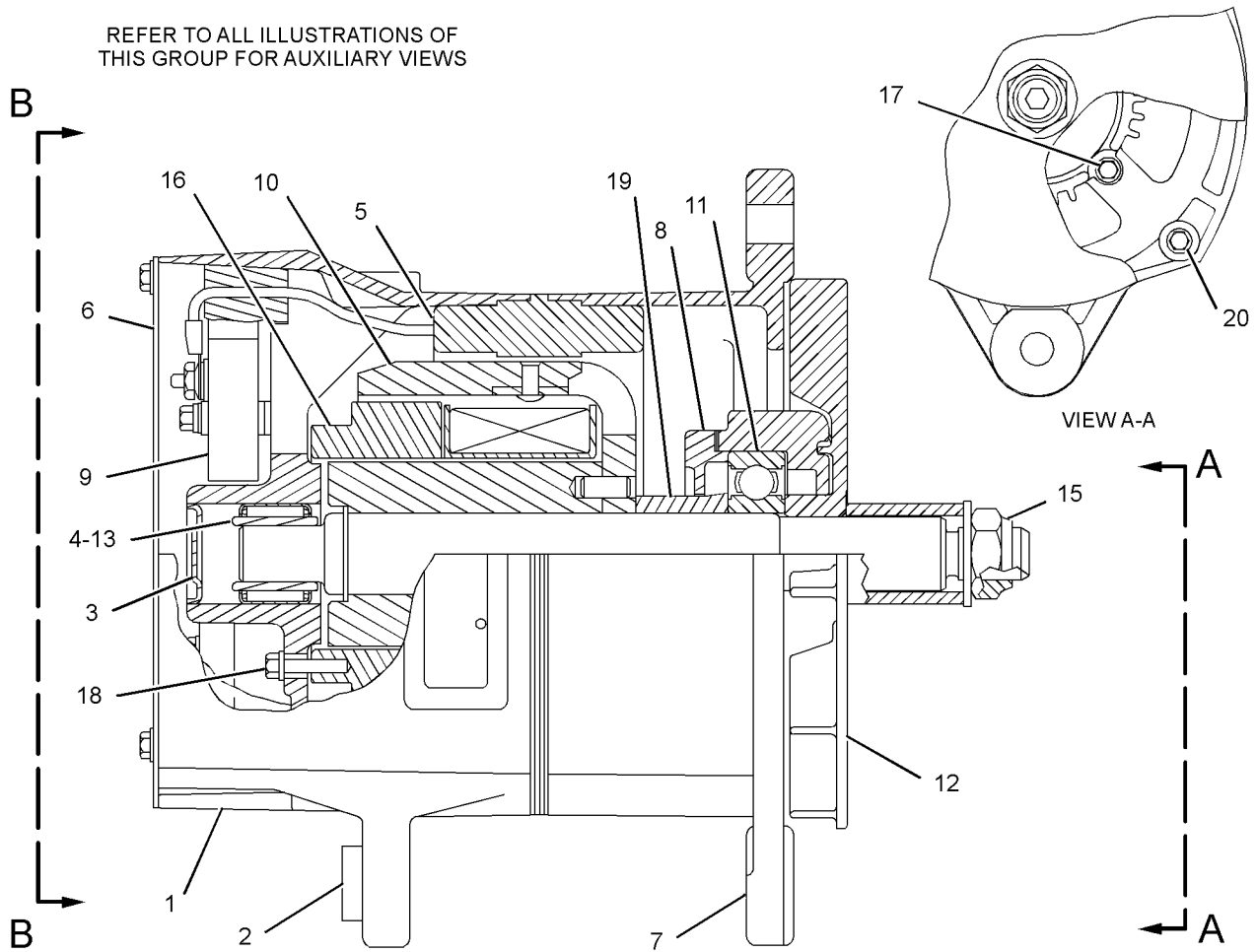
NOTE	REF NO	GRAPHIC REF	PART NUMBER	QTY	PART NAME						SEE PAGE
					1	2	3	4	5	6 (PRODUCT LEVEL)	
	1	1	6N-1876	1	HOUSING AS (RECTIFIER)						
	2	1	9S-2396	1	BUSHING-TERMINAL						
	3	1	9N-0943	1	PLUG-BEARING WELL						
	4	1	5P-3418	1	BEARING-ROLLER						
	5	1	6N-1968	1	STATOR AS						
		1	2L-8075	3	TERMINAL-RING (14-GA TO 16-GA, NO. 8 SCREW)						
		1	9N-0939	1	GROMMET						
	6	1	9N-0942	1	PLATE-COVER						
	7	1	2P-5616	1	FRAME-DRIVE END						
	8	1	9S-2390	1	RETAINER						
	9	1	9N-0937	1	RECTIFIER AS						
	10	1	9S-2302	1	ROTOR AS						
	11	1	5P-7807	1	BALL BEARING						
	12	1	100-6531	1	FAN-ALTERNATOR (11-BLADE)						
	13	1	5P-3419	1	RACE-BEARING INNER						
	15	1	2K-4821	1	LOCKNUT (5/8-18-THD)						
	16	1	6N-1945	1	COIL AS-FIELD						
	17	1	9X-2500	4	SCREW-HEX FLANGE (10-24X38.1-MM)						
	18	1	9N-3388	5	BOLT (10-24X0.75-IN)						
	19	1	100-6532	1	COLLAR-ALTERNATOR						
	20	1	9S-2009	4	BOLT-FLANGE HEAD (10-24X3.625-IN)						
	21	2	6N-1944	1	DIODE AS						
	22	2	6N-1870	2	SCREW AS (8-32X34-MM)						
	23	2	8T-0328	2	WASHER-HARD (5.5X10X1-MM THK)						
	24	2	9S-2544	7	SCREW-HEX HEAD (8-32X11.13-MM)						
	25	2	9B-7233	11	LOCKWASHER						
	26	2	4B-2043	4	NUT (8-32-THD)						
	27	2	6V-8187	2	NUT (1/4-28-THD)						
	28	2	1H-3244	2	LOCKWASHER						
	29	2	6N-1925	1	BRACKET						
	30	2	6N-1946	1	CAPACITOR AS						
	31	2	6N-1872	3	SCREW AS (8-32X1.25-IN)						
	32	2	3T-6354	1	REGULATOR AS-VOLTAGE (24-VOLT) (ALTERNATOR)						
	33	2	6N-1873	1	LEAD AS						
	34	2	2L-8075	3	TERMINAL-RING (14-GA TO 16-GA, NO. 8 SCREW)						
	35	2	8T-4205	2	WASHER-HARD (7.2X14.5X2-MM THK)						
	36	2	6N-1871	1	LEAD AS						
	37	2	8M-6701	3	WASHER (0.281X0.5X0.032-IN THK)						
	38	2	6N-1856	4	BUSHING-TERMINAL						
					AVAILABLE REPAIR KIT(S):						
			6N-1875	1	KIT-OUTPUT TERMINAL (ALTERNATOR) (INCLUDES TERMINAL, LEAD ASSEMBLY, BUSHING, WASHERS, NUTS AND LOCKWASHERS)						
			105-3762	1	KIT-ALTERNATOR TERMINAL (INCLUDES TERMINAL ASSEMBLY, INSULATOR, BUSHING, WASHER, NUTS AND LOCKWASHERS)						

ELECTRICAL AND STARTING SYSTEM

4N-3986 ALTERNATOR GP-CHARGING (contd.)

i03507497

REFER TO ALL ILLUSTRATIONS OF THIS GROUP FOR AUXILIARY VIEWS



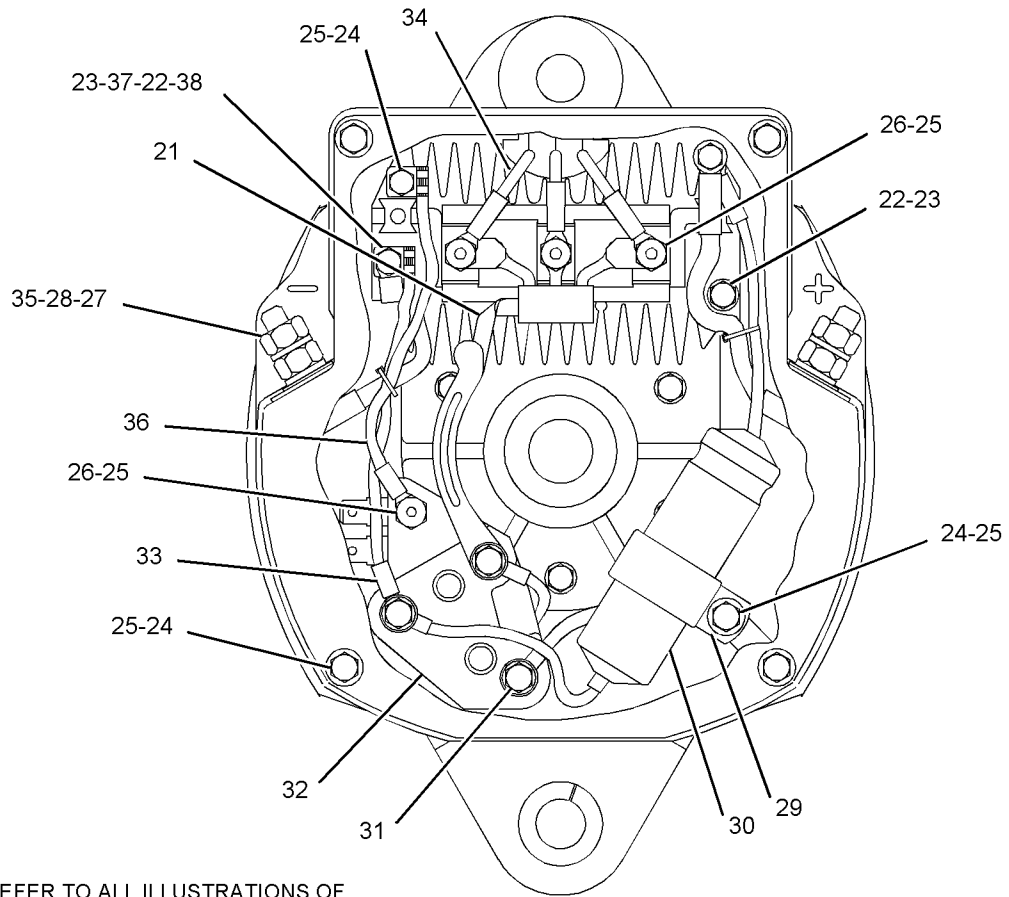
GRAPHIC #1

g01852654

ELECTRICAL AND STARTING SYSTEM

4N-3986 ALTERNATOR GP-CHARGING (contd.)

i03507497



REFER TO ALL ILLUSTRATIONS OF THIS GROUP FOR AUXILIARY VIEWS

VIEW B-B

<END>

GRAPHIC #2

g01117023

ELECTRICAL AND STARTING SYSTEM

266-7224 ALTERNATOR GP-CHARGING*R

12-VOLT, 110-AMPERE
AN ATTACHMENT

SMCS - 1405

i03917885

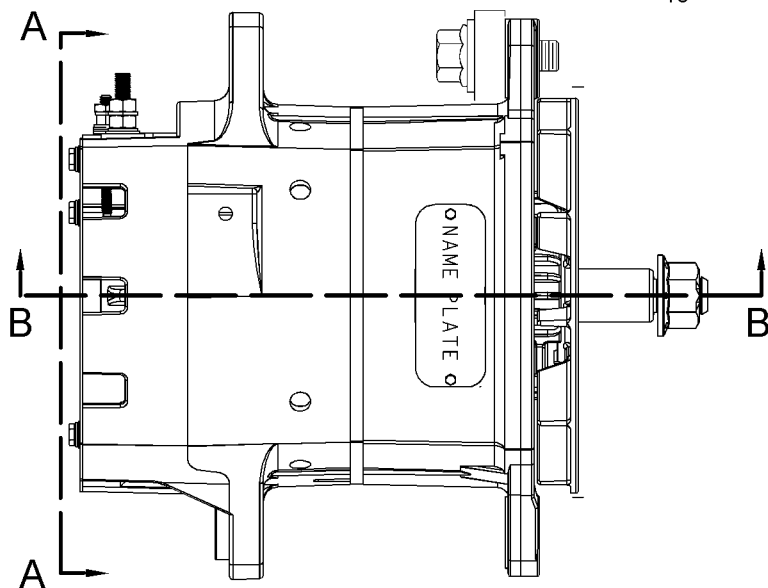
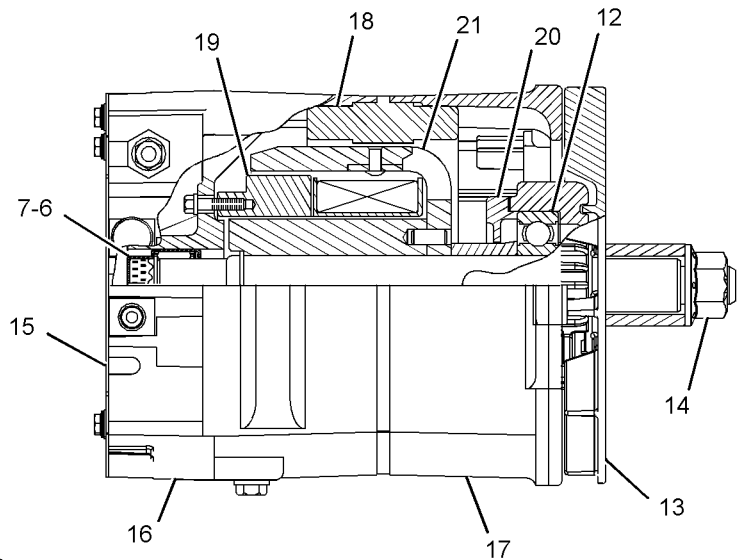
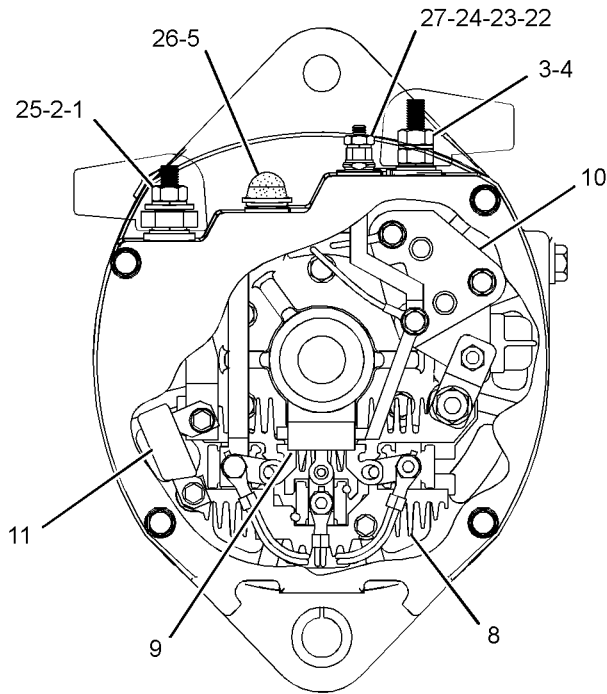
NOTE	REF NO	GRAPHIC REF	PART NUMBER	QTY	PART NAME						SEE PAGE
					1	2	3	4	5	6 (PRODUCT LEVEL)	
	1	1	8T-4205	1	WASHER-HARD (7.2X14.5X2-MM THK)						
	2	1	1H-3244	1	LOCKWASHER						
	3	1	6V-8187	1	NUT (1/4-28-THD)						
	4	1	292-3815	2	KIT-TERMINAL						
	5	1	9L-6770	1	CAP-DUST						
	6	1	5P-3418	1	BEARING-ROLLER						
	7	1	5P-3419	1	RACE-BEARING INNER						
	8	1	231-6130	1	RECTIFIER AS						
	9	1	202-2708	1	DIODE AS						
	10	1	3E-5451	1	REGULATOR AS-VOLTAGE (12-VOLT) (ALTERNATOR)						
	11	1	291-8253	1	CAPACITOR AS						
	12	1	202-9897	1	BEARING-SPECIAL BALL						
	13	1	100-6531	1	FAN-ALTERNATOR (11-BLADE)						
	14	1	187-2034	1	NUT-FLANGE (5/8-18-THD)						
	15	1	291-8274	1	PLATE						
	16	1	291-8271	1	HOUSING AS						
	17	1	202-2700	1	FRAME						
	18	1	291-8254	1	STATOR AS						
	19	1	291-8273	1	COIL AS						
	20	1	9S-2390	1	RETAINER						
	21	1	9S-2302	1	ROTOR AS						
	22	1	4B-2047	1	NUT (10-24-THD)						
	23	1	8T-0328	1	WASHER-HARD (5.5X10X1-MM THK)						
	24	1	8F-1434	1	LOCKWASHER						
	25	1	202-2784	1	KIT-ALTERNATOR TERMINAL (OUTPUT) (INCLUDES NUT, LOCKWASHERS, WASHERS, INSULATORS, SCREW, CONNECTORS, AND ADAPTER)						
	26	1	202-2785	1	KIT-ALTERNATOR TERMINAL (RELAY) (INCLUDES STUD, BUSHINGS, WASHERS, CONNECTOR, AND NUT)						
	27	1	202-2786	1	KIT-ALTERNATOR TERMINAL (INDICATOR LIGHT) (INCLUDES NUTS, LOCKWASHER, BUSHINGS, WASHERS, CONNECTOR, AND STUD)						
F			202-2787	1	KIT-HARDWARE (ALTERNATOR) (INCLUDES SCREWS, NUTS, PLUG, LOCKWASHER, CONNECTOR, BOLTS, COLLAR, AND BOOT)						

F - NOT SHOWN

ELECTRICAL AND STARTING SYSTEM

266-7224 ALTERNATOR GP-CHARGING (contd.)

i03917885



GRAPHIC #1

<END>

g01352778

ELECTRICAL AND STARTING SYSTEM

331-5717 ALTERNATOR GP-CHARGING

24-VOLT, 105-AMPERE

FIELD REPLACEMENT FOR 266-7227 ALTERNATOR GP-CHARGING
AN ATTACHMENT

SMCS-1405

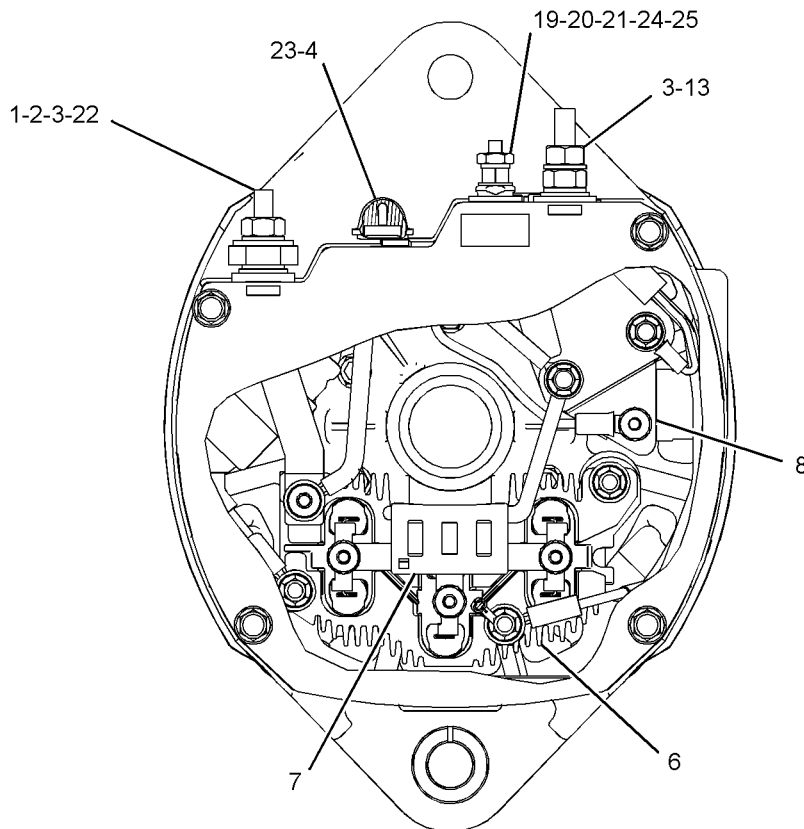
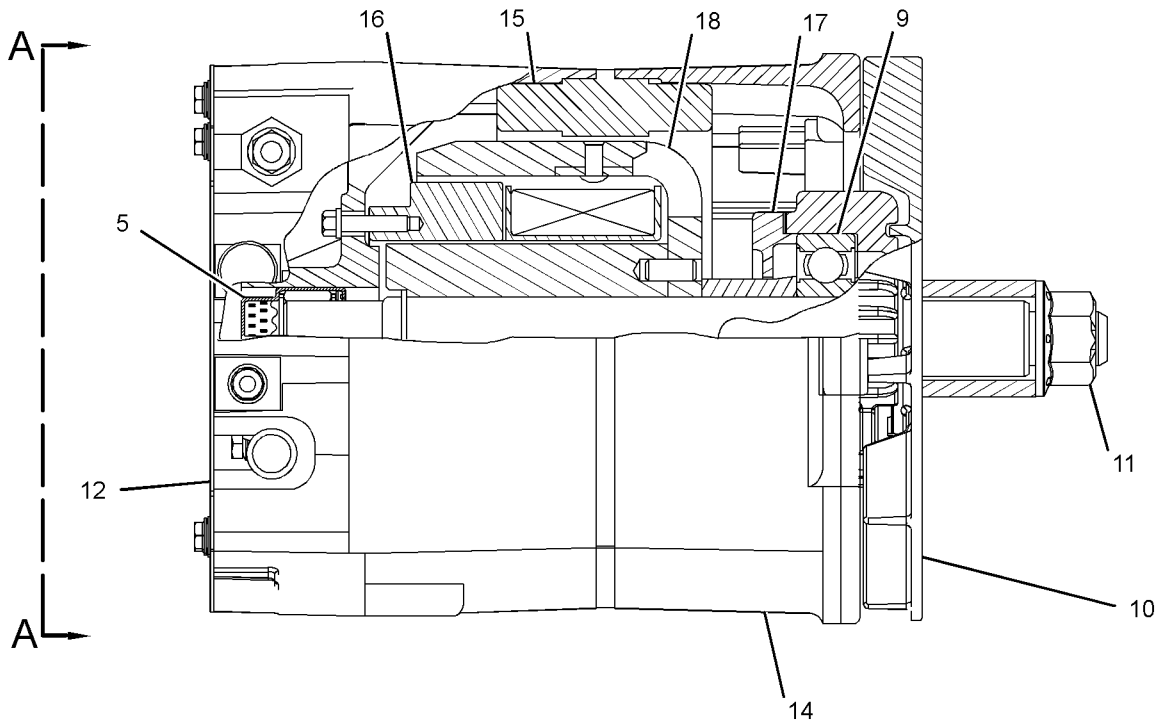
i03883890

NOTE	REF NO	GRAPHIC REF	PART NUMBER	QTY	PART NAME						SEE PAGE
					1	2	3	4	5	6 (PRODUCT LEVEL)	
	1	1	8T-4205	1	WASHER-HARD (7.2X14.5X2-MM THK)						
	2	1	1H-3244	1	LOCKWASHER						
	3	1	6V-8187	2	NUT (1/4-28-THD)						
	4	1	9L-6770	1	CAP-DUST						
	5	1	231-6133	1	KIT-BEARING (ALTERNATOR)						
		1	5P-3419	1	RACE-BEARING INNER						
		1	229-9407	1	BEARING AS						
	6	1	308-1362	1	RECTIFIER AS						
	7	1	202-2708	1	DIODE AS (ALTERNATOR)						
	8	1	3T-6354	1	REGULATOR AS-VOLTAGE (24-VOLT) (ALTERNATOR)						
	9	1	202-9897	1	BEARING-SPECIAL BALL						
	10	1	100-6531	1	FAN-ALTERNATOR (11-BLADE)						
	11	1	187-2034	1	NUT-FLANGE (5/8-18-THD)						
	12	1	202-2783	1	PLATE						
	13	1	292-3815	1	KIT-TERMINAL						
	14	1	202-2700	1	FRAME (ALTERNATOR)						
	15	1	308-1365	1	STATOR AS (ALTERNATOR)						
	16	1	308-1366	1	COIL AS (ALTERNATOR)						
	17	1	9S-2390	1	RETAINER						
	18	1	299-1761	1	ROTOR AS						
	19	1	4B-2047	1	NUT (10-24-THD)						
	20	1	8T-0328	1	WASHER-HARD (5.5X10X1-MM THK)						
	21	1	8F-1434	1	LOCKWASHER						
	22	1	202-2784	1	KIT-ALTERNATOR TERMINAL (INCLUDES NUT, LOCKWASHERS, WASHERS, INSULATORS, SCREW, CONNECTORS, AND ADAPTER)						
	23	1	202-2785	1	KIT-ALTERNATOR TERMINAL (INCLUDES STUD, BUSHINGS, WASHERS, CONNECTOR, AND NUT)						
	24	1	202-2787	1	KIT-HARDWARE (ALTERNATOR) (INCLUDES NUT AS, SCREW AS, SCREW, PLUG, LOCKWASHER, NUT, CONNECTOR, BOLT, COLLAR AND BOOT)						
	25	1	328-8410	1	KIT-TERMINAL						

ELECTRICAL AND STARTING SYSTEM

331-5717 ALTERNATOR GP-CHARGING (contd.)

i03883890



VIEW A-A

<END>

GRAPHIC #1

g02141298

ELECTRICAL AND STARTING SYSTEM

333-1184 ALTERNATOR GP-CHARGING

24-VOLT, 68-AMPERE
AN ATTACHMENT

SMCS-1405

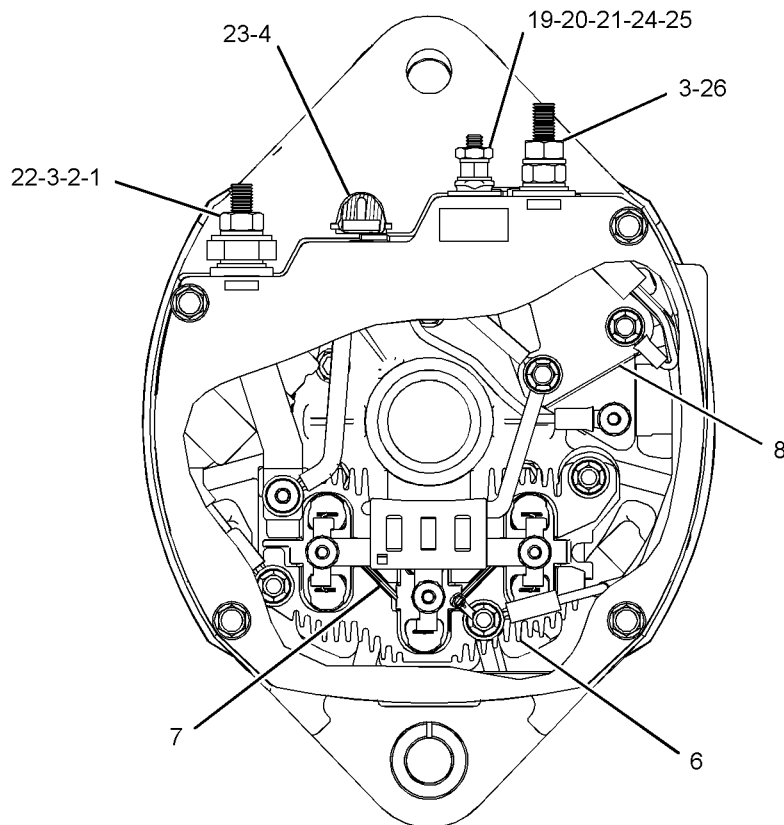
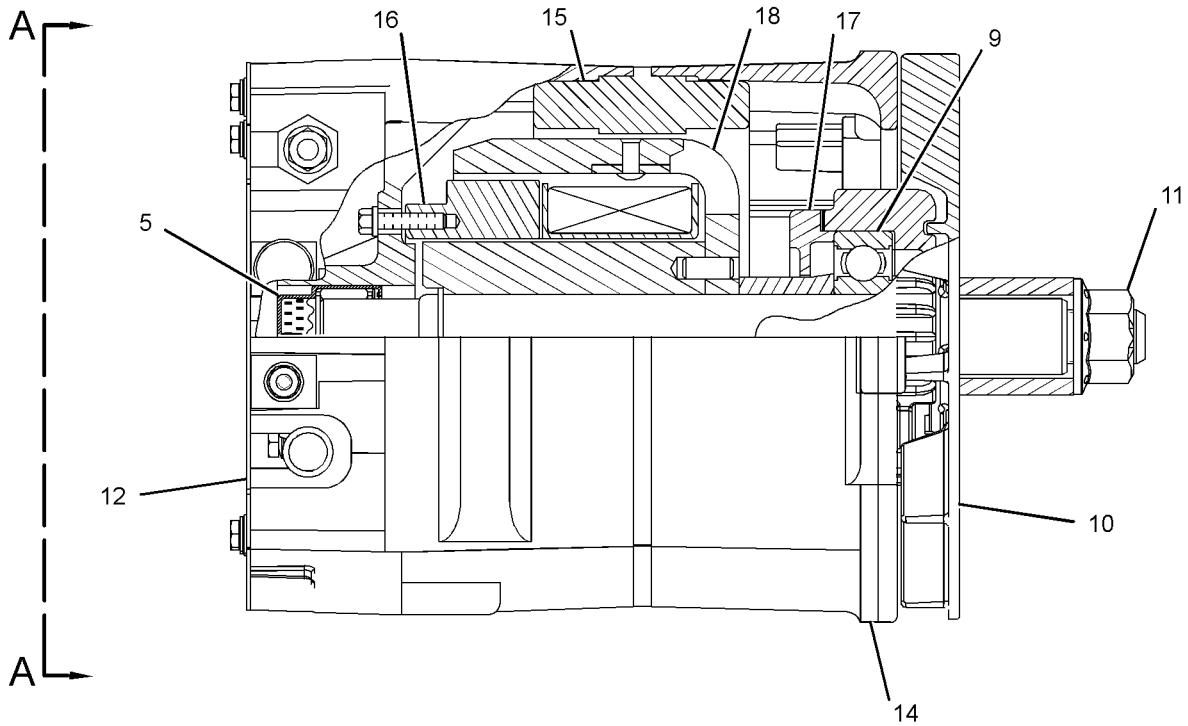
i03862949

NOTE	REF NO	GRAPHIC REF	PART NUMBER	QTY	PART NAME						SEE PAGE
					1	2	3	4	5	6 (PRODUCT LEVEL)	
	1	1	8T-4205	1	WASHER-HARD (7.2X14.5X2-MM THK)						
	2	1	1H-3244	1	LOCKWASHER						
	3	1	6V-8187	2	NUT (1/4-28-THD)						
	4	1	9L-6770	1	CAP-DUST						
	5	1	231-6133	1	KIT-BEARING (INCLUDES BEARING AS & RACE-BEARING INNER)						
	6	1	308-1362	1	RECTIFIER AS						
	7	1	202-2708	1	DIODE AS						
	8	1	3T-6354	1	REGULATOR AS-VOLTAGE (24-VOLT) (ALTERNATOR)						
	9	1	202-9897	1	BEARING-SPECIAL BALL						
	10	1	100-6531	1	FAN-ALTERNATOR (11-BLADE)						
	11	1	187-2034	1	NUT-FLANGE (5/8-18-THD)						
	12	1	202-2783	1	PLATE						
	14	1	202-2700	1	FRAME						
	15	1	308-1365	1	STATOR AS						
	16	1	308-1366	1	COIL AS						
	17	1	9S-2390	1	RETAINER						
	18	1	299-1761	1	ROTOR AS						
	19	1	4B-2047	1	NUT (10-24-THD)						
	20	1	8T-0328	1	WASHER-HARD (5.5X10X1-MM THK)						
	21	1	8F-1434	1	LOCKWASHER						
	22	1	202-2784	1	KIT-ALTERNATOR TERMINAL (INCLUDES NUT, LOCKWASHERS, WASHERS, INSULATORS, SCREW, CONNECTORS, AND ADAPTER)						
	23	1	202-2785	1	KIT-ALTERNATOR TERMINAL (INCLUDES STUD, BUSHINGS, WASHERS, CONNECTOR, AND NUT)						
	24	1	202-2787	1	KIT-HARDWARE (INCLUDES NUT AS, SCREW AS, SCREW, PLUG, LOCKWASHER, NUT, CONNECTOR, BOLT, COLLAR & BOOT)						
	25	1	328-8410	1	KIT-TERMINAL						
	26	1	292-3815	1	KIT-TERMINAL						

ELECTRICAL AND STARTING SYSTEM

333-1184 ALTERNATOR GP-CHARGING (contd.)

i03862949



VIEW A-A

<END>

GRAPHIC #1

g02109864

ELECTRICAL AND STARTING SYSTEM

226-0413 BAND-PROPELLER SHAFT SPEED PICKUP FOR USE WITH MULTI-STATION CONTROL SYSTEM AN ATTACHMENT

SMCS-3175

i01963532

NOTE	PART NUMBER	QTY	PART NAME						SEE PAGE
			1	2	3	4	5	6 (PRODUCT LEVEL)	
			(NO SERVICED PARTS)						
			<END>						

ELECTRICAL AND STARTING SYSTEM

7W-0408 BATTERY CHARGER

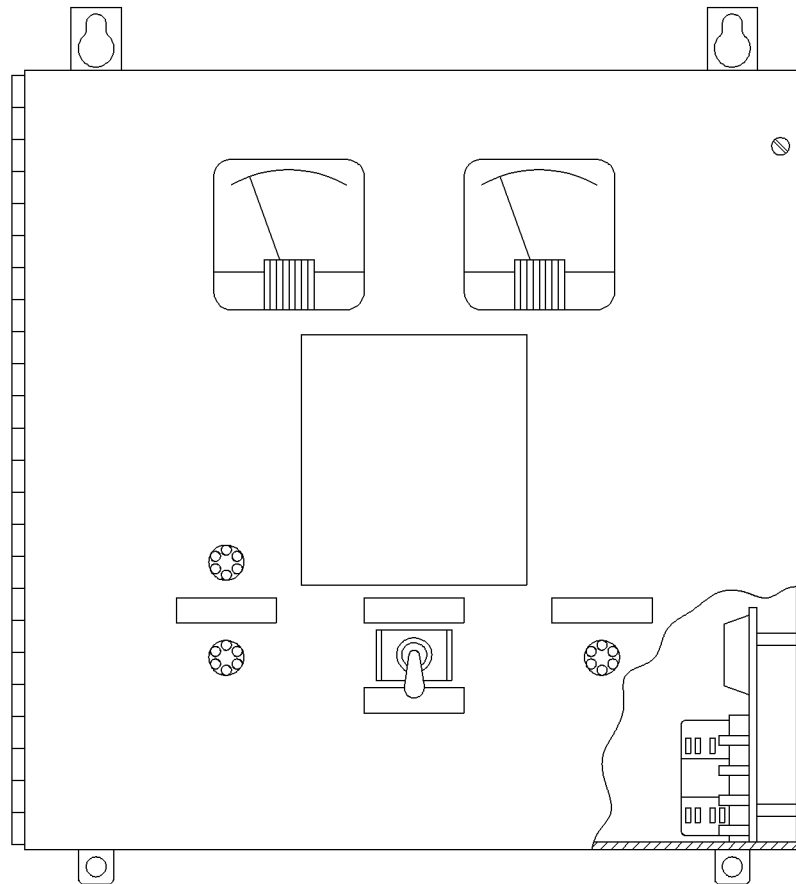
24-VOLT

FOR USE WITH LEAD ACID OR NICAD BATTERY
AN ATTACHMENT

SMCS-1401, 1406

i01505530

NOTE	REF NO	GRAPHIC REF	PART NUMBER	QTY	PART NAME	SEE PAGE
					1 2 3 4 5 6 (PRODUCT LEVEL)	
(NO SERVICED PARTS)						



GRAPHIC #1

<END>

g00746505

ELECTRICAL AND STARTING SYSTEM

7L-7871 BATTERY GP

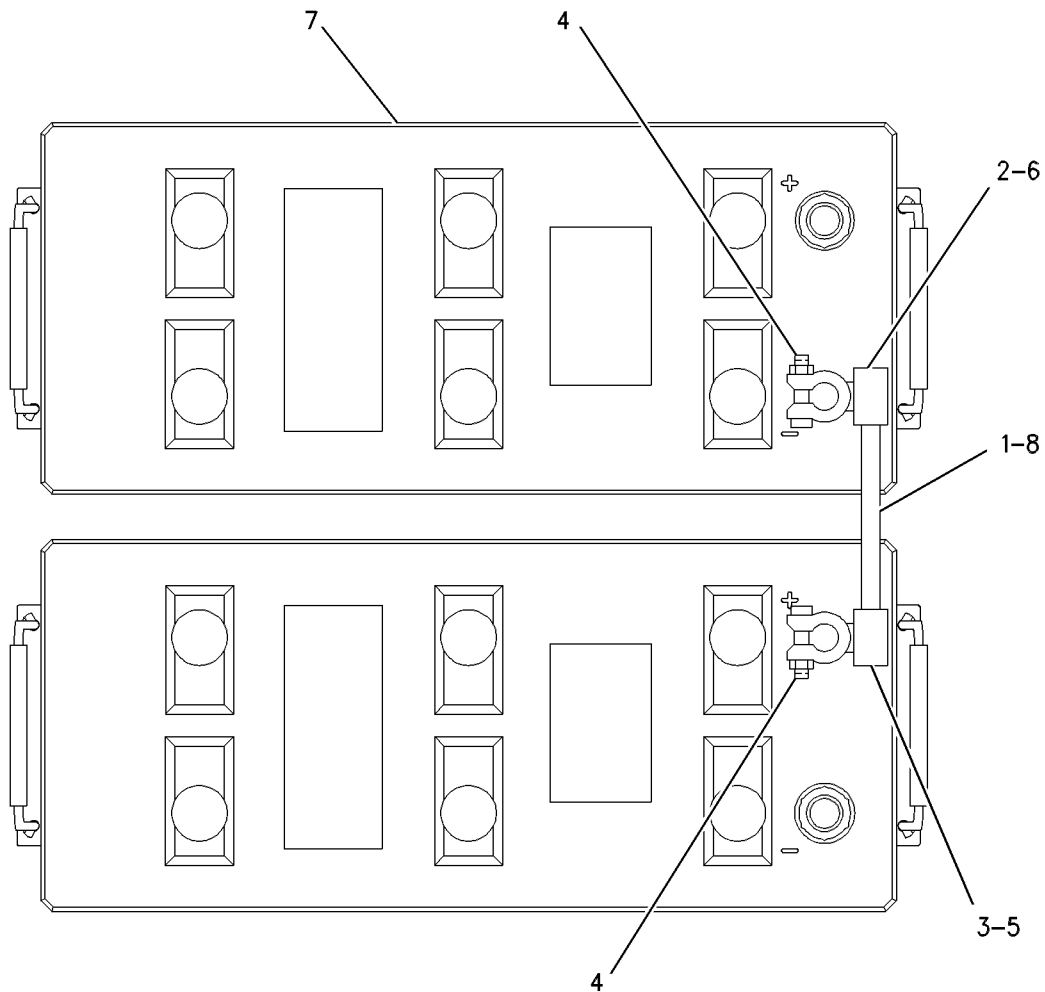
24-VOLT, 1000-COLD CRANKING AMPERE, 140-AMPERE HOUR
AN ATTACHMENT

SMCS-1401

i03640568

NOTE	REF NO	GRAPHIC REF	PART NUMBER	QTY	PART NAME						SEE PAGE
					1	2	3	4	5	6 (PRODUCT LEVEL)	
	1	1	2V-7397	1	CABLE AS						
E		1	5P-0747		CABLE (00-GA, BLACK) (20-CM)						
	2	1	8T-9757	1	TERMINAL AS-BATTERY (NEGATIVE)						
	3	1	8C-5917	1	TERMINAL AS-BATTERY (POSITIVE)						
	4	1	1M-6119	2	BOLT (5/16-18X1.375-IN)						
		1	1M-6120	2	NUT (5/16-18-THD)						
	5	1	9G-0004	1	COVER AS-TERMINAL (RED)						
	6	1	9G-0003	1	COVER AS-TERMINAL (BLACK)						
C	7	1	9X-9720	2	BATTERY (12-VOLT) (DRY) (EACH INCLUDES)						
		1	7N-0060	6	VENT AS (BATTERY)						
	8	1	8L-8413	2	STRAP-CABLE						

C-CHANGE FROM PREVIOUS TYPE
E-ORDER BY THE CENTIMETER



GRAPHIC #1

<END>

g00621897

ELECTRICAL AND STARTING SYSTEM

7L-7872 BATTERY GP

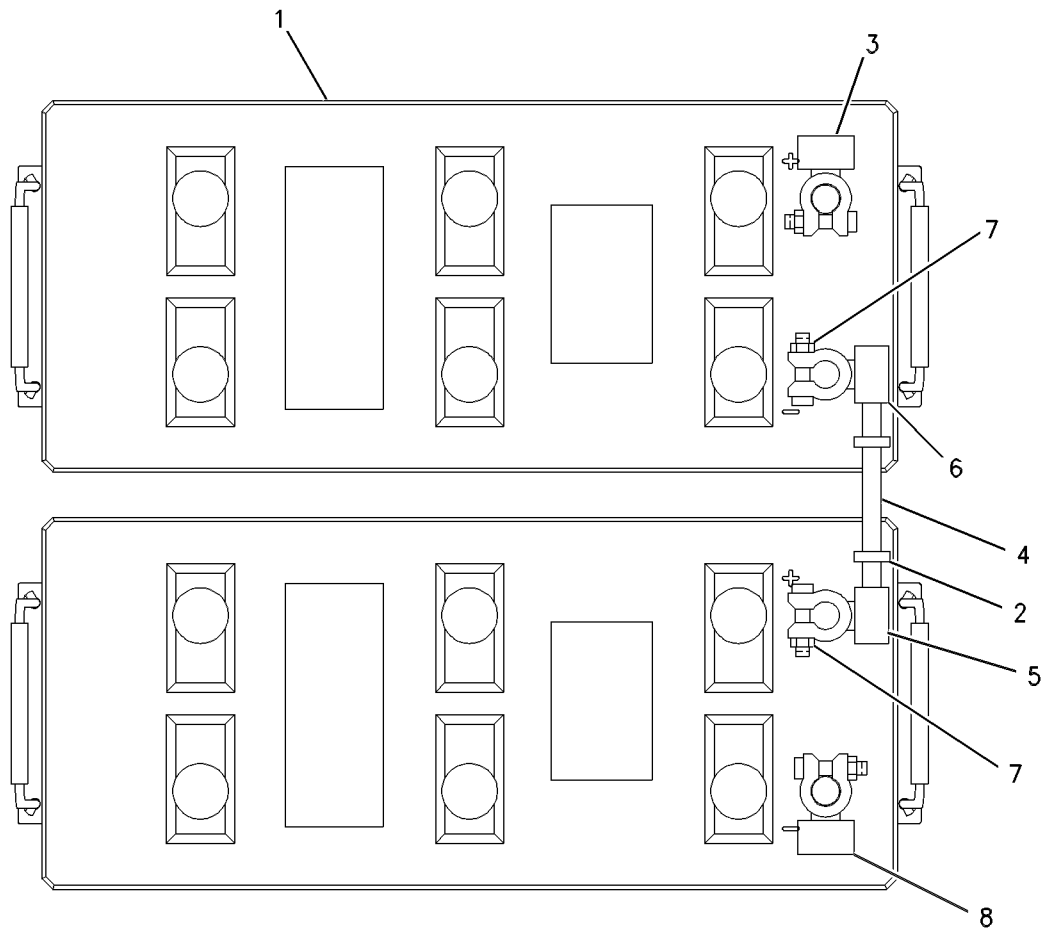
24-VOLT, 1300-COLD CRANKING AMPERE, 190-AMPERE HOUR
AN ATTACHMENT

SMCS-1401

i03760525

NOTE	REF NO	GRAPHIC REF	PART NUMBER	QTY	PART NAME						SEE PAGE
					1	2	3	4	5	6 (PRODUCT LEVEL)	
CY	1	1	9X-9730	2	BATTERY GP (12-VOLT) (DRY)						690
C	2	1	8L-8413	2	STRAP-CABLE						
C	3	1	9G-0004	1	COVER AS-TERMINAL (RED)						
C	4	1	2V-7397	1	CABLE AS						
E		1	5P-0747		CABLE (00-GA, BLACK) (20-CM)						
		1	1M-6120	2	NUT (5/16-18-THD)						
	5	1	8C-5917	1	TERMINAL AS-BATTERY (POSITIVE)						
	6	1	8T-9757	1	TERMINAL AS-BATTERY (NEGATIVE)						
	7	1	1M-6119	2	BOLT (5/16-18X1.375-IN)						
C	8	1	9G-0003	1	COVER AS-TERMINAL (BLACK)						

C- CHANGE FROM PREVIOUS TYPE
E- ORDER BY THE CENTIMETER
Y- SEPARATE ILLUSTRATION



GRAPHIC #1

<END>

g00622754

ELECTRICAL AND STARTING SYSTEM

9X-9730 BATTERY GP-DRY

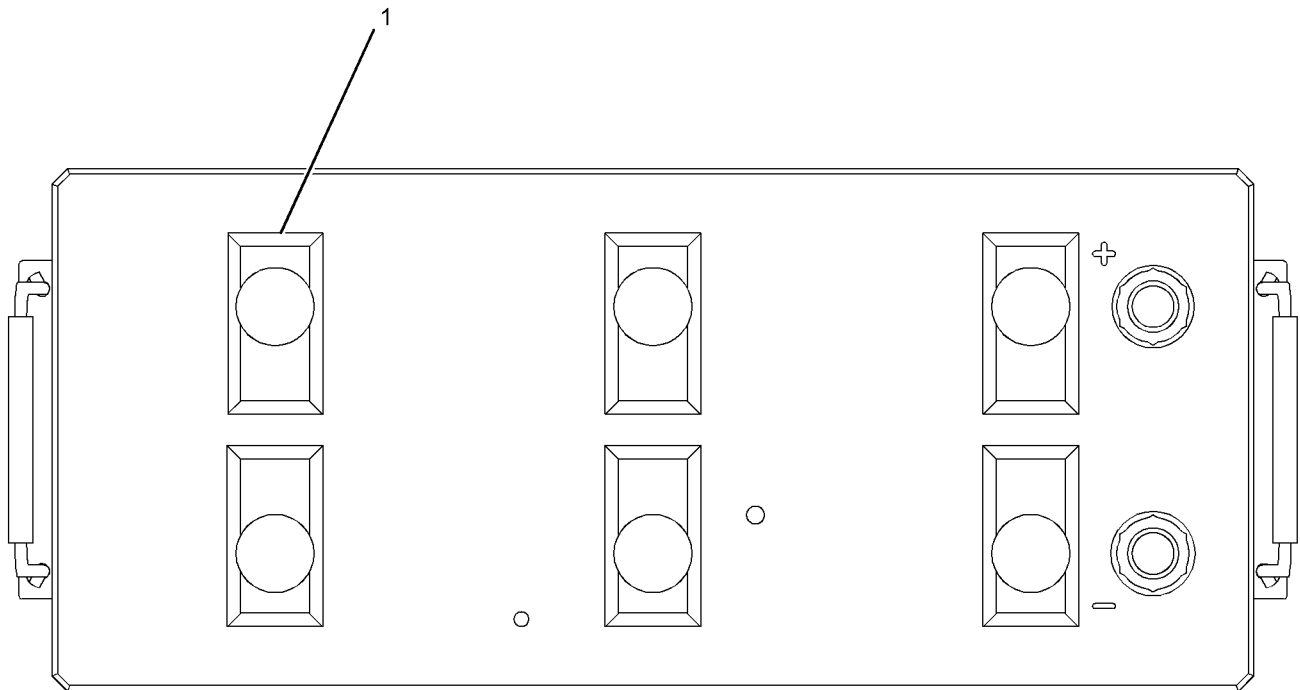
12-VOLT

PART OF 7L-7872 BATTERY GP
AN ATTACHMENT

SMCS-1401

i02482336

NOTE	REF NO	GRAPHIC REF	PART NUMBER	QTY	PART NAME						SEE PAGE
					1	2	3	4	5	6 (PRODUCT LEVEL)	
	1	1	7N-0060	6	VENT AS						



GRAPHIC #1

<END>

g01239900

ELECTRICAL AND STARTING SYSTEM

160-5447 BATTERY GP

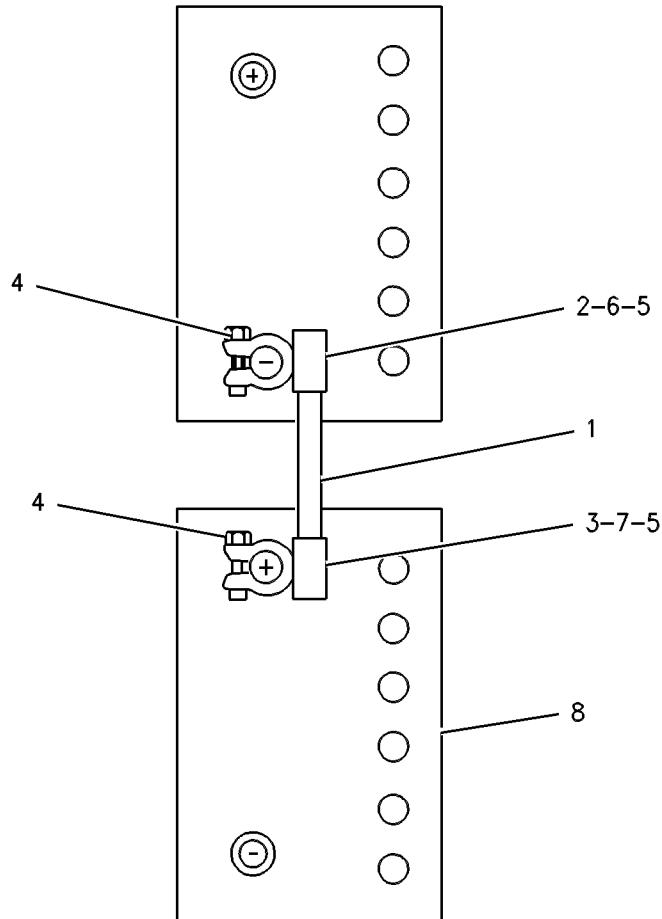
24-VOLT, 950 COLD CRANKING AMPERE, 90-AMPERE HOUR. LOW MAINTENANCE
AN ATTACHMENT

SMCS-1401

i03537325

NOTE	REF NO	GRAPHIC REF	PART NUMBER	QTY	PART NAME						SEE PAGE
					1	2	3	4	5	6 (PRODUCT LEVEL)	
	1	1	2V-7397	1	CABLE AS						
E		1	5P-0747		CABLE (00-GA, BLACK) (20-CM)						
	2	1	8T-9757	1	TERMINAL AS-BATTERY (NEGATIVE)						
	3	1	8C-5917	1	TERMINAL AS-BATTERY (POSITIVE)						
	4	1	1M-6119	2	BOLT (5/16-18X1.375-IN)						
		1	1M-6120	2	NUT (5/16-18-THD)						
	5	1	8L-8413	4	STRAP-CABLE						
	6	1	9G-0003	2	COVER AS-TERMINAL (BLACK)						
	7	1	9G-0004	2	COVER AS-TERMINAL (RED)						
	8	1	115-2421	2	BATTERY GP (12-VOLT, MAINTENANCE FREE, DRY)						
					(EACH INCLUDES)						
		1	123-1373	6	CAP AS-FILLER (BATTERY)						

E-ORDER BY THE CENTIMETER



GRAPHIC #1

<END>

g00436618

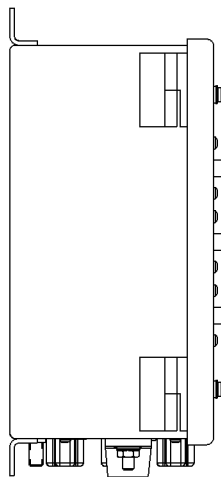
ELECTRICAL AND STARTING SYSTEM

225-6122 BOX GP-JUNCTION-CONTROLS MARINE, SINGLE, FOR MULTI-STATION CONTROL SYSTEM AN ATTACHMENT

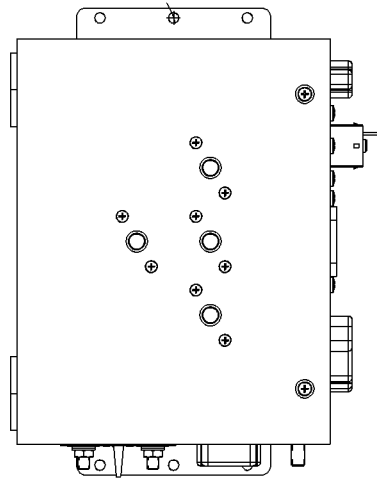
SMCS-7426

i02027111

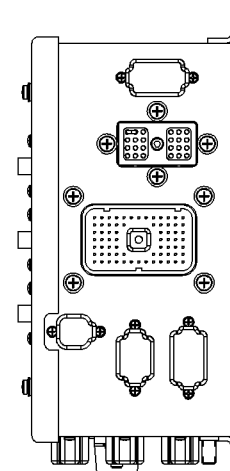
NOTE	REF NO	GRAPHIC REF	PART NUMBER	QTY	PART NAME	SEE PAGE
					1 2 3 4 5 6 (PRODUCT LEVEL)	
(NO SERVICED PARTS)						



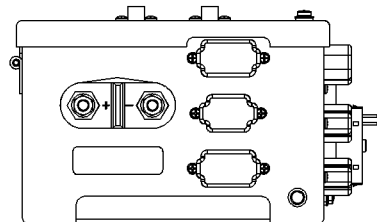
RIGHT SIDE VIEW



FRONT VIEW



LEFT SIDE VIEW



BOTTOM VIEW

GRAPHIC #1

<END>

g00992209

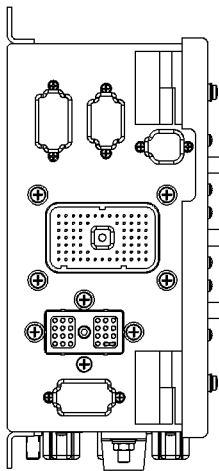
ELECTRICAL AND STARTING SYSTEM

225-6123 BOX GP-JUNCTION-CONTROLS MARINE, DUAL, FOR MULTI-STATION CONTROL SYSTEM AN ATTACHMENT

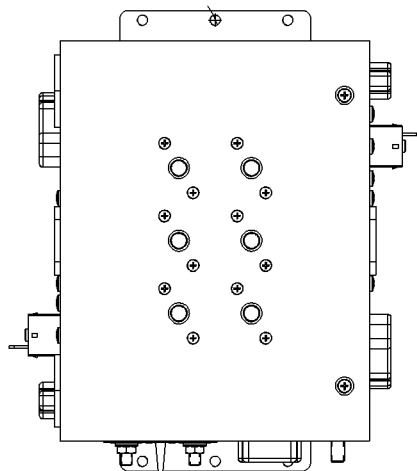
SMCS-7426

i02027124

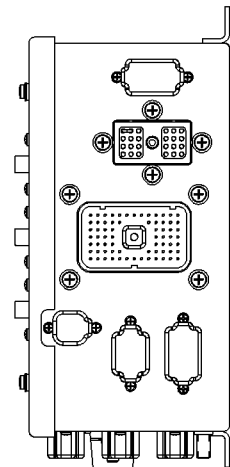
NOTE	REF NO	GRAPHIC REF	PART NUMBER	QTY	PART NAME	SEE PAGE
					1 2 3 4 5 6 (PRODUCT LEVEL)	
(NO SERVICED PARTS)						



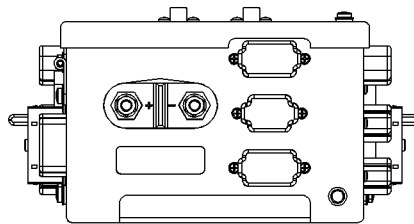
RIGHT SIDE VIEW



FRONT VIEW



LEFT SIDE VIEW



BOTTOM VIEW

GRAPHIC #1

<END>

g00992203

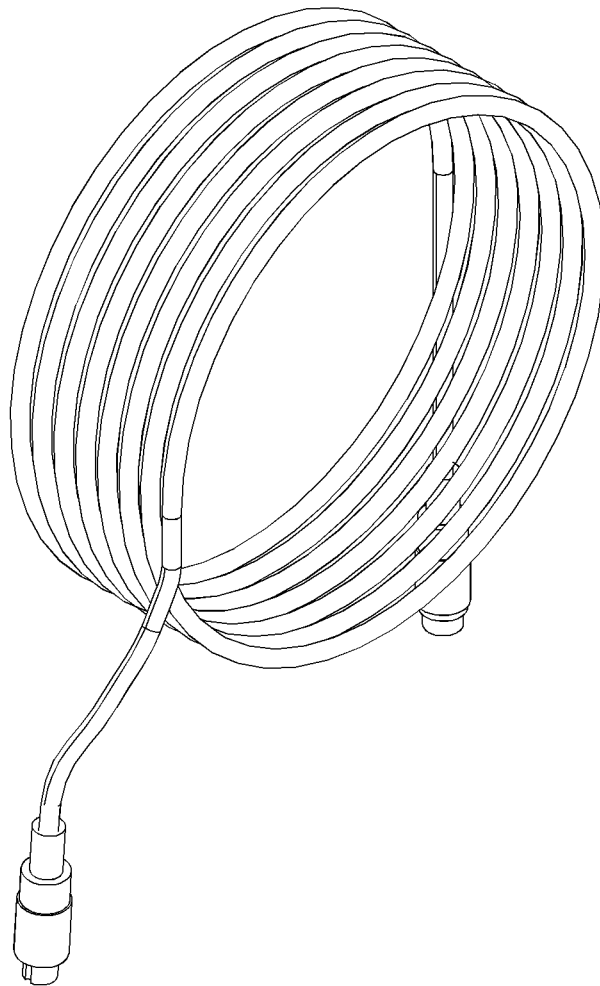
ELECTRICAL AND STARTING SYSTEM

319-6831 CABLE - COMMUNICATION CONNECTS A CMPD DROP HARNESS TO A WAVS CAMERA AN ATTACHMENT

SMCS-7556

i03259741

NOTE	REF NO	GRAPHIC REF	PART NUMBER	QTY	PART NAME	SEE PAGE
					1 2 3 4 5 6 (PRODUCT LEVEL)	
(NO SERVICED PARTS)						



GRAPHIC #1

<END>

g01663293

ELECTRICAL AND STARTING SYSTEM

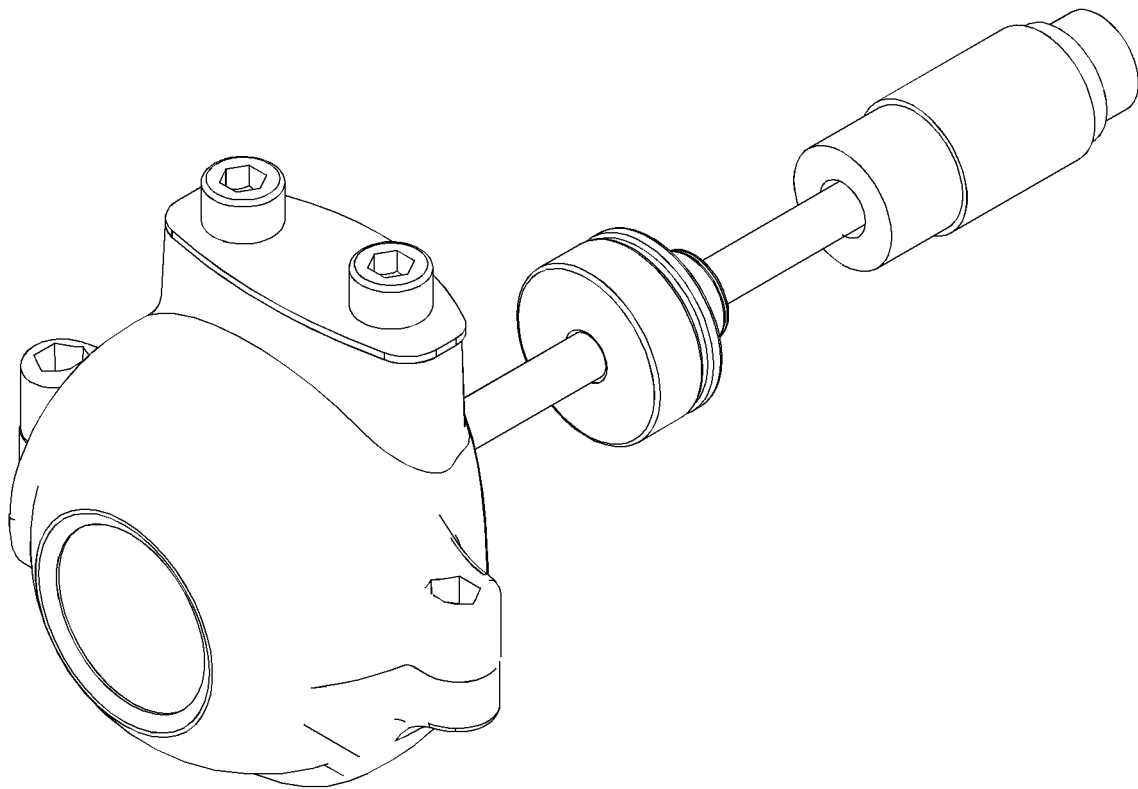
286-4271 CAMERA GP

12/24-VOLT. 115-DEG, COLOR
AN ATTACHMENT

SMCS-7348

i03671350

NOTE	REF NO	GRAPHIC REF	PART NUMBER	QTY	PART NAME						SEE PAGE
					1	2	3	4	5	6 (PRODUCT LEVEL)	
					AVAILABLE REPAIR KIT(S):						
			251-4162	1	KIT-BRACKET (CAMERA)						
					(KIT INCLUDES BRACKET, BOLTS, LOCKNUTS, SOCKET BOLTS, GASKET, & ALLEN KEY)						



GRAPHIC #1

<END>

g01356476

ELECTRICAL AND STARTING SYSTEM

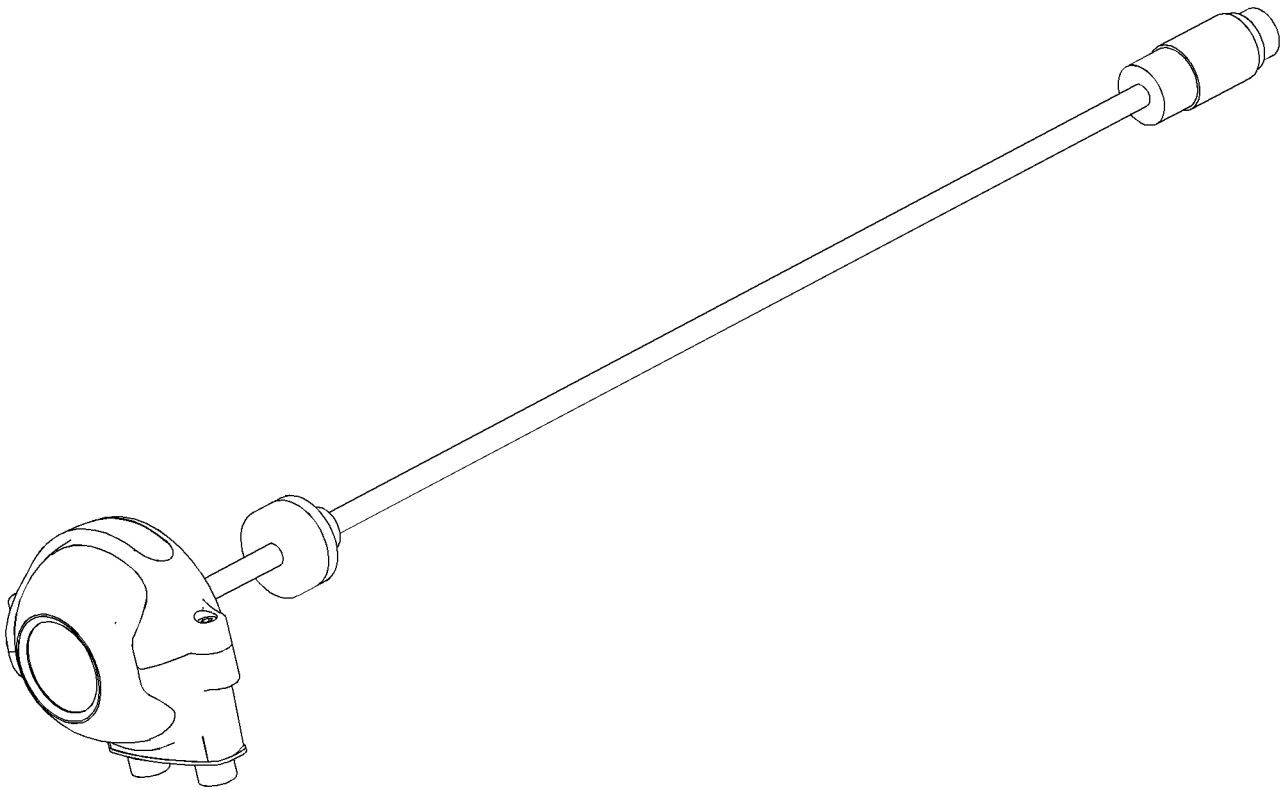
296-0603 CAMERA GP

12/24 VOLT, 78 DEG, COLOR
AN ATTACHMENT

SMCS-7348

i02773208

NOTE	REF NO	GRAPHIC REF	PART NUMBER	QTY	PART NAME						SEE PAGE
					1	2	3	4	5	6 (PRODUCT LEVEL)	
					AVAILABLE REPAIR KIT(S):						
			251-4162	1	KIT-BRACKET						
					(KIT INCLUDES BRACKET, BOLTS, LOCKNUTS, SOCKET BOLTS, GASKET, & ALLEN KEY)						



GRAPHIC #1

<END>

g01357262

ELECTRICAL AND STARTING SYSTEM

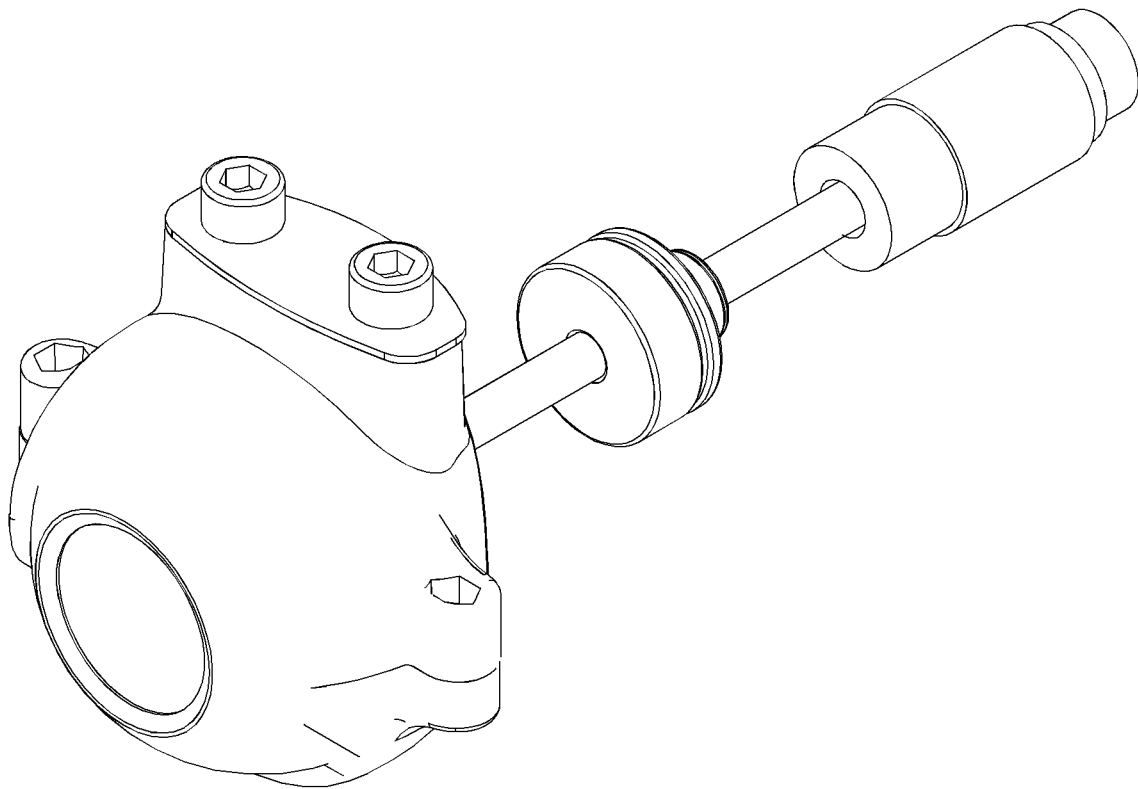
336-6897 CAMERA GP

12/24-VOLT, 78-DEGREE, COLOR
AN ATTACHMENT

SMCS-7348

i03791955

NOTE	REF NO	GRAPHIC REF	PART NUMBER	QTY	PART NAME						SEE PAGE
					1	2	3	4	5	6 (PRODUCT LEVEL)	
					AVAILABLE REPAIR KIT(S):						
			251-4162	1	KIT-BRACKET (CAMERA)						
					(KIT INCLUDES BRACKET, BOLTS, LOCKNUTS, SOCKET BOLTS, GASKET, & ALLEN KEY)						



GRAPHIC #1

<END>

g01356476

ELECTRICAL AND STARTING SYSTEM

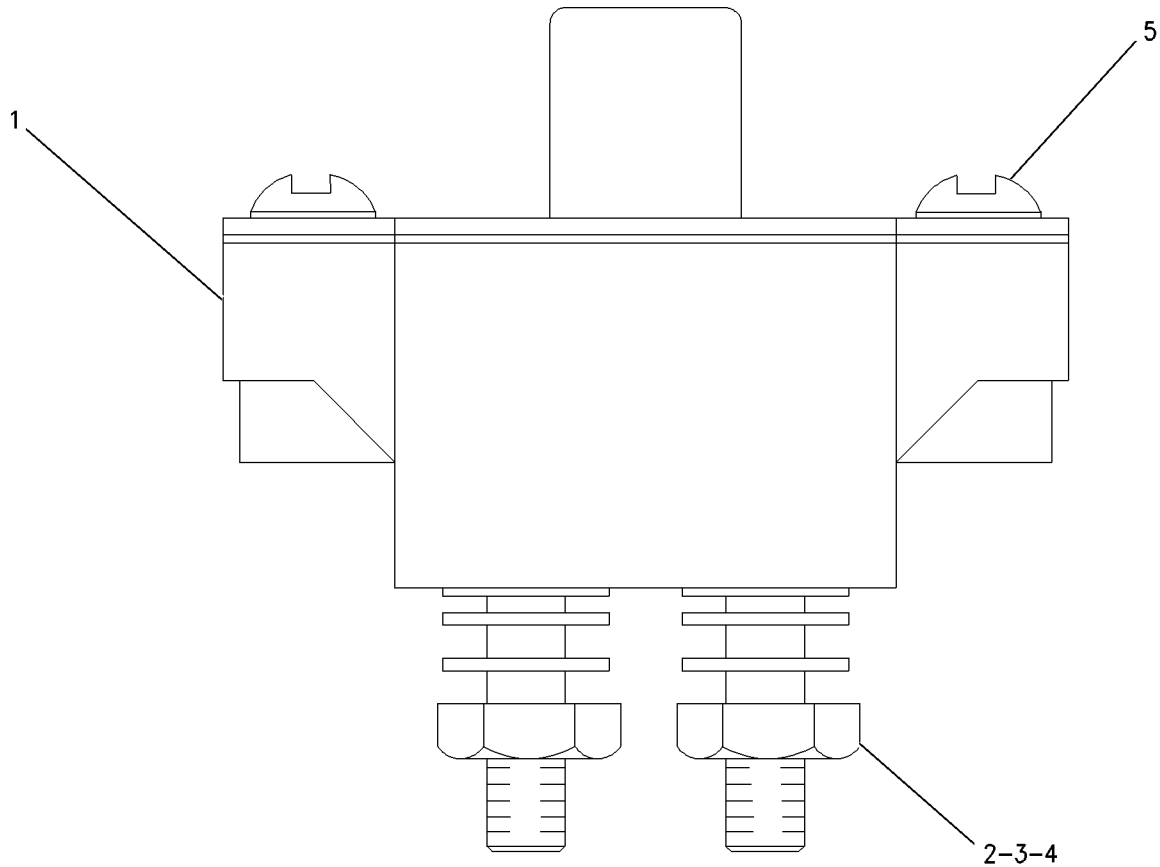
141-6172 CIRCUIT BREAKER GP

FOR USE WITH 12-VOLT, 51-AMPERE ALTERNATOR
AN ATTACHMENT

SMCS-1420, 4461

i02005911

NOTE	REF NO	GRAPHIC REF	PART NUMBER	QTY	PART NAME						SEE PAGE
					1	2	3	4	5	6 (PRODUCT LEVEL)	
	1	1	6T-3645	1	CIRCUIT BREAKER GP (60-AMPERE)						
	2	1	6V-8378	2	NUT (10-32-THD)						
	3	1	8F-1434	2	LOCKWASHER						
	4	1	8T-0328	2	WASHER-HARD (5.5X10X1-MM THK)						
	5	1	9X-8486	2	SCREW-MACHINE (8-32X0.75-IN)						



GRAPHIC #1

<END>

g00915439

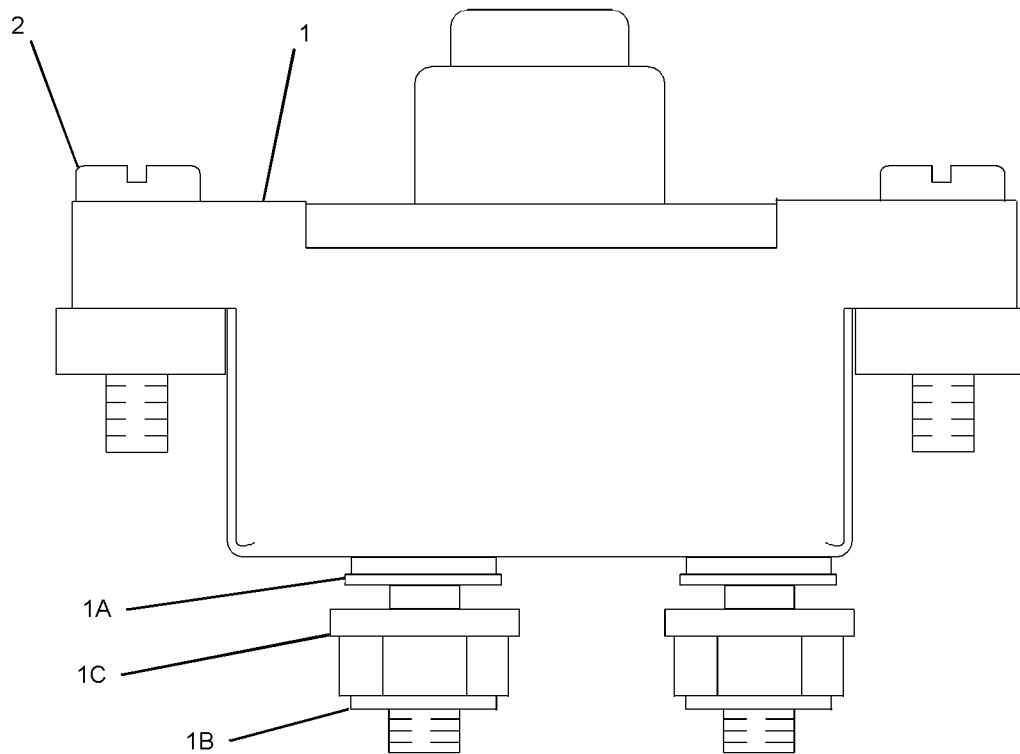
ELECTRICAL AND STARTING SYSTEM

141-6173 CIRCUIT BREAKER GP FOR USE WITH 12-VOLT, 105-AMPERE ALTERNATOR AN ATTACHMENT

SMCS-1420, 4461

i03408069

NOTE	REF NO	GRAPHIC REF	PART NUMBER	QTY	PART NAME						SEE PAGE
					1	2	3	4	5	6 (PRODUCT LEVEL)	
	1	1	171-2213	1	CIRCUIT BREAKER AS (135-AMPERE)						
	1A	1	253-2111	2	LOCKWASHER						
	1B	1	6V-8187	2	NUT (1/4-28-THD)						
	1C	1	8T-4205	2	WASHER-HARD (7.2X14.5X2-MM THK)						
	2	1	030-1193	2	SCREW-MACHINE (10-32X19.05-MM)						



GRAPHIC #1

<END>

g01788697

ELECTRICAL AND STARTING SYSTEM

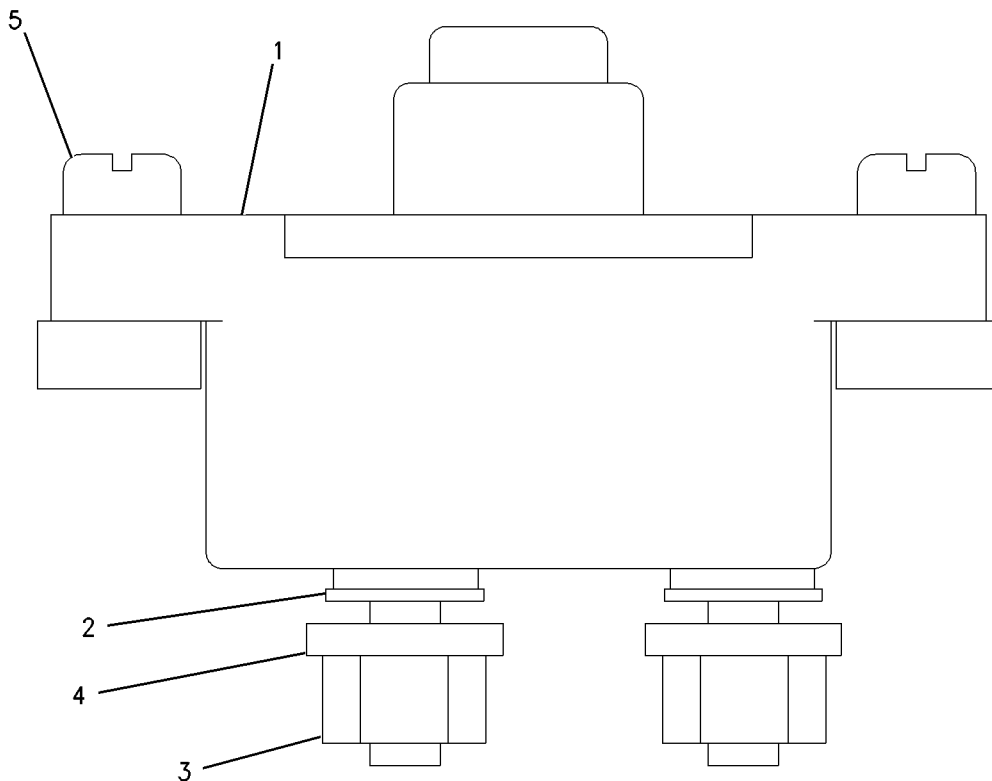
141-6175 CIRCUIT BREAKER GP

FOR USE WITH 24-VOLT, 60-AMPERE ALTERNATOR
AN ATTACHMENT

SMCS-1420, 4461

i02087566

NOTE	REF NO	GRAPHIC REF	PART NUMBER	QTY	PART NAME						SEE PAGE
					1	2	3	4	5	6 (PRODUCT LEVEL)	
	1	1	171-2209	1	CIRCUIT BREAKER AS (70-AMPERE)						
	2	1	1H-3244	2	LOCKWASHER						
	3	1	6V-8187	2	NUT (1/4-28-THD)						
	4	1	8T-4205	2	WASHER-HARD (7.2X14.5X2-MM THK)						
	5	1	030-1193	2	SCREW-MACHINE (10-32X19.05-MM)						



GRAPHIC #1

<END>

g00794134

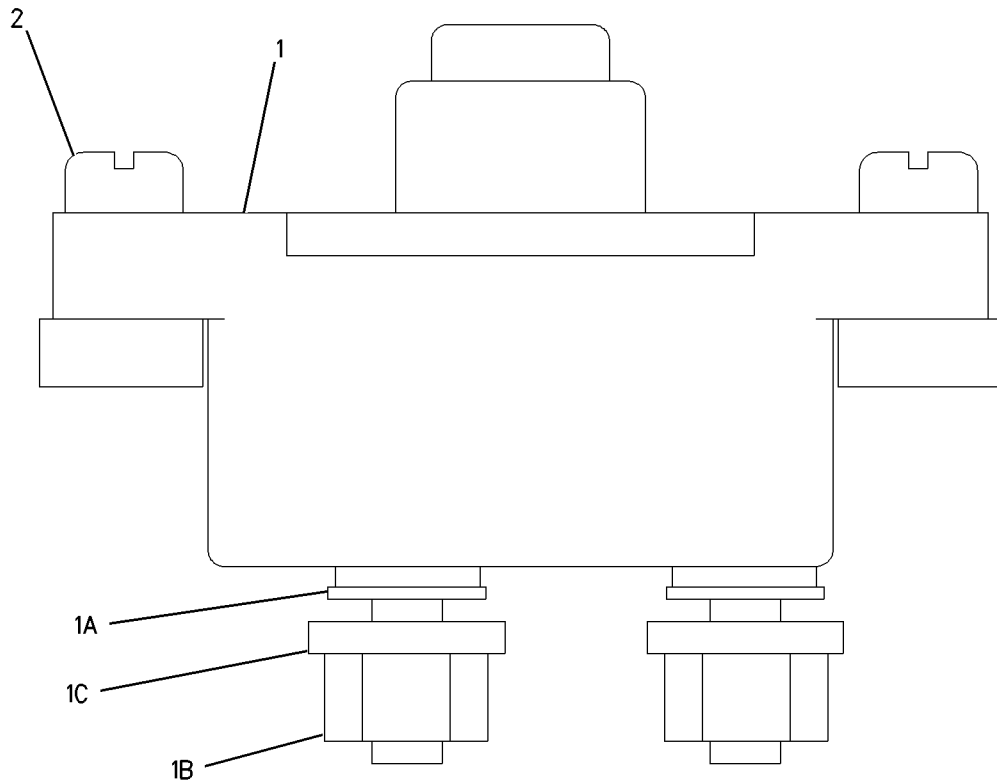
ELECTRICAL AND STARTING SYSTEM

177-0254 CIRCUIT BREAKER GP FOR USE WITH 24-VOLT, 35-AMPERE ALTERNATORS AN ATTACHMENT

SMCS-1420, 4461

i01529089

NOTE	REF NO	GRAPHIC REF	PART NUMBER	QTY	PART NAME						SEE PAGE
					1	2	3	4	5	6 (PRODUCT LEVEL)	
	1	1	171-2205	1	CIRCUIT BREAKER AS (40-AMPERE)						
	1A	1	1H-3244	2	LOCKWASHER						
	1B	1	6V-8187	2	NUT (1/4-28-THD)						
	1C	1	8T-4205	2	WASHER-HARD (7.2X14.5X2-MM THK)						
	2	1	030-1193	2	SCREW-MACHINE (10-32X19.05-MM)						



GRAPHIC #1

<END>

g00794046

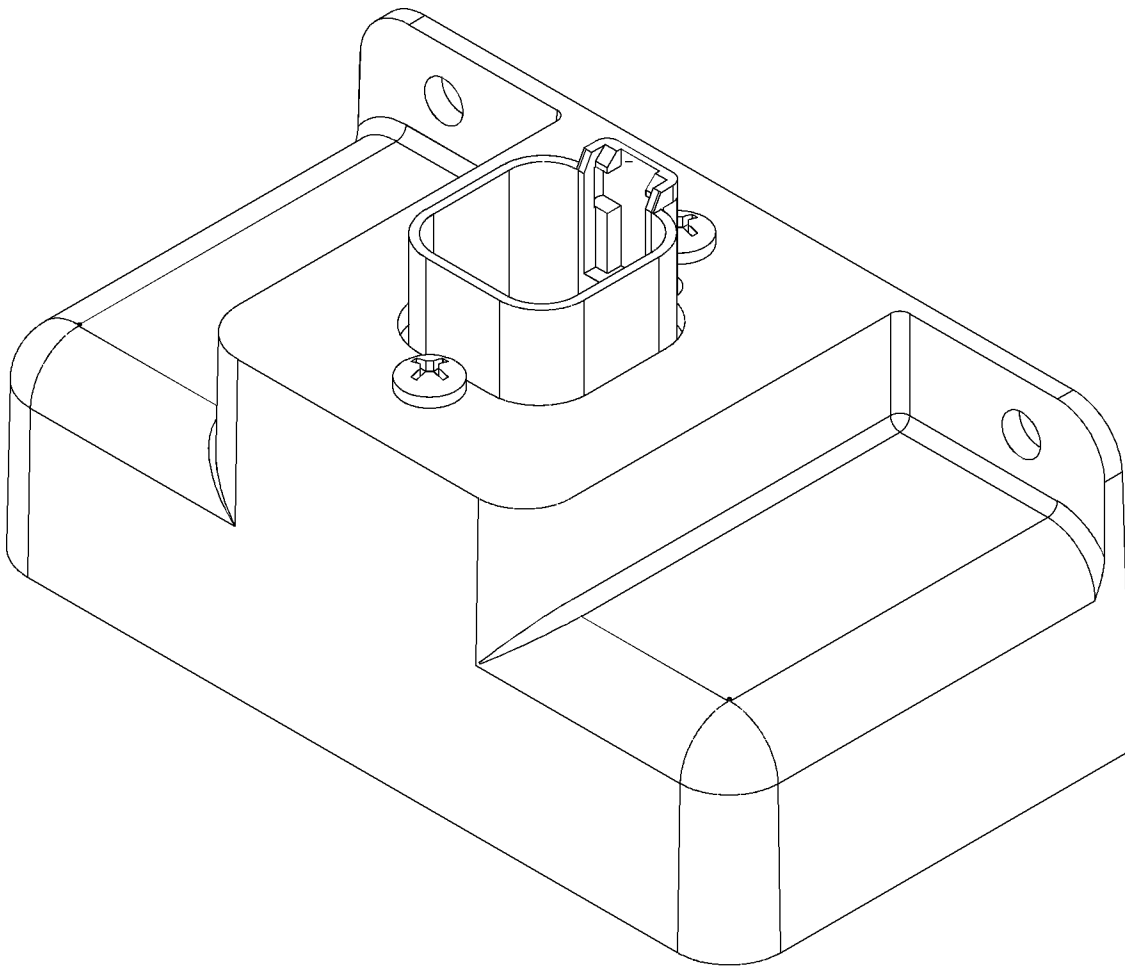
ELECTRICAL AND STARTING SYSTEM

346-1577 CONNECTOR AN ATTACHMENT

SMCS-1408, 7553

i03784969

NOTE	REF NO	GRAPHIC REF	PART NUMBER	QTY	PART NAME	SEE PAGE
					1 2 3 4 5 6 (PRODUCT LEVEL)	
(NO SERVICED PARTS)						



GRAPHIC #1

<END>

g01021638

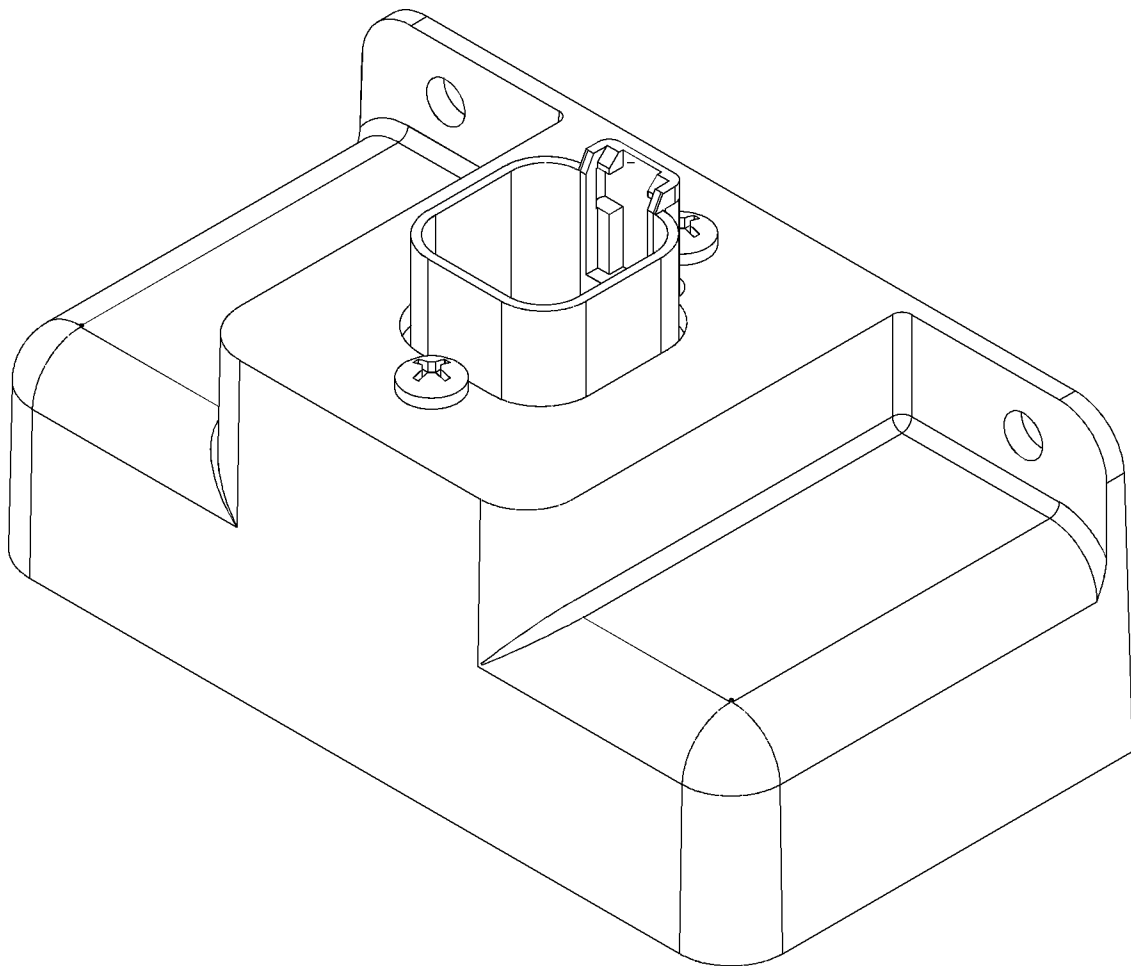
ELECTRICAL AND STARTING SYSTEM

221-9506 CONNECTOR AS-ELECTRONIC CONTROL FOR USE WITH MULTI-STATION CONTROL SYSTEM AN ATTACHMENT

SMCS-7553

i01966281

NOTE	REF NO	GRAPHIC REF	PART NUMBER	QTY	PART NAME						SEE PAGE
					1	2	3	4	5	6 (PRODUCT LEVEL)	
(NO SERVICED PARTS)											



GRAPHIC #1

<END>

g01021638

ELECTRICAL AND STARTING SYSTEM

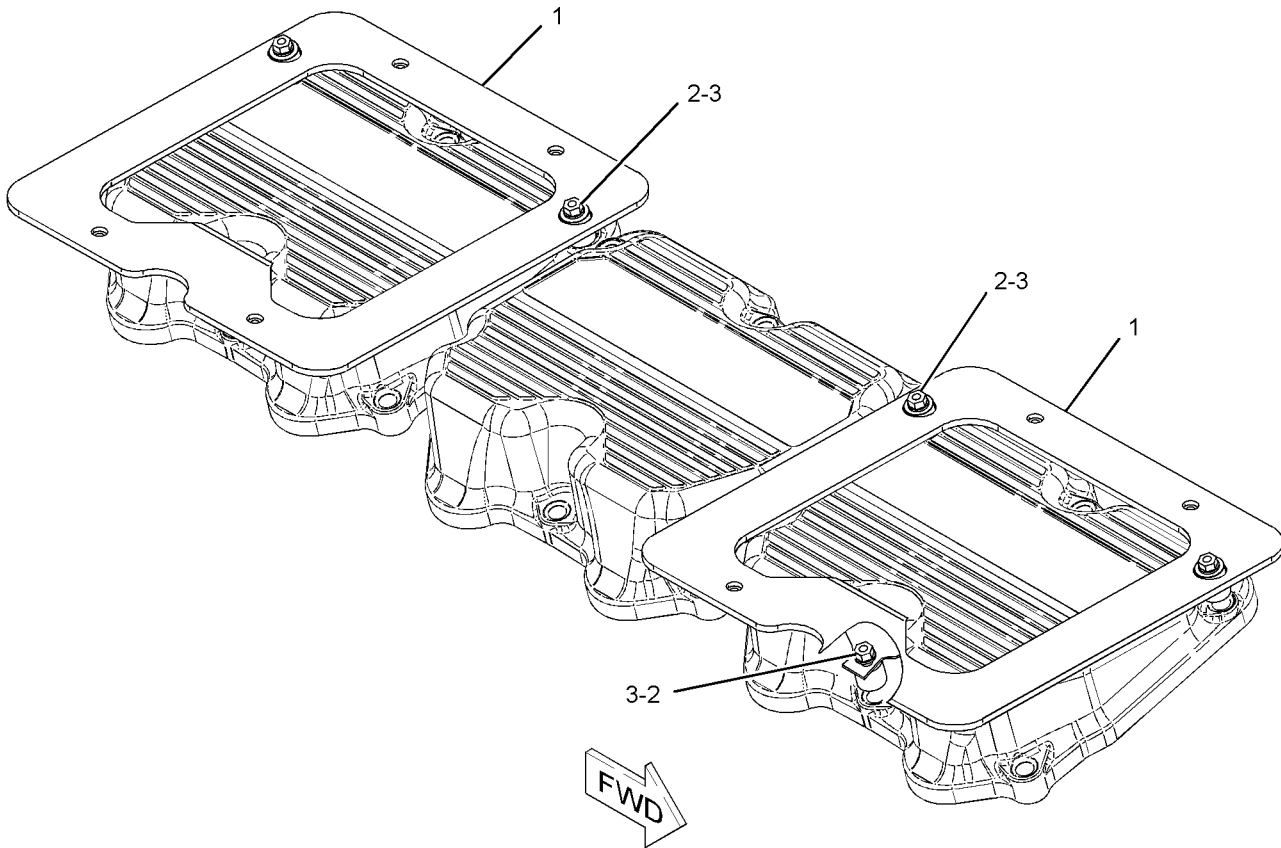
250-9985 CONTROL & MTG GP-ENGINE ELEK

FOR USE WITH DUAL ECM
AN ATTACHMENT

SMCS-1900, 1901

i02285234

NOTE	REF NO	GRAPHIC REF	PART NUMBER	QTY	PART NAME						SEE PAGE
					1	2	3	4	5	6 (PRODUCT LEVEL)	
	1	1	250-9984	2	BRACKET AS						
					(EACH INCLUDES)						
		1	4K-9097	4	NUT-WELD (5/16-18-THD)						
	2	1	5S-0003	6	NUT (5/16-18-THD)						
	3	1	9M-1974	6	WASHER-HARD (8.8X16X2-MM THK)						



GRAPHIC #1

<END>

g01145844

ELECTRICAL AND STARTING SYSTEM

290-4001 CONTROL & MTG GP-ENGINE ELEK

TIER-II ENGINE
AN ATTACHMENT

SMCS-1900, 1901

i03131642

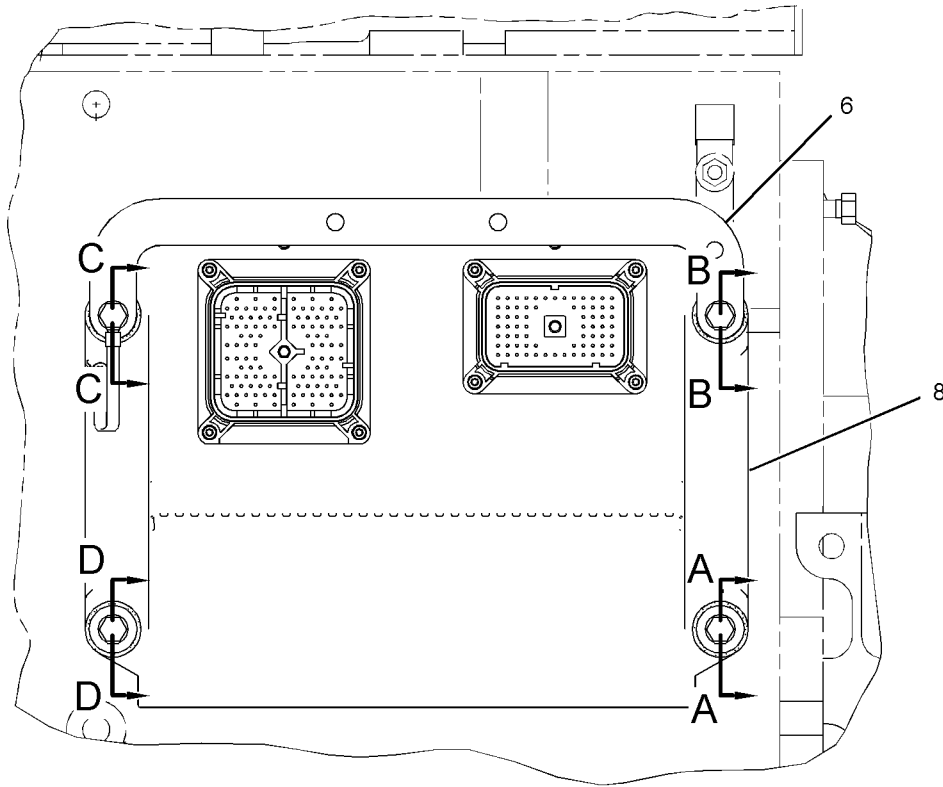
NOTE	REF NO	GRAPHIC REF	PART NUMBER	QTY	PART NAME	SEE PAGE
					1 2 3 4 5 6 (PRODUCT LEVEL)	
	1	1	6I-1418	4	SPACER (8.2X12.7X28.7-MM THK)	
	2	1	8T-9655	8	MOUNT-ISOLATION	
	3	1	126-5211	1	SPACER (3X15X17-MM THK)	
	4	1	155-0696	1	SUPPORT AS	
	4A	1	5L-3708	1	STUD-TAPERLOCK (5/16-18X1.28-IN)	
	5	1	155-0698	1	SUPPORT AS	
	5A	1	5L-3708	1	STUD-TAPERLOCK (5/16-18X1.28-IN)	
	6	1	190-7645	1	PLATE AS	
		1	9D-4439	2	STUD-WELD (3/8-16X1-IN)	
	7	1	246-7913	1	SPACER (9X14X32.6-MM THK)	
R	8	1	274-1955	1	CONTROL GP-ENGINE ELECTRONIC	
	9	1	7X-0274	1	BOLT (5/16-18X2.75-IN)	
	10	1	7X-0275	1	BOLT (5/16-18X3.25-IN)	
	11	1	8T-8911	2	BOLT (5/16-18X2-IN)	
	12	1	8T-4224	6	WASHER-HARD (8.8X16X2-MM THK)	
	13	1	7X-0579	8	WASHER-HARD (8.8X25.5X2-MM THK)	

R-REMFG PART MAY BE AVAILABLE

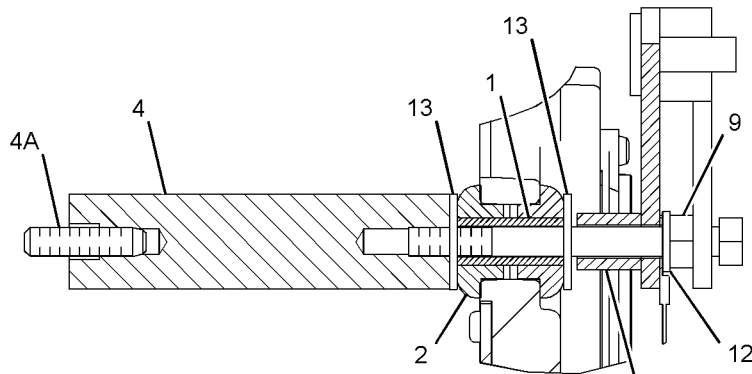
ELECTRICAL AND STARTING SYSTEM

290-4001 CONTROL & MTG GP-ENGINE ELEK (contd.)

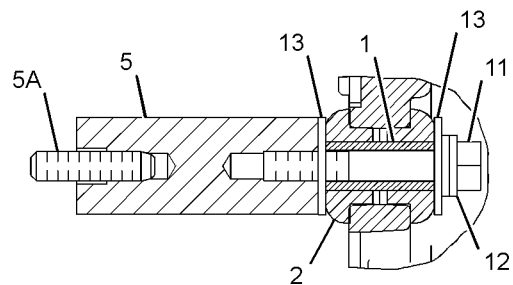
i03131642



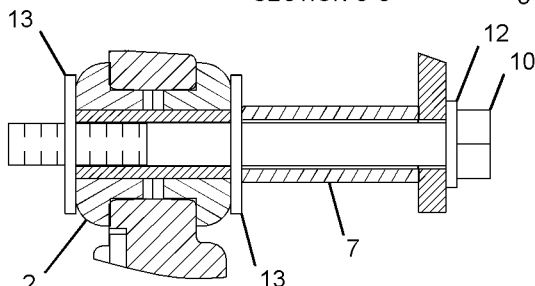
LEFT SIDE VIEW OF ENGINE



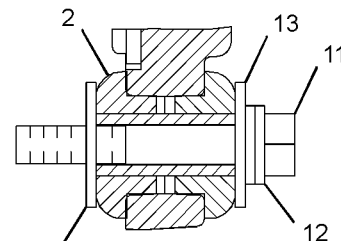
SECTION C-C



SECTION D-D



SECTION B-B



SECTION A-A

GRAPHIC #1

<END>

g01626128

ELECTRICAL AND STARTING SYSTEM

203-4623 CONTROL GP-AUTO START/STOP

12 VOLT
AN ATTACHMENT

SMCS-1426, 4462

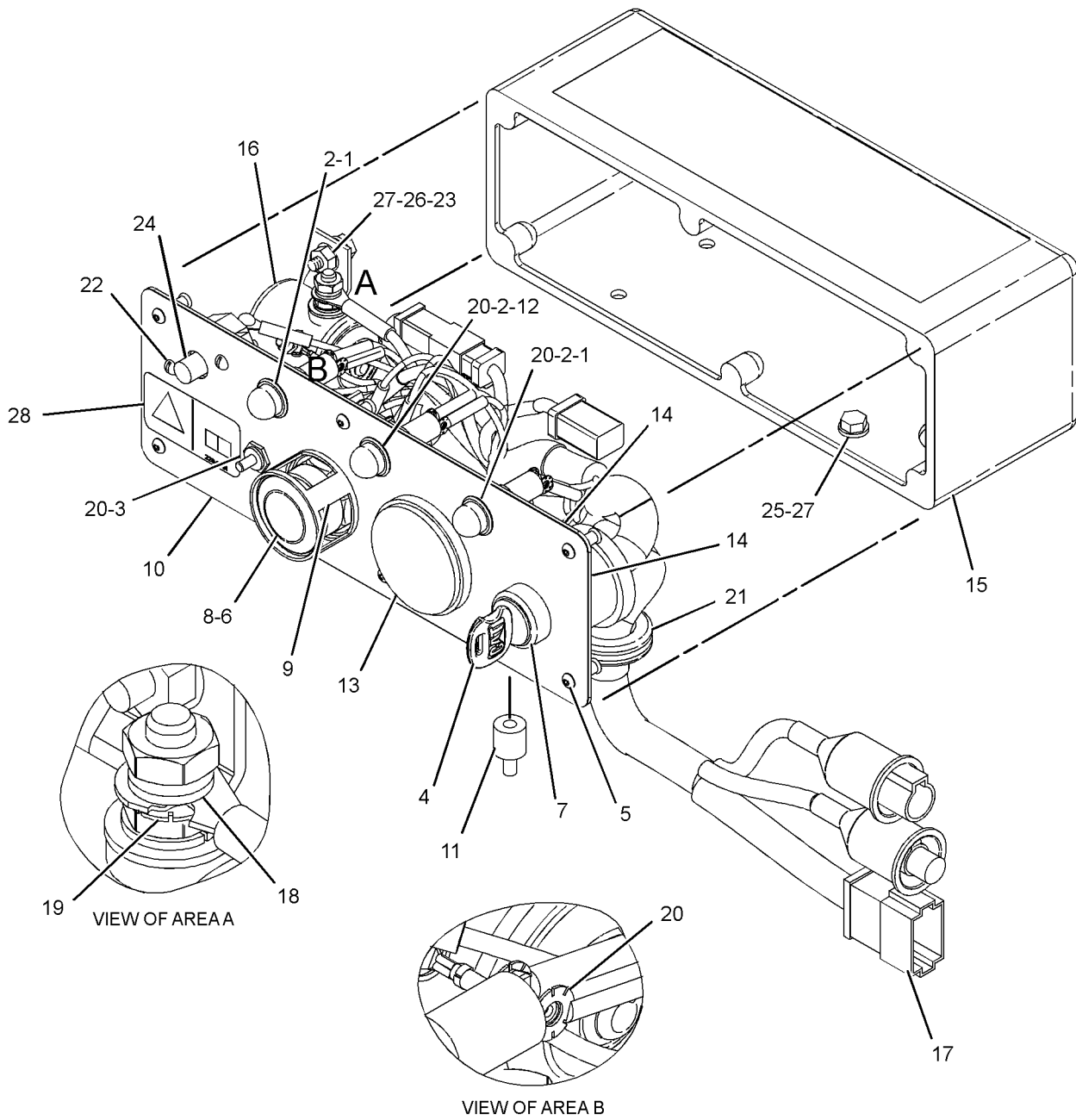
i04047578

NOTE	REF NO	GRAPHIC REF	PART NUMBER	QTY	PART NAME						SEE PAGE
					1	2	3	4	5	6 (PRODUCT LEVEL)	
	1	1	2N-2371	2	LAMP AS-INDICATOR (RED)						
					(EACH INCLUDES)						
		1	2V-7088	1	LENS-RED						
		1	6V-8367	1	LOCKWASHER						
		1	6V-8382	1	NUT-HEX (11/16-27-THD)						
		1	6V-8817	2	SCREW-MACHINE (4-36X4.76-IN)						
2	1		2N-2372	3	LAMP (12-VOLT)						
3	1		3N-5716	1	SWITCH (PUSH BUTTON) (MAINTENANCE INDICATOR RESET)						
4	1		5P-8500	1	KEY (START)						
5	1		7D-0894	6	SCREW-HEAD						
6	1		109-6507	1	SWITCH AS-PUSH BUTTON (STOP)						
7	1		110-7887	1	SWITCH AS-START (KEY)						
		1	7T-6799	1	NUT-MOUNTING (1-32-THD)						
		1	8T-8729	4	PIN-CONNECTOR (16-GA TO 18-GA)						
		1	102-8804	1	KIT-RECEPTACLE (4-PIN) (INCLUDES RECEPTACLE AS & WEDGE)						
8	1		111-1325	1	BLOCK-CONTACT (2-POLE)						
9	1		124-3176	1	COVER						
10	1		126-6094	1	PLATE						
11	1		130-9376	4	MOUNT-FLEXIBLE						
12	1		141-9228	1	LAMP AS (INDICATOR)						
		1	2V-7087	1	LENS-AMBER						
		1	6V-8367	1	LOCKWASHER						
		1	6V-8382	1	NUT-HEX (11/16-27-THD)						
		1	6V-8817	2	SCREW-MACHINE (4-36X4.76-IN)						
13	1		205-7700	1	KIT-SERVICE METER (INCLUDES SERVICE METER & FILM)						
14	1		203-9516	1	FILM-CONTROL PANEL						
15	1		203-9572	1	ENCLOSURE						
Y 16	1		209-5581	1	SWITCH GP-MAGNETIC (12-VOLT) (STARTING MOTOR)						844
17	1		234-7862	1	HARNESS AS-CONTROL						
		1	102-8801	1	KIT-RECEPTACLE (12-PIN) (INCLUDES RECEPTACLE AS AND WEDGE)						
		1	127-5485	1	PLUG AS-CONNECTOR (1-PIN)						
		1	127-5486	1	RECEPTACLE AS-CONNECTOR (1-PIN)						
		1	155-2269	1	PLUG AS-CONNECTOR (2-PIN)						
		1	155-2270	1	KIT-CONNECTING PLUG (2-PIN) (INCLUDES PLUG AS AND WEDGE)						
		1	155-2271	1	KIT-CONNECTING PLUG (4-PIN) (INCLUDES PLUG AS AND WEDGE)						
18	1		012-0380	2	LOCKWASHER						
19	1		1H-3338	2	LOCKWASHER (EXTERNAL TOOTH)						
20	1		1H-4393	8	LOCKWASHER						
21	1		3K-9520	1	GROMMET						
22	1		4B-1223	2	SCREW-MACHINE (8-32X0.875-IN)						
23	1		4M-5281	2	BOLT (1/4-20X0.75-IN)						
24	1		6T-3643	1	CIRCUIT BREAKER AS (15-AMPERE) (ENGINE STARTING)						
25	1		6V-1322	4	BOLT (1/4-20X0.375-IN)						
26	1		6V-8185	2	NUT (1/4-20-THD)						
27	1		8T-4205	8	WASHER-HARD (7.2X14.5X2-MM THK)						
28	1		222-7944	1	FILM-WARNING (DO NOT OPERATE, READ OMM, INTL)						
Y-SEPARATE ILLUSTRATION											

ELECTRICAL AND STARTING SYSTEM

203-4623 CONTROL GP-AUTO START/STOP (contd.)

i04047578



GRAPHIC #1

<END>

g01429442

ELECTRICAL AND STARTING SYSTEM

203-4624 CONTROL GP-AUTO START/STOP

24-VOLT
AN ATTACHMENT

SMCS-1426, 4462

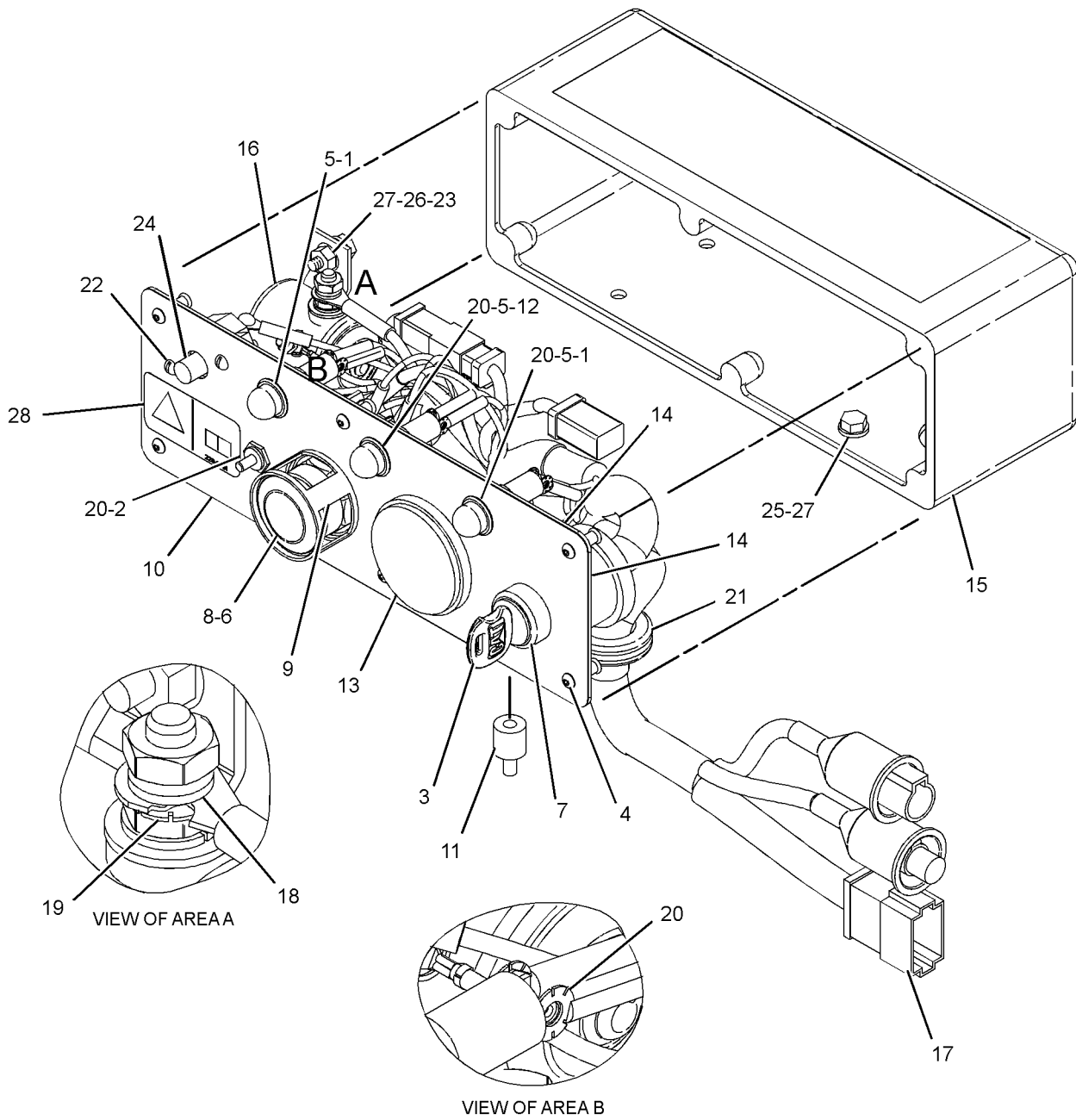
i03792151

NOTE	REF NO	GRAPHIC REF	PART NUMBER	QTY	PART NAME						SEE PAGE
					1	2	3	4	5	6 (PRODUCT LEVEL)	
	1	1	2N-2371	2	LAMP AS-INDICATOR (RED)						
					(EACH INCLUDES)						
		1	2V-7088	1	LENS-RED						
		1	6V-8367	1	LOCKWASHER						
		1	6V-8382	1	NUT-HEX (11/16-27-THD)						
		1	6V-8817	2	SCREW-MACHINE (4-36X4.76-IN)						
	2	1	3N-5716	1	SWITCH (PUSH BUTTON) (MAINTENANCE INDICATOR RESET)						
	3	1	5P-8500	1	KEY (START)						
	4	1	7D-0894	6	SCREW-HEAD						
	5	1	7N-5876	3	LAMP (24-VOLT, 0.2-AMPERE)						
	6	1	109-6507	1	SWITCH AS-PUSH BUTTON (STOP)						
	7	1	110-7887	1	SWITCH AS-START (KEY)						
		1	7T-6799	1	NUT-MOUNTING (1-32-THD)						
		1	8T-8729	4	PIN-CONNECTOR (16-GA TO 18-GA)						
		1	102-8804	1	KIT-RECEPTACLE (4-PIN) (INCLUDES RECEPTACLE AS & WEDGE)						
	8	1	111-1325	1	BLOCK-CONTACT (2-POLE)						
	9	1	124-3176	1	COVER						
	10	1	123-6094	1	PLATE AS						
	11	1	130-9376	4	MOUNT-FLEXIBLE						
	12	1	141-9228	1	LAMP AS (INDICATOR)						
		1	2V-7087	1	LENS-AMBER						
		1	6V-8367	1	LOCKWASHER						
		1	6V-8382	1	NUT-HEX (11/16-27-THD)						
		1	6V-8817	2	SCREW-MACHINE (4-36X4.76-IN)						
	13	1	205-7700	1	KIT-SERVICE METER (INCLUDES SERVICE METER & FILM)						
	14	1	203-9516	1	FILM-CONTROL PANEL						
	15	1	203-9572	1	ENCLOSURE						
Y	16	1	209-5582	1	SWITCH GP-MAGNETIC (24-VOLT) (STARTING MOTOR)						845
	17	1	234-7862	1	HARNESS AS-CONTROL						
		1	102-8801	1	KIT-RECEPTACLE (12-PIN) (INCLUDES RECEPTACLE AS AND WEDGE)						
		1	127-5485	1	PLUG AS-CONNECTOR (1-PIN)						
		1	127-5486	1	RECEPTACLE AS-CONNECTOR (1-PIN)						
		1	155-2269	1	PLUG AS-CONNECTOR (2-PIN)						
		1	155-2270	1	KIT-CONNECTING PLUG (2-PIN) (INCLUDES PLUG AS AND WEDGE)						
		1	155-2271	1	KIT-CONNECTING PLUG (4-PIN) (INCLUDES PLUG AS AND WEDGE)						
	18	1	012-0380	2	LOCKWASHER						
	19	1	1H-3338	2	LOCKWASHER (EXTERNAL TOOTH)						
	20	1	1H-4393	8	LOCKWASHER						
	21	1	3K-9520	1	GROMMET						
	22	1	4B-1223	2	SCREW-MACHINE (8-32X0.875-IN)						
	23	1	4M-5281	2	BOLT (1/4-20X0.75-IN)						
	24	1	6T-3643	1	CIRCUIT BREAKER AS (15-AMPERE) (ENGINE STARTING)						
	25	1	6V-1322	4	BOLT (1/4-20X0.375-IN)						
	26	1	6V-8185	2	NUT (1/4-20-THD)						
	27	1	8T-4205	8	WASHER-HARD (7.2X14.5X2-MM THK)						
	28	1	222-7944	1	FILM-WARNING (DO NOT OPERATE, READ OMM, INTL)						
Y-SEPARATE ILLUSTRATION											

ELECTRICAL AND STARTING SYSTEM

203-4624 CONTROL GP-AUTO START/STOP (contd.)

i03792151



GRAPHIC #1

<END>

g01429369

ELECTRICAL AND STARTING SYSTEM

203-4625 CONTROL GP-AUTO START/STOP

AIR START
AN ATTACHMENT
TYPE 1

SMCS-1426, 4462

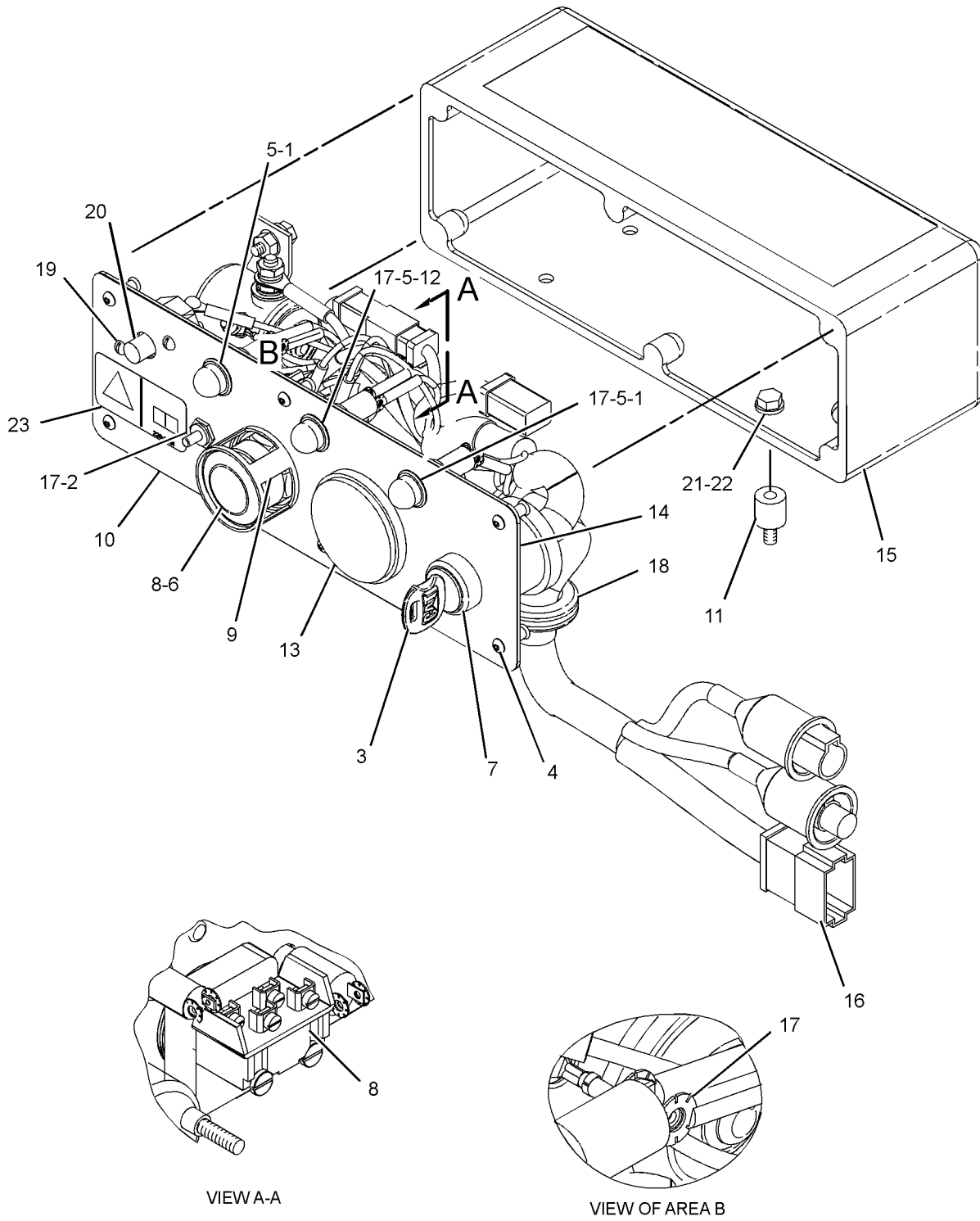
i03792890

NOTE	REF NO	GRAPHIC REF	PART NUMBER	QTY	PART NAME						SEE PAGE
					1	2	3	4	5	6 (PRODUCT LEVEL)	
	1	1	2N-2371	2	LAMP AS-INDICATOR (RED)						
					(EACH INCLUDES)						
		1	2V-7088	1	LENS-RED						
		1	6V-8367	1	LOCKWASHER						
		1	6V-8382	1	NUT-HEX (11/16-27-THD)						
		1	6V-8817	1	SCREW-MACHINE (4-36X4.76-IN)						
2	1	1	3N-5716	1	SWITCH (PUSH BUTTON) (ENGINE DIAGNOSTIC)						
3	1	1	5P-8500	1	KEY (START)						
4	1	1	7D-0894	6	SCREW-HEAD						
5	1	1	7N-5876	3	LAMP (24-VOLT, 0.2-AMPERE)						
6	1	1	109-6507	1	SWITCH AS-PUSH BUTTON (STOP)						
7	1	1	110-7887	1	SWITCH AS-START (KEY)						
		1	3E-3377	1	WEDGE-RECEPTACLE LOCK (4-PIN)						
		1	7T-6799	1	NUT-MOUNTING (1-32-THD)						
		1	8T-8729	4	PIN-CONNECTOR (16-GA TO 18-GA)						
		1	102-8804	1	KIT-RECEPTACLE (4-PIN)						
					(INCLUDES RECEPTACLE AS & WEDGE)						
8	1	1	111-1325	1	BLOCK-CONTACT (2-POLE)						
9	1	1	124-3176	1	COVER						
10	1	1	126-6094	1	PLATE						
11	1	1	130-9376	4	MOUNT-FLEXIBLE						
12	1	1	141-9228	1	LAMP AS (INDICATOR)						
		1	2V-7087	1	LENS-AMBER						
		1	6V-8367	1	LOCKWASHER						
		1	6V-8382	1	NUT-HEX (11/16-27-THD)						
		1	6V-8817	2	SCREW-MACHINE (4-36X4.76-IN)						
13	1	1	205-7700	1	KIT-SERVICE METER						
					(INCLUDES SERVICE METER & FILM)						
14	1	1	203-9516	1	FILM-CONTROL PANEL						
15	1	1	204-0737	1	ENCLOSURE						
16	1	1	234-7862	1	HARNES AS-CONTROL						
		1	102-8801	1	KIT-RECEPTACLE (12-PIN)						
					(INCLUDES RECEPTACLE AS AND WEDGE)						
		1	127-5485	1	PLUG AS-CONNECTOR (1-PIN)						
		1	127-5486	1	RECEPTACLE AS-CONNECTOR (1-PIN)						
		1	155-2269	1	PLUG AS-CONNECTOR (2-PIN)						
		1	155-2270	1	KIT-CONNECTING PLUG (2-PIN)						
					(INCLUDES PLUG AS AND WEDGE)						
		1	155-2271	1	KIT-CONNECTING PLUG (4-PIN)						
					(INCLUDES PLUG AS AND WEDGE)						
17	1	1	1H-4393	8	LOCKWASHER						
18	1	1	3K-9520	1	GROMMET						
19	1	1	4B-1223	2	SCREW-MACHINE (8-32X0.875-IN)						
20	1	1	6T-3643	1	CIRCUIT BREAKER AS (15-AMPERE)						
					(ENGINE STARTING)						
		1	6V-8376	2	SCREW-MACHINE (8-32X0.25-IN)						
		1	9B-7233	2	LOCKWASHER						
21	1	1	6V-1322	4	BOLT (1/4-20X0.375-IN)						
22	1	1	8T-4205	4	WASHER-HARD (7.2X14.5X2-MM THK)						
23	1	1	222-7944	1	FILM-WARNING (DO NOT OPERATE, READ OMM, INTL)						

ELECTRICAL AND STARTING SYSTEM

203-4625 CONTROL GP-AUTO START/STOP (contd.)

i03792890



GRAPHIC #1

<END>

g01429542

ELECTRICAL AND STARTING SYSTEM

203-4625 CONTROL GP-AUTO START/STOP

AIR START
AN ATTACHMENT
TYPE 2

SMCS-1426, 4462

i03607885

NOTE	REF NO	GRAPHIC REF	PART NUMBER	QTY	PART NAME						SEE PAGE
					1	2	3	4	5	6 (PRODUCT LEVEL)	
	1	1	2N-2371	2	LAMP AS-INDICATOR (RED)						
					(EACH INCLUDES)						
		1	2V-7088	1	LENS-RED						
		1	6V-8367	1	LOCKWASHER						
		1	6V-8382	1	NUT-HEX (11/16-27-THD)						
		1	6V-8817	1	SCREW-MACHINE (4-36X4.76-IN)						
	2	1	3N-5716	1	SWITCH (PUSH BUTTON) (ENGINE DIAGNOSTIC)						
	3	1	5P-8500	1	KEY (START)						
	4	1	7D-0894	6	SCREW-HEAD						
	5	1	7N-5876	3	LAMP (24-VOLT, 0.2-AMPERE)						
	6	1	109-6507	1	SWITCH AS-PUSH BUTTON (STOP)						
	7	1	110-7887	1	SWITCH AS-START (KEY)						
		1	7T-6799	1	NUT-MOUNTING (1-32-THD)						
		1	186-3735	4	PIN-CONNECTOR (16-GA TO 18-GA)						
		1	102-8804	1	KIT-RECEPTACLE (4-PIN)						
					(INCLUDES RECEPTACLE AS & WEDGE)						
	8	1	111-1325	1	BLOCK-CONTACT (2-POLE)						
	9	1	124-3176	1	COVER						
	10	1	126-6094	1	PLATE						
	11	1	130-9376	4	MOUNT-FLEXIBLE						
	12	1	141-9228	1	LAMP AS (INDICATOR)						
		1	2V-7087	1	LENS-AMBER						
		1	6V-8367	1	LOCKWASHER						
		1	6V-8382	1	NUT-HEX (11/16-27-THD)						
		1	6V-8817	2	SCREW-MACHINE (4-36X4.76-IN)						
C	13	1	301-7292	1	KIT-SERVICE METER						
					(INCLUDES METER & FILM)						
	14	1	203-9516	1	FILM-CONTROL PANEL						
	15	1	204-0737	1	ENCLOSURE						
	16	1	234-7862	1	HARNESS AS-CONTROL						
		1	186-3735	11	PIN-CONNECTOR (16-GA TO 18-GA)						
		1	186-3736	5	SOCKET-CONNECTOR (16-GA TO 18-GA)						
		1	5P-2766	8	TERMINAL-RING (18-GA TO 22-GA, NO. 6 SCREW)						
		1	5P-4571	3	TERMINAL-BLADE (14-GA TO 16-GA)						
		1	131-1497	2	TERMINAL AS-RING (10-GA TO 12-GA)						
		1	6I-4347	2	BOOT (4-PIN)						
		1	8N-1542	1	PIN-CONNECTOR (10-GA)						
		1	8N-1543	1	SOCKET-CONNECTOR (10-GA)						
		1	8T-8737	2	PLUG-SEAL						
E		1	125-7874		TUBE-HEAT SHRINK (5.72-MM DIA) (10-CM)						
E		1	125-7875		TUBE-HEAT SHRINK (7.44-MM DIA) (10-CM)						
		1	102-8801	1	KIT-RECEPTACLE (12-PIN)						
					(INCLUDES RECEPTACLE AS & WEDGE)						
		1	127-5485	1	PLUG AS-CONNECTOR (1-PIN)						
		1	127-5486	1	RECEPTACLE AS-CONNECTOR (1-PIN)						
		1	155-2270	1	KIT-CONNECTING PLUG (2-PIN)						
		1	155-2271	1	KIT-CONNECTING PLUG (4-PIN)						
					(EACH PLUG KIT INCLUDES PLUG AS & WEDGE)						
	17	1	1H-4393	8	LOCKWASHER						
	18	1	3K-9520	1	GROMMET						
	19	1	4B-1223	2	SCREW-MACHINE (8-32X0.875-IN)						
	20	1	6T-3643	1	CIRCUIT BREAKER AS (15-AMPERE)						
					(ENGINE STARTING)						
		1	6V-8376	2	SCREW-MACHINE (8-32X0.25-IN)						
		1	9B-7233	2	LOCKWASHER						

ELECTRICAL AND STARTING SYSTEM

203-4625 CONTROL GP-AUTO START/STOP (contd.)

i03607885

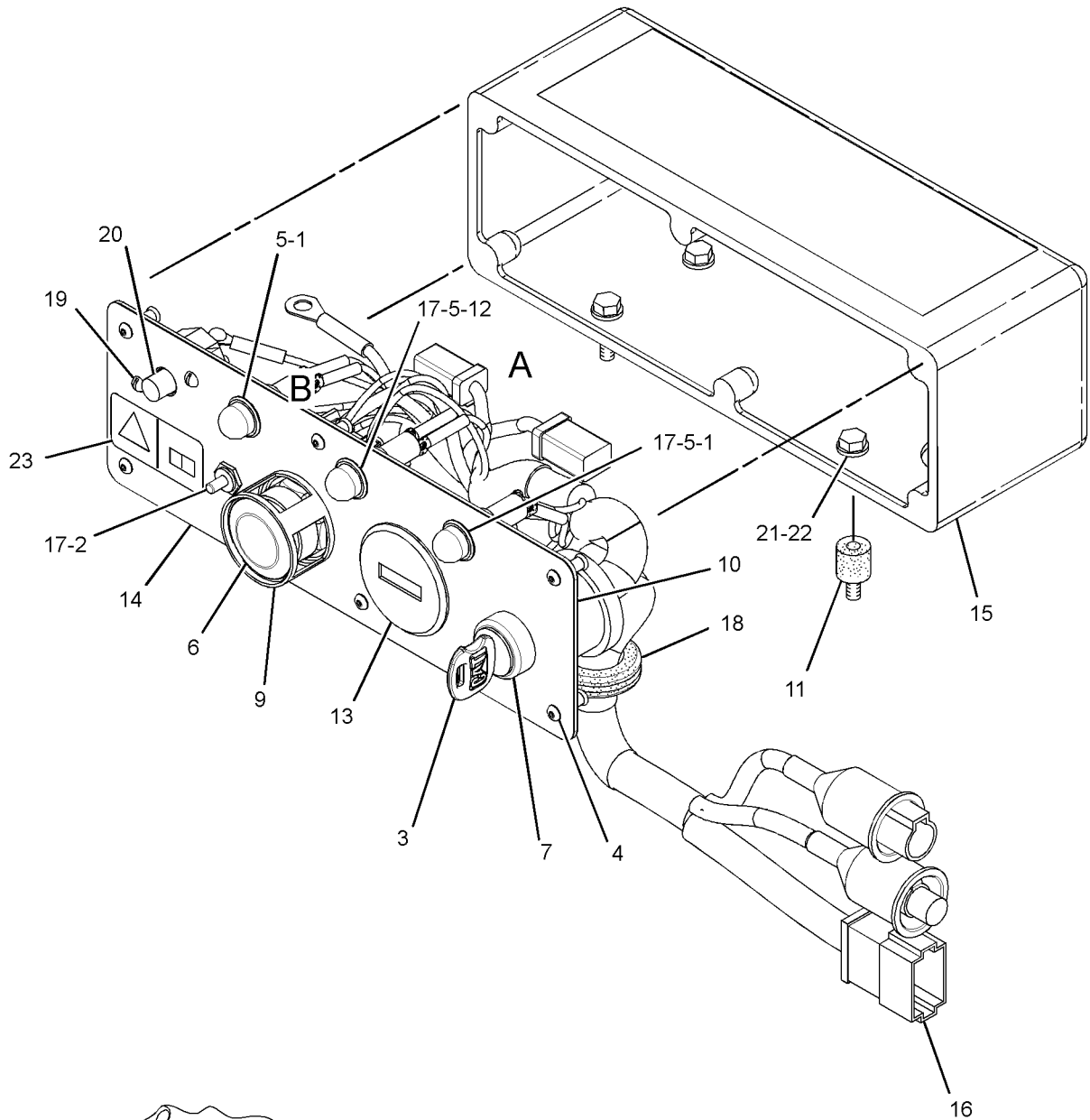
NOTE	REF NO	GRAPHIC REF	PART NUMBER	QTY	PART NAME	SEE PAGE
					1 2 3 4 5 6 (PRODUCT LEVEL)	
	21	1	6V-1322	4	BOLT (1/4-20X0.375-IN)	
	22	1	8T-4205	4	WASHER-HARD (7.2X14.5X2-MM THK)	
	23	1	222-7944	1	FILM-WARNING (DO NOT OPERATE, READ OMM, INTL)	

C-CHANGE FROM PREVIOUS TYPE
E-ORDER BY THE CENTIMETER

ELECTRICAL AND STARTING SYSTEM

203-4625 CONTROL GP-AUTO START/STOP (contd.)

i03607885



VIEW OF AREA A
(HARNES REMOVED FOR CLARITY)



VIEW OF AREA B

GRAPHIC #1

<END>

g01944832

ELECTRICAL AND STARTING SYSTEM

304-6645 CONTROL GP-AUTO START/STOP

BASIC, 12 VOLT
FOR USE WITH MARINE ENGINE
AN ATTACHMENT

SMCS-1426, 4462

i04047581

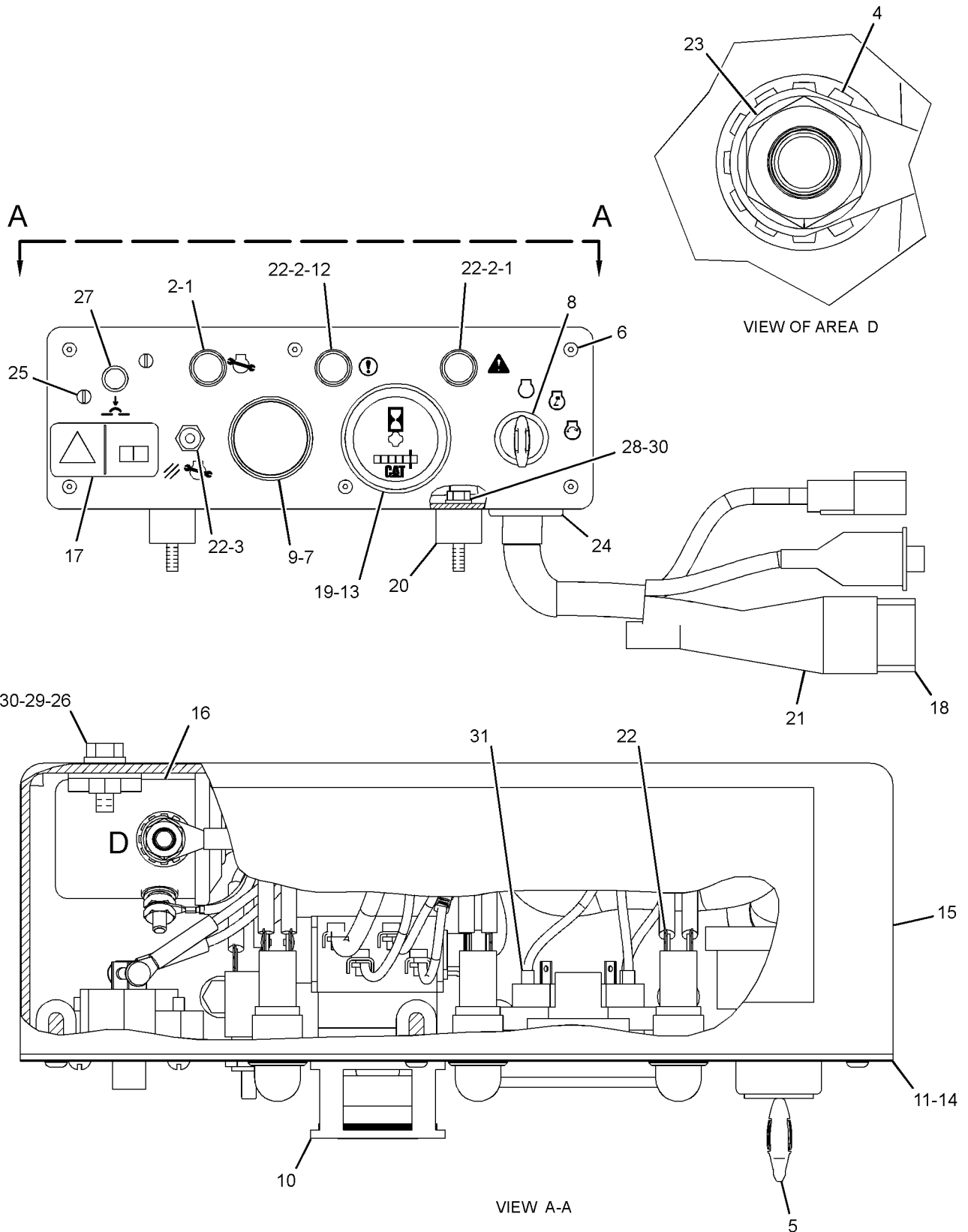
NOTE	REF NO	GRAPHIC REF	PART NUMBER	QTY	PART NAME						SEE PAGE
					1	2	3	4	5	6 (PRODUCT LEVEL)	
	1	1	2N-2371	2	LAMP AS-INDICATOR (RED)						
					(EACH INCLUDES)						
		1	2V-7088	1	LENS-RED						
		1	6V-8382	1	NUT-HEX (11/16-27-THD)						
		1	6V-8367	1	LOCKWASHER						
		1	6V-8817	2	SCREW-MACHINE (4-36X4.76-IN)						
	2	1	2N-2372	3	LAMP (12-VOLT)						
	3	1	3N-5716	1	SWITCH (PUSH BUTTON)						
	4	1	4D-1326	2	LOCKWASHER						
	5	1	5P-8500	1	KEY (START)						
	6	1	7D-0894	6	SCREW-HEAD						
	7	1	109-6507	1	SWITCH AS-PUSH BUTTON (EMERGENCY STOP)						
	8	1	110-7887	1	SWITCH AS-START (KEY)						
		1	186-3735	4	PIN-CONNECTOR (16-GA TO 18-GA)						
		1	7T-6799	1	NUT-MOUNTING (1-32-THD)						
		1	102-8804	1	KIT-RECEPTACLE (4-PIN)						
					(INCLUDES RECEPTACLE AS & WEDGE)						
	9	1	111-1325	1	BLOCK-CONTACT (2-POLE)						
	10	1	124-3176	1	COVER						
	11	1	126-6094	1	PLATE						
	12	1	141-9228	1	LAMP AS (INDICATOR)						
		1	2V-7087	1	LENS-AMBER						
		1	6V-8367	1	LOCKWASHER						
B		1	6V-8382	1	NUT-HEX (11/16-27-THD)						
		1	6V-8817	2	SCREW-MACHINE (4-36X4.76-IN)						
	13	1	301-7292	1	KIT-SERVICE METER						
					(INCLUDES METER & FILM)						
	14	1	203-9516	1	FILM-CONTROL PANEL						
	15	1	203-9572	1	ENCLOSURE						
Y	16	1	209-5581	1	SWITCH GP-MAGNETIC (12-VOLT) (START)						844
	17	1	222-7944	1	FILM-WARNING (DO NOT OPERATE, READ OMM, INTL)						
	18	1	299-6326	1	HARNESS AS-CONTROL						
	19	1	300-5538	1	WIRE AS (HOUR METER FILTER)						
	20	1	104-6564	4	MOUNT						
	21	1	115-5674	1	BOOT (UNIT INJECTOR)						
	22	1	1H-4393	8	LOCKWASHER						
	23	1	3B-4505	2	LOCKWASHER						
	24	1	3K-9520	1	GROMMET						
	25	1	4B-1223	2	SCREW-MACHINE (8-32X0.875-IN)						
	26	1	4M-5281	2	BOLT (1/4-20X0.75-IN)						
	27	1	6T-3643	1	CIRCUIT BREAKER AS (15-AMPERE) (ENGINE STARTING)						
		1	6V-8376	2	SCREW-MACHINE (8-32X0.25-IN)						
		1	9B-7233	2	LOCKWASHER						
	28	1	6V-1322	4	BOLT (1/4-20X0.375-IN)						
	29	1	6V-8185	2	NUT (1/4-20-THD)						
	30	1	8T-4205	8	WASHER-HARD (7.2X14.5X2-MM THK)						
D	31	1	6V-2689		TUBE-HEAT SHRINK (6.35-MM DIA) (0.2-M)						

B-USE AS REQUIRED
D-ORDER BY THE METER
Y-SEPARATE ILLUSTRATION

ELECTRICAL AND STARTING SYSTEM

304-6645 CONTROL GP-AUTO START/STOP (contd.)

i04047581



GRAPHIC #1

<END>

g01596396

ELECTRICAL AND STARTING SYSTEM

304-6646 CONTROL GP-AUTO START/STOP

FOR USE WITH 24-VOLT SYSTEMS

AN ATTACHMENT

SMCS-1426, 4462

i03792911

NOTE	REF NO	GRAPHIC REF	PART NUMBER	QTY	PART NAME						SEE PAGE
					1	2	3	4	5	6 (PRODUCT LEVEL)	
	1	1	2N-2371	2	LAMP AS-INDICATOR (RED)						
					(EACH INCLUDES)						
		1	2V-7088	1	LENS-RED						
		1	6V-8367	1	LOCKWASHER						
		1	6V-8382	1	NUT-HEX (11/16-27-THD)						
		1	6V-8817	2	SCREW-MACHINE (4-36X4.76-IN)						
	2	1	3N-5716	1	SWITCH (PUSH BUTTON)						
	3	1	5P-8500	1	KEY (START)						
	4	1	7D-0894	6	SCREW-HEAD						
	5	1	7N-5876	3	LAMP (24-VOLT, 0.2-AMPERE)						
	6	1	109-6507	1	SWITCH AS-PUSH BUTTON						
	7	1	110-7887	1	SWITCH AS-START (KEY)						
		1	7T-6799	1	NUT-MOUNTING (1-32-THD)						
		1	186-3735	4	PIN-CONNECTOR (16-GA TO 18-GA)						
		1	102-8804	1	KIT-RECEPTACLE (4-PIN)						
					(INCLUDES RECEPTACLE AS & WEDGE)						
	8	1	111-1325	1	BLOCK-CONTACT (2-POLE)						
	9	1	124-3176	1	COVER						
	10	1	126-6094	1	PLATE						
	11	1	104-6564	4	MOUNT						
	12	1	141-9228	1	LAMP AS						
		1	2V-7087	1	LENS-AMBER						
		1	6V-8367	1	LOCKWASHER						
		1	6V-8382	1	NUT-HEX (11/16-27-THD)						
		1	6V-8817	2	SCREW-MACHINE (4-36X4.76-IN)						
	13	1	301-7292	1	KIT-SERVICE METER						
					(INCLUDES FILM & METER)						
	14	1	203-9516	1	FILM-CONTROL PANEL						
	15	1	203-9572	1	ENCLOSURE						
Y	16	1	209-5582	1	SWITCH GP-MAGNETIC (24-VOLT)						845
	17	1	222-7944	1	FILM-WARNING (DO NOT OPERATE, READ OMM, INTL)						
	18	1	299-6326	1	HARNESS AS-CONTROL						
		1	102-8801	1	KIT-RECEPTACLE (12-PIN)						
					(INCLUDES RECEPTACLE AS & WEDGE)						
		1	186-3735	11	PIN-CONNECTOR (16-GA TO 18-GA)						
		1	186-3736	7	SOCKET-CONNECTOR (16-GA TO 18-GA)						
		1	189-3158	1	SUPPRESSOR-ARC						
		1	5P-2766	8	TERMINAL-RING (18-GA TO 22-GA, NO. 6 SCREW)						
		1	155-2270	2	KIT-CONNECTING PLUG (2-PIN)						
		1	155-2271	1	KIT-CONNECTING PLUG (4-PIN)						
					(EACH PLUG KIT INCLUDES PLUG AS & WEDGE)						
		1	5P-4571	3	TERMINAL-BLADE (14-GA TO 16-GA)						
		1	131-1497	2	TERMINAL AS-RING (10-GA TO 12-GA)						
					(EACH INCLUDES)						
		1	2L-8068	1	TERMINAL-RING (10-GA TO 12-GA, 5/16-IN SCREW)						
E		1	125-7875		TUBE-HEAT SHRINK (7.44-MM DIA) (4-CM)						
		1	6I-4347	2	BOOT (4-PIN)						
		1	8N-1542	1	PIN-CONNECTOR (10-GA)						
		1	8N-1543	1	SOCKET-CONNECTOR (10-GA)						
		1	8T-8737	2	PLUG-SEAL						
E		1	125-7874		TUBE-HEAT SHRINK (5.72-MM DIA) (15-CM)						
E		1	125-7875		TUBE-HEAT SHRINK (7.44-MM DIA) (15-CM)						
		1	127-5485	1	PLUG AS-CONNECTOR (1-PIN)						
		1	127-5486	1	RECEPTACLE AS-CONNECTOR (1-PIN)						
	19	1	300-5538	1	WIRE AS (HOUR METER FILTER)						

ELECTRICAL AND STARTING SYSTEM

304-6646 CONTROL GP-AUTO START/STOP (contd.)

i03792911

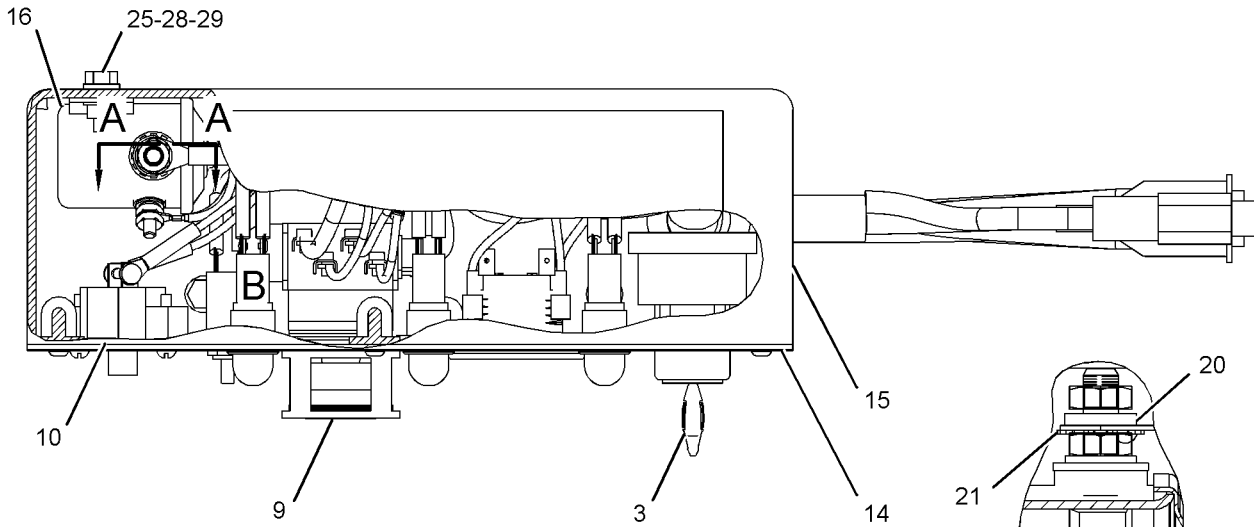
NOTE	REF NO	GRAPHIC REF	PART NUMBER	QTY	PART NAME						SEE PAGE
					1	2	3	4	5	6 (PRODUCT LEVEL)	
	20	1	3B-4505	2	LOCKWASHER						
	21	1	4D-1326	2	LOCKWASHER						
	22	1	1H-4393	8	LOCKWASHER						
	23	1	3K-9520	1	GROMMET						
	24	1	4B-1223	2	SCREW-MACHINE (8-32X0.875-IN)						
	25	1	4M-5281	2	BOLT (1/4-20X0.75-IN)						
	26	1	6T-3643	1	CIRCUIT BREAKER AS (15-AMPERE) (ENGINE STARTING)						
		1	6V-8376	2	SCREW-MACHINE (8-32X0.25-IN)						
		1	9B-7233	2	LOCKWASHER						
	27	1	6V-1322	4	BOLT (1/4-20X0.375-IN)						
	28	1	6V-8185	2	NUT (1/4-20-THD)						
	29	1	8T-4205	8	WASHER-HARD (7.2X14.5X2-MM THK)						
D	30	1	6V-2689		TUBE-HEAT SHRINK (6.35-MM DIA) (0.2-M)						
	31	1	115-5674	1	BOOT (UNIT INJECTOR)						

D-ORDER BY THE METER
 E-ORDER BY THE CENTIMETER
 Y-SEPARATE ILLUSTRATION

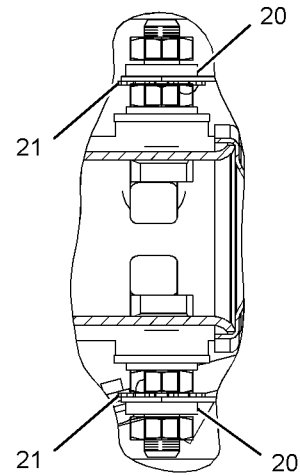
ELECTRICAL AND STARTING SYSTEM

304-6646 CONTROL GP-AUTO START/STOP (contd.)

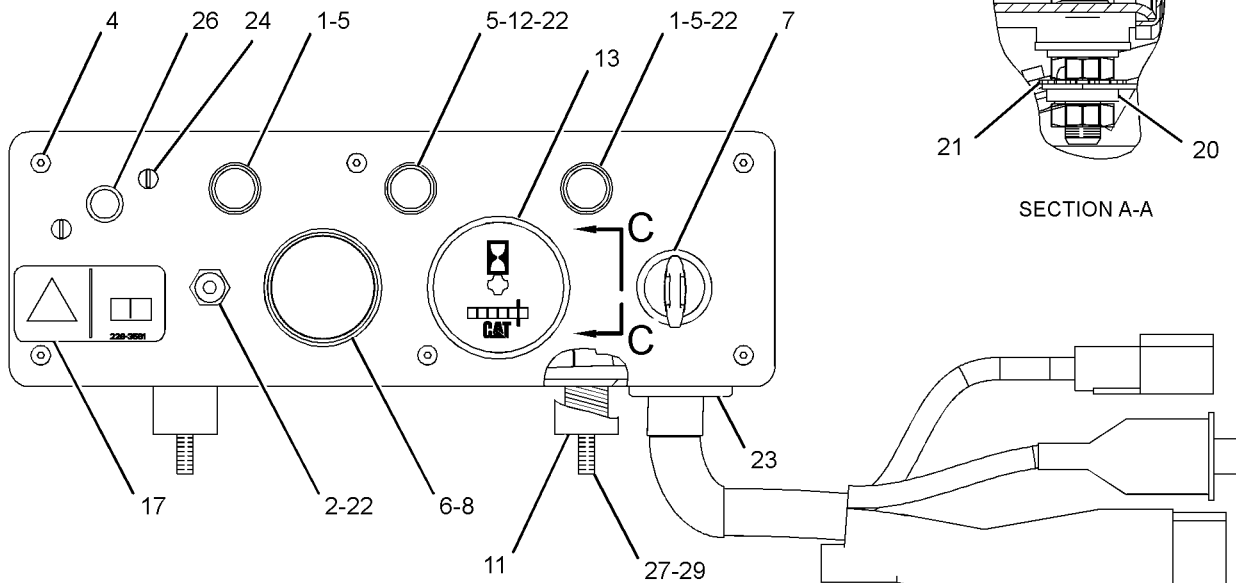
i03792911



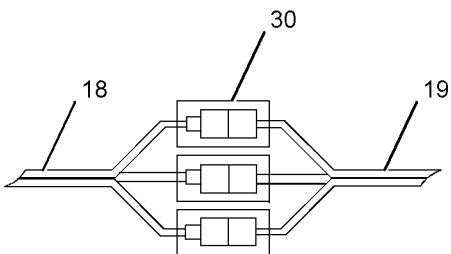
TOP VIEW OF ENGINE



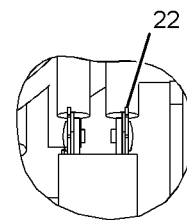
SECTION A-A



FRONT VIEW OF ENGINE



SECTION C-C



VIEW OF AREA B

GRAPHIC #1

<END>

g01941497

ELECTRICAL AND STARTING SYSTEM

256-7512 CONTROL GP-COMMUNICATION-PL1000E

AN ATTACHMENT

SMCS-7606, 7610, 7620

i03462832

NOTE	PART NUMBER	QTY	PART NAME						SEE PAGE
			1	2	3	4	5	6 (PRODUCT LEVEL)	
	335-6885	1	FILM-WARNING (CSA CONTROL PANEL APPROVAL)						
<END>									

ELECTRICAL AND STARTING SYSTEM

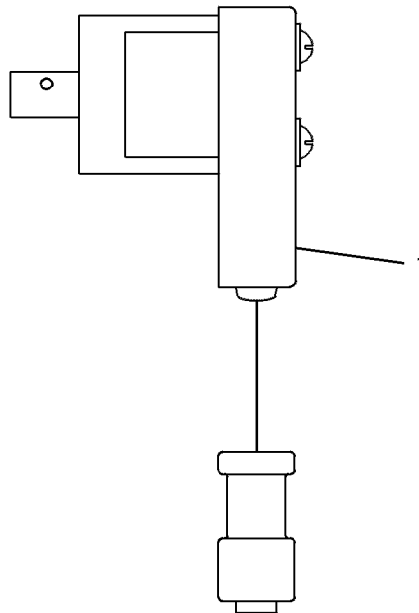
121-7028 CONTROL GP-ENGINE ELECTRONIC- THROTTLE POSITION

CANNOT BE USED WITH 9X-9647-PAGE 785
AN ATTACHMENT

SMCS-1901

i03690603

NOTE	REF NO	GRAPHIC REF	PART NUMBER	QTY	PART NAME						SEE PAGE
					1	2	3	4	5	6 (PRODUCT LEVEL)	
Y	1	1	121-7029	1	CONTROL GP-ENGINE ELECTRONIC						723
Y-SEPARATE ILLUSTRATION											



GRAPHIC #1

<END>

g00247870

ELECTRICAL AND STARTING SYSTEM

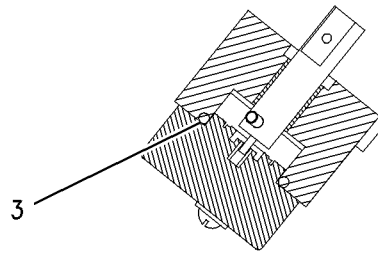
121-7029 CONTROL GP-ENGINE ELECTRONIC- THROTTLE POSITION

PART OF 121-7028 CONTROL GP-ENGINE ELECTRONIC
AN ATTACHMENT

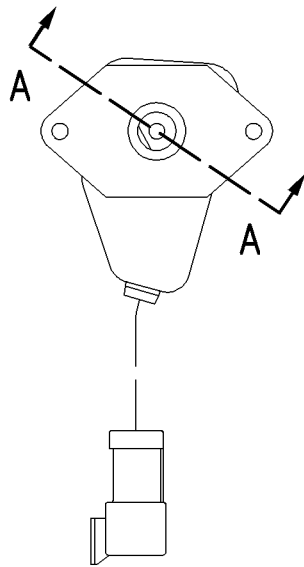
SMCS-1901

i01983569

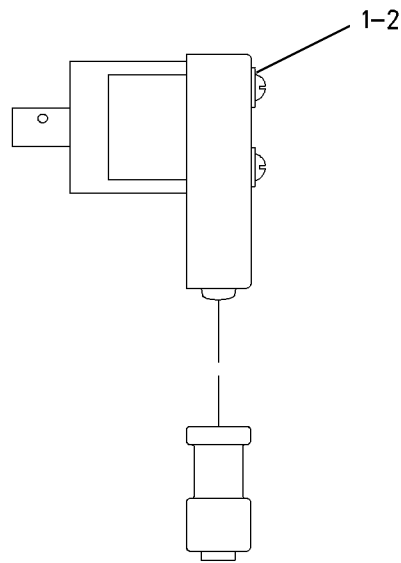
NOTE	REF NO	GRAPHIC REF	PART NUMBER	QTY	PART NAME						SEE PAGE
					1	2	3	4	5	6 (PRODUCT LEVEL)	
	1	1	130-7769	2	SCREW (10-32X1.25-IN)						
	2	1	4B-4274	2	WASHER (5.5X13X1.2-MM THK)						
	3	1	6V-0894	1	SEAL-O-RING						



SECTION A-A



FRONT VIEW



RIGHT SIDE VIEW

GRAPHIC #1

<END>

g00635836

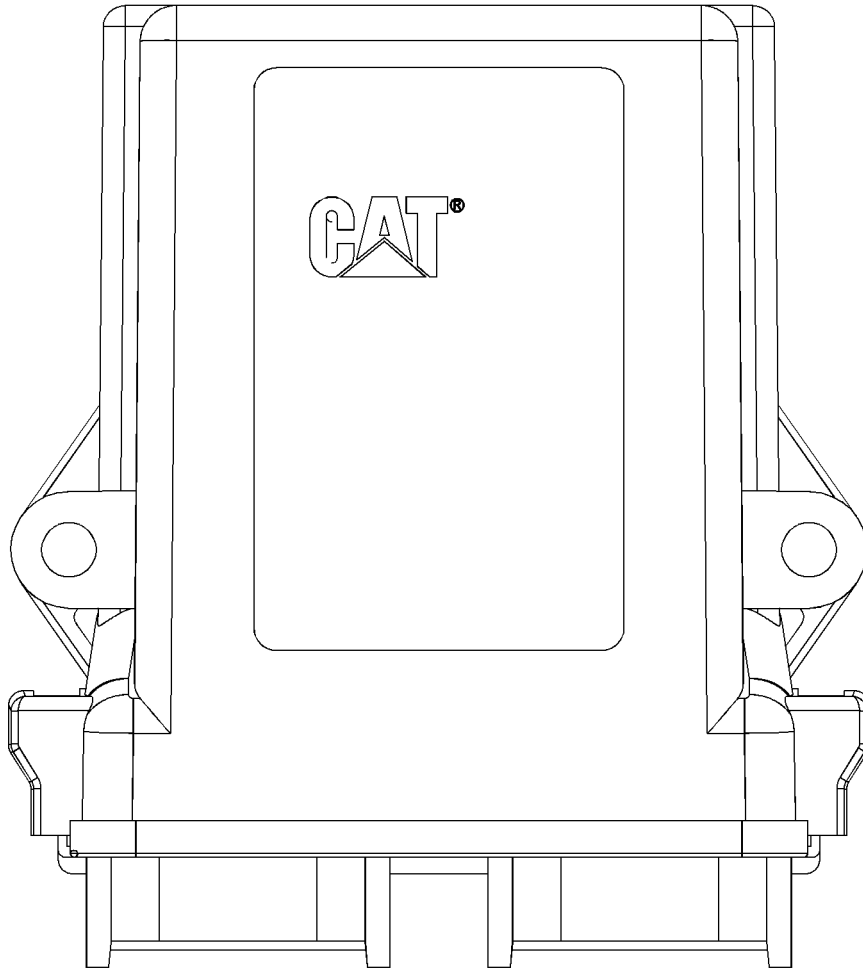
ELECTRICAL AND STARTING SYSTEM

256-4883 CONTROL GP-ENGINE SPEED- ELECTRONIC TROLL PROCESSOR FOR USE WITH MULTI-STATION CONTROL SYSTEM AN ATTACHMENT

SMCS-1901

i02216258

NOTE	REF NO	GRAPHIC REF	PART NUMBER	QTY	PART NAME						SEE PAGE
					1	2	3	4	5	6 (PRODUCT LEVEL)	
(NO SERVICED PARTS)											



GRAPHIC #1

<END>

g01119634

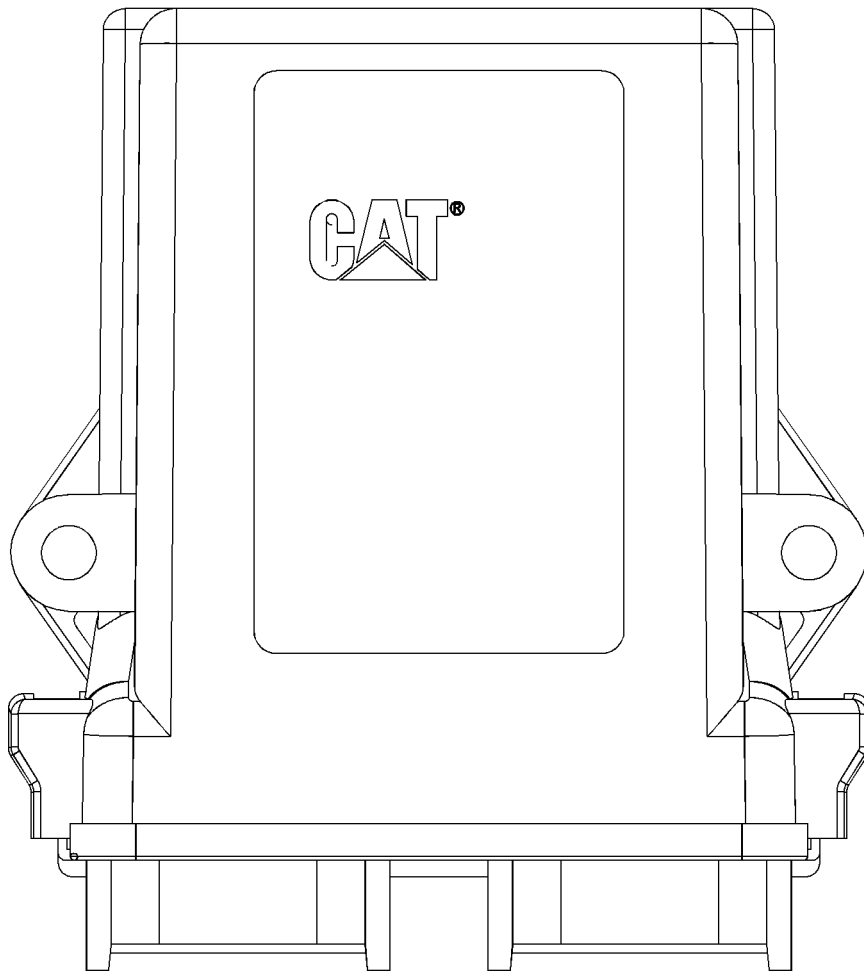
ELECTRICAL AND STARTING SYSTEM

323-7317 CONTROL GP-ENGINE SPEED-TROLLING AN ATTACHMENT

SMCS-1901

i03262648

NOTE	REF NO	GRAPHIC REF	PART NUMBER	QTY	PART NAME	SEE PAGE
					1 2 3 4 5 6 (PRODUCT LEVEL)	
(NO SERVICED PARTS)						



GRAPHIC #1

<END>

g01119634

ELECTRICAL AND STARTING SYSTEM

234-7828 CONTROL GP-START/STOP

24 VOLT
AN ATTACHMENT

SMCS-7418

i04048054

NOTE	REF NO	GRAPHIC REF	PART NUMBER	QTY	PART NAME 1 2 3 4 5 6 (PRODUCT LEVEL)	SEE PAGE
	1	1	1H-4393	8	LOCKWASHER	
	2	1	2N-2371	2	LAMP AS-INDICATOR (RED) (EACH INCLUDES)	
		1	2V-7088	1	LENS-RED	
		1	6V-8367	1	LOCKWASHER	
		1	6V-8382	1	NUT-HEX (11/16-27-THD)	
		1	6V-8817	2	SCREW-MACHINE (4-36X4.76-IN)	
	3	1	3N-5716	1	SWITCH (PUSH BUTTON) (MAINTENANCE INDICATOR RESET)	
	4	1	5P-8500	1	KEY (START)	
	5	1	7D-0894	6	SCREW-HEAD	
	6	1	7N-5876	3	LAMP (24-VOLT, 0.2-AMPERE)	
	7	1	109-6507	1	SWITCH AS-PUSH BUTTON (STOP)	
	8	1	110-7887	1	SWITCH AS-START (KEY)	
		1	3E-3377	1	WEDGE-RECEPTACLE LOCK (4-PIN)	
		1	7T-6799	1	NUT-MOUNTING (1-32-THD)	
		1	8T-8729	4	PIN-CONNECTOR (16-GA TO 18-GA)	
		1	102-8804	1	KIT-RECEPTACLE (4-PIN) (INCLUDES RECEPTACLE AS AND WEDGE)	
	9	1	111-1325	1	BLOCK-CONTACT (2-POLE)	
	10	1	124-3176	1	COVER	
	11	1	126-6094	1	PLATE	
	12	1	130-9376	4	MOUNT-FLEXIBLE	
	13	1	141-9228	1	LAMP AS (INDICATOR)	
		1	2V-7087	1	LENS-AMBER	
		1	6V-8367	1	LOCKWASHER	
		1	6V-8382	1	NUT-HEX (11/16-27-THD)	
		1	6V-8817	2	SCREW-MACHINE (4-36X4.76-IN)	
	14	1	121-1241	1	KIT-SERVICE METER	
		1	114-2505	1	FILM-IDENTIFICATION (SERVICE METER)	
		1	304-5303	1	NUT-SPECIAL (SERVICE METER)	
	15	1	203-9516	1	FILM-CONTROL PANEL	
	16	1	203-9572	1	ENCLOSURE	
Y	17	1	209-5582	1	SWITCH GP-MAGNETIC (24-VOLT) (RELAY)	845
		1	3F-9556	2	LOCKWASHER	
		1	6V-8186	2	NUT-FULL (5/16-24-THD)	
		1	6V-8378	2	NUT (10-32-THD)	
		1	8F-1434	2	LOCKWASHER	
		1	102-8802	1	KIT-RECEPTACLE (2-PIN) (INCLUDES RECEPTACLE AS AND WEDGE)	
		1	186-3735	2	PIN-CONNECTOR (16-GA TO 18-GA)	
	18	1	234-7862	1	HARNES AS-CONTROL	
		1	102-8801	1	KIT-RECEPTACLE (12-PIN) (INCLUDES RECEPTACLE AS AND WEDGE)	
		1	127-5485	1	PLUG AS-CONNECTOR (1-PIN)	
		1	127-5486	1	RECEPTACLE AS-CONNECTOR (1-PIN)	
		1	155-2269	1	PLUG AS-CONNECTOR (2-PIN)	
		1	155-2270	1	KIT-CONNECTING PLUG (2-PIN) (INCLUDES PLUG AS AND WEDGE)	
		1	155-2271	1	KIT-CONNECTING PLUG (4-PIN) (INCLUDES PLUG AS AND WEDGE)	
	19	1	3K-9520	1	GROMMET	
	20	1	4B-1223	2	SCREW-MACHINE (8-32X0.875-IN)	
	21	1	4M-5281	2	BOLT (1/4-20X0.75-IN)	
	22	1	6T-3643	1	CIRCUIT BREAKER AS (15-AMPERE) (ENGINE STARTING)	

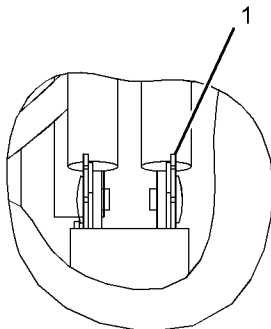
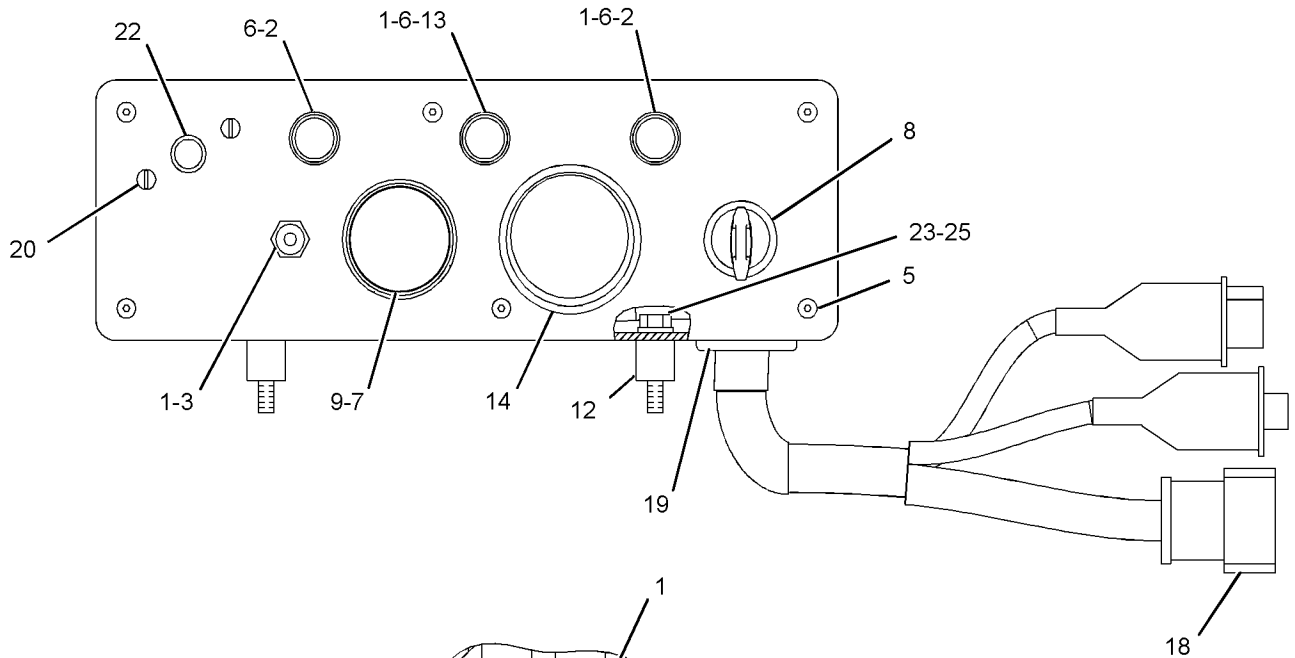
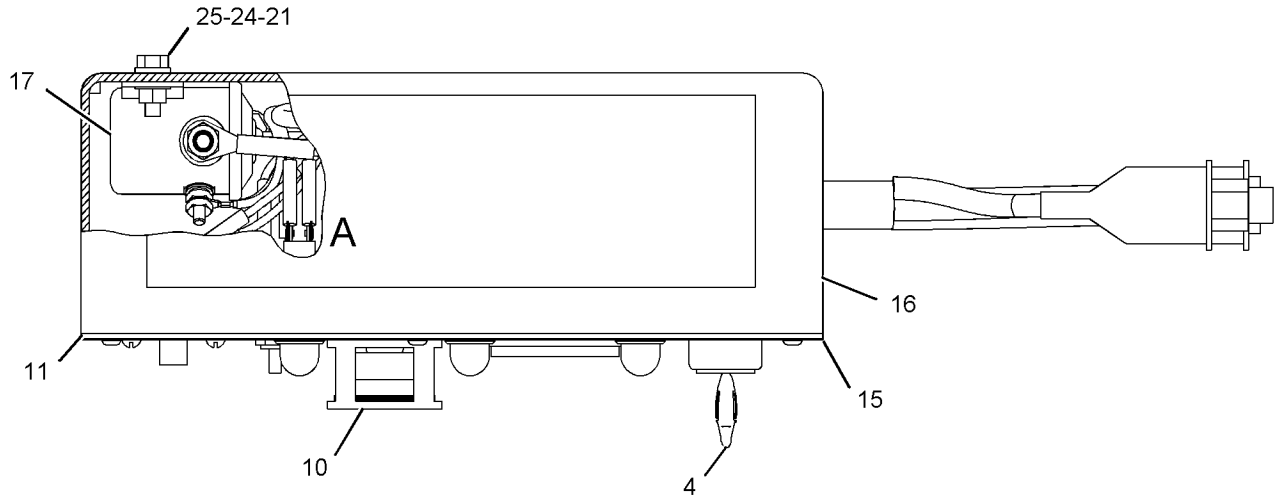
ELECTRICAL AND STARTING SYSTEM

234-7828 CONTROL GP-START/STOP (contd.)

i04048054

NOTE	REF NO	GRAPHIC REF	PART NUMBER	QTY	PART NAME						SEE PAGE
					1	2	3	4	5	6 (PRODUCT LEVEL)	
		1	6V-8376	2	SCREW-MACHINE (8-32X0.25-IN)						
		1	9B-7233	2	LOCKWASHER						
	23	1	6V-1322	4	BOLT (1/4-20X0.375-IN)						
	24	1	6V-8185	2	NUT (1/4-20-THD)						
	25	1	8T-4205	8	WASHER-HARD (7.2X14.5X2-MM THK)						

Y-SEPARATE ILLUSTRATION



VIEW OF AREA A
<END>

GRAPHIC #1

g01016050

ELECTRICAL AND STARTING SYSTEM

234-7829 CONTROL GP-START/STOP

12 VOLT
AN ATTACHMENT

SMCS-7418

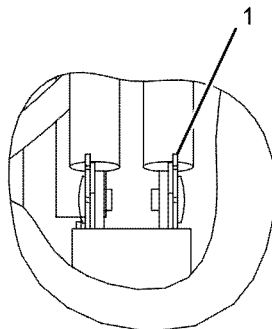
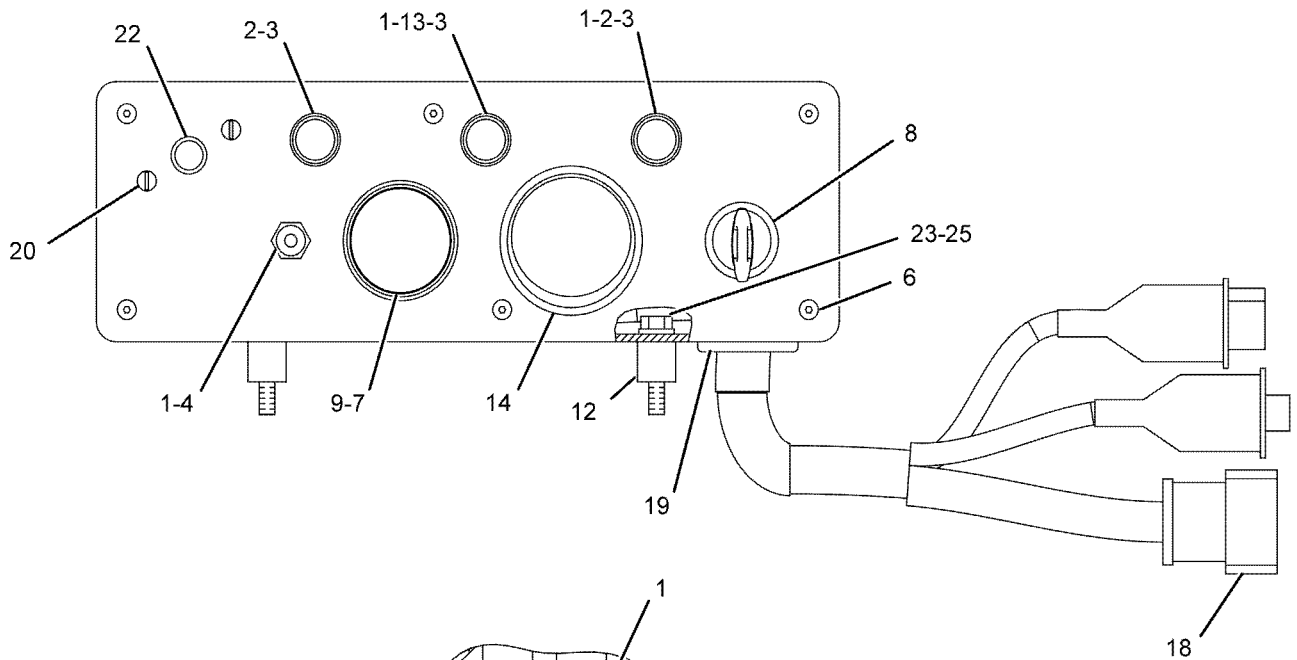
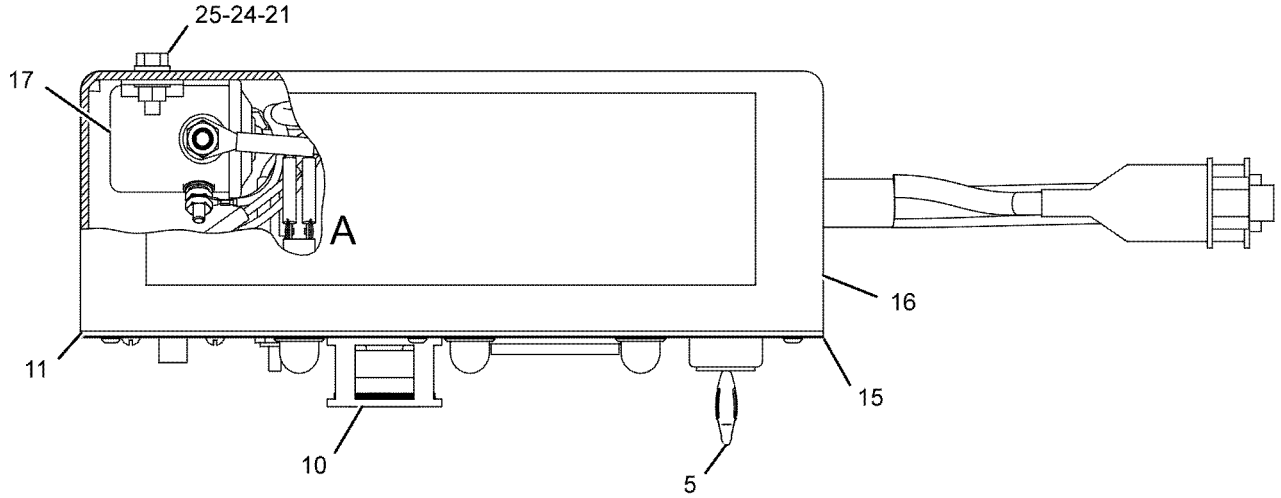
i04048053

NOTE	REF NO	GRAPHIC REF	PART NUMBER	QTY	PART NAME						SEE PAGE
					1	2	3	4	5	6 (PRODUCT LEVEL)	
	1	1	1H-4393	8	LOCKWASHER						
	2	1	2N-2371	2	LAMP AS-INDICATOR (RED)						
					(EACH INCLUDES)						
		1	2V-7088	1	LENS-RED						
		1	6V-8367	1	LOCKWASHER						
		1	6V-8382	1	NUT-HEX (11/16-27-THD)						
		1	6V-8817	2	SCREW-MACHINE (4-36X4.76-IN)						
3	1		2N-2372	3	LAMP (12-VOLT)						
4	1		3N-5716	1	SWITCH (PUSH BUTTON) (MAINTENANCE INDICATOR RESET)						
5	1		5P-8500	1	KEY (START)						
6	1		7D-0894	6	SCREW-HEAD						
7	1		109-6507	1	SWITCH AS-PUSH BUTTON (STOP)						
8	1		110-7887	1	SWITCH AS-START (KEY)						
		1	3E-3377	1	WEDGE-RECEPTACLE LOCK (4-PIN)						
		1	7T-6799	1	NUT-MOUNTING (1-32-THD)						
		1	8T-8729	4	PIN-CONNECTOR (16-GA TO 18-GA)						
		1	102-8804	1	KIT-RECEPTACLE (4-PIN) (INCLUDES RECEPTACLE AS AND WEDGE)						
9	1		111-1325	1	BLOCK-CONTACT (2-POLE)						
10	1		124-3176	1	COVER						
11	1		126-6094	1	PLATE						
12	1		130-9376	4	MOUNT-FLEXIBLE						
13	1		141-9228	1	LAMP AS (INDICATOR)						
		1	2V-7087	1	LENS-AMBER						
		1	6V-8367	1	LOCKWASHER						
		1	6V-8382	1	NUT-HEX (11/16-27-THD)						
		1	6V-8817	2	SCREW-MACHINE (4-36X4.76-IN)						
14	1		121-1241	1	KIT-SERVICE METER						
15	1		203-9516	1	FILM-CONTROL PANEL						
16	1		203-9572	1	ENCLOSURE						
Y	17	1	209-5581	1	SWITCH GP-MAGNETIC (12-VOLT) (RELAY)						844
	18	1	234-7862	1	HARNESS AS-CONTROL						
		1	102-8801	1	KIT-RECEPTACLE (12-PIN) (INCLUDES RECEPTACLE AS AND WEDGE)						
		1	127-5485	1	PLUG AS-CONNECTOR (1-PIN)						
		1	127-5486	1	RECEPTACLE AS-CONNECTOR (1-PIN)						
		1	155-2269	1	PLUG AS-CONNECTOR (2-PIN)						
		1	155-2270	1	KIT-CONNECTING PLUG (2-PIN) (INCLUDES PLUG AS AND WEDGE)						
		1	155-2271	1	KIT-CONNECTING PLUG (4-PIN) (INCLUDES PLUG AS AND WEDGE)						
19	1		3K-9520	1	GROMMET						
20	1		4B-1223	2	SCREW-MACHINE (8-32X0.875-IN)						
21	1		4M-5281	2	BOLT (1/4-20X0.75-IN)						
22	1		6T-3643	1	CIRCUIT BREAKER AS (15-AMPERE) (ENGINE STARTING)						
		1	6V-8376	2	SCREW-MACHINE (8-32X0.25-IN)						
		1	9B-7233	2	LOCKWASHER						
23	1		6V-1322	4	BOLT (1/4-20X0.375-IN)						
24	1		6V-8185	2	NUT (1/4-20-THD)						
25	1		8T-4205	8	WASHER-HARD (7.2X14.5X2-MM THK)						
Y-SEPARATE ILLUSTRATION											

ELECTRICAL AND STARTING SYSTEM

234-7829 CONTROL GP-START/STOP (contd.)

i04048053



VIEW OF AREA A

ELECTRICAL AND STARTING SYSTEM

234-7830 CONTROL GP-START/STOP

AIR START
AN ATTACHMENT

SMCS-7418

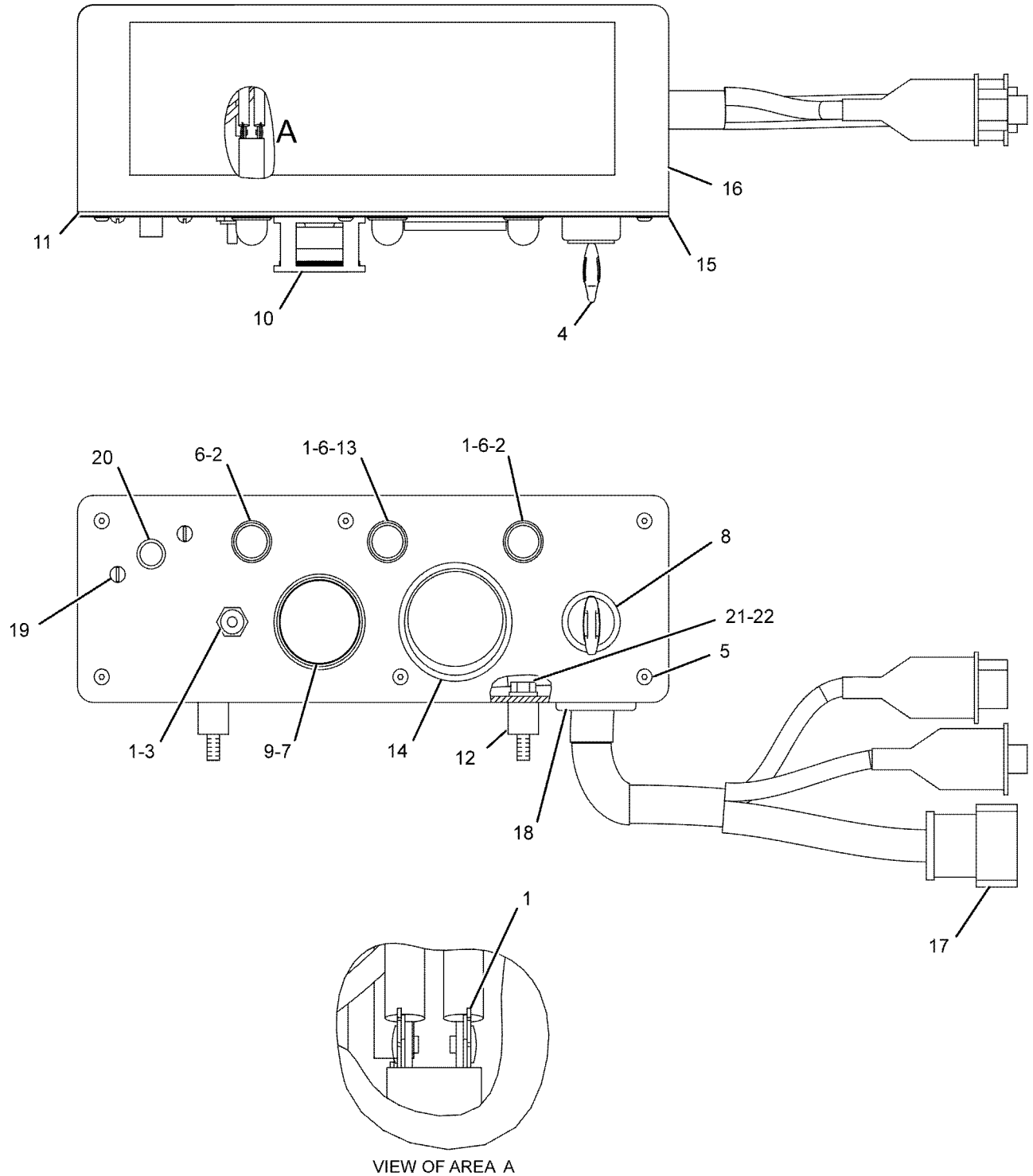
i04048052

NOTE	REF NO	GRAPHIC REF	PART NUMBER	QTY	PART NAME						SEE PAGE
					1	2	3	4	5	6 (PRODUCT LEVEL)	
	1	1	1H-4393	8	LOCKWASHER						
	2	1	2N-2371	2	LAMP AS-INDICATOR (RED)						
					(EACH INCLUDES)						
		1	2V-7088	1	LENS-RED						
		1	6V-8367	1	LOCKWASHER						
		1	6V-8382	1	NUT-HEX (11/16-27-THD)						
		1	6V-8817	2	SCREW-MACHINE (4-36X4.76-IN)						
3	1	1	3N-5716	1	SWITCH (PUSH BUTTON) (MAINTENANCE INDICATOR RESET)						
4	1	1	5P-8500	1	KEY (START)						
5	1	1	7D-0894	6	SCREW-HEAD						
6	1	1	7N-5876	3	LAMP (24-VOLT, 0.2-AMPERE)						
7	1	1	109-6507	1	SWITCH AS-PUSH BUTTON (STOP)						
8	1	1	110-7887	1	SWITCH AS-START (KEY)						
		1	3E-3377	1	WEDGE-RECEPTACLE LOCK (4-PIN)						
		1	7T-6799	1	NUT-MOUNTING (1-32-THD)						
		1	8T-8729	4	PIN-CONNECTOR (16-GA TO 18-GA)						
		1	102-8804	1	KIT-RECEPTACLE (4-PIN) (INCLUDES RECEPTACLE AS AND WEDGE)						
9	1	1	111-1325	1	BLOCK-CONTACT (2-POLE)						
10	1	1	124-3176	1	COVER						
11	1	1	126-6094	1	PLATE						
12	1	1	130-9376	4	MOUNT-FLEXIBLE						
13	1	1	141-9228	1	LAMP AS (INDICATOR)						
		1	2V-7087	1	LENS-AMBER						
		1	6V-8367	1	LOCKWASHER						
		1	6V-8382	1	NUT-HEX (11/16-27-THD)						
		1	6V-8817	2	SCREW-MACHINE (4-36X4.76-IN)						
14	1	1	121-1241	1	KIT-SERVICE METER						
15	1	1	203-9516	1	FILM-CONTROL PANEL						
16	1	1	204-0737	1	ENCLOSURE						
17	1	1	234-7862	1	HARNESS AS-CONTROL						
		1	102-8801	1	KIT-RECEPTACLE (12-PIN) (INCLUDES RECEPTACLE AS AND WEDGE)						
		1	127-5485	1	PLUG AS-CONNECTOR (1-PIN)						
		1	127-5486	1	RECEPTACLE AS-CONNECTOR (1-PIN)						
		1	155-2269	1	PLUG AS-CONNECTOR (2-PIN)						
		1	155-2270	1	KIT-CONNECTING PLUG (2-PIN) (INCLUDES PLUG AS AND WEDGE)						
		1	155-2271	1	KIT-CONNECTING PLUG (4-PIN) (INCLUDES PLUG AS AND WEDGE)						
18	1	1	3K-9520	1	GROMMET						
19	1	1	4B-1223	2	SCREW-MACHINE (8-32X0.875-IN)						
20	1	1	6T-3643	1	CIRCUIT BREAKER AS (15-AMPERE) (ENGINE STARTING)						
		1	6V-8376	2	SCREW-MACHINE (8-32X0.25-IN)						
		1	9B-7233	2	LOCKWASHER						
21	1	1	6V-1322	4	BOLT (1/4-20X0.375-IN)						
22	1	1	8T-4205	4	WASHER-HARD (7.2X14.5X2-MM THK)						

ELECTRICAL AND STARTING SYSTEM

234-7830 CONTROL GP-START/STOP (contd.)

i04048052



ELECTRICAL AND STARTING SYSTEM

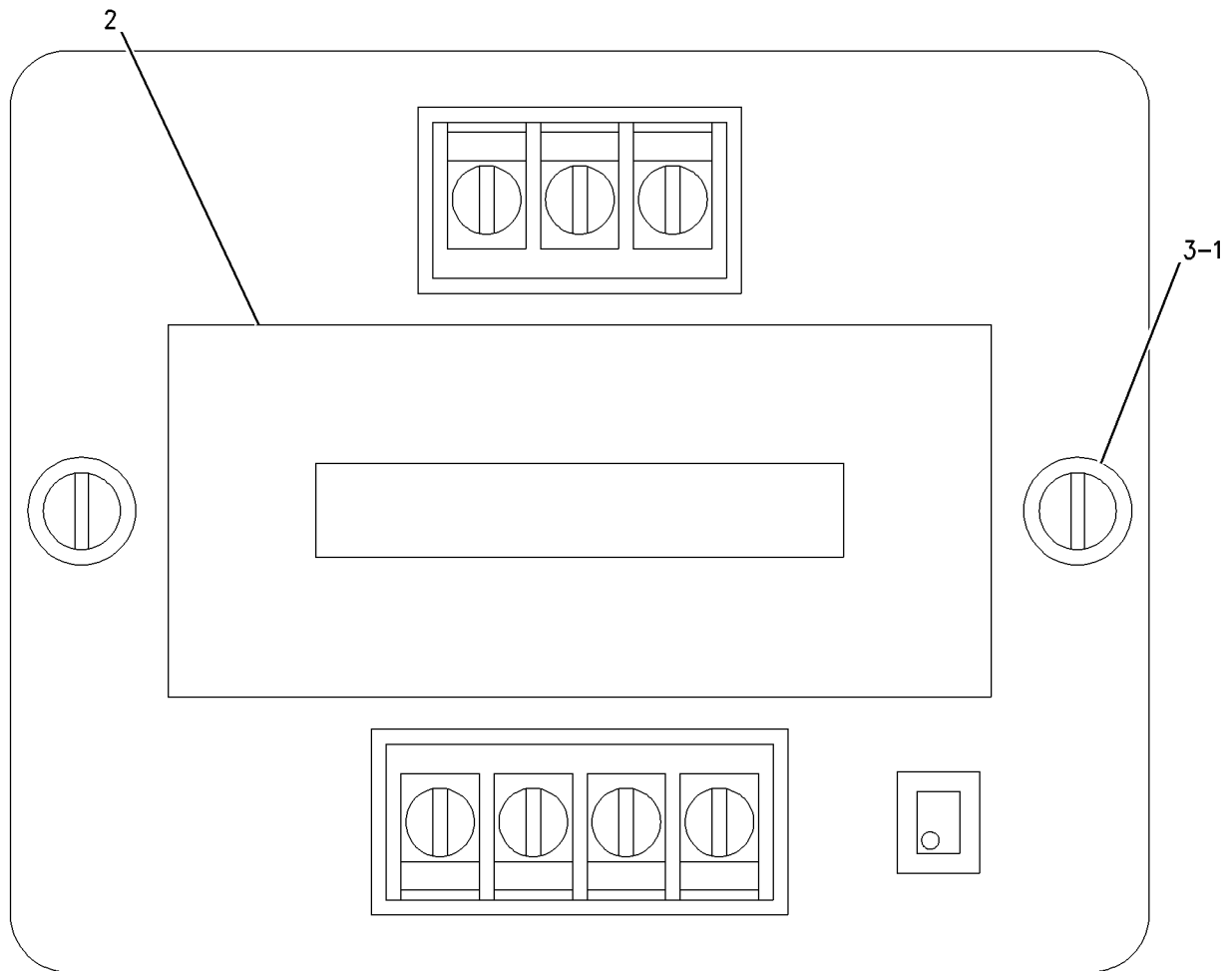
9X-9591 CONVERTER GP-ELECTRICAL

PULSE WIDTH MODULATED
AN ATTACHMENT

SMCS-1421

i03686440

NOTE	REF NO	GRAPHIC REF	PART NUMBER	QTY	PART NAME						SEE PAGE
					1	2	3	4	5	6 (PRODUCT LEVEL)	
	1	1	4B-4863	2	WASHER (4.7X11X1.2-MM THK)						
	2	1	9X-9857	1	FILM-IDENTIFICATION (CATERPILLAR)						
	3	1	3K-8106	2	SCREW-MACHINE (8-32X1-IN)						



GRAPHIC #1

<END>

g00774430

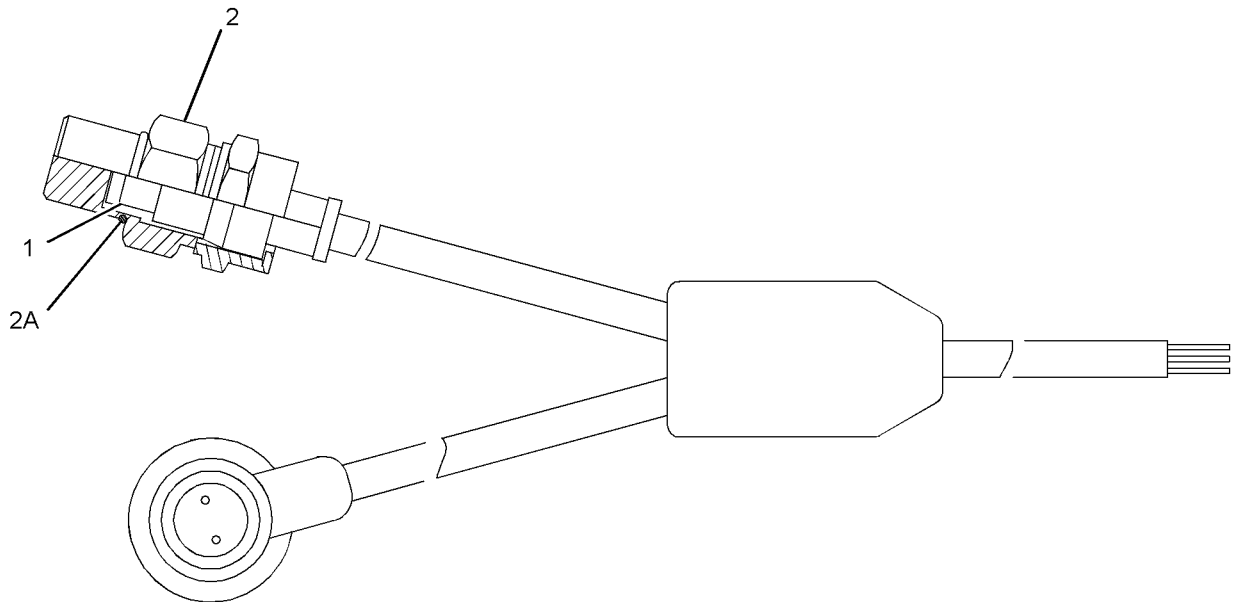
ELECTRICAL AND STARTING SYSTEM

235-5859 CORD AS-JACKET WATER HEATER FOR USE WITH ACERT HEAD AN ATTACHMENT

SMCS-1408

i02726548

NOTE	REF NO	GRAPHIC REF	PART NUMBER	QTY	PART NAME						SEE PAGE
					1	2	3	4	5	6 (PRODUCT LEVEL)	
	1	1	7C-9008	1	THERMOSTAT (JACKET WATER HEATER)						
	2	1	235-5863	1	HOUSING						
	2A	1	3K-0360	1	SEAL-O-RING						



GRAPHIC #1

<END>

g01156231

ELECTRICAL AND STARTING SYSTEM

217-3866 HARNESS AS-WARNING LAMP PROVIDES PROPER WARNING LAMP ILLUMINATION AN ATTACHMENT

SMCS-1408

i01986883

NOTE	PART NUMBER	QTY	PART NAME						SEE PAGE
			1	2	3	4	5	6 (PRODUCT LEVEL)	
			(NO SERVICED PARTS)						
			<END>						

225-6102 HARNESS AS-CUSTOM PANEL FOR USE WITH MULTI-STATION CONTROL SYSTEM AN ATTACHMENT

SMCS-1408

i02603327

NOTE	PART NUMBER	QTY	PART NAME						SEE PAGE
			1	2	3	4	5	6 (PRODUCT LEVEL)	
	155-2255	2	KIT-CONNECTING PLUG (12-PIN)						
			(INCLUDES PLUG AS AND WEDGE)						
			<END>						

225-6104 HARNESS AS-THROTTLE DUAL ENGINE FOR USE WITH MULTI-STATION CONTROL SYSTEM AN ATTACHMENT

SMCS-1408

i02215981

NOTE	PART NUMBER	QTY	PART NAME						SEE PAGE
			1	2	3	4	5	6 (PRODUCT LEVEL)	
	155-2255	1	KIT-CONNECTING PLUG (12-PIN)						
			(INCLUDES PLUG AS AND WEDGE)						
	155-2260	1	KIT-CONNECTING PLUG (3-PIN)						
			(INCLUDES PLUG AS AND WEDGE)						
			<END>						

225-6107 HARNESS AS-DISPLAY PANEL DATA LINK/POWER SUPPLY FOR USE WITH MULTI-STATION CONTROL SYSTEM AN ATTACHMENT

SMCS-1408

i02603325

NOTE	PART NUMBER	QTY	PART NAME						SEE PAGE
			1	2	3	4	5	6 (PRODUCT LEVEL)	
	155-2274	2	KIT-CONNECTING PLUG (6-PIN)						
			(EACH INCLUDES PLUG AS AND WEDGE)						
			<END>						

ELECTRICAL AND STARTING SYSTEM

225-6112 HARNESS AS-TEE TO MARINE POWER DISPLAY FOR USE WITH MULTI-STATION CONTROL SYSTEM AN ATTACHMENT

SMCS-1408

i03637630

NOTE	PART NUMBER	QTY	PART NAME						SEE PAGE
			1	2	3	4	5	6 (PRODUCT LEVEL)	
	133-0969	2	CONNECTOR-SOCKET (16-GA TO 18-GA)						
	155-2255	1	KIT-CONNECTING PLUG (12-PIN) (INCLUDES PLUG AS AND WEDGE)						
	155-2274	1	KIT-CONNECTING PLUG (6-PIN) (INCLUDES PLUG AS AND WEDGE)						
	8T-8737	4	PLUG-SEAL						
	9W-0844	6	SOCKET-CONNECTOR (14-GA)						
	186-3736	6	SOCKET-CONNECTOR (16-GA TO 18-GA)						
D	5P-6001		TUBE-HEAT SHRINK (4.75-MM DIA) (1-M)						
D	5P-5677		WIRE (18-GA, BLACK) (1-M)						

D-ORDER BY THE METER

<END>

225-6116 HARNESS AS-POWERTRAIN CONTROL PROCESSOR TO GEAR FOR USE WITH MULTI-STATION CONTROL SYSTEM AN ATTACHMENT

SMCS-1408

i01986886

NOTE	PART NUMBER	QTY	PART NAME						SEE PAGE
			1	2	3	4	5	6 (PRODUCT LEVEL)	
	9X-4391	1	PLUG AS-CONNECTOR (70-PIN) (36.1X104MM)						
	3E-4367	1	RING-RETAINING						
M	3E-8557	1	BOLT (M5X0.8X39.37-MM)						
	9X-5615	2	SEAL (INTERFACE, 70-PIN)						
	160-7689	1	PLUG AS-CONNECTOR (70-PIN) (50X80.9MM)						
	159-9322	1	SEAL-O-RING						

M-METRIC PART

<END>

225-6118 HARNESS AS-CAT DATA LINK FOR USE WITH MULTI-STATION CONTROL SYSTEM AN ATTACHMENT

SMCS-1408

i01892407

NOTE	PART NUMBER	QTY	PART NAME						SEE PAGE
			1	2	3	4	5	6 (PRODUCT LEVEL)	
	155-2265	1	KIT-CONNECTING PLUG (8-PIN) (INCLUDES PLUG AS AND WEDGE)						

<END>

ELECTRICAL AND STARTING SYSTEM

225-6120 HARNESS AS-SYNC PANEL FOR USE WITH MULTI-STATION CONTROL SYSTEM AN ATTACHMENT

SMCS-1408

i01892410

NOTE	PART NUMBER	QTY	PART NAME						SEE PAGE
			1	2	3	4	5	6 (PRODUCT LEVEL)	
	155-2265	1	KIT-CONNECTING PLUG (8-PIN) (INCLUDES PLUG AS AND WEDGE)						
	155-2271	1	KIT-CONNECTING PLUG (4-PIN) (INCLUDES PLUG AS AND WEDGE)						
<END>									

226-0365 HARNESS AS-STATION DROP FOR USE WITH MULTI-STATION CONTROL SYSTEM AN ATTACHMENT

SMCS-1408

i02215987

NOTE	PART NUMBER	QTY	PART NAME						SEE PAGE
			1	2	3	4	5	6 (PRODUCT LEVEL)	
	155-2265	1	KIT-CONNECTING PLUG (8-PIN) (INCLUDES PLUG AS AND WEDGE)						
	155-2274	1	KIT-CONNECTING PLUG (6-PIN) (INCLUDES PLUG AS AND WEDGE)						
<END>									

226-0367 HARNESS AS-THROTTLE CAT CONTROLS FOR USE WITH MULTI-STATION CONTROL SYSTEM AN ATTACHMENT

SMCS-1408

i02603336

NOTE	PART NUMBER	QTY	PART NAME						SEE PAGE
			1	2	3	4	5	6 (PRODUCT LEVEL)	
	155-2255	2	KIT-CONNECTING PLUG (12-PIN) (EACH INCLUDES PLUG AS AND WEDGE)						
	155-2274	1	KIT-CONNECTING PLUG (6-PIN) (INCLUDES PLUG AS AND WEDGE)						
<END>									

226-0411 HARNESS AS-CONTROL STATION FOR USE WITH MULTI-STATION CONTROL SYSTEM AN ATTACHMENT

SMCS-1408

i02215991

NOTE	PART NUMBER	QTY	PART NAME						SEE PAGE
			1	2	3	4	5	6 (PRODUCT LEVEL)	
	155-2257	2	KIT-CONNECTING PLUG (12-PIN) (EACH INCLUDES PLUG AS AND WEDGE)						
<END>									

ELECTRICAL AND STARTING SYSTEM

226-0416 HARNESS AS-POWERTRAIN CONTROL PROCESSOR TO ELECTRONIC CONTROL MODULE FOR USE WITH MULTI-STATION CONTROL SYSTEM AN ATTACHMENT

SMCS-1408

i04016828

NOTE	PART NUMBER	QTY	PART NAME						SEE PAGE
			1	2	3	4	5	6 (PRODUCT LEVEL)	
	155-2255	1	KIT-CONNECTING PLUG (12-PIN) (INCLUDES PLUG AS AND WEDGE)						
	102-8805	1	KIT-RECEPTACLE (6-PIN) (INCLUDES PLUG AS AND WEDGE)						
<END>									

226-0417 HARNESS AS-ELECTRONIC TROLL PROCESSOR TO TROLL SOLENOID VALVE FOR USE WITH MULTI-STATION CONTROL SYSTEM AN ATTACHMENT

SMCS-1408

i01986888

NOTE	PART NUMBER	QTY	PART NAME						SEE PAGE
			1	2	3	4	5	6 (PRODUCT LEVEL)	
			(NO SERVICED PARTS)						
<END>									

226-0418 HARNESS AS- POWERTRAIN CONTROL PROCESSOR MAIN POWER SUPPLY FOR USE WITH MULTI-STATION CONTROL SYSTEM AN ATTACHMENT

SMCS-1408

i01986889

NOTE	PART NUMBER	QTY	PART NAME						SEE PAGE
			1	2	3	4	5	6 (PRODUCT LEVEL)	
	155-2257	1	KIT-CONNECTING PLUG (12-PIN) (INCLUDES PLUG AS AND WEDGE)						
<END>									

226-3414 HARNESS AS-ELECTRONIC TROLL PROCESSOR FOR USE WITH MULTI-STATION CONTROL SYSTEM AN ATTACHMENT

SMCS-1408

i01963510

NOTE	PART NUMBER	QTY	PART NAME						SEE PAGE
			1	2	3	4	5	6 (PRODUCT LEVEL)	
			(NO SERVICED PARTS)						
<END>									

ELECTRICAL AND STARTING SYSTEM

226-3415 HARNESS AS-THROTTLE SINGLE ENGINE FOR USE WITH MULTI-STATION CONTROL SYSTEM AN ATTACHMENT

SMCS-1408

i02215993

NOTE	PART NUMBER	QTY	PART NAME						SEE PAGE
			1	2	3	4	5	6 (PRODUCT LEVEL)	
	155-2255	1	KIT-CONNECTING PLUG (12-PIN) (INCLUDES PLUG AS AND WEDGE)						
	155-2260	1	KIT-CONNECTING PLUG (3-PIN) (INCLUDES PLUG AS AND WEDGE)						
	155-2270	1	KIT-CONNECTING PLUG (2-PIN) (INCLUDES PLUG AS AND WEDGE)						
<END>									

226-3419 HARNESS AS-DUAL POINT CONTROL STATION FOR USE WITH MULTI-STATION CONTROL SYSTEM AN ATTACHMENT

SMCS-1408

i02079311

NOTE	PART NUMBER	QTY	PART NAME						SEE PAGE
			1	2	3	4	5	6 (PRODUCT LEVEL)	
	155-2256	1	KIT-CONNECTING PLUG (12-PIN) (INCLUDES PLUG AS AND WEDGE)						
	8T-8737	8	PLUG-SEAL						
<END>									

227-3514 HARNESS AS-DISPLAY FOR USE WITH MULTI-STATION CONTROL SYSTEM AN ATTACHMENT

SMCS-1408

i02603338

NOTE	PART NUMBER	QTY	PART NAME						SEE PAGE
			1	2	3	4	5	6 (PRODUCT LEVEL)	
	155-2274	2	KIT-CONNECTING PLUG (6-PIN) (EACH INCLUDES PLUG AS AND WEDGE)						
<END>									

243-4211 HARNESS AS-CONTROL-TROLL PROVIDES AN ELECTRONIC CONTROL PROCESSOR TO TROLL HARNESS WITH A POSITIVE SIGNAL TO THE TRANSMISSION TO ENGAGE TROLL FOR USE WITH MULTI-STATION CONTROL SYSTEM AN ATTACHMENT

SMCS-1408

i02004050

NOTE	PART NUMBER	QTY	PART NAME						SEE PAGE
			1	2	3	4	5	6 (PRODUCT LEVEL)	
			(NO SERVICED PARTS)						
<END>									

ELECTRICAL AND STARTING SYSTEM

243-4212 HARNESS AS-CONTROL-TROLL

PROVIDES AN ELECTRONIC CONTROL PROCESSOR TO TROLL HARNESS WITH A NEGATIVE
SIGNAL TO ENGAGE TROLL
FOR USE WITH MULTI-STATION CONTROL SYSTEM
AN ATTACHMENT

SMCS-1408

i02004051

NOTE	PART NUMBER	QTY	PART NAME 1 2 3 4 5 6 (PRODUCT LEVEL)	SEE PAGE
			(NO SERVICED PARTS)	
			<END>	

189-5599 HARNESS AS-ENGINE-ENGINE TO ENGINE

30-FEET. FOR USE WITH TWIN SCREW APPLICATION
FOR USE WITH 190-3073-PAGE 739, 190-3074-PAGE 740, 190-3075-PAGE 740
AN ATTACHMENT

SMCS-1408

i03606607

NOTE	PART NUMBER	QTY	PART NAME 1 2 3 4 5 6 (PRODUCT LEVEL)	SEE PAGE
	102-8801	2	KIT-RECEPTACLE (12-PIN) (EACH INCLUDES RECEPTACLE AS & WEDGE)	
	9X-3401	20	PIN-CONNECTOR (16-GA TO 18-GA) -OR-	
	126-1767	20	PIN-CONNECTOR (14-GA TO 16-GA)	
	8T-8737	4	PLUG-SEAL	
	115-5674	2	BOOT (UNIT INJECTOR)	
			<END>	

190-3073 HARNESS AS-ENGINE-OEM INTERFACE

30-FEET
FOR USE WITH TWIN SCREW APPLICATIONS, 189-5599-PAGE 739, 198-9159-PAGE 740
AN ATTACHMENT

SMCS-1408

i02585912

NOTE	PART NUMBER	QTY	PART NAME 1 2 3 4 5 6 (PRODUCT LEVEL)	SEE PAGE
	155-2255	1	KIT-CONNECTING PLUG (12-PIN) (INCLUDES PLUG AS AND WEDGE)	
	8T-9834	1	PLUG AS-CONNECTOR (40-PIN)	
	3E-4367	1	RING-RETAINING	
M	3E-8557	1	BOLT (M5X0.8X39.37-MM)	
	9X-3132	2	SEAL-CONNECTOR (40-PIN)	
M-METRIC PART				
			<END>	

ELECTRICAL AND STARTING SYSTEM

190-3074 HARNESS AS-ENGINE-OEM INTERFACE

50- FEET

FOR USE WITH TWIN SCREW APPLICATIONS, 189-5599-PAGE 739, 198-9159-PAGE 740
AN ATTACHMENT

SMCS-1408

i02585911

NOTE	PART NUMBER	QTY	PART NAME						SEE PAGE
			1	2	3	4	5	6 (PRODUCT LEVEL)	
	155-2255	1	KIT-CONNECTING PLUG (12-PIN) (INCLUDES PLUG AS & WEDGE)						
	8T-9834	1	PLUG AS-CONNECTOR (40-PIN)						
	3E-4367	1	RING-RETAINING						
M	3E-8557	1	BOLT (M5X0.8X39.37-MM)						
	9X-3132	2	SEAL-CONNECTOR (40-PIN)						

M-METRIC PART

<END>

190-3075 HARNESS AS-ENGINE-OEM INTERFACE

80- FEET

FOR USE WITH TWIN SCREW APPLICATIONS, 189-5599-PAGE 739, 198-9159-PAGE 740
AN ATTACHMENT

SMCS-1408

i02585914

NOTE	PART NUMBER	QTY	PART NAME						SEE PAGE
			1	2	3	4	5	6 (PRODUCT LEVEL)	
	155-2255	1	KIT-CONNECTING PLUG (12-PIN) (INCLUDES PLUG AS & WEDGE)						
	8T-9834	1	PLUG AS-CONNECTOR (40-PIN)						
	3E-4367	1	RING-RETAINING						
M	3E-8557	1	BOLT (M5X0.8X39.37-MM)						
	9X-3132	2	SEAL-CONNECTOR (40-PIN)						

M-METRIC PART

<END>

198-9159 HARNESS AS-ENGINE-ENGINE TO ENGINE

15- FEET

FOR USE WITH TWIN SCREW APPLICATIONS, 190-3073-PAGE 739, 190-3074-PAGE 740,
190-3075-PAGE 740
AN ATTACHMENT

SMCS-1408

i02585913

NOTE	PART NUMBER	QTY	PART NAME						SEE PAGE
			1	2	3	4	5	6 (PRODUCT LEVEL)	
	102-8801	2	KIT-RECEPTACLE (12-PIN) (EACH INCLUDES RECEPTACLE AS & WEDGE)						

<END>

ELECTRICAL AND STARTING SYSTEM

285-7449 HARNESS AS-ENGINE-OEM INTERFACE

30-FT. 70 PIN CONNECTOR OEM INTERFACE HARNESS

AN ATTACHMENT

SMCS-1408

i04047501

NOTE	PART NUMBER	QTY	PART NAME						SEE PAGE
			1	2	3	4	5	6 (PRODUCT LEVEL)	
D	5P-6001		TUBE-HEAT SHRINK (4.75-MM DIA) (0.1-M)						
D	6V-2722		TUBE-HEAT SHRINK (0.3-M)						
E	7X-2639		TUBE-HEAT SHRINK (50.8-MM DIA) (16-CM)						
	8T-8737	24	PLUG-SEAL						
	9X-4391	1	PLUG AS-CONNECTOR (70-PIN)						
	3E-4367	1	RING-RETAINING						
M	3E-8557	1	BOLT (M5X0.8X39.37-MM)						
	9X-5615	2	SEAL (INTERFACE, 70-PIN)						
E	125-7874		TUBE-HEAT SHRINK (5.72-MM DIA) (15-CM)						
E	125-7875		TUBE-HEAT SHRINK (7.44-MM DIA) (5-CM)						
	9X-3402	57	SOCKET-CONNECTOR (16-GA TO 18-GA)						
			-OR-						
	126-1768	57	SOCKET-CONNECTOR (14-GA)						
	133-0969	1	CONNECTOR-SOCKET (16-GA TO 18-GA)						
	155-2258	1	WEDGE-PLUG LOCK (12-PIN)						
E	231-9897		CONDUIT-FLEXIBLE (36-MM ID) (761-CM)						
E	232-0897		CONDUIT-FLEXIBLE (16.2-MM ID) (26-CM)						
	256-5706	2	ADAPTER						
	256-5708	2	FITTING						
	276-7606	2	ADAPTER						
	282-9886	2	KIT-CONNECTING PLUG (12-PIN)						
			(EACH KIT INCLUDES PLUG AS, WEDGE, & INTERFACE SEAL)						
D-ORDER BY THE METER E-ORDER BY THE CENTIMETER M-METRIC PART									

<END>

ELECTRICAL AND STARTING SYSTEM

285-7450 HARNESS AS-ENGINE-OEM INTERFACE

50-FT

FOR USE WITH 70 PIN CONNECTOR OEM INTERFACE HARNESS
AN ATTACHMENT

SMCS-1408

i04047502

NOTE	PART NUMBER	QTY	PART NAME						SEE PAGE
			1	2	3	4	5	6 (PRODUCT LEVEL)	
D	5P-6001		TUBE-HEAT SHRINK (4.75-MM DIA) (0.1-M)						
	6V-2722		TUBE-HEAT SHRINK (0.3-M)						
E	7X-2639		TUBE-HEAT SHRINK (50.8-MM DIA) (16-CM)						
	8T-8737	24	PLUG-SEAL						
	9X-4391	1	PLUG AS-CONNECTOR (70-PIN)						
M	3E-4367	1	RING-RETAINING						
	3E-8557	1	BOLT (M5X0.8X39.37-MM)						
	9X-5615	2	SEAL (INTERFACE, 70-PIN)						
E	125-7874		TUBE-HEAT SHRINK (5.72-MM DIA) (15-CM)						
E	125-7875		TUBE-HEAT SHRINK (7.44-MM DIA) (5-CM)						
E	125-7876		TUBE-HEAT SHRINK (17.78-MM DIA) (5-CM)						
	9X-3402	57	SOCKET-CONNECTOR (16-GA TO 18-GA)						
			-OR-						
	126-1768	57	SOCKET-CONNECTOR (14-GA)						
	133-0969	1	CONNECTOR-SOCKET (16-GA TO 18-GA)						
	155-2258	1	WEDGE-PLUG LOCK (12-PIN)						
E	231-9897		CONDUIT-FLEXIBLE (36-MM ID) (1381-CM)						
E	232-0897		CONDUIT-FLEXIBLE (16.2-MM ID) (26-CM)						
	256-5706	2	ADAPTER						
	256-5708	2	FITTING						
	276-7606	2	ADAPTER						
	282-9886	1	KIT-CONNECTING PLUG (12-PIN)						
			(INCLUDES PLUG AS, WEDGE, & INTERFACE SEAL)						

D-ORDER BY THE METER
E-ORDER BY THE CENTIMETER
M-METRIC PART

<END>

ELECTRICAL AND STARTING SYSTEM

285-7451 HARNESS AS-ENGINE-OEM INTERFACE

80-FT

FOR USE WITH 70 PIN CONNECTOR OEM INTERFACE HARNESS
AN ATTACHMENT

SMCS-1408

i04047503

NOTE	PART NUMBER	QTY	PART NAME						SEE PAGE
			1	2	3	4	5	6 (PRODUCT LEVEL)	
D	5P-6001		TUBE-HEAT SHRINK (4.75-MM DIA) (0.1-M)						
D	6V-2722		TUBE-HEAT SHRINK (0.3-M)						
E	7X-2639		TUBE-HEAT SHRINK (50.8-MM DIA) (16-CM)						
	8T-8737	24	PLUG-SEAL						
	9X-4391	1	PLUG AS-CONNECTOR (70-PIN)						
E	125-7874		TUBE-HEAT SHRINK (5.72-MM DIA) (15-CM)						
E	125-7875		TUBE-HEAT SHRINK (7.44-MM DIA) (5-CM)						
E	125-7876		TUBE-HEAT SHRINK (17.78-MM DIA) (5-CM)						
	9X-3402	57	SOCKET-CONNECTOR (16-GA TO 18-GA)						
			-OR-						
	126-1768	57	SOCKET-CONNECTOR (14-GA)						
	133-0969	1	CONNECTOR-SOCKET (16-GA TO 18-GA)						
	155-2258	1	WEDGE-PLUG LOCK (12-PIN)						
E	231-9897		CONDUIT-FLEXIBLE (36-MM ID) (2287-CM)						
E	232-0897		CONDUIT-FLEXIBLE (16.2-MM ID) (26-CM)						
	256-5706	2	ADAPTER						
	256-5708	2	FITTING						
	276-7606	2	ADAPTER						
	282-9886	1	KIT-CONNECTING PLUG (12-PIN)						
			(INCLUDES PLUG AS, WEDGE, & INTERFACE SEAL)						

D-ORDER BY THE METER

E-ORDER BY THE CENTIMETER

<END>

243-0762 HARNESS AS-MONITOR

FOR USE WITH MULTI-STATION CONTROL SYSTEM
AN ATTACHMENT

SMCS-7490

i03639128

NOTE	PART NUMBER	QTY	PART NAME						SEE PAGE
			1	2	3	4	5	6 (PRODUCT LEVEL)	
	133-0969	1	CONNECTOR-SOCKET (16-GA TO 18-GA)						
	155-2265	1	KIT-CONNECTING PLUG (8-PIN)						
			(INCLUDES PLUG AS AND WEDGE)						
	155-2274	1	KIT-CONNECTING PLUG (6-PIN)						
			(INCLUDES PLUG AS AND WEDGE)						
	8T-8737	4	PLUG-SEAL						
	9W-0844	6	SOCKET-CONNECTOR (14-GA)						
	186-3736	4	SOCKET-CONNECTOR (16-GA TO 18-GA)						
D	5P-6001		TUBE-HEAT SHRINK (4.75-MM DIA) (1-M)						

D-ORDER BY THE METER

<END>

ELECTRICAL AND STARTING SYSTEM

226-0361 HARNESS AS-PANEL-KEY/ALARM FOR USE WITH MULTI-STATION CONTROL SYSTEM AN ATTACHMENT

SMCS-1408, 7451

i02726564

NOTE	PART NUMBER	QTY	PART NAME						SEE PAGE
			1	2	3	4	5	6 (PRODUCT LEVEL)	
	155-2265	2	KIT-CONNECTING PLUG (8-PIN) (EACH INCLUDES PLUG AS AND WEDGE)						
	155-2270	1	KIT-CONNECTING PLUG (2-PIN) (INCLUDES PLUG AS AND WEDGE)						
	102-8802	2	KIT-RECEPTACLE (2-PIN) (EACH INCLUDES RECEPTACLE AS AND WEDGE)						
<END>									

226-0363 HARNESS AS-PANEL-CONTROL STATION FOR USE WITH MULTI-STATION CONTROL SYSTEM AN ATTACHMENT

SMCS-1408, 7451

i02726565

NOTE	PART NUMBER	QTY	PART NAME						SEE PAGE
			1	2	3	4	5	6 (PRODUCT LEVEL)	
	155-2255	1	KIT-CONNECTING PLUG (12-PIN) (INCLUDES PLUG AS AND WEDGE)						
	155-2265	1	KIT-CONNECTING PLUG (8-PIN) (INCLUDES PLUG AS AND WEDGE)						
	155-2270	1	KIT-CONNECTING PLUG (2-PIN) (INCLUDES PLUG AS AND WEDGE)						
	102-8802	1	KIT-RECEPTACLE (2-PIN) (INCLUDES RECEPTACLE AS AND WEDGE)						
<END>									

226-0366 HARNESS AS-PANEL-CONTROL STATION DROP FOR USE WITH MULTI-STATION CONTROL SYSTEM AN ATTACHMENT

SMCS-1408, 7451

i02726566

NOTE	PART NUMBER	QTY	PART NAME						SEE PAGE
			1	2	3	4	5	6 (PRODUCT LEVEL)	
	155-2255	1	KIT-CONNECTING PLUG (12-PIN) (INCLUDES PLUG AS AND WEDGE)						
	155-2274	1	KIT-CONNECTING PLUG (6-PIN) (INCLUDES PLUG AS AND WEDGE)						
	155-2270	1	KIT-CONNECTING PLUG (2-PIN) (INCLUDES PLUG AS AND WEDGE)						
	102-8802	1	KIT-RECEPTACLE (2-PIN) (INCLUDES RECEPTACLE AS AND WEDGE)						
<END>									

ELECTRICAL AND STARTING SYSTEM

313-5021 HARNESS AS-PANEL

FOR USE WITH MASTER STATION DATA LINK
AN ATTACHMENT

SMCS-1408, 7451

i03639176

NOTE	PART NUMBER	QTY	PART NAME						SEE PAGE
			1	2	3	4	5	6 (PRODUCT LEVEL)	
	133-0969	2	CONNECTOR-SOCKET (16-GA TO 18-GA)						
	8T-8737	4	PLUG-SEAL						
	9W-0844	6	SOCKET-CONNECTOR (14-GA)						
	5P-6001		TUBE-HEAT SHRINK (4.75-MM DIA) (1-M)						
	155-2274	1	KIT-CONNECTING PLUG (6-PIN) (INCLUDES PLUG AS AND WEDGE)						
	155-2255	1	KIT-CONNECTING PLUG (12-PIN) (INCLUDES PLUG AS AND WEDGE)						
	155-2270	1	KIT-CONNECTING PLUG (2-PIN) (INCLUDES PLUG AS AND WEDGE)						
	102-8802	1	KIT-RECEPTACLE (2-PIN) (INCLUDES RECEPTACLE AS AND WEDGE)						
	186-3736	10	SOCKET-CONNECTOR (16-GA TO 18-GA)						
<END>									

323-5180 HARNESS AS-PANEL

AN ATTACHMENT

SMCS-1408, 7451

i03613882

NOTE	PART NUMBER	QTY	PART NAME						SEE PAGE
			1	2	3	4	5	6 (PRODUCT LEVEL)	
	155-2255		KIT-CONNECTING PLUG (12-PIN) (INCLUDES PLUG AS, WEDGE & INTERFACE SEAL)						
	155-2271		KIT-CONNECTING PLUG (4-PIN) (INCLUDES PLUG AS, WEDGE & INTERFACE SEAL)						
	102-8801		KIT-RECEPTACLE (12-PIN) (INCLUDES RECEPTACLE AS & WEDGE)						
<END>									

ELECTRICAL AND STARTING SYSTEM

337-0964 HARNESS AS-PANEL

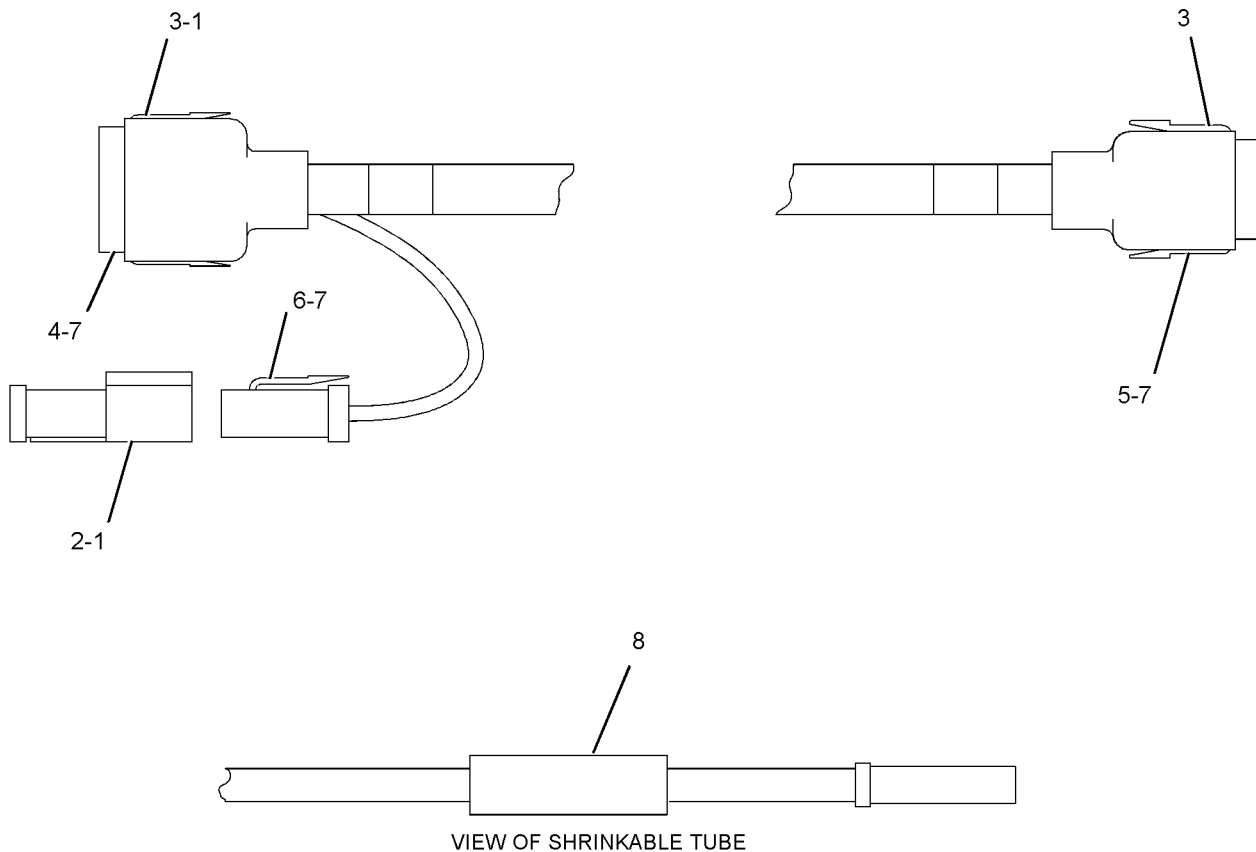
CONTROL STATION
AN ATTACHMENT

SMCS-1408, 7451

i03664861

NOTE	REF NO	GRAPHIC REF	PART NUMBER	QTY	PART NAME						SEE PAGE
					1	2	3	4	5	6 (PRODUCT LEVEL)	
	1	1	8T-8737	4	PLUG-SEAL						
	2	1	102-8802	1	KIT-RECEPTACLE (2-PIN) (INCLUDES RECEPTACLE AS & WEDGE)						
	3	1	133-0969	2	CONNECTOR-SOCKET (16-GA TO 18-GA)						
	4	1	155-2255	1	KIT-CONNECTING PLUG (12-PIN)						
	5	1	155-2265	1	KIT-CONNECTING PLUG (8-PIN)						
	6	1	155-2270	1	KIT-CONNECTING PLUG (2-PIN) (EACH PLUG KIT INCLUDES PLUG AS, WEDGE & INTERFACE SEAL)						
	7	1	186-3736	18	SOCKET-CONNECTOR (16-GA TO 18-GA)						
D	8	1	5P-6001		TUBE-HEAT SHRINK (4.75-MM DIA) (1-M)						

D-ORDER BY THE METER



GRAPHIC #1

<END>

g01969275

ELECTRICAL AND STARTING SYSTEM

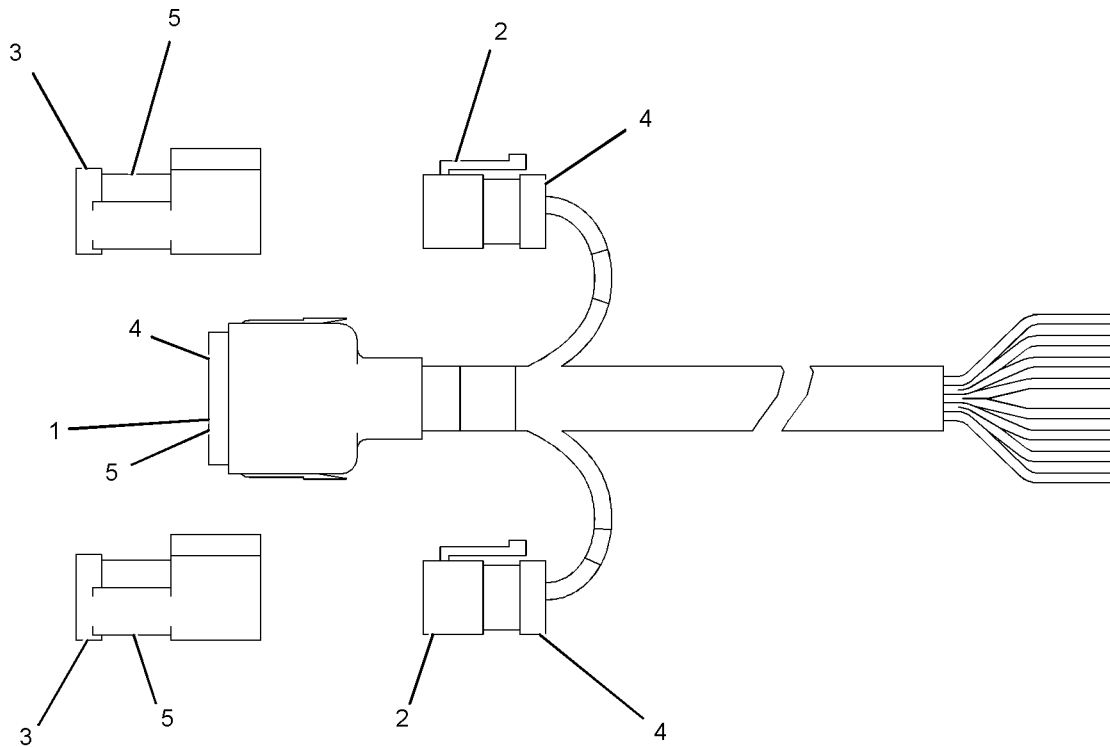
337-0971 HARNESS AS-POWER

PCP POWER
AN ATTACHMENT

SMCS-1408

i03664863

NOTE	REF NO	GRAPHIC REF	PART NUMBER	QTY	PART NAME						SEE PAGE
					1	2	3	4	5	6 (PRODUCT LEVEL)	
	1	1	155-2257	1	KIT-CONNECTING PLUG (12-PIN)						
	2	1	155-2260	2	KIT-CONNECTING PLUG (3-PIN)						
					(EACH PLUG KIT INCLUDES PLUG AS, WEDGE & INTERFACE SEAL)						
	3	1	102-8803	2	KIT-RECEPTACLE (3-PIN)						
					(INCLUDES RECEPTICAL AS & WEDGE)						
	4	1	186-3736	16	SOCKET-CONNECTOR (16-GA TO 18-GA)						
	5	1	8T-8737	8	PLUG-SEAL						



GRAPHIC #1

<END>

g01969253

ELECTRICAL AND STARTING SYSTEM

241-3286 HARNESS AS-SENSOR

ROUTES FROM ENGINE HARNESS TO FUEL PRESSURE SENSOR ON THE DUPLEX FUEL SYSTEM
INSTALLED ON THE LEFT HAND SERVICE
AN ATTACHMENT

SMCS-1408

i04047575

NOTE	PART NUMBER	QTY	PART NAME						SEE PAGE
			1	2	3	4	5	6 (PRODUCT LEVEL)	
	102-8803	1	KIT-RECEPTACLE (3-PIN)						
			(INCLUDES RECEPTACLE AS & WEDGE)						
	155-2260	1	KIT-CONNECTING PLUG (3-PIN)						
			(INCLUDES PLUG AS, WEDGE, & INTERFACE SEAL)						
	6I-4347	2	BOOT (4-PIN)						
	9X-3401	3	PIN-CONNECTOR (16-GA TO 18-GA)						
			-OR-						
	126-1767	3	PIN-CONNECTOR (14-GA TO 16-GA)						
	194-5226	3	WIRE AS (16-GA)						
			-OR-						
	194-5227	3	WIRE AS (14-GA)						
			<END>						

319-6827 HARNESS AS-SENSOR

ONE CAMERA
AN ATTACHMENT

SMCS-1408

i03632109

NOTE	PART NUMBER	QTY	PART NAME						SEE PAGE
			1	2	3	4	5	6 (PRODUCT LEVEL)	
	155-2257	1	KIT-CONNECTING PLUG (12-PIN)						
			(INCLUDES PLUG AS, WEDGE & INTERFACE SEAL)						
			<END>						

319-6828 HARNESS AS-SENSOR

TWO CAMERAS
AN ATTACHMENT

SMCS-1408

i03632149

NOTE	PART NUMBER	QTY	PART NAME						SEE PAGE
			1	2	3	4	5	6 (PRODUCT LEVEL)	
	155-2257		KIT-CONNECTING PLUG (12-PIN)						
			(INCLUDES PLUG AS, WEDGE & INTERFACE SEAL)						
			<END>						

319-6829 HARNESS AS-SENSOR

THREE CAMERAS
AN ATTACHMENT

SMCS-1408

i03632183

NOTE	PART NUMBER	QTY	PART NAME						SEE PAGE
			1	2	3	4	5	6 (PRODUCT LEVEL)	
	155-2257		KIT-CONNECTING PLUG (12-PIN)						
			(INCLUDES PLUG AS, WEDGE & INTERFACE SEAL)						
			<END>						

ELECTRICAL AND STARTING SYSTEM

319-6830 HARNESS AS-SENSOR

FOUR CAMERAS
AN ATTACHMENT

SMCS-1408

i03632193

NOTE	PART NUMBER	QTY	PART NAME						SEE PAGE
			1	2	3	4	5	6 (PRODUCT LEVEL)	
	155-2257		KIT-CONNECTING PLUG (12-PIN)						
			(INCLUDES PLUG AS, WEDGE & INTERFACE SEAL)						
			<END>						

226-0371 HARNESS AS-TRANSMISSION

FOR USE WITH MULTI-STATION CONTROL SYSTEM
AN ATTACHMENT

SMCS-1408, 3030

i02216063

NOTE	PART NUMBER	QTY	PART NAME						SEE PAGE
			1	2	3	4	5	6 (PRODUCT LEVEL)	
	155-2265	1	KIT-CONNECTING PLUG (8-PIN)						
			(INCLUDES PLUG AS AND WEDGE)						
	155-2274	1	KIT-CONNECTING PLUG (6-PIN)						
			(INCLUDES PLUG AS AND WEDGE)						
			<END>						

311-8401 HARNESS AS-TRANSMISSION

AN ATTACHMENT

SMCS-1408, 3030

i03639182

NOTE	PART NUMBER	QTY	PART NAME						SEE PAGE
			1	2	3	4	5	6 (PRODUCT LEVEL)	
	8T-8737	8	PLUG-SEAL						
	155-2255	1	KIT-CONNECTING PLUG (12-PIN)						
			(INCLUDES PLUG AS AND WEDGE)						
	155-2265	1	KIT-CONNECTING PLUG (8-PIN)						
			(INCLUDES PLUG AS AND WEDGE)						
	155-2270	1	KIT-CONNECTING PLUG (2-PIN)						
			(INCLUDES PLUG AS AND WEDGE)						
	102-8802	1	KIT-RECEPTACLE (2-PIN)						
			(INCLUDES RECEPTACLE AS AND WEDGE)						
	186-3736	16	SOCKET-CONNECTOR (16-GA TO 18-GA)						
			<END>						

ELECTRICAL AND STARTING SYSTEM

121-4017 HARNESS AS-WIRING-TACHOMETER UNIT FOR USE WITH MAIN EMS UNIT TO TACHOMETER UNIT, QUAD-GAUGE UNIT AND REMOTE QUAD OR TACHOMETER UNIT AN ATTACHMENT

SMCS-1408

i02216064

NOTE	PART NUMBER	QTY	PART NAME						SEE PAGE
			1	2	3	4	5	6 (PRODUCT LEVEL)	
	155-2274	2	KIT-CONNECTING PLUG (6-PIN) (EACH INCLUDES PLUG AS AND WEDGE)						
	155-2265	1	KIT-CONNECTING PLUG (8-PIN) (INCLUDES PLUG AS AND WEDGE)						
	102-8806	1	KIT-RECEPTACLE (8-PIN) (INCLUDES RECEPTACLE AS AND WEDGE)						
	155-2255	1	KIT-CONNECTING PLUG (12-PIN) (INCLUDES PLUG AS AND WEDGE)						
	102-8801	1	KIT-RECEPTACLE (12-PIN) (INCLUDES RECEPTACLE AS AND WEDGE)						
	8T-9834	1	PLUG AS-CONNECTOR (40-PIN)						
M	3E-8557	1	BOLT (M5X0.8X39.37-MM)						
	3E-4367	1	RING-RETAINING						
	9X-3132	2	SEAL-CONNECTOR (40-PIN)						

M-METRIC PART

<END>

298-4712 HARNESS AS-WIRING FOR USE WITH MULTI-STATION CONTROL SYSTEM AN ATTACHMENT

SMCS-1408

i03639515

NOTE	PART NUMBER	QTY	PART NAME						SEE PAGE
			1	2	3	4	5	6 (PRODUCT LEVEL)	
	133-0969	2	CONNECTOR-SOCKET (16-GA TO 18-GA)						
	8T-8737	2	PLUG-SEAL						
	9W-0844	4	SOCKET-CONNECTOR (14-GA)						
	8T-8730	4	SOCKET-CONNECTOR (16-GA TO 18-GA)						
	5P-6001		TUBE-HEAT SHRINK (4.75-MM DIA) (1-M)						
	155-2274	1	KIT-CONNECTING PLUG (6-PIN) (INCLUDES PLUG AS AND WEDGE)						

<END>

ELECTRICAL AND STARTING SYSTEM

311-8395 HARNESS AS-WIRING

LEAD PVP TO TEE

FOR USE WITH LEADER POWERTRAIN CONTROL PROCESSOR
AN ATTACHMENT

SMCS-1408

i03639518

NOTE	PART NUMBER	QTY	PART NAME						SEE PAGE
			1	2	3	4	5	6 (PRODUCT LEVEL)	
	133-0969	2	CONNECTOR-SOCKET						
	9W-0844	6	SOCKET-CONNECTOR (14-GA)						
	186-3736	6	SOCKET-CONNECTOR (16-GA TO 18-GA)						
	2L-8079	1	TERMINAL-RING (14-GA TO 16-GA, 3/8-IN SCREW) (FOR 3/8-IN SCREW)						
	5P-6001		TUBE-HEAT SHRINK (4.75-MM DIA) (1-M)						
	5P-5623		WIRE-ELECTRICAL (16-GA, BLACK) (3-M)						
	155-2265	1	KIT-CONNECTING PLUG (8-PIN) (INCLUDES PLUG AS AND WEDGE)						
	155-2274	1	KIT-CONNECTING PLUG (6-PIN) (INCLUDES PLUG AS AND WEDGE)						
			<END>						

311-8396 HARNESS AS-WIRING

FOR USE WITH FOLLOWER POWERTRAIN CONTROL PROCESSOR
AN ATTACHMENT

SMCS-1408

i03639526

NOTE	PART NUMBER	QTY	PART NAME						SEE PAGE
			1	2	3	4	5	6 (PRODUCT LEVEL)	
	133-0969	2	CONNECTOR-SOCKET (16-GA TO 18-GA)						
	8T-8737	8	PLUG-SEAL						
	186-3736	4	SOCKET-CONNECTOR (16-GA TO 18-GA)						
	2L-8079	1	TERMINAL-RING (14-GA TO 16-GA, 3/8-IN SCREW)						
	5P-6001		TUBE-HEAT SHRINK (4.75-MM DIA) (1-M)						
	155-2265	1	KIT-CONNECTING PLUG (8-PIN) (INCLUDES PLUG AS AND WEDGE)						
	155-2274	1	KIT-CONNECTING PLUG (6-PIN) (INCLUDES PLUG AS AND WEDGE)						
	5P-5623		WIRE-ELECTRICAL (16-GA, BLACK) (3-M)						
			<END>						

ELECTRICAL AND STARTING SYSTEM

337-0958 HARNESS AS-WIRING

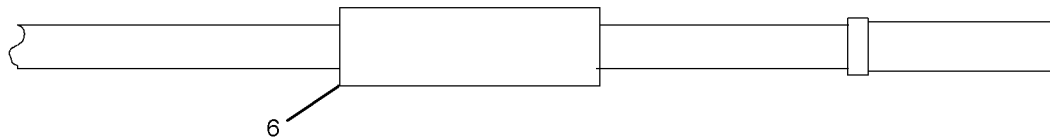
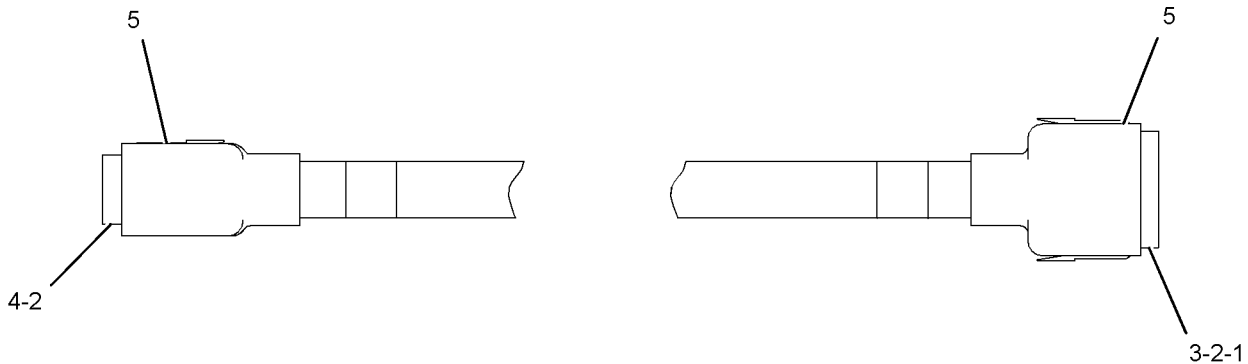
MPD DROP
AN ATTACHMENT

SMCS-1408

i03664842

NOTE	REF NO	GRAPHIC REF	PART NUMBER	QTY	PART NAME						SEE PAGE
					1	2	3	4	5	6 (PRODUCT LEVEL)	
	1	1	8T-8737	4	PLUG-SEAL						
	2	1	133-0969	2	CONNECTOR-SOCKET (16-GA TO 18-GA)						
	3	1	155-2255	1	KIT-CONNECTING PLUG (12-PIN)						
	4	1	155-2274	1	KIT-CONNECTING PLUG (6-PIN)						
					(EACH PLUG KIT INCLUDES PLUG AS, WEDGE & INTERFACE SEAL)						
	5	1	186-3736	12	SOCKET-CONNECTOR (16-GA TO 18-GA)						
D	6	1	5P-6001		TUBE-HEAT SHRINK (4.75-MM DIA) (1-M)						

D-ORDER BY THE METER



VIEW OF SHRINKABLE TUBE

GRAPHIC #1

<END>

g01968855

ELECTRICAL AND STARTING SYSTEM

337-0960 HARNESS AS-WIRING

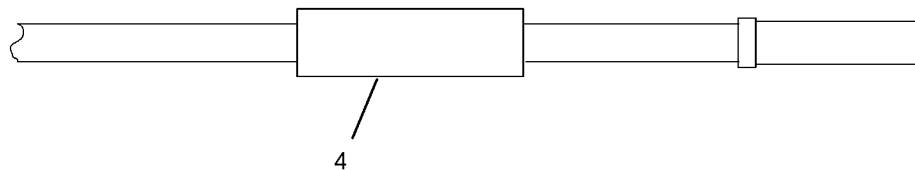
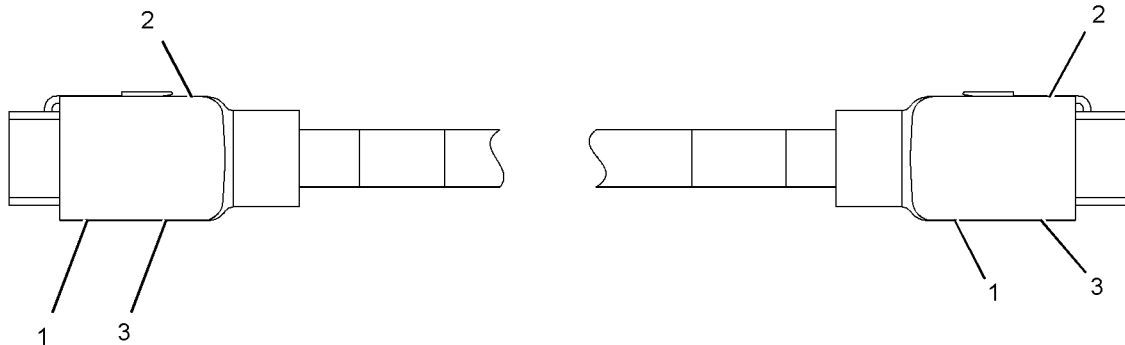
MAPD DROP
AN ATTACHMENT

SMCS-1408

i03664844

NOTE	REF NO	GRAPHIC REF	PART NUMBER	QTY	PART NAME						SEE PAGE
					1	2	3	4	5	6 (PRODUCT LEVEL)	
	1	1	133-0969	2	CONNECTOR-SOCKET						
	2	1	155-2274	2	KIT-CONNECTING PLUG (6-PIN) (INCLUDES PLUG AS, WEDGE & INTERFACE SEAL)						
	3	1	186-3736	10	SOCKET-CONNECTOR (16-GA TO 18-GA)						
D	4	1	5P-6001		TUBE-HEAT SHRINK (4.75-MM DIA) (1-M)						

D-ORDER BY THE METER



VIEW OF SHRINKABLE TUBES

GRAPHIC #1

<END>

g01968915

ELECTRICAL AND STARTING SYSTEM

337-0962 HARNESS AS-WIRING

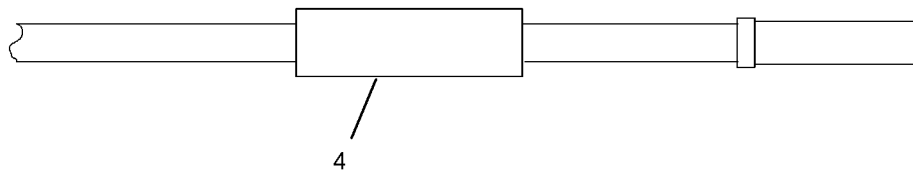
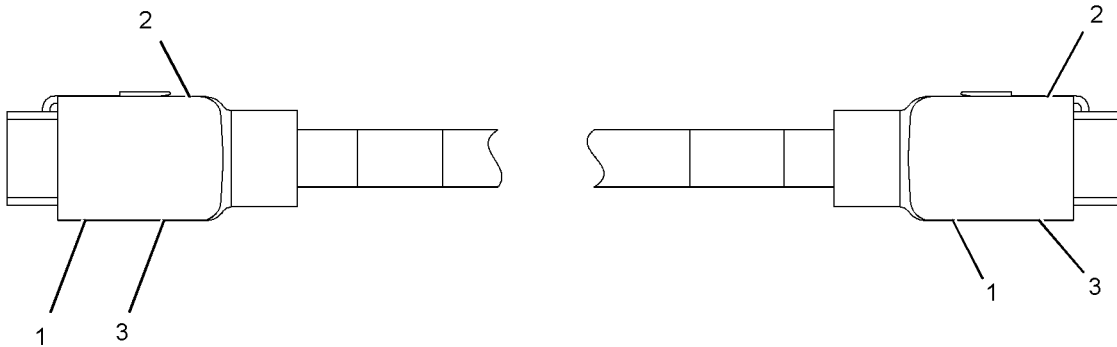
J1939 TRUNK
AN ATTACHMENT

SMCS-1408

i03664860

NOTE	REF NO	GRAPHIC REF	PART NUMBER	QTY	PART NAME						SEE PAGE
					1	2	3	4	5	6 (PRODUCT LEVEL)	
	1	1	133-0969	2	CONNECTOR-SOCKET						
	2	1	155-2274	2	KIT-CONNECTING PLUG (6-PIN) (INCLUDES PLUG AS, WEDGE & INTERFACE SEAL)						
	3	1	186-3736	10	SOCKET-CONNECTOR (16-GA TO 18-GA)						
D	4	1	5P-6001		TUBE-HEAT SHRINK (4.75-MM DIA) (1-M)						

D-ORDER BY THE METER



VIEW OF SHRINKABLE TUBES

GRAPHIC #1

<END>

g01968915

ELECTRICAL AND STARTING SYSTEM

337-0973 HARNESS AS-WIRING

THROTTLE CAT CONTROLS
AN ATTACHMENT

SMCS-1408

i04036213

NOTE	PART NUMBER	QTY	PART NAME						SEE PAGE
			1	2	3	4	5	6 (PRODUCT LEVEL)	
	133-0969	2	CONNECTOR-SOCKET (16-GA TO 18-GA)						
	155-2255	1	KIT-CONNECTING PLUG (12-PIN)						
			(INCLUDES PLUG AS, WEDGE, & INTERFACE SEAL)						
	102-8803	1	KIT-RECEPTACLE (3-PIN)						
	102-8805	1	KIT-RECEPTACLE (6-PIN)						
			(EACH KIT INCLUDES RECEPTACLE AS & WEDGE)						
	8T-8729	8	PIN-CONNECTOR (16-GA TO 18-GA)						
	133-0967	1	PIN-CONNECTOR (16-GA TO 18-GA)						
	9X-4391	1	PLUG AS-CONNECTOR (70-PIN)						
	3E-4367	1	RING-RETAINING						
M	3E-8557	1	BOLT (M5X0.8X39.37-MM)						
	9X-5615	2	SEAL (INTERFACE, 70-PIN)						
	8T-8737	62	PLUG-SEAL						
	8T-8730	18	SOCKET-CONNECTOR (16-GA TO 18-GA)						
D	5P-6001		TUBE-HEAT SHRINK (4.75-MM DIA) (1-M)						
D-ORDER BY THE METER M-METRIC PART									

<END>

337-0980 HARNESS AS-WIRING

ELECTRONIC TROLL PROCESSOR
AN ATTACHMENT

SMCS-1408

i03664900

NOTE	PART NUMBER	QTY	PART NAME						SEE PAGE
			1	2	3	4	5	6 (PRODUCT LEVEL)	
			(NO SERVICED PARTS)						

<END>

ELECTRICAL AND STARTING SYSTEM

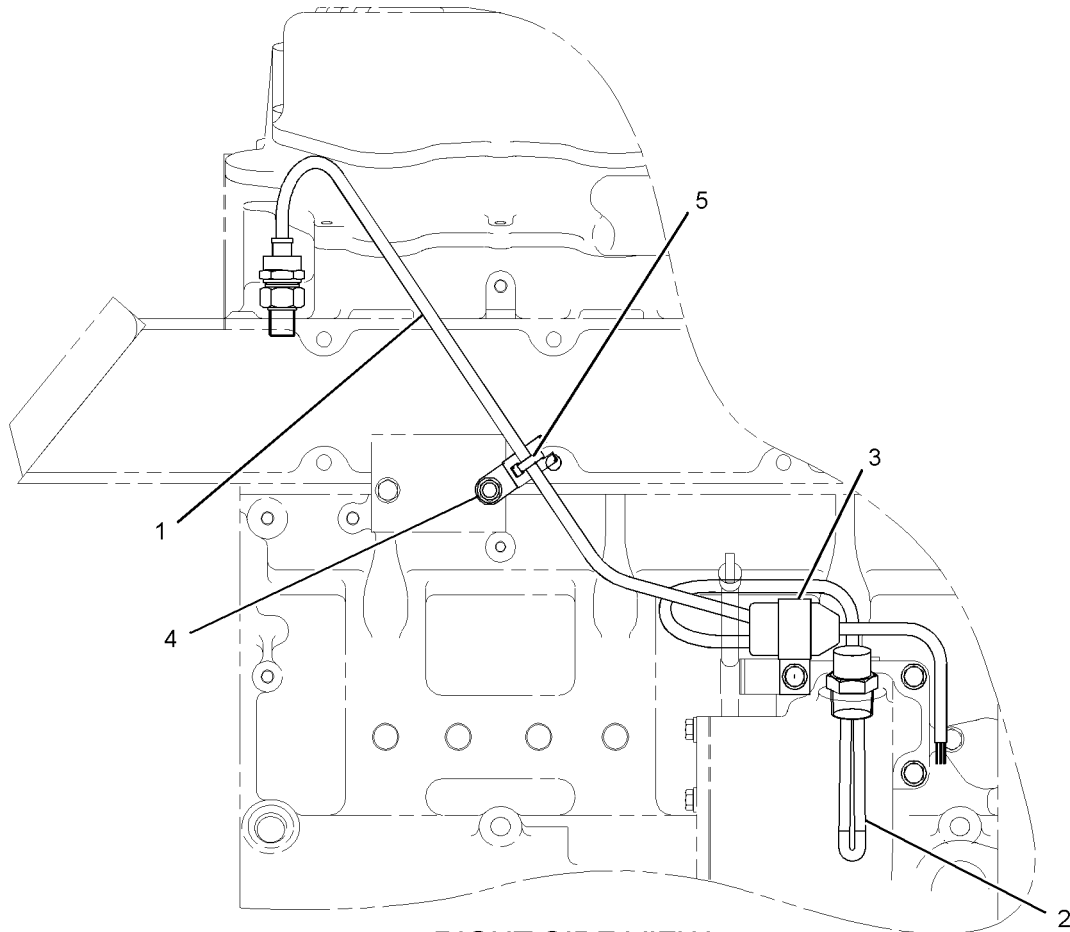
235-5868 HEATER GP-JACKET WATER

120-VOLT, 1500-WATT
AN ATTACHMENT

SMCS-1383

i02726639

NOTE	REF NO	GRAPHIC REF	PART NUMBER	QTY	PART NAME						SEE PAGE
					1	2	3	4	5	6 (PRODUCT LEVEL)	
	1	1	235-5859	1	CORD AS (JACKET WATER HEATER)						
		1	7C-9008	1	THERMOSTAT (JACKET WATER HEATER)						
		1	235-5863	1	HOUSING						
		1	3K-0360	1	SEAL-O-RING						
	2	1	9G-6655	1	ELEMENT AS-JACKET WATER HEATER (120-VOLT, 1500-WATT)						
	3	1	5K-5338	1	CLIP						
	4	1	4P-7581	1	CLIP						
	5	1	3S-2093	1	STRAP-CABLE						



RIGHT SIDE VIEW
<END>

GRAPHIC #1

g01031523

ELECTRICAL AND STARTING SYSTEM

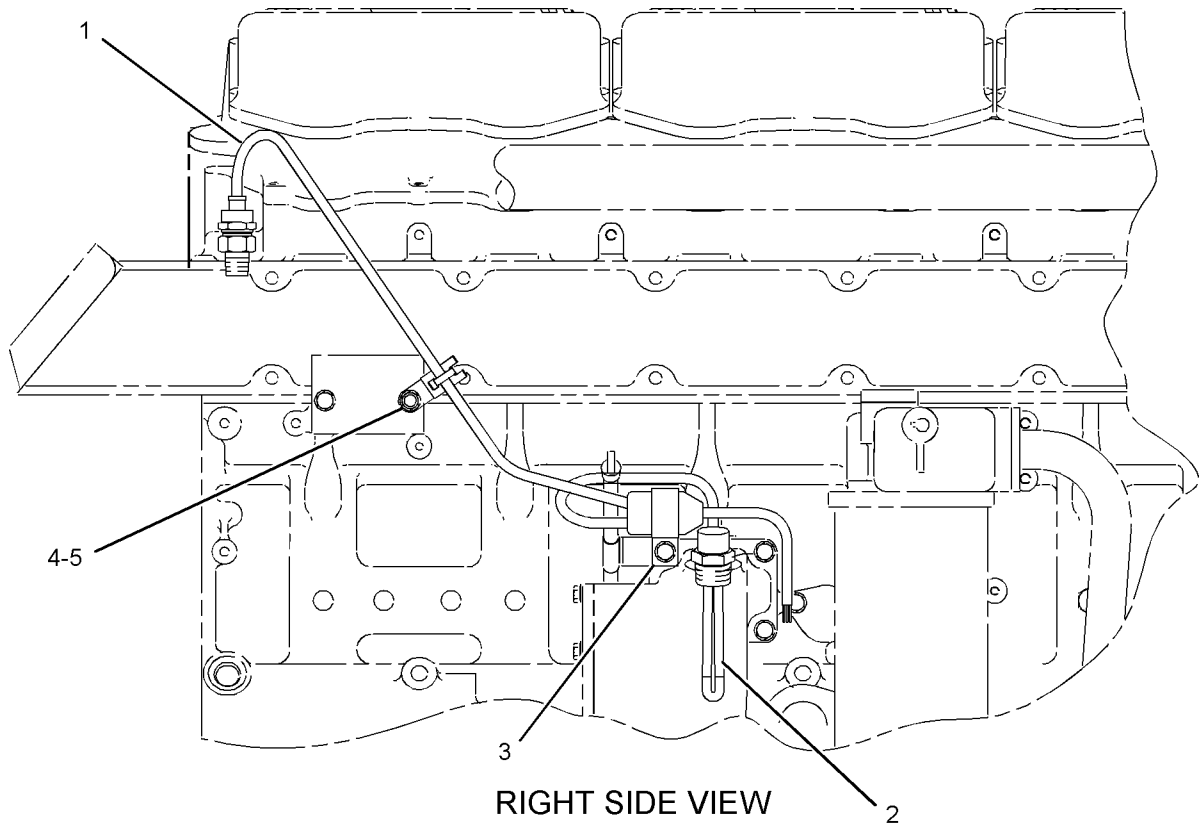
235-5870 HEATER GP-JACKET WATER

240-VOLT, 1500-WATT
AN ATTACHMENT

SMCS-1383

i02726807

NOTE	REF NO	GRAPHIC REF	PART NUMBER	QTY	PART NAME						SEE PAGE
					1	2	3	4	5	6 (PRODUCT LEVEL)	
	1	1	235-5859	1	CORD AS (JACKET WATER HEATER)						
		1	7C-9008	1	THERMOSTAT (JACKET WATER HEATER)						
		1	235-5863	1	HOUSING						
		1	3K-0360	1	SEAL-O-RING						
	2	1	6T-3764	1	ELEMENT AS-JACKET WATER HEATER (240-VOLT, 1500-WATT)						
	3	1	5K-5338	1	CLIP						
	4	1	4P-7581	1	CLIP						
	5	1	3S-2093	1	STRAP-CABLE						



GRAPHIC #1

RIGHT SIDE VIEW

<END>

g01027060

ELECTRICAL AND STARTING SYSTEM

293-4160 HEATER GP-JACKET WATER

S/N: J2K1-UP; T2P1-827

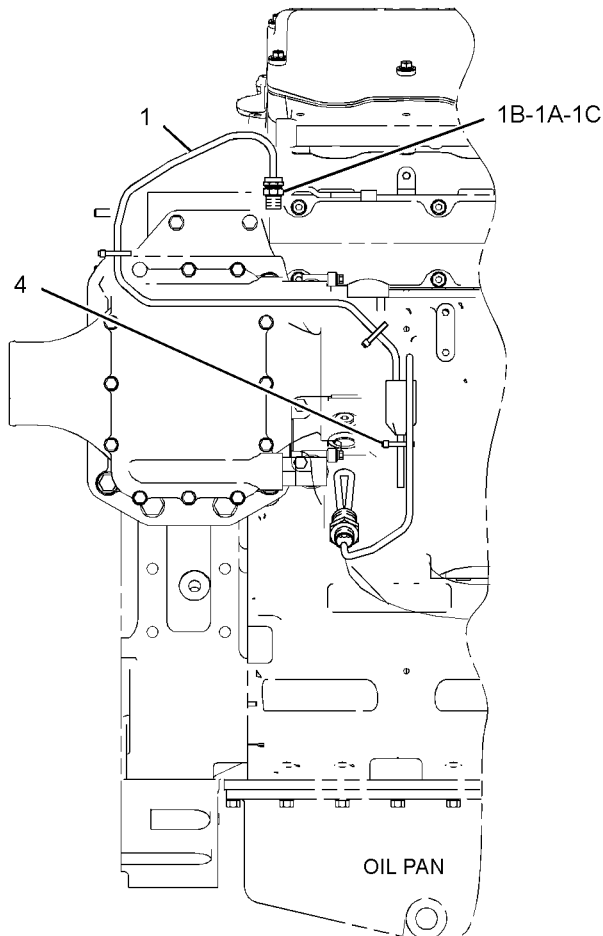
120-VOLT, 1500-WATT

FOR USE WITH C18 ACERT TIER II MARINE ENGINE
AN ATTACHMENT

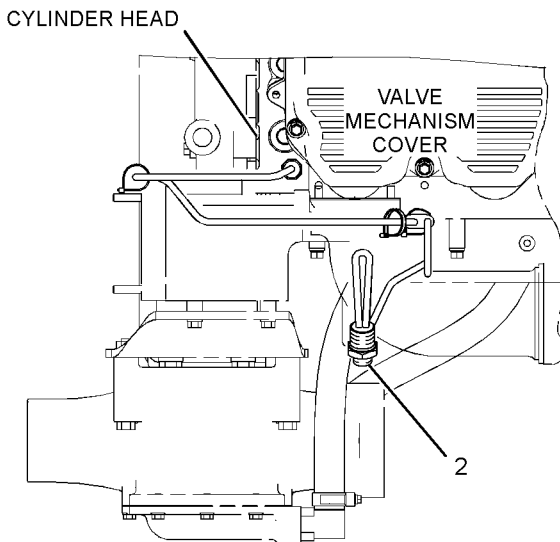
SMCS-1383

i03685902

NOTE	REF NO	GRAPHIC REF	PART NUMBER	QTY	PART NAME						SEE PAGE
					1	2	3	4	5	6 (PRODUCT LEVEL)	
	1	1	235-5859	1	CORD AS (JACKET WATER HEATER)						
	1A	1	7C-9008	1	THERMOSTAT (JACKET WATER HEATER)						
	1B	1	235-5863	1	HOUSING						
	1C	1	3K-0360	1	SEAL-O-RING						
	2	1	251-6721	1	ELEMENT AS-JACKET WATER HEATER (120-VOLT, 1500-WATT)						
	4	1	3S-2093	3	STRAP-CABLE						



RIGHT SIDE VIEW OF ENGINE



TOP VIEW OF ENGINE

GRAPHIC #1

<END>

g02026172

ELECTRICAL AND STARTING SYSTEM

293-4160 HEATER GP-JACKET WATER

S/N: J2K1-UP; T2P828-UP

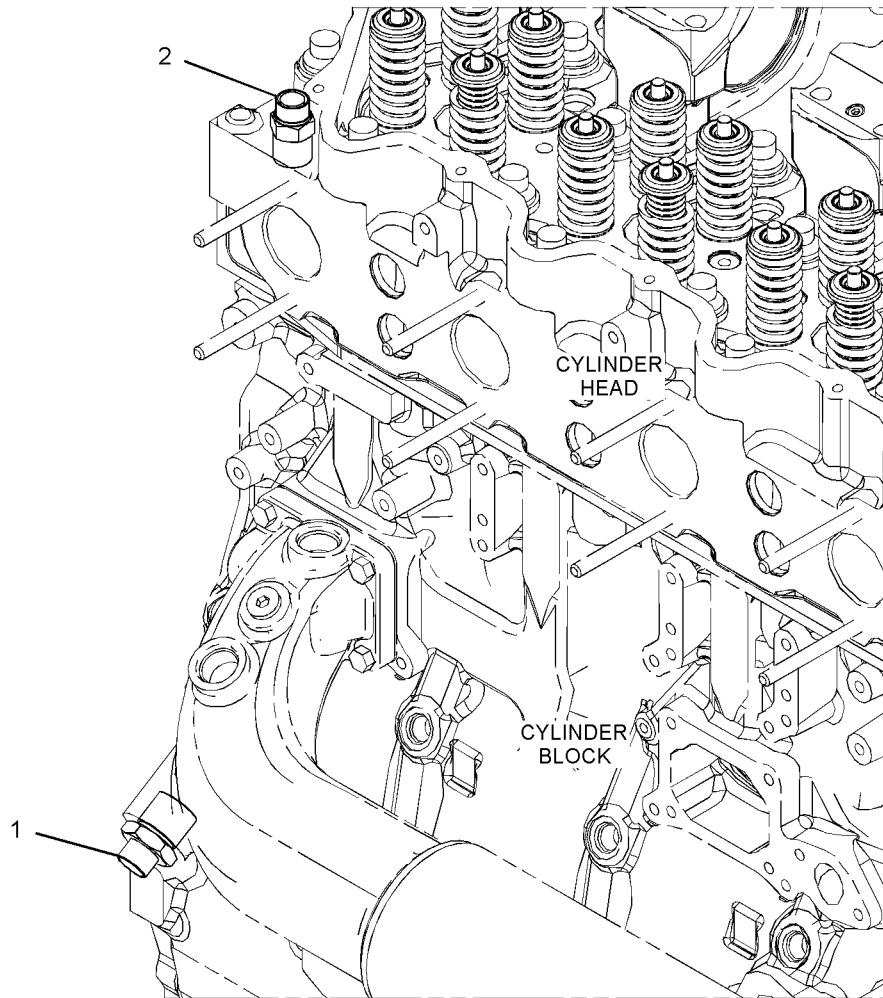
120-VOLT, 1500-WATT

FOR USE WITH C18 ACERT TIER II MARINE ENGINE
AN ATTACHMENT

SMCS-1383

i03905859

NOTE	REF NO	GRAPHIC REF	PART NUMBER	QTY	PART NAME						SEE PAGE
					1	2	3	4	5	6 (PRODUCT LEVEL)	
	1	1	251-6721	1	ELEMENT AS-JACKET WATER HEATER (120-VOLT, 1500-WATT)						
CY	2	1	356-2534	1	HOUSING GP-THERMOSTAT (JACKET WATER HEATER)						398
C-CHANGE FROM PREVIOUS TYPE Y-SEPARATE ILLUSTRATION											



GRAPHIC #1

<END>

g02153258

ELECTRICAL AND STARTING SYSTEM

293-4161 HEATER GP-JACKET WATER

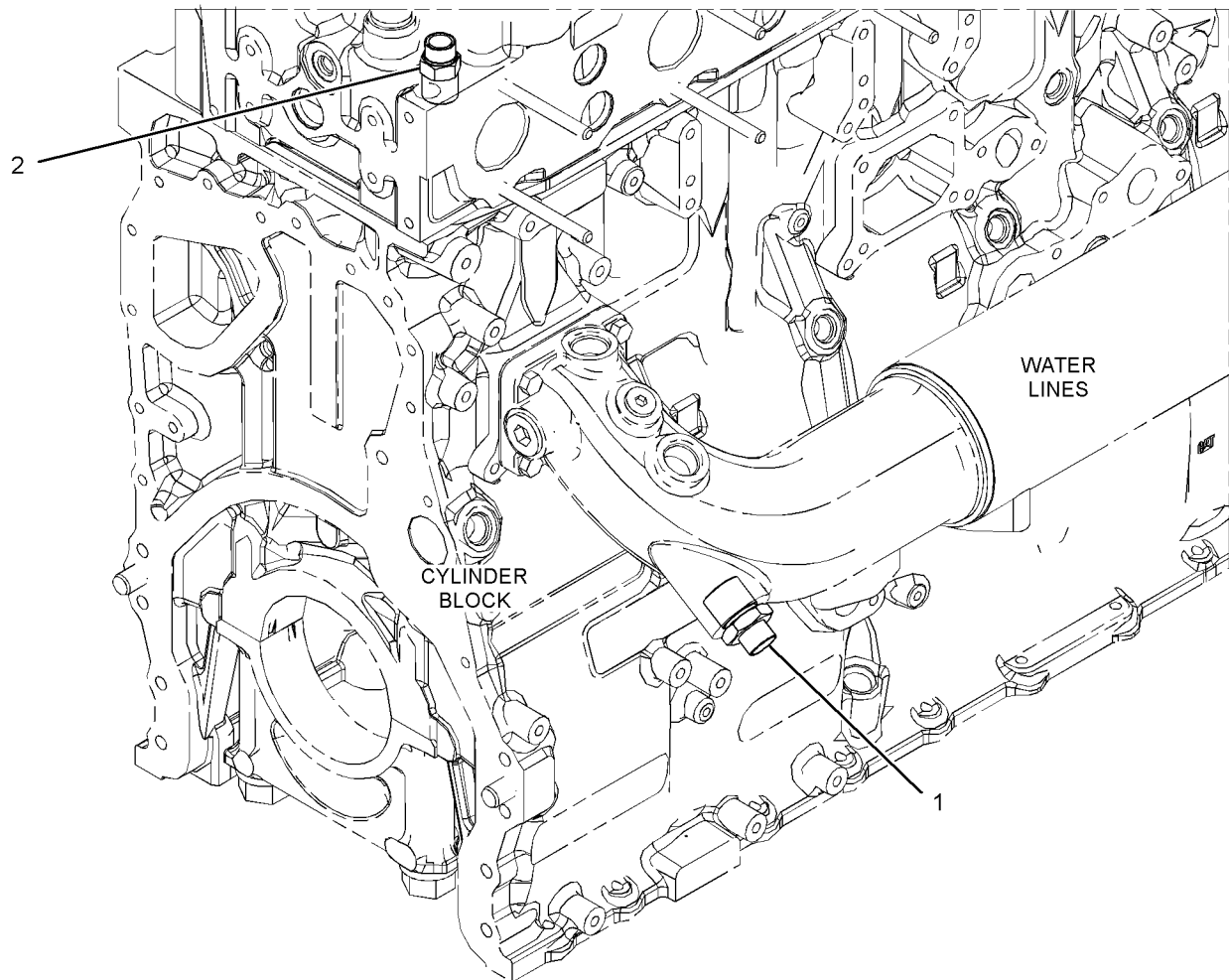
S/N: J2K1-UP; T2P116-UP
 FOR USE WITH C18 ACERT TIER II MARINE ENGINE
 AN ATTACHMENT

SMCS-1383

i04016826

NOTE	REF NO	GRAPHIC REF	PART NUMBER	QTY	PART NAME						SEE PAGE
					1	2	3	4	5	6 (PRODUCT LEVEL)	
	1	1	251-6723	1	ELEMENT AS-JACKET WATER HEATER (240-VOLT, 1500-WATT)						
CY	2	1	356-2534	1	HOUSING GP-THERMOSTAT (JACKET WATER HEATER)						398

C-CHANGE FROM PREVIOUS TYPE
 Y-SEPARATE ILLUSTRATION



GRAPHIC #1

<END>

g02158154

ELECTRICAL AND STARTING SYSTEM

293-4161 HEATER GP-JACKET WATER

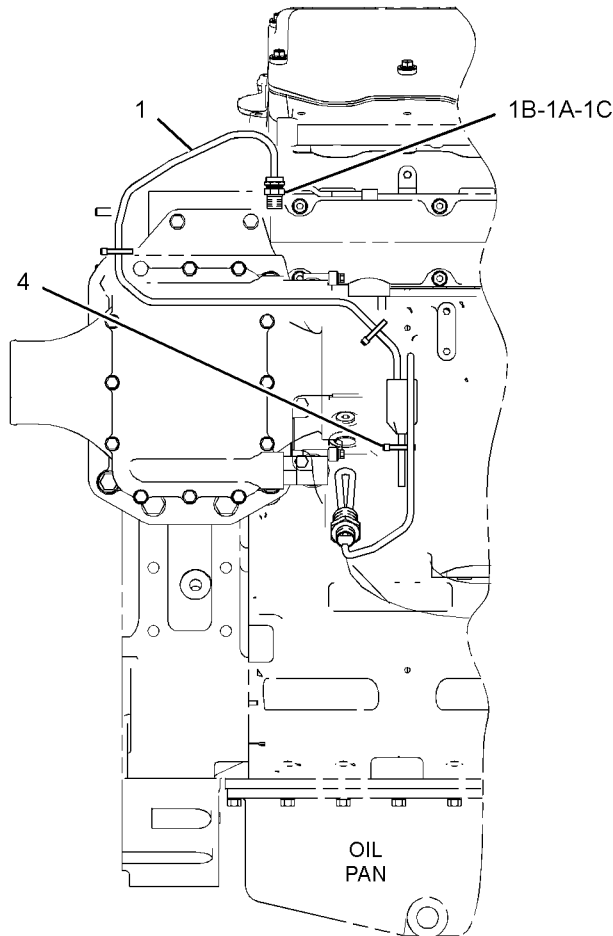
S/N: J2K1-UP; T2P1-115

FOR USE WITH C18 ACERT TIER II MARINE ENGINE
AN ATTACHMENT

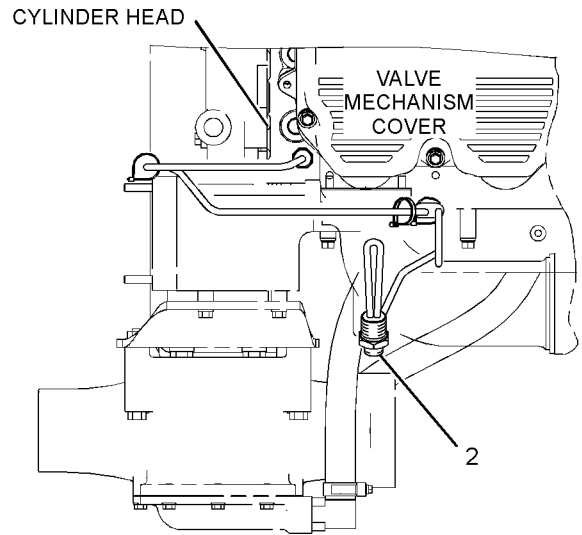
SMCS-1383

i03709822

NOTE	REF NO	GRAPHIC REF	PART NUMBER	QTY	PART NAME	1 2 3 4 5 6 (PRODUCT LEVEL)						SEE PAGE
	1	1	235-5859	1	CORD AS (JACKET WATER HEATER)							
	1A	1	7C-9008	1	THERMOSTAT (JACKET WATER HEATER)							
	1B	1	235-5863	1	HOUSING							
	1C	1	3K-0360	1	SEAL-O-RING							
	2	1	251-6723	1	ELEMENT AS-JACKET WATER HEATER (240-VOLT, 1500-WATT)							
	4	1	3S-2093	3	STRAP-CABLE							



RIGHT SIDE VIEW OF ENGINE



TOP VIEW OF ENGINE

GRAPHIC #1

<END>

g02026156

ELECTRICAL AND STARTING SYSTEM

328-2141 HEATER GP-JACKET WATER

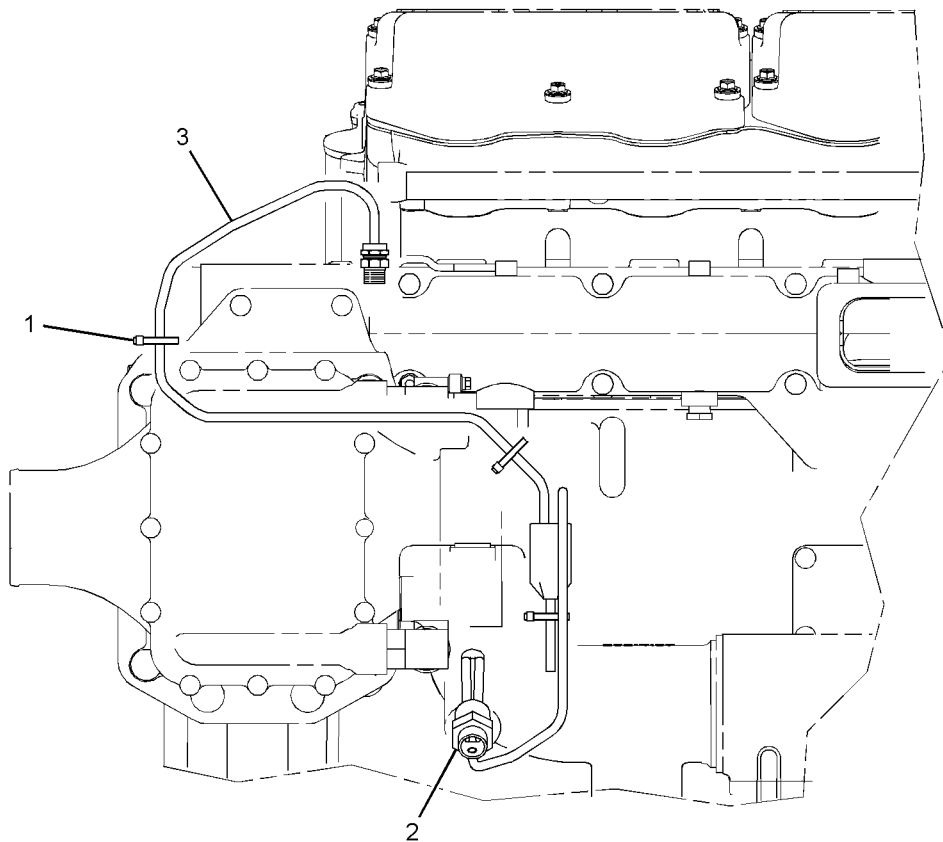
120-VOLT, 1500-WATT

FOR USE WITH TIER I PIPE THREAD PORT
AN ATTACHMENT

SMCS-1383

i03132208

NOTE	REF NO	GRAPHIC REF	PART NUMBER	QTY	PART NAME						SEE PAGE
					1	2	3	4	5	6 (PRODUCT LEVEL)	
	1	1	3S-2093	3	STRAP-CABLE						
	2	1	9G-6655	1	ELEMENT AS-JACKET WATER HEATER (120-VOLT, 1500-WATT)						
	3	1	235-5859	1	CORD AS (JACKET WATER HEATER)						
		1	7C-9008	1	THERMOSTAT (JACKET WATER HEATER)						
		1	235-5863	1	HOUSING						
		1	3K-0360	1	SEAL-O-RING						



RIGHT SIDE VIEW OF ENGINE

GRAPHIC #1

<END>

g01592506

ELECTRICAL AND STARTING SYSTEM

328-2143 HEATER GP-JACKET WATER

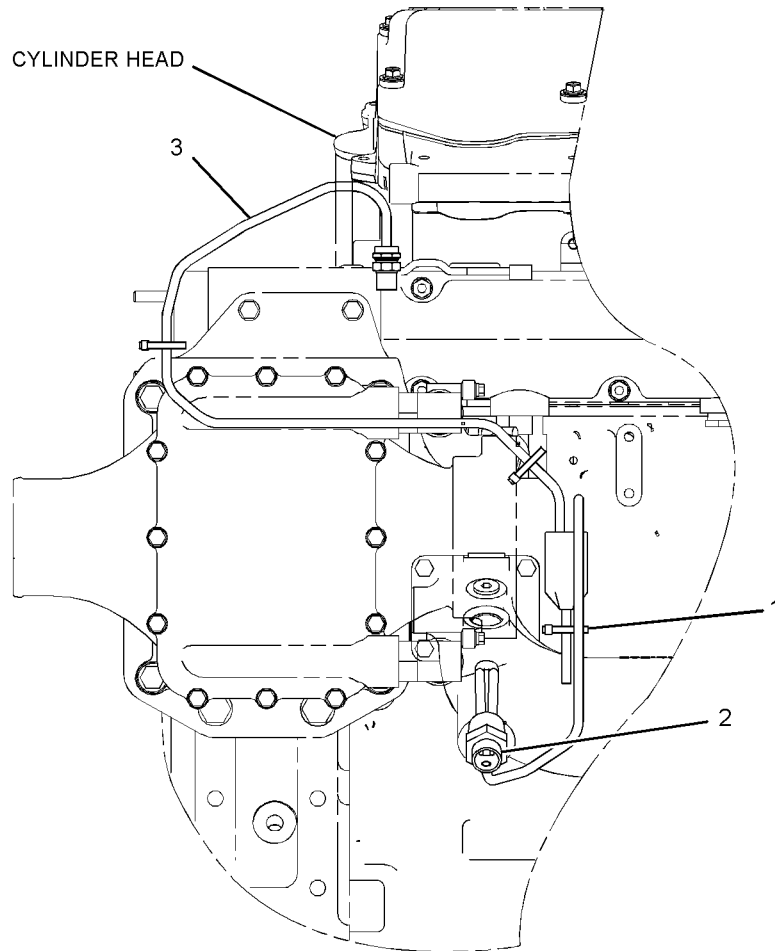
240-VOLT, 1500-WATT

FOR USE WITH TIER I PIPE THREAD PORT
AN ATTACHMENT

SMCS-1383

i03111780

NOTE	REF NO	GRAPHIC REF	PART NUMBER	QTY	PART NAME						SEE PAGE
					1	2	3	4	5	6 (PRODUCT LEVEL)	
	1	1	3S-2093	3	STRAP-CABLE						
	2	1	6T-3764	1	ELEMENT AS-JACKET WATER HEATER (240-VOLT, 1500-WATT)						
	3	1	235-5859	1	CORD AS (JACKET WATER HEATER)						
		1	7C-9008	1	THERMOSTAT (JACKET WATER HEATER)						
		1	235-5863	1	HOUSING						
		1	3K-0360	1	SEAL-O-RING						



RIGHT SIDE VIEW OF ENGINE

GRAPHIC #1

<END>

g01593196

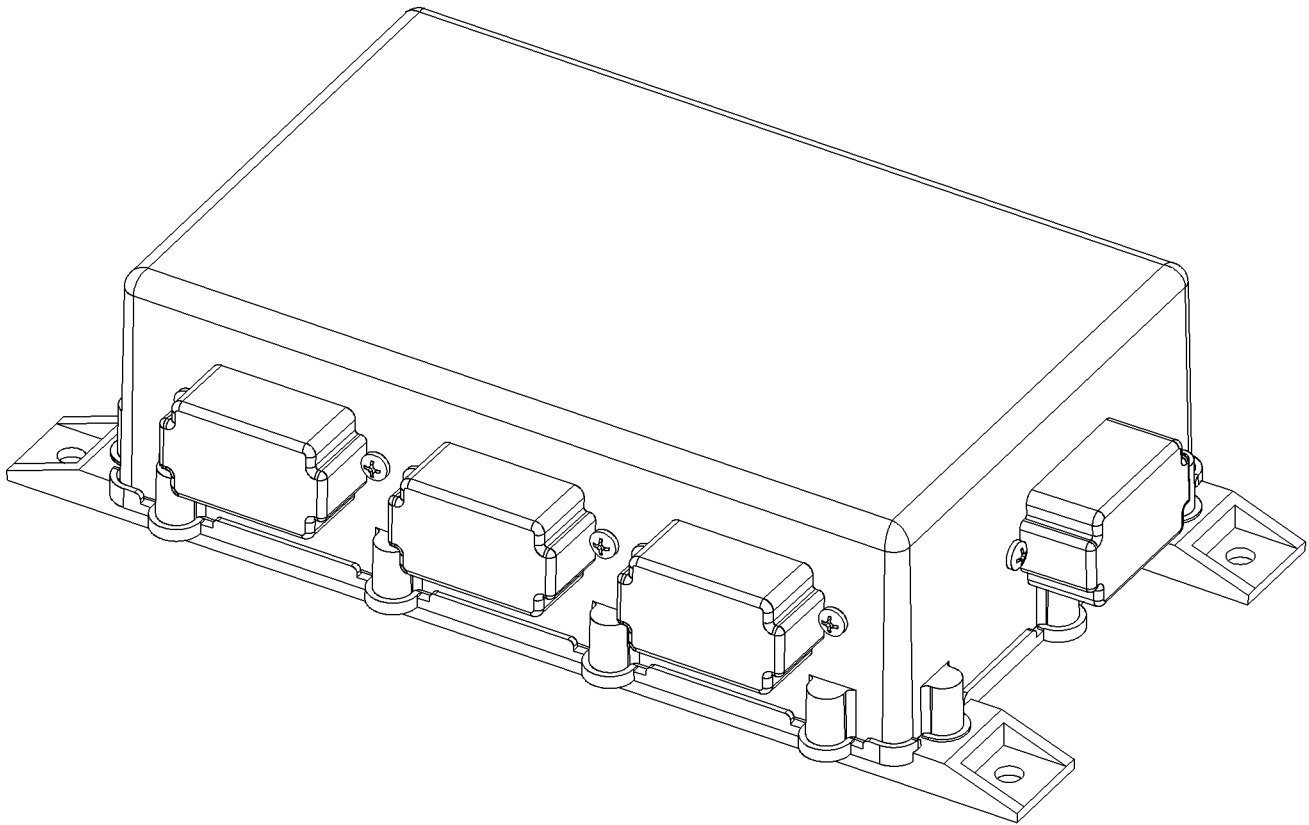
ELECTRICAL AND STARTING SYSTEM

219-8021 MODULE GP-INTERFACE-CONTROL STATION PROCESSOR FOR USE WITH MULTI-STATION CONTROL SYSTEM AN ATTACHMENT

SMCS-7600

i02025030

NOTE	REF NO	GRAPHIC REF	PART NUMBER	QTY	PART NAME						SEE PAGE
					1	2	3	4	5	6 (PRODUCT LEVEL)	
(NO SERVICED PARTS)											



GRAPHIC #1

<END>

g00991280

ELECTRICAL AND STARTING SYSTEM

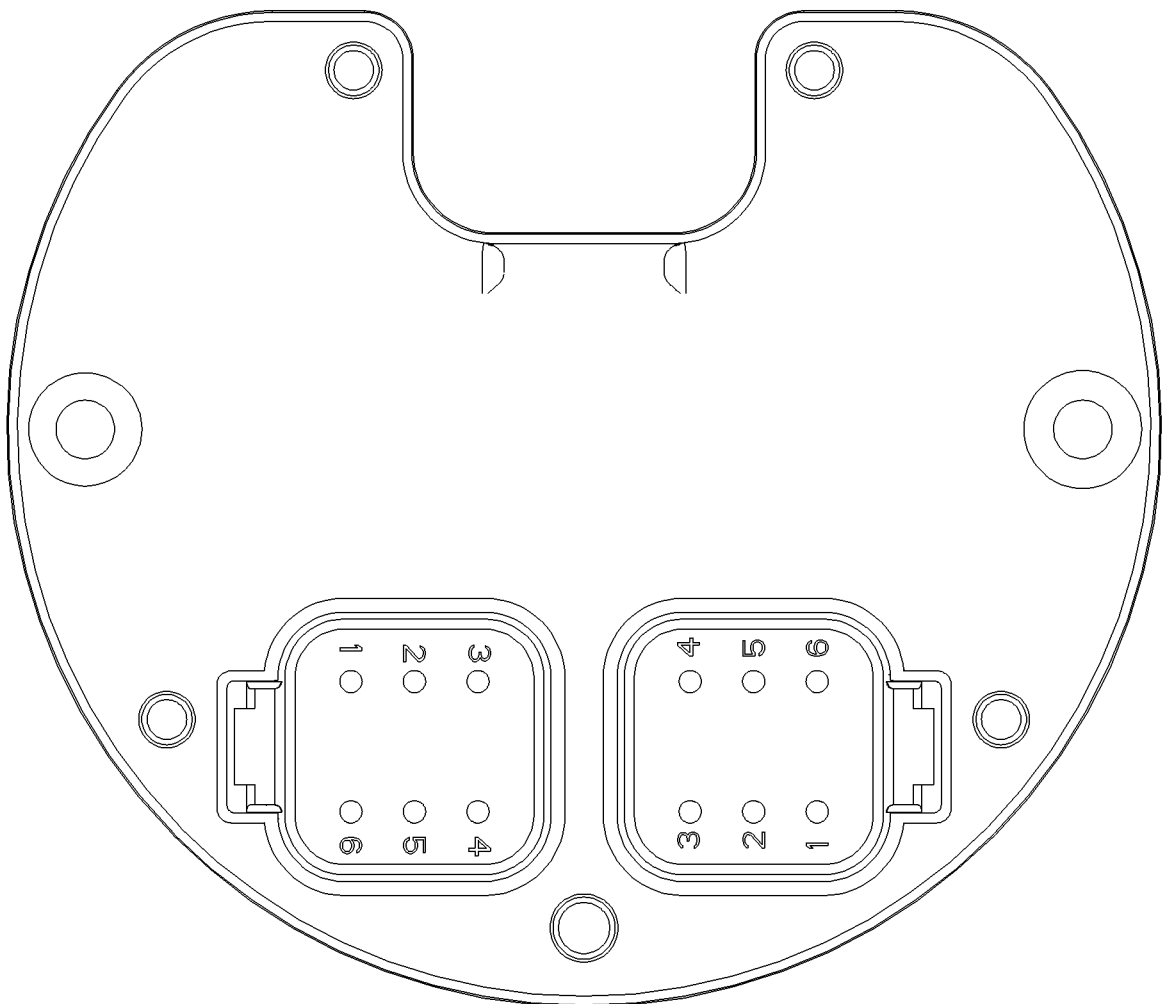
274-8068 MODULE GP-INTERFACE

AN ATTACHMENT

SMCS-7600

i02512447

NOTE	REF NO	GRAPHIC REF	PART NUMBER	QTY	PART NAME						SEE PAGE
					1	2	3	4	5	6 (PRODUCT LEVEL)	
(NO SERVICED PARTS)											



GRAPHIC #1

<END>

g00936238

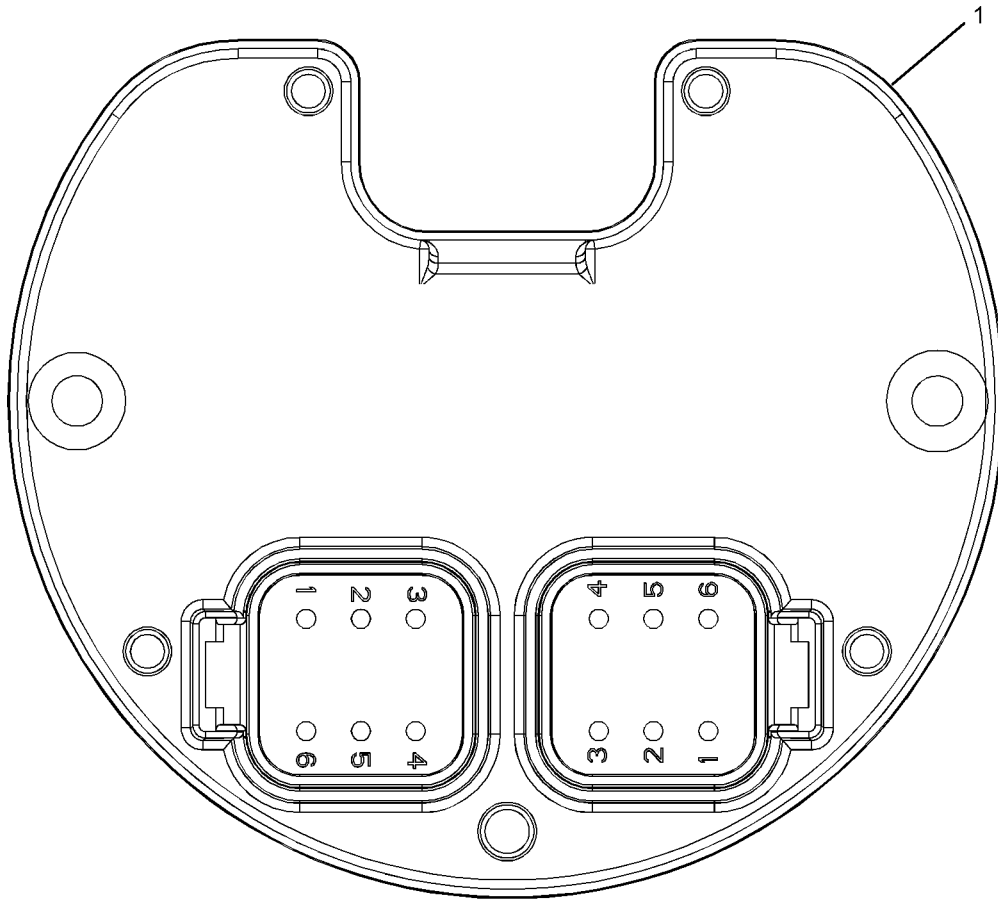
ELECTRICAL AND STARTING SYSTEM

275-2076 MODULE GP-INTERFACE AN ATTACHMENT

SMCS-7600

i02491558

NOTE	REF NO	GRAPHIC REF	PART NUMBER	QTY	PART NAME						SEE PAGE
					1	2	3	4	5	6 (PRODUCT LEVEL)	
	1	1	274-8068	1	MODULE GP-INTERFACE						



GRAPHIC #1

<END>

g01250981

ELECTRICAL AND STARTING SYSTEM

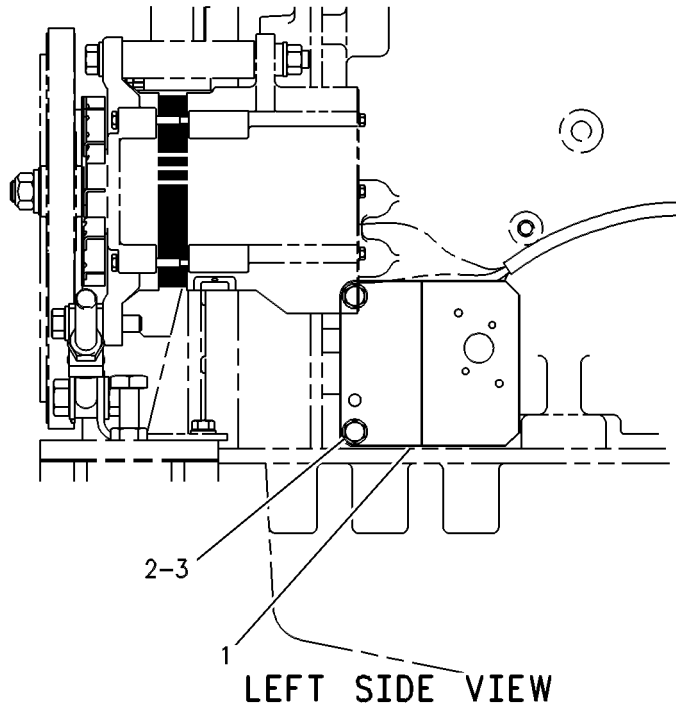
131-8307 MOUNTING GP-CIRCUIT BREAKER

FOR USE WITH FRONT PTO AUXILIARY DRIVE, LEFT HAND MOUNTED ALTERNATOR AND
HEAVY DUTY FRONT SUPPORT
AN ATTACHMENT

SMCS-1420, 4461

i02765179

NOTE	REF NO	GRAPHIC REF	PART NUMBER	QTY	PART NAME						SEE PAGE
					1	2	3	4	5	6 (PRODUCT LEVEL)	
	1	1	124-9047	1	BRACKET						
	2	1	5M-2894	2	WASHER-HARD (10.2X18.5X2.5-MM THK)						
	3	1	0S-0509	2	BOLT (3/8-16X0.75-IN)						



<END>

GRAPHIC #1

g00272467

ELECTRICAL AND STARTING SYSTEM

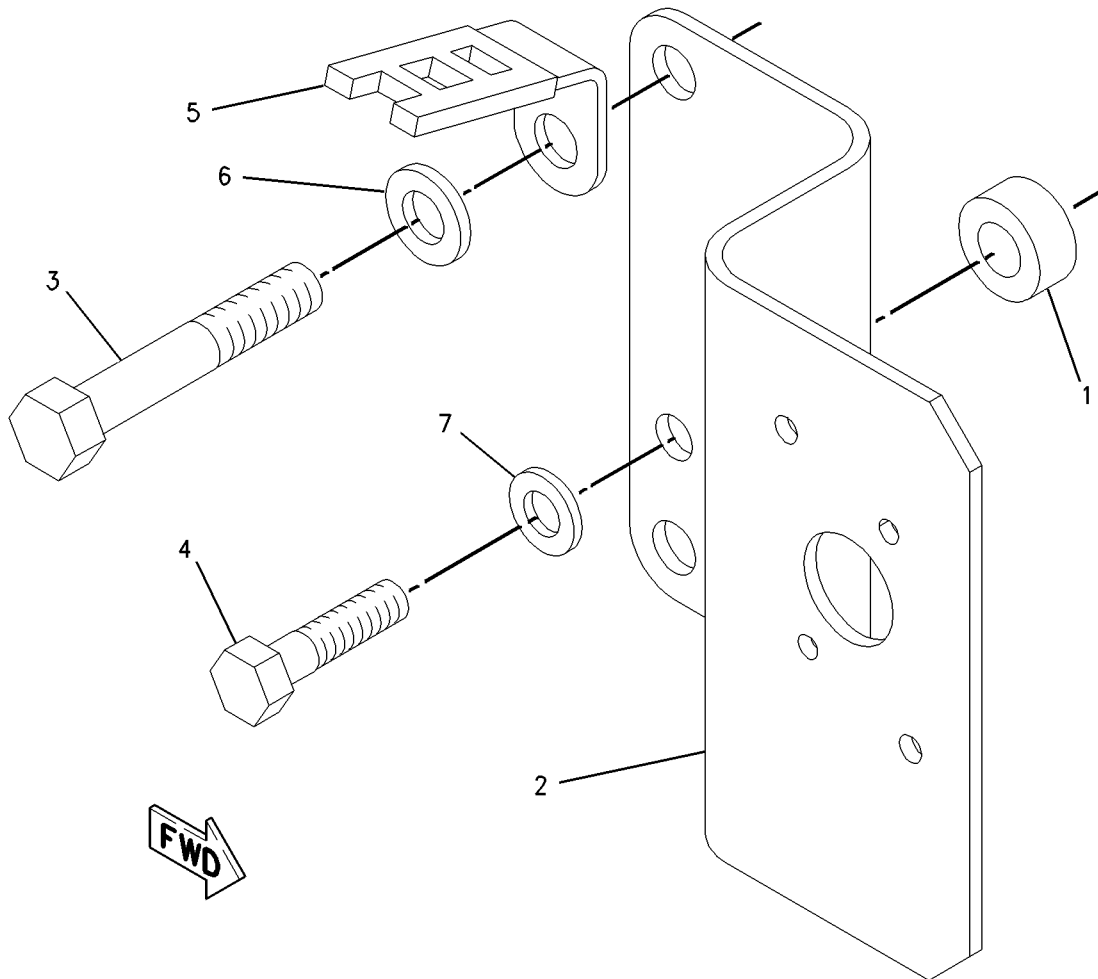
207-2735 MOUNTING GP-CIRCUIT BREAKER

FOR USE WITH LH SERVICE ENGINES
AN ATTACHMENT

SMCS-1420, 4461

i02006697

NOTE	REF NO	GRAPHIC REF	PART NUMBER	QTY	PART NAME						SEE PAGE
					1	2	3	4	5	6 (PRODUCT LEVEL)	
	1	1	7G-1239	1	SPACER (10.5X19X4.5-MM THK)						
	2	1	124-9047	1	BRACKET						
	3	1	0S-0509	1	BOLT (3/8-16X0.75-IN)						
	4	1	0S-1617	1	BOLT (5/16-18X0.75-IN)						
	5	1	4P-8134	1	CLIP						
	6	1	5M-2894	1	WASHER-HARD (10.2X18.5X2.5-MM THK)						
	7	1	9M-1974	1	WASHER-HARD (8.8X16X2-MM THK)						



GRAPHIC #1

<END>

g00794419

ELECTRICAL AND STARTING SYSTEM

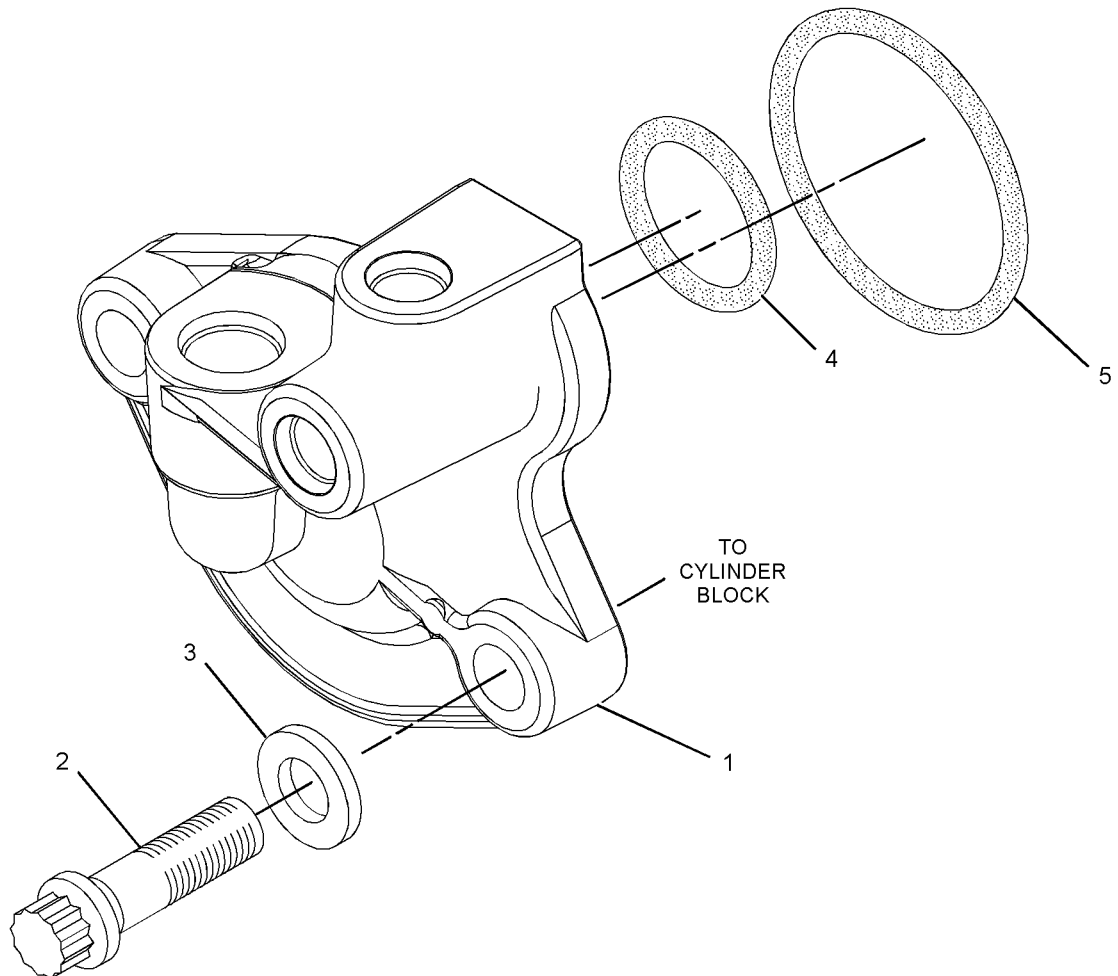
194-3967 MOUNTING GP-SENSOR

PROVIDES LOCATION FOR ATMOSPHERIC AND OIL SENSOR MOUNTING
AN ATTACHMENT

SMCS-1439

i02676961

NOTE	REF NO	GRAPHIC REF	PART NUMBER	QTY	PART NAME						SEE PAGE
					1	2	3	4	5	6 (PRODUCT LEVEL)	
	1	1	166-6693	1	ADAPTER						
	2	1	1T-0720	2	BOLT-12 POINT HEAD (3/8-16X1.25-IN)						
	3	1	5M-2894	2	WASHER-HARD (10.2X18.5X2.5-MM THK)						
	4	1	6V-3683	1	SEAL-O-RING						
	5	1	8J-4351	1	SEAL-O-RING						



GRAPHIC #1

<END>

g01347622

ELECTRICAL AND STARTING SYSTEM

212-1404 MOUNTING GP-SENSOR

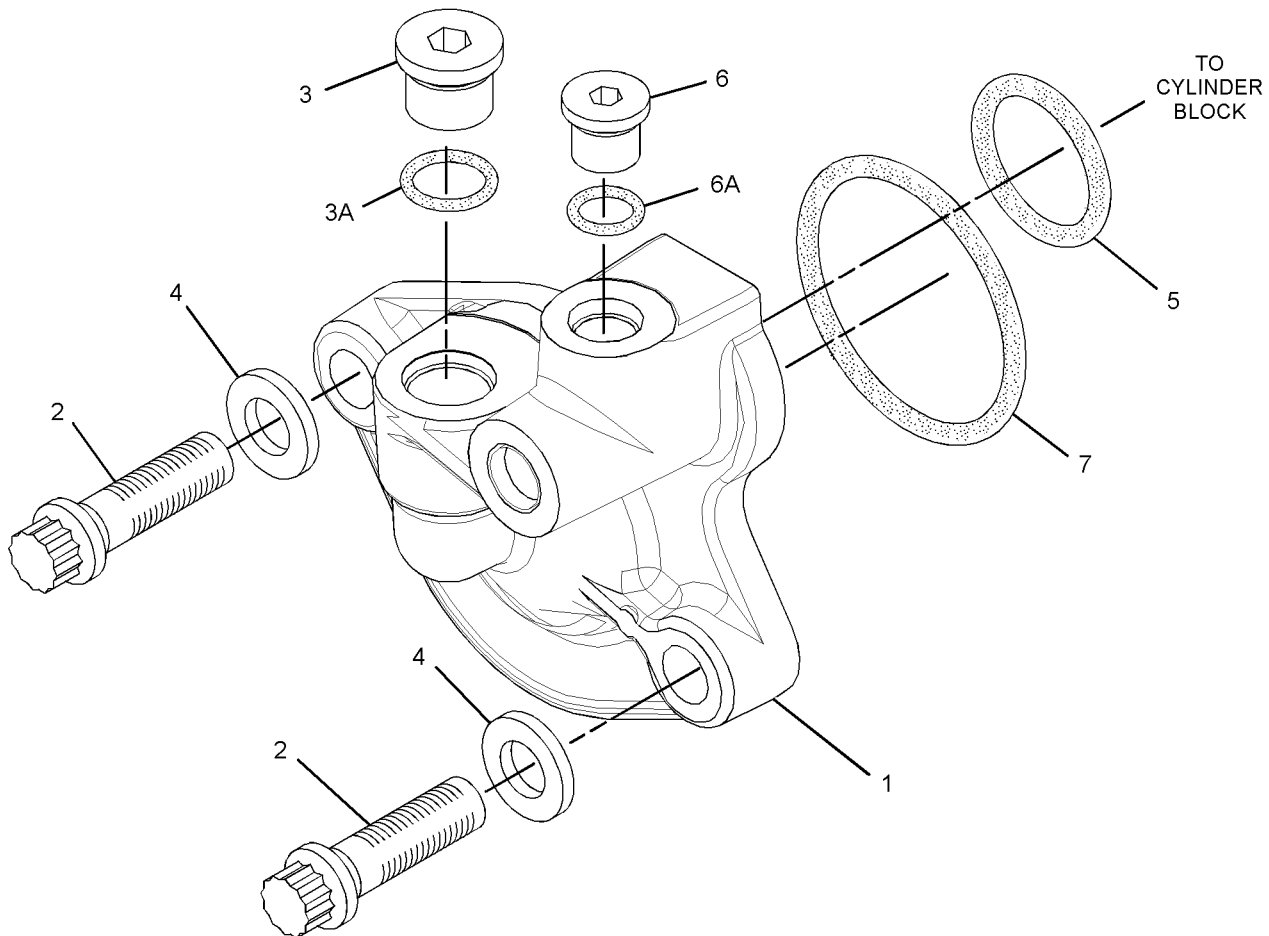
FOR USE WITH OIL PRESSURE AND ATMOSPHERIC PRESSURE SENSORS
ALSO AN ATTACHMENT

SMCS-1439

i03905979

NOTE	REF NO	GRAPHIC REF	PART NUMBER	QTY	PART NAME						SEE PAGE
					1	2	3	4	5	6 (PRODUCT LEVEL)	
	1	1	166-6693	1	ADAPTER						
	2	1	1T-0720	2	BOLT-12 POINT HEAD (3/8-16X1.25-IN)						
	3	1	183-3407	1	PLUG AS						
	3A	1	214-7568	1	SEAL-O-RING						
		1	9S-8004	1	PLUG-O-RING						
	4	1	5M-2894	2	WASHER-HARD (10.2X18.5X2.5-MM THK)						
	5	1	6V-3683	1	SEAL-O-RING						
C	6	1	307-2671	1	PLUG AS						
	6A	1	214-7566	1	SEAL-O-RING						
		1	9S-8002	1	PLUG-O-RING						
	7	1	8J-4351	1	SEAL-O-RING						

C-CHANGE FROM PREVIOUS TYPE



GRAPHIC #1

<END>

g02154127

ELECTRICAL AND STARTING SYSTEM

212-1404 MOUNTING GP-SENSOR

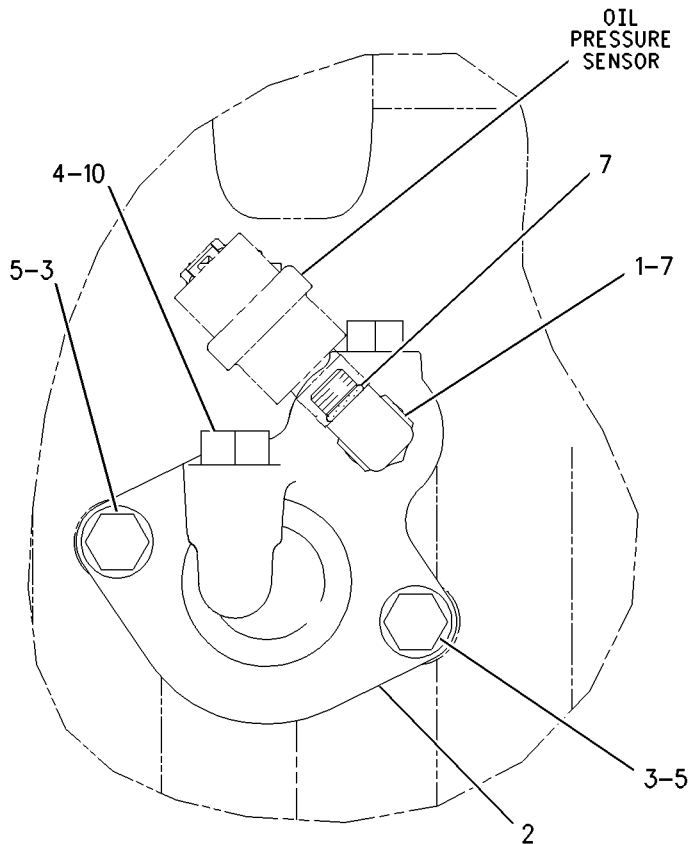
S/N: T2P1-UP

FOR USE WITH OIL PRESSURE AND ATMOSPHERIC PRESSURE SENSORS

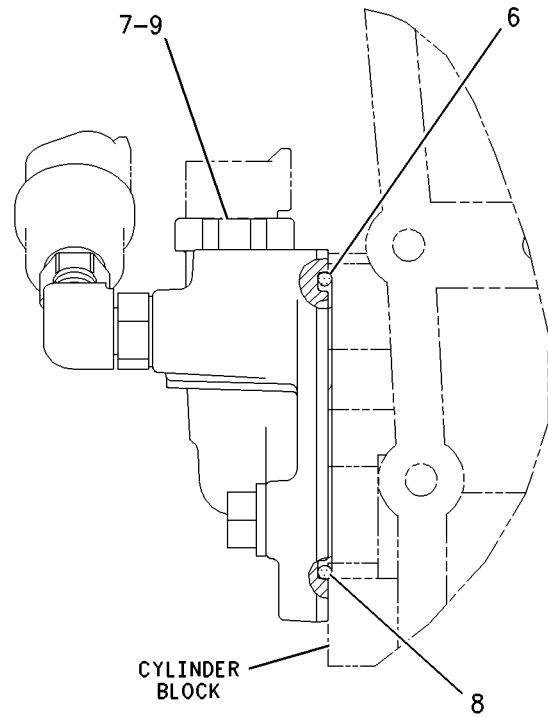
SMCS-1439

i01719565

NOTE	REF NO	GRAPHIC REF	PART NUMBER	QTY	PART NAME						SEE PAGE
					1	2	3	4	5	6 (PRODUCT LEVEL)	
	1	1	117-0067	1	ELBOW						
	2	1	166-6693	1	ADAPTER						
	3	1	0S-1588	2	BOLT (3/8-16X1.25-IN)						
	4	1	3J-1907	1	SEAL-O-RING						
	5	1	5M-2894	2	WASHER-HARD (10.2X18.5X2.5-MM THK)						
	6	1	6V-3683	1	SEAL-O-RING						
	7	1	6V-5048	3	SEAL-O-RING						
	8	1	8J-4351	1	SEAL-O-RING						
	9	1	9S-4182	1	PLUG-O-RING						
	10	1	9S-4191	1	PLUG-O-RING						



LEFT SIDE VIEW



REAR VIEW

GRAPHIC #1

<END>

g00916324

ELECTRICAL AND STARTING SYSTEM

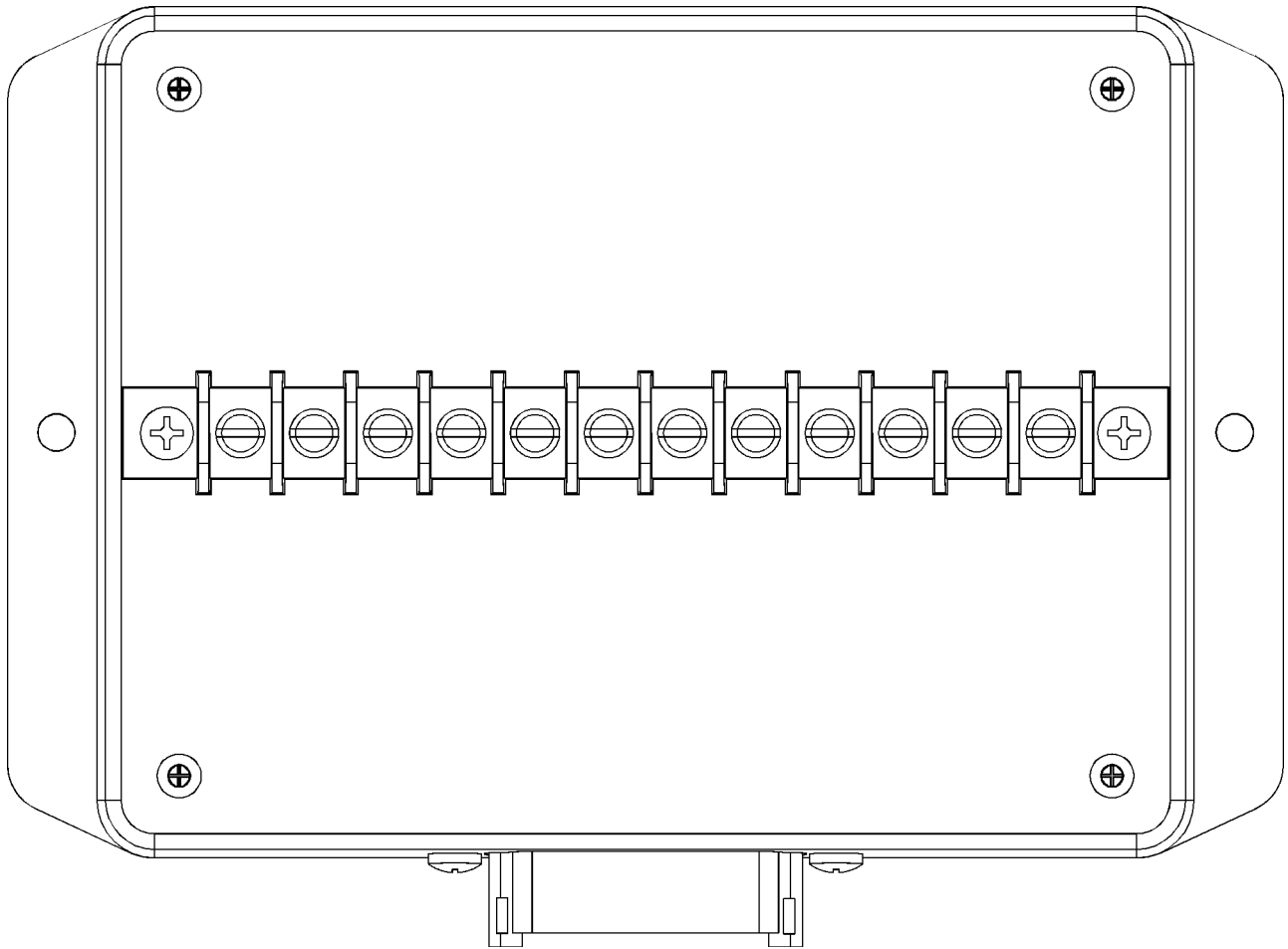
226-3422 PANEL AS-BOX

CUSTOM PANEL BREAKOUT
FOR USE WITH MULTI-STATION CONTROL SYSTEM
AN ATTACHMENT

SMCS-7426

i01976188

NOTE	REF NO	GRAPHIC REF	PART NUMBER	QTY	PART NAME						SEE PAGE
					1	2	3	4	5	6 (PRODUCT LEVEL)	
(NO SERVICED PARTS)											



GRAPHIC #1

<END>

g01025855

ELECTRICAL AND STARTING SYSTEM

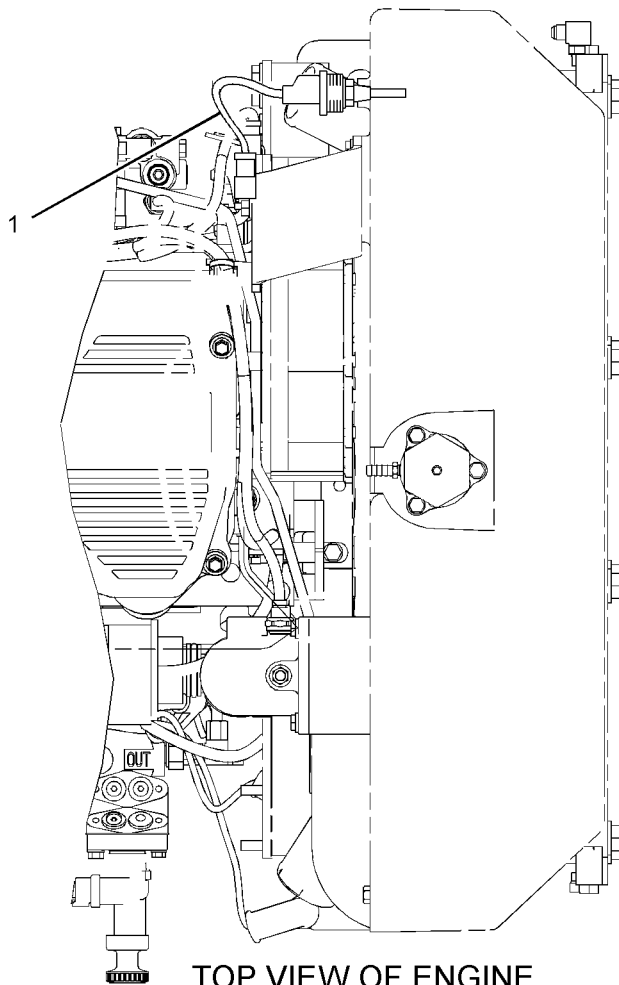
290-3445 SENSOR GP-COOLANT LEVEL

FOR USE WITH HEAT EXCHANGER COOLING SYSTEMS
AN ATTACHMENT

SMCS-7422

i04022124

NOTE	REF NO	GRAPHIC REF	PART NUMBER	QTY	PART NAME						SEE PAGE
					1	2	3	4	5	6 (PRODUCT LEVEL)	
Y	1	1	204-2518	1	SENSOR GP-LIQUID LEVEL (COOLANT)						784
Y-SEPARATE ILLUSTRATION											



TOP VIEW OF ENGINE

<END>

GRAPHIC #1

g01325605

ELECTRICAL AND STARTING SYSTEM

307-0716 SENSOR GP-ENGINE

AN ATTACHMENT

SMCS-1000, 1050, 1718, 1906, 1907, 1912, 1917, 1923,
1924, 1925, 1928, 1929, 7400, 7422

i02887197

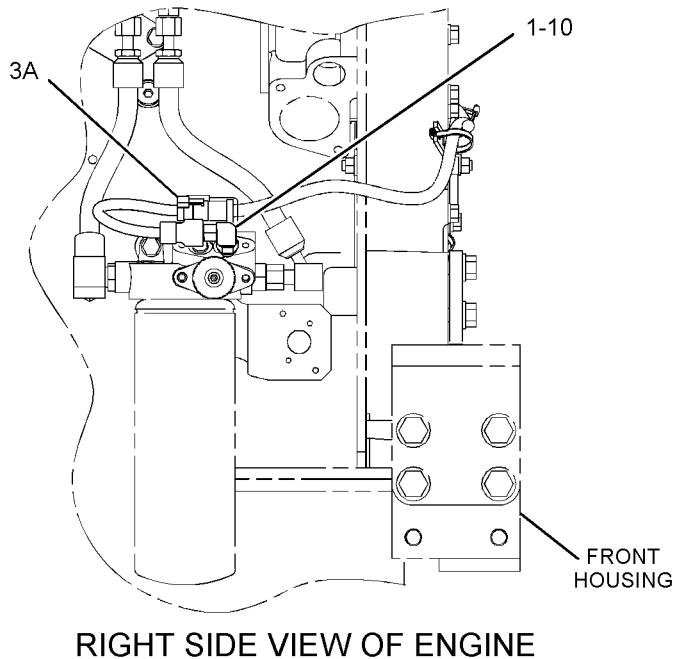
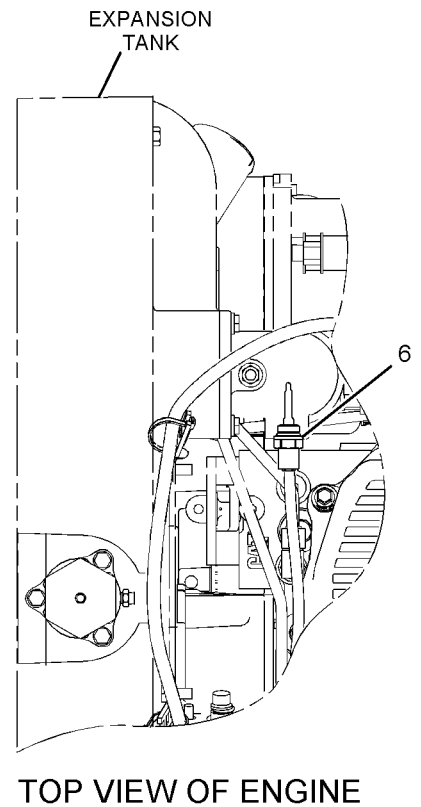
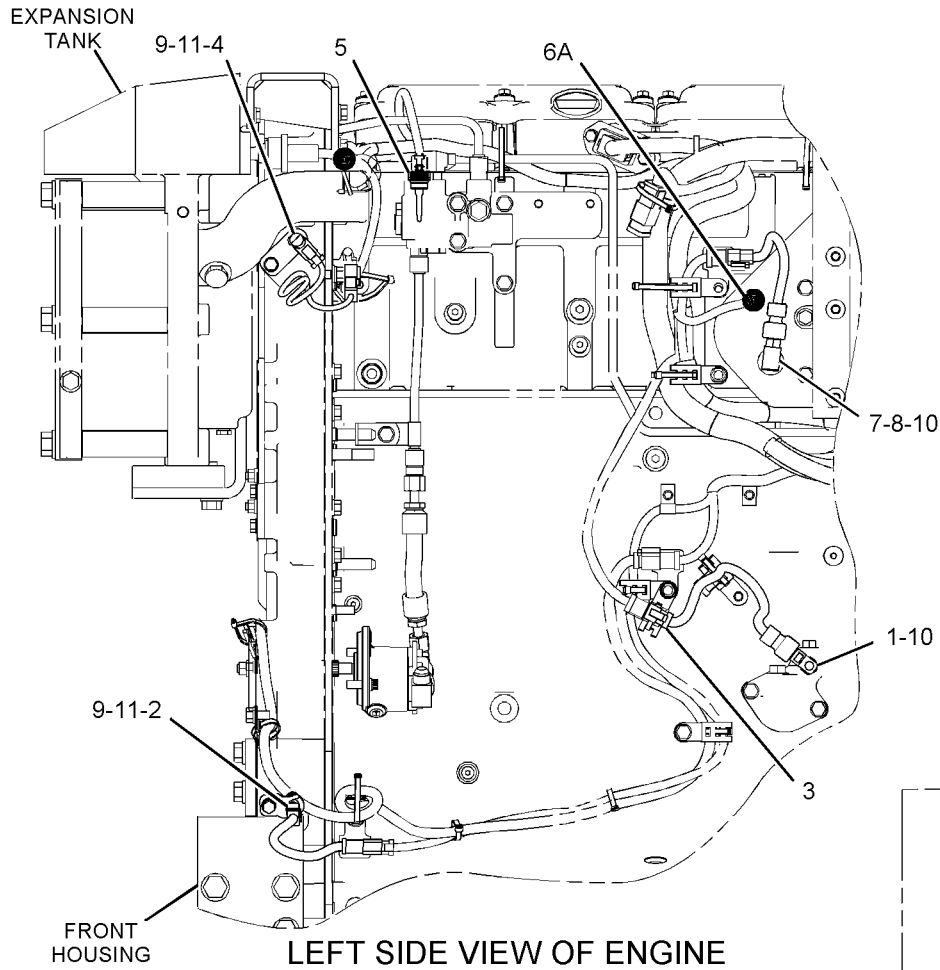
NOTE	REF NO	GRAPHIC REF	PART NUMBER	QTY	PART NAME	SEE PAGE
					1 2 3 4 5 6 (PRODUCT LEVEL)	
	1	1	117-0067	2	ELBOW	
Y	2	1	230-7149	1	SENSOR GP-SPEED (TIMING, CRANKSHAFT)	798
Y	3	1	239-2396	1	SENSOR GP-PRESSURE (ENGINE OIL)	790
Y	3A	1	239-2396	1	SENSOR GP-PRESSURE (FUEL)	790
Y	4	1	239-2397	1	SENSOR GP-SPEED (ENGINE TIMING)	799
Y	5	1	274-7395	1	SENSOR GP-TEMPERATURE (FUEL)	803
Y	6	1	274-7396	1	SENSOR GP-TEMPERATURE (ENGINE COOLANT)	804
Y	6A	1	274-7396	1	SENSOR GP-TEMPERATURE (AIR INLET MANIFOLD)	804
Y	7	1	307-1984	1	SENSOR GP-PRESSURE (AIR INLET MANIFOLD)	792
	8	1	223-1624	1	ELBOW	
	9	1	2H-3755	2	BOLT (5/16-18X0.43-IN)	
	10	1	6V-5048	3	SEAL-O-RING	
	11	1	9M-1974	2	WASHER-HARD (8.8X16X2-MM THK)	

Y-SEPARATE ILLUSTRATION

ELECTRICAL AND STARTING SYSTEM

307-0716 SENSOR GP-ENGINE (contd.)

i02887197



GRAPHIC #1

<END>

g01354148

ELECTRICAL AND STARTING SYSTEM

320-9818 SENSOR GP-ENGINE

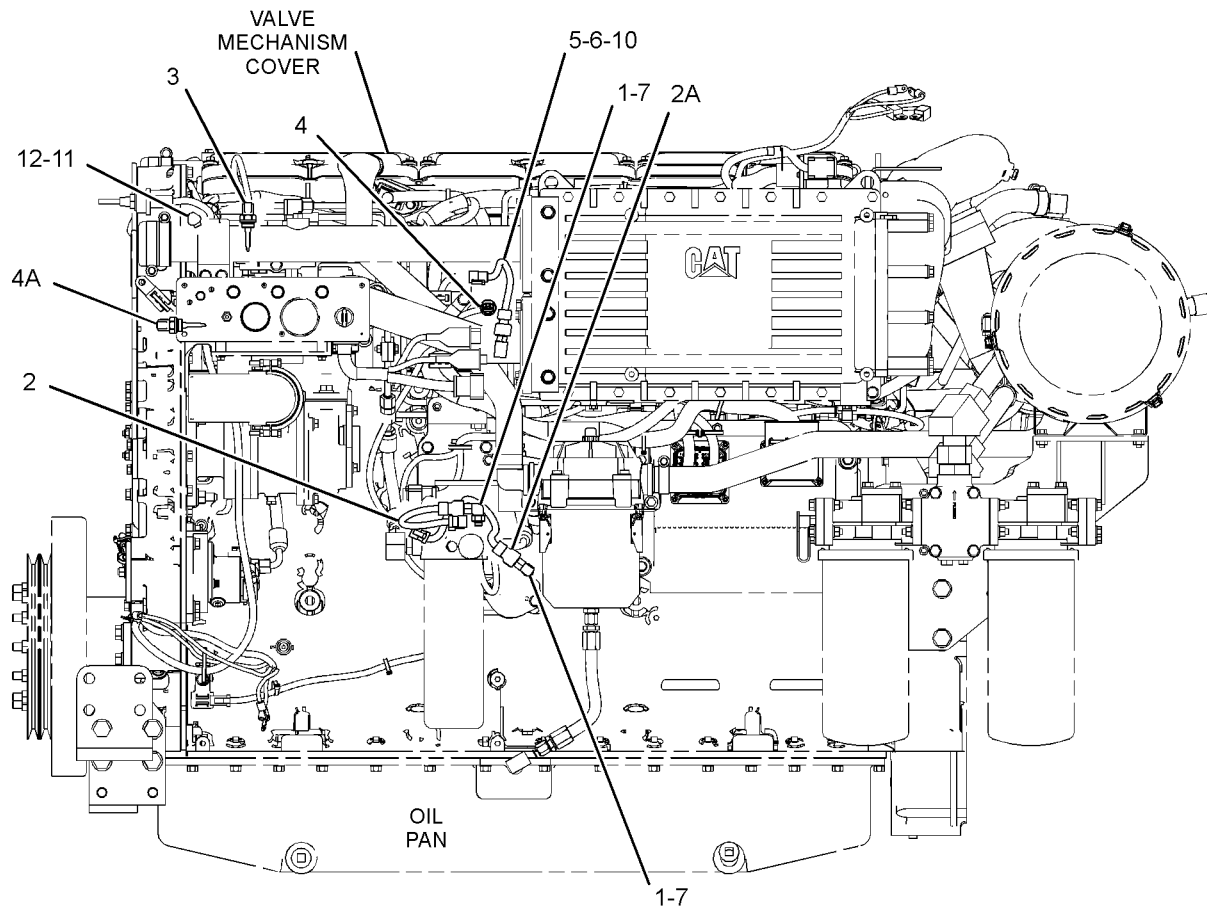
FOR USE WITH KEEL COOLED WITH SIMPLEX FUEL FILTER OPTION ON LEFT HAND
SERVICE, MARINE TIER II APPLICATIONS
AN ATTACHMENT

SMCS-1000, 1050, 1718, 1906, 1907, 1912, 1917, 1923,
1924, 1925, 1928, 1929, 7400, 7422

i03169360

NOTE	REF NO	GRAPHIC REF	PART NUMBER	QTY	PART NAME						SEE PAGE
					1	2	3	4	5	6 (PRODUCT LEVEL)	
	1	1	117-0067	2	ELBOW						
Y	2	1	239-2396	1	SENSOR GP-PRESSURE (FUEL)						790
Y	2A	1	239-2396	1	SENSOR GP-PRESSURE (ENGINE OIL)						790
Y	3	1	274-7395	1	SENSOR GP-TEMPERATURE (FUEL)						803
Y	4	1	274-7396	1	SENSOR GP-TEMPERATURE (AIR INLET MANIFOLD)						804
Y	4A	1	274-7396	1	SENSOR GP-TEMPERATURE (COOLANT, WATER)						804
Y	5	1	307-1984	1	SENSOR GP-PRESSURE (AIR INLET MANIFOLD)						792
	6	1	223-1624	1	ELBOW						
	7	1	6V-5048	2	SEAL-O-RING						
	10	1	214-7568	1	SEAL-O-RING						
	11	1	102-8803	1	KIT-RECEPTACLE (3-PIN)						
					(INCLUDES RECEPTACLE AS & WEDGE)						
	12	1	8T-8737	3	PLUG-SEAL						

Y-SEPARATE ILLUSTRATION



LEFT SIDE VIEW OF ENGINE

GRAPHIC #1

<END>

g01626069

ELECTRICAL AND STARTING SYSTEM

320-9819 SENSOR GP-ENGINE

FOR USE WITH KEEL COOLED WITH SIMPLEX FUEL FILTER OPTION ON RIGHT HAND
SERVICE, MARINE TIER II APPLICATIONS
AN ATTACHMENT

SMCS-1000, 1050, 1718, 1906, 1907, 1912, 1917, 1923,
1924, 1925, 1928, 1929, 7400, 7422

i03169380

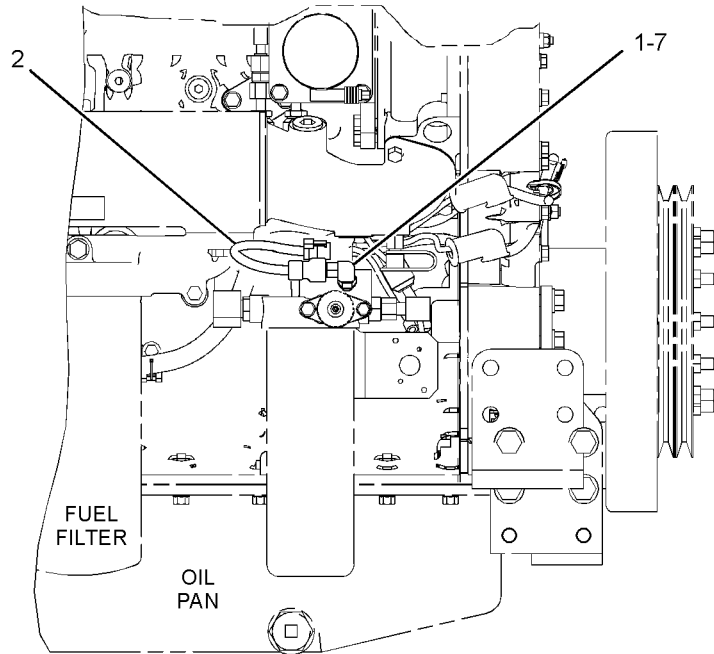
NOTE	REF NO	GRAPHIC REF	PART NUMBER	QTY	PART NAME						SEE PAGE
					1	2	3	4	5	6 (PRODUCT LEVEL)	
	1	1	117-0067	2	ELBOW						
Y	2	1	239-2396	1	SENSOR GP-PRESSURE (FUEL)						790
Y	2A	1	239-2396	1	SENSOR GP-PRESSURE (ENGINE OIL)						790
Y	3	1	274-7395	1	SENSOR GP-TEMPERATURE (FUEL)						803
Y	4	1	274-7396	1	SENSOR GP-TEMPERATURE (AIR INLET MANIFOLD)						804
Y	4A	1	274-7396	1	SENSOR GP-TEMPERATURE (ENGINE COOLANT)						804
Y	5	1	307-1984	1	SENSOR GP-PRESSURE (AIR INLET MANIFOLD)						792
	6	1	223-1624	1	ELBOW						
	7	1	6V-5048	2	SEAL-O-RING						
	10	1	214-7568	1	SEAL-O-RING						
	11	1	102-8803	1	KIT-RECEPTACLE (3-PIN) (INCLUDES RECEPTACLE AS & WEDGE)						
	12	1	8T-8737	3	PLUG-SEAL						

Y-SEPARATE ILLUSTRATION

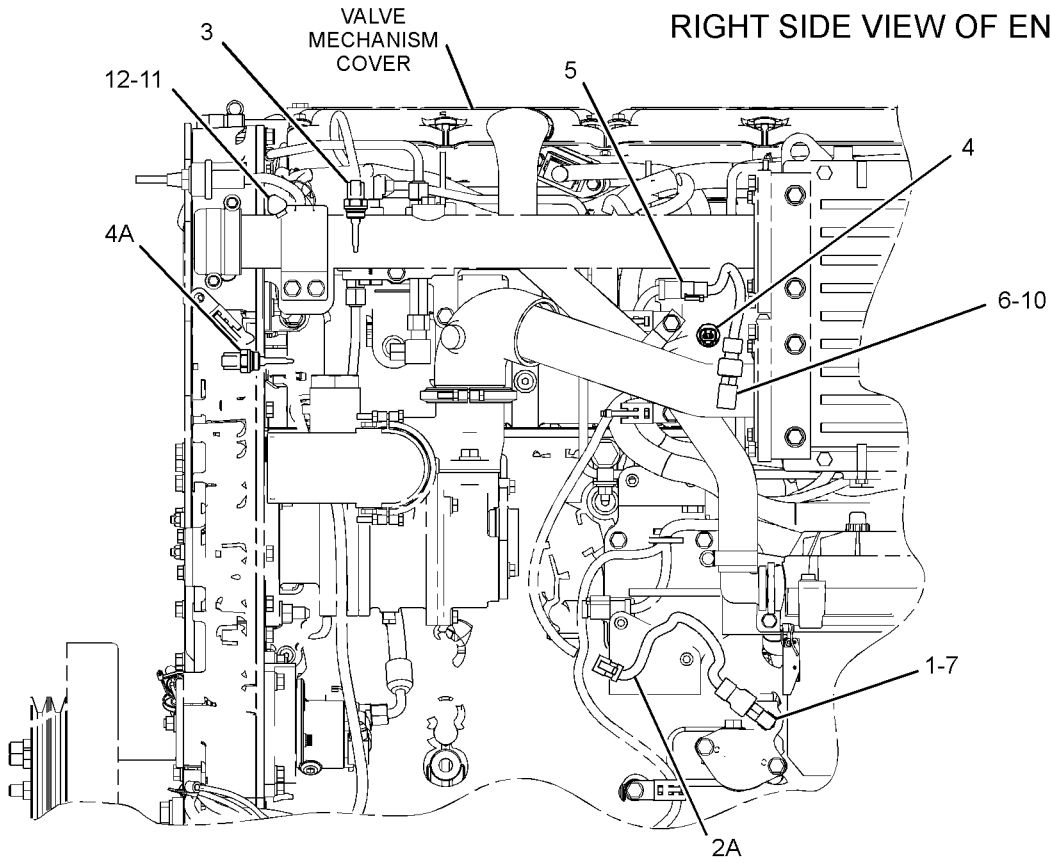
ELECTRICAL AND STARTING SYSTEM

320-9819 SENSOR GP-ENGINE (contd.)

i03169380



RIGHT SIDE VIEW OF ENGINE



LEFT SIDE VIEW OF ENGINE

GRAPHIC #1

<END>

g01626052

ELECTRICAL AND STARTING SYSTEM

320-9820 SENSOR GP-ENGINE

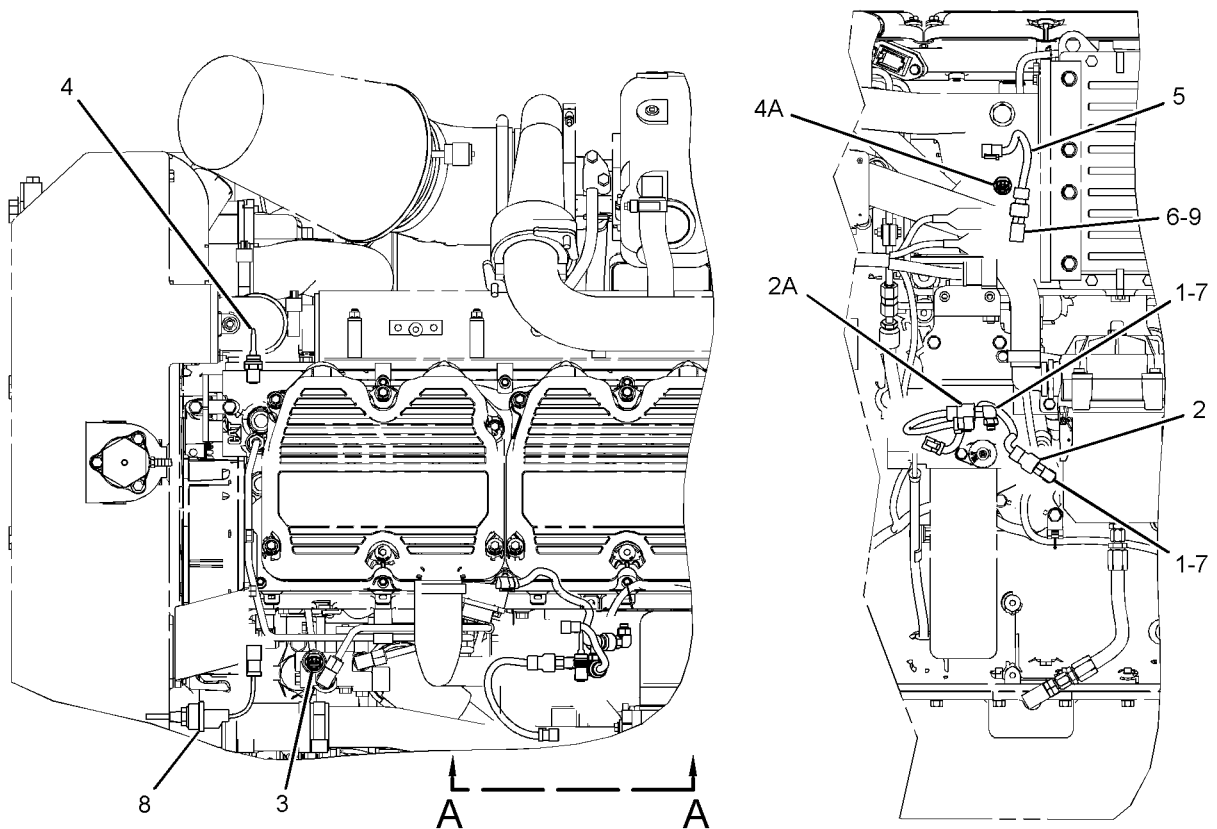
FOR USE WITH HEX COOLED WITH SIMPLEX FUEL FILTER OPTION ON LEFT HAND
SERVICE, MARINE TIER II APPLICATIONS
AN ATTACHMENT

SMCS-1000, 1050, 1718, 1906, 1907, 1912, 1917, 1923,
1924, 1925, 1928, 1929, 7400, 7422

i03174303

NOTE	REF NO	GRAPHIC REF	PART NUMBER	QTY	PART NAME						SEE PAGE
					1	2	3	4	5	6 (PRODUCT LEVEL)	
	1	1	117-0067	2	ELBOW						
Y	2	1	239-2396	1	SENSOR GP-PRESSURE (ENGINE OIL)						790
Y	2A	1	239-2396	1	SENSOR GP-PRESSURE (FUEL)						790
Y	3	1	274-7395	1	SENSOR GP-TEMPERATURE (FUEL)						803
Y	4	1	274-7396	1	SENSOR GP-TEMPERATURE (ENGINE COOLANT)						804
Y	4A	1	274-7396	1	SENSOR GP-TEMPERATURE (AIR INLET MANIFOLD)						804
Y	5	1	307-1984	1	SENSOR GP-PRESSURE (INLET MANIFOLD)						792
	6	1	223-1624	1	ELBOW						
	7	1	6V-5048	2	SEAL-O-RING						
Y	8	1	204-2518	1	SENSOR GP-LIQUID LEVEL (COOLANT LOSS)						784
	9	1	214-7568	1	SEAL-O-RING						

Y-SEPARATE ILLUSTRATION



TOP VIEW OF ENGINE

VIEW A-A

GRAPHIC #1

<END>

g01625857

ELECTRICAL AND STARTING SYSTEM

320-9821 SENSOR GP-ENGINE

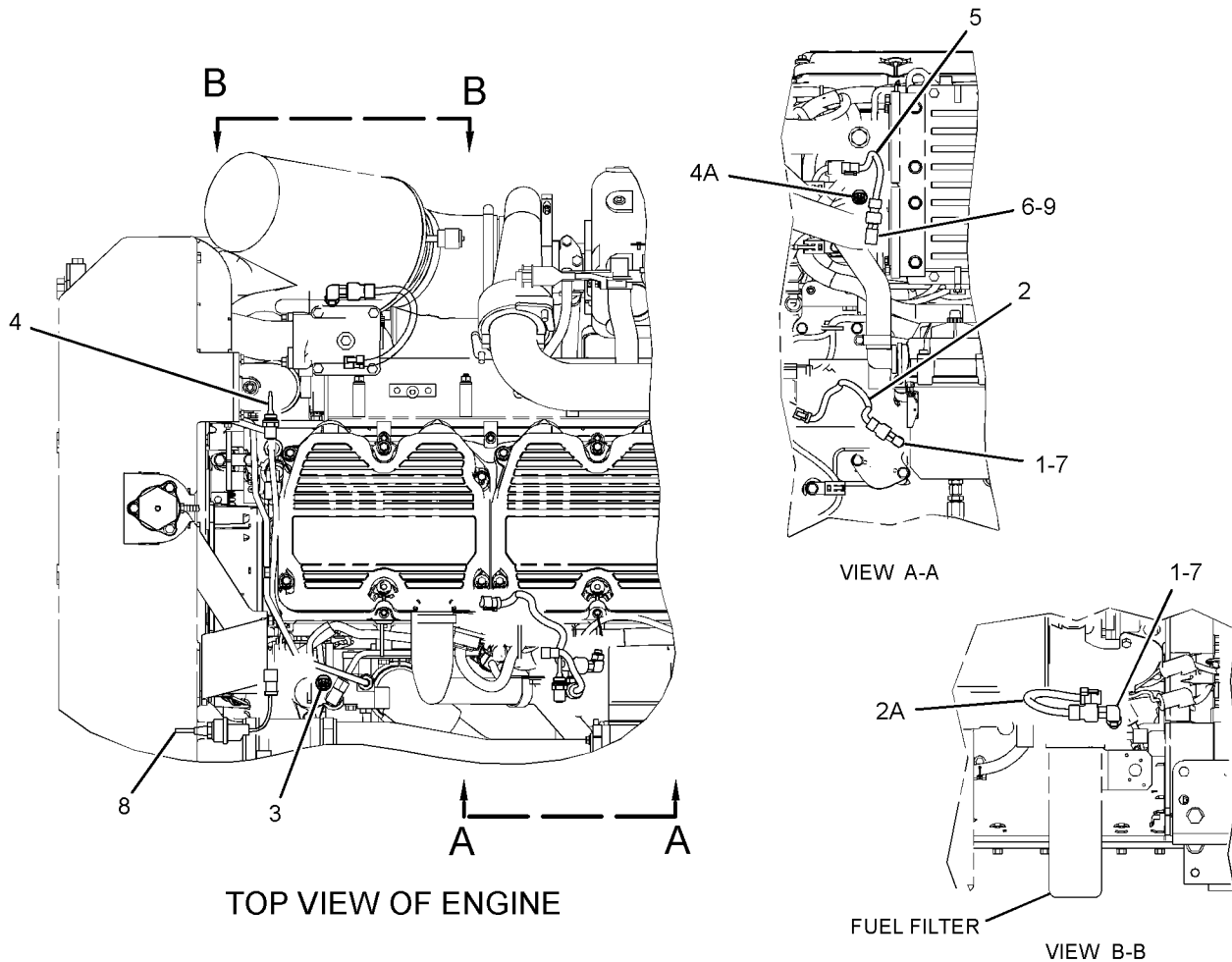
FOR USE WITH HEX COOLED WITH SIMPLEX FUEL FILTER OPTION ON RIGHT HAND
SERVICE, MARINE TIER II APPLICATIONS
AN ATTACHMENT

SMCS-1000, 1050, 1718, 1906, 1907, 1912, 1917, 1923,
1924, 1925, 1928, 1929, 7400, 7422

i03174340

NOTE	REF NO	GRAPHIC REF	PART NUMBER	QTY	PART NAME						SEE PAGE
					1	2	3	4	5	6 (PRODUCT LEVEL)	
	1	1	117-0067	2	ELBOW						
Y	2	1	239-2396	1	SENSOR GP-PRESSURE (ENGINE OIL)						790
Y	2A	1	239-2396	1	SENSOR GP-PRESSURE (FUEL)						790
Y	3	1	274-7395	1	SENSOR GP-TEMPERATURE (FUEL)						803
Y	4	1	274-7396	1	SENSOR GP-TEMPERATURE (ENGINE COOLANT)						804
Y	4A	1	274-7396	1	SENSOR GP-TEMPERATURE (AIR INLET MANIFOLD)						804
Y	5	1	307-1984	1	SENSOR GP-PRESSURE (INLET MANIFOLD)						792
	6	1	223-1624	1	ELBOW						
	7	1	6V-5048	2	SEAL-O-RING						
Y	8	1	204-2518	1	SENSOR GP-LIQUID LEVEL (COOLANT LOSS)						784
	9	1	214-7568	1	SEAL-O-RING						

Y-SEPARATE ILLUSTRATION



GRAPHIC #1

<END>

g01625749

ELECTRICAL AND STARTING SYSTEM

322-4070 SENSOR GP-ENGINE

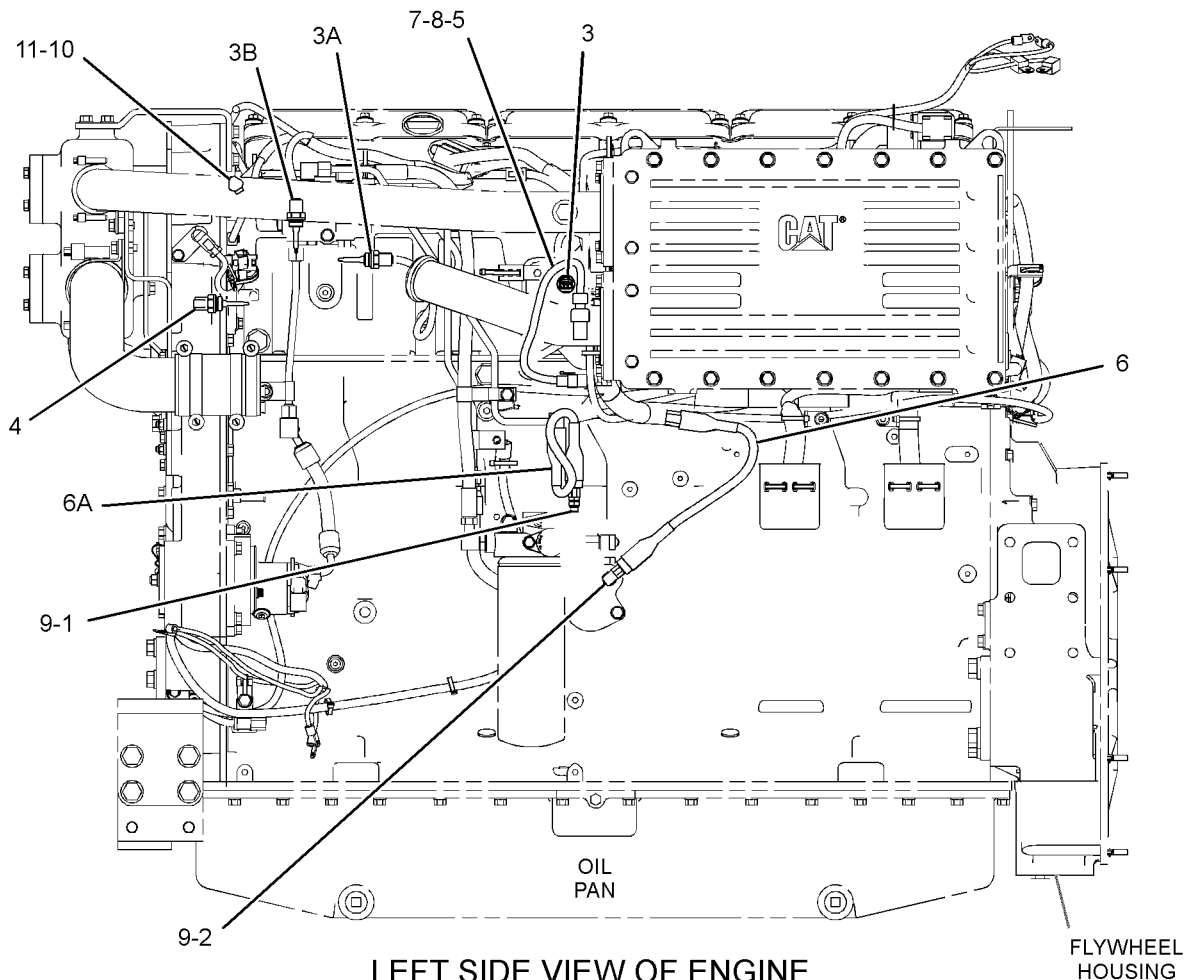
FOR USE WITH TIER I APPLICATIONS, LEFT HAND SERVICE APPLICATIONS, KEEL
COOLED APPLICATIONS
AN ATTACHMENT

SMCS-1000, 1050, 1718, 1906, 1907, 1912, 1917, 1923,
1924, 1925, 1928, 1929, 7400, 7422

i03169421

NOTE	REF NO	GRAPHIC REF	PART NUMBER	QTY	PART NAME						SEE PAGE
					1	2	3	4	5	6 (PRODUCT LEVEL)	
	1	1	108-5678	1	UNION						
	2	1	117-0067	1	ELBOW						
Y	3	1	274-7395	1	SENSOR GP-TEMPERATURE (AIR INLET)						803
Y	3A	1	274-7395	1	SENSOR GP-TEMPERATURE (FUEL OUTLET)						803
Y	3B	1	274-7395	1	SENSOR GP-TEMPERATURE (FUEL INLET)						803
Y	4	1	274-7396	1	SENSOR GP-TEMPERATURE (ENGINE COOLANT)						804
Y	5	1	307-1984	1	SENSOR GP-PRESSURE (INLET MANIFOLD)						792
Y	6	1	320-5171	1	SENSOR GP-PRESSURE (ENGINE OIL)						793
Y	6A	1	320-5171	1	SENSOR GP-PRESSURE (FUEL)						793
	7	1	214-7568	1	SEAL-O-RING						
	8	1	223-1624	1	ELBOW						
	9	1	6V-5048	2	SEAL-O-RING						
	10	1	102-8803	1	KIT-RECEPTACLE (3-PIN)						
					(INCLUDES RECEPTACLE AS & WEDGE)						
	11	1	8T-8737	3	PLUG-SEAL						

Y-SEPARATE ILLUSTRATION



GRAPHIC #1

<END>

g01670614

ELECTRICAL AND STARTING SYSTEM

322-4071 SENSOR GP-ENGINE

FOR USE WITH TIER I APPLICATIONS, RIGHT HAND SERVICE APPLICATIONS, KEEL
COOLED APPLICATIONS
AN ATTACHMENT

SMCS-1000, 1050, 1718, 1906, 1907, 1912, 1917, 1923,
1924, 1925, 1928, 1929, 7400, 7422

i03169422

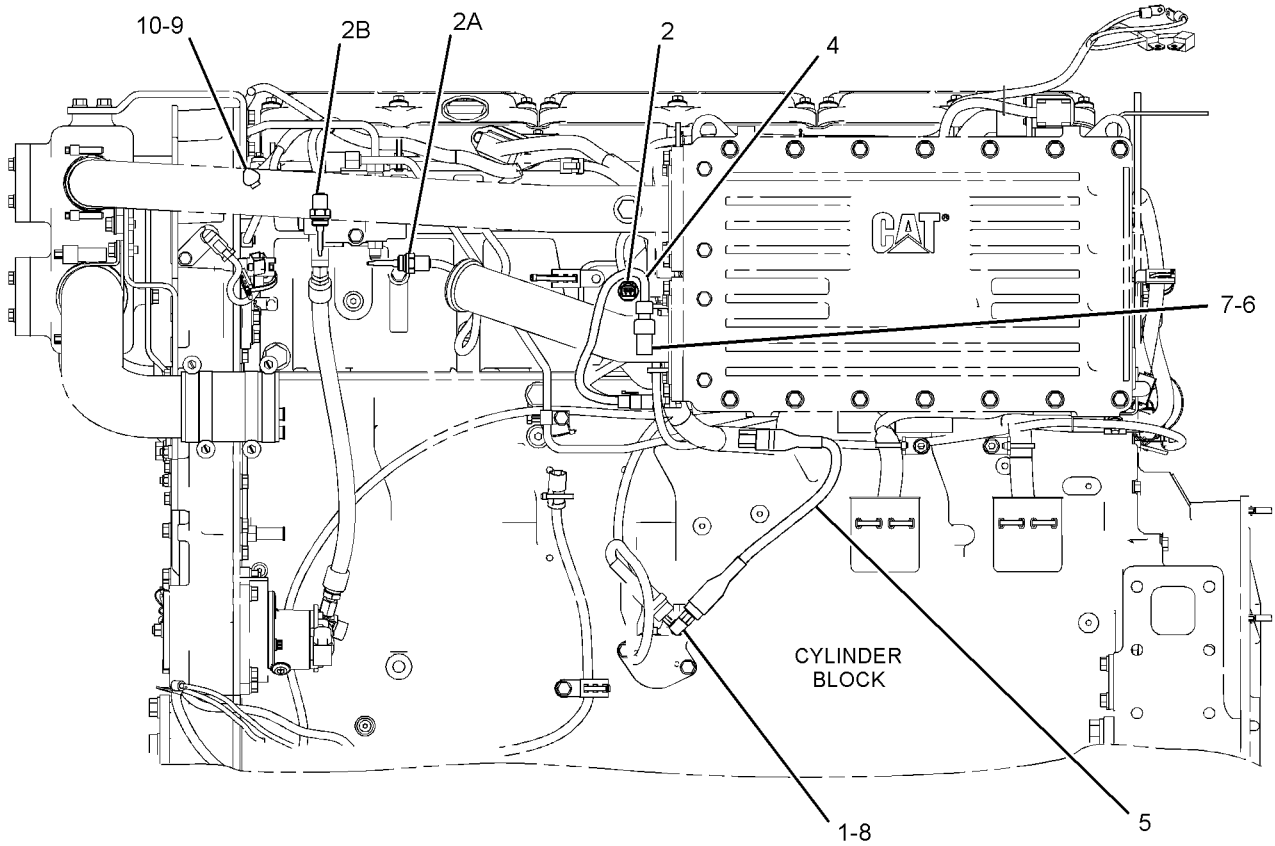
NOTE	REF NO	GRAPHIC REF	PART NUMBER	QTY	PART NAME						SEE PAGE
					1	2	3	4	5	6 (PRODUCT LEVEL)	
	1	1	117-0067	2	ELBOW						
Y	2	1	274-7395	1	SENSOR GP-TEMPERATURE (AIR INLET)						803
Y	2A	1	274-7395	1	SENSOR GP-TEMPERATURE (FUEL OUTLET)						803
Y	2B	1	274-7395	1	SENSOR GP-TEMPERATURE (FUEL INLET)						803
Y	3	1	274-7396	1	SENSOR GP-TEMPERATURE (ENGINE COOLANT)						804
Y	4	1	307-1984	1	SENSOR GP-PRESSURE (INLET MANIFOLD)						792
Y	5	1	320-5171	1	SENSOR GP-PRESSURE (ENGINE OIL)						793
Y	5A	1	320-5171	1	SENSOR GP-PRESSURE (FUEL)						793
	6	1	214-7568	1	SEAL-O-RING						
	7	1	223-1624	1	ELBOW						
	8	1	6V-5048	2	SEAL-O-RING						
	9	1	102-8803	1	KIT-RECEPTACLE (3-PIN)						
					(INCLUDES RECEPTACLE AS & WEDGE)						
	10	1	8T-8737	3	PLUG-SEAL						

Y-SEPARATE ILLUSTRATION

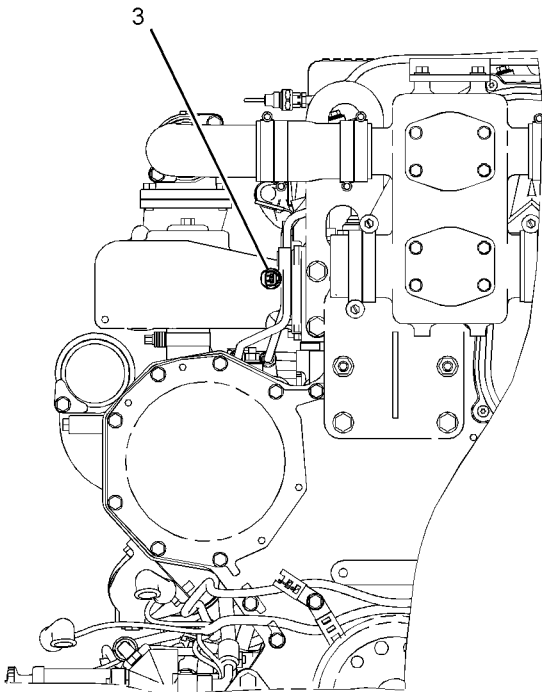
ELECTRICAL AND STARTING SYSTEM

322-4071 SENSOR GP-ENGINE (contd.)

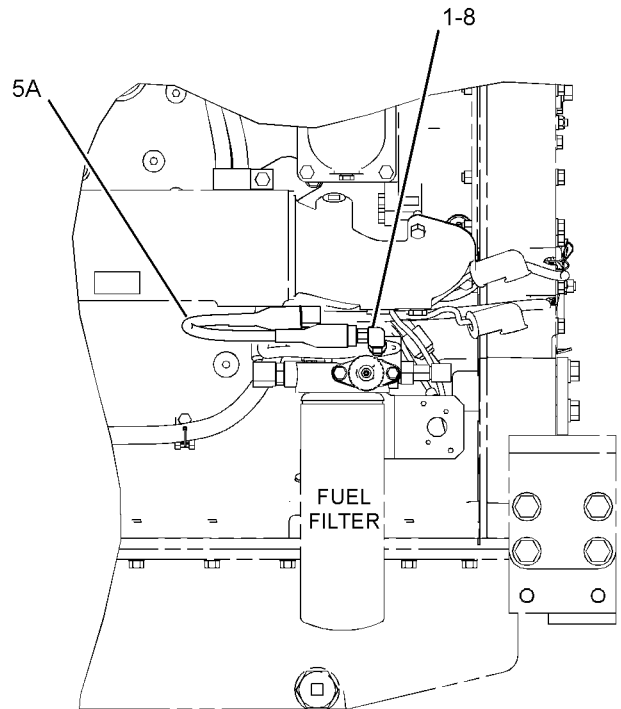
i03169422



LEFT SIDE VIEW OF ENGINE



FRONT VIEW OF ENGINE



RIGHT SIDE VIEW OF ENGINE

GRAPHIC #1

<END>

g01670373

ELECTRICAL AND STARTING SYSTEM

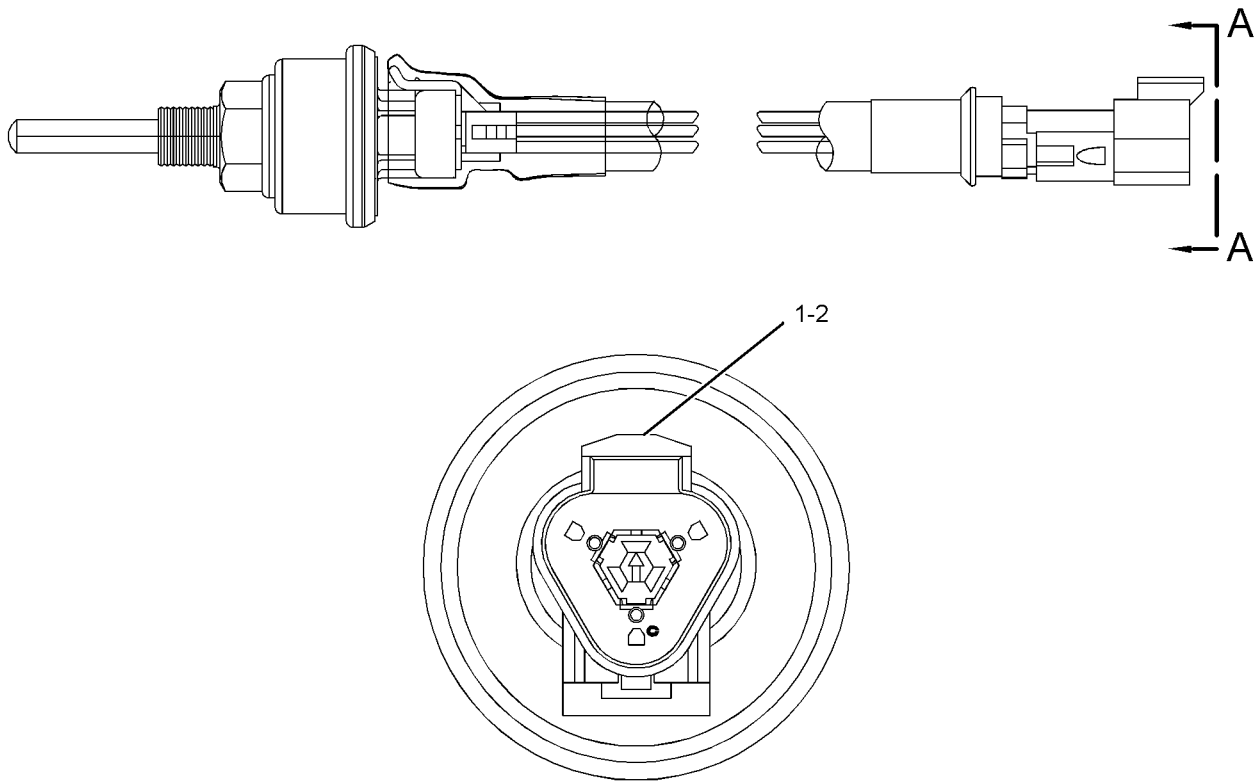
204-2518 SENSOR GP-LIQUID LEVEL

PART OF 290-3445 SENSOR GP-COOLANT LEVEL, 320-9820, 320-9821 SENSOR
GP-ENGINE, 244-5850 WIRING GP-ELECTRONIC CONTROL, 202-2088, 202-2089 WIRING
GP-ENGINE
AN ATTACHMENT

SMCS-7422

i04016830

NOTE	REF NO	GRAPHIC REF	PART NUMBER	QTY	PART NAME						SEE PAGE
					1	2	3	4	5	6 (PRODUCT LEVEL)	
	1	1	8T-8729	3	PIN-CONNECTOR (16-GA TO 18-GA)						
	2	1	102-8803	1	KIT-RECEPTACLE (3-PIN)						
(INCLUDES RECEPTACLE AS & WEDGE)											



VIEW A-A

GRAPHIC #1

<END>

g01203130

ELECTRICAL AND STARTING SYSTEM

9X-9647 SENSOR GP-POSITION-ROTARY

CANNOT BE USED WITH 121-7028-PAGE 722

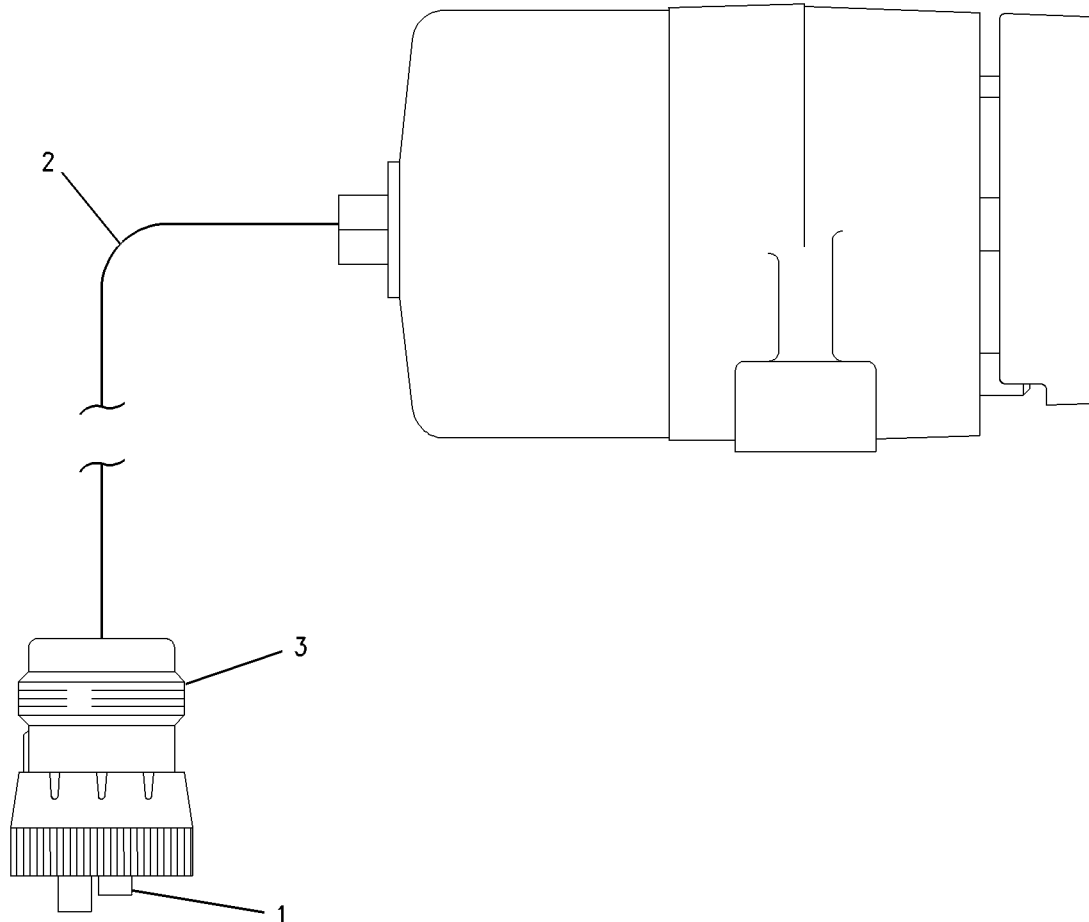
AN ATTACHMENT

SMCS-1905, 1911, 1913, 4809, 5736, 5737

i02740693

NOTE	REF NO	GRAPHIC REF	PART NUMBER	QTY	PART NAME						SEE PAGE
					1	2	3	4	5	6 (PRODUCT LEVEL)	
	1	1	186-3736	3	SOCKET-CONNECTOR (16-GA TO 18-GA)						
E	2	1	9X-1813		SLEEVE (23-CM)						
	3	1	8T-8731	1	PLUG-CONNECTOR (3-PIN)						

E-ORDER BY THE CENTIMETER



GRAPHIC #1

<END>

g00683899

ELECTRICAL AND STARTING SYSTEM

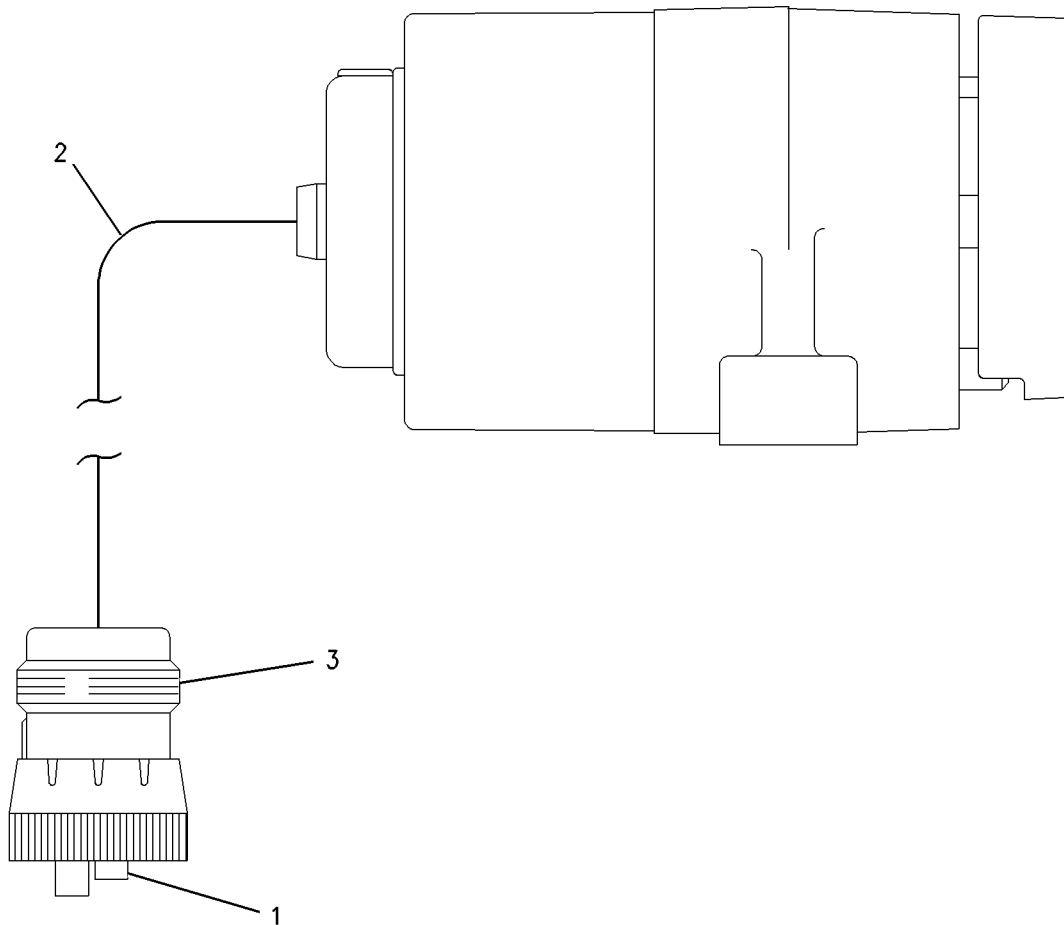
9X-9648 SENSOR GP-POSITION AN ATTACHMENT

SMCS-1905, 1911, 1913, 4809, 5736, 5737

i02216009

NOTE	REF NO	GRAPHIC REF	PART NUMBER	QTY	PART NAME						SEE PAGE
					1	2	3	4	5	6 (PRODUCT LEVEL)	
	1	1	8T-8730	3	SOCKET-CONNECTOR (16-GA TO 18-GA)						
E	2	1	9X-1813		SLEEVE (28-CM)						
	3	1	8T-8731	1	PLUG-CONNECTOR (3-PIN)						

E-ORDER BY THE CENTIMETER



GRAPHIC #1

<END>

g00683901

ELECTRICAL AND STARTING SYSTEM

163-8512 SENSOR GP-PRESSURE

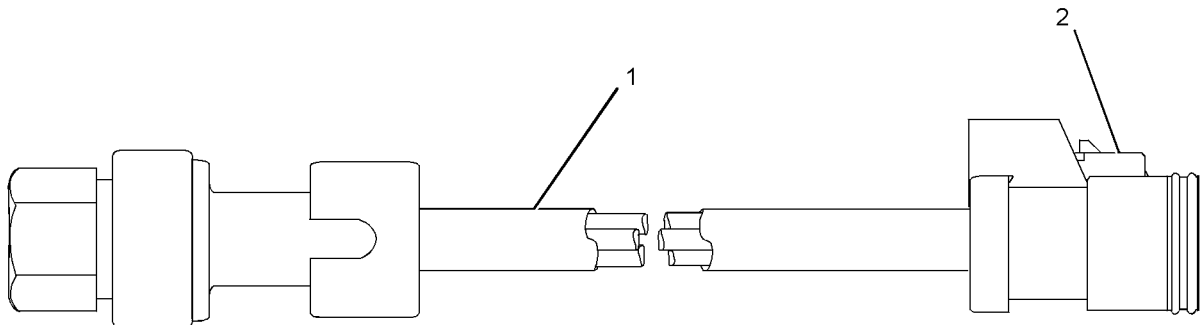
FOR USE WITH ALARM CONTACTOR USED WITH ADEM-4 ECMS
AN ATTACHMENT

SMCS-1718, 1916, 1917, 1923, 1924, 1925

i02397764

NOTE	REF NO	GRAPHIC REF	PART NUMBER	QTY	PART NAME						SEE PAGE
					1	2	3	4	5	6 (PRODUCT LEVEL)	
E	1	1	9X-1813		SLEEVE (34-CM)						
	2	1	155-2260	1	KIT-CONNECTING PLUG (3-PIN) (INCLUDES PLUG AS AND WEDGE)						

E-ORDER BY THE CENTIMETER



GRAPHIC #1

<END>

g01249241

ELECTRICAL AND STARTING SYSTEM

194-6725 SENSOR GP-PRESSURE

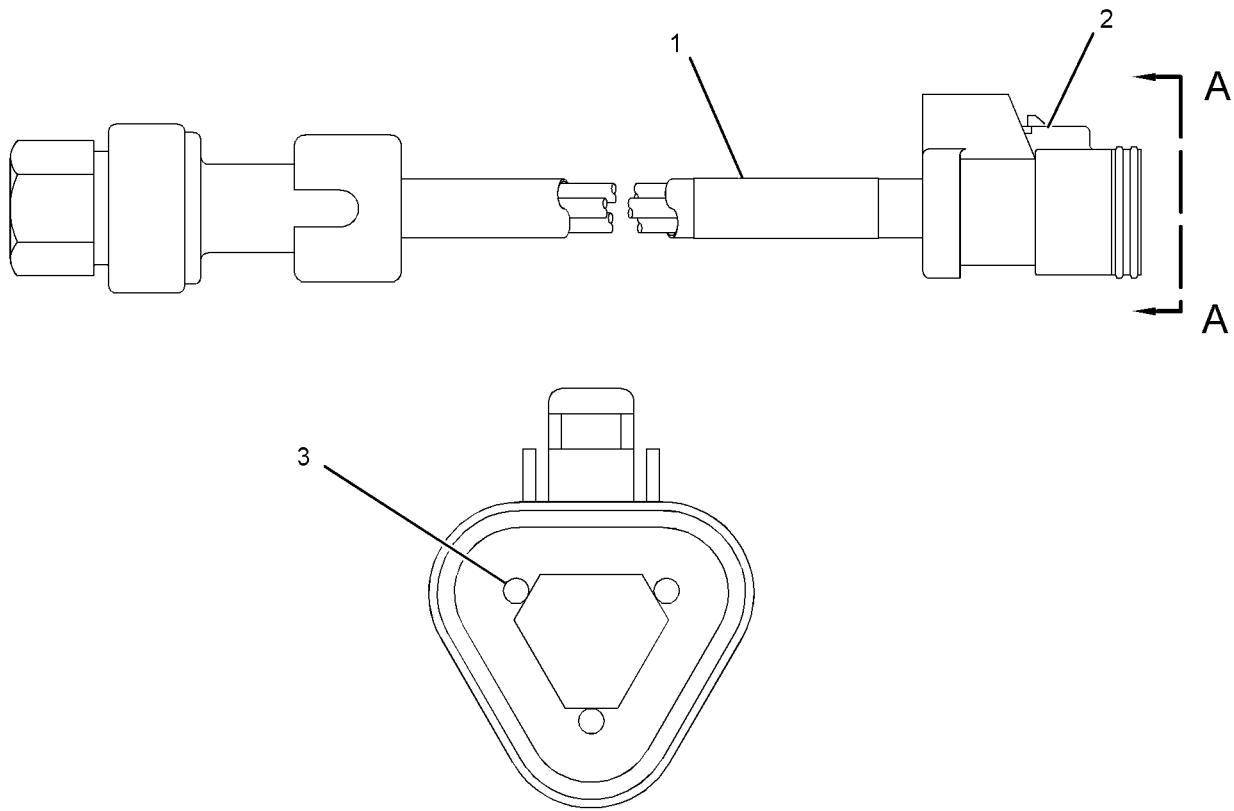
PART OF 239-2396, 304-5668 SENSOR GP-PRESSURE, 290-4002, 290-4003, 293-3912
WIRING GP-ENGINE
AN ATTACHMENT

SMCS-1718, 1916, 1917, 1923, 1924, 1925

i03642385

NOTE	REF NO	GRAPHIC REF	PART NUMBER	QTY	PART NAME						SEE PAGE
					1	2	3	4	5	6 (PRODUCT LEVEL)	
E	1	1	9X-1813		SLEEVE (34-CM)						
	2	1	155-2260	1	KIT-CONNECTING PLUG (3-PIN) (INCLUDES PLUG AS, INTERFACE SEAL & WEDGE)						
	3	1	180-9340	3	SOCKET-CONNECTOR (14-GA TO 18-GA)						

E-ORDER BY THE CENTIMETER



VIEW A-A

GRAPHIC #1

<END>

g01662003

ELECTRICAL AND STARTING SYSTEM

218-3840 SENSOR GP-PRESSURE

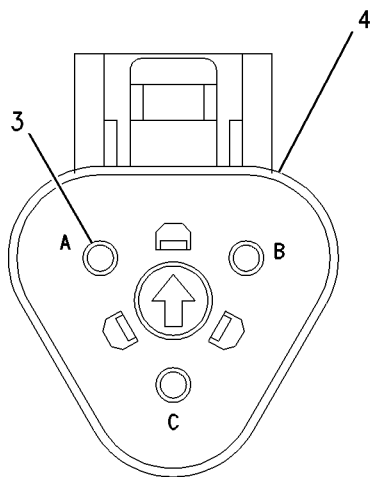
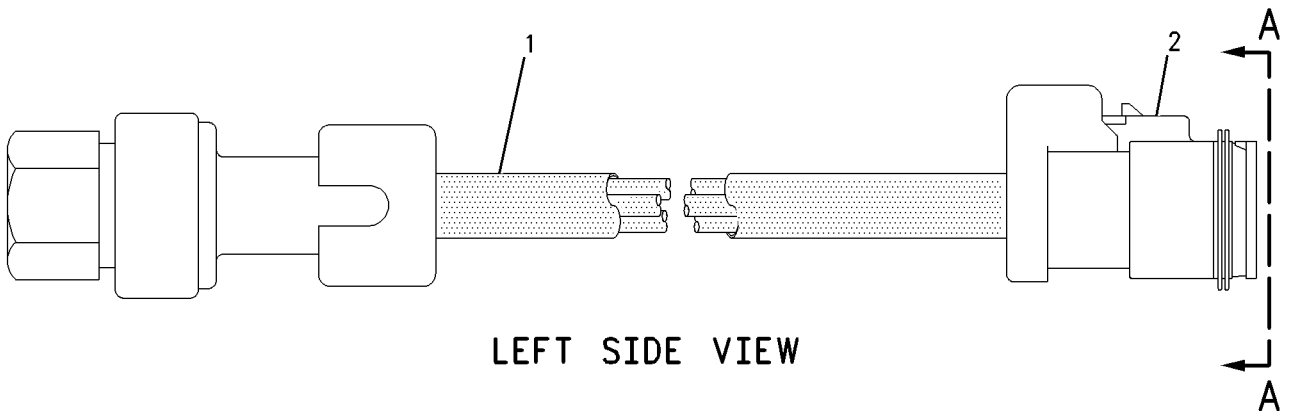
PART OF 307-1984 SENSOR GP-PRESSURE, 244-5850 WIRING GP-ELECTRONIC CONTROL,
202-2088, 202-2089, 290-4002, 290-4003, 293-3912 WIRING GP-ENGINE
AN ATTACHMENT

SMCS-1718, 1916, 1917, 1923, 1924, 1925

i02243127

NOTE	REF NO	GRAPHIC REF	PART NUMBER	QTY	PART NAME						SEE PAGE
					1	2	3	4	5	6 (PRODUCT LEVEL)	
E	1	1	9X-1813		SLEEVE (34-CM)						
	2	1	155-2260	1	KIT-CONNECTING PLUG (3-PIN) (INCLUDES PLUG AS AND WEDGE)						
	3	1	180-9340	3	SOCKET-CONNECTOR (14-GA TO 18-GA)						
	4	1	155-2276	1	WEDGE-PLUG LOCK (3-PIN)						

E-ORDER BY THE CENTIMETER



GRAPHIC #1

<END>

g00914668

ELECTRICAL AND STARTING SYSTEM

239-2396 SENSOR GP-PRESSURE

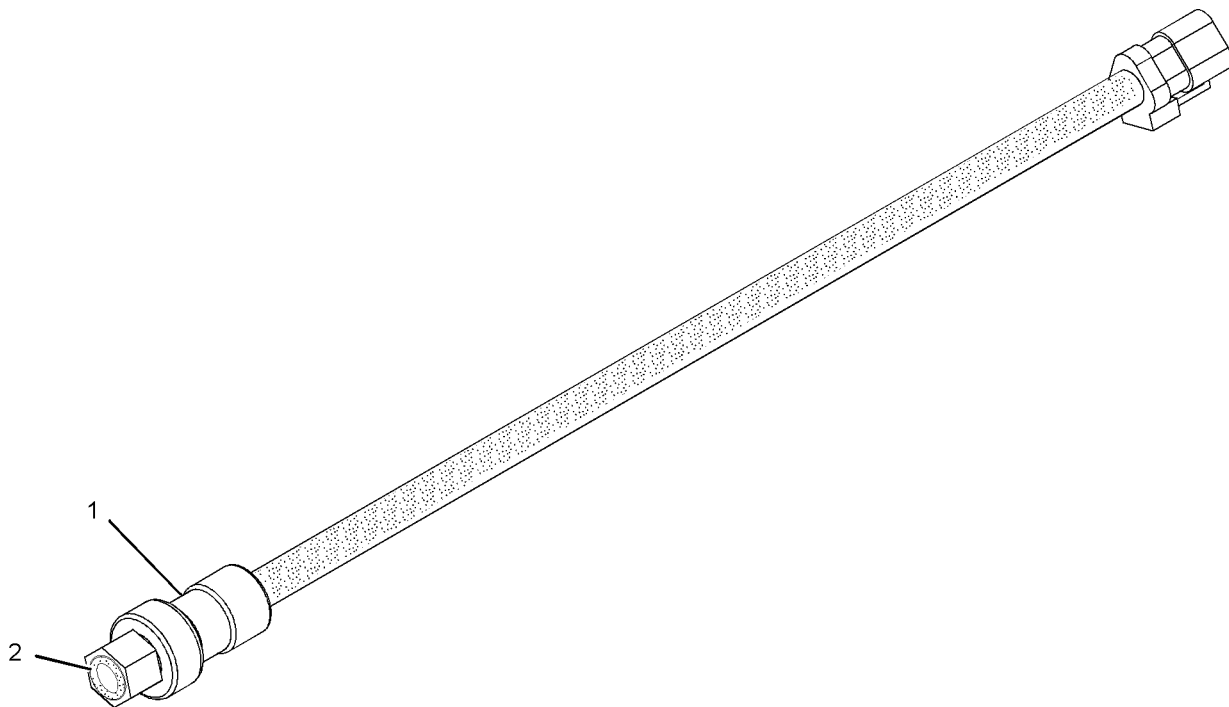
PART OF 307-0716, 320-9818, 320-9819, 320-9820, 320-9821 SENSOR GP-ENGINE
AN ATTACHMENT

SMCS-1718, 1916, 1917, 1923, 1924, 1925

i03821338

NOTE	REF NO	GRAPHIC REF	PART NUMBER	QTY	PART NAME						SEE PAGE
					1	2	3	4	5	6 (PRODUCT LEVEL)	
Y	1	1	194-6725	1	SENSOR GP-PRESSURE						788
	2	1	214-7566	1	SEAL-O-RING						

Y-SEPARATE ILLUSTRATION



GRAPHIC #1

<END>

g01019323

ELECTRICAL AND STARTING SYSTEM

304-5668 SENSOR GP-PRESSURE

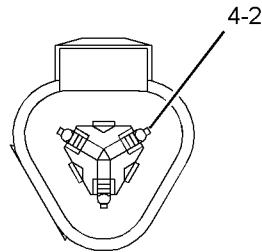
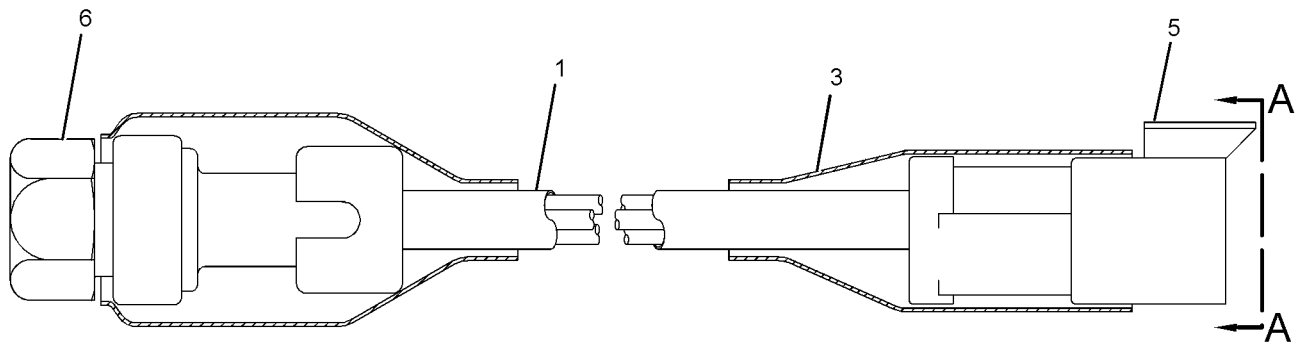
PART OF 320-5171 SENSOR GP-PRESSURE
AN ATTACHMENT

SMCS-1718, 1916, 1917, 1923, 1924, 1925

i03869379

NOTE	REF NO	GRAPHIC REF	PART NUMBER	QTY	PART NAME						SEE PAGE
					1	2	3	4	5	6 (PRODUCT LEVEL)	
E	1	1	9X-1813		SLEEVE (31-CM)						
	2	1	3E-3371	1	WEDGE-RECEPTACLE LOCK (3-PIN)						
E	3	1	210-8958		TUBE-HEAT SHRINK (24-MM DIA) (16-CM)						
	4	1	186-3735	3	PIN-CONNECTOR (16-GA TO 18-GA)						
	5	1	102-8803	1	KIT-RECEPTACLE (3-PIN) (INCLUDES RECEPTACLE AS AND WEDGE)						
Y	6	1	194-6725	1	SENSOR GP-PRESSURE (ENGINE OIL, FUEL)						788

E-ORDER BY THE CENTIMETER
Y-SEPARATE ILLUSTRATION



VIEW A-A

GRAPHIC #1

<END>

g01367728

ELECTRICAL AND STARTING SYSTEM

307-1984 SENSOR GP-PRESSURE

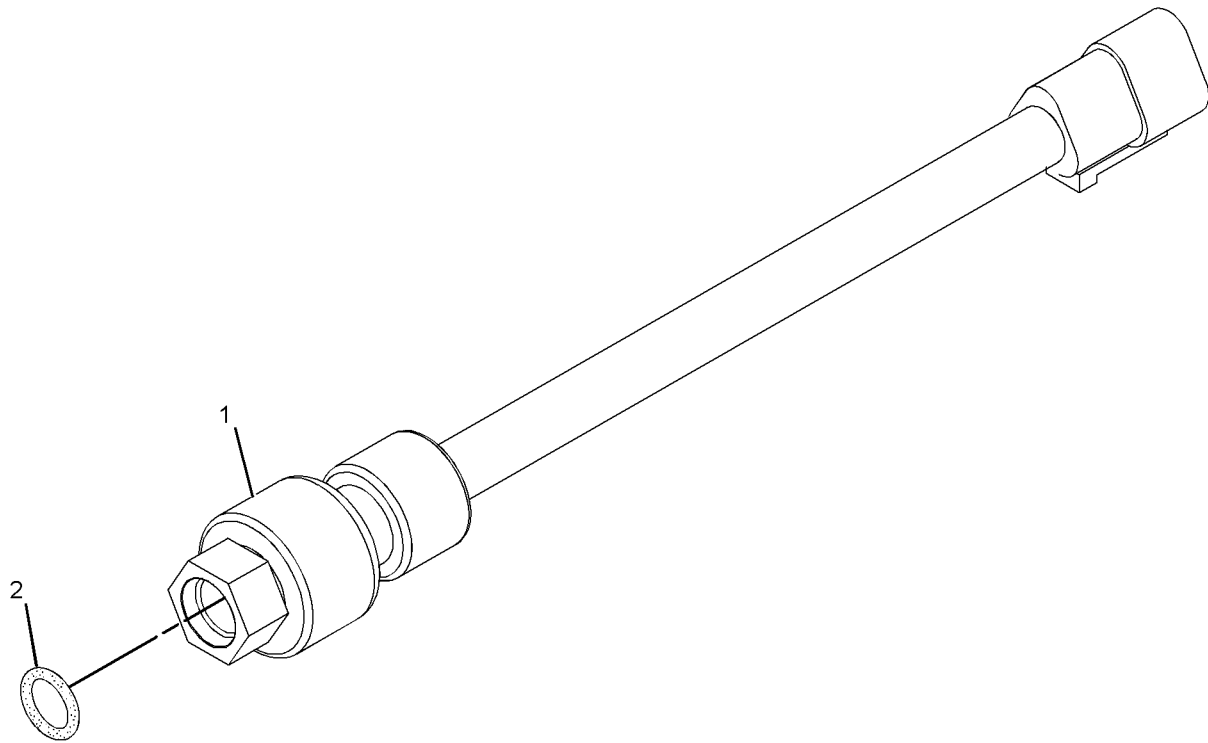
PART OF 307-0716, 320-9818, 320-9819, 320-9820, 320-9821, 322-4070, 322-4071
 SENSOR GP-ENGINE
 AN ATTACHMENT

SMCS-1718, 1916, 1917, 1923, 1924, 1925

i02712071

NOTE	REF NO	GRAPHIC REF	PART NUMBER	QTY	PART NAME						SEE PAGE
					1	2	3	4	5	6 (PRODUCT LEVEL)	
Y	1	1	218-3840	1	SENSOR GP-PRESSURE						789
	2	1	6V-5048	1	SEAL-O-RING						

Y-SEPARATE ILLUSTRATION



GRAPHIC #1

<END>

g01361038

ELECTRICAL AND STARTING SYSTEM

320-5171 SENSOR GP-PRESSURE

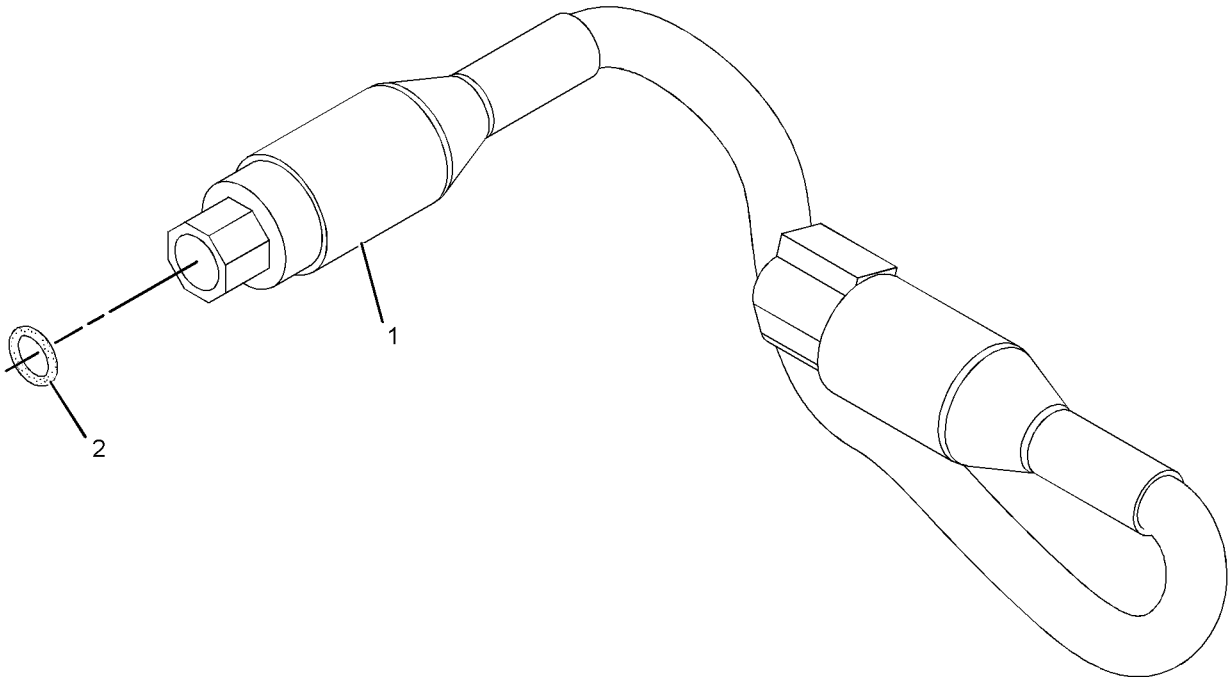
PART OF 322-4070, 322-4071 SENSOR GP-ENGINE
AN ATTACHMENT

SMCS-1718, 1916, 1917, 1923, 1924, 1925

i02865772

NOTE	REF NO	GRAPHIC REF	PART NUMBER	QTY	PART NAME	SEE PAGE
					1 2 3 4 5 6 (PRODUCT LEVEL)	
Y	1	1	304-5668	1	SENSOR GP-PRESSURE	791
	2	1	6V-5048	1	SEAL-O-RING	

Y-SEPARATE ILLUSTRATION



GRAPHIC #1

<END>

g01428771

ELECTRICAL AND STARTING SYSTEM

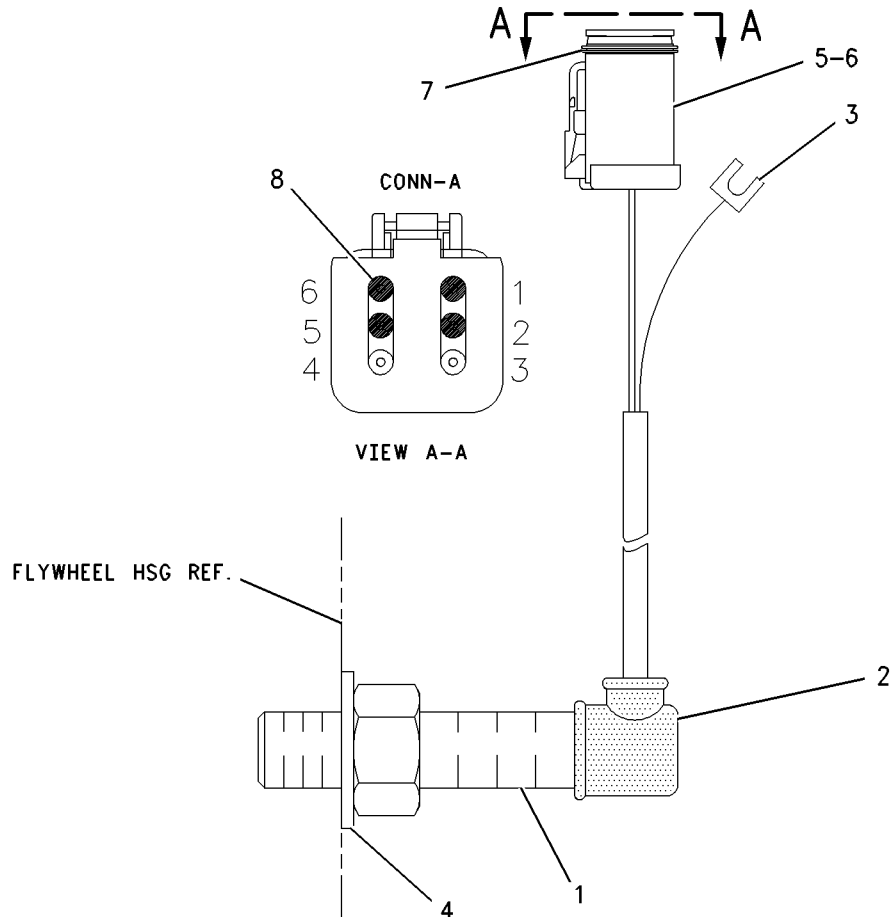
5N-8757 SENSOR GP-SPEED

FOR USE WITH TACHOMETER. CANNOT BE USED WITH DUAL SPEED SWITCH
AN ATTACHMENT

SMCS - 1907

i03213380

NOTE	REF NO	GRAPHIC REF	PART NUMBER	QTY	PART NAME						SEE PAGE
					1	2	3	4	5	6 (PRODUCT LEVEL)	
	1	1	5N-6753	1	SENSOR GP-SPEED						
	2	1	6L-3483	1	COVER-TERMINAL						
	3	1	9G-3186	1	TERMINAL-FORK (18-GA TO 22-GA, NO. 8 SCREW)						
	4	1	4B-4281	1	WASHER (16.8X33X2.5-MM THK)						
	5	1	9X-3402	2	SOCKET-CONNECTOR (16-GA TO 18-GA)						
	6	1	155-2274	1	KIT-CONNECTING PLUG (6-PIN) (INCLUDES PLUG AS AND WEDGE)						
	7	1	155-2263	1	WEDGE-PLUG LOCK (6-PIN)						
	8	1	8T-8737	4	PLUG-SEAL						



GRAPHIC #1

<END>

g00917923

ELECTRICAL AND STARTING SYSTEM

189-5746 SENSOR GP-SPEED

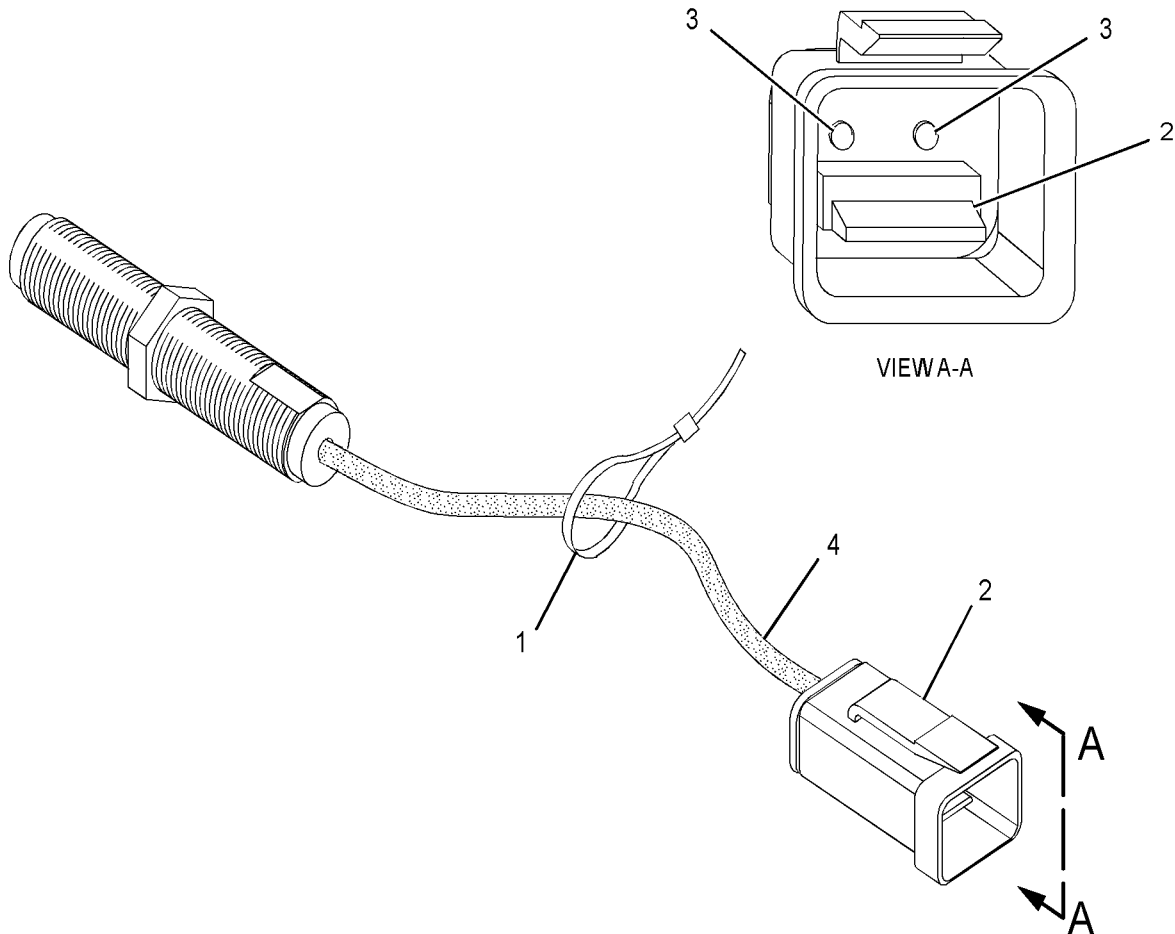
PART OF 350-7594 SENSOR GP-SPEED
AN ATTACHMENT

SMCS-1907

i03276881

NOTE	REF NO	GRAPHIC REF	PART NUMBER	QTY	PART NAME						SEE PAGE
					1	2	3	4	5	6 (PRODUCT LEVEL)	
	1	1	171-5349	1	STRAP-MARKER						
	2	1	102-8802	1	KIT-RECEPTACLE (2-PIN) (INCLUDES RECEPTACLE AS & WEDGE)						
	3	1	144-1636	2	PIN-CONNECTOR (14-GA TO 18-GA)						
E	4	1	9X-1386		SLEEVE (14-CM)						

E-ORDER BY THE CENTIMETER



GRAPHIC #1

<END>

g01353977

ELECTRICAL AND STARTING SYSTEM

201-6615 SENSOR GP-SPEED

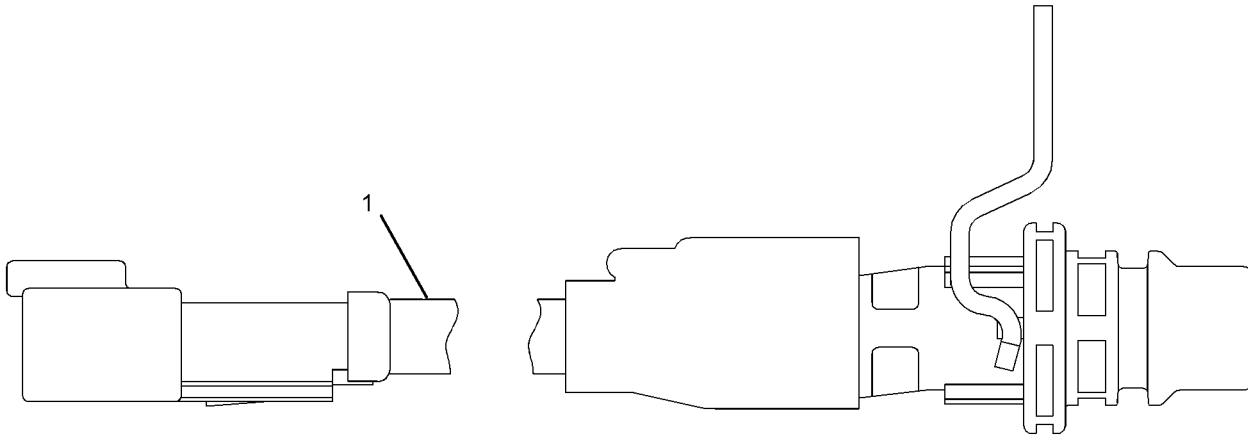
S/N: J2K1-UP; T2P1-99

PART OF 290-4002, 290-4003, 293-3912 WIRING GP-ENGINE
AN ATTACHMENT

SMCS-1907

i03644386

NOTE	REF NO	GRAPHIC REF	PART NUMBER	QTY	PART NAME						SEE PAGE
					1	2	3	4	5	6 (PRODUCT LEVEL)	
	1	1	188-9429	1	HARNESS AS-SENSOR (SPEED)						
		1	9X-3401	2	PIN-CONNECTOR (16-GA TO 18-GA)						
					-OR-						
		1	126-1767	2	PIN-CONNECTOR (14-GA TO 16-GA)						
		1	180-9340	2	SOCKET-CONNECTOR (14-GA TO 18-GA)						
		1	155-2270	1	KIT-CONNECTING PLUG (2-PIN)						
					(INCLUDES PLUG AS, WEDGE & INTERFACE SEAL)						
		1	102-8802	1	KIT-RECEPTACLE (2-PIN)						
					(INCLUDES RECEPTACLE AS & WEDGE)						



GRAPHIC #1

<END>

g01941784

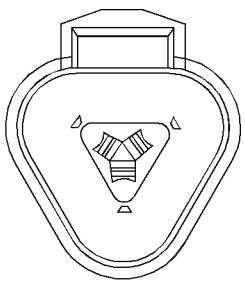
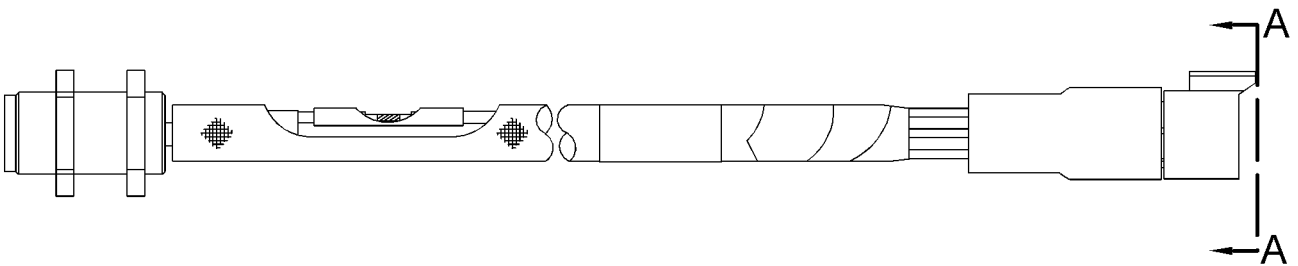
ELECTRICAL AND STARTING SYSTEM

226-3424 SENSOR GP-SPEED-PROPELLER FOR USE WITH MULTI-STATION CONTROL SYSTEM AN ATTACHMENT

SMCS-1907

i03306446

NOTE	REF NO	GRAPHIC REF	PART NUMBER	QTY	PART NAME						SEE PAGE
					1	2	3	4	5	6 (PRODUCT LEVEL)	
(NO SERVICED PARTS)											



VIEW A-A

GRAPHIC #1

<END>

g01697553

ELECTRICAL AND STARTING SYSTEM

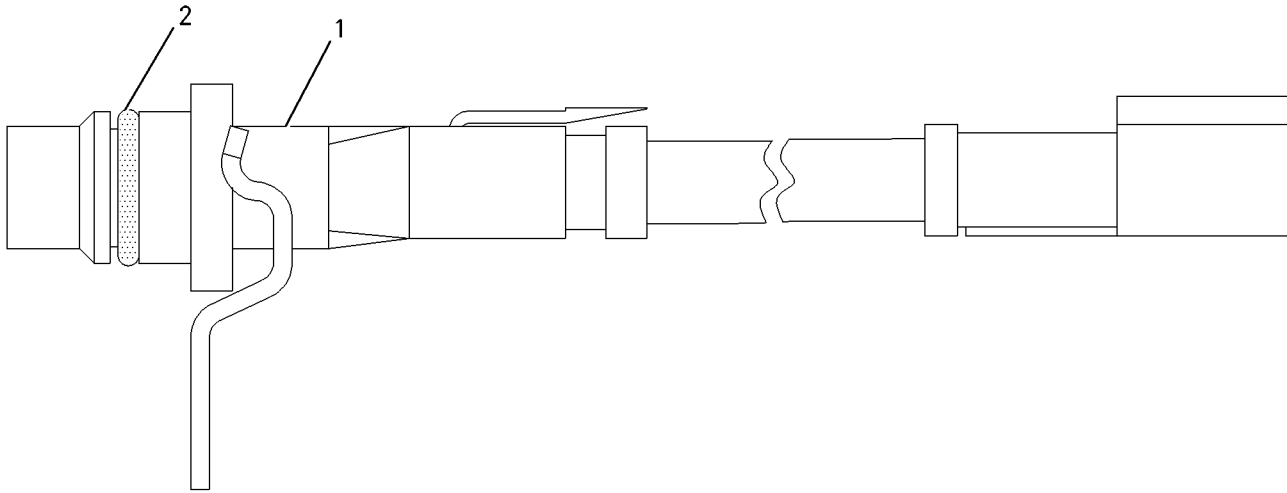
230-7149 SENSOR GP-SPEED

PART OF 307-0716 SENSOR GP-ENGINE, 313-3505 SENSOR GP-SPEED
ALSO AN ATTACHMENT

SMCS-1907

i03574642

NOTE	REF NO	GRAPHIC REF	PART NUMBER	QTY	PART NAME						SEE PAGE
					1	2	3	4	5	6 (PRODUCT LEVEL)	
	1	1	201-6615	1	SENSOR GP-SPEED						
	2	1	228-4947	1	SEAL-O-RING						



GRAPHIC #1

<END>

g01007584

ELECTRICAL AND STARTING SYSTEM

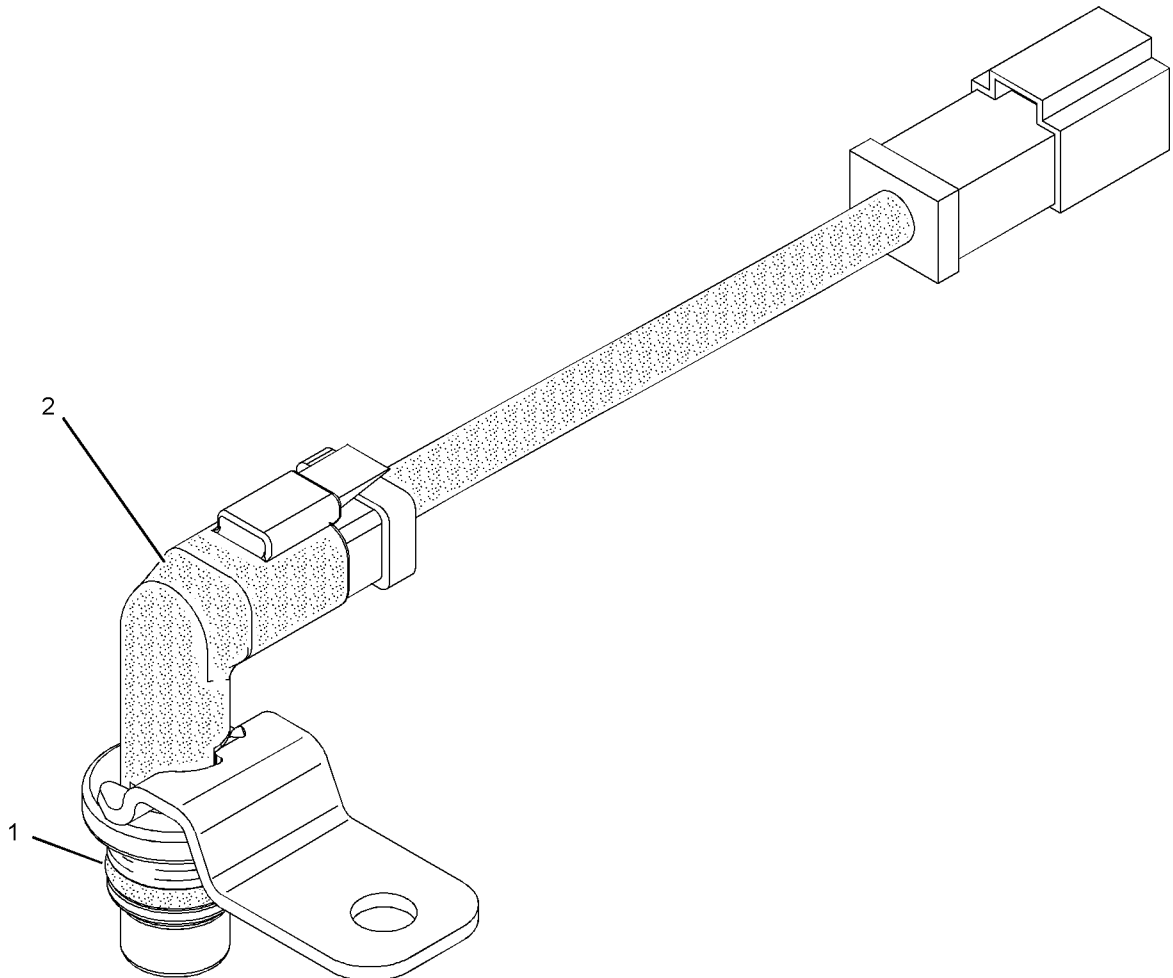
239-2397 SENSOR GP-SPEED

PART OF 307-0716 SENSOR GP-ENGINE, 313-3505 SENSOR GP-SPEED, 290-4002,
290-4003, 293-3912 WIRING GP-ENGINE
ALSO AN ATTACHMENT

SMCS-1907

i03574654

NOTE	REF NO	GRAPHIC REF	PART NUMBER	QTY	PART NAME						SEE PAGE
					1	2	3	4	5	6 (PRODUCT LEVEL)	
	1	1	228-4947	1	SEAL-O-RING						
	2	1	201-6616	1	SENSOR GP-SPEED						



GRAPHIC #1

<END>

g01019337

ELECTRICAL AND STARTING SYSTEM

313-3505 SENSOR GP-SPEED

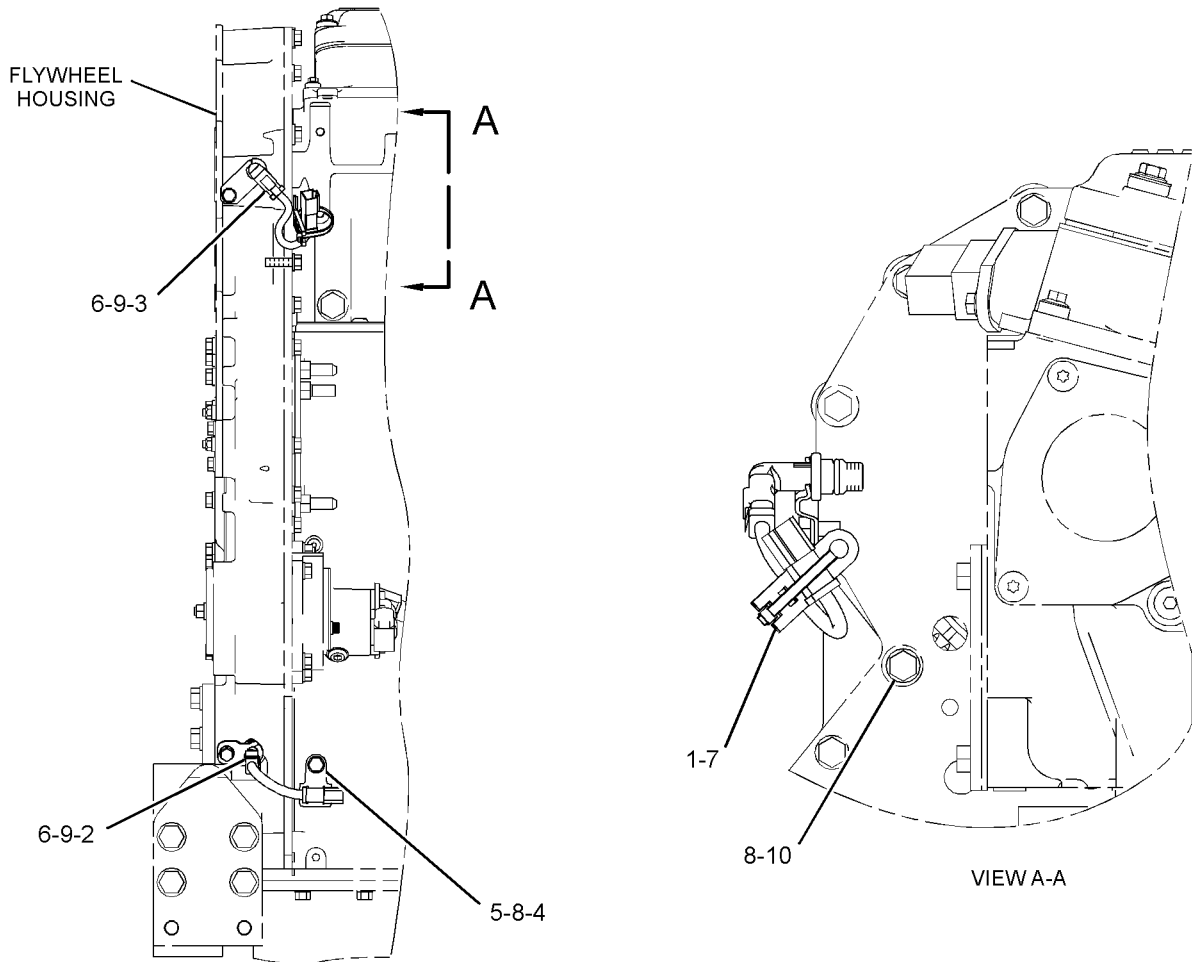
S/N: T2P1-UP

SMCS - 1907

i03111271

NOTE	REF NO	GRAPHIC REF	PART NUMBER	QTY	PART NAME						SEE PAGE
					1	2	3	4	5	6 (PRODUCT LEVEL)	
	1	1	3S-2093	1	STRAP - CABLE						
Y	2	1	230-7149	1	SENSOR GP-SPEED (TIMING, CRANKSHAFT)						798
Y	3	1	239-2397	1	SENSOR GP-SPEED (TIMING, CAMSHAFT)						799
	4	1	0S-1594	1	BOLT (3/8-16X1-IN)						
	5	1	130-5300	1	CLIP						
	6	1	2H-3755	2	BOLT (5/16-18X0.43-IN)						
	7	1	4P-7581	1	CLIP						
	8	1	5M-2894	2	WASHER-HARD (10.2X18.5X2.5-MM THK)						
	9	1	9M-1974	2	WASHER-HARD (8.8X16X2-MM THK)						
	10	1	0S-1588	1	BOLT (3/8-16X1.25-IN)						

Y - SEPARATE ILLUSTRATION



LEFT SIDE VIEW OF ENGINE

GRAPHIC #1

<END>

g01592326

ELECTRICAL AND STARTING SYSTEM

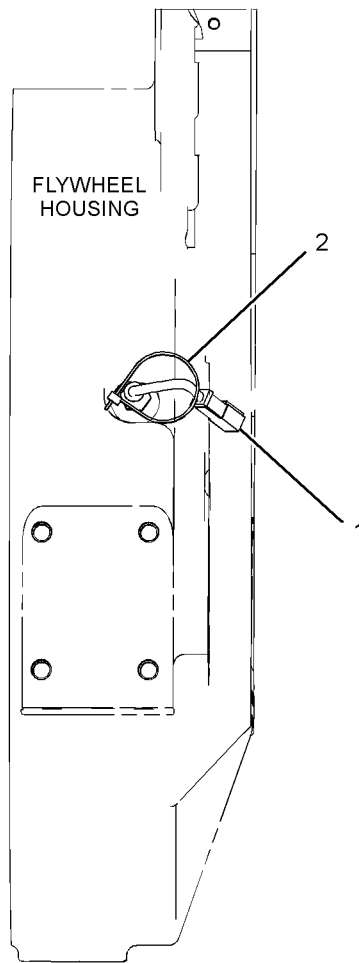
350-7594 SENSOR GP-SPEED AN ATTACHMENT

SMCS-1907

i03666060

NOTE	REF NO	GRAPHIC REF	PART NUMBER	QTY	PART NAME						SEE PAGE
					1	2	3	4	5	6 (PRODUCT LEVEL)	
Y	1	1	189-5746	1	SENSOR GP-SPEED (FLYWHEEL)						795
	2	1	7K-1181	1	STRAP-CABLE						

Y-SEPARATE ILLUSTRATION



RIGHT SIDE VIEW OF ENGINE

<END>

GRAPHIC #1

g01979053

ELECTRICAL AND STARTING SYSTEM

106-0735 SENSOR GP-TEMPERATURE

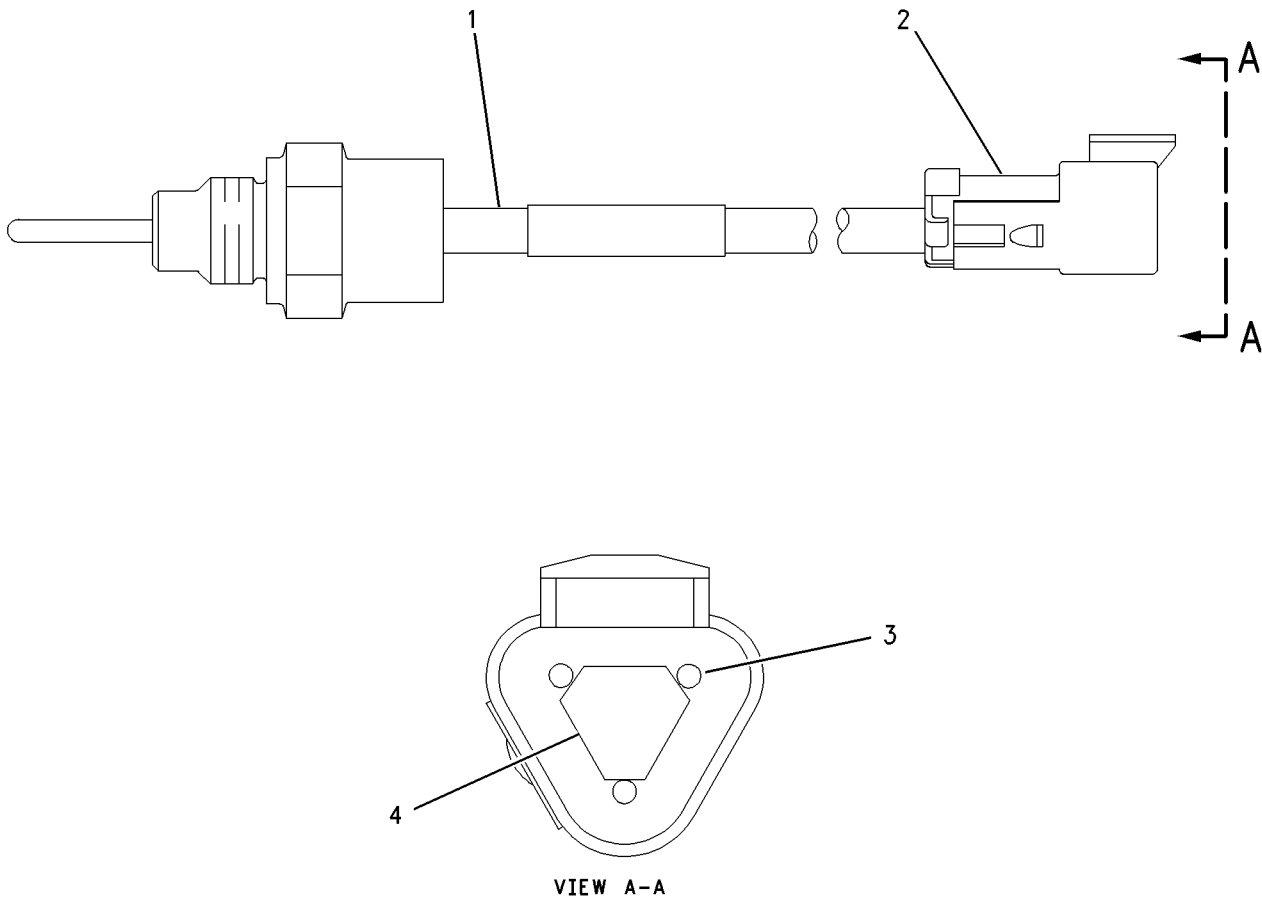
PROVIDES SENSORS FOR MONITORING MARINE TRANSMISSION OIL TEMP AND PRESSURE
AN ATTACHMENT

SMCS-1906, 1919, 1921, 1922, 1928, 1929

i02871344

NOTE	REF NO	GRAPHIC REF	PART NUMBER	QTY	PART NAME						SEE PAGE
					1	2	3	4	5	6 (PRODUCT LEVEL)	
BE	1	1	9X-1813		SLEEVE						
	2	1	102-8803	1	KIT-RECEPTACLE (3-PIN) (INCLUDES RECEPTACLE AS AND WEDGE)						
	3	1	186-3735	3	PIN-CONNECTOR (16-GA TO 18-GA)						
	4	1	3E-3371	1	WEDGE-RECEPTACLE LOCK (3-PIN)						

B-USE AS REQUIRED
E-ORDER BY THE CENTIMETER



GRAPHIC #1

<END>

g00888144

ELECTRICAL AND STARTING SYSTEM

274-7395 SENSOR GP-TEMPERATURE

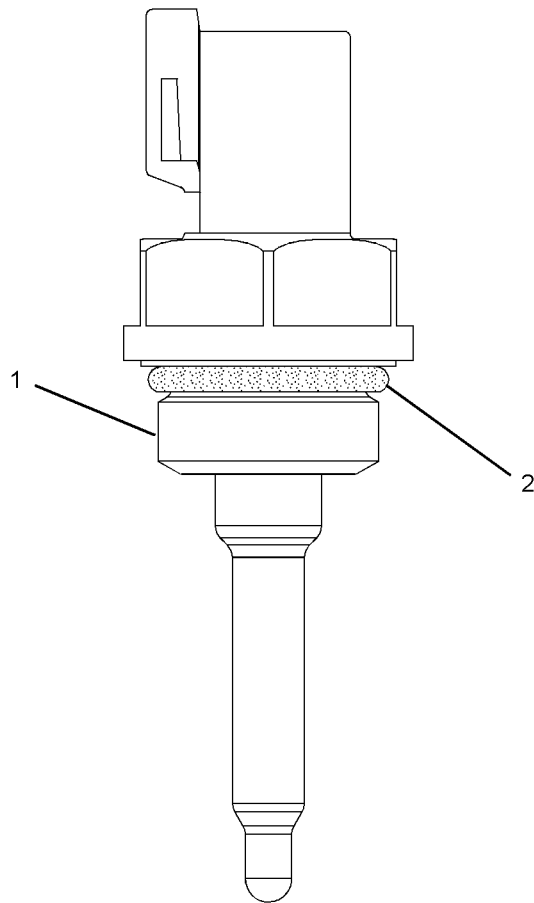
PART OF 307-0716, 320-9818, 320-9819, 320-9820, 320-9821, 322-4070, 322-4071

SENSOR GP-ENGINE
AN ATTACHMENT

SMCS-1906, 1919, 1921, 1922, 1928, 1929

i03886183

NOTE	REF NO	GRAPHIC REF	PART NUMBER	QTY	PART NAME						SEE PAGE
					1	2	3	4	5	6 (PRODUCT LEVEL)	
	1	1	264-4297	1	SENSOR GP-TEMPERATURE						
		1	137-6645	1	PAD						
	2	1	238-5080	1	SEAL-O-RING						



GRAPHIC #1

<END>

g01353734

ELECTRICAL AND STARTING SYSTEM

274-7396 SENSOR GP-TEMPERATURE

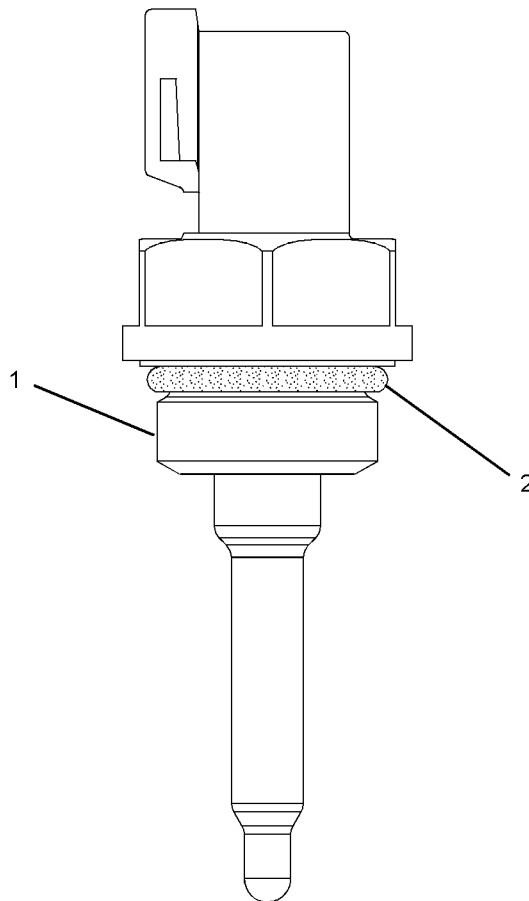
PART OF 307-0716, 320-9818, 320-9819, 320-9820, 320-9821, 322-4070, 322-4071

SENSOR GP-ENGINE
AN ATTACHMENT

SMCS-1906, 1919, 1921, 1922, 1928, 1929

i03442340

NOTE	REF NO	GRAPHIC REF	PART NUMBER	QTY	PART NAME						SEE PAGE
					1	2	3	4	5	6 (PRODUCT LEVEL)	
	1	1	264-4297	1	SENSOR GP-TEMPERATURE						
		1	137-6645	1	PAD						
	2	1	6V-6609	1	SEAL-O-RING						



GRAPHIC #1

<END>

g01353734

ELECTRICAL AND STARTING SYSTEM

342-6549 SENSOR GP-TEMPERATURE

AN ATTACHMENT

TYPE 1

SMCS-1906, 1919, 1921, 1922, 1928, 1929

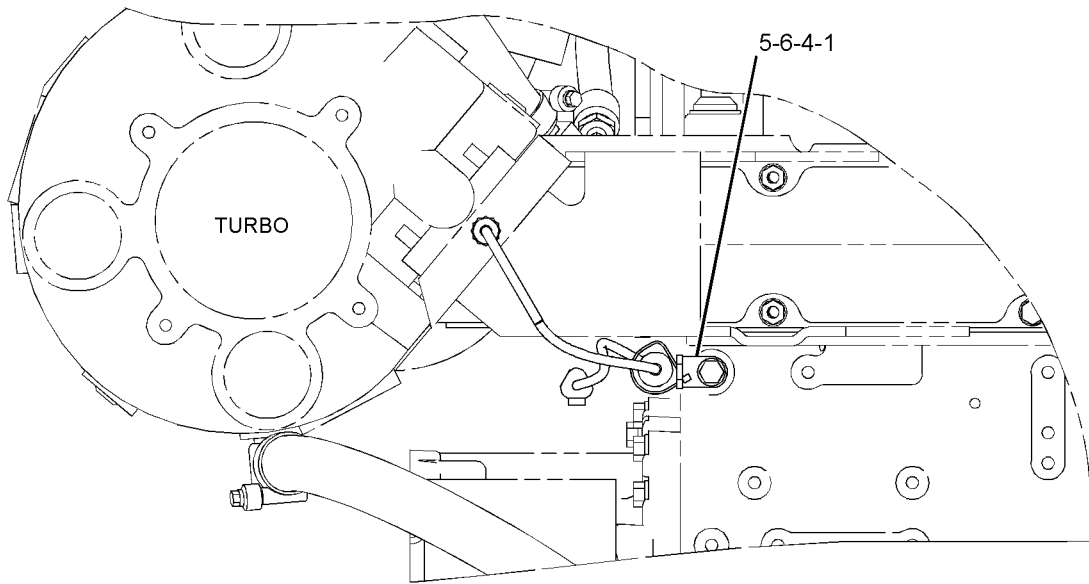
i03787390

NOTE	REF NO	GRAPHIC REF	PART NUMBER	QTY	PART NAME	SEE PAGE
					1 2 3 4 5 6 (PRODUCT LEVEL)	
	1	1	3S-2093	1	STRAP-CABLE	
	2	1	261-6847	1	ADAPTER	
	3	1	280-9910	1	SENSOR GP-EXHAUST TEMPERATURE	
	4	1	0T-0102	1	BOLT (3/8-16X0.625-IN)	
	5	1	132-5789	1	CLIP	
	6	1	5M-2894	1	WASHER-HARD (10.2X18.5X2.5-MM THK)	

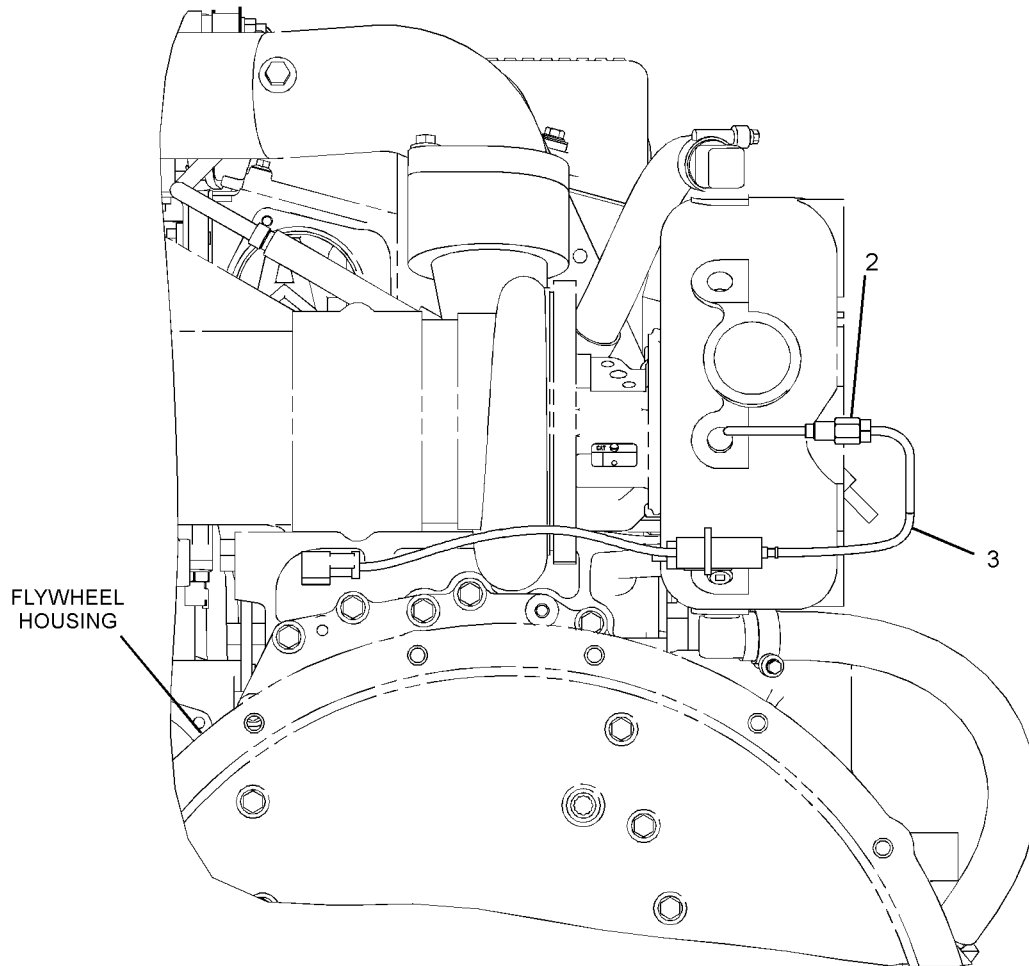
ELECTRICAL AND STARTING SYSTEM

342-6549 SENSOR GP-TEMPERATURE (contd.)

i03787390



RIGHT SIDE VIEW OF ENGINE



REAR VIEW OF ENGINE

GRAPHIC #1

<END>

g02046137

ELECTRICAL AND STARTING SYSTEM

342-6549 SENSOR GP-TEMPERATURE

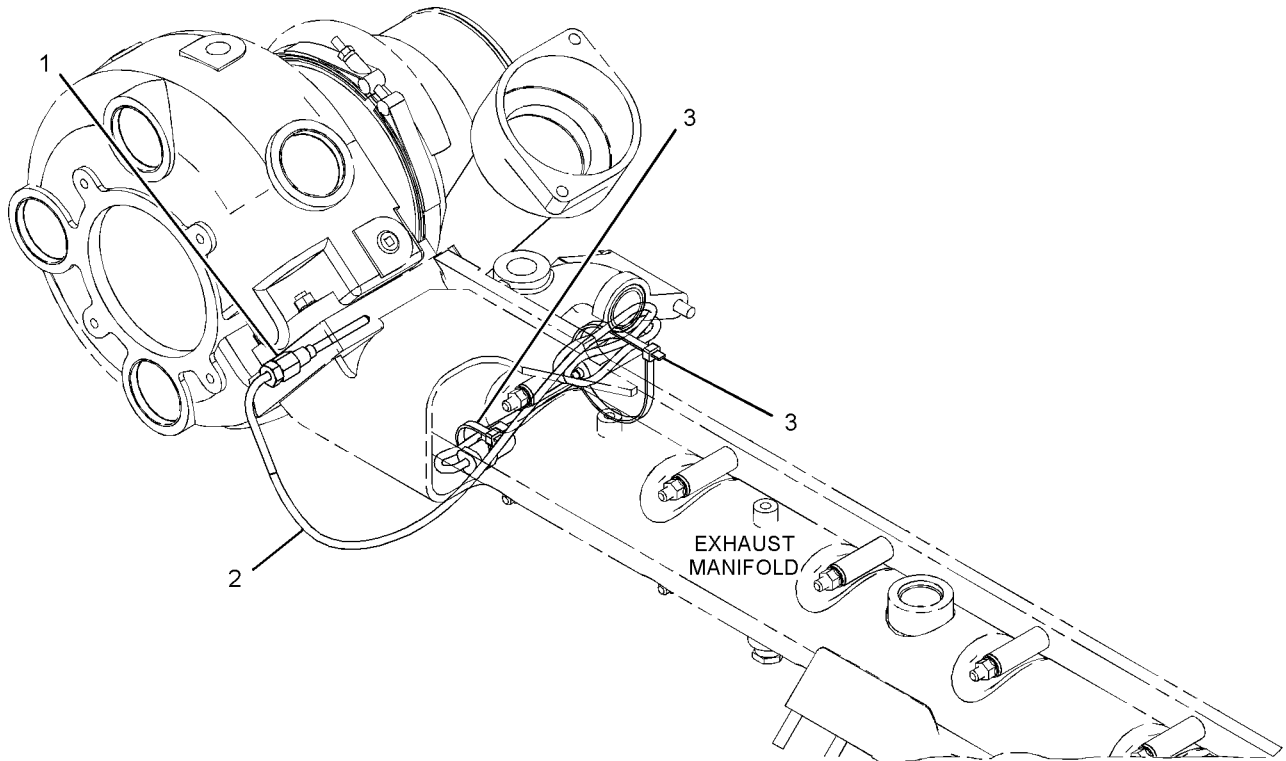
AN ATTACHMENT
TYPE 2

SMCS-1906, 1919, 1921, 1922, 1928, 1929

i04017277

NOTE	REF NO	GRAPHIC REF	PART NUMBER	QTY	PART NAME						SEE PAGE
					1	2	3	4	5	6 (PRODUCT LEVEL)	
	1	1	261-6847	1	ADAPTER						
	2	1	280-9910	1	SENSOR GP-EXHAUST TEMPERATURE						
C	3	1	7K-1181	2	STRAP-CABLE						

C-CHANGE FROM PREVIOUS TYPE



GRAPHIC #1

<END>

g02195494

ELECTRICAL AND STARTING SYSTEM

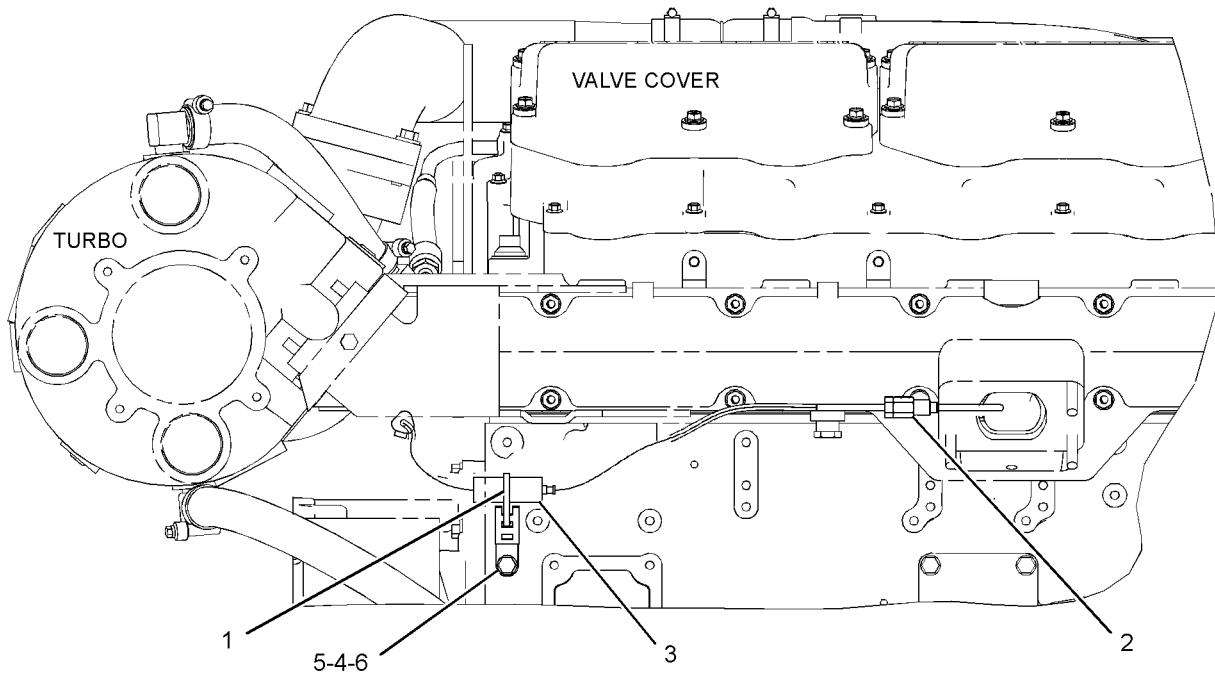
342-6550 SENSOR GP-TEMPERATURE

AN ATTACHMENT
TYPE 1

SMCS-1906, 1919, 1921, 1922, 1928, 1929

i03787397

NOTE	REF NO	GRAPHIC REF	PART NUMBER	QTY	PART NAME	1 2 3 4 5 6 (PRODUCT LEVEL)						SEE PAGE
	1	1	3S-2093	1	STRAP-CABLE							
	2	1	261-6847	1	ADAPTER							
	3	1	261-6848	1	SENSOR GP-EXHAUST TEMPERATURE							
	4	1	0T-0102	1	BOLT (3/8-16X0.625-IN)							
	5	1	4P-7581	1	CLIP							
	6	1	5M-2894	1	WASHER-HARD (10.2X18.5X2.5-MM THK)							



RIGHT SIDE VIEW OF ENGINE

GRAPHIC #1

<END>

g02047738

ELECTRICAL AND STARTING SYSTEM

342-6550 SENSOR GP-TEMPERATURE

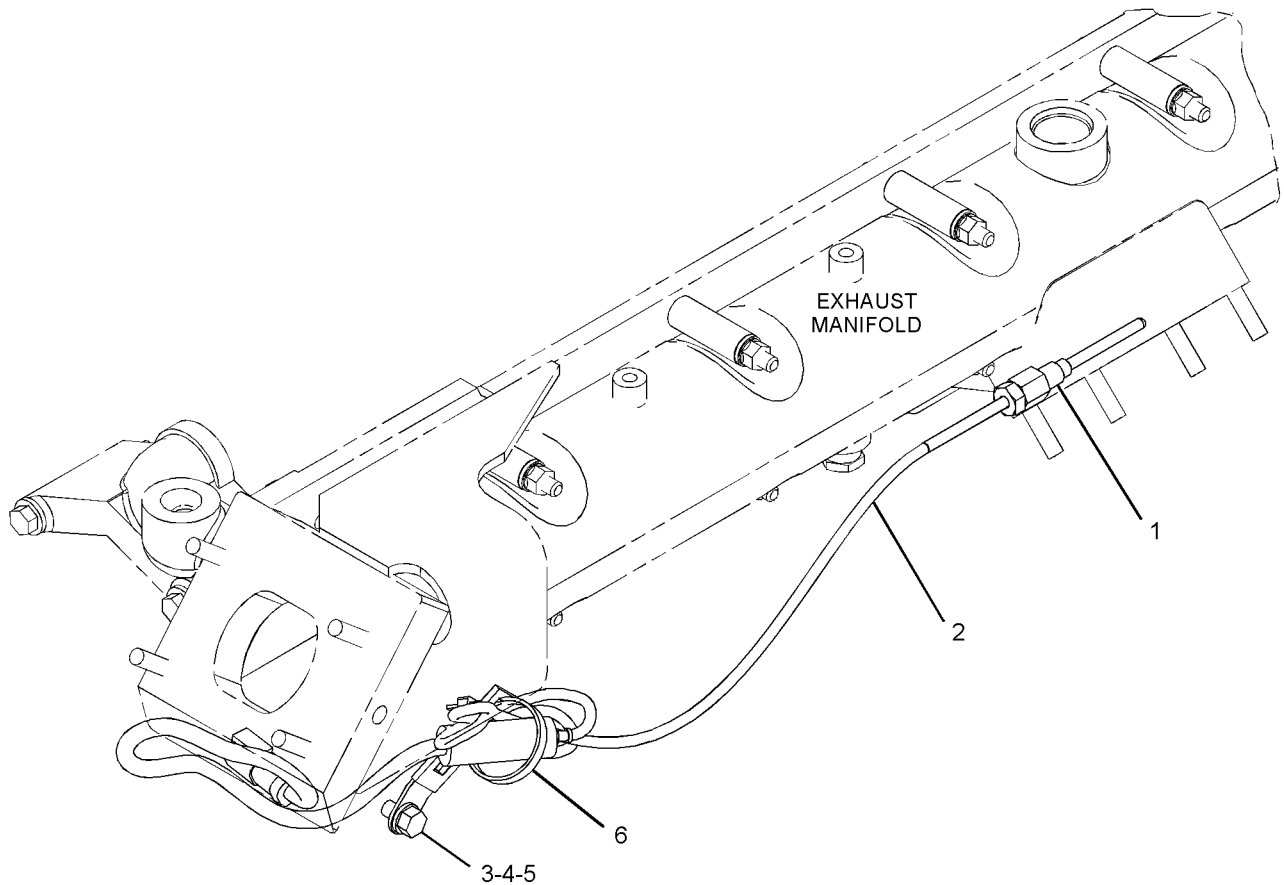
AN ATTACHMENT
TYPE 2

SMCS-1906, 1919, 1921, 1922, 1928, 1929

i04017280

NOTE	REF NO	GRAPHIC REF	PART NUMBER	QTY	PART NAME						SEE PAGE
					1	2	3	4	5	6 (PRODUCT LEVEL)	
	1	1	261-6847	1	ADAPTER						
	2	1	261-6848	1	SENSOR GP-EXHAUST TEMPERATURE						
	3	1	0T-0102	1	BOLT (3/8-16X0.625-IN)						
C	4	1	352-3964	1	CLIP						
	5	1	5M-2894	1	WASHER-HARD (10.2X18.5X2.5-MM THK)						
C	6	1	7K-1181	1	STRAP-CABLE						

C-CHANGE FROM PREVIOUS TYPE



GRAPHIC #1

<END>

g02195554

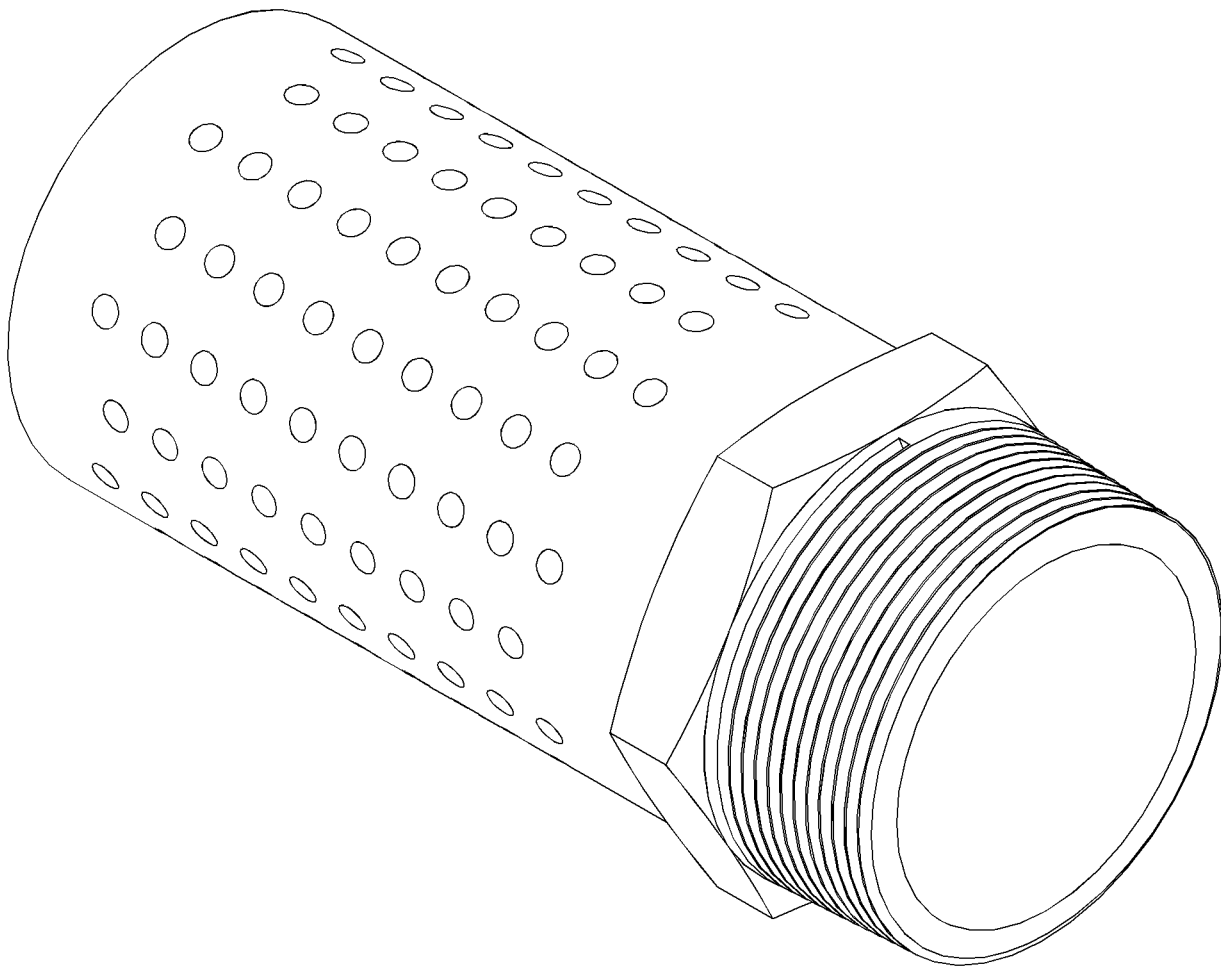
ELECTRICAL AND STARTING SYSTEM

303-4434 SILENCER-AIR STARTING AN ATTACHMENT

SMCS-1468

i02703457

NOTE	REF NO	GRAPHIC REF	PART NUMBER	QTY	PART NAME	SEE PAGE
					1 2 3 4 5 6 (PRODUCT LEVEL)	
(NO SERVICED PARTS)						



GRAPHIC #1

<END>

g01356906

ELECTRICAL AND STARTING SYSTEM

246-3273 STARTING MOTOR GP-AIR

FOR USE WITH LEFT HAND SERVICE ENGINE
AN ATTACHMENT

SMCS-1451

i03267680

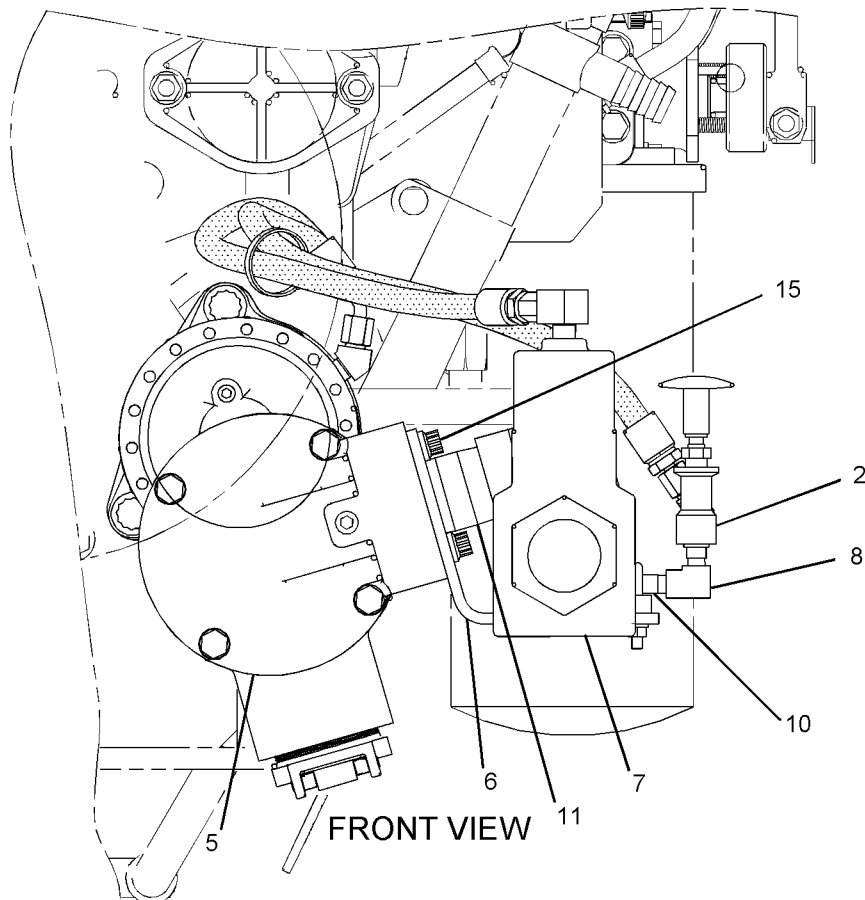
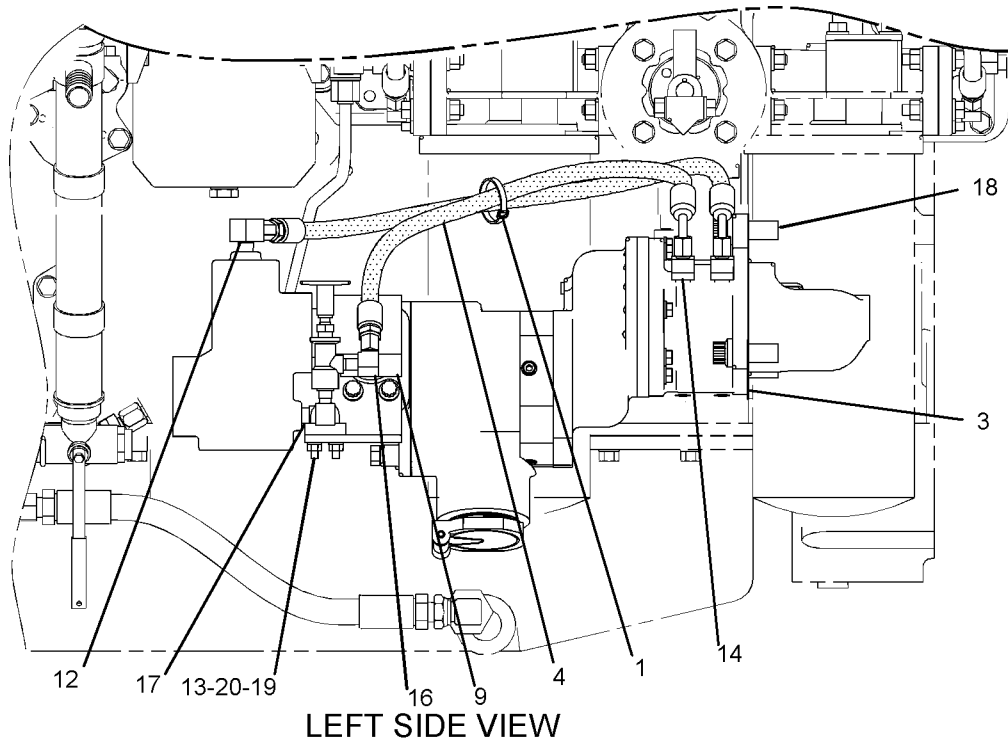
NOTE	REF NO	GRAPHIC REF	PART NUMBER	QTY	PART NAME						SEE PAGE
					1	2	3	4	5	6 (PRODUCT LEVEL)	
	1	1	3S-2093	1	STRAP-CABLE						
	2	1	4N-3410	1	VALVE AS-CONTROL (STARTING)						
		1	2W-0629	1	KNOB-ENGINE START						
	3	1	155-8725	1	GASKET						
I	4	1	222-2886	2	HOSE AS						
YR	5	1	246-3274	1	STARTING MOTOR GP-AIR						813
	6	1	246-3281	1	BRACKET AS						
	7	1	246-3282	1	VALVE-RELAY (STARTER)						
	8	1	3B-6552	1	ELBOW-PIPE						
	9	1	3B-6556	1	ELBOW-STREET						
	10	1	3B-7263	1	NIPPLE-PIPE						
	11	1	4B-4609	1	NIPPLE-PIPE						
	12	1	4R-8605	1	ELBOW						
M	13	1	5C-2890	2	NUT (M6X1-THD)						
	14	1	5J-7303	2	ELBOW						
	15	1	5P-2547	3	BOLT-12 POINT HEAD (7/16-14X1-IN)						
	16	1	5P-4479	1	ELBOW (FLARED-LONG)						
	17	1	6V-4245	1	ELBOW						
	18	1	176-2543	3	BOLT-12 POINT HEAD (5/8-11X1.75-IN)						
M	19	1	8C-7530	1	U-BOLT (M6X1X25-MM)						
	20	1	9X-8256	2	WASHER (6.6X12X2-MM THK)						

I-REFER TO HYDRAULIC INFORMATION SYSTEM
M-METRIC PART
R-REMG PART MAY BE AVAILABLE
Y-SEPARATE ILLUSTRATION

ELECTRICAL AND STARTING SYSTEM

246-3273 STARTING MOTOR GP-AIR (contd.)

i03267680



GRAPHIC #1

<END>

g01066016

ELECTRICAL AND STARTING SYSTEM

246-3274 STARTING MOTOR GP-AIR*R

PART OF 246-3273 STARTING MOTOR GP-AIR

AN ATTACHMENT

SMCS-1451

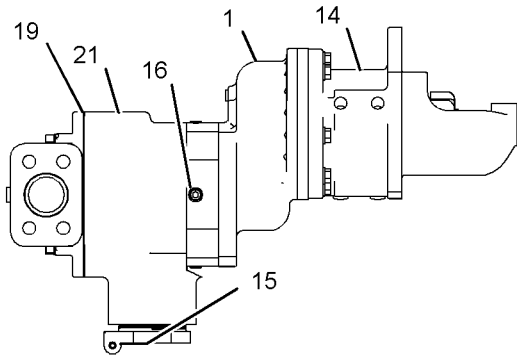
i03825869

NOTE	REF NO	GRAPHIC REF	PART NUMBER	QTY	PART NAME						SEE PAGE
					1	2	3	4	5	6 (PRODUCT LEVEL)	
	1	1	4N-4387	1	CASE AS-GEAR						
	1A	1	4N-4388	1	WASHER-EJECTION						
	1B	1	009-1436	1	BEARING						
	2	1	4N-4391	1	KEY-GEAR						
	3	1	4N-4392	1	COVER AS-CASE						
	3A	1	4N-4393	1	SEAL-LIP TYPE						
	3B	1	6J-2244	1	SEAL-O-RING						
	3C	1	6V-1179	1	SEAL-O-RING						
	4	1	4N-4394	1	GEAR-DRIVE (45-TEETH)						
	5	1	4N-4397	1	COLLAR-DRIVE SHAFT						
	6	1	4N-4400	1	RING-SHIFT						
	7	1	4N-4402	1	SPACER (2.156X2.375X0.188-IN THK)						
	8	1	4N-4403	1	SPRING-RING						
	9	1	4N-4405	1	CLUTCH AS-DRIVE						
	10	1	4N-4421	1	SHAFT-DRIVE						
	11	1	6D-3787	1	BEARING-ROLLER						
	12	1	105-5136	4	WASHER (9.92X16.67X0.79-MM THK)						
	13	1	105-5137	1	PISTON						
	14	1	105-5138	1	HOUSING						
	15	1	246-3275	1	DEFLECTOR AS						
	16	1	246-3276	4	PLUG						
	17	1	246-3277	1	MOTOR AS						
	17A	1	6V-1320	2	SEAL-O-RING						
	17B	1	7X-4782	2	SEAL-O-RING						
	18	1	246-3278	1	COVER						
	19	1	246-3279	1	GASKET						
	20	1	246-3280	1	CASE AS						
	20A	1	6V-1320	1	SEAL-O-RING						
	20B	1	9X-7357	1	SEAL-O-RING						
	21	1	246-3284	1	HOUSING-MOTOR						
	22	1	246-4452	1	GEAR AS						
	22A	1	4N-4386	1	RETAINER-PINION						
	22B	1	4N-4413	1	PINION-ROTOR						
	23	1	052-0512	1	RING-RETAINING						
	24	1	3P-0653	1	SEAL-O-RING						
	25	1	4N-4390	1	WASHER-THRUST (0.797X1.50X0.125-IN THK)						
	27	1	5F-8651	1	BALL BEARING						
	28	1	5P-0537	9	WASHER-HARD (7.2X14.5X2-MM THK)						
	29	1	6E-5412	1	SEAL-O-RING						
	30	1	7B-2742	9	BOLT (1/4-20X1.25-IN)						
	31	1	8F-8544	4	BOLT (3/8-16X6.25-IN)						
	32	1	8T-6757	2	PLUG-PIPE						
	33	1	8T-6763	3	PLUG-PIPE						

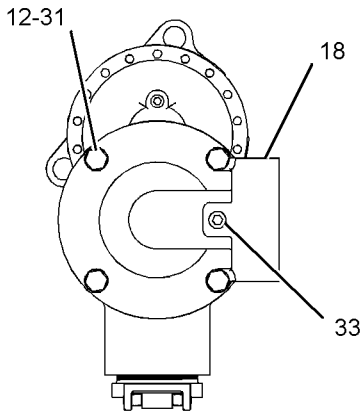
ELECTRICAL AND STARTING SYSTEM

246-3274 STARTING MOTOR GP-AIR (contd.)

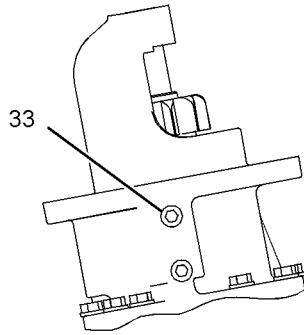
i03825869



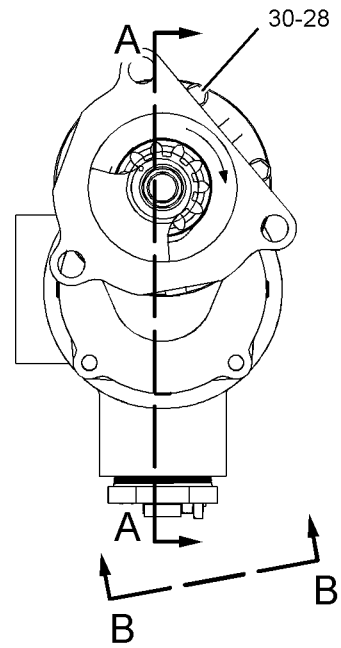
LEFT SIDE VIEW



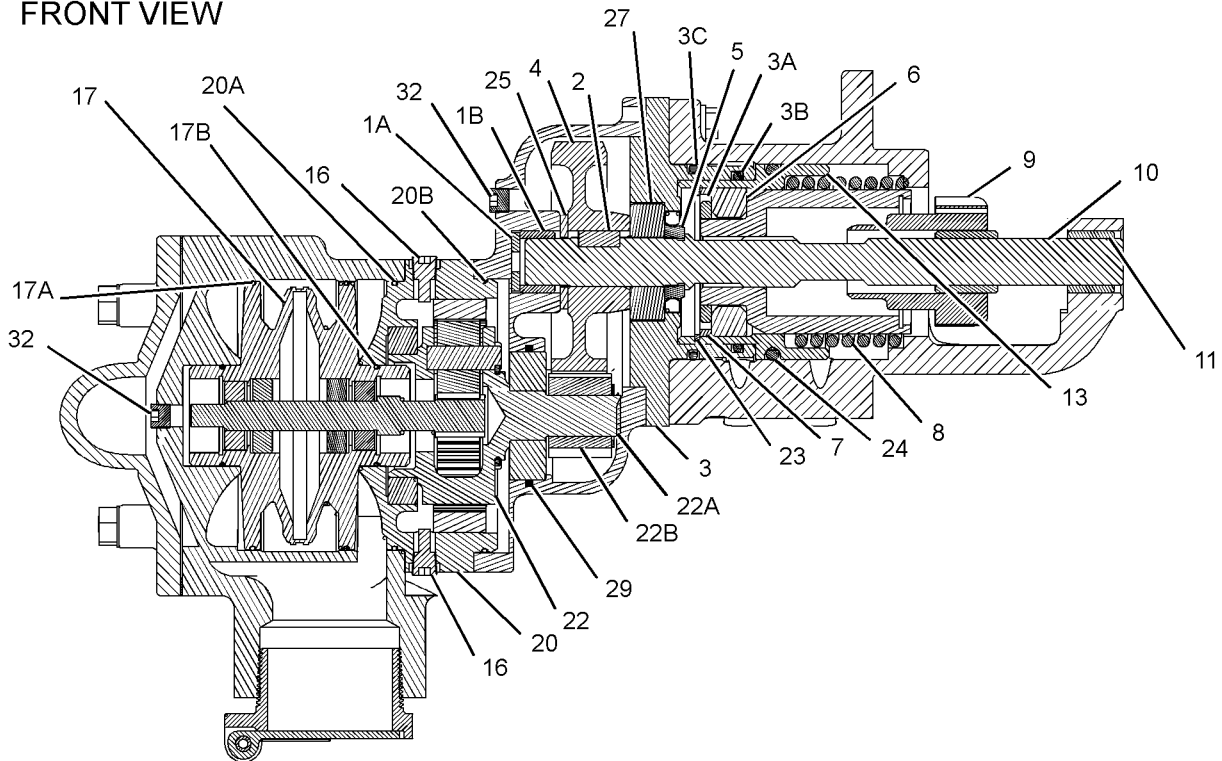
FRONT VIEW



VIEW B-B



REAR VIEW



SECTION A-A

GRAPHIC #1

<END>

g02143921

ELECTRICAL AND STARTING SYSTEM

9Y-7129 STARTING MOTOR GP-ELECTRIC

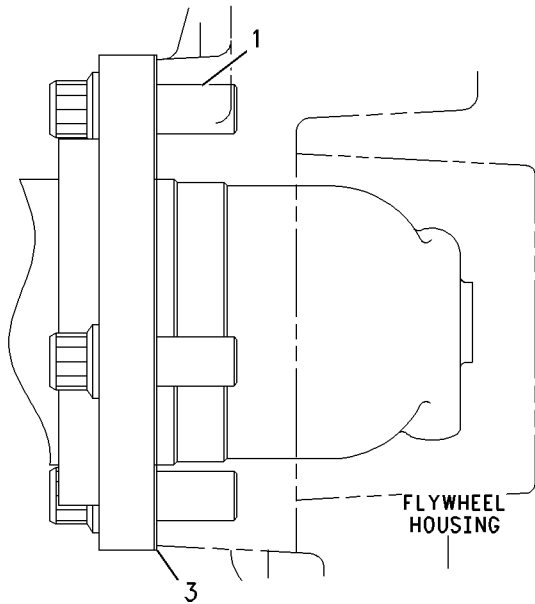
12-VOLT. STARTING AID RECOMMENDED BELOW 0 DEG CELSIUS (32 DEG F)
AN ATTACHMENT

SMCS-1453

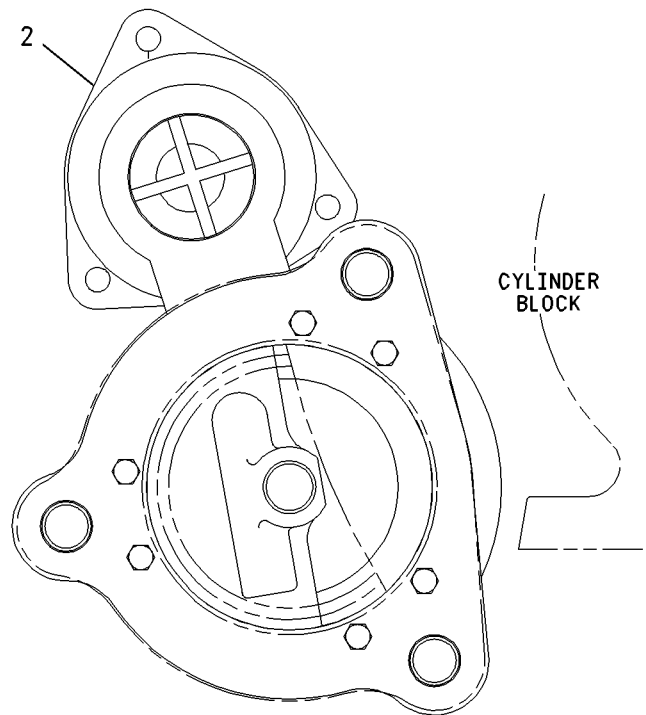
i02219141

NOTE	REF NO	GRAPHIC REF	PART NUMBER	QTY	PART NAME						SEE PAGE
					1	2	3	4	5	6 (PRODUCT LEVEL)	
	1	1	8S-2332	3	BOLT-12 POINT HEAD (5/8-11X1.75-IN)						
CY	2	1	207-1537	1	STARTING MOTOR GP-ELECTRIC						825
	3	1	4H-7869	1	GASKET						

C-CHANGE FROM PREVIOUS TYPE
Y-SEPARATE ILLUSTRATION



LEFT SIDE VIEW



REAR VIEW

GRAPHIC #1

<END>

g00832264

ELECTRICAL AND STARTING SYSTEM

131-3401 STARTING MOTOR GP-ELECTRIC

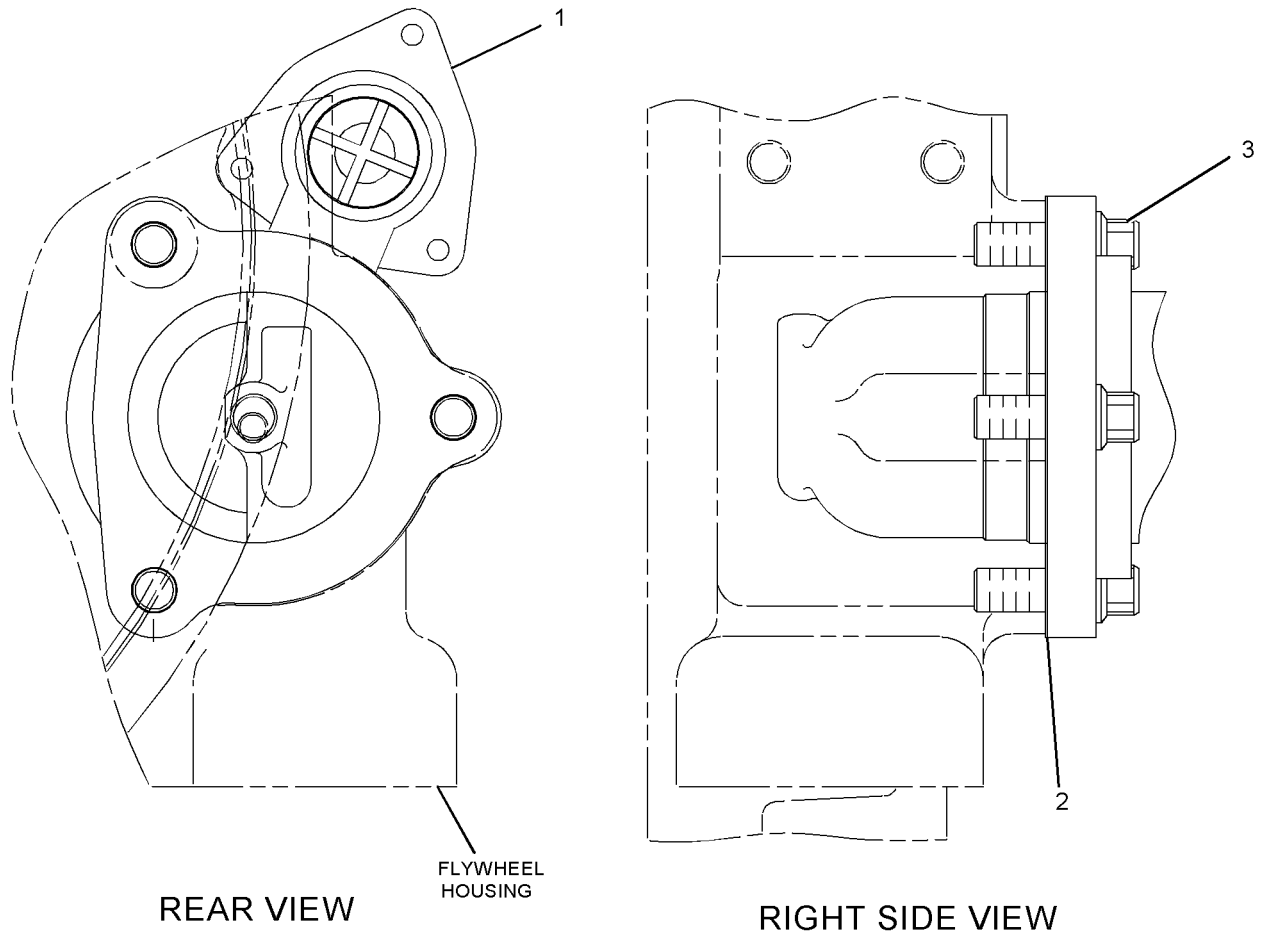
24-VOLT
AN ATTACHMENT

SMCS-1453

i02409108

NOTE	REF NO	GRAPHIC REF	PART NUMBER	QTY	PART NAME	SEE PAGE
					1 2 3 4 5 6 (PRODUCT LEVEL)	
CY	1	1	207-1549	1	STARTING MOTOR GP-ELECTRIC	827
	2	1	155-8725	1	GASKET	
	3	1	176-2543	3	BOLT-12 POINT HEAD (5/8-11X1.75-IN)	

C-CHANGE FROM PREVIOUS TYPE
Y-SEPARATE ILLUSTRATION



GRAPHIC #1

<END>

g01124878

ELECTRICAL AND STARTING SYSTEM

131-4850 STARTING MOTOR GP-ELECTRIC

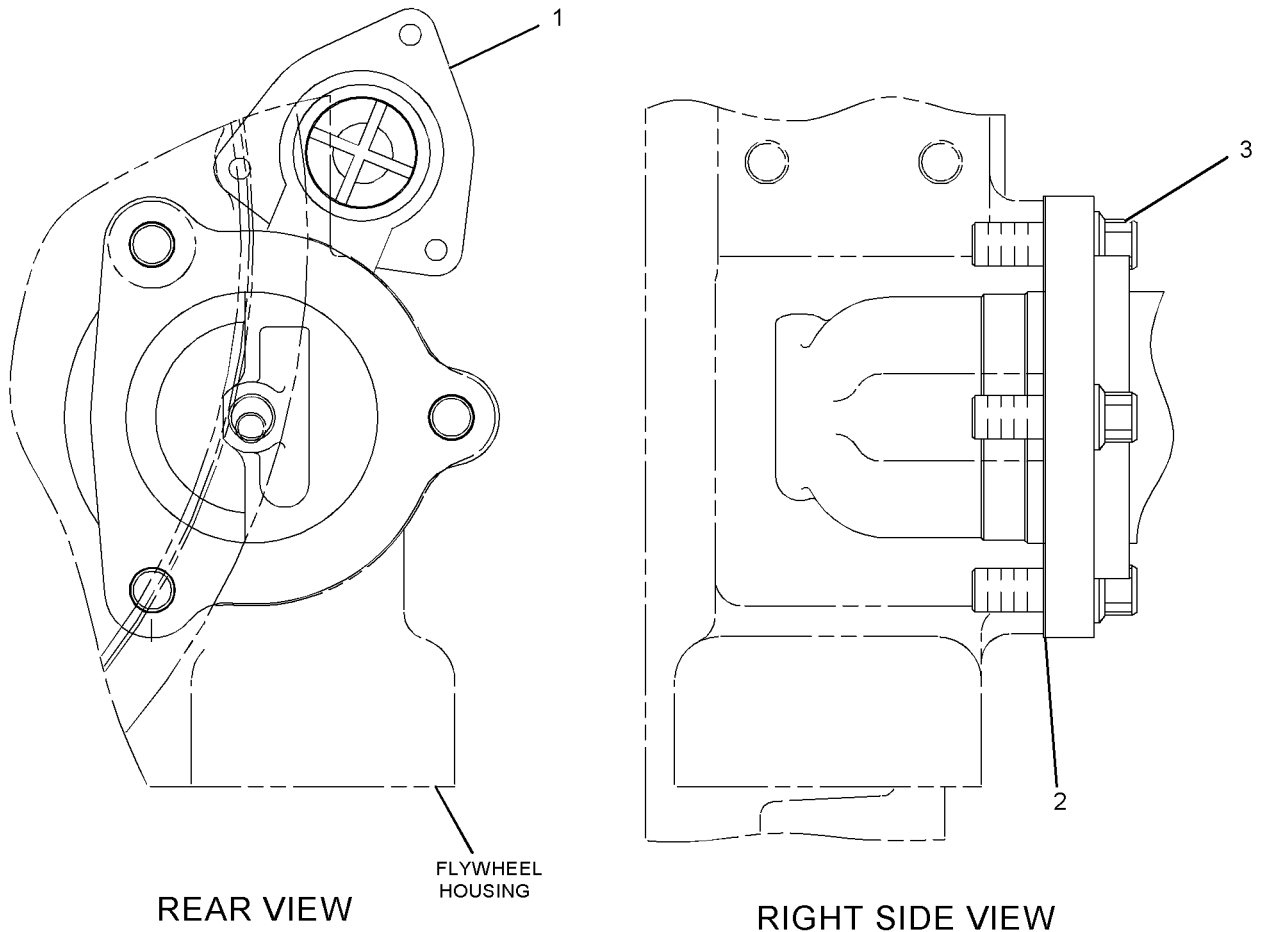
12-VOLT
AN ATTACHMENT

SMCS-1453

i02408991

NOTE	REF NO	GRAPHIC REF	PART NUMBER	QTY	PART NAME						SEE PAGE
					1	2	3	4	5	6 (PRODUCT LEVEL)	
CY	1	1	207-1520	1	STARTING MOTOR GP-ELECTRIC						821
	2	1	155-8725	1	GASKET						
C	3	1	176-2543	3	BOLT-12 POINT HEAD (5/8-11X1.75-IN)						

C- CHANGE FROM PREVIOUS TYPE
Y- SEPARATE ILLUSTRATION



GRAPHIC #1

<END>

g01124878

ELECTRICAL AND STARTING SYSTEM

131-8277 STARTING MOTOR GP-ELECTRIC

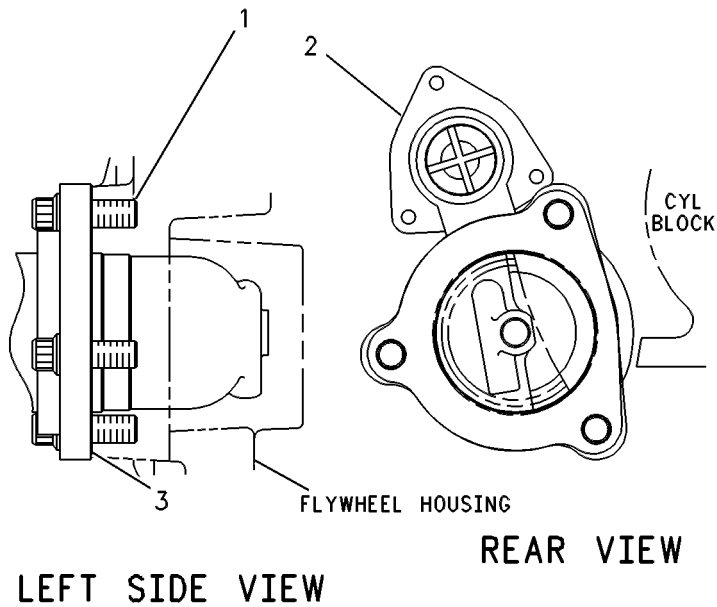
24-VOLT, LH
AN ATTACHMENT

SMCS - 1453

i02254008

NOTE	REF NO	GRAPHIC REF	PART NUMBER	QTY	PART NAME						SEE PAGE
					1	2	3	4	5	6 (PRODUCT LEVEL)	
	1	1	176-2543	3	BOLT-12 POINT HEAD (5/8-11X1.75-IN)						
CY	2	1	207-1564	1	STARTING MOTOR GP-ELECTRIC (24-VOLT)						832
	3	1	155-8725	1	GASKET						

C-CHANGE FROM PREVIOUS TYPE
Y-SEPARATE ILLUSTRATION



GRAPHIC #1

<END>

g00257267

ELECTRICAL AND STARTING SYSTEM

200-6962 STARTING MOTOR GP-ELECTRIC

12-VOLT

FIELD REPLACEMENT FOR 207-1520—PAGE 821

SMCS-1453

i03157221

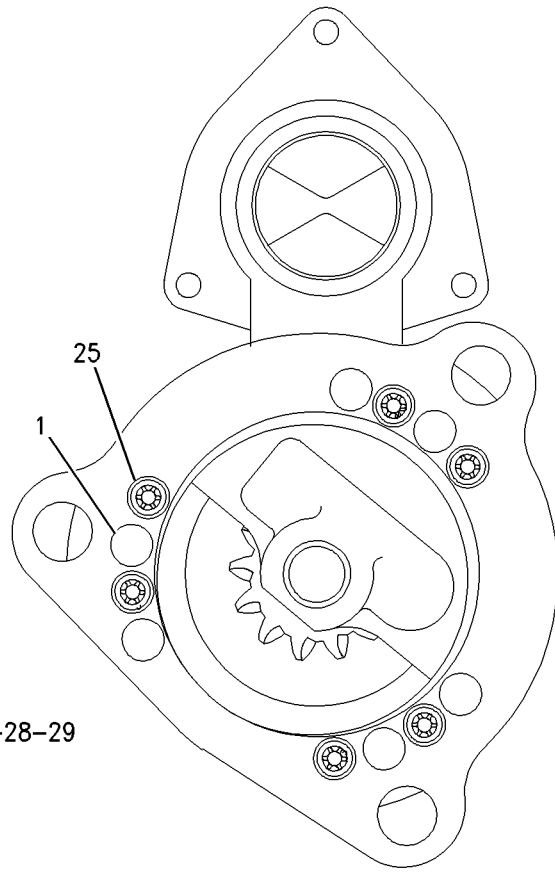
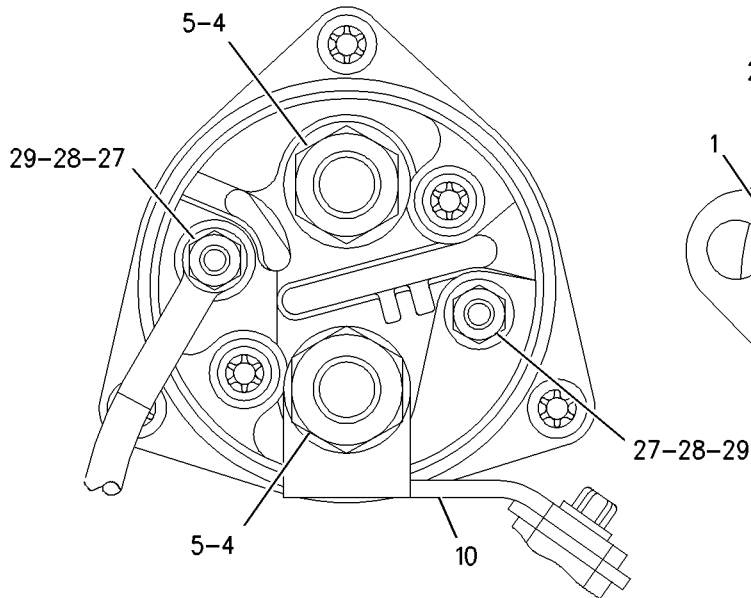
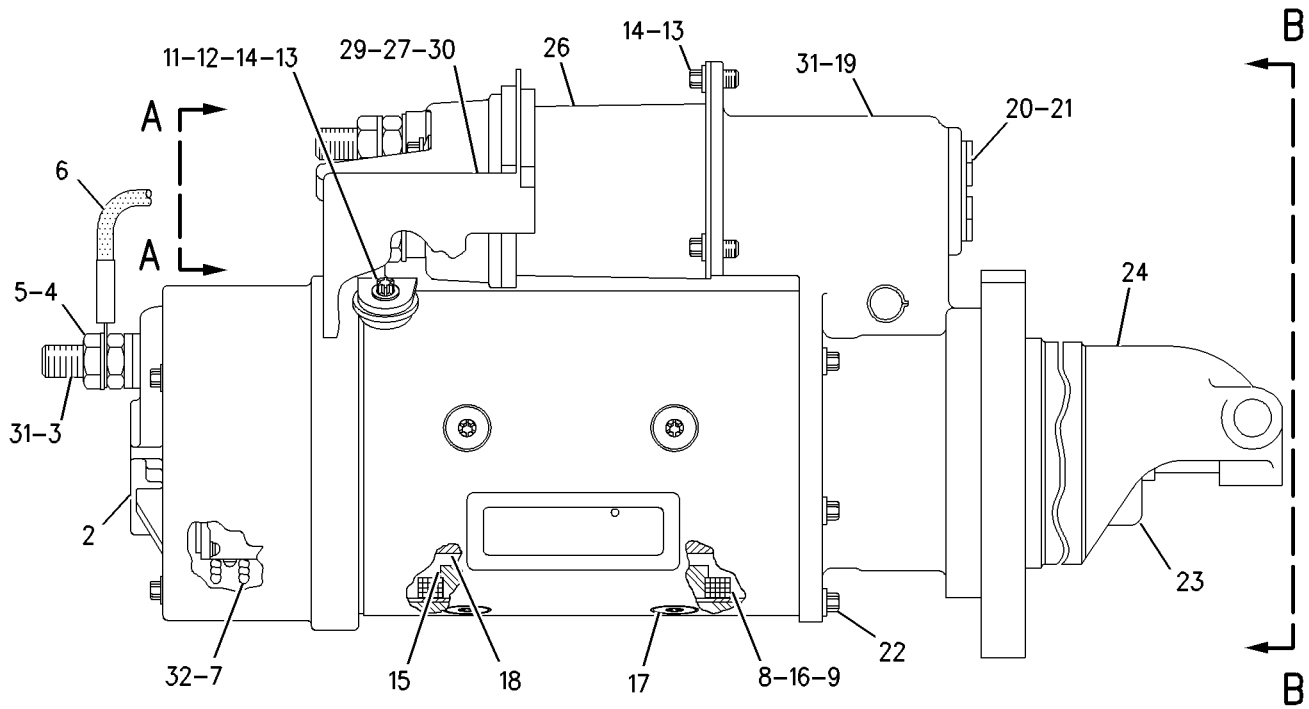
NOTE	REF NO	GRAPHIC REF	PART NUMBER	QTY	PART NAME						SEE PAGE
					1	2	3	4	5	6 (PRODUCT LEVEL)	
	1	1	3T-3434	6	PLUG						
	2	1	7T-3279	1	HOUSING AS						
	3	1	8T-8566	1	TERMINAL AS						
	4	1	6V-8188	4	NUT (1/2-13-THD)						
	5	1	7X-0562	4	WASHER-HARD (13.5X19X0.8-MM THK)						
	6	1	3T-3422	1	WIRE AS						
D		1	5P-5621		WIRE (12-GA) (0.3-M)						
	7	1	8T-8570	1	HOLDER AS-BRUSH						
	8	1	8T-8568	1	COIL AS-FIELD						
	9	1	7T-3454	1	INSULATOR						
	10	1	283-1107	1	KIT-CONNECTOR (STARTING MOTOR) (INCLUDES BOLT, TERMINALS & CONNECTORS)						
	11	1	7T-3451	1	KIT-INSULATOR (TERMINAL) (INCLUDES INSULATOR TERMINALS & GROMMET)						
	12	1	8T-8569	1	INSULATOR-TERMINAL						
	13	1	5S-7349	4	BOLT (1/4-20X0.5-IN)						
	14	1	8T-4205	4	WASHER-HARD (7.2X14.5X2-MM THK)						
	15	1	8H-1141	4	SHOE-POLE						
	16	1	1H-2629	2	STRIP-INSULATION						
	17	1	3R-8797	8	SCREW & WASHER AS (3/8-24X0.72-IN)						
	18	1	7T-3275	1	ARMATURE AS (12-VOLT)						
	19	1	7T-3973	1	HOUSING AS-LEVER						
	20	1	4M-1831	1	PLUG-LEVER HOUSING						
	21	1	7L-2894	1	GASKET						
	22	1	036-9823	5	BOLT (1/4-28X1-IN)						
	23	1	6N-3826	1	DRIVE AS-MOTOR						
	24	1	7T-3974	1	HOUSING AS-DRIVE						
	25	1	7X-3373	6	BOLT (5/16-18X0.88-IN)						
	26	1	206-8789	1	KIT-SOLENOID (12-VOLT) (STARTING MOTOR)						
	27	1	6V-8378	3	NUT (10-32-THD)						
	28	1	8F-1434	2	LOCKWASHER						
	29	1	8T-0328	3	WASHER-HARD (5.5X10X1-MM THK)						
	30	1	9X-4824	1	COVER-STARTING MOTOR						
	31	1	8T-9884	1	KIT-INSULATOR (STARTING MOTOR) (INCLUDES INSULATORS AND BUSHING)						
	32	1	8T-9885	1	KIT-BRUSH (STARTING MOTOR) (INCLUDES BRUSHES, SPRINGS, SCREWS, SEAL, AND SCREW ASSEMBLIES)						
	33	1	7T-3268	1	KIT-LEVER (STARTING MOTOR) (INCLUDES LEVER ASSEMBLIES, SEALS, NUT, GASKET, AND RETAINER)						
			7T-3267	1	AVAILABLE REPAIR KIT(S): KIT-BUSHING (STARTING MOTOR) (INCLUDES BUSHINGS, WICKS, CUPS, SEALS, GASKET, WASHERS, SPACER, NUT, AND SCREW ASSEMBLIES)						

D-ORDER BY THE METER

ELECTRICAL AND STARTING SYSTEM

200-6962 STARTING MOTOR GP-ELECTRIC (contd.)

i03157221



GRAPHIC #1

<END>

g00948369

ELECTRICAL AND STARTING SYSTEM

207-1520 STARTING MOTOR GP-ELECTRIC

12-VOLT

PART OF 131-4850 STARTING MOTOR GP-ELECTRIC

FIELD REPLACEMENT ORDER 200-6962-PAGE 819

AN ATTACHMENT

SMCS-1453

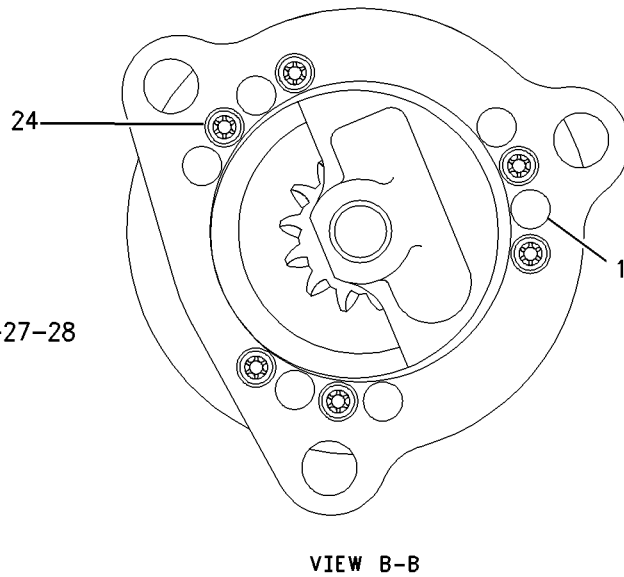
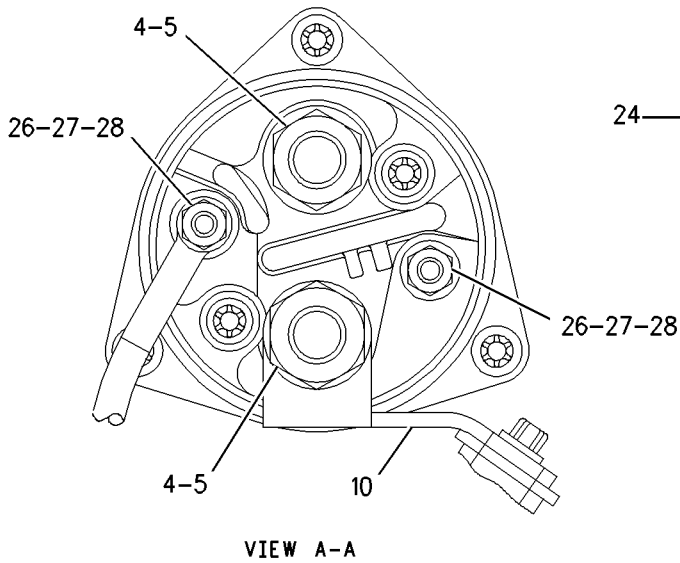
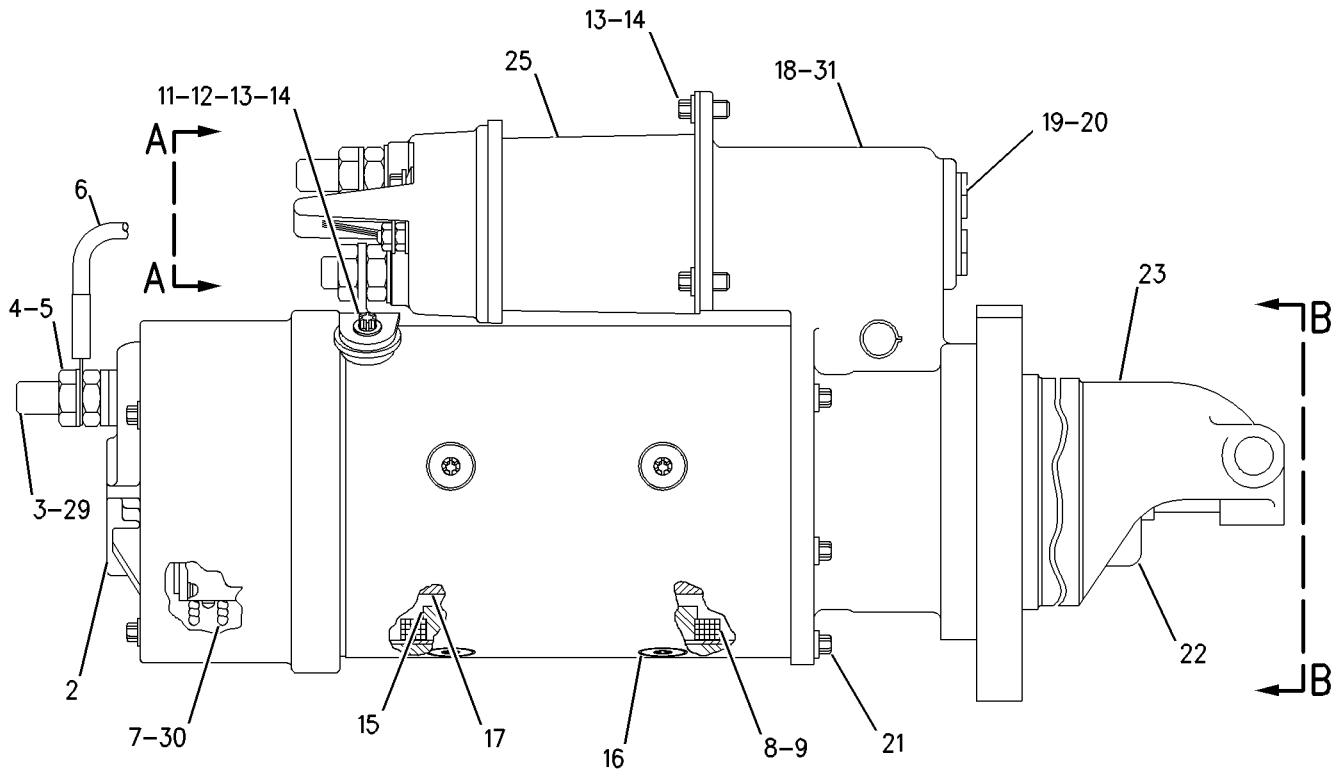
i03546434

NOTE	REF NO	GRAPHIC REF	PART NUMBER	QTY	PART NAME						SEE PAGE
					1	2	3	4	5	6 (PRODUCT LEVEL)	
	1	1	3T-3434	6	PLUG						
	2	1	7T-3279	1	HOUSING AS						
	3	1	8T-8566	1	TERMINAL AS						
	4	1	6V-8188	4	NUT (1/2-13-THD)						
	5	1	7X-0562	4	WASHER-HARD (13.5X19X0.8-MM THK)						
	6	1	3T-3422	1	WIRE AS						
	7	1	8T-8570	1	HOLDER AS-BRUSH						
	8	1	8T-8568	1	COIL AS-FIELD						
	9	1	7T-3454	1	INSULATOR						
	10	1	283-1107	1	KIT-CONNECTOR (STARTING MOTOR) (INCLUDES BOLT, CONNECTORS & TERMINAL)						
	11	1	7T-3451	1	KIT-INSULATOR (TERMINAL) (INCLUDES GROMMET & INSULATORS)						
	12	1	8T-8569	1	INSULATOR-TERMINAL						
	13	1	5S-7349	4	BOLT (1/4-20X0.5-IN)						
	14	1	8T-4205	4	WASHER-HARD (7.2X14.5X2-MM THK)						
	15	1	8H-1141	4	SHOE-POLE						
	16	1	3R-8797	8	SCREW & WASHER AS (3/8-24X0.72-IN)						
	17	1	7T-3275	1	ARMATURE AS (12-VOLT)						
	18	1	7T-3973	1	HOUSING AS-LEVER						
	19	1	4M-1831	1	PLUG-LEVER HOUSING						
	20	1	7L-2894	1	GASKET						
	21	1	0S-1597	5	BOLT (1/4-28X1-IN)						
	22	1	6N-3826	1	DRIVE AS-MOTOR						
	23	1	7T-3974	1	HOUSING AS-DRIVE						
	24	1	7X-3373	6	BOLT (5/16-18X0.88-IN)						
	25	1	206-8789	1	KIT-SOLENOID (12-VOLT) (STARTING MOTOR) (INCLUDES SOLENOID AS , BOLT , NUTS & CONNECTORS)						
	26	1	6V-8378	2	NUT (10-32-THD)						
	27	1	8F-1434	2	LOCKWASHER						
	28	1	8T-0328	2	WASHER-HARD (5.5X10X1-MM THK)						
	29	1	8T-9884	1	KIT-INSULATOR (STARTING MOTOR) (INCLUDES INSULATORS & BUSHING)						
	30	1	8T-9885	1	KIT-BRUSH (STARTING MOTOR) (INCLUDES BRUSHES, SPRINGS, SCREWS, SEAL & SCREW ASSEMBLIES)						
	31	1	7T-3268	1	KIT-LEVER (STARTING MOTOR) (INCLUDES LEVER ASSEMBLIES, SEALS, NUT, GASKET & RETAINER)						
					AVAILABLE REPAIR KIT(S):						
			7T-3267	1	KIT-BUSHING (STARTING MOTOR) (INCLUDES BUSHINGS, WICKS, CUPS, SEALS, GASKET, SCREW ASSEMBLIES, WASHERS, SPACER & NUT)						

ELECTRICAL AND STARTING SYSTEM

207-1520 STARTING MOTOR GP-ELECTRIC (contd.)

i03546434



GRAPHIC #1

<END>

g00854288

ELECTRICAL AND STARTING SYSTEM

207-1524 STARTING MOTOR GP-ELECTRIC

12-VOLT

FIELD REPLACEMENT FOR 207-1537-PAGE 825

SMCS-1453

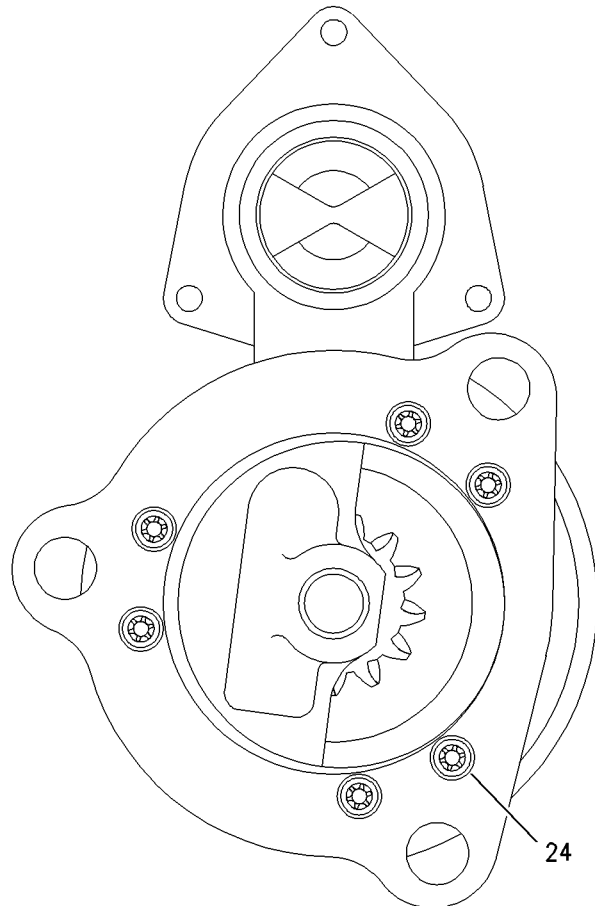
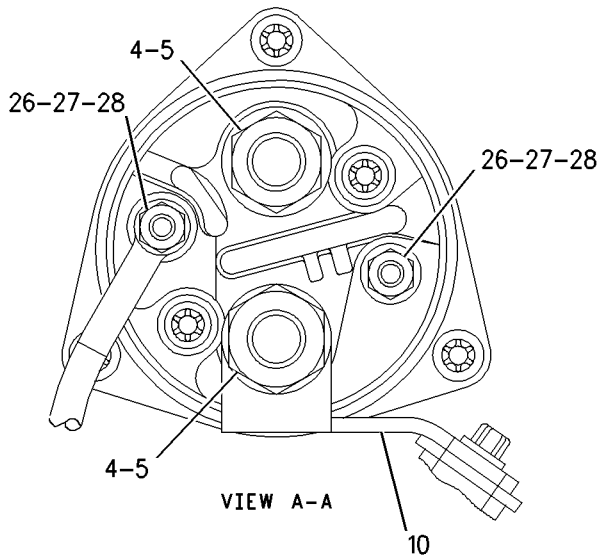
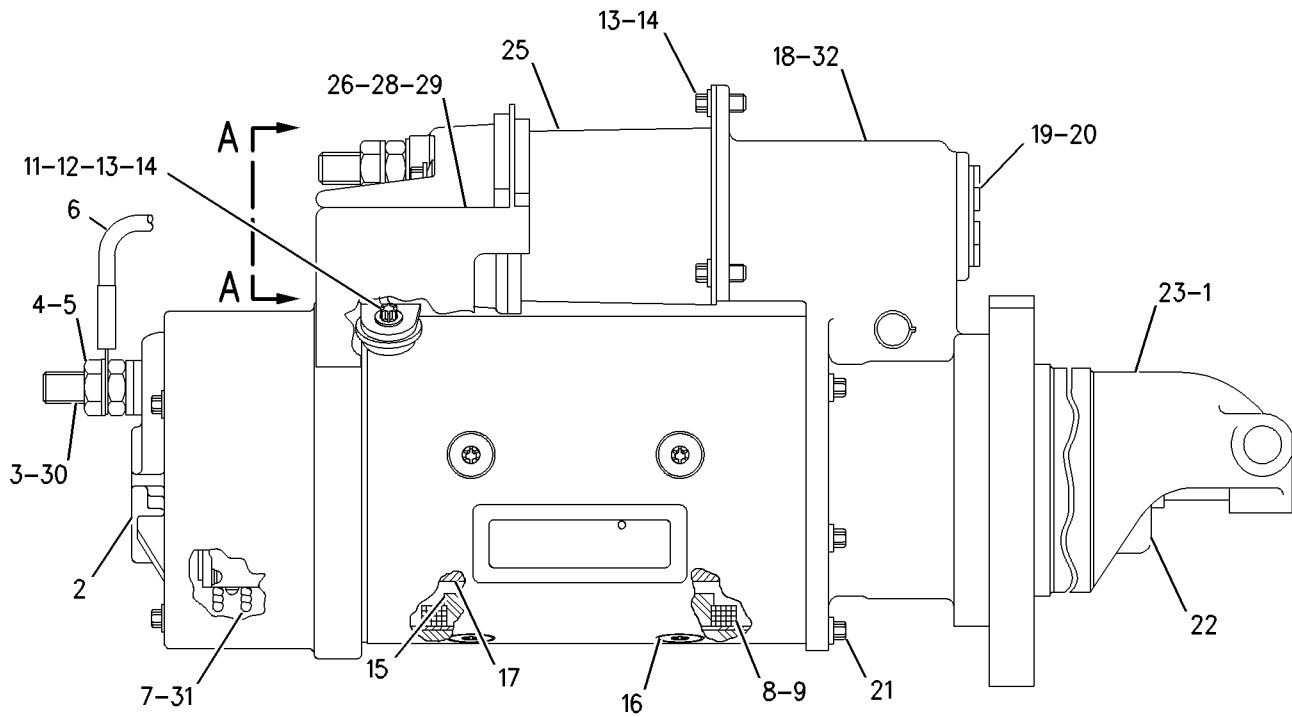
i02645557

NOTE	REF NO	GRAPHIC REF	PART NUMBER	QTY	PART NAME						SEE PAGE
					1	2	3	4	5	6 (PRODUCT LEVEL)	
	1	1	3T-3434	6	PLUG						
	2	1	7T-3279	1	HOUSING AS						
	3	1	8T-8566	1	TERMINAL AS						
	4	1	6V-8188	4	NUT (1/2-13-THD)						
	5	1	7X-0562	4	WASHER-HARD (13.5X19X0.8-MM THK)						
	6	1	3T-3422	1	WIRE AS						
	7	1	8T-8570	1	HOLDER AS-BRUSH						
	8	1	8T-8568	1	COIL AS-FIELD						
	9	1	7T-3454	1	INSULATOR						
	10	1	7T-3271	1	CONNECTOR						
	11	1	7T-3451	1	KIT-INSULATOR (TERMINAL)						
	12	1	8T-8569	1	INSULATOR-TERMINAL						
	13	1	5S-7349	4	BOLT (1/4-20X0.5-IN)						
	14	1	8T-4205	4	WASHER-HARD (7.2X14.5X2-MM THK)						
	15	1	8H-1141	4	SHOE-POLE						
	16	1	3F-0379	8	SCREW-POLE SHOE (3/8-24-THD)						
	17	1	7T-3275	1	ARMATURE AS (12-VOLT)						
	18	1	3E-7775	1	HOUSING AS						
	19	1	4M-1831	1	PLUG-LEVER HOUSING						
	20	1	7L-2894	1	GASKET						
	21	1	036-9823	5	BOLT (1/4-28X1-IN)						
	22	1	6N-3826	1	DRIVE AS-MOTOR						
	23	1	7T-3974	1	HOUSING AS-DRIVE						
	24	1	7X-3373	6	BOLT (5/16-18X0.88-IN)						
	25	1	206-8789	1	KIT-SOLENOID (12-VOLT) (STARTING MOTOR)						
	26	1	6V-8378	3	NUT (10-32-THD)						
	27	1	8F-1434	2	LOCKWASHER						
	28	1	8T-0328	3	WASHER-HARD (5.5X10X1-MM THK)						
	29	1	9X-4824	1	COVER-STARTING MOTOR						
	30	1	8T-9884	1	KIT-INSULATOR (STARTING MOTOR) (INCLUDES INSULATORS AND BUSHING)						
	31	1	8T-9885	1	KIT-BRUSH (STARTING MOTOR) (INCLUDES BRUSHES, SPRINGS, SCREWS, AND SEAL)						
	32	1	7T-3268	1	KIT-LEVER (STARTING MOTOR) (INCLUDES LEVER ASSEMBLIES, SEALS, NUT, GASKET, AND RETAINER)						
					AVAILABLE REPAIR KIT(S):						
			7T-3267	1	KIT-BUSHING (STARTING MOTOR) (INCLUDES BUSHINGS, WICKS, CUPS, SEALS, GASKET, SCREW AS, WASHERS, SPACER, AND NUT)						

ELECTRICAL AND STARTING SYSTEM

207-1524 STARTING MOTOR GP-ELECTRIC (contd.)

i02645557



GRAPHIC #1

<END>

g00830160

ELECTRICAL AND STARTING SYSTEM

207-1537 STARTING MOTOR GP-ELECTRIC

12-VOLT

PART OF 263-1354, 9Y-7129 STARTING MOTOR GP-ELECTRIC

FIELD REPLACEMENT ORDER 207-1524-PAGE 823

AN ATTACHMENT

SMCS-1453

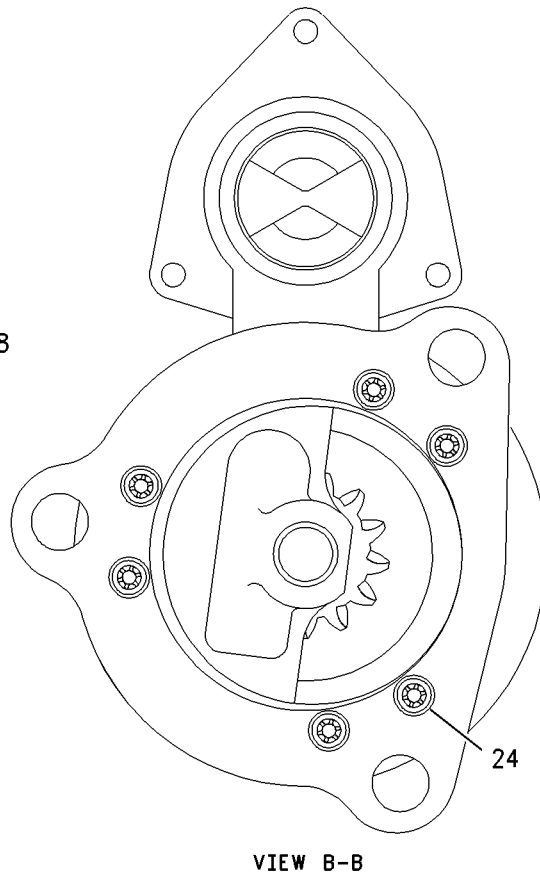
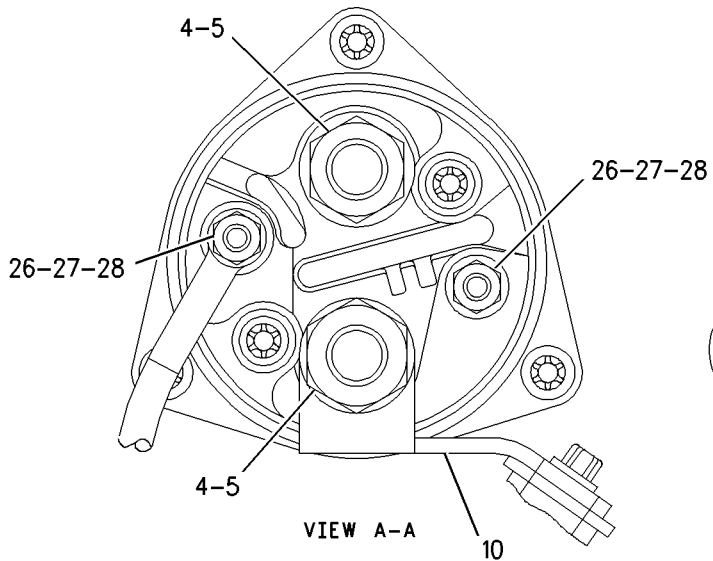
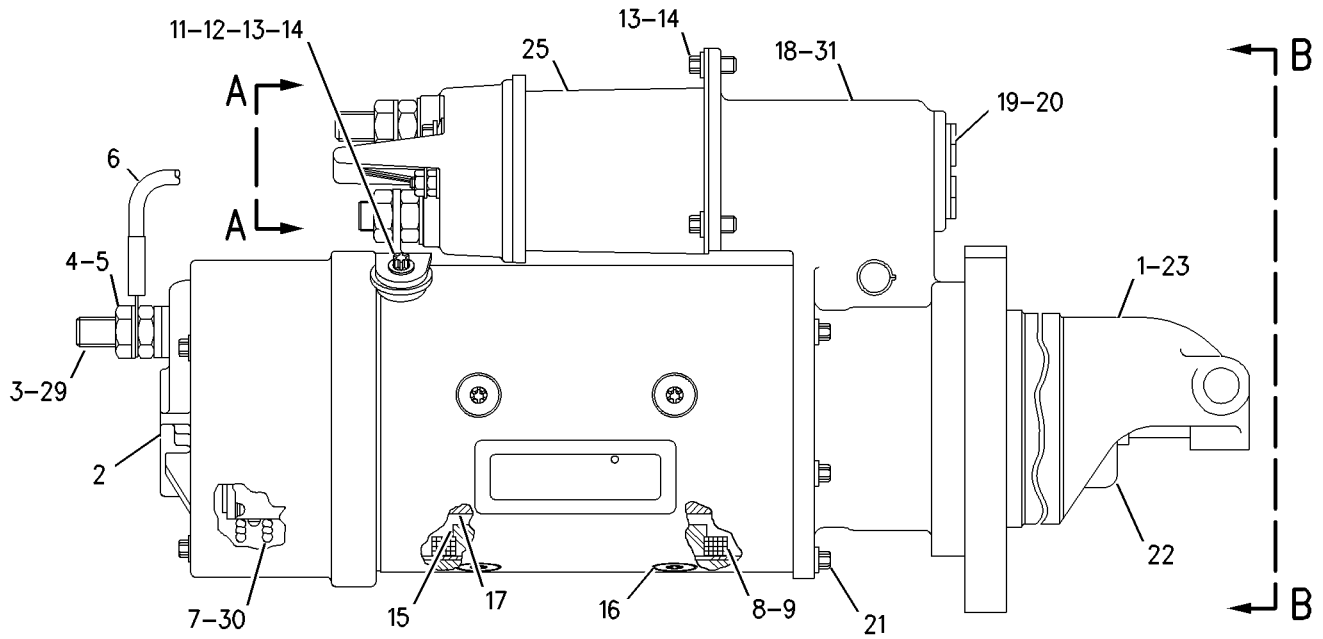
i02645558

NOTE	REF NO	GRAPHIC REF	PART NUMBER	QTY	PART NAME						SEE PAGE
					1	2	3	4	5	6 (PRODUCT LEVEL)	
	1	1	3T-3434	6	PLUG						
	2	1	7T-3279	1	HOUSING AS						
	3	1	8T-8566	1	TERMINAL AS						
	4	1	6V-8188	4	NUT (1/2-13-THD)						
	5	1	7X-0562	4	WASHER-HARD (13.5X19X0.8-MM THK)						
	6	1	3T-3422	1	WIRE AS						
	7	1	8T-8570	1	HOLDER AS-BRUSH						
	8	1	8T-8568	1	COIL AS-FIELD						
	9	1	7T-3454	1	INSULATOR						
	10	1	7T-3271	1	CONNECTOR						
	11	1	7T-3451	1	KIT-INSULATOR (TERMINAL)						
	12	1	8T-8569	1	INSULATOR-TERMINAL						
	13	1	5S-7349	4	BOLT (1/4-20X0.5-IN)						
	14	1	8T-4205	4	WASHER-HARD (7.2X14.5X2-MM THK)						
	15	1	8H-1141	4	SHOE-POLE						
	16	1	3F-0379	8	SCREW-POLE SHOE (3/8-24-THD)						
	17	1	7T-3275	1	ARMATURE AS (12-VOLT)						
	18	1	3E-7775	1	HOUSING AS						
	19	1	4M-1831	1	PLUG-LEVER HOUSING						
	20	1	7L-2894	1	GASKET						
	21	1	036-9823	5	BOLT (1/4-28X1-IN)						
	22	1	6N-3826	1	DRIVE AS-MOTOR						
	23	1	7T-3974	1	HOUSING AS-DRIVE						
	24	1	7X-3373	6	BOLT (5/16-18X0.88-IN)						
	25	1	206-8789	1	KIT-SOLENOID (12-VOLT) (STARTING MOTOR)						
	26	1	6V-8378	2	NUT (10-32-THD)						
	27	1	8F-1434	2	LOCKWASHER						
	28	1	8T-0328	2	WASHER-HARD (5.5X10X1-MM THK)						
	29	1	8T-9884	1	KIT-INSULATOR (STARTING MOTOR) (INCLUDES INSULATORS AND BUSHING)						
	30	1	8T-9885	1	KIT-BRUSH (STARTING MOTOR) (INCLUDES BRUSHES, SPRINGS, SCREWS, AND SEAL)						
	31	1	7T-3268	1	KIT-LEVER (STARTING MOTOR) (INCLUDES LEVER ASSEMBLIES, SEALS, NUT, GASKET, AND RETAINER)						
					AVAILABLE REPAIR KIT(S):						
			7T-3267	1	KIT-BUSHING (STARTING MOTOR) (INCLUDES BUSHINGS, WICKS, CUPS, SEALS, GASKET, SCREW AS, WASHERS, SPACER, AND NUT)						

ELECTRICAL AND STARTING SYSTEM

207-1537 STARTING MOTOR GP-ELECTRIC (contd.)

i02645558



ELECTRICAL AND STARTING SYSTEM

207-1549 STARTING MOTOR GP-ELECTRIC

24-VOLT. 42MT SEMI-SOLID LINK
PART OF 131-3401 STARTING MOTOR GP-ELECTRIC
FIELD REPLACEMENT ORDER 207-1556-PAGE 830
AN ATTACHMENT

SMCS-1453

i03622936

NOTE	REF NO	GRAPHIC REF	PART NUMBER	QTY	PART NAME						SEE PAGE
					1	2	3	4	5	6 (PRODUCT LEVEL)	
	1	1	3T-3434	6	PLUG						
	2	1	7T-3279	1	HOUSING AS						
	3	1	8T-8566	1	TERMINAL AS						
	4	1	6V-8188	4	NUT (1/2-13-THD)						
	5	1	7X-0562	4	WASHER-HARD (13.5X19X0.8-MM THK)						
	6	1	3T-3422	1	WIRE AS						
	7	1	7T-3278	1	HOLDER AS-BRUSH (STARTING MOTOR)						
	8	1	7T-3277	1	COIL AS-FIELD						
	9	1	7T-3454	1	INSULATOR						
	10	1	7T-3271	1	CONNECTOR						
	11	1	7T-3451	1	KIT-INSULATOR (TERMINAL)						
	12	1	8T-8569	1	INSULATOR-TERMINAL						
	13	1	5S-7349	4	BOLT (1/4-20X0.5-IN)						
	14	1	8T-4205	4	WASHER-HARD (7.2X14.5X2-MM THK)						
	15	1	8H-1141	4	SHOE-POLE						
	16	1	3F-0379	8	SCREW-POLE SHOE (3/8-24-THD)						
	17	1	7T-3276	1	ARMATURE AS (24-VOLT)						
	18	1	3E-7775	1	HOUSING AS						
	19	1	4M-1831	1	PLUG-LEVER HOUSING						
	20	1	7L-2894	1	GASKET						
	21	1	036-9823	5	BOLT (1/4-28X1-IN)						
	22	1	6N-3826	1	DRIVE AS-MOTOR						
	23	1	7T-3974	1	HOUSING AS-DRIVE						
	24	1	7X-3373	6	BOLT (5/16-18X0.88-IN)						
	25	1	193-8570	1	SOLENOID AS-STARTING MOTOR (24-VOLT)						
	26	1	6V-8378	2	NUT (10-32-THD)						
	27	1	8F-1434	2	LOCKWASHER						
	28	1	8T-0328	2	WASHER-HARD (5.5X10X1-MM THK)						
Z	29	1		1	HOUSING						
JZ	30	1		4	SPRING						
JZ	31	1		4	BRUSH						
JZ	32	1		4	SCREW						
JPZ	33	1		6	SCREW AS						
JPZ	34	1		1	SEAL-O-RING						
LZ	35	1		3	INSULATOR						
NZ	36	1		1	LEVER AS						
NPZ	37	1		1	NUT						
NPZ	38	1		1	SEAL-O-RING						
PZ	39	1		1	SEAL-O-RING						
NZ	40	1		1	RETAINER						
PZ	41	1		1	GASKET						
PZ	42	1		1	BUSHING						
PZ	43	1		2	PLUG-CUP						
PZ	44	1		1	PLUG-CUP						
PZ	45	1		1	PLUG						
PZ	46	1		1	PLUG						
PZ	47	1		1	PLUG						
PZ	48	1		1	BUSHING						
PZ	49	1		1	WASHER						
NZ	50	1		1	SEAL-O-RING						
NZ	51	1		1	SEAL-O-RING						
PZ	52	1		1	RETAINER						
PZ	53	1		1	SPACER						
PZ	54	1		1	BUSHING						

ELECTRICAL AND STARTING SYSTEM

207-1549 STARTING MOTOR GP-ELECTRIC (contd.)

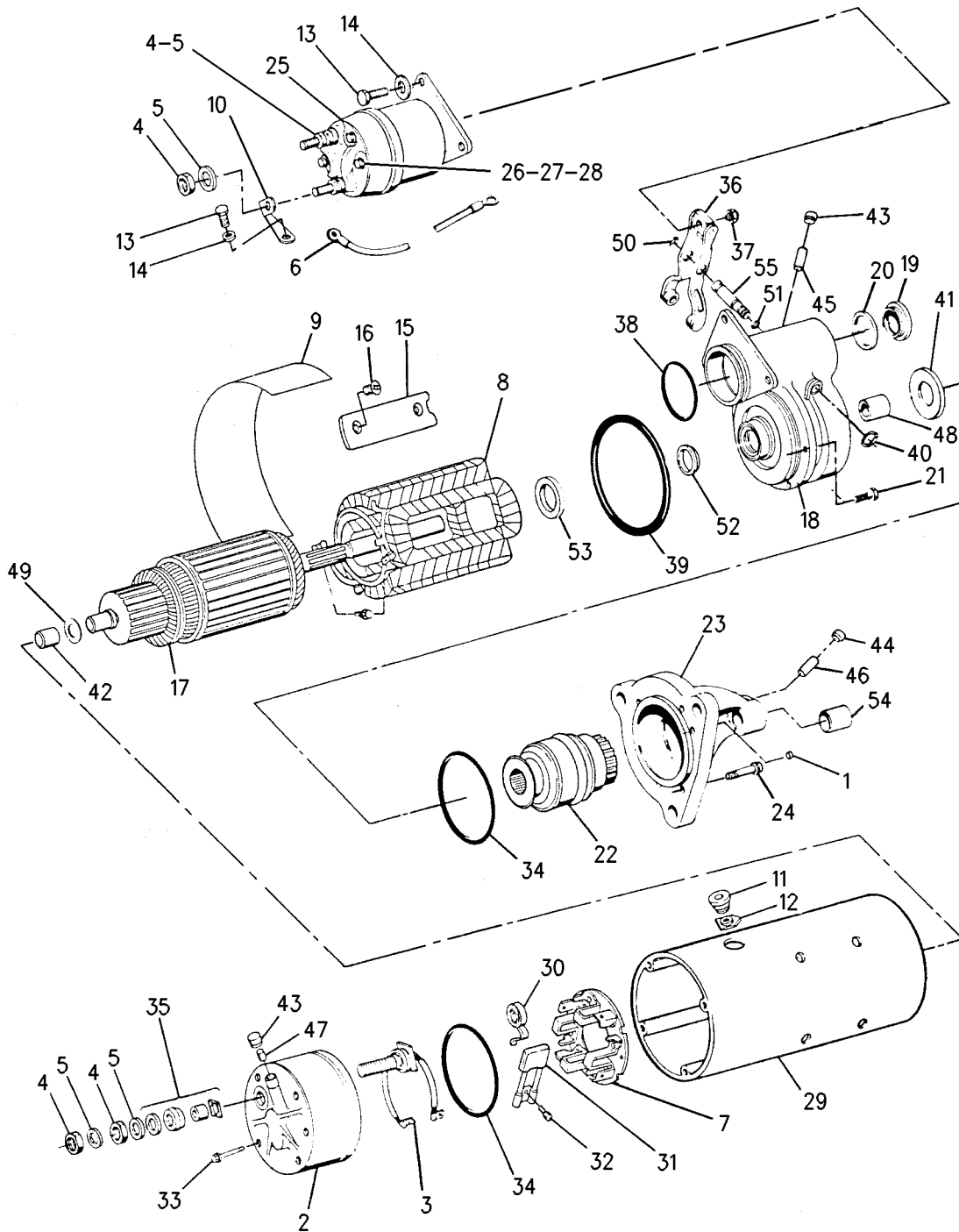
i03622936

NOTE	REF NO	GRAPHIC REF	PART NUMBER	QTY	PART NAME						SEE PAGE
					1	2	3	4	5	6 (PRODUCT LEVEL)	
LZ	55	1		1	BUSHING						
AVAILABLE REPAIR KIT(S):											
J			8C-3655	1	KIT-BRUSH (STARTING MOTOR) (INCLUDES SEAL, BRUSHES, SPRINGS, AND SCREWS)						
P			7T-3267	1	KIT-BUSHING (STARTING MOTOR) (INCLUDES BUSHINGS, SEALS, GASKET, CUP, WICKS, AND SPACER)						
N			7T-3268	1	KIT-LEVER (STARTING MOTOR) (INCLUDES LEVER ASSEMBLIES, SEALS, GASKET, NUT, AND RETAINER)						
L			8T-9884	1	KIT-INSULATOR (STARTING MOTOR) (INCLUDES INSULATORS AND BUSHING)						
J-KIT MARKED J INCLUDES PARTS MARKED J L-KIT MARKED L INCLUDES PARTS MARKED L N-KITS MARKED N INCLUDES PARTS MARKED N P-KITS MARKED P INCLUDES PARTS MARKED P Z-NOT SERVICED SEPARATELY											

ELECTRICAL AND STARTING SYSTEM

207-1549 STARTING MOTOR GP-ELECTRIC (contd.)

i03622936



GRAPHIC #1

<END>

g00836417

ELECTRICAL AND STARTING SYSTEM

207-1556 STARTING MOTOR GP-ELECTRIC*R

24-VOLT

OPTIONAL FIELD REPLACEMENT ORDER 237-1962-PAGE 834. FIELD REPLACEMENT FOR
207-1564-PAGE 832: FOR 207-1549-PAGE 827

SMCS-1453

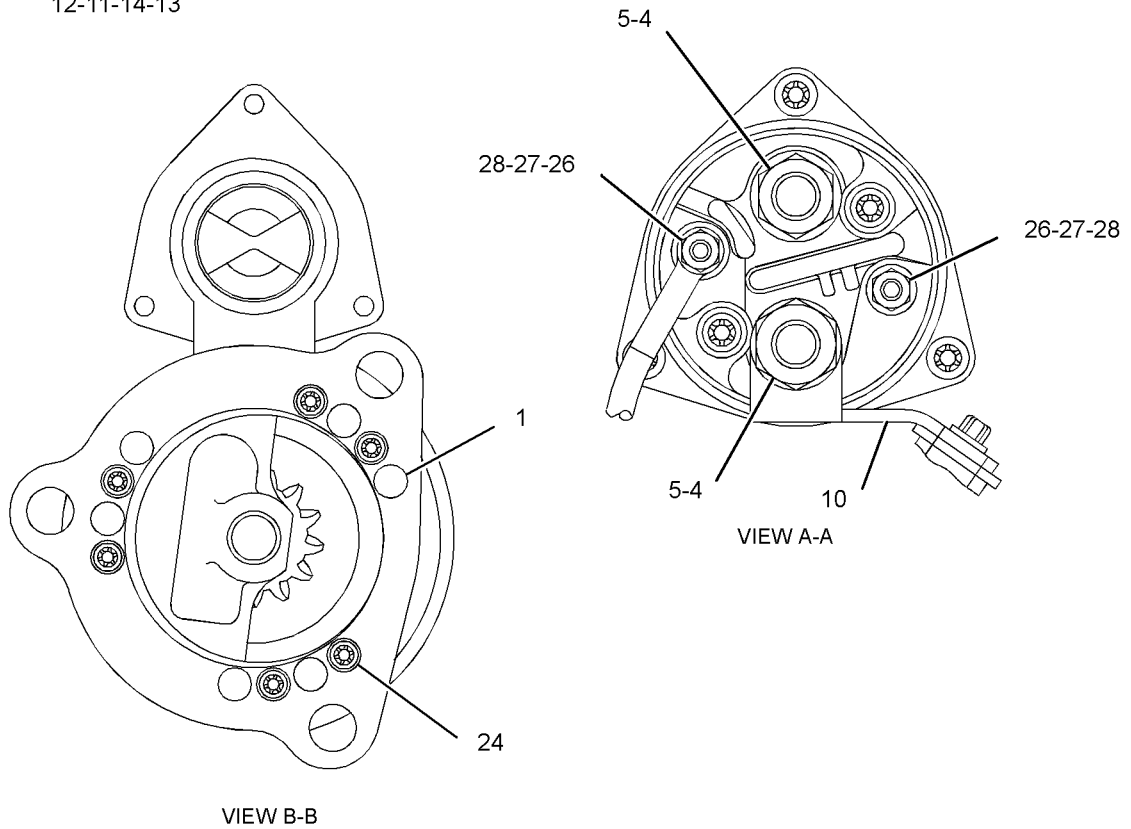
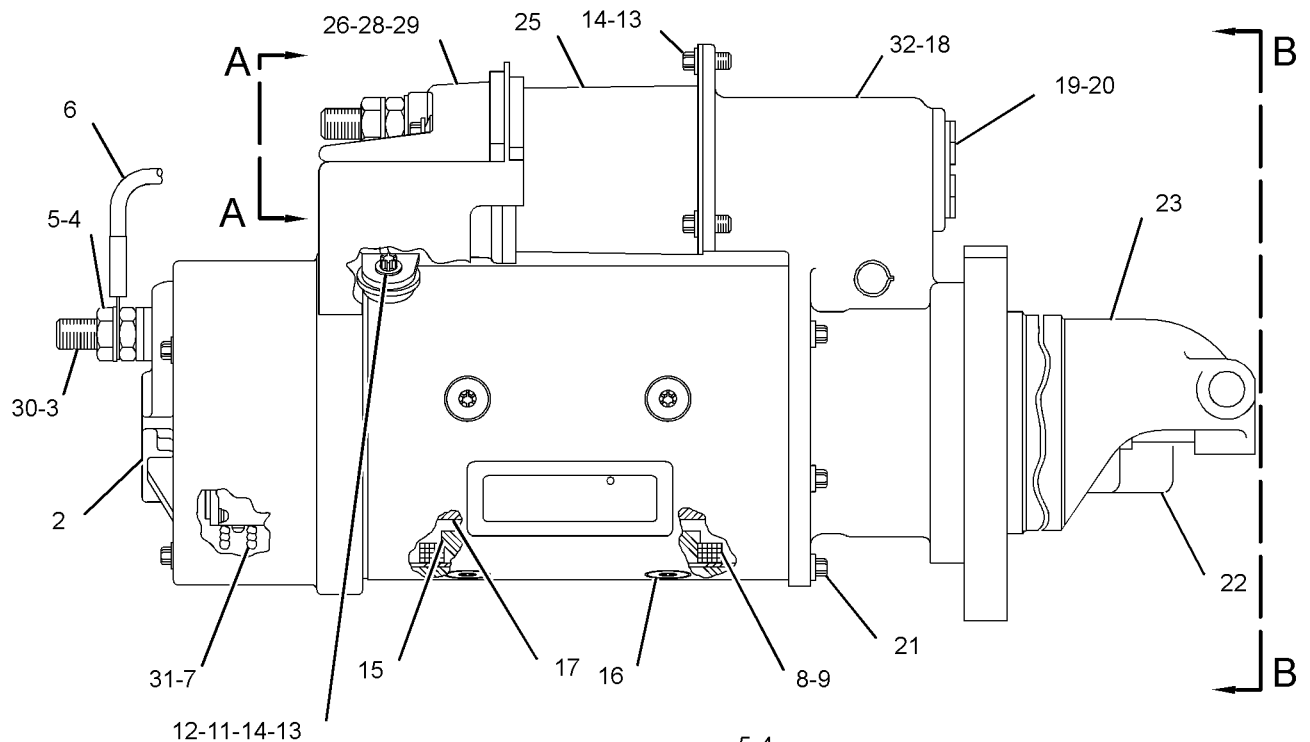
i03629299

NOTE	REF NO	GRAPHIC REF	PART NUMBER	QTY	PART NAME						SEE PAGE
					1	2	3	4	5	6 (PRODUCT LEVEL)	
	1	1	3T-3434	6	PLUG						
	2	1	7T-3279	1	HOUSING AS						
	3	1	8T-8566	1	TERMINAL AS						
	4	1	6V-8188	4	NUT (1/2-13-THD)						
	5	1	7X-0562	4	WASHER-HARD (13.5X19X0.8-MM THK)						
	6	1	3T-3422	1	WIRE AS						
	7	1	7T-3278	1	HOLDER AS-BRUSH						
	8	1	7T-3277	1	COIL AS-FIELD						
	9	1	7T-3454	1	INSULATOR						
	10	1	283-1107	1	KIT-CONNECTOR (STARTING MOTOR) (INCLUDES CONNECTORS, BOLT & TERMINAL-STARTER)						
	11	1	7T-3451	1	KIT-INSULATOR (TERMINAL) (INCLUDES INSULATORS & GROMMET)						
	12	1	8T-8569	1	INSULATOR-TERMINAL						
	13	1	5S-7349	4	BOLT (1/4-20X0.5-IN)						
	14	1	8T-4205	4	WASHER-HARD (7.2X14.5X2-MM THK)						
	15	1	8H-1141	4	SHOE-POLE						
	16	1	3R-8797	8	SCREW & WASHER AS (3/8-24X0.72-IN)						
	17	1	7T-3276	1	ARMATURE AS (24-VOLT)						
	18	1	3E-7775	1	HOUSING AS						
	19	1	4M-1831	1	PLUG-LEVER HOUSING						
	20	1	7L-2894	1	GASKET						
	21	1	0S-1597	5	BOLT (1/4-28X1-IN)						
	22	1	6N-3826	1	DRIVE AS-MOTOR						
	23	1	7T-3974	1	HOUSING AS-DRIVE						
	24	1	7X-3373	6	BOLT (5/16-18X0.88-IN)						
	25	1	250-8279	1	KIT-SOLENOID (24-VOLT) (INCLUDES SOLENOID AS, BOLT, NUTS, COVER & CONNECTORS)						
	26	1	6V-8378	3	NUT (10-32-THD)						
	27	1	8F-1434	2	LOCKWASHER						
	28	1	8T-0328	3	WASHER-HARD (5.5X10X1-MM THK)						
	29	1	9X-4824	1	COVER-STARTING MOTOR						
	30	1	8T-9884	1	KIT-INSULATOR (STARTING MOTOR) (INCLUDES INSULATORS & BUSHING)						
	31	1	8C-3655	1	KIT-BRUSH (STARTING MOTOR) (INCLUDES BRUSHES, SPRINGS, SCREWS, SCREW ASSEMBLIES & SEAL)						
	32	1	7T-3268	1	KIT-LEVER (STARTING MOTOR) (INCLUDES LEVER ASSEMBLIES, SEAL, NUT, GASKET & RETAINER)						
					AVAILABLE REPAIR KIT(S):						
			7T-3267	1	KIT-BUSHING (STARTING MOTOR) (INCLUDES BUSHINGS, WICKS, CUPS, SEALS, GASKET, SCREW AS, WASHERS, SPACER & NUT)						

ELECTRICAL AND STARTING SYSTEM

207-1556 STARTING MOTOR GP-ELECTRIC (contd.)

i03629299



GRAPHIC #1

<END>

g01478692

ELECTRICAL AND STARTING SYSTEM

207-1564 STARTING MOTOR GP-ELECTRIC

24-VOLT

PART OF 131-8277 STARTING MOTOR GP-ELECTRIC

FIELD REPLACEMENT ORDER 207-1556-PAGE 830

AN ATTACHMENT

SMCS-1453

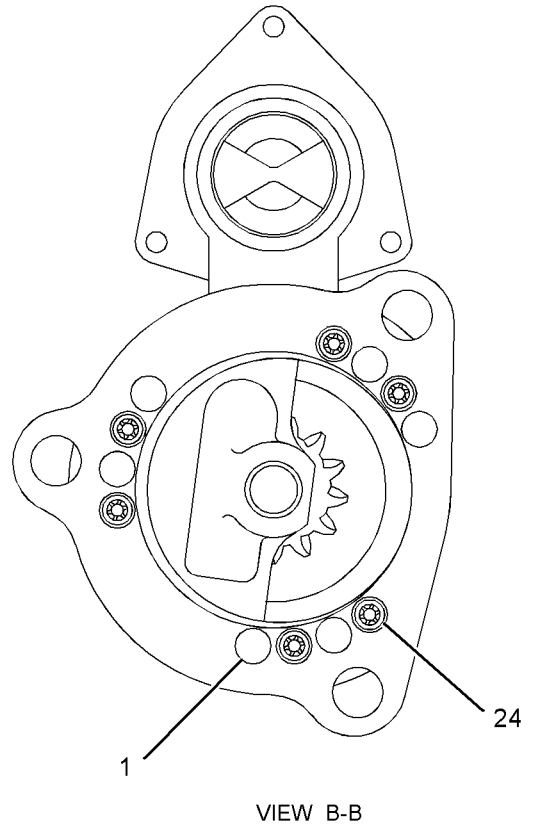
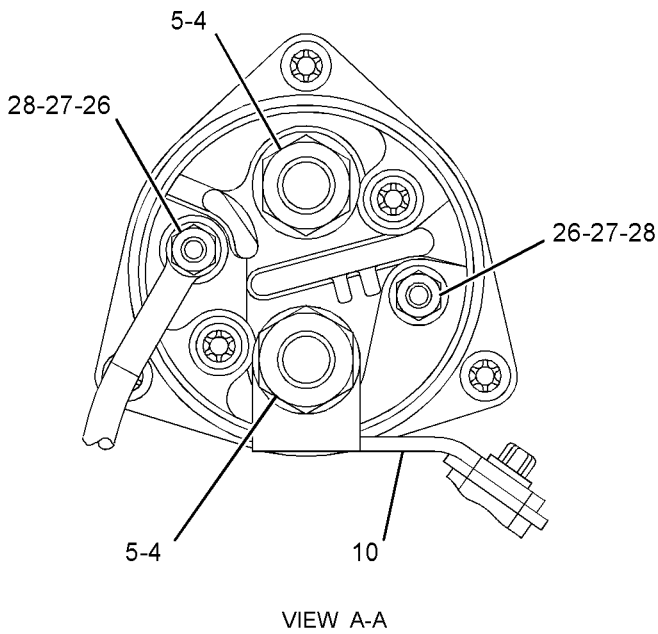
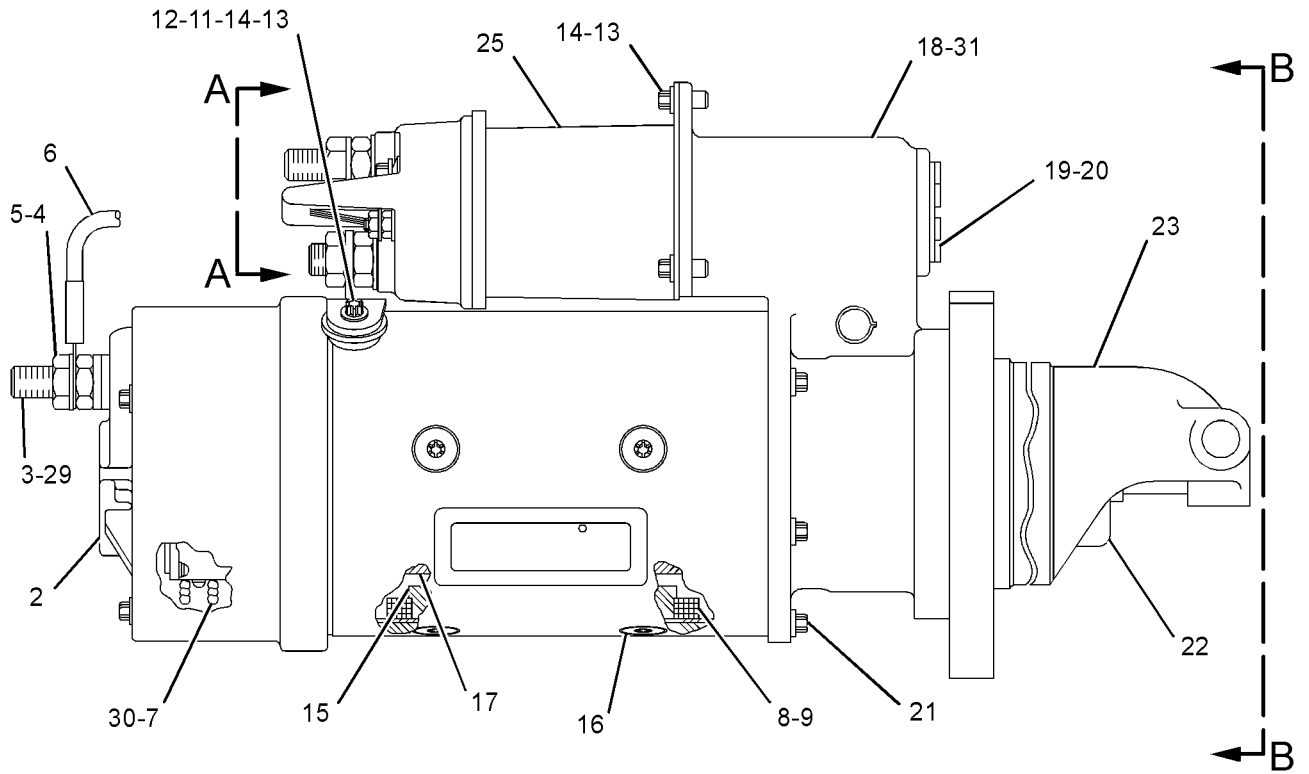
i03639535

NOTE	REF NO	GRAPHIC REF	PART NUMBER	QTY	PART NAME						SEE PAGE
					1	2	3	4	5	6 (PRODUCT LEVEL)	
	1	1	3T-3434	6	PLUG						
	2	1	7T-3279	1	HOUSING AS (STARTING MOTOR)						
	3	1	8T-8566	1	TERMINAL AS						
	4	1	6V-8188	4	NUT (1/2-13-THD)						
	5	1	7X-0562	4	WASHER-HARD (13.5X19X0.8-MM THK)						
	6	1	3T-3422	1	WIRE AS						
	7	1	7T-3278	1	HOLDER AS-BRUSH (STARTING MOTOR)						
	8	1	7T-3277	1	COIL AS-FIELD						
	9	1	7T-3454	1	INSULATOR						
	10	1	283-1107	1	KIT-CONNECTOR (STARTING MOTOR)						
		1	3E-7853	1	TERMINAL						
		1	5S-7349	1	BOLT (1/4-20X0.5-IN)						
		1	278-0592	1	CONNECTOR						
	11	1	7T-3451	1	KIT-INSULATOR (TERMINAL)						
	12	1	8T-8569	1	INSULATOR-TERMINAL						
	13	1	5S-7349	4	BOLT (1/4-20X0.5-IN)						
	14	1	8T-4205	4	WASHER-HARD (7.2X14.5X2-MM THK)						
	15	1	8H-1141	4	SHOE-POLE						
	16	1	3R-8797	8	SCREW & WASHER AS (3/8-24X0.72-IN)						
	17	1	7T-3276	1	ARMATURE AS (24-VOLT)						
	18	1	7T-3973	1	HOUSING AS-LEVER						
	19	1	4M-1831	1	PLUG-LEVER HOUSING						
	20	1	7L-2894	1	GASKET						
	21	1	036-9823	5	BOLT (1/4-28X1-IN)						
	22	1	6N-3826	1	DRIVE AS-MOTOR						
	23	1	7T-3974	1	HOUSING AS-DRIVE						
	24	1	7X-3373	6	BOLT (5/16-18X0.88-IN)						
	25	1	250-8279	1	KIT-SOLENOID (24-VOLT)						
	26	1	6V-8378	2	NUT (10-32-THD)						
	27	1	8F-1434	2	LOCKWASHER						
	28	1	8T-0328	2	WASHER-HARD (5.5X10X1-MM THK)						
	29	1	8T-9884	1	KIT-INSULATOR (STARTING MOTOR) (INCLUDES INSULATORS & BUSHING)						
	30	1	8C-3655	1	KIT-BRUSH (STARTING MOTOR) (INCLUDES SEAL, BRUSHES, SPRINGS, SCREWS & SCREW ASSEMBLIES)						
	31	1	7T-3268	1	KIT-LEVER (STARTING MOTOR) (INCLUDES NUT, GASKET, RETAINER, SEALS & LEVER ASSEMBLIES)						
					AVAILABLE REPAIR KIT(S):						
			7T-3267	1	KIT-BUSHING (STARTING MOTOR) (INCLUDES BUSHINGS, WICKS, CUP, SEALS, GASKET, SCREWS, WASHERS & NUT)						

ELECTRICAL AND STARTING SYSTEM

207-1564 STARTING MOTOR GP-ELECTRIC (contd.)

i03639535



GRAPHIC #1

<END>

g01470346

ELECTRICAL AND STARTING SYSTEM

237-1962 STARTING MOTOR GP-ELECTRIC*R

S/N: J2K1-UP

24-VOLT

FIELD REPLACEMENT ORDER 338-3454-PAGE 838. FIELD REPLACEMENT FOR
207-1556-PAGE 830

SMCS-1453

i03630206

NOTE	REF NO	GRAPHIC REF	PART NUMBER	QTY	PART NAME						SEE PAGE
					1	2	3	4	5	6 (PRODUCT LEVEL)	
	1	1	7M-0326	1	CONNECTOR						
	2	1	9H-3757	2	WASHER (0.516X1X0.094-IN THK)						
	3	1	1S-7446	3	SCREW-MACHINE (8-32X0.437-IN)						
	4	1	8C-9660	3	WASHER (4.6X7.9X0.8-MM THK)						
	5	1	9S-2544	9	SCREW-HEX HEAD (8-32X11.13-MM)						
	6	1	7M-0327	1	WASHER-THRUST (17.4X25.4X1.6-MM THK)						
	7	1	3T-3418	1	FRAME AS-END						
		1	3T-3423	1	CUP						
		1	3T-3424	1	PLUG-FELT						
		1	9G-4101	1	BUSHING-END						
	8	1	3T-9525	1	PLATE AS-BRUSH						
	8A	1	6T-0371	1	INSULATOR						
	8B	1	5P-6298	12	SCREW-MACHINE (10-32X0.5-IN)						
		1	9F-5599	12	LOCKWASHER						
	8C	1	7F-3525	6	WASHER-BUSHING (0.207X0.39X0.09-IN THK)						
	8D	1	6T-0372	1	PLATE						
	8E	1	3T-4709	3	PLATE						
	8F	1	2L-6679	3	PLATE-INSULATOR						
	8G	1	3T-4710	3	PLATE						
	8H	1	6T-0363	6	HOLDER AS-BRUSH (STARTING MOTOR) (EACH INCLUDES)						
	8J	1	3T-9494	1	SPRING						
	9	1	1T-0808	2	WASHER (0.516X0.812X0.09-IN THK)						
	10	1	3T-3422	1	WIRE AS (STARTING MOTOR)						
	11	1	2J-8163	2	SEAL-O-RING						
	12	1	7X-3373	1	BOLT (5/16-18X0.88-IN)						
	13	1	3T-3434	6	PLUG						
	14	1	5J-5314	5	BOLT (5/16-18X1.5-IN)						
	15	1	3L-3380	1	BUSHING-TERMINAL						
	16	1	036-9821	1	WASHER						
	17	1	4M-1828	1	RETAINER-SPRING						
	18	1	306-3998	1	BOOT-RUBBER						
	19	1	9M-7609	1	SPRING (SHIFT LEVER)						
	20	1	4M-1827	1	RETAINER-SPRING						
	21	1	8C-3089	1	SEAL-O-RING						
	22	1	4M-1853	1	LEVER AS-SHIFT						
	23	1	5M-3034	1	LOCKNUT (5/16-24-THD)						
	24	1	7L-2894	4	GASKET						
	25	1	4M-1831	4	PLUG-LEVER HOUSING						
	26	1	4M-1854	1	SHAFT-LEVER						
	27	1	1H-1023	1	SEAL-O-RING						
	28	1	2D-6392	1	SEAL-O-RING						
	29	1	7T-3974	1	HOUSING AS-DRIVE						
	30	1	6N-3826	1	DRIVE AS-MOTOR						
	31	1	2H-3429	2	RING-RETAINING						
	32	1	6V-1322	4	BOLT (1/4-20X0.375-IN)						
	33	1	8T-4205	4	WASHER-HARD (7.2X14.5X2-MM THK)						
	34	1	6N-3279	1	INSULATOR						
	35	1	0S-1597	13	BOLT (1/4-28X1-IN)						
	36	1	1M-9971	1	SPACER (0.835X1.72X0.188-IN THK)						
	37	1	1H-2629	3	STRIP-INSULATION						
	38	1	7M-0324	1	COIL AS-FIELD						
	39	1	3R-8797	12	SCREW & WASHER AS (3/8-24X0.72-IN)						
	40	1	7F-3488	6	SHOE-POLE						

ELECTRICAL AND STARTING SYSTEM

237-1962 STARTING MOTOR GP-ELECTRIC (contd.)

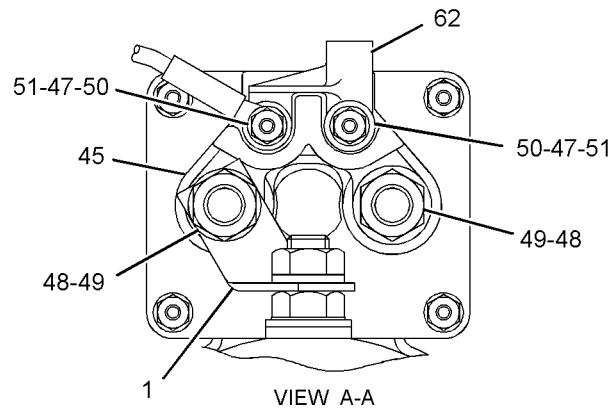
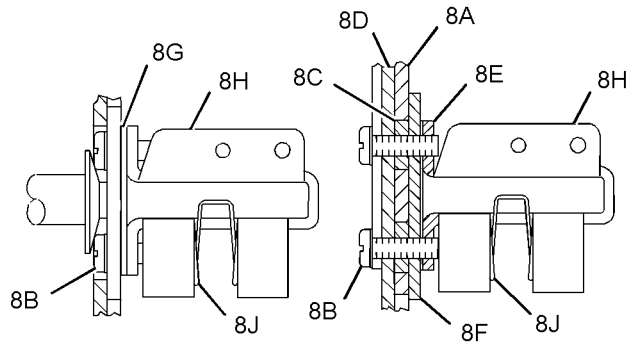
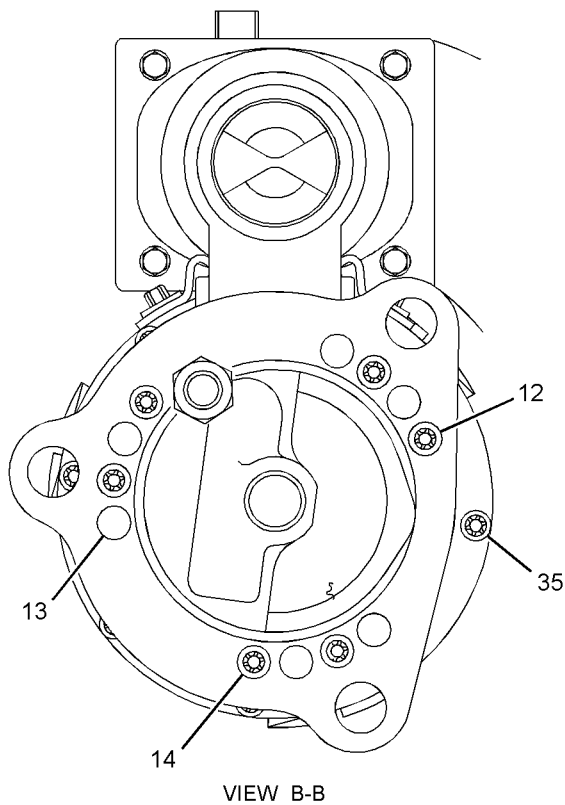
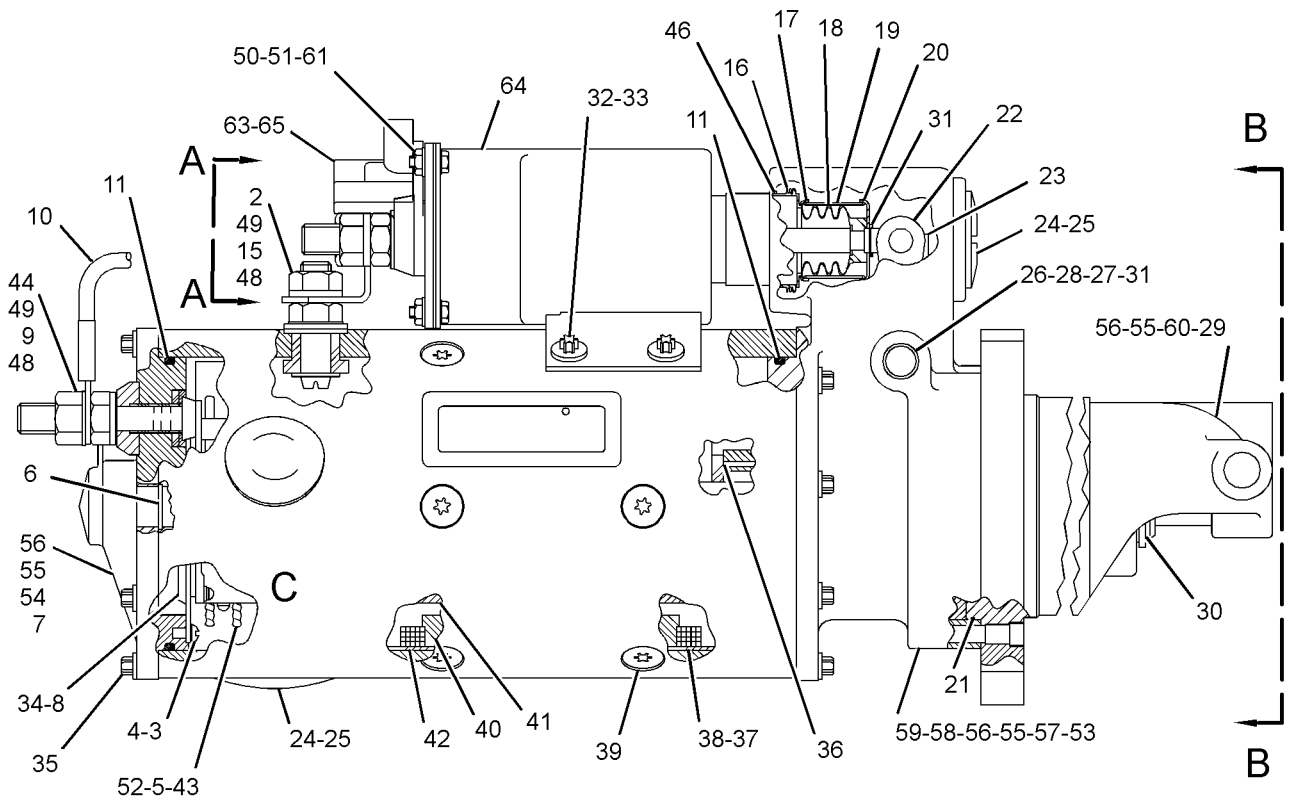
i03630206

NOTE	REF NO	GRAPHIC REF	PART NUMBER	QTY	PART NAME						SEE PAGE
					1	2	3	4	5	6 (PRODUCT LEVEL)	
	41	1	7M-8651	1	ARMATURE AS						
	42	1	7M-0325	1	INSULATOR						
	43	1	3T-9524	6	BRUSH AS						
	44	1	3N-3763	1	KIT-TERMINAL (STARTING MOTOR) (INCLUDES BUSHINGS & WASHERS)						
	45	1	125-6537	1	INSULATOR						
	46	1	3R-8801	1	CLAMP						
	47	1	8F-1434	2	LOCKWASHER						
	48	1	6V-8188	6	NUT (1/2-13-THD)						
	49	1	7X-0562	6	WASHER-HARD (13.5X19X0.8-MM THK)						
	50	1	4B-2049	6	NUT (10-32-THD)						
	51	1	8T-0328	10	WASHER-HARD (5.5X10X1-MM THK)						
	52	1	3T-9494	6	SPRING (STARTING MOTOR)						
	53	1	3E-7771	1	HOUSING AS (STARTING MOTOR)						
	54	1	9G-4101	1	BUSHING-END						
	55	1	3T-3424	3	PLUG-FELT						
	56	1	3T-3423	3	CUP						
	57	1	1M-9968	1	BUSHING						
	58	1	2F-6678	1	SEAL-LIP TYPE						
	59	1	4L-2729	1	WASHER (0.844X1.9X0.188-IN THK)						
	60	1	4M-1896	1	BUSHING-TERMINAL						
	61	1	045-4065	4	SCREW-MACHINE (10-32X0.75-IN)						
	62	1	125-6535	1	COVER-STARTING MOTOR						
	63	1	7T-9123	1	GASKET-PLATE						
	64	1	318-2082	1	SOLENOID AS-STARTING MOTOR (24-VOLT)						
	65	1	125-6536	1	TERMINAL AS						

ELECTRICAL AND STARTING SYSTEM

237-1962 STARTING MOTOR GP-ELECTRIC (contd.)

i03630206



GRAPHIC #1

<END>

g01453239

ELECTRICAL AND STARTING SYSTEM

263-1354 STARTING MOTOR GP-ELECTRIC

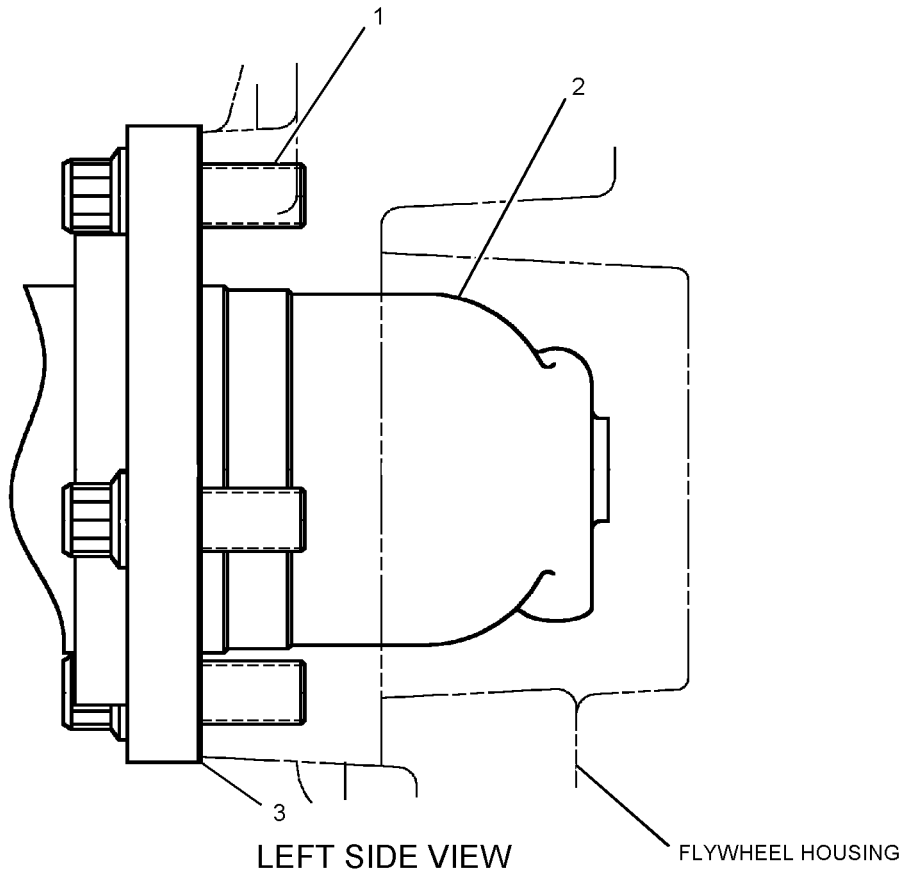
FOR USE WITH 12 VOLT SYSTEM, LEFT SIDE APPLICATION
AN ATTACHMENT

SMCS-1453

i02289271

NOTE	REF NO	GRAPHIC REF	PART NUMBER	QTY	PART NAME						SEE PAGE
					1	2	3	4	5	6 (PRODUCT LEVEL)	
	1	1	176-2543	3	BOLT-12 POINT HEAD (5/8-11X1.75-IN)						
Y	2	1	207-1537	1	STARTING MOTOR GP-ELECTRIC						825
	3	1	4H-7869	1	GASKET						

Y-SEPARATE ILLUSTRATION



GRAPHIC #1

<END>

g01146352

ELECTRICAL AND STARTING SYSTEM

338-3454 STARTING MOTOR GP-ELECTRIC

S/N: J2K1-UP

24-VOLT

FIELD REPLACEMENT FOR 237-1962-PAGE 834

SMCS-1453

i03784531

NOTE	REF NO	GRAPHIC REF	PART NUMBER	QTY	PART NAME						SEE PAGE
					1	2	3	4	5	6 (PRODUCT LEVEL)	
	1	1	7M-0326	1	CONNECTOR						
	2	1	9H-3757	2	WASHER (0.516X1X0.094-IN THK)						
	3	1	1S-7446	3	SCREW-MACHINE (8-32X0.437-IN)						
	4	1	8C-9660	3	WASHER (4.6X7.9X0.8-MM THK)						
	5	1	9S-2544	9	SCREW-HEX HEAD (8-32X11.13-MM)						
	6	1	7M-0327	1	WASHER-THRUST (17.4X25.4X1.6-MM THK)						
	7	1	3T-3418	1	FRAME AS-END						
		1	3T-3423	1	CUP						
		1	3T-3424	1	PLUG-FELT						
		1	9G-4101	1	BUSHING-END						
	8	1	3T-9525	1	PLATE AS-BRUSH						
	8A	1	2L-6679	3	PLATE-INSULATOR						
	8B	1	3T-4709	3	PLATE						
	8C	1	3T-4710	3	PLATE						
	8D	1	5P-6298	12	SCREW-MACHINE (10-32X0.5-IN)						
	8E	1	6T-0363	6	HOLDER AS-BRUSH (EACH INCLUDES)						
	8F	1	3T-9494	1	SPRING						
	8G	1	6T-0371	1	INSULATOR						
	8H	1	6T-0372	1	PLATE						
	8J	1	7F-3525	6	WASHER-BUSHING (0.207X0.39X0.09-IN THK)						
	8K	1	9F-5599	12	LOCKWASHER						
	9	1	1T-0808	2	WASHER (0.516X0.812X0.09-IN THK)						
	10	1	3T-3422	1	WIRE AS						
	11	1	2J-8163	2	SEAL-O-RING						
	12	1	7X-3373	1	BOLT (5/16-18X0.88-IN)						
	13	1	3T-3434	6	PLUG						
	14	1	5J-5314	5	BOLT (5/16-18X1.5-IN)						
	15	1	3L-3380	1	BUSHING-TERMINAL						
	16	1	8C-3089	1	SEAL-O-RING						
	17	1	4M-1853	1	LEVER AS-SHIFT						
	18	1	5M-3034	1	LOCKNUT (5/16-24-THD)						
	19	1	7L-2894	4	GASKET						
	20	1	4M-1831	4	PLUG-LEVER HOUSING						
	21	1	4M-1854	1	SHAFT-LEVER						
	22	1	1H-1023	1	SEAL-O-RING						
	23	1	2D-6392	1	SEAL-O-RING						
	24	1	7T-3974	1	HOUSING AS-DRIVE						
	25	1	6N-3826	1	DRIVE AS-MOTOR						
	26	1	2H-3429	1	RING-RETAINING						
	27	1	6V-1322	4	BOLT (1/4-20X0.375-IN)						
	28	1	8T-4205	4	WASHER-HARD (7.2X14.5X2-MM THK)						
	29	1	6N-3279	1	INSULATOR						
	30	1	0S-1597	13	BOLT (1/4-28X1-IN)						
	31	1	1M-9971	1	SPACER (0.835X1.72X0.188-IN THK)						
	32	1	1H-2629	3	STRIP-INSULATION						
	33	1	7M-0324	1	COIL AS-FIELD						
	34	1	3R-8797	12	SCREW & WASHER AS (3/8-24X0.72-IN)						
	35	1	7F-3488	6	SHOE-POLE						
	36	1	7M-8651	1	ARMATURE AS						
	37	1	7M-0325	1	INSULATOR						
	38	1	3T-9524	6	BRUSH AS						
	39	1	3N-3763	1	KIT-TERMINAL (STARTING MOTOR) (INCLUDES BUSHINGS & WASHERS)						
	40	1	338-3453	1	SOLENOID AS-STARTING MOTOR (24-VOLT)						

ELECTRICAL AND STARTING SYSTEM

338-3454 STARTING MOTOR GP-ELECTRIC (contd.)

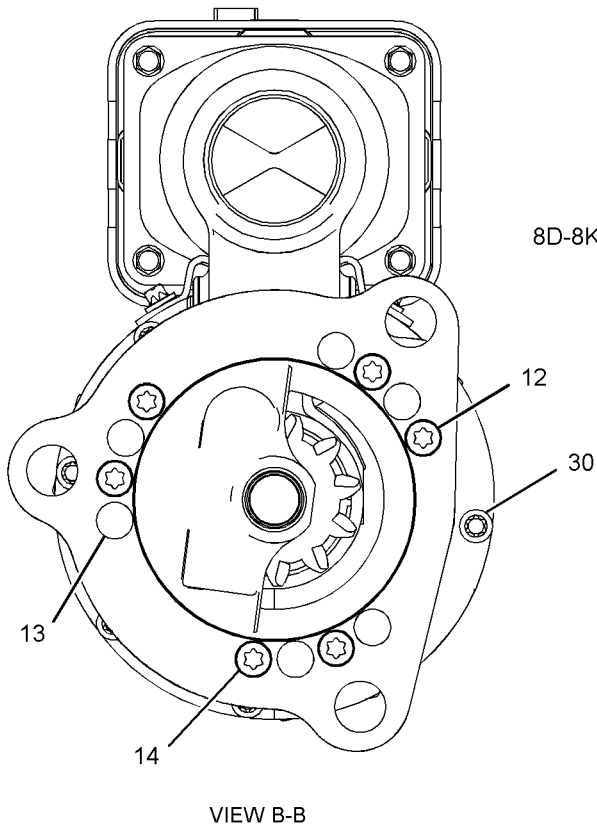
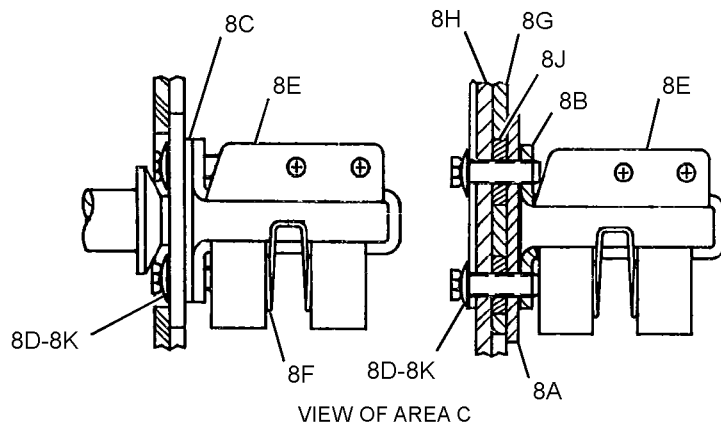
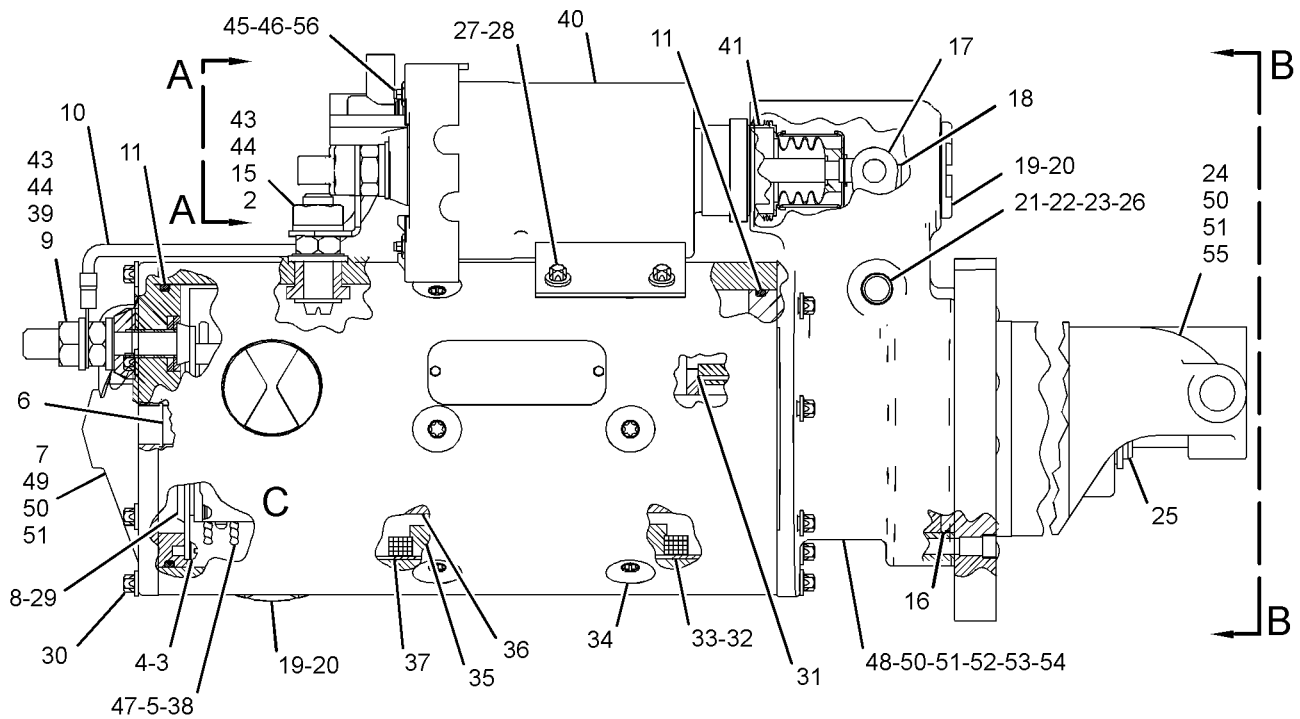
i03784531

NOTE	REF NO	GRAPHIC REF	PART NUMBER	QTY	PART NAME						SEE PAGE
					1	2	3	4	5	6 (PRODUCT LEVEL)	
		1	3R-8801	1	CLAMP						
41		1	3R-8801	1	CLAMP						
42		1	8F-1434	2	LOCKWASHER						
43		1	6V-8188	6	NUT (1/2-13-THD)						
44		1	7X-0562	6	WASHER-HARD (13.5X19X0.8-MM THK)						
45		1	4B-2049	6	NUT (10-32-THD)						
46		1	8T-0328	10	WASHER-HARD (5.5X10X1-MM THK)						
47		1	3T-9494	6	SPRING						
48		1	3E-7771	1	HOUSING AS (STARTING MOTOR)						
49		1	9G-4101	1	BUSHING-END						
50		1	3T-3424	3	PLUG-FELT						
51		1	3T-3423	3	CUP						
52		1	1M-9968	1	BUSHING						
53		1	2F-6678	1	SEAL-LIP TYPE						
54		1	4L-2729	1	WASHER (0.844X1.9X0.188-IN THK)						
55		1	4M-1896	1	BUSHING-TERMINAL						
56		1	045-4065	4	SCREW-MACHINE (10-32X0.75-IN)						
57		1	125-6537	1	INSULATOR						
58		1	125-6535	1	COVER-STARTING MOTOR						

ELECTRICAL AND STARTING SYSTEM

338-3454 STARTING MOTOR GP-ELECTRIC (contd.)

i03784531



GRAPHIC #1

<END>

g02064553

ELECTRICAL AND STARTING SYSTEM

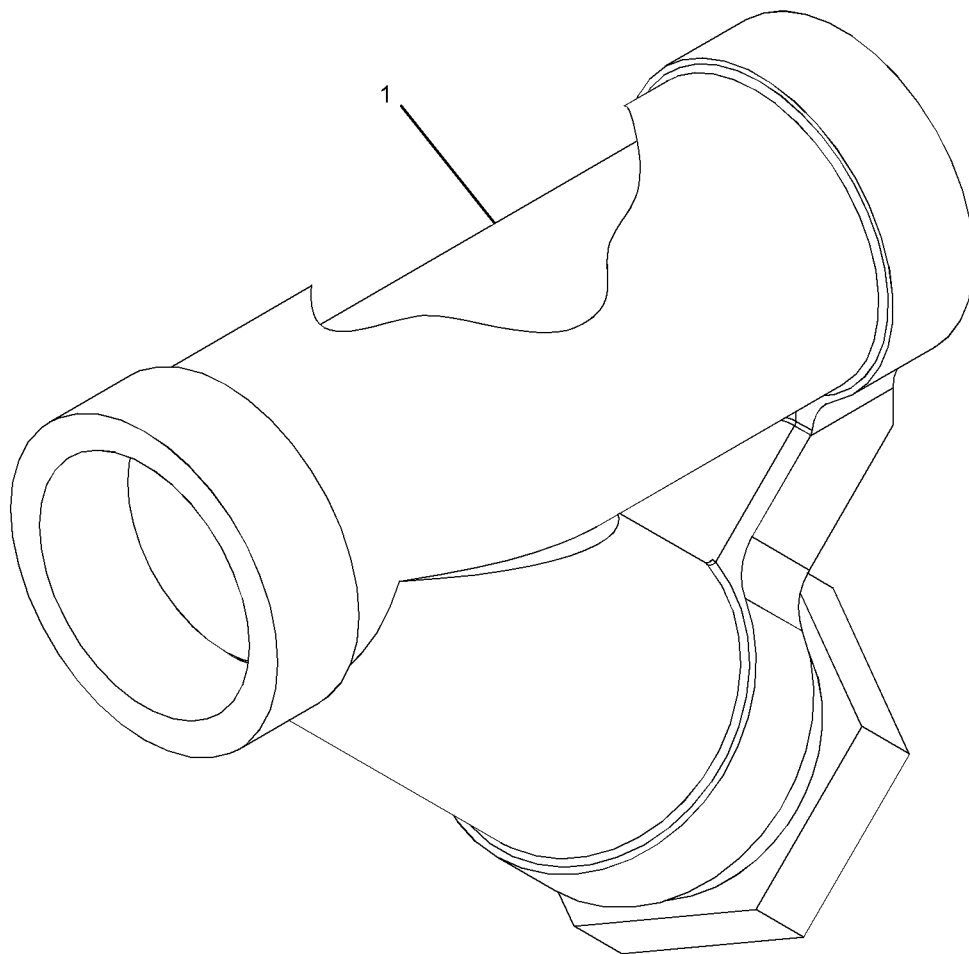
146-5215 STRAINER GP-AIR LINES

AN ATTACHMENT

SMCS-1451

i02797990

NOTE	REF NO	GRAPHIC REF	PART NUMBER	QTY	PART NAME						SEE PAGE
					1	2	3	4	5	6 (PRODUCT LEVEL)	
	1	1	146-5216	1	SCREEN-STRAINER (STARTING MOTOR AIR LINES)						



GRAPHIC #1

<END>

g01398706

ELECTRICAL AND STARTING SYSTEM

252-5149 SWITCH GP-AIR SHUTOFF

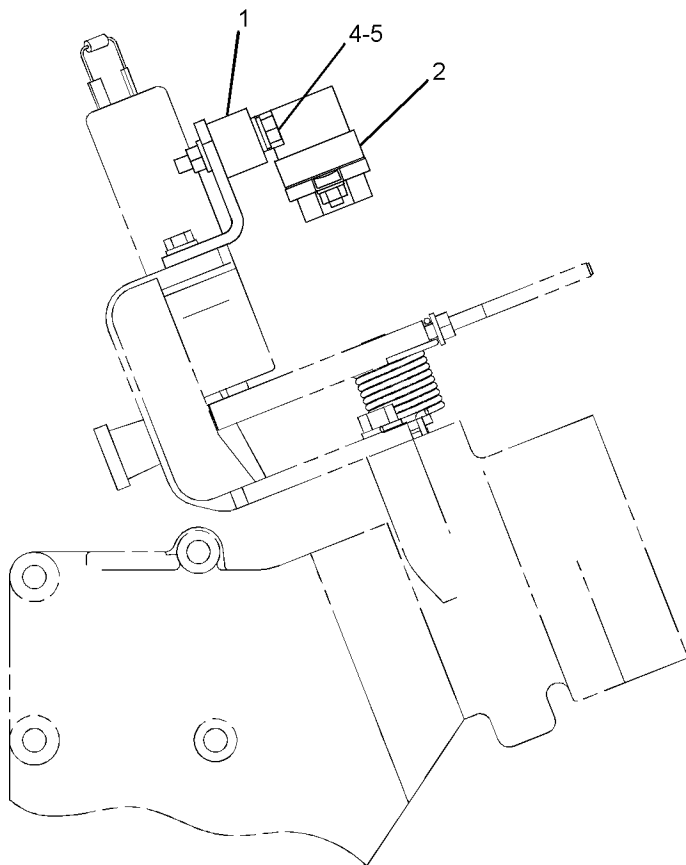
AN ATTACHMENT

SMCS-1078

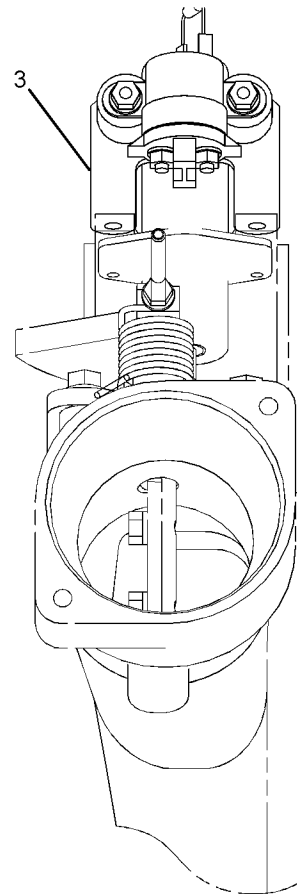
i03278581

NOTE	REF NO	GRAPHIC REF	PART NUMBER	QTY	PART NAME						SEE PAGE
					1	2	3	4	5	6 (PRODUCT LEVEL)	
	1	1	7P-7913	2	MOUNT						
Y	2	1	125-1302	1	SWITCH GP-MAGNETIC (24-VOLT) (AIR SHUTOFF)						843
	3	1	136-7829	1	BRACKET						
	4	1	6V-8185	4	NUT (1/4-20-THD)						
	5	1	8T-4205	4	WASHER-HARD (7.2X14.5X2-MM THK)						

Y-SEPARATE ILLUSTRATION



RIGHT SIDE VIEW



FRONT VIEW

GRAPHIC #1

<END>

g01089075

ELECTRICAL AND STARTING SYSTEM

125-1302 SWITCH GP-MAGNETIC

24-VOLT

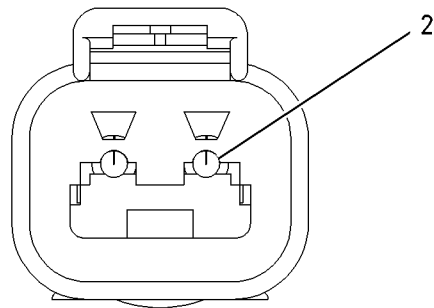
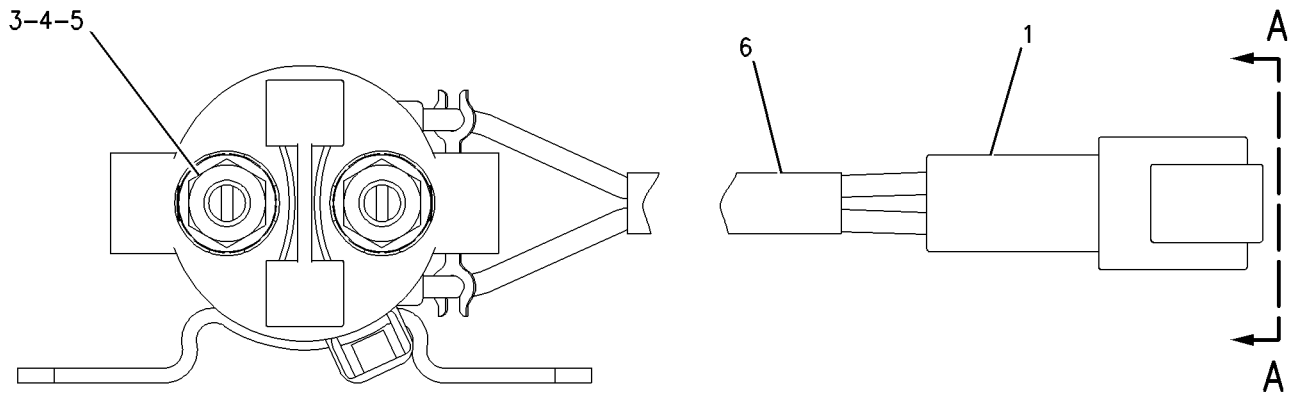
PART OF 252-5149 SWITCH GP-AIR SHUTOFF
AN ATTACHMENT

SMCS-7499

i03260001

NOTE	REF NO	GRAPHIC REF	PART NUMBER	QTY	PART NAME						SEE PAGE
					1	2	3	4	5	6 (PRODUCT LEVEL)	
	1	1	102-8802	1	KIT-RECEPTACLE (2-PIN)						
					(INCLUDES RECEPTACLE AS & WEDGE)						
	2	1	186-3735	2	PIN-CONNECTOR (16-GA TO 18-GA)						
	3	1	1H-3338	2	LOCKWASHER (EXTERNAL TOOTH)						
	4	1	012-0380	2	LOCKWASHER						
M	5	1	5C-2890	2	NUT (M6X1-THD)						
E	6	1	9X-1813		SLEEVE (16-CM)						

E-ORDER BY THE CENTIMETER
M-METRIC PART



VIEW A-A

GRAPHIC #1

<END>

g00988001

ELECTRICAL AND STARTING SYSTEM

209-5581 SWITCH GP-MAGNETIC

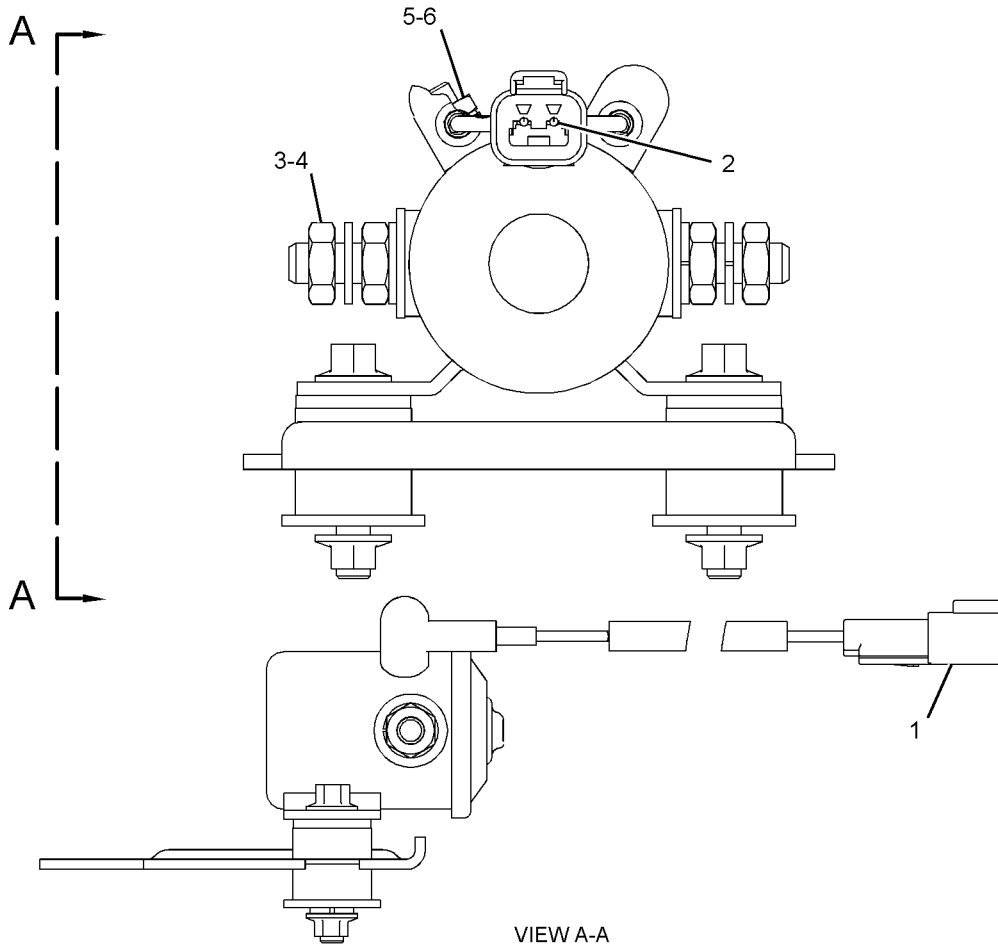
12-VOLT

PART OF 203-4623, 304-6645 CONTROL GP-AUTO START/STOP, 234-7829 CONTROL
GP-START/STOP
AN ATTACHMENT

SMCS-7499

i03761830

NOTE	REF NO	GRAPHIC REF	PART NUMBER	QTY	PART NAME						SEE PAGE
					1	2	3	4	5	6 (PRODUCT LEVEL)	
	1	1	102-8802	1	KIT-RECEPTACLE (2-PIN)						
					(INCLUDES RECEPTACLE AS AND WEDGE)						
	2	1	8T-8729	2	PIN-CONNECTOR (16-GA TO 18-GA)						
	3	1	3F-9556	2	LOCKWASHER						
	4	1	6V-8186	2	NUT-FULL (5/16-24-THD)						
	5	1	6V-8378	2	NUT (10-32-THD)						
	6	1	8F-1434	2	LOCKWASHER						



GRAPHIC #1

<END>

g01259434

ELECTRICAL AND STARTING SYSTEM

209-5582 SWITCH GP-MAGNETIC

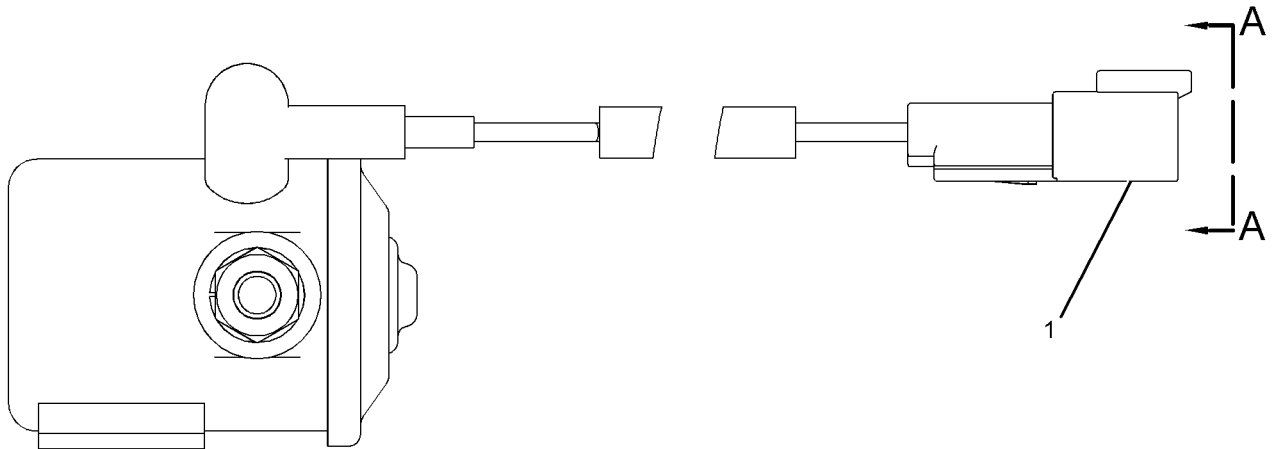
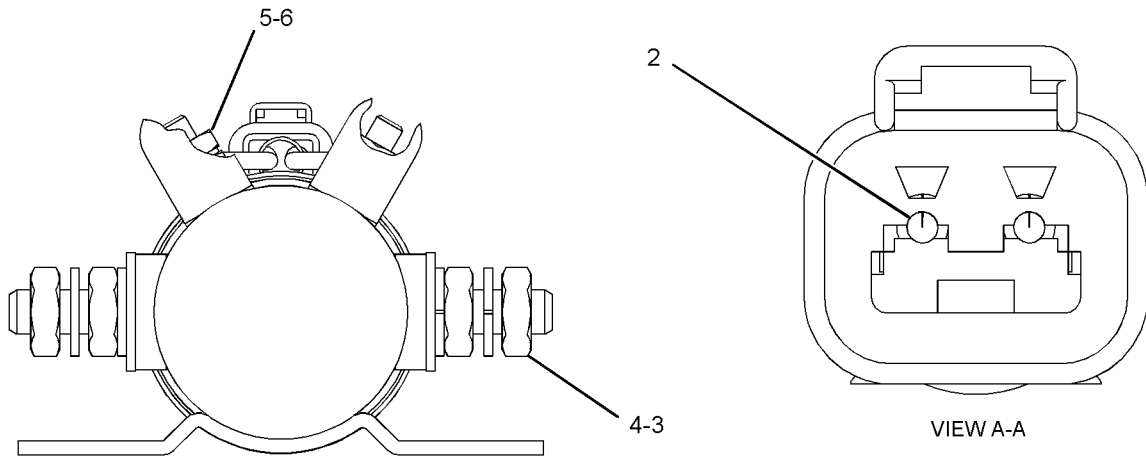
24-VOLT

PART OF 203-4624, 304-6646 CONTROL GP-AUTO START/STOP, 234-7828 CONTROL
GP-START/STOP
AN ATTACHMENT

SMCS-7499

i03753277

NOTE	REF NO	GRAPHIC REF	PART NUMBER	QTY	PART NAME						SEE PAGE
					1	2	3	4	5	6 (PRODUCT LEVEL)	
	1	1	102-8802	1	KIT-RECEPTACLE (2-PIN)						
					(INCLUDES RECEPTACLE AS & WEDGE)						
	2	1	8T-8729	2	PIN-CONNECTOR (16-GA TO 18-GA)						
	3	1	3F-9556	2	LOCKWASHER						
	4	1	6V-8186	2	NUT-FULL (5/16-24-THD)						
	5	1	6V-8378	2	NUT (10-32-THD)						
	6	1	8F-1434	2	LOCKWASHER						



GRAPHIC #1

<END>

g01279452

ELECTRICAL AND STARTING SYSTEM

1L-5011 VALVE GP-AIR STARTING
 REQUIRED WHEN AIR SUPPLY PRESSURE EXCEEDS 1034 KPA.
 REGULATING AND PRESSURE REDUCING
 FOR USE WITH AIR STARTING MOTOR
 AN ATTACHMENT

SMCS-1462

i02900289

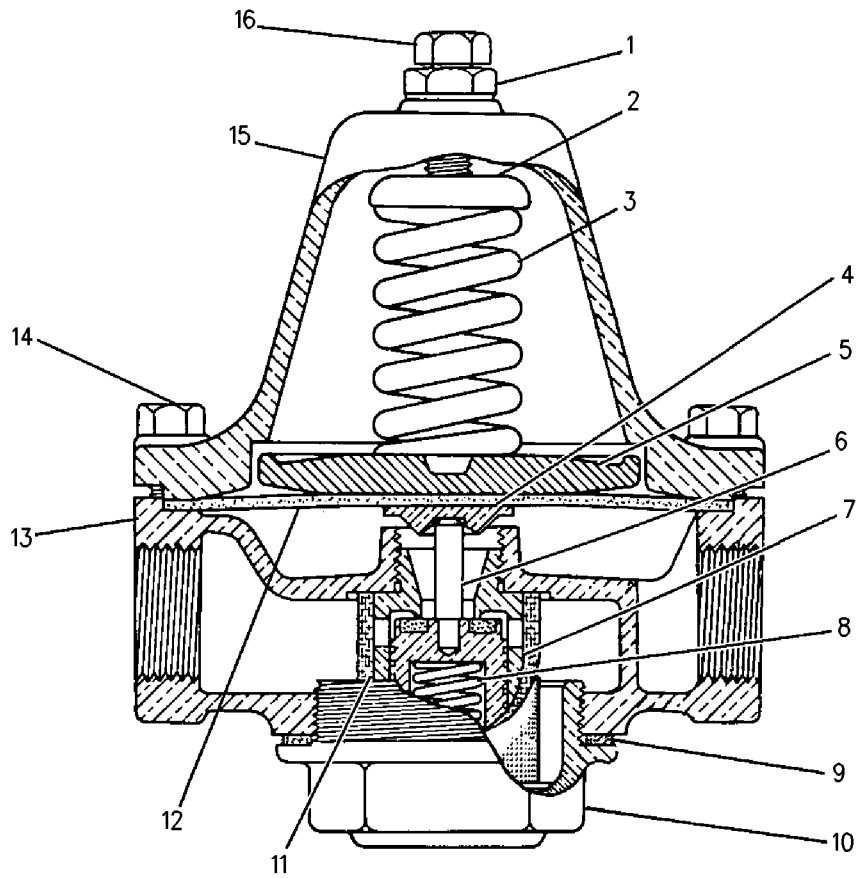
NOTE	REF NO	GRAPHIC REF	PART NUMBER	QTY	PART NAME						SEE PAGE
					1	2	3	4	5	6 (PRODUCT LEVEL)	
	1	1	1L-9048	1	NUT-PLATED JAM (7/16-14-THD)						
	2	1	1H-9569	1	BUTTON-SPRING						
	3	1	1L-9049	1	SPRING-PRESSURE						
	4	1	1L-9060	1	BUTTON						
	5	1	1H-9572	1	PLATE-PRESSURE						
	6	1	1L-9064	1	PISTON AS						
	7	1	7L-8705	1	CYLINDER						
	8	1	1L-9067	1	SPRING-PISTON						
	9	1	1H-9580	1	GASKET-PLUG						
	10	1	1L-9069	1	PLUG AS						
	11	1	1L-9066	1	SCREEN-STRAINER (AIR STARTING VALVE)						
	12	1	1L-9063	1	DIAPHRAGM						
	13	1	1L-9068	1	BODY-VALVE						
	14	1	1L-9062	6	BOLT (3/8-24X1.5-IN)						
		1	1L-9061	6	NUT-PLATED FULL (3/8-24-THD)						
	15	1	1L-9059	1	HOUSING-SPRING						
C	16	1	0T-0320	1	BOLT (7/16-14X1.25-IN)						

C-CHANGE FROM PREVIOUS TYPE

ELECTRICAL AND STARTING SYSTEM

1L-5011 VALVE GP-AIR STARTING (contd.)

i02900289



GRAPHIC #1

<END>

g00741516

ELECTRICAL AND STARTING SYSTEM

244-5850 WIRING GP-ELECTRONIC CONTROL

RH SERVICE
AN ATTACHMENT
TYPE 1

SMCS-1408, 1900

i03124507

NOTE	REF NO	GRAPHIC REF	PART NUMBER	QTY	PART NAME						SEE PAGE
					1	2	3	4	5	6 (PRODUCT LEVEL)	
B	1	1,2	3S-2093	25	STRAP-CABLE						
	2	1	4H-1225	2	WASHER (11X22X6-MM THK)						
	3	1	117-0067	2	ELBOW						
	4	1	130-9811	1	SENSOR GP-TEMPERATURE (COOLANT)						
	4A	1	130-9811	1	SENSOR GP-TEMPERATURE (INLET AIR)						
	4B	1	130-9811	1	SENSOR GP-TEMPERATURE (FUEL)						
	4C	1	130-9811	1	SENSOR GP-TEMPERATURE (FUEL OUTLET)						
	5	1	132-9770	1	SPACER AS						
		1	1W-6448	2	DOWEL						
	6	1	161-1705	1	SENSOR AS-PRESSURE (ENGINE OIL)						
	6A	2	161-1705	1	SENSOR AS-PRESSURE (FUEL)						
Y	7	1	204-2518	1	SENSOR GP-LIQUID LEVEL						784
	8	1	202-2090	1	HARNESS AS-ENGINE (ENGINE ECM, J2)						
		1	102-8802	2	KIT-RECEPTACLE (2-PIN) (INCLUDES RECEPTACLE AS AND WEDGE)						
		1	102-8803	2	KIT-RECEPTACLE (3-PIN) (INCLUDES RECEPTACLE AS AND WEDGE)						
		1	155-2255	1	KIT-CONNECTING PLUG (12-PIN) (INCLUDES PLUG AS AND WEDGE)						
		1	155-2260	5	KIT-CONNECTING PLUG (3-PIN) (INCLUDES PLUG AS AND WEDGE)						
		1	155-2270	6	KIT-CONNECTING PLUG (2-PIN) (INCLUDES PLUG AS AND WEDGE)						
	9	1	202-2091	1	HARNESS AS-ENGINE (ENGINE ECM, J1)						
		1	155-2255	1	KIT-CONNECTING PLUG (12-PIN) (INCLUDES PLUG AS AND WEDGE)						
		1	102-8805	1	KIT-RECEPTACLE (6-PIN) (INCLUDES PLUG AS AND WEDGE)						
	10	1	203-9610	1	HARNESS AS-WIRING (JUMPER) (FUEL PRESSURE SENSOR)						
		1	155-2260	1	KIT-CONNECTING PLUG (3-PIN) (INCLUDES PLUG AS AND WEDGE)						
		1	102-8803	1	KIT-RECEPTACLE (3-PIN) (INCLUDES RECEPTACLE AS AND WEDGE)						
	11	1	211-6833	1	BRACKET AS						
		1	7C-2644	1	CLIP						
		1	8C-3334	2	RIVET-TUBULAR						
	12	1	244-2628	1	HARNESS AS-ENGINE (PANEL INTERCONNECT)						
		1	102-8801	1	KIT-RECEPTACLE (12-PIN) (INCLUDES RECEPTACLE AS AND WEDGE)						
		1	155-2255	1	KIT-CONNECTING PLUG (12-PIN) (INCLUDES PLUG AS AND WEDGE)						
	13	1	0S-0509	1	BOLT (3/8-16X0.75-IN)						
	14	1	0S-1588	3	BOLT (3/8-16X1.25-IN)						
	15	1	0S-1591	1	BOLT (3/8-16X1.5-IN)						
	16	1	0T-0102	1	BOLT (3/8-16X0.625-IN)						
	17	1	104-6202	2	CLIP						
	18	1,2	132-5789	3	CLIP						
	19	1	188-7513	1	SENSOR GP-SPEED (TIMING-SECONDARY)						
	20	1	189-9266	1	SENSOR GP-SPEED (TIMING-PRIMARY)						
	21	1	1A-2029	2	BOLT (3/8-16X1.125-IN)						
Y	22	1	218-3840	1	SENSOR GP-PRESSURE (INLET MANIFOLD)						789
	23	1	2H-3755	2	BOLT (5/16-18X0.43-IN)						
	24	1	3P-0647	2	SEAL-O-RING						
	25	1	3P-1155	1	SEAL-O-RING						

ELECTRICAL AND STARTING SYSTEM

244-5850 WIRING GP-ELECTRONIC CONTROL (contd.)

i03124507

NOTE	REF NO	GRAPHIC REF	PART NUMBER	QTY	PART NAME						SEE PAGE
					1	2	3	4	5	6 (PRODUCT LEVEL)	
	26	1	4B-5324	4	WASHER (3.9X9.6X1.2-MM THK)						
	27	1	4P-7581	4	CLIP						
	28	1,2	4P-8134	7	CLIP						
	29	1	5M-2894	9	WASHER-HARD (10.2X18.5X2.5-MM THK)						
	30	1	5P-8247	1	WASHER-HARD (17X32X3.5-MM THK)						
	31	1	6F-7316	1	BOLT (5/8-18X1-IN)						
	32	1	6V-5048	5	SEAL-O-RING						
	33	1	6V-5049	1	SEAL-O-RING						
	34	1	6V-6609	1	SEAL-O-RING						
	35	1	8L-2786	3	SEAL-O-RING						
	36	1	8T-4896	1	WASHER-HARD (10.2X18.5X2.5-MM THK)						
	37	1	9M-1974	2	WASHER-HARD (8.8X16X2-MM THK)						
	38	1	9S-8752	2	NUT-FULL (3/8-16-THD)						
	39	1	9X-0261	1	ADAPTER						
	40	1	9X-6258	4	SCREW-MACHINE (6-32X0.5-IN)						

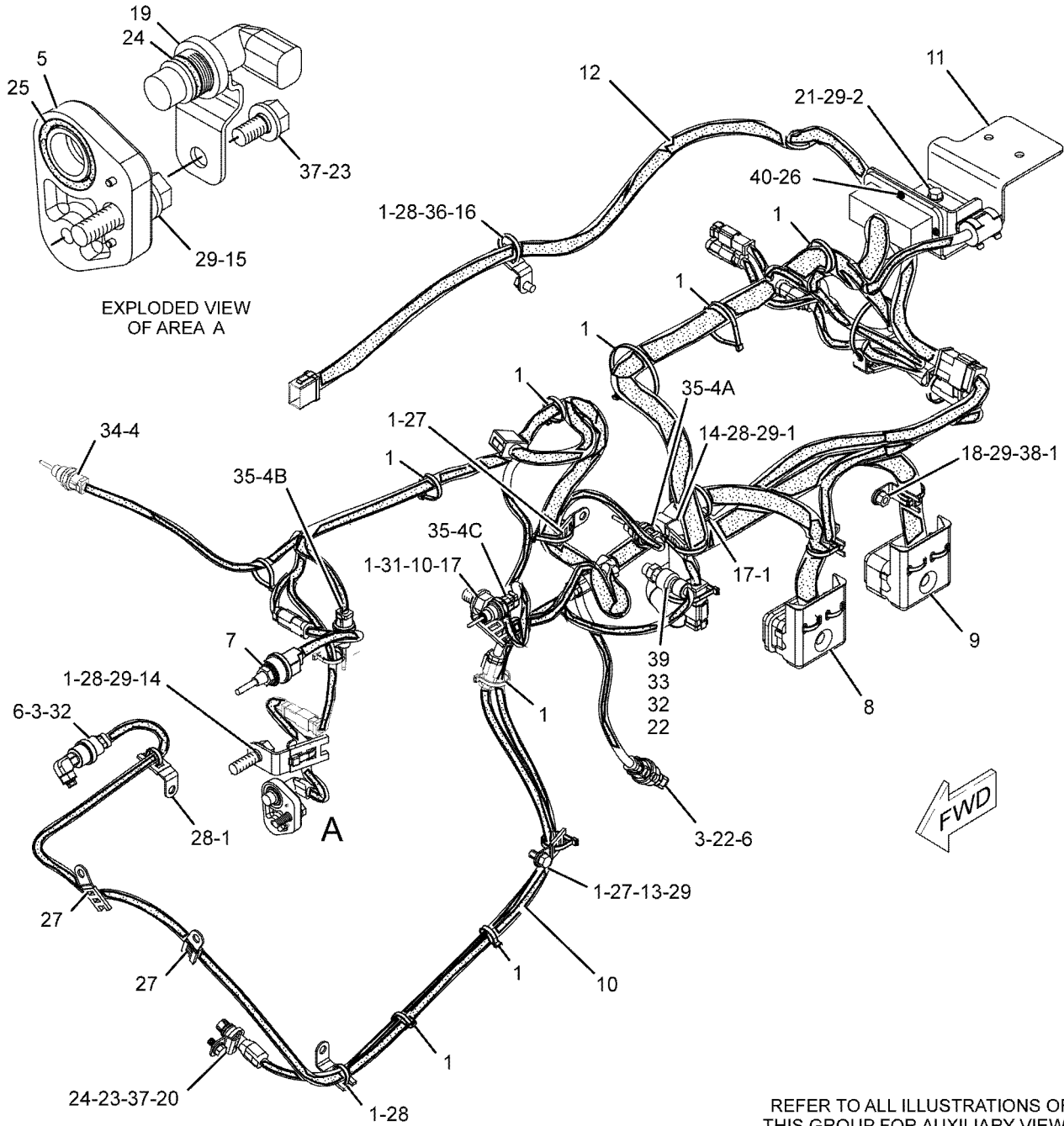
B-USE AS REQUIRED

Y-SEPARATE ILLUSTRATION

ELECTRICAL AND STARTING SYSTEM

244-5850 WIRING GP-ELECTRONIC CONTROL (contd.)

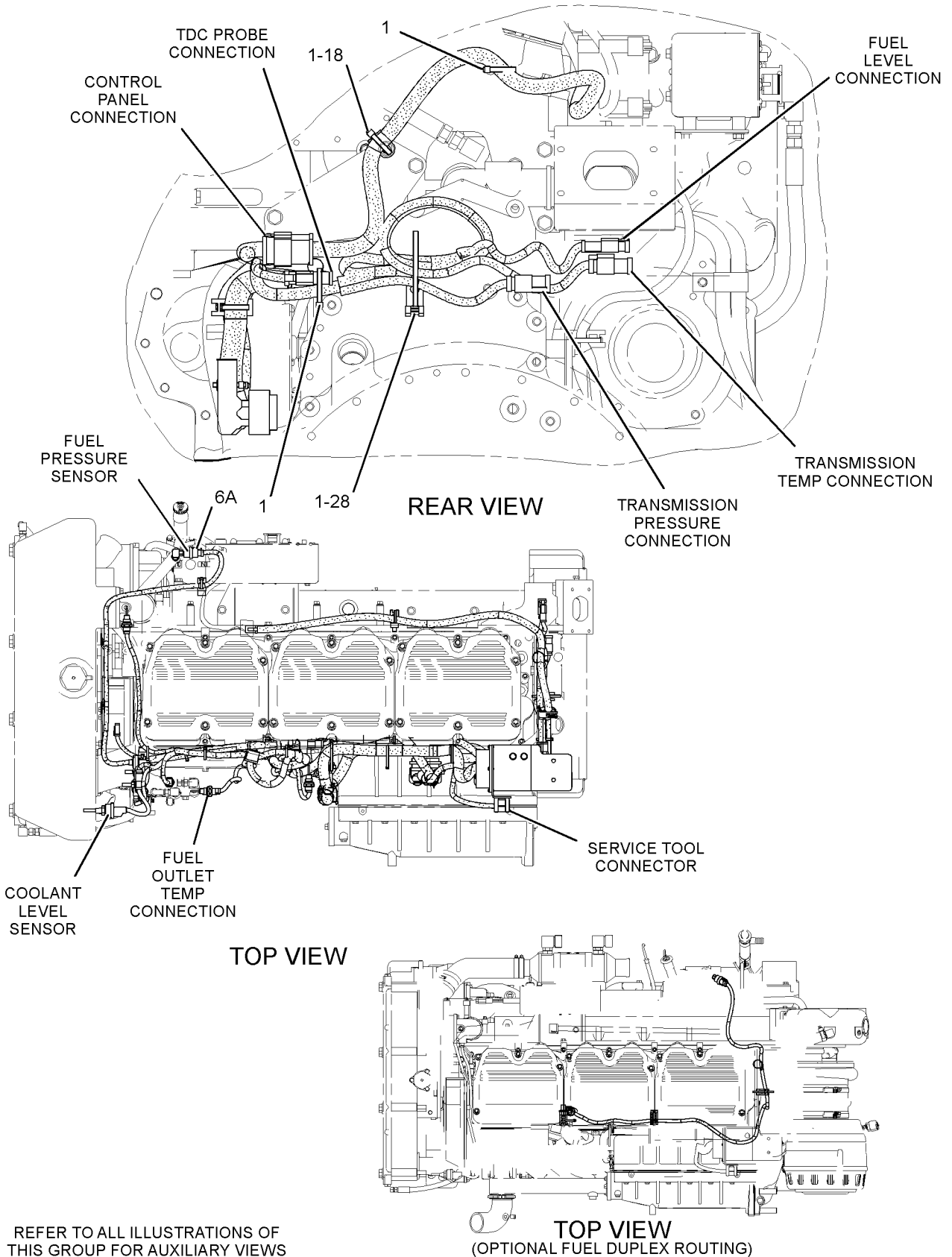
i03124507



ELECTRICAL AND STARTING SYSTEM

244-5850 WIRING GP-ELECTRONIC CONTROL (contd.)

i03124507



REFER TO ALL ILLUSTRATIONS OF THIS GROUP FOR AUXILIARY VIEWS

GRAPHIC #2

<END>

g01599535

ELECTRICAL AND STARTING SYSTEM

244-5850 WIRING GP-ELECTRONIC CONTROL

RH SERVICE
AN ATTACHMENT
TYPE 2

SMCS-1408, 1900

i03602314

NOTE	REF NO	GRAPHIC REF	PART NUMBER	QTY	PART NAME						SEE PAGE
					1	2	3	4	5	6 (PRODUCT LEVEL)	
BC	1	1,2	3S-2093	27	STRAP-CABLE						
	2	1	132-9770	1	SPACER AS						
		1	1W-6448	2	DOWEL						
	3	1	161-1705	1	SENSOR AS-PRESSURE (ENGINE OIL)						
	3A	1	161-1705	1	SENSOR AS-PRESSURE (FUEL)						
	4	1	202-2090	1	HARNESS AS-ENGINE (ENGINE ECM, J2)						
		1	102-8802	1	KIT-RECEPTACLE (2-PIN) (INCLUDES RECEPTACLE AS, WEDGE, & INTERFACE SEAL)						
		1	102-8803	1	KIT-RECEPTACLE (3-PIN) (INCLUDES RECEPTACLE AS, WEDGE, & INTERFACE SEAL)						
		1	155-2255	1	KIT-CONNECTING PLUG (12-PIN) (INCLUDES PLUG AS, WEDGE, & INTERFACE SEAL)						
		1	155-2260	1	KIT-CONNECTING PLUG (3-PIN) (INCLUDES PLUG AS, WEDGE, & INTERFACE SEAL)						
		1	155-2270	1	KIT-CONNECTING PLUG (2-PIN) (INCLUDES PLUG AS, WEDGE, & INTERFACE SEAL)						
		1	3S-2093	2	STRAP-CABLE						
		1	6I-4347	14	BOOT (4-PIN)						
		1	6I-4348	1	BOOT (40-PIN)						
		1	8T-8737	50	PLUG-SEAL						
		1	115-5674	1	BOOT (UNIT INJECTOR)						
		1	125-7874		TUBE-HEAT SHRINK (5.72-MM DIA) (5-CM)						
		1	125-7875		TUBE-HEAT SHRINK (7.44-MM DIA) (20-CM)						
		1	126-1774	1	COVER-CONNECTOR						
		1	160-7690	1	PLUG AS-CONNECTOR (70-PIN)						
		1	159-9322	1	SEAL-O-RING						
		1	180-9340	68	SOCKET-CONNECTOR (14-GA TO 18-GA)						
	5	1	202-2091	1	HARNESS AS-ENGINE (ENGINE ECM, J1)						
		1	155-2255	1	KIT-CONNECTING PLUG (12-PIN) (INCLUDES PLUG AS, WEDGE, & INTERFACE SEAL)						
		1	102-8805	1	KIT-RECEPTACLE (6-PIN) (INCLUDES RECEPTACLE AS, WEDGE, & INTERFACE SEAL)						
		1	3S-2093	3	STRAP-CABLE						
		1	6I-4347	1	BOOT (4-PIN)						
		1	6I-4348	1	BOOT (40-PIN)						
		1	8C-6354	1	CAP-RECEPTACLE						
		1	8T-8736	1	RECEPTACLE-CONNECTOR (9-PIN)						
		1	8T-8737	70	PLUG-SEAL						
		1	103-0213	1	RECEPTACLE AS-CONNECTOR (70-PIN)						
		1	115-5674	2	BOOT (UNIT INJECTOR)						
		1	125-7874		TUBE-HEAT SHRINK (5.72-MM DIA) (70-CM)						
		1	125-7875		TUBE-HEAT SHRINK (7.44-MM DIA) (25-CM)						
		1	125-7876		TUBE-HEAT SHRINK (17.78-MM DIA) (20-CM)						
		1	126-1767	15	PIN-CONNECTOR (14-GA TO 16-GA)						
		1	126-1768	16	SOCKET-CONNECTOR (14-GA)						
		1	126-1774	1	COVER-CONNECTOR						
		1	133-0967	3	PIN-CONNECTOR (16-GA TO 18-GA)						
		1	133-0969	1	CONNECTOR-SOCKET (16-GA TO 18-GA)						
		1	160-7689	1	PLUG AS-CONNECTOR (70-PIN)						

ELECTRICAL AND STARTING SYSTEM

244-5850 WIRING GP-ELECTRONIC CONTROL (contd.)

i03602314

NOTE	REF NO	GRAPHIC REF	PART NUMBER	QTY	PART NAME						SEE PAGE
					1	2	3	4	5	6 (PRODUCT LEVEL)	
		1	159-9322	1	SEAL-O-RING						
		1	180-9340	30	SOCKET-CONNECTOR (14-GA TO 18-GA)						
		1	208-0432	1	PLUG						
	6	1	203-9610	1	HARNES AS-WIRING (JUMPER) (FUEL PRESSURE SENSOR)						
		1	155-2260	1	KIT-CONNECTING PLUG (3-PIN) (INCLUDES PLUG AS, WEDGE, & INTERFACE SEAL)						
		1	102-8803	1	KIT-RECEPTACLE (3-PIN) (INCLUDES RECEPTACLE AS, WEDGE, & INTERFACE SEAL)						
		1	6I-4347	2	BOOT (4-PIN)						
		1	180-9340	3	SOCKET-CONNECTOR (14-GA TO 18-GA)						
Y	7	1	204-2518	1	SENSOR GP-LIQUID LEVEL						784
	8	1	211-6833	1	BRACKET AS						
		1	7C-2644	1	CLIP						
		1	8C-3334	2	RIVET-TUBULAR						
Y	9	1	218-3840	1	SENSOR GP-PRESSURE (INLET MANIFOLD)						789
	10	1	244-2628	1	HARNES AS-ENGINE (PANEL INTERCONNECT)						
		1	102-8801	1	KIT-RECEPTACLE (12-PIN) (INCLUDES RECEPTACLE AS, WEDGE, & INTERFACE SEAL)						
		1	155-2255	1	KIT-CONNECTING PLUG (12-PIN) (INCLUDES PLUG AS, WEDGE, & INTERFACE SEAL)						
		1	115-5674	2	BOOT (UNIT INJECTOR)						
		1	126-1767	5	PIN-CONNECTOR (14-GA TO 16-GA)						
		1	126-1768	5	SOCKET-CONNECTOR (14-GA)						
		1	180-9340	7	SOCKET-CONNECTOR (14-GA TO 18-GA)						
C	11	1	264-4297	1	SENSOR GP-TEMPERATURE (COOLANT)						
C	11A	1	264-4297	1	SENSOR GP-TEMPERATURE (INLET AIR)						
C	11B	1	264-4297	1	SENSOR GP-TEMPERATURE (FUEL)						
C	11C	1	264-4297	1	SENSOR GP-TEMPERATURE (FUEL OUTLET)						
C	12	1	0S-0509	2	BOLT (3/8-16X0.75-IN)						
C	13	1	0S-1588	1	BOLT (3/8-16X1.25-IN)						
	14	1	0S-1591	1	BOLT (3/8-16X1.5-IN)						
	15	1	0T-0102	1	BOLT (3/8-16X0.625-IN)						
	16	1	104-6202	2	CLIP						
	17	1	117-0067	2	ELBOW						
C	18	1,2	132-5789	4	CLIP						
	19	1	188-7513	1	SENSOR GP-SPEED (TIMING-SECONDARY)						
	20	1	189-9266	1	SENSOR GP-SPEED (TIMING-PRIMARY)						
	21	1	1A-2029	2	BOLT (3/8-16X1.125-IN)						
C	22	1	223-1624	1	ELBOW						
	23	1	2H-3755	2	BOLT (5/16-18X0.43-IN)						
	24	1	3P-0647	2	SEAL-O-RING						
	25	1	3P-1155	1	SEAL-O-RING						
	26	1	4B-5324	4	WASHER (3.9X9.6X1.2-MM THK)						
	27	1	4H-1225	2	WASHER (11X22X6-MM THK)						
	28	1	4P-7581	4	CLIP						
C	29	1,2	4P-8134	6	CLIP						
C	30	1	5M-2894	10	WASHER-HARD (10.2X18.5X2.5-MM THK)						
C	31	1	5P-8247	2	WASHER-HARD (17X32X3.5-MM THK)						
C	32	1	6F-7316	2	BOLT (5/8-18X1-IN)						
	33	1	6V-5048	5	SEAL-O-RING						
	34	1	6V-5049	1	SEAL-O-RING						
	35	1	6V-6609	1	SEAL-O-RING						
	36	1	8L-2786	3	SEAL-O-RING						
	37	1	8T-4896	1	WASHER-HARD (10.2X18.5X2.5-MM THK)						
	38	1	9M-1974	2	WASHER-HARD (8.8X16X2-MM THK)						

ELECTRICAL AND STARTING SYSTEM

244-5850 WIRING GP-ELECTRONIC CONTROL (contd.)

i03602314

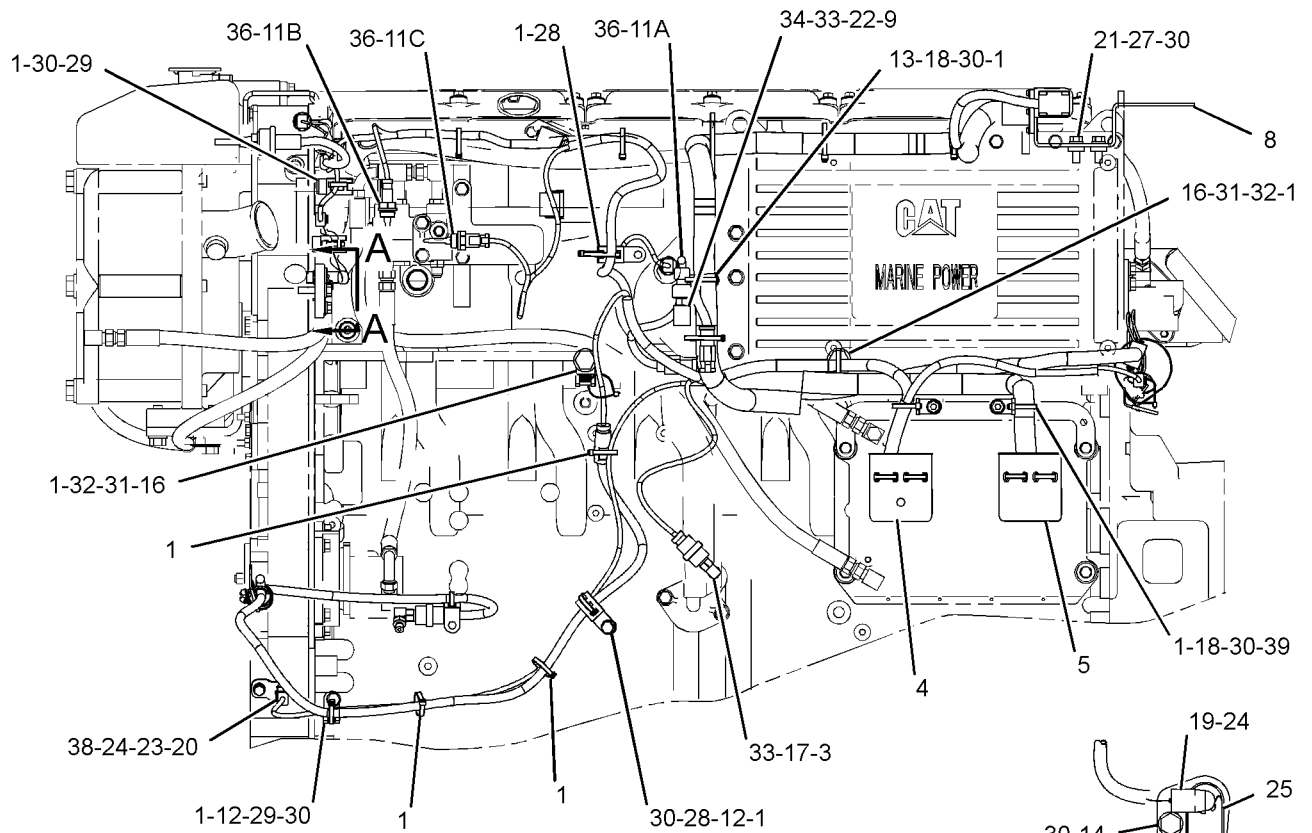
NOTE	REF NO	GRAPHIC REF	PART NUMBER	QTY	PART NAME	SEE PAGE
					1 2 3 4 5 6 (PRODUCT LEVEL)	
	39	1	9S-8752	2	NUT-FULL (3/8-16-THD)	
	40	1	9X-6258	4	SCREW-MACHINE (6-32X0.5-IN)	

B-USE AS REQUIRED
C-CHANGE FROM PREVIOUS TYPE
Y-SEPARATE ILLUSTRATION

ELECTRICAL AND STARTING SYSTEM

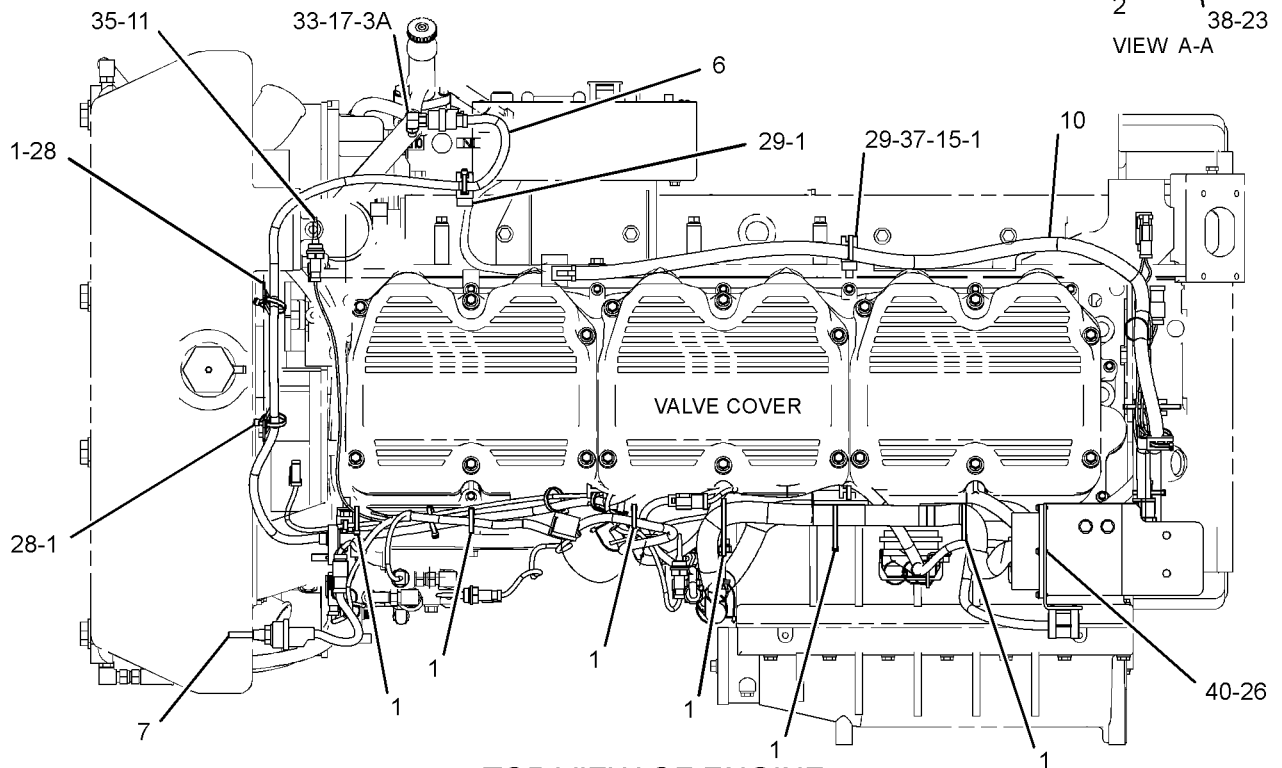
244-5850 WIRING GP-ELECTRONIC CONTROL (contd.)

i03602314



LEFT SIDE VIEW OF ENGINE

VIEW A-A



TOP VIEW OF ENGINE

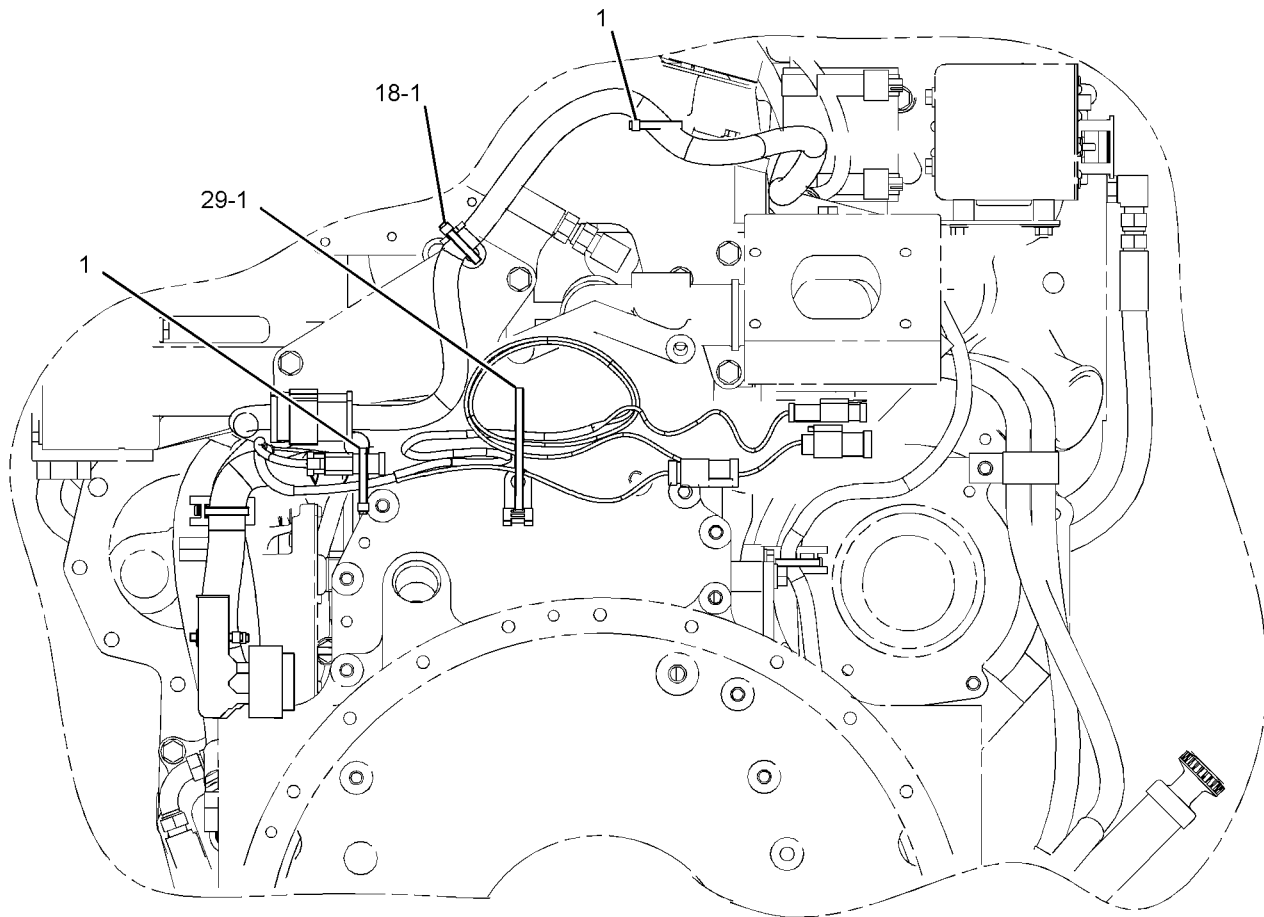
GRAPHIC #1

g01943463

ELECTRICAL AND STARTING SYSTEM

244-5850 WIRING GP-ELECTRONIC CONTROL (contd.)

i03602314



REAR VIEW OF ENGINE

GRAPHIC #2

<END>

g01943464

ELECTRICAL AND STARTING SYSTEM

202-2085 WIRING GP-ENGINE

FOR USE WITH RH SERVICE ENGINE

AN ATTACHMENT

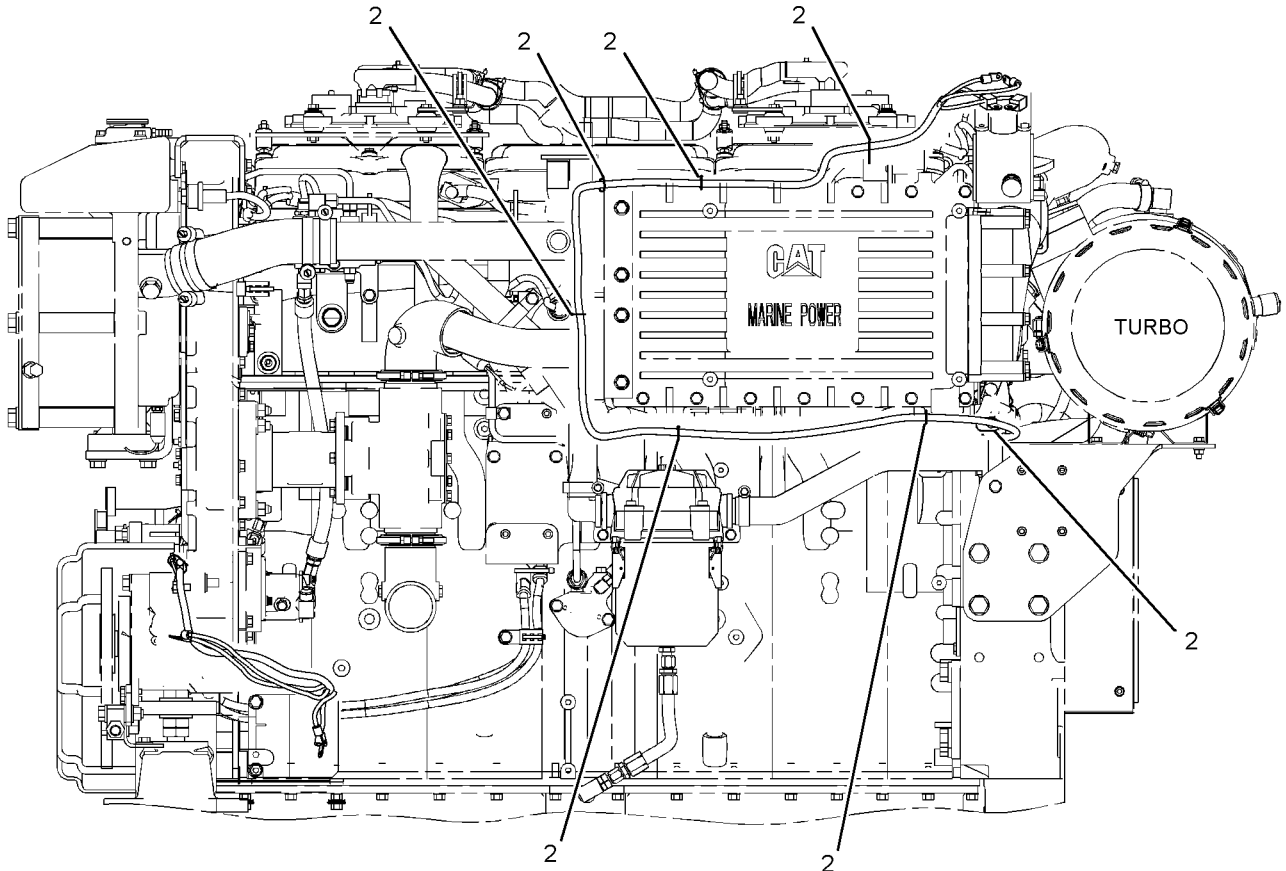
TYPE 1

SMCS-1000, 1408

i02668543

NOTE	REF NO	GRAPHIC REF	PART NUMBER	QTY	PART NAME						SEE PAGE
					1	2	3	4	5	6 (PRODUCT LEVEL)	
	1	2	2L-0273	2	FITTING (RUBBER) (ALTERNATOR)						
B	2	1,2	6K-0806	14	STRAP-CABLE						
	3	2	8N-0869	1	COVER-TERMINAL (RED) (STARTER)						
	4	2	9G-8909	1	COVER-TERMINAL (BLACK) (STARTER)						
	5	2	202-2086	1	HARNESS AS-ENGINE						
		2	127-5485	2	PLUG AS-CONNECTOR (1-PIN)						
		2	127-5486	2	RECEPTACLE AS-CONNECTOR (1-PIN)						
	6	2	OS-0509	2	BOLT (3/8-16X0.75-IN)						
	7	2	OS-1594	2	BOLT (3/8-16X1-IN)						
	8	2	OS-1617	1	BOLT (5/16-18X0.75-IN)						
	9	2	4L-9337	1	BOLT (3/8-16X1.5-IN)						
	10	2	4P-7581	2	CLIP						
	11	2	4P-8134	4	CLIP						
	12	2	5M-2894	6	WASHER-HARD (10.2X18.5X2.5-MM THK)						
	13	2	8T-4896	1	WASHER-HARD (10.2X18.5X2.5-MM THK)						
	14	2	9M-1974	1	WASHER-HARD (8.8X16X2-MM THK)						
	15	2	9S-8752	2	NUT-FULL (3/8-16-THD)						

B-USE AS REQUIRED



REFER TO ALL ILLUSTRATIONS OF THIS GROUP FOR AUXILIARY VIEWS

LEFT SIDE VIEW

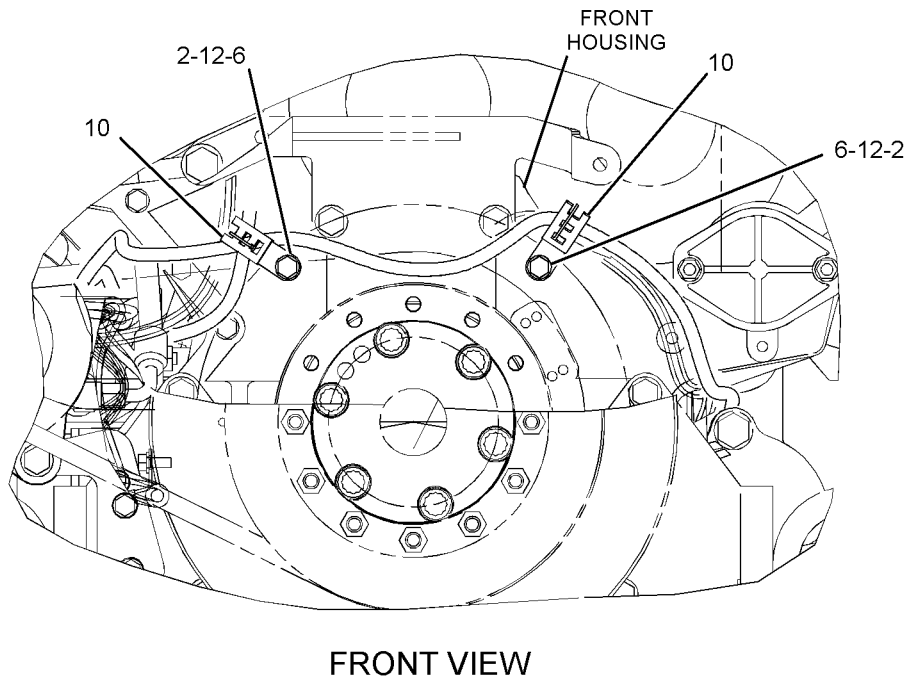
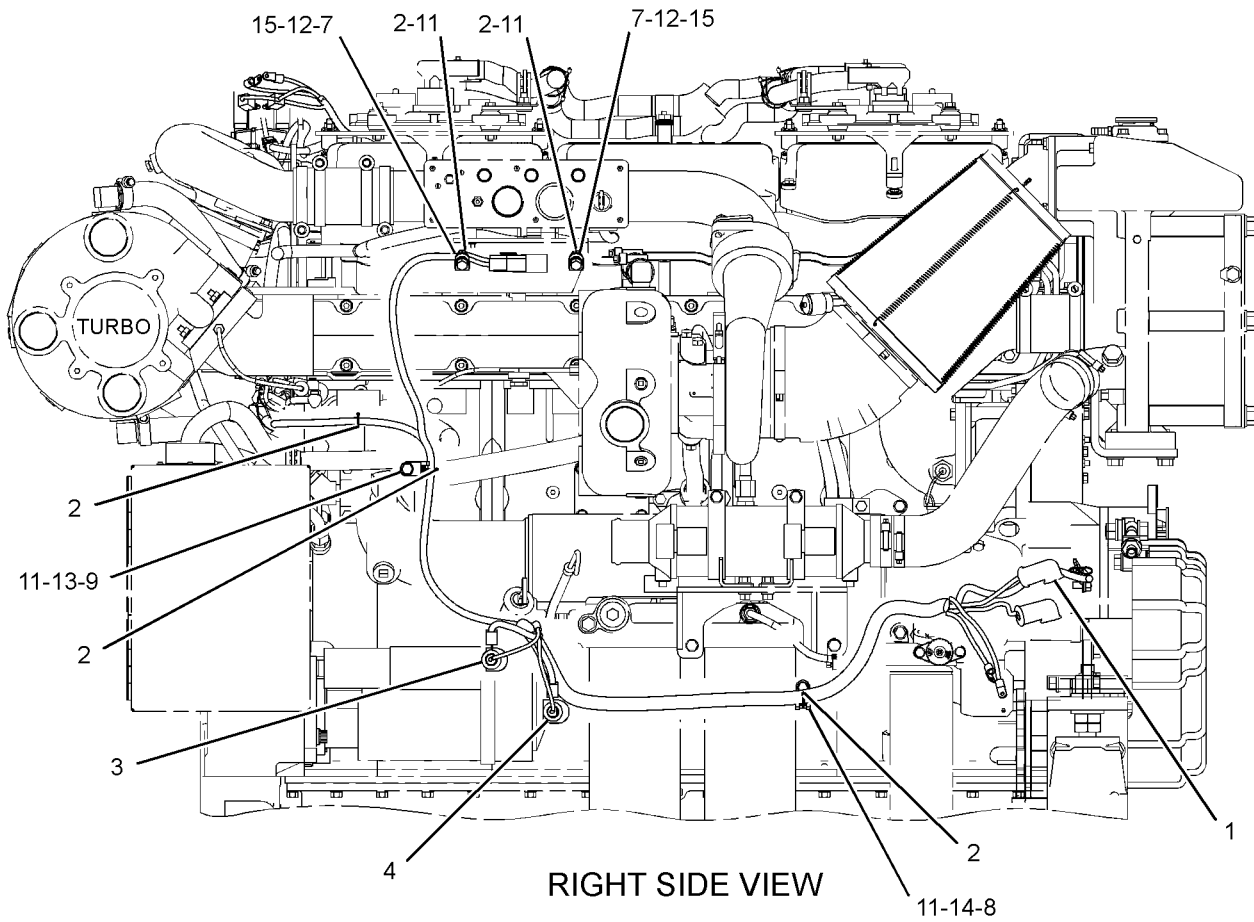
GRAPHIC #1

g01203884

ELECTRICAL AND STARTING SYSTEM

202-2085 WIRING GP-ENGINE (contd.)

i02668543



GRAPHIC #2

<END>

g01203875

ELECTRICAL AND STARTING SYSTEM

202-2085 WIRING GP-ENGINE

FOR USE WITH RH SERVICE ENGINE

AN ATTACHMENT

TYPE 2

SMCS-1000, 1408

i03601486

NOTE	REF NO	GRAPHIC REF	PART NUMBER	QTY	PART NAME						SEE PAGE
					1	2	3	4	5	6 (PRODUCT LEVEL)	
	1	2	2L-0273	2	FITTING (RUBBER) (ALTERNATOR)						
BC	2	1,2	6K-0806	10	STRAP-CABLE						
	3	2	8N-0869	1	COVER-TERMINAL (RED) (STARTER)						
	4	2	9G-8909	1	COVER-TERMINAL (BLACK) (STARTER)						
	5	1	202-2086	1	HARNESS AS-ENGINE						
		1	127-5485	2	PLUG AS-CONNECTOR (1-PIN)						
		1	127-5486	2	RECEPTACLE AS-CONNECTOR (1-PIN)						
		1	177-9648	1	KIT-CONNECTING PLUG (2-PIN)						
					(INCLUDES PLUG AS, WEDGE, & INTERFACE SEAL)						
		1	7T-0094	4	SOCKET-CONNECTOR						
		1	8N-1543	2	SOCKET-CONNECTOR (10-GA)						
		1	8N-1542	2	PIN-CONNECTOR (10-GA)						
	6	2	4L-9337	1	BOLT (3/8-16X1.5-IN)						
C	7	2	4M-0061	1	BOLT (5/16-18X0.75-IN)						
C	8	2	4P-8134	2	CLIP						
C	9	2	8T-4224	1	WASHER-HARD (8.8X16X2-MM THK)						
	10	2	8T-4896	1	WASHER-HARD (10.2X18.5X2.5-MM THK)						

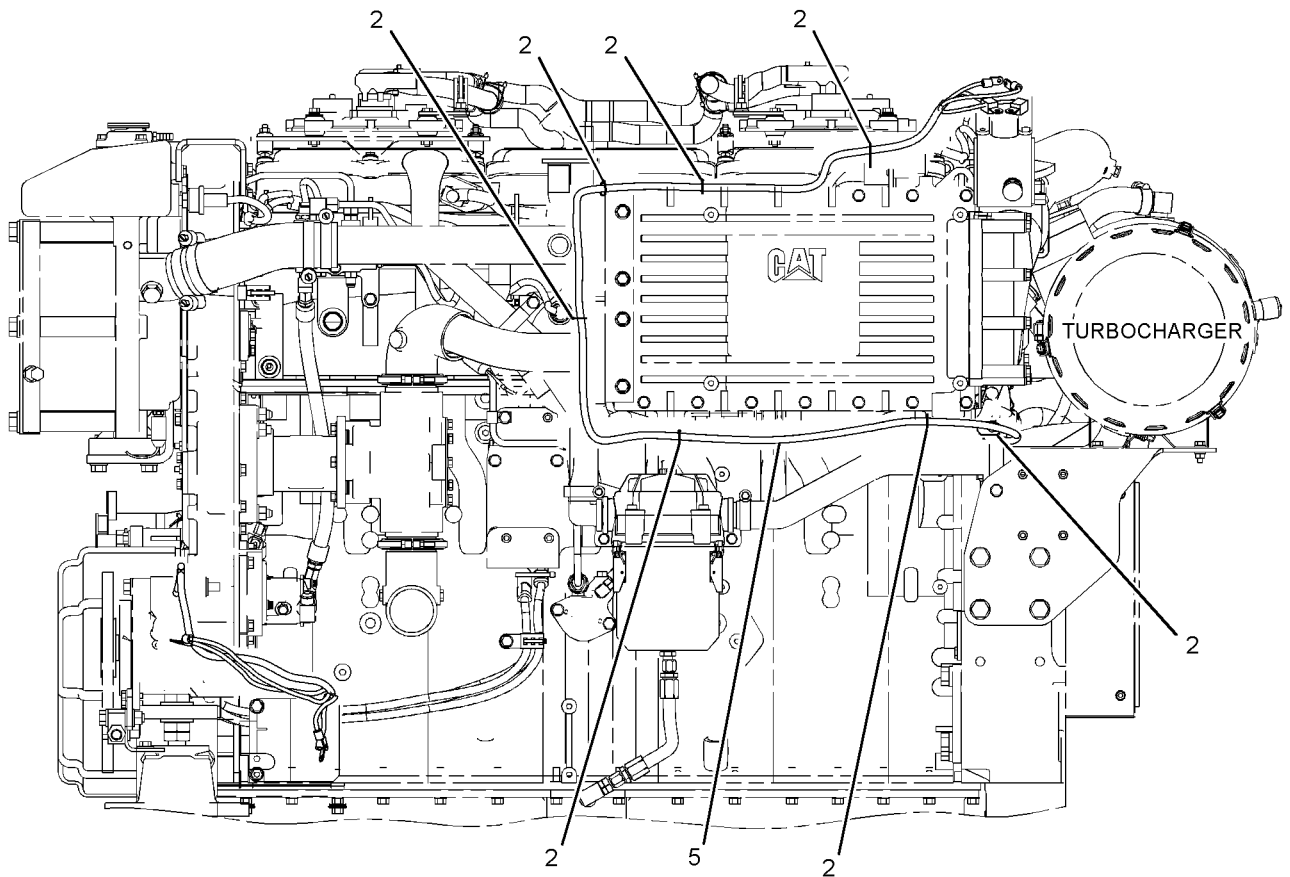
B-USE AS REQUIRED

C-CHANGE FROM PREVIOUS TYPE

ELECTRICAL AND STARTING SYSTEM

202-2085 WIRING GP-ENGINE (contd.)

i03601486



LEFT SIDE VIEW OF ENGINE

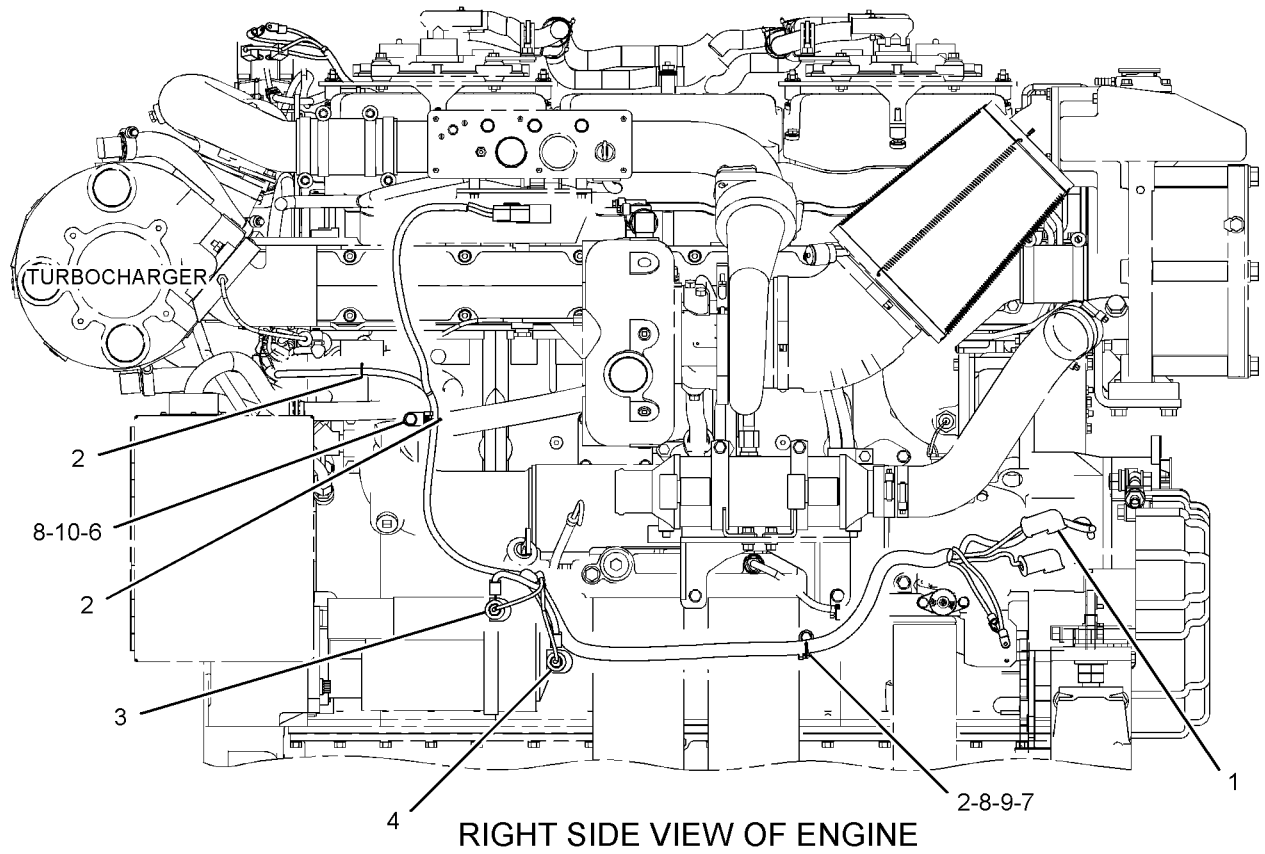
GRAPHIC #1

g01944411

ELECTRICAL AND STARTING SYSTEM

202-2085 WIRING GP-ENGINE (contd.)

i03601486



GRAPHIC #2

<END>

g01944422

ELECTRICAL AND STARTING SYSTEM

202-2088 WIRING GP-ENGINE

FOR USE WITH LH SERVICE ENGINES

AN ATTACHMENT

TYPE 1

SMCS-1000, 1408

i02867943

NOTE	REF NO	GRAPHIC REF	PART NUMBER	QTY	PART NAME 1 2 3 4 5 6 (PRODUCT LEVEL)	SEE PAGE
BC	1	1	3S-2093	18	STRAP-CABLE	
	2	1	4H-1225	2	WASHER (11X22X6-MM THK)	
	3	1	108-5678	1	UNION	
	4	1	117-0067	1	ELBOW	
	5	1	130-9811	1	SENSOR GP-TEMPERATURE (COOLANT)	
	5A	1	130-9811	1	SENSOR GP-TEMPERATURE (AIR INLET)	
	5B	1	130-9811	1	SENSOR GP-TEMPERATURE (FUEL)	
	5C	1	130-9811	1	SENSOR GP-TEMPERATURE (FUEL OUTLET)	
	6	1	132-9770	1	SPACER AS	
		1	1W-6448	2	DOWEL	
	7	1	161-1705	1	SENSOR AS-PRESSURE (ENGINE OIL)	
	7A	1	161-1705	1	SENSOR AS-PRESSURE (FUEL)	
	8	1	202-2090	1	HARNES AS-ENGINE (ENGINE ECM, J2)	
		1	102-8802	2	KIT-RECEPTACLE (2-PIN) (INCLUDES RECEPTACLE AS AND WEDGE)	
		1	102-8803	2	KIT-RECEPTACLE (3-PIN) (INCLUDES RECEPTACLE AS AND WEDGE)	
	1	155-2255	1	KIT-CONNECTING PLUG (12-PIN) (INCLUDES PLUG AS AND WEDGE)		
	1	155-2260	5	KIT-CONNECTING PLUG (3-PIN) (INCLUDES PLUG AS AND WEDGE)		
	1	155-2270	6	KIT-CONNECTING PLUG (2-PIN) (INCLUDES PLUG AS AND WEDGE)		
9	1	202-2091	1	HARNES AS-ENGINE (ENGINE ECM, J1)		
	1	102-8805	1	KIT-RECEPTACLE (6-PIN) (INCLUDES PLUG AS AND WEDGE)		
	1	155-2255	1	KIT-CONNECTING PLUG (12-PIN) (INCLUDES PLUG AS AND WEDGE)		
Y	10	1	204-2518	1	SENSOR GP-LIQUID LEVEL	784
	11	1	211-6833	1	BRACKET AS	
		1	8C-3334	2	RIVET-TUBULAR	
	12	1	0S-0509	1	BOLT (3/8-16X0.75-IN)	
	13	1	0S-1588	3	BOLT (3/8-16X1.25-IN)	
	14	1	0S-1591	1	BOLT (3/8-16X1.5-IN)	
	15	1	104-6202	2	CLIP	
C	16	1	132-5789	3	CLIP	
	17	1	188-7513	1	SENSOR GP-SPEED (SECONDARY, TIMING)	
	18	1	189-9266	1	SENSOR GP-SPEED (PRIMARY, TIMING)	
	19	1	1A-2029	2	BOLT (3/8-16X1.125-IN)	
Y	20	1	218-3840	1	SENSOR GP-PRESSURE (INLET MANIFOLD)	789
C	21	1	223-1624	1	ELBOW	
	22	1	2H-3755	2	BOLT (5/16-18X0.43-IN)	
	23	1	3P-0647	2	SEAL-O-RING	
	24	1	3P-1155	1	SEAL-O-RING	
	25	1	4B-5324	4	WASHER (3.9X9.6X1.2-MM THK)	
	26	1	4P-7581	2	CLIP	
	27	1	4P-8134	4	CLIP	
	28	1	5M-2894	9	WASHER-HARD (10.2X18.5X2.5-MM THK)	
	29	1	5P-8247	1	WASHER-HARD (17X32X3.5-MM THK)	
	30	1	6F-7316	1	BOLT (5/8-18X1-IN)	
31	1	6V-5048	5	SEAL-O-RING		
32	1	6V-5049	1	SEAL-O-RING		
33	1	8L-2786	4	SEAL-O-RING		
34	1	9M-1974	2	WASHER-HARD (8.8X16X2-MM THK)		
35	1	9S-8752	2	NUT-FULL (3/8-16-THD)		

ELECTRICAL AND STARTING SYSTEM

202-2088 WIRING GP-ENGINE (contd.)

i02867943

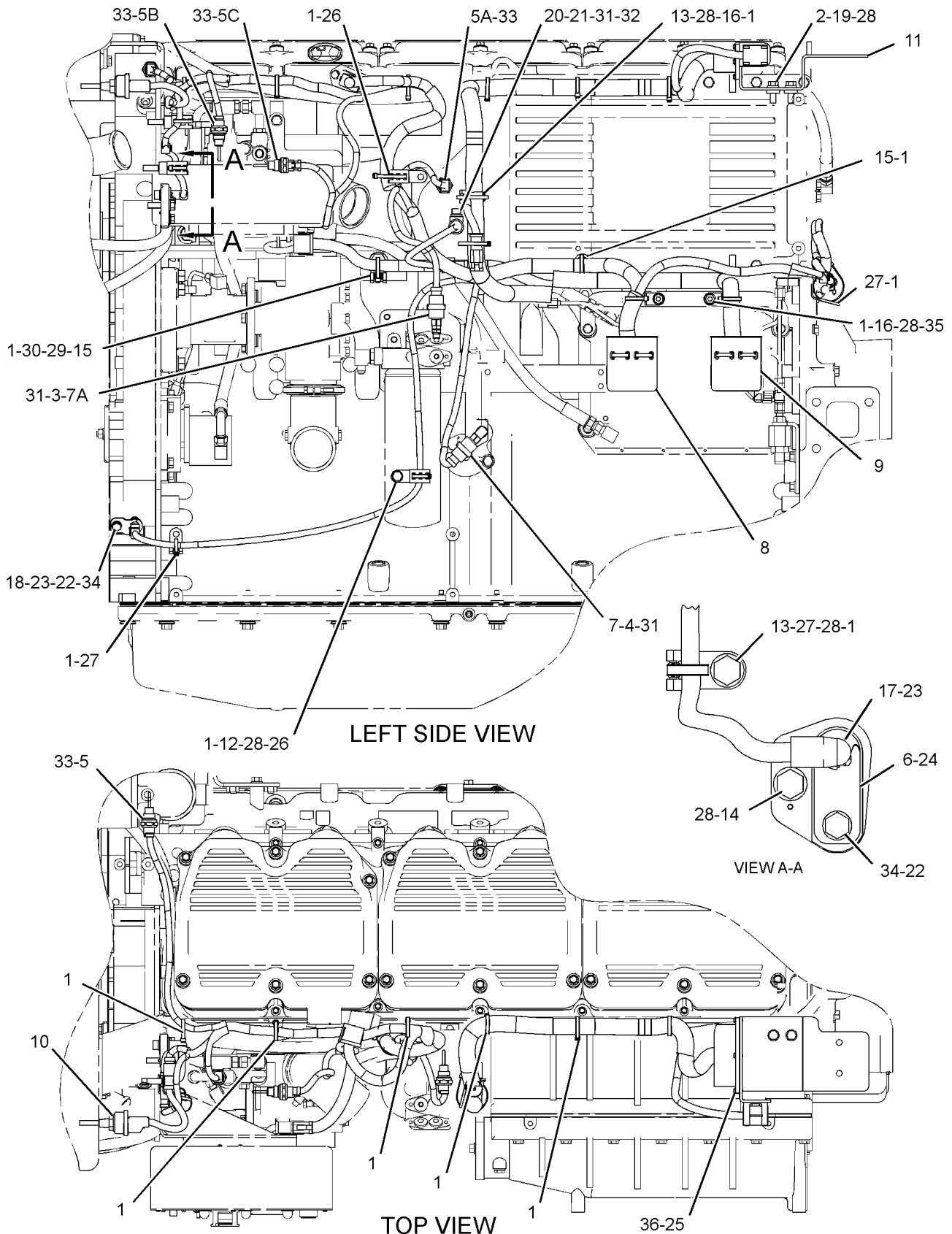
NOTE	REF NO	GRAPHIC REF	PART NUMBER	QTY	PART NAME						SEE PAGE
					1	2	3	4	5	6 (PRODUCT LEVEL)	
	36	1	9X-6258	4	SCREW-MACHINE (6-32X0.5-IN)						

B-USE AS REQUIRED
C-CHANGE FROM PREVIOUS TYPE
Y-SEPARATE ILLUSTRATION

ELECTRICAL AND STARTING SYSTEM

202-2088 WIRING GP-ENGINE (contd.)

i02867943



LEFT SIDE VIEW

VIEW A-A

TOP VIEW

<END>

GRAPHIC #1

g01277254

ELECTRICAL AND STARTING SYSTEM

202-2088 WIRING GP-ENGINE

FOR USE WITH LH SERVICE ENGINES

AN ATTACHMENT

TYPE 2

SMCS-1000, 1408

i03553128

NOTE	REF NO	GRAPHIC REF	PART NUMBER	QTY	PART NAME						SEE PAGE
					1	2	3	4	5	6 (PRODUCT LEVEL)	
B	1	1	3S-2093	18	STRAP-CABLE						
	2	1	4H-1225	2	WASHER (11X22X6-MM THK)						
	3	1	108-5678	1	UNION						
	4	1	117-0067	1	ELBOW						
C	5	1	264-4297	1	SENSOR GP-TEMPERATURE (COOLANT)						
C	5A	1	264-4297	1	SENSOR GP-TEMPERATURE (AIR INLET)						
C	5B	1	264-4297	1	SENSOR GP-TEMPERATURE (FUEL)						
C	5C	1	264-4297	1	SENSOR GP-TEMPERATURE (FUEL OUTLET)						
	6	1	132-9770	1	SPACER AS						
		1	1W-6448	2	DOWEL						
	7	1	161-1705	1	SENSOR AS-PRESSURE (ENGINE OIL)						
	7A	1	161-1705	1	SENSOR AS-PRESSURE (FUEL)						
	8	1	202-2090	1	HARNES AS-ENGINE (ENGINE ECM, J2)						
		1	186-3736	3	SOCKET-CONNECTOR (16-GA TO 18-GA)						
		1	180-9340	68	SOCKET-CONNECTOR (14-GA TO 18-GA)						
		1	3S-2093	2	STRAP-CABLE						
		1	6I-4347	14	BOOT (4-PIN)						
		1	6I-4348	1	BOOT (40-PIN)						
		1	8T-8737	50	PLUG-SEAL						
		1	115-5674	1	BOOT (UNIT INJECTOR)						
E		1	125-7874		TUBE-HEAT SHRINK (5.72-MM DIA) (5-CM)						
E		1	125-7875		TUBE-HEAT SHRINK (7.44-MM DIA) (20-CM)						
		1	126-1774	1	COVER-CONNECTOR						
		1	160-7690	1	PLUG AS-CONNECTOR (70-PIN)						
		1	102-8802	2	KIT-RECEPTACLE (2-PIN)						
		1	102-8803	3	KIT-RECEPTACLE (3-PIN)						
					(EACH RECEPTACLE KIT INCLUDES RECEPTACLE AS & WEDGE)						
		1	155-2255	1	KIT-CONNECTING PLUG (12-PIN)						
		1	155-2260	5	KIT-CONNECTING PLUG (3-PIN)						
		1	155-2270	8	KIT-CONNECTING PLUG (2-PIN)						
					(EACH PLUG KIT INCLUDES PLUG AS & WEDGE)						
		1	186-3736	3	SOCKET-CONNECTOR (16-GA TO 18-GA)						
		1	180-9340	68	SOCKET-CONNECTOR (14-GA TO 18-GA)						
	9	1	202-2091	1	HARNES AS-ENGINE (ENGINE ECM, J1)						
D		1	5P-6001		TUBE-HEAT SHRINK (4.75-MM DIA) (0.2-M)						
		1	180-9340	30	SOCKET-CONNECTOR (14-GA TO 18-GA)						
		1	180-9339	32	PIN-CONNECTOR (14-GA TO 18-GA)						
		1	3S-2093	3	STRAP-CABLE						
		1	6I-4347	1	BOOT (4-PIN)						
		1	6I-4348	1	BOOT (40-PIN)						
		1	8C-6354	1	CAP-RECEPTACLE						
		1	8T-8736	1	RECEPTACLE-CONNECTOR (9-PIN)						
		1	8T-8737	70	PLUG-SEAL						
		1	103-0213	1	RECEPTACLE AS-CONNECTOR (70-PIN)						
		1	115-5674	2	BOOT (UNIT INJECTOR)						
E		1	125-7874		TUBE-HEAT SHRINK (5.72-MM DIA) (70-CM)						
E		1	125-7875		TUBE-HEAT SHRINK (7.44-MM DIA) (25-CM)						
E		1	125-7876		TUBE-HEAT SHRINK (17.78-MM DIA) (20-CM)						
		1	126-1767	15	PIN-CONNECTOR (14-GA TO 16-GA)						
		1	126-1768	16	SOCKET-CONNECTOR (14-GA)						
		1	126-1774	1	COVER-CONNECTOR						
		1	133-0967	3	PIN-CONNECTOR (16-GA TO 18-GA)						
		1	133-0969	1	CONNECTOR-SOCKET (16-GA TO 18-GA)						
		1	160-7689	1	PLUG AS-CONNECTOR (70-PIN)						

ELECTRICAL AND STARTING SYSTEM

202-2088 WIRING GP-ENGINE (contd.)

i03553128

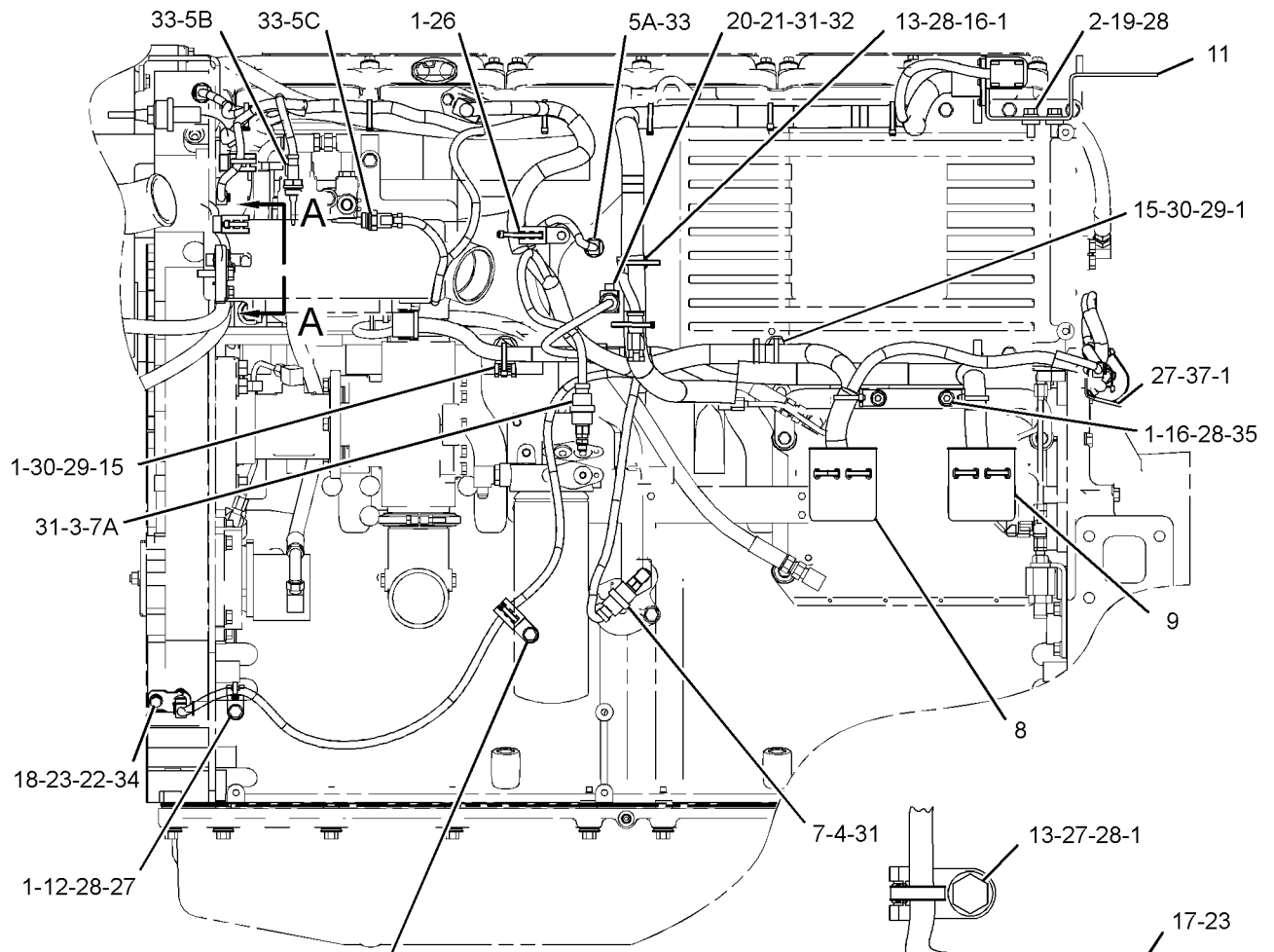
NOTE	REF NO	GRAPHIC REF	PART NUMBER	QTY	PART NAME						SEE PAGE
					1	2	3	4	5	6 (PRODUCT LEVEL)	
		1	159-9322	1	SEAL-O-RING						
		1	208-0432	1	PLUG						
		1	102-8805	1	KIT-RECEPTACLE (6-PIN) (INCLUDES RECEPTACLE AS & WEDGE)						
		1	155-2255	1	KIT-CONNECTING PLUG (12-PIN) (INCLUDES PLUG AS & WEDGE)						
Y	10	1	204-2518	1	SENSOR GP-LIQUID LEVEL						784
	11	1	211-6833	1	BRACKET AS						
		1	7C-2644	1	CLIP						
		1	8C-3334	2	RIVET-TUBULAR						
C	12	1	0S-0509	2	BOLT (3/8-16X0.75-IN)						
C	13	1	0S-1588	1	BOLT (3/8-16X1.25-IN)						
	14	1	0S-1591	1	BOLT (3/8-16X1.5-IN)						
	15	1	104-6202	2	CLIP						
	16	1	132-5789	3	CLIP						
	17	1	188-7513	1	SENSOR GP-SPEED (SECONDARY, TIMING)						
	18	1	189-9266	1	SENSOR GP-SPEED (PRIMARY, TIMING)						
	19	1	1A-2029	2	BOLT (3/8-16X1.125-IN)						
Y	20	1	218-3840	1	SENSOR GP-PRESSURE (INLET MANIFOLD)						789
	21	1	223-1624	1	ELBOW						
	22	1	2H-3755	2	BOLT (5/16-18X0.43-IN)						
	23	1	3P-0647	2	SEAL-O-RING						
	24	1	3P-1155	1	SEAL-O-RING						
	25	1	4B-5324	4	WASHER (3.9X9.6X1.2-MM THK)						
	26	1	4P-7581	2	CLIP						
	27	1	4P-8134	4	CLIP						
C	28	1	5M-2894	10	WASHER-HARD (10.2X18.5X2.5-MM THK)						
C	29	1	5P-8247	2	WASHER-HARD (17X32X3.5-MM THK)						
C	30	1	6F-7316	2	BOLT (5/8-18X1-IN)						
	31	1	6V-5048	5	SEAL-O-RING						
	32	1	6V-5049	1	SEAL-O-RING						
	33	1	8L-2786	4	SEAL-O-RING						
	34	1	9M-1974	2	WASHER-HARD (8.8X16X2-MM THK)						
	35	1	9S-8752	2	NUT-FULL (3/8-16-THD)						
	36	1	9X-6258	4	SCREW-MACHINE (6-32X0.5-IN)						
C	37	1	7G-1239	1	SPACER (10.5X19X4.5-MM THK)						

B-USE AS REQUIRED
 C-CHANGE FROM PREVIOUS TYPE
 D-ORDER BY THE METER
 E-ORDER BY THE CENTIMETER
 Y-SEPARATE ILLUSTRATION

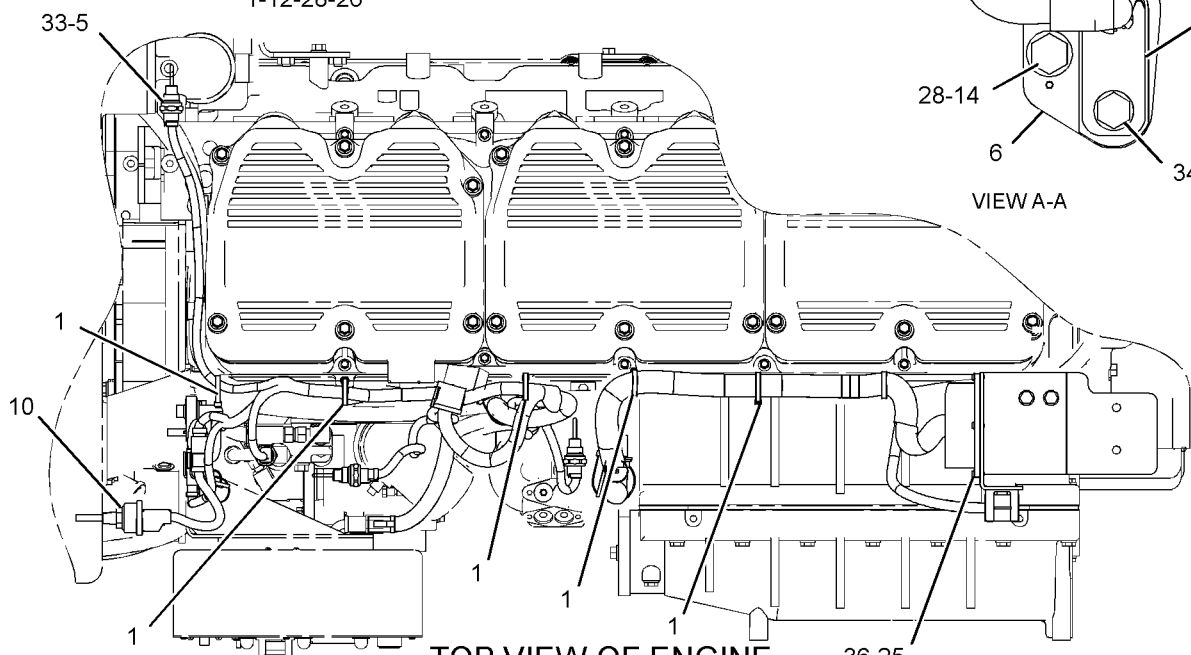
ELECTRICAL AND STARTING SYSTEM

202-2088 WIRING GP-ENGINE (contd.)

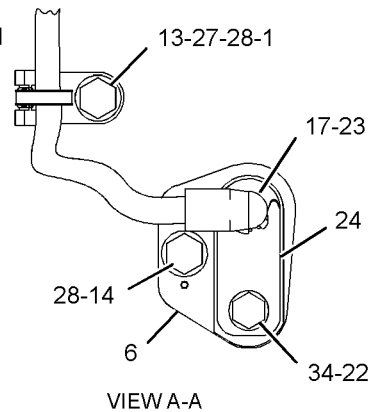
i03553128



LEFT SIDE VIEW OF ENGINE



TOP VIEW OF ENGINE



GRAPHIC #1

<END>

g01952324

ELECTRICAL AND STARTING SYSTEM

202-2089 WIRING GP-ENGINE

FOR USE WITH RH SERVICE ENGINES

AN ATTACHMENT

TYPE 1

SMCS-1000, 1408

i03694767

NOTE	REF NO	GRAPHIC REF	PART NUMBER	QTY	PART NAME						SEE PAGE
					1	2	3	4	5	6 (PRODUCT LEVEL)	
B	1	1	3S-2093	26	STRAP-CABLE						
	2	1	4H-1225	2	WASHER (11X22X6-MM THK)						
	3	1	117-0067	2	ELBOW						
	4	1	130-9811	1	SENSOR GP-TEMPERATURE (WATER, COOLANT)						
	4A	1	130-9811	1	SENSOR GP-TEMPERATURE (AIR INLET MANIFOLD)						
	4B	1	130-9811	1	SENSOR GP-TEMPERATURE (FUEL)						
	4C	1	130-9811	1	SENSOR GP-TEMPERATURE (FUEL OUTLET)						
	5	1	132-9770	1	SPACER AS						
		1	1W-6448	2	DOWEL						
	6	1	161-1705	1	SENSOR AS-PRESSURE (ENGINE OIL)						
6A	1	161-1705	1	SENSOR AS-PRESSURE (FUEL)							
CY	7	1	204-2518	1	SENSOR GP-LIQUID LEVEL						784
	8	1	202-2090	1	HARNESS AS-ENGINE (ENGINE ECM, J2)						
		1	102-8802	2	KIT-RECEPTACLE (2-PIN) (INCLUDES RECEPTACLE AS AND WEDGE)						
		1	102-8803	2	KIT-RECEPTACLE (3-PIN) (INCLUDES RECEPTACLE AS AND WEDGE)						
		1	155-2255	1	KIT-CONNECTING PLUG (12-PIN) (INCLUDES PLUG AS AND WEDGE)						
		1	155-2260	5	KIT-CONNECTING PLUG (3-PIN) (INCLUDES PLUG AS AND WEDGE)						
		1	155-2270	6	KIT-CONNECTING PLUG (2-PIN) (INCLUDES PLUG AS AND WEDGE)						
	9	1	202-2091	1	HARNESS AS-ENGINE (ENGINE ECM, J1)						
		1	155-2255	1	KIT-CONNECTING PLUG (12-PIN) (INCLUDES PLUG AS AND WEDGE)						
		1	102-8805	1	KIT-RECEPTACLE (6-PIN) (INCLUDES PLUG AS AND WEDGE)						
	10	1	203-9609	1	HARNESS AS-ENGINE (PANEL INTERCONNECT)						
		1	102-8801	1	KIT-RECEPTACLE (12-PIN) (INCLUDES RECEPTACLE AS AND WEDGE)						
		1	155-2255	1	KIT-CONNECTING PLUG (12-PIN) (INCLUDES PLUG AS AND WEDGE)						
	11	1	203-9610	1	HARNESS AS-WIRING (JUMPER)						
		1	9X-3401	3	PIN-CONNECTOR (16-GA TO 18-GA)						
		1	180-9340	3	SOCKET-CONNECTOR (14-GA TO 18-GA)						
		1	102-8803	1	KIT-RECEPTACLE (3-PIN) (INCLUDES RECEPTACLE AS & WEDGE)						
		1	6I-4347	2	BOOT (4-PIN)						
		1	155-2260	1	KIT-CONNECTING PLUG (3-PIN) (INCLUDES PLUG AS, WEDGE, & INTERFACE SEAL)						
	12	1	211-6833	1	BRACKET AS						
1		7C-2644	1	CLIP							
1		8C-3334	2	RIVET-TUBULAR							
13	1	0S-0509	1	BOLT (3/8-16X0.75-IN)							
14	1	0S-1588	3	BOLT (3/8-16X1.25-IN)							
15	1	0S-1591	1	BOLT (3/8-16X1.5-IN)							
16	1	104-6202	2	CLIP							
17	1	132-5789	3	CLIP							
18	1	188-7513	1	SENSOR GP-SPEED (SECONDARY, TIMING)							
19	1	189-9266	1	SENSOR GP-SPEED (PRIMARY, TIMING)							
20	1	1A-2029	2	BOLT (3/8-16X1.125-IN)							
Y	21	1	218-3840	1	SENSOR GP-PRESSURE (AIR INLET MANIFOLD)						789
	22	1	2H-3755	2	BOLT (5/16-18X0.43-IN)						

ELECTRICAL AND STARTING SYSTEM

202-2089 WIRING GP-ENGINE (contd.)

i03694767

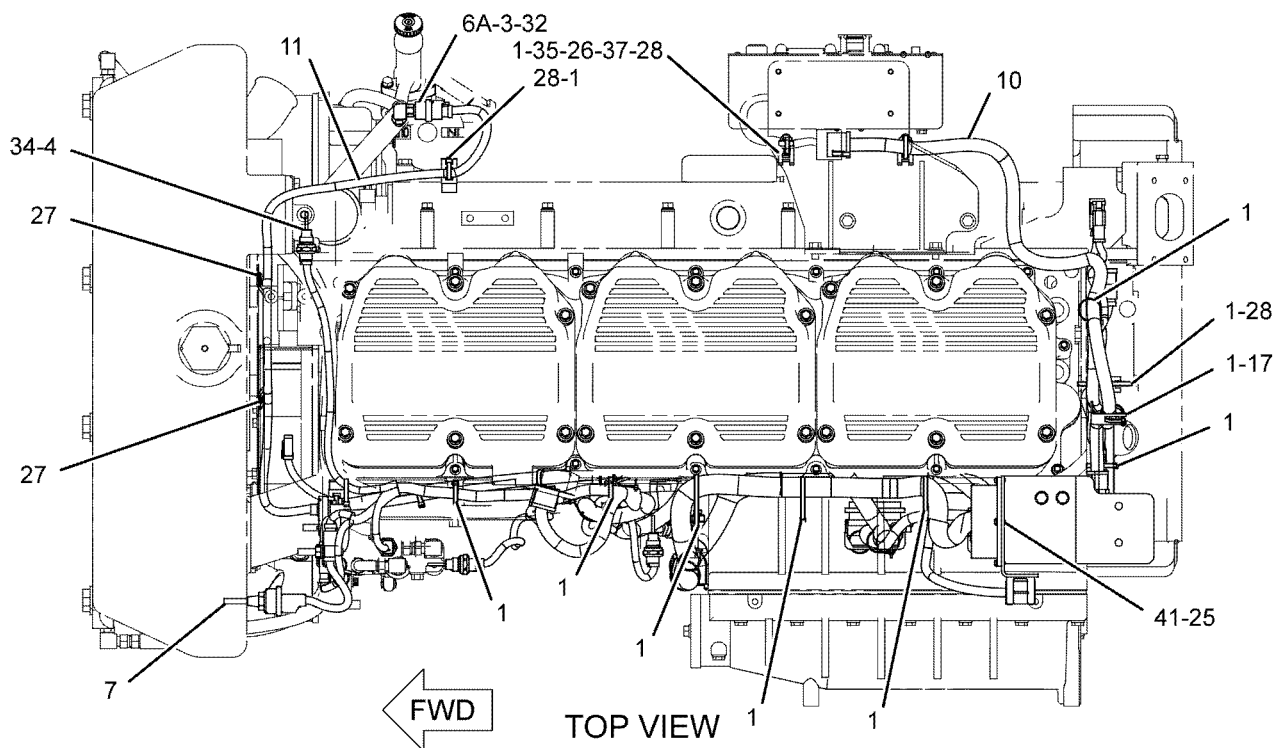
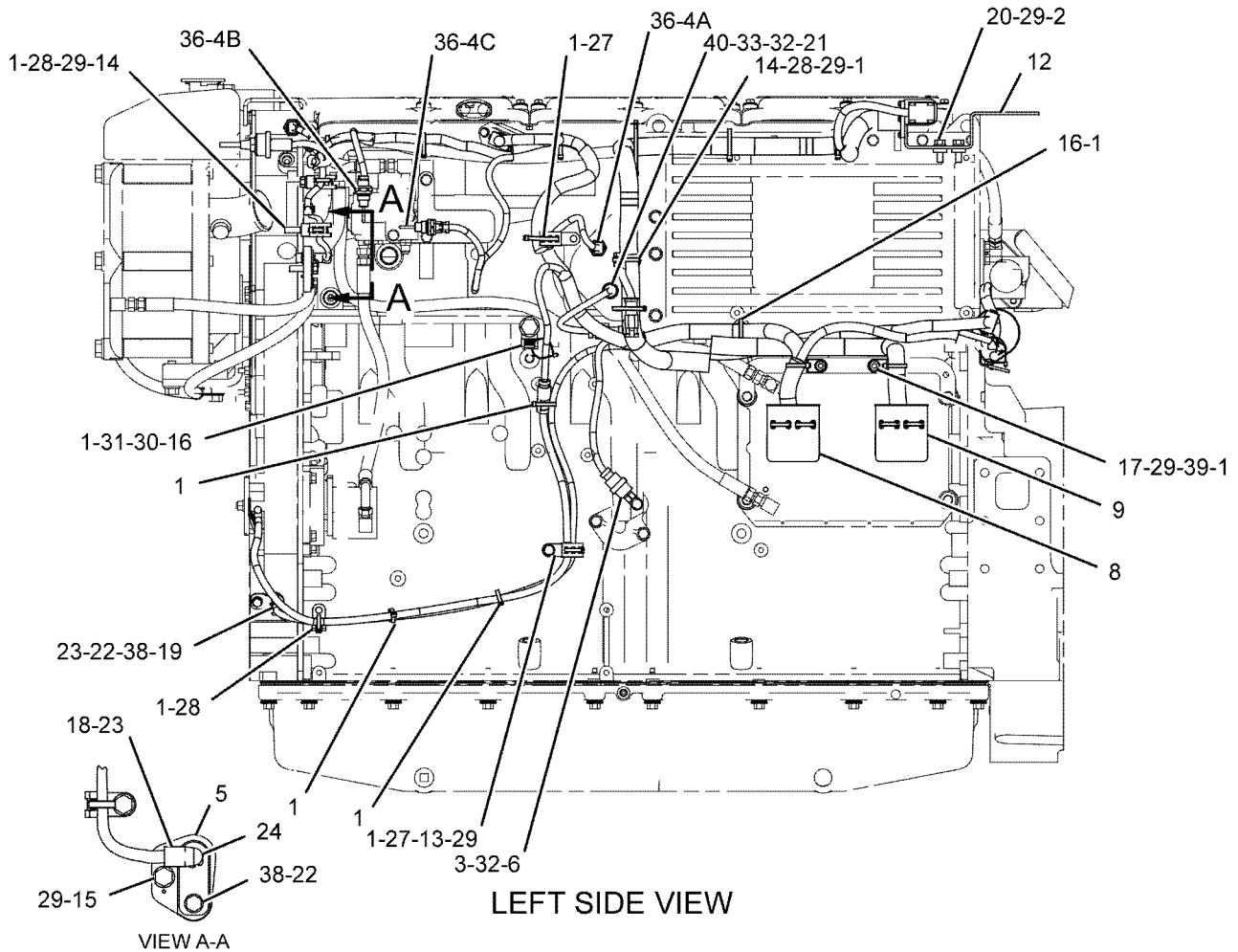
NOTE	REF NO	GRAPHIC REF	PART NUMBER	QTY	PART NAME						SEE PAGE
					1	2	3	4	5	6 (PRODUCT LEVEL)	
	23	1	3P-0647	2	SEAL-O-RING						
	24	1	3P-1155	1	SEAL-O-RING						
	25	1	4B-5324	4	WASHER (3.9X9.6X1.2-MM THK)						
	26	1	4L-6454	2	BOLT (3/8-16X1-IN)						
	27	1	4P-7581	4	CLIP						
	28	1	4P-8134	8	CLIP						
	29	1	5M-2894	9	WASHER-HARD (10.2X18.5X2.5-MM THK)						
	30	1	5P-8247	1	WASHER-HARD (17X32X3.5-MM THK)						
	31	1	6F-7316	1	BOLT (5/8-18X1-IN)						
	32	1	6V-5048	5	SEAL-O-RING						
	33	1	6V-5049	1	SEAL-O-RING						
	34	1	6V-6609	1	SEAL-O-RING						
	35	1	6V-8801	2	NUT (3/8-16-THD)						
	36	1	8L-2786	3	SEAL-O-RING						
	37	1	8T-4896	4	WASHER-HARD (10.2X18.5X2.5-MM THK)						
	38	1	9M-1974	2	WASHER-HARD (8.8X16X2-MM THK)						
	39	1	9S-8752	2	NUT-FULL (3/8-16-THD)						
	40	1	9X-0261	1	ADAPTER						
	41	1	9X-6258	4	SCREW-MACHINE (6-32X0.5-IN)						

B-USE AS REQUIRED
 C-CHANGE FROM PREVIOUS TYPE
 Y-SEPARATE ILLUSTRATION

ELECTRICAL AND STARTING SYSTEM

202-2089 WIRING GP-ENGINE (contd.)

i03694767



ELECTRICAL AND STARTING SYSTEM

202-2089 WIRING GP-ENGINE

FOR USE WITH RH SERVICE ENGINES

AN ATTACHMENT

TYPE 2

SMCS-1000, 1408

i03694765

NOTE	REF NO	GRAPHIC REF	PART NUMBER	QTY	PART NAME						SEE PAGE
					1	2	3	4	5	6 (PRODUCT LEVEL)	
BC	1	1	3S-2093	28	STRAP-CABLE						
	2	1	4H-1225	2	WASHER (11X22X6-MM THK)						
	3	1	117-0067	2	ELBOW						
C	4	1	264-4297	1	SENSOR GP-TEMPERATURE (WATER, COOLANT)						
C	4A	1	264-4297	1	SENSOR GP-TEMPERATURE (AIR INLET MANIFOLD)						
C	4B	1	264-4297	1	SENSOR GP-TEMPERATURE (FUEL)						
C	4C	1	264-4297	1	SENSOR GP-TEMPERATURE (FUEL OUTLET)						
					(EACH INCLUDES)						
		1	137-6645	1	PAD						
	5	1	132-9770	1	SPACER AS						
		1	1W-6448	2	DOWEL						
	6	1	161-1705	1	SENSOR AS-PRESSURE (ENGINE OIL)						
	6A	1	161-1705	1	SENSOR AS-PRESSURE (FUEL)						
Y	7	1	204-2518	1	SENSOR GP-LIQUID LEVEL						784
	8	1	202-2090	1	HARNESS AS-ENGINE (ENGINE ECM, J2)						
1			186-3736	3	SOCKET-CONNECTOR (16-GA TO 18-GA)						
		1	9X-3401	5	PIN-CONNECTOR (16-GA TO 18-GA)						
					-OR-						
		1	126-1767	1	PIN-CONNECTOR (14-GA TO 16-GA)						
		1	3S-2093	2	STRAP-CABLE						
		1	6I-4347	14	BOOT (4-PIN)						
		1	6I-4348	1	BOOT (40-PIN)						
		1	8T-8737	50	PLUG-SEAL						
		1	115-5674	1	BOOT (UNIT INJECTOR)						
E		1	125-7874		TUBE-HEAT SHRINK (5.72-MM DIA) (5-CM)						
E		1	125-7875		TUBE-HEAT SHRINK (7.44-MM DIA) (20-CM)						
			126-1774	1	COVER-CONNECTOR						
		1	160-7690	1	PLUG AS-CONNECTOR (70-PIN)						
		1	159-9322	1	SEAL-O-RING						
		1	102-8802	2	KIT-RECEPTACLE (2-PIN)						
		1	102-8803	3	KIT-RECEPTACLE (3-PIN)						
					(EACH RECEPTACLE KIT INCLUDES RECEPTACLE AS & WEDGE)						
		1	155-2255	1	KIT-CONNECTING PLUG (12-PIN)						
		1	155-2260	5	KIT-CONNECTING PLUG (3-PIN)						
		1	155-2270	8	KIT-CONNECTING PLUG (2-PIN)						
					(EACH PLUG KIT INCLUDES PLUG AS & WEDGE)						
	9	1	202-2091	1	HARNESS AS-ENGINE (ENGINE ECM, J1)						
D		1	5P-6001		TUBE-HEAT SHRINK (4.75-MM DIA) (0.2-M)						
			9X-3401	32	PIN-CONNECTOR (16-GA TO 18-GA)						
					-OR-						
		1	126-1767	32	PIN-CONNECTOR (14-GA TO 16-GA)						
		1	3S-2093	3	STRAP-CABLE						
		1	6I-4347	1	BOOT (4-PIN)						
		1	6I-4348	1	BOOT (40-PIN)						
		1	8C-6354	1	CAP-RECEPTACLE						
		1	8T-8736	1	RECEPTACLE-CONNECTOR (9-PIN)						
		1	8T-8737	70	PLUG-SEAL						
		1	103-0213	1	RECEPTACLE AS-CONNECTOR (70-PIN)						
		1	115-5674	2	BOOT (UNIT INJECTOR)						
E		1	125-7874		TUBE-HEAT SHRINK (5.72-MM DIA) (70-CM)						
E		1	125-7875		TUBE-HEAT SHRINK (7.44-MM DIA) (25-CM)						
E		1	125-7876		TUBE-HEAT SHRINK (17.78-MM DIA) (20-CM)						
			126-1767	15	PIN-CONNECTOR (14-GA TO 16-GA)						
		1	126-1768	16	SOCKET-CONNECTOR (14-GA)						

ELECTRICAL AND STARTING SYSTEM

202-2089 WIRING GP-ENGINE (contd.)

i03694765

NOTE	REF NO	GRAPHIC REF	PART NUMBER	QTY	PART NAME						SEE PAGE
					1	2	3	4	5	6 (PRODUCT LEVEL)	
		1	126-1774	1	COVER-CONNECTOR						
		1	133-0967	3	PIN-CONNECTOR (16-GA TO 18-GA)						
		1	133-0969	1	CONNECTOR-SOCKET (16-GA TO 18-GA)						
		1	155-2258	1	WEDGE-PLUG LOCK (12-PIN)						
		1	160-7689	1	PLUG AS-CONNECTOR (70-PIN)						
		1	159-9322	1	SEAL-O-RING						
		1	208-0432	1	PLUG						
		1	155-2255	1	KIT-CONNECTING PLUG (12-PIN) (INCLUDES PLUG AS & WEDGE)						
		1	102-8805	1	KIT-RECEPTACLE (6-PIN) (INCLUDES RECEPTACLE AS & WEDGE)						
	10	1	203-9609	1	HARNESS AS-ENGINE (PANEL INTERCONNECT)						
		1	9X-3401	7	PIN-CONNECTOR (16-GA TO 18-GA) -OR-						
		1	126-1767	7	PIN-CONNECTOR (14-GA TO 16-GA)						
		1	115-5674	2	BOOT (UNIT INJECTOR)						
		1	126-1767	5	PIN-CONNECTOR (14-GA TO 16-GA)						
		1	126-1768	5	SOCKET-CONNECTOR (14-GA)						
		1	102-8801	1	KIT-RECEPTACLE (12-PIN) (INCLUDES RECEPTACLE AS & WEDGE)						
		1	155-2255	1	KIT-CONNECTING PLUG (12-PIN) (INCLUDES PLUG AS & WEDGE)						
	11	1	203-9610	1	HARNESS AS-WIRING (JUMPER)						
		1	102-8803	1	KIT-RECEPTACLE (3-PIN) (INCLUDES RECEPTACLE AS & WEDGE)						
		1	155-2260	1	KIT-CONNECTING PLUG (3-PIN) (INCLUDES PLUG AS & WEDGE)						
		1	9X-3401	3	PIN-CONNECTOR (16-GA TO 18-GA)						
		1	126-1767	3	PIN-CONNECTOR (14-GA TO 16-GA)						
		1	6I-4347	2	BOOT (4-PIN)						
	12	1	211-6833	1	BRACKET AS						
		1	7C-2644	1	CLIP						
		1	8C-3334	2	RIVET-TUBULAR						
C	13	1	0S-0509	2	BOLT (3/8-16X0.75-IN)						
C	14	1	0S-1588	1	BOLT (3/8-16X1.25-IN)						
	15	1	0S-1591	1	BOLT (3/8-16X1.5-IN)						
	16	1	104-6202	2	CLIP						
	17	1	132-5789	3	CLIP						
	18	1	188-7513	1	SENSOR GP-SPEED (SECONDARY, TIMING)						
	19	1	189-9266	1	SENSOR GP-SPEED (PRIMARY, TIMING)						
	20	1	1A-2029	2	BOLT (3/8-16X1.125-IN)						
Y	21	1	218-3840	1	SENSOR GP-PRESSURE (AIR INLET MANIFOLD)						789
	22	1	2H-3755	2	BOLT (5/16-18X0.43-IN)						
	23	1	3P-0647	2	SEAL-O-RING						
	24	1	3P-1155	1	SEAL-O-RING						
	25	1	4B-5324	4	WASHER (3.9X9.6X1.2-MM THK)						
	26	1	4L-6454	2	BOLT (3/8-16X1-IN)						
	27	1	4P-7581	4	CLIP						
	28	1	4P-8134	8	CLIP						
C	29	1	5M-2894	10	WASHER-HARD (10.2X18.5X2.5-MM THK)						
C	30	1	5P-8247	2	WASHER-HARD (17X32X3.5-MM THK)						
C	31	1	6F-7316	2	BOLT (5/8-18X1-IN)						
	32	1	6V-5048	5	SEAL-O-RING						
	33	1	6V-5049	1	SEAL-O-RING						
	34	1	6V-6609	1	SEAL-O-RING						
	35	1	6V-8801	2	NUT (3/8-16-THD)						
	36	1	8L-2786	3	SEAL-O-RING						
	37	1	8T-4896	4	WASHER-HARD (10.2X18.5X2.5-MM THK)						
	38	1	9M-1974	2	WASHER-HARD (8.8X16X2-MM THK)						

ELECTRICAL AND STARTING SYSTEM

202-2089 WIRING GP-ENGINE (contd.)

i03694765

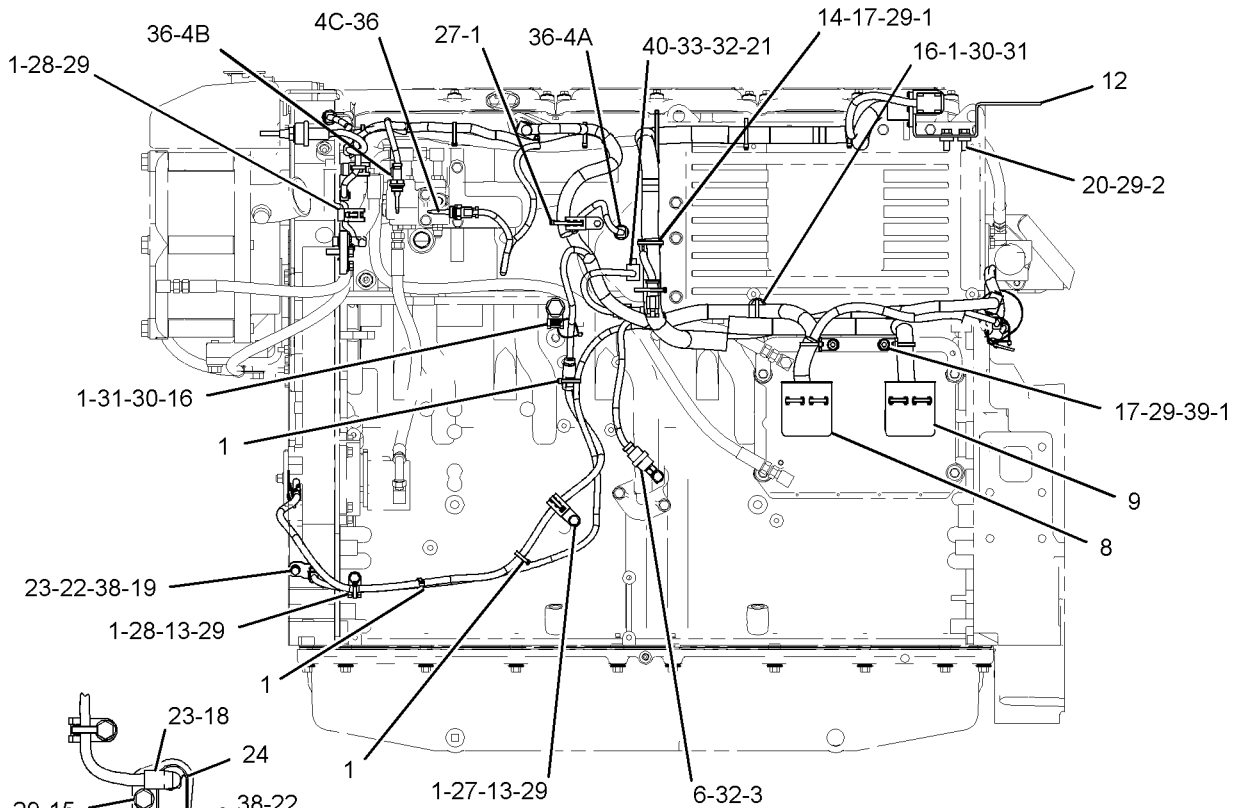
NOTE	REF NO	GRAPHIC REF	PART NUMBER	QTY	PART NAME	SEE PAGE
					1 2 3 4 5 6 (PRODUCT LEVEL)	
	39	1	9S-8752	2	NUT-FULL (3/8-16-THD)	
	40	1	9X-0261	1	ADAPTER	
	41	1	9X-6258	4	SCREW-MACHINE (6-32X0.5-IN)	
C	42	1	7G-1239	1	SPACER (10.5X19X4.5-MM THK)	

B-USE AS REQUIRED
 C-CHANGE FROM PREVIOUS TYPE
 D-ORDER BY THE METER
 E-ORDER BY THE CENTIMETER
 Y-SEPARATE ILLUSTRATION

ELECTRICAL AND STARTING SYSTEM

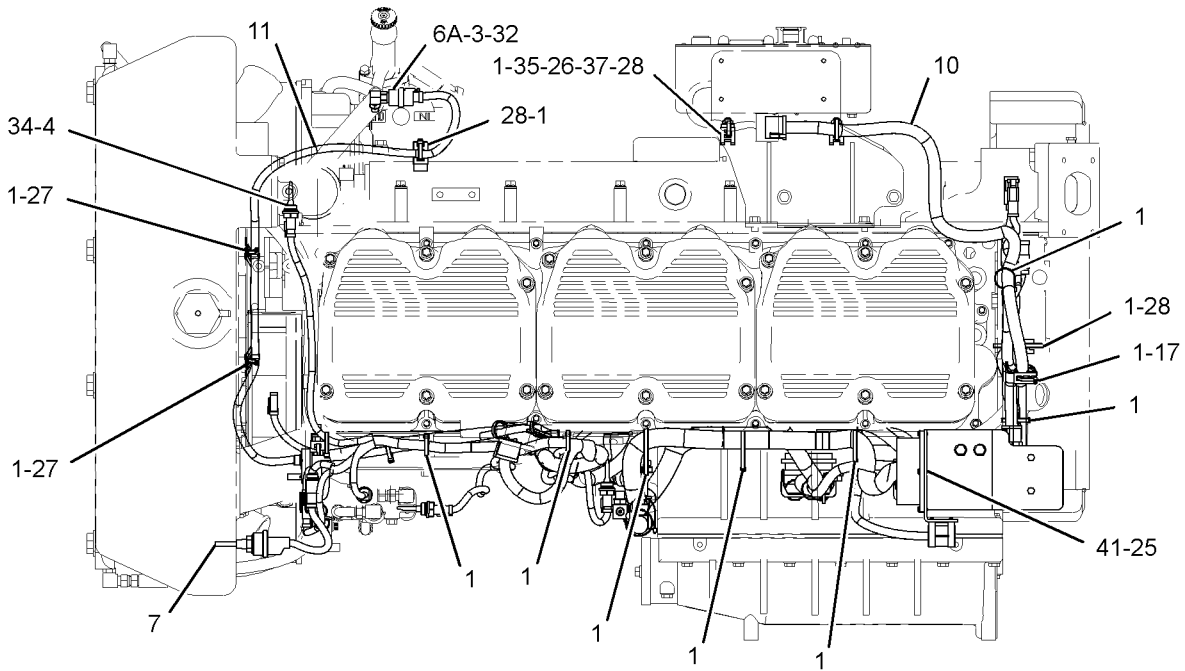
202-2089 WIRING GP-ENGINE (contd.)

i03694765



VIEW A-A

LEFT SIDE VIEW OF ENGINE



TOP VIEW OF ENGINE

GRAPHIC #1

<END>

g01952436

ELECTRICAL AND STARTING SYSTEM

206-7829 WIRING GP-ENGINE

AN ATTACHMENT

TYPE 1

SMCS-1000, 1408

i02668552

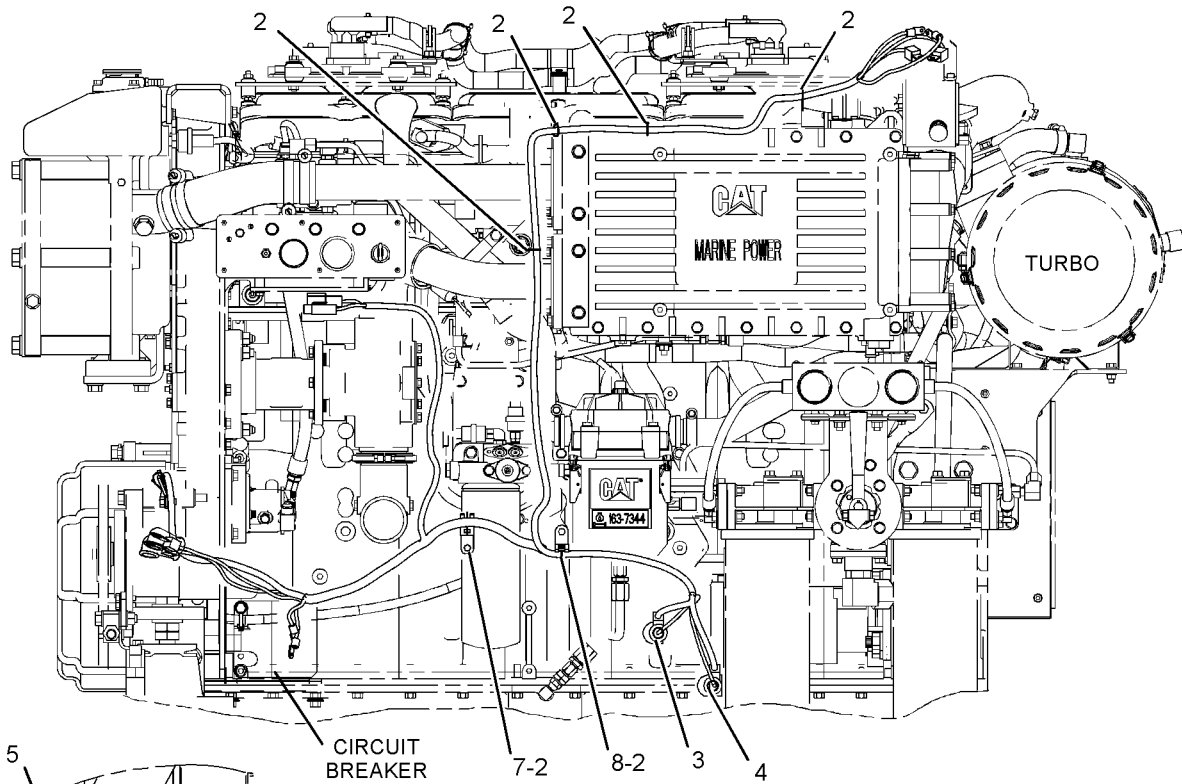
NOTE	REF NO	GRAPHIC REF	PART NUMBER	QTY	PART NAME						SEE PAGE
					1	2	3	4	5	6 (PRODUCT LEVEL)	
	1	1	2L-0273	2	FITTING (RUBBER) (ALTERNATOR)						
B	2	1	6K-0806	8	STRAP-CABLE						
	3	1	8N-0869	1	COVER-TERMINAL (RED) (STARTER)						
	4	1	9G-8909	1	COVER-TERMINAL (BLACK) (STARTER)						
	5	1	202-2086	1	HARNESS AS-ENGINE						
		1	127-5485	2	PLUG AS-CONNECTOR (1-PIN)						
		1	127-5486	2	RECEPTACLE AS-CONNECTOR (1-PIN)						
	6	1	0S-0509	2	BOLT (3/8-16X0.75-IN)						
	7	1	4P-7581	3	CLIP						
	8	1	4P-8134	1	CLIP						
	9	1	5M-2894	2	WASHER-HARD (10.2X18.5X2.5-MM THK)						

B-USE AS REQUIRED

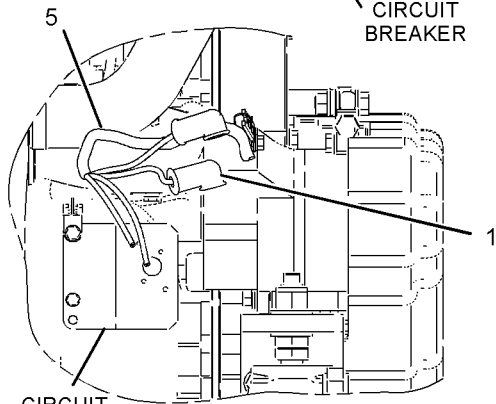
ELECTRICAL AND STARTING SYSTEM

206-7829 WIRING GP-ENGINE (contd.)

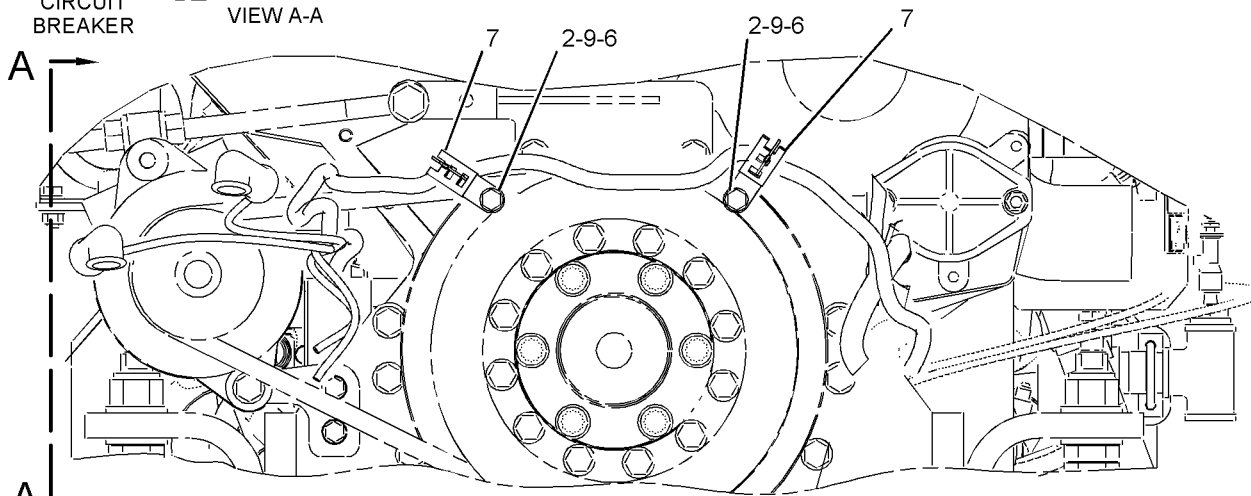
i02668552



LEFT SIDE VIEW



VIEW A-A



FRONT VIEW

GRAPHIC #1

<END>

g01201634

ELECTRICAL AND STARTING SYSTEM

206-7829 WIRING GP-ENGINE

AN ATTACHMENT

TYPE 2

SMCS-1000, 1408

i03602311

NOTE	REF NO	GRAPHIC REF	PART NUMBER	QTY	PART NAME						SEE PAGE
					1	2	3	4	5	6 (PRODUCT LEVEL)	
	1	1	2L-0273	2	FITTING (RUBBER) (ALTERNATOR)						
BC	2	1	6K-0806	5	STRAP-CABLE						
	3	1	8N-0869	1	COVER-TERMINAL (RED) (STARTER)						
	4	1	9G-8909	1	COVER-TERMINAL (BLACK) (STARTER)						
	5	1	202-2086	1	HARNESS AS-ENGINE						
		1	127-5485	2	PLUG AS-CONNECTOR (1-PIN)						
		1	127-5486	2	RECEPTACLE AS-CONNECTOR (1-PIN)						
		1	3D-7814	12	TERMINAL AS						
					(EACH INCLUDES)						
		1	2L-8071	1	TERMINAL-RING (10-GA TO 12-GA, 1/2-IN SCREW)						
		1	3T-4684	18	TERMINAL AS						
					(EACH INCLUDES)						
		1	9G-4343	1	TERMINAL-RING (4-GA, 1/4-IN SCREW)						
		1	3T-4690	16	TERMINAL AS						
					(EACH INCLUDES)						
		1	9G-4344	1	TERMINAL-RING (4-GA, 1/2-IN SCREW)						
		1	7H-1186	8	TERMINAL AS						
					(EACH INCLUDES)						
		1	2L-8066	1	TERMINAL-RING (10-GA TO 12-GA, NO. 10 SCREW)						
		1	7H-1187	8	TERMINAL AS						
					(EACH INCLUDES)						
		1	2L-8067	1	TERMINAL-RING (10-GA TO 12-GA, 1/4-IN SCREW)						
		1	7T-0094	4	SOCKET-CONNECTOR						
		1	8N-1542	2	PIN-CONNECTOR (10-GA)						
		1	8N-1543	2	SOCKET-CONNECTOR (10-GA)						
		1	122-0153	6	TERMINAL AS						
					(EACH INCLUDES)						
		1	6V-9023		TUBE-HEAT SHRINK (12.7-MM DIA) (4-CM)						
		1	9G-4342	1	TERMINAL-RING (4-GA, NO. 10 SCREW)						
		1	177-9648	1	KIT-CONNECTING PLUG (2-PIN)						
					(INCLUDES PLUG AS, WEDGE & INTERFACE SEAL)						
	6	1	4P-8134	1	CLIP						

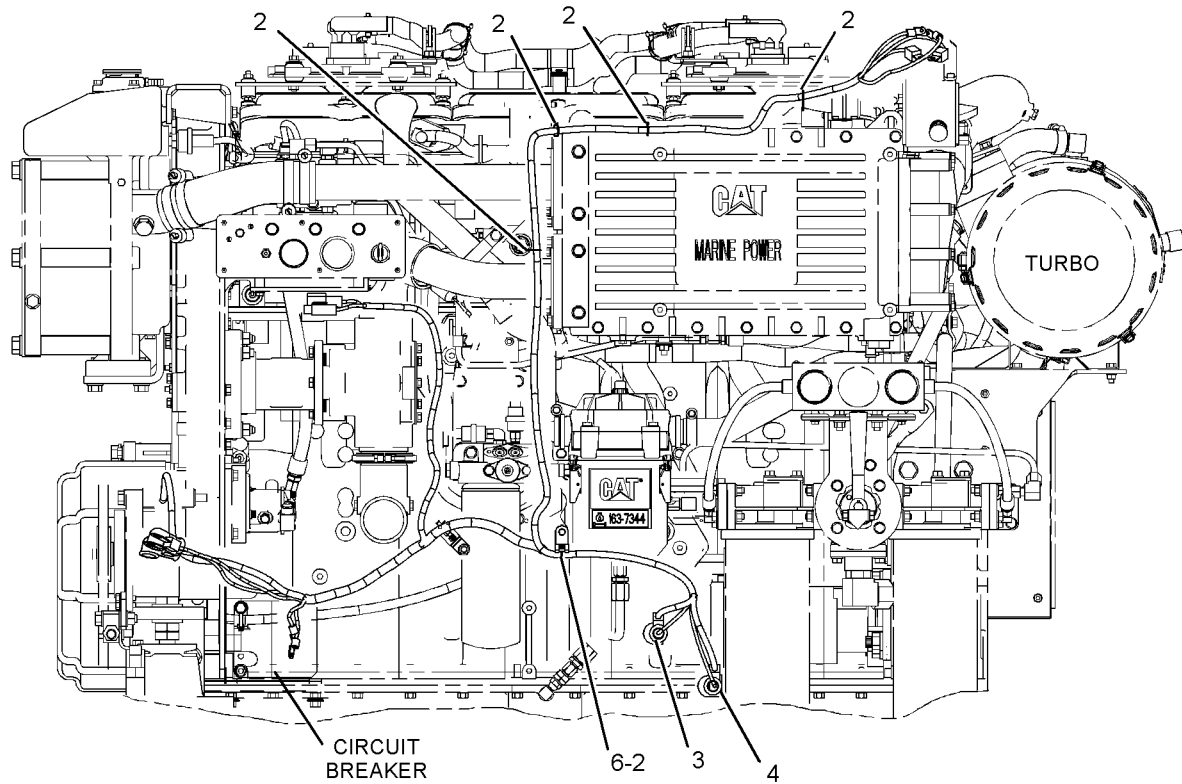
B-USE AS REQUIRED

C-CHANGE FROM PREVIOUS TYPE

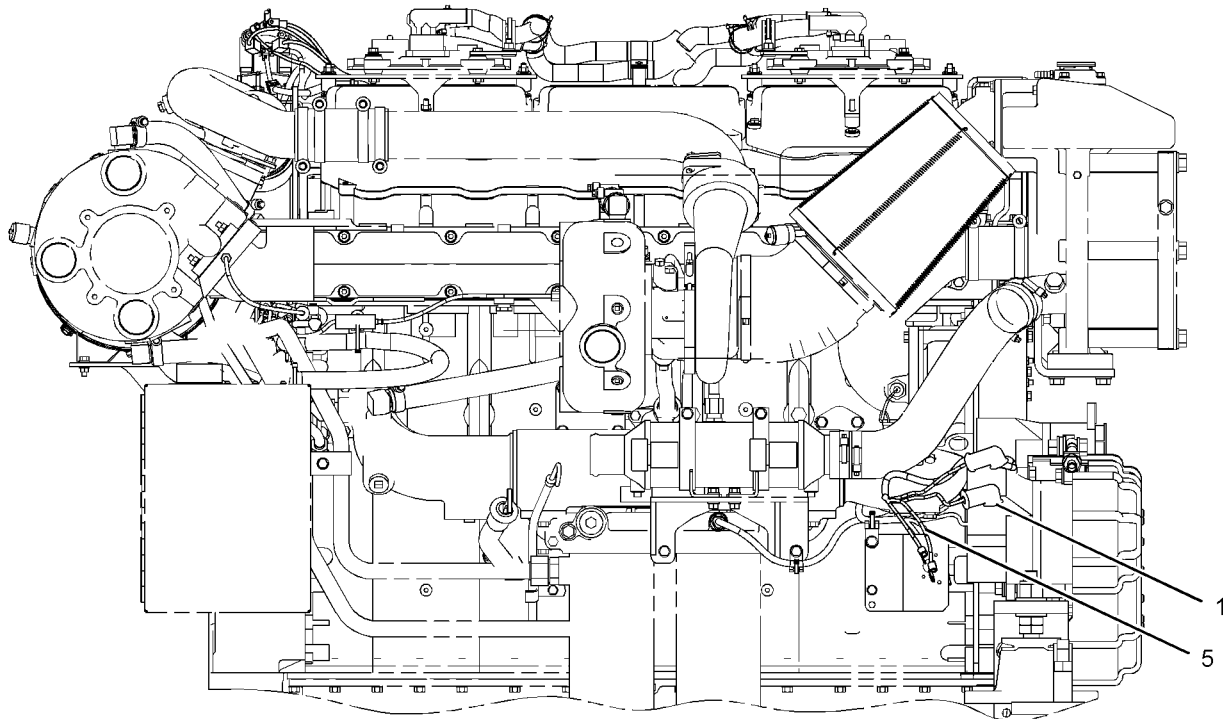
ELECTRICAL AND STARTING SYSTEM

206-7829 WIRING GP-ENGINE (contd.)

i03602311



LEFT SIDE VIEW OF ENGINE



RIGHT SIDE VIEW OF ENGINE

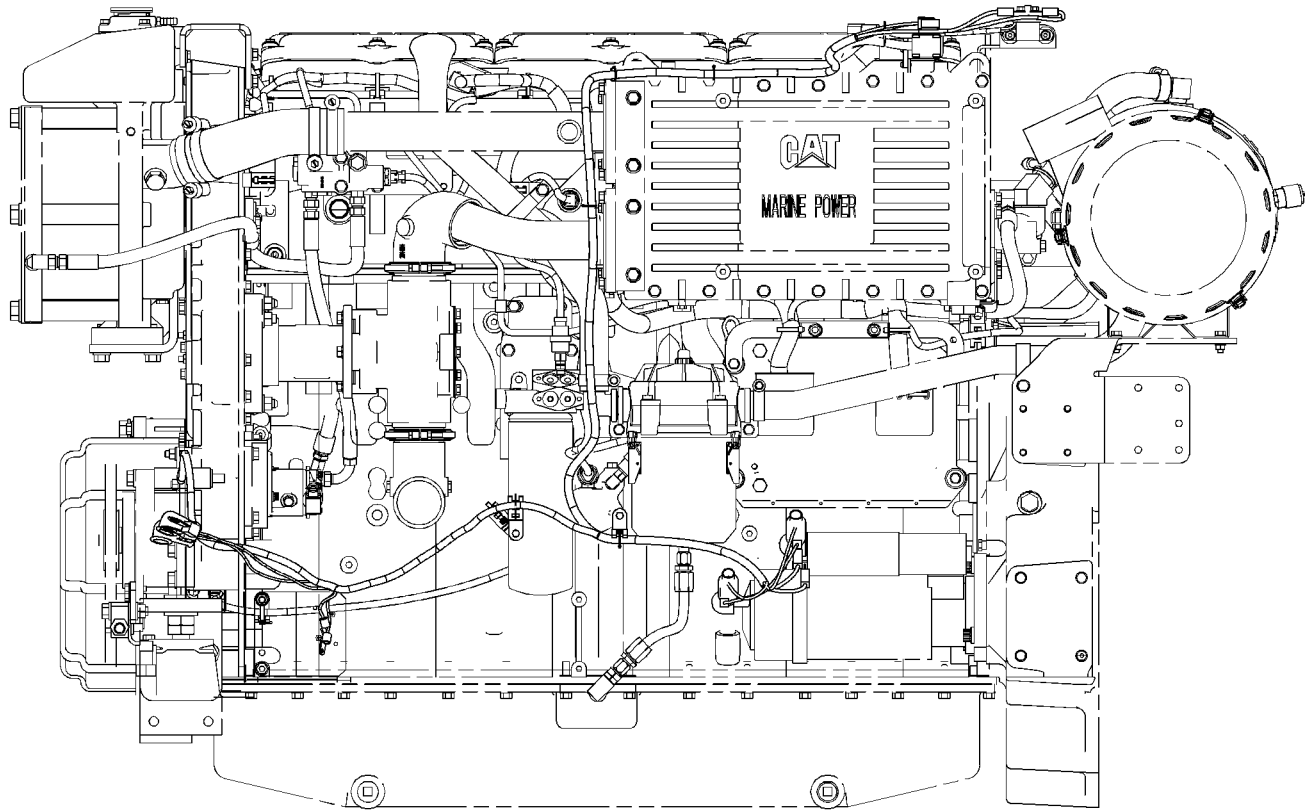
GRAPHIC #1

g01943603

ELECTRICAL AND STARTING SYSTEM

206-7829 WIRING GP-ENGINE (contd.)

i03602311



LEFT SIDE VIEW OF ENGINE

(ENGINE MOUNTED SMMS
AND POWER PLUG)

GRAPHIC #2

<END>

g01943604

ELECTRICAL AND STARTING SYSTEM

290-4002 WIRING GP-ENGINE

S/N: J2K1-103

FOR USE WITH TIER II RH SERVICE
AN ATTACHMENT

SMCS-1000, 1408

i02640388

NOTE	REF NO	GRAPHIC REF	PART NUMBER	QTY	PART NAME						SEE PAGE
					1	2	3	4	5	6 (PRODUCT LEVEL)	
	1	1,2	3S-2093	34	STRAP-CABLE						
	2	1	4H-1225	2	WASHER (11X22X6-MM THK)						
	3	1,2	117-0067	2	ELBOW						
Y	4	1	194-6725	2	SENSOR GP-PRESSURE (ENGINE OIL)						788
Y	4A	2	194-6725	1	SENSOR GP-PRESSURE (FUEL)						788
	5	2	203-9609	1	HARNESS AS-ENGINE (PANEL INTERCONNECT)						
		2	102-8801	1	KIT-RECEPTACLE (12-PIN) (INCLUDES RECEPTACLE AS & WEDGE)						
		2	155-2255	1	KIT-CONNECTING PLUG (12-PIN) (INCLUDES PLUG AS & WEDGE)						
	6	2	203-9610	1	HARNESS AS-WIRING (JUMPER)						
	7	1	211-6833	1	BRACKET AS						
		1	7C-2644	1	CLIP						
		1	8C-3334	2	RIVET-TUBULAR						
	8	1	293-2338	1	HARNESS AS-ENGINE (ENGINE ECM, J2)						
		1	102-8802	3	KIT-RECEPTACLE (2-PIN) (INCLUDES RECEPTACLE AS & WEDGE)						
		1	102-8803	7	KIT-RECEPTACLE (3-PIN) (INCLUDES RECEPTACLE AS & WEDGE)						
		1	155-2255	1	KIT-CONNECTING PLUG (12-PIN) (INCLUDES PLUG AS & WEDGE)						
		1	155-2270	8	KIT-CONNECTING PLUG (2-PIN) (INCLUDES PLUG AS & WEDGE)						
		1	155-2260	4	KIT-CONNECTING PLUG (3-PIN) (INCLUDES PLUG AS & WEDGE)						
		1	264-5732	1	PLUG AS-CONNECTOR (120-PIN)						
	9	1	293-5359	1	HARNESS AS-ENGINE						
		1	103-0213	1	RECEPTACLE AS-CONNECTOR (70-PIN)						
		1	102-8802	1	KIT-RECEPTACLE (2-PIN) (INCLUDES RECEPTACLE AS & WEDGE)						
		1	102-8805	1	KIT-RECEPTACLE (6-PIN) (INCLUDES RECEPTACLE AS & WEDGE)						
		1	3S-2093	3	STRAP-CABLE						
		1	155-2255	1	KIT-CONNECTING PLUG (12-PIN) (INCLUDES PLUG AS & WEDGE)						
		1	160-7689	1	PLUG AS-CONNECTOR (70-PIN)						
	10	1,2	0S-0509	5	BOLT (3/8-16X0.75-IN)						
	11	1	0S-1588	1	BOLT (3/8-16X1.25-IN)						
	12	1	0S-1594	2	BOLT (3/8-16X1-IN)						
	13	2	0T-0102	2	BOLT (3/8-16X0.625-IN)						
	14	1,2	130-5300	4	CLIP						
	15	1	132-5789	6	CLIP						
	16	1	1A-2029	2	BOLT (3/8-16X1.125-IN)						
Y	17	1	201-6615	1	SENSOR GP-SPEED (ENGINE TIMING)						796
Y	18	1	218-3840	1	SENSOR GP-PRESSURE (AIR INLET MANIFOLD)						789
	19	1	223-1624	1	ELBOW						
Y	20	1	239-2397	1	SENSOR GP-SPEED (ENGINE TIMING)						799
	21	1	264-4297	1	SENSOR GP-TEMPERATURE (AIR INLET MANIFOLD)						
		1	137-6645	1	PAD						
	21A	1	264-4297	1	SENSOR GP-TEMPERATURE (FUEL)						
		1	137-6645	1	PAD						
	21B	2	264-4297	1	SENSOR GP-TEMPERATURE (COOLANT, WATER)						
		2	137-6645	1	PAD						
	22	1	2H-3755	2	BOLT (5/16-18X0.43-IN)						
	23	1	3P-0647	2	SEAL-O-RING						

ELECTRICAL AND STARTING SYSTEM

290-4002 WIRING GP-ENGINE (contd.)

i02640388

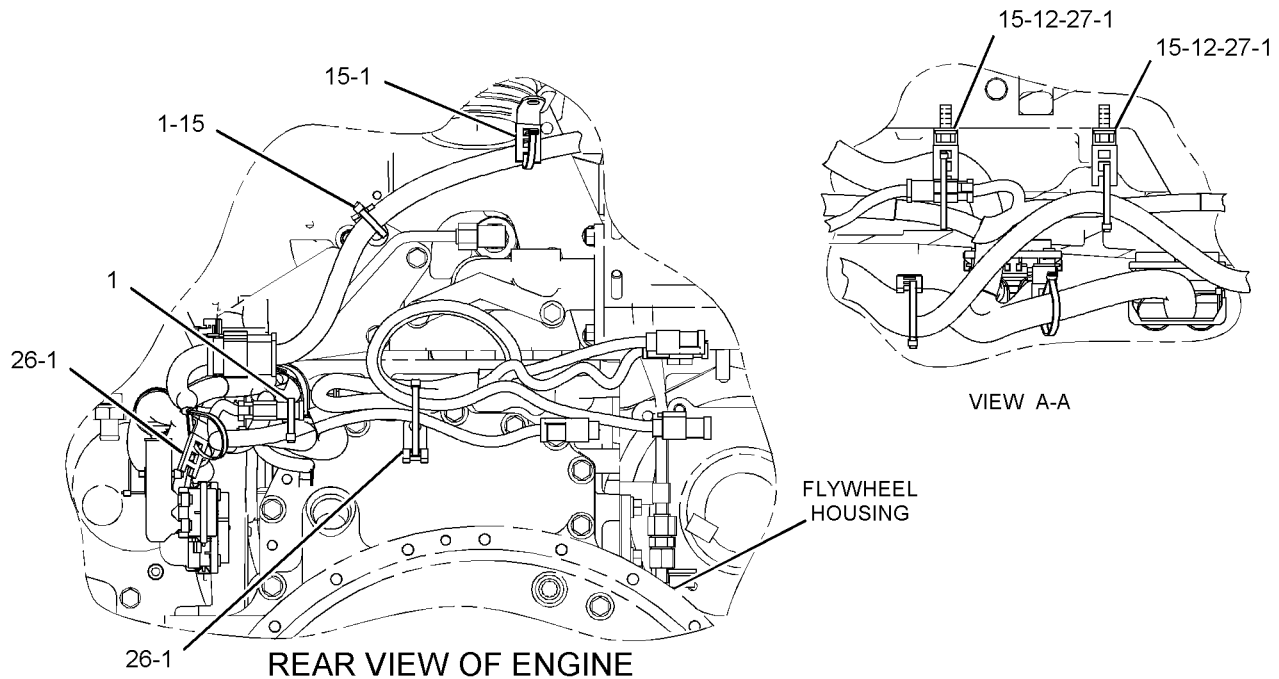
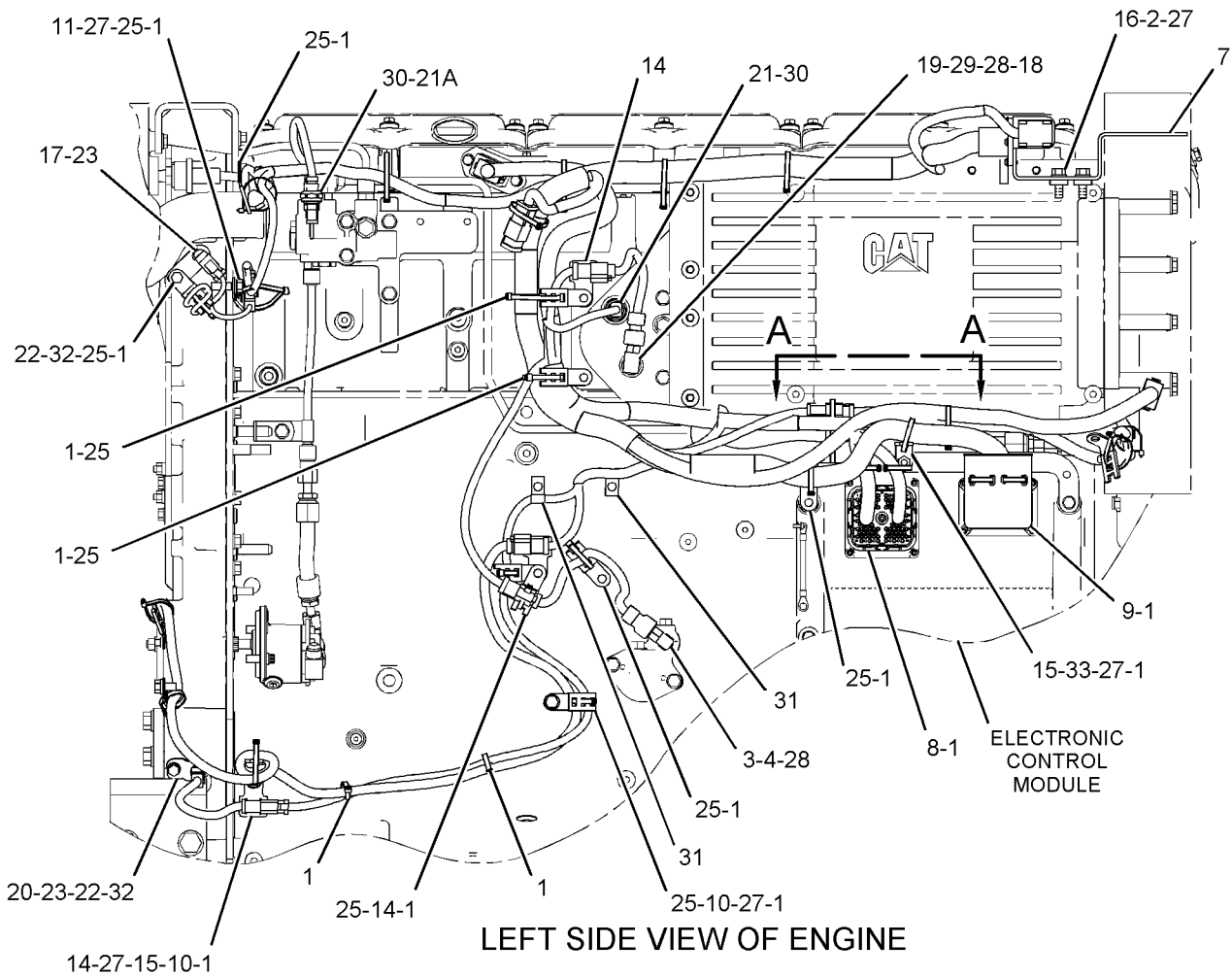
NOTE	REF NO	GRAPHIC REF	PART NUMBER	QTY	PART NAME						SEE PAGE
					1	2	3	4	5	6 (PRODUCT LEVEL)	
	24	2	4B-5324	4	WASHER (3.9X9.6X1.2-MM THK)						
	25	1,2	4P-7581	15	CLIP						
	26	1	4P-8134	2	CLIP						
	27	1,2	5M-2894	13	WASHER-HARD (10.2X18.5X2.5-MM THK)						
	28	1,2	6V-5048	5	SEAL-O-RING						
	29	1	6V-5049	1	SEAL-O-RING						
	30	1,2	8L-2786	3	SEAL-O-RING						
	31	1	8M-2772	2	CLIP						
	32	1	9M-1974	2	WASHER-HARD (8.8X16X2-MM THK)						
	33	1	9S-8752	1	NUT-FULL (3/8-16-THD)						
	34	2	9X-6258	4	SCREW-MACHINE (6-32X0.5-IN)						

Y-SEPARATE ILLUSTRATION

ELECTRICAL AND STARTING SYSTEM

290-4002 WIRING GP-ENGINE (contd.)

i02640388



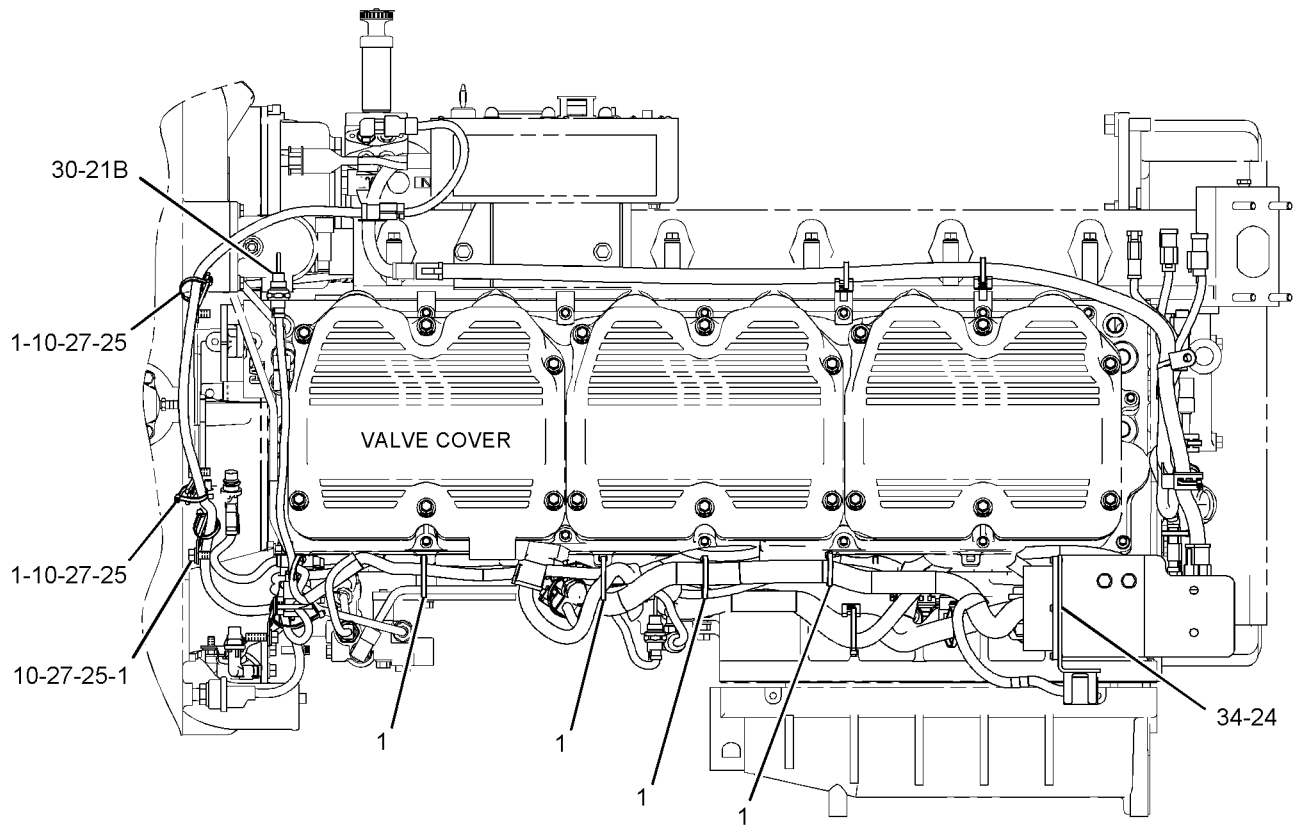
GRAPHIC #1

g01347160

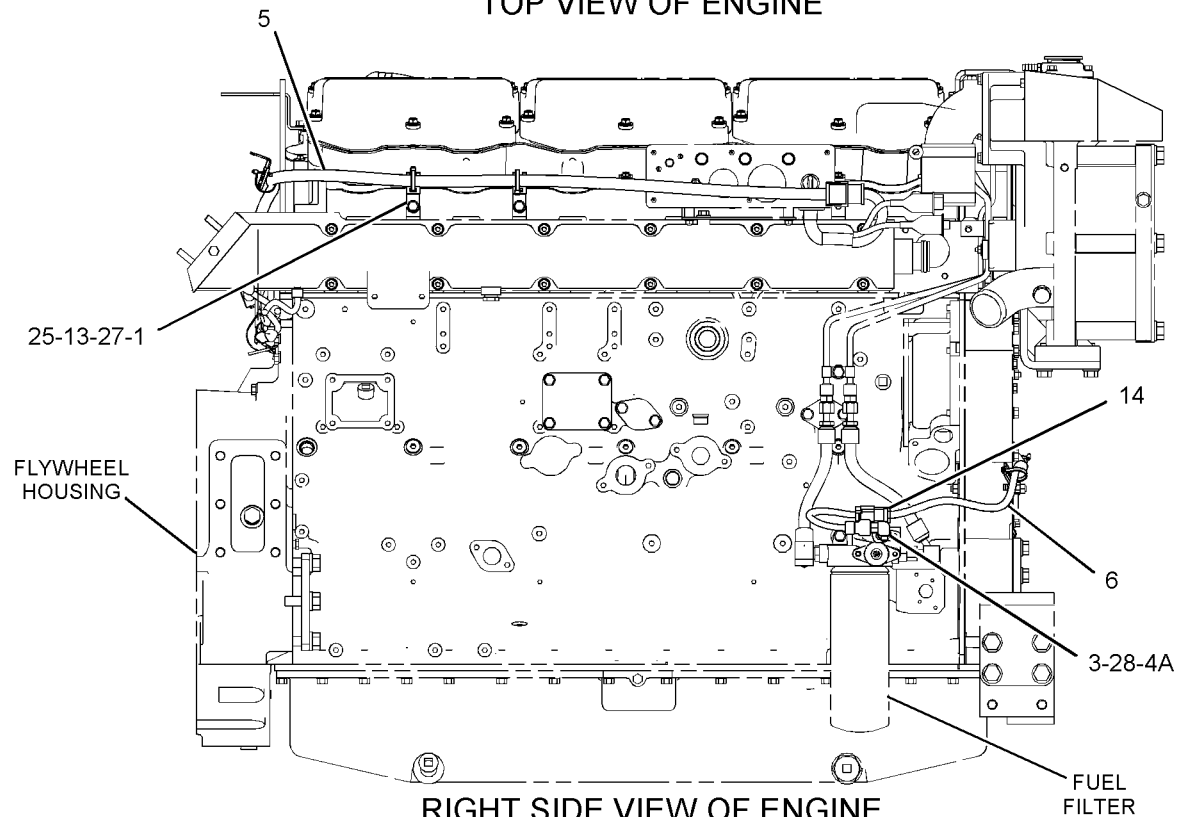
ELECTRICAL AND STARTING SYSTEM

290-4002 WIRING GP-ENGINE (contd.)

i02640388



TOP VIEW OF ENGINE



RIGHT SIDE VIEW OF ENGINE

GRAPHIC #2

<END>

g01347185

ELECTRICAL AND STARTING SYSTEM

290-4002 WIRING GP-ENGINE

S/N: J2K104-113

FOR USE WITH TIER II RH SERVICE
AN ATTACHMENT

SMCS-1000, 1408

i02680623

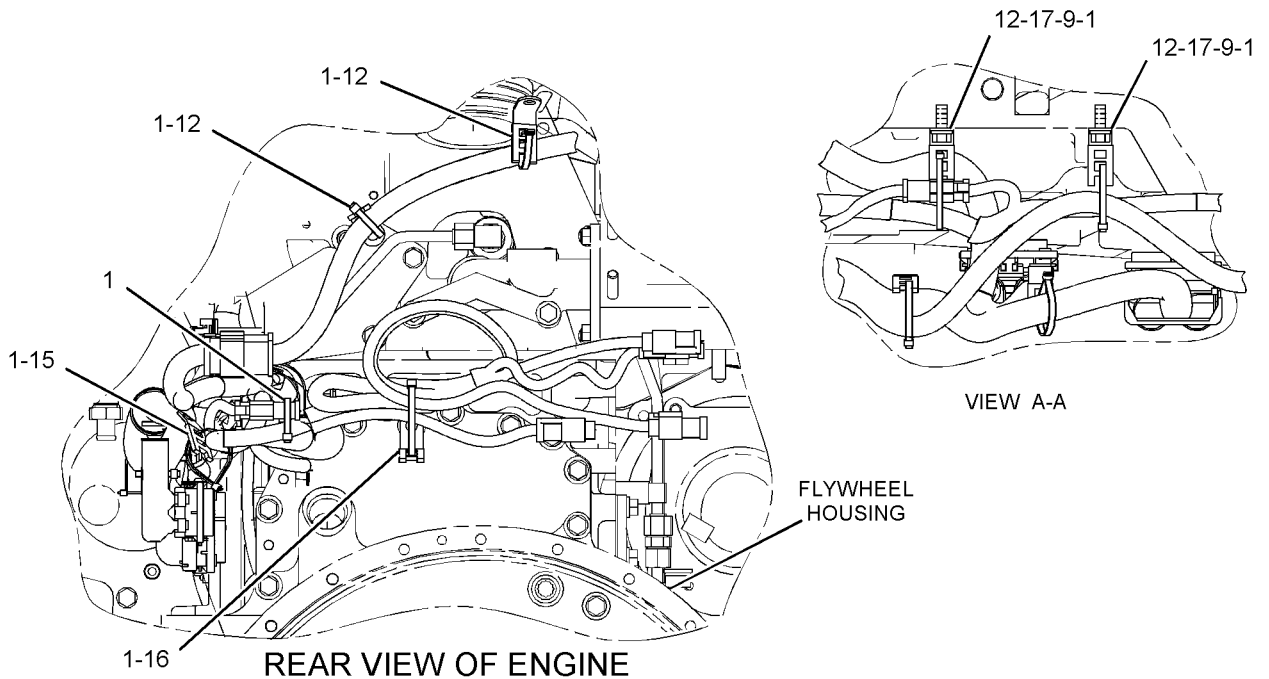
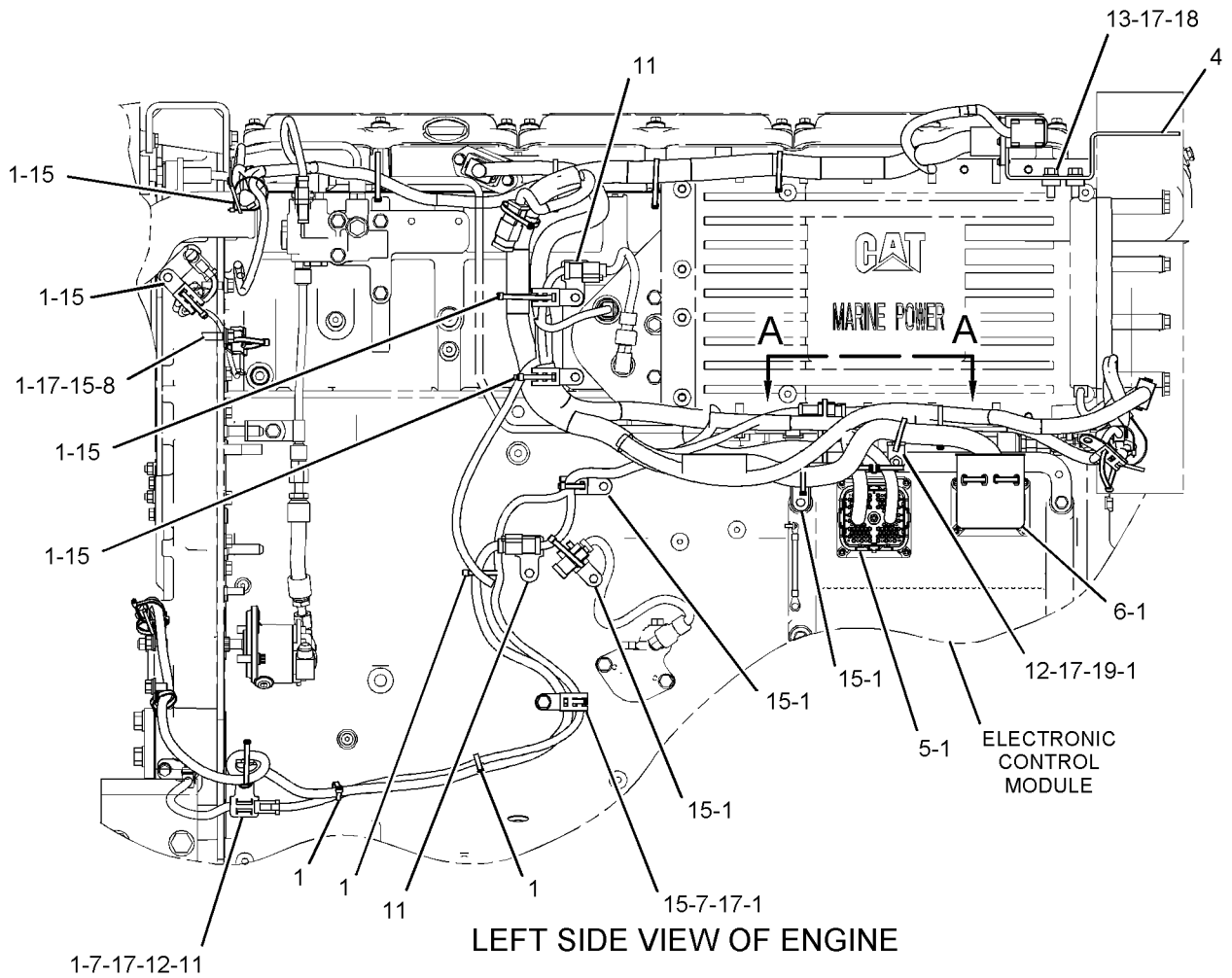
NOTE	REF NO	GRAPHIC REF	PART NUMBER	QTY	PART NAME						SEE PAGE
					1	2	3	4	5	6 (PRODUCT LEVEL)	
BC	1	1,2	3S-2093	34	STRAP-CABLE						
	2	2	203-9609	1	HARNESS AS-ENGINE (PANEL INTERCONNECT)						
		2	102-8801	1	KIT-RECEPTACLE (12-PIN) (INCLUDES RECEPTACLE AS & WEDGE)						
		2	155-2255	1	KIT-CONNECTING PLUG (12-PIN) (INCLUDES PLUG AS & WEDGE)						
	3	2	203-9610	1	HARNESS AS-WIRING (JUMPER)						
	4	1	211-6833	1	BRACKET AS						
		1	7C-2644	1	CLIP						
		1	8C-3334	2	RIVET-TUBULAR						
	5	1	293-2338	1	HARNESS AS-ENGINE (ENGINE ECM, J2)						
		1	102-8802	3	KIT-RECEPTACLE (2-PIN) (INCLUDES RECEPTACLE AS & WEDGE)						
		1	102-8803	7	KIT-RECEPTACLE (3-PIN) (INCLUDES RECEPTACLE AS & WEDGE)						
		1	155-2255	1	KIT-CONNECTING PLUG (12-PIN) (INCLUDES PLUG AS & WEDGE)						
		1	155-2270	8	KIT-CONNECTING PLUG (2-PIN) (INCLUDES PLUG AS & WEDGE)						
		1	155-2260	4	KIT-CONNECTING PLUG (3-PIN) (INCLUDES PLUG AS & WEDGE)						
		1	264-5732	1	PLUG AS-CONNECTOR (120-PIN)						
	6	1	293-5359	1	HARNESS AS-ENGINE						
		1	103-0213	1	RECEPTACLE AS-CONNECTOR (70-PIN)						
		1	102-8802	1	KIT-RECEPTACLE (2-PIN) (INCLUDES RECEPTACLE AS & WEDGE)						
		1	102-8805	1	KIT-RECEPTACLE (6-PIN) (INCLUDES RECEPTACLE AS & WEDGE)						
		1	3S-2093	3	STRAP-CABLE						
	1	155-2255	1	KIT-CONNECTING PLUG (12-PIN) (INCLUDES PLUG AS & WEDGE)							
	1	160-7689	1	PLUG AS-CONNECTOR (70-PIN)							
7	1,2	0S-0509	5	BOLT (3/8-16X0.75-IN)							
8	1	0S-1588	1	BOLT (3/8-16X1.25-IN)							
9	1	0S-1594	2	BOLT (3/8-16X1-IN)							
10	2	0T-0102	2	BOLT (3/8-16X0.625-IN)							
11	1,2	130-5300	4	CLIP							
12	1	132-5789	6	CLIP							
13	1	1A-2029	2	BOLT (3/8-16X1.125-IN)							
14	2	4B-5324	4	WASHER (3.9X9.6X1.2-MM THK)							
15	1,2	4P-7581	15	CLIP							
C	16	1	4P-8134	1	CLIP						
	17	1,2	5M-2894	13	WASHER-HARD (10.2X18.5X2.5-MM THK)						
C	18	1	8M-9124	2	WASHER (10X22.5X8-MM THK)						
	19	1	9S-8752	1	NUT-FULL (3/8-16-THD)						
	20	2	9X-6258	4	SCREW-MACHINE (6-32X0.5-IN)						

B-USE AS REQUIRED
C-CHANGE FROM PREVIOUS TYPE

ELECTRICAL AND STARTING SYSTEM

290-4002 WIRING GP-ENGINE (contd.)

i02680623



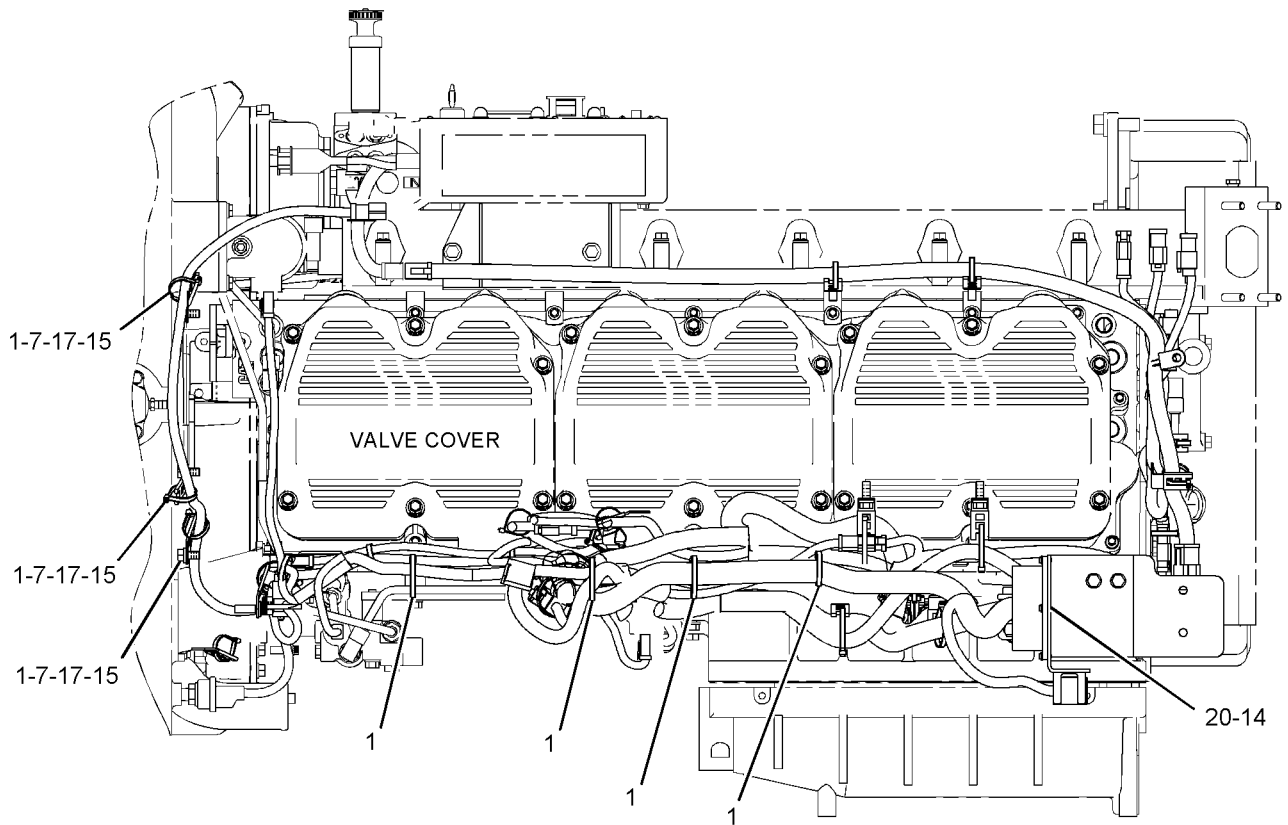
GRAPHIC #1

g01349404

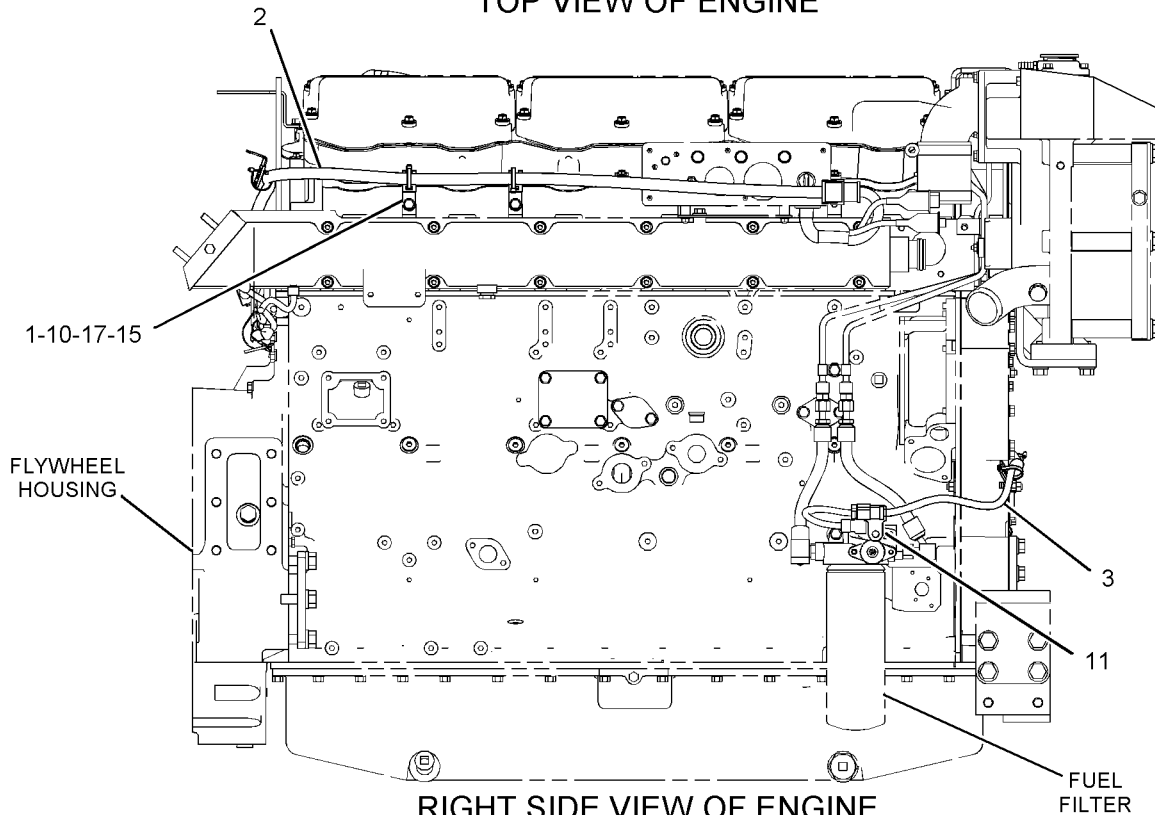
ELECTRICAL AND STARTING SYSTEM

290-4002 WIRING GP-ENGINE (contd.)

i02680623



TOP VIEW OF ENGINE



RIGHT SIDE VIEW OF ENGINE

GRAPHIC #2

<END>

g01349405

ELECTRICAL AND STARTING SYSTEM

290-4002 WIRING GP-ENGINE

S/N: J2K114-UP

FOR USE WITH TIER II RH SERVICE

AN ATTACHMENT

TYPE 1

SMCS-1000, 1408

i03041297

NOTE	REF NO	GRAPHIC REF	PART NUMBER	QTY	PART NAME						SEE PAGE
					1	2	3	4	5	6 (PRODUCT LEVEL)	
BC	1	1,2	3S-2093	38	STRAP-CABLE						
	2	2	203-9609	1	HARNESS AS-ENGINE (PANEL INTERCONNECT)						
		2	102-8801	1	KIT-RECEPTACLE (12-PIN) (INCLUDES RECEPTACLE AS & WEDGE)						
		2	155-2255	1	KIT-CONNECTING PLUG (12-PIN) (INCLUDES PLUG AS & WEDGE)						
	3	2	203-9610	1	HARNESS AS-WIRING (JUMPER)						
	4	1	211-6833	1	BRACKET AS						
		1	7C-2644	1	CLIP						
		1	8C-3334	2	RIVET-TUBULAR						
	5	1	293-2338	1	HARNESS AS-ENGINE (ENGINE ECM, J2)						
			102-8802	3	KIT-RECEPTACLE (2-PIN) (INCLUDES RECEPTACLE AS & WEDGE)						
		1	102-8803	7	KIT-RECEPTACLE (3-PIN) (INCLUDES RECEPTACLE AS & WEDGE)						
		1	155-2255	1	KIT-CONNECTING PLUG (12-PIN) (INCLUDES PLUG AS & WEDGE)						
		1	155-2270	8	KIT-CONNECTING PLUG (2-PIN) (INCLUDES PLUG AS & WEDGE)						
		1	155-2260	4	KIT-CONNECTING PLUG (3-PIN) (INCLUDES PLUG AS & WEDGE)						
		1	264-5732	1	PLUG AS-CONNECTOR (120-PIN)						
	6	1	293-5359	1	HARNESS AS-ENGINE						
			103-0213	1	RECEPTACLE AS-CONNECTOR (70-PIN)						
		1	102-8802	1	KIT-RECEPTACLE (2-PIN) (INCLUDES RECEPTACLE AS & WEDGE)						
		1	102-8805	1	KIT-RECEPTACLE (6-PIN) (INCLUDES RECEPTACLE AS & WEDGE)						
		1	3S-2093	3	STRAP-CABLE						
		1	155-2255	1	KIT-CONNECTING PLUG (12-PIN) (INCLUDES PLUG AS & WEDGE)						
		1	160-7689	1	PLUG AS-CONNECTOR (70-PIN)						
	7	1,2	0S-0509	5	BOLT (3/8-16X0.75-IN)						
	8	1	0S-1588	1	BOLT (3/8-16X1.25-IN)						
C	9	1	0S-1594	3	BOLT (3/8-16X1-IN)						
			0T-0102	2	BOLT (3/8-16X0.625-IN)						
	11	1,2	130-5300	4	CLIP						
C	12	1	132-5789	7	CLIP						
			1A-2029	2	BOLT (3/8-16X1.125-IN)						
	14	2	4B-5324	4	WASHER (3.9X9.6X1.2-MM THK)						
C	15	1,2	4P-7581	17	CLIP						
			4P-8134	1	CLIP						
C	17	1,2	5M-2894	16	WASHER-HARD (10.2X18.5X2.5-MM THK)						
			8M-9124	2	WASHER (10X22.5X8-MM THK)						
C	19	1	9S-8752	2	NUT-FULL (3/8-16-THD)						
			9X-6258	4	SCREW-MACHINE (6-32X0.5-IN)						
C	21	1	0L-1351	1	BOLT (3/8-16X0.875-IN)						

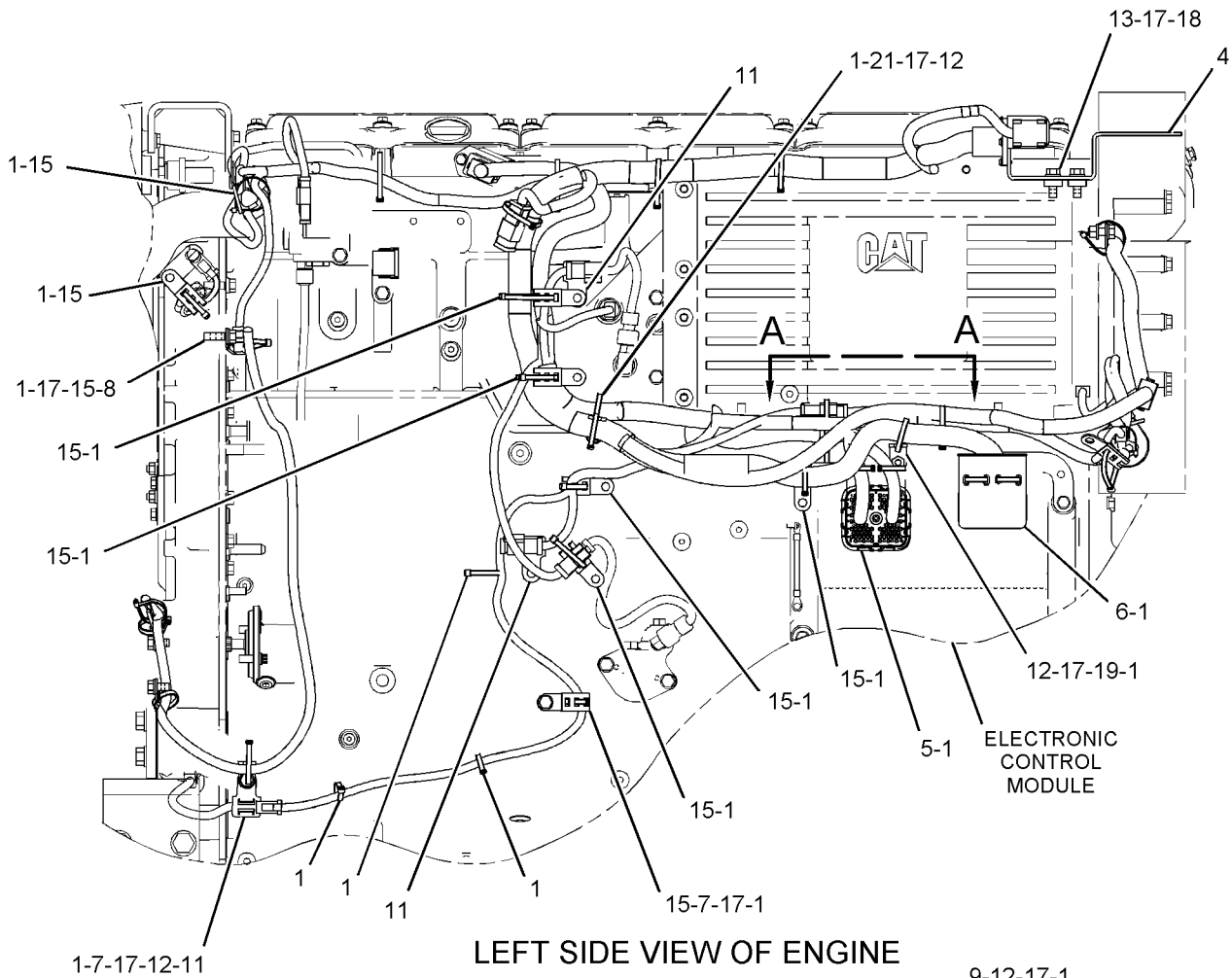
B-USE AS REQUIRED

C-CHANGE FROM PREVIOUS TYPE

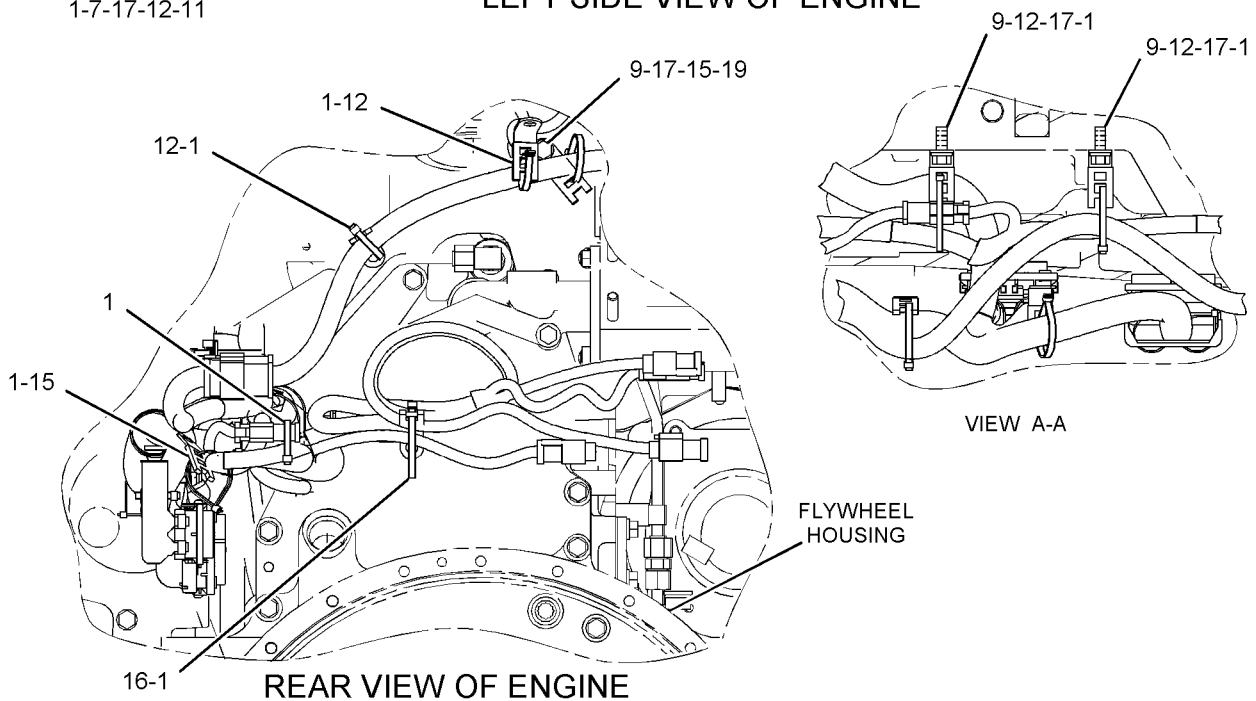
ELECTRICAL AND STARTING SYSTEM

290-4002 WIRING GP-ENGINE (contd.)

i03041297



LEFT SIDE VIEW OF ENGINE



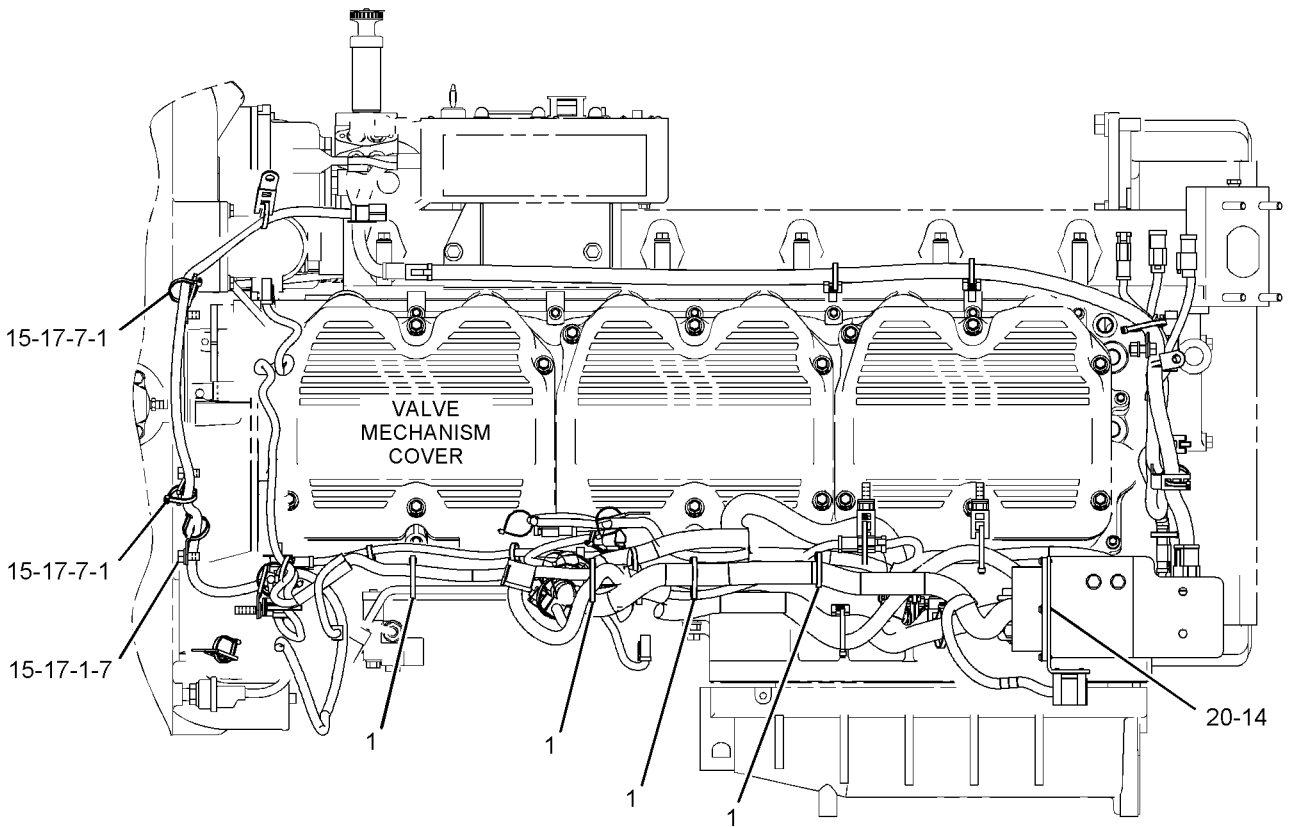
GRAPHIC #1

g01640293

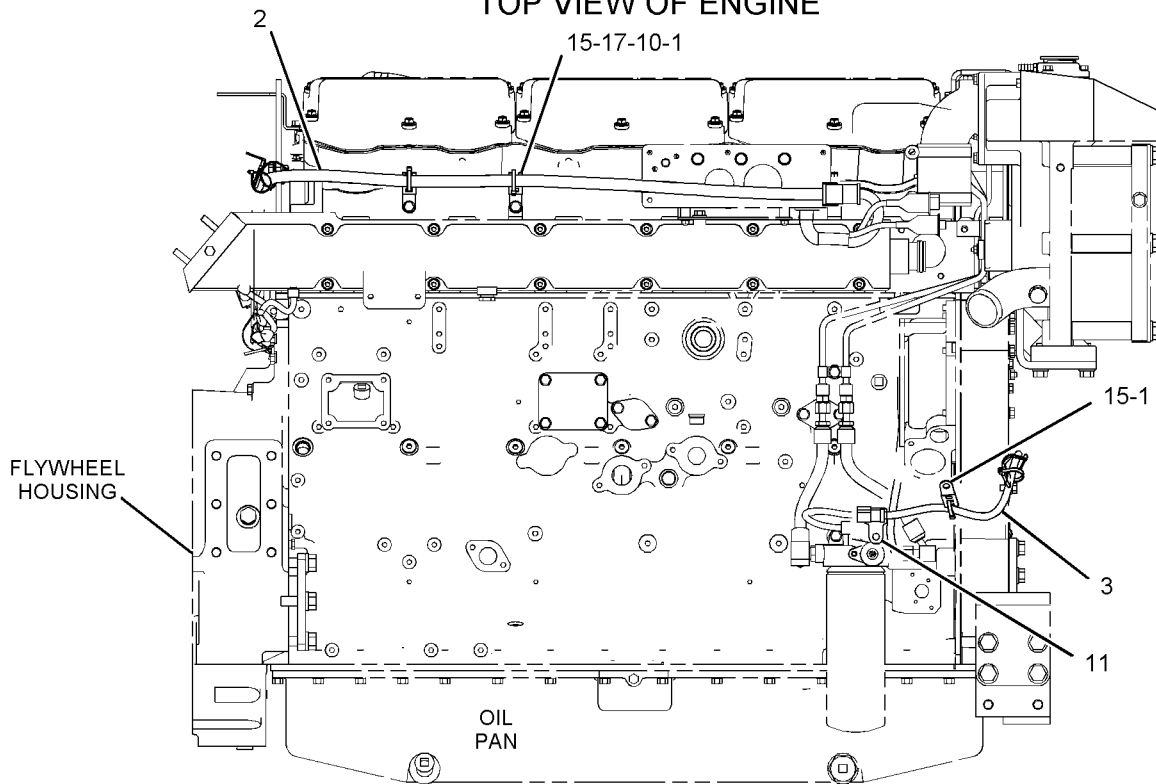
ELECTRICAL AND STARTING SYSTEM

290-4002 WIRING GP-ENGINE (contd.)

i03041297



TOP VIEW OF ENGINE



RIGHT SIDE VIEW OF ENGINE

GRAPHIC #2

<END>

g01640294

ELECTRICAL AND STARTING SYSTEM

290-4002 WIRING GP-ENGINE

S/N: J2K114-UP

FOR USE WITH TIER II RH SERVICE

AN ATTACHMENT

TYPE 2

SMCS-1000, 1408

i03602318

NOTE	REF NO	GRAPHIC REF	PART NUMBER	QTY	PART NAME						SEE PAGE
					1	2	3	4	5	6 (PRODUCT LEVEL)	
BC	1	1,2	3S-2093	33	STRAP-CABLE						
	2	2	203-9609	1	HARNESS AS-ENGINE (PANEL INTERCONNECT)						
		2	102-8801	1	KIT-RECEPTACLE (12-PIN) (INCLUDES RECEPTACLE AS & WEDGE)						
		2	155-2255	1	KIT-CONNECTING PLUG (12-PIN) (INCLUDES PLUG AS & WEDGE)						
		2	115-5674	2	BOOT (UNIT INJECTOR)						
		2	126-1767	5	PIN-CONNECTOR (14-GA TO 16-GA)						
		2	126-1768	5	SOCKET-CONNECTOR (14-GA)						
		2	180-9340	7	SOCKET-CONNECTOR (14-GA TO 18-GA)						
	3	2	203-9610	1	HARNESS AS-WIRING (JUMPER)						
		2	102-8803	1	KIT-RECEPTACLE (3-PIN) (INCLUDES RECEPTACLE AS & WEDGE)						
		2	6I-4347	2	BOOT (4-PIN)						
		2	155-2260	1	KIT-CONNECTING PLUG (3-PIN) (INCLUDES PLUG AS & WEDGE)						
		2	180-9340	3	SOCKET-CONNECTOR (14-GA TO 18-GA)						
	4	1	211-6833	1	BRACKET AS						
		1	7C-2644	1	CLIP						
1		8C-3334	2	RIVET-TUBULAR							
5	1	293-2338	1	HARNESS AS-ENGINE (ENGINE ECM, J2)							
	1	102-8802	1	KIT-RECEPTACLE (2-PIN) (INCLUDES RECEPTACLE AS & WEDGE)							
	1	102-8803	1	KIT-RECEPTACLE (3-PIN) (INCLUDES RECEPTACLE AS & WEDGE)							
	1	155-2255	1	KIT-CONNECTING PLUG (12-PIN) (INCLUDES PLUG AS & WEDGE)							
	1	155-2270	1	KIT-CONNECTING PLUG (2-PIN) (INCLUDES PLUG AS & WEDGE)							
	1	155-2260	1	KIT-CONNECTING PLUG (3-PIN) (INCLUDES PLUG AS & WEDGE)							
	1	264-5732	1	PLUG AS-CONNECTOR (120-PIN)							
	1	288-7324	1	SEAL-CONNECTOR							
	1	6I-4347	15	BOOT (4-PIN)							
	1	6I-4348	1	BOOT (40-PIN)							
	1	8T-8737	104	PLUG-SEAL							
	1	9W-0844	1	SOCKET-CONNECTOR (14-GA)							
	1	115-5674	1	BOOT (UNIT INJECTOR)							
	1	125-7874		TUBE-HEAT SHRINK (5.72-MM DIA) (25-CM)							
	1	125-7875		TUBE-HEAT SHRINK (7.44-MM DIA) (10-CM)							
1	211-6807	1	COVER (CONNECTOR)								
1	180-9340	45	SOCKET-CONNECTOR (14-GA TO 18-GA)								
6	1	293-5359	1	HARNESS AS-ENGINE							
	1	103-0213	1	RECEPTACLE AS-CONNECTOR (70-PIN)							
	1	102-8802	1	KIT-RECEPTACLE (2-PIN) (INCLUDES RECEPTACLE AS & WEDGE)							
	1	102-8805	1	KIT-RECEPTACLE (6-PIN) (INCLUDES RECEPTACLE AS & WEDGE)							
	1	3S-2093	3	STRAP-CABLE							
	1	155-2255	1	KIT-CONNECTING PLUG (12-PIN) (INCLUDES PLUG AS & WEDGE)							
	1	160-7689	1	PLUG AS-CONNECTOR (70-PIN)							
	1	159-9322	1	SEAL-O-RING							
	1	6I-4347	2	BOOT (4-PIN)							

ELECTRICAL AND STARTING SYSTEM

290-4002 WIRING GP-ENGINE (contd.)

i03602318

NOTE	REF NO	GRAPHIC REF	PART NUMBER	QTY	PART NAME						SEE PAGE
					1	2	3	4	5	6 (PRODUCT LEVEL)	
		1	6I-4348	1	BOOT (40-PIN)						
		1	8C-6354	1	CAP-RECEPTACLE						
		1	8T-8736	1	RECEPTACLE-CONNECTOR (9-PIN)						
		1	8T-8737	72	PLUG-SEAL						
		1	115-5674	2	BOOT (UNIT INJECTOR)						
		1	119-3662		TUBE-HEAT SHRINK (10.85-MM DIA) (7-CM)						
		1	125-7874		TUBE-HEAT SHRINK (5.72-MM DIA) (30-CM)						
		1	125-7875		TUBE-HEAT SHRINK (7.44-MM DIA) (65-CM)						
		1	125-7876		TUBE-HEAT SHRINK (17.78-MM DIA) (20-CM)						
		1	126-1767	15	PIN-CONNECTOR (14-GA TO 16-GA)						
		1	126-1768	14	SOCKET-CONNECTOR (14-GA)						
		1	126-1774	1	COVER-CONNECTOR						
		1	133-0967	3	PIN-CONNECTOR (16-GA TO 18-GA)						
		1	133-0969	1	CONNECTOR-SOCKET (16-GA TO 18-GA)						
		1	180-9340	30	SOCKET-CONNECTOR (14-GA TO 18-GA)						
		1	208-0432	1	PLUG						
C	7	2	130-5300	1	CLIP						
C	8	1	132-5789	3	CLIP						
	9	2	4B-5324	4	WASHER (3.9X9.6X1.2-MM THK)						
C	10	1	4L-6454	1	BOLT (3/8-16X1-IN)						
C	11	1,2	4P-7581	9	CLIP						
	12	1	4P-8134	1	CLIP						
C	13	1	5M-3062	2	BOLT (3/8-16X0.75-IN)						
C	14	1	5S-7379	1	BOLT (3/8-16X0.875-IN)						
C	15	1	5S-7382	2	BOLT (3/8-16X1.375-IN)						
C	16	1	6V-8801	2	NUT (3/8-16-THD)						
C	17	1	7X-0732	2	WASHER-HARD (10X22.5X8-MM THK)						
C	18	1	8T-4896	8	WASHER-HARD (10.2X18.5X2.5-MM THK)						
	19	2	9X-6258	4	SCREW-MACHINE (6-32X0.5-IN)						

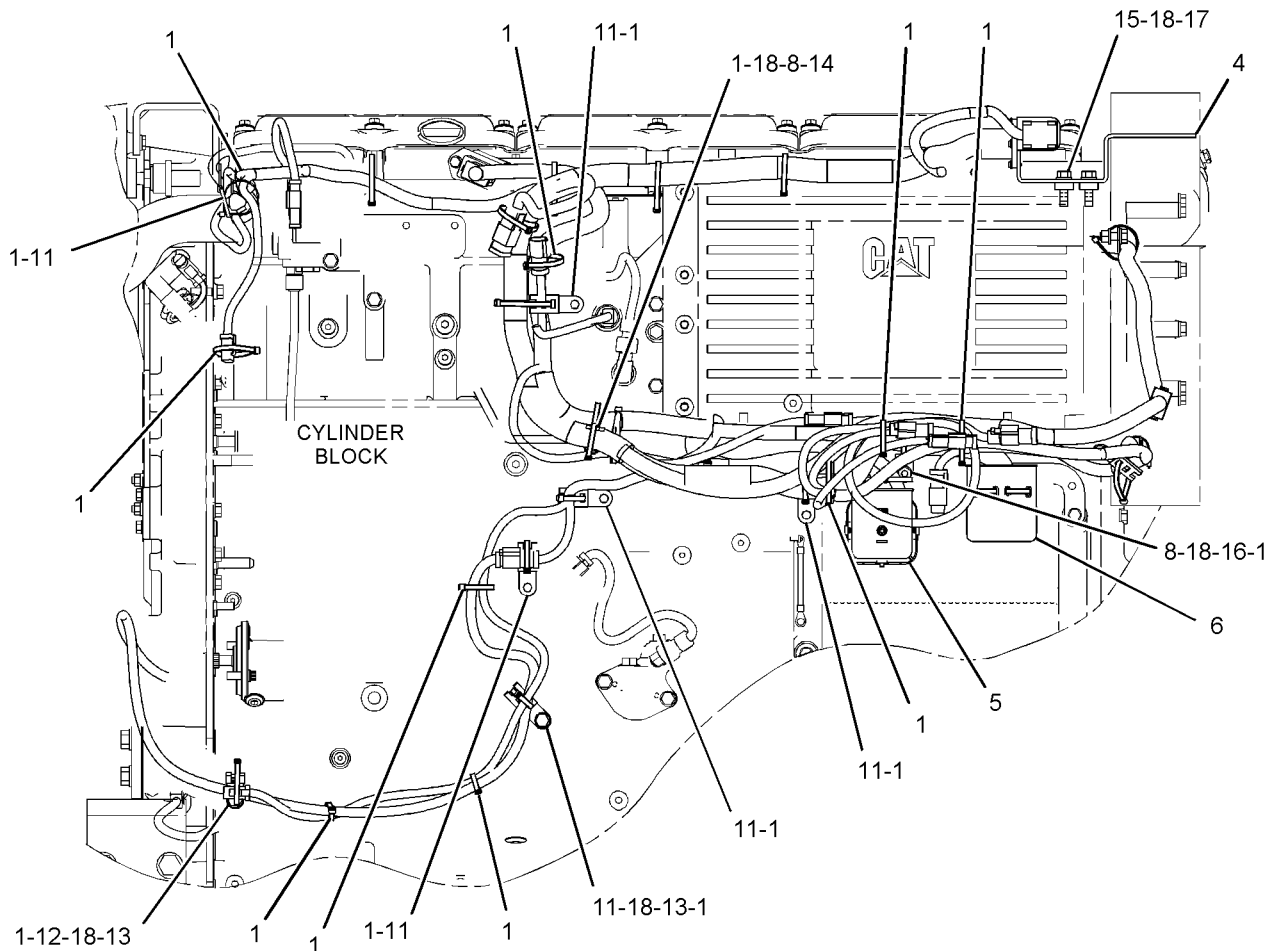
B-USE AS REQUIRED

C-CHANGE FROM PREVIOUS TYPE

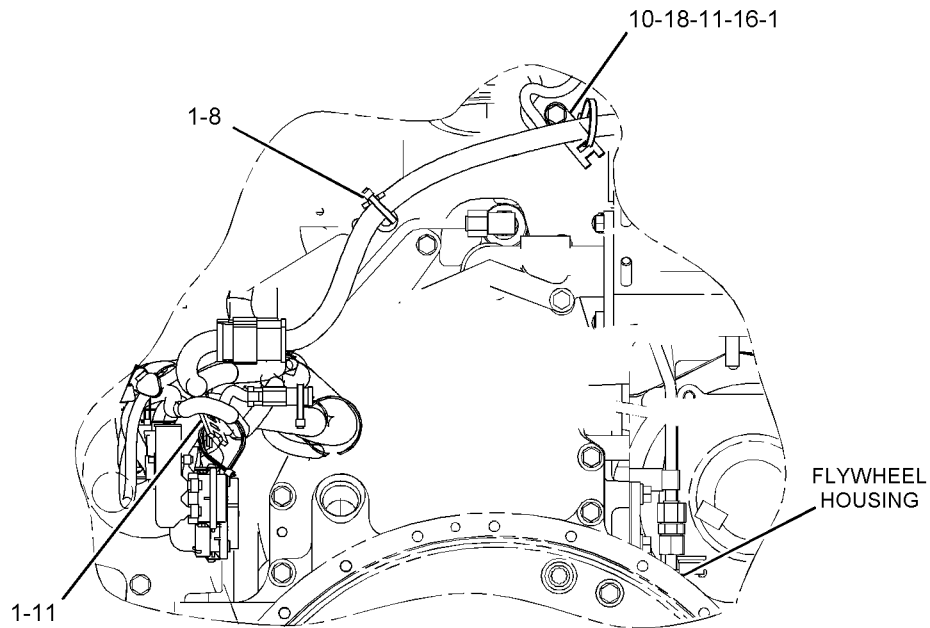
ELECTRICAL AND STARTING SYSTEM

290-4002 WIRING GP-ENGINE (contd.)

i03602318



LEFT SIDE VIEW OF ENGINE



REAR VIEW OF ENGINE

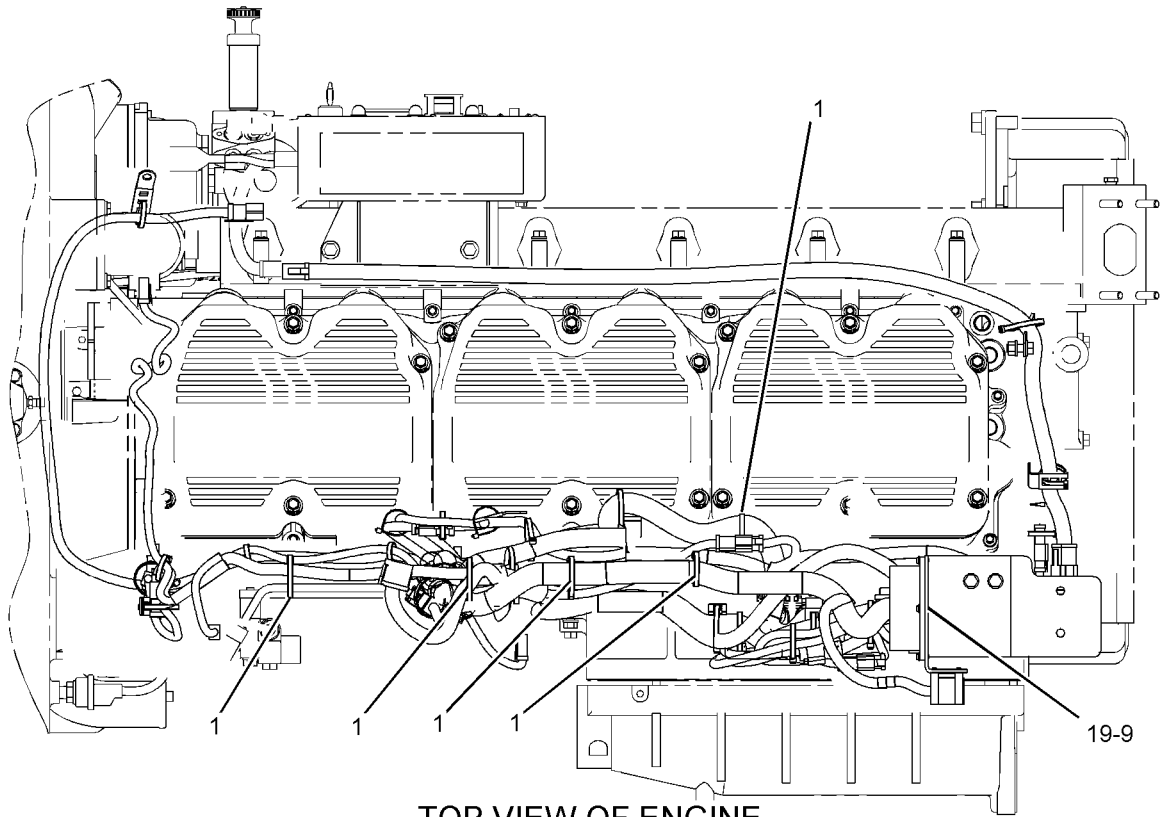
GRAPHIC #1

g01943675

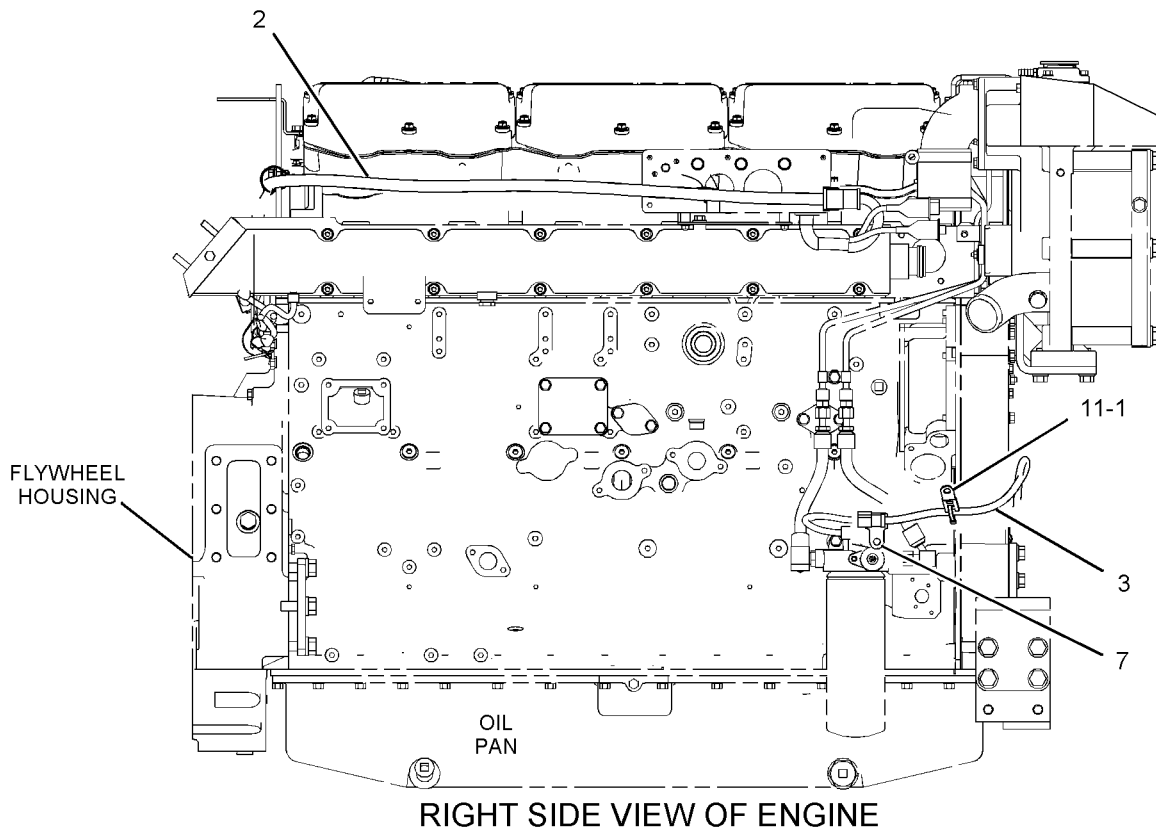
ELECTRICAL AND STARTING SYSTEM

290-4002 WIRING GP-ENGINE (contd.)

i03602318



TOP VIEW OF ENGINE



RIGHT SIDE VIEW OF ENGINE

GRAPHIC #2

<END>

g01943674

ELECTRICAL AND STARTING SYSTEM

290-4003 WIRING GP-ENGINE

S/N: J2K1-103

LH

AN ATTACHMENT

SMCS-1000, 1408

i02682313

NOTE	REF NO	GRAPHIC REF	PART NUMBER	QTY	PART NAME						SEE PAGE
					1	2	3	4	5	6 (PRODUCT LEVEL)	
	1	1,2	3S-2093	24	STRAP-CABLE						
	2	1	4H-1225	2	WASHER (11X22X6-MM THK)						
	3	1	117-0067	2	ELBOW						
Y	4	1	194-6725	1	SENSOR GP-PRESSURE (ENGINE OIL)						788
Y	4A	1	194-6725	1	SENSOR GP-PRESSURE (FUEL)						788
	5	1	211-6833	1	BRACKET AS						
	5A	1	7C-2644	1	CLIP						
	5B	1	8C-3334	2	RIVET-TUBULAR						
	6	1	293-2338	1	HARNESS AS-ENGINE (ENGINE ECM, J2)						
		1	155-2260	4	KIT-CONNECTING PLUG (3-PIN) (INCLUDES PLUG AS & WEDGE)						
		1	102-8802	3	KIT-RECEPTACLE (2-PIN) (INCLUDES RECEPTACLE AS & WEDGE)						
		1	102-8803	7	KIT-RECEPTACLE (3-PIN) (INCLUDES RECEPTACLE AS & WEDGE)						
		1	155-2255	1	KIT-CONNECTING PLUG (12-PIN) (INCLUDES PLUG AS & WEDGE)						
		1	155-2270	8	KIT-CONNECTING PLUG (2-PIN) (INCLUDES PLUG AS & WEDGE)						
		1	264-5732	1	PLUG AS-CONNECTOR (120-PIN)						
7		1	293-5359	1	HARNESS AS-ENGINE						
		1	102-8805	1	KIT-RECEPTACLE (6-PIN) (INCLUDES RECEPTACLE AS & WEDGE)						
		1	102-8802	1	KIT-RECEPTACLE (2-PIN) (INCLUDES RECEPTACLE AS % WEDGE)						
		1	3S-2093	3	STRAP-CABLE						
		1	103-0213	1	RECEPTACLE AS-CONNECTOR (70-PIN)						
		1	155-2255	1	KIT-CONNECTING PLUG (12-PIN) (INCLUDES PLUG AS & WEDGE)						
		1	160-7689	1	PLUG AS-CONNECTOR (70-PIN)						
8		1	0S-0509	2	BOLT (3/8-16X0.75-IN)						
9		1	0S-1588	1	BOLT (3/8-16X1.25-IN)						
10		2	0S-1594	2	BOLT (3/8-16X1-IN)						
11		1	130-5300	3	CLIP						
12		1,2	132-5789	3	CLIP						
13		1	1A-2029	2	BOLT (3/8-16X1.125-IN)						
Y	14	1	201-6615	1	SENSOR GP-SPEED (ENGINE TIMING)						796
Y	15	1	218-3840	1	SENSOR GP-PRESSURE (AIR INLET MANIFOLD)						789
	16	1	223-1624	1	ELBOW						
Y	17	1	239-2397	1	SENSOR GP-SPEED (ENGINE TIMING)						799
	18	1	264-4297	1	SENSOR GP-TEMPERATURE (AIR INLET MANIFOLD)						
		1	137-6645		PAD						
18A		1	264-4297	1	SENSOR GP-TEMPERATURE (FUEL)						
		1	137-6645	1	PAD						
18B		2	264-4297	1	SENSOR GP-TEMPERATURE (COOLANT, WATER)						
		2	137-6645	1	PAD						
19		1	2H-3755	2	BOLT (5/16-18X0.43-IN)						
20		1	3P-0647	2	SEAL-O-RING						
21		2	4B-5324	4	WASHER (3.9X9.6X1.2-MM THK)						
22		1	4P-7581	10	CLIP						
23		1	4P-8134	2	CLIP						
24		1,2	5M-2894	8	WASHER-HARD (10.2X18.5X2.5-MM THK)						
25		1	6V-5048	5	SEAL-O-RING						
26		1	6V-5049	1	SEAL-O-RING						
27		1,2	8L-2786	3	SEAL-O-RING						

ELECTRICAL AND STARTING SYSTEM

290-4003 WIRING GP-ENGINE (contd.)

i02682313

NOTE	REF NO	GRAPHIC REF	PART NUMBER	QTY	PART NAME	SEE PAGE
					1 2 3 4 5 6 (PRODUCT LEVEL)	
	28	1	8M-2772	2	CLIP	
	29	1	9M-1974	2	WASHER-HARD (8.8X16X2-MM THK)	
	30	1	9S-8752	1	NUT-FULL (3/8-16-THD)	
	31	2	9X-6258	4	SCREW-MACHINE (6-32X0.5-IN)	

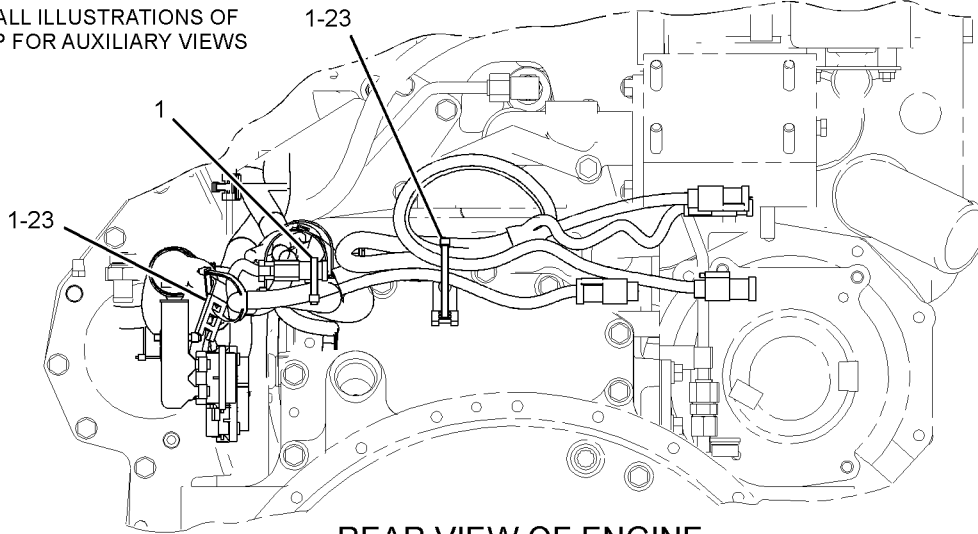
Y-SEPARATE ILLUSTRATION

ELECTRICAL AND STARTING SYSTEM

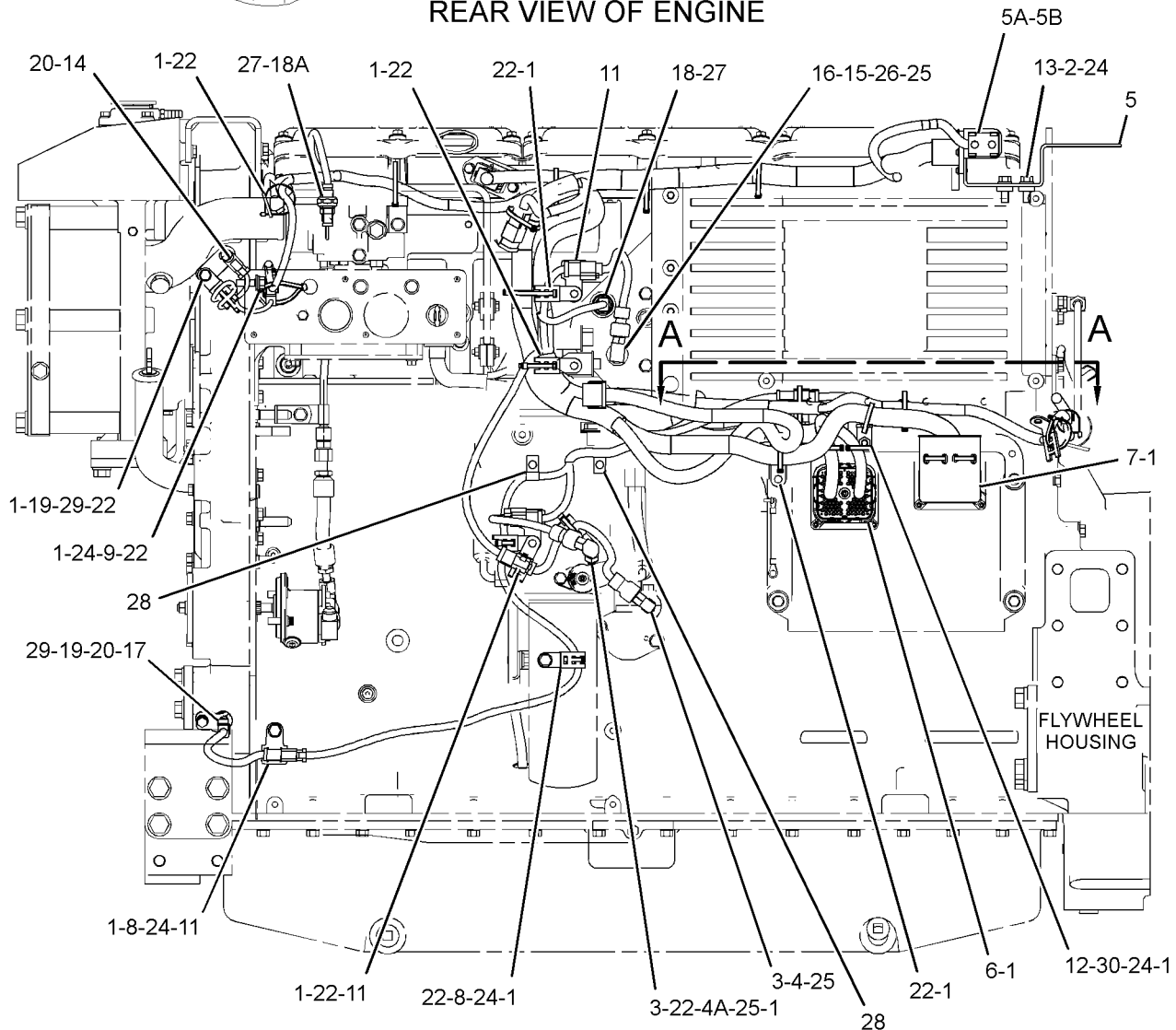
290-4003 WIRING GP-ENGINE (contd.)

i02682313

REFER TO ALL ILLUSTRATIONS OF THIS GROUP FOR AUXILIARY VIEWS



REAR VIEW OF ENGINE



LEFT SIDE VIEW OF ENGINE

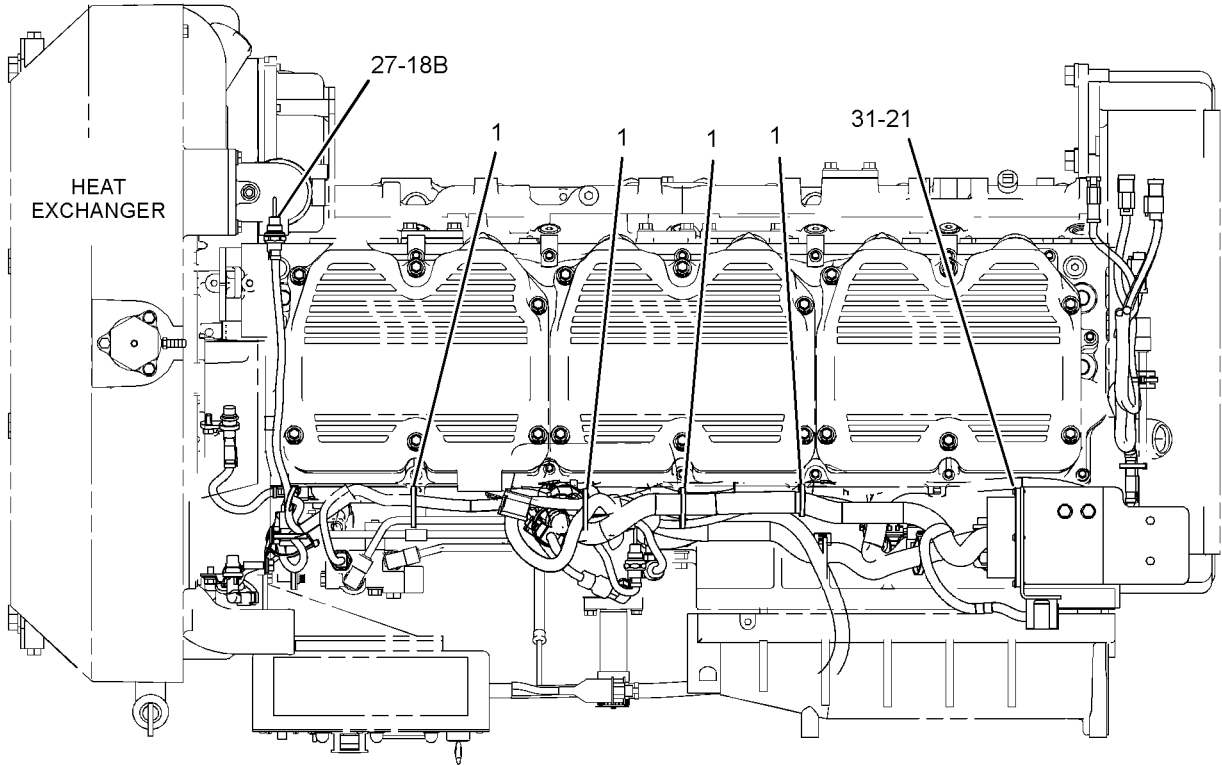
GRAPHIC #1

g01347204

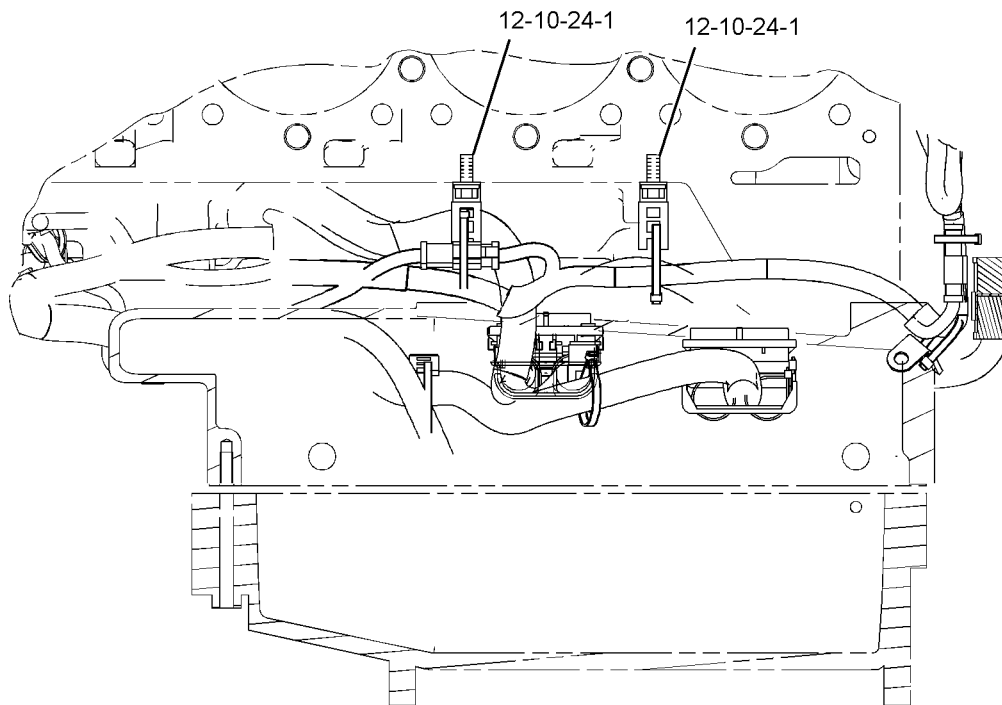
ELECTRICAL AND STARTING SYSTEM

290-4003 WIRING GP-ENGINE (contd.)

i02682313



TOP VIEW OF ENGINE



SECTION A-A

GRAPHIC #2

<END>

g01347209

ELECTRICAL AND STARTING SYSTEM

290-4003 WIRING GP-ENGINE

S/N: J2K104-UP; T2P1-UP

LH

AN ATTACHMENT

TYPE 1

SMCS-1000, 1408

i03166741

NOTE	REF NO	GRAPHIC REF	PART NUMBER	QTY	PART NAME						SEE PAGE
					1	2	3	4	5	6 (PRODUCT LEVEL)	
BC	1	1	3S-2093	25	STRAP-CABLE						
	2	1	211-6833	1	BRACKET AS						
	3	1	293-2338	1	HARNESS AS-ENGINE (ENGINE ECM, J2)						
			155-2260	4	KIT-CONNECTING PLUG (3-PIN) (INCLUDES PLUG AS & WEDGE)						
		1	102-8802	3	KIT-RECEPTACLE (2-PIN) (INCLUDES RECEPTACLE AS & WEDGE)						
					1	102-8803	7	KIT-RECEPTACLE (3-PIN) (INCLUDES RECEPTACLE AS & WEDGE)			
		1	155-2255	1				KIT-CONNECTING PLUG (12-PIN) (INCLUDES PLUG AS & WEDGE)			
						1	155-2270	8	KIT-CONNECTING PLUG (2-PIN) (INCLUDES PLUG AS & WEDGE)		
		1	264-5732	1					PLUG AS-CONNECTOR (120-PIN)		
					4	1	293-5359	1	HARNESS AS-ENGINE (J1 CONNECTOR)		
		1	102-8805	1			KIT-RECEPTACLE (6-PIN) (INCLUDES RECEPTACLE AS & WEDGE)				
						1	102-8802	1	KIT-RECEPTACLE (2-PIN) (INCLUDES RECEPTACLE AS % WEDGE)		
		1	3S-2093	3					STRAP-CABLE		
						1	103-0213	1	RECEPTACLE AS-CONNECTOR (70-PIN)		
		1	155-2255	1					KIT-CONNECTING PLUG (12-PIN) (INCLUDES PLUG AS & WEDGE)		
						1	160-7689	1	PLUG AS-CONNECTOR (70-PIN)		
	5	1	0S-0509	2					BOLT (3/8-16X0.75-IN)		
	6	1	0S-1588	1	BOLT (3/8-16X1.25-IN)						
7	1	0S-1594	2	BOLT (3/8-16X1-IN)							
8	1	130-5300	3	CLIP							
9	1	132-5789	4	CLIP							
10	1	1A-2029	2	BOLT (3/8-16X1.125-IN)							
11	1	4B-5324	4	WASHER (3.9X9.6X1.2-MM THK)							
12	1	4P-7581	10	CLIP							
C	13	1	4P-8134	1	CLIP						
	14	1	5M-2894	9	WASHER-HARD (10.2X18.5X2.5-MM THK)						
C	15	1	8M-9124	2	WASHER (10X22.5X8-MM THK)						
	16	1	9S-8752	1	NUT-FULL (3/8-16-THD)						
	17	1	9X-6258	4	SCREW-MACHINE (6-32X0.5-IN)						
	18	1	0L-1351	1	BOLT (3/8-16X0.875-IN)						

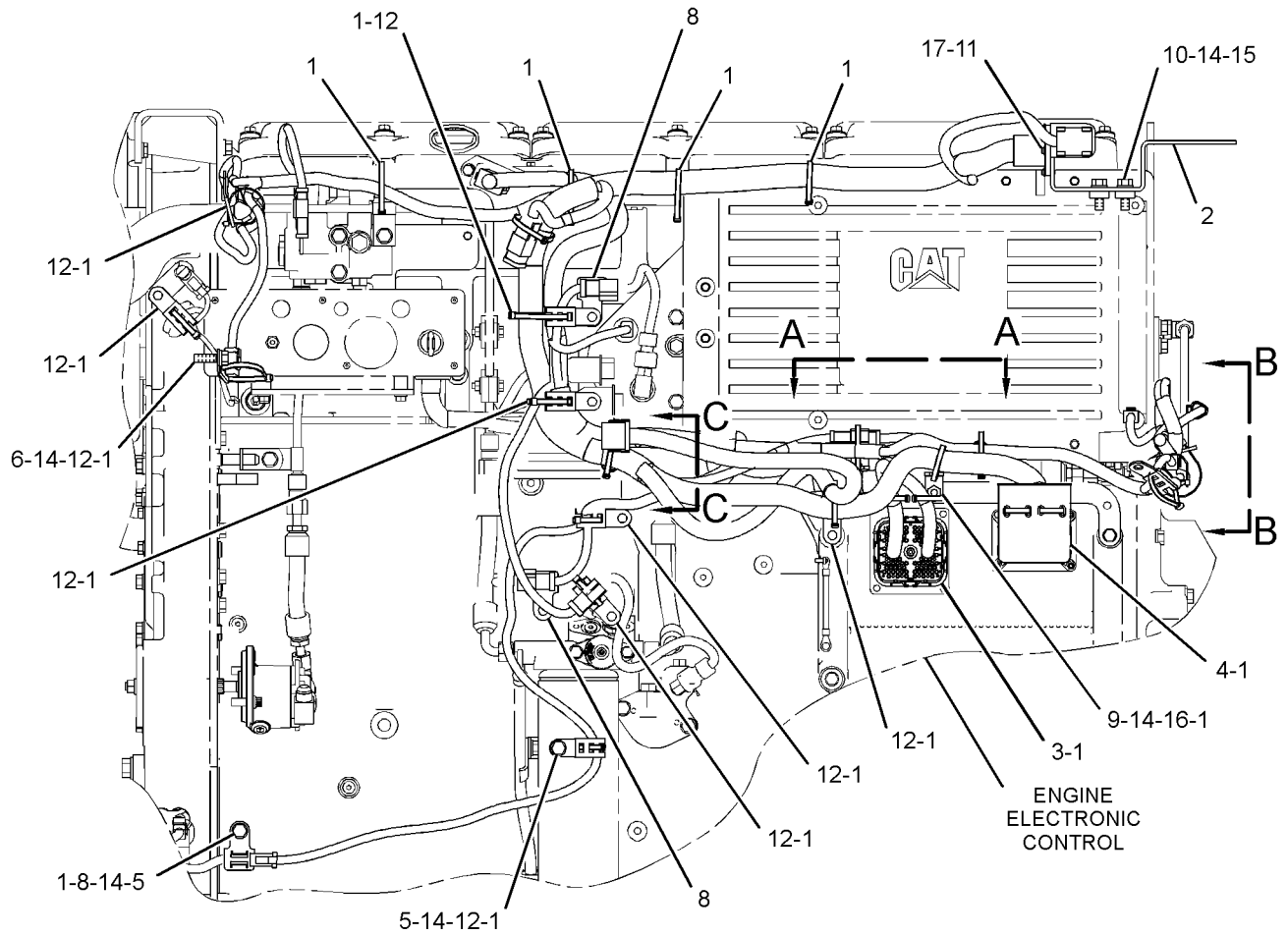
B-USE AS REQUIRED

C-CHANGE FROM PREVIOUS TYPE

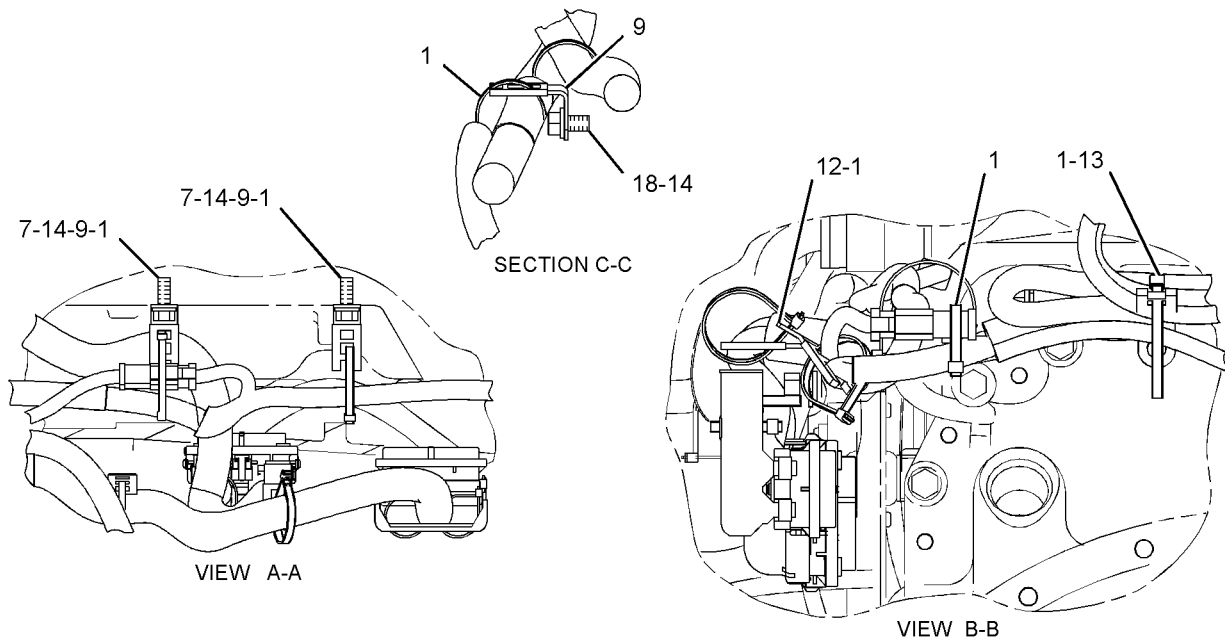
ELECTRICAL AND STARTING SYSTEM

290-4003 WIRING GP-ENGINE (contd.)

i03166741



LEFT SIDE VIEW OF ENGINE



GRAPHIC #1

<END>

g01692475

ELECTRICAL AND STARTING SYSTEM

290-4003 WIRING GP-ENGINE

S/N: J2K104-UP; T2P1-UP

LH

AN ATTACHMENT

TYPE 2

SMCS-1000, 1408

i03602319

NOTE	REF NO	GRAPHIC REF	PART NUMBER	QTY	PART NAME						SEE PAGE
					1	2	3	4	5	6 (PRODUCT LEVEL)	
BC	1	1,2	3S-2093	26	STRAP-CABLE						
	2	1	211-6833	1	BRACKET AS						
		1	7C-2644	1	CLIP						
		1	8C-3334	1	RIVET-TUBULAR						
	3	1	293-2338	1	HARNESS AS-ENGINE (ENGINE ECM, J2)						
			155-2260	1	KIT-CONNECTING PLUG (3-PIN) (INCLUDES PLUG AS, WEDGE, & INTERFACE SEAL)						
		1	102-8802	1	KIT-RECEPTACLE (2-PIN) (INCLUDES RECEPTACLE AS, WEDGE, & INTERFACE SEAL)						
		1	102-8803	1	KIT-RECEPTACLE (3-PIN) (INCLUDES RECEPTACLE AS, WEDGE, & INTERFACE SEAL)						
		1	155-2255	1	KIT-CONNECTING PLUG (12-PIN) (INCLUDES PLUG AS, WEDGE, & INTERFACE SEAL)						
		1	155-2270	1	KIT-CONNECTING PLUG (2-PIN) (INCLUDES PLUG AS, WEDGE, & INTERFACE SEAL)						
		1	264-5732	1	PLUG AS-CONNECTOR (120-PIN)						
		1	288-7324	1	SEAL-CONNECTOR						
		1	6I-4347	15	BOOT (4-PIN)						
		1	6I-4348	1	BOOT (40-PIN)						
		1	8T-8737	104	PLUG-SEAL						
		1	9W-0844	1	SOCKET-CONNECTOR (14-GA)						
		1	115-5674	1	BOOT (UNIT INJECTOR)						
		1	125-7874		TUBE-HEAT SHRINK (5.72-MM DIA) (25-CM)						
		1	125-7875		TUBE-HEAT SHRINK (7.44-MM DIA) (10-CM)						
		1	126-1768	1	SOCKET-CONNECTOR (14-GA)						
		1	211-6807	1	COVER (CONNECTOR)						
	4	1	293-5359	1	HARNESS AS-ENGINE (J1 CONNECTOR)						
			102-8805	1	KIT-RECEPTACLE (6-PIN) (INCLUDES RECEPTACLE AS, WEDGE, & INTERFACE SEAL)						
		1	102-8802	1	KIT-RECEPTACLE (2-PIN) (INCLUDES RECEPTACLE AS, WEDGE, & INTERFACE SEAL)						
		1	3S-2093	3	STRAP-CABLE						
		1	6I-4347	2	BOOT (4-PIN)						
		1	6I-4348	1	BOOT (40-PIN)						
		1	8C-6354	1	CAP-RECEPTACLE						
		1	8T-8736	1	RECEPTACLE-CONNECTOR (9-PIN)						
		1	8T-8737	72	PLUG-SEAL						
		1	115-5674	2	BOOT (UNIT INJECTOR)						
		1	119-3662		TUBE-HEAT SHRINK (10.85-MM DIA) (7-CM)						
		1	125-7874		TUBE-HEAT SHRINK (5.72-MM DIA) (30-CM)						
		1	125-7875		TUBE-HEAT SHRINK (7.44-MM DIA) (65-CM)						
		1	125-7876		TUBE-HEAT SHRINK (17.78-MM DIA) (20-CM)						
		1	103-0213	1	RECEPTACLE AS-CONNECTOR (70-PIN)						
		1	126-1767	15	PIN-CONNECTOR (14-GA TO 16-GA)						
		1	126-1768	14	SOCKET-CONNECTOR (14-GA)						
		1	126-1774	1	COVER-CONNECTOR						
		1	133-0967	3	PIN-CONNECTOR (16-GA TO 18-GA)						
		1	133-0969	1	CONNECTOR-SOCKET (16-GA TO 18-GA)						

ELECTRICAL AND STARTING SYSTEM

290-4003 WIRING GP-ENGINE (contd.)

i03602319

NOTE	REF NO	GRAPHIC REF	PART NUMBER	QTY	PART NAME						SEE PAGE
					1	2	3	4	5	6 (PRODUCT LEVEL)	
		1	155-2255	1	KIT-CONNECTING PLUG (12-PIN)						
					(INCLUDES PLUG AS, WEDGE, & INTERFACE SEAL)						
		1	160-7689	1	PLUG AS-CONNECTOR (70-PIN)						
		1	159-9322	1	SEAL-O-RING						
		1	208-0432	1	PLUG						
C	5	1	132-5789	2	CLIP						
	6	2	4B-5324	4	WASHER (3.9X9.6X1.2-MM THK)						
C	7	1,2	4P-7581	7	CLIP						
	8	1	4P-8134	1	CLIP						
C	9	1	5M-3062	2	BOLT (3/8-16X0.75-IN)						
C	10	1	5S-7379	1	BOLT (3/8-16X0.875-IN)						
C	11	1	5S-7382	2	BOLT (3/8-16X1.375-IN)						
C	12	1	6V-8801	1	NUT (3/8-16-THD)						
C	13	1	7X-0732	2	WASHER-HARD (10X22.5X8-MM THK)						
C	14	1	8T-4896	6	WASHER-HARD (10.2X18.5X2.5-MM THK)						
	15	2	9X-6258	4	SCREW-MACHINE (6-32X0.5-IN)						

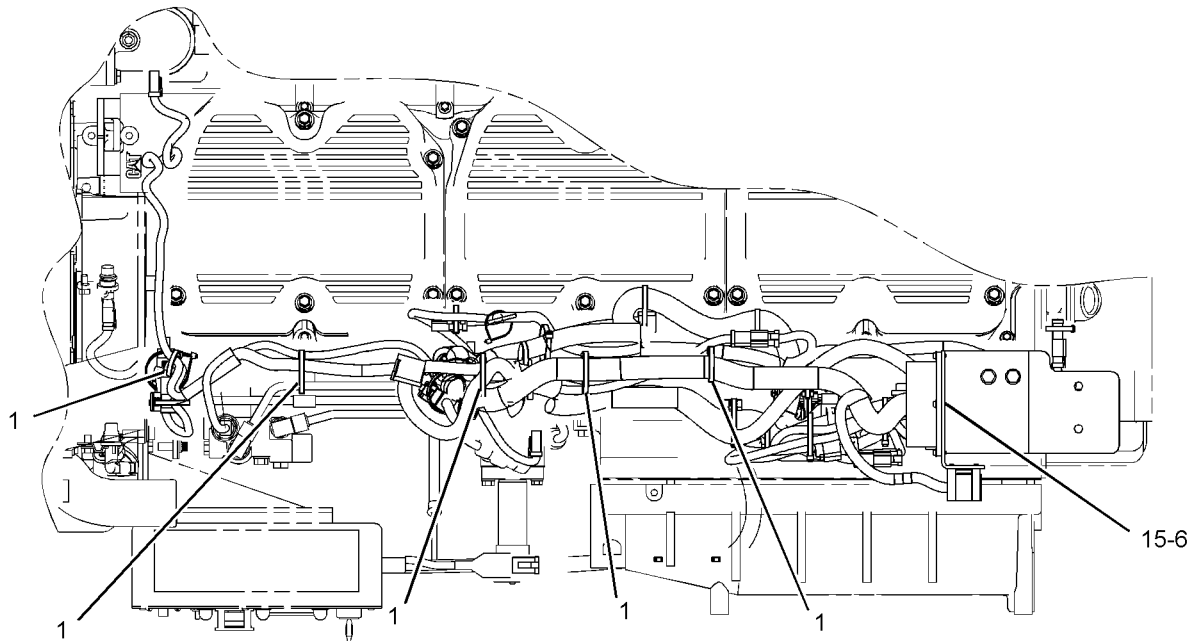
B-USE AS REQUIRED

C-CHANGE FROM PREVIOUS TYPE

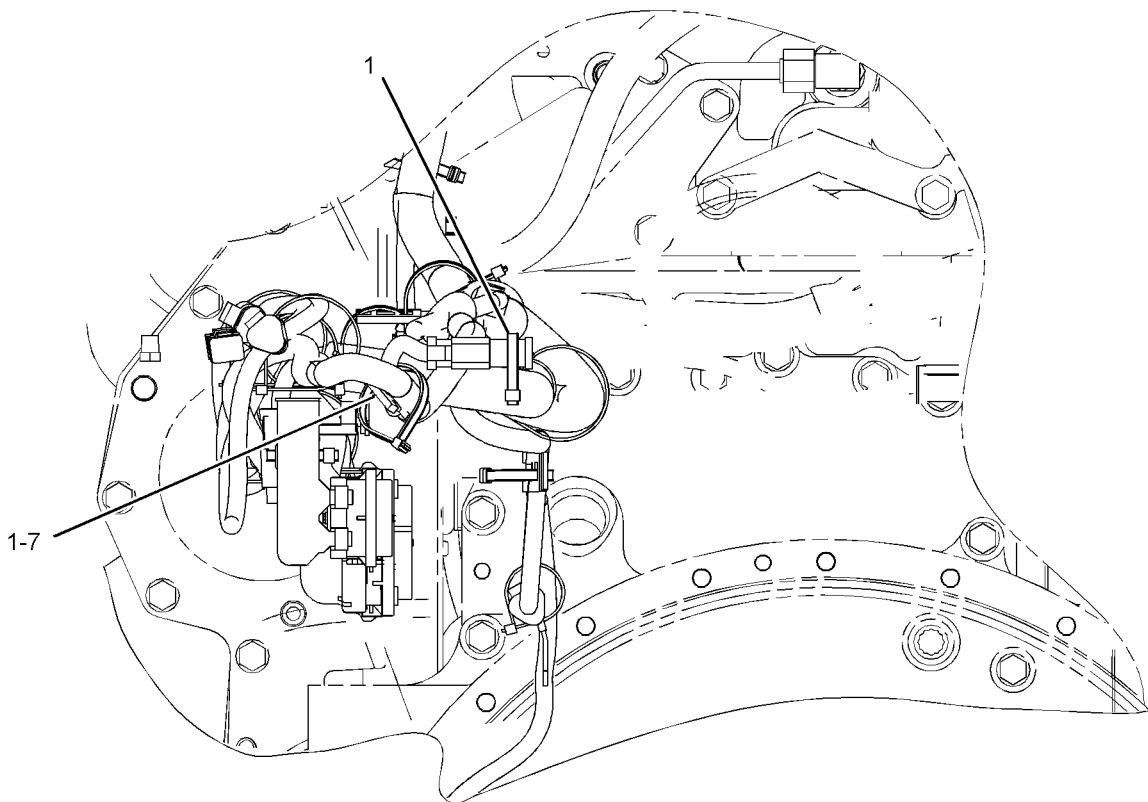
ELECTRICAL AND STARTING SYSTEM

290-4003 WIRING GP-ENGINE (contd.)

i03602319



TOP VIEW OF ENGINE



REAR VIEW OF ENGINE

GRAPHIC #2

<END>

g01943761

ELECTRICAL AND STARTING SYSTEM

293-3912 WIRING GP-ENGINE

S/N: J2K1-187; T2P1-99
FOR USE WITH TIER II RH SERVICE
AN ATTACHMENT

SMCS-1000, 1408

i02640550

NOTE	REF NO	GRAPHIC REF	PART NUMBER	QTY	PART NAME						SEE PAGE
					1	2	3	4	5	6 (PRODUCT LEVEL)	
	1	1,2	3S-2093	34	STRAP-CABLE						
	2	1	4H-1225	2	WASHER (11X22X6-MM THK)						
	3	1,2	117-0067	2	ELBOW						
Y	4	1	194-6725	1	SENSOR GP-PRESSURE (ENGINE OIL)						788
Y	4A	2	194-6725	1	SENSOR GP-PRESSURE (FUEL)						788
	5	2	203-9610	1	HARNESS AS-WIRING (JUMPER)						
	6	1	211-6833	1	BRACKET AS						
			7C-2644	1	CLIP						
			8C-3334	2	RIVET-TUBULAR						
	7	1	293-2338	1	HARNESS AS-ENGINE (ENGINE ECM, J2) (J2 CONNECTOR)						
			102-8802	1	KIT-RECEPTACLE (2-PIN)						
			102-8803	1	KIT-RECEPTACLE (3-PIN)						
			6I-4347	15	BOOT (4-PIN)						
			6I-4348	1	BOOT (40-PIN)						
			115-5674	1	BOOT (UNIT INJECTOR)						
E			125-7874		TUBE-HEAT SHRINK (5.72-MM DIA) (25-CM)						
E			125-7875		TUBE-HEAT SHRINK (7.44-MM DIA) (10-CM)						
			155-2255	1	KIT-CONNECTING PLUG (12-PIN)						
			155-2270	1	KIT-CONNECTING PLUG (2-PIN)						
			155-2260	1	KIT-CONNECTING PLUG (3-PIN)						
			211-6807	1	COVER (CONNECTOR)						
			264-5732	1	PLUG AS-CONNECTOR (120-PIN)						
	8	1	293-5359	1	HARNESS AS-ENGINE (J1 CONNECTOR)						
			102-8802	1	KIT-RECEPTACLE (2-PIN)						
			102-8805	1	KIT-RECEPTACLE (6-PIN)						
			3S-2093	3	STRAP-CABLE						
			6I-4347	2	BOOT (4-PIN)						
			6I-4348	1	BOOT (40-PIN)						
			8C-6354	1	CAP-RECEPTACLE						
			8T-8736	1	RECEPTACLE-CONNECTOR (9-PIN)						
			103-0213	1	RECEPTACLE AS-CONNECTOR (70-PIN)						
			115-5674	2	BOOT (UNIT INJECTOR)						
E			119-3662		TUBE-HEAT SHRINK (10.85-MM DIA) (7-CM)						
E			125-7874		TUBE-HEAT SHRINK (5.72-MM DIA) (30-CM)						
E			125-7875		TUBE-HEAT SHRINK (7.44-MM DIA) (65-CM)						
E			125-7876		TUBE-HEAT SHRINK (17.78-MM DIA) (20-CM)						
			126-1774	1	COVER-CONNECTOR						
			153-2707		CABLE-ELECTRICAL (2-CONDUCTOR, 18-GA) (244-CM)						
			155-2255	1	KIT-CONNECTING PLUG (12-PIN)						
			160-7689	1	PLUG AS-CONNECTOR (70-PIN)						
			208-0432	1	PLUG						
	9	1,2	0S-0509	5	BOLT (3/8-16X0.75-IN)						
	10	1	0S-1588	1	BOLT (3/8-16X1.25-IN)						
	11	1	0S-1594	2	BOLT (3/8-16X1-IN)						
	12	2	0T-0102	2	BOLT (3/8-16X0.625-IN)						
	13	1,2	130-5300	4	CLIP						
	14	1	132-5789	6	CLIP						
	15	1	1A-2029	2	BOLT (3/8-16X1.125-IN)						
Y	16	1	201-6615	1	SENSOR GP-SPEED (ENGINE TIMING)						796
	17	2	203-9609	1	HARNESS AS-ENGINE (PANEL INTERCONNECT) (CONTROL PANEL)						
			102-8801	1	KIT-RECEPTACLE (12-PIN)						
			115-5674	2	BOOT (UNIT INJECTOR)						

ELECTRICAL AND STARTING SYSTEM

293-3912 WIRING GP-ENGINE (contd.)

i02640550

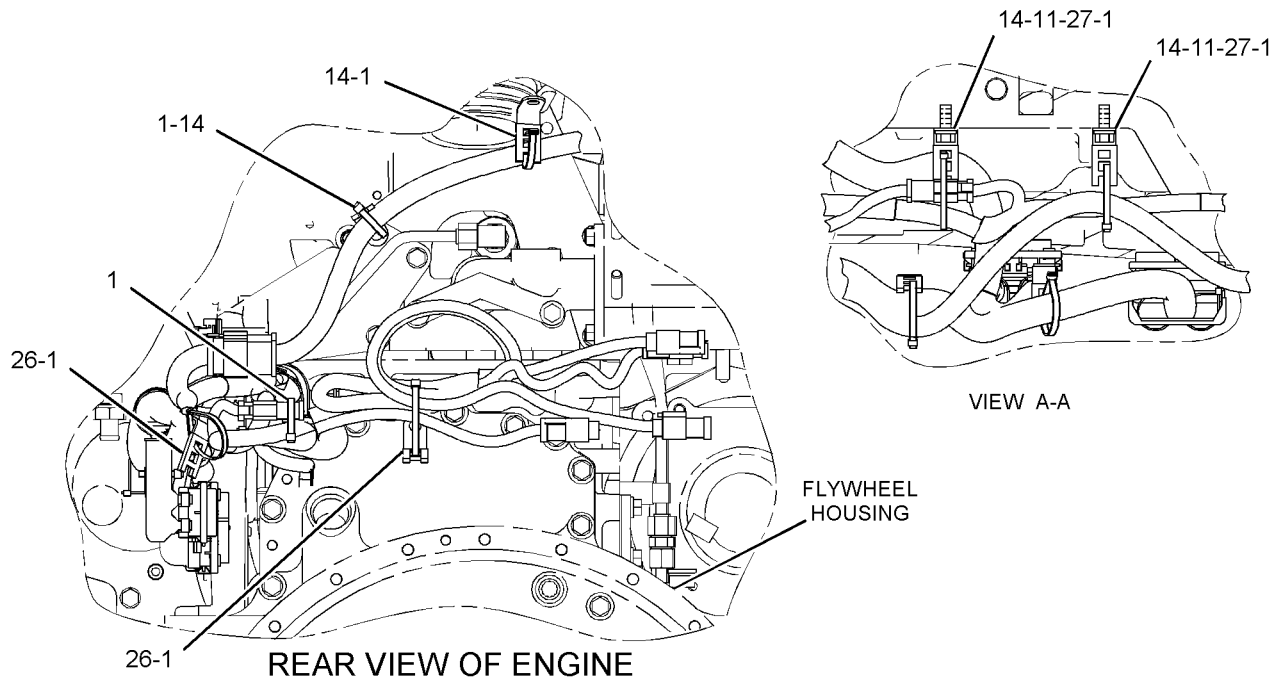
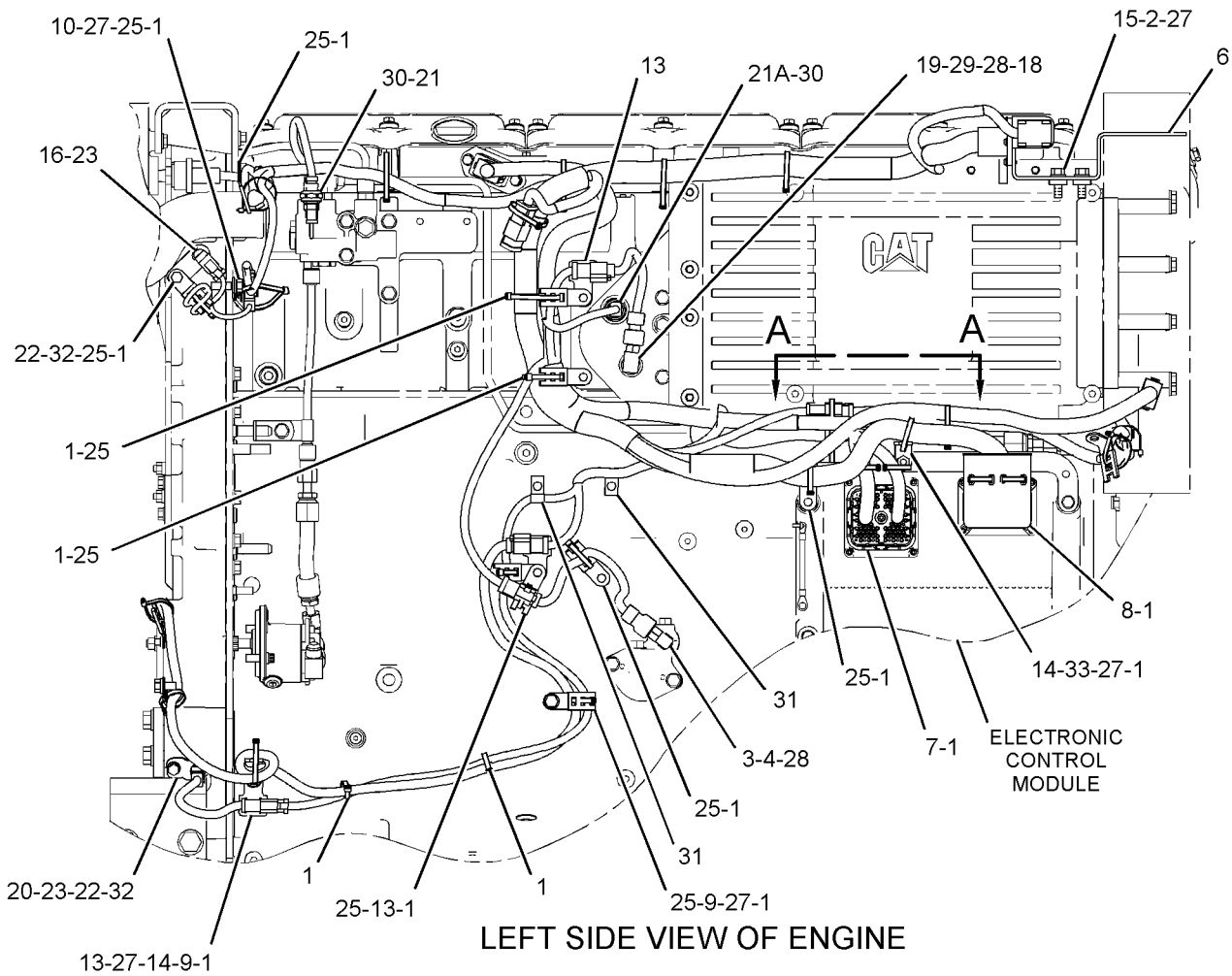
NOTE	REF NO	GRAPHIC REF	PART NUMBER	QTY	PART NAME						SEE PAGE
					1	2	3	4	5	6 (PRODUCT LEVEL)	
		2	155-2255	1	KIT-CONNECTING PLUG (12-PIN)						
		2	155-2260	1	KIT-CONNECTING PLUG (3-PIN)						
Y	18	1	218-3840	1	SENSOR GP-PRESSURE (AIR INLET MANIFOLD)						789
	19	1	223-1624	1	ELBOW						
Y	20	1	239-2397	1	SENSOR GP-SPEED (ENGINE TIMING)						799
	21	1	264-4297	1	SENSOR GP-TEMPERATURE (FUEL)						
	21A	1	264-4297	1	SENSOR GP-TEMPERATURE (AIR INLET MANIFOLD)						
	21B	2	264-4297	1	SENSOR GP-TEMPERATURE (COOLANT, WATER)						
	22	1	2H-3755	2	BOLT (5/16-18X0.43-IN)						
	23	1	3P-0647	2	SEAL-O-RING						
	24	2	4B-5324	4	WASHER (3.9X9.6X1.2-MM THK)						
	25	1,2	4P-7581	15	CLIP						
	26	1	4P-8134	2	CLIP						
	27	1,2	5M-2894	13	WASHER-HARD (10.2X18.5X2.5-MM THK)						
	28	1,2	6V-5048	5	SEAL-O-RING						
	29	1	6V-5049	1	SEAL-O-RING						
	30	1,2	8L-2786	3	SEAL-O-RING						
	31	1	8M-2772	2	CLIP						
	32	1	9M-1974	2	WASHER-HARD (8.8X16X2-MM THK)						
	33	1	9S-8752	1	NUT-FULL (3/8-16-THD)						
	34	2	9X-6258	4	SCREW-MACHINE (6-32X0.5-IN)						

E-ORDER BY THE CENTIMETER
Y-SEPARATE ILLUSTRATION

ELECTRICAL AND STARTING SYSTEM

293-3912 WIRING GP-ENGINE (contd.)

i02640550



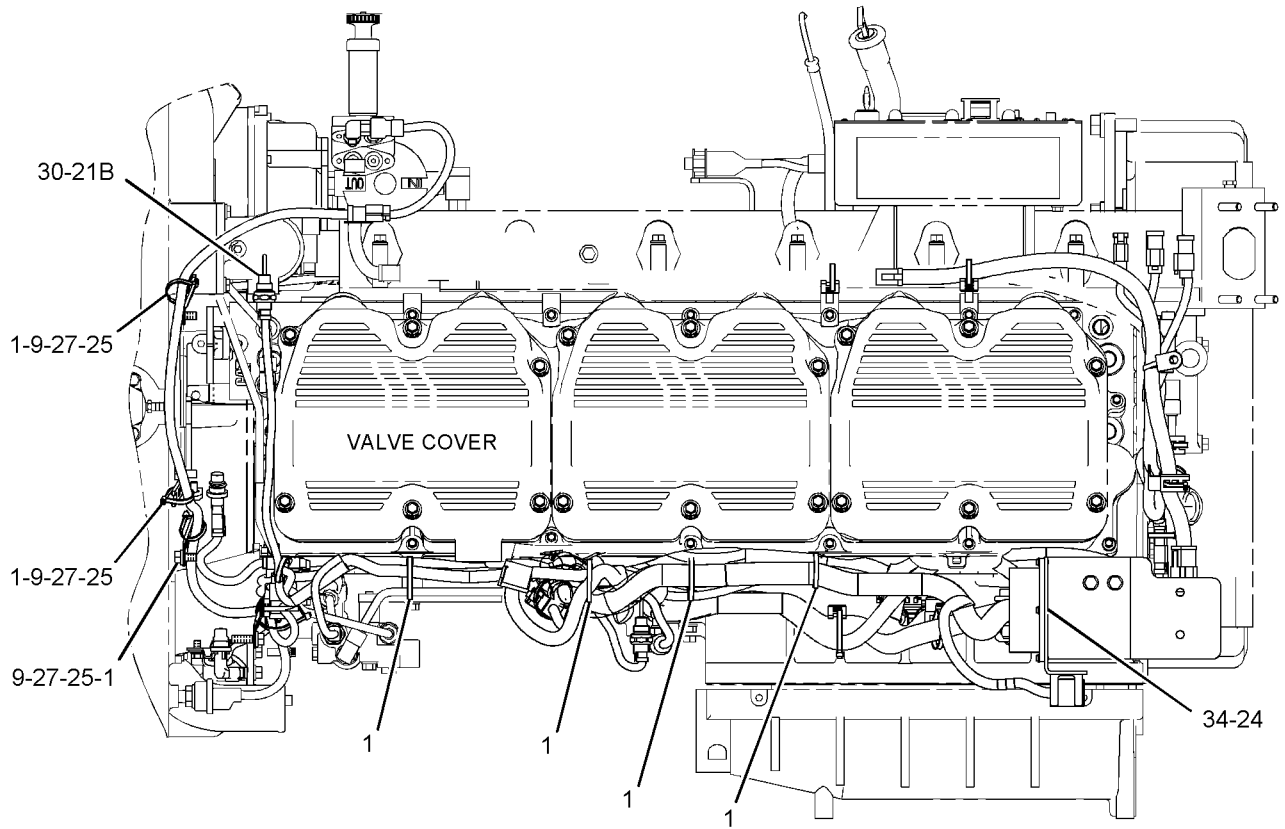
GRAPHIC #1

g01353337

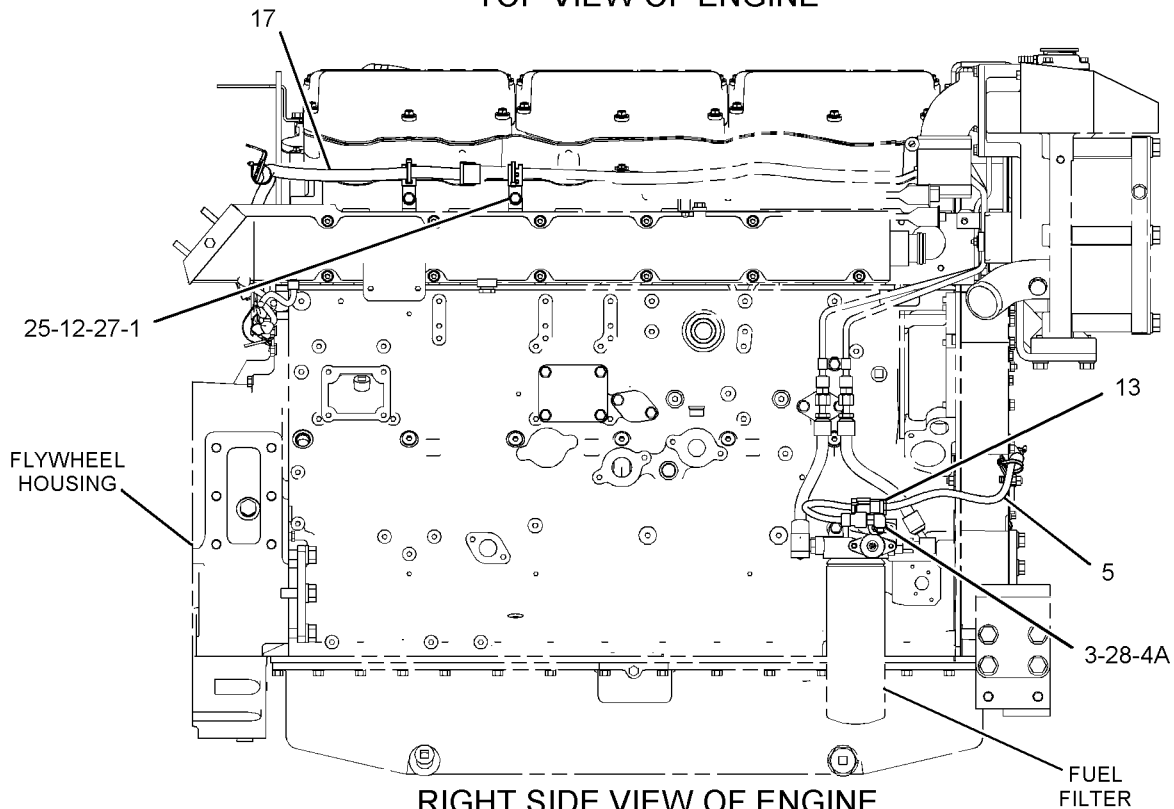
ELECTRICAL AND STARTING SYSTEM

293-3912 WIRING GP-ENGINE (contd.)

i02640550



TOP VIEW OF ENGINE



RIGHT SIDE VIEW OF ENGINE

GRAPHIC #2

<END>

g01354316

ELECTRICAL AND STARTING SYSTEM

293-3912 WIRING GP-ENGINE

S/N: J2K188-UP; T2P100-UP
FOR USE WITH TIER II RH SERVICE
AN ATTACHMENT

SMCS-1000, 1408

i03605060

NOTE	REF NO	GRAPHIC REF	PART NUMBER	QTY	PART NAME						SEE PAGE
					1	2	3	4	5	6 (PRODUCT LEVEL)	
BC	1	1,2	3S-2093	33	STRAP-CABLE						
	2	2	203-9610	1	HARNESS AS-WIRING (JUMPER)						
		2	102-8803	1	KIT-RECEPTACLE (3-PIN) (INCLUDES RECEPTACLE AS & WEDGE)						
		2	155-2260	1	KIT-CONNECTING PLUG (3-PIN) (INCLUDES PLUG AS & WEDGE)						
		2	9X-3401	3	PIN-CONNECTOR (16-GA TO 18-GA) -OR-						
		2	126-1767	3	PIN-CONNECTOR (14-GA TO 16-GA)						
		2	6I-4347	2	BOOT (4-PIN)						
	3	1	211-6833	1	BRACKET AS						
		1	7C-2644	1	CLIP						
		1	8C-3334	2	RIVET-TUBULAR						
4	1	293-2338	1	HARNESS AS-ENGINE (ENGINE ECM, J2)							
	1	102-8802	3	KIT-RECEPTACLE (2-PIN)							
	1	102-8803	7	KIT-RECEPTACLE (3-PIN) (EACH RECEPTACLE KIT INCLUDES RECEPTACLE AS & WEDGE)							
		1	155-2255	1	KIT-CONNECTING PLUG (12-PIN)						
		1	155-2270	8	KIT-CONNECTING PLUG (2-PIN)						
		1	155-2260	4	KIT-CONNECTING PLUG (3-PIN) (EACH PLUG KIT INCLUDES PLUG AS & WEDGE)						
		1	186-3735	14	PIN-CONNECTOR (16-GA TO 18-GA)						
		1	186-3736	22	SOCKET-CONNECTOR (16-GA TO 18-GA)						
		1	6I-4347	15	BOOT (4-PIN)						
		1	6I-4348	1	BOOT (40-PIN)						
	1	8T-8737	104	PLUG-SEAL							
	1	9W-0844	1	SOCKET-CONNECTOR (14-GA)							
	1	115-5674	1	BOOT (UNIT INJECTOR)							
E		1	125-7874		TUBE-HEAT SHRINK (5.72-MM DIA) (25-CM)						
E		1	125-7875		TUBE-HEAT SHRINK (7.44-MM DIA) (10-CM)						
		1	126-1768	1	SOCKET-CONNECTOR (14-GA)						
		1	211-6807	1	COVER (CONNECTOR)						
		1	264-5732	1	PLUG AS-CONNECTOR (120-PIN)						
		1	288-7324	1	SEAL-CONNECTOR						
5	1	293-5359	1	HARNESS AS-ENGINE							
	1	102-8802	1	KIT-RECEPTACLE (2-PIN)							
	1	102-8805	1	KIT-RECEPTACLE (6-PIN) (EACH RECEPTACLE KIT INCLUDES RECEPTACLE AS & WEDGE)							
		1	155-2255	1	KIT-CONNECTING PLUG (12-PIN) (INCLUDES PLUG AS & WEDGE)						
		1	5P-6001		TUBE-HEAT SHRINK (4.75-MM DIA) (0.2-M)						
D	1	9X-3401	34	PIN-CONNECTOR (16-GA TO 18-GA) -OR-							
		1	126-1767	34	PIN-CONNECTOR (14-GA TO 16-GA)						
		1	3S-2093	3	STRAP-CABLE						
		1	6I-4347	2	BOOT (4-PIN)						
		1	6I-4348	1	BOOT (40-PIN)						
		1	8C-6354	1	CAP-RECEPTACLE						
		1	8T-8736	1	RECEPTACLE-CONNECTOR (9-PIN)						
		1	8T-8737	72	PLUG-SEAL						
		1	103-0213	1	RECEPTACLE AS-CONNECTOR (70-PIN)						
		1	115-5674	2	BOOT (UNIT INJECTOR)						
E		1	119-3662		TUBE-HEAT SHRINK (10.85-MM DIA) (7-CM)						

ELECTRICAL AND STARTING SYSTEM

293-3912 WIRING GP-ENGINE (contd.)

i03605060

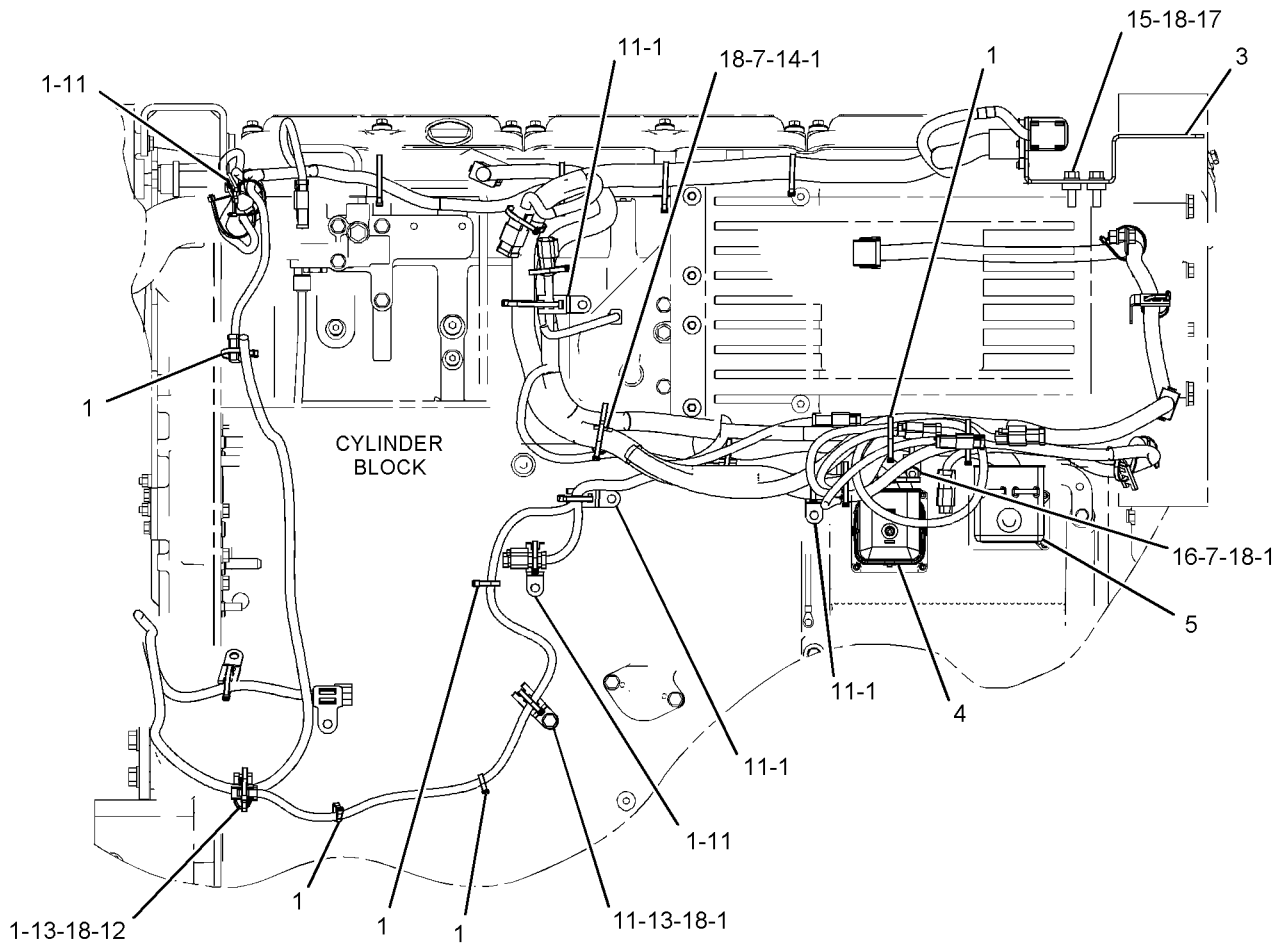
NOTE	REF NO	GRAPHIC REF	PART NUMBER	QTY	PART NAME						SEE PAGE
					1	2	3	4	5	6 (PRODUCT LEVEL)	
E		1	125-7874		TUBE-HEAT SHRINK (5.72-MM DIA) (30-CM)						
E		1	125-7875		TUBE-HEAT SHRINK (7.44-MM DIA) (65-CM)						
E		1	125-7876		TUBE-HEAT SHRINK (17.78-MM DIA) (20-CM)						
		1	126-1767	15	PIN-CONNECTOR (14-GA TO 16-GA)						
		1	126-1768	14	SOCKET-CONNECTOR (14-GA)						
		1	126-1774	1	COVER-CONNECTOR						
		1	133-0967	3	PIN-CONNECTOR (16-GA TO 18-GA)						
		1	133-0969	1	CONNECTOR-SOCKET (16-GA TO 18-GA)						
E		1	153-2707		CABLE-ELECTRICAL (2-CONDUCTOR, 18-GA) (244-CM)						
		1	160-7689	1	PLUG AS-CONNECTOR (70-PIN)						
		1	159-9322	1	SEAL-O-RING						
		1	208-0432	1	PLUG						
	6	2	130-5300	1	CLIP						
C	7	1	132-5789	3	CLIP						
	8	2	203-9609	1	HARNESS AS-ENGINE (PANEL INTERCONNECT)						
		2	102-8801	1	KIT-RECEPTACLE (12-PIN) (INCLUDES RECEPTACLE AS & WEDGE)						
		2	155-2255	1	KIT-CONNECTING PLUG (12-PIN) (INCLUDES PLUG AS & WEDGE)						
		2	9X-3401	7	PIN-CONNECTOR (16-GA TO 18-GA)						
					-OR-						
		2	126-1767	7	PIN-CONNECTOR (14-GA TO 16-GA)						
		2	115-5674	2	BOOT (UNIT INJECTOR)						
		2	126-1767	5	PIN-CONNECTOR (14-GA TO 16-GA)						
		2	126-1768	5	SOCKET-CONNECTOR (14-GA)						
	9	2	4B-5324	4	WASHER (3.9X9.6X1.2-MM THK)						
	10	1	4L-6454	1	BOLT (3/8-16X1-IN)						
C	11	1,2	4P-7581	9	CLIP						
C	12	1	4P-8134	1	CLIP						
	13	1	5M-3062	2	BOLT (3/8-16X0.75-IN)						
	14	1	5S-7379	1	BOLT (3/8-16X0.875-IN)						
	15	1	5S-7382	2	BOLT (3/8-16X1.375-IN)						
C	16	1	6V-8801	2	NUT (3/8-16-THD)						
C	17	1	7X-0732	2	WASHER-HARD (10X22.5X8-MM THK)						
	18	1	8T-4896	8	WASHER-HARD (10.2X18.5X2.5-MM THK)						
	19	2	9X-6258	4	SCREW-MACHINE (6-32X0.5-IN) (ENGINE TIMING)						

B-USE AS REQUIRED
 C-CHANGE FROM PREVIOUS TYPE
 D-ORDER BY THE METER
 E-ORDER BY THE CENTIMETER

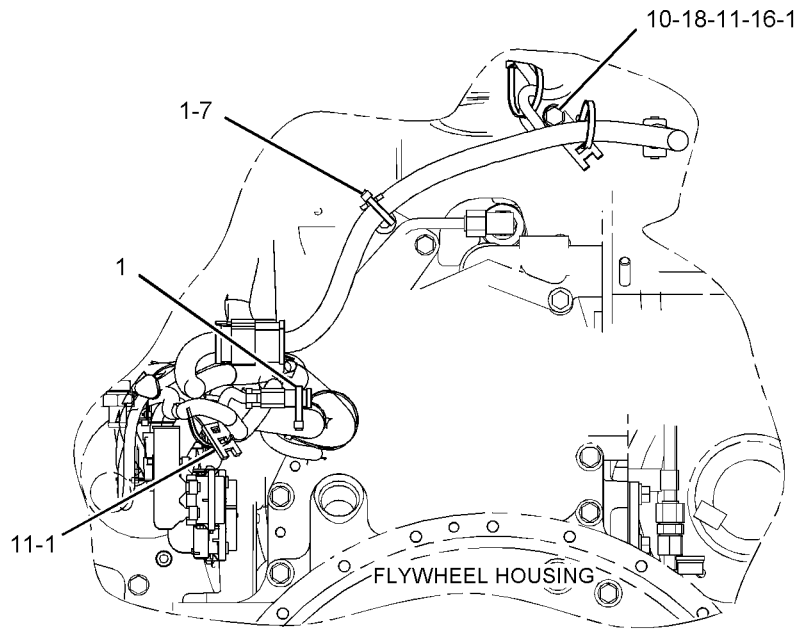
ELECTRICAL AND STARTING SYSTEM

293-3912 WIRING GP-ENGINE (contd.)

i03605060



LEFT SIDE VIEW OF ENGINE



REAR VIEW OF ENGINE

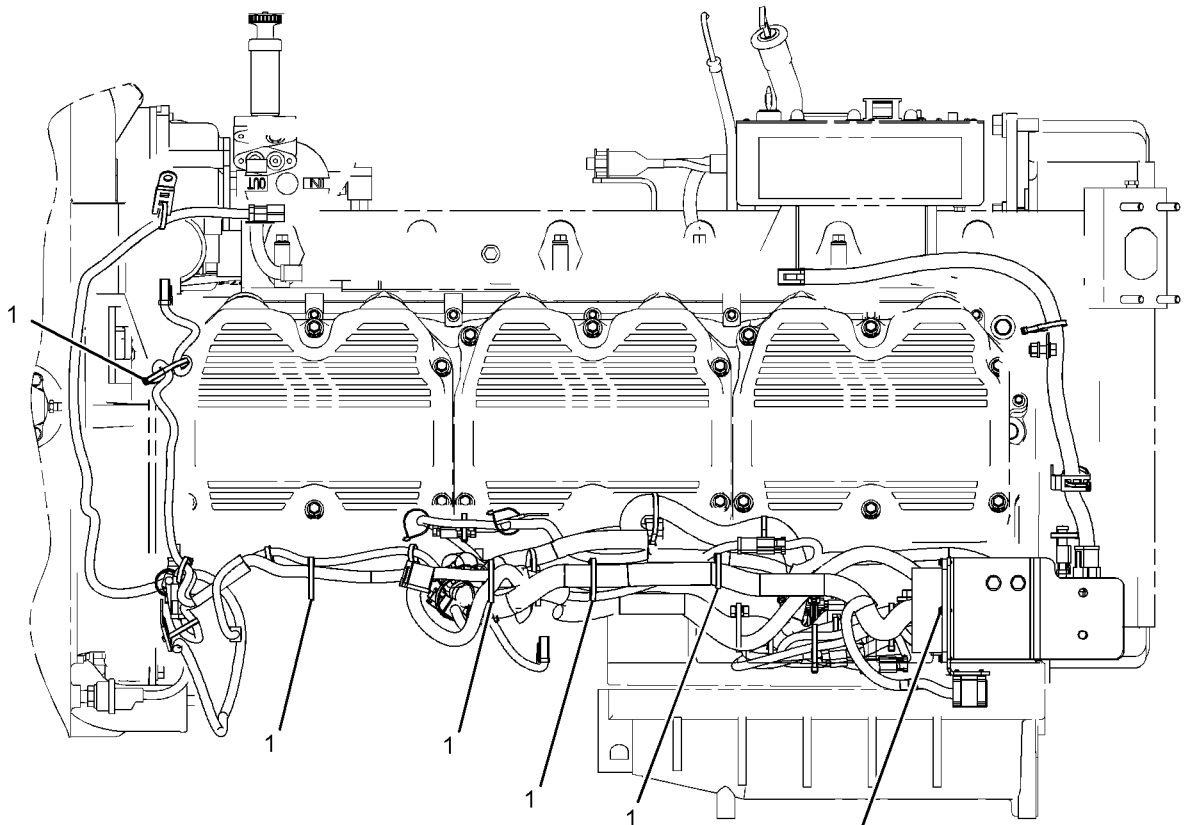
GRAPHIC #1

g01944885

ELECTRICAL AND STARTING SYSTEM

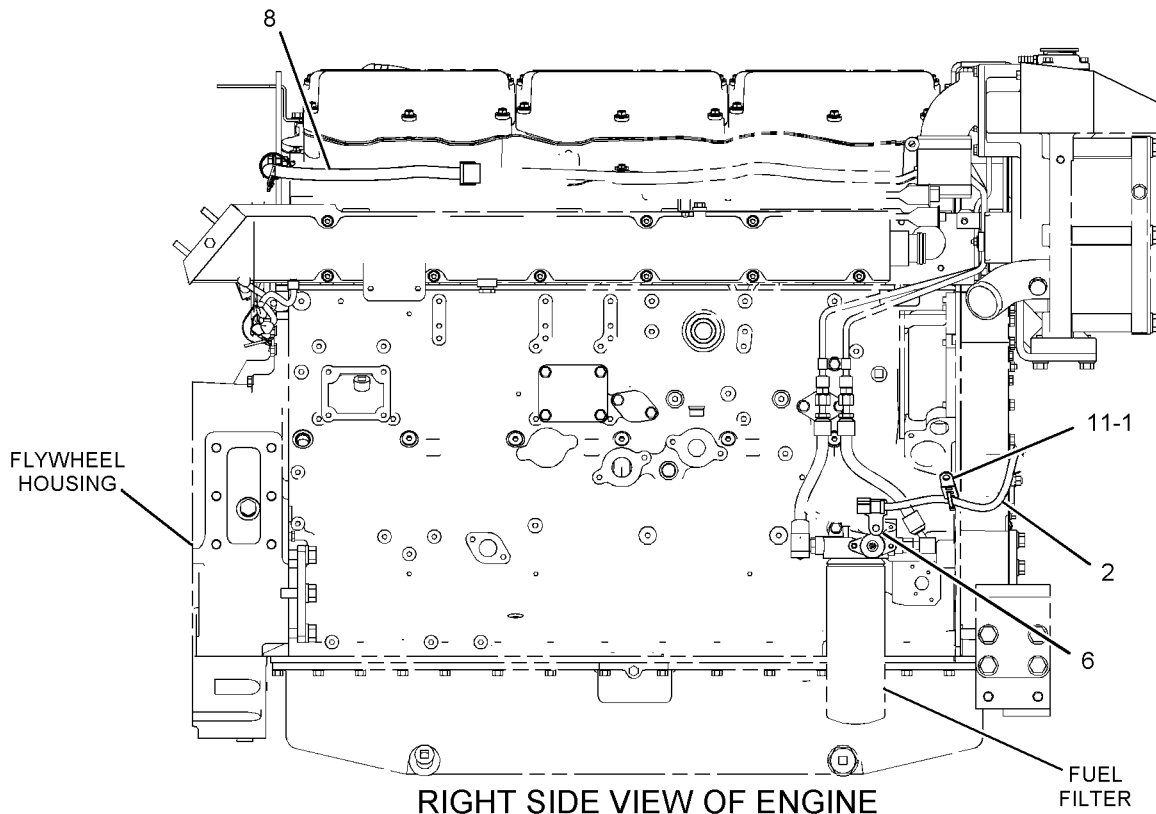
293-3912 WIRING GP-ENGINE (contd.)

i03605060



TOP VIEW OF ENGINE

19-9



FLYWHEEL HOUSING

RIGHT SIDE VIEW OF ENGINE

FUEL FILTER

GRAPHIC #2

<END>

g01944886

ELECTRICAL AND STARTING SYSTEM

165-0199 WIRING GP-INSTRUMENT PANEL FOR USE WITH POWER DISPLAY ANALOG GAUGES, J1939 DATALINK AN ATTACHMENT

SMCS-1408, 7451

i02326404

NOTE	PART NUMBER	QTY	PART NAME						SEE PAGE
			1	2	3	4	5	6 (PRODUCT LEVEL)	
	165-0200	1	CABLE AS						
E	153-2707		CABLE-ELECTRICAL (2-CONDUCTOR, 18-GA) (32-CM)						
D	5P-6001		TUBE-HEAT SHRINK (4.75-MM DIA) (0.1-M)						
	8T-8730	4	SOCKET-CONNECTOR (16-GA TO 18-GA)						
E	125-7876		TUBE-HEAT SHRINK (17.78-MM DIA) (10-CM)						
	133-0969	2	CONNECTOR-SOCKET						
	148-5390	1	KIT-CONNECTING PLUG (3-PIN) (INCLUDES PLUG AS AND WEDGE)						
	165-0201	1	CABLE AS						
E	153-2707		CABLE-ELECTRICAL (2-CONDUCTOR, 18-GA) (30-CM)						
D	5P-6001		TUBE-HEAT SHRINK (4.75-MM DIA) (0.1-M)						
	8T-8730	4	SOCKET-CONNECTOR (16-GA TO 18-GA)						
E	125-7876		TUBE-HEAT SHRINK (17.78-MM DIA) (10-CM)						
	133-0969	2	CONNECTOR-SOCKET						
	148-5390	2	KIT-CONNECTING PLUG (3-PIN) (EACH INCLUDES PLUG AS AND WEDGE)						
	133-0970	1	RECEPTACLE AS (TEE)						
	134-2540	1	RESISTOR AS-CONNECTION (3-PIN)						

D-ORDER BY THE METER
E-ORDER BY THE CENTIMETER

<END>

357-4699 WIRING GP-JACKET WATER HEATER AN ATTACHMENT

SMCS-1383

i03938454

NOTE	PART NUMBER	QTY	PART NAME						SEE PAGE
			1	2	3	4	5	6 (PRODUCT LEVEL)	
	352-3953	1	CORD AS (JACKET WATER HEATER)						
	7C-9008	1	THERMOSTAT						
	7K-1181	3	STRAP-CABLE						

<END>

ELECTRICAL AND STARTING SYSTEM

193-5582 WIRING GP-PANEL

MARINE POWER DISPLAY UNIT

AN ATTACHMENT

SMCS-4459

i02570941

NOTE	PART NUMBER	QTY	PART NAME						SEE PAGE
			1	2	3	4	5	6 (PRODUCT LEVEL)	
	165-0200	1	CABLE AS						
E	153-2707		CABLE-ELECTRICAL (2-CONDUCTOR, 18-GA) (32-CM)						
	3E-3368	1	WEDGE-PLUG LOCK (3-PIN)						
D	5P-6001	1	TUBE-HEAT SHRINK (4.75-MM DIA) (0.1M)						
	186-3736	4	SOCKET-CONNECTOR (16-GA TO 18-GA)						
E	125-7876		TUBE-HEAT SHRINK (17.78-MM DIA) (20-CM)						
	133-0969	2	CONNECTOR-SOCKET						
	148-5390	1	KIT-CONNECTING PLUG (3-PIN) (INCLUDES PLUG AS AND WEDGE)						
	133-0970	1	RECEPTACLE AS (TEE)						
	133-0974	2	WEDGE-PLUG LOCK						

D-ORDER BY THE METER

E-ORDER BY THE CENTIMETER

<END>

ELECTRICAL AND STARTING SYSTEM

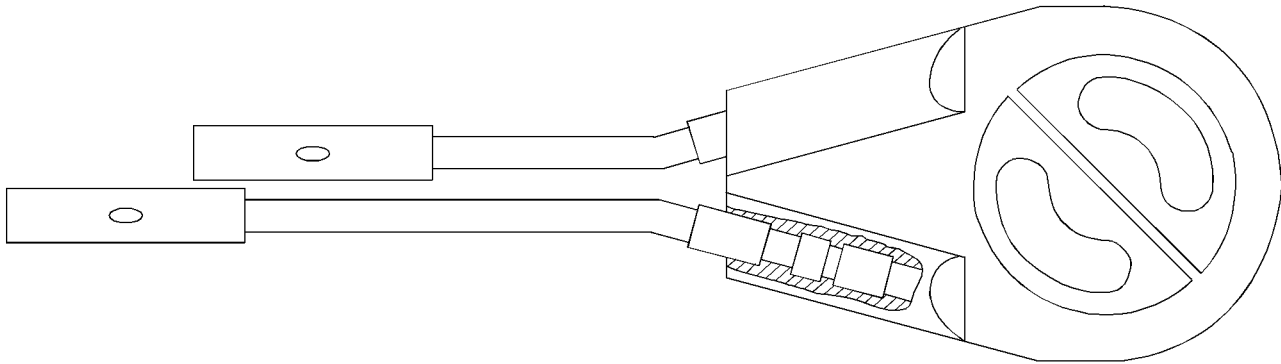
257-4183 WIRING GP-UNIT INJECTOR

FOR USE AS SERVICE REPAIR FOR INJECTOR HARNESSES WITH THE 7E-6513 CONNECTOR
FIELD INSTALLATION

SMCS-1290, 1408, 1900

i03691128

NOTE	REF NO	GRAPHIC REF	PART NUMBER	QTY	PART NAME						SEE PAGE
					1	2	3	4	5	6 (PRODUCT LEVEL)	
(NO SERVICED PARTS)											



GRAPHIC #1

<END>

g01986713

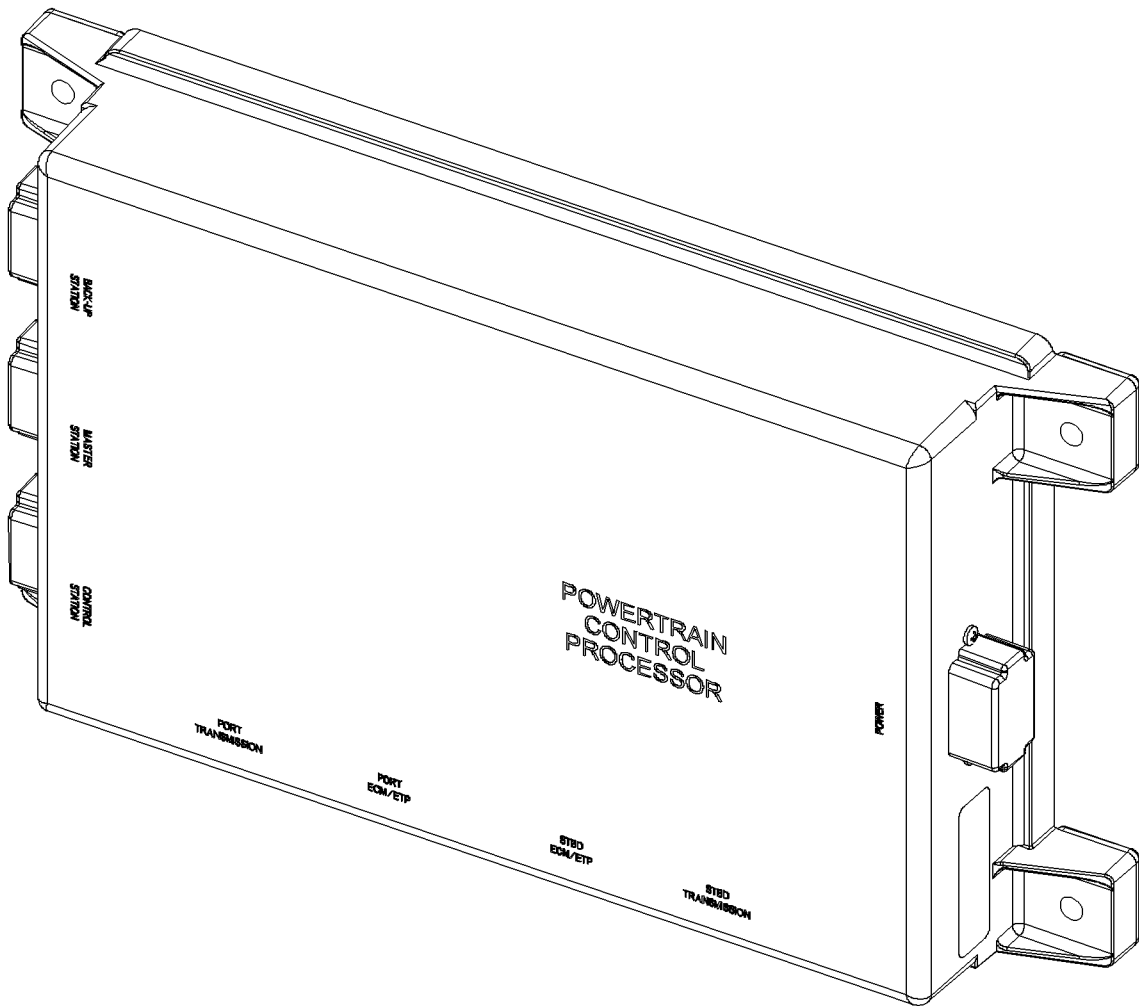
MARINE TRANSMISSION

219-8020 CONTROL GP-POWER TRAIN-PROCESSOR FOR USE WITH MULTI-STATION CONTROL SYSTEM AN ATTACHMENT

SMCS-7610

i02025008

NOTE	REF NO	GRAPHIC REF	PART NUMBER	QTY	PART NAME						SEE PAGE
					1	2	3	4	5	6 (PRODUCT LEVEL)	
(NO SERVICED PARTS)											



GRAPHIC #1

<END>

g00987402

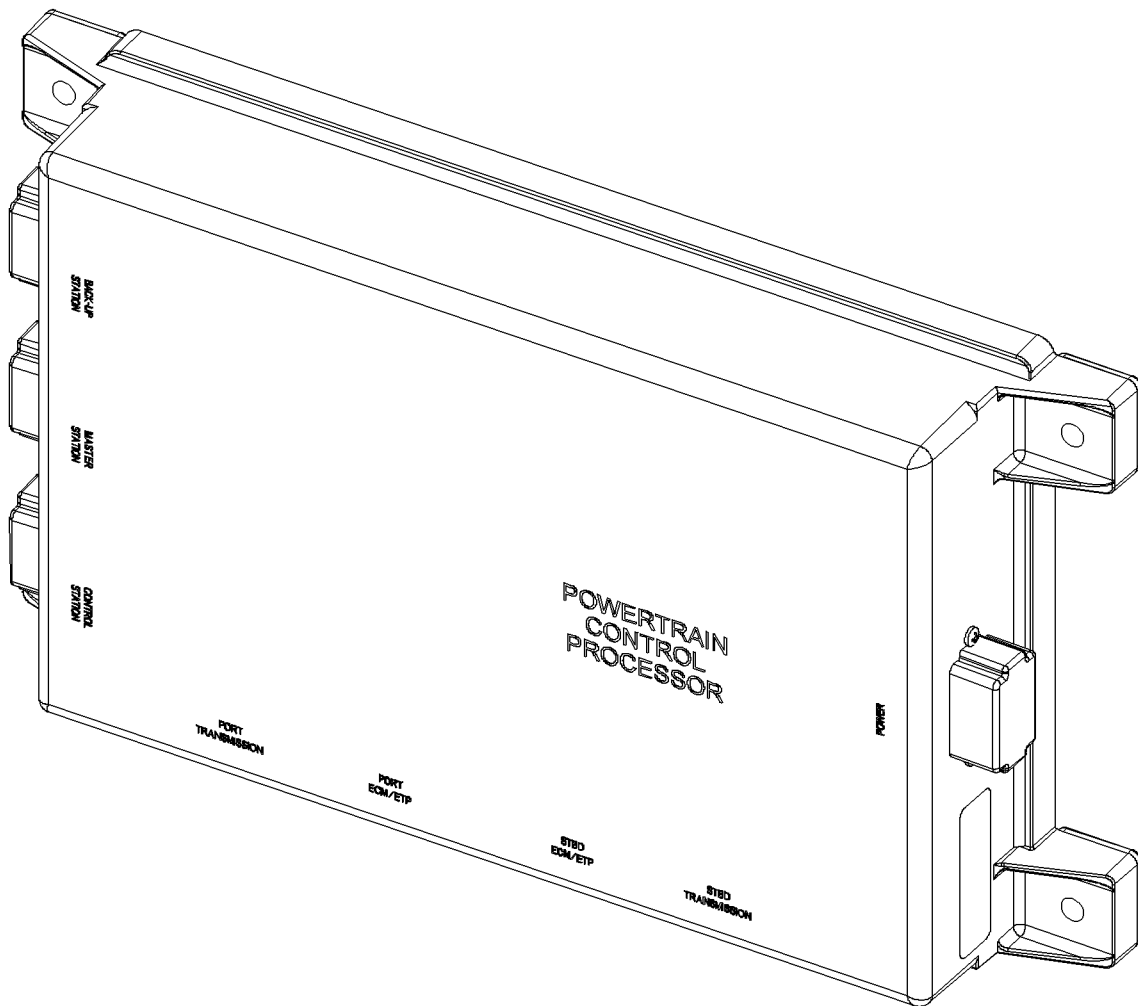
MARINE TRANSMISSION

311-8400 CONTROL GP-POWER TRAIN AN ATTACHMENT

SMCS-7610

i03640780

NOTE	REF NO	GRAPHIC REF	PART NUMBER	QTY	PART NAME						SEE PAGE
					1	2	3	4	5	6 (PRODUCT LEVEL)	
(NO SERVICED PARTS)											



GRAPHIC #1

<END>

g00987402

OPERATOR STATION

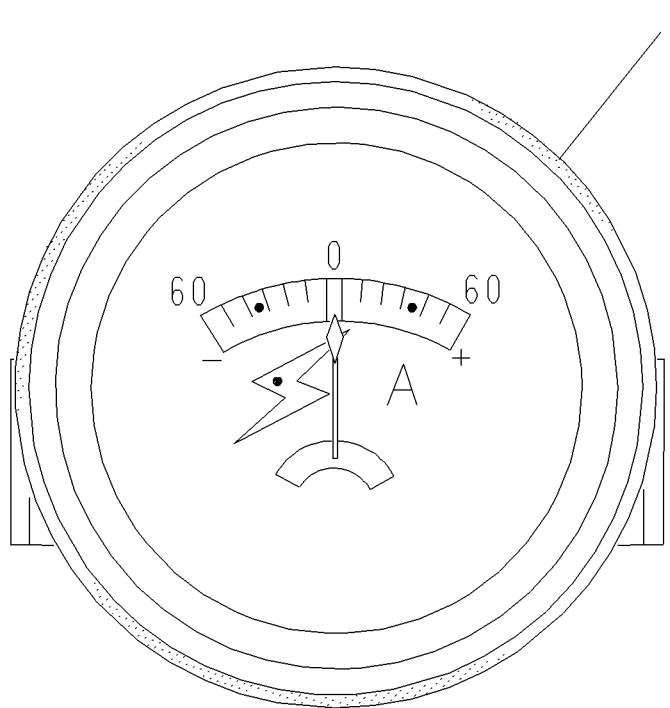
8M-7892 AMMETER GP

60-AMPERE
FOR USE WITH ALTERNATOR
AN ATTACHMENT

SMCS-7467

i04020912

NOTE	REF NO	GRAPHIC REF	PART NUMBER	QTY	PART NAME						SEE PAGE
					1	2	3	4	5	6 (PRODUCT LEVEL)	
	1	1	1W-8914	1	AMMETER AS (60-AMPERE)						
F			6V-3507	1	SEAL-RECTANGULAR						
F - NOT SHOWN											



GRAPHIC #1

<END>

g00917507

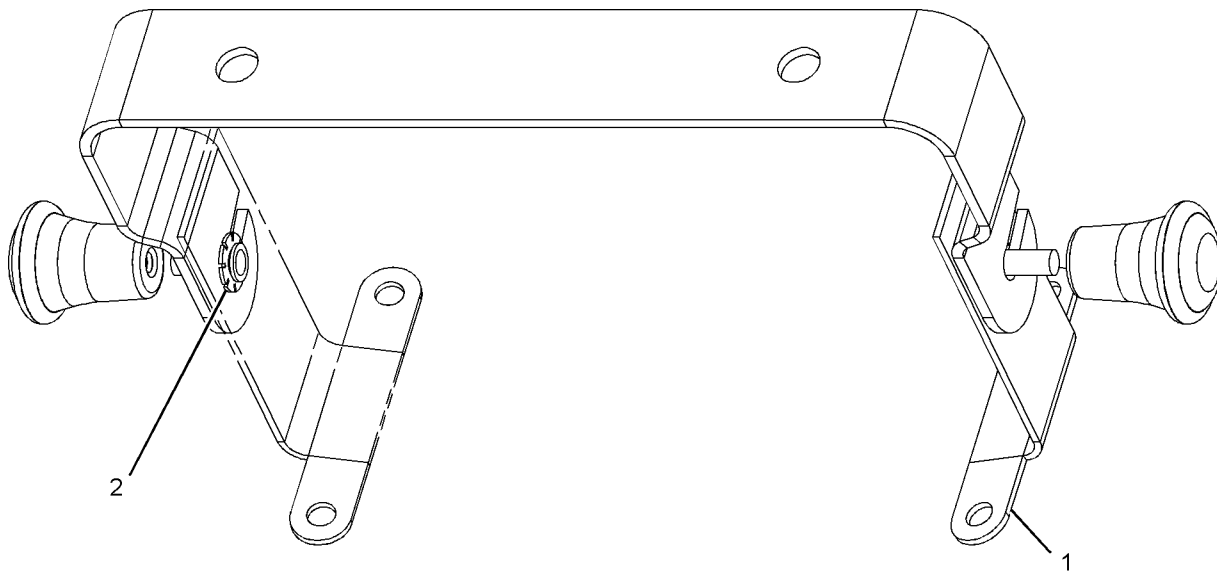
OPERATOR STATION

227-4283 BRACKET GP-MOUNTING-MESSENGER DISPLAY AN ATTACHMENT

SMCS-5258

i02039734

NOTE	REF NO	GRAPHIC REF	PART NUMBER	QTY	PART NAME						SEE PAGE
					1	2	3	4	5	6 (PRODUCT LEVEL)	
	1	1	208-8375	2	BRACKET						
	2	1	5H-6555	2	LOCKWASHER						



GRAPHIC #1

<END>

g01049527

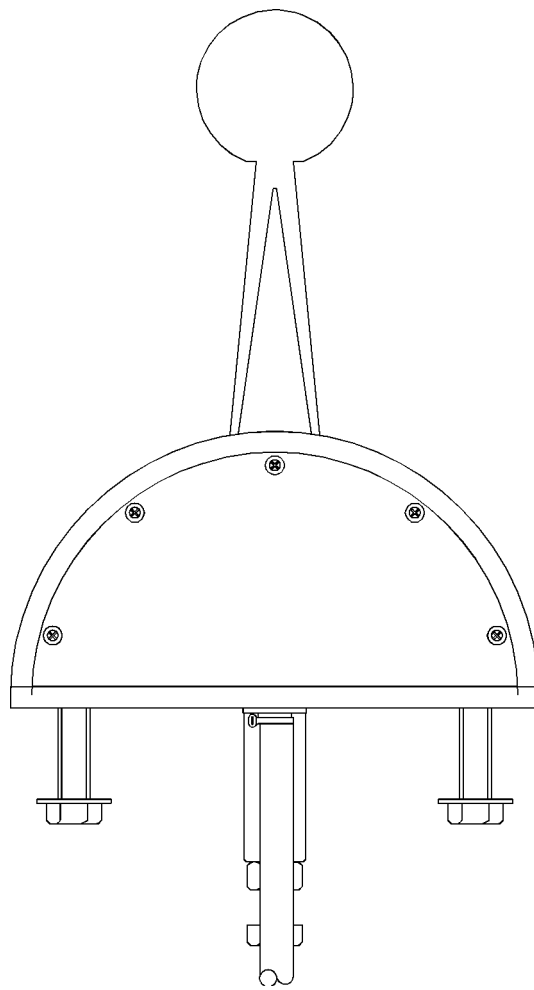
OPERATOR STATION

223-8201 CONTROL GP-DIRECTION-CLEAR, RH SLANT HANDLE FOR USE WITH MULTI-STATION CONTROL SYSTEM AN ATTACHMENT

SMCS-3065

i01976287

NOTE	REF NO	GRAPHIC REF	PART NUMBER	QTY	PART NAME						SEE PAGE
					1	2	3	4	5	6 (PRODUCT LEVEL)	
(NO SERVICED PARTS)											



<END>

GRAPHIC #1

g01025816

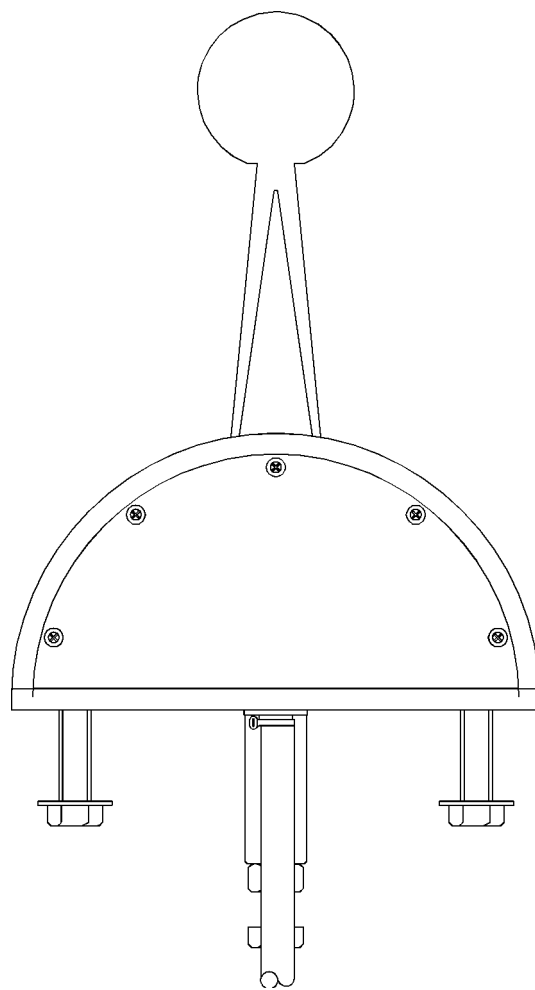
OPERATOR STATION

223-8206 CONTROL GP-DIRECTION-BLACK, RH SLANT HANDLE
FOR USE WITH MULTI-STATION CONTROL SYSTEM
AN ATTACHMENT

SMCS-3065

i01976306

NOTE	REF NO	GRAPHIC REF	PART NUMBER	QTY	PART NAME	SEE PAGE
					1 2 3 4 5 6 (PRODUCT LEVEL)	
(NO SERVICED PARTS)						



<END>

GRAPHIC #1

g01025816

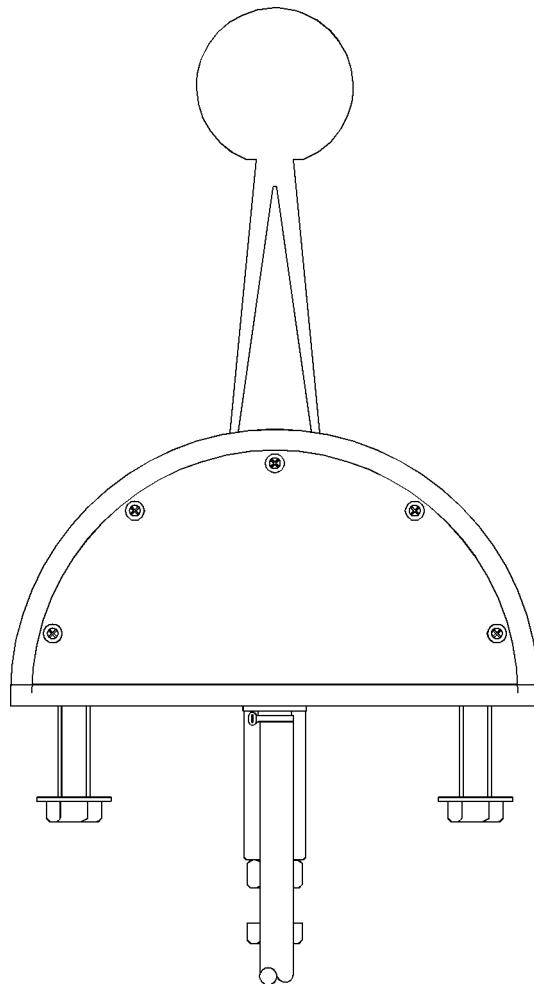
OPERATOR STATION

223-8213 CONTROL GP-DIRECTION-CLEAR, STRAIGHT HANDLE FOR USE WITH MULTI-STATION CONTROL SYSTEM AN ATTACHMENT

SMCS-3065

i01976314

NOTE	REF NO	GRAPHIC REF	PART NUMBER	QTY	PART NAME						SEE PAGE
					1	2	3	4	5	6 (PRODUCT LEVEL)	
(NO SERVICED PARTS)											



GRAPHIC #1

<END>

g01025816

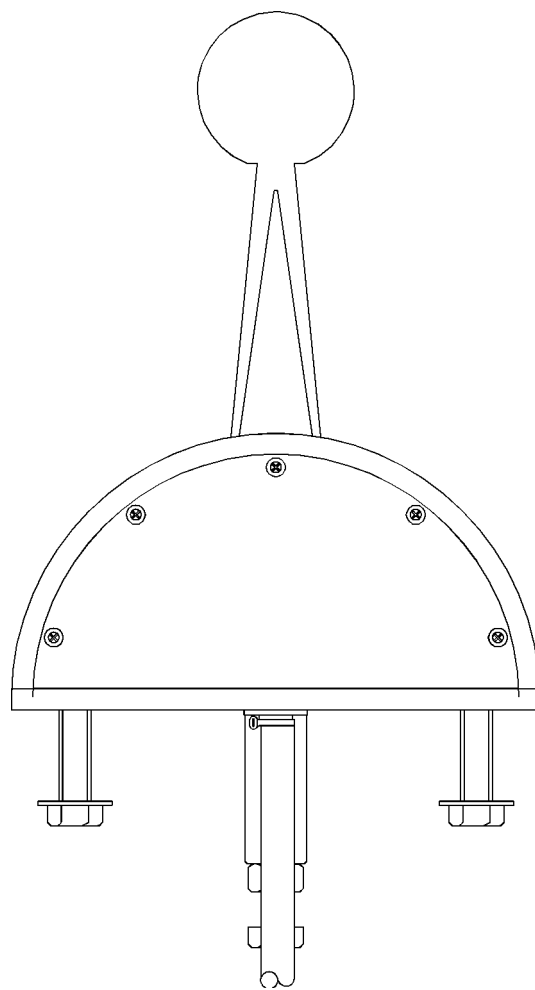
OPERATOR STATION

223-8218 CONTROL GP-DIRECTION-BLACK, STRAIGHT HANDLE
FOR USE WITH MULTI-STATION CONTROL SYSTEM
AN ATTACHMENT

SMCS-3065

i01978059

NOTE	REF NO	GRAPHIC REF	PART NUMBER	QTY	PART NAME						SEE PAGE
					1	2	3	4	5	6 (PRODUCT LEVEL)	
(NO SERVICED PARTS)											



GRAPHIC #1

g01025816

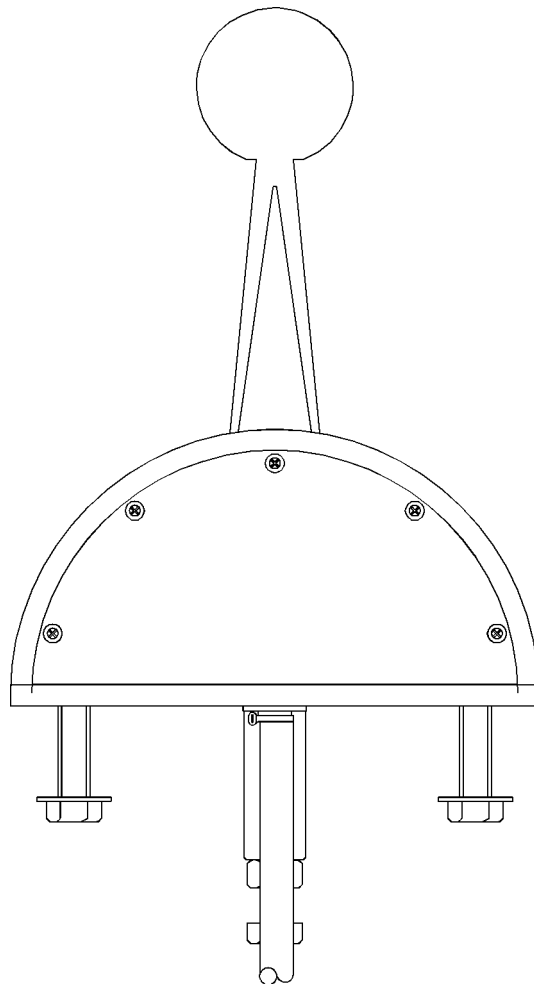
OPERATOR STATION

223-8221 CONTROL GP-DIRECTION-CLEAR, LH SLANT HANDLE FOR USE WITH MULTI-STATION CONTROL SYSTEM AN ATTACHMENT

SMCS-3065

i01976334

NOTE	REF NO	GRAPHIC REF	PART NUMBER	QTY	PART NAME						SEE PAGE
					1	2	3	4	5	6 (PRODUCT LEVEL)	
(NO SERVICED PARTS)											



GRAPHIC #1

<END>

g01025816

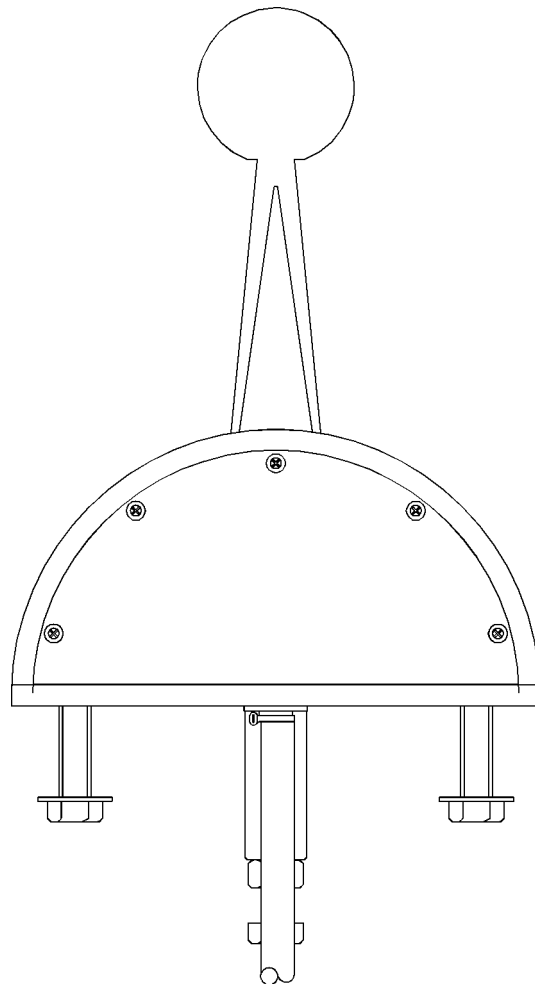
OPERATOR STATION

223-8224 CONTROL GP-DIRECTION-BLACK, LH SLANT HANDLE
FOR USE WITH MULTI-STATION CONTROL SYSTEM
AN ATTACHMENT

SMCS-3065

i01976343

NOTE	REF NO	GRAPHIC REF	PART NUMBER	QTY	PART NAME	SEE PAGE
					1 2 3 4 5 6 (PRODUCT LEVEL)	
(NO SERVICED PARTS)						



GRAPHIC #1

<END>

g01025816

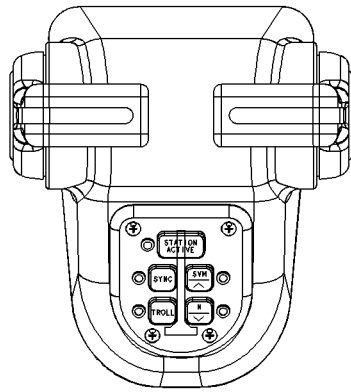
OPERATOR STATION

219-8022 CONTROL GP-DIRECTION & SPEED- INTEGRATED CONTROL HEAD, CHROME FOR USE WITH MULTI-STATION CONTROL SYSTEM AN ATTACHMENT

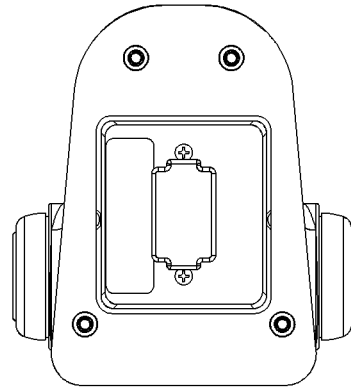
SMCS-1915, 3065, 5910

i02025031

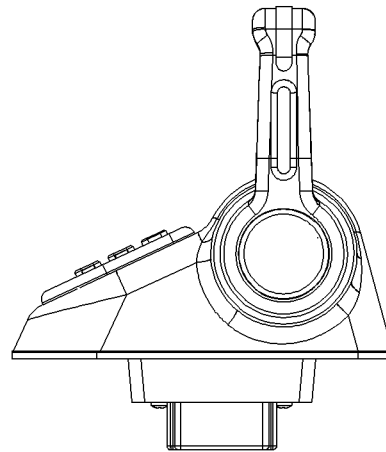
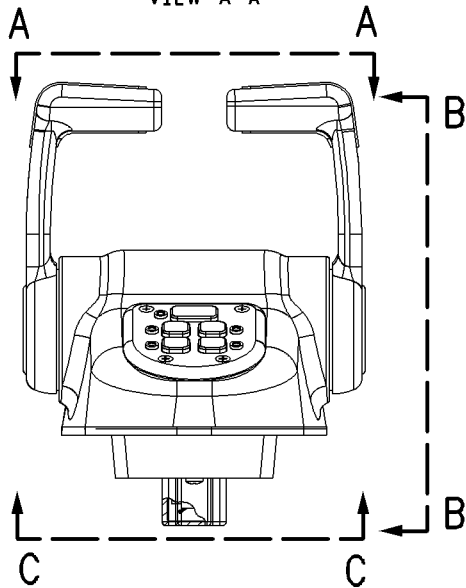
NOTE	REF NO	GRAPHIC REF	PART NUMBER	QTY	PART NAME	SEE PAGE
					1 2 3 4 5 6 (PRODUCT LEVEL) (NO SERVICED PARTS)	



VIEW A-A



VIEW C-C



VIEW B-B

GRAPHIC #1

<END>

g00987496

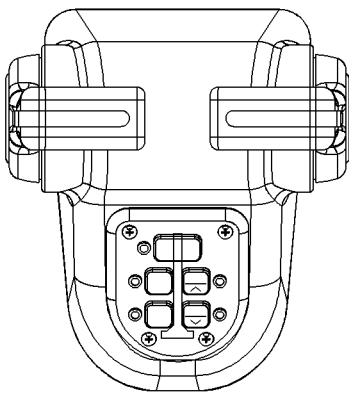
OPERATOR STATION

220-2313 CONTROL GP-DIRECTION & SPEED- INTEGRATED CONTROL HEAD, BLACK FOR USE WITH MULTI-STATION CONTROL SYSTEM AN ATTACHMENT

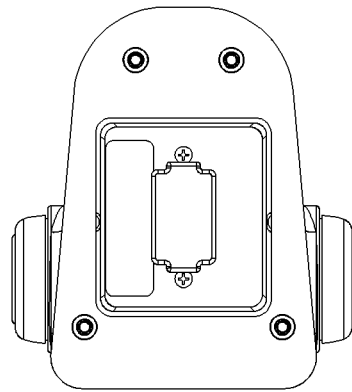
SMCS-1915, 3065, 5910

i02025172

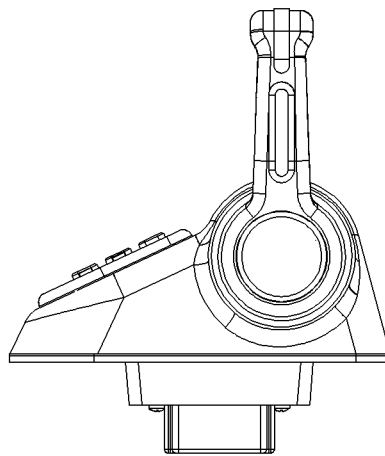
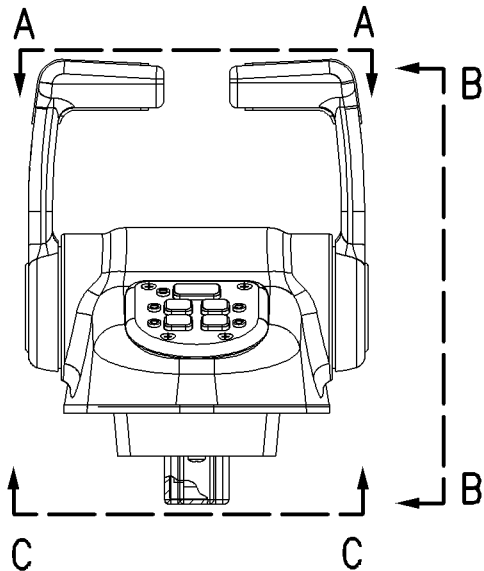
NOTE	REF NO	GRAPHIC REF	PART NUMBER	QTY	PART NAME	SEE PAGE
					1 2 3 4 5 6 (PRODUCT LEVEL) (NO SERVICED PARTS)	



VIEW A-A



VIEW C-C



VIEW B-B

GRAPHIC #1

<END>

g00987371

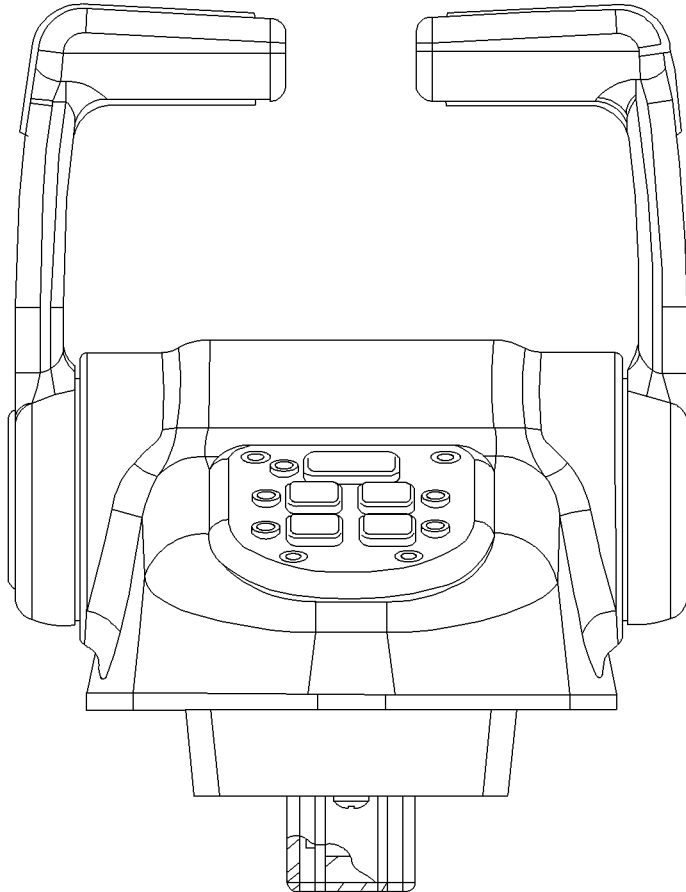
OPERATOR STATION

220-2315 CONTROL GP-DIRECTION & SPEED- INTEGRATED CONTROL HEAD, GOLD FOR USE WITH MULTI-STATION CONTROL SYSTEM AN ATTACHMENT

SMCS-1915, 3065, 5910

i02025174

NOTE	REF NO	GRAPHIC REF	PART NUMBER	QTY	PART NAME						SEE PAGE
					1	2	3	4	5	6 (PRODUCT LEVEL)	
(NO SERVICED PARTS)											



GRAPHIC #1

<END>

g00987851

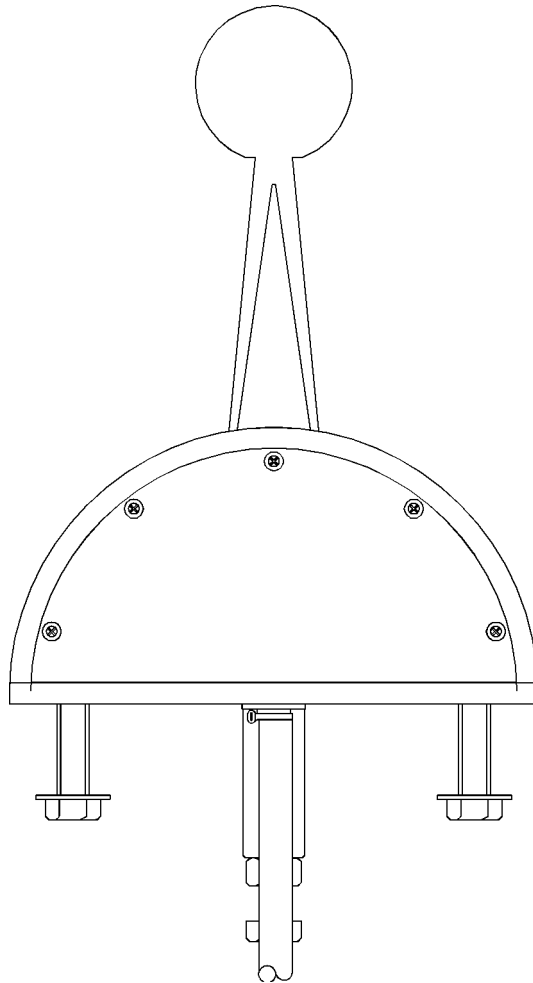
OPERATOR STATION

223-8204 CONTROL GP-DIRECTION & SPEED- BLACK, RH SLANT HANDLE FOR USE WITH MULTI-STATION CONTROL SYSTEM AN ATTACHMENT

SMCS-1915, 3065, 5910

i01976296

NOTE	REF NO	GRAPHIC REF	PART NUMBER	QTY	PART NAME						SEE PAGE
					1	2	3	4	5	6 (PRODUCT LEVEL)	
(NO SERVICED PARTS)											



GRAPHIC #1

<END>

g01025816

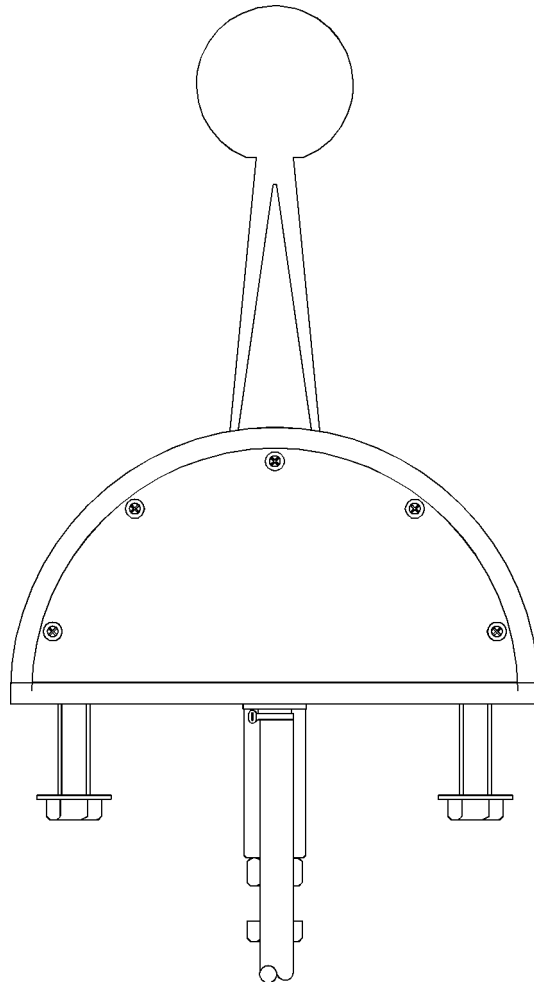
OPERATOR STATION

223-8208 CONTROL GP-DIRECTION & SPEED- BLACK, RH SLANT HANDLE FOR USE WITH MULTI-STATION CONTROL SYSTEM AN ATTACHMENT

SMCS-1915, 3065, 5910

i01976309

NOTE	REF NO	GRAPHIC REF	PART NUMBER	QTY	PART NAME						SEE PAGE
					1	2	3	4	5	6 (PRODUCT LEVEL)	
(NO SERVICED PARTS)											



GRAPHIC #1

<END>

g01025816

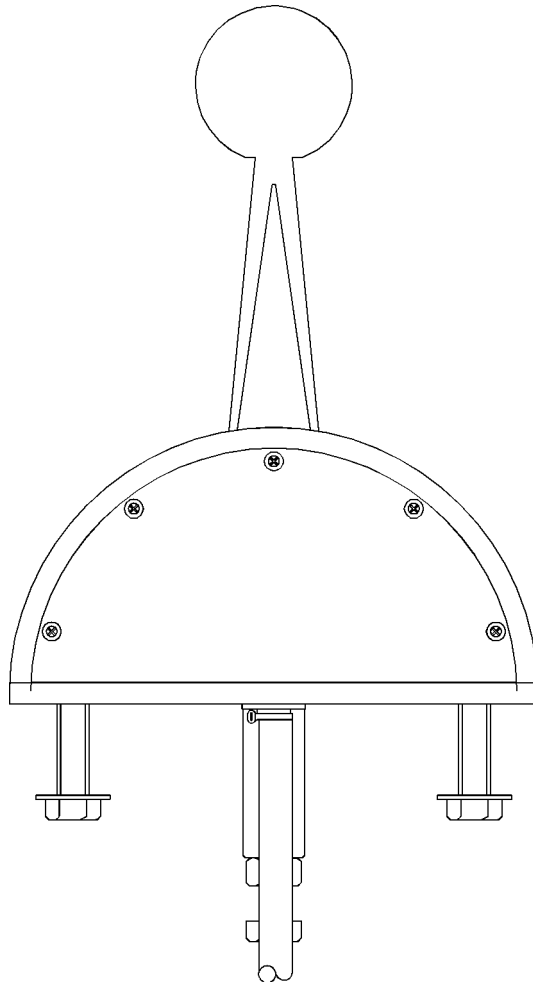
OPERATOR STATION

223-8214 CONTROL GP-DIRECTION & SPEED- CLEAR, STRAIGHT HANDLE FOR USE WITH MULTI-STATION CONTROL SYSTEM AN ATTACHMENT

SMCS-1915, 3065, 5910

i01976317

NOTE	REF NO	GRAPHIC REF	PART NUMBER	QTY	PART NAME						SEE PAGE
					1	2	3	4	5	6 (PRODUCT LEVEL)	
(NO SERVICED PARTS)											



GRAPHIC #1

<END>

g01025816

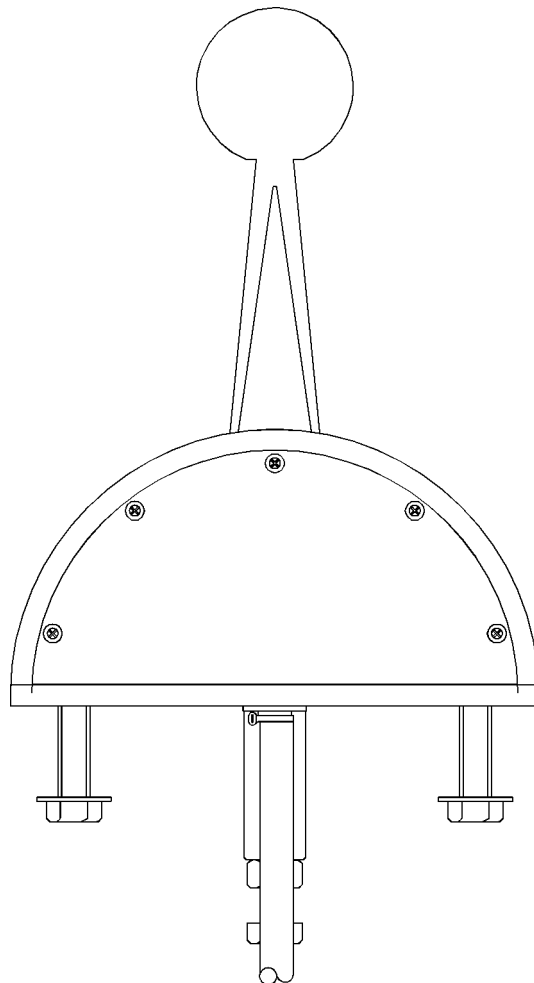
OPERATOR STATION

223-8219 CONTROL GP-DIRECTION & SPEED- BLACK, STRAIGHT HANDLE FOR USE WITH MULTI-STATION CONTROL SYSTEM AN ATTACHMENT

SMCS-1915, 3065, 5910

i01976327

NOTE	REF NO	GRAPHIC REF	PART NUMBER	QTY	PART NAME						SEE PAGE
					1	2	3	4	5	6 (PRODUCT LEVEL)	
(NO SERVICED PARTS)											



GRAPHIC #1

<END>

g01025816

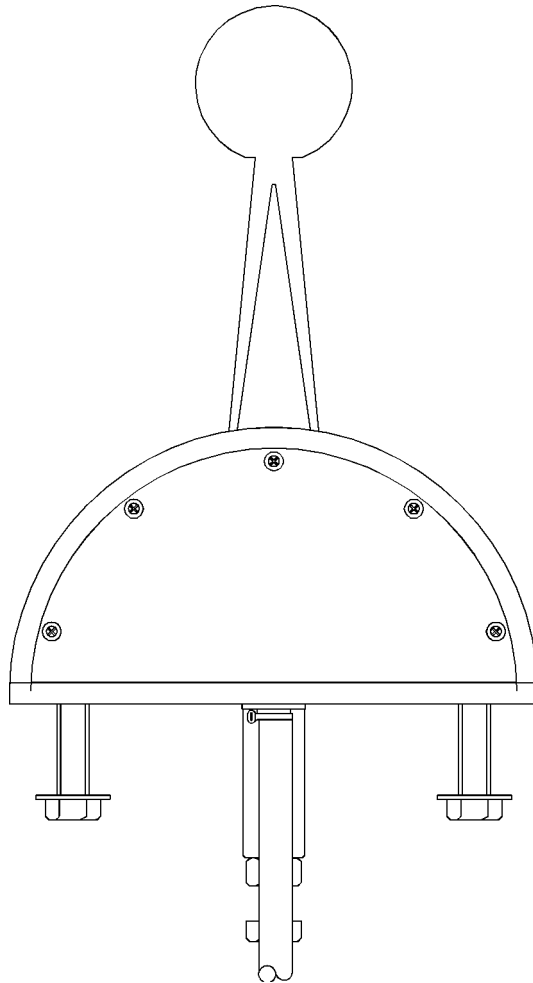
OPERATOR STATION

223-8222 CONTROL GP-DIRECTION & SPEED- CLEAR, LH SLANT HANDLE FOR USE WITH MULTI-STATION CONTROL SYSTEM AN ATTACHMENT

SMCS-1915, 3065, 5910

i01976337

NOTE	REF NO	GRAPHIC REF	PART NUMBER	QTY	PART NAME						SEE PAGE
					1	2	3	4	5	6 (PRODUCT LEVEL)	
(NO SERVICED PARTS)											



GRAPHIC #1

<END>

g01025816

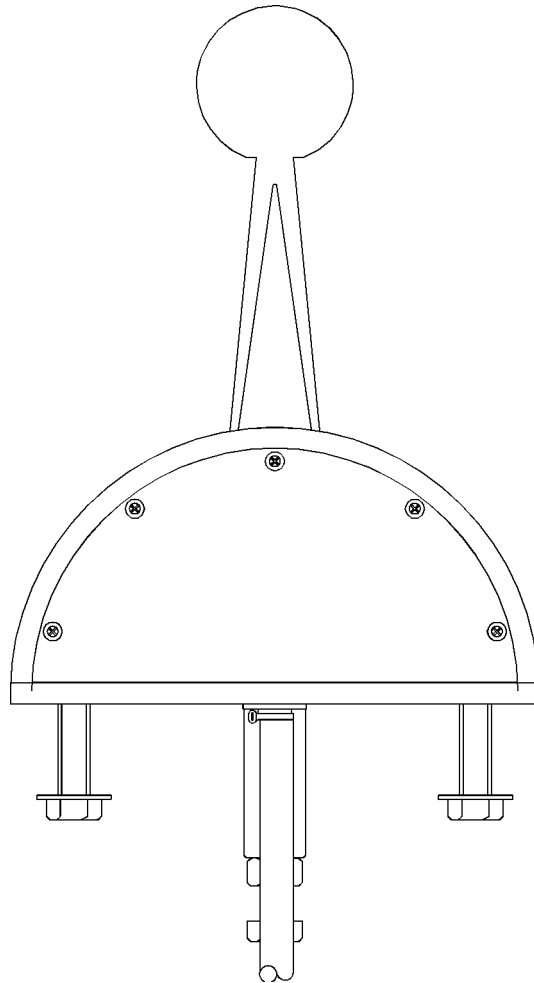
OPERATOR STATION

223-8225 CONTROL GP-DIRECTION & SPEED- BLACK, LH SLANT HANDLE FOR USE WITH MULTI-STATION CONTROL SYSTEM AN ATTACHMENT

SMCS-1915, 3065, 5910

i01976301

NOTE	REF NO	GRAPHIC REF	PART NUMBER	QTY	PART NAME						SEE PAGE
					1	2	3	4	5	6 (PRODUCT LEVEL)	
(NO SERVICED PARTS)											



GRAPHIC #1

g01025816

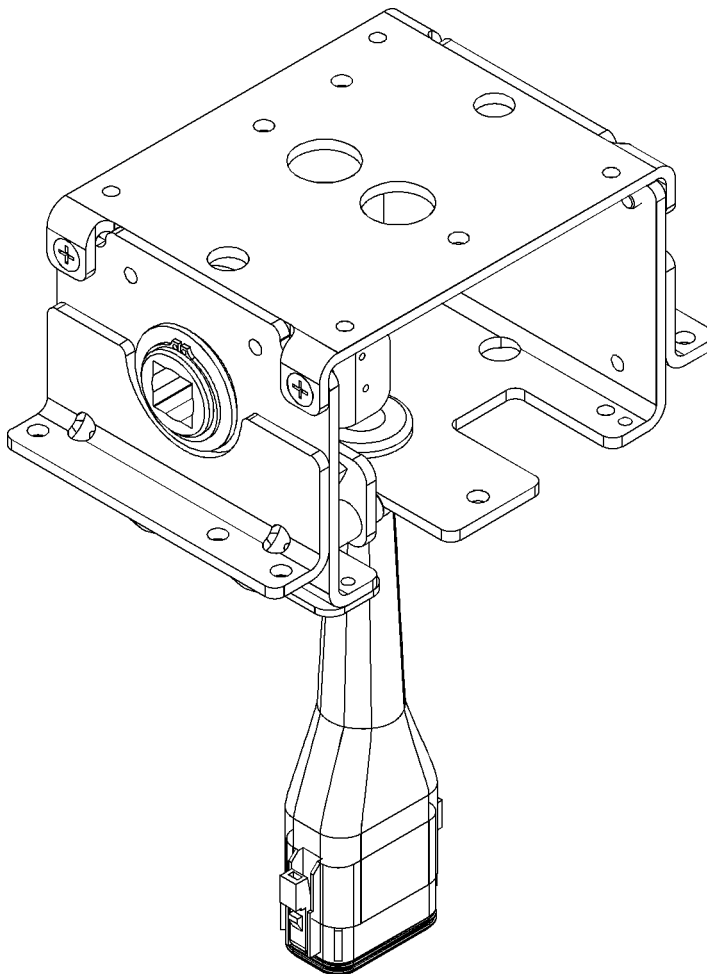
OPERATOR STATION

229-3689 CONTROL GP-DIRECTION & SPEED- PORT, SIDE MOUNT FOR USE WITH MULTI-STATION CONTROL SYSTEM AN ATTACHMENT

SMCS-1915, 3065, 5910

i01966332

NOTE	REF NO	GRAPHIC REF	PART NUMBER	QTY	PART NAME						SEE PAGE
					1	2	3	4	5	6 (PRODUCT LEVEL)	
(NO SERVICED PARTS)											



GRAPHIC #1

<END>

g01021635

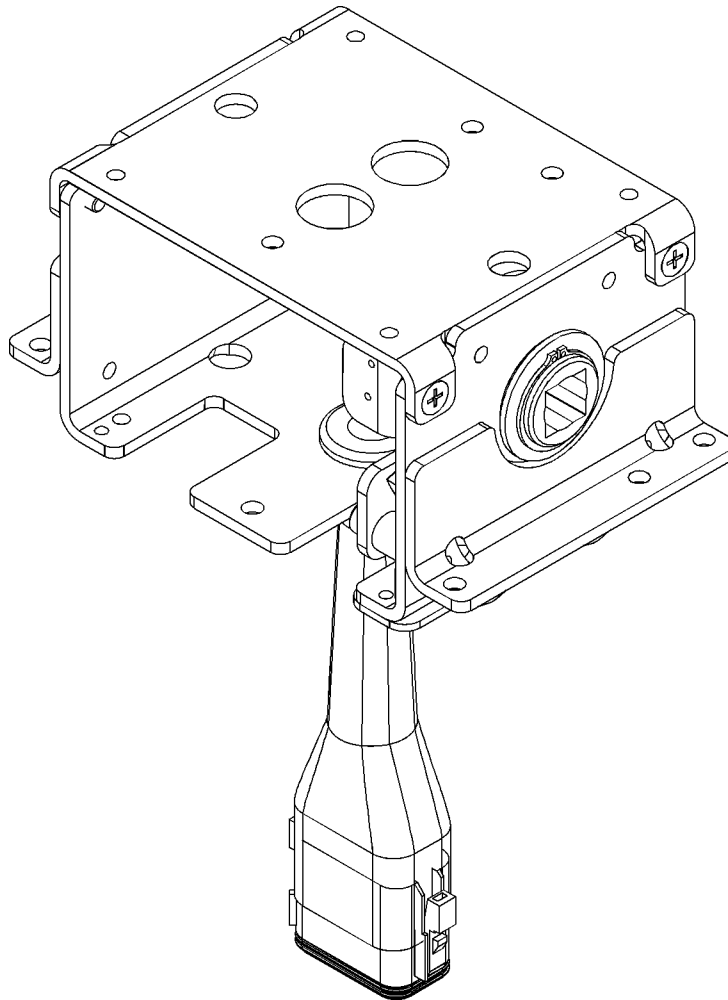
OPERATOR STATION

229-3690 CONTROL GP-DIRECTION & SPEED- STARBOARD, SIDE MOUNT FOR USE WITH MULTI-STATION CONTROL SYSTEM AN ATTACHMENT

SMCS-1915, 3065, 5910

i01966336

NOTE	REF NO	GRAPHIC REF	PART NUMBER	QTY	PART NAME						SEE PAGE
					1	2	3	4	5	6 (PRODUCT LEVEL)	
(NO SERVICED PARTS)											



GRAPHIC #1

<END>

g01021807

OPERATOR STATION

347-9364 CONTROL GP-DIRECTION & SPEED

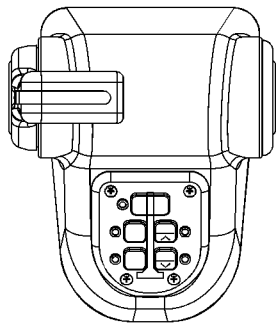
AN ATTACHMENT

SMCS-1915, 3065, 5910

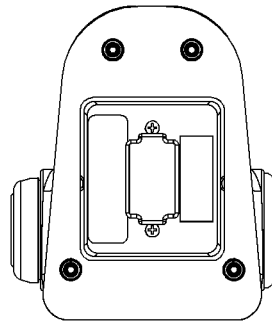
i03787389

NOTE	REF NO	GRAPHIC REF	PART NUMBER	QTY	PART NAME						SEE PAGE
					1	2	3	4	5	6 (PRODUCT LEVEL)	
F			276-4054	1	FILM-IDENTIFICATION (CAT)						
F			287-0564	1	KIT-BEZEL (BLACK)						

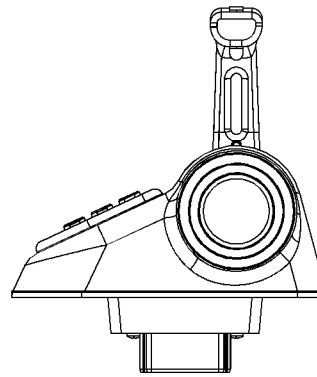
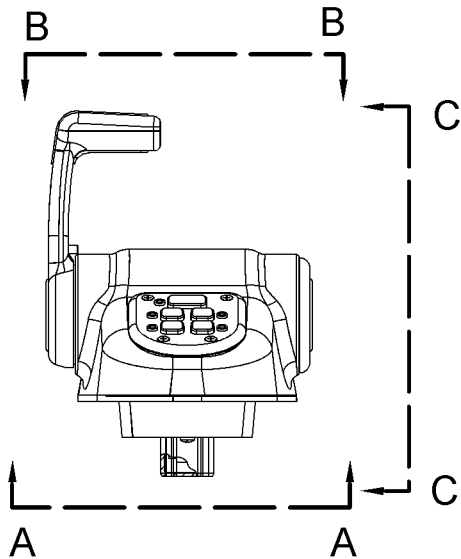
F-NOT SHOWN



VIEW B-B



VIEW A-A



VIEW C-C

GRAPHIC #1

<END>

g02048353

OPERATOR STATION

347-9365 CONTROL GP-DIRECTION & SPEED

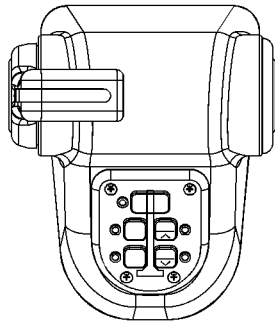
AN ATTACHMENT

SMCS-1915, 3065, 5910

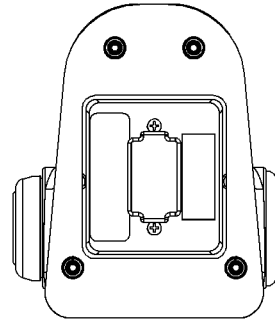
i03785535

NOTE	REF NO	GRAPHIC REF	PART NUMBER	QTY	PART NAME						SEE PAGE
					1	2	3	4	5	6 (PRODUCT LEVEL)	
F			276-4054	1	FILM-IDENTIFICATION (CAT)						
F			276-4055	1	KIT-BEZEL						

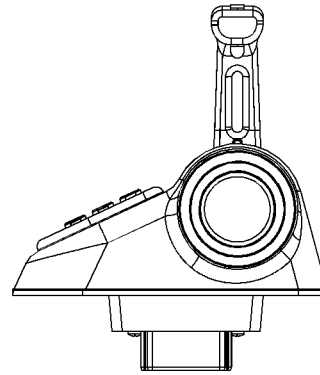
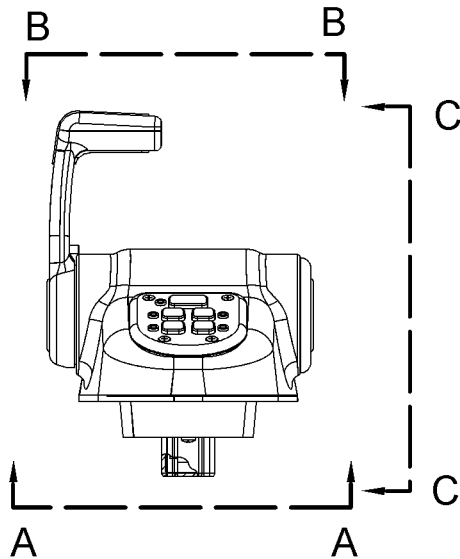
F-NOT SHOWN



VIEW B-B



VIEW A-A



VIEW C-C

GRAPHIC #1

<END>

g02048353

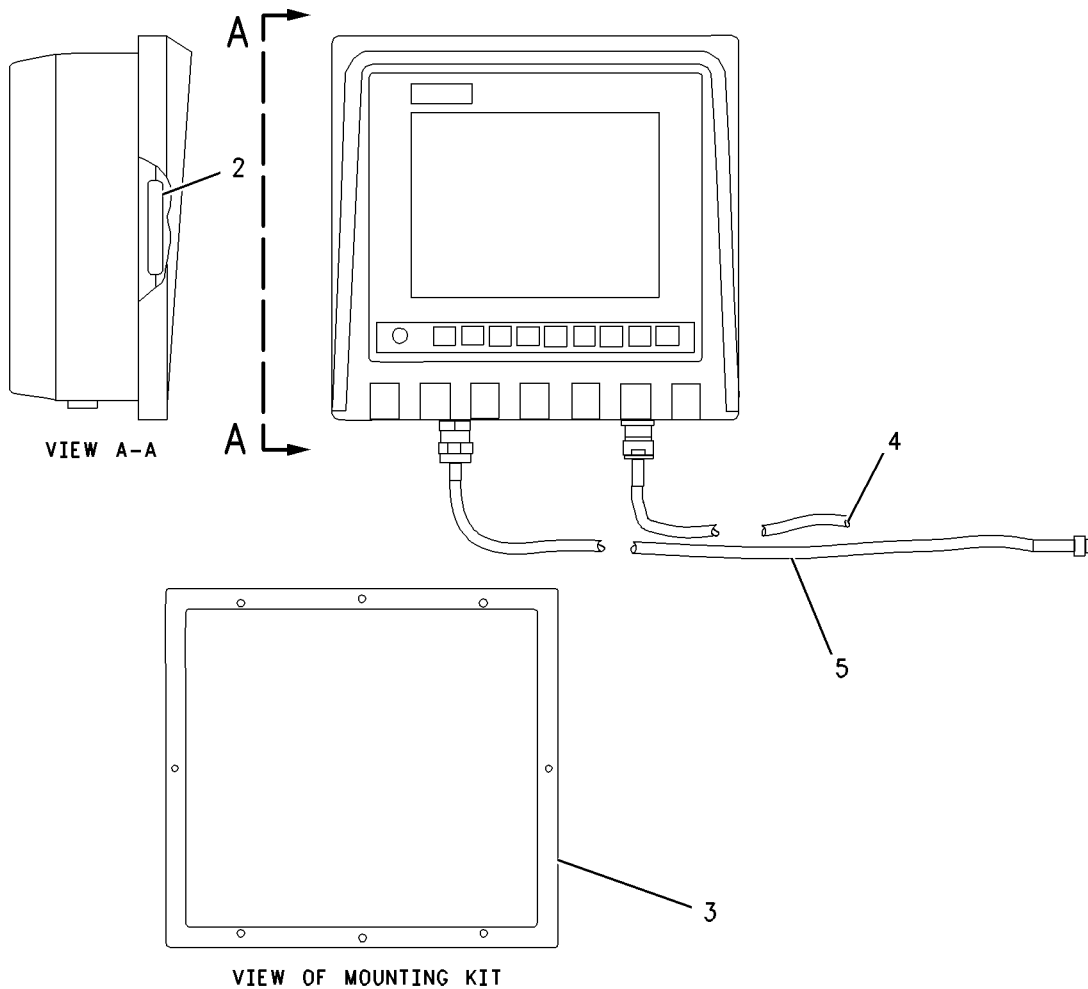
OPERATOR STATION

212-7481 CONTROL GP-MONITOR-ENGINE VISION AN ATTACHMENT

SMCS-7490

i02214710

NOTE	REF NO	GRAPHIC REF	PART NUMBER	QTY	PART NAME						SEE PAGE
					1	2	3	4	5	6 (PRODUCT LEVEL)	
	2	1	8C-6188	1	SEAL-SECURITY						
	3	1	163-3972	1	KIT-MOUNTING (MONITOR)						
					(INCLUDES MOUNTING PLATE, PLATE SCREWS, AND DISPLAY SCREWS)						
	4	1	163-3974	1	CABLE AS-POWER						
	5	1	163-3973	1	CABLE AS (DATA)						



GRAPHIC #1

<END>

g00832439

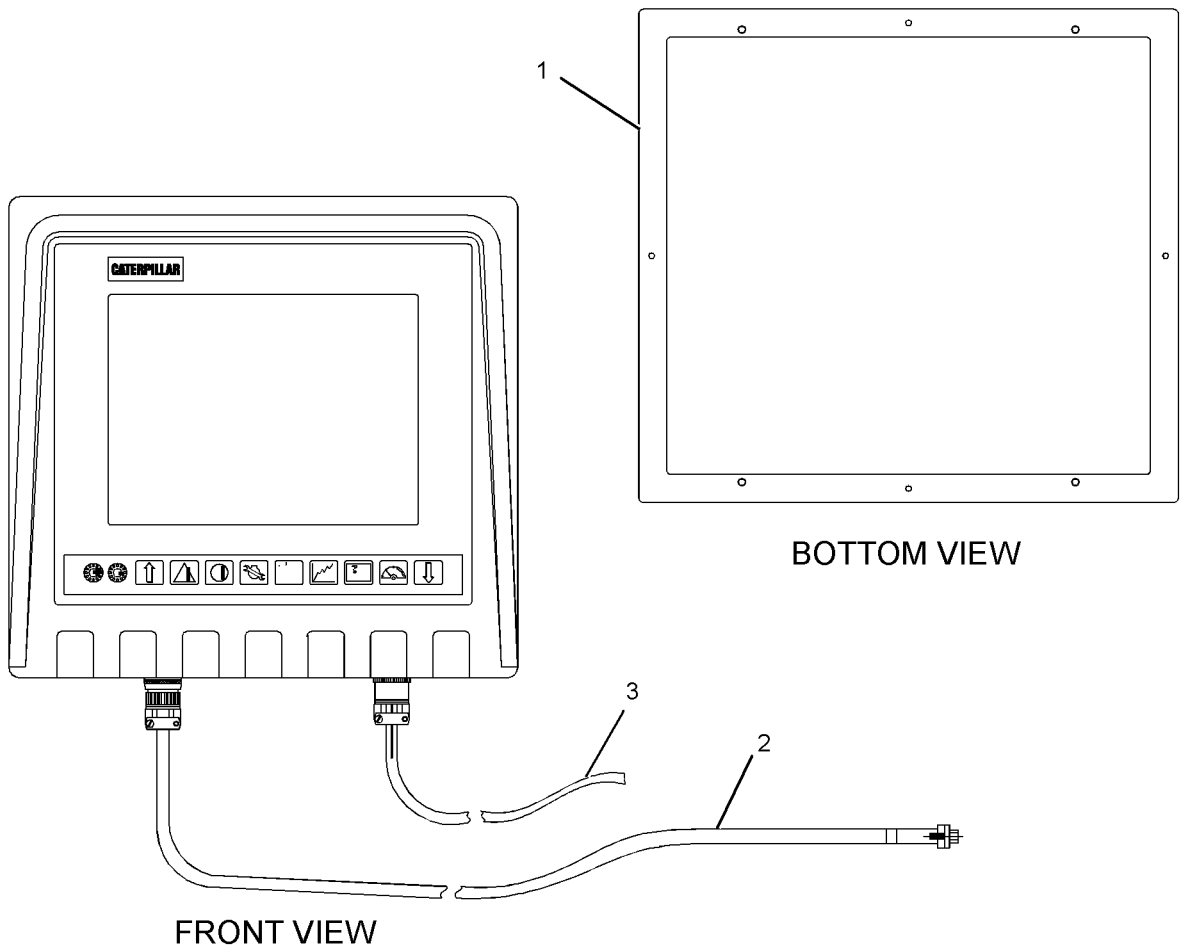
OPERATOR STATION

289-6327 CONTROL GP-MONITOR-ENGINE VISION AN ATTACHMENT

SMCS-7490

i02633956

NOTE	REF NO	GRAPHIC REF	PART NUMBER	QTY	PART NAME						SEE PAGE
					1	2	3	4	5	6 (PRODUCT LEVEL)	
	1	1	163-3972	1	KIT-MOUNTING (INCLUDES PLATE AND SCREWS)						
	2	1	163-3973	1	CABLE AS (DATA)						
	3	1	163-3974	1	CABLE AS-POWER						



GRAPHIC #1

<END>

g01334444

OPERATOR STATION

226-5567 CONTROL GP-UNPRGMED MONITOR-ELECTRONIC

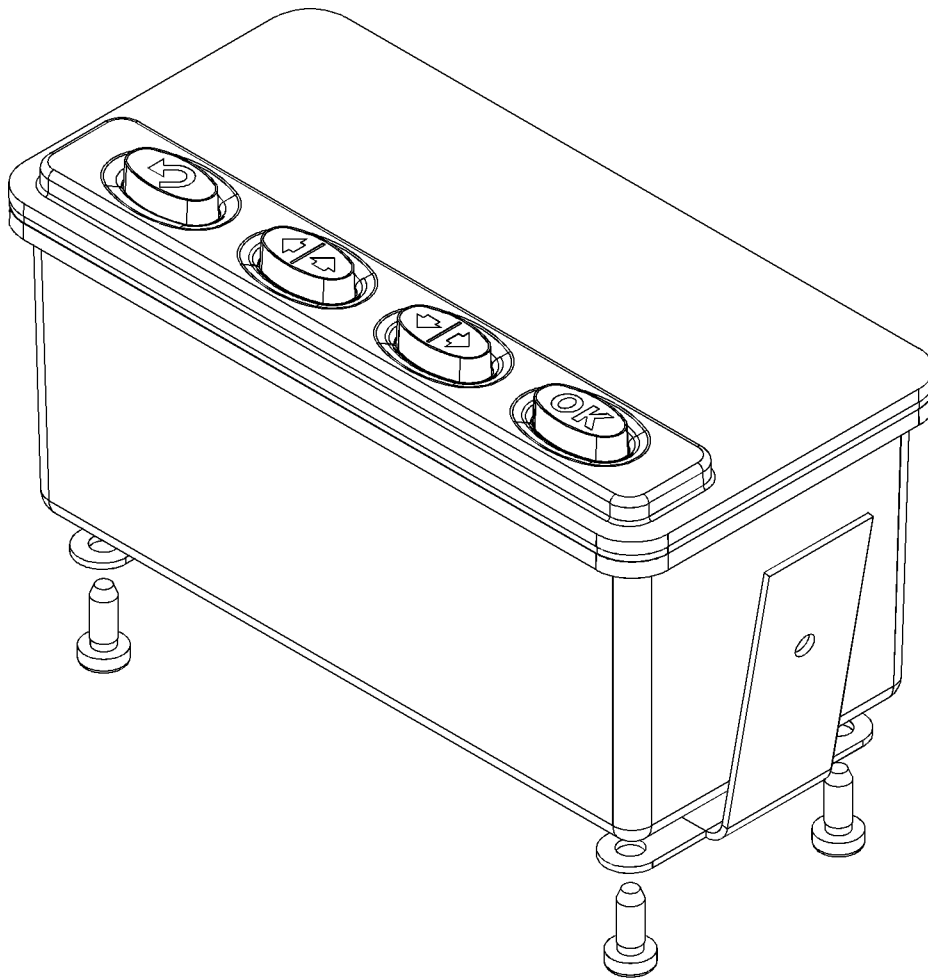
MESSENGER

**PART OF 228-7424 MODULE GP-DISPLAY
AN ATTACHMENT**

SMCS-7610

i02050431

NOTE	REF NO	GRAPHIC REF	PART NUMBER	QTY	PART NAME	SEE PAGE
					1 2 3 4 5 6 (PRODUCT LEVEL)	
(NO SERVICED PARTS)						



GRAPHIC #1

<END>

g01052015

OPERATOR STATION

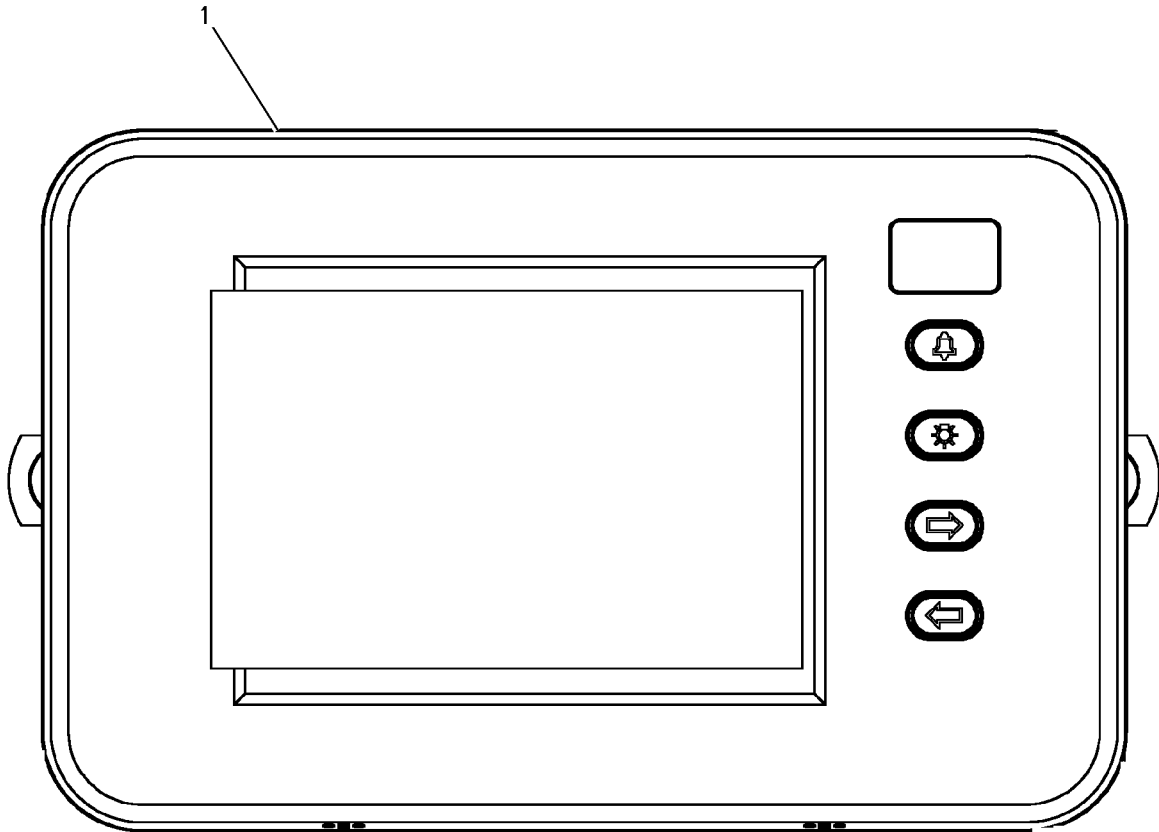
267-8623 DISPLAY GP-MONITOR-MARINE POWER DISPLAY

FIELD REPLACEMENT ORDER 307-7541-PAGE 945
AN ATTACHMENT

SMCS-7490

i03197520

NOTE	REF NO	GRAPHIC REF	PART NUMBER	QTY	PART NAME						SEE PAGE
					1	2	3	4	5	6 (PRODUCT LEVEL)	
Y	1	1	307-7542	1	DISPLAY GP-MONITOR (MARINE POWER DISPLAY)						946
Y-SEPARATE ILLUSTRATION											



GRAPHIC #1

<END>

g00914466

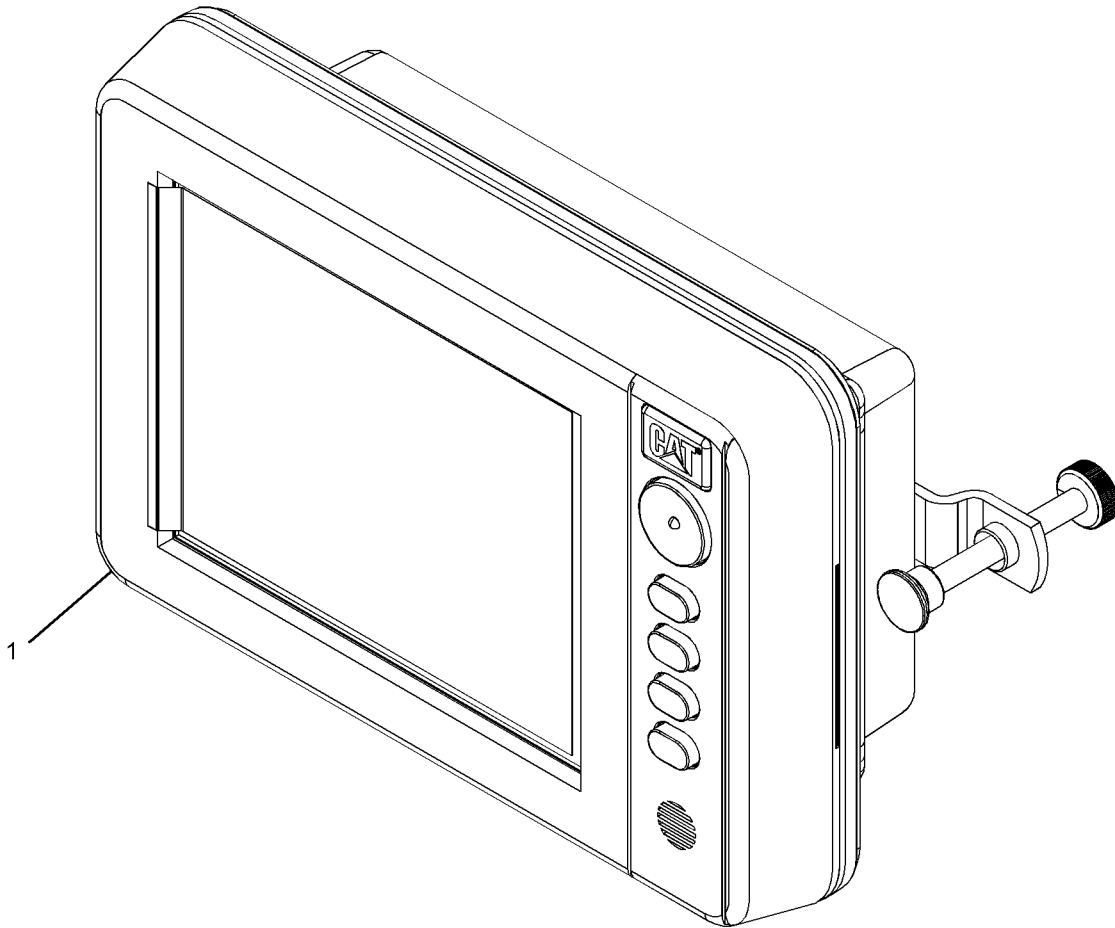
OPERATOR STATION

284-3001 DISPLAY GP-MONITOR-UNPROGRAMMED FIELD INSTALLATION

SMCS-7490

i04046311

NOTE	REF NO	GRAPHIC REF	PART NUMBER	QTY	PART NAME 1 2 3 4 5 6 (PRODUCT LEVEL)	SEE PAGE
	1	1	327-0552	1	COVER-PROTECTION	
AVAILABLE REPLACEMENT PART(S):						
			325-4614	1	KIT-MOUNTING BRACKET (KIT INCLUDES MOUNTING BRACKET, CAP, THUMB SCREW, AND MOUNTING SCREW)	



GRAPHIC #1

<END>

g02260513

OPERATOR STATION

284-3005 DISPLAY GP-MONITOR

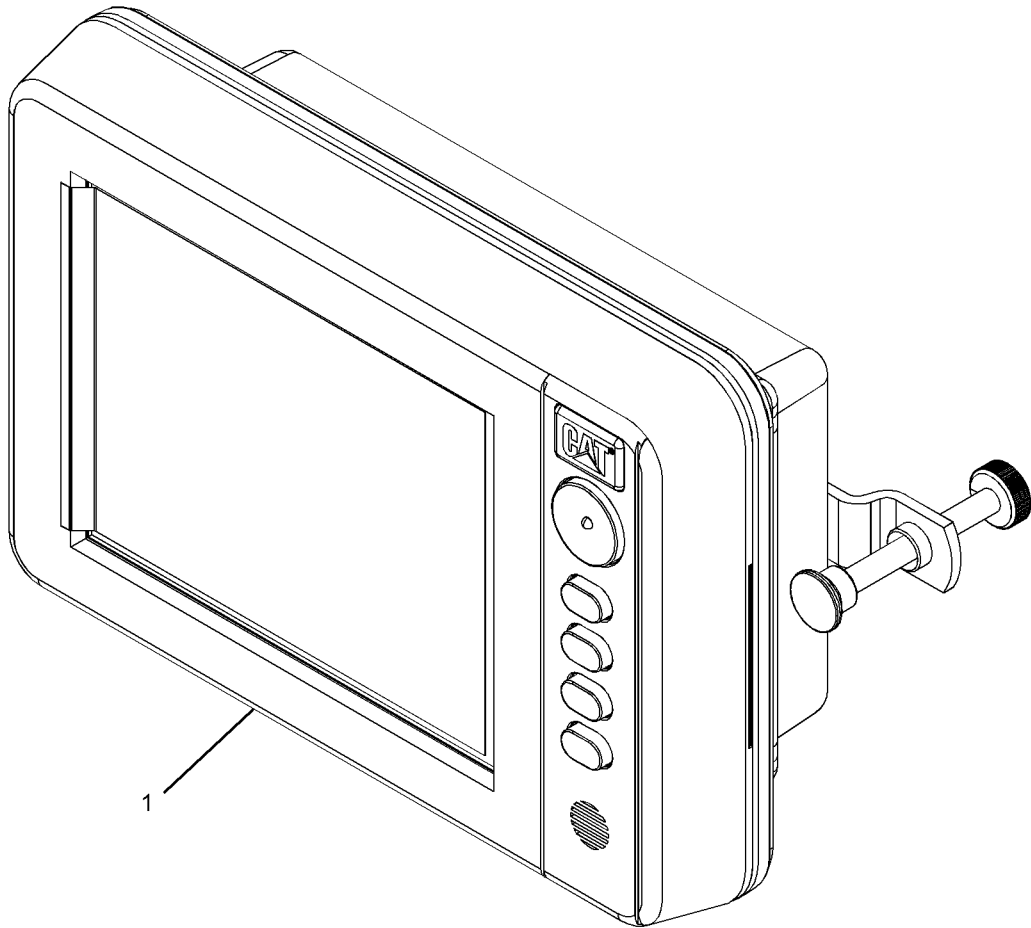
FIELD REPLACEMENT ORDER 284-3001-PAGE 942
AN ATTACHMENT

SMCS-7490

i03979589

NOTE	REF NO	GRAPHIC REF	PART NUMBER	QTY	PART NAME						SEE PAGE
					1	2	3	4	5	6 (PRODUCT LEVEL)	
CY	1	1	355-9046	1	DISPLAY GP-MONITOR						947

C-CHANGE FROM PREVIOUS TYPE
Y-SEPARATE ILLUSTRATION



GRAPHIC #1

<END>

g01441698

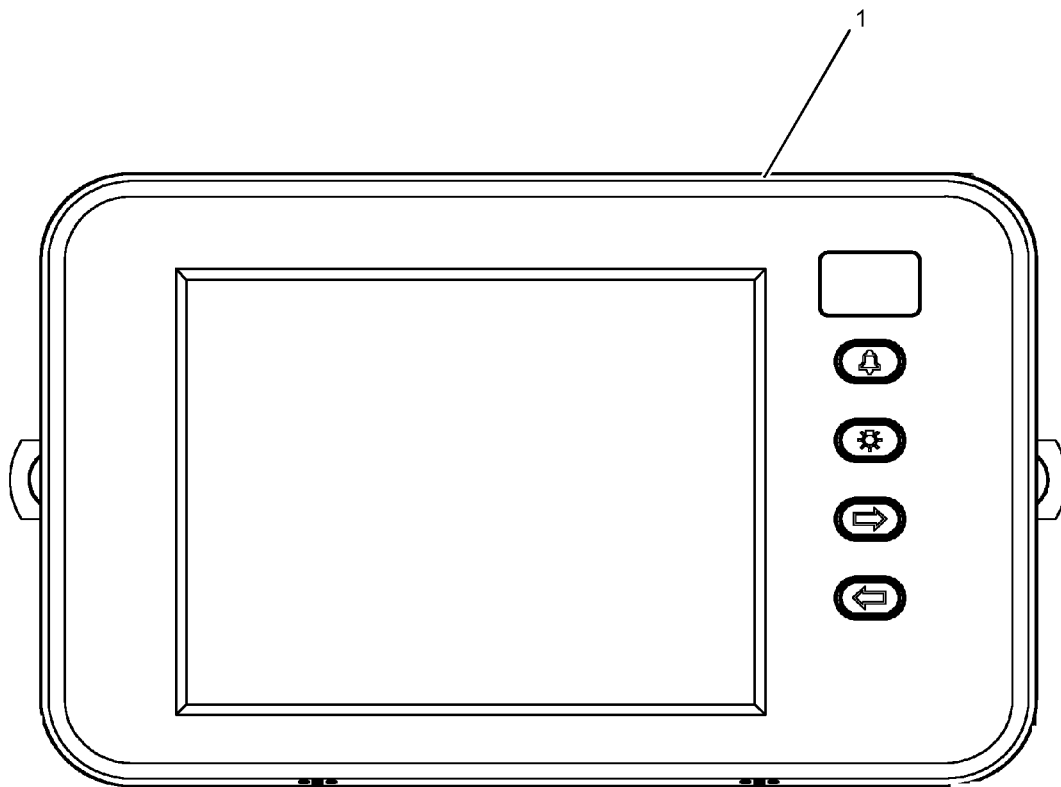
OPERATOR STATION

292-9715 DISPLAY GP-MONITOR-MARINE POWER DISPLAY AN ATTACHMENT

SMCS-7490

i02883573

NOTE	REF NO	GRAPHIC REF	PART NUMBER	QTY	PART NAME						SEE PAGE
					1	2	3	4	5	6 (PRODUCT LEVEL)	
	1	1	292-9714	1	DISPLAY GP-MONITOR (MARINE POWER DISPLAY)						



GRAPHIC #1

<END>

g01434488

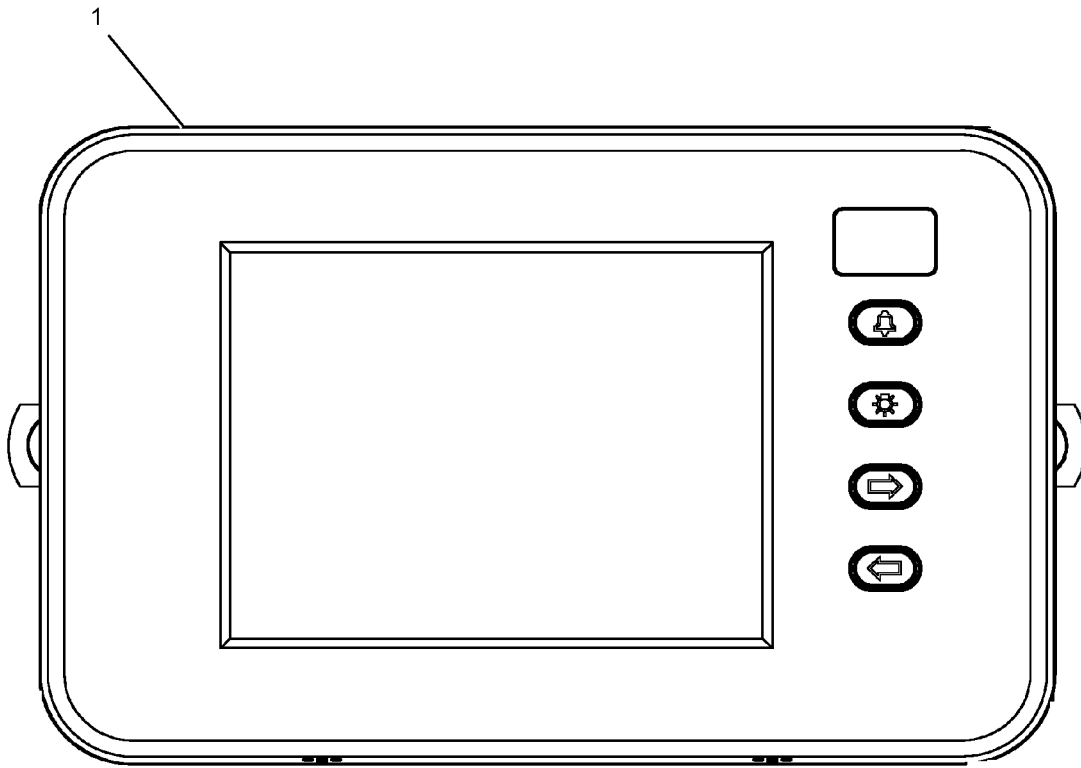
OPERATOR STATION

307-7541 DISPLAY GP-MONITOR-MARINE POWER DISPLAY
PART OF 307-7542 DISPLAY GP-MONITOR
FIELD REPLACEMENT FOR 267-8623-PAGE 941
AN ATTACHMENT

SMCS-7490

i02958038

NOTE	REF NO	GRAPHIC REF	PART NUMBER	QTY	PART NAME						SEE PAGE
					1	2	3	4	5	6 (PRODUCT LEVEL)	
	1	1	208-0589	1	COVER-PROTECTION						



GRAPHIC #1

<END>

g01442741

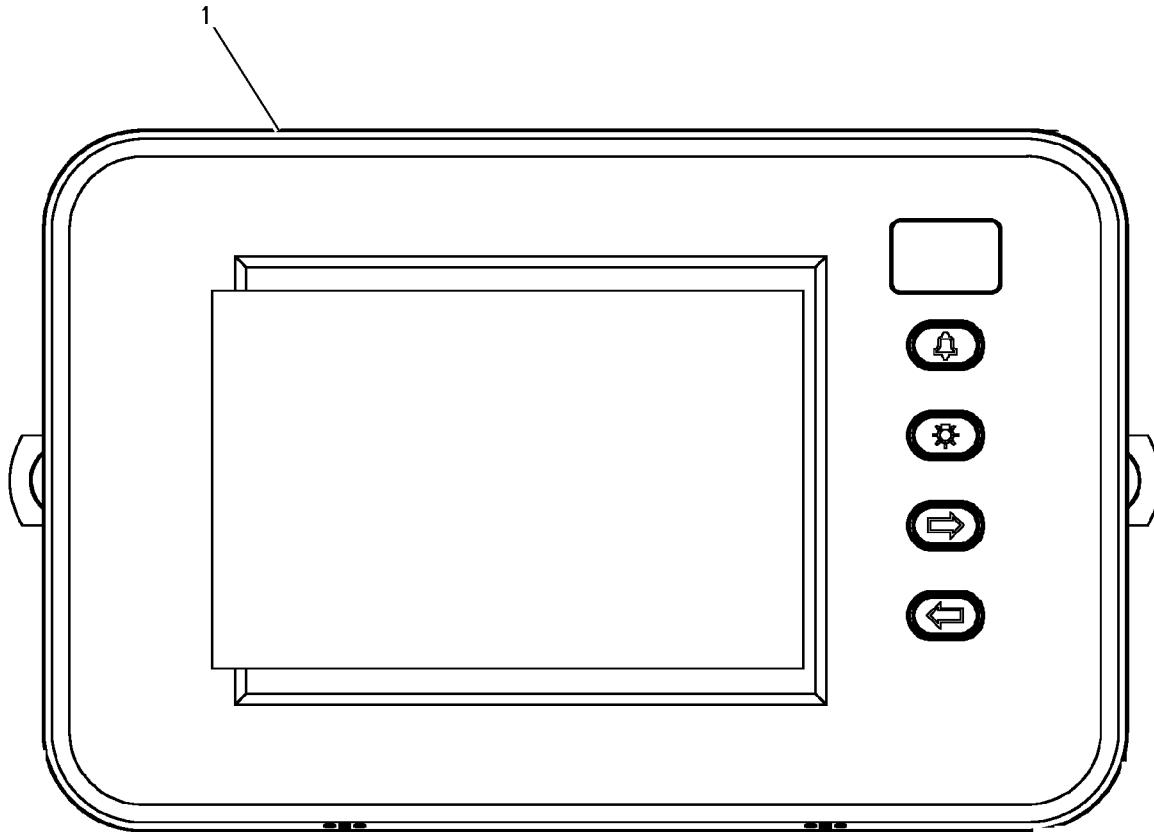
OPERATOR STATION

307-7542 DISPLAY GP-MONITOR-MARINE POWER DISPLAY PART OF 267-8623 DISPLAY GP-MONITOR AN ATTACHMENT

SMCS-7490

i02958050

NOTE	REF NO	GRAPHIC REF	PART NUMBER	QTY	PART NAME						SEE PAGE
					1	2	3	4	5	6 (PRODUCT LEVEL)	
Y	1	1	307-7541	1	DISPLAY GP-MONITOR (MARINE POWER DISPLAY)						945
Y-SEPARATE ILLUSTRATION											



GRAPHIC #1

<END>

g00914466

OPERATOR STATION

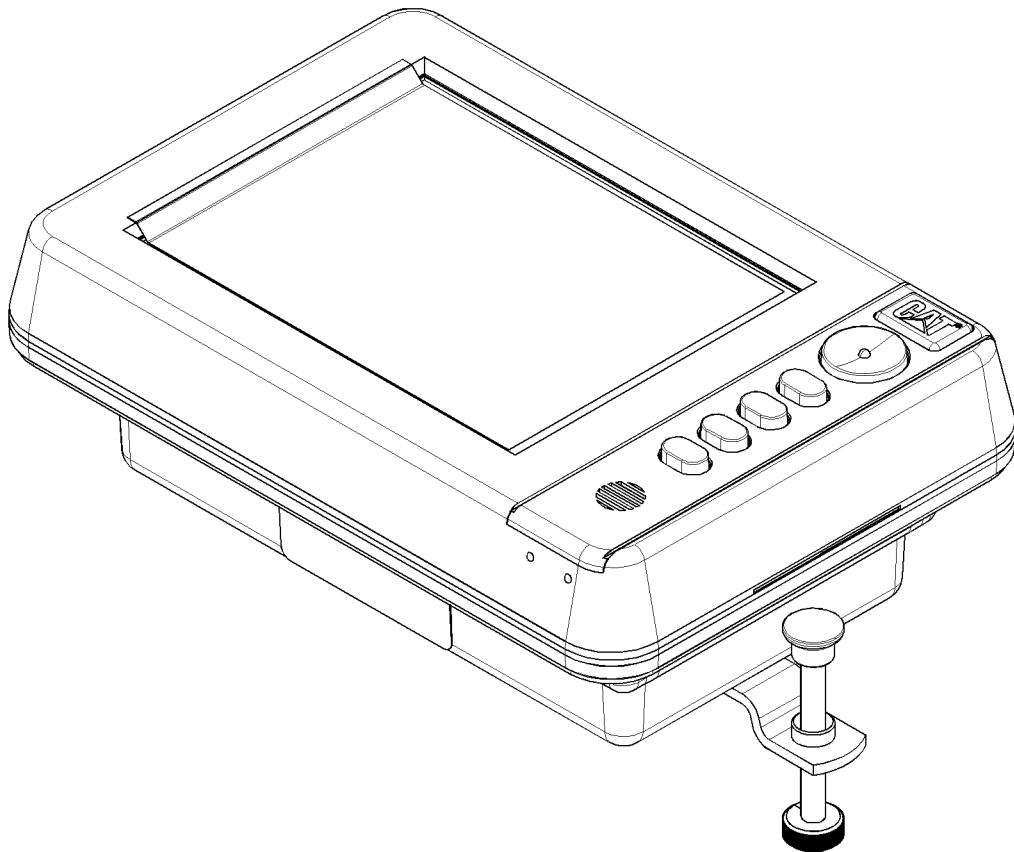
355-9046 DISPLAY GP-MONITOR

PART OF 284-3005 DISPLAY GP-MONITOR
AN ATTACHMENT

SMCS-7490

i03979715

NOTE	REF NO	GRAPHIC REF	PART NUMBER	QTY	PART NAME						SEE PAGE
					1	2	3	4	5	6 (PRODUCT LEVEL)	
F			355-9045	1	DISPLAY GP-MONITOR (UNPROGRAMMED)						
F - NOT SHOWN											



GRAPHIC #1

<END>

g01520084

OPERATOR STATION

262-4922 GAUGE GP-COOLANT TEMPERATURE-ENGINE

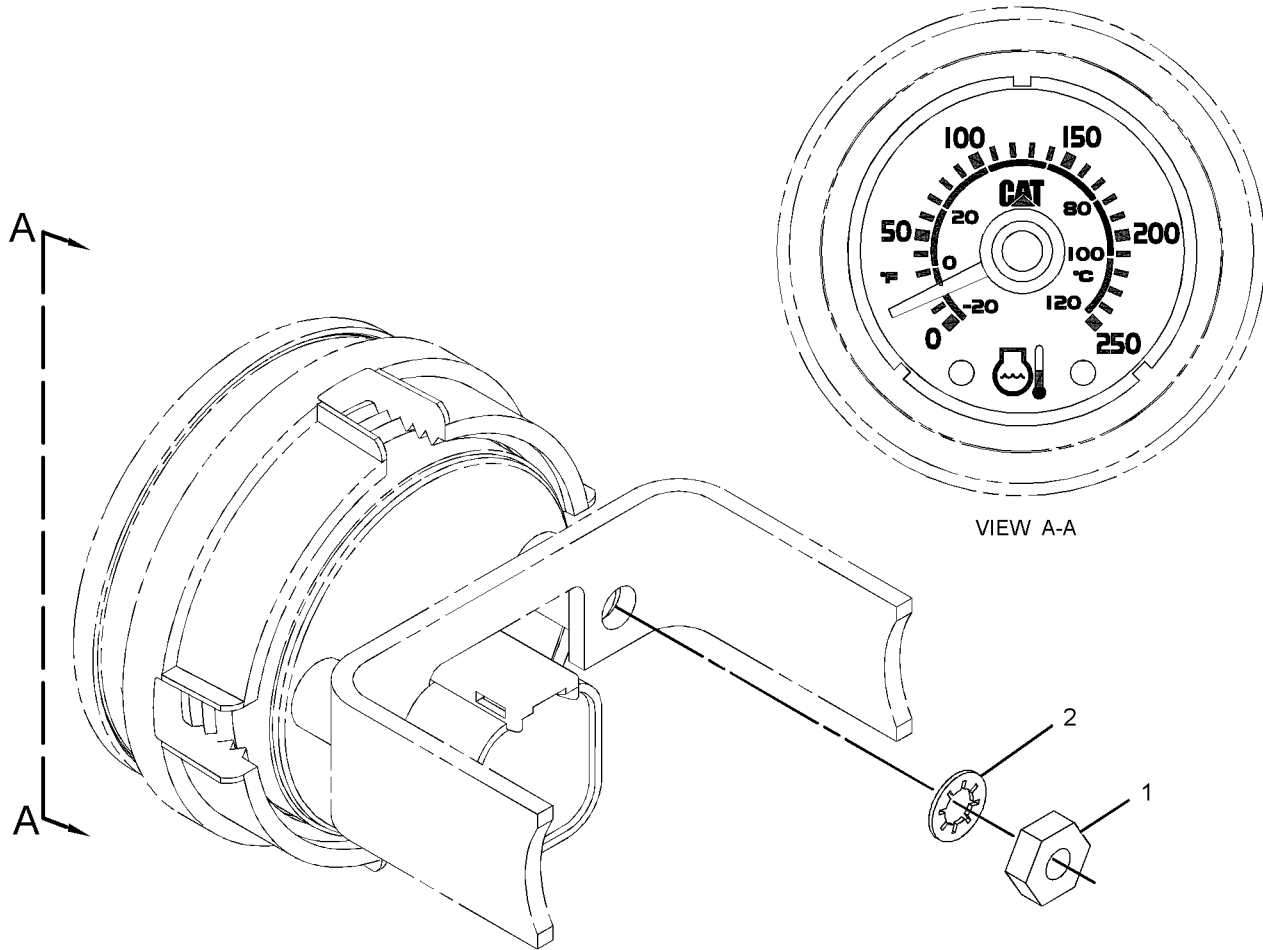
S/N: J2K1-UP
0-DEG F TO 250-DEG F
AN ATTACHMENT

SMCS-7450, 7453

i02878698

NOTE	REF NO	GRAPHIC REF	PART NUMBER	QTY	PART NAME						SEE PAGE
					1	2	3	4	5	6 (PRODUCT LEVEL)	
	1	1	4B-2043	2	NUT (8-32-THD)						
	2	1	9B-7233	2	LOCKWASHER						
AF			6V-3507	1	SEAL-RECTANGULAR						
(SEAL SHOULD BE INSTALLED BETWEEN INDICATOR ASSEMBLY AND MOUNTING PANEL)											

A-NOT PART OF THIS GROUP
F-NOT SHOWN



GRAPHIC #1

<END>

g01218416

OPERATOR STATION

275-2081 GAUGE GP-COOLANT TEMPERATURE-ENGINE

0-250-DEGREE F, 0-120-DEGREE C
AN ATTACHMENT

SMCS-7450, 7453

i04000692

NOTE	PART NUMBER	QTY	PART NAME						SEE PAGE
			1	2	3	4	5	6 (PRODUCT LEVEL)	
A	6V-3507	1	SEAL-RECTANGULAR						
			(SEAL SHOULD BE INSTALLED BETWEEN INDICATOR ASSEMBLY AND MOUNTING PANEL)						
A-NOT PART OF THIS GROUP									
<END>									

OPERATOR STATION

275-2082 GAUGE GP-COOLANT TEMPERATURE

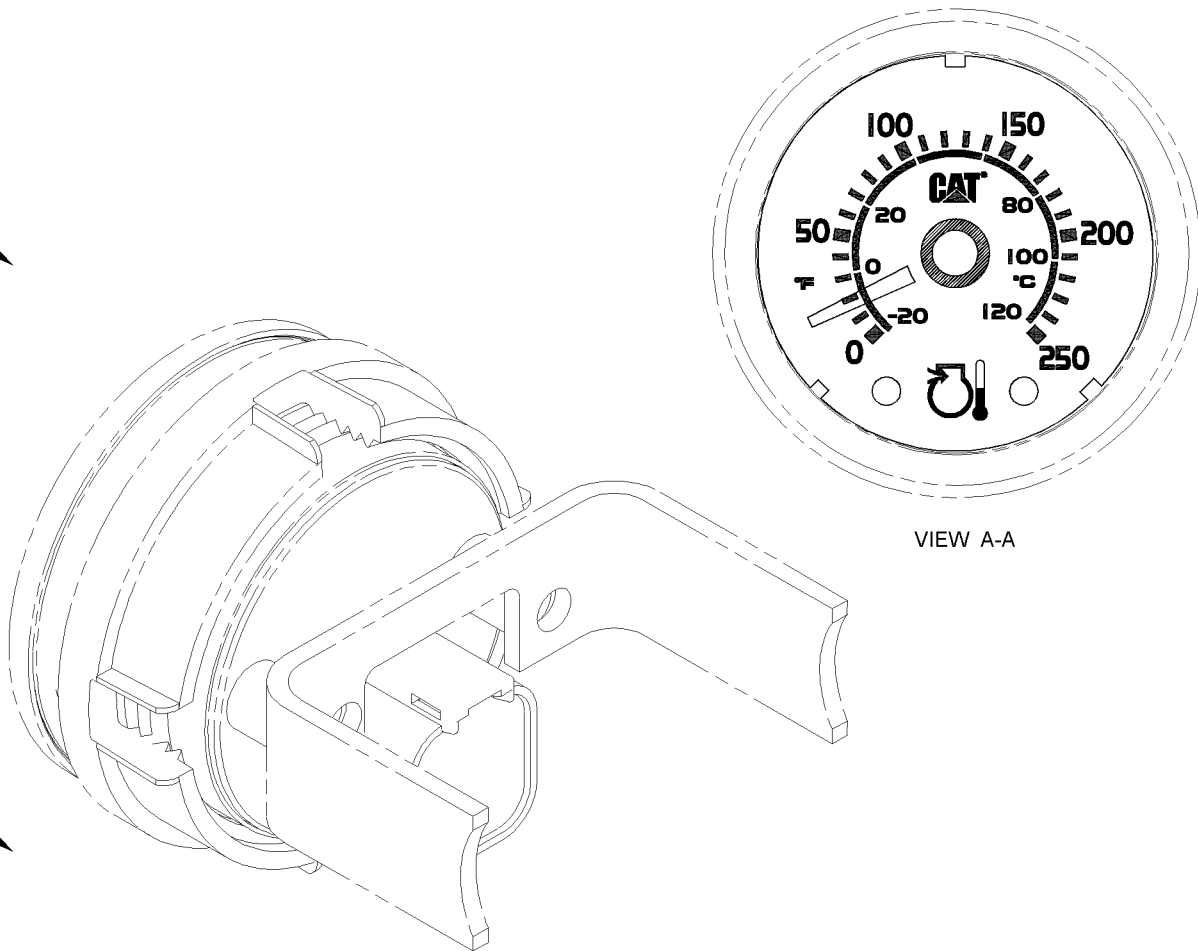
0-DEG F TO 250-DEG F
AN ATTACHMENT

SMCS-7450, 7453

i04001337

NOTE	REF NO	GRAPHIC REF	PART NUMBER	QTY	PART NAME						SEE PAGE
					1	2	3	4	5	6 (PRODUCT LEVEL)	
(NO SERVICED PARTS)											

A
A



VIEW A-A

GRAPHIC #1

<END>

g02177338

OPERATOR STATION

262-4921 GAUGE GP-ENGINE OIL PRESSURE

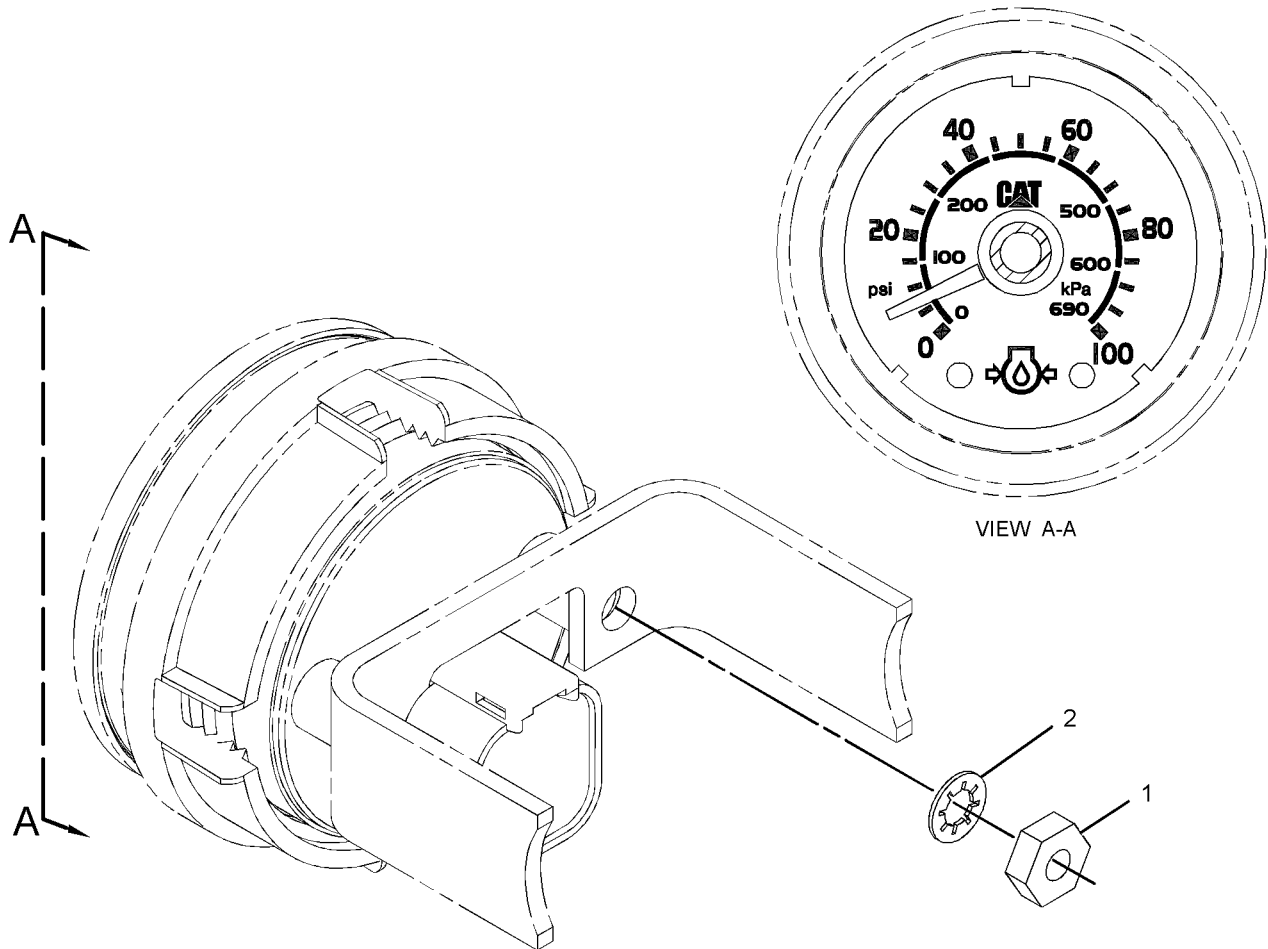
0-PSI TO 100-PSI
AN ATTACHMENT

SMCS-7455

i02879313

NOTE	REF NO	GRAPHIC REF	PART NUMBER	QTY	PART NAME						SEE PAGE
					1	2	3	4	5	6 (PRODUCT LEVEL)	
	1	1	4B-2043	2	NUT (8-32-THD)						
	2	1	9B-7233	2	LOCKWASHER						
AF		1	6V-3507	1	SEAL-RECTANGULAR (SEAL SHOULD BE INSTALLED BETWEEN INDICATOR ASSEMBLY AND MOUNTING PANEL)						

A-NOT PART OF THIS GROUP
F-NOT SHOWN



GRAPHIC #1

<END>

g01218255

OPERATOR STATION

275-2096 GAUGE GP-ENGINE OIL PRESSURE

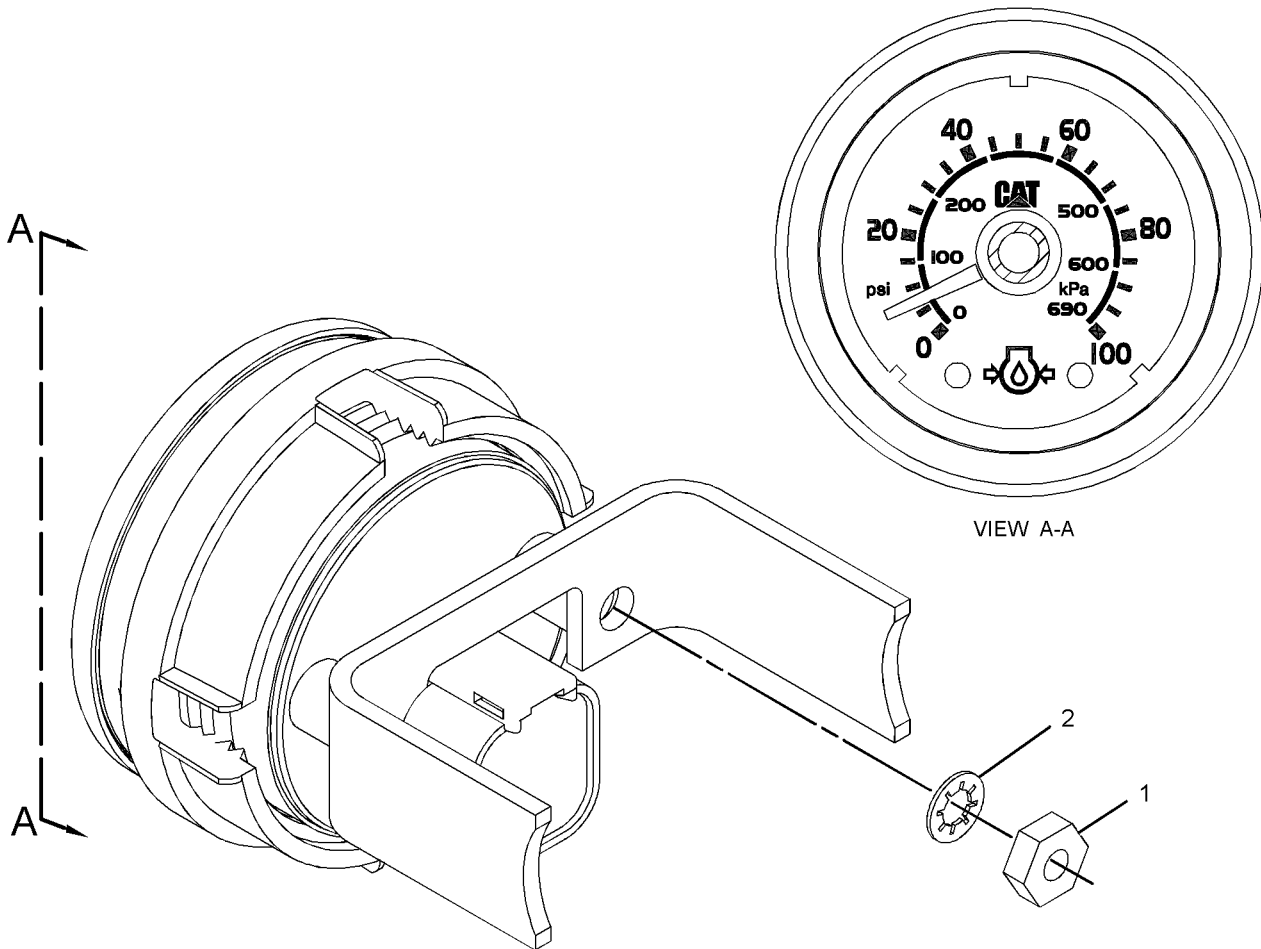
0-PSI TO 100-PSI
AN ATTACHMENT

SMCS-7455

i02879333

NOTE	REF NO	GRAPHIC REF	PART NUMBER	QTY	PART NAME						SEE PAGE
					1	2	3	4	5	6 (PRODUCT LEVEL)	
	1	1	4B-2043	2	NUT (8-32-THD)						
	2	1	9B-7233	2	LOCKWASHER						
AF		1	6V-3507	1	SEAL-RECTANGULAR (SEAL SHOULD BE INSTALLED BETWEEN INDICATOR ASSEMBLY AND MOUNTING PANEL)						

A-NOT PART OF THIS GROUP
F-NOT SHOWN



GRAPHIC #1

<END>

g01293867

OPERATOR STATION

275-2097 GAUGE GP-ENGINE OIL PRESSURE

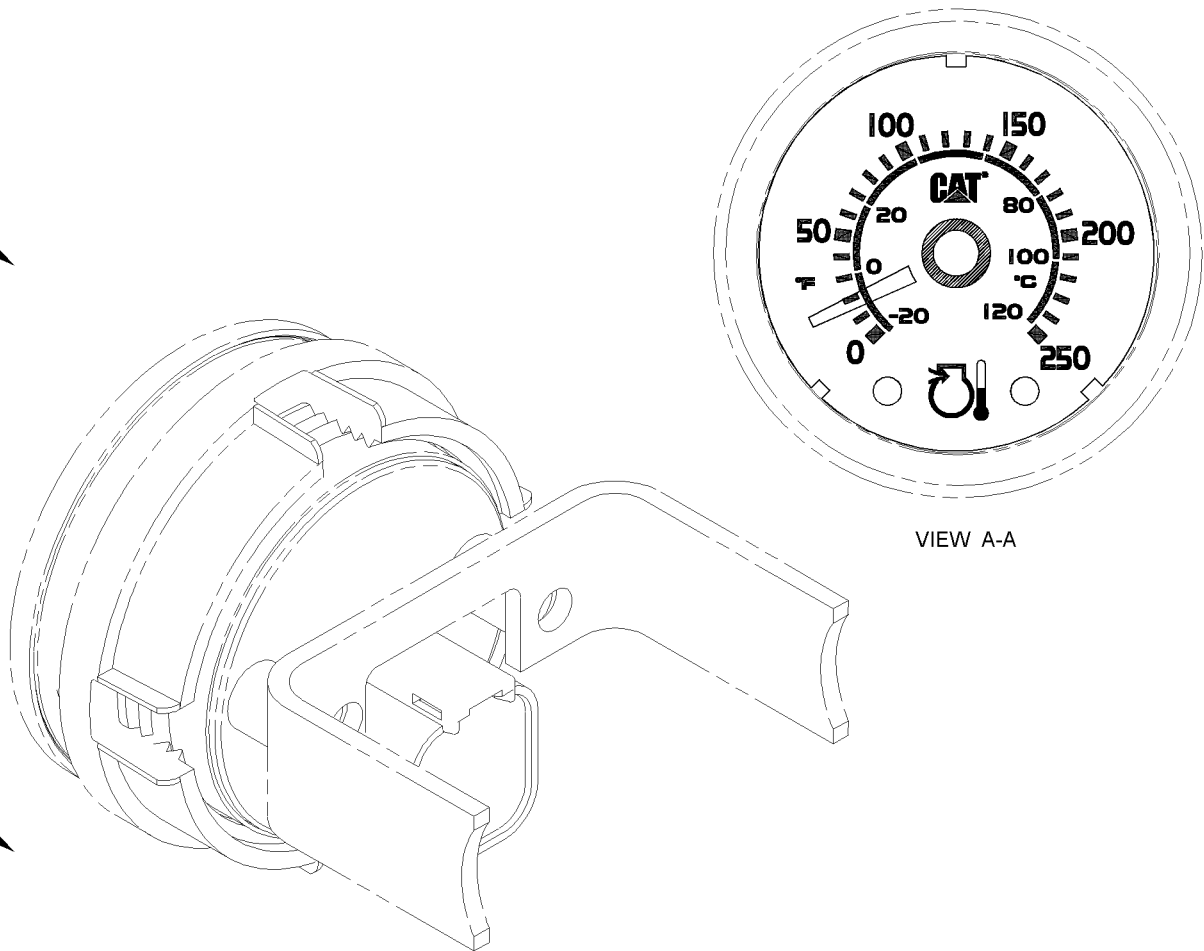
0-PSI TO 100-PSI
AN ATTACHMENT

SMCS-7455

i04001351

NOTE	REF NO	GRAPHIC REF	PART NUMBER	QTY	PART NAME						SEE PAGE
					1	2	3	4	5	6 (PRODUCT LEVEL)	
(NO SERVICED PARTS)											

A
A



VIEW A-A

GRAPHIC #1

<END>

g02177338

OPERATOR STATION

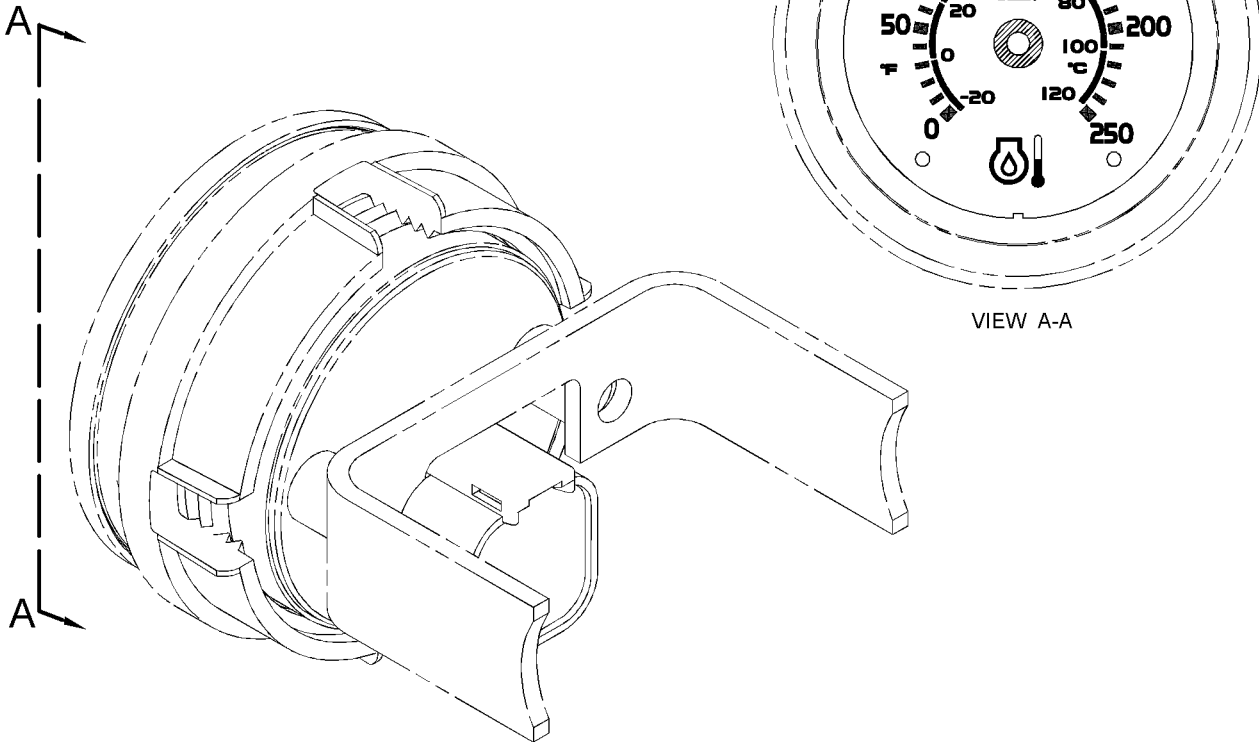
275-2099 GAUGE GP-ENGINE OIL TEMP

0-DEG F TO 250-DEG F
AN ATTACHMENT

SMCS-7859

i04001447

NOTE	REF NO	GRAPHIC REF	PART NUMBER	QTY	PART NAME						SEE PAGE
					1	2	3	4	5	6 (PRODUCT LEVEL)	
(NO SERVICED PARTS)											



GRAPHIC #1

<END>

g02178703

OPERATOR STATION

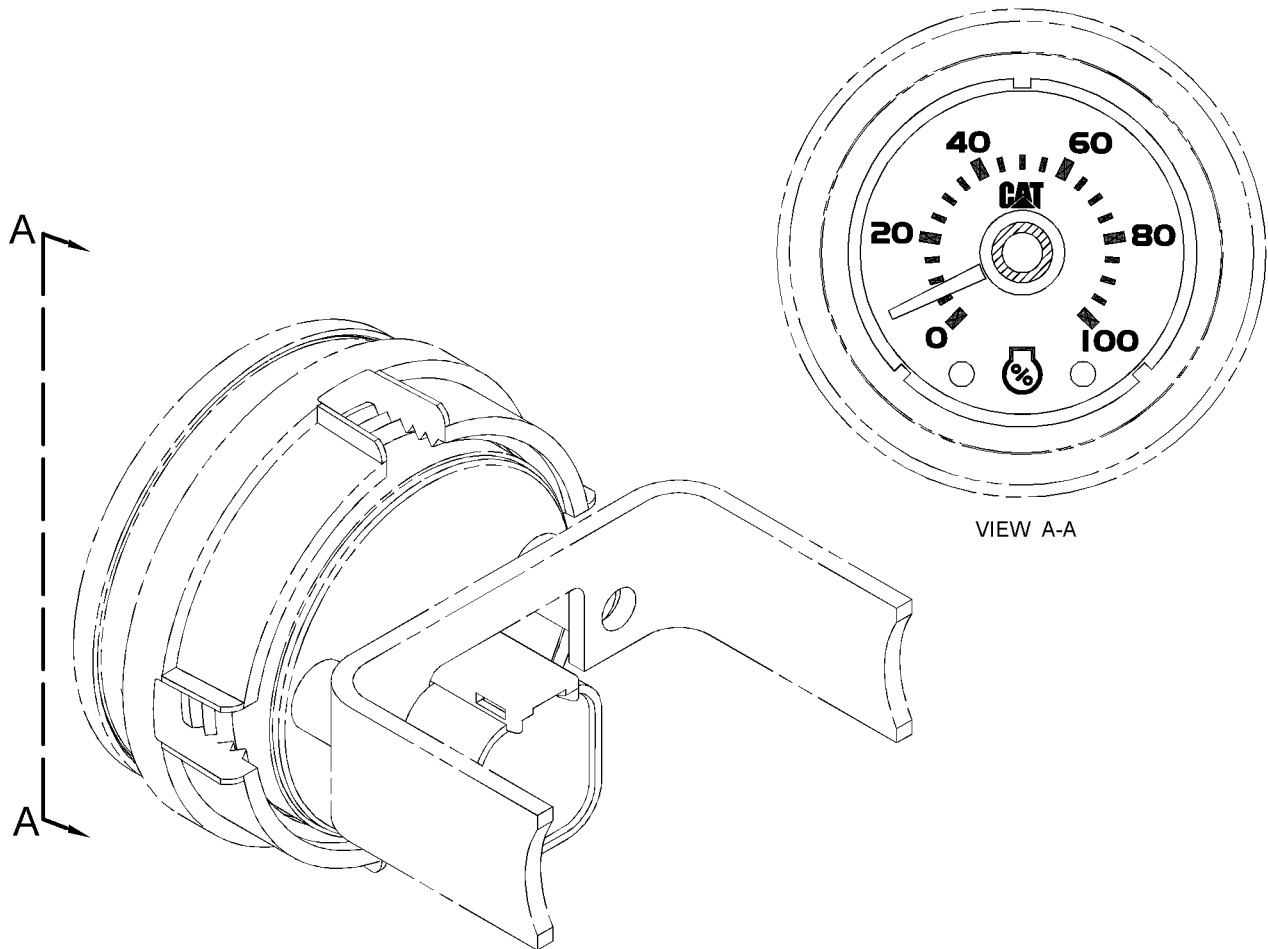
275-2100 GAUGE GP-ENGINE PERCENT LOAD AN ATTACHMENT

SMCS-7450

i04001352

NOTE	REF NO	GRAPHIC REF	PART NUMBER	QTY	PART NAME 1 2 3 4 5 6 (PRODUCT LEVEL)	SEE PAGE
AF		1	6V-3507	1	SEAL-RECTANGULAR (SEAL SHOULD BE INSTALLED BETWEEN INDICATOR AS & MOUNTING PANEL)	

A-NOT PART OF THIS GROUP
F-NOT SHOWN



GRAPHIC #1

<END>

g02178701

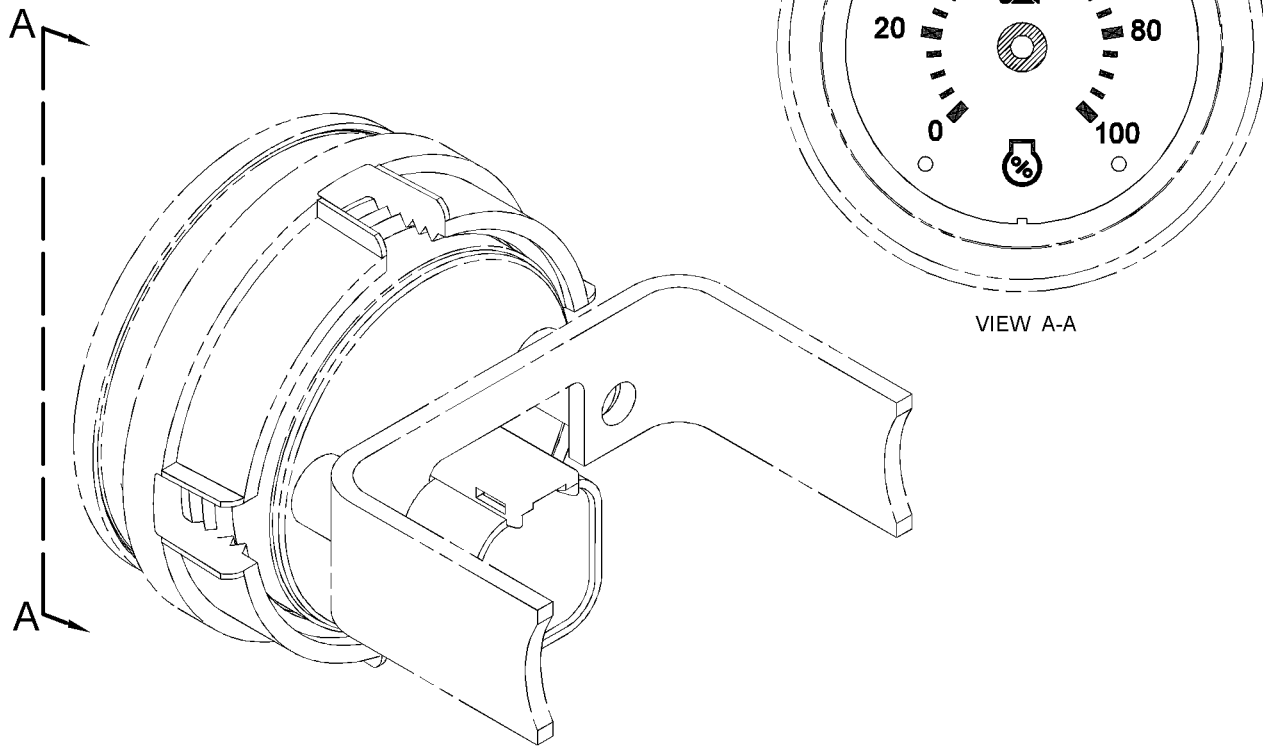
OPERATOR STATION

275-2101 GAUGE GP-ENGINE PERCENT LOAD AN ATTACHMENT

SMCS-7450

i04001348

NOTE	REF NO	GRAPHIC REF	PART NUMBER	QTY	PART NAME	SEE PAGE
					1 2 3 4 5 6 (PRODUCT LEVEL) (NO SERVICED PARTS)	



GRAPHIC #1

<END>

g02178700

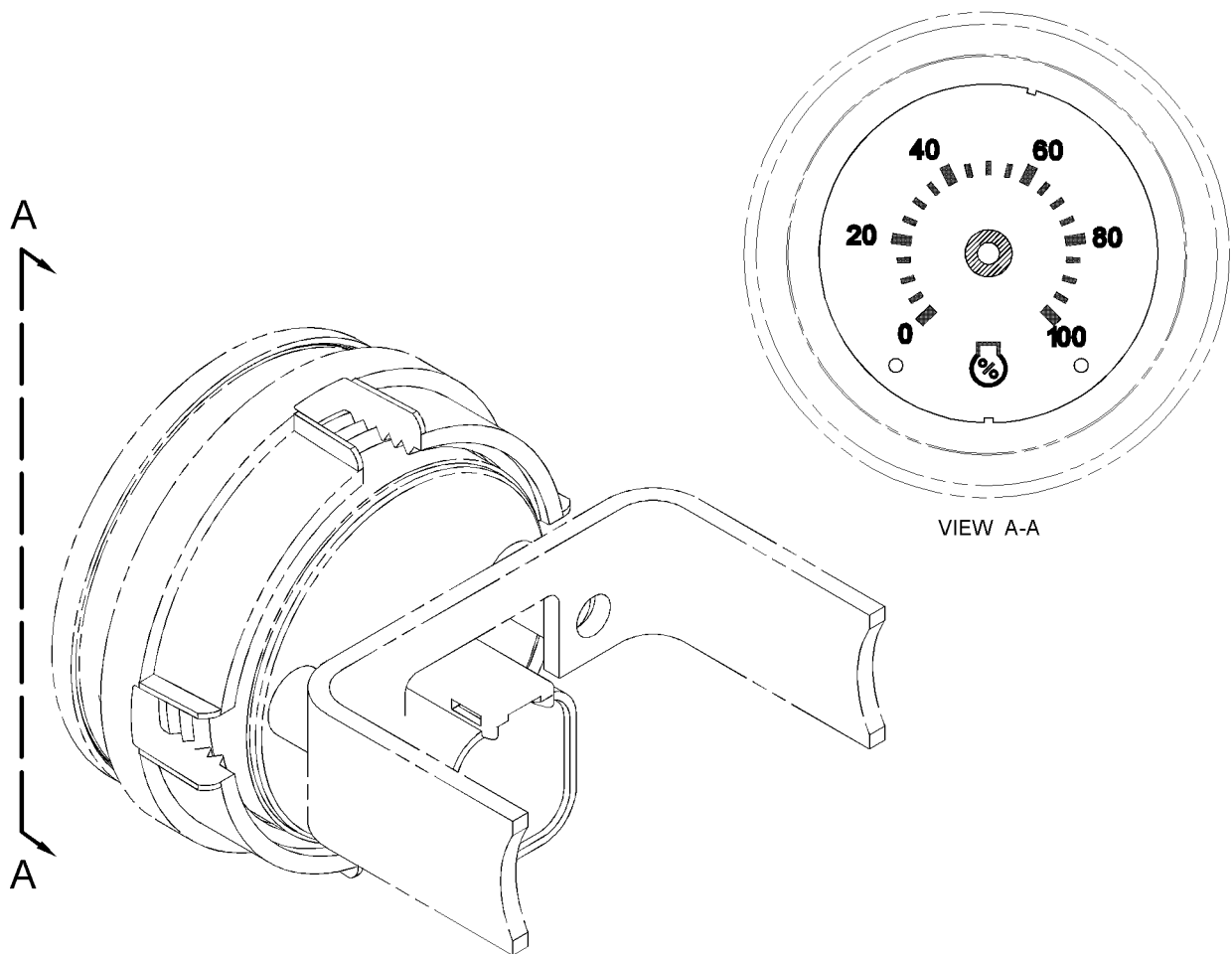
OPERATOR STATION

275-2122 GAUGE GP-ENGINE PERCENT LOAD AN ATTACHMENT

SMCS-7450

i04001445

NOTE	REF NO	GRAPHIC REF	PART NUMBER	QTY	PART NAME						SEE PAGE
					1	2	3	4	5	6 (PRODUCT LEVEL)	
(NO SERVICED PARTS)											



GRAPHIC #1

<END>

g02181894

OPERATOR STATION

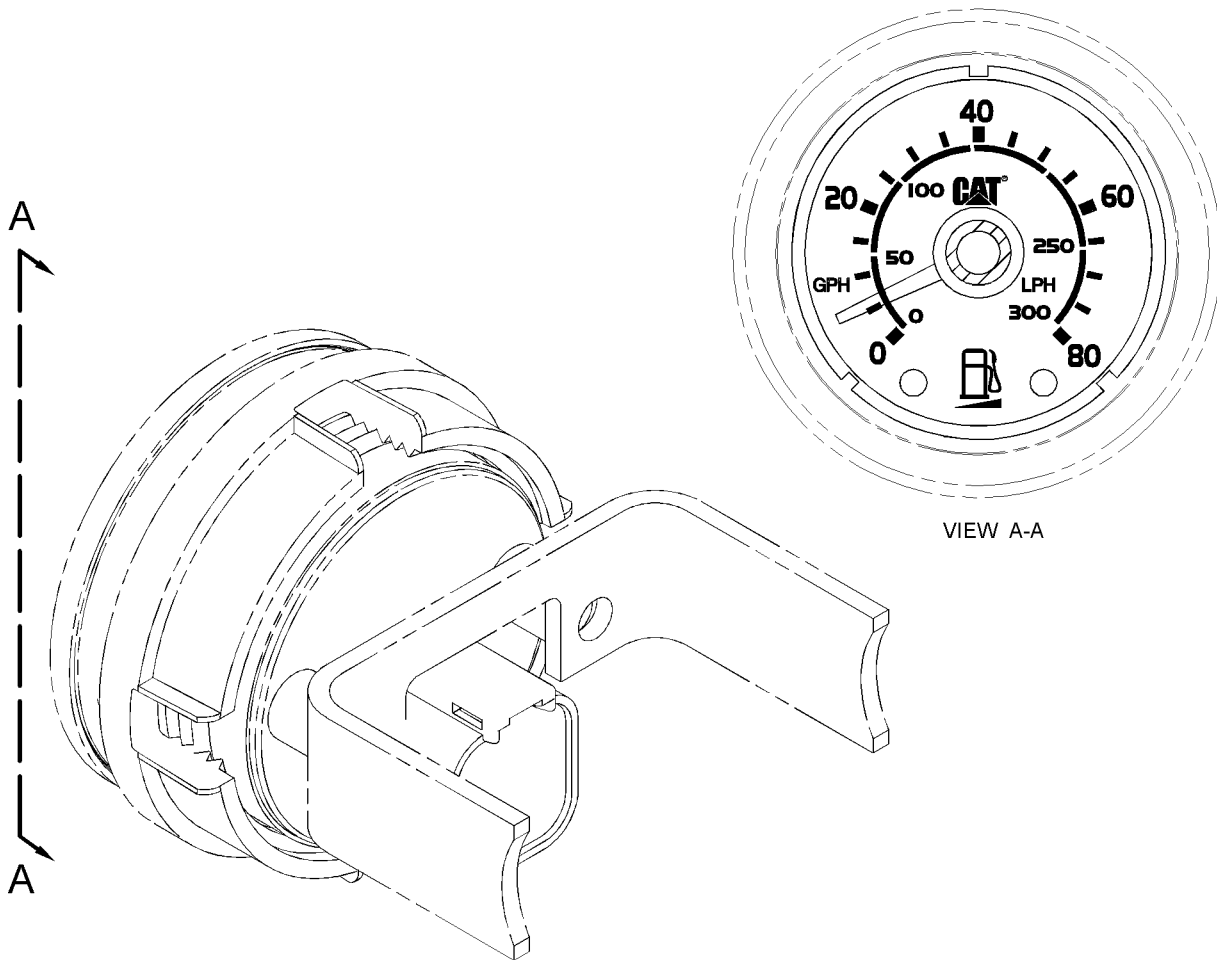
275-2088 GAUGE GP-FUEL CONSUMPTION RATE

0-80
AN ATTACHMENT

SMCS-1280, 7450

i04001333

NOTE	REF NO	GRAPHIC REF	PART NUMBER	QTY	PART NAME	SEE PAGE
AF			6V-3507	1	SEAL-RECTANGULAR	
(SEAL SHOULD BE INSTALLED BETWEEN INDICATOR ASSEMBLY AND MOUNTING PANEL)						
A-NOT PART OF THIS GROUP						
F-NOT SHOWN						



GRAPHIC #1

<END>

g02177353

OPERATOR STATION

275-2089 GAUGE GP-FUEL CONSUMPTION RATE

0-50

AN ATTACHMENT

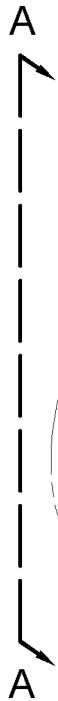
SMCS-1280, 7450

i04001332

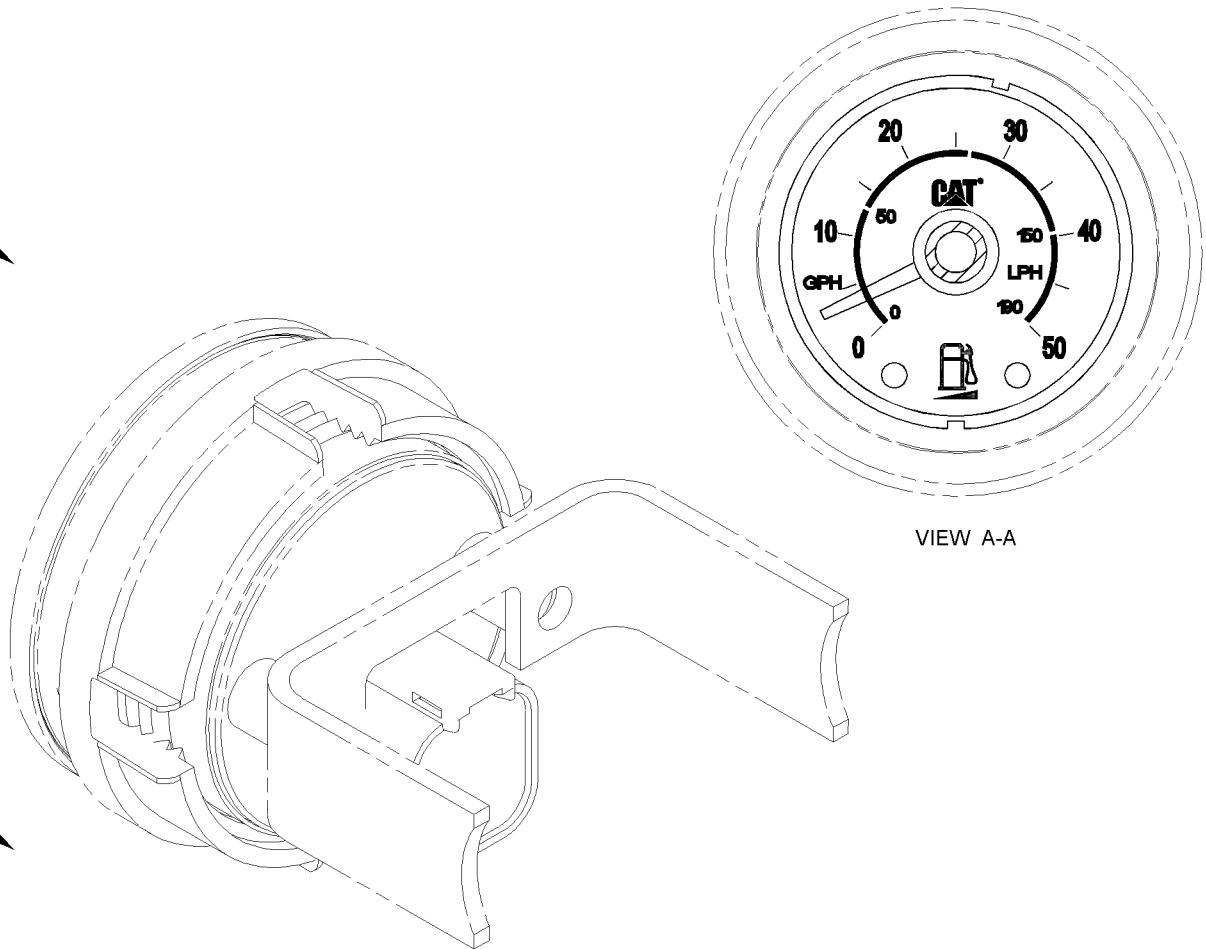
NOTE	REF NO	GRAPHIC REF	PART NUMBER	QTY	PART NAME 1 2 3 4 5 6 (PRODUCT LEVEL)	SEE PAGE
AF		1	6V-3507	1	SEAL-RECTANGULAR (SEAL SHOULD BE INSTALLED BETWEEN INDICATOR ASSEMBLY AND MOUNTING PANEL)	

A-NOT PART OF THIS GROUP
F-NOT SHOWN

A



A



VIEW A-A

GRAPHIC #1

<END>

g02177354

OPERATOR STATION

275-2091 GAUGE GP-FUEL CONSUMPTION RATE


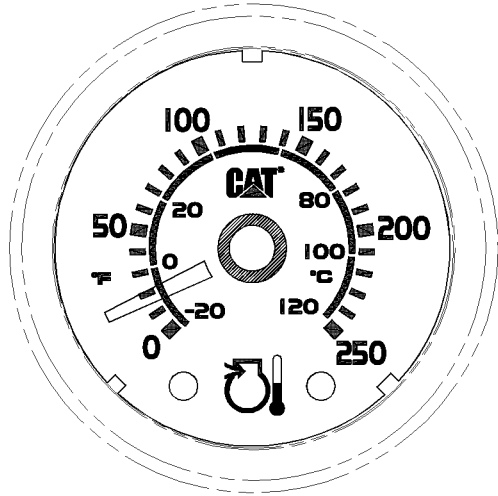
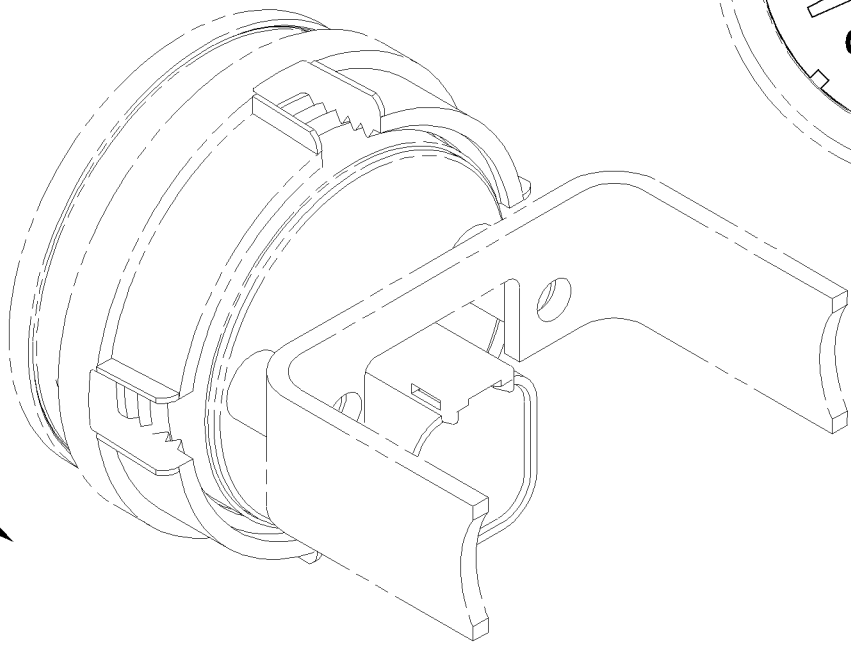
0-GPH TO 200-GPH
AN ATTACHMENT

SMCS-1280, 7450

i04001336

NOTE	REF NO	GRAPHIC REF	PART NUMBER	QTY	PART NAME	SEE PAGE
					1 2 3 4 5 6 (PRODUCT LEVEL)	
(NO SERVICED PARTS)						

A

VIEW A-A

GRAPHIC #1

<END>

g02177338

OPERATOR STATION

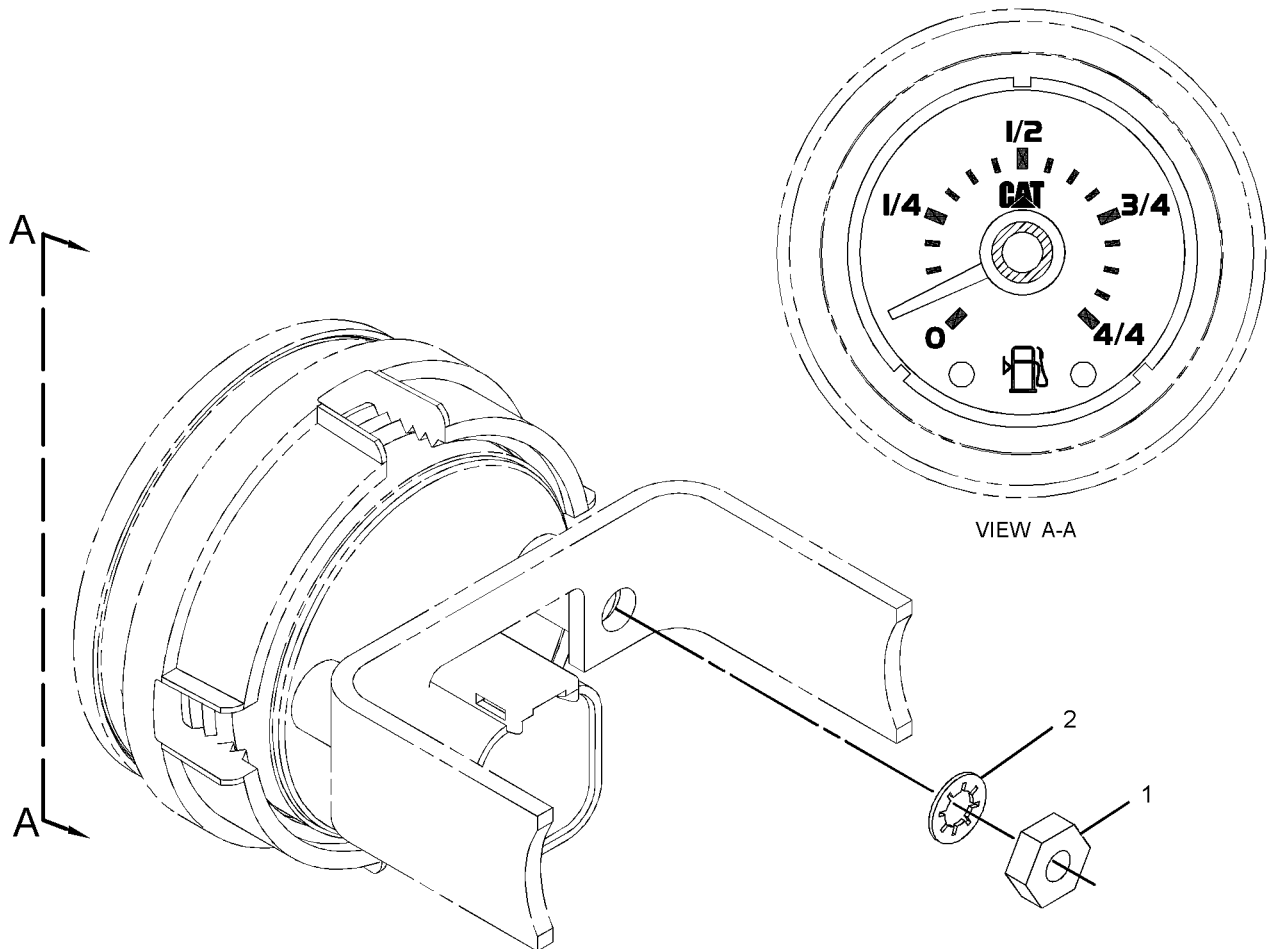
262-4927 GAUGE GP-FUEL LEVEL AN ATTACHMENT

SMCS-7481

i02879344

NOTE	REF NO	GRAPHIC REF	PART NUMBER	QTY	PART NAME						SEE PAGE
					1	2	3	4	5	6 (PRODUCT LEVEL)	
	1	1	4B-2043	2	NUT (8-32-THD)						
	2	1	9B-7233	2	LOCKWASHER						
AF		1	6V-3507	1	SEAL-RECTANGULAR (SEAL SHOULD BE INSTALLED BETWEEN INDICATOR ASSEMBLY AND MOUNTING PANEL)						

A-NOT PART OF THIS GROUP
F-NOT SHOWN



GRAPHIC #1

<END>

g01218429

OPERATOR STATION

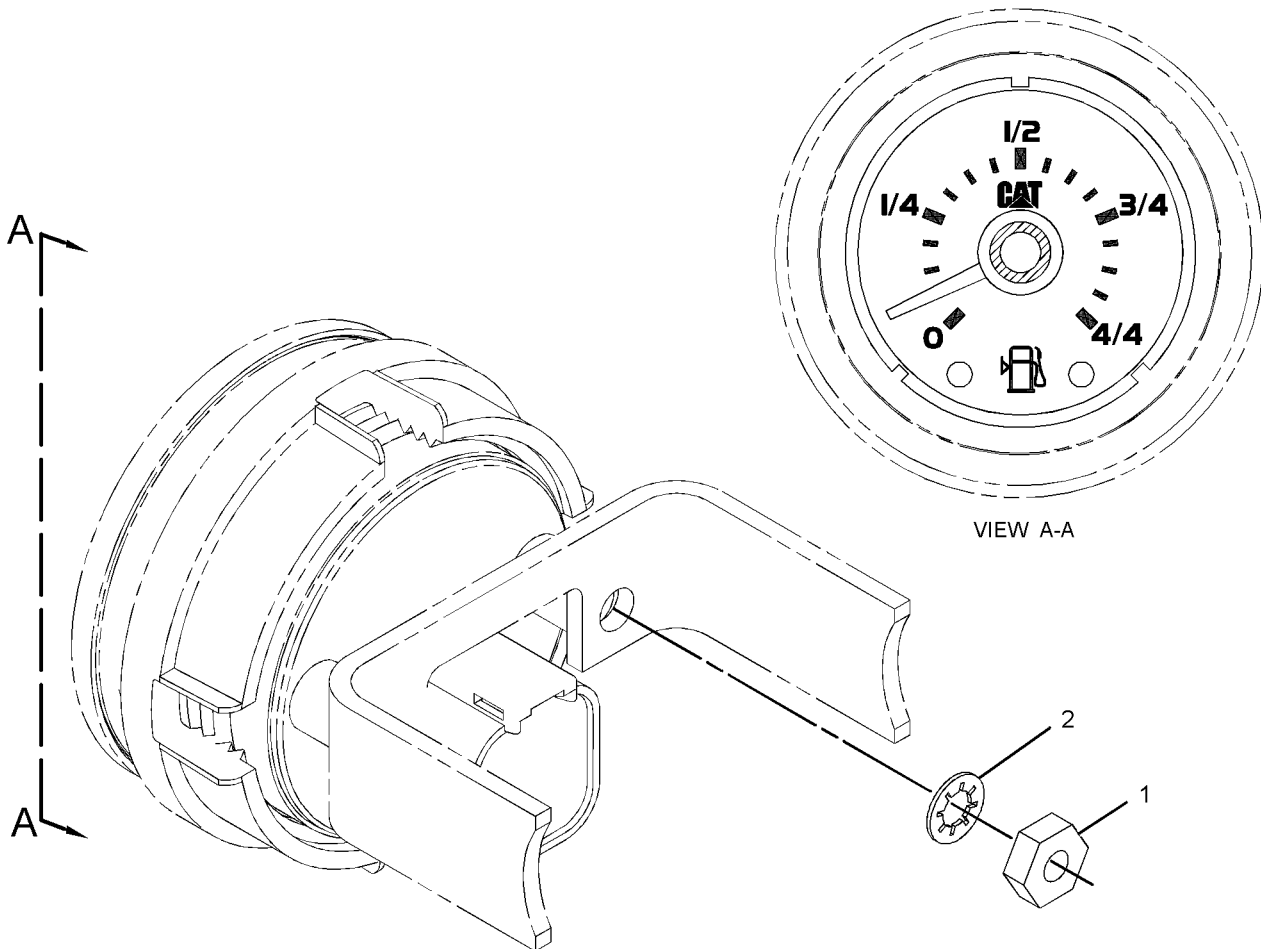
275-2085 GAUGE GP-FUEL LEVEL AN ATTACHMENT

SMCS-7481

i03543763

NOTE	REF NO	GRAPHIC REF	PART NUMBER	QTY	PART NAME						SEE PAGE
					1	2	3	4	5	6 (PRODUCT LEVEL)	
	1	1	4B-2043	2	NUT (8-32-THD)						
	2	1	9B-7233	2	LOCKWASHER						
AF		1	6V-3507	1	SEAL-RECTANGULAR (SEAL SHOULD BE INSTALLED BETWEEN INDICATOR ASSEMBLY & MOUNTING PANEL)						

A-NOT PART OF THIS GROUP
F-NOT SHOWN



GRAPHIC #1

<END>

g01218429

OPERATOR STATION

275-2086 GAUGE GP-FUEL PRESSURE

0-PSI TO 100-PSI
AN ATTACHMENT

SMCS-7456

i04000477

NOTE	PART NUMBER	QTY	PART NAME						SEE PAGE
			1	2	3	4	5	6 (PRODUCT LEVEL)	
A	6V-3507	1	SEAL-RECTANGULAR						
			(SEAL SHOULD BE INSTALLED BETWEEN INDICATOR ASSEMBLY AND MOUNTING PANEL)						
A-NOT PART OF THIS GROUP									
<END>									

OPERATOR STATION

275-2087 GAUGE GP-FUEL PRESSURE

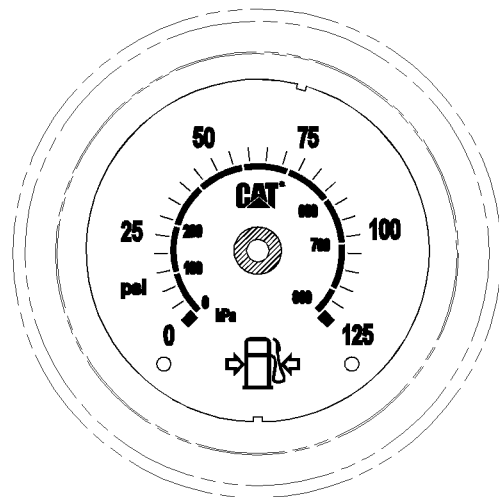
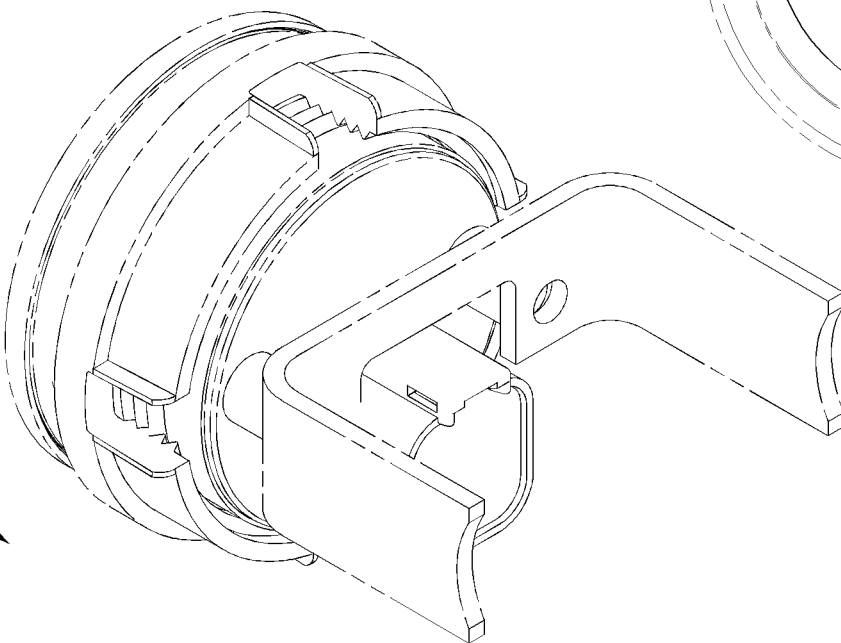
0-125 PSI
AN ATTACHMENT

SMCS-7456

i04001340

NOTE	REF NO	GRAPHIC REF	PART NUMBER	QTY	PART NAME	SEE PAGE
					1 2 3 4 5 6 (PRODUCT LEVEL)	
(NO SERVICED PARTS)						

A
A



VIEW A-A

GRAPHIC #1

<END>

g02177348

OPERATOR STATION

275-2092 GAUGE GP-FUEL TEMPERATURE

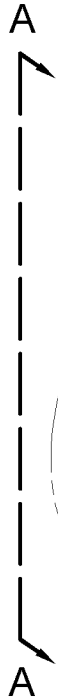
0-DEG F TO 250-DEG F
AN ATTACHMENT

SMCS-1280, 7450

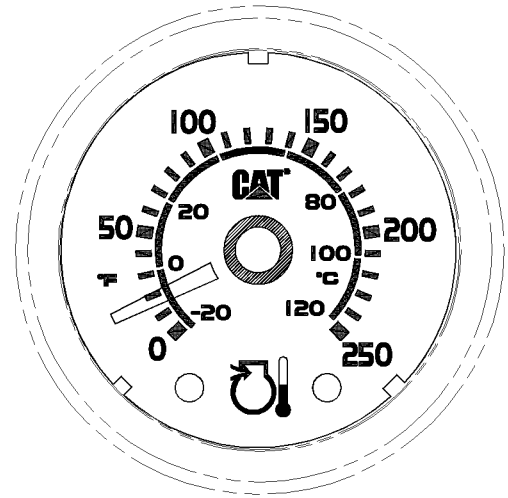
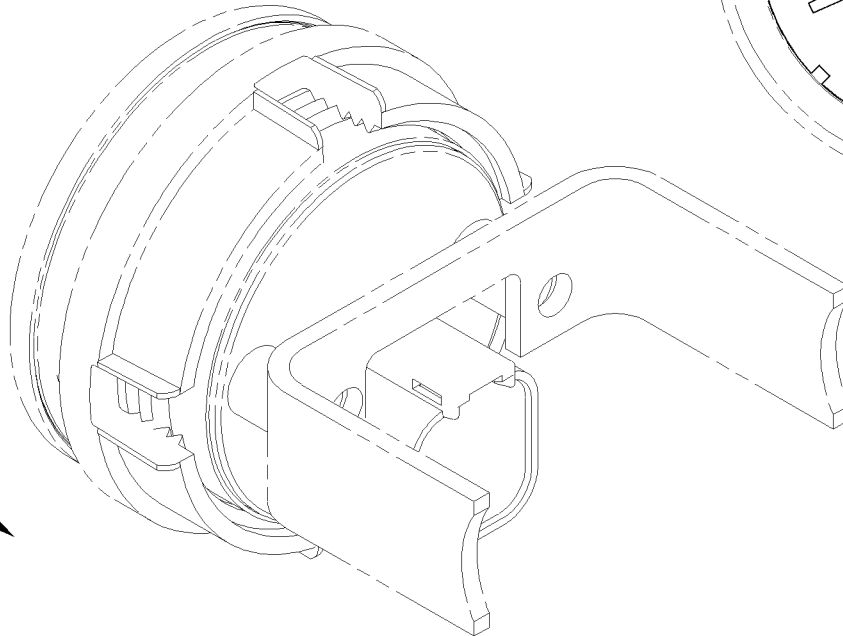
i04001335

NOTE	REF NO	GRAPHIC REF	PART NUMBER	QTY	PART NAME 1 2 3 4 5 6 (PRODUCT LEVEL)	SEE PAGE
AF			6V-3507	1	SEAL-RECTANGULAR (SEAL SHOULD BE INSTALLED BETWEEN INDICATOR AS & MOUNTING PANEL)	
A-NOT PART OF THIS GROUP F-NOT SHOWN						

A



A



VIEW A-A

GRAPHIC #1

<END>

g02177338

OPERATOR STATION

275-2093 GAUGE GP-FUEL TEMPERATURE

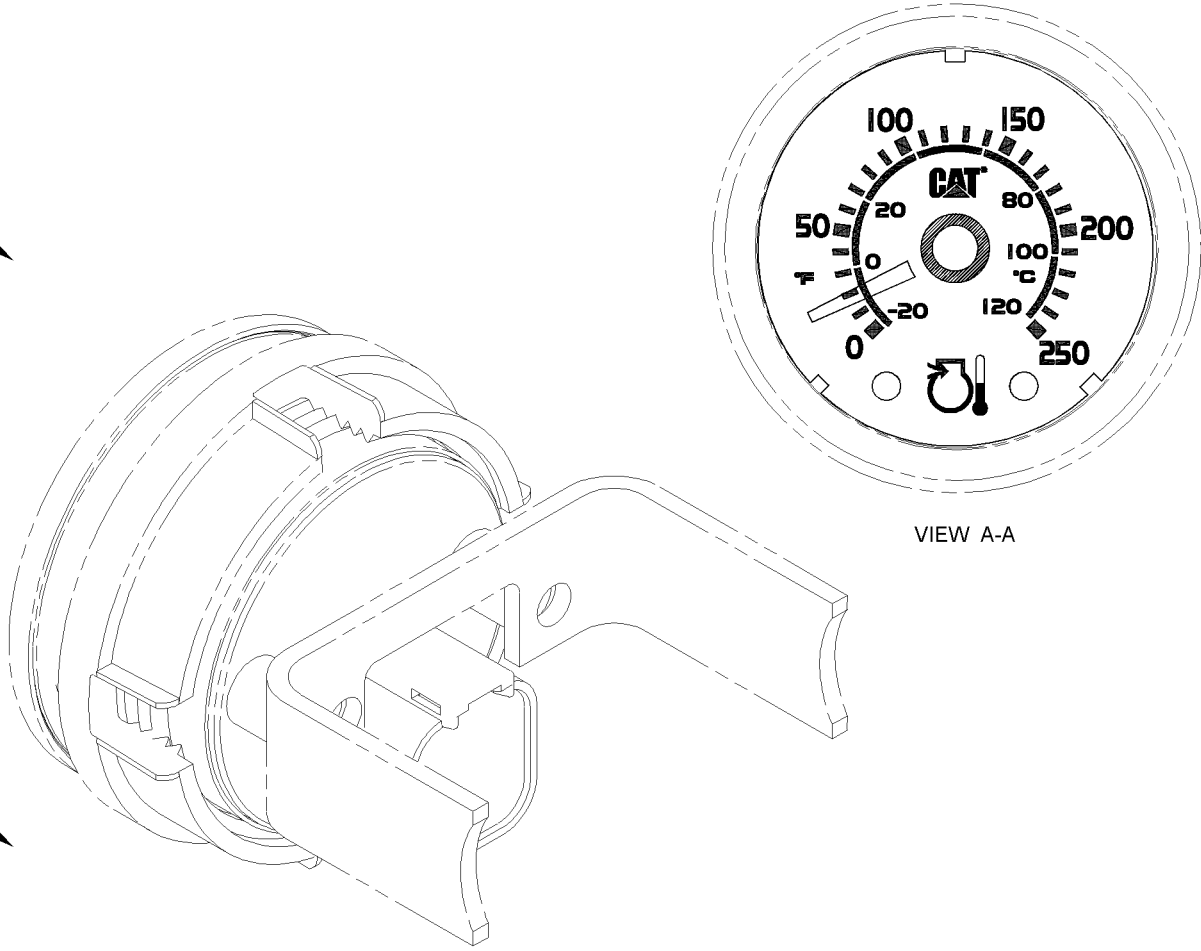
0-DEG F TO 250-DEG F
AN ATTACHMENT

SMCS-1280, 7450

i04001334

NOTE	REF NO	GRAPHIC REF	PART NUMBER	QTY	PART NAME	SEE PAGE
					1 2 3 4 5 6 (PRODUCT LEVEL)	
(NO SERVICED PARTS)						

A

VIEW A-A

GRAPHIC #1

<END>

g02177338

OPERATOR STATION

262-4925 GAUGE GP-GEAR OIL PRESSURE-TRANSMISSION

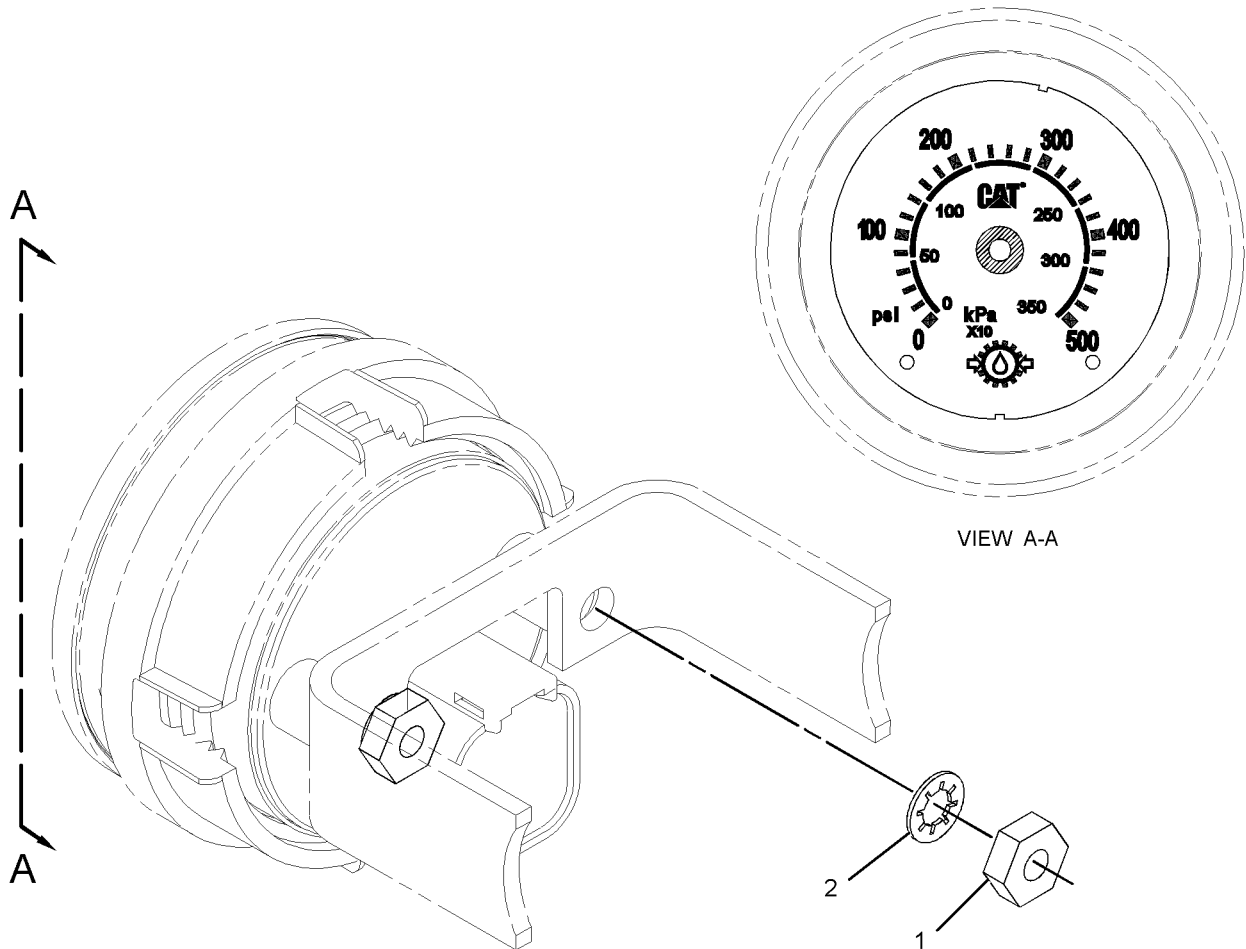
0-PSI TO 500-PSI
AN ATTACHMENT

SMCS-7457

i02879418

NOTE	REF NO	GRAPHIC REF	PART NUMBER	QTY	PART NAME						SEE PAGE
					1	2	3	4	5	6 (PRODUCT LEVEL)	
	1	1	4B-2043	2	NUT (8-32-THD)						
	2	1	9B-7233	2	LOCKWASHER						
AF		1	6V-3507	1	SEAL-RECTANGULAR (SEAL SHOULD BE INSTALLED BETWEEN INDICATOR ASSEMBLY AND MOUNTING PANEL)						

A-NOT PART OF THIS GROUP
F-NOT SHOWN



GRAPHIC #1

<END>

g01218107

OPERATOR STATION

275-2106 GAUGE GP-GEAR OIL PRESSURE-TRANSMISSION

0-PSI TO 500-PSI

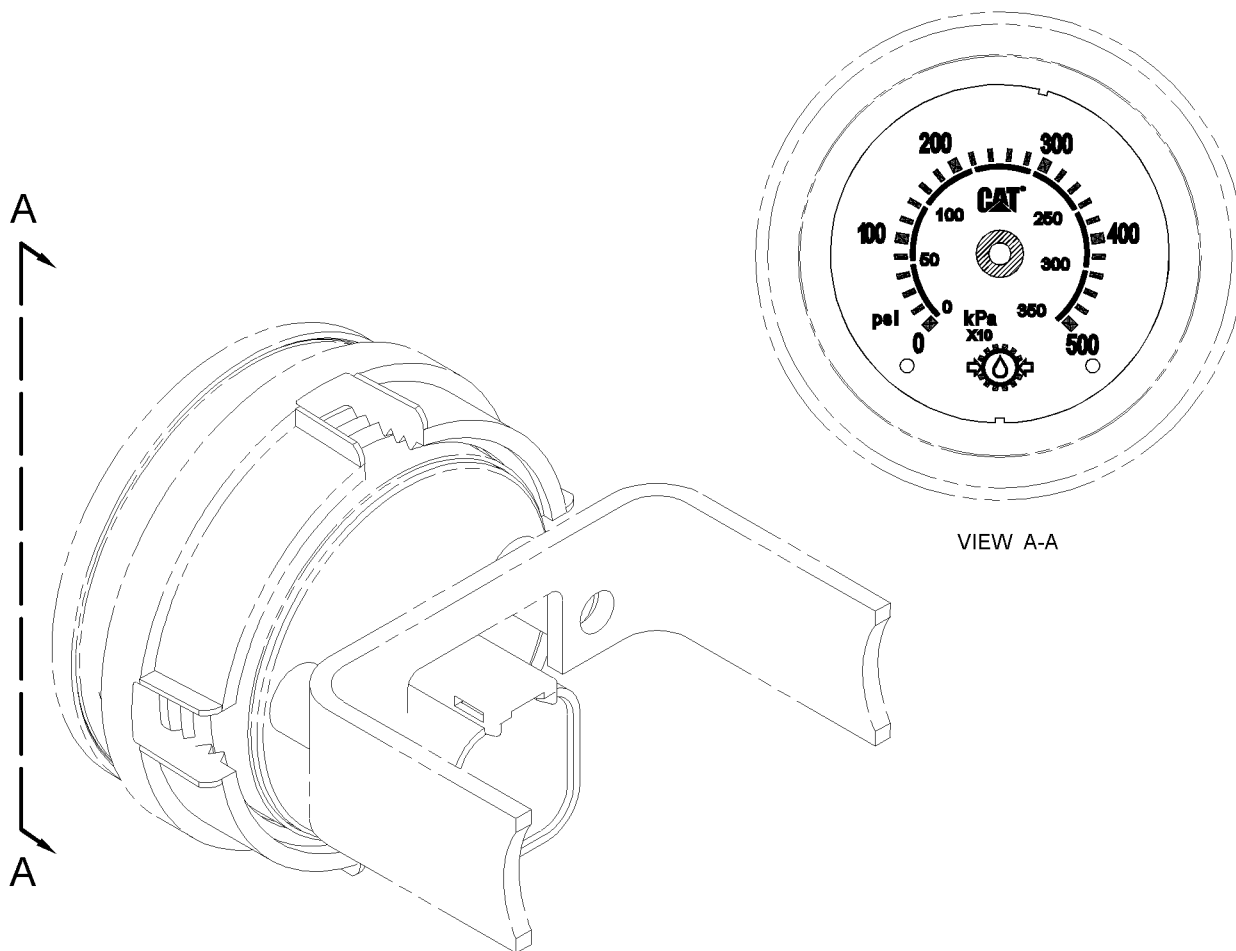
AN ATTACHMENT

SMCS-7457

i04001342

NOTE	REF NO	GRAPHIC REF	PART NUMBER	QTY	PART NAME						SEE PAGE
					1	2	3	4	5	6 (PRODUCT LEVEL)	
AF		1	6V-3507	1	SEAL-RECTANGULAR						
(SEAL SHOULD BE INSTALLED BETWEEN INDICATOR AS & MOUNTING PANEL)											

A-NOT PART OF THIS GROUP
F-NOT SHOWN



VIEW A-A

GRAPHIC #1

<END>

g02181915

OPERATOR STATION

275-2107 GAUGE GP-GEAR OIL PRESSURE-TRANSMISSION

0-PSI TO 500-PSI

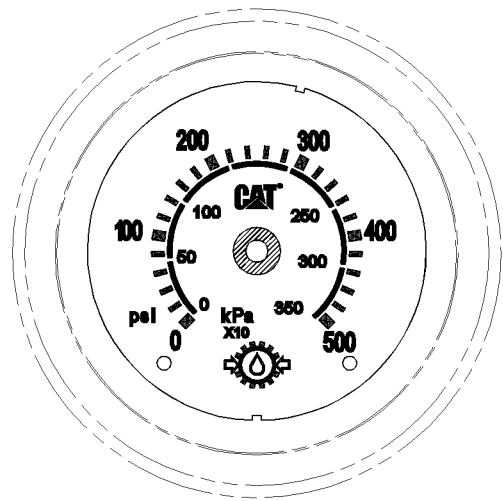
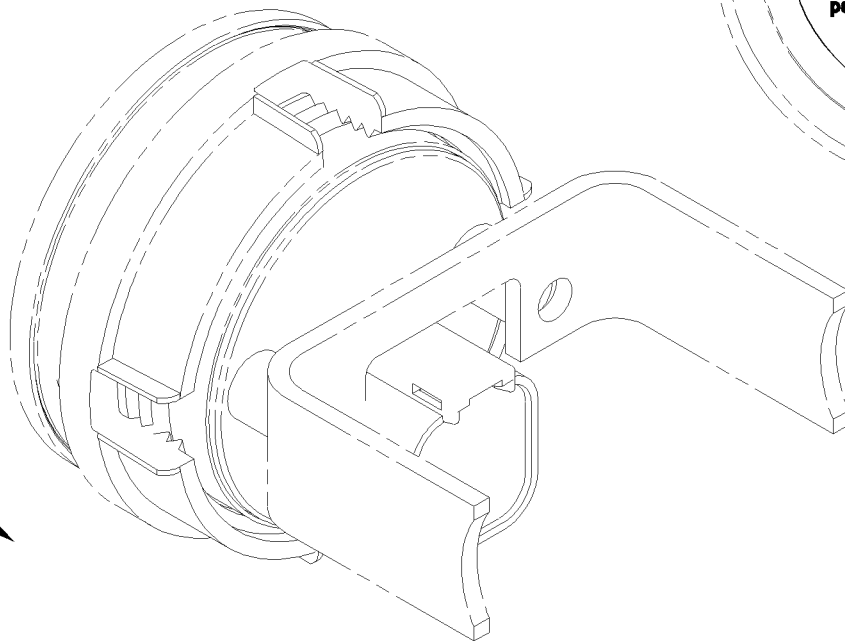
AN ATTACHMENT

SMCS-7457

i04001347

NOTE	REF NO	GRAPHIC REF	PART NUMBER	QTY	PART NAME	SEE PAGE
					1 2 3 4 5 6 (PRODUCT LEVEL)	
(NO SERVICED PARTS)						

A



VIEW A-A

GRAPHIC #1

<END>

g02181914

OPERATOR STATION

275-2083 GAUGE GP-MANIFOLD AIR TEMP-EXHAUST

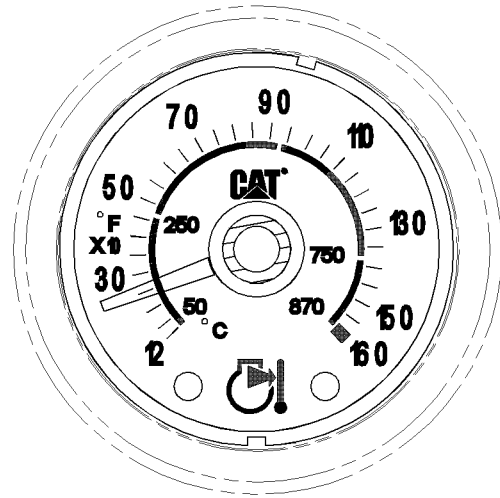
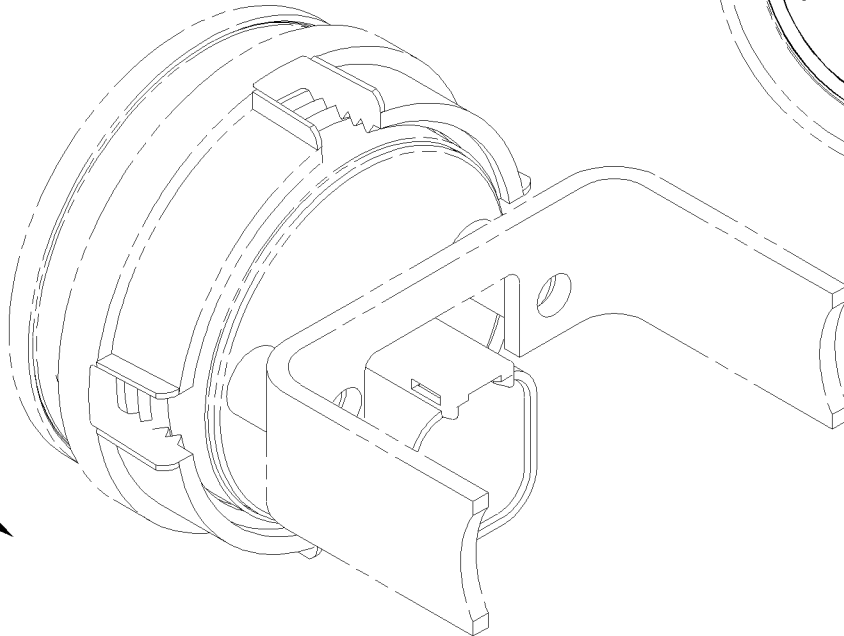
0 DEG F TO 160 DEG F
AN ATTACHMENT

SMCS-1058, 7450

i04001440

NOTE	REF NO	GRAPHIC REF	PART NUMBER	QTY	PART NAME 1 2 3 4 5 6 (PRODUCT LEVEL)	SEE PAGE
AF			6V-3507	1	SEAL-RECTANGULAR (SEAL SHOULD BE INSTALLED BETWEEN INDICATOR AS AND MOUNTING PANEL)	
A-NOT PART OF THIS GROUP F-NOT SHOWN						

A

VIEW A-A

GRAPHIC #1

<END>

g02177139

OPERATOR STATION

275-2084 GAUGE GP-MANIFOLD AIR TEMP-EXHAUST

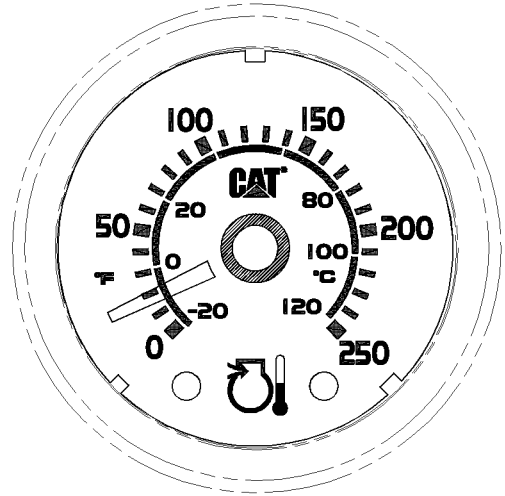
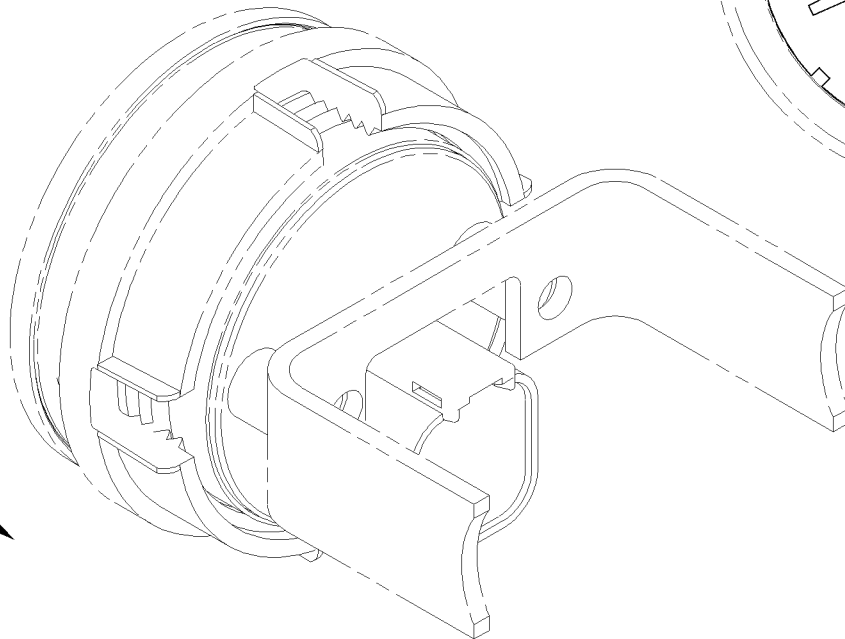
0 DEG F TO 160 DEG F
AN ATTACHMENT

SMCS-1058, 7450

i04001341

NOTE	REF NO	GRAPHIC REF	PART NUMBER	QTY	PART NAME	SEE PAGE
					1 2 3 4 5 6 (PRODUCT LEVEL)	
(NO SERVICED PARTS)						

A
A



VIEW A-A

GRAPHIC #1

<END>

g02177338

OPERATOR STATION

275-2094 GAUGE GP-MANIFOLD AIR TEMP-INLET

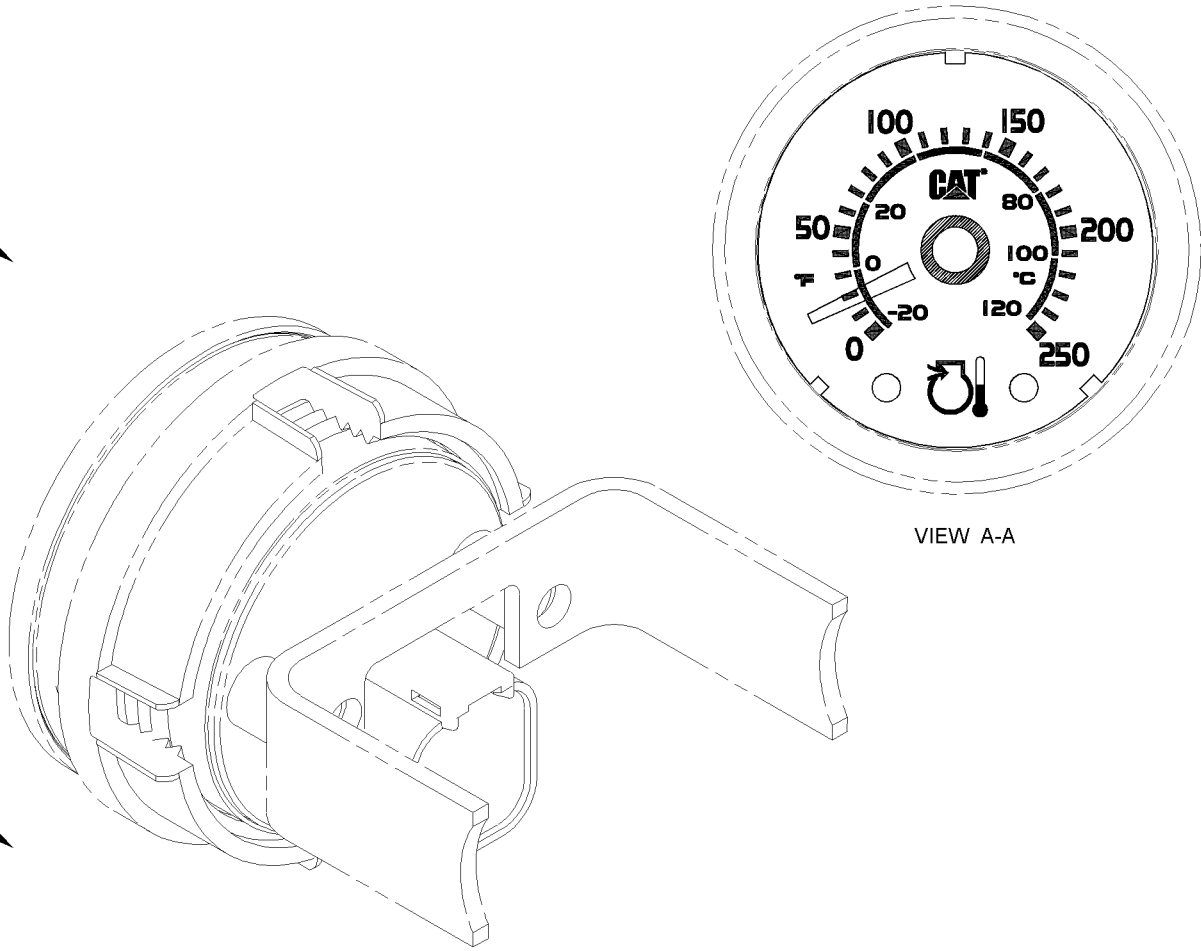
0-DEG F TO 250-DEG F
AN ATTACHMENT

SMCS-1058, 7450

i04001350

NOTE	REF NO	GRAPHIC REF	PART NUMBER	QTY	PART NAME	SEE PAGE
AF			6V-3507	1	SEAL-RECTANGULAR	
(SEAL SHOULD BE INSTALLED BETWEEN INDICATOR AS & MOUNTING PANEL)						
A-NOT PART OF THIS GROUP						
F-NOT SHOWN						

A

VIEW A-A

GRAPHIC #1

<END>

g02177338

OPERATOR STATION

275-2095 GAUGE GP-MANIFOLD AIR TEMP-INLET

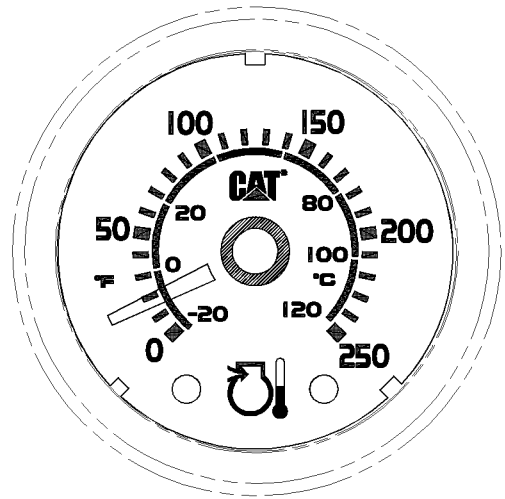
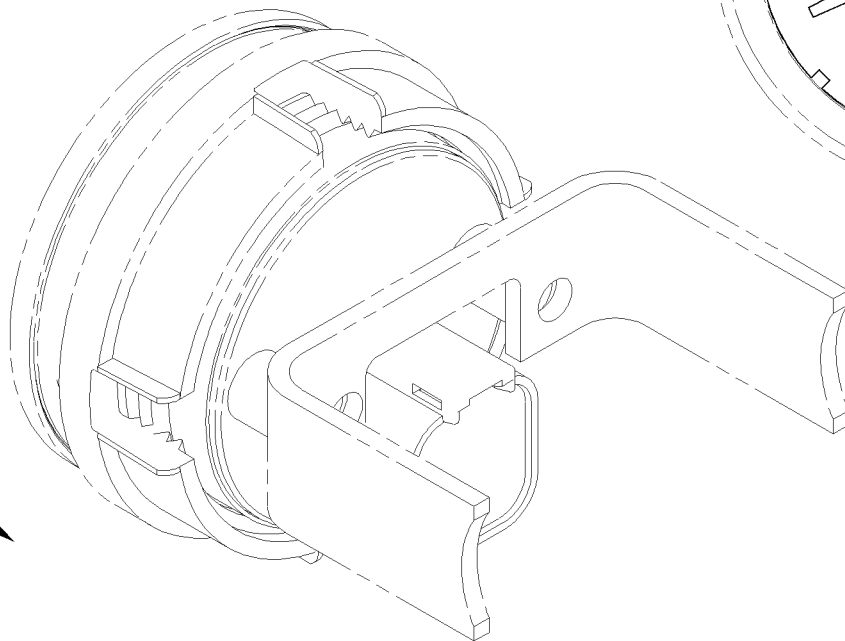
0-DEG F TO 250-DEG F
AN ATTACHMENT

SMCS-1058, 7450

i04001349

NOTE	REF NO	GRAPHIC REF	PART NUMBER	QTY	PART NAME						SEE PAGE
					1	2	3	4	5	6 (PRODUCT LEVEL)	
(NO SERVICED PARTS)											

A
A



VIEW A-A

GRAPHIC #1

<END>

g02177338

OPERATOR STATION

275-2079 GAUGE GP-MANIFOLD PRESSURE-INLET

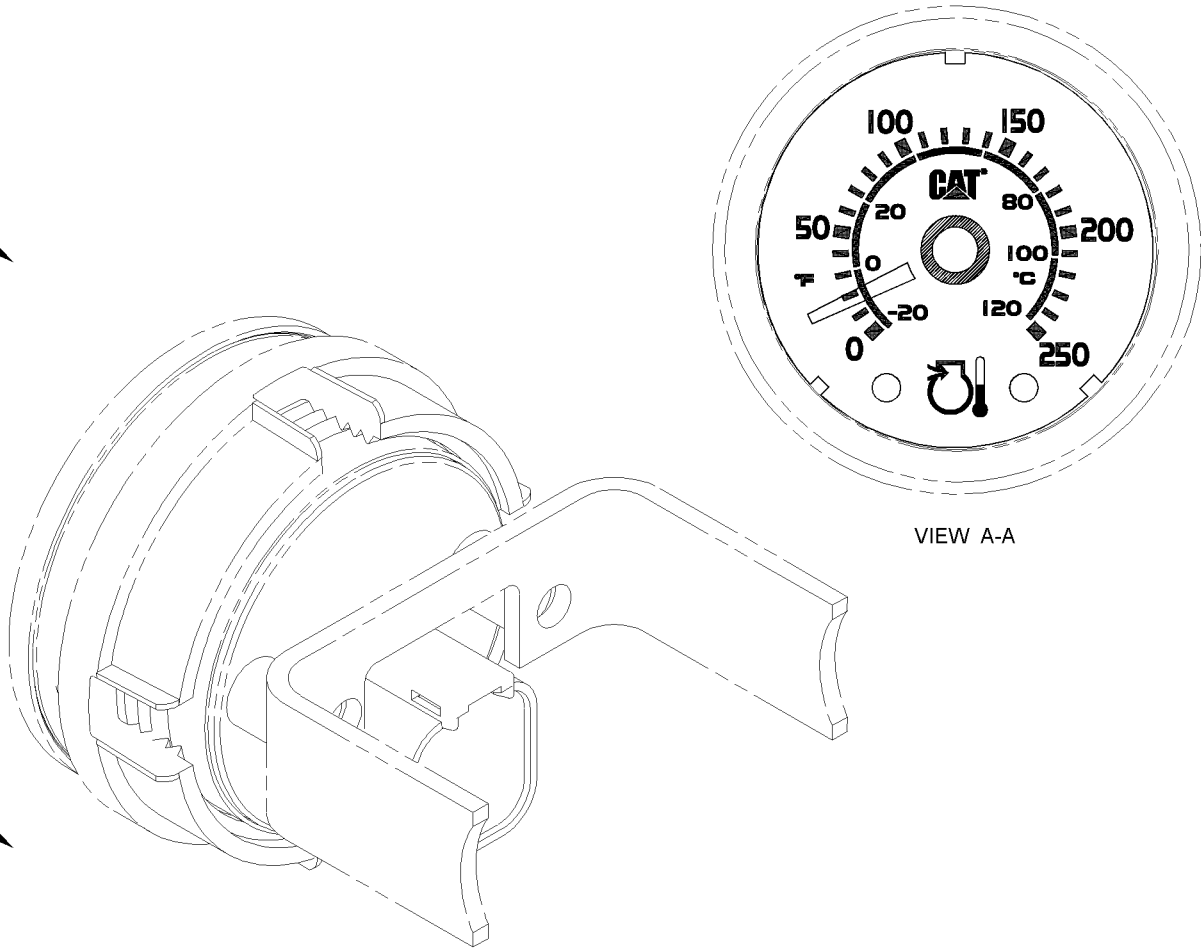
0-PSI TO 50-PSI
AN ATTACHMENT

SMCS-1058, 7461

i04001339

NOTE	REF NO	GRAPHIC REF	PART NUMBER	QTY	PART NAME	SEE PAGE
AF			6V-3507	1	SEAL-RECTANGULAR (SEAL SHOULD BE INSTALLED BETWEEN INDICATOR AS & MOUNTING PANEL)	
A-NOT PART OF THIS GROUP F-NOT SHOWN						

A

VIEW A-A

GRAPHIC #1

<END>

g02177338

OPERATOR STATION

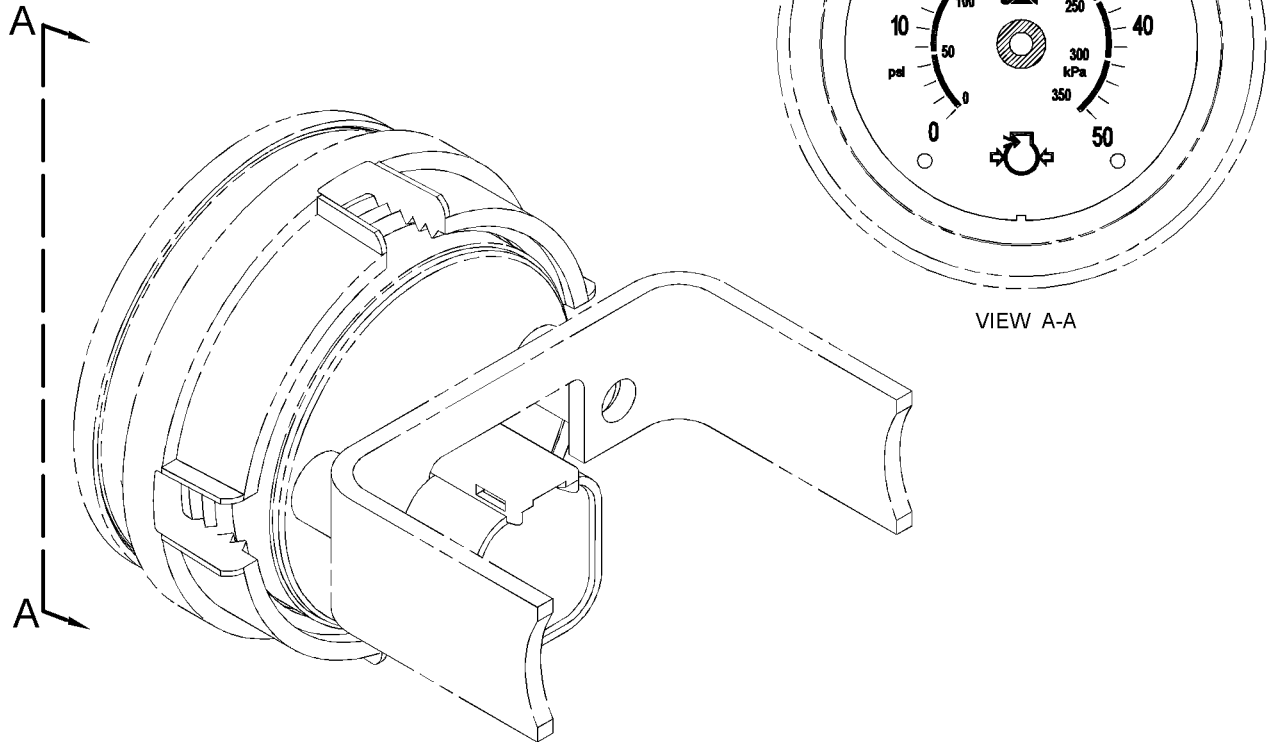
275-2080 GAUGE GP-MANIFOLD PRESSURE-INLET

0-PSI TO 50-PSI
AN ATTACHMENT

SMCS-1058, 7461

i04001338

NOTE	REF NO	GRAPHIC REF	PART NUMBER	QTY	PART NAME	SEE PAGE
					1 2 3 4 5 6 (PRODUCT LEVEL)	
(NO SERVICED PARTS)						



GRAPHIC #1

<END>

g02178704

OPERATOR STATION

275-2115 GAUGE GP-MANIFOLD PRESSURE-BOOST

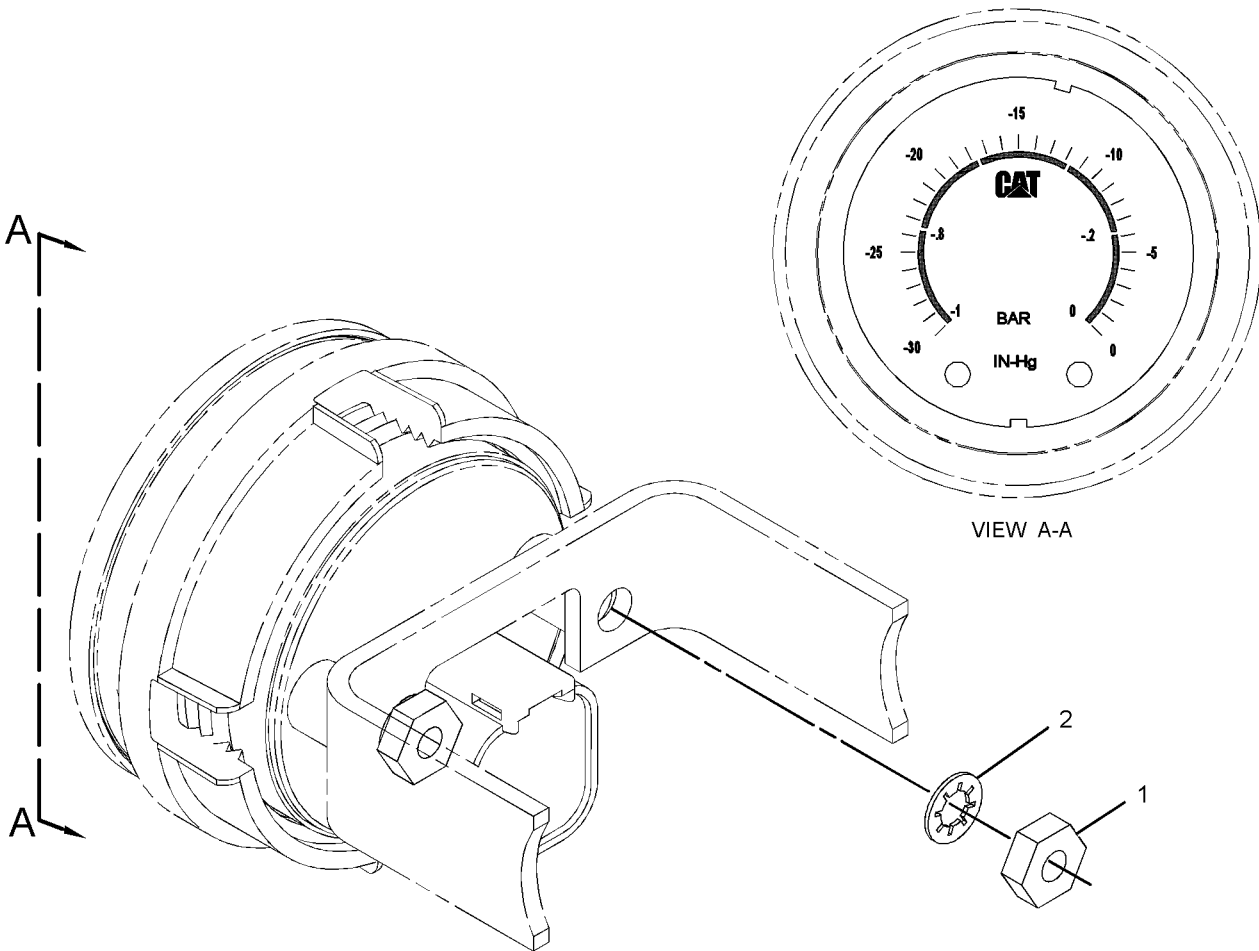
-30 TO 0 BOOST PRESSURE

AN ATTACHMENT

SMCS-1058, 7461

i04016810

NOTE	REF NO	GRAPHIC REF	PART NUMBER	QTY	PART NAME	SEE PAGE
					1 2 3 4 5 6 (PRODUCT LEVEL)	
(NO SERVICED PARTS)						



GRAPHIC #1

<END>

g01219464

OPERATOR STATION

262-4926 GAUGE GP-OIL TEMPERATURE-TRANSMISSION

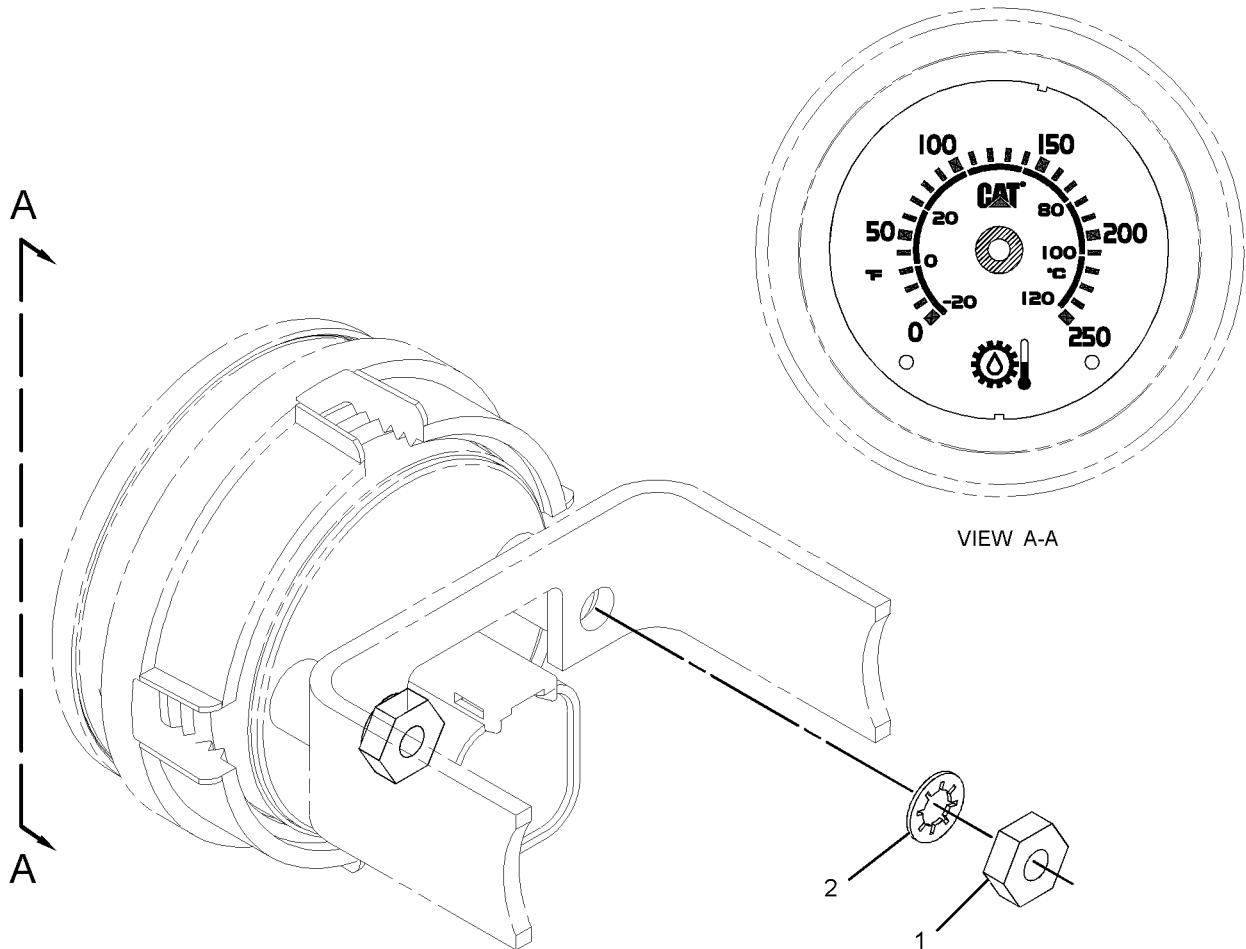
0-DEG F TO 250-DEG F
AN ATTACHMENT

SMCS-1155, 7450

i02879438

NOTE	REF NO	GRAPHIC REF	PART NUMBER	QTY	PART NAME						SEE PAGE
					1	2	3	4	5	6 (PRODUCT LEVEL)	
	1	1	4B-2043	2	NUT (8-32-THD)						
	2	1	9B-7233	2	LOCKWASHER						
AF		1	6V-3507	1	SEAL-RECTANGULAR (SEAL SHOULD BE INSTALLED BETWEEN INDICATOR ASSEMBLY AND MOUNTING PANEL)						

A-NOT PART OF THIS GROUP
F-NOT SHOWN



GRAPHIC #1

<END>

g01218093

OPERATOR STATION

275-2098 GAUGE GP-OIL TEMPERATURE-ENGINE

0-DEG F TO 250-DEG F

AN ATTACHMENT

SMCS-1155, 7450

i04000507

NOTE	PART NUMBER	QTY	PART NAME						SEE PAGE
			1	2	3	4	5	6 (PRODUCT LEVEL)	
A	6V-3507	1	SEAL-RECTANGULAR						
			(SEAL SHOULD BE INSTALLED BETWEEN INDICATOR ASSEMBLY AND MOUNTING PANEL)						
A-NOT PART OF THIS GROUP									
<END>									

OPERATOR STATION

275-2108 GAUGE GP-OIL TEMPERATURE-TRANSMISSION

0-250-DEGREE F, 0-120-DEGREE C

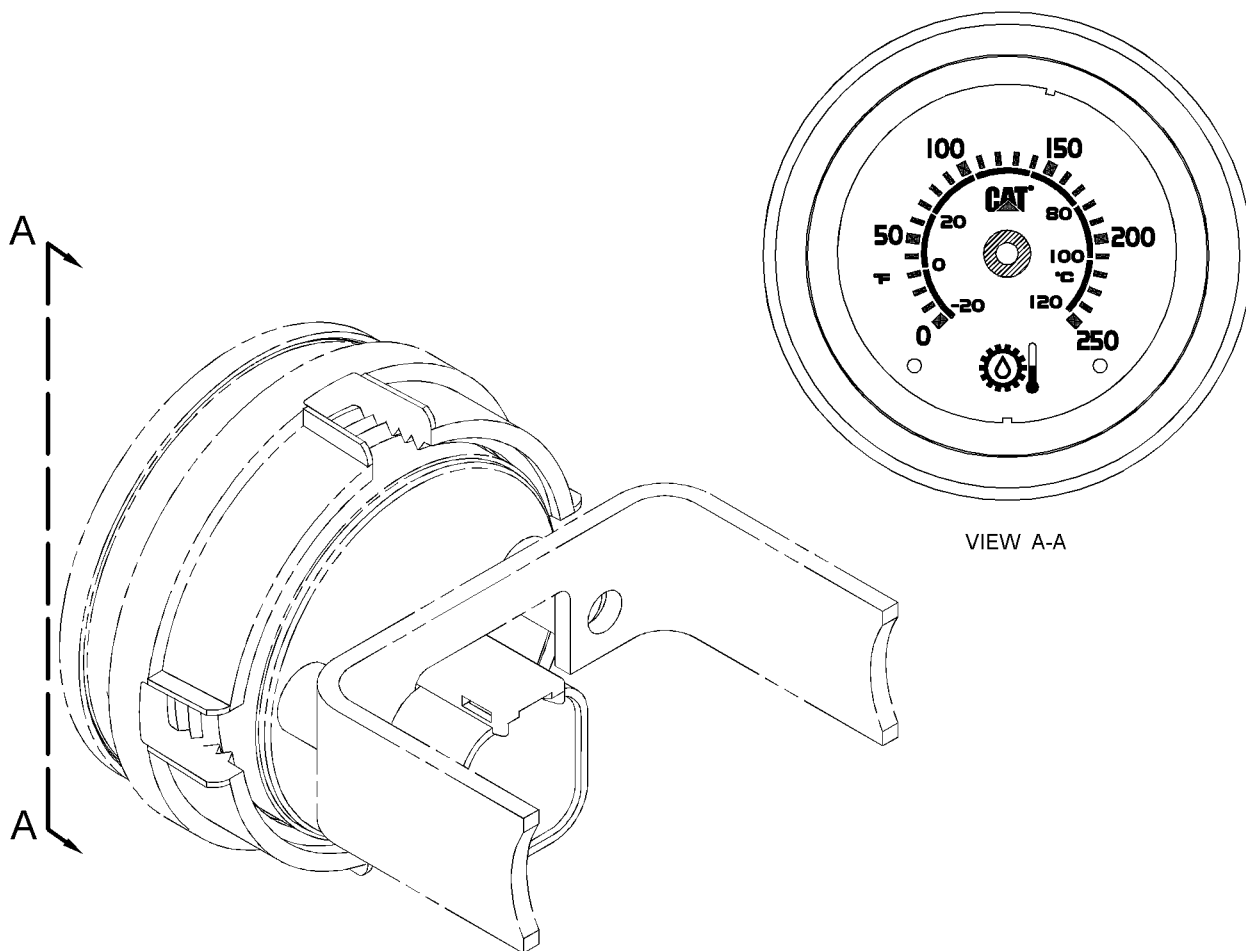
AN ATTACHMENT

SMCS-1155, 7450

i04001346

NOTE	REF NO	GRAPHIC REF	PART NUMBER	QTY	PART NAME 1 2 3 4 5 6 (PRODUCT LEVEL)	SEE PAGE
AF		1	6V-3507	1	SEAL-RECTANGULAR (SEAL SHOULD BE INSTALLED BETWEEN INDICATOR ASSEMBLY AND MOUNTING PANEL)	

A-NOT PART OF THIS GROUP
F-NOT SHOWN



VIEW A-A

GRAPHIC #1

<END>

g02177356

OPERATOR STATION

275-2109 GAUGE GP-OIL TEMPERATURE-TRANSMISSION


0-DEG F TO 250-DEG F
AN ATTACHMENT

SMCS-1155, 7450

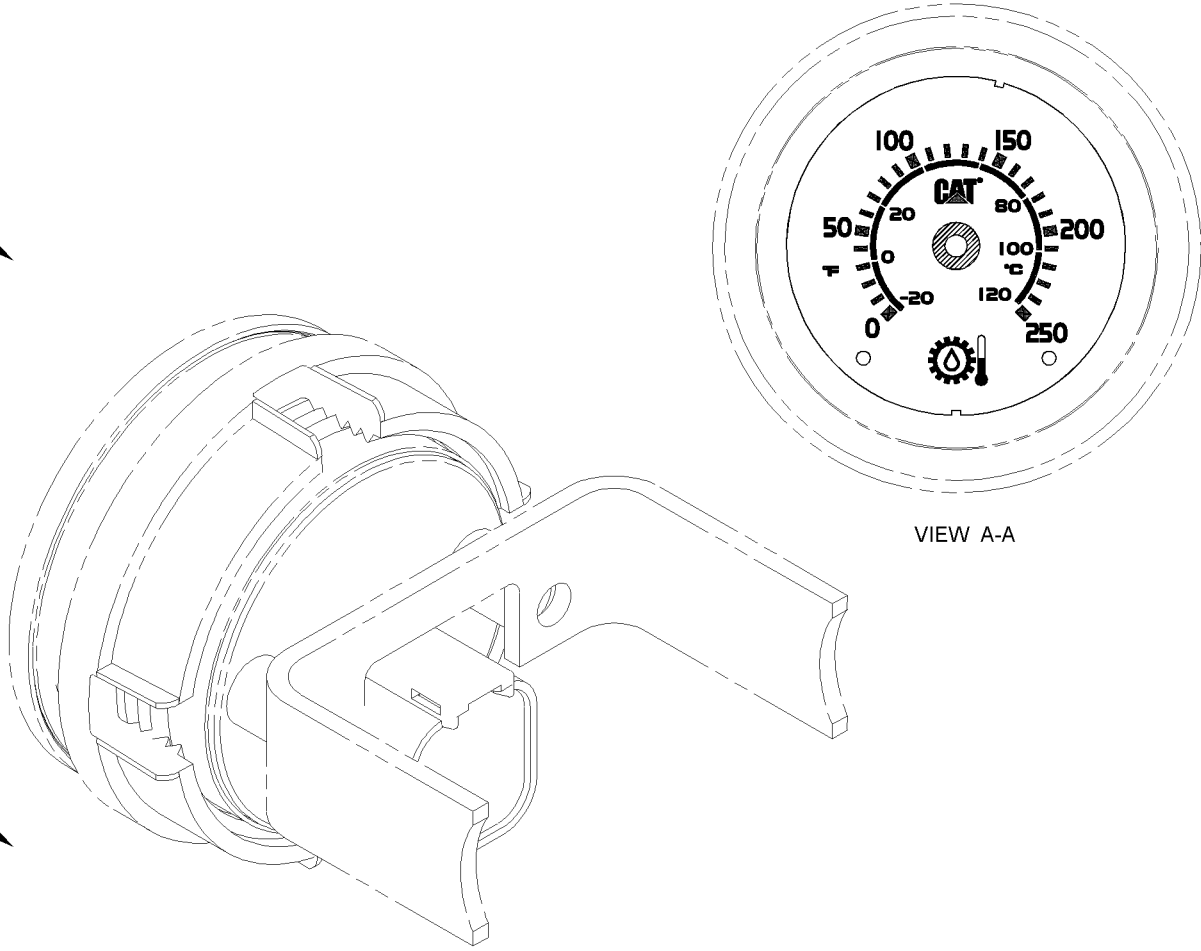
i04001443

NOTE	REF NO	GRAPHIC REF	PART NUMBER	QTY	PART NAME	SEE PAGE
					1 2 3 4 5 6 (PRODUCT LEVEL)	
(NO SERVICED PARTS)						

A



A



VIEW A-A

GRAPHIC #1

<END>

g02181895

OPERATOR STATION

250-2297 METER GP-SERVICE-WHITE BACKLIGHT

12/24-VOLT, 40.21-MM DIAL FACE

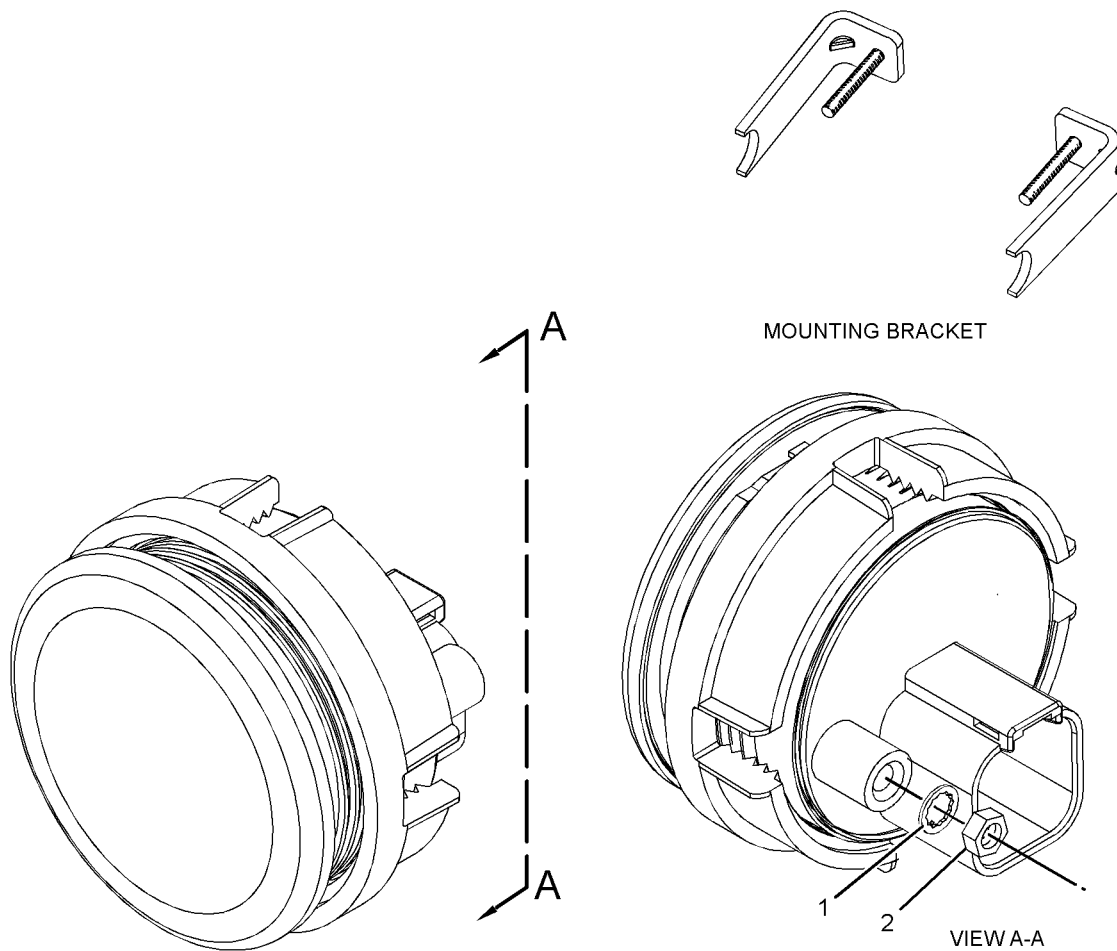
AN ATTACHMENT

SMCS-7478

i03397600

NOTE	REF NO	GRAPHIC REF	PART NUMBER	QTY	PART NAME						SEE PAGE
					1	2	3	4	5	6 (PRODUCT LEVEL)	
	1	1	9B-7233	1	LOCKWASHER						
	2	1	4B-2043	1	NUT (8-32-THD)						
AF		1	6V-3507	1	SEAL-RECTANGULAR						
(SEAL SHOULD BE INSTALLED BETWEEN INDICATOR ASSEMBLY & MOUNTING PANEL)											

A-NOT PART OF THIS GROUP
F-NOT SHOWN



GRAPHIC #1

<END>

g01250667

OPERATOR STATION

263-3889 METER GP-SERVICE

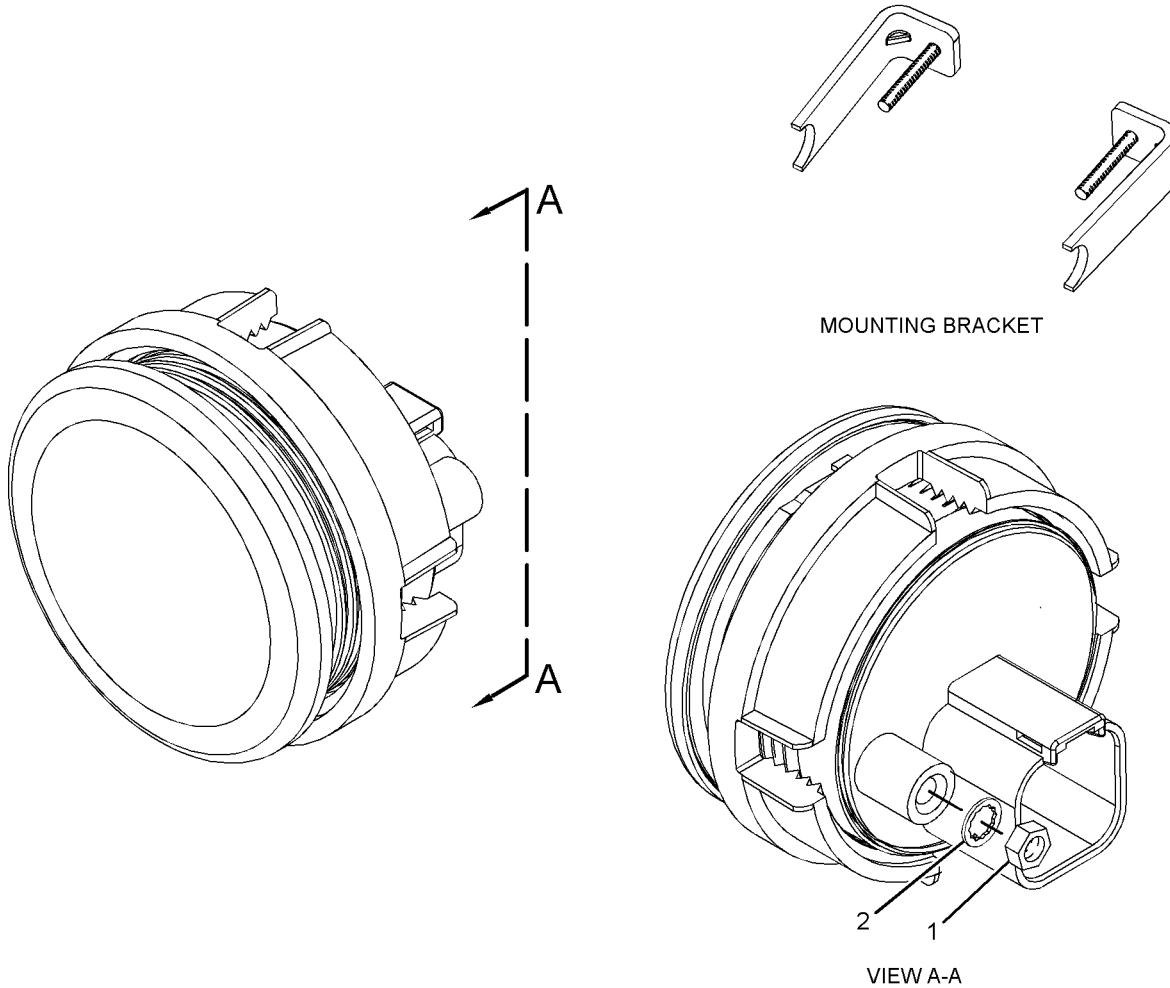
12/24-VOLT, 40.22-MM DIAL FACE
AN ATTACHMENT

SMCS-7478

i02881707

NOTE	REF NO	GRAPHIC REF	PART NUMBER	QTY	PART NAME						SEE PAGE
					1	2	3	4	5	6 (PRODUCT LEVEL)	
	1	1	4B-2043	4	NUT (8-32-THD)						
	2	1	9B-7233	4	LOCKWASHER						
AF		1	6V-3507	1	SEAL-RECTANGULAR (SEAL SHOULD BE INSTALLED BETWEEN INDICATOR ASSEMBLY AND MOUNTING PANEL)						

A-NOT PART OF THIS GROUP
F-NOT SHOWN



GRAPHIC #1

<END>

g01249411

OPERATOR STATION

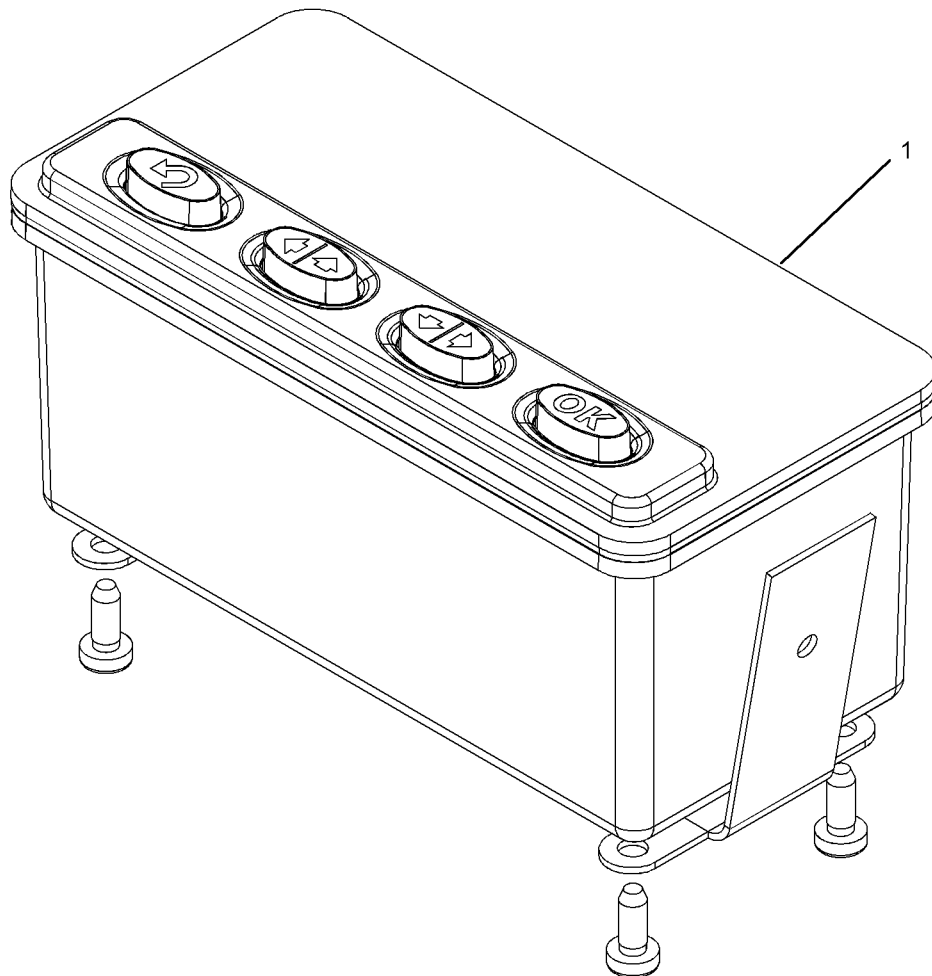
228-7424 MODULE GP-DISPLAY-MESSENGER AN ATTACHMENT

SMCS-7490

i03696007

NOTE	REF NO	GRAPHIC REF	PART NUMBER	QTY	PART NAME						SEE PAGE
					1	2	3	4	5	6 (PRODUCT LEVEL)	
Y	1	1	226-5567	1	CONTROL GP-UNPRGMD MONITOR (MESSENGER)						940
F			248-5528	1	GASKET						
F			230-4542	1	SOFTWARE GP-MONITOR (MESSENGER)						

F - NOT SHOWN
Y - SEPARATE ILLUSTRATION



GRAPHIC #1

<END>

g01987434

OPERATOR STATION

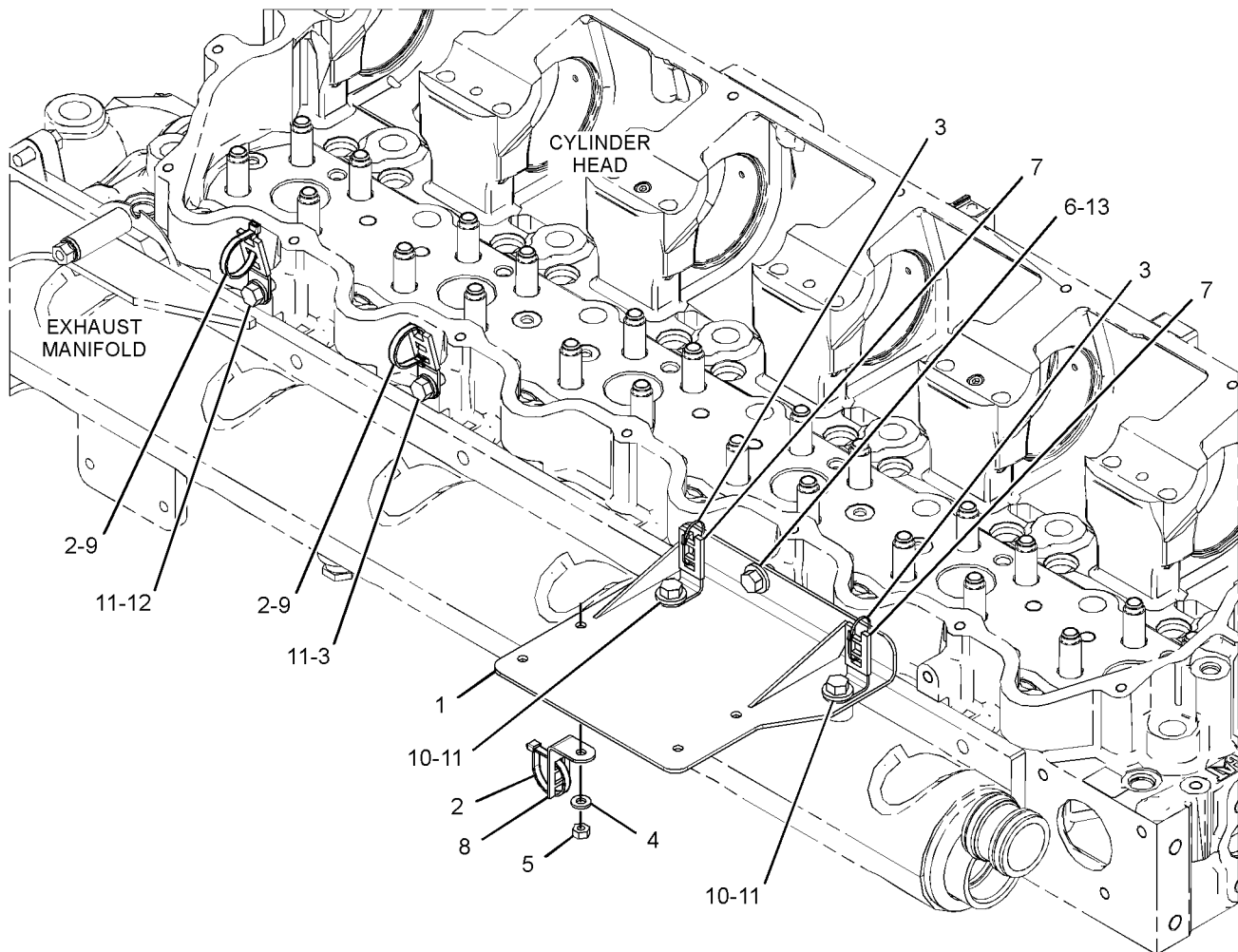
131-8298 MOUNTING GP-CONTROL

FOR USE WITH RH SERVICE ENGINES
AN ATTACHMENT

SMCS-7451

i03442921

NOTE	REF NO	GRAPHIC REF	PART NUMBER	QTY	PART NAME						SEE PAGE
					1	2	3	4	5	6 (PRODUCT LEVEL)	
	1	1	141-1002	1	BRACKET AS						
	2	1	3S-2093	3	STRAP-CABLE						
	3	1	6K-0806	2	STRAP-CABLE						
	4	1	8T-4205	4	WASHER-HARD (7.2X14.5X2-MM THK)						
	5	1	6V-8185	4	NUT (1/4-20-THD)						
	6	1	0T-0102	1	BOLT (3/8-16X0.625-IN)						
	7	1	132-5789	2	CLIP						
	8	1	156-6175	1	CLIP						
	9	1	4P-7581	2	CLIP						
	10	1	5P-1075	2	WASHER-HARD (10.2X22.5X3-MM THK)						
	11	1	5P-8167	4	BOLT (3/8-16X0.625-IN)						
	12	1	8T-4896	2	WASHER-HARD (10.2X18.5X2.5-MM THK)						
	13	1	9X-6458	1	WASHER-HARD (10.2X22.5X3-MM THK)						



GRAPHIC #1

<END>

g01930513

OPERATOR STATION

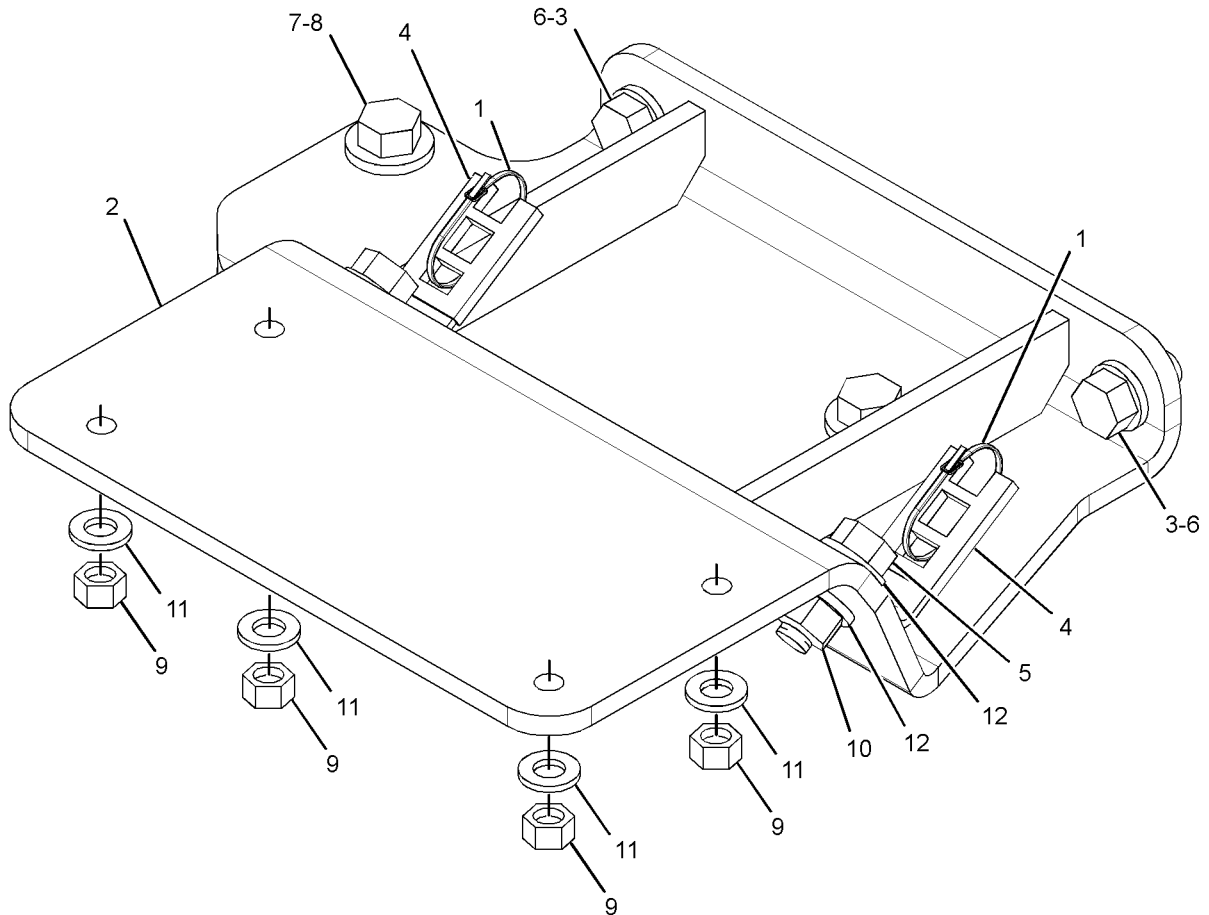
200-5188 MOUNTING GP-CONTROL

FOR USE WITH RIGHT HAND SERVICE
AN ATTACHMENT

SMCS-7451

i03523042

NOTE	REF NO	GRAPHIC REF	PART NUMBER	QTY	PART NAME						SEE PAGE
					1	2	3	4	5	6 (PRODUCT LEVEL)	
	1	1	6K-0806	2	STRAP - CABLE						
	2	1	206-7428	1	BRACKET AS						
	3	1	0S-0509	2	BOLT (3/8-16X0.75-IN)						
	4	1	132-5789	2	CLIP						
	5	1	4L-6454	2	BOLT (3/8-16X1-IN)						
	6	1	5M-2894	2	WASHER-HARD (10.2X18.5X2.5-MM THK)						
	7	1	5M-3062	2	BOLT (3/8-16X0.75-IN)						
	8	1	5P-1075	2	WASHER-HARD (10.2X22.5X3-MM THK)						
	9	1	6V-8185	4	NUT (1/4-20-THD)						
	10	1	6V-8801	2	NUT (3/8-16-THD)						
	11	1	8T-4205	4	WASHER-HARD (7.2X14.5X2-MM THK)						
	12	1	8T-4896	4	WASHER-HARD (10.2X18.5X2.5-MM THK)						



GRAPHIC #1

<END>

g01933013

OPERATOR STATION

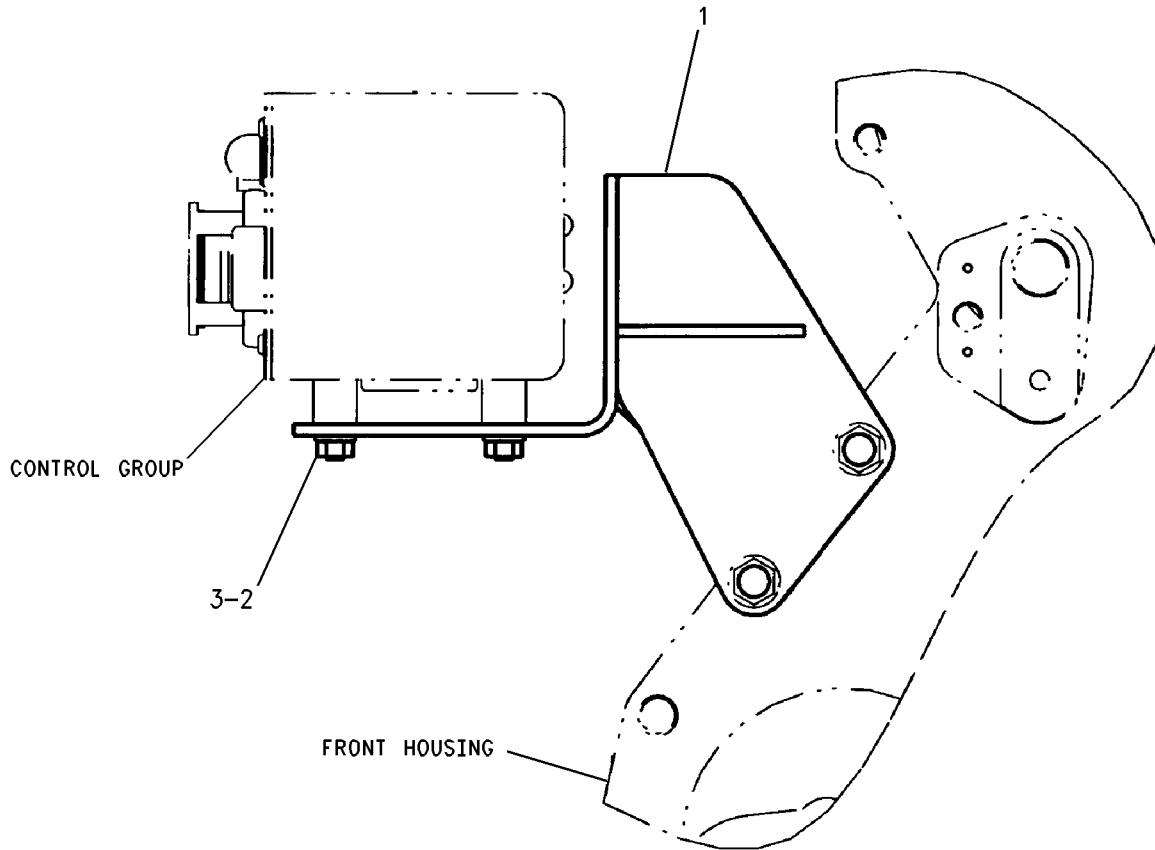
205-5748 MOUNTING GP-CONTROL

FOR USE WITH LH SERVICE ENGINES
AN ATTACHMENT

SMCS-7451

i01524377

NOTE	REF NO	GRAPHIC REF	PART NUMBER	QTY	PART NAME						SEE PAGE
					1	2	3	4	5	6 (PRODUCT LEVEL)	
	1	1	205-5741	1	BRACKET AS						
	2	1	6V-8185	4	NUT (1/4-20-THD)						
	3	1	8T-4205	4	WASHER-HARD (7.2X14.5X2-MM THK)						



REAR VIEW

GRAPHIC #1

<END>

g00794126

OPERATOR STATION

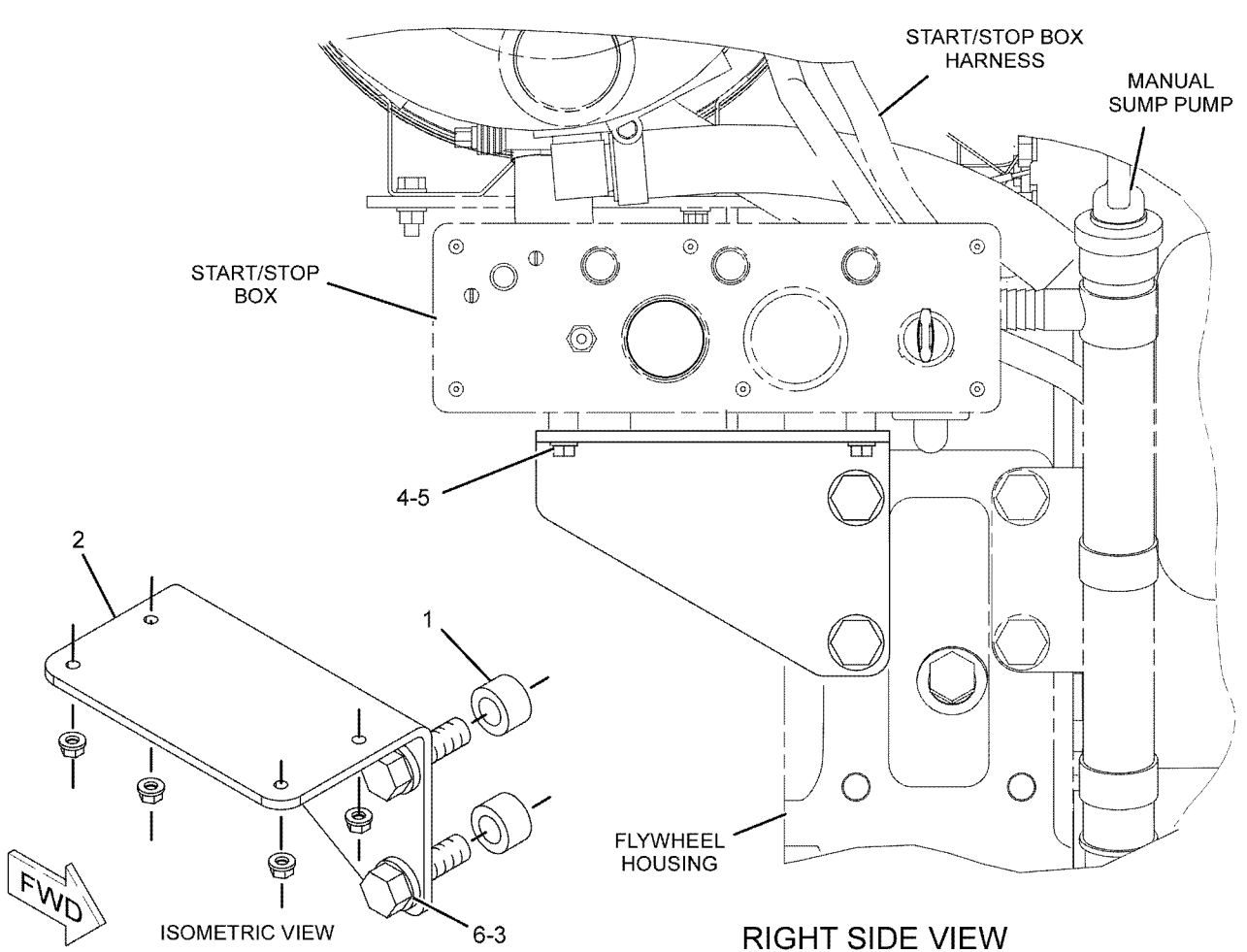
235-4609 MOUNTING GP-CONTROL

PROVIDES START/STOP BOX MOUNTING GP FOR THE DRY EXHAUST RISERS
AN ATTACHMENT

SMCS-7451

i01981923

NOTE	REF NO	GRAPHIC REF	PART NUMBER	QTY	PART NAME						SEE PAGE
					1	2	3	4	5	6 (PRODUCT LEVEL)	
	1	1	2A-0047	2	WASHER (0.656X1.125X0.688-IN THK)						
	2	1	235-4610	1	BRACKET						
	3	1	4D-3704	2	WASHER-HARD (17X30X5-MM THK)						
	4	1	6V-8185	4	NUT (1/4-20-THD)						
	5	1	8T-4205	4	WASHER-HARD (7.2X14.5X2-MM THK)						
	6	1	9X-8880	2	BOLT (5/8-11X2-IN)						



GRAPHIC #1

<END>

g01028192

OPERATOR STATION

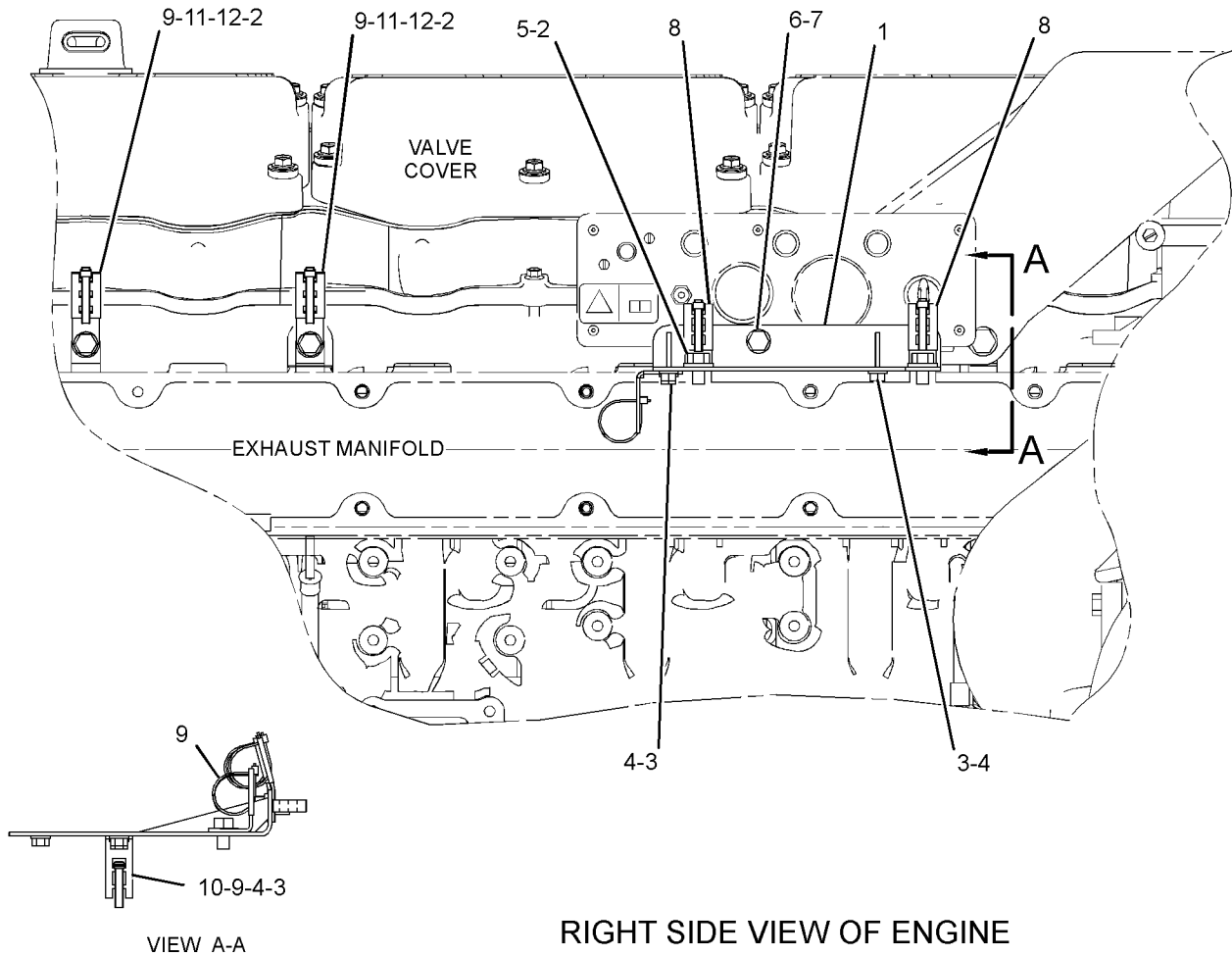
316-6393 MOUNTING GP-CONTROL

FOR USE WITH RH, TIER II
AN ATTACHMENT

SMCS-7451

i03629511

NOTE	REF NO	GRAPHIC REF	PART NUMBER	QTY	PART NAME						SEE PAGE
					1	2	3	4	5	6 (PRODUCT LEVEL)	
	1	1	141-1002	1	BRACKET AS						
	2	1	5P-8167	4	BOLT (3/8-16X0.625-IN)						
	3	1	6V-8185	4	NUT (1/4-20-THD)						
	4	1	8T-4205	4	WASHER-HARD (7.2X14.5X2-MM THK)						
	5	1	5P-1075	2	WASHER-HARD (10.2X22.5X3-MM THK)						
	6	1	0S-1588	1	BOLT (3/8-16X1.25-IN)						
	7	1	5M-2894	1	WASHER-HARD (10.2X18.5X2.5-MM THK)						
	8	1	132-5789	2	CLIP						
	9	1	3S-2093	5	STRAP-CABLE						
	10	1	156-6175	1	CLIP						
	11	1	4P-7581	2	CLIP						
	12	1	8T-4896	2	WASHER-HARD (10.2X18.5X2.5-MM THK)						



GRAPHIC #1

<END>

g01951548

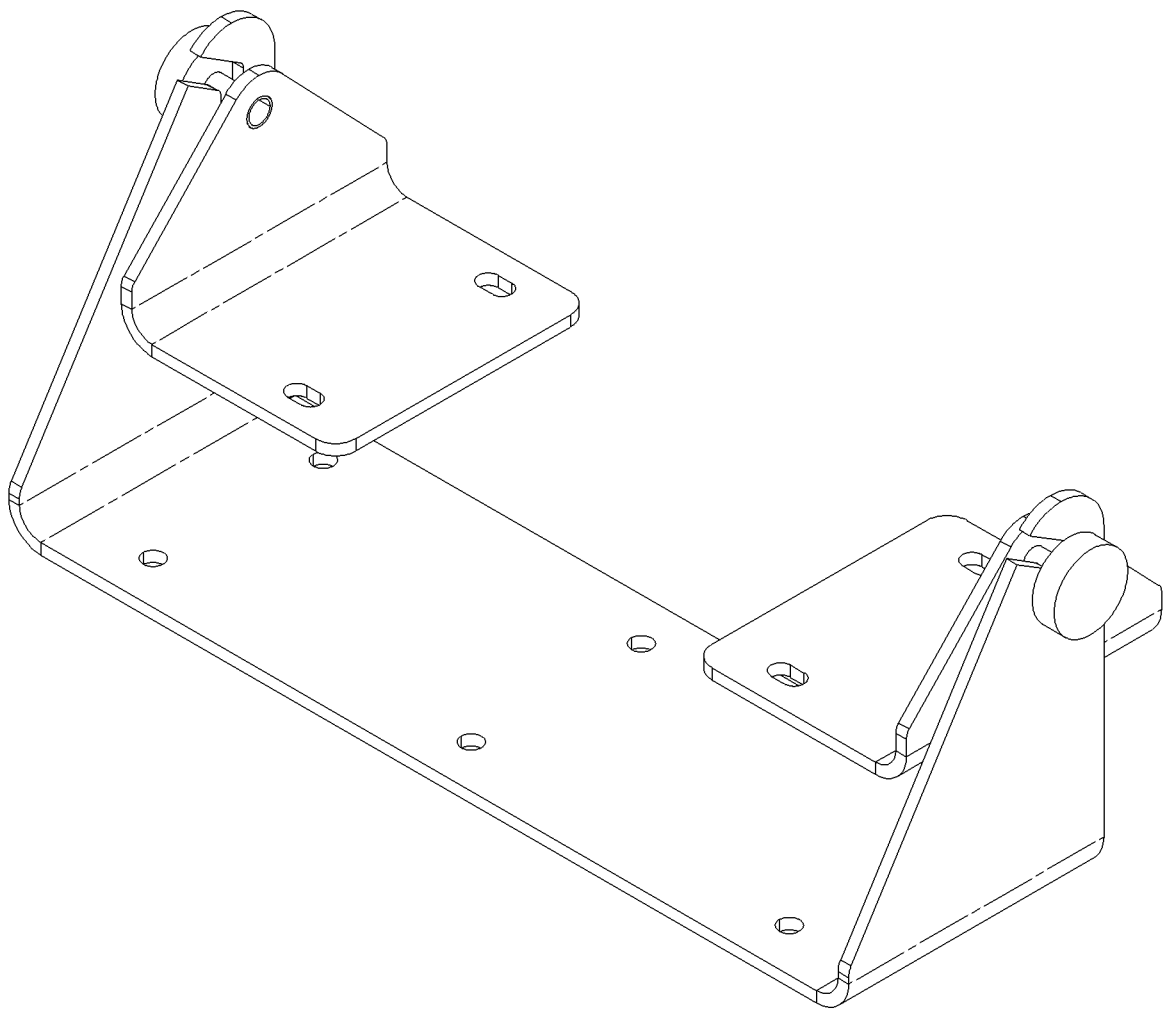
OPERATOR STATION

208-0590 MOUNTING GP-CONTROL PANEL- MARINE POWER DISPLAY PROVIDES BRACKET AS FOR MARINE POWER DISPLAY AN ATTACHMENT

SMCS-7451

i02887977

NOTE	REF NO	GRAPHIC REF	PART NUMBER	QTY	PART NAME						SEE PAGE
					1	2	3	4	5	6 (PRODUCT LEVEL)	
(NO SERVICED PARTS)											



GRAPHIC #1

<END>

g00998770

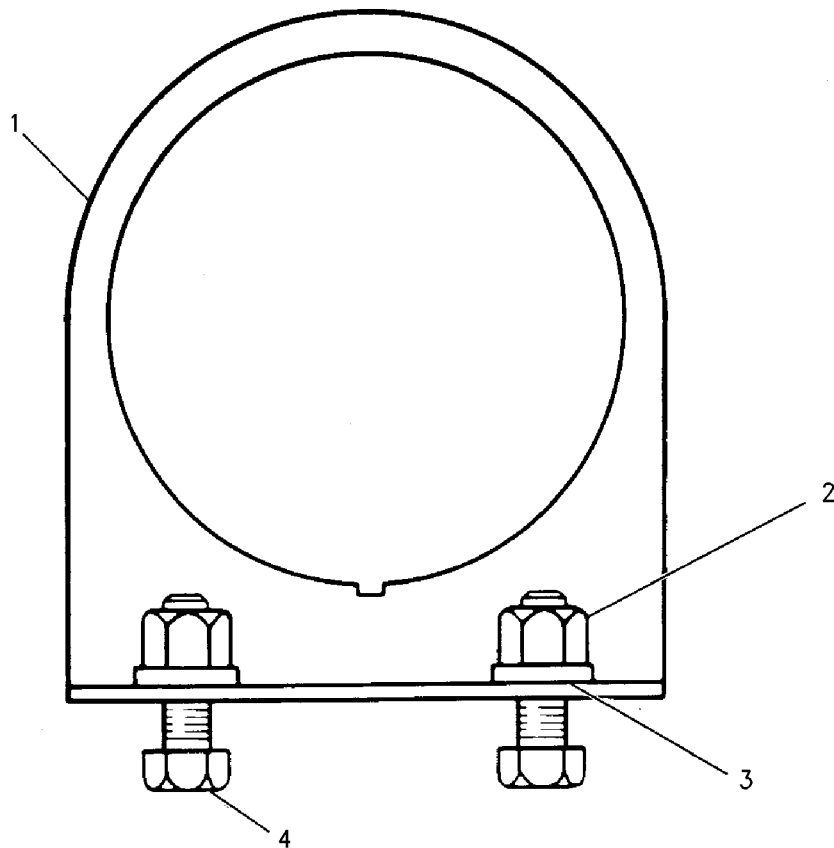
OPERATOR STATION

7L-4535 MOUNTING GP-TACHOMETER FOR USE WITH ENGINE MOUNTED MECHANICAL TACHOMETERS AN ATTACHMENT

SMCS-7462

i01791177

NOTE	REF NO	GRAPHIC REF	PART NUMBER	QTY	PART NAME						SEE PAGE
					1	2	3	4	5	6 (PRODUCT LEVEL)	
	1	1	7L-4536	1	BRACKET-TACHOMETER						
	2	1	6V-8189	2	NUT (5/16-18-THD)						
	3	1	8T-4224	2	WASHER-HARD (8.8X16X2-MM THK)						
	4	1	5K-0906	2	BOLT (5/16-18X0.625-IN)						



GRAPHIC #1

<END>

g00917518

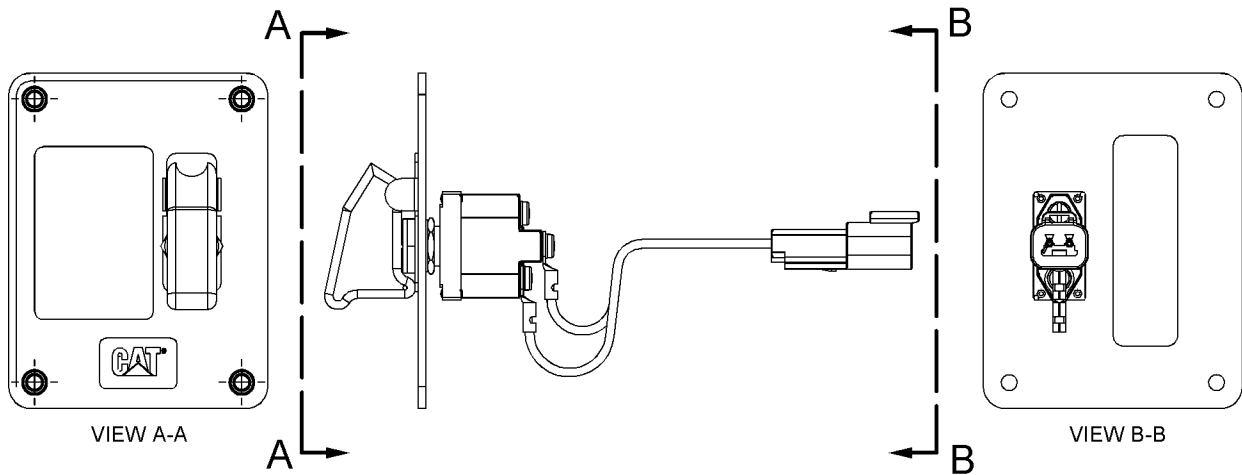
OPERATOR STATION

248-7494 PANEL AS-CONTROL-STATION TRANSFER LOCKOUT FOR USE WITH MULTI-STATION CONTROL SYSTEM AN ATTACHMENT

SMCS-7451

i03640034

NOTE	REF NO	GRAPHIC REF	PART NUMBER	QTY	PART NAME						SEE PAGE
					1	2	3	4	5	6 (PRODUCT LEVEL)	
F			276-4053	1	FILM-IDENTIFICATION (CAT)						
F - NOT SHOWN											



GRAPHIC #1

<END>

g01063098

OPERATOR STATION

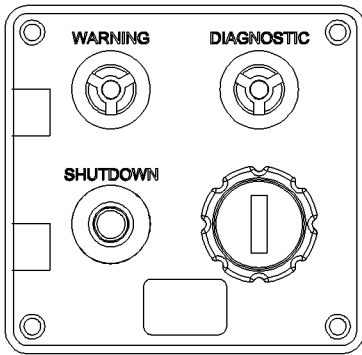
217-3865 PANEL GP-CONTROL

MARINE DISPLAY THAT INCLUDES WARNING LIGHT, DIAGNOSTIC LIGHT, SHUTDOWN
BUTTON AND KEY SWITCH
AN ATTACHMENT

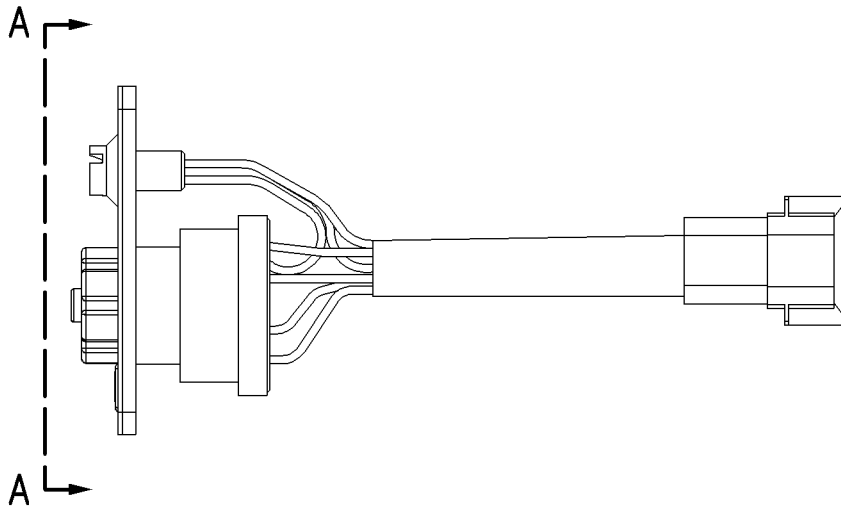
SMCS-4490, 7451

i03640202

NOTE	REF NO	GRAPHIC REF	PART NUMBER	QTY	PART NAME						SEE PAGE
					1	2	3	4	5	6 (PRODUCT LEVEL)	
F			211-3447	4	SCREW-FLAT HEAD						
F - NOT SHOWN											



VIEW A-A



GRAPHIC #1

<END>

g00862499

OPERATOR STATION

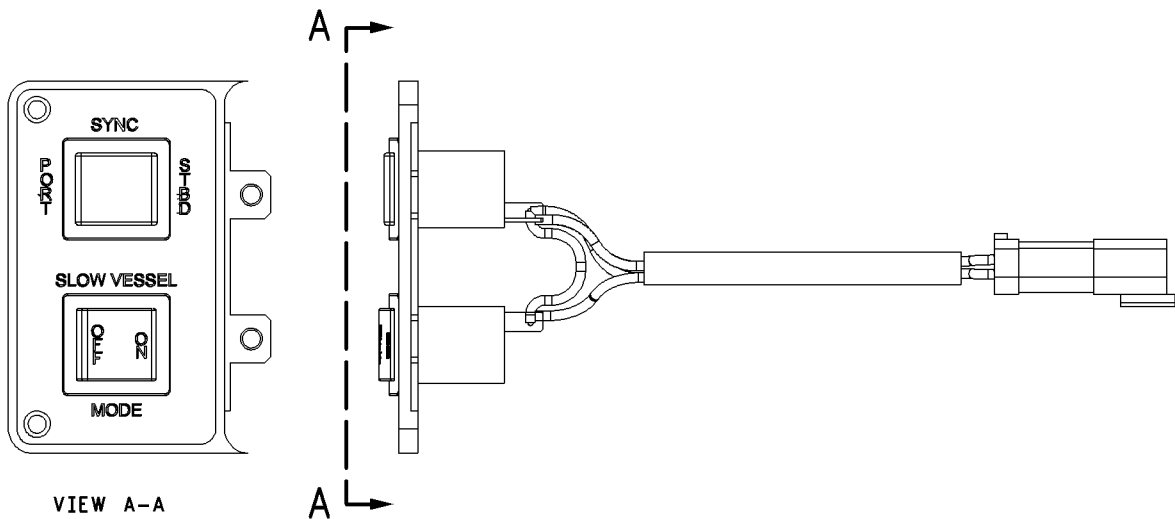
217-8191 PANEL GP-CONTROL

FOR USE WITH MARINE PROPULSION ENGINES
AN ATTACHMENT

SMCS-4490, 7451

i03640211

NOTE	REF NO	GRAPHIC REF	PART NUMBER	QTY	PART NAME						SEE PAGE
					1	2	3	4	5	6 (PRODUCT LEVEL)	
F			211-3447	2	SCREW-FLAT HEAD						
F - NOT SHOWN											



GRAPHIC #1

<END>

g00818552

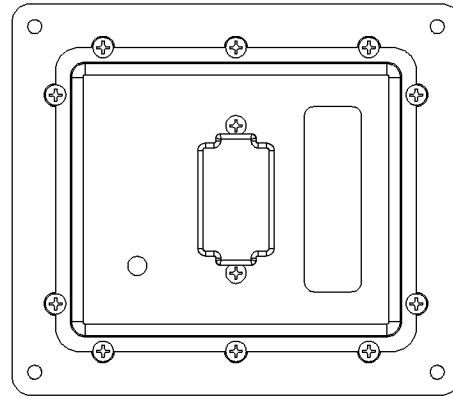
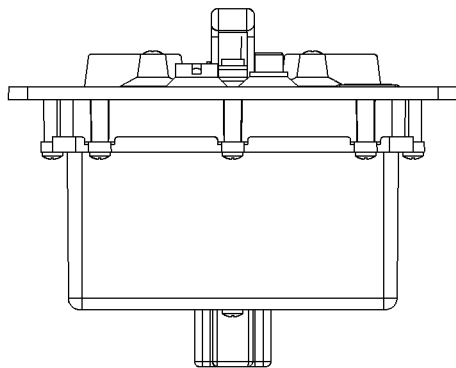
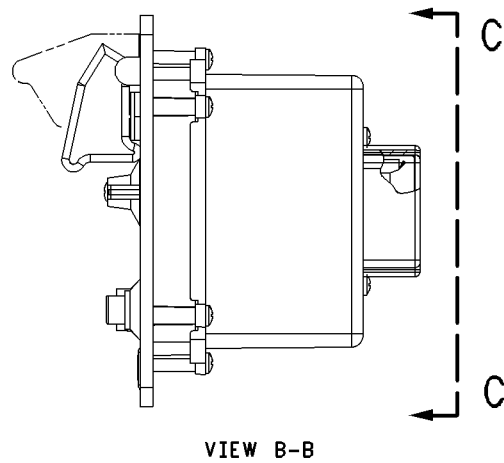
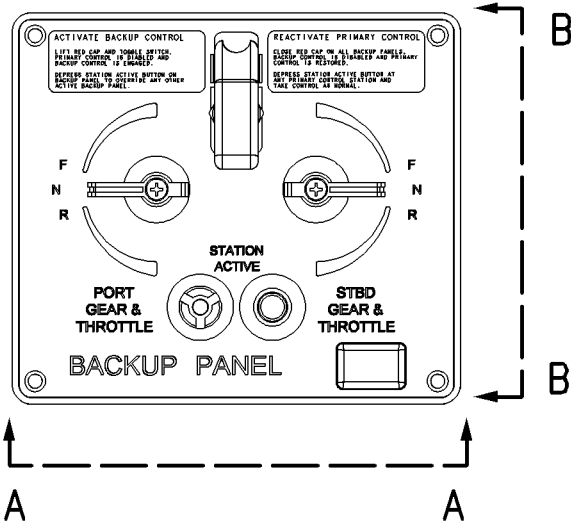
OPERATOR STATION

219-8023 PANEL GP-CONTROL-BACK-UP FOR USE WITH MULTI-STATION CONTROL SYSTEM AN ATTACHMENT

SMCS-4490, 7451

i03640215

NOTE	REF NO	GRAPHIC REF	PART NUMBER	QTY	PART NAME						SEE PAGE
					1	2	3	4	5	6 (PRODUCT LEVEL)	
F			276-4053	1	FILM-IDENTIFICATION (CAT)						
F - NOT SHOWN											



GRAPHIC #1

<END>

g00987390

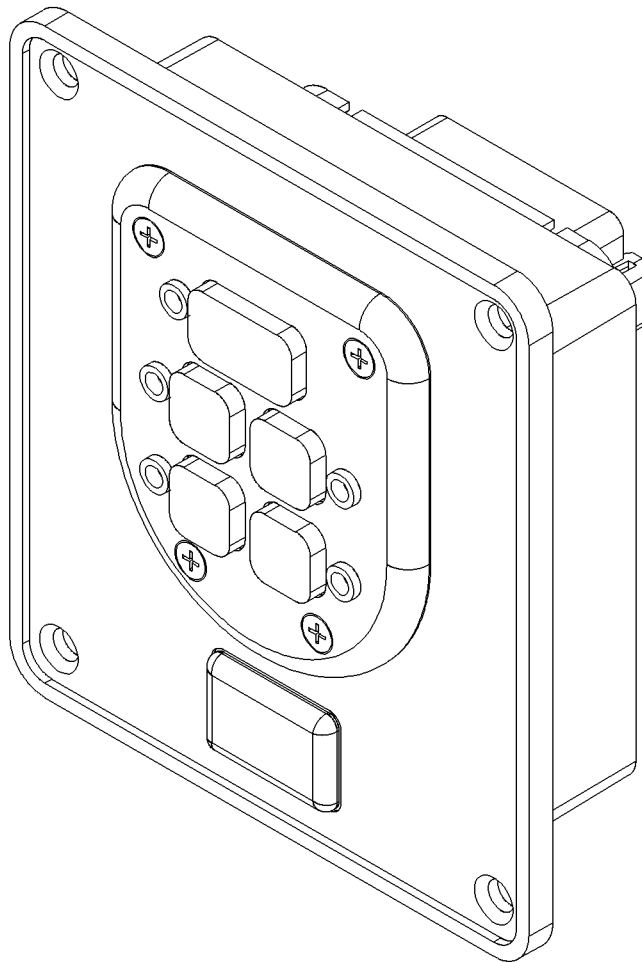
OPERATOR STATION

221-9507 PANEL GP-CONTROL FOR USE WITH MULTI-STATION CONTROL SYSTEM AN ATTACHMENT

SMCS-4490, 7451

i03640316

NOTE	REF NO	GRAPHIC REF	PART NUMBER	QTY	PART NAME						SEE PAGE
					1	2	3	4	5	6 (PRODUCT LEVEL)	
F			276-4053	1	FILM-IDENTIFICATION (CAT)						
F			276-4055	1	KIT-BEZEL						
F-NOT SHOWN											



GRAPHIC #1

<END>

g00987359

OPERATOR STATION

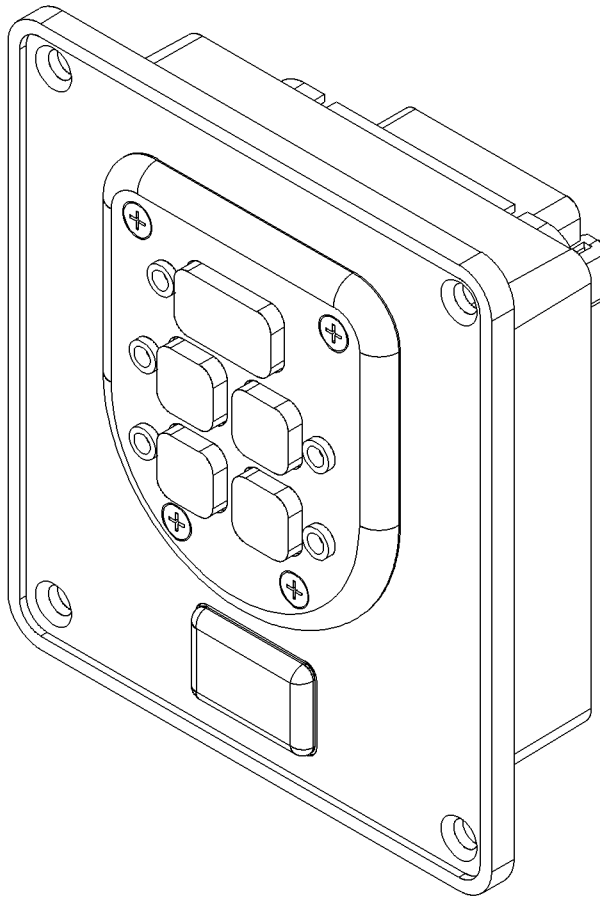
224-9873 PANEL GP-CONTROL BLACK, FOR MULTI-STATION CONTROL SYSTEM AN ATTACHMENT

SMCS-4490, 7451

i03640382

NOTE	REF NO	GRAPHIC REF	PART NUMBER	QTY	PART NAME						SEE PAGE
					1	2	3	4	5	6 (PRODUCT LEVEL)	
F			276-4053	1	FILM-IDENTIFICATION (CAT)						
F			287-0564	1	KIT-BEZEL (BLACK)						

F-NOT SHOWN



GRAPHIC #1

<END>

g00992201

OPERATOR STATION

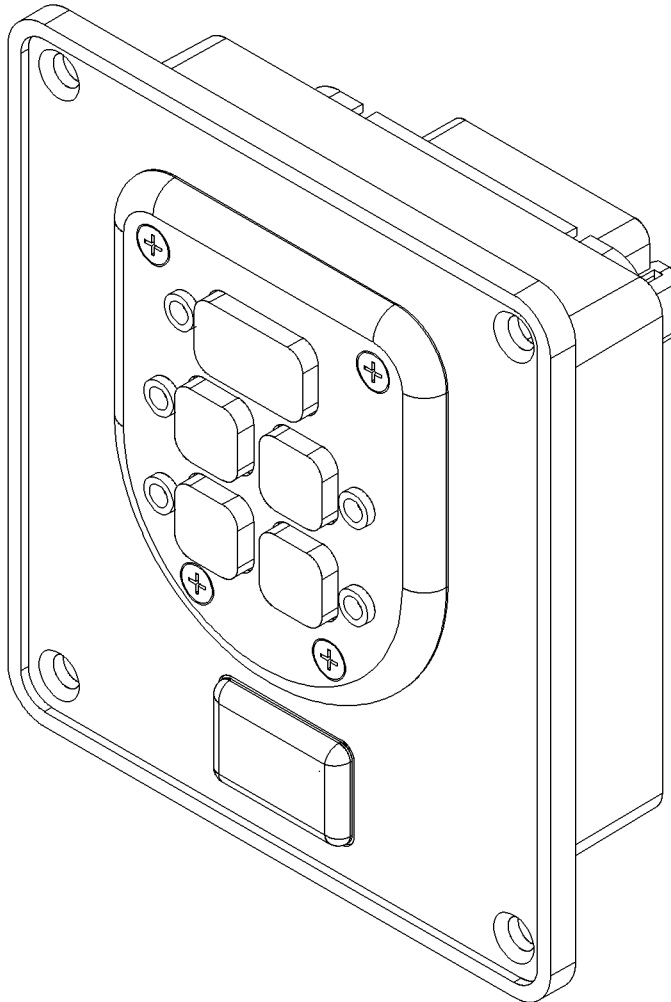
224-9874 PANEL GP-CONTROL

GOLD, FOR MULTI-STATION CONTROL SYSTEM
AN ATTACHMENT

SMCS-4490, 7451

i03640420

NOTE	REF NO	GRAPHIC REF	PART NUMBER	QTY	PART NAME						SEE PAGE
					1	2	3	4	5	6 (PRODUCT LEVEL)	
F			276-4053	1	FILM-IDENTIFICATION (CAT)						
F			287-0563	1	KIT-BEZEL (GOLD)						
F-NOT SHOWN											



GRAPHIC #1

<END>

g00992220

OPERATOR STATION

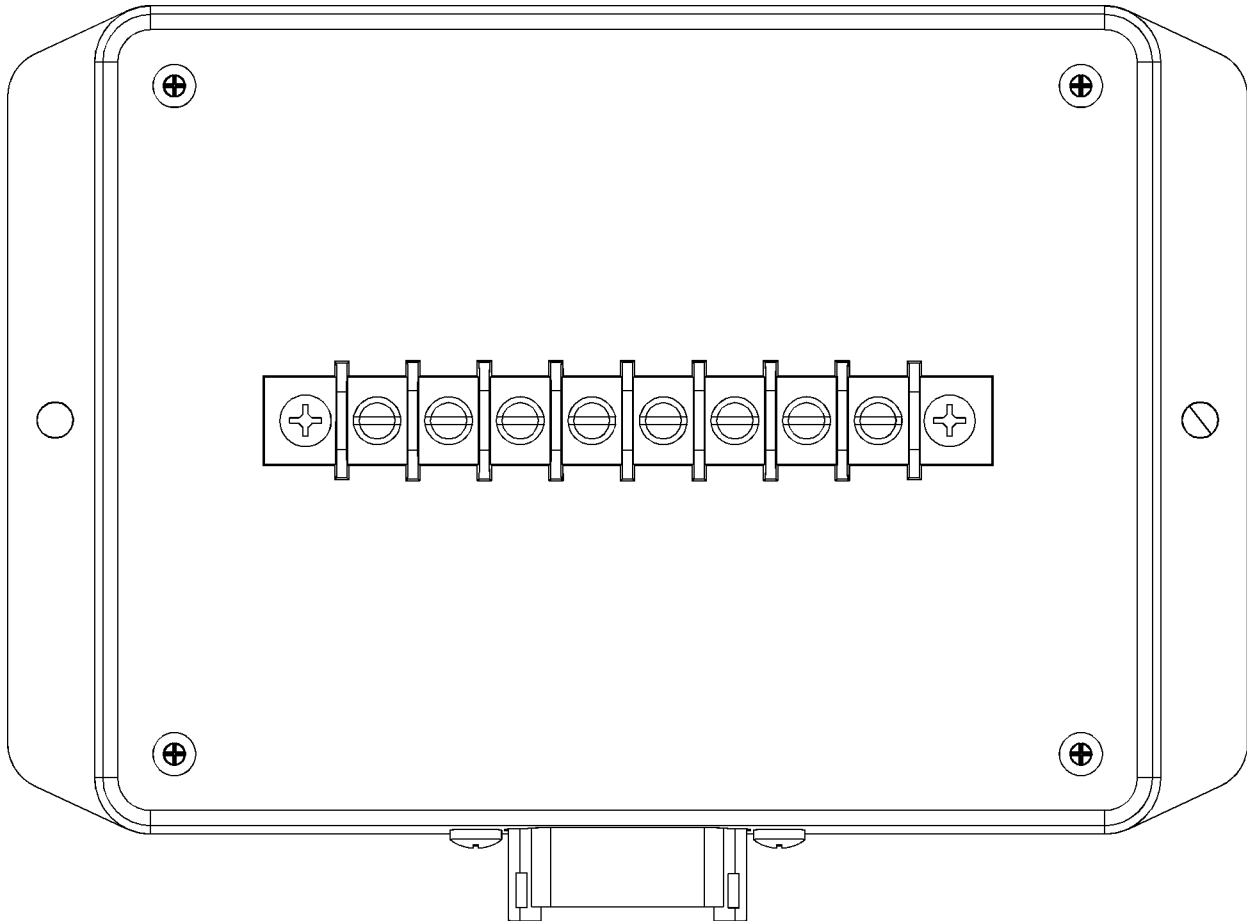
226-3423 PANEL GP-CONTROL

KEYSWITCH ALARM BREAKOUT
FOR USE WITH MULTI-STATION CONTROL SYSTEM
AN ATTACHMENT

SMCS-4490, 7451

i01976823

NOTE	REF NO	GRAPHIC REF	PART NUMBER	QTY	PART NAME						SEE PAGE
					1	2	3	4	5	6 (PRODUCT LEVEL)	
(NO SERVICED PARTS)											



GRAPHIC #1

<END>

g01025854

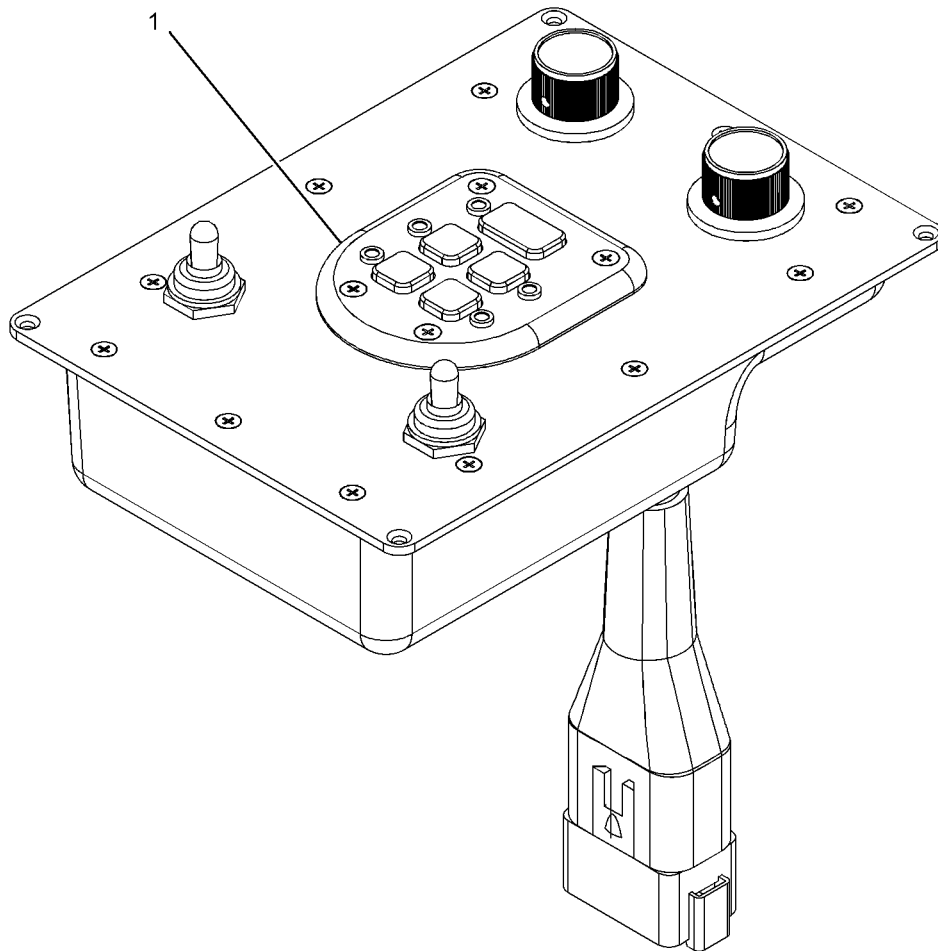
OPERATOR STATION

255-8006 PANEL GP-CONTROL FOR USE WITH MULTI-STATION CONTROL SYSTEM AN ATTACHMENT

SMCS-4490, 7451

i02706066

NOTE	REF NO	GRAPHIC REF	PART NUMBER	QTY	PART NAME						SEE PAGE
					1	2	3	4	5	6 (PRODUCT LEVEL)	
	1	1	276-4055	1	KIT-BEZEL						



GRAPHIC #1

<END>

g01358058

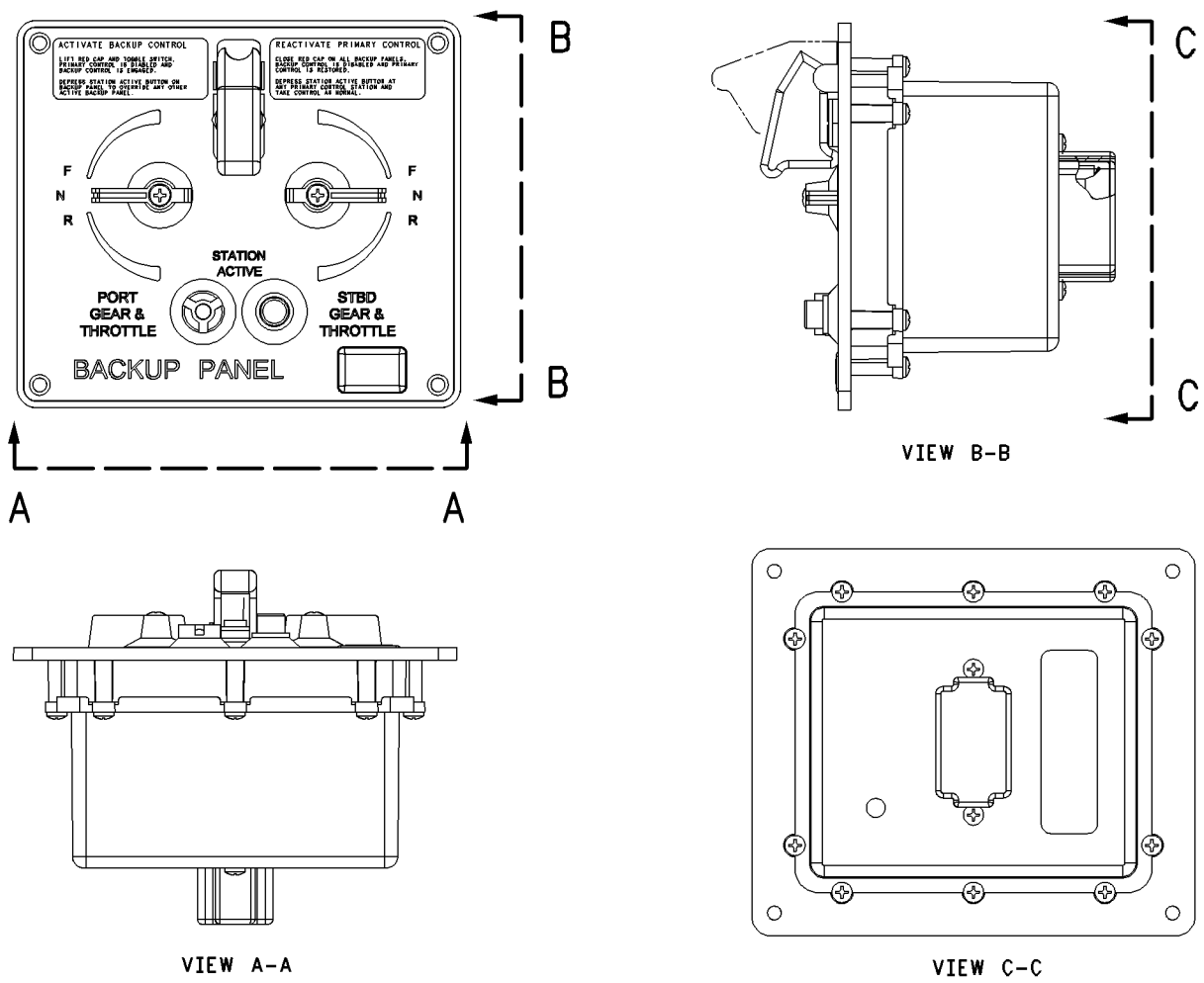
OPERATOR STATION

311-8389 PANEL GP-CONTROL AN ATTACHMENT

SMCS-4490, 7451

i03784752

NOTE	REF NO	GRAPHIC REF	PART NUMBER	QTY	PART NAME	SEE PAGE
F			276-4053	1	FILM-IDENTIFICATION (CAT)	
F - NOT SHOWN						



GRAPHIC #1

<END>

g00987390

OPERATOR STATION

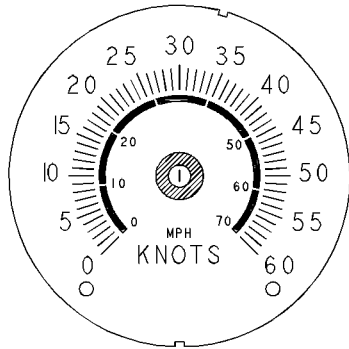
262-4920 SPEEDOMETER GP

0-60 KNOTS
AN ATTACHMENT

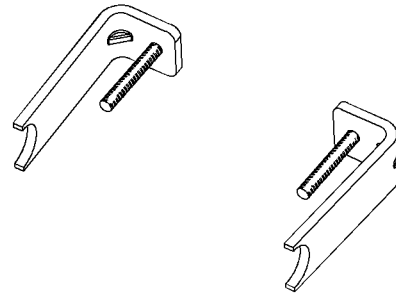
SMCS-7463

i02829526

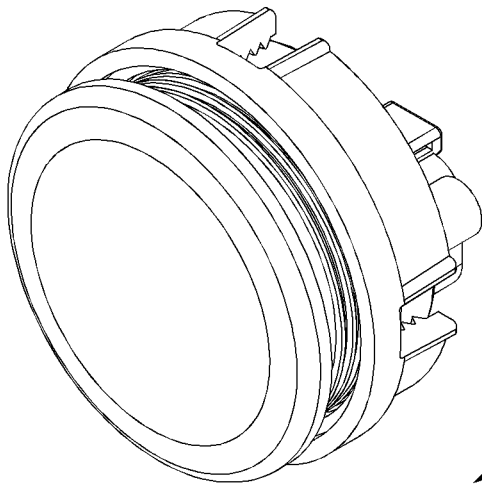
NOTE	REF NO	GRAPHIC REF	PART NUMBER	QTY	PART NAME						SEE PAGE
					1	2	3	4	5	6 (PRODUCT LEVEL)	
	1	1	4B-2043	2	NUT (8-32-THD)						
	2	1	9B-7233	2	LOCKWASHER						



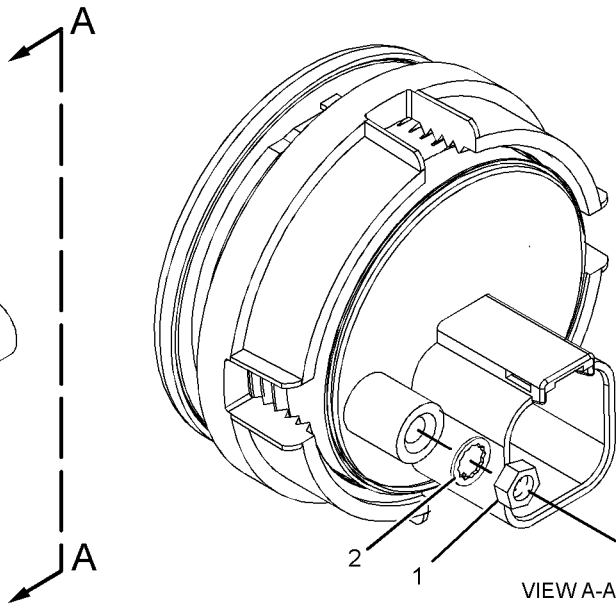
DIAL FACE



MOUNTING BRACKET



GRAPHIC #1



VIEW A-A

<END>

g01246780

OPERATOR STATION

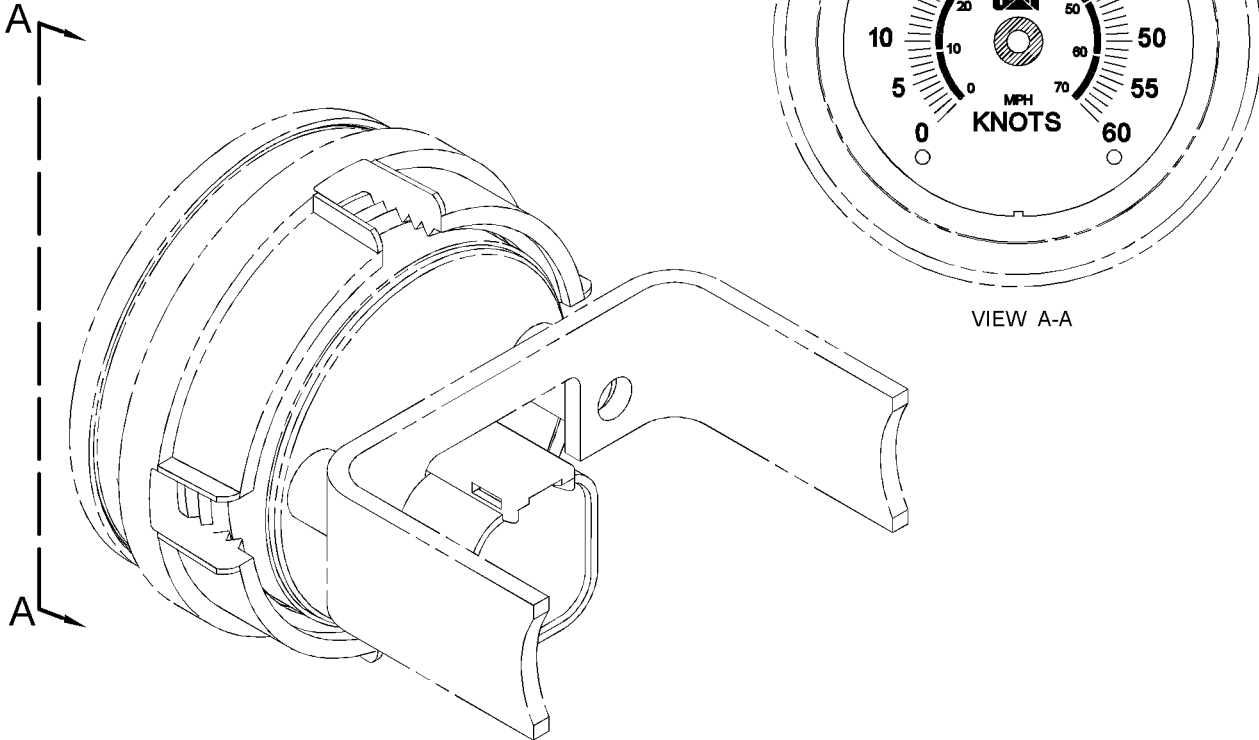
275-2102 SPEEDOMETER GP

0-KNOTS TO 60-KNOTS
AN ATTACHMENT

SMCS-7463

i04001344

NOTE	REF NO	GRAPHIC REF	PART NUMBER	QTY	PART NAME						SEE PAGE
					1	2	3	4	5	6 (PRODUCT LEVEL)	
(NO SERVICED PARTS)											



GRAPHIC #1

<END>

g02178695

OPERATOR STATION

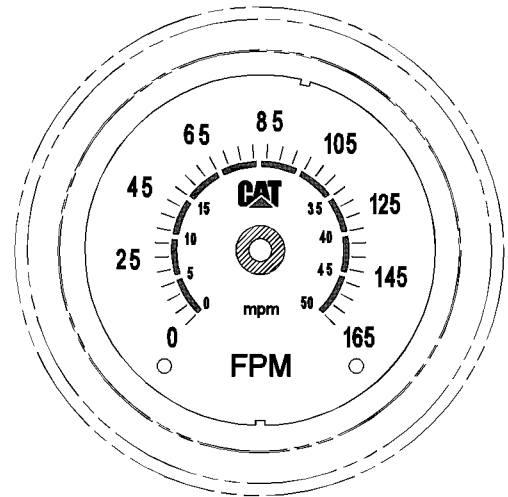
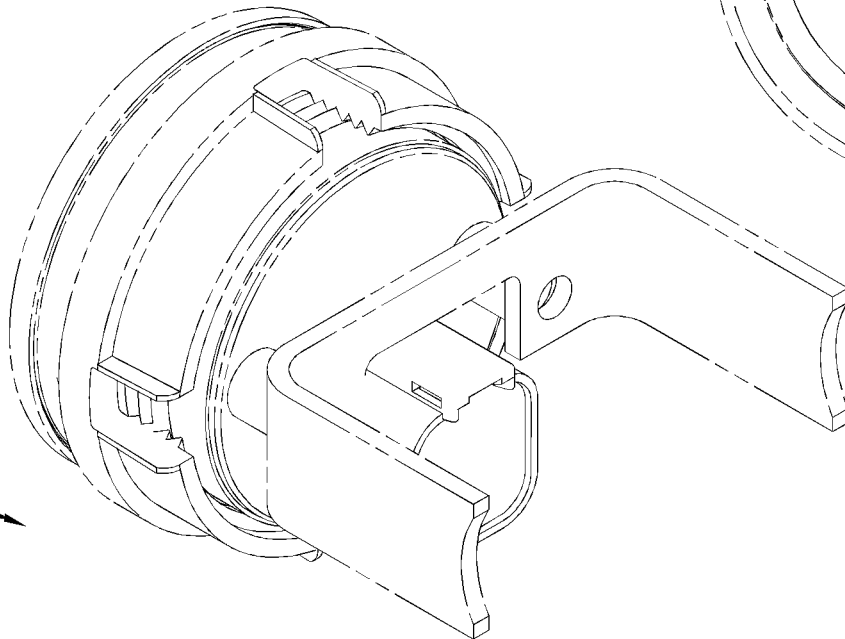
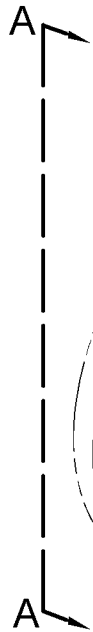
275-2116 SPEEDOMETER GP

0-165 FPM
AN ATTACHMENT

SMCS-7463

i04001446

NOTE	REF NO	GRAPHIC REF	PART NUMBER	QTY	PART NAME	SEE PAGE
					1 2 3 4 5 6 (PRODUCT LEVEL)	
(NO SERVICED PARTS)						



VIEW A-A

GRAPHIC #1

<END>

g02177376

OPERATOR STATION

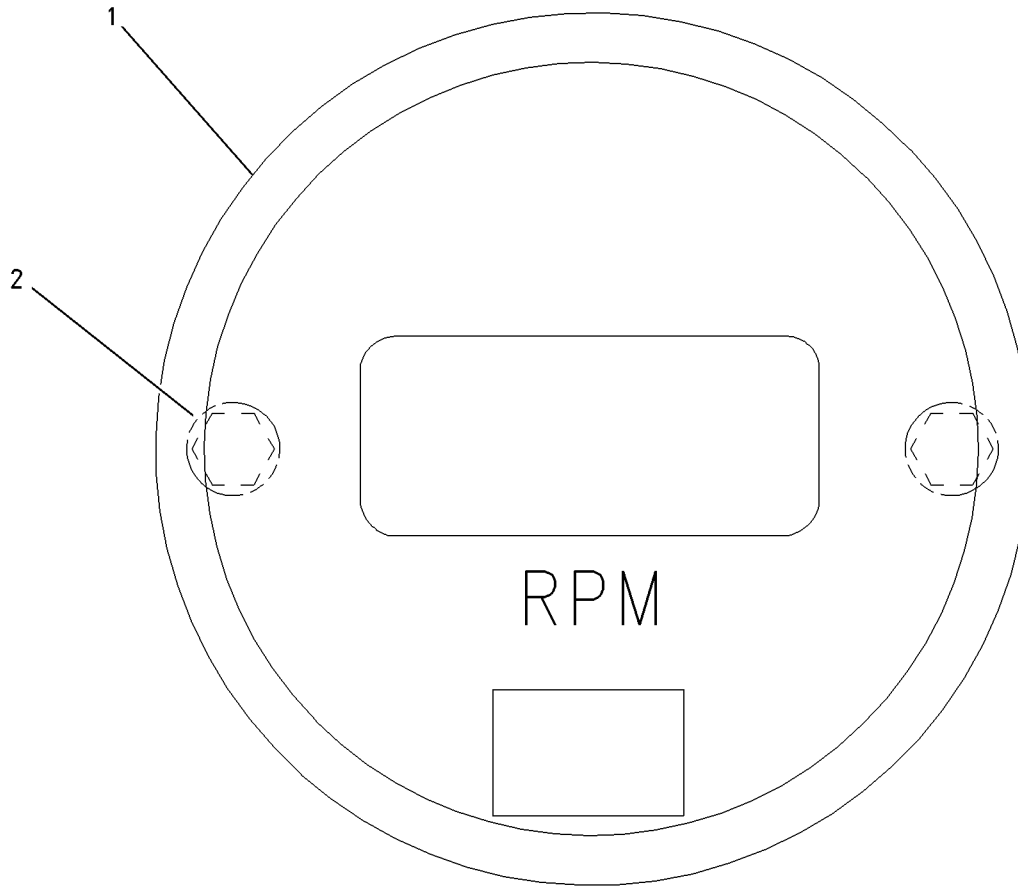
7C-1072 TACHOMETER GP-ELECTRIC

FOR USE WITH SAE NO. 1 FLYWHEEL HOUSING
AN ATTACHMENT

SMCS-7462

i02698784

NOTE	REF NO	GRAPHIC REF	PART NUMBER	QTY	PART NAME						SEE PAGE
					1	2	3	4	5	6 (PRODUCT LEVEL)	
	1	1	197-7348	1	TACHOMETER GP (ELECTRONIC)						
	2	1	6V-8377	2	NUT (8-32-THD)						
		1	9B-7233	2	LOCKWASHER						



GRAPHIC #1

<END>

g00780579

OPERATOR STATION

262-4919 TACHOMETER GP-ELECTRIC

0-RPM TO 4000-RPM

AN ATTACHMENT

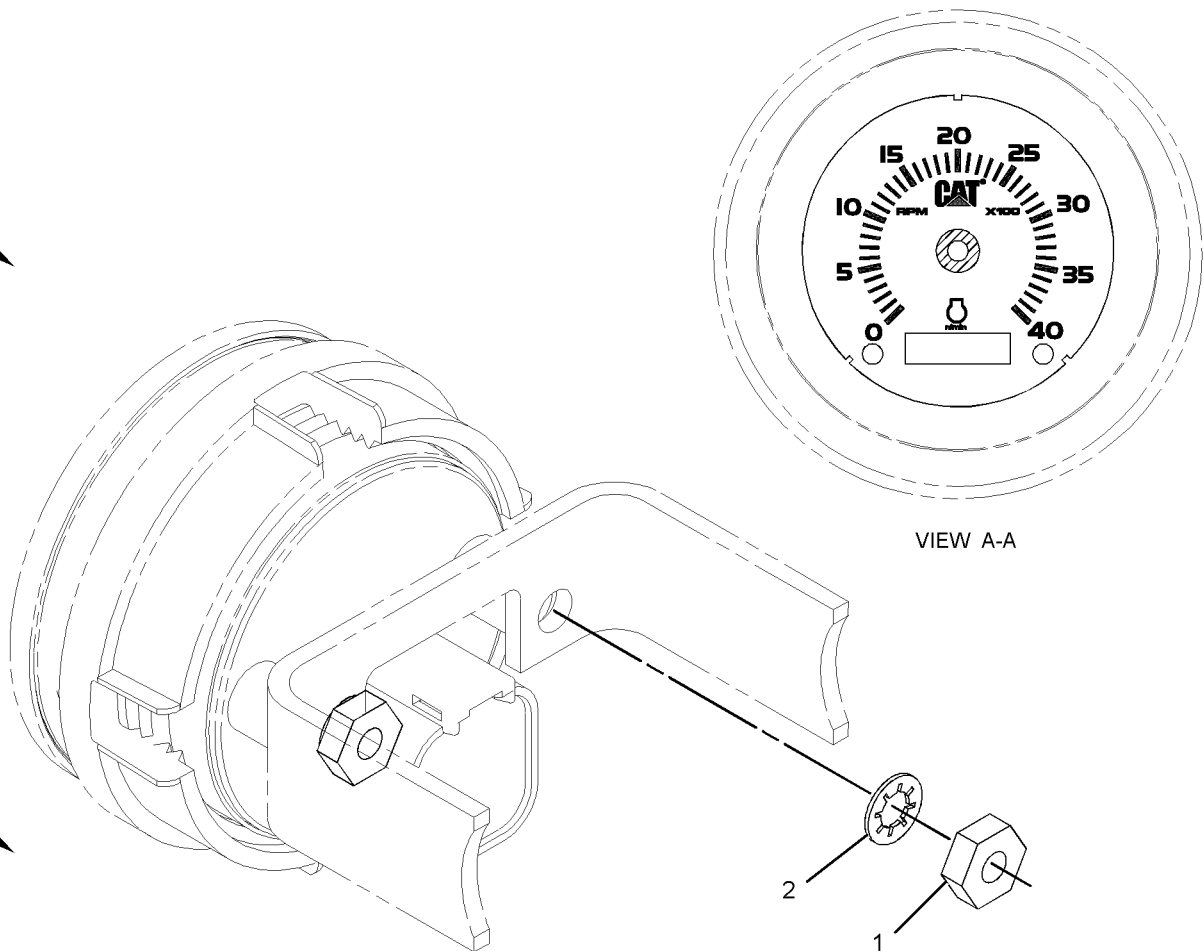
SMCS-7462

i02471741

NOTE	REF NO	GRAPHIC REF	PART NUMBER	QTY	PART NAME						SEE PAGE
					1	2	3	4	5	6 (PRODUCT LEVEL)	
	1	1	4B-2043	2	NUT (8-32-THD)						
	2	1	9B-7233	2	LOCKWASHER						

A

A



VIEW A-A

GRAPHIC #1

<END>

g01218135

OPERATOR STATION

275-2103 TACHOMETER GP-ELECTRIC

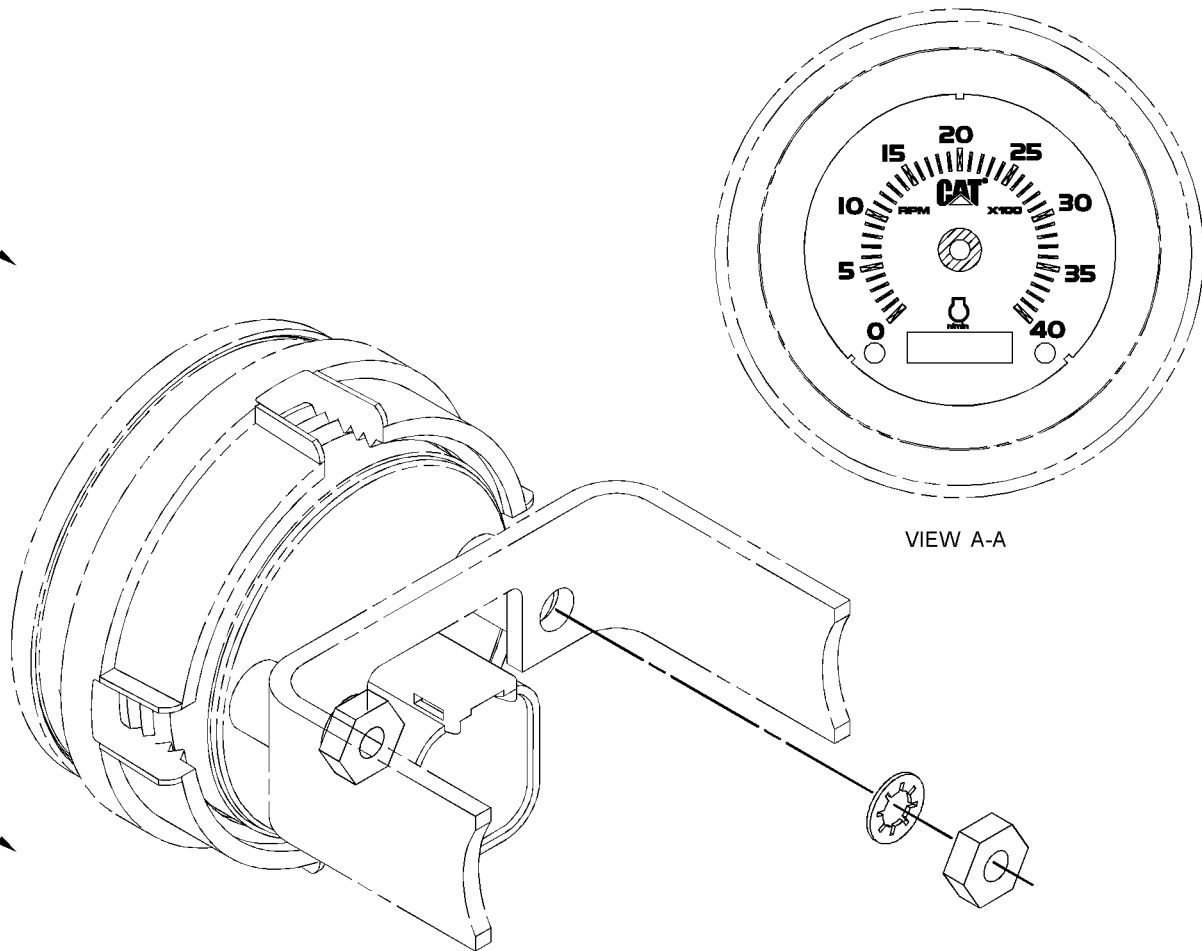
0-RPM TO 4000-RPM
AN ATTACHMENT

SMCS-7462

i04011871

NOTE	REF NO	GRAPHIC REF	PART NUMBER	QTY	PART NAME	SEE PAGE
					1 2 3 4 5 6 (PRODUCT LEVEL)	
(NO SERVICED PARTS)						

A
A



VIEW A-A

GRAPHIC #1

<END>

g02188236

OPERATOR STATION

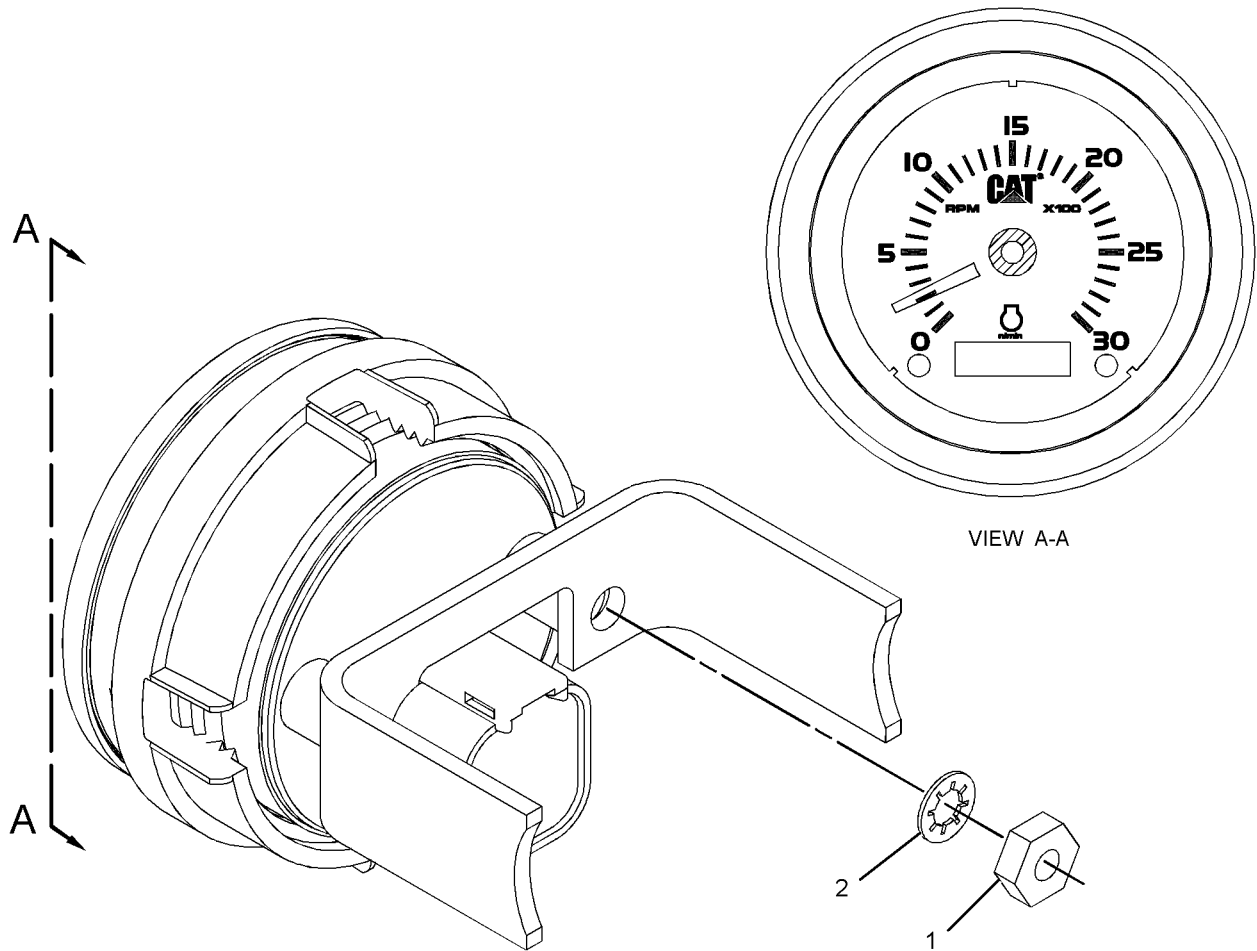
275-2104 TACHOMETER GP-ELECTRIC

0-RPM TO 3000-RPM
AN ATTACHMENT

SMCS-7462

i02583160

NOTE	REF NO	GRAPHIC REF	PART NUMBER	QTY	PART NAME						SEE PAGE
					1	2	3	4	5	6 (PRODUCT LEVEL)	
	1	1	4B-2043	2	NUT (8-32-THD)						
	2	1	9B-7233	2	LOCKWASHER						



GRAPHIC #1

<END>

g01293873

OPERATOR STATION

275-2105 TACHOMETER GP-ELECTRIC

0-RPM TO 3600-RPM

AN ATTACHMENT

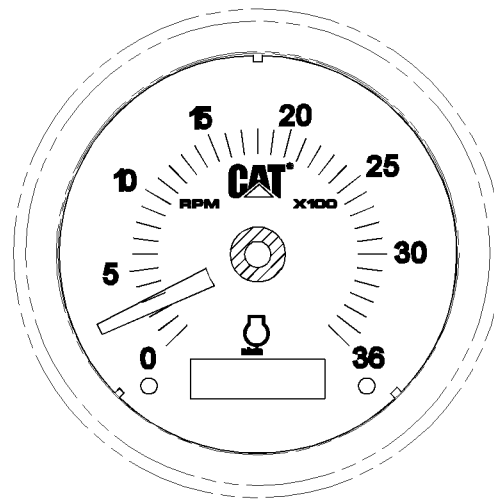
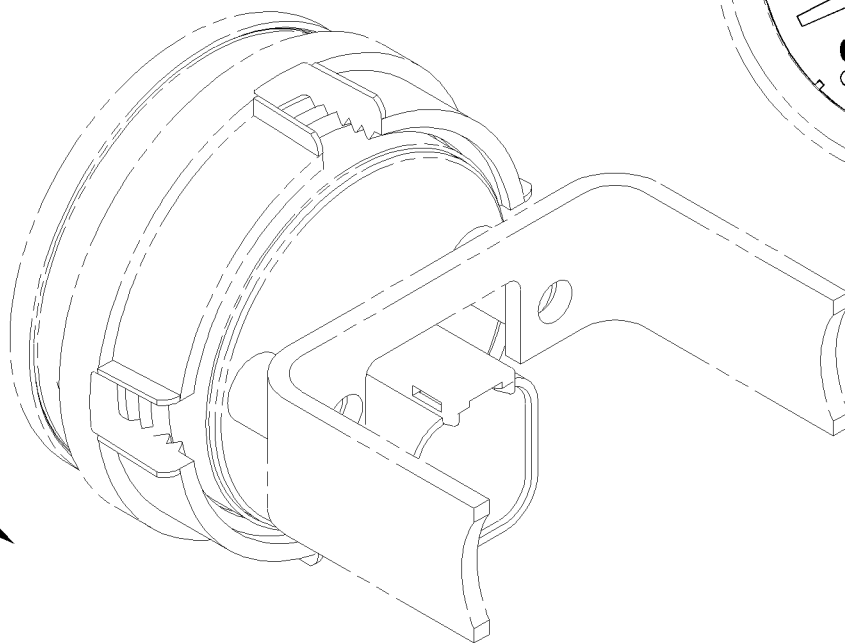
SMCS-7462

i04001343

NOTE	REF NO	GRAPHIC REF	PART NUMBER	QTY	PART NAME	SEE PAGE
					1 2 3 4 5 6 (PRODUCT LEVEL)	
(NO SERVICED PARTS)						

A

A



GRAPHIC #1

<END>

g02181916

OPERATOR STATION

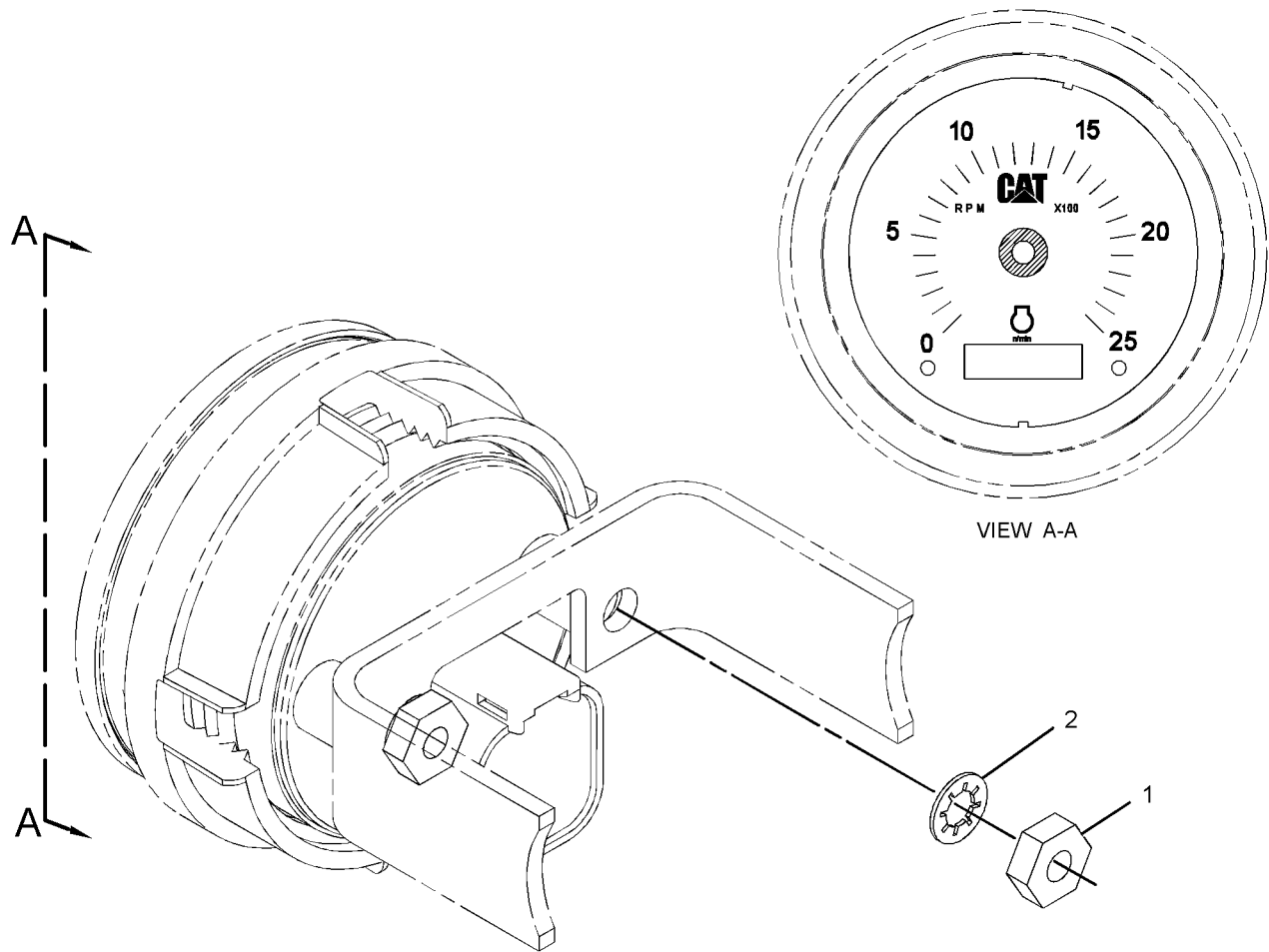
275-2118 TACHOMETER GP-ELECTRIC

0-RPM TO 2500-RPM
AN ATTACHMENT

SMCS-7462

i02437829

NOTE	REF NO	GRAPHIC REF	PART NUMBER	QTY	PART NAME						SEE PAGE
					1	2	3	4	5	6 (PRODUCT LEVEL)	
	1	1	4B-2043	2	NUT (8-32-THD)						
	2	1	9B-7233	2	LOCKWASHER						



GRAPHIC #1

<END>

g01219470

OPERATOR STATION

262-4923 VOLTMETER GP

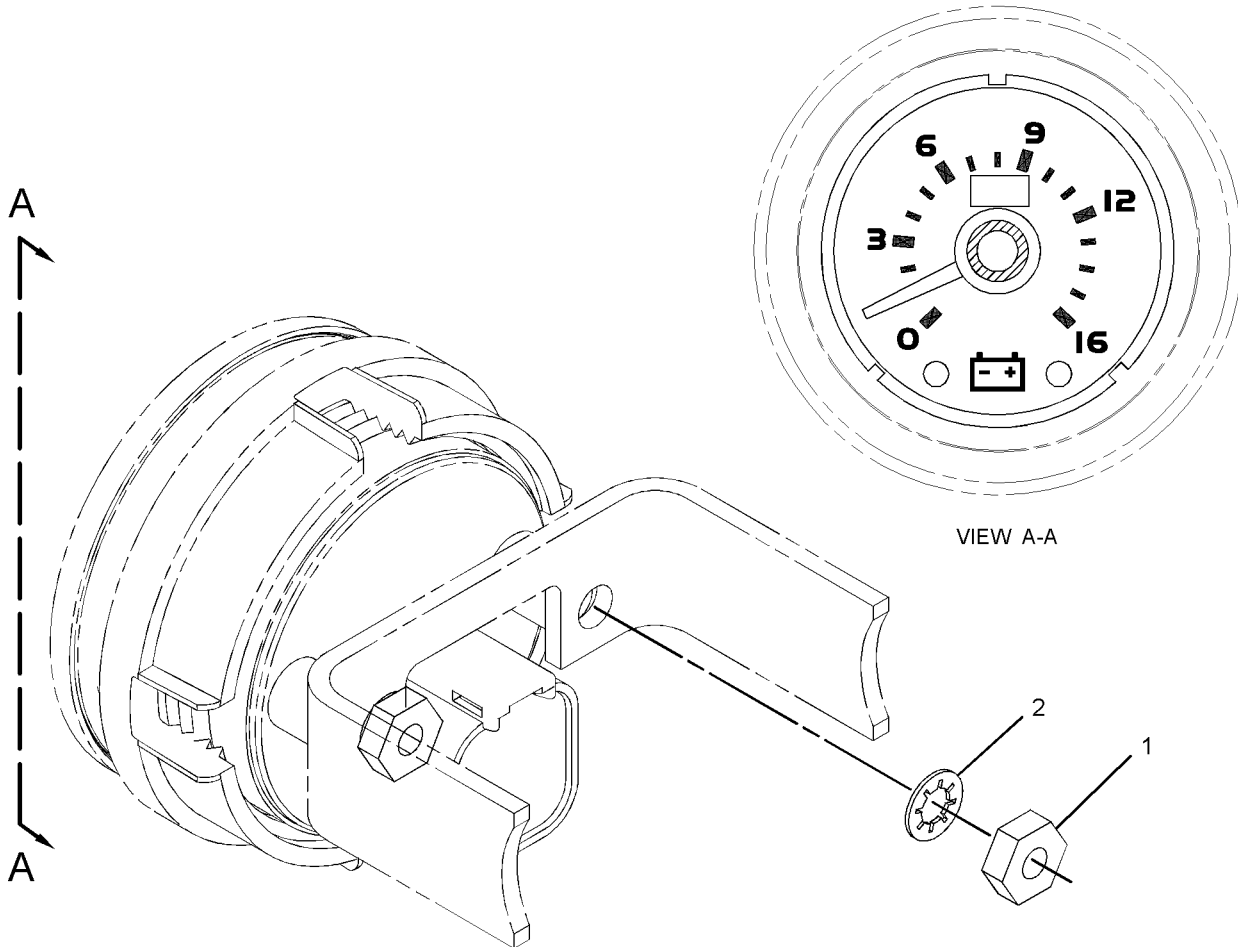
0-16-VOLT DC
AN ATTACHMENT

SMCS-7468, 7469

i03644702

NOTE	REF NO	GRAPHIC REF	PART NUMBER	QTY	PART NAME						SEE PAGE
					1	2	3	4	5	6 (PRODUCT LEVEL)	
	1	1	4B-2043	2	NUT (8-32-THD)						
	2	1	9B-7233	2	LOCKWASHER						
AF		1	6V-3507	1	SEAL-RECTANGULAR						
(SEAL SHOULD BE INSTALLED BETWEEN INDICATOR ASSEMBLY AND MOUNTING PANEL)											

A-NOT PART OF THIS GROUP
F-NOT SHOWN



GRAPHIC #1

<END>

g01218067

OPERATOR STATION

262-4924 VOLTMETER GP

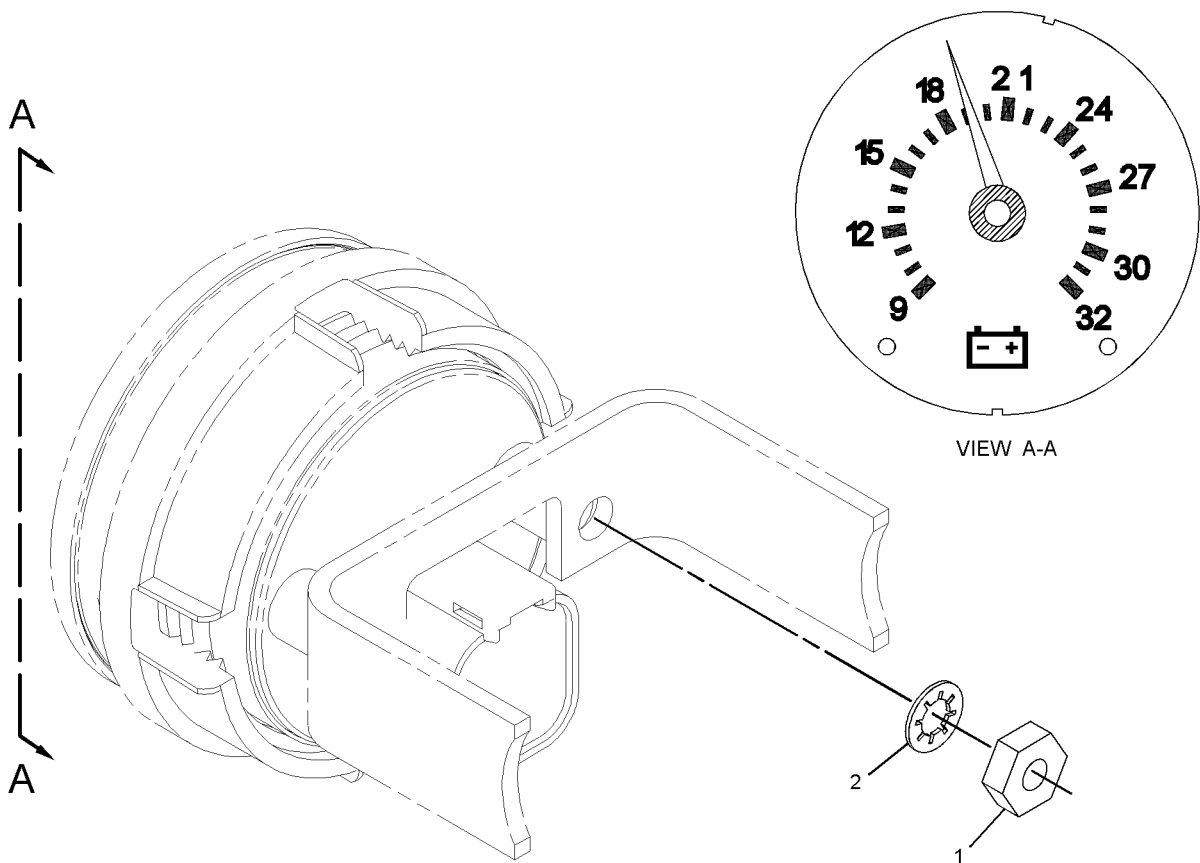
9-32-VOLT DC, 40.21-MM DIAL FACE
AN ATTACHMENT

SMCS-7468, 7469

i02881708

NOTE	REF NO	GRAPHIC REF	PART NUMBER	QTY	PART NAME						SEE PAGE
					1	2	3	4	5	6 (PRODUCT LEVEL)	
	1	1	4B-2043	2	NUT (8-32-THD)						
	2	1	9B-7233	2	LOCKWASHER						
AF		1	6V-3507	1	SEAL-RECTANGULAR (SEAL SHOULD BE INSTALLED BETWEEN INDICATOR ASSEMBLY AND MOUNTING PANEL)						

A-NOT PART OF THIS GROUP
F-NOT SHOWN



GRAPHIC #1

<END>

g01218096

OPERATOR STATION

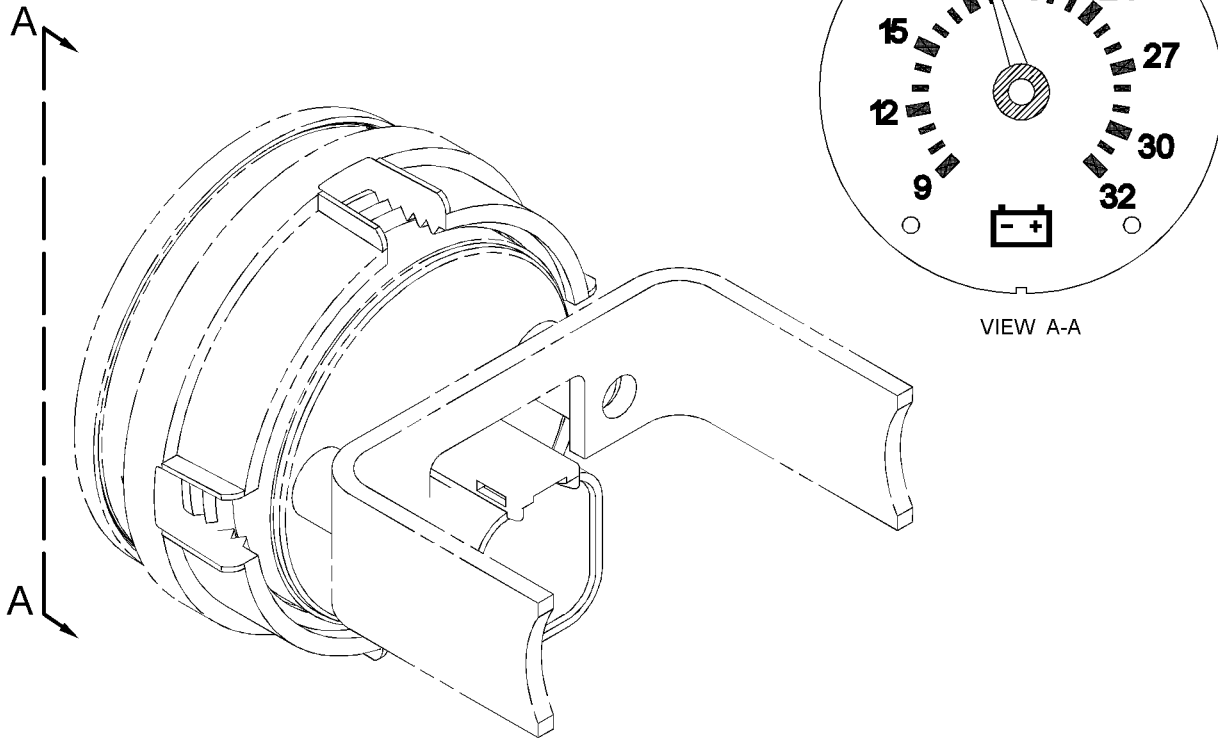
275-2110 VOLTMETER GP

9-32-VOLT DC
AN ATTACHMENT

SMCS-7468, 7469

i04001442

NOTE	REF NO	GRAPHIC REF	PART NUMBER	QTY	PART NAME	SEE PAGE
AF			6V-3507	1	SEAL-RECTANGULAR (SEAL SHOULD BE INSTALLED BETWEEN INDICATOR AS & MOUNTING PANEL)	
A-NOT PART OF THIS GROUP F-NOT SHOWN						



GRAPHIC #1

<END>

g02177357

OPERATOR STATION

275-2111 VOLTMETER GP

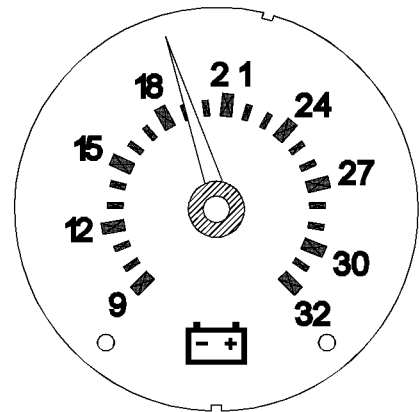
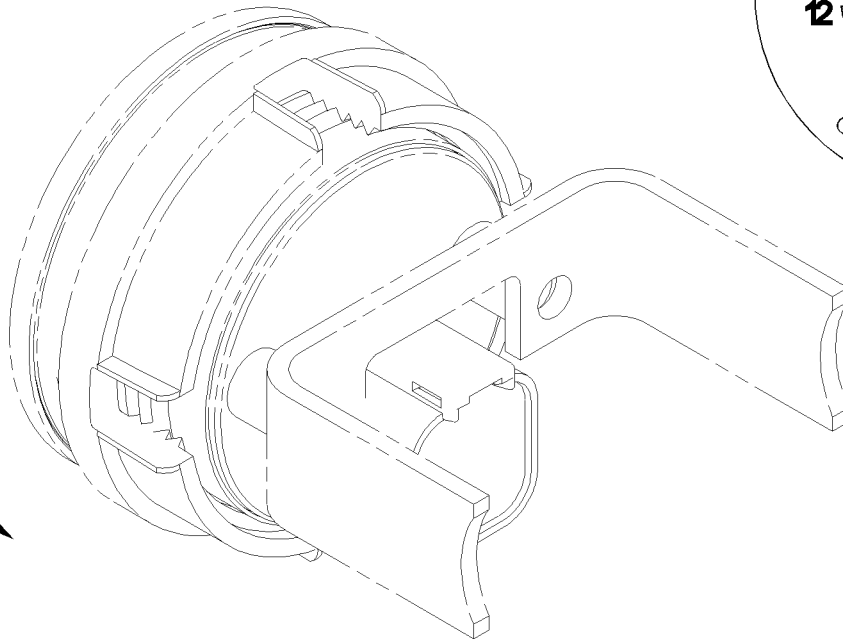
9-VOLT TO 32-VOLT
AN ATTACHMENT

SMCS-7468, 7469

i04001441

NOTE	REF NO	GRAPHIC REF	PART NUMBER	QTY	PART NAME						SEE PAGE
					1	2	3	4	5	6 (PRODUCT LEVEL)	
(NO SERVICED PARTS)											

A
A



VIEW A-A

GRAPHIC #1

<END>

g02177363

OPERATOR STATION

275-2112 VOLTMETER GP

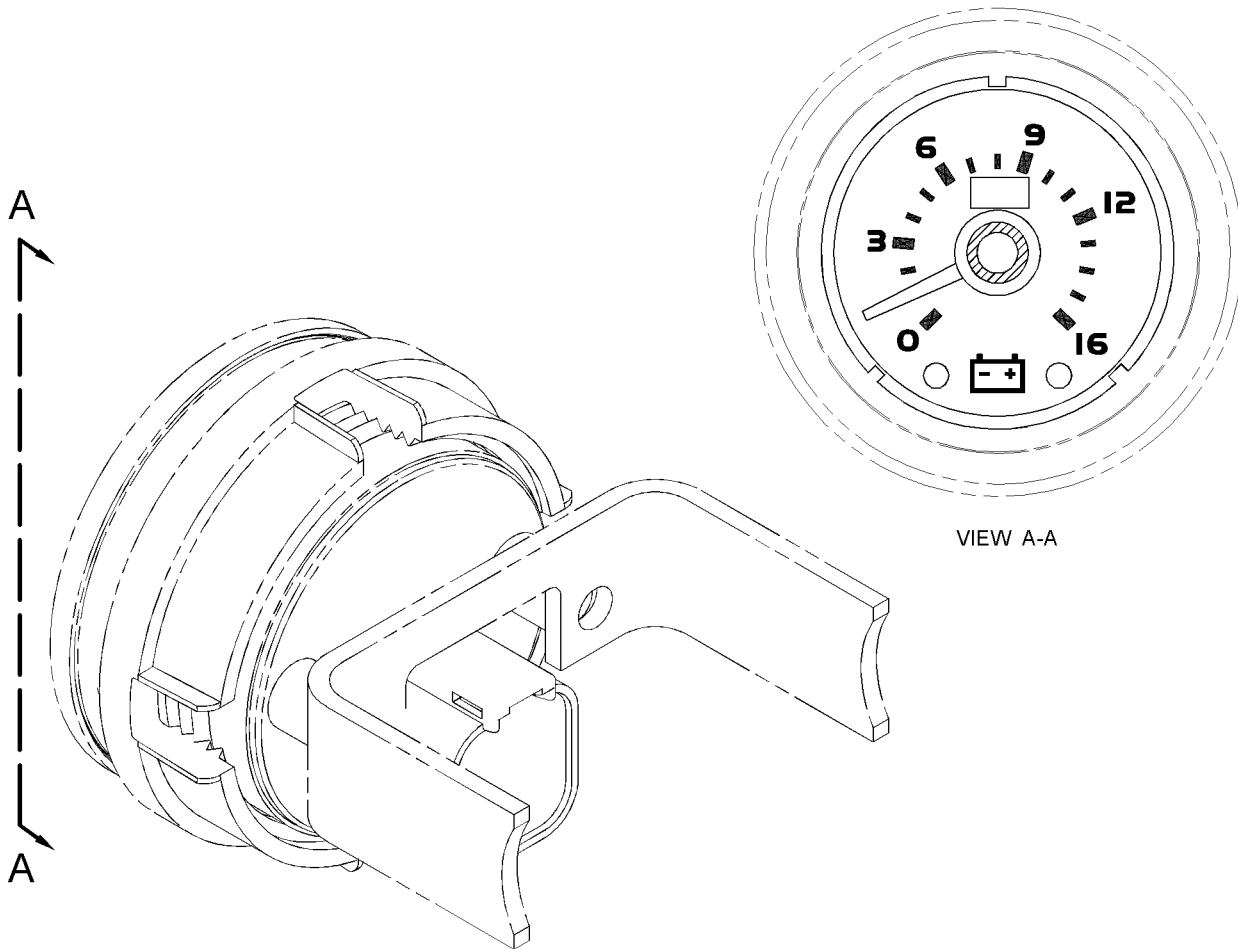
0-16-VOLTS DC
AN ATTACHMENT

SMCS-7468, 7469

i04001444

NOTE	REF NO	GRAPHIC REF	PART NUMBER	QTY	PART NAME	SEE PAGE
AF			6V-3507	1	SEAL-RECTANGULAR (SEAL SHOULD BE INSTALLED BETWEEN INDICATOR AS & MOUNTING PANEL)	

A-NOT PART OF THIS GROUP
F-NOT SHOWN



GRAPHIC #1

<END>

g02177374

SERVICE EQUIPMENT AND SUPPLIES

6L-4502 CHART-PLATE & FILM

SMCS-7557

i04048055

NOTE	PART NUMBER	QTY	PART NAME						SEE PAGE
			1	2	3	4	5	6 (PRODUCT LEVEL)	
	7E-8070	1	FILM (INFORMATION)						
			INSTALL ON LEFT HAND SIDE OF ENGINE ON 2ND FLAT SLANTED SURFACE FROM THE REAR OF ENGINE ON REAR VALVE COVER BASE.						
	8N-7043	1	FILM (OIL FILTER DUPLEX VALVE)						
	178-0480	1	FILM GP						
			RH SERVICE ENGINE, INSTALL ON TOP OF ENGINE OIL COOLER. LH SERVICE ENGINE, INSTALL ON LH SIDE OF VALVE MECHANISM BASE						
	8N-7044	1	FILM-DUPLEX VALVE (FUEL FILTER, RH)						
	8N-7045	1	FILM-DUPLEX VALVE (FUEL FILTER, LH)						
	8C-8902	2	FILM-IDENTIFICATION (ENGINE OIL FILTER)						
			INSTALL ON SPIN ON OIL FILTER						
	114-5988	1	FILM-IDENTIFICATION (FUEL FILTER)						
			INSTALL ON SPIN-ON FUEL FILTER						
	7E-2700	2	FILM-INFORMATION (LIFT EYE LOCATION)						
			INSTALL ON INSIDE SURFACE OF LIFTING EYES, JUST BELOW EYES.						
	224-8945	1	FILM-WARNING (DO NOT USE ETHER, U.S)						
	225-4256	1	FILM-WARNING (HOT FLUID UNDER PRESSURE, U.S.)						
	228-3581	1	FILM-WARNING (DO NOT OPERATE, READ OMM)						
	115-5852	2	PLATE & FILM GP (ENGINE INFORMATION)						
			RH SERVICE ENGINE, INSTALL ON TOP OF ENGINE OIL COOLER. LH SERVICE ENGINE, INSTALL ON LH SIDE OF VALVE MECHANISM BASE						
	300-0572	1	PLATE-IDENTIFICATION (CAT C18 ACERT)						
	7E-2681	1	PLATE-IDENTIFICATION (CATERPILLAR)						
			INSTALL IN CENTER OF FRONT VALVE COVER						
	3N-3790	1	PLATE-SERIAL NUMBER (ENGINE)						
	8L-8413	2	STRAP-CABLE						
			INSTALL PRESTART TAG						
	3N-3469	1	TAG-INSTRUCTION (ENGINE PRESTART)						
			INSTALL ON RH OR LH SIDE ENGINE IN A VISIBLE LOCATION. DO NOT INSTALL ON FRONT OR REAR OF ENGINE OR COMPONENT.						
<END>									

SERVICE EQUIPMENT AND SUPPLIES

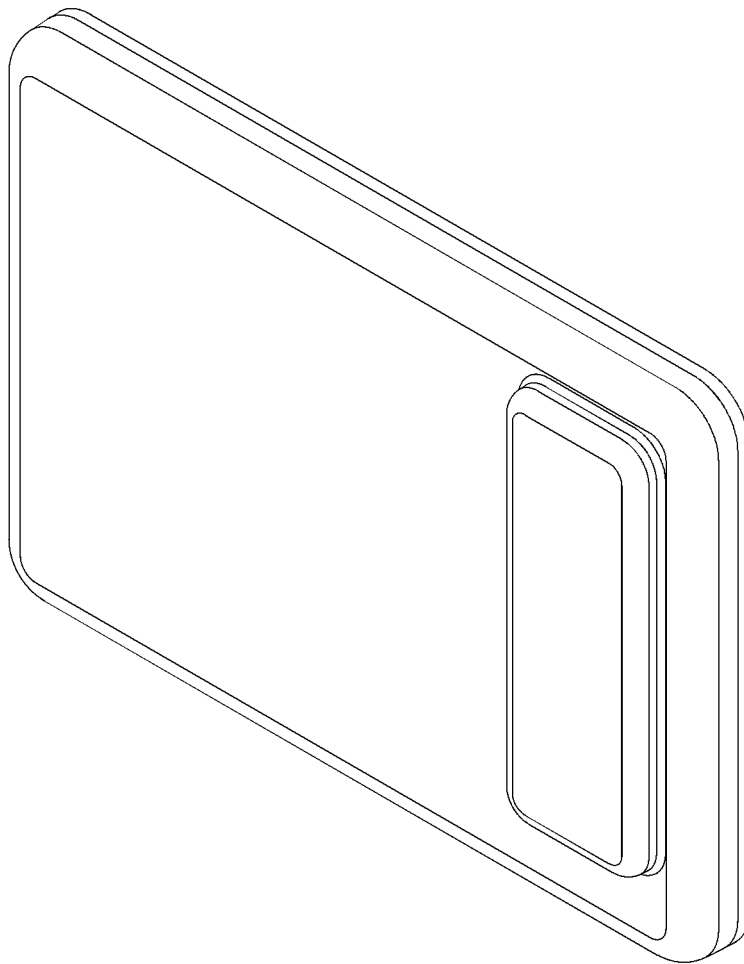
308-9441 COVER-PROTECTION

AN ATTACHMENT

SMCS-795C

i03581347

NOTE	REF NO	GRAPHIC REF	PART NUMBER	QTY	PART NAME						SEE PAGE
					1	2	3	4	5	6 (PRODUCT LEVEL)	
(NO SERVICED PARTS)											



GRAPHIC #1

<END>

g01911676

SERVICE EQUIPMENT AND SUPPLIES

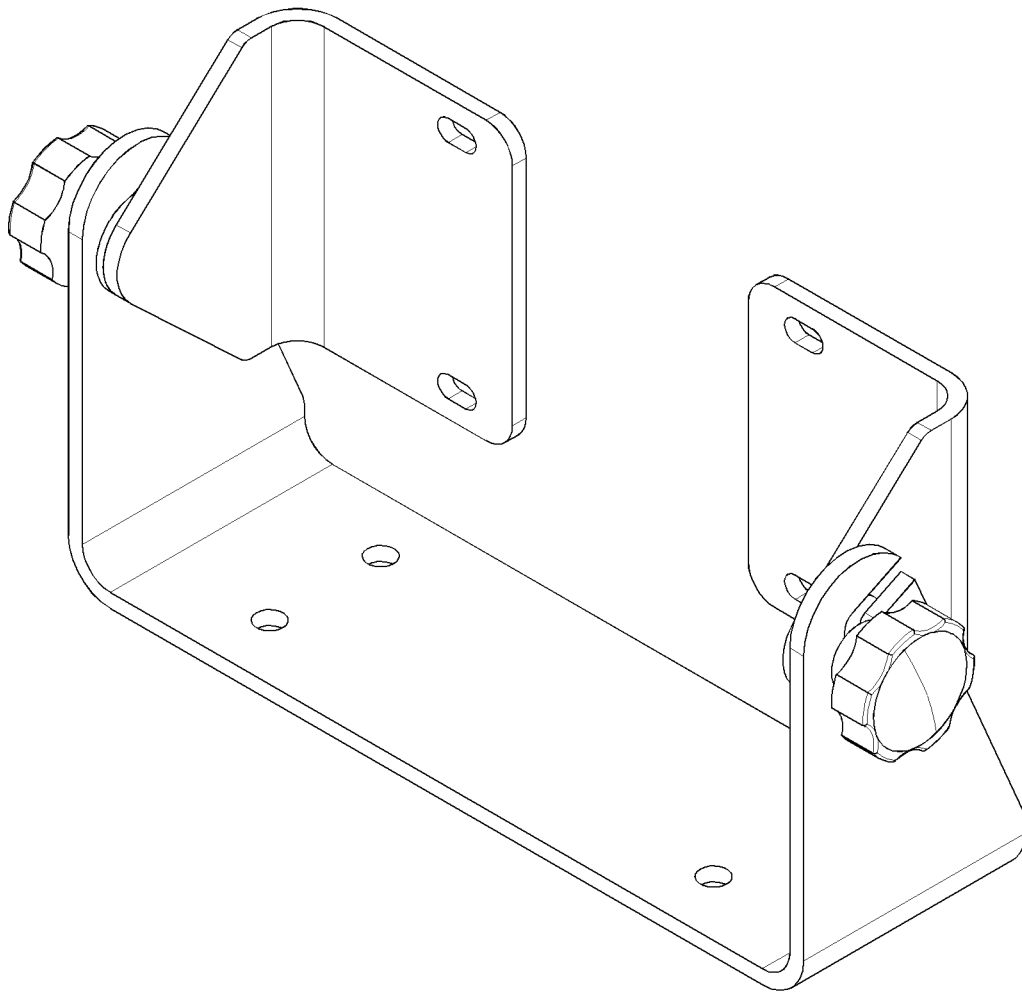
308-1508 KIT-CONTROL PANEL INSTALLATION

ABOVE DASH
AN ATTACHMENT

SMCS-7451

i03253685

NOTE	REF NO	GRAPHIC REF	PART NUMBER	QTY	PART NAME						SEE PAGE
					1	2	3	4	5	6 (PRODUCT LEVEL)	
(NO SERVICED PARTS)											



GRAPHIC #1

<END>

g01658014

SERVICE EQUIPMENT AND SUPPLIES

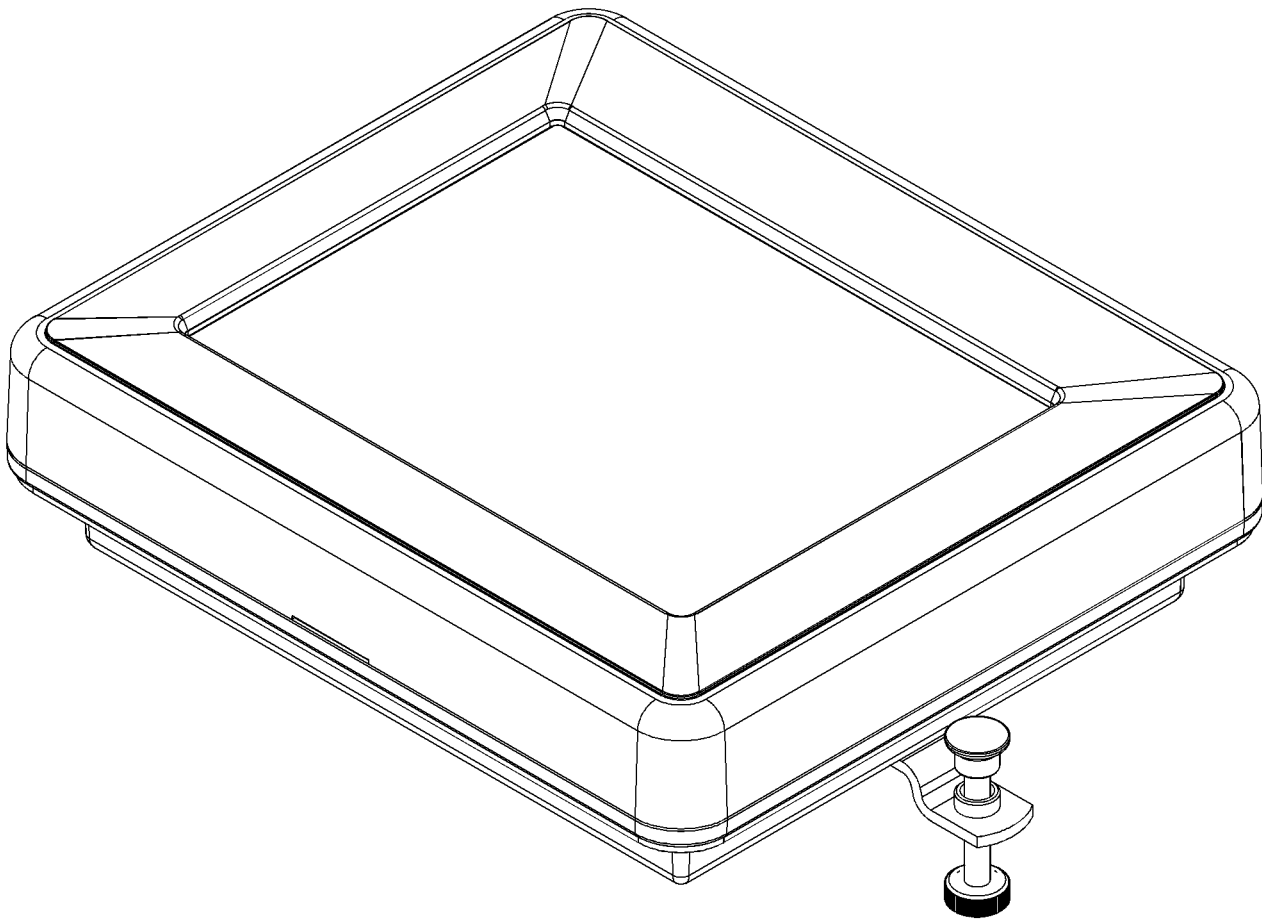
326-2814 SERVICE GP-MONITOR

AN ATTACHMENT

SMCS-7610

i03438142

NOTE	REF NO	GRAPHIC REF	PART NUMBER	QTY	PART NAME						SEE PAGE
					1	2	3	4	5	6 (PRODUCT LEVEL)	
(NO SERVICED PARTS)											



GRAPHIC #1

<END>

g01789233

SERVICE EQUIPMENT AND SUPPLIES

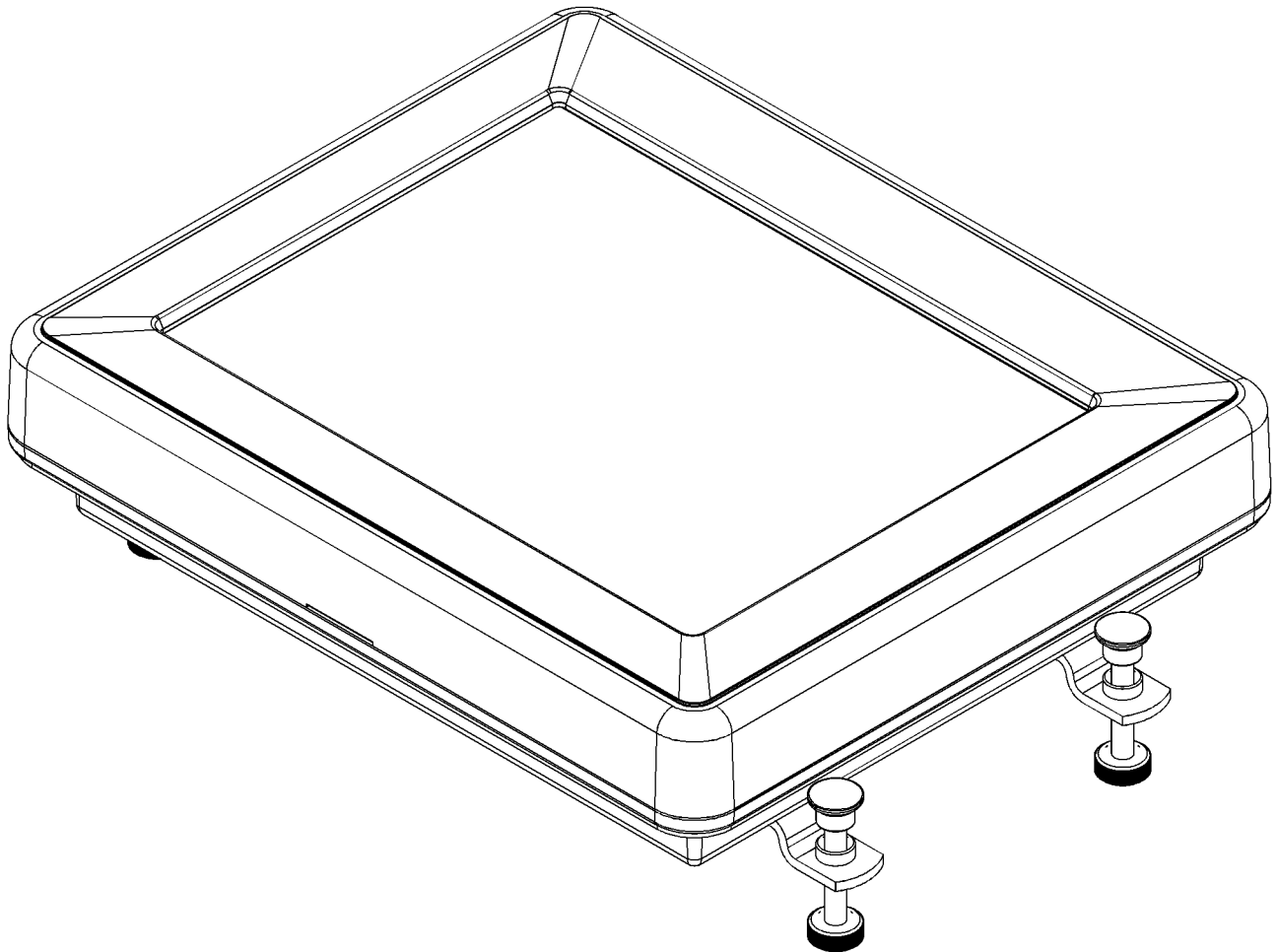
326-2816 SERVICE GP-MONITOR

AN ATTACHMENT

SMCS-7610

i03438165

NOTE	REF NO	GRAPHIC REF	PART NUMBER	QTY	PART NAME	SEE PAGE
					1 2 3 4 5 6 (PRODUCT LEVEL)	
(NO SERVICED PARTS)						



GRAPHIC #1

<END>

g01789253

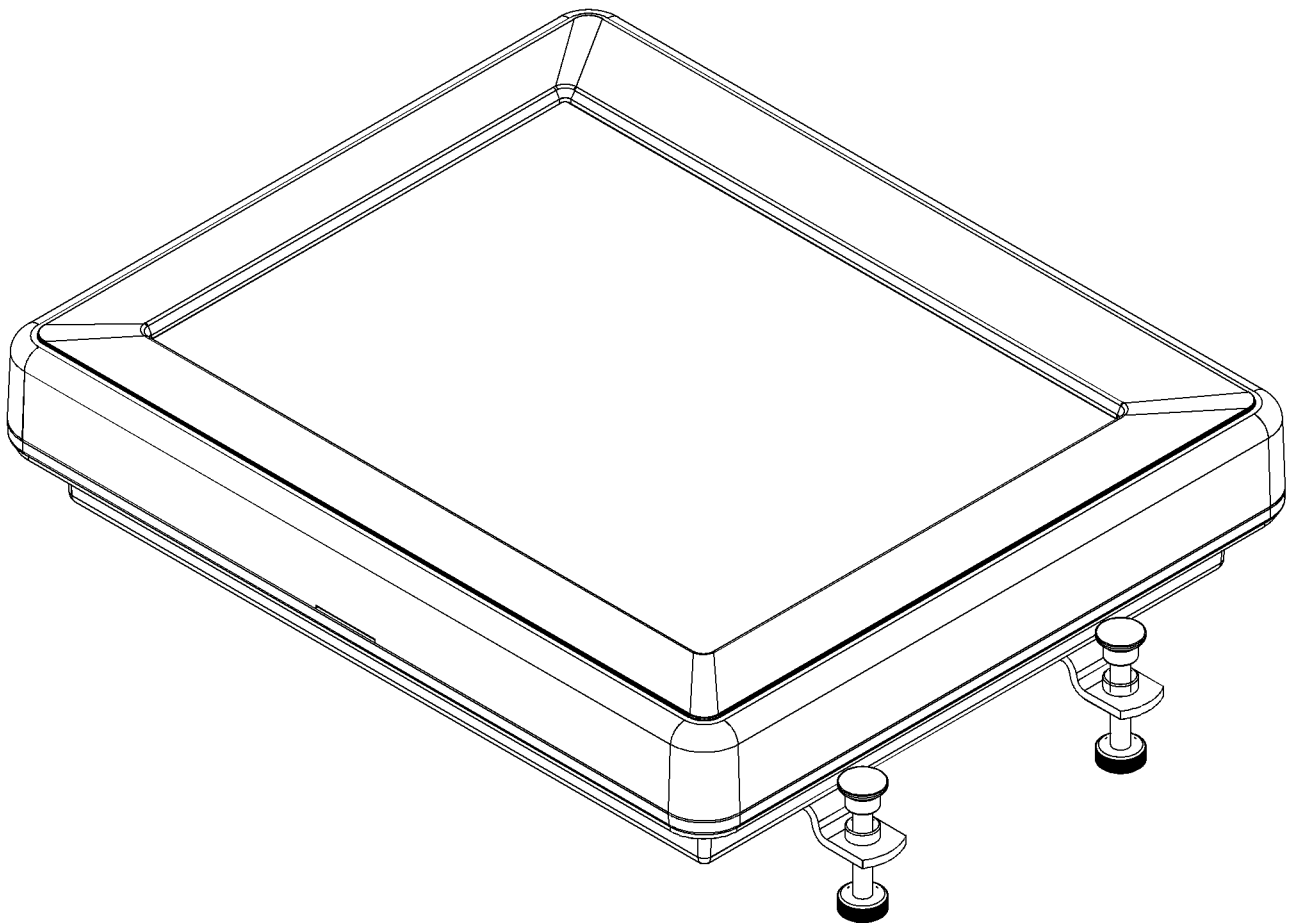
SERVICE EQUIPMENT AND SUPPLIES

326-2817 SERVICE GP-MONITOR AN ATTACHMENT

SMCS-7610

i03439065

NOTE	REF NO	GRAPHIC REF	PART NUMBER	QTY	PART NAME	SEE PAGE
					1 2 3 4 5 6 (PRODUCT LEVEL)	
(NO SERVICED PARTS)						



GRAPHIC #1

<END>

g01789254

PART NUMBER INDEX

Part	Page	Part	Page	Part	Page	Part	Page
0							
			848		205	OS-1589	109
			853		208		110
OL-0639	100		857		250	OS-1590	139
OL-0765	286		862		251		248
	288		866		253		253
	311		868		257		271
	313		872		262		277
	316		875		267		299
	320		880		271		505
	323		884		276		509
OL-1024	551		887		281		582
	554		894		286		586
	556		898		288		590
	558		904		291		593
	560		985		292		595
	561	OS-0699	659		294		599
OL-1143	235		660		299		604
	248		661		304		608
OL-1351	142	OS-1566	235		309		613
	203	OS-1571	159		311		616
	205		160		313		620
	208		191		316		624
	333		192		320		628
	334		194		323		632
	336		195		327		636
	337		244		328		641
	338		253		371		647
	340		257		399		651
	341		262		405	OS-1591	102
	342		267		412		194
	343		271		424		195
	604		276		428		203
	608		281		432		205
	613		286		437		208
	616		288		438		235
	620		299		473		244
	624		304		475		257
	628		311		477		267
	887		313		536		277
	898		316		537		304
OL-1352	473		320		539		343
	475		323		541		370
	477		346		542		371
OL-2070	178		388		573		373
	180		394		582		377
	203		399		586		381
	205		481		613		385
	347		483		616		388
	349		486		620		392
	388		488		636		394
	394		493		771		399
	613		495		800		405
OS-0509	187		499		848		412
	188		501		853		424
	189		573		862		428
	203	OS-1585	163		866		432
	412		164		868		468
	428		412		872		481
	493		428		880		483
	595	OS-1587	102		884		486
	604	OS-1588	140		887		488
	613		141		894		493
	620		178		898		495
	767		180		904		497
	768		182		988		505

PART NUMBER INDEX

Part	Page	Part	Page	Part	Page	Part	Page
	509		593		428		394
	568		595		432		399
	583		599		505		424
	587		604		509		428
	590		608		582		432
	593		613		586		582
	595		616		590		586
	599		620		593		609
	604		624		595		613
	608		628		599		616
	616		632		604		620
	620		636		608		624
	624		641		613		628
	628		647		616		848
	632		651		620		853
	848		800		624		862
	853		857		628		866
	862		880		632		868
	866		884		636		872
	868		887		641		880
	872		894		647		884
OS-1594	102		898		651		887
	104		904	OT-0102	522		894
	105	OS-1595	183		599		898
	106		505		805		904
	107		509		808	1A-5964	191
	108	OS-1597	821		809		192
	111		830		848	1A-9579	374
	140		834		853		375
	148		838		880	1B-2790	412
	182	OS-1601	144		884		428
	184		155		887	1B-3867	95
	254		157		904	1B-4367	194
	262	OS-1608	536		984		481
	267		537	OT-0320	846		483
	271		539	OT-0573	549		495
	281		541			1B-5174	231
	299		542			1B-5357	527
	311	OS-1614	376	1			529
	313	OS-1615	403				530
	320		428	1A-1135	468	1B-5358	526
	358		432		528		528
	369	OS-1617	332	1A-1460	377	1B-7182	468
	371		335		381		582
	399		339		385		586
	405		768		388		590
	411		857		392		593
	412	OS-1619	108		394		595
	424		111	1A-2029	111		599
	428		291		143		604
	432		292		198		608
	495		294		202		613
	505		309		203		616
	509		327		205		620
	517		328		207		624
	518		346		208		628
	523	OT-0055	146		267		632
	524		178		282		636
	532		180		343		641
	533		399		345		647
	535		412		346		651
	549		428		347	1B-7538	200
	582		432		348	1B-8704	253
	586	OT-0065	399		349		258
	590		412		388		262

PART NUMBER INDEX

Part	Page	Part	Page	Part	Page	Part	Page
	266		509	1L-9066	846		305
	271	1H-1023	834	1L-9067	846		309
	276		838	1L-9068	846		313
	281	1H-2629	819	1L-9069	846		316
	296		834	1M-0644	352		320
	299		838		353		323
	305	1H-3244	674	1M-6119	688	1S-4589	187
1B-8705	160		677		689		188
1B-9575	453		680		691		189
	454		682	1M-6120	688	1S-7446	834
1C-0569	549		684		689		838
1C-2251	473		700		691	1S-9540	126
	475		701	1M-9968	835		128
	477	1H-3338	707		839	1T-0720	769
	616		709	1M-9971	834		770
1D-4616	198		843		838	1T-0765	659
	200	1H-4393	707	1N-3583	570		660
	243		709	1N-3810	333		661
1D-4706	286		711		336	1T-0808	834
	288		713	1N-7513	102		838
	320		716	1P-0436	582	1V-1984	599
	323		719		586		624
	369		726		590		628
	371		728		593		647
1F-0750	163		730		595		651
	164	1H-5514	263		599	1W-4845	187
	203		282		604	1W-4846	187
	208	1H-8647	95		608		188
	262	1H-9569	846		613	1W-6448	848
	281	1H-9572	846		616		852
	412	1H-9580	846		620		862
	428	1J-0921	192		624		865
	495	1J-8668	187		628		868
	509	1K-2673	102		632		871
	511	1K-2811	100		636	1W-7238	352
	516	1K-3621	100		641		353
1F-7854	330	1K-5845	271		647	1W-7239	352
	481		311		651		353
	483		313	1P-1367	286	1W-8914	917
	486		320		288	1W-9070	549
	488	1K-6937	423		291	1W-9113	202
	493	1K-7945	198		320		207
	495	1L-3769	570		323		208
	497	1L-4775	368	1P-4278	470		
	499	1L-5011	▶846	1P-4693	102		
	501	1L-6561	254	1P-7009	590		
	503		258		593		
	505		263		599	2A-0047	987
	507		267	1P-7346	160	2A-1162	168
	509		272	1R-0716	309		170
	511		277		311		172
1F-7958	136		282	1R-0749	572		174
	137		296		573		176
	138		300	1R-1808	253		177
	149		305		258		233
	399	1L-6931	102		263		234
	412	1L-8497	368		266	2A-1314	354
	428	1L-9048	846		271		355
	453	1L-9049	846		276	2A-2677	254
	454	1L-9059	846		281		277
	456	1L-9060	846		286		300
	459	1L-9061	846		288		316
	460	1L-9062	846		292		323
	461	1L-9063	846		296	2A-2814	198
	505	1L-9064	846		299	2A-4429	132

PART NUMBER INDEX

Part	Page	Part	Page	Part	Page	Part	Page
2A-4639	267		877	2N-0931	399		281
	345	2L-3605	549		412		286
	346	2L-6243	333		428		288
	347		336		432		296
	348		337	2N-1287	102		299
	349	2L-6267	100		254		305
	412	2L-6679	834		258		311
	428		838		263		313
	497	2L-8066	877		282		316
	503	2L-8067	877		296		320
	505	2L-8068	718		300		323
	507	2L-8071	877		305	2P-3761	253
	509	2L-8075	674	2N-2371	707		257
	511		677		709		262
2B-2695	112	2L-8079	751		711		266
	249	2L-8228	358		713		271
	252	2L-8259	100		716		276
	493	2L-8262	100		718		281
	495	2M-1395	399		726		286
	509		412		728		288
	620		428		730		296
2D-6392	834		432	2N-2372	707		299
	838	2M-1538	180		716		304
2D-6642	573		254		728		311
2D-8155	136		258	2N-2766	525		313
	137		263		536		316
2D-9454	102		267		537		320
2F-6678	835		272		539		323
	839		277		541	2P-4301	253
2H-3429	570		282		542		257
	834		296		552		262
	838		300		553		266
2H-3755	609		305		555		271
	774	2M-4453	573		557		276
	800	2M-9780	230		559		281
	848		344	2N-3323	481		286
	853		531		486		288
	862		573	2N-3955	452		296
	866	2N-0178	253	2N-3960	452		299
	868		257	2N-5848	253		304
	872		262		257		311
	880		266		262		313
	894		271		266		316
	905		276		271		320
2H-3786	196		281		276		323
2H-3922	549		296		281	2P-4304	253
2H-3940	356		299		296		257
	357		304		299		262
	358	2N-0179	253		304		266
2H-6488	242		257	2N-9768	472		271
	243		262	2P-2772	108		276
2J-0157	570		266		111		281
2J-3118	160		271	2P-3205	202		286
2J-3506	198		276		203		288
	200		281		205		291
	243		296		207		292
2J-8163	834		299		208		294
	838		304		352		296
2K-0337	457	2N-0475	407		353		299
2K-4821	674		412	2P-3760	253		304
	677		426		258		309
2K-8467	573		427		262		311
2L-0273	857		428		266		313
	859		432		271		316
	875		435		276		320

PART NUMBER INDEX

Part	Page	Part	Page	Part	Page	Part	Page
	323		651	3B-1915	102	3E-7428	379
	327	2T-2305	254		200		383
	328		258		254		390
2P-4305	253		263		258		396
	257		282		263		412
	262		296		272		428
	266		300		288		453
	271		305		300		454
	276	2V-7087	707		305		456
	281		709		377		459
	286		711		381		460
	288		713		388		461
	296		716		394	3E-7430	412
	299		718		497		428
	304		726		505	3E-7771	835
	311		728		509		839
	313		730	3B-4504	376	3E-7775	823
	316	2V-7088	707	3B-4505	716		825
	320		709		719		827
	323		711	3B-6552	483		830
2P-5616	674		713		488	3E-7853	832
	677		716		497	3E-8044	178
2R-1005	388		718		811		180
	394		726	3B-6556	811	3E-8557	735
2R-6806	575		728	3B-7263	811		739
	582		730	3B-8489	102		740
	586	2V-7397	688	3D-0472	138		741
	590		689	3D-2824	225		742
	593		691		296		750
	595	2W-0629	811		297		755
	599	2W-0765	156		399	3E-9854	457
2S-2760	352		158		417		463
2S-3992	573	2W-3681	253		418		465
2S-4078	267		257		419	3F-0379	823
	272		262		424		825
	277		266		428		827
	282		271		432	3F-4394	▶376
	311		276	3D-7814	877		467
	313		281	3E-2332	620	3F-9190	253
	316		296		625		257
	320		299		629		262
	323		304		641		266
	329	2W-4073	▶543		648		271
	463		▶544		651		276
	465	2W-4338	354	3E-3368	913		281
2S-7905	352		355	3E-3371	791		296
	353		358		802		299
2T-1397	253	2W-7847	▶526	3E-3377	711		304
	257	2W-7848	▶527		726	3F-9556	726
	271	2W-7851	▶528		728		844
	276	2W-7852	▶529		730		845
	299	2W-7853	529	3E-4352	437	3G-4005	582
	304	2W-7863	▶530		438		586
	595	2W-7864	530		505		590
	604	2W-7865	530		637		593
	608	2Y-3812	595	3E-4367	735		595
	613		603		739		599
	616				740		604
	620				741		608
	624				742		613
	628				750		616
	632	3B-0551	208		755		620
	636	3B-0623	102	3E-5451	680		625
	641		130	3E-6772	133		629
	647	3B-0645	130		135		632

PART NUMBER INDEX

Part	Page	Part	Page	Part	Page	Part	Page
	636		756		862		808
	641		757		866		811
	648		758		869		848
	652		761		872		852
3G-8856	145		762		880		862
	156		763		894		865
	158	3K-8106	732		905		868
3H-5844	473	3K-9520	707	3P-0653	813		871
	475		709	3P-0654	473		880
	477		711		475		884
3H-6591	379		713		477		887
	383		716	3P-0655	412		890
	390		719		428		894
	396		726	3P-0656	254		898
3H-6622	377		728		258		900
	381		730		263		904
	385	3L-3380	834		267		908
	392		838		272		984
	519	3L-6789	457		277		988
	520	3L-8049	102		282	3S-9643	379
3J-1907	272	3N-2704	189		296		383
	277		192		300		390
	399	3N-3017	526		305		396
	424	3N-3469	1015	3P-0657	412		399
	428	3N-3763	835		428		412
	432		838		473		428
	578	3N-3790	1015		475		432
	582	3N-4579	253		477	3T-3418	834
	586		257	3P-1155	848		838
	595		271		853	3T-3422	819
	603		276		862		821
	620		299		866		823
	624		304		869		825
	628	3N-4622	262		872		827
	771		281	3P-1323	123		830
3J-5389	517		296	3P-9847	411		832
	518	3N-4828	356	3R-2437	223		834
	522		357	3R-6789	369		838
	523	3N-5716	707		371	3T-3423	834
	532		709	3R-8530	194		835
	533		711		481		838
	535		713		483		839
3J-5390	573		716	3R-8797	819	3T-3424	834
3J-7354	267		718		821		835
	268		726		830		838
	272		728		832		839
	277		730		834	3T-3434	819
	399	3N-6059	138		838		821
	424	3N-7848	549	3R-8801	835		823
	573	3N-7952	100		839		825
3K-0360	390	3N-7953	100	3S-2093	147		827
	396	3N-7954	100		200		830
	399	3N-7955	100		316		832
	424	3N-8468	453		599		834
	428		454		624		838
	432		456		628	3T-4684	877
	454		459		647	3T-4690	877
	456		460		756	3T-4709	834
	460		461		757		838
	461	3N-8473	198		758	3T-4710	834
	624	3N-9540	136		761		838
	628		137		762	3T-6354	674
	647		138		763		677
	651	3P-0647	848		800		682
	733		853		805		684

PART NUMBER INDEX

Part	Page	Part	Page	Part	Page	Part	Page
3T-9494	834	4B-3388	505		590		316
	835		637		593		323
	838	4B-4274	723		595		356
	839	4B-4281	794		599		357
3T-9524	835	4B-4609	811		604		410
	838	4B-4756	102		608		411
3T-9525	834	4B-4810	102		613		491
	838	4B-4845	405		616		497
3W-6181	604		412		620		507
	608	4B-4863	732		624		511
	616	4B-5324	254		628		633
	620		258		632		637
	624		263		636		642
	628		267		641		869
	632		272		647		872
	636		277		651		891
	641		282	4F-7957	95		909
	647		296		96		985
	651		300	4H-1225	848	4L-6459	165
			305		853	4L-9337	633
			849		862		636
			853		865		641
			862		868		647
			866		871		651
4B-1223	707		869		880		857
	709		872		894		859
	711		881		904	4M-0034	463
	713		884	4H-1641	573		465
	716		887	4H-4033	599	4M-0061	267
	719		891		624		282
	726		894		628		633
	728		898		647		859
	730		901		651	4M-1827	834
4B-2041	254		905	4H-7869	815	4M-1828	834
	258		909		837	4M-1831	819
	263	4B-9782	236	4H-9756	253		821
	267		238		257		823
	272	4D-1326	716		262		825
	277		719		266		827
	282	4D-3704	109		271		830
	296		110		276		832
	300		144		281		834
	305		155		296		838
4B-2043	674		157		299	4M-1853	834
	677		194		304		838
	948		354	4J-4382	543	4M-1854	834
	951		355	4K-0499	102		838
	952		481	4K-1388	223	4M-1896	835
	961		483	4K-9097	495		839
	962		493		509	4M-5281	400
	967		495		511		407
	977		497		516		412
	981		509		704		426
	982		511	4L-2729	835		427
	1001		987		839		435
	1005	4D-3734	354	4L-6454	200		707
	1007		355		254		709
	1009	4D-7735	582		258		716
	1010		586		263		719
	1011		590		267		726
4B-2047	680		593		277		728
	682		595		282	4M-6425	189
	684		599		296		192
4B-2048	376		582		300		354
4B-2049	835	4D-7794	586		305		355
	839						

4

PART NUMBER INDEX

Part	Page	Part	Page	Part	Page	Part	Page
	356	4N-4352	517	4P-4369	330		909
	357	4N-4386	813		505	4R-8605	811
	358	4N-4387	813		509	4V-7173	102
	481	4N-4388	813	4P-6846	69	4V-7717	537
	483	4N-4390	813		70		542
	486	4N-4391	813		71	4W-4065	503
	488	4N-4392	813		72	4W-5698	122
	499	4N-4393	813		73	4W-5699	122
	501	4N-4394	813		74	4W-5700	122
4N-0015	492	4N-4397	813		75	4W-5701	122
4N-0045	492	4N-4400	813		76	4W-5820	493
4N-0683	126	4N-4402	813		77		495
	128	4N-4403	813		78		499
4N-0684	122	4N-4405	813		79		501
4N-0699	104	4N-4413	813		80	4W-8403	102
	105	4N-4421	813		81	4W-8404	102
	106	4N-4859	536		82	4W-8527	416
	346		537		▶148		420
4N-0822	536		539	4P-7373	208		422
	537		541		343	4W-8688	198
	539		542	4P-7581	147		200
	541	4N-4967	518		599	4W-8689	198
	542		522		756		200
4N-0913	203		523		757	4W-9890	104
	205	4N-7082	253		800		105
	208		257		808		106
	343		262		849		111
4N-0914	203		266		853		
	205		271		857		
	208		276		862		
	343		281		866		
4N-0933	111		286		869	5B-2638	191
4N-1114	109		288		872		192
	110		296		875	5B-4855	153
4N-1128	▶343		299		881		354
4N-1156	399		304		884		355
	412		311		887		356
	428		313		891		357
	432		316		894		358
4N-1359	243		320		898	5B-5251	100
4N-1650	126		323		901	5B-9169	383
	128	4N-8150	253		905	5B-9651	432
4N-2040	346		257		909	5C-2890	811
4N-2481	69		262		984		843
	70		266		988	5D-2751	100
	71		271	4P-8021	549	5E-8771	160
	72		276	4P-8134	768	5F-0304	168
	73		281		849		170
	74		286		853		172
	75		288		857		174
	76		291		859		176
	77		292		862		177
	78		294		866		233
	79		296		869		234
	80		299		872	5F-1051	376
	81		304		875	5F-1053	376
	82		309		877	5F-3581	▶245
	▶248		311		881	5F-4899	254
4N-2514	155		313		884		258
	157		316		887		263
4N-3410	811		320		891		272
4N-3890	549		323		894		291
4N-3955	522		327		898		292
4N-3986	▶674		328		901		294
	▶677	4P-2383	469		905		300

PART NUMBER INDEX

Part	Page	Part	Page	Part	Page	Part	Page
	305		647		191		483
	309		651		192		486
	327	5K-9090	254		194		488
	328		257		195		493
	388		258		200		495
	394		262		202		497
5F-8651	813		263		203		499
5H-1190	549		296		205		501
5H-1504	133		297		207		503
	135		300		208		505
5H-5744	549		304		244		507
5H-6555	918		417		248		509
5H-8331	526		418		250		511
	528		419		251		524
5H-8936	254	5L-2012	100		254		525
	258	5L-2016	100		258		532
	263	5L-2017	102		263		533
	282	5L-2026	102		267		535
	296	5L-2952	251		272		536
	300		252		277		537
	305	5L-3244	412		282		539
5I-8883	577		429		286		541
5J-4561	196	5L-3708	705		288		542
5J-5314	834	5L-3773	527		300		549
	838		529		305		568
5J-5793	168	5L-4398	530		311		573
	170	5L-5502	254		313		582
	172		258		316		586
	174		263		320		590
	176		267		323		593
	177		272		333		595
5J-7303	811		277		334		599
5K-0906	641		282		336		604
	990		300		337		608
5K-5068	481		305		338		613
	483	5L-5709	266		340		616
	486		281		341		620
	488	5L-6566	473		342		624
	492		475		345		628
	493		477		346		632
	495	5L-9647	100		347		636
	497	5M-2894	104		348		641
	499		105		349		647
	501		106		352		651
	503		107		353		659
5K-5338	582		108		358		660
	586		111		369		661
	756		139		370		767
	757		141		371		768
5K-8652	582		142		373		769
	586		146		377		770
	590		148		381		771
	593		168		385		800
	595		170		388		805
	599		172		392		808
	604		174		394		809
	608		176		400		849
	613		177		411		853
	616		178		412		857
	620		180		429		862
	624		182		432		866
	628		184		473		869
	632		187		475		872
	636		188		477		875
	641		189		481		881

PART NUMBER INDEX

Part	Page	Part	Page	Part	Page	Part	Page
	884		599		385	5P-4142	160
	887		604		388	5P-4255	178
	894		608		392		180
	898		613		394	5P-4479	811
	905		616		405	5P-4499	424
	985		620		413	5P-4571	713
	988		624		424		718
5M-3034	834		628		429	5P-5528	573
	838		632	5P-2369	330	5P-5621	819
5M-3038	453		636		481	5P-5623	751
	459		641		483	5P-5677	735
5M-3062	147		647		486	5P-5813	102
	263		651		488	5P-5846	203
	267		813		493		205
	281	5P-0747	688		495		208
	641		689		497		343
	891		691		499	5P-5855	527
	901	5P-0763	399		501		529
	909		413		503	5P-6001	735
	985		429		505		741
5M-6213	400		432		507		742
	412	5P-0840	126		509		743
	429		128		511		745
	432		133	5P-2424	189		746
	444		135	5P-2547	811		750
	532	5P-1075	163	5P-2755	473		751
	533		164		475		752
	535		165		477		753
5M-7087	254		166	5P-2766	713		754
	258		254		718		755
	286		267	5P-3418	674		865
	288		371		677		871
	300		481		680		908
	305		483	5P-3419	674		912
5N-1703	549		491		677		913
5N-2829	549		505		680	5P-6298	834
5N-3160	549		507		682		838
5N-3790	▶100		509	5P-3860	485	5P-7128	473
	102		511		490		475
5N-3852	549		984	5P-4115	595		477
5N-4739	526		985		604	5P-7530	345
	528		988		608		346
5N-5129	549	5P-1076	388		613		347
5N-5131	549		394		616		348
5N-6753	794		505		620		349
5N-6958	235		509		624	5P-7701	286
5N-7094	102	5P-1251	404		628		288
5N-7095	102		408		632		291
5N-7153	102		409		636		294
5N-7330	▶102		416		641		309
	235		417		647		327
5N-7440	102		418		651		328
5N-7442	102		419	5P-4116	267	5P-7807	674
5N-7471	102		420		481		677
5N-8757	▶794		422		483	5P-8068	203
5P-0537	96		423		491		205
	272	5P-1260	403		493		208
	403		413		495		343
	429		426		499	5P-8167	624
	432		427		501		628
	582		429		507		647
	586		435		509		651
	590	5P-1262	411		511		984
	593	5P-1265	377		633		988
	595		381		642	5P-8210	203

PART NUMBER INDEX

Part	Page	Part	Page	Part	Page	Part	Page
	205		457		499	6I-1458	185
5P-8245	149		459		501	6I-2517	536
	163		460		891		537
	164	5P-8500	707		901		539
	168		709		909		541
	170		711	5S-7383	254		542
	172		713		277	6I-3623	160
	174		716		296	6I-3624	160
	176		718		317	6I-3625	160
	177		726		324	6I-3638	69
	183		728		481		70
	242		730		483		71
	243	5P-8753	416				72
	377		420				73
	381	5P-9297	620				74
	385		641				75
	388	5P-9617	292				76
	392		309	6B-5072	472		76
	394		400	6B-6682	453		77
	400	5S-0003	453		454		78
	412		454		459		79
	429		505		460		80
	453		704	6B-7440	376		81
	454	5S-0581	468	6B-8865	102		82
	456	5S-4517	551	6D-2928	254		▶ 139
	459		554		258	6I-3968	244
	460		556		296	6I-4025	133
	461		558		300		135
	529		560		305	6I-4347	599
	530		561	6D-3787	549		628
5P-8247	138	5S-7348	254	6D-9392	813		647
	235		258		277		713
	242		263		316		718
	316		267	6E-5412	323		748
	526		272	6F-7316	813		852
	528		277		582		853
	582		282		586		865
	586		296		590		868
	590		300		593		871
	593		305		595		872
	595	5S-7349	819		600		890
	599		821		604		900
	604		823		608		904
	608		825		613		908
	613		827		616	6I-4348	852
	616		830		620		865
	620		832		624		871
	624	5S-7379	276		629		890
	629		632		632		891
	632		636		636		900
	636		641		641		904
	641		647		648		908
	647		651		651	6I-4421	126
	651		891		849		128
	849		901		853	6I-4575	95
	853		909		862	6J-2244	813
	862	5S-7382	165		866	6J-2245	345
	866		254		869		346
	869		258	6I-0213	872		347
	872		286		656		348
	198		296		657		349
5P-8248	200		300		658	6J-8356	253
	243		305	6I-0928	132		257
	453		486	6I-1055	126		262
	454		488		128		266
				6I-1418	705		271

6

PART NUMBER INDEX

Part	Page	Part	Page	Part	Page	Part	Page
	276		304		271	6V-0894	723
	281	6N-0905	532		276	6V-1179	813
	296		533		281	6V-1197	97
	299		535		296		98
	304	6N-1258	253		299		99
6K-0806	399		257		304	6V-1320	813
	857		262	6N-4205	253	6V-1322	707
	859		266		257		709
	875		271		262		711
	877		276		266		714
	984		281		271		716
	985		296		276		719
6K-1972	472		299		281		727
6K-9194	582		304		296		728
	586	6N-1259	253		299		730
	590		257		304		834
	593		262	6N-4400	200		838
	595		266	6N-4432	▶517	6V-1873	138
	600		271	6N-6093	▶518	6V-2317	246
6L-1650	400		276	6N-6248	573	6V-2689	716
	403		281	6N-6249	573		719
	429		296	6N-6250	573	6V-2722	741
	432		299	6N-6251	573		742
6L-2279	370		304	6N-6252	573		743
	373	6N-1856	674	6N-6259	573	6V-2734	102
	568		677	6N-7249	208	6V-2735	102
6L-2280	370	6N-1870	674		343	6V-3265	263
	373		677	6N-7420	253		267
	383	6N-1871	674		257		282
	454		677		262	6V-3378	412
6L-2281	568	6N-1872	674		281		429
6L-2609	251		677		296	6V-3507	254
	252	6N-1873	674		299		258
6L-3428	573		677		304		263
6L-3483	794	6N-1875	674	6N-7422	253		267
6L-3960	100		677		257		272
6L-3964	100	6N-1876	674		262		277
6L-3965	100		677		281		282
6L-3966	100	6N-1925	674		296		296
6L-4428	188		677		299		300
	189	6N-1931	352		304		305
6L-4502	▶1015	6N-1944	674	6N-7785	137		917
6L-5151	102		677	6P-5353	590		948
6L-5858	▶467	6N-1945	674		593		949
6L-8562	537		677	6T-0363	834		951
	539	6N-1946	674		838		952
	542		677	6T-0371	834		955
6M-7476	347	6N-1968	674		838		958
	348		677	6T-0372	834		959
	349	6N-3279	834		838		961
6N-0163	243		838	6T-3643	707		962
6N-0216	192	6N-3826	819		709		963
6N-0561	517		821		711		965
	518		823		713		967
	522		825		716		968
	523		827		719		970
6N-0824	253		830		726		972
	257		832		728		974
	262		834		730		977
	266		838	6T-3645	698		978
	271	6N-3926	253	6T-3764	757		979
	276	6N-4204	253		763		981
	281		257				982
	296		262	6V-0128	96		1010
	299		266	6V-0431	379		1011

PART NUMBER INDEX

Part	Page	Part	Page	Part	Page	Part	Page
	1012		473		586		677
	1014		475		593		680
6V-3535	473		481		595		682
	475		483		849		684
	477		486		853		699
6V-3677	160		488		862		700
6V-3683	769		493		866		701
	770		495		869	6V-8188	187
	771		497		872		188
6V-3908	254		499		881		189
	258		501		894		191
	263		503		905		192
	267		571	6V-5050	254		819
	272		575		258		821
	277		582		263		823
	282		586		300		825
	286		590		305		827
	288		593		369		830
	300		595		371		832
	305		600	6V-5065	226		835
	311		604	6V-5266	347		839
	313		608		349	6V-8189	330
	316		613	6V-5782	507		354
	320		616	6V-6609	220		355
	323		620		222		356
6V-3917	532		624		228		357
	533		629		229		358
	535		632		804		481
6V-3940	437		636		849		483
	438		641		853		486
6V-4245	811		655		869		488
6V-4365	473		672		872		491
	475		673	6V-6923	671		493
	477		771	6V-8185	254		495
6V-4367	536		774		258		497
	537		776		263		499
	539		777		267		501
	541		779		277		503
	542		780		282		507
6V-4589	126		781		296		511
	582		782		300		609
	586		792		305		620
	590		793		472		633
	593		849		549		641
	604		853		632		990
	608		862		637	6V-8362	549
	613		866		642	6V-8367	707
	616		869		648		709
	632		872		652		711
	636		881		707		713
6V-5048	254		894		709		716
	258		905		716		718
	263	6V-5049	133		719		726
	282		288		727		728
	286		291		728		730
	288		294		842	6V-8370	549
	294		309		984	6V-8376	711
	300		311		985		713
	305		313		986		716
	309		320		987		719
	311		327		988		727
	313		328	6V-8186	726		728
	320		379		844		730
	327		573		845	6V-8377	1004
	446		582	6V-8187	674	6V-8378	698

PART NUMBER INDEX

Part	Page	Part	Page	Part	Page	Part	Page
	726		586		624		305
	819		595		629	6V-9009	267
	821		604		632		272
	823		608		636		277
	825		613		642		282
	827		616		648		311
	830		621		651		313
	832		624	6V-8781	595		316
	844		629		600		320
	845		632		621		323
6V-8382	707		636		624	6V-9023	877
	709		642		629	6V-9027	377
	711		648		642		379
	713		651		648		381
	716	6V-8714	263		651		383
	718		297	6V-8801	254		385
	726	6V-8715	604		258		388
	728		608		263		390
	730		613		267		392
6V-8397	254		616		277		394
	258		632		282		396
	263		636		286		429
	267	6V-8723	608		297		432
	272		613		300	6V-9807	267
	277		616		305		600
	282		632		317		604
	296		636		324		608
	300	6V-8724	266		410		613
	305		578		411		616
	578		579		481		621
	582		582		483		624
	586		586		486		629
	590		590		488		632
	593		593		491		636
	595		595		499		642
	600		600		501		648
	603		603		503		651
	604		604		507	6V-9829	621
	608		608		511		625
	613		613		633		629
	616		616		637	6V-9850	272
	620		621		642		277
	624		624		648		613
	629		629		652		616
	632		632		869		621
	636		636		872		636
	641		642		891		642
	648		648		901	6V-9855	311
	651		651		909		320
6V-8400	267	6V-8730	254		985		323
	272		258	6V-8817	707	6V-9872	254
	277		263		709		258
	282		267		711		263
	311		272		713		267
	313		277		716		272
	316		282		718		277
	320		300		726		282
	323		305		728		300
6V-8634	604		595		730		305
6V-8635	254		603	6V-8918	491	6W-6672	371
	257		604	6V-9006	313		532
	262		608		316		533
	300		613	6V-9008	254		
	304		616		258		
6V-8636	582		621		300		

PART NUMBER INDEX

Part	Page	Part	Page	Part	Page	Part	Page
7							
7B-2742	582	7D-7111	730		586		276
	586		473		590		281
	590		475		593		296
	593	7E-2681	477		596		299
	595		1015	7L-0520	600	7N-0913	304
	600	7E-2700	1015		536		253
	604	7E-5076	403	7L-2894	541		257
	608		426		819		262
	613		427		821		266
	616	7E-5346	435		823		271
	621		453		825		276
	625		572		827		281
	629	7E-6508	573		830		296
	632		96		832		299
	636	7E-6513	96		834		304
	642	7E-8070	1015		838	7N-0914	253
	648	7F-3425	267	7L-3092	542		257
	652		277	7L-4535	▶990		262
	813		282	7L-4536	990		266
7C-0145	399	7F-3488	834	7L-7871	▶688		271
	405		838	7L-7872	▶689		276
	412	7F-3525	834	7L-8705	846		281
	424		838	7M-0324	834		296
	428	7F-7259	463		838		299
	432		465	7M-0325	835		304
7C-0824	266	7F-7621	674		838	7N-1628	570
7C-1072	▶1004	7F-9090	254	7M-0326	834	7N-2043	211
7C-1445	112		258		838	7N-2156	352
	246		263	7M-0327	834		353
7C-1511	353		267		838	7N-3060	▶155
7C-1512	353		272	7M-7273	552	7N-3718	267
7C-2644	848		277		553	7N-5876	709
	853		282		555		711
	866		286		557		713
	868		288		559		718
	872		297	7M-8485	254		726
	880		300		257		730
	884		305		258	7P-7913	842
	887		311		263	7S-5005	122
	890		313		300	7S-9323	570
	894		316		304	7T-0094	859
	900		320		305		877
	904	7F-9504	323		408	7T-2035	338
	908		573		416		340
7C-6514	115	7G-1239	172		419		342
7C-6921	507		177		420	7T-3267	819
	511		768	7M-8651	835		821
	733		866		838		823
7C-9008	756	7H-1186	873	7N-0060	688		825
	757		877		690		828
	758	7H-1187	877	7N-0452	148		830
	761	7H-9678	570	7N-0911	253		832
	762	7J-4026	272		257	7T-3268	819
	763		277		266		821
	912	7J-5225	253		271		823
7D-0894	707		257		276		825
	709		262		281		828
	711		296		296		830
	713		299		299		832
	716	7K-1181	304		304	7T-3271	823
	718		801	7N-0912	253		825
	726		807		257		827
	728		809		262	7T-3275	819
		7K-4129	912		266		821
			582		271		823

PART NUMBER INDEX

Part	Page	Part	Page	Part	Page	Part	Page
	825		417		507		830
7T-3276	827		418		511		832
	830		419	7X-0296	297		834
	832		420	7X-0326	192		838
7T-3277	827		422	7X-0335	192	7X-4782	813
	830		423	7X-0337	189	7X-7730	168
	832	7W-1944	412	7X-0338	191		170
7T-3278	827		428	7X-0339	187		176
	830	7W-2731	253		188		177
	832		257	7X-0343	410	7X-7731	168
7T-3279	819		262		411		170
	821		266	7X-0345	187		172
	823		271		188		174
	825		276		189		176
	827		281	7X-0361	379		177
	830		296		390		354
	832		299	7X-0362	383		355
7T-3451	819		304		396		356
	821	7W-3145	533	7X-0440	481		357
	823		535		483		358
	825	7W-5729	102		493		400
	827	7W-5909	203		495		405
	830		205		499		413
	832	7W-6492	351		501		424
7T-3454	819		412	7X-0448	187		445
	821		429		188	7X-7958	404
	823		536		189		408
	825		537		191		409
	827		542		192		416
	830	7W-7381	604	7X-0513	191		417
	832		608		192		418
7T-3973	819		613	7X-0562	819		419
	821		616		821		420
	832		621		823		422
7T-3974	819		625		825		423
	821		629		827		
	823		632		830		
	825		636		832		
	827		642		835		
	830		648		839	8B-2664	354
	832		652	7X-0579	705		355
	834	7W-7778	551	7X-0732	891		356
	838		554		901		357
7T-6799	707		556		909	8B-4884	254
	709		558	7X-2501	254		258
	711		560		258		263
	713		561		263		267
	716	7W-9094	486		267		272
	718		488		277		277
	726		499		282		282
	728		501		300		297
	730		582		305		300
7T-9123	835		586		633		305
7U-6984	379	7X-0274	705		637	8B-8817	450
	383	7X-0275	705		642		459
	390	7X-0288	642		648	8C-0624	250
	396	7X-0289	636		651		251
7W-0408	▶687	7X-0290	330	7X-2639	741	8C-3073	377
7W-1248	155		481		742		381
	157		483		743		385
7W-1831	472		488	7X-3373	819		388
7W-1890	404		493		821		392
	408		495		823		394
	409		497		825	8C-3089	834
	416		503		827		838

PART NUMBER INDEX

Part	Page	Part	Page	Part	Page	Part	Page
8C-3121	481	8C-6188	938		276		205
	483	8C-6354	852		281	8M-9124	517
	486		865		296		518
	488		871		299		523
	493		891		304		884
	495		900	8H-1141	819		887
	497		904		821		898
	499		908		823	8N-0869	857
	501	8C-6712	294		825		859
	503		327		827		875
8C-3334	848	8C-6869	596		830		877
	853		600		832	8N-1542	713
	862		621	8H-2778	570		718
	866		625	8H-7202	570		859
	868		629	8H-7204	▶570		877
	872		642	8J-4351	769	8N-1543	713
	880		648		770		718
	884		652		771		859
	887	8C-6876	267	8L-2777	236		877
	890	8C-7323	165		237	8N-2104	203
	894	8C-7530	811		218		205
	900	8C-8902	1015	8L-2786	232		208
	904	8C-9660	834		578		343
	908		838		582	8N-4455	492
8C-3445	266	8D-7209	194		586	8N-4617	492
	271		195		590	8N-5761	492
	276		481		593	8N-5872	428
	286		483		596	8N-7043	282
	288		486		600		1015
	292		488		604	8N-7044	1015
	294		493		608	8N-7045	1015
	309		495		614	8N-9339	243
	311		497		617	8R-8088	165
	313		499		621	8S-2332	815
	316		501		625	8S-4950	577
	320		503		629	8S-4951	578
	323		505		632		579
	327		507		636	8S-5383	187
8C-3446	267		509		642		188
	272		511		649		189
	277	8F-1434	680		853		191
	286		682		862		192
	288		684		866	8S-6511	352
	292		698		869		353
	294		726		872	8S-9092	526
	309		819		881	8S-9191	178
	311		821		894		180
	313		823		905		291
	316		825	8L-3282	581		292
	320		827	8L-8413	150		294
	323		830		688		309
	327		832		689		327
8C-3655	828		835		691		328
	830		839		1015		656
	832		844	8M-2772	881		657
8C-3681	470		845		895		658
8C-5230	291	8F-8544	311		905	8T-0328	674
	292		313		674		677
	294		316	8M-6701	677		680
	309		813		156		682
	327	8F-8833	253	8M-6755	158		684
	328		257		▶917		698
8C-5917	688		262	8M-7892	352		819
	689		266	8M-8489	353		821
	691		271	8M-9024	203		823

PART NUMBER INDEX

Part	Page	Part	Page	Part	Page	Part	Page
	825		728		286		427
	827		730		297		428
	830		819		300		435
	832		821		305		520
	835		823		317	8T-4985	377
	839		825		323		381
8T-2173	379		827		330		385
	383		830		356		388
	390		832		357		392
8T-2502	396		834		410		394
	413		838		411		405
	633		842		413		413
	636		984		481		424
	641		985		483		428
	647		986		486	8T-4988	481
8T-3611	651		987		488		483
	272		988		493		486
	277	8T-4223	187		495		488
	311		188		497		491
	313		189		499		493
	316		191		501		495
	320		192		503		497
	323		377		507		499
8T-4122	187		381		509		501
	188		385		511		503
	189		392		633		505
	410	8T-4224	189		637		507
	411		192		642		509
8T-4162	198		267		648		511
	200		282		651	8T-5361	196
	243		330		849	8T-5912	194
8T-4192	463		354		853		195
	465		355		857		481
8T-4205	254		356		859		483
	258		357		869		486
	263		358		872		488
	267		481		891		493
	277		483		901		495
	282		486		909		497
	297		488		984		499
	300		493		985		501
	305		495		988		503
	400		497	8T-4983	399		505
	407		499		413		507
	413		501		428		509
	426		503		432		511
	427		507		481		599
	435		511		483		613
	472		705		486		624
	549		859		488		628
	674		990		493		647
	677	8T-4835	165		495		651
	680		166		497	8T-6684	254
	682		187		499		258
	684		188		501		263
	699		388		503		296
	700		394	8T-4984	369		300
	701	8T-4896	147		371		305
	707		200		400		418
	709		254		403		419
	711		258		407	8T-6757	130
	714		263		410		219
	716		267		411		447
	719		277		413		813
	727		282		426	8T-6761	151

PART NUMBER INDEX

Part	Page	Part	Page	Part	Page	Part	Page
	152		786		821	9G-6655	756
	202	8T-8736	852		823		762
	203		865		825	9G-7101	613
	205		871		828		616
	207		891		830		636
8T-6762	405		900		832	9G-8909	857
	413		904	8T-9885	819		859
8T-6763	813		908		821		875
8T-6764	344	8T-8737	96		823		877
	492		713		825	9H-1031	123
	531		718			9H-3757	834
8T-6765	168		735				838
	170		738			9J-6189	604
	172		739				613
	174		741				124
	176		742	9B-7233	549	9L-5854	125
	177		743		674		189
	448		745		677	9L-6643	189
	449		746		711	9L-6645	187
	451		747		713		188
	536		749		716	9L-6647	191
8T-7008	486		750		719		192
	499		751		727	9L-6770	680
	501		752		728		682
8T-7061	400		755		730		684
	413		776		948	9L-8412	420
	429		777		951		422
8T-7970	417		781		952		551
8T-8566	819		782		961		554
	821		794		962		556
	823		852		967		558
	825		865		977		560
	827		871		981		561
	830		890		982	9L-8439	250
	832		891		1001	9L-8925	96
8T-8568	819		900		1004	9L-9132	187
	821		908		1005		188
	823	8T-8911	330		1007		189
	825		507		1009	9M-0164	330
8T-8569	819		511		1010		481
	821		705	9B-7237	1011		483
	823	8T-8915	503		641		486
	825	8T-8919	191	9D-4439	705		488
	827		377	9F-2186	138		493
	830		381	9F-2247	480		495
	832		385		514		497
8T-8570	819		392	9F-5599	515		499
	821	8T-8920	200		834		501
	823	8T-9041	616		838		503
	825		621	9F-6580	272		505
	707		636	9F-6641	198		507
8T-8729	709		642		200		509
	711	8T-9043	497	9G-0003	688		511
	726		503		689	9M-0853	253
	728		511		691		257
	730	8T-9364	472	9G-0004	688		262
	755	8T-9527	139		689		266
	784	8T-9655	705		691		271
	844	8T-9757	688	9G-3186	794		276
	845		689	9G-4101	834		281
8T-8730	750		691		835		292
	755	8T-9834	739		838		294
	786		740	9G-4342	839		296
	912		750		877		299
8T-8731	785	8T-9884	819	9G-4343	877		304
				9G-4344	877		309

9

PART NUMBER INDEX

Part	Page	Part	Page	Part	Page	Part	Page
	311		203		432		583
	313		205		473		586
	316		207		475		590
	327		208		477		593
	328	9N-3388	674		582		596
9M-1974	112		677		586		600
	246	9N-3889	58		590		604
	249		60		593		608
	252		62		596		614
	263		64		600		617
	282		66		604		621
	332		68		608		625
	335		83		614		629
	339		84		617		632
	374		85		621		637
	375		86		625		642
	413		87		629		648
	582		88		632		652
	586		89		637		655
	590		90		642		770
	593		91		648	9S-8004	133
	596		92		652		135
	600		93		771		228
	604		94	9S-4190	344		292
	608		▶108		531		399
	614	9N-5124	208	9S-4191	286		424
	617		343		288		429
	621	9S-1354	102		291		432
	625	9S-2009	674		311		579
	629		677		313		583
	632	9S-2302	674		317		586
	637		677		320		590
	642		680		323		593
	648	9S-2390	674		328		596
	652		677		350		600
	704		680		573		605
	768		682		578		608
	774		684		582		614
	800	9S-2396	674		586		617
	849		677		590		621
	853	9S-2544	674		593		625
	857		677		596		629
	862		834		600		632
	866		838		604		637
	869	9S-2592	481		608		642
	872		483		614		648
	881	9S-4167	571		617		652
	895		572		621		770
	905		573		625	9S-8005	218
9M-2342	570	9S-4182	203		629		220
9M-3786	469		205		632		222
9M-4584	345		207		637		223
	346		268		642		228
9M-6527	468		272		648		229
9M-7609	834		277		652		232
9M-9224	549		286		771		399
9N-0937	674		288	9S-5282	549		424
	677		311	9S-8002	202		429
9N-0939	674		313		208		432
	677		317		220		625
9N-0942	674		320		221		629
	677		323		399		633
9N-0943	674		388		413		637
	677		394		446		642
9N-3167	202		429		571		648

PART NUMBER INDEX

Part	Page	Part	Page	Part	Page	Part	Page
	652		568		600		205
9S-8006	126		583		605		208
	128		587		609		254
	224		590		614		263
	228		593		617		282
	230		596		625		300
	573		600		629		343
9S-8008	225		605		633		377
	399		609		637		381
	424		614		648		388
	429		617		652		394
	432		621	9X-2500	674		413
9S-8010	226		625		677		429
9S-8750	272		629	9X-3132	739		437
	596		659		740		438
	605		660		750		583
	609		661	9X-3271	672		587
	614		849	9X-3401	599		590
	617		854		628		593
	621		857		647		596
	625		862		739		600
	629		866		748		984
9S-8752	139		869		796	9X-7317	656
	160		873		868		657
	178		881		871		658
	180		884		872	9X-7357	813
	187		887		908	9X-7378	203
	188		895		909		207
	189		898	9X-3402	741		208
	191		905		742	9X-7430	130
	192	9S-9334	291		743	9X-8256	811
	254		294		794	9X-8486	698
	258		309	9X-4391	735	9X-8873	388
	263		327		741		394
	268		328		742	9X-8877	198
	272	9U-6999	419		743		200
	277	9W-0844	735		755	9X-8880	242
	282		743	9X-4824	819		987
	286		745		823	9X-8881	354
	288		750		830		355
	300		751	9X-5615	735	9X-8882	317
	305		890		741		493
	311		900		742	9X-8883	497
	313		908		755		509
	317	9X-0199	549	9X-6258	849		511
	320	9X-0261	849		854	9X-9591	▶732
	323		869		863	9X-9647	▶785
	333		873		866	9X-9648	▶786
	336	9X-0263	672		869	9X-9720	688
	337		673		873	9X-9730	689
	338	9X-1386	795		881		▶690
	340	9X-1813	785		884	9X-9857	732
	342		786		887	9Y-1792	352
	369		787		891		353
	370		788		895	9Y-6089	109
	371		789		898		110
	373		791		901	9Y-6102	485
	377		802		905	9Y-7129	▶815
	381		843		909	9Y-7571	▶156
	388	9X-2038	95	9X-6451	202	9Y-8545	145
	394	9X-2068	473		207		156
	399		475		208		158
	411		477	9X-6458	143		
	505	9X-2297	590		160		
	509		593		203		

PART NUMBER INDEX

Part	Page	Part	Page	Part	Page	Part	Page
0							
			599		490		750
000-7246	404		604		492		848
	409		608		497		853
	416		613		503		868
	417		616				872
	418		620				880
	420		624				884
	422		628				887
	423		632				890
003-9163	358		636	100-3061	463		904
004-7270	423		641	100-3062	465		909
005-4362	582		647		465	102-8802	549
	586	034-4202	651	100-3063	463		726
	590		408		465		744
	593		416	100-3064	463		745
008-8381	369		419		465		746
	371	036-1865	420	100-5072	656		749
009-1436	813		390		657		795
012-0380	707	036-9821	834		658		796
	709	036-9823	819	100-6531	674		843
	843		823		677		844
012-7950	102		825		680		845
030-1193	699		827		682		848
	700	045-4065	832		684		852
	701		835	100-6532	674		862
030-7935	286		839		677		865
	288	052-0512	813	100-7399	126		868
030-7942	582	053-2313	404		128		871
	586		409	101-3120	244		880
	590		417		388		884
	593		418		394		887
	595		423		399		890
	599	061-7539	599	101-3121	582		894
030-7945	288		604		586		898
030-7946	267		608		590		900
030-7947	383		613		593		904
	396		616		595		908
	576		632		599	102-8803	599
	582		636		604		628
	586	061-8257	641		608		647
	590	061-8639	595		613		747
	593		236		616		748
	595		239		620		755
	599		253		624		776
030-7951	286		257		628		777
	288		262		632		781
030-7962	593		267		636		782
030-8194	582		271		641		784
	586		276		647		791
	590		281		651		802
	593		299	101-8468	160		848
031-3185	160	061-9455	304	101-9640	457		852
031-4155	113		112	102-5861	160		853
031-5744	286		246	102-8801	96		862
033-5853	647		249		707		865
	651		252		709		868
033-6033	671	061-9458	202		711		871
033-6042	576		207		713		872
	578		208		718		880
	582	067-2551	582		726		884
	586		590		728		887
	590	068-4497	249		730		890
	593	096-5028	483		739		894
	595		485		740		898
			488		745		900

PART NUMBER INDEX

Part	Page	Part	Page	Part	Page	Part	Page
	904		539		94		75
	908		541		▶105		76
102-8804	707		542	108-1478	344		77
	709	106-3942	347		531		78
	711		349	108-3561	102		79
	713	106-5673	133	108-3612	525		80
	716		135		536		81
	718	106-9586	254		537		82
	726		257		539		▶150
	728		262		541	109-3104	620
	730		299		542	109-5322	457
102-8805	737		304	108-5678	781	109-5323	457
	755	107-0583	160		862	109-5325	457
	848	107-3288	620		865	109-5326	457
	852	107-5769	659	108-7930	468	109-5330	368
	862		660	109-0072	536	109-5333	368
	866		661		537	109-6507	707
	868	107-6736	57		539		709
	872		58		541		711
	880		59		542		713
	884		60	109-0073	536		716
	887		61		537		718
	890		62		539		726
	894		63		541		728
	898		64		542		730
	900		65	109-0077	399	110-7887	707
	904		66		405		709
	908		67		412		711
102-8806	750		68		424		713
102-9089	97		83		428		716
	98		84		432		718
	99		85		469		726
102-9220	▶470		86	109-0078	267		728
103-0126	159		87		282		730
103-0213	852		88	109-1223	57	110-8314	377
	865		89		58		381
	871		90		59		385
	880		91		60		392
	884		92		61		473
	887		93		62		475
	890		94		63		477
	894		▶104		64		519
	898	107-6737	57		65		520
	900		58		66		532
	904		59		67		533
	908		60		68		535
103-4699	250		61		83	111-1325	707
103-8134	96		62		84		709
104-6202	848		63		85		711
	853		64		86		713
	862		65		87		716
	866		66		88		718
	868		67		89		726
	872		68		90		728
104-6564	472		83		91		730
	716		84		92	111-7015	595
	718		85		93		599
105-3762	674		86		94	112-3102	332
	677		87		▶106		335
	813		88	109-1657	69		339
105-5136	813		89		70	112-3231	673
105-5137	813		90		71	112-3540	347
105-5138	813		91		72		349
105-8044	▶472		92		73	112-5282	673
106-0735	▶802		93		74	112-9069	595
106-1792	133						

PART NUMBER INDEX

Part	Page	Part	Page	Part	Page	Part	Page
	620		599		▶112		405
	641		604	121-1241	726		412
112-9217	160		608		728		424
113-1547	603		613		730		428
113-5253	115		616	121-4017	▶750		432
114-2505	726		620	121-7028	▶722	125-0971	624
114-2687	345		624	121-7029	722	125-1302	842
	346		628		▶723		▶843
	348	118-5068	333	121-7517	412	125-4356	453
114-4427	224		334		428		454
	345		336	121-7745	399		456
	346		337		403		459
	348		338		407		460
114-5988	1015		340		412	125-5274	379
115-2421	691		341		426		383
115-5674	716		342		427		396
	719	118-7374	536		428	125-6535	835
	739		537		432		839
	852		539		435	125-6536	835
	853		541	122-0153	877	125-6537	835
	865		542	122-0447	130		839
	871	118-9476	▶672	122-1472	96	125-7874	713
	872	119-0036	97	122-3608	410		718
	890		98	122-3772	469		741
	891		99	122-7375	130		742
	900	119-3662	891	122-8612	130		743
	904		900	123-1373	691		852
	908		904	123-3202	96		865
	909		908	123-6094	709		871
115-5852	1015	119-3749	332	124-1854	135		890
116-2578	581		333	124-1855	133		891
116-3224	189		334		135		900
116-3260	377		335	124-3176	707		904
	379		336		709		908
	381		337		711		909
	383		338		713	125-7875	713
	385		339		716		718
	390		340		718		741
	392		341		726		742
	396		342		728		743
117-0067	771	120-9243	178		730		852
	774	120-9847	57	124-3388	▶242		865
	776		58	124-3389	242		871
	777		59	124-3393	399		890
	779		60		412		891
	780		61		428		900
	781		62		432		904
	782		63	124-3401	399		908
	848		64		412		909
	853		65		428	125-7876	742
	862		66		432		743
	865		67	124-3402	399		852
	868		68		412		865
	871		83		428		871
	880		84		432		891
	894		85	124-6327	182		900
	904		86		184		904
117-8801	160		87	124-6328	▶182		909
118-4728	578		88	124-9047	767		912
	579		89		768		913
	582		90	124-9052	399	126-1756	160
	586		91		412	126-1757	178
	590		92		428		217
	593		93		432	126-1767	628
	595		94	125-0434	399		647

PART NUMBER INDEX

Part	Page	Part	Page	Part	Page	Part	Page
	739	127-0563	183		84		►97
	748	127-0564	57		85	130-9811	848
	796		58		86		862
	852		59		87		868
	853		60		88	131-0058	463
	865		61		89		465
	871		62		90	131-0074	463
	872		63		91		465
	890		64		92	131-0113	599
	891		65		93	131-0117	242
	900		66		94	131-0118	►249
	908		67		►109	131-1497	713
	909		68	127-6356	352		718
126-1768	741		83		353	131-3295	463
	742		84	128-0317	468		465
	743		85	128-2477	438	131-3401	►816
	852		86	128-4113	►519	131-4850	►817
	853		87	128-4114	519	131-7123	160
	865		88	128-8557	572	131-7880	136
	871		89	129-0372	571		137
	872		90	129-0375	571	131-8269	191
	890		91	129-1666	519	131-8270	►659
	891		92		520		►660
	900		93	129-1667	519	131-8277	►818
	908		94		520	131-8293	►187
	909		►183	129-5427	178	131-8298	►984
126-1774	852	127-0785	595		217	131-8307	►767
	865		599	129-5428	178	132-5789	200
	871	127-5485	707		217		316
	872		709	129-9452	536		599
	891		711		537		805
	900		713		539		848
	904		718		541		853
	909		726		542		862
126-2743	620		728	129-9907	468		866
	641		730	130-1166	354		868
126-4935	107		857		355		872
	399		859		356		880
	405		875		357		884
	412		877		358		887
	424	127-5486	707	130-2960	►571		891
	428		709	130-4698	160		894
	432		711	130-4701	160		898
126-5052	►536		713	130-5300	800		901
126-5211	705		718		880		904
126-6094	707		726		884		909
	711		728		887		984
	713		730		891		985
	716		857		894		988
	718		859		898	132-9770	848
	726		875		904		852
	728		877		909		862
	730	127-5728	57	130-5694	532		865
126-6872	620		58		533		868
	624		59		535		871
	628		60	130-6521	►532	133-0967	755
	641		61	130-7769	723		852
	647		62	130-9376	707		865
	651		63		709		872
126-9138	203		64		711		891
	205		65		713		900
126-9139	203		66		726		909
	205		67		728	133-0969	735
126-9141	203		68		730		741
127-0291	571		83	130-9710	74		742

PART NUMBER INDEX

Part	Page	Part	Page	Part	Page	Part	Page
	743		486		63		128
	745		488		64	142-3951	▶525
	746		493		65	142-4162	536
	750		495		66		539
	751		497		67		541
	752		499		68	142-5867	241
	753		501		83	142-5868	168
	754		503		84		174
	755		595		85		176
	852	137-5541	582		86		240
	865		586		87	142-5991	316
	872		590		88		495
	891		593		89		497
	900		595		90		509
	909		599		91		511
	912		604		92	144-0367	399
	913		608		93		403
133-0970	912		613		94		407
	913		616		▶152		413
133-0974	913		620	140-6333	182		427
133-3089	57		624		477		435
	58		628	140-9545	568		533
	59		632	140-9746	57	144-1636	795
	60		636		58	144-3288	473
	61		641		59		475
	62		647		60		477
	63		651		61	144-6142	453
	64	137-6645	803		62		454
	65		804		63		456
	66		871		64		459
	67		880		65		460
	68		894		66		461
	83	138-6744	468		67	145-3849	107
	84	140-3694	▶243		68	146-5215	▶841
	85	140-6330	57		83	146-5216	841
	86		58		84	147-0385	604
	87		59		85		613
	88		60		86	148-5390	912
	89		61		87		913
	90		62		88	148-7027	613
	91		63		89		616
	92		64		90		636
	93		65		91	148-8317	296
	94		66		92	148-8326	267
	▶110		67		93		272
133-5673	571		68		94		277
133-6517	398		83		▶107	148-8334	272
133-9116	659		84	141-0284	571		277
	660		85	141-1002	984		316
	661		86		988		320
133-9906	95		87	141-6172	▶698		323
133-9907	▶95		88	141-6173	▶699	148-8335	254
	139		89	141-6175	▶700		257
134-2540	912		90	141-6436	532		262
135-4649	549		91		533		299
135-4928	468		92	141-9228	707		304
136-1107	468		93		709	148-8336	582
136-3742	468		94		711		586
136-7227	347		▶151		713		595
	349	140-6331	57		716	148-8356	267
136-7829	842		58		718		272
136-9490	457		59		726		277
136-9501	187		60		728		282
136-9506	481		61		730		316
	483		62	142-2329	126		320

PART NUMBER INDEX

Part	Page	Part	Page	Part	Page	Part	Page
	323	153-7024	132		747		852
148-8357	254	153-7950	582		748		862
	258		586		749		865
	263		590	155-2258	741		868
	300		593		742		871
	304		595		743		880
148-8362	296		599		872		884
	419	153-9023	468	155-2260	599		887
148-8367	272	153-9084	▶581		628		890
	277	153-9085	581		647		894
148-8387	320	153-9086	582		734		898
	323		586		738		900
148-8395	399		590		747		904
	424		593		748		908
148-8409	225		595		787	155-2271	707
	399		599		788		709
	424	154-2302	272		789		711
148-8458	267		277		848		713
148-9767	368	154-9023	399		852		718
149-7376	114		424		853		726
	118	154-9024	405		862		728
	121		412		865		730
149-7378	114	155-0696	705		868		736
	115	155-0698	705		871		745
	116	155-0809	124		872	155-2274	734
	118		125		880		735
	119	155-0810	124		884		736
	121	155-2255	734		887		738
149-7499	558		735		890		743
149-8754	595		736		894		744
149-9110	160		737		898		745
150-3138	115		738		900		749
150-3141	▶114		739		904		750
	117		740		905		751
150-3142	▶115		744		908		752
150-4104	532		745	155-2263	794		753
	533		746	155-2265	735		754
	535		749		736		794
150-5311	463		750		743	155-2276	789
	465		752		744	155-2698	549
150-8057	412		755		746	155-2793	124
	428		848		749		125
151-5145	481		852		750	155-3624	268
	483		853		751		272
	486		862	155-2269	707		277
	488		865		709	155-3677	620
	493		866		711		641
	495		868		726	155-4568	620
	497		871		728		641
	499		872		730	155-4929	560
	501		880	155-2270	707	155-8725	811
	503		884		709		816
151-5697	461		887		711		817
151-5925	210		890		713		818
	211		894		718	155-9524	178
	213		898		726		180
	215		900		728	156-0853	149
151-5966	160		901		730	156-2603	463
153-1256	468		904		738		465
153-2707	904		905		744	156-6175	984
	909		908		745		988
	912		909		746	156-6905	249
	913	155-2256	738		749	157-0670	399
153-6238	316	155-2257	736		796		405
153-7023	132		737		848		412

PART NUMBER INDEX

Part	Page	Part	Page	Part	Page	Part	Page
	424		871		390		877
158-3416	160	161-4113	77		396	178-0184	480
159-1533	160		79	166-6693	769		514
159-3955	174		81		770		515
159-6159	57		▶352		771	178-0480	1015
	58	161-5718	468	166-9144	178	178-8579	57
	59	161-5719	▶468		180		59
	60		469	167-4407	405		61
	61	162-0177	399		424		63
	62		424	167-7564	▶167		65
	63	162-1548	599		168		67
	64	163-2478	132		176		83
	65	163-3972	938	167-8081	123		85
	66		939	167-8130	136		87
	67	163-3973	938		137		89
	68		939		138		91
	83	163-3974	938		198		93
	84		939		200		▶168
	85	163-7833	573	168-3349	463		▶170
	86	163-7994	604		465	180-4132	253
	87	163-8512	▶787	168-3357	595		257
	88	164-0436	568		599		271
	89	164-0449	▶568	168-4854	405		276
	90	164-4537	379		412		299
	91		383	169-4703	174		304
	92		390	170-4860	405	180-6364	549
	93		396		412	180-7350	210
	94	164-5570	267	171-2205	701		211
	▶113		272	171-2209	700		213
159-8524	160		277	171-2213	699		215
159-9322	735	164-5584	272	171-5349	795	180-9339	96
	852		277	172-6059	291		865
	853	164-5619	230		292	180-9340	788
	866	164-6875	267		294		789
	871	165-0199	▶912		309		796
	872	165-0200	912	173-3998	457		852
	890		913	174-5516	196		853
	901	165-0201	912	174-5517	196		865
	909	165-3929	168	174-5986	▶469		868
159-9343	▶116		170	174-9897	▶196		890
	117		172	175-1366	113		891
160-5447	▶691		174	175-1367	113	183-3406	317
160-7037	111		176	175-7076	628		323
160-7271	113		177	176-2543	811	183-3407	135
160-7689	735	165-3931	168		816		228
	852		170		817		292
	865		172		818		579
	872		174		837		770
	880		176	177-0254	▶701	183-3408	133
	884		177	177-4639	116	183-5425	582
	887	165-3934	172		119		590
	890		174	177-7374	481	183-7263	399
	894	165-6170	227		483	186-0357	254
	898		332		486		258
	901		333		488		272
	904		334		493		277
	909		335		495		300
160-7690	852		336		497		305
	865		337		499		582
	871		338		501		586
161-1705	848		342		503		590
	852	165-6557	▶546	177-7375	480		593
	862	166-2904	130		514		596
	865	166-4392	379		515		599
	868		383	177-9648	859		604

PART NUMBER INDEX

Part	Page	Part	Page	Part	Page	Part	Page
	608		84		72	194-7882	191
	613		85		73	195-0315	453
	616		86		74		454
	620		87		75		459
	624		88		76		460
	628		89		77	195-0763	457
	632		90		78	195-1111	533
	636		91		79	195-2193	533
	641		92		80	195-3443	463
	647		93		81		465
	651		94		82	195-4550	329
186-0358	608		▶117		▶185	195-4722	▶404
	632	187-4085	613		▶186	195-6386	345
	641		616	190-3073	▶739		348
186-0359	620		636	190-3074	▶740	196-0217	346
	624	187-8979	160	190-3075	▶740	196-0218	346
	628	187-8981	122	190-4182	480	196-0219	345
	641	188-0210	202		514	196-0220	▶345
	647		203		515	196-2429	211
	651		205	190-7541	379		215
186-1667	599		207		383	196-3617	624
186-2001	132		208		390		628
186-3735	549	188-2008	417		396		647
	713	188-2866	266	190-7645	705		651
	716	188-7513	848	192-4151	236	196-4933	▶533
	718		853		239	196-5069	236
	726		862	193-0158	590		239
	791		866		593	196-5070	236
	802		868	193-1417	532		239
	843		872		533	196-9223	▶405
	908	188-9429	796		535	197-4870	457
186-3736	713	188-9834	262	193-2246	537	197-4971	160
	718		266		542	197-7348	1004
	735		281	193-2444	428	197-8432	369
	743	189-3158	718		432	197-8433	▶369
	745	189-4917	69	193-5582	▶913	197-9441	582
	746		70	193-8570	827		586
	747		71	193-9119	463	198-1294	172
	749		72		465		174
	751		73	193-9120	463	198-1295	58
	752		74		465		60
	753		75	193-9125	463		62
	754		76		465		64
	785		77	193-9127	463		66
	865		78		465		68
	871		79	193-9201	463		84
	908		80	193-9205	463		86
	913		81		465		88
187-1503	211		82	193-9206	463		90
187-2034	680		▶122		465		92
	682	189-4918	122	193-9207	463		94
	684	189-5599	▶739		465		▶172
187-3316	57	189-5746	▶795	193-9211	463		▶174
	58		801		465	198-3433	▶473
	59	189-7500	608	194-2450	▶453		▶475
	60		632		▶454	198-6867	329
	61	189-9266	848	194-3967	▶769	198-7670	608
	62		853	194-5226	748		632
	63		862	194-5227	748	198-9159	▶740
	64		866	194-6725	▶788	198-9184	405
	65		868		790		424
	66		872		791	199-3154	▶582
	67	190-0009	69		880	199-3321	377
	68		70		894		381
	83		71		904		385

PART NUMBER INDEX

Part	Page	Part	Page	Part	Page	Part	Page
	388		798	202-2708	680		616
	392		880		682		620
	394		894		684		624
199-6573	405		904	202-2783	682		628
	424	201-6616	799		684		632
		201-6757	▶381	202-2784	680		636
		201-6758	381		682		641
			▶383		684		647
		201-7237	▶485	202-2785	680		651
200-3121	354	201-7251	1		682	203-8824	236
	355		2		684	203-9516	707
200-3122	358		15	202-2786	680		709
200-3123	▶354		16	202-2787	680		711
	▶355		29		682		713
200-4262	647		30		684		716
	651		31	202-4393	▶286		718
200-5188	▶985		32	202-7528	379		726
200-6962	▶819		76		390		728
200-7101	▶377		▶552		▶439		730
200-7102	377	201-7252	1	202-7529	383	203-9572	707
	▶379		2		396		709
200-7103	379		15		▶441		716
	383		16	202-7530	379		718
	390		29		383		726
	396		30		390		728
200-7104	379		31		396	203-9609	868
	383		32	202-7531	439		872
200-7105	379		76		441		880
	383		▶553	202-7533	439		884
200-7106	379	201-7275	553		441		887
	383		▶554	202-7534	439		890
	390	201-7292	329		441		904
	396	201-8358	▶149	202-7535	439		909
200-7124	377	202-1062	370	202-7536	439	203-9610	848
	381		373		441		853
	385	202-1063	369	202-7537	441		868
	392		▶370	202-7538	441		872
201-1266	481	202-2048	▶586	202-7539	441		880
	483	202-2049	▶590	202-8797	286		884
	486	202-2050	▶593		288		887
	488	202-2085	▶857		311		890
201-1270	▶481		▶859		313		904
	▶483	202-2086	857		316		908
201-1298	432		859		320	204-0130	582
201-1400	▶407		875		323		586
201-1434	407		877	202-9646	▶250		590
201-1517	▶408	202-2088	▶862	202-9897	680		593
201-1518	1		▶865		682		595
	2	202-2089	▶868		684		599
	15		▶871	203-0100	▶572		604
	16	202-2090	848		632		613
	29		852		636	204-0737	711
	30		862	203-0342	▶218		713
	31		865	203-1887	▶333		730
	32		868	203-2085	379	204-1256	551
	▶346		871		383		554
201-2067	▶332	202-2091	848		390	204-1530	551
201-2087	▶537		852		396		554
201-4233	473		862	203-4623	▶707	204-1531	551
	475		865	203-4624	▶709		554
	477		868	203-4625	▶711	204-2518	773
201-4340	126		871		▶713		779
201-4824	▶551	202-2700	680	203-7947	604		780
	552		682		608		▶784
201-6615	▶796		684		613		848

2

PART NUMBER INDEX

Part	Page	Part	Page	Part	Page	Part	Page
	853		825	210-8958	791		93
	862	207-1520	817	211-2013	370		94
	866		▶821	211-2048	253		▶770
	868	207-1524	▶823		257		▶771
	871	207-1537	815		262	212-5976	286
204-6104	453		▶825		266		288
	459		837		271		311
204-7844	379	207-1549	816		276		313
	383		▶827		281		316
	390	207-1556	▶830		286		320
	396	207-1564	818		288		323
205-4832	454		▶832		299	212-6019	286
	456	207-2735	▶768		304		288
	460	207-6998	▶456		311	212-7481	▶938
	461	207-7001	456		313	212-7568	604
205-5741	986		▶457		316	213-3217	210
205-5748	▶986		461		320		211
205-6041	533	207-8156	▶219		323		213
205-7700	707	208-0432	853	211-2089	▶291		215
	709		866	211-3122	132	214-6045	527
	711		872	211-3447	992	214-7566	202
205-8673	493		891		993		205
	495		901	211-4359	▶285		220
	497		904	211-6801	266		221
	503		909	211-6807	890		267
	505	208-0570	▶480		900		277
	507		481		904		292
	509		486		908		316
	511		493	211-6833	848		317
205-9167	▶356		495		853		323
	▶357		499		862		413
205-9174	▶347	208-0589	945		866		477
205-9175	347	208-0590	▶989		868		503
	349	208-4615	359		872		770
205-9176	347		360		880		790
205-9187	▶288	208-5033	253		884	214-7568	135
205-9188	288		257		887		228
205-9189	288		262		890		266
205-9191	▶409		286		894		286
205-9196	▶486		288		898		292
	▶488		299		900		317
205-9197	195		304		904		323
	486	208-5034	253		908		350
	488		257	212-1404	57		383
	499		262		58		390
	501		286		59		396
205-9198	486		288		60		579
	488		299		61		590
206-2866	▶452		304		62		599
	467	208-8375	918		63		600
206-4160	532	209-2786	▶136		64		628
	535	209-3569	113		65		672
206-5017	192	209-3600	▶137		66		770
206-7331	203	209-3603	▶138		67		776
	205	209-5581	707		68		777
206-7428	985		716		83		779
206-7472	▶358		728		84		780
206-7473	354		▶844		85		781
	356	209-5582	709		86		782
	▶359		718		87	216-5582	130
206-7829	▶875		726		88	217-0751	130
	▶877		▶845		89	217-0752	130
206-8789	819	209-8304	▶140		90	217-3865	▶992
	821	210-6947	▶520		91	217-3866	▶734
	823	210-6949	520		92	217-8191	▶993

PART NUMBER INDEX

Part	Page	Part	Page	Part	Page	Part	Page
217-9060	399		593	225-6116	▶735	229-3218	599
	424		595	225-6118	▶735		604
218-3840	▶789		599	225-6120	▶736		608
	792		604	225-6122	▶692		613
	848		608	225-6123	▶693		616
	853		613	225-8575	▶569		632
	862		616	225-8576	▶247		636
	866		620	226-0361	▶744		641
	868		624	226-0363	▶744	229-3689	▶934
	872		628	226-0365	▶736	229-3690	▶935
	880		632	226-0366	▶744	229-6259	210
	894		636	226-0367	▶736		211
	905		641	226-0371	▶749		213
219-4458	210		647	226-0411	▶736		215
	213		651	226-0413	▶686	229-9407	682
	215	223-7263	▶130	226-0416	▶737	230-2462	582
219-8020	▶915		132	226-0417	▶737		586
219-8021	▶764	223-8200	▶562	226-0418	▶737		613
219-8022	▶925	223-8201	▶919	226-1191	78		616
219-8023	▶994	223-8204	▶928		80		636
220-1441	70	223-8205	▶563		82	230-2463	582
	75	223-8206	▶920		▶353		586
	81	223-8208	▶929	226-3414	▶737	230-2569	210
	82	223-8211	▶564	226-3415	▶738		211
	▶210	223-8213	▶921	226-3419	▶738		213
220-2313	▶926	223-8214	▶930	226-3422	▶772		215
220-2315	▶927	223-8216	▶565	226-3423	▶998	230-3728	656
221-3494	266	223-8218	▶922	226-3424	▶797		657
221-8209	604	223-8219	▶931	226-3515	473		658
	608	223-8220	▶566		475	230-3775	656
	613	223-8221	▶923		477		657
	616	223-8222	▶932	226-5561	130		658
	620	223-8223	▶567	226-5567	▶940	230-4542	983
	624	223-8224	▶924		983	230-7149	774
	628	223-8225	▶933	227-1204	126		▶798
	632	223-9159	210		128		800
	636		211	227-3514	▶738	231-0218	286
	641		213	227-4283	▶918	231-0220	286
	647		215	228-0880	▶202	231-1954	582
	651	223-9250	▶132	228-1644	57		586
221-9506	▶703		133		58		590
221-9507	▶995		135		59		593
222-2886	811	224-2382	▶531		60	231-2770	582
222-7944	707	224-2383	▶344		61		586
	709	224-3245	210		62	231-3495	463
	711		211		63		465
	714		213		64	231-3856	590
	716		215		65		593
	718	224-3246	210		66	231-6130	680
223-1624	774		211		67	231-6133	682
	776		215		68		684
	777	224-3983	130		▶203	231-7695	194
	779	224-5122	133		▶205		195
	780		135	228-3581	1015		481
	781	224-6805	385	228-4947	798		483
	782		392		799		486
	853	224-8945	1015	228-7089	579		488
	862	224-9873	▶996	228-7424	▶983	231-9897	741
	866	224-9874	▶997	229-1444	313		742
	880	225-0071	520		316		743
	894	225-4256	1015	229-2012	▶673	232-0897	741
	905	225-6102	▶734	229-2282	399		742
223-6345	582	225-6104	▶734		424		743
	586	225-6107	▶734		428	232-3235	210
	590	225-6112	▶735		432		211

PART NUMBER INDEX

Part	Page	Part	Page	Part	Page	Part	Page
	213		88		86		228
	215		89		87		670
232-3236	210		90		88	238-9932	368
	211		91		89	238-9933	368
	213		92		90	238-9934	368
	215		93		91	238-9935	457
233-6742	582		94		92	238-9936	▶368
	586		▶228		93		457
	590	234-9222	57		94	238-9938	368
	593		58		▶221	239-2335	▶580
	595		59	235-4609	▶987	239-2336	595
	599		60	235-4610	987		599
	604		61	235-5805	▶244	239-2337	595
	608		62	235-5859	▶733	239-2339	▶595
	613		63		756	239-2340	▶573
	616		64		757		641
	620		65		758		647
	624		66		761		651
	628		67		762	239-2341	595
	632		68		763	239-2396	774
	636		83	235-5863	398		776
	641		84		733		777
	647		85		756		779
	651		86		757		780
	▶670		87		758		▶790
234-7489	452		88		761	239-2397	774
234-7490	452		89		762		▶799
234-7491	452		90		763		800
234-7492	452		91	235-5868	▶756		880
234-7494	452		92	235-5870	▶757		894
234-7495	452		93	235-5920	▶410		905
234-7496	452		94	235-5939	410	239-7844	211
234-7497	452		▶220	235-6221	411	239-8016	332
234-7498	452	234-9776	▶229	235-6222	▶411		335
234-7499	452	235-1088	180	235-6394	74		339
234-7828	▶726	235-1401	70		▶211	239-9349	599
234-7829	▶728		75	235-8127	410	239-9351	▶599
234-7830	▶730		81		411	239-9965	407
234-7839	481		82	236-6733	353	240-7051	57
	483		▶656	236-9918	353		58
234-7862	707	235-1403	69	237-1936	379		59
	709		71		383		60
	711		72	237-1962	▶834		61
	713		73	237-3860	361		62
	726		74		363		63
	728		79		365		64
	730		80		366		65
234-8937	108		▶657		367		66
234-9219	57	235-1587	352		547		67
	58	235-2384	520		548		68
	59	235-2387	57		662		83
	60		58		664		84
	61		59		666		85
	62		60		668		86
	63		61		669		87
	64		62	238-2707	210		88
	65		63		213		89
	66		64		215		90
	67		65	238-5078	113		91
	68		66	238-5080	220		92
	83		67		222		93
	84		68		228		94
	85		83		579		▶222
	86		84		803	240-9044	▶412
	87		85	238-5081	128	240-9045	▶374

PART NUMBER INDEX

Part	Page	Part	Page	Part	Page	Part	Page
240-9046	412		116	243-3809	194	246-5944	549
	428		118		481	246-5949	549
240-9047	412		119		483	246-7913	705
	428		121	243-3842	▶330	247-5669	▶299
240-9048	▶375	243-0492	374	243-3843	330	247-5670	299
240-9049	412	243-0551	69		505	247-5671	299
	428		70		507	247-5672	▶304
240-9050	375		71		509	247-5673	304
240-9051	412		72		511	247-5674	304
	428		73	243-4211	▶738	247-8505	▶461
240-9052	412		75	243-4212	▶739	247-9908	132
	428		79	243-4345	198	247-9998	▶416
240-9053	412		80		200	248-0312	57
	428		81	243-4348	198		59
240-9055	412		82	243-6426	▶194		61
	428		▶98	243-6427	▶195		63
240-9056	412	243-0762	▶743	243-6718	122		65
	428	243-0940	556	244-2628	848		67
240-9057	▶459	243-1159	114		853		83
	▶460		115	244-3712	350		85
241-1724	▶334		116	244-5850	▶848		87
241-3286	599		118		▶852		89
	624		119	244-7605	490		91
	628		121	244-7612	▶490		93
	647	243-3376	▶253	244-7752	491		▶176
	▶748	243-3377	▶257	245-4676	▶535		▶177
241-3779	197	243-3378	▶262	245-4677	535	248-2607	178
241-3780	▶197	243-3379	253		▶549		180
241-4187	▶292	243-3380	253	245-4791	74	248-5513	377
241-5732	136	243-3383	253		▶557		381
	137		299	245-5849	▶491		385
	138	243-3384	262	245-9734	557		388
241-5812	▶188		266		▶558		392
241-5813	▶189		281	245-9794	▶335		394
241-5815	189		296	245-9806	▶336		399
241-5816	188	243-3385	253	246-0536	▶444		412
241-5817	188		257	246-0704	▶294		428
	189		271	246-0709	▶230		432
241-9421	5		276	246-1126	▶296	248-5528	983
	6		299	246-2105	558	248-6597	437
	9		304	246-2623	491		438
	10	243-3386	253		▶492	248-6619	▶437
	19		257		505	248-7494	▶991
	20		262		507	249-2899	412
	23		296		509		428
	24		299		511	249-3360	▶159
	33		304	246-3273	▶811		160
	34	243-3387	253	246-3274	811	250-0466	126
	35		299		▶813		128
	36	243-3388	257	246-3275	813	250-1424	266
	37	243-3389	257	246-3276	813		579
	38	243-3392	262	246-3277	813	250-1487	316
	39	243-3393	262	246-3278	813	250-2297	▶981
	40	243-3396	262	246-3279	813	250-8279	830
	69		266	246-3280	813		832
	73		281	246-3281	811	250-9297	▶246
	▶555	243-3397	262	246-3282	811	250-9984	704
242-0267	555		281	246-3284	813	250-9985	▶704
	▶556	243-3764	▶522	246-4452	813	250-9986	▶118
242-1288	556		▶523	246-4623	549		120
242-1905	198	243-3807	▶524	246-4730	178	250-9987	▶119
	200	243-3808	257	246-5659	210		120
242-1906	▶198		271		211	250-9990	▶120
242-9537	114		276		213	251-4162	695
	115		304		215		696

PART NUMBER INDEX

Part	Page	Part	Page	Part	Page	Part	Page
	697	257-7441	198	261-3429	130		170
251-4679	118		200	261-3430	130		172
	119	257-7442	▶235	261-3450	213		176
	121	257-7481	▶575	261-6847	805		177
251-6721	758	257-7497	▶576		807	268-5589	168
	759	257-7864	▶450		808		170
251-6723	760	257-8424	253		809		172
	761		299	261-6848	808		176
251-7222	485	257-8425	253		809		177
	490		299	261-7166	120	272-0390	96
251-9228	473	257-9878	253		▶121	272-2583	115
	475		257	262-4167	399	272-9707	69
	477		262		424		70
252-0033	549		266		428		71
252-5149	▶842		271		432		72
252-9284	374		276	262-4919	▶1005		73
	375		281	262-4920	▶1001		74
	412		299	262-4921	▶951		75
253-0615	656		304	262-4922	▶948		76
253-0618	657	258-6605	262	262-4923	▶1010		▶133
253-1752	122		281	262-4924	▶1011	273-5099	595
253-2111	699	258-6606	262	262-4925	▶967	273-7187	▶337
253-3309	412		281	262-4926	▶977	273-7188	337
253-5677	▶191	258-8721	236	262-4927	▶961	274-1955	705
253-5682	191		237	262-5302	595	274-4491	236
	192	258-9978	257	262-5303	595		237
253-8766	124		304	262-6127	399	274-7395	774
254-1582	191	258-9979	257		432		776
	192		304	262-6877	▶545		777
254-3854	▶192	259-1386	599	262-9957	▶231		779
254-6021	▶146		624	263-0870	603		780
254-6022	164		628	263-0871	▶603		781
254-6037	163		647	263-0872	▶577		782
254-6038	▶163		651	263-1354	▶837		▶803
254-6039	▶164	259-1393	334	263-3889	▶982	274-7396	774
255-6863	517		341	263-4920	130		776
	518	259-4501	486	264-4297	803		777
	519		488		804		779
	520		491		853		780
	523		499		865		781
255-8006	▶999		501		871		782
256-0811	253	260-0203	191		880		▶804
	257		192		894	274-7913	329
	262	260-1519	▶351		905	274-8068	▶765
	266	261-0048	76	264-5732	880		766
	271		77		884	274-8359	210
	276		78		887		213
	281		▶658		890	275-2076	▶766
	299	261-0191	69		894	275-2079	▶974
	304		70		898	275-2080	▶975
256-4883	▶724		71		900	275-2081	▶949
256-5706	741		72		904	275-2082	▶950
	742		73		908	275-2083	▶970
	743		74	264-6621	▶309	275-2084	▶971
256-5708	741		75	265-7332	▶655	275-2085	▶962
	742		76	266-0053	473	275-2086	▶963
	743		77	266-7224	▶680	275-2087	▶964
256-7512	▶721		78	267-3051	▶251	275-2088	▶958
257-4183	▶914		79	267-3052	251	275-2089	▶959
257-6934	▶350		80	267-4631	▶123	275-2091	▶960
257-6950	▶445		81		124	275-2092	▶965
257-6954	▶446		82		125	275-2093	▶966
257-6955	▶447		▶126	267-5615	432	275-2094	▶972
	▶448		▶128	267-8623	▶941	275-2095	▶973
257-6956	▶449	261-2994	369	268-5582	168	275-2096	▶952

PART NUMBER INDEX

Part	Page	Part	Page	Part	Page	Part	Page
275-2097	▶953		19		34		499
275-2098	▶978		20		36		501
275-2099	▶954		25		38		503
275-2100	▶955		26		40	280-7123	390
275-2101	▶956		29		42		396
275-2102	▶1002		31		44		454
275-2103	▶1006		33		46		456
275-2104	▶1007		35		48		461
275-2105	▶1008		37		50	280-7136	454
275-2106	▶968		39		52	280-9910	805
275-2107	▶969		41		54		807
275-2108	▶979		43		56	281-2725	670
275-2109	▶980		45		▶348		▶671
275-2110	▶1012		47	277-5881	419	282-0683	457
275-2111	▶1013		49	277-6302	1	282-9886	741
275-2112	▶1014		51		2		742
275-2115	▶976		53		15		743
275-2116	▶1003		55		16	283-1107	819
275-2118	▶1009		▶417		29		821
275-2122	▶957	277-5786	2		30		830
276-4053	991		7		31		832
	994		8		32	283-5149	69
	995		9		▶419		70
	996		10	277-9758	463		71
	997		13		465		72
	1000		14	277-9759	463		73
276-4054	936		16		465		74
	937		21	277-9760	463		75
276-4055	937		22		465		76
	995		23	277-9782	463		77
	999		24		465		78
276-5317	236		27	278-0592	832		79
	237		28	278-1365	236		80
276-5415	463		30		239		81
	465		32	278-1929	185		82
276-5419	463		34		▶236		▶160
	465		36	278-4911	▶420	283-7669	76
276-5427	463		38	278-4912	▶422		77
	465		40	278-5662	69		78
276-5431	463		42		70		▶213
	465		44		71	284-1486	▶153
276-5432	463		46		72	284-3001	▶942
	465		48		73	284-3005	▶943
276-5709	356		50		74	284-5561	457
	357		52		75	284-5562	457
276-5906	453		54		76	284-5565	457
	▶463		56		77	284-8240	57
276-7333	463		▶418		78		59
	465	277-5794	348		79		61
276-7606	741	277-5797	2		80		63
	742		7		81		65
	743		8		82		67
276-8307	658		9		▶96		83
276-9039	620		10	279-5062	▶223		85
	641		13	279-9884	457		87
277-5752	1		14	280-1439	▶252		89
	3		16	280-1440	252		91
	4		21	280-4014	▶329		93
	5		22		481		▶233
	6		23		483	285-7449	▶741
	11		24		486	285-7450	▶742
	12		27		488	285-7451	▶743
	15		28		493	286-4271	▶695
	17		30		495	287-0563	997
	18		32		497	287-0564	936

PART NUMBER INDEX

Part	Page	Part	Page	Part	Page	Part	Page
	996		▶503		632		613
287-3042	▶423	291-3799	493		636		616
287-7296	454		495		641		620
	456		497		647		624
	460		499	292-8184	651		628
	461		501		266		632
288-4883	130		503		271		636
288-4884	130	291-4339	599		276		641
288-7324	890		624		281		647
	900		628		311		651
	908		647		313	293-3827	1
289-6327	▶939		651		316		2
289-8215	96	291-4880	77		320		15
290-3445	▶773		78		323		16
290-3988	▶385		79	292-8185	266		29
	▶388		80		271		30
290-3989	385		81		276		31
	388		82		281		32
	▶390		▶178		311		76
290-3990	▶392		▶180		313	293-3829	6
	▶394	291-5458	499		316		10
290-3991	392		501		320		20
	394	291-8253	680		323		24
	▶396	291-8254	680	292-8186	266		33
290-3992	▶424	291-8271	680		271		34
290-3994	▶426	291-8273	680		276		35
	▶427	291-8274	680		281		36
290-3995	403	292-3815	680	292-9714	944		69
	426		682	292-9715	▶944	293-3831	12
	427		684	293-0851	613		14
	435	292-5906	57		616		26
290-4001	▶705		58		636		28
290-4002	▶880		59	293-0852	613		49
	▶884		60		616		50
	▶887		61		636		51
	▶890		62	293-2338	880		52
290-4003	▶894		63		884		70
	▶898		64		887	293-3833	4
	▶900		65		890		8
290-5687	▶69		66		894		18
290-5689	▶70		67		898		22
290-5691	▶71		68		900		41
290-5693	▶72		83		904		42
290-5695	▶73		84		908		43
290-5697	▶74		85	293-3050	▶604		44
290-5699	▶75		86		▶608		71
290-7517	493		87	293-3051	▶613	293-3835	3
	495		88		▶616		7
	497		89	293-3052	604		17
	499		90		608		21
	501		91		632		45
	503		92	293-3053	604		46
	505		93		608		47
	507		94		613		48
	509		▶661		616		72
	511	292-8057	604		620	293-3837	5
290-8866	659		608		624		9
290-9815	▶76		632		628		19
291-1979	390	292-8125	604		632		23
	396		608		636		37
291-3797	▶493		613		641		38
	▶495		616		647		39
	▶497		620		651		40
291-3798	▶499		624	293-3054	604		73
	▶501		628		608	293-3839	74

PART NUMBER INDEX

Part	Page	Part	Page	Part	Page	Part	Page
293-3841	11		55		▶99	302-4044	620
	13		▶349	299-1761	682		641
	25	294-0106	349		684	302-4535	170
	27	294-2174	493	299-6326	716		177
	53		495		718	302-5449	▶207
	54	294-4711	▶338			303-4434	▶810
	55	294-4712	338			304-5303	726
	56		340			304-5668	▶791
	75		342				793
293-3912	▶904	294-8674	▶224	300-0572	1015	304-6645	▶716
	▶908	294-8675	▶225	300-1367	418	304-6646	▶718
293-3914	▶428	295-0081	▶320	300-1401	417	305-3332	495
293-3925	▶432		▶323	300-4929	620		497
293-4160	▶758	295-0082	320		641		509
	▶759		323	300-5538	716		511
293-4161	▶760	295-0083	320		718		▶516
	▶761		323	300-9952	483	305-4500	▶232
293-4687	▶311	295-1557	▶266		488	305-9196	126
	▶313	295-5551	327		497		128
	▶316		328		503		▶226
293-4688	311	295-5782	266	301-3018	▶124	306-2170	313
	313	295-5783	266		126		316
	316	295-6141	▶271	301-4315	3	306-2171	313
	320		▶276		4		316
	323	295-6144	271		7	306-3998	834
293-4689	311		276		8	306-5494	608
293-4690	311	295-6145	271		11		616
293-5359	880		276		12		620
	884	295-7976	271		13		624
	887		276		14		628
	890	295-7977	271		17		632
	894		276		18		636
	898	296-0603	▶696		21		641
	900	296-2980	▶505		22		647
	904		▶507		25		651
	908	296-2982	▶509		26	306-7634	178
293-7387	493		▶511		27		217
294-0103	▶435	296-2986	505		28	307-0711	▶438
294-0105	1		507		41	307-0716	▶774
	3		509		42	307-1543	165
	4		511		43		166
	5	296-4370	▶620		44	307-1984	774
	6	296-4371	▶624		45		776
	11		▶628		46		777
	12	296-4372	620		47		779
	15		641		48		780
	17	296-4373	620		49		781
	18		641		50		782
	19	296-4374	624		51		▶792
	20		628		52	307-2671	202
	25		647		53		220
	26		651		54		221
	29	296-6642	327		55		413
	31		328		56		770
	33	296-6644	▶327		70	307-2673	220
	35	297-1813	113		71		222
	37	297-8309	620		72	307-7541	▶945
	39		641		75		946
	41	297-8310	620		▶559	307-7542	941
	43		641	301-7292	713		▶946
	45	297-9084	▶328		716	307-7683	624
	47	298-4712	▶750		718		628
	49	299-1446	76	302-0372	559		647
	51		77		▶560		651
	53		78		▶561	307-8322	236

3

PART NUMBER INDEX

Part	Page	Part	Page	Part	Page	Part	Page
	238		63		85		9
308-1362	682		64		86		10
	684		65		87		11
308-1365	682		66		88		12
	684		67		89		13
308-1366	682		68		90		14
	684		83		91		15
308-1427	377		84		92		16
	381		85		93		17
	388		86		94		18
	394		87		►578		19
308-1428	388		88		►579		20
	394		89	313-5021	►745		21
308-1429	388		90	313-5683	624		22
	394		91		628		23
308-1432	388		92		647		24
	394		93		651		25
308-1508	►1017		94	314-3063	130		26
308-4321	399		►184	314-3064	130		27
308-4486	69	310-5809	►539	314-3065	130		28
	71	311-2827	399	314-3066	130		29
	72	311-3065	266	314-3067	130		30
	73		271	314-3068	130		31
	79		276	314-3069	130		32
	80	311-3066	266	314-5160	561		33
	►215		271	314-9335	266		34
308-5344	608		276		281		35
	616	311-3067	266	315-0047	475		36
	620	311-3933	180		477		37
	624	311-8389	►1000	315-6142	266		38
	628	311-8395	►751		281		39
	632	311-8396	►751	316-1444	57		40
	636	311-8400	►916		58		41
	641	311-8401	►749		59		42
	647	312-8590	77		60		43
	651		78		61		44
308-7071	399		79		62		45
308-7072	399		80		63		46
308-9316	►514		81		64		47
308-9441	►1016		82		65		48
308-9502	388		►135		66		49
	394	313-2757	532		67		50
309-0099	399		533		68		51
309-0104	►399	313-3458	205		83		52
309-5130	205	313-3505	77		84		53
	316		78		85		54
	323		79		86		55
	477		80		87		56
309-5131	128		81		88		►477
309-5587	200		82		89	316-6393	►988
309-5588	►200		►800		90	316-6864	660
310-3947	483	313-4606	57		91		661
	488		58		92	317-4419	►541
	497		59		93	317-5271	►340
	501		60		94	317-8766	122
	503		61		►227	317-9523	503
	►515		62	316-4989	►339		505
310-5510	388		63	316-5245	1		507
	394		64		2	318-2082	835
310-5806	57		65		3	318-2946	388
	58		66		4		394
	59		67		5	319-0785	170
	60		68		6		172
	61		83		7		177
	62		84		8		►240

PART NUMBER INDEX

Part	Page	Part	Page	Part	Page	Part	Page
319-6208	292		26		47		91
319-6234	292		29		▶91		92
319-6611	58		31	320-9781	36	320-9929	61
	60		33		40		62
	62		35		44		▶81
	64		37		48		87
	66		39		▶92		88
	68		41	320-9782	51	320-9930	67
	84		43		55		68
	86		45		▶93		▶82
	88		47	320-9783	52		93
	90		49		56		94
	92		51		▶94	321-6572	505
	94		53	320-9784	▶29		507
	▶157		55	320-9785	▶30		509
319-6612	2		▶145	320-9786	▶31		511
	7	319-8539	57	320-9787	▶32	321-7900	371
	8		59	320-9788	▶33	321-7906	371
	9		61	320-9789	▶34	321-7907	371
	10		63	320-9790	▶35	321-8649	267
	13		65	320-9791	▶36		277
	14		67	320-9792	▶37		292
	16		83	320-9793	▶38		316
	21		85	320-9794	▶39		323
	22		87	320-9795	▶40	322-1126	125
	23		89	320-9796	▶41	322-2815	329
	24		91	320-9797	▶42	322-3639	276
	27		93	320-9798	▶43	322-3640	276
	28		▶158	320-9799	▶44	322-4070	▶781
	30	319-9079	371	320-9800	▶45	322-4071	▶782
	32	319-9080	▶371	320-9801	▶46	322-8511	371
	34	320-2796	▶237	320-9802	▶47		▶373
	36		238	320-9803	▶48	322-8525	373
	38	320-2797	237	320-9804	▶49	322-8954	83
	40	320-5171	781	320-9805	▶50		84
	42		782	320-9806	▶51		85
	44		▶793	320-9807	▶52		86
	46	320-7495	▶542	320-9808	▶53		87
	48	320-9772	29	320-9809	▶54		88
	50		▶83	320-9810	▶55		89
	52	320-9773	30	320-9811	▶56		90
	54		▶84	320-9815	▶632		91
	56	320-9774	33	320-9816	▶636		92
	▶144		37	320-9818	▶776		93
319-6715	213		41	320-9819	▶777		94
319-6827	▶748		45	320-9820	▶779		▶208
319-6828	▶748		▶85	320-9821	▶780	323-3494	276
319-6829	▶748	320-9775	34	320-9925	57		323
319-6830	▶749		38		58	323-3495	316
319-6831	▶694		42		▶77	323-5180	▶745
319-7401	122		46		83	323-6475	▶641
	▶241		▶86		84	323-6480	▶647
319-8538	1	320-9776	49	320-9926	63		▶651
	3		53		64	323-6984	▶141
	4		▶87		▶78	323-7317	▶725
	5	320-9777	50		89	323-7423	▶142
	6		54		90	323-7424	▶143
	11		▶88	320-9927	59	323-8451	▶125
	12	320-9778	31		60		128
	15		▶89		▶79	324-0476	▶341
	17	320-9779	32		85	325-3357	▶281
	18		▶90		86	325-4614	942
	19	320-9780	35	320-9928	65	326-2681	497
	20		39		66		503
	25		43		▶80	326-2814	▶1018

PART NUMBER INDEX

Part	Page	Part	Page	Part	Page	Part	Page
326-2816	▶1019		459	345-8317	▶15	352-1586	465
326-2817	▶1020		460	345-8318	▶16	352-3953	912
326-4512	96		▶465	345-8319	▶17	352-3964	809
327-0552	942	342-6548	▶451	345-8320	▶18	352-9715	163
328-2141	▶762	342-6549	▶805	345-8321	▶19	352-9716	164
328-2143	▶763		▶807	345-8322	▶20	352-9719	166
328-4236	186	342-6550	▶808	345-8323	▶21	353-5126	220
	▶238		▶809	345-8324	▶22		222
328-4238	238	343-9768	▶165	345-8325	▶23	353-5134	579
	▶239		▶166	345-8326	▶24	353-9983	180
328-8410	682	343-9866	96	345-8327	▶25		▶217
	684	345-8291	1	345-8328	▶26	354-3456	355
329-4509	215		▶57	345-8329	▶27		357
329-4511	210	345-8292	2	345-8330	▶28		358
329-9507	57		▶58	346-0481	165		▶360
	59	345-8293	3		166	355-9045	947
	61		4	346-1577	▶702	355-9046	943
	63		5	346-9090	546		▶947
	65		6	347-0689	▶662	356-2534	▶398
	67		▶59	347-0691	▶664		759
	83	345-8294	7	347-0692	▶666		760
	85		8	347-0693	▶361	356-5212	150
	87		9	347-0694	▶363	357-4699	▶912
	89		10	347-0695	▶547	357-5429	379
	91		▶60	347-0696	▶548		390
	93	345-8295	11	347-4430	503	357-5978	383
	▶111		12	347-9364	▶936		396
329-9616	57		▶61	347-9365	▶937		
	59	345-8296	13	348-2308	377		
	61		14		381		
	63		▶62	348-4871	165		
	65	345-8297	15	348-4872	165		
	67		▶63	348-6657	399		
	83	345-8298	16		407		
	85		▶64		413		
	87	345-8299	17		427		
	89		18	348-6772	165		
	91		19		166		
	93		20	348-7211	403		
	▶234		▶65		435		
331-5717	▶682	345-8300	21	348-7743	186		
332-7297	98		22	349-2454	▶668		
332-7315	99		23	349-2455	▶669		
333-0485	▶403		24	349-2456	▶365		
333-1184	▶684		▶66	349-2457	▶366		
333-2407	▶342	345-8301	25	350-3558	454		
334-6832	217		26		456		
335-6885	721		▶67		460		
336-2020	470	345-8302	27		461		
	▶471		28	350-3565	399		
336-2022	471		▶68		403		
336-6897	▶697	345-8303	▶1		407		
337-0958	▶752	345-8304	▶2		412		
337-0960	▶753	345-8305	▶3		426		
337-0962	▶754	345-8306	▶4		427		
337-0964	▶746	345-8307	▶5		435		
337-0971	▶747	345-8308	▶6	350-7594	▶801		
337-0973	▶755	345-8309	▶7	350-7770	163		
337-0980	▶755	345-8310	▶8		164		
338-3453	838	345-8311	▶9	350-8823	166		
338-3454	▶838	345-8312	▶10	350-9044	▶367		
339-1587	642	345-8313	▶11	351-2247	163		
339-4983	661	345-8314	▶12		164		
339-6214	▶147	345-8315	▶13		166		
340-7732	454	345-8316	▶14	351-3219	166		

MEMORANDA



SEBP4770-10

C18 Marine Engine

**J2K1-Up
T2P1-Up**