



Parts Manual

3512 Industrial Engine

65Z887-UP (Engine)

Product and Dealer Information

Note: For product identification plate locations, see the section "Product Identification Information" in the Operation and Maintenance Manual.

Delivery Date: _____

Product Information

Model: _____

Product Identification Number: _____

Engine Serial Number: _____

Transmission Serial Number: _____

Generator Serial Number: _____

Attachment Serial Numbers: _____

Attachment Information: _____

Customer Equipment Number: _____

Dealer Equipment Number: _____

Dealer Information

Name: _____ Branch: _____

Address: _____

Dealer Contact

Phone Number

Hours

Sales: _____

Parts: _____

Service: _____

MEMORANDA

TABLE OF CONTENTS

NAME	PAGE	NAME	PAGE
GENERAL INFORMATION.....	A4	KIT-ENGINE OVERHAUL.....	235
REPAIR ALTERNATIVES.....	A6	LIFTING GP-ENGINE.....	238
SUPPLEMENTAL COOLANT ADDITIVES.....	A7	LINER-CYLINDER BLOCK.....	239
MAINTENANCE PARTS.....	A8	MOUNTING GP-ALTERNATOR.....	240
INDEX.....	A13	MOUNTING GP-ENGINE.....	252
ENGINE ARRANGEMENT.....	1	MOUNTING GP-HYD PUMP DRIVE.....	253
CONVERSION AR-ENGINE.....	1	PAN GP-OIL.....	256
ENGINE AR.....	2	PISTON & ROD GP.....	271
BASIC ENGINE.....	7	POWER TAKE-OFF GP.....	281
ADAPTER GP-FLYWHEEL.....	7	PULLEY AS-CRANKSHAFT.....	285
AIR COMPRESSOR GP.....	8	PULLEY GP-AUXILIARY DRIVE.....	286
BARRING & MOUNTING GP.....	29	PULLEY GP-FAN DRIVE.....	292
BARRING GP.....	30	RING GP-PISTON.....	308
BRACKET GP-MOUNTING.....	32	SEAL AS-WATER.....	309
CAMSHAFT GP.....	33	SEAL GP-CRANKSHAFT.....	311
CLUTCH AS.....	34	SHAFT GP-AUXILIARY DRIVE.....	312
CLUTCH GP.....	36	SHAFT GP-STUB.....	322
COUPLING GP-AUXILIARY DRIVE.....	38	TRUNNION GP-ENGINE.....	325
COUPLING GP-FLEXIBLE.....	40	VALVE GP-EXPLOSION RELIEF.....	326
COVER GP-ACCESSORY DRIVE.....	46	VALVE MECHANISM GP.....	328
COVER GP-CAMSHAFT.....	48	LUBRICATION SYSTEM.....	334
COVER GP-CYLINDER BLOCK.....	49	BREATHER GP.....	334
COVER GP-FLYWHEEL HOUSING.....	50	CONNECTION GP-OIL.....	335
COVER GP-FRONT HOUSING.....	54	FILLER GP-ENGINE OIL.....	337
COVER GP-OIL PAN.....	57	FILTER GP-CENTRIFUGAL.....	338
COVER GP-VALVE MECHANISM.....	59	FILTER GP-ENGINE OIL.....	340
CRANKSHAFT GP.....	60	FUMES DISPOSAL GP.....	365
CYLINDER BLOCK AS.....	63	GAUGE GP-OIL LEVEL (DIPSTICK).....	367
CYLINDER BLOCK GP.....	70	HOSE AS.....	370
CYLINDER HEAD AS.....	89	LINES GP-CENTRIFUGAL FILTER.....	379
CYLINDER HEAD GP.....	102	LINES GP-ENGINE OIL.....	380
DAMPER GP.....	136	LINES GP-OIL SUPPLY.....	392
DRAIN GP-ENGINE OIL.....	147	LINES GP-PRELUBRICATION.....	396
DRIVE GP-ACCESSORY.....	151	LINES GP-TURBOCHARGER OIL.....	401
DRIVE GP-FAN.....	163	PUMP & LINES GP- PRELUBRICATION.....	403
FASTENER GP-COUPLING.....	168	PUMP GP-ENGINE OIL.....	412
FASTENER GP-VALVE MECHANISM.....	169	PUMP GP-PRELUBRICATION.....	415
FLYWHEEL GP.....	170	PUMP GP-SUMP.....	424
GEAR GP-FRONT.....	181	REGULATOR GP-OIL LEVEL.....	431
GEAR GP-REAR.....	187	VALVE GP-CHECK.....	453
GUARD GP-BELT.....	189	VALVE GP-FLUID CONTROL.....	454
GUARD GP-COUPLING.....	208	COOLING SYSTEM.....	455
GUARD GP-DAMPER.....	210	CONNECTION GP-EXPANSION TANK.....	455
HOUSING GP-FLYWHEEL.....	215	CONNECTION GP-TORQUE CONV CLR.....	456
HOUSING GP-FRONT.....	223	CONNECTION GP-WATER.....	458
HUB-FLEXIBLE COUPLING.....	225	COOLER GP-ENGINE OIL.....	467
KIT-CYLINDER HEAD GASKET.....	226	CORE GP-OIL COOLER.....	468
KIT-ENGINE GASKET.....	228	FAN GP-BLOWER.....	469
		FAN GP-SUCTION.....	476
		GUARD GP-RADIATOR.....	482
		HEAT EXCHANGER GP-SEA WATER.....	485

TABLE OF CONTENTS

NAME	PAGE	NAME	PAGE
HOSE GP-RADIATOR.....	506	FILTER GP-FUEL.....	813
HOUSING & REGULATOR GP.....	507	FILTER GP-PRIMARY FUEL.....	834
JOINT AS-TUBE.....	516	GOVERNOR GP.....	835
KIT-WATER PUMP.....	518	GOVERNOR GP-ELECTRIC.....	842
LINES GP-AFTERCOOLER WATER.....	519	INJECTOR GP-FUEL.....	843
LINES GP-WATER.....	523	INSTALLATION GP-GOVERNOR.....	844
MOUNTING GP-RADIATOR.....	560	LINES GP-DIVERTER VALVE.....	845
PUMP GP-AUXILIARY SEA WATER.....	570	LINES GP-FLEXIBLE FUEL.....	869
PUMP GP-AUXILIARY WATER.....	582	LINES GP-FUEL.....	870
PUMP GP-WATER.....	600	LINES GP-FUEL INJECTION.....	871
RADIATOR GP.....	610	LINES GP-FUEL RATIO CONTROL.....	887
REGULATOR GP-TEMPERATURE.....	636	MANIFOLD GP-FUEL.....	890
SWITCH GP-COOLANT LEVEL.....	638	MOUNTING GP-GOVERNOR	
TANK GP-EXPANSION.....	642	CONTROL.....	892
VALVE GP-DIVERTER.....	645	MOUNTING GP-WATER	
VALVE GP-RADIATOR DRAIN.....	651	SEPARATOR.....	893
AIR INLET AND EXHAUST SYSTEM.....	653	PUMP GP-FUEL INJECTION.....	894
ADAPTER GP-AIR CLEANER.....	653	PUMP GP-FUEL PRIMING.....	896
AFTERCOOLER GP-WATER.....	657	PUMP GP-FUEL TRANSFER.....	901
AIR CLEANER GP.....	661	PUMP GP-GEROTOR.....	912
CARTRIDGE GP-TURBOCHARGER.....	668	SEPARATOR GP-WATER.....	917
ELBOW GP-EXHAUST.....	674	SHIELD GP-FUEL LINES.....	919
ELBOW-EXHAUST.....	677	SHUTOFF GP-CONTROL.....	923
FITTING GP-EXHAUST.....	679	SHUTOFF GP-HYDROMECHANICAL.....	938
FLANGE GP-EXHAUST.....	683	SHUTOFF GP-MANUAL.....	951
INDICATOR GP-AIR FILTER		SHUTOFF GP-REMOTE.....	954
CHANGE.....	690	TUBE.....	956
LINES GP-AIR.....	692	VALVE GP-FUEL SHUTOFF.....	957
LINES GP-TURBOCHARGER AIR.....	700	VALVE GP-PRESSURE CONTROL.....	959
MANIFOLD GP-EXHAUST.....	706	VALVE GP-SPEED SENSING.....	961
MOUNTING GP-AIR CLEANER.....	711	ELECTRICAL AND STARTING	
MUFFLER.....	722	SYSTEM.....	962
MUFFLER GP-SPARK ARRESTOR.....	725	ALTERNATOR GP-CHARGING.....	962
PRECLEANER GP.....	728	BATTERY CHARGER.....	975
REGULATOR GP-AIR PRESSURE.....	739	BATTERY GP.....	976
SHUTOFF GP-AIR.....	741	BOX & MOUNTING GP.....	979
TURBOCHARGER GP.....	752	BOX GP-EXTENSION TERMINAL.....	980
VALVE GP-AIR CONTROL.....	775	BOX GP-JUNCTION.....	981
FUEL SYSTEM.....	778	CIRCUIT BREAKER GP.....	999
ACTUATOR GP-ELECTRONIC.....	778	CONNECTOR.....	1001
BOX AS-GOVERNOR		CONTACTOR GP.....	1002
PREREGULATOR.....	779	CONTROL GP-AIR STARTING.....	1006
CONTROL & HOUSING GP-		CONTROL GP-ENGINE	
GOVERNOR.....	780	ELECTRONIC.....	1024
CONTROL AS-GOVERNOR.....	782	CONTROL GP-ELECTRONIC.....	1025
CONTROL GP-FUEL INJECTION.....	783	CONTROL GP-VOLTAGE.....	1026
CONTROL GP-FUEL RATIO.....	786	CONVERSION GP-WIRING.....	1027
CONTROL GP-GOVERNOR.....	787	DIODE GP.....	1029
CONVERSION GP-GOVERNOR.....	790	ENCLOSURE GP-WIRING.....	1030
COOLER GP-FUEL.....	791	FASTENER GP-JUNCTION BOX.....	1036
DRIVE GP-GOVERNOR.....	796	FASTENER GP-WIRING	
DRIVE GP-TACHOMETER.....	802	HARNESS.....	1037
FASTENER GP-FUEL INJ PUMP.....	804	HARNESS AS-CONTROL.....	1049
FASTENER GP-FUEL LINES.....	812	HARNESS AS-ENGINE.....	1049
		HARNESS AS-PANEL.....	1050
		HARNESS AS-SENSOR.....	1051

TABLE OF CONTENTS

NAME	PAGE	NAME	PAGE
HARNES AS-WIRING	1052	GENERATORS	1361
HARNES GP-WIRING	1053	CONVERSION GP-GENERATOR.....	1361
HEATER GP-JACKET WATER.....	1061		
INSTALLATION GP-		OPERATOR STATION	1362
COMMUNICATION.....	1089	AMMETER GP	1362
KIT-SERVICE METER.....	1090	BOX GP-INSTRUMENT PANEL.....	1363
LINES GP-AIR STARTING	1091	GAUGE GP	1366
LINES GP-JACKET WATER		GAUGE GP-ENGINE OIL	
HEATER	1105	PRESSURE	1367
LINES GP-SHUTOFF	1107	GAUGE GP-TEMPERATURE	1369
LUBRICATOR GP-AIR MOTOR	1112	LINES GP-INSTRUMENT PANEL	1370
MOUNTING GP-CONTACTOR	1116	METER GP-SERVICE.....	1400
MOUNTING GP-JACKET WTR		MODULE GP-QUAD GAUGE	1404
HEATER	1118	MODULE GP-SYSTEM	
MOUNTING GP-JUNCTION BOX	1178	COMMUNICATION	1405
PLATE AS-BRUSH.....	1180	MOUNTING GP-CONTROL PANEL	1406
REGULATOR GP-AIR PRESSURE.....	1181	MOUNTING GP-INSTRUMENT	
SENSOR GP-PARTICLE	1182	PANEL.....	1408
SENSOR GP-SPEED	1183	PANEL GP-ANNUNCIATOR	1416
SENSOR GP-TEMPERATURE	1191	PANEL GP-INSTRUMENT	1427
SHUTOFF GP-CONTROL	1194	PYROMETER GP.....	1444
SHUTOFF GP-ELECTRICAL.....	1197	TACHOMETER GP-ELECTRIC.....	1448
SILENCER GP-AIR STARTING	1209	TIMER GP	1449
SOLENOID AS-STARTING MOTOR	1211		
SOLENOID GP-SHUTOFF.....	1214	SERVICE EQUIPMENT AND	
STARTING AID GP-ETHER	1217	SUPPLIES	1450
STARTING MOTOR GP-AIR.....	1219	CHART-ALARM SYSTEM.....	1450
STARTING MOTOR GP-ELECTRIC	1240	CHART-AUXILIARY DRIVE	1451
SUPPORT GP-BATTERY.....	1313	CHART-INSTRUMENT PANEL	1453
SWITCH AS-PUSH BUTTON	1314	CHART-PLATE & FILM	1456
SWITCH AS-SELECTOR	1316	CHART-PYROMETER	1457
SWITCH AS-SPEED	1318	CHART-REMOTE SHUTOFF.....	1459
SWITCH GP-ENGINE	1319	CHART-SUMP PUMP	1460
SWITCH GP-ENGINE START.....	1322	FILM GP.....	1462
SWITCH GP-MAGNETIC	1323	INSERT-LINER SEAT	1463
SWITCH GP-START/STOP	1328	KIT-GASKET	1464
SWITCH GP-TEMPERATURE.....	1329	KIT-SEAL	1477
THERMOCOUPLE	1333	KIT-VALVE	1478
THERMOCOUPLE GP	1334	SCREEN AS	1479
VALVE AS-SOLENOID	1338		
VALVE GP-CONTROL	1339		
VALVE GP-PRESSURE		PART NUMBER INDEX	B1
REDUCING.....	1341		
WIRE AS-SERVICE METER.....	1343		
WIRING GP-ELECTRIC STARTING	1344		
WIRING GP-ENGINE.....	1345		
WIRING GP-PANEL.....	1352		
WIRING GP-PYROMETER.....	1353		
ENCLOSURES, GUARDS AND			
BASES.....	1355		
ENCLOSURE GP	1355		
GUARD GP-EXTENSION	1356		
RAIL GP-ENGINE & RAD			
SUPPORT.....	1358		
RAIL GP-ENGINE SUPPORT	1359		

GENERAL INFORMATION

1. ENGINE IDENTIFICATION

Cat engines are identified with Serial Numbers and Arrangement Numbers. In some cases, Modification Numbers are also used. The serial number plate which shows these numbers is mounted on the engine.

Cat dealers need this information to determine which components were included on the engine when it was assembled at the factory. This permits accurate identification of replacement part numbers.

2. ORDERING PARTS

WARNING

When replacement parts are required for this product Caterpillar recommends using Caterpillar replacement parts or parts with equivalent specifications including, but not limited to, physical dimensions, type, strength and material.

Failure to heed this warning can lead to premature failures, product damage, personal injury or death.

Quality Cat replacement parts are available from Cat dealers throughout the world. Their parts inventories are up to date and include all parts normally required to protect your investment in Cat Engines. Dealers may offer repair kits or remanufactured parts to allow selection of the most effective repair alternative for a particular situation. When ordering parts, your order should specify the quantity, part number, part name, and the serial number/product identification number of the engine for which the parts are needed.

3. PARTS MANUAL ORGANIZATION

Product information in this manual is presented as "information elements" that represent all of the components for the specific model. An Engine Arrangement is an example of an information element. The information elements are organized alphabetically by part name and secondarily by part number within each major section of the manual.

4. TABLE OF CONTENTS

A table of contents (TOC) is found at the beginning of the manual. The TOC lists each section of the manual with a complete list of all information elements organized as they appear in the manual. Page numbers are provided for quick reference to detailed parts identification illustrations and serviceable consist lists.

5. MAINTENANCE PARTS INDEX

The Maintenance Parts Index, located near the beginning of the manual, references most frequently used maintenance part numbers, providing description, quantity, usage and page number. This information is organized alphabetically by part description.

6. INDEX

The index located near the front of the manual is an alphabetical listing of all information elements included in the manual. Page numbers are provided for quick reference to detailed parts identification illustrations and serviceable consist lists.

7. PART NUMBER INDEX

A numerical index listing all part numbers and the corresponding page number(s) appears at the back of the manual.

8. CAPTIONS

Captions located at the beginning each information element identify the part number and part name along with additional descriptive information. S/N information found in each caption should be used to select correct information for a specific engine. Field replacement options, identification of optional attachment components, and where used ("part of") information is also provided.

The first line of a caption is shown in larger type font to indicate the beginning of an information element. Captions for additional pages that may be required to illustrate an information element will be shown in standard type font and will include the term (contd.) .

9. NON-SERVICED PARTS

In some instances it is necessary to display non-serviced parts that are a link to lower level serviceable consist lists. These non-serviced part numbers are shown in italic type indicating that they are not available. All consist lists have not been converted to reflect this enhancement.

GENERAL INFORMATION

10. PARTS LIST REFERENCE NUMBERS

Numbers shown in the Ref No column correspond to numbers used in the associated graphic(s). An alphabetic suffix may be added to a reference number to identify lower level consist items. Numbers shown in the Graphic Ref column refer to the graphic number identifier displayed in the lower left corner of each illustration. The Graphic Ref number may be used in combination with the item Ref No to determine the correct part number. There may be intentional omission of a Ref No in a consist list as information is updated to reflect the latest serviceable part numbers.

11. INDENTED PART NAMES

When a part name is indented in a parts list, it is part of (included in) the group or assembly under which it is indented.

12. ILLUSTRATION REFERENCE LETTERS

When necessary, illustrations contain reference letters (A, B, C etc.) that are intended to track lines and harnesses from one point to another. They are also used to show where to reconnect illustrations that have been separated.

13. ABBREVIATIONS AND SYMBOLS

O.D. – Outside Diameter
I.D. – Inside Diameter
A – Not Part Of This Group
B – Use As Required
C – Change From Previous Type
D – Order By The Meter
E – Order By The Centimeter
F – Not Shown
G – Order By The Inch
I – Refer To Hydraulic Information System
M – Metric Part
R – Remfg Part May Be Available
Y – Separate Illustration
Z – Not Serviced Separately

14. DESCRIPTION OF TYPE CHANGES

Type - A type is defined as any configuration change that requires an additional Information Element for an Arrangement, Group, or Assembly. If serial number breaks for types are not available, a type # (Type 1, Type 2, etc.) will be displayed in the caption. These "type" changes are identified with a "C" note (change from previous type) in the Parts List. Only the "types" that apply to this Parts Manual will be included. Additional types may exist causing "C" notes to appear on an Information Element when no other types are shown.

15. <END>

This symbol indicates the end of an information element.

NOTE:

Continuing improvement and advancement of product design may cause changes to your engine which may not be included in this publication. Whenever a question arises regarding your Cat product or this publication, please consult your Cat dealer for the latest available information.

REPAIR ALTERNATIVES

REMANUFACTURED COMPONENTS

As an option when making repairs consider Cat Remanufactured Components. Components that are available through the Cat Remanufactured Program are identified three ways in the parts book:

- with the letter R in the note field of the parts list
- with an R* at the beginning of the first line of the caption
- with an *R at the end of the first line of the caption

Typical components included in the Remanufacturing Program include:

ALTERNATORS
CONNECTING RODS
CRANKSHAFTS - UNDERSIZE
CRANKSHAFTS - UPGRADE TO NEW
CYLINDER HEADS
ELECTRONIC CONTROL MODULES (ECM)
ELECTRONIC SENSORS
FUEL INJECTORS
FUEL NOZZLES
FUEL PUMPS
GOVERNORS
OIL PUMPS
PISTONS
SHORT BLOCKS
STARTERS
TURBOCHARGERS - COMPLETE
TURBOCHARGER CARTRIDGES
WATER PUMPS

Cat Remanufactured engines for many engine arrangements are also available.

SUPPLEMENTAL COOLANT ADDITIVES

CUSTOMER BENEFITS:

Protects against cavitation, foam, erosion, corrosion, and scale buildup in cooling systems.

- Provides measured coolant conditioner.

DESCRIPTION:

Additives deplete from the coolant with normal operation. For this reason, Supplemental Coolant Additives (SCA) must be added to all heavy duty coolants at regular intervals. In addition, when not using a fully formulated, pre-charged antifreeze, like Cat DEAC, an initial charge of SCA must be added to the cooling system. The amount of SCA added to the system is dependent on the capacity of the system.

The SCA for initial fill is provided as a liquid. SCA's for maintenance intervals are available in liquid form and as a spin-on element. (No Spin-on available for 3600 Family of Engines)

NOTE:

The amount of SCA added at initial fill is not the same as the amount added at maintenance intervals.

The coolant additive elements can be used with any ethylene or propylene glycol type antifreeze which meets ASTM D4985 or ASTM D5345 Specifications.

NOTE:

For use with standard heavy duty coolant only, not for use with Extended Life Coolant.

PARTS NEEDED:

Cooling System Capacity		Liquid SCA at Initial Fill	Liquid SCA at Maintenance*	Spin-on SCA Maintenance Element*
Liters	Gallons			
22-30	(6-8)	3P-2044 (1)	6V-3542 (1)	111-2370 (1)
30-38	(8-10)	3P-2044 (1) 6V-3542 (1)	111-2372 (1)	111-2369 (1)
38-49	(10-13)	3P-2044 (1) 8T-1589 (1)	111-2372 (1)	111-2369 (1)
49-64	(13-17)	3P-2044 (2)	8T-1589 (1)	9N-3368 (1)
64-83	(17-22)	3P-2044 (2) 8T-1589 (1)	111-2372 (1) 6V-3542 (1)	111-2371 (1)
83-114	(22-30)	3P-2044 (3) 8T-1589 (1)	3P-2044 (1)	9N-3718 (1)
114-163	(30-43)	3P-2044 (5)	3P-2044 (1) 6V-3542 (1)	111-2371 (2)
163-242	(43-64)	3P-2044 (8)	3P-2044 (2)	9N-3718 (2)

* Normal maintenance period is 250 hrs. See your Operation and Maintenance Manual for complete coolant maintenance instructions.

() Indicates quantity required.

MAINTENANCE PARTS

DESCRIPTION	PART NUMBER	QTY	WHERE USED	PAGE
AIR INLET AND EXHAUST SYSTEM				
FILTER ELEMENT AS-AIR (PRIMARY)	8N-6309	1	AIR CLEANER GP	662
		1	AIR CLEANER GP	665
FILTER ELEMENT AS-AIR (SECONDARY)	8N-2556	1	AIR CLEANER GP	662
FILTER-SOOT (AIR CLEANER) (AIR CLEANER)	8N-2555	2	AIR CLEANER GP	667
GASKET (EXHAUST)	245-3512	1	FITTING GP-EXHAUST	679
		1	FITTING GP-EXHAUST	681
GASKET-EXHAUST MANIFOLD	7W-8145	12	MANIFOLD GP-EXHAUST	709
BASIC ENGINE				
BELT-SERPENTINE	141-7116	1	MOUNTING GP-ALTERNATOR	244
BELT-SERPENTINE (ALTERNATOR)	141-7116	1	MOUNTING GP-ALTERNATOR	240
		1	MOUNTING GP-ALTERNATOR	242
		1	MOUNTING GP-ALTERNATOR	246
		1	MOUNTING GP-ALTERNATOR	248
		1	MOUNTING GP-ALTERNATOR	250
BREATHER AS (CRANKCASE)	4W-3027	3	KIT-ENGINE OVERHAUL	235
		3	KIT-ENGINE OVERHAUL	237
FILTER ELEMENT AS-ENGINE OIL (STANDARD EFFICIENCY)	1R-0726	3	KIT-ENGINE OVERHAUL	235
		3	KIT-ENGINE OVERHAUL	237
FILTER ELEMENT-FUEL (ADVANCED EFFICIENCY)	1R-0756	5	KIT-ENGINE OVERHAUL	235
		5	KIT-ENGINE OVERHAUL	237
GASKET (ADAPTER)	4N-1320	1	KIT-ENGINE GASKET	229
GASKET-EXHAUST MANIFOLD	7W-8145	1	KIT-ENGINE GASKET	230
		1	KIT-ENGINE GASKET	232
KEY-SQUARE	7F-8896	1	POWER TAKE-OFF GP	281
		1	POWER TAKE-OFF GP	282
		1	POWER TAKE-OFF GP	283
PLUG-DRAIN	9M-4202	1	DRIVE GP-ACCESSORY	151
PLUG-OIL DRAIN (ENGINE OIL PAN)	4B-2363	2	PAN GP-OIL	259
		2	PAN GP-OIL	261
		2	PAN GP-OIL	263
		2	PAN GP-OIL	265
		2	PAN GP-OIL	267
		2	PAN GP-OIL	269
REGULATOR-TEMPERATURE (92-DEG C)	248-5513	4	KIT-ENGINE OVERHAUL	235
		4	KIT-ENGINE OVERHAUL	237
SCREEN AS-SUCTION (ENGINE OIL PAN)	1W-1564	1	PAN GP-OIL	263
		1	PAN GP-OIL	269
	7C-4716	1	PAN GP-OIL	259
		1	PAN GP-OIL	261
		1	PAN GP-OIL	265
		1	PAN GP-OIL	267

MAINTENANCE PARTS

DESCRIPTION	PART NUMBER	QTY	WHERE USED	PAGE			
SEAL-VALVE COVER	272-0757	1	COVER GP-VALVE MECHANISM	59			
		1	KIT-CYLINDER HEAD GASKET	226			
		1	KIT-CYLINDER HEAD GASKET	227			
		2	KIT-ENGINE GASKET	230			
		1	KIT-ENGINE GASKET	232			
		3	KIT-ENGINE OVERHAUL	236			
		3	KIT-ENGINE OVERHAUL	237			
		1	KIT-ENGINE GASKET	230			
		V-BELT GP (AIR COMPRESSOR)	8N-3504	1	AIR COMPRESSOR GP	17	
				1	AIR COMPRESSOR GP	20	
1	AIR COMPRESSOR GP			23			
1	AIR COMPRESSOR GP			26			
V-BELT SET (INCLUDES 4-BELTS) (FAN DRIVE)	1W-0422	1	PULLEY GP-FAN DRIVE	292			
		7N-4148	1	PULLEY GP-FAN DRIVE	301		
		7W-5258	1	PULLEY GP-FAN DRIVE	302		
		7W-5390	1	PULLEY GP-FAN DRIVE	306		
		8N-6707	1	PULLEY GP-FAN DRIVE	303		
			1	PULLEY GP-FAN DRIVE	305		
		8N-6718	1	PULLEY GP-FAN DRIVE	304		
		V-BELT SET (INCLUDES 6-BELTS) (FAN DRIVE)	7W-5229	1	PULLEY GP-FAN DRIVE	298	
					1	PULLEY GP-FAN DRIVE	300
				7W-8137	1	PULLEY GP-FAN DRIVE	307
8N-6700	1			PULLEY GP-FAN DRIVE	294		
8N-6705	1			PULLEY GP-FAN DRIVE	295		
8N-6711	1			PULLEY GP-FAN DRIVE	293		
	1			PULLEY GP-FAN DRIVE	296		
	1			PULLEY GP-FAN DRIVE	297		
	1			PULLEY GP-FAN DRIVE	299		
COOLING SYSTEM							
CAP-PRESSURE (14-PSI) (EXPANSION TANK)	127-8660	1	TANK GP-EXPANSION	642			
CAP-PRESSURE (7-PSI) (EXPANSION TANK)	4N-3311	1	TANK GP-EXPANSION	642			
CAP-PRESSURE (7-PSI) (RADIATOR)	6L-8617	1	RADIATOR GP	610			
		1	RADIATOR GP	623			
		1	RADIATOR GP	625			
		1	RADIATOR GP	627			
		1	RADIATOR GP	632			
		1	RADIATOR GP	632			
GASKET (ADAPTER)	4N-1320	1	CONNECTION GP-TORQUE CONV CLR	456			
		2	LINES GP-AFTERCOOLER WATER	519			
		2	LINES GP-AFTERCOOLER WATER	521			
		1	LINES GP-WATER	547			
		1	LINES GP-WATER	549			
		PLUG-DRAIN	9M-4202	1	LINES GP-WATER	547	
1	LINES GP-WATER			549			

MAINTENANCE PARTS

DESCRIPTION	PART NUMBER	QTY	WHERE USED	PAGE
PLUG-DRAIN (AUXILIARY SEA WATER PUMP)	3F-1358	1	PUMP GP-AUXILIARY SEA WATER	570
REGULATOR-TEMPERATURE (92-DEG C)	248-5513	4	HOUSING & REGULATOR GP	510
		4	HOUSING & REGULATOR GP	512
REGULATOR-TEMPERATURE (92-DEG C) (WATER)	248-5513	4	HOUSING & REGULATOR GP	507
		4	HOUSING & REGULATOR GP	509
		4	HOUSING & REGULATOR GP	511
		4	HOUSING & REGULATOR GP	513
		4	HOUSING & REGULATOR GP	514
		4	HOUSING & REGULATOR GP	515
		4	REGULATOR GP-TEMPERATURE	636
REGULATOR-WATER TEMPERATURE (60-DEG C)	204-6708	2	HOUSING & REGULATOR GP	508
ROD-ZINC (AUXILIARY SEA WATER PUMP)	6L-2280	1	PUMP GP-AUXILIARY SEA WATER	572
		1	PUMP GP-AUXILIARY SEA WATER	574
ROD-ZINC (HEAT EXCHANGER)	6L-2284	3	HEAT EXCHANGER GP-SEA WATER	487
		3	HEAT EXCHANGER GP-SEA WATER	488
		3	HEAT EXCHANGER GP-SEA WATER	490
		1	HEAT EXCHANGER GP-SEA WATER	493
		1	HEAT EXCHANGER GP-SEA WATER	496
		3	HEAT EXCHANGER GP-SEA WATER	499
		3	HEAT EXCHANGER GP-SEA WATER	501
		3	HEAT EXCHANGER GP-SEA WATER	504
ELECTRICAL AND STARTING SYSTEM				
BATTERY (12-VOLT) (DRY)	9X-9720	2	BATTERY GP	976
BATTERY GP (12-VOLT) (DRY)	9X-9730	2	BATTERY GP	977
CIRCUIT BREAKER AS (10-AMPERE)	6T-3642	1	BOX GP-JUNCTION	994
		1	BOX GP-JUNCTION	996
	7C-3477	1	BOX GP-JUNCTION	992
CIRCUIT BREAKER AS (12.5-AMPERE)	1N-9770	1	SWITCH GP-MAGNETIC	1323
CIRCUIT BREAKER AS (15-AMPERE)	9M-9085	1	SWITCH GP-MAGNETIC	1324
CIRCUIT BREAKER AS (20-AMPERE)	6T-3644	1	BOX GP-JUNCTION	993
		1	BOX GP-JUNCTION	996
		1	CIRCUIT BREAKER GP	999
		1	SWITCH GP-ENGINE	1319
CIRCUIT BREAKER AS (30-AMPERE)	6N-9349	1	SWITCH GP-MAGNETIC	1327
CIRCUIT BREAKER AS (63-AMPERE)	125-7096	1	WIRING GP-PANEL	1352
CIRCUIT BREAKER GP (20-AMPERE)	9H-1958	1	SWITCH GP-MAGNETIC	1325
FILTER (ETHER)	160-8761	1	STARTING AID GP-ETHER	1217
FILTER & GASKET AS (ETHER STARTING AID)	9X-7138	1	STARTING AID GP-ETHER	1217
GASKET-SHUTDOWN	2W-2333	1	SHUTOFF GP-ELECTRICAL	1200
		1	SHUTOFF GP-ELECTRICAL	1201
		1	SHUTOFF GP-ELECTRICAL	1203

MAINTENANCE PARTS

DESCRIPTION	PART NUMBER	QTY	WHERE USED	PAGE
SCREEN-STRAINER (PRESSURE REDUCING VALVE)	252-9298	1	VALVE GP-PRESSURE REDUCING	1341
FUEL SYSTEM				
CAP-BREATHER (ATMOSPHERIC)	123-9693	1	GOVERNOR GP	835
		1	GOVERNOR GP	837
FILTER ELEMENT-FUEL	9M-2342	1	FILTER GP-PRIMARY FUEL	834
FILTER ELEMENT-FUEL (ADVANCED EFFICIENCY)	1R-0756	5	FILTER GP-FUEL	813
		7	FILTER GP-FUEL	815
		5	FILTER GP-FUEL	818
		5	FILTER GP-FUEL	820
		5	FILTER GP-FUEL	822
		5	FILTER GP-FUEL	824
		7	FILTER GP-FUEL	826
		7	FILTER GP-FUEL	829
FILTER ELEMENT-FUEL (WATER SEPARATOR)	134-6307	2	SEPARATOR GP-WATER	918
	4P-7384	3	SEPARATOR GP-WATER	917
FUSE (0.75-AMPERE)	7T-0037	3	BOX AS-GOVERNOR PREREGULATOR	779
GASKET-GUIDE	2W-0142	1	CONTROL GP-FUEL RATIO	786
LUBRICATION SYSTEM				
BREATHER AS (CRANKCASE)	4W-3027	2	BREATHER GP	334
CAP AS-ENGINE OIL FILLER	7L-4447	1	FILLER GP-ENGINE OIL	337
FILTER ELEMENT AS-ENGINE OIL (STANDARD EFFICIENCY)	1R-0726	3	FILTER GP-ENGINE OIL	343
		3	FILTER GP-ENGINE OIL	347
		3	FILTER GP-ENGINE OIL	354
		4	FILTER GP-ENGINE OIL	359
		4	FILTER GP-ENGINE OIL	362
FILTER ELEMENT AS-OIL (ENGINE)	4P-2839	3	FILTER GP-ENGINE OIL	340
		3	FILTER GP-ENGINE OIL	351
		4	FILTER GP-ENGINE OIL	356
SCREEN AS-SUCTION (ENGINE OIL PAN)	7C-4716	1	CONNECTION GP-OIL	336
SEAL (OIL FILTER)	4W-3251	2	FILTER GP-ENGINE OIL	340
		2	FILTER GP-ENGINE OIL	351
		2	FILTER GP-ENGINE OIL	356
SEAL-VALVE COVER (BREATHER)	272-0757	2	BREATHER GP	334
STRAINER AS (ENGINE OIL)	2G-6304	1	LINES GP-OIL SUPPLY	392
		1	LINES GP-OIL SUPPLY	394
		1	PUMP & LINES GP-PRELUBRICATION	403
		1	PUMP & LINES GP-PRELUBRICATION	405
		1	PUMP & LINES GP-PRELUBRICATION	407
		1	PUMP & LINES GP-PRELUBRICATION	409

MAINTENANCE PARTS

DESCRIPTION	PART NUMBER	QTY	WHERE USED	PAGE
OPERATOR STATION BATTERY (LITHIUM)	193-5488	1	MODULE GP-SYSTEM COMMUNICATION	1405
CIRCUIT BREAKER AS (5-AMPERE)	138-4959	1	PANEL GP-ANNUNCIATOR	1416
		1	PANEL GP-ANNUNCIATOR	1419
		1	PANEL GP-ANNUNCIATOR	1421
		1	PANEL GP-ANNUNCIATOR	1424
FLASHER AS (CONTROL)	131-5377	1	PANEL GP-ANNUNCIATOR	1416
		1	PANEL GP-ANNUNCIATOR	1419
		1	PANEL GP-ANNUNCIATOR	1421
		1	PANEL GP-ANNUNCIATOR	1424
LAMP (12-VOLT)	118-5075	2	PANEL GP-INSTRUMENT	1429
LAMP-LED (24-VOLT, AMBER)	125-9956	2	PANEL GP-ANNUNCIATOR	1416
		2	PANEL GP-ANNUNCIATOR	1419
		2	PANEL GP-ANNUNCIATOR	1421
		2	PANEL GP-ANNUNCIATOR	1424
SERVICE EQUIPMENT AND SUPPLIES GASKET (ADAPTER)	4N-1320	2	KIT-GASKET	1464
		2	KIT-GASKET	1465
		1	KIT-GASKET	1466
		2	KIT-GASKET	1468
		2	KIT-GASKET	1470
		2	KIT-GASKET	1472
SEAL (OIL FILTER)	4W-3251	2	KIT-GASKET	1473
		2	KIT-GASKET	1466

INDEX

NAME	PAGE	NAME	PAGE
A			
ACTUATOR GP-ELECTRONIC.....	778	BOX GP-JUNCTION	981
ADAPTER GP-AIR CLEANER	653		983
	654		984
	655		985
	656		986
ADAPTER GP-FLYWHEEL	7		987
AFTERCOOLER GP-WATER	657		989
	659		991
AIR CLEANER GP	662		992
	663		993
	665	BRACKET GP-MOUNTING	32
	666	BREATHAS AS (CRANKCASE).....	235
	667		237
AIR CLEANER GP-REAR.....	661		334
AIR COMPRESSOR GP	8	BREATHAS GP-CRANKCASE.....	334
	10		
	12	C	
	14	CAMSHAFT GP	33
	16	CAP AS-ENGINE OIL FILLER.....	337
	20	CAP-BREATHAS (ATMOSPHERIC)	835
	23		837
	26	CAP-PRESSURE (14-PSI) (EXPANSION	
ALTERNATOR GP-CHARGING	962	TANK).....	642
	964	CAP-PRESSURE (7-PSI) (EXPANSION	
	966	TANK).....	642
	968	CAP-PRESSURE (7-PSI) (RADIATOR)	610
	971		623
	974		625
AMMETER GP	1362		627
			632
B			
BARRING & MOUNTING GP-RH.....	29	CARTRIDGE GP-TURBOCHARGER.....	668
BARRING GP-LH.....	31		669
BARRING GP-RH	30		670
BATTERY (12-VOLT) (DRY).....	976		672
BATTERY (LITHIUM).....	1405		759
BATTERY CHARGER.....	975		771
BATTERY GP	976		772
	977	CHART-ALARM SYSTEM	1450
BATTERY GP (12-VOLT) (DRY).....	977	CHART-AUXILIARY DRIVE.....	1451
BATTERY GP-DRY.....	978	CHART-INSTRUMENT PANEL.....	1453
BELT-SERPENTINE.....	244	CHART-PLATE & FILM	1456
BELT-SERPENTINE (ALTERNATOR).....	240	CHART-PYROMETER.....	1457
	242	CHART-REMOTE SHUTOFF.....	1459
	246	CHART-SUMP PUMP	1460
	248	CIRCUIT BREAKER AS (10-AMPERE).....	992
	250	CIRCUIT BREAKER AS (10-AMPERE).....	994
BOX & MOUNTING GP-CABLE ACCESS.....	979		996
BOX AS-GOVERNOR PREREGULATOR	779	CIRCUIT BREAKER AS (12.5-AMPERE)	1323
BOX GP-EXTENSION TERMINAL-LOW		CIRCUIT BREAKER AS (15-AMPERE).....	1324
VOLTAGE.....	980	CIRCUIT BREAKER AS (20-AMPERE).....	993
BOX GP-INSTRUMENT PANEL.....	1363		996
	1364		999
	1365		1319
		CIRCUIT BREAKER AS (30-AMPERE).....	1327
		CIRCUIT BREAKER AS (5-AMPERE).....	1416
			1419
			1421
			1424

INDEX

NAME	PAGE	NAME	PAGE
CIRCUIT BREAKER AS (63-AMPERE)	1352	CORE AS-RADIATOR.....	610
CIRCUIT BREAKER GP.....	999		623
	1000		625
CIRCUIT BREAKER GP (20-AMPERE).....	1325		627
CLUTCH AS	34		632
CLUTCH GP	36	CORE GP-OIL COOLER-ENGINE	468
CONNECTION GP-EXPANSION TANK- AUXILIARY.....	455	COUPLING GP-AUXILIARY DRIVE.....	38
CONNECTION GP-OIL.....	335		39
	336	COUPLING GP-FLEXIBLE.....	40
CONNECTION GP-TORQUE CONV CLR.....	456		41
CONNECTION GP-WATER-INLET	461		45
CONNECTION GP-WATER-INLET, LH	465	COUPLING GP-FLEXIBLE-GENERATOR	42
CONNECTION GP-WATER-INLET, RH.....	463		43
CONNECTION GP-WATER-OUTLET	458	COUPLING GP-FLEXIBLE-VISCOUS DAMPENED.....	44
	464	COVER GP-ACCESSORY DRIVE-RH.....	46
	466		47
CONNECTION GP-WATER-OUTLET, LH.....	460	COVER GP-CAMSHAFT	48
CONNECTOR-THERMOCOUPLE	1001	COVER GP-CYLINDER BLOCK-CENTRAL STRUCTURE.....	49
CONTACTOR GP.....	1002	COVER GP-FLYWHEEL HOUSING	50
	1003		52
CONTACTOR GP-ALARM.....	1002	COVER GP-FRONT HOUSING	55
CONTACTOR GP-ENGINE OIL PRESSURE... 1004	1004	COVER GP-FRONT HOUSING-LH.....	54
CONTACTOR GP-INLET MANIFOLD TEMPERATURE	1005	COVER GP-OIL PAN	57
CONTROL & HOUSING GP-GOVERNOR	780		58
CONTROL AS-GOVERNOR-SPEED CONTROL	782	COVER GP-PUMP.....	912
CONTROL GP-AIR STARTING	1006		914
	1017	COVER GP-VALVE MECHANISM.....	59
	1019	CRANKSHAFT GP.....	60
	1020		61
	1022		62
CONTROL GP-AIR STARTING-LH.....	1012	CYLINDER BLOCK AS.....	63
	1014		64
CONTROL GP-AIR STARTING-RH	1008		65
	1010		66
CONTROL GP-ELECTRONIC-PL641E CELLULAR.....	1025		67
CONTROL GP-ENGINE ELECTRONIC-RACK POSITION.....	1024		68
CONTROL GP-FUEL INJECTION	783		69
CONTROL GP-FUEL RATIO.....	786	CYLINDER BLOCK GP	70
CONTROL GP-GOVERNOR.....	788		72
	789		74
CONTROL GP-GOVERNOR-REMOTE.....	787		75
CONTROL GP-VOLTAGE	1026		77
CONVERSION AR-ENGINE.....	1		79
CONVERSION GP-GENERATOR-EXTENSION BOX.....	1361		80
CONVERSION GP-GOVERNOR-LH.....	790		83
CONVERSION GP-WIRING.....	1027		85
	1028		87
COOLER GP-ENGINE OIL	467		
COOLER GP-FUEL	791		
	792		
	793		
	794		
CORE AS-AFTERCOOLER.....	657		
	659		

INDEX

NAME	PAGE	NAME	PAGE
CYLINDER HEAD AS.....	89	DRIVE GP-ACCESSORY-UPPER, RH.....	153
	90	DRIVE GP-FAN	163
	91	DRIVE GP-FAN-BLOWER.....	164
	92	DRIVE GP-FAN-SUCTION	166
	93	DRIVE GP-GOVERNOR.....	796
	94		798
	95		800
	96		801
	97	DRIVE GP-TACHOMETER	802
	98		
	99		
	100	E	
	101		
CYLINDER HEAD GP.....	102	ELBOW GP-EXHAUST	674
	103		676
	104	ELBOW-EXHAUST.....	677
	105		678
	107	ELEMENT AS-JACKET WATER HEATER (120-	
	108	VOLT)	1071
	110	ENCLOSURE GP.....	1355
	111	ENCLOSURE GP-WIRING.....	1030
	113		1032
	115		1034
	117	ENGINE AR.....	2
	119		4
	121		
	122	F	
	123		
	125		
	127	FAN GP-BLOWER.....	469
	128		470
	129		471
	130		472
	131		473
	133		474
	134		475
		FAN GP-SUCTION.....	476
			477
			478
			479
			480
			481
		FASTENER GP-COUPLING	168
		FASTENER GP-CYLINDER HEAD	104
			110
			111
			113
			121
			122
			127
			130
			131
			133
		FASTENER GP-FUEL INJ PUMP.....	808
			810
		FASTENER GP-FUEL INJ PUMP-LH	806
		FASTENER GP-FUEL INJ PUMP-RH	804
		FASTENER GP-FUEL LINES	812
		FASTENER GP-JUNCTION BOX.....	1036
		FASTENER GP-VALVE MECHANISM-RH	169
D			
DAMPER GP.....	136		
	137		
	138		
	139		
	140		
	141		
	142		
	143		
	144		
	145		
	146		
DIODE GP.....	1029		
DRAIN GP-ENGINE OIL	147		
	148		
DRAIN GP-ENGINE OIL-PAN	149		
	150		
DRIVE GP-ACCESSORY	151		
DRIVE GP-ACCESSORY-LOWER, LH	155		
	159		
DRIVE GP-ACCESSORY-UPPER LH	157		
DRIVE GP-ACCESSORY-UPPER, LH	161		

INDEX

NAME	PAGE	NAME	PAGE
FASTENER GP-WIRING HARNESS.....	1037	FILM-IDENTIFICATION (TERMINAL	
	1039	MARKER).....	993
	1046		996
FASTENER GP-WIRING HARNESS-SERVICE,			997
LH.....	1041		1030
	1044		1032
FILLER GP-ENGINE OIL.....	337		1034
FILM GP-ENGINE.....	1462		1422
FILM-CONTROL PANEL.....	1427		1424
FILM-GAUGE (MANIFOLD AIR			1456
TEMPERATURE).....	1431	FILM-IDENTIFICATION (WIRELESS COM DEVICE,	
	1436	READ OMM).....	1089
FILM-GAUGE IDENTIFICATION (AMMETER) ..	1362	FILM-INFORMATION (FUEL SHUTOFF).....	1456
FILM-GAUGE IDENTIFICATION (ENGINE		FILM-INFORMATION (OIL FILTER PRESSURE	
HOURS).....	1400	DIFF).....	1431
FILM-IDENTIFICATION (COMMUNICATION			1433
MODULE).....	1405		1436
FILM-IDENTIFICATION (EMERGENCY STOP) ..	993		1442
	996	FILM-PANEL (ANNUNCIATOR).....	1416
	1456		1421
FILM-IDENTIFICATION (ENGINE COOLANT			1424
TEMPERATURE).....	1197	FILM-WARNING (CRANKCASE).....	1456
FILM-IDENTIFICATION (ENGINE OIL		FILM-WARNING (ENGINE LIFTING	
PRESSURE).....	1197	INSTRUCTIONS).....	1456
	1430	FILM-WARNING (EXPLOSION, WIRELESS, OMM,	
	1431	INTL).....	1089
	1436	FILM-WARNING (EXPLOSION, WIRELESS, OMM,	
	1438	U.S.).....	1089
FILM-IDENTIFICATION (ENGINE OIL		FILM-WARNING (HOT FLUID UNDER PRESSURE,	
TEMPERATURE).....	1431	U.S.).....	642
	1436	FILM-WARNING (PARKING BRAKE,	
FILM-IDENTIFICATION (ENGINE START).....	1199	INTERNATIONAL).....	1466
	1206	FILM-WARNING (SHOCK HAZARD, READ	
	1208	OMM).....	1065
	1328		1066
FILM-IDENTIFICATION (ENGINE STOP).....	1199		1067
	1206		1068
	1208		1069
	1328		1070
FILM-IDENTIFICATION (FUEL FILTER PRESSURE			1074
DIFF).....	1431		1075
	1436		1078
FILM-IDENTIFICATION (FUEL PRESSURE)....	1430		1079
	1431		1080
	1436		1081
	1438		1082
FILM-IDENTIFICATION (JACKET WATER			1083
TEMPERATURE).....	1430	FILM-WARNING (VAPOR EXPLOSION).....	816
	1431		829
	1436	FILTER (ETHER).....	1217
	1438	FILTER & GASKET AS (ETHER STARTING	
FILM-IDENTIFICATION (JUNCTION BOX WIRE)		AID).....	1217
(JUNCTION BOX).....	1456	FILTER ELEMENT AS-AIR (PRIMARY).....	662
FILM-IDENTIFICATION (SERVICE METER)....	1090		665
		FILTER ELEMENT AS-AIR (SECONDARY).....	662

INDEX

NAME	PAGE	NAME	PAGE
FILTER ELEMENT AS-ENGINE OIL (STANDARD EFFICIENCY).....	235	FLASHER AS (CONTROL).....	1416
	237		1419
	343		1421
	347	FLYWHEEL GP	1424
	354		170
	359		171
	362		172
FILTER ELEMENT AS-OIL (ENGINE)	340		173
	351		174
	356		175
FILTER ELEMENT-FUEL	834		176
FILTER ELEMENT-FUEL (ADVANCED EFFICIENCY).....	235		177
	237		178
	813	FUMES DISPOSAL GP	179
	815		180
	818	FUSE (0.75-AMPERE)	365
	820		366
	822		779
	824		
	826	G	
	829	GASKET (ADAPTER)	229
FILTER ELEMENT-FUEL (WATER SEPARATOR)	917		456
FILTER ELEMENT-FUEL (WATER SEPARATOR)	918		519
FILTER GP-CENTRIFUGAL.....	338		521
	339		547
FILTER GP-ENGINE OIL-DUPLEX.....	356		549
	359		1464
	362		1465
FILTER GP-ENGINE OIL-LH	340		1466
	343		1468
	347		1470
FILTER GP-ENGINE OIL-RH.....	351	GASKET (EXHAUST)	1472
	354		1473
	813	GASKET (EXHAUST)	679
FILTER GP-FUEL.....	815		681
FILTER GP-FUEL-DUPLEX.....	826	GASKET-EXHAUST MANIFOLD.....	230
	829		232
FILTER GP-FUEL-LH	822		709
	824	GASKET-GUIDE	786
FILTER GP-FUEL-RH.....	818	GASKET-SHUTDOWN.....	1200
	820		1201
FILTER GP-PRIMARY FUEL	834		1203
FILTER-SOOT (AIR CLEANER) (AIR CLEANER)	667	GAUGE (WATER TEMPERATURE)	1366
FITTING GP-EXHAUST	682	GAUGE AS-OIL LEVEL (DIPSTICK).....	367
FITTING GP-EXHAUST-FLEXIBLE	679	GAUGE AS-OIL LEVEL (DIPSTICK) (DEEP SUMP).....	369
	680	GAUGE AS-OIL LEVEL (DIPSTICK) (ENGINE)	368
	681	GAUGE AS-TEMPERATURE (AIR MANIFOLD)	1431
FLANGE GP-EXHAUST	683	GAUGE GP-ENGINE OIL PRESSURE	1368
	684	GAUGE GP-ENGINE OIL PRESSURE-INDICATOR	1367
	685	GAUGE GP-OIL LEVEL (DIPSTICK)	367
	686		368
	687	GAUGE GP-OIL LEVEL (DIPSTICK)-DEEP SUMP	369
	688		
	689		

INDEX

NAME	PAGE	NAME	PAGE
GAUGE GP-PRESSURE (ENGINE OIL)	1430	GUARD GP-EXTENSION.....	1356
	1431		1357
	1436	GUARD GP-RADIATOR.....	482
GAUGE GP-PRESSURE (FUEL).....	1430		483
	1431		484
	1436		
	1438		
GAUGE GP-PRESSURE (JACKET WATER) ...	1438	H	
GAUGE GP-SIGHT (COOLANT LEVEL).....	610	HARNESS AS-CONTROL	1089
	632	HARNESS AS-CONTROL-PRODUCT LINK....	1049
GAUGE GP-TEMPERATURE	1369	HARNESS AS-ENGINE	1049
GAUGE GP-TEMPERATURE (ENGINE OIL) ...	1431	HARNESS AS-PANEL.....	1050
GAUGE GP-TEMPERATURE (JACKET		HARNESS AS-PANEL (ANNUNCIATOR).....	1421
WATER)	1430		1424
	1431	HARNESS AS-PANEL (JUNCTION BOX).....	993
GAUGE GP-TEMPERATURE (TEMPERATURE)			996
(ENGINE OIL).....	1436	HARNESS AS-PANEL (PYROMETER).....	1363
	1438		1427
GAUGE GP-TEMPERATURE (TEMPERATURE)		HARNESS AS-SENSOR.....	1051
(JACKET WATER).....	1436	HARNESS AS-SENSOR (THERMOCOUPLE) ..	1337
GAUGE GP-TEMPERATURE (TEMPERATURE)			1354
(MANIFOLD AIR).....	1436		1435
GAUGE GP-VACUUM (AIR PRESSURE		HARNESS AS-SWITCH	1344
RESTRICTION).....	1431	HARNESS AS-SWITCH (FUEL PRESSURE)....	851
	1436		853
GAUGE GP-ENGINE OIL PRESSURE, WATER			857
TEMPERATURE	1366		865
GAUGE-PRESSURE (ENGINE OIL).....	1367		867
GAUGE-SIGHT (OIL LEVEL) (GOVERNOR		HARNESS AS-SWITCH (FUEL PRESSURE) (FUEL	
OIL)	835	PRESS. SWITCH)	849
	837	HARNESS AS-SWITCH (START)	1314
GEAR GP-FRONT-RH	181	HARNESS AS-WIRING (ALTERNATOR).....	1352
	183	HARNESS AS-WIRING (PYROMETER).....	1353
GEAR GP-REAR	187	HARNESS AS-WIRING-PL461 TO PL462	
GOVERNOR GP.....	835	CONVERSION.....	1052
	837	HARNESS AS-WIRING-PRODUCT LINK	
	840	RADIO	1052
	841	HARNESS GP-WIRING	1053
GOVERNOR GP-ELECTRIC.....	842		1056
GOVERNOR GP-LH.....	839		1058
	841	HEAT EXCHANGER GP-SEA WATER	485
GOVERNOR GP-RH.....	841		486
GUARD GP-BELT-ALTERNATOR.....	189		487
	190		488
	191		490
	202		492
	203		493
GUARD GP-BELT-FAN	192		495
	194		496
	204		498
	206		499
GUARD GP-BELT-FAN DRIVE	196		501
	200		503
GUARD GP-BELT-SERVICE, LH	198		504
GUARD GP-COUPLING-FLYWHEEL	208		
	209		
GUARD GP-DAMPER.....	210		
	211		
	212		
	213		
	214		

INDEX

NAME	PAGE	NAME	PAGE
HEATER GP-JACKET WATER.....	1061	I	
	1062	INDICATOR AS (FUEL PRESSURE).....	1391
	1063		1393
	1064		1395
	1076		1397
	1077	INDICATOR GP-AIR FILTER CHANGE.....	690
	1084		691
	1085	INDICATOR-AIR FILTER SERVICE	690
	1086		691
	1087	INJECTOR GP-FUEL	843
	1088		895
HEATER GP-JACKET WATER-LH.....	1065	INSERT-LINER SEAT	1463
	1066	INSTALLATION GP-COMMUNICATION-PL641	
	1068	CELLULAR.....	1089
	1069	INSTALLATION GP-COMMUNICATION-PL601	
	1075	NETWORK MANAGER.....	1089
	1078	INSTALLATION GP-GOVERNOR-LH	844
	1080		
	1082	J	
HEATER GP-JACKET WATER-RH.....	1067	JOINT AS-TUBE.....	516
	1070		517
	1071		
	1072	K	
	1073	KEY-SQUARE	281
	1074		282
	1079		283
	1081	KIT-CYLINDER HEAD GASKET.....	226
	1083		227
HOSE AS.....	370	KIT-ENGINE GASKET.....	229
	371		230
	372	KIT-ENGINE GASKET-CENTRAL, LOWER	
	373	STRUCTURE.....	228
	374	KIT-ENGINE GASKET-REAR COVER.....	234
	375	KIT-ENGINE GASKET-SINGLE CYLINDER	
	376	HEAD.....	232
	377	KIT-ENGINE GASKET-TURBOCHARGER.....	231
	378	KIT-ENGINE OVERHAUL.....	235
HOSE GP-RADIATOR-VIBRATORY			237
CONTROL	506	KIT-GASKET	1464
HOUSING & REGULATOR GP	507		1465
HOUSING & REGULATOR GP-			1466
AFTERCOOLER	508		1471
HOUSING & REGULATOR GP-INLET			1472
CONTROL	511		1473
	513	KIT-GASKET-EXTERNAL OIL PUMP.....	1470
HOUSING & REGULATOR GP-OUTLET		KIT-GASKET-FRONT STRUCTURE	1474
CONTROL	509		1476
	510	KIT-GASKET-REAR STRUCTURE	1469
	512	KIT-GASKET-SINGLE FUEL INJECTOR.....	1475
	514	KIT-GASKET-WATER LINES	1468
	515	KIT-GASKET-WATER PUMP	1467
HOUSING GP-FLYWHEEL	215		1470
	216	KIT-SEAL-SINGLE CYLINDER LINER.....	1477
	218	KIT-SERVICE METER.....	1090
	219	KIT-VALVE.....	1478
	220	KIT-WATER PUMP	518
	221		
	222		
HOUSING GP-FRONT	223		
HOUSING GP-FRONT-ACCESSORY DRIVE.....	224		
HUB-FLEXIBLE COUPLING	225		

INDEX

NAME	PAGE	NAME	PAGE
L			
LAMP (12-VOLT)	1429	LINES GP-INSTRUMENT PANEL-RH	1374
LAMP-LED (24-VOLT, AMBER)	1416		1376
	1419		1382
	1421		1384
	1424		1387
LEVER GP-CALIBRATION (GOVERNOR).....	804		1391
LIFTING GP-ENGINE	238	LINES GP-JACKET WATER HEATER- REAR.....	1105
LINER-CYLINDER BLOCK.....	239	LINES GP-OIL SUPPLY-PRELUBRICATION	392
LINES GP-AFTERCOOLER WATER.....	519		394
	521	LINES GP-PRELUBRICATION-LH.....	399
LINES GP-AIR	693	LINES GP-PRELUBRICATION-RH	396
	695		398
LINES GP-AIR STARTING	1099	LINES GP-SHUTOFF	1109
	1101		1110
LINES GP-AIR STARTING-RH	1091	LINES GP-SHUTOFF-LH.....	1111
	1093	LINES GP-SHUTOFF-RH	1107
	1095	LINES GP-TURBOCHARGER AIR	700
	1097		703
	1103	LINES GP-TURBOCHARGER OIL.....	401
LINES GP-AIR-AIR SHUTOFF.....	697	LINES GP-WATER-AFTERCOOLER.....	523
LINES GP-AIR-PRELUBRICATION PUMP	692	LINES GP-WATER-BYPASS.....	529
	699		530
LINES GP-CENTRIFUGAL FILTER.....	379		539
LINES GP-DIVERTER VALVE	845		541
	847		543
	849		545
	851		556
	853		558
	857	LINES GP-WATER-CONNECTION	536
	861		537
	863	LINES GP-WATER-LOWER	547
	865		549
	867	LINES GP-WATER-RADIATOR	526
LINES GP-ENGINE OIL.....	380		527
	383		528
	386	LINES GP-WATER-TURBOCHARGER.....	538
	389	LINES GP-WATER-UPPER.....	532
LINES GP-FLEXIBLE FUEL	869		534
LINES GP-FUEL.....	870		551
LINES GP-FUEL INJECTION	871		553
	873	LUBRICATOR GP-AIR MOTOR.....	692
	875		699
	877		1112
	879		1113
	883		1114
LINES GP-FUEL RATIO CONTROL.....	889		1115
LINES GP-FUEL RATIO CONTROL-RH.....	887		
LINES GP-INSTRUMENT PANEL.....	1380		
	1399		
LINES GP-INSTRUMENT PANEL-LH.....	1370		
	1372		
	1378		
	1383		
	1385		
	1389		
	1393		
	1397		
		M	
		MANIFOLD GP-EXHAUST.....	706
			708
			709
		MANIFOLD GP-FUEL-LH.....	891
		MANIFOLD GP-FUEL-RH	890

INDEX

NAME	PAGE	NAME	PAGE
METER GP-SERVICE.....	1090	MOUNTING GP-JACKET WTR HEATER-RH ..	1118
	1400		1120
	1401		1122
	1402		1128
	1403		1132
MODULE GP-QUAD GAUGE.....	1404		1134
MODULE GP-SYSTEM COMMUNICATION	1405		1160
MOTOR GP-PRELUBRICATION.....	416		1166
MOUNTING GP-AIR CLEANER.....	711		1172
	713		1174
	715		1176
	717	MOUNTING GP-JUNCTION BOX	1178
	719		1179
	721	MOUNTING GP-RADIATOR	560
MOUNTING GP-ALTERNATOR	240		562
	242		563
	244		564
	246		566
	248		568
	250	MOUNTING GP-WATER SEPARATOR.....	893
MOUNTING GP-CONTACTOR-ALARM OR		MUFFLER.....	722
SHUTOFF.....	1116		723
MOUNTING GP-CONTROL PANEL	1406		724
	1407	MUFFLER GP-SPARK ARRESTOR	725
MOUNTING GP-ENGINE	252		726
MOUNTING GP-GOVERNOR CONTROL	892		727
MOUNTING GP-HYD PUMP DRIVE.....	253		
	254		
	255		
MOUNTING GP-INSTRUMENT PANEL	1408	P	
	1409	PAN GP-OIL	256
	1411		265
	1413		267
	1415		269
MOUNTING GP-JACKET WTR HEATER	1138	PAN GP-OIL-DEEP SUMP.....	258
	1142		259
	1156		261
MOUNTING GP-JACKET WTR HEATER-LH...	1124		263
	1126	PANEL GP-ANNUNCIATOR	1416
	1130		1419
	1136		1421
	1146	PANEL GP-ANNUNCIATOR-ENGINE	
	1148	MOUNTED.....	1424
	1150	PANEL GP-INSTRUMENT.....	1427
	1152		1429
	1154		1430
	1158		1431
	1162		1433
	1164		1435
	1168		1436
	1170		1438
			1440
			1442
		PISTON & ROD GP	271
			273
			275
			277
			279
		PISTON GP.....	279
		PLATE AS-BRUSH	1180

INDEX

NAME	PAGE	NAME	PAGE
PLATE GP-IDENTIFICATION (JUNCTION BOX)	993	PUMP GP-AUXILIARY SEA WATER	570
	996		572
PLATE-SOLENOID INFORMATION	1215		574
PLATE-WARNING (POWER TAKE-OFF)	36		576
PLUG-DRAIN	151		578
	547	PUMP GP-AUXILIARY WATER	580
	549		586
PLUG-DRAIN (AUXILIARY SEA WATER PUMP)	570		588
PLUG-OIL DRAIN (ENGINE OIL PAN)	259		589
	261		590
	263		592
	265		594
	267		596
	269	PUMP GP-AUXILIARY WATER-FRESH WATER	598
POWER TAKE-OFF GP	281		582
	282		584
	283	PUMP GP-ENGINE OIL-2-SECTION GEAR	412
PRECLEANER GP	728		414
	730	PUMP GP-ENGINE OIL-MANUAL LUBRICATION	413
	736	PUMP GP-FUEL INJECTION	894
	738		895
PRECLEANER GP-WITH PRECLEANER	732	PUMP GP-FUEL PRIMING	896
	734	PUMP GP-FUEL PRIMING-LH	899
PULLEY AS-CRANKSHAFT	285	PUMP GP-FUEL PRIMING-RH	897
PULLEY GP-AUXILIARY DRIVE-LOWER FRONT, LH	287	PUMP GP-FUEL TRANSFER	901
	290		903
PULLEY GP-AUXILIARY DRIVE-LOWER REAR, LH	288	PUMP GP-FUEL TRANSFER-1-SECTION GEAR	905
PULLEY GP-AUXILIARY DRIVE-UPPER FRONT, LH	289		907
PULLEY GP-AUXILIARY DRIVE-UPPER REAR, LH	286		908
PULLEY GP-AUXILIARY DRIVE-UPPER REAR, RH	291		909
PULLEY GP-FAN DRIVE	292		910
	293		911
	294	PUMP GP-GEROTOR	912
	295		914
	296		916
	297		916
	298		415
	299	PUMP GP-PRELUBRICATION	416
	300		418
	301		419
	302		420
	303		422
	304	PUMP GP-SUMP	428
	305		429
	306	PUMP GP-SUMP-LH	426
	307	PUMP GP-SUMP-RH	424
PUMP & LINES GP-PRELUBRICATION-DEEP SUMP	407	PUMP GP-WATER	600
	409		601
PUMP & LINES GP-PRELUBRICATION-SHALLOW SUMP	403		603
	405		605
			606
			607
			608
			609
		PYROMETER GP	1363
			1444
			1445
			1446
			1447

INDEX

NAME	PAGE	NAME	PAGE
PYROMETER GP (EXHAUST).....	1431	REGULATOR-TEMPERATURE (92-DEG C)	
	1436	(WATER).....	507
PYROMETER GP (RH)	1427		509
PYROMETER GP-LH.....	1444		511
PYROMETER GP-RH.....	1444		513
			514
			515
			636
<h2>R</h2>			
RADIATOR GP	610	REGULATOR-WATER TEMPERATURE (60-DEG	
	614	C).....	508
	616	RELAY (SLAVE).....	992
	619	RELAY (VOLTAGE SENSING).....	1416
	621	RELAY (VOLTAGE SENSING).....	1419
	623	RELAY (VOLTAGE SENSING).....	1421
	625	RELAY (VOLTAGE SENSING).....	1424
	627	RELAY AS (24-VOLT) (AC, CONDENSER).....	997
	629	RELAY AS (24-VOLT) (AUXILIARY).....	987
	630		989
	631	RELAY AS (24-VOLT) (SHUTOFF).....	1319
	632	RELAY AS (24-VOLT) (SLAVE).....	993
RAIL GP-ENGINE & RAD SUPPORT	1358		1320
RAIL GP-ENGINE SUPPORT.....	1359	RELAY-TIME DELAY.....	993
	1360	RING GP-PISTON	279
REGULATOR AS-VOLTAGE (24-VOLT)			308
(ALTERNATOR AIR).....	966	ROD-ZINC (AUXILIARY SEA WATER PUMP)..	572
	971		574
REGULATOR AS-VOLTAGE (24-VOLT)		ROD-ZINC (HEAT EXCHANGER).....	487
(ALTERNATOR)	962		488
	964		490
	968		493
REGULATOR GP-AIR PRESSURE.....	739		496
	1181		499
REGULATOR GP-AIR PRESSURE-LOW	740		501
REGULATOR GP-OIL LEVEL.....	431		504
	433		
	435		
	437		
	439		
	441		
	443		
	445		
	447		
	449		
	451		
REGULATOR GP-TEMPERATURE-OUTLET	636		
REGULATOR-LEVEL (ENGINE OIL).....	437		
	439		
	447		
	449		
REGULATOR-TEMPERATURE (92-DEG C).....	235		
	237		
	510		
	512		
		<h2>S</h2>	
		SCREEN AS	1479
		SCREEN AS-SUCTION (ENGINE OIL PAN) ...	259
			261
			263
			265
			267
			269
			336
		SCREEN-STRAINER (PRESSURE REDUCING	
		VALVE)	1341
		SEAL (OIL FILTER).....	340
			351
			356
			1466
		SEAL AS-WATER	309
			310
		SEAL GP	601
		SEAL GP (WATER PUMP).....	518
		SEAL GP (WATER PUMP).....	603
		SEAL GP (WATER PUMP).....	609
		SEAL GP-CRANKSHAFT.....	311

INDEX

NAME	PAGE	NAME	PAGE
SEAL GP-EXHAUST (TURBOCHARGER).....	763	SHAFT GP-AUXILIARY DRIVE-LOWER REAR,	
	764	LH.....	316
	765	SHAFT GP-AUXILIARY DRIVE-UPPER FRONT,	
	766	LH.....	318
	767	SHAFT GP-AUXILIARY DRIVE-UPPER FRONT,	
SEAL GP-FACE (WATER PUMP).....	600	RH.....	312
SEAL-CRANKSHAFT.....	1465	SHAFT GP-AUXILIARY DRIVE-UPPER REAR,	
	1473	LH.....	314
SEAL-CRANKSHAFT (CLOCKWISE		SHAFT GP-STUB-FRONT.....	322
ROTATION).....	1474		323
	1476	SHAFT GP-STUB-REAR.....	324
SEAL-CRANKSHAFT (COUNTERCLOCKWISE		SHIELD GP-FUEL LINES.....	919
ROTATION).....	234		921
	1469	SHUTOFF GP-AIR.....	741
SEAL-VALVE COVER.....	59		743
	226		745
	227	SHUTOFF GP-AIR-INTAKE.....	748
	230		749
	232		750
	236		751
	237	SHUTOFF GP-CONTROL.....	923
SEAL-VALVE COVER (BREATHER).....	334		925
SENDER AS-PRESSURE (ENGINE OIL).....	1366		928
SENDING UNIT (24-VOLT).....	1366		930
SENSOR GP-PARTICLE (ENGINE OIL).....	1182		932
SENSOR GP-PARTICLE-ENGINE OIL.....	1182		935
SENSOR GP-SPEED.....	1183		1194
	1184	SHUTOFF GP-ELECTRICAL.....	1197
	1185		1198
	1186		1199
	1187		1200
	1188		1201
	1189		1203
	1190		1205
	1197		1206
SENSOR GP-SPEED (ENGINE).....	810		1208
	1198	SHUTOFF GP-HYDROMECHANICAL.....	938
SENSOR GP-SPEED (LOW OUTPUT).....	1188		940
SENSOR GP-SPEED (MAGNETIC).....	1190		943
	1197		945
SENSOR GP-SPEED (MAGNETIC)			947
(ENGINE).....	1400		949
SENSOR GP-SPEED-ENGINE.....	1183		950
SENSOR GP-TEMPERATURE.....	1191	SHUTOFF GP-MANUAL.....	951
	1192	SHUTOFF GP-MANUAL-LH.....	952
SENSOR GP-TEMPERATURE (CYLINDER		SHUTOFF GP-MANUAL-RH, LH MOUNTED....	953
EXHAUST).....	1334	SHUTOFF GP-REMOTE.....	954
	1335		955
SENSOR GP-TEMPERATURE		SILENCER GP-AIR STARTING.....	1209
(THERMOCOUPLE).....	1192		1210
SENSOR GP-TEMPERATURE		SOFTWARE GP-MONITOR (CELLULAR).....	1025
(THERMOCOUPLE).....	1193	SOLENOID AS (24-VOLT) (STARTING	
SENSOR GP-TEMPERATURE (TURBOCHARGER		MOTOR).....	1300
INLET).....	1336	SOLENOID AS (AIR SHUTOFF).....	1215
SENSOR GP-TEMPERATURE-		SOLENOID AS (ELECTRIC SHUTOFF).....	1203
THERMOCOUPLE.....	1193	SOLENOID AS (ENERGIZED TO RUN).....	1201
SEPARATOR GP-WATER-PRIMARY FUEL		SOLENOID AS (FUEL SHUTOFF).....	1200
FILTER.....	917	SOLENOID AS (SHUTOFF).....	1214
	918	SOLENOID AS (STARTER).....	1246
SHAFT GP-AUXILIARY DRIVE-LOWER FRONT,			1249
LH.....	320		1252

INDEX

NAME	PAGE	NAME	PAGE
SOLENOID AS (STARTING MOTOR)	1257	STARTING MOTOR GP-ELECTRIC-DUAL	1260
	1282		1263
	1285		1304
SOLENOID AS-STARTING MOTOR	1211		1305
	1212		1306
	1276		1307
SOLENOID AS-STARTING MOTOR (24- VOLT)	1211		1308
	1265		1309
	1268		1310
	1270	STARTING MOTOR GP-ELECTRIC-SINGLE...	1302
	1273		1303
	1291		1311
	1294		1312
SOLENOID AS-STARTING MOTOR (24-VOLT) (24- VOLT)	1288	STRAINER AS (ENGINE OIL)	392
SOLENOID GP-SHUTOFF-AIR	1214		394
	1215		403
	1216		405
SOLENOID-AIR (SHUTOFF)	1216		407
STARTING AID GP-ETHER	1217		409
STARTING MOTOR GP-AIR	1219	SUPPORT GP-BATTERY	1313
	1221	SWITCH (AIR STARTING)	1006
	1222		1020
	1224	SWITCH (ENGINE START)	1315
	1227	SWITCH AS (ELECTRONIC SPEED SWITCH)	992
	1229	SWITCH AS (PRESSURE) (ENGINE OIL)	1366
	1232	SWITCH AS (SHUTOFF)	984
	1234	SWITCH AS (START-STOP)	1328
	1235	SWITCH AS-MAGNETIC (24-VOLT) (STARTING MOTOR)	981
	1239	SWITCH AS-PRESSURE (ENGINE OIL)	810
STARTING MOTOR GP-AIR-RH	1226		851
	1237		854
	1238		858
STARTING MOTOR GP-AIR-SINGLE	1231		865
STARTING MOTOR GP-ELECTRIC	1240		867
	1243		993
	1246		996
	1249		1004
	1252	SWITCH AS-PRESSURE (FUEL)	849
	1255		851
	1256		853
	1257		857
	1261		861
	1264		863
	1267		865
	1270		867
	1273	SWITCH AS-PRESSURE (LOW OIL)	865
	1276		867
	1281	SWITCH AS-PRESSURE (PRELUBRICATION)	422
	1284		987
	1287		989
	1290	SWITCH AS-PUSH BUTTON	1314
	1293	SWITCH AS-PUSH BUTTON (EMERGENCY STOP)	993
	1296		997
	1297	SWITCH AS-PUSH BUTTON (ENGINE START)	1022
	1298	SWITCH AS-PUSH BUTTON (START)	1314
	1299	SWITCH AS-PUSH BUTTON-START	1315
	1300		

INDEX

NAME	PAGE	NAME	PAGE
SWITCH AS-SELECTOR	1316	SWITCH-ROTARY (3-POSITION, MOMENTARY)	
	1317	(ALARM TEST).....	1424
SWITCH AS-SPEED	1318	SWITCH-ROTARY (3-POSITION, MOMENTARY)	
SWITCH AS-SPEED (ENGINE OVERSPEED)...	996	(ALARM).....	1416
SWITCH AS-SPEED (OVERSPEED)	993		1419
SWITCH AS-TEMPERATURE (ENGINE			1421
COOLANT).....	1217		
SWITCH AS-TEMPERATURE (INLET			
MANIFOLD).....	1005		
SWITCH AS-TOGGLE (ENGINE SHUTOFF) ..	1321		
SWITCH AS-TOGGLE (ETHER INJECTION)...	1217		
SWITCH AS-TOGGLE (START/STOP).....	1328		
SWITCH GP-COOLANT LEVEL.....	638		
	639		
	640		
	641		
SWITCH GP-ENGINE.....	1319		
	1320		
SWITCH GP-ENGINE (ELECTRIC			
SHUTOFF).....	1206		
SWITCH GP-ENGINE (EMERGENCY			
STOP).....	1206		
	1208		
SWITCH GP-ENGINE (RELAY)	984		
	1208		
SWITCH GP-ENGINE (SHUTOFF)	1197		
	1199		
SWITCH GP-ENGINE START	1322		
SWITCH GP-ENGINE-SHUTOFF.....	1321		
SWITCH GP-MAGNETIC	1323		
	1324		
	1325		
	1327		
SWITCH GP-MAGNETIC (24-VOLT)			
(PRELUBRICATION PUMP)	1327		
SWITCH GP-MAGNETIC (24-VOLT) (STARTING			
MOTOR).....	1323		
	1324		
	1325		
	1326		
SWITCH GP-MAGNETIC-DUAL.....	1326		
SWITCH GP-START/STOP	1328		
SWITCH GP-TEMPERATURE.....	1329		
	1330		
	1331		
SWITCH GP-TEMPERATURE (WATER).....	861		
	863		
	865		
	867		
	1003		
SWITCH GP-TEMPERATURE-WATER,			
COOLANT	1332		
SWITCH-LIQUID LEVEL (COOLANT).....	638		
	639		
	640		
	641		
SWITCH-LIQUID LEVEL (ENGINE			
COOLANT).....	616		
	619		

T	
TACHOMETER GP-ELECTRIC.....	1448
TANK GP-EXPANSION.....	642
THERMOCOUPLE	1333
THERMOCOUPLE GP	1334
	1335
	1336
	1337
TIMER GP	1449
TRUNNION GP-ENGINE	325
TUBE.....	956
TURBOCHARGER GP	752-774
V	
V-BELT GP (AIR COMPRESSOR)	17
	20
	23
	26
V-BELT SET (INCLUDES 4-BELTS) (FAN	
DRIVE)	292
	301
	302
	303
	304
	305
	306
V-BELT SET (INCLUDES 6-BELTS) (FAN	
DRIVE)	293
	294
	295
	296
	297
	298
	299
	300
	307
VALVE AS-RELIEF (AIR COMPRESSOR)	8
	10
	12
VALVE AS-SOLENOID (AIR START).....	1017
	1019
	1022
VALVE AS-SOLENOID-AIR START	1338
VALVE GP-AIR CONTROL	775
	776
VALVE GP-AIR CONTROL-RH.....	777
VALVE GP-CHECK.....	453
VALVE GP-CONTROL	1339
	1340

INDEX

NAME	PAGE	NAME	PAGE
VALVE GP-DIVERTER.....	645		
	646		
	647		
	648		
	649		
	650		
VALVE GP-EXPLOSION RELIEF (CRANKCASE)	326		
	327		
VALVE GP-EXPLOSION RELIEF- CRANKCASE.....	326		
	327		
VALVE GP-FLUID CONTROL-DUPLEX OIL	454		
VALVE GP-FUEL SHUTOFF.....	957		
	958		
VALVE GP-PRESSURE CONTROL	959		
	960		
VALVE GP-PRESSURE REDUCING-RH.....	1341		
VALVE GP-RADIATOR DRAIN.....	651		
	652		
VALVE GP-RELAY (AIR STARTING MOTOR) ..	693		
	695		
VALVE GP-RELAY (AIR STARTING).....	1091		
	1093		
	1095		
	1097		
	1099		
	1101		
	1103		
VALVE GP-SPEED SENSING	961		
VALVE MECHANISM GP.....	328		
	330		
	332		
VALVE-PILOT	849		

W

WIRE AS-SERVICE METER.....	1343
WIRE GP (CONTROL PANEL) (ANNUNCIATOR)	1416
	1419
WIRING GP-ELECTRIC STARTING	1344
WIRING GP-ENGINE	1345
	1346
	1348
	1349
WIRING GP-ENGINE-LH	1350
	1351
WIRING GP-PANEL-ALTERNATOR	1352
WIRING GP-PYROMETER	1353
	1354

MEMORANDA

ENGINE ARRANGEMENT

4W-1534 CONVERSION AR-ENGINE

LOW SPEED-REVERSE ROTATION

FOR USE WITH 4W-0283 ENGINE AR, TO CONVERT TO A REVERSE ROTATION ENGINE
CONFIGURATION
AN ATTACHMENT

SMCS-1000

i06915401

NOTE	PART NUMBER	QTY	PART NAME						SEE PAGE
			1	2	3	4	5	6 (PRODUCT LEVEL)	
Y	8N-6038	1	FLYWHEEL GP						179
Y	8N-5769	1	GEAR GP-FRONT						183

Y - SEPARATE ILLUSTRATION

<END>

ENGINE ARRANGEMENT

1W-4216 ENGINE AR

S/N: 65Z887-1007

SMCS-1000

i02656824

NOTE	PART NUMBER	QTY	PART NAME						SEE PAGE
			1	2	3	4	5	6 (PRODUCT LEVEL)	
Y	1W-9461	1	AFTERCOOLER GP-WATER						657
			S/N: 65Z887-1007						
Y	4W-1449	1	BREATHER GP (CRANKCASE)						334
			S/N: 65Z887-1007						
Y	4W-1774	1	CAMSHAFT GP						33
			S/N: 65Z887-1007						
Y	8N-9161	1	CONNECTION GP-WATER						466
			S/N: 65Z887-1007						
Y	4W-2966	1	CONTROL GP-FUEL INJECTION						783
			S/N: 65Z887-1007						
Y	4W-5892	1	COOLER GP-ENGINE OIL						467
			S/N: 65Z887-1007						
Y	8N-9640	1	COVER GP-CYLINDER BLOCK						49
Y	4W-1529	1	COVER GP-FLYWHEEL HOUSING (REAR STRUCTURE)						52
			S/N: 65Z887-1007						
Y	7W-2378	1	COVER GP-FRONT HOUSING						54
			S/N: 65Z887-1007						
Y	7N-1855	10	COVER GP-VALVE MECHANISM						59
Y	8N-7103	1	CRANKSHAFT GP						61
Y	115-3504	1	CYLINDER BLOCK GP						70
			S/N: 65Z887-1007						
Y	4W-0095	12	CYLINDER HEAD GP						130
			S/N: 65Z887-1007						
Y	8N-7182	1	DAMPER GP						146
Y	7N-4871	1	DRIVE GP-ACCESSORY (UPPER, RH)						153
Y	7N-1875	1	FILLER GP-ENGINE OIL (CYLINDER BLOCK)						337
Y	7W-9741	1	FILTER GP-FUEL (RH)						818
			S/N: 65Z887-1007						
Y	4W-6874	1	FILTER GP-ENGINE OIL						351
			S/N: 65Z887-1007						
Y	7N-4851	1	FLYWHEEL GP						175
Y	7C-6366	1	GAUGE GP-OIL LEVEL (DIPSTICK)						368
			S/N: 65Z887-1007						
Y	122-9281	1	GEAR GP-FRONT						181
			S/N: 65Z887-1007						
Y	116-9856	1	GEAR GP-REAR						187
			S/N: 65Z887-1007						
Y	8N-6714	1	GOVERNOR GP						841
			S/N: 65Z887-1007						
Y	9Y-9171	1	HOUSING & REGULATOR GP (OUTLET CONTROL)						514
			S/N: 65Z887-1007						
Y	7W-3722	1	HOUSING GP-FLYWHEEL						220
			S/N: 65Z887-1007						
Y	7W-1530	1	HOUSING GP-FRONT						223
			S/N: 65Z887-1007						
Y	8N-7734	1	LIFTING GP-ENGINE						238
Y	8N-7716	1	LINES GP-AFTERCOOLER WATER						519
Y	7C-1313	1	LINES GP-TURBOCHARGER AIR						703

ENGINE ARRANGEMENT

1W-4216 **ENGINE AR (contd.)**

i02656824

NOTE	PART NUMBER	QTY	PART NAME						SEE PAGE
			1	2	3	4	5	6 (PRODUCT LEVEL)	
			S/N: 65Z887-1007						
Y	<i>4W-6062</i>	1	LINES GP-ENGINE OIL						380
			S/N: 65Z887-1007						
Y	<i>9Y-6576</i>	1	LINES GP-FUEL INJECTION						879
			S/N: 65Z887-1007						
Y	<i>7N-8640</i>	1	LINES GP-TURBOCHARGER OIL						401
Y	<i>7C-8122</i>	1	LINES GP-WATER (BYPASS)						529
			S/N: 65Z887-1007						
Y	<i>8N-8994</i>	1	LINES GP-WATER (LOWER)						547
			S/N: 65Z887-1007						
Y	<i>7E-5105</i>	1	LINES GP-WATER (UPPER)						532
			S/N: 65Z887-1007						
Y	<i>8N-7721</i>	1	MANIFOLD GP-EXHAUST						709
Y	<i>2W-9592</i>	1	METER GP-SERVICE						1401
			S/N: 65Z887-1007						
Y	<i>7C-6752</i>	1	PAN GP-OIL (ENGINE)						256
			S/N: 65Z887-1007						
Y	<i>7W-1988</i>	12	PISTON & ROD GP						277
			S/N: 65Z887-1007						
Y	<i>8N-6152</i>	1	PUMP GP-ENGINE OIL (2-SECTION GEAR)						414
			S/N: 65Z887-1007						
Y	<i>9Y-7841</i>	12	PUMP GP-FUEL INJECTION						895
			S/N: 65Z887-1007						
Y	<i>8N-6151</i>	1	PUMP GP-FUEL TRANSFER (1-SECTION GEAR)						908
Y	<i>2W-9726</i>	1	PUMP GP-WATER						605
			S/N: 65Z887-1007						
Y	<i>7W-3813</i>	1	SEAL GP-CRANKSHAFT						311
			S/N: 65Z887-1007						
Y	<i>7N-4869</i>	1	SHUTOFF GP-MANUAL						953
Y	<i>7C-5274</i>	1	SHUTOFF GP-ELECTRICAL						1198
			S/N: 65Z887-1007						
Y	<i>118-9492</i>	1	TURBOCHARGER GP						754
			S/N: 65Z887-1007						
Y	<i>4W-1035</i>	12	VALVE MECHANISM GP						332
			S/N: 65Z887-1006						
Y	<i>195-1926</i>	12	VALVE MECHANISM GP						328

PLEASE USE THE GASKET KIT LINK IN SIS OR
CONTACT YOUR LOCAL DEALER FOR THE LATEST GASKET
KIT INFORMATION

Y - SEPARATE ILLUSTRATION

<END>

ENGINE ARRANGEMENT

4W-0283 ENGINE AR

SMCS - 1000

i07041322

NOTE	PART NUMBER	QTY	PART NAME						SEE PAGE
			1	2	3	4	5	6 (PRODUCT LEVEL)	
Y	1W-9466	1	AFTERCOOLER GP-WATER						659
			S/N: 65Z887-UP						
Y	4W-1449	1	BREATHER GP (CRANKCASE)						334
Y	4W-1774	1	CAMSHAFT GP						33
Y	8N-9161	1	CONNECTION GP-WATER						466
Y	4W-2966	1	CONTROL GP-FUEL INJECTION						783
Y	4W-5892	1	COOLER GP-ENGINE OIL						467
Y	8N-9640	1	COVER GP-CYLINDER BLOCK						49
Y	4W-1529	1	COVER GP-FLYWHEEL HOUSING (REAR STRUCTURE)						52
Y	7W-2378	1	COVER GP-FRONT HOUSING						54
			S/N: 65Z887-UP						
Y	7N-1855	10	COVER GP-VALVE MECHANISM						59
Y	8N-7103	1	CRANKSHAFT GP						61
			S/N: 65Z887-1356, 1358-UP						
Y	323-2865	1	CRANKSHAFT GP						60
			S/N: 65Z1357						
Y	115-3504	1	CYLINDER BLOCK GP						70
			S/N: 65Z887-1004						
Y	115-3505	1	CYLINDER BLOCK GP						72
			S/N: 65Z1005-1129						
Y	240-6650	1	CYLINDER BLOCK GP						75
			S/N: 65Z1130-1529						
Y	350-5219	1	CYLINDER BLOCK GP						83
			S/N: 65Z1530-UP						
Y	4W-0095	12	CYLINDER HEAD GP						130
			S/N: 65Z887-1286						
Y	299-3520	12	CYLINDER HEAD GP						121
			S/N: 65Z1287-1529						
Y	350-5205	12	CYLINDER HEAD GP						127
			S/N: 65Z1530-UP						
Y	8N-7182	1	DAMPER GP						146
			S/N: 65Z887-1276						
Y	8N-0339	1	DAMPER GP						144
			S/N: 65Z1277-UP						
Y	7N-4871	1	DRIVE GP-ACCESSORY (UPPER, RH)						153
Y	383-8576	1	FASTENER GP-FUEL LINES						812
			S/N: 65Z1596-UP						
Y	7N-1875	1	FILLER GP-ENGINE OIL (CYLINDER BLOCK)						337
Y	4W-6874	1	FILTER GP-ENGINE OIL						351
Y	7W-9741	1	FILTER GP-FUEL (RH)						818
Y	7N-4851	1	FLYWHEEL GP						175
			S/N: 65Z887-1712						
Y	471-0918	1	FLYWHEEL GP						170
			S/N: 65Z11713-UP						
Y	7C-6366	1	GAUGE GP-OIL LEVEL (DIPSTICK)						368
			S/N: 65Z887-UP						
Y	122-9281	1	GEAR GP-FRONT						181
			S/N: 65Z887-UP						
Y	116-9856	1	GEAR GP-REAR						187

ENGINE ARRANGEMENT

4W-0283 ENGINE AR (contd.)

i07041322

NOTE	PART NUMBER	QTY	PART NAME						SEE PAGE
			1	2	3	4	5	6 (PRODUCT LEVEL)	
			S/N: 65Z887-UP						
Y	8N-6714	1	GOVERNOR GP						841
Y	9Y-9171	1	HOUSING & REGULATOR GP (OUTLET CONTROL)						514
			S/N: 65Z887-UP						
Y	7W-3722	1	HOUSING GP-FLYWHEEL						220
			S/N: 65Z887-UP						
Y	7W-1530	1	HOUSING GP-FRONT						223
			S/N: 65Z887-UP						
Y	8N-7734	1	LIFTING GP-ENGINE						238
Y	8N-7716	1	LINES GP-AFTERCOOLER WATER						519
Y	7C-1313	1	LINES GP-TURBOCHARGER AIR						703
			S/N: 65Z887-UP						
Y	4W-6062	1	LINES GP-ENGINE OIL						380
Y	9Y-6576	1	LINES GP-FUEL INJECTION						879
			S/N: 65Z887-1595						
Y	428-6127	1	LINES GP-FUEL INJECTION						871
			S/N: 65Z1596-UP						
Y	431-3847	1	LINES GP-FUEL INJECTION						877
			S/N: 65Z1596-UP						
Y	7N-8640	1	LINES GP-TURBOCHARGER OIL						401
Y	7C-8122	1	LINES GP-WATER (BYPASS)						529
			S/N: 65Z887-UP						
Y	8N-8994	1	LINES GP-WATER (LOWER)						547
Y	7E-5105	1	LINES GP-WATER (UPPER)						532
			S/N: 65Z887-UP						
Y	8N-7721	1	MANIFOLD GP-EXHAUST						709
Y	2W-9592	1	METER GP-SERVICE						1401
Y	7C-6752	1	PAN GP-OIL (ENGINE)						256
			S/N: 65Z887-UP						
Y	8N-6224	12	PISTON & ROD GP						279
			S/N: 65Z887-1004						
Y	6I-2861	12	PISTON & ROD GP						275
			S/N: 65Z1005-1129						
Y	223-6362	12	PISTON & ROD GP						271
			S/N: 65Z1130-1251						
Y	282-0645	12	PISTON & ROD GP						273
			S/N: 65Z1252-UP						
Y	8N-6152	1	PUMP GP-ENGINE OIL (2-SECTION GEAR)						414
			S/N: 65Z887-UP						
Y	9Y-7841	12	PUMP GP-FUEL INJECTION						895
			S/N: 65Z887-UP						
Y	8N-6151	1	PUMP GP-FUEL TRANSFER (1-SECTION GEAR)						908
Y	2W-9726	1	PUMP GP-WATER						605
Y	7W-3813	1	SEAL GP-CRANKSHAFT						311
			S/N: 65Z887-UP						
Y	7C-5274	1	SHUTOFF GP-ELECTRICAL						1198
			S/N: 65Z887-UP						
Y	7N-4869	1	SHUTOFF GP-MANUAL						953
Y	118-9492	1	TURBOCHARGER GP						754
			S/N: 65Z887-UP						
Y	4W-1035	12	VALVE MECHANISM GP						332

ENGINE ARRANGEMENT

4W-0283 ENGINE AR (contd.)

i07041322

NOTE	PART NUMBER	QTY	PART NAME 1 2 3 4 5 6 (PRODUCT LEVEL)	SEE PAGE
			S/N: 65Z887-997	
Y	195-1926	12	VALVE MECHANISM GP	328
			S/N: 65Z998-UP	
PLEASE USE THE GASKET KIT LINK IN SIS OR CONTACT YOUR LOCAL DEALER FOR THE LATEST GASKET KIT INFORMATION				
Y - SEPARATE ILLUSTRATION				
<END>				

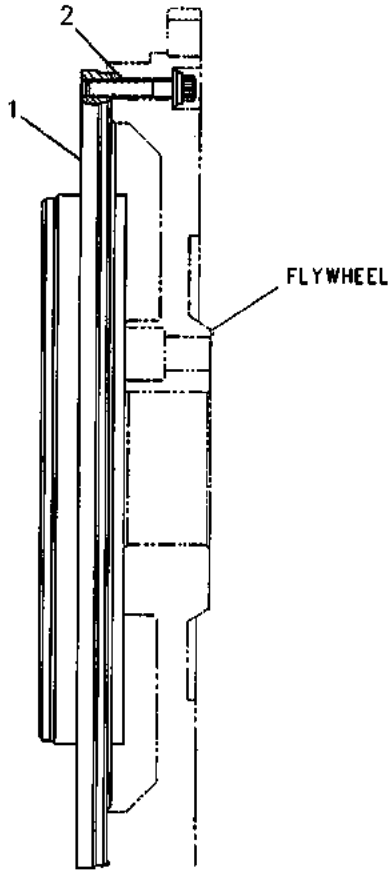
BASIC ENGINE

7C-1927 ADAPTER GP-FLYWHEEL FOR USE WITH GE 601 GENERATOR AN ATTACHMENT

SMCS-1156

i01451150

NOTE	REF NO	GRAPHIC REF	PART NUMBER	QTY	PART NAME						SEE PAGE
					1	2	3	4	5	6 (PRODUCT LEVEL)	
	1	1	7C-1926	1	ADAPTER AS-FLYWHEEL						
	2	1	7K-3116	12	BOLT-12 POINT HEAD (5/8-11X3.5-IN)						
		1	5P-8247	12	WASHER-HARD (17X32X3.5-MM THK)						



GRAPHIC #1

<END>

g00759435

BASIC ENGINE

122-8966 AIR COMPRESSOR GP

S/N: 65Z1492-UP

FIELD REPLACEMENT ORDER 126-6110-PAGE: 10

PART OF 8N-8360 AIR COMPRESSOR GP

AN ATTACHMENT

SMCS-1803

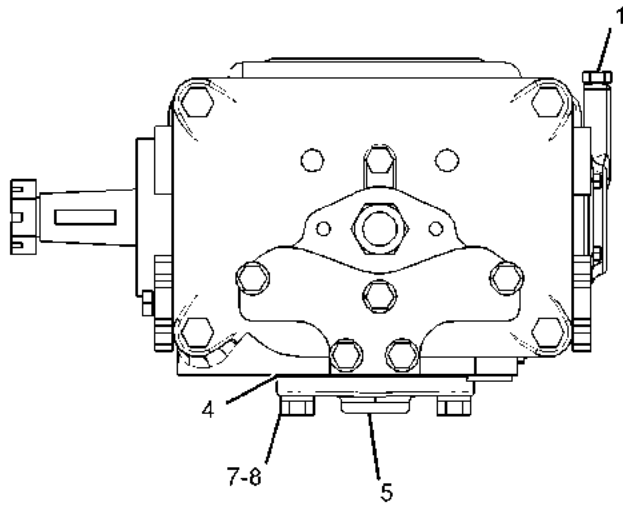
i05281997

NOTE	REF NO	GRAPHIC REF	PART NUMBER	QTY	PART NAME						SEE PAGE
					1	2	3	4	5	6	
	1	1	8T-6764	2	PLUG-PIPE (1/8-27-THD)						
	2	1	3F-5289	1	KEY-CRANKSHAFT						
	3	1	6V-0387	1	PLUG-PIPE						
	4	1	8M-7065	1	GASKET (AIR INLET)						
	5	1	9M-0397	1	ADAPTER						
	6	1	7F-6547	1	NUT						
	7	1	3B-4505	2	LOCKWASHER						
	8	1	2B-2695	2	BOLT (5/16-18X0.875-IN)						
	9	1	4P-3966	1	PISTON & ROD AS						
	10	1	124-5572	1	VALVE AS-RELIEF (AIR COMPRESSOR)						
					AVAILABLE REPAIR KIT(S):						
			7E-8923	1	KIT-CRANKSHAFT BEARING (AIR COMPRESSOR)						
					(INCLUDES SEALS, BEARING WASHERS, INSERTS, & GASKETS)						
			7E-8925	1	KIT-STANDARD RING (AIR COMPRESSOR)						
					(INCLUDES RINGS & INSTRUCTION SHEET)						
			164-7572	1	KIT-RING (AIR COMPRESSOR)						
					(INCLUDES GASKET, SPRINGS, VALVES, SEATS, PISTON, STOPS, & O-RINGS)						
			150-5146	1	KIT-UNLOADER (AIR COMPRESSOR)						

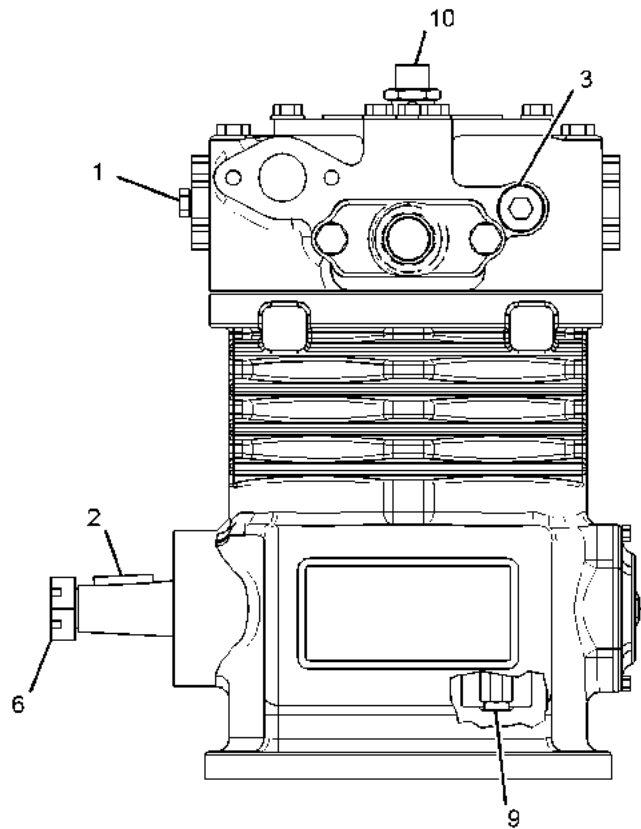
BASIC ENGINE

122-8966 AIR COMPRESSOR GP (contd.)

i05281997



TOP VIEW OF ENGINE



LEFT SIDE VIEW OF ENGINE

GRAPHIC #1

<END>

g02566246

BASIC ENGINE

126-6110 AIR COMPRESSOR GP*R

S/N: 65Z1483-1491

FIELD REPLACEMENT FOR 122-8966-PAGE: 8

PART OF 8N-8360 AIR COMPRESSOR GP

AN ATTACHMENT

SMCS-1803

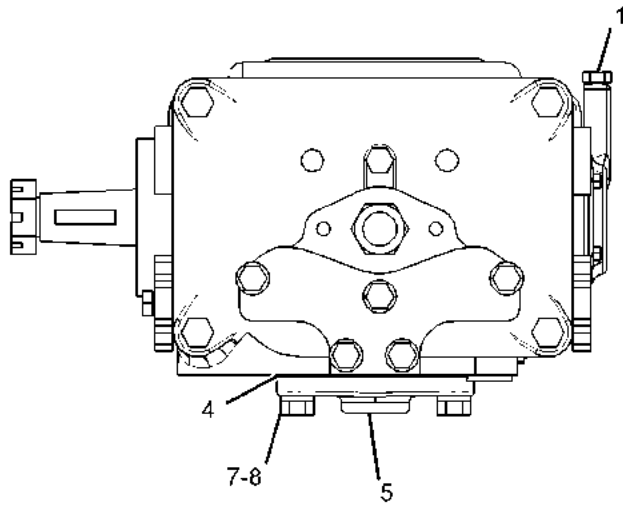
i05255039

NOTE	REF NO	GRAPHIC REF	PART NUMBER	QTY	PART NAME						SEE PAGE
					1	2	3	4	5	6	
	1	1	8T-6764	2	PLUG-PIPE (1/8-27-THD)						
	2	1	3F-5289	1	KEY-CRANKSHAFT						
	3	1	6V-0387	1	PLUG-PIPE						
	4	1	8M-7065	1	GASKET (AIR INLET)						
	5	1	9M-0397	1	ADAPTER						
	6	1	7F-6547	1	NUT						
	7	1	3B-4505	2	LOCKWASHER						
	8	1	2B-2695	2	BOLT (5/16-18X0.875-IN)						
	9	1	4P-3966	1	PISTON & ROD AS						
	10	1	124-5572	1	VALVE AS-RELIEF (AIR COMPRESSOR)						
					AVAILABLE REPAIR KIT(S):						
			7E-8923	1	KIT-CRANKSHAFT BEARING (AIR COMPRESSOR)						
					(INCLUDES SEALS, BEARINGS, WASHERS, INSERTS, & GASKETS)						
			164-7572	1	KIT-RING (AIR COMPRESSOR)						
					(INCLUDES RINGS & INSTRUCTION SHEET)						
			7E-8926	1	KIT-CYLINDER HEAD (AIR COMPRESSOR)						
					(INCLUDES GASKET, SPRINGS, VALVES, SEATS, PISTONS, STOPS & O-RINGS)						
			150-5146	1	KIT-UNLOADER (AIR COMPRESSOR)						

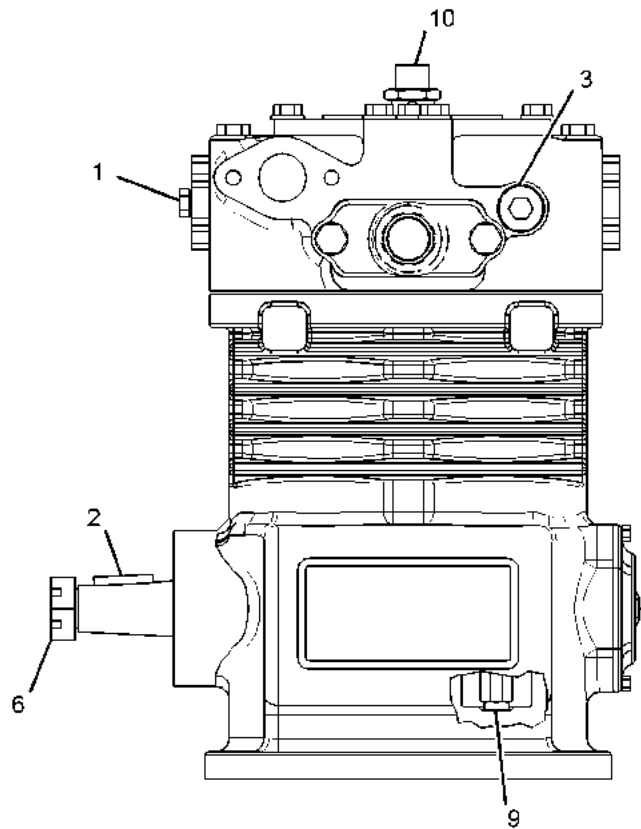
BASIC ENGINE

126-6110 AIR COMPRESSOR GP (contd.)

i05255039



TOP VIEW OF ENGINE



LEFT SIDE VIEW OF ENGINE

GRAPHIC #1

<END>

g02566246

BASIC ENGINE

144-0742 AIR COMPRESSOR GP*R

S/N: 65Z887-1482

PART OF 8N-8360 AIR COMPRESSOR GP
AN ATTACHMENT

SMCS-1803

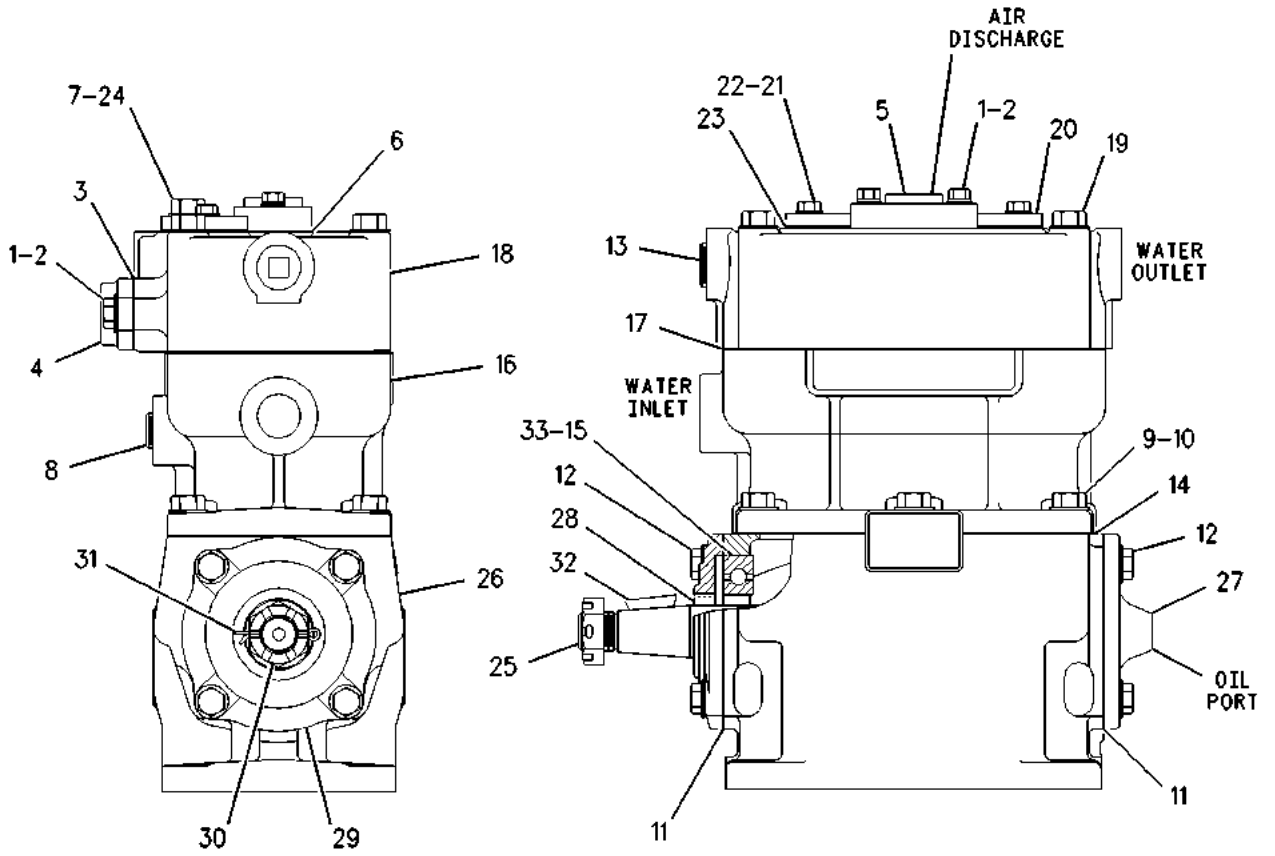
i04302154

NOTE	REF NO	GRAPHIC REF	PART NUMBER	QTY	PART NAME						SEE PAGE
					1	2	3	4	5	6 (PRODUCT LEVEL)	
1	1	1	3B-4505	4	LOCKWASHER						
2	1	1	2B-2695	4	BOLT (5/16-18X0.875-IN)						
3	1	1	8M-7065	1	GASKET (AIR INLET)						
4	1	1	9M-0397	1	ADAPTER						
5	1	1	4W-9479	1	MANIFOLD-EXHAUST						
6	1	1	1S-7107	1	GASKET						
7	1	1	5M-2894	1	WASHER-HARD (10.2X18.5X2.5-MM THK)						
8	1	1	7X-7732	2	PLUG-PIPE						
9	1	1	1A-2029	6	BOLT (3/8-16X1.125-IN)						
10	1	1	3B-4506	6	LOCKWASHER						
11	1	1	7N-7442	2	GASKET						
12	1	1	034-4160	8	BOLT-LOCKING (5/16-18X1-IN)						
13	1	1	8T-6762	1	PLUG-PIPE (1/2-14-THD)						
14	1	1	7N-7446	1	GASKET						
15	1	1	8H-9789	2	BALL BEARING						
16	1	1	7N-7445	1	CYLINDER BLOCK						
17	1	1	7N-7448	1	GASKET						
18	1	1	7N-7447	1	HEAD AS-COMPRESSOR						
		1	5L-5502	1	FITTING						
		1	124-5572	1	VALVE AS-RELIEF (AIR COMPRESSOR)						
19	1	1	0S-1619	5	BOLT (3/8-16X3-IN)						
20	1	1	7N-7450	1	COVER-UNLOADER						
21	1	1	3B-4504	2	LOCKWASHER						
22	1	1	0S-1615	2	BOLT (1/4-20X0.75-IN)						
23	1	1	7N-7451	1	GASKET-UNLOADER						
24	1	1	0L-1352	1	BOLT (3/8-16X3.25-IN)						
25	1	1	1W-9276	1	CRANKSHAFT-AIR COMPRESSOR						
26	1	1	1W-9275	1	CRANKCASE-COMPRESSOR						
27	1	1	1W-9277	1	COVER-AIR COMPRESSOR						
28	1	1	1W-9279	1	SEAL						
29	1	1	1W-9278	1	COVER-AIR COMPRESSOR						
30	1	1	6F-7063	1	NUT-SLOTTED						
31	1	1	5P-8026	1	PIN-COTTER						
32	1	1	4H-3157	1	KEY-WOODRUFF						
33	1	1	4W-9489	1	RING-LOCK						
					AVAILABLE REPAIR KIT(S):						
			7N-7435	1	KIT-AIR COMPRESSOR (MAJOR REPAIR)						
					(INCLUDES VALVES, VALVE SEATS, BEARINGS, SPRINGS, GASKETS, COVER, SEALS, PINS, WASHERS & GUIDES)						
			4P-6409	1	KIT-PIN (AIR COMPRESSOR)						
			144-0503	1	KIT-PISTON & RING (STANDARD) (AIR COMPRESSOR)						
					(INCLUDES PISTON, RING KIT, PISTON PIN & PISTON PIN BUTTON)						
			144-0502	1	KIT-PISTON RING (STANDARD) (AIR COMPRESSOR)						
					(INCLUDES PISTON RINGS & RING ENVELOPES)						
			138-2887	1	KIT-ROD & BEARING (AIR COMPRESSOR)						
					(INCLUDES ROD ASSEMBLY & BEARING KIT)						

BASIC ENGINE

144-0742 AIR COMPRESSOR GP (contd.)

i04302154



GRAPHIC #1

<END>

g00459418

BASIC ENGINE

1W-8495 AIR COMPRESSOR GP*R PART OF 8N-8360 AIR COMPRESSOR GP AN ATTACHMENT

SMCS-1803

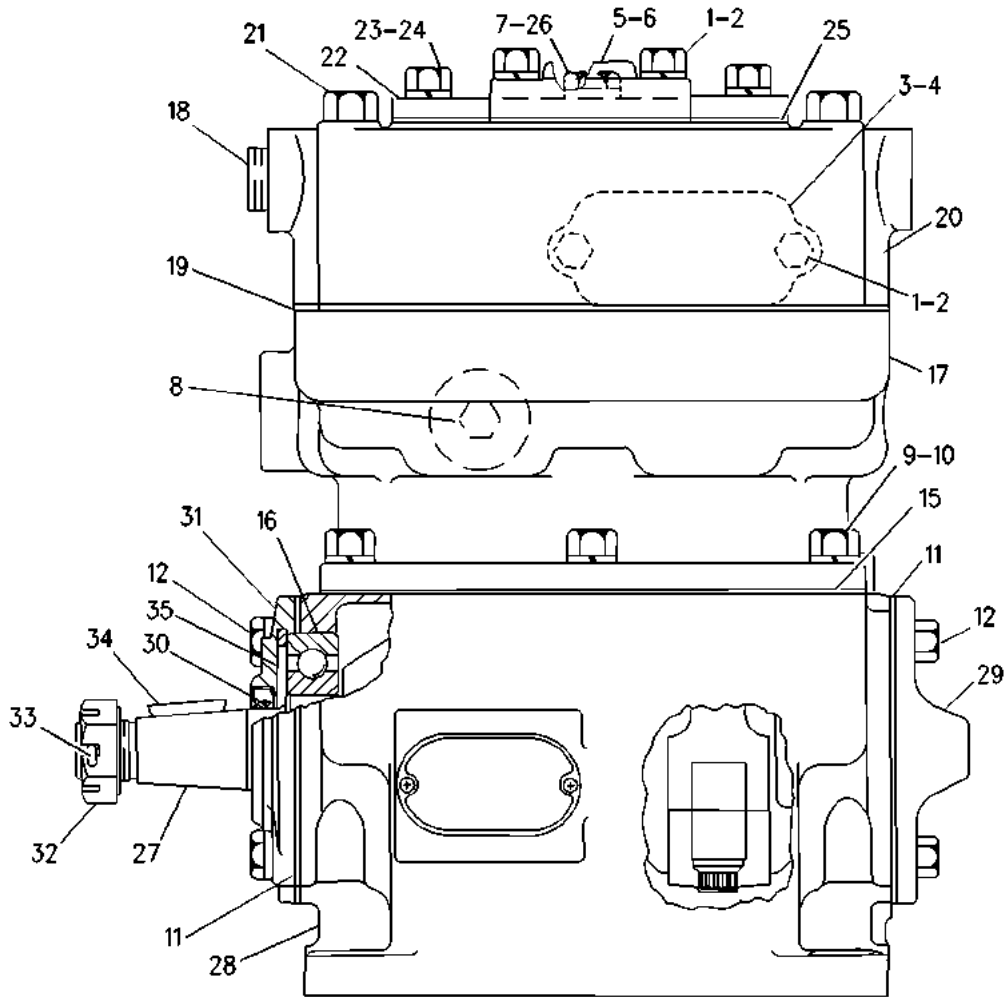
i01903375

NOTE	REF NO	GRAPHIC REF	PART NUMBER	QTY	PART NAME						SEE PAGE
					1	2	3	4	5	6 (PRODUCT LEVEL)	
	1	1	3B-4505	4	LOCKWASHER						
	2	1	2B-2695	4	BOLT (5/16-18X0.875-IN)						
	3	1	8M-7065	1	GASKET (AIR INLET)						
	4	1	9M-0397	1	ADAPTER						
	5	1	4W-9479	1	MANIFOLD-EXHAUST						
	6	1	1S-7107	1	GASKET						
	7	1	5M-2894	1	WASHER-HARD (10.2X18.5X2.5-MM THK)						
	8	1	4B-4845	2	PLUG						
	9	1	1A-2029	6	BOLT (3/8-16X1.125-IN)						
	10	1	3B-4506	6	LOCKWASHER						
	11	1	7N-7442	2	GASKET						
	12	1	034-4160	8	BOLT-LOCKING (5/16-18X1-IN)						
	15	1	7N-7446	1	GASKET						
	16	1	8H-9789	2	BALL BEARING						
	17	1	7N-7445	1	CYLINDER BLOCK						
	18	1	2B-0858	1	PLUG-PIPE						
	19	1	7N-7448	1	GASKET						
	20	1	7N-7447	1	HEAD AS-COMPRESSOR						
	21	1	0S-1619	5	BOLT (3/8-16X3-IN)						
	22	1	7N-7450	1	COVER-UNLOADER						
	23	1	3B-4504	2	LOCKWASHER						
	24	1	0S-1615	2	BOLT (1/4-20X0.75-IN)						
	25	1	7N-7451	1	GASKET-UNLOADER						
	26	1	0L-1352	1	BOLT (3/8-16X3.25-IN)						
	27	1	1W-9276	1	CRANKSHAFT-AIR COMPRESSOR						
	28	1	1W-9275	1	CRANKCASE-COMPRESSOR						
	29	1	1W-9277	1	COVER-AIR COMPRESSOR						
	30	1	1W-9279	1	SEAL						
	31	1	1W-9278	1	COVER-AIR COMPRESSOR						
	32	1	6F-7063	1	NUT-SLOTTED						
	33	1	5P-8026	1	PIN-COTTER						
	34	1	4H-3157	1	KEY-WOODRUFF						
C	35	1	4W-9489	1	RING-LOCK						
					AVAILABLE REPAIR KIT(S):						
			7N-7435	1	KIT-AIR COMPRESSOR (MAJOR REPAIR) (INCLUDES VALVES, SEATS, BEARINGS, SPRINGS, GASKETS, COVER, SEALS, PINS, WASHERS, & GUIDES)						
			4P-6409	1	KIT-PIN (AIR COMPRESSOR)						
			144-0502	1	KIT-PISTON RING (STANDARD) (AIR COMPRESSOR) (INCLUDES PISTON RINGS & RING ENVELOPES)						
			144-0503	1	KIT-PISTON & RING (STANDARD) (AIR COMPRESSOR) (INCLUDES PISTON, RING KIT, PISTON PIN & PISTON PIN BUTTON)						
			138-2887	1	KIT-ROD & BEARING (AIR COMPRESSOR) (INCLUDES ROD ASSEMBLY & BEARING KIT .010 OD)						
C - CHANGE FROM PREVIOUS TYPE											

BASIC ENGINE

1W-8495 AIR COMPRESSOR GP (contd.)

i01903375



GRAPHIC #1

<END>

g00746723

BASIC ENGINE

8N-8360 AIR COMPRESSOR GP

12 CU. FT./MIN. BELT DRIVEN
FOR USE WITH UPPER LH ACCESSORY DRIVE
FOR USAGE REFER TO CHART 8N-7500-PAGE: 1451
AN ATTACHMENT

SMCS-1803

i04561113

NOTE	REF NO	GRAPHIC REF	PART NUMBER	QTY	PART NAME						SEE PAGE
					1	2	3	4	5	6 (PRODUCT LEVEL)	
	1	1	5F-5434	1	VALVE AS-VENT (AIR COMPRESSOR)						
	2	1	1N-2902	1	PULLEY						
	3	1	6N-9042	1	GASKET						
	4	1	5R-1771	2	BOLT (3/8-16X5.5-IN)						
	5	1	2W-8338	1	BRACKET AS						
I	6	1	1W-0427	1	HOSE AS						
	7	1	9M-6522	3	CONNECTOR (1/2-14 NPTF)						
	8	1	0S-1594	5	BOLT (3/8-16X1-IN)						
	9	1	5M-2894	5	WASHER-HARD (10.2X18.5X2.5-MM THK)						
I	10	1	3V-6153	1	HOSE AS						
	11	1	0S-1588	4	BOLT (3/8-16X1.25-IN)						
	12	1	9L-5125	1	ELBOW						
	13	1	032-1269	4	ELBOW						
	14	1	3B-0551	1	PLUG-PIPE						
	15	1	0S-1591	1	BOLT (3/8-16X1.5-IN)						
I	16	1	1W-6263	2	HOSE AS						
	17	1	061-9593	1	ADAPTER						
	18	1	8S-3215	1	CLAMP-TUBE						
	19	1	2P-1306	1	TEE						
	20	1	2N-5104	1	CLAMP						
	21	1	9F-2247	4	PLUG-PIPE (1/8-27-THD)						
	22	1	6H-7127	1	SPACER (13/32X5/8X9/16-IN THK)						
	23	1	033-2177	1	TEE-PIPE						
	24	1	6N-8744	2	MOUNT						
	25	1	9L-9132	2	WASHER (10.2X25.5X2.5-MM THK)						
	26	1	1N-2929	1	BASE-AIR COMPRESSOR						
	27	1	2B-0858	1	PLUG-PIPE						
	28	1	1A-5964	1	BOLT (3/8-16X4.5-IN)						
	29	1	4B-4283	2	WASHER (20.6X37.5X3.5-MM THK)						
	30	1	4J-4102	1	SPACER (0.49X0.69X3.0-IN THK)						
	31	1	9S-8752	3	NUT-FULL (3/8-16-THD)						
	32	1	030-7972	1	ELBOW						
	33	1	8B-2664	1	BUSHING-REDUCER						
	34	2	7C-4165	1	ADAPTER AS						
		2	7C-0234	1	ADAPTER						
	35	2	7N-5244	1	BUSHING						
	36	2	8M-5255	1	SEAL-O-RING						
	37	2	0S-1590	8	BOLT (3/8-16X2-IN)						
	38	2	5M-2894	9	WASHER-HARD (10.2X18.5X2.5-MM THK)						
C	39	2	6V-7196	1	SEAL-LIP TYPE						
	40	2	9M-4815	1	CLIP						
	41	2	6B-8128	1	NIPPLE-PIPE						
	42	2	4F-4879	1	BOLT (3/8-16X0.5-IN)						
	43	2	2W-8202	1	GUARD AS						
	44	2	1W-8238	1	ADAPTER						
		2	7N-4945	1	GASKET						

BASIC ENGINE

8N-8360 AIR COMPRESSOR GP (contd.)

i04561113

NOTE	REF NO	GRAPHIC REF	PART NUMBER	QTY	PART NAME						SEE PAGE	
					1	2	3	4	5	6 (PRODUCT LEVEL)		
	45	2	0S-1595	4	BOLT (1/2-13X1.25-IN)							
		2	5P-8245	4	WASHER-HARD (13.5X25.5X3-MM THK)							
	46	2	8N-3504	1	V-BELT GP (AIR COMPRESSOR)							
	47	2	0S-1594	9	BOLT (3/8-16X1-IN)							
	48	2	4D-0514	1	PLUG-PIPE							
C	49	2	9Y-5285	1	PULLEY AS							
C	50	2	053-5065	1	SLEEVE							
	51	2	6N-8744	1	MOUNT							
	52	2	032-1269	1	ELBOW							
	53	2	3B-4618	1	PIN-COTTER							
YR	54	2	1W-8495	1	AIR COMPRESSOR GP						14	
	55	2	1D-4540	2	BOLT (5/16-18X2.75-IN)							
		2	9M-1974	2	WASHER-HARD (8.8X16X2-MM THK)							
	56	2	4B-7770	1	TEE							
	57	2	2M-4453	1	SEAL-O-RING							
	58	2	4N-9681	1	GOVERNOR AS-AIR COMPRESSOR							
		2	2S-2923	1	COVER AS							
	59	2	6L-1883	1	GASKET							
	60	2	9L-9132	8	WASHER (10.2X25.5X2.5-MM THK)							
	61	2	061-9593	1	ADAPTER							
I	62	2	1W-0428	1	HOSE AS							
	63	2	3B-0551	1	PLUG-PIPE							
	64	2	4B-4283	1	WASHER (20.6X37.5X3.5-MM THK)							
	65	2	5J-7303	1	ELBOW							
					AVAILABLE REPAIR KIT(S):							
				9M-0402	1	KIT-GOVERNOR OVERHAUL (AIR COMPRESSOR)						
				(INCLUDES VALVE, FILTER, SPRING, COVER, & GROMMETS)								

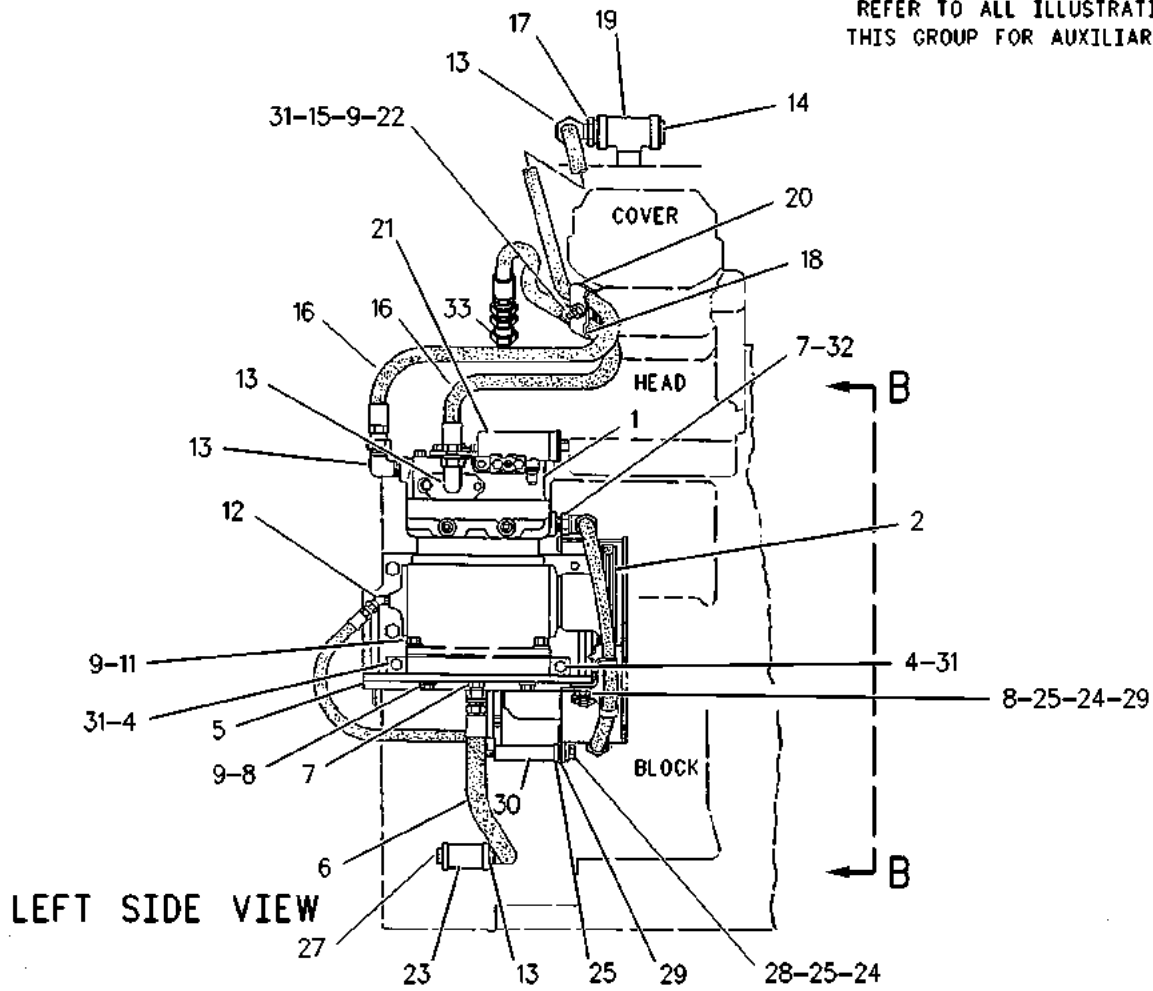
C - CHANGE FROM PREVIOUS TYPE
 I - REFER TO HYDRAULIC INFORMATION SYSTEM
 R - REMANUFACTURED PART MAY BE AVAILABLE
 Y - SEPARATE ILLUSTRATION

BASIC ENGINE

8N-8360 AIR COMPRESSOR GP (contd.)

104561113

REFER TO ALL ILLUSTRATIONS OF THIS GROUP FOR AUXILIARY VIEWS



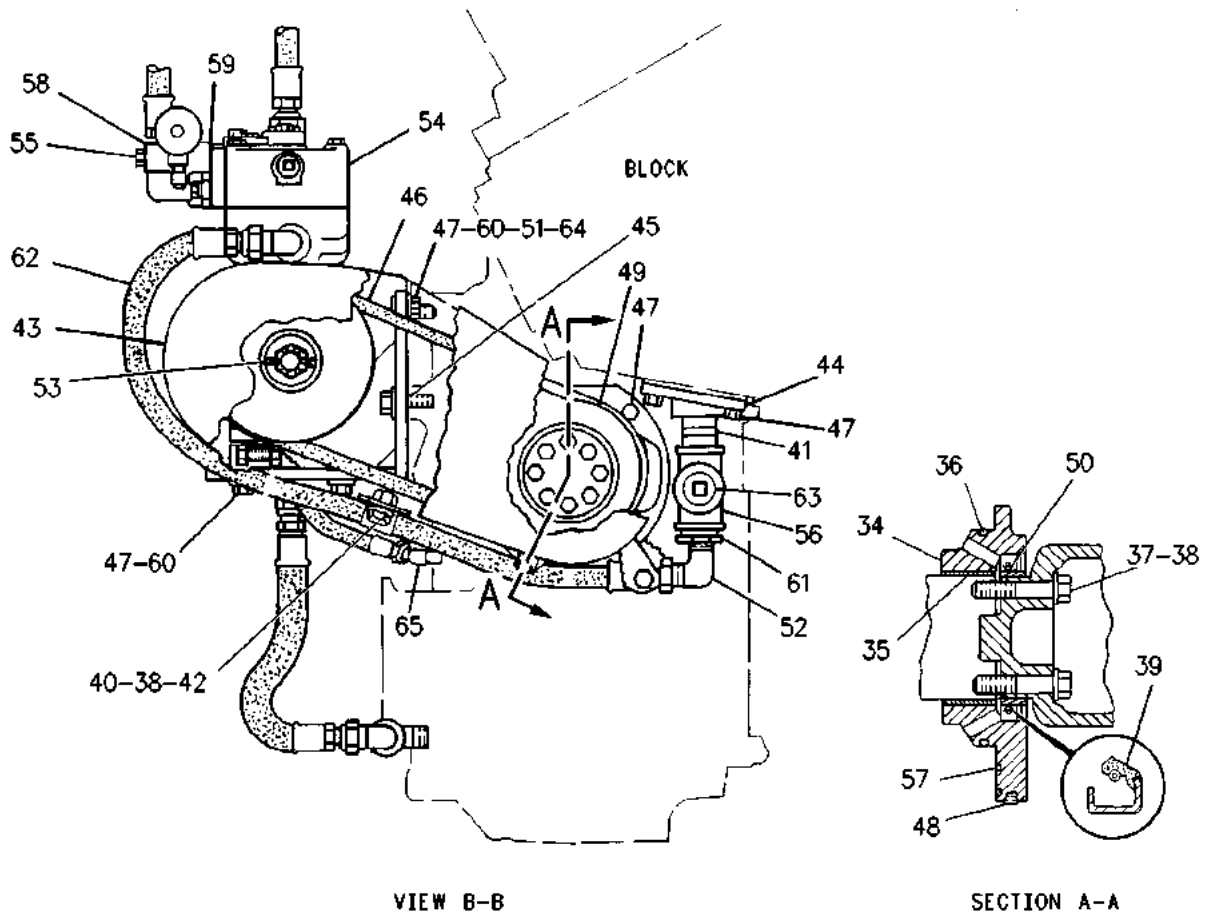
GRAPHIC #1

g00993201

BASIC ENGINE

8N-8360 AIR COMPRESSOR GP (contd.)

104561113



GRAPHIC #2

<END>

g00408262

BASIC ENGINE

8N-8360 AIR COMPRESSOR GP

S/N: 65Z887-1482

12 CU. FT./MIN. BELT DRIVEN

FOR USE WITH UPPER LH ACCESSORY DRIVE

FOR USAGE REFER TO CHART 8N-7500-PAGE: 1451

AN ATTACHMENT

SMCS-1803

i04302151

NOTE	REF NO	GRAPHIC REF	PART NUMBER	QTY	PART NAME 1 2 3 4 5 6 (PRODUCT LEVEL)	SEE PAGE
	1	1	1N-2902	1	PULLEY	
	2	2	1N-2929	1	BASE-AIR COMPRESSOR	
I	3	2	1W-0427	1	HOSE AS	
I	4	1,2	150-4213	2	HOSE AS	
	5	1	1W-8238	1	ADAPTER	
	6	2	2P-1306	1	TEE	
	7	1	2W-8202	1	GUARD AS	
		1	1F-0750	1	NUT-WELD (3/8-16-THD)	
	8	1	2W-8338	1	BRACKET AS	
I	9	2	3V-6153	1	HOSE AS	
	10	1	4B-7770	1	TEE	
	11	1	4N-9681	1	GOVERNOR AS-AIR COMPRESSOR	
		1	2S-2923	1	COVER AS	
	12	2	5F-5434	1	VALVE AS-VENT	
	13	1	6L-1883	1	GASKET	
	14	1,2	6N-8744	3	MOUNT	
	15	2	6N-9042	1	GASKET	
	16	2	7C-4165	1	ADAPTER AS	
		2	127-5400	1	BUSHING	
	17	1	7N-4945	1	GASKET	
	18	1	8N-3504	1	V-BELT GP (AIR COMPRESSOR)	
	19	1	9M-0378	2	BOLT (5/16-18X2.87-IN)	
C	20	1	9M-0766	1	BRACKET	
	21	2	9Y-5285	1	PULLEY AS	
		2	053-5065	1	SLEEVE	
	22	2	033-2177	1	TEE-PIPE	
CYR	23	1	144-0742	1	AIR COMPRESSOR GP	12
I	24	1	152-1005	1	HOSE AS	
	25	2	235-2484	1	SEAL-LIP TYPE	
	26	1	030-7972	1	ELBOW	
	27	1,2	032-1269	5	ELBOW	
	28	1,2	061-9593	2	ADAPTER	
	29	2	0S-1588	4	BOLT (3/8-16X1.25-IN)	
	30	2	0S-1590	8	BOLT (3/8-16X2-IN)	
C	31	1,2	0S-1594	15	BOLT (3/8-16X1-IN)	
	32	2	0S-1595	4	BOLT (1/2-13X1.25-IN)	
	33	2	1A-5964	1	BOLT (3/8-16X4.5-IN)	
	34	2	5P-0840	1	SEAL-O-RING	
	35	1	3B-4618	1	PIN-COTTER	
C	36	1,2	3S-8664	3	CLIP (LOOP)	
	37	2	4F-4879	1	BOLT (3/8-16X0.5-IN)	
	38	2	4J-4102	1	SPACER (0.49X0.69X3.0-IN THK)	
	39	1	5J-7303	1	ELBOW	
	40	1,2	5M-2894	15	WASHER-HARD (10.2X18.5X2.5-MM THK)	
	41	2	5P-8245	4	WASHER-HARD (13.5X25.5X3-MM THK)	

BASIC ENGINE

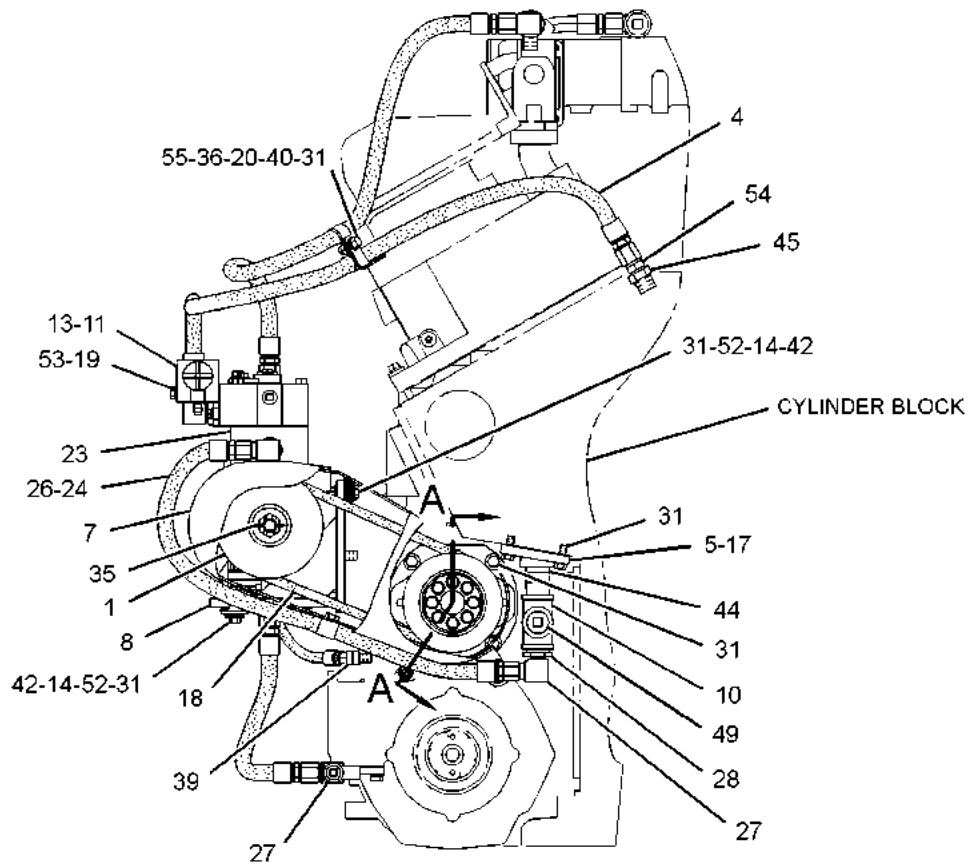
8N-8360 AIR COMPRESSOR GP (contd.)

i04302151

NOTE	REF NO	GRAPHIC REF	PART NUMBER	QTY	PART NAME						SEE PAGE
					1	2	3	4	5	6 (PRODUCT LEVEL)	
C	42	1,2	5P-8248	3	WASHER-HARD (20X36.5X3.5-MM THK)						
	43	2	5R-1771	2	BOLT (3/8-16X5.5-IN)						
	44	1	6B-8128	1	NIPPLE-PIPE						
	45	1	8B-2664	1	BUSHING-REDUCER						
	46	2	235-3548	1	SEAL-O-RING						
	47	2	8T-6757	4	PLUG-PIPE						
	48	2	8T-6759	1	PLUG-PIPE						
	49	1,2	8T-6761	2	PLUG-PIPE (1-11-1/2 NPT THD)						
	50	2	8T-6762	1	PLUG-PIPE (1/2-14-THD)						
	51	2	9L-5125	1	ELBOW						
	52	1,2	9L-9132	8	WASHER (10.2X25.5X2.5-MM THK)						
	53	1	9M-1974	2	WASHER-HARD (8.8X16X2-MM THK)						
	54	1,2	9M-6522	3	CONNECTOR (1/2-14 NPTF)						
	55	1,2	9S-8752	3	NUT-FULL (3/8-16-THD)						

C - CHANGE FROM PREVIOUS TYPE
 I - REFER TO HYDRAULIC INFORMATION SYSTEM
 R - REMANUFACTURED PART MAY BE AVAILABLE
 Y - SEPARATE ILLUSTRATION

REFER TO ALL ILLUSTRATIONS OF THIS GROUP FOR AUXILIARY VIEWS



FRONT VIEW OF ENGINE

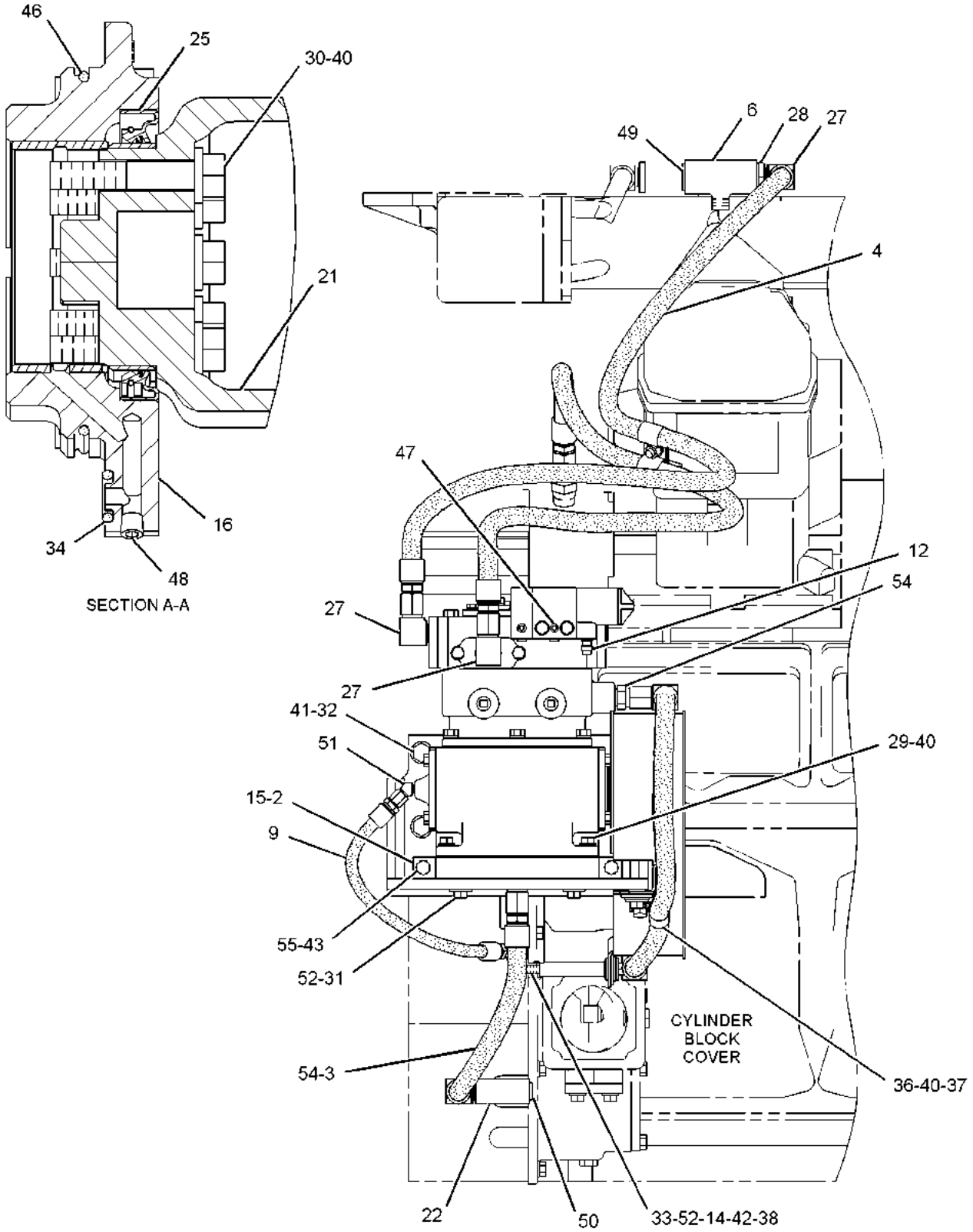
GRAPHIC #1

g01288990

BASIC ENGINE

8N-8360 AIR COMPRESSOR GP (contd.)

i04302151



GRAPHIC #2

<END>

g01288991

BASIC ENGINE

8N-8360 AIR COMPRESSOR GP

S/N: 65Z1483-1491

12 CU. FT./MIN. BELT DRIVEN

FOR USE WITH UPPER LH ACCESSORY DRIVE

FOR USAGE REFER TO CHART 8N-7500-PAGE: 1451

AN ATTACHMENT

SMCS-1803

i04307171

NOTE	REF NO	GRAPHIC REF	PART NUMBER	QTY	PART NAME						SEE PAGE
					1	2	3	4	5	6 (PRODUCT LEVEL)	
	1	1	1N-2902	1	PULLEY						
	2	2	1N-2929	1	BASE-AIR COMPRESSOR						
I	3	2	1W-0427	1	HOSE AS						
I	4	1,2	150-4213	2	HOSE AS						
	5	1	1W-8238	1	ADAPTER						
	6	2	2P-1306	1	TEE						
	7	1	2W-8202	1	GUARD AS						
		1	1F-0750	1	NUT-WELD (3/8-16-THD)						
	8	1	2W-8338	1	BRACKET AS						
I	9	2	3V-6153	1	HOSE AS						
	10	1	4B-7770	1	TEE						
	11	1	4N-9681	1	GOVERNOR AS-AIR COMPRESSOR						
		1	2S-2923	1	COVER AS						
	12	2	5F-5434	1	VALVE AS-VENT						
	13	1	6L-1883	1	GASKET						
	14	1,2	6N-8744	3	MOUNT						
	15	2	6N-9042	1	GASKET						
	16	2	7C-4165	1	ADAPTER AS						
		2	127-5400	1	BUSHING						
	17	1	7N-4945	1	GASKET						
	18	1	8N-3504	1	V-BELT GP (AIR COMPRESSOR)						
	19	2	9M-0378	2	BOLT (5/16-18X2.87-IN)						
	20	1	9M-0766	1	BRACKET						
	21	2	9Y-5285	1	PULLEY AS						
		2	053-5065	1	SLEEVE						
	22	2	033-2177	1	TEE-PIPE						
CYR	23	2	126-6110	1	AIR COMPRESSOR GP						10
I	24	1	152-1005	1	HOSE AS						
	25	2	235-2484	1	SEAL-LIP TYPE						
	26	1	030-7972	1	ELBOW						
	27	1,2	032-1269	5	ELBOW						
	28	1,2	061-9593	2	ADAPTER						
	29	2	0S-1588	4	BOLT (3/8-16X1.25-IN)						
	30	2	0S-1590	8	BOLT (3/8-16X2-IN)						
	31	1,2	0S-1594	15	BOLT (3/8-16X1-IN)						
	32	2	0S-1595	4	BOLT (1/2-13X1.25-IN)						
	33	2	1A-5964	1	BOLT (3/8-16X4.5-IN)						
	34	2	5P-0840	1	SEAL-O-RING						
	35	1	3B-4618	1	PIN-COTTER						
	36	1,2	3S-8664	3	CLIP (LOOP)						
	37	2	4F-4879	1	BOLT (3/8-16X0.5-IN)						
	38	2	4J-4102	1	SPACER (0.49X0.69X3.0-IN THK)						
	39	1	5J-7303	1	ELBOW						
	40	1,2	5M-2894	15	WASHER-HARD (10.2X18.5X2.5-MM THK)						
	41	2	5P-8245	4	WASHER-HARD (13.5X25.5X3-MM THK)						

BASIC ENGINE

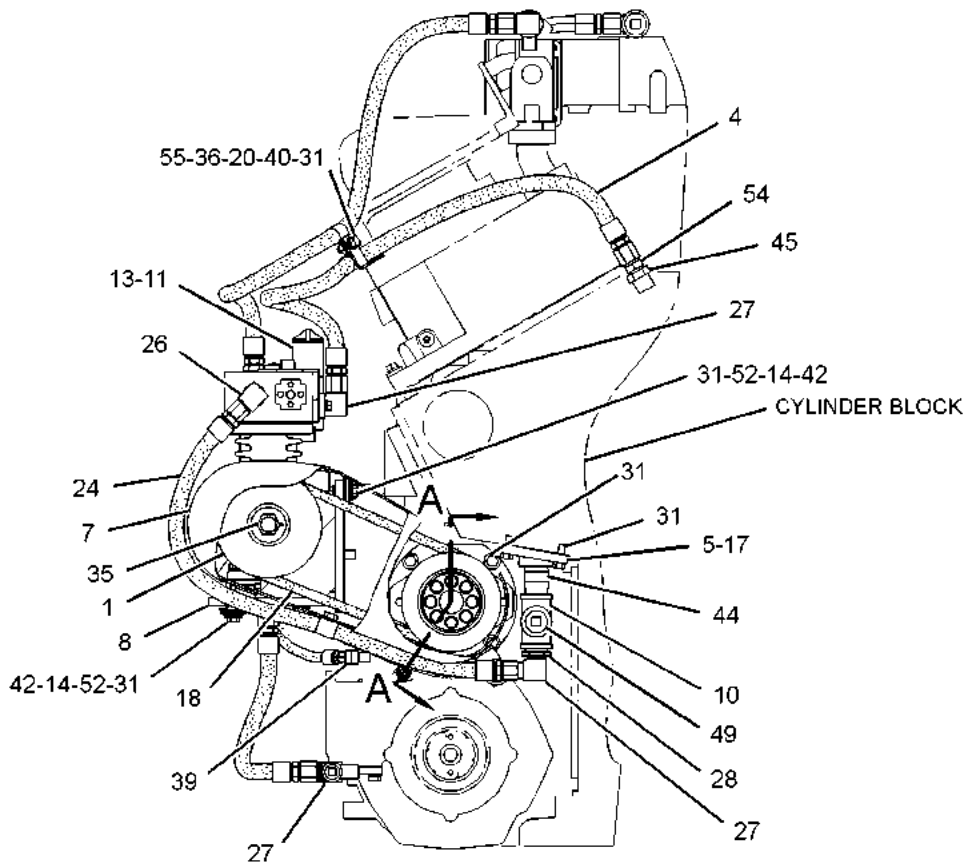
8N-8360 AIR COMPRESSOR GP (contd.)

i04307171

NOTE	REF NO	GRAPHIC REF	PART NUMBER	QTY	PART NAME						SEE PAGE
					1	2	3	4	5	6 (PRODUCT LEVEL)	
	42	1,2	5P-8248	3	WASHER-HARD (20X36.5X3.5-MM THK)						
	43	2	5R-1771	2	BOLT (3/8-16X5.5-IN)						
	44	1	6B-8128	1	NIPPLE-PIPE						
	45	1	8B-2664	1	BUSHING-REDUCER						
	46	2	235-3548	1	SEAL-O-RING						
	47	2	8T-6757	4	PLUG-PIPE						
	48	2	8T-6759	1	PLUG-PIPE						
	49	1,2	8T-6761	2	PLUG-PIPE (1-11-1/2 NPT THD)						
	50	2	8T-6762	1	PLUG-PIPE (1/2-14-THD)						
	51	2	9L-5125	1	ELBOW						
	52	1,2	9L-9132	8	WASHER (10.2X25.5X2.5-MM THK)						
	53	2	9M-1974	2	WASHER-HARD (8.8X16X2-MM THK)						
	54	1,2	9M-6522	3	CONNECTOR (1/2-14 NPTF)						
	55	1,2	9S-8752	3	NUT-FULL (3/8-16-THD)						

C - CHANGE FROM PREVIOUS TYPE
 I - REFER TO HYDRAULIC INFORMATION SYSTEM
 R - REMANUFACTURED PART MAY BE AVAILABLE
 Y - SEPARATE ILLUSTRATION

REFER TO ALL ILLUSTRATIONS OF THIS GROUP FOR AUXILIARY VIEWS



REAR VIEW OF ENGINE

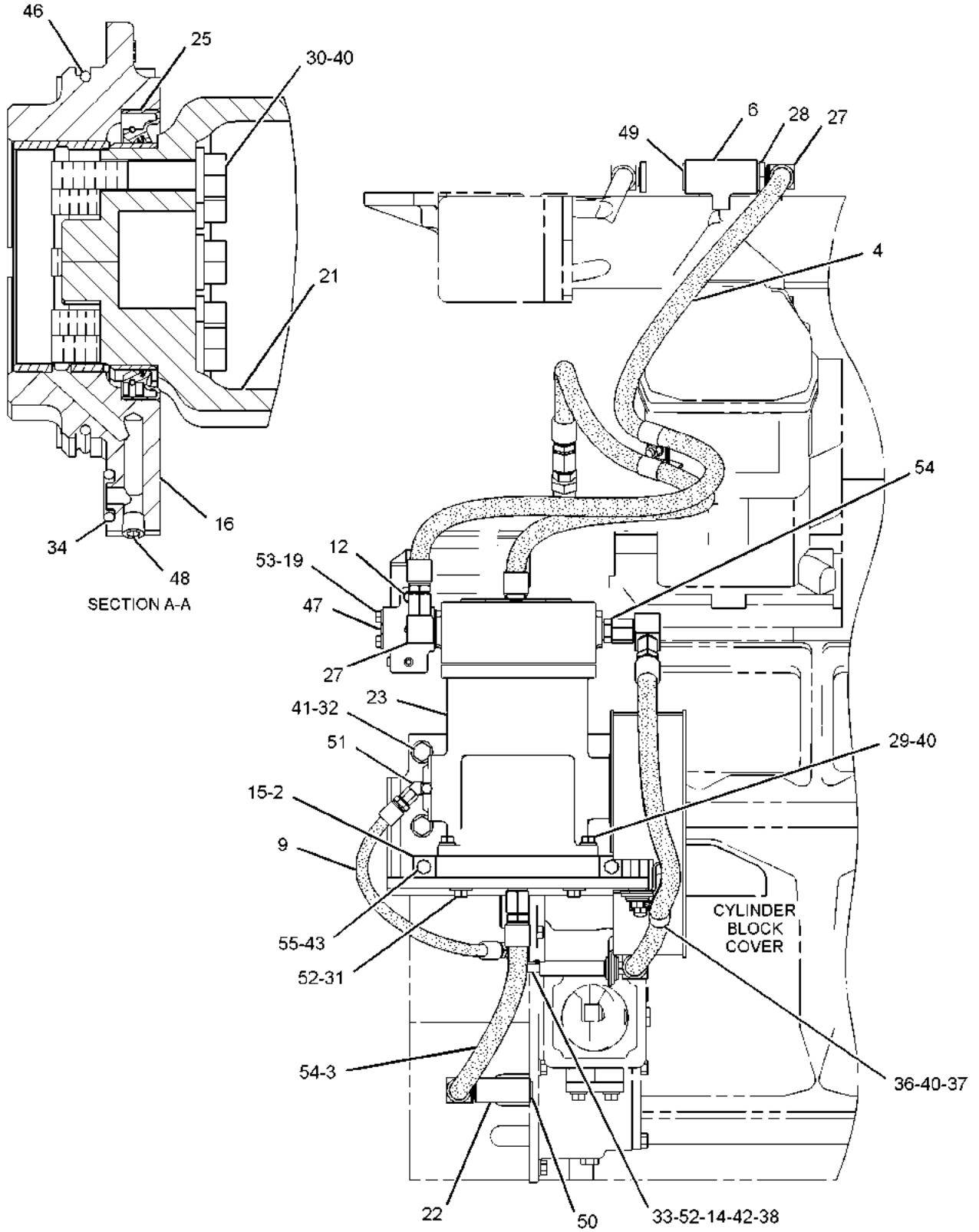
GRAPHIC #1

g02067693

BASIC ENGINE

8N-8360 AIR COMPRESSOR GP (contd.)

i04307171



LEFT SIDE VIEW OF ENGINE

GRAPHIC #2

<END>

g02067694

BASIC ENGINE

8N-8360 AIR COMPRESSOR GP

S/N: 65Z1492-UP

12 CU. FT./MIN. BELT DRIVEN

FOR USE WITH UPPER LH ACCESSORY DRIVE

FOR USAGE REFER TO CHART 8N-7500-PAGE: 1451

AN ATTACHMENT

SMCS-1803

i07103196

NOTE	REF NO	GRAPHIC REF	PART NUMBER	QTY	PART NAME						SEE PAGE
					1	2	3	4	5	6 (PRODUCT LEVEL)	
	1	1	1N-2902	1	PULLEY						
	2	2	1N-2929	1	BASE-AIR COMPRESSOR						
I	3	2	1W-0427	1	HOSE AS						
I	4	1,2	150-4213	2	HOSE AS						
	5	1	1W-8238	1	ADAPTER						
	6	2	2P-1306	1	TEE						
	7	1	2W-8202	1	GUARD AS						
		1	1F-0750	1	NUT-WELD (3/8-16-THD)						
	8	1	2W-8338	1	BRACKET AS						
I	9	2	3V-6153	1	HOSE AS						
	10	1	4B-7770	1	TEE						
	11	1	4N-9681	1	GOVERNOR AS-AIR COMPRESSOR						
		1	2S-2923	1	COVER AS						
	12	2	5F-5434	1	VALVE AS-VENT						
	13	1	6L-1883	1	GASKET						
	14	1,2	6N-8744	3	MOUNT						
	15	2	6N-9042	1	GASKET						
	16	2	7C-4165	1	ADAPTER AS						
		2	127-5400	1	BUSHING						
	17	1	7N-4945	1	GASKET						
	18	1	8N-3504	1	V-BELT GP (AIR COMPRESSOR)						
	19	2	9M-0378	2	BOLT (5/16-18X2.87-IN)						
	20	1	9M-0766	1	BRACKET						
	21	2	9Y-5285	1	PULLEY AS						
		2	053-5065	1	SLEEVE						
	22	2	033-2177	1	TEE-PIPE						
CY	23	2	122-8966	1	AIR COMPRESSOR GP						8
I	24	1	152-1005	1	HOSE AS						
	25	2	235-2484	1	SEAL-LIP TYPE						
	26	1	030-7972	1	ELBOW						
	27	1,2	032-1269	5	ELBOW						
	28	1,2	061-9593	2	ADAPTER						
	29	2	0S-1588	4	BOLT (3/8-16X1.25-IN)						
	30	2	0S-1590	8	BOLT (3/8-16X2-IN)						
	31	1,2	0S-1594	15	BOLT (3/8-16X1-IN)						
	32	2	0S-1595	4	BOLT (1/2-13X1.25-IN)						
	33	2	1A-5964	1	BOLT (3/8-16X4.5-IN)						
	34	2	5P-0840	1	SEAL-O-RING						
	35	1	3B-4618	1	PIN-COTTER						
	36	1,2	3S-8664	3	CLIP (LOOP)						
	37	2	4F-4879	1	BOLT (3/8-16X0.5-IN)						
	38	2	4J-4102	1	SPACER (0.49X0.69X3.0-IN THK)						
	39	1	5J-7303	1	ELBOW						
	40	1,2	5M-2894	15	WASHER-HARD (10.2X18.5X2.5-MM THK)						
	41	2	5P-8245	4	WASHER-HARD (13.5X25.5X3-MM THK)						

BASIC ENGINE

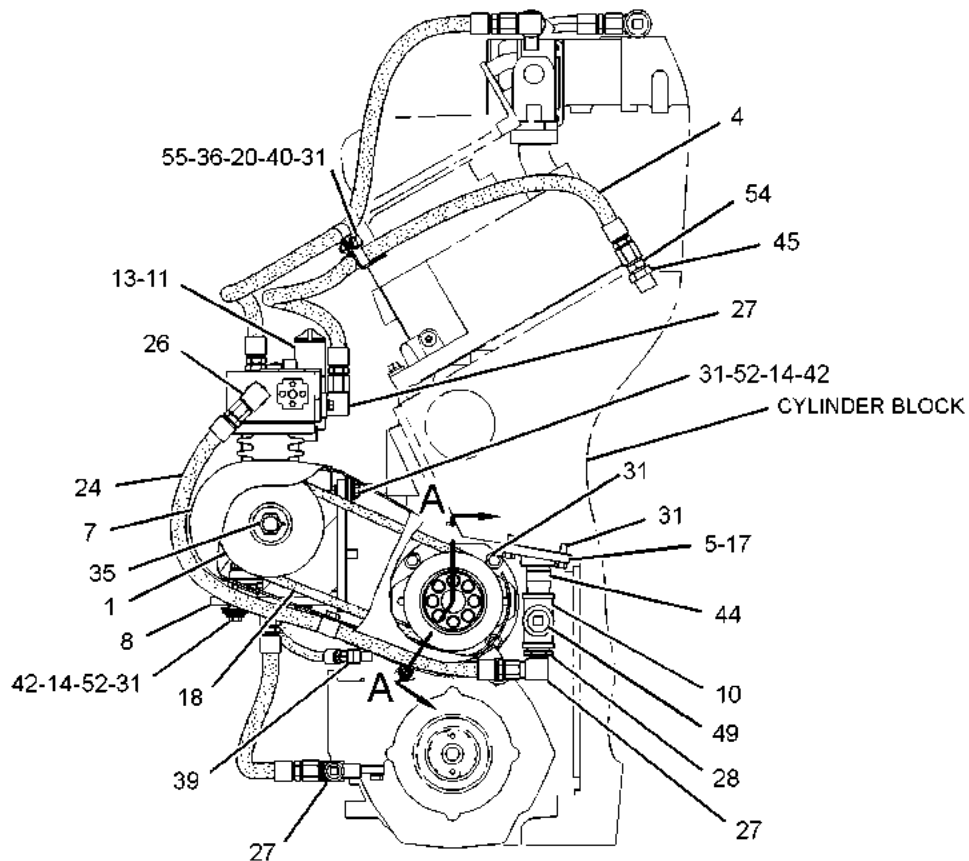
8N-8360 AIR COMPRESSOR GP (contd.)

i07103196

NOTE	REF NO	GRAPHIC REF	PART NUMBER	QTY	PART NAME						SEE PAGE
					1	2	3	4	5	6 (PRODUCT LEVEL)	
	42	1,2	5P-8248	3	WASHER-HARD (20X36.5X3.5-MM THK)						
	43	2	5R-1771	2	BOLT (3/8-16X5.5-IN)						
	44	1	6B-8128	1	NIPPLE-PIPE						
	45	1	8B-2664	1	BUSHING-REDUCER						
	46	2	259-4598	1	SEAL-O-RING						
	47	2	8T-6757	4	PLUG-PIPE						
	48	2	8T-6759	1	PLUG-PIPE						
	49	1,2	8T-6761	2	PLUG-PIPE (1-11-1/2 NPT THD)						
	50	2	8T-6762	1	PLUG-PIPE (1/2-14-THD)						
	51	2	9L-5125	1	ELBOW						
	52	1,2	9L-9132	8	WASHER (10.2X25.5X2.5-MM THK)						
	53	2	9M-1974	2	WASHER-HARD (8.8X16X2-MM THK)						
	54	1,2	9M-6522	3	CONNECTOR (1/2-14 NPTF)						
	55	1,2	9S-8752	3	NUT-FULL (3/8-16-THD)						

C - CHANGE FROM PREVIOUS TYPE
 I - REFER TO HYDRAULIC INFORMATION SYSTEM
 Y - SEPARATE ILLUSTRATION

REFER TO ALL ILLUSTRATIONS OF THIS GROUP FOR AUXILIARY VIEWS



REAR VIEW OF ENGINE

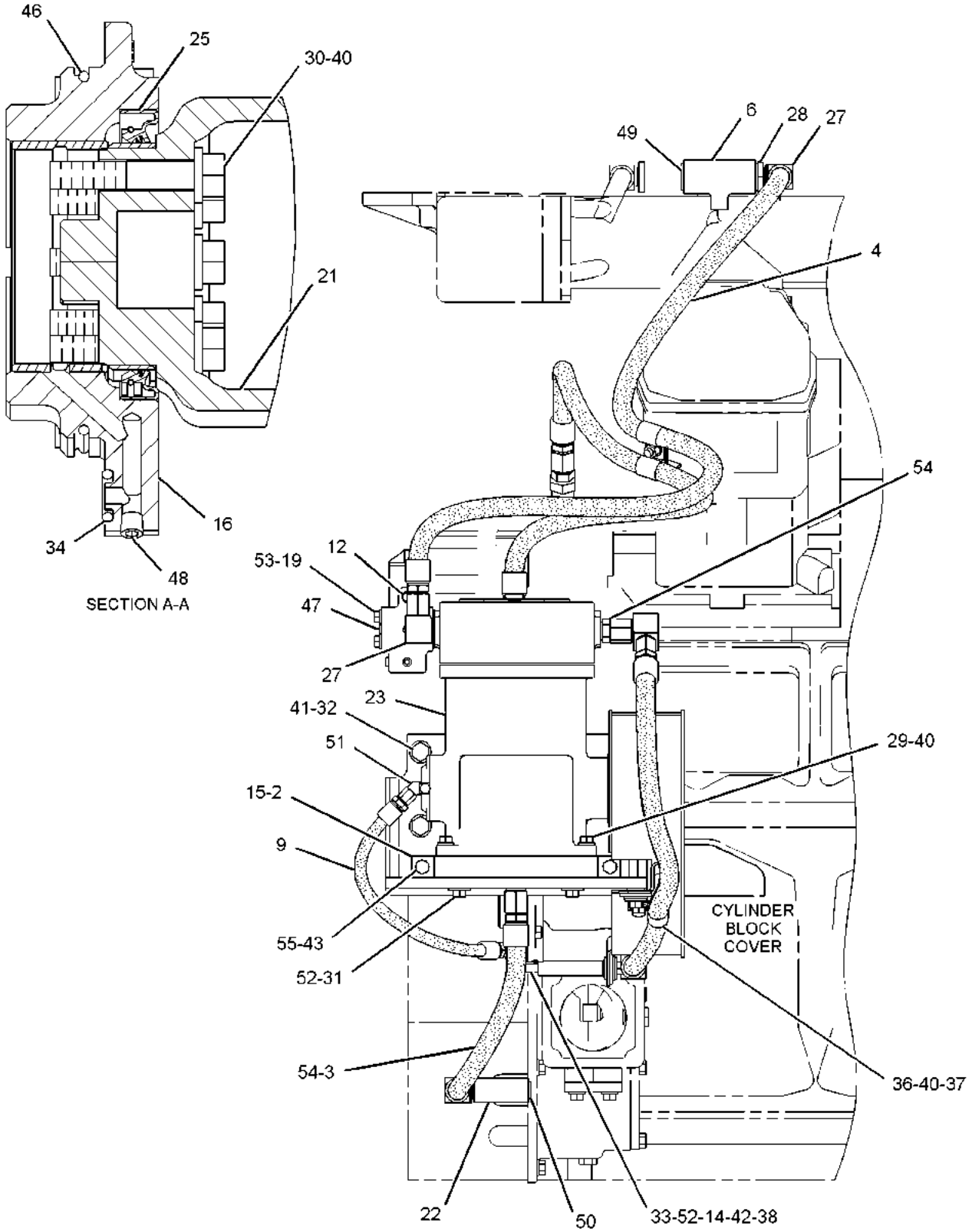
GRAPHIC #1

g02067693

BASIC ENGINE

8N-8360 AIR COMPRESSOR GP (contd.)

i07103196



LEFT SIDE VIEW OF ENGINE

GRAPHIC #2

<END>

g02067694

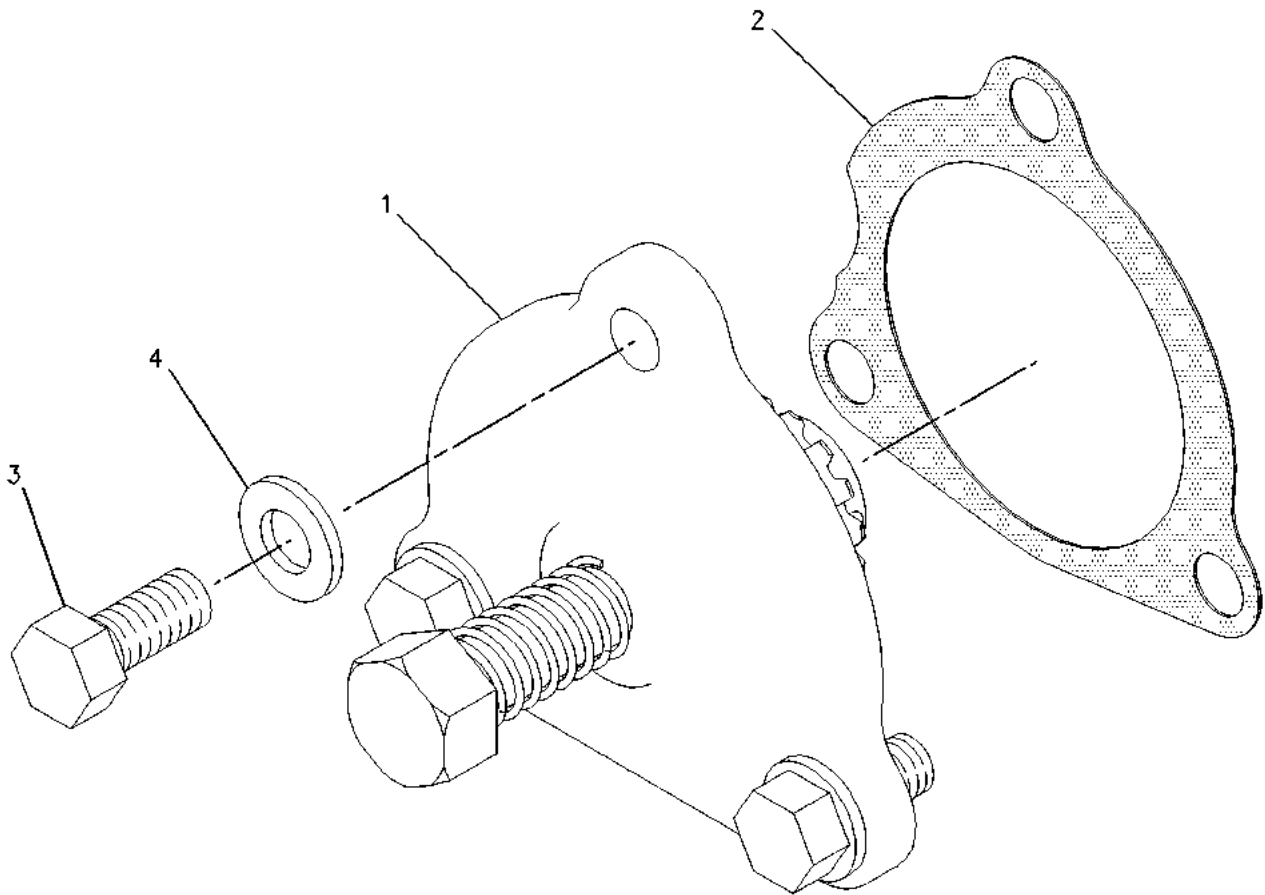
BASIC ENGINE

257-2143 BARRING & MOUNTING GP-RH AN ATTACHMENT

SMCS-1235

i06042043

NOTE	REF NO	GRAPHIC REF	PART NUMBER	QTY	PART NAME						SEE PAGE
					1	2	3	4	5	6 (PRODUCT LEVEL)	
J	1	1	448-5087	1	TOOL - BARRING						
	2	1	4H-7869	1	GASKET						
	3	1	4B-4043	3	BOLT (5/8-11X1.375-IN)						
	4	1	5P-8247	3	WASHER-HARD (17X32X3.5-MM THK)						
					AVAILABLE REPAIR KIT(S):						
J			450-3711	1	KIT-BUSHING (BARRING)						
					(INCLUDES BUSHING & DOWEL)						
J - KIT MARKED J SERVICES PART(S) MARKED J											



GRAPHIC #1

<END>

g00919720

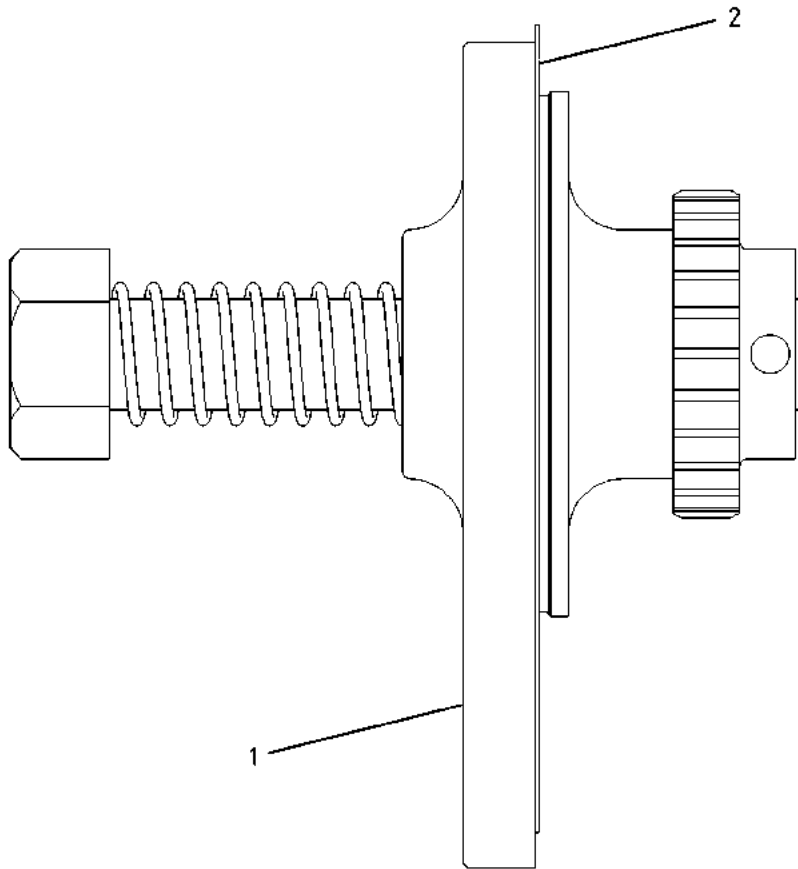
BASIC ENGINE

253-2468 BARRING GP-RH AN ATTACHMENT

SMCS - 1235

i07043623

NOTE	REF NO	GRAPHIC REF	PART NUMBER	QTY	PART NAME						SEE PAGE
					1	2	3	4	5	6 (PRODUCT LEVEL)	
J	1	1	448-5087	1	TOOL - BARRING						
	2	1	4H-7869	1	GASKET						
					AVAILABLE REPAIR KIT(S) :						
J			450-3711	1	KIT-BUSHING						
					(INCLUDES BEARING & DOWEL)						
J - KIT MARKED J SERVICES PART(S) MARKED J											



GRAPHIC #1

<END>

g00824462

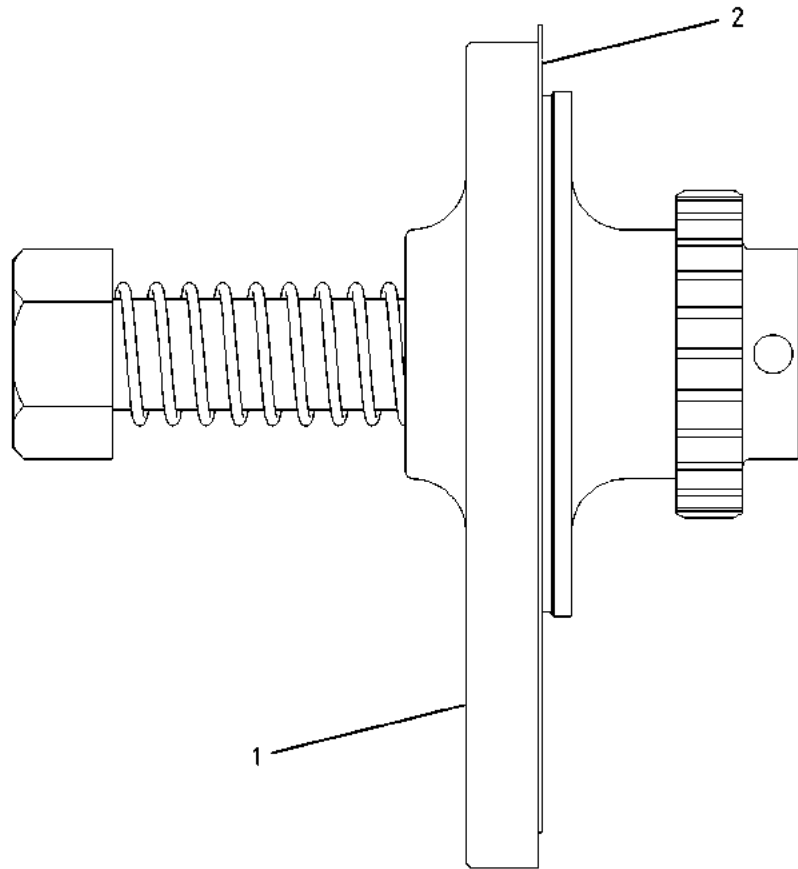
BASIC ENGINE

5R-7425 BARRING GP-LH AN ATTACHMENT

SMCS - 1235

i07168768

NOTE	REF NO	GRAPHIC REF	PART NUMBER	QTY	PART NAME						SEE PAGE
					1	2	3	4	5	6 (PRODUCT LEVEL)	
J	1	1	448-5087	1	TOOL - BARRING						
	2	1	4H-7869	1	GASKET						
					AVAILABLE REPAIR KIT(S) :						
J			450-3711	1	KIT-BUSHING						
					(INCLUDES BEARING & DOWEL)						
J - KIT MARKED J SERVICES PART(S) MARKED J											



GRAPHIC #1

<END>

g00824462

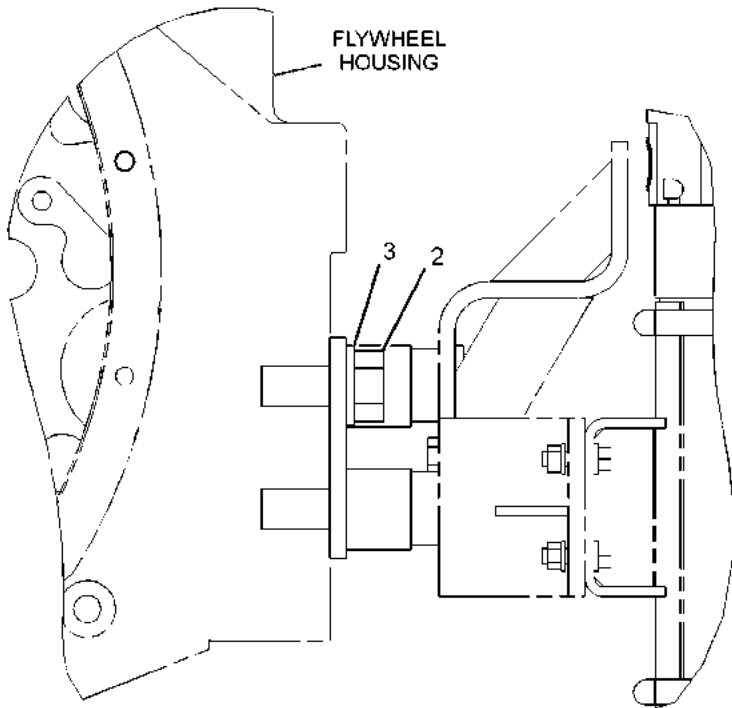
BASIC ENGINE

349-6233 BRACKET GP-MOUNTING FOR USE WITH JACKET WATER HEATER LINES AN ATTACHMENT

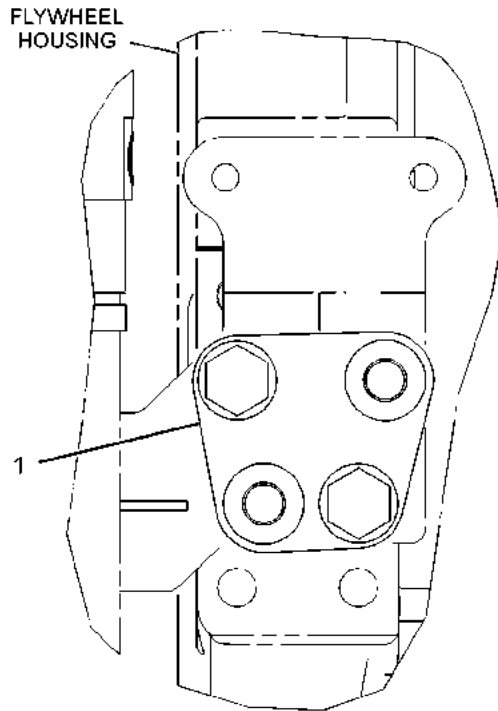
SMCS-1317

i04945801

NOTE	REF NO	GRAPHIC REF	PART NUMBER	QTY	PART NAME						SEE PAGE
					1	2	3	4	5	6 (PRODUCT LEVEL)	
	1	1	349-6232	1	BRACKET AS						
	2	1	2H-3744	2	BOLT (1-14X2.25-IN)						
	3	1	5P-8250	2	WASHER (28X49X5-MM THK)						



REAR VIEW OF ENGINE



RIGHT SIDE VIEW OF ENGINE

GRAPHIC #1

<END>

g03140696

BASIC ENGINE

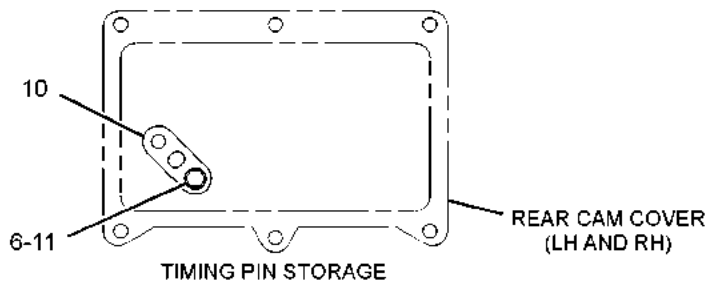
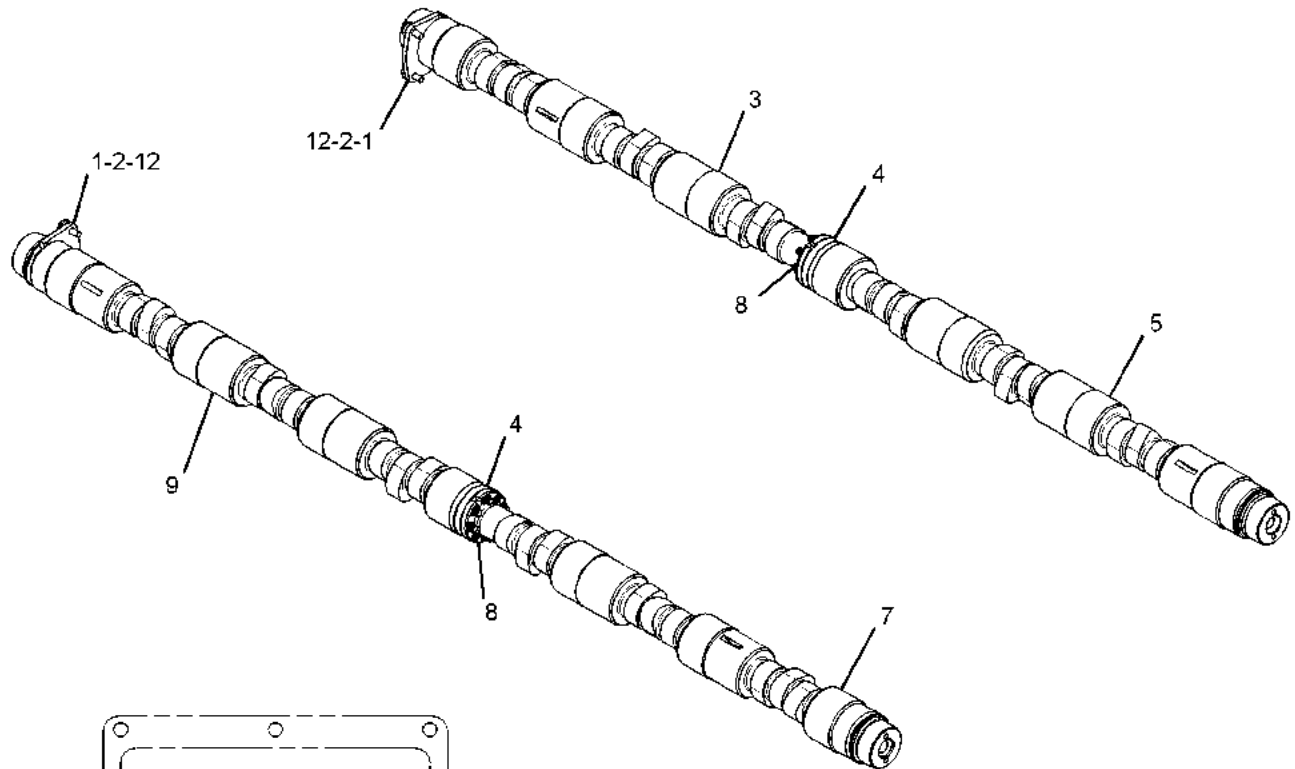
4W-1774 CAMSHAFT GP

SMCS-1210

i03577013

NOTE	REF NO	GRAPHIC REF	PART NUMBER	QTY	PART NAME						SEE PAGE
					1	2	3	4	5	6 (PRODUCT LEVEL)	
	1	1	7N-3218	2	WASHER-THRUST						
	2	1	1A-2029	4	BOLT (3/8-16X1.125-IN)						
R	3	1	7C-0667	1	CAMSHAFT (REAR, LH)						
	4	1	7N-3216	2	SPACER (35.035X84X12-MM THK)						
R	5	1	7C-0672	1	CAMSHAFT AS (FRONT, LH) (FRONT)						
		1	4N-1650	1	DOWEL						
	6	1	5M-2894	2	WASHER-HARD (10.2X18.5X2.5-MM THK)						
R	7	1	7C-0668	1	CAMSHAFT (FRONT, RH)						
	8	1	5P-0076	16	BOLT-12 POINT HEAD (3/8-16X1.5-IN)						
R	9	1	7C-0670	1	CAMSHAFT AS-REAR (RH) (RH)						
		1	4N-1650	1	DOWEL						
	10	1	4W-6664	2	PLATE AS-TIMING						
	11	1	0S-0509	2	BOLT (3/8-16X0.75-IN)						
	12	1	8M-9024	4	WASHER-HARD (10.2X22.5X5-MM THK)						

R - REMANUFACTURED PART MAY BE AVAILABLE



GRAPHIC #1

<END>

g01909554

BASIC ENGINE

3N-4128 CLUTCH AS

PART OF 3N-4130 CLUTCH GP
AN ATTACHMENT

SMCS-1007

i01978825

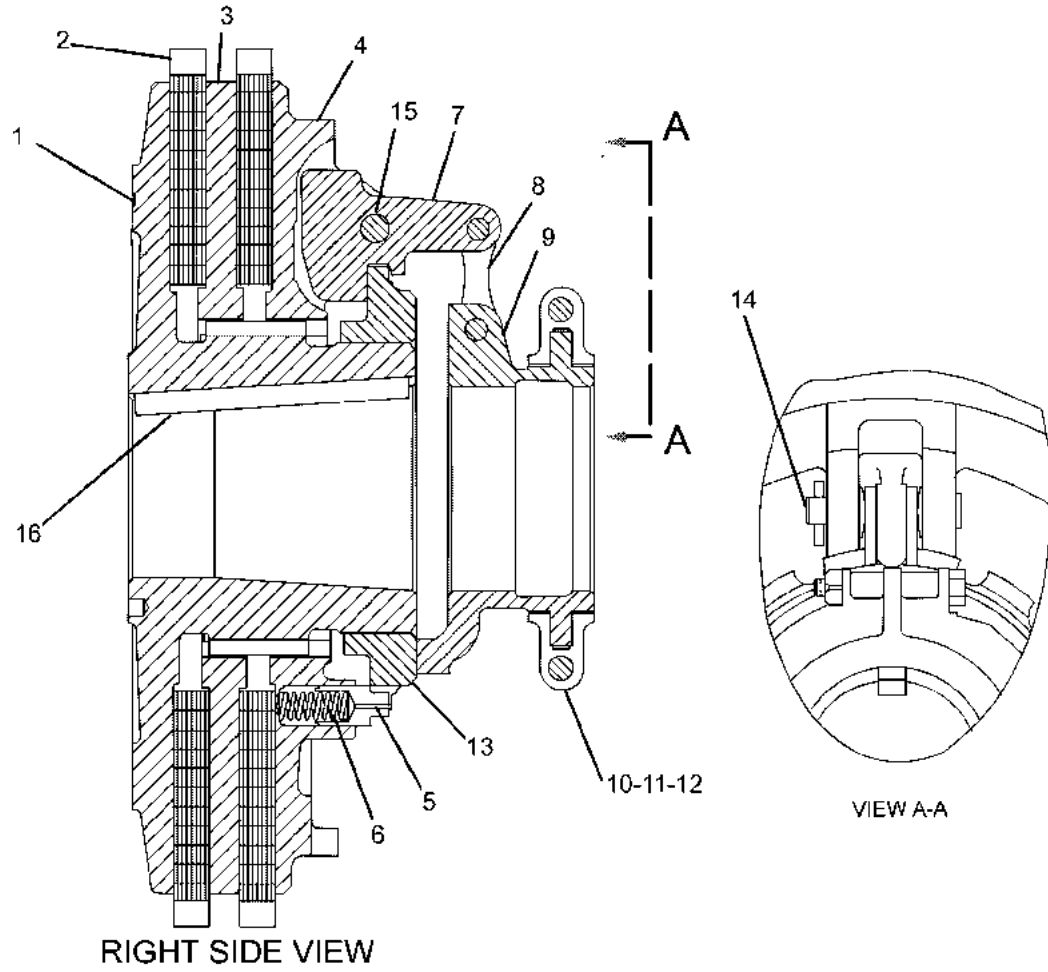
NOTE	REF NO	GRAPHIC REF	PART NUMBER	QTY	PART NAME						SEE PAGE
					1	2	3	4	5	6	
	1	1	5L-9652	1	HUB						
	2	1	4L-3527	2	PLATE-CLUTCH DRIVING						
	3	1	3H-9571	1	PLATE-CENTER						
	4	1	3N-8125	1	PLATE AS-PRESSURE						
	5	1	3N-8123	1	LOCK PIN						
	6	1	3N-8124	1	SPRING						
	7	1	4H-0002	4	LEVER						
	8	1	4B-4721	8	LINK						
	9	1	3H-9574	1	SLEEVE						
	10	1	4B-4716	1	COLLAR AS-SLEEVE						
	11	1	0L-0639	2	BOLT (3/8-24X2.25-IN)						
		1	2L-6267	2	LOCKNUT (3/8-24-THD)						
B	12	1	4B-4758	2	SHIM (0.06-IN THK)						
	13	1	3H-9572	1	RING-ADJUSTMENT						
	14	1	6L-3967	8	PIN						
		1	6L-3964	8	PIN-COTTER						
	15	1	6L-3972	8	PIN						
		1	6L-3961	8	PIN-COTTER						
		1	1L-4863	8	WASHER-SPRING						
	16	1	8B-7987	1	KEY-WOODRUFF						

B - USE AS REQUIRED

BASIC ENGINE

3N-4128 CLUTCH AS (contd.)

101978825



GRAPHIC #1

<END>

g01025988

BASIC ENGINE

3N-4130 CLUTCH GP

PART OF 7W-0281, 7W-0282 POWER TAKE-OFF GP
AN ATTACHMENT

SMCS-1007

i01979149

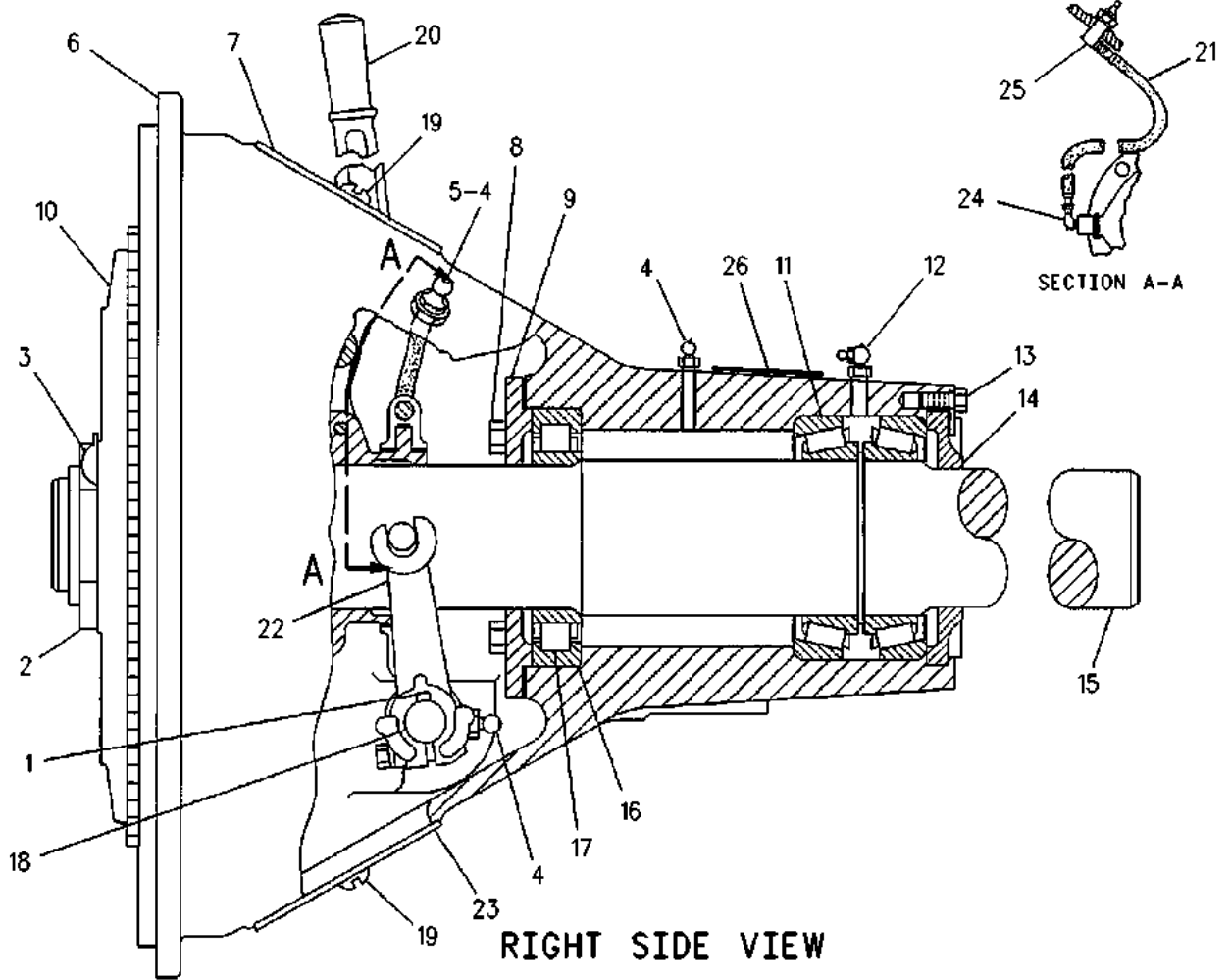
NOTE	REF NO	GRAPHIC REF	PART NUMBER	QTY	PART NAME						SEE PAGE
					1	2	3	4	5	6 (PRODUCT LEVEL)	
	1	1	6L-5151	2	KEY-WOODRUFF						
	2	1	5L-9653	1	NUT						
	3	1	5L-9654	1	LOCK						
	4	1	3B-8489	4	FITTING-GREASE (1/8-27 PTF)						
	5	1	9S-1354	1	NUT (5/8-18-THD)						
		1	6F-0253	1	LOCKWASHER						
	6	1	5N-8645	1	HOUSING-CLUTCH						
	7	1	108-3561	1	PLATE-INSTRUCTION (POWER TAKE-OFF)						
	8	1	0S-1594	4	BOLT (3/8-16X1-IN)						
	9	1	5N-8644	1	PLATE-SEAL						
Y	10	1	3N-4128	1	CLUTCH AS						34
	11	1	6B-3223	2	CUP-BEARING						
		1	4B-7270	2	CONE-BEARING						
	12	1	3B-8488	1	FITTING-GREASE (1/8-27 PTF)						
	13	1	3H-6591	1	BOLT (5/16-18X0.75-IN)						
		1	5B-2407	1	LOCK						
	14	1	5L-9655	1	RETAINER-BEARING						
	15	1	5N-7743	1	SHAFT-CLUTCH						
	16	1	4H-0019	1	RACE & ROLLER AS						
	17	1	5P-7592	1	RACE-ROLLER BEARING (INNER)						
	18	1	4B-4754	1	SHAFT						
	19	1	1L-6931	4	SCREW AS-MACHINE (1/4-20X0.5-IN)						
	20	1	4B-4810	1	LEVER AS-HAND						
		1	0S-1587	1	BOLT (1/2-13X1.75-IN)						
CI	21	1	4W-8403	1	HOSE AS						
	22	1	4B-4792	1	YOKE AS						
		1	0S-1591	2	BOLT (3/8-16X1.5-IN)						
		1	3B-4506	2	LOCKWASHER						
	23	1	7F-8897	1	PLATE						
C	24	1	2N-1287	1	ELBOW-FLARED						
C	25	1	4W-8404	1	FITTING						
	26	1	110-6606	1	PLATE-WARNING (POWER TAKE-OFF)						

C - CHANGE FROM PREVIOUS TYPE
I - REFER TO HYDRAULIC INFORMATION SYSTEM
Y - SEPARATE ILLUSTRATION

BASIC ENGINE

3N-4130 CLUTCH GP (contd.)

i01979149



GRAPHIC #1

<END>

g00899095

BASIC ENGINE

9Y-2159 COUPLING GP-AUXILIARY DRIVE

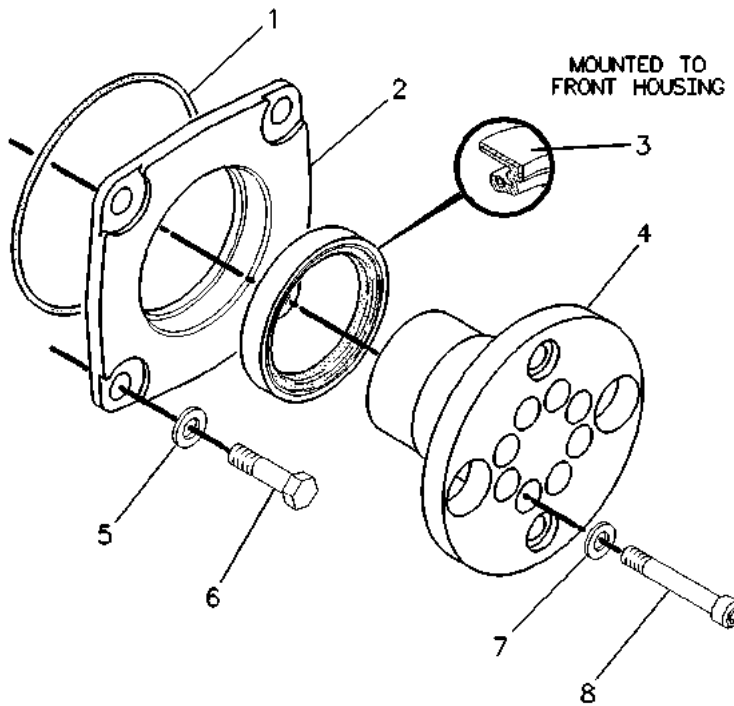
FOR USE WITH 2 SIDED FRONT HOUSING
AN ATTACHMENT

SMCS-3279

i00651676

NOTE	REF NO	GRAPHIC REF	PART NUMBER	QTY	PART NAME						SEE PAGE
					1	2	3	4	5	6 (PRODUCT LEVEL)	
	1	1	5F-3106	1	SEAL-O-RING						
	2	1	7N-7991	1	ADAPTER						
	3	1	7C-7808	1	SEAL-LIP TYPE						
	4	1	9Y-2156	1	COUPLING						
L	5	1	5M-2894	4	WASHER-HARD (10.2X18.5X2.5-MM THK)						
L	6	1	0S-1590	4	BOLT (3/8-16X2-IN)						
J		1	0S-1621	4	BOLT (1/2-13X1-IN)						
	7	1	5M-2894	8	WASHER-HARD (10.2X18.5X2.5-MM THK)						
	8	1	3B-7614	8	BOLT (3/8-16X4-IN)						

J - USE WHEN COUPLING IS FRONT MOUNTED
L - USE WHEN COUPLING IS REAR MOUNTED



GRAPHIC #1

<END>

g00197294

BASIC ENGINE

9Y-7612 COUPLING GP-AUXILIARY DRIVE

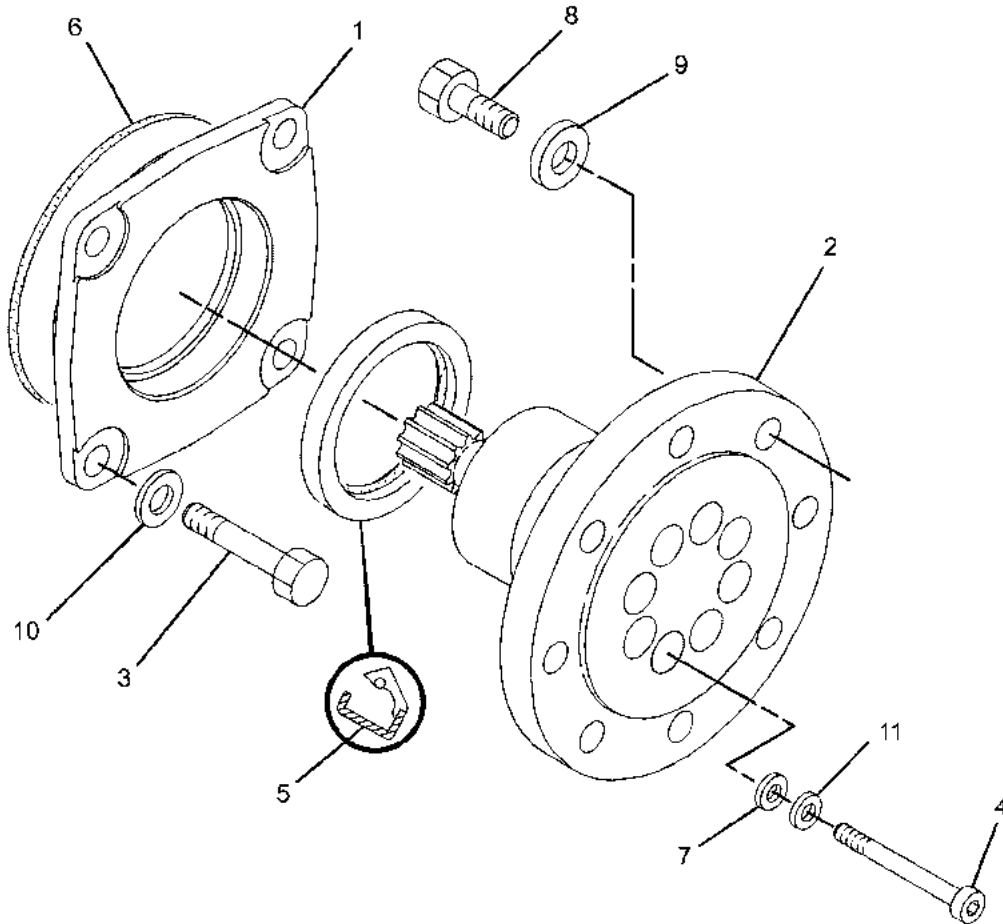
FOR USE WITH 2-SIDED FRONT HOUSING
AN ATTACHMENT

SMCS-3279

i07161709

NOTE	REF NO	GRAPHIC REF	PART NUMBER	QTY	PART NAME						SEE PAGE
					1	2	3	4	5	6	
	1	1	7N-7991	1	ADAPTER						
	2	1	9Y-7199	1	COUPLING						
	3	1	0S-1590	4	BOLT (3/8-16X2-IN)						
	4	1	3B-7614	8	BOLT (3/8-16X4-IN)						
	5	1	7C-7808	1	SEAL-LIP TYPE						
	6	1	9X-7371	1	SEAL-O-RING						
	7	1	5R-7136	8	WASHER-SEALING						
M	8	1	6V-8675	8	BOLT (M12X1.75X35-MM)						
	9	1	5P-8245	8	WASHER-HARD (13.5X25.5X3-MM THK)						
	10	1	9L-9132	4	WASHER (10.2X25.5X2.5-MM THK)						
	11	1	5M-2894	8	WASHER-HARD (10.2X18.5X2.5-MM THK)						

M - METRIC PART



GRAPHIC #1

<END>

g01035278

BASIC ENGINE

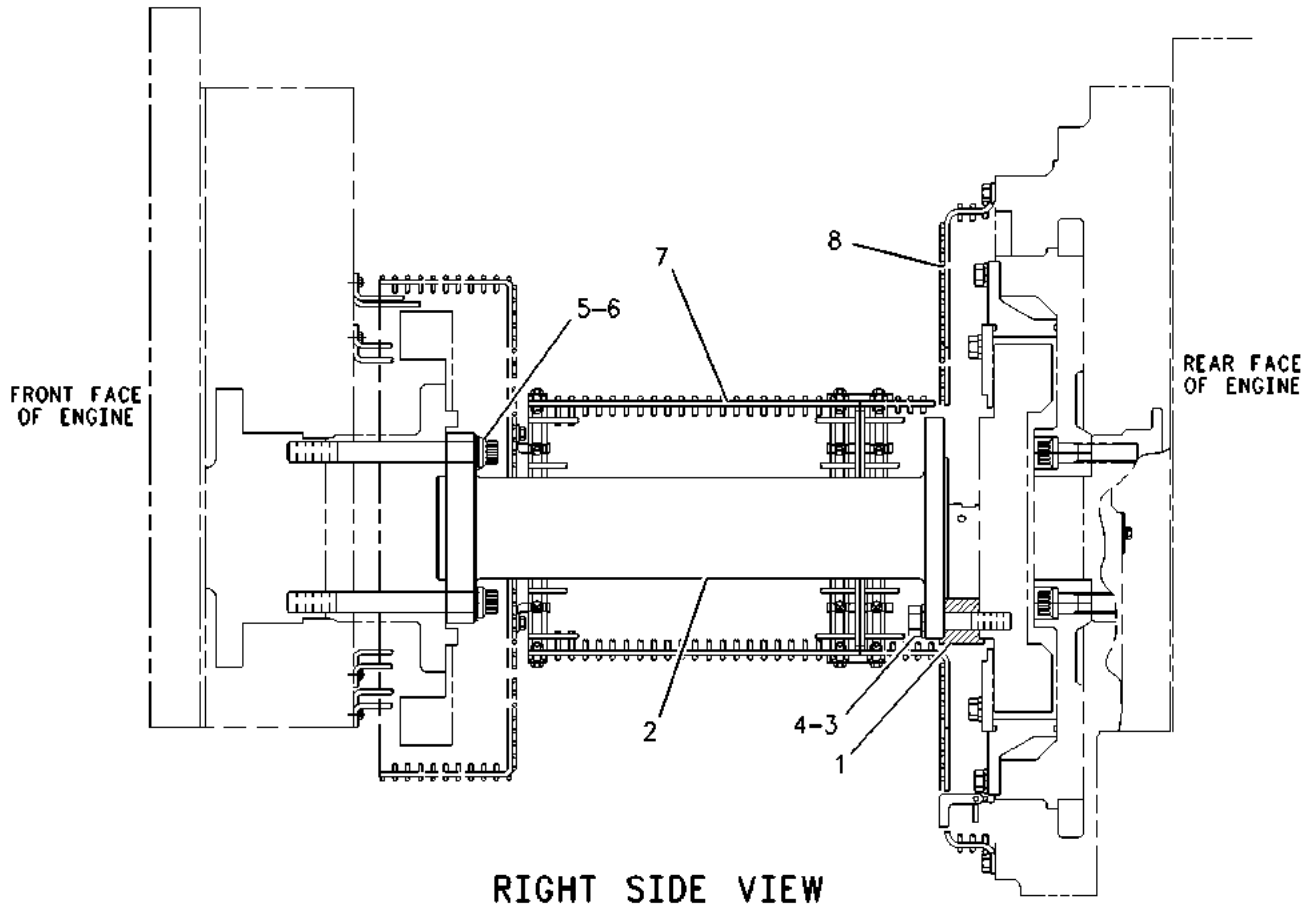
103-6226 COUPLING GP-FLEXIBLE FOR USE WITH THE REAR ENGINE OF A TANDEM POWER UNIT AN ATTACHMENT

SMCS-3252

i02327553

NOTE	REF NO	GRAPHIC REF	PART NUMBER	QTY	PART NAME						SEE PAGE
					1	2	3	4	5	6 (PRODUCT LEVEL)	
	1	1	3N-5573	1	SPACER AS						
		1	3K-6060	1	LOCKNUT (3/8-16-THD)						
		1	7L-7524	1	BOLT (3/8-16X10.25-IN)						
	2	1	102-9453	1	SHAFT						
	3	1	1A-5576	8	BOLT (7/8-9X4.5-IN)						
	4	1	5P-8249	8	WASHER-HARD (24X41.5X4-MM THK)						
	5	1	5N-2317	12	BOLT-12 POINT HEAD (1-14X9.5-IN)						
	6	1	5P-8839	12	WASHER-HARD (28X42X4-MM THK)						
Y	7	1	103-7277	1	GUARD GP-EXTENSION						1356
Y	8	1	3N-5765	1	GUARD GP-COUPLING						208

Y - SEPARATE ILLUSTRATION



GRAPHIC #1

<END>

g00899113

BASIC ENGINE

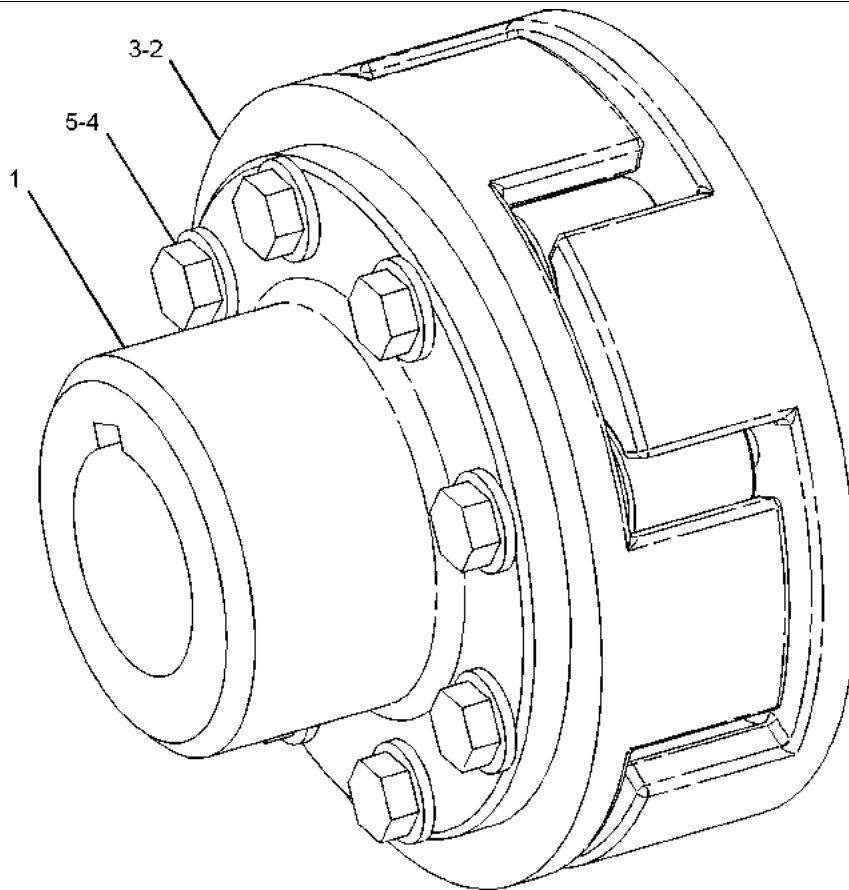
243-7111 COUPLING GP-FLEXIBLE AN ATTACHMENT

SMCS-3252

i02056081

NOTE	REF NO	GRAPHIC REF	PART NUMBER	QTY	PART NAME						SEE PAGE
					1	2	3	4	5	6 (PRODUCT LEVEL)	
	1	1	7E-9869	1	HUB-RIGID						
	2	1	243-7109	2	FLANGE-JAW						
	3	1	243-7110	1	RING-BUFFER						
	4	1	5P-8245	8	WASHER-HARD (13.5X25.5X3-MM THK)						
M	5	1	6V-3668	8	BOLT (M12X1.75X30-MM)						

M - METRIC PART



GRAPHIC #1

<END>

g01067754

BASIC ENGINE

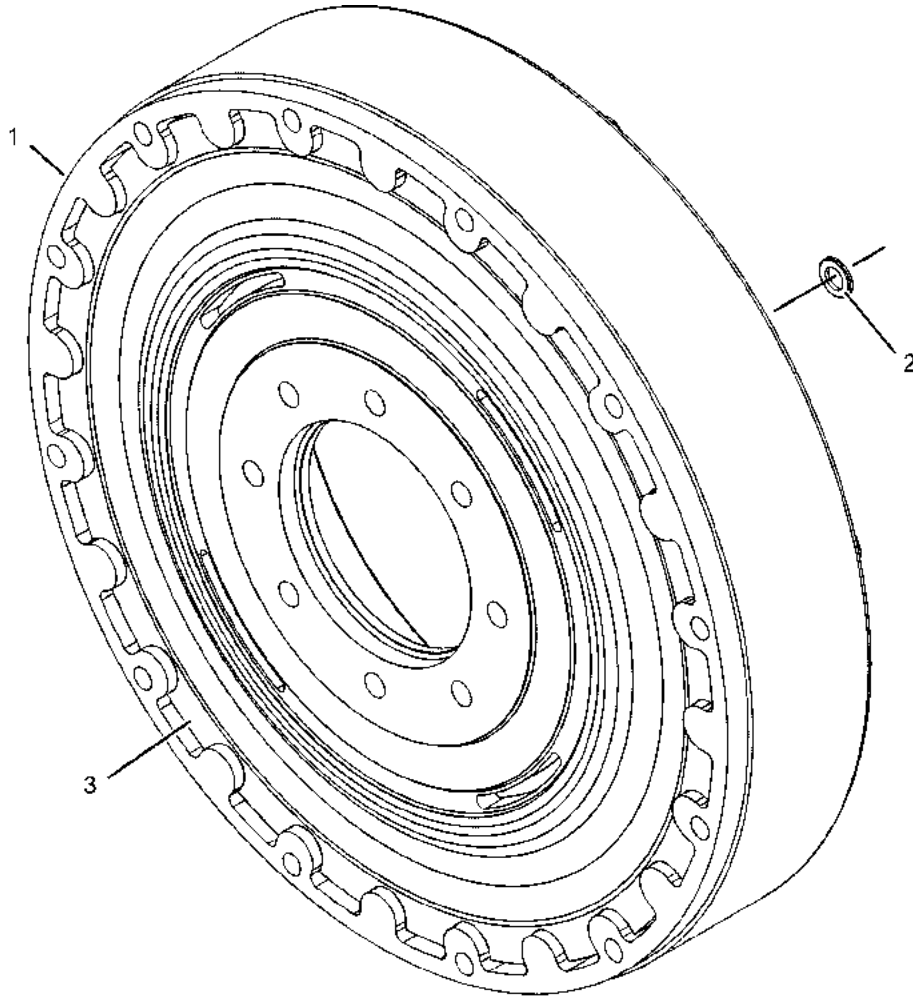
247-0308 COUPLING GP-FLEXIBLE-GENERATOR

72-SHORE HARDNESS. 18000-SERIES
PART OF 268-6475 COUPLING GP-FLEXIBLE
AN ATTACHMENT

SMCS-3252

i05401896

NOTE	REF NO	GRAPHIC REF	PART NUMBER	QTY	PART NAME						SEE PAGE
					1	2	3	4	5	6 (PRODUCT LEVEL)	
	1	1	398-0053	1	COUPLING-OUTER						
	2	1	248-2432	12	WASHER (17X30X3-MM THK)						
	3	1	249-0059	1	COUPLING-INNER						



GRAPHIC #1

<END>

g01125779

BASIC ENGINE

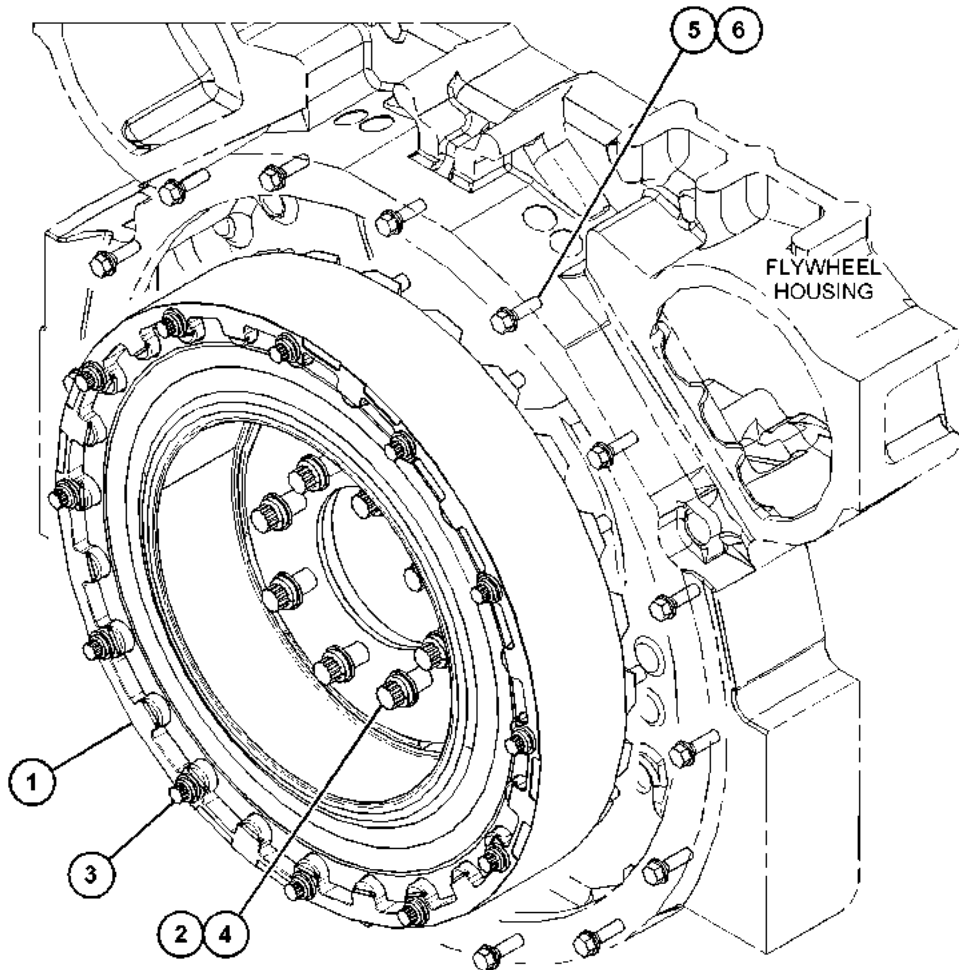
268-6475 COUPLING GP-FLEXIBLE-GENERATOR AN ATTACHMENT

SMCS-3252

i05868662

NOTE	REF NO	GRAPHIC REF	PART NUMBER	QTY	PART NAME						SEE PAGE
					1	2	3	4	5	6	
Y	1	1	247-0308	1	COUPLING GP-FLEXIBLE						42
	2	1	4M-6953	8	WASHER-HARD (24X38X3.5-MM THK)						
	3	1	8D-7942	12	BOLT-12 POINT HEAD (5/8-11X6.5-IN)						
	4	1	9X-2119	8	BOLT-12 POINT HEAD (7/8-9X2.5-IN)						
	5	1	8T-4223	16	WASHER-HARD (13.5X25.5X3-MM THK)						
	6	1	8T-8919	16	BOLT (1/2-13X1.75-IN)						

Y - SEPARATE ILLUSTRATION



GRAPHIC #1

<END>

g03706000

BASIC ENGINE

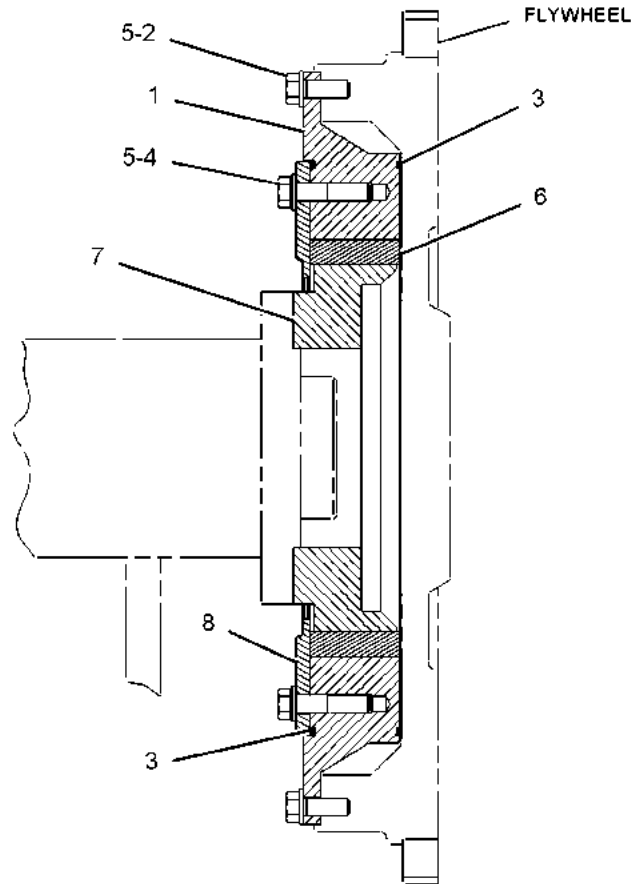
5N-3765 COUPLING GP-FLEXIBLE-VISCOUS DAMPENED AN ATTACHMENT

SMCS-3252

i02196472

NOTE	REF NO	GRAPHIC REF	PART NUMBER	QTY	PART NAME						SEE PAGE
					1	2	3	4	5	6	
	1	1	5N-3284	1	COUPLING-OUTER						
	2	1	0S-1589	12	BOLT (5/8-11X1.75-IN)						
	3	1	9H-0846	2	SEAL-O-RING						
	4	1	1A-8537	12	BOLT (5/8-11X2.75-IN)						
	5	1	4D-3704	24	WASHER-HARD (17X30X5-MM THK)						
	6	1	5N-3272	3	BOOT-RUBBER COUPLING						
	7	1	3N-6666	1	COUPLING-DRIVE						
	8	1	5N-3274	1	PLATE						
BF		1	5N-5561		LUBRICANT-SILICONE						

B - USE AS REQUIRED
F - NOT SHOWN



RIGHT SIDE VIEW

GRAPHIC #1

<END>

g01109406

BASIC ENGINE

9Y-7201 COUPLING GP-FLEXIBLE

REPLACED BY 243-7111-PAGE: 41

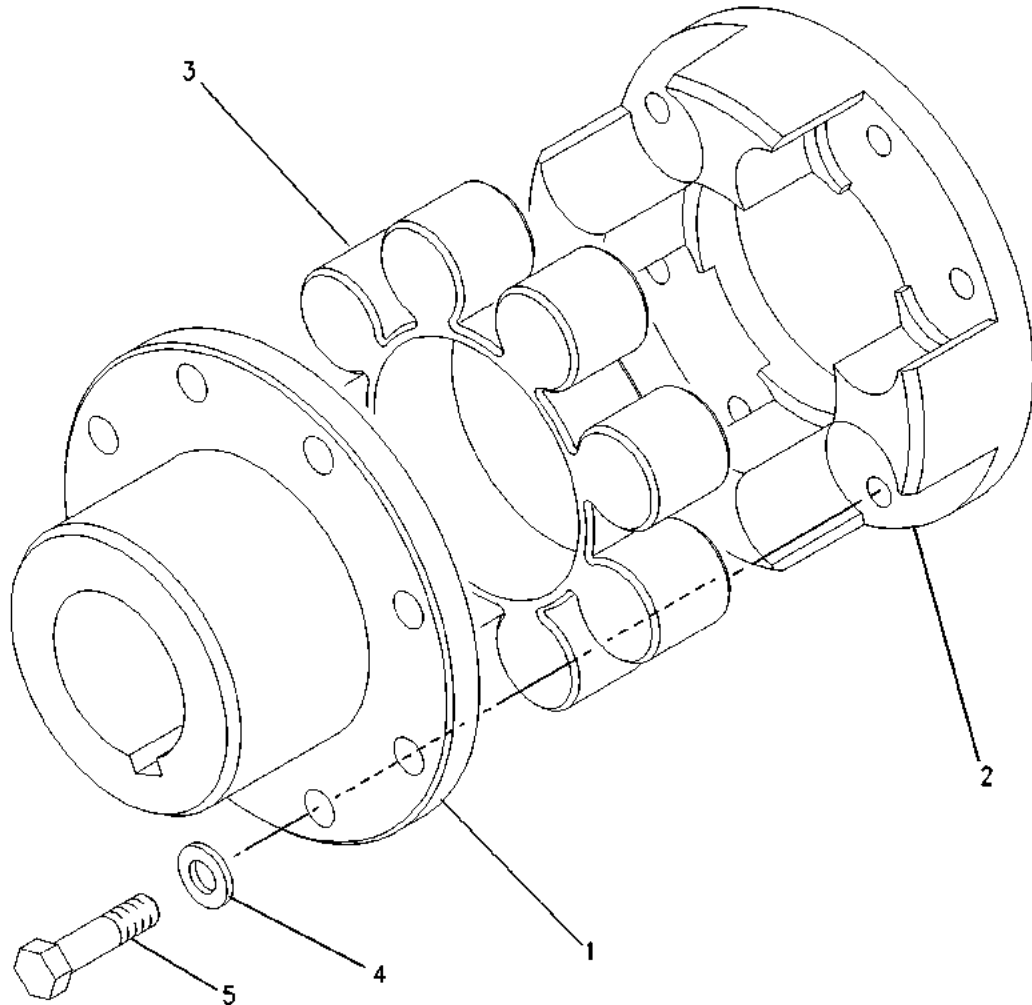
AN ATTACHMENT

SMCS-3252

i01460728

NOTE	REF NO	GRAPHIC REF	PART NUMBER	QTY	PART NAME						SEE PAGE
					1	2	3	4	5	6 (PRODUCT LEVEL)	
	1	1	7E-9869	1	HUB-RIGID						
	2	1	7E-9867	2	FLANGE-JAW						
	3	1	7E-9868	1	RING-BUFFER						
	4	1	5P-8245	8	WASHER-HARD (13.5X25.5X3-MM THK)						
M	5	1	6V-3668	8	BOLT (M12X1.75X30-MM)						

M - METRIC PART



GRAPHIC #1

<END>

g00763604

BASIC ENGINE

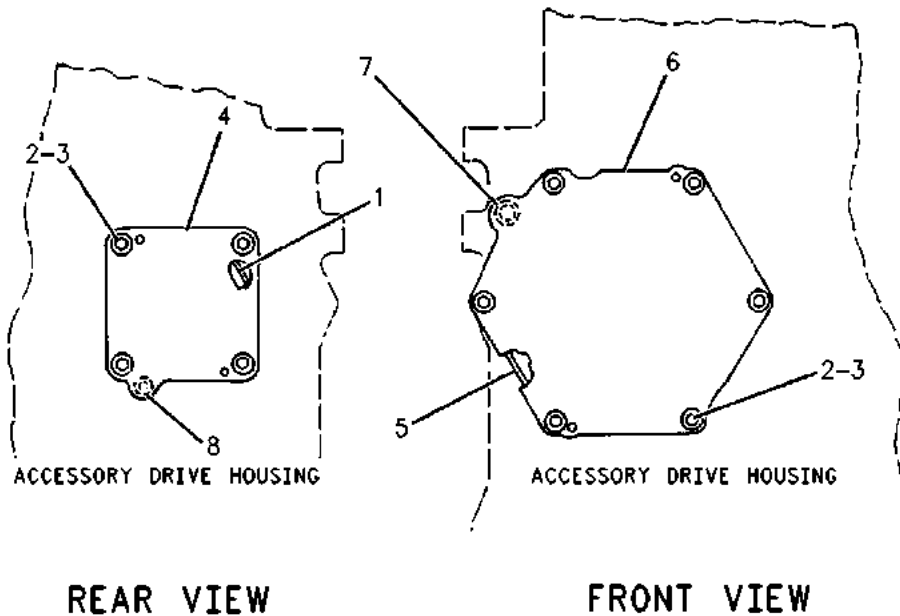
8N-4263 COVER GP-ACCESSORY DRIVE-RH

PART OF 1W-5021, 2W-8583 GOVERNOR GP, 4W-3152 INSTALLATION GP-GOVERNOR
AN ATTACHMENT

SMCS-1207

i03845512

NOTE	REF NO	GRAPHIC REF	PART NUMBER	QTY	PART NAME						SEE PAGE
					1	2	3	4	5	6 (PRODUCT LEVEL)	
	1	1	259-4598	1	SEAL-O-RING						
	2	1	1A-2029	10	BOLT (3/8-16X1.125-IN)						
	3	1	5M-2894	10	WASHER-HARD (10.2X18.5X2.5-MM THK)						
	4	1	7N-4952	1	COVER						
	5	1	235-3546	1	SEAL-O-RING						
	6	1	7N-4951	1	COVER						
	7	1	6V-3348	1	SEAL-O-RING						
	8	1	5P-0840	1	SEAL-O-RING						



GRAPHIC #1

<END>

g01034827

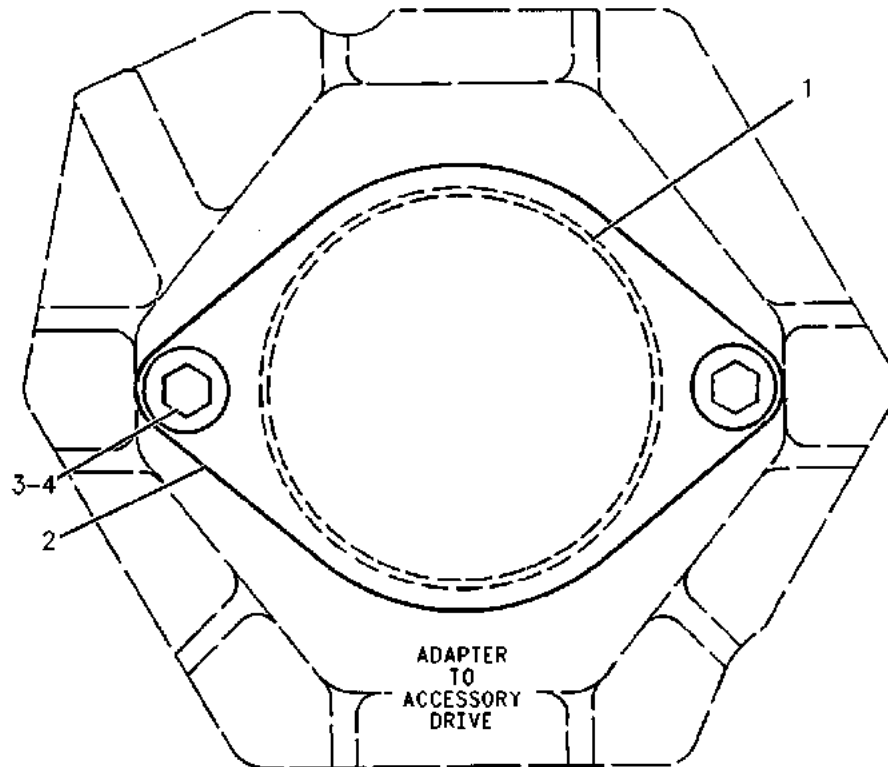
BASIC ENGINE

8N-4266 COVER GP-ACCESSORY DRIVE-RH PART OF 7W-3333 GOVERNOR GP AN ATTACHMENT

SMCS-1207

i01964759

NOTE	REF NO	GRAPHIC REF	PART NUMBER	QTY	PART NAME						SEE PAGE
					1	2	3	4	5	6 (PRODUCT LEVEL)	
	1	1	9X-7371	1	SEAL-O-RING						
	2	1	7N-8374	1	COVER-PUMP						
	3	1	0S-1592	2	BOLT (5/8-11X1.25-IN)						
	4	1	5P-8247	2	WASHER-HARD (17X32X3.5-MM THK)						



GRAPHIC #1

<END>

g00696063

BASIC ENGINE

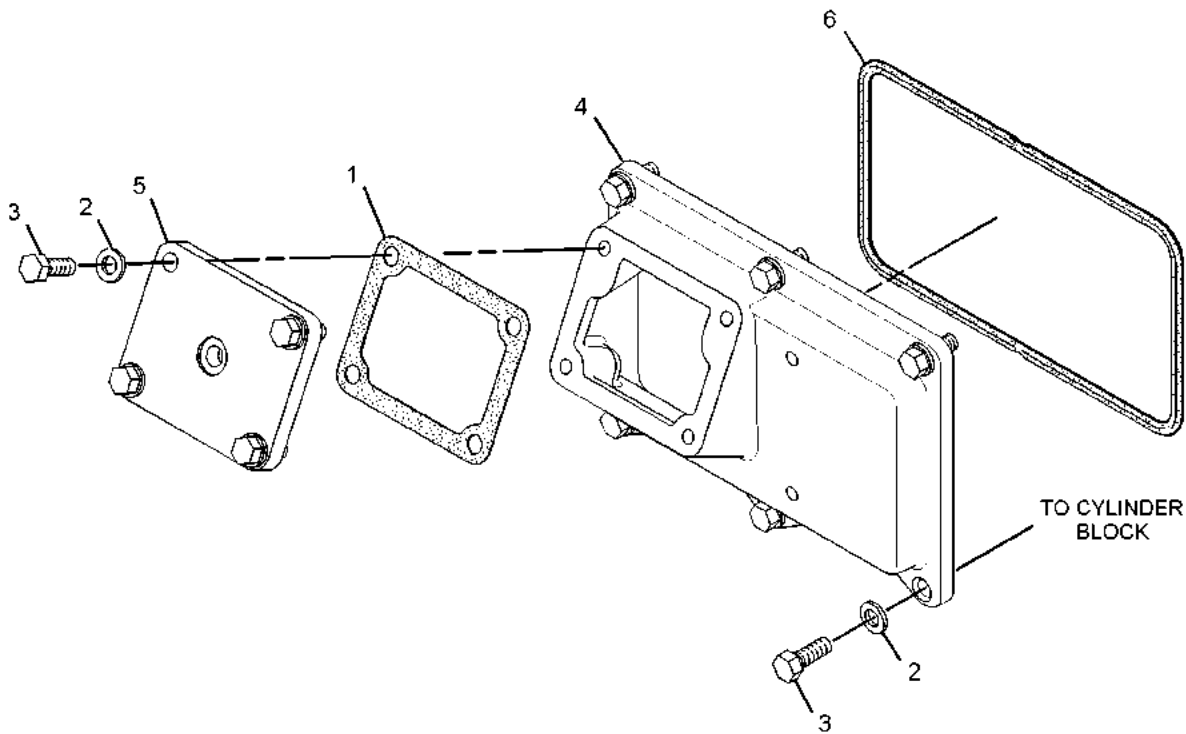
155-2583 COVER GP-CAMSHAFT

**CHROME PLATED
AN ATTACHMENT**

SMCS-1210

i02625635

NOTE	REF NO	GRAPHIC REF	PART NUMBER	QTY	PART NAME						SEE PAGE
					1	2	3	4	5	6 (PRODUCT LEVEL)	
	1	1	2W-0752	1	GASKET						
	2	1	133-6261	10	WASHER (10.2X18.5X2.5-MM THK)						
	3	1	133-6269	10	BOLT (3/8-16X1-IN)						
	4	1	155-2574	1	COVER-CAMSHAFT						
	5	1	222-4059	1	COVER (SENSOR)						
	6	1	272-0758	1	SEAL						



GRAPHIC #1

<END>

g01317336

BASIC ENGINE

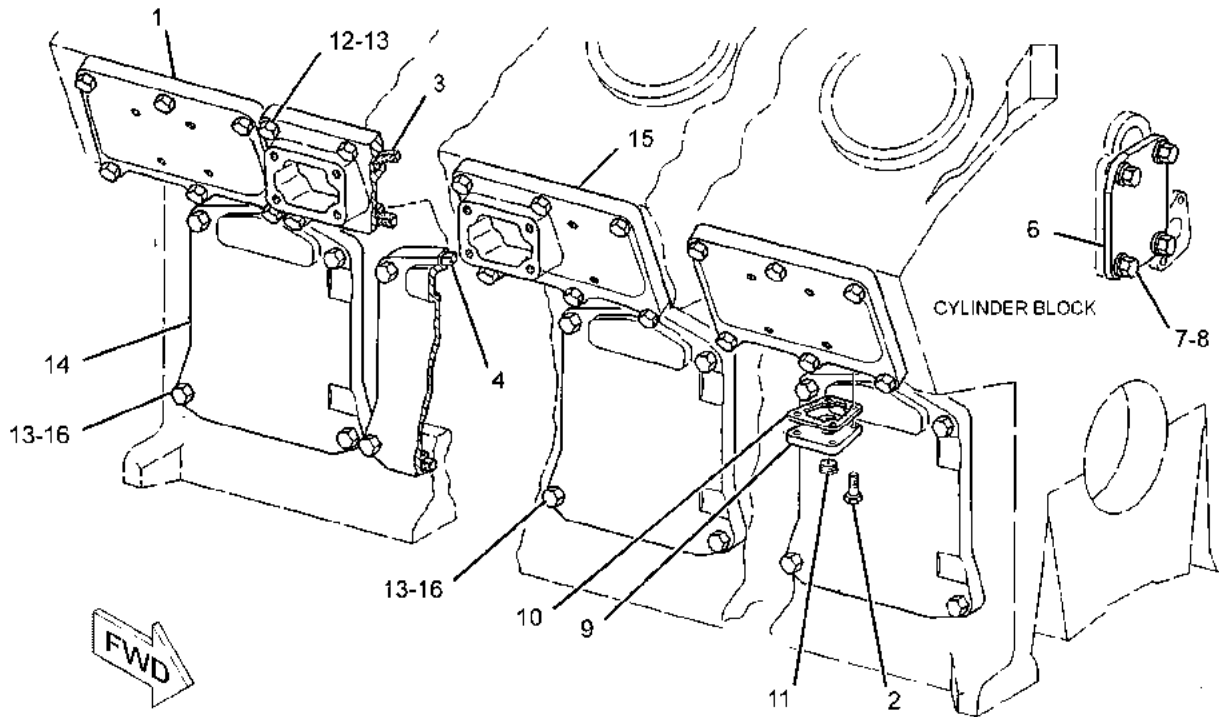
8N-9640 COVER GP-CYLINDER BLOCK-CENTRAL STRUCTURE

SMCS-1201

i02656866

NOTE	REF NO	GRAPHIC REF	PART NUMBER	QTY	PART NAME						SEE PAGE
					1	2	3	4	5	6 (PRODUCT LEVEL)	
	1	1	8N-9992	11	COVER-CAMSHAFT						
	2	1	0S-1594	12	BOLT (3/8-16X1-IN)						
	3	1	272-0758	12	SEAL						
	4	1	272-0759	12	SEAL						
C	6	1	4W-5015	1	COVER						
	7	1	0S-1595	4	BOLT (1/2-13X1.25-IN)						
	8	1	5P-8245	4	WASHER-HARD (13.5X25.5X3-MM THK)						
	9	1	7N-3298	3	COVER-BLOCK						
	10	1	7N-4945	3	GASKET						
	11	1	8T-6761	3	PLUG-PIPE (1-11-1/2 NPT THD)						
	12	1	1A-2029	72	BOLT (3/8-16X1.125-IN)						
	13	1	5M-2894	120	WASHER-HARD (10.2X18.5X2.5-MM THK)						
	14	1	1N-2914	12	COVER-CYLINDER BLOCK SIDE						
	15	1	8N-9993	1	COVER-CAMSHAFT						
	16	1	9X-8872	48	BOLT-LOCKING (3/8-16X0.875-IN)						

C - CHANGE FROM PREVIOUS TYPE



GRAPHIC #1

<END>

g01056289

BASIC ENGINE

4W-1528 COVER GP-FLYWHEEL HOUSING

FOR USE WITH SAE 0 FLYWHEEL HOUSING
AN ATTACHMENT

SMCS-1157

i07308006

NOTE	REF NO	GRAPHIC REF	PART NUMBER	QTY	PART NAME						SEE PAGE
					1	2	3	4	5	6 (PRODUCT LEVEL)	
	1	1	2P-2772	1	COVER						
	2	1	4B-8407	1	GASKET-COPPER						
	3	1	4H-7869	3	GASKET						
	4	1	4N-1114	3	COVER						
	5	1	5F-0304	1	PLUG						
	6	1	7N-4319	2	COVER						
	7	1	7N-4320	2	GASKET						
	8	1	8N-9211	1	COVER AS-FLYWHEEL HOUSING						
	8A	1	6H-3609	12	BOSS						
	9	1	9S-1343	1	PLUG-CUP						
	10	1	234-8937	1	SEAL-INTEGRAL						
	11	1	0L-1352	1	BOLT (3/8-16X3.25-IN)						
	12	1	165-3929	3	BOLT (3/8-16X1.5-IN)						
	13	1	0S-1594	36	BOLT (3/8-16X1-IN)						
	14	1	2J-6274	1	SEAL-O-RING						
	15	1	4B-4043	9	BOLT (5/8-11X1.375-IN)						
	16	1	5M-2894	40	WASHER-HARD (10.2X18.5X2.5-MM THK)						
	17	1	5P-8247	9	WASHER-HARD (17X32X3.5-MM THK)						
	18	1	8T-6761	1	PLUG-PIPE (1-11-1/2 NPT THD)						
BJ	20	1	7N-6921	1	COVER-FLYWHEEL HOUSING						
BJ	21	1	395-3499	8	CLIP						
BJ	22	1	5P-8245	8	WASHER-HARD (13.5X25.5X3-MM THK)						
BJ	23	1	6H-1717	8	BOLT (1/2-13X1.125-IN)						
B	24	1	4B-8407	1	GASKET-COPPER						
B	25	1	5F-0304	1	PLUG						
B	26	1	4B-8407	1	GASKET-COPPER						
B	27	1	5F-0304	1	PLUG						
B	28	1	4B-8407	1	GASKET-COPPER						
B	29	1	5F-0304	1	PLUG						

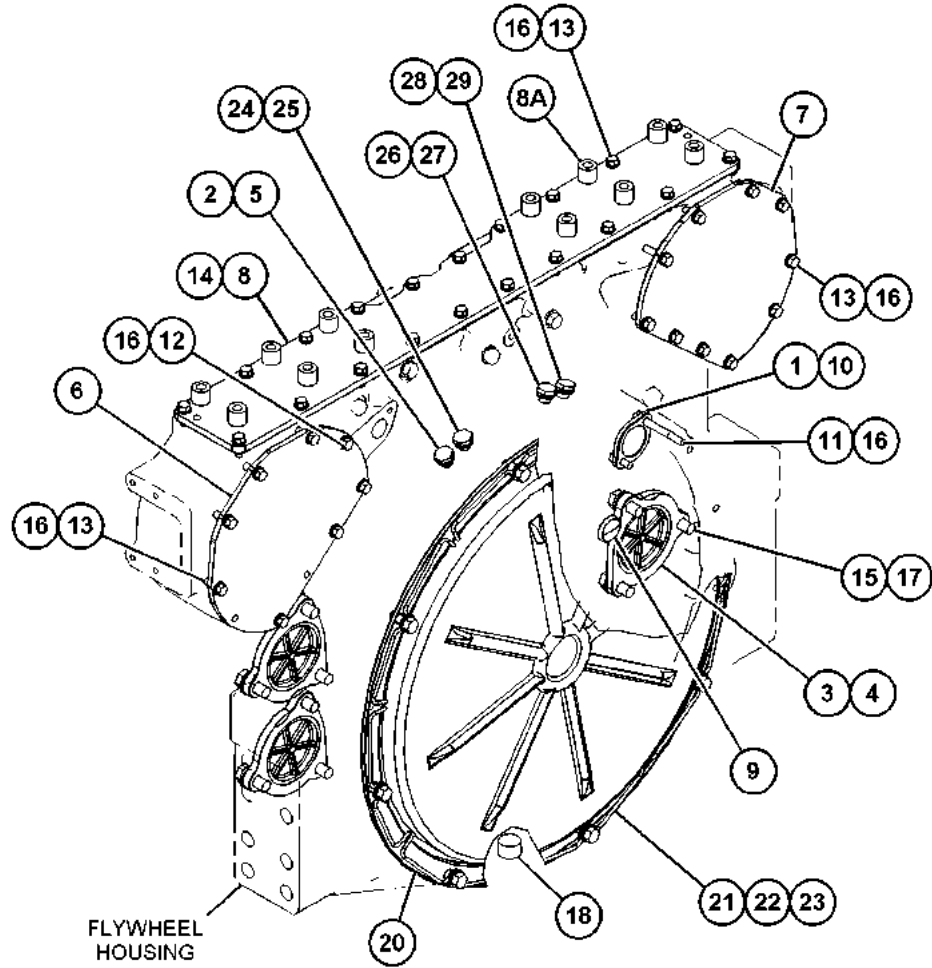
B - USE AS REQUIRED

J - FOR SHIPPING & STORAGE ONLY

BASIC ENGINE

4W-1528 COVER GP-FLYWHEEL HOUSING (contd.)

i07308006



GRAPHIC #1

<END>

g06283319

BASIC ENGINE

4W-1529 COVER GP-FLYWHEEL HOUSING

SMCS-1157

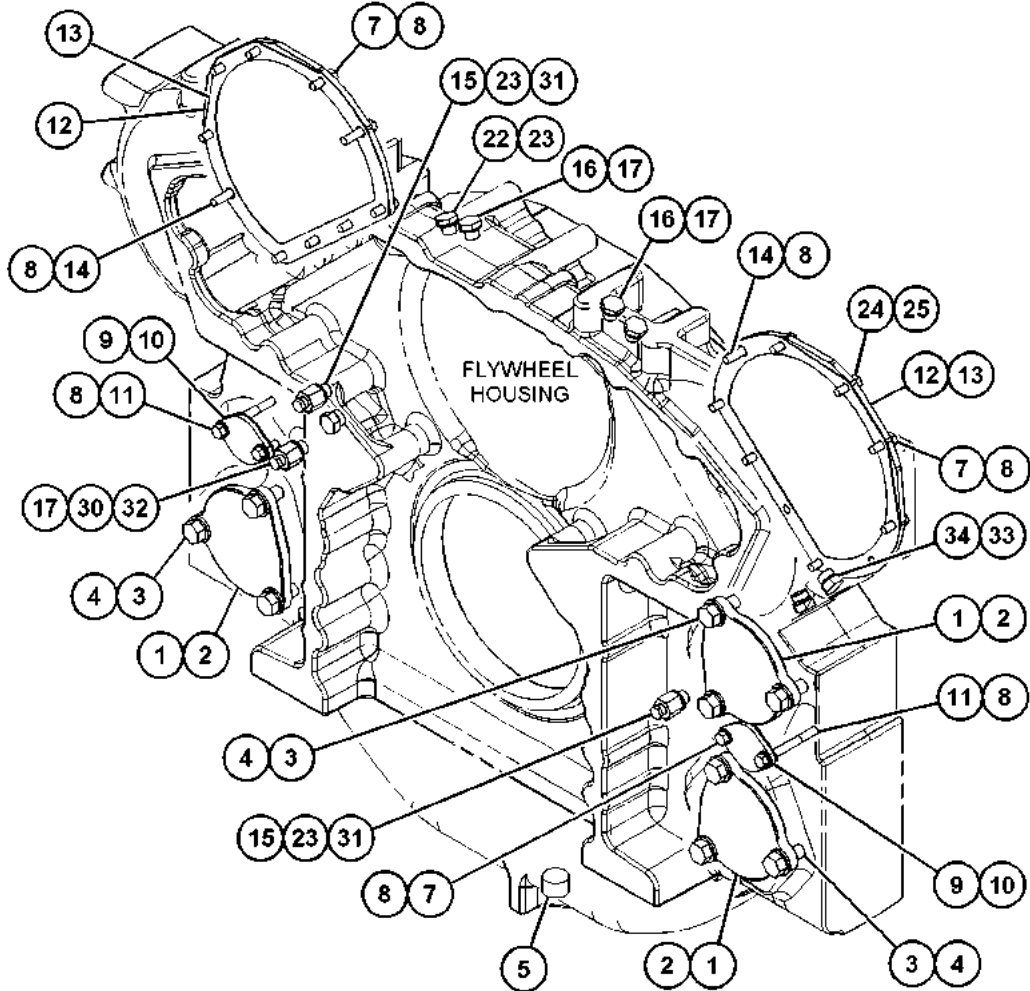
i07197058

NOTE	REF NO	GRAPHIC REF	PART NUMBER	QTY	PART NAME						SEE PAGE
					1	2	3	4	5	6 (PRODUCT LEVEL)	
	1	1	4N-1114	3	COVER						
	2	1	4H-7869	3	GASKET						
	3	1	4B-4043	9	BOLT (5/8-11X1.375-IN)						
	4	1	5P-8247	9	WASHER-HARD (17X32X3.5-MM THK)						
	5	1	8T-6761	1	PLUG-PIPE (1-11-1/2 NPT THD)						
	7	1	0S-1594	16	BOLT (3/8-16X1-IN)						
	8	1	5M-2894	21	WASHER-HARD (10.2X18.5X2.5-MM THK)						
	9	1	2P-2772	2	COVER						
	10	1	234-8937	2	SEAL-INTEGRAL						
	11	1	0L-1352	2	BOLT (3/8-16X3.25-IN)						
	12	1	7N-4319	2	COVER						
	13	1	7N-4320	2	GASKET						
	14	1	165-3929	3	BOLT (3/8-16X1.5-IN)						
	15	1	8T-6765	2	PLUG-PIPE (1/4-18-THD)						
B	16	1	5F-0304	3	PLUG						
B	17	1	4B-8407	4	GASKET-COPPER						
	22	1	5F-0304	1	PLUG						
	23	1	4B-8407	3	GASKET-COPPER						
B	24	1	0S-1594	1	BOLT (3/8-16X1-IN)						
B	25	1	5M-2894	1	WASHER-HARD (10.2X18.5X2.5-MM THK)						
B	30	1	8T-6765	1	PLUG-PIPE (1/4-18-THD)						
	31	1	104-4767	2	ADAPTER						
B	32	1	104-4767	1	ADAPTER						
B	33	1	3K-0360	3	SEAL-O-RING						
B	34	1	9S-4185	3	PLUG (3/4-16-THD)						
B - USE AS REQUIRED											

BASIC ENGINE

4W-1529 COVER GP-FLYWHEEL HOUSING (contd.)

i07197058



GRAPHIC #1

<END>

g06215941

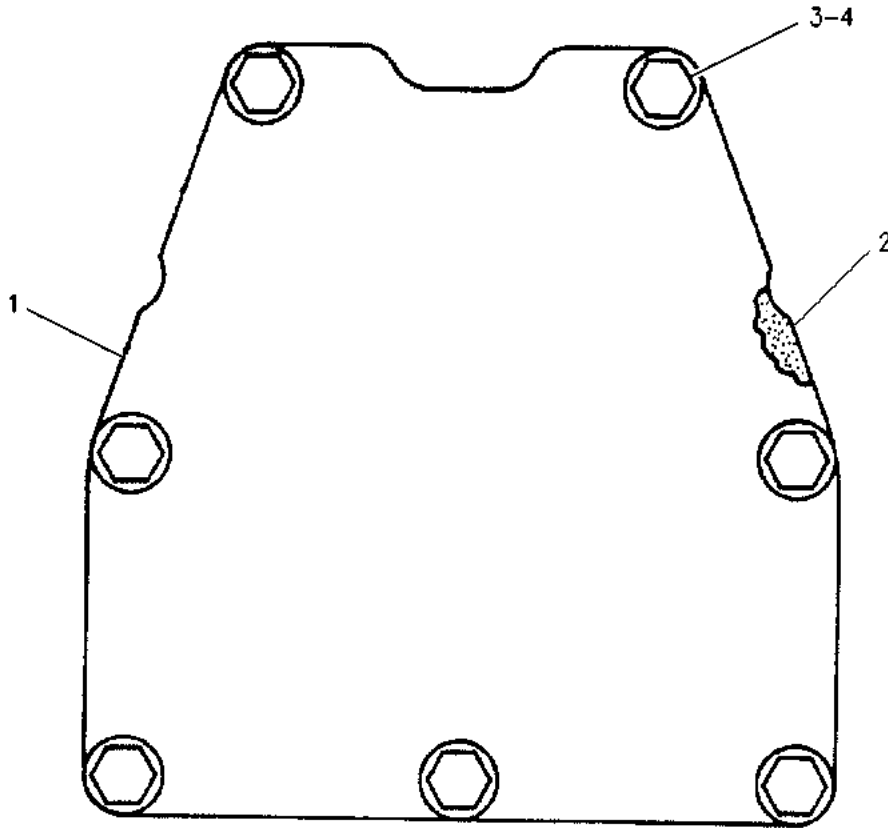
BASIC ENGINE

7W-2378 COVER GP-FRONT HOUSING-LH

SMCS-1151, 1166

i04832810

NOTE	REF NO	GRAPHIC REF	PART NUMBER	QTY	PART NAME						SEE PAGE
					1	2	3	4	5	6	
	1	1	2W-5285	1	COVER						
	2	1	8N-9885	1	GASKET-COVER						
	3	1	1A-2029	7	BOLT (3/8-16X1.125-IN)						
	4	1	5M-2894	7	WASHER-HARD (10.2X18.5X2.5-MM THK)						



GRAPHIC #1

<END>

g00705512

BASIC ENGINE

8N-9642 COVER GP-FRONT HOUSING AN ATTACHMENT

SMCS-1151, 1166

i07506251

NOTE	REF NO	GRAPHIC REF	PART NUMBER	QTY	PART NAME						SEE PAGE
					1	2	3	4	5	6 (PRODUCT LEVEL)	
	1	1	7N-4951	2	COVER						
	2	1	235-3546	2	SEAL - O-RING						
	3	1	6V-3348	2	SEAL - O-RING						
C	4	1	1A-2029	27	BOLT (3/8-16X1.125-IN)						
C	5	1	5M-2894	28	WASHER-HARD (10.2X18.5X2.5-MM THK)						
	6	1	7N-4952	2	COVER						
	7	1	259-4598	3	SEAL - O-RING						
	8	1	5P-0840	2	SEAL - O-RING						
	9	1	8N-9658	1	PLUG						
	10	1	0L-1329	2	BOLT (1/2-13X3-IN)						
	11	1	1C-2251	1	BOLT (3/8-16X1.87-IN)						
B	12	1	3P-1896	2	PLUG-CUP (35.31-MM OD)						
C	13	1	2W-5285	1	COVER						
C	14	1	8N-9885	1	GASKET-COVER						
	15	1	8J-6775	1	SEAL - THREAD						
	16	1	5P-8245	2	WASHER-HARD (13.5X25.5X3-MM THK)						
	17	1	6V-0405	2	SEAL - BONDED						

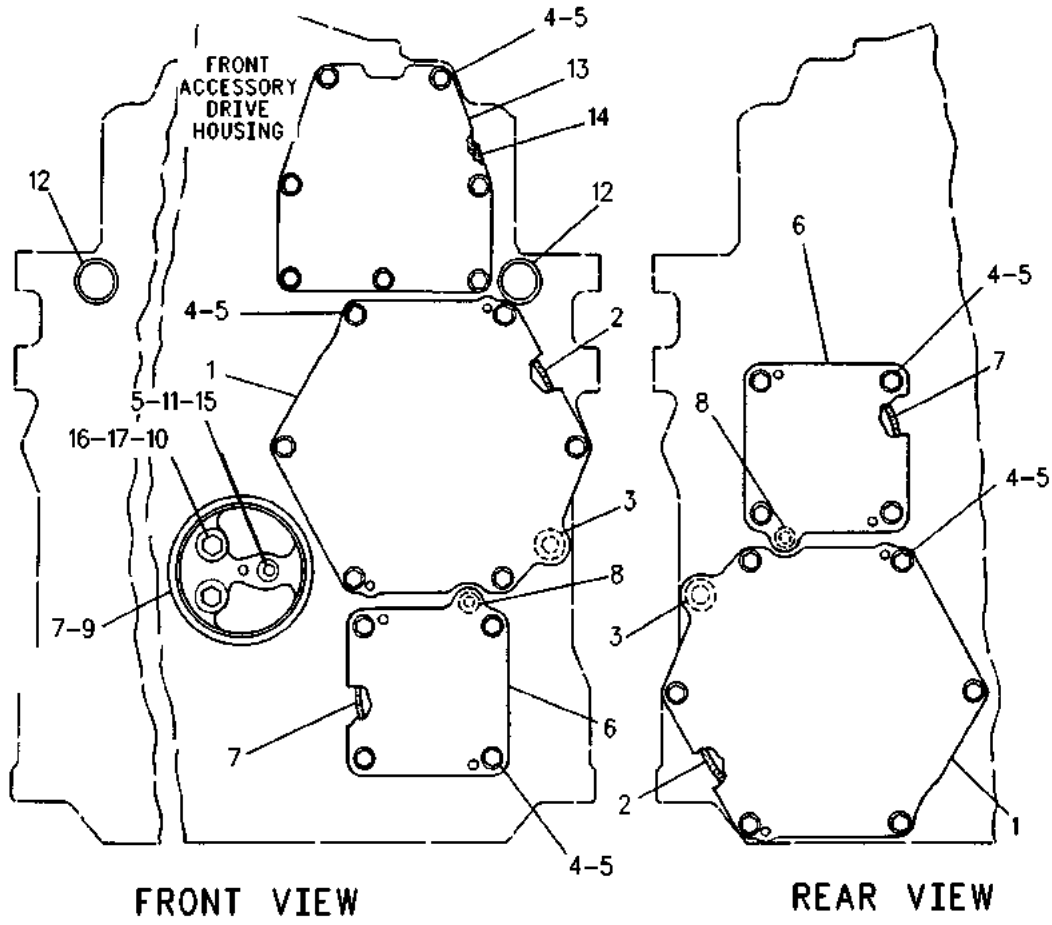
B - USE AS REQUIRED

C - CHANGE FROM PREVIOUS TYPE

BASIC ENGINE

8N-9642 COVER GP-FRONT HOUSING (contd.)

i07506251



GRAPHIC #1

<END>

g01035696

BASIC ENGINE

2W-5616 COVER GP-OIL PAN

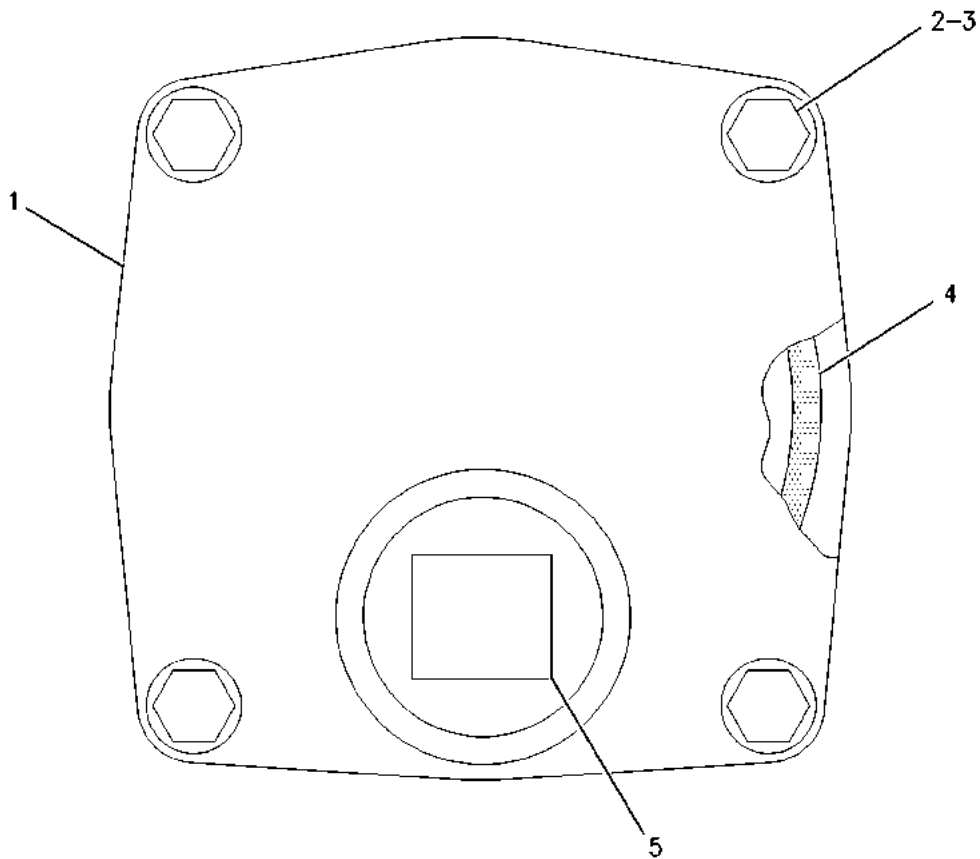
AN ATTACHMENT

TYPE 1

SMCS-1302

i03657741

NOTE	REF NO	GRAPHIC REF	PART NUMBER	QTY	PART NAME						SEE PAGE
					1	2	3	4	5	6 (PRODUCT LEVEL)	
	1	1	9Y-4893	1	COVER						
	2	1	0L-1351	4	BOLT (3/8-16X0.875-IN)						
	3	1	5M-2894	4	WASHER-HARD (10.2X18.5X2.5-MM THK)						
	4	1	6V-4314	1	SEAL-O-RING						
	5	1	9X-6138	1	PLUG-PIPE						



GRAPHIC #1

<END>

g00617902

BASIC ENGINE

2W-5616 COVER GP-OIL PAN

AN ATTACHMENT

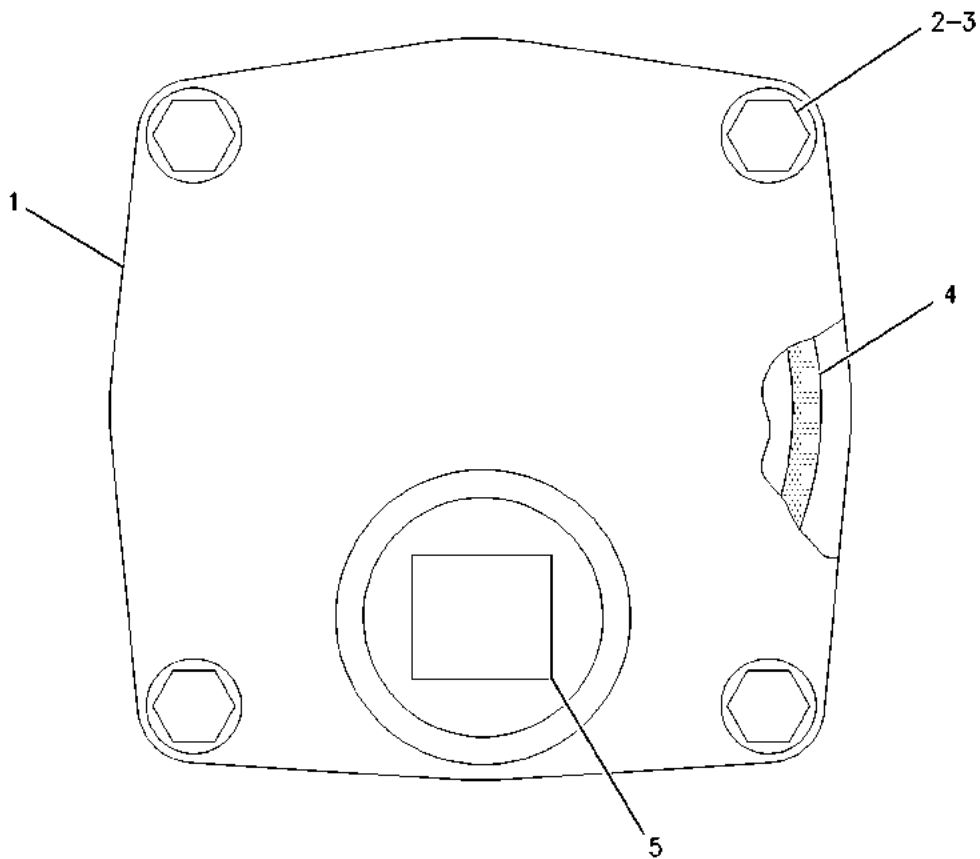
TYPE 2

SMCS-1302

i07143012

NOTE	REF NO	GRAPHIC REF	PART NUMBER	QTY	PART NAME						SEE PAGE
					1	2	3	4	5	6 (PRODUCT LEVEL)	
C	1	1	151-9264	1	COVER AS						
C	2	1	0S-1588	4	BOLT (3/8-16X1.25-IN)						
C	3	1	8M-9024	4	WASHER-HARD (10.2X22.5X5-MM THK)						
C	4	1	6V-7351	1	SEAL-O-RING						
	5	1	9X-6138	1	PLUG-PIPE (ENGINE OIL DRAIN)						

C - CHANGE FROM PREVIOUS TYPE



GRAPHIC #1

<END>

g00617879

BASIC ENGINE

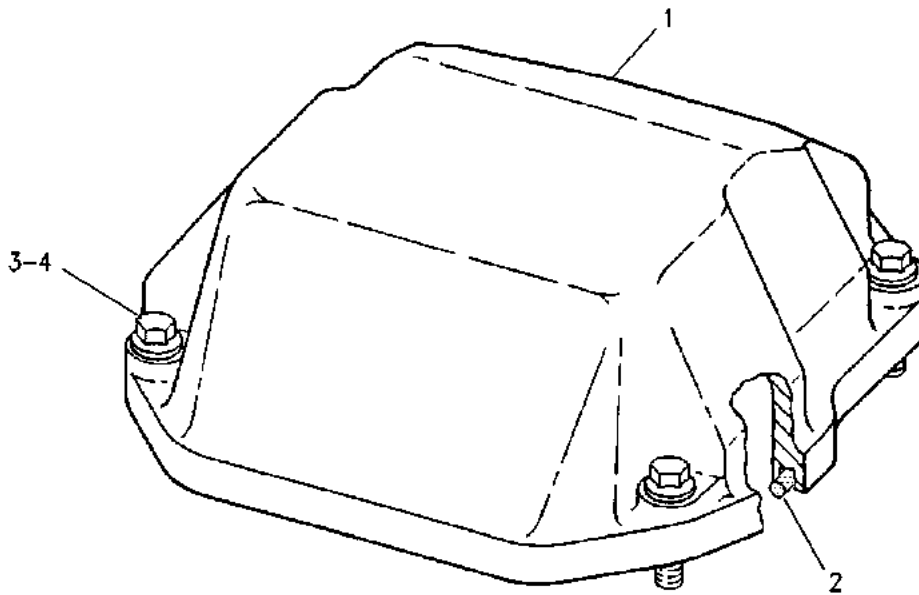
7N-1855 COVER GP-VALVE MECHANISM

SMCS-1107

i04546899

NOTE	REF NO	GRAPHIC REF	PART NUMBER	QTY	PART NAME						SEE PAGE
					1	2	3	4	5	6	
C	1	1	2W-8894	1	COVER						
C	2	1	272-0757	1	SEAL-VALVE COVER						
	3	1	1A-9579	4	BOLT (5/16-18X1.5-IN)						
C	4	1	9M-1974	4	WASHER-HARD (8.8X16X2-MM THK)						

C - CHANGE FROM PREVIOUS TYPE



GRAPHIC #1

<END>

g00581190

BASIC ENGINE

323-2865 CRANKSHAFT GP

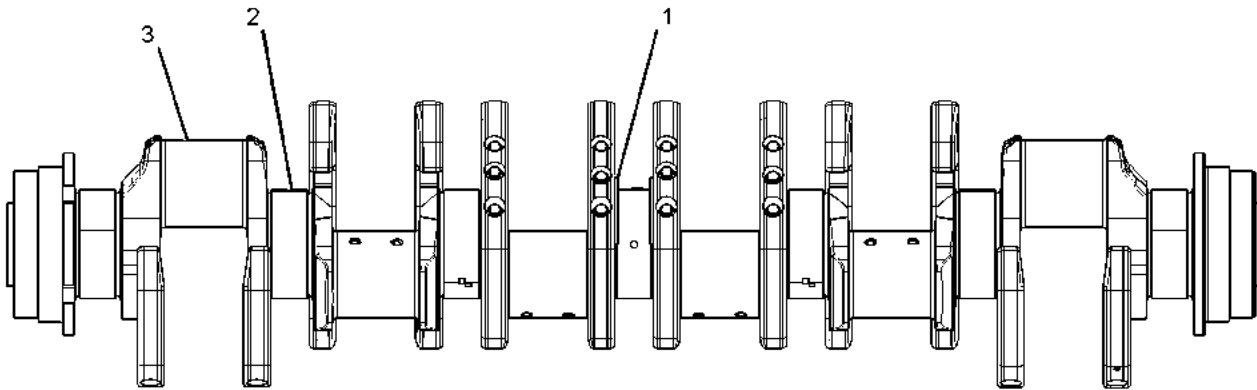
S/N: 65Z1357-1358

SMCS - 1202

i03301682

NOTE	REF NO	GRAPHIC REF	PART NUMBER	QTY	PART NAME						SEE PAGE
					1	2	3	4	5	6 (PRODUCT LEVEL)	
	1	1	7C-6209	2	PLATE-THRUST						
	2	1	149-6031	7	BEARING AS-MAIN (STANDARD)						
AB		1	149-6032		BEARING-MAIN (0.63-MM US)						
AB		1	149-6033		BEARING-MAIN (1.27-MM US)						
AB		1	149-6034		BEARING-MAIN (0.63-MM OS)						
AB		1	149-6035		BEARING-MAIN (0.63-MM OS, 0.63-MM US)						
	3	1	322-9879	1	CRANKSHAFT AS						
		1	2W-2288	6	PLUG						
		1	7N-2003	24	DOWEL						
		1	128-4845	36	BOLT AS						
		1	322-9878	1	CRANKSHAFT AS						

A - NOT PART OF THIS GROUP
B - USE AS REQUIRED



GRAPHIC #1

<END>

g01449191

BASIC ENGINE

8N-7103 CRANKSHAFT GP

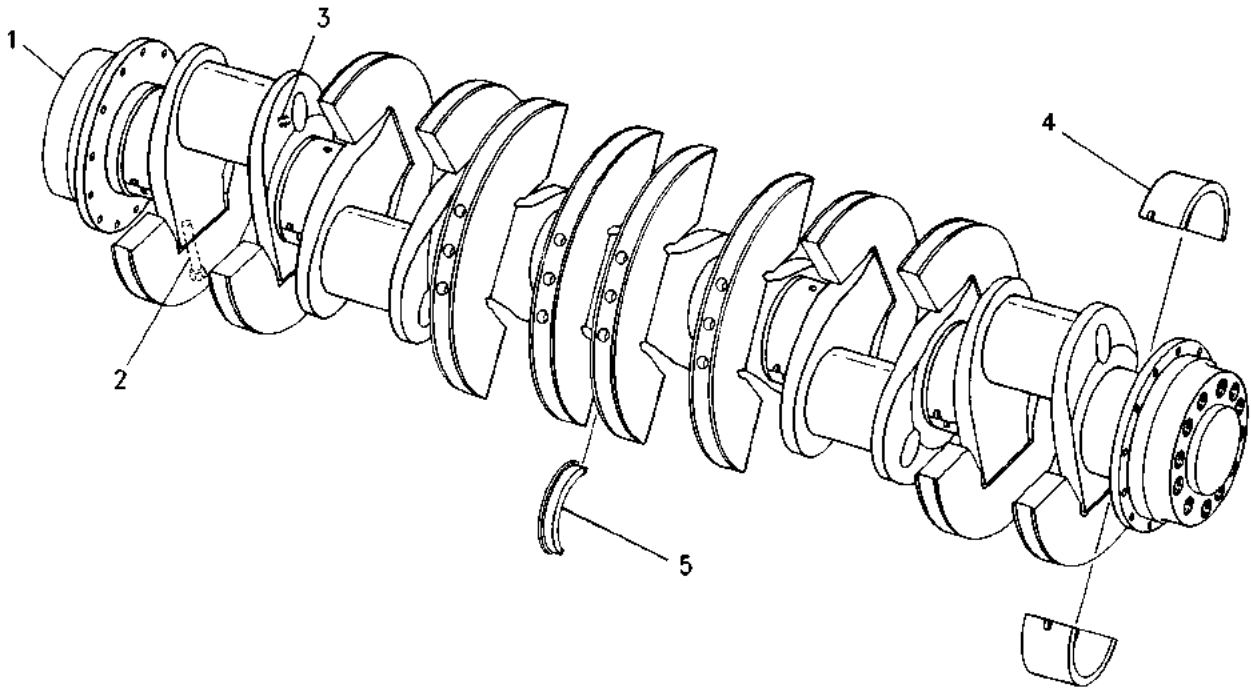
S/N: 65Z887-972

SMCS-1202

i04546943

NOTE	REF NO	GRAPHIC REF	PART NUMBER	QTY	PART NAME						SEE PAGE
					1	2	3	4	5	6 (PRODUCT LEVEL)	
CR	1	1	128-6786	1	CRANKSHAFT AS						
		1	7N-2003	24	DOWEL						
	2	1	128-4845	36	BOLT AS						
	3	1	2W-2288	6	PLUG						
	4	1	105-0253	7	BEARING-MAIN (STANDARD)						
AB		1	105-0254		BEARING-MAIN (0.63-MM US)						
AB		1	105-0255		BEARING-MAIN (1.27-MM US)						
AB		1	105-0256		BEARING-MAIN (0.63-MM OS)						
AB		1	105-0257		BEARING-MAIN (0.63-MM OS, 0.63-MM US)						
	5	1	7C-6209	2	PLATE-THRUST						

A - NOT PART OF THIS GROUP
 B - USE AS REQUIRED
 C - CHANGE FROM PREVIOUS TYPE
 R - REMANUFACTURED PART MAY BE AVAILABLE



GRAPHIC #1

<END>

g00358114

BASIC ENGINE

8N-7103 CRANKSHAFT GP

S/N: 65Z973-1356, 1358-UP

SMCS-1202

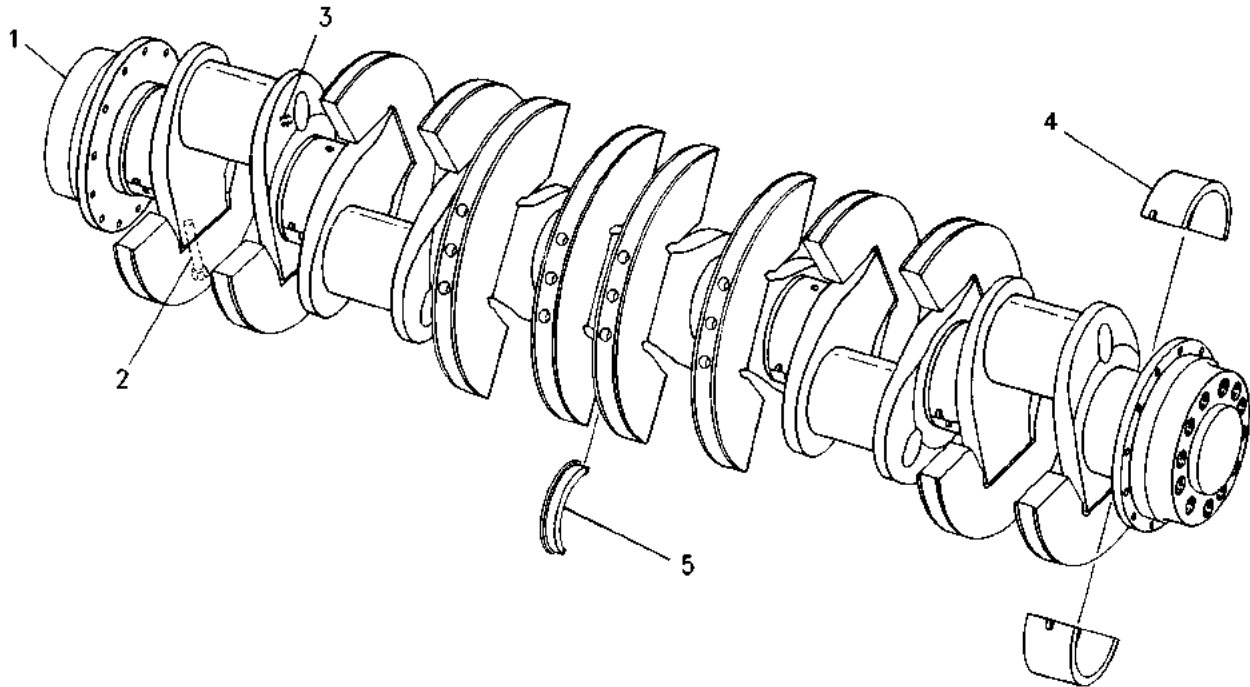
i02730783

NOTE	REF NO	GRAPHIC REF	PART NUMBER	QTY	PART NAME						SEE PAGE
					1	2	3	4	5	6 (PRODUCT LEVEL)	
R	1	1	128-6786	1	CRANKSHAFT AS						
		1	7N-2003	24	DOWEL						
	2	1	128-4845	36	BOLT AS						
	3	1	2W-2288	6	PLUG						
CJ	4	1	149-6031	7	BEARING AS-MAIN (STANDARD)						
ABC		1	149-6032		BEARING-MAIN (0.63-MM US)						
ABC		1	149-6033		BEARING-MAIN (1.27-MM US)						
ABC		1	149-6034		BEARING-MAIN (0.63-MM OS)						
ABC		1	149-6035		BEARING-MAIN (0.63-MM OS, 0.63-MM US)						
J	5	1	7C-6209	2	PLATE-THRUST						

AVAILABLE REPAIR KIT(S):

J	196-9530	KIT-BASIC ENGINE REPAIR (MAIN BEARING) (INCLUDES THRUST PLATES & MAIN BEARINGS)	
---	-----------------	--	--

- A - NOT PART OF THIS GROUP
- B - USE AS REQUIRED
- C - CHANGE FROM PREVIOUS TYPE
- J - KIT MARKED J INCLUDES PART(S) MARKED J
- R - REMANUFACTURED PART MAY BE AVAILABLE



GRAPHIC #1

<END>

g00358114

BASIC ENGINE

100-8026 CYLINDER BLOCK AS

S/N: 65Z887-1497

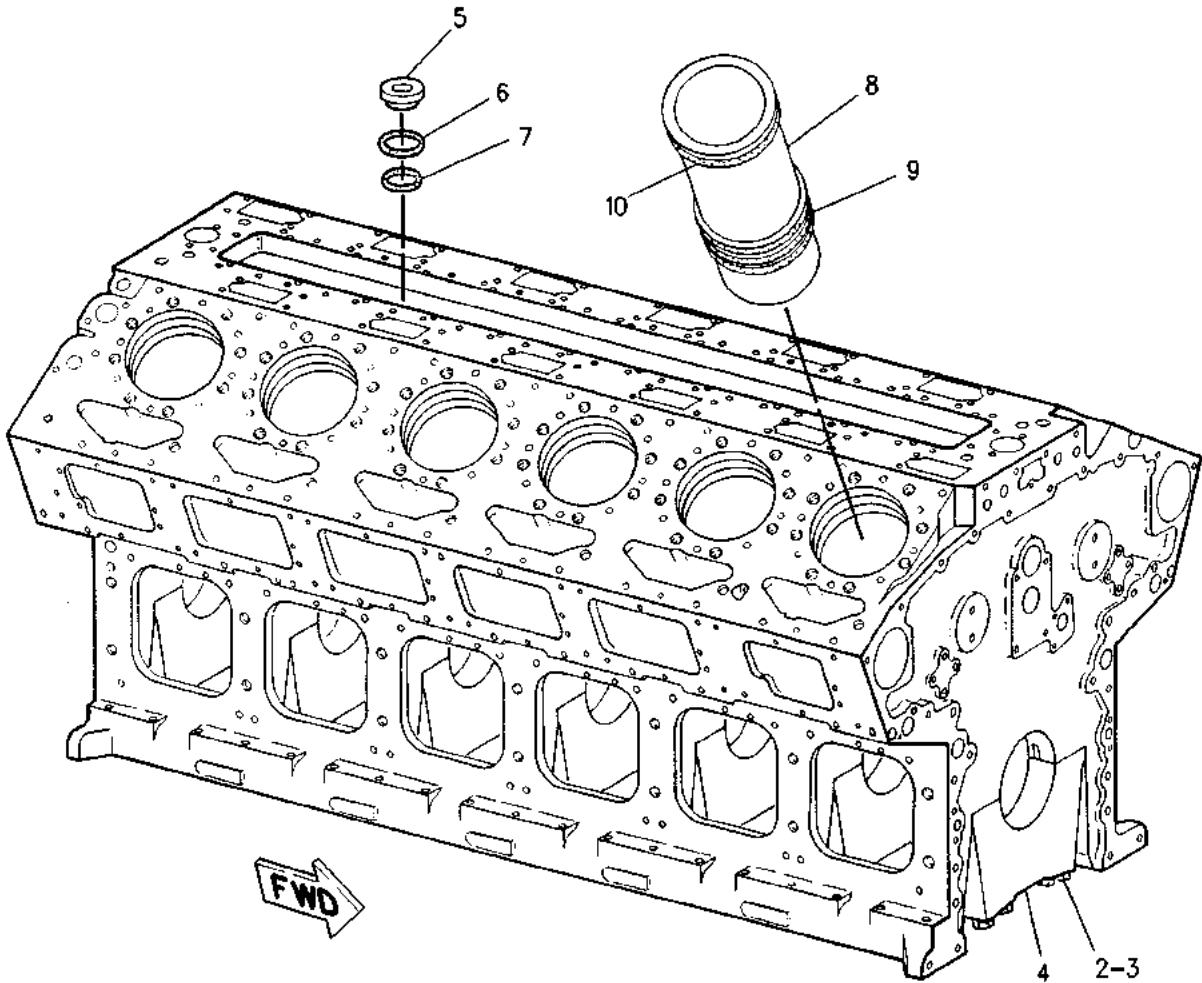
FIELD REPLACEMENT ORDER 115-5154-PAGE: 74

PART OF 115-3504, 115-3505, 240-6650 CYLINDER BLOCK GP

SMCS-1201

i02554263

NOTE	REF NO	GRAPHIC REF	PART NUMBER	QTY	PART NAME						SEE PAGE
					1	2	3	4	5	6 (PRODUCT LEVEL)	
	2	1	5P-8249	28	WASHER-HARD (24X41.5X4-MM THK)						
	3	1	7X-7925	28	BOLT (7/8-14X11-IN)						
	4	1	223-1696	7	CAP-CRANKSHAFT BEARING						
	5	1	4W-4813	3	PLUG						
	6	1	8T-2929	3	SEAL-O-RING						
	7	1	8T-2928	3	SEAL-O-RING						
	8	1	211-7826	12	LINER-CYLINDER BLOCK						
	9	1	7N-2046	36	SEAL-O-RING						
	10	1	8N-4707	12	BAND-FILLER						



GRAPHIC #1

<END>

g00913079

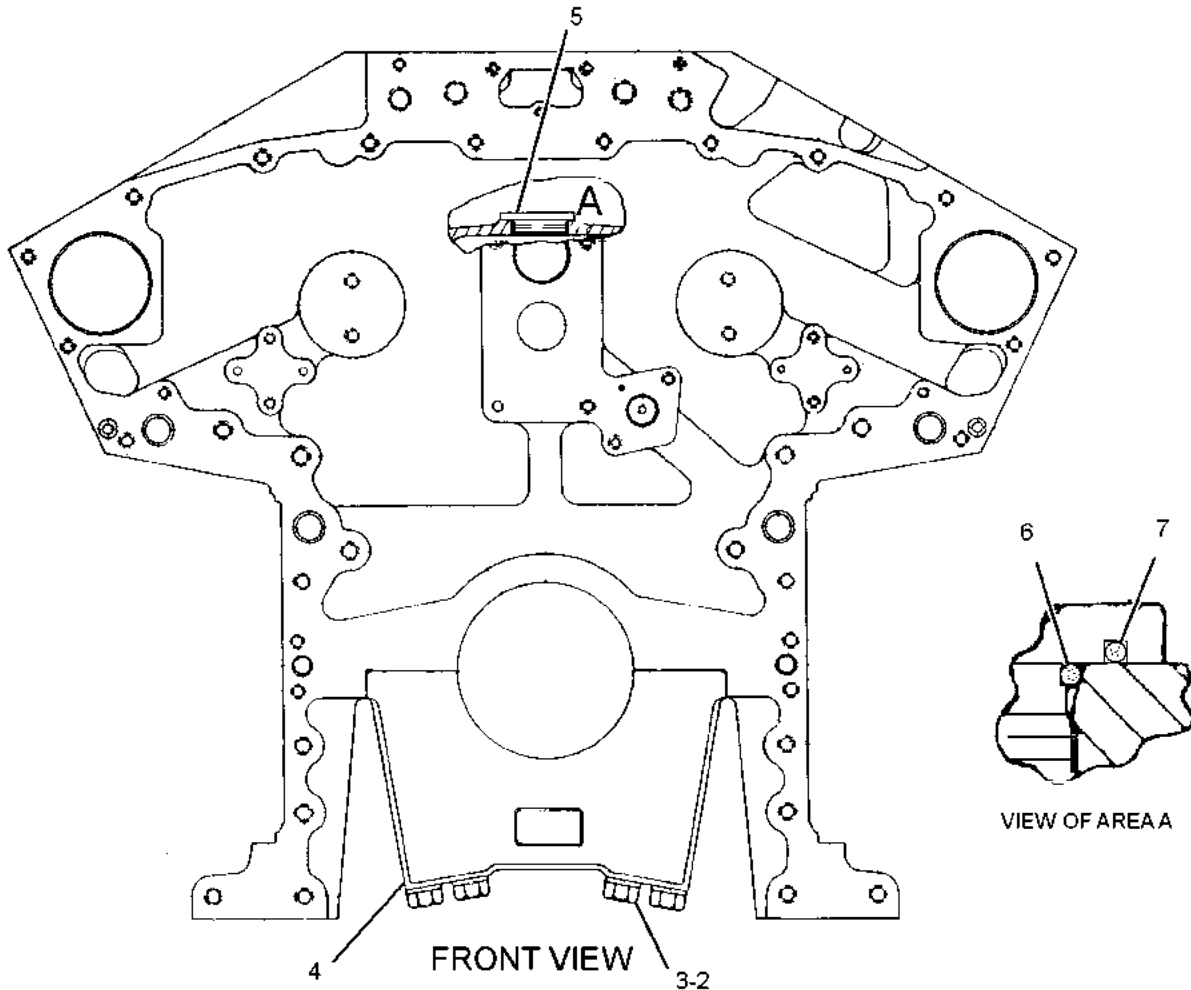
BASIC ENGINE

106-2779 CYLINDER BLOCK AS PART OF 115-5154 CYLINDER BLOCK GP

SMCS-1201

i02478951

NOTE	REF NO	GRAPHIC REF	PART NUMBER	QTY	PART NAME						SEE PAGE
					1	2	3	4	5	6	
	2	1	5P-8249	28	WASHER-HARD (24X41.5X4-MM THK)						
	3	1	7X-7925	28	BOLT (7/8-14X11-IN)						
	4	1	223-1696	7	CAP-CRANKSHAFT BEARING						
	5	1	4W-4813	3	PLUG						
	6	1	8T-2928	3	SEAL-O-RING						
	7	1	8T-2929	3	SEAL-O-RING						



GRAPHIC #1

<END>

g01266119

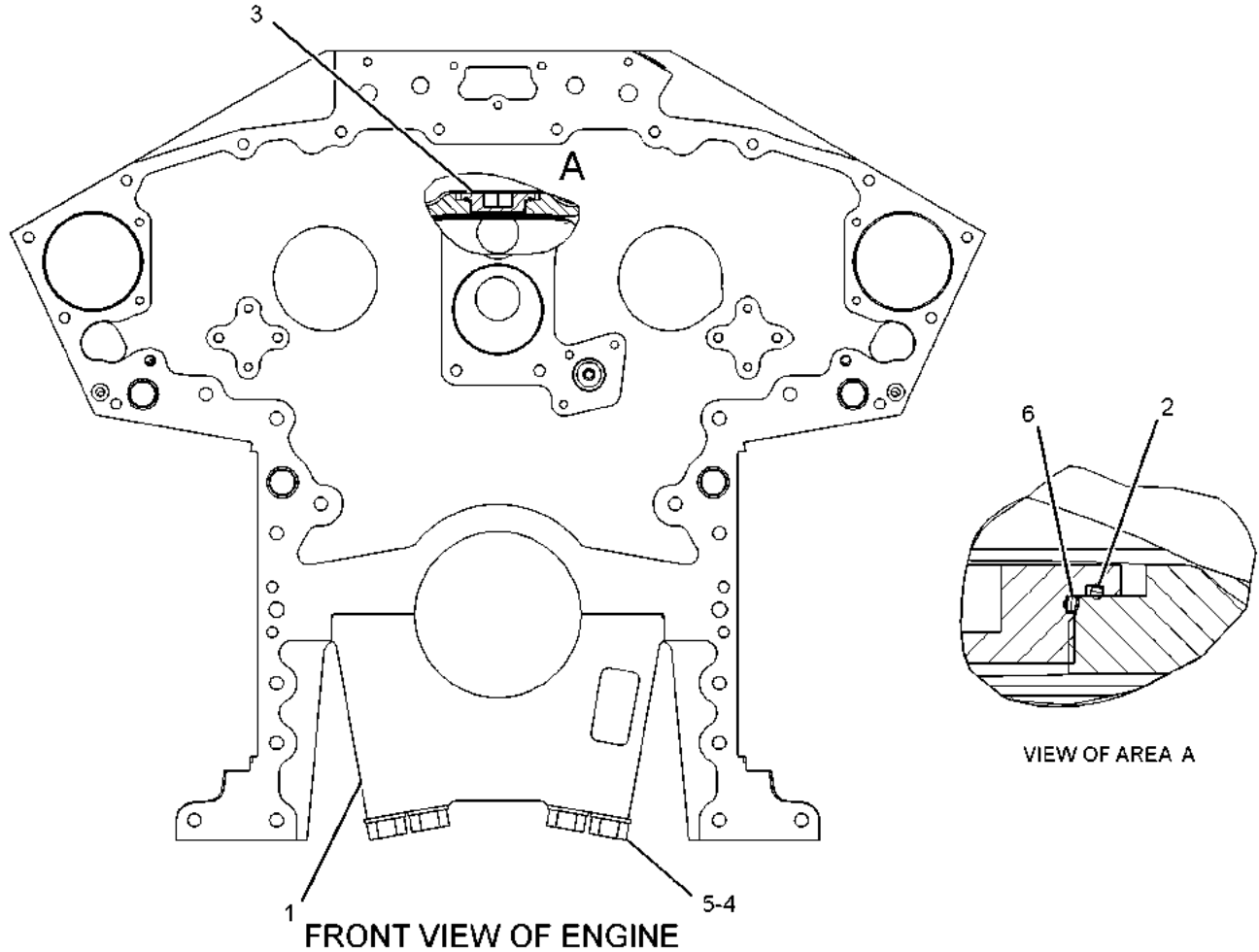
BASIC ENGINE

350-1391 CYLINDER BLOCK AS PART OF 353-3969 CYLINDER BLOCK GP

SMCS-1201

i03910026

NOTE	REF NO	GRAPHIC REF	PART NUMBER	QTY	PART NAME						SEE PAGE
					1	2	3	4	5	6 (PRODUCT LEVEL)	
	1	1	223-1696	5	CAP-CRANKSHAFT BEARING						
	2	1	8T-2929	2	SEAL-O-RING						
	3	1	4W-4813	2	PLUG						
	4	1	5P-8249	20	WASHER-HARD (24X41.5X4-MM THK)						
	5	1	7X-7925	20	BOLT (7/8-14X11-IN)						
	6	1	8T-2928	2	SEAL-O-RING						



GRAPHIC #1

g02061696

BASIC ENGINE

350-1392 CYLINDER BLOCK AS

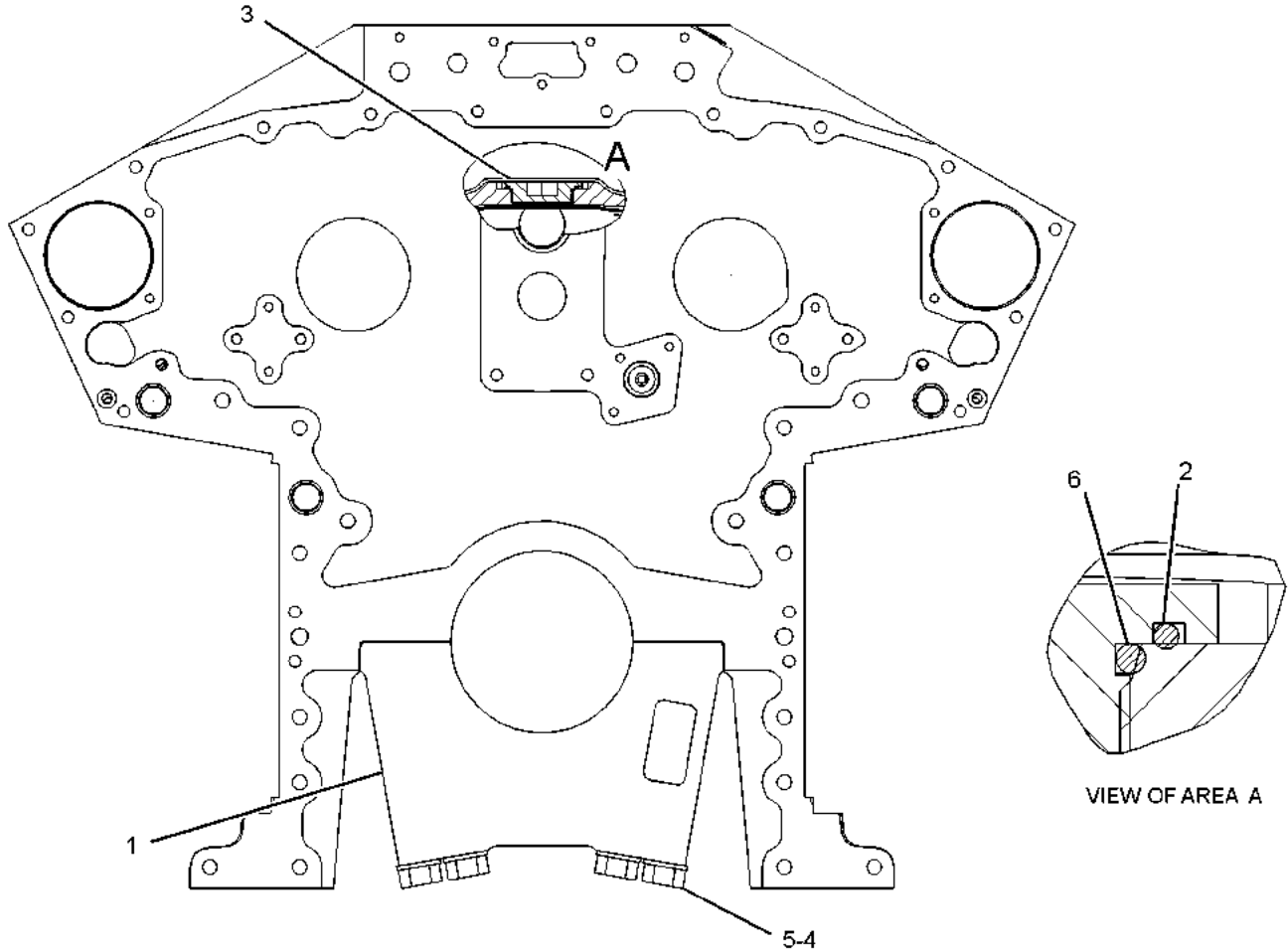
S/N: 65Z1498-UP

PART OF 353-3970 CYLINDER BLOCK GP

SMCS-1201

i03810951

NOTE	REF NO	GRAPHIC REF	PART NUMBER	QTY	PART NAME						SEE PAGE
					1	2	3	4	5	6	
	1	1	223-1696	7	CAP-CRANKSHAFT BEARING						
	2	1	8T-2929	3	SEAL-O-RING						
	3	1	4W-4813	3	PLUG						
	4	1	5P-8249	28	WASHER-HARD (24X41.5X4-MM THK)						
	5	1	7X-7925	28	BOLT (7/8-14X11-IN)						
	6	1	8T-2928	3	SEAL-O-RING						



FRONT VIEW OF ENGINE

GRAPHIC #1

<END>

g02061775

BASIC ENGINE

350-1413 CYLINDER BLOCK AS

S/N: 65Z1498-UP

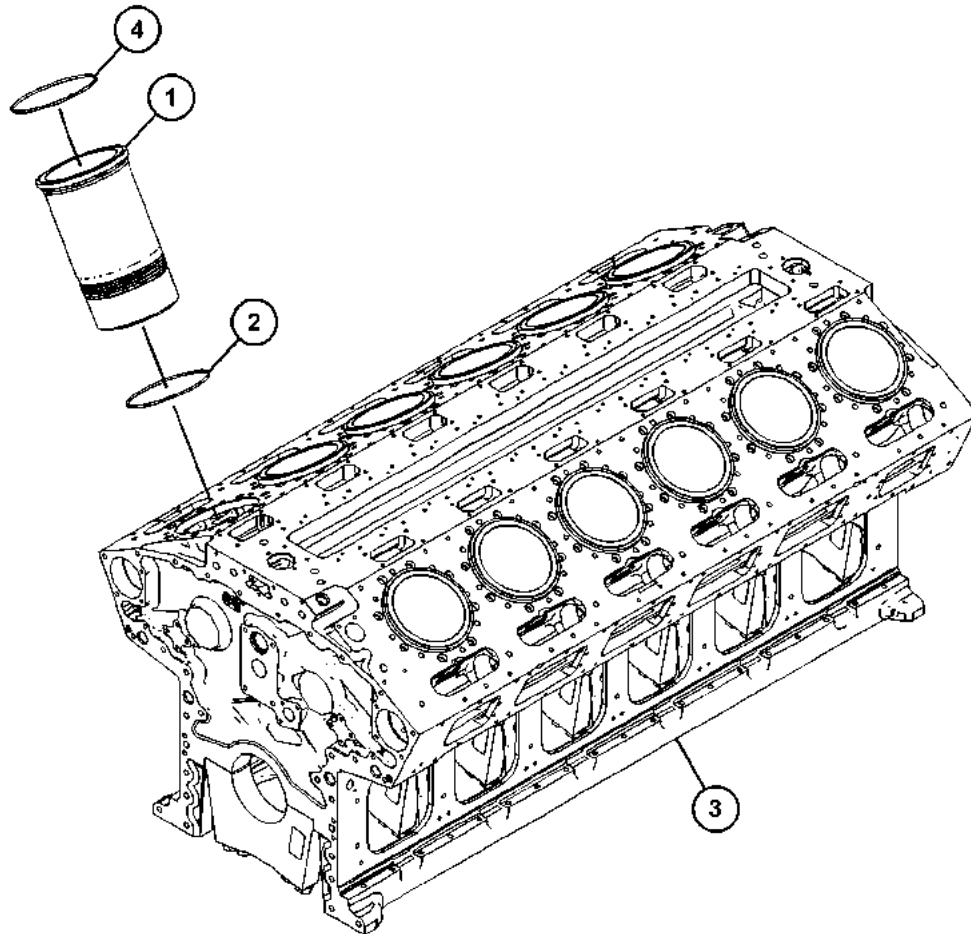
FIELD REPLACEMENT ORDER 353-3970-PAGE: 87, 36- 7N-2046 SEAL-O-RING, 12-211-7826 LINER-CYLINDER BLOCK, 12-352-6061 SEAL-LINER
PART OF 240-6650, 350-5219 CYLINDER BLOCK GP

SMCS-1201

i07192009

NOTE	REF NO	GRAPHIC REF	PART NUMBER	QTY	PART NAME						SEE PAGE
					1	2	3	4	5	6 (PRODUCT LEVEL)	
	1	1	211-7826	12	LINER-CYLINDER BLOCK						
	2	1	7N-2046	36	SEAL-O-RING						
Y	3	1	<i>525-1801</i>	1	CYLINDER BLOCK AS						68
	4	1	352-6061	12	SEAL-LINER						

Y - SEPARATE ILLUSTRATION



GRAPHIC #1

<END>

g06257700

BASIC ENGINE

525-1801 CYLINDER BLOCK AS

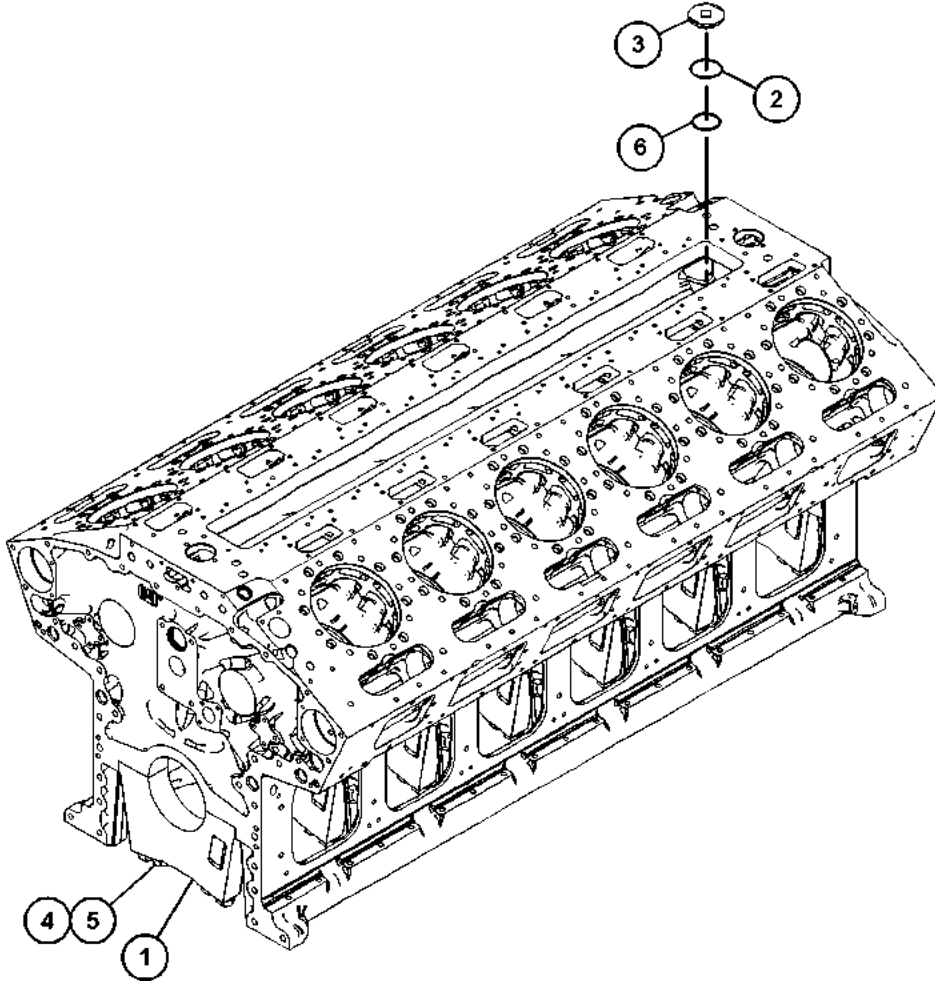
S/N: 65Z1498-UP

PART OF 350-1413 CYLINDER BLOCK AS

SMCS-1201

i07090265

NOTE	REF NO	GRAPHIC REF	PART NUMBER	QTY	PART NAME						SEE PAGE
					1	2	3	4	5	6 (PRODUCT LEVEL)	
	1	1	223-1696	7	CAP-CRANKSHAFT BEARING						
	2	1	8T-2929	3	SEAL-O-RING						
	3	1	4W-4813	3	PLUG						
	4	1	5P-8249	28	WASHER-HARD (24X41.5X4-MM THK)						
	5	1	7X-7925	28	BOLT (7/8-14X11-IN)						
	6	1	8T-2928	3	SEAL-O-RING						



GRAPHIC #1

<END>

g06225882

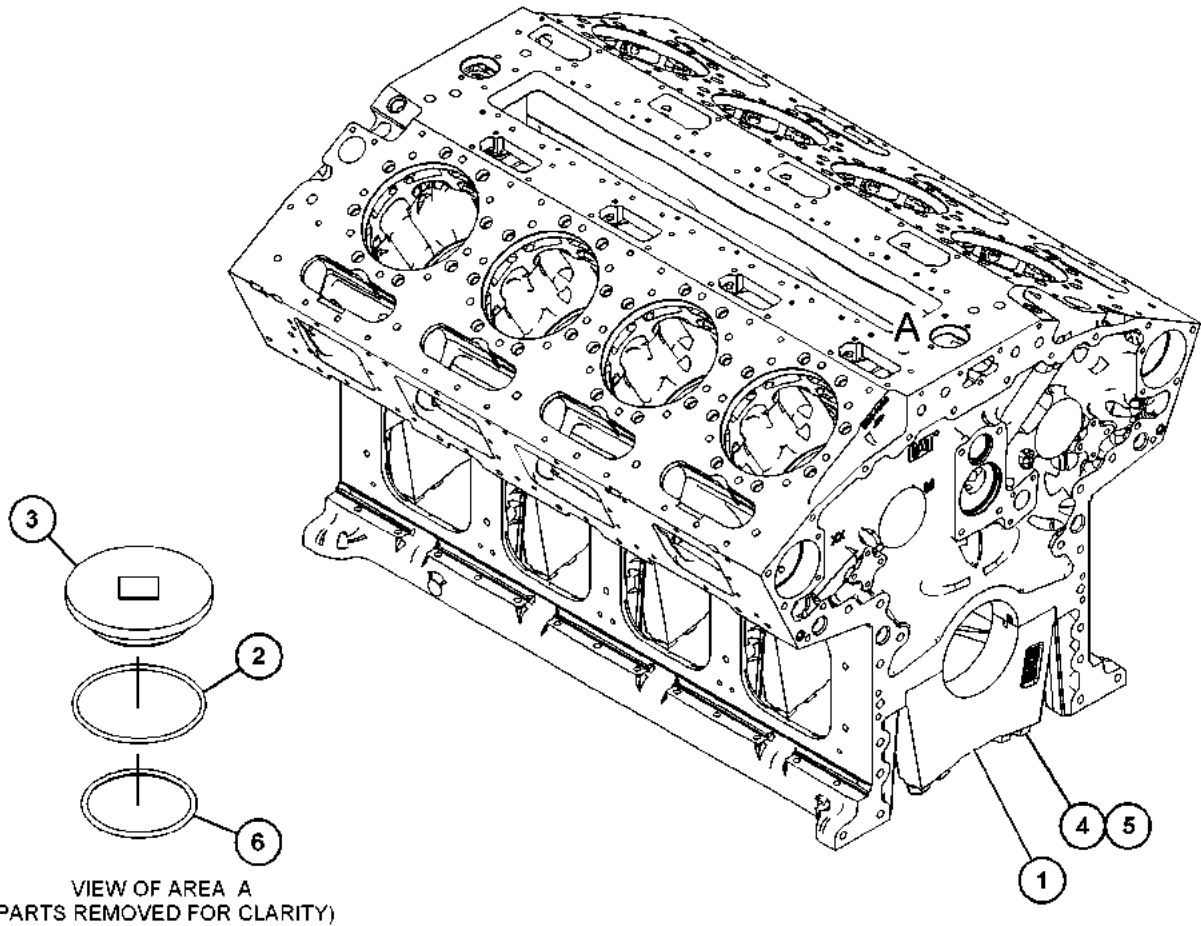
BASIC ENGINE

525-1804 CYLINDER BLOCK AS PART OF 350-1409 CYLINDER BLOCK GP AN ATTACHMENT

SMCS-1201

i07171724

NOTE	REF NO	GRAPHIC REF	PART NUMBER	QTY	PART NAME						SEE PAGE
					1	2	3	4	5	6	
	1	1	223-1696	5	CAP-CRANKSHAFT BEARING						
	2	1	8T-2929	2	SEAL-O-RING						
	3	1	4W-4813	2	PLUG						
	4	1	5P-8249	20	WASHER-HARD (24X41.5X4-MM THK)						
	5	1	7X-7925	20	BOLT (7/8-14X11-IN)						
	6	1	8T-2928	2	SEAL-O-RING						



GRAPHIC #1

<END>

g06243253

BASIC ENGINE

115-3504 CYLINDER BLOCK GP

S/N: 65Z887-1007

SMCS-1201

i02294687

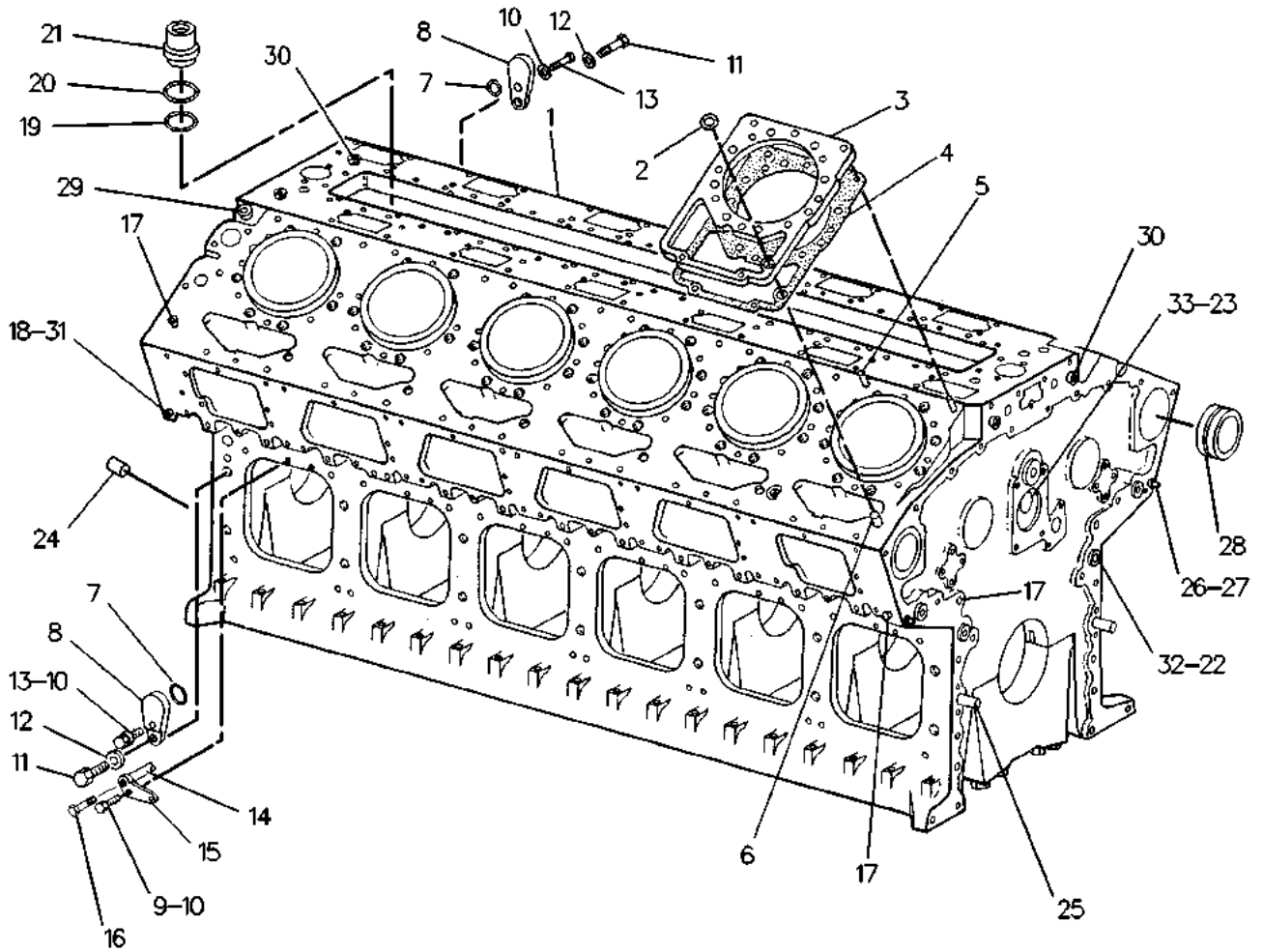
NOTE	REF NO	GRAPHIC REF	PART NUMBER	QTY	PART NAME						SEE PAGE
					1	2	3	4	5	6 (PRODUCT LEVEL)	
Y	1	1	100-8026	1	CYLINDER BLOCK AS						63
	2	1	5P-0840	24	SEAL-O-RING						
	3	1	110-6994	12	PLATE-SPACER						
	4	1	144-5692	12	GASKET-PLATE						
	5	1	8T-0099	24	DOWEL						
	6	1	197-7008	12	DOWEL						
	7	1	5P-8210	2	SEAL-O-RING						
	8	1	8N-8056	2	COVER						
	9	1	0T-0102	12	BOLT (3/8-16X0.625-IN)						
	10	1	5M-2894	14	WASHER-HARD (10.2X18.5X2.5-MM THK)						
	11	1	0S-1595	2	BOLT (1/2-13X1.25-IN)						
	12	1	5P-8245	2	WASHER-HARD (13.5X25.5X3-MM THK)						
	13	1	1A-2029	2	BOLT (3/8-16X1.125-IN)						
	14	1	116-3254	12	JET AS-PISTON COOLING (FOR USE WITH 1-PC PISTON ONLY)						
	15	1	1W-4188	12	RETAINER AS (FOR USE WITH 1-PC PISTON ONLY)						
					(EACH INCLUDES)						
		1	6V-3537	1	DOWEL						
	16	1	1B-2790	12	BOLT (5/16-18X1.375-IN)						
		1	9M-1974	12	WASHER-HARD (8.8X16X2-MM THK)						
	17	1	8T-6763	22	PLUG-PIPE (1/4-18-THD)						
	18	1	153-4906	6	SEAL-O-RING						
	19	1	8T-2928	1	SEAL-O-RING						
	20	1	8T-2929	1	SEAL-O-RING						
	21	1	4W-4814	1	ADAPTER						
	22	1	6V-3348	8	SEAL-O-RING						
	23	1	5F-9657	4	SEAL-O-RING						
	24	1	4N-0683	2	DOWEL						
	25	1	7N-2044	2	DOWEL						
	26	1	7N-2047	3	DOWEL						
	27	1	7X-4805	3	SEAL-O-RING						
	28	1	116-1359	14	BEARING-CAMSHAFT						
	29	1	7X-7731	2	PLUG-PIPE (3/4-14-THD)						
	30	1	8T-6762	4	PLUG-PIPE (1/2-14-THD)						
	31	1	9S-4191	6	PLUG (9/16-18-THD)						
	32	1	2W-2940	8	PLUG						
	33	1	7N-5641	2	PLUG-MANIFOLD						

Y - SEPARATE ILLUSTRATION

BASIC ENGINE

115-3504 CYLINDER BLOCK GP (contd.)

i02294687



GRAPHIC #1

<END>

g00265225

BASIC ENGINE

115-3505 CYLINDER BLOCK GP

S/N: 65Z1005-1129

SMCS-1201

i02294686

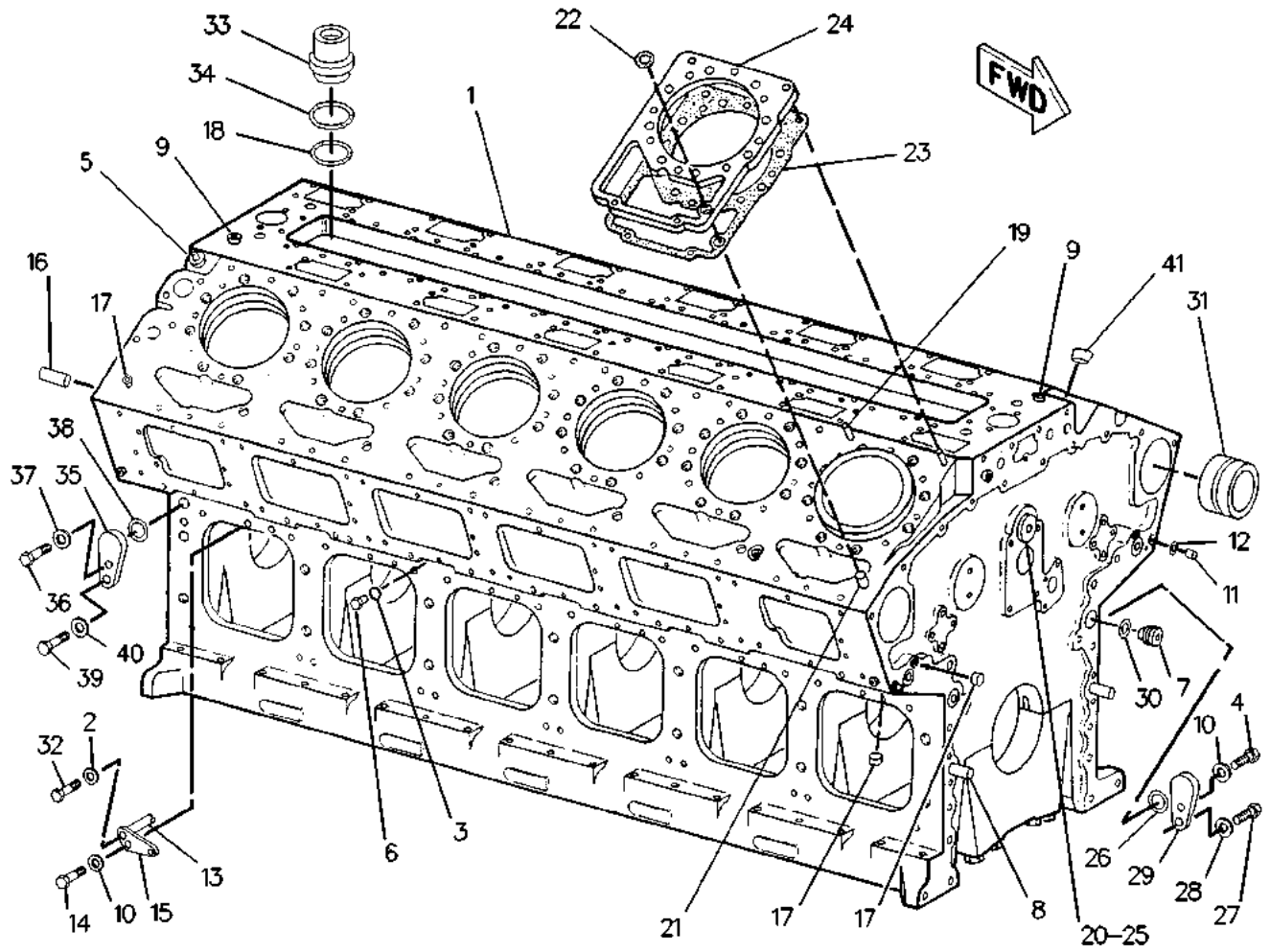
NOTE	REF NO	GRAPHIC REF	PART NUMBER	QTY	PART NAME						SEE PAGE
					1	2	3	4	5	6 (PRODUCT LEVEL)	
Y	1	1	100-8026	1	CYLINDER BLOCK AS						63
	2	1	9M-1974	12	WASHER-HARD (8.8X16X2-MM THK)						
	3	1	153-4906	6	SEAL-O-RING						
	4	1	1A-2029	2	BOLT (3/8-16X1.125-IN)						
	5	1	7X-7731	1	PLUG-PIPE (3/4-14-THD)						
	6	1	9S-4191	6	PLUG (9/16-18-THD)						
	7	1	2W-2940	8	PLUG						
	8	1	7N-2044	2	DOWEL						
	9	1	8T-6762	3	PLUG-PIPE (1/2-14-THD)						
	10	1	5M-2894	14	WASHER-HARD (10.2X18.5X2.5-MM THK)						
	11	1	7N-2047	3	DOWEL						
	12	1	7X-4805	3	SEAL-O-RING						
	13	1	116-3253	12	JET AS-PISTON COOLING (FOR USE WITH 2-PC PISTON ONLY)						
	14	1	0T-0102	12	BOLT (3/8-16X0.625-IN)						
	15	1	7C-3722	12	RETAINER AS (FOR USE WITH 2-PC PISTON ONLY)						
					(EACH INCLUDES)						
		1	6V-3537	1	DOWEL						
	16	1	4N-0683	2	DOWEL						
	17	1	8T-6763	22	PLUG-PIPE (1/4-18-THD)						
	18	1	8T-2928	1	SEAL-O-RING						
	19	1	8T-0099	24	DOWEL						
	20	1	7N-5641	2	PLUG-MANIFOLD						
	21	1	197-7008	12	DOWEL						
	22	1	5P-0840	24	SEAL-O-RING						
	23	1	144-5692	12	GASKET-PLATE						
	24	1	110-6994	12	PLATE-SPACER						
	25	1	5F-9657	4	SEAL-O-RING						
	26	1	5P-8210	2	SEAL-O-RING						
	27	1	0S-1595	2	BOLT (1/2-13X1.25-IN)						
	28	1	5P-8245	2	WASHER-HARD (13.5X25.5X3-MM THK)						
	29	1	8N-8056	2	COVER						
	30	1	6V-3348	8	SEAL-O-RING						
	31	1	116-1359	14	BEARING-CAMSHAFT						
	32	1	1B-2790	12	BOLT (5/16-18X1.375-IN)						
	33	1	4W-4814	1	ADAPTER						
	34	1	8T-2929	1	SEAL-O-RING						
B	35	1	8N-8056	1	COVER						
B	36	1	1A-2029	1	BOLT (3/8-16X1.125-IN)						
B	37	1	5M-2894	1	WASHER-HARD (10.2X18.5X2.5-MM THK)						
B	38	1	5P-8210	1	SEAL-O-RING						
B	39	1	0S-1595	1	BOLT (1/2-13X1.25-IN)						
B	40	1	5P-8245	1	WASHER-HARD (13.5X25.5X3-MM THK)						
B	41	1	7X-7731	1	PLUG-PIPE (3/4-14-THD)						

B - USE AS REQUIRED
Y - SEPARATE ILLUSTRATION

BASIC ENGINE

115-3505 CYLINDER BLOCK GP (contd.)

i02294686



GRAPHIC #1

<END>

g00886512

BASIC ENGINE

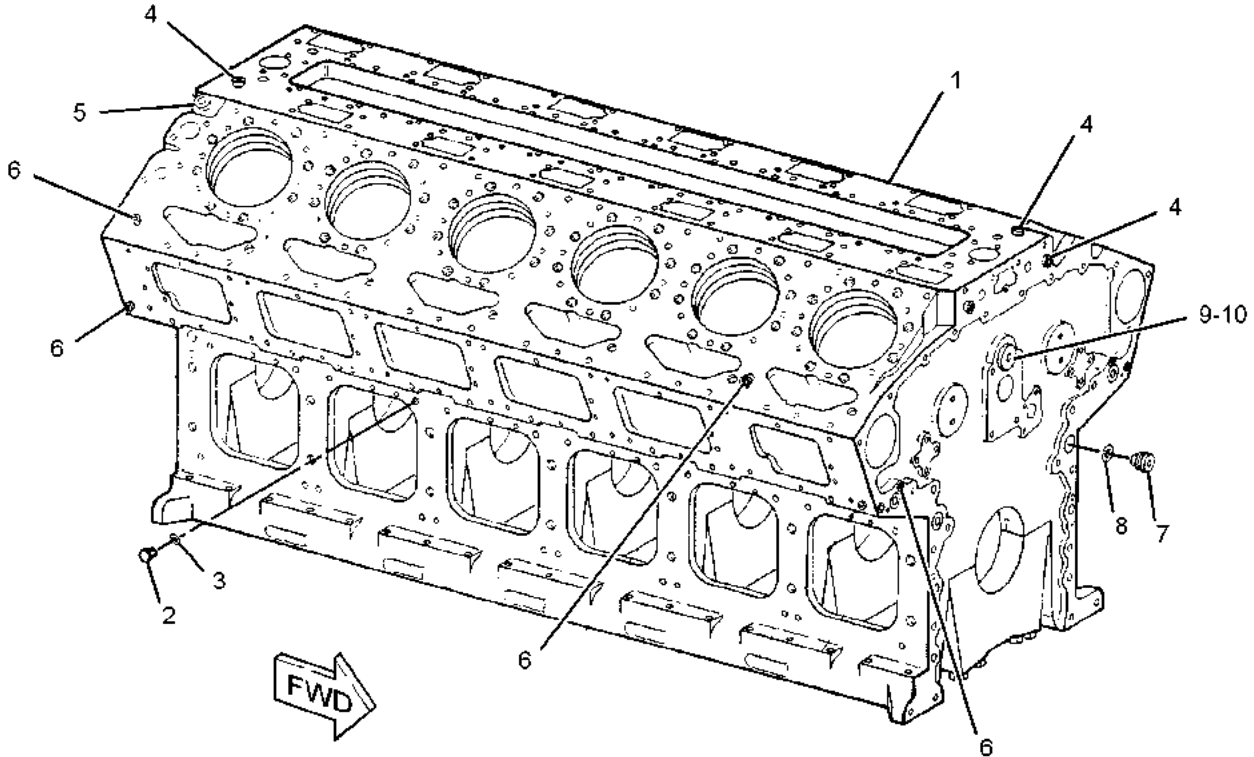
115-5154 CYLINDER BLOCK GP*R FIELD REPLACEMENT FOR 100-8026-PAGE: 63

SMCS-1201

i02795477

NOTE	REF NO	GRAPHIC REF	PART NUMBER	QTY	PART NAME						SEE PAGE
					1	2	3	4	5	6 (PRODUCT LEVEL)	
Y	1	1	106-2779	1	CYLINDER BLOCK AS						64
	2	1	9S-4191	6	PLUG (9/16-18-THD)						
	3	1	033-6042	6	SEAL-O-RING						
	4	1	8T-6762	4	PLUG-PIPE (1/2-14-THD)						
	5	1	7X-7731	2	PLUG-PIPE (3/4-14-THD)						
	6	1	8T-6763	22	PLUG-PIPE (1/4-18-THD)						
	7	1	2W-2940	8	PLUG						
	8	1	6V-3348	8	SEAL-O-RING						
	9	1	7N-5641	2	PLUG-MANIFOLD						
	10	1	5F-9657	4	SEAL-O-RING						

Y - SEPARATE ILLUSTRATION



GRAPHIC #1

<END>

g01395923

BASIC ENGINE

240-6650 CYLINDER BLOCK GP

S/N: 65Z1130-1497

SMCS-1201

i02296074

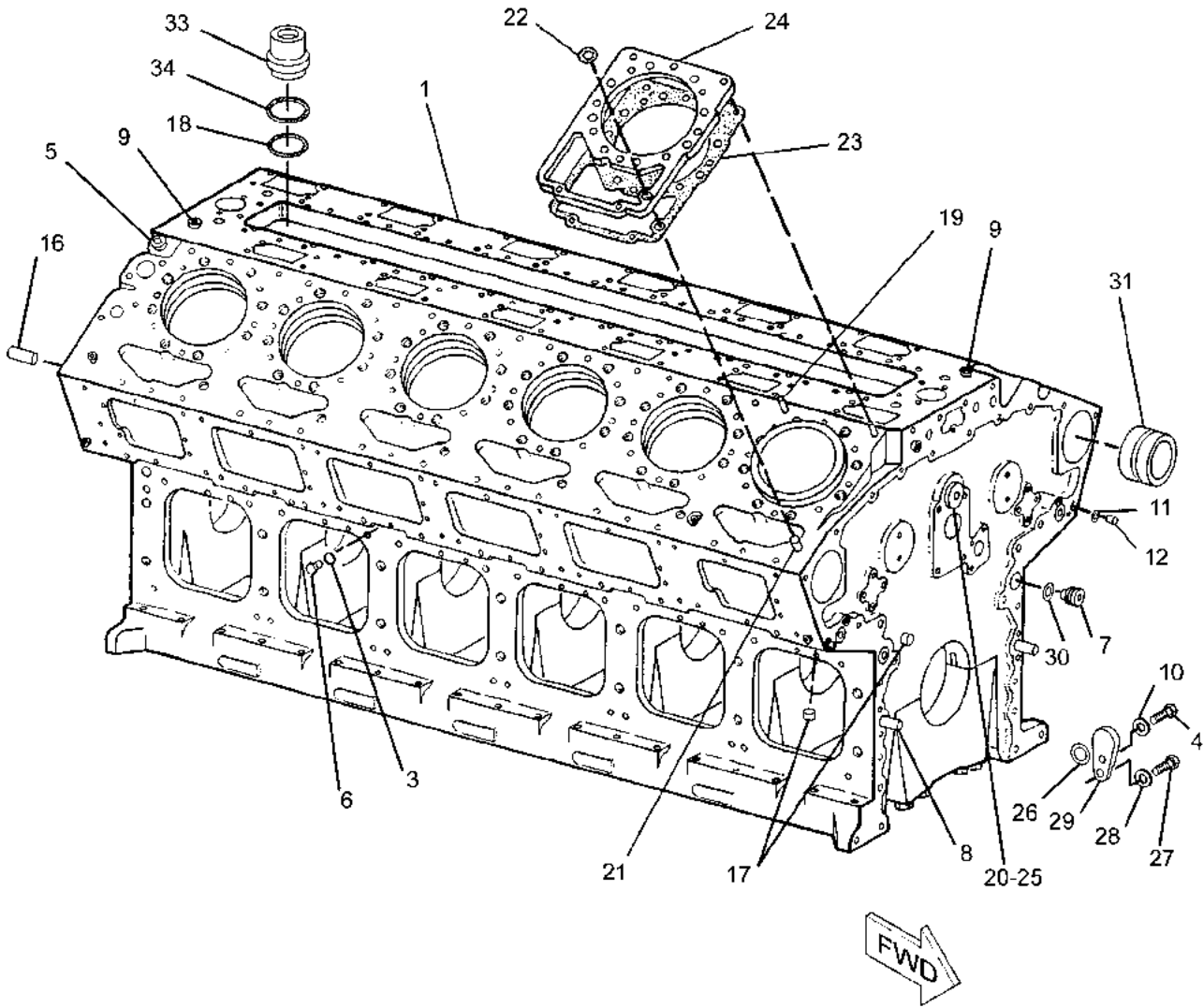
NOTE	REF NO	GRAPHIC REF	PART NUMBER	QTY	PART NAME						SEE PAGE
					1	2	3	4	5	6 (PRODUCT LEVEL)	
Y	1	1	100-8026	1	CYLINDER BLOCK AS						63
	3	1	153-4906	6	SEAL-O-RING						
	4	1	1A-2029	2	BOLT (3/8-16X1.125-IN)						
	5	1	7X-7731	1	PLUG-PIPE (3/4-14-THD)						
	6	1	9S-4191	6	PLUG (9/16-18-THD)						
	7	1	2W-2940	8	PLUG						
	8	1	7N-2044	2	DOWEL						
	9	1	8T-6762	3	PLUG-PIPE (1/2-14-THD)						
	10	1	5M-2894	2	WASHER-HARD (10.2X18.5X2.5-MM THK)						
	11	1	7N-2047	3	DOWEL						
	12	1	7X-4805	3	SEAL-O-RING						
	16	1	4N-0683	2	DOWEL						
	17	1	8T-6763	22	PLUG-PIPE (1/4-18-THD)						
	18	1	8T-2928	1	SEAL-O-RING						
	19	1	8T-0099	24	DOWEL						
	20	1	7N-5641	2	PLUG-MANIFOLD						
	21	1	197-7008	12	DOWEL						
	22	1	5P-0840	24	SEAL-O-RING						
	23	1	144-5692	12	GASKET-PLATE						
	24	1	110-6994	12	PLATE-SPACER						
	25	1	5F-9657	4	SEAL-O-RING						
	26	1	5P-8210	2	SEAL-O-RING						
	27	1	0S-1595	2	BOLT (1/2-13X1.25-IN)						
	28	1	5P-8245	2	WASHER-HARD (13.5X25.5X3-MM THK)						
	29	1	8N-8056	2	COVER						
	30	1	6V-3348	8	SEAL-O-RING						
	31	1	116-1359	14	BEARING-CAMSHAFT						
	33	1	4W-4814	1	ADAPTER						
	34	1	8T-2929	1	SEAL-O-RING						

Y - SEPARATE ILLUSTRATION

BASIC ENGINE

240-6650 CYLINDER BLOCK GP (contd.)

i02296074



GRAPHIC #1

<END>

g01083326

BASIC ENGINE

240-6650 CYLINDER BLOCK GP

S/N: 65Z1498-1529

SMCS-1201

i03910030

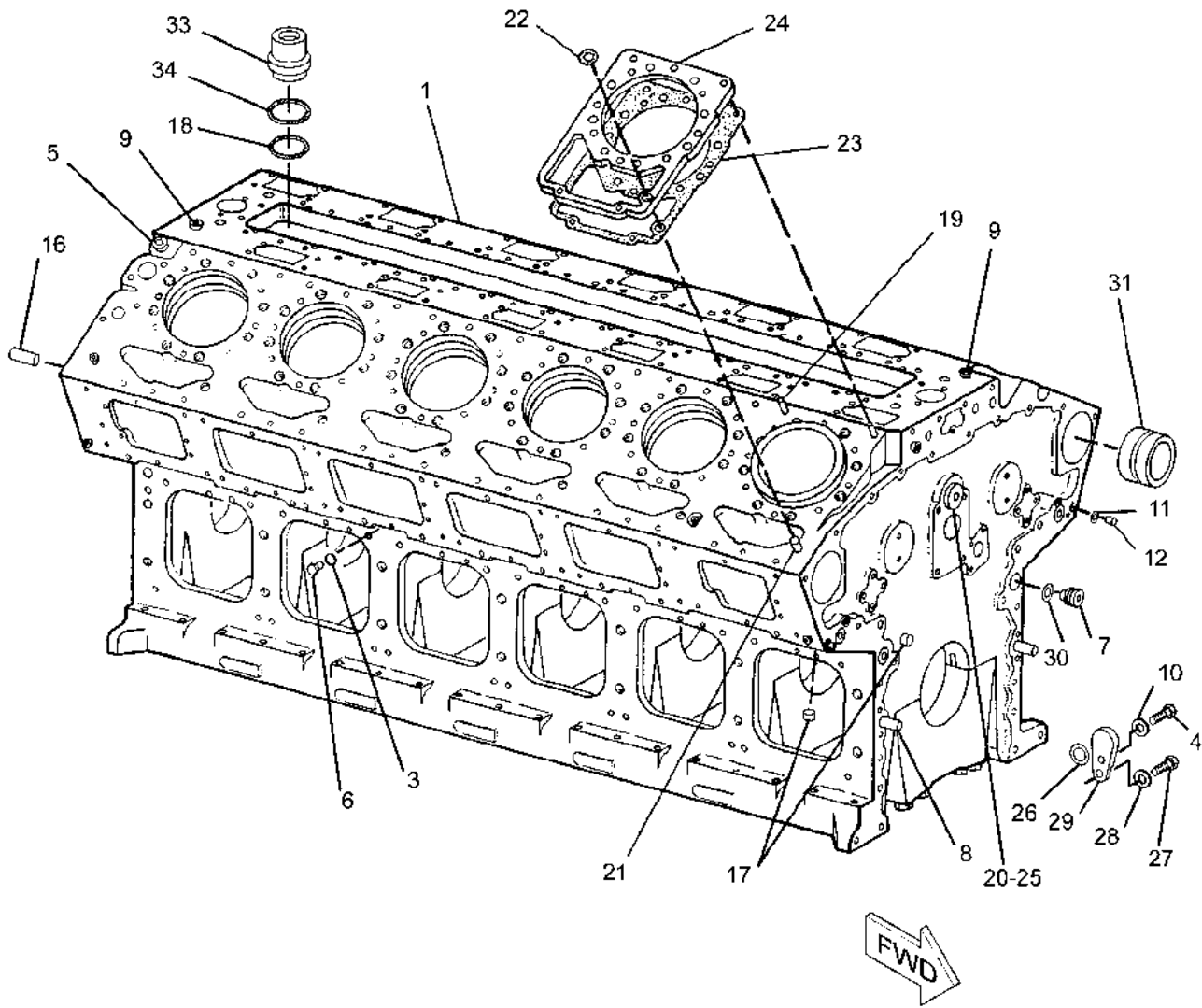
NOTE	REF NO	GRAPHIC REF	PART NUMBER	QTY	PART NAME						SEE PAGE
					1	2	3	4	5	6 (PRODUCT LEVEL)	
CY	1	1	350-1413	1	CYLINDER BLOCK AS						67
C	3	1	214-7568	6	SEAL-O-RING						
	4	1	1A-2029	2	BOLT (3/8-16X1.125-IN)						
	5	1	7X-7731	1	PLUG-PIPE (3/4-14-THD)						
	6	1	9S-4191	6	PLUG (9/16-18-THD)						
	7	1	2W-2940	8	PLUG						
	8	1	7N-2044	2	DOWEL						
	9	1	8T-6762	3	PLUG-PIPE (1/2-14-THD)						
	10	1	5M-2894	2	WASHER-HARD (10.2X18.5X2.5-MM THK)						
	11	1	7N-2047	3	DOWEL						
	12	1	7X-4805	3	SEAL-O-RING						
	16	1	4N-0683	2	DOWEL						
	17	1	8T-6763	22	PLUG-PIPE (1/4-18-THD)						
	18	1	8T-2928	1	SEAL-O-RING						
	19	1	8T-0099	24	DOWEL						
	20	1	7N-5641	2	PLUG-MANIFOLD						
	21	1	197-7008	12	DOWEL						
	22	1	5P-0840	24	SEAL-O-RING						
	23	1	144-5692	12	GASKET-PLATE						
	24	1	110-6994	12	PLATE-SPACER						
	25	1	5F-9657	4	SEAL-O-RING						
	26	1	5P-8210	2	SEAL-O-RING						
	27	1	0S-1595	2	BOLT (1/2-13X1.25-IN)						
	28	1	5P-8245	2	WASHER-HARD (13.5X25.5X3-MM THK)						
	29	1	8N-8056	2	COVER						
	30	1	6V-3348	8	SEAL-O-RING						
	31	1	116-1359	14	BEARING-CAMSHAFT						
	33	1	4W-4814	1	ADAPTER						
	34	1	8T-2929	1	SEAL-O-RING						

C - CHANGE FROM PREVIOUS TYPE
 Y - SEPARATE ILLUSTRATION

BASIC ENGINE

240-6650 CYLINDER BLOCK GP (contd.)

i03910030



GRAPHIC #1

<END>

g01083326

BASIC ENGINE

350-1409 CYLINDER BLOCK GP

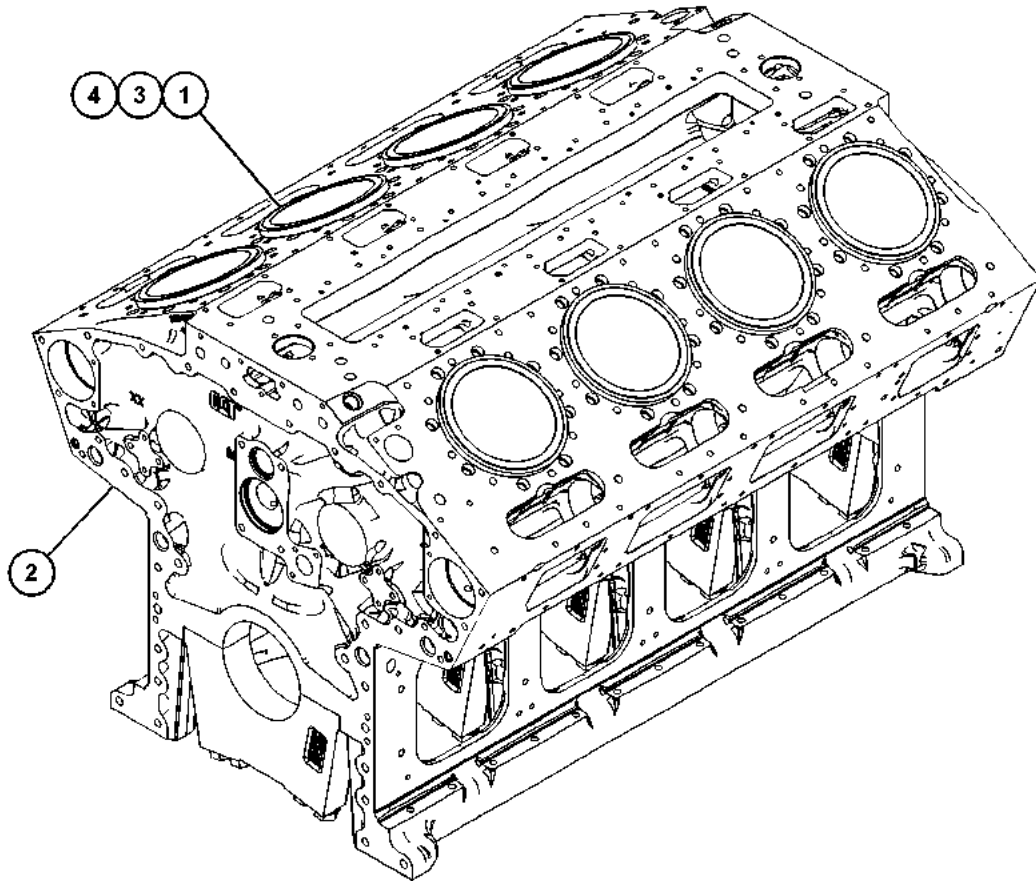
FIELD REPLACEMENT ORDER 353-3969-PAGE: 85, 24- 7N-2046 SEAL-O-RING, 8-211-
7826 LINER-CYLINDER BLOCK, 8-352-6061 SEAL-LINER
PART OF 350-5210 CYLINDER BLOCK GP
AN ATTACHMENT

SMCS-1201

i07171719

NOTE	REF NO	GRAPHIC REF	PART NUMBER	QTY	PART NAME	SEE PAGE
					1 2 3 4 5 6 (PRODUCT LEVEL)	
	1	1	211-7826	8	LINER-CYLINDER BLOCK	
Y	2	1	525-1804	1	CYLINDER BLOCK AS	69
	3	1	352-6061	8	SEAL-LINER	
	4	1	7N-2046	24	SEAL-O-RING	

Y - SEPARATE ILLUSTRATION



GRAPHIC #1

<END>

g06242284

BASIC ENGINE

350-5210 CYLINDER BLOCK GP

AN ATTACHMENT

SMCS-1201

i07383990

NOTE	REF NO	GRAPHIC REF	PART NUMBER	QTY	PART NAME						SEE PAGE
					1	2	3	4	5	6 (PRODUCT LEVEL)	
	1	1	0S-1595	2	BOLT (1/2-13X1.25-IN)						
	2	1	0T-0102	8	BOLT (3/8-16X0.625-IN)						
	3	1	1A-2029	2	BOLT (3/8-16X1.125-IN)						
	4	1	1B-2790	8	BOLT (5/16-18X1.375-IN)						
	5	1	1W-4188	8	RETAINER AS (FOR USE WITH 1-PC PISTON ONLY)						
					(EACH INCLUDES)						
		1	6V-3537	1	DOWEL						
	6	2	2W-2940	8	PLUG (OIL MANIFOLD)						
	7	2	4N-0683	2	DOWEL						
	8	2	4W-4814	1	ADAPTER						
	9	1	5M-2894	10	WASHER-HARD (10.2X18.5X2.5-MM THK)						
	10	1	5P-0840	16	SEAL-O-RING						
	11	1	5P-8210	2	SEAL-O-RING						
	12	1	5P-8245	2	WASHER-HARD (13.5X25.5X3-MM THK)						
	13	1	7N-2044	2	DOWEL						
	14	1,2	7N-2047	3	DOWEL						
	15	2	7N-5641	2	PLUG-MANIFOLD						
	16	1,2	7X-4805	3	SEAL-O-RING						
	17	1	7X-7731	2	PLUG-PIPE (3/4-14-THD)						
	18	1	8N-8056	2	COVER						
	19	1	8T-0099	16	DOWEL						
	20	2	8T-2928	1	SEAL-O-RING						
	21	2	8T-2929	1	SEAL-O-RING						
	22	1,2	8T-6762	4	PLUG-PIPE (1/2-14-THD)						
	23	1	8T-6763	18	PLUG-PIPE (1/4-18-THD)						
	24	1	9M-1974	8	WASHER-HARD (8.8X16X2-MM THK)						
	25	2	9S-4191	6	PLUG (9/16-18-THD)						
	26	1,2	116-1359	10	BEARING-CAMSHAFT						
	27	1	116-3254	8	JET AS-PISTON COOLING (FOR USE WITH 1-PC PISTON ONLY)						
	28	1	197-7008	8	DOWEL						
	29	2	214-7568	6	SEAL-O-RING						
	30	2	6V-3348	8	SEAL-O-RING						
	31	1,2	144-5692	8	GASKET-PLATE						
Y	32	2	<i>350-1409</i>	1	CYLINDER BLOCK GP						79
	33	1,2	519-7297	8	PLATE-SPACER						
	34	2	5F-9657	4	SEAL-O-RING						

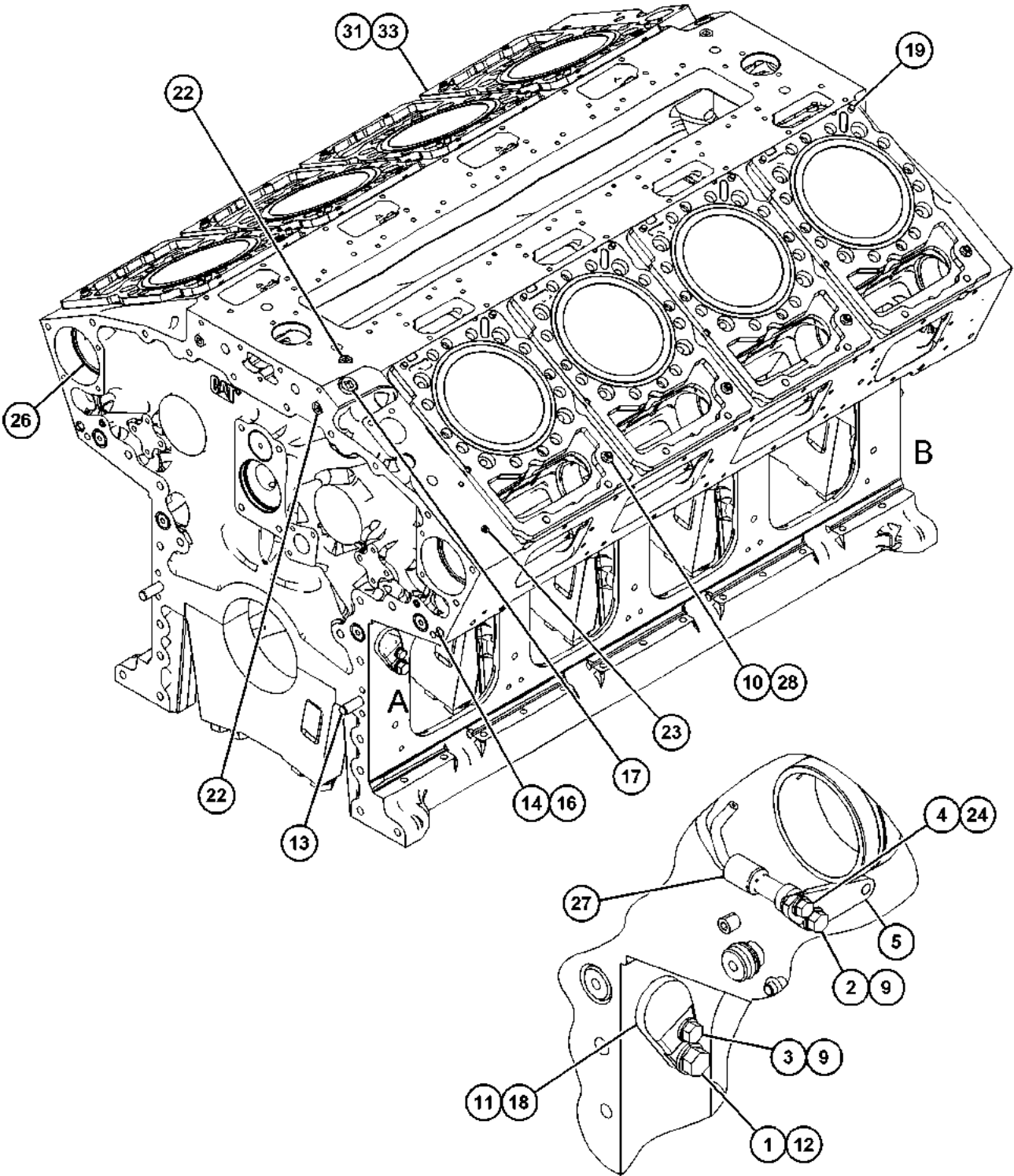
Y - SEPARATE ILLUSTRATION

BASIC ENGINE

350-5210 CYLINDER BLOCK GP (contd.)

i07383990

REFER TO ALL ILLUSTRATIONS OF THIS GROUP FOR AUXILIARY VIEWS



VIEW OF AREA A
(PARTS REMOVED FOR CLARITY)

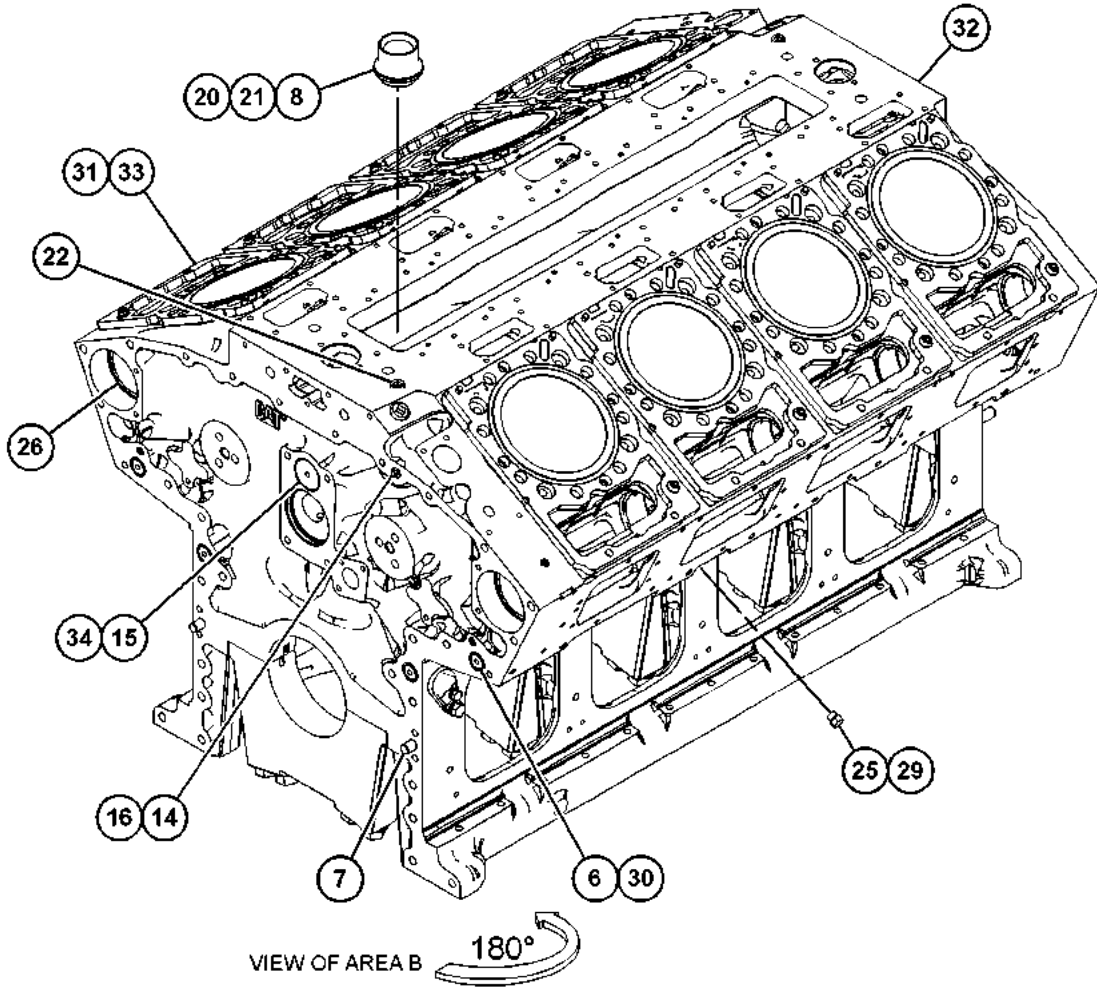
GRAPHIC #1

g06304333

BASIC ENGINE

350-5210 CYLINDER BLOCK GP (contd.)

i07383990



GRAPHIC #2

<END>

g06304334

BASIC ENGINE

350-5219 CYLINDER BLOCK GP

S/N: 65Z1530-UP

SMCS-1201

i07382338

NOTE	REF NO	GRAPHIC REF	PART NUMBER	QTY	PART NAME						SEE PAGE
					1	2	3	4	5	6 (PRODUCT LEVEL)	
Y	1	1	350-1413	1	CYLINDER BLOCK AS						67
	3	1	214-7568	6	SEAL-O-RING						
B	4	1	1A-2029	2	BOLT (3/8-16X1.125-IN)						
	5	1	7X-7731	1	PLUG-PIPE (3/4-14-THD)						
	6	1	9S-4191	6	PLUG (9/16-18-THD)						
	7	1	2W-2940	8	PLUG						
	8	1	7N-2044	2	DOWEL						
	9	1	8T-6762	3	PLUG-PIPE (1/2-14-THD)						
B	10	1	5M-2894	2	WASHER-HARD (10.2X18.5X2.5-MM THK)						
	11	1	7N-2047	3	DOWEL						
	12	1	7X-4805	3	SEAL-O-RING						
	16	1	4N-0683	2	DOWEL						
	17	1	8T-6763	22	PLUG-PIPE (1/4-18-THD)						
	18	1	8T-2928	1	SEAL-O-RING						
	19	1	8T-0099	24	DOWEL						
	20	1	7N-5641	2	PLUG-MANIFOLD						
	21	1	197-7008	12	DOWEL						
	22	1	5P-0840	24	SEAL-O-RING						
	23	1	144-5692	12	GASKET-PLATE						
	24	1	519-7297	12	PLATE-SPACER						
	25	1	5F-9657	4	SEAL-O-RING						
B	26	1	5P-8210	2	SEAL-O-RING						
B	27	1	0S-1595	2	BOLT (1/2-13X1.25-IN)						
B	28	1	5P-8245	2	WASHER-HARD (13.5X25.5X3-MM THK)						
B	29	1	8N-8056	2	COVER						
	30	1	6V-3348	8	SEAL-O-RING						
	31	1	116-1359	14	BEARING-CAMSHAFT						
	33	1	4W-4814	1	ADAPTER						
	34	1	8T-2929	1	SEAL-O-RING						

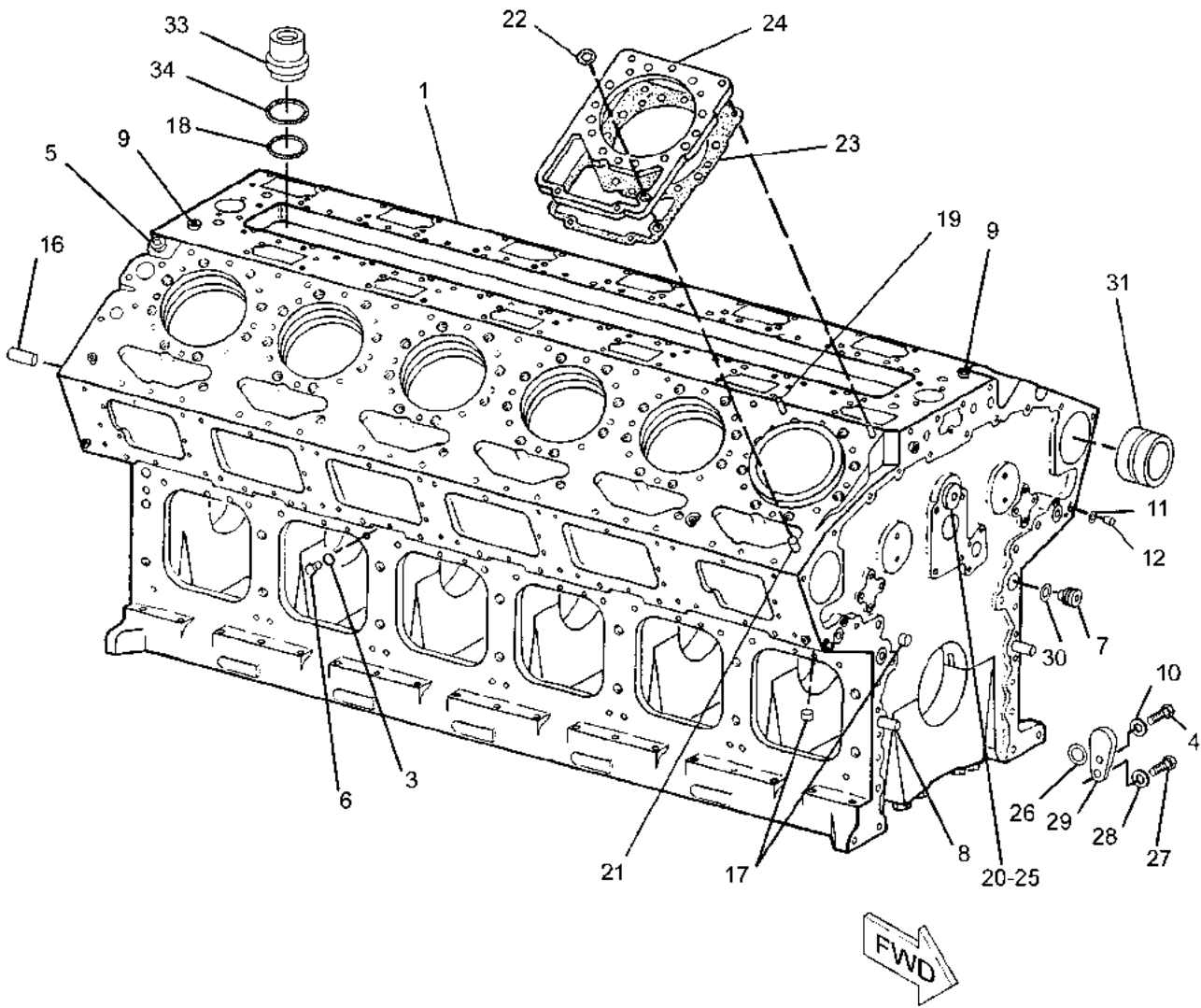
B - USE AS REQUIRED

Y - SEPARATE ILLUSTRATION

BASIC ENGINE

350-5219 CYLINDER BLOCK GP (contd.)

i07382338



GRAPHIC #1

<END>

g01083326

BASIC ENGINE

353-3969 CYLINDER BLOCK GP*R FOR USE WITH 339-4950 SEAL-LINER, 8N-4707 BAND-FILLER

SMCS-1201

i05197291

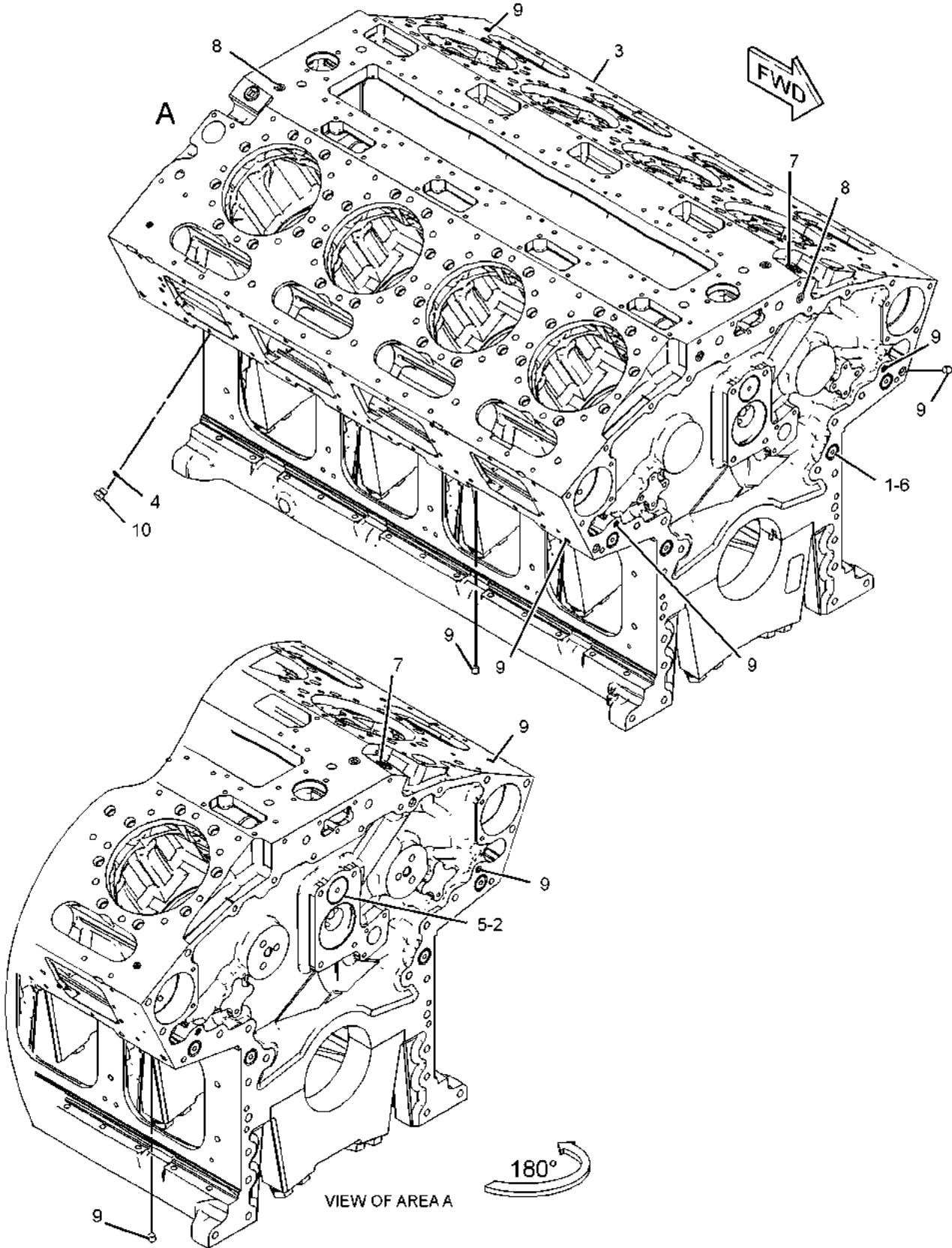
NOTE	REF NO	GRAPHIC REF	PART NUMBER	QTY	PART NAME						SEE PAGE
					1	2	3	4	5	6 (PRODUCT LEVEL)	
	1	1	2W-2940	8	PLUG						
	2	1	7N-5641	2	PLUG-MANIFOLD						
Y	3	1	<i>350-1391</i>	1	CYLINDER BLOCK AS						65
	4	1	214-7568	6	SEAL-O-RING						
	5	1	5F-9657	4	SEAL-O-RING						
	6	1	6V-3348	8	SEAL-O-RING						
	7	1	7X-7731	2	PLUG-PIPE (3/4-14-THD)						
	8	1	8T-6762	4	PLUG-PIPE (1/2-14-THD)						
	9	1	8T-6763	18	PLUG-PIPE (1/4-18-THD)						
	10	1	9S-4191	6	PLUG (9/16-18-THD)						

Y - SEPARATE ILLUSTRATION

BASIC ENGINE

353-3969 CYLINDER BLOCK GP (contd.)

i05197291



GRAPHIC #1

<END>

g02051593

BASIC ENGINE

353-3970 CYLINDER BLOCK GP*R

S/N: 65Z1498-UP

FIELD REPLACEMENT FOR 350-1413-PAGE: 67

FOR USE WITH 339-4950 SEAL-LINER, 8N-4707 BAND-FILLER

SMCS-1201

i03893109

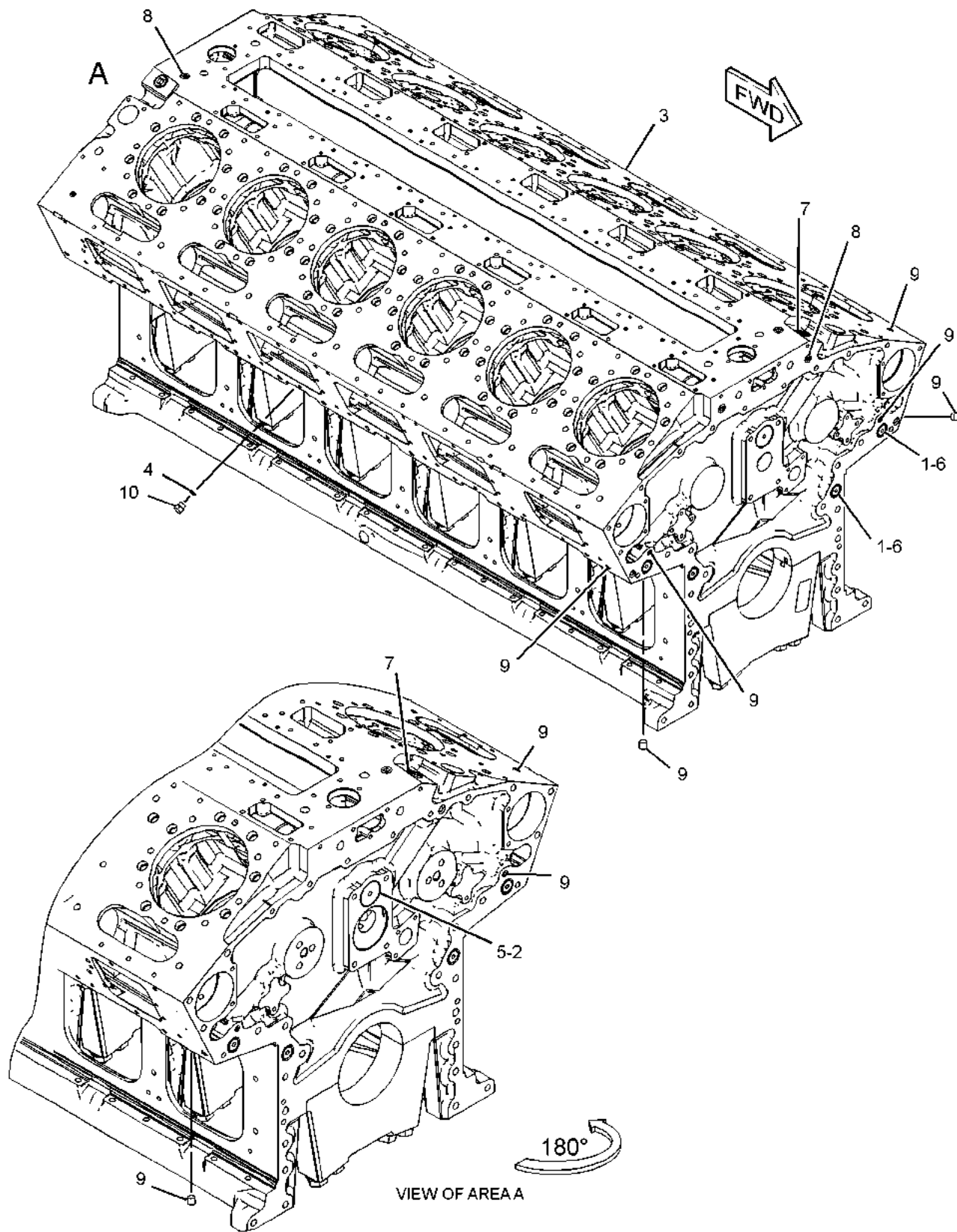
NOTE	REF NO	GRAPHIC REF	PART NUMBER	QTY	PART NAME						SEE PAGE
					1	2	3	4	5	6	
	1	1	2W-2940	8	PLUG						
	2	1	7N-5641	2	PLUG-MANIFOLD						
Y	3	1	350-1392	1	CYLINDER BLOCK AS						66
	4	1	214-7568	6	SEAL-O-RING						
	5	1	5F-9657	4	SEAL-O-RING						
	6	1	6V-3348	8	SEAL-O-RING						
	7	1	7X-7731	2	PLUG-PIPE (3/4-14-THD)						
	8	1	8T-6762	4	PLUG-PIPE (1/2-14-THD)						
	9	1	8T-6763	22	PLUG-PIPE (1/4-18-THD)						
	10	1	9S-4191	6	PLUG (9/16-18-THD)						

Y - SEPARATE ILLUSTRATION

BASIC ENGINE

353-3970 CYLINDER BLOCK GP (contd.)

i03893109



GRAPHIC #1

<END>

g02052555

BASIC ENGINE

101-1266 CYLINDER HEAD AS

FIELD REPLACEMENT ORDER 107-1822-PAGE: 90, 156-9141-PAGE: 94, 172-0839-PAGE: 97

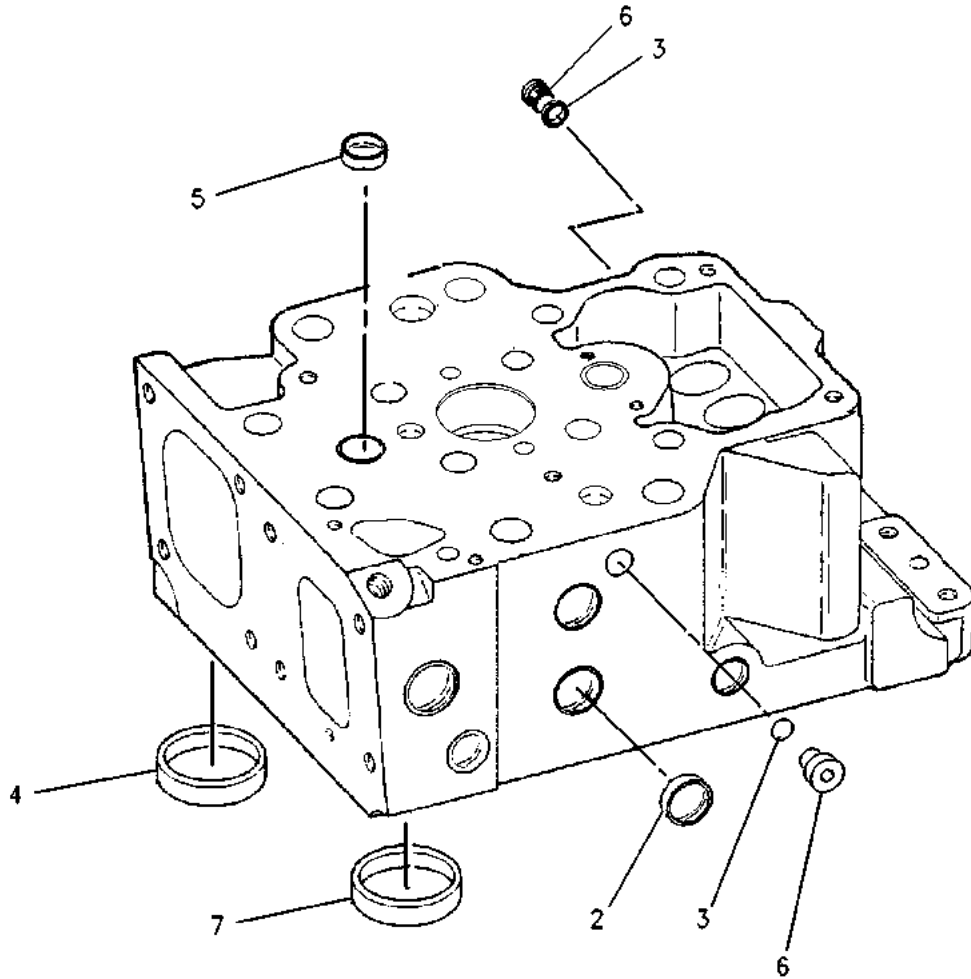
PART OF 107-1822, 156-9141 CYLINDER HEAD AS
AN ATTACHMENT

SMCS-1100, 1101

i03629640

NOTE	REF NO	GRAPHIC REF	PART NUMBER	QTY	PART NAME						SEE PAGE
					1	2	3	4	5	6 (PRODUCT LEVEL)	
	2	1	3B-0645	5	PLUG-CUP (32.08-MM OD)						
	3	1	3J-7354	4	SEAL-O-RING						
	4	1	130-2607	2	INSERT-VALVE SEAT (STANDARD) (INLET)						
AB			149-1981	1	INSERT-VALVE SEAT (0.51-MM OS) (INLET)						
	5	1	3B-0623	5	PLUG-CUP						
	6	1	9S-8002	4	PLUG (7/16-20-THD)						
	7	1	131-4340	2	INSERT-VALVE SEAT (STANDARD) (EXHAUST)						
AB			149-0246	1	INSERT-VALVE SEAT (0.51-MM OS) (EXHAUST)						

A - NOT PART OF THIS GROUP
B - USE AS REQUIRED



GRAPHIC #1

<END>

g00698179

BASIC ENGINE

107-1822 CYLINDER HEAD AS*R

FIELD REPLACEMENT FOR 101-1266—PAGE: 89

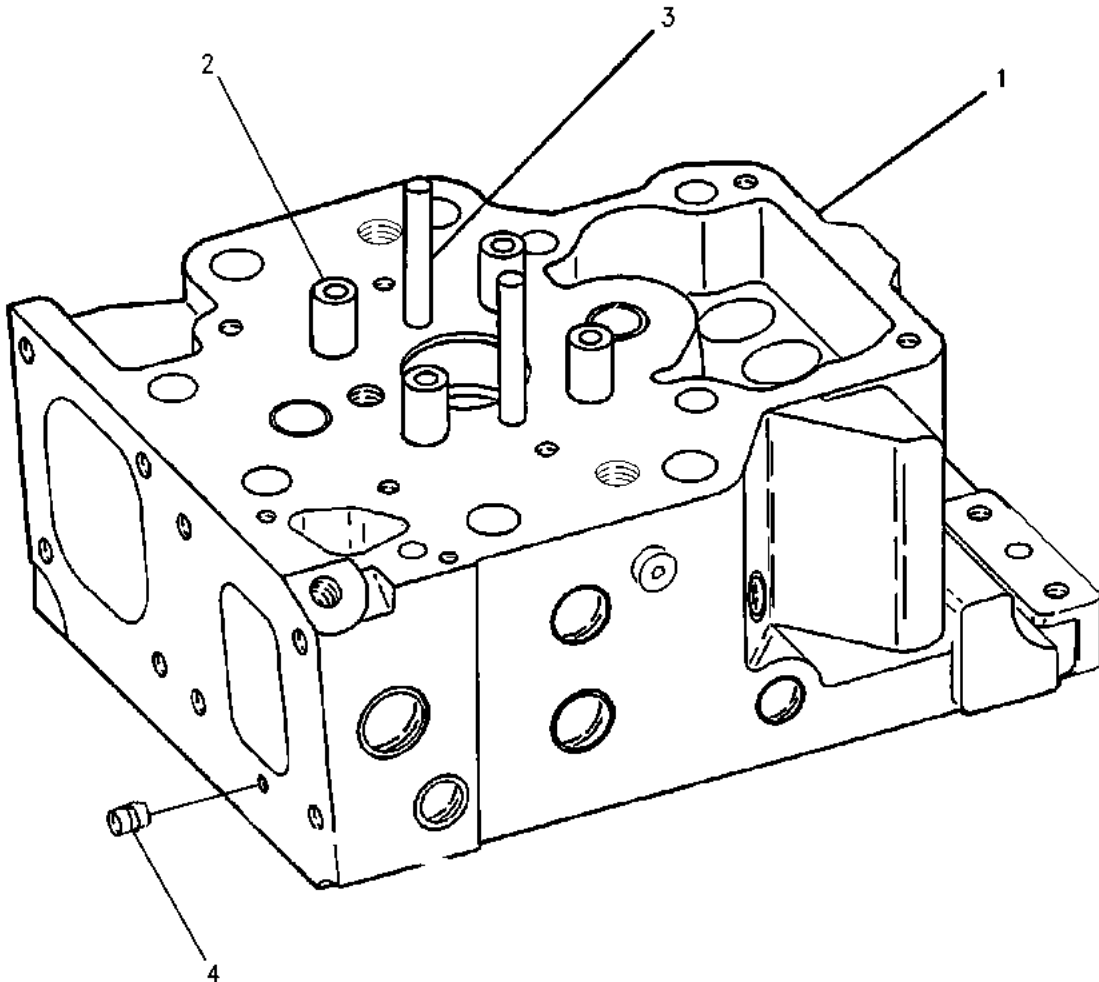
PART OF 151-2776 CYLINDER HEAD GP
AN ATTACHMENT

SMCS-1100, 1101

i03168926

NOTE	REF NO	GRAPHIC REF	PART NUMBER	QTY	PART NAME						SEE PAGE
					1	2	3	4	5	6 (PRODUCT LEVEL)	
Y	1	1	107-1266	1	CYLINDER HEAD AS						89
	2	1	130-2613	4	GUIDE-VALVE (STANDARD)						
AB			149-1982	1	GUIDE-VALVE (0.508-MM OS)						
AB			273-3553	1	GUIDE-VALVE (0.127-MM OS)						
	3	1	7N-1902	2	DOWEL						
	4	1	4D-0514	1	PLUG-PIPE						

A - NOT PART OF THIS GROUP
B - USE AS REQUIRED
Y - SEPARATE ILLUSTRATION



GRAPHIC #1

<END>

g00763091

BASIC ENGINE

131-0410 CYLINDER HEAD AS

FIELD REPLACEMENT ORDER 131-0424-PAGE: 92, 156-9140-PAGE: 93, 172-0839-PAGE: 97

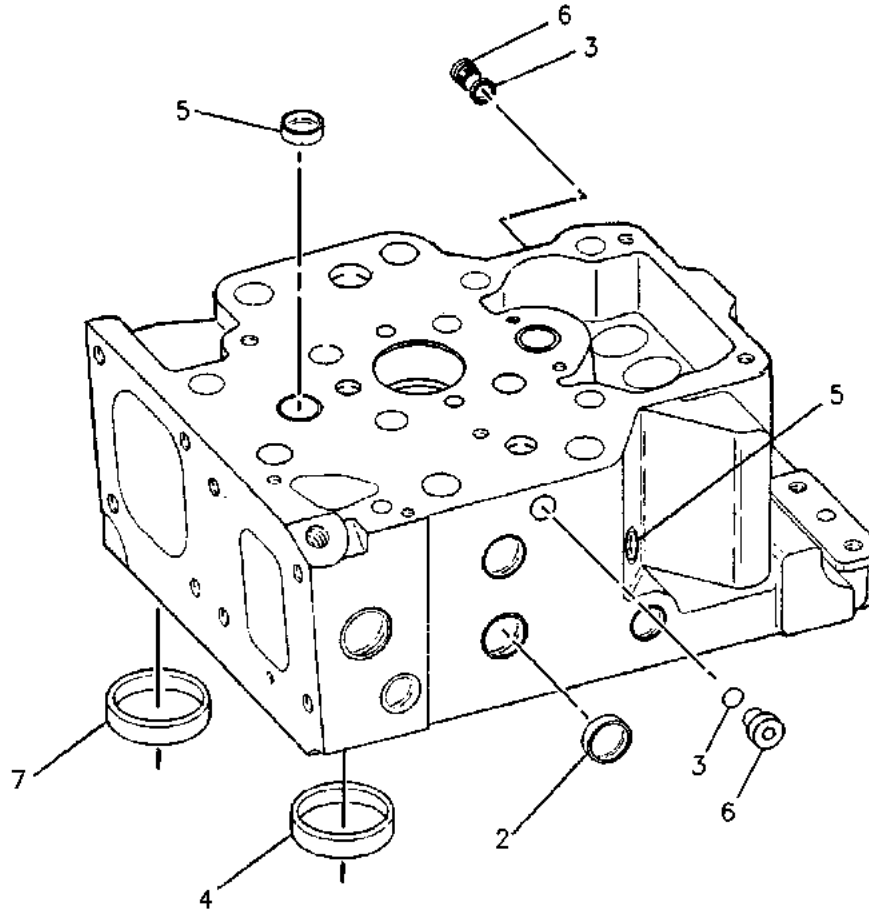
PART OF 131-0424, 156-9140 CYLINDER HEAD AS, 4P-9123, 4W-9560 CYLINDER HEAD GP
ALSO AN ATTACHMENT

SMCS-1100, 1101

i03629735

NOTE	REF NO	GRAPHIC REF	PART NUMBER	QTY	PART NAME						SEE PAGE
					1	2	3	4	5	6 (PRODUCT LEVEL)	
	2	1	3B-0645	5	PLUG-CUP (32.08-MM OD)						
	3	1	3J-7354	4	SEAL-O-RING						
	4	1	131-4340	2	INSERT-VALVE SEAT (STANDARD) (EXHAUST)						
AB			149-0246		INSERT-VALVE SEAT (0.51-MM OS)						
	5	1	3B-0623	5	PLUG-CUP						
	6	1	9S-8002	4	PLUG (7/16-20-THD)						
	7	1	136-9630	2	INSERT-VALVE SEAT (STANDARD) (INLET)						
AB			149-0245		INSERT-VALVE SEAT (0.508-MM OS) (INLET)						

A - NOT PART OF THIS GROUP
B - USE AS REQUIRED



GRAPHIC #1

<END>

g00696007

BASIC ENGINE

131-0424 CYLINDER HEAD AS*R

S/N: 65Z887-960

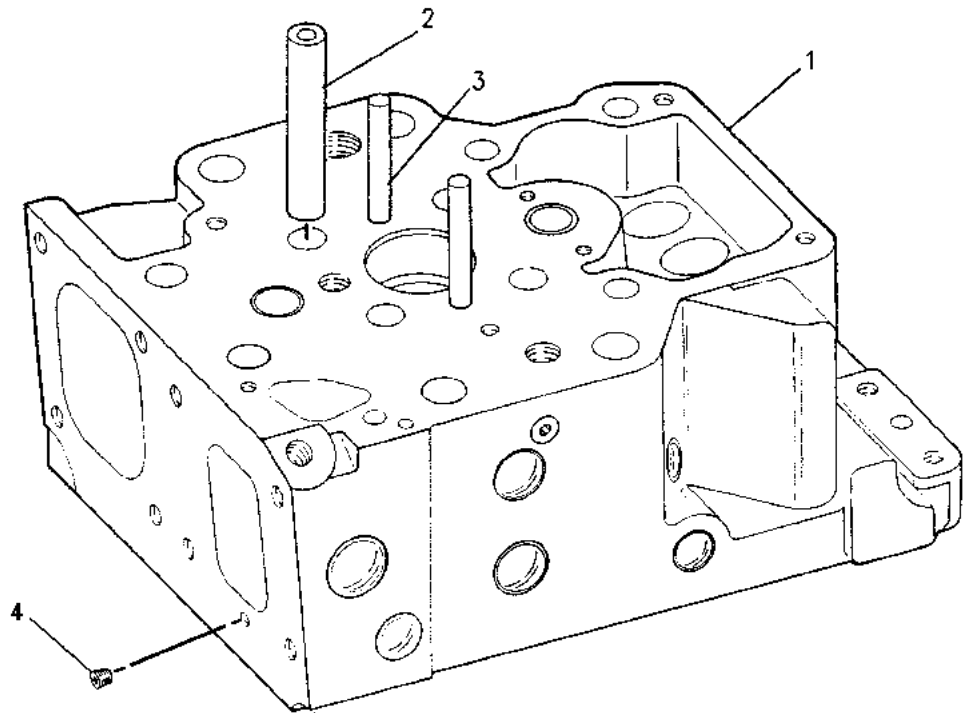
FIELD REPLACEMENT FOR 131-0410 CYLINDER HEAD AS

SMCS-1100, 1101

i02668008

NOTE	REF NO	GRAPHIC REF	PART NUMBER	QTY	PART NAME						SEE PAGE
					1	2	3	4	5	6 (PRODUCT LEVEL)	
Y	1	1	131-0410	1	CYLINDER HEAD AS						91
R	2	1	133-9306	4	GUIDE-VALVE (STANDARD)						
AB		1	149-1982		GUIDE-VALVE (0.508-MM OS)						
AB		1	273-3553		GUIDE-VALVE (0.127-MM OS)						
AB		1	273-3554		GUIDE-VALVE (0.25-MM OS)						
AB		1	301-9248		GUIDE-VALVE (0.38-MM THK)						
	3	1	7N-1902	2	DOWEL						
	4	1	4D-0514	1	PLUG-PIPE						

A - NOT PART OF THIS GROUP
 B - USE AS REQUIRED
 R - REMANUFACTURED PART MAY BE AVAILABLE
 Y - SEPARATE ILLUSTRATION



GRAPHIC #1

<END>

g00705444

BASIC ENGINE

156-9140 CYLINDER HEAD AS*R

S/N: 65Z887-960

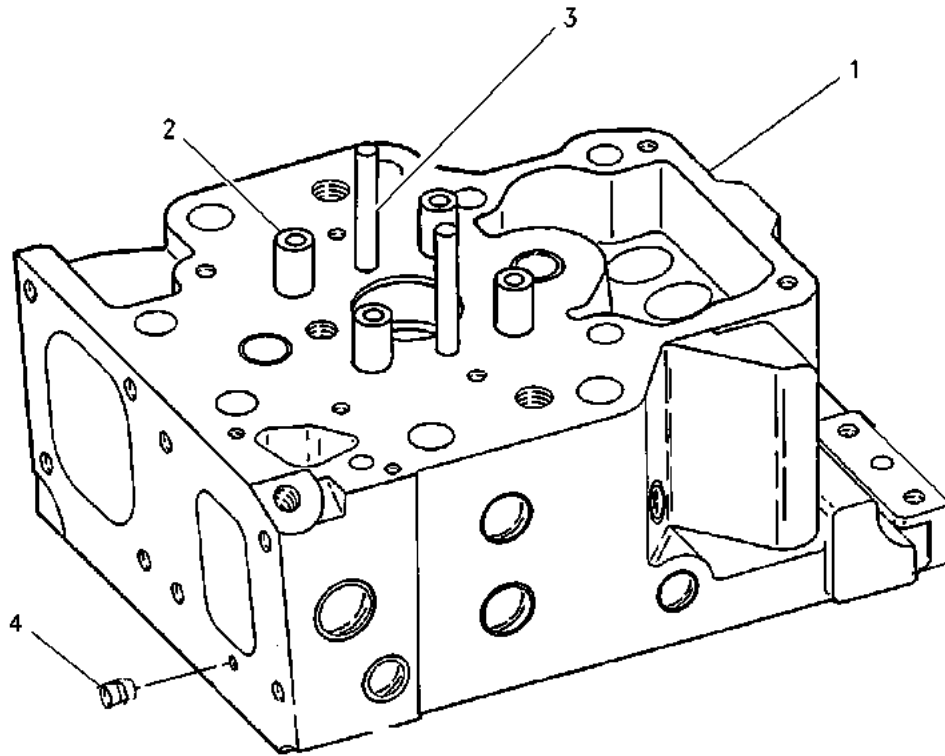
FIELD REPLACEMENT FOR 131-0410—PAGE: 91

SMCS-1100, 1101

i02668016

NOTE	REF NO	GRAPHIC REF	PART NUMBER	QTY	PART NAME						SEE PAGE
					1	2	3	4	5	6 (PRODUCT LEVEL)	
Y	1	1	131-0410	1	CYLINDER HEAD AS						91
R	2	1	133-9306	4	GUIDE-VALVE (STANDARD)						
AB		1	149-1982		GUIDE-VALVE (0.508-MM OS)						
AB		1	273-3553		GUIDE-VALVE (0.127-MM OS)						
AB		1	273-3554		GUIDE-VALVE (0.25-MM OS)						
AB		1	301-9248		GUIDE-VALVE (0.38-MM THK)						
	3	1	7N-1902	2	DOWEL						
	4	1	8T-6759	1	PLUG-PIPE						

A - NOT PART OF THIS GROUP
 B - USE AS REQUIRED
 R - REMANUFACTURED PART MAY BE AVAILABLE
 Y - SEPARATE ILLUSTRATION



GRAPHIC #1

<END>

g00763098

BASIC ENGINE

156-9141 CYLINDER HEAD AS*R

S/N: 65Z961-UP

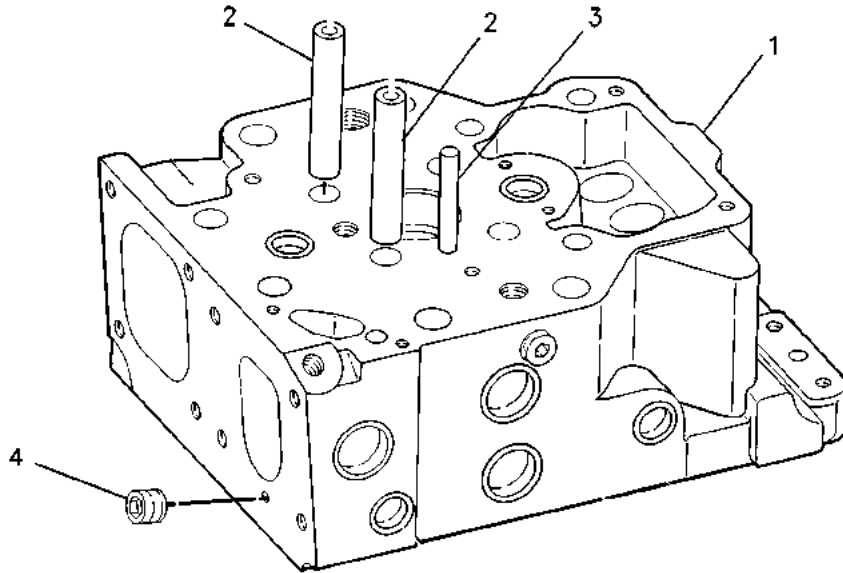
FIELD REPLACEMENT FOR 101-1266-PAGE: 89

SMCS-1100, 1101

i03628497

NOTE	REF NO	GRAPHIC REF	PART NUMBER	QTY	PART NAME						SEE PAGE
					1	2	3	4	5	6 (PRODUCT LEVEL)	
Y	1	1	101-1266	1	CYLINDER HEAD AS						89
R	2	1	133-9306	4	GUIDE-VALVE (STANDARD)						
AF			149-1982	1	GUIDE-VALVE (0.508-MM OS)						
	3	1	7N-1902	2	DOWEL						
	4	1	8T-6759	1	PLUG-PIPE						

A - NOT PART OF THIS GROUP
 F - NOT SHOWN
 R - REMANUFACTURED PART MAY BE AVAILABLE
 Y - SEPARATE ILLUSTRATION



GRAPHIC #1

<END>

g00547749

BASIC ENGINE

172-0834 CYLINDER HEAD AS

S/N: 65Z961-1286

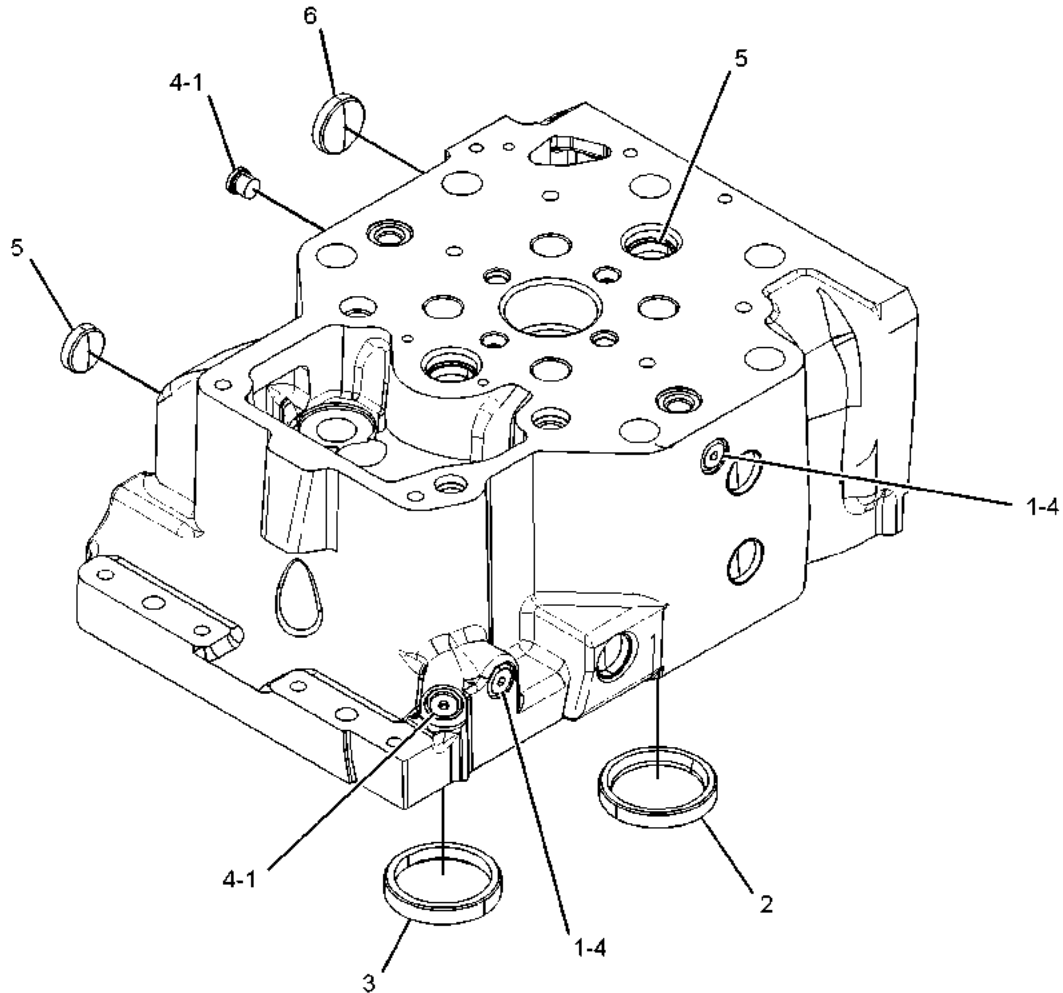
FIELD REPLACEMENT ORDER 172-0839-PAGE: 97, 242-5327-PAGE: 99
PART OF 242-5327 CYLINDER HEAD AS, 172-0835, 239-0690 CYLINDER HEAD GP

SMCS-1100, 1101

i04157601

NOTE	REF NO	GRAPHIC REF	PART NUMBER	QTY	PART NAME						SEE PAGE
					1	2	3	4	5	6 (PRODUCT LEVEL)	
	1	1	9S-8002	4	PLUG (7/16-20-THD)						
	2	1	130-2607	2	INSERT-VALVE SEAT (STANDARD) (INLET)						
AB		1	149-1981		INSERT-VALVE SEAT (0.51-MM OS) (INLET)						
R	3	1	130-2608	2	INSERT-VALVE SEAT (STANDARD) (EXHAUST)						
AB		1	166-5945		INSERT-VALVE SEAT (0.508-MM OS) (EXHAUST)						
	4	1	214-7566	4	SEAL-O-RING						
	5	1	3B-0623	5	PLUG-CUP						
	6	1	3B-0645	5	PLUG-CUP (32.08-MM OD)						

A - NOT PART OF THIS GROUP
B - USE AS REQUIRED
R - REMANUFACTURED PART MAY BE AVAILABLE



GRAPHIC #1

<END>

g02353098

BASIC ENGINE

172-0838 CYLINDER HEAD AS*R

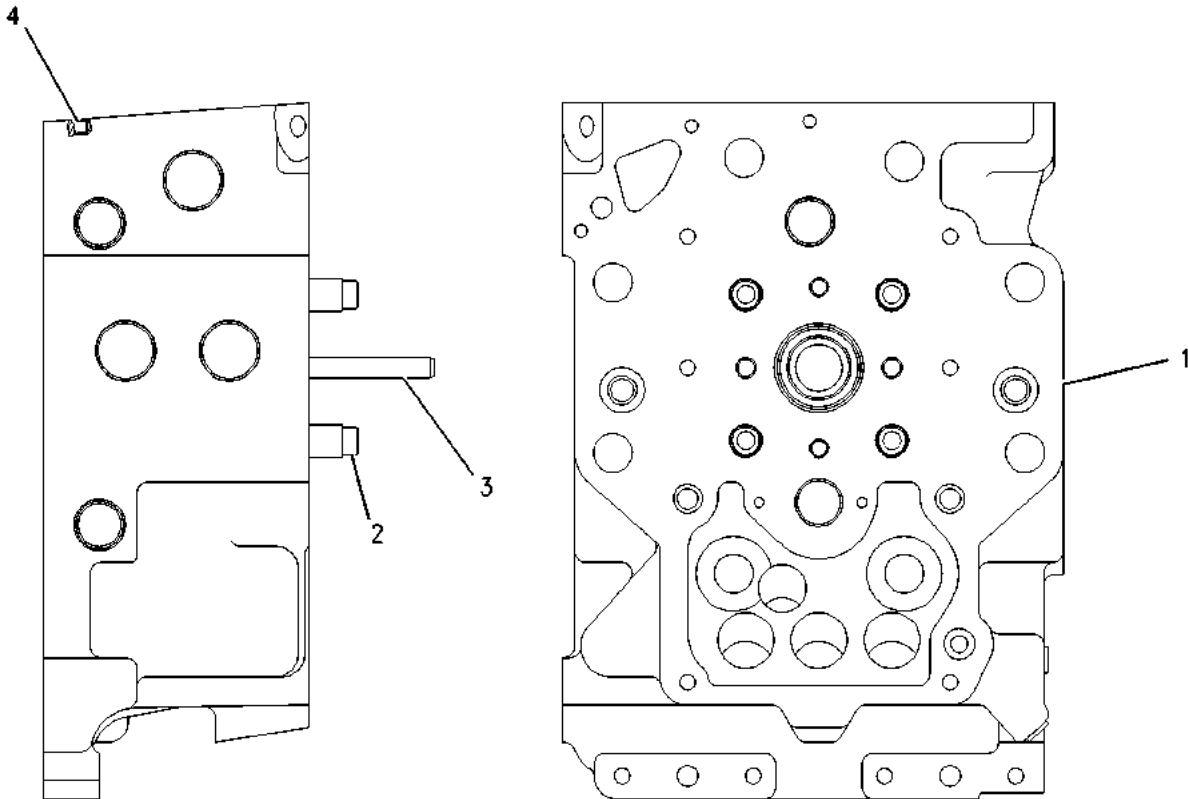
S/N: 65Z887-1129

SMCS-1100, 1101

i04541469

NOTE	REF NO	GRAPHIC REF	PART NUMBER	QTY	PART NAME						SEE PAGE
					1	2	3	4	5	6 (PRODUCT LEVEL)	
Y	1	1	172-0836	1	CYLINDER HEAD GP						107
R	2	1	133-9306	4	GUIDE-VALVE (STANDARD)						
AB			149-1982		GUIDE-VALVE (0.508-MM OS)						
AB			273-3553		GUIDE-VALVE (0.127-MM OS)						
AB			273-3554		GUIDE-VALVE (0.25-MM OS)						
AB			301-9248		GUIDE-VALVE (0.38-MM THK)						
	3	1	7N-1902	2	DOWEL						
	4	1	8T-6759	1	PLUG-PIPE						

A - NOT PART OF THIS GROUP
 B - USE AS REQUIRED
 R - REMANUFACTURED PART MAY BE AVAILABLE
 Y - SEPARATE ILLUSTRATION



GRAPHIC #1

<END>

g00783994

BASIC ENGINE

172-0839 CYLINDER HEAD AS*R

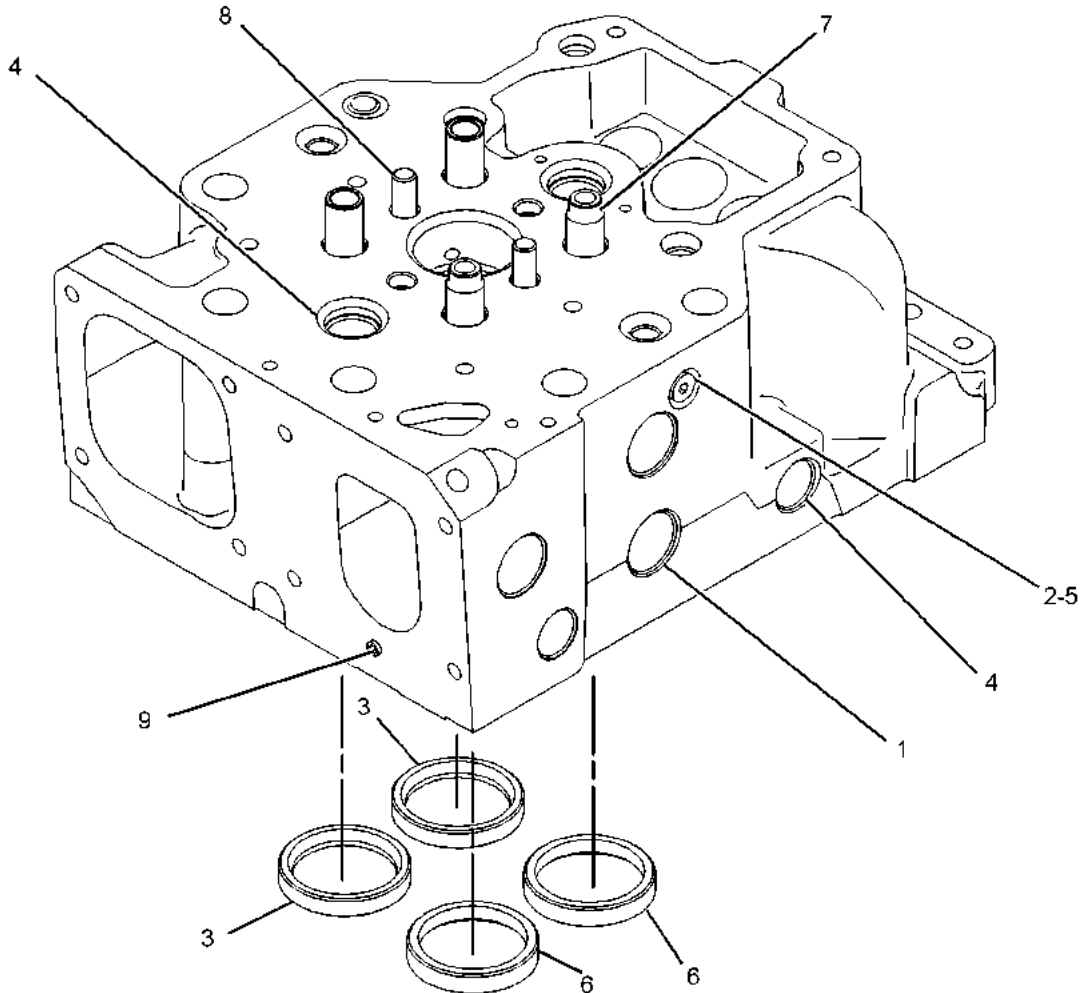
FIELD REPLACEMENT FOR 131-0410-PAGE: 91: FOR 172-0834-PAGE: 95

SMCS-1100, 1101

i05402161

NOTE	REF NO	GRAPHIC REF	PART NUMBER	QTY	PART NAME						SEE PAGE
					1	2	3	4	5	6 (PRODUCT LEVEL)	
	1	1	3B-0645	5	PLUG-CUP (32.08-MM OD)						
	2	1	3J-7354	4	SEAL-O-RING						
	3	1	130-2607	2	INSERT-VALVE SEAT (STANDARD) (INLET)						
AB			149-1981		INSERT-VALVE SEAT (0.51-MM OS) (INLET)						
	4	1	3B-0623	5	PLUG-CUP						
	5	1	9S-8002	4	PLUG (7/16-20-THD)						
R	6	1	130-2608	2	INSERT-VALVE SEAT (STANDARD) (EXHAUST)						
AB			166-5945	1	INSERT-VALVE SEAT (0.508-MM OS) (EXHAUST)						
R	7	1	133-9306	4	GUIDE-VALVE (STANDARD)						
AB			149-1982		GUIDE-VALVE (0.508-MM OS)						
AB			273-3553		GUIDE-VALVE (0.127-MM OS)						
AB			273-3554		GUIDE-VALVE (0.25-MM OS)						
AB			301-9248		GUIDE-VALVE (0.38-MM THK)						
	8	1	7N-1902	2	DOWEL						
	9	1	8T-6759	1	PLUG-PIPE						

A - NOT PART OF THIS GROUP
 B - USE AS REQUIRED
 R - REMANUFACTURED PART MAY BE AVAILABLE



GRAPHIC #1

<END>

g01067601

BASIC ENGINE

242-5326 CYLINDER HEAD AS*R

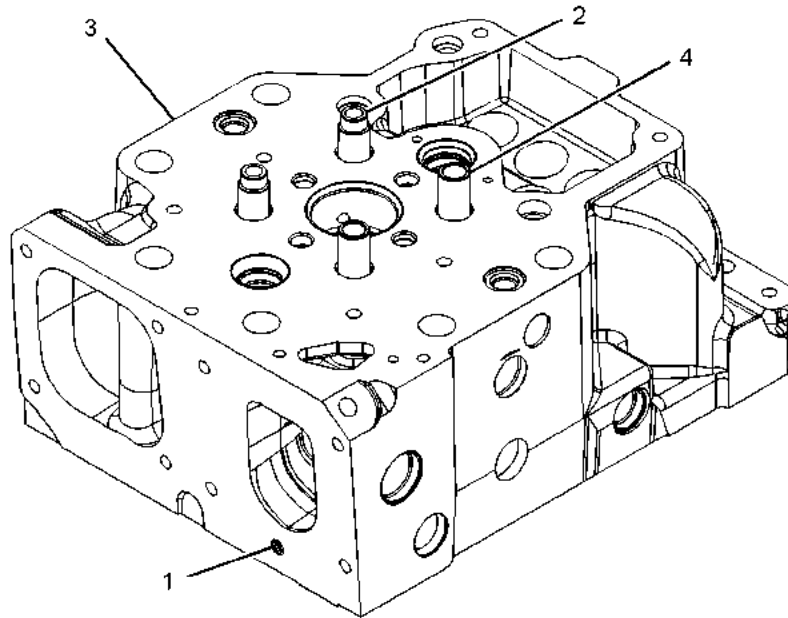
FIELD REPLACEMENT FOR 172-0836—PAGE: 107

SMCS-1100, 1101

i05450084

NOTE	REF NO	GRAPHIC REF	PART NUMBER	QTY	PART NAME						SEE PAGE
					1	2	3	4	5	6	
	1	1	8T-6759	1	PLUG-PIPE						
R	2	1	133-9306	2	GUIDE-VALVE (STANDARD) (INLET)						
AB			149-1982		GUIDE-VALVE (0.508-MM OS) (INLET)						
AB			273-3553		GUIDE-VALVE (0.127-MM OS) (INLET)						
AB			273-3554		GUIDE-VALVE (0.25-MM OS) (INLET)						
ABF			301-9248		GUIDE-VALVE (0.38-MM THK) (INLET)						
Y	3	1	172-0836	1	CYLINDER HEAD GP						107
R	4	1	197-6995	2	GUIDE-VALVE (STANDARD) (EXHAUST)						
AB			276-3875		GUIDE-VALVE (0.127-MM OS) (EXHAUST)						
AB			276-3876		GUIDE-VALVE (0.25-MM OS) (EXHAUST)						
AB			320-7710		GUIDE-VALVE (0.381-MM OS, EXHAUST)						
AB			320-7711		GUIDE-VALVE (0.508-MM OS, EXHAUST)						

A - NOT PART OF THIS GROUP
 B - USE AS REQUIRED
 F - NOT SHOWN
 R - REMANUFACTURED PART MAY BE AVAILABLE
 Y - SEPARATE ILLUSTRATION



GRAPHIC #1

<END>

g01335449

BASIC ENGINE

242-5327 CYLINDER HEAD AS*R

S/N: 65Z1130-UP

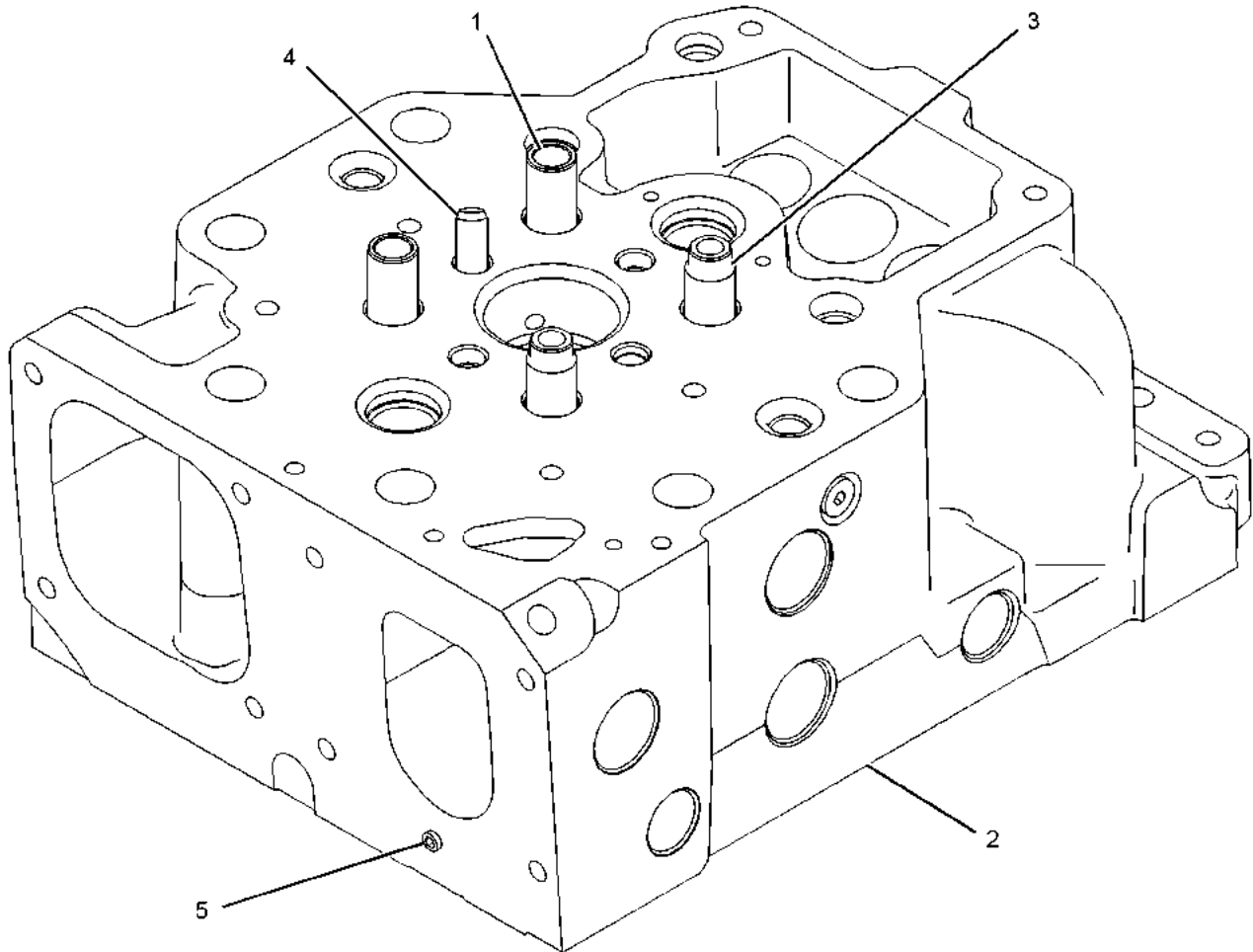
FIELD REPLACEMENT FOR 172-0834—PAGE: 95

SMCS-1100, 1101

i05452790

NOTE	REF NO	GRAPHIC REF	PART NUMBER	QTY	PART NAME						SEE PAGE
					1	2	3	4	5	6	
R	1	1	133-9306	2	GUIDE-VALVE (STANDARD) (INLET)						
AB		1	149-1982		GUIDE-VALVE (0.508-MM OS) (INLET)						
AB			273-3553		GUIDE-VALVE (0.127-MM OS) (INLET)						
AB			273-3554		GUIDE-VALVE (0.25-MM OS) (INLET)						
AB			301-9248		GUIDE-VALVE (0.38-MM THK) (INLET)						
Y	2	1	172-0834	1	CYLINDER HEAD AS						95
R	3	1	197-6995	2	GUIDE-VALVE (STANDARD) (EXHAUST)						
AB			276-3875		GUIDE-VALVE (0.127-MM OS) (EXHAUST)						
AB			276-3876		GUIDE-VALVE (0.25-MM OS) (EXHAUST)						
AB			320-7710		GUIDE-VALVE (0.381-MM OS, EXHAUST)						
AB			320-7711		GUIDE-VALVE (0.508-MM OS, EXHAUST)						
	4	1	239-0689	1	DOWEL						
	5	1	8T-6759	1	PLUG-PIPE						

A - NOT PART OF THIS GROUP
 B - USE AS REQUIRED
 R - REMANUFACTURED PART MAY BE AVAILABLE
 Y - SEPARATE ILLUSTRATION



GRAPHIC #1

<END>

g03442696

BASIC ENGINE

295-2047 CYLINDER HEAD AS

S/N: 65Z1287-UP

FIELD REPLACEMENT ORDER 299-3518-PAGE: 101

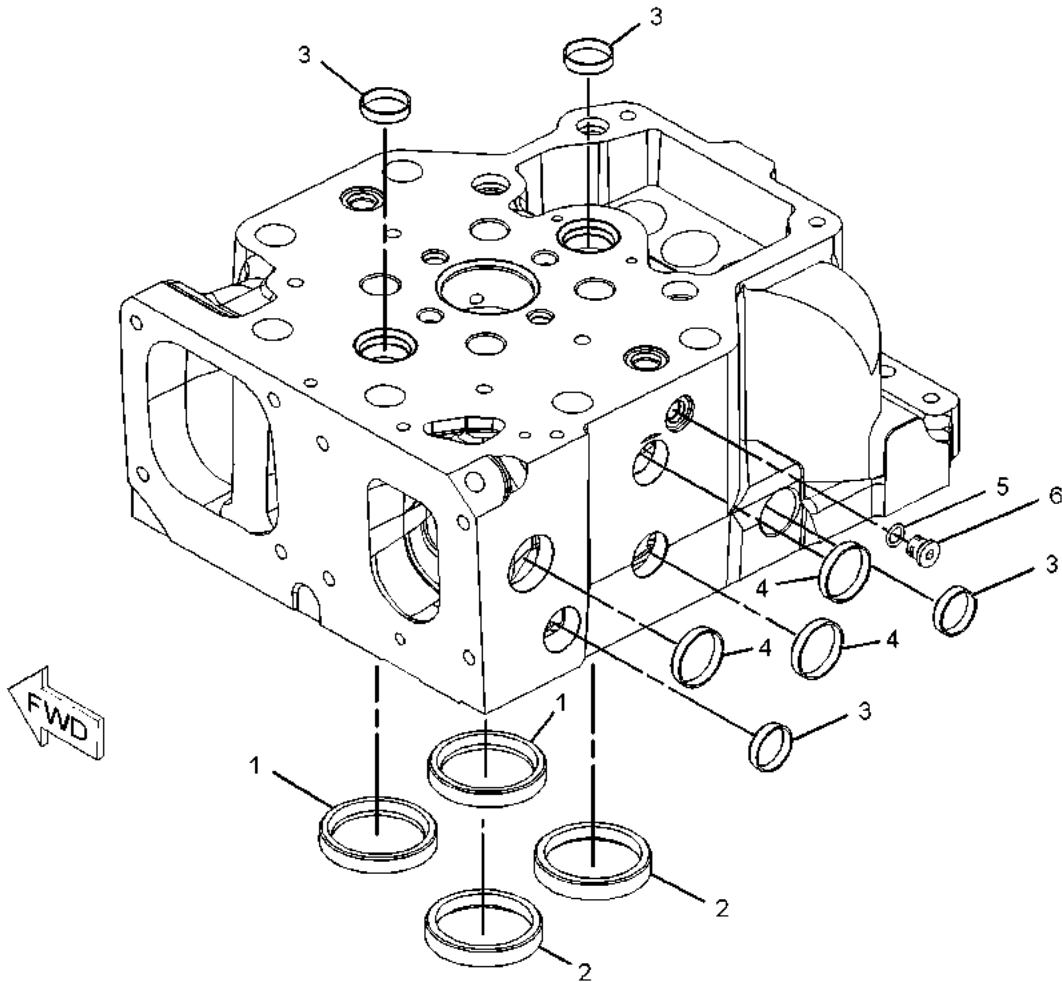
PART OF 295-2048, 335-6217 CYLINDER HEAD GP

SMCS-1100, 1101

i07547125

NOTE	REF NO	GRAPHIC REF	PART NUMBER	QTY	PART NAME						SEE PAGE
					1	2	3	4	5	6 (PRODUCT LEVEL)	
	1	1	183-8809	2	INSERT-VALVE SEAT (INTAKE) (STANDARD)						
AB		1	490-4079		SEAT-VALVE (0.25-MM OS, INLET)						
AB		1	490-4080		SEAT-VALVE (0.51-MM OS, INLET)						
	2	1	289-9745	2	INSERT-VALVE SEAT (EXHAUST) (STANDARD)						
AB		1	490-4082		SEAT-VALVE (0.25-MM OS, EXHAUST)						
AB		1	490-4083		SEAT-VALVE (0.51-MM OS, EXHAUST)						
	3	1	3B-0623	5	PLUG-CUP						
	4	1	3B-0645	5	PLUG-CUP (32.08-MM OD)						
	5	1	214-7566	4	SEAL-O-RING						
	6	1	9S-8002	4	PLUG (7/16-20-THD)						

A - NOT PART OF THIS GROUP
B - USE AS REQUIRED



GRAPHIC #1

<END>

g01333899

BASIC ENGINE

299-3518 CYLINDER HEAD AS

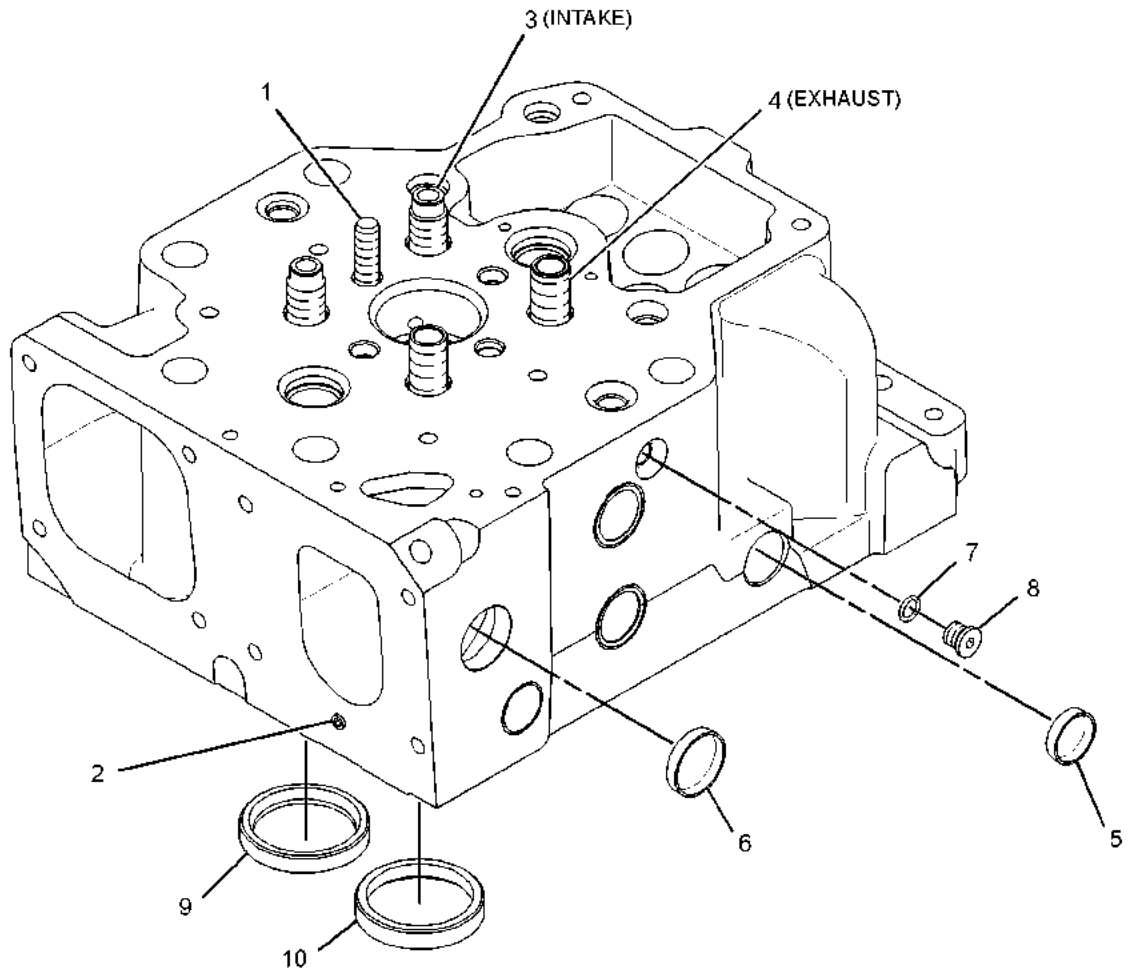
FIELD REPLACEMENT FOR 295-2047—PAGE: 100

SMCS-1100, 1101

i05449990

NOTE	REF NO	GRAPHIC REF	PART NUMBER	QTY	PART NAME						SEE PAGE
					1	2	3	4	5	6	
	1	1	239-0689	1	DOWEL						
	2	1	8T-6759	1	PLUG-PIPE						
R	3	1	133-9306	2	GUIDE-VALVE (STANDARD)						
AB			149-1982		GUIDE-VALVE (0.508-MM OS)						
AB			273-3553		GUIDE-VALVE (0.127-MM OS)						
AB			273-3554		GUIDE-VALVE (0.25-MM OS)						
R	4	1	197-6995	2	GUIDE-VALVE (STANDARD)						
AB			276-3876		GUIDE-VALVE (0.25-MM OS)						
AB			276-3875		GUIDE-VALVE (0.127-MM OS)						
AB			301-9248	1	GUIDE-VALVE (0.38-MM THK)						
	5	1	3B-0623	5	PLUG-CUP						
	6	1	3B-0645	5	PLUG-CUP (32.08-MM OD)						
	7	1	3J-7354	4	SEAL-O-RING						
	8	1	9S-8002	4	PLUG (7/16-20-THD)						
	9	1	183-8809	2	INSERT-VALVE SEAT (INTAKE)						
	10	1	289-9745	2	INSERT-VALVE SEAT (EXHAUST)						

A - NOT PART OF THIS GROUP
 B - USE AS REQUIRED
 R - REMANUFACTURED PART MAY BE AVAILABLE



GRAPHIC #1

<END>

g01336549

BASIC ENGINE

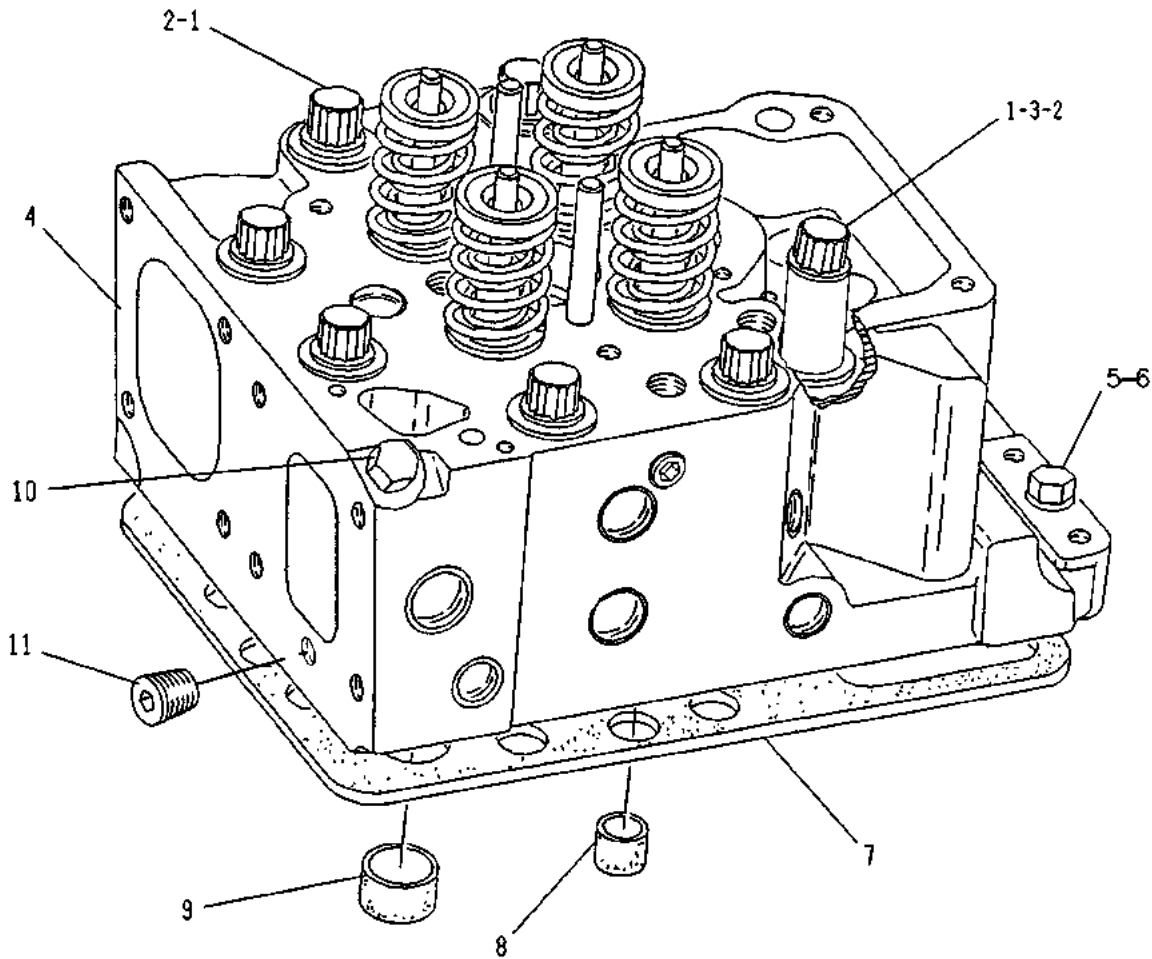
101-1207 CYLINDER HEAD GP FOR USE WITH LOW SPEED PETROLEUM APPLICATIONS AN ATTACHMENT

SMCS-1100

i00884586

NOTE	REF NO	GRAPHIC REF	PART NUMBER	QTY	PART NAME						SEE PAGE
					1	2	3	4	5	6	
	1	1	7N-1961	8	BOLT-12 POINT HEAD (3/4-16X8.5-IN)						
	2	1	5P-8248	8	WASHER-HARD (20X36.5X3.5-MM THK)						
	3	1	9Y-0635	2	SPACER (19.35X30.18X45-MM THK)						
YC	4	1	4P-9123	1	CYLINDER HEAD GP						129
	5	1	0L-2070	2	BOLT (3/8-16X2.25-IN)						
	6	1	5M-2894	2	WASHER-HARD (10.2X18.5X2.5-MM THK)						
	7	1	110-6991	1	GASKET-CYLINDER HEAD						
	8	1	6I-1357	4	SEAL (11.7MM ID)						
	9	1	6I-1356	4	SEAL (21.3MM ID)						
B	10	1	5B-7890	1	PLUG-PIPE						
B	11	1	8T-6759	1	PLUG-PIPE						

B - USE AS REQUIRED
C - CHANGE FROM PREVIOUS TYPE
Y - SEPARATE ILLUSTRATION



GRAPHIC #1

<END>

g00211986

BASIC ENGINE

151-2776 CYLINDER HEAD GP

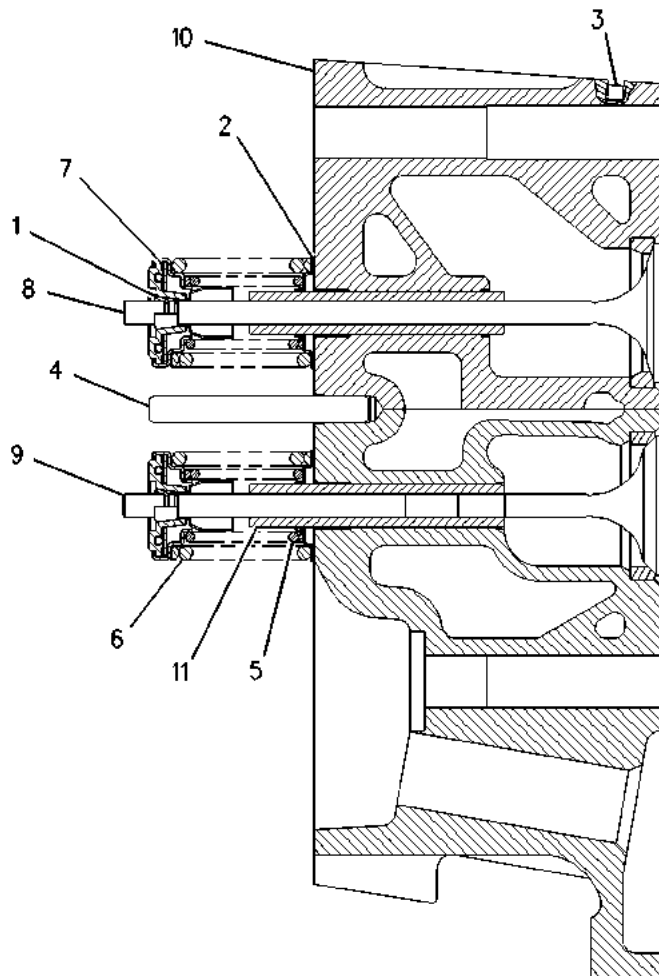
PART OF 151-2777 CYLINDER HEAD GP
AN ATTACHMENT

SMCS-1100

i03168929

NOTE	REF NO	GRAPHIC REF	PART NUMBER	QTY	PART NAME						SEE PAGE
					1	2	3	4	5	6	
	1	1	2A-4429	8	LOCK-RETAINER						
	2	1	2W-2662	4	SEAT-SPRING						
B	3	1	8T-6759	1	PLUG-PIPE						
	4	1	7N-1902	2	DOWEL						
	5	1	7N-1903	4	SPRING-VALVE INNER						
	6	1	7N-1904	4	SPRING-VALVE OUTER						
	7	1	4P-2522	4	SHIELD-OIL						
		1	133-3814	4	ROTOCOIL AS						
	8	1	121-2028	2	VALVE-INLET						
	9	1	121-9839	2	VALVE-EXHAUST						
YR	10	1	107-1822	1	CYLINDER HEAD AS						90
	11	1	130-2613	4	GUIDE-VALVE (STANDARD)						
AD			149-1982	1	GUIDE-VALVE (0.508-MM OS)						

A - NOT PART OF THIS GROUP
 B - USE AS REQUIRED
 D - ORDER BY THE METER
 R - REMANUFACTURED PART MAY BE AVAILABLE
 Y - SEPARATE ILLUSTRATION



GRAPHIC #1

<END>

g00354605

BASIC ENGINE

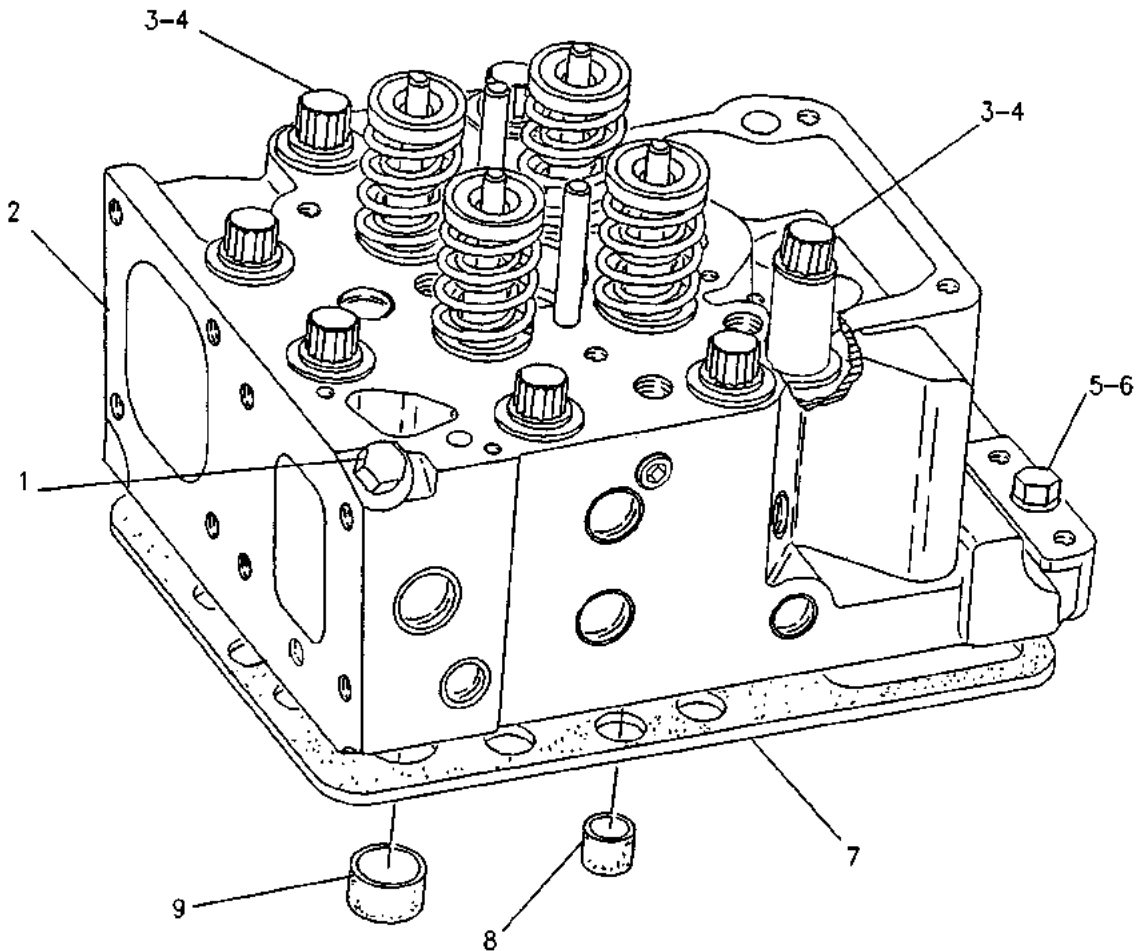
151-2777 CYLINDER HEAD GP AN ATTACHMENT

SMCS-1100

i01104182

NOTE	REF NO	GRAPHIC REF	PART NUMBER	QTY	PART NAME						SEE PAGE
					1	2	3	4	5	6	
	1	1	5B-7890	1	PLUG-PIPE						
Y	2	1	151-2776	1	CYLINDER HEAD GP						103
	3	1	131-0420	6	FASTENER GP-CYLINDER HEAD						
					(EACH INCLUDES)						
		1	5P-8248	1	WASHER-HARD (20X36.5X3.5-MM THK)						
		1	7N-1961	1	BOLT-12 POINT HEAD (3/4-16X8.5-IN)						
	4	1	131-0421	2	FASTENER GP-CYLINDER HEAD						
					(EACH INCLUDES)						
		1	5P-8248	1	WASHER-HARD (20X36.5X3.5-MM THK)						
		1	7N-1961	1	BOLT-12 POINT HEAD (3/4-16X8.5-IN)						
		1	9Y-0635	1	SPACER (19.35X30.18X45-MM THK)						
	5	1	5B-0213	2	BOLT (3/8-16X2.375-IN)						
	6	1	5M-2894	2	WASHER-HARD (10.2X18.5X2.5-MM THK)						
	7	1	110-6991	1	GASKET-CYLINDER HEAD						
	8	1	126-1113	4	SEAL						
	9	1	126-1112	4	SEAL						

Y - SEPARATE ILLUSTRATION



GRAPHIC #1

<END>

g00350281

BASIC ENGINE

172-0835 CYLINDER HEAD GP*R

S/N: 65Z961-1129

PART OF 4W-0095 CYLINDER HEAD GP

SMCS-1100

i02668036

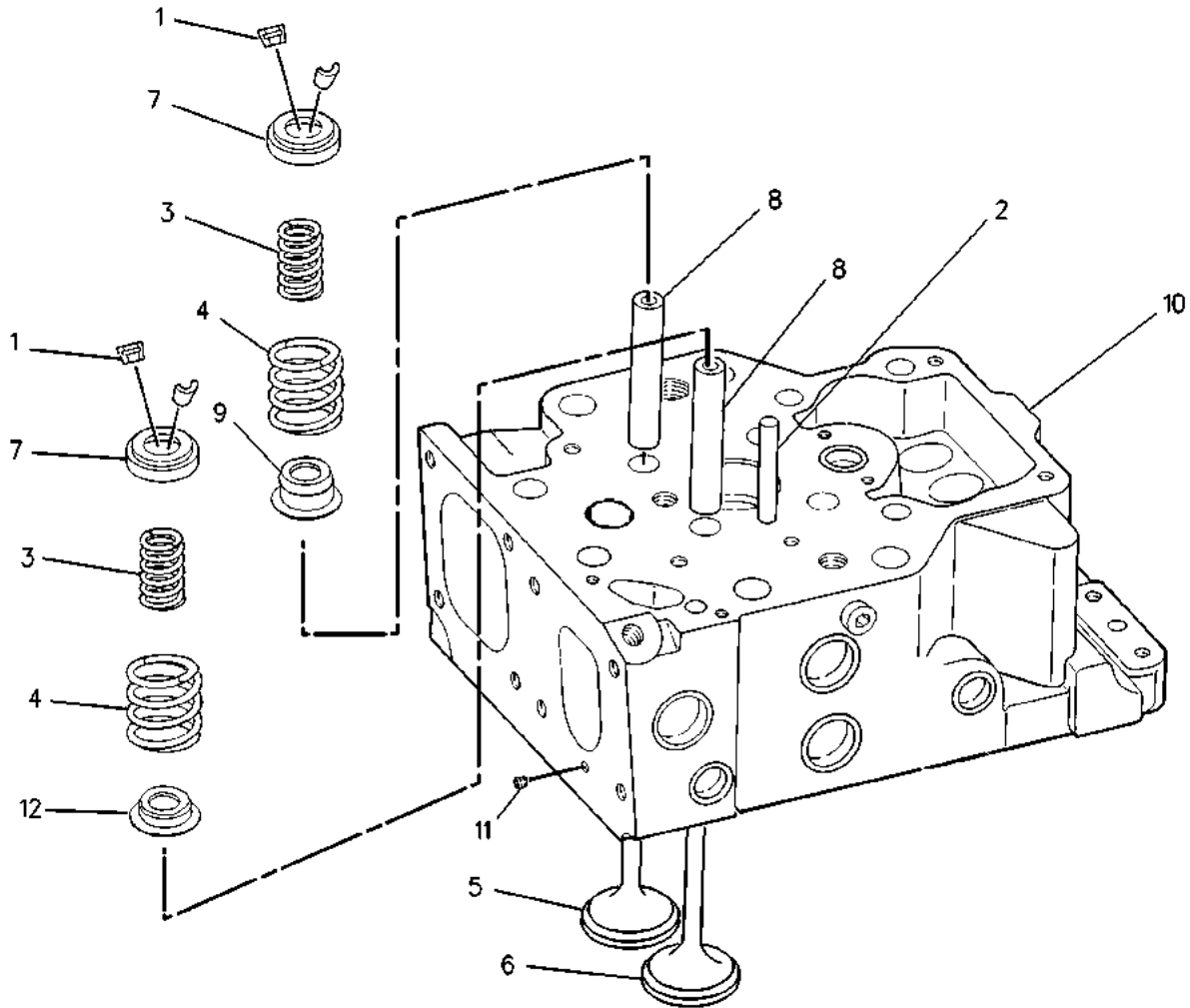
NOTE	REF NO	GRAPHIC REF	PART NUMBER	QTY	PART NAME						SEE PAGE
					1	2	3	4	5	6 (PRODUCT LEVEL)	
	1	1	2A-4429	8	LOCK-RETAINER						
	2	1	7N-1902	2	DOWEL						
	3	1	7N-1903	4	SPRING-VALVE INNER						
	4	1	7N-1904	4	SPRING-VALVE OUTER						
	5	1	210-2542	2	VALVE-INLET						
	6	1	210-2529	2	VALVE-EXHAUST						
	7	1	197-6999	4	ROTOCOIL AS						
R	8	1	133-9306	4	GUIDE-VALVE (STANDARD)						
AB		1	149-1982		GUIDE-VALVE (0.508-MM OS)						
AB			273-3553		GUIDE-VALVE (0.127-MM OS)						
AB			273-3554		GUIDE-VALVE (0.25-MM OS)						
AB			301-9248		GUIDE-VALVE (0.38-MM THK)						
	9	1	137-6856	2	SEAL (VALVE STEM) (INTAKE)						
Y	10	1	<i>172-0834</i>	1	CYLINDER HEAD AS						95
B	11	1	8T-6759	1	PLUG-PIPE						
	12	1	2W-2662	2	SEAT-SPRING (EXHAUST)						

A - NOT PART OF THIS GROUP
 B - USE AS REQUIRED
 R - REMANUFACTURED PART MAY BE AVAILABLE
 Y - SEPARATE ILLUSTRATION

BASIC ENGINE

172-0835 CYLINDER HEAD GP (contd.)

102668036



GRAPHIC #1

<END>

g00764926

BASIC ENGINE

172-0836 CYLINDER HEAD GP

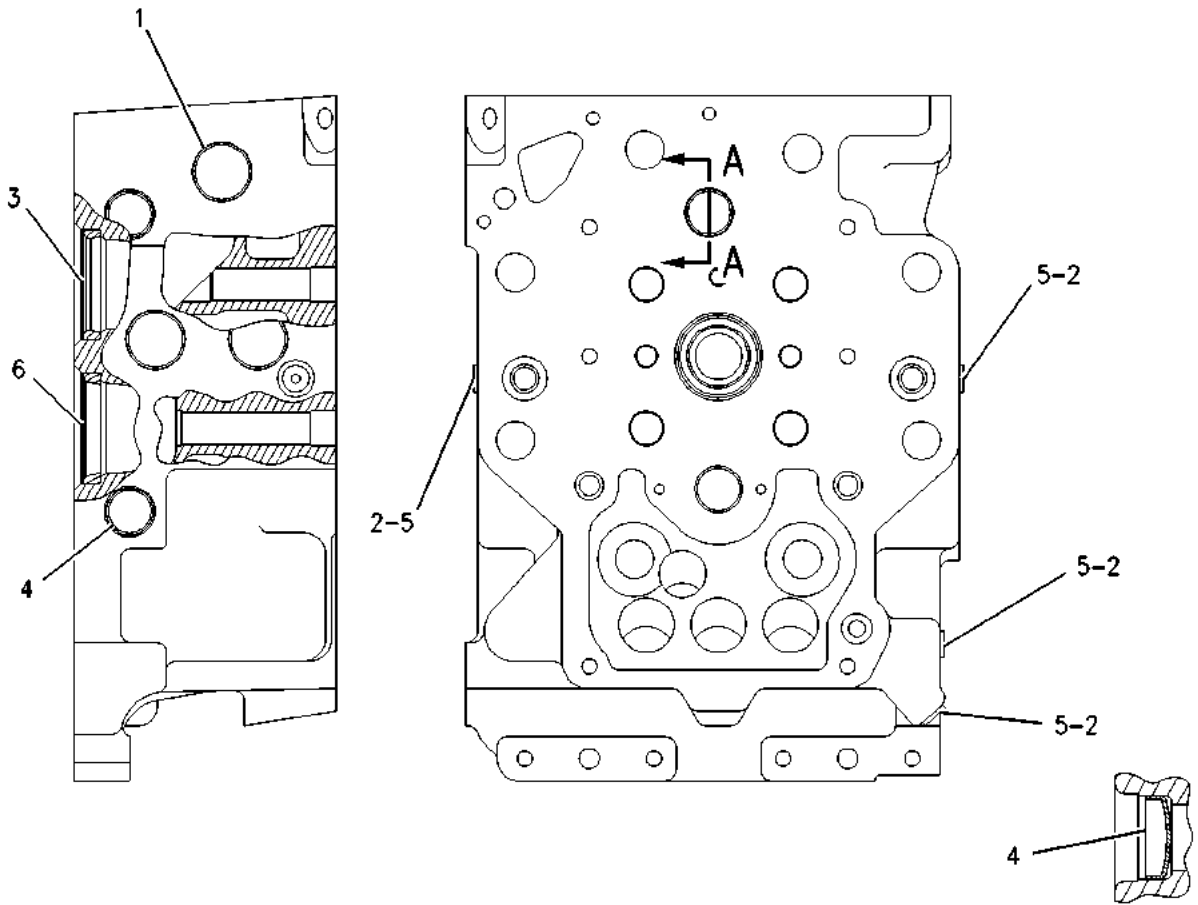
FIELD REPLACEMENT ORDER 172-0838-PAGE: 96, 242-5326-PAGE: 98
 PART OF 172-0838, 242-5326 CYLINDER HEAD AS, 203-2144, 239-0692, 338-8671 CYLINDER HEAD GP
 AN ATTACHMENT

SMCS-1100

i04157596

NOTE	REF NO	GRAPHIC REF	PART NUMBER	QTY	PART NAME						SEE PAGE
					1	2	3	4	5	6 (PRODUCT LEVEL)	
	1	1	3B-0645	5	PLUG-CUP (32.08-MM OD)						
	2	1	214-7566	4	SEAL-O-RING						
	3	1	130-2607	2	INSERT-VALVE SEAT (STANDARD) (INLET)						
AB		1	149-1981		INSERT-VALVE SEAT (0.51-MM OS) (INLET)						
	4	1	3B-0623	5	PLUG-CUP						
	5	1	9S-8002	4	PLUG (7/16-20-THD)						
R	6	1	130-2608	2	INSERT-VALVE SEAT (STANDARD) (EXHAUST)						
AB		1	166-5945		INSERT-VALVE SEAT (0.508-MM OS) (EXHAUST)						

A - NOT PART OF THIS GROUP
 B - USE AS REQUIRED
 R - REMANUFACTURED PART MAY BE AVAILABLE



GRAPHIC #1

<END>

g00677688

BASIC ENGINE

203-2144 CYLINDER HEAD GP

S/N: 65Z887-1129

PART OF 203-2170 CYLINDER HEAD GP
AN ATTACHMENT

SMCS-1100

i02668039

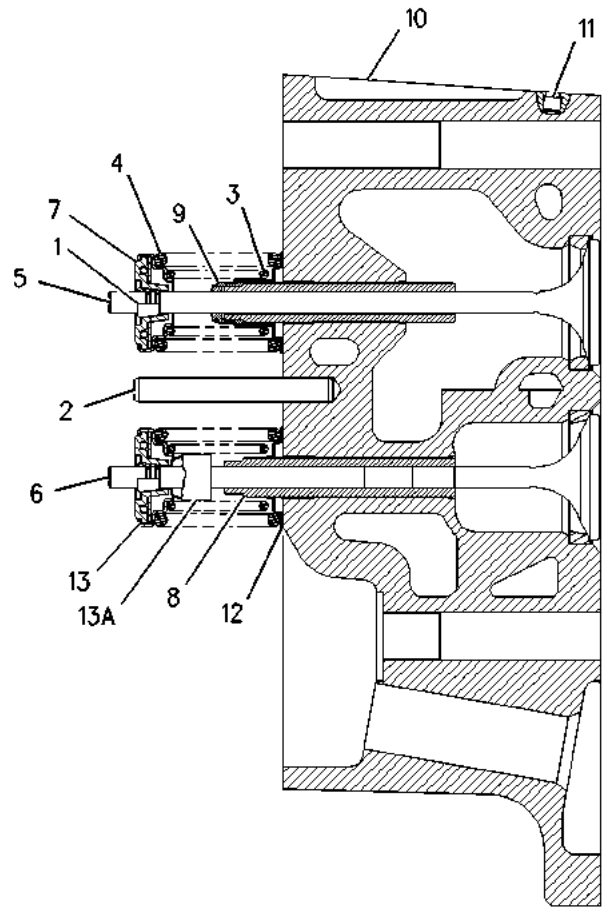
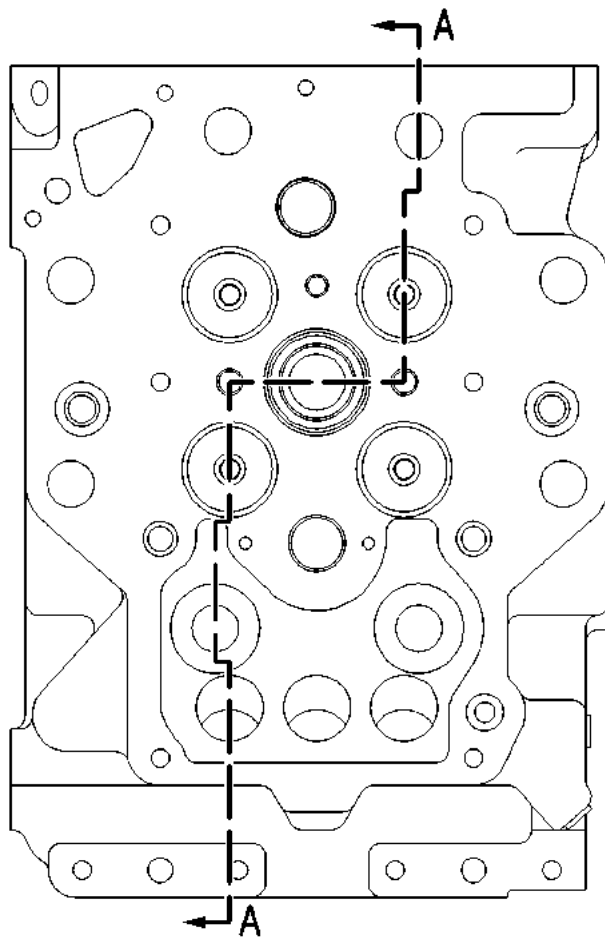
NOTE	REF NO	GRAPHIC REF	PART NUMBER	QTY	PART NAME	SEE PAGE
					1 2 3 4 5 6 (PRODUCT LEVEL)	
	1	1	2A-4429	8	LOCK-RETAINER	
	2	1	7N-1902	2	DOWEL	
	3	1	7N-1903	4	SPRING-VALVE INNER	
	4	1	7N-1904	4	SPRING-VALVE OUTER	
	5	1	210-2542	2	VALVE-INLET	
	6	1	210-2529	2	VALVE-EXHAUST	
	7	1	197-6999	2	ROTOCOIL AS	
R	8	1	133-9306	4	GUIDE-VALVE (STANDARD)	
AB		1	149-1982		GUIDE-VALVE (0.508-MM OS)	
AB			273-3553		GUIDE-VALVE (0.127-MM OS)	
AB			273-3554		GUIDE-VALVE (0.25-MM OS)	
AB			301-9248		GUIDE-VALVE (0.38-MM THK)	
	9	1	137-6856	2	SEAL (VALVE STEM) (INTAKE)	
Y	10	1	<i>172-0836</i>	1	CYLINDER HEAD GP	107
	11	1	8T-6759	1	PLUG-PIPE	
	12	1	2W-2662	2	SEAT-SPRING (EXHAUST)	
	13	1	197-6999	2	ROTOCOIL AS	
	13A	1	4P-2522	2	SHIELD-OIL	

A - NOT PART OF THIS GROUP
 B - USE AS REQUIRED
 R - REMANUFACTURED PART MAY BE AVAILABLE
 Y - SEPARATE ILLUSTRATION

BASIC ENGINE

203-2144 CYLINDER HEAD GP (contd.)

102668039



SECTION A-A

GRAPHIC #1

<END>

g00858220

BASIC ENGINE

203-2170 CYLINDER HEAD GP

S/N: 65Z887-1129

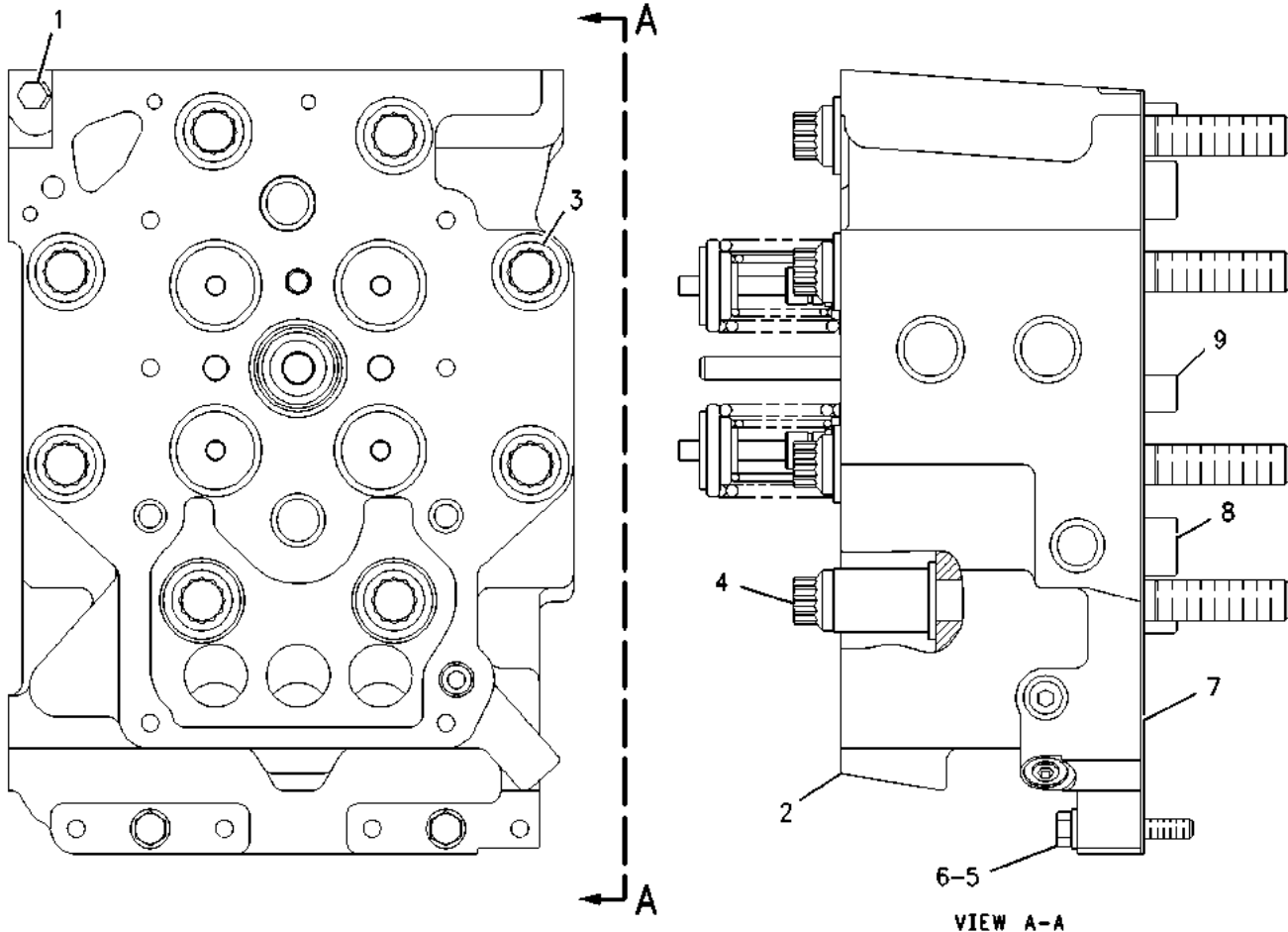
AN ATTACHMENT

SMCS-1100

i01810543

NOTE	REF NO	GRAPHIC REF	PART NUMBER	QTY	PART NAME						SEE PAGE
					1	2	3	4	5	6 (PRODUCT LEVEL)	
	1	1	5B-7890	1	PLUG-PIPE						
Y	2	1	203-2144	1	CYLINDER HEAD GP						108
	3	1	131-0420	6	FASTENER GP-CYLINDER HEAD						
					(EACH INCLUDES)						
		1	7N-1961	1	BOLT-12 POINT HEAD (3/4-16X8.5-IN)						
		1	187-7738	1	WASHER-HARD (21X36.5X3.5-MM THK)						
	4	1	131-0421	2	FASTENER GP-CYLINDER HEAD						
					(EACH INCLUDES)						
		1	7N-1961	1	BOLT-12 POINT HEAD (3/4-16X8.5-IN)						
		1	187-7738	1	WASHER-HARD (21X36.5X3.5-MM THK)						
		1	9Y-0635	1	SPACER (19.35X30.18X45-MM THK)						
	5	1	5B-0213	2	BOLT (3/8-16X2.375-IN)						
	6	1	5M-2894	2	WASHER-HARD (10.2X18.5X2.5-MM THK)						
	7	1	110-6991	1	GASKET-CYLINDER HEAD						
	8	1	204-5427	4	SEAL (WATER)						
	9	1	204-5426	4	SEAL (WATER)						

Y - SEPARATE ILLUSTRATION



GRAPHIC #1

<END>

g00858244

BASIC ENGINE

203-2170 CYLINDER HEAD GP

S/N: 65Z1130-1479

AN ATTACHMENT

SMCS-1100

i02974001

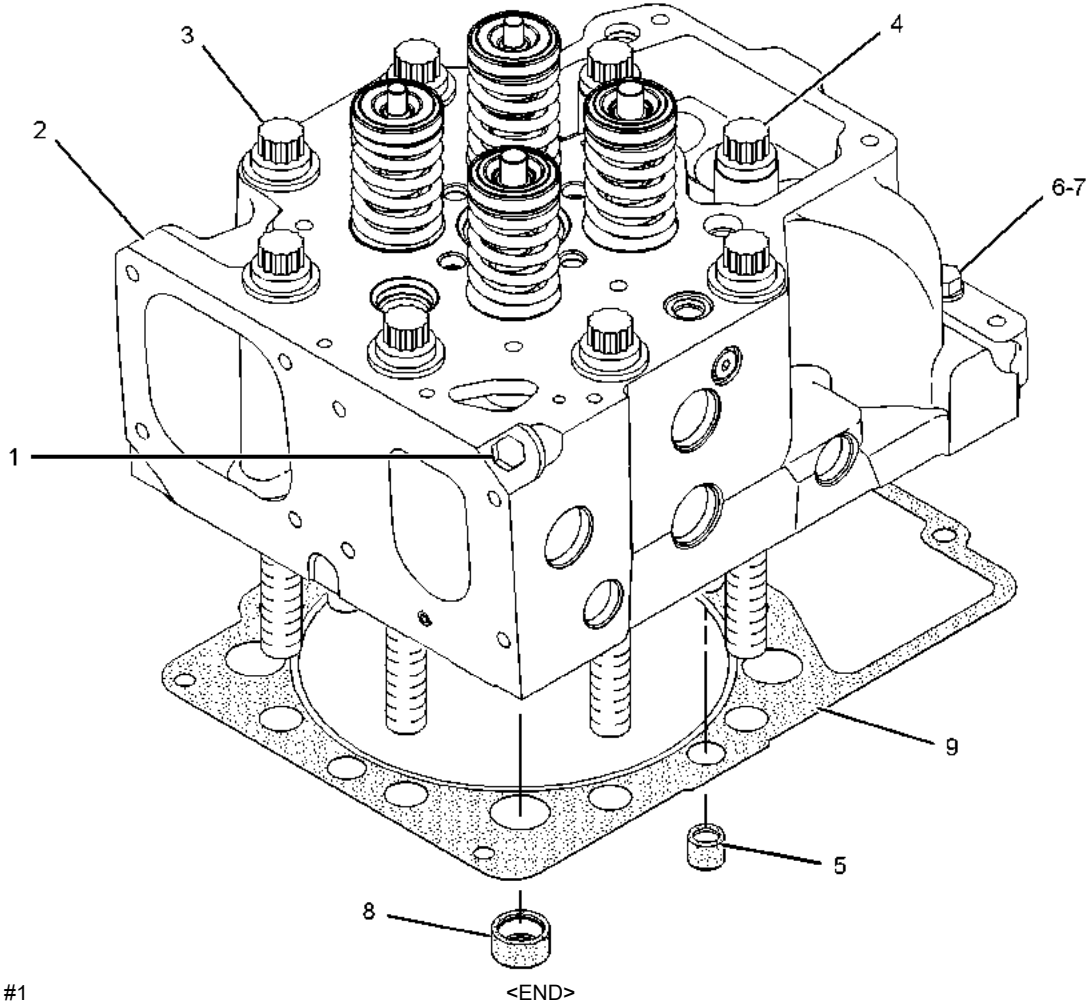
NOTE	REF NO	GRAPHIC REF	PART NUMBER	QTY	PART NAME						SEE PAGE
					1	2	3	4	5	6	
B	1	1	5B-7890	1	PLUG-PIPE						
CYR	2	1	239-0692	1	CYLINDER HEAD GP						117
	3	1	131-0420	6	FASTENER GP-CYLINDER HEAD						
					(EACH INCLUDES)						
		1	7N-1961	1	BOLT-12 POINT HEAD (3/4-16X8.5-IN)						
		1	187-7738	1	WASHER-HARD (21X36.5X3.5-MM THK)						
	4	1	131-0421	2	FASTENER GP-CYLINDER HEAD						
					(EACH INCLUDES)						
		1	7N-1961	1	BOLT-12 POINT HEAD (3/4-16X8.5-IN)						
		1	9Y-0635	1	SPACER (19.35X30.18X45-MM THK)						
		1	187-7738	1	WASHER-HARD (21X36.5X3.5-MM THK)						
	5	1	204-5426	4	SEAL (WATER)						
	6	1	5B-0213	2	BOLT (3/8-16X2.375-IN)						
	7	1	5M-2894	2	WASHER-HARD (10.2X18.5X2.5-MM THK)						
	8	1	204-5427	4	SEAL (WATER)						
	9	1	110-6991	1	GASKET-CYLINDER HEAD						

B - USE AS REQUIRED
 C - CHANGE FROM PREVIOUS TYPE
 R - REMANUFACTURED PART MAY BE AVAILABLE
 Y - SEPARATE ILLUSTRATION

BASIC ENGINE

203-2170 CYLINDER HEAD GP (contd.)

i02974001



GRAPHIC #1

<END>

g01248586

BASIC ENGINE

203-2170 CYLINDER HEAD GP

S/N: 65Z1480-UP

AN ATTACHMENT

SMCS-1100

i05806181

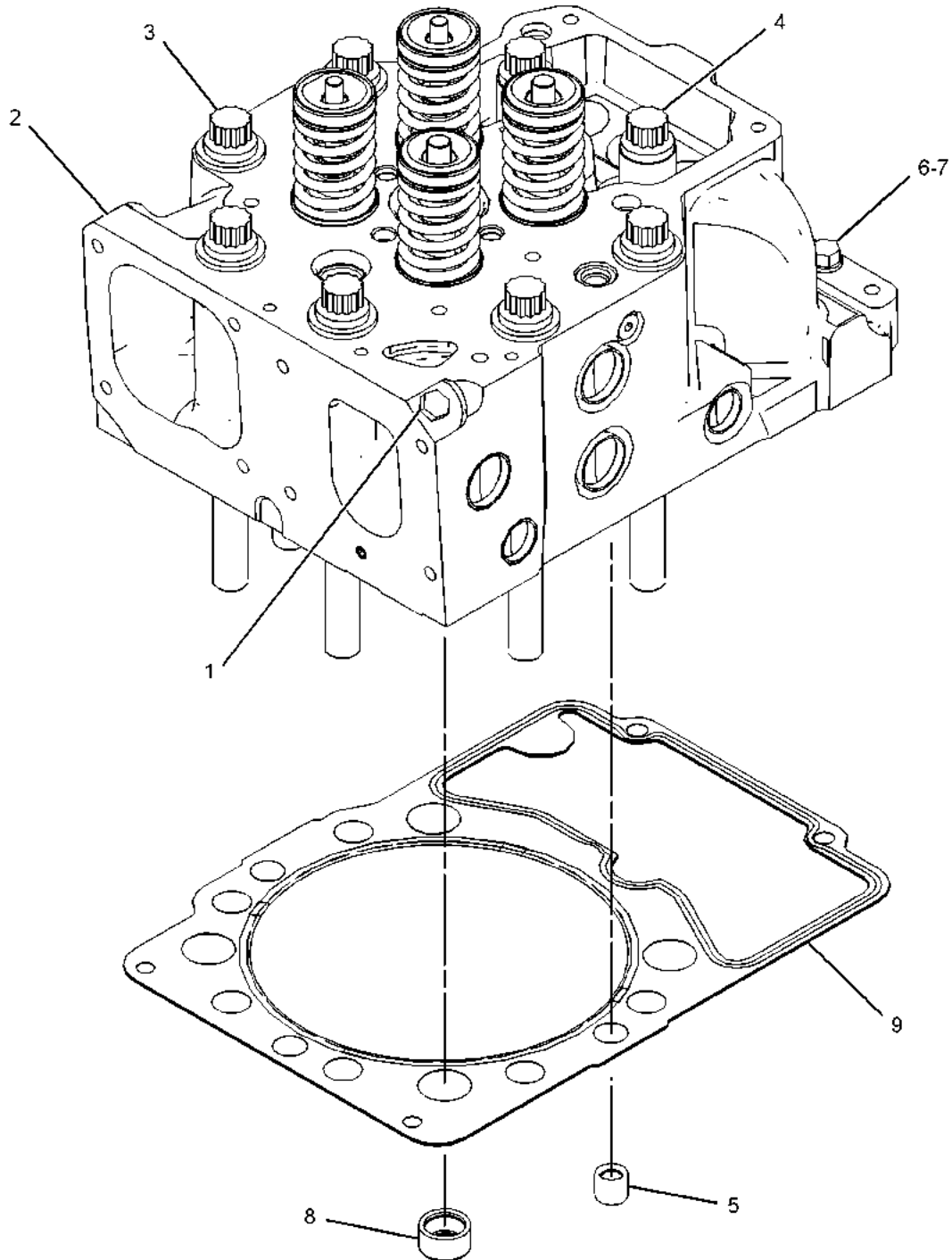
NOTE	REF NO	GRAPHIC REF	PART NUMBER	QTY	PART NAME						SEE PAGE
					1	2	3	4	5	6	
B	1	1	5B-7890	1	PLUG-PIPE						
CYR	2	1	338-8671	1	CYLINDER HEAD GP						125
	3	1	131-0420	6	FASTENER GP-CYLINDER HEAD						
					(EACH INCLUDES)						
		1	7N-1961	1	BOLT-12 POINT HEAD (3/4-16X8.5-IN)						
		1	187-7738	1	WASHER-HARD (21X36.5X3.5-MM THK)						
	4	1	131-0421	2	FASTENER GP-CYLINDER HEAD						
					(EACH INCLUDES)						
		1	7N-1961	1	BOLT-12 POINT HEAD (3/4-16X8.5-IN)						
		1	9Y-0635	1	SPACER (19.35X30.18X45-MM THK)						
		1	187-7738	1	WASHER-HARD (21X36.5X3.5-MM THK)						
	5	1	420-0652	4	SEAL AS-WATER						
	6	1	420-0653	2	SEAL AS-WATER						
	7	1	5M-2894	2	WASHER-HARD (10.2X18.5X2.5-MM THK)						
	8	1	204-5427	4	SEAL (WATER)						
	9	1	110-6991	1	GASKET-CYLINDER HEAD						

B - USE AS REQUIRED
 C - CHANGE FROM PREVIOUS TYPE
 R - REMANUFACTURED PART MAY BE AVAILABLE
 Y - SEPARATE ILLUSTRATION

BASIC ENGINE

203-2170 CYLINDER HEAD GP (contd.)

i05806181



GRAPHIC #1

<END>

g03680772

BASIC ENGINE

239-0690 CYLINDER HEAD GP*R

S/N: 65Z1130-1286

PART OF 4W-0095 CYLINDER HEAD GP

SMCS-1100

i02668040

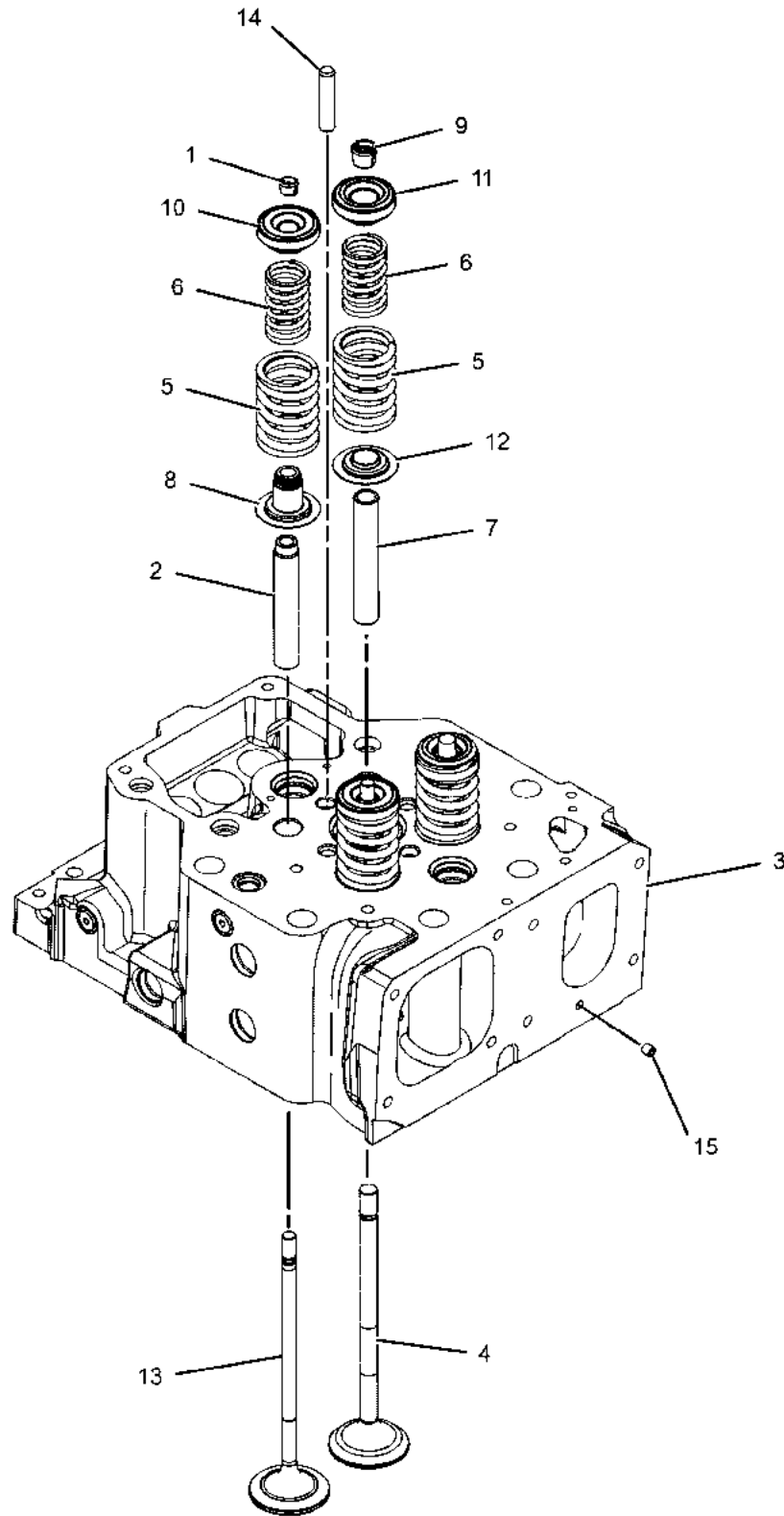
NOTE	REF NO	GRAPHIC REF	PART NUMBER	QTY	PART NAME						SEE PAGE
					1	2	3	4	5	6 (PRODUCT LEVEL)	
	1	1	2A-4429	4	LOCK-RETAINER						
R	2	1	133-9306	2	GUIDE-VALVE (STANDARD) (INLET)						
AB			273-3553		GUIDE-VALVE (0.127-MM OS) (INLET)						
AB			273-3554		GUIDE-VALVE (0.25-MM OS) (INLET)						
AB			301-9248		GUIDE-VALVE (0.38-MM THK) (INLET)						
AB		1	149-1982		GUIDE-VALVE (0.508-MM OS) (INLET)						
Y	3	1	<i>172-0834</i>	1	CYLINDER HEAD AS						95
	4	1	194-4897	2	VALVE-EXHAUST						
	5	1	281-6157	4	SPRING (OUTER)						
	6	1	194-4902	4	SPRING-VALVE (INNER)						
R	7	1	197-6995	2	GUIDE-VALVE (STANDARD) (EXHAUST)						
AB			276-3875		GUIDE-VALVE (0.127-MM OS) (EXHAUST)						
AB			276-3876		GUIDE-VALVE (0.25-MM OS) (EXHAUST)						
	8	1	197-7006	2	SEAL-VALVE STEM						
	9	1	197-7055	4	LOCK-RETAINER						
	10	1	197-7062	2	ROTOCOIL AS (INLET)						
	11	1	197-7063	2	ROTOCOIL AS (EXHAUST)						
	12	1	209-0962	2	WASHER (17.8X45X7.29-MM THK)						
	13	1	210-2542	2	VALVE-INLET						
	14	1	239-0689	1	DOWEL						
B	15	1	8T-6759	1	PLUG-PIPE						

A - NOT PART OF THIS GROUP
 B - USE AS REQUIRED
 R - REMANUFACTURED PART MAY BE AVAILABLE
 Y - SEPARATE ILLUSTRATION

BASIC ENGINE

239-0690 CYLINDER HEAD GP (contd.)

i02668040



GRAPHIC #1

<END>

g01131760

BASIC ENGINE

239-0692 CYLINDER HEAD GP*R

S/N: 65Z1130-1479

FIELD REPLACEMENT ORDER 338-8671-PAGE: 125

PART OF 203-2170 CYLINDER HEAD GP

AN ATTACHMENT

SMCS-1100

i02668041

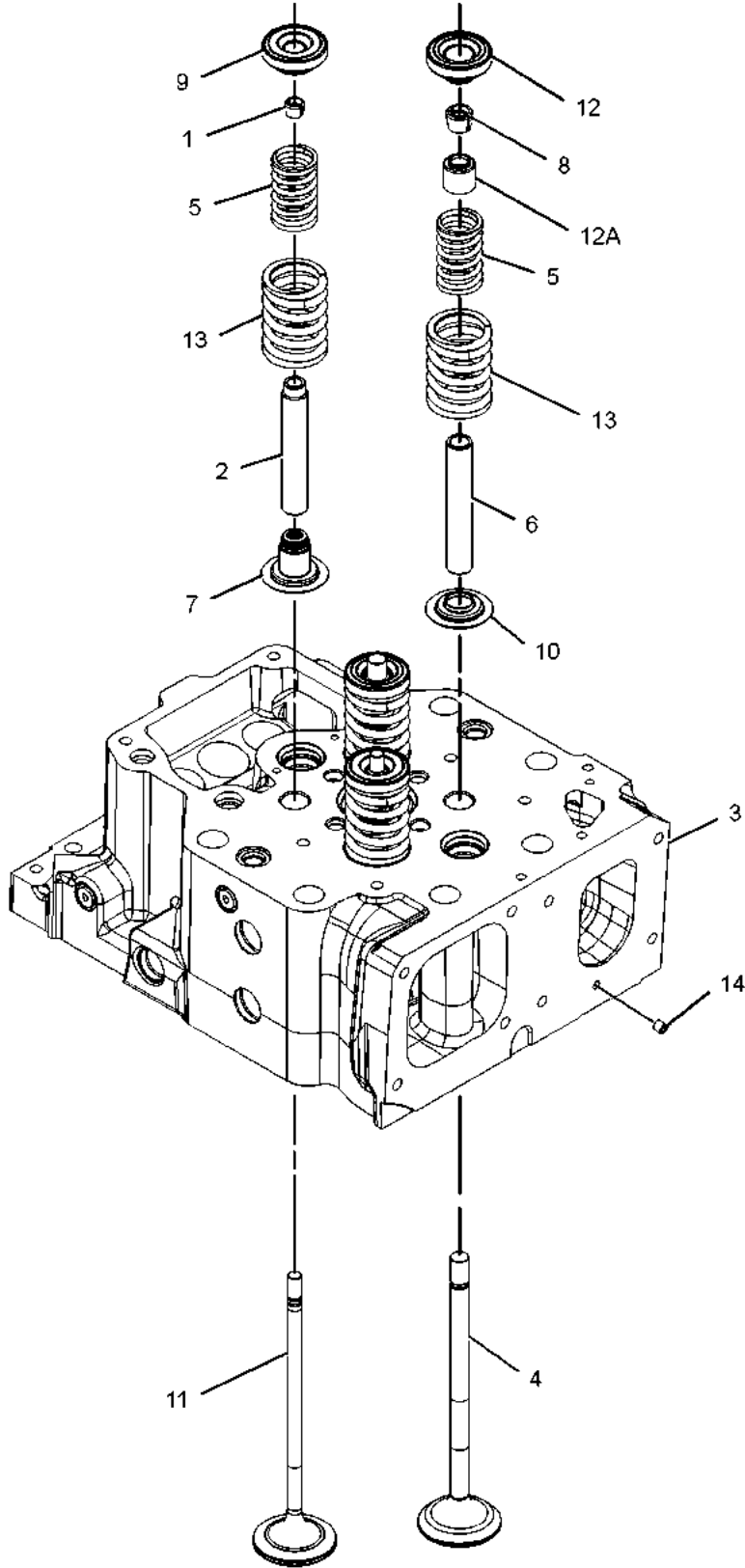
NOTE	REF NO	GRAPHIC REF	PART NUMBER	QTY	PART NAME						SEE PAGE
					1	2	3	4	5	6 (PRODUCT LEVEL)	
	1	1	2A-4429	4	LOCK-RETAINER						
R	2	1	133-9306	2	GUIDE-VALVE (STANDARD) (INLET)						
AB		1	149-1982		GUIDE-VALVE (0.508-MM OS) (INLET)						
AB			273-3553		GUIDE-VALVE (0.127-MM OS) (INLET)						
AB			273-3554		GUIDE-VALVE (0.25-MM OS) (INLET)						
AB			301-9248		GUIDE-VALVE (0.38-MM THK) (INLET)						
Y	3	1	<i>172-0836</i>	1	CYLINDER HEAD GP						107
	4	1	194-4897	2	VALVE-EXHAUST						
	5	1	194-4902	4	SPRING-VALVE (INNER)						
R	6	1	197-6995	2	GUIDE-VALVE (STANDARD) (EXHAUST)						
AB			276-3875		GUIDE-VALVE (0.127-MM OS) (EXHAUST)						
AB			276-3876		GUIDE-VALVE (0.25-MM OS) (EXHAUST)						
	7	1	197-7006	2	SEAL-VALVE STEM (INLET)						
	8	1	197-7055	4	LOCK-RETAINER						
	9	1	197-7062	2	ROTOCOIL AS (INLET)						
	10	1	209-0962	2	WASHER (17.8X45X7.29-MM THK)						
	11	1	210-2542	2	VALVE-INLET						
	12	1	197-7063	2	ROTOCOIL AS (EXHAUST)						
	12A	1	234-8776	2	SHIELD-OIL						
	13	1	281-6157	4	SPRING (OUTER)						
	14	1	8T-6759	1	PLUG-PIPE						

A - NOT PART OF THIS GROUP
 B - USE AS REQUIRED
 R - REMANUFACTURED PART MAY BE AVAILABLE
 Y - SEPARATE ILLUSTRATION

BASIC ENGINE

239-0692 CYLINDER HEAD GP (contd.)

i02668041



GRAPHIC #1

<END>

g01215599

BASIC ENGINE

295-2048 CYLINDER HEAD GP

S/N: 65Z1287-1462

PART OF 299-3520 CYLINDER HEAD GP

SMCS-1100

i02649160

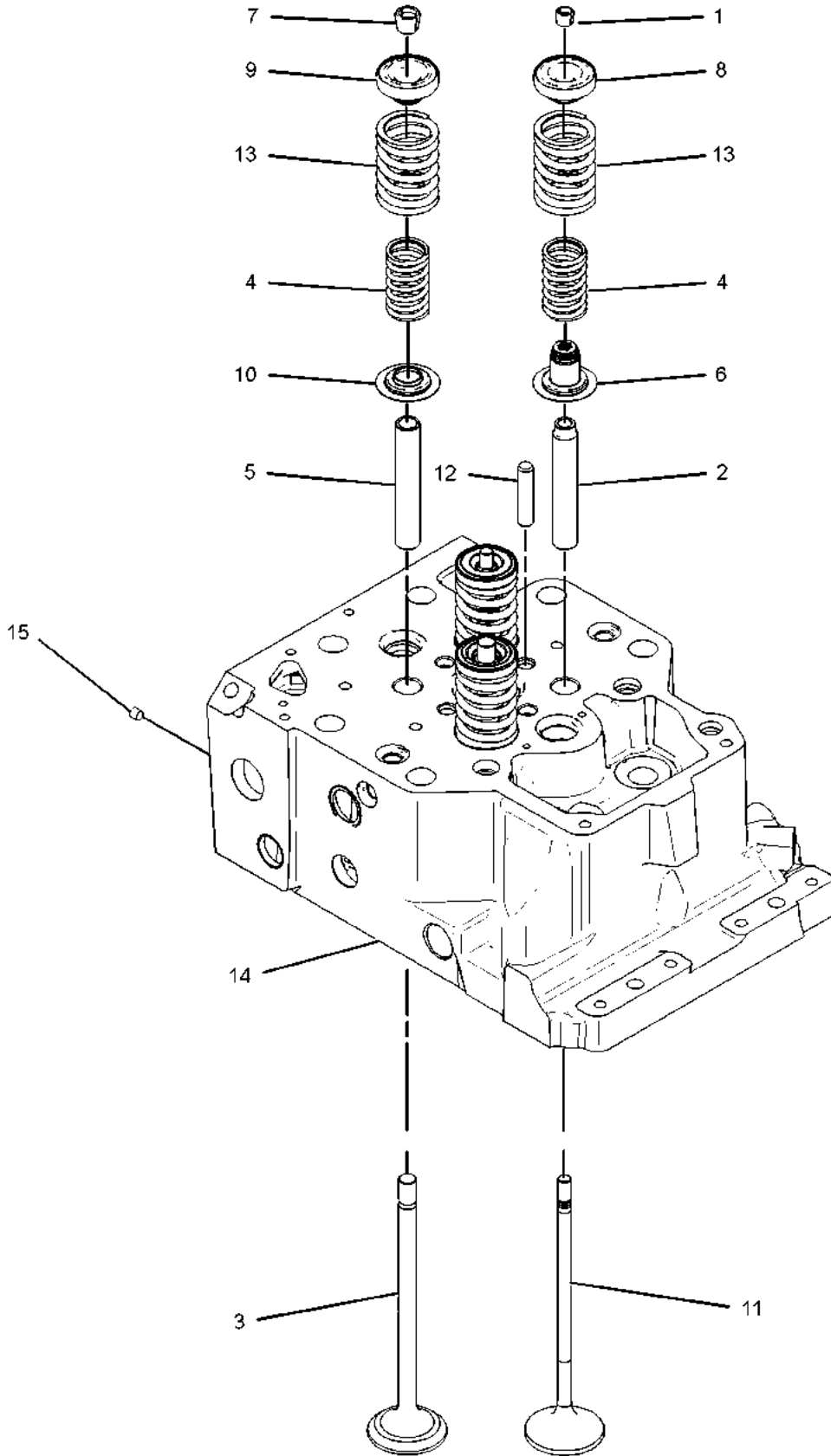
NOTE	REF NO	GRAPHIC REF	PART NUMBER	QTY	PART NAME						SEE PAGE
					1	2	3	4	5	6 (PRODUCT LEVEL)	
	1	1	2A-4429	4	LOCK-RETAINER (INLET)						
R	2	1	133-9306	2	GUIDE-VALVE (STANDARD) (INTAKE)						
AB			149-1982		GUIDE-VALVE (0.508-MM OS)						
AB			273-3553		GUIDE-VALVE (0.127-MM OS)						
AB			273-3554		GUIDE-VALVE (0.25-MM OS)						
AB			301-9248		GUIDE-VALVE (0.38-MM THK)						
	3	1	194-4897	2	VALVE-EXHAUST						
	4	1	194-4902	4	SPRING-VALVE (INNER)						
R	5	1	197-6995	2	GUIDE-VALVE (STANDARD)						
AB			276-3875		GUIDE-VALVE (0.127-MM OS)						
AB			276-3876		GUIDE-VALVE (0.25-MM OS)						
	6	1	197-7006	2	SEAL-VALVE STEM (INLET)						
	7	1	197-7055	4	LOCK-RETAINER (EXHAUST)						
	8	1	197-7062	2	ROTOCOIL AS (INLET)						
	9	1	197-7063	2	ROTOCOIL AS (EXHAUST)						
	10	1	209-0962	2	WASHER (17.8X45X7.29-MM THK)						
	11	1	210-2542	2	VALVE-INLET						
	12	1	239-0689	1	DOWEL						
	13	1	281-6157	4	SPRING						
Y	14	1	295-2047	1	CYLINDER HEAD AS						100
B	15	1	8T-6759	1	PLUG-PIPE						

A - NOT PART OF THIS GROUP
 B - USE AS REQUIRED
 R - REMANUFACTURED PART MAY BE AVAILABLE
 Y - SEPARATE ILLUSTRATION

BASIC ENGINE

295-2048 CYLINDER HEAD GP (contd.)

i02649160



GRAPHIC #1

<END>

g01332678

BASIC ENGINE

299-3520 CYLINDER HEAD GP

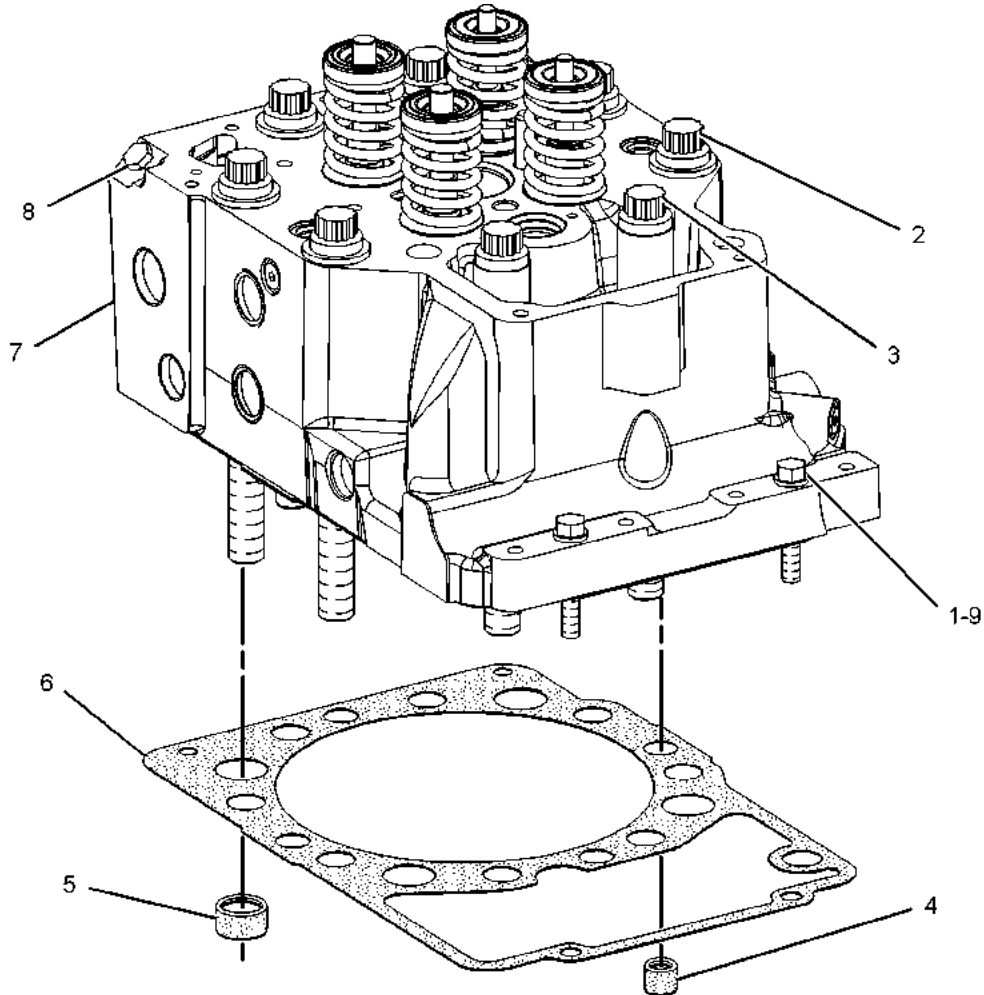
S/N: 65Z1287-1462

SMCS-1100

i02975287

NOTE	REF NO	GRAPHIC REF	PART NUMBER	QTY	PART NAME						SEE PAGE
					1	2	3	4	5	6 (PRODUCT LEVEL)	
	1	1	5B-0213	2	BOLT (3/8-16X2.375-IN)						
	2	1	131-0420	6	FASTENER GP-CYLINDER HEAD						
					(EACH INCLUDES)						
		1	7N-1961	1	BOLT-12 POINT HEAD (3/4-16X8.5-IN)						
		1	187-7738	1	WASHER-HARD (21X36.5X3.5-MM THK)						
	3	1	131-0421	2	FASTENER GP-CYLINDER HEAD						
					(EACH INCLUDES)						
		1	7N-1961	1	BOLT-12 POINT HEAD (3/4-16X8.5-IN)						
		1	187-7738	1	WASHER-HARD (21X36.5X3.5-MM THK)						
		1	9Y-0635	1	SPACER (19.35X30.18X45-MM THK)						
	4	1	204-5426	4	SEAL (WATER)						
	5	1	204-5427	4	SEAL (WATER)						
	6	1	110-6991	1	GASKET-CYLINDER HEAD						
Y	7	1	295-2048	1	CYLINDER HEAD GP						119
B	8	1	5B-7890	1	PLUG-PIPE						
	9	1	5M-2894	2	WASHER-HARD (10.2X18.5X2.5-MM THK)						

B - USE AS REQUIRED
Y - SEPARATE ILLUSTRATION



GRAPHIC #1

<END>

g01328951

BASIC ENGINE

299-3520 CYLINDER HEAD GP

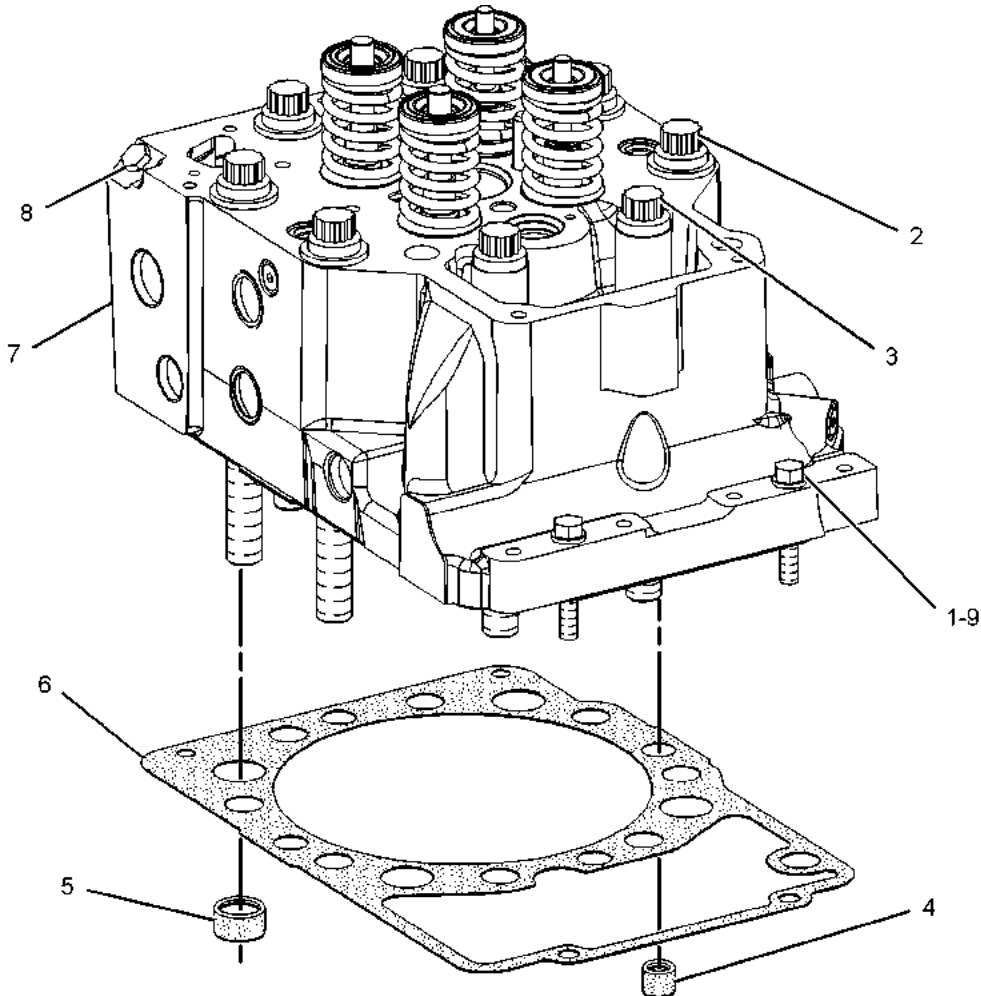
S/N: 65Z1463-1529

SMCS-1100

i05402659

NOTE	REF NO	GRAPHIC REF	PART NUMBER	QTY	PART NAME						SEE PAGE
					1	2	3	4	5	6	
	1	1	5B-0213	2	BOLT (3/8-16X2.375-IN)						
	2	1	131-0420	6	FASTENER GP-CYLINDER HEAD						
					(EACH INCLUDES)						
		1	7N-1961	1	BOLT-12 POINT HEAD (3/4-16X8.5-IN)						
		1	187-7738	1	WASHER-HARD (21X36.5X3.5-MM THK)						
	3	1	131-0421	2	FASTENER GP-CYLINDER HEAD						
					(EACH INCLUDES)						
		1	7N-1961	1	BOLT-12 POINT HEAD (3/4-16X8.5-IN)						
		1	187-7738	1	WASHER-HARD (21X36.5X3.5-MM THK)						
		1	9Y-0635	1	SPACER (19.35X30.18X45-MM THK)						
	4	1	420-0652	4	SEAL AS-WATER						
	5	1	420-0653	4	SEAL AS-WATER						
	6	1	110-6991	1	GASKET-CYLINDER HEAD						
CYR	7	1	335-6217	1	CYLINDER HEAD GP						123
B	8	1	5B-7890	1	PLUG-PIPE						
	9	1	5M-2894	2	WASHER-HARD (10.2X18.5X2.5-MM THK)						

B - USE AS REQUIRED
 C - CHANGE FROM PREVIOUS TYPE
 R - REMANUFACTURED PART MAY BE AVAILABLE
 Y - SEPARATE ILLUSTRATION



GRAPHIC #1

<END>

g01328951

BASIC ENGINE

335-6217 CYLINDER HEAD GP*R

S/N: 65Z1463-UP

PART OF 299-3520, 350-5205 CYLINDER HEAD GP

SMCS-1100

i07001615

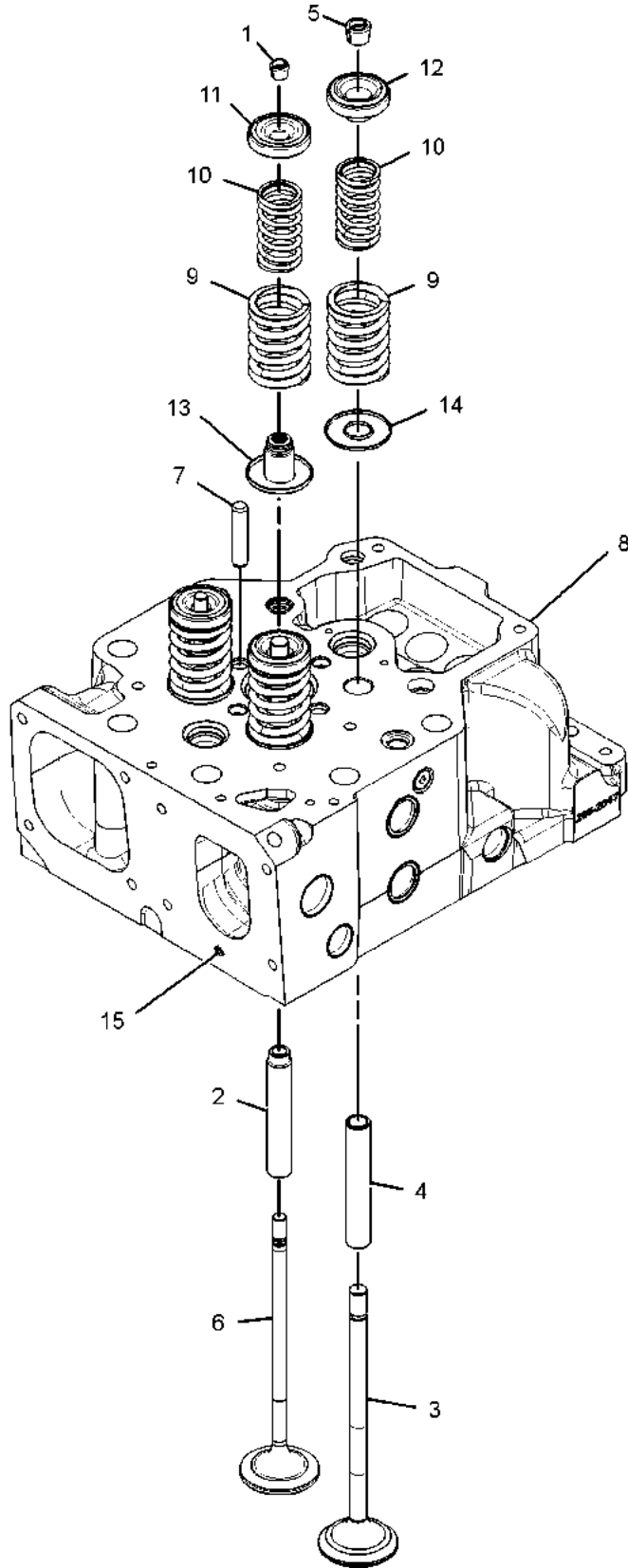
NOTE	REF NO	GRAPHIC REF	PART NUMBER	QTY	PART NAME						SEE PAGE
					1	2	3	4	5	6 (PRODUCT LEVEL)	
	1	1	2A-4429	4	LOCK-RETAINER						
R	2	1	133-9306	2	GUIDE-VALVE (STANDARD)						
AB		1	149-1982		GUIDE-VALVE (0.508-MM OS)						
AB		1	273-3553		GUIDE-VALVE (0.127-MM OS)						
AB		1	273-3554		GUIDE-VALVE (0.25-MM OS)						
AB		1	301-9248		GUIDE-VALVE (0.38-MM THK)						
	3	1	468-8825	2	VALVE-EXHAUST						
R	4	1	197-6995	2	GUIDE-VALVE (STANDARD)						
AB		1	276-3875		GUIDE-VALVE (0.127-MM OS)						
AB		1	276-3876		GUIDE-VALVE (0.25-MM OS)						
AB		1	320-7710		GUIDE-VALVE (0.381-MM OS, EXHAUST)						
AB		1	320-7711		GUIDE-VALVE (0.508-MM OS, EXHAUST)						
	5	1	197-7055	4	LOCK-RETAINER						
	6	1	468-8824	2	VALVE-INLET						
	7	1	239-0689	1	DOWEL						
Y	8	1	295-2047	1	CYLINDER HEAD AS						100
	9	1	316-5976	4	SPRING (OUTER)						
	10	1	316-5977	4	SPRING (INNER)						
	11	1	316-5978	2	ROTOCOIL AS (INLET)						
	12	1	316-5979	2	ROTOCOIL AS (EXHAUST)						
	13	1	316-5980	2	SEAL-VALVE STEM						
	14	1	316-5981	2	WASHER (17.8X44.5X3-MM THK)						
	15	1	8T-6759	1	PLUG-PIPE						

A - NOT PART OF THIS GROUP
 B - USE AS REQUIRED
 R - REMANUFACTURED PART MAY BE AVAILABLE
 Y - SEPARATE ILLUSTRATION

BASIC ENGINE

335-6217 CYLINDER HEAD GP (contd.)

i07001615



GRAPHIC #1

<END>

g01871002

BASIC ENGINE

338-8671 CYLINDER HEAD GP*R

S/N: 65Z1480-UP

FIELD REPLACEMENT FOR 239-0692-PAGE: 117

PART OF 203-2170 CYLINDER HEAD GP

AN ATTACHMENT

SMCS-1100

i06682332

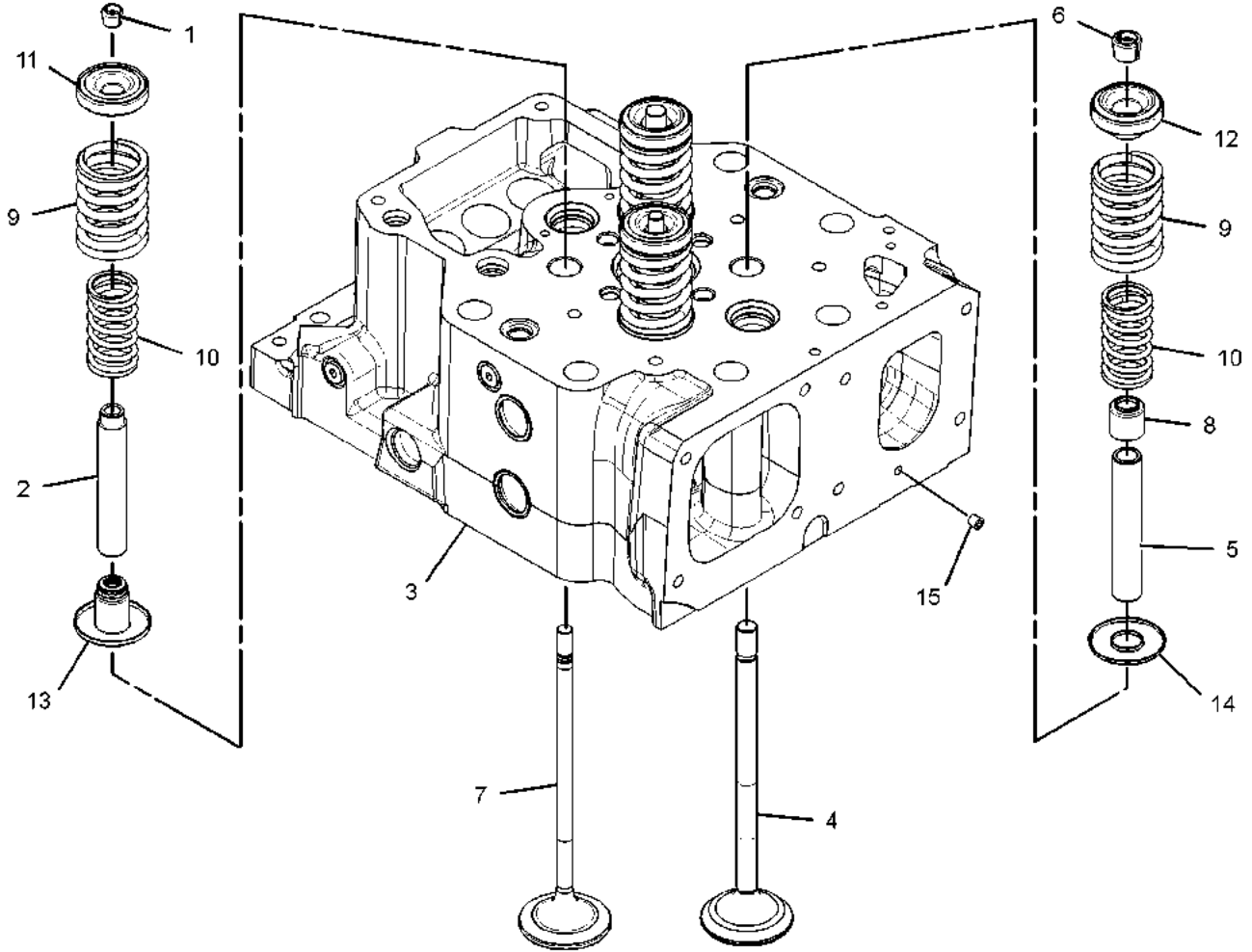
NOTE	REF NO	GRAPHIC REF	PART NUMBER	QTY	PART NAME						SEE PAGE
					1	2	3	4	5	6 (PRODUCT LEVEL)	
	1	1	2A-4429	4	LOCK-RETAINER						
R	2	1	133-9306	2	GUIDE-VALVE (STANDARD)						
AB		1	149-1982		GUIDE-VALVE (0.508-MM OS)						
AB		1	273-3553		GUIDE-VALVE (0.127-MM OS)						
AB		1	273-3554		GUIDE-VALVE (0.25-MM OS)						
AB		1	301-9248		GUIDE-VALVE (0.38-MM THK)						
Y	3	1	<i>172-0836</i>	1	CYLINDER HEAD GP						107
	4	1	468-8825	2	VALVE-EXHAUST						
R	5	1	197-6995	2	GUIDE-VALVE (STANDARD)						
AB		1	276-3875		GUIDE-VALVE (0.127-MM OS)						
AB		1	276-3876		GUIDE-VALVE (0.25-MM OS)						
AB		1	320-7710		GUIDE-VALVE (0.381-MM OS, EXHAUST)						
AB		1	320-7711		GUIDE-VALVE (0.508-MM OS, EXHAUST)						
	6	1	197-7055	4	LOCK-RETAINER						
	7	1	468-8824	2	VALVE-INLET						
	8	1	234-8776	2	SHIELD-OIL						
	9	1	316-5976	4	SPRING (OUTER)						
	10	1	316-5977	4	SPRING (INNER)						
	11	1	316-5978	2	ROTOCOIL AS (INLET)						
	12	1	316-5979	2	ROTOCOIL AS (EXHAUST)						
	13	1	316-5980	2	SEAL-VALVE STEM						
	14	1	316-5981	2	WASHER (17.8X44.5X3-MM THK)						
	15	1	8T-6759	1	PLUG-PIPE						

A - NOT PART OF THIS GROUP
 B - USE AS REQUIRED
 R - REMANUFACTURED PART MAY BE AVAILABLE
 Y - SEPARATE ILLUSTRATION

BASIC ENGINE

338-8671 CYLINDER HEAD GP (contd.)

i06682332



GRAPHIC #1

<END>

g01944615

BASIC ENGINE

350-5205 CYLINDER HEAD GP

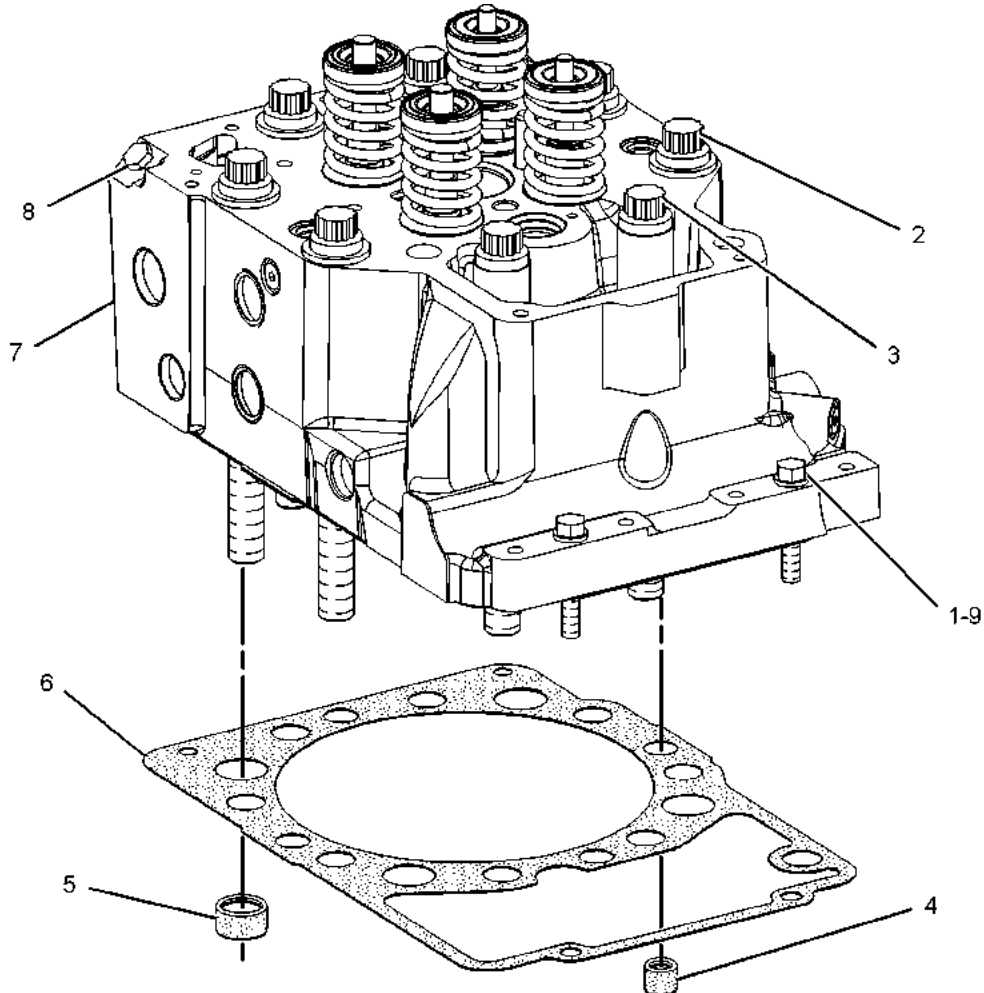
S/N: 65Z1530-UP

SMCS-1100

i05392054

NOTE	REF NO	GRAPHIC REF	PART NUMBER	QTY	PART NAME						SEE PAGE
					1	2	3	4	5	6 (PRODUCT LEVEL)	
	1	1	5B-0213	2	BOLT (3/8-16X2.375-IN)						
	2	1	131-0420	6	FASTENER GP-CYLINDER HEAD						
					(EACH INCLUDES)						
		1	7N-1961	1	BOLT-12 POINT HEAD (3/4-16X8.5-IN)						
		1	187-7738	1	WASHER-HARD (21X36.5X3.5-MM THK)						
	3	1	131-0421	2	FASTENER GP-CYLINDER HEAD						
					(EACH INCLUDES)						
		1	7N-1961	1	BOLT-12 POINT HEAD (3/4-16X8.5-IN)						
		1	187-7738	1	WASHER-HARD (21X36.5X3.5-MM THK)						
		1	9Y-0635	1	SPACER (19.35X30.18X45-MM THK)						
	4	1	420-0652	4	SEAL AS-WATER						
	5	1	420-0653	4	SEAL AS-WATER						
	6	1	362-8264	1	GASKET-CYLINDER HEAD						
YR	7	1	335-6217	1	CYLINDER HEAD GP						123
	8	1	5B-7890	1	PLUG-PIPE						
	9	1	5M-2894	2	WASHER-HARD (10.2X18.5X2.5-MM THK)						

R - REMANUFACTURED PART MAY BE AVAILABLE
 Y - SEPARATE ILLUSTRATION



GRAPHIC #1

<END>

g01328951

BASIC ENGINE

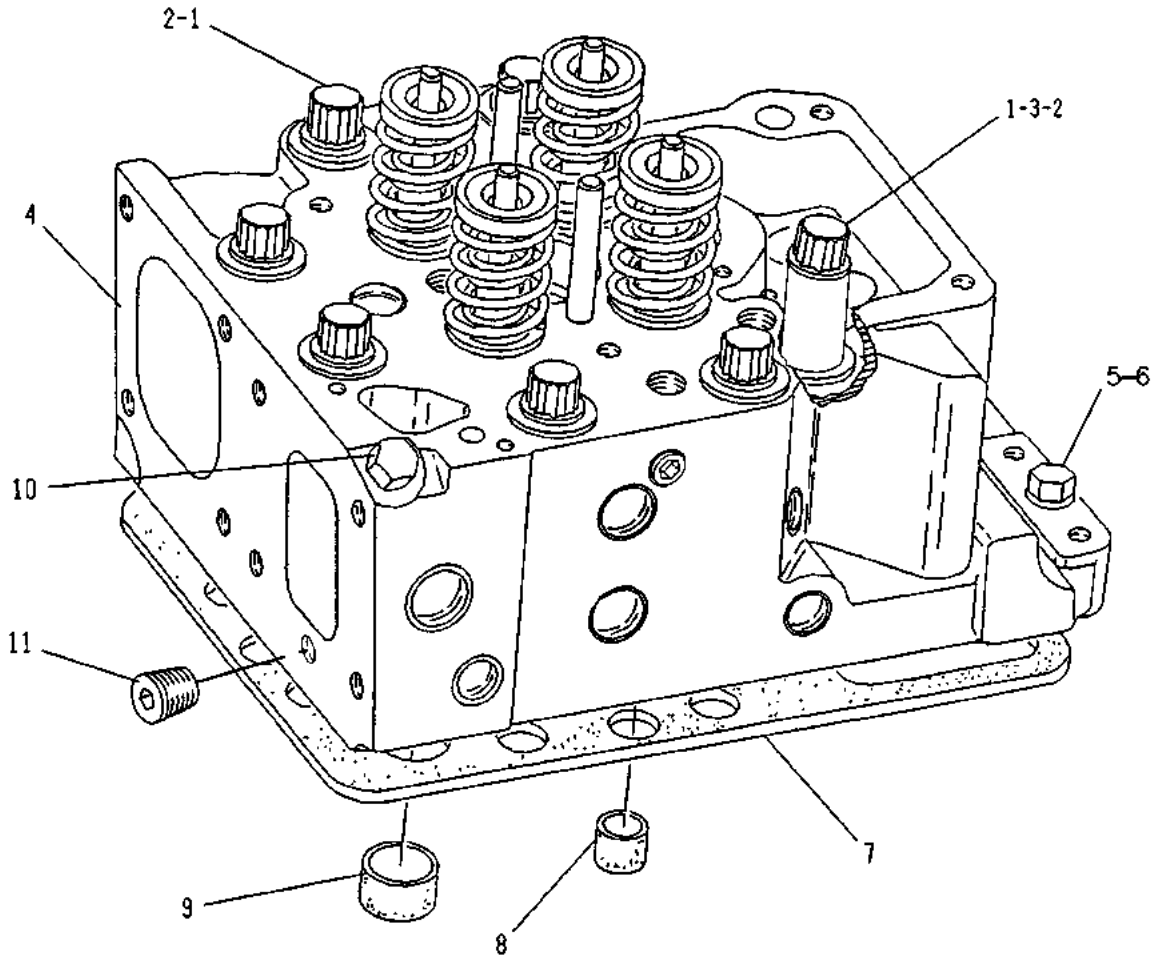
4P-9122 CYLINDER HEAD GP AN ATTACHMENT

SMCS-1100

i00883708

NOTE	REF NO	GRAPHIC REF	PART NUMBER	QTY	PART NAME						SEE PAGE
					1	2	3	4	5	6 (PRODUCT LEVEL)	
	1	1	7N-1961	8	BOLT-12 POINT HEAD (3/4-16X8.5-IN)						
	2	1	5P-8248	8	WASHER-HARD (20X36.5X3.5-MM THK)						
	3	1	9Y-0635	2	SPACER (19.35X30.18X45-MM THK)						
Y	4	1	4P-9123	1	CYLINDER HEAD GP						129
C	5	1	5B-0213	2	BOLT (3/8-16X2.375-IN)						
	6	1	5M-2894	2	WASHER-HARD (10.2X18.5X2.5-MM THK)						
	7	1	110-6991	1	GASKET-CYLINDER HEAD						
	8	1	126-1112	4	SEAL						
	9	1	126-1113	4	SEAL						
	10	1	5B-7890	1	PLUG-PIPE						
	11	1	8T-6759	1	PLUG-PIPE						

C - CHANGE FROM PREVIOUS TYPE
Y - SEPARATE ILLUSTRATION



GRAPHIC #1

<END>

g00211986

BASIC ENGINE

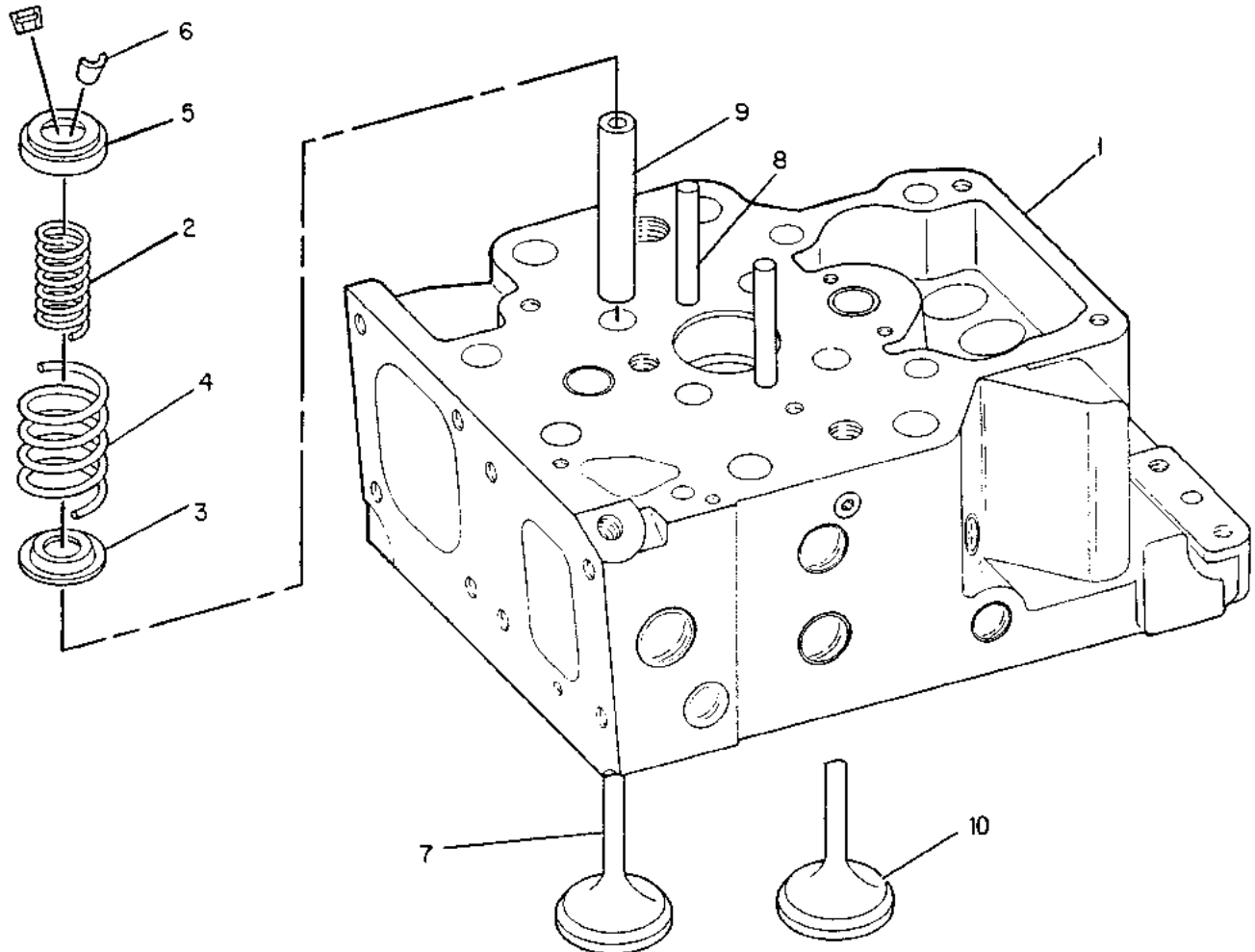
4P-9123 CYLINDER HEAD GP PART OF 101-1207, 4P-9122 CYLINDER HEAD GP AN ATTACHMENT

SMCS-1100

i02668032

NOTE	REF NO	GRAPHIC REF	PART NUMBER	QTY	PART NAME						SEE PAGE
					1	2	3	4	5	6 (PRODUCT LEVEL)	
CY	1	1	131-0410	1	CYLINDER HEAD AS						91
	2	1	7N-1903	4	SPRING-VALVE INNER						
	3	1	2W-2662	4	SEAT-SPRING						
	4	1	7N-1904	4	SPRING-VALVE OUTER						
C	5	1	133-9307	4	ROTOCOIL AS						
	6	1	2A-4429	8	LOCK-RETAINER						
	7	1	7E-4609	4	VALVE-INLET						
	8	1	7N-1902	2	DOWEL						
C	9	1	130-2613	4	GUIDE-VALVE						
AB			149-1982		GUIDE-VALVE (0.508-MM OS)						
ABR			166-5944		GUIDE-VALVE (0.127-MM OS)						
	10	1	121-9839	2	VALVE-EXHAUST						

- A - NOT PART OF THIS GROUP
- B - USE AS REQUIRED
- C - CHANGE FROM PREVIOUS TYPE
- R - REMANUFACTURED PART MAY BE AVAILABLE
- Y - SEPARATE ILLUSTRATION



GRAPHIC #1

<END>

g00265759

BASIC ENGINE

4W-0095 CYLINDER HEAD GP

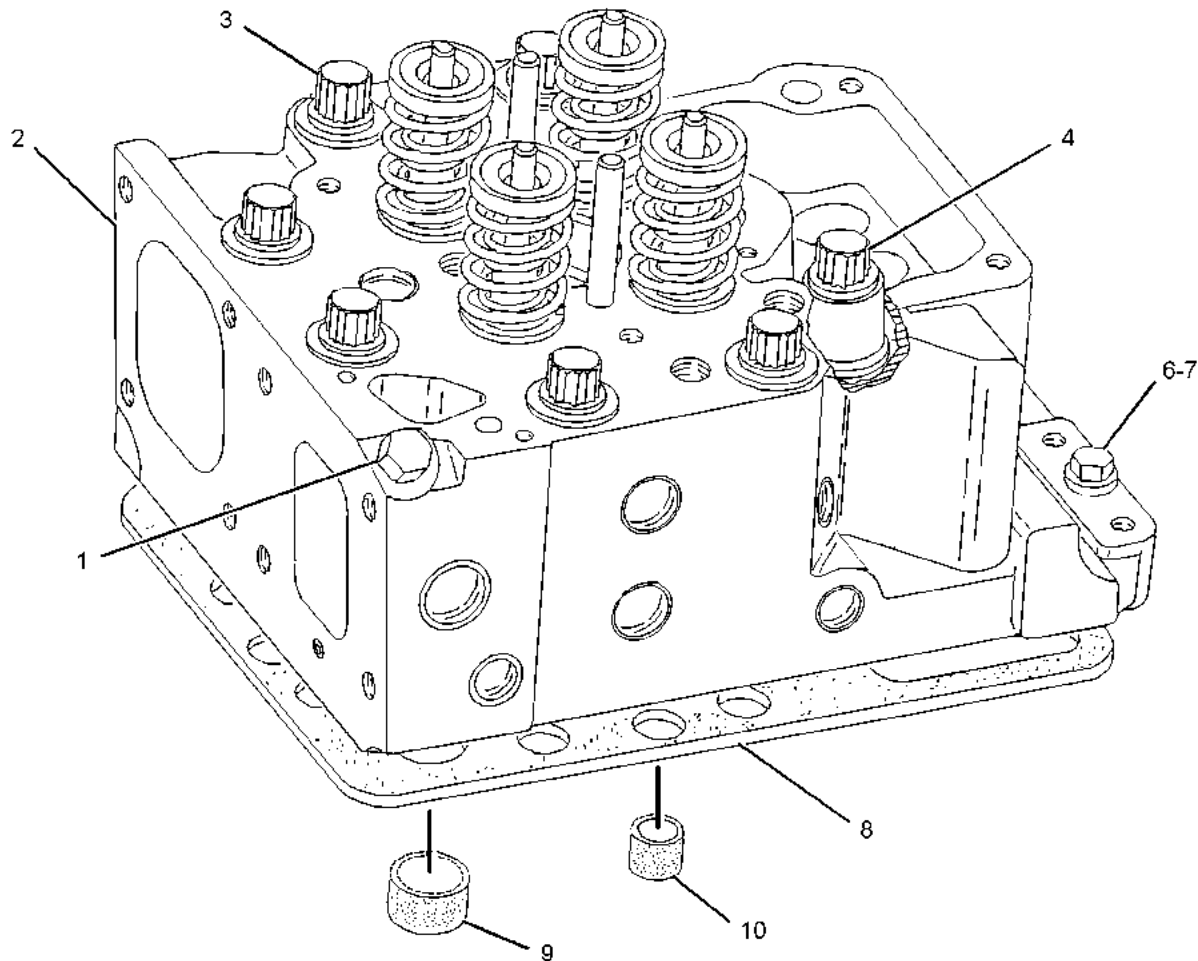
S/N: 65Z887-960

SMCS-1100

i02379754

NOTE	REF NO	GRAPHIC REF	PART NUMBER	QTY	PART NAME						SEE PAGE
					1	2	3	4	5	6 (PRODUCT LEVEL)	
B	1	1	5B-7890	1	PLUG-PIPE						
YR	2	1	4W-9560	1	CYLINDER HEAD GP						134
C	3	1	131-0420	6	FASTENER GP-CYLINDER HEAD						
					(EACH INCLUDES)						
		1	5P-8248	1	WASHER-HARD (20X36.5X3.5-MM THK)						
		1	7N-1961	1	BOLT-12 POINT HEAD (3/4-16X8.5-IN)						
	4	1	131-0421	2	FASTENER GP-CYLINDER HEAD						
					(EACH INCLUDES)						
		1	5P-8248	1	WASHER-HARD (20X36.5X3.5-MM THK)						
		1	7N-1961	1	BOLT-12 POINT HEAD (3/4-16X8.5-IN)						
		1	9Y-0635	1	SPACER (19.35X30.18X45-MM THK)						
C	6	1	5B-0213	2	BOLT (3/8-16X2.375-IN)						
	7	1	5M-2894	2	WASHER-HARD (10.2X18.5X2.5-MM THK)						
	8	1	110-6991	1	GASKET-CYLINDER HEAD						
	9	1	126-1113	4	SEAL						
	10	1	126-1112	4	SEAL						

B - USE AS REQUIRED
 C - CHANGE FROM PREVIOUS TYPE
 R - REMANUFACTURED PART MAY BE AVAILABLE
 Y - SEPARATE ILLUSTRATION



GRAPHIC #1

<END>

g01188294

BASIC ENGINE

4W-0095 CYLINDER HEAD GP

S/N: 65Z961-1129

SMCS-1100

i02668392

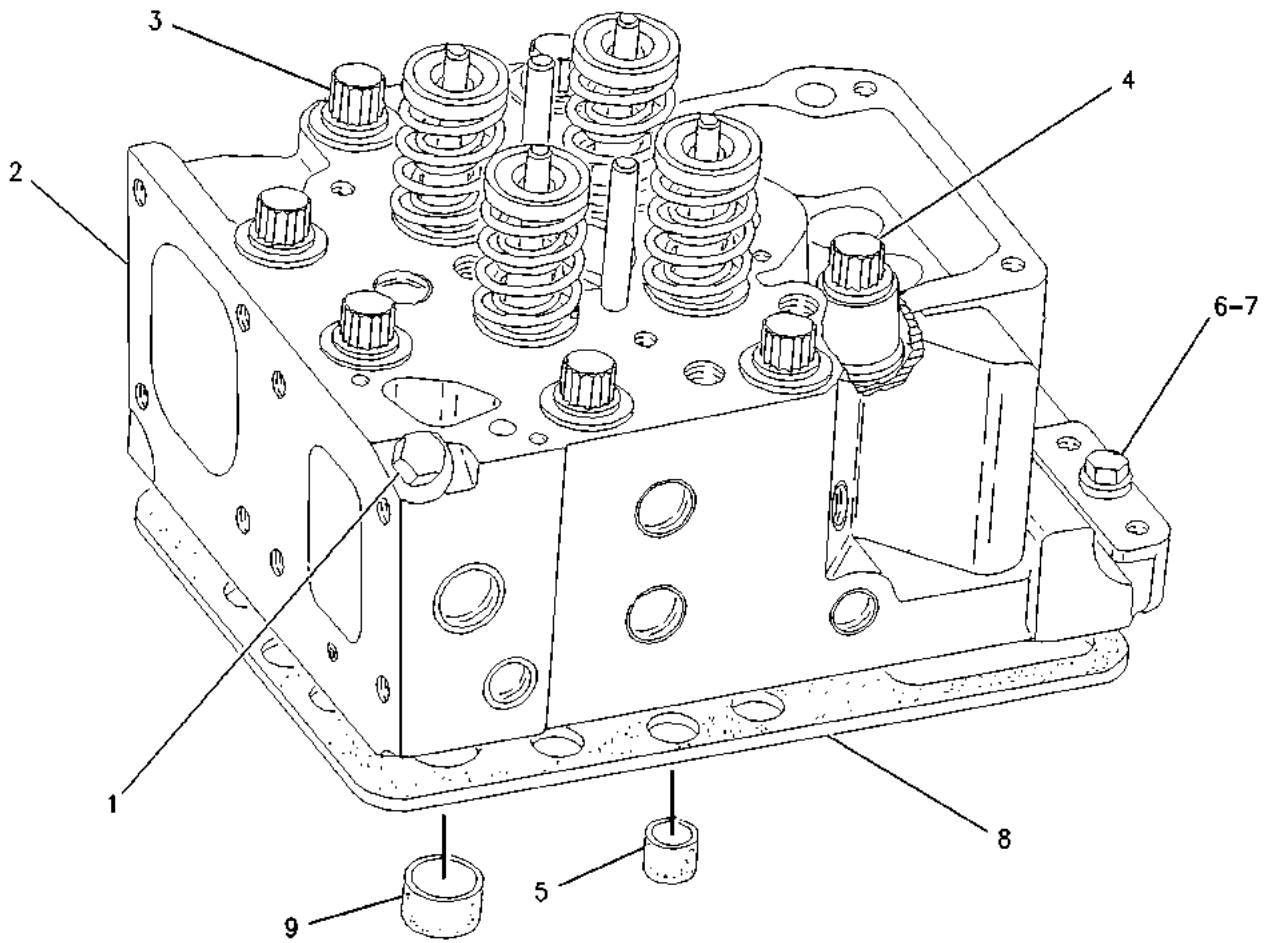
NOTE	REF NO	GRAPHIC REF	PART NUMBER	QTY	PART NAME						SEE PAGE
					1	2	3	4	5	6 (PRODUCT LEVEL)	
B	1	1	5B-7890	1	PLUG-PIPE						
CYR	2	1	172-0835	1	CYLINDER HEAD GP						105
	3	1	131-0420	6	FASTENER GP-CYLINDER HEAD						
					(EACH INCLUDES)						
		1	7N-1961	1	BOLT-12 POINT HEAD (3/4-16X8.5-IN)						
		1	187-7738	1	WASHER-HARD (21X36.5X3.5-MM THK)						
	4	1	131-0421	2	FASTENER GP-CYLINDER HEAD						
					(EACH INCLUDES)						
		1	7N-1961	1	BOLT-12 POINT HEAD (3/4-16X8.5-IN)						
		1	9Y-0635	1	SPACER (19.35X30.18X45-MM THK)						
		1	187-7738	1	WASHER-HARD (21X36.5X3.5-MM THK)						
	5	1	204-5426	4	SEAL (WATER)						
	6	1	5B-0213	2	BOLT (3/8-16X2.375-IN)						
	7	1	5M-2894	2	WASHER-HARD (10.2X18.5X2.5-MM THK)						
	8	1	110-6991	1	GASKET-CYLINDER HEAD						
	9	1	204-5427	4	SEAL (WATER)						

B - USE AS REQUIRED
 C - CHANGE FROM PREVIOUS TYPE
 R - REMANUFACTURED PART MAY BE AVAILABLE
 Y - SEPARATE ILLUSTRATION

BASIC ENGINE

4W-0095 CYLINDER HEAD GP (contd.)

102668392



GRAPHIC #1

<END>

g00905254

BASIC ENGINE

4W-0095 CYLINDER HEAD GP

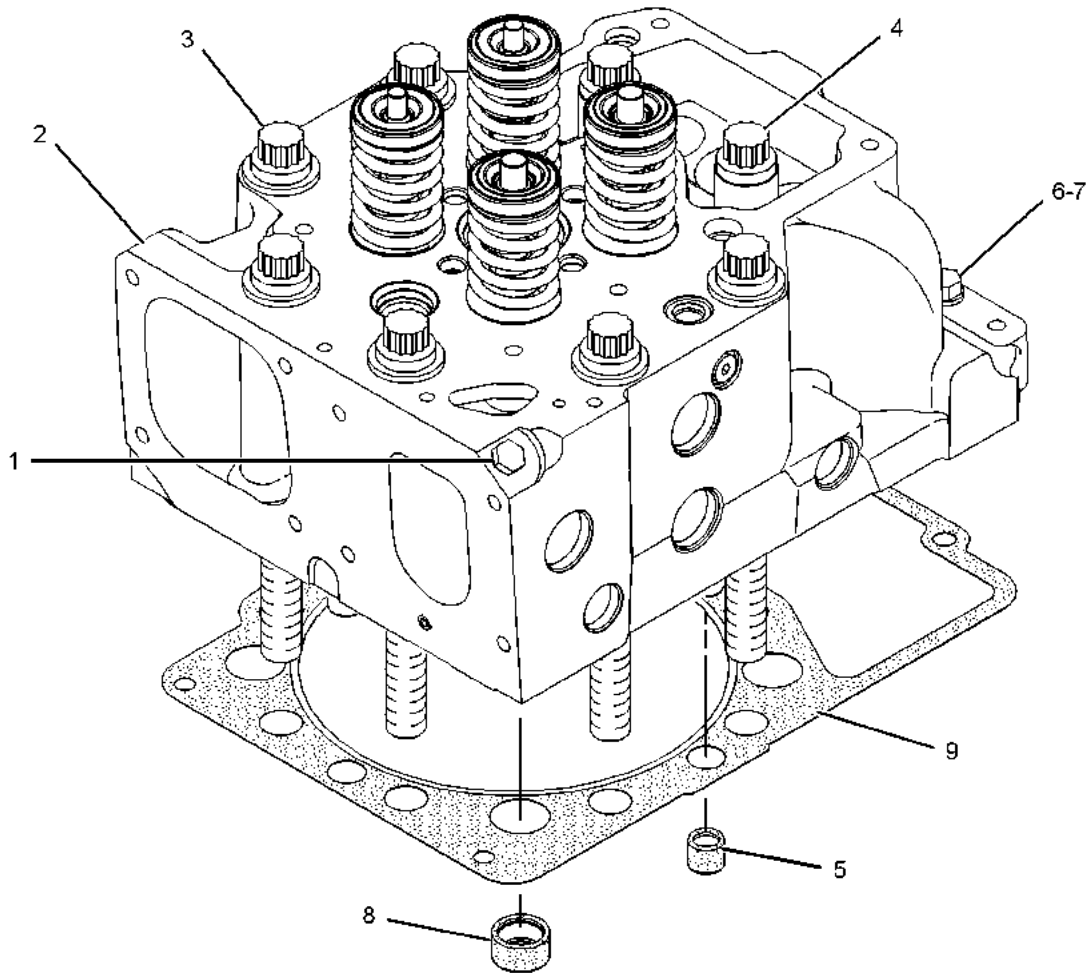
S/N: 65Z1130-1286

SMCS-1100

i03054017

NOTE	REF NO	GRAPHIC REF	PART NUMBER	QTY	PART NAME						SEE PAGE
					1	2	3	4	5	6 (PRODUCT LEVEL)	
B	1	1	5B-7890	1	PLUG-PIPE						
CYR	2	1	239-0690	1	CYLINDER HEAD GP						115
	3	1	131-0420	6	FASTENER GP-CYLINDER HEAD (EACH INCLUDES)						
		1	7N-1961	1	BOLT-12 POINT HEAD (3/4-16X8.5-IN)						
		1	187-7738	1	WASHER-HARD (21X36.5X3.5-MM THK)						
	4	1	131-0421	2	FASTENER GP-CYLINDER HEAD (EACH INCLUDES)						
		1	7N-1961	1	BOLT-12 POINT HEAD (3/4-16X8.5-IN)						
		1	9Y-0635	1	SPACER (19.35X30.18X45-MM THK)						
		1	187-7738	1	WASHER-HARD (21X36.5X3.5-MM THK)						
	5	1	204-5426	4	SEAL (WATER)						
	6	1	5B-0213	2	BOLT (3/8-16X2.375-IN)						
	7	1	5M-2894	2	WASHER-HARD (10.2X18.5X2.5-MM THK)						
	8	1	204-5427	4	SEAL (WATER)						
	9	1	110-6991	1	GASKET-CYLINDER HEAD						

B - USE AS REQUIRED
 C - CHANGE FROM PREVIOUS TYPE
 R - REMANUFACTURED PART MAY BE AVAILABLE
 Y - SEPARATE ILLUSTRATION



GRAPHIC #1

<END>

g01248586

BASIC ENGINE

4W-9560 CYLINDER HEAD GP*R PART OF 4W-0095 CYLINDER HEAD GP

SMCS-1100

i02668033

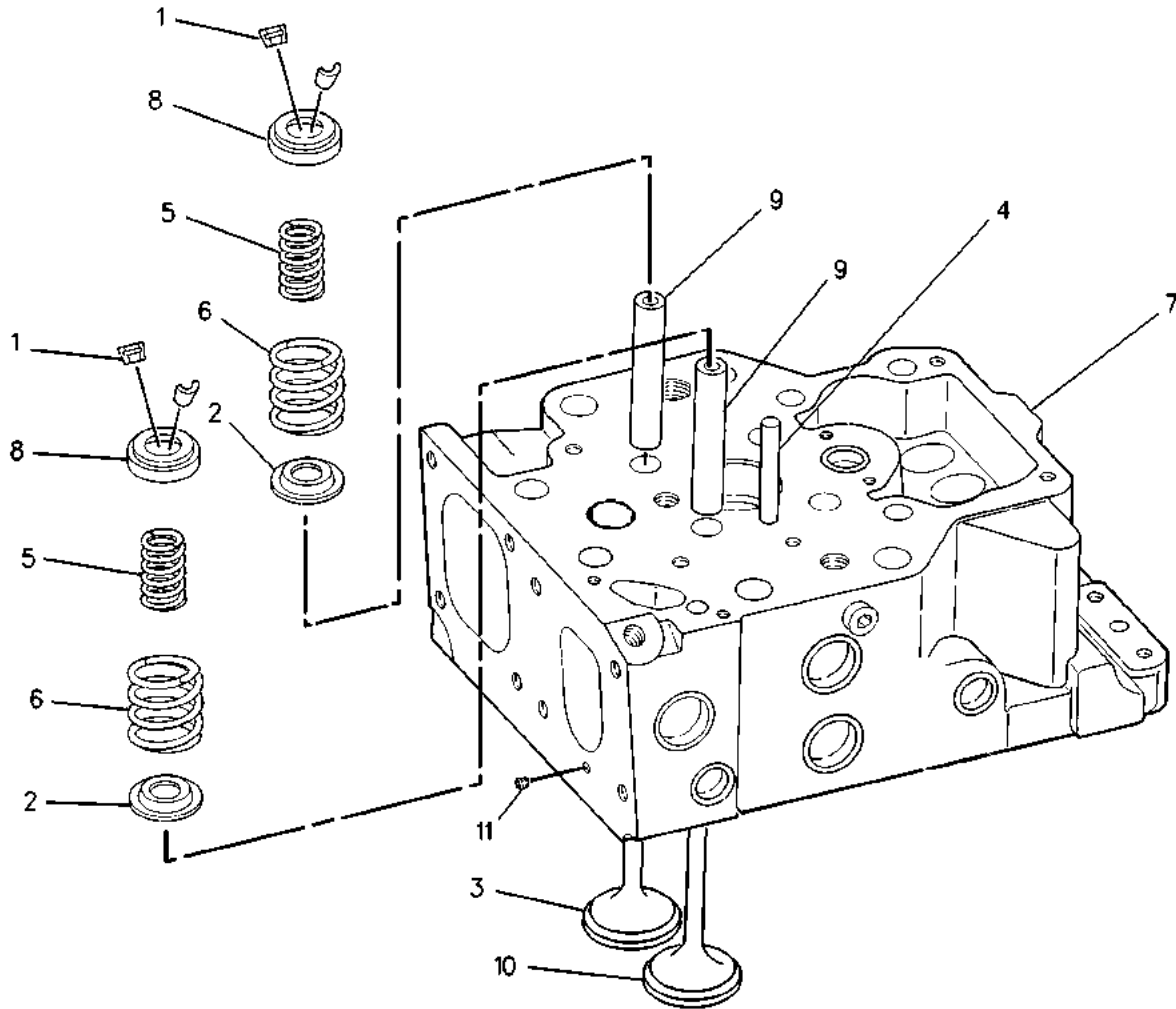
NOTE	REF NO	GRAPHIC REF	PART NUMBER	QTY	PART NAME						SEE PAGE
					1	2	3	4	5	6	
	1	1	2A-4429	8	LOCK-RETAINER						
	2	1	137-6856	4	SEAL (VALVE STEM)						
	3	1	7E-4609	2	VALVE-INLET (INTAKE)						
	4	1	7N-1902	2	DOWEL						
	5	1	7N-1903	4	SPRING-VALVE INNER						
	6	1	7N-1904	4	SPRING-VALVE OUTER						
CY	7	1	<i>131-0410</i>	1	CYLINDER HEAD AS						91
	8	1	133-3814	4	ROTOCOIL AS						
CR	9	1	133-9306	4	GUIDE-VALVE (STANDARD)						
AB			149-1982		GUIDE-VALVE (0.508-MM OS)						
AB			273-3553		GUIDE-VALVE (0.127-MM OS)						
AB			273-3554		GUIDE-VALVE (0.25-MM OS)						
AB			301-9248		GUIDE-VALVE (0.38-MM THK)						
	10	1	121-9839	2	VALVE-EXHAUST						
B	11	1	8T-6759	1	PLUG-PIPE						

A - NOT PART OF THIS GROUP
 B - USE AS REQUIRED
 C - CHANGE FROM PREVIOUS TYPE
 R - REMANUFACTURED PART MAY BE AVAILABLE
 Y - SEPARATE ILLUSTRATION

BASIC ENGINE

4W-9560 CYLINDER HEAD GP (contd.)

102668033



GRAPHIC #1

<END>

g00433953

BASIC ENGINE

100-4324 DAMPER GP PART OF 108-1290, 8N-0339 DAMPER GP AN ATTACHMENT

SMCS - 1205

i01329141

NOTE	PART NUMBER	QTY	PART NAME						SEE PAGE
			1	2	3	4	5	6 (PRODUCT LEVEL)	
Y	6I-3697	1	DAMPER GP						140
			-OR-						
Y	7C-9641	1	DAMPER GP						143
Y - SEPARATE ILLUSTRATION									
<END>									

100-4325 DAMPER GP PART OF 7W-0284 MOUNTING GP-HYD PUMP DRIVE, 7W-0282 POWER TAKE-OFF GP AN ATTACHMENT

SMCS - 1205

i01337726

NOTE	PART NUMBER	QTY	PART NAME						SEE PAGE
			1	2	3	4	5	6 (PRODUCT LEVEL)	
Y	6I-3699	1	DAMPER GP						141
			-OR-						
Y	7C-9639	1	DAMPER GP						142
Y - SEPARATE ILLUSTRATION									
<END>									

BASIC ENGINE

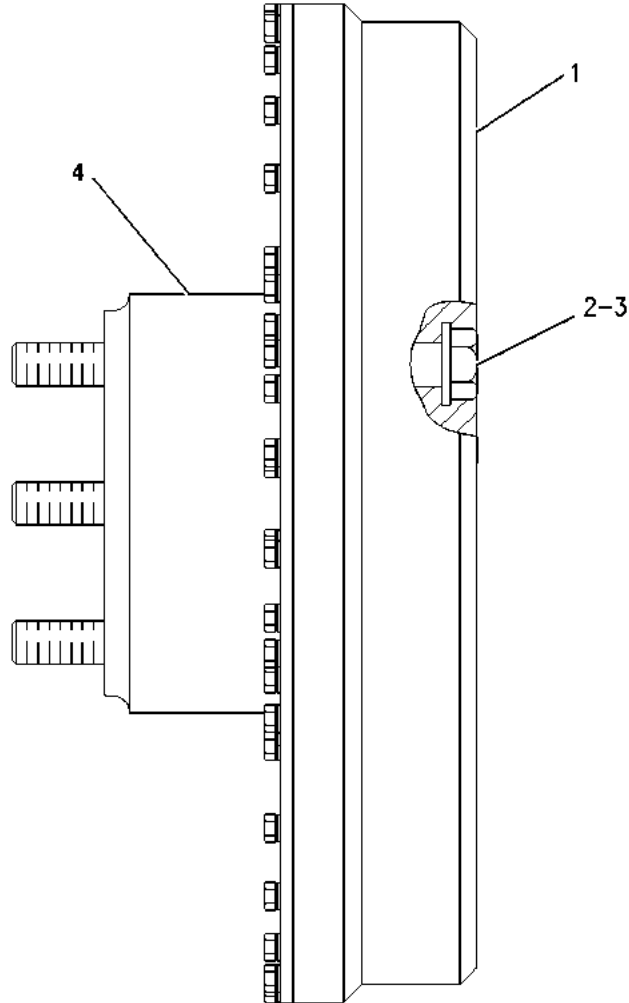
108-1290 DAMPER GP FOR USE WITH FRONT TRUNNION AN ATTACHMENT

SMCS-1205

i01314594

NOTE	REF NO	GRAPHIC REF	PART NUMBER	QTY	PART NAME						SEE PAGE
					1	2	3	4	5	6 (PRODUCT LEVEL)	
Y	1	1	100-4324	1	DAMPER GP						136
B	2	1	8S-4757	6	BOLT (1-14X8-IN)						
B	3	1	5P-8250	6	WASHER (28X49X5-MM THK)						
	4	1	1N-3482	1	ADAPTER						

B - USE AS REQUIRED
Y - SEPARATE ILLUSTRATION



GRAPHIC #1

<END>

g00695922

BASIC ENGINE

146-3740 DAMPER GP*R

S/N: 65Z1277-UP

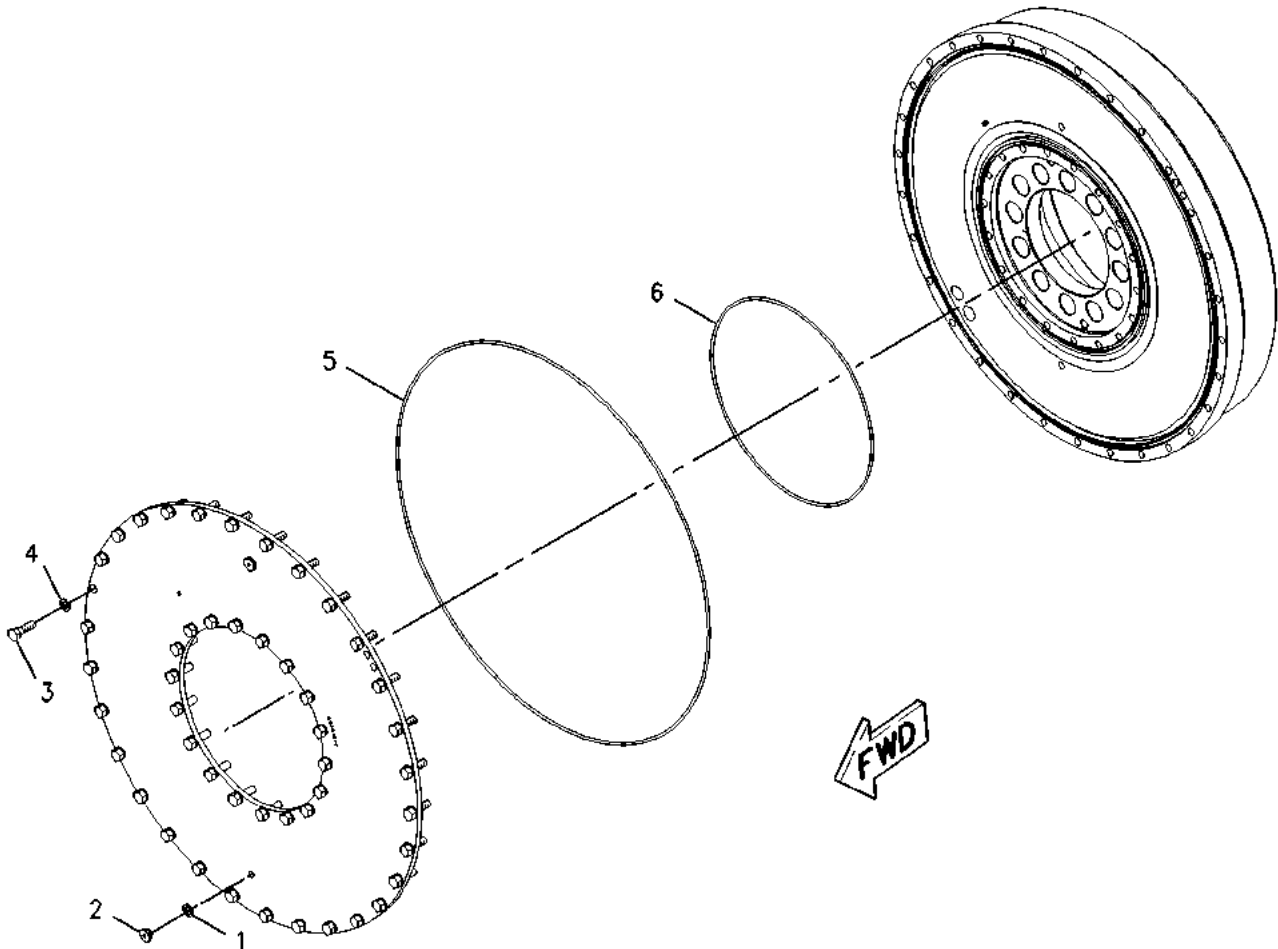
PART OF 8N-0339 DAMPER GP

ALSO AN ATTACHMENT

SMCS - 1205

i07595042

NOTE	REF NO	GRAPHIC REF	PART NUMBER	QTY	PART NAME						SEE PAGE
					1	2	3	4	5	6	
	1	1	151-9263	2	WASHER (10.35X16X2-MM THK)						
	2	1	227-3801	2	PLUG						
	3	1	1A-2029	48	BOLT (3/8-16X1.125-IN)						
	4	1	3V-2431	48	WASHER (10.2X16X2-MM THK)						
	5	1	4D-0449	1	SEAL-O-RING						
	6	1	6V-7991	1	SEAL-O-RING						
					AVAILABLE REPAIR KIT(S) :						
			420-8780	1	KIT-DAMPER (INCLUDES 48 SCREWS, 48 WASHERS, 2 PLUGS, 2 O-RINGS, 2 BEARINGS & 2 SEALING WASHERS)						
			420-8781	1	KIT-DAMPER (INCLUDES 2 SEALING WASHERS & 2 PLUGS)						
			437-9760	1	KIT-DAMPER (INCLUDES SILICONE)						
			441-4878	1	KIT-DAMPER (INCLUDES EMPTY CARTRIDGE)						



GRAPHIC #1

<END>

g00995286

BASIC ENGINE

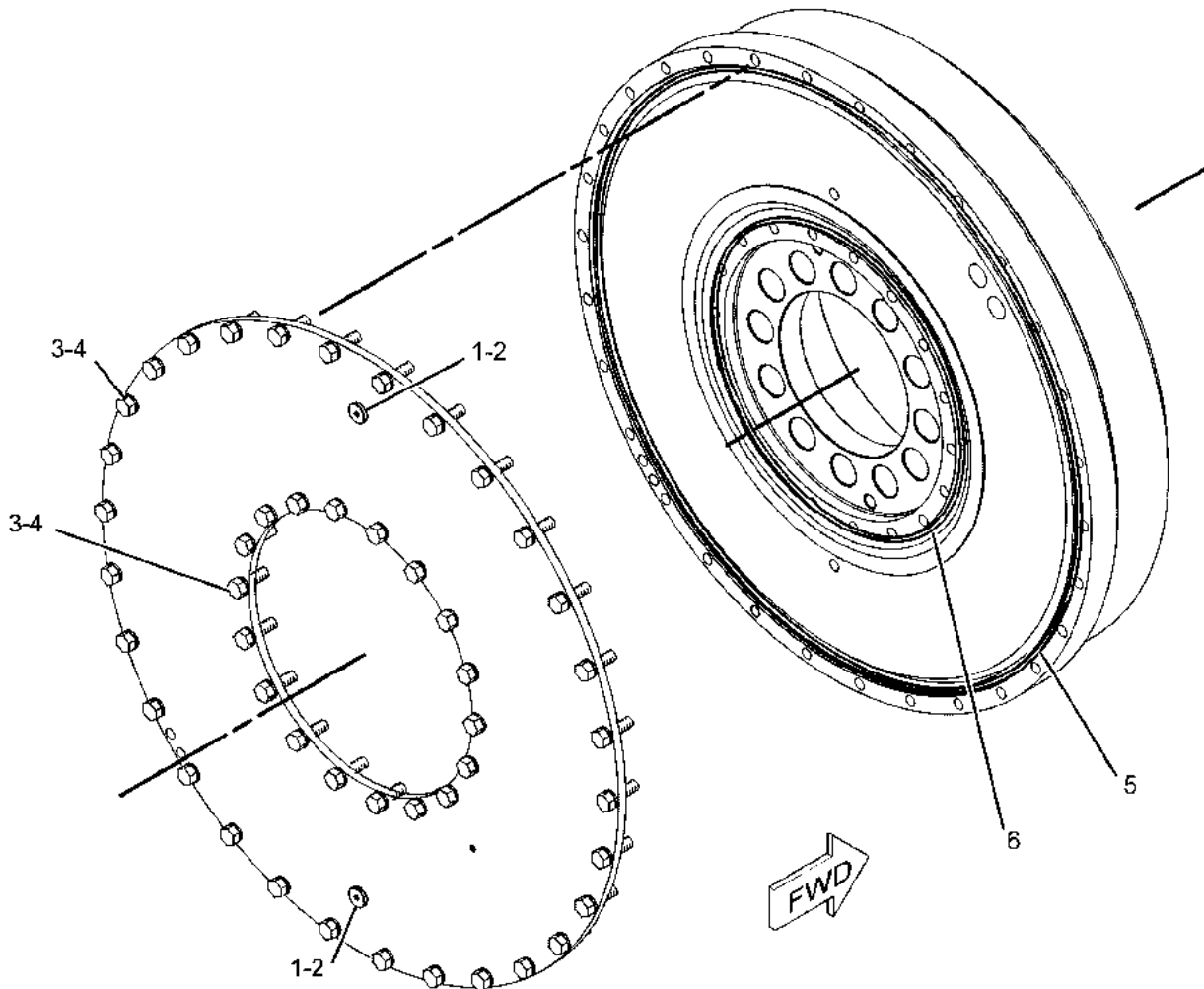
171-4571 DAMPER GP*R

PART OF 7W-0284 MOUNTING GP-HYD PUMP DRIVE, 7W-0282 POWER TAKE-OFF GP
AN ATTACHMENT

SMCS-1205

i07218359

NOTE	REF NO	GRAPHIC REF	PART NUMBER	QTY	PART NAME						SEE PAGE
					1	2	3	4	5	6	
	1	1	151-9263	2	WASHER (10.35X16X2-MM THK)						
	2	1	227-3801	2	PLUG						
	3	1	1A-2029	48	BOLT (3/8-16X1.125-IN)						
	4	1	3V-2431	48	WASHER (10.2X16X2-MM THK)						
	5	1	4D-0449	1	SEAL-O-RING						
	6	1	6V-7991	1	SEAL-O-RING						
					AVAILABLE REPAIR KIT(S) :						
			420-8780	1	KIT-DAMPER (INCLUDES SCREWS, WASHERS, PLUGS, SEALS, BEARING ELEMENTS & SEALING WASHERS)						
			420-8781	1	KIT-DAMPER (INCLUDES WASHERS & PLUGS)						
			437-9760	1	KIT-DAMPER (INCLUDES CARTRIDGE FILLED WITH SILICONE FLUID)						
			441-4878	1	KIT-DAMPER (INCLUDES EMPTY CARTRIDGE)						



GRAPHIC #1

<END>

g01150378

BASIC ENGINE

6I-3697 DAMPER GP

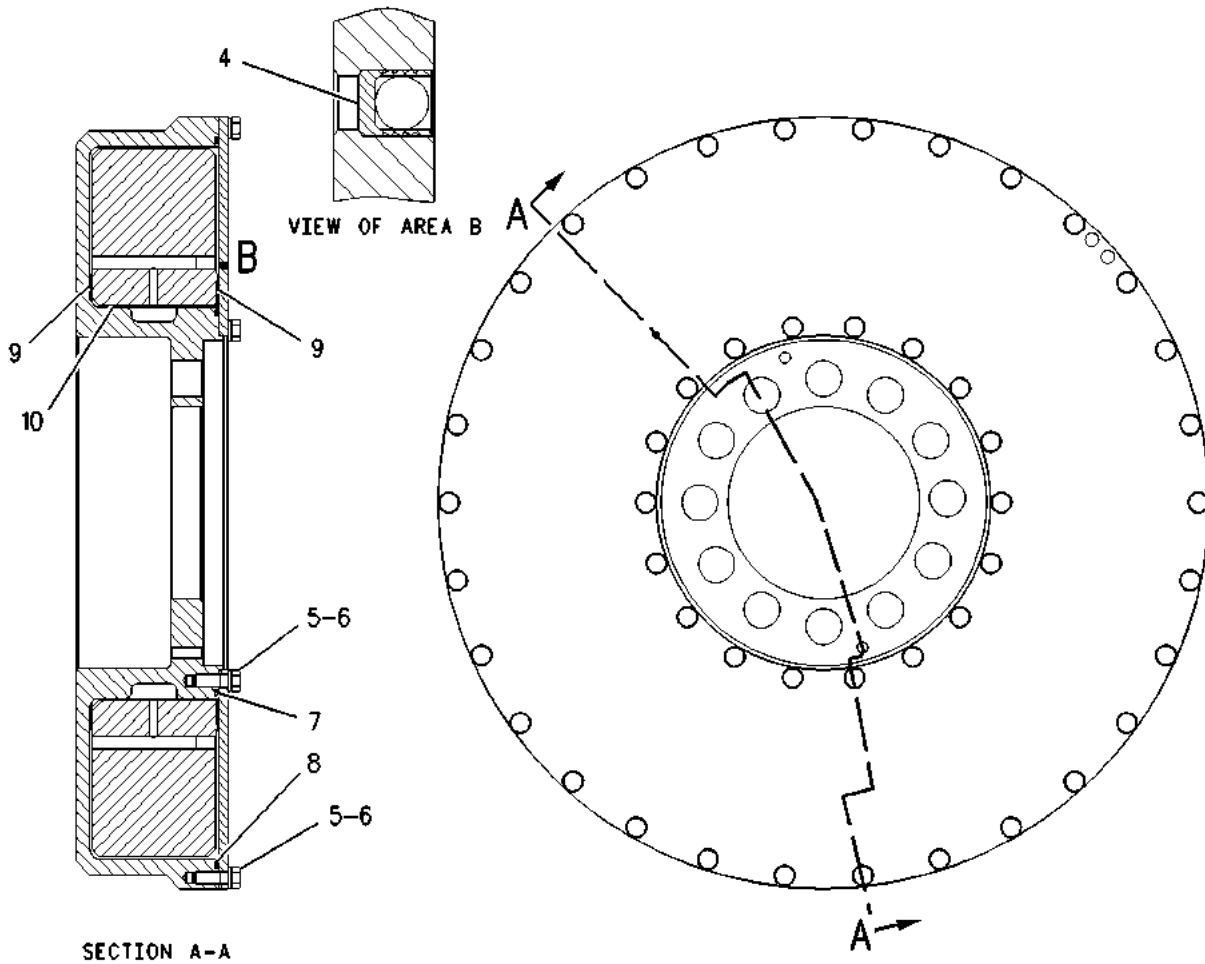
PART OF 100-4324 DAMPER GP

AN ATTACHMENT

SMCS-1205

i01886634

NOTE	REF NO	GRAPHIC REF	PART NUMBER	QTY	PART NAME						SEE PAGE
					1	2	3	4	5	6 (PRODUCT LEVEL)	
	4	1	9W-7783	1	PLUG						
	5	1	1A-2029	48	BOLT (3/8-16X1.125-IN)						
	6	1	3V-2431	48	WASHER (10.2X16X2-MM THK)						
	7	1	6V-7991	1	SEAL-O-RING						
	8	1	4D-0449	1	SEAL-O-RING						
	9	1	7C-9689	2	BEARING-THRUST						
	10	1	7C-9688	1	BEARING-RADIAL						



GRAPHIC #1

<END>

g00714566

BASIC ENGINE

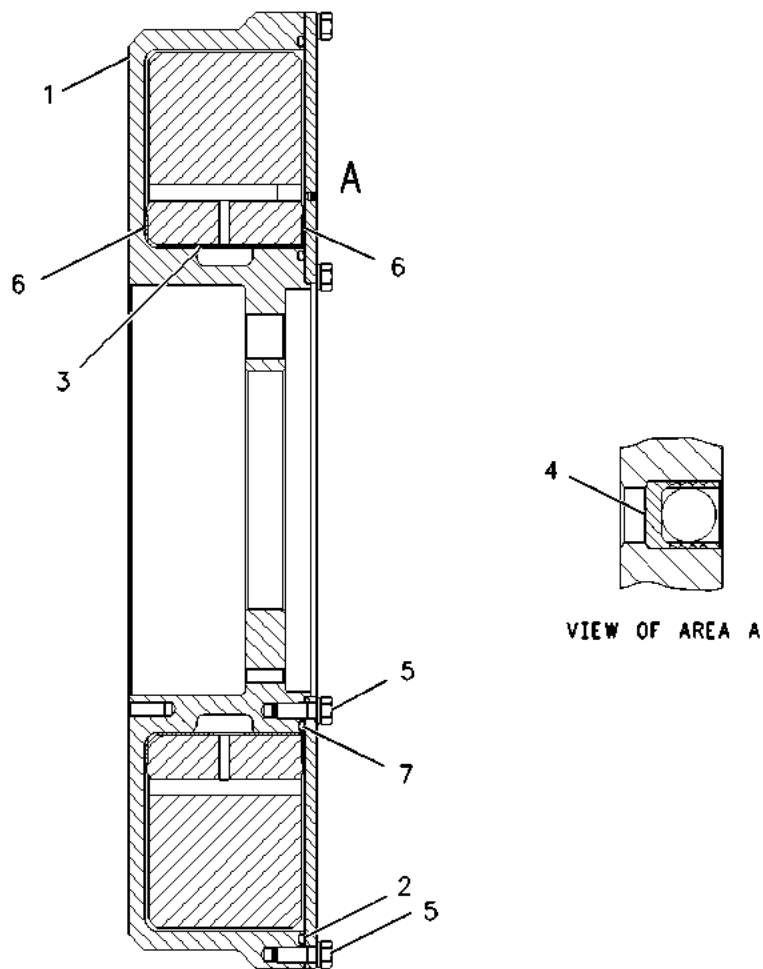
6I-3699 DAMPER GP

FIELD REPLACEMENT ORDER 171-4571-PAGE: 139
PART OF 100-4325 DAMPER GP
AN ATTACHMENT

SMCS-1205

i01886674

NOTE	REF NO	GRAPHIC REF	PART NUMBER	QTY	PART NAME						SEE PAGE
					1	2	3	4	5	6	
	1	1	6I-4488	1	CASE-DAMPER						
	2	1	4D-0449	1	SEAL-O-RING						
	3	1	7C-9688	1	BEARING-RADIAL						
	4	1	9W-7783	1	PLUG						
	5	1	1A-2029	48	BOLT (3/8-16X1.125-IN)						
		1	3V-2431	48	WASHER (10.2X16X2-MM THK)						
	6	1	7C-9689	2	BEARING-THRUST						
	7	1	6V-7991	1	SEAL-O-RING						



GRAPHIC #1

<END>

g00621394

BASIC ENGINE

7C-9639 DAMPER GP

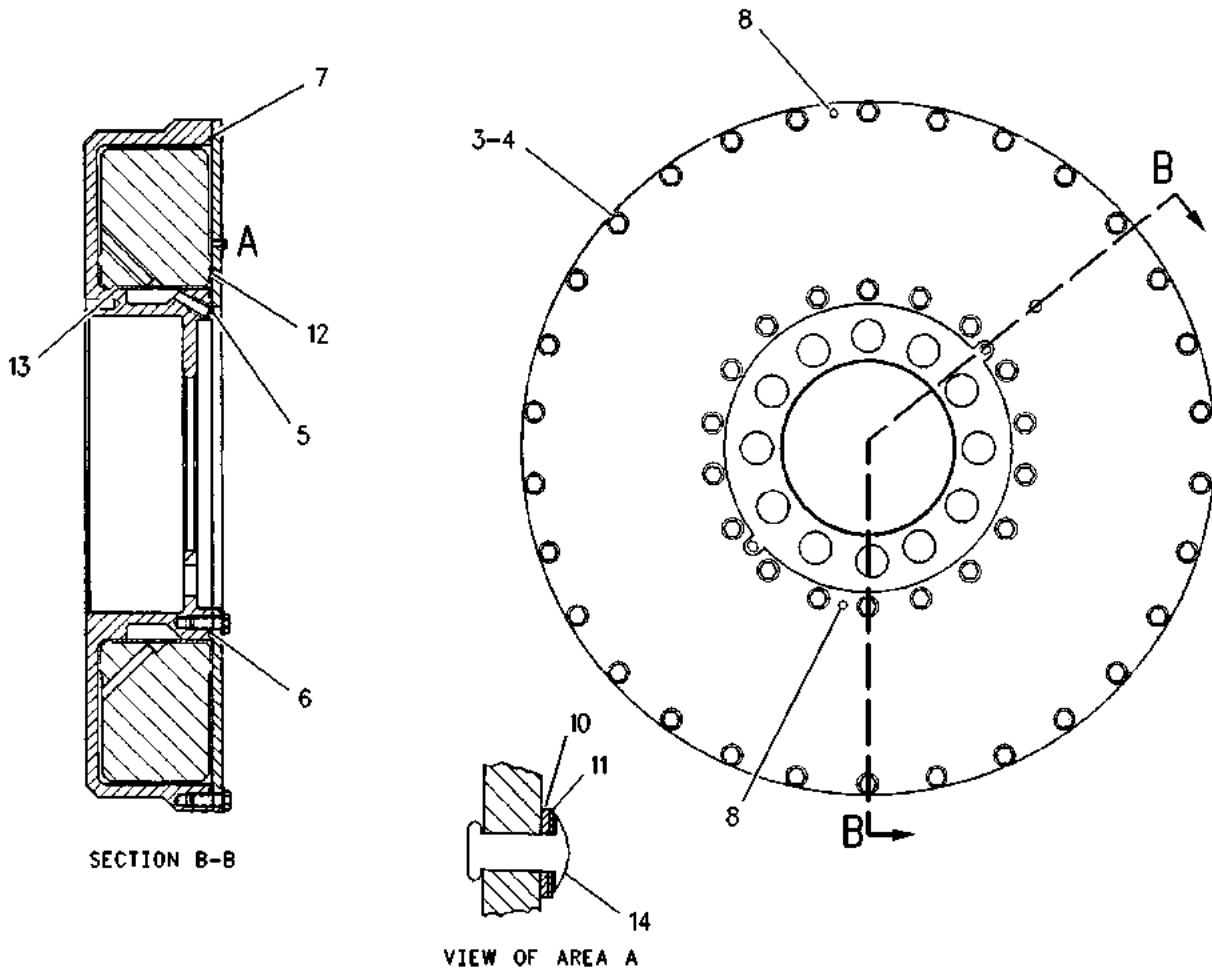
FIELD REPLACEMENT ORDER 171-4571-PAGE: 139

PART OF 100-4325 DAMPER GP
AN ATTACHMENT

SMCS-1205

i01886801

NOTE	REF NO	GRAPHIC REF	PART NUMBER	QTY	PART NAME						SEE PAGE
					1	2	3	4	5	6	
	3	1	1A-2029	48	BOLT (3/8-16X1.125-IN)						
	4	1	3V-2431	48	WASHER (10.2X16X2-MM THK)						
	5	1	9F-2247	2	PLUG-PIPE (1/8-27-THD)						
	6	1	6V-7991	1	SEAL-O-RING						
	7	1	4D-0449	1	SEAL-O-RING						
	8	1	7N-2043	2	DOWEL						
	10	1	9X-7258	1	WASHER-PLASTIC (4.9X11.13X0.74-MM THK)						
	11	1	9M-0387	1	SEAT-VALVE SPRING						
	12	1	7C-9689	2	BEARING-THRUST						
	13	1	7C-9688	1	BEARING-RADIAL						
	14	1	9X-6260	1	RIVET-POP						



GRAPHIC #1

<END>

g00717932

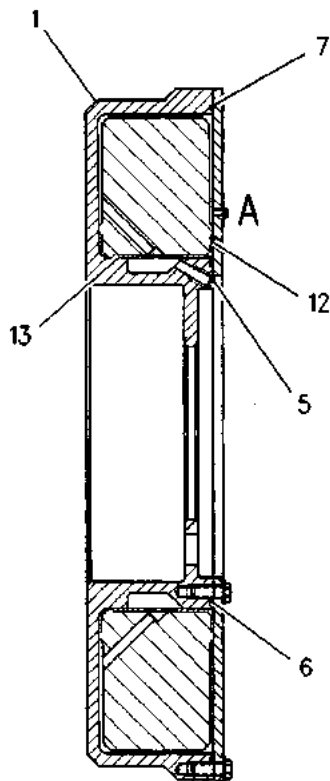
BASIC ENGINE

7C-9641 DAMPER GP PART OF 100-4324 DAMPER GP AN ATTACHMENT

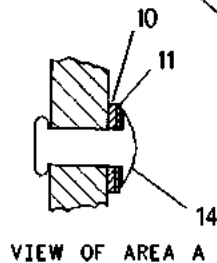
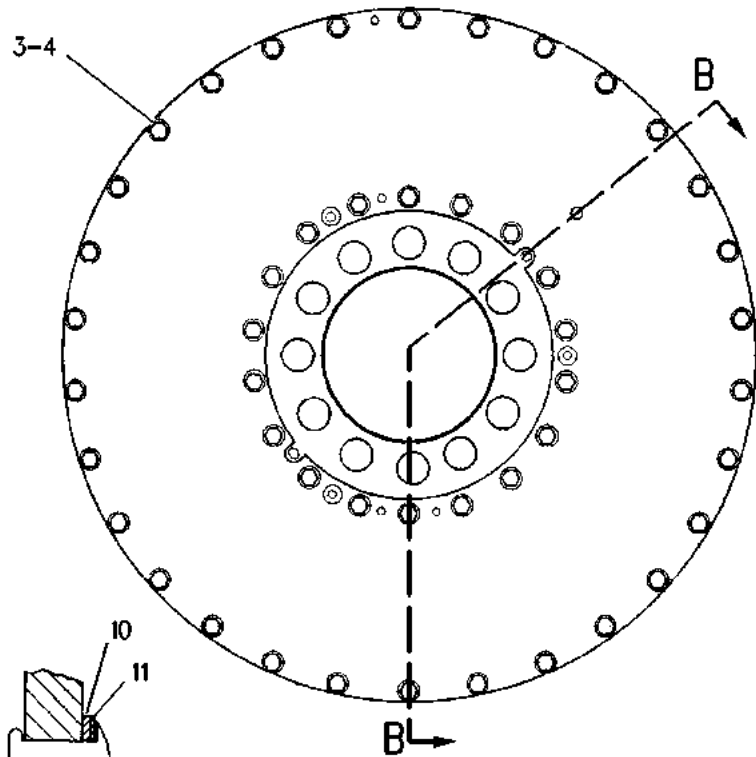
SMCS-1205

i01886961

NOTE	REF NO	GRAPHIC REF	PART NUMBER	QTY	PART NAME						SEE PAGE
					1	2	3	4	5	6	
	1	1	7W-4422	1	CASE AS-DAMPER						
		1	7N-2043	2	DOWEL						
	3	1	1A-2029	48	BOLT (3/8-16X1.125-IN)						
	4	1	3V-2431	48	WASHER (10.2X16X2-MM THK)						
	5	1	9F-2247	2	PLUG-PIPE (1/8-27-THD)						
	6	1	6V-7991	1	SEAL-O-RING						
	7	1	4D-0449	1	SEAL-O-RING						
	10	1	9X-7258	1	WASHER-PLASTIC (4.9X11.13X0.74-MM THK)						
	11	1	9M-0387	1	SEAT-VALVE SPRING						
	12	1	7C-9689	2	BEARING-THRUST						
	13	1	7C-9688	1	BEARING-RADIAL						
	14	1	9X-6260	1	RIVET-POP						



SECTION B-B



VIEW OF AREA A

GRAPHIC #1

<END>

g00716645

BASIC ENGINE

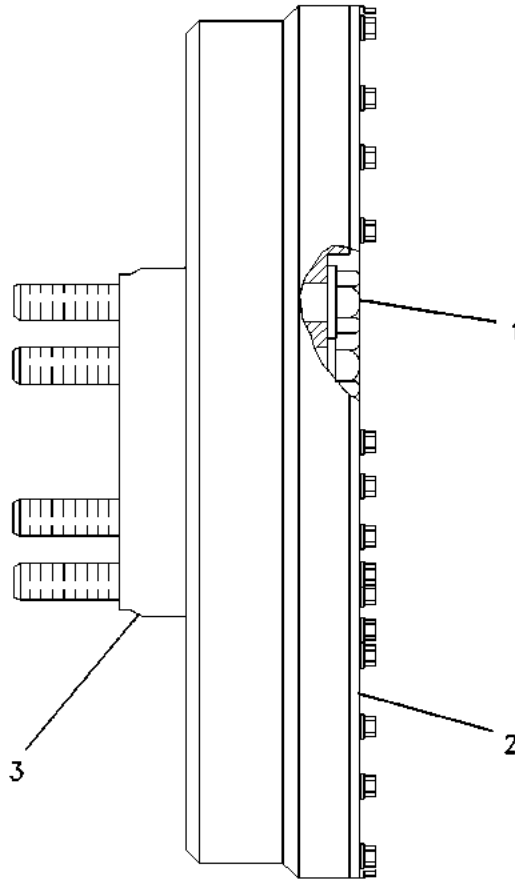
8N-0339 DAMPER GP AN ATTACHMENT

SMCS-1205

i01909881

NOTE	REF NO	GRAPHIC REF	PART NUMBER	QTY	PART NAME						SEE PAGE
					1	2	3	4	5	6 (PRODUCT LEVEL)	
	1	1	8S-4757	6	BOLT (1-14X8-IN)						
		1	5P-8250	6	WASHER (28X49X5-MM THK)						
CY	2	1	100-4324	1	DAMPER GP						136
	3	1	1N-3482	1	ADAPTER						

C - CHANGE FROM PREVIOUS TYPE
Y - SEPARATE ILLUSTRATION



RIGHT SIDE VIEW

GRAPHIC #1

<END>

g00995300

BASIC ENGINE

8N-0339 DAMPER GP

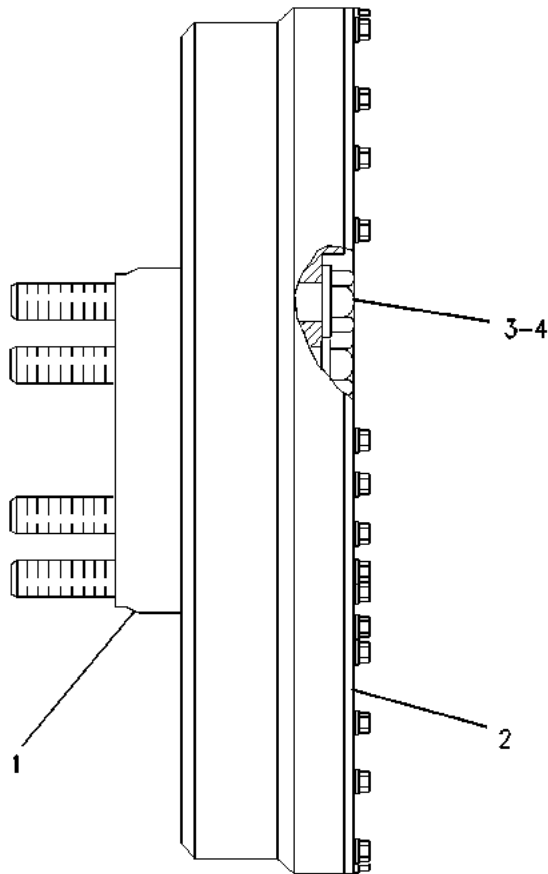
S/N: 65Z1277-UP
ALSO AN ATTACHMENT

SMCS-1205

i02327580

NOTE	REF NO	GRAPHIC REF	PART NUMBER	QTY	PART NAME						SEE PAGE
					1	2	3	4	5	6 (PRODUCT LEVEL)	
	1	1	1N-3482	1	ADAPTER						
CYR	2	1	146-3740	1	DAMPER GP						138
	3	1	8S-4757	6	BOLT (1-14X8-IN)						
	4	1	5P-8250	6	WASHER (28X49X5-MM THK)						

C - CHANGE FROM PREVIOUS TYPE
R - REMANUFACTURED PART MAY BE AVAILABLE
Y - SEPARATE ILLUSTRATION



RIGHT SIDE VIEW

GRAPHIC #1

<END>

g00995293

BASIC ENGINE

8N-7182 DAMPER GP

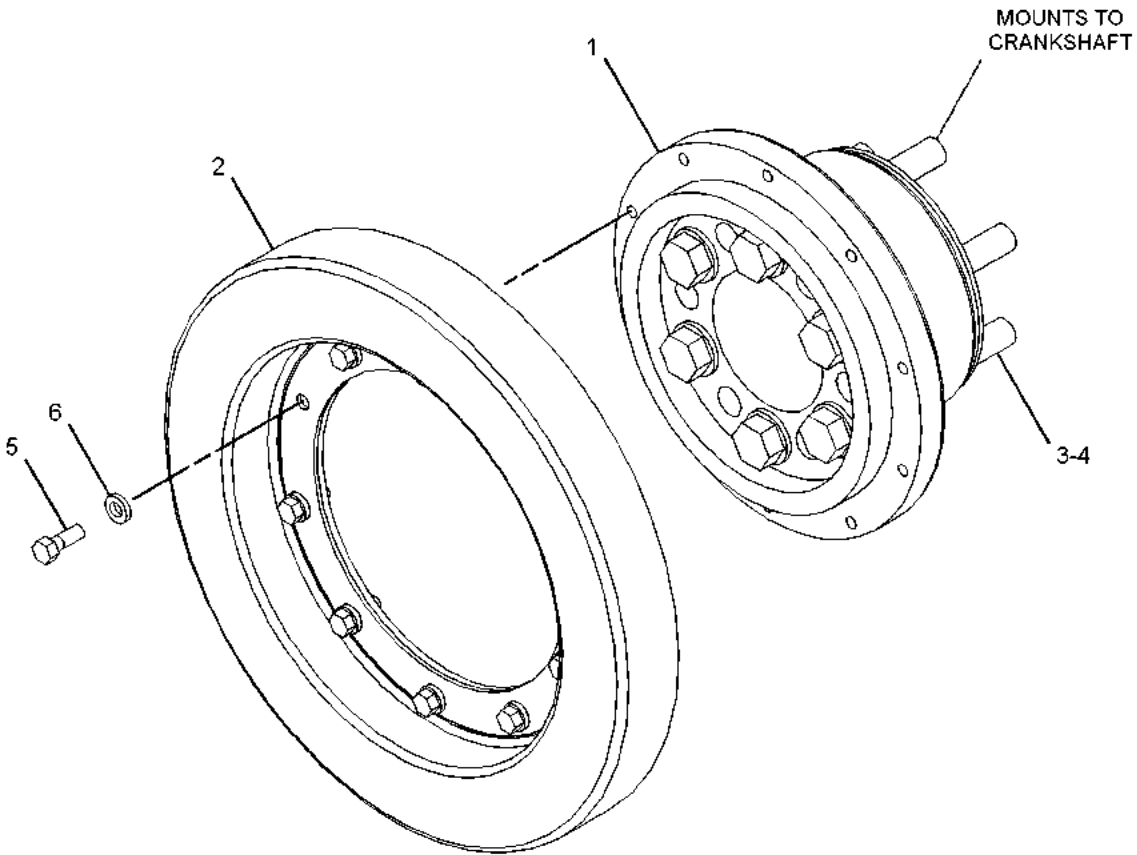
S/N: 65Z887-1286

SMCS-1205

i05799955

NOTE	REF NO	GRAPHIC REF	PART NUMBER	QTY	PART NAME						SEE PAGE
					1	2	3	4	5	6 (PRODUCT LEVEL)	
C	1	1	7E-0854	1	ADAPTER - DAMPER						
R	2	1	193-3288	1	DAMPER AS						
	3	1	8S-4757	6	BOLT (1-14X8-IN)						
	4	1	5P-8250	6	WASHER (28X49X5-MM THK)						
	5	1	7B-3235	10	BOLT (1/2-13X1.375-IN)						
	6	1	2M-0849	10	WASHER-HARD (13.5X25.5X5-MM THK)						

C - CHANGE FROM PREVIOUS TYPE
R - REMANUFACTURED PART MAY BE AVAILABLE



GRAPHIC #1

<END>

g03414237

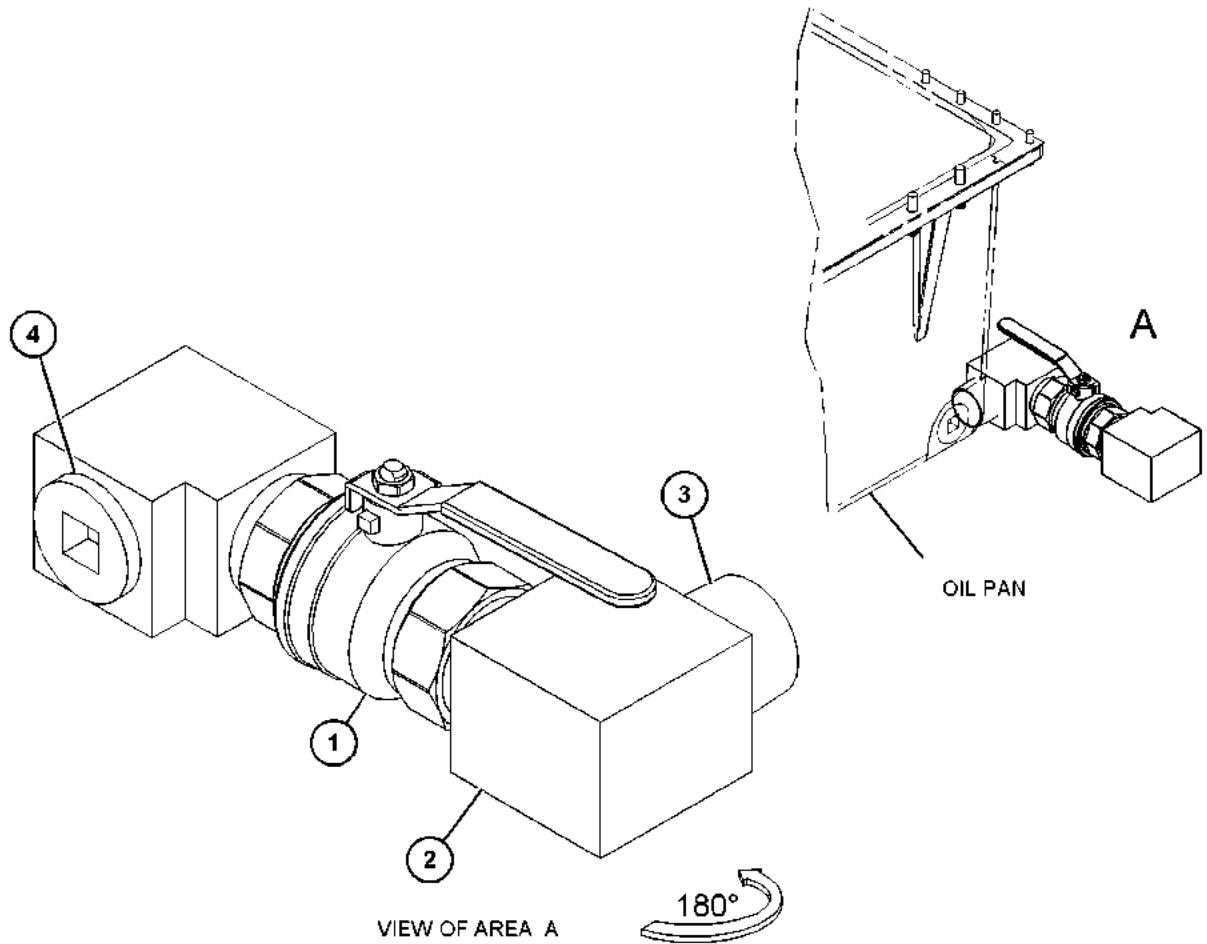
BASIC ENGINE

127-7099 DRAIN GP-ENGINE OIL AN ATTACHMENT

SMCS-1302

i05762400

NOTE	REF NO	GRAPHIC REF	PART NUMBER	QTY	PART NAME						SEE PAGE
					1	2	3	4	5	6 (PRODUCT LEVEL)	
	1	1	3E-2319	1	VALVE-BALL						
	2	1	7B-7138	2	ELBOW						
	3	1	3B-7296	1	FITTING (NIPPLE)						
	4	1	9X-6138	1	PLUG-PIPE						



GRAPHIC #1

<END>

g03662275

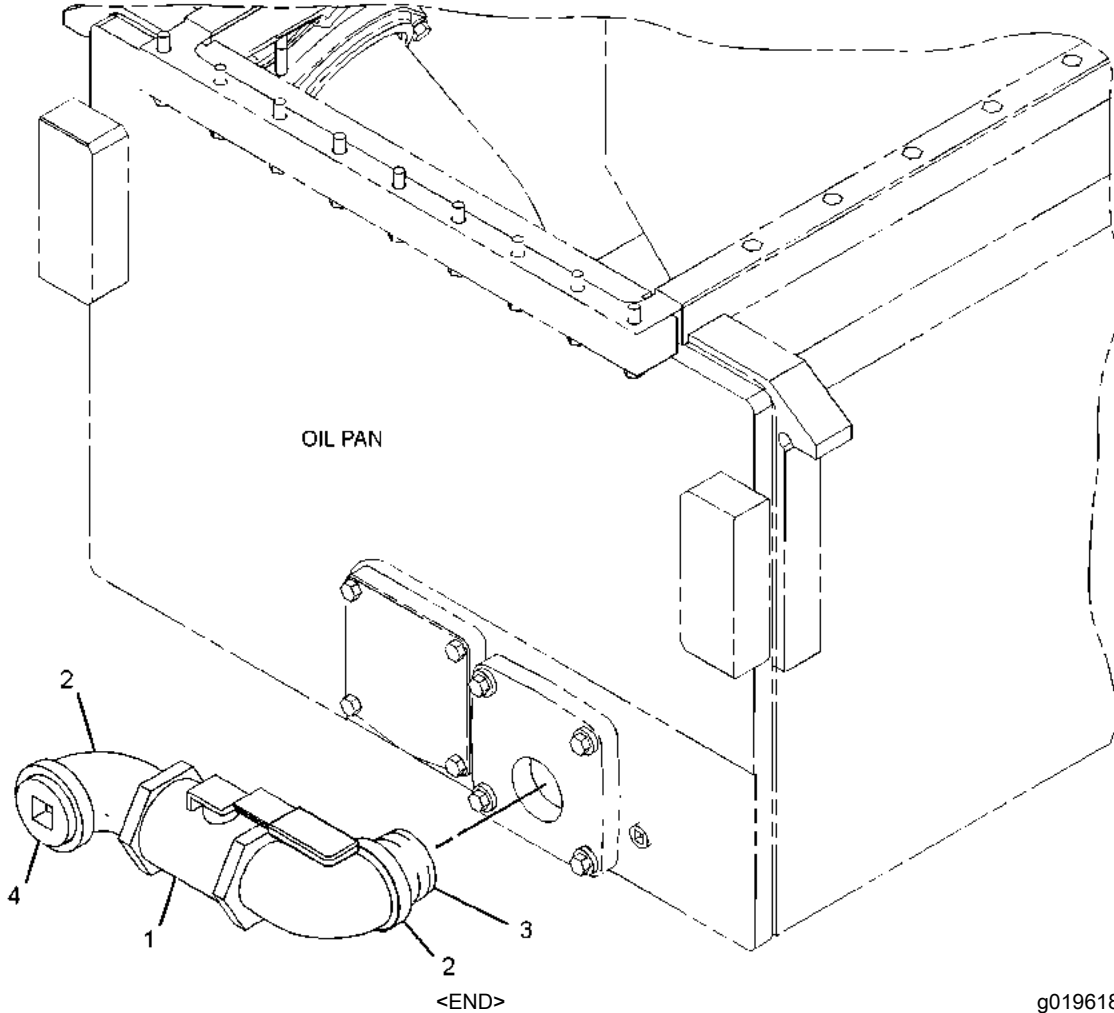
BASIC ENGINE

140-7752 DRAIN GP-ENGINE OIL AN ATTACHMENT

SMCS-1302

i03656542

NOTE	REF NO	GRAPHIC REF	PART NUMBER	QTY	PART NAME						SEE PAGE
					1	2	3	4	5	6 (PRODUCT LEVEL)	
	1	1	5N-9232	1	VALVE						
	2	1	7B-7138	2	ELBOW						
	3	1	3B-7296	1	FITTING (NIPPLE)						
	4	1	9X-6138	1	PLUG-PIPE						



GRAPHIC #1

g01961878

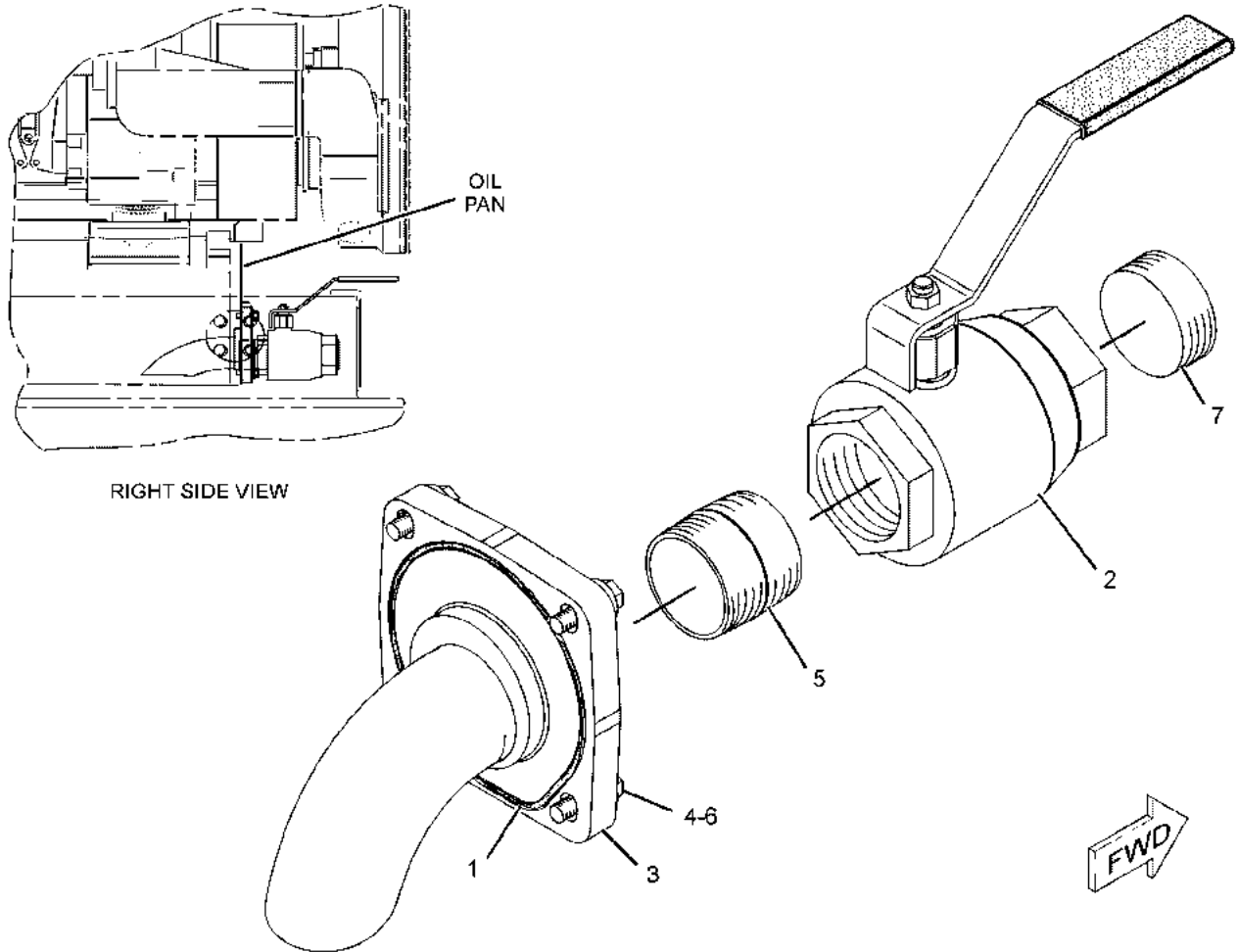
BASIC ENGINE

210-6112 DRAIN GP-ENGINE OIL-PAN AN ATTACHMENT

SMCS-1302

i07142952

NOTE	REF NO	GRAPHIC REF	PART NUMBER	QTY	PART NAME						SEE PAGE
					1	2	3	4	5	6	
	1	1	6V-7351	1	SEAL-O-RING						
	2	1	150-0229	1	VALVE (STAINLESS STEEL)						
	3	1	151-9264	1	COVER AS						
	4	1	0S-1588	4	BOLT (3/8-16X1.25-IN)						
	5	1	3B-7296	1	FITTING (NIPPLE)						
	6	1	8M-9024	4	WASHER-HARD (10.2X22.5X5-MM THK)						
	7	1	9X-6138	1	PLUG-PIPE						



GRAPHIC #1

<END>

g01045615

BASIC ENGINE

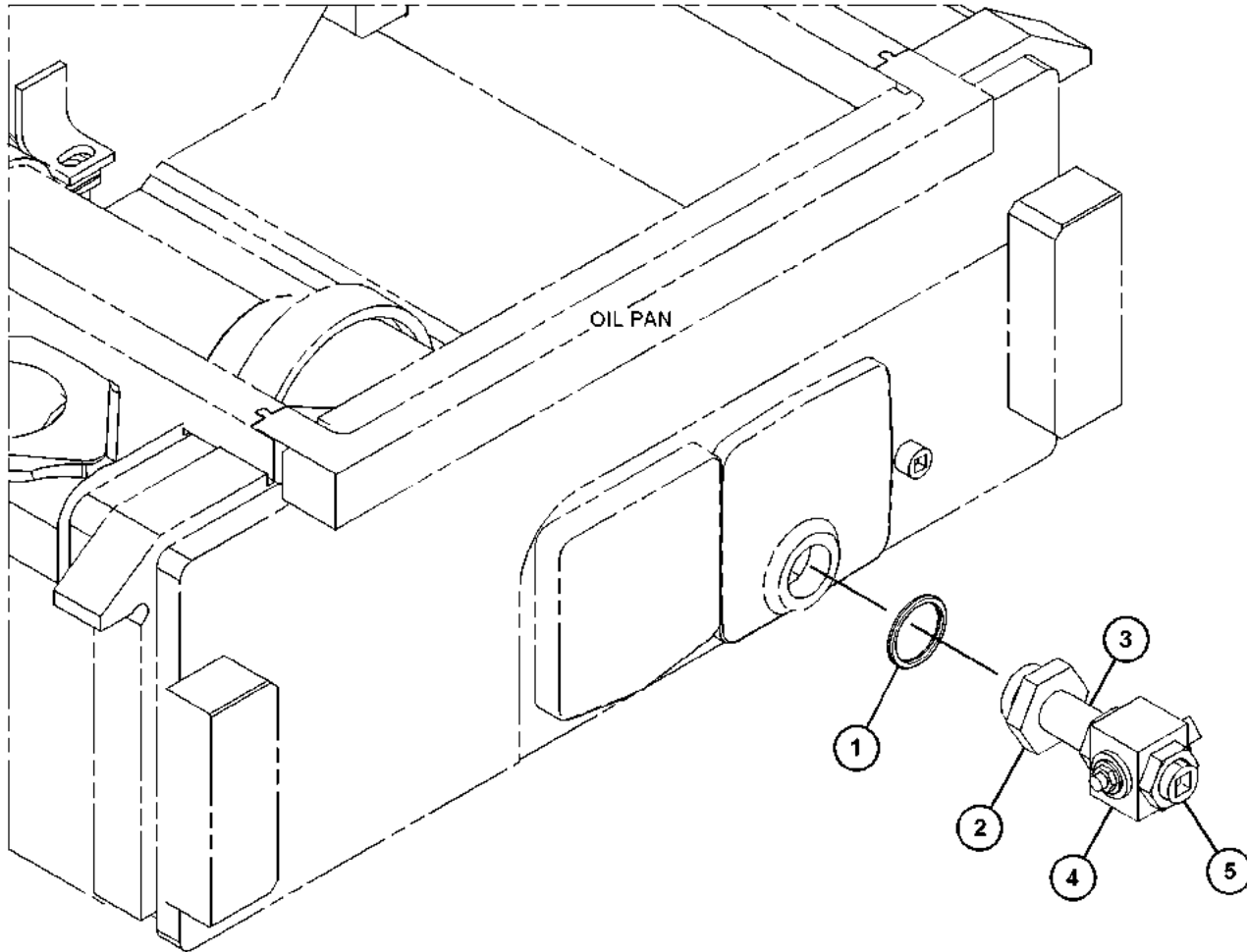
9Y-7876 DRAIN GP-ENGINE OIL-PAN AN ATTACHMENT

SMCS-1302

i05848964

NOTE	REF NO	GRAPHIC REF	PART NUMBER	QTY	PART NAME						SEE PAGE
					1	2	3	4	5	6 (PRODUCT LEVEL)	
	1	1	6F-4868	1	GASKET						
	2	1	7N-6511	1	ADAPTER						
	3	1	1F-6660	1	NIPPLE-PIPE						
	4	1	9B-4202	1	VALVE-DRAIN (ENGINE OIL)						
B	5	1	7X-7731	1	PLUG-PIPE (3/4-14-THD)						

B - USE AS REQUIRED



GRAPHIC #1

<END>

g03702787

BASIC ENGINE

4W-6883 DRIVE GP-ACCESSORY

SHUT-OFF-LOW SPEED

PART OF 7W-7322 SHUTOFF GP-ELECTRICAL, 4W-6979 SHUTOFF GP-HYDROMECHANICAL
AN ATTACHMENT

SMCS-1207

i03293341

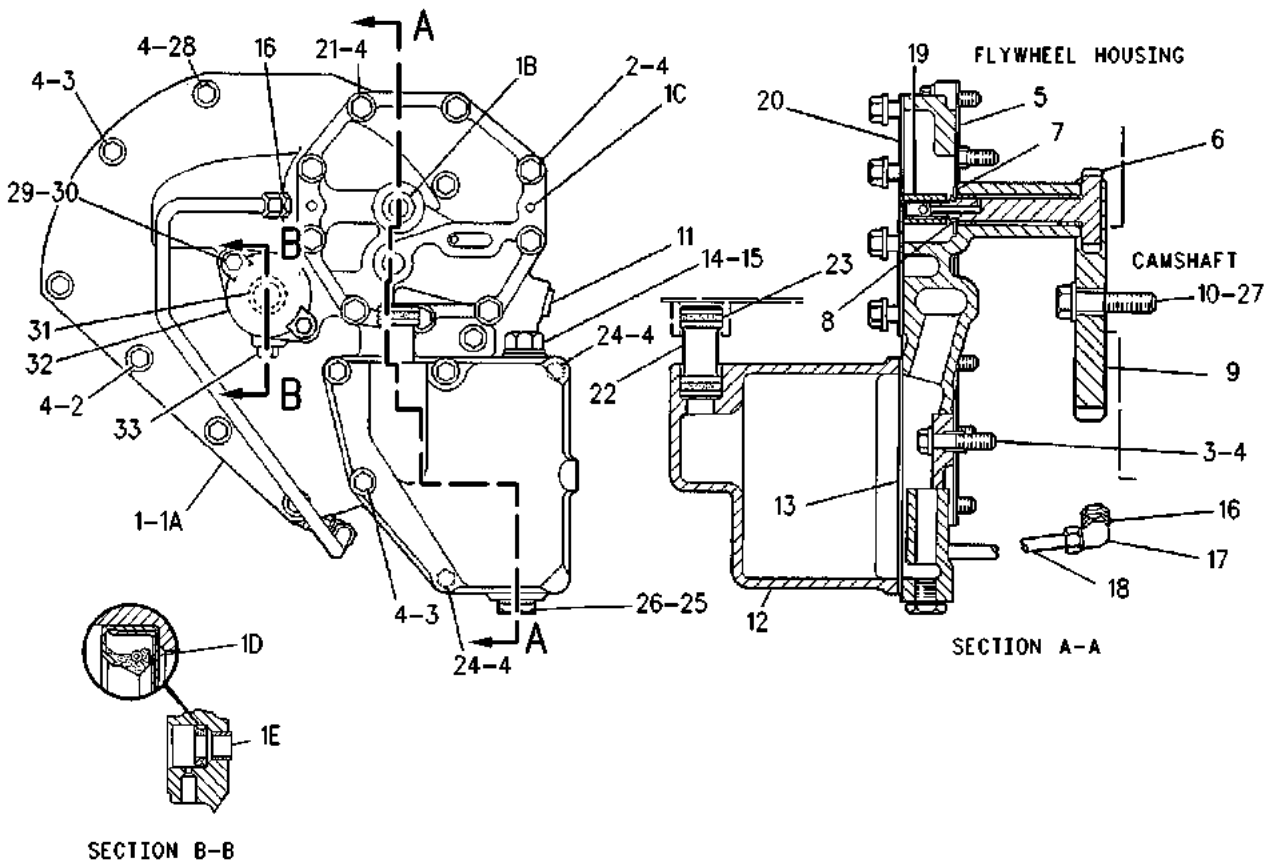
NOTE	REF NO	GRAPHIC REF	PART NUMBER	QTY	PART NAME						SEE PAGE
					1	2	3	4	5	6 (PRODUCT LEVEL)	
	1	1	2W-1061	1	HOUSING AS-DRIVE						
	1A	1	8M-8489	2	DOWEL						
	1B	1	3K-6662	2	BEARING						
	1C	1	7N-2043	2	DOWEL						
	1D	1	4S-7756	1	SEAL-LIP TYPE						
	1E	1	1F-4622	1	BEARING AS-NEEDLE						
	2	1	0S-1588	14	BOLT (3/8-16X1.25-IN)						
	3	1	0S-1571	5	BOLT (3/8-16X1.75-IN)						
	4	1	5M-2894	25	WASHER-HARD (10.2X18.5X2.5-MM THK)						
	5	1	7N-4320	1	GASKET						
	6	1	8N-9554	1	GEAR (24-TEETH)						
B	7	1	3P-4347	1	SPACER (0.656X1.25X0.036-IN THK)						
	8	1	2N-8611	1	RING-RETAINING						
	9	1	4W-4595	1	GEAR (75-TEETH)						
	10	1	9X-8887	1	BOLT (3/4-10X3-IN)						
	11	1	7X-7732	1	PLUG-PIPE						
	12	1	7N-7297	1	COVER						
	13	1	7N-7307	1	GASKET						
	14	1	9M-4202	1	PLUG-DRAIN						
	15	1	4B-8407	1	GASKET-COPPER						
	16	1	032-1267	2	CONNECTOR (STRAIGHT)						
	17	1	6K-9194	1	ELBOW						
	18	1	7N-5981	1	TUBE AS						
	19	1	7N-7295	1	COUPLING						
	20	1	7N-7308	1	GASKET						
	21	1	0L-1143	1	BOLT (3/8-16X2.5-IN)						
	22	1	8N-2934	1	TUBE						
	23	1	3H-0107	2	SEAL-O-RING						
	24	1	0S-1590	4	BOLT (3/8-16X2-IN)						
	25	1	9L-9653	1	PLUG						
	26	1	3B-1925	1	WASHER (0.766X1X0.064-IN THK)						
	27	1	5P-8248	1	WASHER-HARD (20X36.5X3.5-MM THK)						
	28	1	0S-1591	1	BOLT (3/8-16X1.5-IN)						
	29	1	9S-0211	2	CLAMP-METER						
	30	1	0S-1615	2	BOLT (1/4-20X0.75-IN)						
	31	1	4M-8303	1	SEAL-O-RING						
	32	1	7N-4076	1	COVER						
	33	1	8T-6764	1	PLUG-PIPE (1/8-27-THD)						

B - USE AS REQUIRED

BASIC ENGINE

4W-6883 DRIVE GP-ACCESSORY (contd.)

i03293341



GRAPHIC #1

<END>

g00578883

BASIC ENGINE

7N-4871 DRIVE GP-ACCESSORY-UPPER, RH FOR USE WITH 900-1800 RPM CANNOT BE USED WITH RIGHT HAND GOVERNOR

SMCS-1207

i06680566

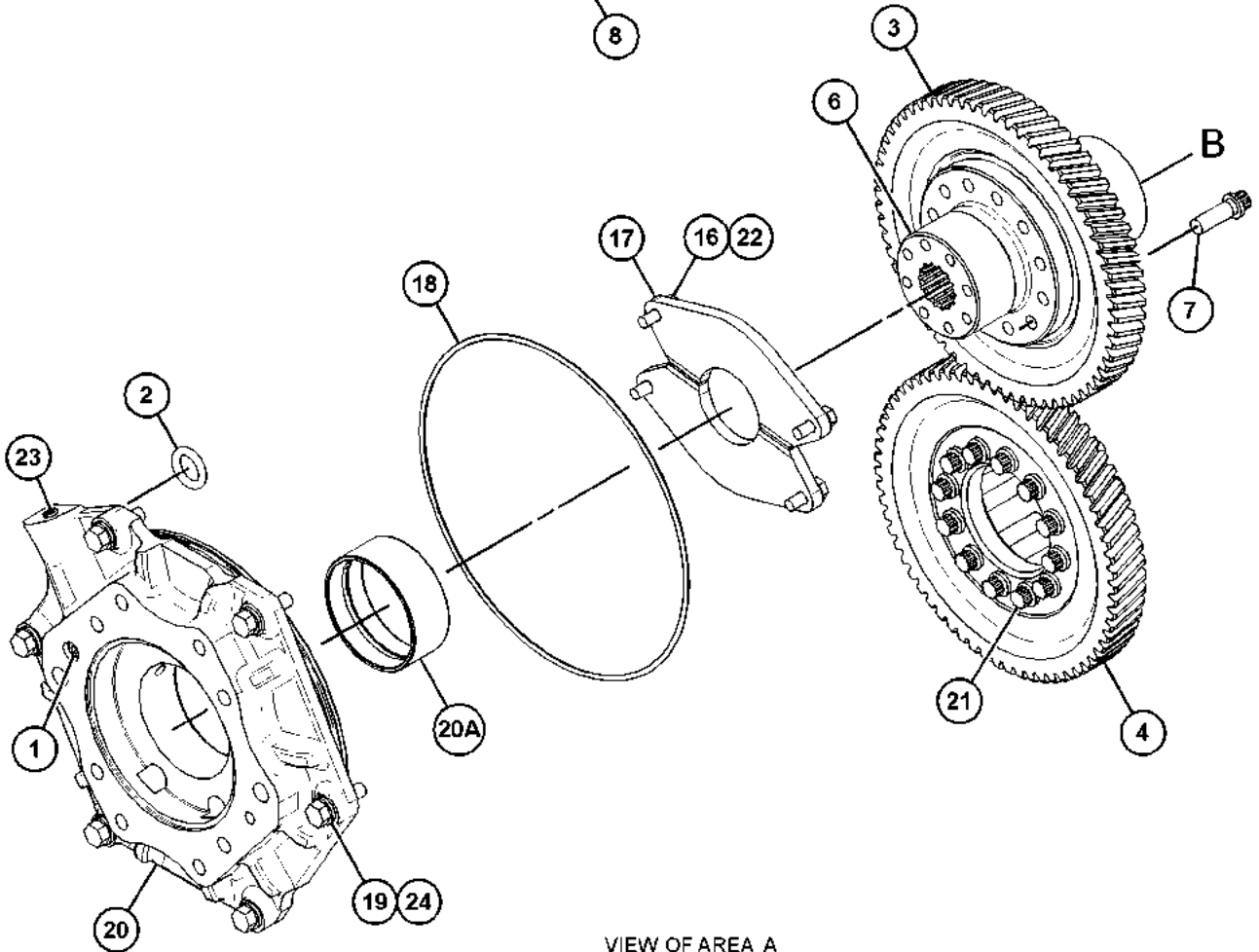
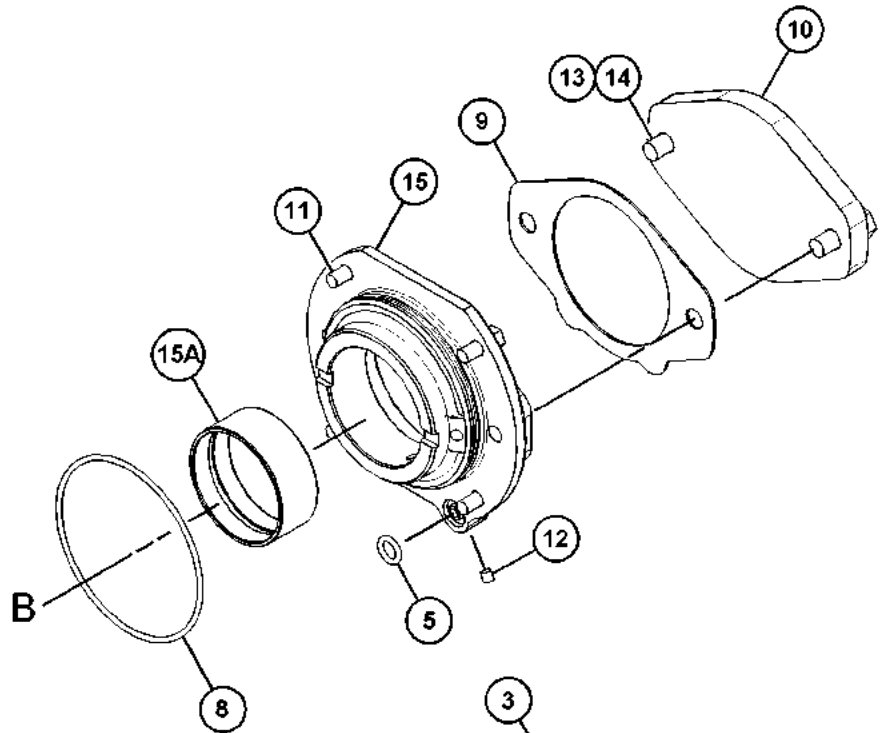
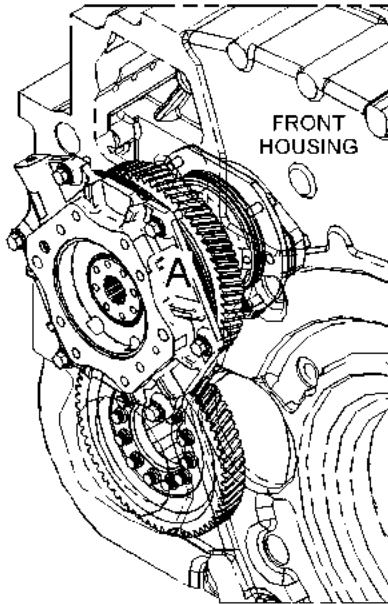
NOTE	REF NO	GRAPHIC REF	PART NUMBER	QTY	PART NAME						SEE PAGE
					1	2	3	4	5	6 (PRODUCT LEVEL)	
B	1	1	8T-6757	1	PLUG-PIPE						
	2	1	6V-3348	1	SEAL-O-RING						
	3	1	7N-5875	1	GEAR-AUXILIARY DRIVE (63-TEETH)						
	4	1	7N-5248	1	GEAR-AUXILIARY DRIVE (63-TEETH)						
	5	1	5P-0840	1	SEAL-O-RING						
	6	1	7N-5874	1	SHAFT-AUXILIARY DRIVE (14-TEETH)						
	7	1	5P-2546	12	BOLT-12 POINT HEAD (7/16-14X1.25-IN)						
	8	1	259-4598	1	SEAL-O-RING						
	9	1	7J-8114	1	GASKET						
C	10	1	8P-1438	1	COVER						
	11	1	0L-1351	4	BOLT (3/8-16X0.875-IN)						
	12	1	8T-6759	1	PLUG-PIPE						
C	13	1	0S-1595	2	BOLT (1/2-13X1.25-IN)						
	14	1	5P-8245	2	WASHER-HARD (13.5X25.5X3-MM THK)						
	15	1	7C-4165	1	ADAPTER AS						
	15A	1	127-5400	1	BUSHING						
	16	1	2B-2695	4	BOLT (5/16-18X0.875-IN)						
	17	1	7N-7539	2	WASHER-THRUST						
	18	1	235-3546	1	SEAL-O-RING						
	19	1	3B-1915	6	BOLT (3/8-16X1.375-IN)						
	20	1	7N-5279	1	ADAPTER AS						
	20A	1	127-5400	1	BUSHING						
	21	1	6K-3772	12	BOLT-12 POINT HEAD (7/16-14X2.25-IN)						
	22	1	9M-1974	4	WASHER-HARD (8.8X16X2-MM THK)						
23	1	8T-6757	1	PLUG-PIPE							
24	1	5M-2894	6	WASHER-HARD (10.2X18.5X2.5-MM THK)							

B - USE AS REQUIRED
C - CHANGE FROM PREVIOUS TYPE

BASIC ENGINE

7N-4871 DRIVE GP-ACCESSORY (contd.)

106680566



GRAPHIC #1

VIEW OF AREA A
<END>

g06079644

BASIC ENGINE

8N-5678 DRIVE GP-ACCESSORY-LOWER, LH

LOW SPEED, STANDARD ROTATION
FOR USAGE REFER TO CHART 8N-7500-PAGE: 1451
AN ATTACHMENT

SMCS-1207

i06703067

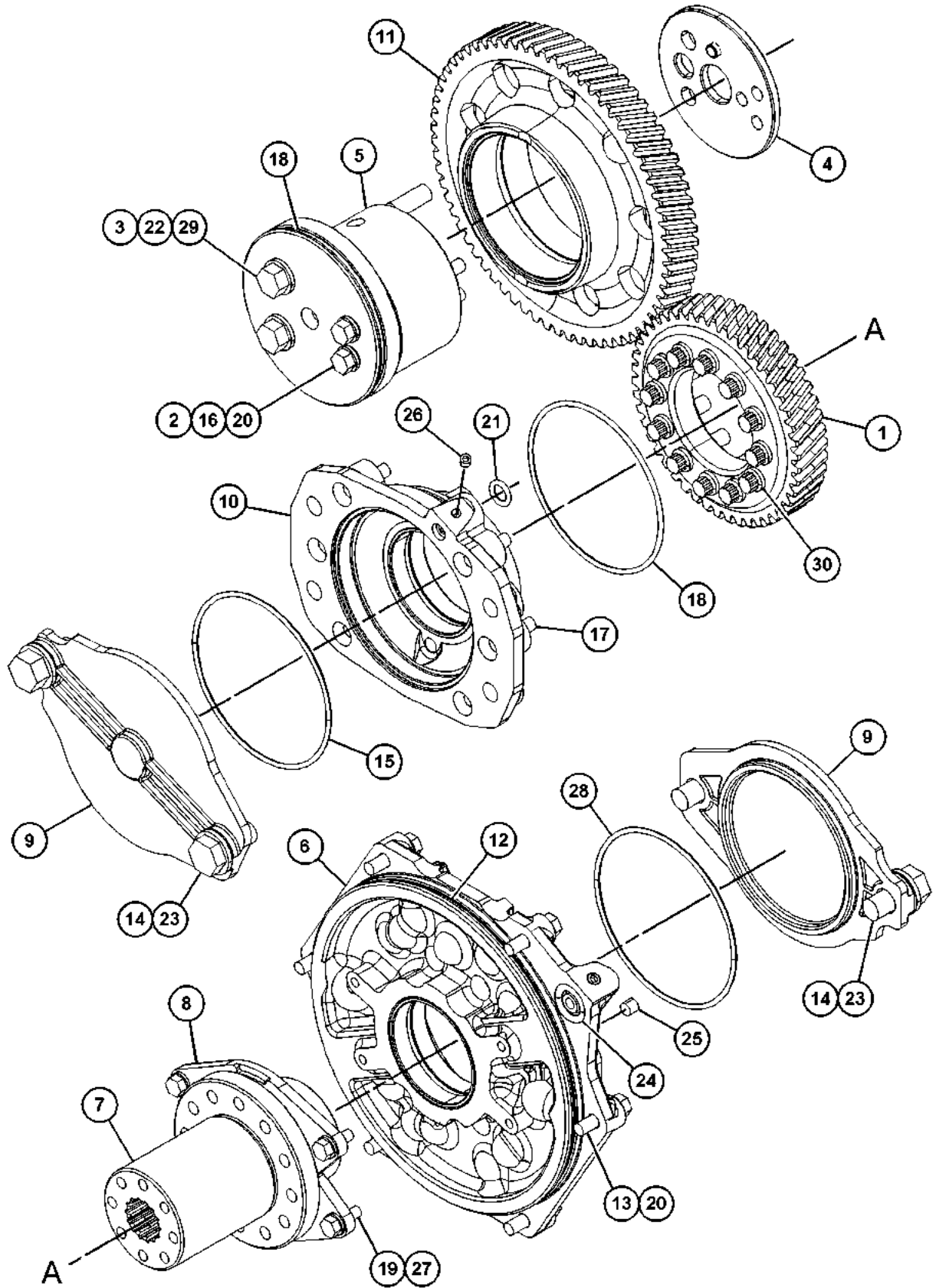
NOTE	REF NO	GRAPHIC REF	PART NUMBER	QTY	PART NAME						SEE PAGE
					1	2	3	4	5	6 (PRODUCT LEVEL)	
	1	1	2W-7320	1	GEAR-ACCESSORY DRIVE (46-TEETH)						
C	2	1	5R-7136	2	WASHER-SEALING						
C	3	1	5R-7137	2	WASHER-SEALING						
C	4	1	7C-3258	1	WASHER AS-THRUST						
		1	7N-2047	1	DOWEL						
C	5	1	7C-3259	1	SHAFT						
	6	1	7N-5279	1	ADAPTER AS						
		1	127-5400	1	BUSHING						
	7	1	7N-5874	1	SHAFT-AUXILIARY DRIVE (14-TEETH)						
	8	1	7N-7539	2	WASHER-THRUST						
	9	1	7N-8374	2	COVER-PUMP						
	10	1	441-3369	1	ADAPTER AS						
		1	127-5400	1	BUSHING						
	11	1	116-3242	1	GEAR AS-IDLER (66-TEETH)						
		1	116-1365	1	BUSHING						
	12	1	235-3546	1	SEAL-O-RING						
	13	1	3B-1915	6	BOLT (3/8-16X1.375-IN)						
	14	1	0S-1592	4	BOLT (5/8-11X1.25-IN)						
	15	1	6V-8260	1	SEAL-O-RING						
	16	1	0T-0055	2	BOLT (3/8-16X4.25-IN)						
	17	1	1T-0765	6	BOLT (3/8-16X1-IN)						
	18	1	259-4598	2	SEAL-O-RING						
	19	1	2B-2695	4	BOLT (5/16-18X0.875-IN)						
C	20	1	5M-2894	8	WASHER-HARD (10.2X18.5X2.5-MM THK)						
	21	1	5P-0840	1	SEAL-O-RING						
C	22	1	5P-8245	2	WASHER-HARD (13.5X25.5X3-MM THK)						
	23	1	5P-8247	4	WASHER-HARD (17X32X3.5-MM THK)						
	24	1	6V-3348	1	SEAL-O-RING						
	25	1	8T-6757	2	PLUG-PIPE						
	26	1	8T-6759	2	PLUG-PIPE						
	27	1	9M-1974	4	WASHER-HARD (8.8X16X2-MM THK)						
	28	1	9X-7371	1	SEAL-O-RING						
	29	1	1D-4572	2	BOLT (1/2-13X5.5-IN)						
B	30	1	6K-3771	12	BOLT-12 POINT HEAD (7/16-14X1.5-IN)						

B - USE AS REQUIRED
C - CHANGE FROM PREVIOUS TYPE

BASIC ENGINE

8N-5678 DRIVE GP-ACCESSORY (contd.)

i06703067



GRAPHIC #1

<END>

g06084590

BASIC ENGINE

8N-5745 DRIVE GP-ACCESSORY-UPPER LH

REVERSE ROTATION

FOR USAGE REFER TO CHART 8N-7500-PAGE: 1451

AN ATTACHMENT

SMCS-1207

i07109019

NOTE	REF NO	GRAPHIC REF	PART NUMBER	QTY	PART NAME						SEE PAGE
					1	2	3	4	5	6 (PRODUCT LEVEL)	
	1	1	2W-7320	1	GEAR-ACCESSORY DRIVE (46-TEETH)						
C	2	1	5R-7136	2	WASHER-SEALING						
C	3	1	5R-7137	2	WASHER-SEALING						
C	4	1	7C-3258	1	WASHER AS-THRUST						
	4A	1	7N-2047	1	DOWEL						
C	5	1	7C-3259	1	SHAFT						
	6	1	7N-5279	1	ADAPTER AS						
	6A	1	127-5400	1	BUSHING						
	7	1	7N-5874	1	SHAFT-AUXILIARY DRIVE (14-TEETH)						
	8	1	7N-7539	2	WASHER-THRUST						
	9	1	7N-8374	2	COVER-PUMP						
	10	1	8N-5772	1	SPACER-SPECIAL						
	11	1	441-3369	1	ADAPTER AS						
	11A	1	127-5400	1	BUSHING						
	12	1	116-3242	1	GEAR AS-IDLER (66-TEETH)						
	12A	1	116-1365	1	BUSHING						
	13	1	235-3546	1	SEAL-O-RING						
	14	1	259-4598	2	SEAL-O-RING						
	15	1	0S-1592	4	BOLT (5/8-11X1.25-IN)						
	16	1	3B-1915	6	BOLT (3/8-16X1.375-IN)						
C	17	1	0T-0055	2	BOLT (3/8-16X4.25-IN)						
	18	1	1T-0765	6	BOLT (3/8-16X1-IN)						
	20	1	2B-2695	4	BOLT (5/16-18X0.875-IN)						
C	21	1	5M-2894	8	WASHER-HARD (10.2X18.5X2.5-MM THK)						
	22	1	5P-0840	1	SEAL-O-RING						
C	23	1	5P-8245	2	WASHER-HARD (13.5X25.5X3-MM THK)						
	24	1	5P-8247	4	WASHER-HARD (17X32X3.5-MM THK)						
	25	1	6K-3772	12	BOLT-12 POINT HEAD (7/16-14X2.25-IN)						
	26	1	6V-3348	1	SEAL-O-RING						
B	27	1	8T-6757	2	PLUG-PIPE						
	28	1	8T-6759	2	PLUG-PIPE						
	29	1	9M-1974	4	WASHER-HARD (8.8X16X2-MM THK)						
	30	1	6V-8260	2	SEAL-O-RING						
C	31	1	1D-4572	2	BOLT (1/2-13X5.5-IN)						

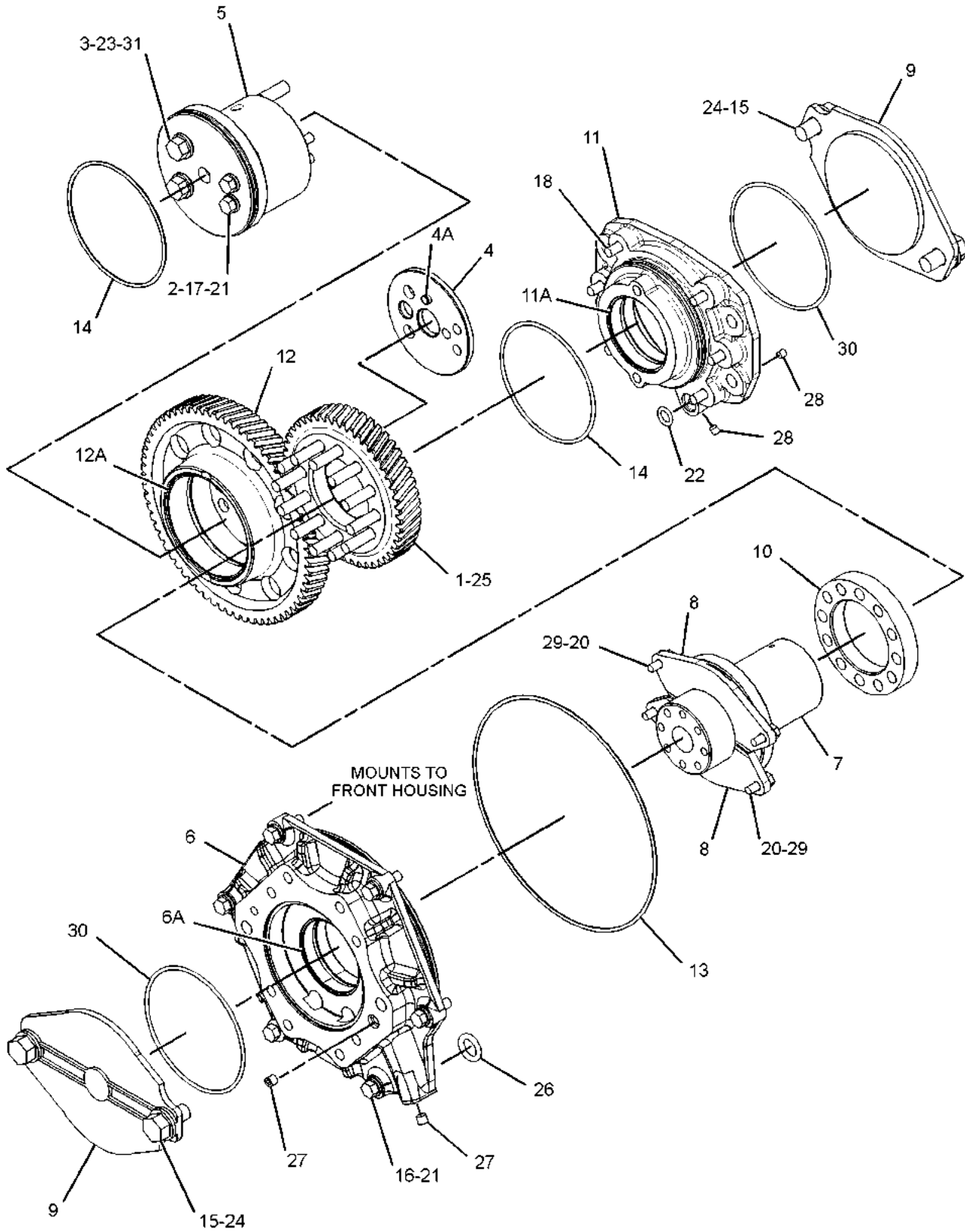
B - USE AS REQUIRED

C - CHANGE FROM PREVIOUS TYPE

BASIC ENGINE

8N-5745 DRIVE GP-ACCESSORY (contd.)

i07109019



GRAPHIC #1

<END>

g06083737

BASIC ENGINE

8N-5767 DRIVE GP-ACCESSORY-LOWER, LH

REVERSE ROTATION

CANNOT BE USED WITH 7W-1530-PAGE: 223
FOR USAGE REFER TO CHART 8N-7500-PAGE: 1451
AN ATTACHMENT

SMCS-1207

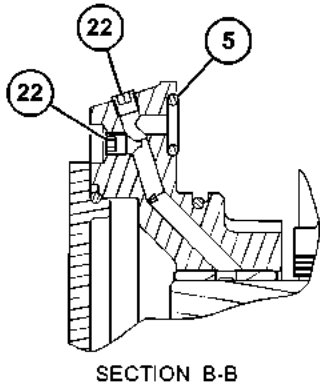
i07026433

NOTE	REF NO	GRAPHIC REF	PART NUMBER	QTY	PART NAME						SEE PAGE
					1	2	3	4	5	6 (PRODUCT LEVEL)	
	1	1	259-4598	1	SEAL-O-RING						
	2	1	6V-3348	1	SEAL-O-RING						
	3	1	7N-5875	1	GEAR-AUXILIARY DRIVE (63-TEETH)						
	4	1	7N-5248	1	GEAR-AUXILIARY DRIVE (63-TEETH)						
	5	1	5P-0840	1	SEAL-O-RING						
	6	1	7N-5874	1	SHAFT-AUXILIARY DRIVE (14-TEETH)						
	7	1	8N-5771	1	SPACER (76X121X22.5-MM THK)						
	8	1	7N-8374	2	COVER-PUMP						
	9	1	9M-1974	4	WASHER-HARD (8.8X16X2-MM THK)						
	10	1	8T-6757	2	PLUG-PIPE						
	11	1	1T-0765	6	BOLT (3/8-16X1-IN)						
	12	1	6V-8260	2	SEAL-O-RING						
	13	1	0S-1592	4	BOLT (5/8-11X1.25-IN)						
	14	1	5P-8247	4	WASHER-HARD (17X32X3.5-MM THK)						
	15	1	441-3369	1	ADAPTER AS						
	15A	1	127-5400	1	BUSHING						
	16	1	2B-2695	4	BOLT (5/16-18X0.875-IN)						
	17	1	7N-7539	2	WASHER-THRUST						
	18	1	235-3546	1	SEAL-O-RING						
	19	1	3B-1915	6	BOLT (3/8-16X1.375-IN)						
	20	1	7N-5279	1	ADAPTER AS						
	20A	1	127-5400	1	BUSHING						
	21	1	6K-3772	12	BOLT-12 POINT HEAD (7/16-14X2.25-IN)						
	22	1	8T-6759	2	PLUG-PIPE						
	23	1	5M-2894	6	WASHER-HARD (10.2X18.5X2.5-MM THK)						

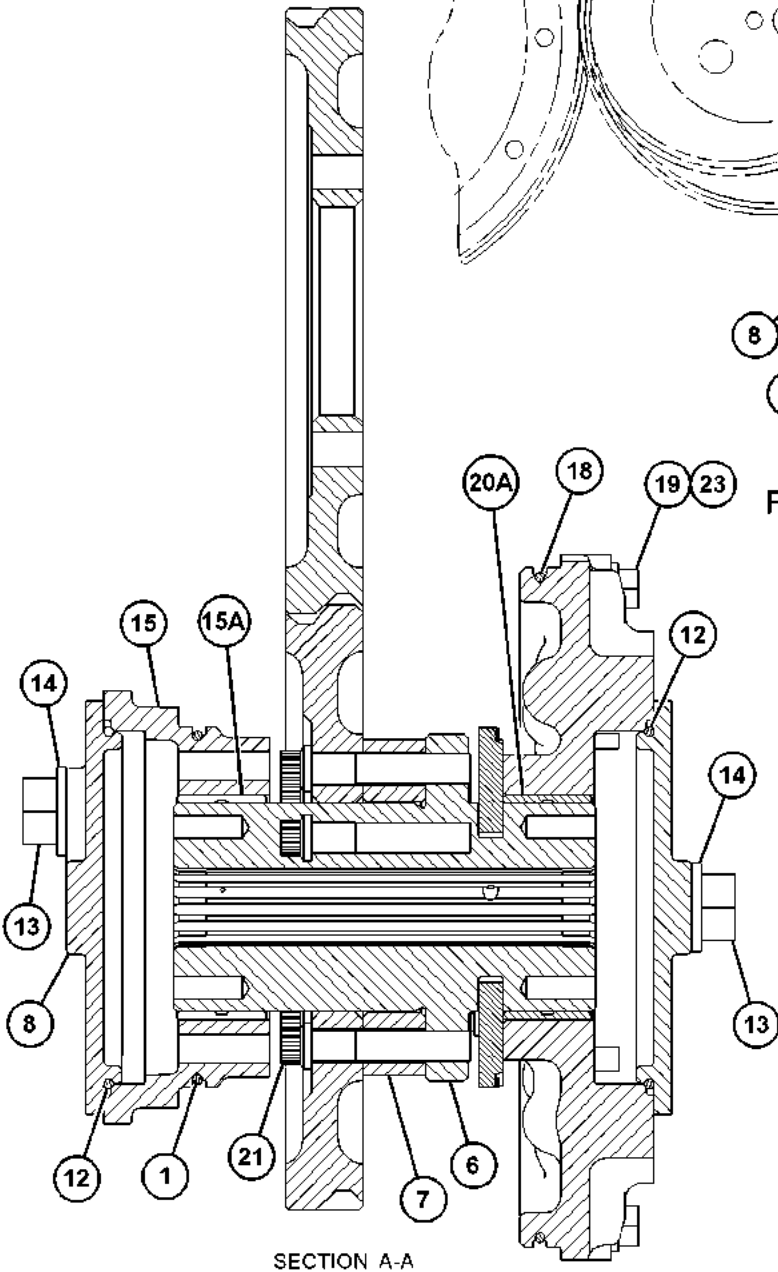
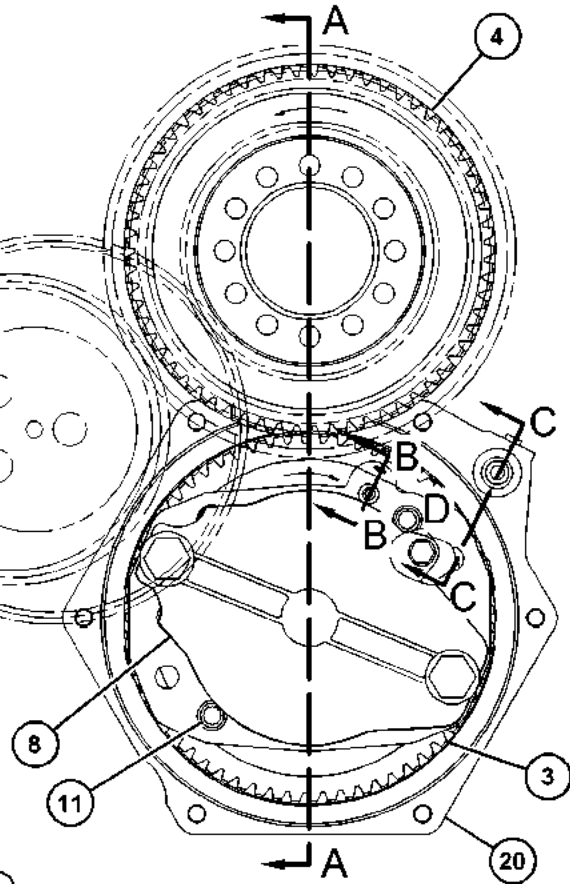
BASIC ENGINE

8N-5767 DRIVE GP-ACCESSORY (contd.)

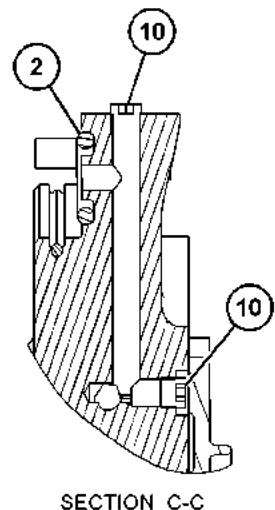
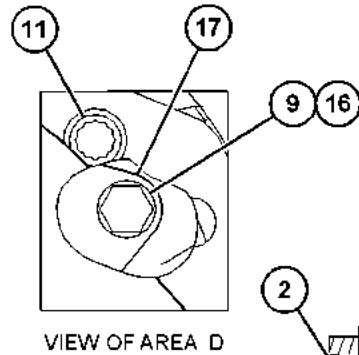
107026433



CRANKSHAFT



FRONT VIEW OF ENGINE



GRAPHIC #1

<END>

g06208727

BASIC ENGINE

8N-9166 DRIVE GP-ACCESSORY-UPPER, LH STANDARD ROTATION FOR USAGE REFER TO CHART 8N-7500-PAGE: 1451 AN ATTACHMENT

SMCS-1207

i07232142

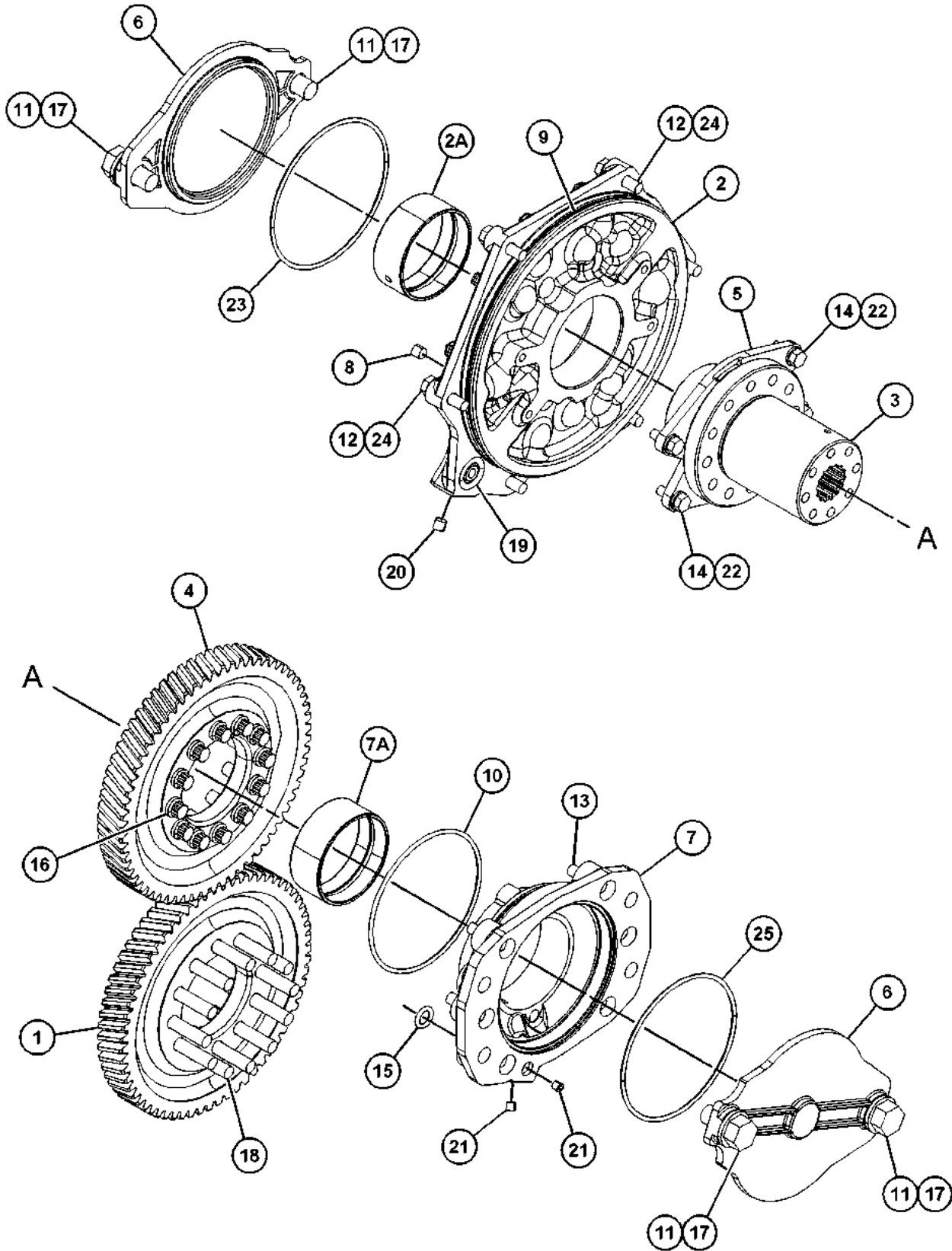
NOTE	REF NO	GRAPHIC REF	PART NUMBER	QTY	PART NAME						SEE PAGE
					1	2	3	4	5	6 (PRODUCT LEVEL)	
	1	1	7N-5248	1	GEAR-AUXILIARY DRIVE (63-TEETH)						
	2	1	7N-5279	1	ADAPTER AS						
	2A	1	127-5400	1	BUSHING						
	3	1	7N-5874	1	SHAFT-AUXILIARY DRIVE (14-TEETH)						
	4	1	7N-5875	1	GEAR-AUXILIARY DRIVE (63-TEETH)						
	5	1	7N-7539	2	WASHER-THRUST						
	6	1	7N-8374	2	COVER-PUMP						
	7	1	441-3369	1	ADAPTER AS						
	7A	1	127-5400	1	BUSHING						
B	8	1	8T-6757	1	PLUG-PIPE						
	9	1	235-3546	1	SEAL-O-RING						
	10	1	259-4598	1	SEAL-O-RING						
	11	1	0S-1592	4	BOLT (5/8-11X1.25-IN)						
	12	1	3B-1915	6	BOLT (3/8-16X1.375-IN)						
	13	1	1T-0765	6	BOLT (3/8-16X1-IN)						
	14	1	2B-2695	4	BOLT (5/16-18X0.875-IN)						
	15	1	5P-0840	1	SEAL-O-RING						
	16	1	5P-2546	12	BOLT-12 POINT HEAD (7/16-14X1.25-IN)						
	17	1	5P-8247	4	WASHER-HARD (17X32X3.5-MM THK)						
	18	1	6K-3772	12	BOLT-12 POINT HEAD (7/16-14X2.25-IN)						
	19	1	6V-3348	1	SEAL-O-RING						
	20	1	8T-6757	1	PLUG-PIPE						
	21	1	8T-6759	2	PLUG-PIPE						
	22	1	9M-1974	4	WASHER-HARD (8.8X16X2-MM THK)						
	23	1	9X-7371	1	SEAL-O-RING						
	24	1	5M-2894	6	WASHER-HARD (10.2X18.5X2.5-MM THK)						
	25	1	6V-8260	1	SEAL-O-RING						

B - USE AS REQUIRED

BASIC ENGINE

8N-9166 DRIVE GP-ACCESSORY (contd.)

i07232142



GRAPHIC #1

<END>

g06083682

BASIC ENGINE

7N-7660 DRIVE GP-FAN

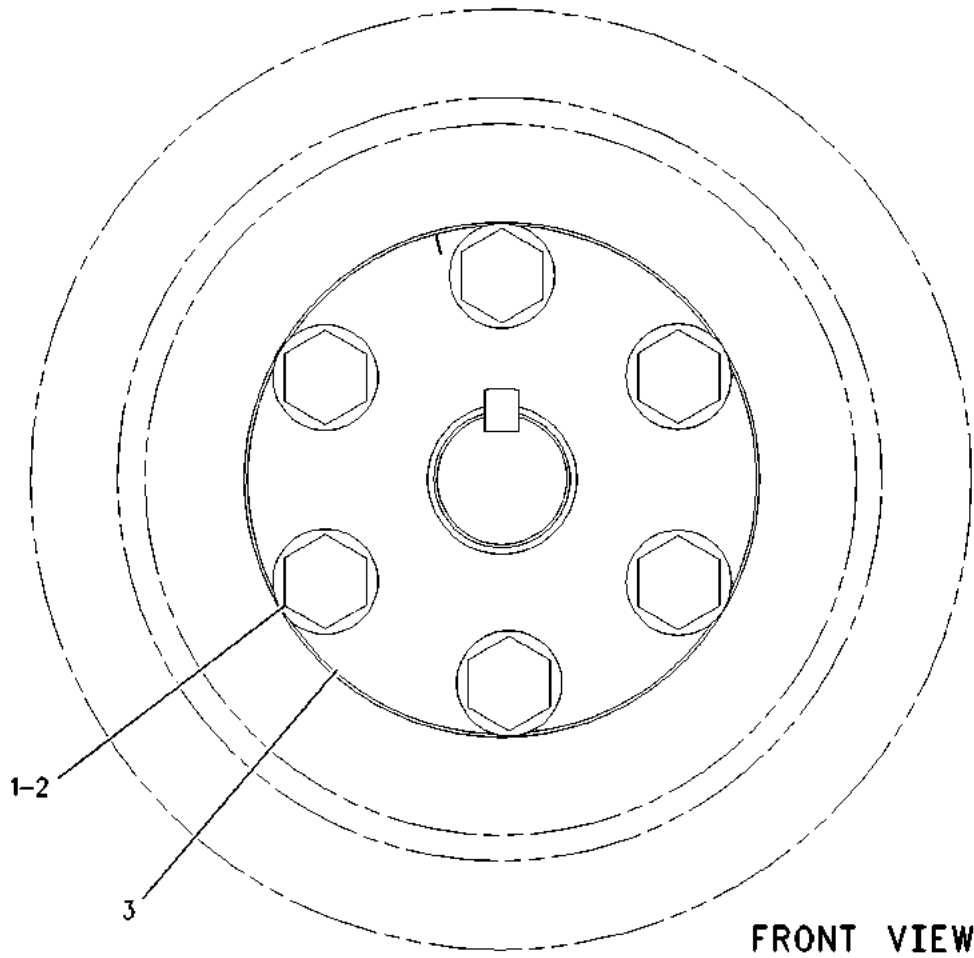
LOW KILOWATT

PART OF 4W-8996, 562-4365, 7W-5223, 7W-5225, 7W-5226, 7W-5227, 7W-5231, 7W-5232, 7W-5252, 7W-5253, 7W-5254, 7W-5255, 7W-5256, 7W-5257, 7W-8144 PULLEY GP-FAN DRIVE AN ATTACHMENT

SMCS-1359

i07114068

NOTE	REF NO	GRAPHIC REF	PART NUMBER	QTY	PART NAME						SEE PAGE
					1	2	3	4	5	6 (PRODUCT LEVEL)	
	1	1	5P-8250	6	WASHER (28X49X5-MM THK)						
	2	1	9F-8122	6	BOLT (1-14X9-IN)						
	3	1	7N-7057	1	SHAFT-STUB						



GRAPHIC #1

<END>

g00994930

BASIC ENGINE

7W-3952 DRIVE GP-FAN-BLOWER FOR USE WITH FOLDED CORE RADIATORS AN ATTACHMENT

SMCS - 1359

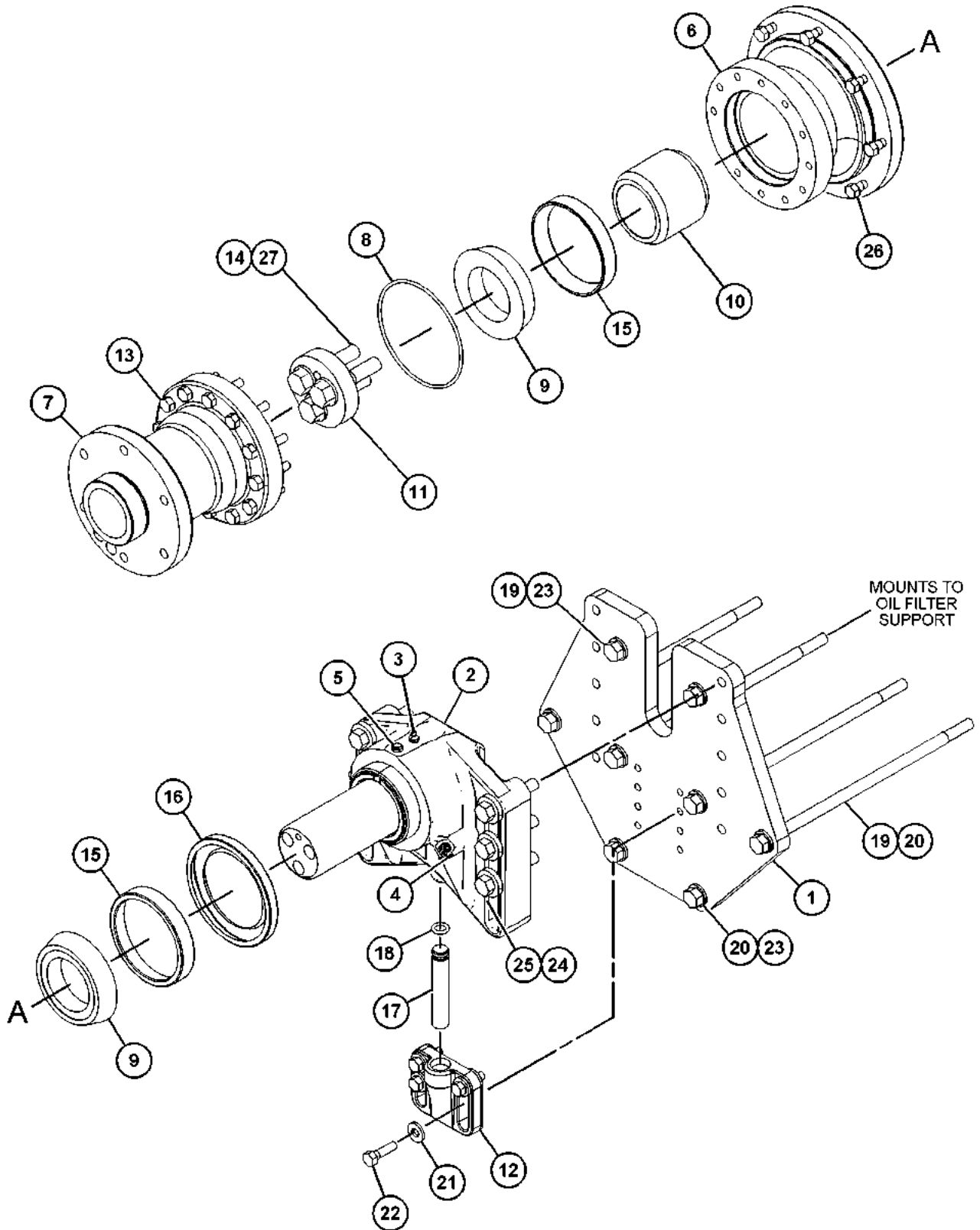
i07415737

NOTE	REF NO	GRAPHIC REF	PART NUMBER	QTY	PART NAME						SEE PAGE
					1	2	3	4	5	6 (PRODUCT LEVEL)	
	1	1	7W-6370	1	BASE-FAN DRIVE						
	2	1	486-7515	1	BRACKET AS						
		1	5P-8248	1	WASHER-HARD (20X36.5X3.5-MM THK)						
		1	7W-7590	1	SLEEVE						
		1	3B-2968	1	BOLT (3/4-10X3.5-IN)						
3	1	1	3B-8489	1	FITTING-GREASE (1/8-27 PTF)						
4	1	1	3B-8686	1	FITTING-GREASE (1/8-27 PTF)						
5	1	1	6U-1989	1	VALVE-RELIEF						
6	1	1	9Y-2647	1	HUB-FAN PULLEY						
7	1	1	7W-3465	1	ADAPTER-FAN						
8	1	1	5F-3144	1	SEAL-O-RING						
9	1	1	6Y-7651	2	CONE-BEARING						
10	1	1	557-7607	1	SPACER (63.6X86.2X76.2-MM THK)						
11	1	1	557-7606	1	WASHER-RETAINING						
12	1	1	7W-6110	1	BRACKET						
13	1	1	165-3931	12	BOLT (3/8-16X1.75-IN)						
14	1	1	5P-8247	3	WASHER-HARD (17X32X3.5-MM THK)						
15	1	1	6Y-7652	2	CUP-BEARING (TAPERED ROLLER)						
16	1	1	1J-4034	1	SEAL-LIP TYPE						
17	1	1	7W-6755	1	SHAFT						
18	1	1	2M-4453	1	SEAL-O-RING						
19	1	1	4M-2442	4	BOLT (1/2-13X12.32-IN)						
20	1	1	5P-8245	8	WASHER-HARD (13.5X25.5X3-MM THK)						
21	1	1	5P-1075	4	WASHER-HARD (10.2X22.5X3-MM THK)						
22	1	1	0S-1588	4	BOLT (3/8-16X1.25-IN)						
23	1	1	0S-1585	4	BOLT (1/2-13X1.5-IN)						
24	1	1	1F-7960	6	WASHER (13.5X32X6-MM THK)						
25	1	1	1A-5822	6	BOLT (1/2-13X2.75-IN)						
26	1	1	3B-1915	8	BOLT (3/8-16X1.375-IN)						
27	1	1	1B-4367	3	BOLT (5/8-11X3-IN)						

BASIC ENGINE

7W-3952 DRIVE GP-FAN (contd.)

107415737



GRAPHIC #1

<END>

g06348981

BASIC ENGINE

7W-3953 DRIVE GP-FAN-SUCTION FOR USE WITH ENGINE MOUNTED FAN AN ATTACHMENT

SMCS-1359

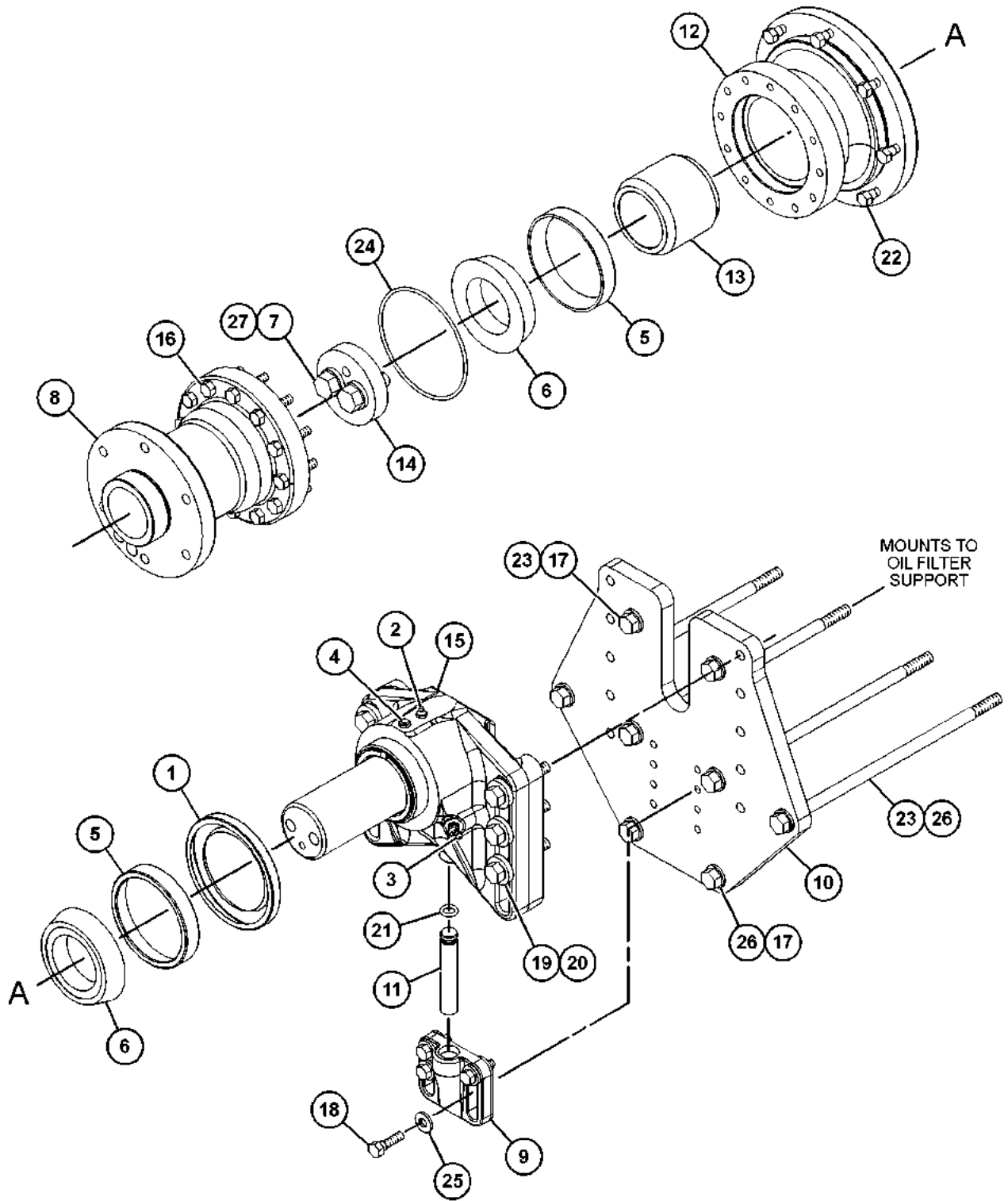
i07415691

NOTE	REF NO	GRAPHIC REF	PART NUMBER	QTY	PART NAME						SEE PAGE
					1	2	3	4	5	6 (PRODUCT LEVEL)	
	1	1	1J-4034	1	SEAL-LIP TYPE						
	2	1	3B-8489	1	FITTING-GREASE (1/8-27 PTF)						
	3	1	3B-8686	1	FITTING-GREASE (1/8-27 PTF)						
	4	1	6U-1989	1	VALVE-RELIEF						
	5	1	6Y-7652	2	CUP-BEARING (TAPERED ROLLER)						
	6	1	6Y-7651	2	CONE-BEARING						
	7	1	5P-8247	3	WASHER-HARD (17X32X3.5-MM THK)						
	8	1	7W-3464	1	ADAPTER-FAN						
	9	1	7W-6110	1	BRACKET						
	10	1	7W-6370	1	BASE-FAN DRIVE						
	11	1	7W-6755	1	SHAFT						
	12	1	9Y-2647	1	HUB-FAN PULLEY						
	13	1	557-7607	1	SPACER (63.6X86.2X76.2-MM THK)						
	14	1	557-7606	1	WASHER-RETAINING						
	15	1	486-7515	1	BRACKET AS						
		1	3B-2968	1	BOLT (3/4-10X3.5-IN)						
		1	466-9948	1	SHAFT						
		1	7W-7590	1	SLEEVE						
		1	5P-8248	1	WASHER-HARD (20X36.5X3.5-MM THK)						
	16	1	165-3931	12	BOLT (3/8-16X1.75-IN)						
	17	1	0S-1585	4	BOLT (1/2-13X1.5-IN)						
	18	1	0S-1588	4	BOLT (3/8-16X1.25-IN)						
	19	1	1A-5822	6	BOLT (1/2-13X2.75-IN)						
	20	1	1F-7960	6	WASHER (13.5X32X6-MM THK)						
	21	1	2M-4453	1	SEAL-O-RING						
	22	1	3B-1915	8	BOLT (3/8-16X1.375-IN)						
	23	1	4M-2442	4	BOLT (1/2-13X12.32-IN)						
	24	1	5F-3144	1	SEAL-O-RING						
	25	1	5P-1075	4	WASHER-HARD (10.2X22.5X3-MM THK)						
	26	1	5P-8245	8	WASHER-HARD (13.5X25.5X3-MM THK)						
	27	1	1B-4367	3	BOLT (5/8-11X3-IN)						

BASIC ENGINE

7W-3953 DRIVE GP-FAN (contd.)

i07415691



GRAPHIC #1

<END>

g06315106

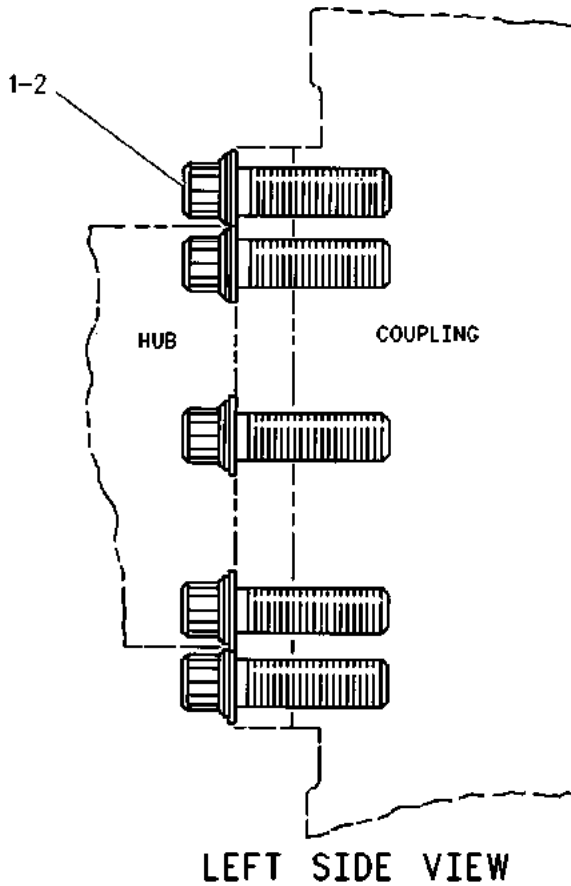
BASIC ENGINE

3N-8647 FASTENER GP-COUPLING AN ATTACHMENT

SMCS-3279, 4456

i04736989

NOTE	REF NO	GRAPHIC REF	PART NUMBER	QTY	PART NAME						SEE PAGE
					1	2	3	4	5	6 (PRODUCT LEVEL)	
	1	1	201-8899	8	BOLT-12 POINT HEAD (7/8-9X3-IN)						
	2	1	4M-6953	8	WASHER-HARD (24X38X3.5-MM THK)						



GRAPHIC #1

<END>

g00899192

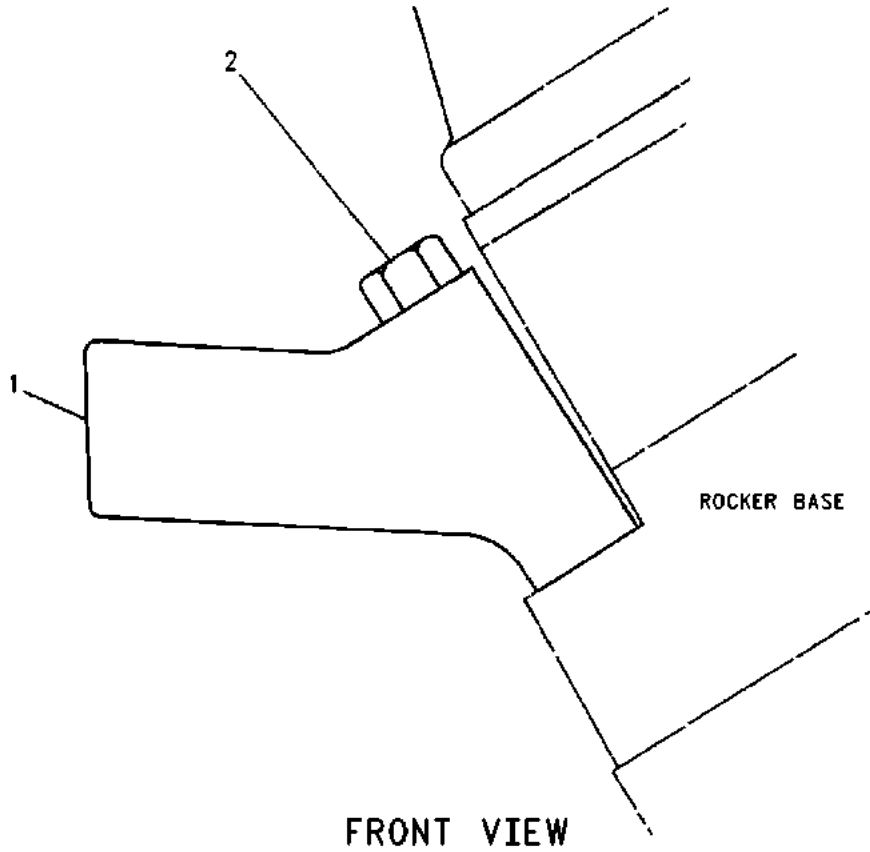
BASIC ENGINE

1W-8109 FASTENER GP-VALVE MECHANISM-RH OIL & FUEL FILTER DIFFERENTIAL LINES FOR USAGE REFER TO CHART 4W-6500-PAGE: 1453 AN ATTACHMENT

SMCS-1102

i01757963

NOTE	REF NO	GRAPHIC REF	PART NUMBER	QTY	PART NAME						SEE PAGE
					1	2	3	4	5	6 (PRODUCT LEVEL)	
	1	1	1W-8129	1	SUPPORT						
	2	1	OT-0055	2	BOLT (3/8-16X4.25-IN)						



GRAPHIC #1

<END>

g00899195

BASIC ENGINE

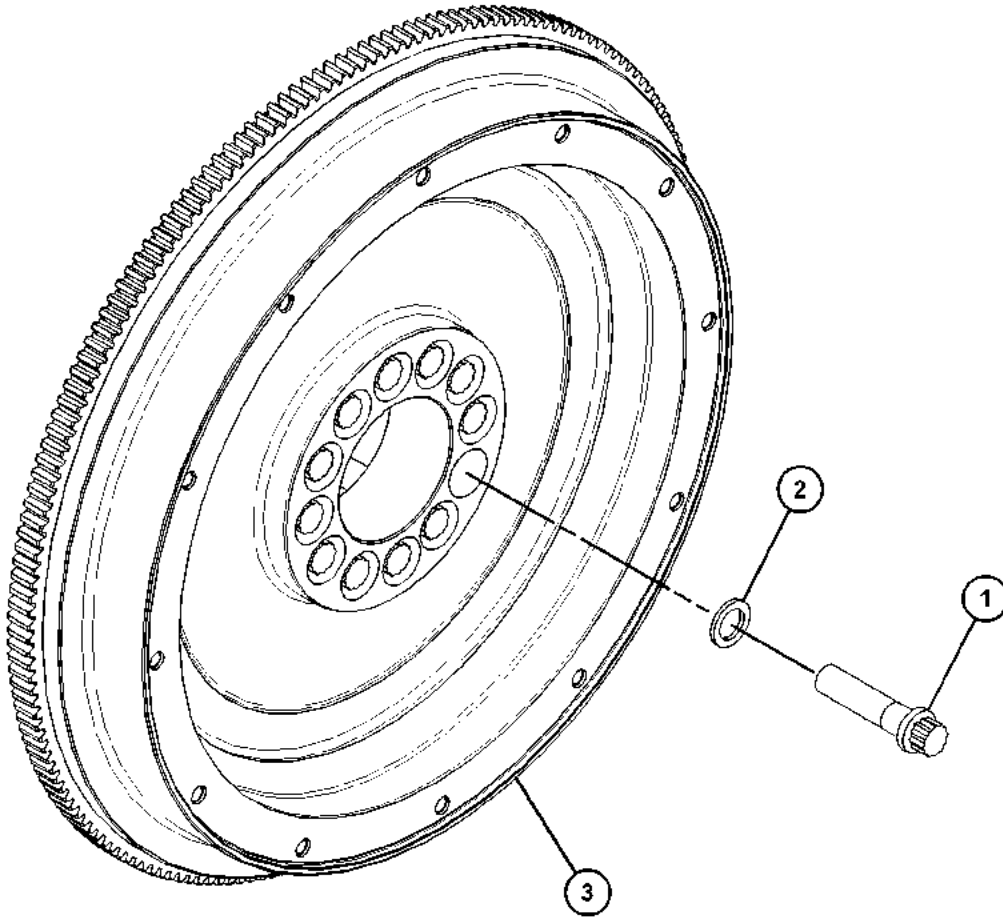
471-0918 FLYWHEEL GP

S/N: 65Z1713-UP

SMCS - 1156

i07192412

NOTE	REF NO	GRAPHIC REF	PART NUMBER	QTY	PART NAME						SEE PAGE
					1	2	3	4	5	6 (PRODUCT LEVEL)	
	1	1	9S-8893	12	BOLT-12 POINT HEAD (1-14X4-IN)						
	2	1	5P-8839	12	WASHER-HARD (28X42X4-MM THK)						
	3	1	243-3216	1	FLYWHEEL AS						
		1	233-0643	1	GEAR-FLYWHEEL (183-TEETH)						



GRAPHIC #1

<END>

g06037892

BASIC ENGINE

7C-1925 FLYWHEEL GP

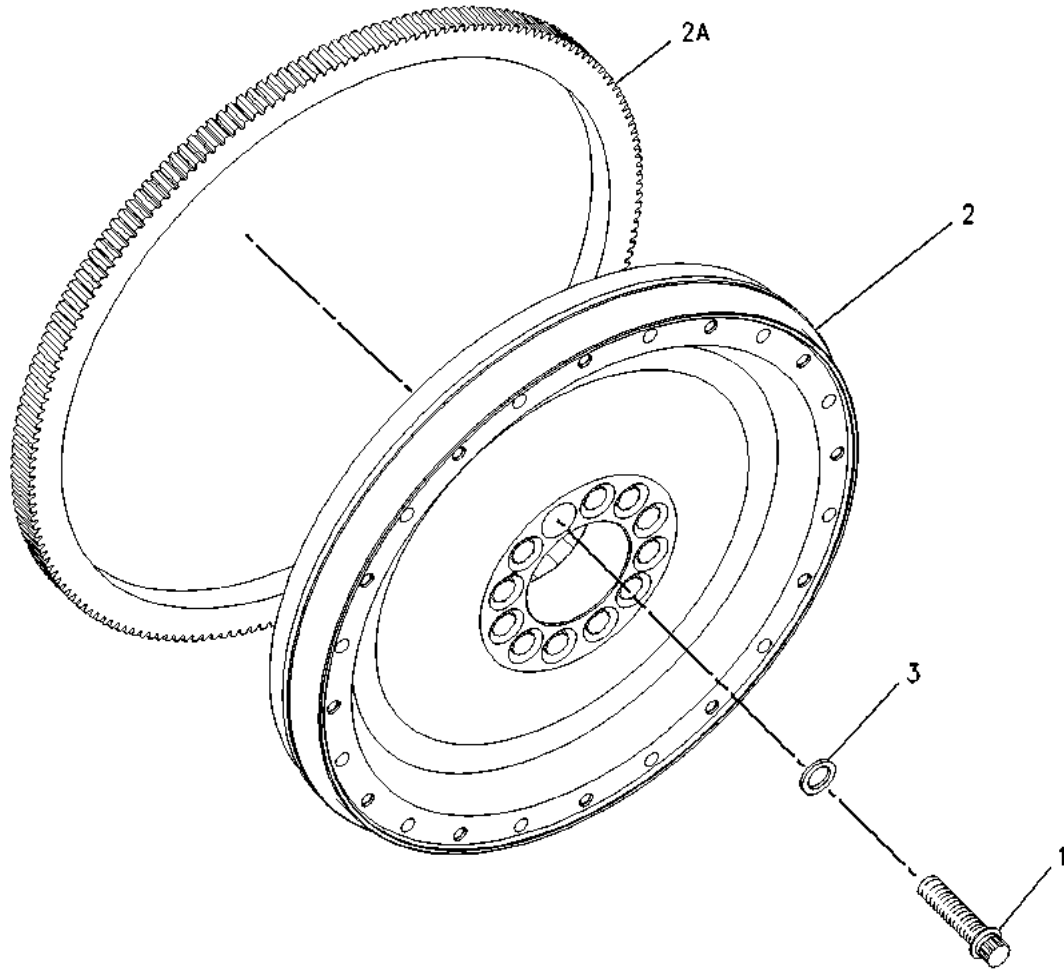
S/N: 65Z887-1147

FOR USE WITH GE 601 GENERATOR
AN ATTACHMENT

SMCS-1156

i01852574

NOTE	REF NO	GRAPHIC REF	PART NUMBER	QTY	PART NAME						SEE PAGE
					1	2	3	4	5	6 (PRODUCT LEVEL)	
	1	1	9S-8893	12	BOLT-12 POINT HEAD (1-14X4-IN)						
	2	1	226-1760	1	FLYWHEEL AS						
	2A	1	1N-5742	1	GEAR-STARTING MOTOR (183-TEETH)						
	3	1	5P-8839	12	WASHER-HARD (28X42X4-MM THK)						



GRAPHIC #1

<END>

g00945231

BASIC ENGINE

7C-1925 FLYWHEEL GP

S/N: 65Z1148-UP

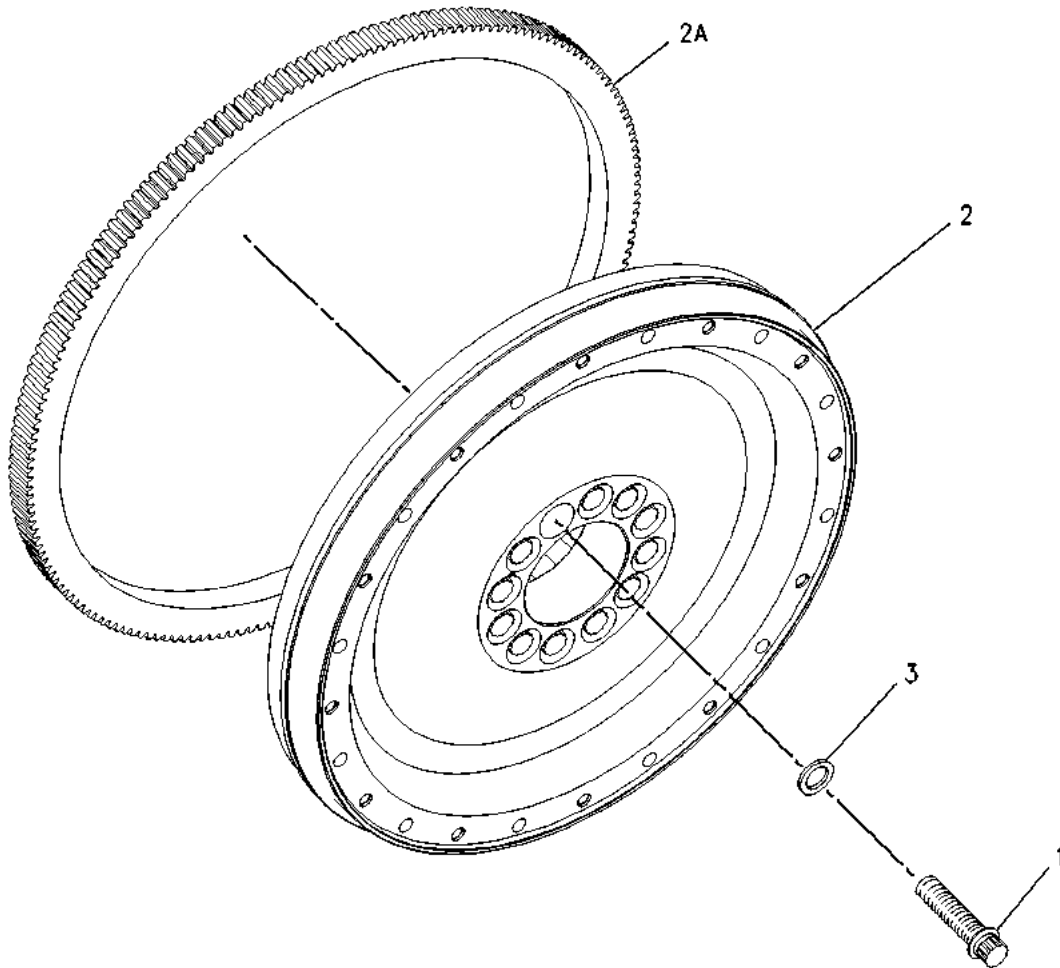
FOR USE WITH GE 601 GENERATOR
AN ATTACHMENT

SMCS-1156

i02089936

NOTE	REF NO	GRAPHIC REF	PART NUMBER	QTY	PART NAME						SEE PAGE
					1	2	3	4	5	6 (PRODUCT LEVEL)	
	1	1	9S-8893	12	BOLT-12 POINT HEAD (1-14X4-IN)						
C	2		243-3220	1	FLYWHEEL AS						
	2A	1	233-0643	1	GEAR-FLYWHEEL (183-TEETH)						
	3		5P-8839	12	WASHER-HARD (28X42X4-MM THK)						

C - CHANGE FROM PREVIOUS TYPE



GRAPHIC #1

<END>

g00945231

BASIC ENGINE

7E-4707 FLYWHEEL GP

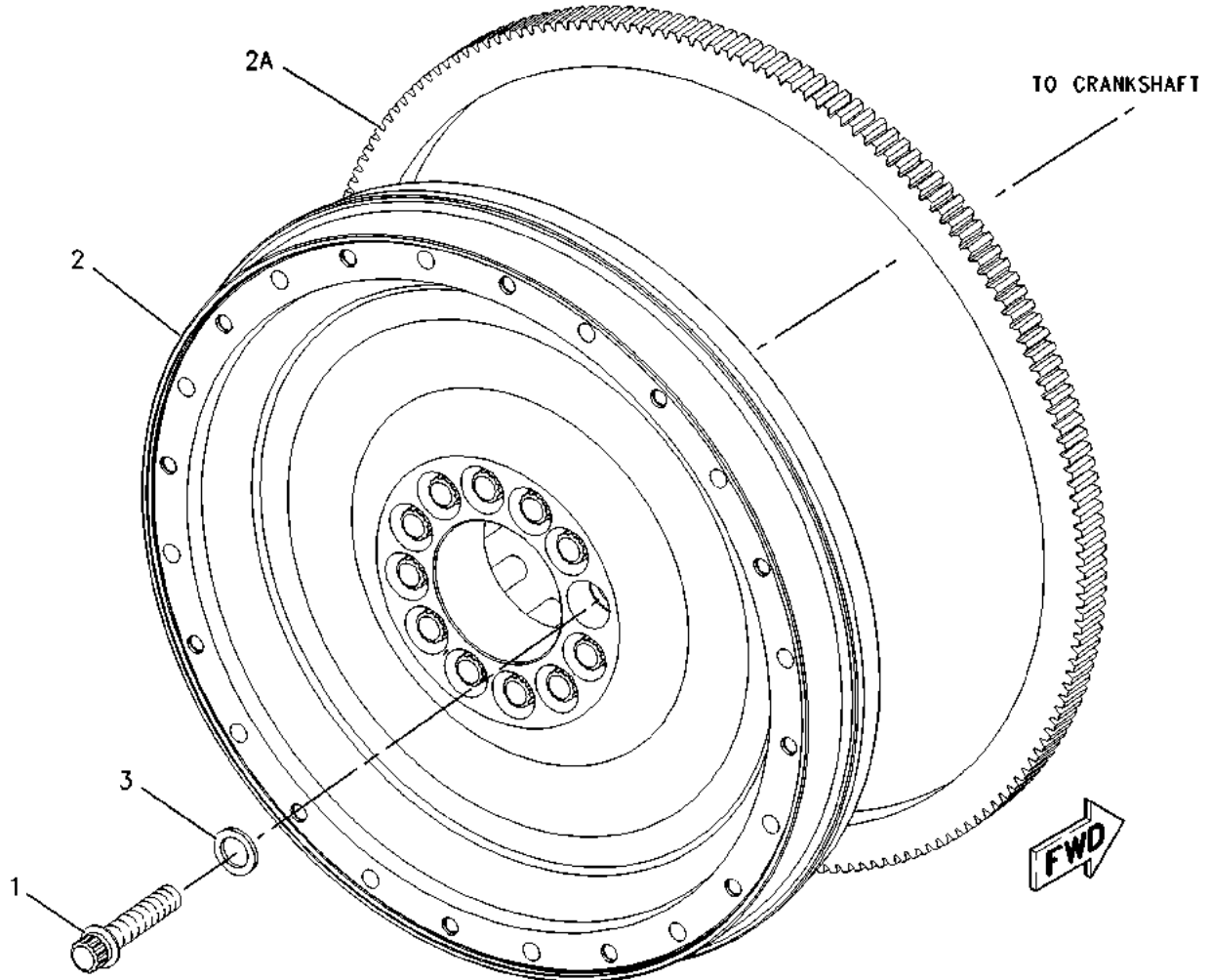
S/N: 65Z887-1147

FOR USE WITH GE LOCOMOTIVES U10B & U6B
AN ATTACHMENT

SMCS-1156

i01852575

NOTE	REF NO	GRAPHIC REF	PART NUMBER	QTY	PART NAME						SEE PAGE
					1	2	3	4	5	6 (PRODUCT LEVEL)	
	1	1	9S-8893	12	BOLT-12 POINT HEAD (1-14X4-IN)						
	2	1	226-1759	1	FLYWHEEL AS						
	2A	1	1N-5742	1	GEAR-STARTING MOTOR (183-TEETH)						
	3	1	5P-8839	12	WASHER-HARD (28X42X4-MM THK)						



GRAPHIC #1

<END>

g00945229

BASIC ENGINE

7E-4707 FLYWHEEL GP

S/N: 65Z1148-UP

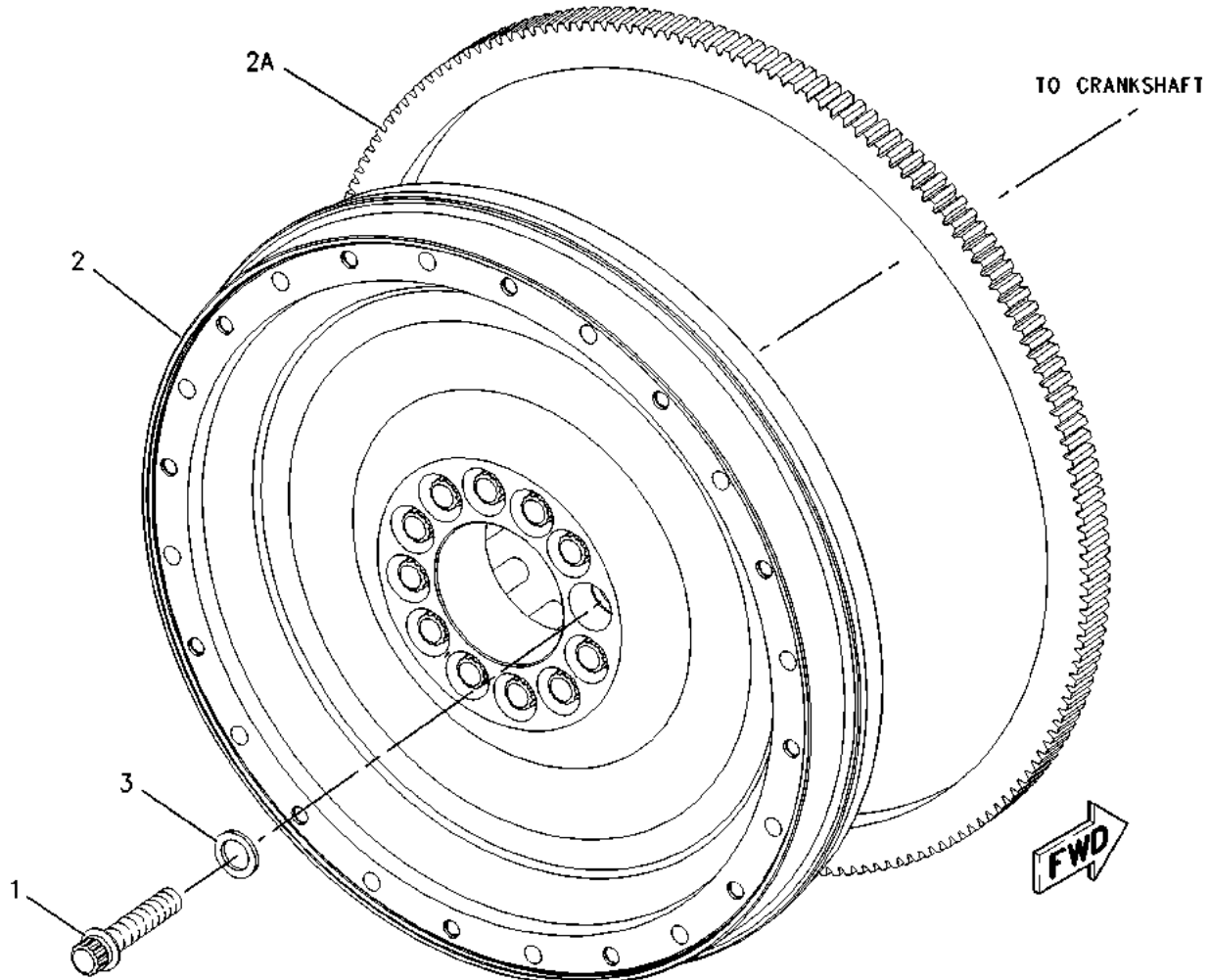
FOR USE WITH GE LOCOMOTIVES U10B & U6B
AN ATTACHMENT

SMCS-1156

i02089937

NOTE	REF NO	GRAPHIC REF	PART NUMBER	QTY	PART NAME						SEE PAGE
					1	2	3	4	5	6 (PRODUCT LEVEL)	
	1		9S-8893	12	BOLT-12 POINT HEAD (1-14X4-IN)						
C	2	1	243-3218	1	FLYWHEEL AS						
	2A	1	233-0643	1	GEAR-FLYWHEEL (183-TEETH)						
	3	1	5P-8839	12	WASHER-HARD (28X42X4-MM THK)						

C - CHANGE FROM PREVIOUS TYPE



GRAPHIC #1

<END>

g00945229

BASIC ENGINE

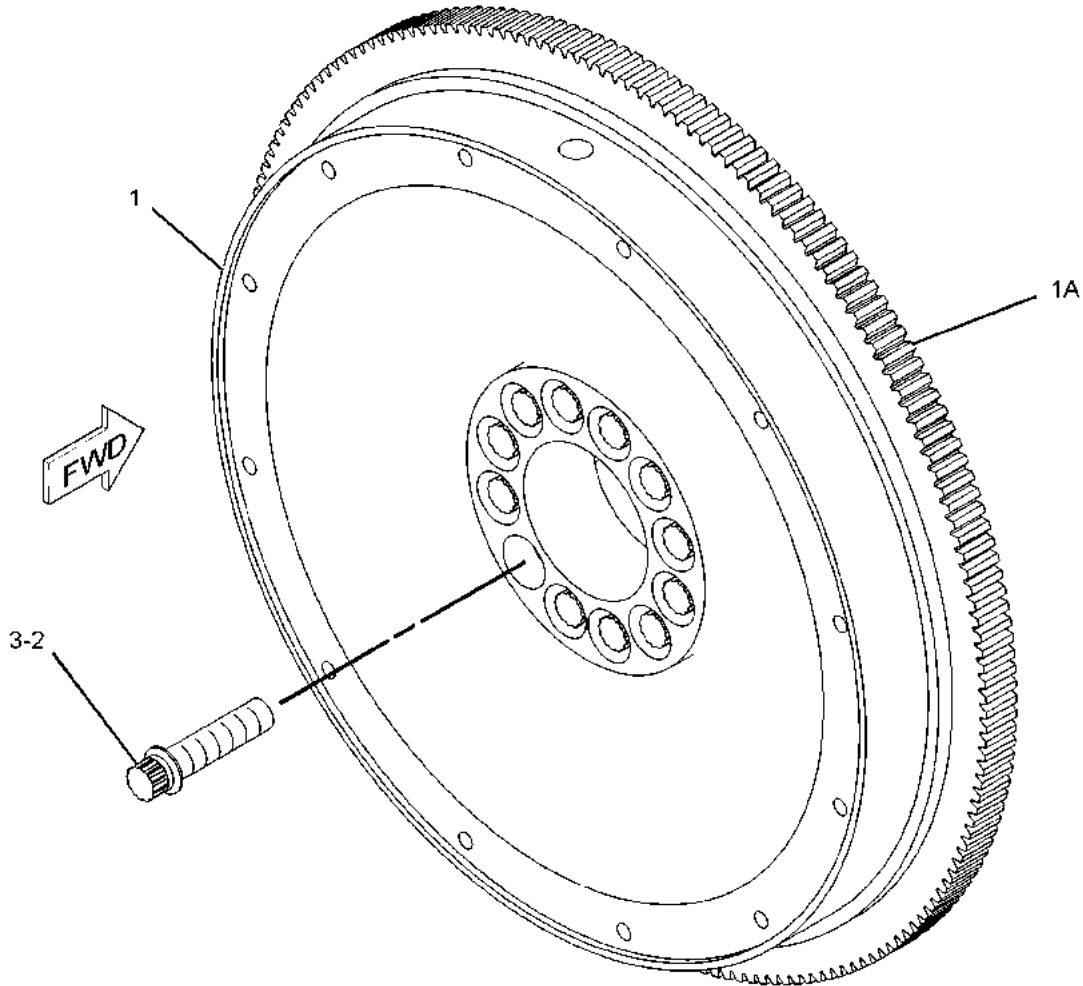
7N-4851 FLYWHEEL GP

S/N: 65Z887-1147

SMCS - 1156

i02205213

NOTE	REF NO	GRAPHIC REF	PART NUMBER	QTY	PART NAME						SEE PAGE
					1	2	3	4	5	6 (PRODUCT LEVEL)	
	1	1	7N-5014	1	FLYWHEEL AS						
	1A	1	1N-5742	1	GEAR-STARTING MOTOR (183-TEETH)						
	2	1	9S-8893	12	BOLT-12 POINT HEAD (1-14X4-IN)						
	3	1	5P-8839	12	WASHER-HARD (28X42X4-MM THK)						



GRAPHIC #1

<END>

g01113668

BASIC ENGINE

7N-4851 FLYWHEEL GP

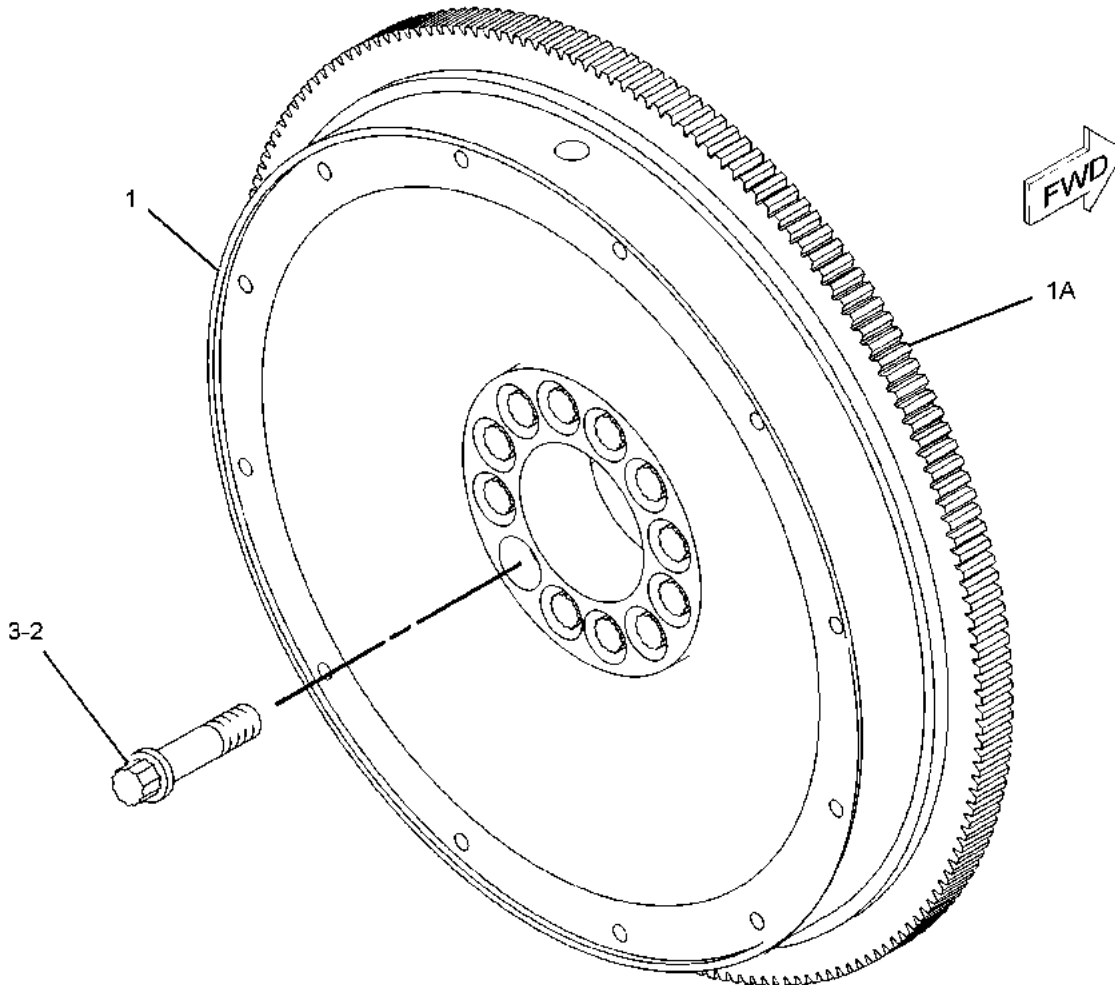
S/N: 65Z1148-1712

SMCS-1156

i07039325

NOTE	REF NO	GRAPHIC REF	PART NUMBER	QTY	PART NAME						SEE PAGE
					1	2	3	4	5	6 (PRODUCT LEVEL)	
C	1	1	462-8646	1	FLYWHEEL AS						
	1A	1	233-0643	1	GEAR-FLYWHEEL (183-TEETH)						
	2	1	9S-8893	12	BOLT-12 POINT HEAD (1-14X4-IN)						
	3	1	5P-8839	12	WASHER-HARD (28X42X4-MM THK)						

C - CHANGE FROM PREVIOUS TYPE



GRAPHIC #1

<END>

g01109106

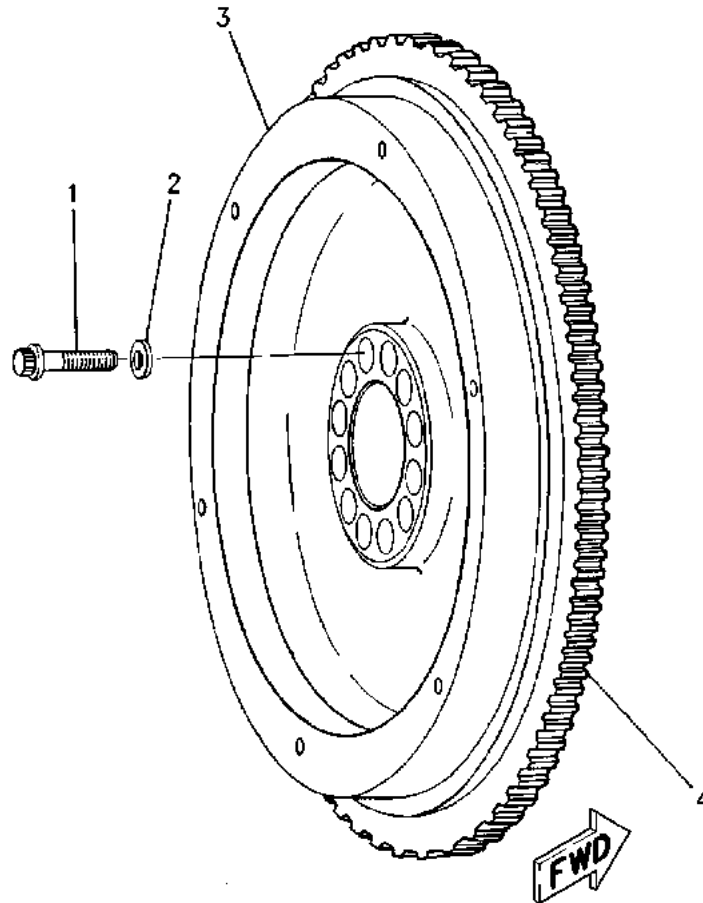
BASIC ENGINE

7N-7784 FLYWHEEL GP FOR USE WITH SAE 0 FLYWHEEL HOUSING AN ATTACHMENT

SMCS-1156

i06691366

NOTE	REF NO	GRAPHIC REF	PART NUMBER	QTY	PART NAME						SEE PAGE
					1	2	3	4	5	6 (PRODUCT LEVEL)	
	1	1	9S-8893	12	BOLT-12 POINT HEAD (1-14X4-IN)						
	2	1	5P-8839	12	WASHER-HARD (28X42X4-MM THK)						
	3	1	7N-7732	1	FLYWHEEL AS						
	4	1	8N-0896	1	GEAR (151-TEETH)						



GRAPHIC #1

<END>

g00995207

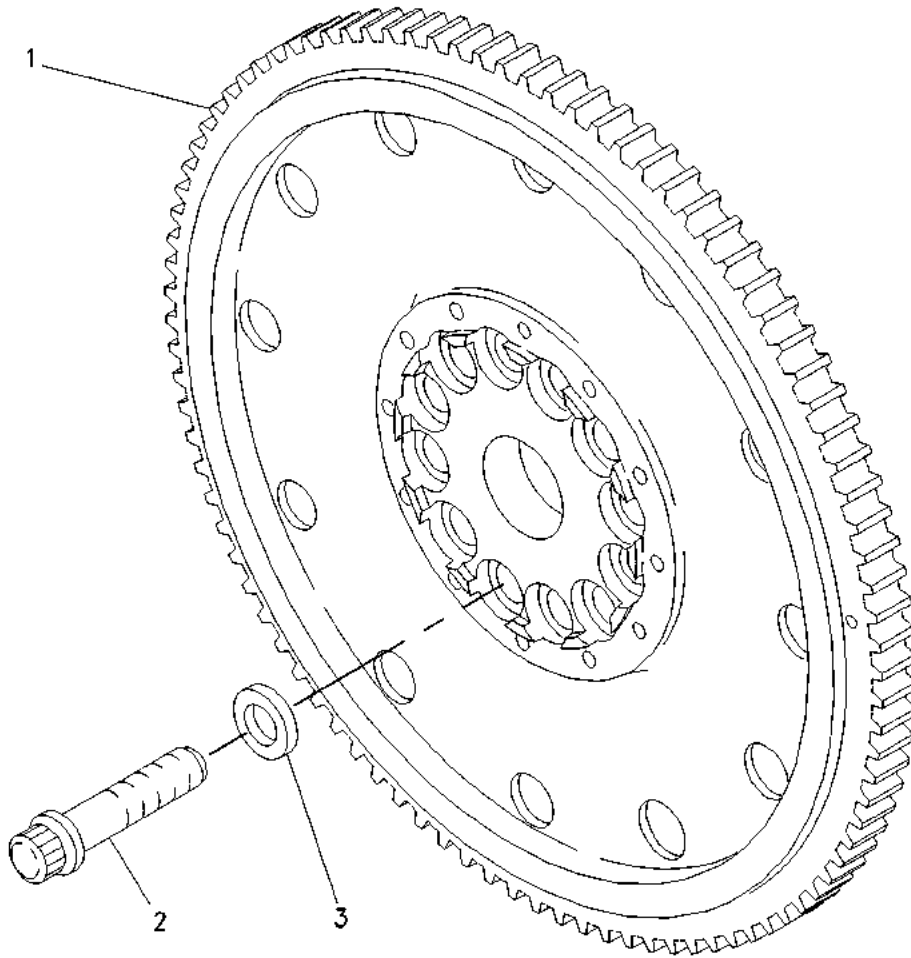
BASIC ENGINE

7W-0968 FLYWHEEL GP AN ATTACHMENT

SMCS - 1156

i06695717

NOTE	REF NO	GRAPHIC REF	PART NUMBER	QTY	PART NAME						SEE PAGE
					1	2	3	4	5	6 (PRODUCT LEVEL)	
	1	1	7W-0967	1	FLYWHEEL AS						
		1	8N-0896	1	GEAR (151-TEETH)						
	2	1	9S-8893	12	BOLT-12 POINT HEAD (1-14X4-IN)						
	3	1	5P-8839	12	WASHER-HARD (28X42X4-MM THK)						



GRAPHIC #1

<END>

g00763616

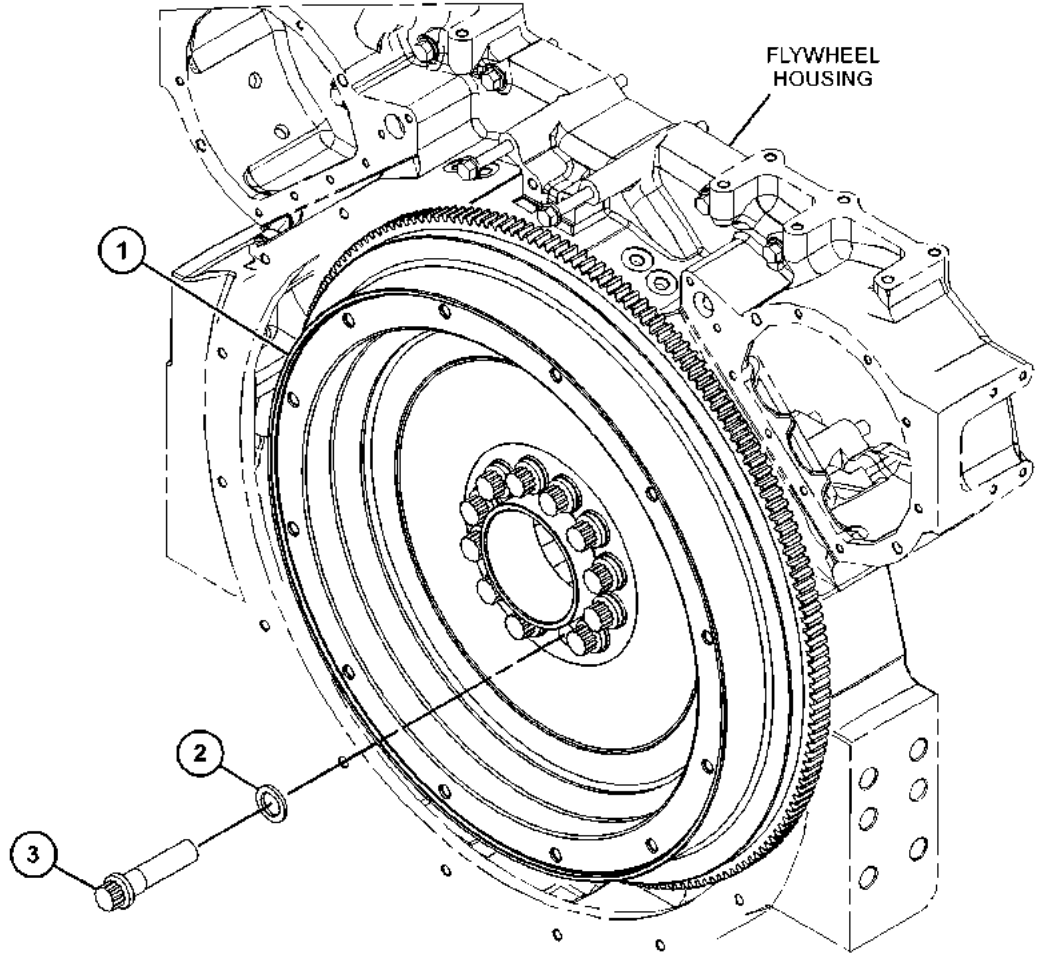
BASIC ENGINE

8N-6038 FLYWHEEL GP FOR USE WITH SAE REVERSE ENGINE ROTATION PART OF 4W-1534 CONVERSION AR-ENGINE AN ATTACHMENT

SMCS-1156

i07034535

NOTE	REF NO	GRAPHIC REF	PART NUMBER	QTY	PART NAME						SEE PAGE
					1	2	3	4	5	6 (PRODUCT LEVEL)	
	1	1	471-0882	1	FLYWHEEL AS						
		1	233-0644	1	GEAR-FLYWHEEL (183-TEETH)						
	2	1	5P-8839	12	WASHER-HARD (28X42X4-MM THK)						
	3	1	9S-8893	12	BOLT-12 POINT HEAD (1-14X4-IN)						



GRAPHIC #1

<END>

g06204734

BASIC ENGINE

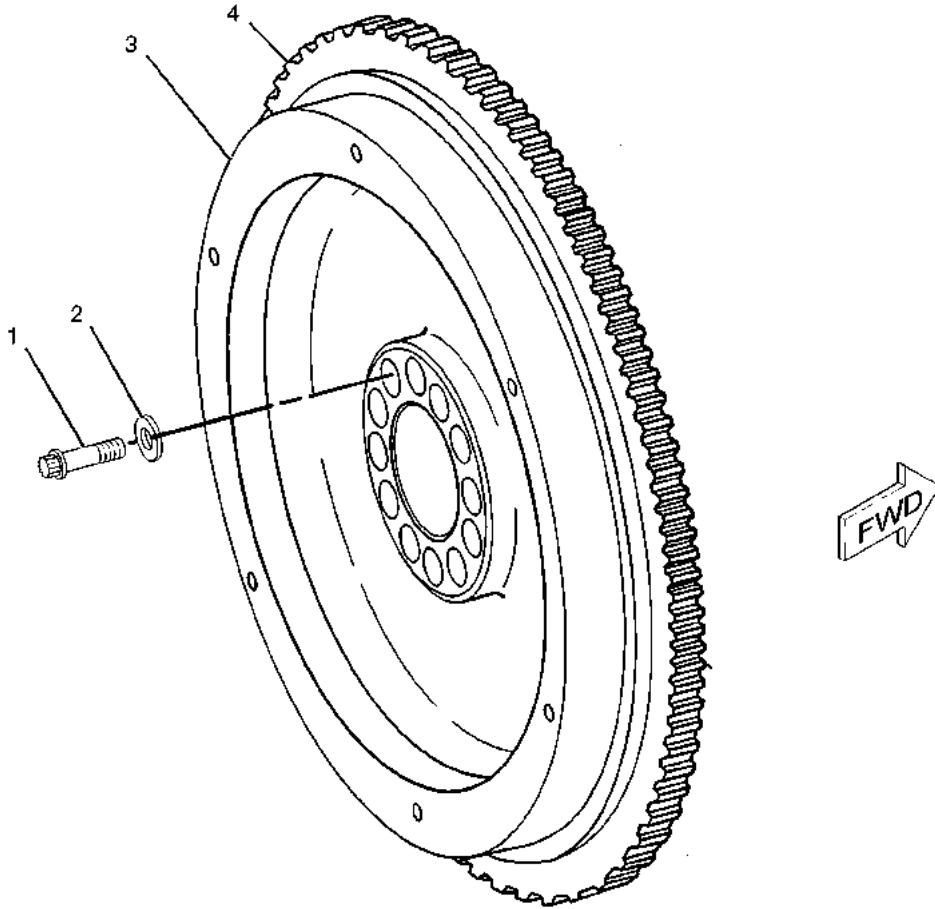
8N-6439 FLYWHEEL GP

FOR USE WITH SAE NO. 0 FLYWHEEL HOUSING ON REVERSE ENGINE ROTATION
AN ATTACHMENT

SMCS-1156

i07109012

NOTE	REF NO	GRAPHIC REF	PART NUMBER	QTY	PART NAME						SEE PAGE
					1	2	3	4	5	6 (PRODUCT LEVEL)	
	1	1	9S-8893	12	BOLT-12 POINT HEAD (1-14X4-IN)						
	2	1	5P-8839	12	WASHER-HARD (28X42X4-MM THK)						
	3	1	1N-3770	1	FLYWHEEL AS						
	4	1	1N-3784	1	GEAR-FLYWHEEL (151-TEETH) (151 TEETH)						



GRAPHIC #1

<END>

g01025158

BASIC ENGINE

122-9281 GEAR GP-FRONT-RH LOW SPEED, STANDARD ROTATION

SMCS-1151, 1162, 1206

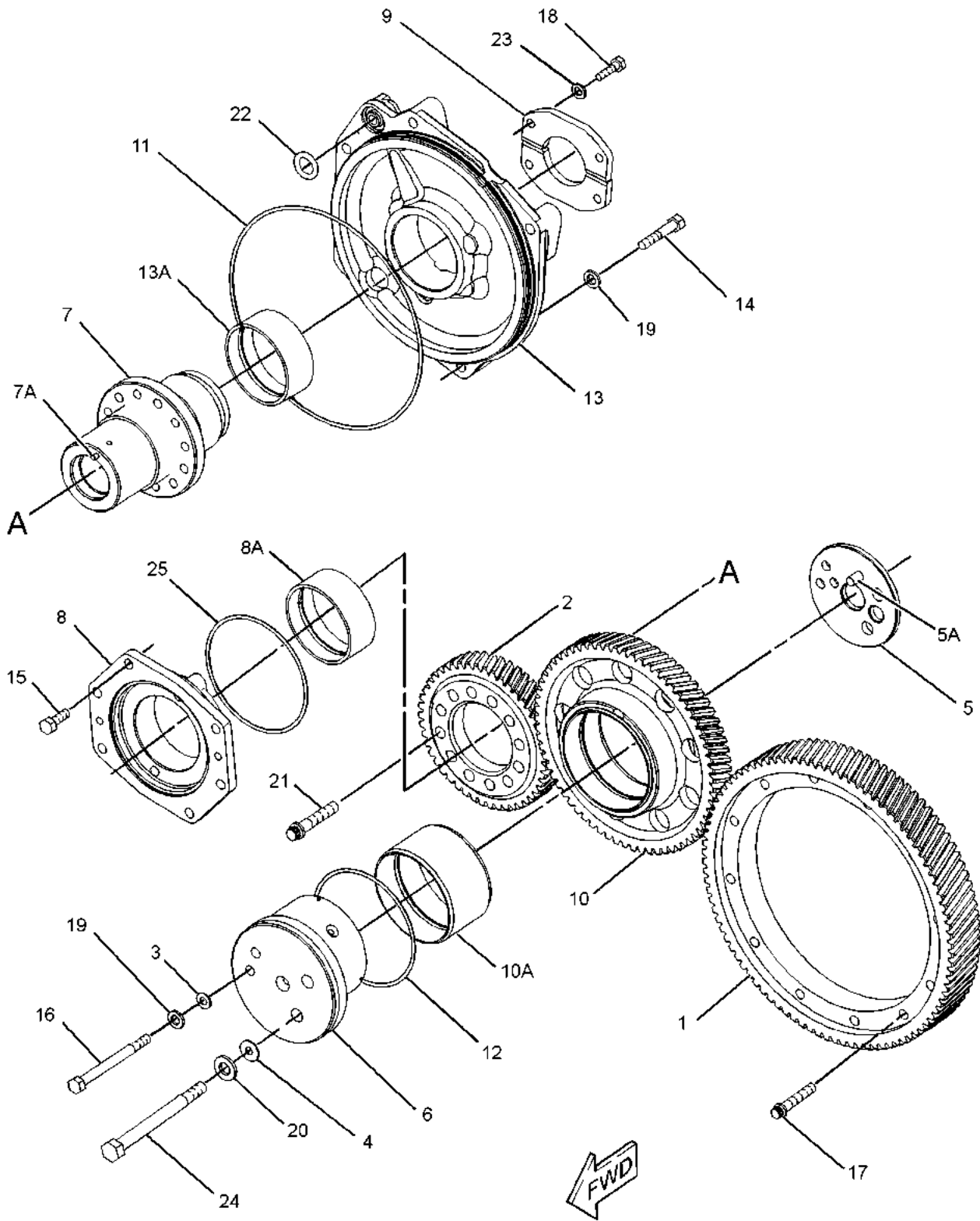
i04541514

NOTE	REF NO	GRAPHIC REF	PART NUMBER	QTY	PART NAME						SEE PAGE
					1	2	3	4	5	6 (PRODUCT LEVEL)	
	1	1	2W-2895	1	GEAR-CRANKSHAFT (92-TEETH)						
	2	1	2W-7320	1	GEAR-ACCESSORY DRIVE (46-TEETH)						
	3	1	5R-7136	2	WASHER-SEALING						
	4	1	5R-7137	2	WASHER-SEALING						
	5	1	7C-3258	1	WASHER AS-THRUST						
	5A	1	7N-2047	1	DOWEL						
	6	1	7C-3259	1	SHAFT						
	7	1	7N-5239	1	SHAFT AS-PUMP DRIVE						
	7A	1	8T-2153	1	SETSCREW-SOCKET (1/4-28X0.31-IN)						
	8	1	7N-5245	1	ADAPTER AS-PUMP						
	8A	1	127-5400	1	BUSHING						
	9	1	7N-5246	2	WASHER-THRUST						
	10	1	116-3242	1	GEAR AS-IDLER (66-TEETH)						
	10A	1	116-1365	1	BUSHING						
	11	1	235-3546	1	SEAL-O-RING						
	12	1	259-4598	1	SEAL-O-RING						
	13	1	278-4287	1	ADAPTER AS-PUMP						
	13A	1	127-5400	1	BUSHING						
	14	1	0S-1590	5	BOLT (3/8-16X2-IN)						
	15	1	0S-1594	2	BOLT (3/8-16X1-IN)						
	16	1	0T-0055	2	BOLT (3/8-16X4.25-IN)						
	17	1	3S-1307	12	BOLT-12 POINT HEAD (3/8-16X2-IN)						
	18	1	4B-3388	4	BOLT (5/16-18X1.125-IN)						
	19	1	5M-2894	7	WASHER-HARD (10.2X18.5X2.5-MM THK)						
	20	1	5P-8245	2	WASHER-HARD (13.5X25.5X3-MM THK)						
	21	1	6K-3771	12	BOLT-12 POINT HEAD (7/16-14X1.5-IN)						
	22	1	6V-3348	1	SEAL-O-RING						
	23	1	9M-1974	4	WASHER-HARD (8.8X16X2-MM THK)						
	24	1	9X-8879	2	BOLT (1/2-13X5.5-IN)						
	25	1	259-4598	1	SEAL-O-RING						

BASIC ENGINE

122-9281 GEAR GP-FRONT (contd.)

i04541514



GRAPHIC #1

<END>

g02028678

BASIC ENGINE

8N-5769 GEAR GP-FRONT-RH

REVERSE ROTATION, LOW SPEED
PART OF 4W-1534 CONVERSION AR-ENGINE
AN ATTACHMENT

SMCS-1151, 1162, 1206

i07053135

NOTE	REF NO	GRAPHIC REF	PART NUMBER	QTY	PART NAME						SEE PAGE
					1	2	3	4	5	6 (PRODUCT LEVEL)	
	1	1	2W-2895	1	GEAR-CRANKSHAFT (92-TEETH)						
	2	2	2W-7320	1	GEAR-ACCESSORY DRIVE (46-TEETH)						
C	3	1	5R-7136	2	WASHER-SEALING						
C	4	1	5R-7137	2	WASHER-SEALING						
C	5	1	7C-3258	1	WASHER AS-THRUST						
		1	7N-2047	1	DOWEL						
C	6	1	7C-3259	1	SHAFT						
	7	2	7C-4165	1	ADAPTER AS						
	7A	2	127-5400	1	BUSHING						
	9	2	7J-8114	1	GASKET						
	10	2	7N-5239	1	SHAFT AS-PUMP DRIVE						
		2	8T-2153	1	SETSCREW-SOCKET (1/4-28X0.31-IN)						
	11	2	7N-5245	1	ADAPTER AS-PUMP						
	11A	2	127-5400	1	BUSHING						
	12	1	7N-5246	2	WASHER-THRUST						
	13	2	7N-5248	1	GEAR-AUXILIARY DRIVE (63-TEETH)						
	14	2	278-4287	1	ADAPTER AS-PUMP						
	14A	2	127-5400	1	BUSHING						
	15	1	7N-5279	1	ADAPTER AS						
	15A	1	127-5400	1	BUSHING						
	16	2	7N-5874	1	SHAFT-AUXILIARY DRIVE (14-TEETH)						
	17	2	7N-5875	1	GEAR-AUXILIARY DRIVE (63-TEETH)						
	18	1	7N-7539	2	WASHER-THRUST						
	19	2	8N-5771	1	SPACER (76X121X22.5-MM THK)						
	20	2	8P-1438	1	COVER						
	21	1	116-3242	1	GEAR AS-IDLER (66-TEETH)						
	21A	1	116-1365	1	BUSHING						
C	22	2	235-3546	2	SEAL-O-RING						
	23	1	259-4598	3	SEAL-O-RING						
	24	1	0L-1351	4	BOLT (3/8-16X0.875-IN)						
	25	2	0S-1590	5	BOLT (3/8-16X2-IN)						
	26	1	0S-1594	2	BOLT (3/8-16X1-IN)						
	27	2	0S-1595	2	BOLT (1/2-13X1.25-IN)						
C	28	1	0T-0055	2	BOLT (3/8-16X4.25-IN)						
	29	1	2B-2695	4	BOLT (5/16-18X0.875-IN)						
	30	1	3S-1307	12	BOLT-12 POINT HEAD (3/8-16X2-IN)						
	31	1	4B-3388	4	BOLT (5/16-18X1.125-IN)						
C	32	1,2	5M-2894	13	WASHER-HARD (10.2X18.5X2.5-MM THK)						
C	33	1	5P-0840	1	SEAL-O-RING						
C	34	1,2	5P-8245	4	WASHER-HARD (13.5X25.5X3-MM THK)						
	35	2	6K-3772	24	BOLT-12 POINT HEAD (7/16-14X2.25-IN)						
C	36	1	6V-3348	2	SEAL-O-RING						
B	37	1	8T-6757	2	PLUG-PIPE						
	38	1	8T-6759	1	PLUG-PIPE						
	39	1	9M-1974	8	WASHER-HARD (8.8X16X2-MM THK)						

BASIC ENGINE

8N-5769 GEAR GP-FRONT (contd.)

i07053135

NOTE	REF NO	GRAPHIC REF	PART NUMBER	QTY	PART NAME						SEE PAGE
					1	2	3	4	5	6 (PRODUCT LEVEL)	
C	40	1	1D-4572	2	BOLT (1/2-13X5.5-IN)						
	41	1,2	3B-1915	6	BOLT (3/8-16X1.375-IN)						

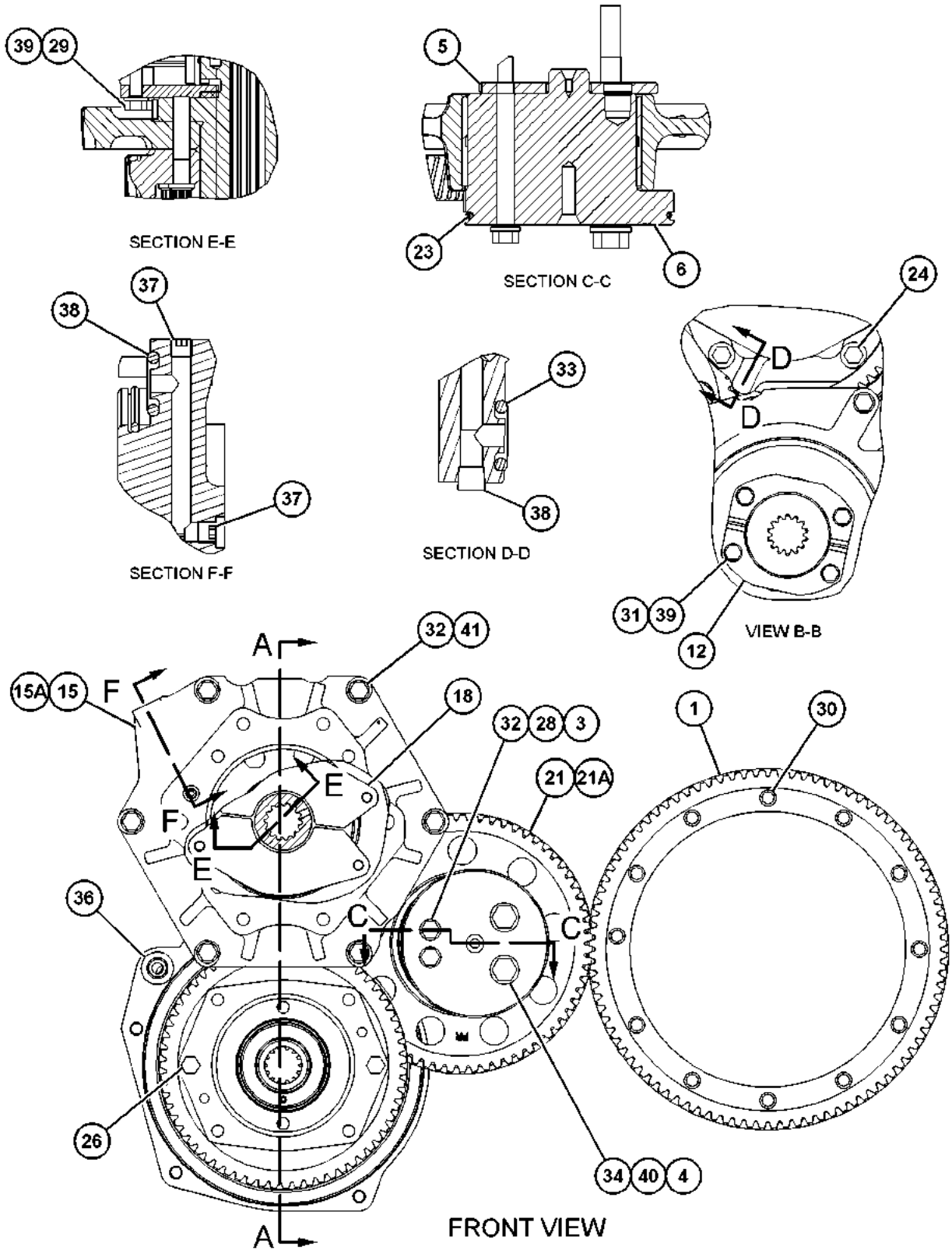
B - USE AS REQUIRED
 C - CHANGE FROM PREVIOUS TYPE

BASIC ENGINE

8N-5769 GEAR GP-FRONT (contd.)

107053135

REFER TO ALL ILLUSTRATIONS OF THIS GROUP FOR AUXILIARY VIEWS



GRAPHIC #1

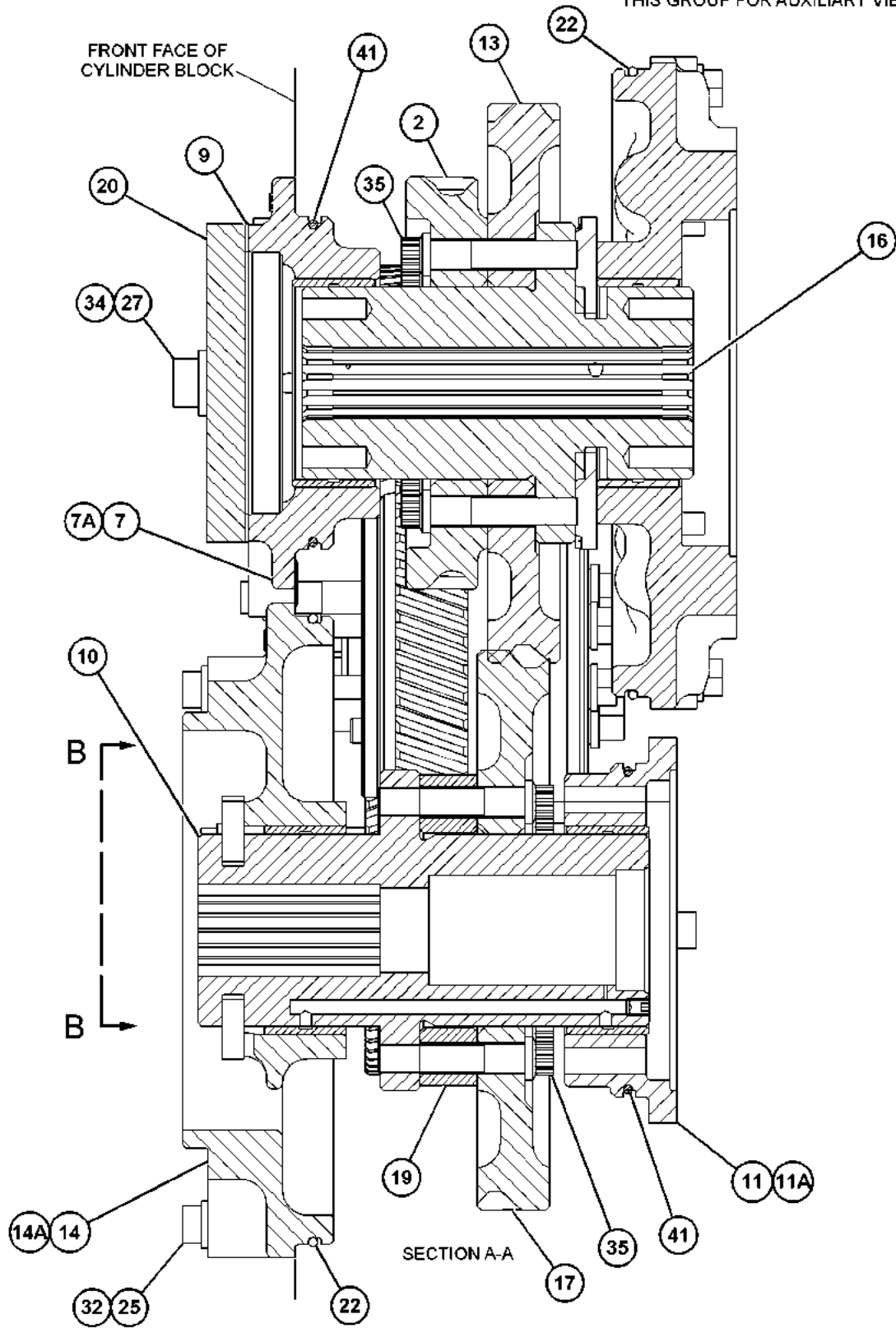
g06226586

BASIC ENGINE

8N-5769 GEAR GP-FRONT (contd.)

i07053135

REFER TO ALL ILLUSTRATIONS OF THIS GROUP FOR AUXILIARY VIEWS



GRAPHIC #2

<END>

g06226587

BASIC ENGINE

116-9856 GEAR GP-REAR

SMCS - 1204

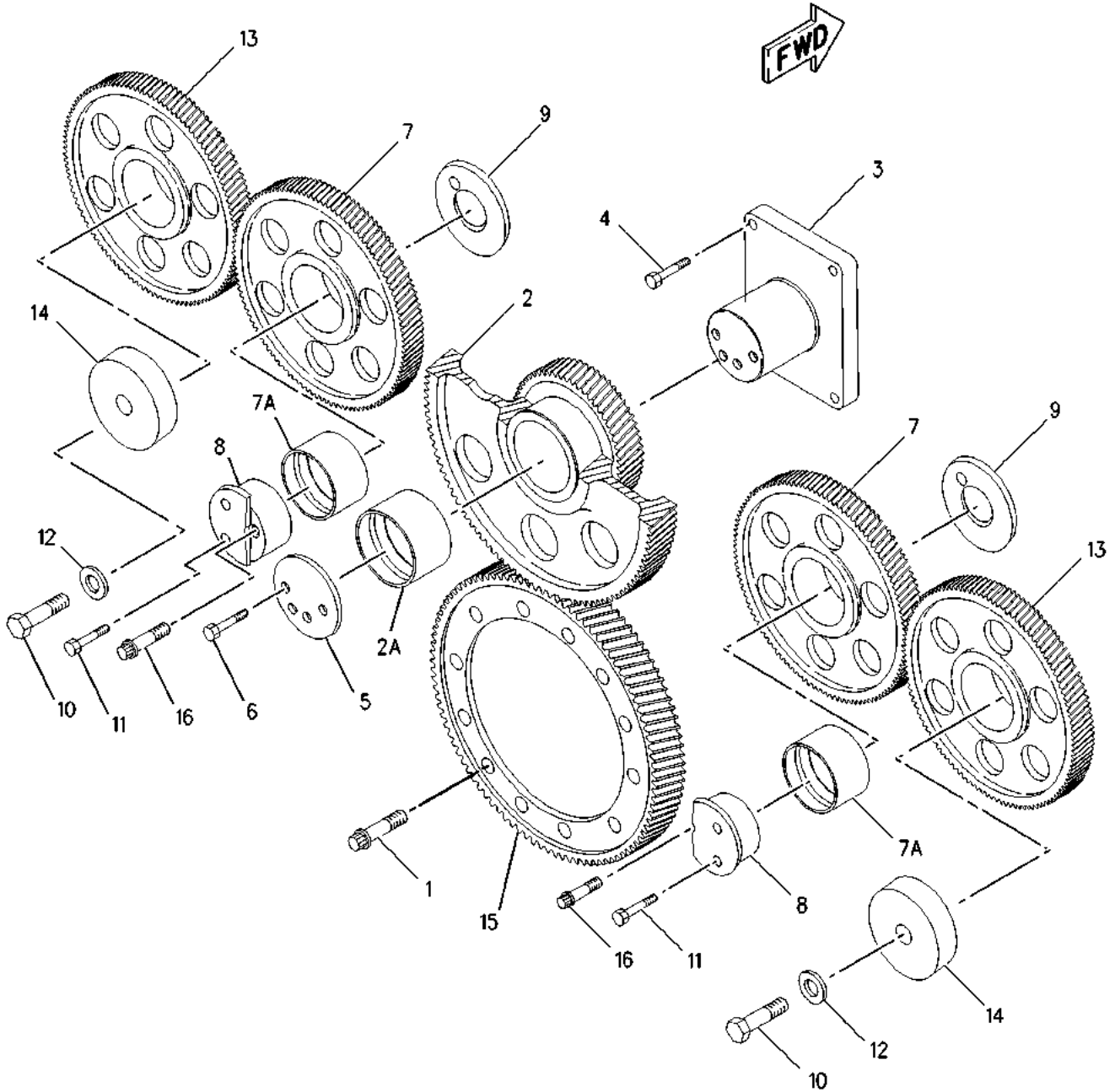
i03694861

NOTE	REF NO	GRAPHIC REF	PART NUMBER	QTY	PART NAME	SEE PAGE
					1 2 3 4 5 6 (PRODUCT LEVEL)	
	1	1	3S-1307	12	BOLT-12 POINT HEAD (3/8-16X2-IN)	
	2	1	107-2477	1	GEAR AS-IDLER (92/44-TEETH)	
	2A	1	4P-5438	1	BUSHING	
	3	1	4P-5437	1	SHAFT-GEAR (CLUSTER)	
	4	1	8M-2530	4	BOLT-12 POINT HEAD (1/2-13X1.25-IN)	
	5	1	101-1365	1	PLATE-THRUST	
	6	1	0L-1351	4	BOLT (3/8-16X0.875-IN)	
	7	1	112-1554	2	GEAR AS-IDLER (88-TEETH)	
					(EACH INCLUDES)	
	7A	1	125-9751	1	BUSHING	
	8	1	112-1552	2	SHAFT-IDLER	
	9	1	101-1368	2	WASHER-THRUST (19.5X106X1.9-MM THK)	
	10	1	9X-8887	2	BOLT (3/4-10X3-IN)	
	11	1	1B-4367	4	BOLT (5/8-11X3-IN)	
	12	1	5P-8248	2	WASHER-HARD (20X36.5X3.5-MM THK)	
	13	1	7E-3897	2	GEAR-CAMSHAFT DRIVE (88-TEETH)	
	14	1	4W-4586	2	PLATE	
	15	1	2W-2895	1	GEAR-CRANKSHAFT (92-TEETH)	
	16	1	8S-2331	2	BOLT-12 POINT HEAD (5/8-11X2-IN)	

BASIC ENGINE

116-9856 GEAR GP-REAR (contd.)

103694861



GRAPHIC #1

<END>

g00662893

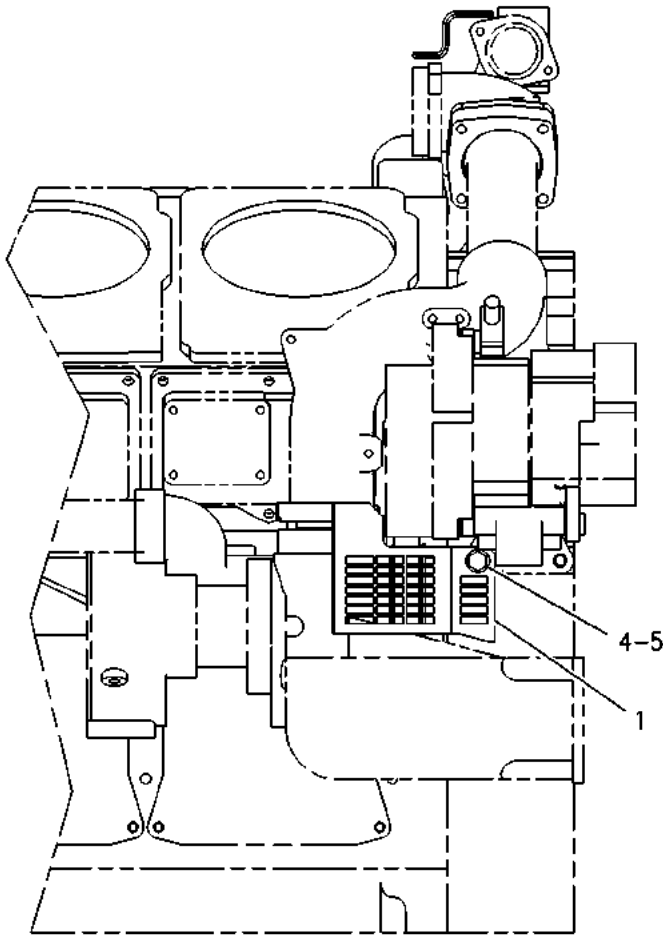
BASIC ENGINE

151-9228 GUARD GP-BELT-ALTERNATOR AN ATTACHMENT

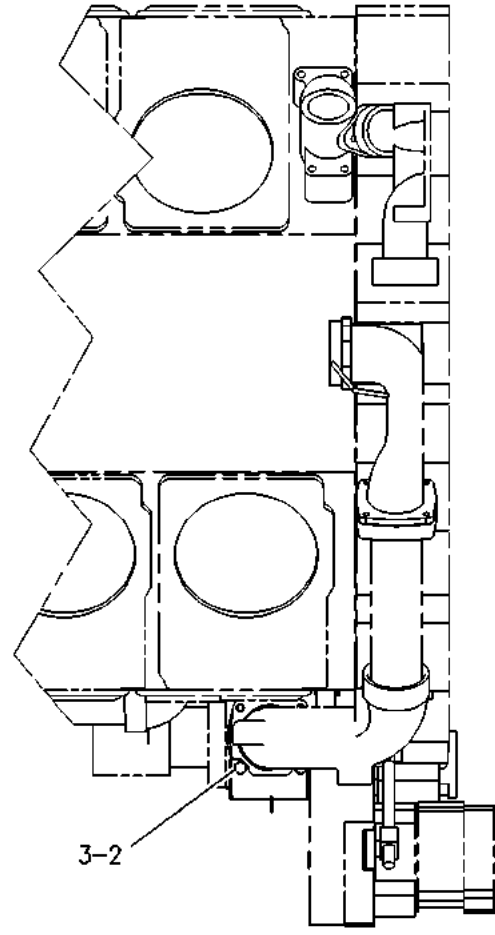
SMCS-7174

i06692033

NOTE	REF NO	GRAPHIC REF	PART NUMBER	QTY	PART NAME						SEE PAGE
					1	2	3	4	5	6 (PRODUCT LEVEL)	
	1	1	171-1359	1	GUARD AS-BELT (ALTERNATOR AIR)						
	2	1	8T-2501	2	BOLT (3/8-16X2-IN)						
	3	1	8T-4896	2	WASHER-HARD (10.2X18.5X2.5-MM THK)						
	4	1	5P-2566	1	BOLT (1/2-13X1.5-IN)						
	5	1	8T-4223	1	WASHER-HARD (13.5X25.5X3-MM THK)						



RIGHT SIDE VIEW



TOP VIEW

GRAPHIC #1

<END>

g00333482

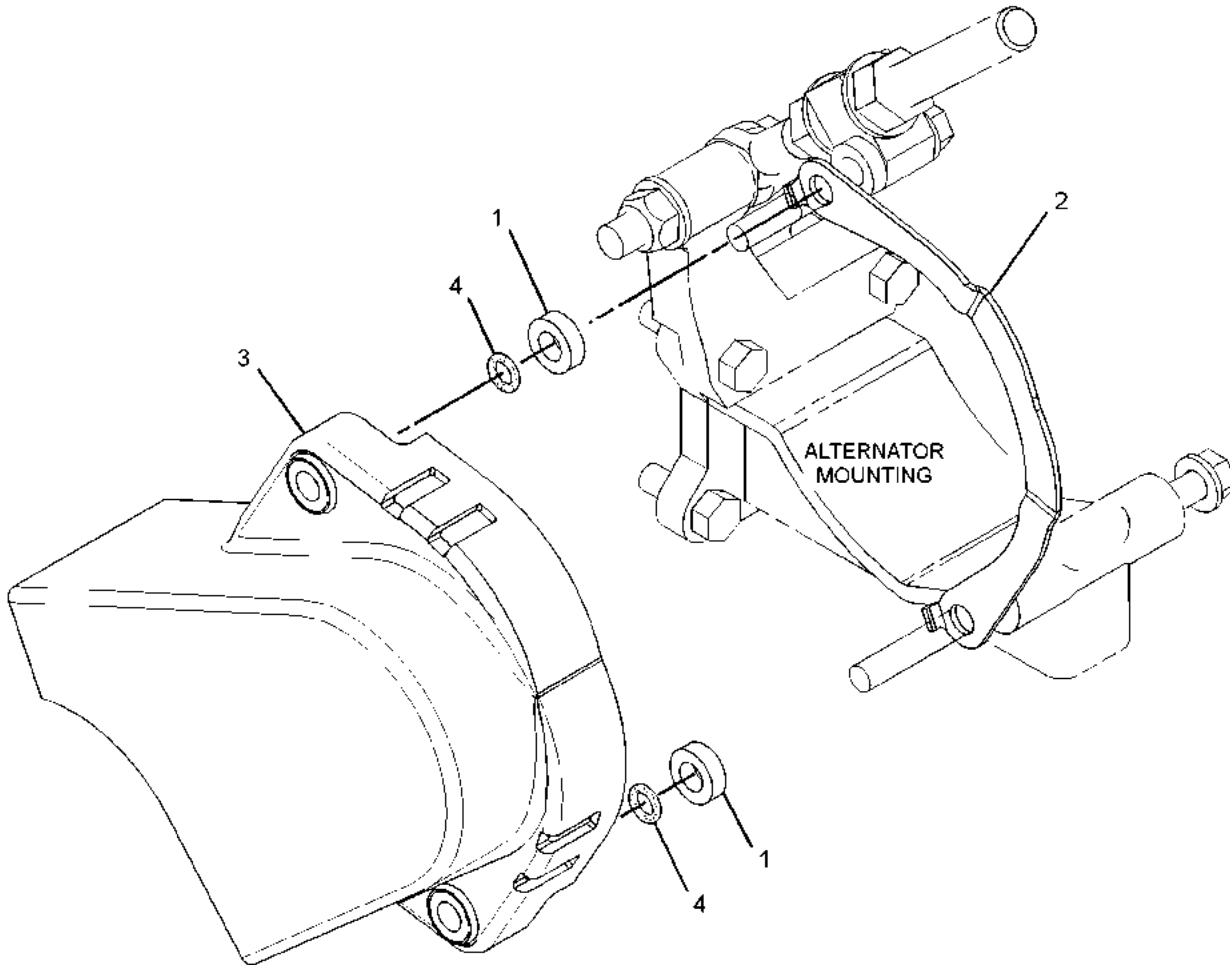
BASIC ENGINE

271-9270 GUARD GP-BELT-ALTERNATOR S/N: 65Z887-1593 AN ATTACHMENT

SMCS-7174

i03888721

NOTE	REF NO	GRAPHIC REF	PART NUMBER	QTY	PART NAME						SEE PAGE
					1	2	3	4	5	6 (PRODUCT LEVEL)	
	1	1	7N-2597	2	SPACER (13.5X25.4X8.08-MM THK)						
	2	1	268-5727	1	PLATE AS						
	3	1	288-6174	1	GUARD AS-ALTERNATOR						
	4	1	119-9443	2	SEAL-O-RING						



GRAPHIC #1

<END>

g02138855

BASIC ENGINE

271-9270 GUARD GP-BELT-ALTERNATOR

S/N: 65Z1594-UP

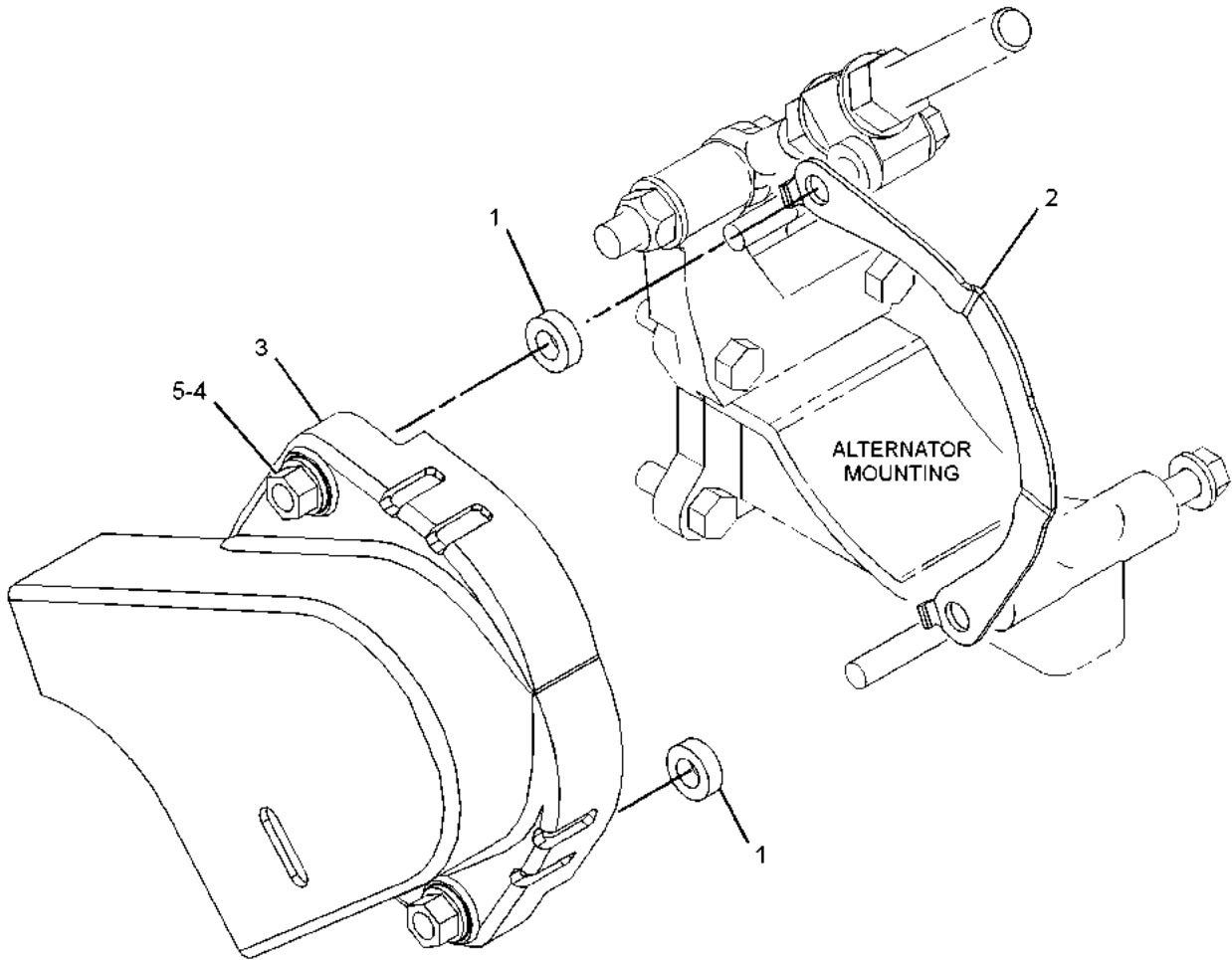
AN ATTACHMENT

SMCS-7174

i07072403

NOTE	REF NO	GRAPHIC REF	PART NUMBER	QTY	PART NAME						SEE PAGE
					1	2	3	4	5	6 (PRODUCT LEVEL)	
	1	1	7N-2597	2	SPACER (13.5X25.4X8.08-MM THK)						
	2	1	268-5727	1	PLATE AS						
C	3	1	501-6696	1	GUARD AS-ALTERNATOR						
C	4	1	5P-8245	2	WASHER-HARD (13.5X25.5X3-MM THK)						
C	5	1	1F-7958	2	NUT-FULL (1/2-13-THD)						

C - CHANGE FROM PREVIOUS TYPE



GRAPHIC #1

<END>

g03561844

BASIC ENGINE

275-5115 GUARD GP-BELT-FAN

S/N: 65Z887-1512

AN ATTACHMENT

SMCS-7174

i02405579

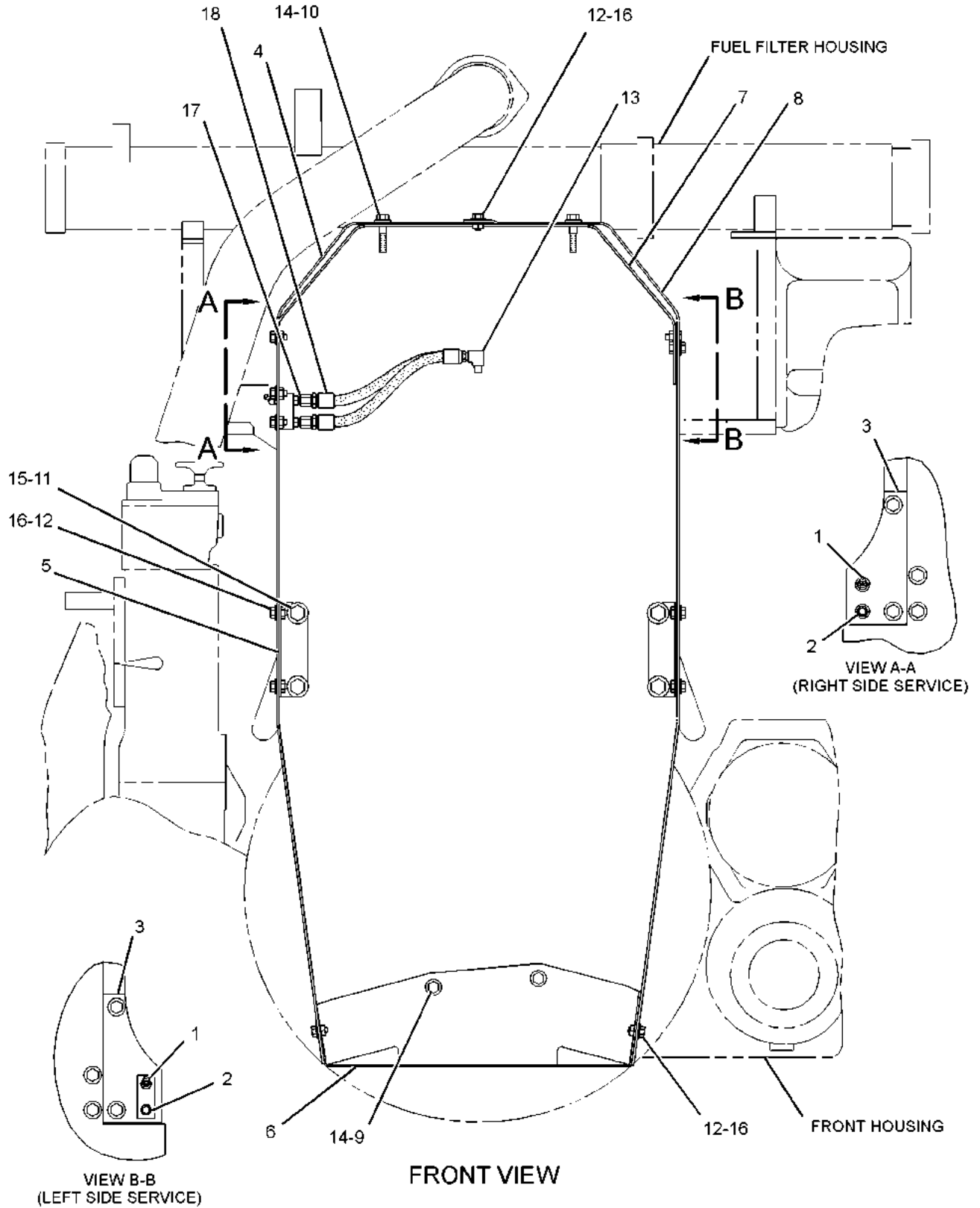
NOTE	REF NO	GRAPHIC REF	PART NUMBER	QTY	PART NAME						SEE PAGE
					1	2	3	4	5	6 (PRODUCT LEVEL)	
	1	1	3B-8686	1	FITTING-GREASE (1/8-27 PTF)						
	2	1	4B-4550	1	FITTING-PRESSURE RELIEF (1/8-27 PTF)						
	3	1	7C-0551	1	PLATE AS						
	4	1	7C-1465	1	GUARD AS						
			4K-9097	1	NUT-WELD (5/16-18-THD)						
	5	1	7W-7216	2	BRACKET AS						
					(EACH INCLUDES)						
		1	4K-9097	2	NUT-WELD (5/16-18-THD)						
	6	1	7W-7218	1	BRACKET AS						
		1	4K-9097	4	NUT-WELD (5/16-18-THD)						
	7	1	277-8005	1	GUARD AS						
	8	1	277-8006	1	GUARD						
	9	1	0S-0509	2	BOLT (3/8-16X0.75-IN)						
	10	1	0S-1571	2	BOLT (3/8-16X1.75-IN)						
	11	1	0S-1621	4	BOLT (1/2-13X1-IN)						
	12	1	2H-3755	15	BOLT (5/16-18X0.43-IN)						
	13	1	3B-8822	2	ELBOW						
	14	1	5P-1075	4	WASHER-HARD (10.2X22.5X3-MM THK)						
	15	1	5P-1076	4	WASHER-HARD (13.5X30X4-MM THK)						
	16	1	5P-4116	15	WASHER-HARD (8.8X20.5X2-MM THK)						
	17	1	8L-6557	2	CONNECTOR						
I	18	1	3N-4622	2	HOSE AS						

I - REFER TO HYDRAULIC INFORMATION SYSTEM

BASIC ENGINE

275-5115 GUARD GP-BELT (contd.)

102405579



GRAPHIC #1

<END>

g01241388

BASIC ENGINE

275-5115 GUARD GP-BELT-FAN

S/N: 65Z1513-UP

AN ATTACHMENT

SMCS-7174

i07153136

NOTE	REF NO	GRAPHIC REF	PART NUMBER	QTY	PART NAME						SEE PAGE
					1	2	3	4	5	6 (PRODUCT LEVEL)	
	1	1	3B-8686	1	FITTING-GREASE (1/8-27 PTF)						
	2	1	4B-4550	1	FITTING-PRESSURE RELIEF (1/8-27 PTF)						
	3	1	7C-0551	1	PLATE AS						
C	4	1	353-8675	1	GUARD AS (RH)						
		1	4K-9097	1	NUT-WELD (5/16-18-THD)						
	5	1	7W-7216	2	BRACKET AS						
					(EACH INCLUDES)						
		1	4K-9097	2	NUT-WELD (5/16-18-THD)						
	6	1	7W-7218	1	BRACKET AS						
		1	4K-9097	4	NUT-WELD (5/16-18-THD)						
C	7	1	354-2989	1	GUARD AS						
		1	4K-9097	8	NUT-WELD (5/16-18-THD)						
C	8	1	351-4503	1	GUARD AS (LH)						
	9	1	030-8535	2	BOLT-LOCKING (3/8-16X0.875-IN)						
C	10	1	0S-1591	2	BOLT (3/8-16X1.5-IN)						
	11	1	0S-1621	4	BOLT (1/2-13X1-IN)						
C	12	1	2H-3755	2	BOLT (5/16-18X0.43-IN)						
	13	1	3B-8822	2	ELBOW						
C	14	1	9X-6458	4	WASHER-HARD (10.2X22.5X3-MM THK)						
C	15	1	7D-1649	4	WASHER-HARD (13.5X32X5-MM THK)						
C	16	1	3E-4352	16	WASHER-HARD (8.8X20.5X2.5-MM THK)						
	17	1	8L-6557	2	CONNECTOR						
I	18	1	3N-4622	2	HOSE AS						
C	19	1	1D-4538	14	BOLT (5/16-18X2.25-IN)						
C	20	1	147-3745	14	WASHER-RETAINING						

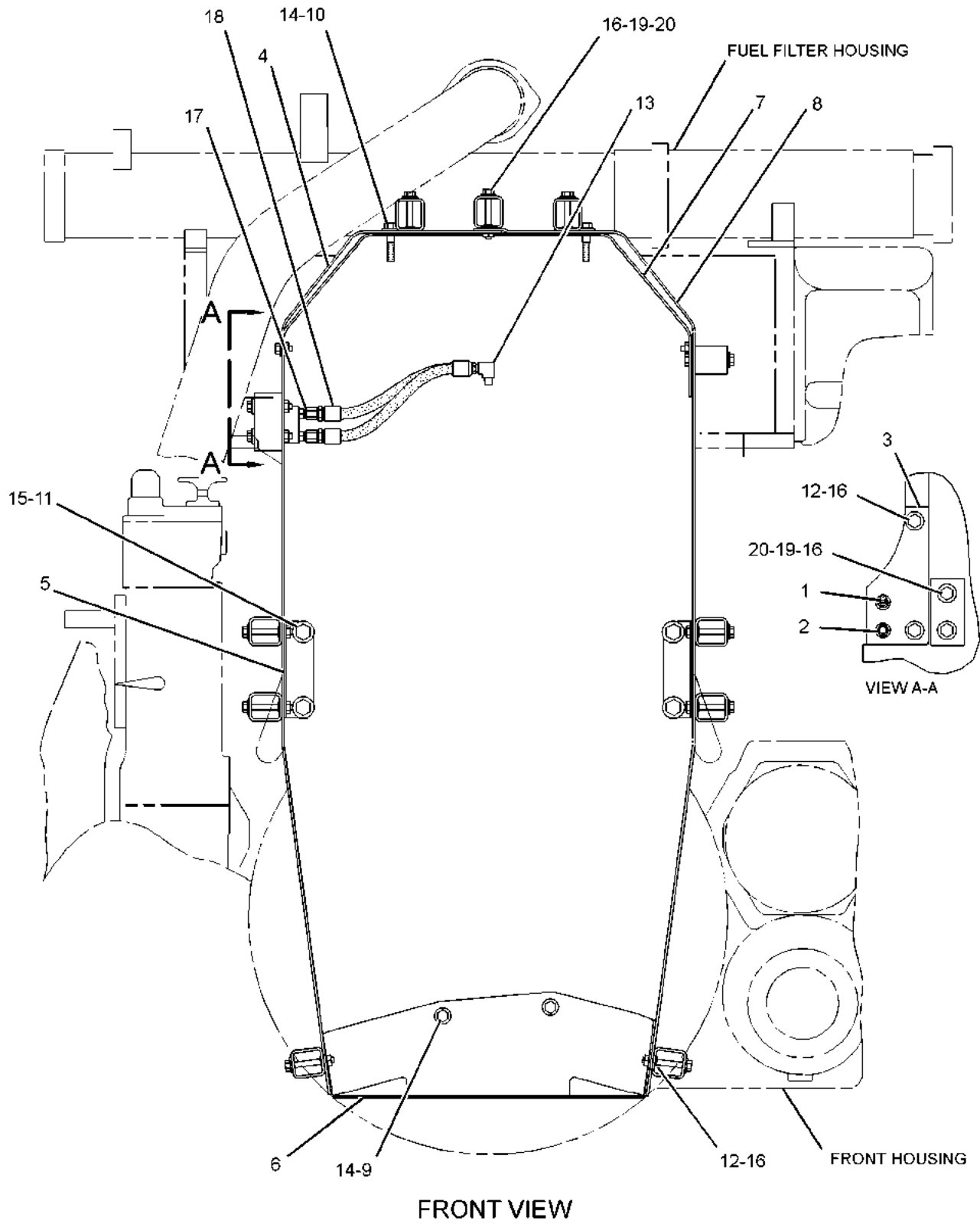
C - CHANGE FROM PREVIOUS TYPE

I - REFER TO HYDRAULIC INFORMATION SYSTEM

BASIC ENGINE

275-5115 GUARD GP-BELT (contd.)

107153136



GRAPHIC #1

<END>

g02286855

BASIC ENGINE

486-8507 GUARD GP-BELT-FAN DRIVE AN ATTACHMENT

SMCS-7174

i07573341

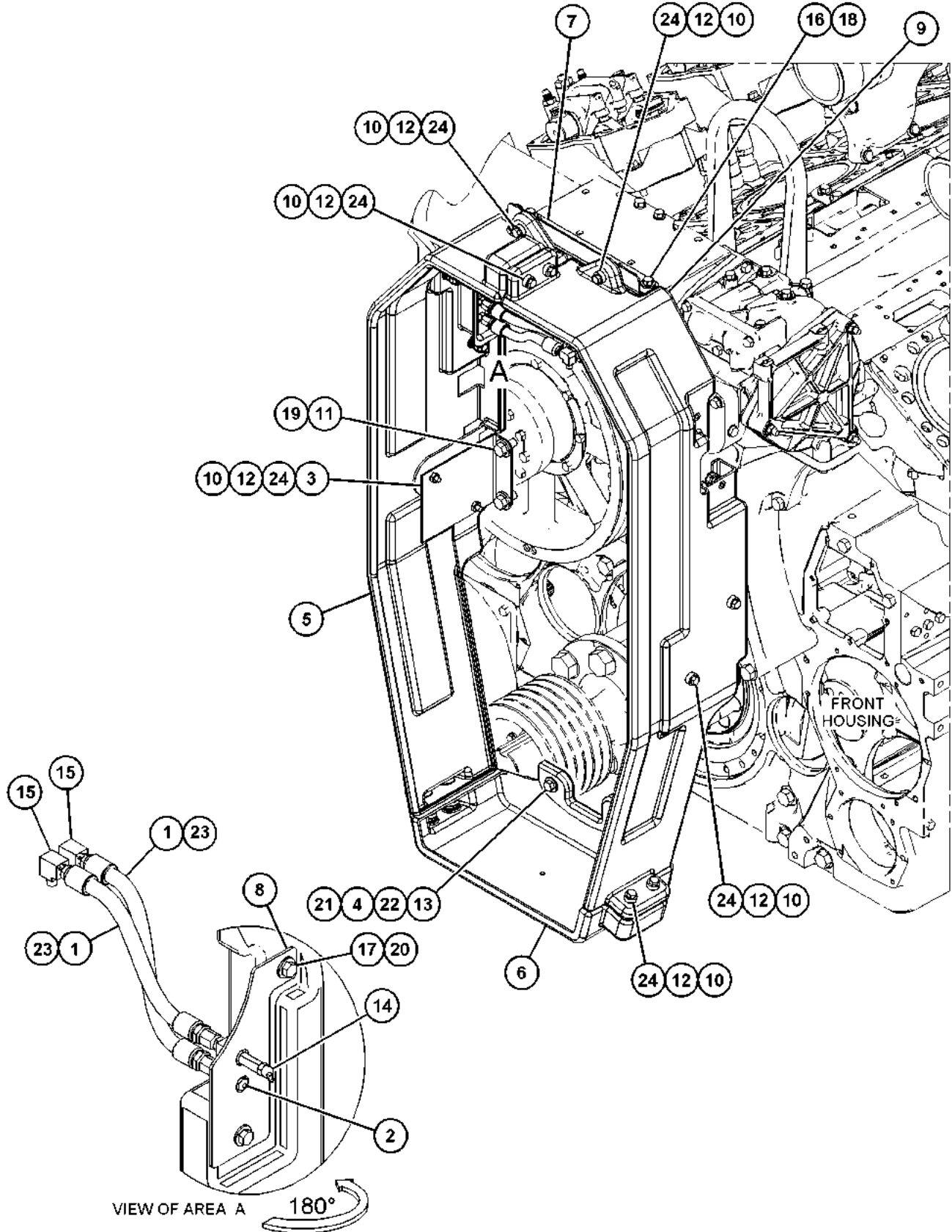
NOTE	REF NO	GRAPHIC REF	PART NUMBER	QTY	PART NAME						SEE PAGE
					1	2	3	4	5	6	
I	1	1	3N-4622	2	HOSE AS						
	2	1	6U-1989	1	VALVE-RELIEF (BREAKER)						
	3	1	7W-7216	2	BRACKET AS						
					(EACH INCLUDES)						
		1	4K-9097	2	NUT-WELD (5/16-18-THD)						
	4	1	8Y-7386	2	SPACER (12.5X17.1X16.5-MM THK)						
	5	1	486-8505	1	GUARD AS-BELT						
	6	1	486-8506	1	GUARD AS-BELT						
	7	1	486-8525	1	BRACKET AS						
	8	1	491-0358	1	PLATE AS						
	9	1	494-2371	1	GUARD AS-BELT						
	10	1	505-0522	12	INSERT						
	11	1	5P-2228	4	BOLT (1/2-13X1-IN)						
	12	1	198-4776	12	WASHER-HARD (8.8X20X8-MM THK)						
	13	1	5S-7382	2	BOLT (3/8-16X1.375-IN)						
	14	1	4B-5006	1	FITTING-GREASE						
	15	1	3B-8822	2	ELBOW						
	16	1	4L-9337	2	BOLT (3/8-16X1.5-IN)						
	17	1	4M-0061	2	BOLT (5/16-18X0.75-IN)						
	18	1	5P-1075	2	WASHER-HARD (10.2X22.5X3-MM THK)						
	19	1	5P-1076	4	WASHER-HARD (13.5X30X4-MM THK)						
	20	1	5P-4116	2	WASHER-HARD (8.8X20.5X2-MM THK)						
	21	1	6P-6256	2	RETAINER-SPRING						
	22	1	7X-0772	4	WASHER-HARD (10.2X25.5X2.5-MM THK)						
	23	1	8L-6557	2	CONNECTOR						
	24	1	8T-8911	12	BOLT (5/16-18X2-IN)						

I - REFER TO HYDRAULIC INFORMATION SYSTEM

BASIC ENGINE

486-8507 GUARD GP-BELT (contd.)

i07573341



GRAPHIC #1

<END>

g06287837

BASIC ENGINE

493-5296 GUARD GP-BELT-SERVICE, LH AN ATTACHMENT

SMCS-7174

i07329508

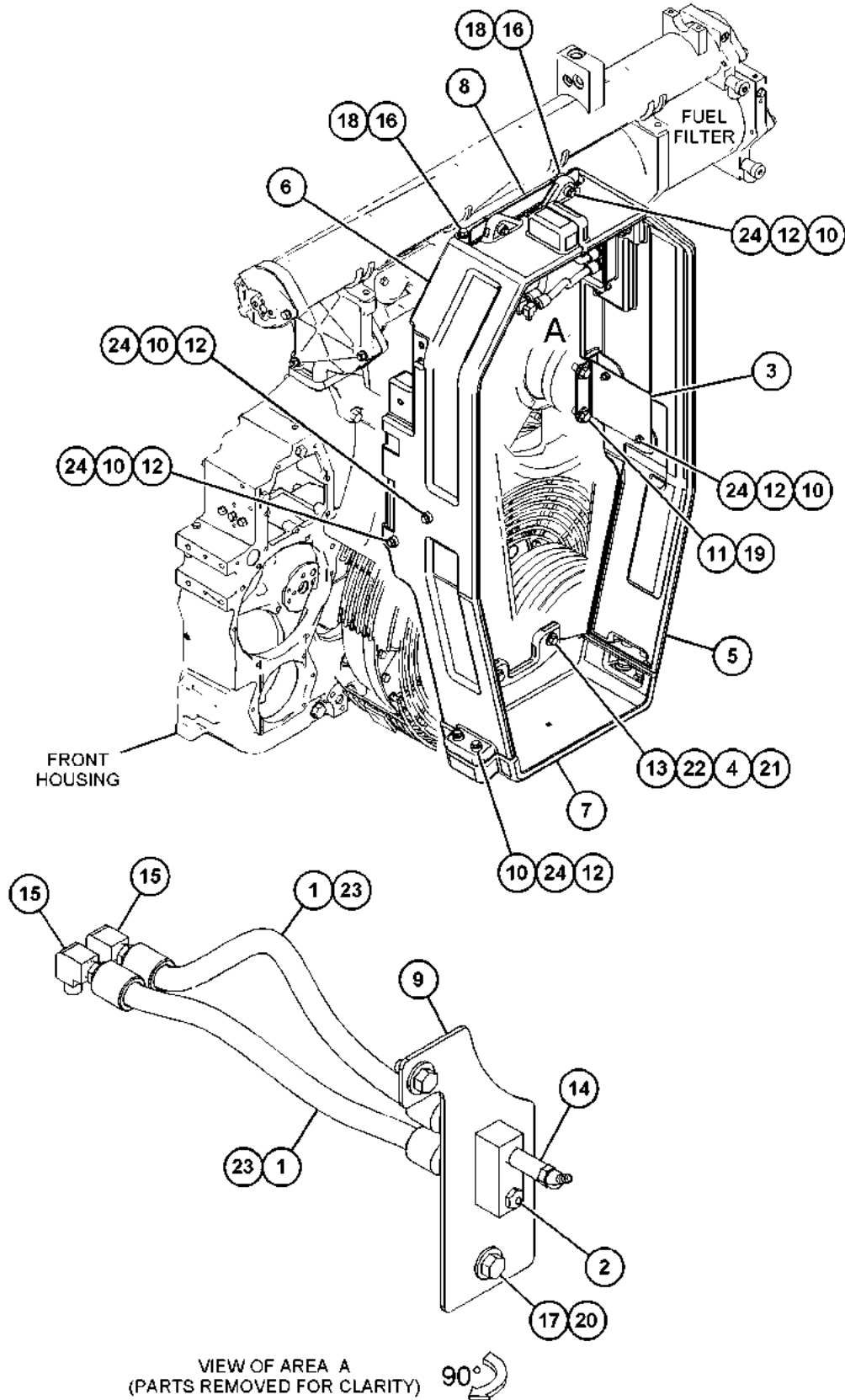
NOTE	REF NO	GRAPHIC REF	PART NUMBER	QTY	PART NAME						SEE PAGE
					1	2	3	4	5	6 (PRODUCT LEVEL)	
I	1	1	3N-4622	2	HOSE AS						
	2	1	6U-1989	1	VALVE-RELIEF						
	3	1	7W-7216	2	BRACKET AS						
	4	1	8Y-7386	2	SPACER (12.5X17.1X16.5-MM THK)						
	5	1	486-8504	1	GUARD AS-BELT						
	6	1	486-8505	1	GUARD AS-BELT						
	7	1	486-8506	1	GUARD AS-BELT						
	8	1	486-8525	1	BRACKET AS						
	9	1	491-0358	1	PLATE AS						
	10	1	505-0522	12	INSERT						
	11	1	5P-2228	4	BOLT (1/2-13X1-IN)						
	12	1	198-4776	12	WASHER-HARD (8.8X20X8-MM THK)						
	13	1	5S-7382	2	BOLT (3/8-16X1.375-IN)						
	14	1	4B-5006	1	FITTING-GREASE						
	15	1	3B-8822	2	ELBOW						
	16	1	4L-9337	2	BOLT (3/8-16X1.5-IN)						
	17	1	4M-0061	2	BOLT (5/16-18X0.75-IN)						
	18	1	5P-1075	2	WASHER-HARD (10.2X22.5X3-MM THK)						
	19	1	5P-1076	4	WASHER-HARD (13.5X30X4-MM THK)						
	20	1	5P-4116	2	WASHER-HARD (8.8X20.5X2-MM THK)						
	21	1	6P-6256	2	RETAINER-SPRING						
	22	1	7X-0772	4	WASHER-HARD (10.2X25.5X2.5-MM THK)						
	23	1	8L-6557	2	CONNECTOR						
	24	1	8T-8911	12	BOLT (5/16-18X2-IN)						

I - REFER TO HYDRAULIC INFORMATION SYSTEM

BASIC ENGINE

493-5296 GUARD GP-BELT (contd.)

107329508



GRAPHIC #1

<END>

g06287877

BASIC ENGINE

493-5297 GUARD GP-BELT-FAN DRIVE AN ATTACHMENT

SMCS-7174

i07385350

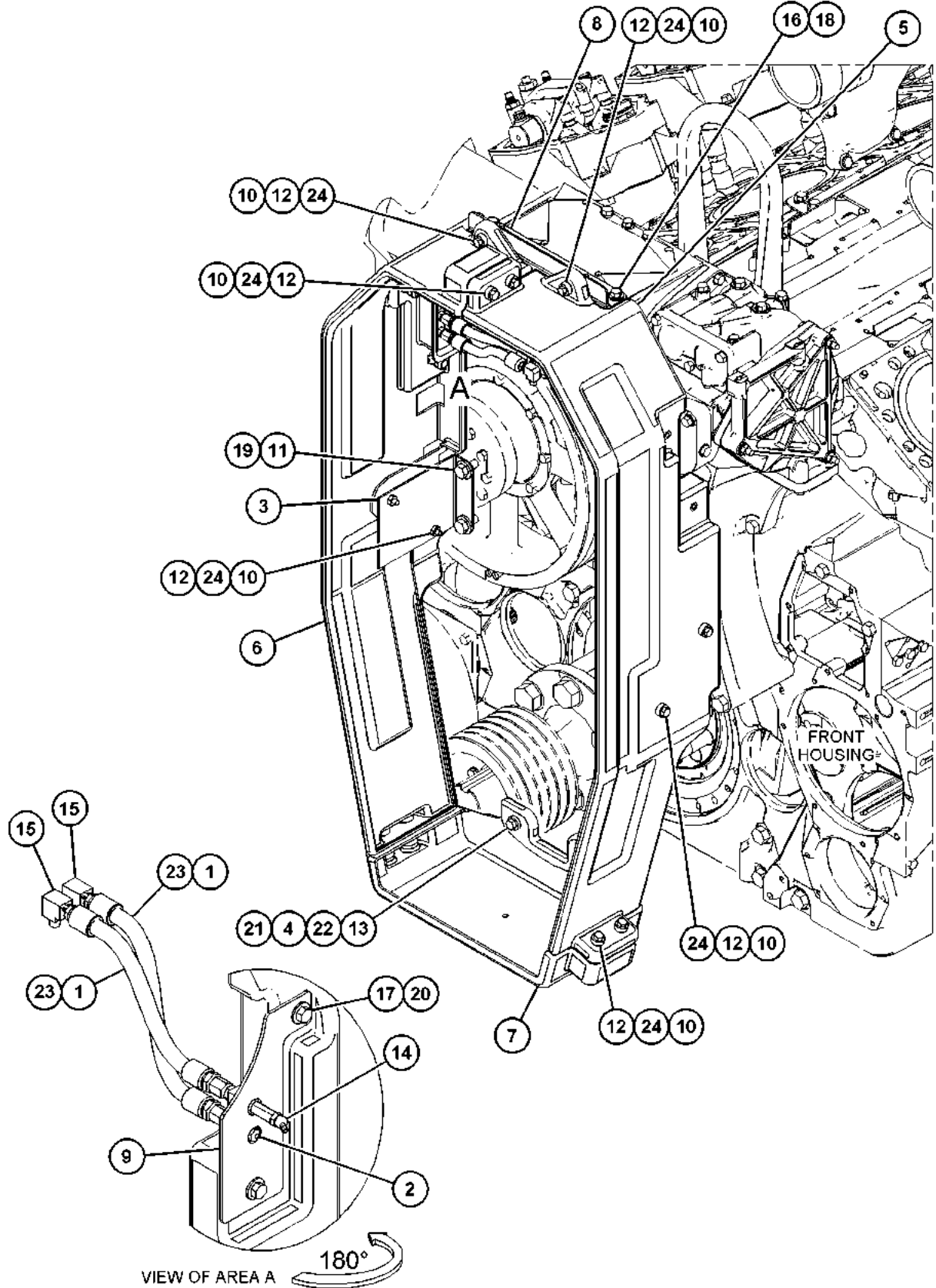
NOTE	REF NO	GRAPHIC REF	PART NUMBER	QTY	PART NAME						SEE PAGE
					1	2	3	4	5	6 (PRODUCT LEVEL)	
I	1	1	3N-4622	2	HOSE AS						
	2	1	6U-1989	1	VALVE-RELIEF						
	3	1	7W-7216	2	BRACKET AS						
					(EACH INCLUDES)						
		1	4K-9097	2	NUT-WELD (5/16-18-THD)						
	4	1	8Y-7386	2	SPACER (12.5X17.1X16.5-MM THK)						
	5	1	486-8504	1	GUARD AS-BELT						
	6	1	486-8505	1	GUARD AS-BELT						
	7	1	486-8506	1	GUARD AS-BELT						
	8	1	486-8525	1	BRACKET AS						
	9	1	491-0358	1	PLATE AS						
	10	1	505-0522	12	INSERT						
	11	1	5P-2228	4	BOLT (1/2-13X1-IN)						
	12	1	198-4776	12	WASHER-HARD (8.8X20X8-MM THK)						
	13	1	5S-7382	2	BOLT (3/8-16X1.375-IN)						
	14	1	4B-5006	1	FITTING-GREASE						
	15	1	3B-8822	2	ELBOW						
	16	1	4L-9337	2	BOLT (3/8-16X1.5-IN)						
	17	1	4M-0061	2	BOLT (5/16-18X0.75-IN)						
	18	1	5P-1075	2	WASHER-HARD (10.2X22.5X3-MM THK)						
	19	1	5P-1076	4	WASHER-HARD (13.5X30X4-MM THK)						
	20	1	5P-4116	2	WASHER-HARD (8.8X20.5X2-MM THK)						
	21	1	6P-6256	2	RETAINER-SPRING						
	22	1	7X-0772	4	WASHER-HARD (10.2X25.5X2.5-MM THK)						
	23	1	8L-6557	2	CONNECTOR						
	24	1	8T-8911	12	BOLT (5/16-18X2-IN)						

I - REFER TO HYDRAULIC INFORMATION SYSTEM

BASIC ENGINE

493-5297 GUARD GP-BELT (contd.)

i07385350



GRAPHIC #1

<END>

g06304430

BASIC ENGINE

7W-5780 GUARD GP-BELT-ALTERNATOR

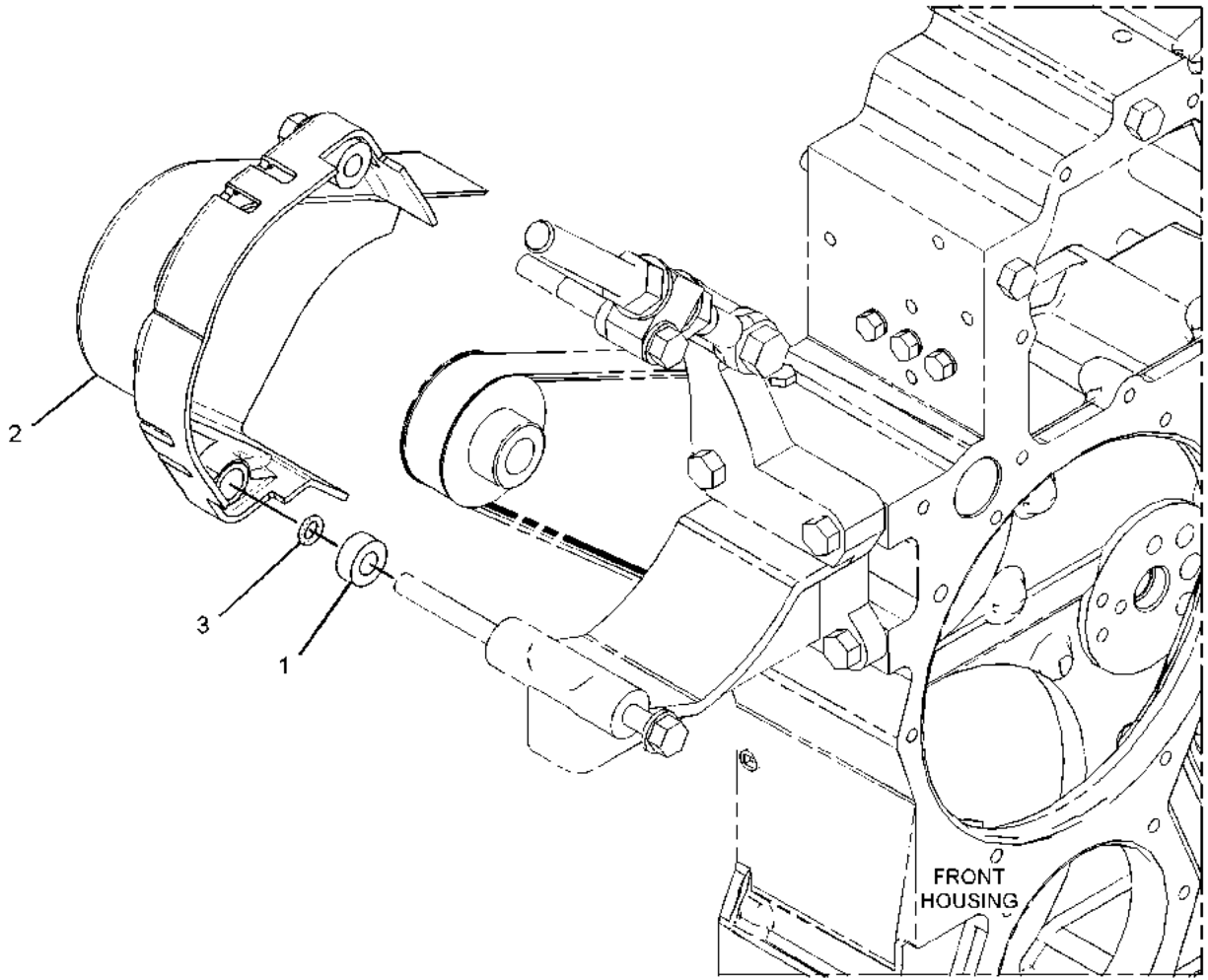
S/N: 65Z887-1593

AN ATTACHMENT

SMCS-7174

i03902260

NOTE	REF NO	GRAPHIC REF	PART NUMBER	QTY	PART NAME						SEE PAGE
					1	2	3	4	5	6 (PRODUCT LEVEL)	
	1	1	9V-4924	2	SPACER (13.8X28X11.5-MM THK)						
	2	1	288-6174	1	GUARD AS-ALTERNATOR						
	3	1	119-9443	2	SEAL-O-RING						



GRAPHIC #1

<END>

g02146113

BASIC ENGINE

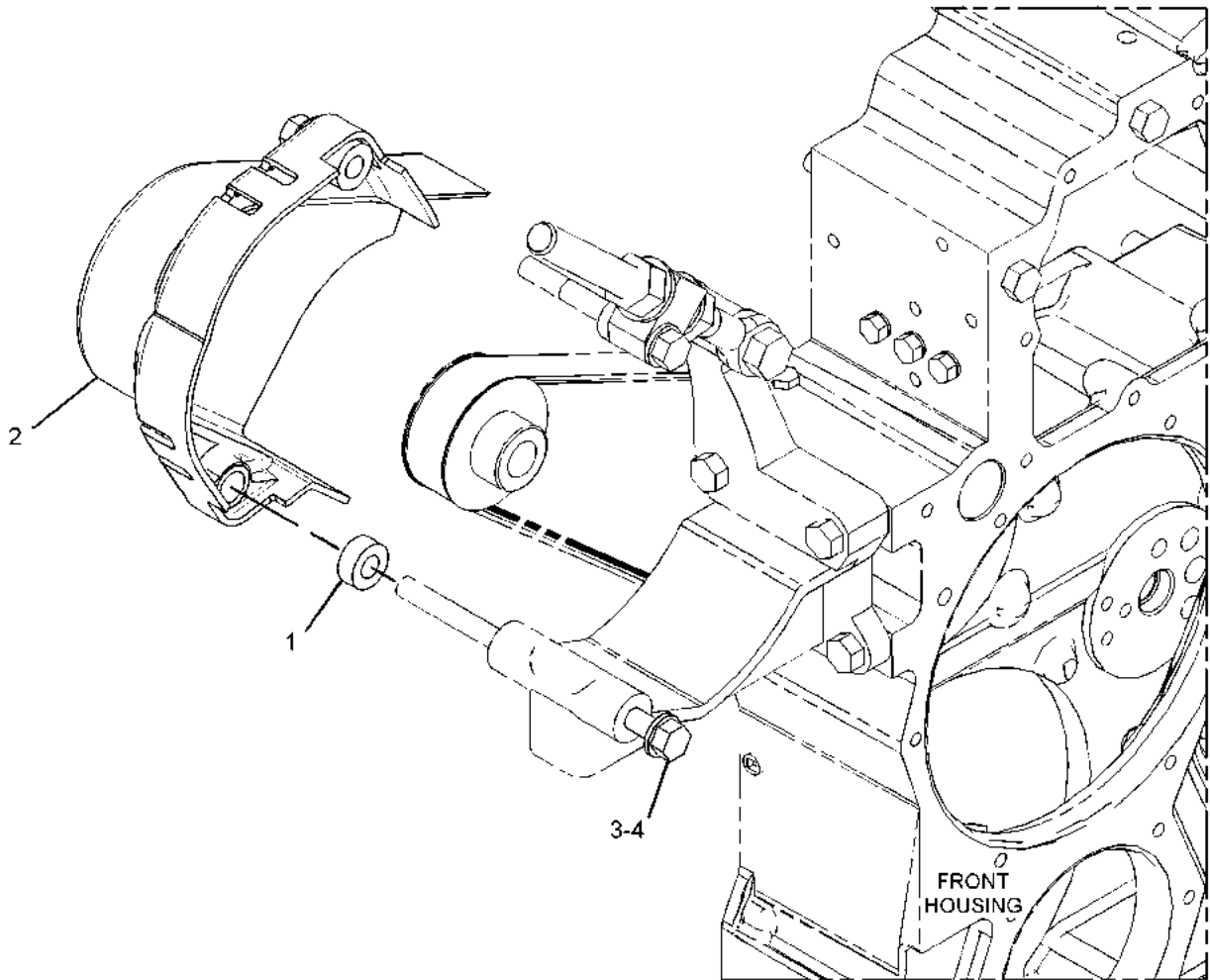
7W-5780 GUARD GP-BELT-ALTERNATOR AN ATTACHMENT

SMCS-7174

i07171623

NOTE	REF NO	GRAPHIC REF	PART NUMBER	QTY	PART NAME						SEE PAGE
					1	2	3	4	5	6 (PRODUCT LEVEL)	
	1	1	9V-4924	2	SPACER (13.8X28X11.5-MM THK)						
C	2	1	501-6696	1	GUARD AS-ALTERNATOR						
C	3	1	5P-8245	2	WASHER-HARD (13.5X25.5X3-MM THK)						
C	4	1	1F-7958	2	NUT-FULL (1/2-13-THD)						

C - CHANGE FROM PREVIOUS TYPE



GRAPHIC #1

<END>

g03349395

BASIC ENGINE

7W-7214 GUARD GP-BELT-FAN

S/N: 65Z887-1512

AN ATTACHMENT

SMCS-7174

i02139070

NOTE	REF NO	GRAPHIC REF	PART NUMBER	QTY	PART NAME						SEE PAGE
					1	2	3	4	5	6 (PRODUCT LEVEL)	
	1	1	3B-8686	1	FITTING-GREASE (1/8-27 PTF)						
	2	1	4B-4550	1	FITTING-PRESSURE RELIEF (1/8-27 PTF)						
C	3	1	7C-0551	1	PLATE AS						
C	4	1	7C-1461	1	GUARD AS						
		1	4K-9097	8	NUT-WELD (5/16-18-THD)						
C	5	1	7C-1464	1	GUARD (LH)						
C	6	1	7C-1465	1	GUARD AS (RH)						
		1	4K-9097	1	NUT-WELD (5/16-18-THD)						
	7	1	7W-7216	2	BRACKET AS						
					(EACH INCLUDES)						
		1	4K-9097	2	NUT-WELD (5/16-18-THD)						
	8	1	7W-7218	1	BRACKET AS						
		1	4K-9097	4	NUT-WELD (5/16-18-THD)						
	9	1	0S-0509	2	BOLT (3/8-16X0.75-IN)						
	10	1	0S-1621	4	BOLT (1/2-13X1-IN)						
C	11	1	2A-4639	2	BOLT (3/8-16X1.625-IN)						
C	12	1	2H-3755	15	BOLT (5/16-18X0.43-IN)						
	13	1	3B-8822	2	ELBOW						
C	14	1	5P-1075	4	WASHER-HARD (10.2X22.5X3-MM THK)						
	15	1	5P-1076	4	WASHER-HARD (13.5X30X4-MM THK)						
C	16	1	5P-4116	15	WASHER-HARD (8.8X20.5X2-MM THK)						
C	17	1	8L-6557	2	CONNECTOR						
CI	18	1	3N-4622	2	HOSE AS						

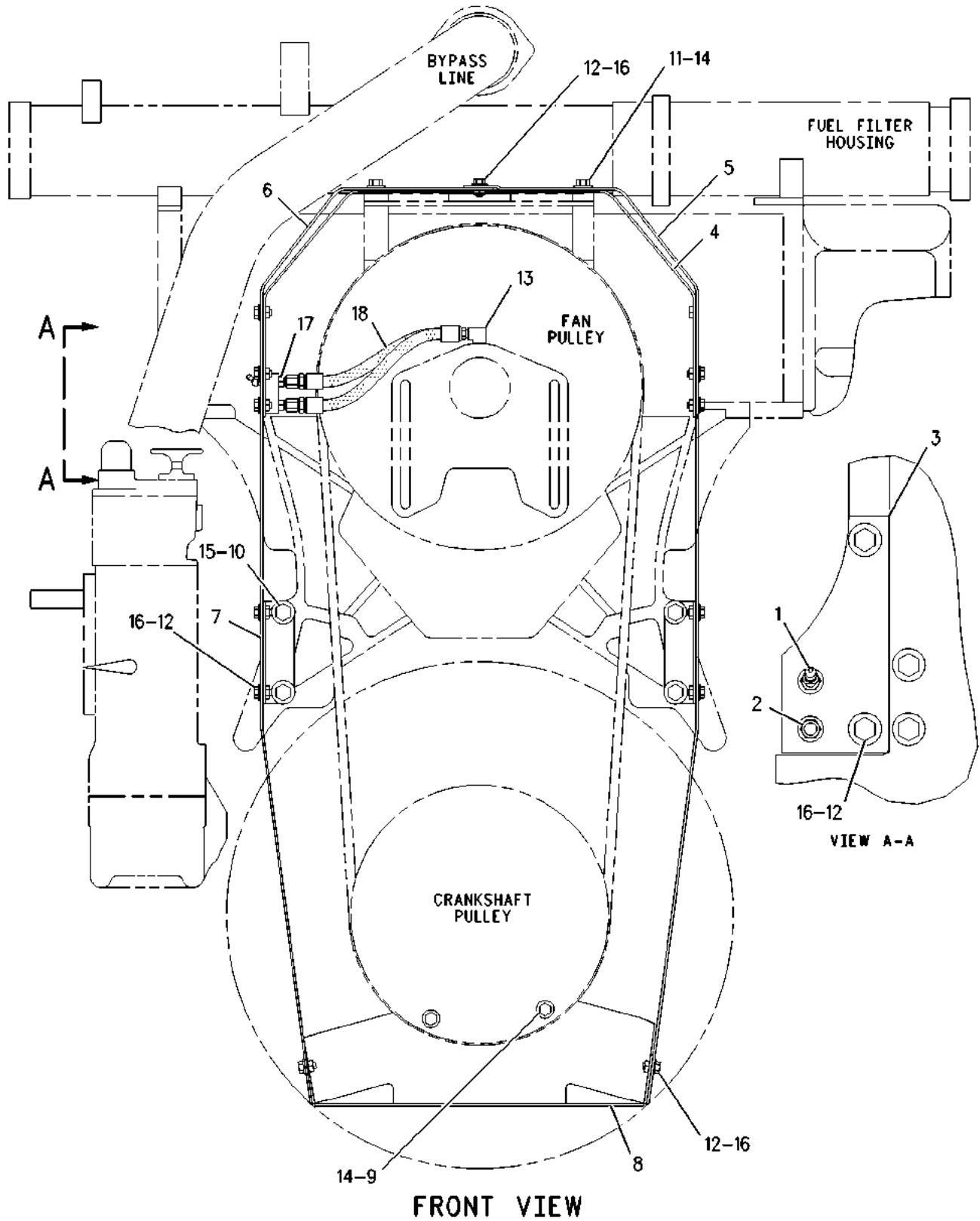
C - CHANGE FROM PREVIOUS TYPE

I - REFER TO HYDRAULIC INFORMATION SYSTEM

BASIC ENGINE

7W-7214 GUARD GP-BELT (contd.)

102139070



GRAPHIC #1

<END>

g00894236

BASIC ENGINE

7W-7214 GUARD GP-BELT-FAN

S/N: 65Z1513-UP

AN ATTACHMENT

SMCS-7174

i05354778

NOTE	REF NO	GRAPHIC REF	PART NUMBER	QTY	PART NAME						SEE PAGE
					1	2	3	4	5	6 (PRODUCT LEVEL)	
	1	1	3B-8686	1	FITTING-GREASE (1/8-27 PTF)						
	2	1	6U-1989	1	VALVE-RELIEF						
	3	1	7C-0551	1	PLATE AS						
C	4	1	353-8673	1	GUARD AS						
		1	4K-9097	8	NUT-WELD (5/16-18-THD)						
C	5	1	351-4395	1	GUARD AS (LH) (LH)						
C	6	1	353-8675	1	GUARD AS (RH)						
		1	4K-9097	1	NUT-WELD (5/16-18-THD)						
	7	1	7W-7216	2	BRACKET AS						
					(EACH INCLUDES)						
		1	4K-9097	2	NUT-WELD (5/16-18-THD)						
	8	1	7W-7218	1	BRACKET AS						
		1	4K-9097	4	NUT-WELD (5/16-18-THD)						
	9	1	030-8535	2	BOLT-LOCKING (3/8-16X0.875-IN)						
	10	1	0S-1621	4	BOLT (1/2-13X1-IN)						
C	11	1	0S-1591	2	BOLT (3/8-16X1.5-IN)						
C	12	1	2H-3755	2	BOLT (5/16-18X0.43-IN)						
	13	1	3B-8822	2	ELBOW						
C	14	1	9X-6458	4	WASHER-HARD (10.2X22.5X3-MM THK)						
C	15	1	7D-1649	4	WASHER-HARD (13.5X32X5-MM THK)						
C	16	1	3E-4352	17	WASHER-HARD (8.8X20.5X2.5-MM THK)						
	17	1	8L-6557	2	CONNECTOR						
I	18	1	3N-4622	2	HOSE AS						
C	19	1	1D-4538	15	BOLT (5/16-18X2.25-IN)						
C	20	1	147-3745	15	WASHER-RETAINING						

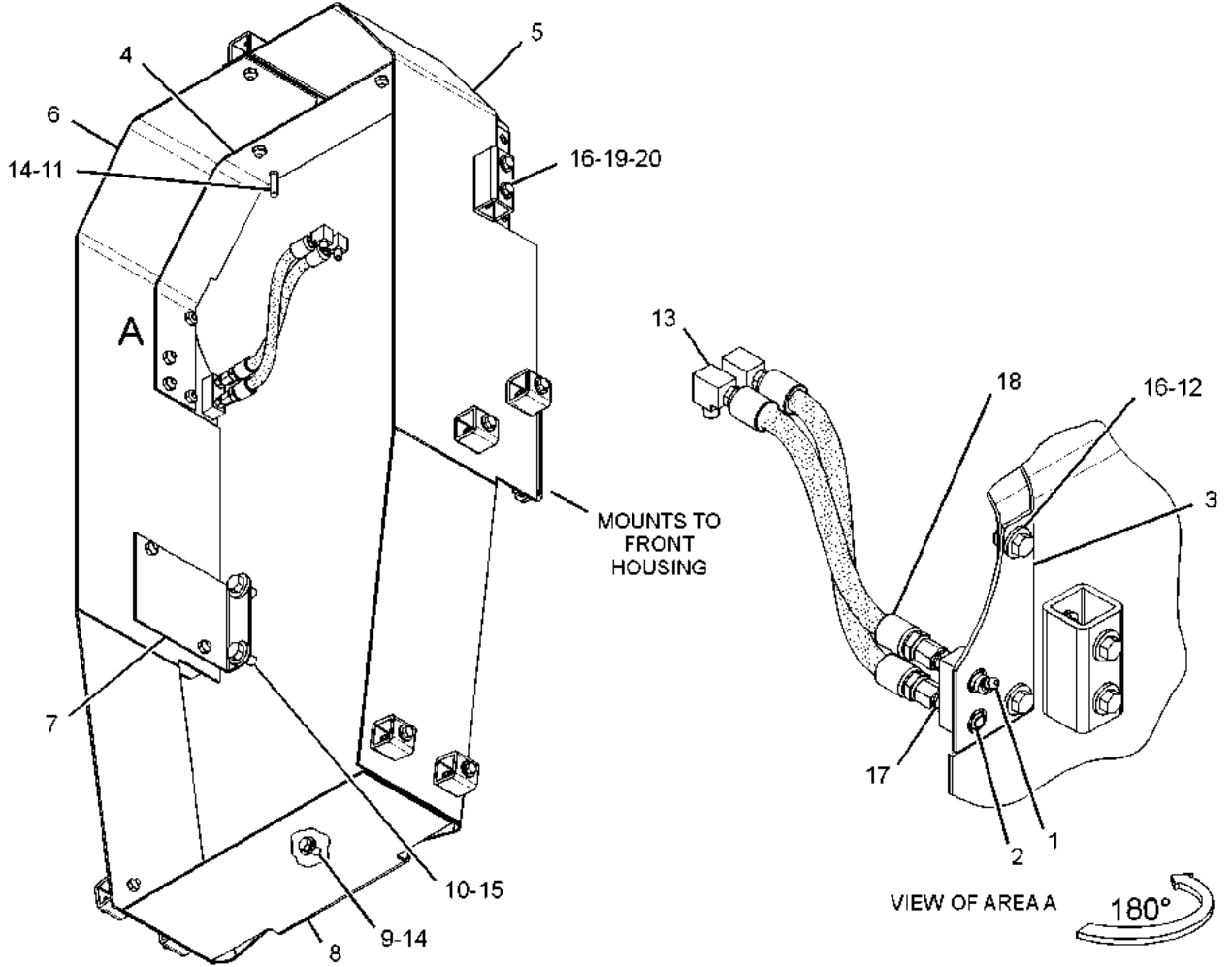
C - CHANGE FROM PREVIOUS TYPE

I - REFER TO HYDRAULIC INFORMATION SYSTEM

BASIC ENGINE

7W-7214 GUARD GP-BELT (contd.)

105354778



GRAPHIC #1

<END>

g02264313

BASIC ENGINE

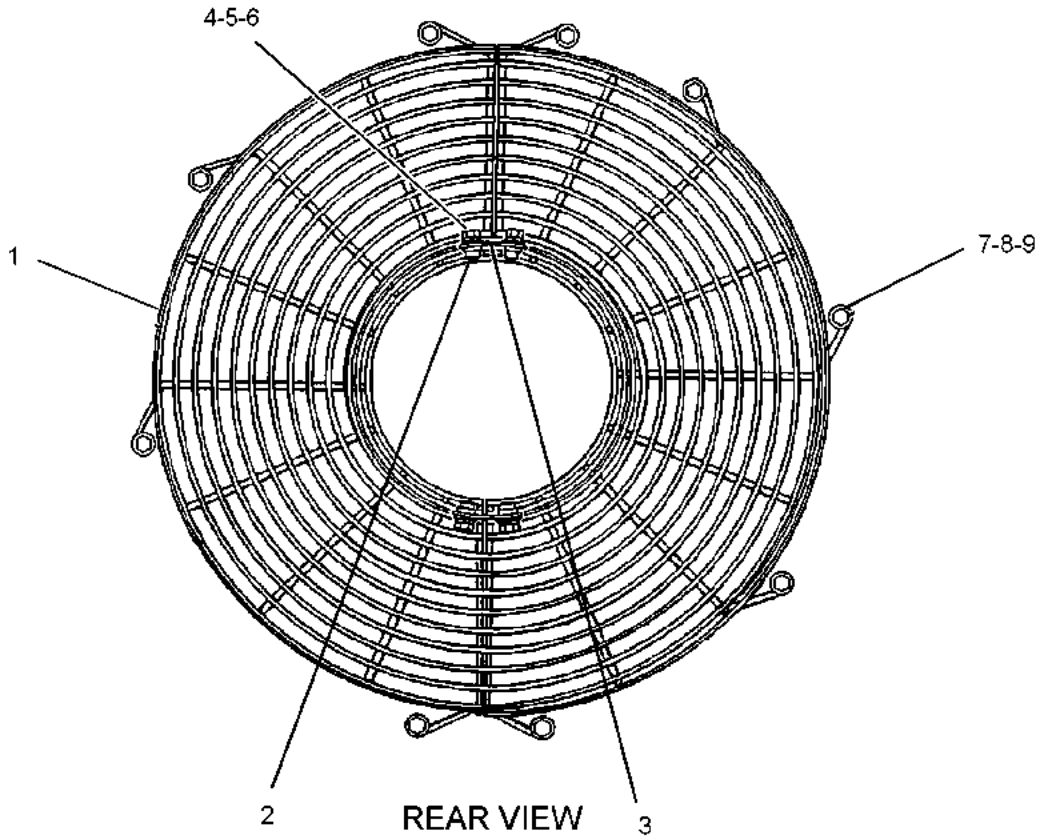
3N-5765 GUARD GP-COUPLING-FLYWHEEL PART OF 103-6226 COUPLING GP-FLEXIBLE AN ATTACHMENT

SMCS-3279

i02468312

NOTE	REF NO	GRAPHIC REF	PART NUMBER	QTY	PART NAME						SEE PAGE
					1	2	3	4	5	6 (PRODUCT LEVEL)	
C	1	1	5N-4817	1	GUARD AS-COUPLING						
	2	1	2N-3385	4	NUT-CLIP (3/8-16-THD)						
	3	1	1V-0623	2	PLATE						
C	4	1	3L-9689	4	WASHER (10.5X25.4X5-MM THK)						
	5	1	3B-4506	4	LOCKWASHER						
	6	1	0S-1594	4	BOLT (3/8-16X1-IN)						
	7	1	4B-4280	10	WASHER (13.5X27X2.5-MM THK)						
	8	1	3B-4508	10	LOCKWASHER						
C	9	1	0S-1621	10	BOLT (1/2-13X1-IN)						

C - CHANGE FROM PREVIOUS TYPE



GRAPHIC #1

<END>

g01230975

BASIC ENGINE

3N-5765 GUARD GP-COUPLING-FLYWHEEL

S/N: 65Z1513-UP

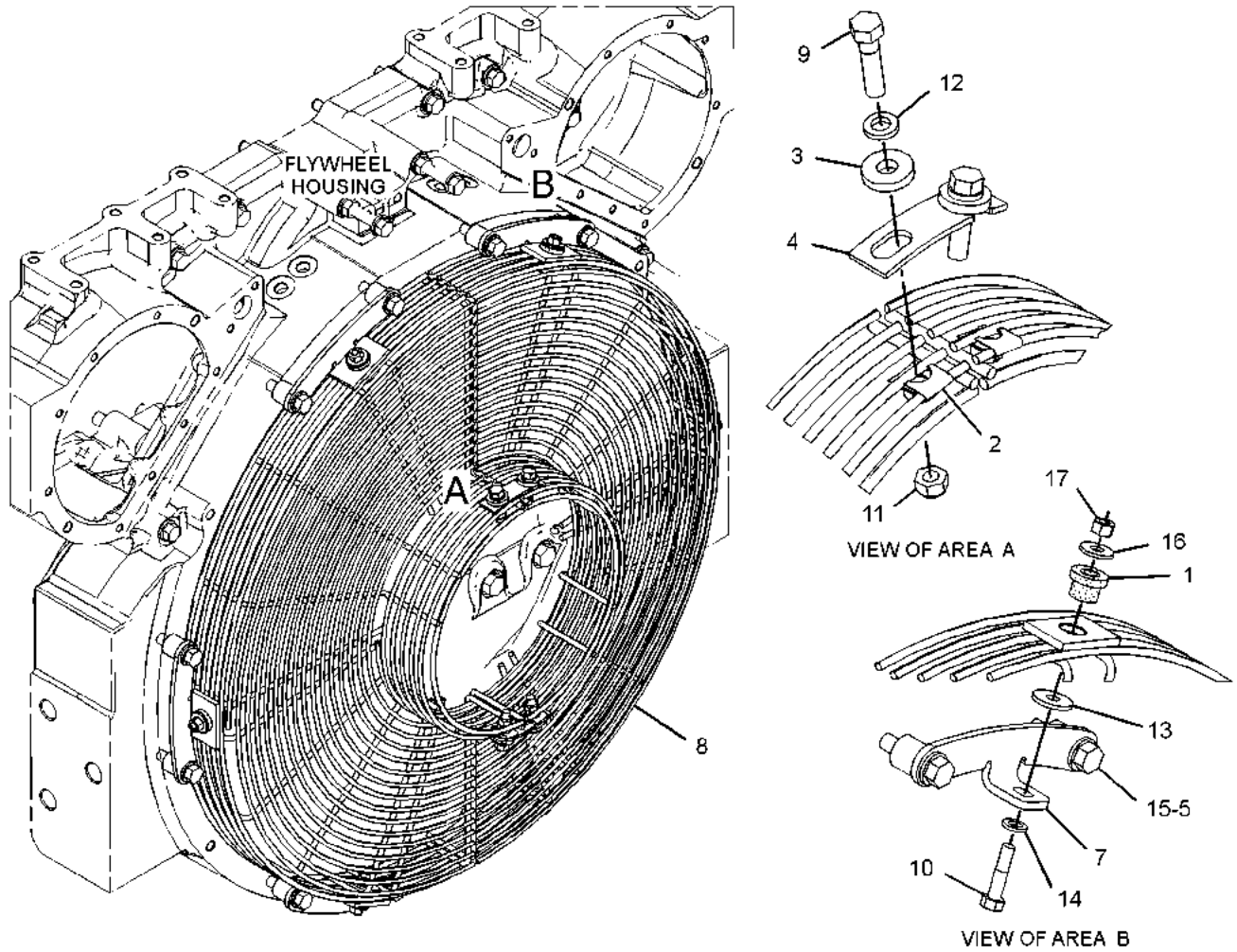
AN ATTACHMENT

SMCS-3279

i06983742

NOTE	REF NO	GRAPHIC REF	PART NUMBER	QTY	PART NAME						SEE PAGE
					1	2	3	4	5	6 (PRODUCT LEVEL)	
C	1	1	1P-7115	6	GROMMET AS						
	2	1	2N-3385	4	NUT-CLIP (3/8-16-THD)						
	3	1	3L-9689	4	WASHER (10.5X25.4X5-MM THK)						
C	4	1	350-8624	2	PLATE						
C	5	1	351-2245	12	BOLT-SPECIAL (1/2-13X2-IN)						
C	7	1	355-4899	6	BRACKET						
C	8	1	356-5022	1	GUARD AS-COUPLING						
C	9	1	0S-1591	4	BOLT (3/8-16X1.5-IN)						
C	10	1	2A-4639	6	BOLT (3/8-16X1.625-IN)						
C	11	1	2K-4973	4	LOCKNUT (3/8-16-THD)						
	12	1	3B-4506	4	LOCKWASHER						
C	13	1	3F-1417	6	WASHER (10.3X30.2X3-MM THK)						
C	14	1	5M-2894	6	WASHER-HARD (10.2X18.5X2.5-MM THK)						
C	15	1	5P-8245	12	WASHER-HARD (13.5X25.5X3-MM THK)						
C	16	1	9L-9132	6	WASHER (10.2X25.5X2.5-MM THK)						
C	17	1	9S-8752	6	NUT-FULL (3/8-16-THD)						

C - CHANGE FROM PREVIOUS TYPE



GRAPHIC #1

<END>

g03390756

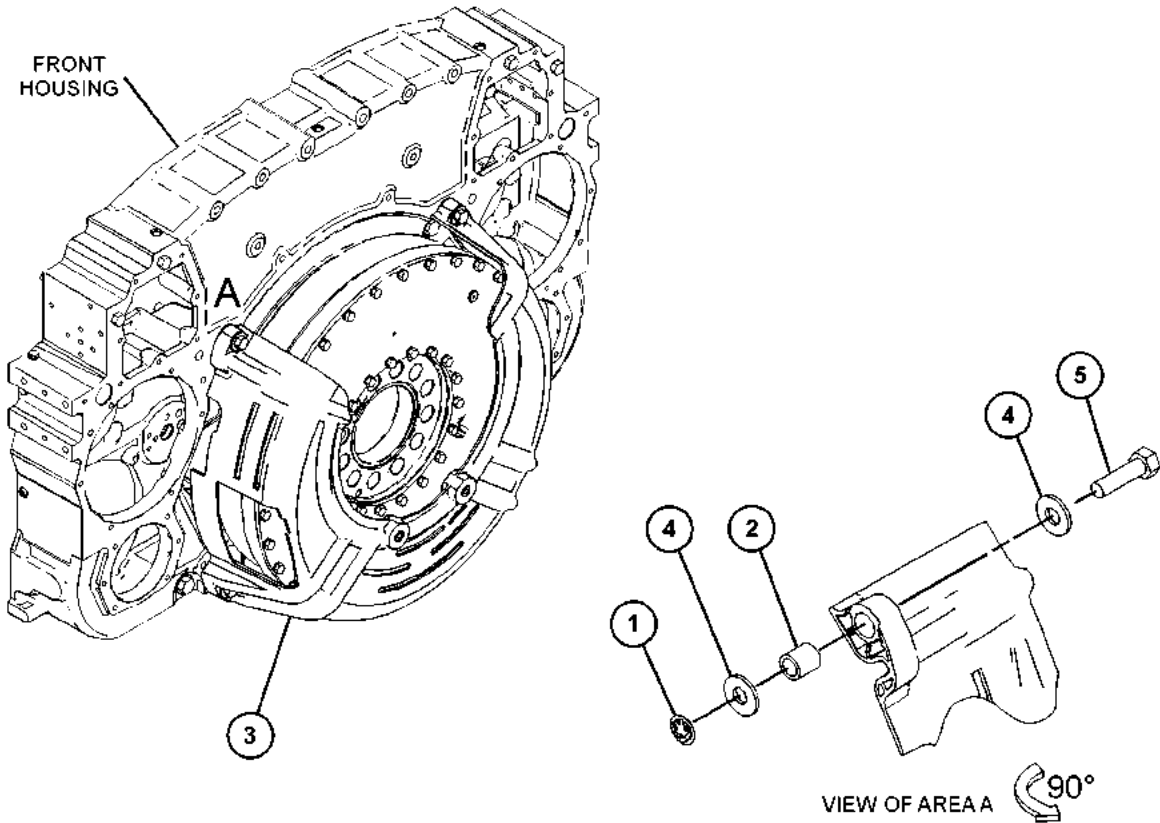
BASIC ENGINE

569-4809 GUARD GP-DAMPER AN ATTACHMENT

SMCS - 1205

i07550206

NOTE	REF NO	GRAPHIC REF	PART NUMBER	QTY	PART NAME						SEE PAGE
					1	2	3	4	5	6 (PRODUCT LEVEL)	
	1	1	522-3765	4	WASHER (RETAINING RING)						
	2	1	522-4208	4	INSERT						
	3	1	552-7398	1	GUARD AS						
	4	1	7F-0502	8	WASHER (13.5X31.8X3-MM THK)						
	5	1	8T-8919	4	BOLT (1/2-13X1.75-IN)						



GRAPHIC #1

<END>

g06358287

BASIC ENGINE

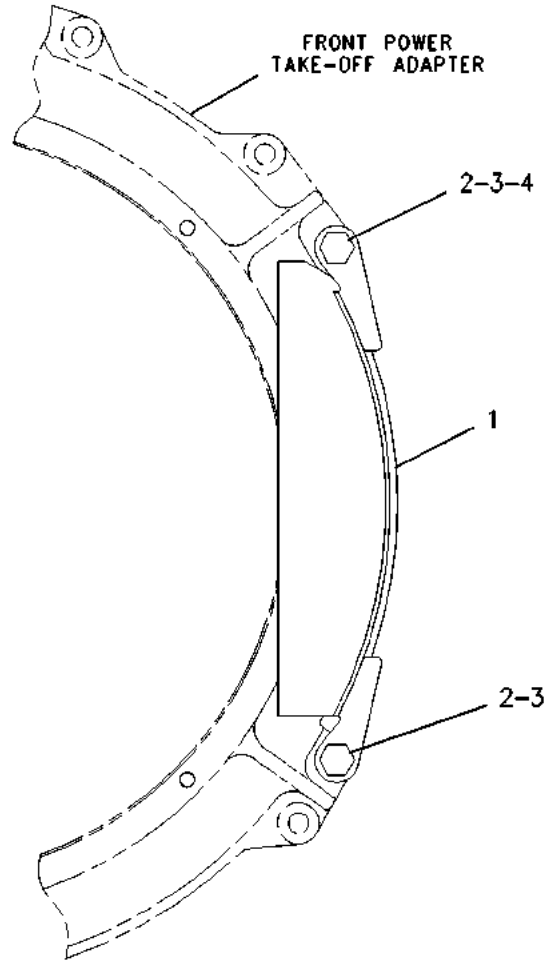
6I-3143 GUARD GP-DAMPER

FOR USE WITH SINGLE SIDED FRONT HOUSING AND FRONT POWER TAKE-OFF
AN ATTACHMENT

SMCS-1205

i01337552

NOTE	REF NO	GRAPHIC REF	PART NUMBER	QTY	PART NAME						SEE PAGE
					1	2	3	4	5	6 (PRODUCT LEVEL)	
	1	1	6I-3142	1	GUARD AS-DAMPER						
	2	1	0S-1587	2	BOLT (1/2-13X1.75-IN)						
	3	1	5P-8245	3	WASHER-HARD (13.5X25.5X3-MM THK)						
	4	1	1F-7958	1	NUT-FULL (1/2-13-THD)						



FRONT VIEW

GRAPHIC #1

<END>

g00707353

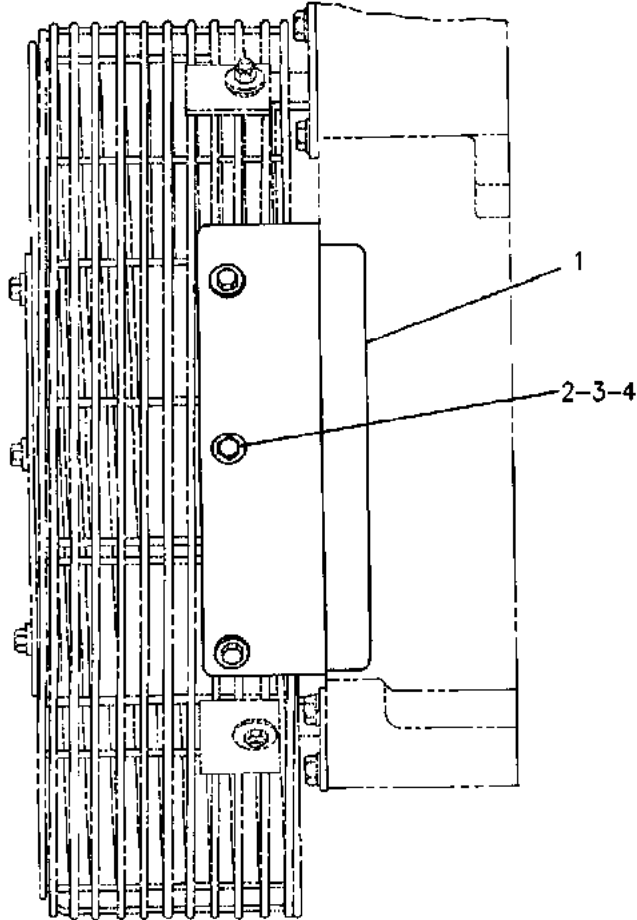
BASIC ENGINE

7W-6669 GUARD GP-DAMPER FOR USE WITH SINGLE SIDED FRONT HOUSING AN ATTACHMENT

SMCS-1205

i07073543

NOTE	REF NO	GRAPHIC REF	PART NUMBER	QTY	PART NAME						SEE PAGE
					1	2	3	4	5	6 (PRODUCT LEVEL)	
	1	1	523-5086	1	GUARD-DAMPER						
	2	1	0S-1616	3	BOLT (1/4-20X1-IN)						
	3	1	6V-7646	9	WASHER-HARD (7.2X25X2-MM THK)						
	4	1	2D-6235	3	LOCKNUT (1/4-20-THD)						



LEFT SIDE VIEW

GRAPHIC #1

<END>

g00899242

BASIC ENGINE

8N-9639 GUARD GP-DAMPER

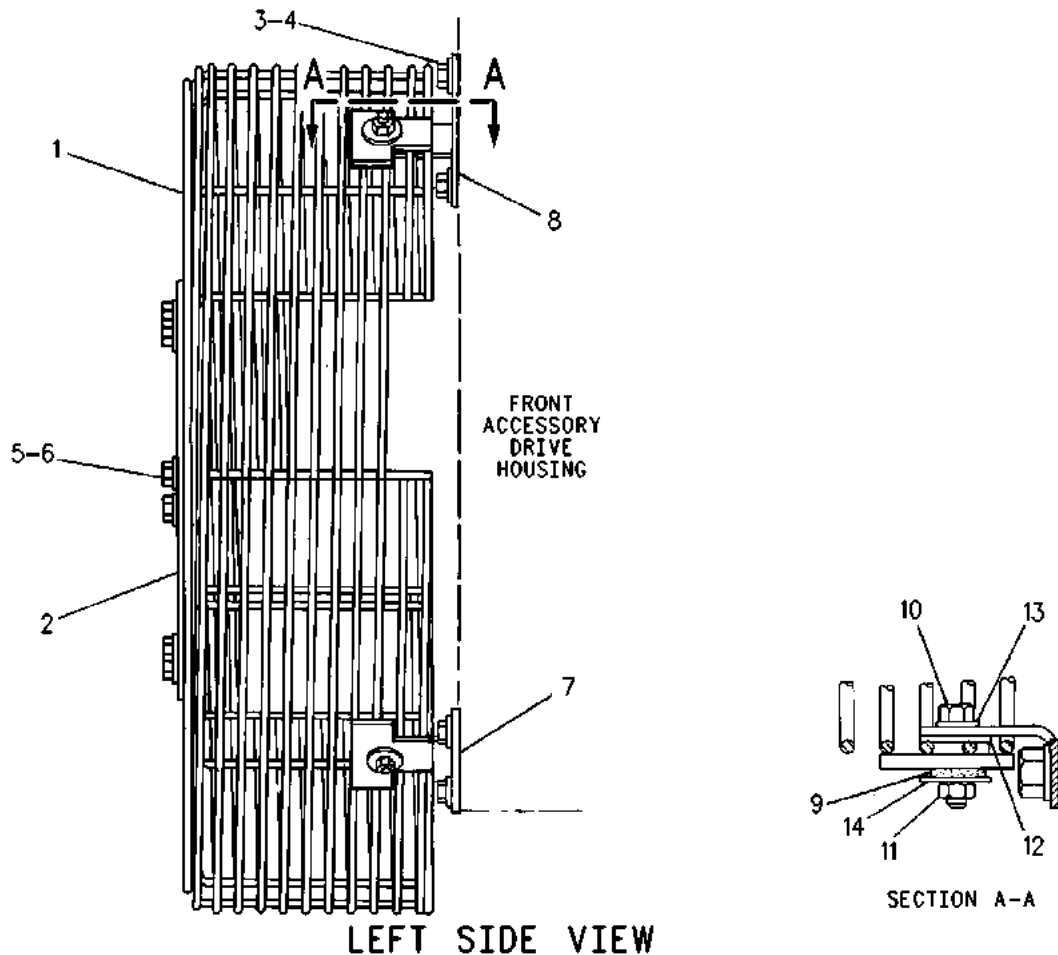
S/N: 65Z887-1497

FOR USE WITH FRONT ACCESSORY DRIVE HOUSING
AN ATTACHMENT

SMCS-1205

i04381469

NOTE	REF NO	GRAPHIC REF	PART NUMBER	QTY	PART NAME						SEE PAGE
					1	2	3	4	5	6 (PRODUCT LEVEL)	
	1	1	1W-4923	1	DAMPER & GUARD AS						
		1	1V-8638	6	NUT (3/8-16-THD)						
	2	1	8J-8919	1	COVER						
	3	1	0S-1621	8	BOLT (1/2-13X1-IN)						
	4	1	5P-8245	8	WASHER-HARD (13.5X25.5X3-MM THK)						
	5	1	030-8535	6	BOLT-LOCKING (3/8-16X0.875-IN)						
	6	1	5P-1075	6	WASHER-HARD (10.2X22.5X3-MM THK)						
	7	1	7W-3031	2	BRACKET						
	8	1	7W-3032	2	BRACKET						
	9	1	1P-7115	4	GROMMET AS						
	10	1	0S-1591	4	BOLT (3/8-16X1.5-IN)						
	11	1	9S-8752	4	NUT-FULL (3/8-16-THD)						
	12	1	3F-1417	4	WASHER (10.3X30.2X3-MM THK)						
	13	1	5M-2894	4	WASHER-HARD (10.2X18.5X2.5-MM THK)						
	14	1	9L-9132	4	WASHER (10.2X25.5X2.5-MM THK)						



GRAPHIC #1

<END>

g00908882

BASIC ENGINE

8N-9639 GUARD GP-DAMPER

S/N: 65Z1498-UP

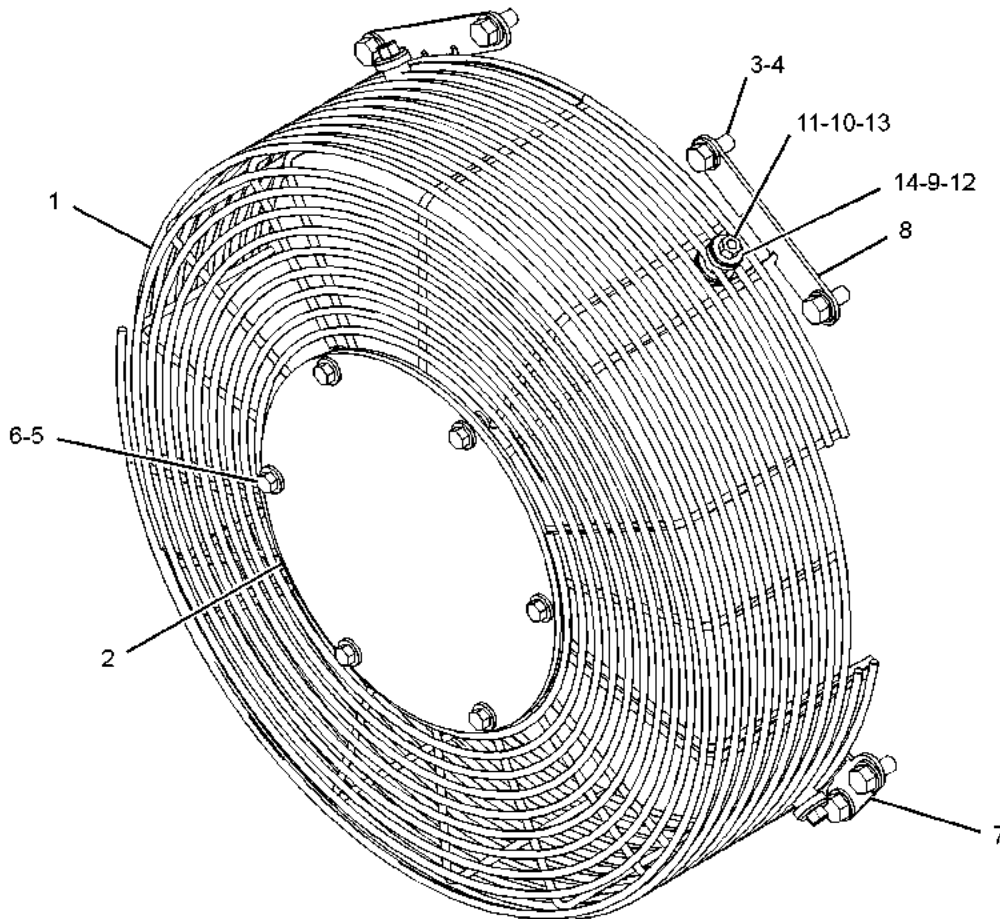
FOR USE WITH FRONT ACCESSORY DRIVE HOUSING
AN ATTACHMENT

SMCS-1205

i07350083

NOTE	REF NO	GRAPHIC REF	PART NUMBER	QTY	PART NAME						SEE PAGE
					1	2	3	4	5	6 (PRODUCT LEVEL)	
	1	1	1W-4923	1	DAMPER & GUARD AS						
		1	1V-8638	6	NUT (3/8-16-THD)						
	2	1	8J-8919	1	COVER						
C	3	1	351-2245	8	BOLT-SPECIAL (1/2-13X2-IN)						
	4	1	5P-8245	8	WASHER-HARD (13.5X25.5X3-MM THK)						
	5	1	030-8535	6	BOLT-LOCKING (3/8-16X0.875-IN)						
	6	1	5P-1075	6	WASHER-HARD (10.2X22.5X3-MM THK)						
C	7	1	351-9005	2	BRACKET AS						
C	8	1	351-9004	2	BRACKET AS						
	9	1	1P-7115	4	GROMMET AS						
	10	1	0S-1591	4	BOLT (3/8-16X1.5-IN)						
	11	1	9S-8752	4	NUT-FULL (3/8-16-THD)						
	12	1	3F-1417	4	WASHER (10.3X30.2X3-MM THK)						
	13	1	5M-2894	4	WASHER-HARD (10.2X18.5X2.5-MM THK)						
	14	1	9L-9132	4	WASHER (10.2X25.5X2.5-MM THK)						

C - CHANGE FROM PREVIOUS TYPE



GRAPHIC #1

<END>

g02038858

BASIC ENGINE

102-3540 HOUSING GP-FLYWHEEL

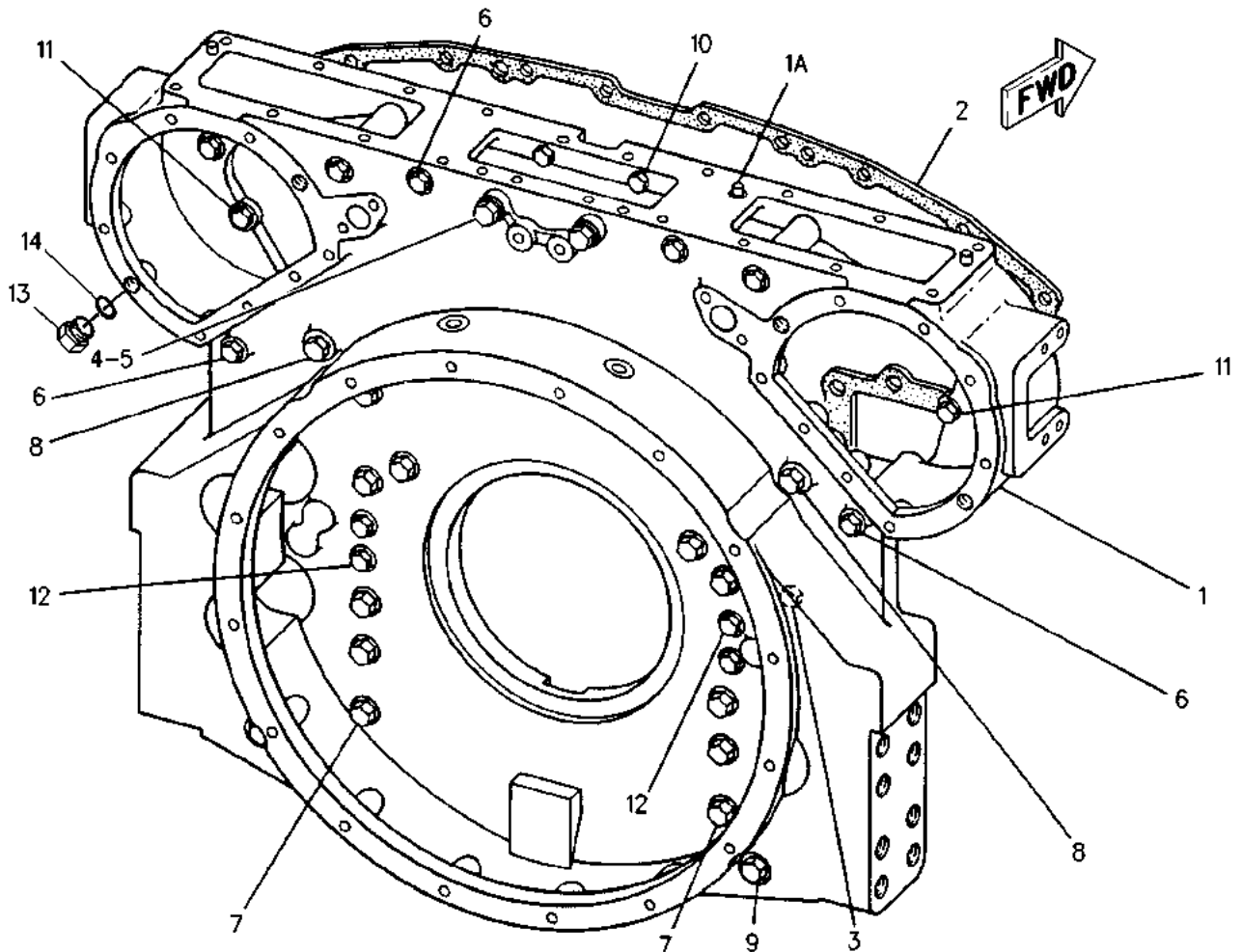
S/N: 65Z887-1107

FOR USE WITH SAE O FLYWHEELS
AN ATTACHMENT

SMCS-1157

i01785130

NOTE	REF NO	GRAPHIC REF	PART NUMBER	QTY	PART NAME						SEE PAGE
					1	2	3	4	5	6 (PRODUCT LEVEL)	
	1	1	105-3045	1	HOUSING AS-FLYWHEEL						
	1A	1	7N-2047	1	DOWEL						
	2	1	7N-3049	1	GASKET						
	3	1	8T-6765	1	PLUG-PIPE (1/4-18-THD)						
	4	1	5P-8245	2	WASHER-HARD (13.5X25.5X3-MM THK)						
	5	1	9X-8874	2	BOLT (1/2-13X3-IN)						
	6	1	1D-4574	6	BOLT (1/2-13X6-IN)						
	7	1	1D-4593	12	BOLT (5/8-11X5.5-IN)						
	8	1	1D-4597	2	BOLT (5/8-11X6.5-IN)						
	9	1	1D-4602	2	BOLT (5/8-11X9.5-IN)						
	10	1	9X-8873	2	BOLT (1/2-13X2.25-IN)						
	11	1	0S-1595	6	BOLT (1/2-13X1.25-IN)						
	12	1	9X-8878	4	BOLT (1/2-13X5.25-IN)						
	13	1	9S-4185	1	PLUG (3/4-16-THD)						
	14	1	3K-0360	1	SEAL-O-RING						



GRAPHIC #1

<END>

g00913824

BASIC ENGINE

102-3540 HOUSING GP-FLYWHEEL

S/N: 65Z1108-UP
FOR USE WITH SAE O FLYWHEELS
AN ATTACHMENT

SMCS-1157

i07231687

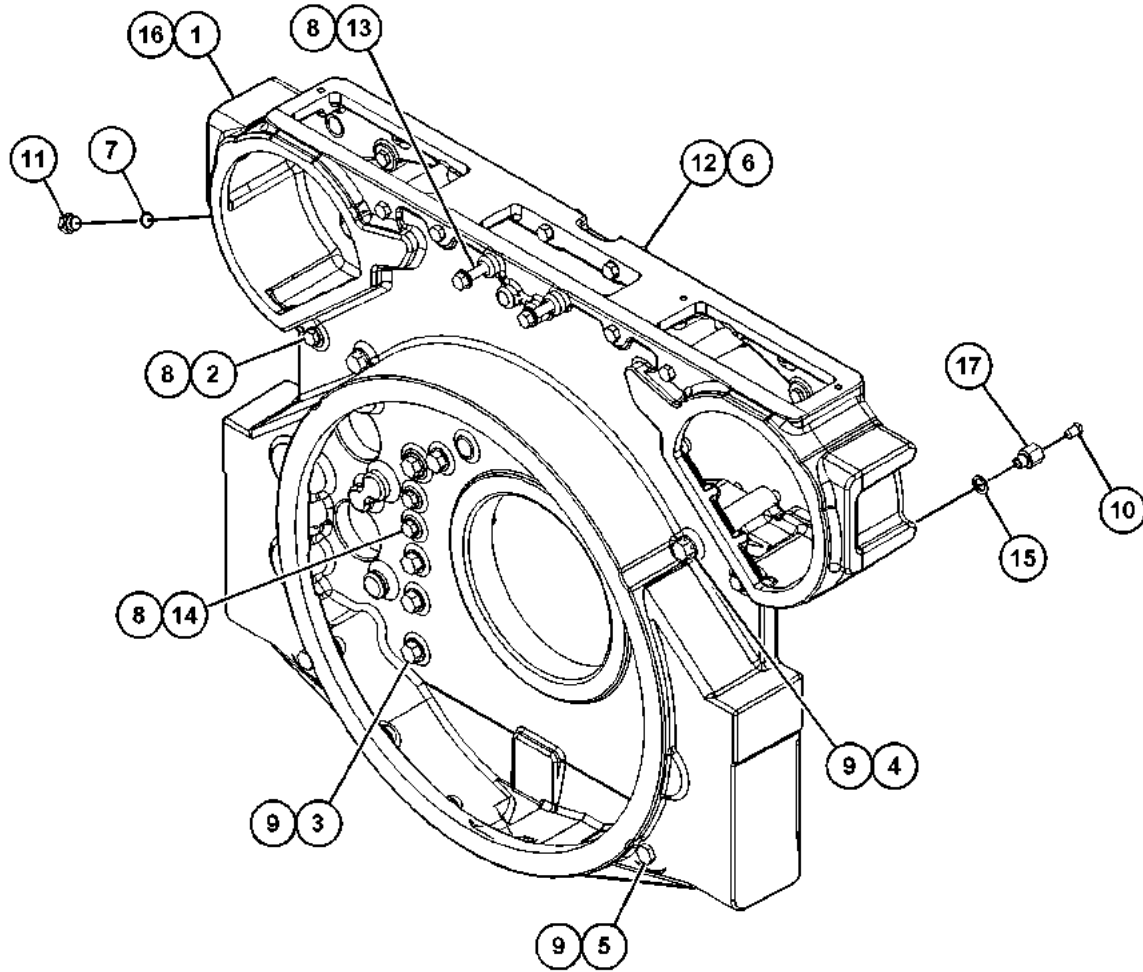
NOTE	REF NO	GRAPHIC REF	PART NUMBER	QTY	PART NAME						SEE PAGE
					1	2	3	4	5	6 (PRODUCT LEVEL)	
C	1	1	524-0346	1	HOUSING AS-FLYWHEEL						
		1	7N-2047	3	DOWEL						
	2	1	1D-4574	6	BOLT (1/2-13X6-IN)						
	3	1	1D-4593	12	BOLT (5/8-11X5.5-IN)						
	4	1	1D-4597	2	BOLT (5/8-11X6.5-IN)						
	5	1	1D-4602	2	BOLT (5/8-11X9.5-IN)						
	6	1	3H-7654	2	WASHER-HARD (13.5X22.5X3-MM THK)						
	7	1	3K-0360	3	SEAL-O-RING						
C	8	1	5P-8245	18	WASHER-HARD (13.5X25.5X3-MM THK)						
C	9	1	5P-8247	16	WASHER-HARD (17X32X3.5-MM THK)						
	10	1	8T-6765	1	PLUG-PIPE (1/4-18-THD)						
	11	1	9S-4185	3	PLUG (3/4-16-THD)						
C	12	1	2B-0947	8	BOLT (1/2-13X2.25-IN)						
	13	1	0L-1329	2	BOLT (1/2-13X3-IN)						
	14	1	6F-5282	4	BOLT (1/2-13X5.25-IN)						
	15	1	4B-8407	1	GASKET-COPPER						
	16	1	309-4550	1	GASKET						
	17	1	104-4767	1	ADAPTER						

C - CHANGE FROM PREVIOUS TYPE

BASIC ENGINE

102-3540 HOUSING GP-FLYWHEEL (contd.)

i07231687



GRAPHIC #1

<END>

g06260591

BASIC ENGINE

102-3541 HOUSING GP-FLYWHEEL

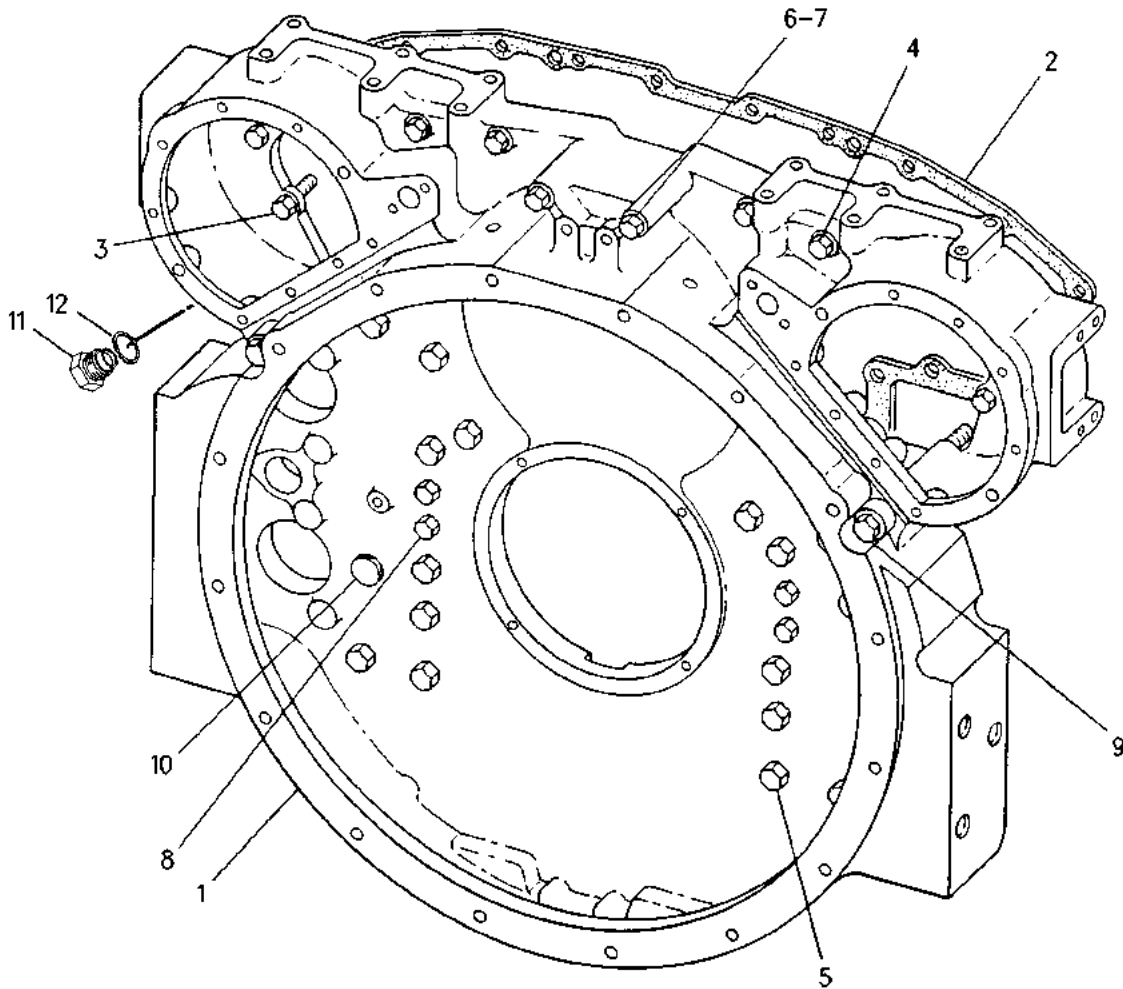
S/N: 65Z887-1107

AN ATTACHMENT

SMCS-1157

i01522016

NOTE	REF NO	GRAPHIC REF	PART NUMBER	QTY	PART NAME						SEE PAGE
					1	2	3	4	5	6 (PRODUCT LEVEL)	
	1	1	101-1270	1	HOUSING-FLYWHEEL						
	2	1	7N-3049	1	GASKET						
	3	1	0S-1595	6	BOLT (1/2-13X1.25-IN)						
	4	1	9X-8875	4	BOLT (1/2-13X3.5-IN)						
	5	1	1D-4590	16	BOLT (5/8-11X4.75-IN)						
	6	1	5P-8245	2	WASHER-HARD (13.5X25.5X3-MM THK)						
	7	1	6M-9613	2	BOLT (1/2-13X9-IN)						
	8	1	8S-9089	4	BOLT (1/2-13X4.5-IN)						
	9	1	9S-1374	2	BOLT (1/2-13X8-IN)						
	10	1	7X-7730	2	PLUG-PIPE						
	11	1	9S-4185	1	PLUG (3/4-16-THD)						
	12	1	3K-0360	1	SEAL-O-RING						



GRAPHIC #1

<END>

g00793335

BASIC ENGINE

102-3541 HOUSING GP-FLYWHEEL

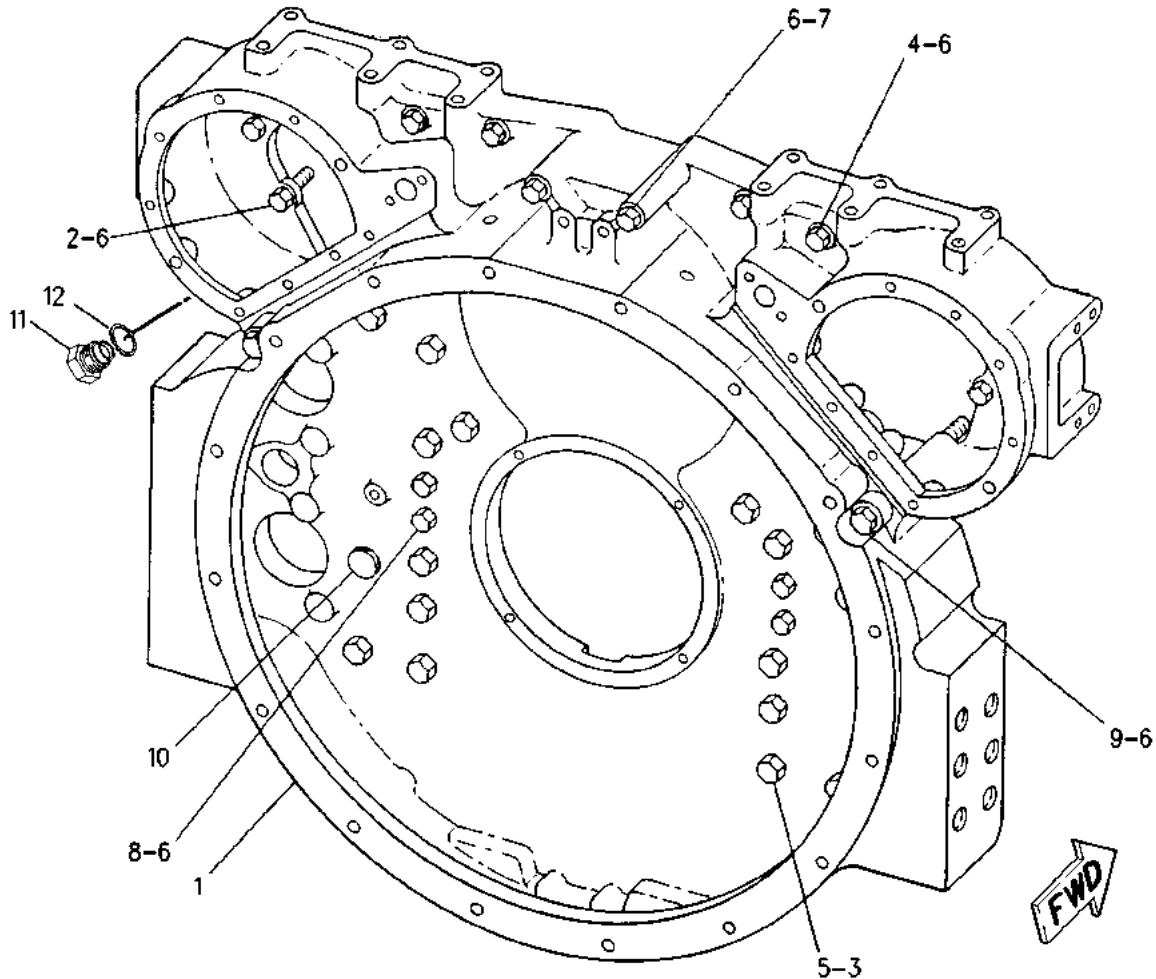
S/N: 65Z1108-UP
AN ATTACHMENT

SMCS-1157

i01911674

NOTE	REF NO	GRAPHIC REF	PART NUMBER	QTY	PART NAME						SEE PAGE
					1	2	3	4	5	6 (PRODUCT LEVEL)	
C	1	1	222-9922	1	HOUSING-FLYWHEEL						
C	2	1	9X-8873	6	BOLT (1/2-13X2.25-IN)						
C	3	1	5P-8247	16	WASHER-HARD (17X32X3.5-MM THK)						
	4	1	9X-8875	4	BOLT (1/2-13X3.5-IN)						
	5	1	1D-4590	16	BOLT (5/8-11X4.75-IN)						
C	6	1	5P-8245	18	WASHER-HARD (13.5X25.5X3-MM THK)						
	7	1	6M-9613	2	BOLT (1/2-13X9-IN)						
	8	1	8S-9089	4	BOLT (1/2-13X4.5-IN)						
	9	1	9S-1374	2	BOLT (1/2-13X8-IN)						
	10	1	7X-7730	2	PLUG-PIPE						
	11	1	9S-4185	1	PLUG (3/4-16-THD)						
	12	1	3K-0360	1	SEAL-O-RING						

C - CHANGE FROM PREVIOUS TYPE



GRAPHIC #1

<END>

g00995830

BASIC ENGINE

7W-3722 HOUSING GP-FLYWHEEL

S/N: 65Z887-1107

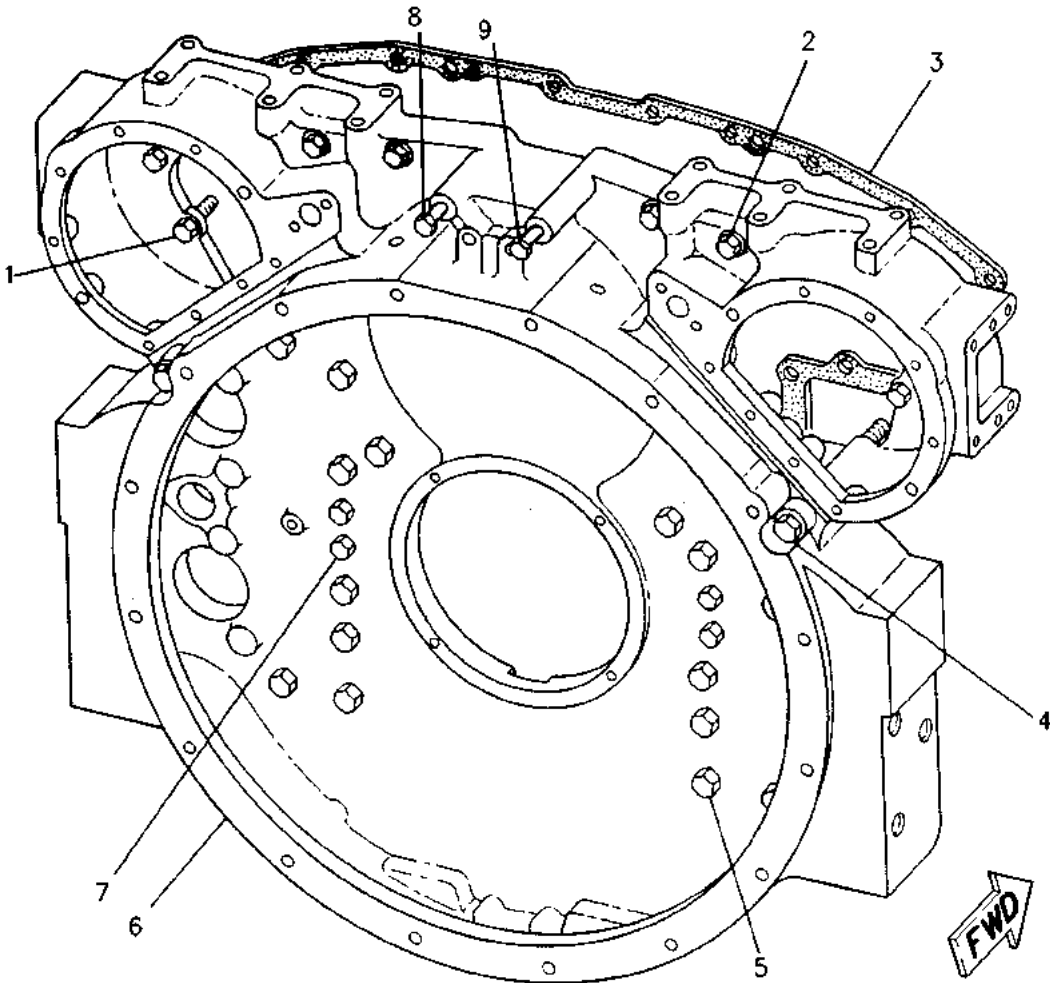
FOR USE WITH SAE 00 FLYWHEEL

SMCS-1157

i01758449

NOTE	REF NO	GRAPHIC REF	PART NUMBER	QTY	PART NAME						SEE PAGE
					1	2	3	4	5	6 (PRODUCT LEVEL)	
	1	1	0S-1595	6	BOLT (1/2-13X1.25-IN)						
C	2	1	9X-8875	4	BOLT (1/2-13X3.5-IN)						
	3	1	7N-3049	1	GASKET						
	4	1	9S-1374	2	BOLT (1/2-13X8-IN)						
	5	1	1D-4590	16	BOLT (5/8-11X4.75-IN)						
C	6	1	4P-5490	1	HOUSING-FLYWHEEL						
	7	1	8S-9089	4	BOLT (1/2-13X4.5-IN)						
B	8	1	6M-9613	2	BOLT (1/2-13X9-IN)						
		1	5P-8245	2	WASHER-HARD (13.5X25.5X3-MM THK)						
B	9	1	9M-7269	2	BOLT (1/2-13X6.75-IN)						

B - USE AS REQUIRED
C - CHANGE FROM PREVIOUS TYPE



GRAPHIC #1

<END>

g00899634

BASIC ENGINE

7W-3722 HOUSING GP-FLYWHEEL

S/N: 65Z1108-1112

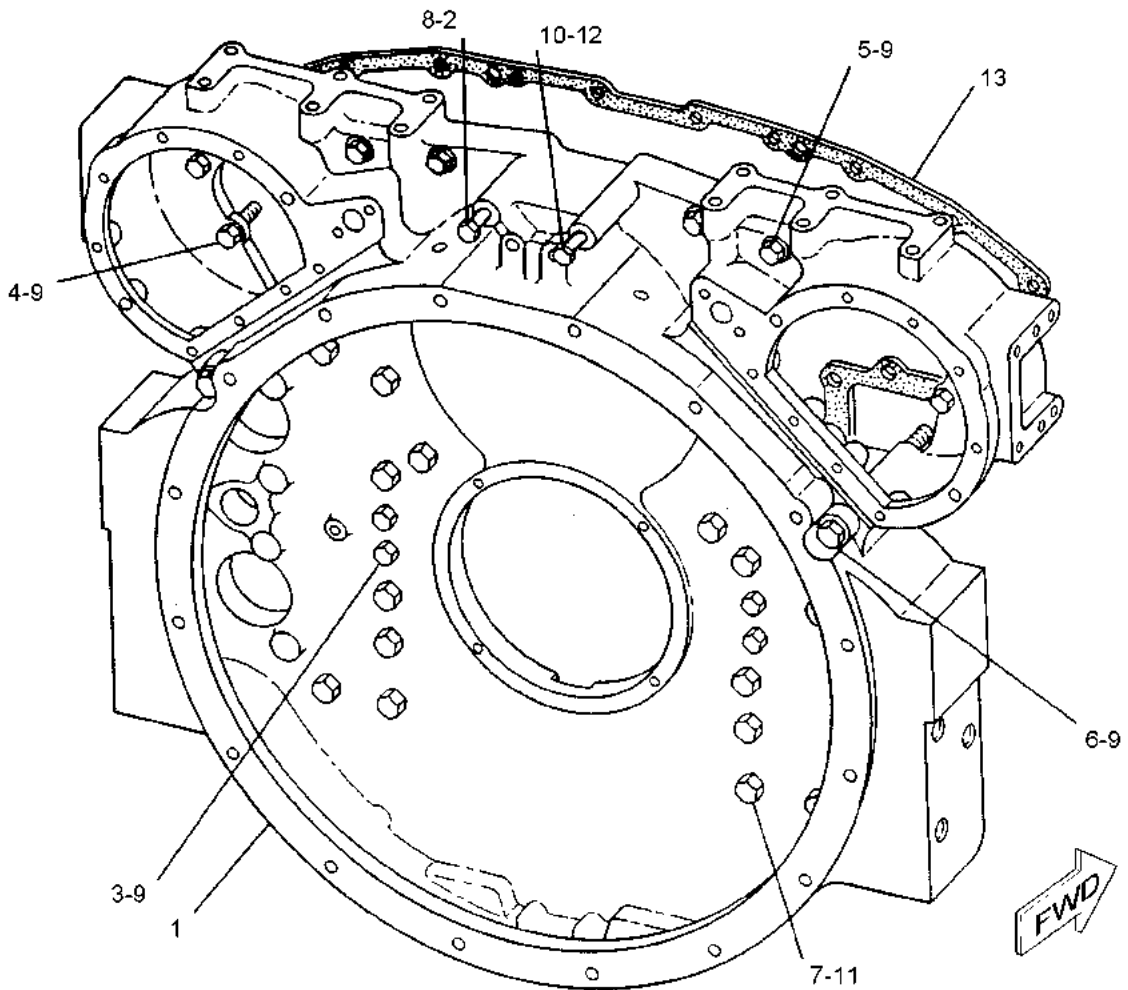
FOR USE WITH SAE 00 FLYWHEEL

SMCS-1157

i02142514

NOTE	REF NO	GRAPHIC REF	PART NUMBER	QTY	PART NAME						SEE PAGE
					1	2	3	4	5	6 (PRODUCT LEVEL)	
	1	1	4P-5490	1	HOUSING-FLYWHEEL						
BC	2	1	5P-8245	2	WASHER-HARD (13.5X25.5X3-MM THK)						
	3	1	8S-9089	4	BOLT (1/2-13X4.5-IN)						
C	4	1	9X-8873	6	BOLT (1/2-13X2.25-IN)						
	5	1	9X-8875	4	BOLT (1/2-13X3.5-IN)						
	6	1	9S-1374	2	BOLT (1/2-13X8-IN)						
	7	1	1D-4590	16	BOLT (5/8-11X4.75-IN)						
	8	1	6M-9613	2	BOLT (1/2-13X9-IN)						
C	9	1	5P-8245	16	WASHER-HARD (13.5X25.5X3-MM THK)						
	10	1	9M-7269	2	BOLT (1/2-13X6.75-IN)						
C	11	1	5P-8247	16	WASHER-HARD (17X32X3.5-MM THK)						
BC	12	1	5P-8245	2	WASHER-HARD (13.5X25.5X3-MM THK)						
	13	1	7N-3049	1	GASKET						

B - USE AS REQUIRED
 C - CHANGE FROM PREVIOUS TYPE



GRAPHIC #1

<END>

g01089740

BASIC ENGINE

7W-3722 HOUSING GP-FLYWHEEL

S/N: 65Z1113-UP

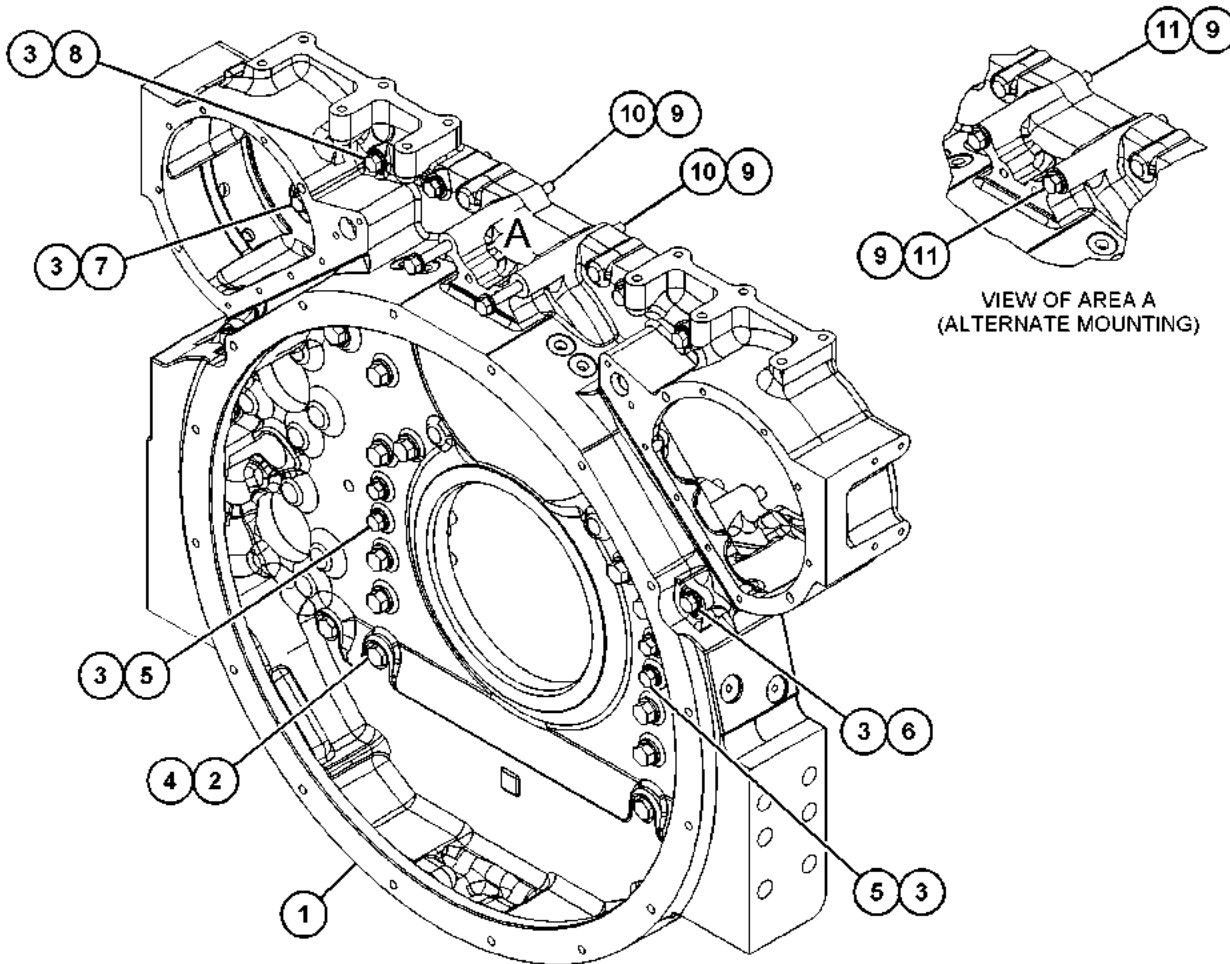
FOR USE WITH SAE 00 FLYWHEEL

SMCS-1157

i07072144

NOTE	REF NO	GRAPHIC REF	PART NUMBER	QTY	PART NAME						SEE PAGE
					1	2	3	4	5	6 (PRODUCT LEVEL)	
C	1	1	461-9983	1	HOUSING-FLYWHEEL						
	2	1	1D-4590	16	BOLT (5/8-11X4.75-IN)						
	3	1	5P-8245	16	WASHER-HARD (13.5X25.5X3-MM THK)						
	4	1	5P-8247	16	WASHER-HARD (17X32X3.5-MM THK)						
	5	1	8S-9089	4	BOLT (1/2-13X4.5-IN)						
	6	1	9S-1374	2	BOLT (1/2-13X8-IN)						
	7	1	9X-8873	6	BOLT (1/2-13X2.25-IN)						
	8	1	9X-8875	4	BOLT (1/2-13X3.5-IN)						
B	9	1	5P-8245	4	WASHER-HARD (13.5X25.5X3-MM THK)						
B	10	1	6M-9613	2	BOLT (1/2-13X9-IN)						
B	11	1	9M-7269	2	BOLT (1/2-13X6.75-IN)						

B - USE AS REQUIRED
C - CHANGE FROM PREVIOUS TYPE



GRAPHIC #1

<END>

g06215564

BASIC ENGINE

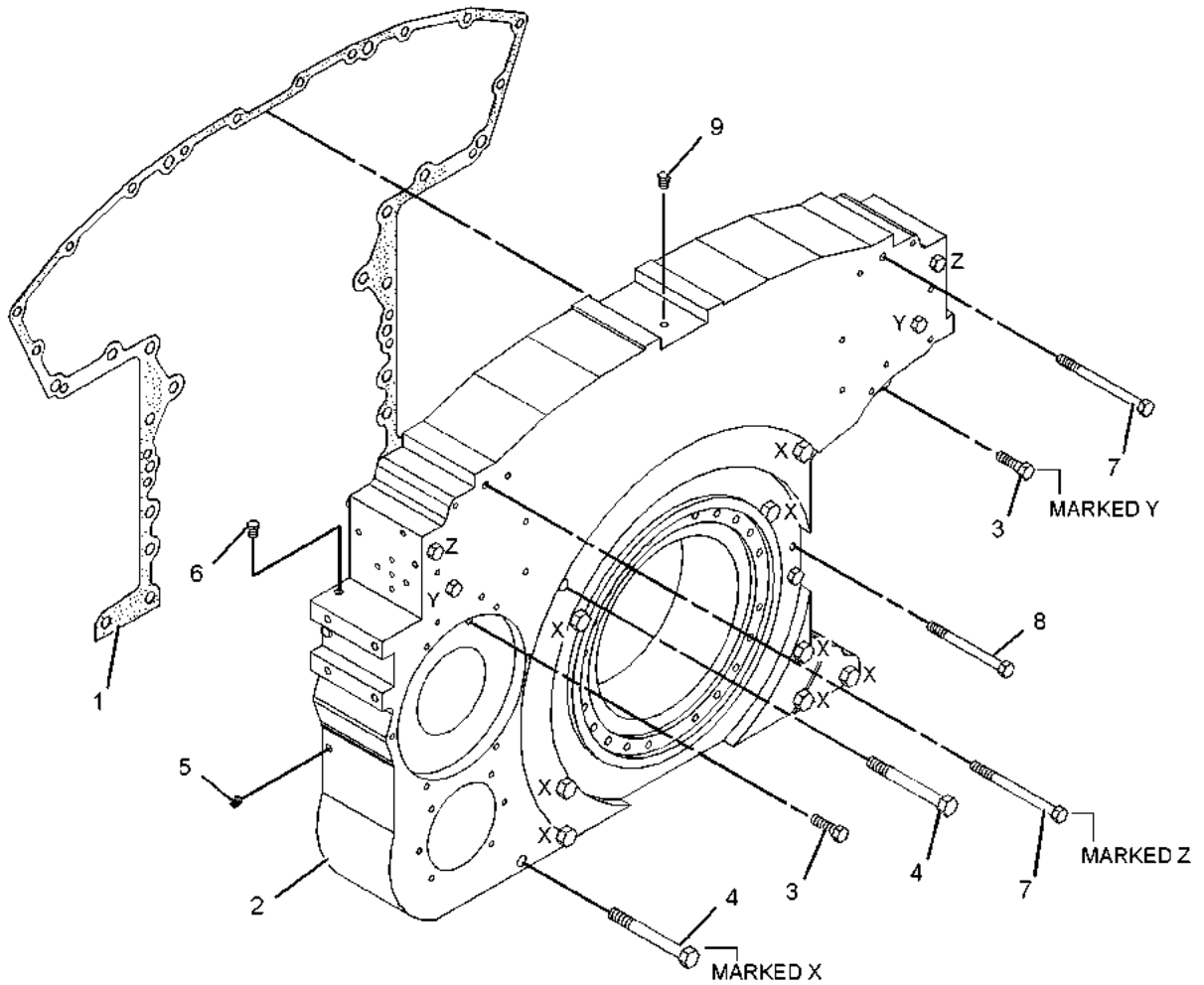
7W-1530 HOUSING GP-FRONT

SMCS-1151, 1162, 1206

i07350078

NOTE	REF NO	GRAPHIC REF	PART NUMBER	QTY	PART NAME						SEE PAGE
					1	2	3	4	5	6	
	1	1	7N-3049	1	GASKET						
	2	1	101-0832	1	HOUSING-FRONT DRIVE						
	3	1	0S-1587	4	BOLT (1/2-13X1.75-IN)						
	4	1	1D-4593	10	BOLT (5/8-11X5.5-IN)						
	5	1	8T-6758	1	PLUG-PIPE (1/4-18-THD)						
	6	1	8T-6765	2	PLUG-PIPE (1/4-18-THD)						
	7	1	9H-8260	4	BOLT (1/2-13X6.25-IN)						
	8	1	9X-8879	2	BOLT (1/2-13X5.5-IN)						
B	9	1	8T-6765	1	PLUG-PIPE (1/4-18-THD)						

B - USE AS REQUIRED



GRAPHIC #1

<END>

g01324103

BASIC ENGINE

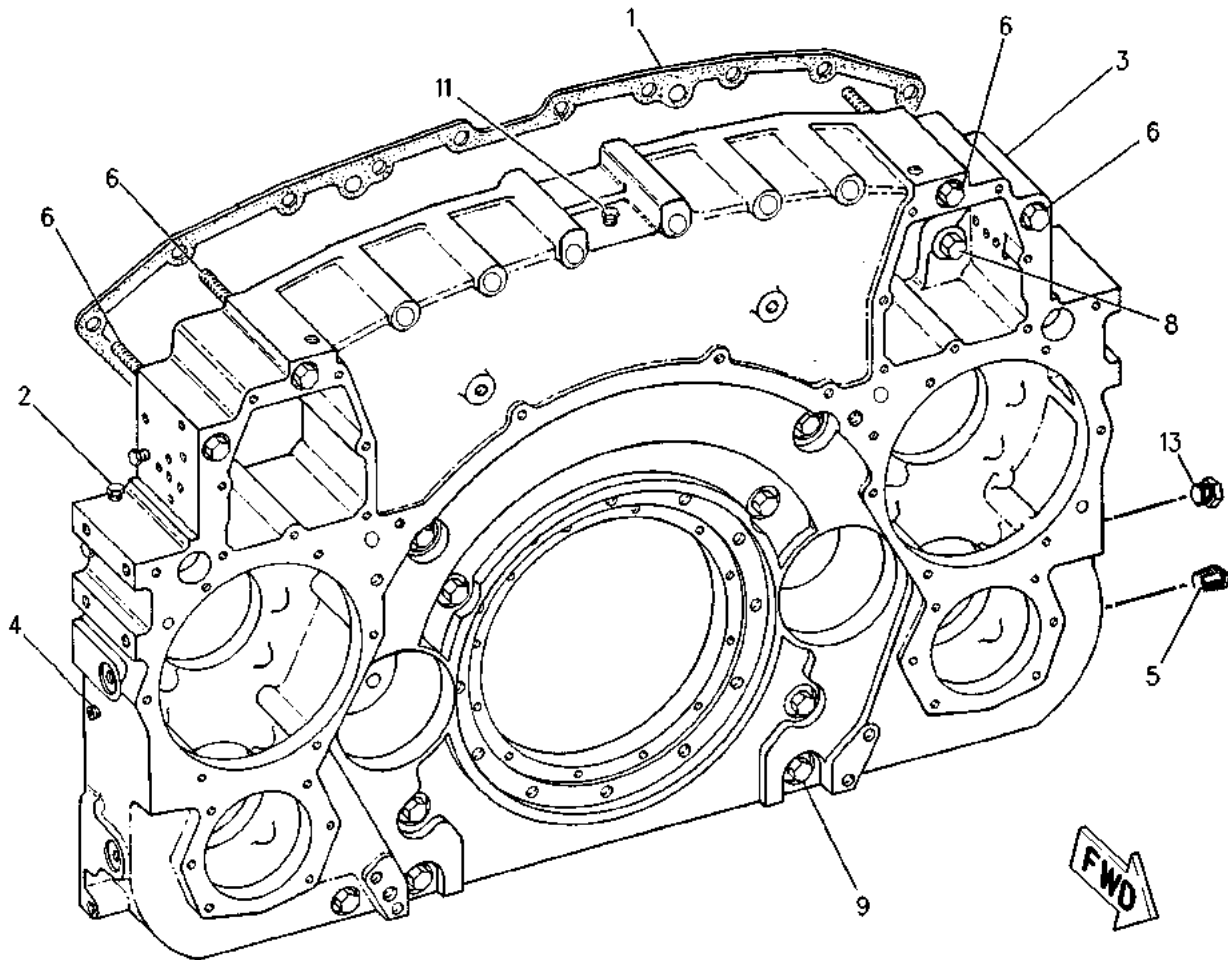
7W-3724 HOUSING GP-FRONT-ACCESSORY DRIVE AN ATTACHMENT

SMCS-1151, 1162, 1206

i07350080

NOTE	REF NO	GRAPHIC REF	PART NUMBER	QTY	PART NAME						SEE PAGE
					1	2	3	4	5	6 (PRODUCT LEVEL)	
	1	1	7N-3049	1	GASKET						
	2	1	8T-6765	5	PLUG-PIPE (1/4-18-THD)						
	3	1	102-8634	1	HOUSING-ACCESSORY DRIVE						
	4	1	8T-6758	1	PLUG-PIPE (1/4-18-THD)						
	5	1	8T-6762	1	PLUG-PIPE (1/2-14-THD)						
	6	1	9H-8260	4	BOLT (1/2-13X6.25-IN)						
	8	1	0S-1587	4	BOLT (1/2-13X1.75-IN)						
	9	1	1D-4593	10	BOLT (5/8-11X5.5-IN)						
B	11	1	8T-6765	1	PLUG-PIPE (1/4-18-THD)						
B	13	1	8T-6765	1	PLUG-PIPE (1/4-18-THD)						

B - USE AS REQUIRED



GRAPHIC #1

<END>

g00899631

BASIC ENGINE

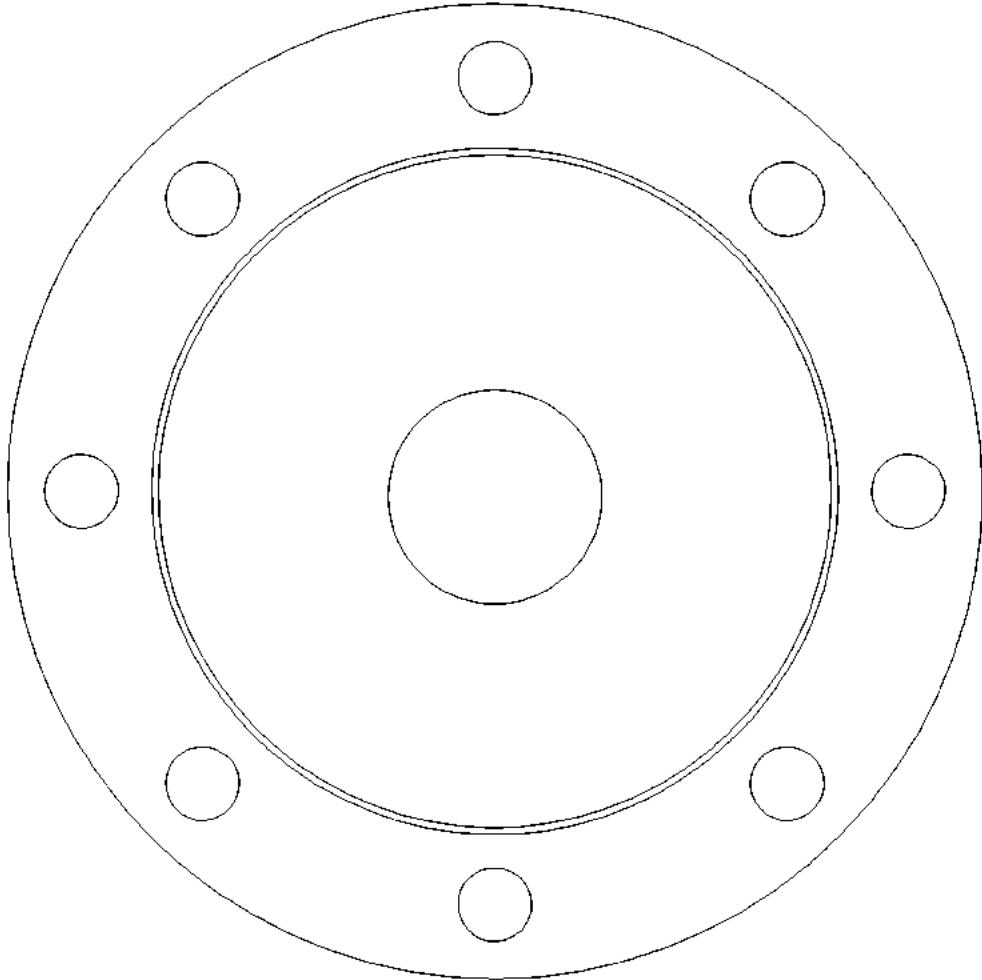
3N-5596 HUB-FLEXIBLE COUPLING
AN ATTACHMENT

SMCS-3252

i01212954

NOTE	REF NO	GRAPHIC REF	PART NUMBER	QTY	PART NAME						SEE PAGE
					1	2	3	4	5	6 (PRODUCT LEVEL)	

(NO SERVICED PARTS)



GRAPHIC #1

<END>

g00648379

BASIC ENGINE

355-0769 KIT-CYLINDER HEAD GASKET

PROVIDE A STANDARDIZED 3500 SINGLE CYLINDER HEAD KIT FOR MUI APPLICATIONS WITH STANDARD EXHAUST 320-8974 GASKET, AND INTAKE AIR LINE GASKETS 7N-5089. THIS KIT DOES NOT CONTAIN INJECTOR SEALS, BREATHER SEALS, VALVE STEM SEALS, OR ROCKER ARM BUTTON SEALS. ORDER AS NEEDED

FOR USE WITH GS055- MACHINE S/N CAL1-UP, GS056- MACHINE S/N FDR1-UP, E258- ENGINE S/ N 95Y1-UP, ENGINE ARRANGEMENTS: 143-5189, 4W-0280, 7N-8704, 8N-5810, E260- ENGINE S/ N 97Y1-UP, E261- ENGINE S/N 49Y1-UP, ENGINE ARRANGEMENTS: 4W-0282, 8N-5805, E263- ENGINE S/N 51Y-UP, ENGINE ARRANGEMENTS: 2W-8863, 8N-5803, E264- ENGINE S/N 27Z1-UP, ENGINE ARRANGEMENTS: 8N-0461, 4W-0284, 135-4467, 135-4468, E265- ENGINE S/N 29Z1-UP, ENGINE ARRANGEMENTS: 2W-8864, 8N-0464, 8N-5813, E266- ENGINE S/N 28Z1-UP, ENGINE ARRANGEMENTS: 2W-8865, 8N-0465, E273- ENGINE S/N 23Z1-UP, ENGINE ARRANGEMENTS: 2W-8046, 7C-1299, 7C-4594, 7N-8701, E274- ENGINE S/N 24Z1-UP, ENGINE ARRANGEMENTS: 2W-8405, 7C-1300, 7C-5185, 8N-5806, E275- ENGINE S/N 25Z1-UP, ENGINE ARRANGEMENTS: 107-7346, 107-7350, 2W-8404, 4P-4444, 6I-2939, 7C-1301, 7C-5186, 8N-0462, 8N-0463, E301- ENGINE S/N 68Z1-UP, ENGINE ARRANGEMENTS: 1W-4210, 1W-4214, 4W-0281, E303- ENGINE S/N 70Z1-UP, ENGINE ARRANGEMENTS: 1W-4211, 2W-8867, E304- ENGINE S/N 65Z1-UP, ENGINE ARRANGEMENTS: 1W-4216, 4W-0283, E305- ENGINE S/N 71Z1-UP, E306- ENGINE S/N 67Z1-UP, E307- ENGINE S/N 71Z1-UP, E308- ENGINE S/N 72Z1-UP, ENGINE ARRANGEMENTS: 1W-4225, 1W-4227, 2W-8870, E309- ENGINE S/N 73Z1-UP, ENGINE ARRANGEMENTS: 1W-4223, 1W-4224, 2W-8871, E387- ENGINE S/N 2WK1-77, E390- ENGINE S/N 6TJ1-13, RM388- ENGINE S/N 99W1-UP, MACHINE S/N 6JC1-UP, RM389- ENGINE S/N 99W1-UP, MACHINE S/N 4YC1-UP, RM413- ENGINE S/N 96Z1-UP, MACHINE S/N 8GB1-UP, RM415- ENGINE S/N 54Z1-UP, MACHINE S/N 9ZC1-UP, T403- ENGINE S/N 99W1-UP, MACHINE S/N 74Z1-UP, T534- ENGINE S/N 54Z1-UP, MACHINE S/N 9YF1-UP
FIELD INSTALLATION

SMCS-1124

i07573841

NOTE	PART NUMBER	QTY	PART NAME						SEE PAGE
			1	2	3	4	5	6 (PRODUCT LEVEL)	
	2W-0752	1	GASKET						
	7E-3772	1	GASKET						
	7N-5089	1	GASKET						
	122-8856	1	GASKET (HOUSING, REGULATOR)						
	241-5928	2	GASKET						
	243-2288	2	GASKET						
	110-6991	1	GASKET-CYLINDER HEAD						
	320-8974	1	GASKET-EXHAUST MANIFOLD						
	7N-5080	1	GASKET-MANIFOLD						
	144-5692	1	GASKET-PLATE						
	272-0758	1	SEAL						
	420-0652	4	SEAL AS-WATER						
	420-0653	4	SEAL AS-WATER						
	127-2176	2	SEAL-INTEGRAL						
	2J-0157	2	SEAL-O-RING						
	323-7347	1	SEAL-O-RING						
	2M-4453	4	SEAL-O-RING						
	3J-7354	4	SEAL-O-RING						
	5P-0840	2	SEAL-O-RING						
	6V-5101	1	SEAL-O-RING						
	6V-9769	2	SEAL-O-RING						
	214-7568	2	SEAL-O-RING						
	7N-6806	2	SEAL-RECTANGULAR						
	272-0757	1	SEAL-VALVE COVER						

FOR A LIST OF RELATED PARTS THAT MAY BE REQUIRED FOR THE ENGINE REBUILD TO THE KIT CONSIST, PLEASE VISIT

BASIC ENGINE

355-0769 **KIT-CYLINDER HEAD GASKET (contd.)**

i07573841

NOTE	PART NUMBER	QTY	PART NAME 1 2 3 4 5 6 (PRODUCT LEVEL)	SEE PAGE
------	-------------	-----	--	-------------

HTTP://DEALER.CAT.COM/RELATED

<END>

366-6187 KIT-CYLINDER HEAD GASKET

PROVIDE A STANDARDIZED 3500 SINGLE CYLINDER HEAD KIT FOR EUI APPLICATIONS WITH BELLOWS EXHAUST 229-5332 GASKET, AND THE EARLIER VALVE BODY SEAL 117-9315. THIS KIT DOES NOT CONTAIN INJECTOR SEALS, BREATHER SEALS, VALVE STEM SEALS, OR ROCKER ARM BUTTON SEALS

FOR USE WITH E258- ENGINE S/N 95Y1-UP, E261- ENGINE S/N 49Y1-UP, E264- ENGINE S/N 27Z1-UP, ENGINE ARRANGEMENTS: 135-4468, 4W-0284, E301- ENGINE S/N 68Z1-UP, E304- ENGINE S/N 65Z1-UP, 4W-0283-PAGE: 4, E307- ENGINE S/N 71Z1-UP, T403- MACHINE S/N 74Z1-UP, ENGINE ARRANGEMENTS: 147-0811, 294-9552, T534- MACHINE S/N 9YF1-UP, T834- MACHINE S/N 3TZ1-UP, RM388- MACHINE S/N 6JC1-UP, RM389- MACHINE S/N 4YC1-UP, RM413- MACHINE S/N 8GB1-UP, RM415- MACHINE S/N 9ZC1-UP, ENGINE ARRANGEMENTS: 2W-3691, 156-6250, 100-8089

FIELD INSTALLATION

SMCS-1124

i04560822

NOTE	PART NUMBER	QTY	PART NAME 1 2 3 4 5 6 (PRODUCT LEVEL)	SEE PAGE
	2W-0752	1	GASKET	
	7E-3772	1	GASKET	
	7N-5089	1	GASKET	
	122-8856	1	GASKET (HOUSING, REGULATOR)	
	241-5928	2	GASKET	
	243-2288	2	GASKET	
	362-8264	1	GASKET-CYLINDER HEAD	
	320-8974	1	GASKET-EXHAUST MANIFOLD	
	7N-5080	1	GASKET-MANIFOLD	
	144-5692	1	GASKET-PLATE	
	272-0758	1	SEAL	
	325-1410	4	SEAL AS-WATER	
	325-1412	4	SEAL AS-WATER	
	229-5332	1	SEAL	
	127-2176	2	SEAL-INTEGRAL	
	2J-0157	2	SEAL-O-RING	
	2M-4453	4	SEAL-O-RING	
	3J-7354	4	SEAL-O-RING	
	5P-0840	2	SEAL-O-RING	
	6V-5101	1	SEAL-O-RING	
	6V-9769	2	SEAL-O-RING	
	214-7568	2	SEAL-O-RING	
	7N-6806	2	SEAL-RECTANGULAR	
	272-0757	1	SEAL-VALVE COVER	

<END>

BASIC ENGINE

305-2664 KIT-ENGINE GASKET-CENTRAL, LOWER STRUCTURE

KIT CONTAINS GASKETS, SEALS, AND BENDABLE LOCKS TO REINSTALL THE OIL PAN, INTERNAL OIL PUMP, AND BLOCK COVERS

FOR USE WITH 1W-4216-PAGE: 2, 4W-0283-PAGE: 4
FIELD INSTALLATION

SMCS-1000, 7555

i07569398

NOTE	PART NUMBER	QTY	PART NAME 1 2 3 4 5 6 (PRODUCT LEVEL)	SEE PAGE
	6F-4868	2	GASKET	
	7N-4945	3	GASKET	
	9L-1480	3	GASKET	
	2W-0752	2	GASKET	
	230-1072	1	GASKET	
	7E-2630	1	GASKET-OIL PAN	
	272-0758	12	SEAL	
	272-0759	12	SEAL	
	5F-9657	4	SEAL-O-RING	
	447-7206	4	SEAL-O-RING	
	7X-4805	3	SEAL-O-RING	
	8T-2928	3	SEAL-O-RING	
	8T-2929	3	SEAL-O-RING	
	214-7568	6	SEAL-O-RING	
	259-4600	4	SEAL-O-RING	
	5P-7818	1	SEAL-O-RING	
	5P-8210	2	SEAL-O-RING	
	5P-8872	1	SEAL-O-RING	
	6V-4314	1	SEAL-O-RING	
	6V-5101	3	SEAL-O-RING	
	310-3954	2	SEAL-O-RING	
	259-4598	1	SEAL-O-RING	

FOR A LIST OF RELATED PARTS THAT MAY BE
REQUIRED FOR THE ENGINE REBUILD TO THE KIT
CONSIST, PLEASE VISIT

[HTTP://DEALER.CAT.COM/RELATED](http://dealer.cat.com/related)

<END>

BASIC ENGINE

305-3364 KIT-ENGINE GASKET

KIT CONTAINS GASKETS, SEALS, AND BENDABLE LOCKS TO REINSTALL THE OIL PAN, INTERNAL OIL PUMP, AND BLOCK COVERS.

FOR USE WITH E258- ENGINE ARRANGEMENT S/N 95Y 640-703, E261- ENGINE ARRANGEMENT S/N 49Y 486-UP, E261- ENGINE ARRANGEMENT S/N 49Y 1-UP, E262- ENGINE ARRANGEMENT S/N 50Y 648-815, E274- ENGINE ARRANGEMENT S/N 24Z 1317-6026, E274- ENGINE ARRANGEMENT S/N 24Z 1-2474, E274- ENGINE ARRANGEMENT S/N 24Z 1-1317, E301- ENGINE ARRANGEMENT S/N 68Z 687-693, E304- ENGINE ARRANGEMENT S/N 65Z 1-836, 1W-4216-PAGE: 2, E304- ENGINE ARRANGEMENT S/N 65Z 1-667, 4W-0283-PAGE: 4, E305- ENGINE ARRANGEMENT S/N 66Z 1-UP, E305- ENGINE ARRANGEMENT S/N 66Z 190-664

FIELD INSTALLATION

SMCS-1000, 7555

i05931833

NOTE	PART NUMBER	QTY	PART NAME 1 2 3 4 5 6 (PRODUCT LEVEL)	SEE PAGE
	4N-1320	1	GASKET (ADAPTER)	
	6F-4868	3	GASKET	
	7N-4945	3	GASKET	
	9L-1480	1	GASKET	
	7E-2630	1	GASKET-OIL PAN	
	4F-3765	2	GASKET-SHAFT	
	272-0759	12	SEAL	
	3P-0654	1	SEAL-O-RING	
	8T-2928	4	SEAL-O-RING	
	8T-2929	4	SEAL-O-RING	
	214-7568	6	SEAL-O-RING	
	5P-5700	4	SEAL-O-RING	
	5P-8210	2	SEAL-O-RING	
	6V-0973	2	SEAL-O-RING	
	6V-4314	2	SEAL-O-RING	
	6V-4315	2	SEAL-O-RING	
	6V-5101	1	SEAL-O-RING	
FOR A LIST OF RELATED PARTS THAT MAY BE REQUIRED FOR THE ENGINE REBUILD TO THE KIT CONSIST, PLEASE VISIT				
HTTP://DEALER.CAT.COM/RELATED				
<END>				

BASIC ENGINE

442-0681 KIT-ENGINE GASKET

KIT CONTAINS GASKETS, SEALS, AND BENDABLE LOCKS TO REBUILD AND REINSTALL A SINGLE CYLINDER HEAD. . KIT INCLUDES TURBO GASKETS. KIT DOES NOT INCLUDE THE FUEL INJECTOR SEALS. ORDER A SINGLE INJECTOR SEAL KIT AS NEEDED.. FOR IN-LINE 4 AND 6 CYLINDER ENGINES WITH ONE CYLINDER HEAD ONLY. KIT INCLUDES TURBO MOUNTING HARDWARE

FOR USE WITH 4W-0283-PAGE: 4
FIELD INSTALLATION

SMCS-1000, 7555

i06728794

NOTE	PART NUMBER	QTY	PART NAME						SEE PAGE
			1	2	3	4	5	6 (PRODUCT LEVEL)	
	7E-3772	1	GASKET						
	243-2288	1	GASKET						
	7N-5089	1	GASKET						
	122-8856	1	GASKET						
	241-5928	1	GASKET						
	362-8264	1	GASKET-CYLINDER HEAD						
	7W-8145	1	GASKET-EXHAUST MANIFOLD						
	7N-5080	1	GASKET-MANIFOLD						
	144-5692	1	GASKET-PLATE						
	272-0758	1	SEAL						
	420-0652	4	SEAL AS-WATER						
	420-0653	4	SEAL AS-WATER						
	127-2176	1	SEAL-INTEGRAL						
	6V-9769	2	SEAL-O-RING						
	2J-0157	1	SEAL-O-RING						
	5P-0840	2	SEAL-O-RING						
	5P-8210	2	SEAL-O-RING						
	6V-3348	1	SEAL-O-RING						
	6V-5101	1	SEAL-O-RING						
	214-7568	4	SEAL-O-RING						
	7N-6806	2	SEAL-RECTANGULAR						
	272-0760	1	SEAL-VALVE COVER						
	272-0757	2	SEAL-VALVE COVER						

FOR A LIST OF RELATED PARTS THAT REQUIRED FOR THE ENGINE REBUILD TO THE KIT CONSIST, PLEASE VISIT

[HTTP://DEALER.CAT.COM/RELATED](http://dealer.cat.com/related)

<END>

BASIC ENGINE

457-6719 KIT-ENGINE GASKET-TURBOCHARGER

KIT CONTAINS GASKETS AND SEALS TO REINSTALL THE TURBOS AND ATTACHING LINES. KIT
INCLUDES TURBO MOUNTING HARDWARE
PART OF 494-1221, 494-1279 KIT-ENGINE OVERHAUL

SMCS-1000, 7555

i07142168

NOTE	PART NUMBER	QTY	PART NAME						SEE PAGE
			1	2	3	4	5	6 (PRODUCT LEVEL)	
	2N-2765	4	BOLT-HIGH TEMPERATURE (3/8-16X1.75-IN)						
	121-5736	1	GASKET (TURBOCHARGER)						
	252-8374	1	GASKET						
	1S-4810	1	GASKET-OIL DRAIN						
	1S-6595	1	GASKET-OIL SUPPLY						
	391-2167	4	LOCKNUT-FLANGE (3/8X16-THD)						
	112-3540	1	SEAL-O-RING						
	6V-3319	2	SEAL-O-RING						
	6V-3917	2	SEAL-O-RING						
	136-7227	1	SEAL-O-RING						
	6V-5167	2	SEAL-O-RING						

FOR A LIST OF RELATED PARTS THAT MAY BE
REQUIRED FOR THE ENGINE REBUILD TO THE KIT
CONSIST, PLEASE VISIT

[HTTP://DEALER.CAT.COM/RELATED](http://dealer.cat.com/related)

<END>

BASIC ENGINE

458-3417 KIT-ENGINE GASKET-SINGLE CYLINDER HEAD

KIT CONTAINS GASKETS, SEALS, AND BENDABLE LOCKS TO REBUILD AND REINSTALL A CYLINDER HEAD. KIT INCLUDES TURBO GASKET. KIT DOES NOT INCLUDE THE FUEL INJECTOR SEALS. ORDER A SINGLE INJECTOR SEAL KIT AS NEEDED. FOR IN-LINE 4 AND 6 CYLINDER ENGINES WITH ONE CYLINDER HEAD ONLY. KIT INCLUDES TURBO MOUNTING HARDWARE
PART OF 494-1221, 494-1279 KIT-ENGINE OVERHAUL

SMCS-1000, 7555

i05962390

NOTE	REF NO	GRAPHIC REF	PART NUMBER	QTY	PART NAME						SEE PAGE
					1	2	3	4	5	6	
	1	1	7E-3772	1	GASKET						
	2	1	7N-5089	1	GASKET						
	3	1	241-5928	1	GASKET						
	4	1	110-6991	1	GASKET-CYLINDER HEAD						
	5	1	7W-8145	1	GASKET-EXHAUST MANIFOLD						
	6	1	7N-5080	1	GASKET-MANIFOLD						
	7	1	144-5692	1	GASKET-PLATE						
	8	1	272-0758	1	SEAL						
	9	1	420-0652	4	SEAL AS-WATER						
	10	1	420-0653	4	SEAL AS-WATER						
	11	1	127-2176	1	SEAL-INTEGRAL						
	12	1	2J-0157	2	SEAL-O-RING						
	13	1	5P-0840	2	SEAL-O-RING						
	14	1	6V-5101	1	SEAL-O-RING						
	15	1	6V-9769	1	SEAL-O-RING						
	16	1	214-7568	2	SEAL-O-RING						
	17	1	7N-6806	2	SEAL-RECTANGULAR						
	18	1	272-0757	1	SEAL-VALVE COVER						

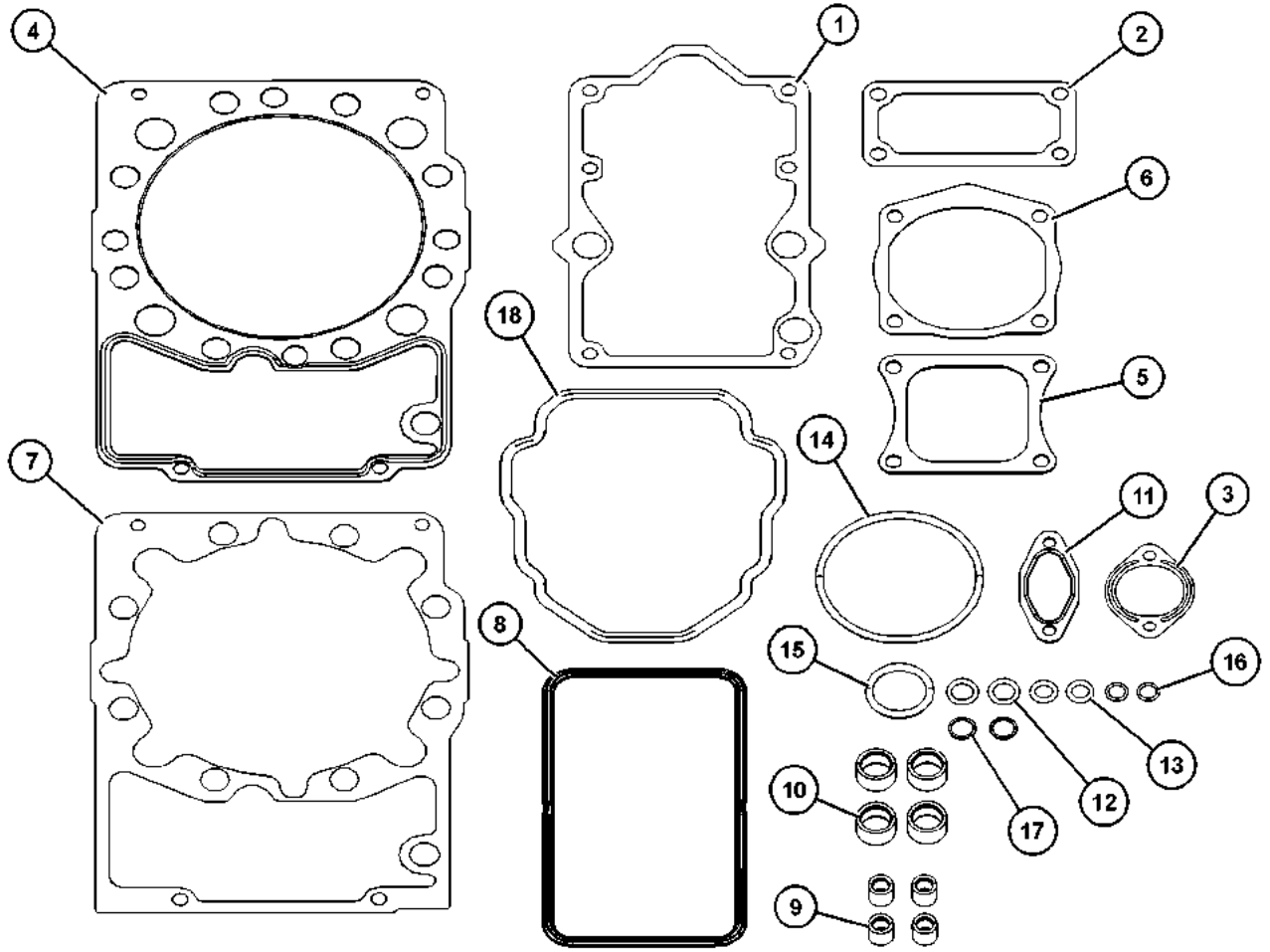
FOR A LIST OF RELATED PARTS THAT MAY BE REQUIRED FOR THE ENGINE REBUILD TO THE KIT CONSIST, PLEASE VISIT

[HTTP://DEALER.CAT.COM/RELATED](http://dealer.cat.com/related)

BASIC ENGINE

458-3417 KIT-ENGINE GASKET (contd.)

i05962390



GRAPHIC #1

<END>

g03740610

BASIC ENGINE

465-8892 KIT-ENGINE GASKET-REAR COVER

KIT CONTAINS GASKETS, SEALS, AND BENDABLE LOCKS TO REINSTALL THE REAR COVER. KIT DOES NOT INCLUDE THE OIL PAN GASKET
PART OF 494-1221 KIT-ENGINE OVERHAUL
FIELD INSTALLATION

SMCS-1000, 7555

i07440829

NOTE	PART NUMBER	QTY	PART NAME						SEE PAGE
			1	2	3	4	5	6 (PRODUCT LEVEL)	
	4H-7869	3	GASKET						
	7N-3368	1	GASKET						
	7N-4320	2	GASKET						
	252-8374	2	GASKET						
	4B-8407	7	GASKET-COPPER						
	1S-4810	2	GASKET-OIL DRAIN						
	436-1479	1	SEAL-CRANKSHAFT (COUNTERCLOCKWISE ROTATION)						
	234-8937	2	SEAL-INTEGRAL						
	3K-0360	3	SEAL-O-RING						
	7X-4805	3	SEAL-O-RING						
	112-3540	2	SEAL-O-RING						
FOR A LIST OF RELATED PARTS THAT MAY BE REQUIRED FOR THE ENGINE REBUILD TO THE KIT CONSIST, PLEASE VISIT									
HTTP://DEALER.CAT.COM/RELATED									
<END>									

BASIC ENGINE

494-1221 KIT-ENGINE OVERHAUL FIELD INSTALLATION

SMCS-1000

i07334185

NOTE	PART NUMBER	QTY	PART NAME						SEE PAGE
			1	2	3	4	5	6 (PRODUCT LEVEL)	
Y	457-6719	2	KIT-ENGINE GASKET (TURBOCHARGER)						231
Y	458-3417	12	KIT-ENGINE GASKET (SINGLE CYLINDER HEAD)						232
Y	465-8892	1	KIT-ENGINE GASKET (REAR COVER)						234
Y	492-0914	1	KIT-GASKET						1472
Y	492-5099	1	KIT-GASKET						1473
	116-1359	14	BEARING-CAMSHAFT						
	4F-7226	12	BOLT (7/16-14X4-IN)						
	4W-3027	3	BREATHER AS (CRANKCASE)						
	140-9597	1	BUSHING						
	1R-0726	3	FILTER ELEMENT AS-ENGINE OIL (STANDARD EFFICIENCY)						
	1R-0756	5	FILTER ELEMENT-FUEL (ADVANCED EFFICIENCY)						
	1W-1251	5	GASKET						
	1W-1253	2	GASKET						
	2W-0752	1	GASKET						
	4W-3100	1	GASKET						
	6F-4868	2	GASKET						
	7E-6016	4	GASKET						
	7N-4945	3	GASKET						
	8N-2410	1	GASKET						
	9L-1480	2	GASKET						
	9Y-8389	1	GASKET						
	122-8856	2	GASKET						
	230-1072	2	GASKET						
	243-2288	4	GASKET						
	7N-4927	1	GASKET-HOUSING COVER						
	7E-2630	1	GASKET-OIL PAN						
	7N-7697	2	PLUNGER AS						
			(EACH INCLUDES)						
	7M-1808	1	DOWEL						
	248-5513	4	REGULATOR-TEMPERATURE (92-DEG C)						
	272-0759	12	SEAL						
	3S-9643	4	SEAL-LIP TYPE						
	259-4600	3	SEAL-O-RING						
	5D-5957	3	SEAL-O-RING						
	5F-9657	4	SEAL-O-RING						
	5P-4892	4	SEAL-O-RING						
	5P-7818	1	SEAL-O-RING						
	5P-8210	1	SEAL-O-RING						
	5P-8872	1	SEAL-O-RING						
	6V-1454	6	SEAL-O-RING						
	6V-3348	8	SEAL-O-RING						
	6V-3907	4	SEAL-O-RING						
	447-7206	4	SEAL-O-RING						
	136-7227	2	SEAL-O-RING						
	6V-5048	5	SEAL-O-RING						
	6V-5066	2	SEAL-O-RING						
	6V-5101	2	SEAL-O-RING						
	6V-8001	1	SEAL-O-RING						
	6V-9027	3	SEAL-O-RING						

BASIC ENGINE

494-1221 **KIT-ENGINE OVERHAUL** (contd.)

i07334185

NOTE	PART NUMBER	QTY	PART NAME						SEE PAGE
			1	2	3	4	5	6 (PRODUCT LEVEL)	
	7M-9909	2	SEAL-O-RING						
	310-3954	2	SEAL-O-RING						
	7X-4805	3	SEAL-O-RING						
	8C-5209	2	SEAL-O-RING						
	8L-2786	1	SEAL-O-RING						
	8T-2928	4	SEAL-O-RING						
	8T-2929	4	SEAL-O-RING						
	033-6031	3	SEAL-O-RING						
	259-4598	1	SEAL-O-RING						
	214-7566	1	SEAL-O-RING						
	214-7568	14	SEAL-O-RING						
	228-7097	1	SEAL-O-RING						
	238-5080	1	SEAL-O-RING						
	238-5081	6	SEAL-O-RING						
	7N-6806	4	SEAL-RECTANGULAR						
	272-0757	3	SEAL-VALVE COVER						
	6B-9202	2	SPRING						
	7N-4782	36	SPRING-LIFTER GUIDE						
	8F-8858	36	VALVE (BUTTON)						

Y - SEPARATE ILLUSTRATION

<END>

BASIC ENGINE

494-1279 KIT-ENGINE OVERHAUL FIELD INSTALLATION

SMCS-1000

i06836667

NOTE	PART NUMBER	QTY	PART NAME						SEE PAGE
			1	2	3	4	5	6 (PRODUCT LEVEL)	
Y	457-6719	2	KIT-ENGINE GASKET (TURBOCHARGER)						231
Y	458-3417	12	KIT-ENGINE GASKET (SINGLE CYLINDER HEAD)						232
Y	304-7216	1	KIT-GASKET (WATER PUMP)						1470
Y	492-0914	1	KIT-GASKET						1472
	4F-7226	12	BOLT (7/16-14X4-IN)						
	4W-3027	3	BREATHER AS (CRANKCASE)						
	1R-0726	3	FILTER ELEMENT AS-ENGINE OIL (STANDARD EFFICIENCY)						
	1R-0756	5	FILTER ELEMENT-FUEL (ADVANCED EFFICIENCY)						
	1W-1251	5	GASKET						
	1W-1253	2	GASKET						
	4W-3100	1	GASKET						
	8N-2410	1	GASKET						
	9Y-8389	1	GASKET						
	230-1072	2	GASKET						
	7N-4927	1	GASKET-HOUSING COVER						
	248-5513	4	REGULATOR-TEMPERATURE (92-DEG C)						
	3S-9643	4	SEAL-LIP TYPE						
	5D-5957	3	SEAL-O-RING						
	5P-4892	4	SEAL-O-RING						
	6V-1454	6	SEAL-O-RING						
	6V-3907	4	SEAL-O-RING						
	6V-4589	1	SEAL-O-RING						
	6V-5048	5	SEAL-O-RING						
	6V-5066	2	SEAL-O-RING						
	6V-8001	1	SEAL-O-RING						
	6V-9027	3	SEAL-O-RING						
	7M-9909	2	SEAL-O-RING						
	8C-5209	2	SEAL-O-RING						
	8L-2786	1	SEAL-O-RING						
	033-6031	3	SEAL-O-RING						
	214-7566	1	SEAL-O-RING						
	214-7568	7	SEAL-O-RING						
	238-5080	1	SEAL-O-RING						
	238-5081	6	SEAL-O-RING						
	7N-6806	4	SEAL-RECTANGULAR						
	272-0757	3	SEAL-VALVE COVER						
	7N-4782	36	SPRING-LIFTER GUIDE						
	8F-8858	36	VALVE (BUTTON)						

Y - SEPARATE ILLUSTRATION

<END>

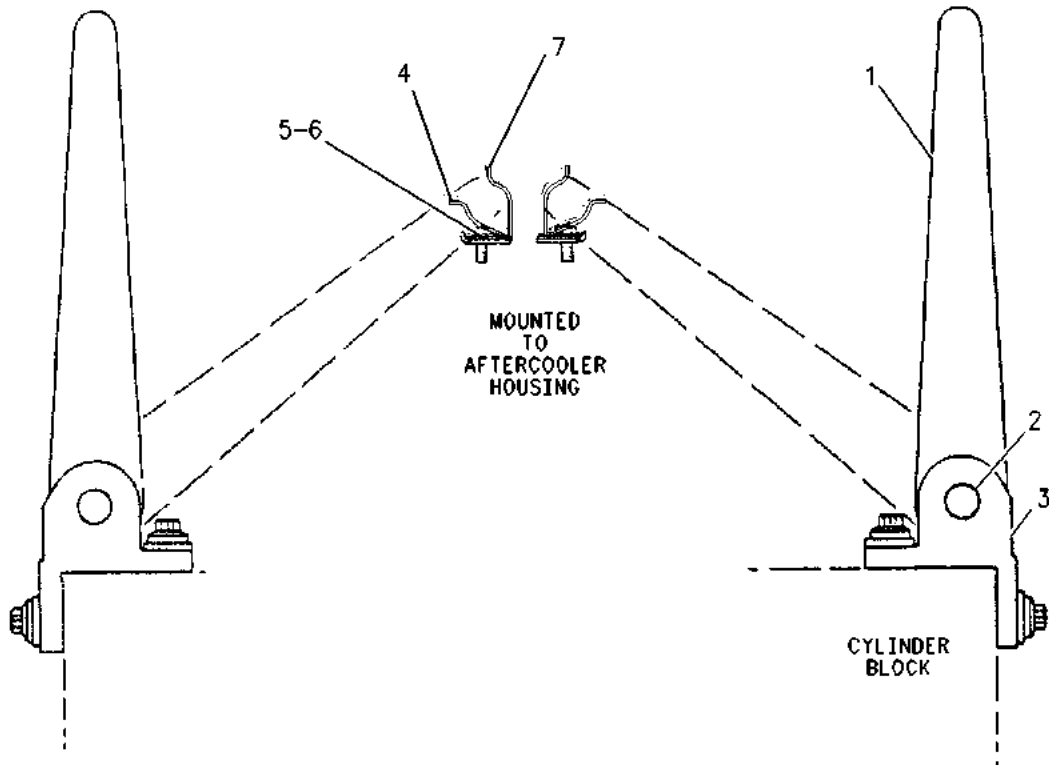
BASIC ENGINE

8N-7734 LIFTING GP-ENGINE

SMCS-1122

i05565854

NOTE	REF NO	GRAPHIC REF	PART NUMBER	QTY	PART NAME						SEE PAGE
					1	2	3	4	5	6	
	1	1	7N-2326	2	EYE-LIFTING						
	2	1	7N-2328	4	DOWEL						
	3	1	155-0726	2	BRACKET AS						
	4	1	8N-2408	2	CLIP						
	5	1	2B-2695	4	BOLT (5/16-18X0.875-IN)						
	6	1	9N-0869	4	WASHER-HARD (8.8X25.5X2-MM THK)						
	7	1	8N-2407	2	CLIP						



GRAPHIC #1

<END>

g00760050

BASIC ENGINE

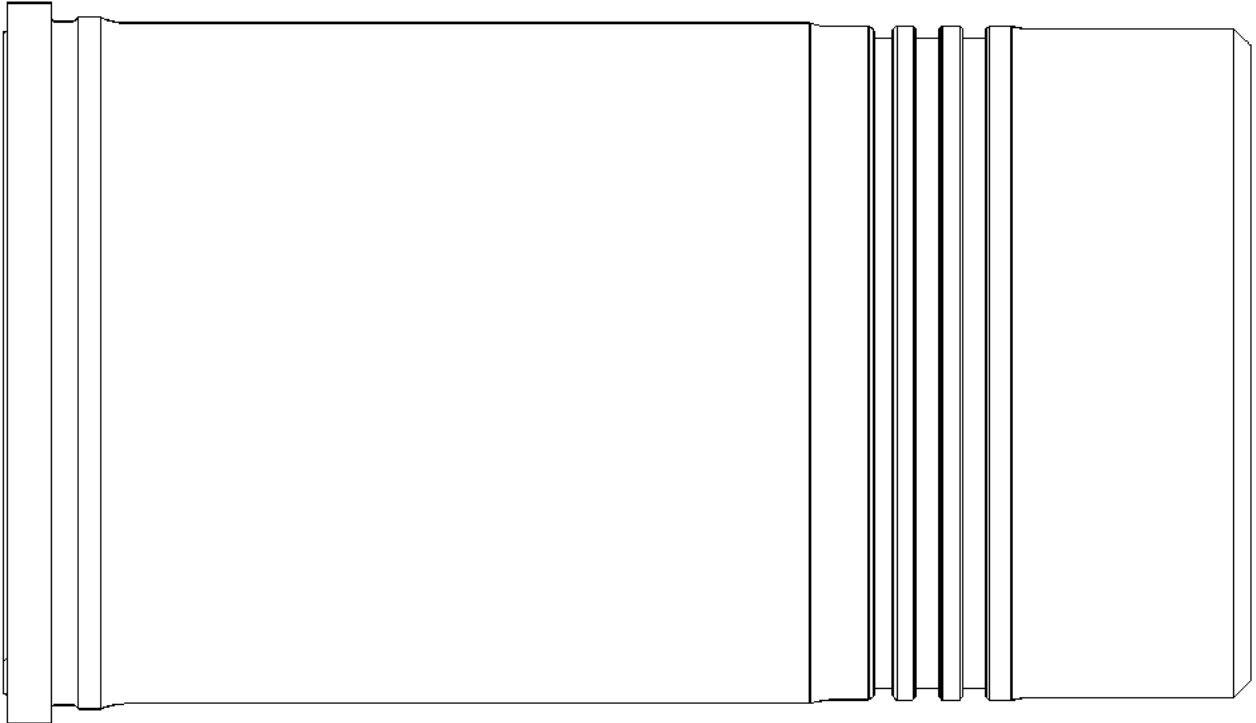
123-8206 LINER-CYLINDER BLOCK

FOR USE WITH CYLINDER BLOCKS WHEN A WEAR STEP EXISTS AND REDECKING IS NOT AN OPTION
FIELD INSTALLATION

SMCS-1201, 1216

i01422885

NOTE	REF NO	GRAPHIC REF	PART NUMBER	QTY	PART NAME						SEE PAGE
					1	2	3	4	5	6 (PRODUCT LEVEL)	
(NO SERVICED PARTS)											



GRAPHIC #1

<END>

g00746112

BASIC ENGINE

206-6473 MOUNTING GP-ALTERNATOR

S/N: 65Z887-1329

AN ATTACHMENT

SMCS-1154, 1405

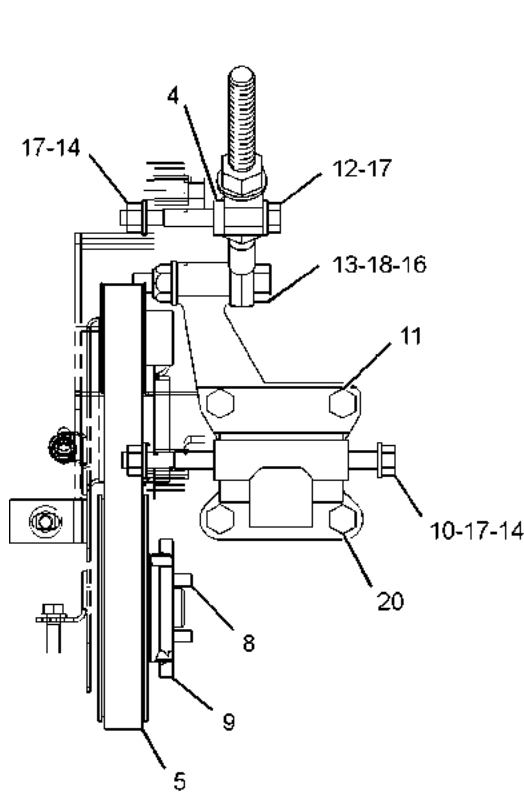
i02605859

NOTE	REF NO	GRAPHIC REF	PART NUMBER	QTY	PART NAME						SEE PAGE
					1	2	3	4	5	6 (PRODUCT LEVEL)	
	1	1	4P-5211	1	SUPPORT - ALTERNATOR						
	2	1	7E-4839	1	PULLEY (8-GROOVE)						
	3	1	7E-4838	1	PULLEY						
	4	1	7N-2597	1	SPACER (13.5X25.4X8.08-MM THK)						
	5	1	141-7116	1	BELT-SERPENTINE (ALTERNATOR)						
	6	1	252-6464	1	BLOCK						
	7	1	252-6498	1	ROD						
	8	1	0S-1571	4	BOLT (3/8-16X1.75-IN)						
	9	1	235-2484	1	SEAL-LIP TYPE						
	10	1	1A-0168	1	BOLT (1/2-13X7.5-IN)						
	11	1	1A-1460	2	BOLT (1/2-13X2-IN)						
	12	1	1D-4569	1	BOLT (1/2-13X4.25-IN)						
	13	1	1D-4586	1	BOLT (5/8-11X3.5-IN)						
	14	1	1F-7958	2	NUT-FULL (1/2-13-THD)						
	15	1	2J-3506	2	NUT-FULL (3/4-10-THD)						
	16	1	3K-2889	1	LOCKNUT (5/8-11-THD)						
	17	1	5P-8245	4	WASHER-HARD (13.5X25.5X3-MM THK)						
	18	1	5P-8247	1	WASHER-HARD (17X32X3.5-MM THK)						
	19	1	5P-8248	2	WASHER-HARD (20X36.5X3.5-MM THK)						
	20	1	7B-3235	2	BOLT (1/2-13X1.375-IN)						

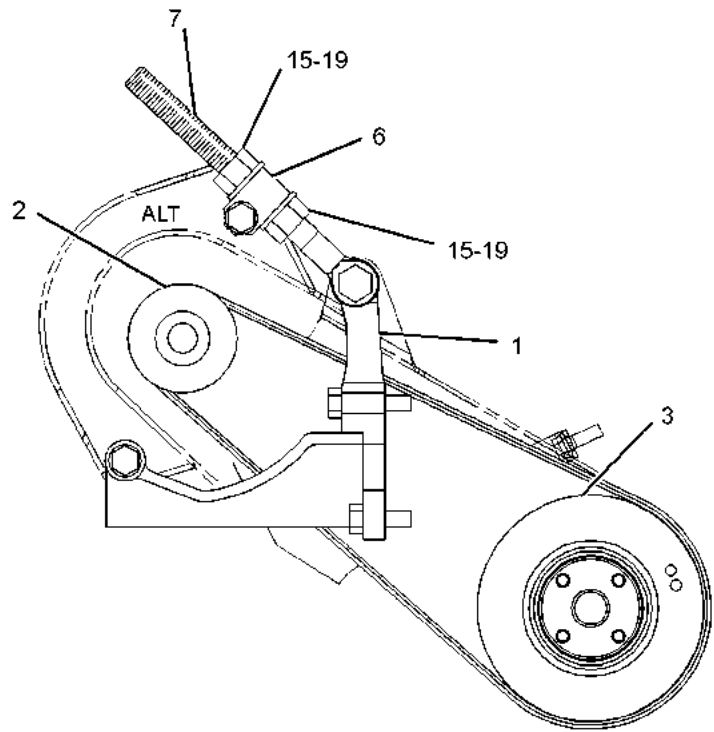
BASIC ENGINE

206-6473 MOUNTING GP-ALTERNATOR (contd.)

102605859



RIGHT SIDE VIEW



FRONT VIEW

GRAPHIC #1

<END>

g01158570

BASIC ENGINE

206-6473 MOUNTING GP-ALTERNATOR

S/N: 65Z1330-UP

AN ATTACHMENT

TYPE 1

SMCS-1154, 1405

i02724837

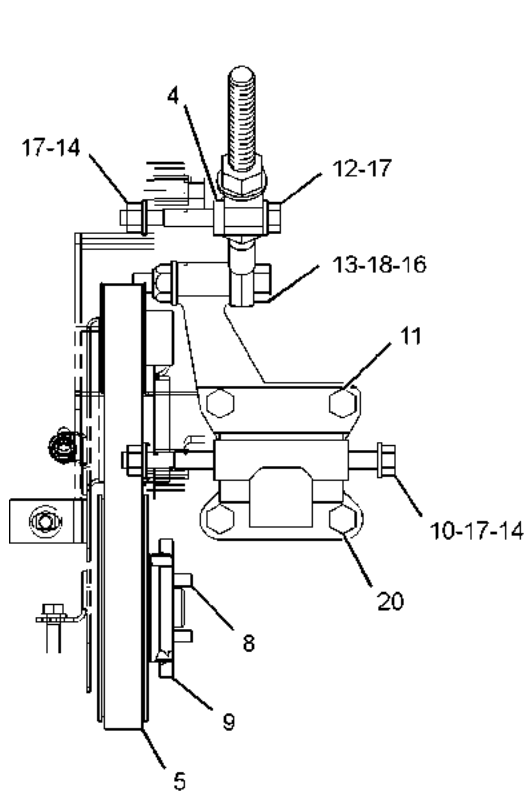
NOTE	REF NO	GRAPHIC REF	PART NUMBER	QTY	PART NAME						SEE PAGE
					1	2	3	4	5	6 (PRODUCT LEVEL)	
	1	1	4P-5211	1	SUPPORT-ALTERNATOR						
	2	1	7E-4839	1	PULLEY (8-GROOVE)						
C	3	1	300-8570	1	PULLEY AS						
		1	300-8567	1	SLEEVE						
		1	300-8569	1	PULLEY (8-GROOVE)						
	4	1	7N-2597	1	SPACER (13.5X25.4X8.08-MM THK)						
	5	1	141-7116	1	BELT-SERPENTINE (ALTERNATOR)						
	6	1	252-6464	1	BLOCK						
	7	1	252-6498	1	ROD						
C	8	1	0S-1590	4	BOLT (3/8-16X2-IN)						
	9	1	235-2484	1	SEAL-LIP TYPE						
	10	1	1A-0168	1	BOLT (1/2-13X7.5-IN)						
	11	1	1A-1460	2	BOLT (1/2-13X2-IN)						
	12	1	1D-4569	1	BOLT (1/2-13X4.25-IN)						
	13	1	1D-4586	1	BOLT (5/8-11X3.5-IN)						
	14	1	1F-7958	2	NUT-FULL (1/2-13-THD)						
	15	1	2J-3506	2	NUT-FULL (3/4-10-THD)						
	16	1	3K-2889	1	LOCKNUT (5/8-11-THD)						
	17	1	5P-8245	4	WASHER-HARD (13.5X25.5X3-MM THK)						
	18	1	5P-8247	1	WASHER-HARD (17X32X3.5-MM THK)						
	19	1	5P-8248	2	WASHER-HARD (20X36.5X3.5-MM THK)						
	20	1	7B-3235	2	BOLT (1/2-13X1.375-IN)						

C - CHANGE FROM PREVIOUS TYPE

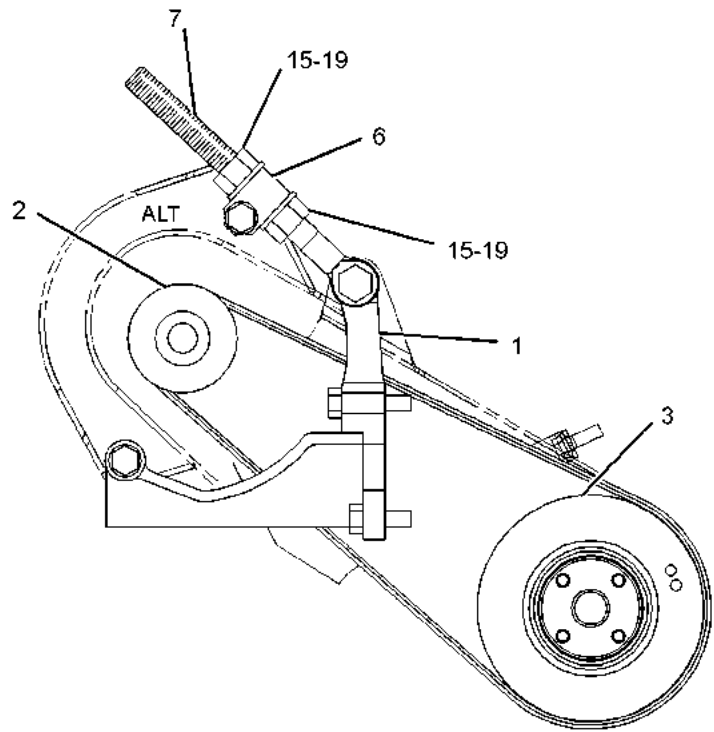
BASIC ENGINE

206-6473 MOUNTING GP-ALTERNATOR (contd.)

i02724837



RIGHT SIDE VIEW



FRONT VIEW

GRAPHIC #1

<END>

g01158570

BASIC ENGINE

206-6473 MOUNTING GP-ALTERNATOR

S/N: 65Z1330-UP

AN ATTACHMENT

TYPE 2

SMCS-1154, 1405

i07400257

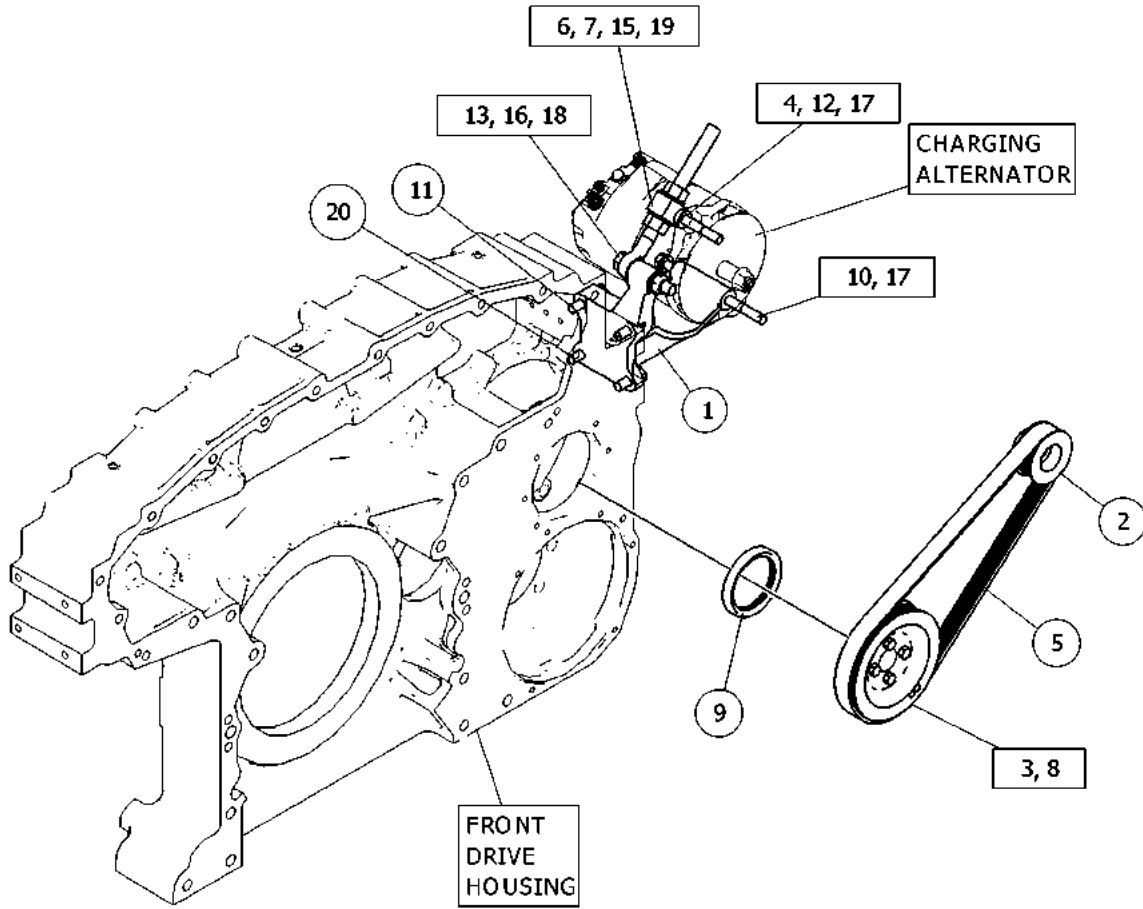
NOTE	REF NO	GRAPHIC REF	PART NUMBER	QTY	PART NAME						SEE PAGE
					1	2	3	4	5	6 (PRODUCT LEVEL)	
	1	1	4P-5211	1	SUPPORT-ALTERNATOR						
	2	1	7E-4839	1	PULLEY (8-GROOVE)						
	3	1	471-1762	1	PULLEY AS						
		1	300-8569	1	PULLEY (8-GROOVE)						
		1	465-2689	1	SEAL-WEAR SLEEVE						
	4	1	7N-2597	1	SPACER (13.5X25.4X8.08-MM THK)						
	5	1	141-7116	1	BELT-SERPENTINE						
	6	1	252-6464	1	BLOCK						
	7	1	252-6498	1	ROD						
	8	1	0S-1590	4	BOLT (3/8-16X2-IN)						
	9	1	235-2484	1	SEAL-LIP TYPE						
C	10	1	1A-0168	1	BOLT (1/2-13X7.5-IN)						
	11	1	1A-1460	2	BOLT (1/2-13X2-IN)						
	12	1	1D-4569	1	BOLT (1/2-13X4.25-IN)						
	13	1	1D-4586	1	BOLT (5/8-11X3.5-IN)						
	15	1	2J-3506	2	NUT-FULL (3/4-10-THD)						
	16	1	3K-2889	1	LOCKNUT (5/8-11-THD)						
C	17	1	5P-8245	2	WASHER-HARD (13.5X25.5X3-MM THK)						
	18	1	5P-8247	1	WASHER-HARD (17X32X3.5-MM THK)						
	19	1	5P-8248	2	WASHER-HARD (20X36.5X3.5-MM THK)						
	20	1	7B-3235	2	BOLT (1/2-13X1.375-IN)						

C - CHANGE FROM PREVIOUS TYPE

BASIC ENGINE

206-6473 MOUNTING GP-ALTERNATOR (contd.)

i07400257



GRAPHIC #1

<END>

g06331144

BASIC ENGINE

7E-4836 MOUNTING GP-ALTERNATOR

S/N: 65Z887-1174

AN ATTACHMENT

SMCS-1154, 1405

i04315279

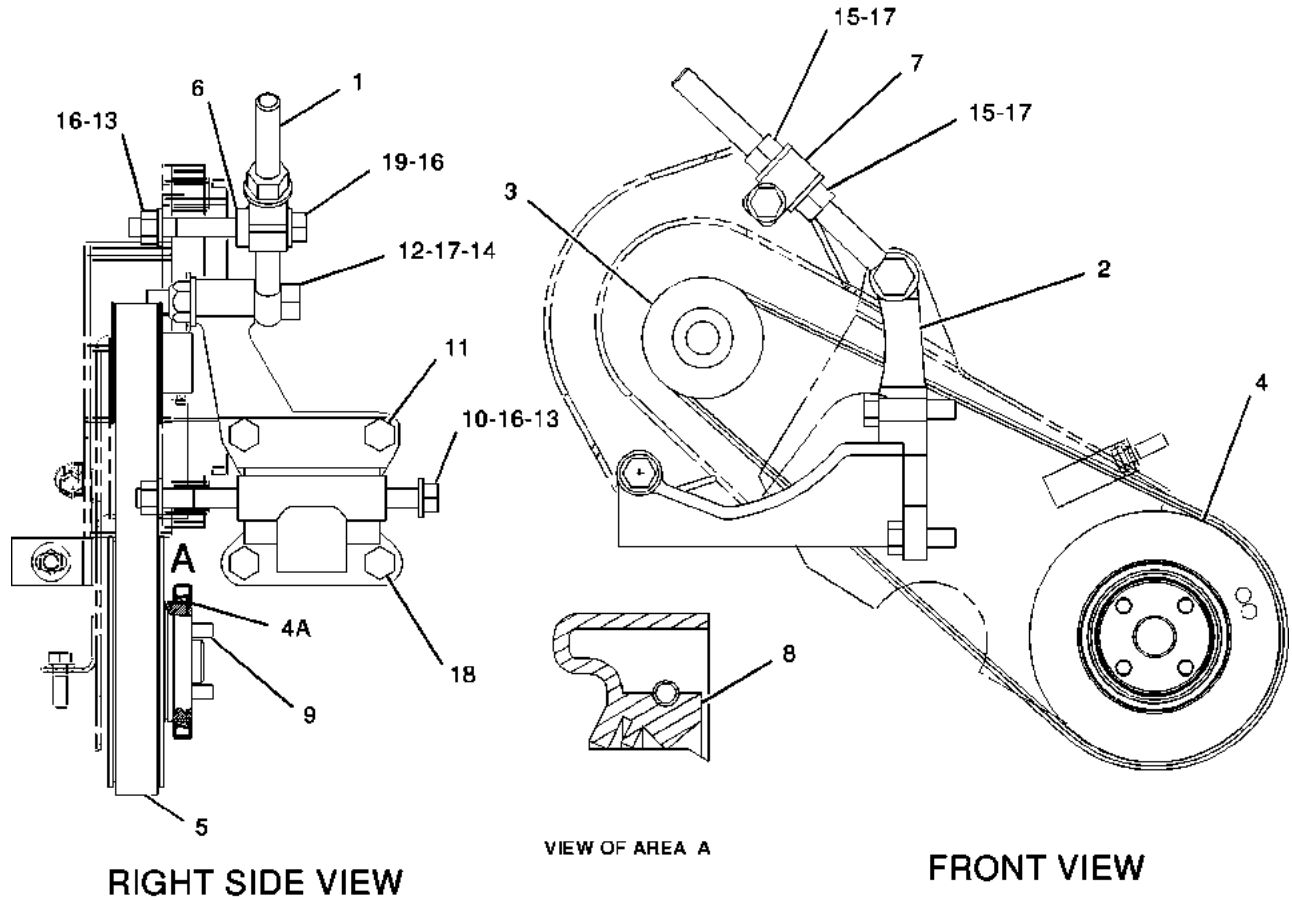
NOTE	REF NO	GRAPHIC REF	PART NUMBER	QTY	PART NAME						SEE PAGE
					1	2	3	4	5	6 (PRODUCT LEVEL)	
	1	1	1S-4589	1	ROD						
C	2	1	4P-5211	1	SUPPORT-ALTERNATOR						
	3	1	7E-4839	1	PULLEY (8-GROOVE)						
	4		7E-4840	1	PULLEY AS						
	4A	1	053-5065	1	SLEEVE						
		1	7E-4838	1	PULLEY (8-GROOVE)						
	5	1	141-7116	1	BELT-SERPENTINE (ALTERNATOR)						
	6	1	7N-2597	1	SPACER (13.5X25.4X8.08-MM THK)						
	7	1	8S-5383	1	BLOCK						
	8	1	235-2484	1	SEAL-LIP TYPE						
	9	1	0S-1571	4	BOLT (3/8-16X1.75-IN)						
	10	1	1A-0168	1	BOLT (1/2-13X7.5-IN)						
	11	1	1A-1460	2	BOLT (1/2-13X2-IN)						
C	12	1	1D-4586	1	BOLT (5/8-11X3.5-IN)						
C	13	1	1F-7958	2	NUT-FULL (1/2-13-THD)						
C	14	1	3K-2889	1	LOCKNUT (5/8-11-THD)						
	15	1	4K-0367	2	NUT-FULL (5/8-11-THD)						
	16	1	5P-8245	4	WASHER-HARD (13.5X25.5X3-MM THK)						
C	17	1	5P-8247	3	WASHER-HARD (17X32X3.5-MM THK)						
	18	1	7B-3235	2	BOLT (1/2-13X1.375-IN)						
	19	1	7D-9766	1	BOLT (1/2-13X4.25-IN)						

C - CHANGE FROM PREVIOUS TYPE

BASIC ENGINE

7E-4836 MOUNTING GP-ALTERNATOR (contd.)

104315279



GRAPHIC #1

<END>

g01012504

BASIC ENGINE

7E-4836 MOUNTING GP-ALTERNATOR

S/N: 65Z1175-1329

AN ATTACHMENT

SMCS-1154, 1405

i04315281

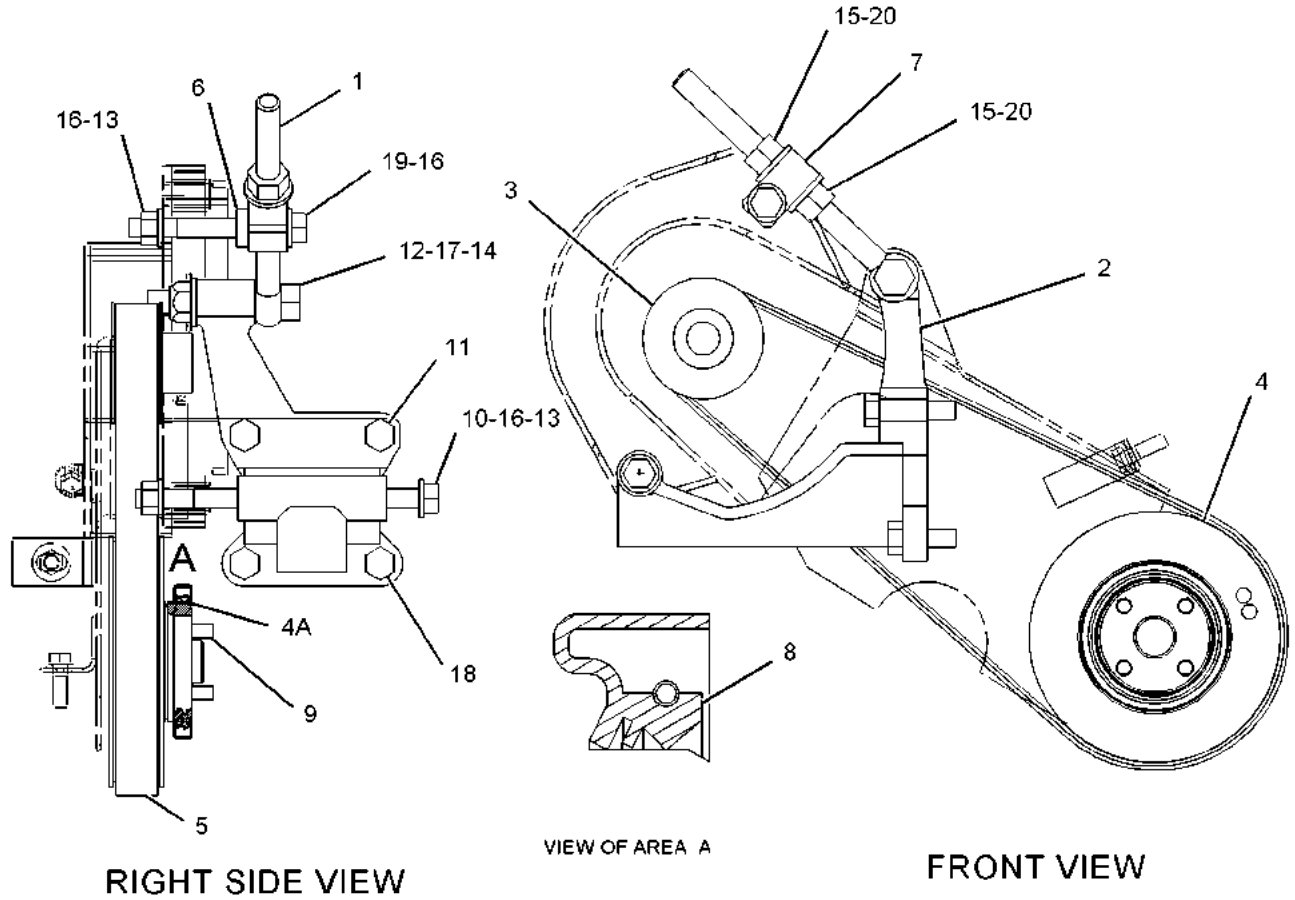
NOTE	REF NO	GRAPHIC REF	PART NUMBER	QTY	PART NAME						SEE PAGE
					1	2	3	4	5	6 (PRODUCT LEVEL)	
C	1	1	252-6498	1	ROD						
	2	1	4P-5211	1	SUPPORT-ALTERNATOR						
	3	1	7E-4839	1	PULLEY (8-GROOVE)						
	4	1	7E-4840	1	PULLEY AS						
	4A	1	053-5065	1	SLEEVE						
		1	7E-4838	1	PULLEY (8-GROOVE)						
	5	1	141-7116	1	BELT-SERPENTINE (ALTERNATOR)						
	6	1	7N-2597	1	SPACER (13.5X25.4X8.08-MM THK)						
C	7	1	252-6464	1	BLOCK						
	8	1	235-2484	1	SEAL-LIP TYPE						
	9	1	0S-1571	4	BOLT (3/8-16X1.75-IN)						
	10	1	1A-0168	1	BOLT (1/2-13X7.5-IN)						
	11	1	1A-1460	2	BOLT (1/2-13X2-IN)						
	12	1	1D-4586	1	BOLT (5/8-11X3.5-IN)						
	13	1	1F-7958	2	NUT-FULL (1/2-13-THD)						
	14	1	3K-2889	1	LOCKNUT (5/8-11-THD)						
C	15	1	2J-3506	2	NUT-FULL (3/4-10-THD)						
	16	1	5P-8245	4	WASHER-HARD (13.5X25.5X3-MM THK)						
C	17	1	5P-8247	1	WASHER-HARD (17X32X3.5-MM THK)						
	18	1	7B-3235	2	BOLT (1/2-13X1.375-IN)						
	19	1	7D-9766	1	BOLT (1/2-13X4.25-IN)						
C	20	1	5P-8248	2	WASHER-HARD (20X36.5X3.5-MM THK)						

C - CHANGE FROM PREVIOUS TYPE

BASIC ENGINE

7E-4836 MOUNTING GP-ALTERNATOR (contd.)

104315281



GRAPHIC #1

<END>

g01109005

BASIC ENGINE

7E-4836 MOUNTING GP-ALTERNATOR

S/N: 65Z1330-UP

AN ATTACHMENT

SMCS-1154, 1405

i07499356

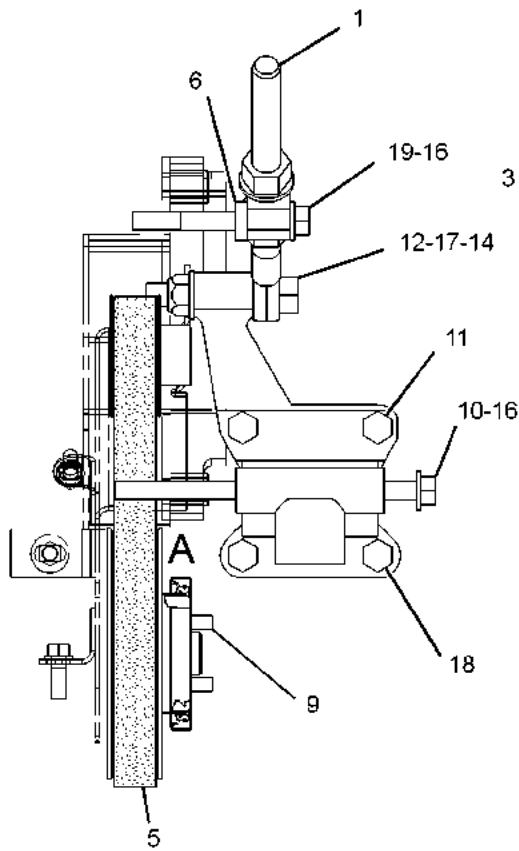
NOTE	REF NO	GRAPHIC REF	PART NUMBER	QTY	PART NAME						SEE PAGE
					1	2	3	4	5	6 (PRODUCT LEVEL)	
	1	1	252-6498	1	ROD						
	2	1	4P-5211	1	SUPPORT-ALTERNATOR						
	3	1	7E-4839	1	PULLEY (8-GROOVE)						
C	4	1	471-1762	1	PULLEY AS						
		1	300-8569	1	PULLEY (8-GROOVE)						
		1	465-2689	1	SEAL-WEAR SLEEVE						
	5	1	141-7116	1	BELT-SERPENTINE (ALTERNATOR)						
	6	1	7N-2597	1	SPACER (13.5X25.4X8.08-MM THK)						
	7	1	252-6464	1	BLOCK						
	8	1	235-2484	1	SEAL-LIP TYPE						
C	9	1	0S-1590	4	BOLT (3/8-16X2-IN)						
	10	1	1A-0168	1	BOLT (1/2-13X7.5-IN)						
	11	1	1A-1460	2	BOLT (1/2-13X2-IN)						
	12	1	1D-4586	1	BOLT (5/8-11X3.5-IN)						
	14	1	3K-2889	1	LOCKNUT (5/8-11-THD)						
	15	1	2J-3506	2	NUT-FULL (3/4-10-THD)						
	16	1	5P-8245	2	WASHER-HARD (13.5X25.5X3-MM THK)						
	17	1	5P-8247	1	WASHER-HARD (17X32X3.5-MM THK)						
	18	1	7B-3235	2	BOLT (1/2-13X1.375-IN)						
	19	1	7D-9766	1	BOLT (1/2-13X4.25-IN)						
	20	1	5P-8248	2	WASHER-HARD (20X36.5X3.5-MM THK)						

C - CHANGE FROM PREVIOUS TYPE

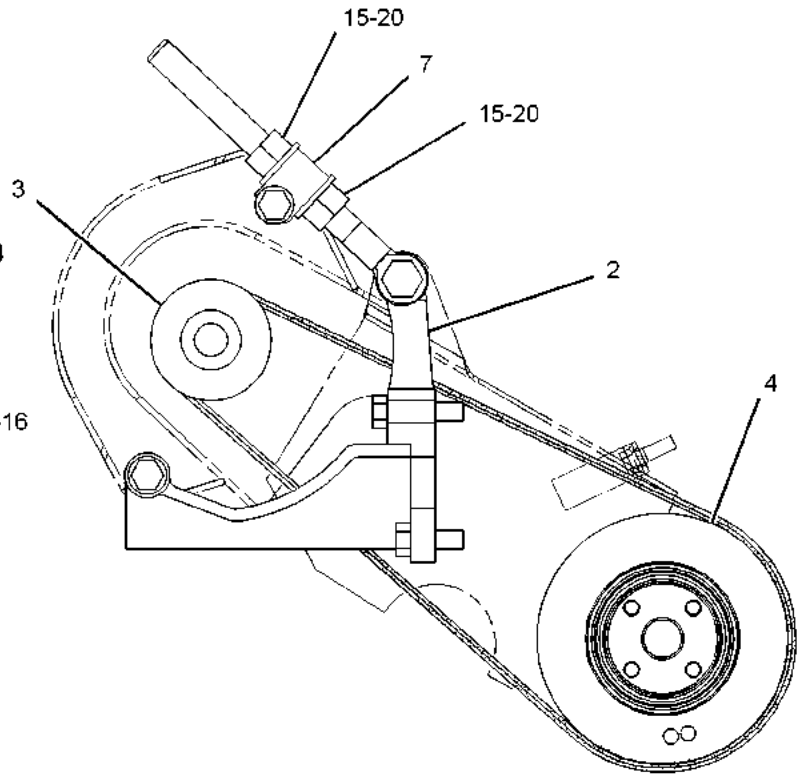
BASIC ENGINE

7E-4836 MOUNTING GP-ALTERNATOR (contd.)

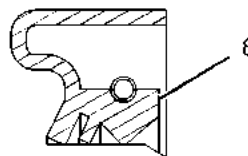
107499356



RIGHT SIDE VIEW OF ENGINE



FRONT VIEW OF ENGINE



VIEW OF AREA A

GRAPHIC #1

<END>

g02112357

BASIC ENGINE

7C-1649 MOUNTING GP-ENGINE AN ATTACHMENT

SMCS-1152, 1153, 1154

i00884875

NOTE	PART NUMBER	QTY	PART NAME						SEE PAGE
			1	2	3	4	5	6 (PRODUCT LEVEL)	
	2H-3743	6	BOLT (1-14X2-IN)						
	0L-1178	18	BOLT (3/4-10X2-IN)						
	0V-0459	16	BOLT (5/8-18X4-IN)						
	031-3185	12	BOLT-12 POINT HEAD (5/8-11X3-IN)						
	7C-1928	4	GUSSET						
	7C-1929	4	PLATE						
	7C-1930	2	PLATE						
	5P-8248	18	WASHER-HARD (20X36.5X3.5-MM THK)						

<END>

BASIC ENGINE

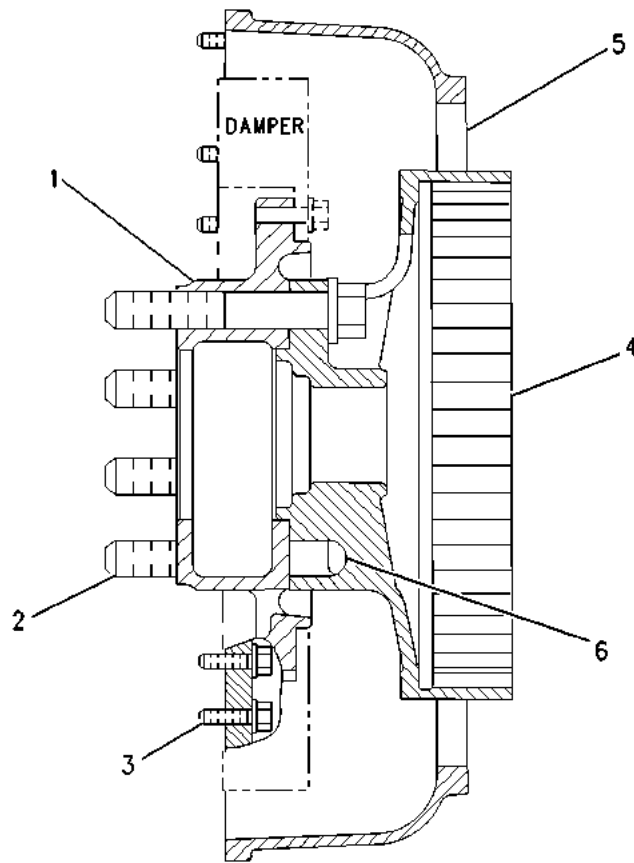
7W-0283 MOUNTING GP-HYD PUMP DRIVE

CANNOT BE USED WITH ATTACHMENT DAMPER GP
AN ATTACHMENT

SMCS-1207

i01758034

NOTE	REF NO	GRAPHIC REF	PART NUMBER	QTY	PART NAME						SEE PAGE
					1	2	3	4	5	6	
	1	1	7W-3415	1	ADAPTER-DAMPER						
	2	1	5F-6932	6	BOLT (1-14X7-IN)						
	3	1	5P-8250	6	WASHER (28X49X5-MM THK)						
	4	1	0S-1587	10	BOLT (1/2-13X1.75-IN)						
	5	1	5P-8245	10	WASHER-HARD (13.5X25.5X3-MM THK)						
	6	1	2W-8014	1	COUPLING-FRONT PTO						
	7	1	7W-0285	1	ADAPTER AS-FRONT						
	8	1	4N-0683	2	DOWEL						



RIGHT SIDE VIEW

GRAPHIC #1

<END>

g00899261

BASIC ENGINE

7W-0284 MOUNTING GP-HYD PUMP DRIVE

AN ATTACHMENT

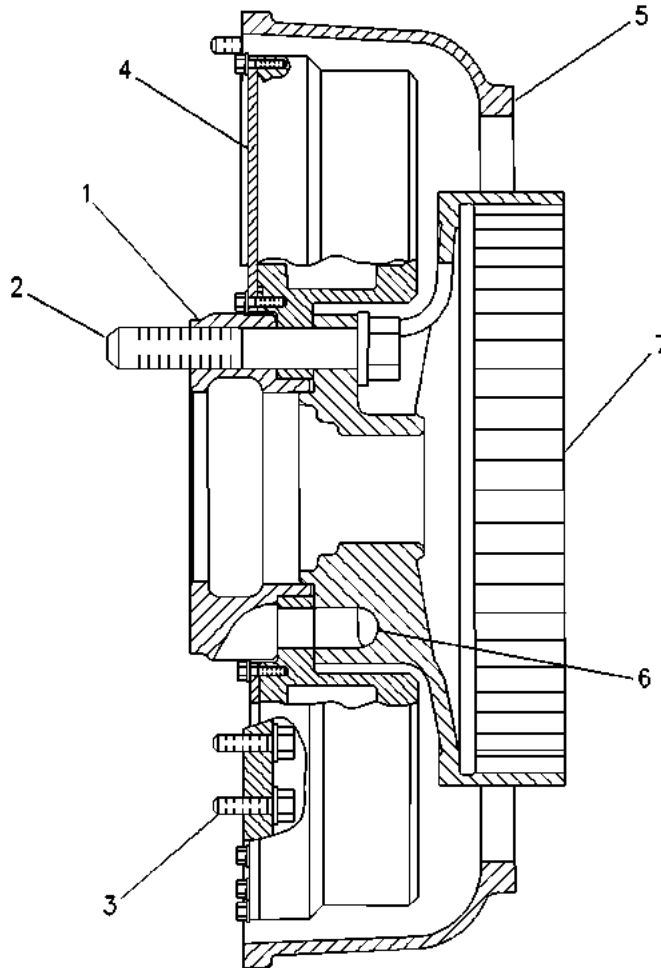
TYPE 1

SMCS-1207

i01758039

NOTE	REF NO	GRAPHIC REF	PART NUMBER	QTY	PART NAME						SEE PAGE
					1	2	3	4	5	6	
	1	1	7W-0287	1	ADAPTER-DAMPER						
	2	1	5F-6932	6	BOLT (1-14X7-IN)						
		1	5P-8250	6	WASHER (28X49X5-MM THK)						
	3	1	0S-1587	10	BOLT (1/2-13X1.75-IN)						
		1	5P-8245	10	WASHER-HARD (13.5X25.5X3-MM THK)						
CY	4	1	100-4325	1	DAMPER GP						136
	5	1	7W-0285	1	ADAPTER AS-FRONT						
	6	1	4N-0683	2	DOWEL						
	7	1	2W-8014	1	COUPLING-FRONT PTO						

C - CHANGE FROM PREVIOUS TYPE
Y - SEPARATE ILLUSTRATION



RIGHT SIDE VIEW

<END>

GRAPHIC #1

g00900722

BASIC ENGINE

7W-0284 MOUNTING GP-HYD PUMP DRIVE

AN ATTACHMENT

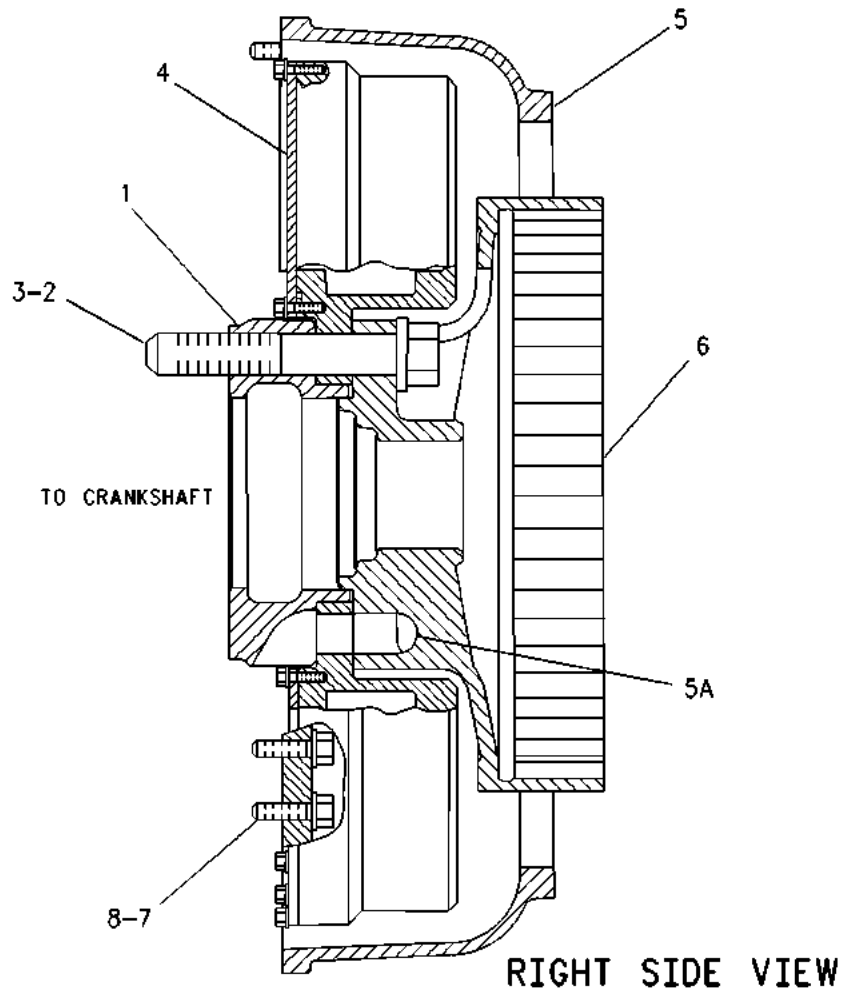
TYPE 2

SMCS-1207

i07350073

NOTE	REF NO	GRAPHIC REF	PART NUMBER	QTY	PART NAME						SEE PAGE
					1	2	3	4	5	6	
	1	1	7W-0287	1	ADAPTER-DAMPER						
	2	1	5F-6932	6	BOLT (1-14X7-IN)						
	3	1	5P-8250	6	WASHER (28X49X5-MM THK)						
CYR	4	1	171-4571	1	DAMPER GP						139
	5	1	7W-0285	1	ADAPTER AS-FRONT						
	5A	1	4N-0683	2	DOWEL						
	6	1	2W-8014	1	COUPLING-FRONT PTO						
	7	1	0S-1587	10	BOLT (1/2-13X1.75-IN)						
	8	1	5P-8245	10	WASHER-HARD (13.5X25.5X3-MM THK)						

C - CHANGE FROM PREVIOUS TYPE
 R - REMANUFACTURED PART MAY BE AVAILABLE
 Y - SEPARATE ILLUSTRATION



GRAPHIC #1

<END>

g00899264

BASIC ENGINE

7C-6752 PAN GP-OIL

SMCS - 1302

i06651372

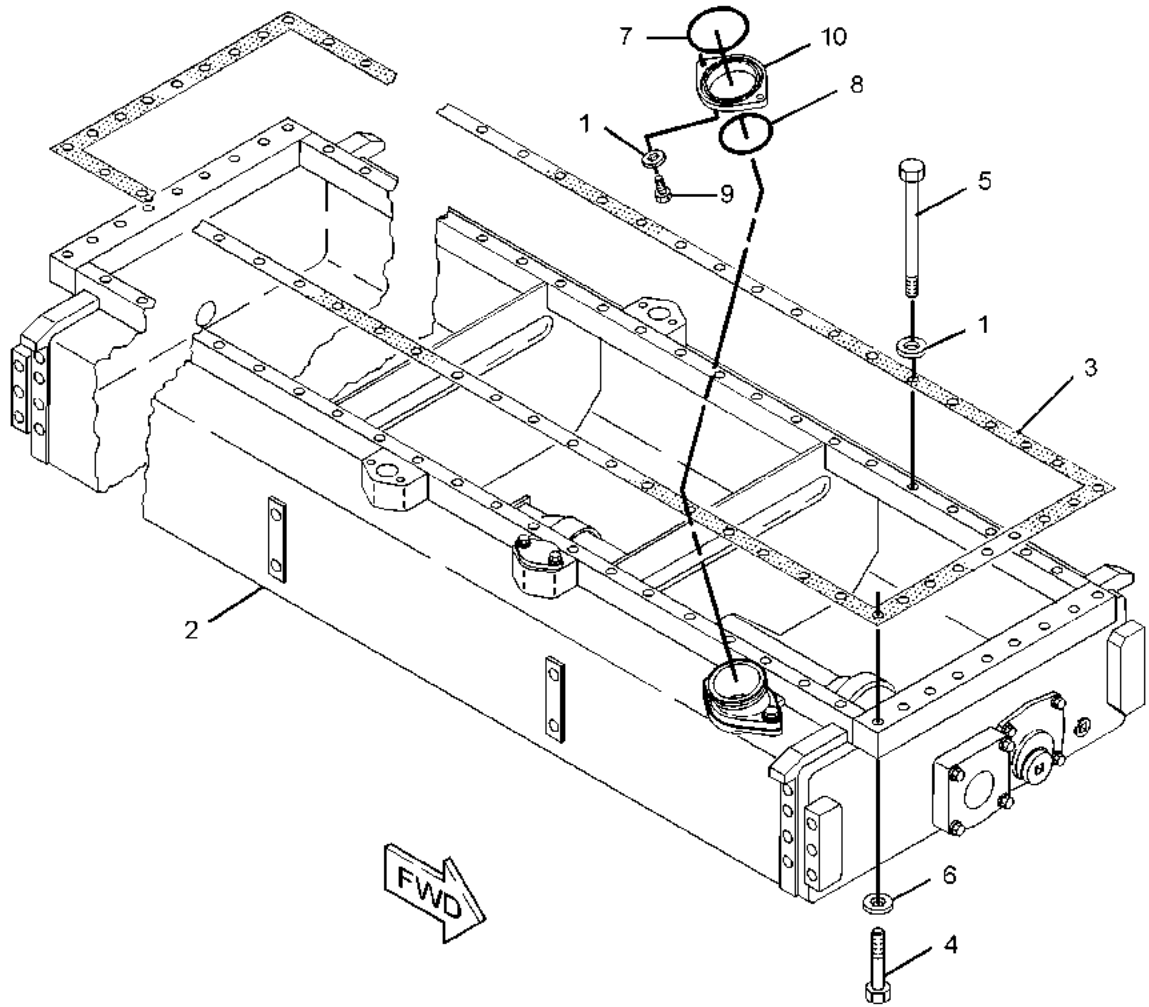
NOTE	REF NO	GRAPHIC REF	PART NUMBER	QTY	PART NAME	SEE PAGE
					1 2 3 4 5 6 (PRODUCT LEVEL)	
	1	1	5M-2894	40	WASHER-HARD (10.2X18.5X2.5-MM THK)	
Y	2	1	9Y-3087	1	PAN GP-OIL (ENGINE)	265
	3	1	7E-2630	1	GASKET-OIL PAN (ENGINE)	
	4	1	0L-1143	18	BOLT (3/8-16X2.5-IN)	
	5	1	0T-0065	38	BOLT (3/8-16X3.5-IN)	
	6	1	8M-9124	18	WASHER (10X22.5X8-MM THK)	
	7	1	6V-5101	1	SEAL-O-RING	
	8	1	3P-0654	1	SEAL-O-RING	
	9	1	0S-1588	2	BOLT (3/8-16X1.25-IN)	
	10	1	7W-0129	1	FLANGE	

Y - SEPARATE ILLUSTRATION

BASIC ENGINE

7C-6752 PAN GP-OIL (contd.)

106651372



GRAPHIC #1

<END>

g03895539

BASIC ENGINE

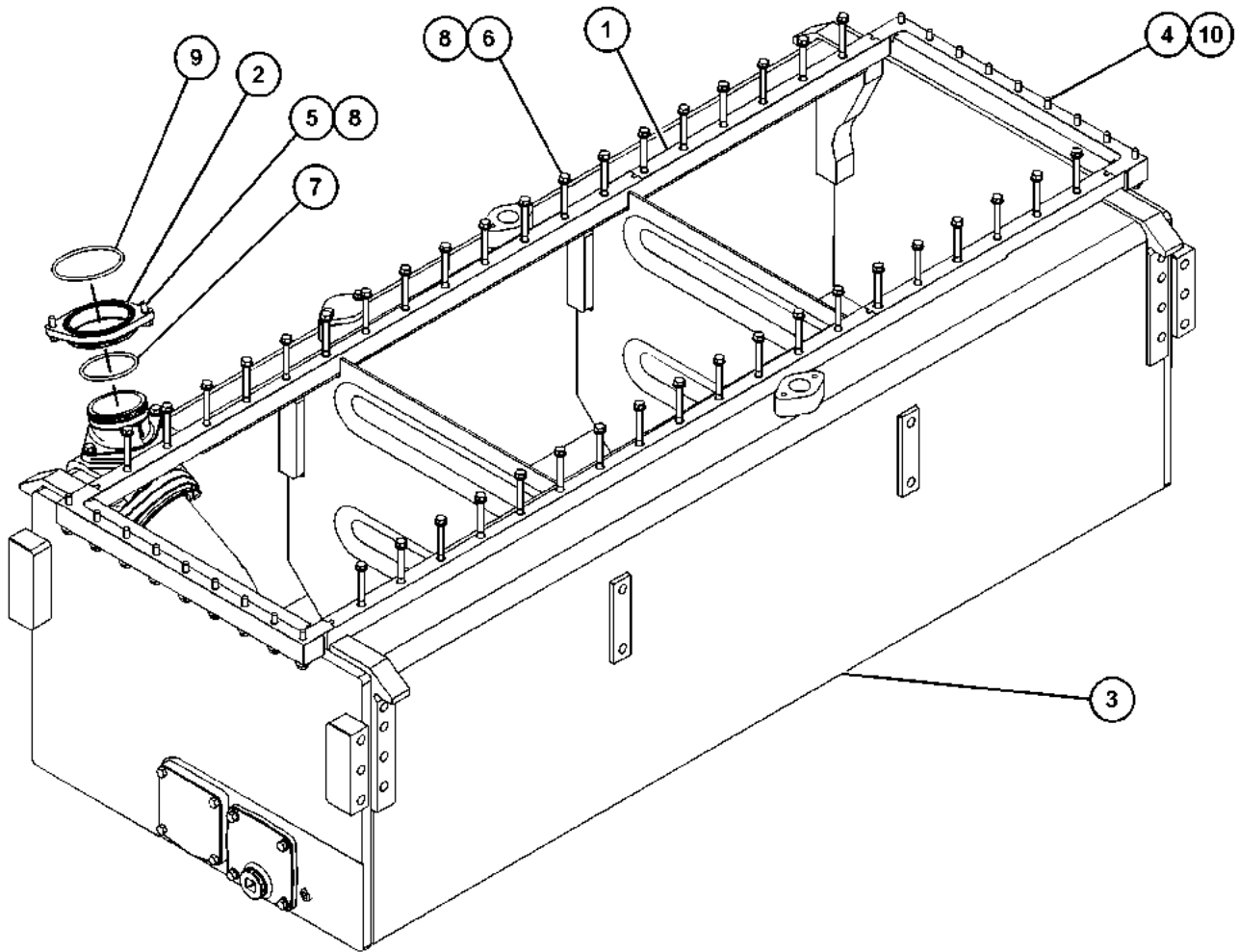
7C-9938 PAN GP-OIL-DEEP SUMP AN ATTACHMENT

SMCS-1302

i06045272

NOTE	REF NO	GRAPHIC REF	PART NUMBER	QTY	PART NAME						SEE PAGE
					1	2	3	4	5	6	
	1	1	7E-2630	1	GASKET-OIL PAN						
	2	1	7W-0129	1	FLANGE						
Y	3	1	9Y-3084	1	PAN GP-OIL						259
	4	1	0L-1143	18	BOLT (3/8-16X2.5-IN)						
	5	1	0S-1588	2	BOLT (3/8-16X1.25-IN)						
	6	1	0T-0065	38	BOLT (3/8-16X3.5-IN)						
	7	1	3P-0654	1	SEAL-O-RING						
	8	1	5M-2894	40	WASHER-HARD (10.2X18.5X2.5-MM THK)						
	9	1	6V-5101	1	SEAL-O-RING						
	10	1	8M-9124	18	WASHER (10X22.5X8-MM THK)						

Y - SEPARATE ILLUSTRATION



GRAPHIC #1

<END>

g03810484

BASIC ENGINE

9Y-3084 PAN GP-OIL-DEEP SUMP

S/N: 65Z887-950

PART OF 7C-9938 PAN GP-OIL
AN ATTACHMENT

SMCS-1302

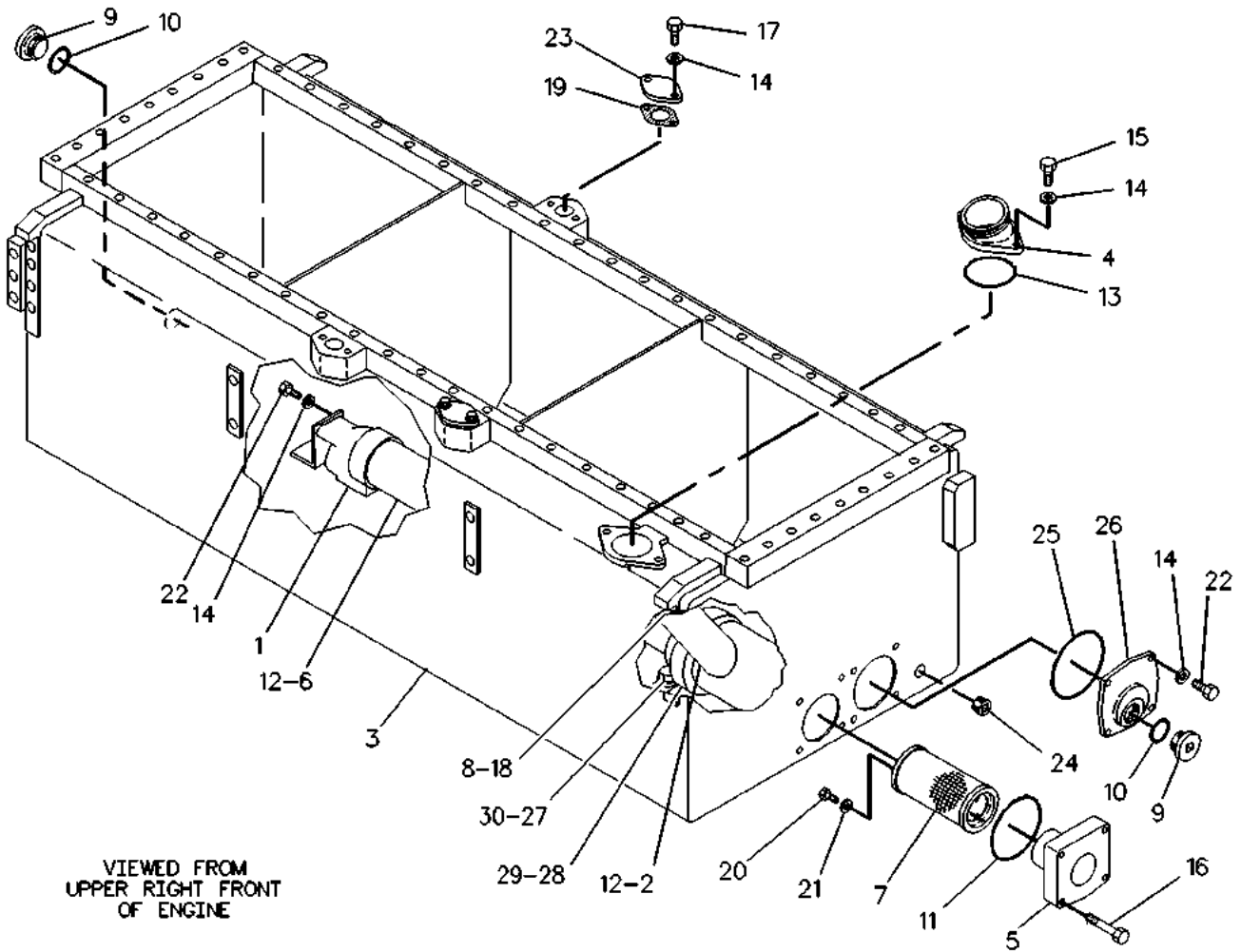
i03628517

NOTE	REF NO	GRAPHIC REF	PART NUMBER	QTY	PART NAME						SEE PAGE
					1	2	3	4	5	6 (PRODUCT LEVEL)	
	1	1	111-3812	1	ELBOW						
	2	1	114-2413	1	TUBE AS						
	3	1	118-4609	1	PAN AS-OIL						
	4	1	7C-4715	1	CONNECTOR						
	5	1	116-3263	1	ADAPTER						
	6	1	114-2411	1	TUBE-SUCTION						
	7	1	7C-4716	1	SCREEN AS-SUCTION (ENGINE OIL PAN)						
	8	1	6V-5101	1	SEAL-O-RING						
	9	1	4B-2363	2	PLUG-OIL DRAIN (ENGINE OIL PAN)						
	10	1	6F-4868	2	GASKET						
	11	1	5P-8872	1	SEAL-O-RING						
	12	1	3P-0654	3	SEAL-O-RING						
	13	1	5P-7818	1	SEAL-O-RING						
	14	1	5M-2894	14	WASHER-HARD (10.2X18.5X2.5-MM THK)						
	15	1	0S-1588	4	BOLT (3/8-16X1.25-IN)						
	16	1	0S-1571	4	BOLT (3/8-16X1.75-IN)						
	17	1	0S-1594	4	BOLT (3/8-16X1-IN)						
	18	1	7W-0129	1	FLANGE						
	19	1	9L-1480	2	GASKET						
	20	1	2A-0762	2	BOLT (1/4-20X0.625-IN)						
	21	1	5P-0537	2	WASHER-HARD (7.2X14.5X2-MM THK)						
	22	1	0L-1351	6	BOLT (3/8-16X0.875-IN)						
	23	1	4B-3140	2	COVER						
	24	1	2B-0858	1	PLUG-PIPE						
	25	1	6V-4314	1	SEAL-O-RING						
	26	1	7N-6387	1	COVER						
	27	1	0S-1590	2	BOLT (3/8-16X2-IN)						
	28	1	111-2081	1	HOUSING-OIL						
	29	1	7X-1547	2	SEAL-O-RING						
	30	1	8M-9024	2	WASHER-HARD (10.2X22.5X5-MM THK)						

BASIC ENGINE

9Y-3084 PAN GP-OIL (contd.)

i03628517



GRAPHIC #1

<END>

g00249788

BASIC ENGINE

9Y-3084 PAN GP-OIL-DEEP SUMP

S/N: 65Z951-UP

PART OF 7C-9938 PAN GP-OIL

AN ATTACHMENT

TYPE 1

SMCS-1302

i03152321

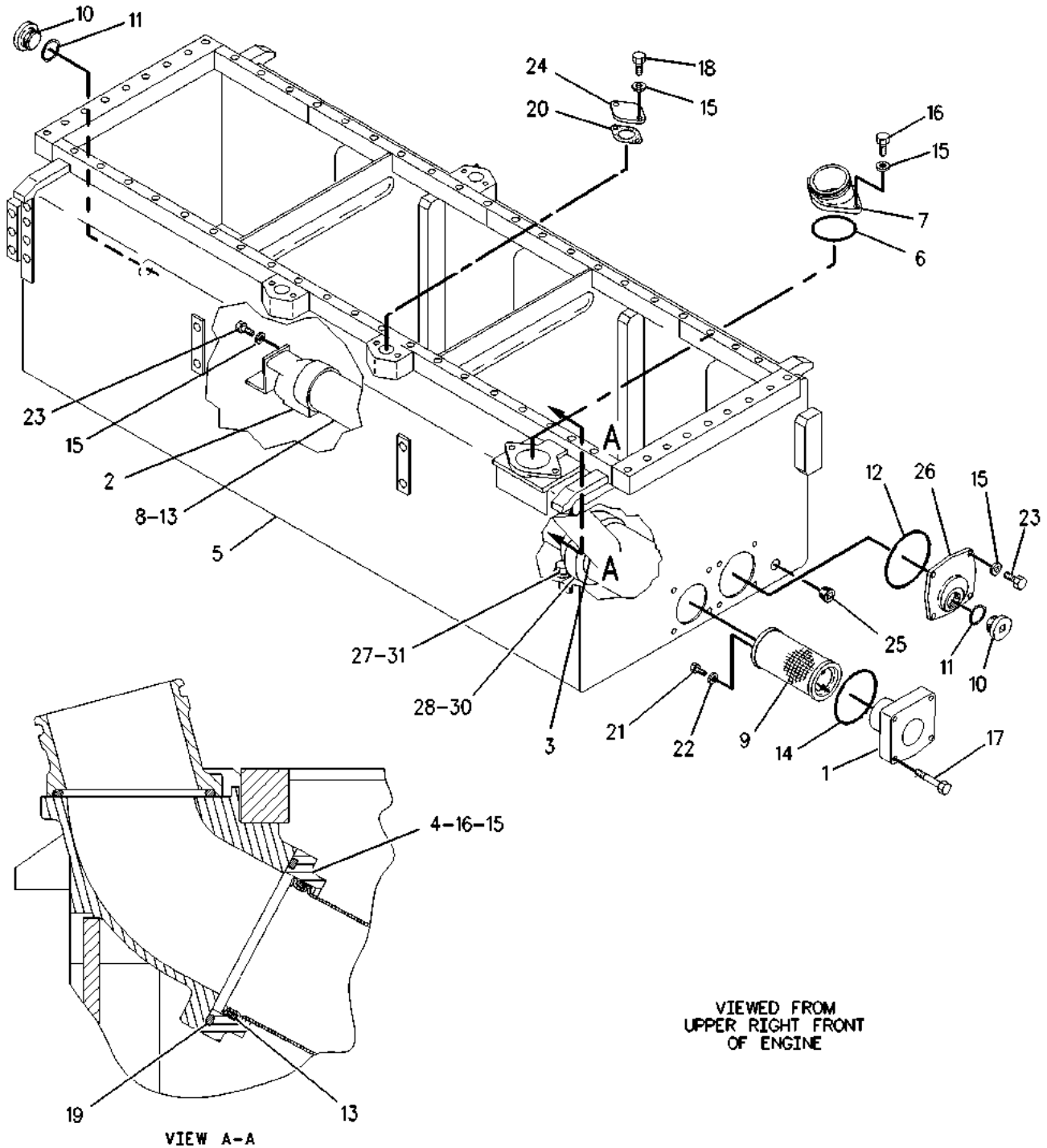
NOTE	REF NO	GRAPHIC REF	PART NUMBER	QTY	PART NAME						SEE PAGE
					1	2	3	4	5	6 (PRODUCT LEVEL)	
	1	1	116-3263	1	ADAPTER						
	2	1	111-3812	1	ELBOW						
	3	1	114-2413	1	TUBE AS						
	4	1	7W-0129	1	FLANGE						
C	5	1	176-8290	1	PAN AS-OIL						
	6	1	5P-7818	1	SEAL-O-RING						
	7	1	7C-4715	1	CONNECTOR						
	8	1	114-2411	1	TUBE-SUCTION						
	9	1	7C-4716	1	SCREEN AS-SUCTION (ENGINE OIL PAN)						
	10	1	4B-2363	2	PLUG-OIL DRAIN (ENGINE OIL PAN)						
	11	1	6F-4868	2	GASKET						
C	12	1	125-9794	1	SEAL-O-RING						
	13	1	3P-0654	3	SEAL-O-RING						
	14	1	5P-8872	1	SEAL-O-RING						
	15	1	5M-2894	12	WASHER-HARD (10.2X18.5X2.5-MM THK)						
	16	1	0S-1588	4	BOLT (3/8-16X1.25-IN)						
	17	1	0S-1571	4	BOLT (3/8-16X1.75-IN)						
	18	1	0S-1594	2	BOLT (3/8-16X1-IN)						
	19	1	6V-5101	1	SEAL-O-RING						
	20	1	9L-1480	1	GASKET						
	21	1	2A-0762	2	BOLT (1/4-20X0.625-IN)						
	22	1	5P-0537	2	WASHER-HARD (7.2X14.5X2-MM THK)						
	23	1	0L-1351	6	BOLT (3/8-16X0.875-IN)						
	24	1	4B-3140	1	COVER						
	25	1	8T-6762	1	PLUG-PIPE (1/2-14-THD)						
C	26	1	149-9298	1	COVER						
	27	1	0S-1590	2	BOLT (3/8-16X2-IN)						
	28	1	111-2081	1	HOUSING-OIL						
	30	1	7X-1547	2	SEAL-O-RING						
	31	1	8M-9024	2	WASHER-HARD (10.2X22.5X5-MM THK)						

C - CHANGE FROM PREVIOUS TYPE

BASIC ENGINE

9Y-3084 PAN GP-OIL (contd.)

i03152321



GRAPHIC #1

<END>

g00625232

BASIC ENGINE

9Y-3084 PAN GP-OIL-DEEP SUMP

S/N: 65Z951-UP

PART OF 7C-9938 PAN GP-OIL

AN ATTACHMENT

TYPE 2

SMCS-1302

i02987830

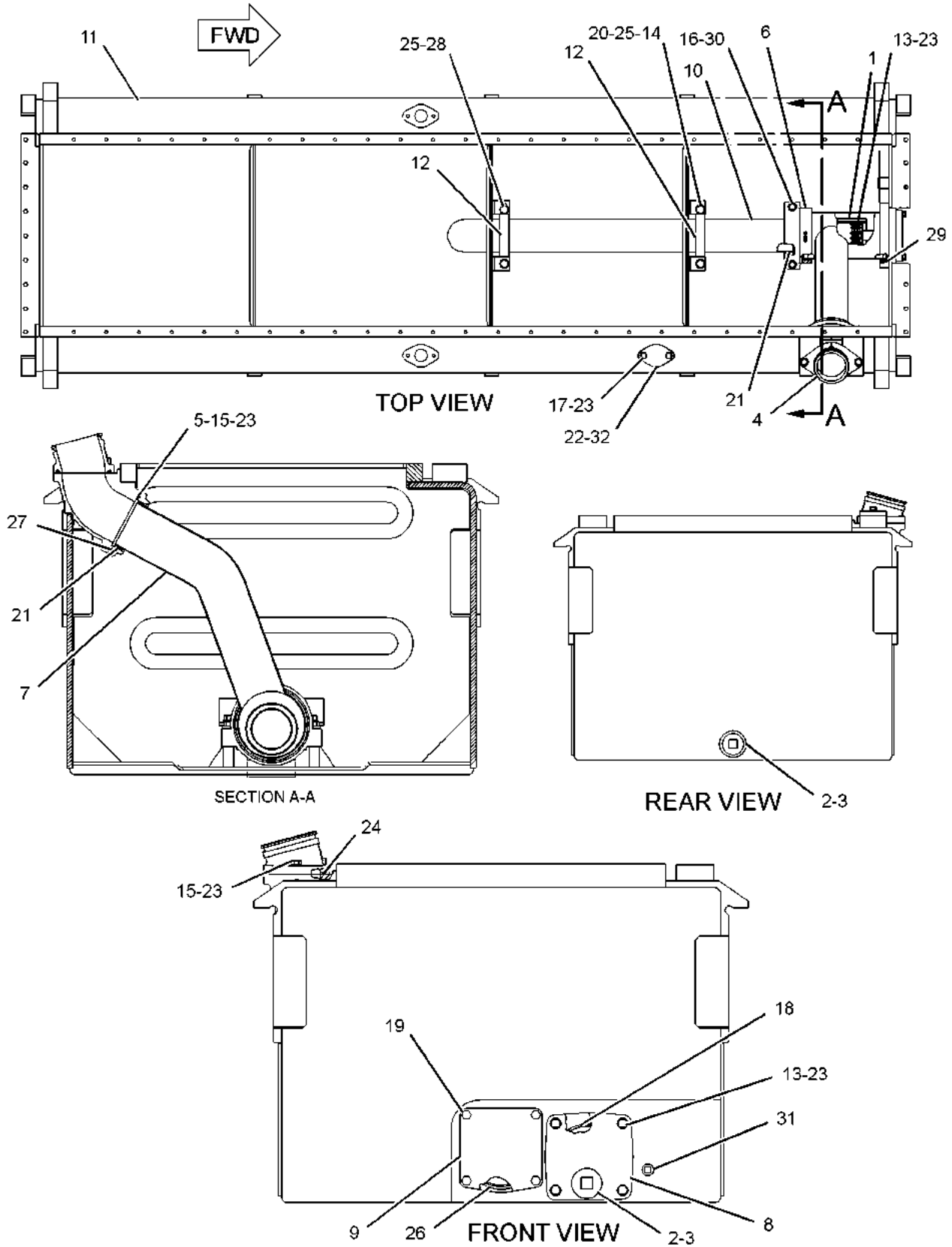
NOTE	REF NO	GRAPHIC REF	PART NUMBER	QTY	PART NAME						SEE PAGE
					1	2	3	4	5	6 (PRODUCT LEVEL)	
C	1	1	1W-1564	1	SCREEN AS-SUCTION (ENGINE OIL PAN)						
	2	1	4B-2363	2	PLUG-OIL DRAIN (ENGINE OIL PAN)						
	3	1	6F-4868	2	GASKET						
	4	1	7C-4715	1	CONNECTOR						
	5	1	7W-0129	1	FLANGE						
	6	1	111-2081	1	HOUSING-OIL (ENGINE)						
	7	1	114-2413	1	TUBE AS						
	8	1	149-9298	1	COVER						
C	9	1	228-8926	1	ADAPTER						
C	10	1	229-8875	1	TUBE-SUCTION						
C	11	1	229-8877	1	PAN AS-OIL						
C	12	1	231-5867	4	CLAMP						
C	13	1	0L-1351	5	BOLT (3/8-16X0.875-IN)						
C	14	1	0S-1585	2	BOLT (1/2-13X1.5-IN)						
	15	1	0S-1588	4	BOLT (3/8-16X1.25-IN)						
	16	1	0S-1590	2	BOLT (3/8-16X2-IN)						
	17	1	0S-1594	2	BOLT (3/8-16X1-IN)						
	18	1	125-9794	1	SEAL-O-RING						
C	19	1	1A-2029	4	BOLT (3/8-16X1.125-IN)						
C	20	1	1K-6872	2	LOCKNUT (1/2-13-THD)						
C	21	1	3P-0654	2	SEAL-O-RING						
	22	1	4B-3140	1	COVER (PRELUBRICATION)						
C	23	1	5M-2894	11	WASHER-HARD (10.2X18.5X2.5-MM THK)						
	24	1	5P-7818	1	SEAL-O-RING						
C	25	1	5P-8245	6	WASHER-HARD (13.5X25.5X3-MM THK)						
	26	1	5P-8872	1	SEAL-O-RING						
	27	1	6V-5101	1	SEAL-O-RING						
C	28	1	7B-3235	2	BOLT (1/2-13X1.375-IN)						
	29	1	7X-1547	2	SEAL-O-RING						
	30	1	8M-9024	2	WASHER-HARD (10.2X22.5X5-MM THK)						
	31	1	8T-6762	1	PLUG-PIPE (1/2-14-THD)						
	32	1	9L-1480	1	GASKET						

C - CHANGE FROM PREVIOUS TYPE

BASIC ENGINE

9Y-3084 PAN GP-OIL (contd.)

i02987830



GRAPHIC #1

<END>

g01297785

BASIC ENGINE

9Y-3087 PAN GP-OIL

PART OF 7C-6752 PAN GP-OIL

SMCS-1302

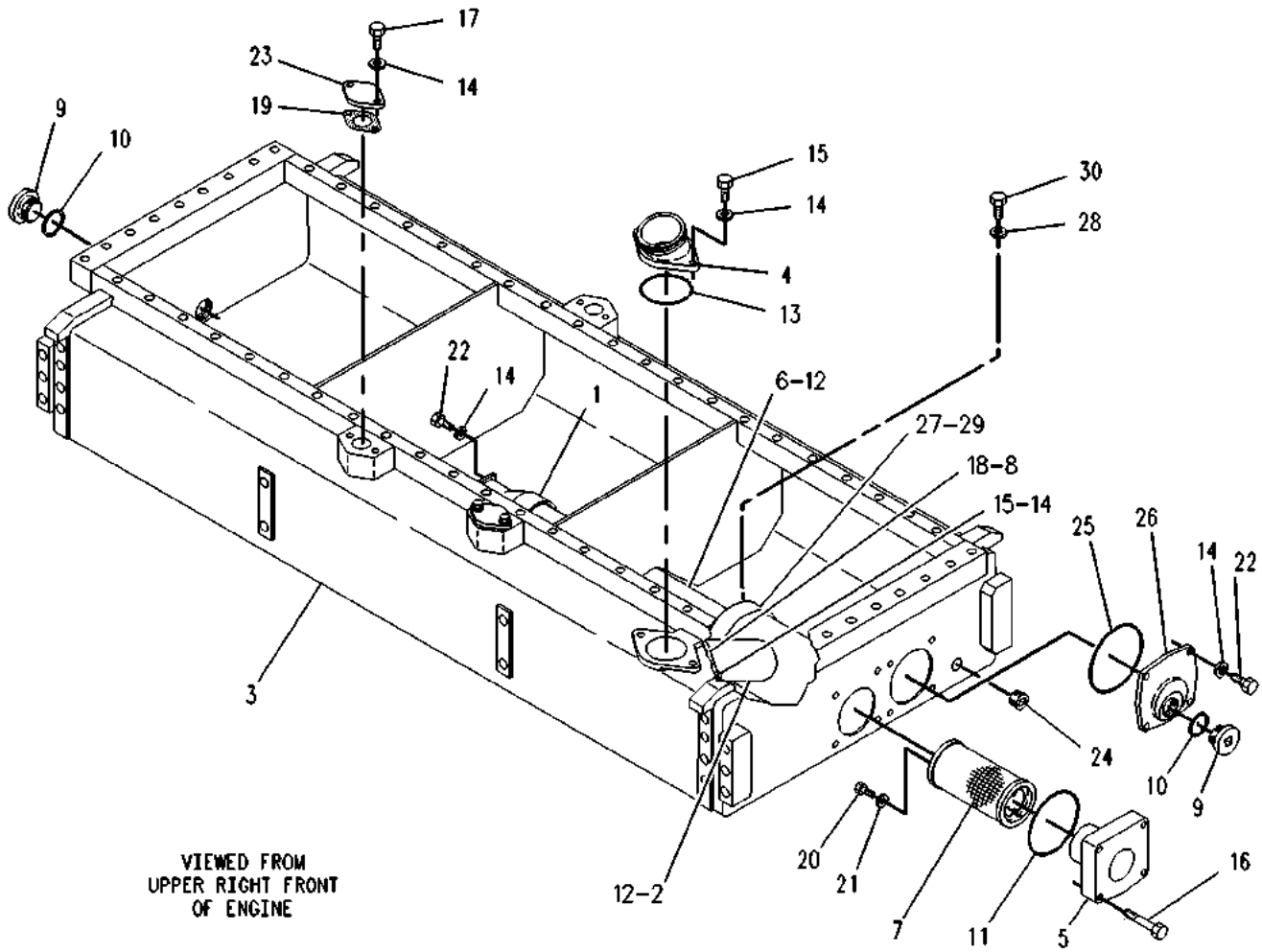
i03628514

NOTE	REF NO	GRAPHIC REF	PART NUMBER	QTY	PART NAME						SEE PAGE
					1	2	3	4	5	6 (PRODUCT LEVEL)	
	1	1	111-3812	1	ELBOW						
	2	1	114-2414	1	TUBE AS						
	3	1	118-4608	1	PAN AS-OIL						
	4	1	7C-4715	1	CONNECTOR						
	5	1	116-3263	1	ADAPTER						
	6	1	114-2411	1	TUBE-SUCTION						
	7	1	7C-4716	1	SCREEN AS-SUCTION (ENGINE OIL PAN)						
	8	1	6V-5101	1	SEAL-O-RING						
	9	1	4B-2363	2	PLUG-OIL DRAIN (ENGINE OIL PAN)						
	10	1	6F-4868	2	GASKET						
	11	1	5P-8872	1	SEAL-O-RING						
	12	1	3P-0654	3	SEAL-O-RING						
	13	1	5P-7818	1	SEAL-O-RING						
	14	1	5M-2894	14	WASHER-HARD (10.2X18.5X2.5-MM THK)						
	15	1	0S-1588	4	BOLT (3/8-16X1.25-IN)						
	16	1	0S-1571	4	BOLT (3/8-16X1.75-IN)						
	17	1	0S-1594	4	BOLT (3/8-16X1-IN)						
	18	1	7W-0129	1	FLANGE						
	19	1	9L-1480	2	GASKET						
	20	1	2A-0762	2	BOLT (1/4-20X0.625-IN)						
	21	1	5P-0537	2	WASHER-HARD (7.2X14.5X2-MM THK)						
	22	1	0L-1351	6	BOLT (3/8-16X0.875-IN)						
	23	1	4B-3140	2	COVER						
	24	1	2B-0858	1	PLUG-PIPE						
	25	1	6V-4314	1	SEAL-O-RING						
	26	1	7N-6387	1	COVER						
	27	1	111-2081	1	HOUSING-OIL						
	28	1	8M-9024	2	WASHER-HARD (10.2X22.5X5-MM THK)						
	29	1	7X-1547	2	SEAL-O-RING						
	30	1	0S-1590	2	BOLT (3/8-16X2-IN)						

BASIC ENGINE

9Y-3087 PAN GP-OIL (contd.)

i03628514



GRAPHIC #1

<END>

g00249680

BASIC ENGINE

9Y-3087 PAN GP-OIL

S/N: 65Z887-1130

PART OF 7C-6752 PAN GP-OIL

SMCS-1302

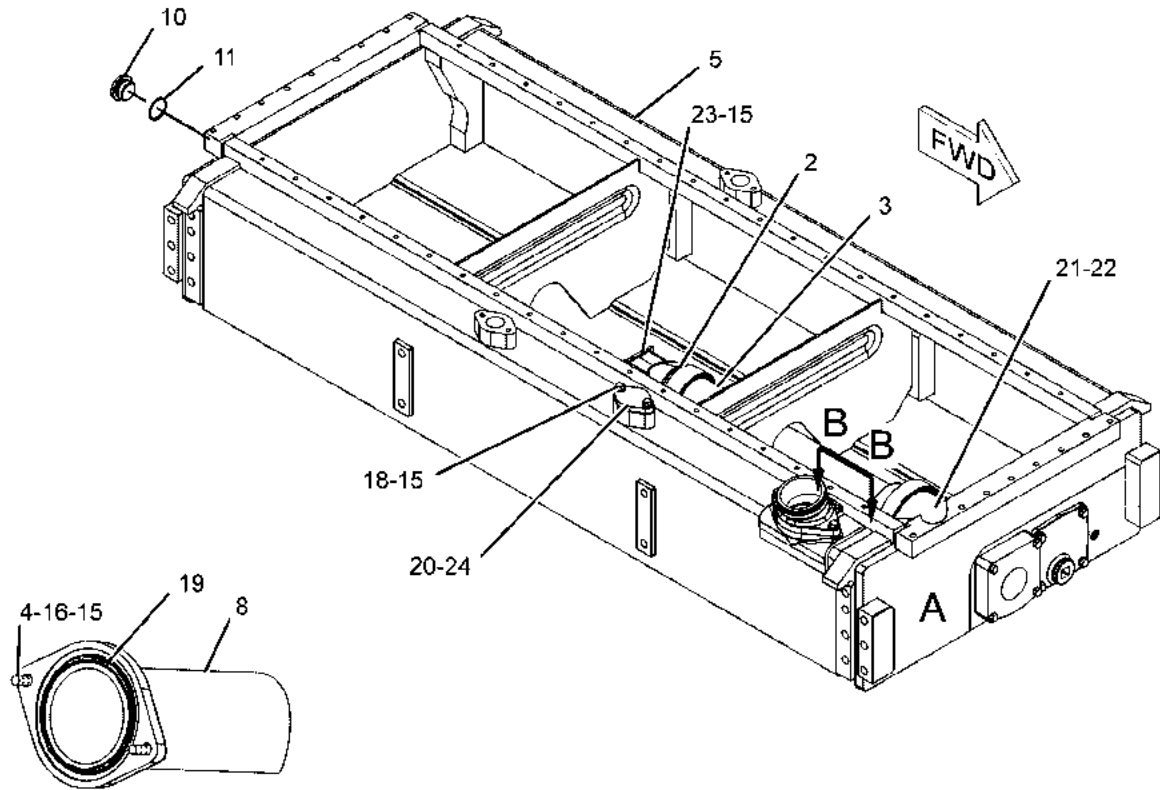
i03152322

NOTE	REF NO	GRAPHIC REF	PART NUMBER	QTY	PART NAME						SEE PAGE
					1	2	3	4	5	6 (PRODUCT LEVEL)	
	1	1	116-3263	1	ADAPTER						
	2	1	111-3812	1	ELBOW						
	3	1	114-2411	1	TUBE-SUCTION						
	4	1	7W-0129	1	FLANGE						
	5	1	146-7481	1	PAN AS-OIL						
	6	1	5P-7818	1	SEAL-O-RING						
	7	1	7C-4715	1	CONNECTOR						
	8	1	114-2414	1	TUBE AS						
	9	1	7C-4716	1	SCREEN AS-SUCTION (ENGINE OIL PAN)						
	10	1	4B-2363	2	PLUG-OIL DRAIN (ENGINE OIL PAN)						
	11	1	6F-4868	2	GASKET						
	12	1	125-9794	1	SEAL-O-RING						
	13	1	3P-0654	3	SEAL-O-RING						
	14	1	5P-8872	1	SEAL-O-RING						
	15	1	5M-2894	12	WASHER-HARD (10.2X18.5X2.5-MM THK)						
	16	1	0S-1588	4	BOLT (3/8-16X1.25-IN)						
	17	1	0S-1571	4	BOLT (3/8-16X1.75-IN)						
	18	1	0S-1594	2	BOLT (3/8-16X1-IN)						
	19	1	6V-5101	1	SEAL-O-RING						
	20	1	9L-1480	1	GASKET						
	21	1	2A-0762	2	BOLT (1/4-20X0.625-IN)						
	22	1	5P-0537	2	WASHER-HARD (7.2X14.5X2-MM THK)						
	23	1	0L-1351	6	BOLT (3/8-16X0.875-IN)						
	24	1	4B-3140	1	COVER						
	25	1	8T-6762	1	PLUG-PIPE (1/2-14-THD)						
	26	1	149-9298	1	COVER						
	27	1	0S-1590	2	BOLT (3/8-16X2-IN)						
	28	1	111-2081	1	HOUSING-OIL						
	29	1	7X-1547	2	SEAL-O-RING						
	30	1	8M-9024	2	WASHER-HARD (10.2X22.5X5-MM THK)						

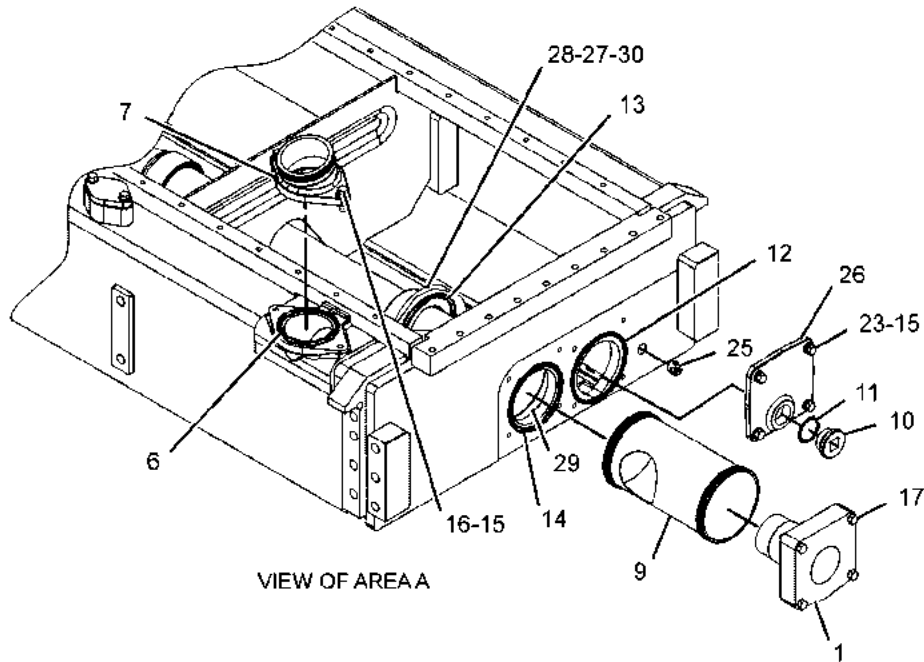
BASIC ENGINE

9Y-3087 PAN GP-OIL (contd.)

103152322



VIEW OF AREA B



VIEW OF AREA A

GRAPHIC #1

<END>

g01103019

BASIC ENGINE

9Y-3087 PAN GP-OIL

S/N: 65Z1131-UP

PART OF 7C-6752 PAN GP-OIL

SMCS-1302

i07531421

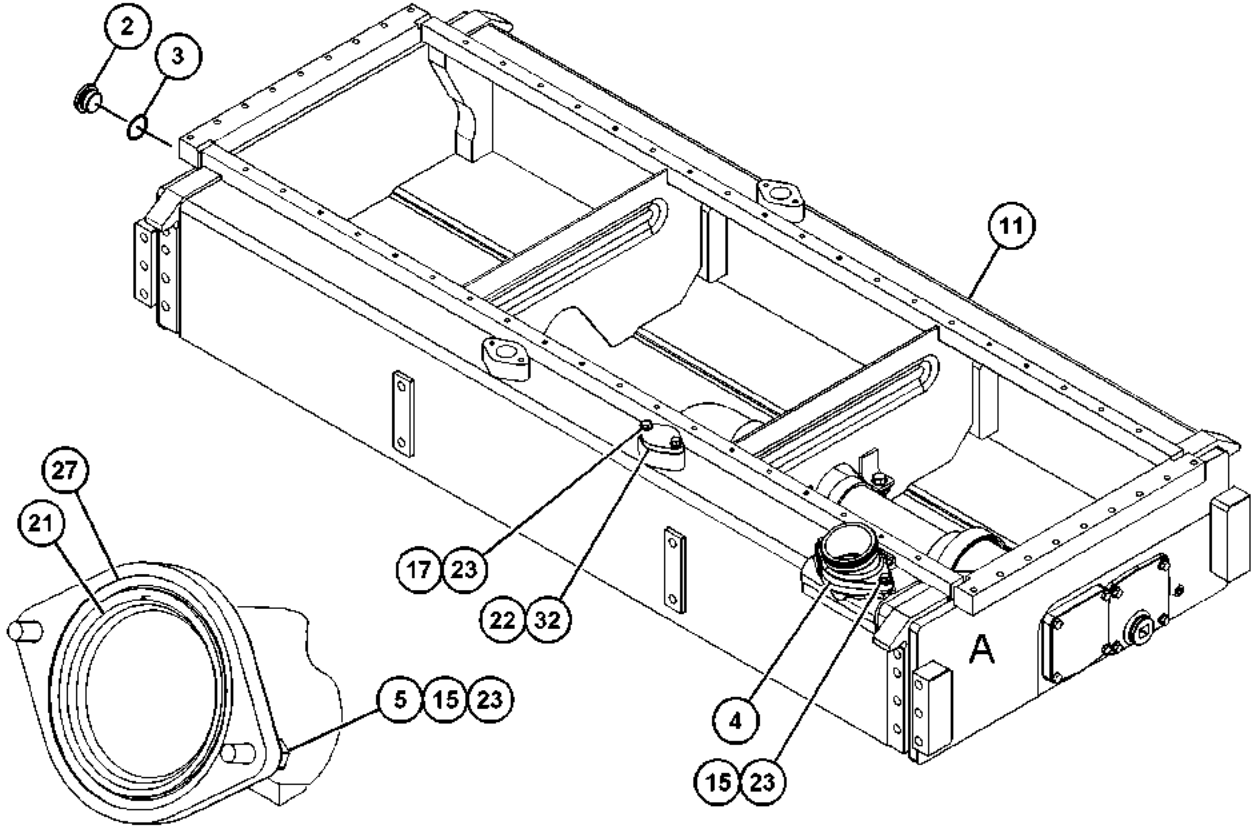
NOTE	REF NO	GRAPHIC REF	PART NUMBER	QTY	PART NAME						SEE PAGE
					1	2	3	4	5	6 (PRODUCT LEVEL)	
C	1	1	1W-1564	1	SCREEN AS-SUCTION (ENGINE OIL PAN)						
	2	1	4B-2363	2	PLUG-OIL DRAIN (ENGINE OIL PAN)						
	3	1	6F-4868	2	GASKET						
	4	1	7C-4715	1	CONNECTOR						
	5	1	7W-0129	1	FLANGE						
	6	1	111-2081	1	HOUSING-OIL						
	7	1	114-2414	1	TUBE AS						
	8	1	149-9298	1	COVER						
C	9	1	228-8926	1	ADAPTER						
C	10	1	229-8875	1	TUBE-SUCTION						
C	11	1	229-8876	1	PAN AS-OIL						
C	12	1	231-5867	4	CLAMP						
C	13	1	0L-1351	5	BOLT (3/8-16X0.875-IN)						
C	14	1	0S-1585	2	BOLT (1/2-13X1.5-IN)						
	15	1	0S-1588	4	BOLT (3/8-16X1.25-IN)						
	16	1	0S-1590	2	BOLT (3/8-16X2-IN)						
	17	1	0S-1594	2	BOLT (3/8-16X1-IN)						
	18	1	125-9794	1	SEAL-O-RING						
C	19	1	1A-2029	4	BOLT (3/8-16X1.125-IN)						
C	20	1	1K-6872	2	LOCKNUT (1/2-13-THD)						
C	21	1	3P-0654	2	SEAL-O-RING						
	22	1	4B-3140	1	COVER						
C	23	1	5M-2894	11	WASHER-HARD (10.2X18.5X2.5-MM THK)						
	24	1	5P-7818	1	SEAL-O-RING						
C	25	1	5P-8245	6	WASHER-HARD (13.5X25.5X3-MM THK)						
	26	1	5P-8872	1	SEAL-O-RING						
	27	1	6V-5101	1	SEAL-O-RING						
C	28	1	7B-3235	2	BOLT (1/2-13X1.375-IN)						
	29	1	7X-1547	2	SEAL-O-RING						
	30	1	8M-9024	2	WASHER-HARD (10.2X22.5X5-MM THK)						
	31	1	8T-6762	1	PLUG-PIPE (1/2-14-THD)						
	32	1	9L-1480	1	GASKET						

C - CHANGE FROM PREVIOUS TYPE

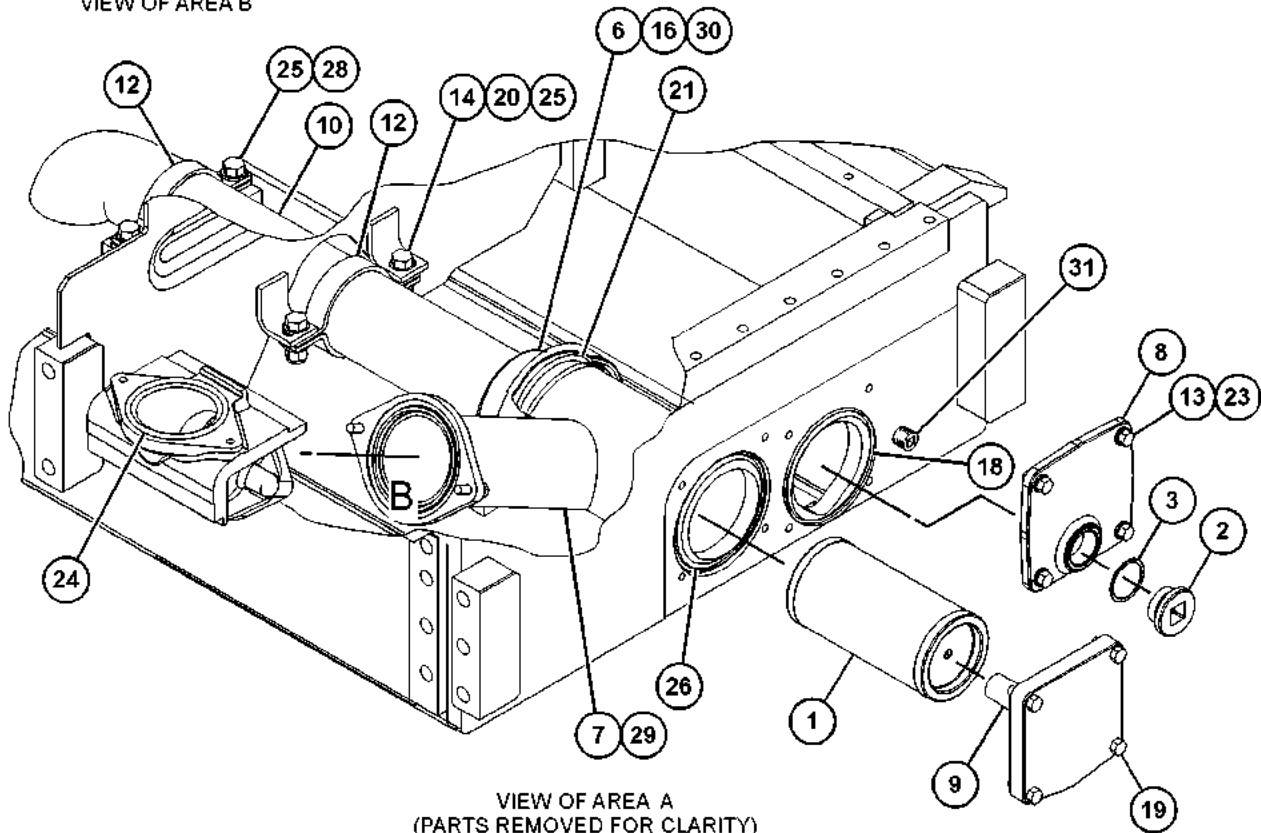
BASIC ENGINE

9Y-3087 PAN GP-OIL (contd.)

i07531421



VIEW OF AREA B



VIEW OF AREA A
(PARTS REMOVED FOR CLARITY)

GRAPHIC #1

<END>

g06351834

BASIC ENGINE

223-6362 PISTON & ROD GP

S/N: 65Z1130-1251

SMCS-1225

i02414232

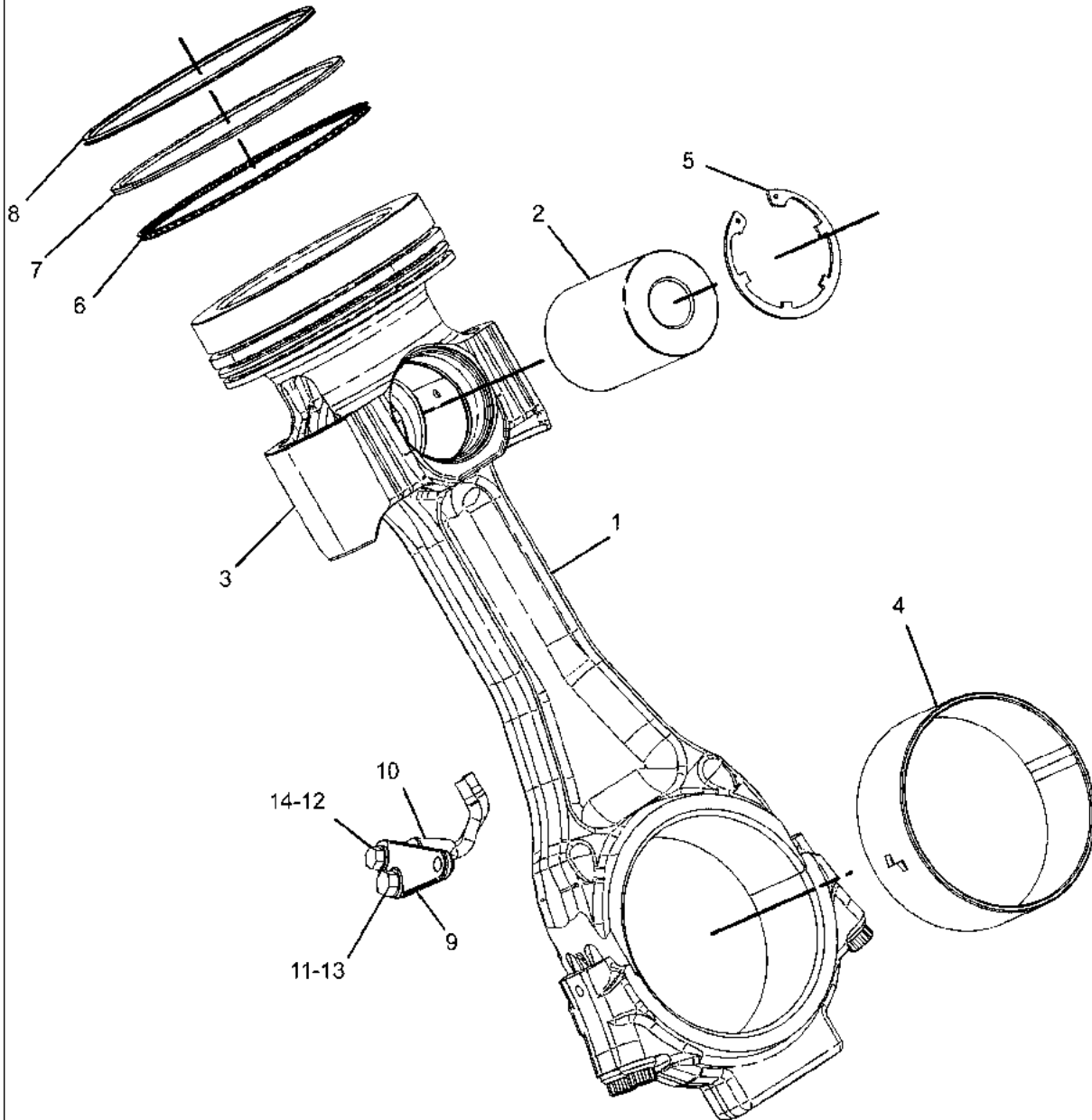
NOTE	REF NO	GRAPHIC REF	PART NUMBER	QTY	PART NAME						SEE PAGE
					1	2	3	4	5	6 (PRODUCT LEVEL)	
R	1	1	144-0725	1	ROD AS-CONNECTING						
		1	7N-2043	1	DOWEL						
		1	7N-2405	4	BOLT-CONNECTING ROD						
		1	118-1655	1	BUSHING (CONNECTING ROD)						
	2	1	197-0560	1	PIN-PISTON						
R	3	1	233-2430	1	PISTON AS						
	4	1	107-7330	1	BEARING-CONNECTING ROD (STANDARD)						
AB		1	107-7331		BEARING-CONNECTING ROD (0.63-MM US)						
AB		1	107-7332		BEARING-CONNECTING ROD (1.27-MM US)						
AB		1	107-7333		BEARING-CONNECTING ROD (0.25-MM OS)						
AB		1	107-7334		BEARING-CONNECTING ROD (0.25-MM OS, 0.63-MM US)						
AB		1	107-7335		BEARING-CONNECTING ROD (0.25-MM OS, 1.27-MM US)						
	5	1	253-1238	2	RETAINER-PIN						
	6	1	223-6361	1	RING-PISTON (OIL)						
	7	1	144-5695	1	RING-PISTON (INTERMEDIATE)						
	8	1	214-6066	1	RING-PISTON (TOP)						
	9	1	193-3282	1	RETAINER AS (FOR USE WITH 1-PC PISTON ONLY) (PISTON COOLING JET)						
		1	6V-3537	1	DOWEL						
	10	1	204-5447	1	JET AS-PISTON COOLING (FOR USE WITH 1-PC PISTON ONLY)						
	11	1	0T-0102	1	BOLT (3/8-16X0.625-IN)						
	12	1	1B-2790	1	BOLT (5/16-18X1.375-IN)						
	13	1	5M-2894	1	WASHER-HARD (10.2X18.5X2.5-MM THK)						
	14	1	9M-1974	1	WASHER-HARD (8.8X16X2-MM THK)						

A - NOT PART OF THIS GROUP
 B - USE AS REQUIRED
 R - REMANUFACTURED PART MAY BE AVAILABLE

BASIC ENGINE

223-6362 PISTON & ROD GP (contd.)

i02414232



GRAPHIC #1

<END>

g01029426

BASIC ENGINE

282-0645 PISTON & ROD GP

S/N: 65Z1252-UP

SMCS - 1225

i07139483

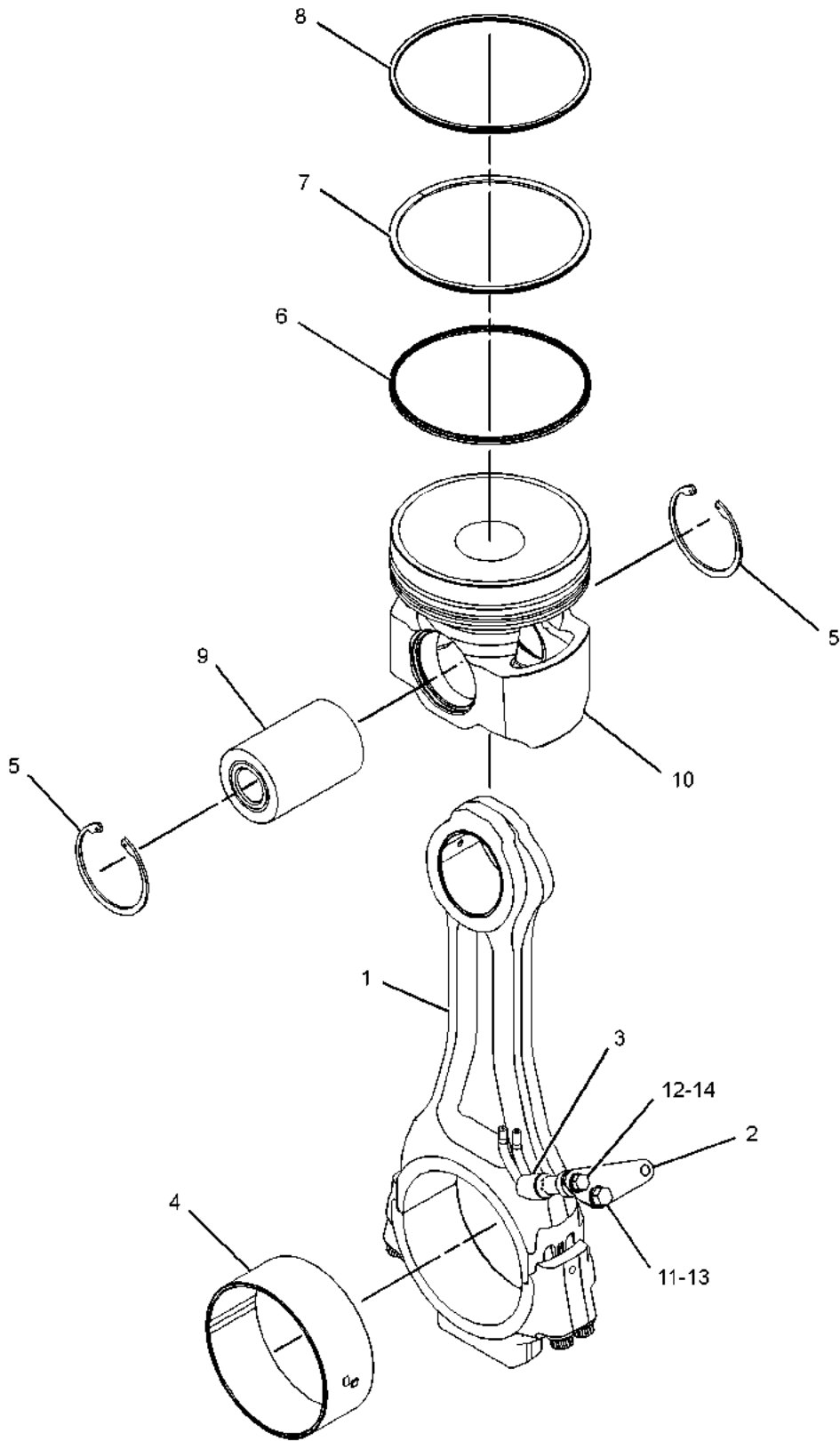
NOTE	REF NO	GRAPHIC REF	PART NUMBER	QTY	PART NAME						SEE PAGE
					1	2	3	4	5	6 (PRODUCT LEVEL)	
R	1	1	144-0725	1	ROD AS-CONNECTING						
		1	7N-2043	1	DOWEL						
		1	7N-2405	4	BOLT-CONNECTING ROD						
		1	118-1655	1	BUSHING (CONNECTING ROD)						
	2	1	193-3282	1	RETAINER AS (FOR USE WITH 1-PC PISTON ONLY)						
		1	6V-3537	1	DOWEL						
	3	1	204-5447	1	JET AS-PISTON COOLING (FOR USE WITH 1-PC PISTON ONLY)						
	4	1	107-7330	1	BEARING-CONNECTING ROD (STANDARD)						
AB		1	107-7331		BEARING-CONNECTING ROD (0.63-MM US)						
AB		1	107-7332		BEARING-CONNECTING ROD (1.27-MM US)						
AB		1	107-7333		BEARING-CONNECTING ROD (0.25-MM OS)						
AB		1	107-7334		BEARING-CONNECTING ROD (0.25-MM OS, 0.63-MM US)						
AB		1	107-7335		BEARING-CONNECTING ROD (0.25-MM OS, 1.27-MM US)						
	5	1	253-1238	2	RETAINER-PIN						
	6	1	223-6361	1	RING-PISTON (OIL)						
	7	1	144-5695	1	RING-PISTON (INTERMEDIATE)						
	8	1	509-6461	1	RING-PISTON (TOP)						
	9	1	263-8955	1	PIN-PISTON						
R	10	1	314-5005	1	PISTON AS						
	11	1	0T-0102	1	BOLT (3/8-16X0.625-IN)						
	12	1	1B-2790	1	BOLT (5/16-18X1.375-IN)						
	13	1	5M-2894	1	WASHER-HARD (10.2X18.5X2.5-MM THK)						
	14	1	9M-1974	1	WASHER-HARD (8.8X16X2-MM THK)						

A - NOT PART OF THIS GROUP
 B - USE AS REQUIRED
 R - REMANUFACTURED PART MAY BE AVAILABLE

BASIC ENGINE

282-0645 PISTON & ROD GP (contd.)

i07139483



GRAPHIC #1

<END>

g06241996

BASIC ENGINE

6I-2861 PISTON & ROD GP

S/N: 65Z1005-1129

SMCS-1225

i04546962

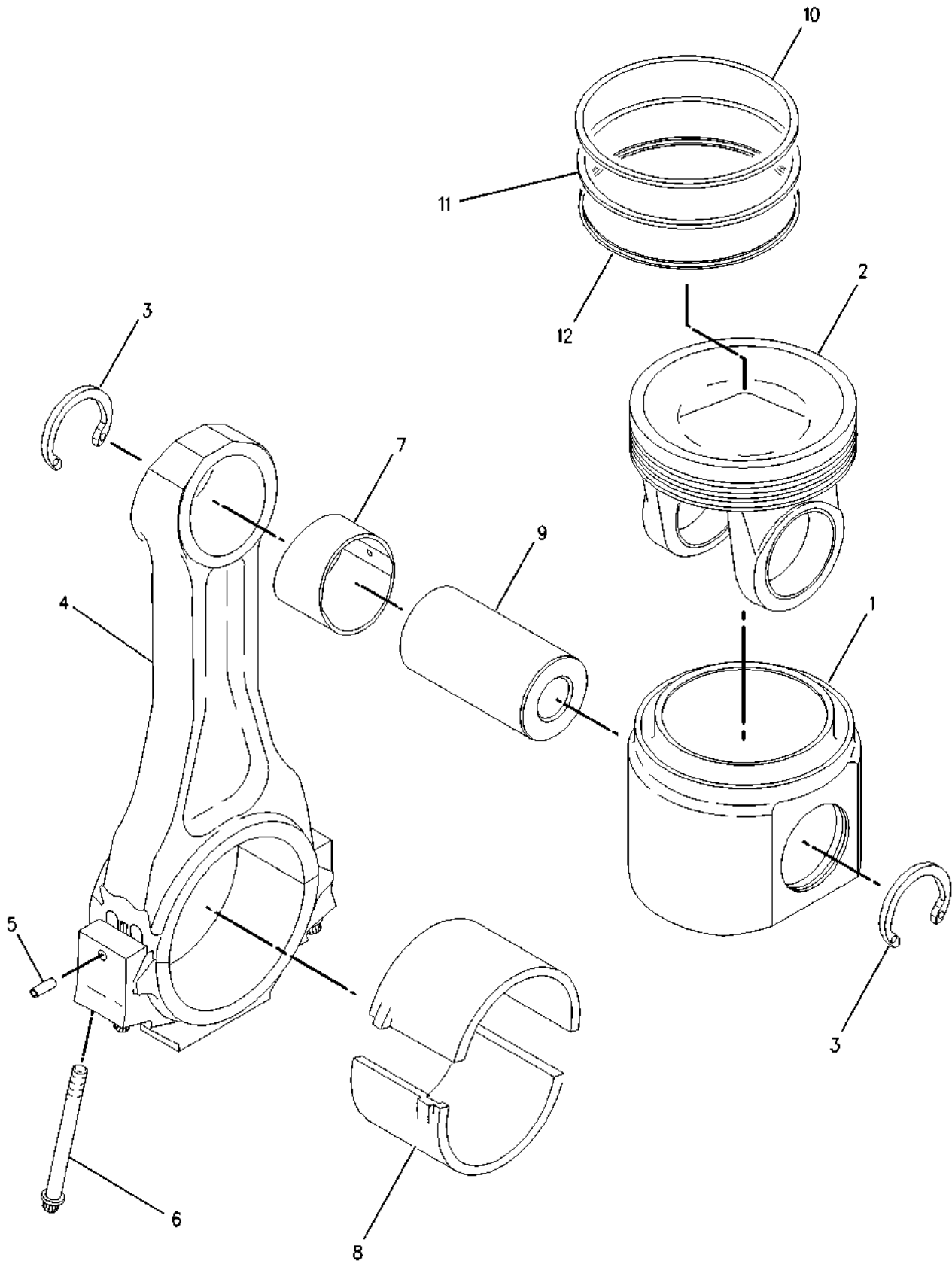
NOTE	REF NO	GRAPHIC REF	PART NUMBER	QTY	PART NAME						SEE PAGE
					1	2	3	4	5	6 (PRODUCT LEVEL)	
	1	1	125-2782	1	SKIRT-PISTON						
	2	1	133-8383	1	CROWN AS-PISTON						
	3	1	8N-7296	2	RETAINER-PIN						
R	4	1	144-0725	1	ROD AS-CONNECTING						
	5	1	7N-2043	1	DOWEL						
	6	1	7N-2405	4	BOLT-CONNECTING ROD						
	7	1	118-1655	1	BUSHING (CONNECTING ROD)						
	8	1	107-7330	1	BEARING-CONNECTING ROD (STANDARD)						
AB		1	107-7331		BEARING-CONNECTING ROD (0.63-MM US)						
AB		1	107-7332		BEARING-CONNECTING ROD (1.27-MM US)						
AB		1	107-7333		BEARING-CONNECTING ROD (0.25-MM OS)						
AB		1	107-7334		BEARING-CONNECTING ROD (0.25-MM OS, 0.63-MM US)						
AB		1	107-7335		BEARING-CONNECTING ROD (0.25-MM OS, 1.27-MM US)						
	9	1	138-8507	1	PIN-PISTON						
	10	1	229-1631	1	RING-PISTON (TOP)						
	11	1	144-5695	1	RING-PISTON (INTERMEDIATE)						
	12	1	123-4268	1	RING-PISTON (OIL)						

A - NOT PART OF THIS GROUP
 B - USE AS REQUIRED
 R - REMANUFACTURED PART MAY BE AVAILABLE

BASIC ENGINE

6I-2861 PISTON & ROD GP (contd.)

i04546962



GRAPHIC #1

<END>

g00775304

BASIC ENGINE

7W-1988 PISTON & ROD GP

S/N: 65Z887-1007

SMCS-1225

i01461184

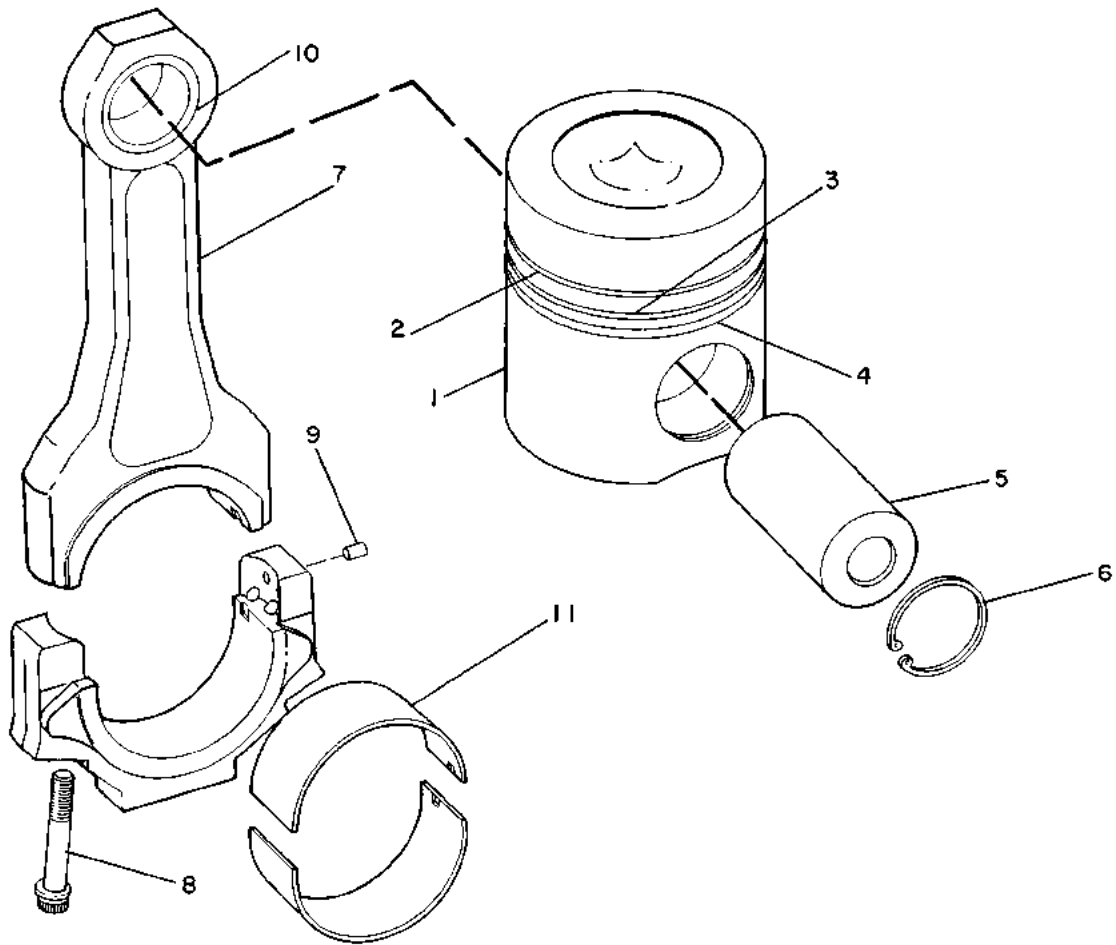
NOTE	REF NO	GRAPHIC REF	PART NUMBER	QTY	PART NAME						SEE PAGE
					1	2	3	4	5	6 (PRODUCT LEVEL)	
CR	1	1	7C-2431	1	BODY AS-PISTON						
	2	1	8N-1233	1	RING-PISTON (TOP)						
	3	1	8N-7810	1	RING-PISTON (INTERMEDIATE)						
	4	1	7W-2221	1	RING (OIL)						
C	5	1	138-8506	1	PIN-PISTON						
	6	1	8N-7296	2	RETAINER-PIN						
CR	7	1	144-0725	1	ROD AS-CONNECTING						
	8	1	7N-2405	4	BOLT-CONNECTING ROD						
	9	1	7N-2043	1	DOWEL						
	10	1	118-1655	1	BUSHING (CONNECTING ROD)						
	11	1	107-7330	1	BEARING-CONNECTING ROD (STANDARD)						
A		1	107-7331	1	BEARING-CONNECTING ROD (0.63-MM US)						
A		1	107-7332	1	BEARING-CONNECTING ROD (1.27-MM US)						
A		1	107-7333	1	BEARING-CONNECTING ROD (0.25-MM OS)						
A		1	107-7334	1	BEARING-CONNECTING ROD (0.25-MM OS, 0.63-MM US)						
A		1	107-7335	1	BEARING-CONNECTING ROD (0.25-MM OS, 1.27-MM US)						

A - NOT PART OF THIS GROUP
 C - CHANGE FROM PREVIOUS TYPE
 R - REMANUFACTURED PART MAY BE AVAILABLE

BASIC ENGINE

7W-1988 PISTON & ROD GP (contd.)

i01461184



GRAPHIC #1

<END>

g00197190

BASIC ENGINE

8N-6224 PISTON & ROD GP

S/N: 65Z887-1004

SMCS - 1225

i02390829

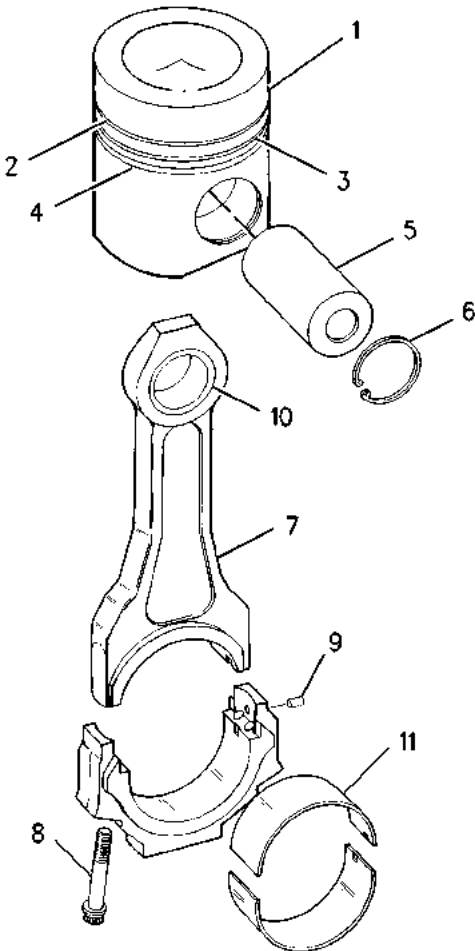
NOTE	REF NO	GRAPHIC REF	PART NUMBER	QTY	PART NAME						SEE PAGE
					1	2	3	4	5	6 (PRODUCT LEVEL)	
	1	1	7W-0553	1	PISTON GP						
R		1	9Y-4124	1	BODY AS-PISTON						
	2	1	8N-1233	1	RING-PISTON (TOP)						
	3	1	8N-7810	1	RING-PISTON (INTERMEDIATE)						
	4	1	7W-2221	1	RING (OIL)						
	5	1	138-8506	1	PIN-PISTON						
	6	1	8N-7296	2	RETAINER-PIN						
R	7	1	144-0725	1	ROD AS-CONNECTING						
	8	1	7N-2405	4	BOLT-CONNECTING ROD						
	9	1	7N-2043	1	DOWEL						
	10	1	118-1655	1	BUSHING (CONNECTING ROD)						
	11	1	107-7330	1	BEARING-CONNECTING ROD (STANDARD)						
A		1	107-7331	1	BEARING-CONNECTING ROD (0.63-MM US)						
A		1	107-7332	1	BEARING-CONNECTING ROD (1.27-MM US)						
A		1	107-7333	1	BEARING-CONNECTING ROD (0.25-MM OS)						
A		1	107-7334	1	BEARING-CONNECTING ROD (0.25-MM OS, 0.63-MM US)						
A		1	107-7335	1	BEARING-CONNECTING ROD (0.25-MM OS, 1.27-MM US)						
A		1	1N-3967	1	RING GP-PISTON						
(INCLUDES ONE COMPLETE SET OF RINGS)											

A - NOT PART OF THIS GROUP
R - REMANUFACTURED PART MAY BE AVAILABLE

BASIC ENGINE

8N-6224 PISTON & ROD GP (contd.)

i02390829



GRAPHIC #1

<END>

g00764172

BASIC ENGINE

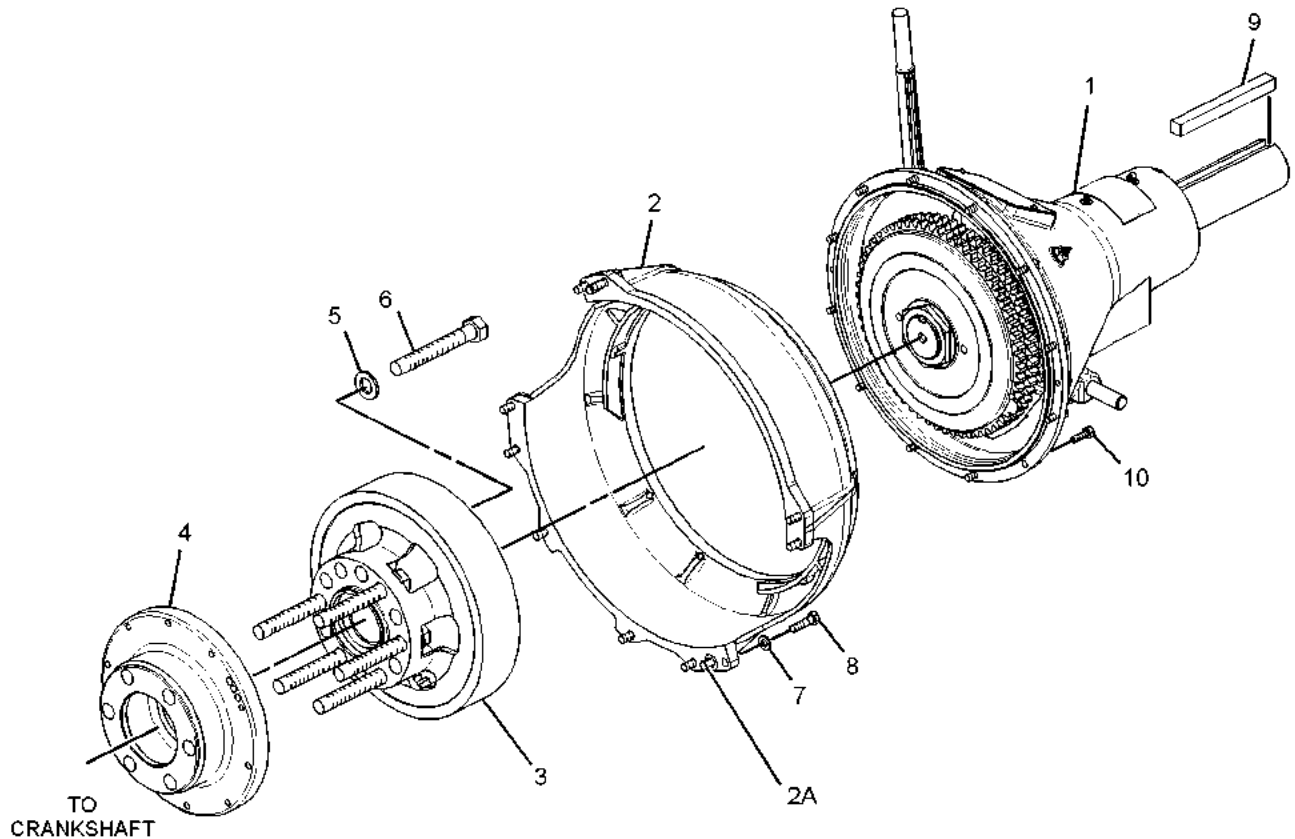
7W-0281 POWER TAKE-OFF GP CLUTCH CANNOT BE USED WITH ATTACHMENT DAMPER GP AN ATTACHMENT

SMCS-1165

i02657420

NOTE	REF NO	GRAPHIC REF	PART NUMBER	QTY	PART NAME						SEE PAGE
					1	2	3	4	5	6 (PRODUCT LEVEL)	
Y	1	1	3N-4130	1	CLUTCH GP (BASIC)						36
	2	1	7W-0285	1	ADAPTER AS-FRONT						
	2A	1	4N-0683	2	DOWEL						
	3	1	2W-8014	1	COUPLING-FRONT PTO						
	4	1	7W-3415	1	ADAPTER-DAMPER						
	5	1	5P-8250	6	WASHER (28X49X5-MM THK)						
	6	1	5F-6932	6	BOLT (1-14X7-IN)						
	7	1	5P-8245	10	WASHER-HARD (13.5X25.5X3-MM THK)						
	8	1	0S-1587	10	BOLT (1/2-13X1.75-IN)						
	9	1	7F-8896	1	KEY-SQUARE						
	10	1	0T-0320	12	BOLT (7/16-14X1.25-IN)						

Y - SEPARATE ILLUSTRATION



GRAPHIC #1

<END>

g01319970

BASIC ENGINE

7W-0282 POWER TAKE-OFF GP

CLUTCH

CANNOT BE USED WITH ATTACHMENT DAMPER GP, NON-CAT GENERATOR AND FRONT POWER TAKE-OFF AT RATED SPEEDS GREATER THAN 1650-RPM

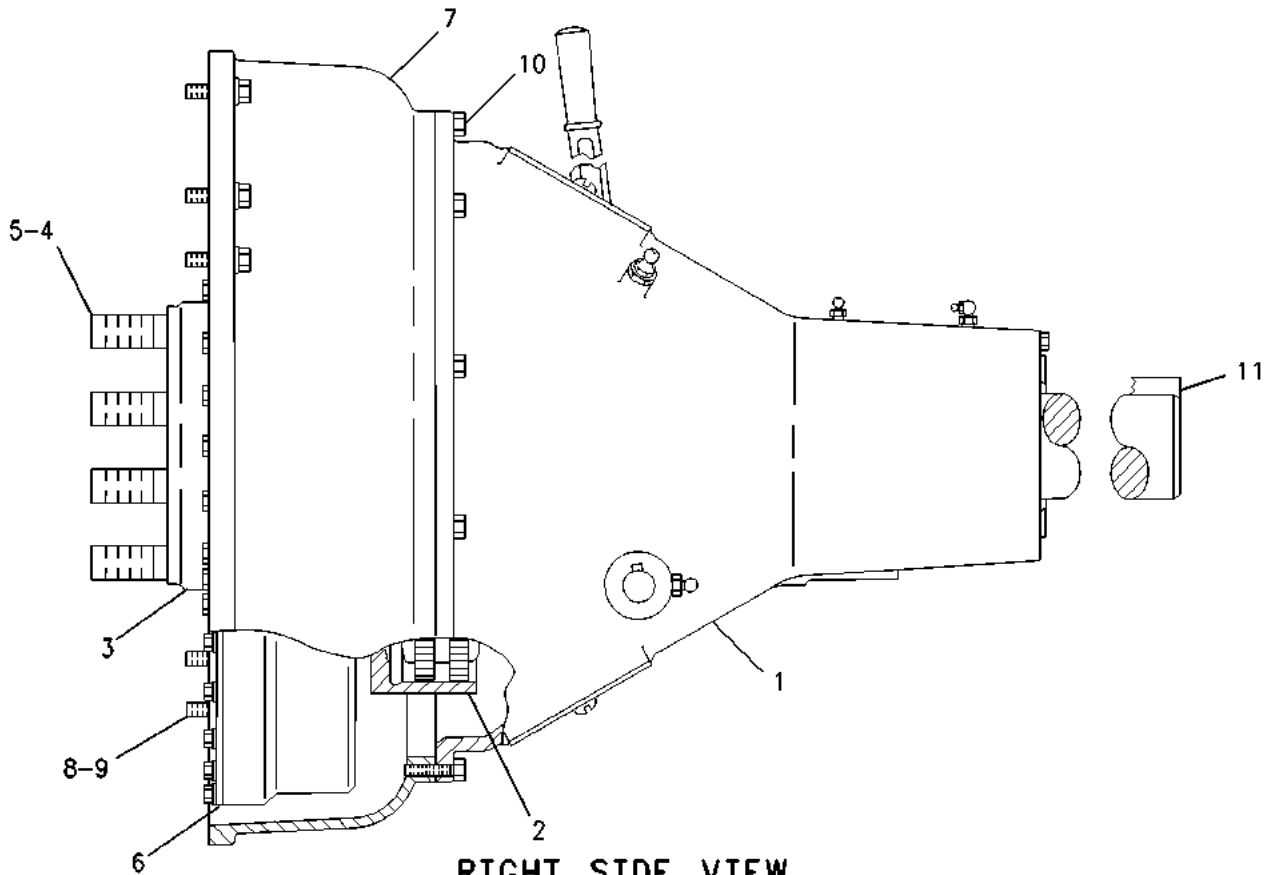
AN ATTACHMENT TYPE 1

SMCS-1165

i01758044

NOTE	REF NO	GRAPHIC REF	PART NUMBER	QTY	PART NAME						SEE PAGE
					1	2	3	4	5	6 (PRODUCT LEVEL)	
Y	1	1	3N-4130	1	CLUTCH GP (BASIC)						36
	2	1	2W-8014	1	COUPLING-FRONT PTO						
	3	1	7W-0287	1	ADAPTER-DAMPER						
	4	1	5F-6932	6	BOLT (1-14X7-IN)						
	5	1	5P-8250	6	WASHER (28X49X5-MM THK)						
CY	6	1	100-4325	1	DAMPER GP						136
	7	1	7W-0285	1	ADAPTER AS-FRONT						
		1	4N-0683	2	DOWEL						
	8	1	0S-1587	10	BOLT (1/2-13X1.75-IN)						
	9	1	5P-8245	10	WASHER-HARD (13.5X25.5X3-MM THK)						
	10	1	0T-0320	12	BOLT (7/16-14X1.25-IN)						
	11	1	7F-8896	1	KEY-SQUARE						

C - CHANGE FROM PREVIOUS TYPE
Y - SEPARATE ILLUSTRATION



GRAPHIC #1

<END>

g00899268

BASIC ENGINE

7W-0282 POWER TAKE-OFF GP

CLUTCH

**CANNOT BE USED WITH ATTACHMENT DAMPER GP, NON-CAT GENERATOR AND FRONT POWER TAKE-OFF AT RATED SPEEDS GREATER THAN 1650-RPM
AN ATTACHMENT**

TYPE 2

SMCS-1165

i04561126

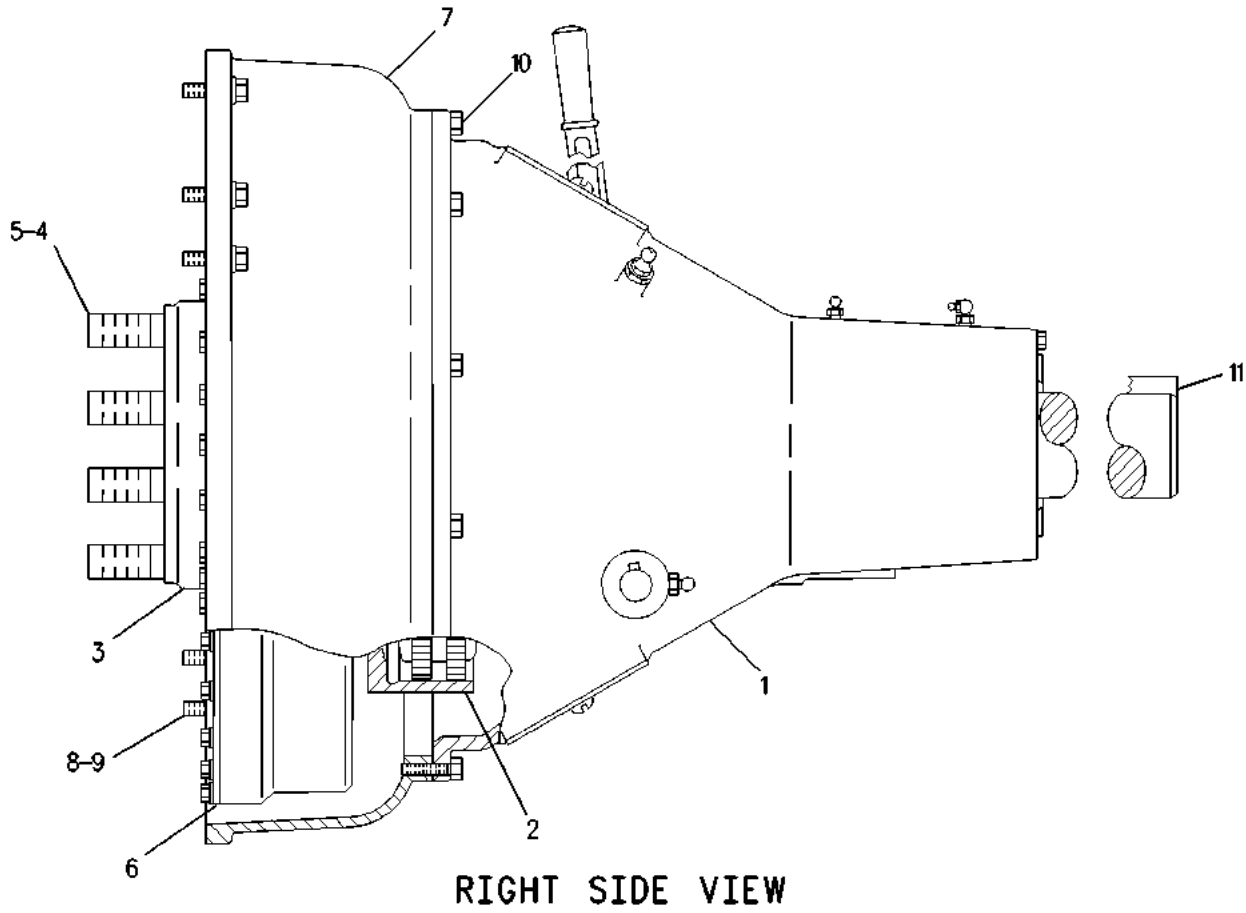
NOTE	REF NO	GRAPHIC REF	PART NUMBER	QTY	PART NAME	SEE PAGE
					1 2 3 4 5 6 (PRODUCT LEVEL)	
Y	1	1	3N-4130	1	CLUTCH GP (BASIC)	36
	2	1	2W-8014	1	COUPLING-FRONT PTO	
	3	1	7W-0287	1	ADAPTER-DAMPER	
	4	1	5F-6932	6	BOLT (1-14X7-IN)	
	5	1	5P-8250	6	WASHER (28X49X5-MM THK)	
CYR	6	1	171-4571	1	DAMPER GP	139
	7	1	7W-0285	1	ADAPTER AS-FRONT	
		1	4N-0683	2	DOWEL	
	8	1	0S-1587	10	BOLT (1/2-13X1.75-IN)	
	9	1	5P-8245	10	WASHER-HARD (13.5X25.5X3-MM THK)	
	10	1	0T-0320	12	BOLT (7/16-14X1.25-IN)	
11	1	7F-8896	1	KEY-SQUARE		

C - CHANGE FROM PREVIOUS TYPE
R - REMANUFACTURED PART MAY BE AVAILABLE
Y - SEPARATE ILLUSTRATION

BASIC ENGINE

7W-0282 POWER TAKE-OFF GP (contd.)

i04561126



GRAPHIC #1

<END>

g00899269

BASIC ENGINE

7N-4106 PULLEY AS-CRANKSHAFT

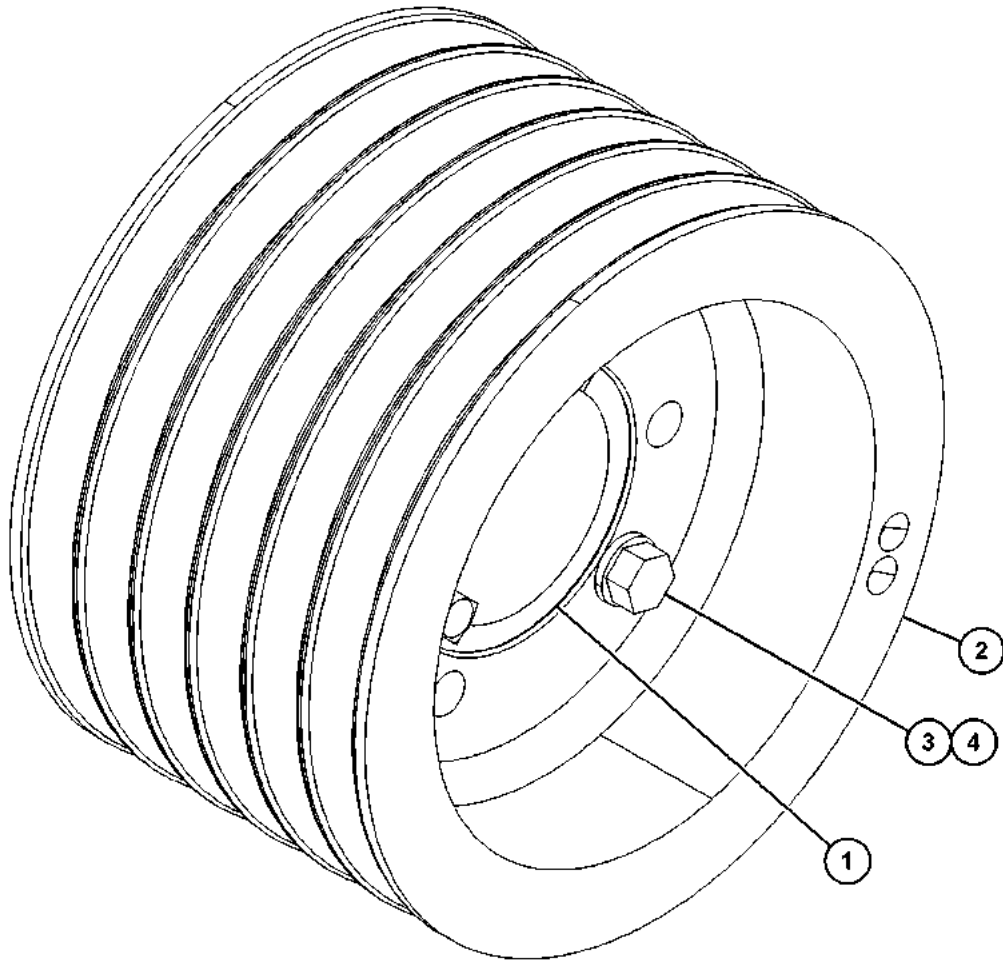
196.85-MM DIAMETER (7.75-IN)
FOR USE WITH LOW KW STUB SHAFT GP
AN ATTACHMENT

SMCS-1205

i07360799

NOTE	REF NO	GRAPHIC REF	PART NUMBER	QTY	PART NAME						SEE PAGE
					1	2	3	4	5	6 (PRODUCT LEVEL)	
B	1	1	4W-0335	1	KIT-BUSHING (CRANKSHAFT PULLEY)						
					(INCLUDES BUSHING, CAP SCREWS, LOCKWASHERS, SET SCREW & KEY)						
	2	1	368-7808	1	PULLEY-CRANKSHAFT						
	3	1	0S-1590	3	BOLT (3/8-16X2-IN)						
	4	1	5M-2894	3	WASHER-HARD (10.2X18.5X2.5-MM THK)						

B - USE AS REQUIRED



GRAPHIC #1

<END>

g06295981

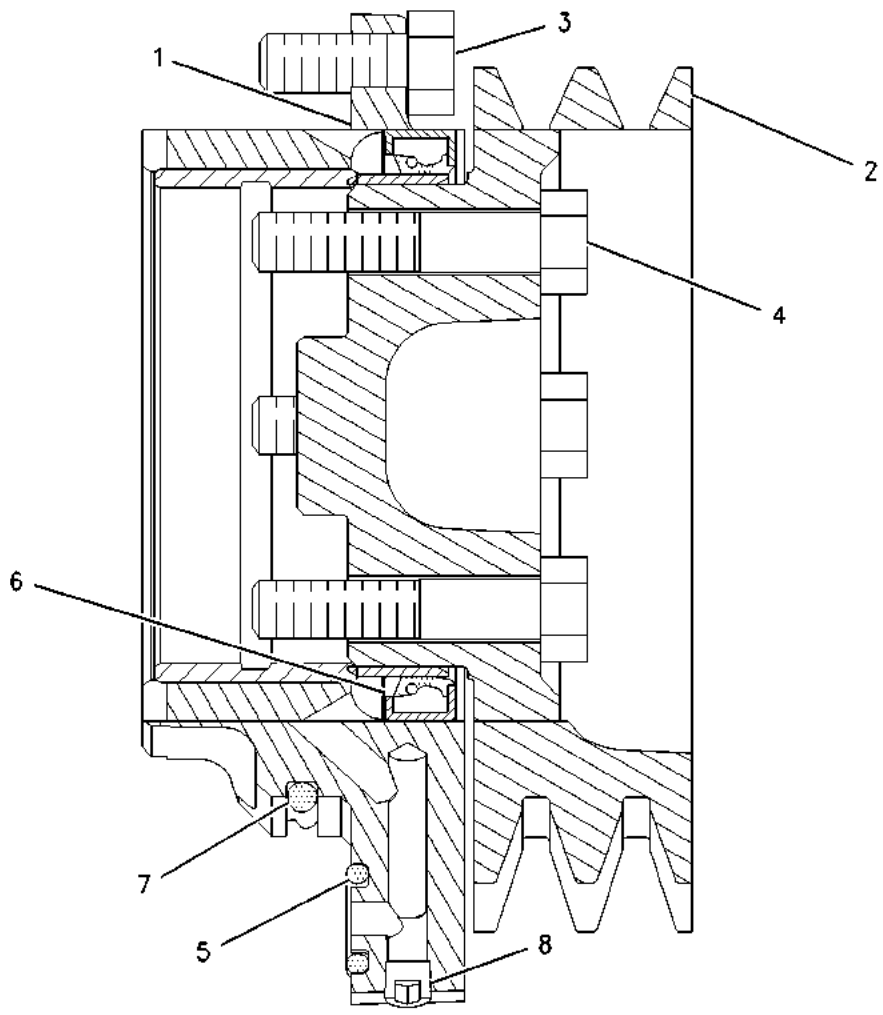
BASIC ENGINE

210-8602 PULLEY GP-AUXILIARY DRIVE-UPPER REAR, LH AN ATTACHMENT

SMCS-1205, 1207

i07104703

NOTE	REF NO	GRAPHIC REF	PART NUMBER	QTY	PART NAME						SEE PAGE
					1	2	3	4	5	6	
	1	1	7C-4165	1	ADAPTER AS						
		1	127-5400	1	BUSHING						
	2	1	9Y-5286	1	PULLEY AS						
		1	053-5065	1	SLEEVE						
	3	1	0L-1351	4	BOLT (3/8-16X0.875-IN)						
	4	1	0S-1571	4	BOLT (3/8-16X1.75-IN)						
	5	1	5P-0840	1	SEAL-O-RING						
	6	1	235-2484	1	SEAL-LIP TYPE						
	7	1	259-4598	1	SEAL-O-RING						
	8	1	8T-6759	1	PLUG-PIPE						



GRAPHIC #1

<END>

g00855762

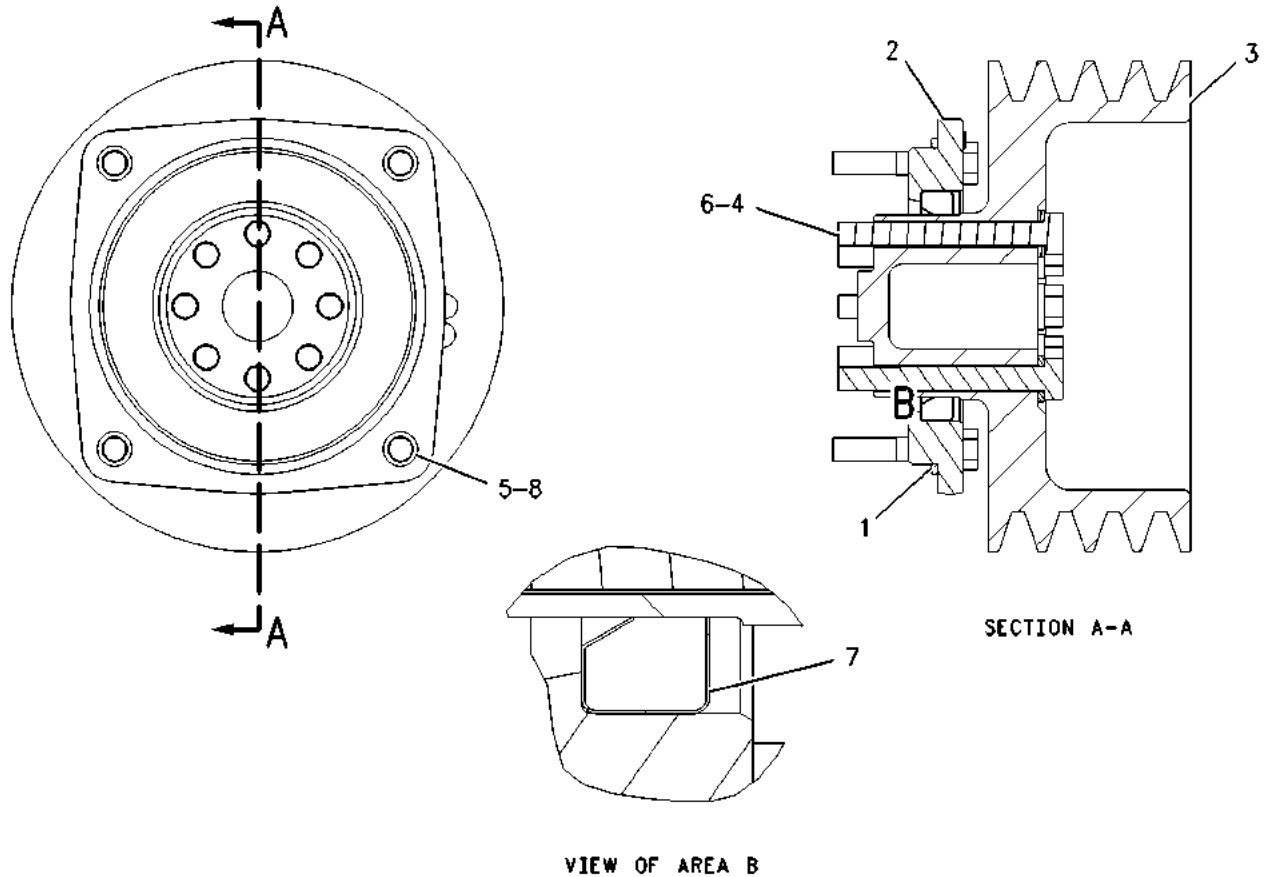
BASIC ENGINE

210-9214 PULLEY GP-AUXILIARY DRIVE-LOWER FRONT, LH AN ATTACHMENT

SMCS-1205, 1207

i07084218

NOTE	REF NO	GRAPHIC REF	PART NUMBER	QTY	PART NAME						SEE PAGE
					1	2	3	4	5	6 (PRODUCT LEVEL)	
	1	1	9X-7371	1	SEAL -O-RING						
	2	1	7N-7991	1	ADAPTER						
	3	1	7N-8011	1	PULLEY						
	4	1	0L-1352	8	BOLT (3/8-16X3.25-IN)						
	5	1	0S-1590	4	BOLT (3/8-16X2-IN)						
	6	1	5M-2894	8	WASHER-HARD (10.2X18.5X2.5-MM THK)						
	7	1	7C-7808	1	SEAL-LIP TYPE						
	8	1	9L-9132	4	WASHER (10.2X25.5X2.5-MM THK)						



GRAPHIC #1

<END>

g00854650

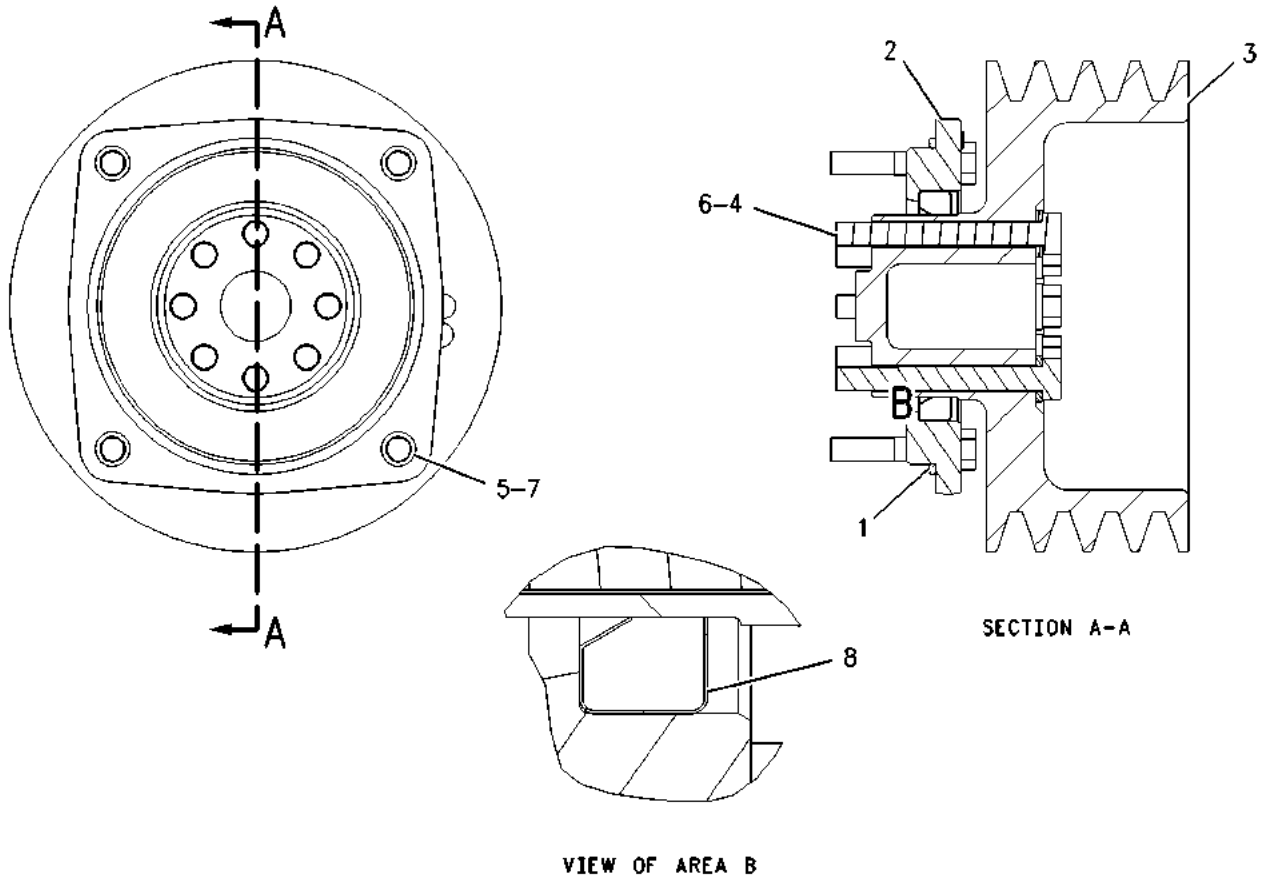
BASIC ENGINE

210-9215 PULLEY GP-AUXILIARY DRIVE-LOWER REAR, LH AN ATTACHMENT

SMCS-1205, 1207

i07109898

NOTE	REF NO	GRAPHIC REF	PART NUMBER	QTY	PART NAME						SEE PAGE
					1	2	3	4	5	6 (PRODUCT LEVEL)	
	1	1	9X-7371	1	SEAL-O-RING						
	2	1	7N-7991	1	ADAPTER						
	3	1	7N-8011	1	PULLEY						
	4	1	0L-1352	8	BOLT (3/8-16X3.25-IN)						
	5	1	0S-1621	4	BOLT (1/2-13X1-IN)						
	6	1	5M-2894	8	WASHER-HARD (10.2X18.5X2.5-MM THK)						
	7	1	5P-8245	4	WASHER-HARD (13.5X25.5X3-MM THK)						
	8	1	7C-7808	1	SEAL-LIP TYPE						



GRAPHIC #1

<END>

g00854894

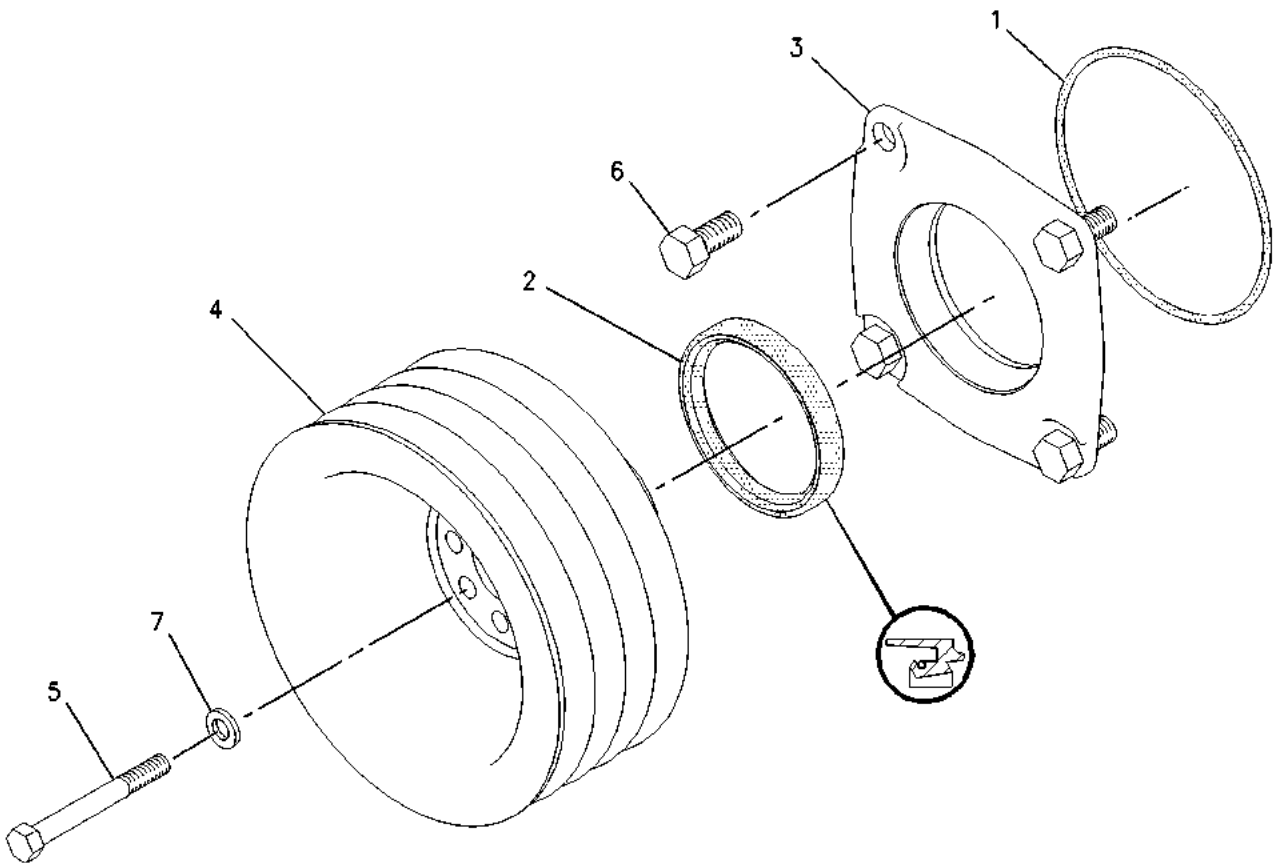
BASIC ENGINE

7N-8041 PULLEY GP-AUXILIARY DRIVE-UPPER FRONT, LH FOR USAGE REFER TO CHART 8N-7500-PAGE: 1451 AN ATTACHMENT

SMCS-1205, 1207

i07082567

NOTE	REF NO	GRAPHIC REF	PART NUMBER	QTY	PART NAME						SEE PAGE
					1	2	3	4	5	6	
	1	1	9X-7371	1	SEAL-O-RING						
	2	1	7C-7808	1	SEAL-LIP TYPE						
	3	1	7N-7991	1	ADAPTER						
	4	1	7N-8011	1	PULLEY						
	5	1	0L-1352	8	BOLT (3/8-16X3.25-IN)						
	6	1	0S-1621	4	BOLT (1/2-13X1-IN)						
	7	1	5M-2894	8	WASHER-HARD (10.2X18.5X2.5-MM THK)						



GRAPHIC #1

<END>

g00856036

BASIC ENGINE

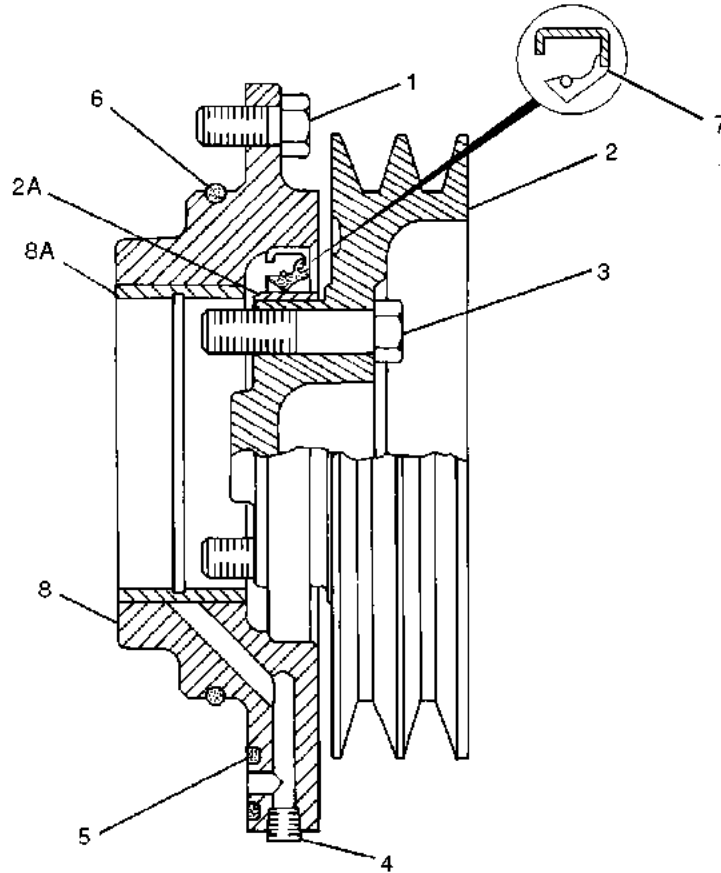
8N-8467 PULLEY GP-AUXILIARY DRIVE-LOWER FRONT, LH FOR USAGE REFER TO CHART 8N-7500-PAGE: 1451 AN ATTACHMENT

SMCS-1205, 1207

i07155477

NOTE	REF NO	GRAPHIC REF	PART NUMBER	QTY	PART NAME						SEE PAGE
					1	2	3	4	5	6 (PRODUCT LEVEL)	
	1	1	0L-1351	4	BOLT (3/8-16X0.875-IN)						
C	2	1	9Y-5286	1	PULLEY AS						
	2A	1	053-5065	1	SLEEVE						
	3	1	0S-1571	4	BOLT (3/8-16X1.75-IN)						
	4	1	8T-6759	1	PLUG-PIPE						
	5	1	5P-0840	1	SEAL-O-RING						
	6	1	259-4598	1	SEAL-O-RING						
	7	1	235-2484	1	SEAL-LIP TYPE						
	8	1	7C-4165	1	ADAPTER AS						
	8A	1	127-5400	1	BUSHING						

C - CHANGE FROM PREVIOUS TYPE



GRAPHIC #1

<END>

g01014927

BASIC ENGINE

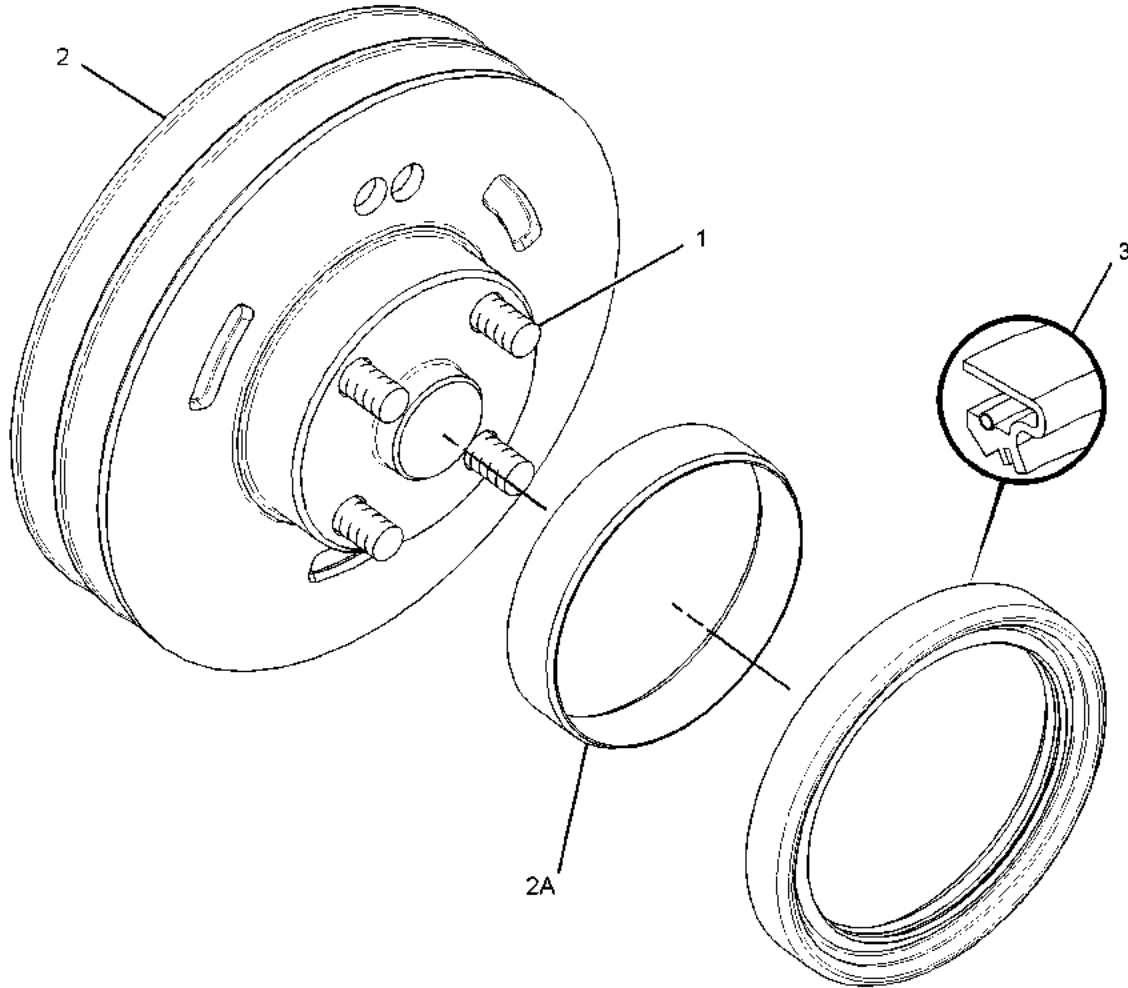
8N-8468 PULLEY GP-AUXILIARY DRIVE-UPPER REAR, RH FOR USAGE REFER TO CHART 8N-7500-PAGE: 1451 AN ATTACHMENT

SMCS-1205, 1207

i06926463

NOTE	REF NO	GRAPHIC REF	PART NUMBER	QTY	PART NAME						SEE PAGE
					1	2	3	4	5	6 (PRODUCT LEVEL)	
	1	1	0S-1571	4	BOLT (3/8-16X1.75-IN)						
C	2	1	9Y-5286	1	PULLEY AS						
	2A	1	053-5065	1	SLEEVE						
	3	1	235-2484	1	SEAL-LIP TYPE						

C - CHANGE FROM PREVIOUS TYPE



GRAPHIC #1

<END>

g01790355

BASIC ENGINE

4W-8996 PULLEY GP-FAN DRIVE

0.803 RATIO

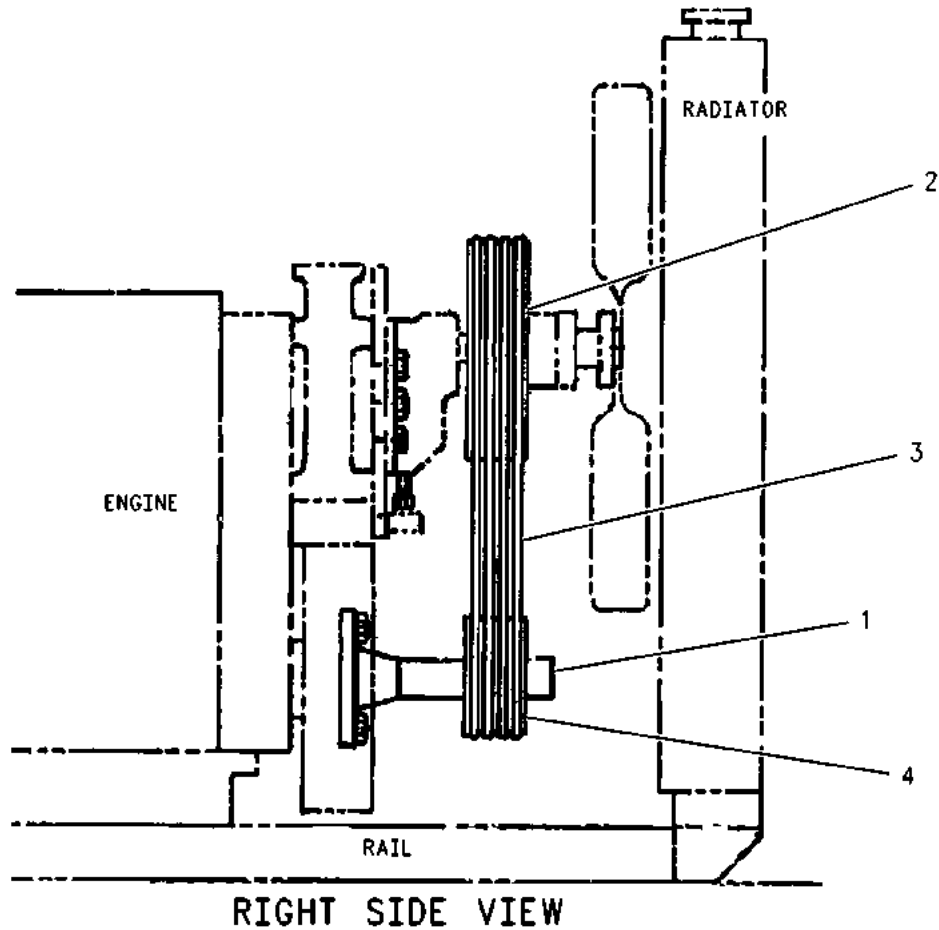
FOR USE WITH ENGINE MOUNTED FAN DRIVE & FOLDED CORE RADIATOR
AN ATTACHMENT

SMCS-1359

i01758059

NOTE	REF NO	GRAPHIC REF	PART NUMBER	QTY	PART NAME						SEE PAGE
					1	2	3	4	5	6 (PRODUCT LEVEL)	
Y	1	1	7N-7660	1	DRIVE GP-FAN						163
	2	1	7W-6336	1	PULLEY-FAN DRIVE						
	3	1	1W-0422	1	V-BELT SET (INCLUDES 4-BELTS) (FAN DRIVE)						
	4	1	4W-8504	1	PULLEY-CRANKSHAFT						

Y - SEPARATE ILLUSTRATION



GRAPHIC #1

<END>

g00899281

BASIC ENGINE

562-4365 PULLEY GP-FAN DRIVE

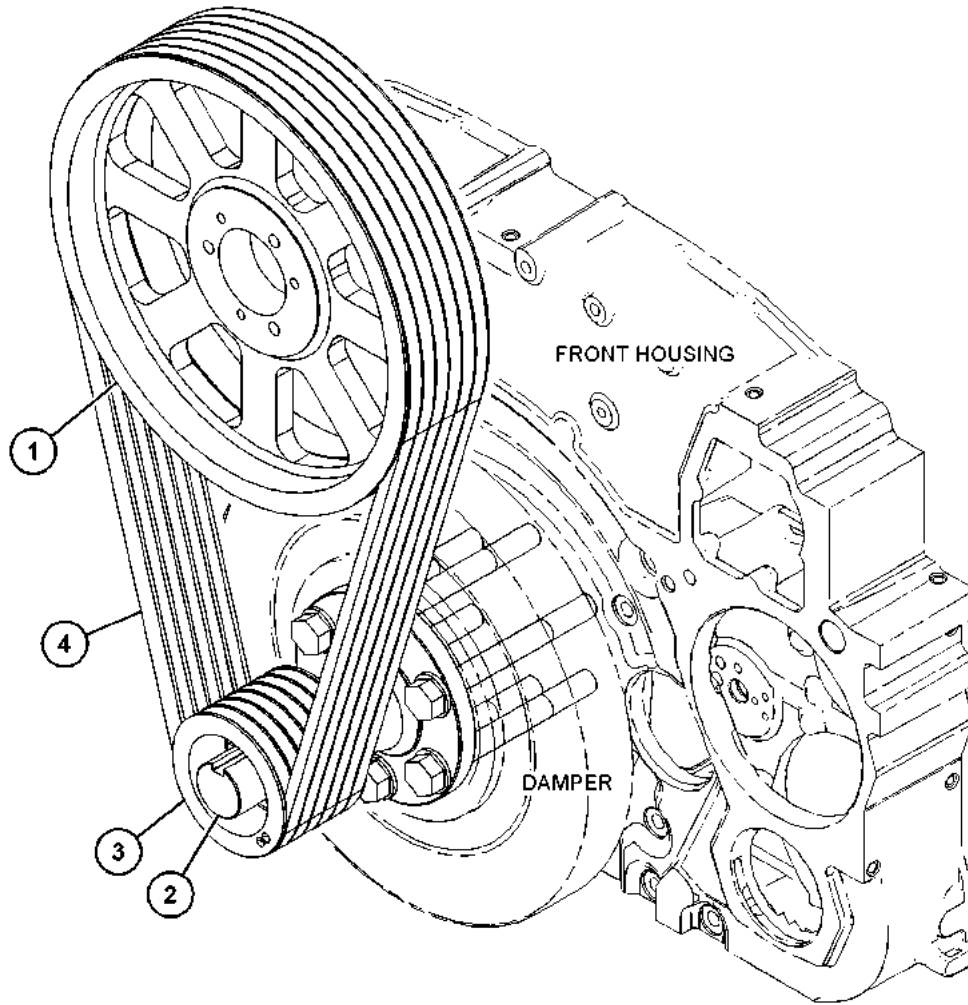
**0.306 RATIO
AN ATTACHMENT**

SMCS-1359

i07487365

NOTE	REF NO	GRAPHIC REF	PART NUMBER	QTY	PART NAME						SEE PAGE
					1	2	3	4	5	6 (PRODUCT LEVEL)	
	1	1	368-7813	1	PULLEY						
Y	2	1	7N-7660	1	DRIVE GP-FAN						163
	3	1	7W-0703	1	PULLEY AS-CRANKSHAFT						
		1	7W-1449	1	KIT-BUSHING (CRANKSHAFT PULLEY)						
					(INCLUDES BUSHING, BOLTS, LOCKWASHERS, SCREW, & KEY)						
	4	1	8N-6711	1	V-BELT SET (INCLUDES 6-BELTS) (FAN DRIVE)						

Y - SEPARATE ILLUSTRATION



GRAPHIC #1

<END>

g06335754

BASIC ENGINE

7W-5223 PULLEY GP-FAN DRIVE

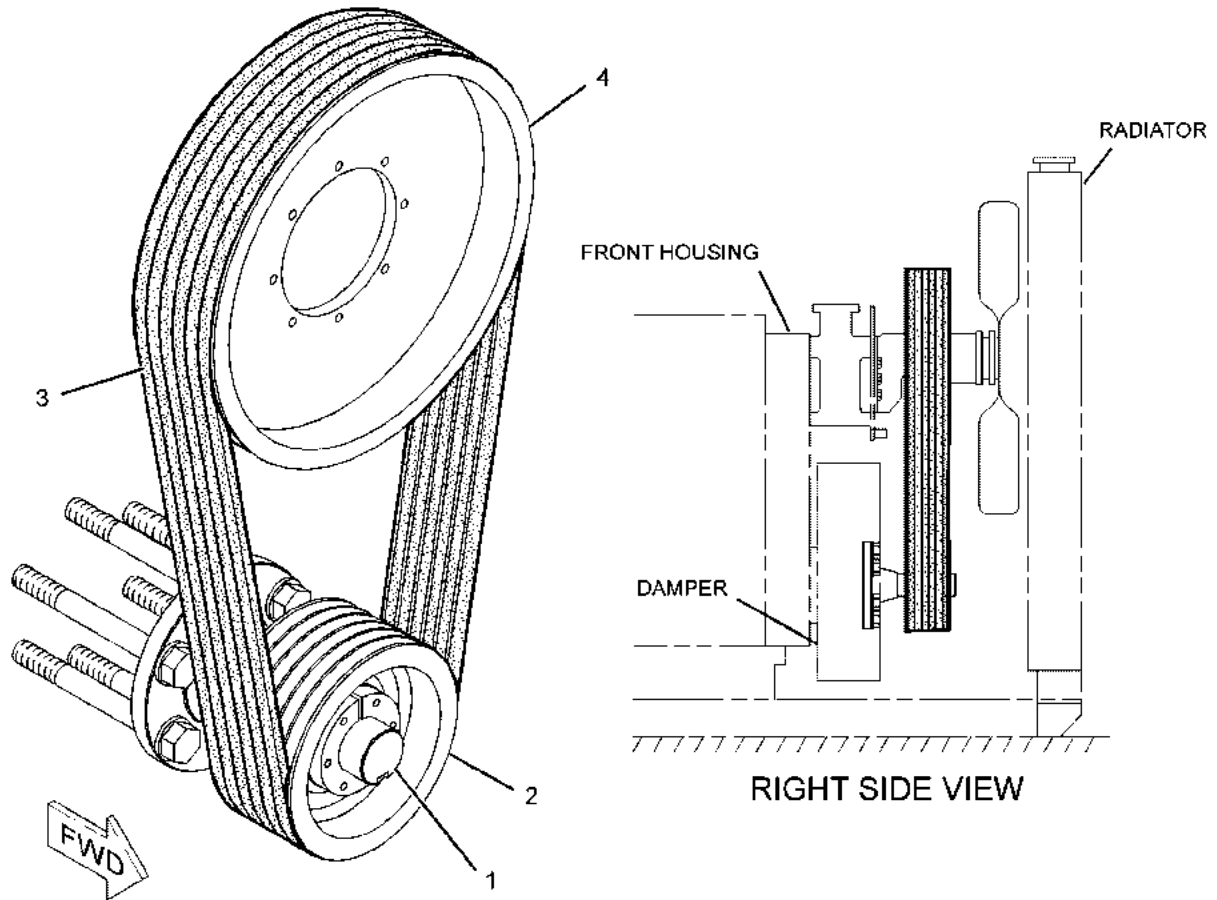
0.520 RATIO

FOR USE WITH ENGINE MOUNTED FAN
AN ATTACHMENT

SMCS-1359

i02765893

NOTE	REF NO	GRAPHIC REF	PART NUMBER	QTY	PART NAME						SEE PAGE
					1	2	3	4	5	6 (PRODUCT LEVEL)	
Y	1	1	7N-7660	1	DRIVE GP-FAN						163
J	2	1	8N-6564	1	PULLEY AS-CRANKSHAFT						
	3	1	8N-6700	1	V-BELT SET (INCLUDES 6-BELTS) (FAN DRIVE)						
	4	1	7W-5109	1	PULLEY-FAN DRIVE (6-GROOVE)						
AVAILABLE REPAIR KIT(S):											
J			4W-0335	1	KIT-BUSHING (CRANKSHAFT PULLEY)						
(INCLUDES BUSHING, BOLTS, LOCKWASHERS, SET SCREW & KEY)											
J - KIT MARKED J AVAILABLE FOR PART MARKED J											
Y - SEPARATE ILLUSTRATION											



GRAPHIC #1

<END>

g01120203

BASIC ENGINE

7W-5225 PULLEY GP-FAN DRIVE

0.627 RATIO

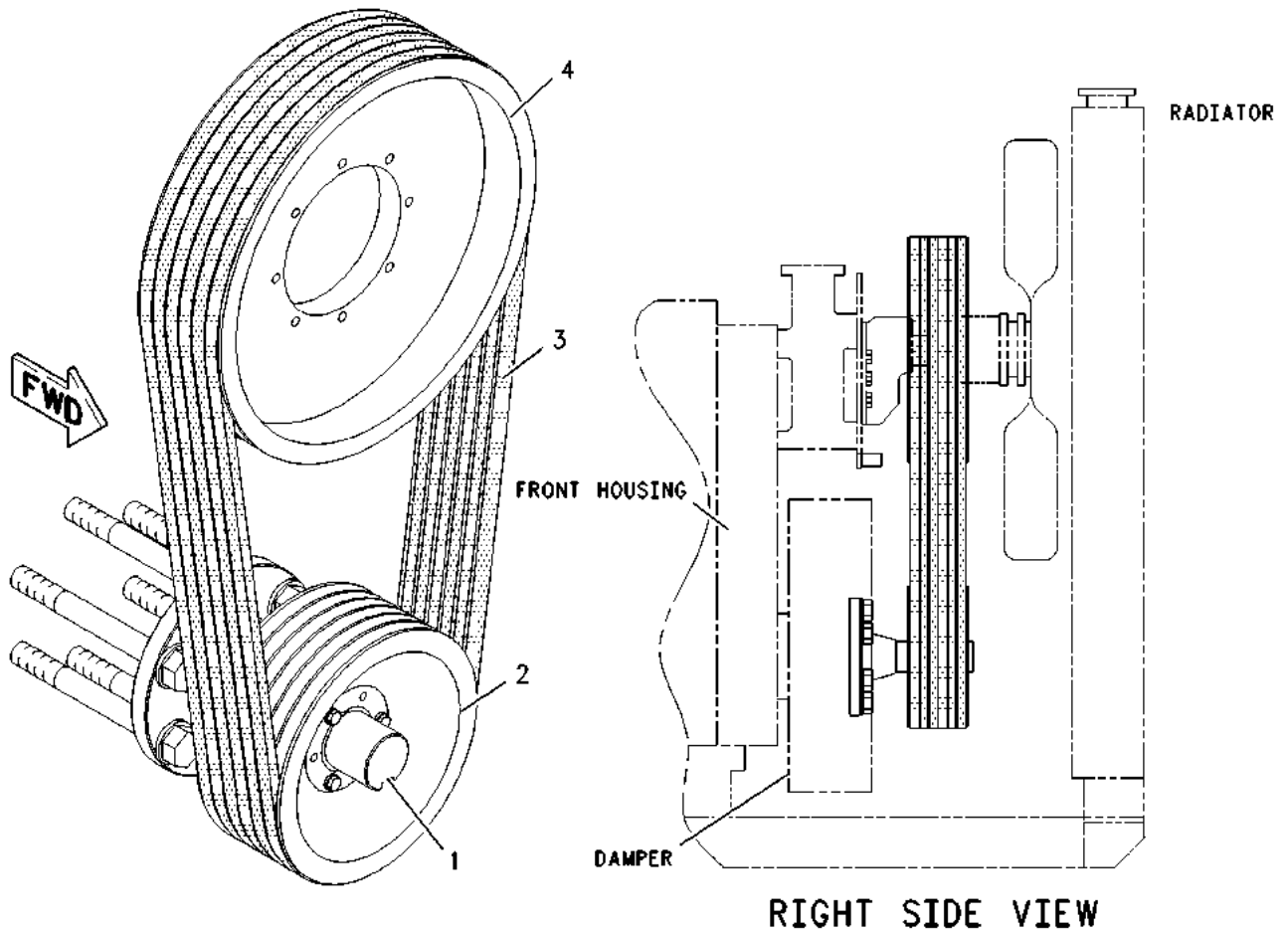
FOR USE WITH ENGINE MOUNTED FAN
AN ATTACHMENT

SMCS-1359

i02765947

NOTE	REF NO	GRAPHIC REF	PART NUMBER	QTY	PART NAME						SEE PAGE
					1	2	3	4	5	6 (PRODUCT LEVEL)	
Y	1	1	7N-7660	1	DRIVE GP-FAN						163
J	2	1	8N-6567	1	PULLEY AS-CRANKSHAFT						
	3	1	8N-6705	1	V-BELT SET (INCLUDES 6-BELTS) (FAN DRIVE)						
	4	1	7W-6470	1	PULLEY-FAN DRIVE (6-GROOVE)						
					AVAILABLE REPAIR KIT(S):						
J			4W-0335	1	KIT-BUSHING (CRANKSHAFT PULLEY)						
					(INCLUDES BUSHING, BOLTS, LOCKWASHERS, SET SCREW & KEY)						

J - KIT MARKED J SERVICES PART(S) MARKED J
Y - SEPARATE ILLUSTRATION



GRAPHIC #1

<END>

g01007255

BASIC ENGINE

7W-5226 PULLEY GP-FAN DRIVE

0.704 RATIO

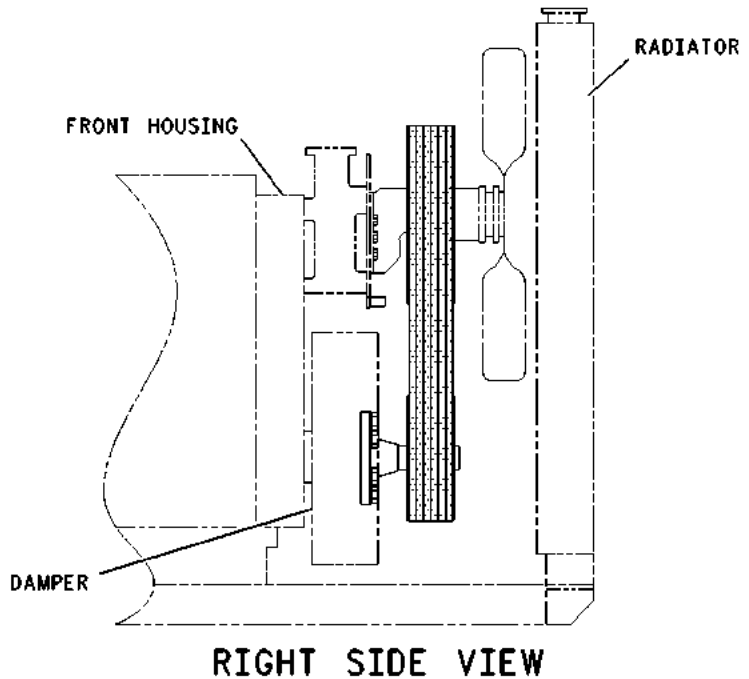
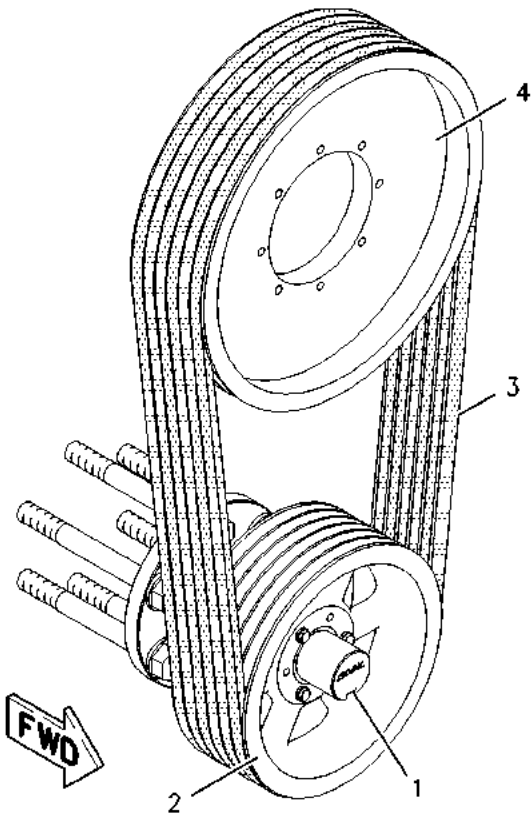
FOR USE WITH ENGINE MOUNTED FAN
AN ATTACHMENT

SMCS-1359

i06914549

NOTE	REF NO	GRAPHIC REF	PART NUMBER	QTY	PART NAME						SEE PAGE
					1	2	3	4	5	6 (PRODUCT LEVEL)	
Y	1	1	7N-7660	1	DRIVE GP-FAN						163
J	2	1	8N-6571	1	PULLEY AS-CRANKSHAFT						
	3	1	8N-6711	1	V-BELT SET (INCLUDES 6-BELTS) (FAN DRIVE)						
	4	1	7W-6470	1	PULLEY-FAN DRIVE (6-GROOVE)						
AVAILABLE REPAIR KIT(S):											
J			4W-0335	1	KIT-BUSHING (CRANKSHAFT PULLEY)						
(INCLUDES BUSHING, BOLTS, LOCKWASHERS, SET SCREW & KEY)											

J - KIT MARKED J SERVICES PART(S) MARKED J
Y - SEPARATE ILLUSTRATION



GRAPHIC #1

<END>

g01007227

BASIC ENGINE

7W-5227 PULLEY GP-FAN DRIVE

0.605 RATIO

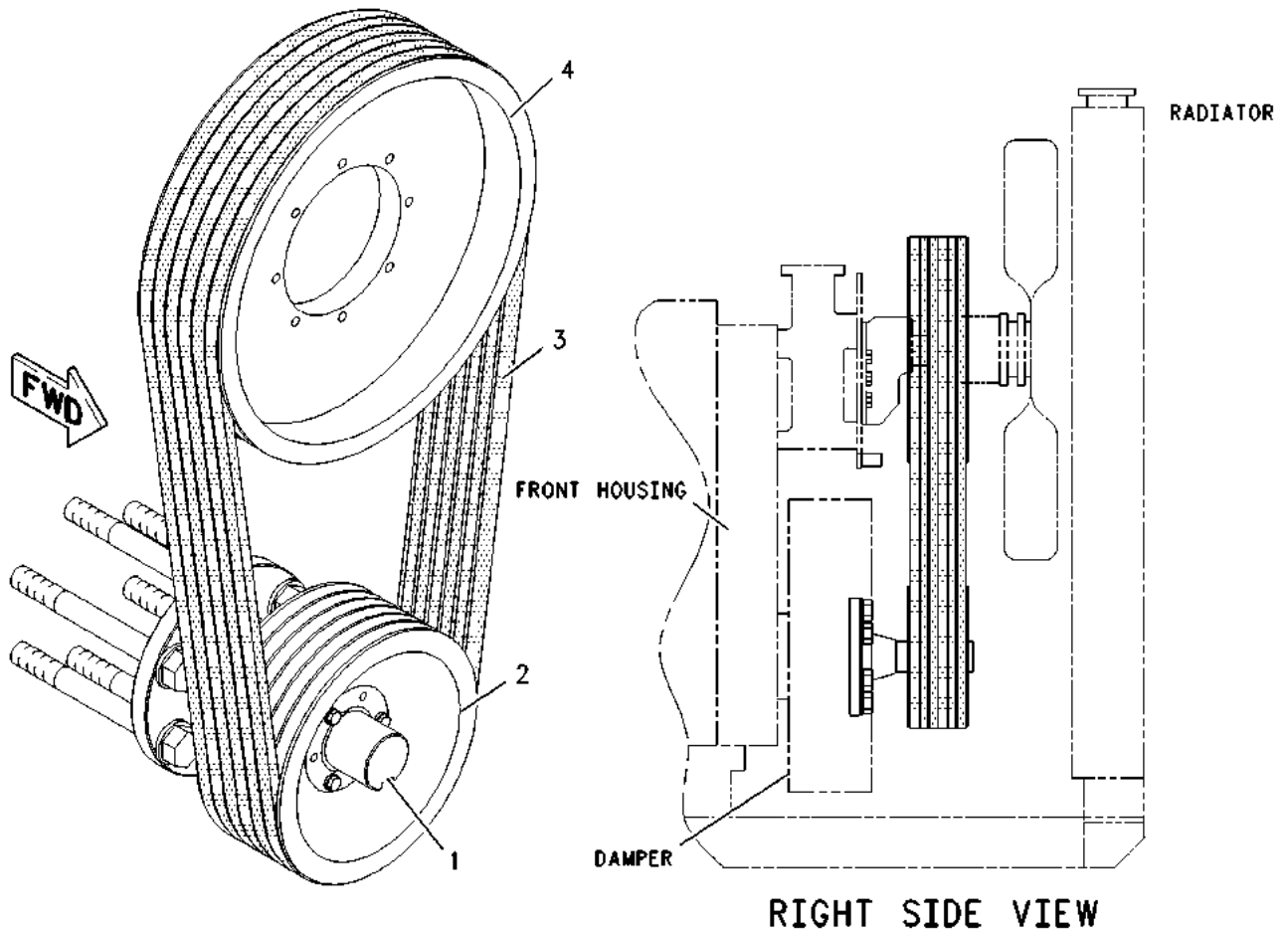
FOR USE WITH ENGINE MOUNTED FAN
AN ATTACHMENT

SMCS-1359

i02765949

NOTE	REF NO	GRAPHIC REF	PART NUMBER	QTY	PART NAME						SEE PAGE
					1	2	3	4	5	6 (PRODUCT LEVEL)	
Y	1	1	7N-7660	1	DRIVE GP-FAN						163
J	2	1	8N-6567	1	PULLEY AS-CRANKSHAFT						
	3	1	8N-6711	1	V-BELT SET (INCLUDES 6-BELTS) (FAN DRIVE)						
	4	1	7W-5109	1	PULLEY-FAN DRIVE (6-GROOVE)						
					AVAILABLE REPAIR KIT(S):						
J			4W-0335	1	KIT-BUSHING (CRANKSHAFT PULLEY)						
					(INCLUDES BUSHING, BOLTS, LOCKWASHERS, SET SCREW & KEY)						

J - KIT MARKED J SERVICES PART(S) MARKED J
Y - SEPARATE ILLUSTRATION



GRAPHIC #1

<END>

g01007316

BASIC ENGINE

7W-5230 PULLEY GP-FAN DRIVE

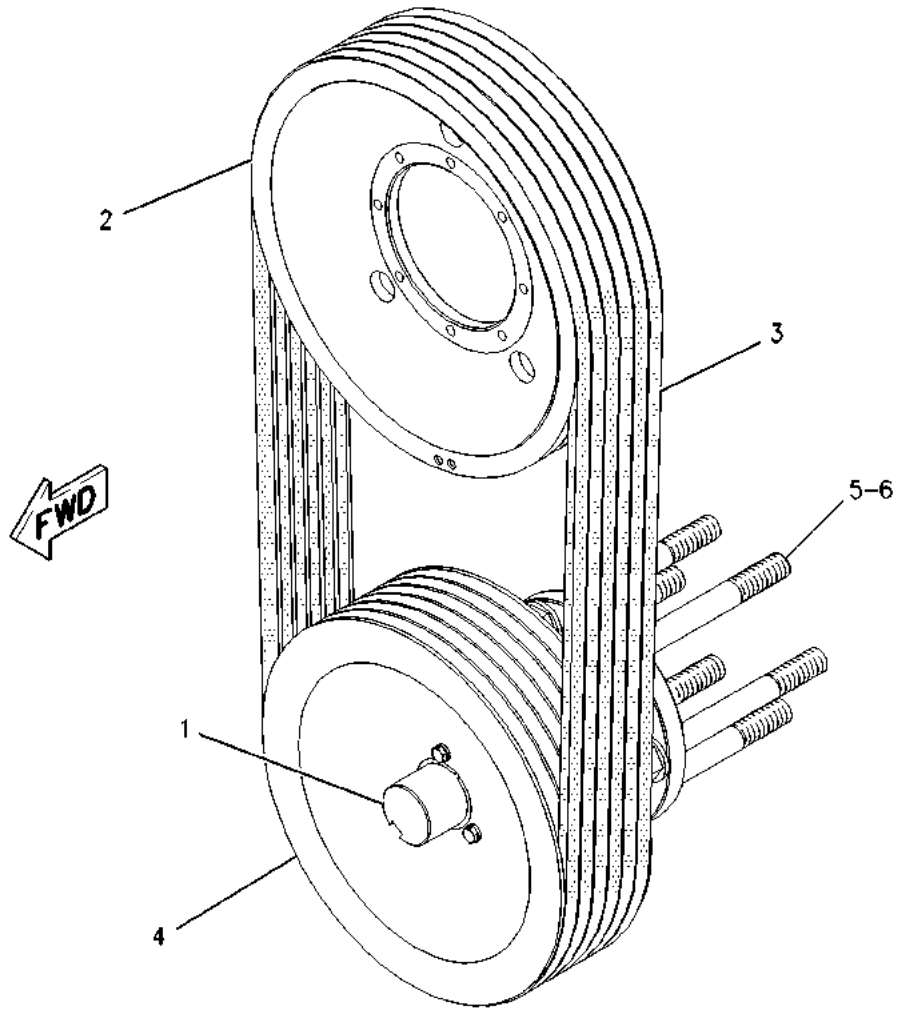
0.923 RATIO

FOR USE WITH ENGINE MOUNTED FAN
AN ATTACHMENT

SMCS-1359

i07108915

NOTE	REF NO	GRAPHIC REF	PART NUMBER	QTY	PART NAME						SEE PAGE
					1	2	3	4	5	6 (PRODUCT LEVEL)	
	1	1	7N-7057	1	SHAFT-STUB						
	2	1	7W-5108	1	PULLEY-FAN DRIVE						
	3	1	7W-5229	1	V-BELT SET (INCLUDES 6-BELTS) (FAN DRIVE)						
J	4	1	7W-6472	1	PULLEY-CRANKSHAFT						
	5	1	5P-8250	6	WASHER (28X49X5-MM THK)						
	6	1	9F-8122	6	BOLT (1-14X9-IN)						
					AVAILABLE REPAIR KIT(S) :						
J			4W-0335	1	KIT-BUSHING (CRANKSHAFT PULLEY)						
					(INCLUDES BUSHING, BOLTS, LOCKWASHERS, SET SCREW & KEY)						
J - KIT MARKED J SERVICES PART(S) MARKED J											



GRAPHIC #1

<END>

g00856943

BASIC ENGINE

7W-5231 PULLEY GP-FAN DRIVE

1.027 RATIO

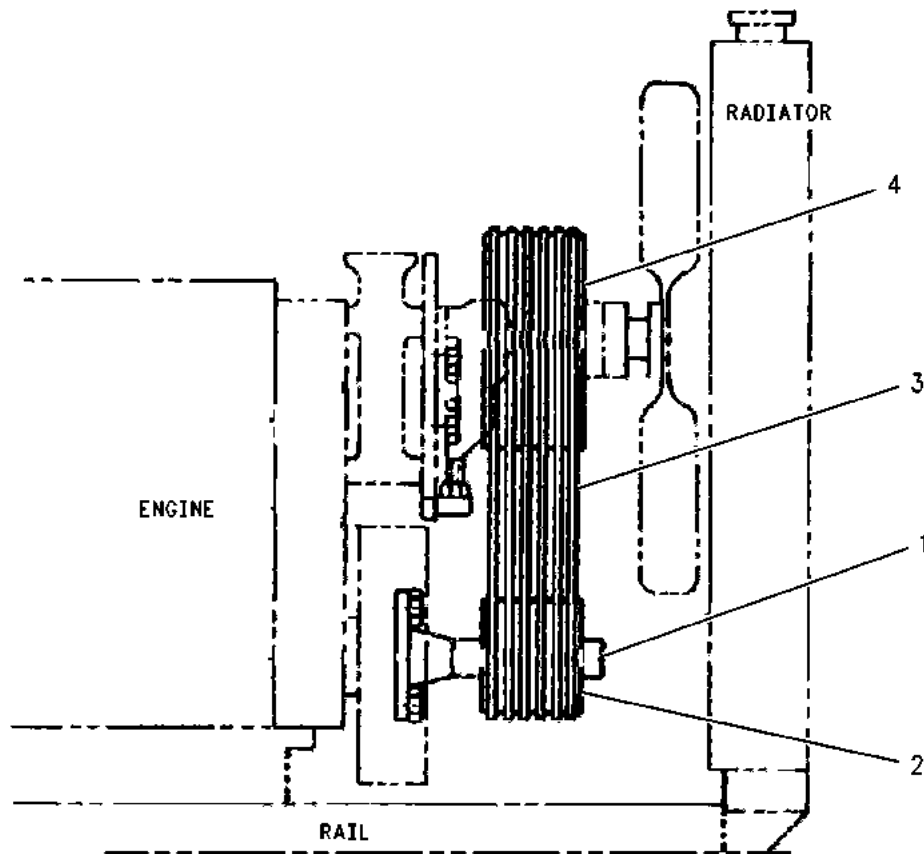
FOR USE WITH ENGINE MOUNTED FAN DRIVE FOR FOLDED CORE RADIATOR
AN ATTACHMENT

SMCS-1359

i02657427

NOTE	REF NO	GRAPHIC REF	PART NUMBER	QTY	PART NAME						SEE PAGE
					1	2	3	4	5	6 (PRODUCT LEVEL)	
Y	1	1	7N-7660	1	DRIVE GP-FAN						163
	2	1	7W-6472	1	PULLEY-CRANKSHAFT						
	3	1	8N-6711	1	V-BELT SET (INCLUDES 6-BELTS) (FAN DRIVE)						
	4	1	7W-2050	1	PULLEY-FAN DRIVE						

Y - SEPARATE ILLUSTRATION



GRAPHIC #1

<END>

g00650955

BASIC ENGINE

7W-5232 PULLEY GP-FAN DRIVE

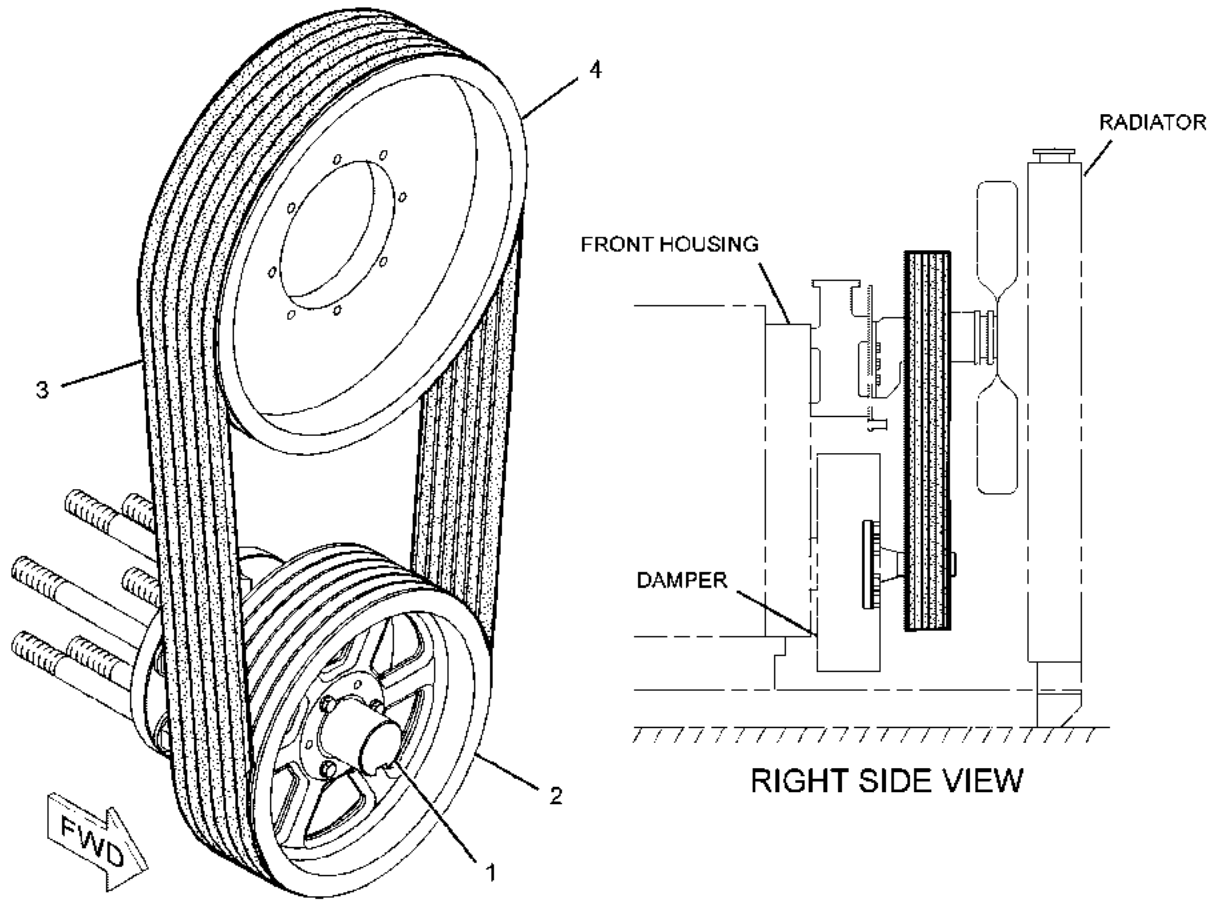
0.770 RATIO

FOR USE WITH ENGINE MOUNTED FAN
AN ATTACHMENT

SMCS-1359

i02765957

NOTE	REF NO	GRAPHIC REF	PART NUMBER	QTY	PART NAME						SEE PAGE
					1	2	3	4	5	6 (PRODUCT LEVEL)	
Y	1	1	7N-7660	1	DRIVE GP-FAN						163
J	2	1	8N-6569	1	PULLEY-CRANKSHAFT						
	3	1	7W-5229	1	V-BELT SET (INCLUDES 6-BELTS) (FAN DRIVE)						
	4	1	7W-6470	1	PULLEY-FAN DRIVE (6-GROOVE)						
AVAILABLE REPAIR KIT(S):											
J			4W-0335	1	KIT-BUSHING (CRANKSHAFT PULLEY)						
(INCLUDES BUSHING, BOLTS, LOCKWASHERS, SET SCREW & KEY)											
J - KIT MARKED J SERVICES PART(S) MARKED J											
Y - SEPARATE ILLUSTRATION											



GRAPHIC #1

<END>

g01120202

BASIC ENGINE

7W-5252 PULLEY GP-FAN DRIVE

0.630 RATIO

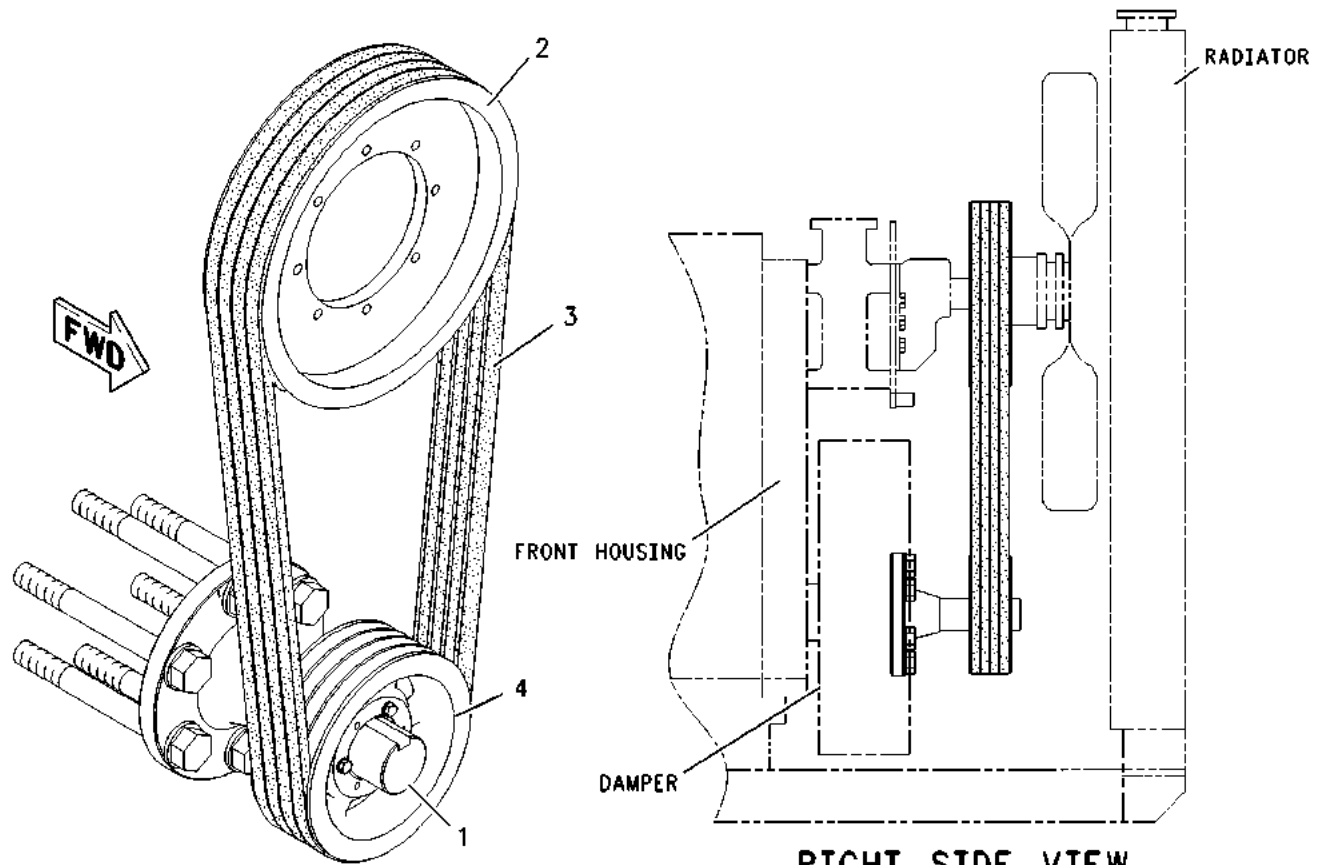
FOR USE WITH ENGINE MOUNTED FAN
AN ATTACHMENT

SMCS-1359

i02765958

NOTE	REF NO	GRAPHIC REF	PART NUMBER	QTY	PART NAME						SEE PAGE
					1	2	3	4	5	6 (PRODUCT LEVEL)	
Y	1	1	7N-7660	1	DRIVE GP-FAN						163
	2	1	7W-6866	1	PULLEY-FAN DRIVE						
	3	1	7N-4148	1	V-BELT SET (INCLUDES 4-BELTS) (FAN DRIVE)						
J	4	1	4W-8505	1	PULLEY-CRANKSHAFT						
AVAILABLE REPAIR KIT(S):											
J			7W-1449	1	KIT-BUSHING (CRANKSHAFT PULLEY)						
(INCLUDES BUSHING, BOLTS, LOCKWASHERS, SET SCREW & KEY)											

J - KIT MARKED J SERVICES PART(S) MARKED J
Y - SEPARATE ILLUSTRATION



GRAPHIC #1

<END>

g01007355

BASIC ENGINE

7W-5253 PULLEY GP-FAN DRIVE

0.751 RATIO

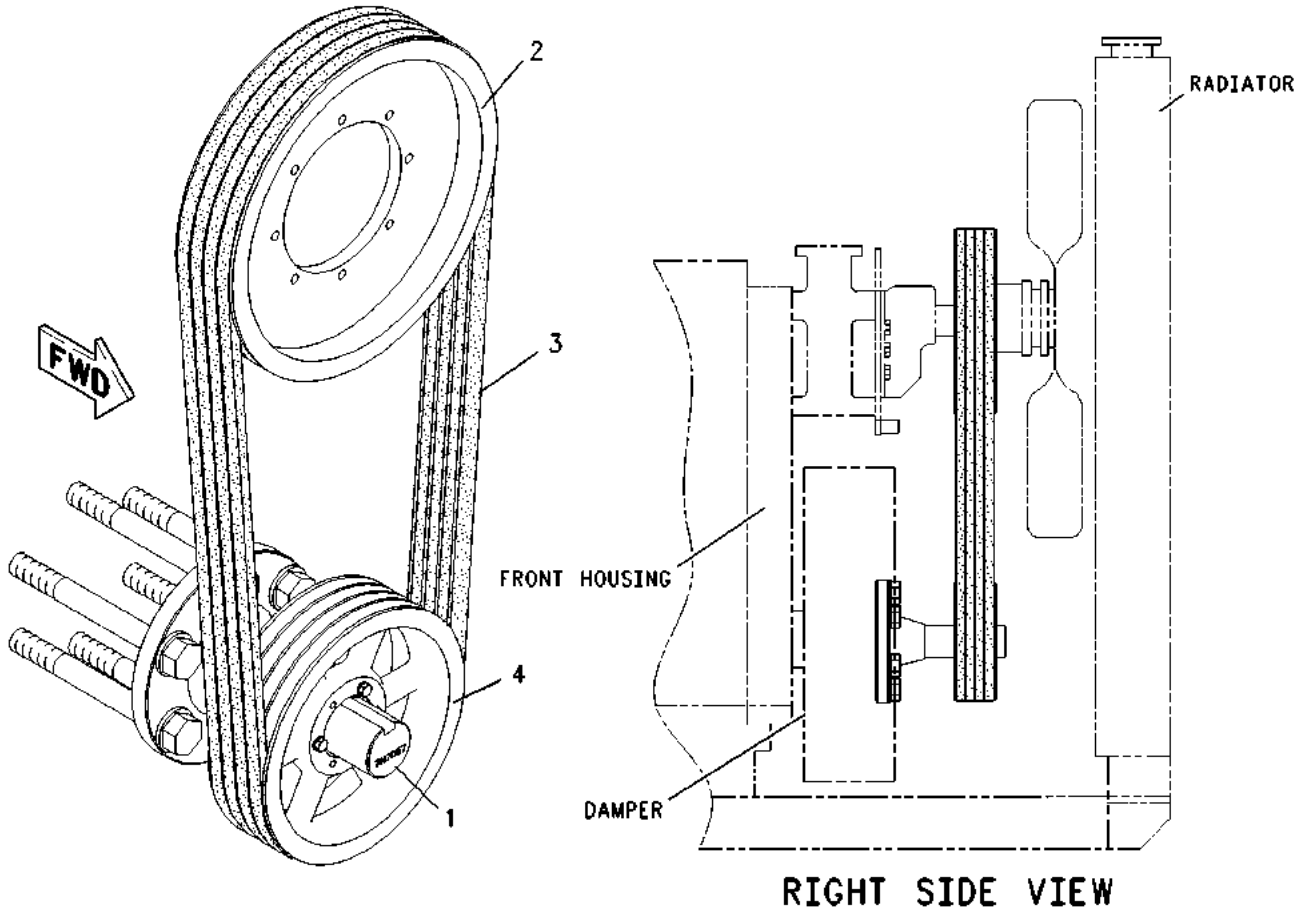
FOR USE WITH ENGINE MOUNTED FAN
AN ATTACHMENT

SMCS-1359

i02765959

NOTE	REF NO	GRAPHIC REF	PART NUMBER	QTY	PART NAME						SEE PAGE
					1	2	3	4	5	6 (PRODUCT LEVEL)	
Y	1	1	7N-7660	1	DRIVE GP-FAN						163
	2	1	7W-6867	1	PULLEY-FAN DRIVE						
	3	1	7W-5258	1	V-BELT SET (INCLUDES 4-BELTS) (FAN DRIVE)						
J	4	1	4W-8507	1	PULLEY-CRANKSHAFT						
AVAILABLE REPAIR KIT(S):											
J			7W-1449	1	KIT-BUSHING (CRANKSHAFT PULLEY)						
(INCLUDES BUSHING, BOLTS, LOCKWASHERS, SET SCREW & KEY)											

J - KIT MARKED J SERVICES PART(S) MARKED J
Y - SEPARATE ILLUSTRATION



GRAPHIC #1

<END>

g01007366

BASIC ENGINE

7W-5254 PULLEY GP-FAN DRIVE

0.856 RATIO

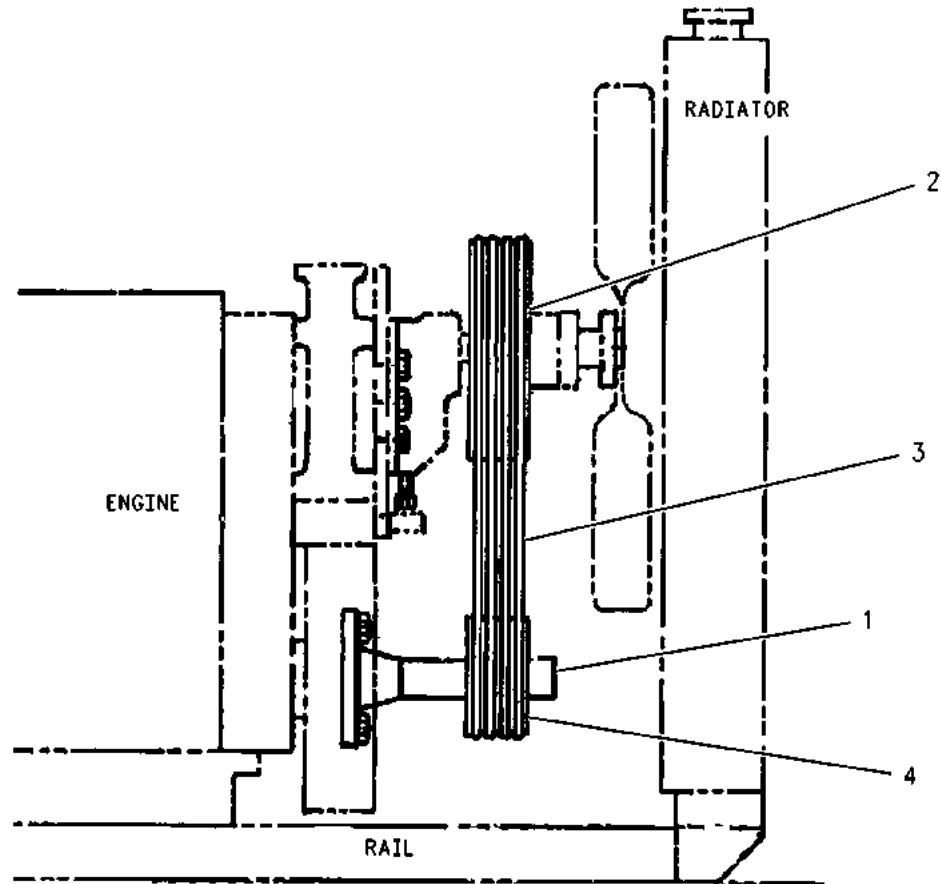
FOR USE WITH FOLDED CORE RADIATOR
AN ATTACHMENT

SMCS-1359

i01758096

NOTE	REF NO	GRAPHIC REF	PART NUMBER	QTY	PART NAME						SEE PAGE
					1	2	3	4	5	6 (PRODUCT LEVEL)	
Y	1	1	7N-7660	1	DRIVE GP-FAN						163
	2	1	7W-6339	1	PULLEY-FAN DRIVE						
	3	1	8N-6707	1	V-BELT SET (INCLUDES 4-BELTS) (FAN DRIVE)						
	4	1	4W-8508	1	PULLEY-CRANKSHAFT						

Y - SEPARATE ILLUSTRATION



GRAPHIC #1

<END>

g00900677

BASIC ENGINE

7W-5255 PULLEY GP-FAN DRIVE

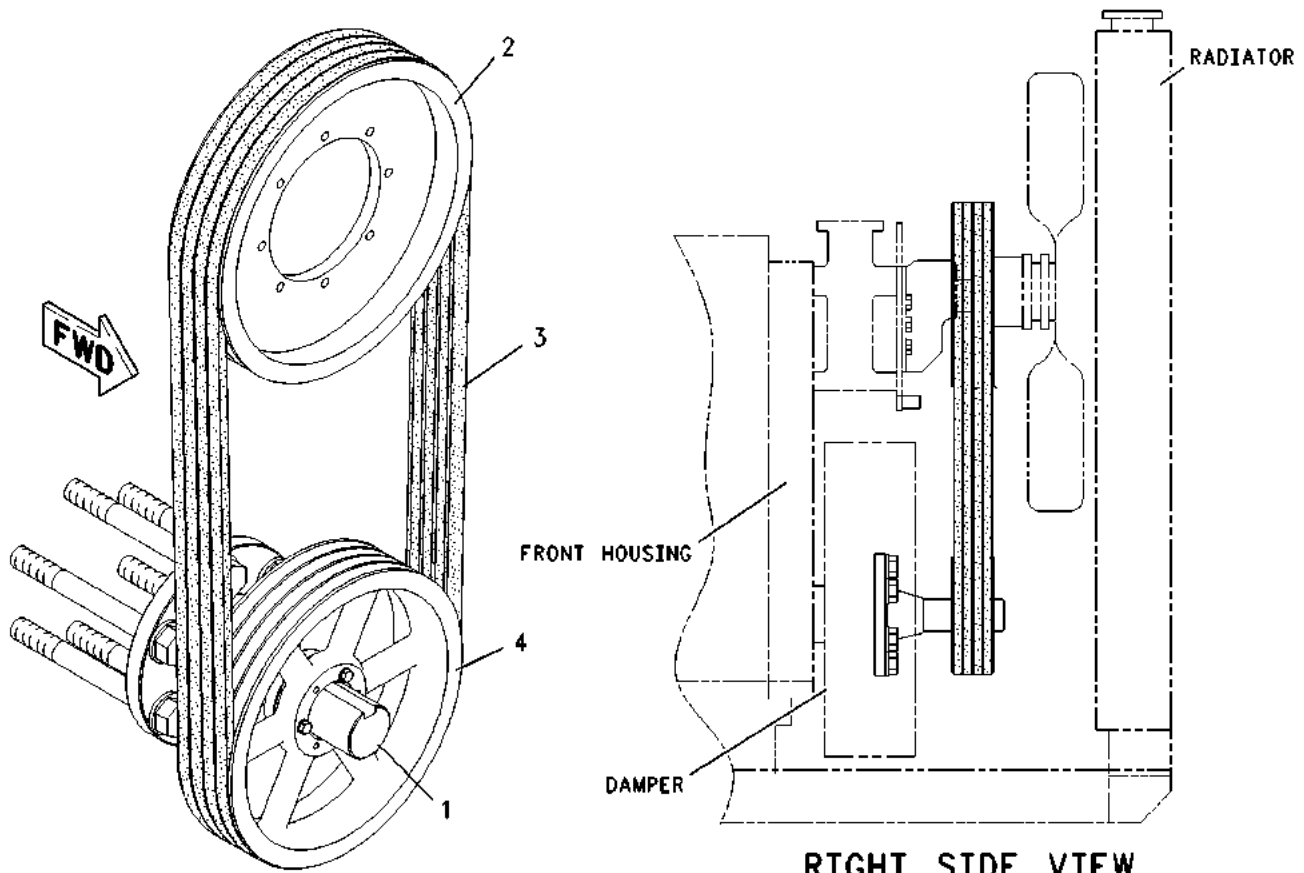
0.923 RATIO

FOR USE WITH ENGINE MOUNTED FAN DRIVE & FOLDED CORE RADIATOR
AN ATTACHMENT

SMCS-1359

i02765960

NOTE	REF NO	GRAPHIC REF	PART NUMBER	QTY	PART NAME						SEE PAGE
					1	2	3	4	5	6 (PRODUCT LEVEL)	
Y	1	1	7N-7660	1	DRIVE GP-FAN						163
	2	1	7W-6867	1	PULLEY-FAN DRIVE						
	3	1	8N-6718	1	V-BELT SET (INCLUDES 4-BELTS) (FAN DRIVE)						
J	4	1	4W-8508	1	PULLEY-CRANKSHAFT						
					AVAILABLE REPAIR KIT(S):						
J			7W-1449		KIT-BUSHING (CRANKSHAFT PULLEY)						
					(INCLUDES BUSHING, BOLTS, LOCKWASHERS, SET SCREW & KEY)						
J - KIT MARKED J AVAILABLE FOR PART MARKED J											
Y - SEPARATE ILLUSTRATION											



GRAPHIC #1

<END>

g01007369

BASIC ENGINE

7W-5256 PULLEY GP-FAN DRIVE

1.108 RATIO

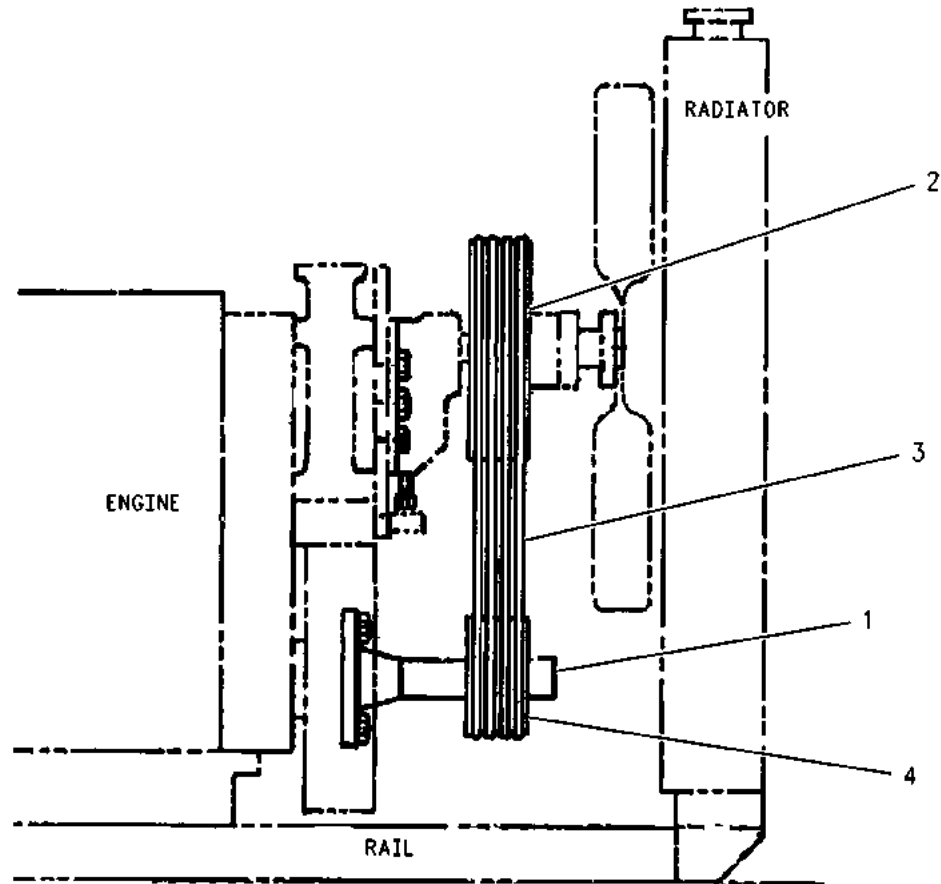
FOR USE WITH ENGINE MOUNTED FAN DRIVE & FOLDED CORE RADIATOR
AN ATTACHMENT

SMCS-1359

i01758099

NOTE	REF NO	GRAPHIC REF	PART NUMBER	QTY	PART NAME						SEE PAGE
					1	2	3	4	5	6 (PRODUCT LEVEL)	
Y	1	1	7N-7660	1	DRIVE GP-FAN						163
	2	1	7W-6866	1	PULLEY-FAN DRIVE						
	3	1	8N-6707	1	V-BELT SET (INCLUDES 4-BELTS) (FAN DRIVE)						
	4	1	4W-8509	1	PULLEY-CRANKSHAFT						

Y - SEPARATE ILLUSTRATION



RIGHT SIDE VIEW

GRAPHIC #1

<END>

g00899336

BASIC ENGINE

7W-5257 PULLEY GP-FAN DRIVE

1.141 RATIO

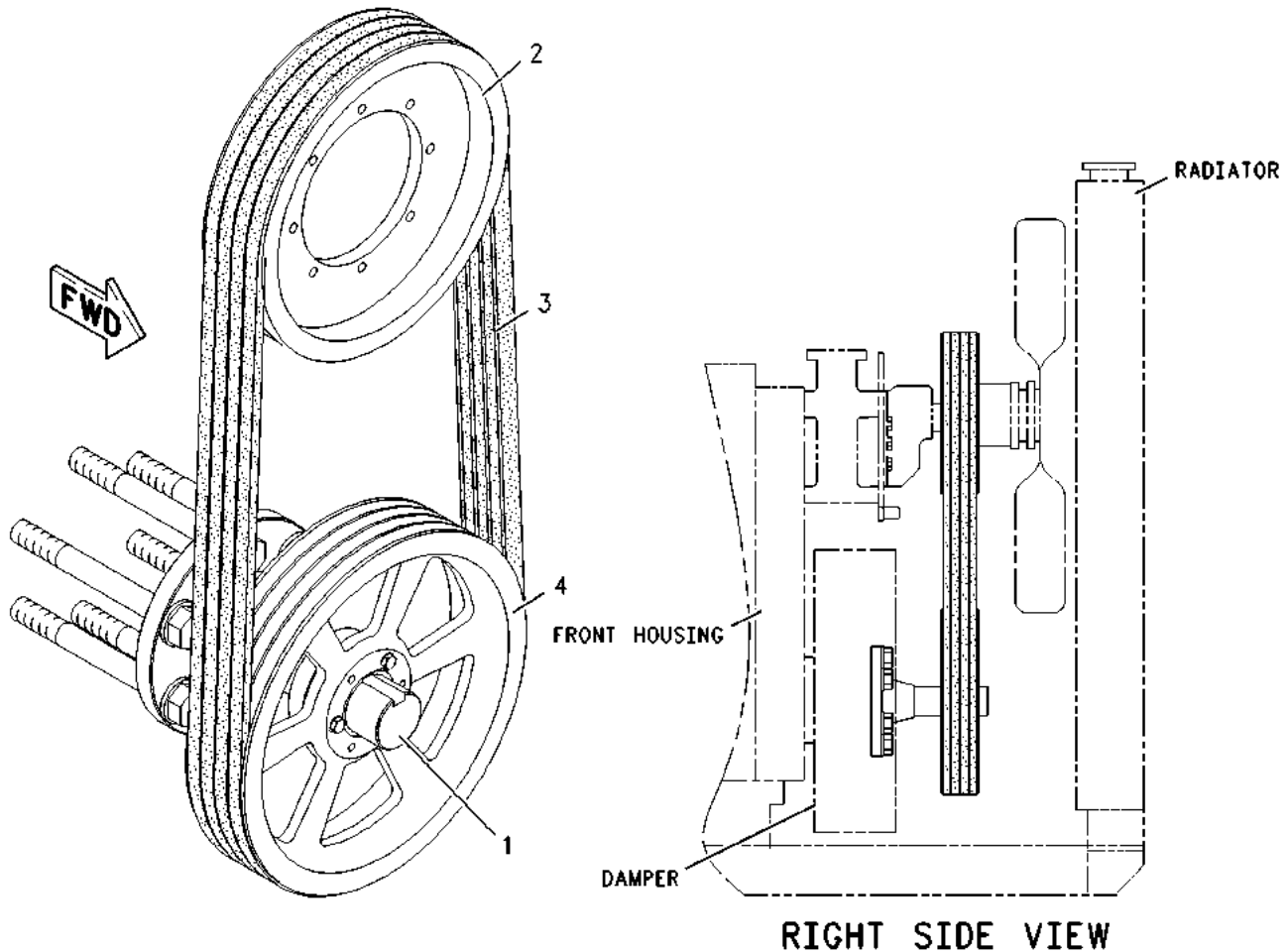
FOR USE WITH ENGINE MOUNTED FAN DRIVE & FOLDED CORE RADIATOR
AN ATTACHMENT

SMCS-1359

i02765965

NOTE	REF NO	GRAPHIC REF	PART NUMBER	QTY	PART NAME						SEE PAGE
					1	2	3	4	5	6 (PRODUCT LEVEL)	
Y	1	1	7N-7660	1	DRIVE GP-FAN						163
J	2	1	7W-6338	1	PULLEY-FAN DRIVE						
	3	1	7W-5390	1	V-BELT SET (INCLUDES 4-BELTS) (FAN DRIVE)						
	4	1	4W-8509	1	PULLEY-CRANKSHAFT						
AVAILABLE REPAIR KIT(S):											
J			4W-0335	1	KIT-BUSHING (CRANKSHAFT PULLEY)						
(INCLUDES BUSHING, BOLTS, LOCKWASHER, SET SCREW & KEY)											

J - KIT MARKED J AVAILABLE FOR PART MARKED J
Y - SEPARATE ILLUSTRATION



GRAPHIC #1

<END>

g01007399

BASIC ENGINE

7W-8144 PULLEY GP-FAN DRIVE

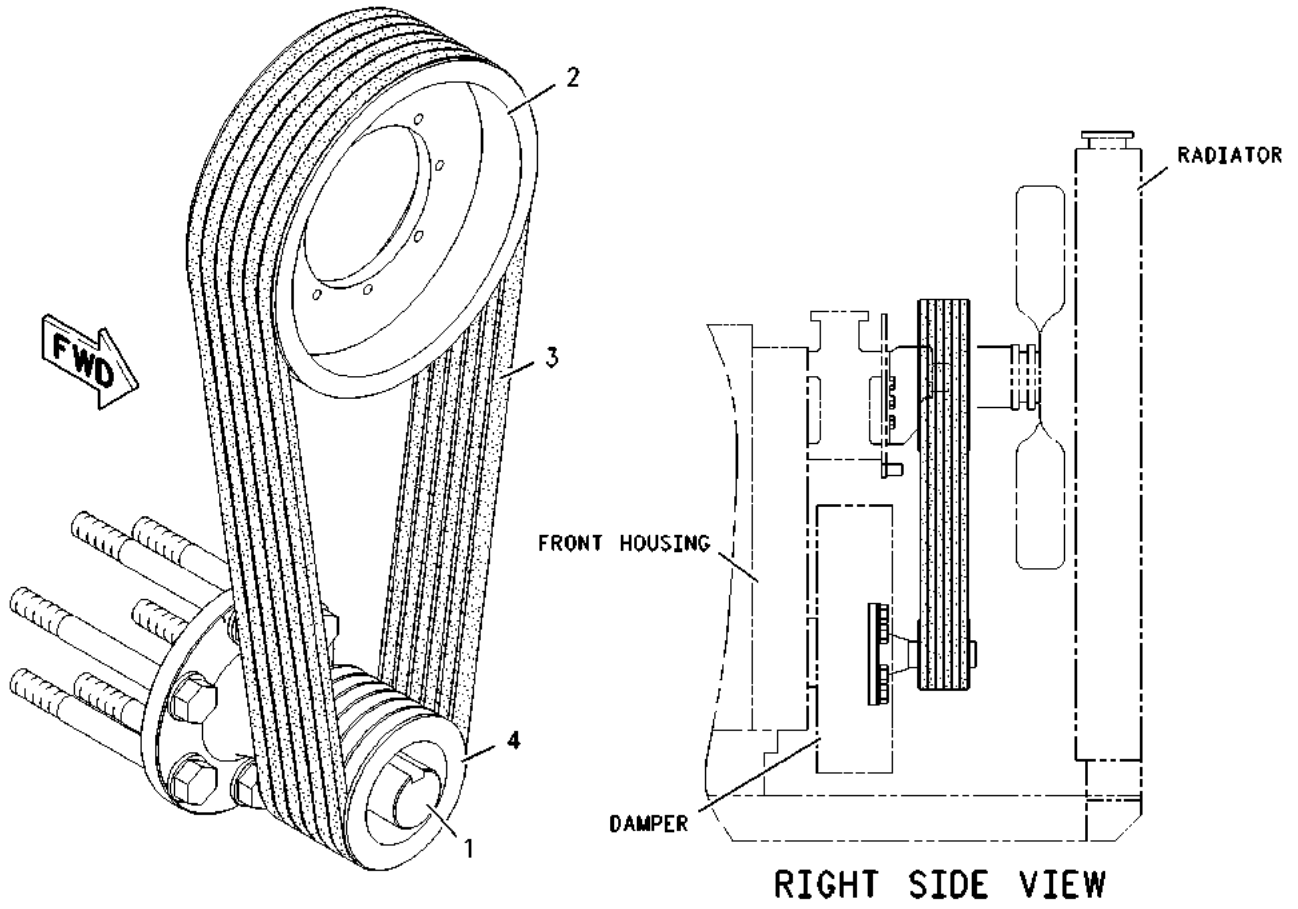
0.455 RATIO

FOR USE WITH ENGINE MOUNTED FAN
AN ATTACHMENT

SMCS-1359

i07215461

NOTE	REF NO	GRAPHIC REF	PART NUMBER	QTY	PART NAME						SEE PAGE
					1	2	3	4	5	6 (PRODUCT LEVEL)	
Y	1	1	7N-7660	1	DRIVE GP-FAN						163
	2	1	7W-8140	1	PULLEY-FAN DRIVE						
	3	1	7W-8137	1	V-BELT SET (INCLUDES 6-BELTS) (FAN DRIVE)						
J	4	1	7W-0703	1	PULLEY AS-CRANKSHAFT						
					AVAILABLE REPAIR KIT(S):						
J			7W-1449	1	KIT-BUSHING (CRANKSHAFT PULLEY)						
					(INCLUDES BUSHING, BOLTS, LOCKWASHERS, SET SCREW & KEY)						
J - KIT MARKED J SERVICES PART(S) MARKED J											
Y - SEPARATE ILLUSTRATION											



GRAPHIC #1

<END>

g01007499

BASIC ENGINE

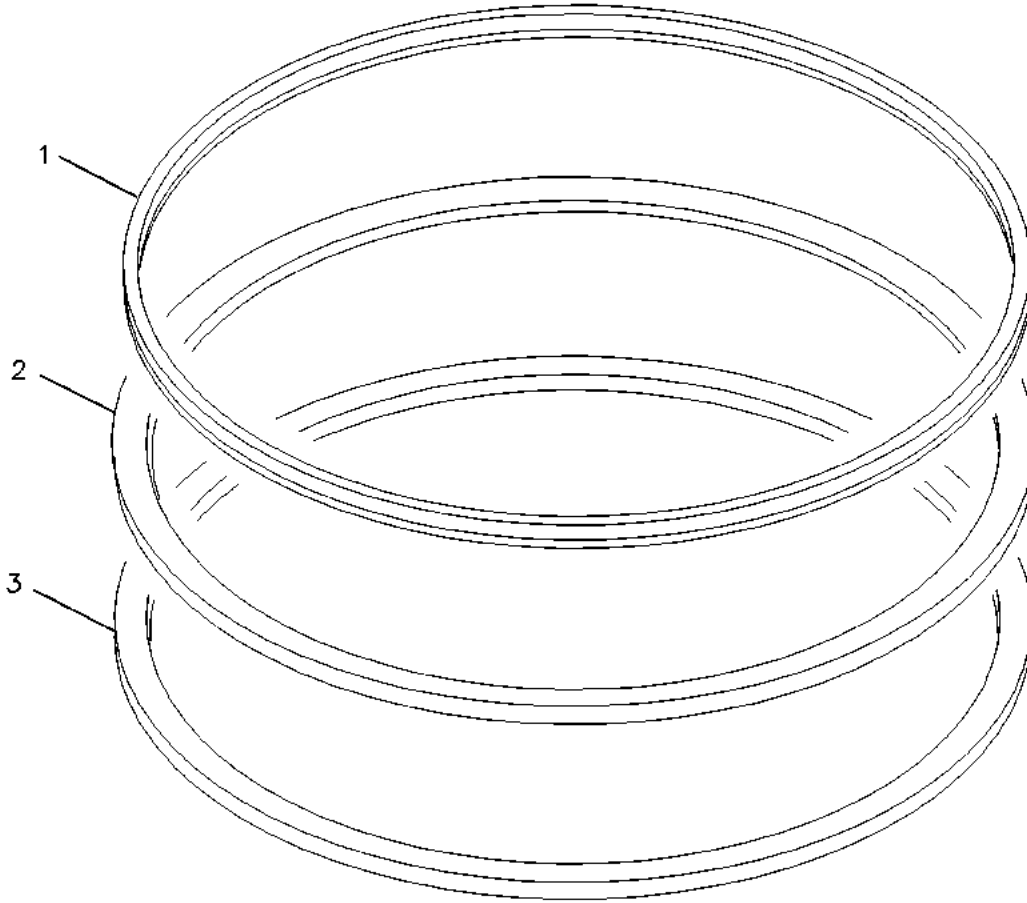
1N-3967 RING GP-PISTON

REPLACEMENT
FIELD INSTALLATION

SMCS-1215

i01807774

NOTE	REF NO	GRAPHIC REF	PART NUMBER	QTY	PART NAME						SEE PAGE
					1	2	3	4	5	6	
	1	1	8N-1233	1	RING-PISTON (TOP)						
	2	1	8N-7810	1	RING-PISTON (INTERMEDIATE)						
	3	1	7W-2221	1	RING (OIL)						



GRAPHIC #1

<END>

g00924410

BASIC ENGINE

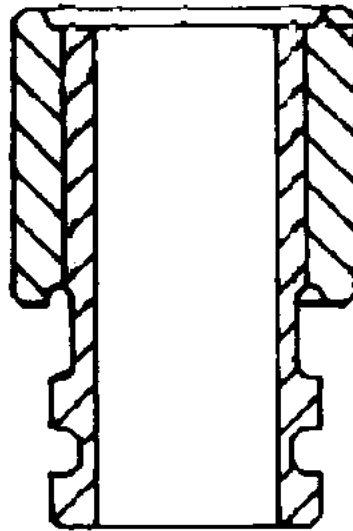
105-4656 SEAL AS-WATER

PROVIDES A POSITIVE WATER SEAL IN THE HEAD TO BLOCK JOINT
FIELD INSTALLATION

SMCS-1201

i01199470

NOTE	REF NO	GRAPHIC REF	PART NUMBER	QTY	PART NAME						SEE PAGE
					1	2	3	4	5	6 (PRODUCT LEVEL)	
(NO SERVICED PARTS)											



GRAPHIC #1

<END>

g00643397

BASIC ENGINE

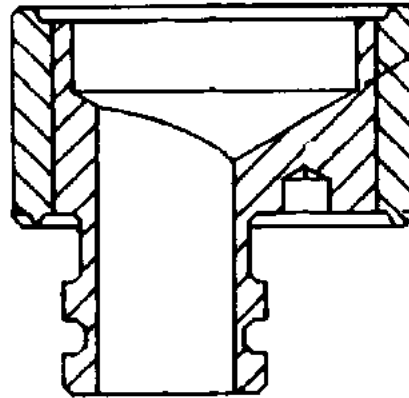
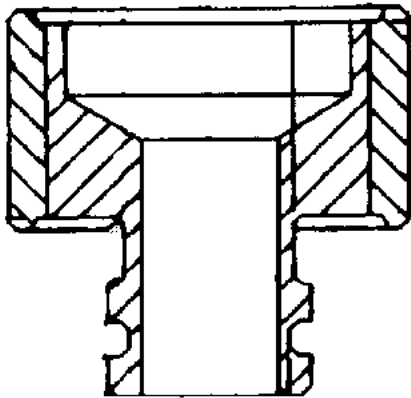
105-4657 SEAL AS-WATER

PROVIDES A POSITIVE WATER SEAL IN THE HEAD TO BLOCK JOINT
FIELD INSTALLATION

SMCS-1201

i01199486

NOTE	REF NO	GRAPHIC REF	PART NUMBER	QTY	PART NAME	SEE PAGE
					1 2 3 4 5 6 (PRODUCT LEVEL)	
(NO SERVICED PARTS)						



GRAPHIC #1

<END>

g00643423

BASIC ENGINE

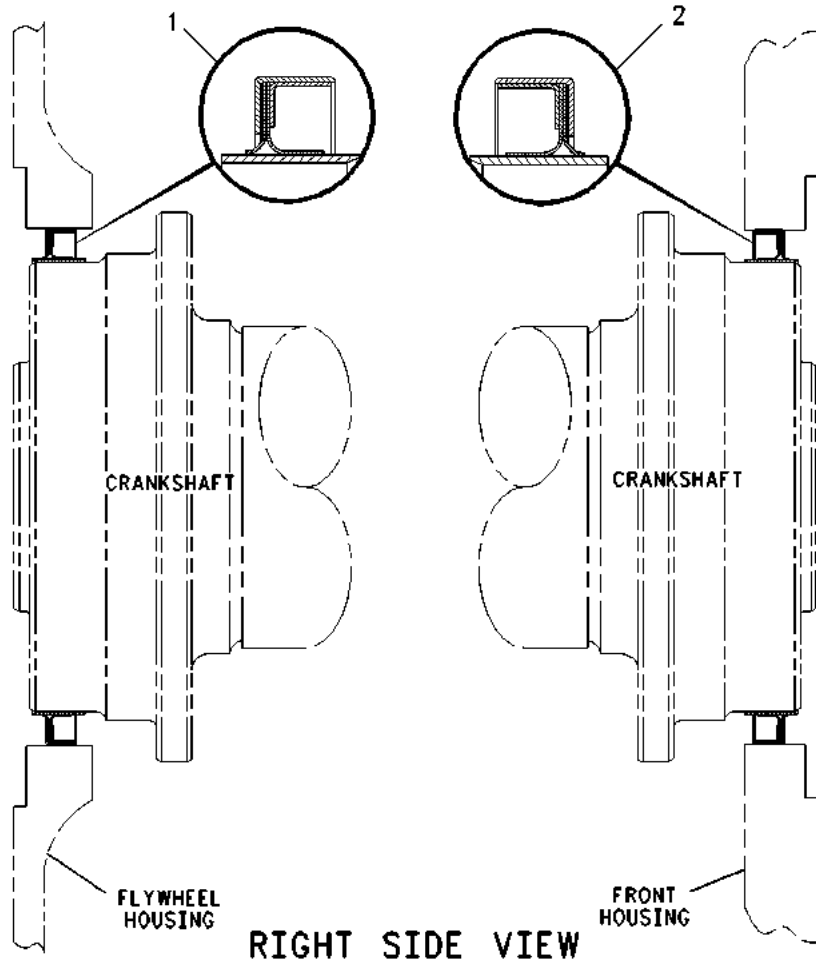
7W-3813 SEAL GP-CRANKSHAFT

SMCS-1160, 1161

i07111990

NOTE	REF NO	GRAPHIC REF	PART NUMBER	QTY	PART NAME						SEE PAGE
					1	2	3	4	5	6 (PRODUCT LEVEL)	
C	1	1	113-8433	1	SEAL (COUNTERCLOCKWISE ROTATION)						
(INSTALL IN FLYWHEEL HOUSING ON STANDARD ROTATION ENGINES & IN FRONT HOUSING ON REVERSE ROTATION ENGINES)											
C	2	1	113-8432	1	SEAL (CLOCKWISE ROTATION)						
(INSTALL IN FRONT HOUSING ON STANDARD ROTATION ENGINES & IN FLYWHEEL HOUSING ON REVERSE ROTATION ENGINES)											

C - CHANGE FROM PREVIOUS TYPE



GRAPHIC #1

<END>

g00899342

BASIC ENGINE

209-3559 SHAFT GP-AUXILIARY DRIVE-UPPER FRONT, RH AN ATTACHMENT

SMCS-1207

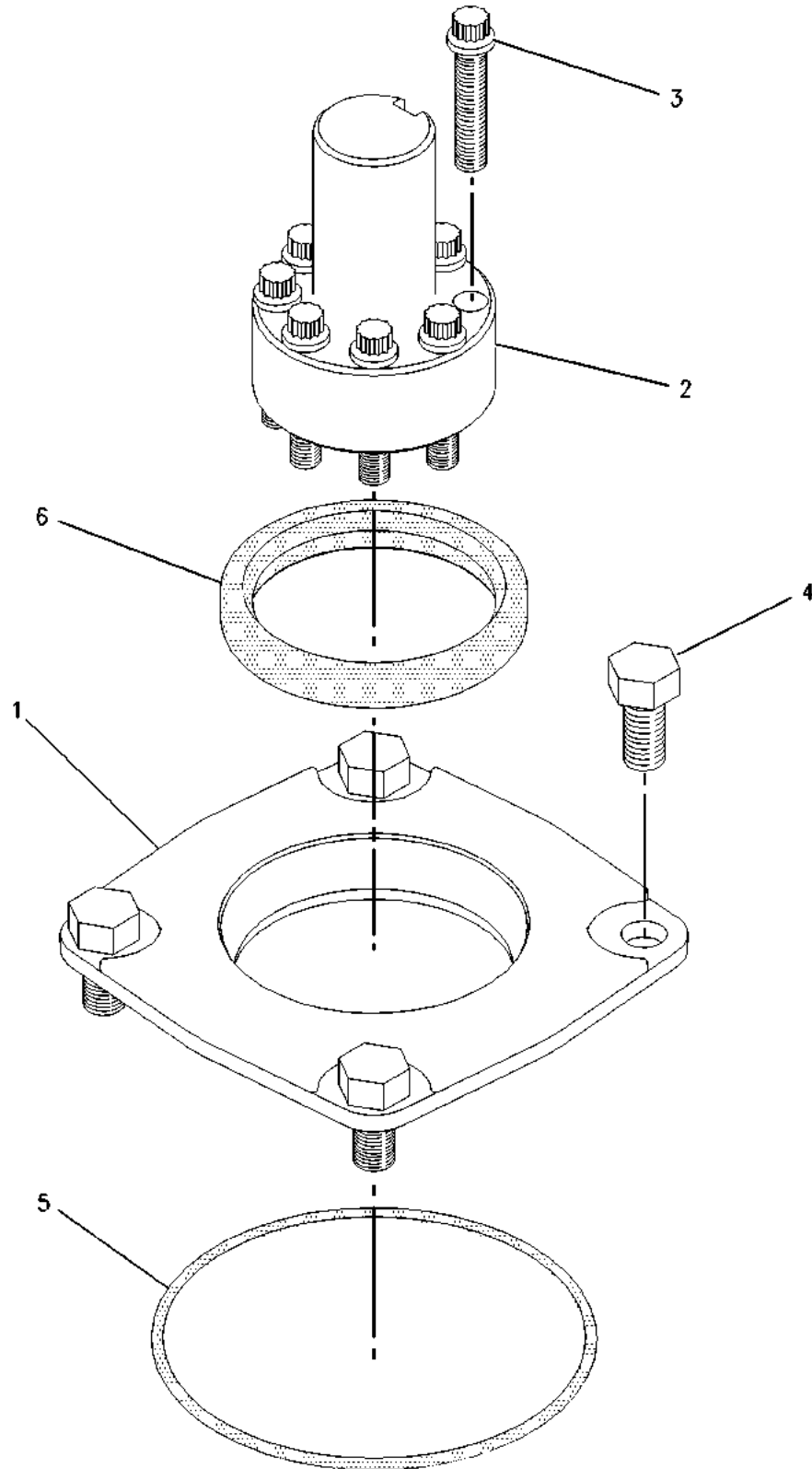
i02327561

NOTE	REF NO	GRAPHIC REF	PART NUMBER	QTY	PART NAME						SEE PAGE
					1	2	3	4	5	6	
	1	1	7N-7991	1	ADAPTER						
	2	1	9Y-4957	1	SHAFT-STUB						
	3	1	053-2294	8	BOLT-12 POINT HEAD (3/8-16X1.75-IN)						
	4	1	0S-1621	4	BOLT (1/2-13X1-IN)						
	5	1	9X-7371	1	SEAL-O-RING						
	6	1	7C-7808	1	SEAL-LIP TYPE						

BASIC ENGINE

209-3559 SHAFT GP-AUXILIARY DRIVE (contd.)

102327561



GRAPHIC #1

<END>

g00814255

BASIC ENGINE

209-3560 SHAFT GP-AUXILIARY DRIVE-UPPER REAR, LH AN ATTACHMENT

SMCS-1207

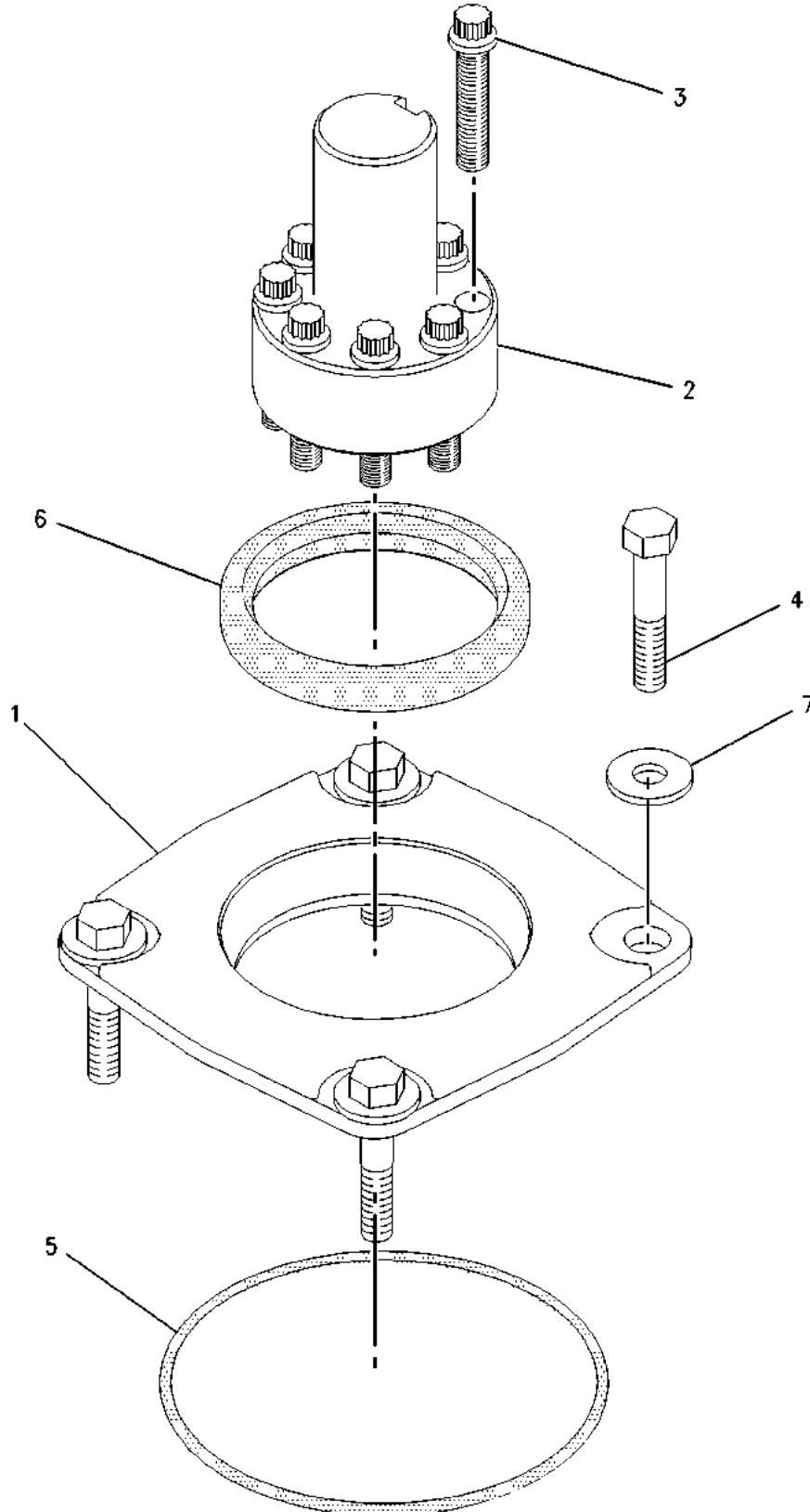
i02327563

NOTE	REF NO	GRAPHIC REF	PART NUMBER	QTY	PART NAME						SEE PAGE
					1	2	3	4	5	6	
	1	1	7N-7991	1	ADAPTER						
	2	1	9Y-4957	1	SHAFT-STUB						
	3	1	053-2294	8	BOLT-12 POINT HEAD (3/8-16X1.75-IN)						
	4	1	0S-1590	4	BOLT (3/8-16X2-IN)						
	5	1	9X-7371	1	SEAL-O-RING						
	6	1	7C-7808	1	SEAL-LIP TYPE						
	7	1	9L-9132	4	WASHER (10.2X25.5X2.5-MM THK)						

BASIC ENGINE

209-3560 SHAFT GP-AUXILIARY DRIVE (contd.)

102327563



GRAPHIC #1

<END>

g00813860

BASIC ENGINE

209-3561 SHAFT GP-AUXILIARY DRIVE-LOWER REAR, LH AN ATTACHMENT

SMCS-1207

i07174986

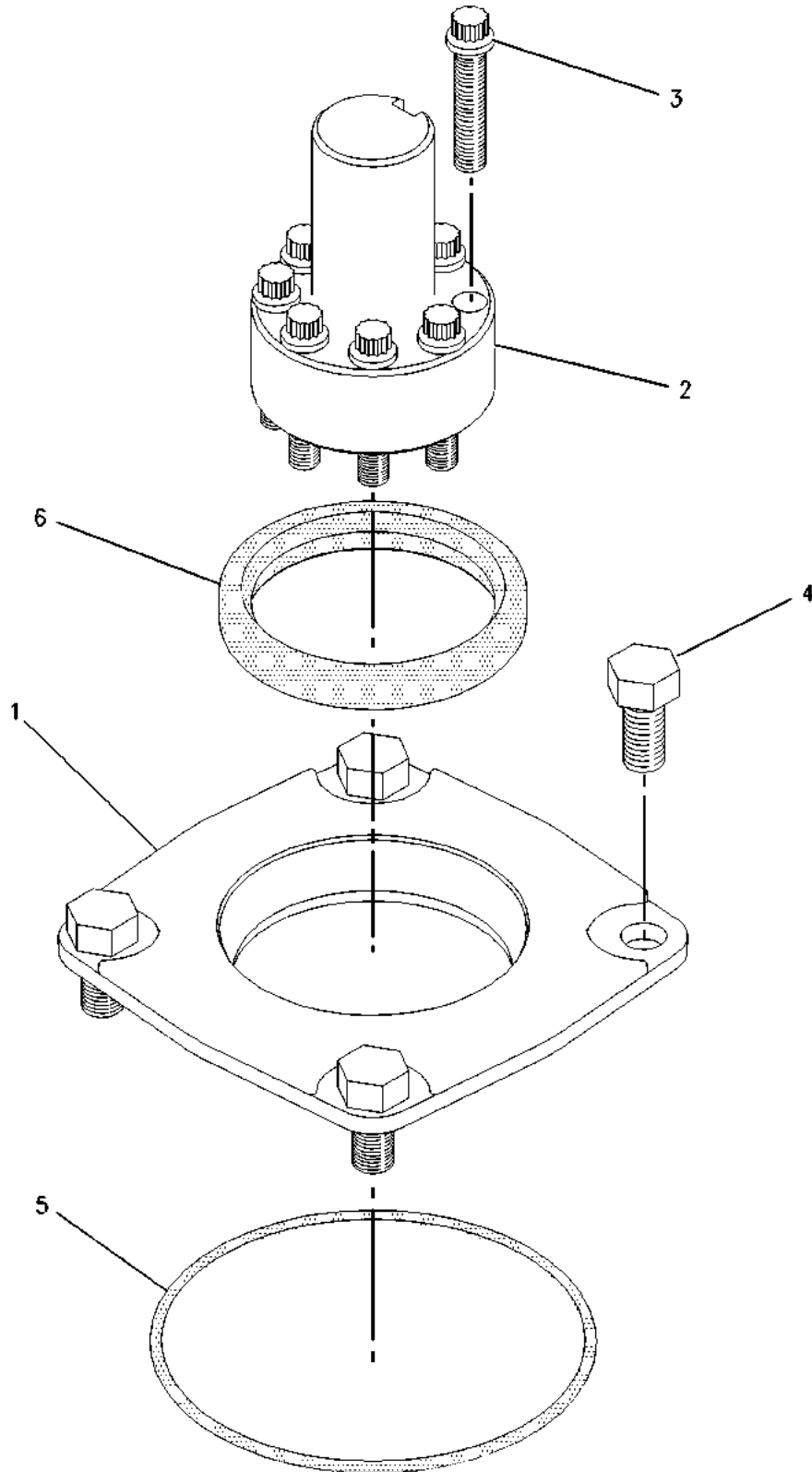
NOTE	REF NO	GRAPHIC REF	PART NUMBER	QTY	PART NAME						SEE PAGE
					1	2	3	4	5	6	
	1	1	7N-7991	1	ADAPTER						
	2	1	9Y-4957	1	SHAFT-STUB						
	3	1	053-2294	8	BOLT-12 POINT HEAD (3/8-16X1.75-IN)						
	4	1	0S-1621	4	BOLT (1/2-13X1-IN)						
C	5	1	9X-7371	1	SEAL-O-RING						
	6	1	7C-7808	1	SEAL-LIP TYPE						

C - CHANGE FROM PREVIOUS TYPE

BASIC ENGINE

209-3561 SHAFT GP-AUXILIARY DRIVE (contd.)

107174986



GRAPHIC #1

<END>

g00812288

BASIC ENGINE

209-3562 SHAFT GP-AUXILIARY DRIVE-UPPER FRONT, LH AN ATTACHMENT

SMCS-1207

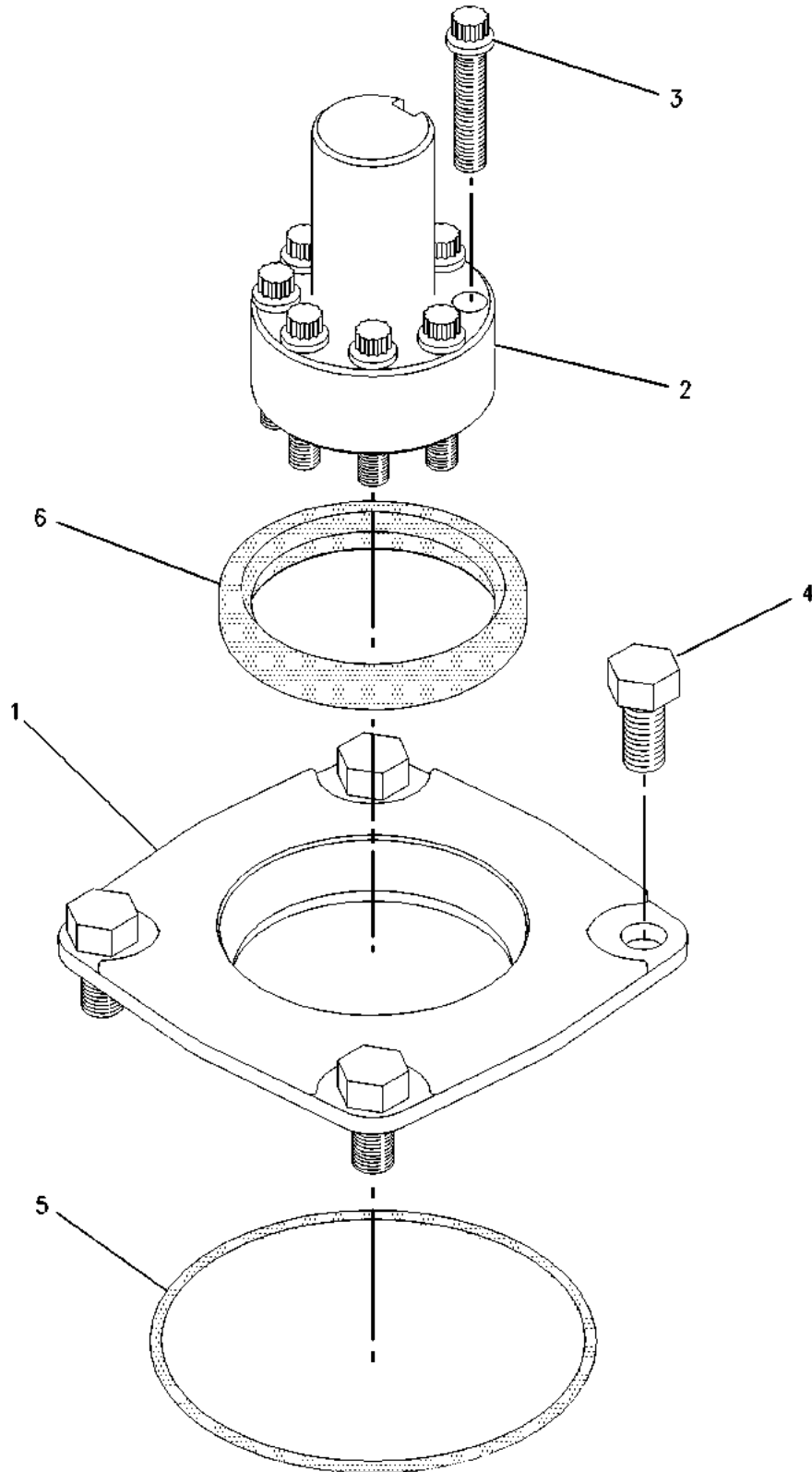
i02327562

NOTE	REF NO	GRAPHIC REF	PART NUMBER	QTY	PART NAME						SEE PAGE
					1	2	3	4	5	6	
	1	1	7N-7991	1	ADAPTER						
	2	1	9Y-4957	1	SHAFT-STUB						
	3	1	053-2294	8	BOLT-12 POINT HEAD (3/8-16X1.75-IN)						
	4	1	0S-1621	4	BOLT (1/2-13X1-IN)						
	5	1	9X-7371	1	SEAL-O-RING						
	6	1	7C-7808	1	SEAL-LIP TYPE						

BASIC ENGINE

209-3562 SHAFT GP-AUXILIARY DRIVE (contd.)

102327562



GRAPHIC #1

<END>

g00814255

BASIC ENGINE

7N-8042 **SHAFT GP-AUXILIARY DRIVE-LOWER FRONT, LH** FOR USAGE REFER TO CHART 8N-7500-PAGE: 1451 AN ATTACHMENT

SMCS-1207

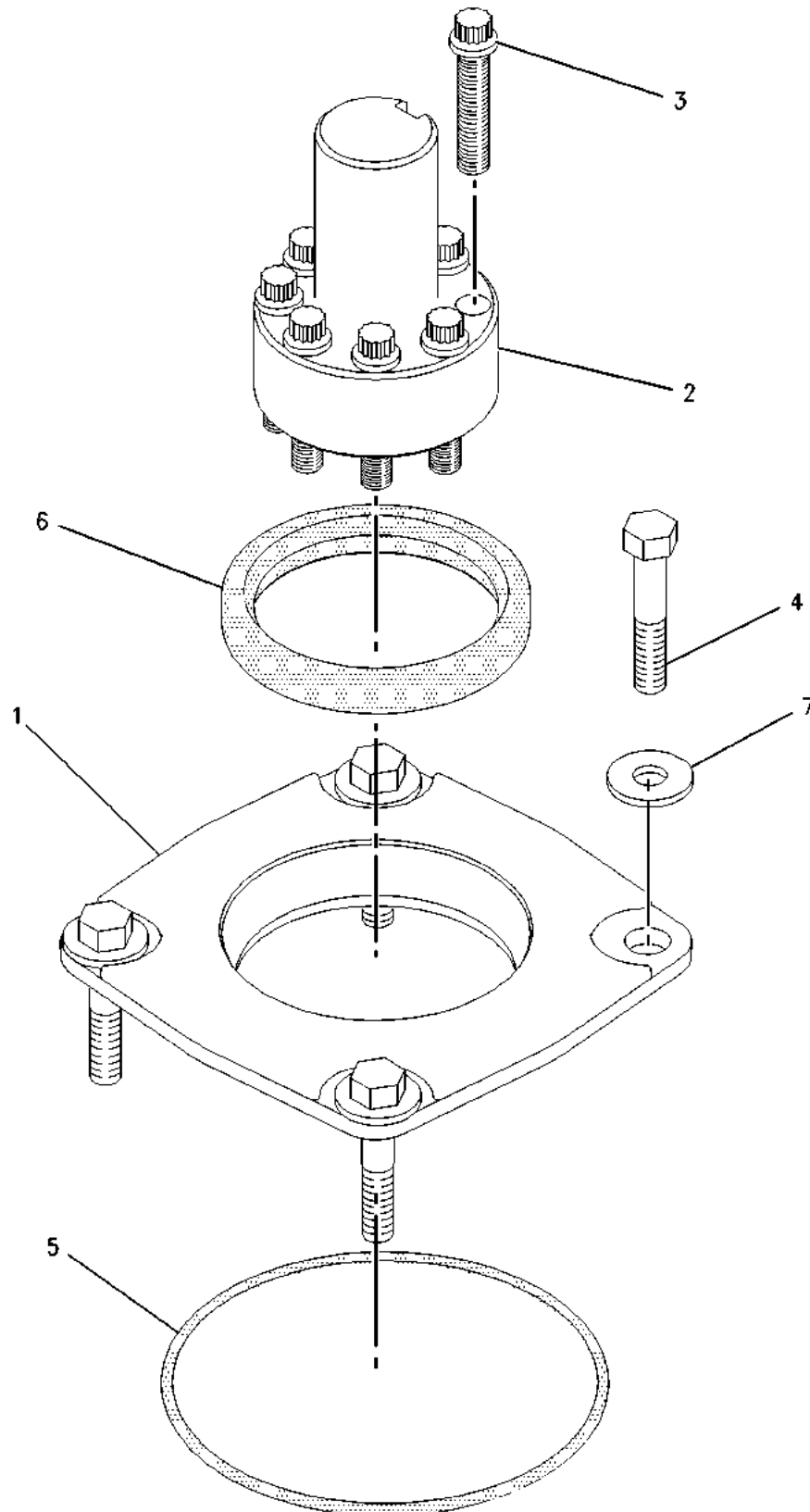
i07358130

NOTE	REF NO	GRAPHIC REF	PART NUMBER	QTY	PART NAME						SEE PAGE
					1	2	3	4	5	6	
	1	1	7N-7991	1	ADAPTER						
	2	1	9Y-4957	1	SHAFT-STUB						
	3	1	053-2294	8	BOLT-12 POINT HEAD (3/8-16X1.75-IN)						
	4	1	0S-1590	4	BOLT (3/8-16X2-IN)						
	5	1	9X-7371	1	SEAL-O-RING						
	6	1	7C-7808	1	SEAL-LIP TYPE						
	7	1	9L-9132	4	WASHER (10.2X25.5X2.5-MM THK)						

BASIC ENGINE

7N-8042 SHAFT GP-AUXILIARY DRIVE (contd.)

107358130



GRAPHIC #1

<END>

g00813860

BASIC ENGINE

7C-1918 SHAFT GP-STUB-FRONT

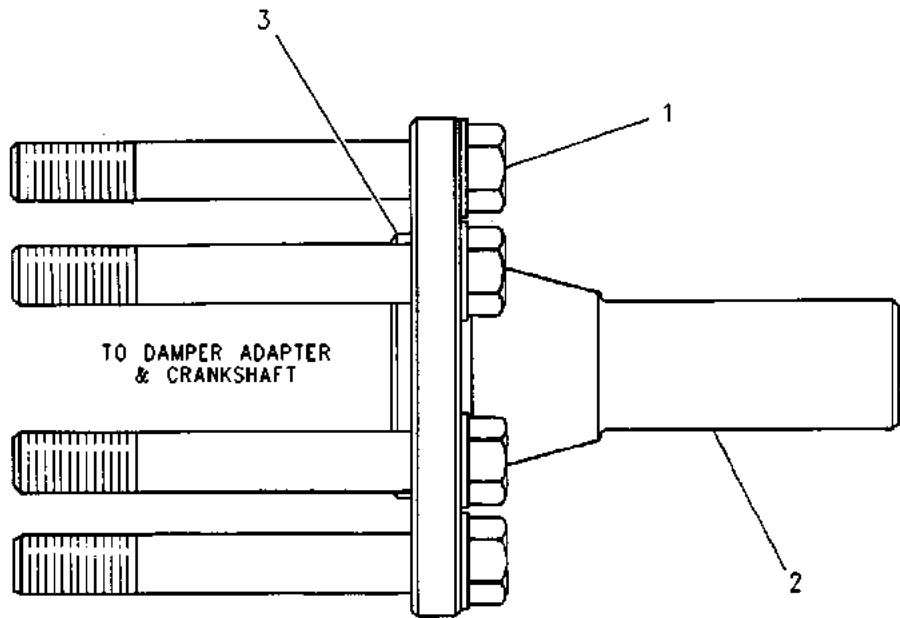
LOW KW

FOR USE WITH LOCOMOTIVES
AN ATTACHMENT

SMCS-1237

i01460133

NOTE	REF NO	GRAPHIC REF	PART NUMBER	QTY	PART NAME						SEE PAGE
					1	2	3	4	5	6 (PRODUCT LEVEL)	
	1	1	7C-1919	1	SHAFT-STUB						
	2	1	9F-8122	6	BOLT (1-14X9-IN)						
		1	5P-8250	6	WASHER (28X49X5-MM THK)						
	3	1	7C-1922	1	BUSHING-TERMINAL						



GRAPHIC #1

<END>

g00763052

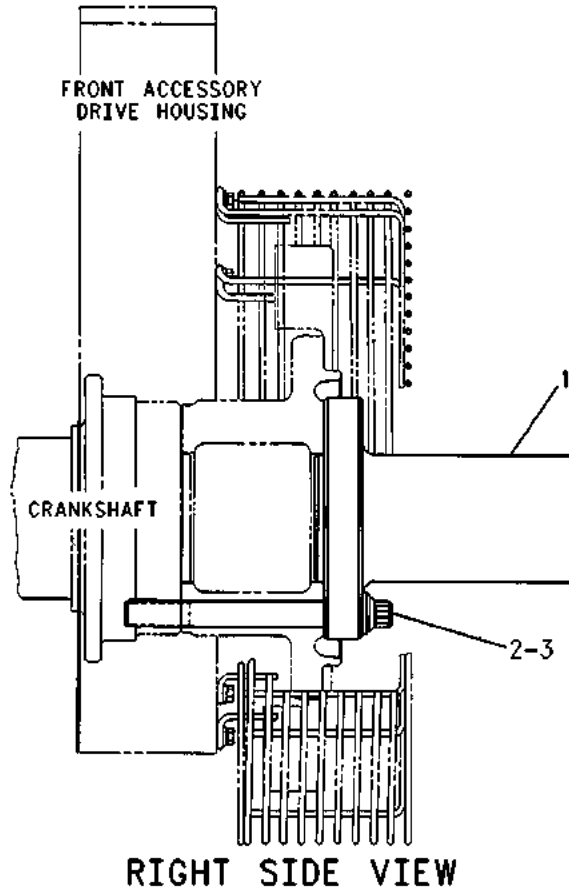
BASIC ENGINE

7W-5237 SHAFT GP-STUB-FRONT AN ATTACHMENT

SMCS-1237

i07192118

NOTE	REF NO	GRAPHIC REF	PART NUMBER	QTY	PART NAME						SEE PAGE
					1	2	3	4	5	6 (PRODUCT LEVEL)	
	1	1	5N-2322	1	SHAFT-STUB						
	2	1	5N-2317	12	BOLT-12 POINT HEAD (1-14X9.5-IN)						
	3	1	5F-6562	12	WASHER-HARD (28X44.5X4-MM THK)						



GRAPHIC #1

<END>

g00994928

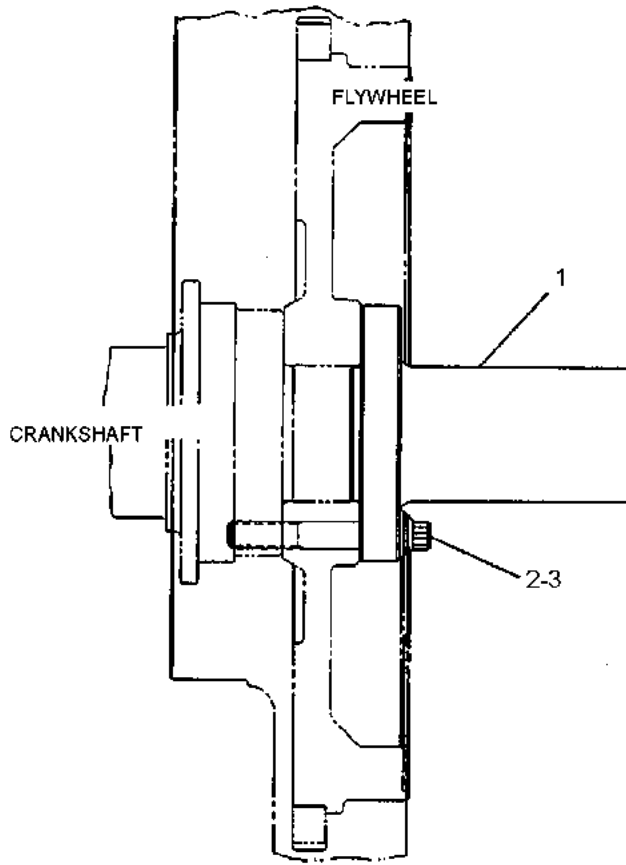
BASIC ENGINE

7W-5293 SHAFT GP-STUB-REAR AN ATTACHMENT

SMCS-1237

i05946467

NOTE	REF NO	GRAPHIC REF	PART NUMBER	QTY	PART NAME						SEE PAGE
					1	2	3	4	5	6 (PRODUCT LEVEL)	
	1	1	5N-2322	1	SHAFT-STUB						
	2	1	269-1881	12	BOLT-12 POINT HEAD (1-14X7.25-IN)						
	3	1	5F-6562	12	WASHER-HARD (28X44.5X4-MM THK)						



LEFT SIDE VIEW

GRAPHIC #1

<END>

g01150610

BASIC ENGINE

7N-1863 TRUNNION GP-ENGINE

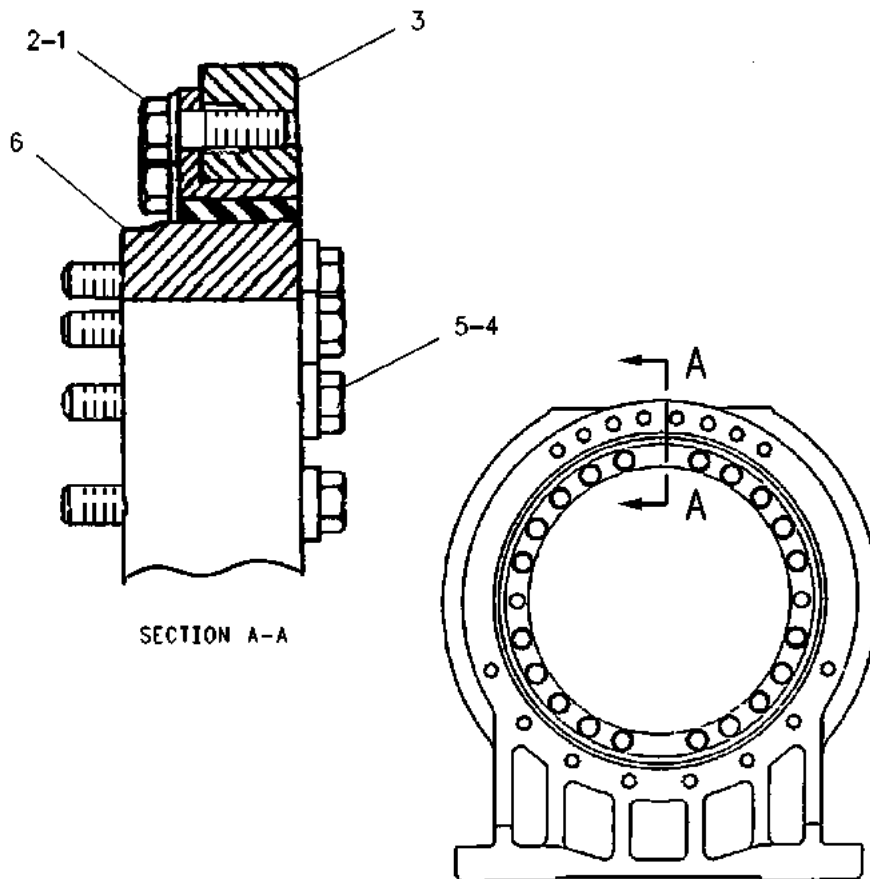
FOR USE WITH REMOTE MOUNTED TRANSMISSION WITH FLEXIBLE COUPLING BETWEEN FLYWHEEL & TRANSMISSION, AND 3-POINT MOUNTING SYSTEM AN ATTACHMENT

SMCS-1154

i05854047

NOTE	REF NO	GRAPHIC REF	PART NUMBER	QTY	PART NAME						SEE PAGE
					1	2	3	4	5	6 (PRODUCT LEVEL)	
C	1	1	8S-4734	16	BOLT (9/16-12X2-IN)						
C	2	1	5P-8246	16	WASHER-HARD (15.5X29X3-MM THK)						
	3	1	8N-1287	1	SUPPORT-OUTER						
	4	1	5P-8245	20	WASHER-HARD (13.5X25.5X3-MM THK)						
	5	1	1D-4566	20	BOLT (1/2-13X3.5-IN)						
	6	1	9X-7438	1	MOUNT AS						

C - CHANGE FROM PREVIOUS TYPE



GRAPHIC #1

<END>

g00621983

BASIC ENGINE

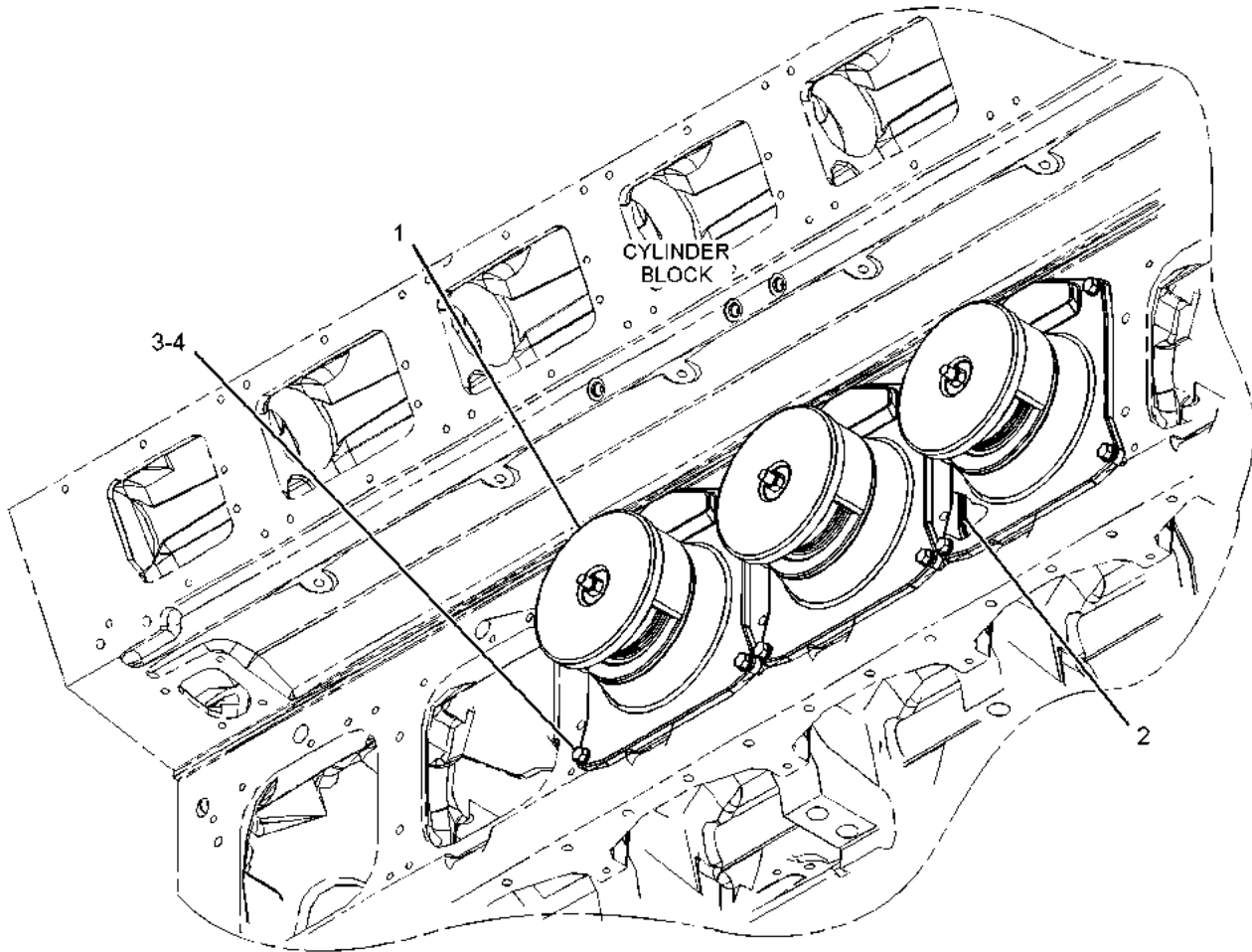
358-1394 VALVE GP-EXPLOSION RELIEF-CRANKCASE AN ATTACHMENT

SMCS-1233

i04182092

NOTE	REF NO	GRAPHIC REF	PART NUMBER	QTY	PART NAME						SEE PAGE
					1	2	3	4	5	6 (PRODUCT LEVEL)	
J	1	1	8N-8509	3	VALVE GP-EXPLOSION RELIEF (CRANKCASE)						
	2	1	272-0759	3	SEAL						
	3	1	5M-2894	12	WASHER-HARD (10.2X18.5X2.5-MM THK)						
	4	1	9X-8872	12	BOLT-LOCKING (3/8-16X0.875-IN)						
					AVAILABLE REPAIR KIT(S):						
J			2W-3584	1	KIT-REPAIR (EXPLOSION RELIEF)						
					(INCLUDES VALVE PLATE & SPINDLE O-RINGS)						

J - KIT MARKED J SERVICES PART MARK J



GRAPHIC #1

<END>

g02392884

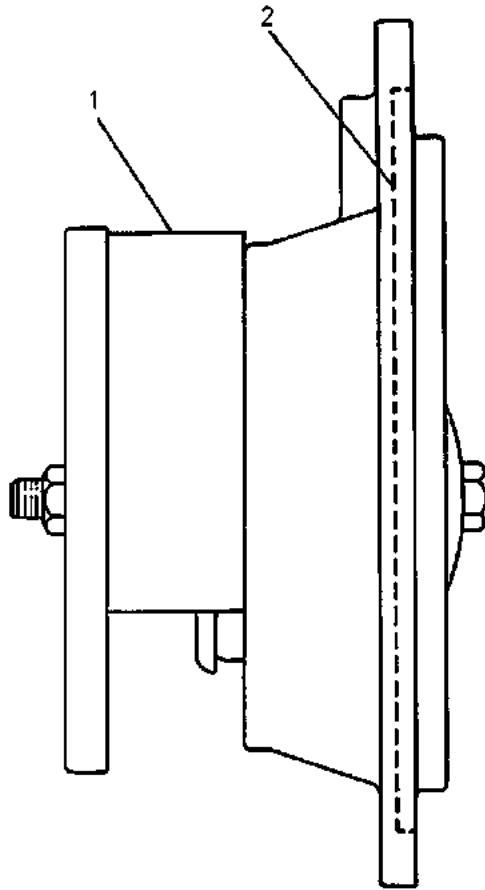
BASIC ENGINE

8N-8510 VALVE GP-EXPLOSION RELIEF-CRANKCASE AN ATTACHMENT

SMCS-1233

i07230810

NOTE	REF NO	GRAPHIC REF	PART NUMBER	QTY	PART NAME						SEE PAGE
					1	2	3	4	5	6 (PRODUCT LEVEL)	
J	1	1	8N-8509	2	VALVE GP-EXPLOSION RELIEF (CRANKCASE)						
	2	1	272-0759	2	SEAL						
					AVAILABLE REPAIR KIT(S):						
J			2W-3584	1	KIT-REPAIR (EXPLOSION RELIEF) (CRANKCASE)						
					(INCLUDES VALVE PLATE & SPINDLE O-RINGS)						
J - KIT MARKED J SERVICES PART(S) MARKED J											



GRAPHIC #1

<END>

g00637870

BASIC ENGINE

195-1926 VALVE MECHANISM GP

S/N: 65Z998-1129

SMCS-1102, 1121, 1123, 1209

i01550276

NOTE	REF NO	GRAPHIC REF	PART NUMBER	QTY	PART NAME						SEE PAGE
					1	2	3	4	5	6 (PRODUCT LEVEL)	
R	1	1	9Y-1741	2	ROCKER ARM AS						
					(EACH INCLUDES)						
		1	1W-4594	1	BUSHING						
		1	8N-7197	1	SOCKET-ARM						
	2	1	2N-5842	2	SCREW (3/8-24X1-IN)						
	3	1	9L-7712	2	NUT (3/8-24-THD)						
	4	1	8F-8858	3	VALVE (BUTTON)						
	5	1	9F-7707	3	RING-RETAINING						
	6	1	200-2003	3	SCREW-ADJUSTMENT (1/2-20X2-IN)						
	7	1	3J-9196	3	NUT-JAM (1/2-20-THD)						
	8	1	4W-6682	3	PUSHROD-VALVE						
	9	1	4W-7774	1	BASE AS-COVER						
		1	8N-4387	2	DOWEL-HOLLOW						
	10	1	7E-3772	1	GASKET						
B	11	1	0S-1590	1	BOLT (3/8-16X2-IN)						
	12	1	0S-1590	2	BOLT (3/8-16X2-IN)						
	13	1	5M-2894	2	WASHER-HARD (10.2X18.5X2.5-MM THK)						
R	14	1	192-8745	3	LIFTER AS						
	15	1	7N-4782	3	SPRING-LIFTER GUIDE						
	16	1	7C-2377	1	SHAFT AS-ARM						
		1	154-1584	1	PIN-SPRING						
	17	1	8T-7581	2	BOLT-12 POINT HEAD (1/2-13X6-IN)						
	18	1	2J-0157	2	SEAL-O-RING						
B	19	1	5M-2894	1	WASHER-HARD (10.2X18.5X2.5-MM THK)						
B	20	1	0S-1590	1	BOLT (3/8-16X2-IN)						
B	21	1	5M-2894	1	WASHER-HARD (10.2X18.5X2.5-MM THK)						
	22	1	129-4181	2	BRIDGE AS						
R	23	1	196-4795	1	ROCKER ARM AS						
		1	1W-4594	1	BUSHING						
		1	8N-7197	1	SOCKET-ARM						

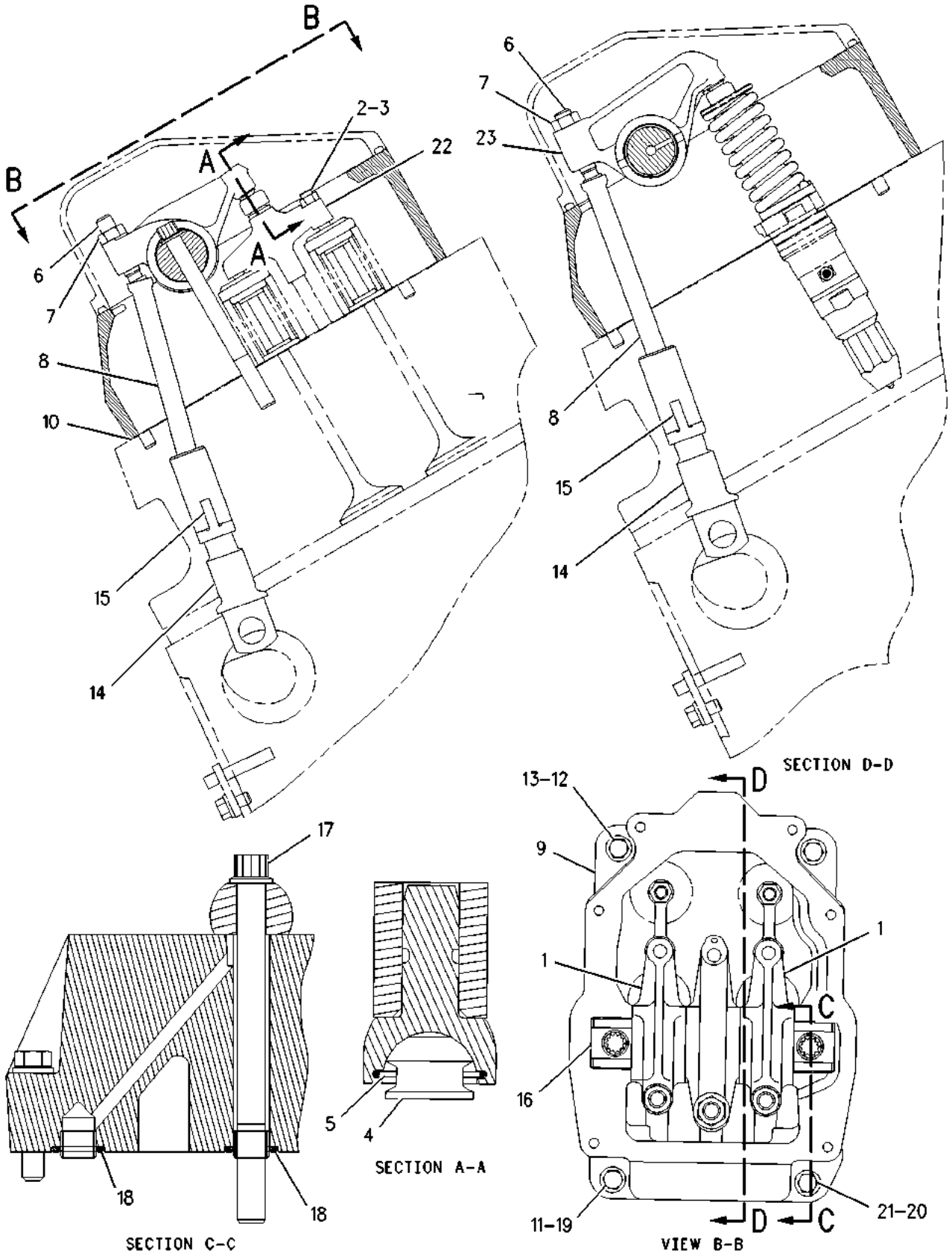
B - USE AS REQUIRED

R - REMANUFACTURED PART MAY BE AVAILABLE

BASIC ENGINE

195-1926 VALVE MECHANISM GP (contd.)

101550276



GRAPHIC #1

<END>

g00774320

BASIC ENGINE

195-1926 VALVE MECHANISM GP

S/N: 65Z1130-UP

SMCS-1102, 1121, 1123, 1209

i07035038

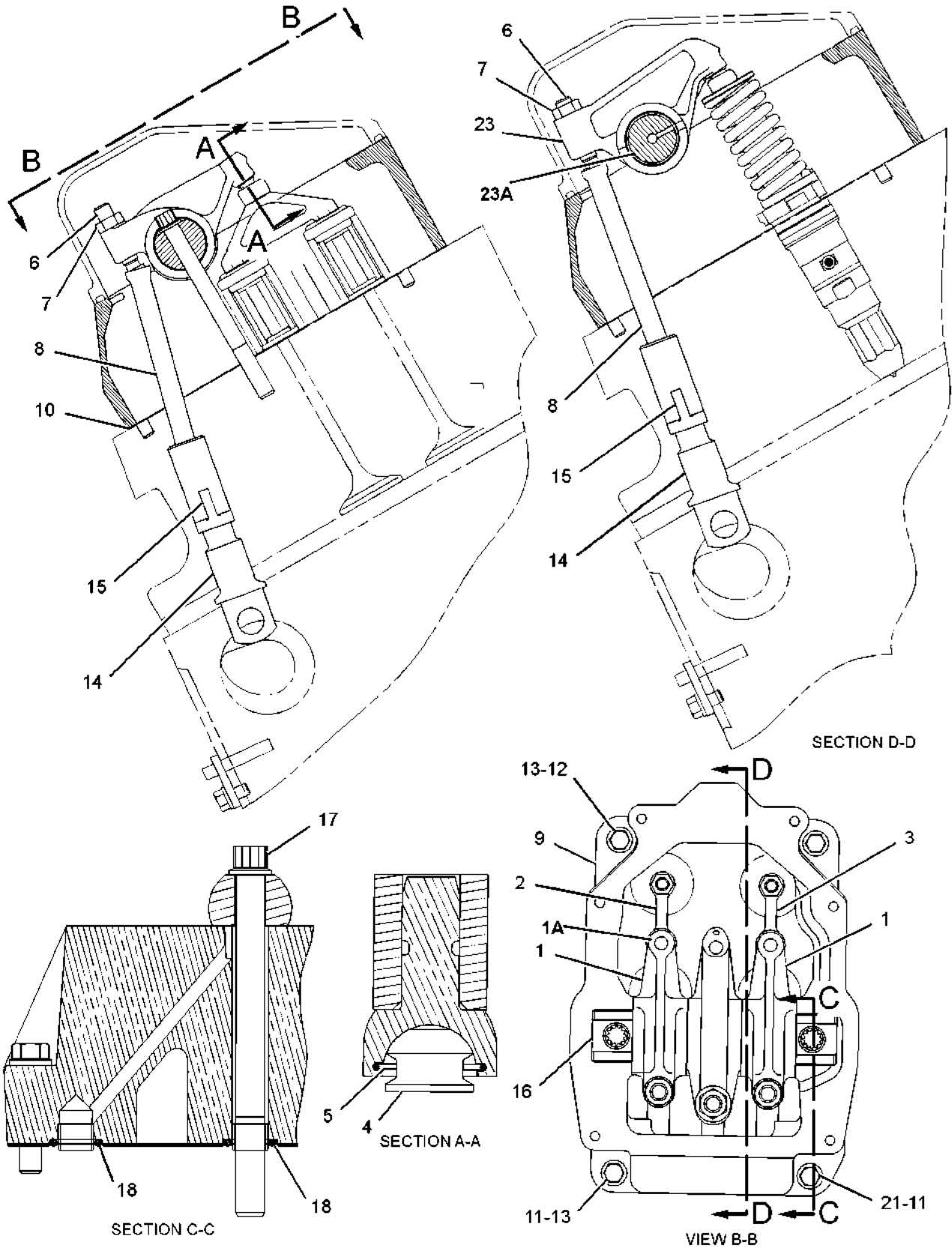
NOTE	REF NO	GRAPHIC REF	PART NUMBER	QTY	PART NAME						SEE PAGE
					1	2	3	4	5	6 (PRODUCT LEVEL)	
R	1	1	9Y-1741	2	ROCKER ARM AS						
					(EACH INCLUDES)						
	1A	1	1W-4594	1	BUSHING						
		1	8N-7197	1	SOCKET-ARM						
C	2	1	265-7538	1	BRIDGE (EXHAUST)						
C	3	1	265-7537	1	BRIDGE (INLET)						
	4	1	8F-8858	3	VALVE (BUTTON)						
	5	1	9F-7707	3	RING-RETAINING						
	6	1	358-0768	3	SCREW-ADJUSTING (1/2-20X2.42-IN)						
	7	1	3J-9196	3	NUT-JAM (1/2-20-THD)						
	8	1	4W-6682	3	PUSHROD-VALVE						
	9	1	483-9371	1	BASE AS-ROCKER ARM						
		1	8N-4387	2	DOWEL-HOLLOW						
	10	1	7E-3772	1	GASKET						
B	11	1	0S-1590	2	BOLT (3/8-16X2-IN)						
	12	1	334-1626	2	BOLT (3/8-16X2-IN)						
	13	1	5M-2894	3	WASHER-HARD (10.2X18.5X2.5-MM THK)						
R	14	1	346-7515	3	LIFTER AS						
					(EACH INCLUDES)						
		1	7N-3421	1	INSERT-LIFTER						
	15	1	7N-4782	3	SPRING-LIFTER GUIDE						
	16	1	7C-2377	1	SHAFT AS-ARM						
		1	154-1584	1	PIN-SPRING						
	17	1	8T-7581	2	BOLT-12 POINT HEAD (1/2-13X6-IN)						
	18	1	2J-0157	2	SEAL-O-RING						
B	21	1	5M-2894	1	WASHER-HARD (10.2X18.5X2.5-MM THK)						
R	23	1	196-4795	1	ROCKER ARM AS						
	23A	1	1W-4594	1	BUSHING						
		1	8N-7197	1	SOCKET-ARM						

B - USE AS REQUIRED
 C - CHANGE FROM PREVIOUS TYPE
 R - REMANUFACTURED PART MAY BE AVAILABLE

BASIC ENGINE

195-1926 VALVE MECHANISM GP (contd.)

107035038



GRAPHIC #1

<END>

g06209049

BASIC ENGINE

4W-1035 VALVE MECHANISM GP

S/N: 65Z887-1006

SMCS-1102, 1121, 1123, 1209

i02514270

NOTE	REF NO	GRAPHIC REF	PART NUMBER	QTY	PART NAME						SEE PAGE
					1	2	3	4	5	6 (PRODUCT LEVEL)	
CR	1	1	9Y-1741	2	ROCKER ARM AS						
					(EACH INCLUDES)						
	1A	1	1W-4594	1	BUSHING						
	1B	1	8N-7197	1	SOCKET-ARM						
	2	1	2N-5842	2	SCREW (3/8-24X1-IN)						
	3	1	9L-7712	2	NUT (3/8-24-THD)						
	4	1	8F-8858	3	VALVE (BUTTON)						
	5	1	9F-7707	3	RING-RETAINING						
	6	1	3J-9196	3	NUT-JAM (1/2-20-THD)						
	7	1	4W-6682	3	PUSHROD-VALVE						
	8	1	4W-7774	1	BASE AS-COVER						
	8A	1	8N-4387	2	DOWEL-HOLLOW						
	9	1	7E-3772	1	GASKET						
B	10	1	0S-1590	4	BOLT (3/8-16X2-IN)						
B	12	1	5M-2894	4	WASHER-HARD (10.2X18.5X2.5-MM THK)						
R	13	1	263-6679	3	LIFTER AS						
					(EACH INCLUDES)						
		1	7N-3421	1	INSERT-LIFTER						
	14	1	7N-4782	3	SPRING-LIFTER GUIDE						
	15	1	7C-2377	1	SHAFT AS-ARM						
		1	154-1584	1	PIN-SPRING						
	16	1	8T-7581	2	BOLT-12 POINT HEAD (1/2-13X6-IN)						
	17	1	2J-0157	2	SEAL-O-RING						
	21	1	129-4181	2	BRIDGE AS						
R	22	1	196-4795	1	ROCKER ARM AS						
	22A	1	8N-7197	1	SOCKET-ARM						
	22B	1	1W-4594	1	BUSHING						
	23	1	200-2003	3	SCREW-ADJUSTMENT (1/2-20X2-IN)						

B - USE AS REQUIRED

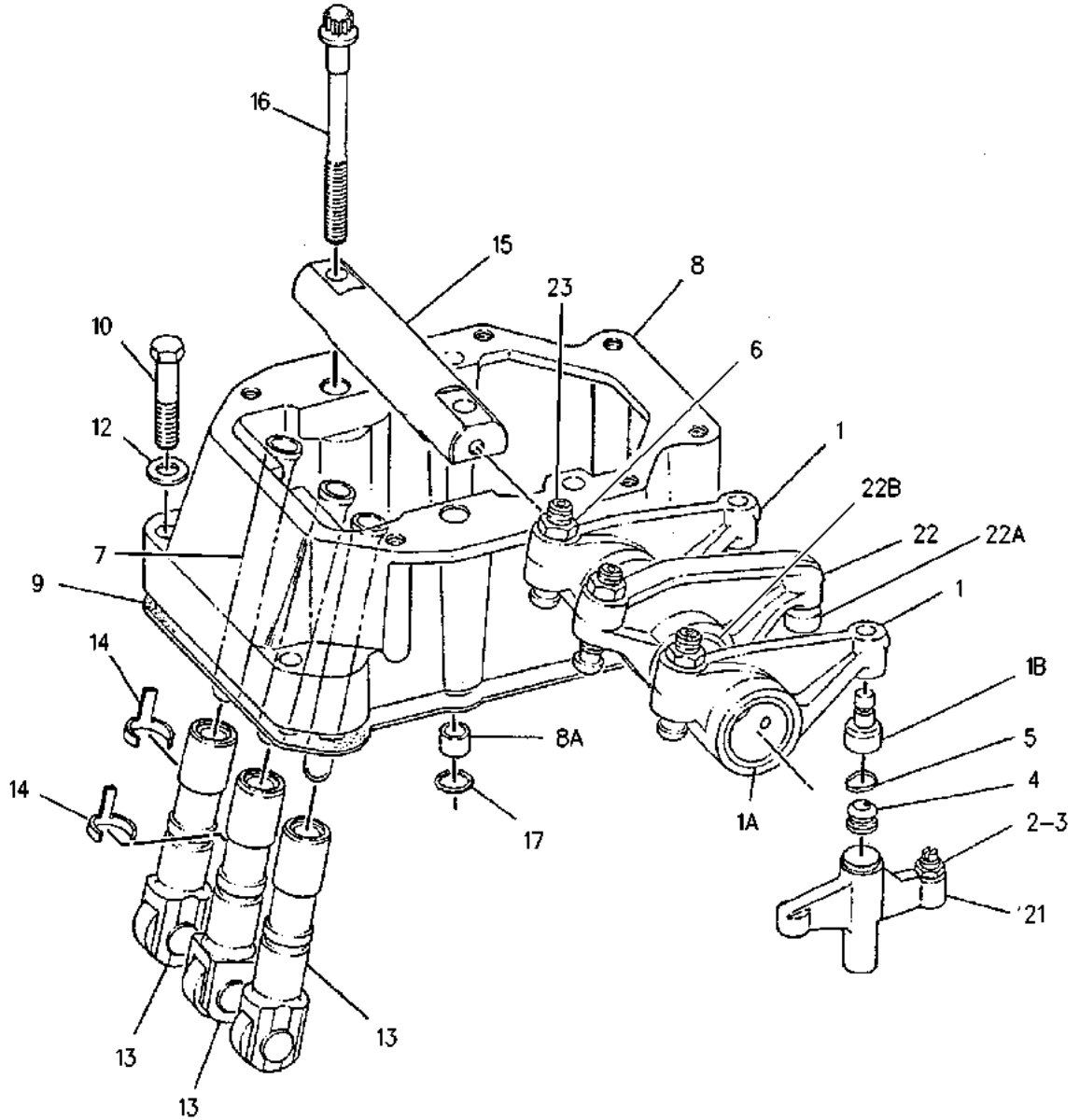
C - CHANGE FROM PREVIOUS TYPE

R - REMANUFACTURED PART MAY BE AVAILABLE

BASIC ENGINE

4W-1035 VALVE MECHANISM GP (contd.)

i02514270



GRAPHIC #1

<END>

g00861013

LUBRICATION SYSTEM

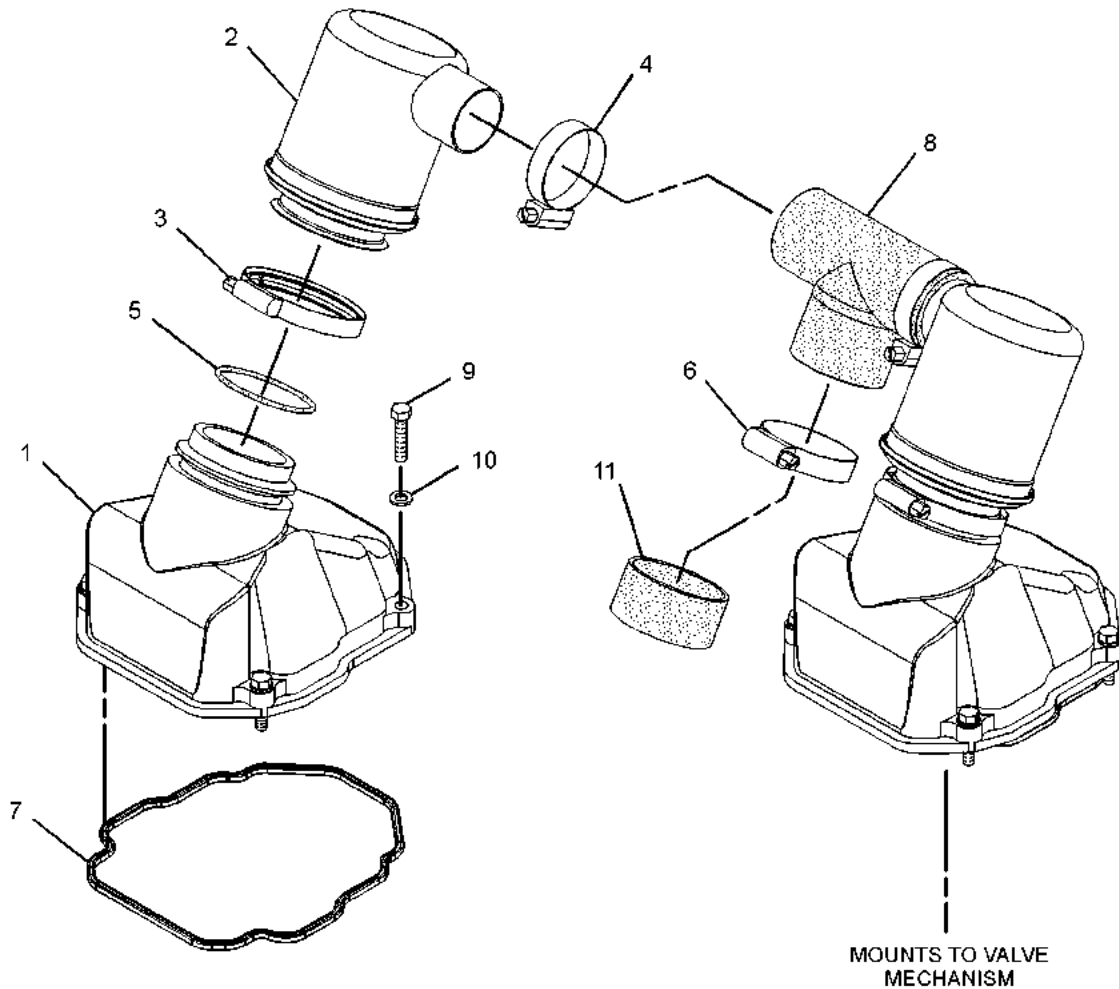
4W-1449 BREATHER GP-CRANKCASE

SMCS-1317

i05879554

NOTE	REF NO	GRAPHIC REF	PART NUMBER	QTY	PART NAME						SEE PAGE
					1	2	3	4	5	6	
	1	1	4W-1450	2	COVER AS						
	2	1	4W-3027	2	BREATHER AS (CRANKCASE)						
	3	1	4W-3034	2	CLAMP-HOSE						
	4	1	5P-0597	2	CLAMP-HOSE						
	5	1	033-6031	2	SEAL-O-RING						
	6	1	5P-4868	1	CLAMP-HOSE						
	7	1	272-0757	2	SEAL-VALVE COVER (BREATHER)						
	8	1	217-6692	1	HOSE-TEE						
	9	1	1A-9579	8	BOLT (5/16-18X1.5-IN)						
	10	1	9M-1974	8	WASHER-HARD (8.8X16X2-MM THK)						
B	11	1	7N-7820	1	BOOT						

B - USE AS REQUIRED



GRAPHIC #1

<END>

g02120669

LUBRICATION SYSTEM

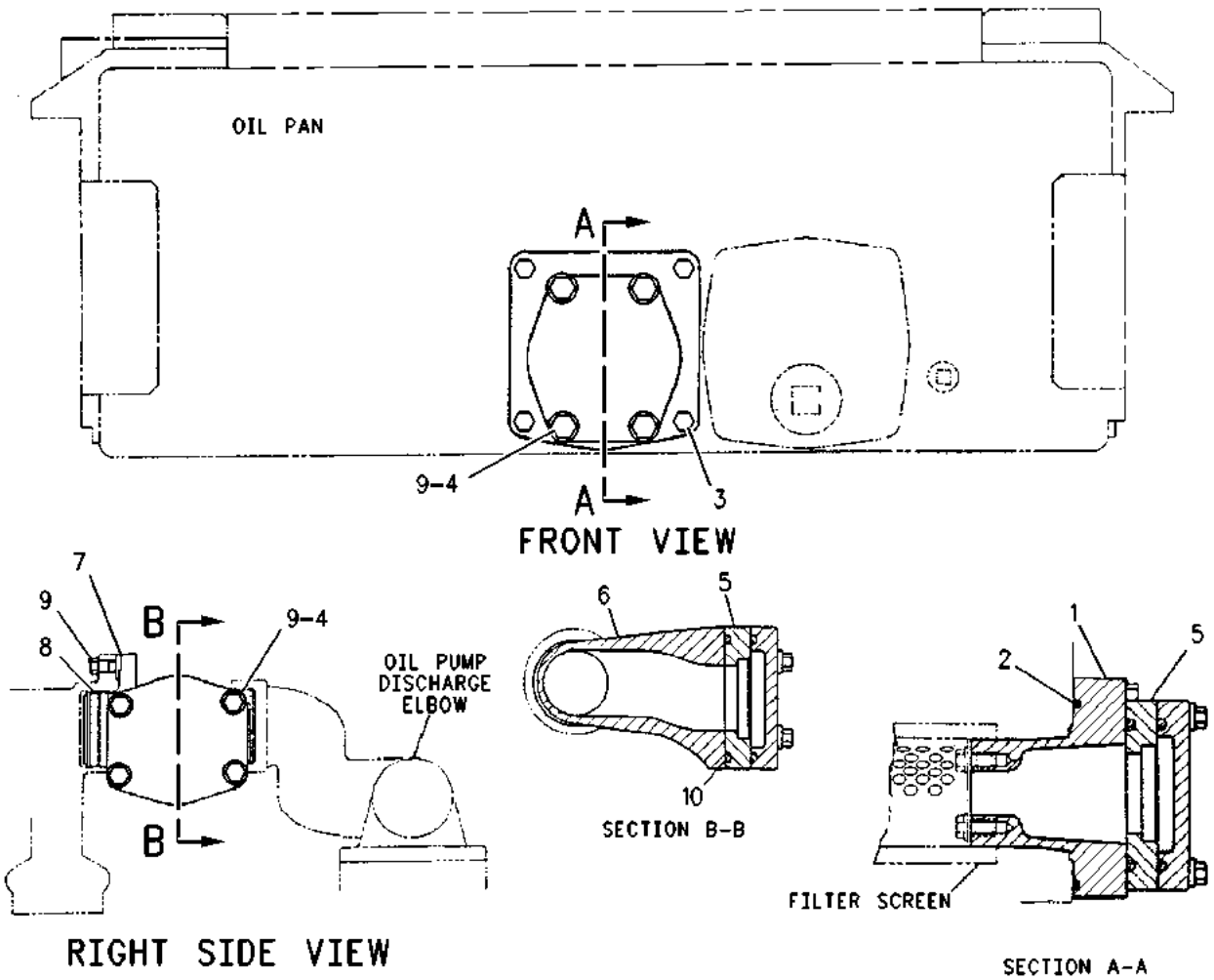
9Y-4888 CONNECTION GP-OIL

FOR USE WITH 7C-6752-PAGE: 256, 7C-9938-PAGE: 258
AN ATTACHMENT
TYPE 1

SMCS-1307

i01925187

NOTE	REF NO	GRAPHIC REF	PART NUMBER	QTY	PART NAME						SEE PAGE
					1	2	3	4	5	6 (PRODUCT LEVEL)	
	1	1	7C-4714	1	ADAPTER						
	2	1	5P-8872	1	SEAL-O-RING						
	3	1	0S-1571	4	BOLT (3/8-16X1.75-IN)						
	4	1	5M-2894	8	WASHER-HARD (10.2X18.5X2.5-MM THK)						
	5	1	7N-5798	2	FLANGE						
	6	1	7N-5796	1	ELBOW-CONNECTOR						
	7	1	7G-1239	1	SPACER (10.5X19X4.5-MM THK)						
	8	1	3P-0649	2	SEAL-O-RING						
	9	1	0S-1591	9	BOLT (3/8-16X1.5-IN)						
	10	1	6V-0973	2	SEAL-O-RING						



GRAPHIC #1

<END>

g00705481

LUBRICATION SYSTEM

9Y-4888 CONNECTION GP-OIL

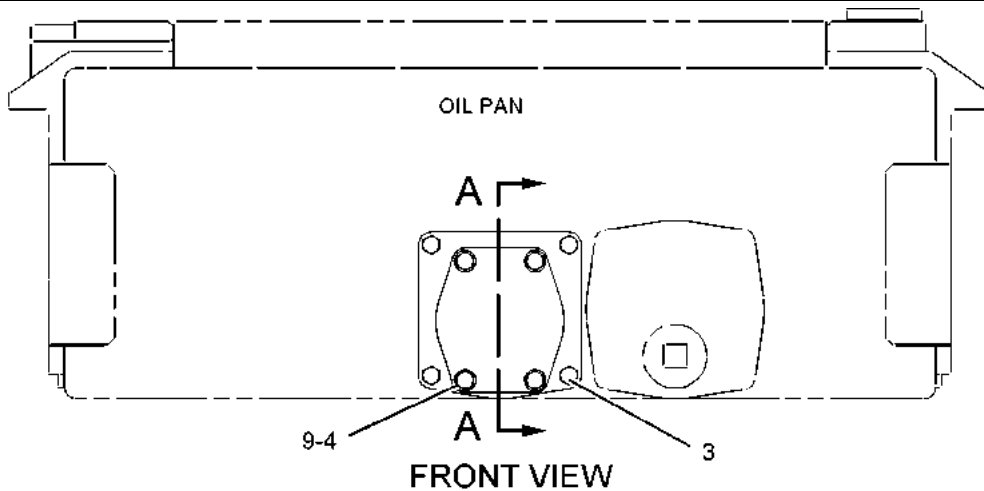
FOR USE WITH 7C-6752-PAGE: 256, 7C-9938-PAGE: 258
AN ATTACHMENT
TYPE 2

SMCS-1307

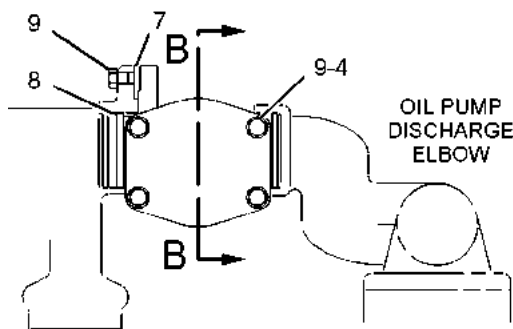
i07107433

NOTE	REF NO	GRAPHIC REF	PART NUMBER	QTY	PART NAME						SEE PAGE
					1	2	3	4	5	6 (PRODUCT LEVEL)	
C	1	1	149-9297	1	ADAPTER						
	2	1	5P-8872	1	SEAL-O-RING						
	3	1	0S-1571	4	BOLT (3/8-16X1.75-IN)						
	4	1	5M-2894	8	WASHER-HARD (10.2X18.5X2.5-MM THK)						
	5	1	7N-5798	2	FLANGE						
	6	1	7N-5796	1	ELBOW-CONNECTOR						
	7	1	7G-1239	1	SPACER (10.5X19X4.5-MM THK)						
	8	1	109-2332	2	SEAL-O-RING						
	9	1	0S-1591	9	BOLT (3/8-16X1.5-IN)						
	10	1	6V-0973	2	SEAL-O-RING						
	11	1	7C-4716	1	SCREEN AS-SUCTION (ENGINE OIL PAN)						
	12	1	0S-1614	2	BOLT (1/4-20X0.5-IN)						
	13	1	5P-0537	2	WASHER-HARD (7.2X14.5X2-MM THK)						

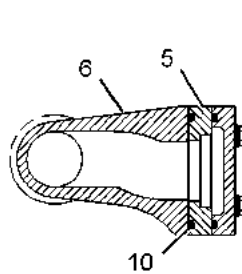
C - CHANGE FROM PREVIOUS TYPE



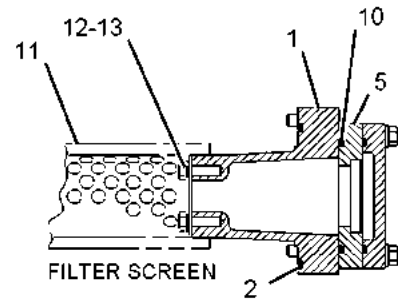
FRONT VIEW



RIGHT SIDE VIEW



SECTION B-B



SECTION A-A

GRAPHIC #1

<END>

g01102961

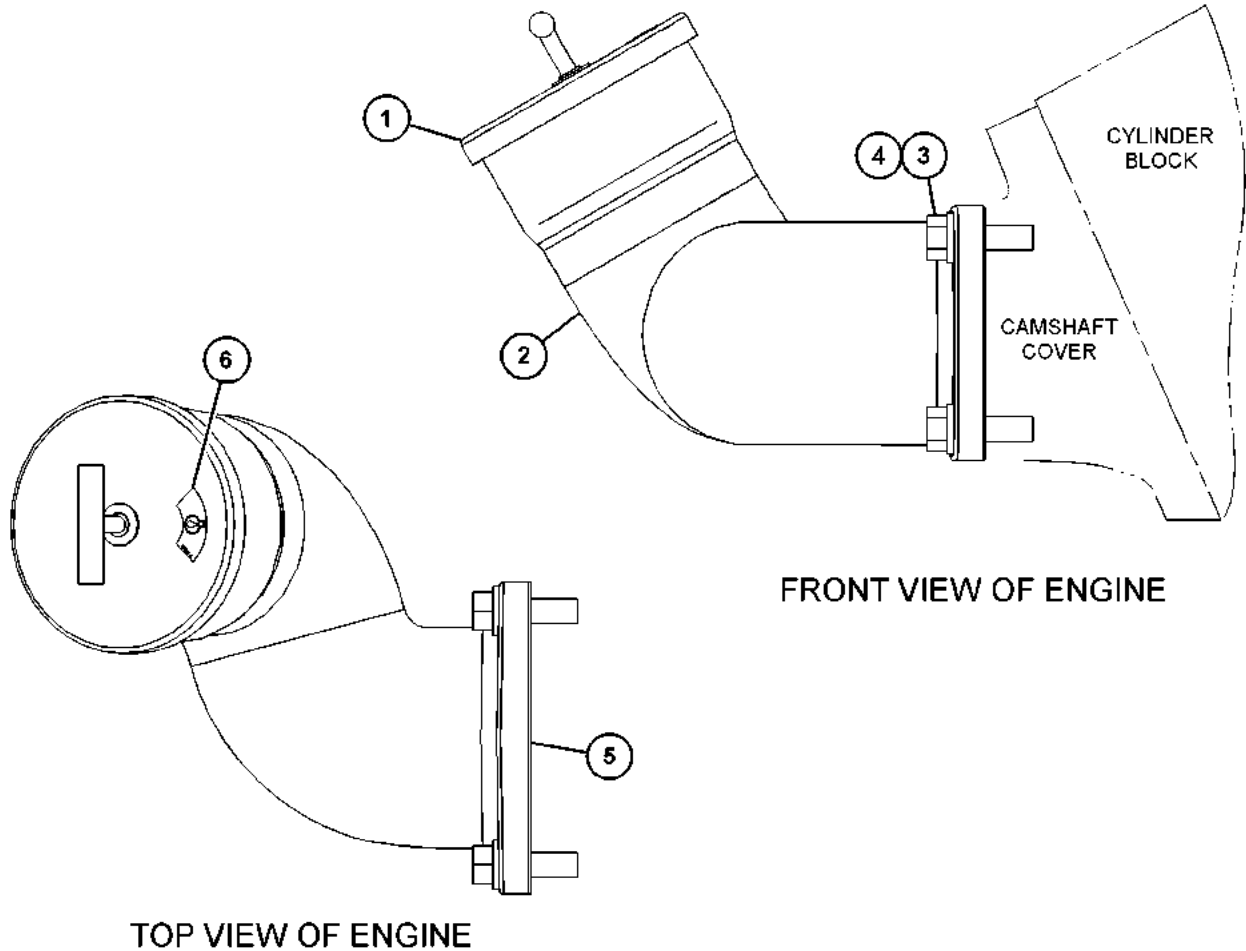
LUBRICATION SYSTEM

7N-1875 FILLER GP-ENGINE OIL

SMCS-1316

i05884799

NOTE	REF NO	GRAPHIC REF	PART NUMBER	QTY	PART NAME						SEE PAGE
					1	2	3	4	5	6 (PRODUCT LEVEL)	
	1	1	7L-4447	1	CAP AS-ENGINE OIL FILLER						
	2	1	7N-5336	1	ELBOW-OIL FILLER						
	3	1	0S-1588	4	BOLT (3/8-16X1.25-IN)						
	4	1	5M-2894	4	WASHER-HARD (10.2X18.5X2.5-MM THK)						
	5	1	2W-0752	1	GASKET						
	6	1	5P-1175	1	FILM-IDENTIFICATION (ENGINE OIL FILL)						



GRAPHIC #1

<END>

g03711892

LUBRICATION SYSTEM

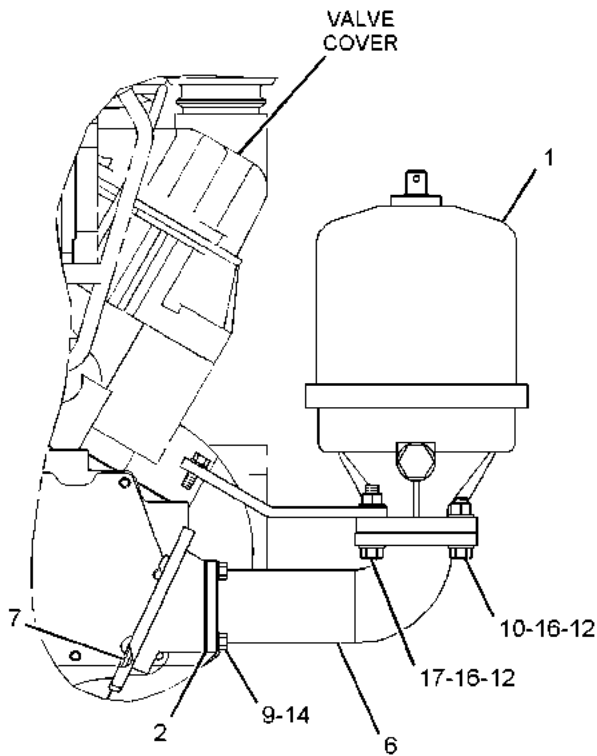
133-6461 FILTER GP-CENTRIFUGAL AN ATTACHMENT

SMCS - 1328

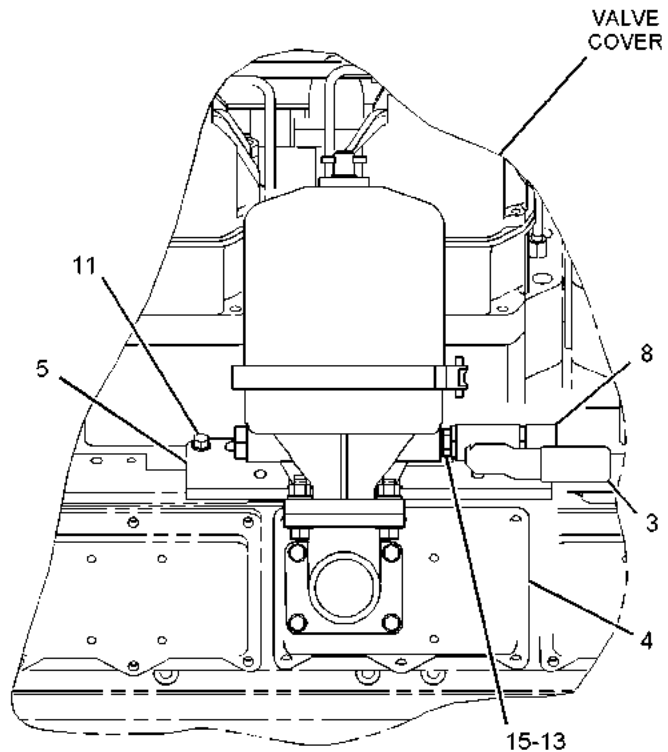
i02645543

NOTE	REF NO	GRAPHIC REF	PART NUMBER	QTY	PART NAME						SEE PAGE
					1	2	3	4	5	6 (PRODUCT LEVEL)	
Y	1	1	1W-4191	1	FILTER GP-CENTRIFUGAL						339
	2	1	2W-0752	1	GASKET						
	3	1	4R-8658	1	VALVE AS-MANUAL						
	4	1	8N-9993	1	COVER-CAMSHAFT						
	5	1	118-5542	1	SUPPORT						
	6	1	123-6868	1	ELBOW						
	7	1	272-0758	1	SEAL						
	8	1	032-1269	1	ELBOW						
	9	1	0S-1588	4	BOLT (3/8-16X1.25-IN)						
	10	1	1A-1460	2	BOLT (1/2-13X2-IN)						
	11	1	1A-2029	4	BOLT (3/8-16X1.125-IN)						
	12	1	1F-7958	4	NUT-FULL (1/2-13-THD)						
	13	1	2M-9780	1	SEAL-O-RING						
	14	1	5M-2894	8	WASHER-HARD (10.2X18.5X2.5-MM THK)						
	15	1	5P-5877	1	CONNECTOR						
	16	1	5P-8245	8	WASHER-HARD (13.5X25.5X3-MM THK)						
	17	1	9S-1366	2	BOLT (1/2-13X2.5-IN)						

Y - SEPARATE ILLUSTRATION



FRONT VIEW OF ENGINE



LEFT SIDE VIEW OF ENGINE

GRAPHIC #1

<END>

g01330095

LUBRICATION SYSTEM

1W-4191 FILTER GP-CENTRIFUGAL

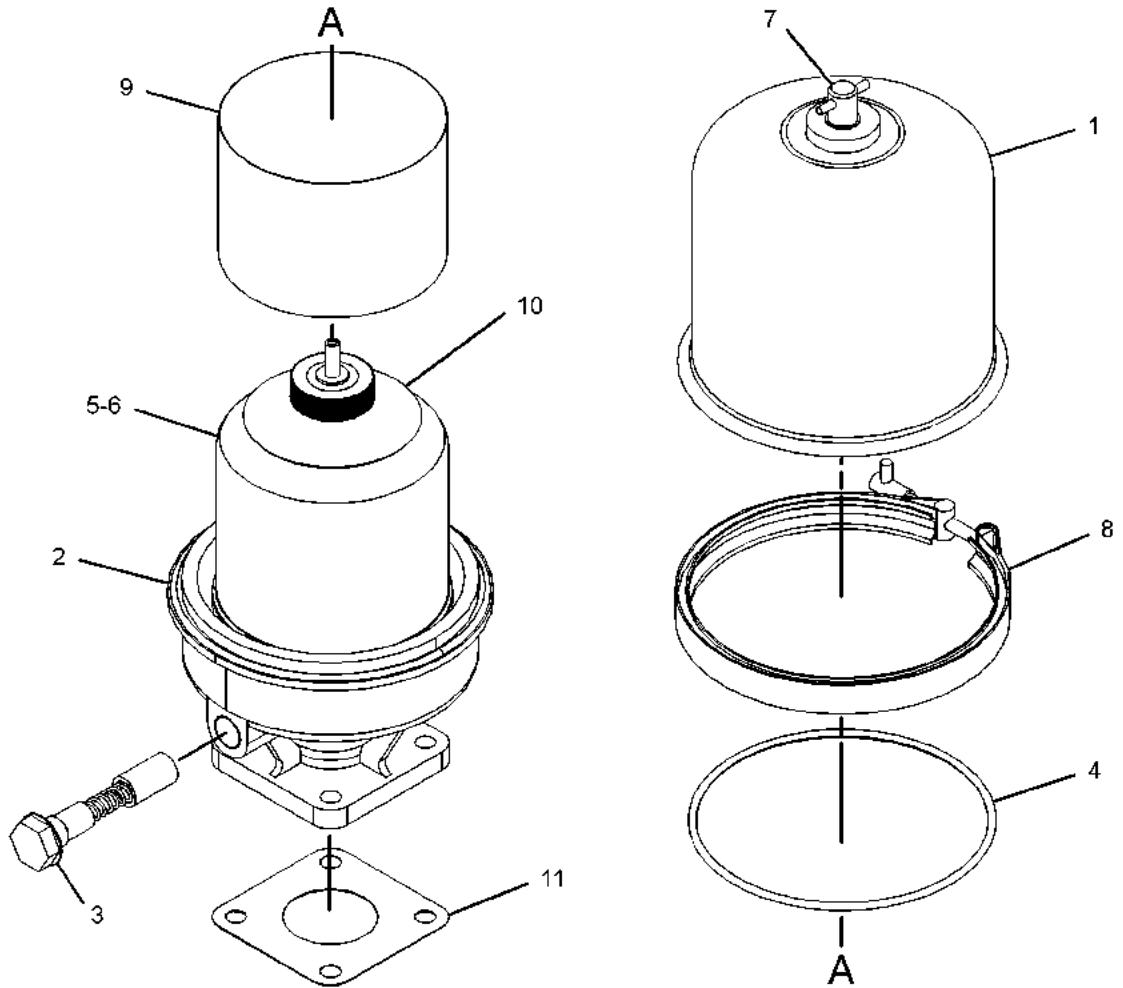
PART OF 133-6461 FILTER GP-CENTRIFUGAL

AN ATTACHMENT

SMCS-1328

i06226131

NOTE	REF NO	GRAPHIC REF	PART NUMBER	QTY	PART NAME						SEE PAGE
					1	2	3	4	5	6	
	1	1	7C-4415	1	COVER AS-FILTER						
	2	1	7C-4416	1	BODY-FILTER						
	3	1	7C-4417	1	KIT-VALVE CUTOFF (OIL FILTER)						
					(INCLUDES SHUTTLE, PLUG, SPRING & WASHER)						
	4	1	6V-3349	1	SEAL-O-RING						
	5	1	7C-4420	1	ROTOR AS						
	6	1	7C-4421	1	SEAL-O-RING						
	7	1	7C-4422	1	KIT-COVER-FILTER (OIL FILTER)						
					(INCLUDES COVER, PIN, SEAL & CLIP)						
	8	1	7C-4423	1	CLAMP						
	9	1	7C-8390	1	LINER-ROTOR (CENTRIFUGAL FILTER)						
	10	1	168-6357	1	PLATE-STIFFENER						
	11	1	7C-5485	1	GASKET-FLANGE (CENTRIFUGAL FILTER)						



GRAPHIC #1

<END>

g03384627

LUBRICATION SYSTEM

115-7841 FILTER GP-ENGINE OIL-LH

S/N: 65Z887-943

AN ATTACHMENT

SMCS-1306, 1308

i02763928

NOTE	REF NO	GRAPHIC REF	PART NUMBER	QTY	PART NAME						SEE PAGE
					1	2	3	4	5	6 (PRODUCT LEVEL)	
	1	1	8N-9482	1	SUPPORT-OIL FILTER						
	2	1	5P-4624	2	BOLT (3/4-10X11.5-IN)						
B	3	1	1D-4574	2	BOLT (1/2-13X6-IN)						
	4	1	4S-5882	2	BOLT (1/2-13X7.25-IN)						
	5	1	0S-1588	8	BOLT (3/8-16X1.25-IN)						
	6	1	4W-6491	1	SUPPORT-HOUSING						
	7	1	6V-3907	4	SEAL-O-RING						
	8	1	6V-8002	2	SEAL-O-RING						
	9	1	5P-4892	3	SEAL-O-RING						
	10	1	111-3820	2	RING-RETAINING						
	11	1	5M-2894	32	WASHER-HARD (10.2X18.5X2.5-MM THK)						
	12	1	109-2332	4	SEAL-O-RING						
B	13	1	5P-5421	4	BOLT (1/2-13X11.5-IN)						
	14	1	4P-2839	3	FILTER ELEMENT AS-OIL (ENGINE)						
					(EACH INCLUDES)						
		1	4W-3251	2	SEAL (OIL FILTER)						
	15	1	4W-8467	1	TUBE						
	16	1	4W-7192	1	TUBE						
	17	1	5D-5957	1	SEAL-O-RING						
	18	1	121-5489	1	COVER						
	19	1	0L-1351	3	BOLT (3/8-16X0.875-IN)						
	20	1	1W-2963	1	HOUSING AS-FILTER						
	21	1	1N-2895	1	SPRING						
	22	1	121-5487	1	ADAPTER						
	23	1	124-5505	1	HOUSING AS						
		1	7N-2043	3	DOWEL						
	24	1	100-8075	4	CLAMP AS						
	25	1	0T-0573	2	BOLT (3/8-16X2.75-IN)						
	26	1	2W-9299	1	COVER-FILTER HOUSING						
	27	1	136-9636	1	COVER						
	28	1	2W-1635	1	SPRING						
	29	1	124-4273	1	VALVE-BYPASS						
	30	1	0S-1571	9	BOLT (3/8-16X1.75-IN)						
	31	1	0L-1143	3	BOLT (3/8-16X2.5-IN)						
	32	1	0S-1594	7	BOLT (3/8-16X1-IN)						
	33	1	2S-5100	1	VALVE-MANUAL						
	34	1	8N-1992	2	RETAINER						
	35	1	8N-1991	1	RING-RETAINING						
	36	1	6V-0267	1	CLIP (TAB)						
	37	1	6V-0268	1	CLIP (SLOT)						
	38	1	3H-7131	1	LUG						
	39	1	3B-1915	1	BOLT (3/8-16X1.375-IN)						
	40	1	133-9313	1	PLATE						
	41	1	8T-6762	1	PLUG-PIPE (1/2-14-THD)						
	42	1	125-2785	1	ADAPTER						
	43	1	6V-5048	4	SEAL-O-RING						
	44	1	9S-4182	4	PLUG (7/16-20-THD)						

LUBRICATION SYSTEM

115-7841 FILTER GP-ENGINE OIL (contd.)

i02763928

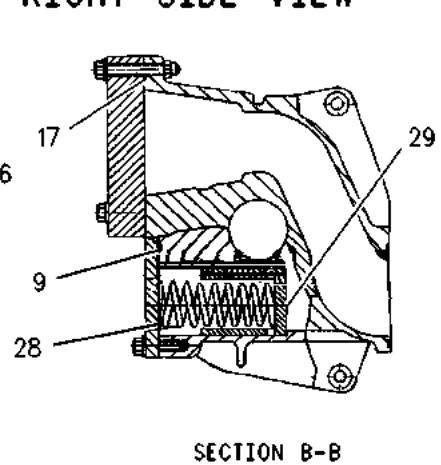
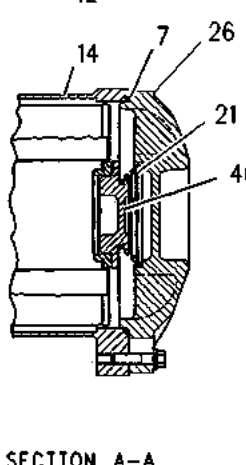
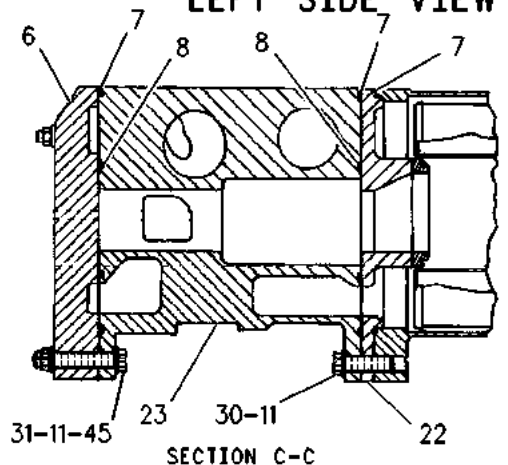
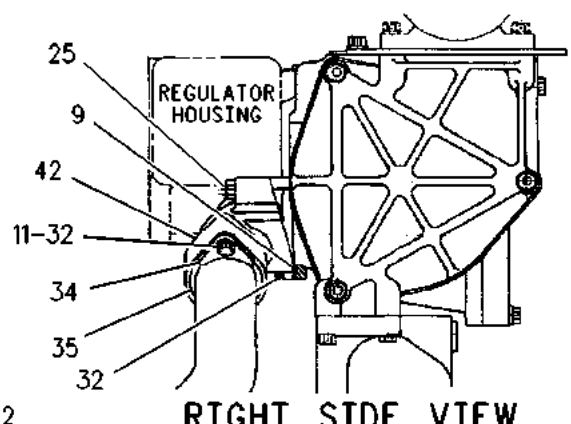
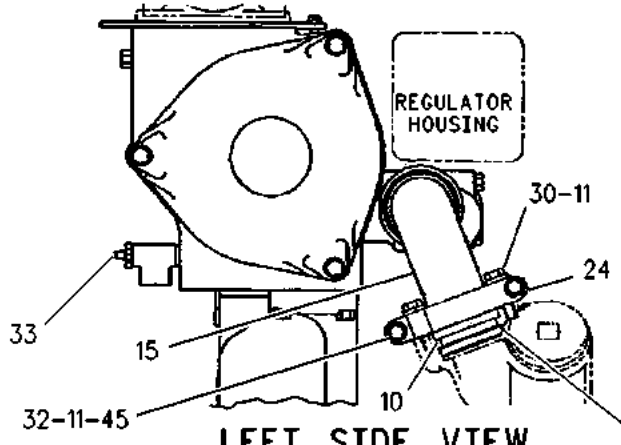
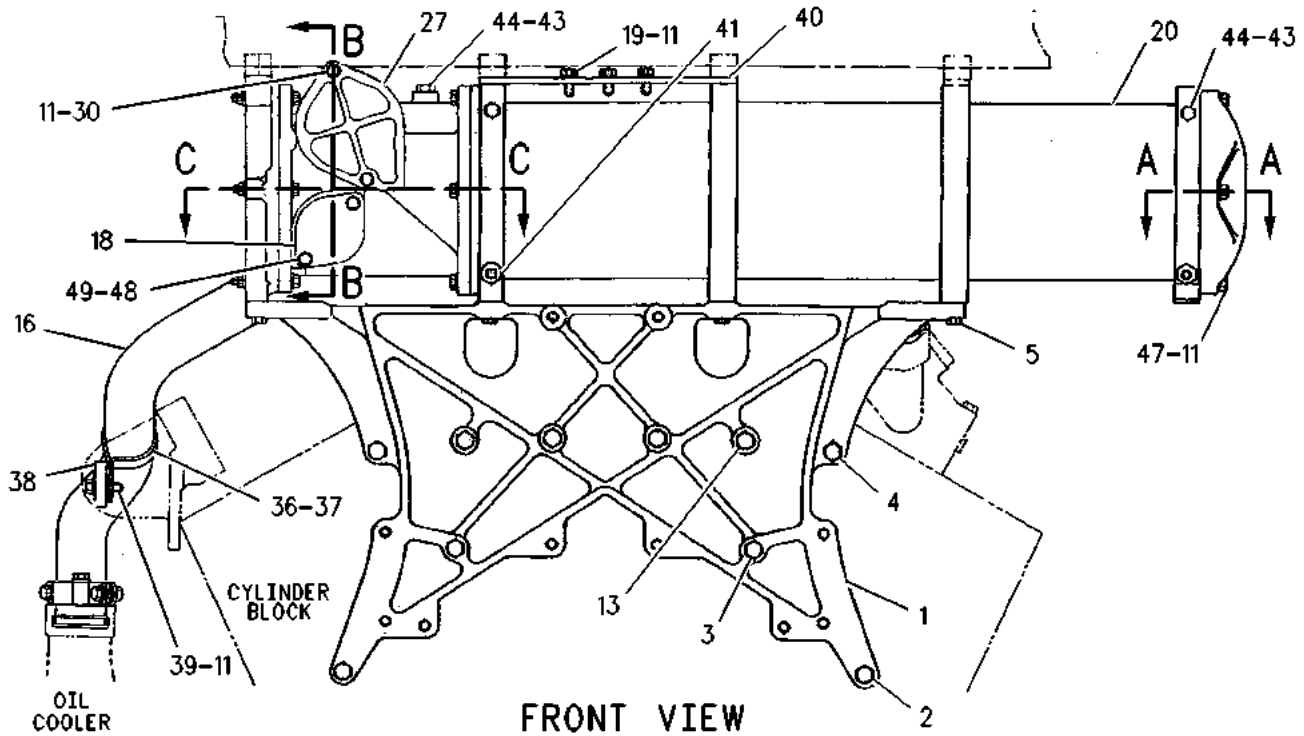
NOTE	REF NO	GRAPHIC REF	PART NUMBER	QTY	PART NAME						SEE PAGE
					1	2	3	4	5	6 (PRODUCT LEVEL)	
	45	1	9S-8752	7	NUT-FULL (3/8-16-THD)						
	46	1	113-4634	1	RETAINER-FILTER						
	47	1	7F-0192	3	BOLT (3/8-16X2-IN)						
	48	1	1M-0644	2	BOLT (3/8-16X2.25-IN)						
	49	1	8M-9024	2	WASHER-HARD (10.2X22.5X5-MM THK)						

B - USE AS REQUIRED

LUBRICATION SYSTEM

115-7841 FILTER GP-ENGINE OIL (contd.)

i02763928



GRAPHIC #1

<END>

g00265723

LUBRICATION SYSTEM

115-7841 FILTER GP-ENGINE OIL-LH

S/N: 65Z944-UP

AN ATTACHMENT

TYPE 1

SMCS-1306, 1308

i03996282

NOTE	REF NO	GRAPHIC REF	PART NUMBER	QTY	PART NAME						SEE PAGE
					1	2	3	4	5	6 (PRODUCT LEVEL)	
	1	1	1R-0726	3	FILTER ELEMENT AS-ENGINE OIL (STANDARD EFFICIENCY)						
	2	1	2S-5100	1	VALVE-MANUAL						
	3	2	2W-1635	1	SPRING						
C	4	2	2W-1969	1	VALVE-BYPASS (OIL COOLER)						
B	5	2	3H-7131	1	LUG						
C	6	2	4W-5592	1	COVER						
C	7	2	4W-6387	1	HOUSING AS (BYPASS)						
		2	7N-2043	3	DOWEL						
	8	1	4W-6491	1	SUPPORT-HOUSING						
C	9	2	4W-6492	1	ADAPTER						
	10	1	4W-7192	1	TUBE						
C	11	1	4W-8459	1	COVER						
	12	1	4W-8467	1	TUBE						
	13	1	7F-0192	3	BOLT (3/8-16X2-IN)						
	14	2	8N-1991	1	RING-RETAINING						
	15	2	8N-1992	2	RETAINER						
	16	1	8N-9482	1	SUPPORT-OIL FILTER						
	17	1	100-8075	2	CLAMP AS						
	18	1,2	111-3820	2	RING-RETAINING						
C	19	1	111-8639	1	COVER-BYPASS VALVE						
	20	1	133-9313	1	PLATE						
C	21	2	155-1690	1	ADAPTER AS						
		2	154-1581	1	RING-RETAINING						
C	22	1	157-0443	1	COVER AS						
		1	7N-2043	1	DOWEL						
	23	1	264-0450	2	CLAMP AS						
C	24	1	278-1082	1	HOUSING AS-FILTER (ENGINE OIL)						
		1	4V-7412	1	BOSS (3/8-16-THD)						
C	25	2	0L-1143	4	BOLT (3/8-16X2.5-IN)						
	26	1	0L-1351	3	BOLT (3/8-16X0.875-IN)						
	27	1,2	0S-1571	6	BOLT (3/8-16X1.75-IN)						
	28	1	0S-1588	8	BOLT (3/8-16X1.25-IN)						
C	29	2	0S-1594	6	BOLT (3/8-16X1-IN)						
C	30	1,2	0S-1619	5	BOLT (3/8-16X3-IN)						
	31	1,2	109-2332	4	SEAL-O-RING						
	32	2	165-3931	3	BOLT (3/8-16X1.75-IN)						
C	33	1	1M-0644	3	BOLT (3/8-16X2.25-IN)						
B	34	2	3B-1915	1	BOLT (3/8-16X1.375-IN)						
	35	1	4S-5882	2	BOLT (1/2-13X7.25-IN)						
	36	2	5D-5957	1	SEAL-O-RING						
	37	1,2	5M-2894	27	WASHER-HARD (10.2X18.5X2.5-MM THK)						
	38	1	5P-4624	2	BOLT (3/4-10X11.5-IN)						
C	39	1,2	5P-4892	6	SEAL-O-RING						
B	40	2	6V-0267	1	CLIP (TAB)						
B	41	2	6V-0268	1	CLIP (SLOT)						
	42	1,2	6V-3907	4	SEAL-O-RING						

LUBRICATION SYSTEM

115-7841 FILTER GP-ENGINE OIL (contd.)

i03996282

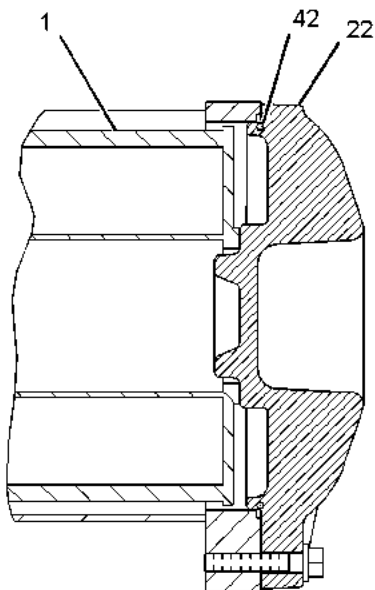
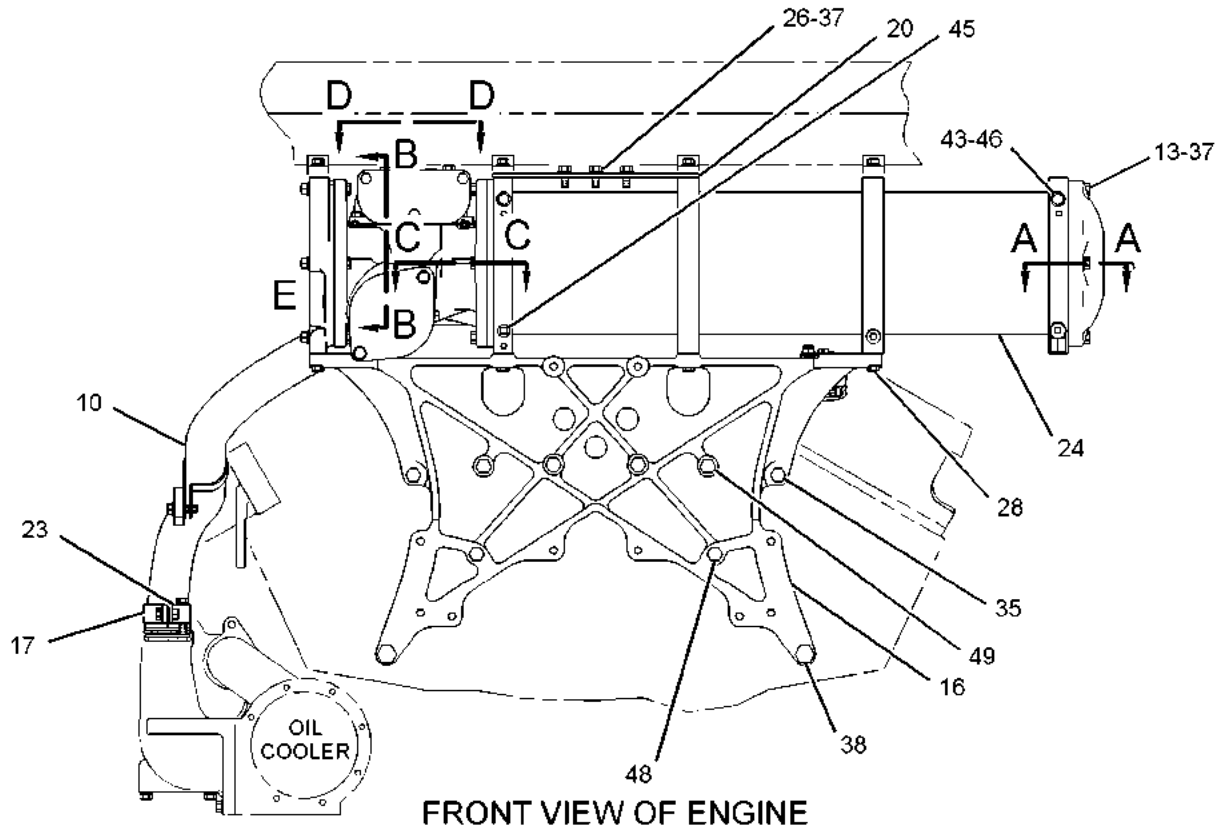
NOTE	REF NO	GRAPHIC REF	PART NUMBER	QTY	PART NAME						SEE PAGE
					1	2	3	4	5	6 (PRODUCT LEVEL)	
C	43	1,2	6V-5048	6	SEAL-O-RING						
C	44	1	6V-8001	1	SEAL-O-RING						
	45	1	8T-6762	1	PLUG-PIPE (1/2-14-THD)						
C	46	1,2	9S-4182	6	PLUG (7/16-20-THD)						
	47	2	9S-8752	3	NUT-FULL (3/8-16-THD)						
B	48	1	1D-4574	2	BOLT (1/2-13X6-IN)						
B	49	1	5P-5421	4	BOLT (1/2-13X11.5-IN)						
B	50	2	5M-2894	1	WASHER-HARD (10.2X18.5X2.5-MM THK)						

B - USE AS REQUIRED
 C - CHANGE FROM PREVIOUS TYPE

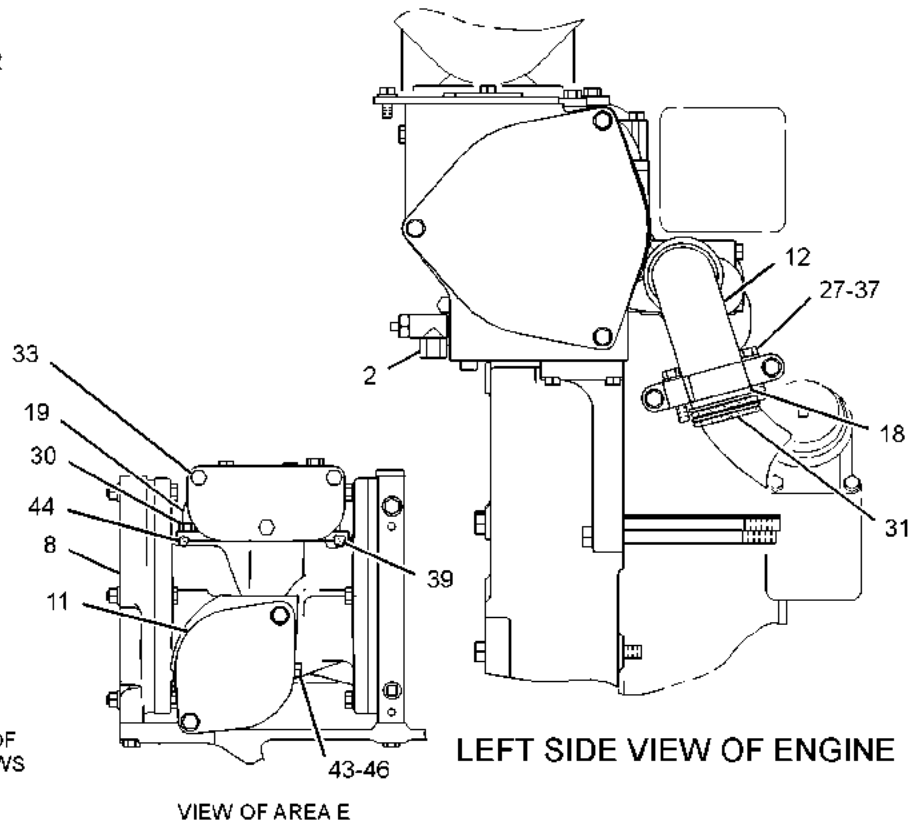
LUBRICATION SYSTEM

115-7841 FILTER GP-ENGINE OIL (contd.)

i03996282



REFER TO ALL ILLUSTRATIONS OF THIS GROUP FOR AUXILIARY VIEWS



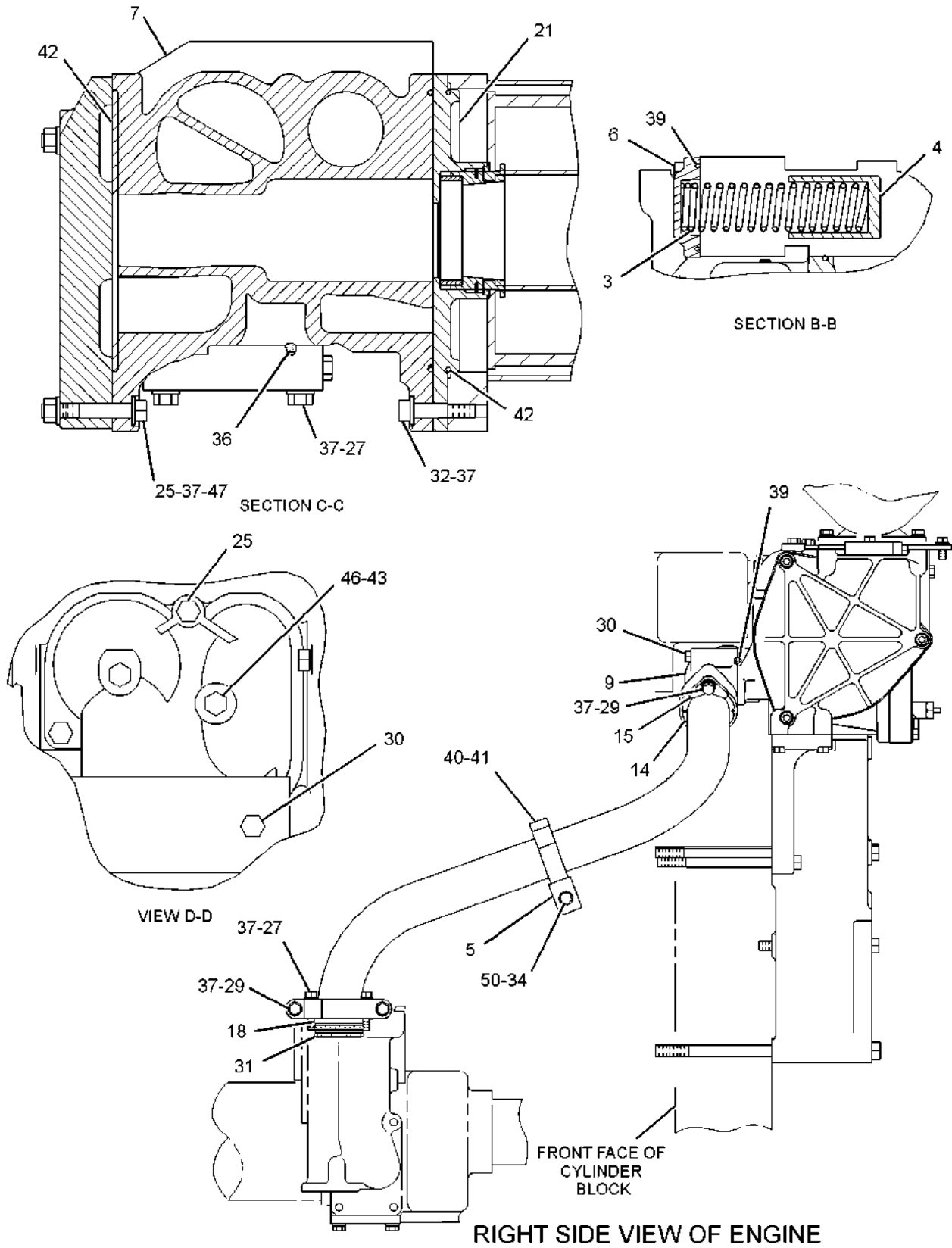
GRAPHIC #1

g01278974

LUBRICATION SYSTEM

115-7841 FILTER GP-ENGINE OIL (contd.)

i03996282



GRAPHIC #2

<END>

g01278971

LUBRICATION SYSTEM

115-7841 FILTER GP-ENGINE OIL-LH

S/N: 65Z944-UP

AN ATTACHMENT

TYPE 2

SMCS-1306, 1308

i06955042

NOTE	REF NO	GRAPHIC REF	PART NUMBER	QTY	PART NAME						SEE PAGE
					1	2	3	4	5	6 (PRODUCT LEVEL)	
	1	1	1R-0726	3	FILTER ELEMENT AS-ENGINE OIL (STANDARD EFFICIENCY)						
	2	1	2S-5100	1	VALVE-MANUAL						
	3	2	2W-1635	1	SPRING						
	4	2	2W-1969	1	VALVE-BYPASS (OIL COOLER)						
	6	2	4W-5592	1	COVER						
	7	2	4W-6387	1	HOUSING AS (BYPASS)						
		2	7N-2043	3	DOWEL						
	8	2	4W-6491	1	SUPPORT-HOUSING						
	9	2	4W-6492	1	ADAPTER						
	10	1	4W-7192	1	TUBE						
	11	1	339-5148	1	COVER						
	12	1	4W-8467	1	TUBE						
	13	1	7F-0192	3	BOLT (3/8-16X2-IN)						
	14	2	361-7097	1	RING						
	15	2	8N-1992	2	RETAINER						
	16	1	8N-9482	1	SUPPORT-OIL FILTER						
	17	1	100-8075	2	CLAMP AS						
	18	1	111-3820	2	RING-RETAINING						
	19	1	111-8639	1	COVER-BYPASS VALVE						
	20	1	133-9313	1	PLATE						
	21	2	155-1690	1	ADAPTER AS						
		2	154-1581	1	RING-RETAINING						
	22	1	157-0443	1	COVER AS						
	23	1	264-0450	2	CLAMP AS						
	24	1	278-1082	1	HOUSING AS-FILTER (ENGINE OIL)						
		1	4V-7412	1	BOSS (3/8-16-THD)						
	25	2	0L-1143	4	BOLT (3/8-16X2.5-IN)						
	26	1	0L-1351	3	BOLT (3/8-16X0.875-IN)						
	27	1,2	0S-1571	8	BOLT (3/8-16X1.75-IN)						
	28	1	0S-1588	8	BOLT (3/8-16X1.25-IN)						
	29	1,2	361-7098	1	FLANGE						
	30	2	0S-1619	5	BOLT (3/8-16X3-IN)						
	31	1	109-2332	4	SEAL-O-RING						
	32	2	165-3931	3	BOLT (3/8-16X1.75-IN)						
	33	1	1M-0644	3	BOLT (3/8-16X2.25-IN)						
	35	1	4S-5882	2	BOLT (1/2-13X7.25-IN)						
	36	2	5D-5957	1	SEAL-O-RING						
	37	1,2	5M-2894	27	WASHER-HARD (10.2X18.5X2.5-MM THK)						
	38	1	5P-4624	2	BOLT (3/4-10X11.5-IN)						
	39	1,2	5P-4892	6	SEAL-O-RING						
	42	1,2	6V-3907	4	SEAL-O-RING						
	43	1,2	6V-5048	6	SEAL-O-RING						
	44	1	6V-8001	1	SEAL-O-RING						
	45	1	8T-6762	1	PLUG-PIPE (1/2-14-THD)						
	46	1,2	9S-4182	6	PLUG (7/16-20-THD)						
	47	2	9S-8752	3	NUT-FULL (3/8-16-THD)						

LUBRICATION SYSTEM

115-7841 FILTER GP-ENGINE OIL (contd.)

i06955042

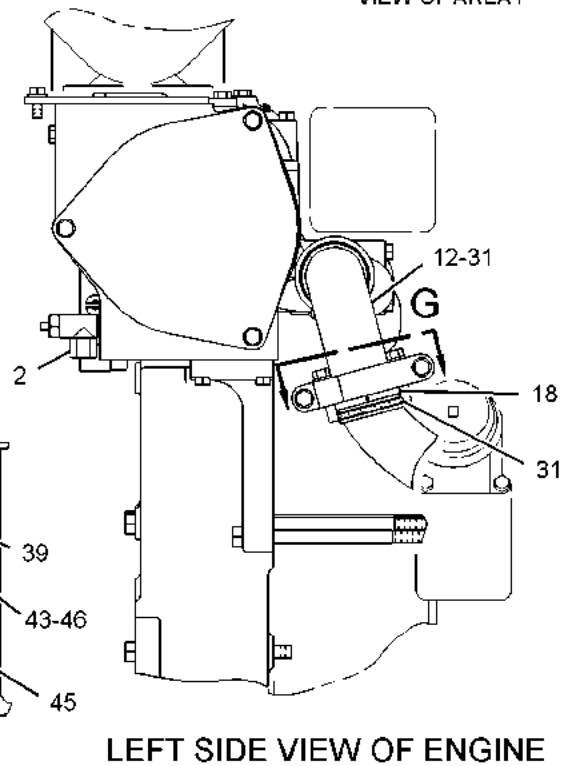
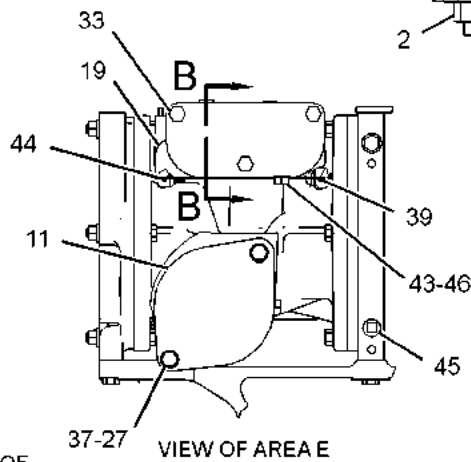
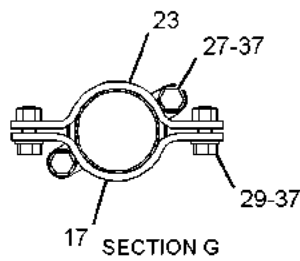
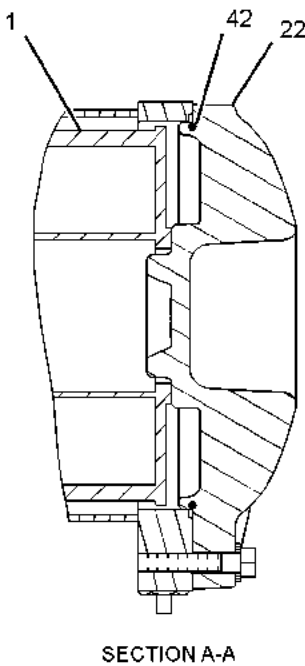
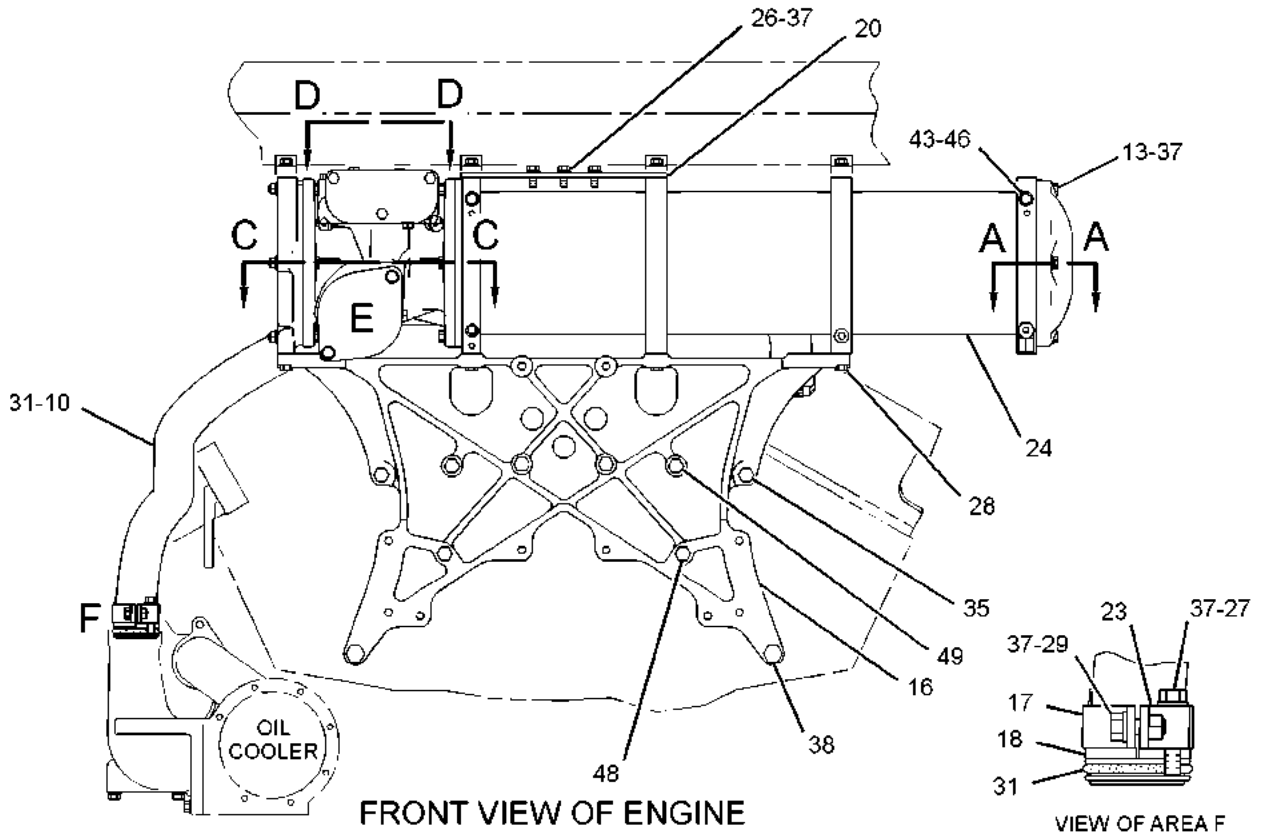
NOTE	REF NO	GRAPHIC REF	PART NUMBER	QTY	PART NAME						SEE PAGE
					1	2	3	4	5	6 (PRODUCT LEVEL)	
B	48	1	1D-4574	2	BOLT (1/2-13X6-IN)						
B	49	1	5P-5421	4	BOLT (1/2-13X11.5-IN)						

B - USE AS REQUIRED

LUBRICATION SYSTEM

115-7841 FILTER GP-ENGINE OIL (contd.)

i06955042



REFER TO ALL ILLUSTRATIONS OF THIS GROUP FOR AUXILIARY VIEWS

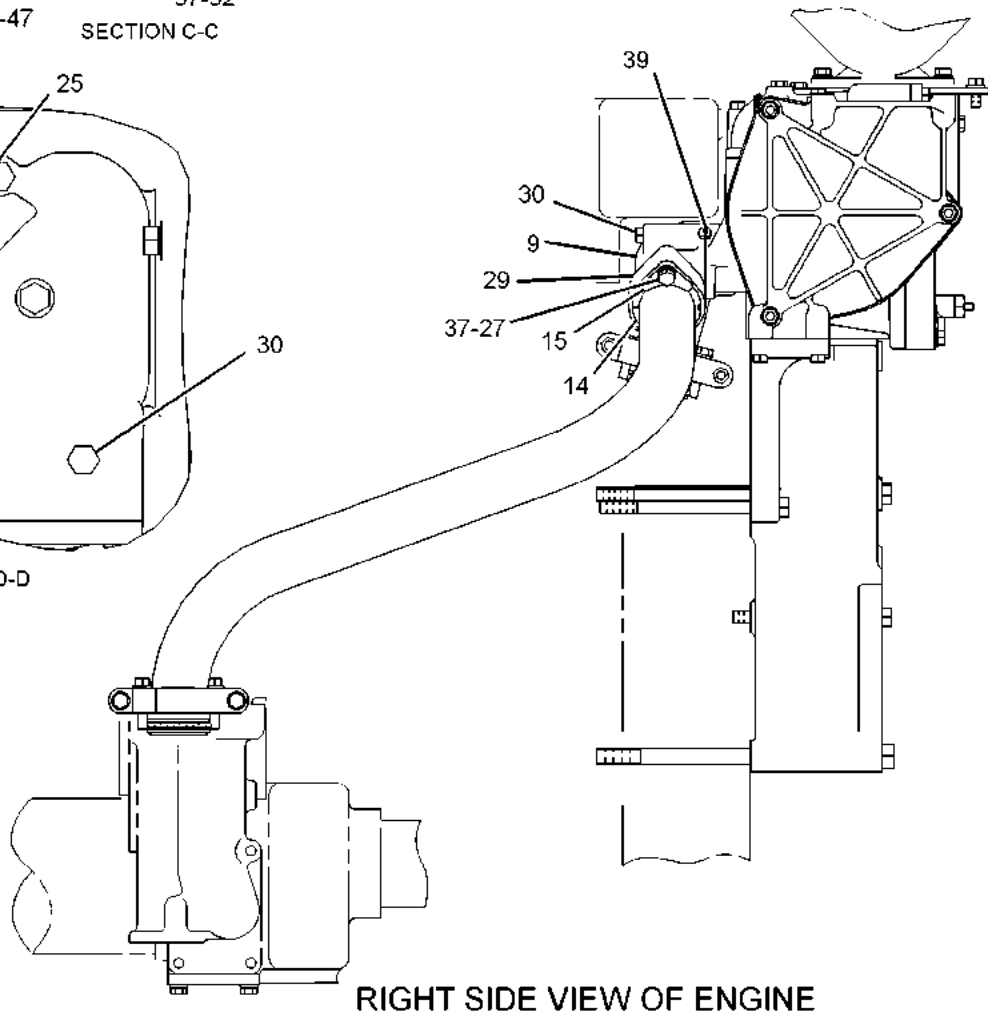
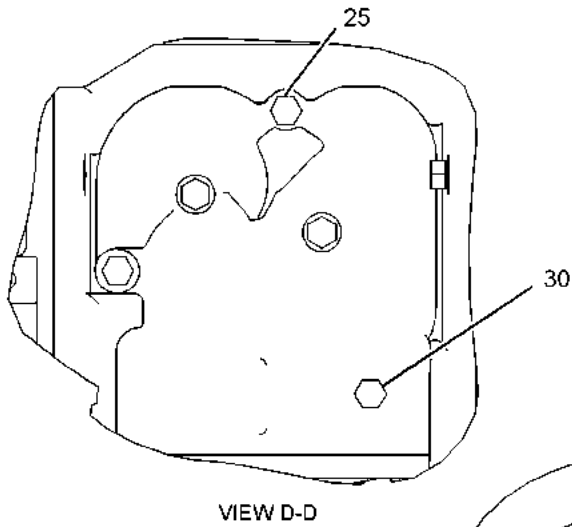
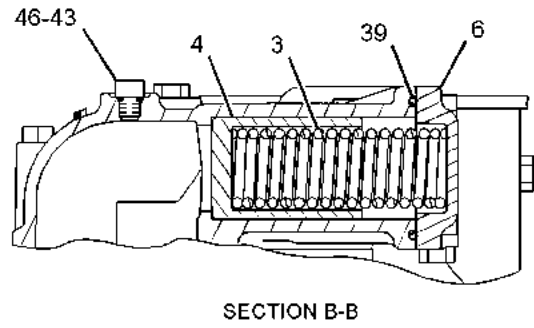
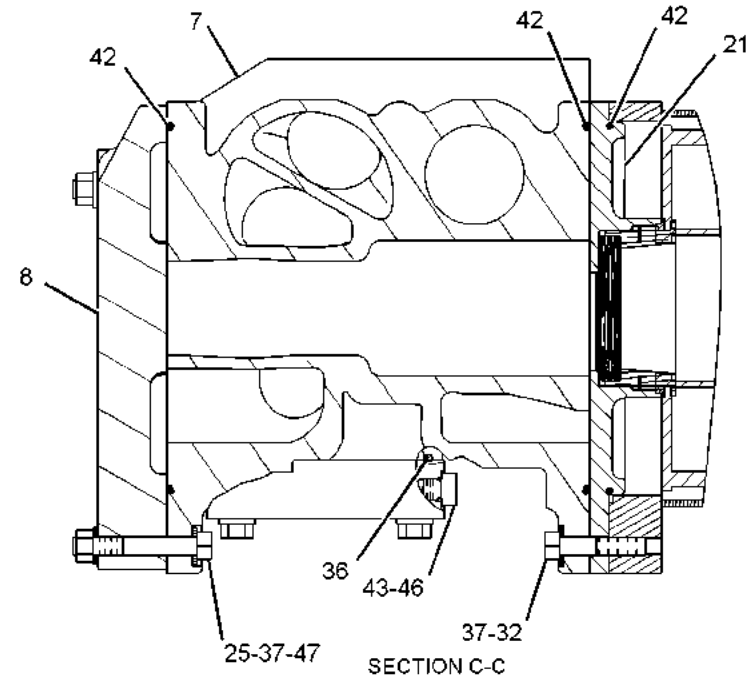
GRAPHIC #1

g01516688

LUBRICATION SYSTEM

115-7841 FILTER GP-ENGINE OIL (contd.)

i06955042



GRAPHIC #2

<END>

g03327889

LUBRICATION SYSTEM

4W-6874 FILTER GP-ENGINE OIL-RH

S/N: 65Z887-939

SMCS-1306, 1308

i02758323

NOTE	REF NO	GRAPHIC REF	PART NUMBER	QTY	PART NAME						SEE PAGE
					1	2	3	4	5	6 (PRODUCT LEVEL)	
	1	1	9S-4182	4	PLUG (7/16-20-THD)						
		1	6V-5048	4	SEAL-O-RING						
	2	1	1W-2963	1	HOUSING AS-FILTER						
	3	1	133-9313	1	PLATE						
	4	1	0L-1351	3	BOLT (3/8-16X0.875-IN)						
	5	1	5M-2894	8	WASHER-HARD (10.2X18.5X2.5-MM THK)						
	6	1	0S-1619	1	BOLT (3/8-16X3-IN)						
	7	1	4W-8468	1	COVER-VALVE						
	8	1	1M-0644	3	BOLT (3/8-16X2.25-IN)						
	9	1	5P-4892	2	SEAL-O-RING						
	10	1	4W-6960	1	SUPPORT-HOUSING						
	11	1	0S-1571	2	BOLT (3/8-16X1.75-IN)						
	12	1	4S-5882	2	BOLT (1/2-13X7.25-IN)						
B	13	1	5P-5421	4	BOLT (1/2-13X11.5-IN)						
	14	1	8N-9482	1	SUPPORT-OIL FILTER						
	15	1	5P-4624	2	BOLT (3/4-10X11.5-IN)						
B	16	1	1D-4574	2	BOLT (1/2-13X6-IN)						
	17	1	0S-1588	8	BOLT (3/8-16X1.25-IN)						
	18	1	2S-5100	1	VALVE-MANUAL						
	19	1	2W-9299	1	COVER-FILTER HOUSING						
	20	1	7F-0192	3	BOLT (3/8-16X2-IN)						
	21	1	6V-8001	1	SEAL-O-RING						
C	22	1	2B-0858	1	PLUG-PIPE						
	23	2	1N-2895	1	SPRING						
	24	2	113-4634	1	RETAINER-FILTER						
	25	2	6V-3907	4	SEAL-O-RING						
	26	2	4P-2839	3	FILTER ELEMENT AS-OIL (ENGINE)						
					(EACH INCLUDES)						
		2	4W-3251	2	SEAL (OIL FILTER)						
	27	2	2W-8378	1	ADAPTER						
	28	2	4W-6387	1	HOUSING AS (BYPASS)						
		2	7N-2043	3	DOWEL						
	29	2	0L-1143	4	BOLT (3/8-16X2.5-IN)						
	30	2	9S-8752	3	NUT-FULL (3/8-16-THD)						
	31	2	5M-2894	9	WASHER-HARD (10.2X18.5X2.5-MM THK)						
	32	2	4W-8459	1	COVER						
		2	5D-5957	1	SEAL-O-RING						
C	33	2	0S-1571	3	BOLT (3/8-16X1.75-IN)						
	34	2	5P-4892	2	SEAL-O-RING						
	35	2	2W-1635	1	SPRING						
	36	2	4W-5592	1	COVER						
	37	2	2W-1969	1	VALVE-BYPASS (OIL COOLER)						
	38	2	0S-1619	1	BOLT (3/8-16X3-IN)						

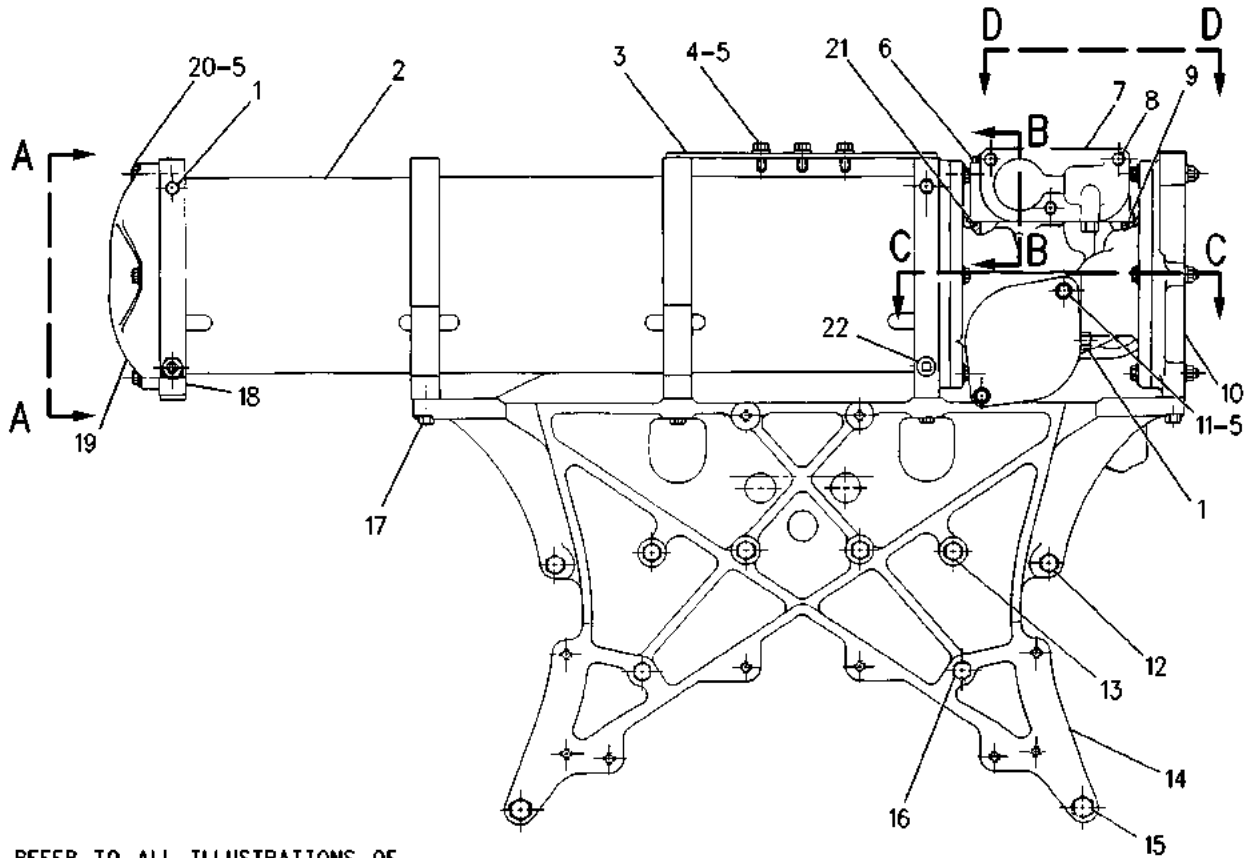
B - USE AS REQUIRED

C - CHANGE FROM PREVIOUS TYPE

LUBRICATION SYSTEM

4W-6874 FILTER GP-ENGINE OIL (contd.)

i02758323



REFER TO ALL ILLUSTRATIONS OF THIS GROUP FOR AUXILIARY VIEWS

FRONT VIEW

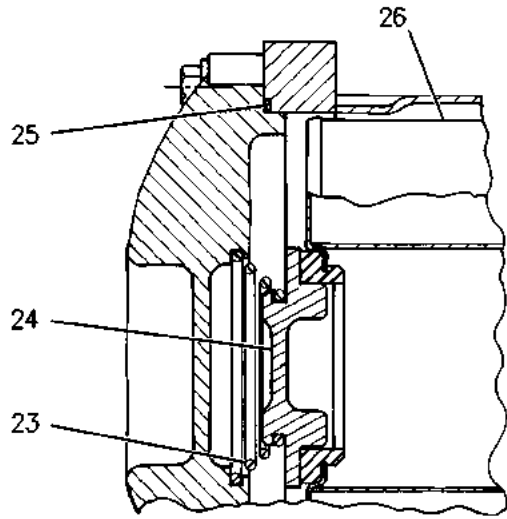
GRAPHIC #1

g00899373

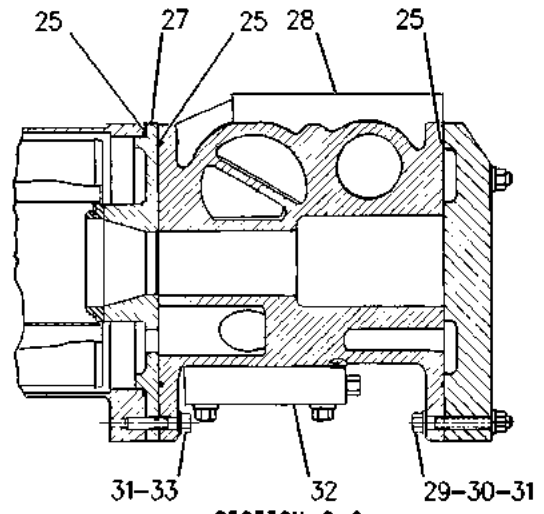
LUBRICATION SYSTEM

4W-6874 FILTER GP-ENGINE OIL (contd.)

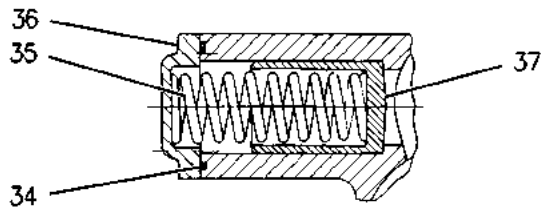
102758323



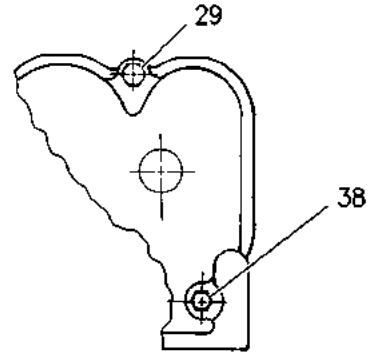
SECTION A-A



SECTION C-C



SECTION B-B



VIEW D-D

GRAPHIC #2

<END>

g00899372

LUBRICATION SYSTEM

4W-6874 FILTER GP-ENGINE OIL-RH

S/N: 65Z940-UP

SMCS-1306, 1308

i05164818

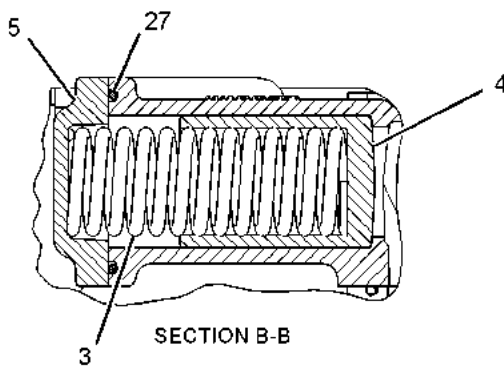
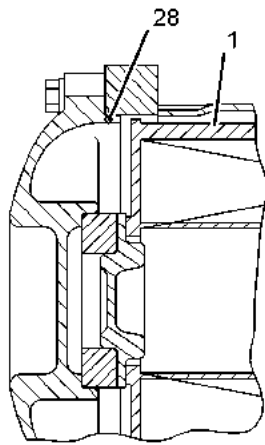
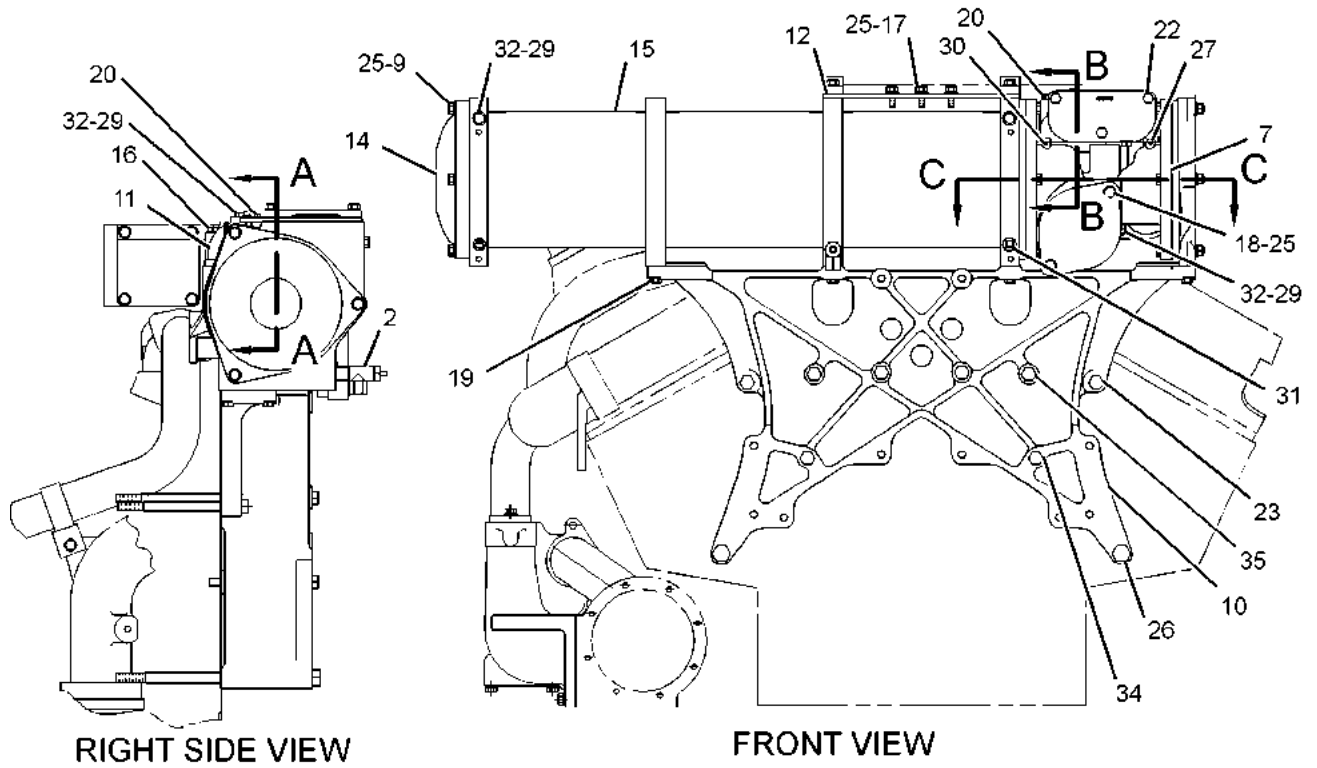
NOTE	REF NO	GRAPHIC REF	PART NUMBER	QTY	PART NAME						SEE PAGE
					1	2	3	4	5	6 (PRODUCT LEVEL)	
	1	1	1R-0726	3	FILTER ELEMENT AS-ENGINE OIL (STANDARD EFFICIENCY)						
	2	1	2S-5100	1	VALVE-MANUAL						
	3	1	2W-1635	1	SPRING						
	4	1	2W-1969	1	VALVE-BYPASS (OIL COOLER)						
	5	1	4W-5592	1	COVER						
	6	1	4W-6387	1	HOUSING AS (BYPASS)						
		1	7N-2043	3	DOWEL						
	7	1	4W-6960	1	SUPPORT-HOUSING						
	8	1	339-5148	1	COVER						
	9	1	7F-0192	3	BOLT (3/8-16X2-IN)						
	10	1	8N-9482	1	SUPPORT-OIL FILTER						
	11	1	111-8639	1	COVER-BYPASS VALVE						
	12	1	133-9313	1	PLATE						
C	13	1	155-1690	1	ADAPTER AS						
			154-1581	1	RING-RETAINING						
C	14	1	157-0443	1	COVER AS						
		1	7N-2043	1	DOWEL						
C	15	1	278-1082	1	HOUSING AS-FILTER (ENGINE OIL)						
		1	4V-7412	1	BOSS (3/8-16-THD)						
	16	1	0L-1143	4	BOLT (3/8-16X2.5-IN)						
	17	1	0L-1351	3	BOLT (3/8-16X0.875-IN)						
	18	1	0S-1571	2	BOLT (3/8-16X1.75-IN)						
	19	1	0S-1588	8	BOLT (3/8-16X1.25-IN)						
	20	1	0S-1619	2	BOLT (3/8-16X3-IN)						
	21	1	165-3931	3	BOLT (3/8-16X1.75-IN)						
	22	1	1M-0644	3	BOLT (3/8-16X2.25-IN)						
	23	1	4S-5882	2	BOLT (1/2-13X7.25-IN)						
	24	1	5D-5957	1	SEAL-O-RING						
	25	1	5M-2894	17	WASHER-HARD (10.2X18.5X2.5-MM THK)						
	26	1	5P-4624	2	BOLT (3/4-10X11.5-IN)						
	27	1	5P-4892	4	SEAL-O-RING						
	28	1	6V-3907	4	SEAL-O-RING						
	29	1	6V-5048	6	SEAL-O-RING						
	30	1	6V-8001	1	SEAL-O-RING						
C	31	1	8T-6762	1	PLUG-PIPE (1/2-14-THD)						
	32	1	9S-4182	6	PLUG (7/16-20-THD)						
	33	1	9S-8752	3	NUT-FULL (3/8-16-THD)						
B	34	1	1D-4574	2	BOLT (1/2-13X6-IN)						
B	35	1	5P-5421	4	BOLT (1/2-13X11.5-IN)						

B - USE AS REQUIRED
C - CHANGE FROM PREVIOUS TYPE

LUBRICATION SYSTEM

4W-6874 FILTER GP-ENGINE OIL (contd.)

i05164818



GRAPHIC #1

<END>

g01153005

LUBRICATION SYSTEM

4W-9968 FILTER GP-ENGINE OIL-DUPLEX AN ATTACHMENT TYPE 1

SMCS-1306, 1308

i02758366

NOTE	REF NO	GRAPHIC REF	PART NUMBER	QTY	PART NAME 1 2 3 4 5 6 (PRODUCT LEVEL)	SEE PAGE
	1	1	0L-1143	1	BOLT (3/8-16X2.5-IN)	
	2	1	0S-1619	4	BOLT (3/8-16X3-IN)	
	3	1	6V-3907	6	SEAL-O-RING	
	4	1	2W-8378	2	ADAPTER	
CY	5	1	7W-3816	1	VALVE GP-FLUID CONTROL (DUPLEX OIL)	454
	6	1	2W-9209	1	VALVE AS-CHECK	
	7	1	4P-2839	4	FILTER ELEMENT AS-OIL (ENGINE)	
					(EACH INCLUDES)	
		1	4W-3251	2	SEAL (OIL FILTER)	
	8	1	3J-9173	1	BOLT-SPECIAL	
	9	1	2W-9299	2	COVER-FILTER HOUSING	
	10	1	1N-2895	2	SPRING	
	11	1	113-4634	2	RETAINER-FILTER	
	12	1	0S-1571	6	BOLT (3/8-16X1.75-IN)	
C	13	1	5M-2894	21	WASHER-HARD (10.2X18.5X2.5-MM THK)	
	14	1	9K-6540	1	WASHER-SPRING (0.63X1.25X0.04-IN THK)	
	15	1	2N-8613	1	WASHER (0.63X1.06X0.059-IN THK)	
	16	1	5P-8245	1	WASHER-HARD (13.5X25.5X3-MM THK)	
	17	1	4W-5592	1	COVER	
	18	1	2W-1635	1	SPRING	
	19	1	5P-4892	4	SEAL-O-RING	
	20	1	2W-1969	1	VALVE-BYPASS (OIL COOLER)	
	21	1	5P-4624	2	BOLT (3/4-10X11.5-IN)	
B	22	1	1D-4574	2	BOLT (1/2-13X6-IN)	
B	23	1	5P-5421	4	BOLT (1/2-13X11.5-IN)	
	24	1	4S-5882	2	BOLT (1/2-13X7.25-IN)	
C	25	1	9S-4182	4	PLUG (7/16-20-THD)	
C	26	1	6V-5048	4	SEAL-O-RING	
	27	1	4W-0288	1	TUBE AS	
	28	1	3L-5389	1	TIE ROD	
	29	1	5B-9079	2	NUT-JAM (3/8-24-THD)	
	30	1	1A-9252	2	END-ADJUSTMENT ROD	
	31	1	9H-6673	2	PIN	
	32	1	3B-4615	2	PIN-COTTER	
	33	1	4W-0290	1	VALVE AS	
	34	1	4W-0334	1	PLUNGER AS-BALL	
	35	1	2S-5100	2	VALVE-MANUAL	
	36	1	4W-0090	1	BLOCK	
	37	1	002-6453	1	ELBOW	
	39	1	6K-9194	1	ELBOW	
	40	1	7F-0192	6	BOLT (3/8-16X2-IN)	
	41	1	4W-0096	1	LEVER	
	42	1	0S-1594	1	BOLT (3/8-16X1-IN)	
	43	1	4W-0289	1	TUBE AS	
	44	1	137-6857	1	HOUSING AS-OIL FILTER	
	45	1	7D-8793	2	ELBOW-FLARED	
	46	1	3D-9777	1	LEVER	

LUBRICATION SYSTEM

4W-9968 FILTER GP-ENGINE OIL (contd.)

i02758366

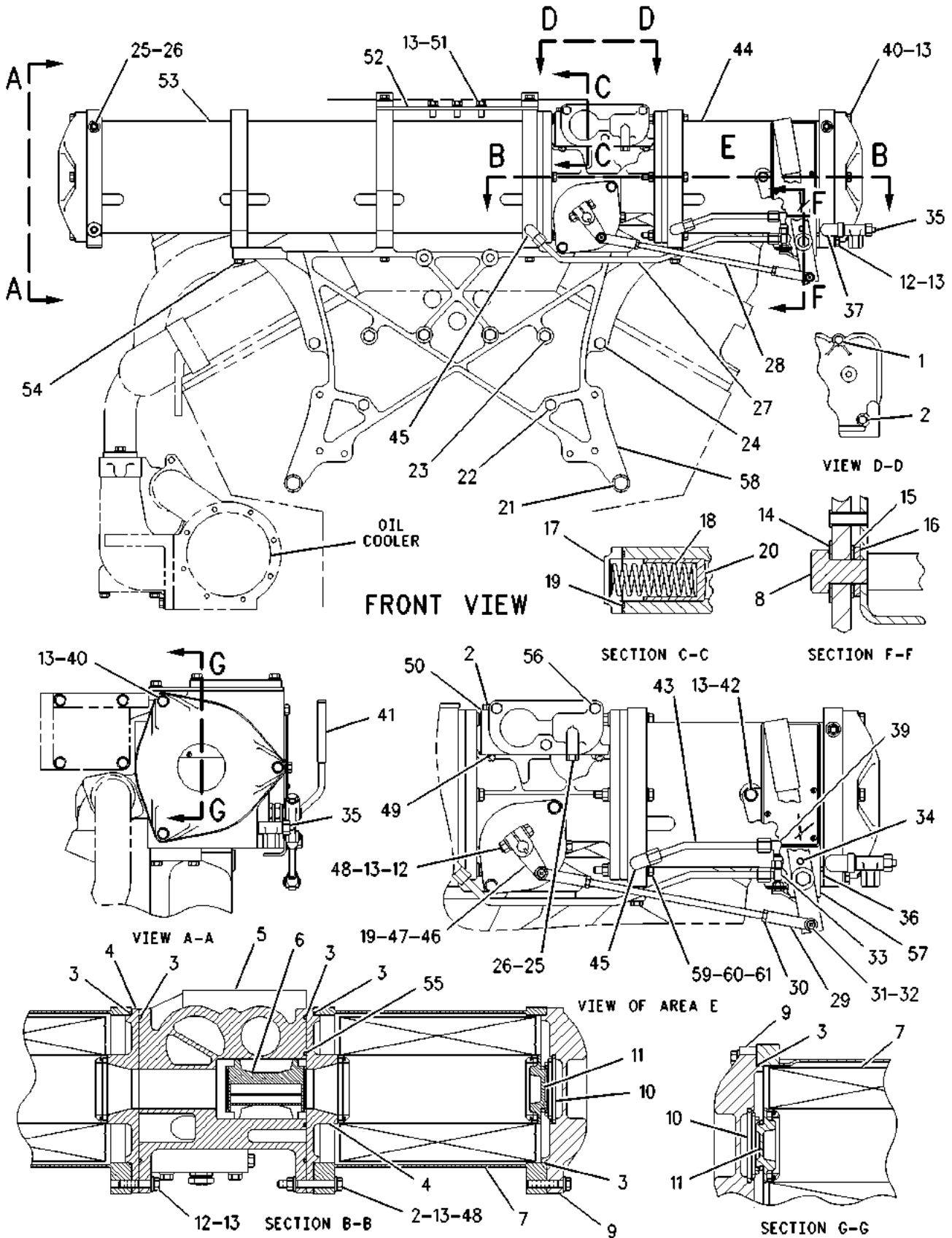
NOTE	REF NO	GRAPHIC REF	PART NUMBER	QTY	PART NAME						SEE PAGE
					1	2	3	4	5	6 (PRODUCT LEVEL)	
	47	1	1B-8706	1	KEY-WOODRUFF						
	48	1	9S-8752	3	NUT-FULL (3/8-16-THD)						
	49	1	6V-8001	1	SEAL-O-RING						
	50	1	4W-8468	1	COVER-VALVE						
	51	1	0L-1351	3	BOLT (3/8-16X0.875-IN)						
	52	1	133-9313	1	PLATE						
	53	1	1W-2963	1	HOUSING AS-FILTER						
	54	1	0S-1588	8	BOLT (3/8-16X1.25-IN)						
	55	1	6V-8002	1	SEAL-O-RING						
	56	1	1M-0644	3	BOLT (3/8-16X2.25-IN)						
	57	1	4W-0343	1	BRACKET						
	58	1	8N-9482	1	SUPPORT-OIL FILTER						
B	59	1	0S-1619	1	BOLT (3/8-16X3-IN)						
B	60	1	5M-2894	2	WASHER-HARD (10.2X18.5X2.5-MM THK)						
B	61	1	9S-8752	1	NUT-FULL (3/8-16-THD)						

B - USE AS REQUIRED
 C - CHANGE FROM PREVIOUS TYPE
 Y - SEPARATE ILLUSTRATION

LUBRICATION SYSTEM

4W-9968 FILTER GP-ENGINE OIL (contd.)

i02758366



GRAPHIC #1

<END>

g00742790

LUBRICATION SYSTEM

4W-9968 FILTER GP-ENGINE OIL-DUPLEX

AN ATTACHMENT

TYPE 2

SMCS-1306, 1308

i01761714

NOTE	REF NO	GRAPHIC REF	PART NUMBER	QTY	PART NAME						SEE PAGE
					1	2	3	4	5	6 (PRODUCT LEVEL)	
	1	1	0L-1143	1	BOLT (3/8-16X2.5-IN)						
C	2	1	0S-1619	2	BOLT (3/8-16X3-IN)						
	3	1	6V-3907	6	SEAL-O-RING						
C	4	1	155-1690	2	ADAPTER AS						
Y	5	1	7W-3816	1	VALVE GP-FLUID CONTROL (DUPLEX OIL)						454
	6	1	2W-9209	1	VALVE AS-CHECK						
	7	1	1R-0726	4	FILTER ELEMENT AS-ENGINE OIL (STANDARD EFFICIENCY)						
	8	1	3J-9173	1	BOLT-SPECIAL						
C	9	1	157-0443	2	COVER AS						
					(EACH INCLUDES)						
		1	7N-2043	1	DOWEL (.25 DIA. X .50)						
C	10	1	203-2158	1	HOUSING AS (OIL FILTER)						
	11	1	0S-1571	6	BOLT (3/8-16X1.75-IN)						
	12	1	9K-6540	1	WASHER-SPRING (0.63X1.25X0.04-IN THK)						
	13	1	2N-8613	1	WASHER (0.63X1.06X0.059-IN THK)						
	14	1	5P-8245	1	WASHER-HARD (13.5X25.5X3-MM THK)						
	15	1	4W-5592	1	COVER						
	16	1	2W-1635	1	SPRING						
	17	1	5P-4892	4	SEAL-O-RING						
	18	1	2W-1969	1	VALVE-BYPASS (OIL COOLER)						
	19	1	5P-4624	2	BOLT (3/4-10X11.5-IN)						
B	20	1	1D-4574	2	BOLT (1/2-13X6-IN)						
B	21	1	5P-5421	4	BOLT (1/2-13X11.5-IN)						
	22	1	4S-5882	2	BOLT (1/2-13X7.25-IN)						
	23	1	9S-4182	4	PLUG (7/16-20-THD)						
	24	1	6V-5048	4	SEAL-O-RING						
	25	1	4W-0288	1	TUBE AS						
	26	1	3L-5389	1	TIE ROD						
	27	1	5B-9079	2	NUT-JAM (3/8-24-THD)						
	28	1	1A-9252	2	END-ADJUSTMENT ROD						
	29	1	9H-6673	2	PIN						
	30	1	3B-4615	2	PIN-COTTER						
	31	1	4W-0290	1	VALVE AS						
	32	1	4W-0334	1	PLUNGER AS-BALL						
	33	1	2S-5100	2	VALVE-MANUAL						
	34	1	4W-0090	1	BLOCK						
	35	1	002-6453	1	ELBOW						
	37	1	6K-9194	1	ELBOW						
	38	1	7F-0192	6	BOLT (3/8-16X2-IN)						
	39	1	4W-0096	1	LEVER						
	40	1	0S-1594	1	BOLT (3/8-16X1-IN)						
	41	1	4W-0289	1	TUBE AS						
C	42	1	161-6934	1	HOUSING AS-FILTER						
	43	1	7D-8793	2	ELBOW-FLARED						
	44	1	3D-9777	1	LEVER						
	45	1	1B-8706	1	KEY-WOODRUFF						
	46	1	6V-8001	1	SEAL-O-RING						

LUBRICATION SYSTEM

4W-9968 FILTER GP-ENGINE OIL (contd.)

i01761714

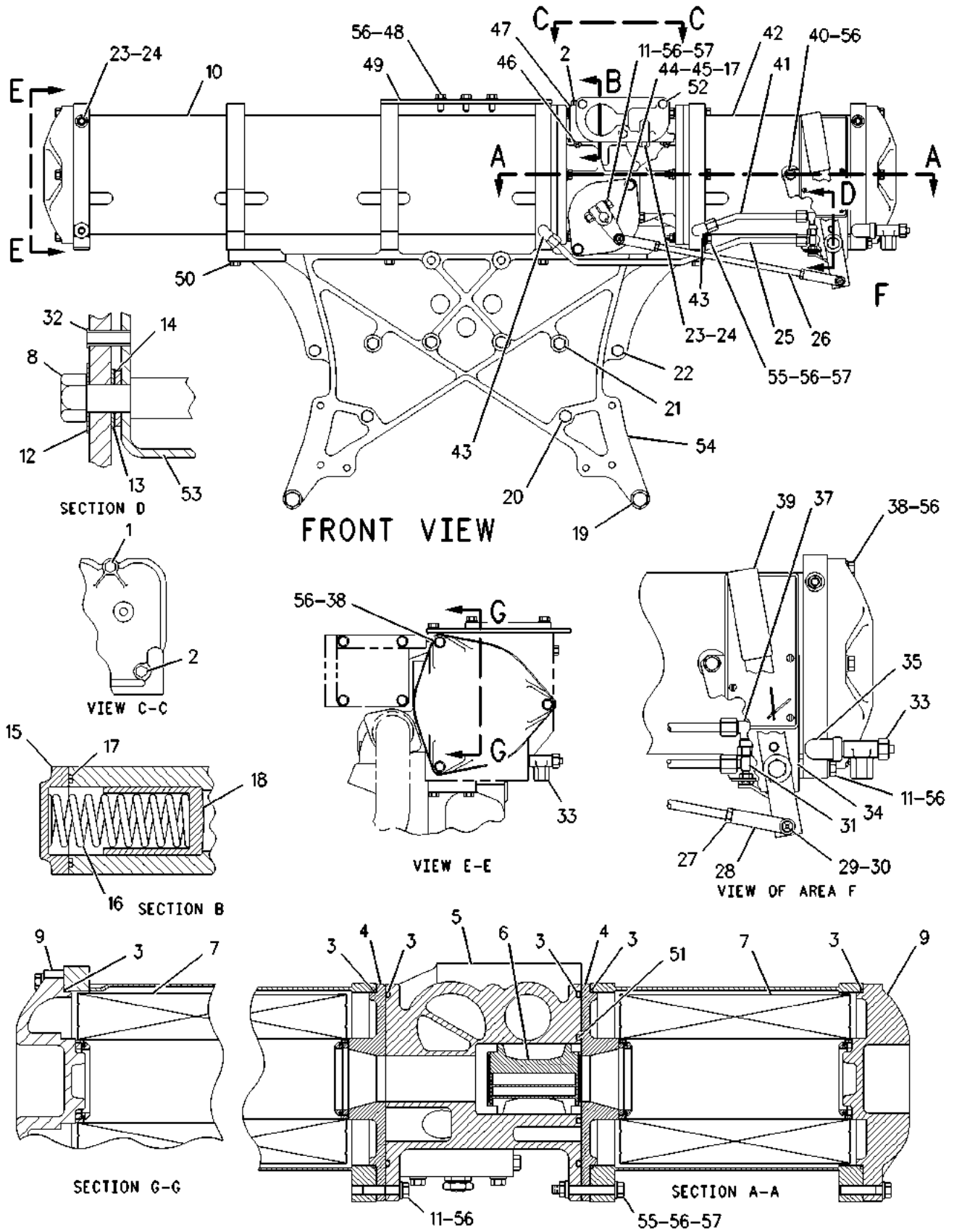
NOTE	REF NO	GRAPHIC REF	PART NUMBER	QTY	PART NAME						SEE PAGE
					1	2	3	4	5	6 (PRODUCT LEVEL)	
	47	1	4W-8468	1	COVER-VALVE						
	48	1	0L-1351	3	BOLT (3/8-16X0.875-IN)						
	49	1	133-9313	1	PLATE						
	50	1	0S-1588	8	BOLT (3/8-16X1.25-IN)						
	51	1	6V-8002	1	SEAL-O-RING						
	52	1	1M-0644	3	BOLT (3/8-16X2.25-IN)						
	53	1	4W-0343	1	BRACKET						
	54	1	8N-9482	1	SUPPORT-OIL FILTER						
C	55	1	0T-0573	3	BOLT (3/8-16X2.75-IN)						
	56	1	5M-2894	23	WASHER-HARD (10.2X18.5X2.5-MM THK)						
	57	1	9S-8752	4	NUT-FULL (3/8-16-THD)						

B - USE AS REQUIRED
 C - CHANGE FROM PREVIOUS TYPE
 Y - SEPARATE ILLUSTRATION

LUBRICATION SYSTEM

4W-9968 FILTER GP-ENGINE OIL (contd.)

i01761714



GRAPHIC #1

<END>

g00834053

LUBRICATION SYSTEM

4W-9968 FILTER GP-ENGINE OIL-DUPLEX AN ATTACHMENT TYPE 3

SMCS-1306, 1308

i07583240

NOTE	REF NO	GRAPHIC REF	PART NUMBER	QTY	PART NAME 1 2 3 4 5 6 (PRODUCT LEVEL)	SEE PAGE
B	1	1	1D-4574	2	BOLT (1/2-13X6-IN)	
B	2	1	5P-5421	4	BOLT (1/2-13X11.5-IN)	
	3	2	9S-8752	4	NUT-FULL (3/8-16-THD)	
	4	1	1R-0726	4	FILTER ELEMENT AS-ENGINE OIL (STANDARD EFFICIENCY)	
	5	1,2	2S-5100	2	VALVE-MANUAL	
	6	2	2W-1635	1	SPRING	
	7	2	2W-1969	1	VALVE-BYPASS (OIL COOLER)	
	8	2	554-3009	1	VALVE-CHECK	
	9	2	4W-0090	1	BLOCK	
	10	2	4W-0096	1	LEVER	
	11	2	4W-0288	1	TUBE AS	
	12	2	4W-0289	1	TUBE AS	
	13	2	4W-0290	1	VALVE AS	
	14	2	4W-0334	1	PLUNGER AS-BALL	
	15	2	4W-0343	1	BRACKET	
	16	2	4W-5592	1	COVER	
Y	17	2	7W-3816	1	VALVE GP-FLUID CONTROL (DUPLEX OIL)	454
	18	1	8N-9482	1	SUPPORT-OIL FILTER	
	19	2	002-6453	1	ELBOW	
	20	2	111-8639	1	COVER-BYPASS VALVE	
	21	1	133-9313	1	PLATE	
	22	2	155-1690	2	ADAPTER AS	
					(EACH INCLUDES)	
		2	154-1581	1	RING-RETAINING	
	23	1	157-0443	2	COVER AS	
					(EACH INCLUDES)	
		1	7N-2043	1	DOWEL	
	24	1	278-1082	1	HOUSING AS-FILTER (ENGINE OIL)	
		1	4V-7412	1	BOSS (3/8-16-THD)	
	25	2	278-1083	1	HOUSING AS-FILTER (AUXILIARY)	
	26	2	521-3763	1	TIE ROD	
	27	2	532-8532	4	SEAL (ROD END)	
	28	2	0L-1143	1	BOLT (3/8-16X2.5-IN)	
	29	1	0L-1351	3	BOLT (3/8-16X0.875-IN)	
	30	2	165-3931	3	BOLT (3/8-16X1.75-IN)	
	31	1	0S-1588	8	BOLT (3/8-16X1.25-IN)	
	32	2	0S-1594	1	BOLT (3/8-16X1-IN)	
	33	2	0S-1619	2	BOLT (3/8-16X3-IN)	
	34	2	0T-0573	3	BOLT (3/8-16X2.75-IN)	
	35	2	0T-0924	2	BOLT (3/8-24X1.5-IN)	
	36	2	165-3931	3	BOLT (3/8-16X1.75-IN)	
	37	2	1B-8706	1	KEY-WOODRUFF	
	38	2	1M-0644	3	BOLT (3/8-16X2.25-IN)	
	39	2	3D-9777	1	LEVER	
	40	2	3J-9173	1	BOLT-SPECIAL	
	41	1	4S-5882	2	BOLT (1/2-13X7.25-IN)	
	42	2	5B-9079	4	NUT-JAM (3/8-24-THD)	

LUBRICATION SYSTEM

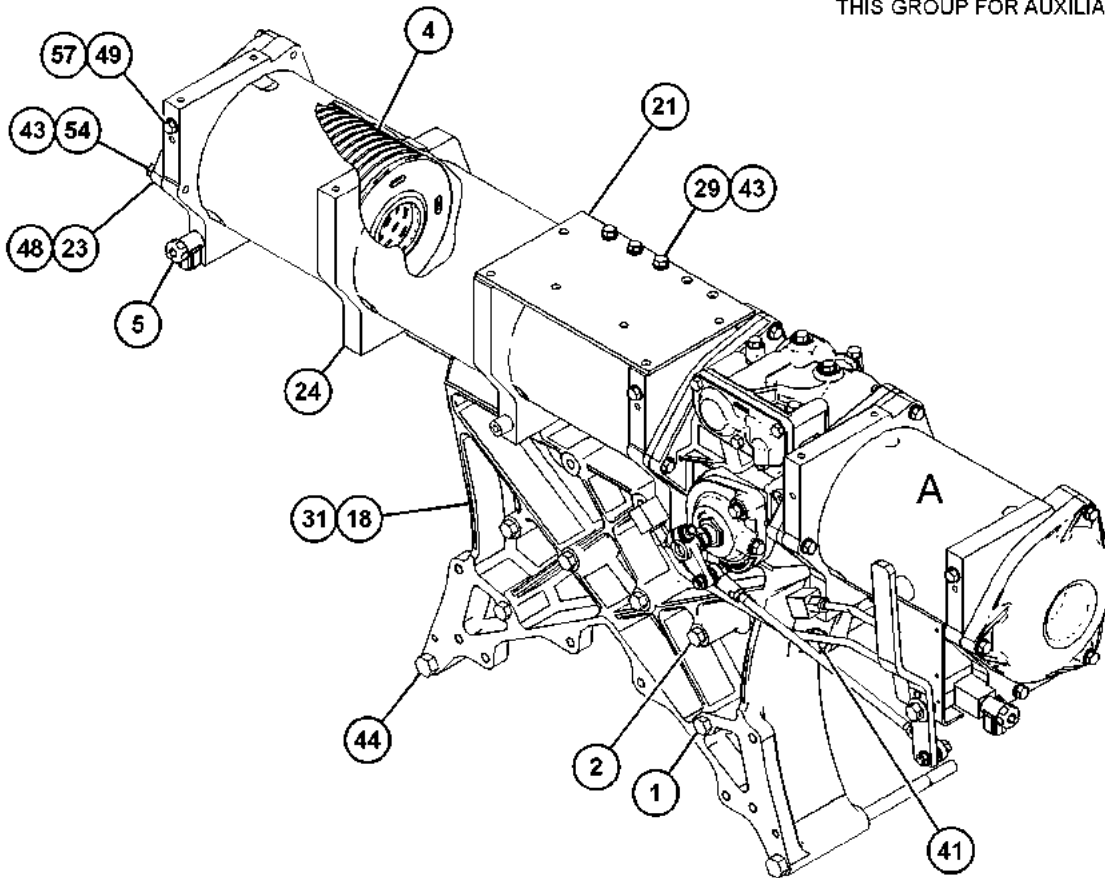
4W-9968 **FILTER GP-ENGINE OIL** (contd.)

i07583240

NOTE	REF NO	GRAPHIC REF	PART NUMBER	QTY	PART NAME						SEE PAGE
					1	2	3	4	5	6 (PRODUCT LEVEL)	
	43	1,2	5M-2894	27	WASHER-HARD (10.2X18.5X2.5-MM THK)						
	44	1	5P-4624	2	BOLT (3/4-10X11.5-IN)						
	45	2	5P-4892	4	SEAL-O-RING						
	46	2	5P-8245	1	WASHER-HARD (13.5X25.5X3-MM THK)						
	47	2	6K-9194	1	ELBOW						
	48	1,2	6V-3907	6	SEAL-O-RING						
	49	1,2	6V-5048	6	SEAL-O-RING						
	50	2	6V-8001	1	SEAL-O-RING						
	51	2	6V-8002	1	SEAL-O-RING						
C	52	2	6V-8823	1	WASHER-HARD (19.25X27X2-MM THK)						
	53	2	7D-8793	2	ELBOW-FLARED						
	54	1,2	7F-0192	6	BOLT (3/8-16X2-IN)						
	55	2	7X-7875	2	ROD END						
	56	2	9K-6540	1	WASHER-SPRING (0.63X1.25X0.04-IN THK)						
	57	1,2	9S-4182	6	PLUG (7/16-20-THD)						

B - USE AS REQUIRED
 C - CHANGE FROM PREVIOUS TYPE
 Y - SEPARATE ILLUSTRATION

REFER TO ALL ILLUSTRATIONS OF THIS GROUP FOR AUXILIARY VIEWS



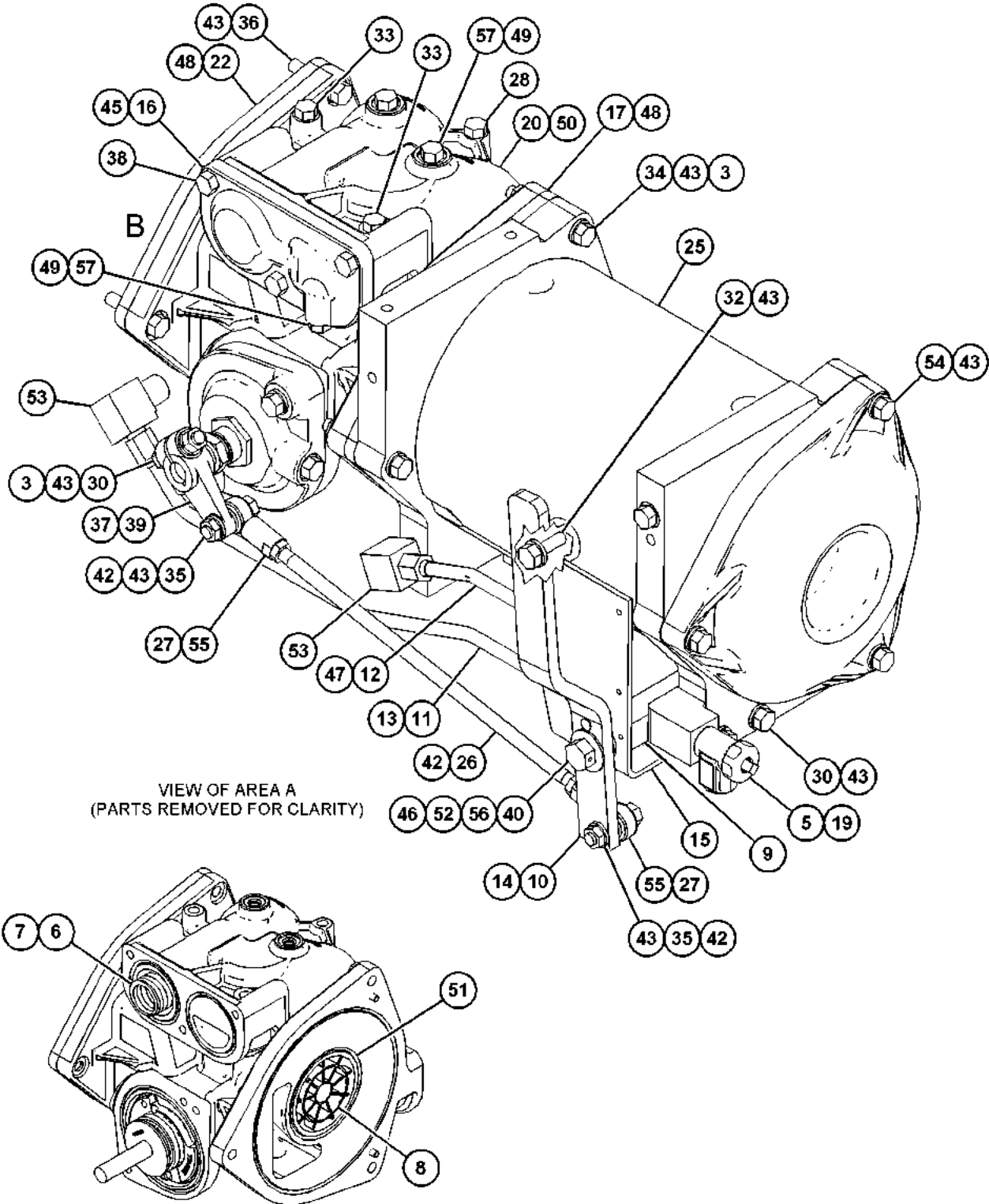
GRAPHIC #1

g06287604

LUBRICATION SYSTEM

4W-9968 FILTER GP-ENGINE OIL (contd.)

i07583240



VIEW OF AREA A
(PARTS REMOVED FOR CLARITY)

VIEW OF AREA B
(PARTS REMOVED FOR CLARITY)

GRAPHIC #2

<END>

g06375934

LUBRICATION SYSTEM

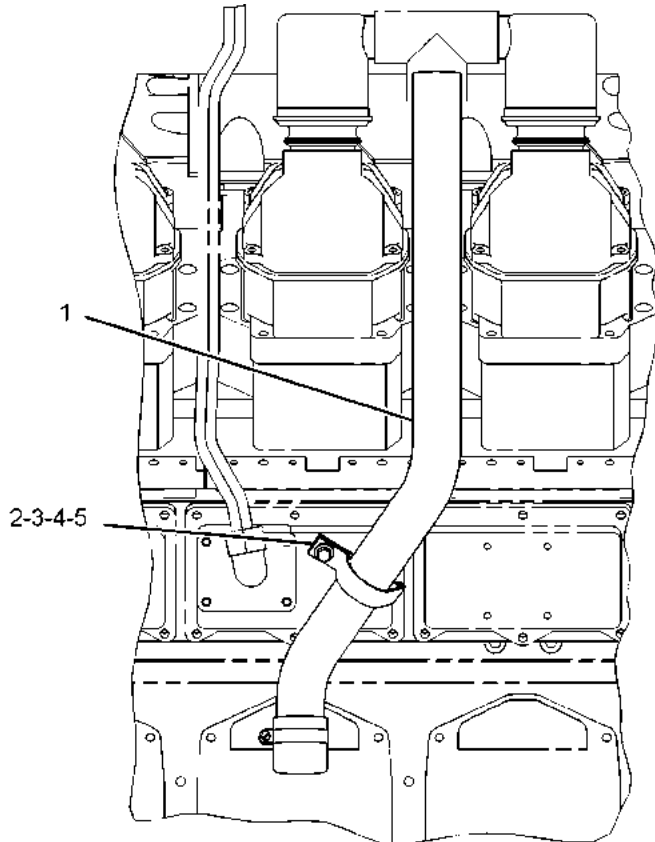
4W-0472 FUMES DISPOSAL GP AN ATTACHMENT

SMCS-1074, 1317

i07109925

NOTE	REF NO	GRAPHIC REF	PART NUMBER	QTY	PART NAME						SEE PAGE
					1	2	3	4	5	6 (PRODUCT LEVEL)	
C	1	1	105-4329	1	TUBE						
	2	1	6V-0268	1	CLIP (SLOT)						
	3	1	0S-1594	1	BOLT (3/8-16X1-IN)						
C	4	1	9X-6458	1	WASHER-HARD (10.2X22.5X3-MM THK)						
	5	1	6V-0267	1	CLIP (TAB)						

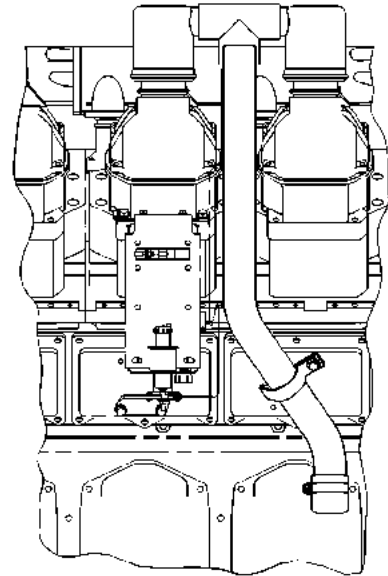
C - CHANGE FROM PREVIOUS TYPE



LEFT SIDE VIEW

GRAPHIC #1

<END>



ALTERNATE LEFT SIDE VIEW

g01075812

LUBRICATION SYSTEM

9Y-5563 FUMES DISPOSAL GP

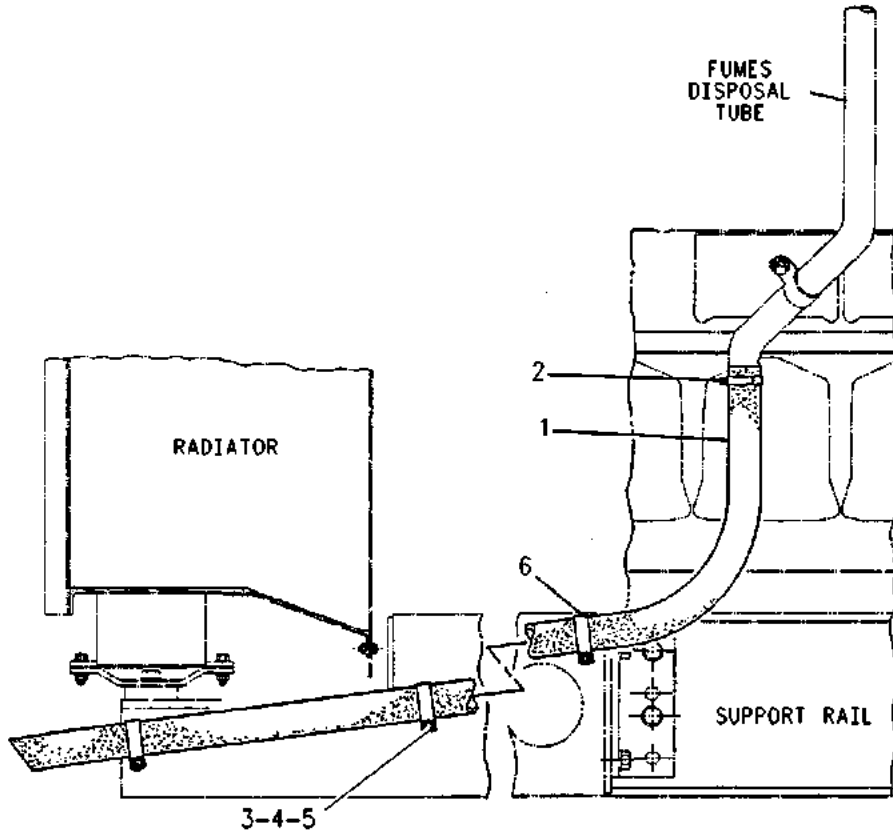
FOR USE WITH ENGINE-MOUNTED FOLDED CORE RADIATOR WITH BLOWER FAN
 CANNOT BE USED WITH SUCTION FAN
 AN ATTACHMENT

SMCS-1074, 1317

i02157454

NOTE	REF NO	GRAPHIC REF	PART NUMBER	QTY	PART NAME						SEE PAGE
					1	2	3	4	5	6 (PRODUCT LEVEL)	
E	1	1	5P-1472		HOSE (290-CM)						
	2	1	5P-0597	1	CLAMP-HOSE						
	3	1	9B-7237	4	BOLT (3/8-16X1.25-IN)						
	4	1	8T-4896	8	WASHER-HARD (10.2X18.5X2.5-MM THK)						
	5	1	6V-8801	4	NUT (3/8-16-THD)						
	6	1	2N-8928	4	CLIP						

E - ORDER BY THE CENTIMETER



LEFT SIDE VIEW

GRAPHIC #1

<END>

g00688723

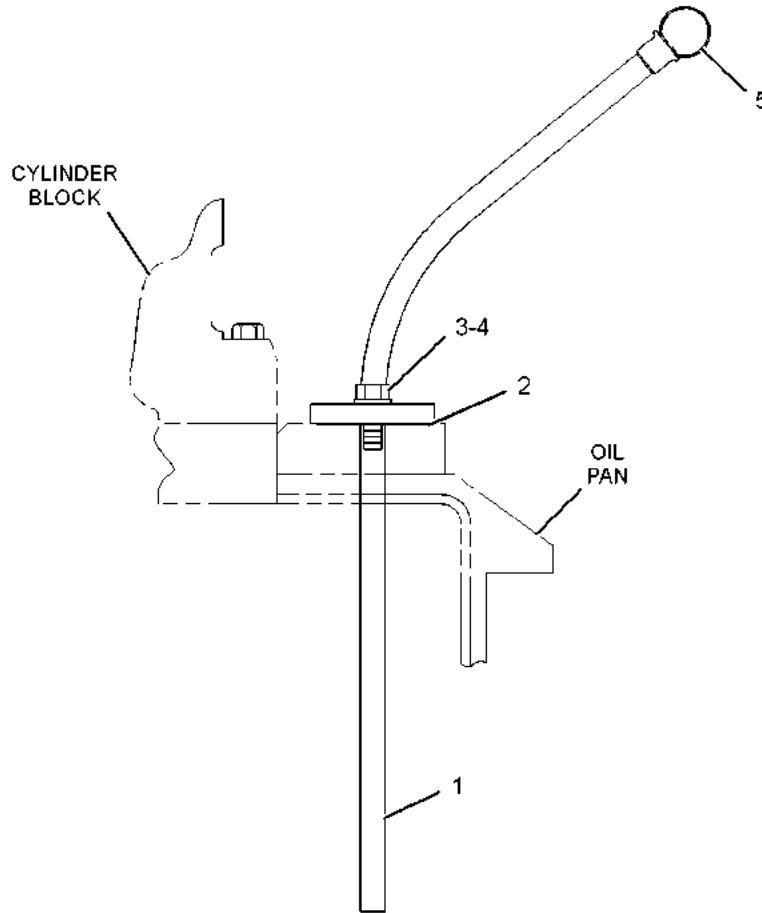
LUBRICATION SYSTEM

336-0966 GAUGE GP-OIL LEVEL (DIPSTICK) AN ATTACHMENT

SMCS-1326

i04736869

NOTE	REF NO	GRAPHIC REF	PART NUMBER	QTY	PART NAME						SEE PAGE
					1	2	3	4	5	6 (PRODUCT LEVEL)	
	1	1	7E-0467	1	TUBE AS-OIL GAUGE						
	2	1	9L-1480	1	GASKET						
	3	1	0S-1594	2	BOLT (3/8-16X1-IN)						
	4	1	5M-2894	2	WASHER-HARD (10.2X18.5X2.5-MM THK)						
	5	1	336-0968	1	GAUGE AS-OIL LEVEL (DIPSTICK)						



GRAPHIC #1

<END>

g01344739

LUBRICATION SYSTEM

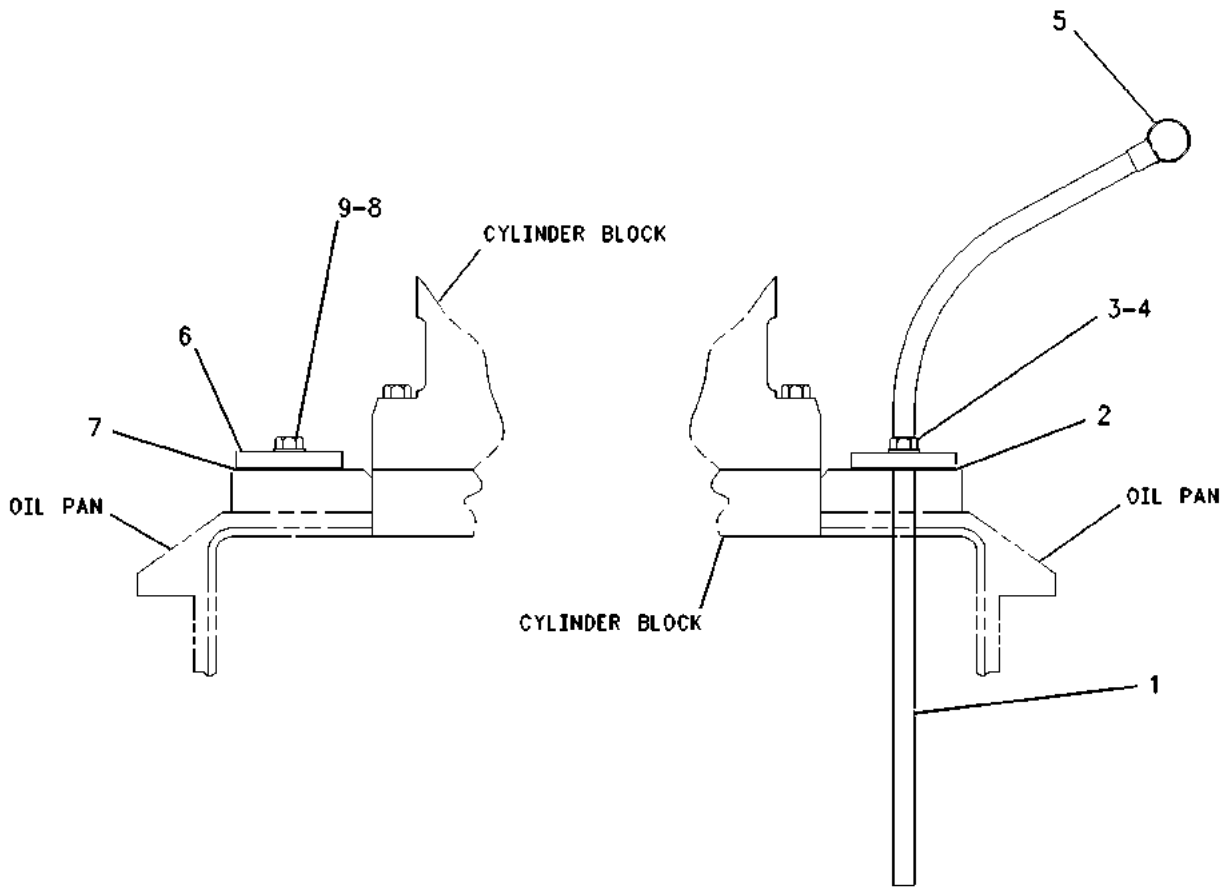
7C-6366 GAUGE GP-OIL LEVEL (DIPSTICK)

SMCS-1326

i06702334

NOTE	REF NO	GRAPHIC REF	PART NUMBER	QTY	PART NAME						SEE PAGE
					1	2	3	4	5	6 (PRODUCT LEVEL)	
	1	1	7E-0467	1	TUBE AS-OIL GAUGE						
	2	1	9L-1480	1	GASKET						
	3	1	0S-1594	2	BOLT (3/8-16X1-IN)						
	4	1	5M-2894	2	WASHER-HARD (10.2X18.5X2.5-MM THK)						
	5	1	4P-3784	1	GAUGE AS-OIL LEVEL (DIPSTICK) (ENGINE)						
B	6	1	4B-3140	1	COVER						
B	7	1	9L-1480	1	GASKET						
B	8	1	0S-1594	2	BOLT (3/8-16X1-IN)						
B	9	1	5M-2894	2	WASHER-HARD (10.2X18.5X2.5-MM THK)						

B - USE AS REQUIRED



GRAPHIC #1

<END>

g00614582

LUBRICATION SYSTEM

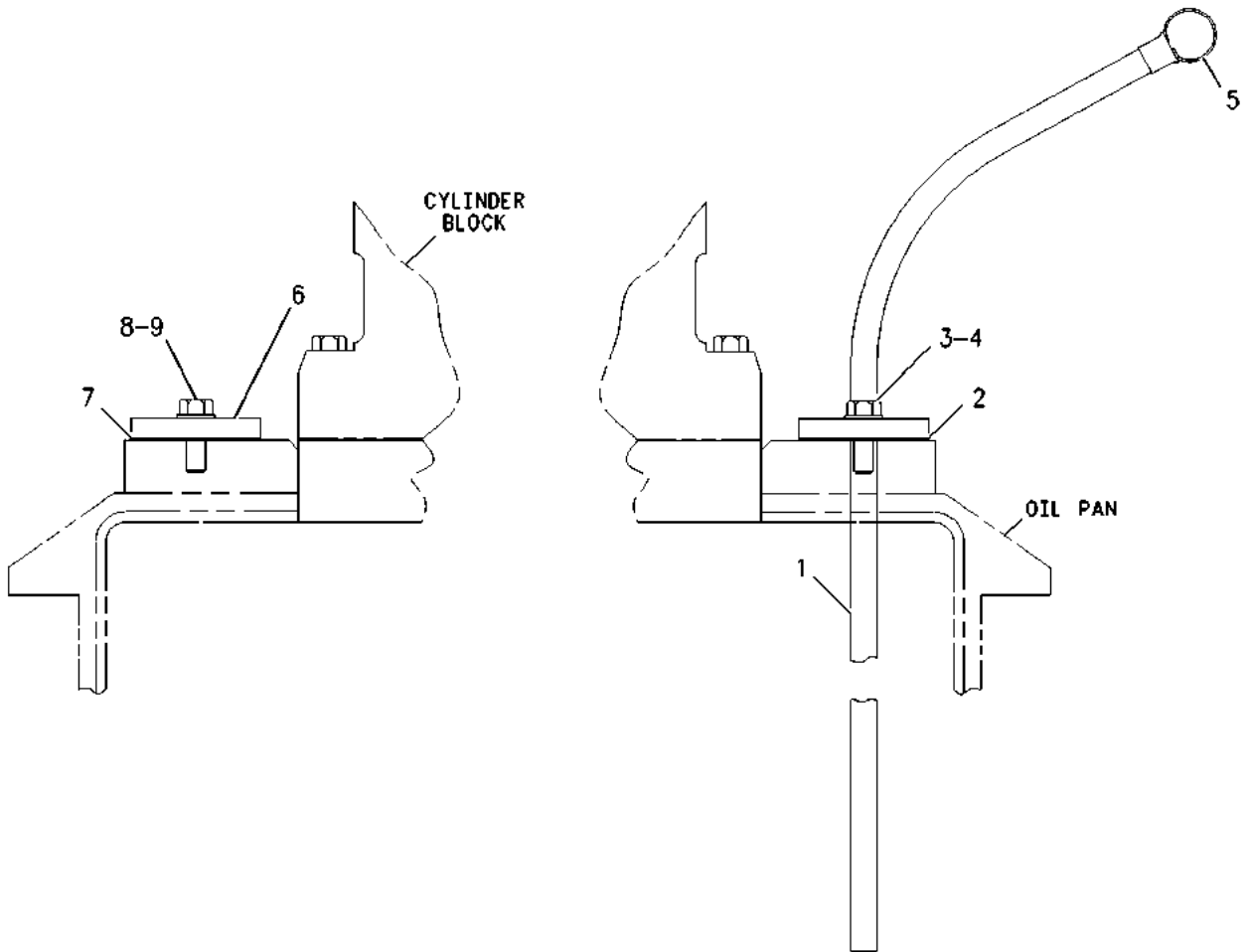
7C-9784 GAUGE GP-OIL LEVEL (DIPSTICK)-DEEP SUMP ENGINE AN ATTACHMENT

SMCS-1326

i07580643

NOTE	REF NO	GRAPHIC REF	PART NUMBER	QTY	PART NAME						SEE PAGE
					1	2	3	4	5	6 (PRODUCT LEVEL)	
	1	1	7E-0467	1	TUBE AS-OIL GAUGE						
	2	1	9L-1480	1	GASKET						
	3	1	0S-1594	2	BOLT (3/8-16X1-IN)						
	4	1	5M-2894	2	WASHER-HARD (10.2X18.5X2.5-MM THK)						
	5	1	7C-9786	1	GAUGE AS-OIL LEVEL (DIPSTICK) (DEEP SUMP)						
B	6	1	4B-3140	1	COVER						
B	7	1	9L-1480	1	GASKET						
B	8	1	0S-1594	2	BOLT (3/8-16X1-IN)						
B	9	1	5M-2894	2	WASHER-HARD (10.2X18.5X2.5-MM THK)						

B - USE AS REQUIRED



GRAPHIC #1

<END>

g00618660

LUBRICATION SYSTEM

235-4431 HOSE AS

915-MM LENGTH

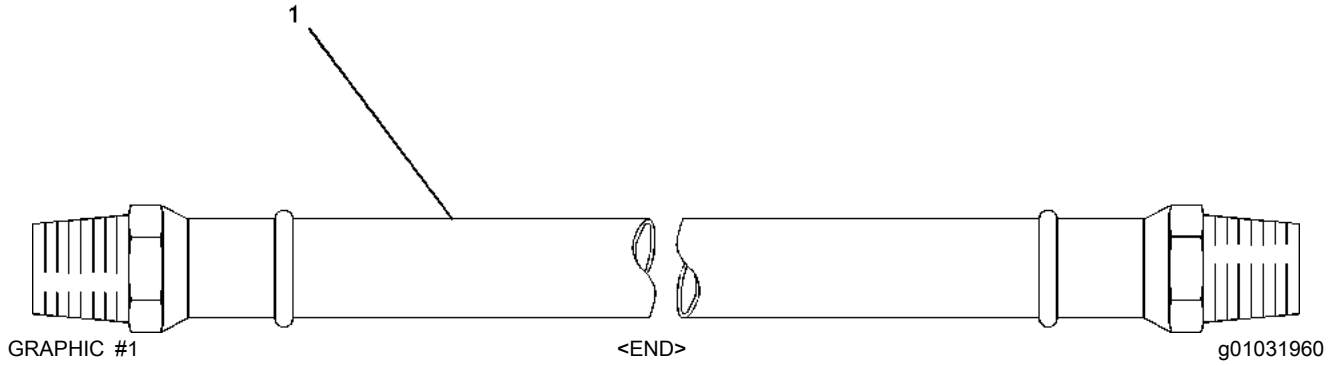
FOR USE WITH LH MOUNTED SUMP PUMPS
AN ATTACHMENT

SMCS-1307

i03117723

NOTE	REF NO	GRAPHIC REF	PART NUMBER	QTY	PART NAME						SEE PAGE
					1	2	3	4	5	6 (PRODUCT LEVEL)	
I	1	1	3N-4868	1	HOSE AS						

I - REFER TO HYDRAULIC INFORMATION SYSTEM



LUBRICATION SYSTEM

235-4434 HOSE AS

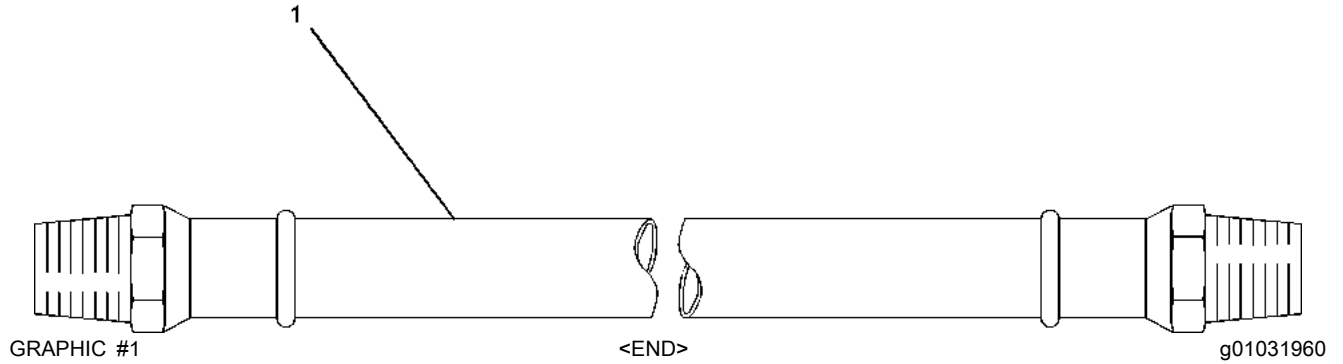
610-MM LENGTH
FOR USE WITH LH MOUNTED SUMP PUMPS
AN ATTACHMENT

SMCS-1307

i03117727

NOTE	REF NO	GRAPHIC REF	PART NUMBER	QTY	PART NAME						SEE PAGE
					1	2	3	4	5	6 (PRODUCT LEVEL)	
I	1	1	3N-4869	1	HOSE AS						

I - REFER TO HYDRAULIC INFORMATION SYSTEM



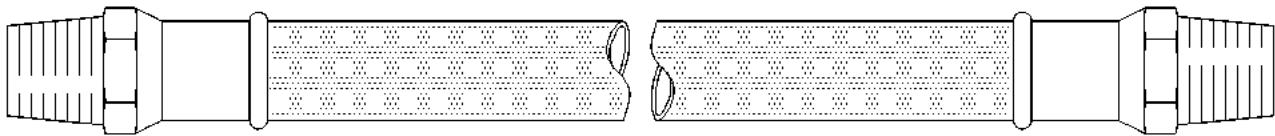
LUBRICATION SYSTEM

3N-4511 HOSE AS*I 1015-MM LENGTH AN ATTACHMENT

SMCS-1307

i01449469

NOTE	REF NO	GRAPHIC REF	PART NUMBER	QTY	PART NAME						SEE PAGE
					1	2	3	4	5	6 (PRODUCT LEVEL)	
(NO SERVICED PARTS)											



GRAPHIC #1

<END>

g00691548

LUBRICATION SYSTEM

3N-4512 HOSE AS*I

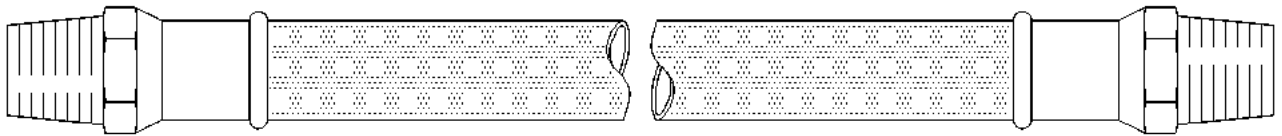
1220-MM LENGTH

FOR USAGE REFER TO CHART 7N-8698-PAGE: 1460
AN ATTACHMENT

SMCS-1307

i01318422

NOTE	REF NO	GRAPHIC REF	PART NUMBER	QTY	PART NAME						SEE PAGE
					1	2	3	4	5	6 (PRODUCT LEVEL)	
(NO SERVICED PARTS)											



GRAPHIC #1

<END>

g00691548

LUBRICATION SYSTEM

3N-4868 HOSE AS*I

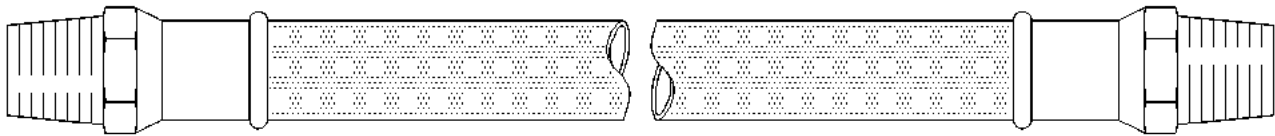
915-MM LENGTH

FOR USAGE REFER TO CHART 7N-8698-PAGE: 1460
AN ATTACHMENT

SMCS-1307

i01305109

NOTE	REF NO	GRAPHIC REF	PART NUMBER	QTY	PART NAME						SEE PAGE
					1	2	3	4	5	6 (PRODUCT LEVEL)	
(NO SERVICED PARTS)											



GRAPHIC #1

<END>

g00691548

LUBRICATION SYSTEM

3N-4869 HOSE AS*I

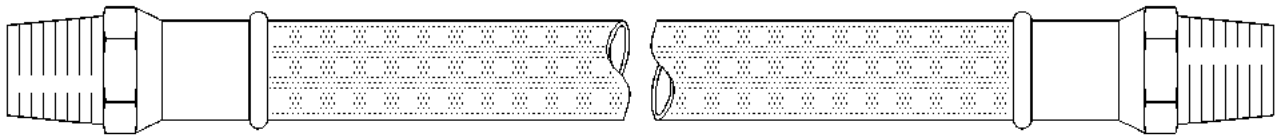
610-MM LENGTH

FOR USAGE REFER TO CHART 7N-8698-PAGE: 1460
AN ATTACHMENT

SMCS-1307

i01318430

NOTE	REF NO	GRAPHIC REF	PART NUMBER	QTY	PART NAME						SEE PAGE
					1	2	3	4	5	6 (PRODUCT LEVEL)	
(NO SERVICED PARTS)											



GRAPHIC #1

<END>

g00691548

LUBRICATION SYSTEM

3N-4905 HOSE AS*I

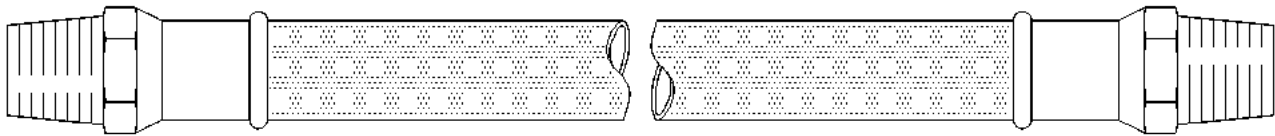
762-MM LENGTH

FOR USAGE REFER TO CHART 7N-8698-PAGE: 1460
AN ATTACHMENT

SMCS-1307

i01406072

NOTE	REF NO	GRAPHIC REF	PART NUMBER	QTY	PART NAME						SEE PAGE
					1	2	3	4	5	6 (PRODUCT LEVEL)	
(NO SERVICED PARTS)											



GRAPHIC #1

<END>

g00691548

LUBRICATION SYSTEM

3N-4907 HOSE AS*I

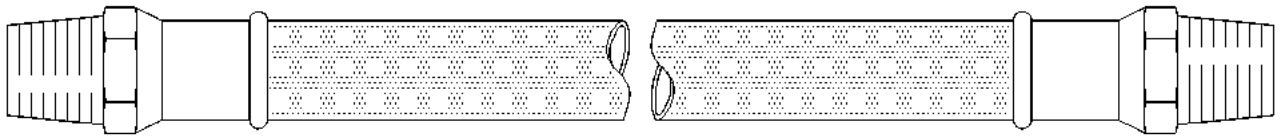
1422-MM LENGTH

FOR USAGE REFER TO CHART 7N-8698-PAGE: 1460
AN ATTACHMENT

SMCS-1307

i01318432

NOTE	REF NO	GRAPHIC REF	PART NUMBER	QTY	PART NAME						SEE PAGE
					1	2	3	4	5	6 (PRODUCT LEVEL)	
(NO SERVICED PARTS)											



GRAPHIC #1

<END>

g00691548

LUBRICATION SYSTEM

3N-7223 HOSE AS*I

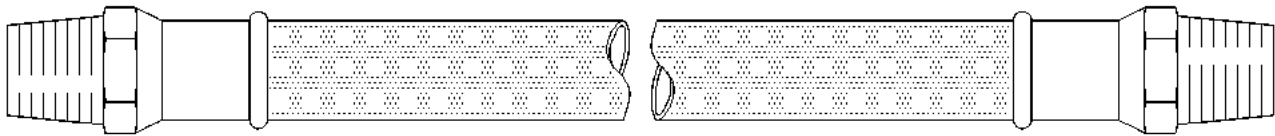
1879-MM LENGTH

PART OF 4P-4993, 4P-4995 MOUNTING GP-JACKET WTR HEATER
AN ATTACHMENT

SMCS-1307

i01479496

NOTE	REF NO	GRAPHIC REF	PART NUMBER	QTY	PART NAME						SEE PAGE
					1	2	3	4	5	6 (PRODUCT LEVEL)	
(NO SERVICED PARTS)											



GRAPHIC #1

<END>

g00691548

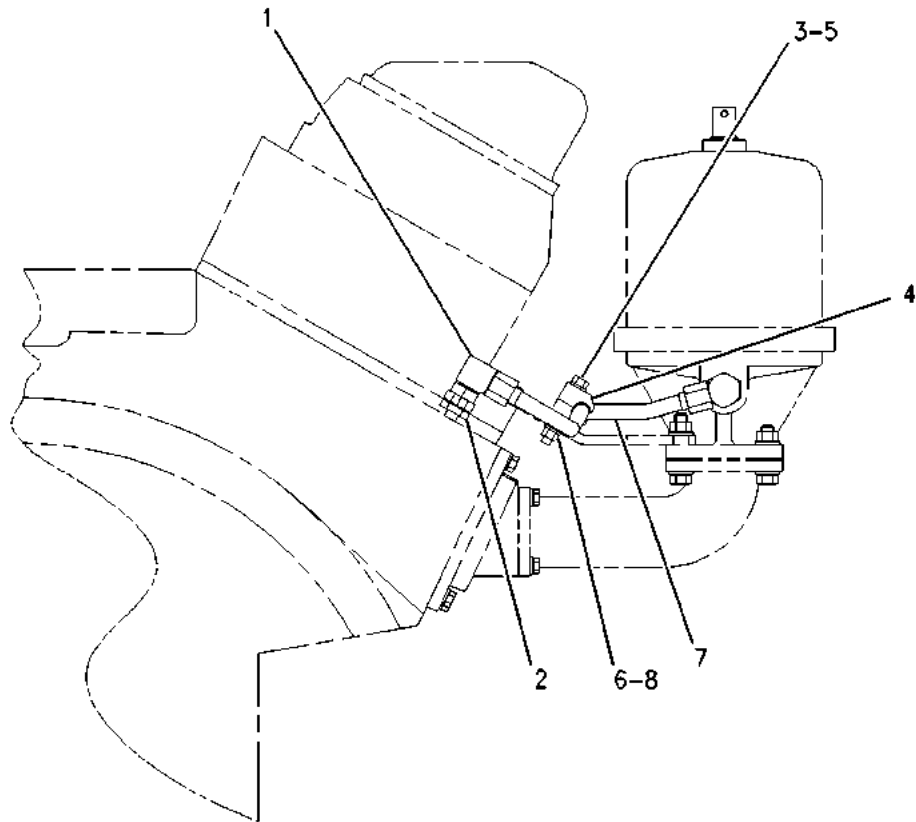
LUBRICATION SYSTEM

148-8007 LINES GP-CENTRIFUGAL FILTER AN ATTACHMENT

SMCS-1328

i01759535

NOTE	REF NO	GRAPHIC REF	PART NUMBER	QTY	PART NAME						SEE PAGE
					1	2	3	4	5	6 (PRODUCT LEVEL)	
	1	1	8K-2396	1	ELBOW-FLARED						
	2	1	061-9463	1	CONNECTOR (FLARED)						
	3	1	0T-0573	2	BOLT (3/8-16X2.75-IN)						
	4	1	4P-0692	4	CLAMP AS						
					(EACH INCLUDES)						
		1	108-1434	1	GROMMET						
	5	1	5M-2894	2	WASHER-HARD (10.2X18.5X2.5-MM THK)						
	6	1	9S-8752	2	NUT-FULL (3/8-16-THD)						
	7	1	150-4157	1	TUBE AS						
	8	1	9X-6458	2	WASHER-HARD (10.2X22.5X3-MM THK)						



FRONT VIEW

GRAPHIC #1

<END>

g00812862

LUBRICATION SYSTEM

4W-6062 LINES GP-ENGINE OIL

S/N: 65Z887-939

SMCS-1307

i05657771

NOTE	REF NO	GRAPHIC REF	PART NUMBER	QTY	PART NAME						SEE PAGE
					1	2	3	4	5	6 (PRODUCT LEVEL)	
	1	1	7N-5416	1	ELBOW (OUTLET)						
	2	1	6V-3908	1	SEAL-O-RING						
	3	1	0S-1594	18	BOLT (3/8-16X1-IN)						
	4	1	1N-3333	1	TUBE						
	5	1	109-2332	6	SEAL-O-RING						
	6	1	7C-9217	1	ELBOW (OIL COOLER BYPASS)						
	7	1	5F-4899	1	BOLT (3/8-16X5.5-IN)						
	8	1	2W-1635	1	SPRING						
	9	1	2W-1969	1	VALVE-BYPASS (OIL COOLER)						
	10	1	4W-5596	1	COVER (BY-PASS VALVE)						
	11	1	5M-2894	17	WASHER-HARD (10.2X18.5X2.5-MM THK)						
	12	1	5P-5846	1	SEAL-O-RING						
	13	1	0S-1590	2	BOLT (3/8-16X2-IN)						
	14	1	4B-3140	1	COVER						
	15	1	7N-5413	1	ELBOW						
	16	1	3P-0655	3	SEAL-O-RING						
	17	1	8T-6765	1	PLUG-PIPE (1/4-18-THD)						
	18	1	4W-5597	1	COVER						
	19	1	0L-1143	4	BOLT (3/8-16X2.5-IN)						
	20	1	100-8075	2	CLAMP AS						
	21	1	0S-1571	2	BOLT (3/8-16X1.75-IN)						
	22	1	9S-8752	2	NUT-FULL (3/8-16-THD)						
	23	1	4W-6066	1	TUBE						
	24	1	6V-0267	1	CLIP (TAB)						
	25	1	6V-0268	1	CLIP (SLOT)						
	26	1	3H-7131	1	LUG						
	27	1	3B-1915	1	BOLT (3/8-16X1.375-IN)						
	28	1	4W-4313	1	ADAPTER						
	29	1	107-7348	1	ADAPTER						
	30	1	4W-4677	1	TUBE						
	31	1	0T-0065	4	BOLT (3/8-16X3.5-IN)						
	32	1	2B-0858	2	PLUG-PIPE						
	33	1	061-9456	4	SEAL-O-RING						
	34	1	5P-4892	3	SEAL-O-RING						
	35	1	7N-7697	2	PLUNGER AS (SEQUENCE VALVE)						
					(EACH INCLUDES)						
		1	7M-1808	1	DOWEL						
	36	1	6B-9202	2	SPRING						
	37	1	8N-2929	2	COVER						
	38	1	0S-1588	6	BOLT (3/8-16X1.25-IN)						
	39	1	2W-7226	1	ADAPTER						
	40	1	0S-1591	2	BOLT (3/8-16X1.5-IN)						
	41	1	9S-4190	1	PLUG-O-RING (7/8-14-THD)						
	42	1	6V-5048	1	SEAL-O-RING						
	43	1	9S-4182	1	PLUG (7/16-20-THD)						
	44	1	5P-7817	1	SEAL-O-RING						
	45	1	8N-1992	2	RETAINER						
	46	1	2W-1053	1	PLUG						

LUBRICATION SYSTEM

4W-6062 LINES GP-ENGINE OIL (contd.)

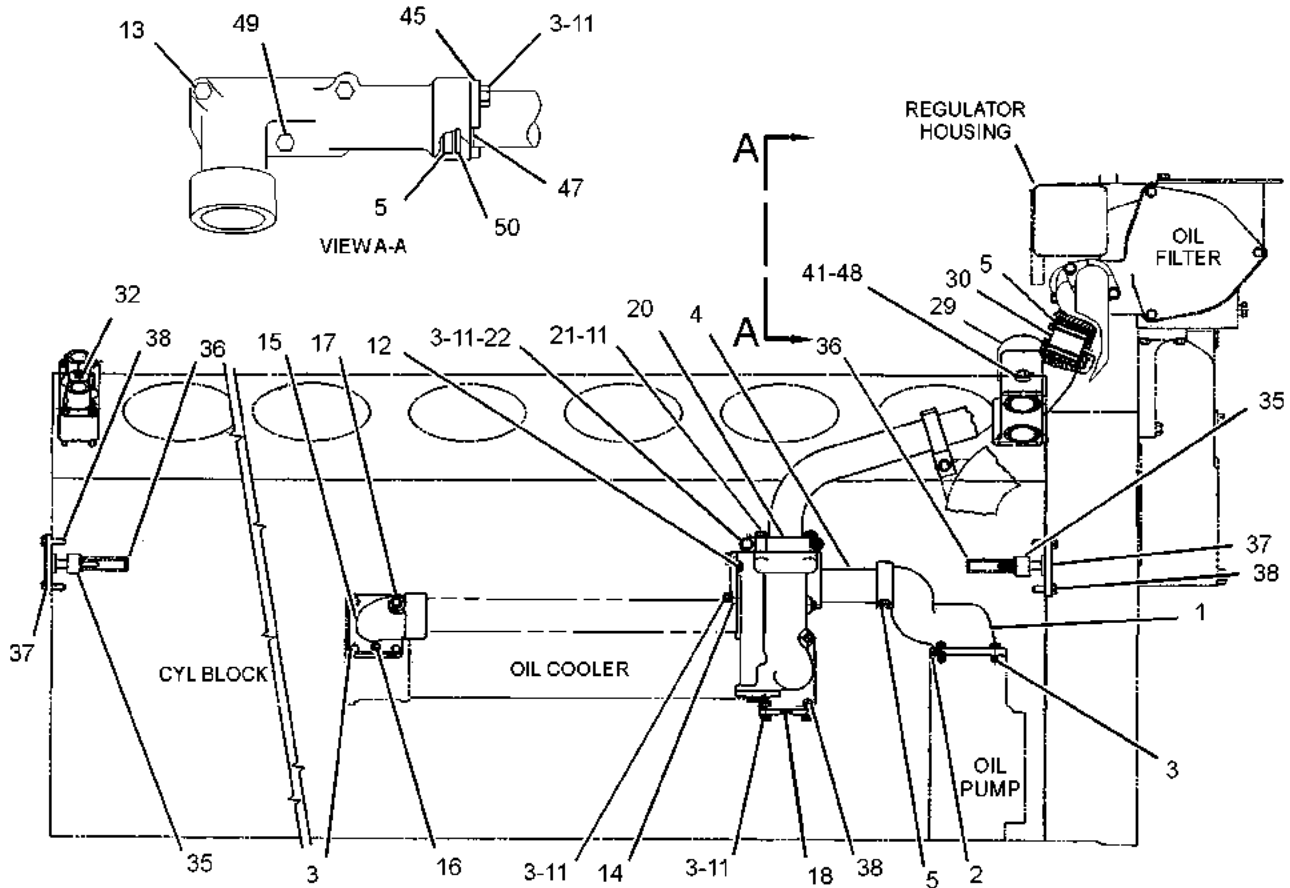
i05657771

NOTE	REF NO	GRAPHIC REF	PART NUMBER	QTY	PART NAME						SEE PAGE
					1	2	3	4	5	6 (PRODUCT LEVEL)	
	47	1	8N-1991	1	RING-RETAINING						
	48	1	6V-4589	1	SEAL-O-RING						
	49	1	0L-1352	1	BOLT (3/8-16X3.25-IN)						
	50	1	111-3820	2	RING-RETAINING						

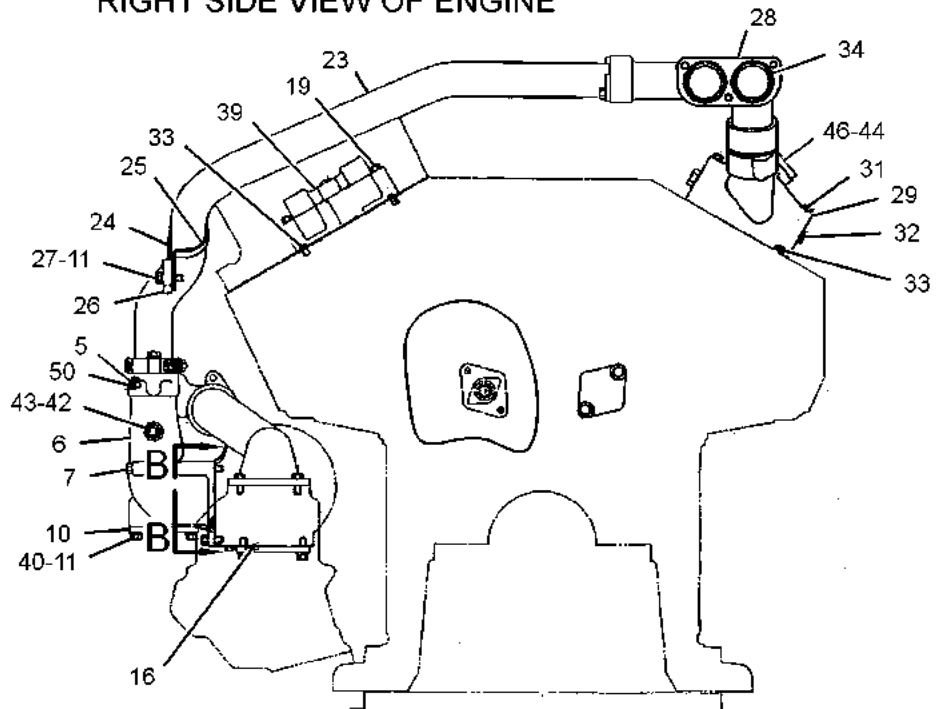
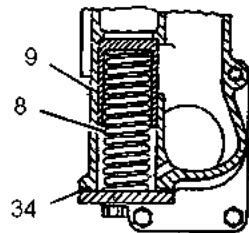
LUBRICATION SYSTEM

4W-6062 LINES GP-ENGINE OIL (contd.)

i05657771



RIGHT SIDE VIEW OF ENGINE



FRONT VIEW OF ENGINE

GRAPHIC #1

<END>

g03589138

LUBRICATION SYSTEM

4W-6062 LINES GP-ENGINE OIL

S/N: 65Z940-1553

TYPE 1

SMCS-1307

i05657789

NOTE	REF NO	GRAPHIC REF	PART NUMBER	QTY	PART NAME						SEE PAGE
					1	2	3	4	5	6 (PRODUCT LEVEL)	
	1	1	7N-5416	1	ELBOW (OUTLET)						
	2	1	6V-3908	1	SEAL-O-RING						
C	3	1	0S-1594	19	BOLT (3/8-16X1-IN)						
	4	1	1N-3333	1	TUBE						
	5	1	109-2332	6	SEAL-O-RING						
	6	1	7C-9217	1	ELBOW (OIL COOLER BYPASS)						
	7	1	5F-4899	1	BOLT (3/8-16X5.5-IN)						
	8	1	2W-1635	1	SPRING						
	9	1	2W-1969	1	VALVE-BYPASS (OIL COOLER)						
	10	1	4W-5596	1	COVER (BY-PASS VALVE)						
	11	1	5M-2894	17	WASHER-HARD (10.2X18.5X2.5-MM THK)						
	12	1	5P-5846	1	SEAL-O-RING						
C	13	1	0T-0573	2	BOLT (3/8-16X2.75-IN)						
	14	1	4B-3140	1	COVER						
	15	1	7N-5413	1	ELBOW						
	16	1	3P-0655	3	SEAL-O-RING						
	17	1	8T-6765	1	PLUG-PIPE (1/4-18-THD)						
	18	1	4W-5597	1	COVER						
	19	1	0L-1143	4	BOLT (3/8-16X2.5-IN)						
	20	1	100-8075	2	CLAMP AS						
	21	1	0S-1571	2	BOLT (3/8-16X1.75-IN)						
	22	1	9S-8752	2	NUT-FULL (3/8-16-THD)						
	23	1	4W-6066	1	TUBE						
	24	1	6V-0267	1	CLIP (TAB)						
	25	1	6V-0268	1	CLIP (SLOT)						
	26	1	3H-7131	1	LUG						
	27	1	3B-1915	1	BOLT (3/8-16X1.375-IN)						
C	28	1	121-5486	1	ADAPTER						
	29	1	107-7348	1	ADAPTER						
	30	1	4W-4677	1	TUBE						
	31	1	0T-0065	4	BOLT (3/8-16X3.5-IN)						
	32	1	2B-0858	2	PLUG-PIPE						
	33	1	061-9456	4	SEAL-O-RING						
	34	1	5P-4892	3	SEAL-O-RING						
	35	1	7N-7697	2	PLUNGER AS (SEQUENCE VALVE)						
					(EACH INCLUDES)						
		1	7M-1808	1	DOWEL						
	36	1	6B-9202	2	SPRING						
	37	1	8N-2929	2	COVER						
	38	1	0S-1588	6	BOLT (3/8-16X1.25-IN)						
	39	1	2W-7226	1	ADAPTER						
	40	1	0S-1591	2	BOLT (3/8-16X1.5-IN)						
	41	1	9S-4190	1	PLUG-O-RING (7/8-14-THD)						
	42	1	6V-5048	1	SEAL-O-RING						
	43	1	9S-4182	1	PLUG (7/16-20-THD)						
	44	1	5P-7817	1	SEAL-O-RING						
	45	1	8N-1992	2	RETAINER						
	46	1	2W-1053	1	PLUG						

LUBRICATION SYSTEM

4W-6062 LINES GP-ENGINE OIL (contd.)

i05657789

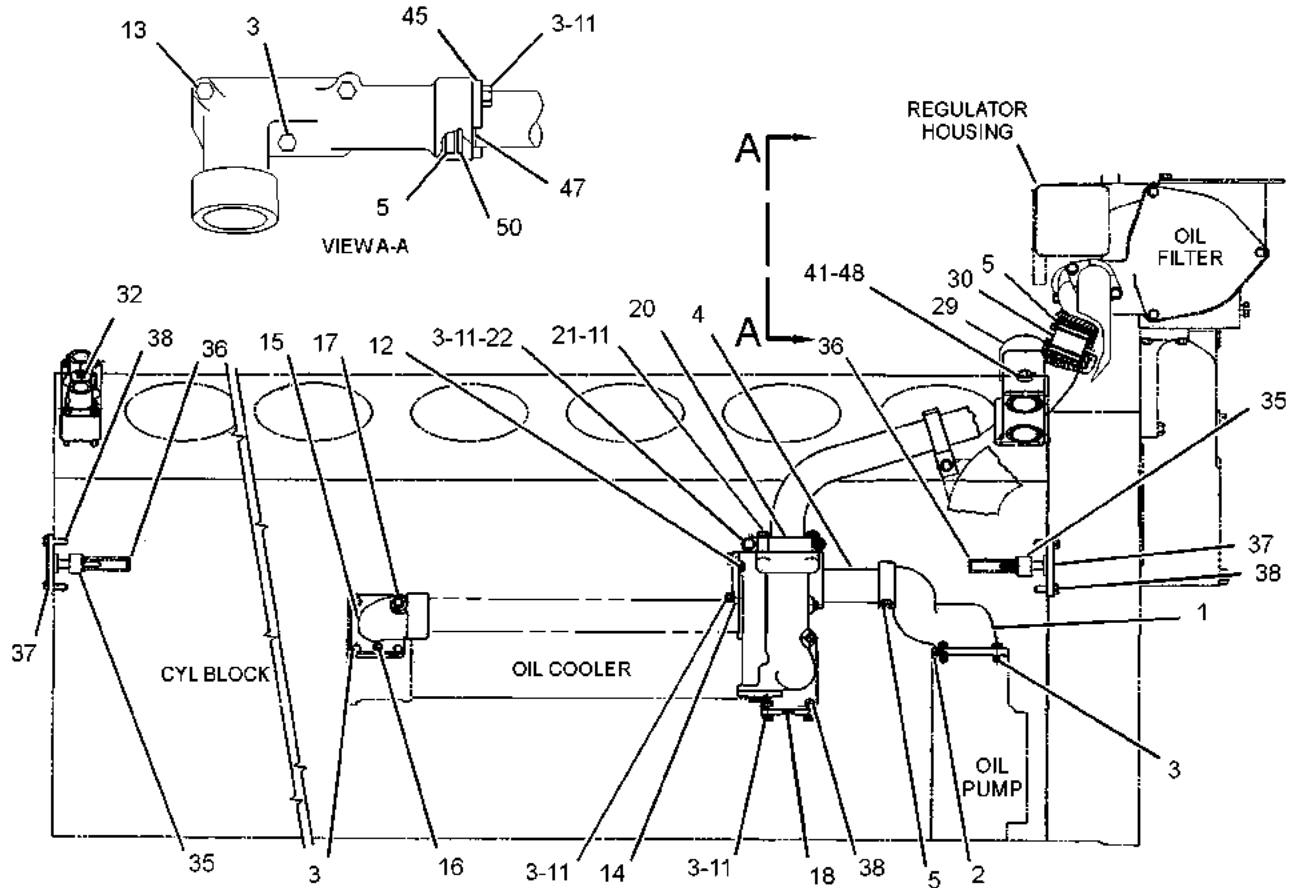
NOTE	REF NO	GRAPHIC REF	PART NUMBER	QTY	PART NAME						SEE PAGE
					1	2	3	4	5	6 (PRODUCT LEVEL)	
	47	1	8N-1991	1	RING-RETAINING						
	48	1	6V-4589	1	SEAL-O-RING						
	50	1	111-3820	2	RING-RETAINING						

C - CHANGE FROM PREVIOUS TYPE

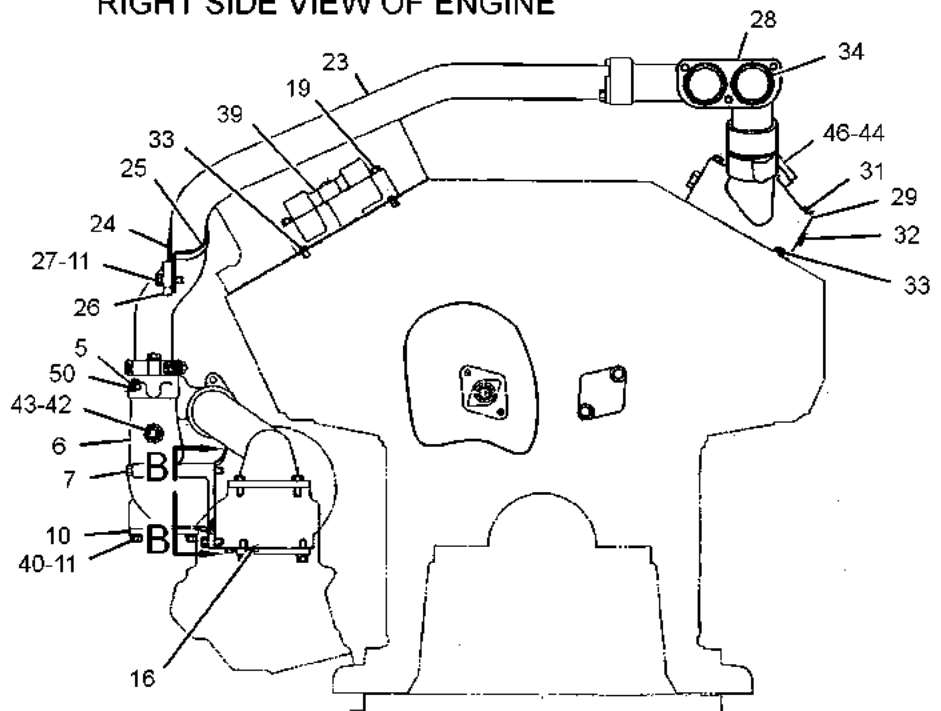
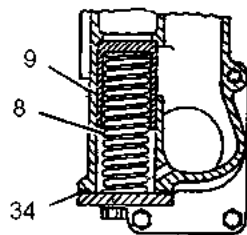
LUBRICATION SYSTEM

4W-6062 LINES GP-ENGINE OIL (contd.)

105657789



RIGHT SIDE VIEW OF ENGINE



FRONT VIEW OF ENGINE

GRAPHIC #1

<END>

g03561097

LUBRICATION SYSTEM

4W-6062 LINES GP-ENGINE OIL

S/N: 65Z940-1553

TYPE 2

SMCS-1307

i05660150

NOTE	REF NO	GRAPHIC REF	PART NUMBER	QTY	PART NAME						SEE PAGE
					1	2	3	4	5	6 (PRODUCT LEVEL)	
	1	1	1N-3333	1	TUBE						
	2	1	2W-1053	1	PLUG						
	3	1	2W-1635	1	SPRING						
	4	1	2W-1969	1	VALVE-BYPASS (OIL COOLER)						
	5	1	2W-7226	1	ADAPTER						
	6	1	3H-7131	1	LUG						
C	7	1	4W-4313	1	ADAPTER						
	8	1	4W-4677	1	TUBE						
	9	1	4W-5597	1	COVER						
	10	1	4W-6066	1	TUBE						
	11	1	6B-0933	4	SPACER (10.31X19.05X6.35-MM THK)						
	12	1	6B-9202	2	SPRING						
	13	1	7C-9217	1	ELBOW (OIL COOLER BYPASS)						
	14	1	7N-5413	1	ELBOW						
	15	1	7N-5416	1	ELBOW (OUTLET)						
	16	1	7N-7697	2	PLUNGER AS (SEQUENCE VALVE)						
					(EACH INCLUDES)						
		1	7M-1808	1	DOWEL						
	17	1	8N-1991	1	RING-RETAINING						
	18	1	8N-1992	2	RETAINER						
	19	1	8N-2929	2	COVER						
	20	1	100-8075	1	CLAMP AS						
	21	1	107-7348	1	ADAPTER						
C	22	1	111-3820	1	RING-RETAINING						
	23	1	264-0450	1	CLAMP AS						
	24	1	061-9456	4	SEAL-O-RING						
	25	1	0L-1143	4	BOLT (3/8-16X2.5-IN)						
C	26	1	0L-1352	1	BOLT (3/8-16X3.25-IN)						
	27	1	0S-1571	2	BOLT (3/8-16X1.75-IN)						
	28	1	0S-1588	10	BOLT (3/8-16X1.25-IN)						
C	29	1	0S-1590	2	BOLT (3/8-16X2-IN)						
	30	1	0S-1591	2	BOLT (3/8-16X1.5-IN)						
C	31	1	0S-1594	14	BOLT (3/8-16X1-IN)						
	32	1	0T-0065	4	BOLT (3/8-16X3.5-IN)						
	33	1	109-2332	6	SEAL-O-RING						
	34	1	3B-1915	1	BOLT (3/8-16X1.375-IN)						
	35	1	3P-0655	3	SEAL-O-RING						
	36	1	4B-3140	1	COVER						
	37	1	4W-5596	1	COVER (BY-PASS VALVE)						
	38	1	5F-4899	1	BOLT (3/8-16X5.5-IN)						
	39	1	5M-2894	15	WASHER-HARD (10.2X18.5X2.5-MM THK)						
	40	1	5P-4892	3	SEAL-O-RING						
	41	1	5P-5846	1	SEAL-O-RING						
	42	1	5P-7817	1	SEAL-O-RING						
	43	1	6V-0267	1	CLIP (TAB)						
	44	1	6V-0268	1	CLIP (SLOT)						
	45	1	6V-3908	1	SEAL-O-RING						
	46	1	6V-4589	1	SEAL-O-RING						

LUBRICATION SYSTEM

4W-6062 LINES GP-ENGINE OIL (contd.)

i05660150

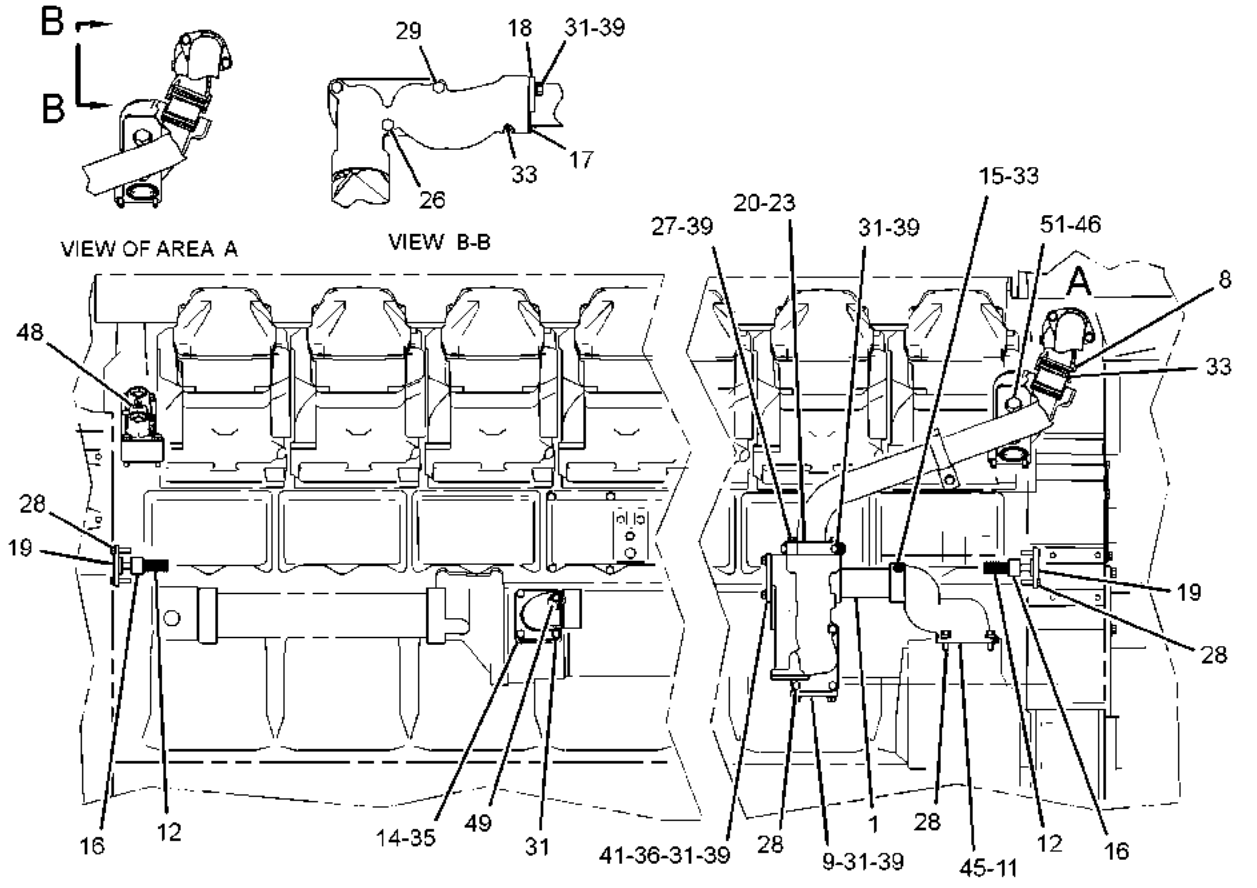
NOTE	REF NO	GRAPHIC REF	PART NUMBER	QTY	PART NAME						SEE PAGE
					1	2	3	4	5	6 (PRODUCT LEVEL)	
	47	1	6V-5048	1	SEAL-O-RING						
C	48	1	8T-6762	1	PLUG-PIPE (1/2-14-THD)						
	49	1	8T-6765	1	PLUG-PIPE (1/4-18-THD)						
	50	1	9S-4182	1	PLUG (7/16-20-THD)						
	51	1	9S-4190	1	PLUG-O-RING (7/8-14-THD)						
B	52	1	8T-6762	1	PLUG-PIPE (1/2-14-THD)						

B - USE AS REQUIRED
 C - CHANGE FROM PREVIOUS TYPE

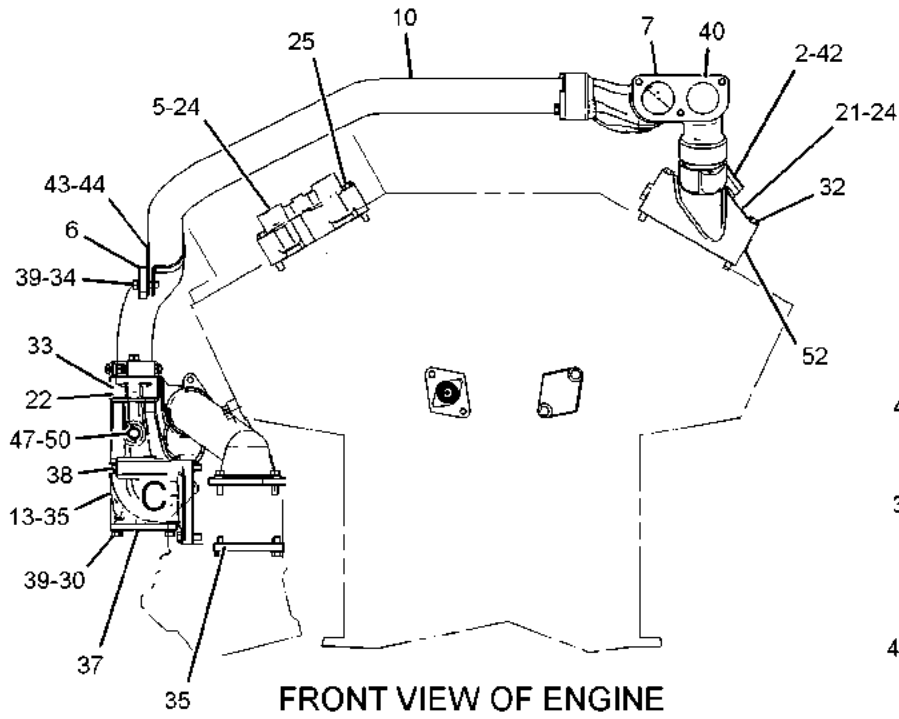
LUBRICATION SYSTEM

4W-6062 LINES GP-ENGINE OIL (contd.)

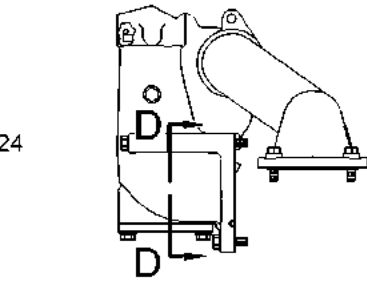
105660150



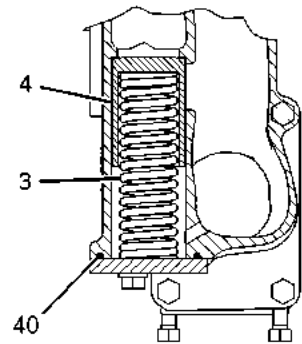
RIGHT SIDE VIEW OF ENGINE



FRONT VIEW OF ENGINE



VIEW OF AREA C



SECTION D-D

GRAPHIC #1

<END>

g01625841

LUBRICATION SYSTEM

4W-6062 LINES GP-ENGINE OIL

S/N: 65Z1554-UP

SMCS-1307

i06760305

NOTE	REF NO	GRAPHIC REF	PART NUMBER	QTY	PART NAME						SEE PAGE
					1	2	3	4	5	6 (PRODUCT LEVEL)	
	1	1	1N-3333	1	TUBE						
C	2	1	2W-1053	1	PLUG						
	3	1	2W-1635	1	SPRING						
	4	1	2W-1969	1	VALVE-BYPASS (OIL COOLER)						
C	5	1	359-4123	1	ADAPTER						
	6	1	3H-7131	1	LUG						
	7	1	4W-4313	1	ADAPTER						
	8	1	4W-4677	1	TUBE						
	9	1	4W-5597	1	COVER						
	10	1	4W-6066	1	TUBE						
	11	1	6B-0933	4	SPACER (10.31X19.05X6.35-MM THK)						
	12	1	6B-9202	2	SPRING						
	13	1	7C-9217	1	ELBOW (OIL COOLER BYPASS)						
	14	1	369-9509	1	ELBOW-OIL COOLER						
	15	1	7N-5416	1	ELBOW (OUTLET)						
	16	1	7N-7697	2	PLUNGER AS (SEQUENCE VALVE)						
					(EACH INCLUDES)						
		1	7M-1808	1	DOWEL						
	17	1	361-7097	1	RING						
	18	1	361-7098	1	FLANGE						
	19	1	8N-2929	2	COVER						
	20	1	100-8075	1	CLAMP AS						
C	21	1	365-4214	1	ADAPTER						
	22	1	111-3820	1	RING-RETAINING						
	23	1	264-0450	1	CLAMP AS						
C	24	1	6V-4368	4	SEAL-O-RING						
	25	1	0L-1143	4	BOLT (3/8-16X2.5-IN)						
	27	1	165-3931	4	BOLT (3/8-16X1.75-IN)						
	28	1	0S-1588	10	BOLT (3/8-16X1.25-IN)						
	29	1	0S-1590	2	BOLT (3/8-16X2-IN)						
	30	1	165-3929	2	BOLT (3/8-16X1.5-IN)						
	31	1	0S-1594	12	BOLT (3/8-16X1-IN)						
	32	1	0T-0065	5	BOLT (3/8-16X3.5-IN)						
	33	1	109-2332	6	SEAL-O-RING						
	34	1	3B-1915	1	BOLT (3/8-16X1.375-IN)						
	35	1	3P-0655	3	SEAL-O-RING						
	36	1	4B-3140	1	COVER						
	37	1	4W-5596	1	COVER (BY-PASS VALVE)						
	38	1	5F-4899	1	BOLT (3/8-16X5.5-IN)						
	39	1	5M-2894	16	WASHER-HARD (10.2X18.5X2.5-MM THK)						
	40	1	5P-4892	3	SEAL-O-RING						
	41	1	5P-5846	1	SEAL-O-RING						
C	42	1	228-7097	1	SEAL-O-RING						
	43	1	6V-0267	1	CLIP (TAB)						
	44	1	6V-0268	1	CLIP (SLOT)						
	45	1	6V-3908	1	SEAL-O-RING						
	46	1	6V-4589	1	SEAL-O-RING						
	47	1	6V-5048	1	SEAL-O-RING						

LUBRICATION SYSTEM

4W-6062 LINES GP-ENGINE OIL (contd.)

i06760305

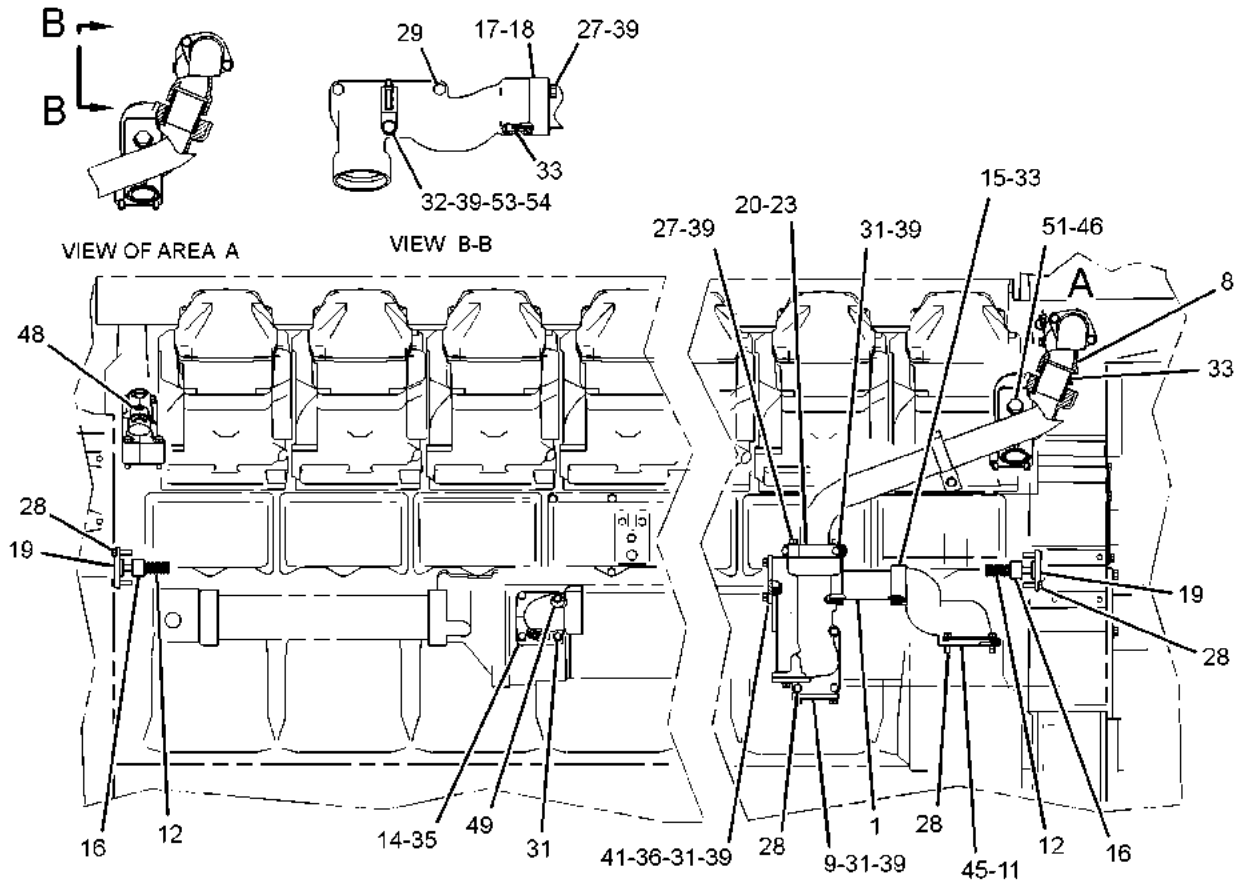
NOTE	REF NO	GRAPHIC REF	PART NUMBER	QTY	PART NAME						SEE PAGE
					1	2	3	4	5	6 (PRODUCT LEVEL)	
	48	1	8T-6762	1	PLUG-PIPE (1/2-14-THD)						
	49	1	8T-6765	1	PLUG-PIPE (1/4-18-THD)						
	50	1	9S-4182	1	PLUG (7/16-20-THD)						
	51	1	9S-4190	1	PLUG-O-RING (7/8-14-THD)						
B	52	1	8T-6762	1	PLUG-PIPE (1/2-14-THD)						
	53	1	4P-7581	1	CLIP (LADDER)						
	54	1	9X-6772	1	STRAP-CABLE						

B - USE AS REQUIRED
 C - CHANGE FROM PREVIOUS TYPE

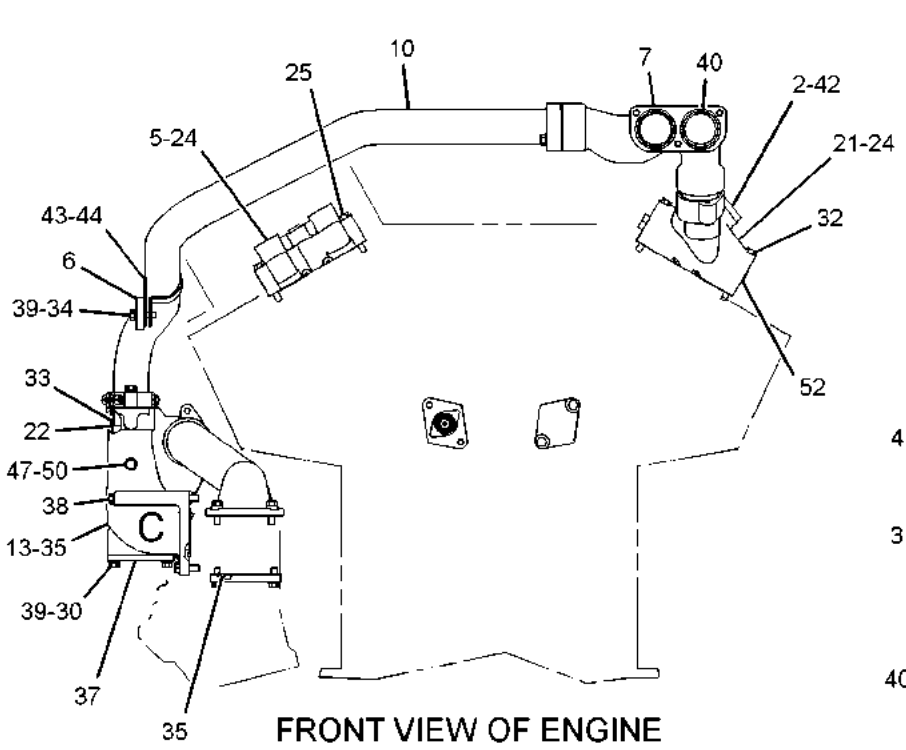
LUBRICATION SYSTEM

4W-6062 LINES GP-ENGINE OIL (contd.)

106760305



RIGHT SIDE VIEW OF ENGINE



FRONT VIEW OF ENGINE

VIEW OF AREA C

SECTION D-D

GRAPHIC #1

<END>

g06145941

LUBRICATION SYSTEM

1W-3940 LINES GP-OIL SUPPLY-PRELUBRICATION FOR USE WITH DEEP OIL PAN AN ATTACHMENT

SMCS-1307

i06013281

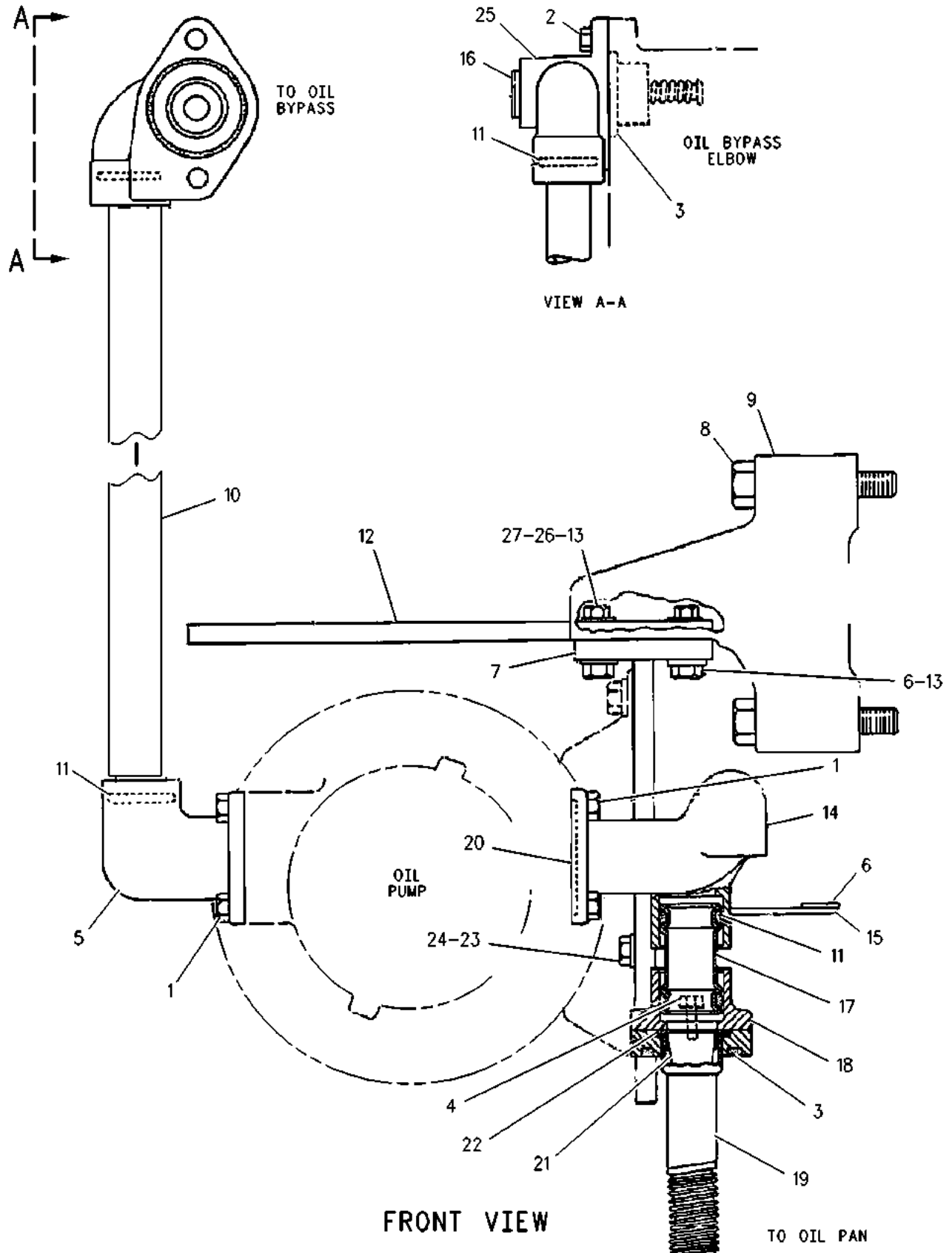
NOTE	REF NO	GRAPHIC REF	PART NUMBER	QTY	PART NAME						SEE PAGE
					1	2	3	4	5	6 (PRODUCT LEVEL)	
	1	1	0S-1617	8	BOLT (5/16-18X0.75-IN)						
C	2	1	0L-1351	2	BOLT (3/8-16X0.875-IN)						
	3	1	5P-5846	2	SEAL-O-RING						
	4	1	0S-1591	2	BOLT (3/8-16X1.5-IN)						
	5	1	1W-8188	1	ELBOW						
C	6	1	5M-2894	6	WASHER-HARD (10.2X18.5X2.5-MM THK)						
	7	1	1W-4253	1	BRACKET AS-SUPPORT						
	8	1	1A-5822	4	BOLT (1/2-13X2.75-IN)						
	9	1	1N-3872	2	SUPPORT						
	10	1	7N-6460	1	TUBE						
	11	1	5P-9890	4	SEAL-O-RING						
C	12	1	2W-3406	1	SUPPORT-SWITCH						
C	13	1	0S-1594	7	BOLT (3/8-16X1-IN)						
	14	1	1W-3942	1	ELBOW						
	15	1	1W-4257	1	BRACKET AS						
		1	4K-9097	2	NUT-WELD (5/16-18-THD)						
	16	1	7X-7731	1	PLUG-PIPE (3/4-14-THD)						
	17	1	1W-3943	1	COUPLING						
	18	1	1W-3944	1	FLANGE						
	19	1	1W-4820	1	HOSE AS						
	20	1	6V-5100	2	SEAL-O-RING						
	21	1	2G-6304	1	STRAINER AS (ENGINE OIL)						
	22	1	2G-6303	1	SEAL						
	23	1	2B-2695	2	BOLT (5/16-18X0.875-IN)						
	24	1	9M-1974	2	WASHER-HARD (8.8X16X2-MM THK)						
	25	1	2W-0694	1	ELBOW AS-VALVE						
		1	1P-5274	1	PIN-VALVE SPRING						
		1	7L-0811	1	DOWEL						
		1	9B-0701	2	SPRING						
		1	9H-2367	1	SPRING-VALVE						
		1	9L-0672	1	VALVE-CHECK						
C	26	1	9L-9132	3	WASHER (10.2X25.5X2.5-MM THK)						
C	27	1	6N-8744	3	MOUNT						

C - CHANGE FROM PREVIOUS TYPE

LUBRICATION SYSTEM

1W-3940 LINES GP-OIL SUPPLY (contd.)

106013281



GRAPHIC #1

<END>

g00901442

LUBRICATION SYSTEM

1W-3941 LINES GP-OIL SUPPLY-PRELUBRICATION

FOR USE WITH 1W-4674-PAGE: 415

AN ATTACHMENT

SMCS-1307

i05924630

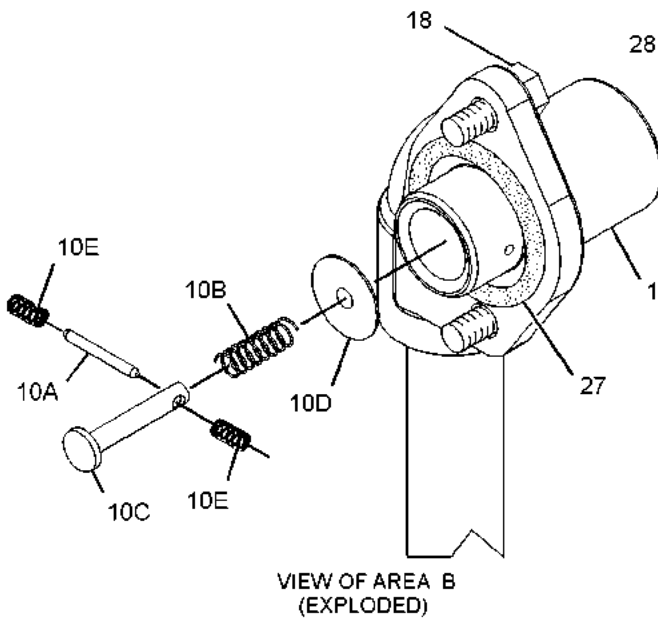
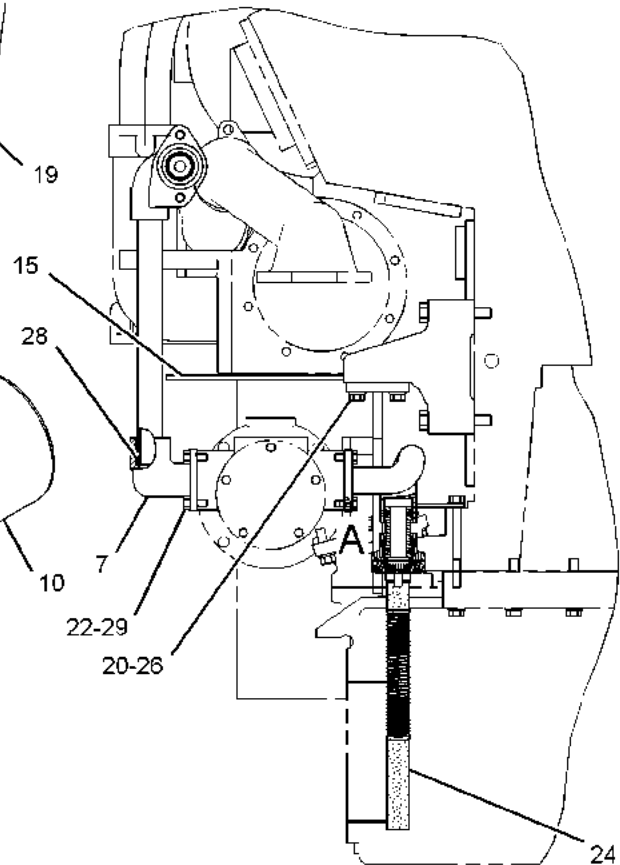
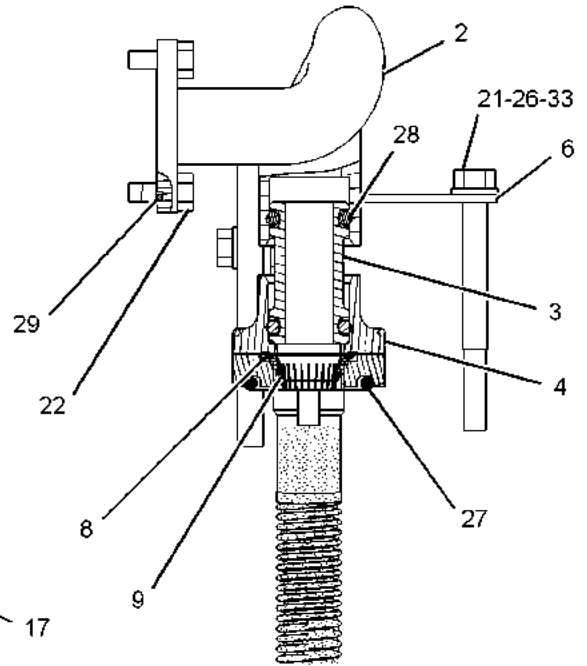
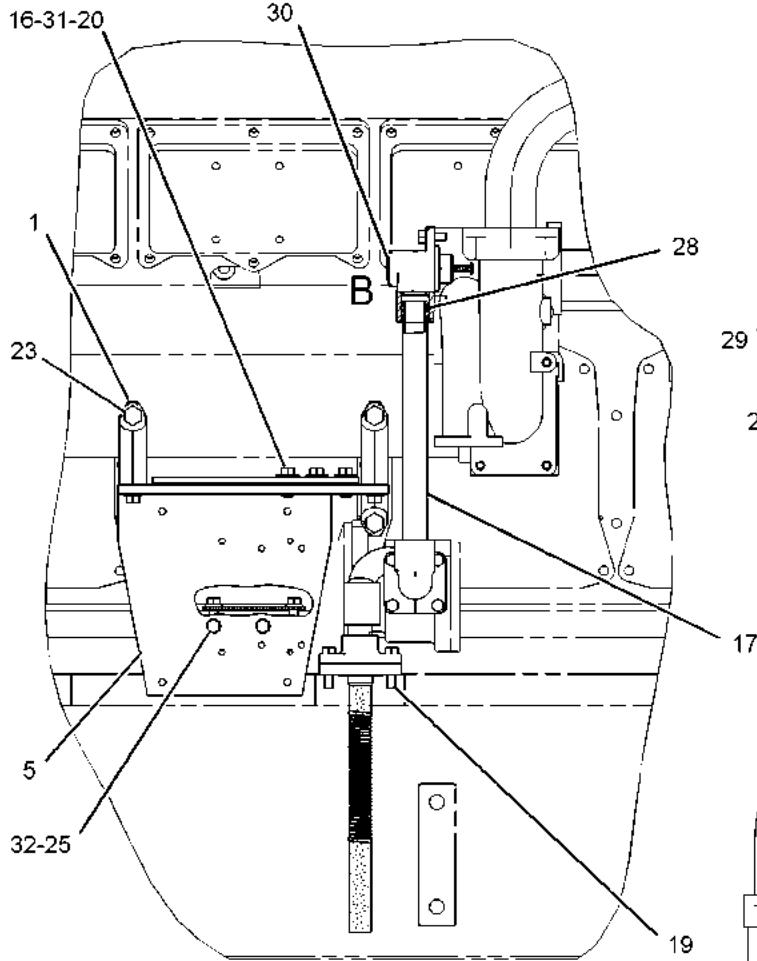
NOTE	REF NO	GRAPHIC REF	PART NUMBER	QTY	PART NAME						SEE PAGE
					1	2	3	4	5	6	
	1	1	1N-3872	2	SUPPORT						
	2	1	1W-3942	1	ELBOW						
	3	1	1W-3943	1	COUPLING						
	4	1	1W-3944	1	FLANGE						
	5	1	1W-4253	1	BRACKET AS-SUPPORT						
	6	1	1W-4257	1	BRACKET AS						
		1	4K-9097	2	NUT-WELD (5/16-18-THD)						
	7	1	1W-8188	1	ELBOW						
	8	1	2G-6303	1	SEAL						
	9	1	2G-6304	1	STRAINER AS (ENGINE OIL)						
C	10	1	2W-0694	1	ELBOW AS-VALVE						
	10A	1	7L-0811	1	DOWEL						
	10B	1	9H-2367	1	SPRING-VALVE						
	10C	1	6T-7034	1	PIN-VALVE SPRING						
	10D	1	9L-0672	1	VALVE-CHECK						
	10E	1	9B-0701	2	SPRING						
C	15	1	2W-3406	1	SUPPORT-SWITCH						
C	16	1	6N-8744	3	MOUNT						
	17	1	7N-6460	1	TUBE						
C	18	1	0L-1351	2	BOLT (3/8-16X0.875-IN)						
	19	1	0S-1591	2	BOLT (3/8-16X1.5-IN)						
C	20	1	0S-1594	7	BOLT (3/8-16X1-IN)						
	21	1	0S-1608	2	BOLT (3/8-16X3.75-IN)						
	22	1	0S-1617	8	BOLT (5/16-18X0.75-IN)						
	23	1	1A-5822	4	BOLT (1/2-13X2.75-IN)						
	24	1	425-5935	1	TUBE AS						
	25	1	2B-2695	2	BOLT (5/16-18X0.875-IN)						
C	26	1	5M-2894	4	WASHER-HARD (10.2X18.5X2.5-MM THK)						
	27	1	5P-5846	2	SEAL-O-RING						
	28	1	5P-9890	4	SEAL-O-RING						
	29	1	6V-5100	2	SEAL-O-RING						
	30	1	7X-7731	1	PLUG-PIPE (3/4-14-THD)						
C	31	1	9L-9132	3	WASHER (10.2X25.5X2.5-MM THK)						
	32	1	9M-1974	2	WASHER-HARD (8.8X16X2-MM THK)						
	33	1	9X-6458	2	WASHER-HARD (10.2X22.5X3-MM THK)						

C - CHANGE FROM PREVIOUS TYPE

LUBRICATION SYSTEM

1W-3941 LINES GP-OIL SUPPLY (contd.)

105924630



GRAPHIC #1

<END>

g02028685

LUBRICATION SYSTEM

5N-6241 LINES GP-PRELUBRICATION-RH

FOR USAGE REFER TO CHART 7N-8698-PAGE: 1460

AN ATTACHMENT

TYPE 1

SMCS-1307, 1319

i04381619

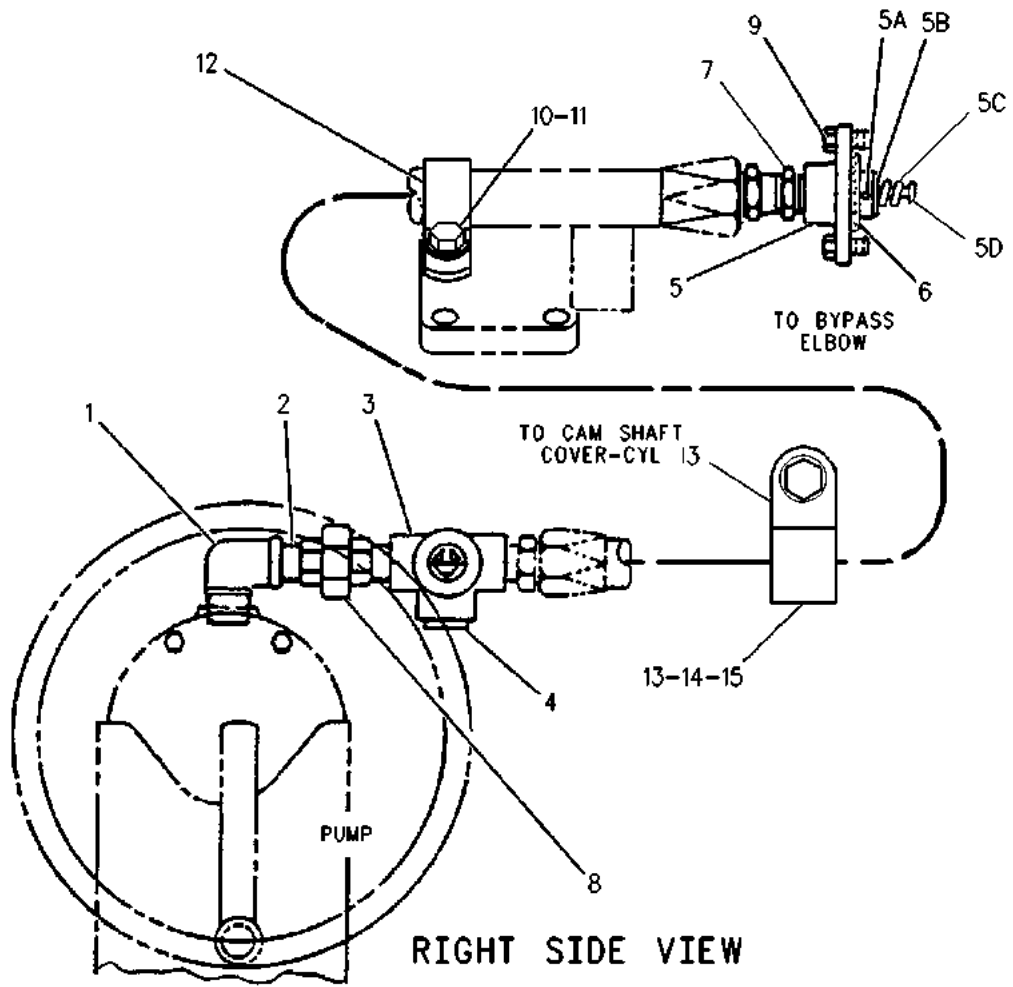
NOTE	REF NO	GRAPHIC REF	PART NUMBER	QTY	PART NAME						SEE PAGE
					1	2	3	4	5	6 (PRODUCT LEVEL)	
	1	1	003-9163	1	ELBOW						
	2	1	3B-7745	2	NIPPLE-PIPE						
	3	1	3N-7057	1	VALVE AS (3-WAY) (OIL SUPPLY)						
	4	1	7X-7731	1	PLUG-PIPE (3/4-14-THD)						
	5	1	7N-6570	1	ADAPTER AS						
	5A	1	3H-3433	1	PIN-SPRING						
	5B	1	9L-0672	1	VALVE-CHECK						
	5C	1	9H-2367	1	SPRING-VALVE						
	5D	1	1P-5274	1	PIN-VALVE SPRING						
	6	1	5P-5846	1	SEAL-O-RING						
	7	1	5F-6371	1	CONNECTOR						
	8	1	6B-1667	1	UNION						
	9	1	0L-1351	2	BOLT (3/8-16X0.875-IN)						
B	10	1	5M-2894	1	WASHER-HARD (10.2X18.5X2.5-MM THK)						
B	11	1	1A-2029	1	BOLT (3/8-16X1.125-IN)						
B	12	1	134-5645	1	CLIP						
B	13	1	5M-2894	1	WASHER-HARD (10.2X18.5X2.5-MM THK)						
B	14	1	0L-1351	1	BOLT (3/8-16X0.875-IN)						
B	15	1	134-5645	1	CLIP						

B - USE AS REQUIRED

LUBRICATION SYSTEM

5N-6241 LINES GP-PRELUBRICATION (contd.)

104381619



GRAPHIC #1

<END>

g00899535

LUBRICATION SYSTEM

5N-6241 LINES GP-PRELUBRICATION-RH

FOR USAGE REFER TO CHART 7N-8698-PAGE: 1460

AN ATTACHMENT

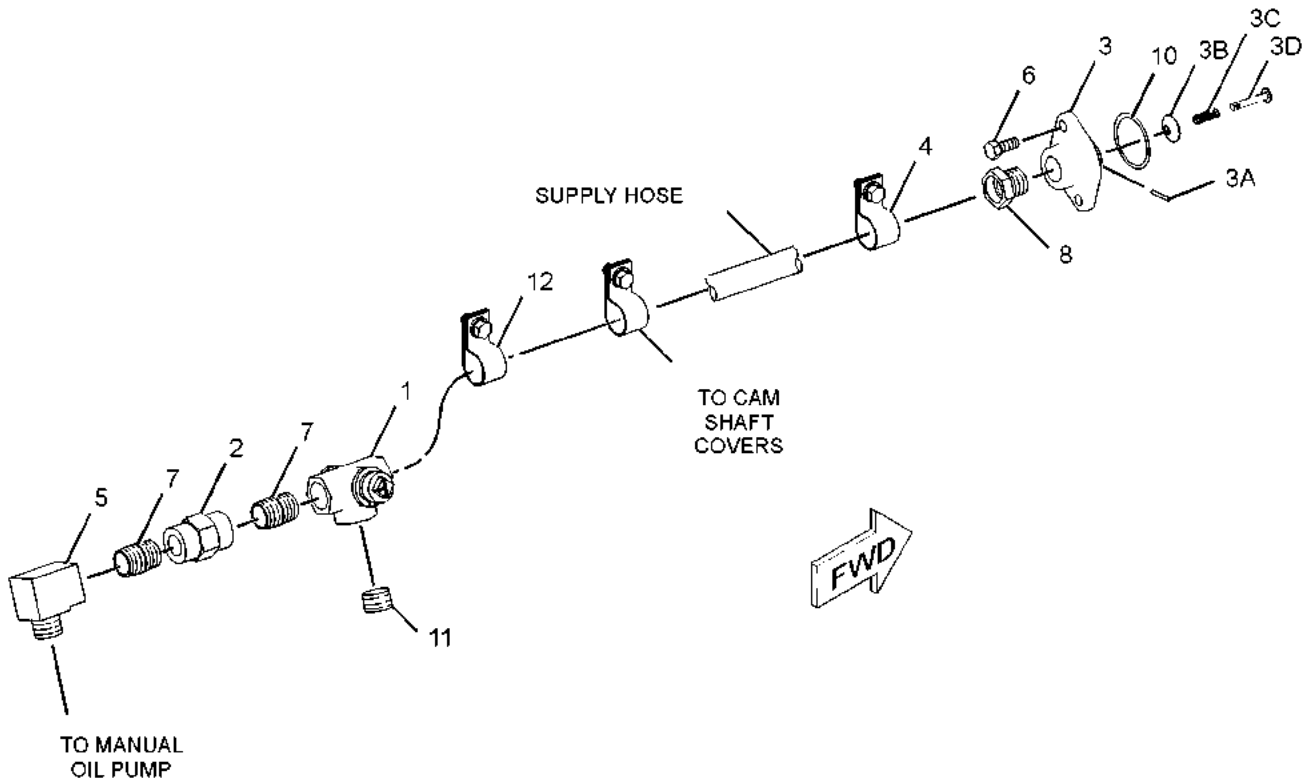
TYPE 2

SMCS-1307, 1319

i07101090

NOTE	REF NO	GRAPHIC REF	PART NUMBER	QTY	PART NAME						SEE PAGE
					1	2	3	4	5	6 (PRODUCT LEVEL)	
	1	1	3N-7057	1	VALVE AS (3-WAY) (OIL SUPPLY)						
	2	1	6B-1667	1	UNION						
	3	1	7N-6570	1	ADAPTER AS						
	3A	1	3H-3433	1	PIN-SPRING						
	3B	1	9L-0672	1	VALVE-CHECK						
	3C	1	9H-2367	1	SPRING-VALVE						
	3D	1	1P-5274	1	PIN-VALVE SPRING						
	4	1	134-5645	1	CLIP						
	5	1	003-9163	1	ELBOW						
	6	1	0L-1351	2	BOLT (3/8-16X0.875-IN)						
	7	1	3B-7745	2	NIPPLE-PIPE						
	8	1	5F-6371	1	CONNECTOR						
	10	1	5P-5846	1	SEAL-O-RING						
	11	1	7X-7731	1	PLUG-PIPE (3/4-14-THD)						
B	12	1	134-5645	2	CLIP						

B - USE AS REQUIRED



GRAPHIC #1

<END>

g01211509

LUBRICATION SYSTEM

5N-6268 LINES GP-PRELUBRICATION-LH

FOR USAGE REFER TO CHART 7N-8698-PAGE: 1460
AN ATTACHMENT

SMCS-1307, 1319

i05432037

NOTE	REF NO	GRAPHIC REF	PART NUMBER	QTY	PART NAME						SEE PAGE
					1	2	3	4	5	6 (PRODUCT LEVEL)	
	1	1	134-5645	6	CLIP						
	2	1	1K-6937	1	ELBOW-PIPE						
	3	1	7X-7731	1	PLUG-PIPE (3/4-14-THD)						
	4	1	1A-2029	4	BOLT (3/8-16X1.125-IN)						
C	5	1	5M-2894	6	WASHER-HARD (10.2X18.5X2.5-MM THK)						
	6	1	0L-1351	2	BOLT (3/8-16X0.875-IN)						
C	7	1	5P-5846	1	SEAL-O-RING						
	8	1	5F-6371	1	CONNECTOR						
	9	1	3N-7057	1	VALVE AS (3-WAY) (OIL SUPPLY)						
	10	1	3B-7270	1	NIPPLE-PIPE						
	11	1	6H-8297	1	ELBOW						
	12	1	7N-6570	1	ADAPTER AS						
		1	3H-3433	1	PIN-SPRING						
		1	9H-2367	1	SPRING-VALVE						
		1	6T-7034	1	PIN-VALVE SPRING						
		1	9L-0672	1	VALVE-CHECK						
C	13	1	6W-6672	2	SPACER (10.5X20X38-MM THK)						
BC	14	1	0T-0573	1	BOLT (3/8-16X2.75-IN)						
					(FOR USE WITH ENGINES WITH HYDRA-MECHANICAL SHUT-OFF)						
BC	15	1	0L-1143	1	BOLT (3/8-16X2.5-IN)						
					(FOR USE WITH ENGINES WITHOUT HYDRA-MECHANICAL SHUT-OFF)						
C	16	1	0L-1143	1	BOLT (3/8-16X2.5-IN)						
	17	1	4P-7581	1	CLIP (LADDER)						
	18	1	9X-6772	1	STRAP-CABLE						

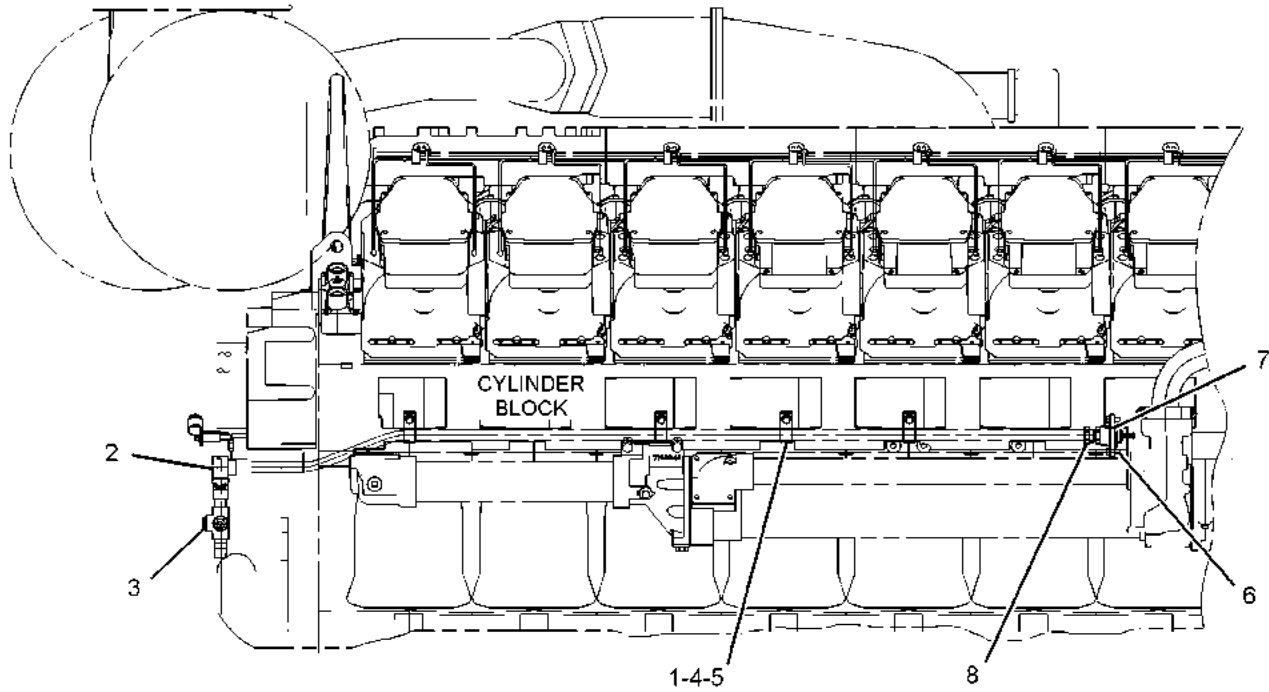
B - USE AS REQUIRED

C - CHANGE FROM PREVIOUS TYPE

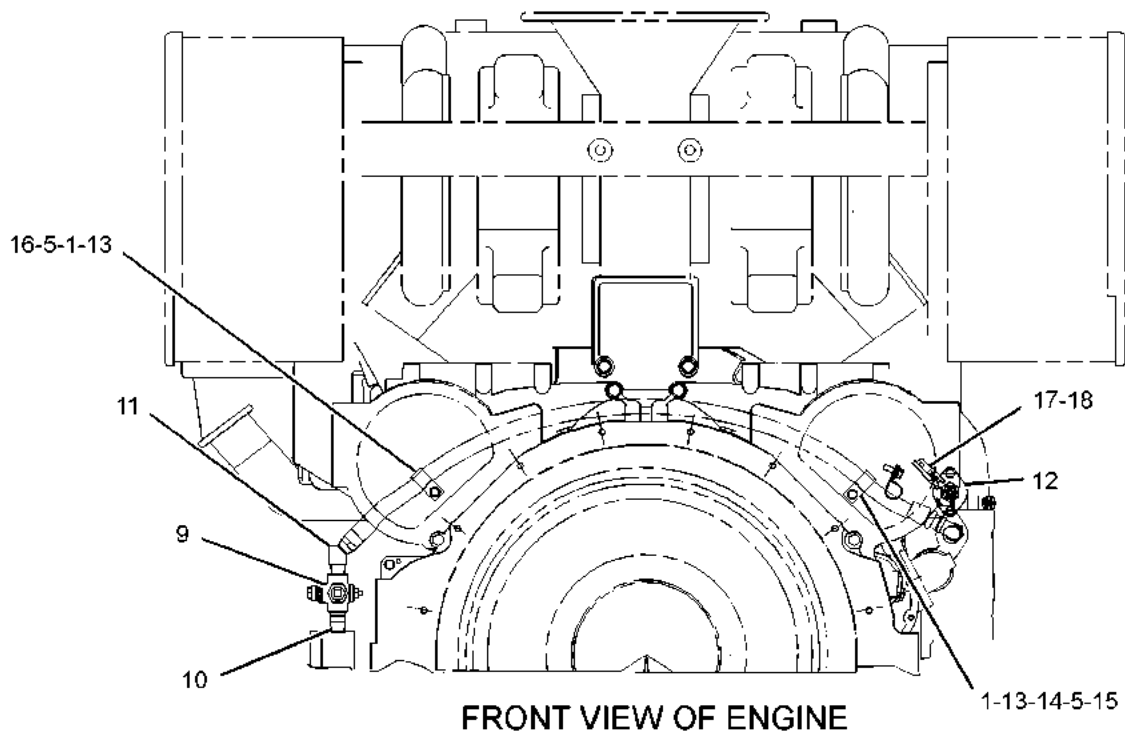
LUBRICATION SYSTEM

5N-6268 LINES GP-PRELUBRICATION (contd.)

i05432037



RIGHT SIDE VIEW OF ENGINE



FRONT VIEW OF ENGINE

GRAPHIC #1

<END>

g02074021

LUBRICATION SYSTEM

7N-8640 LINES GP-TURBOCHARGER OIL

SMCS-1052, 1307

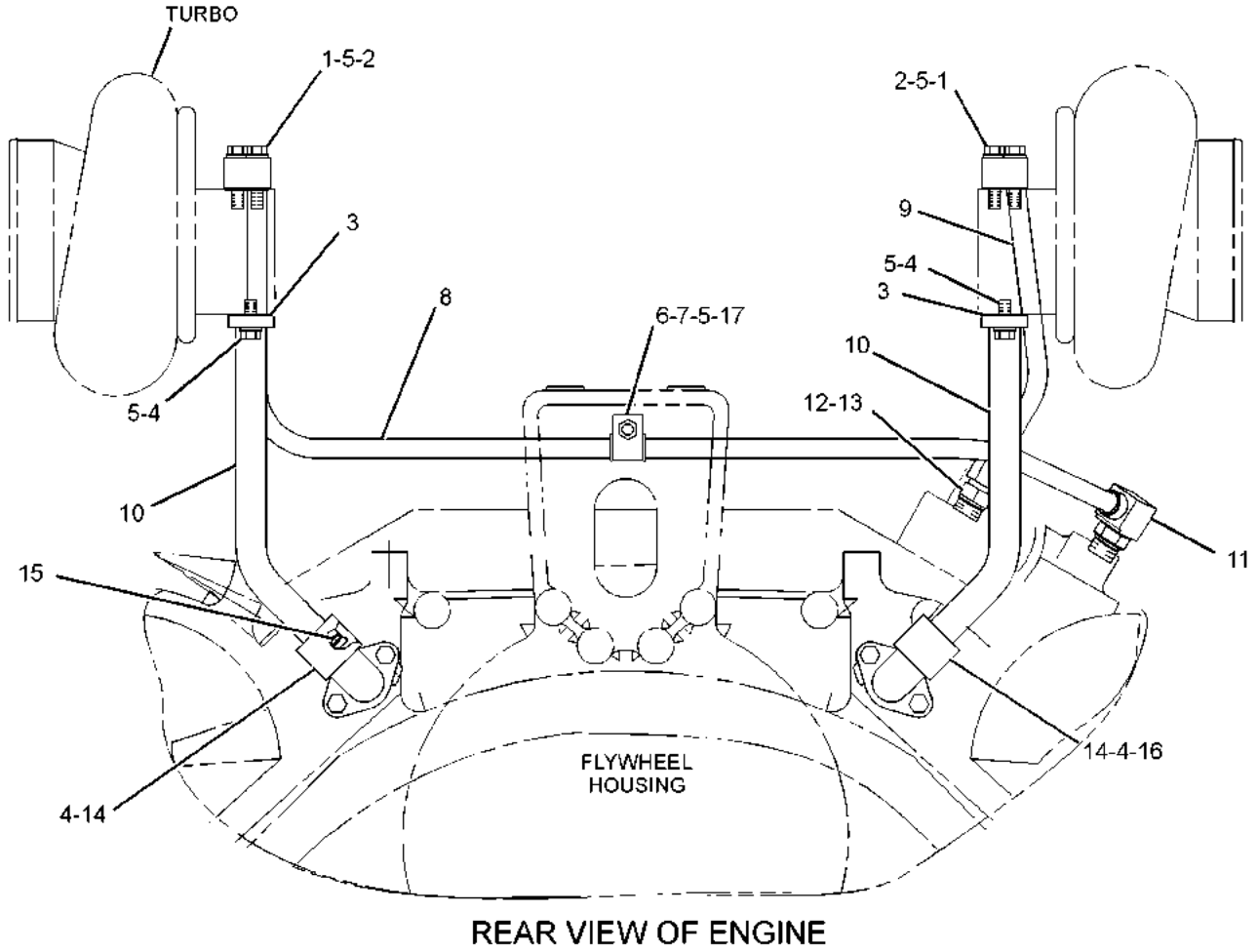
i02696216

NOTE	REF NO	GRAPHIC REF	PART NUMBER	QTY	PART NAME						SEE PAGE
					1	2	3	4	5	6 (PRODUCT LEVEL)	
	1	1	0S-1571	4	BOLT (3/8-16X1.75-IN)						
	2	1	1S-6595	2	GASKET-OIL SUPPLY						
	3	1	1S-4810	2	GASKET-OIL DRAIN						
	4	1	0S-1594	8	BOLT (3/8-16X1-IN)						
	5	1	5M-2894	9	WASHER-HARD (10.2X18.5X2.5-MM THK)						
	6	1	4P-0692	2	CLAMP AS						
					(EACH INCLUDES)						
		1	108-1434	1	GROMMET						
	7	1	0L-1143	1	BOLT (3/8-16X2.5-IN)						
	8	1	7N-8636	1	TUBE AS-OIL (LH)						
	9	1	7N-8638	1	TUBE AS-OIL (RH)						
	10	1	7N-8634	2	TUBE AS-DRAIN						
	11	1	<i>250-1498</i>	1	ELBOW AS						
		1	6V-4589	1	SEAL-O-RING						
		1	250-1497	1	ELBOW						
	12	1	6V-4589	1	SEAL-O-RING						
	13	1	9M-4584	1	CONNECTOR						
	14	1	1W-7214	2	ELBOW-DRAIN						
	15	1	5P-9890	2	SEAL-O-RING						
	16	1	252-8374	2	GASKET						
	17	1	9S-8752	1	NUT-FULL (3/8-16-THD)						

LUBRICATION SYSTEM

7N-8640 LINES GP-TURBOCHARGER OIL (contd.)

i02696216



GRAPHIC #1

<END>

g01355046

LUBRICATION SYSTEM

4P-4925 PUMP & LINES GP-PRELUBRICATION-SHALLOW SUMP

S/N: 65Z887-1329
AN ATTACHMENT

SMCS-1319

i05432342

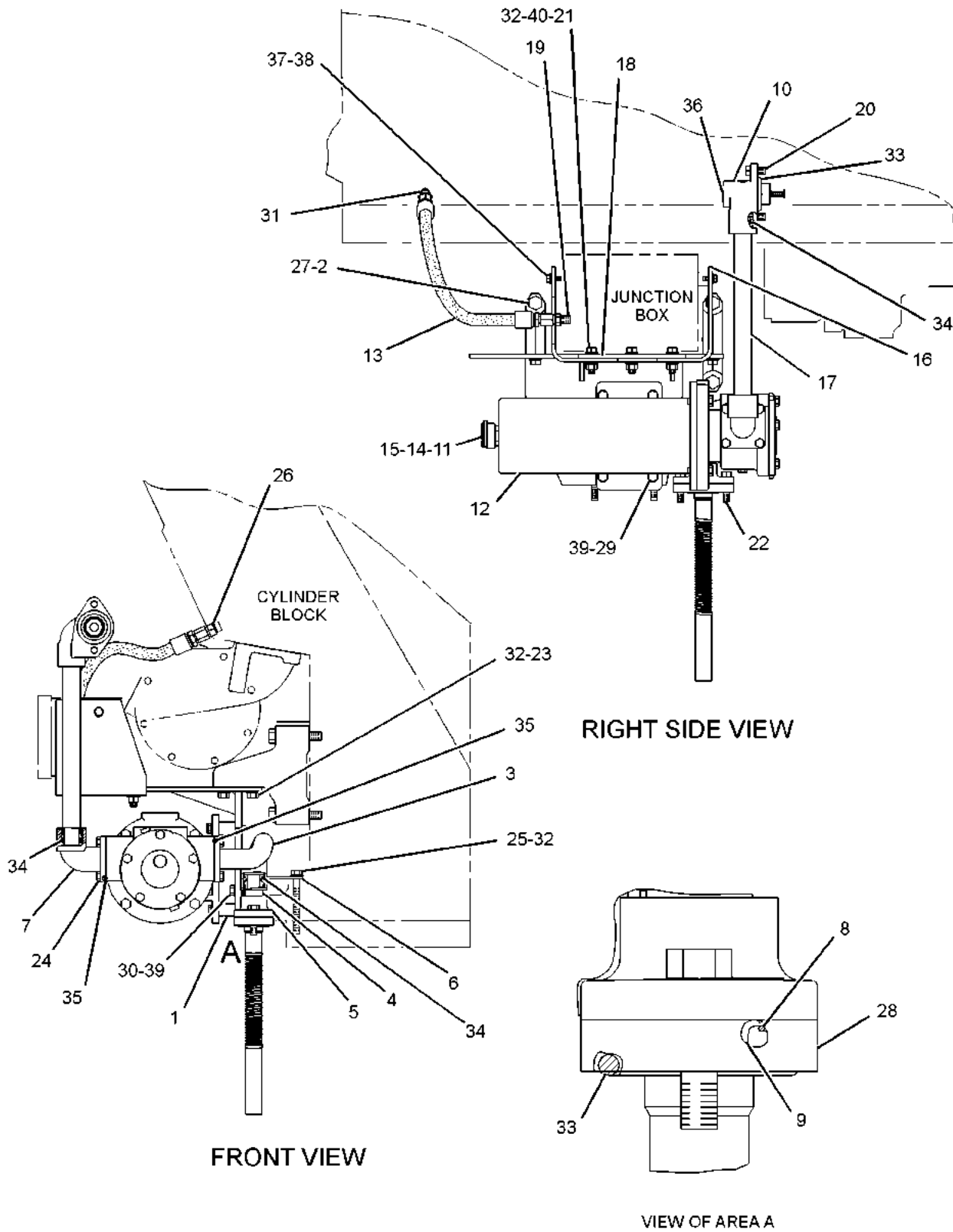
NOTE	REF NO	GRAPHIC REF	PART NUMBER	QTY	PART NAME						SEE PAGE
					1	2	3	4	5	6 (PRODUCT LEVEL)	
	1	1	1M-3381	4	SPACER (0.438X0.75X1-IN THK)						
	2	1	1N-3872	2	SUPPORT						
	3	1	1W-3942	1	ELBOW						
	4	1	1W-3943	1	COUPLING						
	5	1	1W-3944	1	FLANGE						
	6	1	1W-4257	1	BRACKET AS						
		1	4K-9097	2	NUT-WELD (5/16-18-THD)						
	7	1	1W-8188	1	ELBOW						
	8	1	2G-6303	1	SEAL						
	9	1	2G-6304	1	STRAINER AS (ENGINE OIL)						
	10	1	2W-0694	1	ELBOW AS-VALVE						
		1	1P-5274	1	PIN-VALVE SPRING						
		1	7L-0811	1	DOWEL						
		1	9B-0701	2	SPRING						
		1	9H-2367	1	SPRING-VALVE						
		1	9L-0672	1	VALVE-CHECK						
	11	1	3F-2065	1	LOCKNUT (1/2-14-THD)						
Y	12	1	3T-3735	1	PUMP GP-PRELUBRICATION						420
I	13	1	4P-4927	1	HOSE AS						
	14	1	5N-8943	1	ADAPTER						
	15	1	5N-9073	1	CLIP						
	16	1	6I-0744	1	BRACKET						
	17	1	7N-6460	1	TUBE						
	18	1	251-9436	1	BRACKET AS						
	19	1	032-1267	1	CONNECTOR (STRAIGHT)						
	20	1	0L-1351	2	BOLT (3/8-16X0.875-IN)						
	21	1	0S-1588	3	BOLT (3/8-16X1.25-IN)						
	22	1	0S-1591	2	BOLT (3/8-16X1.5-IN)						
	23	1	0S-1594	4	BOLT (3/8-16X1-IN)						
	24	1	0S-1617	8	BOLT (5/16-18X0.75-IN)						
	25	1	0T-0065	2	BOLT (3/8-16X3.5-IN)						
	26	1	153-4906	1	SEAL-O-RING						
	27	1	1A-5822	4	BOLT (1/2-13X2.75-IN)						
	28	1	1W-4821	1	HOSE AS						
	29	1	2B-2694	4	BOLT (5/16-18X2-IN)						
	30	1	2B-2695	2	BOLT (5/16-18X0.875-IN)						
	31	1	2R-6806	1	CONNECTOR						
	32	1	5M-2894	12	WASHER-HARD (10.2X18.5X2.5-MM THK)						
	33	1	5P-5846	2	SEAL-O-RING						
	34	1	5P-9890	4	SEAL-O-RING						
	35	1	6V-5100	2	SEAL-O-RING						
	36	1	7X-7731	1	PLUG-PIPE (3/4-14-THD)						
	37	1	8T-4205	4	WASHER-HARD (7.2X14.5X2-MM THK)						
	38	1	8T-9364	4	BOLT (1/4-20X0.625-IN)						
	39	1	9M-1974	6	WASHER-HARD (8.8X16X2-MM THK)						
	40	1	9S-8752	3	NUT-FULL (3/8-16-THD)						

I - REFER TO HYDRAULIC INFORMATION SYSTEM
Y - SEPARATE ILLUSTRATION

LUBRICATION SYSTEM

4P-4925 PUMP & LINES GP-PRELUBRICATION (contd.)

i05432342



GRAPHIC #1

<END>

g01253246

LUBRICATION SYSTEM

4P-4925 PUMP & LINES GP-PRELUBRICATION-SHALLOW SUMP

S/N: 65Z1330-UP
AN ATTACHMENT

SMCS-1319

i07309349

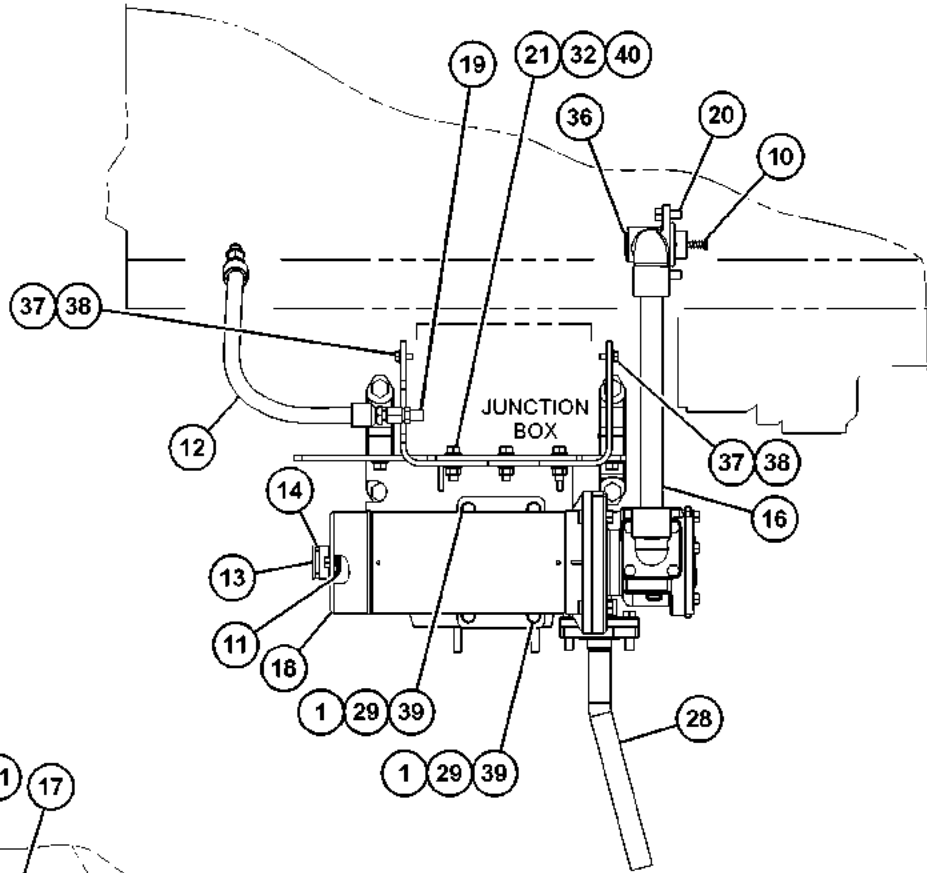
NOTE	REF NO	GRAPHIC REF	PART NUMBER	QTY	PART NAME						SEE PAGE
					1	2	3	4	5	6 (PRODUCT LEVEL)	
	1	1	1M-3381	4	SPACER (0.438X0.75X1-IN THK)						
	2	1	1N-3872	2	SUPPORT						
	3	1	1W-3942	1	ELBOW						
	4	1	1W-3943	1	COUPLING						
	5	1	1W-3944	1	FLANGE						
	6	1	1W-4257	1	BRACKET AS						
		1	4K-9097	2	NUT-WELD (5/16-18-THD)						
	7	1	1W-8188	1	ELBOW						
	8	1	2G-6303	1	SEAL						
	9	1	2G-6304	1	STRAINER AS (ENGINE OIL)						
	10	1	2W-0694	1	ELBOW AS-VALVE						
		1	6T-7034	1	PIN-VALVE SPRING						
		1	7L-0811	1	DOWEL						
		1	9B-0701	2	SPRING						
		1	9H-2367	1	SPRING-VALVE						
		1	9L-0672	1	VALVE-CHECK						
	11	1	4P-4890	1	NUT-SPECIAL (1/2-14-THD)						
I	12	1	4P-4927	1	HOSE AS						
	13	1	5N-8943	1	ADAPTER						
	14	1	5N-9073	1	CLIP						
	15	1	6I-0744	1	BRACKET						
	16	1	7N-6460	1	TUBE						
	17	1	251-9436	1	BRACKET AS						
CY	18	1	302-8729	1	PUMP GP-PRELUBRICATION						418
	19	1	032-1267	1	CONNECTOR (STRAIGHT)						
	20	1	0L-1351	2	BOLT (3/8-16X0.875-IN)						
	21	1	0S-1588	3	BOLT (3/8-16X1.25-IN)						
	22	1	165-3929	2	BOLT (3/8-16X1.5-IN)						
	23	1	0S-1594	4	BOLT (3/8-16X1-IN)						
	24	1	0S-1617	8	BOLT (5/16-18X0.75-IN)						
	25	1	0S-1608	2	BOLT (3/8-16X3.75-IN)						
	26	1	153-4906	1	SEAL-O-RING						
	27	1	1A-5822	4	BOLT (1/2-13X2.75-IN)						
	28	1	425-5935	1	TUBE AS						
	29	1	2B-2694	4	BOLT (5/16-18X2-IN)						
	30	1	2B-2695	2	BOLT (5/16-18X0.875-IN)						
	31	1	2R-6806	1	CONNECTOR						
	32	1	5M-2894	12	WASHER-HARD (10.2X18.5X2.5-MM THK)						
	33	1	5P-5846	2	SEAL-O-RING						
	34	1	112-3540	4	SEAL-O-RING						
	35	1	6V-5100	2	SEAL-O-RING						
	36	1	7X-7731	1	PLUG-PIPE (3/4-14-THD)						
	37	1	8T-4205	4	WASHER-HARD (7.2X14.5X2-MM THK)						
	38	1	8T-9364	4	BOLT (1/4-20X0.625-IN)						
	39	1	9M-1974	6	WASHER-HARD (8.8X16X2-MM THK)						
	40	1	9S-8752	3	NUT-FULL (3/8-16-THD)						

C - CHANGE FROM PREVIOUS TYPE
I - REFER TO HYDRAULIC INFORMATION SYSTEM
Y - SEPARATE ILLUSTRATION

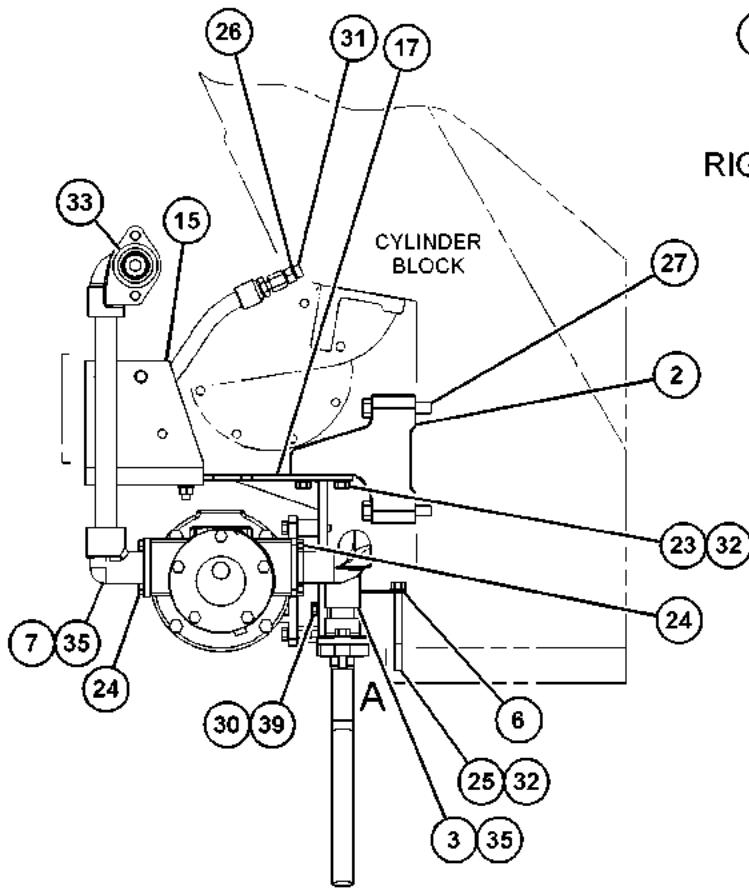
LUBRICATION SYSTEM

4P-4925 PUMP & LINES GP-PRELUBRICATION (contd.)

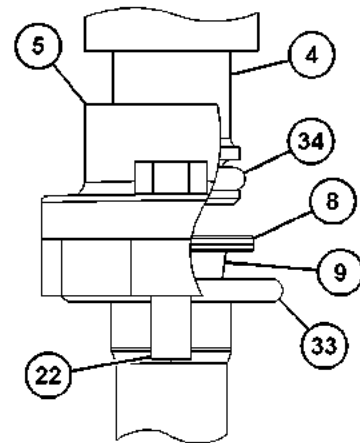
i07309349



RIGHT SIDE VIEW OF ENGINE



FRONT VIEW OF ENGINE



VIEW OF AREA A

GRAPHIC #1

<END>

g06257959

LUBRICATION SYSTEM

4P-4926 PUMP & LINES GP-PRELUBRICATION-DEEP SUMP 24-VOLT AN ATTACHMENT TYPE 1

SMCS-1319

i02366001

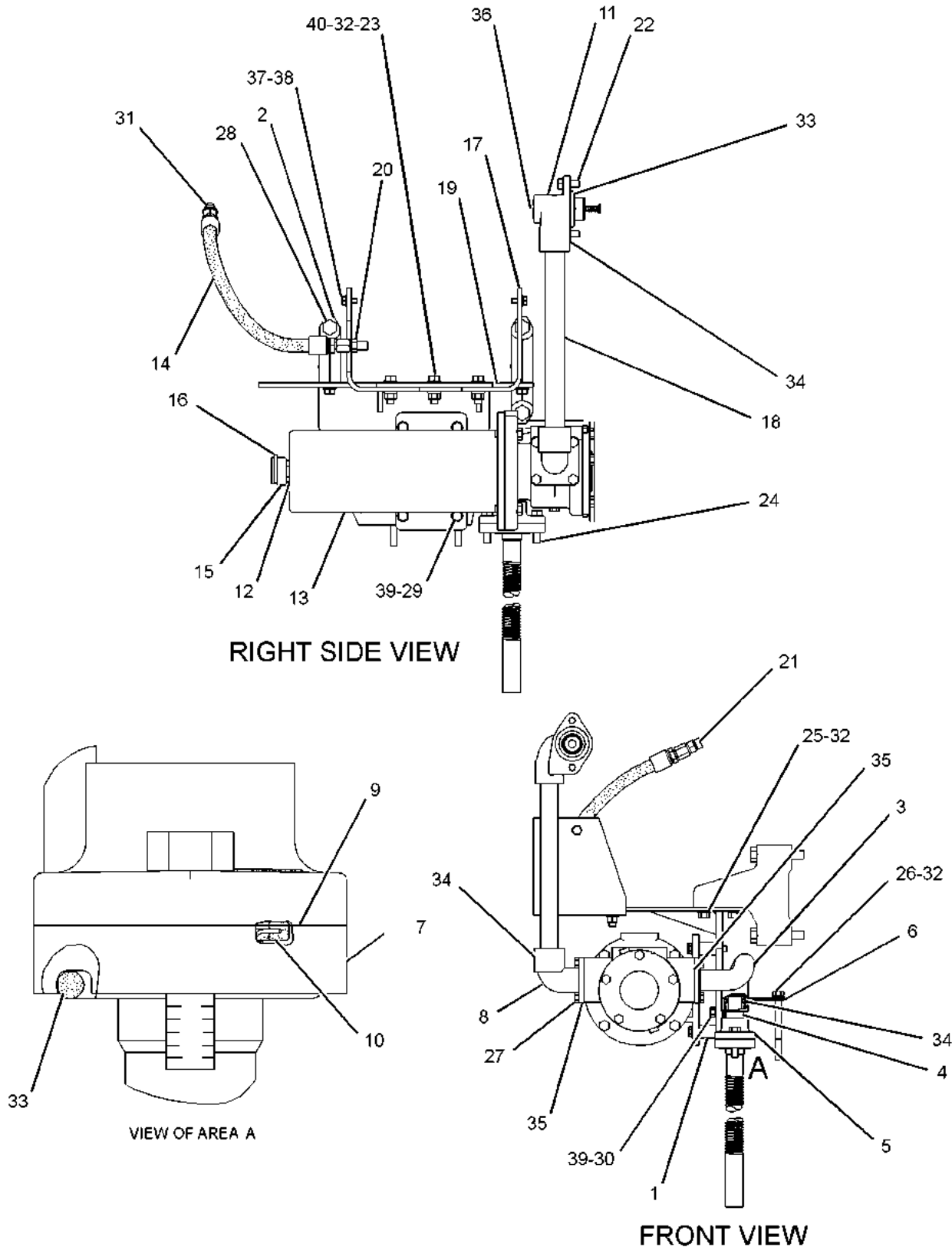
NOTE	REF NO	GRAPHIC REF	PART NUMBER	QTY	PART NAME 1 2 3 4 5 6 (PRODUCT LEVEL)	SEE PAGE
	1	1	1M-3381	4	SPACER (0.438X0.75X1-IN THK)	
	2	1	1N-3872	2	SUPPORT	
	3	1	1W-3942	1	ELBOW	
	4	1	1W-3943	1	COUPLING	
	5	1	1W-3944	1	FLANGE	
	6	1	1W-4257	1	BRACKET AS	
		1	4K-9097	2	NUT-WELD (5/16-18-THD)	
	7	1	1W-4820	1	HOSE AS	
	8	1	1W-8188	1	ELBOW	
	9	1	2G-6303	1	SEAL	
	10	1	2G-6304	1	STRAINER AS (ENGINE OIL)	
	11	1	2W-0694	1	ELBOW AS-VALVE	
		1	1P-5274	1	PIN-VALVE SPRING	
		1	7L-0811	1	DOWEL	
		1	9B-0701	2	SPRING	
		1	9H-2367	1	SPRING-VALVE	
		1	9L-0672	1	VALVE-CHECK	
	12	1	3F-2065	1	LOCKNUT (1/2-14-THD)	
Y	13	1	3T-3735	1	PUMP GP-PRELUBRICATION	420
I	14	1	4P-4927	1	HOSE AS	
	15	1	5N-8943	1	ADAPTER	
	16	1	5N-9073	1	CLIP	
	17	1	6I-0744	1	BRACKET	
	18	1	7N-6460	1	TUBE	
	19	1	251-9436	1	BRACKET AS	
	20	1	032-1267	1	CONNECTOR (STRAIGHT)	
	21	1	033-6042	1	SEAL-O-RING	
	22	1	0L-1351	2	BOLT (3/8-16X0.875-IN)	
	23	1	0S-1588	3	BOLT (3/8-16X1.25-IN)	
	24	1	0S-1591	2	BOLT (3/8-16X1.5-IN)	
	25	1	0S-1594	4	BOLT (3/8-16X1-IN)	
	26	1	0S-1608	2	BOLT (3/8-16X3.75-IN)	
	27	1	0S-1617	8	BOLT (5/16-18X0.75-IN)	
	28	1	1A-5822	4	BOLT (1/2-13X2.75-IN)	
	29	1	2B-2694	4	BOLT (5/16-18X2-IN)	
	30	1	2B-2695	2	BOLT (5/16-18X0.875-IN)	
	31	1	2R-6806	1	CONNECTOR	
	32	1	5M-2894	12	WASHER-HARD (10.2X18.5X2.5-MM THK)	
	33	1	5P-5846	2	SEAL-O-RING	
	34	1	5P-9890	4	SEAL-O-RING	
	35	1	6V-5100	2	SEAL-O-RING	
	36	1	7X-7731	1	PLUG-PIPE (3/4-14-THD)	
	37	1	8T-4205	4	WASHER-HARD (7.2X14.5X2-MM THK)	
	38	1	8T-9364	4	BOLT (1/4-20X0.625-IN)	
	39	1	9M-1974	6	WASHER-HARD (8.8X16X2-MM THK)	
	40	1	9S-8752	3	NUT-FULL (3/8-16-THD)	

LUBRICATION SYSTEM

4P-4926 PUMP & LINES GP-PRELUBRICATION (contd.)

i02366001

NOTE	REF NO	GRAPHIC REF	PART NUMBER	QTY	PART NAME	1	2	3	4	5	6	SEE PAGE
I - REFER TO HYDRAULIC INFORMATION SYSTEM												
Y - SEPARATE ILLUSTRATION												



LUBRICATION SYSTEM

4P-4926 PUMP & LINES GP-PRELUBRICATION-DEEP SUMP 24-VOLT AN ATTACHMENT TYPE 2

SMCS-1319

i07223248

NOTE	REF NO	GRAPHIC REF	PART NUMBER	QTY	PART NAME 1 2 3 4 5 6 (PRODUCT LEVEL)	SEE PAGE
	1	1	1M-3381	4	SPACER (0.438X0.75X1-IN THK)	
	2	1	1N-3872	2	SUPPORT	
	3	1	1W-3942	1	ELBOW	
	4	1	1W-3943	1	COUPLING	
	5	1	1W-3944	1	FLANGE	
	6	1	1W-4257	1	BRACKET AS	
		1	4K-9097	2	NUT-WELD (5/16-18-THD)	
	7	1	1W-4820	1	HOSE AS	
	8	1	1W-8188	1	ELBOW	
	9	1	2G-6303	1	SEAL	
	10	1	2G-6304	1	STRAINER AS (ENGINE OIL)	
	11	1	2W-0694	1	ELBOW AS-VALVE	
		1	6T-7034	1	PIN-VALVE SPRING	
		1	7L-0811	1	DOWEL	
		1	9B-0701	2	SPRING	
		1	9H-2367	1	SPRING-VALVE	
		1	9L-0672	1	VALVE-CHECK	
	12	1	4P-4890	1	NUT-SPECIAL (1/2-14-THD)	
CY	13	1	302-8729	1	PUMP GP-PRELUBRICATION	418
I	14	1	4P-4927	1	HOSE AS	
	15	1	5N-8943	1	ADAPTER	
	16	1	5N-9073	1	CLIP	
	17	1	6I-0744	1	BRACKET	
	18	1	7N-6460	1	TUBE	
	19	1	251-9436	1	BRACKET AS	
	20	1	032-1267	1	CONNECTOR (STRAIGHT)	
	22	1	0L-1351	2	BOLT (3/8-16X0.875-IN)	
	23	1	0S-1588	3	BOLT (3/8-16X1.25-IN)	
	24	1	0S-1591	2	BOLT (3/8-16X1.5-IN)	
	25	1	0S-1594	4	BOLT (3/8-16X1-IN)	
	26	1	0S-1608	2	BOLT (3/8-16X3.75-IN)	
	27	1	0S-1617	8	BOLT (5/16-18X0.75-IN)	
	28	1	1A-5822	4	BOLT (1/2-13X2.75-IN)	
	29	1	2B-2694	4	BOLT (5/16-18X2-IN)	
	30	1	2B-2695	2	BOLT (5/16-18X0.875-IN)	
	31	1	2R-6806	1	CONNECTOR	
	32	1	5M-2894	12	WASHER-HARD (10.2X18.5X2.5-MM THK)	
	33	1	5P-5846	2	SEAL-O-RING	
	34	1	112-3540	4	SEAL-O-RING	
	35	1	6V-5100	2	SEAL-O-RING	
	36	1	7X-7731	1	PLUG-PIPE (3/4-14-THD)	
	37	1	8T-4205	4	WASHER-HARD (7.2X14.5X2-MM THK)	
	38	1	8T-9364	4	BOLT (1/4-20X0.625-IN)	
	39	1	9M-1974	6	WASHER-HARD (8.8X16X2-MM THK)	
	40	1	9S-8752	3	NUT-FULL (3/8-16-THD)	
	41	1	214-7568	1	SEAL-O-RING	

LUBRICATION SYSTEM

4P-4926 PUMP & LINES GP-PRELUBRICATION (contd.)

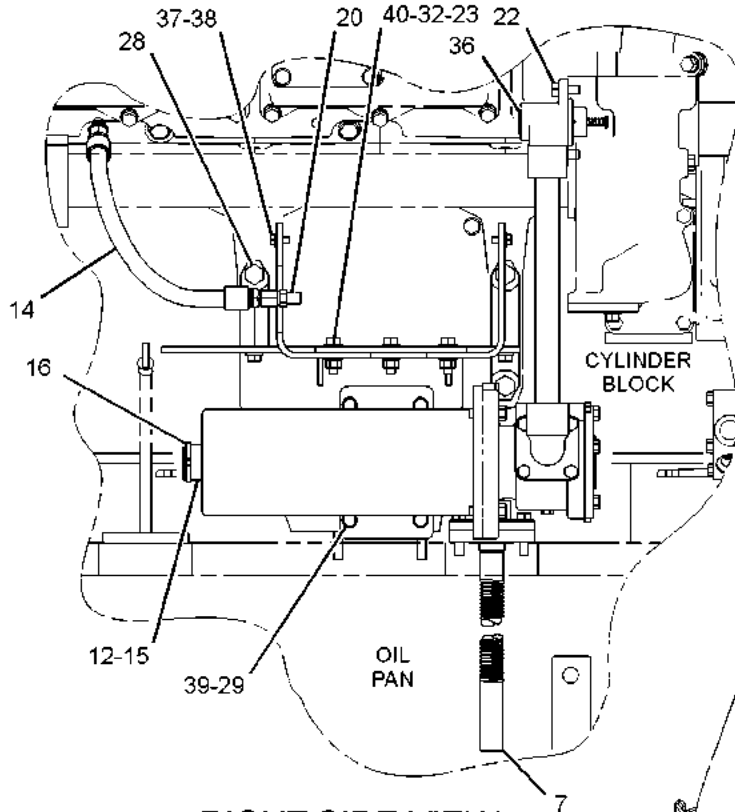
i07223248

NOTE	REF NO	GRAPHIC REF	PART NUMBER	QTY	PART NAME						SEE PAGE
					1	2	3	4	5	6 (PRODUCT LEVEL)	
C - CHANGE FROM PREVIOUS TYPE											
I - REFER TO HYDRAULIC INFORMATION SYSTEM											
Y - SEPARATE ILLUSTRATION											

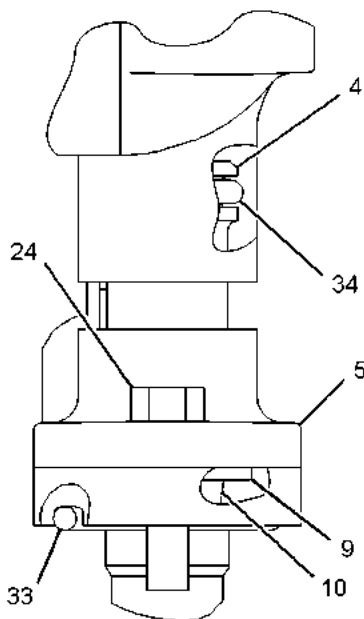
LUBRICATION SYSTEM

4P-4926 PUMP & LINES GP-PRELUBRICATION (contd.)

i07223248

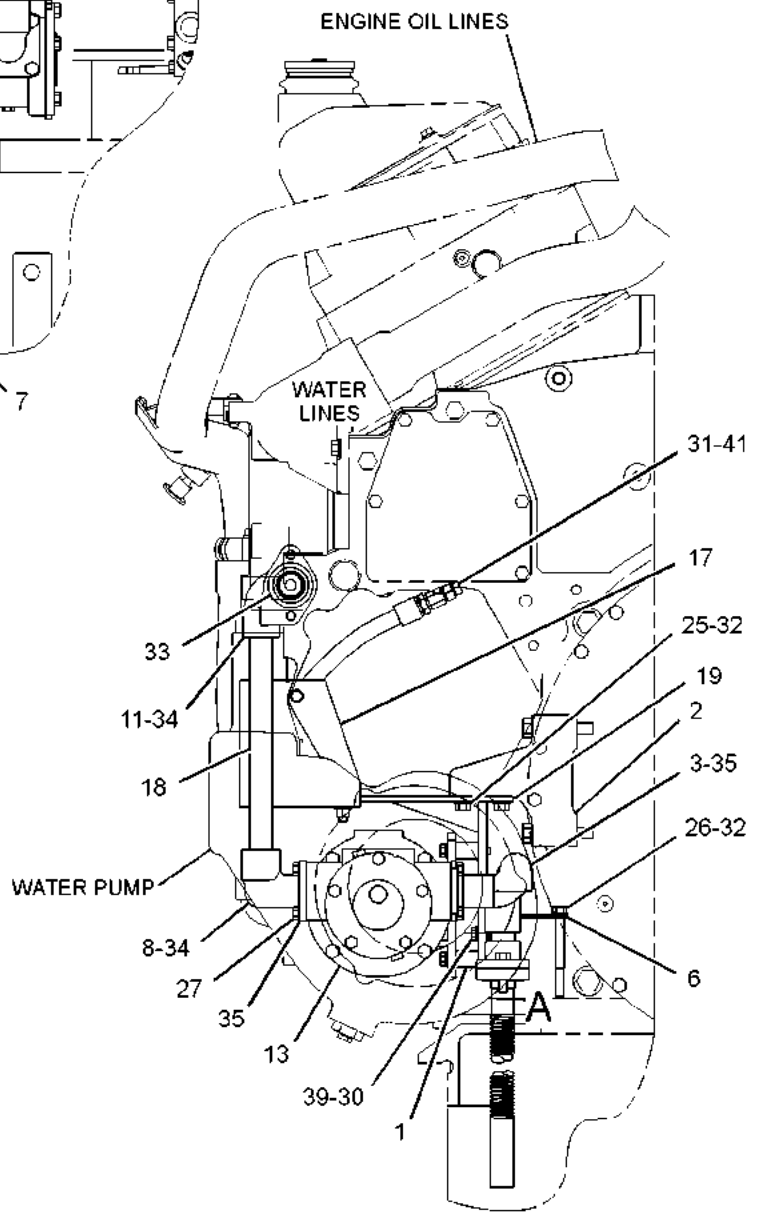


RIGHT SIDE VIEW OF ENGINE



VIEW OF AREA A

GRAPHIC #1



FRONT VIEW OF ENGINE

<END>

g03418996

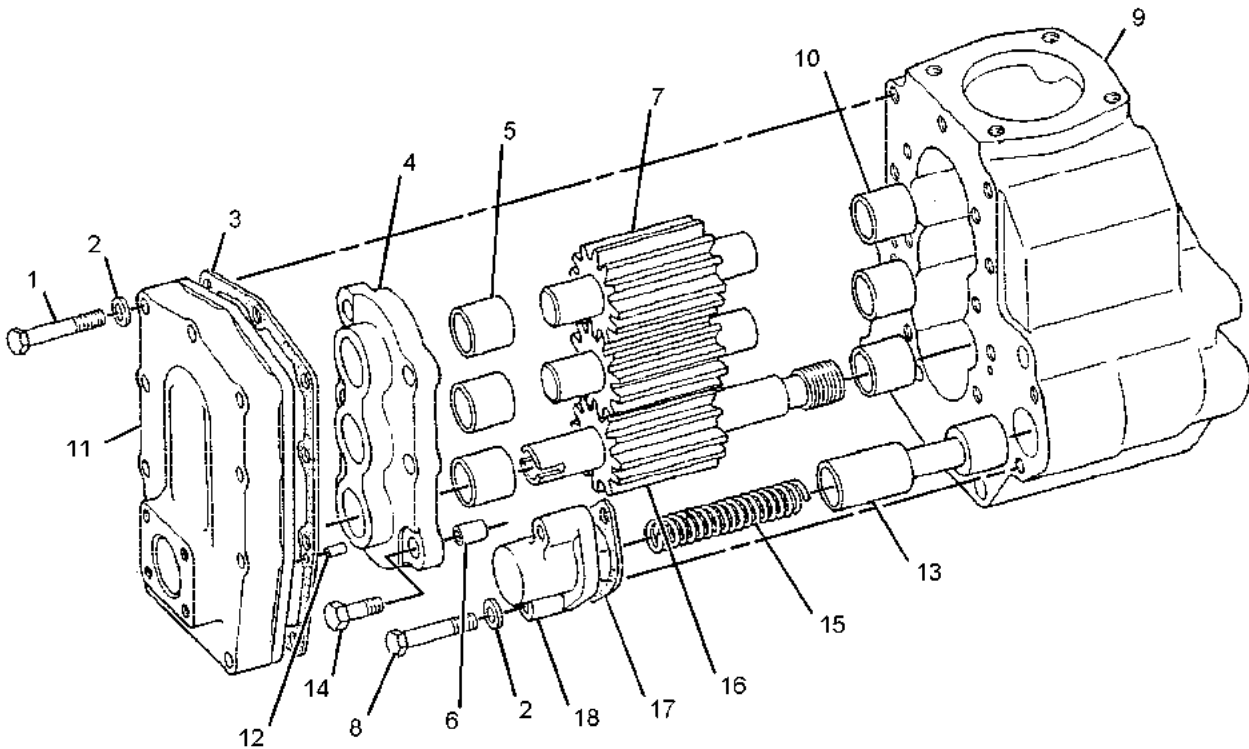
LUBRICATION SYSTEM

4P-5638 PUMP GP-ENGINE OIL-2-SECTION GEAR*R PART OF 8N-6152 PUMP GP-ENGINE OIL

SMCS-1304, 1315

i03694980

NOTE	REF NO	GRAPHIC REF	PART NUMBER	QTY	PART NAME						SEE PAGE
					1	2	3	4	5	6	
	1	1	0S-1590	9	BOLT (3/8-16X2-IN)						
	2	1	5M-2894	11	WASHER-HARD (10.2X18.5X2.5-MM THK)						
	3	1	7N-5057	1	GASKET						
	4	1	7W-0050	1	COVER AS-PUMP						
	5	1	1W-6005	3	BUSHING						
	6	1	4M-3248	2	DOWEL-HOLLOW						
	7	1	2W-5479	2	SHAFT AS-PUMP						
	8	1	7F-1866	2	BOLT (3/8-16X3-IN)						
	9	1	4P-5637	1	BODY AS-OIL PUMP						
	10	1	1W-6005	3	BUSHING						
	11	1	1N-4637	1	COVER AS-PUMP						
	12	1	7N-2043	2	DOWEL						
	13	1	7N-5449	1	SPOOL-PRESSURE RELIEF						
	14	1	0S-1585	6	BOLT (1/2-13X1.5-IN)						
	15	1	2S-2760	1	SPRING						
	16	1	2W-6618	1	SHAFT AS-PUMP DRIVE						
	17	1	111-1349	1	GASKET						
	18	1	7N-5049	1	COVER-RELIEF VALVE						



GRAPHIC #1

<END>

g01123381

LUBRICATION SYSTEM

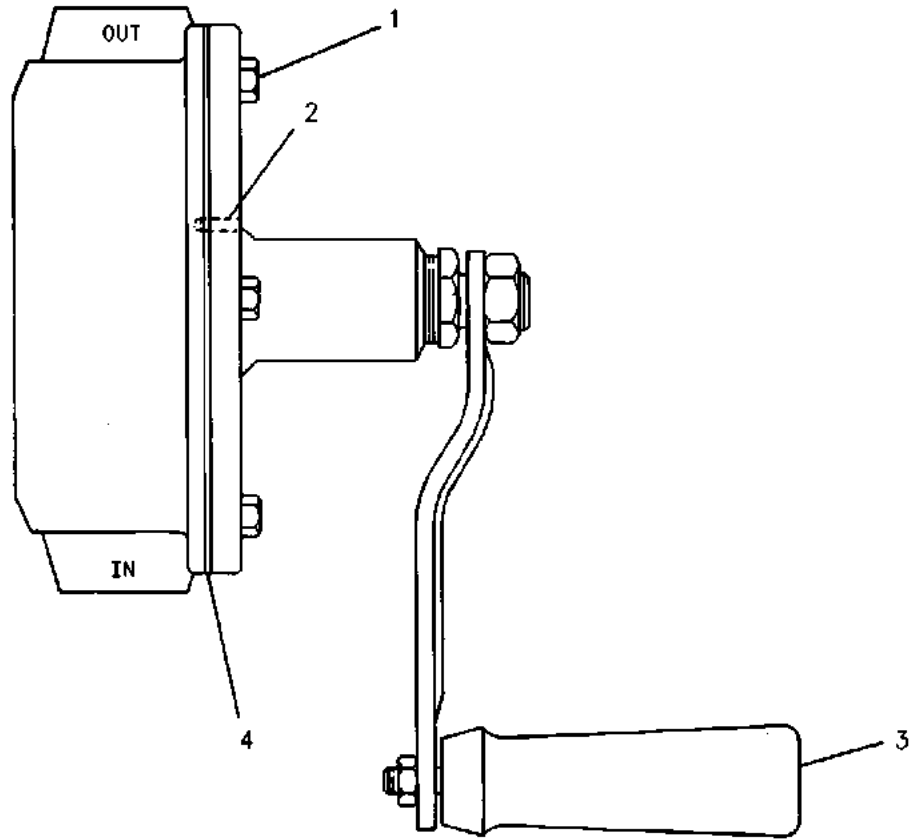
5N-6237 PUMP GP-ENGINE OIL-MANUAL LUBRICATION PART OF 4W-6252, 4W-6255, 7W-9703, 7W-9704 PUMP GP-SUMP AN ATTACHMENT

SMCS-1304, 1315

i07403121

NOTE	REF NO	GRAPHIC REF	PART NUMBER	QTY	PART NAME						SEE PAGE
					1	2	3	4	5	6 (PRODUCT LEVEL)	
	1	1	2A-0762	2	BOLT (1/4-20X0.625-IN)						
	2	1	3N-3297	2	PIN-TAPERED						
	3	1	5N-6255	1	HANDLE AS						
B	4	1	3N-3299	1	GASKET SET (INCLUDES 4 GASKETS)						
					AVAILABLE REPAIR KIT(S):						
					3N-3300	1	KIT-PUMP (SUMP)				
					(INCLUDES VANE, SPRING, PACKING, NUT & GASKET)						

B - USE AS REQUIRED



GRAPHIC #1

<END>

g00621010

LUBRICATION SYSTEM

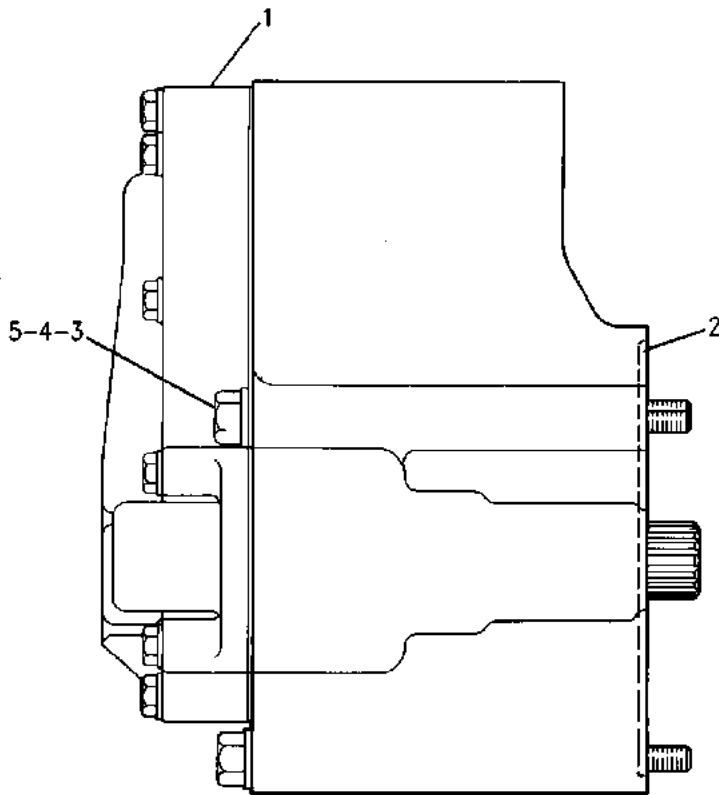
8N-6152 PUMP GP-ENGINE OIL-2-SECTION GEAR

SMCS-1304, 1315

i02639836

NOTE	REF NO	GRAPHIC REF	PART NUMBER	QTY	PART NAME						SEE PAGE
					1	2	3	4	5	6 (PRODUCT LEVEL)	
CYR	1	1	4P-5638	1	PUMP GP-ENGINE OIL (2-SECTION GEAR)						412
	2	1	298-6387	1	SEAL-O-RING						
	3	1	4S-5882	3	BOLT (1/2-13X7.25-IN)						
	4	1	5P-8245	3	WASHER-HARD (13.5X25.5X3-MM THK)						
C	5	1	9M-4355	3	DAMPER-BOLT						

C - CHANGE FROM PREVIOUS TYPE
 R - REMANUFACTURED PART MAY BE AVAILABLE
 Y - SEPARATE ILLUSTRATION



GRAPHIC #1

<END>

g00637724

LUBRICATION SYSTEM

1W-4674 PUMP GP-PRELUBRICATION

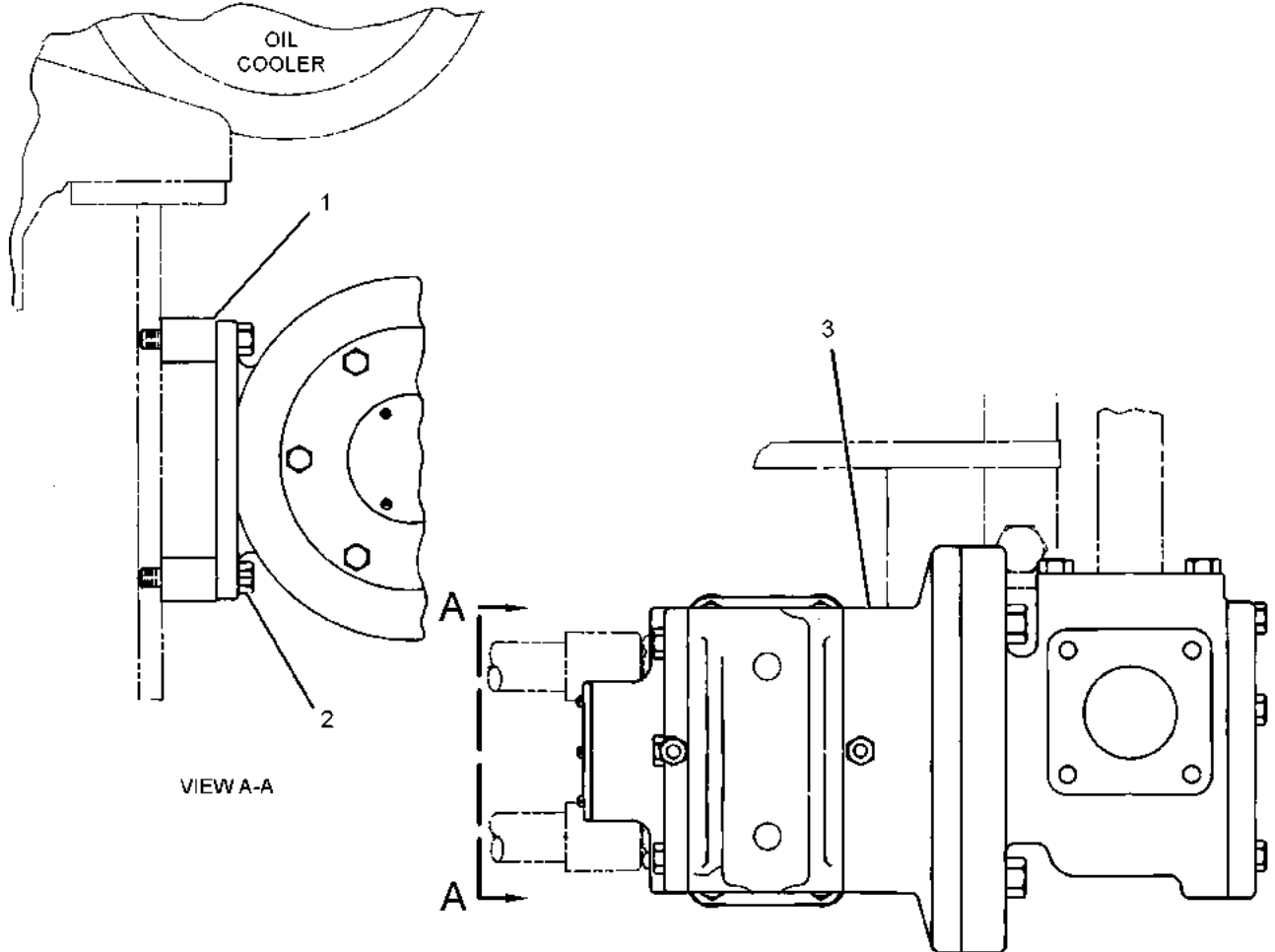
FOR USE WITH AIR STARTER, 1W-3941-PAGE: 394, 1W-3940-PAGE: 392
AN ATTACHMENT

SMCS-1319

i07155519

NOTE	REF NO	GRAPHIC REF	PART NUMBER	QTY	PART NAME						SEE PAGE
					1	2	3	4	5	6 (PRODUCT LEVEL)	
	1	1	1M-3381	4	SPACER (0.438X0.75X1-IN THK)						
	2	1	1B-9575	4	BOLT (5/16-18X1.56-IN)						
Y	3	1	1W-4776	1	PUMP GP-PRELUBRICATION						416

Y - SEPARATE ILLUSTRATION



VIEW A-A

GRAPHIC #1

<END>

g01302067

LUBRICATION SYSTEM

1W-4776 PUMP GP-PRELUBRICATION

FOR USE WITH AIR STARTER

PART OF 1W-4674 PUMP GP-PRELUBRICATION

AN ATTACHMENT

SMCS-1319

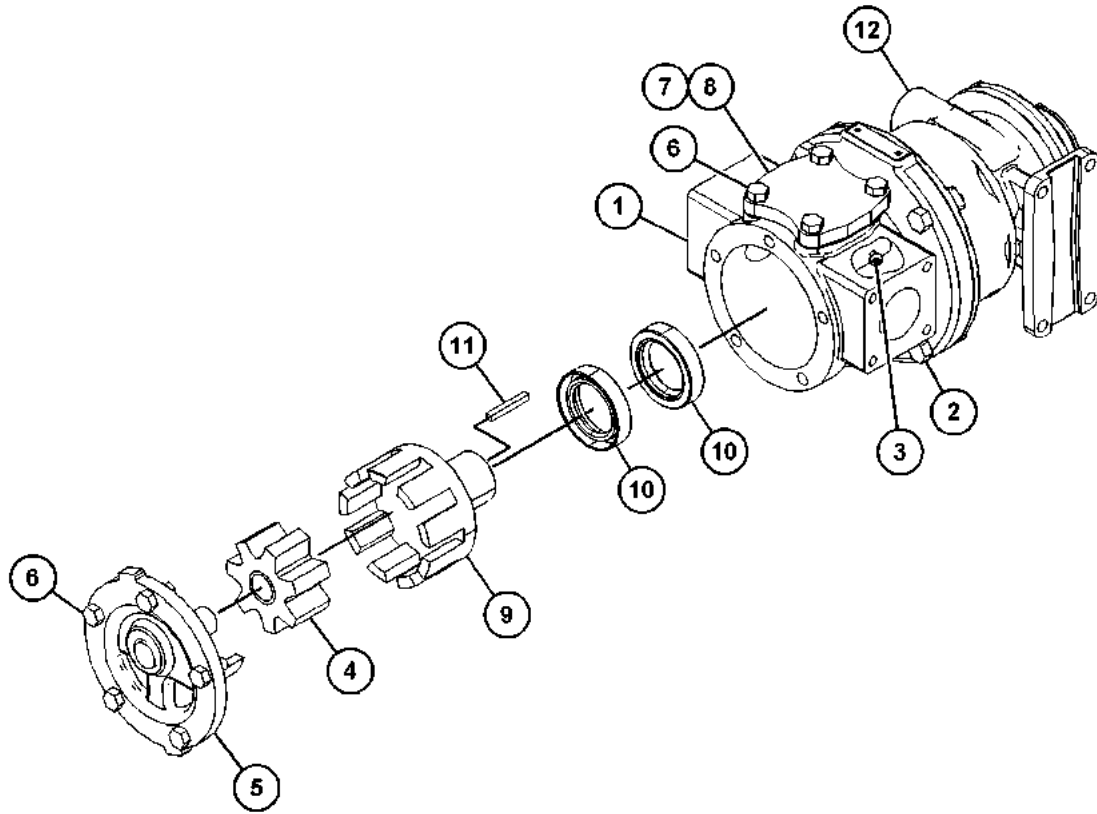
i06682590

NOTE	REF NO	GRAPHIC REF	PART NUMBER	QTY	PART NAME						SEE PAGE
					1	2	3	4	5	6 (PRODUCT LEVEL)	
	1	1	5N-6668	1	HOUSING						
	2	1	0S-1588	4	BOLT (3/8-16X1.25-IN)						
	3	1	6D-3910	1	SCREW-BUTTON HEAD (10-32X0.25-IN)						
	4	1	3N-1284	1	IDLER AS (7-TEETH)						
	5	1	3N-1283	1	HEAD AS						
	6	1	0S-1617	9	BOLT (5/16-18X0.75-IN)						
	7	1	2N-7520	1	GASKET						
	8	1	2N-7521	1	COVER						
	9	1	3N-1285	1	ROTOR						
	10	1	1H-5959	2	SEAL-LIP TYPE						
	11	1	6F-2172	1	KEY						
J	12	1	3N-1287	1	MOTOR GP-PRELUBRICATION						
					AVAILABLE REPAIR KIT(S):						
			2N-7522	1	KIT-GASKET (PRELUBRICATION PUMP) (INCLUDES GASKETS)						
J			5N-7776	1	KIT-MOTOR REPAIR (STARTING MOTOR) (INCLUDES VANES, PINS, BEARING, SEALS, SPRINGS, END CAP, GASKETS & O-RING)						
J			2W-6083	1	KIT-GASKET (STARTING MOTOR) (INCLUDES GASKETS, END CAP & O-RING)						
J - KITS MARKED J AVAILABLE FOR PART MARKED J											

LUBRICATION SYSTEM

1W-4776 PUMP GP-PRELUBRICATION (contd.)

i06682590



GRAPHIC #1

<END>

g06072835

LUBRICATION SYSTEM

302-8729 PUMP GP-PRELUBRICATION

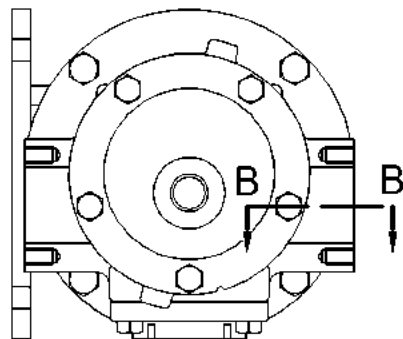
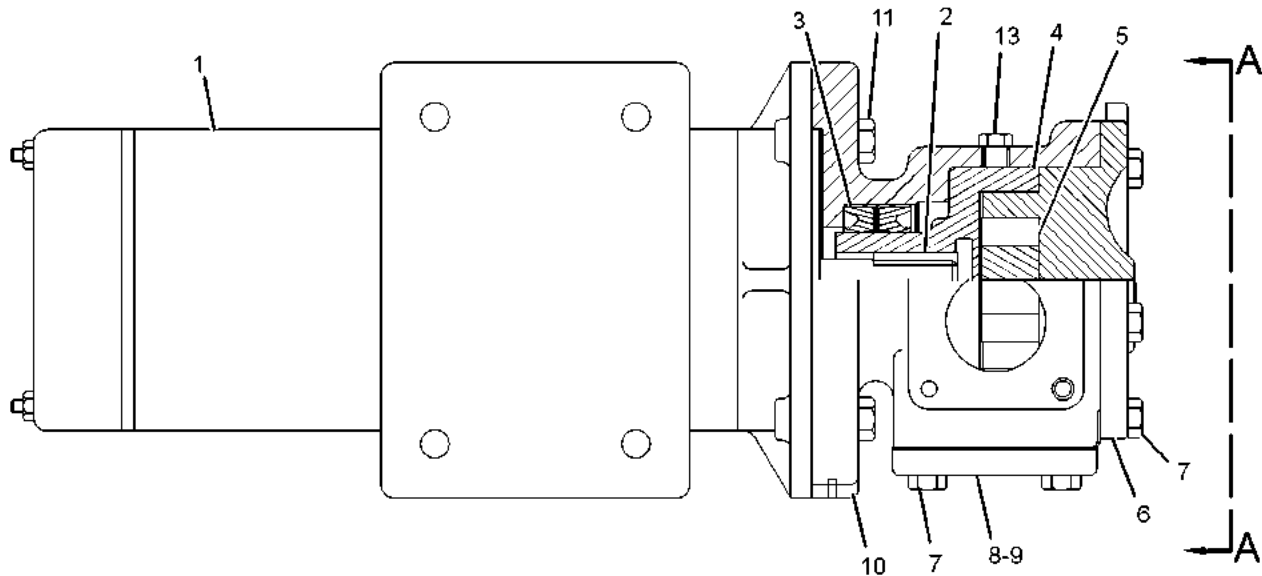
24-VOLT

PART OF 4P-4925, 4P-4926 PUMP & LINES GP-PRELUBRICATION, 7E-6468 PUMP GP-PRELUBRICATION
AN ATTACHMENT
TYPE 1

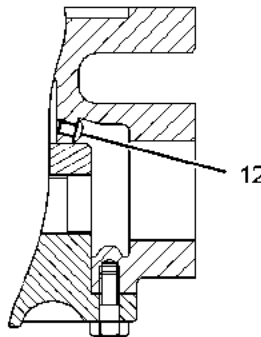
SMCS-1319

i06914591

NOTE	REF NO	GRAPHIC REF	PART NUMBER	QTY	PART NAME						SEE PAGE
					1	2	3	4	5	6	
	1	1	302-8728	1	MOTOR AS-PRELUBRICATION						
	2	1	008-8694	1	KEY						
	3	1	1H-5959	2	SEAL-LIP TYPE						
	4	1	6N-5595	1	ROTOR						
	5	1	2N-7523	1	IDLER AS (7-TEETH)						
	6	1	2N-7524	1	HEAD AS						
	7	1	0S-1617	9	BOLT (5/16-18X0.75-IN)						
	8	1	2N-7521	1	COVER						
	9	1	2N-7520	1	GASKET						
	10	1	5N-6668	1	HOUSING						
	11	1	0S-1588	4	BOLT (3/8-16X1.25-IN)						
	12	1	6D-3910	1	SCREW-BUTTON HEAD (10-32X0.25-IN)						
	13	1	5M-6214	2	PLUG (1/8-27 PTF)						



VIEW A-A



SECTION B-B

GRAPHIC #1

<END>

g01364349

LUBRICATION SYSTEM

302-8729 PUMP GP-PRELUBRICATION

24-VOLT

PART OF 4P-4925, 4P-4926 PUMP & LINES GP-PRELUBRICATION

AN ATTACHMENT

TYPE 2

SMCS-1319

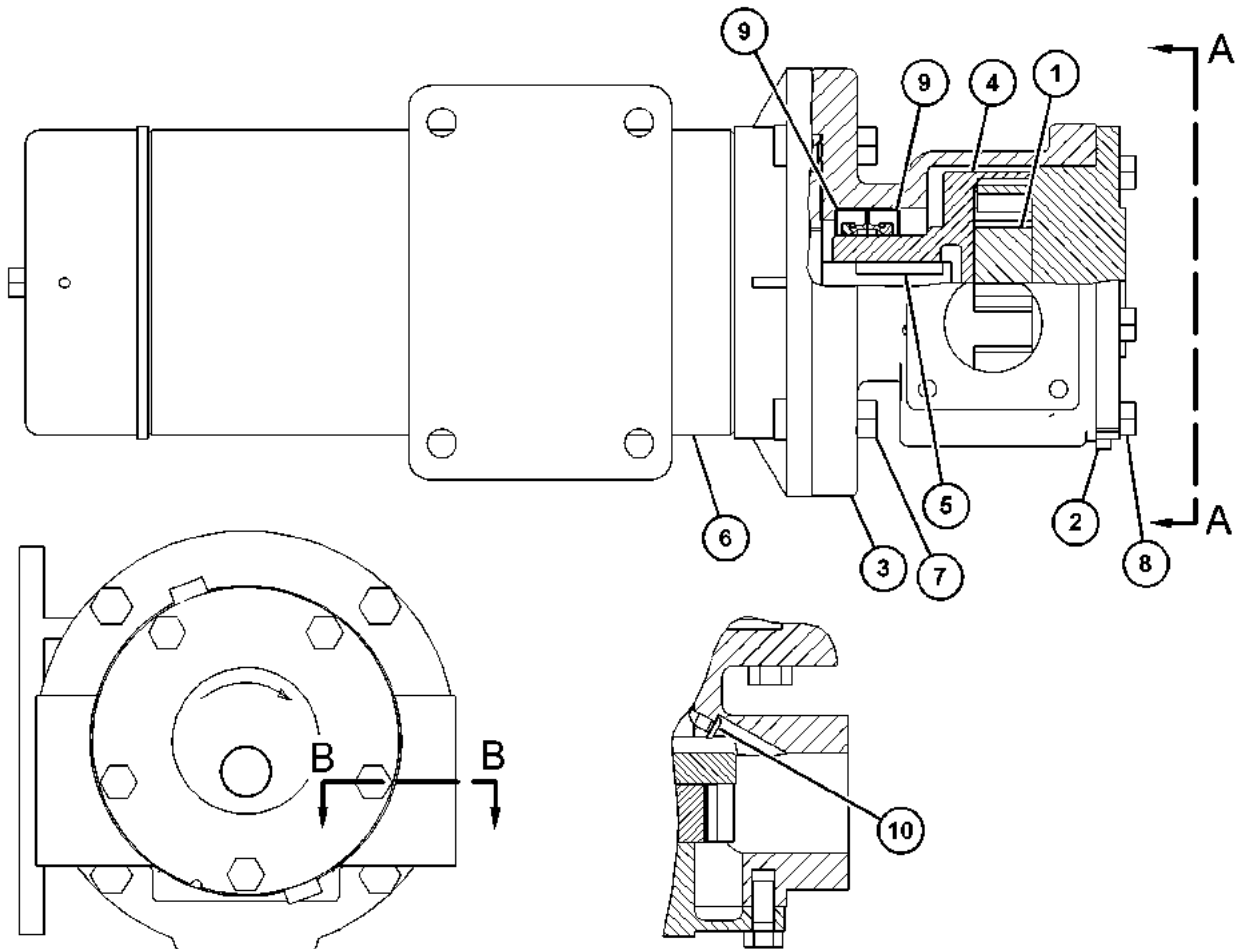
i07003856

NOTE	REF NO	GRAPHIC REF	PART NUMBER	QTY	PART NAME						SEE PAGE
					1	2	3	4	5	6 (PRODUCT LEVEL)	
	1	1	2N-7523	1	IDLER AS (7-TEETH)						
	2	1	2N-7524	1	HEAD AS						
	3	1	5N-6668	1	HOUSING						
	4	1	6N-5595	1	ROTOR						
	5	1	008-8694	1	KEY (SQUARE)						
C	6	1	497-5568	1	MOTOR AS-PRELUBRICATION (24-VOLT)						
	7	1	0S-1588	4	BOLT (3/8-16X1.25-IN)						
C	8	1	0S-1617	5	BOLT (5/16-18X0.75-IN)						
C	9	1	1H-5959	2	SEAL-LIP TYPE						
	10	1	6D-3910	1	SCREW-BUTTON HEAD (10-32X0.25-IN)						

AVAILABLE GASKET KIT(S) :

2N-7522 1 KIT-GASKET

C - CHANGE FROM PREVIOUS TYPE



VIEW A-A

SECTION B-B

GRAPHIC #1

<END>

g06185649

LUBRICATION SYSTEM

3T-3735 PUMP GP-PRELUBRICATION

24-VOLT

PART OF 4P-4925, 4P-4926 PUMP & LINES GP-PRELUBRICATION
AN ATTACHMENT

SMCS-1319

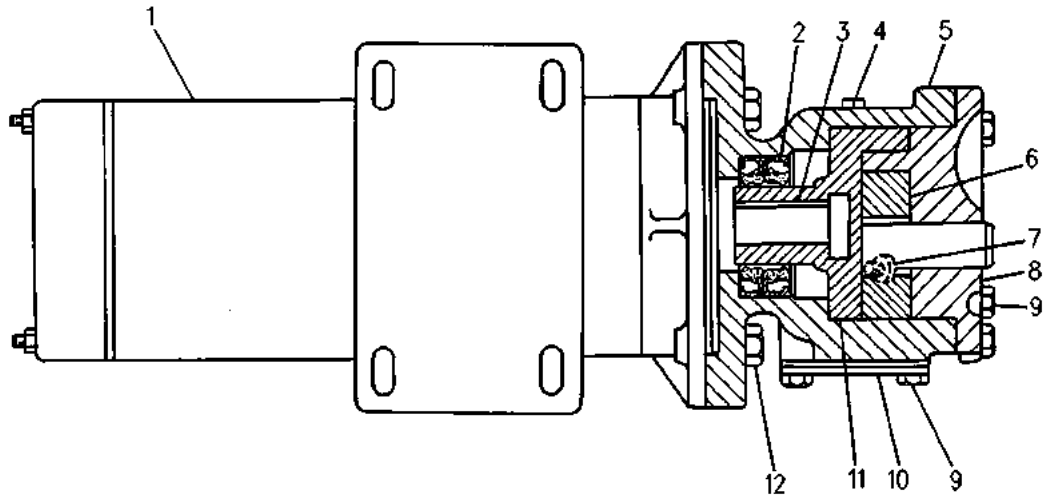
i02656401

NOTE	REF NO	GRAPHIC REF	PART NUMBER	QTY	PART NAME	SEE PAGE
					1 2 3 4 5 6 (PRODUCT LEVEL)	
	1	1	3T-7583	1	MOTOR AS-PRELUBRICATION	
	2	1	1H-5959	2	SEAL-LIP TYPE	
	3	1	008-8694	1	KEY	
	4	1	5M-6214	2	PLUG (1/8-27 PTF)	
	5	1	5N-6668	1	HOUSING	
	6	1	2N-7523	1	IDLER AS (7-TEETH)	
	7	1	6D-3910	1	SCREW-BUTTON HEAD (10-32X0.25-IN)	
	8	1	2N-7524	1	HEAD AS	
	9	1	0S-1617	9	BOLT (5/16-18X0.75-IN)	
	10	1	2N-7521	1	COVER	
	11	1	6N-5595	1	ROTOR	
	12	1	0S-1588	4	BOLT (3/8-16X1.25-IN)	
	13	1	2N-7520	1	GASKET	
					AVAILABLE REPAIR KIT(S):	
			2N-7522	1	KIT-GASKET (PRELUBRICATION PUMP)	
					(INCLUDES GASKETS)	

LUBRICATION SYSTEM

3T-3735 PUMP GP-PRELUBRICATION (contd.)

102656401



GRAPHIC #1

<END>

g00490993

LUBRICATION SYSTEM

7E-6468 PUMP GP-PRELUBRICATION

24-VOLT
AN ATTACHMENT

SMCS-1319

i02737081

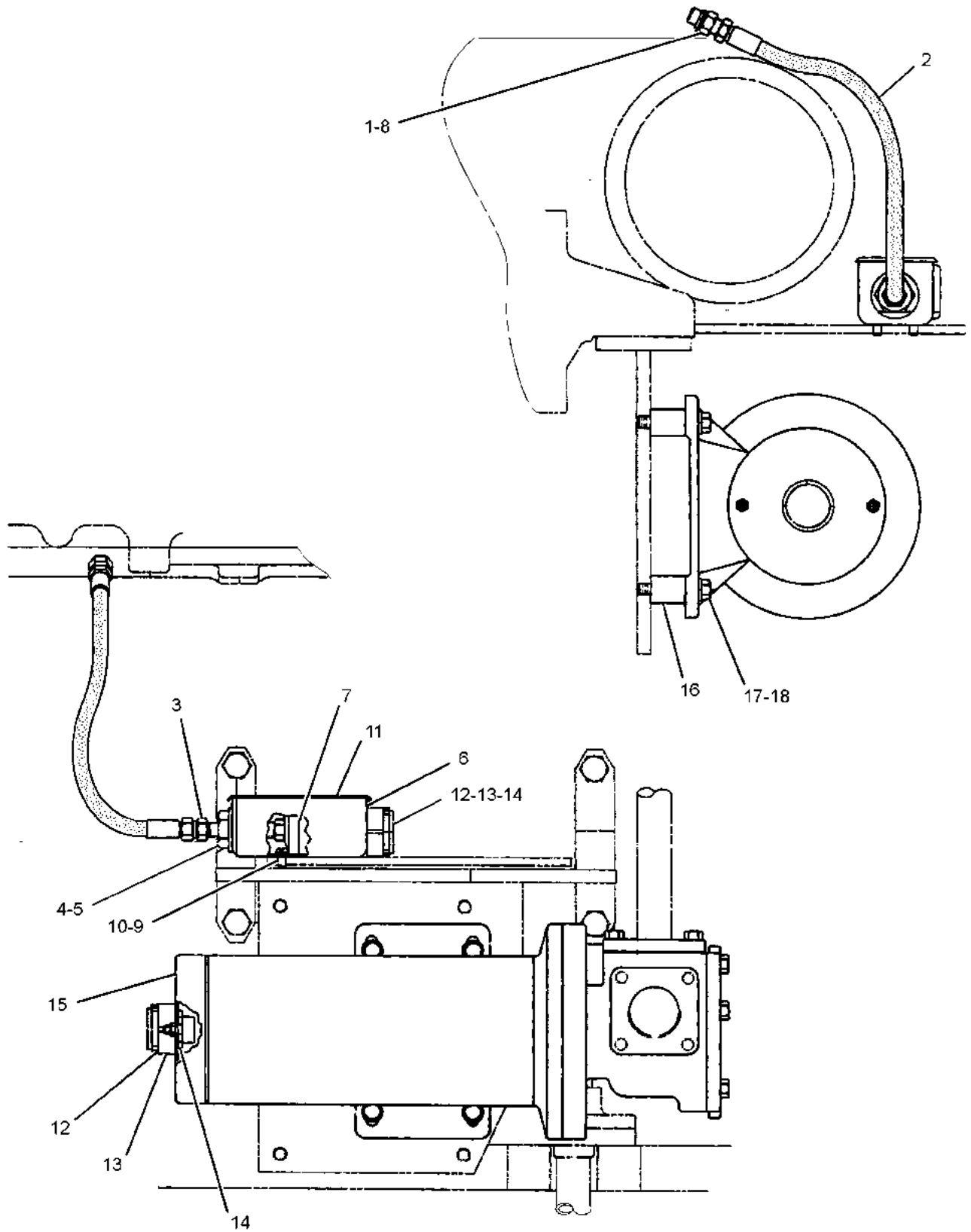
NOTE	REF NO	GRAPHIC REF	PART NUMBER	QTY	PART NAME						SEE PAGE
					1	2	3	4	5	6 (PRODUCT LEVEL)	
	1	1	2R-6806	1	CONNECTOR						
I	2	1	2W-4331	1	HOSE AS						
	3	1	032-1267	1	CONNECTOR (STRAIGHT)						
	4	1	0L-1325	1	WASHER (0.78X1.3125X0.125-IN THK)						
	5	1	9M-7357	1	COUPLING AS						
	6	1	2H-1258	1	BOX-ELECTRICAL						
	7	1	3N-1400	1	SWITCH AS-PRESSURE (PRELUBRICATION)						
	8	1	033-6042	1	SEAL-O-RING						
	9	1	4B-1243	2	SCREW-MACHINE (12-24X0.5-IN)						
	10	1	012-5751	2	LOCKWASHER						
	11	1	2H-1259	1	COVER-BOX DOOR						
	12	1	5N-9073	2	CLIP						
	13	1	5N-8943	2	ADAPTER						
	14	1	3F-2065	2	LOCKNUT (1/2-14-THD)						
Y	15	1	302-8729	1	PUMP GP-PRELUBRICATION						418
	16	1	1M-3381	4	SPACER (0.438X0.75X1-IN THK)						
	17	1	2B-2694	4	BOLT (5/16-18X2-IN)						
	18	1	9M-1974	4	WASHER-HARD (8.8X16X2-MM THK)						

I - REFER TO HYDRAULIC INFORMATION SYSTEM
Y - SEPARATE ILLUSTRATION

LUBRICATION SYSTEM

7E-6468 PUMP GP-PRELUBRICATION (contd.)

i02737081



GRAPHIC #1

<END>

g01373587

LUBRICATION SYSTEM

4W-6252 PUMP GP-SUMP-RH
FOR USE WITH HEAVY DUTY AIR CLEANER WITH PRECLEANER
FOR USAGE REFER TO CHART 7N-8698-PAGE: 1460
AN ATTACHMENT

SMCS-1324

i01758341

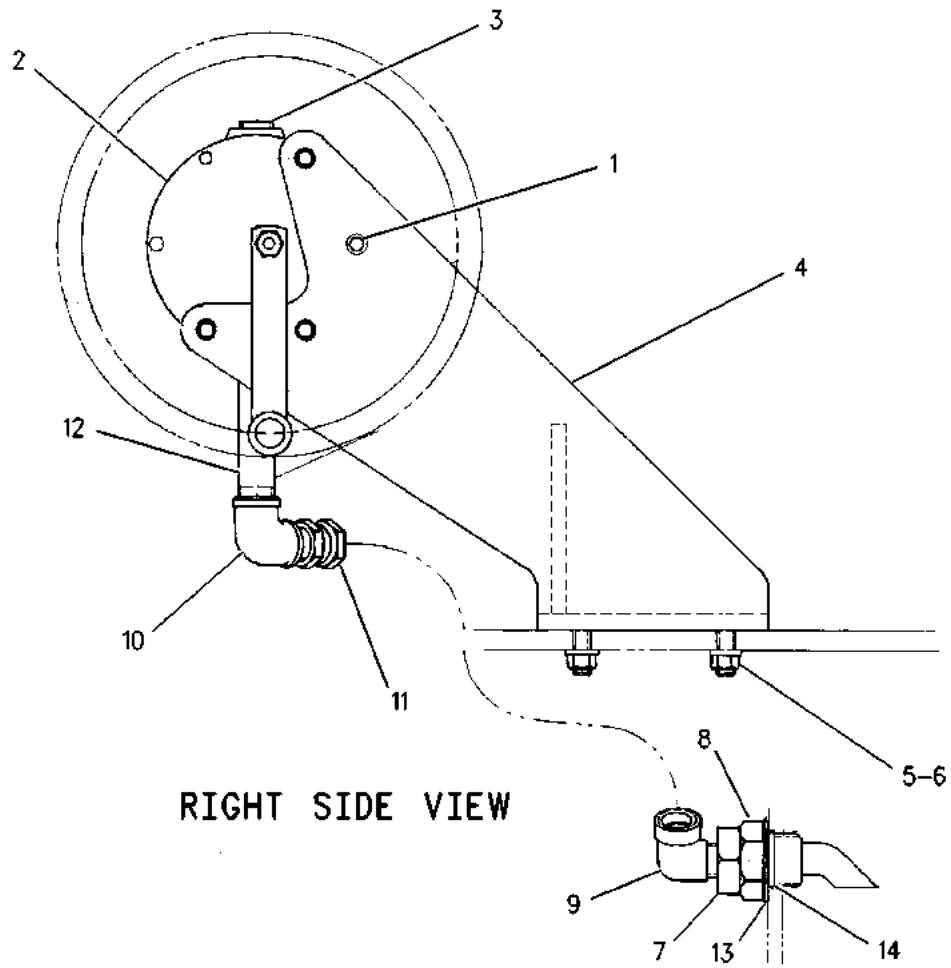
NOTE	REF NO	GRAPHIC REF	PART NUMBER	QTY	PART NAME						SEE PAGE
					1	2	3	4	5	6 (PRODUCT LEVEL)	
	1	1	7B-2742	4	BOLT (1/4-20X1.25-IN)						
		1	5P-0537	8	WASHER-HARD (7.2X14.5X2-MM THK)						
Y	2	1	5N-6237	1	PUMP GP-ENGINE OIL (MANUAL LUBRICATION)						413
	3	1	7X-7731	1	PLUG-PIPE (3/4-14-THD)						
	4	1	4W-6258	1	BRACKET AS						
B	5	1	1F-7958	2	NUT-FULL (1/2-13-THD)						
B		1	0S-1587	2	BOLT (1/2-13X1.75-IN)						
B		1	5P-8245	4	WASHER-HARD (13.5X25.5X3-MM THK)						
B	6	1	0S-1595	2	BOLT (1/2-13X1.25-IN)						
B		1	5P-8245	2	WASHER-HARD (13.5X25.5X3-MM THK)						
	7	1	4P-5242	1	PICKUP AS-OIL						
	8	1	0L-0701	1	NUT (1-1/2-12-THD)						
	9	1	003-9163	1	ELBOW						
C	10	1	1K-6937	1	ELBOW-PIPE						
	11	1	5F-6371	1	CONNECTOR						
	12	1	3B-7266	1	NIPPLE-PIPE						
	13	1	1U-4738	1	WASHER (39.3X60X6-MM THK)						
	14	1	4J-0521	1	SEAL-O-RING						

B - USE AS REQUIRED
 C - CHANGE FROM PREVIOUS TYPE
 Y - SEPARATE ILLUSTRATION

LUBRICATION SYSTEM

4W-6252 PUMP GP-SUMP (contd.)

101758341



GRAPHIC #1

<END>

g00899554

LUBRICATION SYSTEM

4W-6255 PUMP GP-SUMP-LH

FOR USE WITH HEAVY DUTY AIR CLEANERS WITH PRECLEANER
FOR USAGE REFER TO CHART 7N-8698-PAGE: 1460
AN ATTACHMENT

SMCS-1324

i07358129

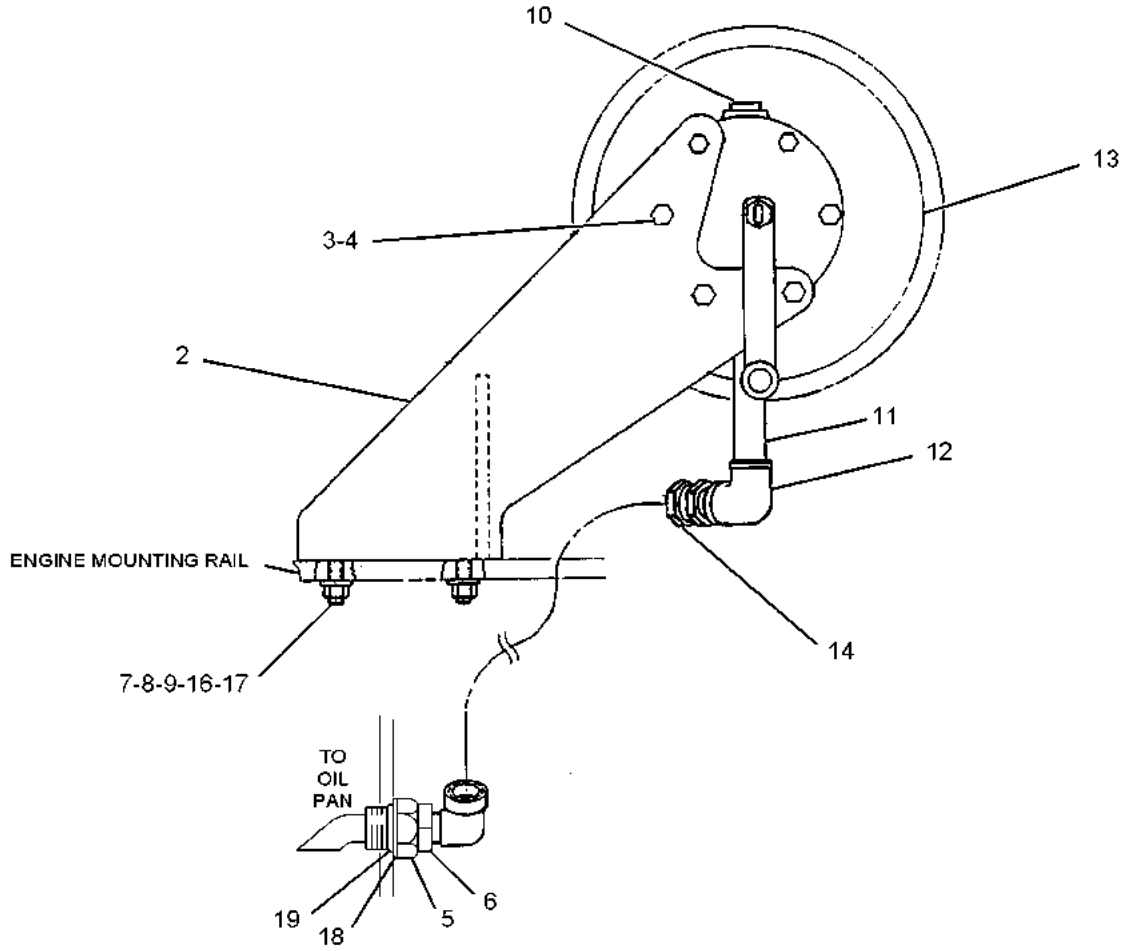
NOTE	REF NO	GRAPHIC REF	PART NUMBER	QTY	PART NAME	SEE PAGE
					1 2 3 4 5 6 (PRODUCT LEVEL)	
	2	1	4W-6257	1	BRACKET AS (LH)	
	3	1	7X-2501	4	BOLT (1/4-20X1.25-IN)	
	4	1	8T-4205	8	WASHER-HARD (7.2X14.5X2-MM THK)	
	5	1	0L-0701	1	NUT (1-1/2-12-THD)	
	6	1	4P-5242	1	PICKUP AS-OIL	
B	7	1	8T-4223	4	WASHER-HARD (13.5X25.5X3-MM THK)	
B	8	1	6V-8188	2	NUT (1/2-13-THD)	
B	9	1	8T-8919	2	BOLT (1/2-13X1.75-IN)	
	10	1	7X-7731	1	PLUG-PIPE (3/4-14-THD)	
	11	1	6L-5295	1	FITTING	
C	12	1	1K-6937	1	ELBOW-PIPE	
Y	13	1	5N-6237	1	PUMP GP-ENGINE OIL (MANUAL LUBRICATION)	413
	14	1	5F-6371	1	CONNECTOR	
	15	1	003-9163	1	ELBOW	
B	16	1	8T-8917	2	BOLT (1/2-13X1.25-IN)	
B	17	1	8T-4223	2	WASHER-HARD (13.5X25.5X3-MM THK)	
	18	1	1U-4738	1	WASHER (39.3X60X6-MM THK)	
	19	1	4J-0521	1	SEAL-O-RING	

B - USE AS REQUIRED
C - CHANGE FROM PREVIOUS TYPE
Y - SEPARATE ILLUSTRATION

LUBRICATION SYSTEM

4W-6255 PUMP GP-SUMP (contd.)

107358129



LEFT SIDE VIEW

<END>

GRAPHIC #1

g01102993

LUBRICATION SYSTEM

7W-9703 PUMP GP-SUMP

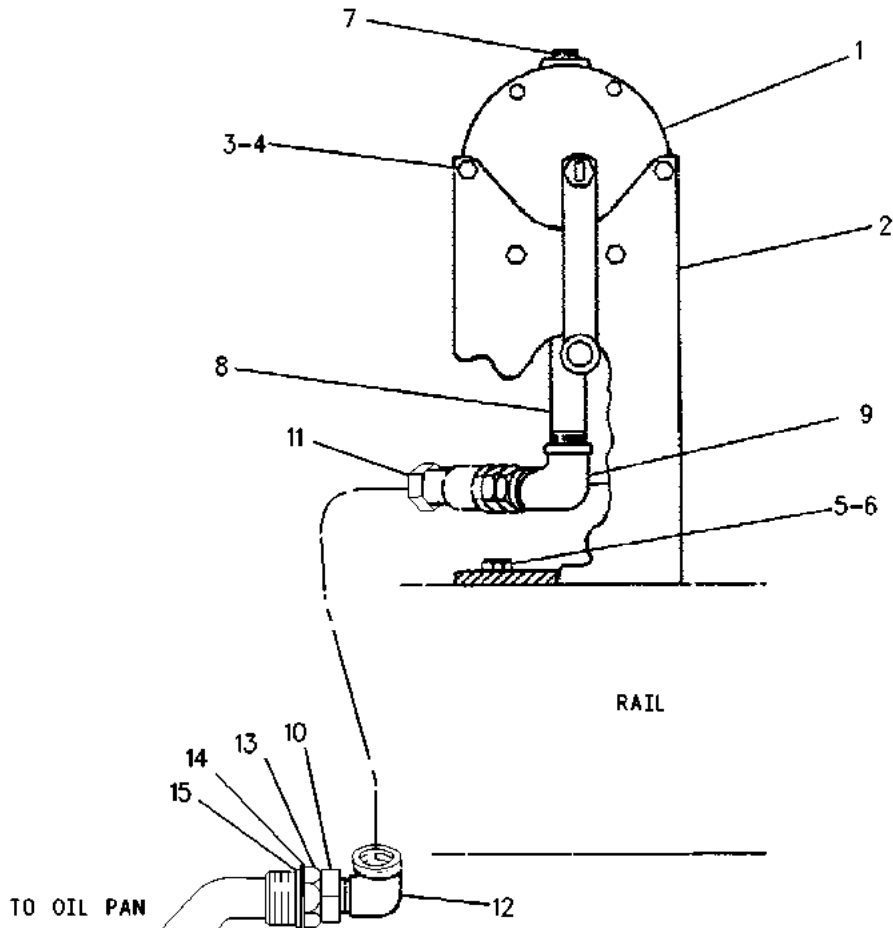
FOR USAGE REFER TO CHART 7N-8698-PAGE: 1460
AN ATTACHMENT

SMCS-1324

i07153210

NOTE	REF NO	GRAPHIC REF	PART NUMBER	QTY	PART NAME						SEE PAGE
					1	2	3	4	5	6 (PRODUCT LEVEL)	
Y	1	1	5N-6237	1	PUMP GP-ENGINE OIL (MANUAL LUBRICATION) (MANUAL LUBRICATION)						413
	2	1	5N-6236	1	BRACKET						
	3	1	7X-2501	4	BOLT (1/4-20X1.25-IN)						
	4	1	8T-4205	8	WASHER-HARD (7.2X14.5X2-MM THK)						
	5	1	8T-8917	2	BOLT (1/2-13X1.25-IN)						
	6	1	8T-4223	2	WASHER-HARD (13.5X25.5X3-MM THK)						
	7	1	7X-7731	1	PLUG-PIPE (3/4-14-THD)						
	8	1	3B-7265	1	NIPPLE-PIPE						
	9	1	1K-6937	1	ELBOW-PIPE						
	10	1	4P-5242	1	PICKUP AS-OIL						
	11	1	5F-6371	1	CONNECTOR						
	12	1	003-9163	1	ELBOW						
	13	1	0L-0701	1	NUT (1-1/2-12-THD)						
	14	1	1U-4738	1	WASHER (39.3X60X6-MM THK)						
	15	1	4J-0521	1	SEAL-O-RING						

Y - SEPARATE ILLUSTRATION



GRAPHIC #1

<END>

g00778854

LUBRICATION SYSTEM

7W-9704 PUMP GP-SUMP

FOR USAGE REFER TO CHART 7N-8698-PAGE: 1460
AN ATTACHMENT

SMCS-1324

i07114045

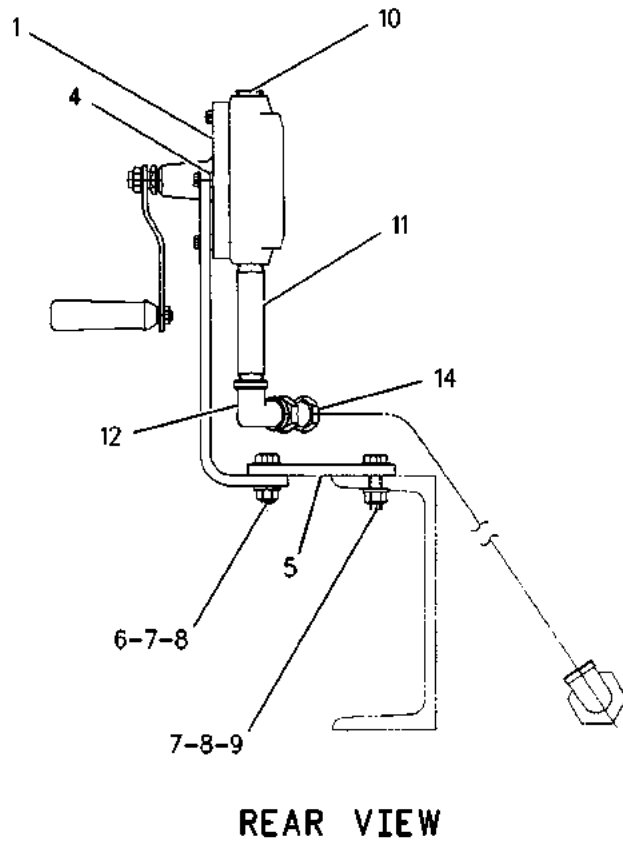
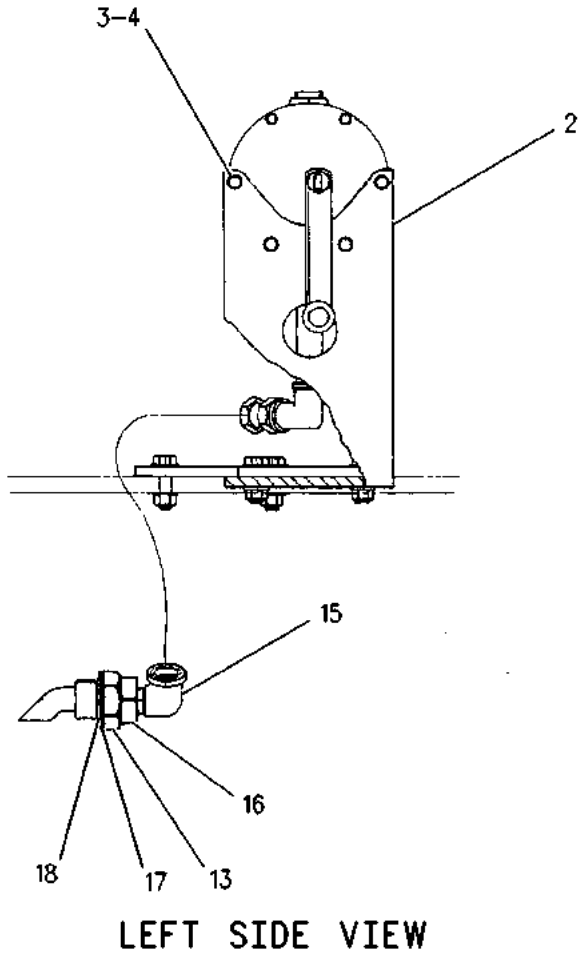
NOTE	REF NO	GRAPHIC REF	PART NUMBER	QTY	PART NAME						SEE PAGE
					1	2	3	4	5	6 (PRODUCT LEVEL)	
Y	1	1	5N-6237	1	PUMP GP-ENGINE OIL (MANUAL LUBRICATION)						413
	2	1	5N-6236	1	BRACKET						
	3	1	7X-2501	4	BOLT (1/4-20X1.25-IN)						
	4	1	8T-4205	8	WASHER-HARD (7.2X14.5X2-MM THK)						
	5	1	5N-6235	1	PLATE						
	6	1	5P-2566	2	BOLT (1/2-13X1.5-IN)						
	7	1	8T-4223	8	WASHER-HARD (13.5X25.5X3-MM THK)						
	8	1	6V-8188	4	NUT (1/2-13-THD)						
	9	1	8T-8919	2	BOLT (1/2-13X1.75-IN)						
	10	1	7X-7731	1	PLUG-PIPE (3/4-14-THD)						
	11	1	3B-7265	1	NIPPLE-PIPE						
	12	1	1K-6937	1	ELBOW-PIPE						
C	13	1	0L-0701	1	NUT (1-1/2-12-THD)						
	14	1	5F-6371	1	CONNECTOR						
	15	1	003-9163	1	ELBOW						
C	16	1	4P-5242	1	PICKUP AS-OIL						
C	17	1	1U-4738	1	WASHER (39.3X60X6-MM THK)						
C	18	1	4J-0521	1	SEAL-O-RING						

C - CHANGE FROM PREVIOUS TYPE
Y - SEPARATE ILLUSTRATION

LUBRICATION SYSTEM

7W-9704 PUMP GP-SUMP (contd.)

i07114045



GRAPHIC #1

<END>

g00776889

LUBRICATION SYSTEM

220-3361 REGULATOR GP-OIL LEVEL

S/N: 65Z887-1615

FOR USE WITH TWO-SIDED FRONT HOUSING
AN ATTACHMENT

SMCS-1334

i07079223

NOTE	REF NO	GRAPHIC REF	PART NUMBER	QTY	PART NAME						SEE PAGE
					1	2	3	4	5	6 (PRODUCT LEVEL)	
	1	1	6G-2263	1	SPACER (10.5X19X28.5-MM THK)						
	2	1	7W-4979	1	VALVE-CHECK (ENGINE OIL)						
	3	1	7W-7409	1	COVER						
	4	1	8N-9885	1	GASKET-COVER						
I	5	1	113-9001	1	HOSE AS						
	6	1	169-7326	1	VALVE-BALL (SHUTOFF, OIL)						
	8	1	214-3091	1	BRACKET AS						
		1	1F-0750	2	NUT-WELD (3/8-16-THD)						
I	9	1	216-8359	1	HOSE AS						
	10	1	032-1267	1	CONNECTOR (STRAIGHT)						
	11	1	0L-1143	2	BOLT (3/8-16X2.5-IN)						
	12	1	0L-2070	1	BOLT (3/8-16X2.25-IN)						
	13	1	0S-1594	2	BOLT (3/8-16X1-IN)						
	14	1	1A-2029	7	BOLT (3/8-16X1.125-IN)						
	15	1	2N-8037	1	ELBOW						
	16	1	3B-7255	1	BUSHING-REDUCER						
	17	1	3B-7741	2	NIPPLE-PIPE (CLOSE)						
	18	1	5M-2894	10	WASHER-HARD (10.2X18.5X2.5-MM THK)						
	19	1	7D-8793	1	ELBOW-FLARED						
	21	1	8L-3282	1	CONNECTOR						
	22	1	8M-2773	1	CLIP (LOOP)						
B	23	1	6K-9194	1	ELBOW						
	24	1	4W-4076	1	ELBOW						
	25	1	9X-6458	2	WASHER-HARD (10.2X22.5X3-MM THK)						

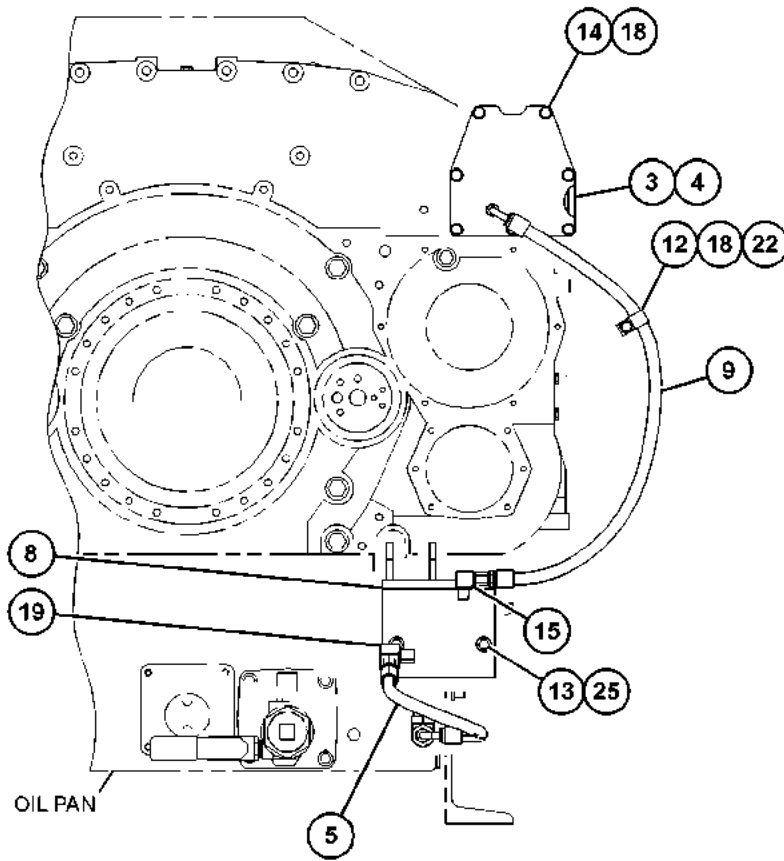
B - USE AS REQUIRED

I - REFER TO HYDRAULIC INFORMATION SYSTEM

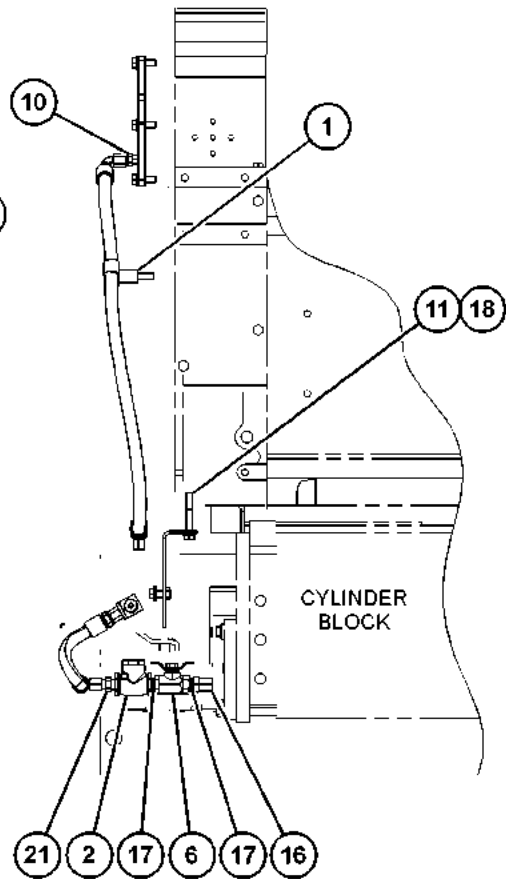
LUBRICATION SYSTEM

220-3361 REGULATOR GP-OIL LEVEL (contd.)

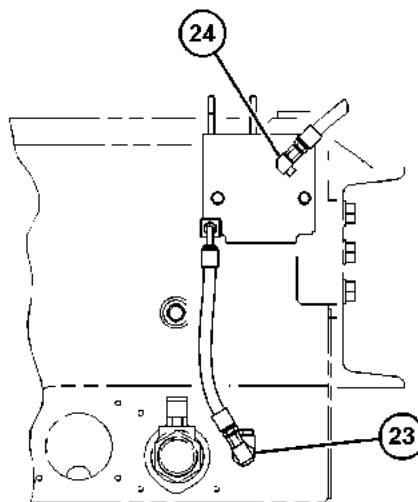
i07079223



FRONT VIEW OF ENGINE
(SHALLOW OIL PAN)



LEFT SIDE VIEW OF ENGINE
(SHALLOW OIL PAN)



FRONT VIEW OF ENGINE
(DEEP OIL PAN)

GRAPHIC #1

<END>

g06224502

LUBRICATION SYSTEM

297-9834 REGULATOR GP-OIL LEVEL

AN ATTACHMENT

SMCS-1334

i07458964

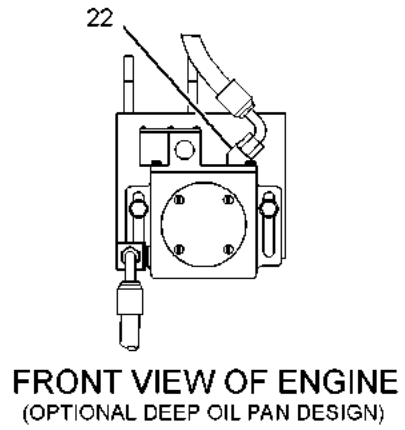
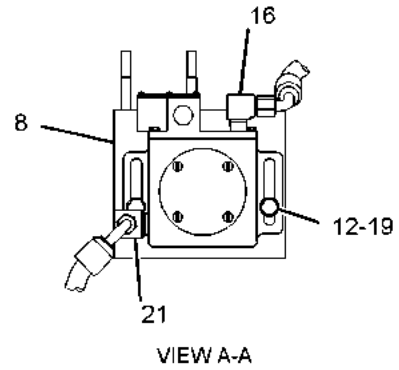
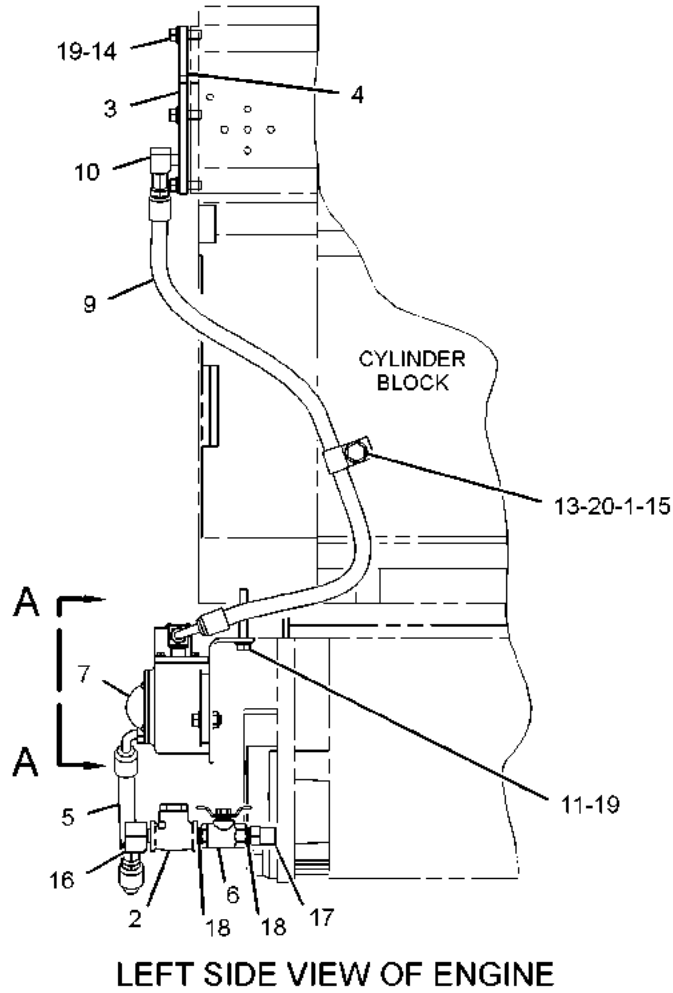
NOTE	REF NO	GRAPHIC REF	PART NUMBER	QTY	PART NAME						SEE PAGE
					1	2	3	4	5	6 (PRODUCT LEVEL)	
	1	1	1K-4649	1	SPACER (0.516X1X1-IN THK)						
	2	1	7W-4979	1	VALVE-CHECK						
	3	1	7W-7409	1	COVER						
	4	1	8N-9885	1	GASKET-COVER						
I	5	1	113-9001	1	HOSE AS						
	6	1	169-7326	1	VALVE-BALL (SHUTOFF, OIL)						
	7	1	213-6133	1	REGULATOR AS						
		1	545-8456	1	COVER (REGULATOR)						
		1	545-8457	1	COVER (REGULATOR)						
	8	1	214-3091	1	BRACKET AS						
		1	1F-0750	2	NUT-WELD (3/8-16-THD)						
I	9	1	216-8359	1	HOSE AS						
	10	1	032-1268	1	CONNECTOR (90-DEG)						
	11	1	0L-1143	2	BOLT (3/8-16X2.5-IN)						
	12	1	0S-1594	2	BOLT (3/8-16X1-IN)						
	13	1	1A-1460	1	BOLT (1/2-13X2-IN)						
	14	1	1A-2029	7	BOLT (3/8-16X1.125-IN)						
	15	1	1S-6420	1	CLIP						
	16	1	2N-8037	2	ELBOW						
	17	1	3B-7255	1	BUSHING-REDUCER						
	18	1	3B-7741	2	NIPPLE-PIPE (CLOSE)						
	19	1	5M-2894	11	WASHER-HARD (10.2X18.5X2.5-MM THK)						
	20	1	5P-8245	1	WASHER-HARD (13.5X25.5X3-MM THK)						
	21	1	7D-8793	1	ELBOW-FLARED						
	22	1	4W-4076	1	ELBOW						

I - REFER TO HYDRAULIC INFORMATION SYSTEM

LUBRICATION SYSTEM

297-9834 REGULATOR GP-OIL LEVEL (contd.)

i07458964



GRAPHIC #1

<END>

g03589861

LUBRICATION SYSTEM

308-2841 REGULATOR GP-OIL LEVEL

AN ATTACHMENT

SMCS-1334

i02975920

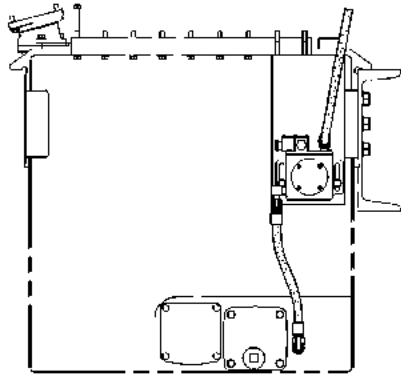
NOTE	REF NO	GRAPHIC REF	PART NUMBER	QTY	PART NAME	SEE PAGE
					1 2 3 4 5 6 (PRODUCT LEVEL)	
	1	1	3L-6008	1	SPACER (10.5X19X28.6-MM THK)	
	2	1	7D-8793	1	ELBOW-FLARED	
	3	1	7W-4979	1	VALVE-CHECK	
I	6	1	113-9001	1	HOSE AS	
	7	1	169-7326	1	VALVE-BALL (SHUTOFF, OIL)	
I	9	1	216-8359	1	HOSE AS	
	10	1	308-2842	1	BRACKET AS	
		1	1F-0750	2	NUT-WELD (3/8-16-THD)	
	11	1	032-1267	1	CONNECTOR (STRAIGHT)	
	12	1	0L-1143	2	BOLT (3/8-16X2.5-IN)	
	13	1	0L-2070	1	BOLT (3/8-16X2.25-IN)	
	14	1	0S-1594	2	BOLT (3/8-16X1-IN)	
	16	1	2N-8037	1	ELBOW	
	17	1	3B-7255	1	BUSHING-REDUCER	
	18	1	3B-7741	2	NIPPLE-PIPE (CLOSE)	
	19	1	5M-2894	5	WASHER-HARD (10.2X18.5X2.5-MM THK)	
	21	1	8L-3282	1	CONNECTOR	
	22	1	8M-2773	1	CLIP (LOOP)	

I - REFER TO HYDRAULIC INFORMATION SYSTEM

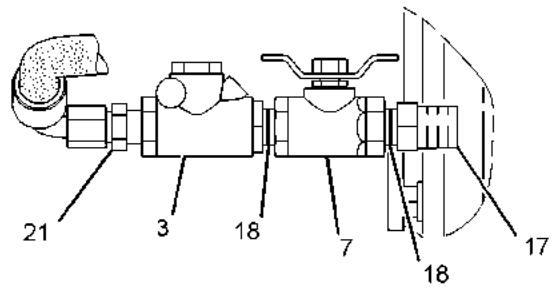
LUBRICATION SYSTEM

308-2841 REGULATOR GP-OIL LEVEL (contd.)

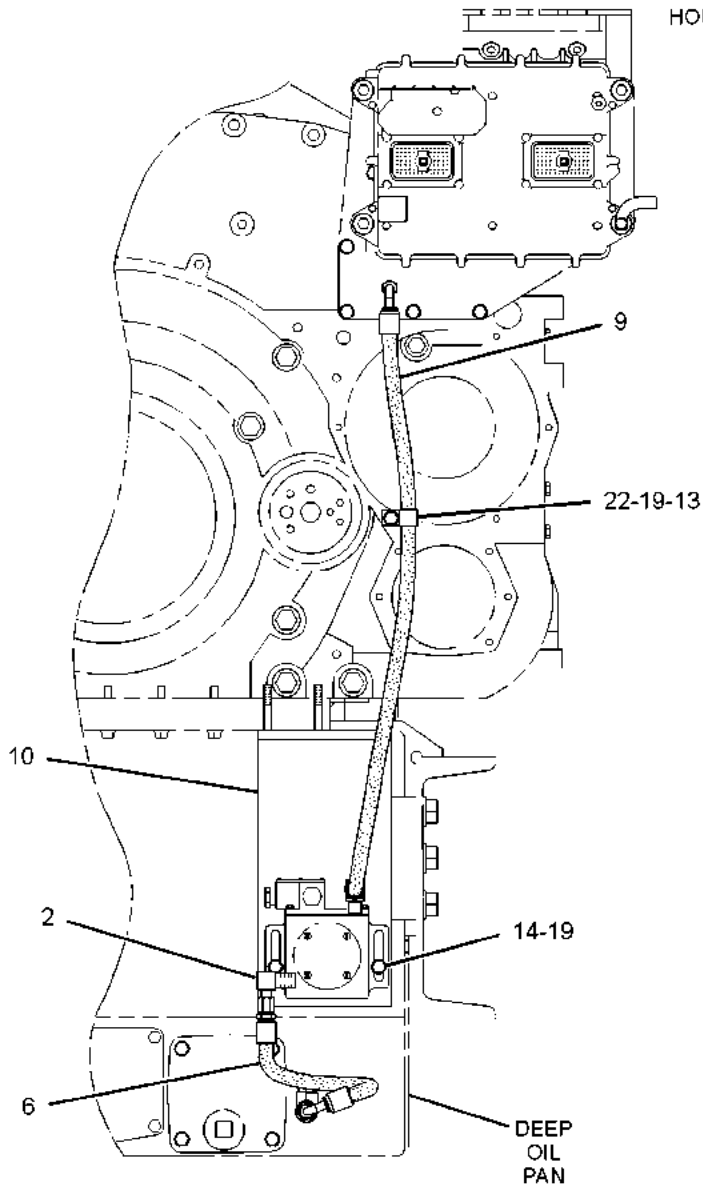
i02975920



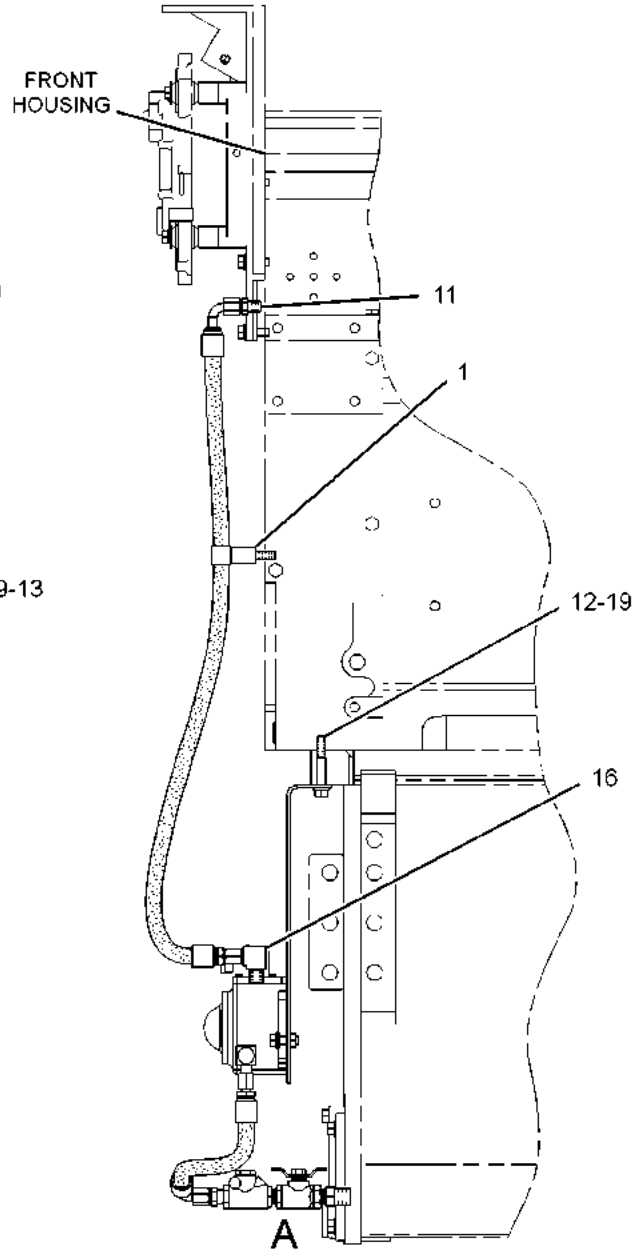
FRONT VIEW OF ENGINE
(SUPER DEEP OIL PAN)



VIEW OF AREA A



FRONT VIEW OF ENGINE



LEFT SIDE VIEW OF ENGINE

GRAPHIC #1

<END>

g01508679

LUBRICATION SYSTEM

5N-4659 REGULATOR GP-OIL LEVEL

S/N: 65Z887-1350

AN ATTACHMENT

TYPE 1

SMCS-1334

i04381624

NOTE	REF NO	GRAPHIC REF	PART NUMBER	QTY	PART NAME						SEE PAGE
					1	2	3	4	5	6 (PRODUCT LEVEL)	
	1	1	032-1268	1	CONNECTOR (90-DEG)						
I	2	1	8V-0536	1	HOSE AS						
	3	1	5L-5006	1	REGULATOR-LEVEL (ENGINE OIL)						
	4	1	0S-1594	2	BOLT (3/8-16X1-IN)						
	5	1	8T-0169	1	ELBOW						
	6	1	7W-7457	1	BRACKET						
	7	1	6B-5072	2	ADAPTER						
I	8	1	5N-7766	1	HOSE AS						
	9	1	3B-7722	1	BUSHING-PIPE						
	10	1	5L-6296	1	VALVE (OIL SHUTOFF)						
	11	1	3B-7741	1	NIPPLE-PIPE (CLOSE)						
	12	1	3B-7255	1	BUSHING-REDUCER						
	13	1	0L-1143	2	BOLT (3/8-16X2.5-IN)						
B	14	1	7J-8611	1	ELBOW-PIPE						
	15	1	5M-2894	4	WASHER-HARD (10.2X18.5X2.5-MM THK)						
	16	1	002-6453	1	ELBOW						

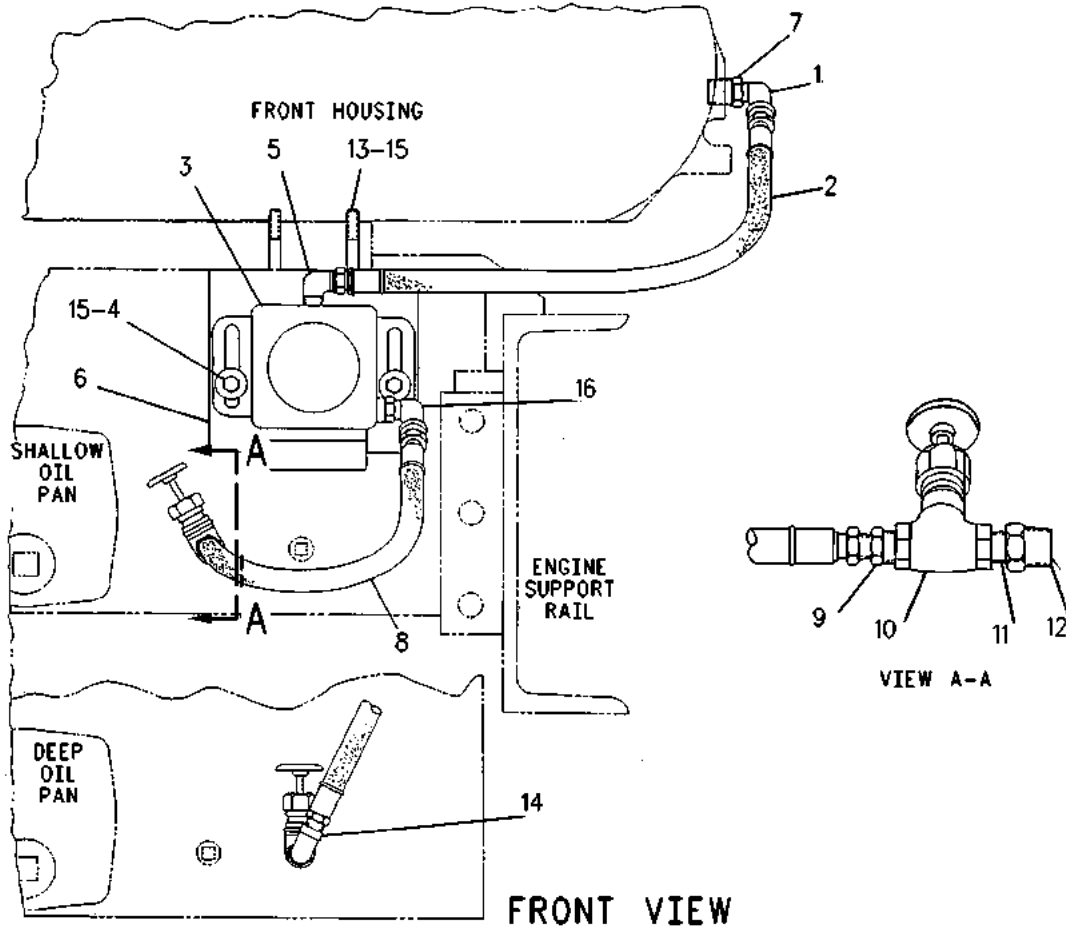
B - USE AS REQUIRED

I - REFER TO HYDRAULIC INFORMATION SYSTEM

LUBRICATION SYSTEM

5N-4659 REGULATOR GP-OIL LEVEL (contd.)

i04381624



GRAPHIC #1

<END>

g00899573

LUBRICATION SYSTEM

5N-4659 REGULATOR GP-OIL LEVEL

S/N: 65Z887-1350

AN ATTACHMENT

TYPE 2

SMCS-1334

i03629781

NOTE	REF NO	GRAPHIC REF	PART NUMBER	QTY	PART NAME						SEE PAGE
					1	2	3	4	5	6 (PRODUCT LEVEL)	
	1	1	5M-2894	4	WASHER-HARD (10.2X18.5X2.5-MM THK)						
	2	1	0S-1594	2	BOLT (3/8-16X1-IN)						
	3	1	7W-7457	1	BRACKET						
	5	1	7J-8611	1	ELBOW-PIPE						
BC	6	1	002-6453	1	ELBOW						
	7	1	032-1268	1	CONNECTOR (90-DEG)						
	8	1	0L-1143	2	BOLT (3/8-16X2.5-IN)						
	9	1	8T-0169	1	ELBOW						
	10	1	5L-5006	1	REGULATOR-LEVEL (ENGINE OIL)						
	11	1	6B-5072	2	ADAPTER						
I	12	1	5N-7766	1	HOSE AS						
	13	1	3B-7722	1	BUSHING-PIPE						
C	14	1	169-7326	1	VALVE-BALL (SHUTOFF, OIL)						
	15	1	3B-7741	2	NIPPLE-PIPE (CLOSE)						
	16	1	3B-7255	1	BUSHING-REDUCER						
I	17	1	8V-0536	1	HOSE AS						
C	18	1	7W-4979	1	VALVE-CHECK (OIL TEMPERATURE REGULATOR)						

B - USE AS REQUIRED

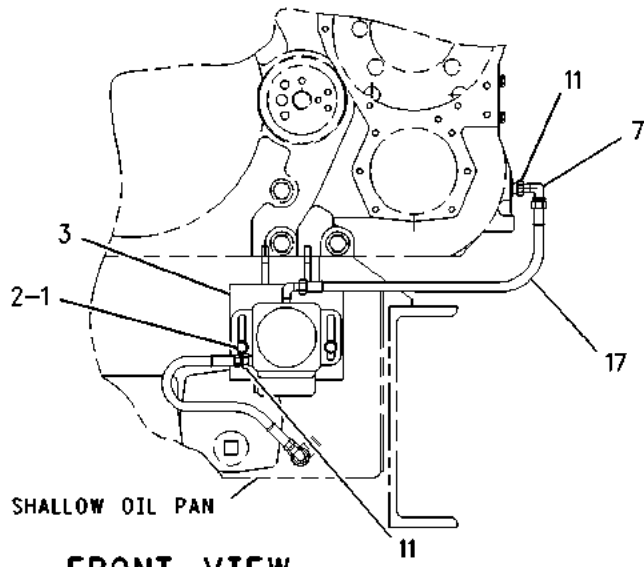
C - CHANGE FROM PREVIOUS TYPE

I - REFER TO HYDRAULIC INFORMATION SYSTEM

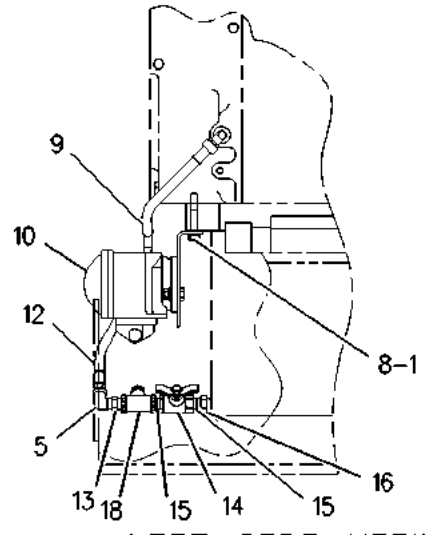
LUBRICATION SYSTEM

5N-4659 REGULATOR GP-OIL LEVEL (contd.)

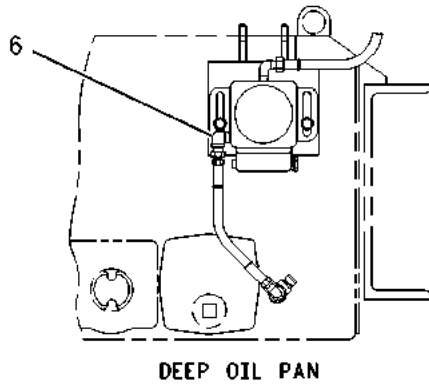
i03629781



FRONT VIEW



LEFT SIDE VIEW



DEEP OIL PAN

GRAPHIC #1

<END>

g00780410

LUBRICATION SYSTEM

5N-4659 REGULATOR GP-OIL LEVEL

S/N: 65Z887-1350

AN ATTACHMENT

TYPE 3

SMCS-1334

i03167557

NOTE	REF NO	GRAPHIC REF	PART NUMBER	QTY	PART NAME						SEE PAGE
					1	2	3	4	5	6 (PRODUCT LEVEL)	
C	1	1	3L-6008	1	SPACER (10.5X19X28.6-MM THK)						
C	2	1	7D-8793	1	ELBOW-FLARED						
	3	1	7W-4979	1	VALVE-CHECK						
CI	4	1	113-9001	1	HOSE AS						
	5	1	169-7326	1	VALVE-BALL (SHUTOFF, OIL)						
C	6	1	213-6133	1	REGULATOR AS						
C	7	1	214-3091	1	BRACKET AS						
		1	1F-0750	2	NUT-WELD (3/8-16-THD)						
CI	8	1	216-8359	1	HOSE AS						
C	9	1	032-1267	1	CONNECTOR (STRAIGHT)						
	10	1	0L-1143	2	BOLT (3/8-16X2.5-IN)						
C	11	1	0L-2070	1	BOLT (3/8-16X2.25-IN)						
	12	1	0S-1594	2	BOLT (3/8-16X1-IN)						
C	13	1	2N-8037	1	ELBOW						
	14	1	3B-7255	1	BUSHING-REDUCER						
	15	1	3B-7741	2	NIPPLE-PIPE (CLOSE)						
C	16	1	5M-2894	5	WASHER-HARD (10.2X18.5X2.5-MM THK)						
C	18	1	8L-3282	1	CONNECTOR						
C	19	1	8M-2773	1	CLIP (LOOP)						
BC	20	1	6K-9194	1	ELBOW						
B	21	1	7D-5363	1	CONNECTOR (9/16-18-THD)						

B - USE AS REQUIRED

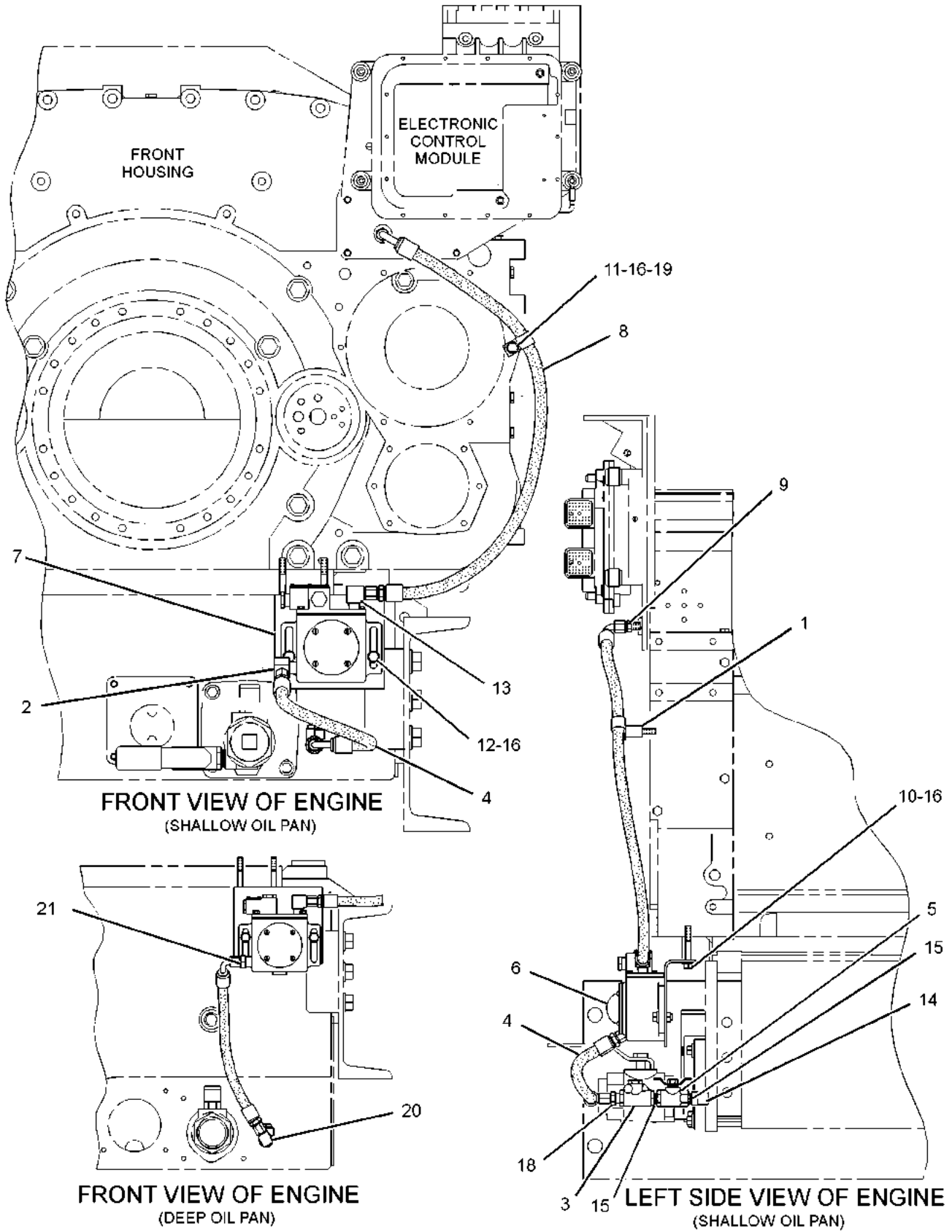
C - CHANGE FROM PREVIOUS TYPE

I - REFER TO HYDRAULIC INFORMATION SYSTEM

LUBRICATION SYSTEM

5N-4659 REGULATOR GP-OIL LEVEL (contd.)

i03167557



GRAPHIC #1

<END>

g01292552

LUBRICATION SYSTEM

5N-4659 REGULATOR GP-OIL LEVEL

S/N: 65Z1351-UP

AN ATTACHMENT

TYPE 1

SMCS-1334

i05435854

NOTE	REF NO	GRAPHIC REF	PART NUMBER	QTY	PART NAME						SEE PAGE
					1	2	3	4	5	6 (PRODUCT LEVEL)	
	1	1	3L-6008	1	SPACER (10.5X19X28.6-MM THK)						
	2	1	7D-8793	1	ELBOW-FLARED						
	3	1	7W-4979	1	VALVE-CHECK						
I	4	1	113-9001	1	HOSE AS						
	5	1	169-7326	1	VALVE-BALL (SHUTOFF, OIL)						
	6	1	213-6133	1	REGULATOR AS						
	7	1	214-3091	1	BRACKET AS						
		1	1F-0750	2	NUT-WELD (3/8-16-THD)						
I	8	1	216-8359	1	HOSE AS						
	9	1	032-1267	1	CONNECTOR (STRAIGHT)						
	10	1	0L-1143	2	BOLT (3/8-16X2.5-IN)						
	11	1	0L-2070	1	BOLT (3/8-16X2.25-IN)						
	12	1	0S-1594	2	BOLT (3/8-16X1-IN)						
C	13	1	2N-8037	2	ELBOW						
	14	1	3B-7255	1	BUSHING-REDUCER						
	15	1	3B-7741	2	NIPPLE-PIPE (CLOSE)						
	16	1	5M-2894	5	WASHER-HARD (10.2X18.5X2.5-MM THK)						
	19	1	8M-2773	1	CLIP (LOOP)						
	20	1	4W-4076	1	ELBOW						

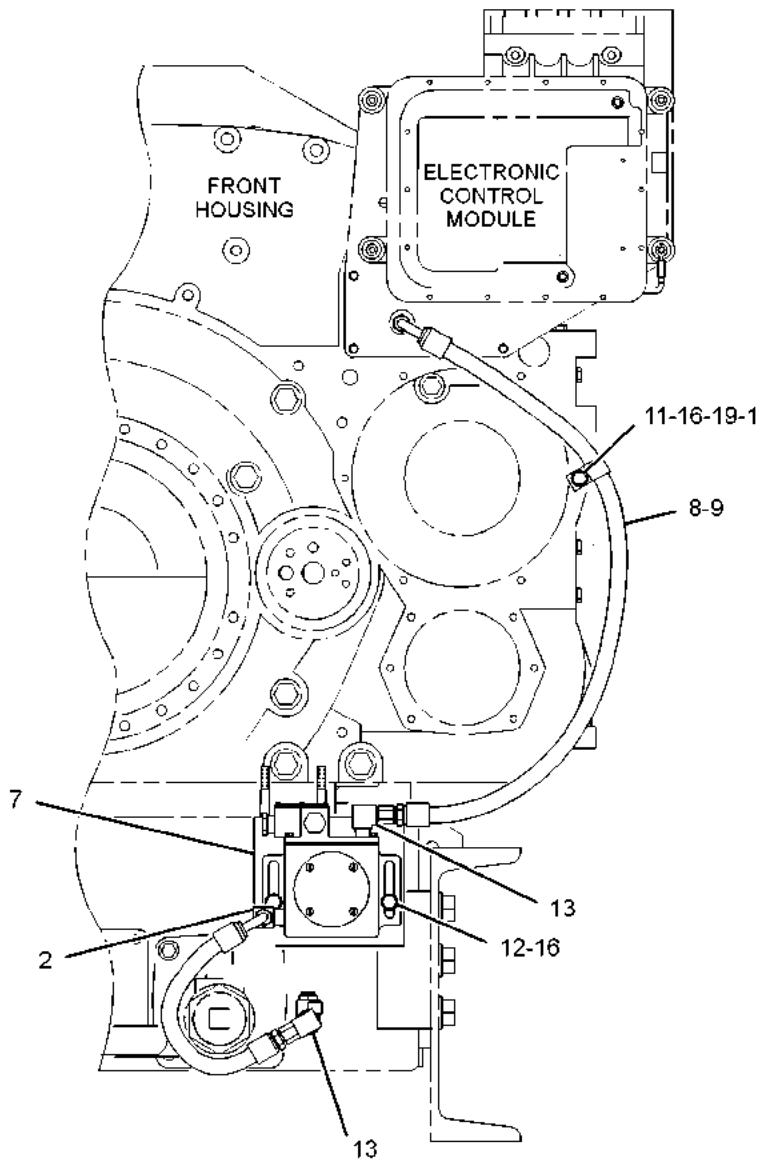
C - CHANGE FROM PREVIOUS TYPE

I - REFER TO HYDRAULIC INFORMATION SYSTEM

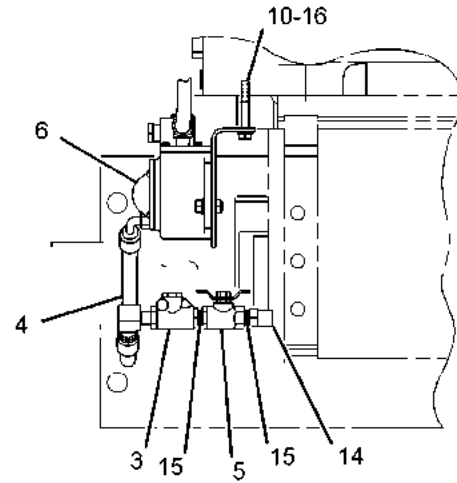
LUBRICATION SYSTEM

5N-4659 REGULATOR GP-OIL LEVEL (contd.)

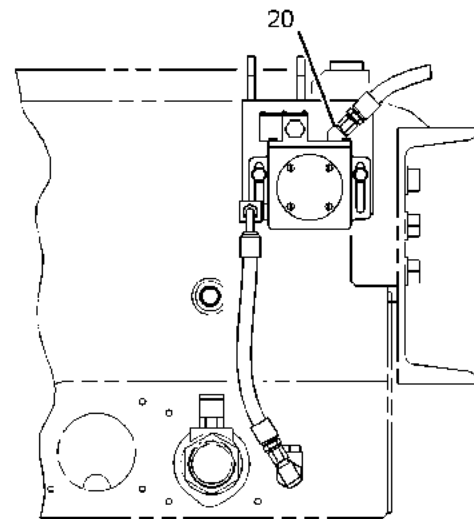
i05435854



FRONT VIEW OF ENGINE
(SHALLOW OIL PAN)



LEFT SIDE VIEW OF ENGINE
(SHALLOW OIL PAN)



FRONT VIEW OF ENGINE
(DEEP OIL PAN)

GRAPHIC #1

<END>

g03595456

LUBRICATION SYSTEM

5N-4659 REGULATOR GP-OIL LEVEL

S/N: 65Z1351-UP

AN ATTACHMENT

TYPE 2

SMCS-1334

i07395582

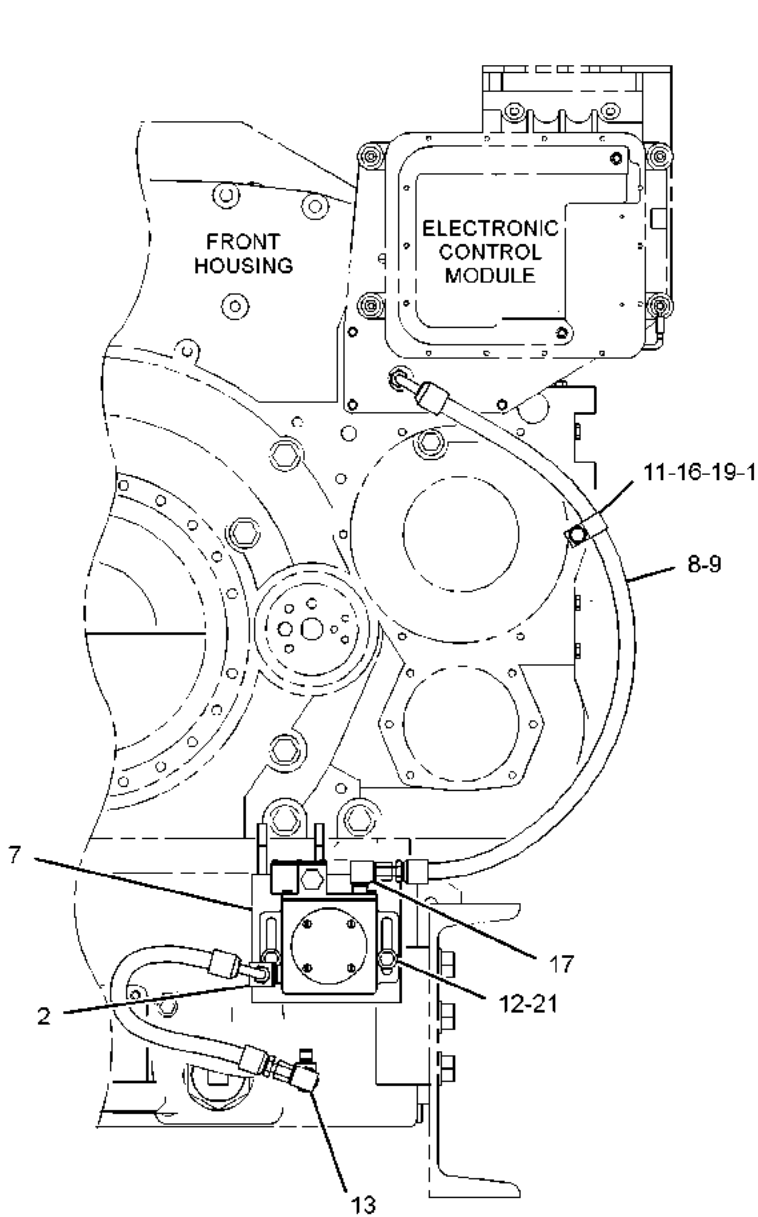
NOTE	REF NO	GRAPHIC REF	PART NUMBER	QTY	PART NAME						SEE PAGE
					1	2	3	4	5	6 (PRODUCT LEVEL)	
C	1	1	6G-2263	1	SPACER (10.5X19X28.5-MM THK)						
	2	1	7D-8793	1	ELBOW-FLARED						
I	4	1	113-9001	1	HOSE AS						
	5	1	169-7326	1	VALVE-BALL (SHUTOFF, OIL)						
	6	1	213-6133	1	REGULATOR AS						
		1	545-8456	1	COVER (REGULATOR)						
		1	545-8457	1	COVER (REGULATOR)						
	7	1	214-3091	1	BRACKET AS						
		1	1F-0750	2	NUT-WELD (3/8-16-THD)						
I	8	1	216-8359	1	HOSE AS						
	9	1	032-1267	1	CONNECTOR (STRAIGHT)						
	10	1	0L-1143	2	BOLT (3/8-16X2.5-IN)						
	11	1	0L-2070	1	BOLT (3/8-16X2.25-IN)						
	12	1	0S-1594	2	BOLT (3/8-16X1-IN)						
C	13	1	2N-8037	1	ELBOW						
	14	1	3B-7255	1	BUSHING-REDUCER						
C	15	1	3B-7741	1	NIPPLE-PIPE (CLOSE)						
	16	1	5M-2894	3	WASHER-HARD (10.2X18.5X2.5-MM THK)						
BJ	17	1	2N-8037	1	ELBOW						
	19	1	8M-2773	1	CLIP (LOOP)						
H	20	1	4W-4076	1	ELBOW						
	21	1	9X-6458	2	WASHER-HARD (10.2X22.5X3-MM THK)						

B - USE AS REQUIRED
 C - CHANGE FROM PREVIOUS TYPE
 H - FOR USE ONLY ON DEEP OIL PANS
 I - REFER TO HYDRAULIC INFORMATION SYSTEM
 J - FOR USE ONLY ON SHALLOW OIL PANS

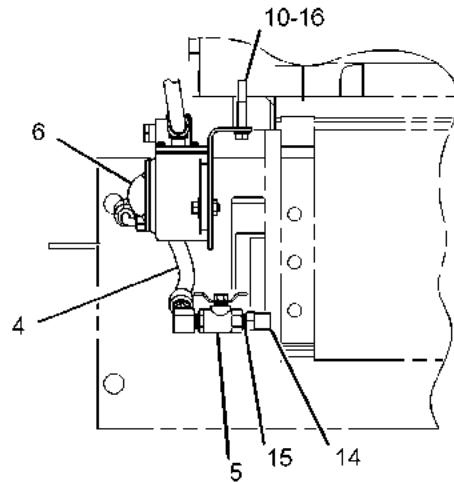
LUBRICATION SYSTEM

5N-4659 REGULATOR GP-OIL LEVEL (contd.)

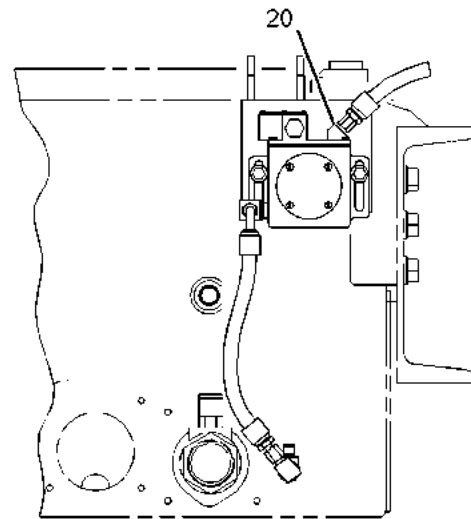
i07395582



FRONT VIEW OF ENGINE
(SHALLOW OIL PAN)



LEFT SIDE VIEW OF ENGINE
(SHALLOW OIL PAN)



FRONT VIEW OF ENGINE
(DEEP OIL PAN)

GRAPHIC #1

<END>

g06321560

LUBRICATION SYSTEM

7W-7319 REGULATOR GP-OIL LEVEL

FOR USE WITH SMALL FRONT ACCESSORY DRIVE HOUSING

CANNOT BE USED WITH MOBILE APPLICATIONS

AN ATTACHMENT

TYPE 1

SMCS-1334

i03572202

NOTE	REF NO	GRAPHIC REF	PART NUMBER	QTY	PART NAME						SEE PAGE
					1	2	3	4	5	6 (PRODUCT LEVEL)	
B	1	1	7J-8611	1	ELBOW-PIPE						
I	2	1	5N-7766	1	HOSE AS						
	3	1	7W-7457	1	BRACKET						
		1	0L-1143	2	BOLT (3/8-16X2.5-IN)						
	4	1	5M-2894	11	WASHER-HARD (10.2X18.5X2.5-MM THK)						
	5	1	0S-1594	2	BOLT (3/8-16X1-IN)						
	6	1	5L-5006	1	REGULATOR-LEVEL (ENGINE OIL)						
	7	1	032-1268	1	CONNECTOR (90-DEG)						
	8	1	1A-2029	7	BOLT (3/8-16X1.125-IN)						
	9	1	7W-7409	1	COVER						
	10	1	8N-9885	1	GASKET-COVER						
I	11	1	7V-0917	1	HOSE AS						
	12	1	9F-5977	1	CLIP						
	13	1	0S-1621	1	BOLT (1/2-13X1-IN)						
		1	5P-8245	1	WASHER-HARD (13.5X25.5X3-MM THK)						
	14	1	3B-7722	1	BUSHING-PIPE						
	15	1	5L-6296	1	VALVE (SHUTOFF, OIL)						
	16	1	3B-7741	1	NIPPLE-PIPE (CLOSE)						
	17	1	3B-7255	1	BUSHING-REDUCER						
	18	1	6B-5072	1	ADAPTER						
	19	1	002-6453	1	ELBOW						
	20	1	8T-0169	1	ELBOW						
	21	1	3J-5389	1	PLUG (EXTERNAL)						

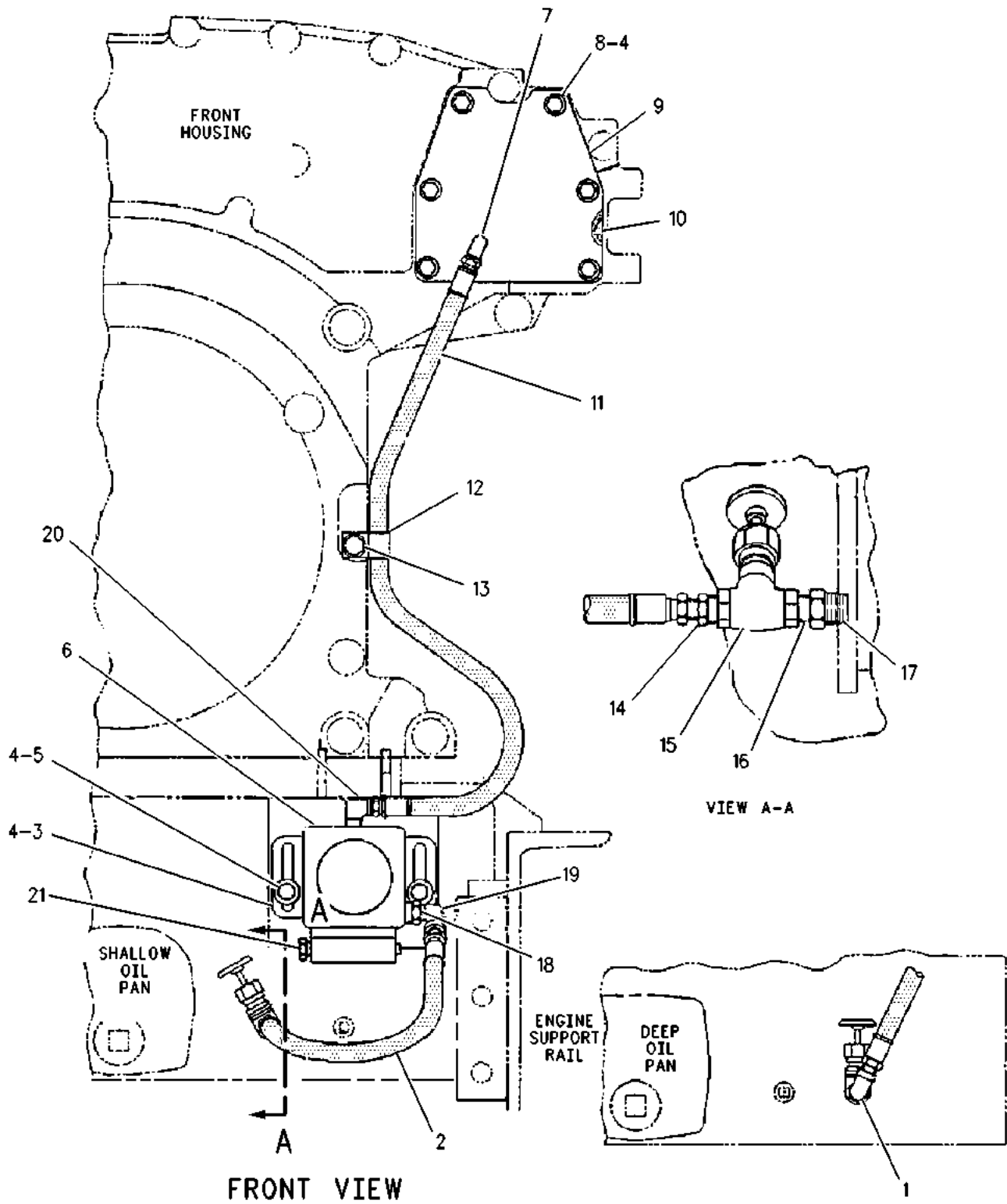
B - USE AS REQUIRED

I - REFER TO HYDRAULIC INFORMATION SYSTEM

LUBRICATION SYSTEM

7W-7319 REGULATOR GP-OIL LEVEL (contd.)

103572202



GRAPHIC #1

<END>

g00901506

LUBRICATION SYSTEM

7W-7319 REGULATOR GP-OIL LEVEL

FOR USE WITH SMALL FRONT ACCESSORY DRIVE HOUSING

CANNOT BE USED WITH MOBILE APPLICATIONS

AN ATTACHMENT

TYPE 2

SMCS-1334

i03117942

NOTE	REF NO	GRAPHIC REF	PART NUMBER	QTY	PART NAME						SEE PAGE
					1	2	3	4	5	6 (PRODUCT LEVEL)	
	1	1	7W-7409	1	COVER						
	2	1	8N-9885	1	GASKET-COVER						
	3	1	1A-2029	7	BOLT (3/8-16X1.125-IN)						
	4	1	5M-2894	11	WASHER-HARD (10.2X18.5X2.5-MM THK)						
I	5	1	7V-0917	1	HOSE AS						
	6	1	0S-1594	2	BOLT (3/8-16X1-IN)						
	7	1	7W-7457	1	BRACKET						
	9	1	7J-8611	1	ELBOW-PIPE						
BC	10	1	002-6453	1	ELBOW						
	11	1	032-1268	1	CONNECTOR (90-DEG)						
	12	1	9F-5977	1	CLIP						
	13	1	0S-1621	1	BOLT (1/2-13X1-IN)						
	14	1	5P-8245	1	WASHER-HARD (13.5X25.5X3-MM THK)						
	15	1	0L-1143	2	BOLT (3/8-16X2.5-IN)						
	16	1	8T-0169	1	ELBOW						
	17	1	5L-5006	1	REGULATOR-LEVEL (ENGINE OIL)						
	18	1	6B-5072	1	ADAPTER						
I	19	1	5N-7766	1	HOSE AS						
	20	1	3B-7722	1	BUSHING-PIPE						
C	21	1	169-7326	1	VALVE-BALL (SHUTOFF, OIL)						
	22	1	3B-7741	2	NIPPLE-PIPE (CLOSE)						
	23	1	3B-7255	1	BUSHING-REDUCER						
C	24	1	7W-4979	1	VALVE-CHECK						

B - USE AS REQUIRED

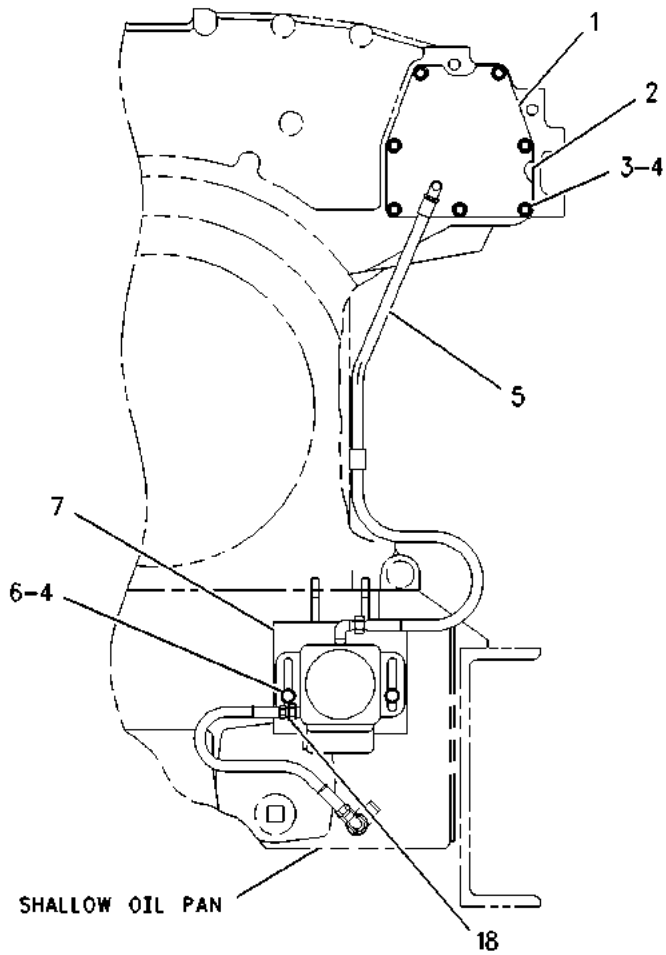
C - CHANGE FROM PREVIOUS TYPE

I - REFER TO HYDRAULIC INFORMATION SYSTEM

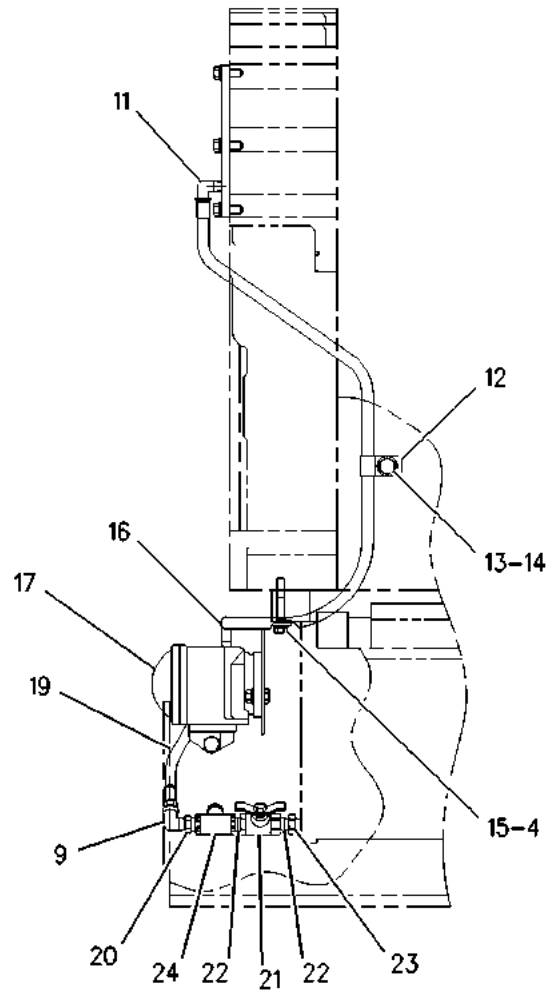
LUBRICATION SYSTEM

7W-7319 REGULATOR GP-OIL LEVEL (contd.)

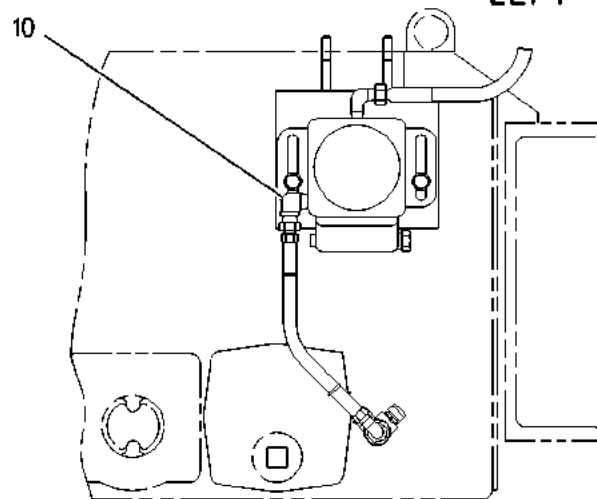
i03117942



FRONT VIEW



LEFT SIDE VIEW



DEEP OIL PAN

GRAPHIC #1

<END>

g00780401

LUBRICATION SYSTEM

7W-7319 REGULATOR GP-OIL LEVEL

FOR USE WITH SMALL FRONT ACCESSORY DRIVE HOUSING

CANNOT BE USED WITH MOBILE APPLICATIONS

AN ATTACHMENT

TYPE 3

SMCS-1334

i07452523

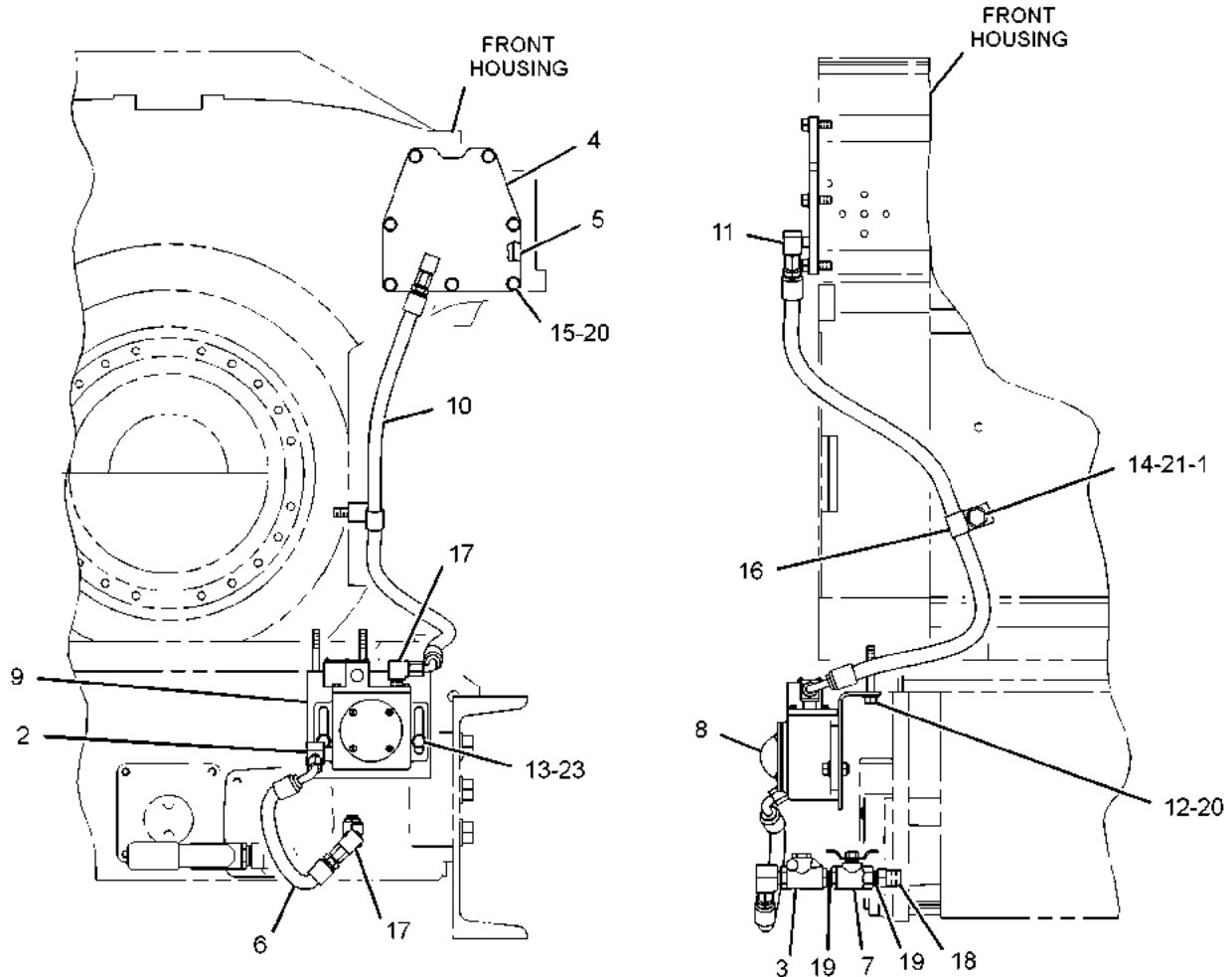
NOTE	REF NO	GRAPHIC REF	PART NUMBER	QTY	PART NAME						SEE PAGE
					1	2	3	4	5	6 (PRODUCT LEVEL)	
C	1	1	1K-4649	1	SPACER (0.516X1X1-IN THK)						
C	2	1	7D-8793	1	ELBOW-FLARED						
	3	1	7W-4979	1	VALVE-CHECK						
	4	1	7W-7409	1	COVER						
	5	1	8N-9885	1	GASKET-COVER						
CI	6	1	113-9001	1	HOSE AS						
	7	1	169-7326	1	VALVE-BALL (SHUTOFF, OIL)						
C	8	1	213-6133	1	REGULATOR AS						
		1	545-8456	1	COVER (REGULATOR)						
		1	545-8457	1	COVER (REGULATOR)						
C	9	1	214-3091	1	BRACKET AS						
		1	1F-0750	2	NUT-WELD (3/8-16-THD)						
CI	10	1	216-8359	1	HOSE AS						
	11	1	032-1268	1	CONNECTOR (90-DEG)						
	12	1	0L-1143	2	BOLT (3/8-16X2.5-IN)						
	13	1	0S-1594	2	BOLT (3/8-16X1-IN)						
C	14	1	1A-1460	1	BOLT (1/2-13X2-IN)						
	15	1	1A-2029	7	BOLT (3/8-16X1.125-IN)						
C	16	1	1S-6420	1	CLIP						
C	17	1	2N-8037	2	ELBOW						
	18	1	3B-7255	1	BUSHING-REDUCER						
	19	1	3B-7741	2	NIPPLE-PIPE (CLOSE)						
	20	1	5M-2894	9	WASHER-HARD (10.2X18.5X2.5-MM THK)						
	21	1	5P-8245	1	WASHER-HARD (13.5X25.5X3-MM THK)						
	22	1	4W-4076	1	ELBOW						
	23	1	9X-6458	2	WASHER-HARD (10.2X22.5X3-MM THK)						

C - CHANGE FROM PREVIOUS TYPE
 I - REFER TO HYDRAULIC INFORMATION SYSTEM

LUBRICATION SYSTEM

7W-7319 REGULATOR GP-OIL LEVEL (contd.)

i07452523



FRONT VIEW OF ENGINE
(SHALLOW OIL PAN)

LEFT SIDE VIEW OF ENGINE
(SHALLOW OIL PAN)

FRONT VIEW OF ENGINE
(DEEP OIL PAN)

GRAPHIC #1

<END>

g06215550

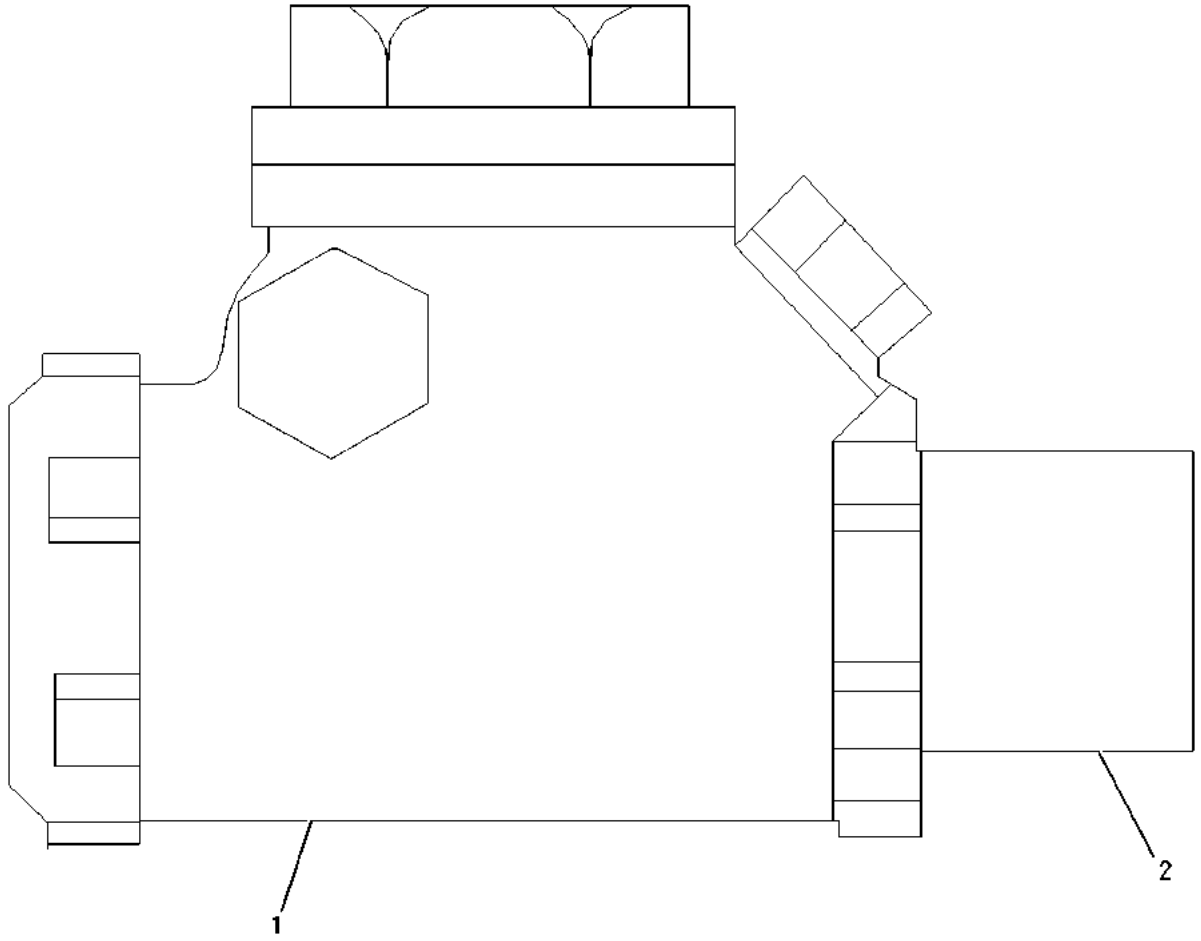
LUBRICATION SYSTEM

7W-7178 VALVE GP-CHECK AN ATTACHMENT

SMCS-5067

i03165300

NOTE	REF NO	GRAPHIC REF	PART NUMBER	QTY	PART NAME						SEE PAGE
					1	2	3	4	5	6 (PRODUCT LEVEL)	
	1	1	7W-4979	1	VALVE-CHECK						
	2	1	3B-7741	1	NIPPLE-PIPE (CLOSE)						



GRAPHIC #1

<END>

g00774433

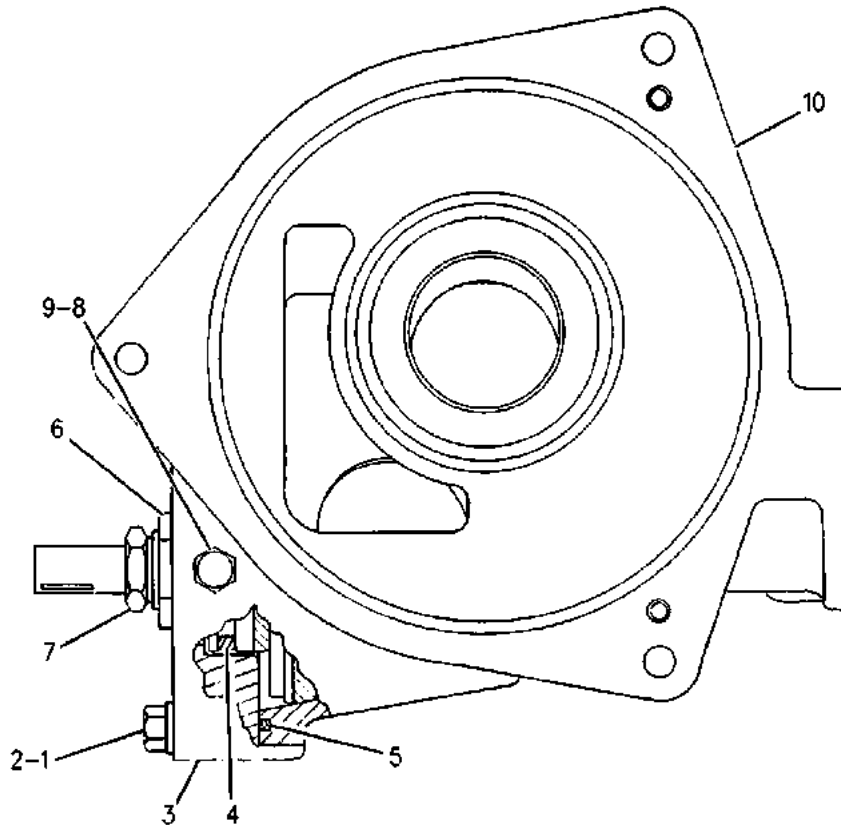
LUBRICATION SYSTEM

7W-3816 VALVE GP-FLUID CONTROL-DUPLEX OIL PART OF 4W-9968 FILTER GP-ENGINE OIL AN ATTACHMENT

SMCS-7560

i06057158

NOTE	REF NO	GRAPHIC REF	PART NUMBER	QTY	PART NAME						SEE PAGE
					1	2	3	4	5	6	
	1	1	165-3931	2	BOLT (3/8-16X1.75-IN)						
	2	1	5M-2894	2	WASHER-HARD (10.2X18.5X2.5-MM THK)						
	3	1	354-2399	1	COVER AS						
		1	7S-2245	1	DOWEL						
		1	3H-2617	1	PIN-SPRING						
4		1	9M-2610	1	SEAL-O-RING						
5		1	5D-5957	1	SEAL-O-RING						
6		1	3B-7329	1	NUT (1-14-THD)						
7		1	5H-7225	1	NUT-RETAINER (1-11/16-THD)						
8		1	9S-4182	1	PLUG (7/16-20-THD)						
9		1	6V-5048	1	SEAL-O-RING						
10		1	2W-9210	1	VALVE AS (DUPLEX)						
		1	4H-6996	1	PIN-SPRING						
		1	7N-2043	3	DOWEL						



GRAPHIC #1

<END>

g00623922

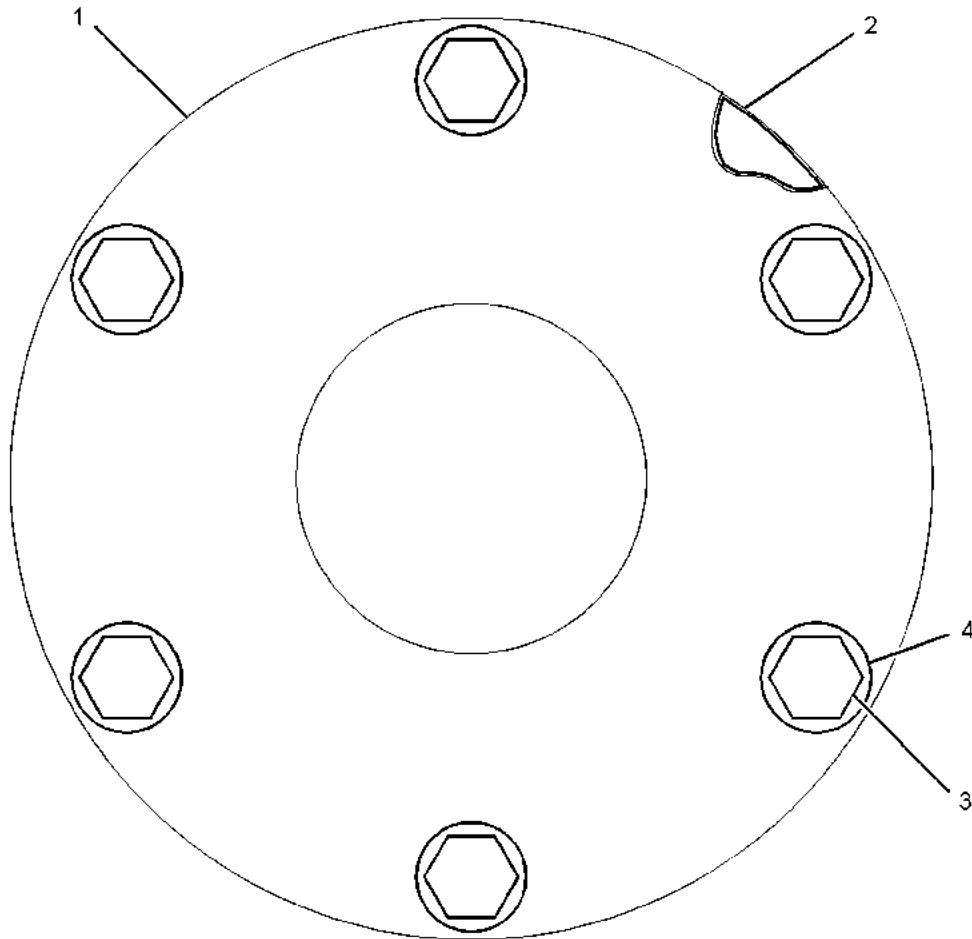
COOLING SYSTEM

3N-2652 CONNECTION GP-EXPANSION TANK-AUXILIARY AN ATTACHMENT

SMCS-1354

i02346068

NOTE	REF NO	GRAPHIC REF	PART NUMBER	QTY	PART NAME						SEE PAGE
					1	2	3	4	5	6 (PRODUCT LEVEL)	
	1	1	2N-7604	1	FLANGE						
	2	1	3H-5939	2	GASKET-HEAT EXCHANGER						
	3	1	0S-1594	6	BOLT (3/8-16X1-IN)						
	4	1	3V-3308	6	WASHER-HARD (10.2X20.5X2.5-MM THK)						



GRAPHIC #1

<END>

g01172854

COOLING SYSTEM

7N-6527 CONNECTION GP-TORQUE CONV CLR

REMOTE

FOR USE WITH ENGINE ACCESSORIES WHICH REQUIRE A SOURCE OF ENGINE JACKET WATER FOR
COOLING
AN ATTACHMENT

SMCS-1375

i01935599

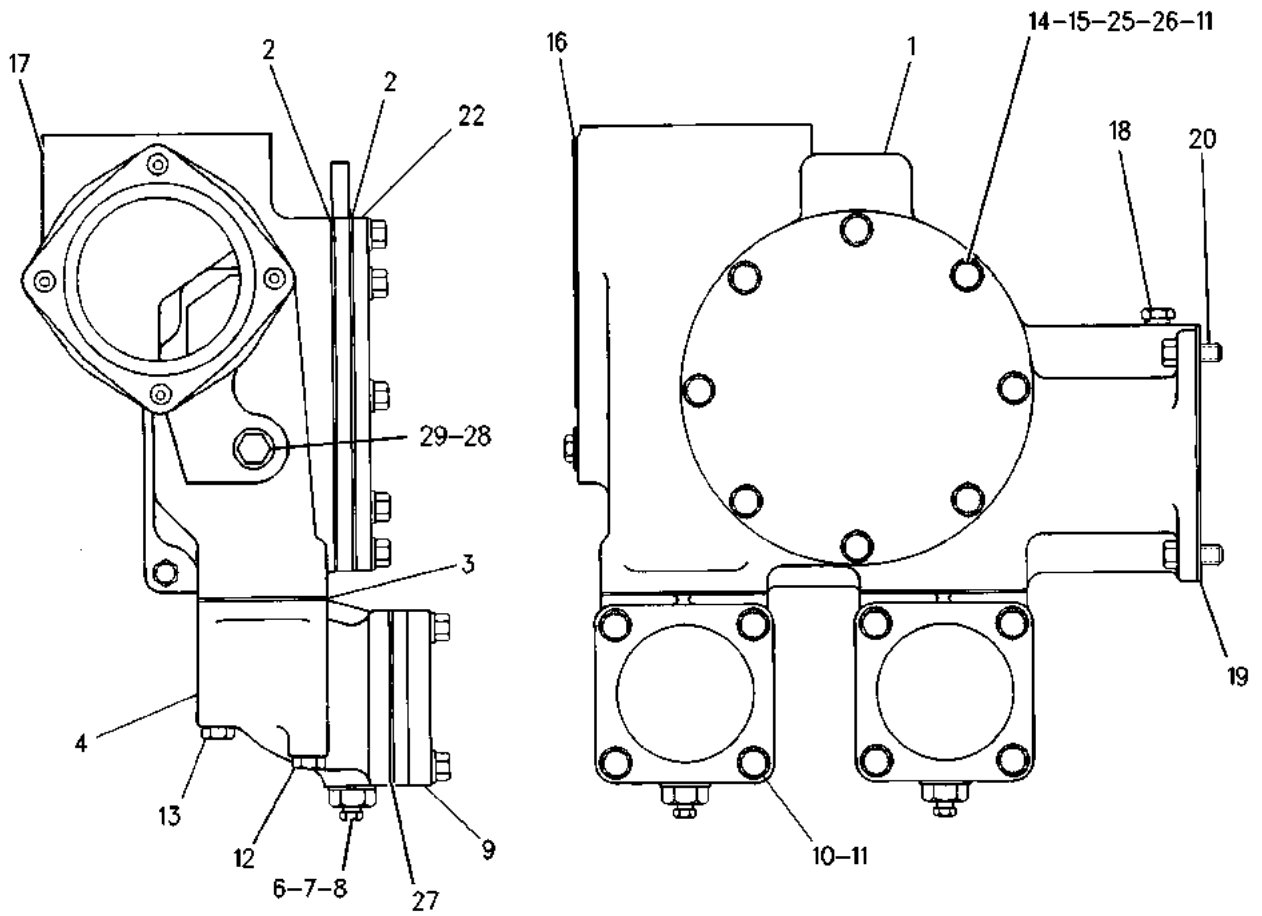
NOTE	REF NO	GRAPHIC REF	PART NUMBER	QTY	PART NAME						SEE PAGE
					1	2	3	4	5	6	
	1	1	8N-8535	1	ORIFICE AS						
	2	1	1S-5772	2	GASKET						
	3	1	1N-4859	2	GASKET						
	4	1	8N-8524	2	ELBOW						
	6	1	9M-4897	2	ADAPTER-FITTING						
	7	1	4B-8407	2	GASKET-COPPER						
	8	1	8T-6764	2	PLUG-PIPE (1/8-27-THD)						
	9	1	2N-8329	2	FLANGE						
	10	1	0S-1588	8	BOLT (3/8-16X1.25-IN)						
	11	1	5M-2894	16	WASHER-HARD (10.2X18.5X2.5-MM THK)						
	12	1	8S-9191	4	BOLT (3/8-16X4-IN)						
	13	1	0L-1352	4	BOLT (3/8-16X3.25-IN)						
B	14	1	0S-1590	8	BOLT (3/8-16X2-IN)						
B	15	1	0S-1591	8	BOLT (3/8-16X1.5-IN)						
	16	1	4N-1320	1	GASKET (ADAPTER)						
	17	1	120-7420	1	ADAPTER						
	18	1	8T-6765	1	PLUG-PIPE (1/4-18-THD)						
	19	1	7N-4932	1	GASKET						
	20	1	0S-1594	4	BOLT (3/8-16X1-IN)						
	22	1	7S-8420	1	COVER						
B	25	1	0S-1594	8	BOLT (3/8-16X1-IN)						
B	26	1	0S-1571	8	BOLT (3/8-16X1.75-IN)						
	27	1	1H-7666	2	GASKET						
	28	1	6V-6609	1	SEAL-O-RING						
	29	1	9S-4185	1	PLUG (3/4-16-THD)						

B - USE AS REQUIRED

COOLING SYSTEM

7N-6527 CONNECTION GP-TORQUE CONV CLR (contd.)

101935599



GRAPHIC #1

<END>

g00829328

COOLING SYSTEM

280-2089 CONNECTION GP-WATER-OUTLET AN ATTACHMENT

SMCS-1380

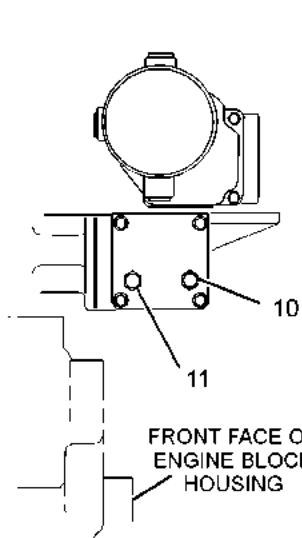
i02628631

NOTE	REF NO	GRAPHIC REF	PART NUMBER	QTY	PART NAME						SEE PAGE
					1	2	3	4	5	6 (PRODUCT LEVEL)	
	1	1	8T-6758	2	PLUG-PIPE (1/4-18-THD)						
	2	1	5M-2894	12	WASHER-HARD (10.2X18.5X2.5-MM THK)						
	3	1	0S-1594	16	BOLT (3/8-16X1-IN)						
	4	1	7E-6017	2	COVER						
	5	1	7E-6016	4	GASKET						
	6	1	8T-6762	3	PLUG-PIPE (1/2-14-THD)						
	7	1	7N-6560	1	ADAPTER-CONNECTOR						
	8	1	106-3512	2	PLATE						
	9	1	119-6294	1	COVER						
	10	1	7W-6492	1	PLUG-PIPE (1/2-14-THD)						
	11	1	3E-7430	1	PLUG-PIPE (3/4-14-THD)						

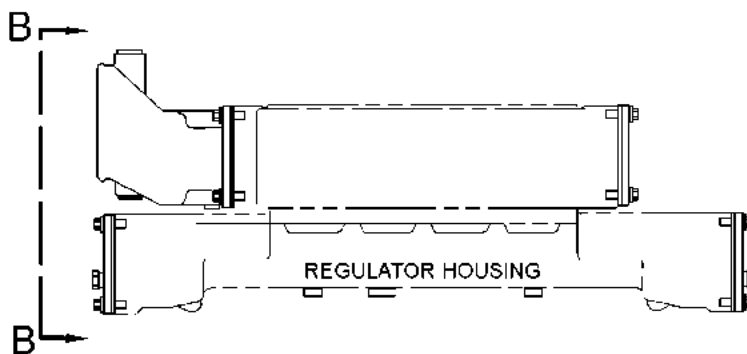
COOLING SYSTEM

280-2089 CONNECTION GP-WATER (contd.)

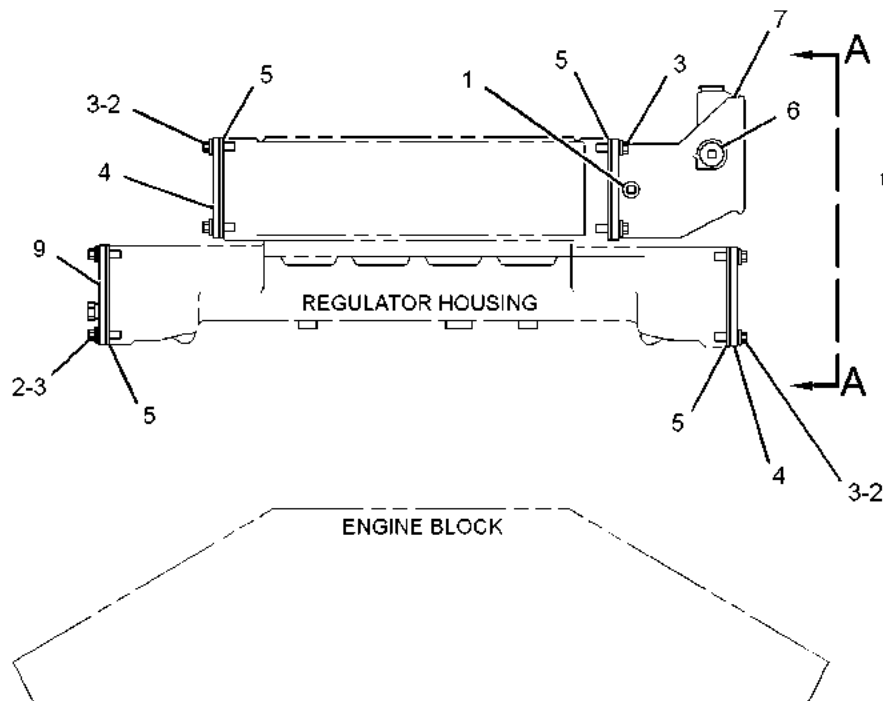
102628631



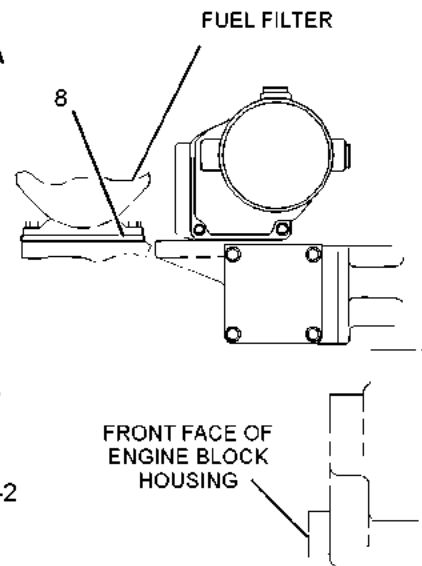
VIEW B-B



FRONT VIEW
(RIGHT HAND MOUNTING)



FRONT VIEW



VIEW A-A

GRAPHIC #1

<END>

g01261412

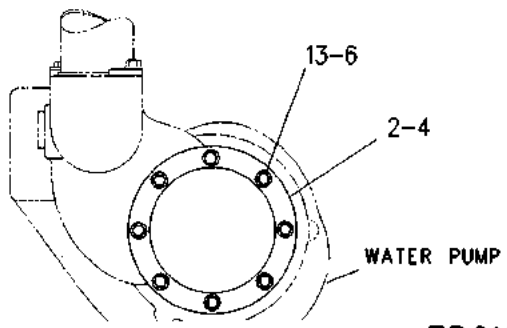
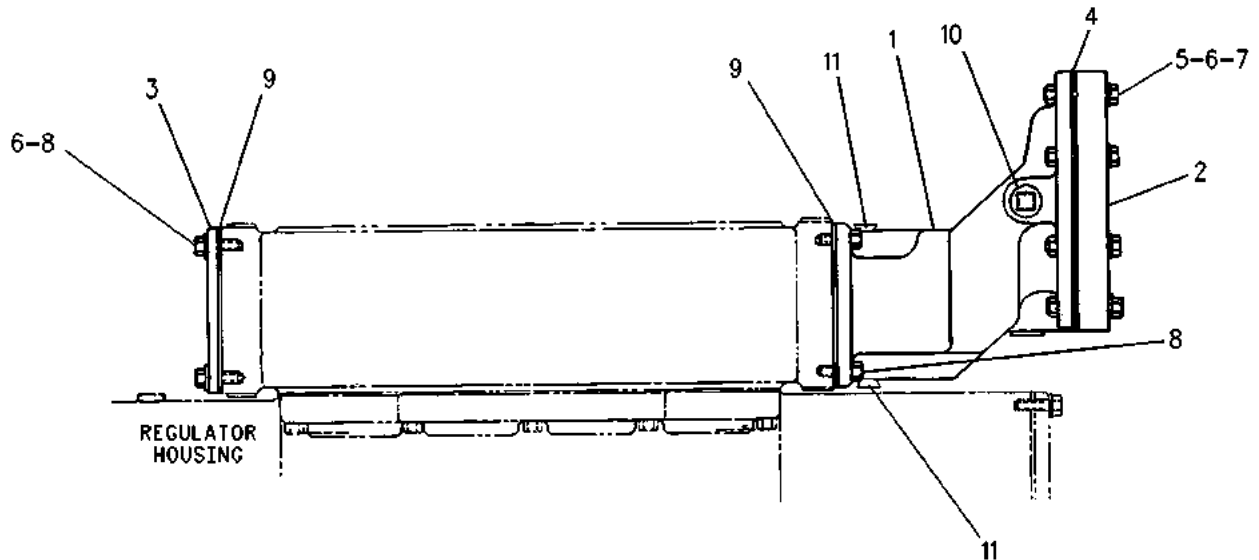
COOLING SYSTEM

4P-7072 CONNECTION GP-WATER-OUTLET, LH AN ATTACHMENT

SMCS-1380

i07192483

NOTE	REF NO	GRAPHIC REF	PART NUMBER	QTY	PART NAME						SEE PAGE
					1	2	3	4	5	6 (PRODUCT LEVEL)	
	1	1	1W-2639	1	ADAPTER-EXCHANGER						
	2	1	7N-7009	2	FLANGE						
	3	1	7E-6017	1	COVER						
	4	1	1S-5772	2	GASKET						
	5	1	0S-1590	8	BOLT (3/8-16X2-IN)						
	6	1	5M-2894	20	WASHER-HARD (10.2X18.5X2.5-MM THK)						
	7	1	9S-8752	8	NUT-FULL (3/8-16-THD)						
	8	1	0S-1594	8	BOLT (3/8-16X1-IN)						
	9	1	7E-6016	2	GASKET						
	10	1	8T-6762	3	PLUG-PIPE (1/2-14-THD)						
	11	1	8T-6758	2	PLUG-PIPE (1/4-18-THD)						
	13	1	0S-1591	8	BOLT (3/8-16X1.5-IN)						



FRONT VIEW

GRAPHIC #1

<END>

g00988218

COOLING SYSTEM

7N-6965 CONNECTION GP-WATER-INLET AN ATTACHMENT

SMCS-1380

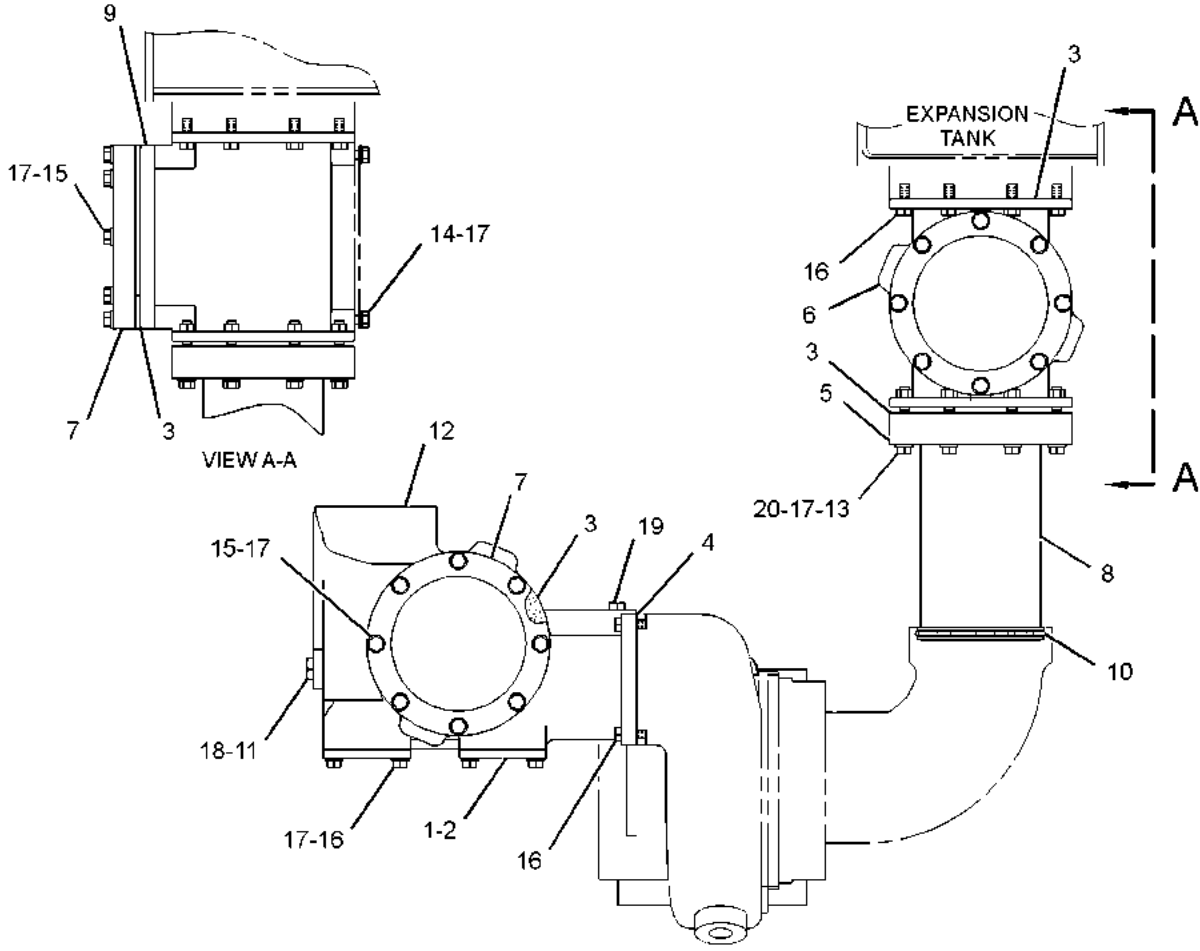
i07350074

NOTE	REF NO	GRAPHIC REF	PART NUMBER	QTY	PART NAME						SEE PAGE
					1	2	3	4	5	6 (PRODUCT LEVEL)	
	1	1	1N-4859	2	GASKET						
	2	1	1N-4860	2	COVER						
	3	1	1S-5772	4	GASKET						
	4	1	7N-4932	1	GASKET						
	5	1	7N-5120	1	FLANGE						
	6	1	7N-7008	2	PLATE						
	7	1	7N-7009	2	FLANGE						
	8	1	7N-7010	1	TUBE						
	9	1	7N-7012	1	HOUSING						
	10	1	8T-2903	2	SEAL-O-RING						
	11	1	9S-4185	1	PLUG (3/4-16-THD)						
	12	1	120-7420	1	ADAPTER						
	13	1	0L-1143	8	BOLT (3/8-16X2.5-IN)						
	14	1	0S-0509	2	BOLT (3/8-16X0.75-IN)						
	15	1	0S-1571	16	BOLT (3/8-16X1.75-IN)						
	16	1	0S-1594	20	BOLT (3/8-16X1-IN)						
	17	1	5M-2894	34	WASHER-HARD (10.2X18.5X2.5-MM THK)						
	18	1	6V-6609	1	SEAL-O-RING						
	19	1	8T-6765	1	PLUG-PIPE (1/4-18-THD)						
	20	1	9S-8752	8	NUT-FULL (3/8-16-THD)						

COOLING SYSTEM

7N-6965 CONNECTION GP-WATER (contd.)

i07350074



RIGHT SIDE VIEW OF ENGINE

GRAPHIC #1

<END>

g01280828

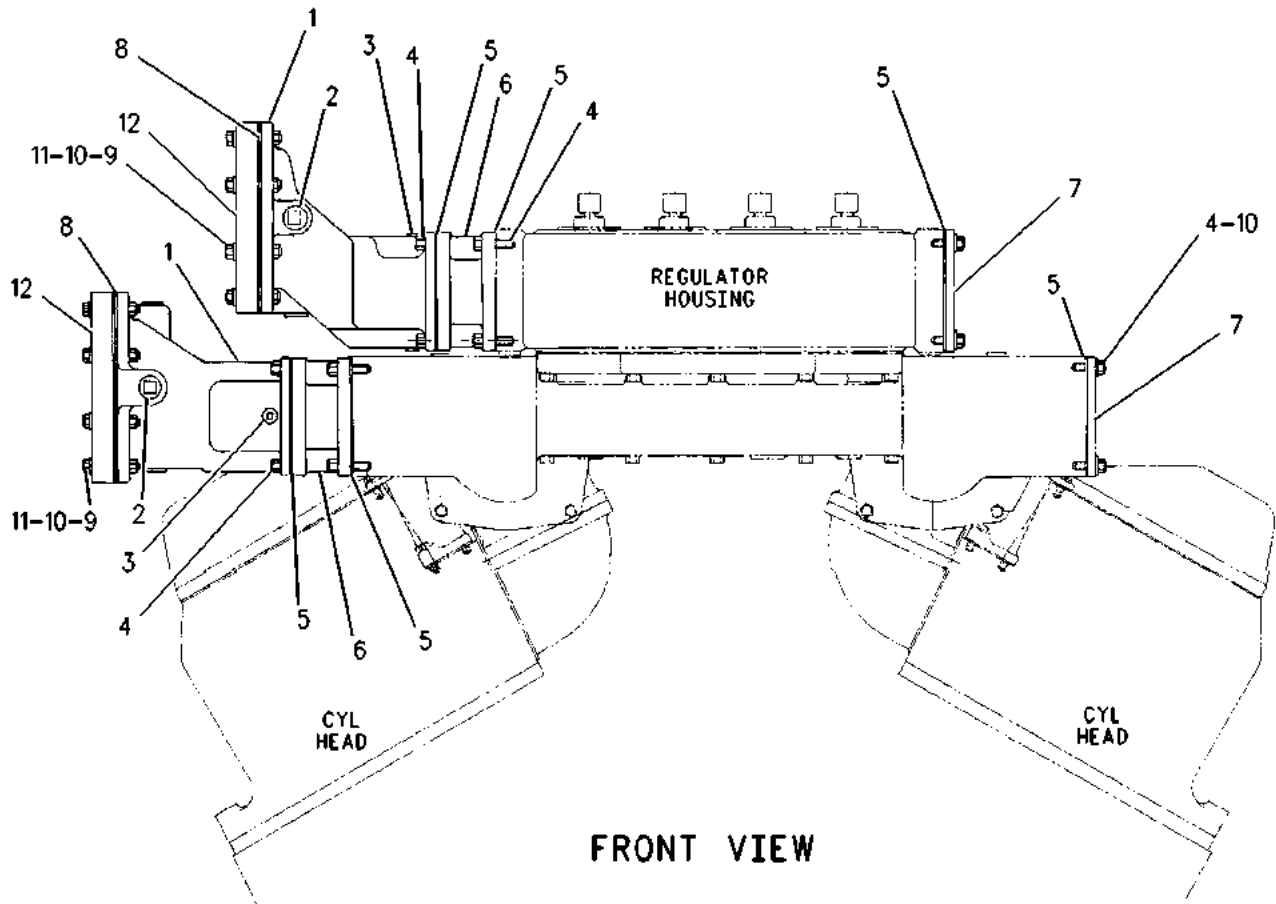
COOLING SYSTEM

7W-5848 CONNECTION GP-WATER-INLET, RH AN ATTACHMENT

SMCS-1380

i06925783

NOTE	REF NO	GRAPHIC REF	PART NUMBER	QTY	PART NAME						SEE PAGE
					1	2	3	4	5	6 (PRODUCT LEVEL)	
	1	1	1W-2639	2	ADAPTER-EXCHANGER						
	2	1	8T-6762	6	PLUG-PIPE (1/2-14-THD)						
	3	1	8T-6758	4	PLUG-PIPE (1/4-18-THD)						
	4	1	0S-1594	24	BOLT (3/8-16X1-IN)						
	5	1	7E-6016	6	GASKET						
	6	1	7W-5849	2	SPACER						
	7	1	7E-6017	2	COVER						
	8	1	1S-5772	2	GASKET						
	9	1	0S-1590	16	BOLT (3/8-16X2-IN)						
	10	1	5M-2894	24	WASHER-HARD (10.2X18.5X2.5-MM THK)						
	11	1	9S-8752	16	NUT-FULL (3/8-16-THD)						
	12	1	7N-7009	2	FLANGE						



GRAPHIC #1

<END>

g00705458

COOLING SYSTEM

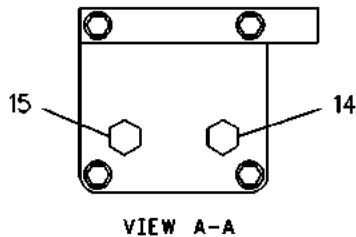
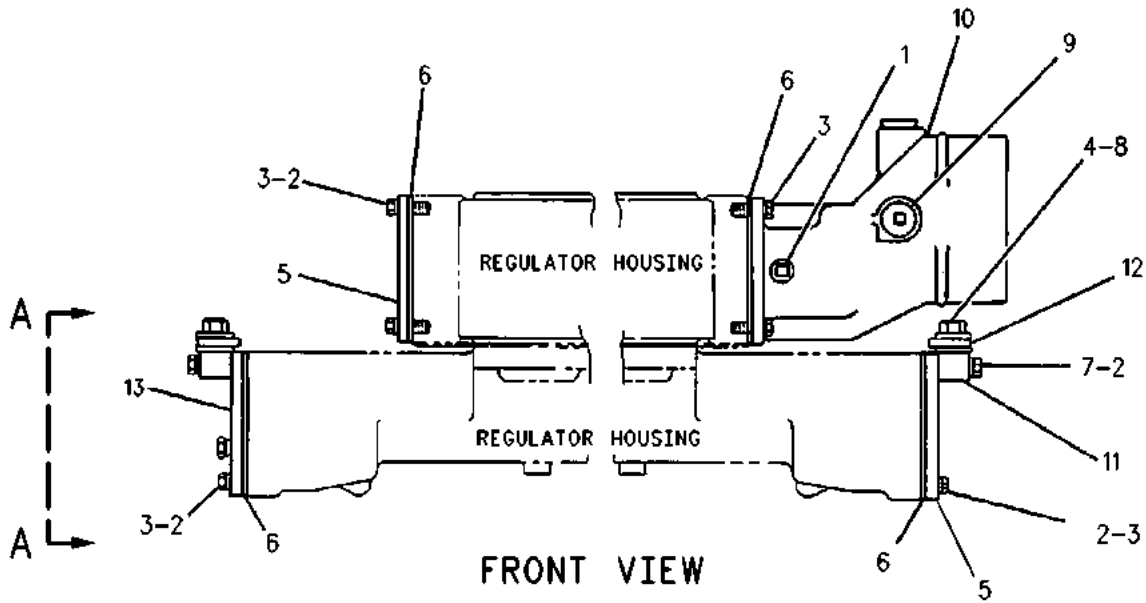
7W-6372 CONNECTION GP-WATER-OUTLET

CANNOT BE USED WITH SPIN-ON FUEL FILTERS
AN ATTACHMENT

SMCS-1380

i06680040

NOTE	REF NO	GRAPHIC REF	PART NUMBER	QTY	PART NAME						SEE PAGE
					1	2	3	4	5	6 (PRODUCT LEVEL)	
	1	1	8T-6758	2	PLUG-PIPE (1/4-18-THD)						
	2	1	5M-2894	12	WASHER-HARD (10.2X18.5X2.5-MM THK)						
	3	1	0S-1594	12	BOLT (3/8-16X1-IN)						
	4	1	0S-1585	2	BOLT (1/2-13X1.5-IN)						
	5	1	7E-6017	2	COVER						
	6	1	7E-6016	4	GASKET						
	7	1	0S-1590	4	BOLT (3/8-16X2-IN)						
	8	1	5P-8245	4	WASHER-HARD (13.5X25.5X3-MM THK)						
	9	1	8T-6762	3	PLUG-PIPE (1/2-14-THD)						
	10	1	7N-6560	1	ADAPTER-CONNECTOR						
	11	1	2W-4334	2	BAR						
	12	1	7E-6334	2	PLATE						
	13	1	119-6294	1	COVER						
	14	1	7W-6492	1	PLUG-PIPE (1/2-14-THD)						
	15	1	3E-7430	1	PLUG-PIPE (3/4-14-THD)						



GRAPHIC #1

<END>

g00715443

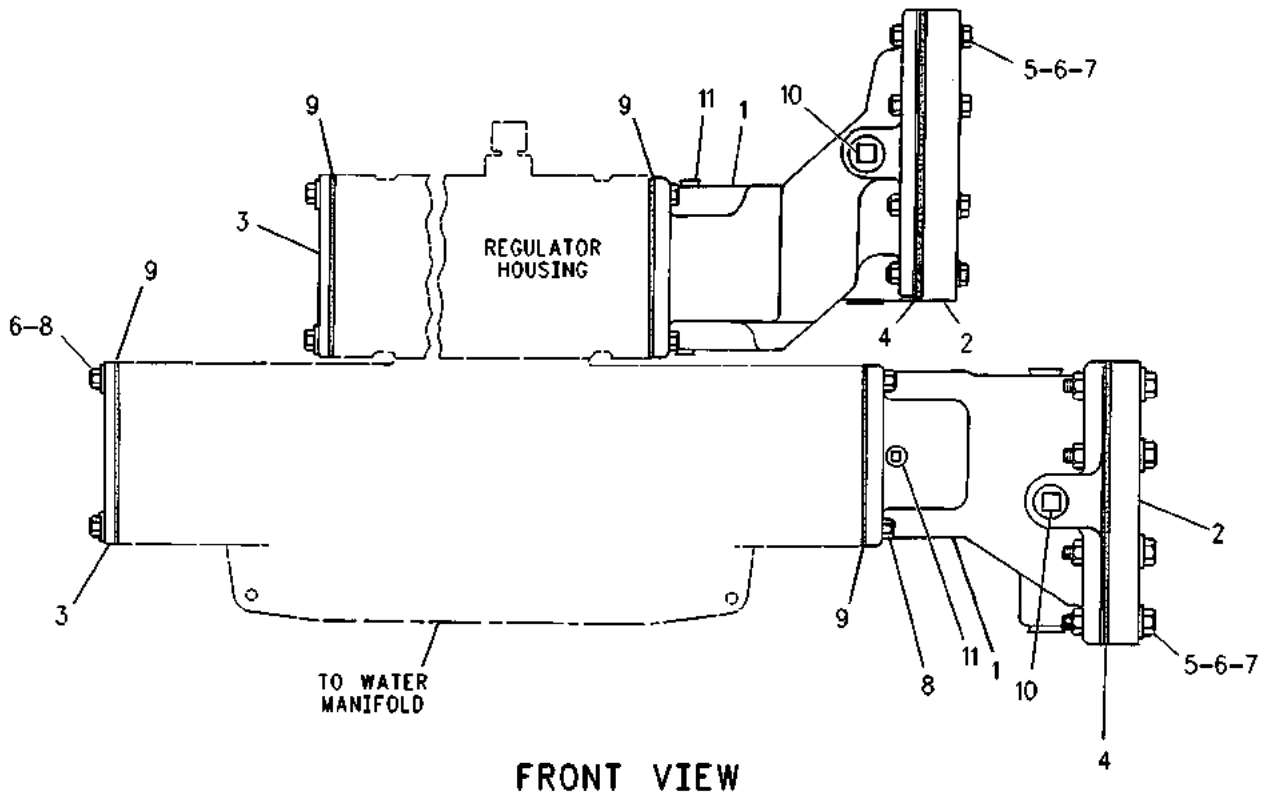
COOLING SYSTEM

8N-8993 CONNECTION GP-WATER-INLET, LH AN ATTACHMENT

SMCS-1380

i02356688

NOTE	REF NO	GRAPHIC REF	PART NUMBER	QTY	PART NAME						SEE PAGE
					1	2	3	4	5	6 (PRODUCT LEVEL)	
	1	1	1W-2639	2	ADAPTER-EXCHANGER						
	2	1	7N-7009	2	FLANGE						
	3	1	7E-6017	2	COVER						
	4	1	1S-5772	2	GASKET						
	5	1	0S-1590	16	BOLT (3/8-16X2-IN)						
	6	1	5M-2894	24	WASHER-HARD (10.2X18.5X2.5-MM THK)						
	7	1	9S-8752	16	NUT-FULL (3/8-16-THD)						
	8	1	0S-1594	16	BOLT (3/8-16X1-IN)						
	9	1	7E-6016	4	GASKET						
	10	1	8T-6762	6	PLUG-PIPE (1/2-14-THD)						
	11	1	8T-6758	4	PLUG-PIPE (1/4-18-THD)						



FRONT VIEW

GRAPHIC #1

<END>

g00863463

COOLING SYSTEM

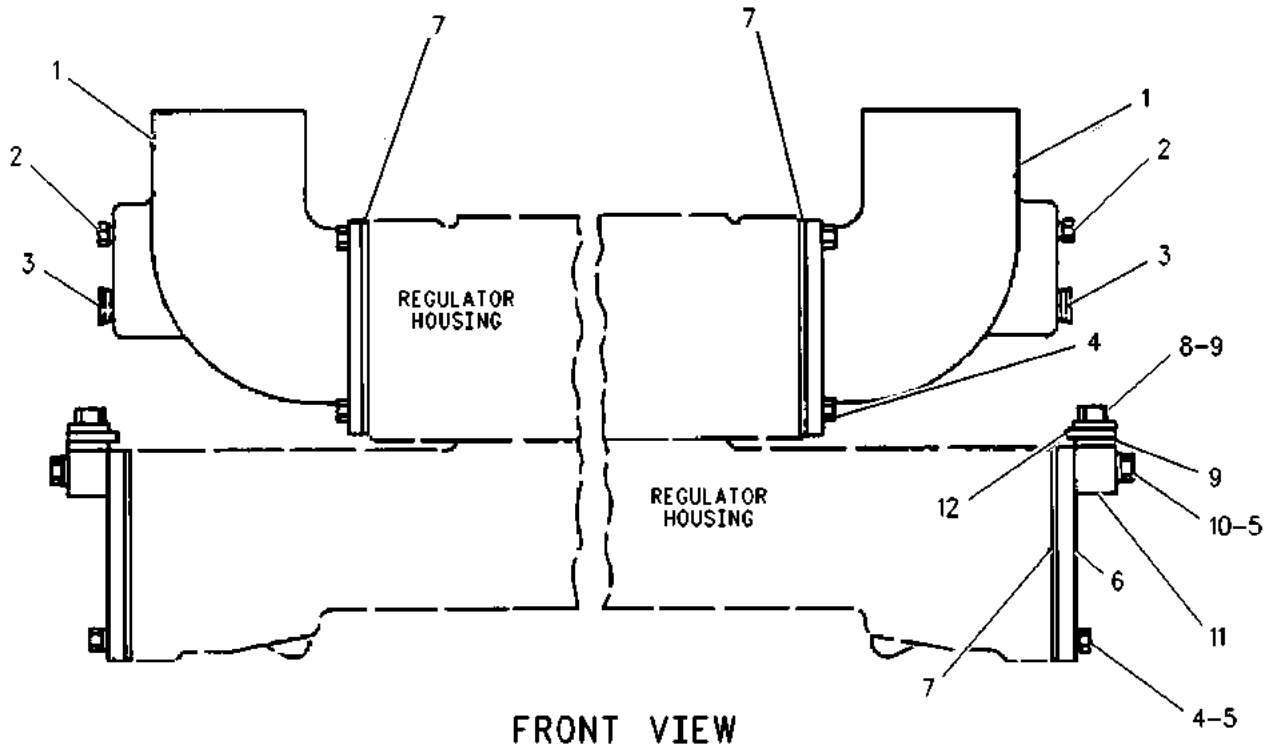
8N-9161 CONNECTION GP-WATER-OUTLET

SMCS-1380

i05868477

NOTE	REF NO	GRAPHIC REF	PART NUMBER	QTY	PART NAME						SEE PAGE
					1	2	3	4	5	6 (PRODUCT LEVEL)	
C	1	1	7N-4930	2	ELBOW-OUTLET						
	2	1	8T-6765	2	PLUG-PIPE (1/4-18-THD)						
	3	1	8T-6762	2	PLUG-PIPE (1/2-14-THD)						
	4	1	0S-1594	12	BOLT (3/8-16X1-IN)						
C	5	1	5M-2894	8	WASHER-HARD (10.2X18.5X2.5-MM THK)						
	6	1	7E-6017	2	COVER						
B	7	1	7E-6016	6	GASKET						
	8	1	0S-1585	2	BOLT (1/2-13X1.5-IN)						
	9	1	5P-1076	4	WASHER-HARD (13.5X30X4-MM THK)						
	10	1	0S-1590	4	BOLT (3/8-16X2-IN)						
	11	1	2W-4334	2	BAR						
	12	1	7E-6334	2	PLATE						

B - USE AS REQUIRED
 C - CHANGE FROM PREVIOUS TYPE



GRAPHIC #1

<END>

g00865253

COOLING SYSTEM

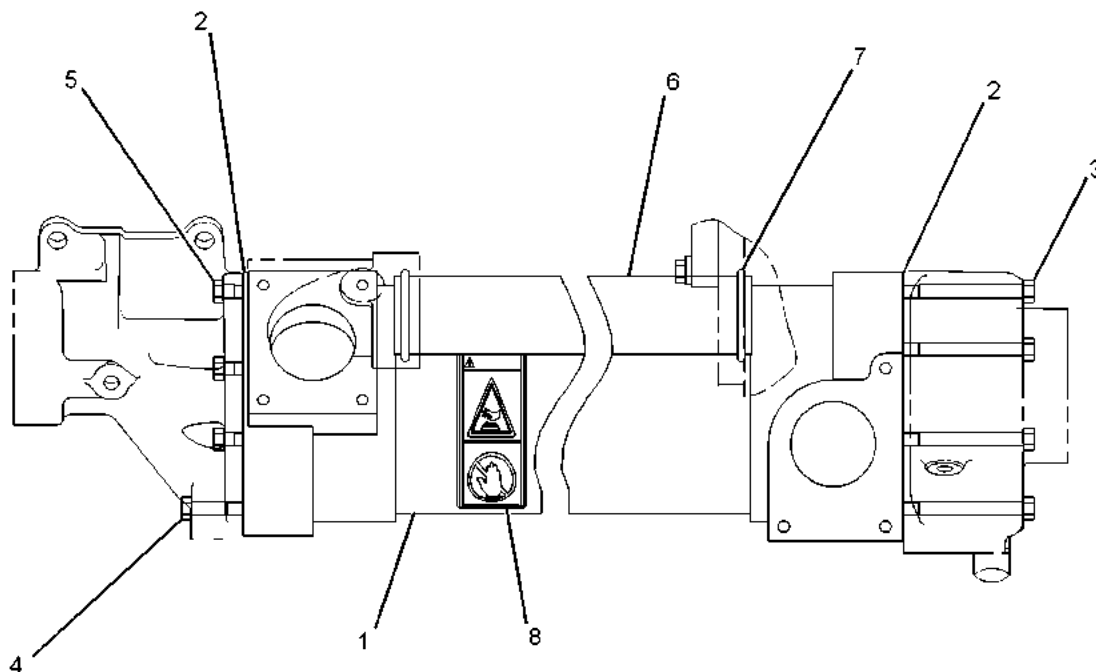
4W-5892 COOLER GP-ENGINE OIL

SMCS-1378

i05763229

NOTE	REF NO	GRAPHIC REF	PART NUMBER	QTY	PART NAME						SEE PAGE
					1	2	3	4	5	6	
YR	1	1	4W-4980	1	CORE GP-OIL COOLER (ENGINE)						468
	2	1	247-3796	2	GASKET						
	3	1	8S-9191	8	BOLT (3/8-16X4-IN)						
	4	1	0S-1590	2	BOLT (3/8-16X2-IN)						
	5	1	1A-2029	6	BOLT (3/8-16X1.125-IN)						
	6	1	7W-1929	1	TUBE						
	7	1	109-2332	2	SEAL-O-RING						
	8	1	225-3227	1	FILM-WARNING (HOT SURFACE)						

R - REMANUFACTURED PART MAY BE AVAILABLE
 Y - SEPARATE ILLUSTRATION



GRAPHIC #1

<END>

g03662113

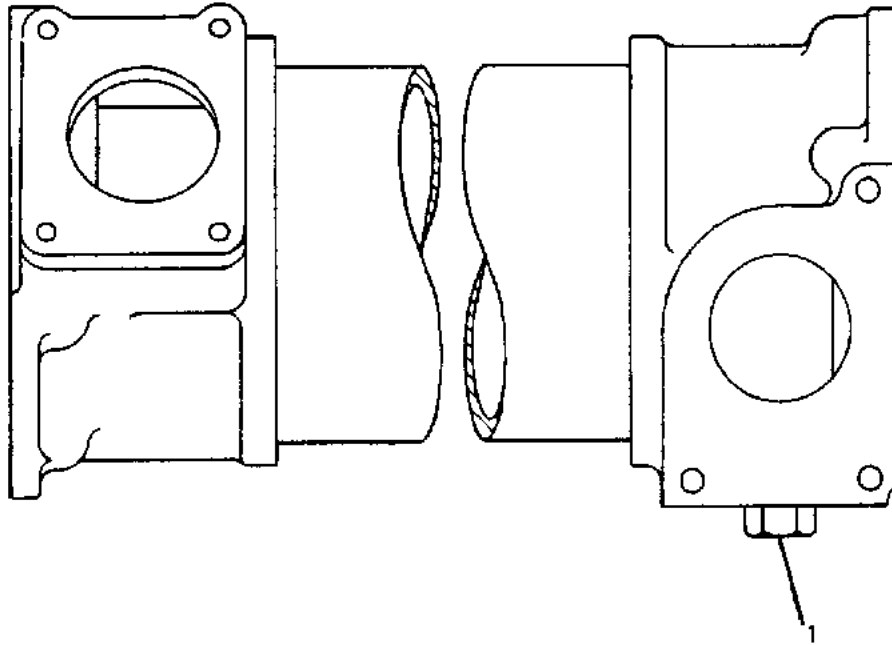
COOLING SYSTEM

4W-4980 CORE GP-OIL COOLER-ENGINE*R PART OF 4W-5892 COOLER GP-ENGINE OIL

SMCS-1378

i05891088

NOTE	REF NO	GRAPHIC REF	PART NUMBER	QTY	PART NAME						SEE PAGE
					1	2	3	4	5	6 (PRODUCT LEVEL)	
	1	1	307-2670	1	PLUG AS						
		1	9S-4185	1	PLUG (3/4-16-THD)						
		1	238-5080	1	SEAL-O-RING						



GRAPHIC #1

<END>

g00637090

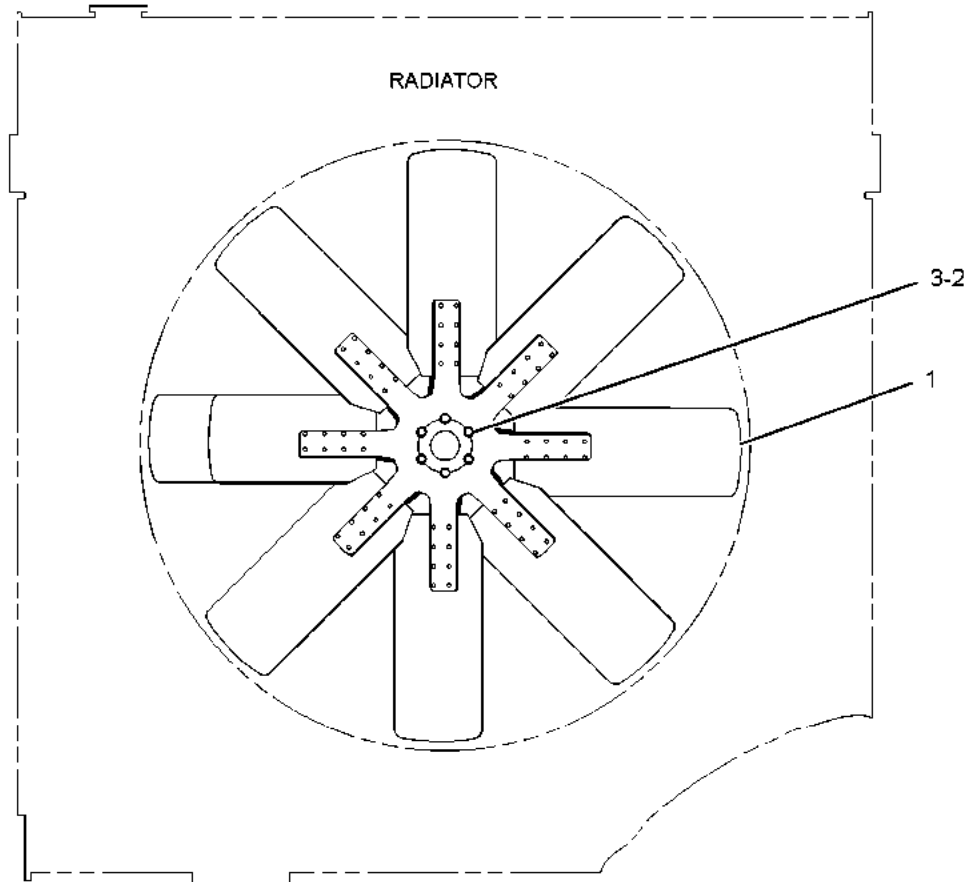
COOLING SYSTEM

335-7715 FAN GP-BLOWER 1524-MM (60-IN) DIAMETER. STANDARD ROTATION AN ATTACHMENT

SMCS-1356, 1360

i03620141

NOTE	REF NO	GRAPHIC REF	PART NUMBER	QTY	PART NAME						SEE PAGE
					1	2	3	4	5	6 (PRODUCT LEVEL)	
	1	1	321-6952	1	FAN (8-BLADE)						
	2	1	8T-4223	6	WASHER-HARD (13.5X25.5X3-MM THK)						
	3	1	8T-4835	6	BOLT (1/2-13X2-IN)						



FRONT VIEW

<END>

GRAPHIC #1

g01678393

COOLING SYSTEM

7W-5639 FAN GP-BLOWER

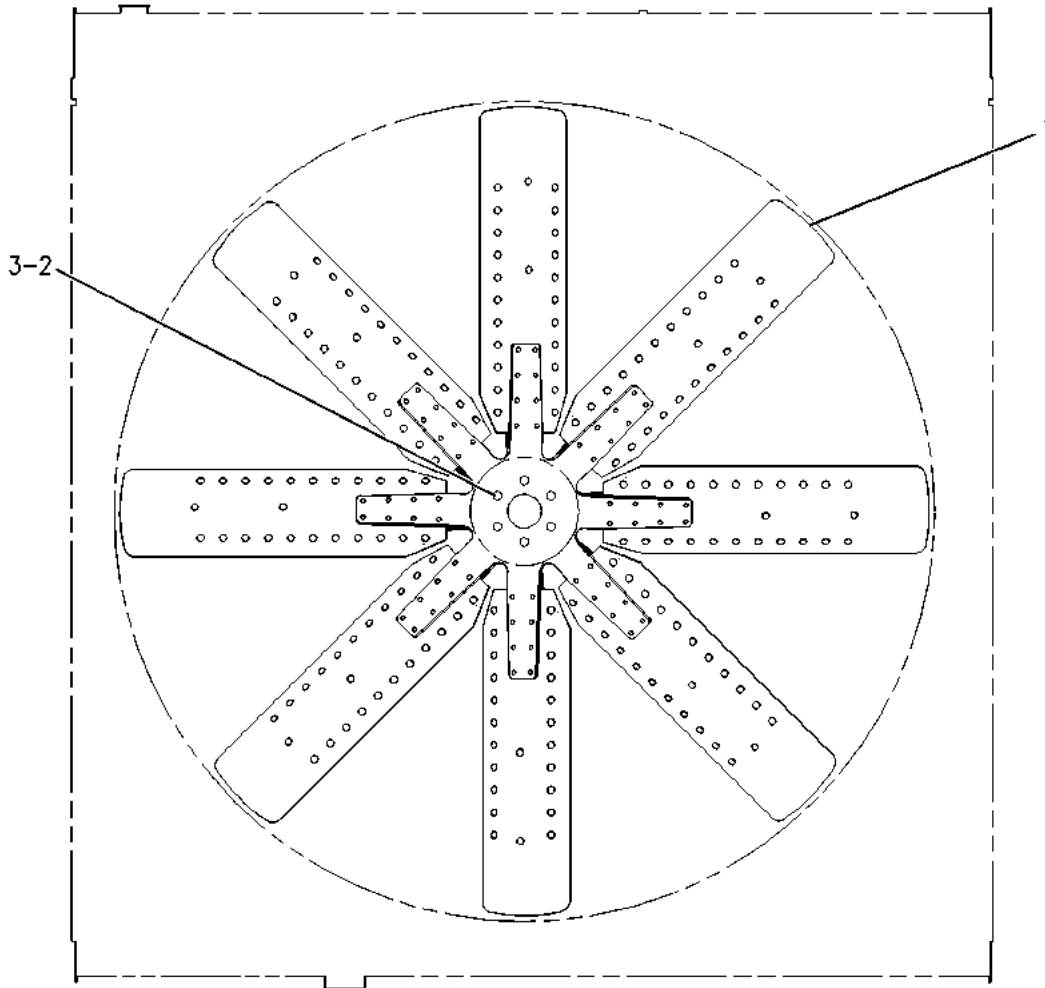
1829-MM DIAMETER. STANDARD ROTATION

FOR USE WITH ENGINE MOUNTED FAN DRIVE AND FOLDED CORE RADIATOR
AN ATTACHMENT

SMCS-1356, 1360

i02233252

NOTE	REF NO	GRAPHIC REF	PART NUMBER	QTY	PART NAME						SEE PAGE
					1	2	3	4	5	6 (PRODUCT LEVEL)	
	1	1	115-1783	1	SPIDER AS-FAN (8-BLADE)						
	2	1	8T-4835	6	BOLT (1/2-13X2-IN)						
	3	1	8T-4223	6	WASHER-HARD (13.5X25.5X3-MM THK)						



GRAPHIC #1

<END>

g00651053

COOLING SYSTEM

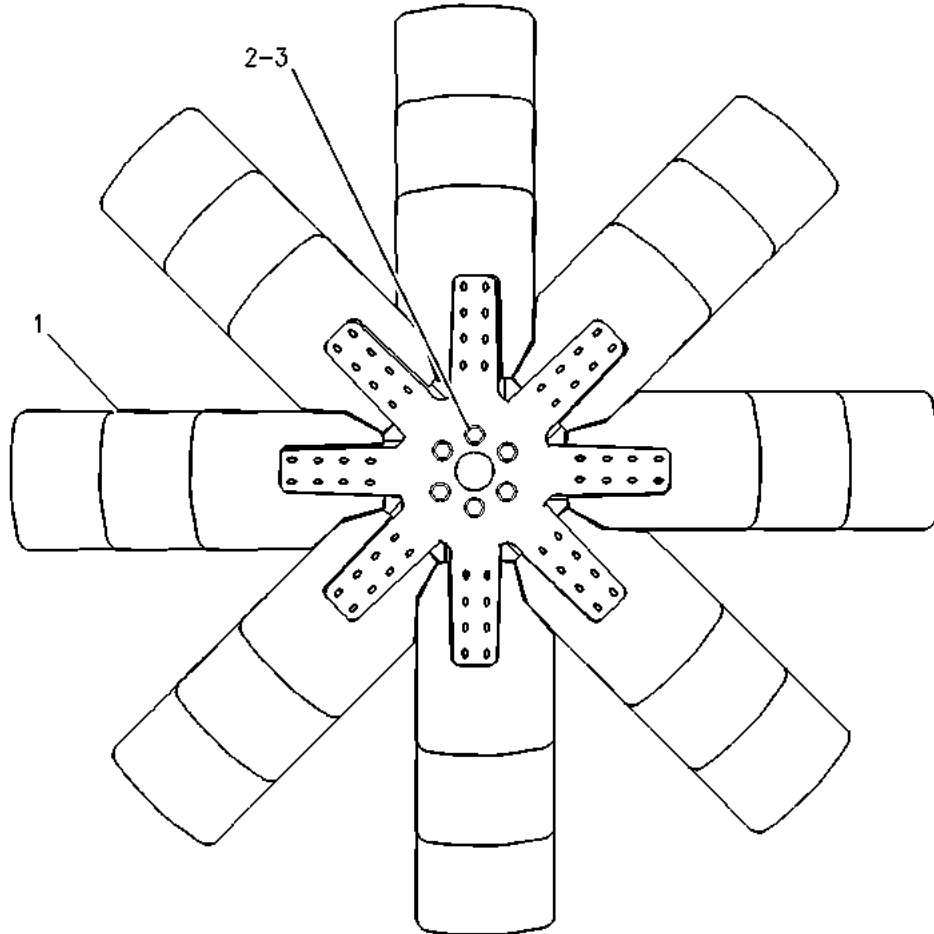
7W-5640 FAN GP-BLOWER

1829-MM DIAMETER. REVERSE ROTATION
FOR USE WITH FOLDED CORE RADIATOR
AN ATTACHMENT

SMCS-1356, 1360

i00935349

NOTE	REF NO	GRAPHIC REF	PART NUMBER	QTY	PART NAME						SEE PAGE
					1	2	3	4	5	6 (PRODUCT LEVEL)	
	1	1	7W-5643	1	SPIDER AS-FAN (8 BLADES)						
	2	1	1A-1460	6	BOLT (1/2-13X2-IN)						
	3	1	5P-8245	6	WASHER-HARD (13.5X25.5X3-MM THK)						



GRAPHIC #1

<END>

g00480825

COOLING SYSTEM

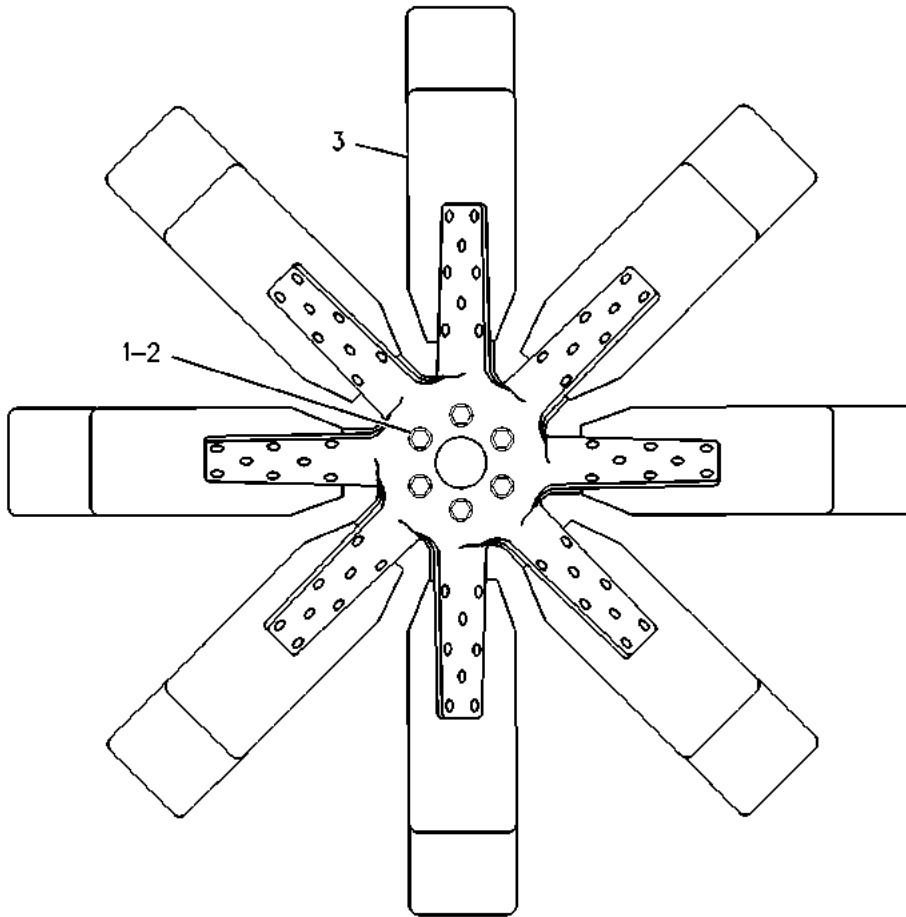
7W-6191 FAN GP-BLOWER

1270-MM (50 IN) DIAMETER. REVERSE ROTATION
FOR USE WITH FOLDED CORE RADIATOR
AN ATTACHMENT

SMCS-1356, 1360

i02645812

NOTE	REF NO	GRAPHIC REF	PART NUMBER	QTY	PART NAME						SEE PAGE
					1	2	3	4	5	6 (PRODUCT LEVEL)	
1	1	1	1A-1460	6	BOLT (1/2-13X2-IN)						
2	1	1	5P-8245	6	WASHER-HARD (13.5X25.5X3-MM THK)						
3	1	1	7W-6188	1	SPIDER AS-FAN (8-BLADE)						



GRAPHIC #1

<END>

g00480481

COOLING SYSTEM

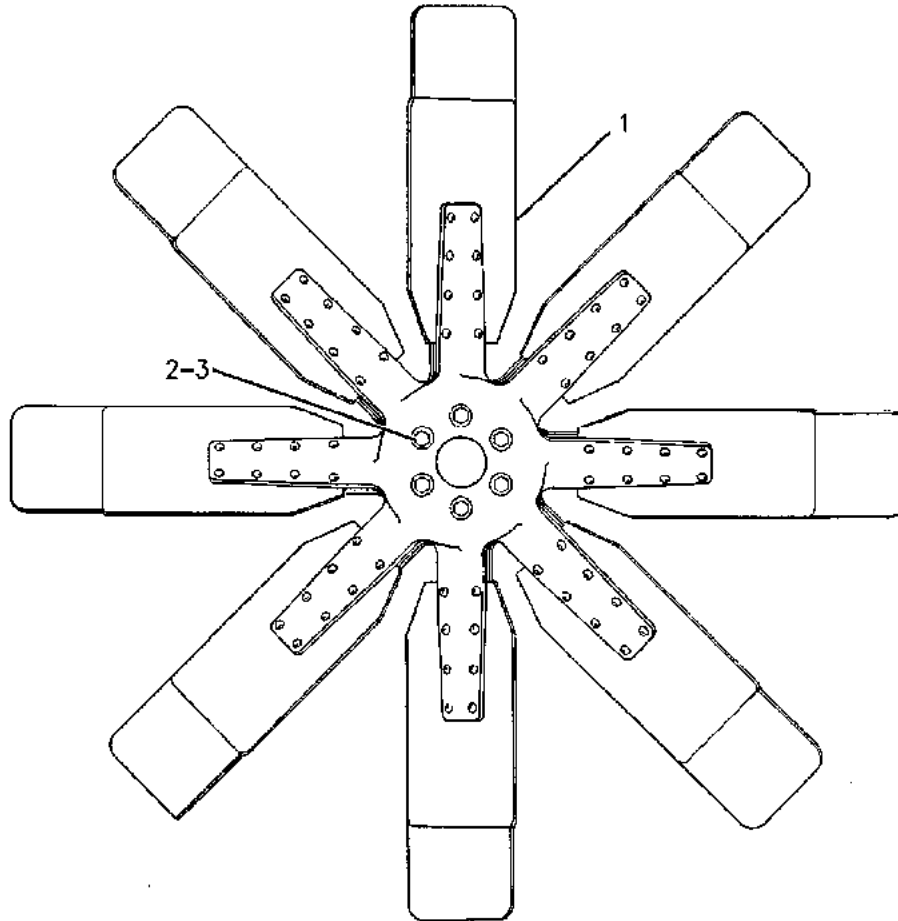
7W-6192 FAN GP-BLOWER

1270-MM (50-IN) DIAMETER. SAE STANDARD ROTATION
 FOR USE WITH ENGINE MOUNTED FAN DRIVE FOR FOLDED CORE RADIATOR
 AN ATTACHMENT

SMCS-1356, 1360

i02665695

NOTE	REF NO	GRAPHIC REF	PART NUMBER	QTY	PART NAME						SEE PAGE
					1	2	3	4	5	6 (PRODUCT LEVEL)	
	1	1	7W-6193	1	SPIDER AS-FAN (8-BLADE)						
	2	1	8T-4835	6	BOLT (1/2-13X2-IN)						
	3	1	8T-4223	6	WASHER-HARD (13.5X25.5X3-MM THK)						



GRAPHIC #1

<END>

g00834108

COOLING SYSTEM

7W-6906 FAN GP-BLOWER

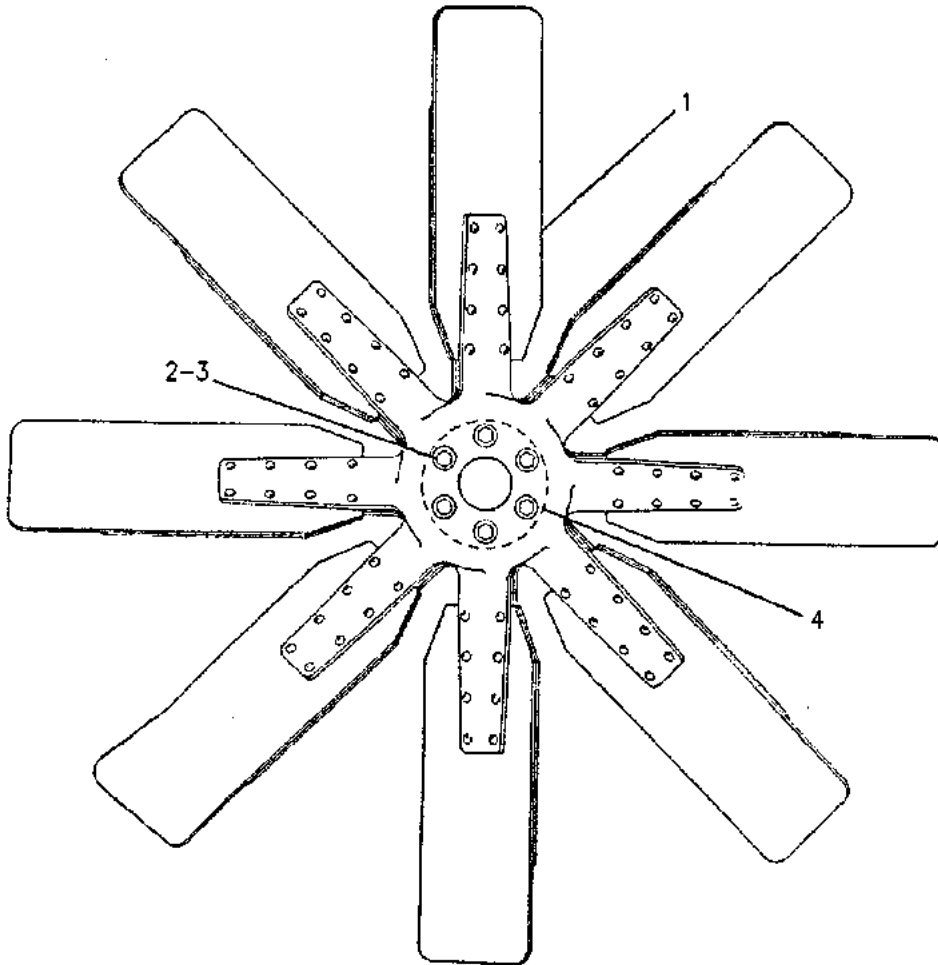
1524-MM DIAMETER-STANDARD ROTATION

FOR USE WITH ENGINE MOUNTED FAN DRIVE AND FOLDED CORE RADIATOR
AN ATTACHMENT

SMCS-1356, 1360

i04381626

NOTE	REF NO	GRAPHIC REF	PART NUMBER	QTY	PART NAME						SEE PAGE
					1	2	3	4	5	6 (PRODUCT LEVEL)	
	1	1	321-6952	1	FAN (8-BLADE)						
	2	1	8T-4835	6	BOLT (1/2-13X2-IN)						
	3	1	8T-4223	6	WASHER-HARD (13.5X25.5X3-MM THK)						
	4	1	7W-3464	1	ADAPTER-FAN						



GRAPHIC #1

<END>

g00778837

COOLING SYSTEM

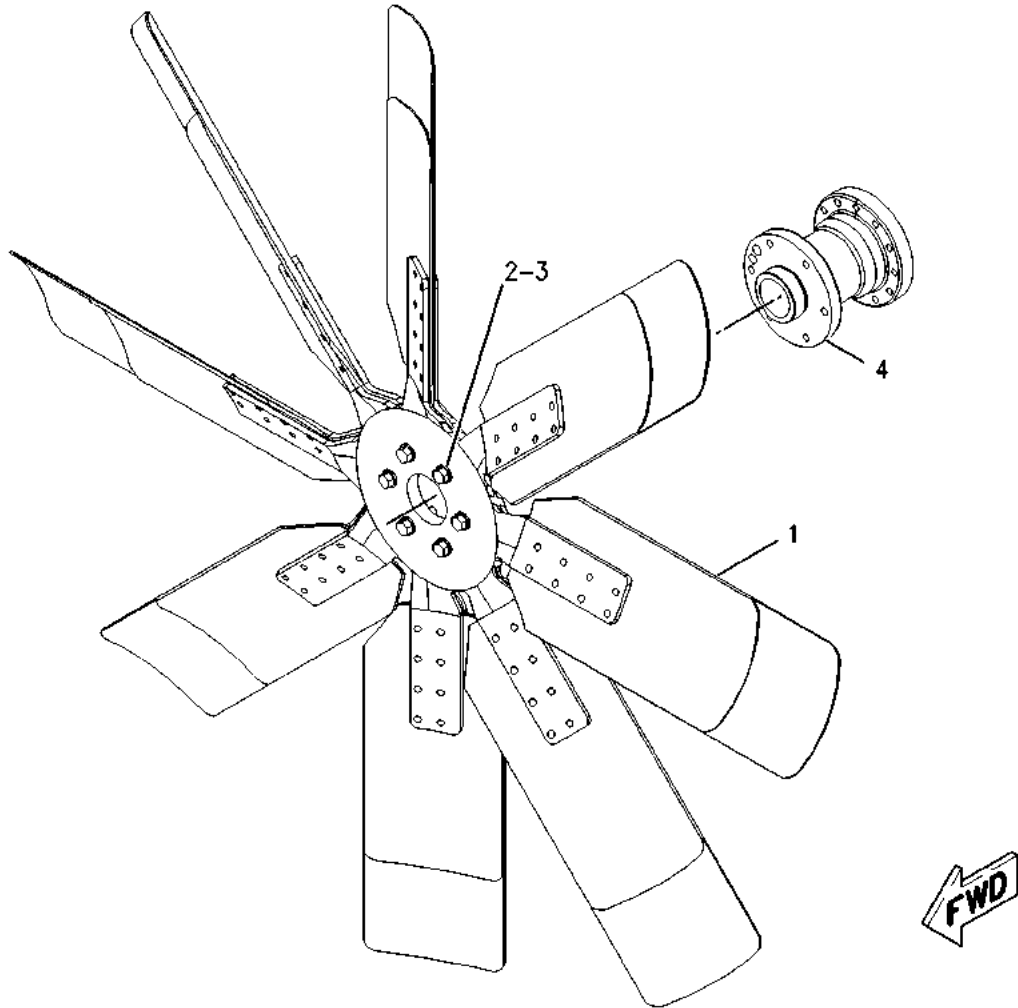
7W-6907 FAN GP-BLOWER

1524-MM DIAMETER-REVERSE ROTATION
FOR USE WITH FOLDED CORE RADIATOR
AN ATTACHMENT

SMCS-1356, 1360

i02645834

NOTE	REF NO	GRAPHIC REF	PART NUMBER	QTY	PART NAME						SEE PAGE
					1	2	3	4	5	6 (PRODUCT LEVEL)	
	1	1	7W-6905	1	SPIDER AS-FAN (8-BLADE)						
	2	1	8T-4835	6	BOLT (1/2-13X2-IN)						
	3	1	8T-4223	6	WASHER-HARD (13.5X25.5X3-MM THK)						
	4	1	7W-3464	1	ADAPTER-FAN						



GRAPHIC #1

<END>

g00869140

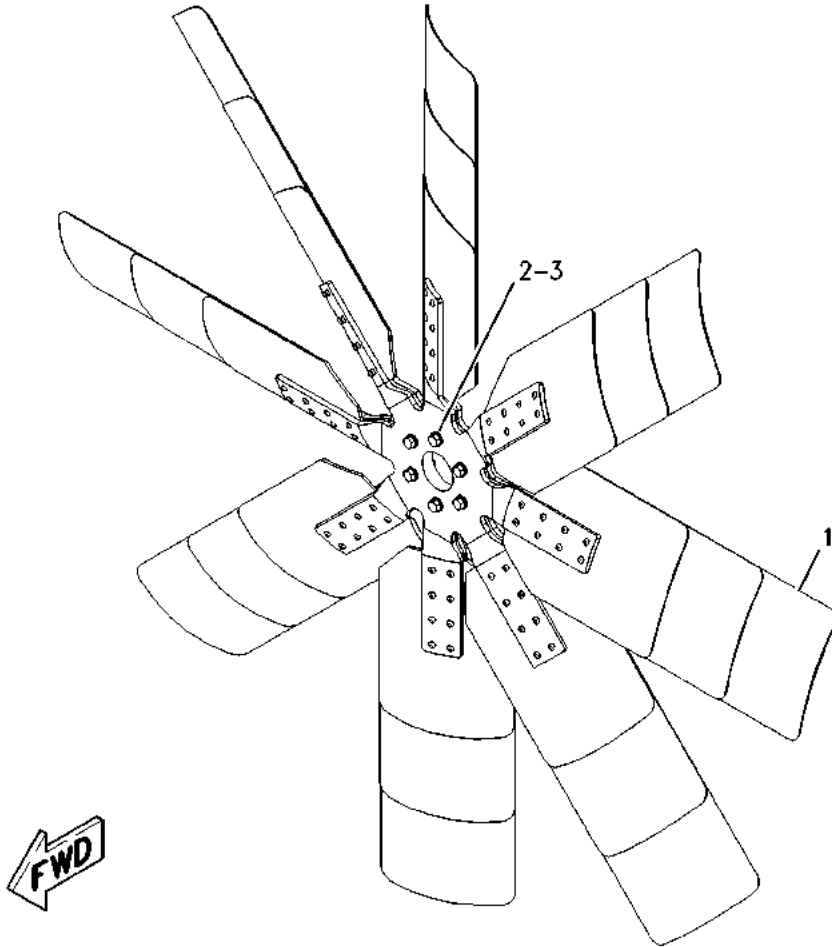
COOLING SYSTEM

7W-5641 FAN GP-SUCTION 1829-MM DIAMETER-SAE STANDARD ROTATION FOR USE WITH FOLDED CORE RADIATOR AN ATTACHMENT

SMCS - 1356

i01684738

NOTE	REF NO	GRAPHIC REF	PART NUMBER	QTY	PART NAME						SEE PAGE
					1	2	3	4	5	6 (PRODUCT LEVEL)	
	1	1	7W-5643	1	SPIDER AS-FAN (8 BLADES)						
	2	1	8T-4835	6	BOLT (1/2-13X2-IN)						
	3	1	8T-4223	6	WASHER-HARD (13.5X25.5X3-MM THK)						



GRAPHIC #1

<END>

g00892772

COOLING SYSTEM

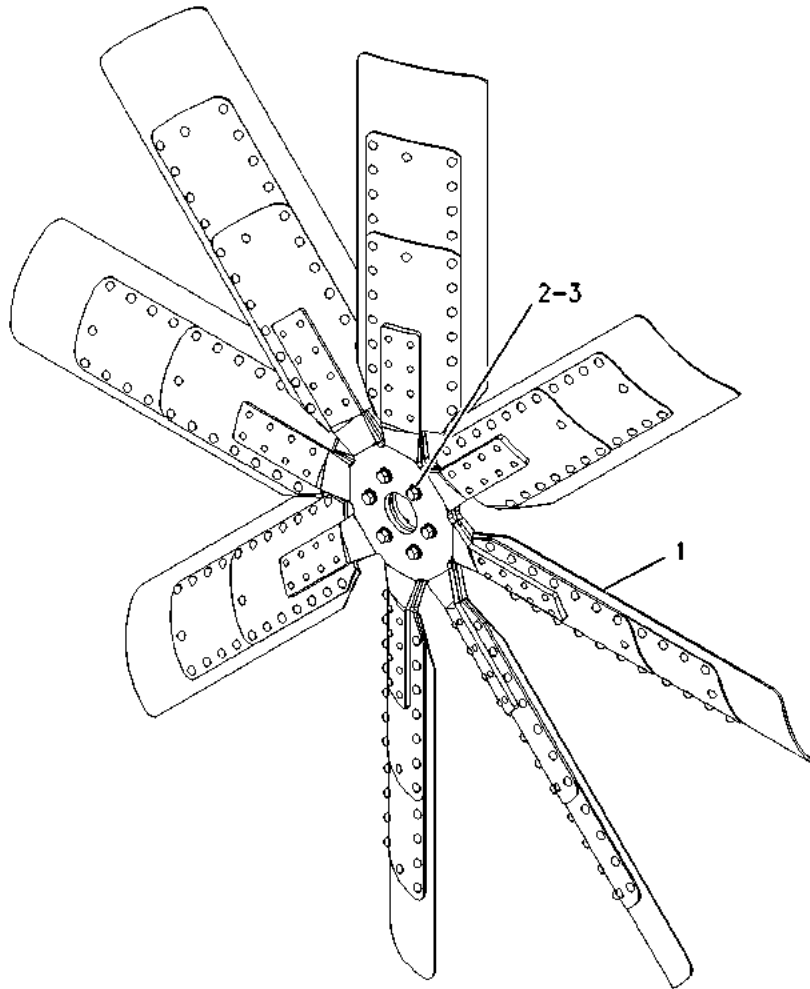
7W-5642 FAN GP-SUCTION

1829-MM DIAMETER-REVERSE ROTATION
FOR USE WITH FOLDED CORE RADIATOR
AN ATTACHMENT

SMCS-1356

i02645844

NOTE	REF NO	GRAPHIC REF	PART NUMBER	QTY	PART NAME						SEE PAGE
					1	2	3	4	5	6 (PRODUCT LEVEL)	
	1	1	115-1783	1	SPIDER AS-FAN (8-BLADE)						
	2	1	8T-4835	6	BOLT (1/2-13X2-IN)						
	3	1	8T-4223	6	WASHER-HARD (13.5X25.5X3-MM THK)						



GRAPHIC #1

<END>

g00893430

COOLING SYSTEM

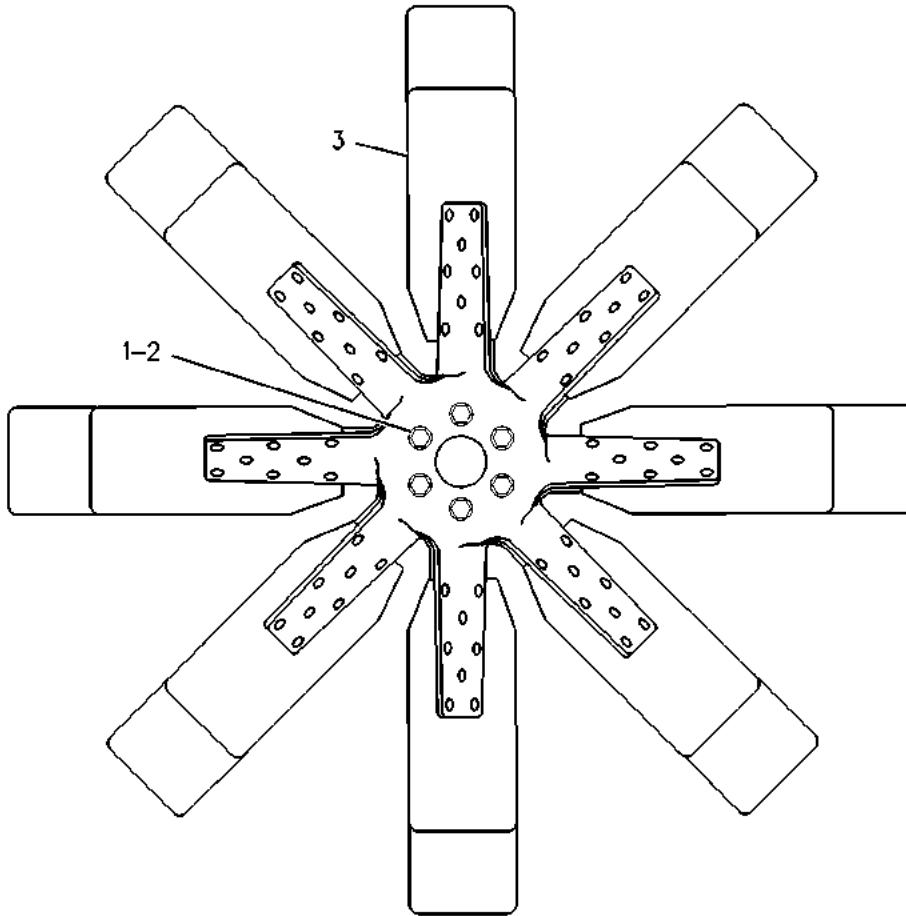
7W-6189 FAN GP-SUCTION

**1270-MM (50-IN) DIAMETER. REVERSE ENGINE ROTATION
FOR USE WITH FOLDED CORE RADIATOR
AN ATTACHMENT**

SMCS-1356

i02645862

NOTE	REF NO	GRAPHIC REF	PART NUMBER	QTY	PART NAME						SEE PAGE
					1	2	3	4	5	6 (PRODUCT LEVEL)	
	1	1	1A-1460	6	BOLT (1/2-13X2-IN)						
	2	1	5P-8245	6	WASHER-HARD (13.5X25.5X3-MM THK)						
	3	1	7W-6193	1	SPIDER AS-FAN (8-BLADE)						



GRAPHIC #1

<END>

g00480483

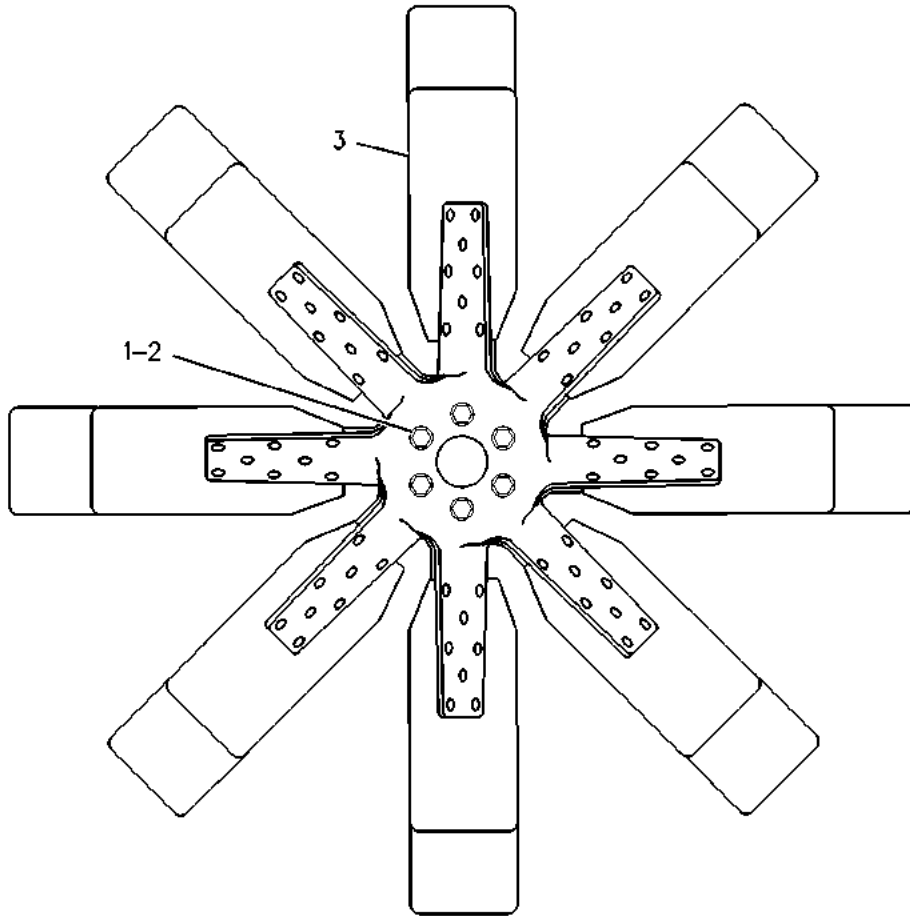
COOLING SYSTEM

7W-6190 FAN GP-SUCTION 1270-MM (50 IN) DIAMETER. STANDARD ROTATION FOR USE WITH FOLDED CORE RADIATOR AN ATTACHMENT

SMCS-1356

i02645897

NOTE	REF NO	GRAPHIC REF	PART NUMBER	QTY	PART NAME						SEE PAGE
					1	2	3	4	5	6 (PRODUCT LEVEL)	
	1	1	1A-1460	6	BOLT (1/2-13X2-IN)						
	2	1	5P-8245	6	WASHER-HARD (13.5X25.5X3-MM THK)						
	3	1	7W-6188	1	SPIDER AS-FAN (8-BLADE)						



GRAPHIC #1

<END>

g00480482

COOLING SYSTEM

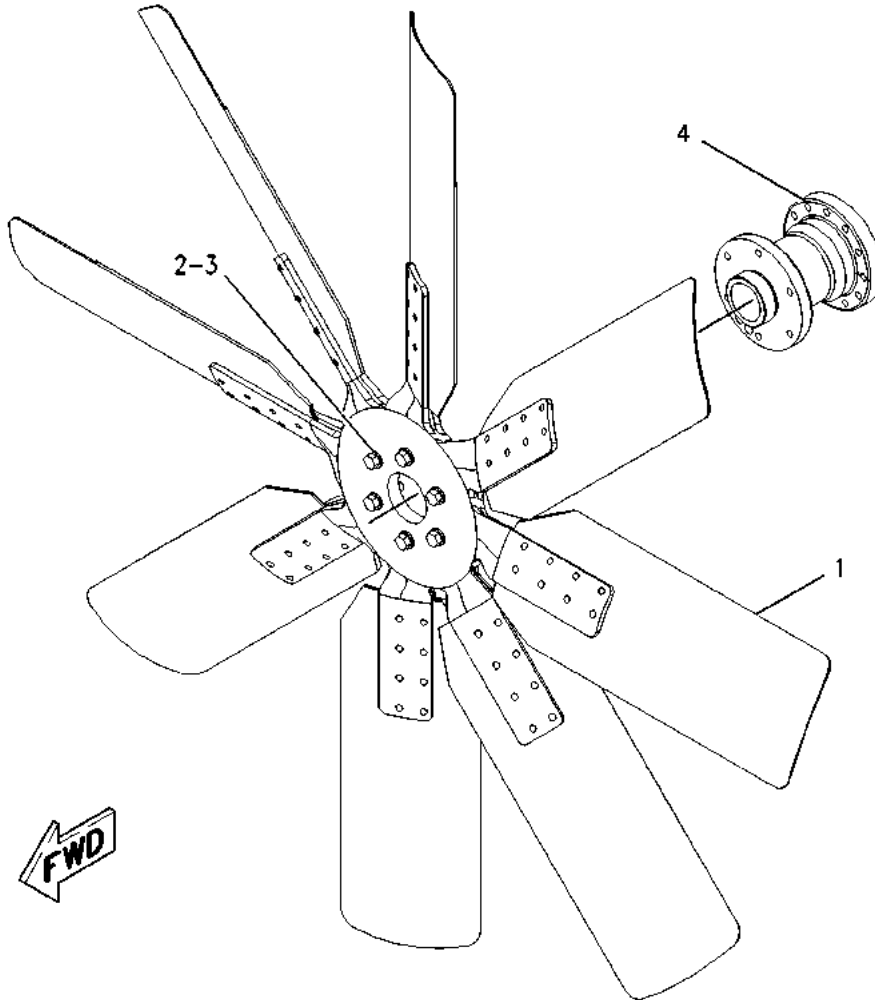
7W-6908 FAN GP-SUCTION

1524-MM DIAMETER-SAE STANDARD ENGINE ROTATION
FOR USE WITH FOLDED CORE RADIATOR
AN ATTACHMENT

SMCS-1356

i01684748

NOTE	REF NO	GRAPHIC REF	PART NUMBER	QTY	PART NAME						SEE PAGE
					1	2	3	4	5	6 (PRODUCT LEVEL)	
	1	1	7W-6905	1	SPIDER AS-FAN (8-BLADE)						
	2	1	8T-4835	6	BOLT (1/2-13X2-IN)						
	3	1	8T-4223	6	WASHER-HARD (13.5X25.5X3-MM THK)						
	4	1	7W-3464	1	ADAPTER-FAN						



GRAPHIC #1

<END>

g00869141

COOLING SYSTEM

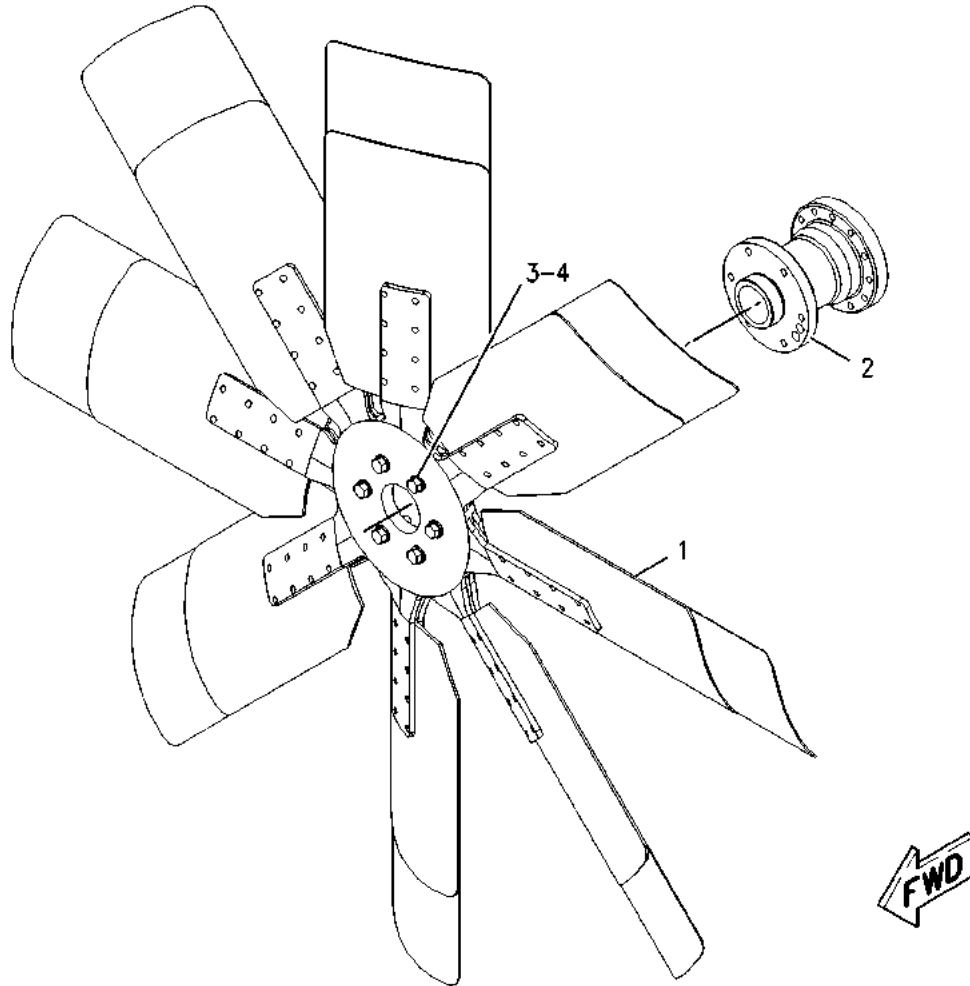
7W-6909 FAN GP-SUCTION

1524-MM DIAMETER-REVERSE ROTATION
FOR USE WITH FOLDED CORE RADIATOR
AN ATTACHMENT

SMCS-1356

i03561269

NOTE	REF NO	GRAPHIC REF	PART NUMBER	QTY	PART NAME						SEE PAGE
					1	2	3	4	5	6 (PRODUCT LEVEL)	
	1	1	321-6952	1	FAN (8-BLADE)						
	2	1	7W-3464	1	ADAPTER-FAN						
	3	1	8T-4223	6	WASHER-HARD (13.5X25.5X3-MM THK)						
	4	1	8T-4835	6	BOLT (1/2-13X2-IN)						



GRAPHIC #1

<END>

g00869143

COOLING SYSTEM

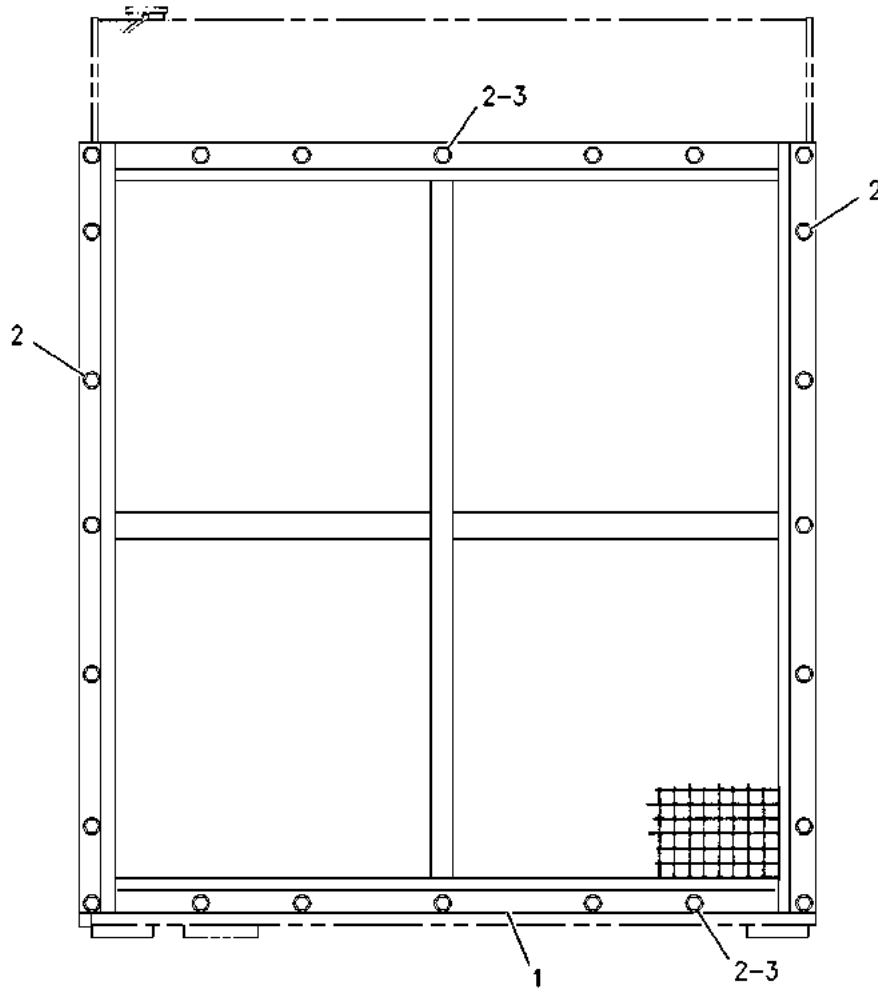
7C-8789 GUARD GP-RADIATOR

FOR USE WITH 50-11 RADIATOR TO PROTECT CORES WHEN DUCTING OR LOUVERS ARE NOT USED
AN ATTACHMENT

SMCS-7155

i01449283

NOTE	REF NO	GRAPHIC REF	PART NUMBER	QTY	PART NAME						SEE PAGE
					1	2	3	4	5	6 (PRODUCT LEVEL)	
	1	1	7W-6544	1	GUARD AS						
	2	1	4L-6454	24	BOLT (3/8-16X1-IN)						
		1	5P-1075	38	WASHER-HARD (10.2X22.5X3-MM THK)						
	3	1	6V-8801	14	NUT (3/8-16-THD)						



GRAPHIC #1

<END>

g00758786

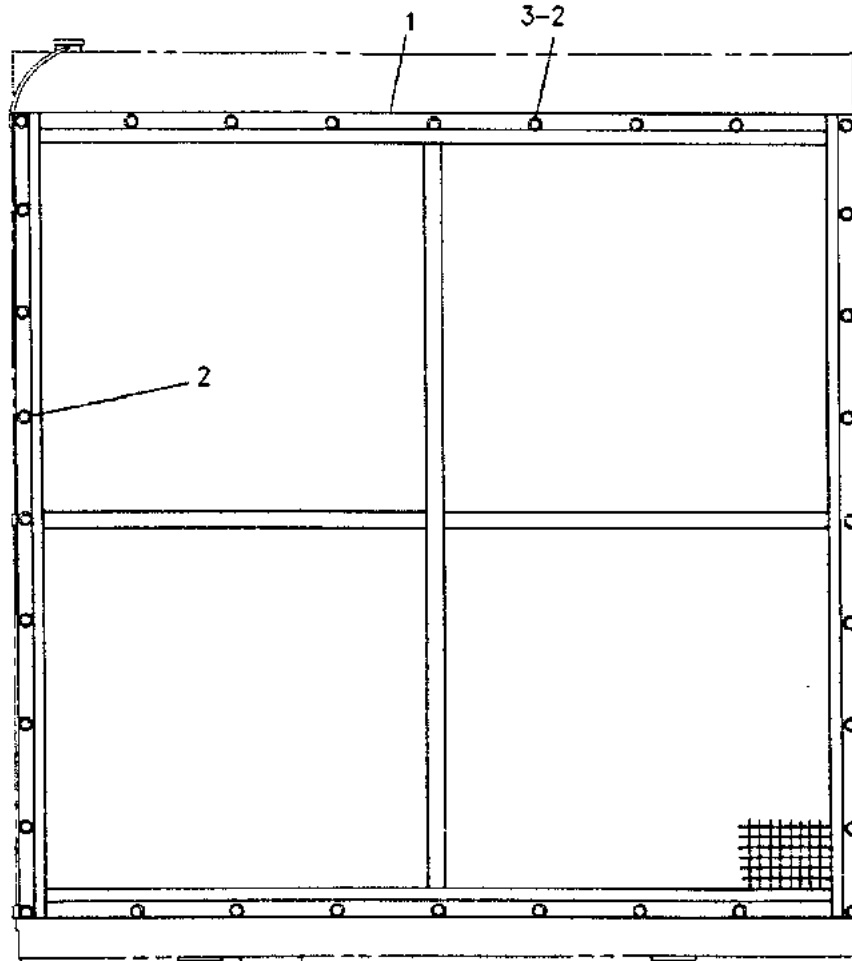
COOLING SYSTEM

7C-8790 GUARD GP-RADIATOR FOR USE WITH 72-25 RADIATOR AN ATTACHMENT

SMCS-7155

i02231257

NOTE	REF NO	GRAPHIC REF	PART NUMBER	QTY	PART NAME						SEE PAGE
					1	2	3	4	5	6 (PRODUCT LEVEL)	
	1	1	7W-2035	1	GUARD AS-RADIATOR						
	2	1	4L-6454	32	BOLT (3/8-16X1-IN)						
		1	5P-1075	50	WASHER-HARD (10.2X22.5X3-MM THK)						
	3	1	6V-8801	18	NUT (3/8-16-THD)						



GRAPHIC #1

<END>

g00649431

COOLING SYSTEM

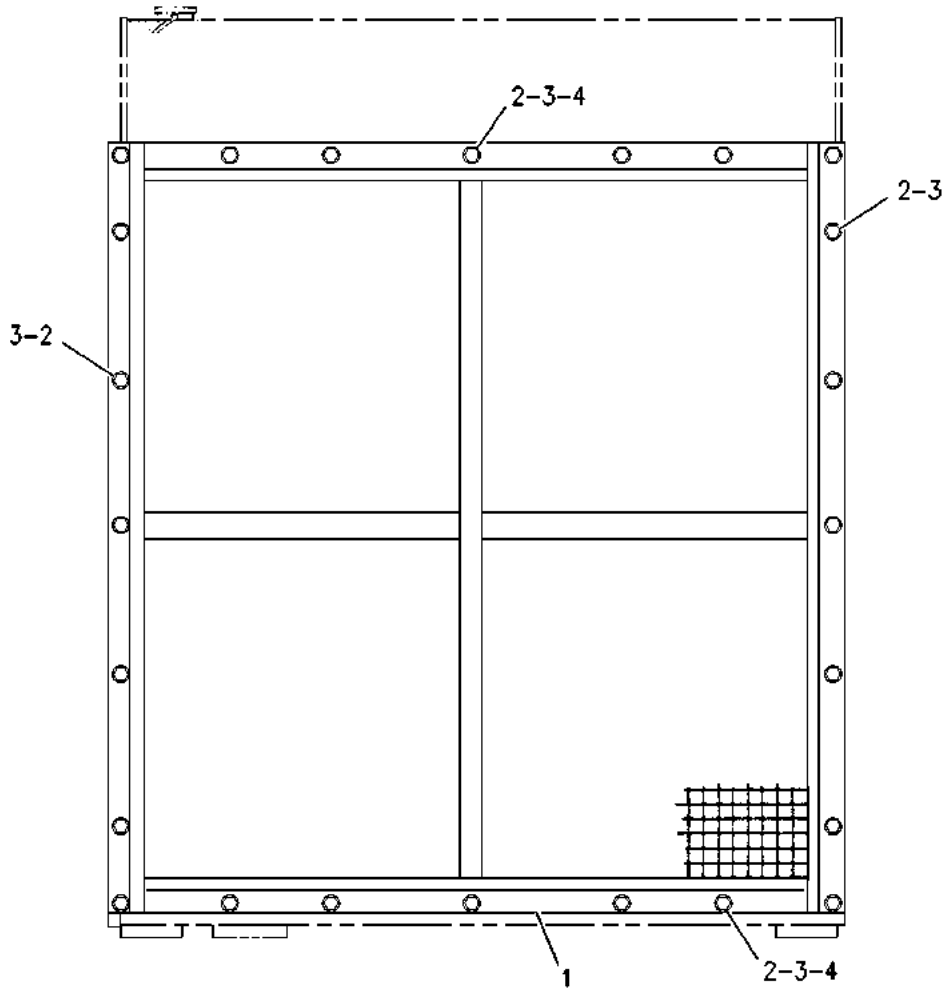
7C-8791 GUARD GP-RADIATOR

FOR USE WITH 60-13 RADIATOR TO PROTECT CORES WHEN DUCTING OR LOUVERS ARE NOT USED
AN ATTACHMENT

SMCS-7155

i01449311

NOTE	REF NO	GRAPHIC REF	PART NUMBER	QTY	PART NAME						SEE PAGE
					1	2	3	4	5	6 (PRODUCT LEVEL)	
	1	1	7W-4158	1	GUARD AS						
	2	1	4L-6454	24	BOLT (3/8-16X1-IN)						
	3	1	5P-1075	38	WASHER-HARD (10.2X22.5X3-MM THK)						
	4	1	6V-8801	14	NUT (3/8-16-THD)						



GRAPHIC #1

<END>

g00758796

COOLING SYSTEM

107-1728 HEAT EXCHANGER GP-SEA WATER

1016-MM DOUBLE PASS
CANNOT BE USED WITH A RADIATOR
AN ATTACHMENT

SMCS-1379

i02327534

NOTE	PART NUMBER	QTY	PART NAME						SEE PAGE
			1	2	3	4	5	6 (PRODUCT LEVEL)	
	8T-8924	16	BOLT (3/4-10X2.5-IN)						
	8T-6871	8	BOLT (5/8-11X2.5-IN)						
	101-8679	2	FLANGE (8-HOLE)						
	101-8678	2	FLANGE (4-HOLE)						
	107-1727	2	GASKET (4-HOLE)						
	8F-2347	2	GASKET (8-HOLE)						
Y	4W-4642	1	HEAT EXCHANGER GP-SEA WATER						501
	7X-0448	8	NUT (5/8-11-THD)						
	6V-8182	16	NUT (3/4-10-THD)						
	8T-4994	32	WASHER-HARD (20X36.5X3.5-MM THK)						
	8T-4122	16	WASHER-HARD (17X32X3.5-MM THK)						

Y - SEPARATE ILLUSTRATION

<END>

107-1729 HEAT EXCHANGER GP-SEA WATER

762-MM DOUBLE PASS
CANNOT BE USED WITH A RADIATOR
AN ATTACHMENT

SMCS-1379

i02327533

NOTE	PART NUMBER	QTY	PART NAME						SEE PAGE
			1	2	3	4	5	6 (PRODUCT LEVEL)	
	8T-8924	16	BOLT (3/4-10X2.5-IN)						
	8T-6871	8	BOLT (5/8-11X2.5-IN)						
	101-8679	2	FLANGE (8-HOLE)						
	101-8678	2	FLANGE (4-HOLE)						
	107-1727	2	GASKET (4-HOLE)						
	8F-2347	2	GASKET (8-HOLE)						
Y	4W-4632	1	HEAT EXCHANGER GP-SEA WATER						499
	7X-0448	8	NUT (5/8-11-THD)						
	6V-8182	16	NUT (3/4-10-THD)						
	8T-4994	32	WASHER-HARD (20X36.5X3.5-MM THK)						
	8T-4122	16	WASHER-HARD (17X32X3.5-MM THK)						

Y - SEPARATE ILLUSTRATION

<END>

COOLING SYSTEM

107-1730 HEAT EXCHANGER GP-SEA WATER

1270-MM DOUBLE PASS
CANNOT BE USED WITH A RADIATOR
AN ATTACHMENT

SMCS-1379

i02327529

NOTE	PART NUMBER	QTY	PART NAME 1 2 3 4 5 6 (PRODUCT LEVEL)	SEE PAGE
	8T-8924	16	BOLT (3/4-10X2.5-IN)	
	8T-6871	8	BOLT (5/8-11X2.5-IN)	
	101-8679	2	FLANGE (8-HOLE)	
	101-8678	2	FLANGE (4-HOLE)	
	107-1727	2	GASKET (4-HOLE)	
	8F-2347	2	GASKET (8-HOLE)	
Y	4W-4652	1	HEAT EXCHANGER GP-SEA WATER	503
	7X-0448	8	NUT (5/8-11-THD)	
	6V-8182	16	NUT (3/4-10-THD)	
	8T-4994	32	WASHER-HARD (20X36.5X3.5-MM THK)	
	8T-4122	16	WASHER-HARD (17X32X3.5-MM THK)	

Y - SEPARATE ILLUSTRATION

<END>

COOLING SYSTEM

134-3530 HEAT EXCHANGER GP-SEA WATER

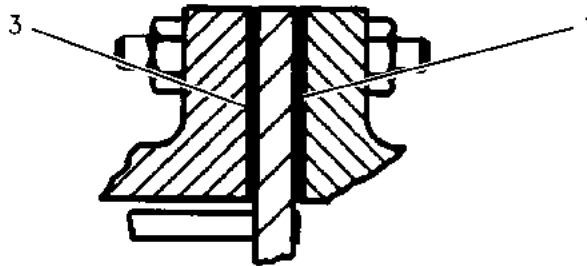
FIELD REPLACEMENT ORDER 4W-4652-PAGE: 503

PART OF 4W-4652 HEAT EXCHANGER GP-SEA WATER
AN ATTACHMENT

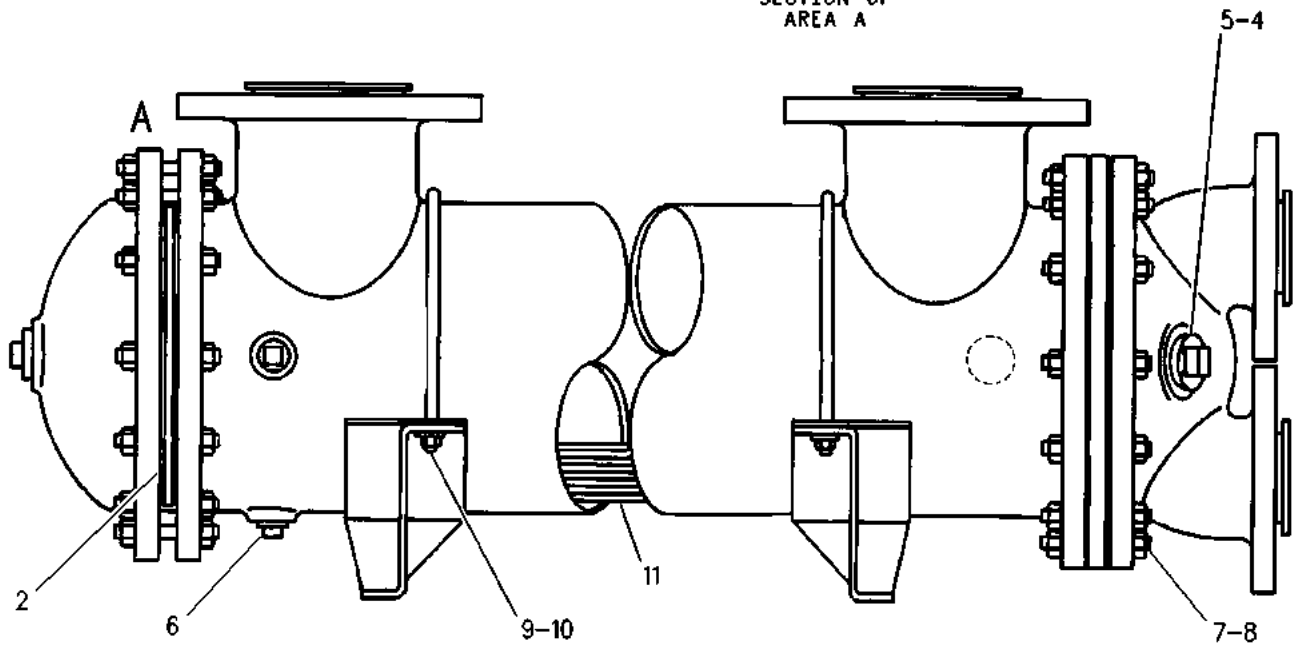
SMCS-1379

i02778855

NOTE	REF NO	GRAPHIC REF	PART NUMBER	QTY	PART NAME						SEE PAGE
					1	2	3	4	5	6 (PRODUCT LEVEL)	
	1	1	7W-8402	1	GASKET						
	2	1	8T-6690	2	SEAL-O-RING						
	3	1	7W-8401	1	GASKET						
	4	1	6L-2284	3	ROD-ZINC (HEAT EXCHANGER)						
	5	1	6L-2286	3	PLUG-PIPE						
	6	1	6L-1595	3	PLUG-PIPE						
	7	1	134-5573	24	STUD						
	8	1	4K-0367	48	NUT-FULL (5/8-11-THD)						
	9	1	5P-1075	4	WASHER-HARD (10.2X22.5X3-MM THK)						
	10	1	9S-8752	4	NUT-FULL (3/8-16-THD)						
	11	1	109-5916	1	CORE AS (HEAT EXCHANGER)						



SECTION OF
AREA A



GRAPHIC #1

<END>

g00261259

COOLING SYSTEM

134-3533 HEAT EXCHANGER GP-SEA WATER

PART OF 4W-4652 HEAT EXCHANGER GP-SEA WATER

AN ATTACHMENT

SMCS-1379

i02778856

NOTE	REF NO	GRAPHIC REF	PART NUMBER	QTY	PART NAME						SEE PAGE
					1	2	3	4	5	6 (PRODUCT LEVEL)	
	1	1	155-2589	1	CORE AS (HEAT EXCHANGER)						
	2	1	155-2591	1	GASKET						
	3	1	155-2590	1	GASKET						
	4	1	155-2592	1	SEAL						
	5	1	8T-4896	4	WASHER-HARD (10.2X18.5X2.5-MM THK)						
	6	1	6V-8801	4	NUT (3/8-16-THD)						
	7	1	9B-0887	3	PLUG-PIPE						
	8	1	8C-6857	8	BOLT (3/4-10X2.75-IN)						
	9	1	8T-4994	16	WASHER-HARD (20X36.5X3.5-MM THK)						
	10	1	6V-8182	16	NUT (3/4-10-THD)						
	11	1	7X-0370	8	BOLT (3/4-10X3.5-IN)						
J	12	1	6L-2284	3	ROD-ZINC (HEAT EXCHANGER)						
J	13	1	6L-2286	3	PLUG-PIPE						
	14	1	1H-1200	1	PIN-SPRING						
B	15	1	8L-9767	32	SHIM (0.015-IN THK)						
	16	1	3N-9606	2	U-BOLT						
	17	1	155-2596	2	BRACKET AS						

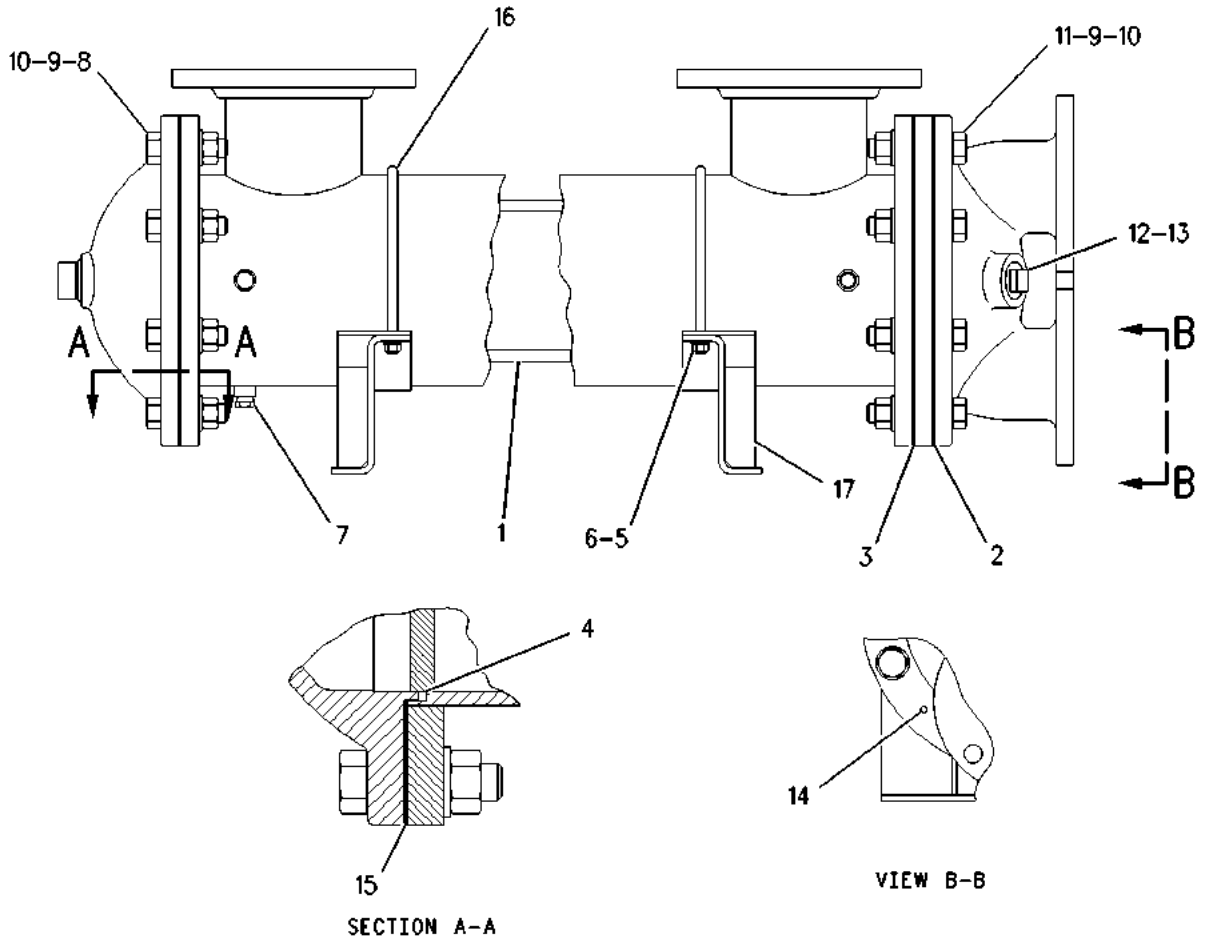
B - USE AS REQUIRED

J - SERVICE ROD & PLUG TOGETHER

COOLING SYSTEM

134-3533 HEAT EXCHANGER GP-SEA WATER (contd.)

102778856



GRAPHIC #1

<END>

g00399405

COOLING SYSTEM

3N-8888 HEAT EXCHANGER GP-SEA WATER

54-SQ FT COOLING AREA

PART OF 3N-8889 HEAT EXCHANGER GP-SEA WATER
AN ATTACHMENT

SMCS-1379

i06518800

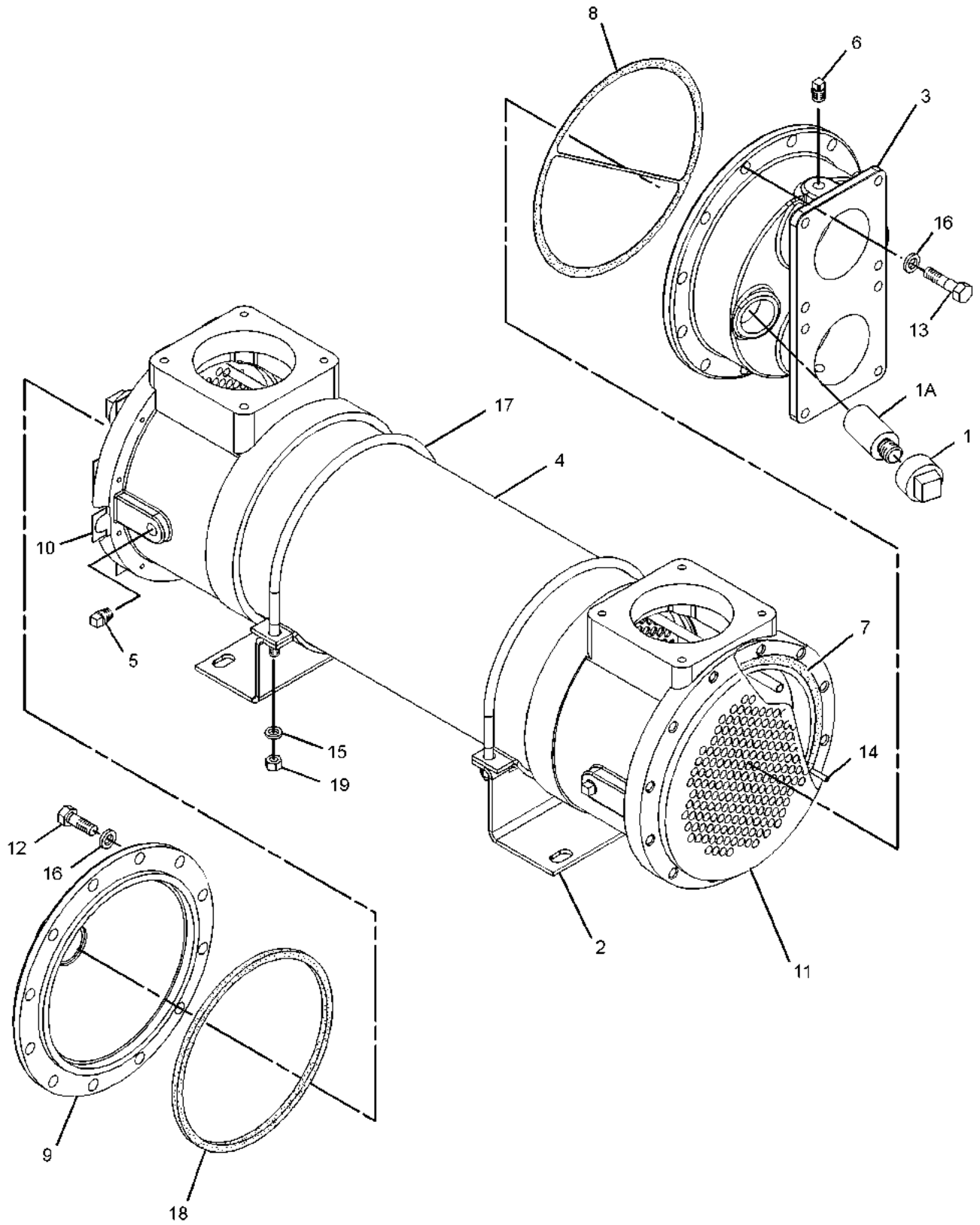
NOTE	REF NO	GRAPHIC REF	PART NUMBER	QTY	PART NAME						SEE PAGE
					1	2	3	4	5	6 (PRODUCT LEVEL)	
	1	1	6L-2286	3	PLUG-PIPE						
	1A	1	6L-2284	3	ROD-ZINC (HEAT EXCHANGER)						
	2	1	2W-4875	2	BRACKET AS						
	3	1	3N-9610	1	BONNET						
	4	1	3N-9626	1	SHELL AS						
	5	1	6L-2279	4	PLUG-PIPE						
	6	1	6L-2282	2	PLUG-PIPE						
	7	1	7L-0487	1	GASKET						
	8	1	8L-4952	1	GASKET						
	9	1	8L-4955	1	BONNET-RETURN						
B	10	1	8L-9767	48	SHIM (0.015-IN THK)						
	11	1	293-0007	1	CORE AS (HEAT EXCHANGER)						
	12	1	0T-0320	12	BOLT (7/16-14X1.25-IN)						
	13	1	0T-0768	12	BOLT (7/16-14X1.75-IN)						
	14	1	1H-1200	1	PIN-SPRING						
	15	1	3B-4506	4	LOCKWASHER						
	16	1	3B-4507	24	LOCKWASHER						
	17	1	3N-9606	2	U-BOLT						
	18	1	7L-0486	1	SEAL-RUBBER						
	19	1	9S-8752	4	NUT-FULL (3/8-16-THD)						

B - USE AS REQUIRED

COOLING SYSTEM

3N-8888 HEAT EXCHANGER GP-SEA WATER (contd.)

106518800



GRAPHIC #1

<END>

g01364512

COOLING SYSTEM

3N-8889 HEAT EXCHANGER GP-SEA WATER

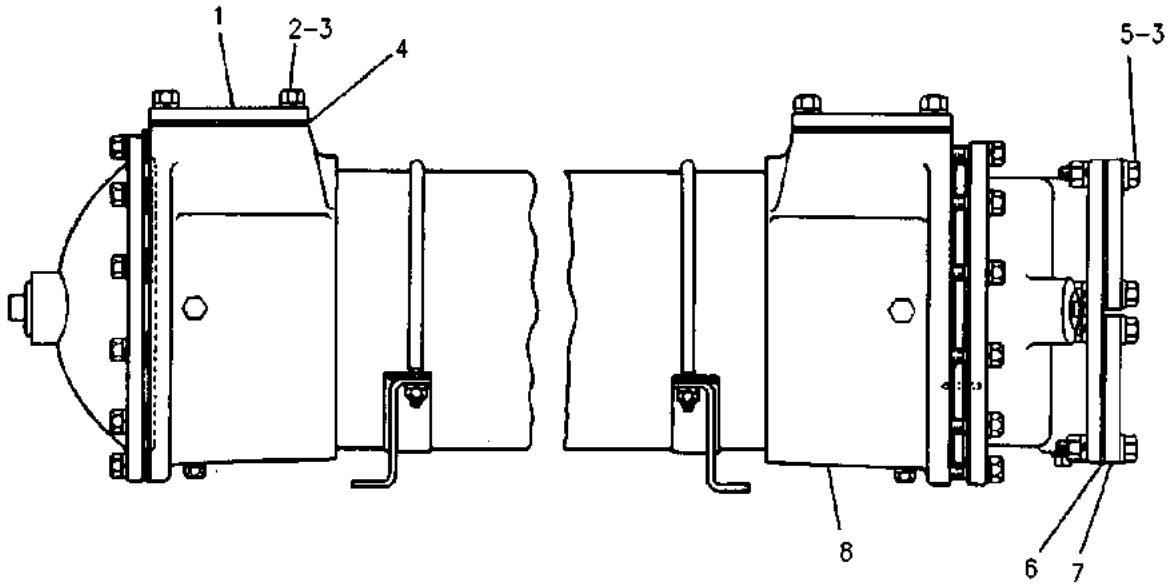
54-SQ FT COOLING AREA
AN ATTACHMENT

SMCS-1379

i05090118

NOTE	REF NO	GRAPHIC REF	PART NUMBER	QTY	PART NAME						SEE PAGE
					1	2	3	4	5	6 (PRODUCT LEVEL)	
	1	1	4N-9720	2	FLANGE						
	2	1	9B-7237	8	BOLT (3/8-16X1.25-IN)						
	3	1	8T-4896	24	WASHER-HARD (10.2X18.5X2.5-MM THK)						
	4	1	4L-3862	2	GASKET						
	5	1	5S-7383	8	BOLT (3/8-16X1.75-IN)						
		1	6V-8801	8	NUT (3/8-16-THD)						
	6	1	9M-1289	2	GASKET						
	7	1	2N-8263	2	FLANGE						
Y	8	1	3N-8888	1	HEAT EXCHANGER GP-SEA WATER						490

Y - SEPARATE ILLUSTRATION



GRAPHIC #1

<END>

g00619398

COOLING SYSTEM

3N-8890 HEAT EXCHANGER GP-SEA WATER

72-SQ FT COOLING AREA

PART OF 3N-8891 HEAT EXCHANGER GP-SEA WATER
AN ATTACHMENT

SMCS-1379

i05502152

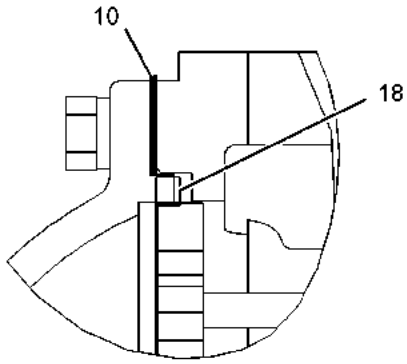
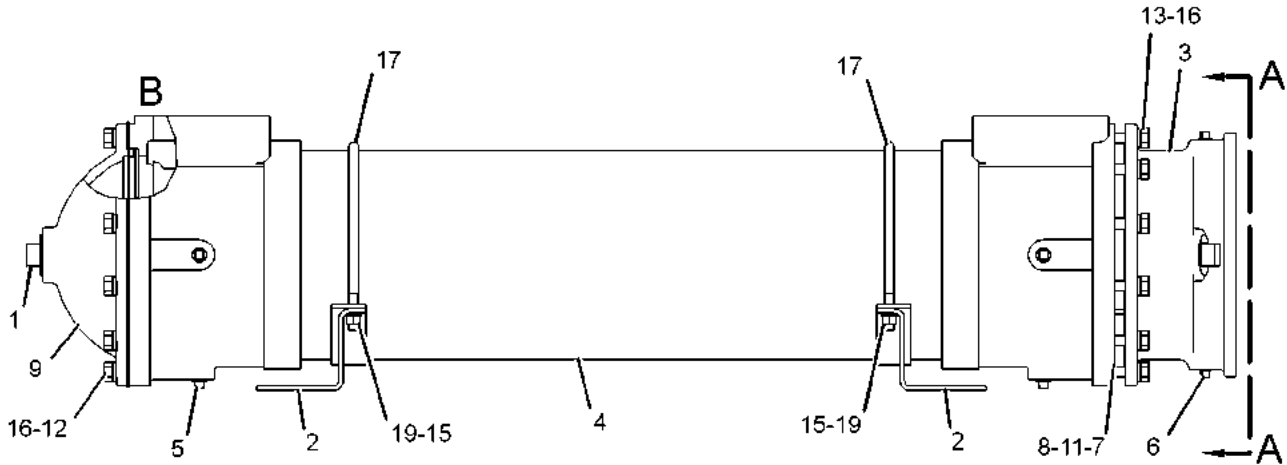
NOTE	REF NO	GRAPHIC REF	PART NUMBER	QTY	PART NAME						SEE PAGE
					1	2	3	4	5	6 (PRODUCT LEVEL)	
	1	1	5L-9128	3	ROD AS-ZINC						
					(EACH INCLUDES)						
		1	6L-2286	1	PLUG-PIPE						
		1	6L-2284	1	ROD-ZINC (HEAT EXCHANGER)						
	2	1	2W-4875	2	BRACKET AS						
	3	1	3N-9610	1	BONNET						
	4	1	3N-9629	1	SHELL AS						
	5	1	6L-2279	4	PLUG-PIPE						
	6	1	6L-2282	2	PLUG-PIPE						
	7	1	7L-0487	1	GASKET						
	8	1	8L-4952	1	GASKET						
	9	1	8L-4955	1	BONNET-RETURN						
B	10	1	8L-9767	48	SHIM (0.015-IN THK)						
	11	1	293-0008	1	CORE AS (HEAT EXCHANGER)						
	12	1	0T-0320	12	BOLT (7/16-14X1.25-IN)						
	13	1	0T-0768	12	BOLT (7/16-14X1.75-IN)						
	14	1	1H-1200	1	PIN-SPRING						
	15	1	3B-4506	4	LOCKWASHER						
	16	1	3B-4507	24	LOCKWASHER						
	17	1	3N-9606	2	U-BOLT						
	18	1	7L-0486	1	SEAL-RUBBER						
	19	1	9S-8752	4	NUT-FULL (3/8-16-THD)						

B - USE AS REQUIRED

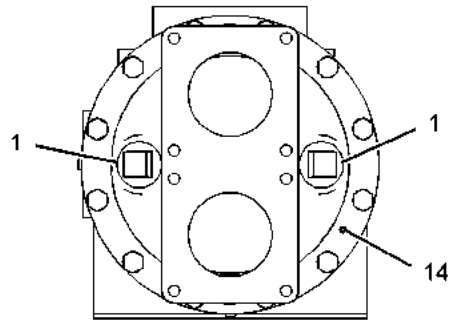
COOLING SYSTEM

3N-8890 HEAT EXCHANGER GP-SEA WATER (contd.)

i05502152



VIEW OF AREA B



VIEW A-A

GRAPHIC #1

<END>

g01368912

COOLING SYSTEM

3N-8891 HEAT EXCHANGER GP-SEA WATER

72-SQ FT COOLING AREA

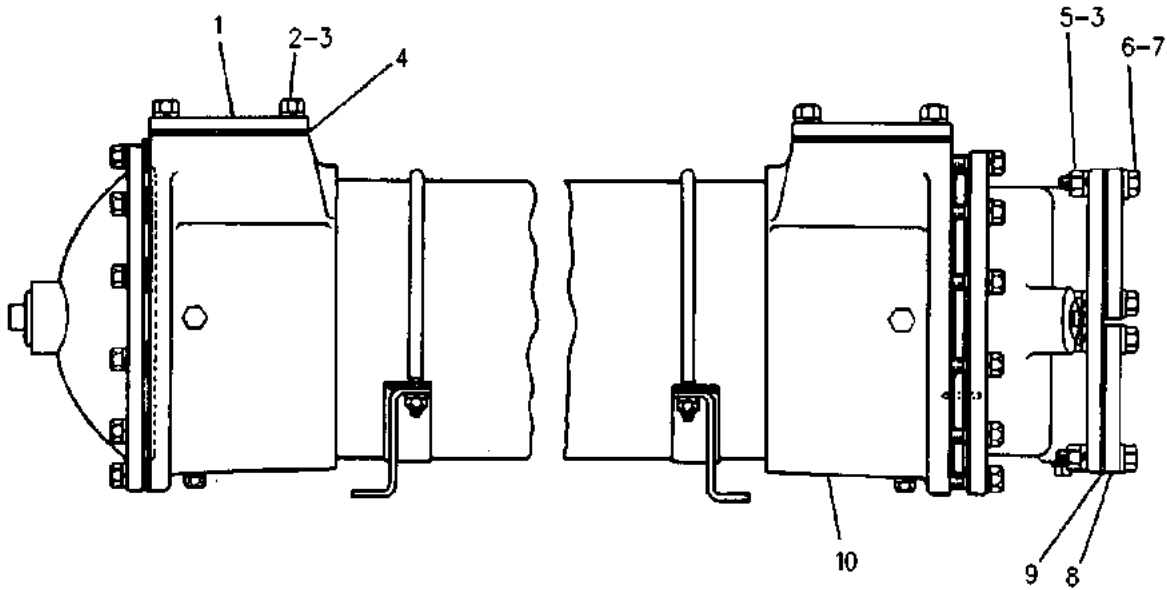
AN ATTACHMENT

SMCS-1379

i05091050

NOTE	REF NO	GRAPHIC REF	PART NUMBER	QTY	PART NAME						SEE PAGE
					1	2	3	4	5	6 (PRODUCT LEVEL)	
	1	1	4N-9720	2	FLANGE						
	2	1	9B-7237	8	BOLT (3/8-16X1.25-IN)						
	3	1	8T-4896	16	WASHER-HARD (10.2X18.5X2.5-MM THK)						
	4	1	4L-3862	2	GASKET						
	5	1	6V-8801	8	NUT (3/8-16-THD)						
	6	1	5S-7383	8	BOLT (3/8-16X1.75-IN)						
	7	1	8T-4223	16	WASHER-HARD (13.5X25.5X3-MM THK)						
	8	1	2N-8263	2	FLANGE						
	9	1	9M-1289	2	GASKET						
Y	10	1	3N-8890	1	HEAT EXCHANGER GP-SEA WATER						493

Y - SEPARATE ILLUSTRATION



GRAPHIC #1

<END>

g00714310

COOLING SYSTEM

3N-8892 HEAT EXCHANGER GP-SEA WATER

90-SQ FT COOLING AREA

PART OF 3N-8893 HEAT EXCHANGER GP-SEA WATER

AN ATTACHMENT

SMCS-1379

i06980330

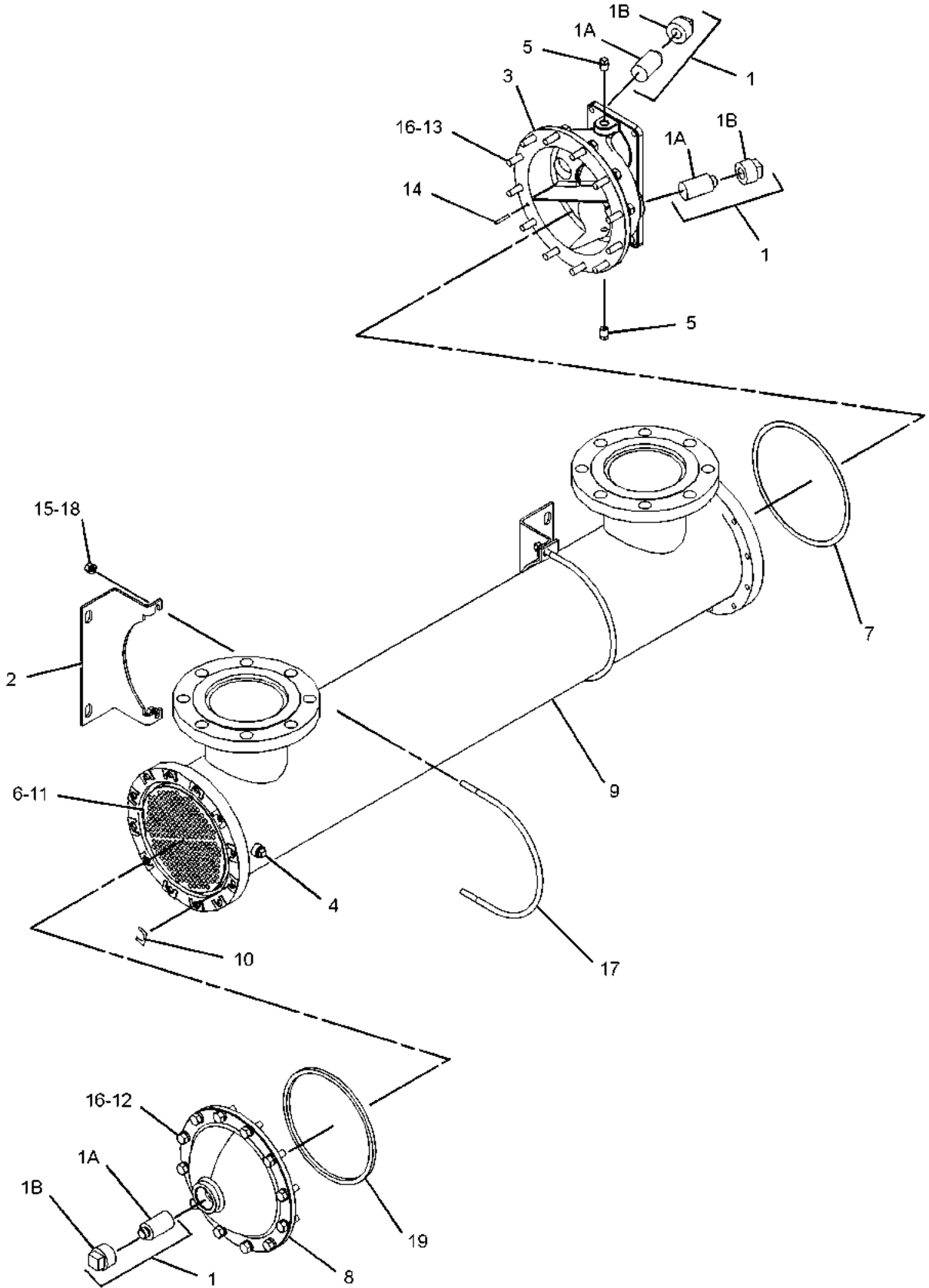
NOTE	REF NO	GRAPHIC REF	PART NUMBER	QTY	PART NAME						SEE PAGE
					1	2	3	4	5	6 (PRODUCT LEVEL)	
	1	1	5L-9128	3	ROD AS-ZINC						
					(EACH INCLUDES)						
	1A	1	6L-2284	1	ROD-ZINC (HEAT EXCHANGER)						
	1B	1	6L-2286	1	PLUG-PIPE						
	2	1	2W-4875	2	BRACKET AS						
	3	1	3N-9610	1	BONNET						
	4	1	6L-2279	3	PLUG-PIPE						
	5	1	6L-2282	2	PLUG-PIPE						
	6	1	7L-0487	1	GASKET						
	7	1	8L-4952	1	GASKET						
	8	1	8L-4955	1	BONNET-RETURN						
	9	1	8L-5066	1	SHELL AS						
B	10	1	8L-9767	48	SHIM (0.015-IN THK)						
	11	1	293-0009	1	CORE AS (HEAT EXCHANGER)						
	12	1	0T-0320	12	BOLT (7/16-14X1.25-IN)						
	13	1	0T-0768	12	BOLT (7/16-14X1.75-IN)						
	14	1	1H-1200	1	PIN-SPRING						
	15	1	3B-4506	4	LOCKWASHER						
	16	1	3B-4507	24	LOCKWASHER						
	17	1	3N-9606	2	U-BOLT						
	18	1	6V-8801	4	NUT (3/8-16-THD)						
	19	1	7L-0486	1	SEAL-RUBBER						

B - USE AS REQUIRED

COOLING SYSTEM

3N-8892 HEAT EXCHANGER GP-SEA WATER (contd.)

i06980330



GRAPHIC #1

<END>

g03283337

COOLING SYSTEM

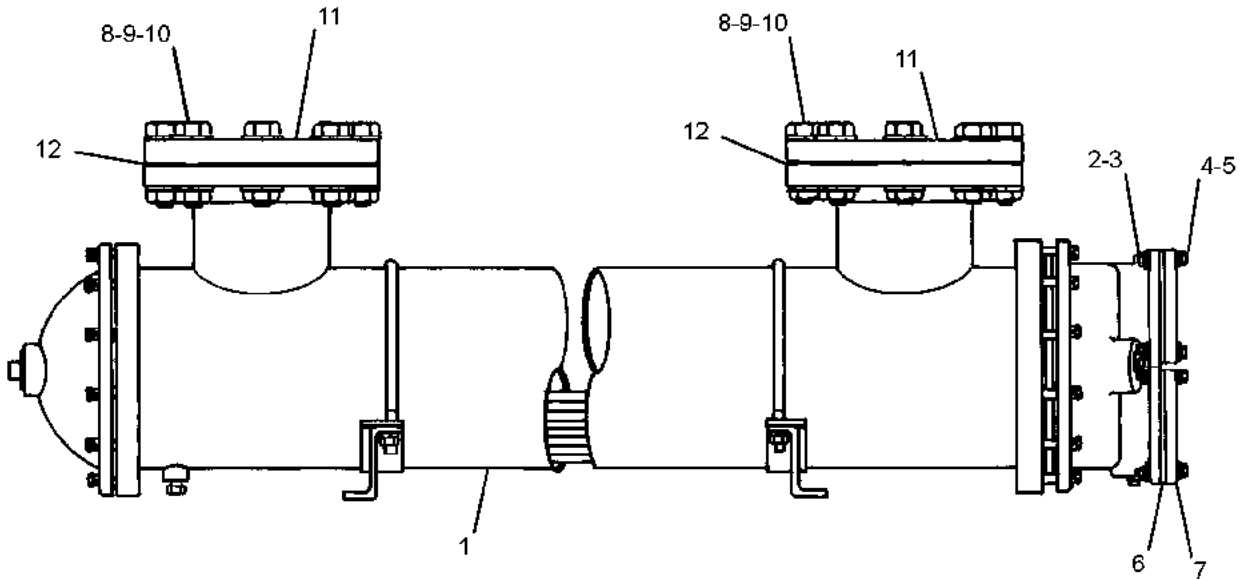
3N-8893 HEAT EXCHANGER GP-SEA WATER 90-SQ FT COOLING AREA AN ATTACHMENT

SMCS-1379

i05091291

NOTE	REF NO	GRAPHIC REF	PART NUMBER	QTY	PART NAME						SEE PAGE
					1	2	3	4	5	6 (PRODUCT LEVEL)	
Y	1	1	3N-8892	1	HEAT EXCHANGER GP-SEA WATER						496
	2	1	9S-8752	8	NUT-FULL (3/8-16-THD)						
	3	1	5M-2894	8	WASHER-HARD (10.2X18.5X2.5-MM THK)						
	4	1	0S-1571	8	BOLT (3/8-16X1.75-IN)						
	5	1	4B-4278	16	WASHER (10.2X20.5X1.6-MM THK)						
	6	1	9M-1289	2	GASKET						
	7	1	2N-8263	2	FLANGE						
	8	1	1A-8063	16	BOLT (3/4-10X2.5-IN)						
	9	1	5P-8248	32	WASHER-HARD (20X36.5X3.5-MM THK)						
	10	1	2J-3506	16	NUT-FULL (3/4-10-THD)						
	11	1	101-8679	2	FLANGE						
	12	1	8F-2347	2	GASKET						

Y - SEPARATE ILLUSTRATION



GRAPHIC #1

<END>

g02025617

COOLING SYSTEM

4W-4632 HEAT EXCHANGER GP-SEA WATER

762-MM DOUBLE PASS

PART OF 107-1729 HEAT EXCHANGER GP-SEA WATER

AN ATTACHMENT

SMCS-1379

i05585889

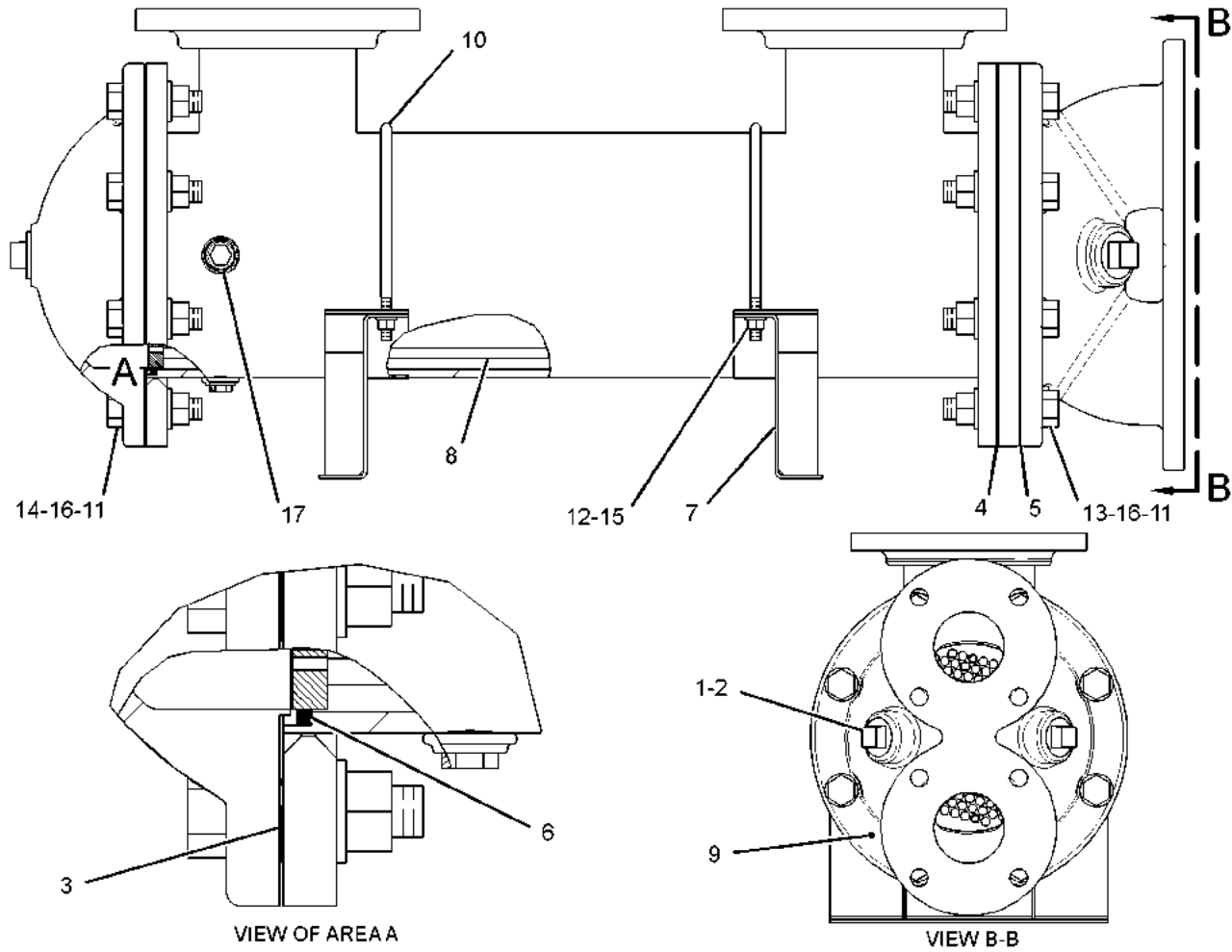
NOTE	REF NO	GRAPHIC REF	PART NUMBER	QTY	PART NAME						SEE PAGE
					1	2	3	4	5	6 (PRODUCT LEVEL)	
	1	1	6L-2284	3	ROD-ZINC (HEAT EXCHANGER)						
	2	1	6L-2286	3	PLUG-PIPE						
B	3	1	8L-9767	32	SHIM (0.015-IN THK)						
	4	1	155-2590	1	GASKET						
	5	1	155-2591	1	GASKET						
	6	1	155-2592	1	SEAL						
	7	1	155-2596	2	BRACKET AS						
	8	1	290-8205	1	CORE AS (HEAT EXCHANGER)						
	9	1	1H-1200	1	PIN-SPRING						
	10	1	3N-9606	2	U-BOLT						
	11	1	6V-8182	16	NUT (3/4-10-THD)						
	12	1	6V-8801	4	NUT (3/8-16-THD)						
	13	1	7X-0370	8	BOLT (3/4-10X3.5-IN)						
	14	1	8C-6857	8	BOLT (3/4-10X2.75-IN)						
	15	1	8T-4896	4	WASHER-HARD (10.2X18.5X2.5-MM THK)						
	16	1	8T-4994	16	WASHER-HARD (20X36.5X3.5-MM THK)						
	17	1	9B-0887	3	PLUG-PIPE						

B - USE AS REQUIRED

COOLING SYSTEM

4W-4632 HEAT EXCHANGER GP-SEA WATER (contd.)

i05585889



GRAPHIC #1

<END>

g01945793

COOLING SYSTEM

4W-4642 HEAT EXCHANGER GP-SEA WATER

1016-MM DOUBLE PASS

PART OF 107-1728 HEAT EXCHANGER GP-SEA WATER
AN ATTACHMENT

SMCS-1379

i02866454

NOTE	REF NO	GRAPHIC REF	PART NUMBER	QTY	PART NAME						SEE PAGE
					1	2	3	4	5	6 (PRODUCT LEVEL)	
J	1	1	6L-2284	3	ROD-ZINC (HEAT EXCHANGER)						
J	2	1	6L-2286	3	PLUG-PIPE						
B	3	1	8L-9767	32	SHIM (0.015-IN THK)						
	4	1	155-2590	1	GASKET						
	5	1	155-2591	1	GASKET						
	6	1	155-2592	1	SEAL						
	7	1	155-2596	2	BRACKET AS						
	8	1	290-8204	1	CORE AS (HEAT EXCHANGER)						
	9	1	1H-1200	1	PIN-SPRING						
	10	1	3N-9606	2	U-BOLT						
	11	1	6V-8182	16	NUT (3/4-10-THD)						
	12	1	6V-8801	4	NUT (3/8-16-THD)						
	13	1	7X-0370	8	BOLT (3/4-10X3.5-IN)						
	14	1	8C-6857	8	BOLT (3/4-10X2.75-IN)						
	15	1	8T-4896	4	WASHER-HARD (10.2X18.5X2.5-MM THK)						
	16	1	8T-4994	16	WASHER-HARD (20X36.5X3.5-MM THK)						
	17	1	9B-0887	4	PLUG-PIPE						

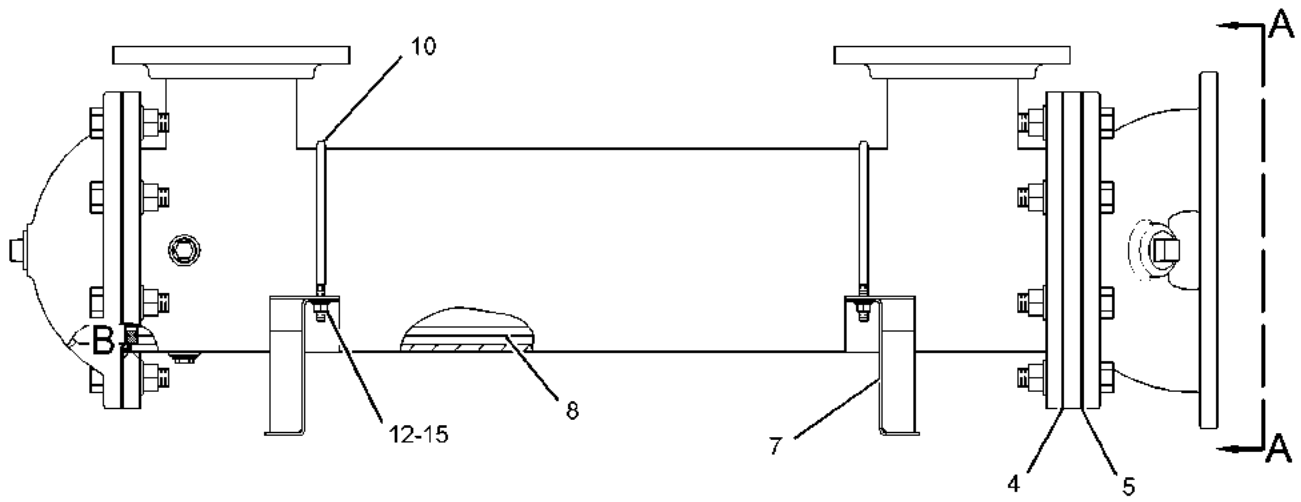
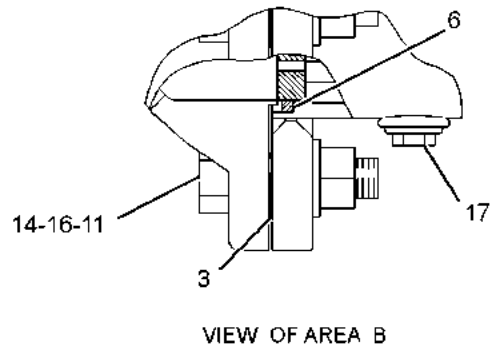
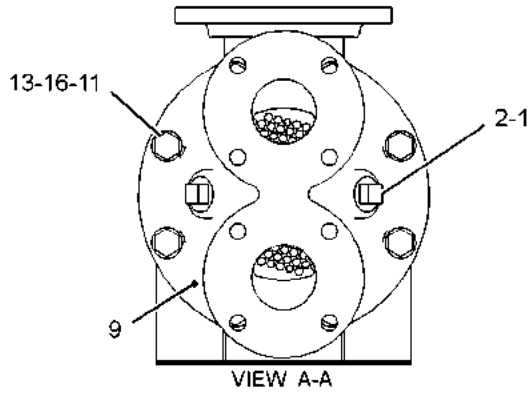
B - USE AS REQUIRED

J - ROD AND PLUG MUST BE SERVICED TOGETHER

COOLING SYSTEM

4W-4642 HEAT EXCHANGER GP-SEA WATER (contd.)

i02866454



GRAPHIC #1

<END>

g01364235

COOLING SYSTEM

4W-4652 HEAT EXCHANGER GP-SEA WATER

1270-MM DOUBLE PASS

FIELD REPLACEMENT FOR 134-3530—PAGE: 487
PART OF 107-1730 HEAT EXCHANGER GP-SEA WATER
AN ATTACHMENT
TYPE 1

SMCS-1379

i01318872

NOTE	PART NUMBER	QTY	PART NAME						SEE PAGE
			1	2	3	4	5	6 (PRODUCT LEVEL)	
Y	134-3530	1	HEAT EXCHANGER GP-SEA WATER						487
			-OR-						
Y	134-3533	1	HEAT EXCHANGER GP-SEA WATER						488
Y - SEPARATE ILLUSTRATION									

<END>

COOLING SYSTEM

4W-4652 HEAT EXCHANGER GP-SEA WATER

1270-MM DOUBLE PASS

FIELD REPLACEMENT FOR 134-3530-PAGE: 487

PART OF 107-1730 HEAT EXCHANGER GP-SEA WATER

AN ATTACHMENT

TYPE 2

SMCS-1379

i03523242

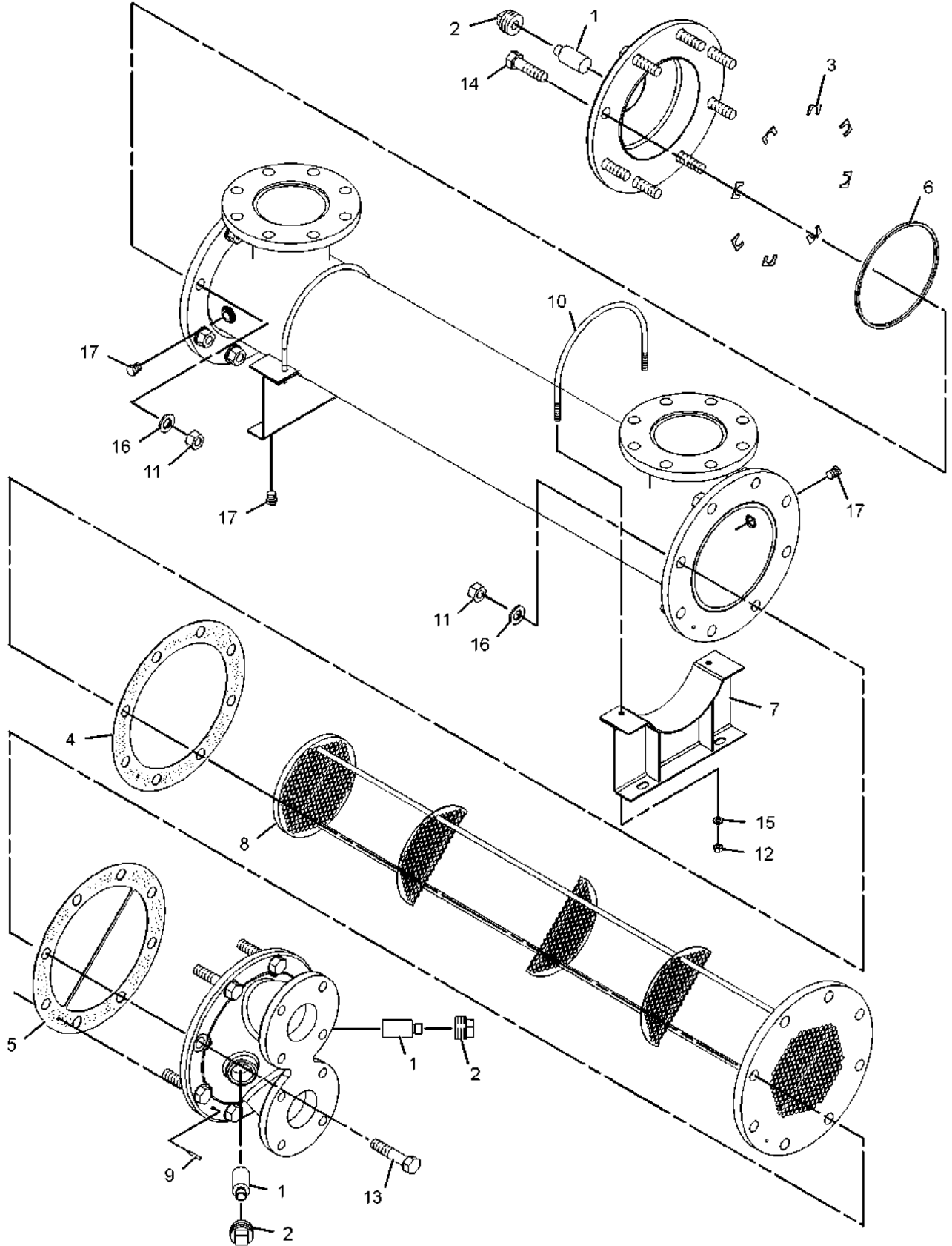
NOTE	REF NO	GRAPHIC REF	PART NUMBER	QTY	PART NAME						SEE PAGE
					1	2	3	4	5	6 (PRODUCT LEVEL)	
J	1	1	6L-2284	3	ROD-ZINC (HEAT EXCHANGER)						
J	2	1	6L-2286	3	PLUG-PIPE						
B	3	1	8L-9767	32	SHIM (0.015-IN THK)						
C	4	1	155-2590	1	GASKET						
C	5	1	155-2591	1	GASKET						
C	6	1	155-2592	1	SEAL						
C	7	1	155-2596	2	BRACKET AS						
C	8	1	290-8203	1	CORE AS (HEAT EXCHANGER)						
C	9	1	1H-1200	1	PIN-SPRING						
C	10	1	3N-9606	2	U-BOLT						
C	11	1	6V-8182	16	NUT (3/4-10-THD)						
C	12	1	6V-8801	4	NUT (3/8-16-THD)						
C	13	1	7X-0370	8	BOLT (3/4-10X3.5-IN)						
C	14	1	8C-6857	8	BOLT (3/4-10X2.75-IN)						
C	15	1	8T-4896	4	WASHER-HARD (10.2X18.5X2.5-MM THK)						
C	16	1	8T-4994	16	WASHER-HARD (20X36.5X3.5-MM THK)						
	17	1	9B-0887	3	PLUG-PIPE						

B - USE AS REQUIRED
 C - CHANGE FROM PREVIOUS TYPE
 J - ROD AND PLUG MUST BE SERVICED TOGETHER

COOLING SYSTEM

4W-4652 HEAT EXCHANGER GP-SEA WATER (contd.)

103523242



GRAPHIC #1

<END>

g01365885

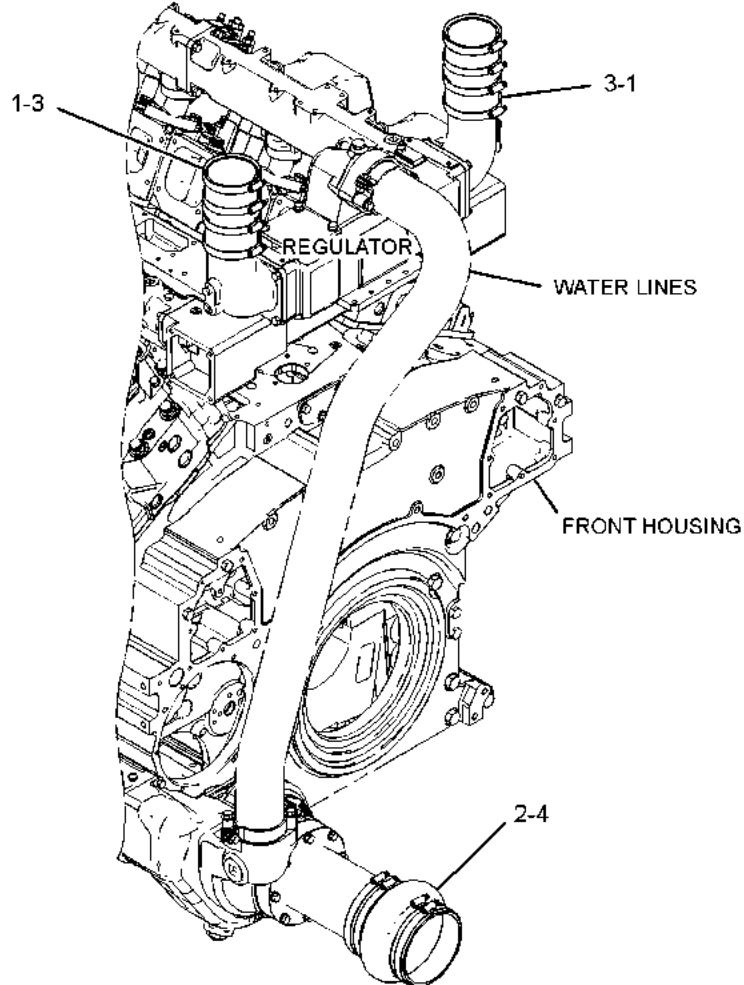
COOLING SYSTEM

4P-4691 HOSE GP-RADIATOR-VIBRATORY CONTROL AN ATTACHMENT

SMCS-1353, 1380

i05630969

NOTE	REF NO	GRAPHIC REF	PART NUMBER	QTY	PART NAME						SEE PAGE
					1	2	3	4	5	6 (PRODUCT LEVEL)	
	1	1	7C-7534	2	HOSE (OUTLET)						
	2	1	9X-3872	1	HOSE (INLET)						
	3	1	5P-0598	8	CLAMP-HOSE						
	4	1	5P-0599	4	CLAMP-BAND						



GRAPHIC #1

<END>

g03581522

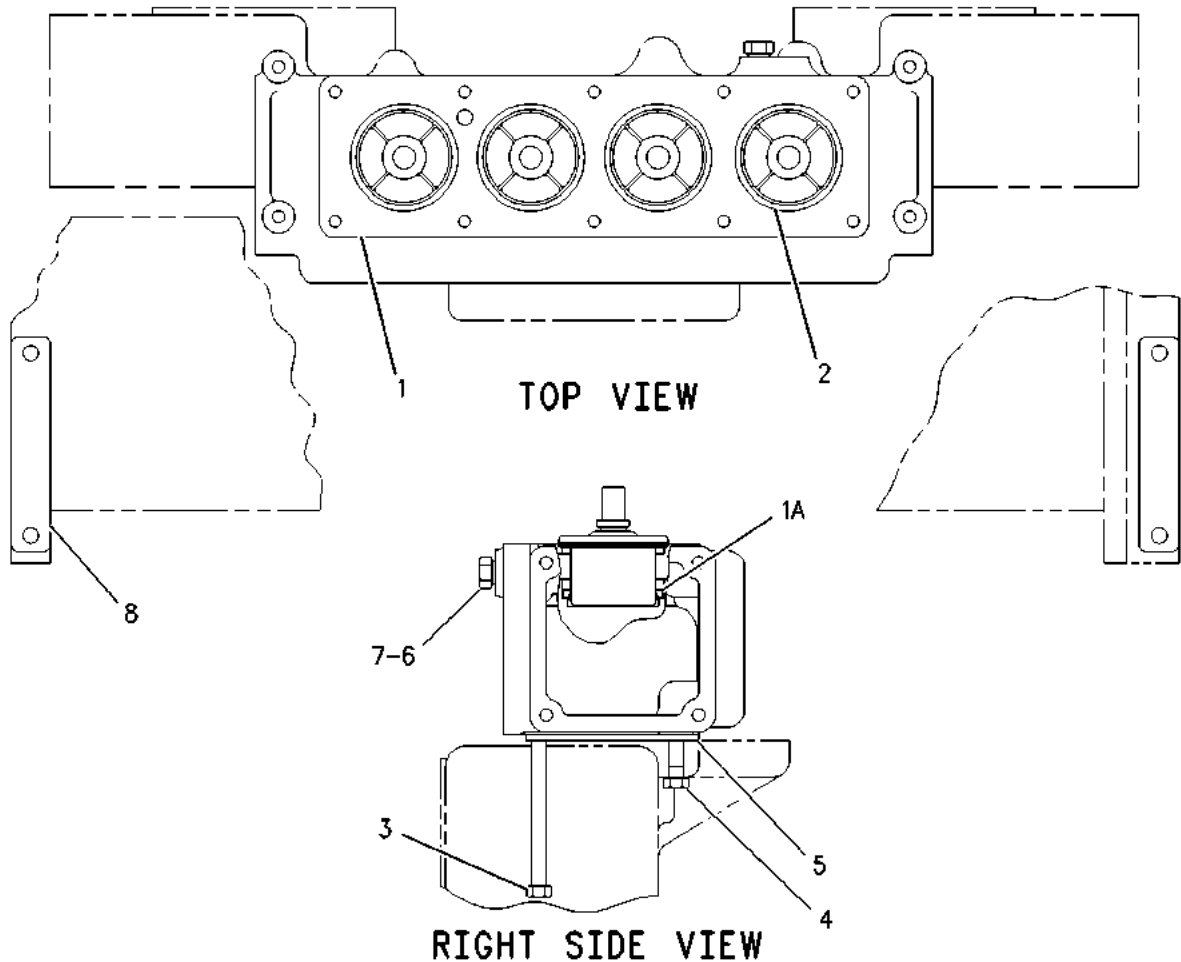
COOLING SYSTEM

102-6694 HOUSING & REGULATOR GP FOR USE WITH WATER COOLED EXHAUST MANIFOLDS AN ATTACHMENT

SMCS-1355, 1393

i03646834

NOTE	REF NO	GRAPHIC REF	PART NUMBER	QTY	PART NAME						SEE PAGE
					1	2	3	4	5	6 (PRODUCT LEVEL)	
	1	1	7E-6466	1	HOUSING AS-REGULATOR						
	1A	1	3S-9643	4	SEAL-LIP TYPE (WATER TEMPERATURE REGULATOR)						
	2	1	248-5513	4	REGULATOR-TEMPERATURE (92-DEG C) (WATER)						
	3	1	1A-5183	5	BOLT (3/8-16X4.75-IN)						
	4	1	0S-1588	5	BOLT (3/8-16X1.25-IN)						
	5	1	7N-4927	1	GASKET-HOUSING COVER						
	6	1	9S-4182	1	PLUG (7/16-20-THD)						
	7	1	6V-9027	1	SEAL-O-RING						
	8	1	106-3512	2	PLATE						



GRAPHIC #1

<END>

g00795600

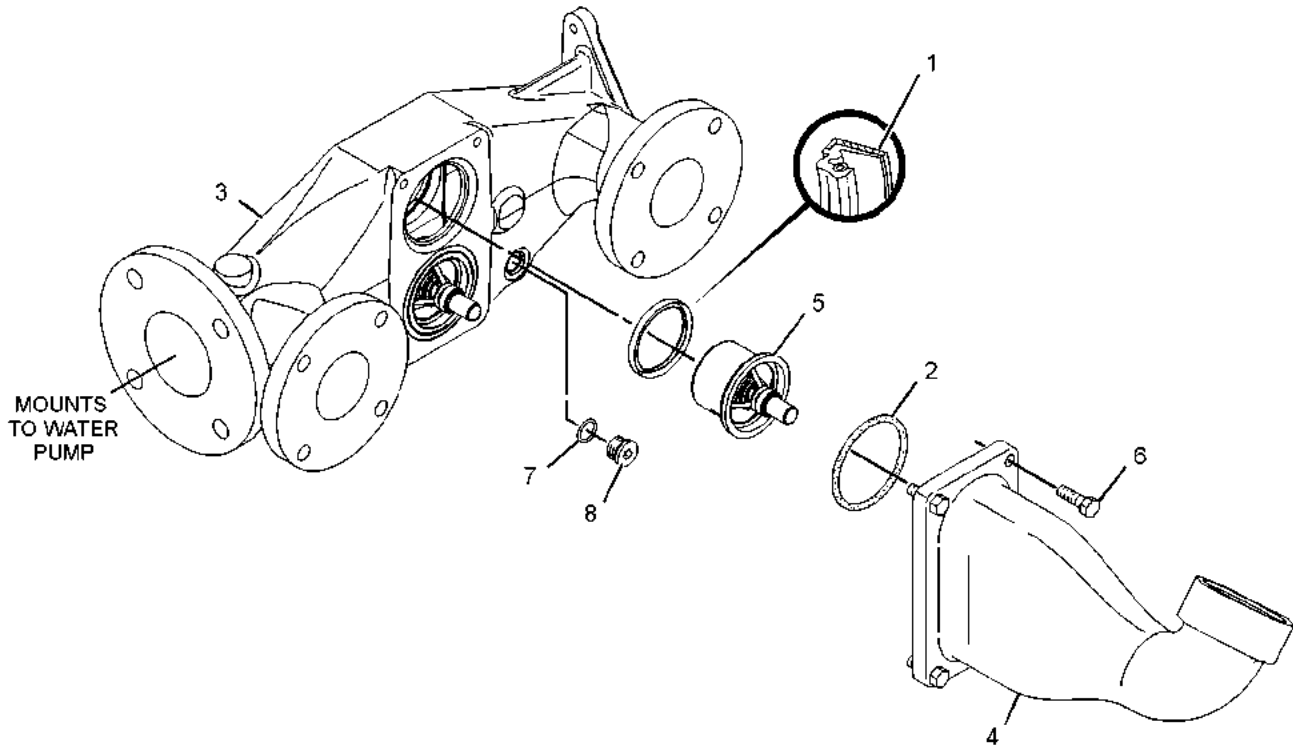
COOLING SYSTEM

227-3805 HOUSING & REGULATOR GP-AFTERCOOLER PART OF 231-6339 LINES GP-WATER AN ATTACHMENT

SMCS-1355, 1393

i03868962

NOTE	REF NO	GRAPHIC REF	PART NUMBER	QTY	PART NAME						SEE PAGE
					1	2	3	4	5	6 (PRODUCT LEVEL)	
	1	1	3S-9643	2	SEAL-LIP TYPE (WATER TEMPERATURE REGULATOR)						
	2	1	6V-1454	2	SEAL-O-RING						
	3	1	214-0728	1	HOUSING						
	4	1	214-0729	1	ADAPTER						
	5	1	204-6708	2	REGULATOR-WATER TEMPERATURE (60-DEG C)						
	6	1	1A-2029	4	BOLT (3/8-16X1.125-IN)						
	7	1	3K-0360	2	SEAL-O-RING						
	8	1	9S-8005	2	PLUG (3/4-16-THD)						



GRAPHIC #1

<END>

g02093313

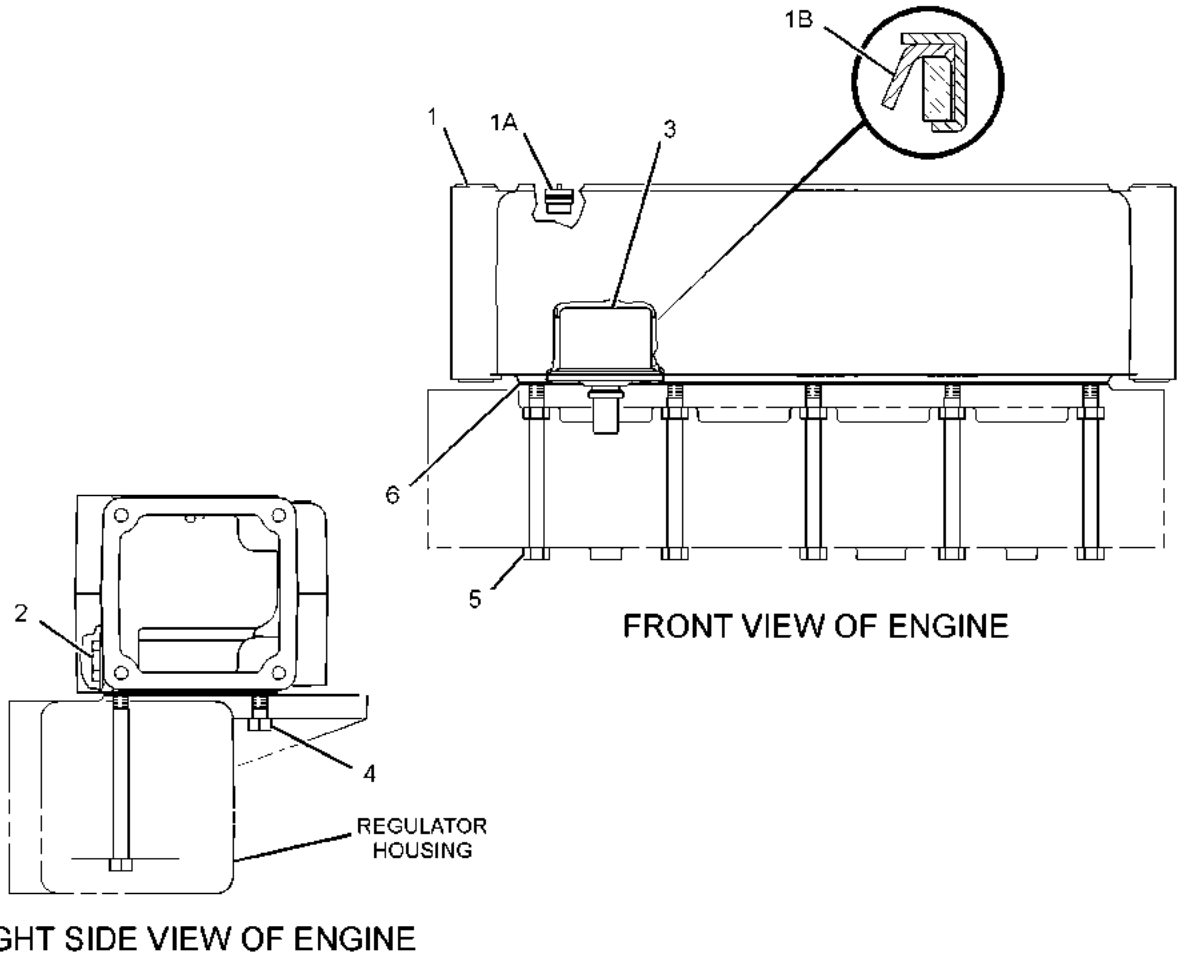
COOLING SYSTEM

7C-4135 HOUSING & REGULATOR GP-OUTLET CONTROL FOR USE WITH CONVENTIONAL CORE RADIATORS AN ATTACHMENT

SMCS-1355, 1393

i03632637

NOTE	REF NO	GRAPHIC REF	PART NUMBER	QTY	PART NAME						SEE PAGE
					1	2	3	4	5	6 (PRODUCT LEVEL)	
	1	1	7C-4125	1	HOUSING AS-REGULATOR						
	1A	1	111-4374	1	VALVE AS						
	1B	1	3S-9643	4	SEAL-LIP TYPE (WATER TEMPERATURE REGULATOR)						
	2	1	7W-6492	1	PLUG-PIPE (1/2-14-THD)						
	3	1	248-5513	4	REGULATOR-TEMPERATURE (92-DEG C) (WATER)						
	4	1	0S-1588	5	BOLT (3/8-16X1.25-IN)						
	5	1	1A-5183	5	BOLT (3/8-16X4.75-IN)						
	6	1	7N-4927	1	GASKET-HOUSING COVER						



GRAPHIC #1

<END>

g01885737

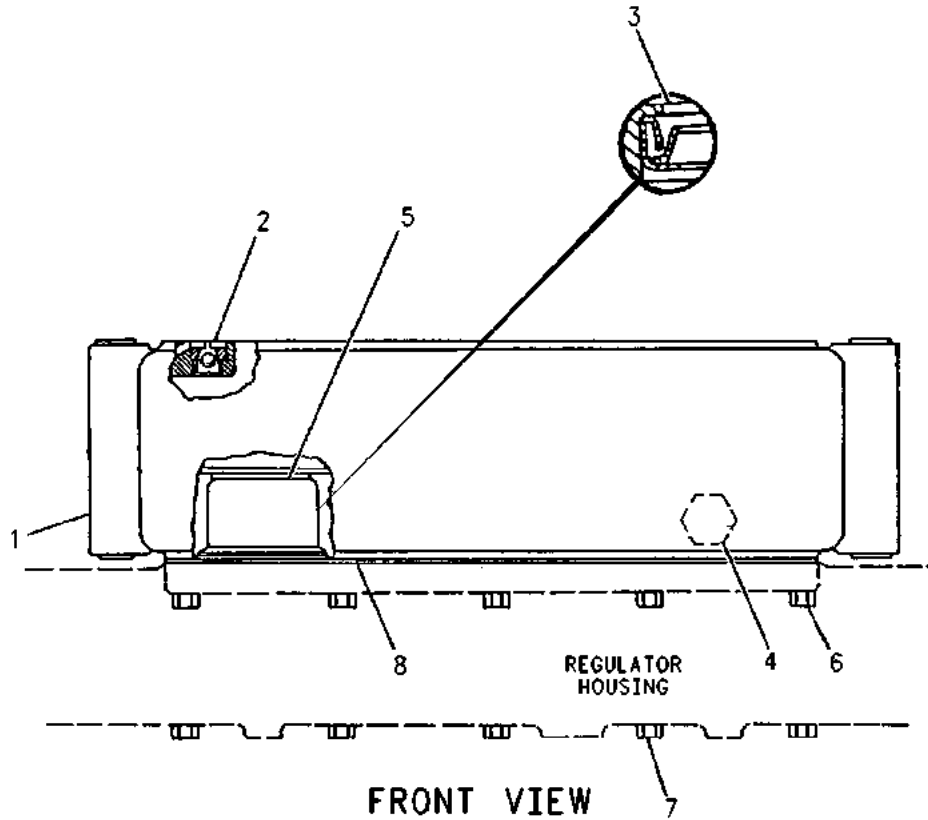
COOLING SYSTEM

7C-7142 HOUSING & REGULATOR GP-OUTLET CONTROL FOR USE WITH 46-10 & 50-11 FOLDED CORE RADIATORS AN ATTACHMENT

SMCS-1355, 1393

i03633386

NOTE	REF NO	GRAPHIC REF	PART NUMBER	QTY	PART NAME						SEE PAGE
					1	2	3	4	5	6 (PRODUCT LEVEL)	
	1	1	2W-7824	1	HOUSING AS						
	2	1	111-4374	1	VALVE AS						
	3	1	3S-9643	1	SEAL-LIP TYPE (WATER TEMPERATURE REGULATOR)						
	4	1	7W-6492	1	PLUG-PIPE (1/2-14-THD)						
	5	1	248-5513	4	REGULATOR-TEMPERATURE (92-DEG C)						
	6	1	0S-1588	5	BOLT (3/8-16X1.25-IN)						
	7	1	1A-5183	5	BOLT (3/8-16X4.75-IN)						
	8	1	7N-4927	1	GASKET-HOUSING COVER						



GRAPHIC #1

<END>

g00899650

COOLING SYSTEM

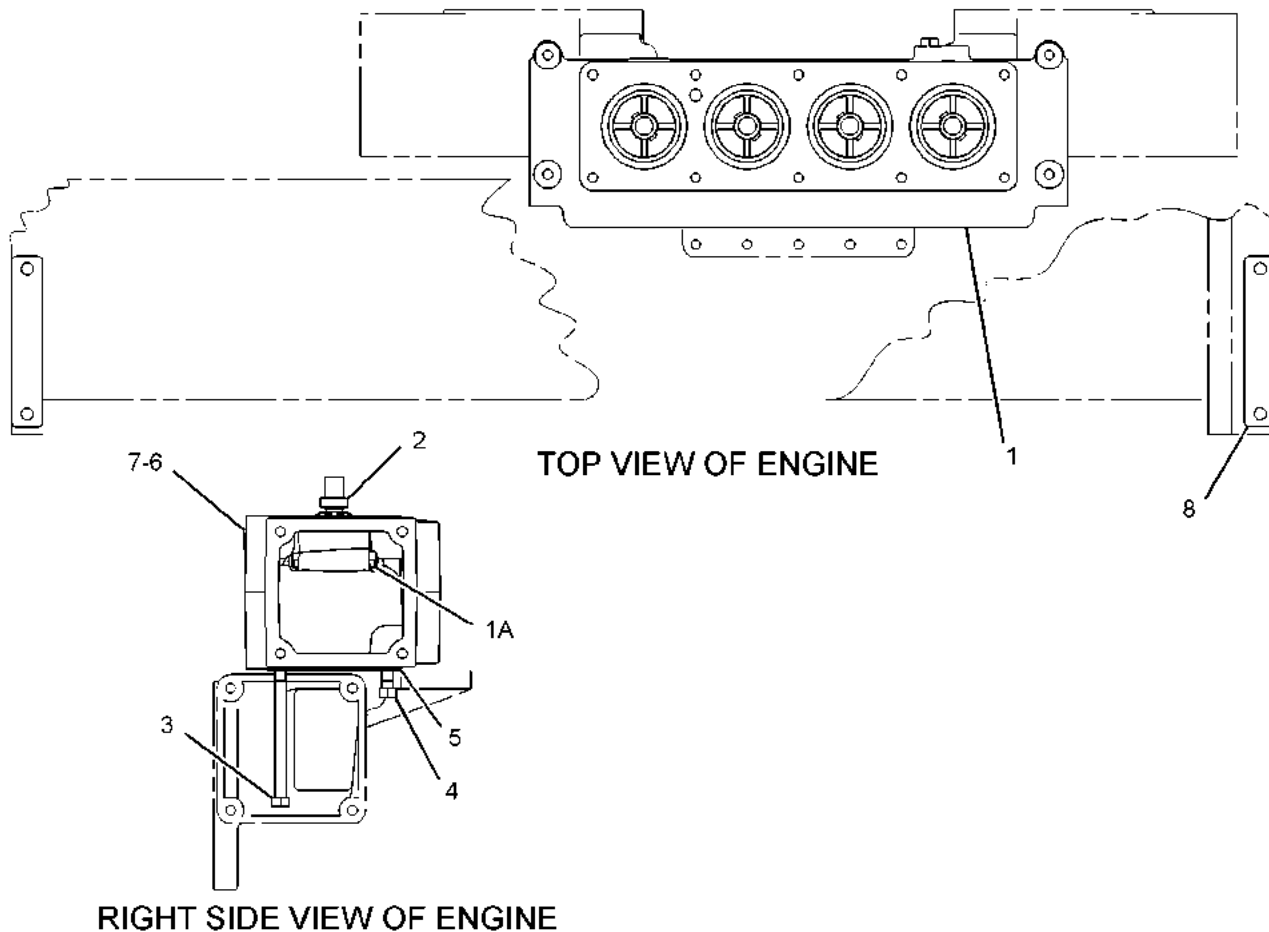
8N-7643 HOUSING & REGULATOR GP-INLET CONTROL FOR USE WITH EXPANSION TANK AND STANDBY GENERATOR ENGINE AN ATTACHMENT

SMCS-1355, 1393

i04418408

NOTE	REF NO	GRAPHIC REF	PART NUMBER	QTY	PART NAME						SEE PAGE
					1	2	3	4	5	6 (PRODUCT LEVEL)	
	1	1	7E-6466	1	HOUSING AS-REGULATOR						
	1A	1	3S-9643	4	SEAL-LIP TYPE (WATER TEMPERATURE REGULATOR)						
	2	1	248-5513	4	REGULATOR-TEMPERATURE (92-DEG C) (WATER)						
	3	1	1A-5183	5	BOLT (3/8-16X4.75-IN)						
	4	1	0S-1588	5	BOLT (3/8-16X1.25-IN)						
	5	1	7N-4927	1	GASKET-HOUSING COVER						
C	6	1	9S-4182	1	PLUG (7/16-20-THD)						
C	7	1	6V-9027	1	SEAL-O-RING						
BC	8	1	106-3512	2	PLATE						

B - USE AS REQUIRED
C - CHANGE FROM PREVIOUS TYPE



GRAPHIC #1

<END>

g02021193

COOLING SYSTEM

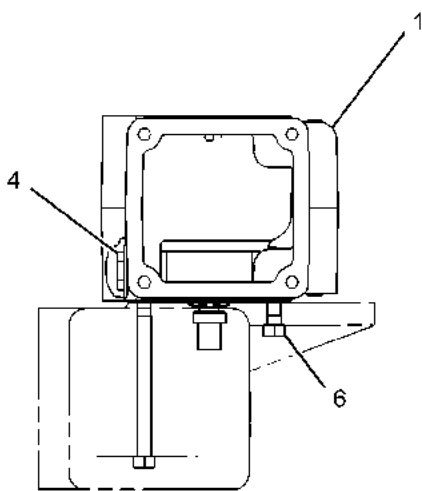
8N-9025 HOUSING & REGULATOR GP-OUTLET CONTROL AN ATTACHMENT

SMCS-1355, 1393

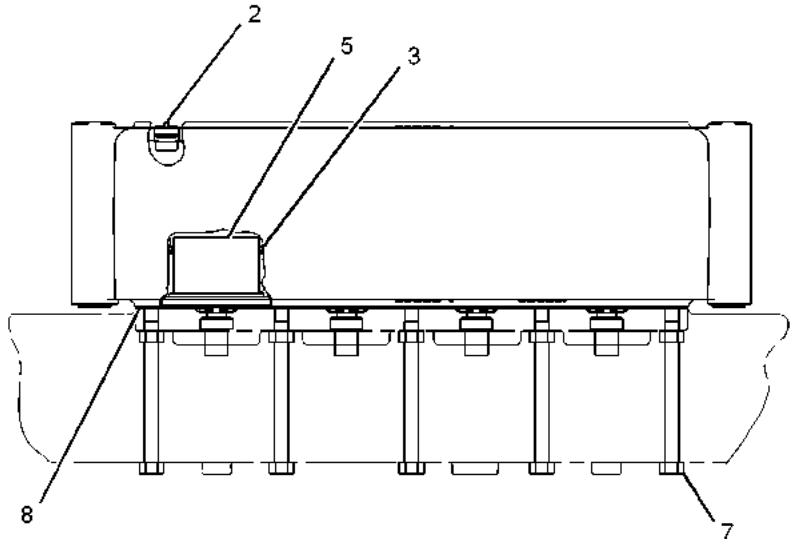
i03632670

NOTE	REF NO	GRAPHIC REF	PART NUMBER	QTY	PART NAME						SEE PAGE
					1	2	3	4	5	6 (PRODUCT LEVEL)	
C	1	1	7C-6580	1	HOUSING AS						
	2	1	4W-3108	1	VALVE AS						
	3	1	3S-9643	4	SEAL-LIP TYPE (WATER TEMPERATURE REGULATOR)						
	4	1	7W-6492	1	PLUG-PIPE (1/2-14-THD)						
	5	1	248-5513	4	REGULATOR-TEMPERATURE (92-DEG C)						
	6	1	0S-1588	5	BOLT (3/8-16X1.25-IN)						
	7	1	1A-5183	5	BOLT (3/8-16X4.75-IN)						
	8	1	7N-4927	1	GASKET-HOUSING COVER						

C - CHANGE FROM PREVIOUS TYPE



RIGHT SIDE VIEW OF ENGINE



FRONT VIEW OF ENGINE

GRAPHIC #1

<END>

g02067773

COOLING SYSTEM

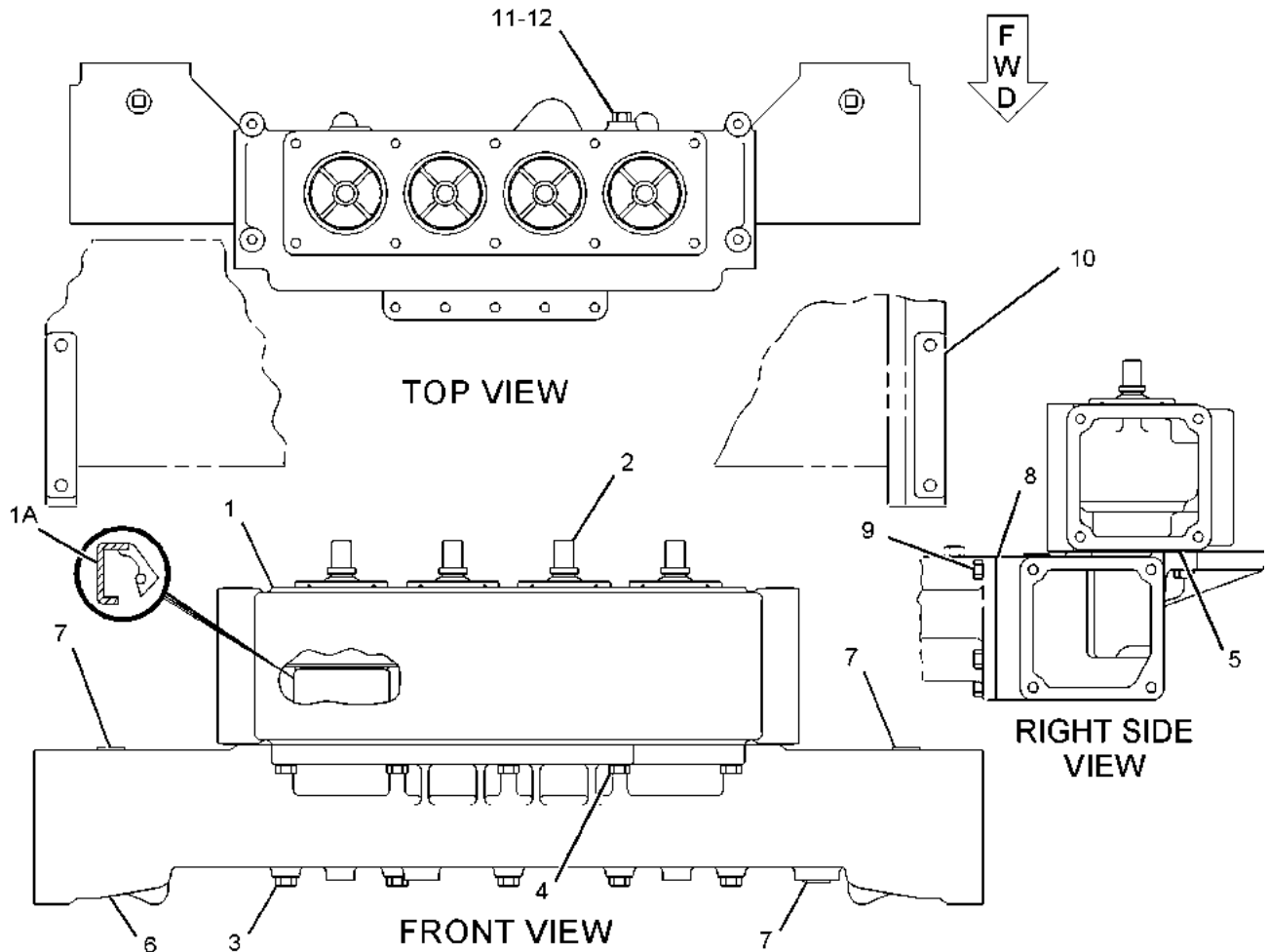
9Y-6064 HOUSING & REGULATOR GP-INLET CONTROL AN ATTACHMENT

SMCS-1355, 1393

i04406436

NOTE	REF NO	GRAPHIC REF	PART NUMBER	QTY	PART NAME						SEE PAGE
					1	2	3	4	5	6 (PRODUCT LEVEL)	
C	1	1	7E-6466	1	HOUSING AS-REGULATOR						
	1A	1	3S-9643	4	SEAL-LIP TYPE (WATER TEMPERATURE REGULATOR)						
C	2	1	248-5513	4	REGULATOR-TEMPERATURE (92-DEG C) (WATER)						
	3	1	1A-5183	5	BOLT (3/8-16X4.75-IN)						
	4	1	0S-1588	5	BOLT (3/8-16X1.25-IN)						
	5	1	7N-4927	1	GASKET-HOUSING COVER						
	6	1	8N-9624	1	HOUSING-REGULATOR						
C	7	1	8T-6762	3	PLUG-PIPE (1/2-14-THD)						
	8	1	122-8856	2	GASKET						
	9	1	0S-1594	8	BOLT (3/8-16X1-IN)						
C	10	1	106-3512	2	PLATE						
C	11	1	6V-9027	1	SEAL-O-RING						
C	12	1	9S-4182	1	PLUG (7/16-20-THD)						

C - CHANGE FROM PREVIOUS TYPE



g01095950

COOLING SYSTEM

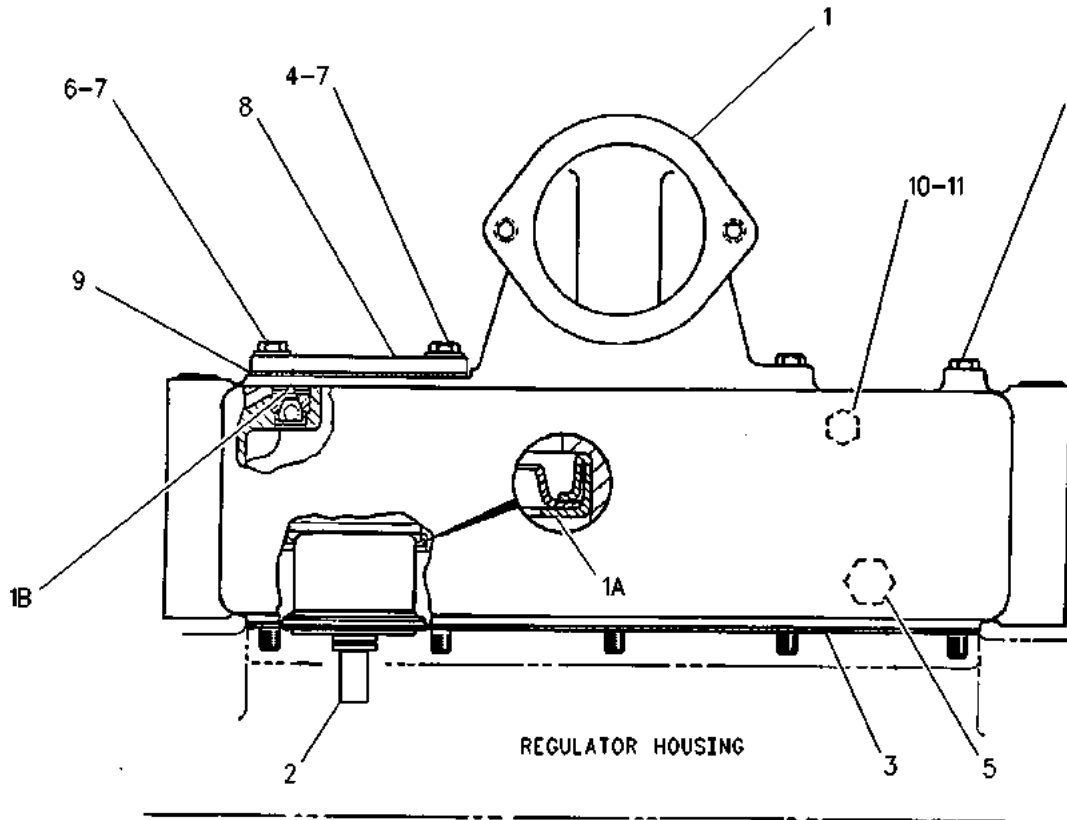
9Y-9171 HOUSING & REGULATOR GP-OUTLET CONTROL

SMCS-1355, 1393

i06680147

NOTE	REF NO	GRAPHIC REF	PART NUMBER	QTY	PART NAME						SEE PAGE
					1	2	3	4	5	6 (PRODUCT LEVEL)	
C	1	1	7E-2748	1	HOUSING AS						
	1A	1	3S-9643	4	SEAL-LIP TYPE (WATER TEMPERATURE REGULATOR)						
	1B	1	111-4374	1	VALVE AS						
	2	1	248-5513	4	REGULATOR-TEMPERATURE (92-DEG C) (WATER)						
	3	1	7N-4927	1	GASKET-HOUSING COVER						
	4	1	7F-3425	5	BOLT (3/8-16X5.75-IN)						
	5	1	7W-6492	1	PLUG-PIPE (1/2-14-THD)						
	6	1	0S-1594	2	BOLT (3/8-16X1-IN)						
	7	1	5M-2894	4	WASHER-HARD (10.2X18.5X2.5-MM THK)						
	8	1	7N-4928	1	COVER						
	9	1	4W-3100	1	GASKET						
B	10	1	9S-4182	1	PLUG (7/16-20-THD)						
B	11	1	6V-9027	1	SEAL-O-RING						

B - USE AS REQUIRED
 C - CHANGE FROM PREVIOUS TYPE



FRONT VIEW

GRAPHIC #1

<END>

g00715825

COOLING SYSTEM

9Y-9220 HOUSING & REGULATOR GP-OUTLET CONTROL

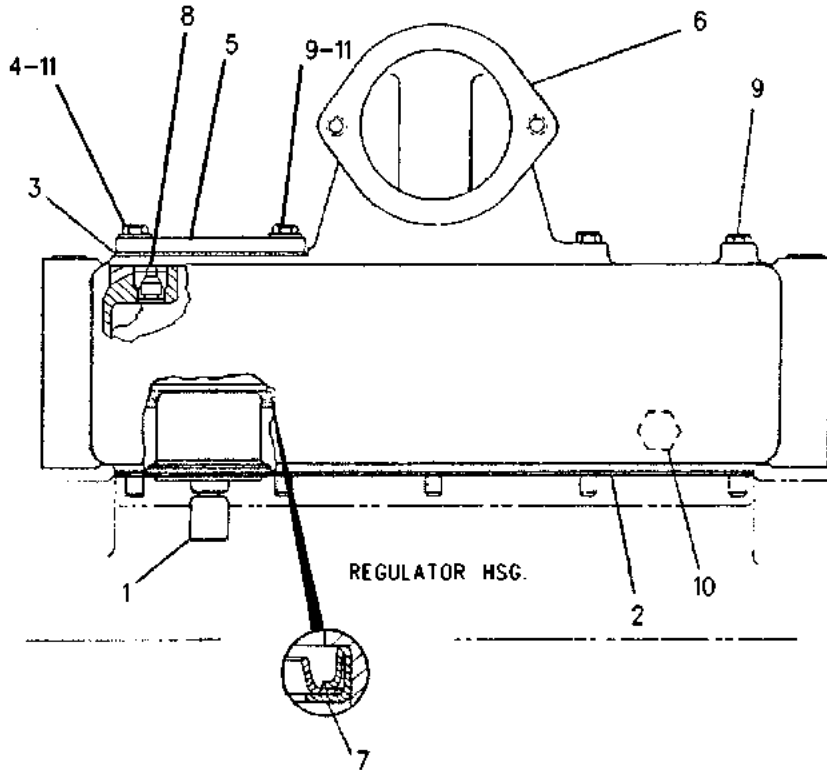
FOR USE WITH 7C-4501-PAGE: 629

AN ATTACHMENT

SMCS-1355, 1393

i04401217

NOTE	REF NO	GRAPHIC REF	PART NUMBER	QTY	PART NAME						SEE PAGE
					1	2	3	4	5	6 (PRODUCT LEVEL)	
	1	1	248-5513	4	REGULATOR-TEMPERATURE (92-DEG C) (WATER)						
	2	1	7N-4927	1	GASKET-HOUSING COVER						
	3	1	4W-3100	1	GASKET						
	4	1	0S-1594	2	BOLT (3/8-16X1-IN)						
	5	1	7N-4928	1	COVER						
	6	1	9Y-9221	1	HOUSING AS-REGULATOR						
	7	1	3S-9643	4	SEAL-LIP TYPE (WATER TEMPERATURE REGULATOR)						
	8	1	111-4374	1	VALVE AS						
	9	1	7F-3425	5	BOLT (3/8-16X5.75-IN)						
	10	1	7W-6492	1	PLUG-PIPE (1/2-14-THD)						
	11	1	5M-2894	4	WASHER-HARD (10.2X18.5X2.5-MM THK)						



FRONT VIEW

GRAPHIC #1

<END>

g00651585

COOLING SYSTEM

3N-2451 JOINT AS-TUBE

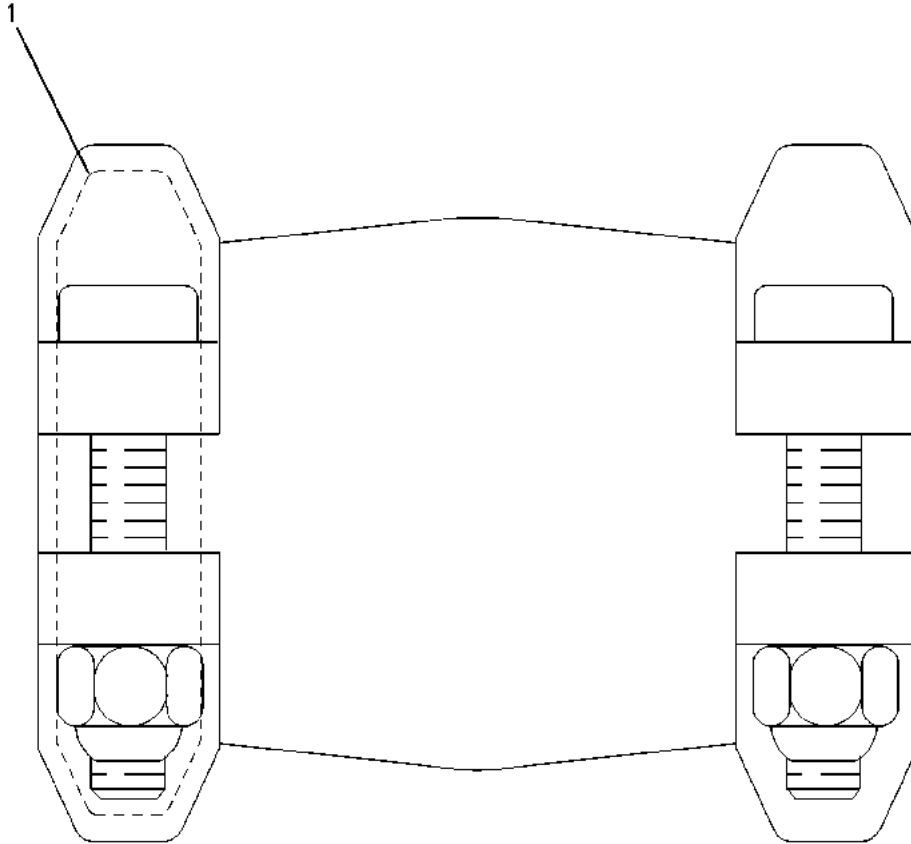
88.9-MM ID (3.5-IN)

AN ATTACHMENT

SMCS-1380

i02175038

NOTE	REF NO	GRAPHIC REF	PART NUMBER	QTY	PART NAME						SEE PAGE
					1	2	3	4	5	6 (PRODUCT LEVEL)	
	1	1	9X-7537	2	SEAL						



GRAPHIC #1

<END>

g00618995

COOLING SYSTEM

5P-9130 JOINT AS-TUBE

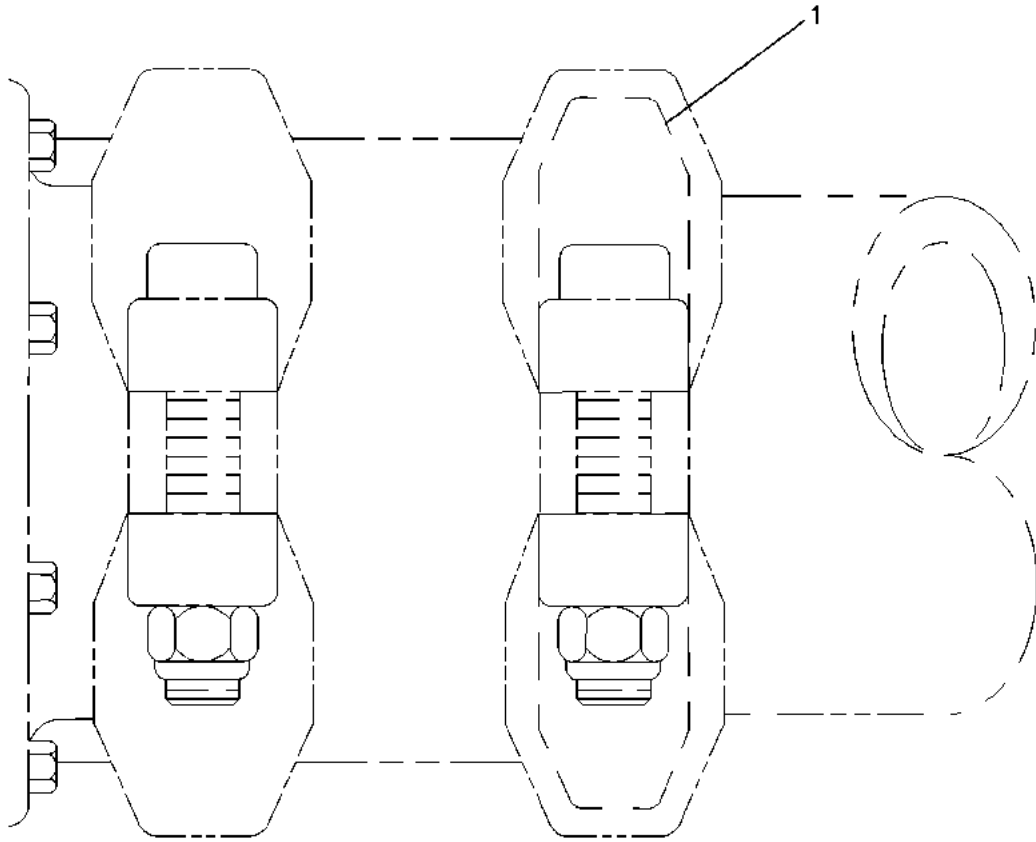
141.3-MM ID (5.56-IN)

AN ATTACHMENT

SMCS-1380

i02220704

NOTE	REF NO	GRAPHIC REF	PART NUMBER	QTY	PART NAME						SEE PAGE
					1	2	3	4	5	6 (PRODUCT LEVEL)	
	1	1	9X-7540	2	SEAL						



GRAPHIC #1

<END>

g00621096

COOLING SYSTEM

222-5153 KIT-WATER PUMP

CONTAINS THE BEARINGS, SHAFT, SEALS & HARDWARE REQUIRED TO REBUILD A WATER PUMP. A WATER PUMP INSTALL KIT IS REQUIRED TO INSTALL THE PUMP
FIELD REPLACEMENT FOR 190-8921 KIT-WATER PUMP
FIELD INSTALLATION

SMCS-1361

i07143020

NOTE	PART NUMBER	QTY	PART NAME						SEE PAGE
			1	2	3	4	5	6 (PRODUCT LEVEL)	
	0S-1618	2	BOLT (5/16-18X1-IN)						
	4N-5834	2	FILTER-FOAM (WATER PUMP HOUSING)						
	212-8187	1	IMPELLER						
	166-4374	1	RING AS						
	271-4926	1	SEAL						
	416-0603	1	SEAL GP (WATER PUMP)						
	8C-5236	1	SEAL-LIP TYPE						
	3D-2824	1	SEAL-O-RING						
	212-8180	1	SHAFT AS-PUMP DRIVE						
	9M-1974	2	WASHER-HARD (8.8X16X2-MM THK)						
	7N-4758	1	WASHER-THRUST						

FOR A LIST OF RELATED PARTS THAT REQUIRED FOR THE ENGINE REBUILD TO THE KIT CONSIST, PLEASE VISIT

[HTTPS://DEALER.CAT.COM/RELATED](https://dealer.cat.com/related)

<END>

COOLING SYSTEM

8N-7716 LINES GP-AFTERCOOLER WATER

S/N: 65Z887-1590

SMCS-1380

i03129075

NOTE	REF NO	GRAPHIC REF	PART NUMBER	QTY	PART NAME						SEE PAGE
					1	2	3	4	5	6 (PRODUCT LEVEL)	
BC	1	1	5M-2894	2	WASHER-HARD (10.2X18.5X2.5-MM THK)						
	2	1	8N-9390	1	ELBOW						
	3	1	8N-1990	1	FLANGE						
C	4	1	2A-4639	2	BOLT (3/8-16X1.625-IN)						
BC	5	1	2A-4639	2	BOLT (3/8-16X1.625-IN)						
	6	1	8N-1989	1	TUBE						
	7	1	1N-4087	1	ELBOW						
	8	1	1A-2029	5	BOLT (3/8-16X1.125-IN)						
C	9	1	8N-0386	1	FLANGE						
	10	1	230-1072	1	GASKET						
	11	1	7F-3425	2	BOLT (3/8-16X5.75-IN)						
C	12	1	5M-2894	6	WASHER-HARD (10.2X18.5X2.5-MM THK)						
C	13	1	6V-9027	2	SEAL-O-RING						
C	14	1	6V-5066	2	SEAL-O-RING						
	15	1	6V-1454	2	SEAL-O-RING						
	16	1	1W-0513	1	ELBOW						
	17	1	8T-6765	1	PLUG-PIPE (1/4-18-THD)						
	18	1	4N-1320	2	GASKET (ADAPTER)						
BC	19	1	7X-7731	1	PLUG-PIPE (3/4-14-THD)						
	20	1	8T-6767	1	PLUG-PIPE (3/8-18-THD)						
	21	1	0S-1571	4	BOLT (3/8-16X1.75-IN)						
C	22	1	7C-5230	1	TUBE AS						
C	23	1	030-7946	2	ELBOW						
	24	1	7X-0575	2	WASHER-HARD (10.2X22.5X5-MM THK)						

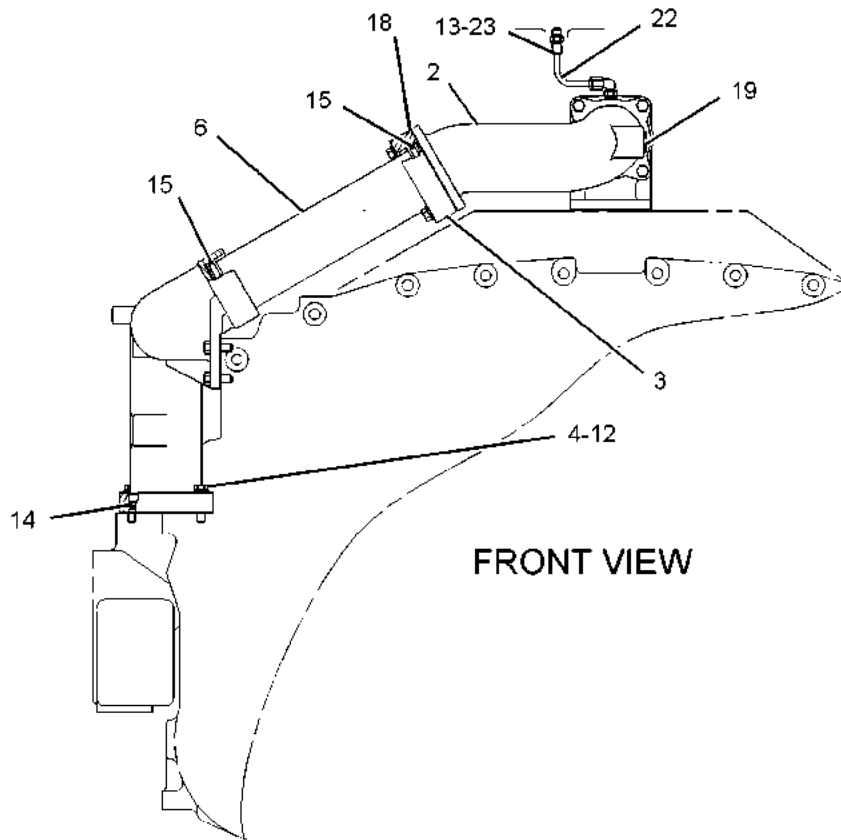
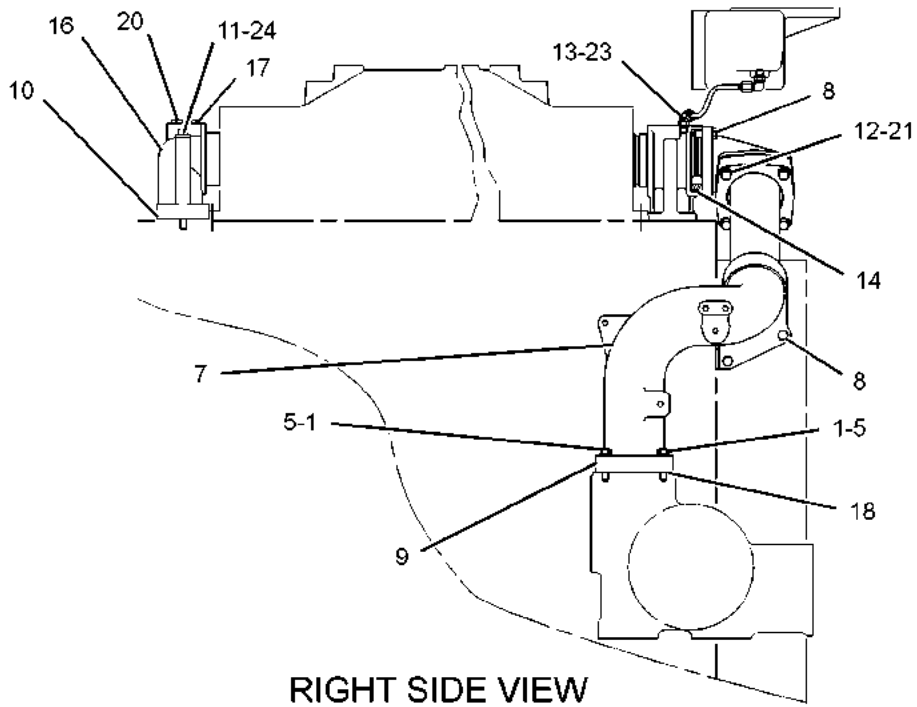
B - USE AS REQUIRED

C - CHANGE FROM PREVIOUS TYPE

COOLING SYSTEM

8N-7716 LINES GP-AFTERCOOLER WATER (contd.)

i03129075



GRAPHIC #1

<END>

g01164711

COOLING SYSTEM

8N-7716 LINES GP-AFTERCOOLER WATER

S/N: 65Z1591-UP

SMCS-1380

i05259092

NOTE	REF NO	GRAPHIC REF	PART NUMBER	QTY	PART NAME						SEE PAGE
					1	2	3	4	5	6 (PRODUCT LEVEL)	
BC	1	1	5M-2894	1	WASHER-HARD (10.2X18.5X2.5-MM THK)						
	2	1	8N-9390	1	ELBOW						
	3	1	8N-1990	1	FLANGE						
C	4	1	0S-1594	2	BOLT (3/8-16X1-IN)						
BC	5	1	2A-4639	1	BOLT (3/8-16X1.625-IN)						
	6	1	8N-1989	1	TUBE						
C	7	1	390-7470	1	ELBOW						
	8	1	1A-2029	5	BOLT (3/8-16X1.125-IN)						
	9	1	8N-0386	1	FLANGE						
	10	1	230-1072	1	GASKET						
	11	1	7F-3425	2	BOLT (3/8-16X5.75-IN)						
C	12	1	5M-2894	10	WASHER-HARD (10.2X18.5X2.5-MM THK)						
	13	1	6V-9027	2	SEAL-O-RING						
	14	1	6V-5066	2	SEAL-O-RING						
	15	1	6V-1454	2	SEAL-O-RING						
	16	1	1W-0513	1	ELBOW						
	17	1	8T-6765	1	PLUG-PIPE (1/4-18-THD)						
	18	1	4N-1320	2	GASKET (ADAPTER)						
B	19	1	7X-7731	1	PLUG-PIPE (3/4-14-THD) (3/4-14-THD)						
	20	1	8T-6767	1	PLUG-PIPE (3/8-18-THD) (3/8-18-THD)						
	21	1	0S-1571	4	BOLT (3/8-16X1.75-IN)						
	22	1	7C-5230	1	TUBE AS						
	23	1	030-7946	2	ELBOW						
	24	1	7X-0575	2	WASHER-HARD (10.2X22.5X5-MM THK)						
C	25	1	264-8272	2	CLAMP AS						
C	26	1	091-0081	1	SPACER (10.5X20X10-MM THK)						
C	27	1	9X-6458	2	WASHER-HARD (10.2X22.5X3-MM THK)						
C	28	1	9S-8752	2	NUT-FULL (3/8-16-THD)						
C	29	1	0S-1619	2	BOLT (3/8-16X3-IN)						

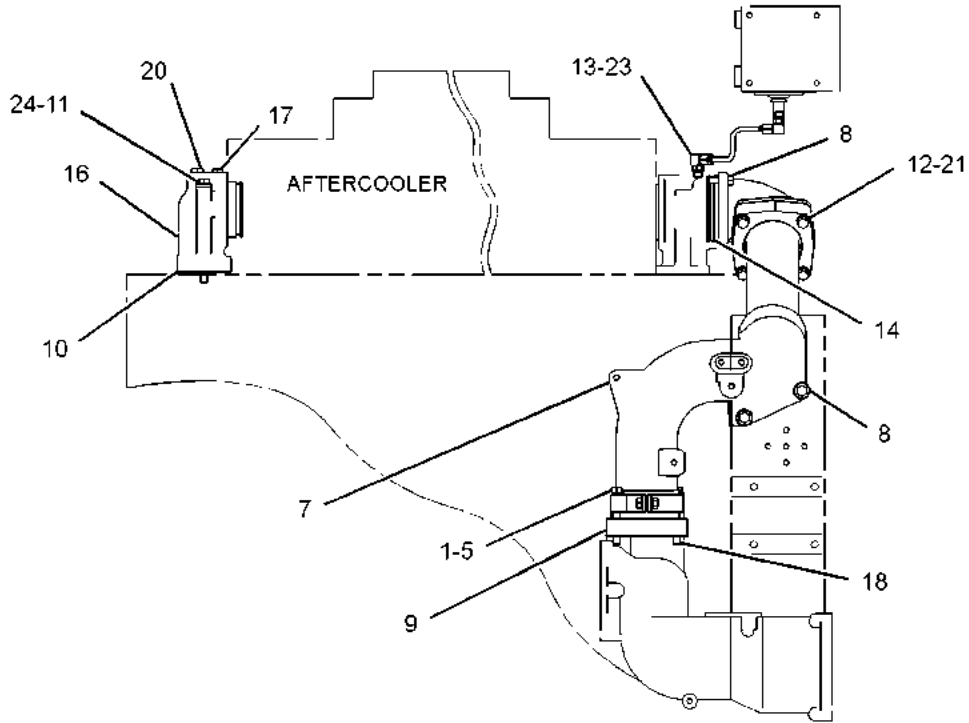
B - USE AS REQUIRED

C - CHANGE FROM PREVIOUS TYPE

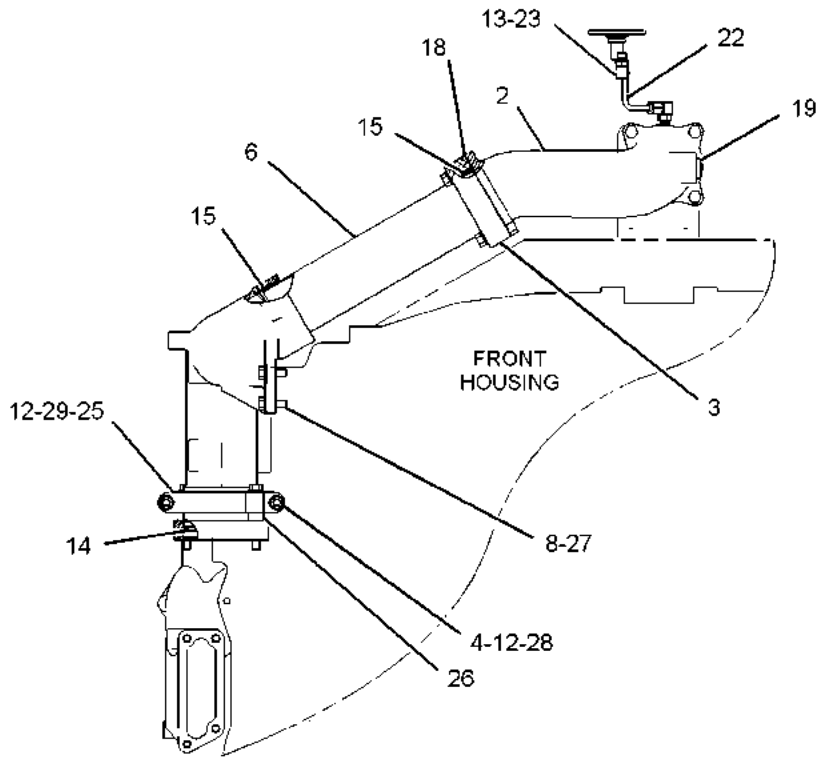
COOLING SYSTEM

8N-7716 LINES GP-AFTERCOOLER WATER (contd.)

i05259092



RIGHT SIDE VIEW OF ENGINE



FRONT VIEW OF ENGINE

GRAPHIC #1

<END>

g03349563

COOLING SYSTEM

231-6339 LINES GP-WATER-AFTERCOOLER AN ATTACHMENT

SMCS-1355, 1380, 1393

i02428503

NOTE	REF NO	GRAPHIC REF	PART NUMBER	QTY	PART NAME						SEE PAGE
					1	2	3	4	5	6 (PRODUCT LEVEL)	
	1	2	230-1072	1	GASKET						
	2	2	1N-3872	1	SUPPORT						
	3	2	2V-4387	2	SPACER (10.312X25.4X23.11-MM THK)						
	4	2	2W-5225	2	FLANGE						
	5	2	3D-4067	1	SPACER (0.438X0.75X1.688-IN THK)						
	6	2	3J-1907	1	SEAL-O-RING						
	7	1	3P-6061	1	GASKET						
	8	1,2	4W-0530	4	RING-RETAINING						
	9	1,2	4W-0531	8	RETAINER						
	10	2	5H-3124	1	SPACER (0.406X1X0.625-IN THK)						
	11	2	6H-6698	1	COVER						
	12	2	7C-9597	1	FLANGE						
	13	2	9S-9635	1	JOINT AS-TUBE						
		2	9X-7523	2	SEAL						
	14	2	9Y-6893	2	GASKET						
	15	1	110-6995	1	PLATE						
	16	2	110-9538	1	TUBE						
	17	2	111-5052	1	BRACKET						
	18	1	111-5056	1	CONNECTOR						
	19	1	114-2040	1	ELBOW						
	20	2	257-2007	1	PLATE						
	21	2	129-3083	1	ELBOW						
	22	2	162-2737	1	ELBOW						
	23	2	187-4606	1	HOSE AS						
	24	2	196-5052	4	CLIP (SLOT)						
	25	2	196-5053	4	CLIP (TAB)						
	26	2	199-5609	1	TUBE						
	27	2	202-2123	1	TUBE						
	28	2	214-0731	1	BRACKET						
Y	29	2	227-3805	1	HOUSING & REGULATOR GP						508
	30	2	030-3978	1	CONNECTOR						
	31	1,2	0L-1351	8	BOLT (3/8-16X0.875-IN)						
	32	2	0S-1590	3	BOLT (3/8-16X2-IN)						
	33	1	0S-1591	2	BOLT (3/8-16X1.5-IN)						
	34	2	0S-1594	10	BOLT (3/8-16X1-IN)						
	35	2	0T-0065	2	BOLT (3/8-16X3.5-IN)						
	36	2	0T-0573	1	BOLT (3/8-16X2.75-IN)						
	37	2	1A-2029	2	BOLT (3/8-16X1.125-IN)						
	38	2	1A-5822	2	BOLT (1/2-13X2.75-IN)						
	39	1	1C-2251	2	BOLT (3/8-16X1.87-IN)						
	40	2	1F-7958	8	NUT-FULL (1/2-13-THD)						
	41	2	2M-0849	1	WASHER-HARD (13.5X25.5X5-MM THK)						
	42	2	3B-1915	1	BOLT (3/8-16X1.375-IN)						
	43	2	3J-7354	2	SEAL-O-RING						
	44	2	3K-0360	1	SEAL-O-RING						
	45	2	3V-3308	2	WASHER-HARD (10.2X20.5X2.5-MM THK)						
	46	2	4F-7387	1	SEAL-O-RING						
	47	2	5B-0841	4	BOLT (5/8-18X1.75-IN)						

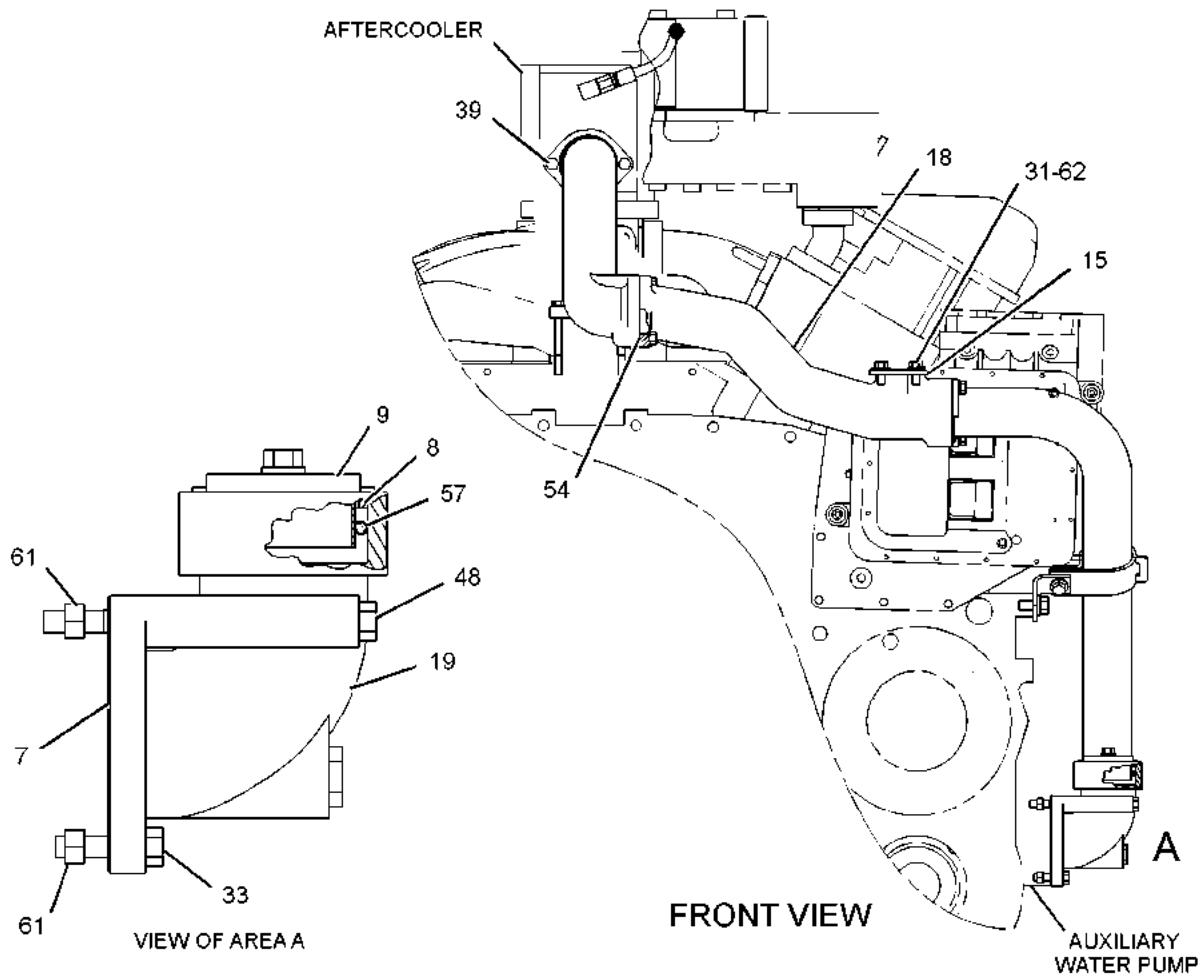
COOLING SYSTEM

231-6339 **LINES GP-WATER** (contd.)

i02428503

NOTE	REF NO	GRAPHIC REF	PART NUMBER	QTY	PART NAME	1 2 3 4 5 6 (PRODUCT LEVEL)						SEE PAGE
	48	1	5B-2638	2	BOLT (3/8-16X5.25-IN)							
	49	2	5B-4399	1	SEAL-O-RING							
	50	2	5M-2894	12	WASHER-HARD (10.2X18.5X2.5-MM THK)							
	51	2	5P-2645	1	ELBOW							
	52	2	5P-8245	8	WASHER-HARD (13.5X25.5X3-MM THK)							
	53	2	6H-1717	1	BOLT (1/2-13X1.125-IN)							
	54	1,2	6J-2680	3	SEAL-O-RING							
	55	2	7W-6492	1	PLUG-PIPE (1/2-14-THD)							
	56	2	8S-9191	2	BOLT (3/8-16X4-IN)							
	57	1,2	8T-1919	4	SEAL-O-RING							
	58	2	9L-9132	2	WASHER (10.2X25.5X2.5-MM THK)							
	59	2	9S-4185	1	PLUG (3/4-16-THD)							
	60	2	9S-4191	1	PLUG (9/16-18-THD)							
	61	1,2	9S-8752	6	NUT-FULL (3/8-16-THD)							
	62	1,2	9X-6458	9	WASHER-HARD (10.2X22.5X3-MM THK)							
	63	2	9X-8873	8	BOLT (1/2-13X2.25-IN)							

Y - SEPARATE ILLUSTRATION



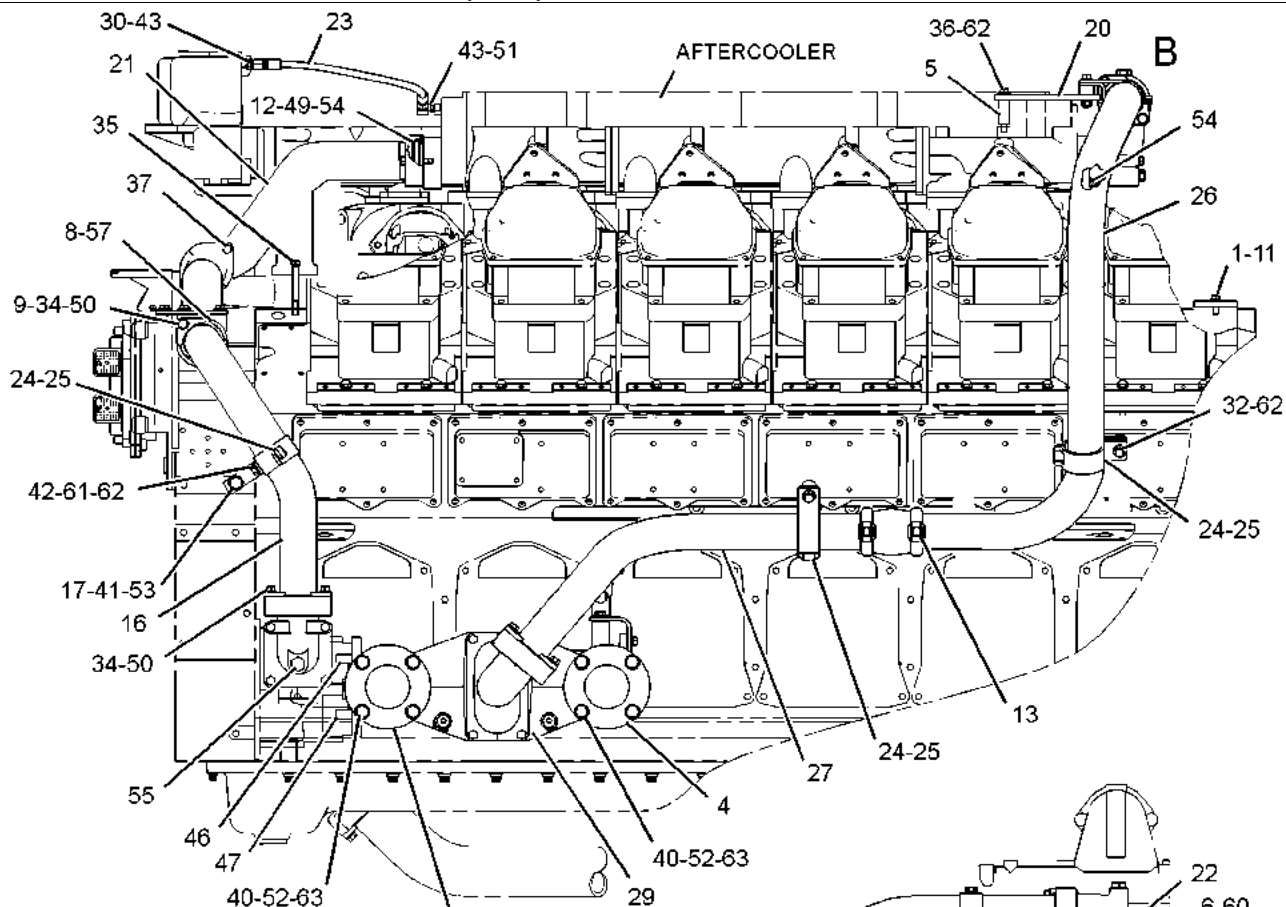
GRAPHIC #1

g01157994

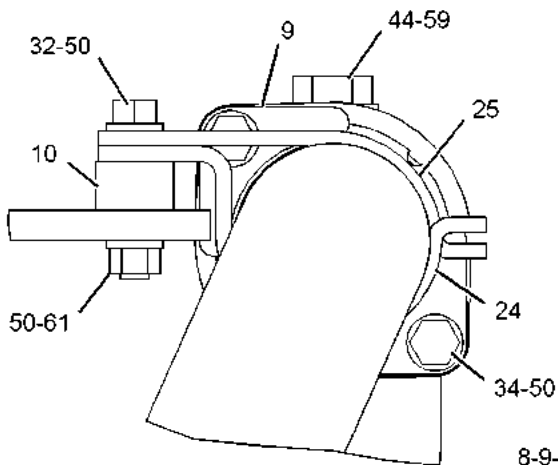
COOLING SYSTEM

231-6339 LINES GP-WATER (contd.)

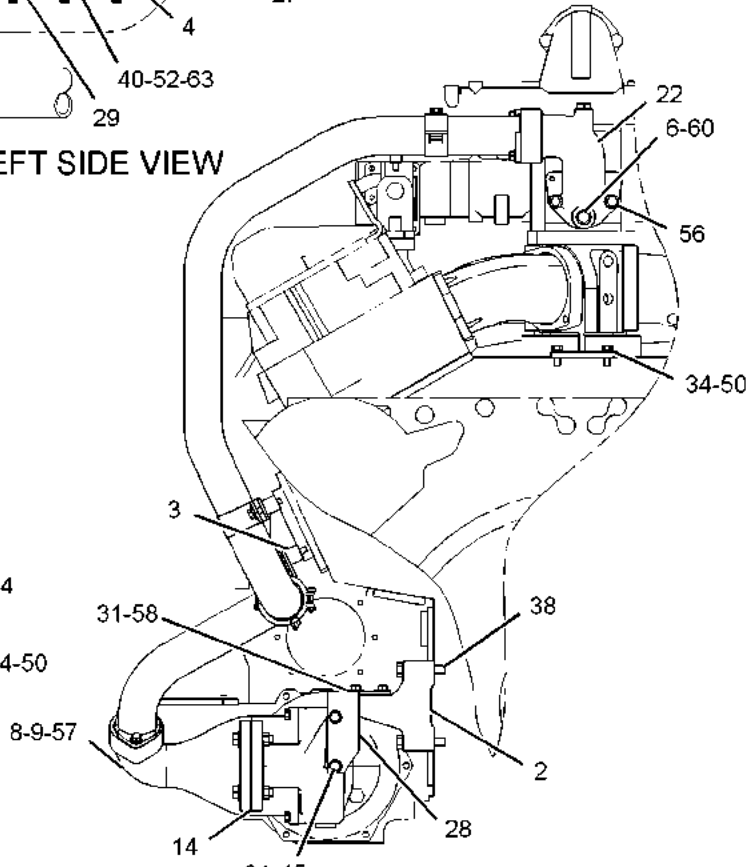
i02428503



LEFT SIDE VIEW



VIEW OF AREA B



REAR VIEW

GRAPHIC #2

<END>

g01157995

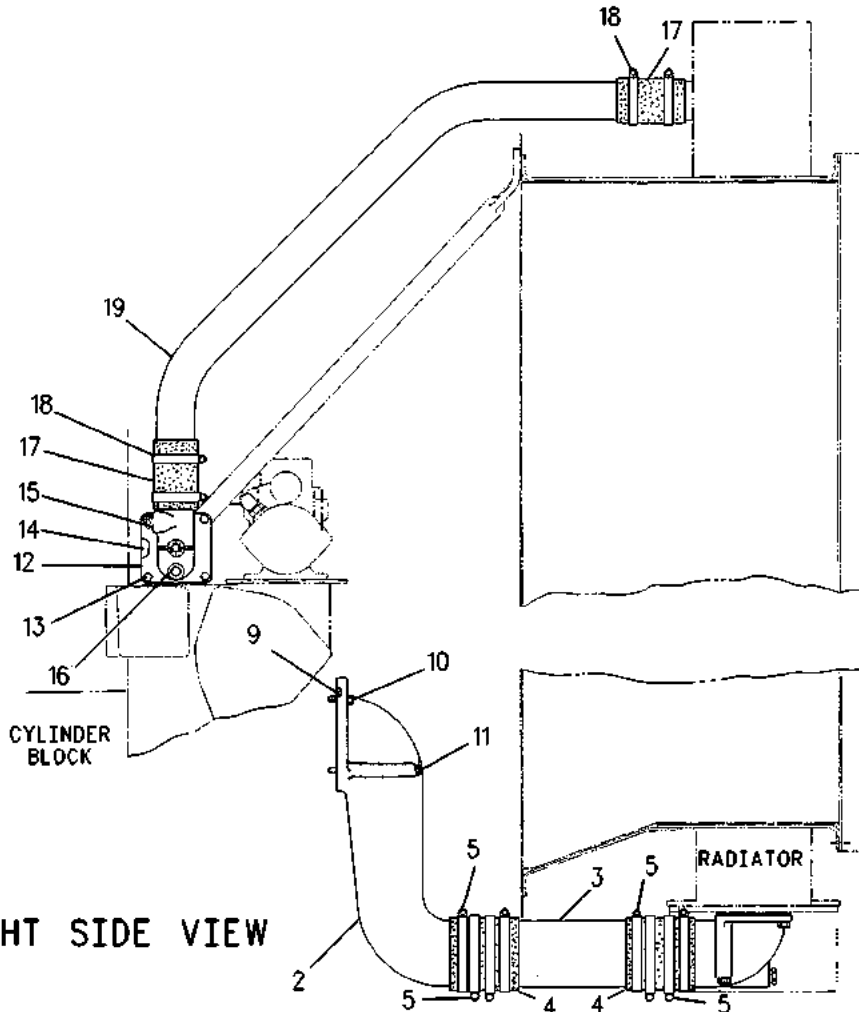
COOLING SYSTEM

7C-7831 LINES GP-WATER-RADIATOR FOR USE WITH 72-25 FOLDED CORE RADIATOR AN ATTACHMENT

SMCS-1355, 1380, 1393

i02179282

NOTE	REF NO	GRAPHIC REF	PART NUMBER	QTY	PART NAME						SEE PAGE
					1	2	3	4	5	6	
	2	1	7C-4345	1	ELBOW						
	3	1	7C-4253	1	TUBE-RADIATOR OUTLET						
	4	1	7C-4343	2	HOSE (114.3-MM ID)						
	5	1	8T-4986	8	CLAMP-HOSE						
	9	1	6V-3835	1	SEAL-O-RING						
	10	1	9B-7237	2	BOLT (3/8-16X1.25-IN)						
	11	1	8C-7323	2	BOLT (3/8-16X6-IN)						
	12	1	7C-4129	2	ELBOW-OUTLET						
	13	1	4L-6454	8	BOLT (3/8-16X1-IN)						
	14	1	7E-6016	2	GASKET						
	15	1	7W-6492	2	PLUG-PIPE (1/2-14-THD)						
	16	1	8T-6765	2	PLUG-PIPE (1/4-18-THD)						
	17	1	7C-4342	4	HOSE (63.5-MM ID)						
	18	1	5P-4868	8	CLAMP-HOSE						
	19	1	7C-4254	2	TUBE-RADIATOR INLET						



RIGHT SIDE VIEW

GRAPHIC #1

<END>

g00773557

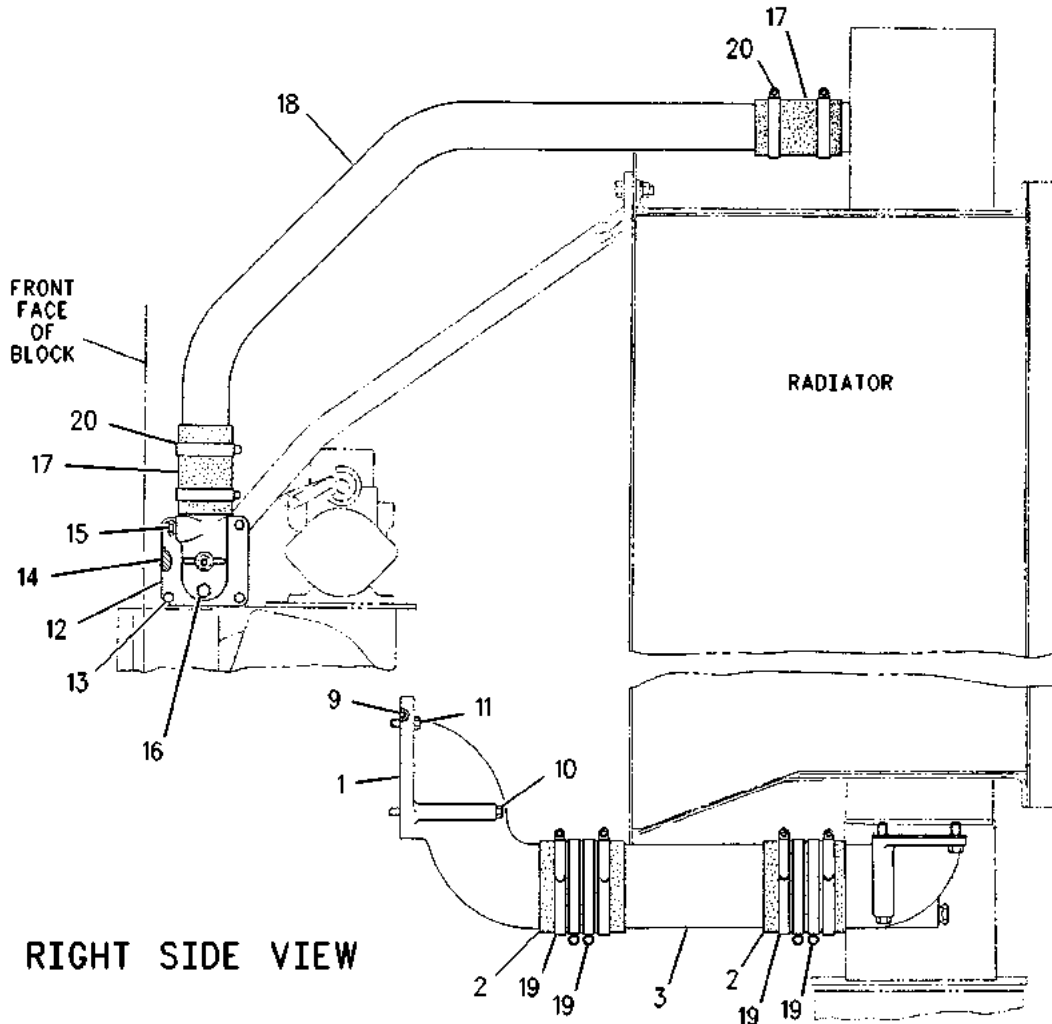
COOLING SYSTEM

7C-7832 LINES GP-WATER-RADIATOR FOR USE WITH 60-13 FOLDED CORE RADIATOR AN ATTACHMENT

SMCS-1355, 1380, 1393

i02179284

NOTE	REF NO	GRAPHIC REF	PART NUMBER	QTY	PART NAME						SEE PAGE
					1	2	3	4	5	6 (PRODUCT LEVEL)	
	1	1	7C-4346	1	ELBOW						
	2	1	7C-4343	2	HOSE (114.3-MM ID)						
	3	1	7C-4253	1	TUBE-RADIATOR OUTLET						
	9	1	6V-3835	1	SEAL-O-RING						
	10	1	8C-7323	2	BOLT (3/8-16X6-IN)						
	11	1	9B-7237	2	BOLT (3/8-16X1.25-IN)						
	12	1	7C-4139	2	ELBOW-OUTLET						
	13	1	4L-6454	8	BOLT (3/8-16X1-IN)						
	14	1	7E-6016	2	GASKET						
	15	1	7W-6492	2	PLUG-PIPE (1/2-14-THD)						
	16	1	8T-6765	2	PLUG-PIPE (1/4-18-THD)						
	17	1	7C-4342	4	HOSE (63.5-MM ID)						
	18	1	7C-4255	2	TUBE-RADIATOR INLET						
	19	1	8T-4986	8	CLAMP-HOSE						
	20	1	5P-4868	8	CLAMP-HOSE						



GRAPHIC #1

<END>

g00676234

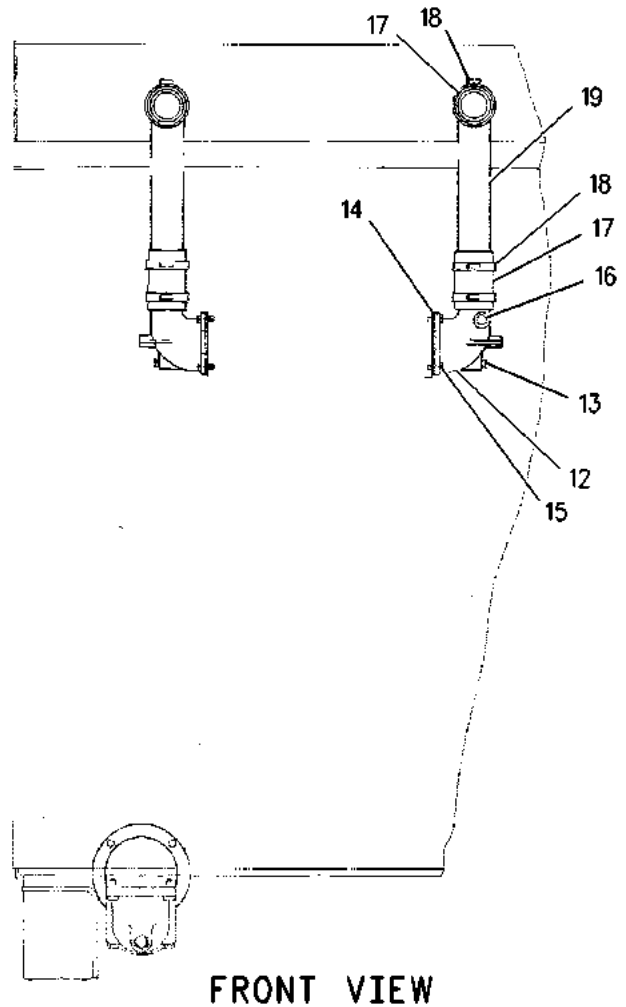
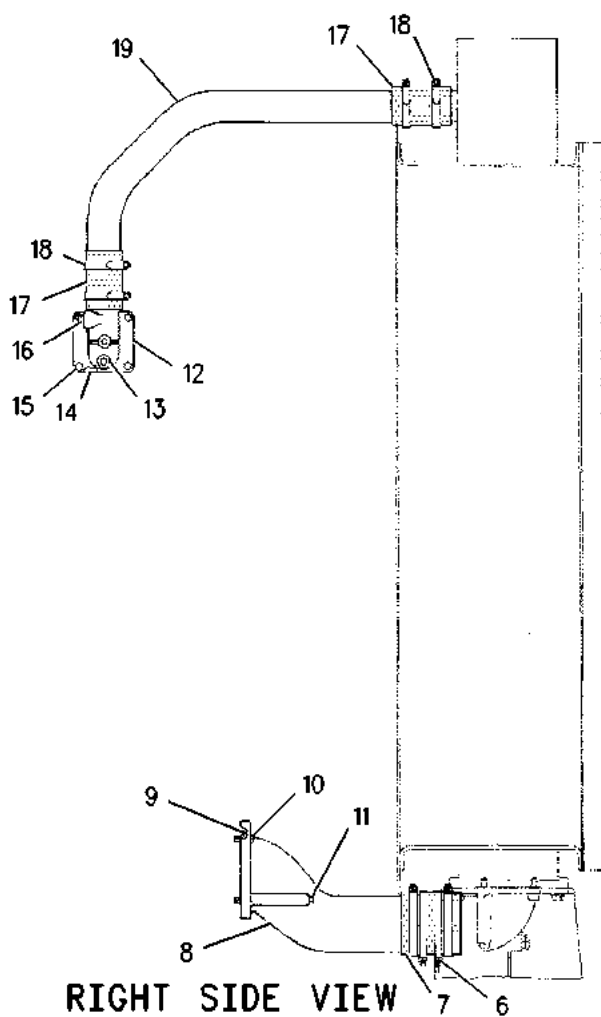
COOLING SYSTEM

7C-7833 LINES GP-WATER-RADIATOR FOR USE WITH 50-11 FOLDED CORE RADIATOR AN ATTACHMENT

SMCS-1355, 1380, 1393

i07109008

NOTE	REF NO	GRAPHIC REF	PART NUMBER	QTY	PART NAME						SEE PAGE
					1	2	3	4	5	6 (PRODUCT LEVEL)	
	6	1	8T-4986	4	CLAMP-HOSE						
	7	1	7C-4343	1	HOSE (114.3MM ID)						
	8	1	7C-4347	1	ELBOW						
	9	1	6V-3835	1	SEAL-O-RING						
	10	1	9B-7237	2	BOLT (3/8-16X1.25-IN)						
	11	1	8C-7323	2	BOLT (3/8-16X6-IN)						
	12	1	7C-4139	2	ELBOW-OUTLET						
	13	1	7W-6492	2	PLUG-PIPE (1/2-14-THD)						
	14	1	7E-6016	2	GASKET						
	15	1	4L-6454	8	BOLT (3/8-16X1-IN)						
	16	1	8T-6765	2	PLUG-PIPE (1/4-18-THD)						
	17	1	7C-4342	4	HOSE (63.5MM ID)						
	18	1	5P-4868	8	CLAMP-HOSE						
	19	1	7C-4256	2	TUBE-RADIATOR INLET						



GRAPHIC #1

<END>

g00838124

COOLING SYSTEM

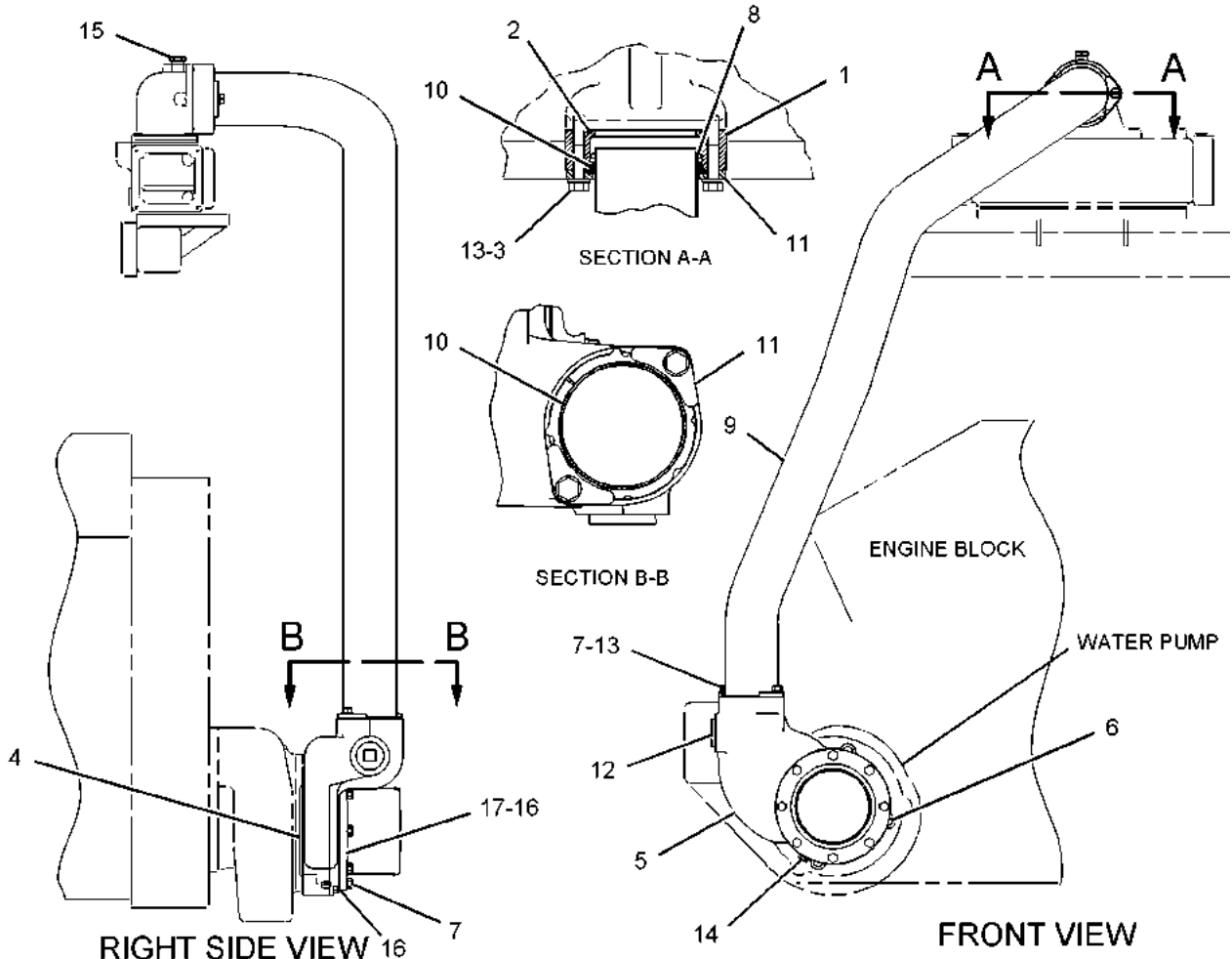
7C-8122 LINES GP-WATER-BYPASS

S/N: 65Z887-1571

SMCS-1355, 1380, 1393

i02096444

NOTE	REF NO	GRAPHIC REF	PART NUMBER	QTY	PART NAME						SEE PAGE
					1	2	3	4	5	6 (PRODUCT LEVEL)	
	1	1	7C-8535	1	FLANGE						
	2	1	5P-6302	1	SEAL-O-RING						
	3	1	0L-2070	2	BOLT (3/8-16X2.25-IN)						
	4	1	6V-6809	1	SEAL-O-RING						
	5	1	8N-8380	1	ELBOW						
	6	1	0L-1143	3	BOLT (3/8-16X2.5-IN)						
	7	1	0S-1594	10	BOLT (3/8-16X1-IN)						
	8	1	6V-5066	2	SEAL-O-RING						
	9	1	8N-6406	1	TUBE						
	10	1	8N-3640	2	RING-RETAINING						
	11	1	8N-3639	4	RETAINER						
	12	1	8T-6760	1	PLUG-PIPE (1-1/2-11-1/2 NPT)						
	13	1	5M-2894	4	WASHER-HARD (10.2X18.5X2.5-MM THK)						
	14	1	8T-6765	1	PLUG-PIPE (1/4-18-THD)						
	15	1	7W-6492	1	PLUG-PIPE (1/2-14-THD)						
	16	1	1S-5772	1	GASKET						
	17	1	8N-6432	1	ADAPTER (WATER PUMP INLET)						



GRAPHIC #1

<END>

g01068810

COOLING SYSTEM

7C-8122 LINES GP-WATER-BYPASS S/N: 65Z1572-UP

SMCS-1355, 1380, 1393

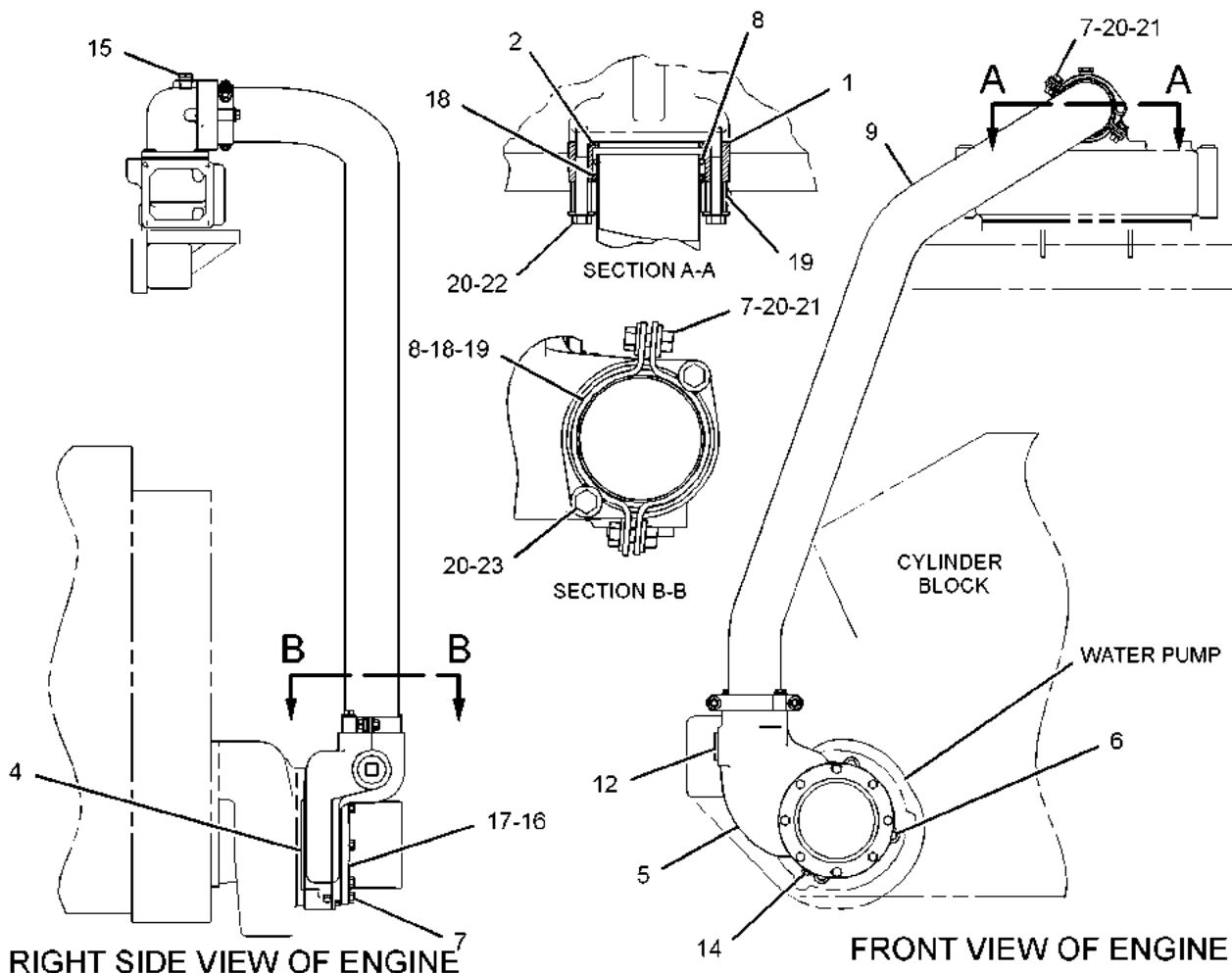
i07398378

NOTE	REF NO	GRAPHIC REF	PART NUMBER	QTY	PART NAME						SEE PAGE
					1	2	3	4	5	6 (PRODUCT LEVEL)	
	1	1	7C-8535	1	FLANGE						
	2	1	5P-6302	1	SEAL-O-RING						
	4	1	6V-6809	1	SEAL-O-RING						
	5	1	8N-8380	1	ELBOW						
	6	1	0L-1143	3	BOLT (3/8-16X2.5-IN)						
	7	1	0S-1594	12	BOLT (3/8-16X1-IN)						
	8	1	6V-5066	2	SEAL-O-RING						
	9	1	8N-6406	1	TUBE						
	12	1	8T-6760	1	PLUG-PIPE (1-1/2-11-1/2 NPT)						
	14	1	8T-6765	1	PLUG-PIPE (1/4-18-THD)						
	15	1	7W-6492	1	PLUG-PIPE (1/2-14-THD)						
	16	1	1S-5772	1	GASKET						
	17	1	8N-6432	1	ADAPTER (WATER PUMP INLET)						
C	18	1	110-0096	2	RING						
C	19	1	108-6170	4	CLAMP AS						
C	20	1	9X-6458	12	WASHER-HARD (10.2X22.5X3-MM THK)						
C	21	1	9S-8752	4	NUT-FULL (3/8-16-THD)						
C	22	1	0S-1619	2	BOLT (3/8-16X3-IN)						
C	23	1	165-3931	2	BOLT (3/8-16X1.75-IN)						
C - CHANGE FROM PREVIOUS TYPE											

COOLING SYSTEM

7C-8122 LINES GP-WATER (contd.)

107398378



GRAPHIC #1

<END>

g03151521

COOLING SYSTEM

7E-5105 LINES GP-WATER-UPPER

S/N: 65Z887-950

SMCS-1355, 1380, 1393

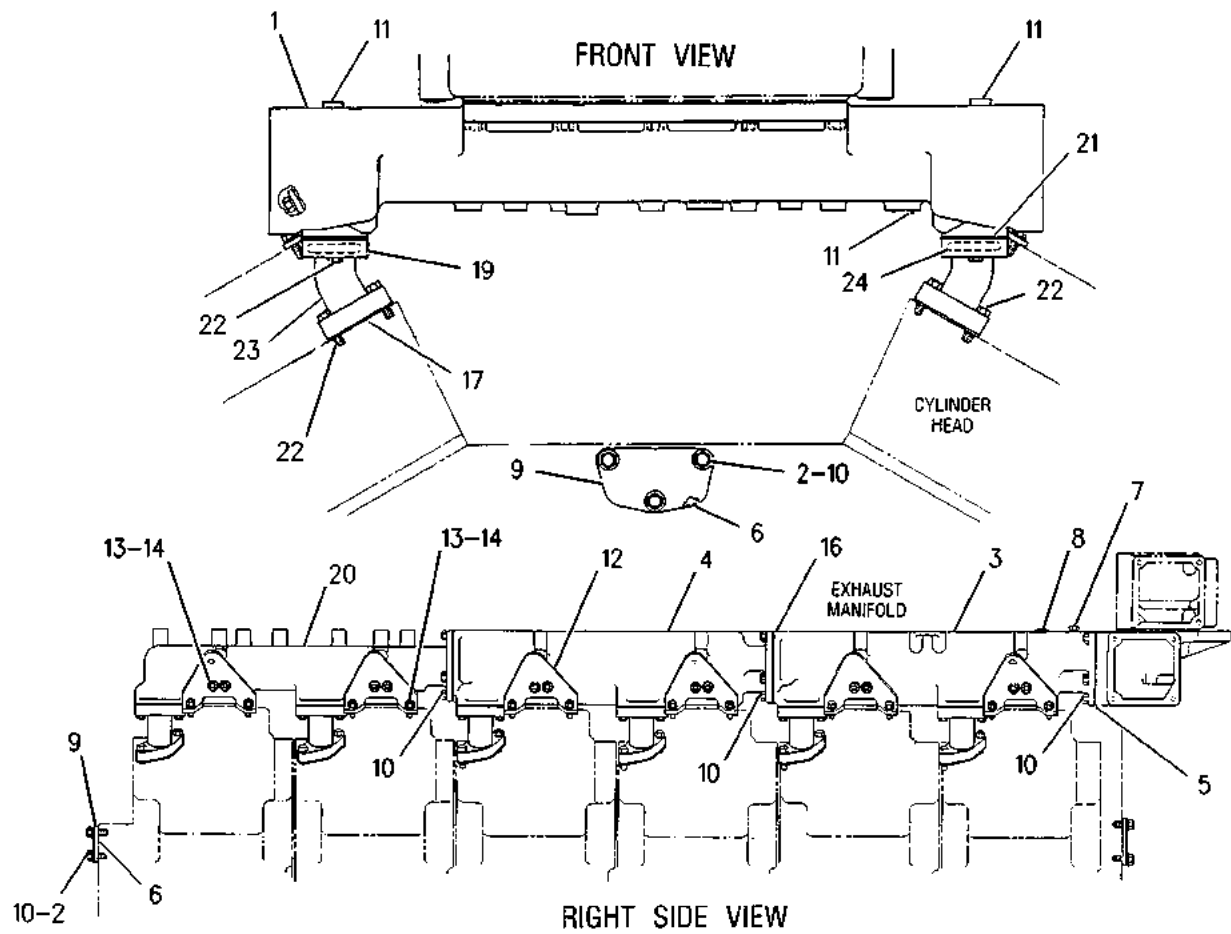
i03628624

NOTE	REF NO	GRAPHIC REF	PART NUMBER	QTY	PART NAME						SEE PAGE
					1	2	3	4	5	6 (PRODUCT LEVEL)	
	1	1	9Y-4090	1	HOUSING-REGULATOR						
	2	1	5M-2894	6	WASHER-HARD (10.2X18.5X2.5-MM THK)						
	3	1	154-1617	1	MANIFOLD (FRONT, RH)						
		1	154-1616	1	MANIFOLD (FRONT, LH)						
	4	1	4P-3897	2	MANIFOLD (INTERMEDIATE)						
	5	1	122-8856	2	GASKET						
	6	1	7N-3368	2	GASKET						
	7	1	8T-6765	2	PLUG-PIPE (1/4-18-THD)						
	8	1	8T-6761	2	PLUG-PIPE (1-11-1/2 NPT THD)						
	9	1	7N-3297	2	COVER						
	10	1	0S-1594	30	BOLT (3/8-16X1-IN)						
	11	1	8T-6762	4	PLUG-PIPE (1/2-14-THD)						
	12	1	9Y-4016	12	BRACKET						
	13	1	0S-1618	46	BOLT (5/16-18X1-IN)						
	14	1	9M-1974	46	WASHER-HARD (8.8X16X2-MM THK)						
	16	1	1W-8545	4	GASKET						
	17	1	127-2176	12	SEAL-INTEGRAL						
	19	1	2W-3146	12	FLANGE						
	20	1	7C-2281	1	MANIFOLD-REAR						
		1	7C-2277	1	MANIFOLD (REAR, LH)						
	21	1	8N-4524	12	GASKET						
	22	1	1B-7182	48	BOLT (5/16-18X1.25-IN)						
	23	1	8N-7639	12	ELBOW						
	24	1	6V-9769	12	SEAL-O-RING						

COOLING SYSTEM

7E-5105 LINES GP-WATER (contd.)

103628624



GRAPHIC #1

<END>

g00554248

COOLING SYSTEM

7E-5105 LINES GP-WATER-UPPER S/N: 65Z951-UP

SMCS-1355, 1380, 1393

i03630009

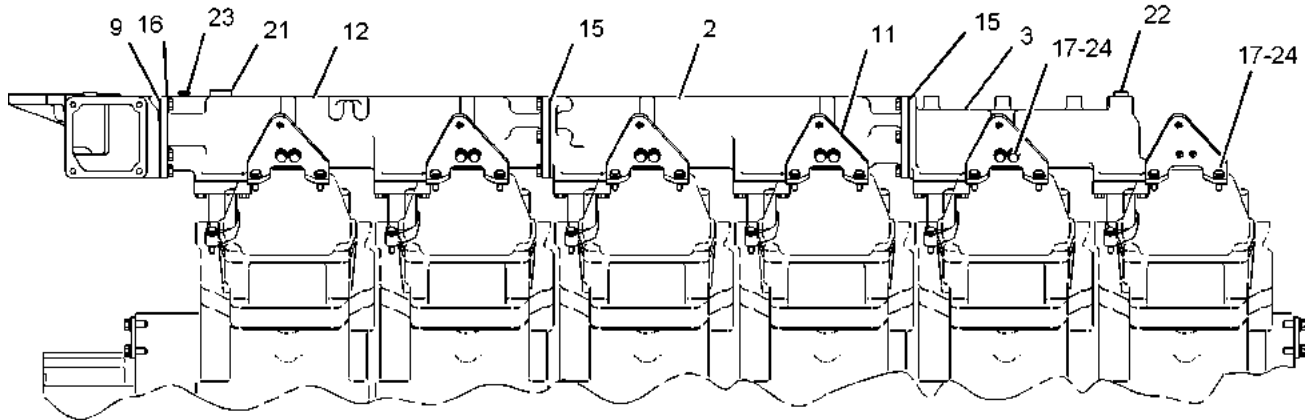
NOTE	REF NO	GRAPHIC REF	PART NUMBER	QTY	PART NAME						SEE PAGE
					1	2	3	4	5	6 (PRODUCT LEVEL)	
	1	1	2W-3146	12	FLANGE						
	2	1	4P-3897	2	MANIFOLD (INTERMEDIATE)						
	3	1	7C-2277	1	MANIFOLD (REAR, LH) (LH)						
	4	1	7C-2281	1	MANIFOLD-REAR						
	5	1	7N-3297	2	COVER						
	6	1	7N-3368	2	GASKET						
	7	1	8N-7639	12	ELBOW						
	8	1	9Y-4090	1	HOUSING-REGULATOR						
	9	1	122-8856	2	GASKET						
	10	1	127-2176	12	SEAL-INTEGRAL						
C	11	1	147-6616	12	BRACKET						
	12	1	154-1616	1	MANIFOLD (FRONT, LH)						
	13	1	154-1617	1	MANIFOLD (FRONT, RH)						
	14	1	241-5928	12	GASKET						
	15	1	243-2288	4	GASKET						
	16	1	0S-1594	30	BOLT (3/8-16X1-IN)						
	17	1	0S-1618	46	BOLT (5/16-18X1-IN)						
	18	1	1B-7182	48	BOLT (5/16-18X1.25-IN)						
	19	1	5M-2894	6	WASHER-HARD (10.2X18.5X2.5-MM THK)						
	20	1	6V-9769	12	SEAL-O-RING						
	21	1	8T-6761	2	PLUG-PIPE (1-11-1/2 NPT THD)						
	22	1	8T-6762	4	PLUG-PIPE (1/2-14-THD)						
	23	1	8T-6765	2	PLUG-PIPE (1/4-18-THD)						
	24	1	9M-1974	46	WASHER-HARD (8.8X16X2-MM THK)						

C - CHANGE FROM PREVIOUS TYPE

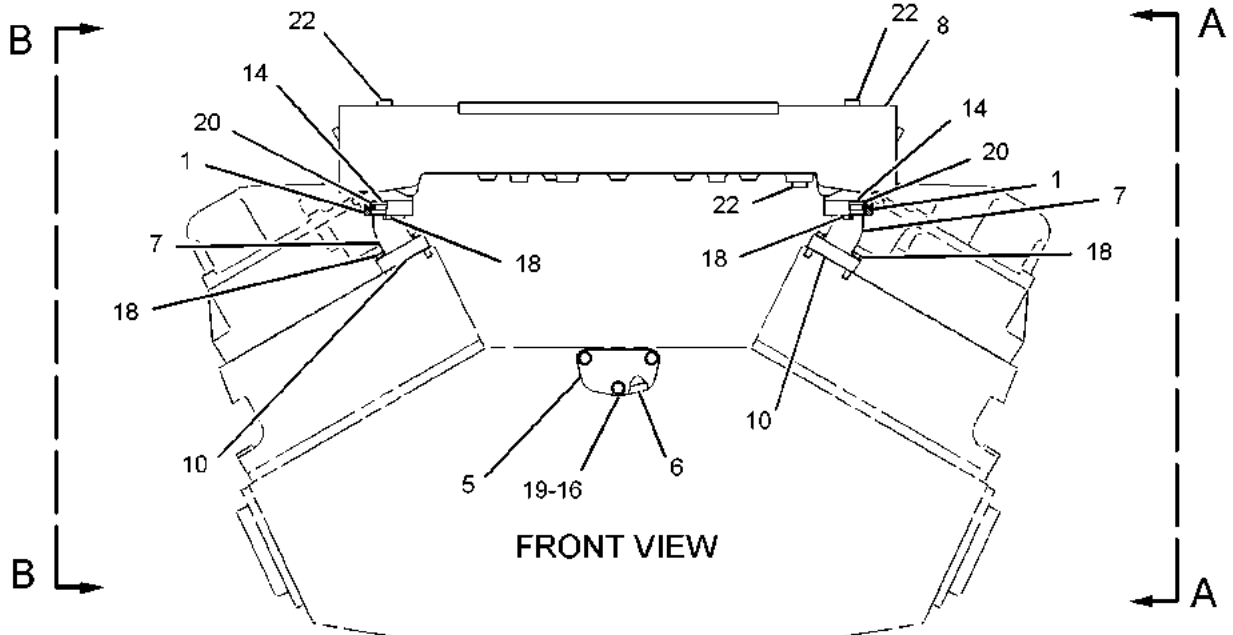
COOLING SYSTEM

7E-5105 LINES GP-WATER (contd.)

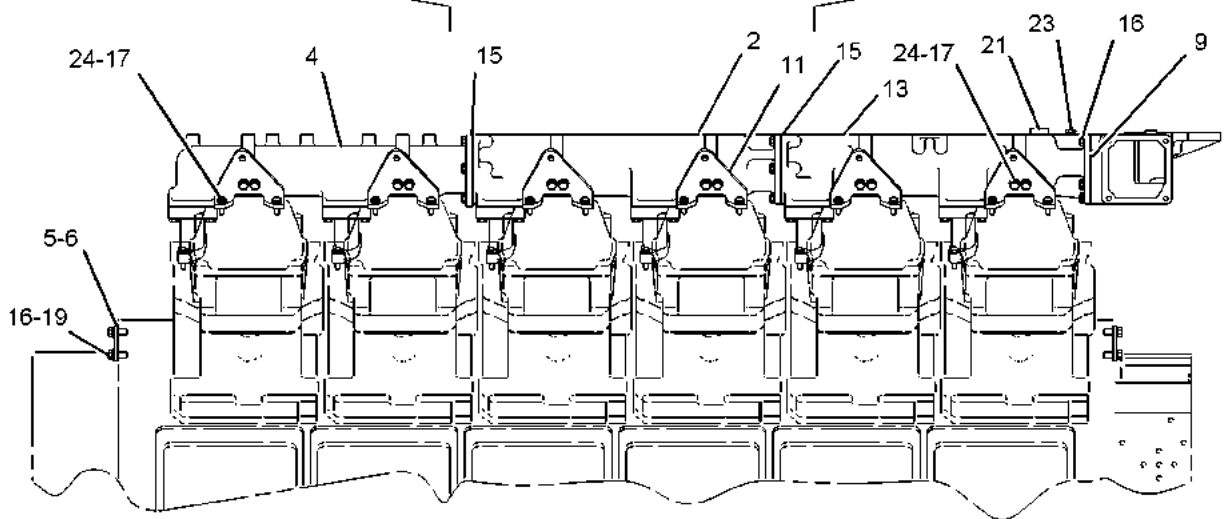
103630009



VIEW A-A



FRONT VIEW



VIEW B-B
<END>

GRAPHIC #1

g01039702

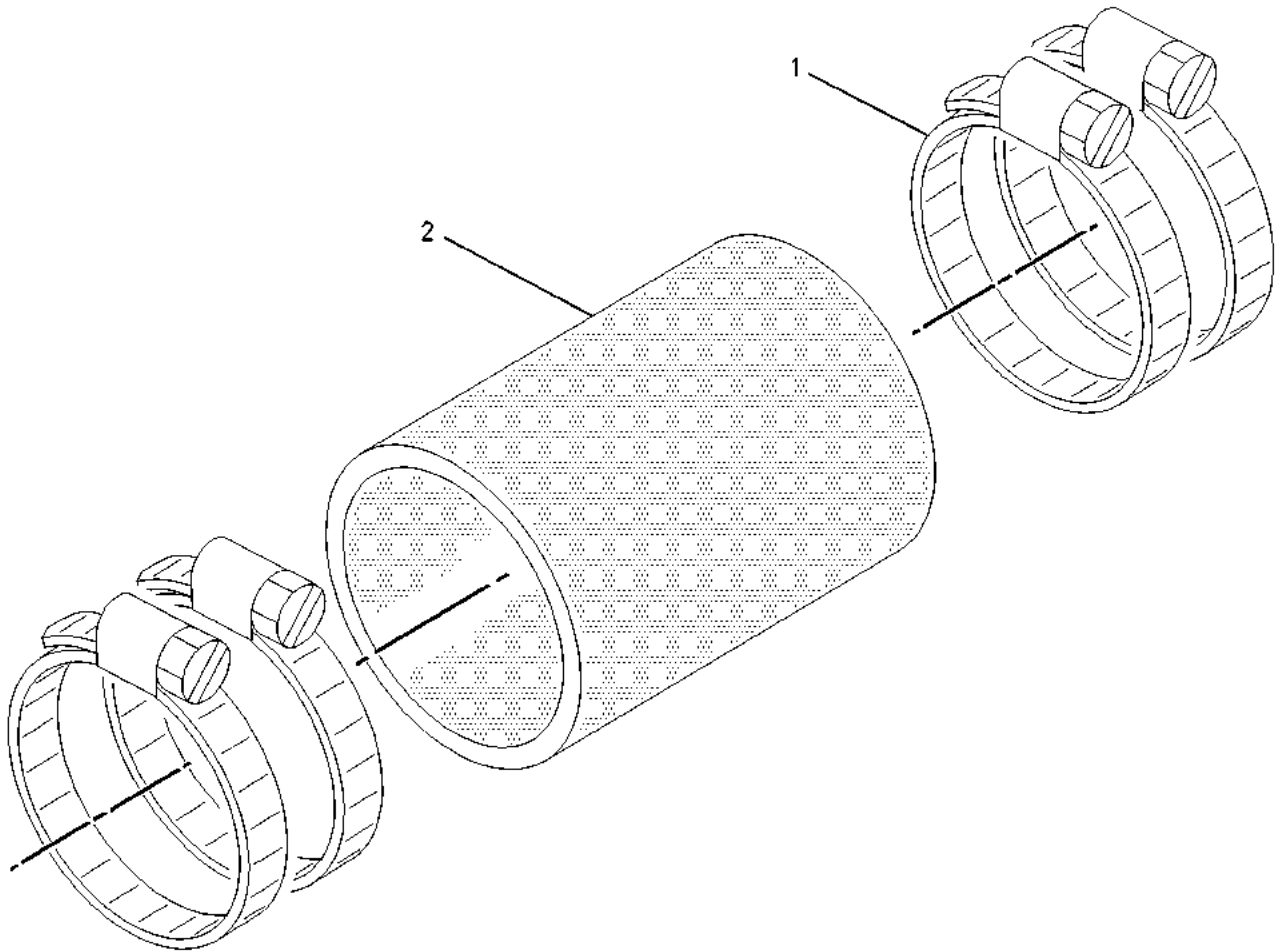
COOLING SYSTEM

7W-6513 LINES GP-WATER-CONNECTION 139.7-MM ID (5.5-IN) FOR USE WITH 7W-6372-PAGE: 464, 8N-7719-PAGE: 539 AN ATTACHMENT

SMCS-1355, 1380, 1393

i02428507

NOTE	REF NO	GRAPHIC REF	PART NUMBER	QTY	PART NAME						SEE PAGE
					1	2	3	4	5	6 (PRODUCT LEVEL)	
	1	1	5P-0599	4	CLAMP-BAND						
	2	1	217-4197	1	HOSE						



GRAPHIC #1

<END>

g00715350

COOLING SYSTEM

7W-6515 LINES GP-WATER-CONNECTION

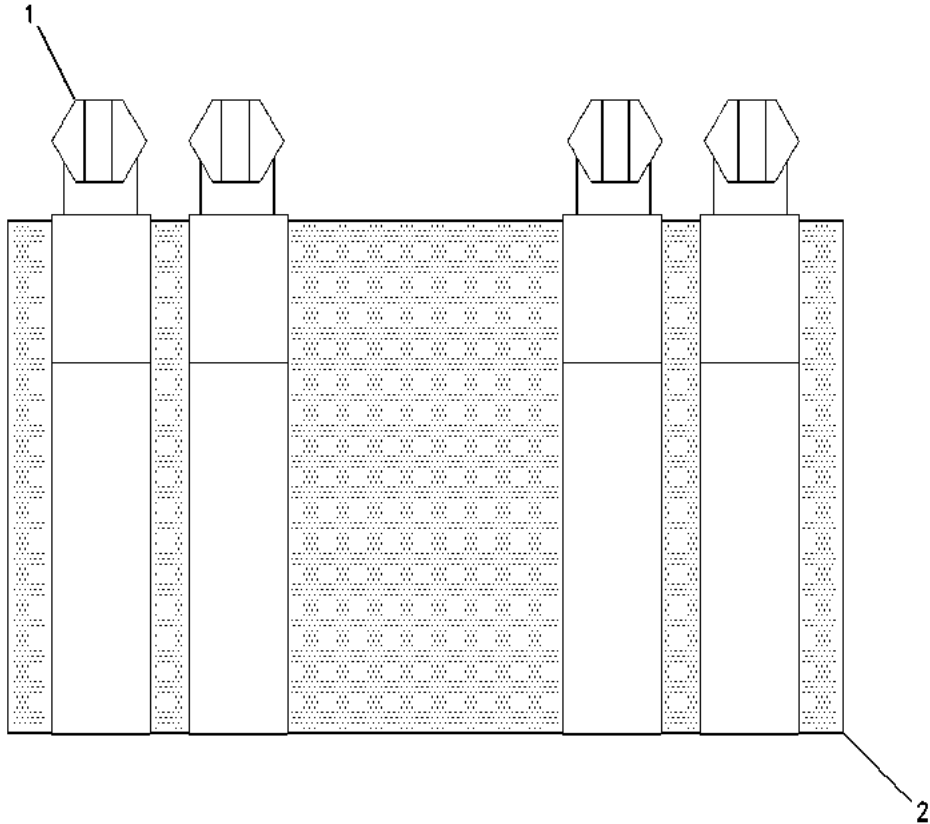
88.9-MM ID (3.5-IN)

FOR USE WITH 8N-9161-PAGE: 466
AN ATTACHMENT

SMCS-1355, 1380, 1393

i01488670

NOTE	REF NO	GRAPHIC REF	PART NUMBER	QTY	PART NAME						SEE PAGE
					1	2	3	4	5	6 (PRODUCT LEVEL)	
1	1	1	5P-0598	4	CLAMP-HOSE						
2	1	1	7W-6514	1	HOSE						



GRAPHIC #1

<END>

g00773701

COOLING SYSTEM

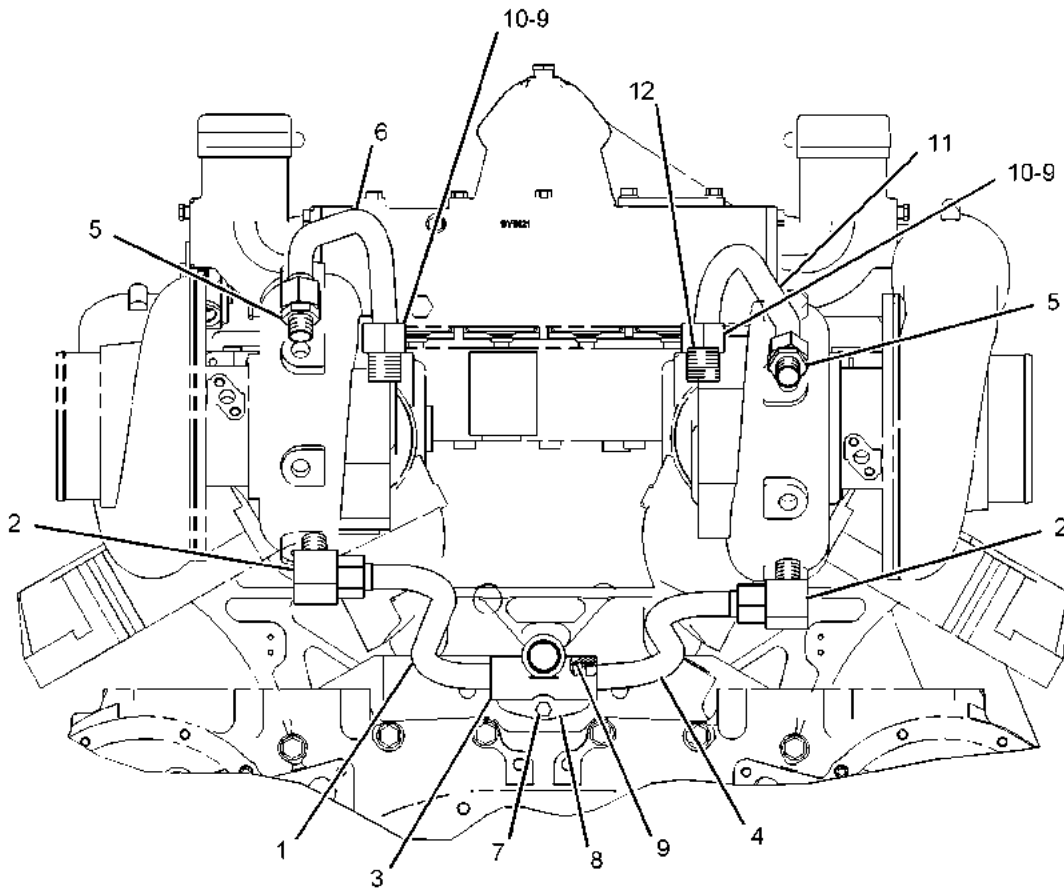
8N-7718 LINES GP-WATER-TURBOCHARGER AN ATTACHMENT

SMCS-1355, 1380, 1393

i02558248

NOTE	REF NO	GRAPHIC REF	PART NUMBER	QTY	PART NAME						SEE PAGE
					1	2	3	4	5	6 (PRODUCT LEVEL)	
	1	1	8N-8955	1	TUBE AS						
	2	1	9S-7296	2	ELBOW-FLARED						
C	3	1	1W-8264	1	HOUSING AS						
		1	1W-6737		HOUSING						
		1	3S-8313	1	PLUG-CUP						
	4	1	8N-8953	1	TUBE AS						
C	5	1	009-4440	2	CONNECTOR						
	6	1	7N-7144	1	TUBE AS						
	7	1	0S-1594	3	BOLT (3/8-16X1-IN)						
	8	1	7N-3368	1	GASKET						
C	9	1	7L-4773	4	SEAL-O-RING						
C	10	1	7N-7415	2	FITTING						
	11	1	7N-7142	1	TUBE AS						
C	12	1	8T-6761	1	PLUG-PIPE (1-11-1/2 NPT THD)						

C - CHANGE FROM PREVIOUS TYPE



REAR VIEW

<END>

GRAPHIC #1

g01078784

COOLING SYSTEM

8N-7719 LINES GP-WATER-BYPASS

S/N: 65Z887-1571

AN ATTACHMENT

SMCS-1355, 1380, 1393

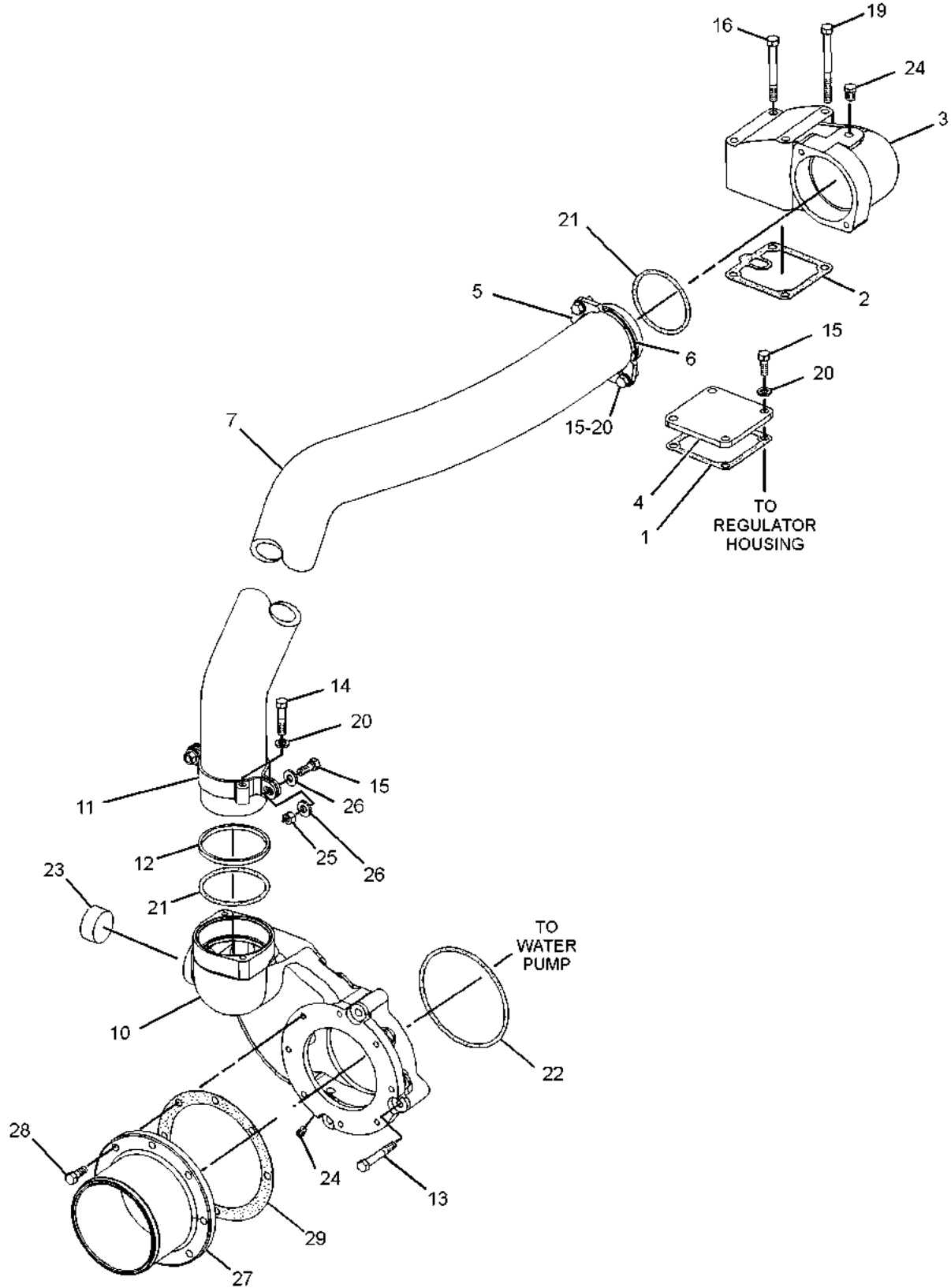
i02717771

NOTE	REF NO	GRAPHIC REF	PART NUMBER	QTY	PART NAME						SEE PAGE
					1	2	3	4	5	6 (PRODUCT LEVEL)	
	1	1	2N-0931	1	GASKET						
	2	1	4W-3100	1	GASKET						
	3	1	4W-3127	1	HOUSING-OUTLET						
	4	1	7N-4928	1	COVER						
	5	1	8N-3639	2	RETAINER						
	6	1	8N-3640	1	RING-RETAINING						
	7	1	8N-6406	1	TUBE						
	10	1	8N-8380	1	ELBOW						
	11	1	108-6170	2	CLAMP AS						
	12	1	110-0096	1	RING						
	13	1	0L-1143	3	BOLT (3/8-16X2.5-IN)						
	14	1	0S-1571	2	BOLT (3/8-16X1.75-IN)						
	15	1	0S-1594	8	BOLT (3/8-16X1-IN)						
	16	1	0T-0065	2	BOLT (3/8-16X3.5-IN)						
	19	1	5B-9603	2	BOLT (3/8-16X5-IN)						
	20	1	5M-2894	8	WASHER-HARD (10.2X18.5X2.5-MM THK)						
	21	1	6V-5066	2	SEAL-O-RING						
	22	1	6V-6809	1	SEAL-O-RING						
	23	1	8T-6760	1	PLUG-PIPE (1-1/2-11-1/2 NPT)						
	24	1	8T-6765	2	PLUG-PIPE (1/4-18-THD)						
	25	1	9S-8752	2	NUT-FULL (3/8-16-THD)						
	26	1	9X-6458	4	WASHER-HARD (10.2X22.5X3-MM THK)						
	27	1	8N-6432	1	ADAPTER (WATER PUMP INLET)						
	28	1	0S-1594	8	BOLT (3/8-16X1-IN)						
	29	1	1S-5772	1	GASKET						

COOLING SYSTEM

8N-7719 LINES GP-WATER (contd.)

i02717771



GRAPHIC #1

<END>

g01374850

COOLING SYSTEM

8N-7719 LINES GP-WATER-BYPASS

S/N: 65Z1572-UP

AN ATTACHMENT

SMCS-1355, 1380, 1393

i07360797

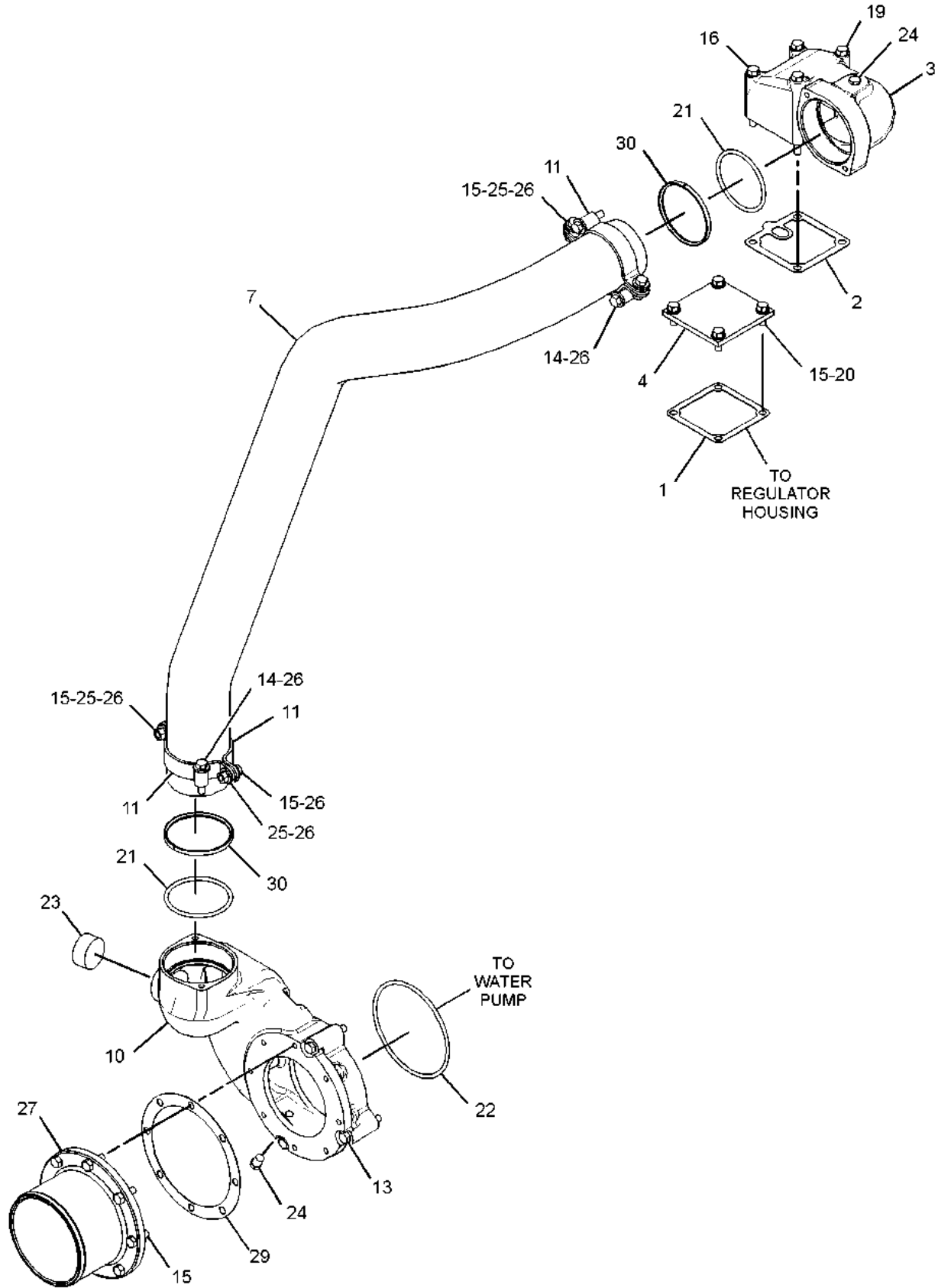
NOTE	REF NO	GRAPHIC REF	PART NUMBER	QTY	PART NAME						SEE PAGE
					1	2	3	4	5	6 (PRODUCT LEVEL)	
	1	1	2N-0931	1	GASKET						
	2	1	4W-3100	1	GASKET						
	3	1	4W-3127	1	HOUSING-OUTLET						
	4	1	7N-4928	1	COVER						
	7	1	8N-6406	1	TUBE						
	10	1	8N-8380	1	ELBOW						
C	11	1	108-6170	4	CLAMP AS						
	13	1	0L-1143	3	BOLT (3/8-16X2.5-IN)						
C	14	1	165-3931	4	BOLT (3/8-16X1.75-IN)						
	15	1	0S-1594	16	BOLT (3/8-16X1-IN)						
	16	1	0T-0065	2	BOLT (3/8-16X3.5-IN)						
	19	1	5B-9603	2	BOLT (3/8-16X5-IN)						
C	20	1	5M-2894	4	WASHER-HARD (10.2X18.5X2.5-MM THK)						
	21	1	6V-5066	2	SEAL-O-RING						
	22	1	6V-6809	1	SEAL-O-RING						
	23	1	8T-6760	1	PLUG-PIPE (1-1/2-11-1/2 NPT)						
	24	1	8T-6765	2	PLUG-PIPE (1/4-18-THD)						
C	25	1	9S-8752	4	NUT-FULL (3/8-16-THD)						
C	26	1	9X-6458	12	WASHER-HARD (10.2X22.5X3-MM THK)						
	27	1	8N-6432	1	ADAPTER (WATER PUMP INLET)						
	29	1	1S-5772	1	GASKET						
C	30	1	110-0096	2	RING						

C - CHANGE FROM PREVIOUS TYPE

COOLING SYSTEM

8N-7719 LINES GP-WATER (contd.)

i07360797



GRAPHIC #1

<END>

g03399781

COOLING SYSTEM

8N-7720 LINES GP-WATER-BYPASS

S/N: 65Z887-1571

FOR USE WITH 5P-9130 JOINT AS-TUBE
AN ATTACHMENT

SMCS-1355, 1380, 1393

i05811054

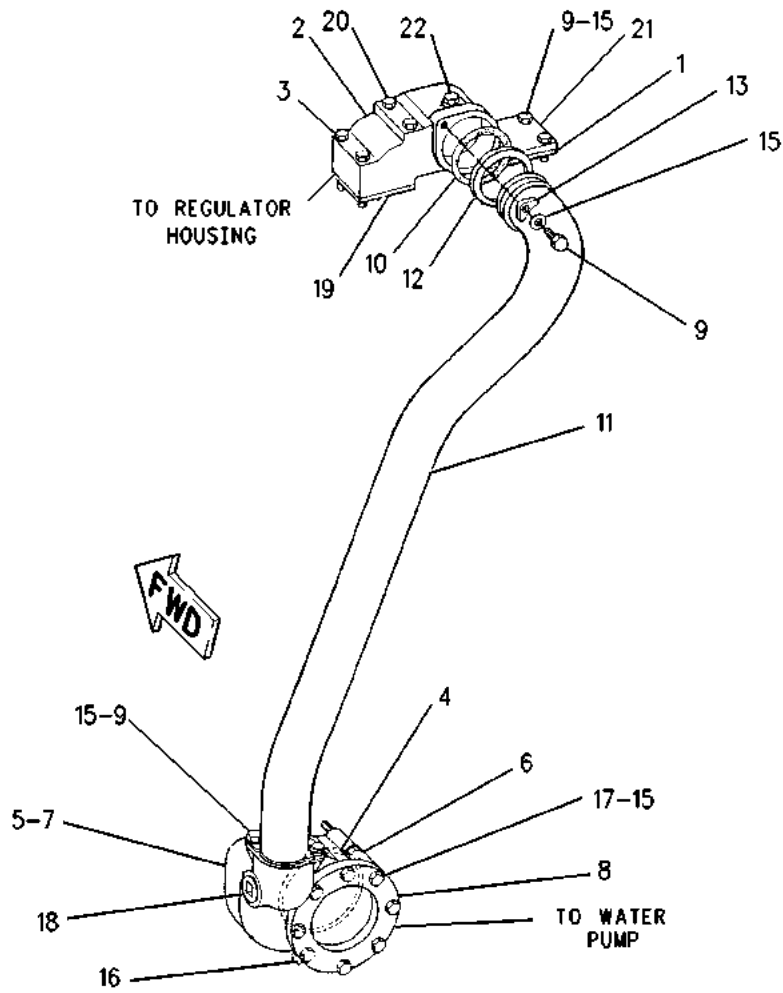
NOTE	REF NO	GRAPHIC REF	PART NUMBER	QTY	PART NAME						SEE PAGE
					1	2	3	4	5	6 (PRODUCT LEVEL)	
C	1	1	2N-0931	1	GASKET						
C	2	1	4W-3127	1	HOUSING-OUTLET						
C	3	1	0T-0065	2	BOLT (3/8-16X3.5-IN)						
C	4	1	6V-6809	1	SEAL-O-RING						
	5	1	8N-8380	1	ELBOW						
	6	1	0L-1143	3	BOLT (3/8-16X2.5-IN)						
	7	1	1S-5772	1	GASKET						
	8	1	8N-6424	1	FLANGE						
C	9	1	0S-1594	8	BOLT (3/8-16X1-IN)						
C	10	1	6V-5066	2	SEAL-O-RING						
	11	1	8N-6406	1	TUBE						
	12	1	8N-3640	2	RING-RETAINING						
	13	1	8N-3639	4	RETAINER						
C	15	1	5M-2894	16	WASHER-HARD (10.2X18.5X2.5-MM THK)						
	16	1	7W-6492	1	PLUG-PIPE (1/2-14-THD)						
	17	1	2A-4639	8	BOLT (3/8-16X1.625-IN)						
	18	1	8T-6760	1	PLUG-PIPE (1-1/2-11-1/2 NPT)						
C	19	1	4W-3100	1	GASKET						
C	20	1	5B-9603	2	BOLT (3/8-16X5-IN)						
C	21	1	7N-4928	1	COVER						
	22	1	8T-6765	1	PLUG-PIPE (1/4-18-THD)						

C - CHANGE FROM PREVIOUS TYPE

COOLING SYSTEM

8N-7720 LINES GP-WATER (contd.)

i05811054



GRAPHIC #1

<END>

g00899771

COOLING SYSTEM

8N-7720 LINES GP-WATER-BYPASS

S/N: 65Z1572-UP

FOR USE WITH 5P-9130 JOINT AS-TUBE

AN ATTACHMENT

SMCS-1355, 1380, 1393

i07408083

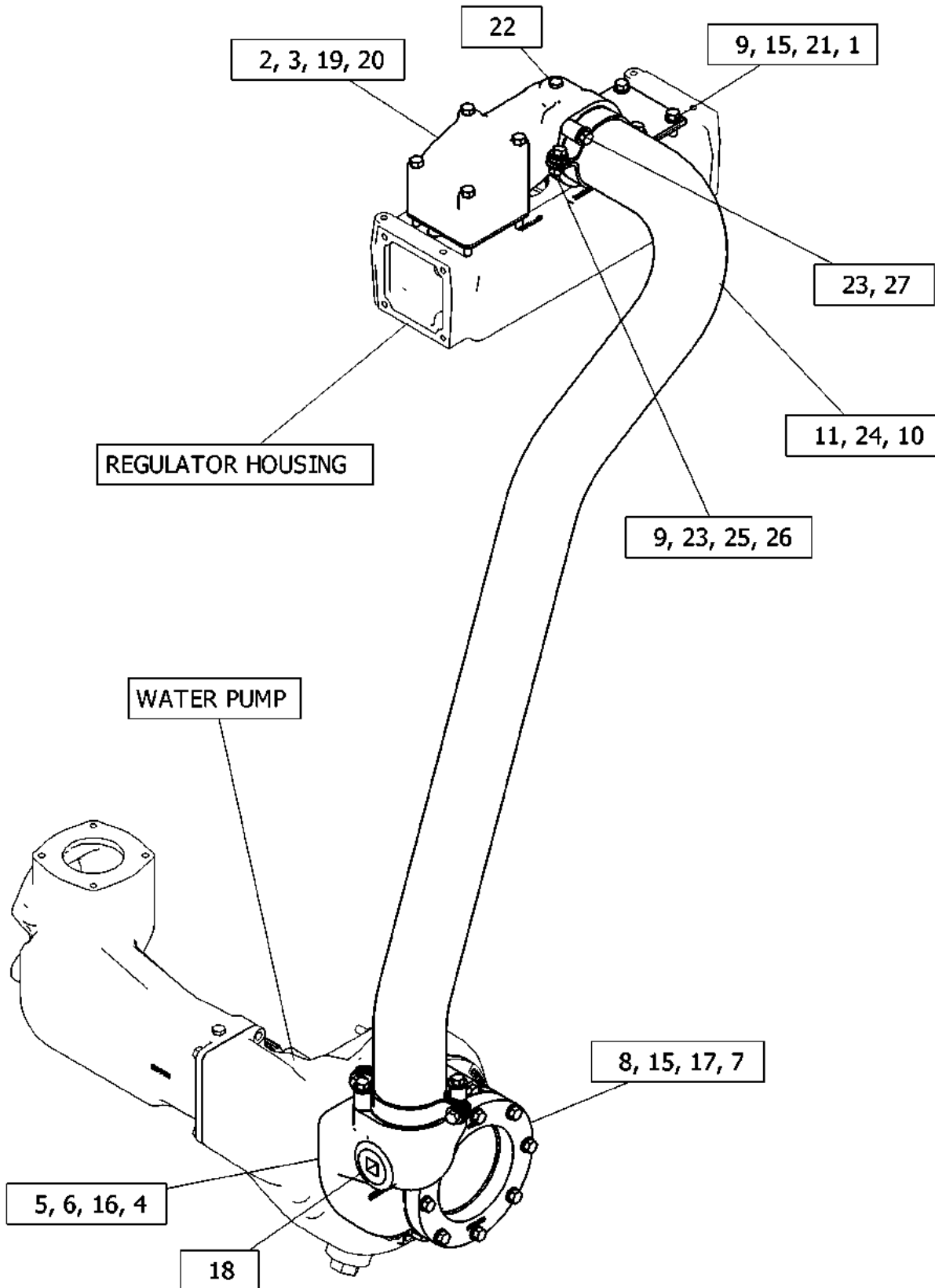
NOTE	REF NO	GRAPHIC REF	PART NUMBER	QTY	PART NAME						SEE PAGE
					1	2	3	4	5	6 (PRODUCT LEVEL)	
	1	1	2N-0931	1	GASKET						
	2	1	4W-3127	1	HOUSING-OUTLET						
	3	1	0T-0065	2	BOLT (3/8-16X3.5-IN)						
	4	1	6V-6809	1	SEAL-O-RING						
	5	1	8N-8380	1	ELBOW						
	6	1	0L-1143	3	BOLT (3/8-16X2.5-IN)						
	7	1	1S-5772	1	GASKET						
	8	1	8N-6424	1	FLANGE						
	9	1	0S-1594	8	BOLT (3/8-16X1-IN)						
	10	1	6V-5066	2	SEAL-O-RING						
	11	1	8N-6406	1	TUBE						
C	15	1	5M-2894	12	WASHER-HARD (10.2X18.5X2.5-MM THK)						
	16	1	7W-6492	1	PLUG-PIPE (1/2-14-THD)						
	17	1	2A-4639	8	BOLT (3/8-16X1.625-IN)						
	18	1	8T-6760	1	PLUG-PIPE (1-1/2-11-1/2 NPT)						
	19	1	4W-3100	1	GASKET						
	20	1	5B-9603	2	BOLT (3/8-16X5-IN)						
	21	1	7N-4928	1	COVER						
	22	1	8T-6765	1	PLUG-PIPE (1/4-18-THD)						
C	23	1	9X-6458	12	WASHER-HARD (10.2X22.5X3-MM THK)						
C	24	1	110-0096	2	RING						
C	25	1	108-6170	4	CLAMP AS						
C	26	1	9S-8752	4	NUT-FULL (3/8-16-THD)						
C	27	1	165-3931	4	BOLT (3/8-16X1.75-IN)						

C - CHANGE FROM PREVIOUS TYPE

COOLING SYSTEM

8N-7720 LINES GP-WATER (contd.)

i07408083



GRAPHIC #1

<END>

g06341168

COOLING SYSTEM

8N-8994 LINES GP-WATER-LOWER

S/N: 65Z887-1325

SMCS-1355, 1380, 1393

i04243751

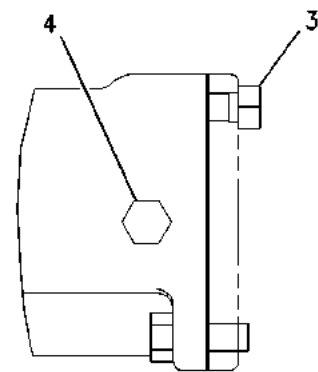
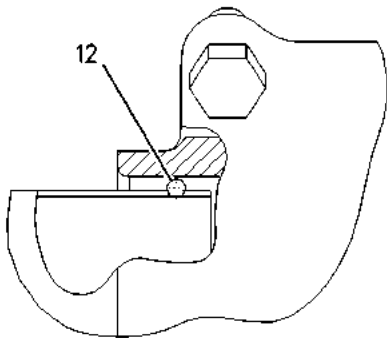
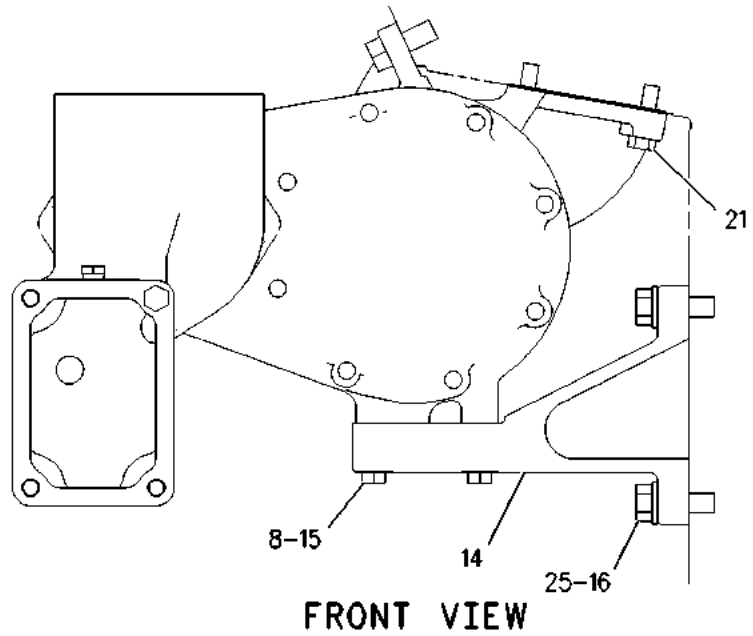
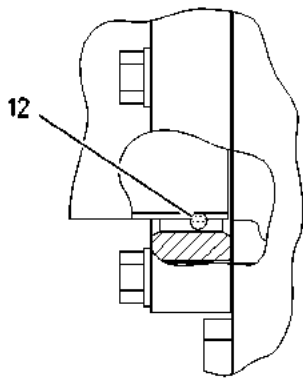
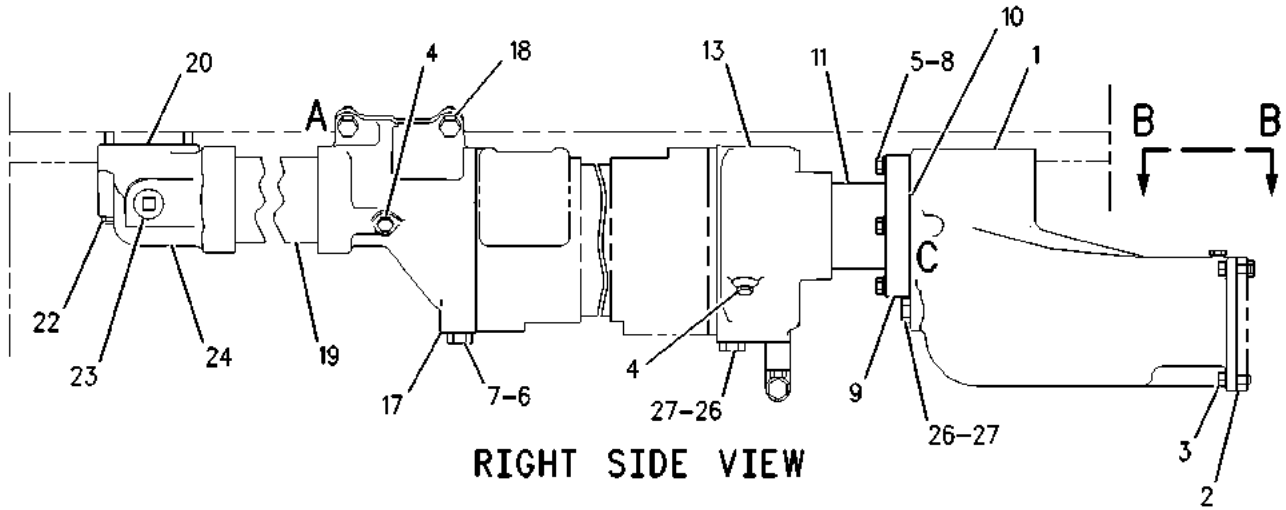
NOTE	REF NO	GRAPHIC REF	PART NUMBER	QTY	PART NAME						SEE PAGE
					1	2	3	4	5	6 (PRODUCT LEVEL)	
	1	1	120-7421	1	ADAPTER						
	2	1	7N-4932	1	GASKET						
C	3	1	0S-1594	4	BOLT (3/8-16X1-IN)						
	4	1	8T-6765	3	PLUG-PIPE (1/4-18-THD)						
	5	1	2A-4639	4	BOLT (3/8-16X1.625-IN)						
	6	1	4B-8407	1	GASKET-COPPER						
	7	1	9M-4202	1	PLUG-DRAIN						
C	8	1	5M-2894	6	WASHER-HARD (10.2X18.5X2.5-MM THK)						
	9	1	8N-0386	1	FLANGE						
	10	1	4N-1320	1	GASKET (ADAPTER)						
	11	1	8N-7641	1	TUBE						
C	12	1	6V-5066	4	SEAL-O-RING						
	13	1	7N-4939	1	BONNET-OIL COOLER						
	14	1	7N-4940	1	BRACKET						
	15	1	0S-1571	2	BOLT (3/8-16X1.75-IN)						
	16	1	0S-1585	2	BOLT (1/2-13X1.5-IN)						
	17	1	7N-4941	1	BONNET-OIL COOLER						
	18	1	0S-1595	2	BOLT (1/2-13X1.25-IN)						
	19	1	7N-9044	1	TUBE						
	20	1	7N-4945	1	GASKET						
	21	1	0S-1588	2	BOLT (3/8-16X1.25-IN)						
	22	1	0T-0065	2	BOLT (3/8-16X3.5-IN)						
	23	1	8T-6761	1	PLUG-PIPE (1-11-1/2 NPT THD)						
	24	1	7N-4944	1	ELBOW						
	25	1	5P-8245	2	WASHER-HARD (13.5X25.5X3-MM THK)						
	26	1	9S-4185	2	PLUG (3/4-16-THD)						
	27	1	6V-6609	2	SEAL-O-RING						

C - CHANGE FROM PREVIOUS TYPE

COOLING SYSTEM

8N-8994 LINES GP-WATER (contd.)

i04243751



GRAPHIC #1

<END>

g00857472

COOLING SYSTEM

8N-8994 LINES GP-WATER-LOWER

S/N: 65Z1326-UP

SMCS-1355, 1380, 1393

i07072492

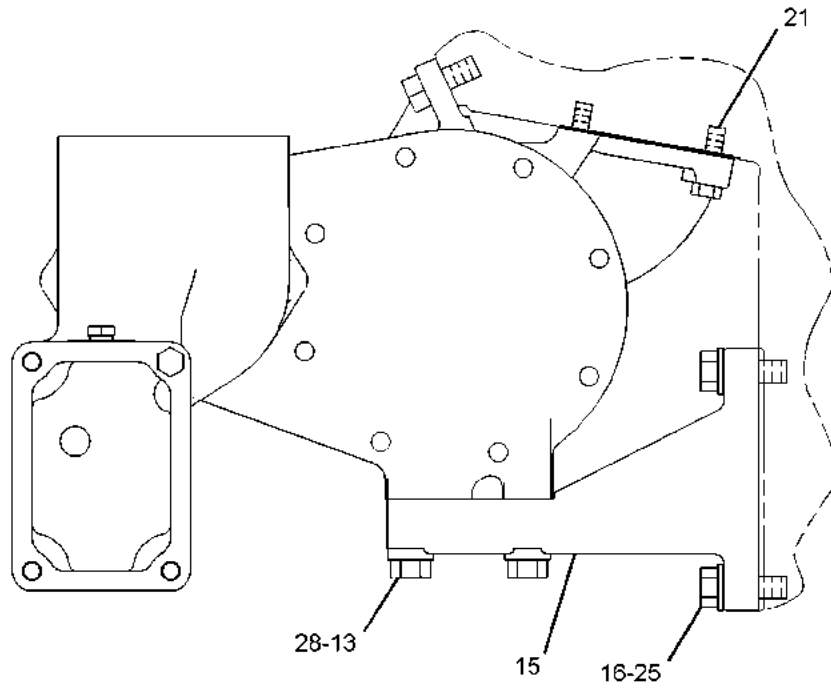
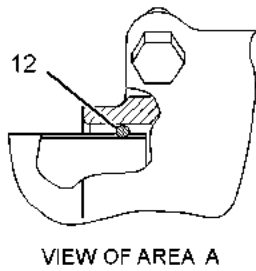
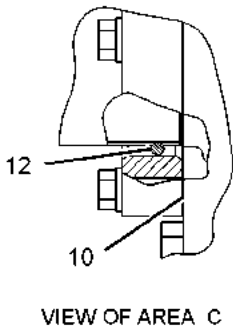
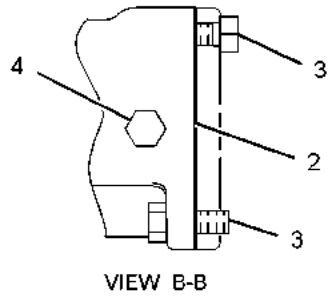
NOTE	REF NO	GRAPHIC REF	PART NUMBER	QTY	PART NAME						SEE PAGE
					1	2	3	4	5	6 (PRODUCT LEVEL)	
	1	1	120-7421	1	ADAPTER						
	2	1	7N-4932	1	GASKET						
	3	1	0S-1594	4	BOLT (3/8-16X1-IN)						
	4	1	8T-6765	3	PLUG-PIPE (1/4-18-THD)						
	5	1	2A-4639	4	BOLT (3/8-16X1.625-IN)						
	6	1	4B-8407	1	GASKET-COPPER						
	7	1	9M-4202	1	PLUG-DRAIN						
C	8	1	5M-2894	4	WASHER-HARD (10.2X18.5X2.5-MM THK)						
	9	1	8N-0386	1	FLANGE						
	10	1	4N-1320	1	GASKET (ADAPTER)						
	11	1	8N-7641	1	TUBE						
	12	1	6V-5066	4	SEAL-O-RING						
C	13	1	8B-9725	2	BOSS (17/32X1X1/4-IN THK)						
C	14	1	278-0539	1	HOUSING-OIL COOLER						
C	15	1	278-0540	1	BRACKET						
	16	1	0S-1585	2	BOLT (1/2-13X1.5-IN)						
	17	1	7N-4941	1	BONNET-OIL COOLER						
	18	1	0S-1595	2	BOLT (1/2-13X1.25-IN)						
	19	1	7N-9044	1	TUBE						
	20	1	7N-4945	1	GASKET						
	21	1	0S-1588	2	BOLT (3/8-16X1.25-IN)						
	22	1	0T-0065	2	BOLT (3/8-16X3.5-IN)						
	23	1	8T-6761	1	PLUG-PIPE (1-11-1/2 NPT THD)						
	24	1	7N-4944	1	ELBOW						
	25	1	5P-8245	2	WASHER-HARD (13.5X25.5X3-MM THK)						
	26	1	9S-4185	2	PLUG (3/4-16-THD)						
	27	1	6V-6609	2	SEAL-O-RING						
C	28	1	1A-1460	2	BOLT (1/2-13X2-IN)						

C - CHANGE FROM PREVIOUS TYPE

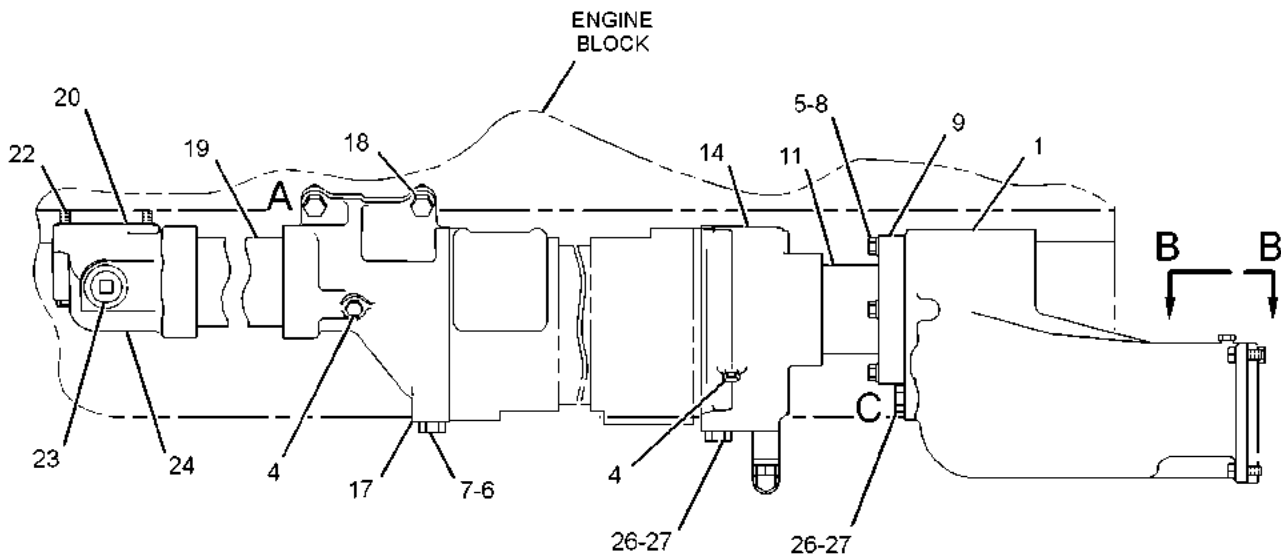
COOLING SYSTEM

8N-8994 LINES GP-WATER (contd.)

i07072492



FRONT VIEW OF ENGINE



RIGHT SIDE VIEW OF ENGINE

GRAPHIC #1

<END>

g06215545

COOLING SYSTEM

9Y-9111 LINES GP-WATER-UPPER AN ATTACHMENT TYPE 1

SMCS-1355, 1380, 1393

i02657501

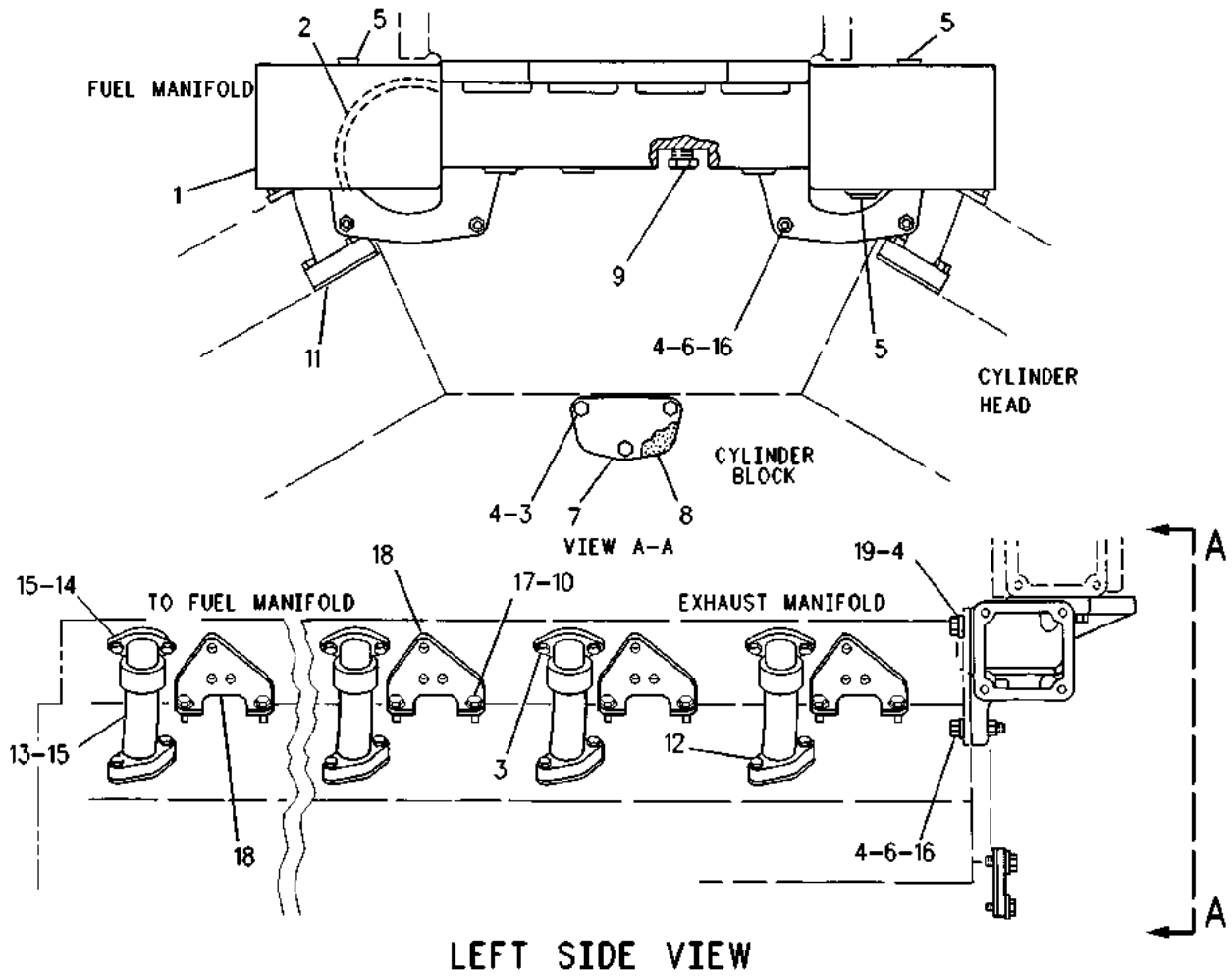
NOTE	REF NO	GRAPHIC REF	PART NUMBER	QTY	PART NAME						SEE PAGE
					1	2	3	4	5	6 (PRODUCT LEVEL)	
	1	1	8N-9623	1	HOUSING-REGULATOR						
	2	1	6V-6809	2	SEAL-O-RING						
	3	1	0S-1594	27	BOLT (3/8-16X1-IN)						
	4	1	5M-2894	11	WASHER-HARD (10.2X18.5X2.5-MM THK)						
	5	1	8T-6762	3	PLUG-PIPE (1/2-14-THD)						
	6	1	0S-1590	4	BOLT (3/8-16X2-IN)						
	7	1	7N-3297	1	COVER						
	8	1	7N-3368	1	GASKET						
B	9	1	7W-6492	1	PLUG-PIPE (1/2-14-THD)						
	10	1	9M-1974	24	WASHER-HARD (8.8X16X2-MM THK)						
	11	1	127-2176	12	SEAL-INTEGRAL						
	12	1	1B-7182	24	BOLT (5/16-18X1.25-IN)						
	13	1	8N-7642	12	ELBOW						
	14	1	7N-7081	12	ELBOW						
	15	1	6V-9769	24	SEAL-O-RING						
	16	1	9S-8752	4	NUT-FULL (3/8-16-THD)						
	17	1	0S-1618	24	BOLT (5/16-18X1-IN)						
	18	1	9Y-4016	12	BRACKET						
	19	1	1A-2029	4	BOLT (3/8-16X1.125-IN)						

B - USE AS REQUIRED

COOLING SYSTEM

9Y-9111 LINES GP-WATER (contd.)

i02657501



GRAPHIC #1

<END>

g00587060

COOLING SYSTEM

9Y-9111 LINES GP-WATER-UPPER AN ATTACHMENT TYPE 2

SMCS-1355, 1380, 1393

i02657502

NOTE	REF NO	GRAPHIC REF	PART NUMBER	QTY	PART NAME						SEE PAGE
					1	2	3	4	5	6 (PRODUCT LEVEL)	
	1	1	7N-3297	1	COVER						
	2	1	7N-3368	1	GASKET						
	3	2	7N-7081	12	ELBOW						
	4	2	8N-7642	12	ELBOW						
	5	1	8N-9623	1	HOUSING-REGULATOR						
	6	1	127-2176	12	SEAL-INTEGRAL						
C	7	2	147-6616	12	BRACKET						
	8	2	0S-1590	4	BOLT (3/8-16X2-IN)						
	9	1,2	0S-1594	27	BOLT (3/8-16X1-IN)						
	10	2	0S-1618	24	BOLT (5/16-18X1-IN)						
	11	2	1A-2029	4	BOLT (3/8-16X1.125-IN)						
	12	2	1B-7182	24	BOLT (5/16-18X1.25-IN)						
	13	1,2	5M-2894	11	WASHER-HARD (10.2X18.5X2.5-MM THK)						
	14	1	6V-6809	2	SEAL-O-RING						
	15	2	6V-9769	24	SEAL-O-RING						
B	16	1	7W-6492	1	PLUG-PIPE (1/2-14-THD)						
	17	1	8T-6762	3	PLUG-PIPE (1/2-14-THD)						
	18	2	9M-1974	24	WASHER-HARD (8.8X16X2-MM THK)						
	19	2	9S-8752	4	NUT-FULL (3/8-16-THD)						

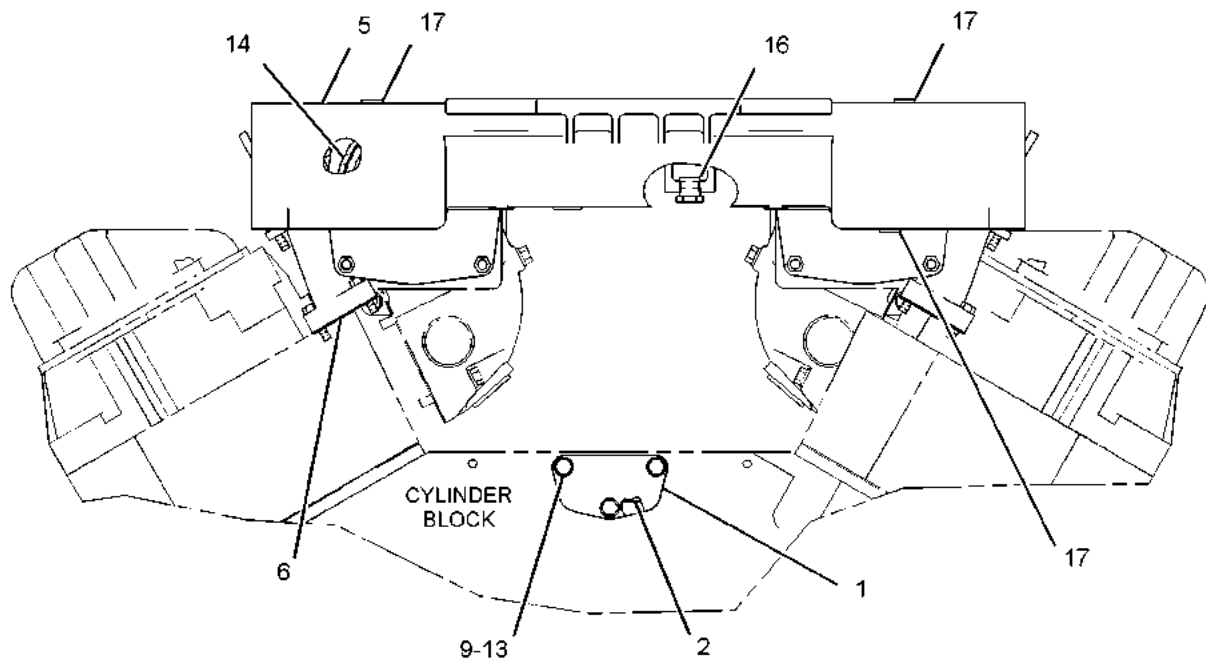
B - USE AS REQUIRED

C - CHANGE FROM PREVIOUS TYPE

COOLING SYSTEM

9Y-9111 LINES GP-WATER (contd.)

i02657502



FRONT VIEW OF ENGINE

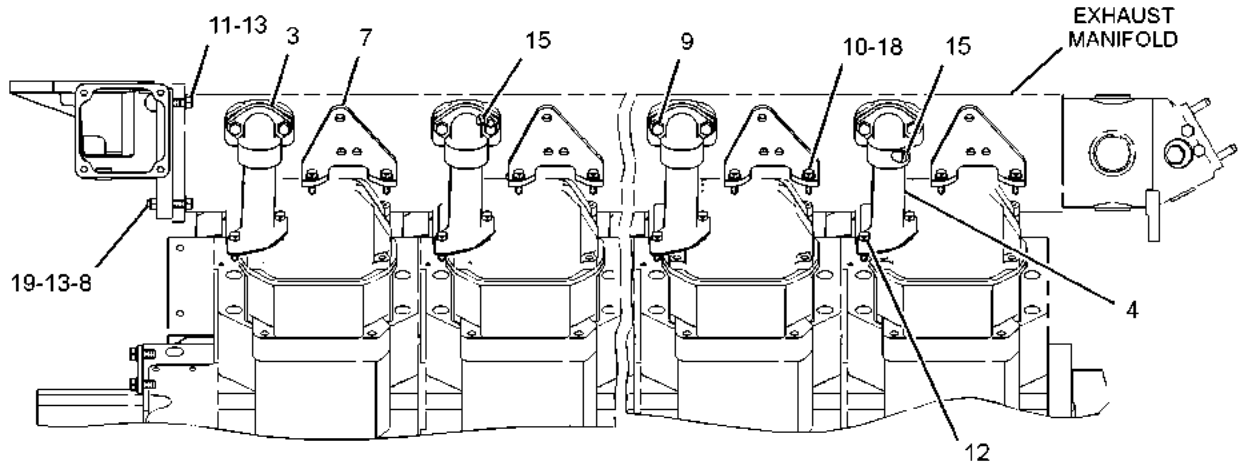
GRAPHIC #1

g01281362

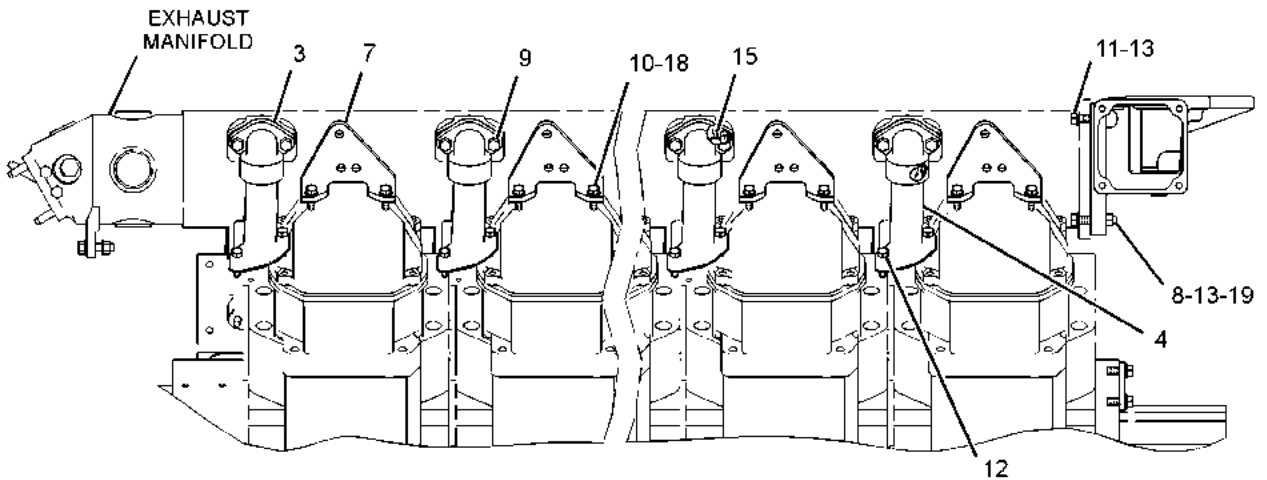
COOLING SYSTEM

9Y-9111 LINES GP-WATER (contd.)

i02657502



LEFT SIDE VIEW OF ENGINE



RIGHT SIDE VIEW OF ENGINE

GRAPHIC #2

<END>

g01286428

COOLING SYSTEM

9Y-9173 LINES GP-WATER-BYPASS

S/N: 65Z887-1571

**CANNOT BE USED WITH EXPANSION TANK
AN ATTACHMENT**

SMCS-1355, 1380, 1393

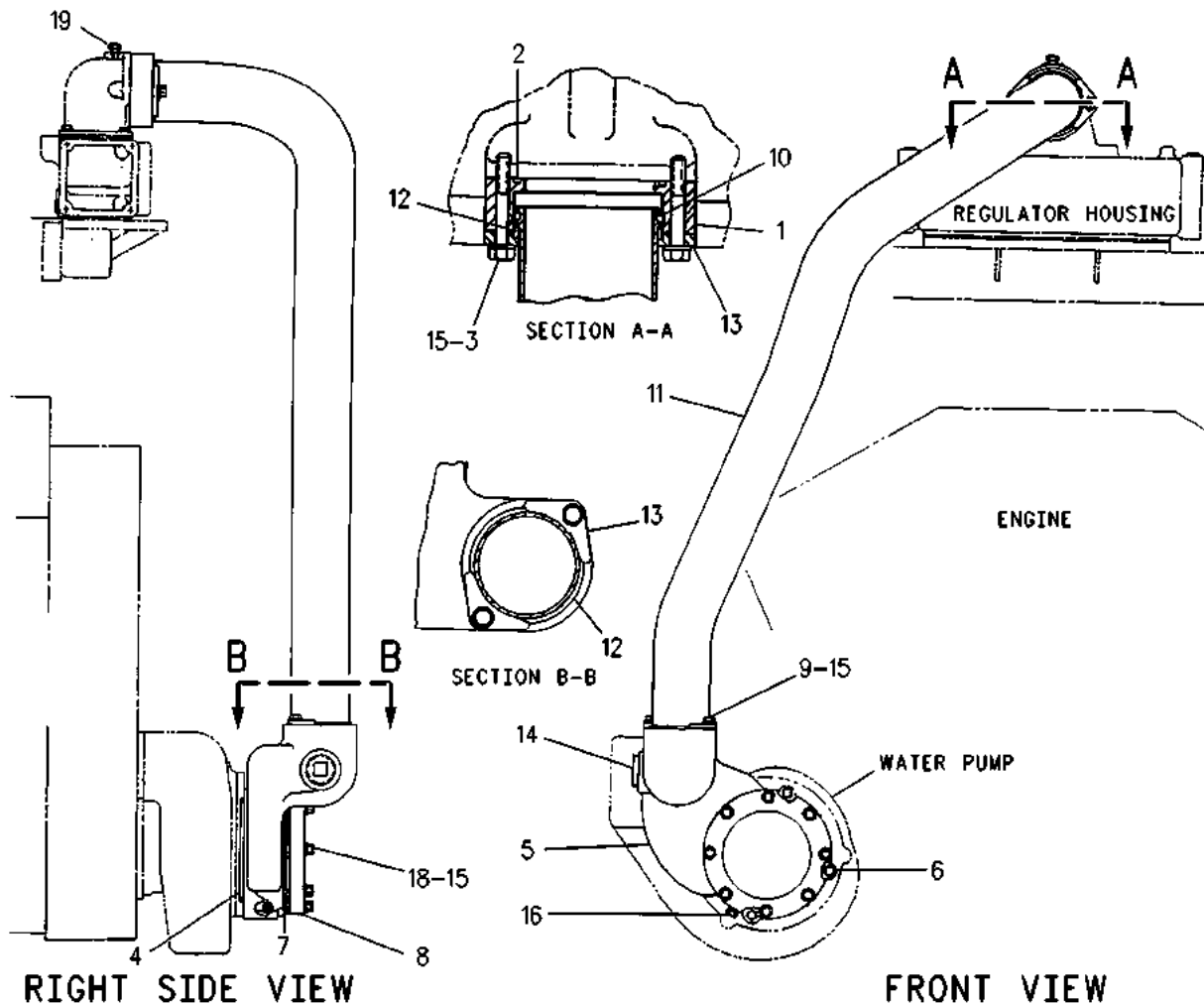
i01590353

NOTE	REF NO	GRAPHIC REF	PART NUMBER	QTY	PART NAME						SEE PAGE
					1	2	3	4	5	6 (PRODUCT LEVEL)	
	1	1	7C-8535	1	FLANGE						
	2	1	5P-6302	1	SEAL-O-RING						
	3	1	0L-2070	2	BOLT (3/8-16X2.25-IN)						
	4	1	6V-6809	1	SEAL-O-RING						
	5	1	8N-8380	1	ELBOW						
	6	1	0L-1143	3	BOLT (3/8-16X2.5-IN)						
	7	1	1S-5772	1	GASKET						
	8	1	8N-6424	1	FLANGE						
	9	1	0S-1594	2	BOLT (3/8-16X1-IN)						
	10	1	6V-5066	2	SEAL-O-RING						
	11	1	8N-6406	1	TUBE						
	12	1	8N-3640	2	RING-RETAINING						
	13	1	8N-3639	4	RETAINER						
	14	1	8T-6760	1	PLUG-PIPE (1-1/2-11-1/2 NPT)						
	15	1	5M-2894	12	WASHER-HARD (10.2X18.5X2.5-MM THK)						
	16	1	8T-6765	1	PLUG-PIPE (1/4-18-THD)						
	18	1	2A-4639	8	BOLT (3/8-16X1.625-IN)						
	19	1	7W-6492	1	PLUG-PIPE (1/2-14-THD)						

COOLING SYSTEM

9Y-9173 LINES GP-WATER (contd.)

101590353



GRAPHIC #1

<END>

g00779755

COOLING SYSTEM

9Y-9173 LINES GP-WATER-BYPASS

S/N: 65Z1572-UP

**CANNOT BE USED WITH EXPANSION TANK
AN ATTACHMENT**

SMCS-1355, 1380, 1393

i07408087

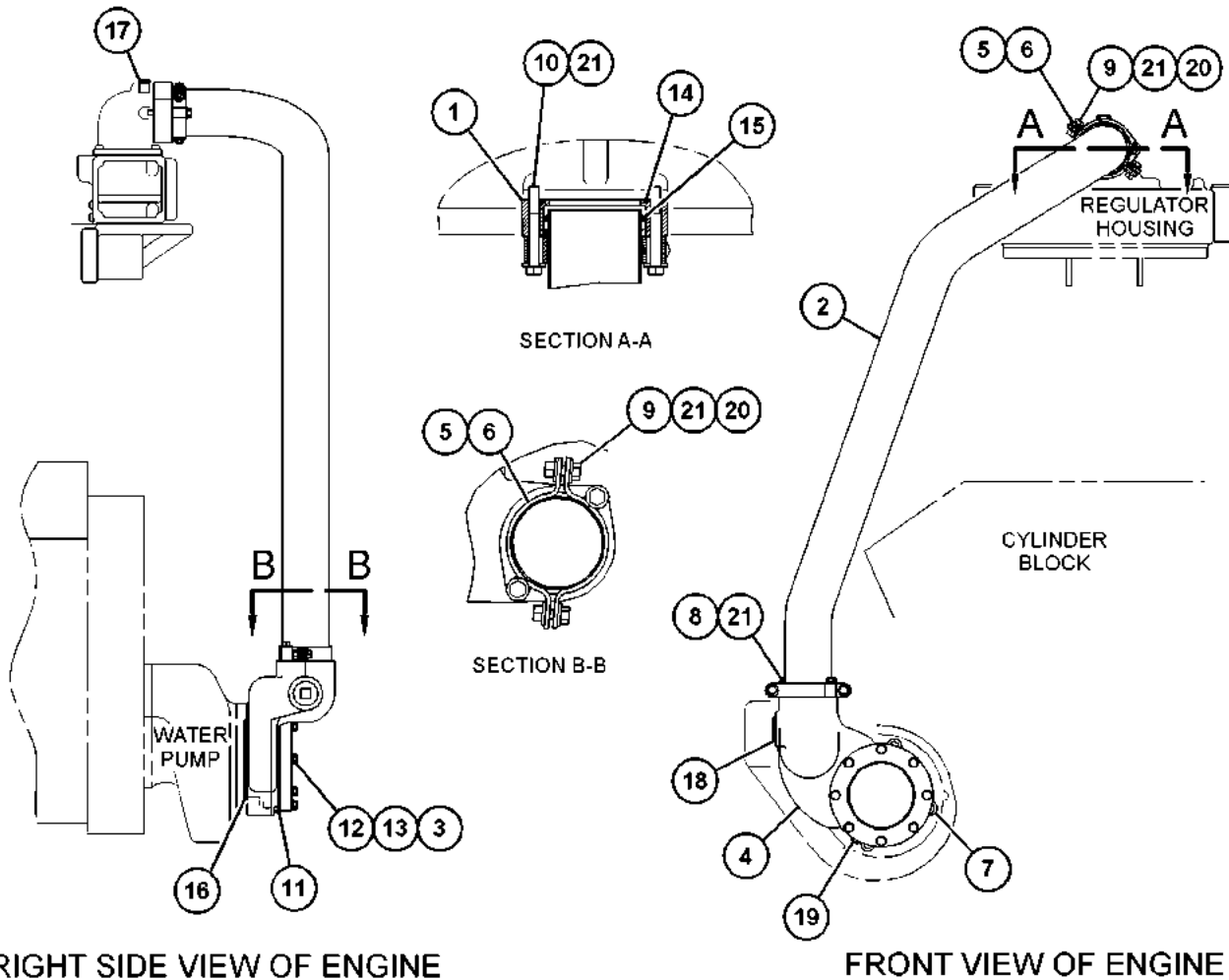
NOTE	REF NO	GRAPHIC REF	PART NUMBER	QTY	PART NAME						SEE PAGE
					1	2	3	4	5	6 (PRODUCT LEVEL)	
	1	1	7C-8535	1	FLANGE						
	2	1	8N-6406	1	TUBE						
	3	1	8N-6424	1	FLANGE						
	4	1	8N-8380	1	ELBOW						
C	5	1	108-6170	4	CLAMP AS						
C	6	1	110-0096	2	RING						
	7	1	0L-1143	3	BOLT (3/8-16X2.5-IN)						
C	8	1	165-3931	2	BOLT (3/8-16X1.75-IN)						
C	9	1	0S-1594	4	BOLT (3/8-16X1-IN)						
C	10	1	0S-1619	2	BOLT (3/8-16X3-IN)						
	11	1	1S-5772	1	GASKET						
	12	1	2A-4639	8	BOLT (3/8-16X1.625-IN)						
C	13	1	5M-2894	8	WASHER-HARD (10.2X18.5X2.5-MM THK)						
	14	1	5P-6302	1	SEAL-O-RING						
	15	1	6V-5066	2	SEAL-O-RING						
	16	1	6V-6809	1	SEAL-O-RING						
	17	1	7W-6492	1	PLUG-PIPE (1/2-14-THD)						
	18	1	8T-6760	1	PLUG-PIPE (1-1/2-11-1/2 NPT)						
	19	1	8T-6765	1	PLUG-PIPE (1/4-18-THD)						
C	20	1	9S-8752	4	NUT-FULL (3/8-16-THD)						
C	21	1	9X-6458	12	WASHER-HARD (10.2X22.5X3-MM THK)						

C - CHANGE FROM PREVIOUS TYPE

COOLING SYSTEM

9Y-9173 LINES GP-WATER (contd.)

i07408087



GRAPHIC #1

<END>

g03685585

COOLING SYSTEM

7C-4397 MOUNTING GP-RADIATOR

REMOTE MOUNTED

**FOR USE WITH 72-25 FOLDED CORE RADIATOR & 10 OR 13 INCH RAILS
CANNOT BE USED WITH ENGINE SUPPORT SPRING ISOLATORS
AN ATTACHMENT**

SMCS-1353

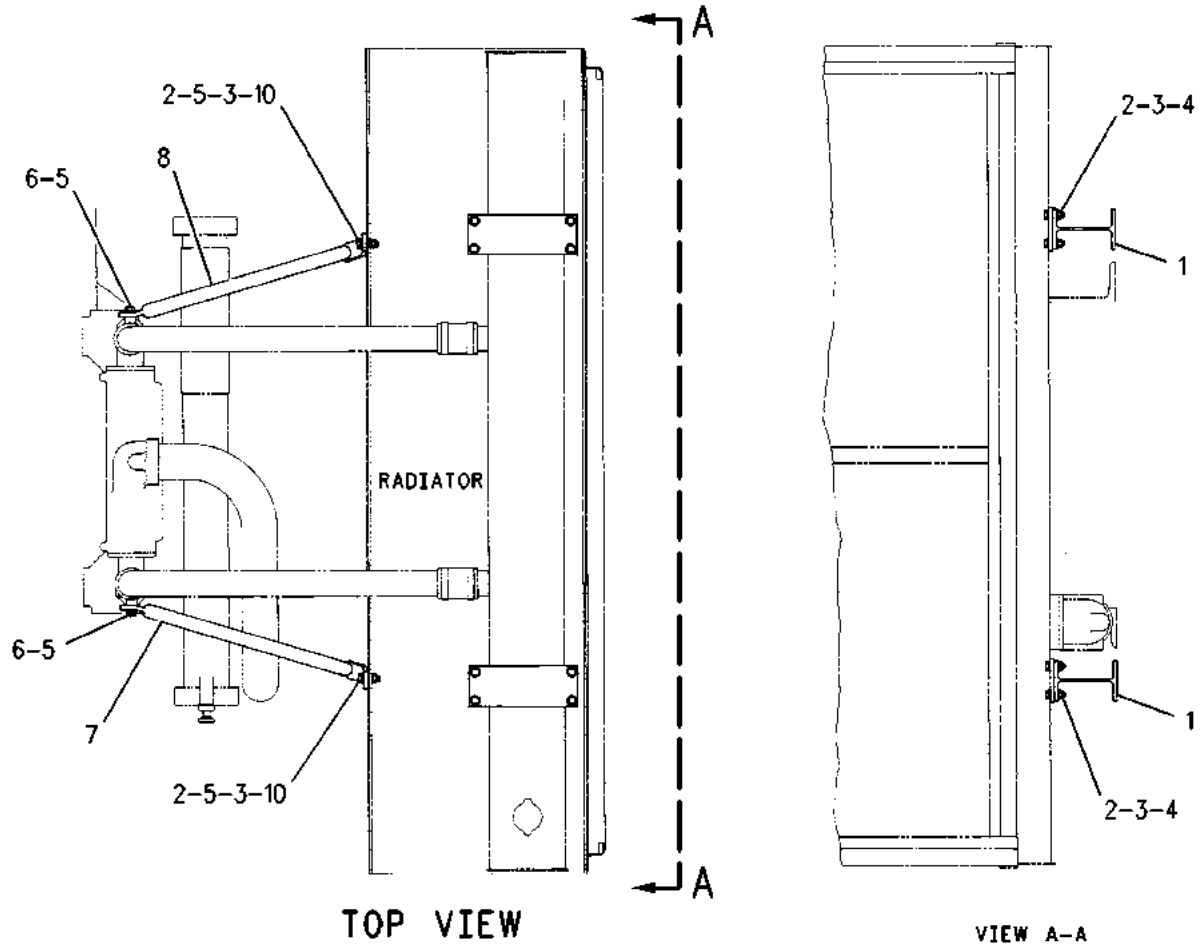
i01610536

NOTE	REF NO	GRAPHIC REF	PART NUMBER	QTY	PART NAME	SEE PAGE
					1 2 3 4 5 6 (PRODUCT LEVEL)	
	1	1	7C-4136	2	SUPPORT	
	2	1	8T-8919	10	BOLT (1/2-13X1.75-IN)	
	3	1	8T-4223	18	WASHER-HARD (13.5X25.5X3-MM THK)	
	4	1	6V-8188	8	NUT (1/2-13-THD)	
	5	1	5P-1076	4	WASHER-HARD (13.5X30X4-MM THK)	
	6	1	8C-4436	2	BOLT (1/2-13X1.375-IN)	
	7	1	7C-4140	1	BRACE (RH)	
	8	1	7C-4141	1	BRACE (LH)	
	10	1	1K-6872	2	LOCKNUT (1/2-13-THD)	

COOLING SYSTEM

7C-4397 MOUNTING GP-RADIATOR (contd.)

101610536



GRAPHIC #1

<END>

g00833507

COOLING SYSTEM

7C-4398 MOUNTING GP-RADIATOR

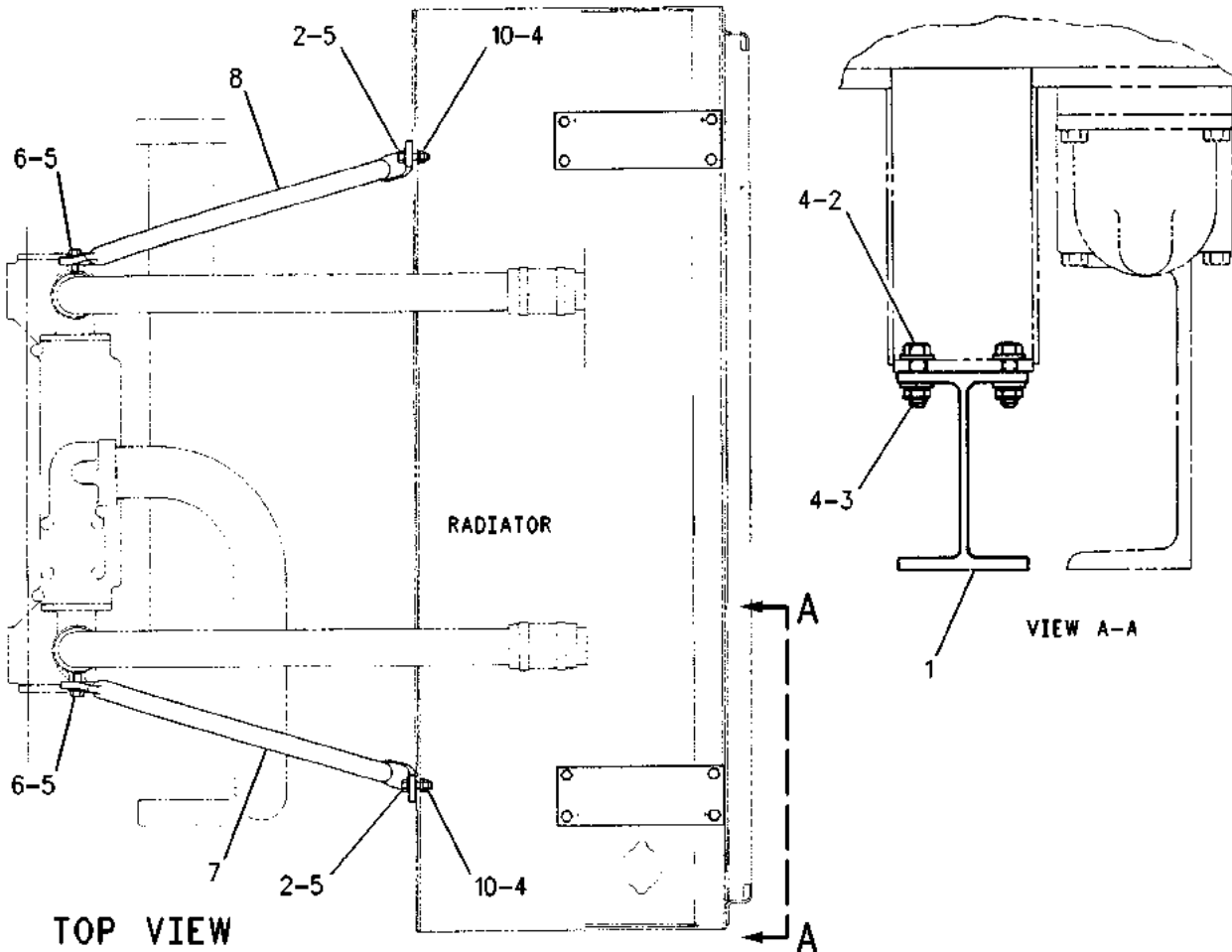
REMOTE MOUNTED

FOR USE WITH 60-13 FOLDED CORE RADIATOR & 100R 13 INCH RAILS
CANNOT BE USED WITH ENGINE SUPPORT SPRING ISOLATORS
AN ATTACHMENT

SMCS-1353

i01610554

NOTE	REF NO	GRAPHIC REF	PART NUMBER	QTY	PART NAME						SEE PAGE
					1	2	3	4	5	6 (PRODUCT LEVEL)	
	1	1	7C-4136	2	SUPPORT						
	2	1	8T-8919	10	BOLT (1/2-13X1.75-IN)						
	3	1	6V-8188	8	NUT (1/2-13-THD)						
	4	1	8T-4223	18	WASHER-HARD (13.5X25.5X3-MM THK)						
	5	1	5P-1076	4	WASHER-HARD (13.5X30X4-MM THK)						
	6	1	8C-4436	2	BOLT (1/2-13X1.375-IN)						
	7	1	7C-4142	1	BRACE (RH)						
	8	1	7C-4143	1	BRACE (LH)						
	10	1	1K-6872	2	LOCKNUT (1/2-13-THD)						



GRAPHIC #1

<END>

g00833527

COOLING SYSTEM

7C-4399 MOUNTING GP-RADIATOR

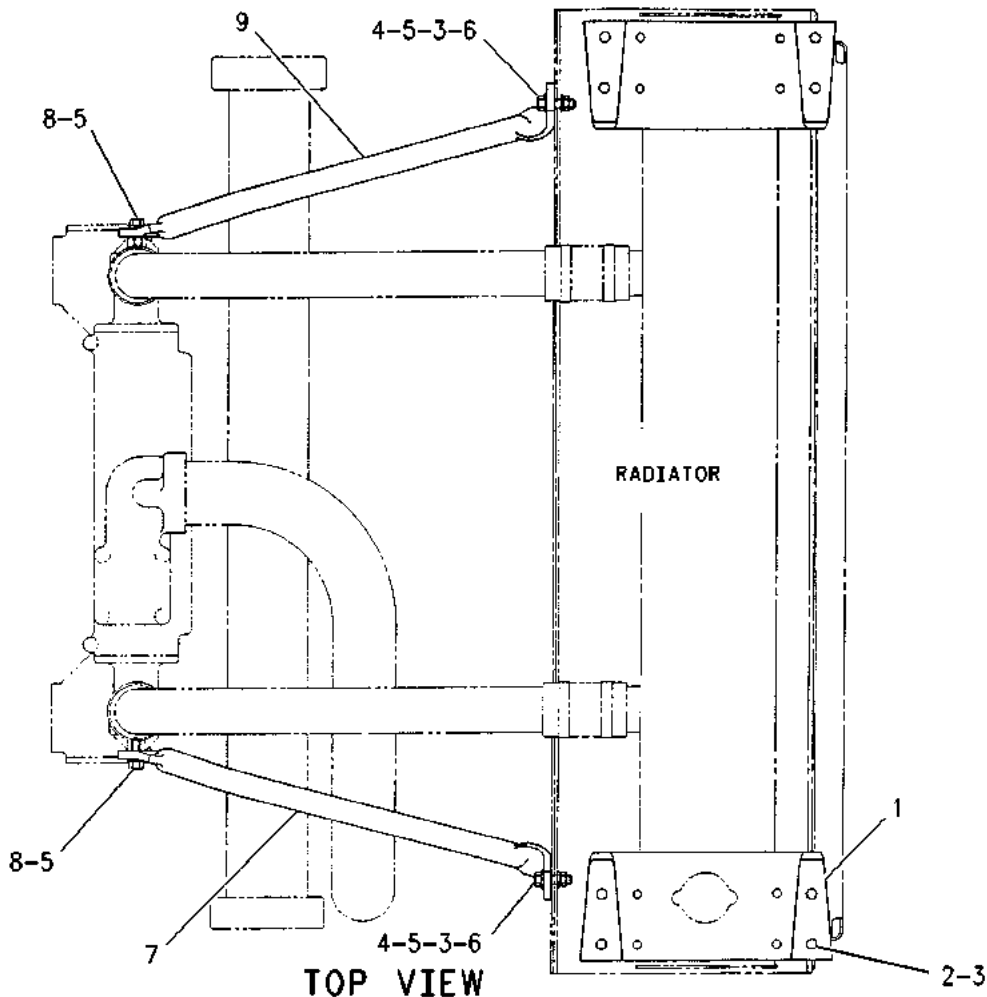
REMOTE MOUNTED

**FOR USE WITH 50-11 FOLDED CORE RADIATOR & 100R 13 INCH RAILS
CANNOT BE USED WITH ENGINE SUPPORT SPRING ISOLATORS
AN ATTACHMENT**

SMCS-1353

i01602150

NOTE	REF NO	GRAPHIC REF	PART NUMBER	QTY	PART NAME						SEE PAGE
					1	2	3	4	5	6 (PRODUCT LEVEL)	
	1	1	7C-4137	2	SUPPORT						
	2	1	5C-6565	8	BOLT (1/2-13X1.125-IN)						
	3	1	8T-4223	10	WASHER-HARD (13.5X25.5X3-MM THK)						
	4	1	8T-8919	2	BOLT (1/2-13X1.75-IN)						
	5	1	5P-1076	4	WASHER-HARD (13.5X30X4-MM THK)						
	6	1	1K-6872	2	LOCKNUT (1/2-13-THD)						
	7	1	7C-4144	1	BRACE (RH)						
	8	1	8C-4436	2	BOLT (1/2-13X1.375-IN)						
	9	1	7C-4229	1	BRACE (LH)						



TOP VIEW

GRAPHIC #1

<END>

g00763082

COOLING SYSTEM

7C-7827 MOUNTING GP-RADIATOR

ENGINE MOUNTED

FOR USE WITH 13-INCH RAILS AND 72-25 FOLDED CORE RADIATOR
AN ATTACHMENT

SMCS-1353

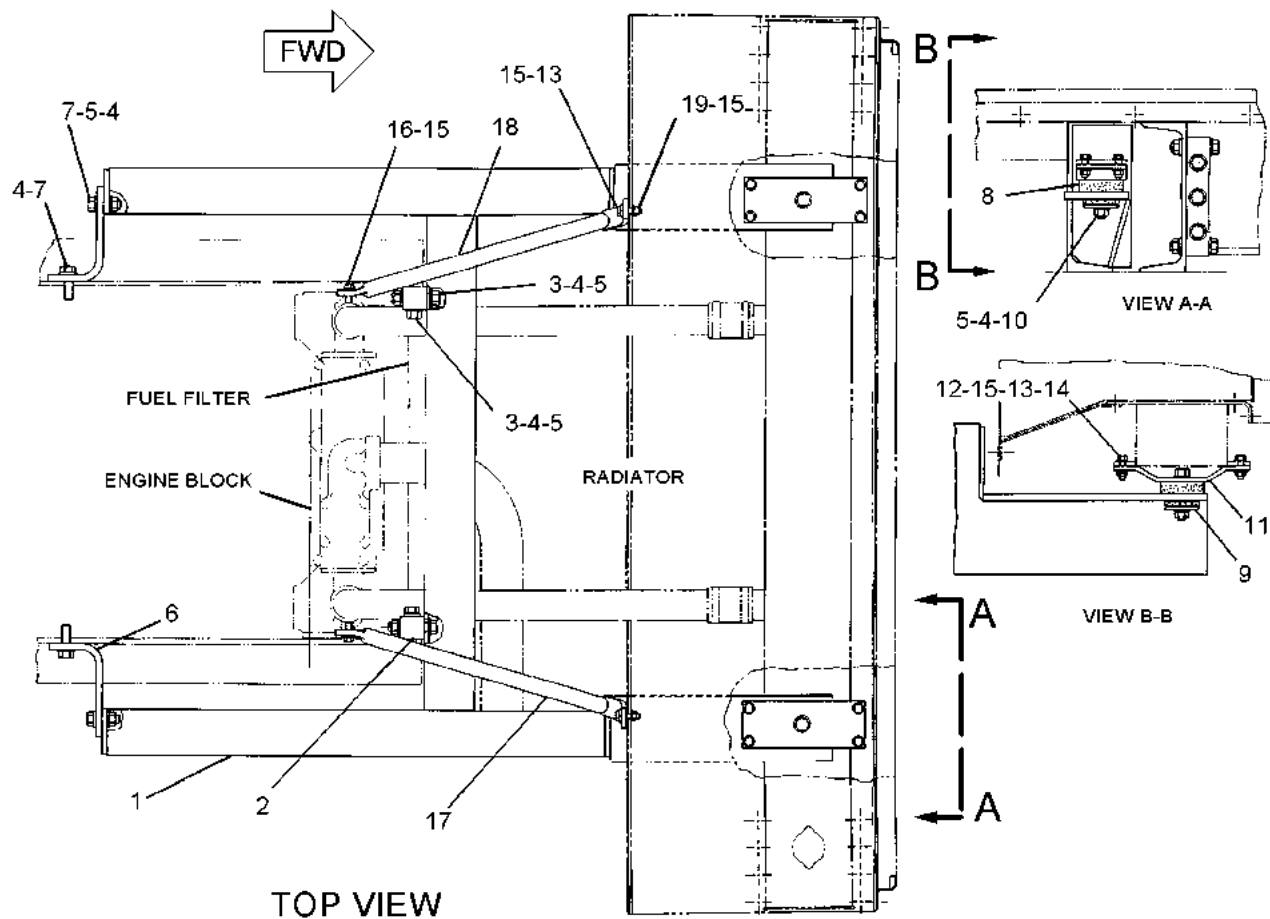
i02219499

NOTE	REF NO	GRAPHIC REF	PART NUMBER	QTY	PART NAME						SEE PAGE
					1	2	3	4	5	6 (PRODUCT LEVEL)	
	1	1	7C-4123	1	FRAME						
	2	1	7C-3879	2	BAR						
	3	1	251-5715	10	BOLT (3/4-10X4.25-IN)						
	4	1	8T-4994	36	WASHER-HARD (20X36.5X3.5-MM THK)						
	5	1	6V-8182	16	NUT (3/4-10-THD)						
	6	1	7C-3892	2	BRACKET						
	7	1	201-2184	8	BOLT (3/4-10X2.25-IN)						
	8	1	7C-4349	2	MOUNT AS						
	9	1	064-0047	2	WASHER-RETAINING (19.8X76X6-MM THK)						
	10	1	7X-0372	2	BOLT (3/4-10X4.25-IN)						
	11	1	228-0414	2	SUPPORT						
	12	1	8T-4223	8	WASHER-HARD (13.5X25.5X3-MM THK)						
	13	1	8T-8919	10	BOLT (1/2-13X1.75-IN)						
	14	1	6V-8188	8	NUT (1/2-13-THD)						
	15	1	5P-1076	14	WASHER-HARD (13.5X30X4-MM THK)						
	16	1	8C-4436	2	BOLT (1/2-13X1.375-IN)						
	17	1	7C-4140	1	BRACE (RH)						
	18	1	7C-4141	1	BRACE (LH)						
	19	1	1K-6872	2	LOCKNUT (1/2-13-THD)						

COOLING SYSTEM

7C-7827 MOUNTING GP-RADIATOR (contd.)

102219499



GRAPHIC #1

<END>

g01120875

COOLING SYSTEM

7C-7828 MOUNTING GP-RADIATOR

ENGINE MOUNTED

FOR USE WITH 13-INCH RAILS AND 60-13 FOLDED CORE RADIATOR
AN ATTACHMENT

SMCS-1353

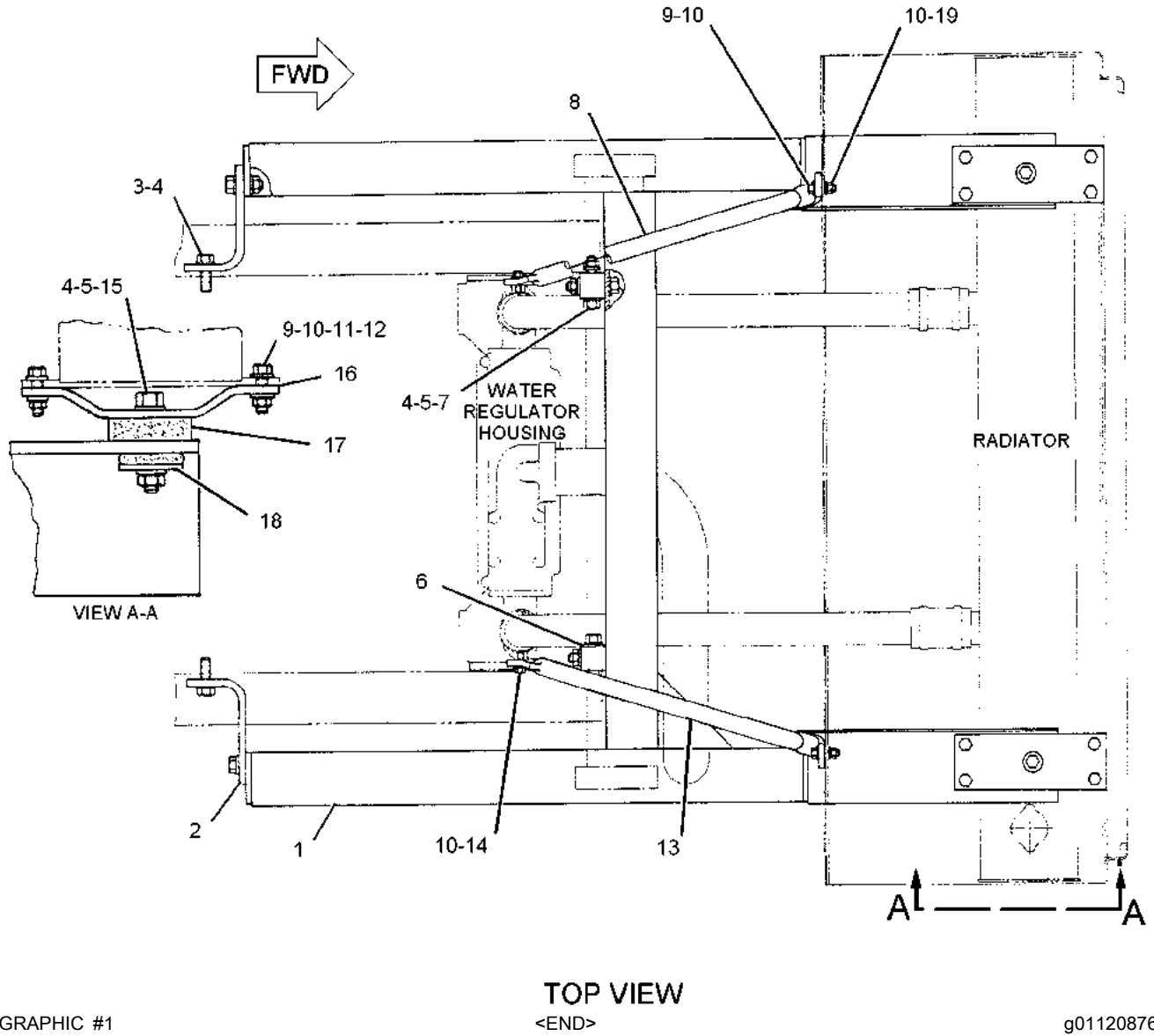
i02326129

NOTE	REF NO	GRAPHIC REF	PART NUMBER	QTY	PART NAME						SEE PAGE
					1	2	3	4	5	6 (PRODUCT LEVEL)	
	1	1	7C-4123	1	FRAME						
	2	1	7C-3892	2	BRACKET						
	3	1	201-2184	8	BOLT (3/4-10X2.25-IN)						
	4	1	8T-4994	36	WASHER-HARD (20X36.5X3.5-MM THK)						
	5	1	6V-8182	16	NUT (3/4-10-THD)						
	6	1	7C-3879	2	BAR						
	7	1	251-5715	10	BOLT (3/4-10X4.25-IN)						
	8	1	7C-4143	1	BRACE (LH)						
	9	1	8T-8919	10	BOLT (1/2-13X1.75-IN)						
	10	1	5P-1076	14	WASHER-HARD (13.5X30X4-MM THK)						
	11	1	8T-4223	8	WASHER-HARD (13.5X25.5X3-MM THK)						
	12	1	6V-8188	8	NUT (1/2-13-THD)						
	13	1	7C-4142	1	BRACE (RH)						
	14	1	8C-4436	2	BOLT (1/2-13X1.375-IN)						
	15	1	7X-0372	2	BOLT (3/4-10X4.25-IN)						
	16	1	228-0414	2	SUPPORT						
	17	1	7C-4349	2	MOUNT AS						
	18	1	064-0047	2	WASHER-RETAINING (19.8X76X6-MM THK)						
	19	1	1K-6872	2	LOCKNUT (1/2-13-THD)						

COOLING SYSTEM

7C-7828 MOUNTING GP-RADIATOR (contd.)

102326129



COOLING SYSTEM

7C-7829 MOUNTING GP-RADIATOR ENGINE MOUNTED FOR USE WITH 50-11 FOLDED CORE RADIATOR & 13 INCH RAILS AN ATTACHMENT

SMCS-1353

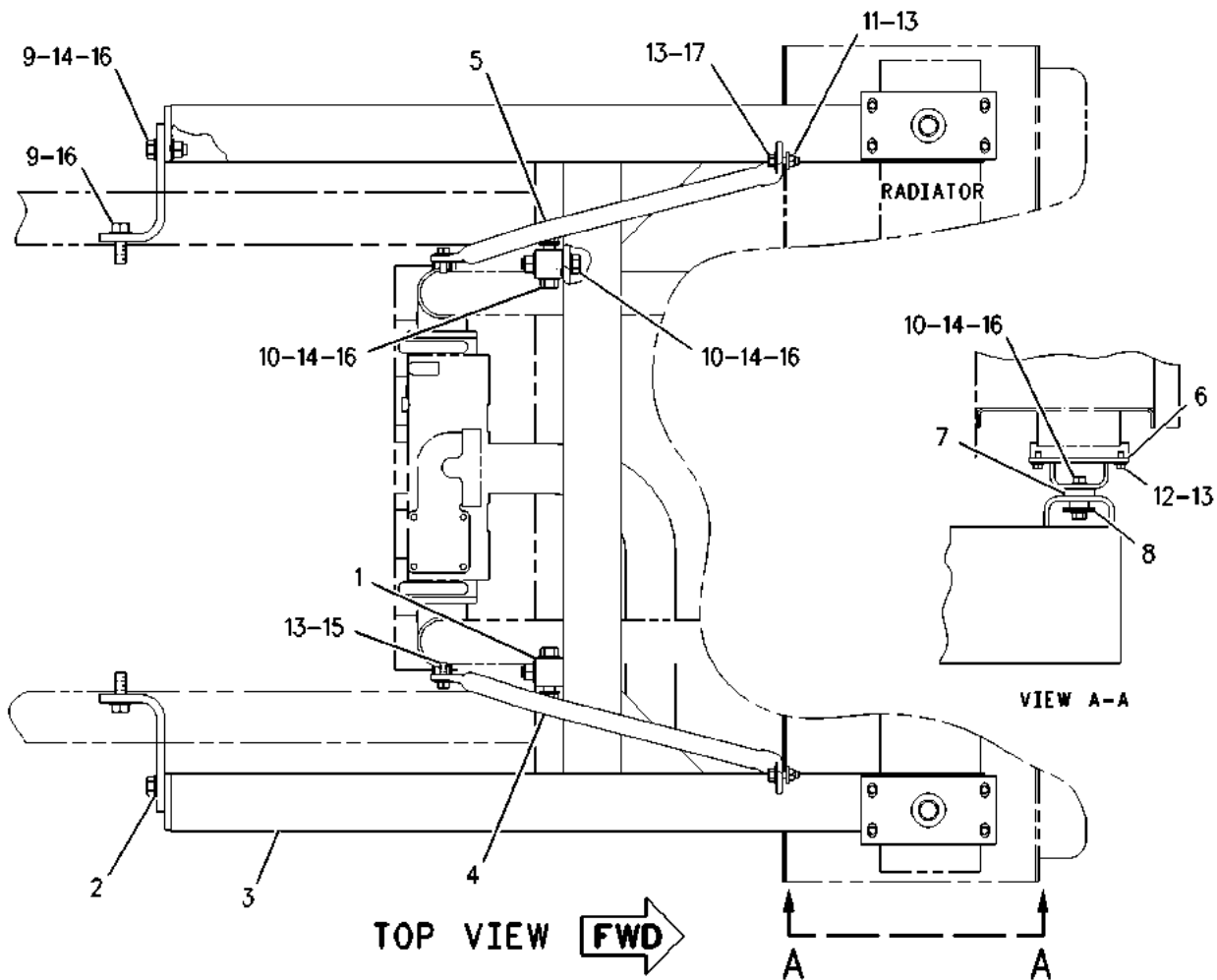
i02292550

NOTE	REF NO	GRAPHIC REF	PART NUMBER	QTY	PART NAME						SEE PAGE
					1	2	3	4	5	6 (PRODUCT LEVEL)	
	1	1	7C-3879	2	BAR						
	2	1	7C-3892	2	BRACKET						
	3	1	7C-4124	1	FRAME						
	4	1	7C-4144	1	BRACE (RH)						
	5	1	7C-4229	1	BRACE (LH)						
	6	1	7C-4360	2	BRACKET						
	7	1	8N-3752	2	MOUNT-ENGINE						
	8	1	064-0047	2	WASHER-RETAINING (19.8X76X6-MM THK)						
	9	1	201-2184	8	BOLT (3/4-10X2.25-IN)						
	10	1	251-5715	12	BOLT (3/4-10X4.25-IN)						
	11	1	1K-6872	2	LOCKNUT (1/2-13-THD)						
	12	1	5C-6565	8	BOLT (1/2-13X1.125-IN)						
	13	1	5P-1076	14	WASHER-HARD (13.5X30X4-MM THK)						
	14	1	6V-8182	16	NUT (3/4-10-THD)						
	15	1	8C-4436	2	BOLT (1/2-13X1.375-IN)						
	16	1	8T-4994	36	WASHER-HARD (20X36.5X3.5-MM THK)						
	17	1	8T-8919	2	BOLT (1/2-13X1.75-IN)						

COOLING SYSTEM

7C-7829 MOUNTING GP-RADIATOR (contd.)

i02292550



GRAPHIC #1

<END>

g00869604

COOLING SYSTEM

315-5137 PUMP GP-AUXILIARY SEA WATER*R PART OF 8N-8466 PUMP GP-AUXILIARY SEA WATER AN ATTACHMENT

SMCS-1371

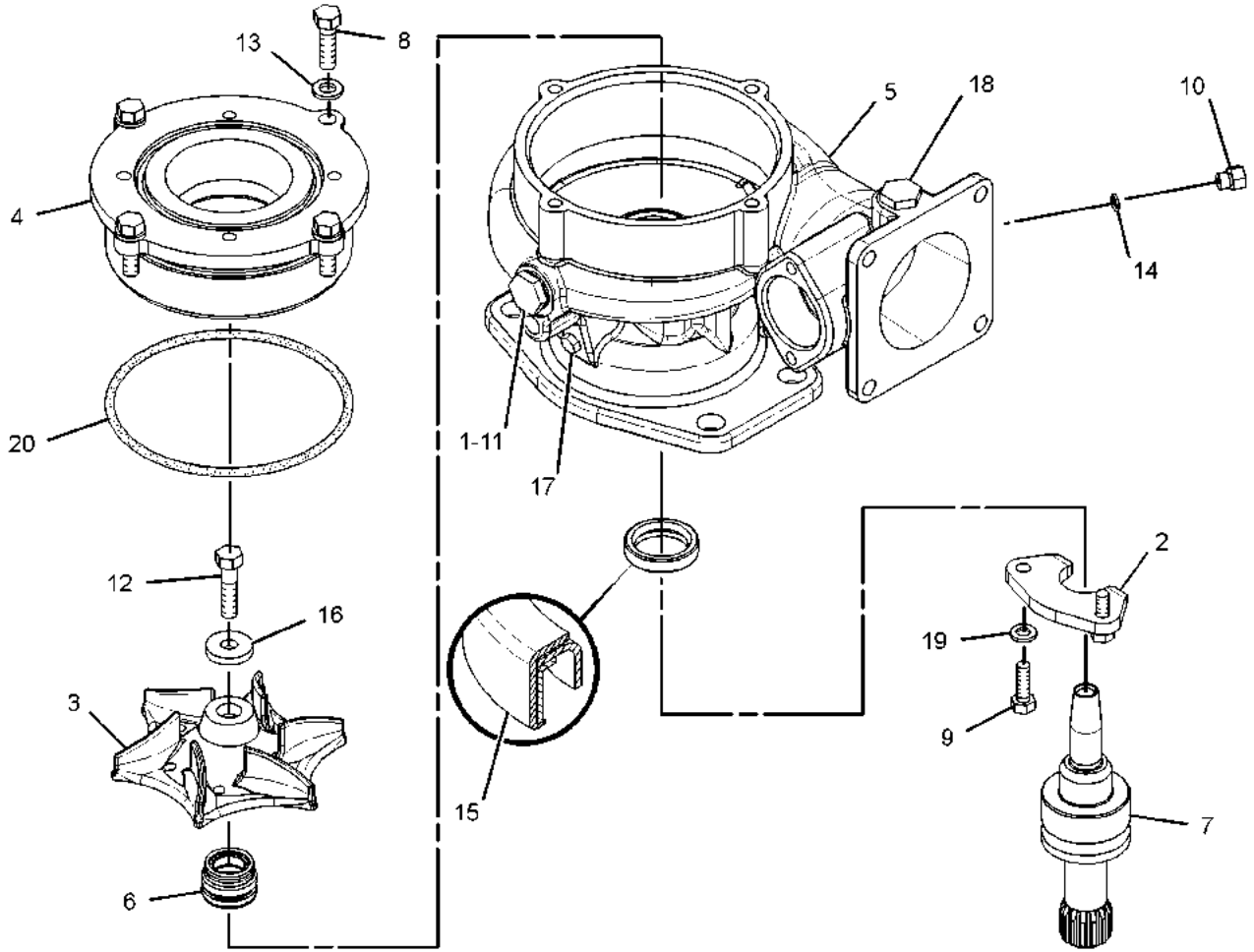
i03886489

NOTE	REF NO	GRAPHIC REF	PART NUMBER	QTY	PART NAME						SEE PAGE
					1	2	3	4	5	6 (PRODUCT LEVEL)	
	1	1	3F-1358	1	PLUG-DRAIN (AUXILIARY SEA WATER PUMP)						
	2	1	7N-4758	1	WASHER-THRUST						
	3	1	8N-8455	1	IMPELLER-PUMP						
	4	1	8N-8461	1	ADAPTER						
	5	1	8N-8464	1	HOUSING AS						
	6	1	262-4378	1	SEAL AS-WATER PUMP						
	7	1	315-5136	1	SHAFT AS						
	8	1	0S-1588	4	BOLT (3/8-16X1.25-IN)						
	9	1	0S-1618	2	BOLT (5/16-18X1-IN)						
	10	1	1N-5999	1	PLUG-O-RING						
	11	1	2A-1162	1	GASKET						
	12	1	3H-5844	1	BOLT (3/8-16X1.5-IN)						
	13	1	5M-2894	4	WASHER-HARD (10.2X18.5X2.5-MM THK)						
	14	1	7J-0204	1	SEAL-O-RING						
	15	1	8C-5236	1	SEAL-LIP TYPE						
	16	1	8N-8456	1	WASHER (10.2X28.5X5-MM THK)						
	17	1	8T-6764	1	PLUG-PIPE (1/8-27-THD)						
	18	1	8T-6766	1	PLUG-PIPE						
	19	1	9M-1974	2	WASHER-HARD (8.8X16X2-MM THK)						
	20	1	9M-3786	1	SEAL-O-RING						

COOLING SYSTEM

315-5137 PUMP GP-AUXILIARY SEA WATER (contd.)

103886489



GRAPHIC #1

<END>

g01467007

COOLING SYSTEM

4W-6673 PUMP GP-AUXILIARY SEA WATER

FOR USAGE REFER TO CHART 8N-7500-PAGE: 1451

AN ATTACHMENT

SMCS-1371

i07108803

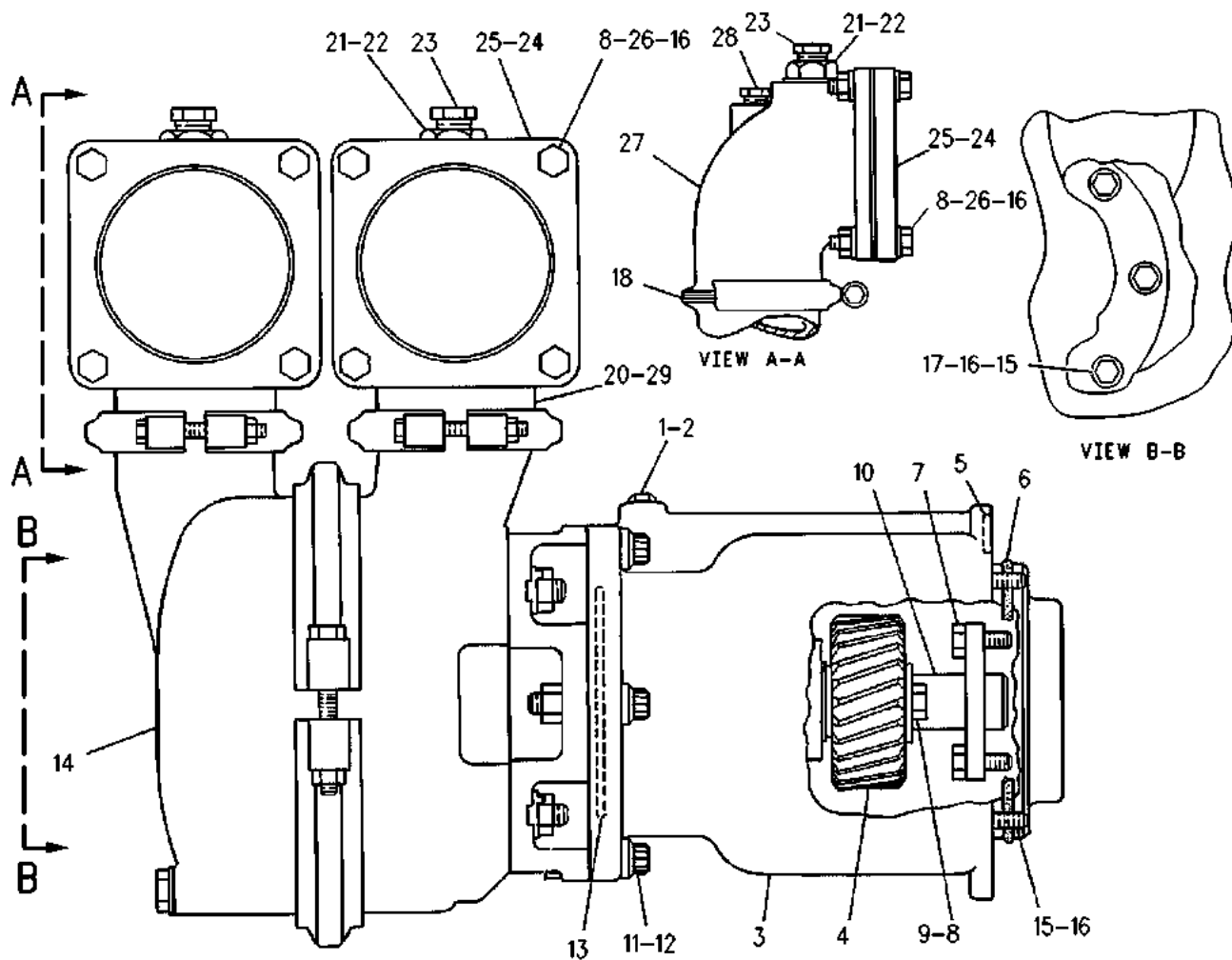
NOTE	REF NO	GRAPHIC REF	PART NUMBER	QTY	PART NAME						SEE PAGE
					1	2	3	4	5	6 (PRODUCT LEVEL)	
	1	1	9S-4180	1	PLUG						
	2	1	4J-7533	1	SEAL-O-RING						
	3	1	4W-6677	1	HOUSING AS						
		1	127-5400	1	BUSHING						
	4	1	5N-1755	1	GEAR (31-TEETH)						
	5	1	5P-0840	1	SEAL-O-RING						
	6	1	235-3548	1	SEAL-O-RING						
	7	1	0L-1351	4	BOLT (3/8-16X0.875-IN)						
	8	1	0S-1571	9	BOLT (3/8-16X1.75-IN)						
	9	1	9L-8781	1	WASHER (0.406X1.5X0.188-IN THK)						
	10	1	4W-6676	1	GEAR (22-TEETH)						
	11	1	5P-7972	4	BOLT-12 POINT HEAD (7/16-14X1.75-IN)						
	12	1	3S-1546	4	NUT-FULL (7/16-14-THD)						
	13	1	2H-3934	1	SEAL-O-RING						
YCR	14	1	7C-3614	1	PUMP GP-AUXILIARY SEA WATER						578
	15	1	0S-1594	6	BOLT (3/8-16X1-IN)						
	16	1	5M-2894	22	WASHER-HARD (10.2X18.5X2.5-MM THK)						
	17	1	8J-6775	3	SEAL-THREAD						
	18	1	8B-6283	2	GASKET						
	20	1	2W-7989	1	ELBOW-WATER PUMP						
	21	1	5L-5879	2	ADAPTER AS						
	22	1	5B-3265	2	GASKET						
	23	1	8T-6766	2	PLUG-PIPE						
	24	1	3P-6061	4	GASKET						
	25	1	5N-1845	2	FLANGE						
	26	1	9S-8752	8	NUT-FULL (3/8-16-THD)						
	27	1	2W-7990	1	ELBOW-WATER PUMP						
	28	1	9B-0887	1	PLUG-PIPE						
	29	1	6L-2280	1	ROD-ZINC (AUXILIARY SEA WATER PUMP)						
			6L-2279	1	PLUG-PIPE						

C - CHANGE FROM PREVIOUS TYPE
R - REMANUFACTURED PART MAY BE AVAILABLE
Y - SEPARATE ILLUSTRATION

COOLING SYSTEM

4W-6673 PUMP GP-AUXILIARY SEA WATER (contd.)

i07108803



GRAPHIC #1

<END>

g00774524

COOLING SYSTEM

4W-6674 PUMP GP-AUXILIARY SEA WATER

FOR USAGE REFER TO CHART 8N-7500-PAGE: 1451

AN ATTACHMENT

SMCS-1371

i07107724

NOTE	REF NO	GRAPHIC REF	PART NUMBER	QTY	PART NAME						SEE PAGE
					1	2	3	4	5	6 (PRODUCT LEVEL)	
	1	1	9S-4180	1	PLUG						
	2	1	4J-7533	1	SEAL-O-RING						
	3	1	4W-6677	1	HOUSING AS						
		1	127-5400	1	BUSHING						
	4	1	8N-5839	1	GEAR-PUMP (31-TEETH)						
	5	1	5P-0840	1	SEAL-O-RING						
	6	1	259-4598	1	SEAL-O-RING						
	7	1	0L-1351	4	BOLT (3/8-16X0.875-IN)						
	8	1	0S-1571	9	BOLT (3/8-16X1.75-IN)						
	9	1	9L-8781	1	WASHER (0.406X1.5X0.188-IN THK)						
	10	1	4W-6675	1	GEAR-PUMP DRIVE (19-TEETH) (19 TEETH)						
	11	1	5P-7972	4	BOLT-12 POINT HEAD (7/16-14X1.75-IN)						
	12	1	3S-1546	4	NUT-FULL (7/16-14-THD)						
	13	1	2H-3934	1	SEAL-O-RING						
YR	14	1	5N-5757	1	PUMP GP-AUXILIARY SEA WATER						576
	15	1	0S-1594	6	BOLT (3/8-16X1-IN)						
	16	1	5M-2894	22	WASHER-HARD (10.2X18.5X2.5-MM THK)						
	17	1	8J-6775	3	SEAL-THREAD						
	18	1	5N-5977	2	GASKET						
	20	1	5N-5860	1	ELBOW-WATER PUMP						
	21	1	5L-5879	2	ADAPTER AS						
	22	1	5B-3265	2	GASKET						
	23	1	4J-4382	2	PLUG-PIPE (1/2-14-THD)						
	24	1	3P-6061	2	GASKET						
	25	1	5N-1845	2	FLANGE						
	26	1	9S-8752	8	NUT-FULL (3/8-16-THD)						
	27	1	5N-5886	1	ELBOW-WATER PUMP						
	28	1	9B-0887	1	PLUG-PIPE						
	29	1	233-8525	1	PLUG-PIPE						
			6L-2280	1	ROD-ZINC (AUXILIARY SEA WATER PUMP)						

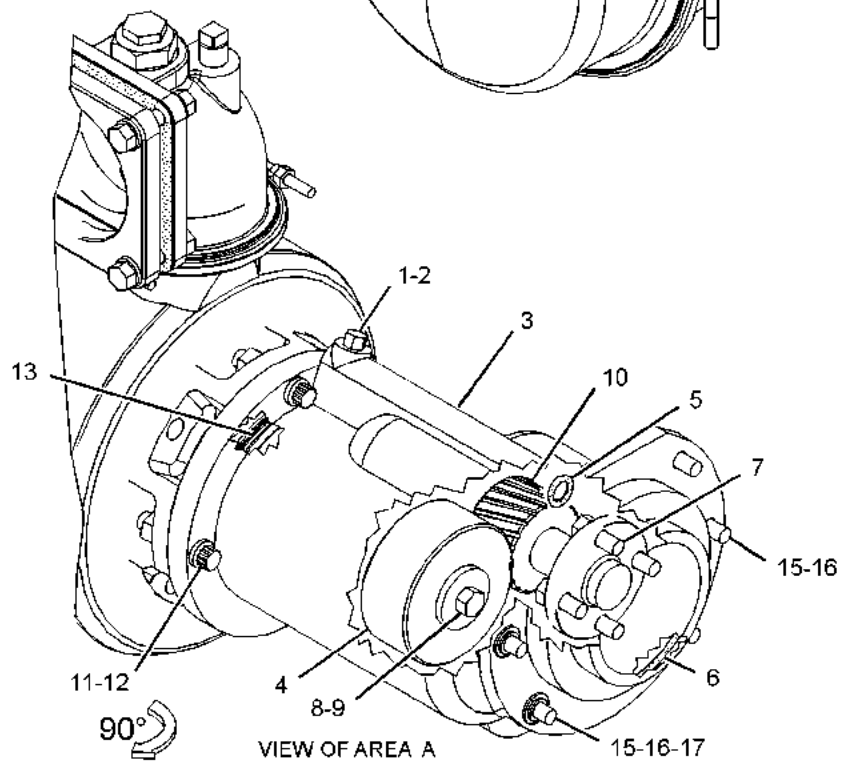
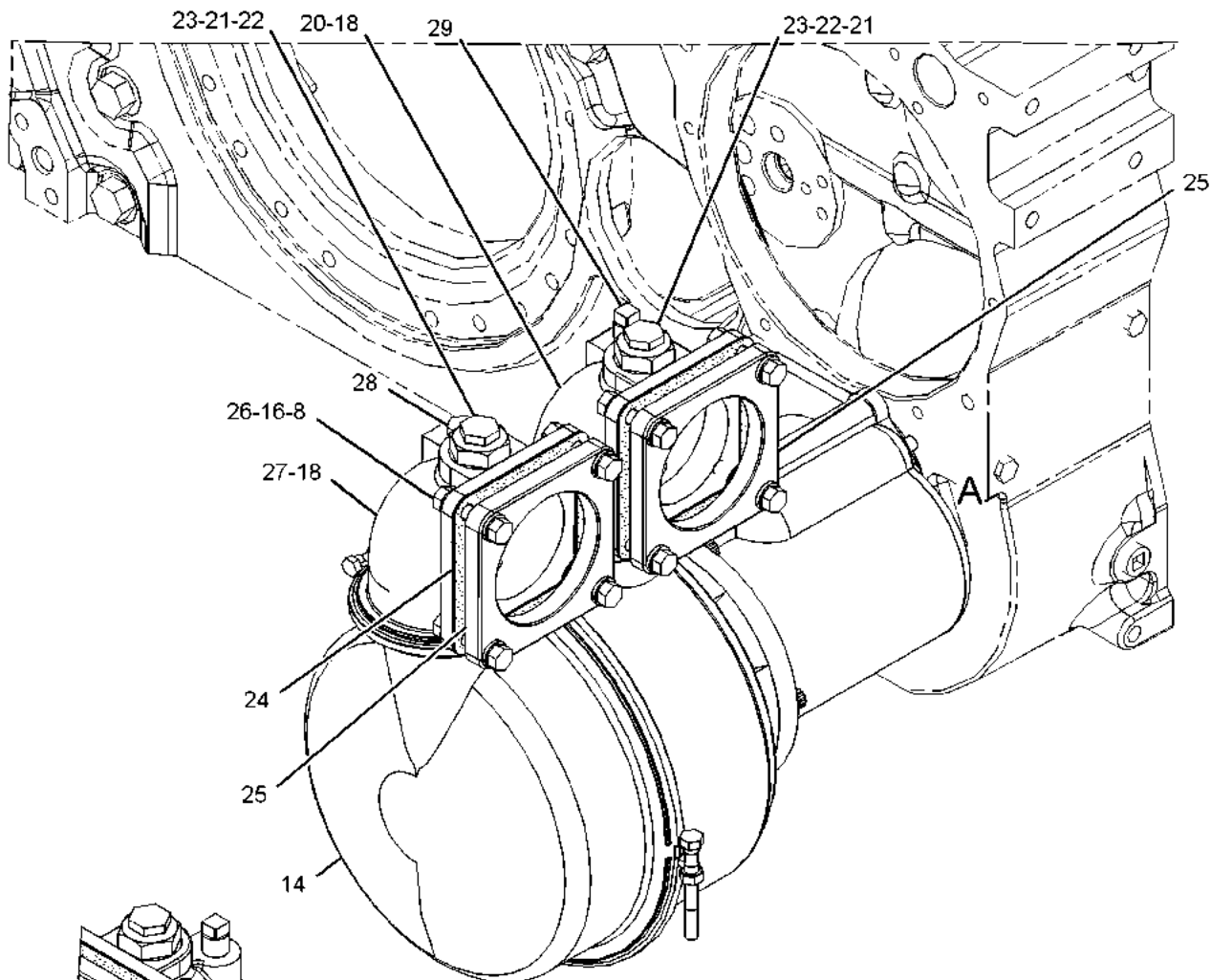
R - REMANUFACTURED PART MAY BE AVAILABLE

Y - SEPARATE ILLUSTRATION

COOLING SYSTEM

4W-6674 PUMP GP-AUXILIARY SEA WATER (contd.)

i07107724



GRAPHIC #1

VIEW OF AREA A

<END>

g02492361

COOLING SYSTEM

5N-5757 PUMP GP-AUXILIARY SEA WATER*R

PART OF 4W-6674 PUMP GP-AUXILIARY SEA WATER

AN ATTACHMENT

SMCS-1371

i01980226

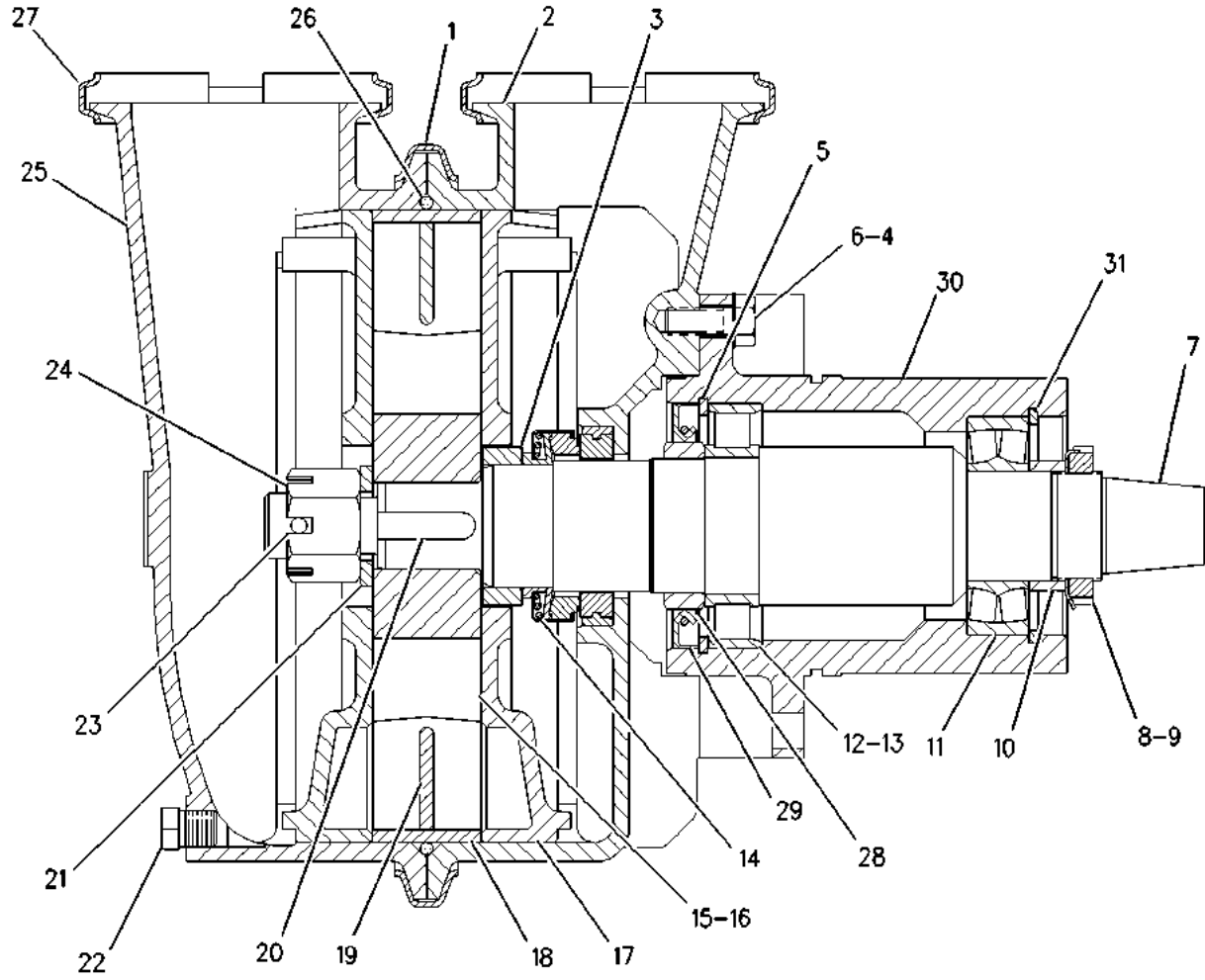
NOTE	REF NO	GRAPHIC REF	PART NUMBER	QTY	PART NAME						SEE PAGE
					1	2	3	4	5	6 (PRODUCT LEVEL)	
	1	1	5N-9019	1	CLAMP AS						
		1	1D-4540	2	BOLT (5/16-18X2.75-IN)						
		1	1D-4716	2	NUT-FULL (5/16-18-THD)						
	2	1	5N-9023	1	BODY-DRIVE END						
	3	1	5N-9010	1	WASHER						
	4	1	3B-4507	4	LOCKWASHER						
	5	1	8T-0707	1	RING-RETAINING (INTERNAL)						
C	6	1	107-4910	4	BOLT-HIGH TEMPERATURE (7/16-14X1-IN)						
	7	1	5N-9020	1	SHAFT						
	8	1	8B-7614	1	NUT-BEARING						
	9	1	8B-7613	1	LOCKNUT						
	10	1	3N-8445	1	SPACER (40.041X47X12-MM THK)						
	11	1	3N-8463	1	BEARING-ROLLER						
	12	1	4M-6107	1	BEARING-INNER						
	13	1	8T-0209	1	RACE-ROLLER BEARING						
	14	1	5N-9006	1	SEAL GP						
B	15	1	5N-9015	2	SHIM (0.38-MM THK)						
B	16	1	5N-9016	2	SHIM (0.25-MM THK)						
	17	1	5N-9022	2	PLATE-PORT						
	18	1	5N-9017	1	RING						
	19	1	5N-9021	1	IMPELLER						
	20	1	5N-9009	1	KEY						
	21	1	5N-9014	1	WASHER (25.5X44X4.3-MM THK)						
C	22	1	104-1718	1	PLUG						
	23	1	5N-9012	1	PIN-COTTER						
	24	1	7X-3148	1	NUT-FULL						
	25	1	5N-9024	1	HOUSING (NON-DRIVE END)						
	26	1	5N-9013	1	SEAL-O-RING						
	27	1	5N-9018	2	CLAMP AS						
					(EACH INCLUDES)						
		1	1B-2713	2	BOLT (1/4-20X1.75-IN)						
		1	9S-8750	2	NUT-FULL (1/4-20-THD)						
	28	1	5N-2904	1	COLLAR-SEAL						
	29	1	5N-2902	1	SEAL-OIL						
	30	1	6I-2092	1	HOUSING-BEARING						
C	31	1	3E-4365	1	RING-RETAINING						

B - USE AS REQUIRED
C - CHANGE FROM PREVIOUS TYPE

COOLING SYSTEM

5N-5757 PUMP GP-AUXILIARY SEA WATER (contd.)

i01980226



GRAPHIC #1

<END>

g00942533

COOLING SYSTEM

7C-3614 PUMP GP-AUXILIARY SEA WATER*R

PART OF 4W-6673 PUMP GP-AUXILIARY SEA WATER

AN ATTACHMENT

SMCS-1371

i03671354

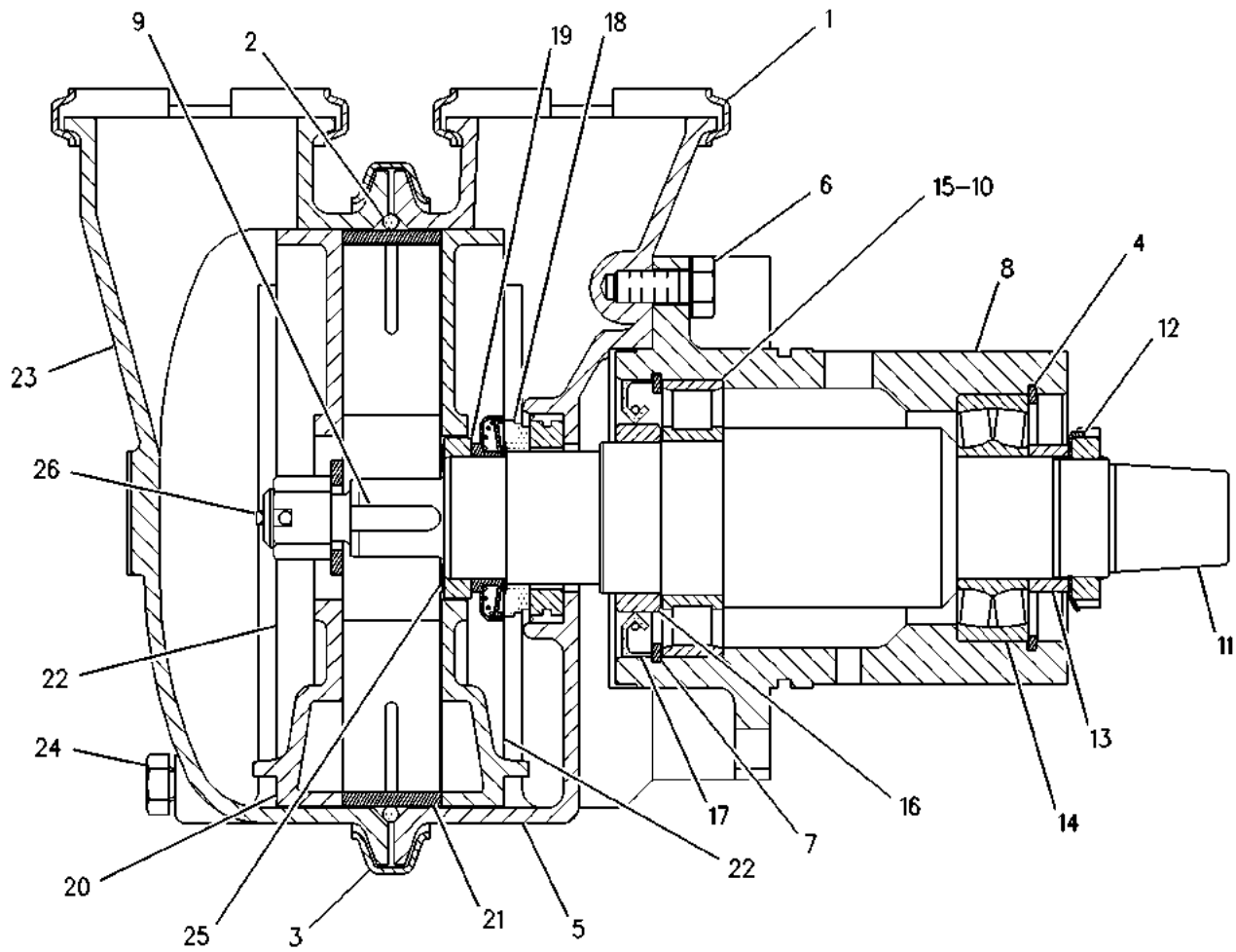
NOTE	REF NO	GRAPHIC REF	PART NUMBER	QTY	PART NAME						SEE PAGE
					1	2	3	4	5	6	
	1	1	3N-8468	2	CLAMP AS						
					(EACH INCLUDES)						
		1	1B-9575	2	BOLT (5/16-18X1.56-IN)						
		1	5S-0003	2	NUT (5/16-18-THD)						
	2	1	3N-8462	1	SEAL-O-RING						
	3	1	3N-8469	1	CLAMP AS						
		1	1D-4540	2	BOLT (5/16-18X2.75-IN)						
		1	1D-4716	2	NUT-FULL (5/16-18-THD)						
	4	1	107-5565	1	CLIP						
	5	1	3N-8447	1	BODY-DRIVE END						
	6	1	107-4910	4	BOLT-HIGH TEMPERATURE (7/16-14X1-IN)						
		1	3B-4507	4	LOCKWASHER						
	7	1	1J-6472	1	RING-RETAINING (INTERNAL)						
	8	1	6I-2092	1	HOUSING-BEARING						
	9	1	175-6716	1	KEY						
C	10	1	8T-0209	1	RACE-ROLLER BEARING						
	11	1	7C-3493	1	SHAFT						
	12	1	8B-7614	1	NUT-BEARING						
		1	8B-7613	1	LOCKNUT						
	13	1	3N-8445	1	SPACER (40.041X47X12-MM THK)						
	14	1	3N-8463	1	BEARING-ROLLER						
C	15	1	4M-6107	1	BEARING-INNER						
	16	1	5N-2904	1	COLLAR-SEAL						
	17	1	5N-2902	1	SEAL-OIL						
	18	1	5N-6055	1	SEAL GP						
	19	1	3N-8442	1	SPACER-SPECIAL						
	20	1	5N-2618	1	IMPELLER						
	21	1	3N-8452	1	RING						
	22	1	5N-4504	2	PLATE-PORT						
	23	1	3N-8448	1	BODY-DRIVE END						
	24	1	104-1718	1	PLUG						
B	25	1	3N-8441	2	SHIM (0.38-MM THK)						
B		1	3N-8455	2	SHIM (0.25-MM THK)						
B		1	130-2366	1	SHIM (0.3-MM THK)						
	26	1	8C-0503	1	NUT-HEX SLOTTED						
F		1	3N-8446	1	WASHER (21X37X3.3-MM THK)						
F		1	4P-9312	1	PIN-COTTER						

B - USE AS REQUIRED
 C - CHANGE FROM PREVIOUS TYPE
 F - NOT SHOWN

COOLING SYSTEM

7C-3614 PUMP GP-AUXILIARY SEA WATER (contd.)

103671354



GRAPHIC #1

<END>

g00260605

COOLING SYSTEM

8N-8466 PUMP GP-AUXILIARY SEA WATER

FOR USAGE REFER TO CHART 8N-7500-PAGE: 1451

AN ATTACHMENT

SMCS-1371

i02945066

NOTE	REF NO	GRAPHIC REF	PART NUMBER	QTY	PART NAME						SEE PAGE
					1	2	3	4	5	6 (PRODUCT LEVEL)	
	1	1	5M-2894	14	WASHER-HARD (10.2X18.5X2.5-MM THK)						
	2	1	8N-8462	1	FLANGE						
	3	1	4F-7387	1	SEAL-O-RING						
	4	1	4B-4043	4	BOLT (5/8-11X1.375-IN)						
	5	1	5P-8247	4	WASHER-HARD (17X32X3.5-MM THK)						
YR	6	1	315-5137	1	PUMP GP-AUXILIARY SEA WATER						570
	7	1	5F-3106	1	SEAL-O-RING						
	8	1	2M-4453	1	SEAL-O-RING						
	9	1	5N-0408	1	PLATE-ORIFICE						
	10	1	5N-1845	1	FLANGE						
	11	1	9S-8752	4	NUT-FULL (3/8-16-THD)						
	12	1	0S-1588	4	BOLT (3/8-16X1.25-IN)						
	13	1	5N-1941	1	COVER						
	14	1	5N-1940	1	GASKET						
	15	1	0S-1594	2	BOLT (3/8-16X1-IN)						
	16	1	0S-1571	4	BOLT (3/8-16X1.75-IN)						
	17	1	3P-6061	2	GASKET						

R - REMANUFACTURED PART MAY BE AVAILABLE

Y - SEPARATE ILLUSTRATION

COOLING SYSTEM

212-8169 PUMP GP-AUXILIARY WATER-FRESH WATER*R

S/N: 65Z887-1288

PART OF 5N-2605 PUMP GP-AUXILIARY WATER
AN ATTACHMENT

SMCS-1371

i03613855

NOTE	REF NO	GRAPHIC REF	PART NUMBER	QTY	PART NAME						SEE PAGE
					1	2	3	4	5	6 (PRODUCT LEVEL)	
	1	1	8T-6764	1	PLUG-PIPE (1/8-27-THD)						
J	2	1	9X-4594	1	SEAL-LIP TYPE						
J	3	1	262-4378	1	SEAL AS-WATER PUMP						
	4	1	9M-3786	1	SEAL-O-RING						
	5	1	0S-1594	4	BOLT (3/8-16X1-IN)						
J	6	1	212-8183	1	IMPELLER						
	7	1	5N-2611	1	ADAPTER						
J	8	1	5N-4383	2	WASHER-THRUST						
J	9	1	8H-3128	4	BOLT-SOCKET HEAD (1/4-20X0.625-IN)						
J	10	1	212-8179	1	SHAFT						
J	11	1	8M-2933	4	SHIM-CARRIER (0.078-IN THK)						
	12	1	7E-9780	1	HOUSING AS						
J	12A	1	127-5400	1	BUSHING						
B	13	1	3J-1907	1	SEAL-O-RING						
B	14	1	9S-4191	1	PLUG (9/16-18-THD)						
B	15	1	7W-6492	1	PLUG-PIPE (1/2-14-THD)						

AVAILABLE REPAIR KIT(S):

J	294-4935	KIT-WATER PUMP (AUXILIARY WATER PUMP)
---	-----------------	---------------------------------------

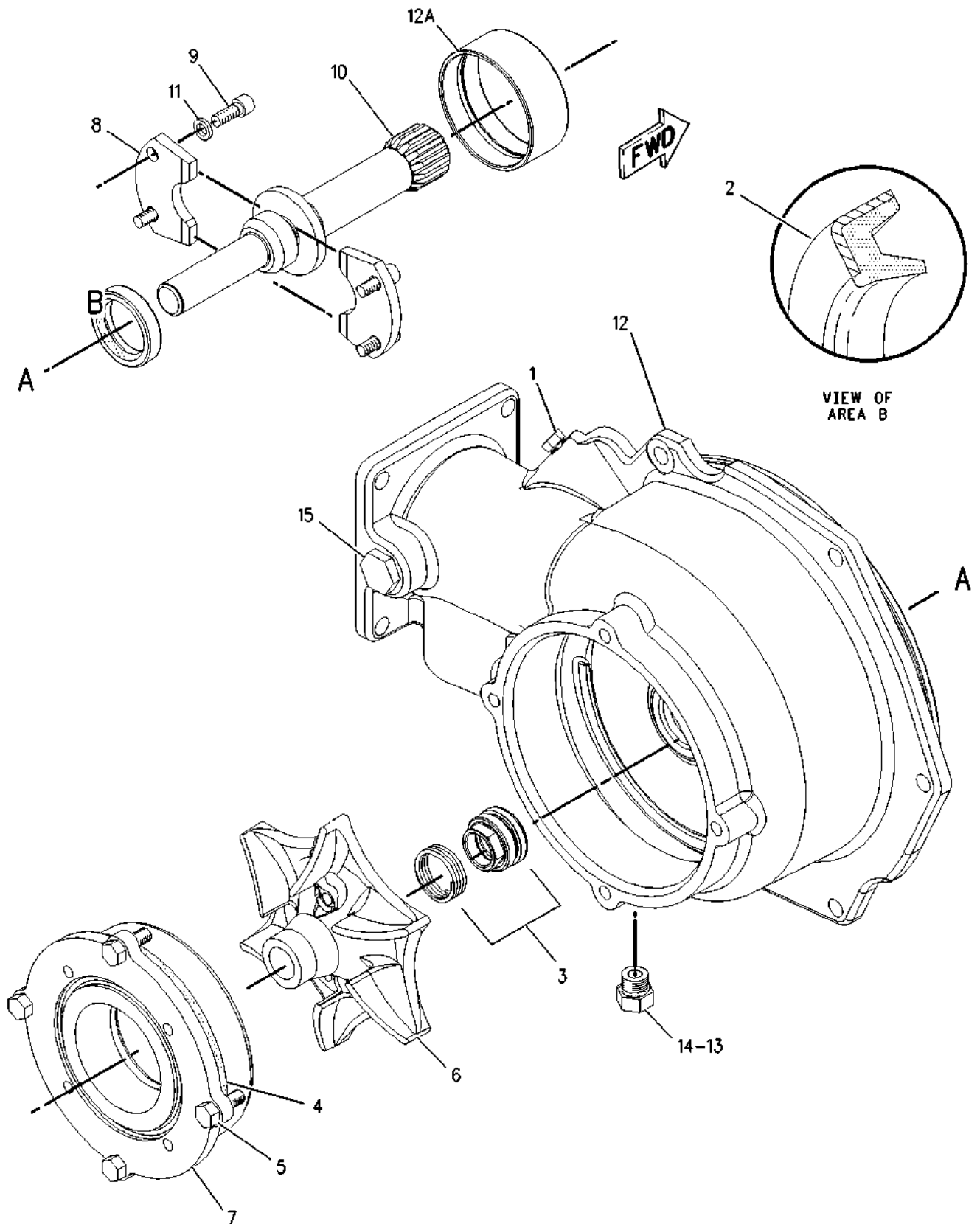
B - USE AS REQUIRED

J - KIT MARKED J INCLUDES PART(S) MARKED J

COOLING SYSTEM

212-8169 PUMP GP-AUXILIARY WATER (contd.)

103613855



GRAPHIC #1

<END>

g00931703

COOLING SYSTEM

291-4313 PUMP GP-AUXILIARY WATER-FRESH WATER*R

S/N: 65Z1289-1615

PART OF 5N-2605 PUMP GP-AUXILIARY WATER
AN ATTACHMENT

SMCS-1371

i03613862

NOTE	REF NO	GRAPHIC REF	PART NUMBER	QTY	PART NAME						SEE PAGE
					1	2	3	4	5	6 (PRODUCT LEVEL)	
	1	1	8T-6764	1	PLUG-PIPE (1/8-27-THD)						
J	2	1	9X-4594	1	SEAL-LIP TYPE						
J	3	1	262-4378	1	SEAL AS-WATER PUMP						
	4	1	9M-3786	1	SEAL-O-RING						
	5	1	0S-1594	4	BOLT (3/8-16X1-IN)						
J	6	1	212-8183	1	IMPELLER						
	7	1	5N-2611	1	ADAPTER						
J	8	1	5N-4383	2	WASHER-THRUST						
J	9	1	8H-3128	4	BOLT-SOCKET HEAD (1/4-20X0.625-IN)						
J	10	1	212-8179	1	SHAFT						
J	11	1	8M-2933	4	SHIM-CARRIER (0.078-IN THK)						
	12	1	291-4309	1	HOUSING AS						
		1	8T-6759	1	PLUG-PIPE						
J		1	127-5400	1	BUSHING						
B	13	1	3J-1907	1	SEAL-O-RING						
B	14	1	9S-4191	1	PLUG (9/16-18-THD)						
B	15	1	7W-6492	1	PLUG-PIPE (1/2-14-THD)						

AVAILABLE REPAIR KIT(S):

J 294-4935 KIT-WATER PUMP (AUXILIARY WATER PUMP)

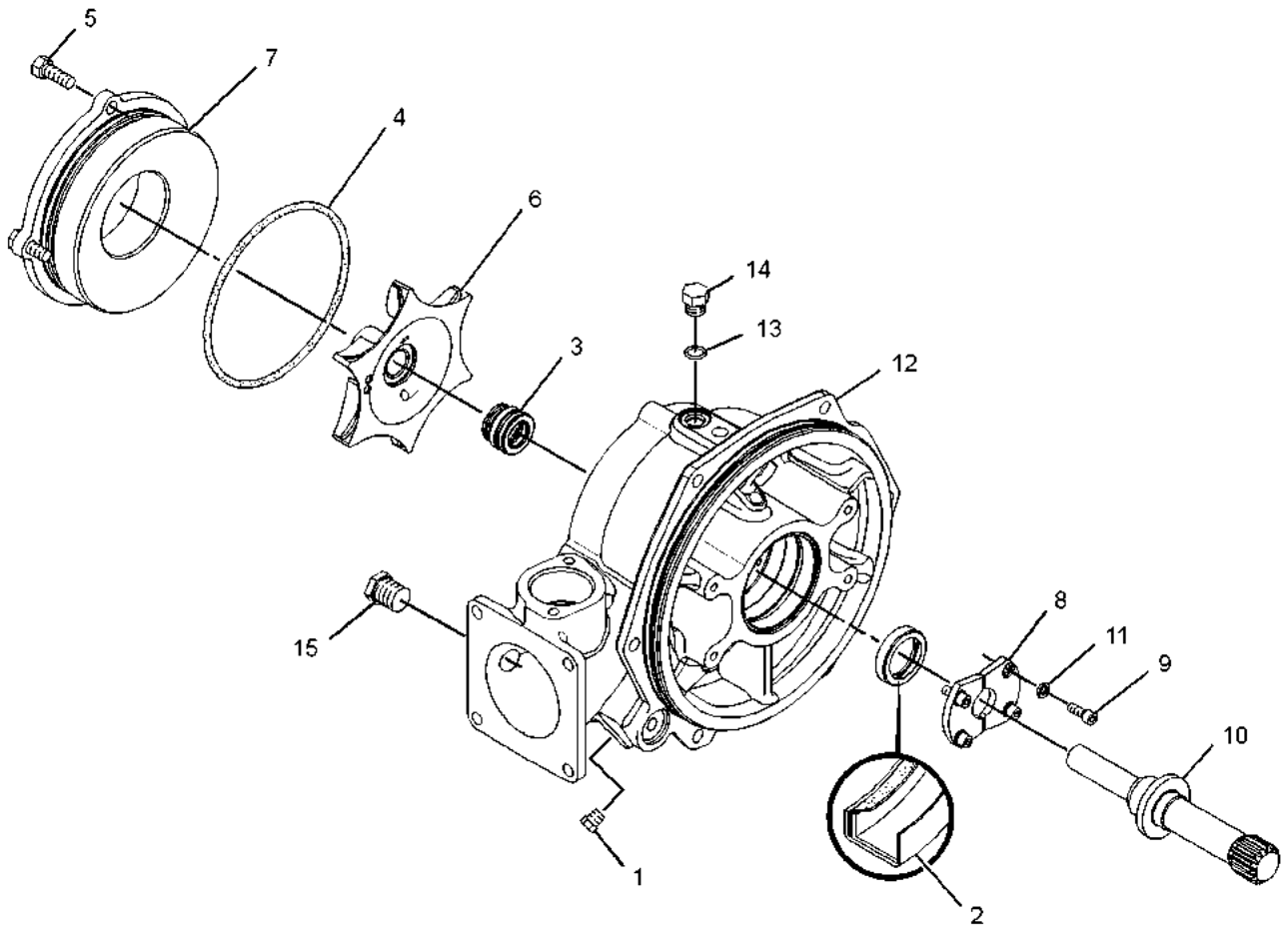
B - USE AS REQUIRED

J - KIT MARKED J INCLUDES PART(S) MARKED J

COOLING SYSTEM

291-4313 PUMP GP-AUXILIARY WATER (contd.)

103613862



GRAPHIC #1

<END>

g01350536

COOLING SYSTEM

424-3629 PUMP GP-AUXILIARY WATER*R

S/N: 65Z1616-UP

PART OF 5N-2605 PUMP GP-AUXILIARY WATER

AN ATTACHMENT

TYPE 1

SMCS-1371

i06839548

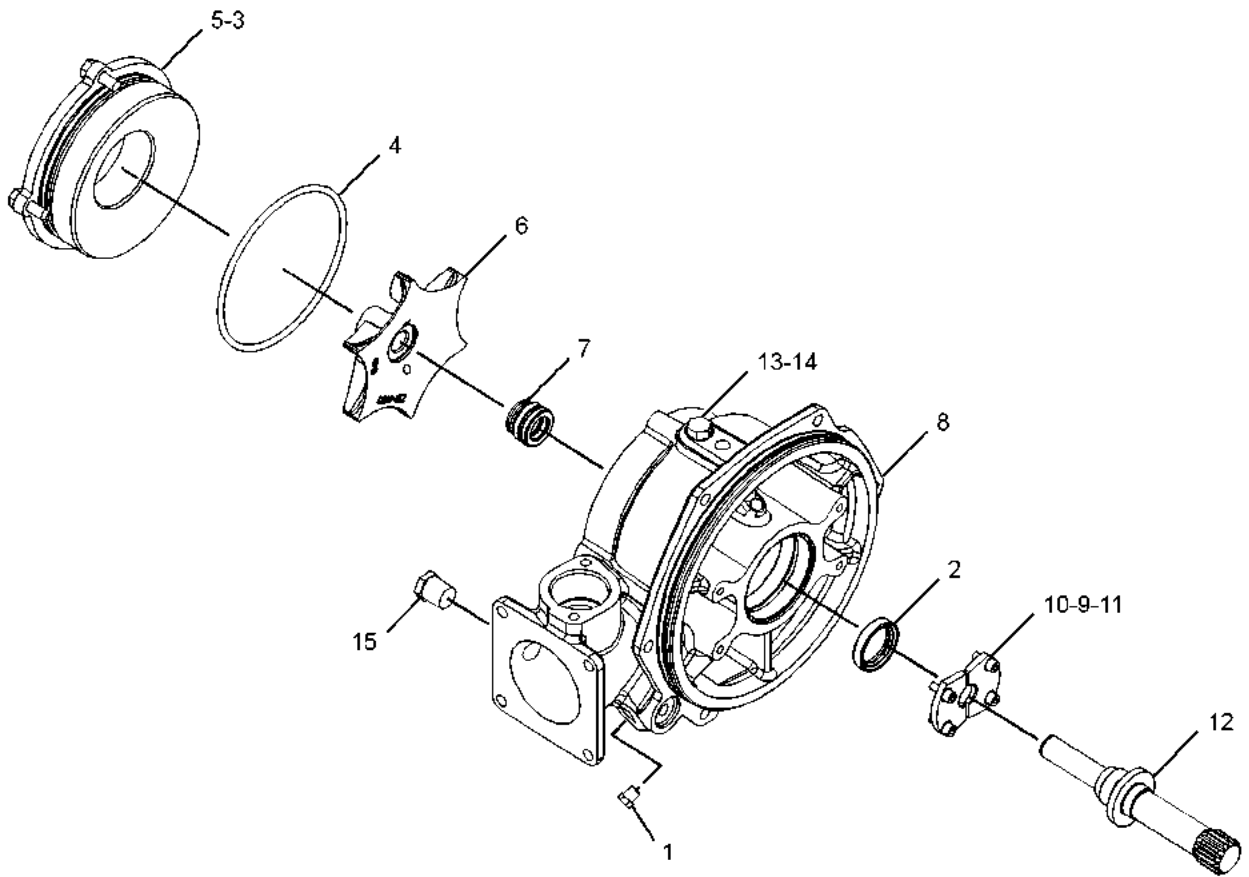
NOTE	REF NO	GRAPHIC REF	PART NUMBER	QTY	PART NAME						SEE PAGE
					1	2	3	4	5	6	
	1	1	8T-6764	1	PLUG-PIPE (1/8-27-THD)						
	2	1	9X-4594	1	SEAL-LIP TYPE						
	3	1	5N-2611	1	ADAPTER						
	4	1	9M-3786	1	SEAL-O-RING						
	5	1	0S-1594	4	BOLT (3/8-16X1-IN)						
	6	1	212-8183	1	IMPELLER						
	7	1	262-4378	1	SEAL AS-WATER PUMP						
	8	1	291-4309	1	HOUSING AS						
		1	8T-6759	1	PLUG-PIPE						
		1	127-5400	1	BUSHING						
	9	1	8H-3128	4	BOLT-SOCKET HEAD (1/4-20X0.625-IN)						
	10	1	423-0938	2	WASHER-THRUST						
	11	1	9X-8256	4	WASHER (6.6X12X2-MM THK)						
	12	1	430-9695	1	SHAFT						
B	13	1	3J-1907	1	SEAL-O-RING						
B	14	1	9S-4191	1	PLUG (9/16-18-THD)						
B	15	1	7W-6492	1	PLUG-PIPE (1/2-14-THD)						

B - USE AS REQUIRED

COOLING SYSTEM

424-3629 PUMP GP-AUXILIARY WATER (contd.)

106839548



GRAPHIC #1

<END>

g03393799

COOLING SYSTEM

424-3629 PUMP GP-AUXILIARY WATER*R

S/N: 65Z1616-UP

PART OF 5N-2605 PUMP GP-AUXILIARY WATER

AN ATTACHMENT

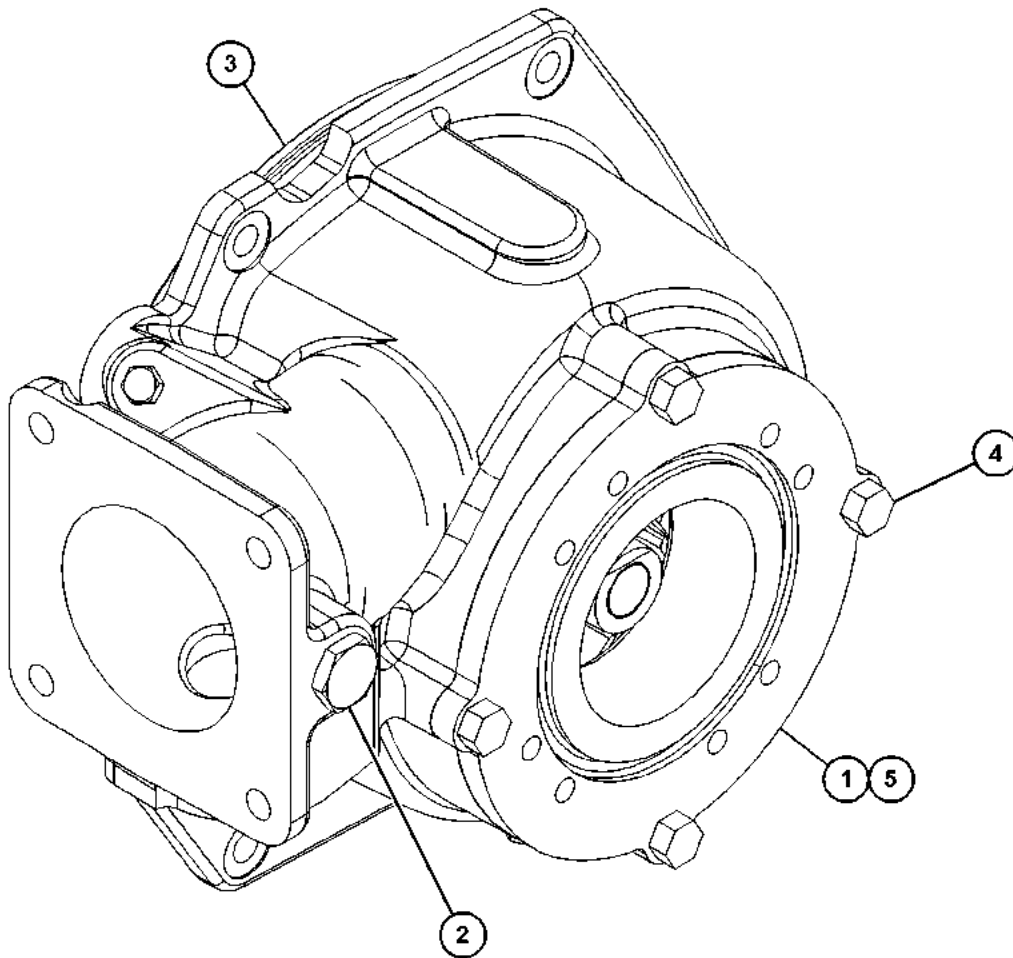
TYPE 2

SMCS-1371

i07607195

NOTE	REF NO	GRAPHIC REF	PART NUMBER	QTY	PART NAME						SEE PAGE
					1	2	3	4	5	6 (PRODUCT LEVEL)	
	1	1	5N-2611	1	ADAPTER						
B	2	1	7W-6492	1	PLUG-PIPE (1/2-14-THD)						
CY	3	1	540-4708	1	PUMP GP-AUXILIARY WATER						589
	4	1	0S-1594	4	BOLT (3/8-16X1-IN)						
	5	1	9M-3786	1	SEAL-O-RING						

B - USE AS REQUIRED
 C - CHANGE FROM PREVIOUS TYPE
 Y - SEPARATE ILLUSTRATION



GRAPHIC #1

<END>

g06378646

COOLING SYSTEM

540-4708 PUMP GP-AUXILIARY WATER

S/N: 65Z1616-UP

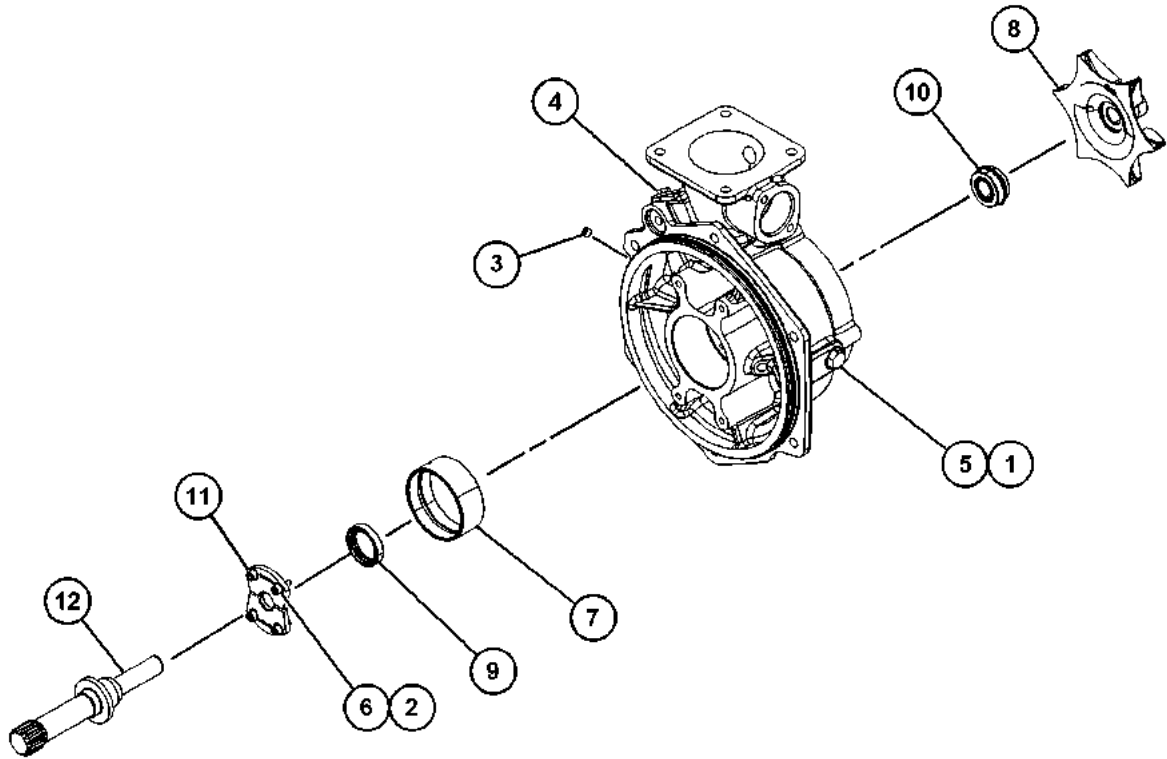
PART OF 424-3629 PUMP GP-AUXILIARY WATER
AN ATTACHMENT

SMCS-1371

i07544352

NOTE	REF NO	GRAPHIC REF	PART NUMBER	QTY	PART NAME						SEE PAGE
					1	2	3	4	5	6	
B	1	1	3J-1907	1	SEAL-O-RING						
	2	1	8H-3128	4	BOLT-SOCKET HEAD (1/4-20X0.625-IN)						
	3	1	8T-6759	1	PLUG-PIPE						
	4	1	8T-6764	1	PLUG-PIPE (1/8-27-THD)						
B	5	1	9S-4191	1	PLUG (9/16-18-THD)						
	6	1	9X-8256	4	WASHER (6.6X12X2-MM THK)						
	7	1	127-5400	1	BUSHING						
	8	1	212-8183	1	IMPELLER						
	9	1	9X-4594	1	SEAL-LIP TYPE						
	10	1	349-2654	1	SEAL-WATER PUMP						
	11	1	423-0938	2	WASHER-THRUST						
	12	1	430-9695	1	SHAFT						

B - USE AS REQUIRED



GRAPHIC #1

<END>

g06366407

COOLING SYSTEM

5N-2605 PUMP GP-AUXILIARY WATER

FOR USAGE REFER TO CHART 8N-7500-PAGE: 1451

AN ATTACHMENT

SMCS-1371

i02179381

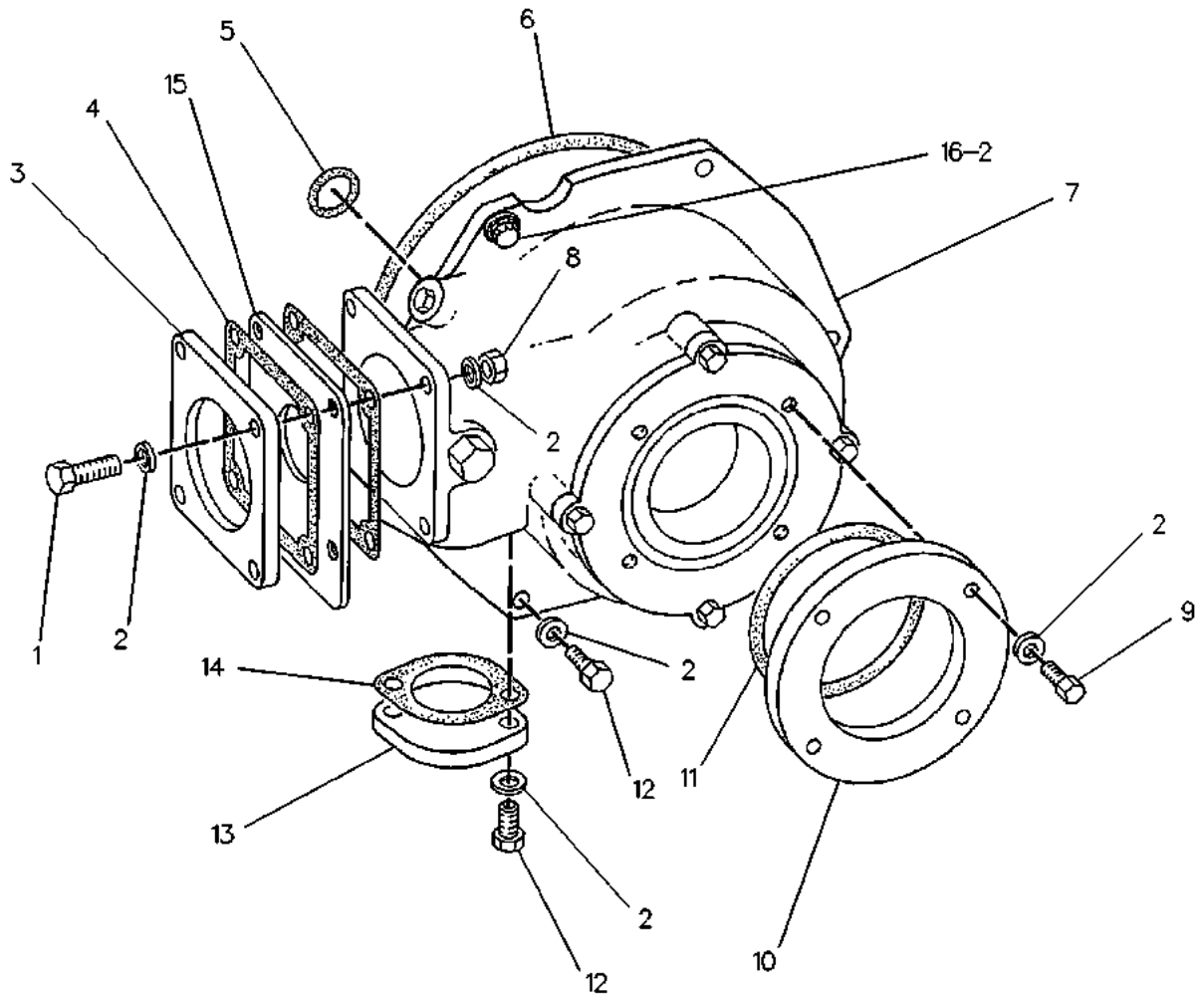
NOTE	REF NO	GRAPHIC REF	PART NUMBER	QTY	PART NAME						SEE PAGE
					1	2	3	4	5	6 (PRODUCT LEVEL)	
	1	1	0S-1571	4	BOLT (3/8-16X1.75-IN)						
	2	1	5M-2894	20	WASHER-HARD (10.2X18.5X2.5-MM THK)						
	3	1	5N-2613	1	FLANGE						
	4	1	3P-6061	2	GASKET						
C	5	1	3B-8453	1	SEAL-O-RING						
	6	1	1T-0132	1	SEAL-O-RING						
YR	7	1	7E-9781	1	PUMP GP-AUXILIARY WATER						598
	8	1	9S-8752	4	NUT-FULL (3/8-16-THD)						
	9	1	0S-1588	4	BOLT (3/8-16X1.25-IN)						
	10	1	5N-2612	1	FLANGE						
	11	1	4F-7387	1	SEAL-O-RING						
C	12	1	0S-1594	7	BOLT (3/8-16X1-IN)						
	13	1	5N-1939	1	COVER						
	14	1	5N-1940	1	GASKET						
C	15	1	5N-0408	1	PLATE-ORIFICE						
C	16	1	1T-0765	1	BOLT (3/8-16X1-IN)						

C - CHANGE FROM PREVIOUS TYPE
R - REMANUFACTURED PART MAY BE AVAILABLE
Y - SEPARATE ILLUSTRATION

COOLING SYSTEM

5N-2605 PUMP GP-AUXILIARY WATER (contd.)

102179381



GRAPHIC #1

<END>

g00214311

COOLING SYSTEM

5N-2605 PUMP GP-AUXILIARY WATER

S/N: 65Z887-1288

FOR USAGE REFER TO CHART 8N-7500-PAGE: 1451
AN ATTACHMENT

SMCS-1371

i02593741

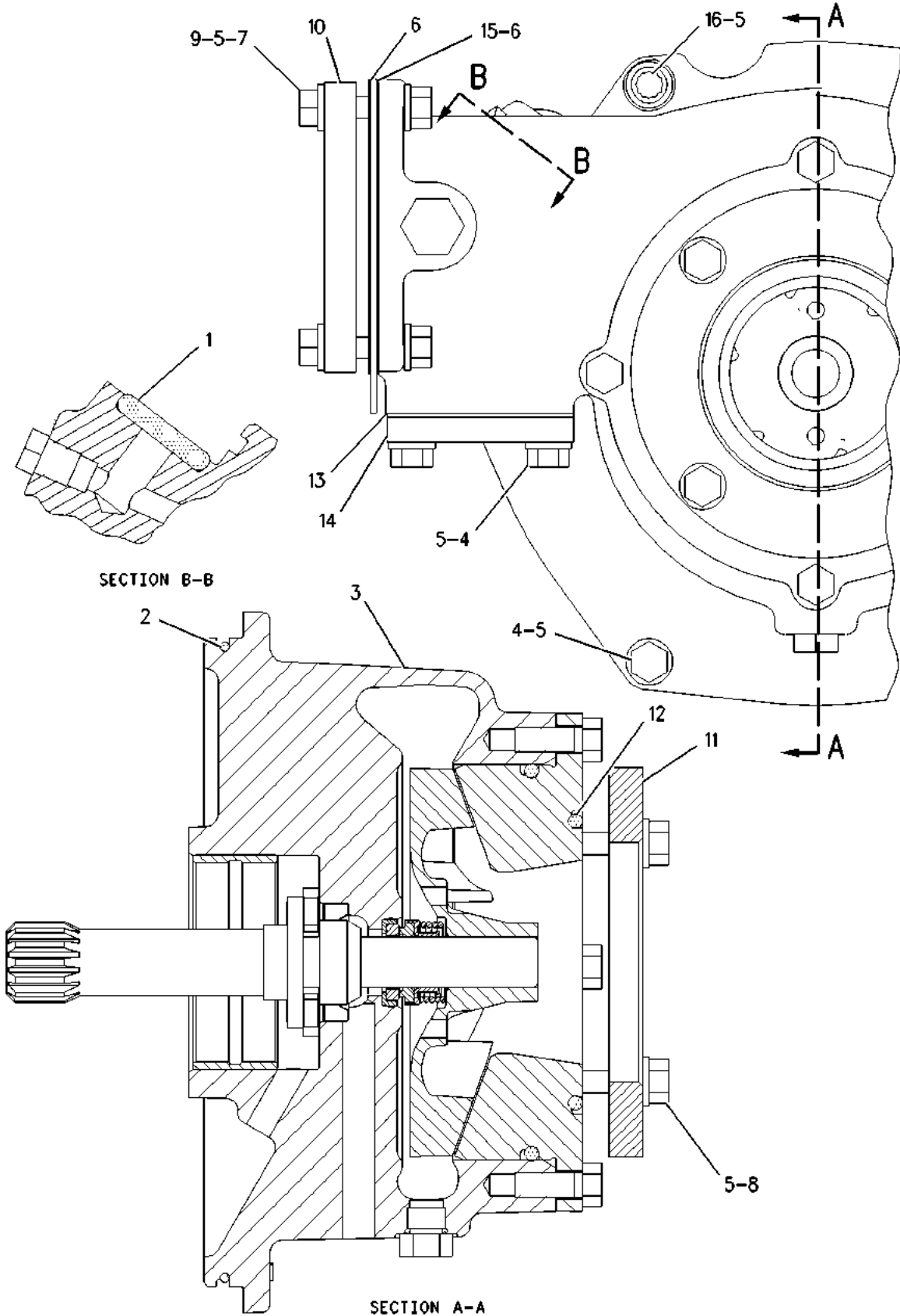
NOTE	REF NO	GRAPHIC REF	PART NUMBER	QTY	PART NAME						SEE PAGE
					1	2	3	4	5	6 (PRODUCT LEVEL)	
	1	1	3B-8453	1	SEAL-O-RING						
	2	1	235-3546	1	SEAL-O-RING						
CYR	3	1	212-8169	1	PUMP GP-AUXILIARY WATER						582
	4	1	0S-1594	7	BOLT (3/8-16X1-IN)						
	5	1	5M-2894	20	WASHER-HARD (10.2X18.5X2.5-MM THK)						
	6	1	3P-6061	2	GASKET						
	7	1	0S-1571	4	BOLT (3/8-16X1.75-IN)						
	8	1	0S-1588	4	BOLT (3/8-16X1.25-IN)						
	9	1	9S-8752	4	NUT-FULL (3/8-16-THD)						
	10	1	5N-2613	1	FLANGE						
	11	1	5N-2612	1	FLANGE						
	12	1	4F-7387	1	SEAL-O-RING						
	13	1	5N-1940	1	GASKET						
	14	1	5N-1939	1	COVER						
	15	1	5N-0408	1	PLATE-ORIFICE						
	16	1	1T-0765	1	BOLT (3/8-16X1-IN)						

C - CHANGE FROM PREVIOUS TYPE
R - REMANUFACTURED PART MAY BE AVAILABLE
Y - SEPARATE ILLUSTRATION

COOLING SYSTEM

5N-2605 PUMP GP-AUXILIARY WATER (contd.)

102593741



GRAPHIC #1

<END>

g00931422

COOLING SYSTEM

5N-2605 PUMP GP-AUXILIARY WATER

S/N: 65Z1289-1615

FOR USAGE REFER TO CHART 8N-7500-PAGE: 1451
AN ATTACHMENT

SMCS-1371

i02715597

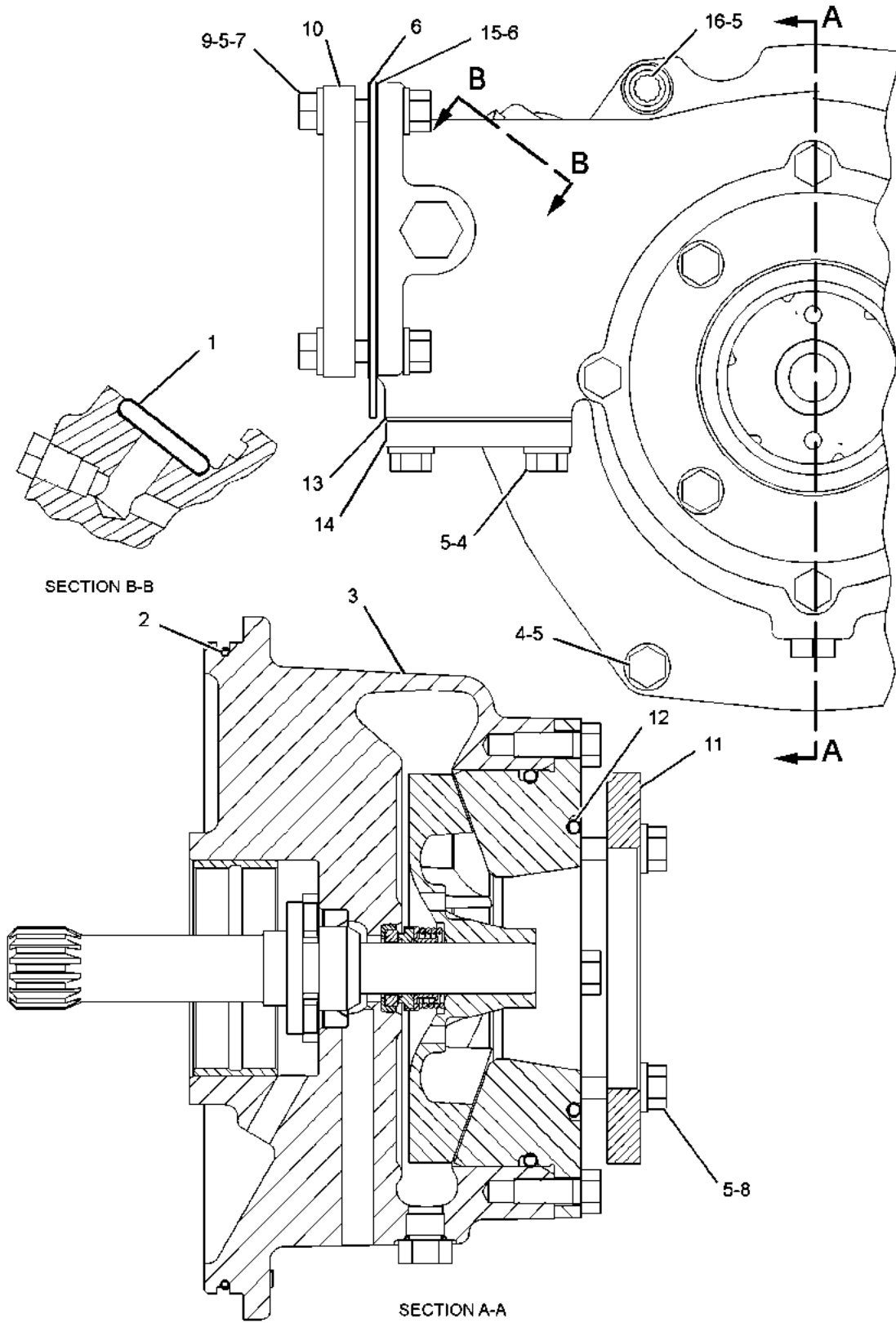
NOTE	REF NO	GRAPHIC REF	PART NUMBER	QTY	PART NAME						SEE PAGE
					1	2	3	4	5	6 (PRODUCT LEVEL)	
	1	1	3B-8453	1	SEAL-O-RING						
	2	1	235-3546	1	SEAL-O-RING						
CYR	3	1	291-4313	1	PUMP GP-AUXILIARY WATER						584
	4	1	0S-1594	7	BOLT (3/8-16X1-IN)						
	5	1	5M-2894	20	WASHER-HARD (10.2X18.5X2.5-MM THK)						
	6	1	3P-6061	2	GASKET						
	7	1	0S-1571	4	BOLT (3/8-16X1.75-IN)						
	8	1	0S-1588	4	BOLT (3/8-16X1.25-IN)						
	9	1	9S-8752	4	NUT-FULL (3/8-16-THD)						
	10	1	5N-2613	1	FLANGE						
	11	1	5N-2612	1	FLANGE						
	12	1	4F-7387	1	SEAL-O-RING						
	13	1	5N-1940	1	GASKET						
	14	1	5N-1939	1	COVER						
	15	1	5N-0408	1	PLATE-ORIFICE						
	16	1	1T-0765	1	BOLT (3/8-16X1-IN)						

C - CHANGE FROM PREVIOUS TYPE
R - REMANUFACTURED PART MAY BE AVAILABLE
Y - SEPARATE ILLUSTRATION

COOLING SYSTEM

5N-2605 PUMP GP-AUXILIARY WATER (contd.)

102715597



GRAPHIC #1

<END>

g01371017

COOLING SYSTEM

5N-2605 PUMP GP-AUXILIARY WATER

S/N: 65Z1616-UP

FOR USAGE REFER TO CHART 8N-7500-PAGE: 1451
AN ATTACHMENT

SMCS-1371

i05475789

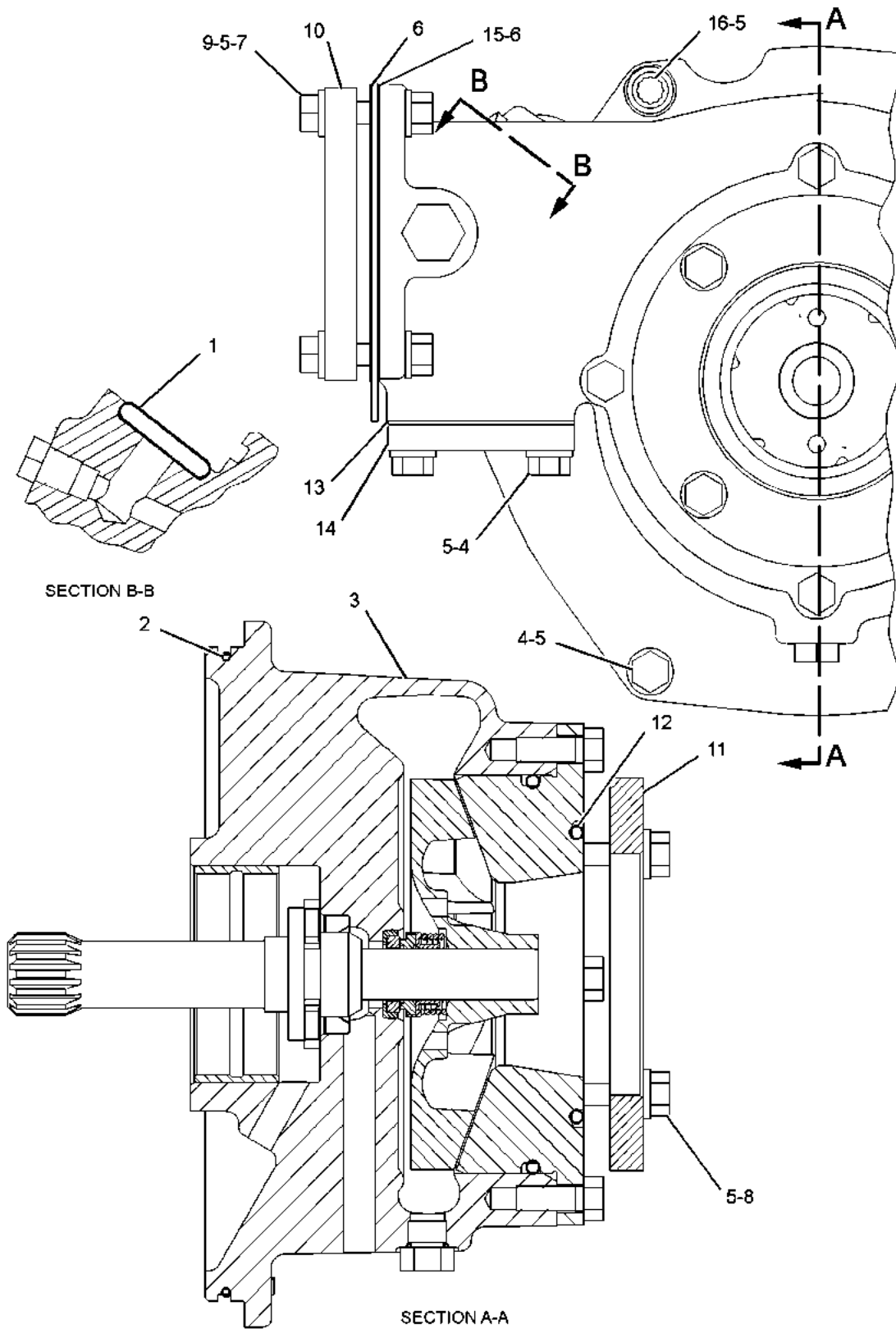
NOTE	REF NO	GRAPHIC REF	PART NUMBER	QTY	PART NAME						SEE PAGE
					1	2	3	4	5	6 (PRODUCT LEVEL)	
C	1	1	6V-3348	1	SEAL-O-RING						
	2	1	235-3546	1	SEAL-O-RING						
CYR	3	1	424-3629	1	PUMP GP-AUXILIARY WATER						586
	4	1	0S-1594	7	BOLT (3/8-16X1-IN)						
	5	1	5M-2894	20	WASHER-HARD (10.2X18.5X2.5-MM THK)						
	6	1	3P-6061	2	GASKET						
	7	1	0S-1571	4	BOLT (3/8-16X1.75-IN)						
	8	1	0S-1588	4	BOLT (3/8-16X1.25-IN)						
	9	1	9S-8752	4	NUT-FULL (3/8-16-THD)						
	10	1	5N-2613	1	FLANGE						
	11	1	5N-2612	1	FLANGE						
	12	1	4F-7387	1	SEAL-O-RING						
	13	1	5N-1940	1	GASKET						
	14	1	5N-1939	1	COVER						
	15	1	5N-0408	1	PLATE-ORIFICE						
	16	1	1T-0765	1	BOLT (3/8-16X1-IN)						

C - CHANGE FROM PREVIOUS TYPE
R - REMANUFACTURED PART MAY BE AVAILABLE
Y - SEPARATE ILLUSTRATION

COOLING SYSTEM

5N-2605 PUMP GP-AUXILIARY WATER (contd.)

105475789



GRAPHIC #1

<END>

g01371017

COOLING SYSTEM

7E-9781 PUMP GP-AUXILIARY WATER*R PART OF 5N-2605 PUMP GP-AUXILIARY WATER AN ATTACHMENT

SMCS-1371

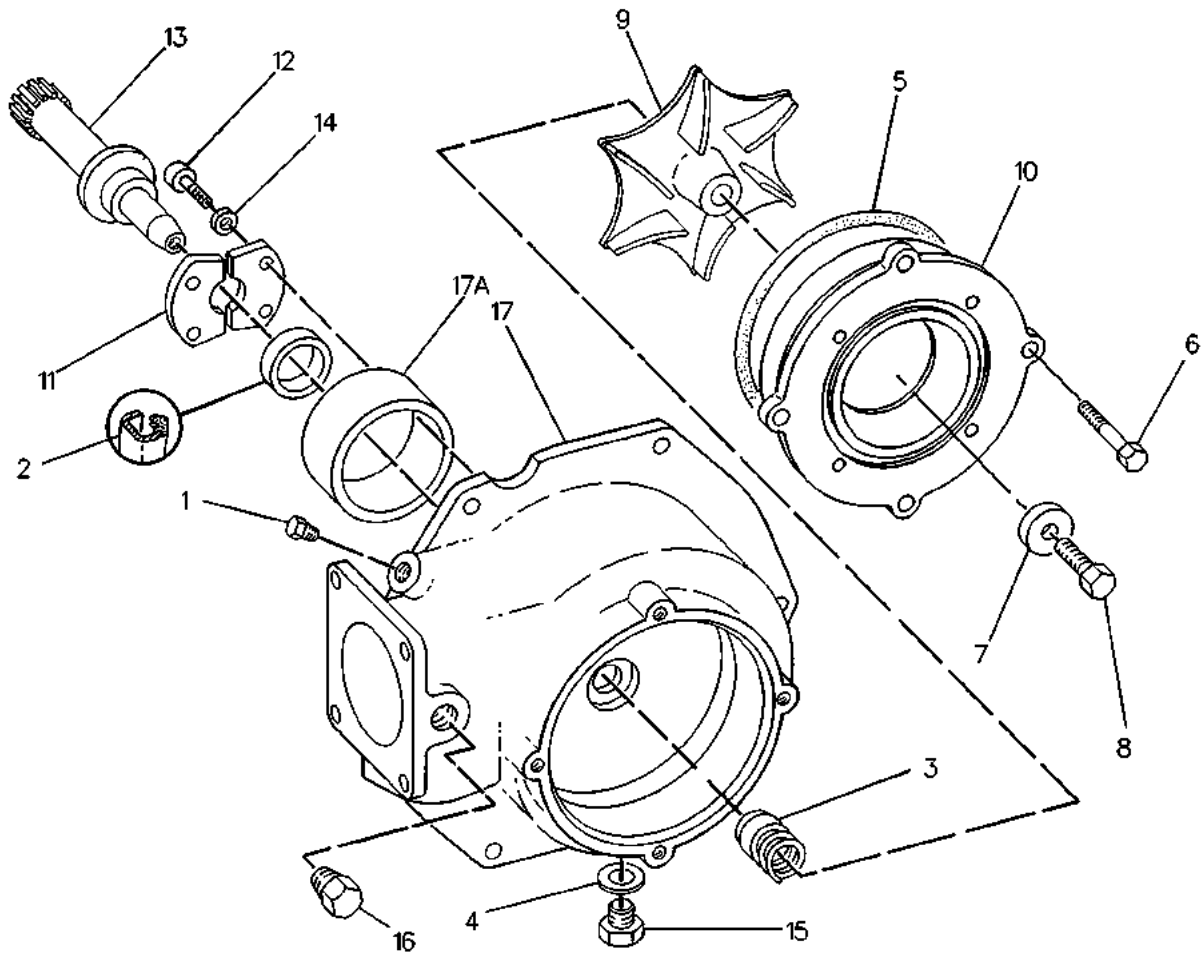
i02500722

NOTE	REF NO	GRAPHIC REF	PART NUMBER	QTY	PART NAME						SEE PAGE
					1	2	3	4	5	6 (PRODUCT LEVEL)	
	1	1	8T-6764	1	PLUG-PIPE (1/8-27-THD)						
J	2	1	9X-4594	1	SEAL-LIP TYPE						
	3	1	4W-3864	1	SEAL AS-WATER PUMP						
B	4	1	3J-1907	1	SEAL-O-RING						
	5	1	9M-3786	1	SEAL-O-RING						
	6	1	0S-1594	4	BOLT (3/8-16X1-IN)						
J	7	1	8M-7145	1	WASHER (10.2X28.5X5-MM THK)						
	8	1	0S-1591	1	BOLT (3/8-16X1.5-IN)						
	9	1	9Y-3778	1	IMPELLER-PUMP						
	10	1	5N-2611	1	ADAPTER						
J	11	1	5N-4383	2	WASHER-THRUST						
	12	1	8H-3128	4	BOLT-SOCKET HEAD (1/4-20X0.625-IN)						
J	13	1	5N-4384	1	SHAFT AS						
BJ	14	1	8M-2933	4	SHIM-CARRIER (0.078-IN THK)						
B	15	1	9S-4191	1	PLUG (9/16-18-THD)						
B	16	1	7W-6492	1	PLUG-PIPE (1/2-14-THD)						
	17	1	7E-9780	1	HOUSING AS						
J	17A	1	127-5400	1	BUSHING						
					AVAILABLE REPAIR KIT(S):						
J			190-8920		KIT-PUMP REPAIR (AUXILIARY WATER PUMP)						
					(KIT ALSO INCLUDES SEAL GP-BASIC)						
B - USE AS REQUIRED											
J - KIT MARKED J INCLUDES PART(S) MARKED J											

COOLING SYSTEM

7E-9781 PUMP GP-AUXILIARY WATER (contd.)

102500722



GRAPHIC #1

<END>

g00572044

COOLING SYSTEM

122-0501 PUMP GP-WATER*R

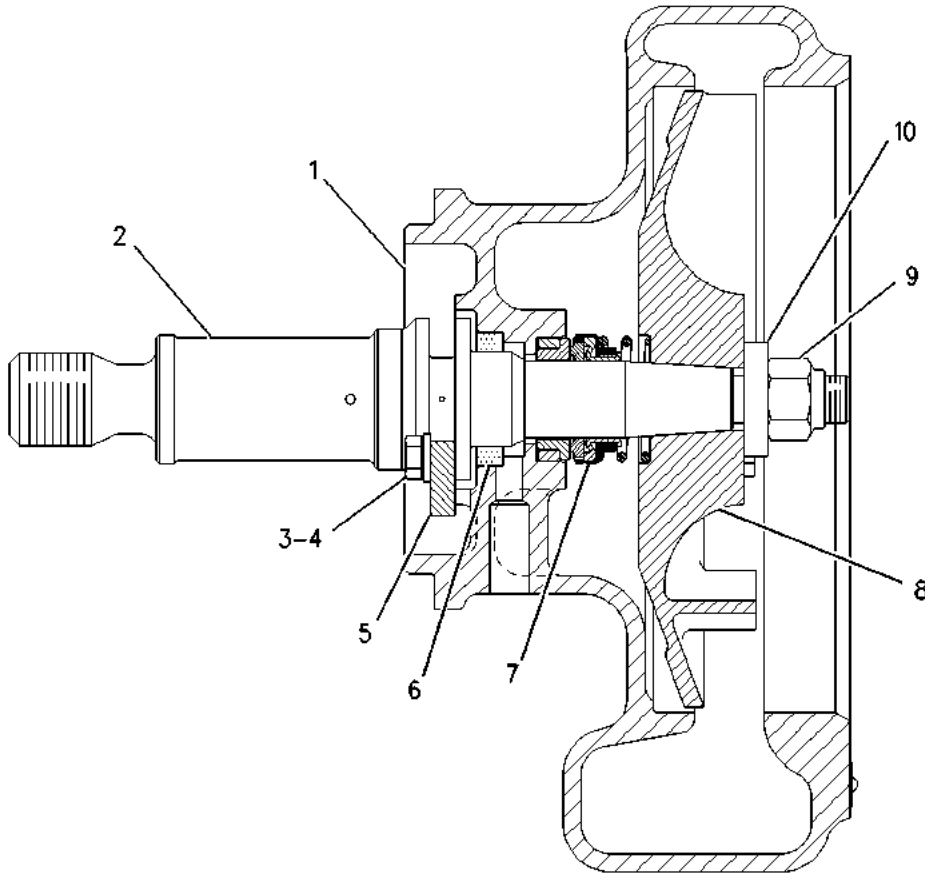
S/N: 65Z887-959

PART OF 2W-9726 PUMP GP-WATER

SMCS-1361

i02821877

NOTE	REF NO	GRAPHIC REF	PART NUMBER	QTY	PART NAME						SEE PAGE
					1	2	3	4	5	6	
	1	1	7N-4756	1	HOUSING AS-PUMP						
		1	3D-2824	1	SEAL-O-RING						
		1	4N-5834	2	FILTER-FOAM (WATER PUMP HOUSING)						
		1	8T-6765	1	PLUG-PIPE (1/4-18-THD)						
		1	7G-8478	1	ADAPTER						
	2	1	2W-9723	1	SHAFT AS-PUMP DRIVE						
		1	6F-7172	1	DOWEL						
	3	1	0S-1618	2	BOLT (5/16-18X1-IN)						
	4	1	9M-1974	2	WASHER-HARD (8.8X16X2-MM THK)						
	5	1	7N-4758	1	WASHER-THRUST						
	6	1	8C-5236	1	SEAL-LIP TYPE						
	7	1	124-5245	1	SEAL GP-FACE (WATER PUMP)						
		1	7N-8268	1	TOOL-INSTALLATION						
	8	1	2W-9724	1	IMPELLER-PUMP						
	9	1	6V-8287	1	LOCKNUT (5/8-18-THD)						
	10	1	5S-0581	1	WASHER-HARD (17X38X8-MM THK)						



GRAPHIC #1

<END>

g00993029

COOLING SYSTEM

166-4377 PUMP GP-WATER*R

S/N: 65Z960-1076

PART OF 2W-9726 PUMP GP-WATER

SMCS-1361

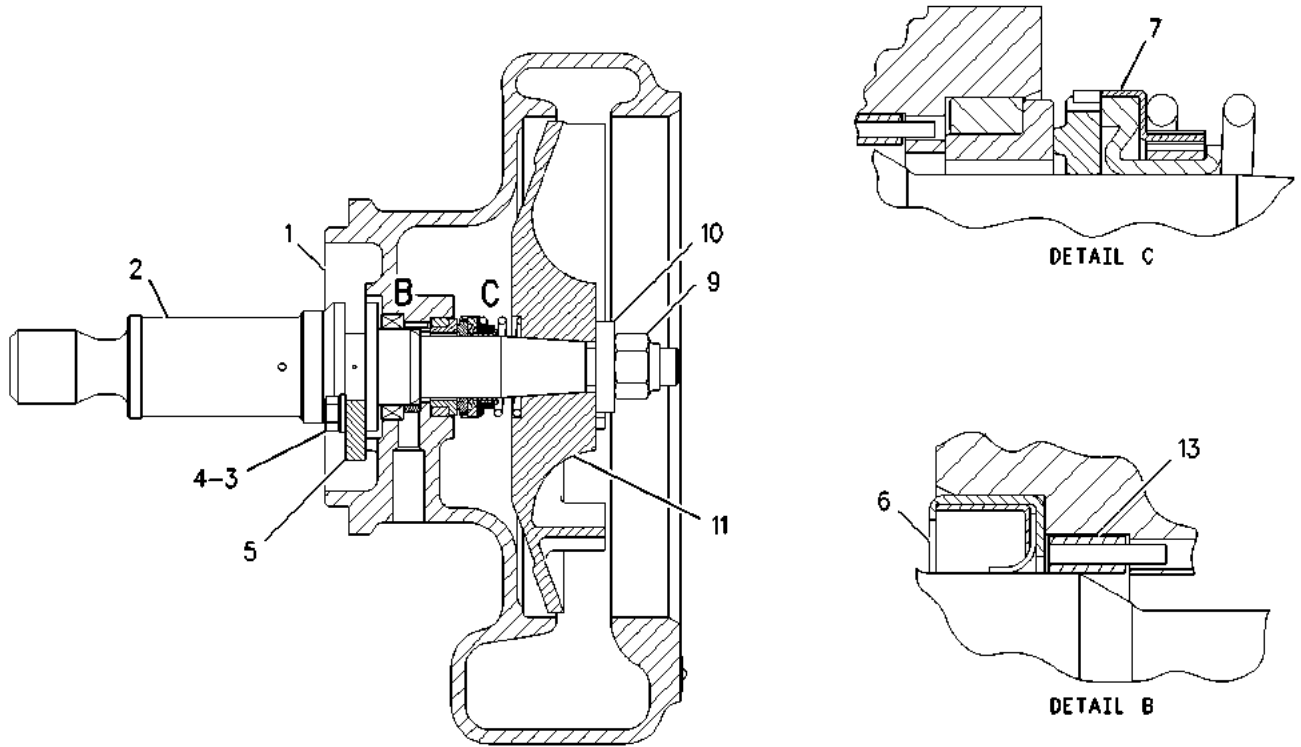
i03614332

NOTE	REF NO	GRAPHIC REF	PART NUMBER	QTY	PART NAME						SEE PAGE
					1	2	3	4	5	6 (PRODUCT LEVEL)	
	1	1	7N-4756	1	HOUSING AS-PUMP						
J		1	3D-2824	1	SEAL-O-RING						
J		1	4N-5834	2	FILTER-FOAM (WATER PUMP HOUSING)						
		1	7G-8478	1	ADAPTER						
		1	8T-6765	1	PLUG-PIPE (1/4-18-THD)						
	2	1	2W-9723	1	SHAFT AS-PUMP DRIVE						
		1	6F-7172	1	DOWEL						
J	3	1	0S-1618	2	BOLT (5/16-18X1-IN)						
J	4	1	9M-1974	2	WASHER-HARD (8.8X16X2-MM THK)						
J	5	1	7N-4758	1	WASHER-THRUST						
J	6	1	8C-5236	1	SEAL-LIP TYPE						
J	7	1	166-4376	1	SEAL GP						
	9	1	6V-8287	1	LOCKNUT (5/8-18-THD)						
	10	1	5S-0581	1	WASHER-HARD (17X38X8-MM THK)						
	11	1	2W-9724	1	IMPELLER-PUMP						
J	13	1	166-4374	1	RING AS						
J		1	1L-5316	1	PIN-SPRING						
					AVAILABLE REPAIR KIT(S):						
J			222-5153		KIT-WATER PUMP (WATER PUMP)						
					(KIT ALSO INCLUDES STRAIGHT FIT SHAFT & IMPELLER)						
J - KIT MARKED J INCLUDES PART(S) MARKED J											

COOLING SYSTEM

166-4377 PUMP GP-WATER (contd.)

103614332



GRAPHIC #1

<END>

g00733865

COOLING SYSTEM

212-8176 PUMP GP-WATER*R

S/N: 65Z1077-1615

PART OF 2W-9726 PUMP GP-WATER

SMCS-1361

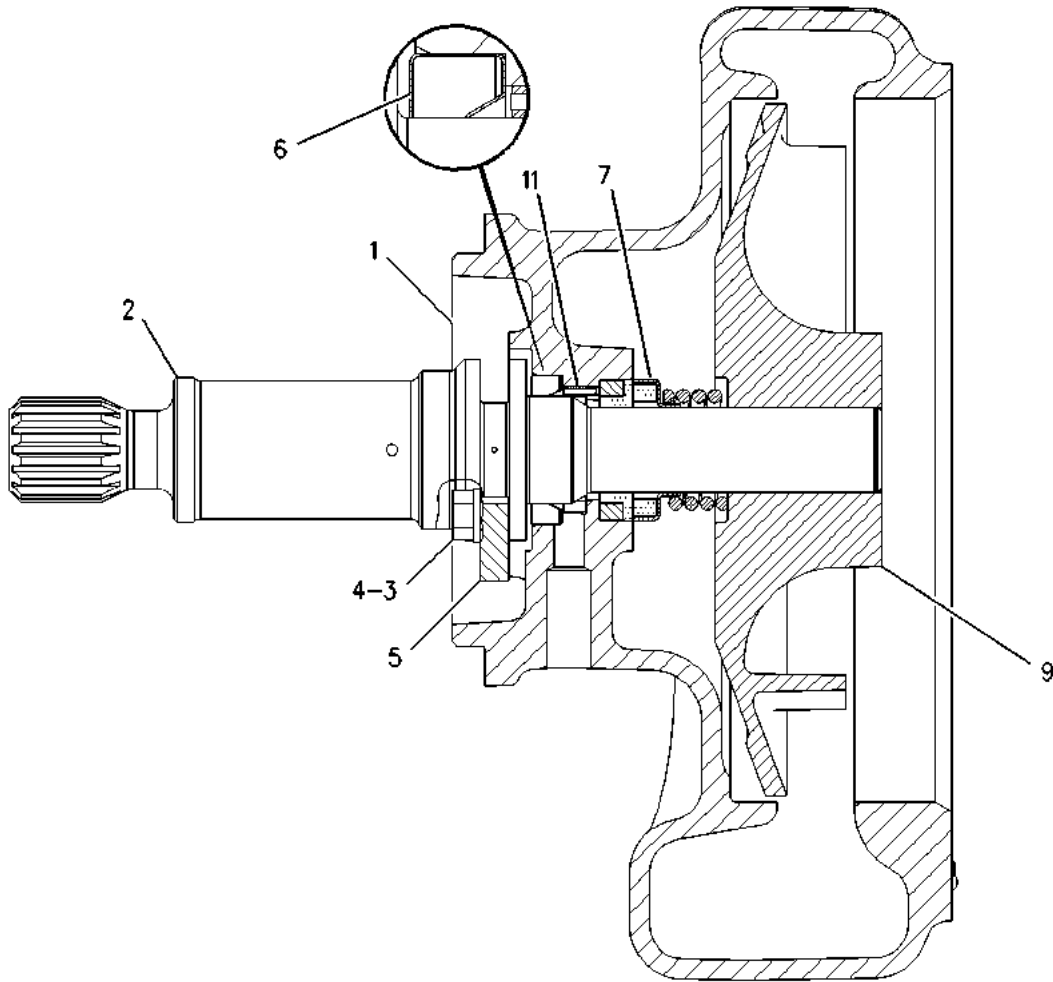
i05645563

NOTE	REF NO	GRAPHIC REF	PART NUMBER	QTY	PART NAME	SEE PAGE
					1 2 3 4 5 6 (PRODUCT LEVEL)	
	1	1	7N-4756	1	HOUSING AS-PUMP	
J		1	3D-2824	1	SEAL-O-RING	
J		1	4N-5834	2	FILTER-FOAM (WATER PUMP HOUSING)	
		1	7G-8478	1	ADAPTER	
		1	8T-6765	1	PLUG-PIPE (1/4-18-THD)	
J	2	1	212-8180	1	SHAFT AS-PUMP DRIVE	
		1	4B-9782	1	BALL	
J	3	1	0S-1618	2	BOLT (5/16-18X1-IN)	
J	4	1	9M-1974	2	WASHER-HARD (8.8X16X2-MM THK)	
J	5	1	7N-4758	1	WASHER-THRUST	
J	6	1	8C-5236	1	SEAL-LIP TYPE	
J	7	1	166-4376	1	SEAL GP (WATER PUMP)	
J	9	1	212-8187	1	IMPELLER	
J	11	1	166-4374	1	RING AS	
		1	1L-5316	1	PIN-SPRING	
					AVAILABLE REPAIR KIT(S):	
J			222-5153		KIT-WATER PUMP (WATER PUMP)	
J - KIT MARKED J INCLUDES PART(S) MARKED J						

COOLING SYSTEM

212-8176 PUMP GP-WATER (contd.)

i05645563



GRAPHIC #1

<END>

g00905564

COOLING SYSTEM

2W-9726 PUMP GP-WATER

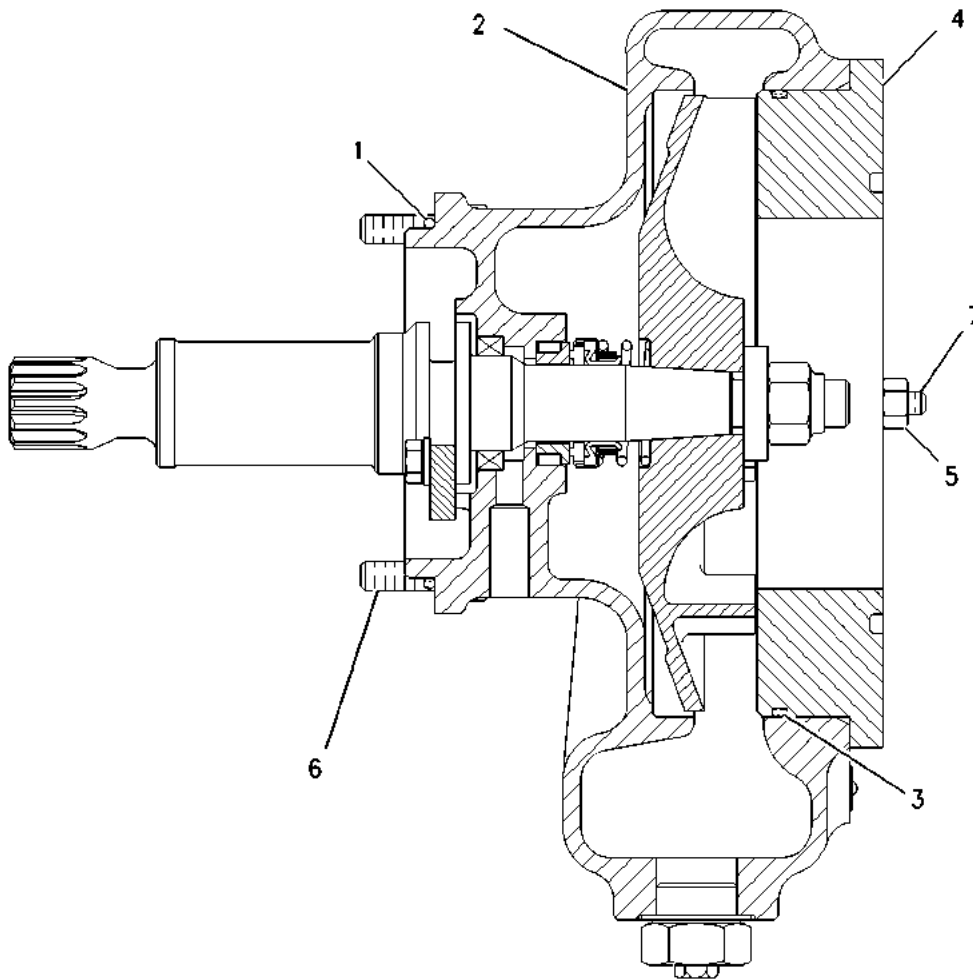
S/N: 65Z887-959

SMCS-1361

i01161664

NOTE	REF NO	GRAPHIC REF	PART NUMBER	QTY	PART NAME						SEE PAGE
					1	2	3	4	5	6 (PRODUCT LEVEL)	
	1	1	5H-6734	1	SEAL-O-RING						
CYR	2	1	122-0501	1	PUMP GP-WATER						600
	3	1	1H-8278	1	SEAL-O-RING						
	4	1	8N-6423	1	COVER (WATER INLET)						
	5	1	9S-8752	3	NUT-FULL (3/8-16-THD)						
	6	1	3B-1915	4	BOLT (3/8-16X1.375-IN)						
	7	1	9M-2151	3	STUD-TAPERLOCK (3/8-16X1.378-IN)						

C - CHANGE FROM PREVIOUS TYPE
R - REMANUFACTURED PART MAY BE AVAILABLE
Y - SEPARATE ILLUSTRATION



GRAPHIC #1

<END>

g00618725

COOLING SYSTEM

2W-9726 PUMP GP-WATER

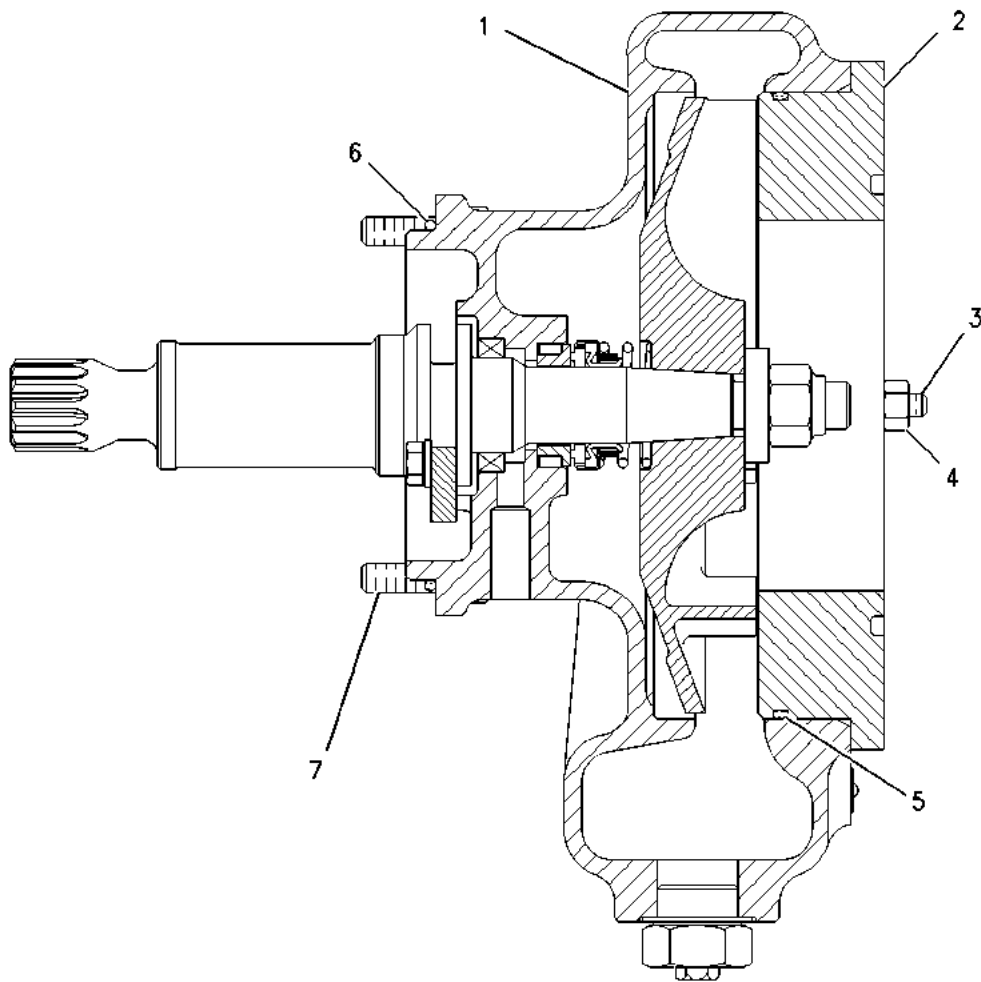
S/N: 65Z960-1076

SMCS-1361

i02181407

NOTE	REF NO	GRAPHIC REF	PART NUMBER	QTY	PART NAME						SEE PAGE
					1	2	3	4	5	6	
CYR	1	1	166-4377	1	PUMP GP-WATER						601
	2	1	8N-6423	1	COVER (WATER INLET)						
	3	1	9M-2151	3	STUD-TAPERLOCK (3/8-16X1.378-IN)						
	4	1	9S-8752	3	NUT-FULL (3/8-16-THD)						
	5	1	1H-8278	1	SEAL-O-RING						
	6	1	5H-6734	1	SEAL-O-RING						
	7	1	3B-1915	4	BOLT (3/8-16X1.375-IN)						

C - CHANGE FROM PREVIOUS TYPE
 R - REMANUFACTURED PART MAY BE AVAILABLE
 Y - SEPARATE ILLUSTRATION



GRAPHIC #1

<END>

g00618670

COOLING SYSTEM

2W-9726 PUMP GP-WATER

S/N: 65Z1077-1615

SMCS-1361

i02684453

NOTE	REF NO	GRAPHIC REF	PART NUMBER	QTY	PART NAME						SEE PAGE
					1	2	3	4	5	6 (PRODUCT LEVEL)	
CYR	1	1	212-8176	1	PUMP GP-WATER						603
	3	1	9M-2151	3	STUD-TAPERLOCK (3/8-16X1.378-IN)						
	4	1	9S-8752	3	NUT-FULL (3/8-16-THD)						
	5	1	8N-6423	1	COVER (WATER INLET)						
	6	1	5H-6734	1	SEAL-O-RING						
	7	1	3B-1915	4	BOLT (3/8-16X1.375-IN)						
	8	1	149-5462	1	SEAL-O-RING						

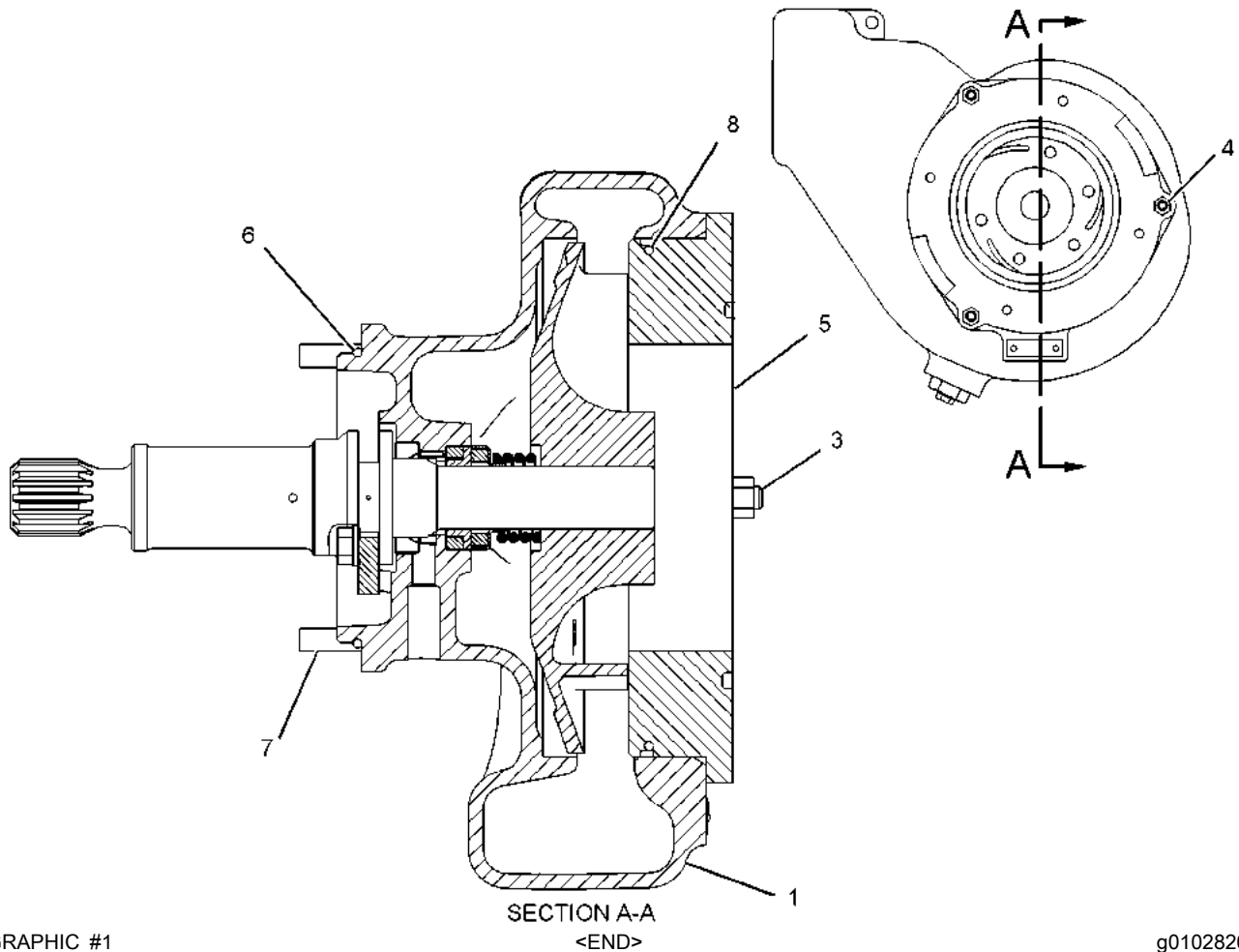
AVAILABLE REPAIR KIT(S):

222-5153

KIT-WATER PUMP (WATER PUMP)

(INCLUDES BOLTS, SEAL-O-RING, FILTERS, WASHERS, SEAL-LIP TYPE, WASHERS, RING AS, SEAL GP, PUMP SHAFT, & IMPELLER)

C - CHANGE FROM PREVIOUS TYPE
 R - REMANUFACTURED PART MAY BE AVAILABLE
 Y - SEPARATE ILLUSTRATION



GRAPHIC #1

g01028209

COOLING SYSTEM

2W-9726 PUMP GP-WATER

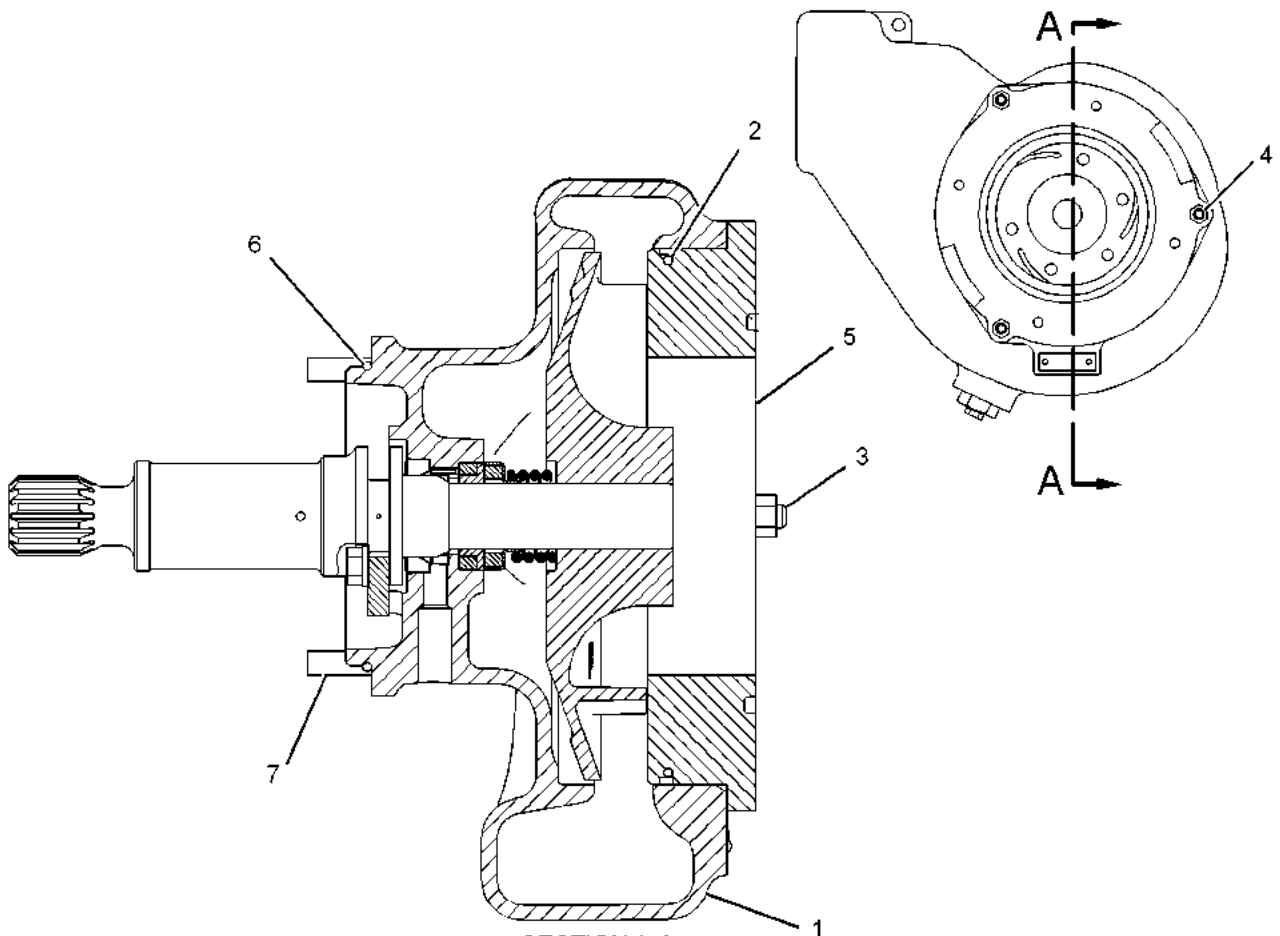
S/N: 65Z1616-UP

SMCS-1361

i05819316

NOTE	REF NO	GRAPHIC REF	PART NUMBER	QTY	PART NAME						SEE PAGE
					1	2	3	4	5	6	
CYR	1	1	416-0609	1	PUMP GP-WATER						609
	2	1	149-5462	1	SEAL-O-RING						
	3	1	9M-2151	3	STUD-TAPERLOCK (3/8-16X1.378-IN)						
	4	1	9S-8752	3	NUT-FULL (3/8-16-THD)						
	5	1	8N-6423	1	COVER (WATER INLET)						
	6	1	5H-6734	1	SEAL-O-RING						
	7	1	3B-1915	4	BOLT (3/8-16X1.375-IN)						

C - CHANGE FROM PREVIOUS TYPE
R - REMANUFACTURED PART MAY BE AVAILABLE
Y - SEPARATE ILLUSTRATION



GRAPHIC #1

<END>

g03684518

COOLING SYSTEM

416-0609 PUMP GP-WATER*R

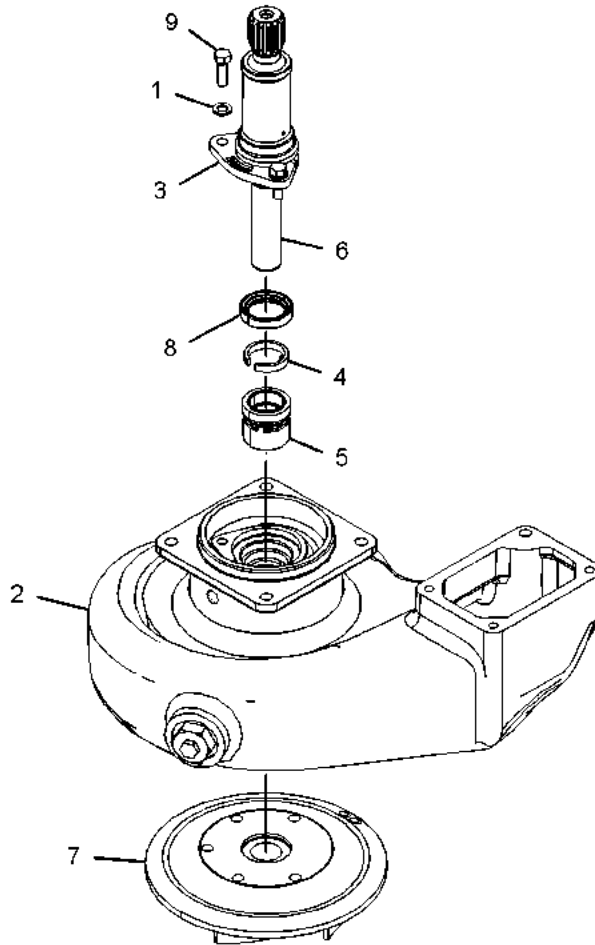
S/N: 65Z1616-UP

PART OF 2W-9726 PUMP GP-WATER

SMCS-1361

i06922313

NOTE	REF NO	GRAPHIC REF	PART NUMBER	QTY	PART NAME						SEE PAGE
					1	2	3	4	5	6	
	1	1	9M-1974	2	WASHER-HARD (8.8X16X2-MM THK)						
	2	1	7N-4756	1	HOUSING AS-PUMP						
		1	3D-2824	1	SEAL-O-RING						
		1	4N-5834	2	FILTER-FOAM (WATER PUMP HOUSING)						
		1	7G-8478	1	ADAPTER						
		1	8T-6765	1	PLUG-PIPE (1/4-18-THD)						
	3	1	7N-4758	1	WASHER-THRUST						
	4	1	166-4374	1	RING AS						
		1	1L-5316	1	PIN-SPRING						
	5	1	416-0603	1	SEAL GP (WATER PUMP)						
	6	1	212-8180	1	SHAFT AS-PUMP DRIVE						
		1	4B-9782	1	BALL						
	7	1	212-8187	1	IMPELLER						
	8	1	8C-5236	1	SEAL-LIP TYPE						
	9	1	0S-1618	2	BOLT (5/16-18X1-IN)						



GRAPHIC #1

<END>

g03545896

COOLING SYSTEM

127-8525 RADIATOR GP

46-CV

PART OF 127-8526 RADIATOR GP
AN ATTACHMENT

SMCS-1353

i02657721

NOTE	REF NO	GRAPHIC REF	PART NUMBER	QTY	PART NAME						SEE PAGE
					1	2	3	4	5	6 (PRODUCT LEVEL)	
	1	1	9Y-5985	1	TANK AS-BOTTOM						
	2	2	7X-0345	4	BOLT (5/8-11X1.75-IN)						
	3	2	8T-4122	60	WASHER-HARD (17X32X3.5-MM THK)						
	4	2	7X-0448	28	NUT (5/8-11-THD)						
	5	1	9Y-5992	8	GASKET-RADIATOR CORE						
	6	1	9Y-5983	4	CORE AS-RADIATOR						
	7	1	9Y-5984	1	TANK AS-TOP						
	8	1	9Y-5986	1	TANK AS-CENTER						
	9	1	9Y-6003	8	BRACKET-CORNER						
	10	1	9Y-6004	8	BRACKET-CORNER						
	11	1	9Y-5994	8	PLATE-WASHER						
	12	1	9Y-5995	4	PLATE-WASHER						
	13	1	9Y-5996	8	PLATE-STRAP						
	14	1	9Y-5997	16	PLATE-WASHER						
	15	1	9Y-5998	4	BRACKET-WASHER						
	16	1	9Y-5987	4	CHANNEL AS-SIDE						
	17	1,2	4M-6425	260	BOLT (5/16-18X1-IN)						
	18	1	8T-8911	76	BOLT (5/16-18X2-IN)						
	19	1	8T-8912	28	BOLT (5/16-18X2.25-IN)						
	20	1,2	6V-8189	356	NUT (5/16-18-THD)						
Y	21	2	<i>7E-6681</i>	1	COOLER GP-FUEL						792
	22	1	9Y-5991	2	SPACER AS-CORE						
	23	2	9Y-5993	1	GAUGE GP-SIGHT (COOLANT LEVEL)						
	24	1	6L-8617	1	CAP-PRESSURE (7-PSI) (RADIATOR)						
E	25	1	5P-1420		HOSE (274-CM)						
	26	1	9F-2947	4	CLIP						
	27	1	9Y-5990	4	GUARD AS-CORE						
	28	1	9Y-6007	48	WASHER-FLANGE						
	29	1	9Y-6005	24	BRACKET AS-GUARD						
	30	2	9Y-6006	2	TUBE AS						
	31	2	8T-6765	4	PLUG-PIPE (1/4-18-THD)						
	32	1,2	8T-6761	3	PLUG-PIPE (1-11-1/2 NPT THD)						
	33	2	7E-5576	1	BOX AS-PLENUM						
	34	2	8T-2561	32	WASHER-HARD (10.5X28.5X5-MM THK)						
	35	2	7E-9507	1	PLATE-ORIFICE						
	36	2	9B-7237	32	BOLT (3/8-16X1.25-IN)						
	37	2	150-4153	2	BRACE AS						
	38	2	8T-9397	4	BOLT (3/4-10X1.25-IN)						
	39	2	8T-4994	4	WASHER-HARD (20X36.5X3.5-MM THK)						
	40	2	7E-5574	1	BRACKET						
	41	2	7E-5575	1	BRACKET						
	42	2	8T-9393	28	BOLT (5/8-11X1.5-IN)						
	43	2	127-8522	1	ELBOW AS						
	44	2	127-8523	1	BRACKET AS						
	45	2	127-8524	1	BRACKET AS						
	47	1,2	7H-3937	752	LOCKWASHER						

COOLING SYSTEM

127-8525 **RADIATOR GP (contd.)**

i02657721

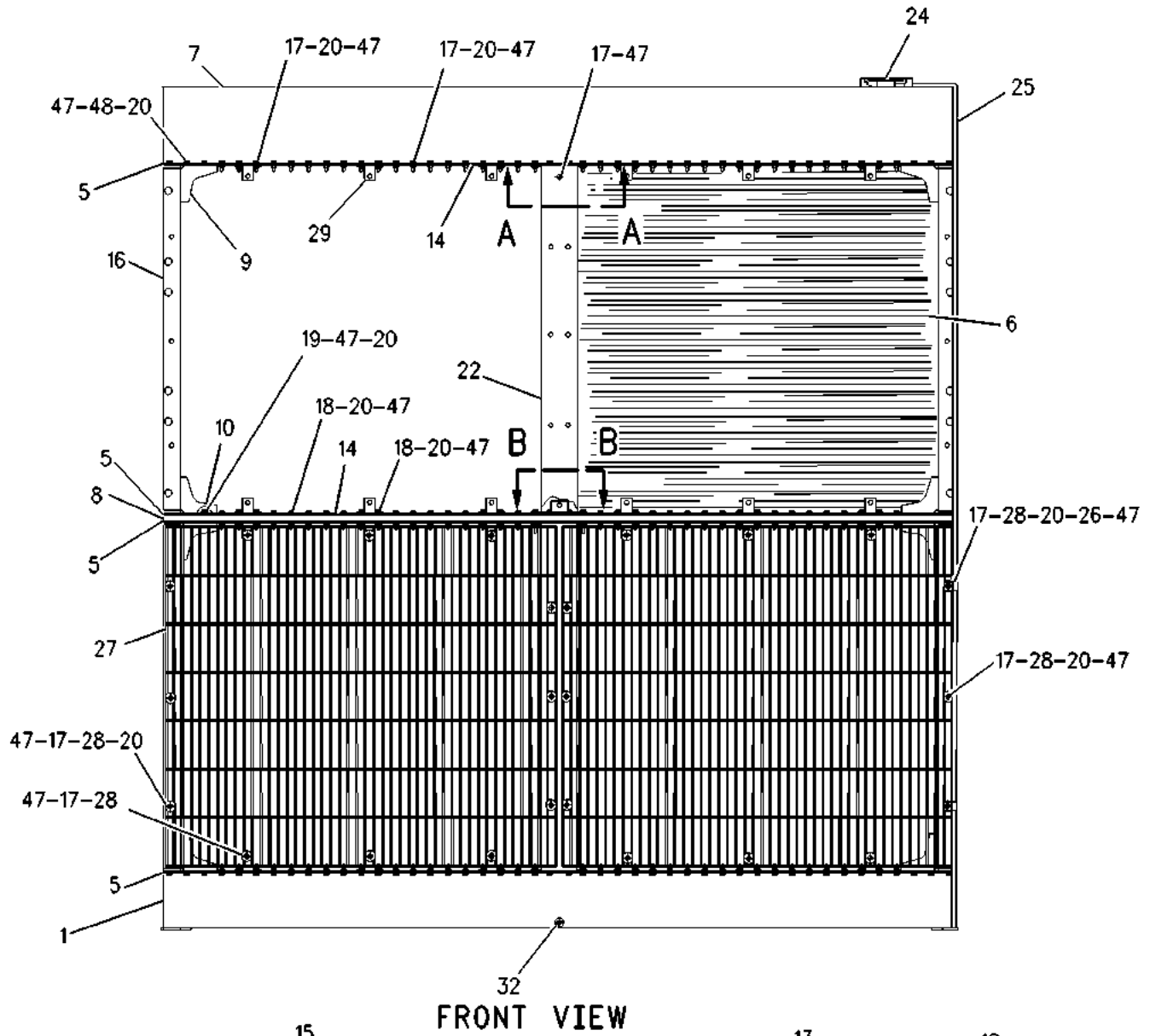
NOTE	REF	GRAPHIC	PART NUMBER	QTY	PART NAME						SEE PAGE
	NO	REF			1	2	3	4	5	6 (PRODUCT LEVEL)	
	48	1	8C-6561	32	BOLT (5/16-18X1.375-IN)						
	49	2	6V-8182	4	NUT (3/4-10-THD)						

E - ORDER BY THE CENTIMETER
 Y - SEPARATE ILLUSTRATION

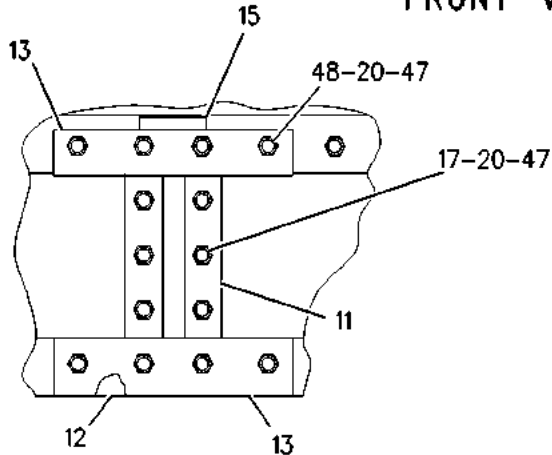
COOLING SYSTEM

127-8525 RADIATOR GP (contd.)

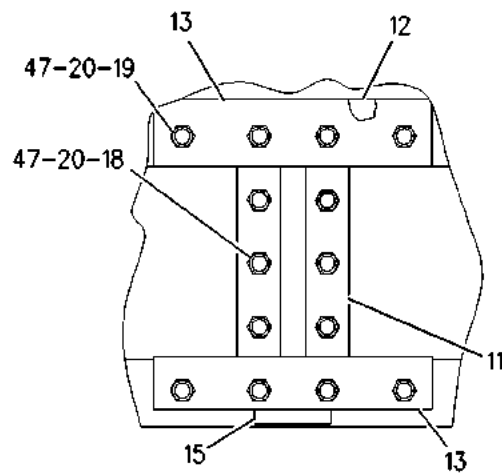
i02657721



FRONT VIEW



SECTION A-A



SECTION B-B

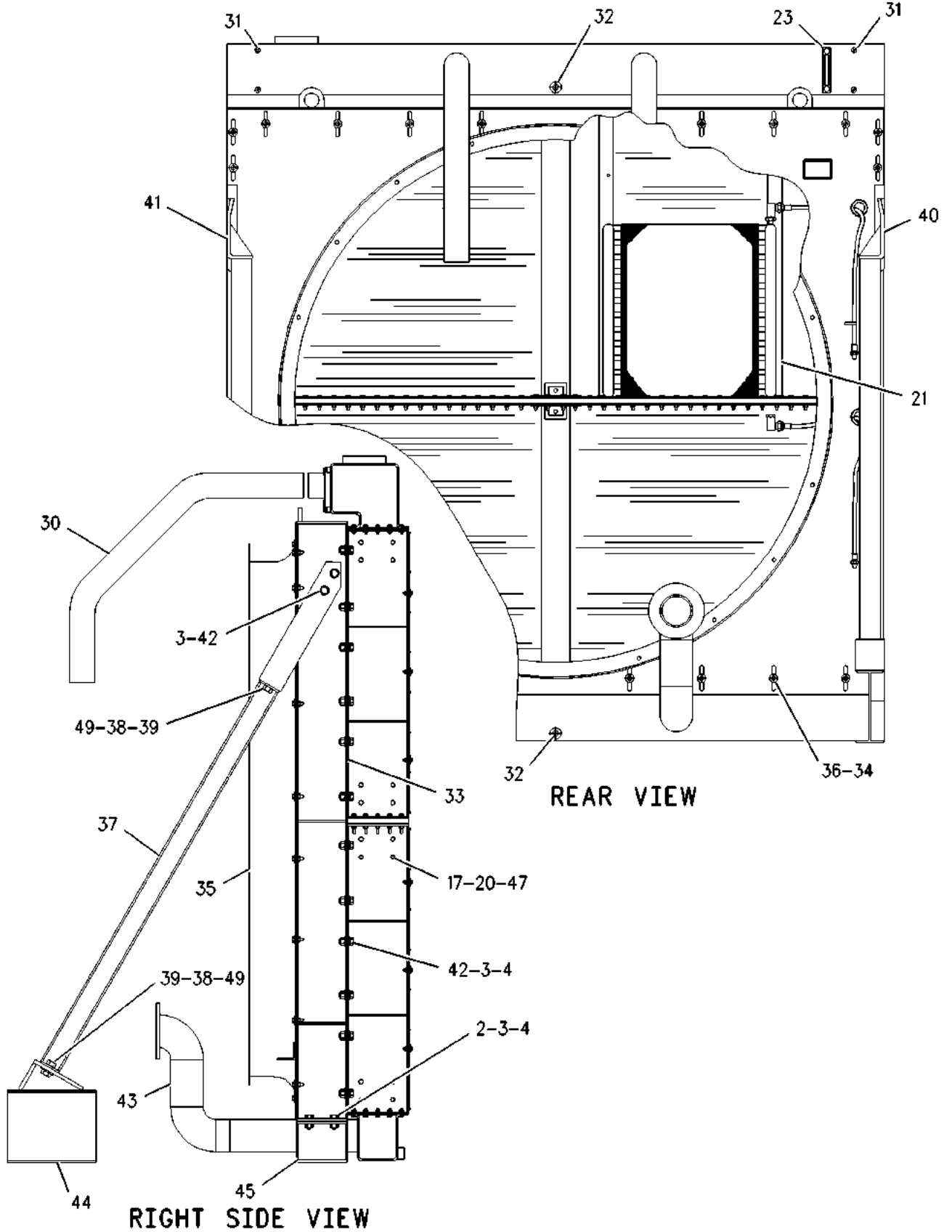
GRAPHIC #1

g00874041

COOLING SYSTEM

127-8525 RADIATOR GP (contd.)

i02657721



REAR VIEW

RIGHT SIDE VIEW

GRAPHIC #2

<END>

g00874060

COOLING SYSTEM

127-8526 RADIATOR GP

46-CV

AN ATTACHMENT

SMCS - 1353

i02370538

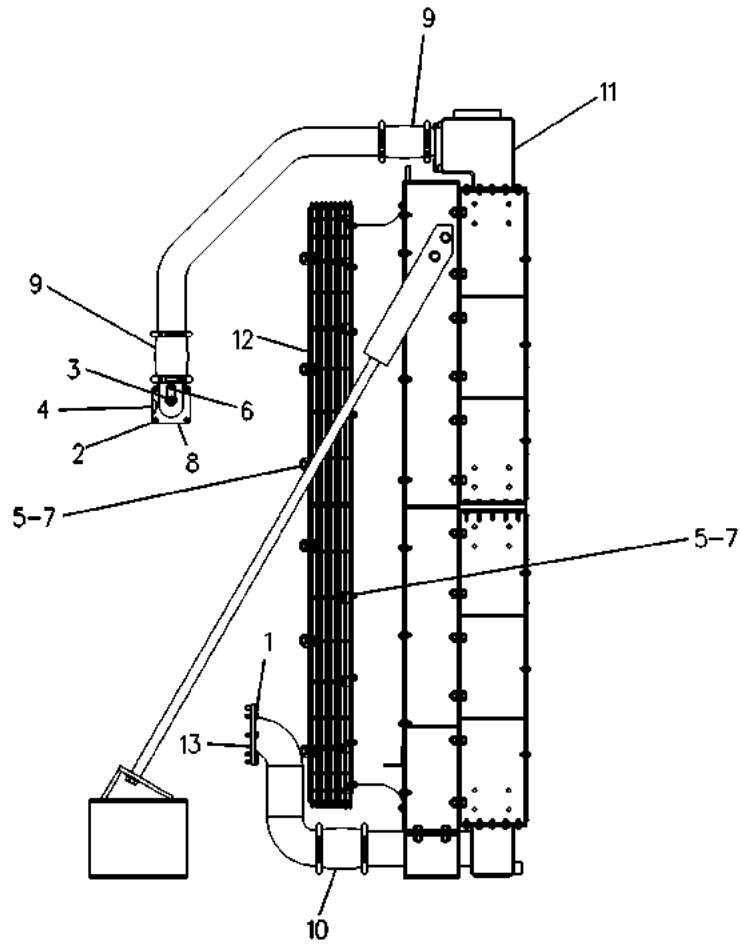
NOTE	REF NO	GRAPHIC REF	PART NUMBER	QTY	PART NAME						SEE PAGE
					1	2	3	4	5	6 (PRODUCT LEVEL)	
	1	1	0S-1588	8	BOLT (3/8-16X1.25-IN)						
	2	1	0S-1594	8	BOLT (3/8-16X1-IN)						
	3	1	7W-6492	2	PLUG-PIPE (1/2-14-THD)						
	4	1	7E-6016	2	GASKET						
	5	1	4L-6454	22	BOLT (3/8-16X1-IN)						
	6	1	8T-6765	2	PLUG-PIPE (1/4-18-THD)						
	7	1	5P-1075	22	WASHER-HARD (10.2X22.5X3-MM THK)						
	8	1	7N-5801	2	ELBOW-OUTLET (WATER)						
	9	1	3N-2451	4	JOINT AS-TUBE						
					(EACH INCLUDES)						
		1	9X-7537	2	SEAL						
	10	1	8T-9001	1	JOINT AS-TUBE						
		1	9X-7539	2	SEAL						
Y	11	1	<i>127-8525</i>	1	RADIATOR GP						610
	12	1	9Y-7645	2	GUARD AS-FAN						
					(EACH INCLUDES)						
		1	1F-0750	11	NUT-WELD (3/8-16-THD)						
		1	6N-8599	3	CLIP						
	13	1	1S-5772	1	GASKET						

Y - SEPARATE ILLUSTRATION

COOLING SYSTEM

127-8526 RADIATOR GP (contd.)

102370538



GRAPHIC #1

<END>

g00265642

COOLING SYSTEM

328-1424 RADIATOR GP

72-25 FOLDED CORE

AN ATTACHMENT

SMCS-1353

i06580357

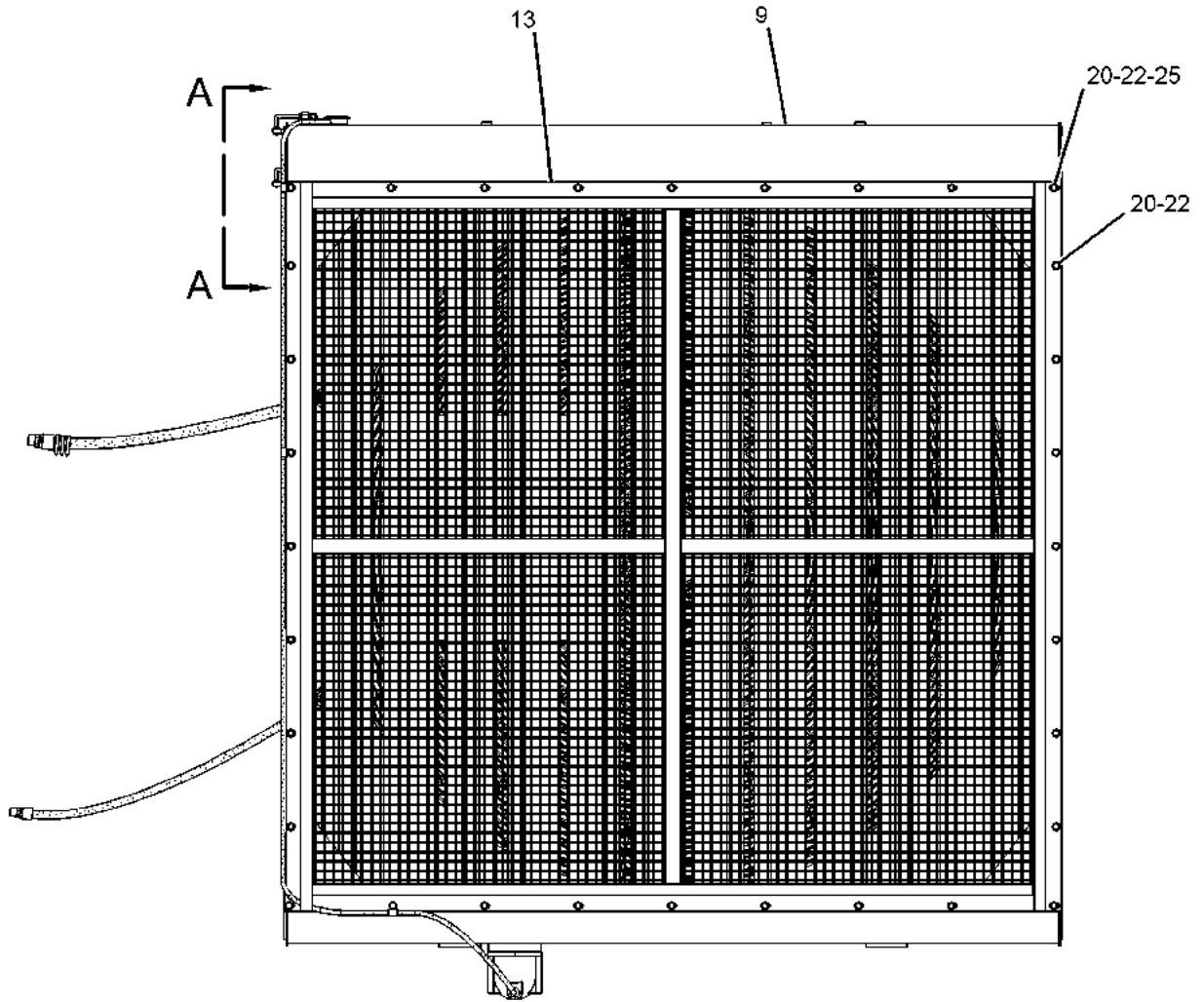
NOTE	REF NO	GRAPHIC REF	PART NUMBER	QTY	PART NAME						SEE PAGE
					1	2	3	4	5	6 (PRODUCT LEVEL)	
	1	2	2H-3939	1	ELBOW						
	2	2	2L-8228	1	ELBOW						
	3	2	2N-9768	1	SWITCH-LIQUID LEVEL (ENGINE COOLANT)						
I	4	2	3N-4906	1	HOSE AS						
	5	2	4P-1701	1	KIT-COOLER MOUNTING						
	6	2	4P-9941	2	GUARD AS-FAN						
					(EACH INCLUDES)						
		2	1F-0750	3	NUT-WELD (3/8-16-THD)						
		2	6N-8599	3	CLIP						
	7	2	5S-7382	2	BOLT (3/8-16X1.375-IN)						
Y	9	1	7C-4401	1	RADIATOR GP						623
	10	2	7D-8793	1	ELBOW-FLARED						
	11	2	7E-6633	1	COOLER-FUEL						
	12	1	7E-6685	2	SUPPORT AS						
	13	1	7W-2035	1	GUARD AS-RADIATOR						
I	14	2	8N-1186	1	HOSE AS						
	15	2	9Y-7697	2	TUBE AS-GAUGE						
	16	1,2	032-1268	3	CONNECTOR (90-DEG)						
B	17	2	034-1432	3	STRAP-CABLE						
	18	2	228-0413	1	PLATE						
	19	2	1V-9020	2	PLUG						
	20	1,2	4L-6454	70	BOLT (3/8-16X1-IN)						
	21	2	4M-5281	2	BOLT (1/4-20X0.75-IN)						
	22	1,2	5P-1075	86	WASHER-HARD (10.2X22.5X3-MM THK)						
	23	2	6B-9081	2	BUSHING-REDUCER						
	24	2	6P-0699	2	GROMMET						
	25	1,2	6V-8801	42	NUT (3/8-16-THD)						
	26	1,2	8T-2561	32	WASHER-HARD (10.5X28.5X5-MM THK)						
	27	2	8T-4205	2	WASHER-HARD (7.2X14.5X2-MM THK)						
	28	1	9B-7237	4	BOLT (3/8-16X1.25-IN)						
	29	1	9F-2947	3	CLIP						
D	30	1	5P-5991		HOSE (3-M)						

B - USE AS REQUIRED
D - ORDER BY THE METER
I - REFER TO HYDRAULIC INFORMATION SYSTEM
Y - SEPARATE ILLUSTRATION

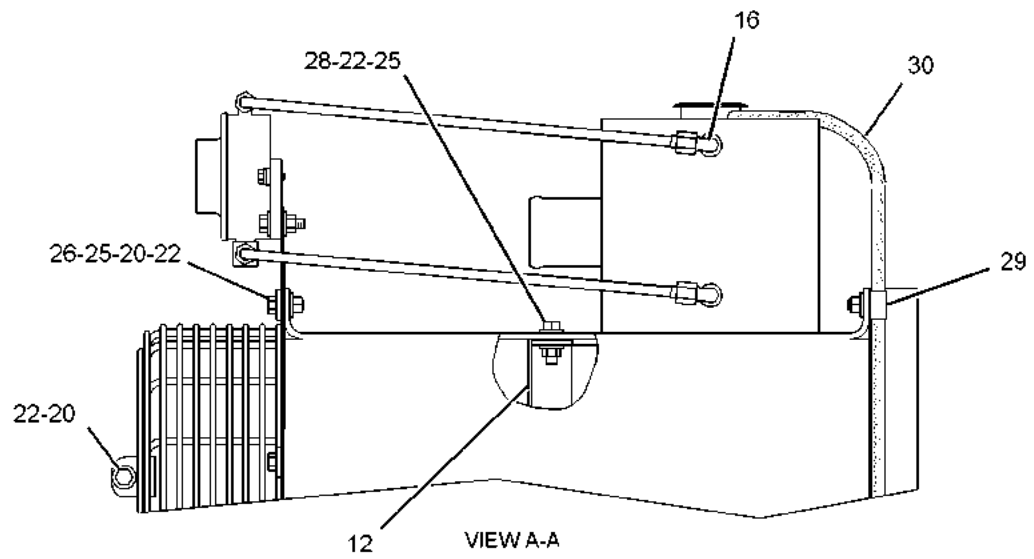
COOLING SYSTEM

328-1424 RADIATOR GP (contd.)

106580357



FRONT VIEW



VIEW A-A

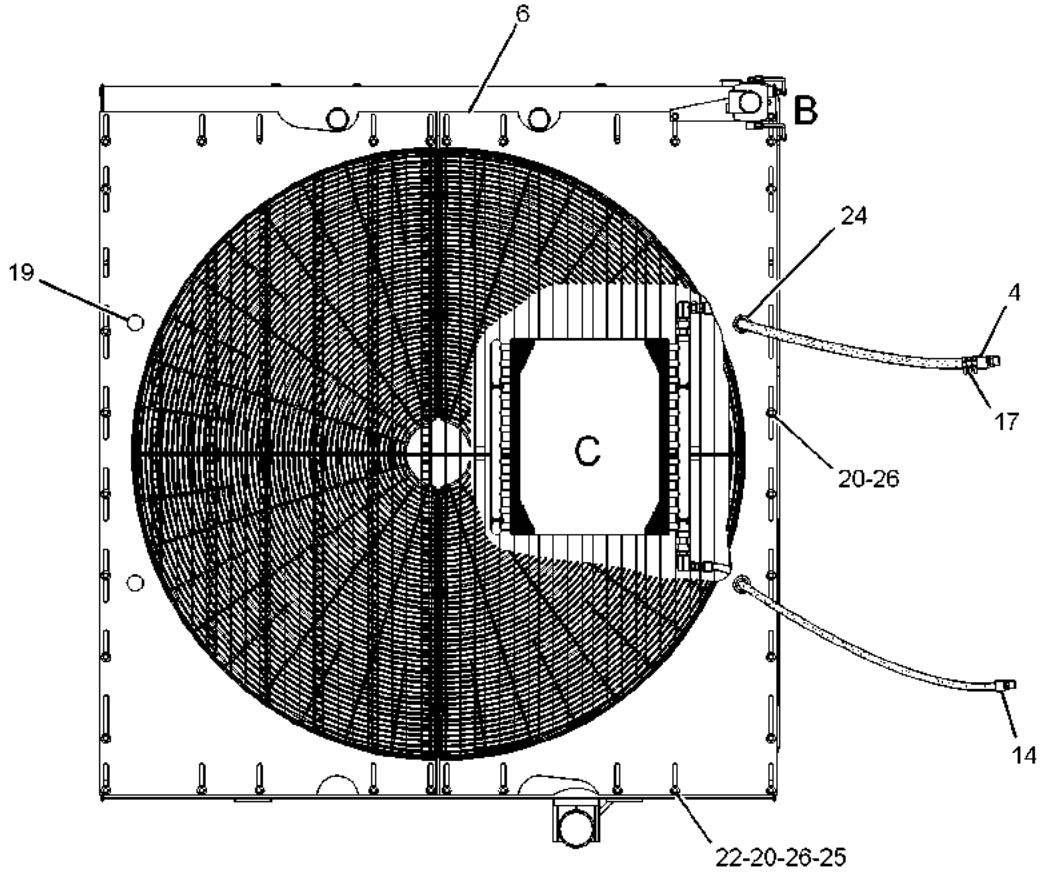
GRAPHIC #1

g01890473

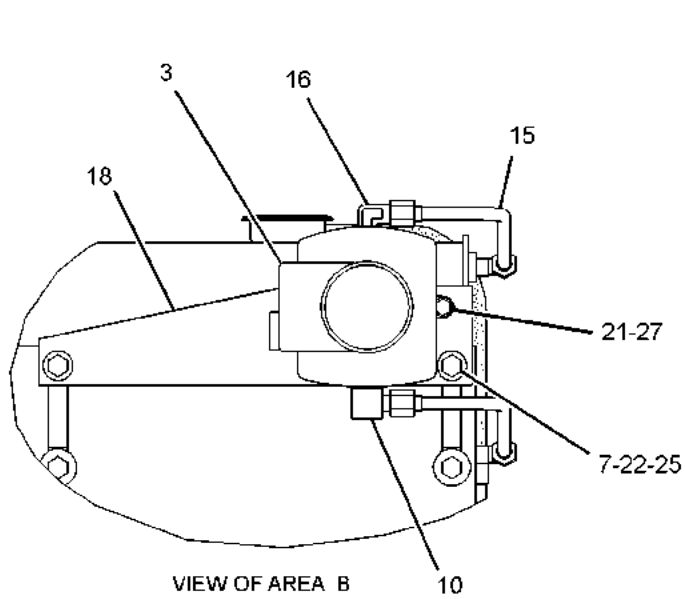
COOLING SYSTEM

328-1424 RADIATOR GP (contd.)

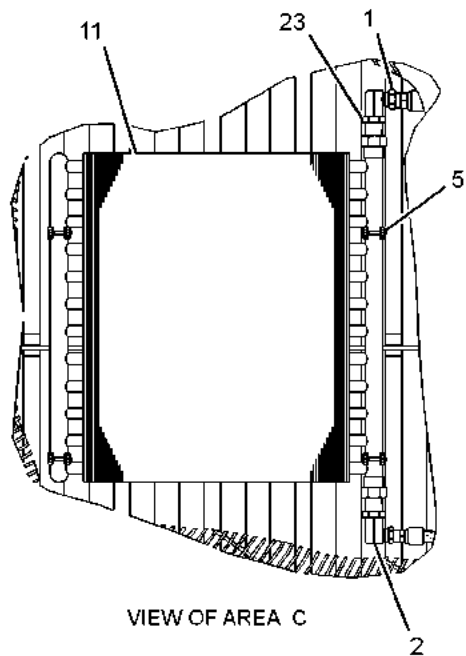
i06580357



REAR VIEW



VIEW OF AREA B



VIEW OF AREA C

GRAPHIC #2

<END>

g01891140

COOLING SYSTEM

328-1425 RADIATOR GP

60-13 FOLDED CORE
AN ATTACHMENT

SMCS-1353

i07390388

NOTE	REF NO	GRAPHIC REF	PART NUMBER	QTY	PART NAME						SEE PAGE
					1	2	3	4	5	6	
	1	1	2H-3939	1	ELBOW						
	2	1	2L-8228	1	ELBOW						
	3	1	2N-9768	1	SWITCH-LIQUID LEVEL (ENGINE COOLANT)						
I	4	1	3N-4906	1	HOSE AS						
	5	1	4P-1701	1	KIT-COOLER MOUNTING						
Y	7	1	7C-4402	1	RADIATOR GP						625
	8	1	7E-6633	1	COOLER-FUEL						
	9	1	7E-6684	2	SUPPORT AS						
	10	1	7E-8937	1	TUBE AS-GAUGE (TOP)						
	11	1	7W-4158	1	GUARD AS						
I	12	1	8N-1186	1	HOSE AS						
	13	1	9Y-7161	2	GUARD AS-FAN						
					(EACH INCLUDES)						
		1	1F-0750	2	NUT-WELD (3/8-16-THD)						
		1	6N-8599	2	CLIP						
	14	1	9Y-7189	1	TUBE AS-GAUGE (BOTTOM)						
	15	1	9Y-7580	1	SUPPORT AS-SWITCH						
	16	1	032-1268	3	CONNECTOR (90-DEG)						
B	17	1	034-1432	3	STRAP-CABLE						
	18	1	1V-9020	2	PLUG						
	19	1	4L-6454	48	BOLT (3/8-16X1-IN)						
	20	1	4M-5281	2	BOLT (1/4-20X0.75-IN)						
	21	1	4M-6425	4	BOLT (5/16-18X1-IN)						
	22	1	5P-1075	54	WASHER-HARD (10.2X22.5X3-MM THK)						
	23	1	6B-9081	2	BUSHING-REDUCER						
	24	1	6P-0699	2	GROMMET						
	25	1	6V-8189	4	NUT (5/16-18-THD)						
	26	1	6V-8801	26	NUT (3/8-16-THD)						
	27	1	7D-8793	1	ELBOW-FLARED						
	28	1	8T-2561	20	WASHER-HARD (10.5X28.5X5-MM THK)						
	29	1	8T-4205	2	WASHER-HARD (7.2X14.5X2-MM THK)						
	30	1	8T-4224	8	WASHER-HARD (8.8X16X2-MM THK)						
	31	1	9F-2947	3	CLIP						
D	32	1	5P-5991		HOSE (3-M)						

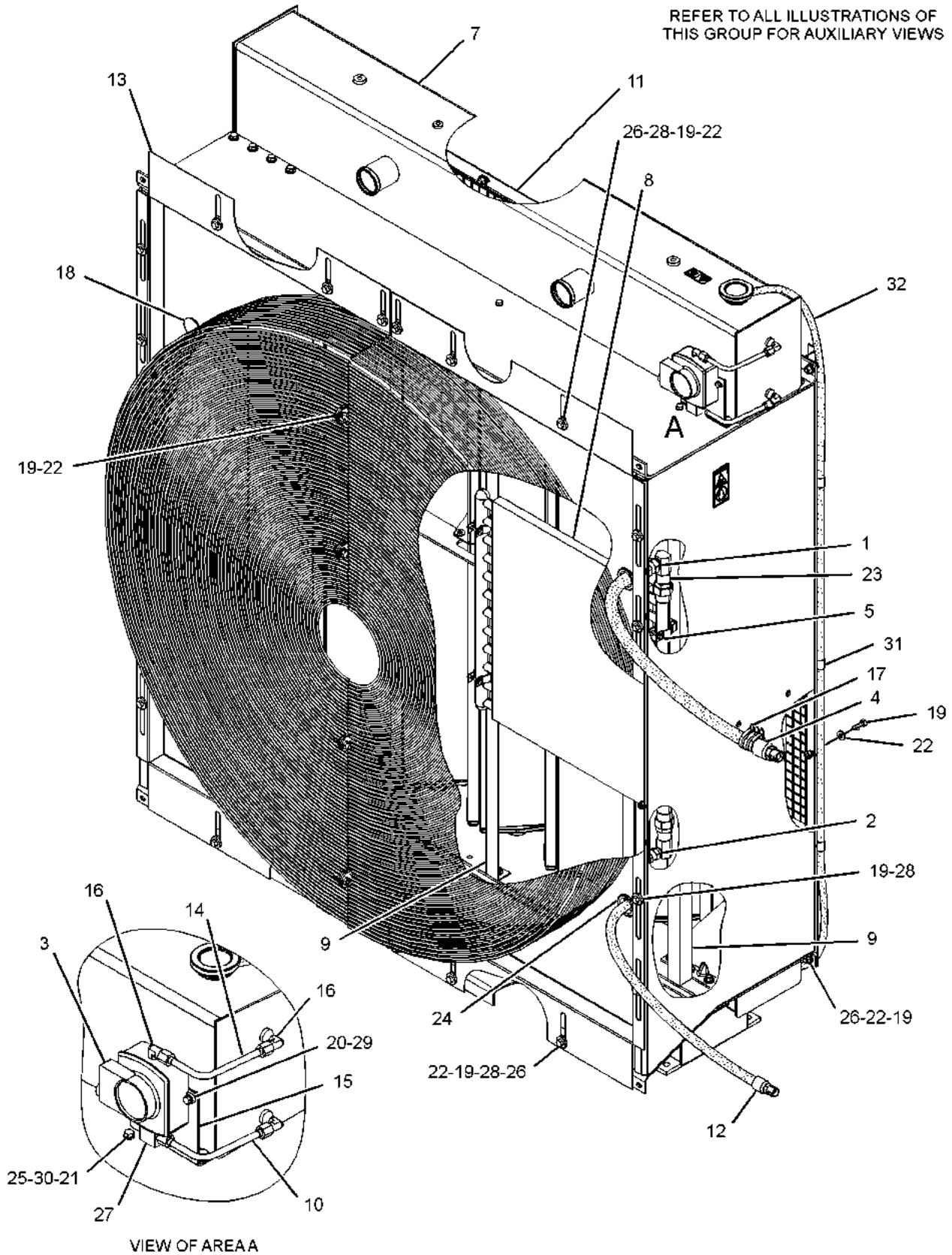
B - USE AS REQUIRED
D - ORDER BY THE METER
I - REFER TO HYDRAULIC INFORMATION SYSTEM
Y - SEPARATE ILLUSTRATION

COOLING SYSTEM

328-1425 RADIATOR GP (contd.)

i07390388

REFER TO ALL ILLUSTRATIONS OF THIS GROUP FOR AUXILIARY VIEWS



GRAPHIC #1

<END>

g06308403

COOLING SYSTEM

361-7756 RADIATOR GP

46-CV

AN ATTACHMENT

SMCS-1353

i04191771

NOTE	REF NO	GRAPHIC REF	PART NUMBER	QTY	PART NAME						SEE PAGE
					1	2	3	4	5	6 (PRODUCT LEVEL)	
	1	1	4P-3117	1	VALVE-BALL						
	2	1	5P-0054	4	JOINT AS						
					(EACH INCLUDES)						
		1	9X-7340	2	SEAL						
	3	1	7W-1506	1	ELBOW						
YR	4	1	9Y-6675	1	RADIATOR GP						632
	5	1	9Y-7645	2	GUARD AS-FAN						
					(EACH INCLUDES)						
		1	1F-0750	11	NUT-WELD (3/8-16-THD)						
		1	6N-8599	3	CLIP						
	6	1	319-5890	1	JOINT AS-TUBE						
		1	319-5889	2	SEAL						
	7	1	201-2184	4	BOLT (3/4-10X2.25-IN)						
	8	1	251-5715	6	BOLT (3/4-10X4.25-IN)						
	9	1	3B-7749	1	NIPPLE-PIPE						
	10	1	4L-6454	22	BOLT (3/8-16X1-IN)						
	11	1	5P-1075	22	WASHER-HARD (10.2X22.5X3-MM THK)						
	12	1	6V-3835	1	SEAL-O-RING						
	13	1	6V-8182	10	NUT (3/4-10-THD)						
	14	1	8C-7323	2	BOLT (3/8-16X6-IN)						
	15	1	8T-4994	20	WASHER-HARD (20X36.5X3.5-MM THK)						
	16	1	9B-7237	5	BOLT (3/8-16X1.25-IN)						

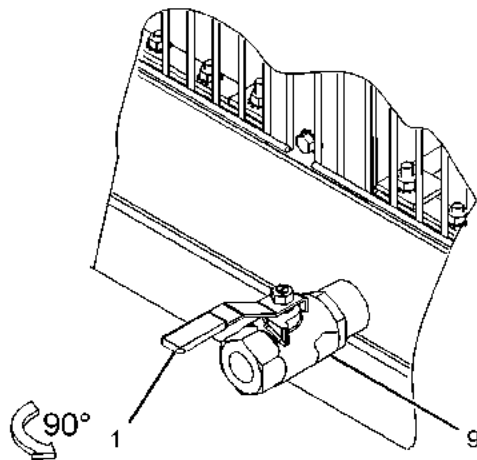
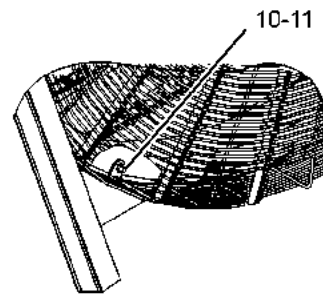
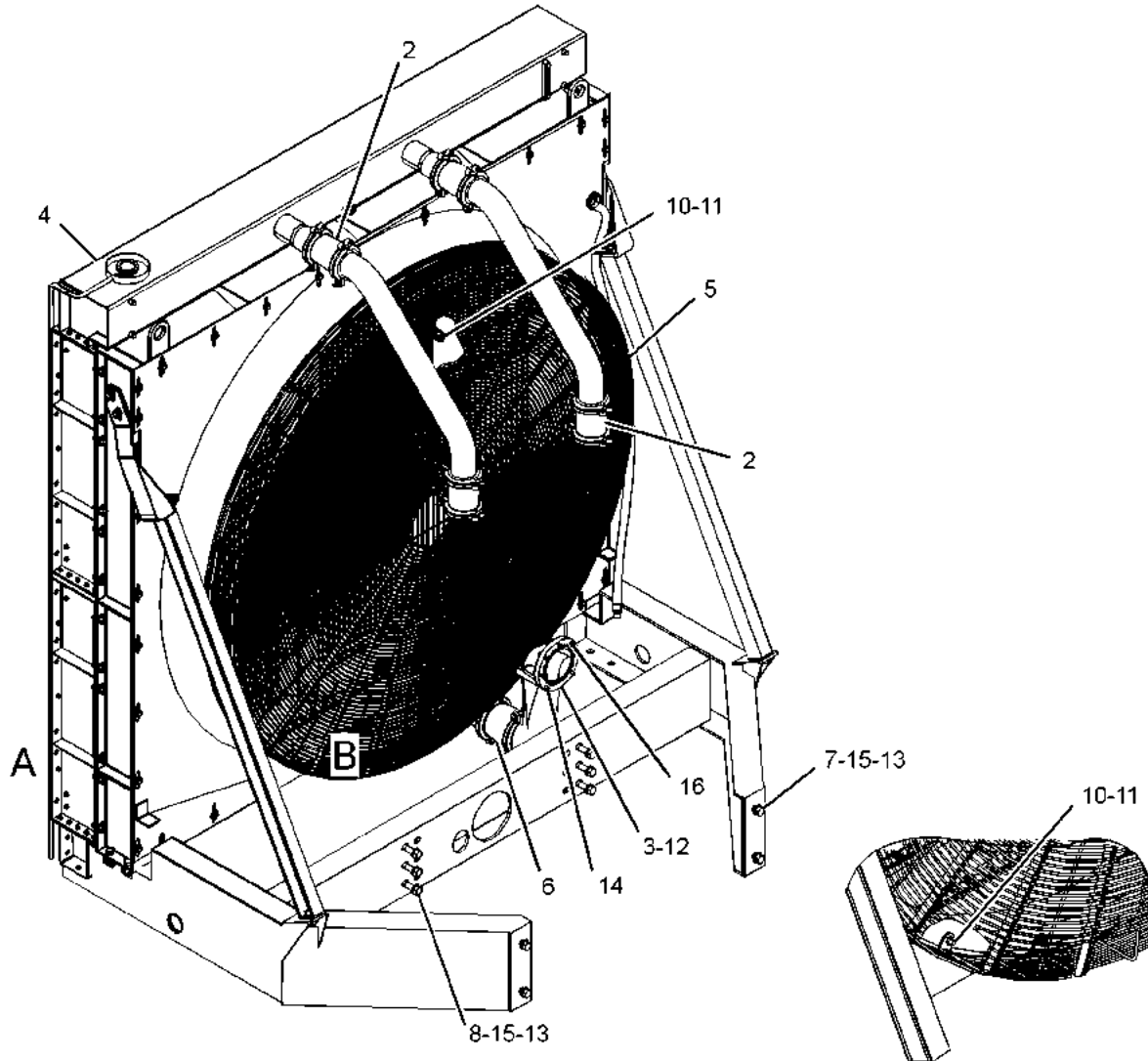
R - REMANUFACTURED PART MAY BE AVAILABLE

Y - SEPARATE ILLUSTRATION

COOLING SYSTEM

361-7756 RADIATOR GP (contd.)

i04191771



GRAPHIC #1

<END>

g02393001

COOLING SYSTEM

7C-4401 RADIATOR GP 72-25 FOLDED CORE PART OF 328-1424, 7E-7528 RADIATOR GP AN ATTACHMENT

SMCS-1353

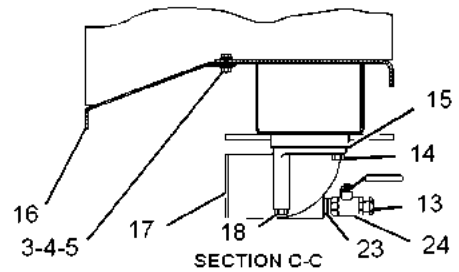
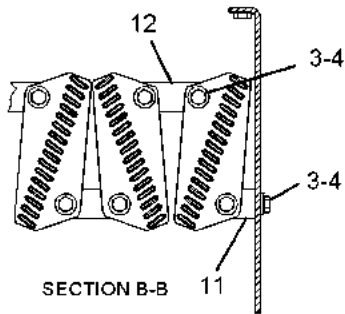
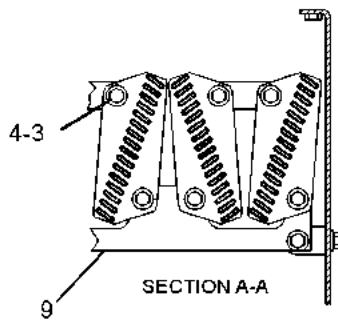
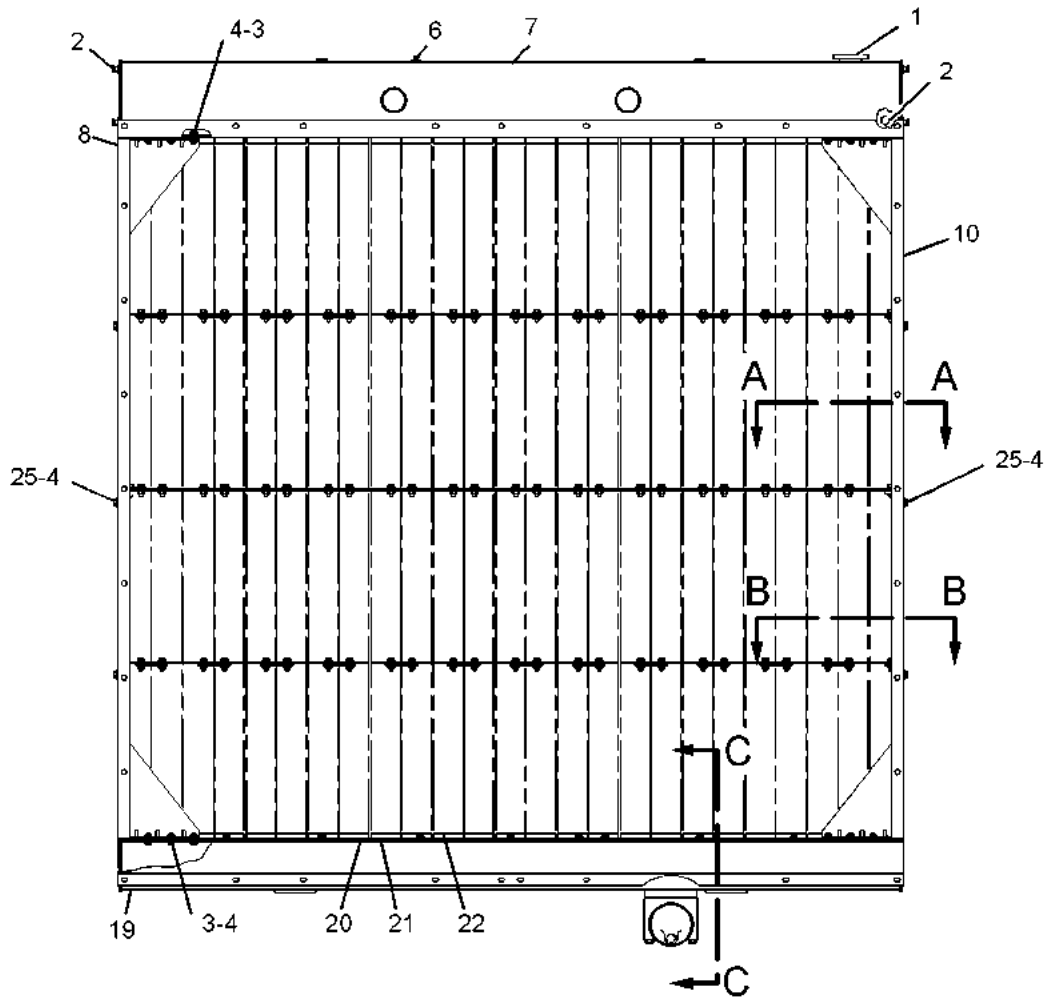
i03861330

NOTE	REF NO	GRAPHIC REF	PART NUMBER	QTY	PART NAME						SEE PAGE
					1	2	3	4	5	6 (PRODUCT LEVEL)	
	1	1	6L-8617	1	CAP-PRESSURE (7-PSI) (RADIATOR)						
	2	1	8T-6765	5	PLUG-PIPE (1/4-18-THD)						
	3	1	4L-6454	197	BOLT (3/8-16X1-IN)						
	4	1	5P-1075	209	WASHER-HARD (10.2X22.5X3-MM THK)						
	5	1	6V-8801	9	NUT (3/8-16-THD)						
	6	1	8T-6764	1	PLUG-PIPE (1/8-27-THD)						
	7	1	7C-4236	1	TANK AS-TOP						
		1	1F-2417	5	BOSS (1/4-28-THD)						
		1	3L-5893	1	TUBE-OVERFLOW						
		1	6B-9807	1	BOSS						
		1	8N-8846	1	NECK-FILLER						
	8	1	7C-4241	1	CHANNEL AS (LH)						
		1	1F-0750	30	NUT-WELD (3/8-16-THD)						
	9	1	7W-1986	1	PLATE AS						
		1	1F-0750	25	NUT-WELD (3/8-16-THD)						
	10	1	7C-4240	1	CHANNEL AS (RH)						
		1	1F-0750	30	NUT-WELD (3/8-16-THD)						
	11	1	2W-5330	7	BRACKET AS						
					(EACH INCLUDES)						
		1	1F-0750	2	NUT-WELD (3/8-16-THD)						
	12	1	2W-5551	60	STRAP AS						
					(EACH INCLUDES)						
		1	1F-0750	2	NUT-WELD (3/8-16-THD)						
	13	1	3E-7430	1	PLUG-PIPE (3/4-14-THD)						
	14	1	0S-1621	2	BOLT (1/2-13X1-IN)						
	15	1	8N-3248	1	GASKET						
	16	1	7W-2285	1	PLATE-EXTENSION						
	17	1	7C-4344	1	ELBOW-OUTLET						
	18	1	9X-8877	2	BOLT (1/2-13X5-IN)						
	19	1	7C-4232	1	TANK AS-BOTTOM						
	20	1	160-6387	25	SEAL-END TANK						
	21	1	160-6386	25	SEAL-END TANK						
	22	1	2W-0181	25	CORE AS-RADIATOR						
					(EACH INCLUDES)						
		1	9Y-1766	1	TANK AS						
		1	9Y-1767	1	TANK AS						
	23	1	3B-7745	1	NIPPLE-PIPE						
	24	1	112-4036	1	VALVE AS-SHUTOFF						
	25	1	4L-9337	3	BOLT (3/8-16X1.5-IN)						

COOLING SYSTEM

7C-4401 RADIATOR GP (contd.)

i03861330



GRAPHIC #1

<END>

g01119788

COOLING SYSTEM

7C-4402 RADIATOR GP 60-13 FOLDED CORE PART OF 328-1425, 7E-7527 RADIATOR GP AN ATTACHMENT

SMCS-1353

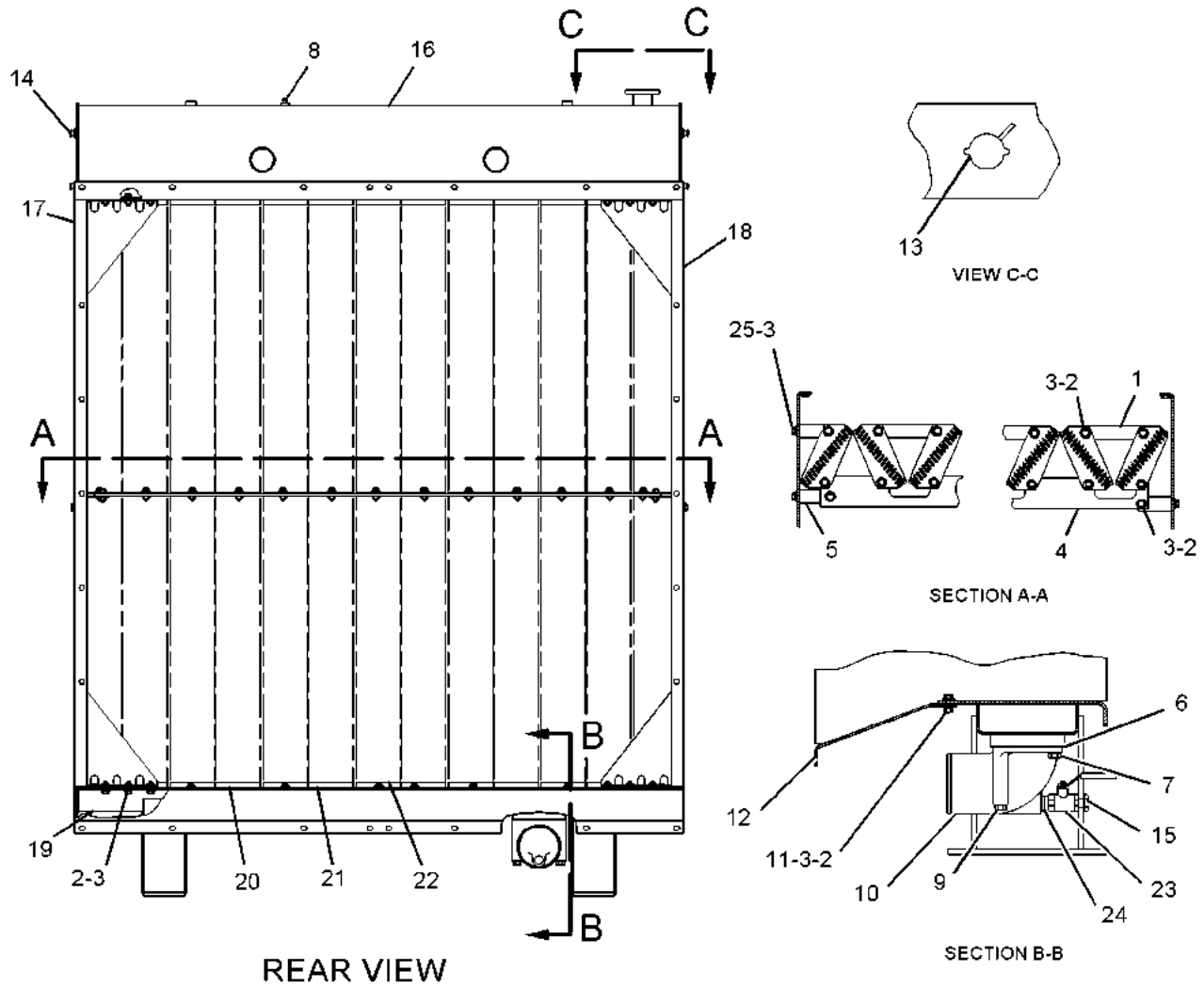
i02657696

NOTE	REF NO	GRAPHIC REF	PART NUMBER	QTY	PART NAME						SEE PAGE
					1	2	3	4	5	6 (PRODUCT LEVEL)	
	1	1	2W-5563	6	STRAP AS						
					(EACH INCLUDES)						
		1	1F-0750	2	NUT-WELD (3/8-16-THD)						
2		1	4L-6454	67	BOLT (3/8-16X1-IN)						
3		1	5P-1075	77	WASHER-HARD (10.2X22.5X3-MM THK)						
4		1	7W-4230	1	PLATE AS						
		1	1F-0750	13	NUT-WELD (3/8-16-THD)						
5		1	2W-7931	3	BRACKET AS						
					(EACH INCLUDES)						
		1	1F-0750	2	NUT-WELD (3/8-16-THD)						
6		1	8N-3248	1	GASKET						
7		1	0S-1621	2	BOLT (1/2-13X1-IN)						
8		1	8T-6764	1	PLUG-PIPE (1/8-27-THD)						
9		1	9X-8877	2	BOLT (1/2-13X5-IN)						
10		1	7C-4344	1	ELBOW-OUTLET						
11		1	6V-8801	7	NUT (3/8-16-THD)						
12		1	7W-3565	1	PLATE						
13		1	6L-8617	1	CAP-PRESSURE (7-PSI) (RADIATOR)						
14		1	8T-6765	4	PLUG-PIPE (1/4-18-THD)						
15		1	3E-7430	1	PLUG-PIPE (3/4-14-THD)						
16		1	7C-4237	1	TANK AS-TOP						
17		1	7C-4243	1	CHANNEL AS (LH)						
		1	1F-0750	27	NUT-WELD (3/8-16-THD)						
18		1	7C-4242	1	CHANNEL AS (RH)						
		1	1F-0750	27	NUT-WELD (3/8-16-THD)						
19		1	7C-4233	1	TANK AS-BOTTOM						
20		1	160-6387	13	SEAL-END TANK						
21		1	160-6386	13	SEAL-END TANK						
22		1	7W-9541	13	CORE AS-RADIATOR						
23		1	112-4036	1	VALVE AS-SHUTOFF (RADIATOR DRAIN)						
24		1	3B-7745	1	NIPPLE-PIPE						
25		1	4L-9337	3	BOLT (3/8-16X1.5-IN)						

COOLING SYSTEM

7C-4402 RADIATOR GP (contd.)

102657696



GRAPHIC #1

<END>

g01119756

COOLING SYSTEM

7C-4403 RADIATOR GP

50-11 FOLDED CORE

PART OF 7C-4501 RADIATOR GP

AN ATTACHMENT

SMCS-1353

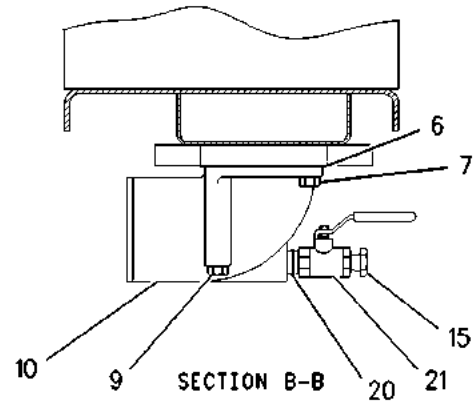
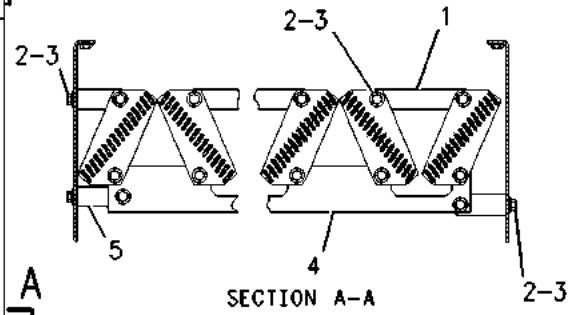
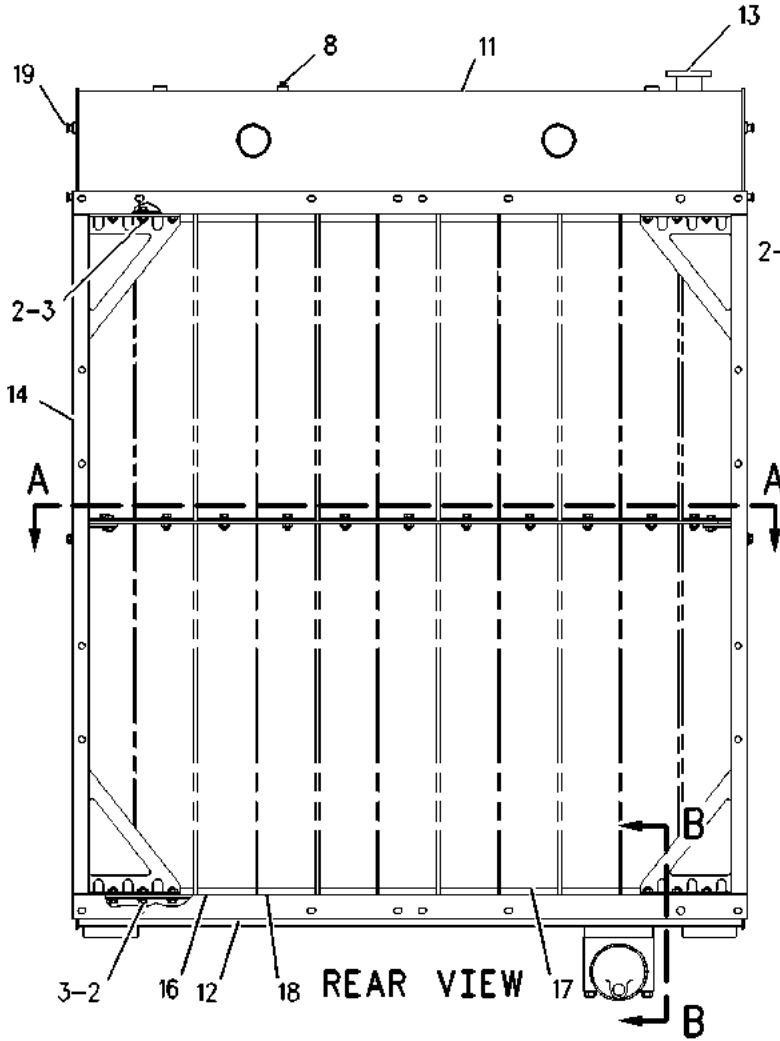
i02657716

NOTE	REF NO	GRAPHIC REF	PART NUMBER	QTY	PART NAME						SEE PAGE
					1	2	3	4	5	6 (PRODUCT LEVEL)	
	1	1	2W-5563	5	STRAP AS						
					(EACH INCLUDES)						
		1	1F-0750	2	NUT-WELD (3/8-16-THD)						
2		1	4L-6454	59	BOLT (3/8-16X1-IN)						
3		1	5P-1075	59	WASHER-HARD (10.2X22.5X3-MM THK)						
4		1	7W-6107	1	PLATE AS						
		1	1F-0750	11	NUT-WELD (3/8-16-THD)						
5		1	2W-7931	3	BRACKET AS						
					(EACH INCLUDES)						
		1	1F-0750	2	NUT-WELD (3/8-16-THD)						
6		1	8N-3248	1	GASKET						
7		1	0S-1621	2	BOLT (1/2-13X1-IN)						
8		1	8T-6764	1	PLUG-PIPE (1/8-27-THD)						
9		1	9X-8877	2	BOLT (1/2-13X5-IN)						
10		1	7C-4344	1	ELBOW-OUTLET						
11		1	7C-4238	1	TANK AS-TOP						
12		1	7C-4234	1	TANK AS-BOTTOM						
13		1	6L-8617	1	CAP-PRESSURE (7-PSI) (RADIATOR)						
14		1	7C-4245	2	CHANNEL AS						
					(EACH INCLUDES)						
		1	1F-0750	25	NUT-WELD (3/8-16-THD)						
15		1	3E-7430	1	PLUG-PIPE (3/4-14-THD)						
16		1	160-6387	11	SEAL-END TANK (WIDE END)						
17		1	2W-6632	11	CORE AS-RADIATOR						
18		1	160-6386	11	SEAL-END TANK (NARROW END)						
19		1	8T-6765	4	PLUG-PIPE (1/4-18-THD)						
20		1	3B-7745	1	NIPPLE-PIPE						
21		1	112-4036	1	VALVE AS-SHUTOFF (RADIATOR DRAIN)						

COOLING SYSTEM

7C-4403 RADIATOR GP (contd.)

i02657716



GRAPHIC #1

<END>

g00899813

COOLING SYSTEM

7C-4501 RADIATOR GP

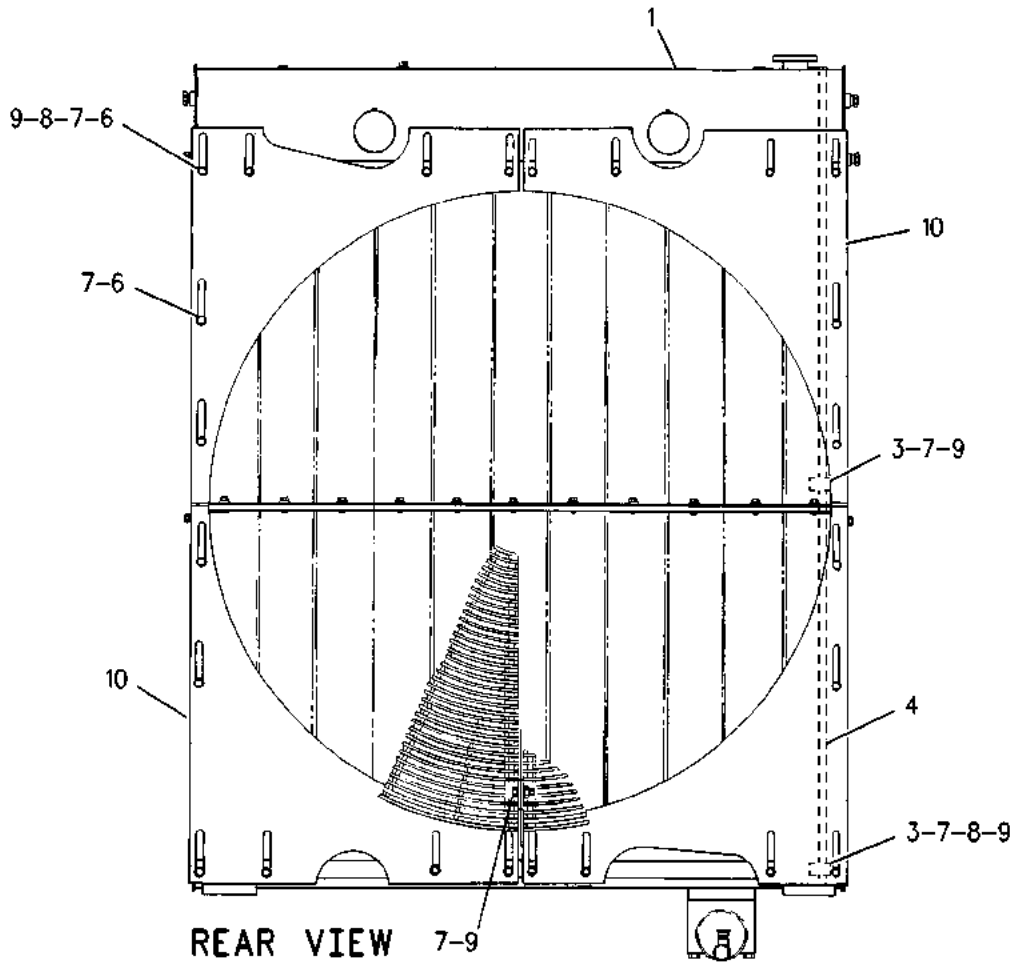
50-11 FOLDED CORE
AN ATTACHMENT

SMCS-1353

i01758741

NOTE	REF NO	GRAPHIC REF	PART NUMBER	QTY	PART NAME						SEE PAGE
					1	2	3	4	5	6 (PRODUCT LEVEL)	
Y	1	1	7C-4403	1	RADIATOR GP						627
	3	1	9F-2947	3	CLIP						
D	4	1	5P-5991		HOSE (2M)						
	6	1	8T-2561	24	WASHER-HARD (10.5X28.5X5-MM THK)						
	7	1	4L-6454	31	BOLT (3/8-16X1-IN)						
C	8	1	6V-8801	18	NUT (3/8-16-THD)						
	9	1	5P-1075	25	WASHER-HARD (10.2X22.5X3-MM THK)						
	10	1	9Y-7160	2	GUARD AS-FAN						
(EACH INCLUDES)											
		1	6N-8599	2	CLIP						
		1	1F-0750	2	NUT-WELD (3/8-16-THD)						

C - CHANGE FROM PREVIOUS TYPE
D - ORDER BY THE METER
Y - SEPARATE ILLUSTRATION



GRAPHIC #1

<END>

g00899846

COOLING SYSTEM

7E-7527 RADIATOR GP

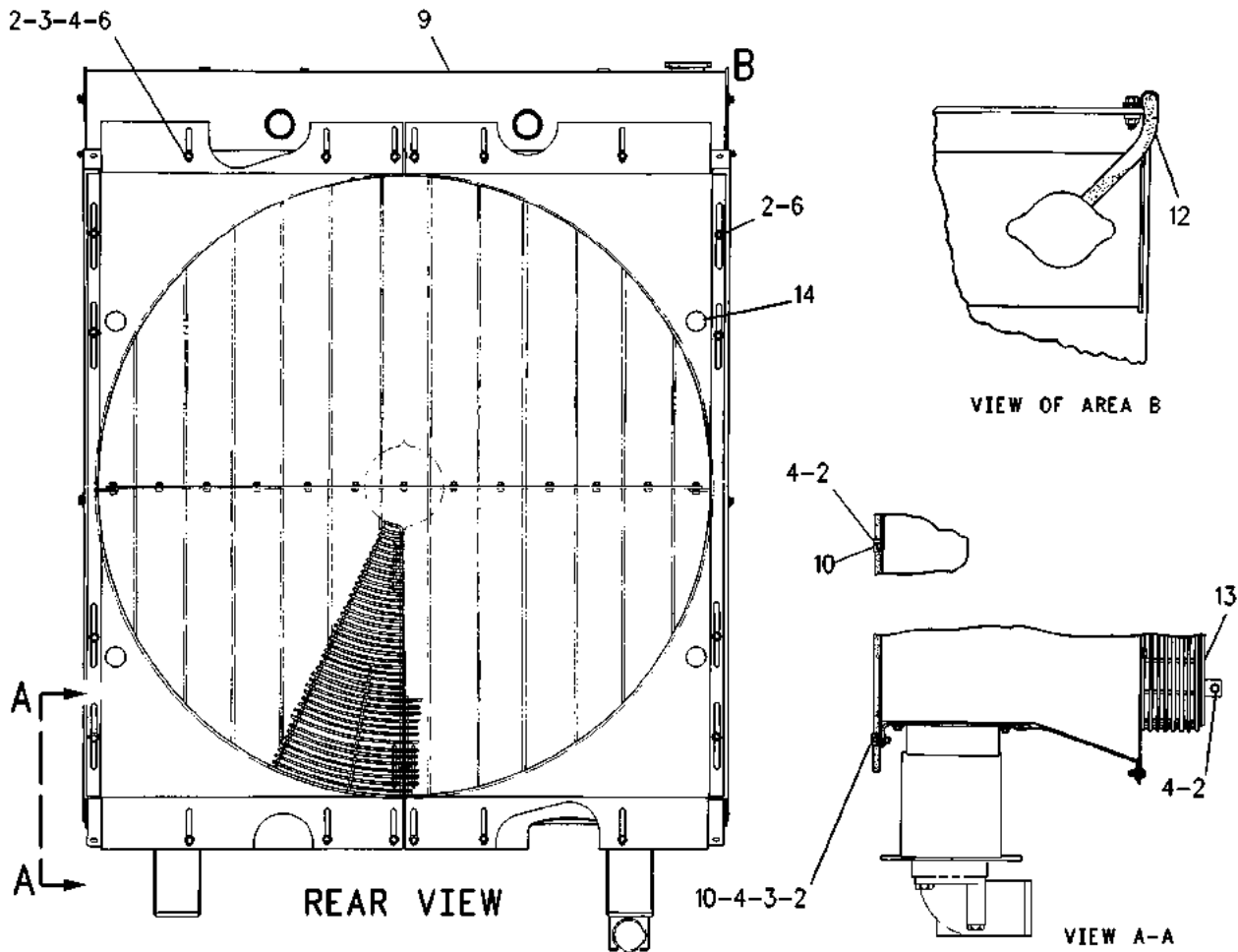
60-13 FOLDED CORE
FOR USE WITH 10/13-INCH RAILS
AN ATTACHMENT

SMCS-1353

i02179383

NOTE	REF NO	GRAPHIC REF	PART NUMBER	QTY	PART NAME						SEE PAGE
					1	2	3	4	5	6 (PRODUCT LEVEL)	
	2	1	4L-6454	27	BOLT (3/8-16X1-IN)						
	3	1	6V-8801	14	NUT (3/8-16-THD)						
	4	1	5P-1075	21	WASHER-HARD (10.2X22.5X3-MM THK)						
	6	1	8T-2561	20	WASHER-HARD (10.5X28.5X5-MM THK)						
Y	9	1	7C-4402	1	RADIATOR GP						625
	10	1	9F-2947	3	CLIP						
D	12	1	5P-5991		HOSE (2.4-M)						
	13	1	9Y-7161	2	GUARD AS-FAN						
					(EACH INCLUDES)						
		1	1F-0750	2	NUT-WELD (3/8-16-THD)						
		1	6N-8599	2	CLIP						
	14	1	1V-9020	4	PLUG						

D - ORDER BY THE METER
Y - SEPARATE ILLUSTRATION



GRAPHIC #1

<END>

g00899821

COOLING SYSTEM

7E-7528 RADIATOR GP

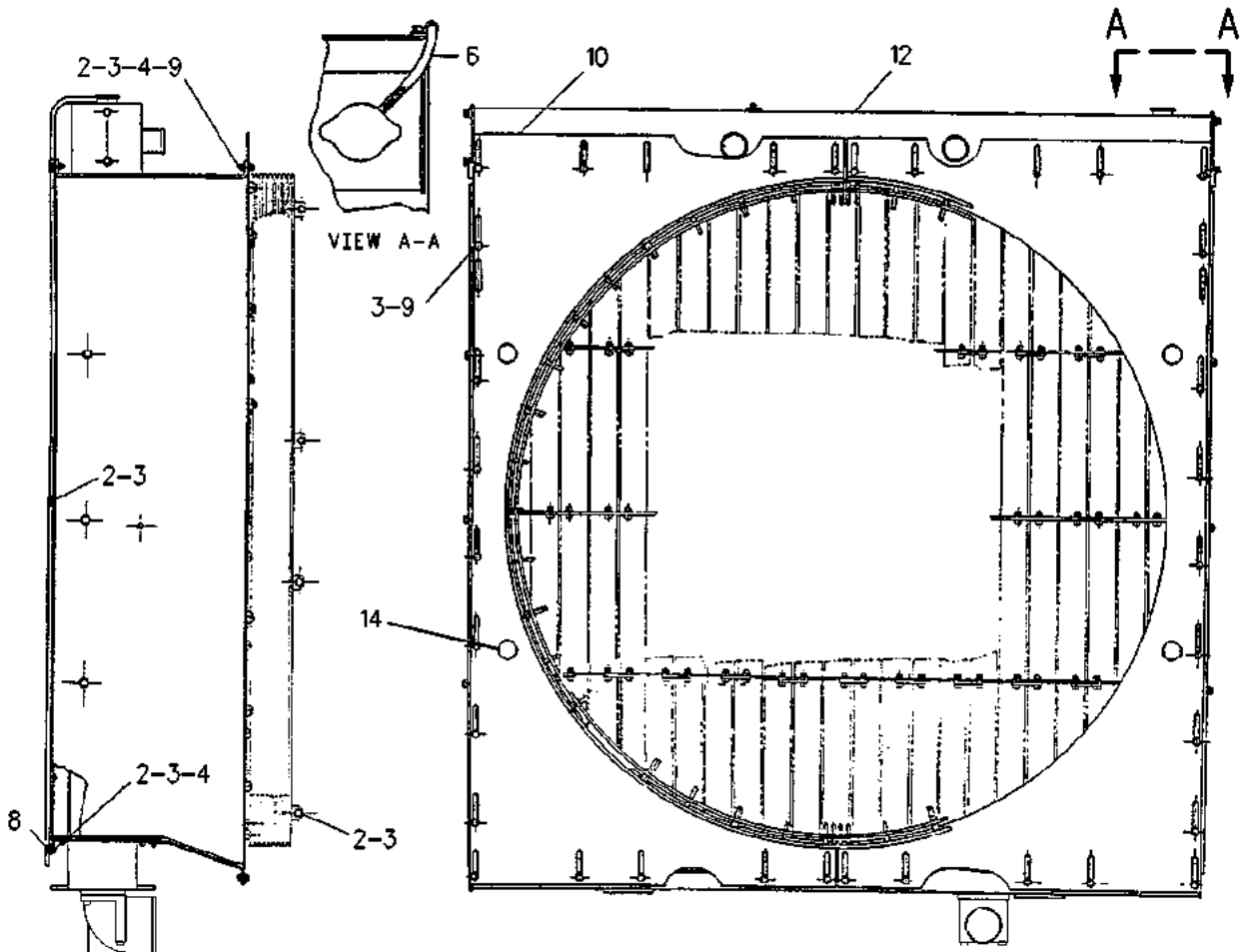
72-25 FOLDED CORE
FOR USE WITH 10/13-INCH RAILS
AN ATTACHMENT

SMCS-1353

i02179385

NOTE	REF NO	GRAPHIC REF	PART NUMBER	QTY	PART NAME						SEE PAGE
					1	2	3	4	5	6 (PRODUCT LEVEL)	
C	2	1	5P-1075	29	WASHER-HARD (10.2X22.5X3-MM THK)						
C	3	1	4L-6454	41	BOLT (3/8-16X1-IN)						
	4	1	6V-8801	20	NUT (3/8-16-THD)						
D	6	1	5P-5991		HOSE (2.4-M)						
	8	1	9F-2947	3	CLIP						
	9	1	8T-2561	32	WASHER-HARD (10.5X28.5X5-MM THK)						
C	10	1	4P-9941	2	GUARD AS-FAN						
					(EACH INCLUDES)						
		1	6N-8599	3	CLIP						
		1	1F-0750	3	NUT-WELD (3/8-16-THD)						
Y	12	1	7C-4401	1	RADIATOR GP						623
	14	1	1V-9020	4	PLUG						

C - CHANGE FROM PREVIOUS TYPE
D - ORDER BY THE METER
Y - SEPARATE ILLUSTRATION



GRAPHIC #1

<END>

g00676178

COOLING SYSTEM

9Y-6675 RADIATOR GP*R

46-CV

PART OF 361-7756 RADIATOR GP
AN ATTACHMENT

SMCS-1353

i06616726

NOTE	REF NO	GRAPHIC REF	PART NUMBER	QTY	PART NAME						SEE PAGE
					1	2	3	4	5	6 (PRODUCT LEVEL)	
	1	2	9Y-5985	1	TANK AS-BOTTOM						
	2	1	7X-0345	8	BOLT (5/8-11X1.75-IN)						
	3	1	8T-4122	60	WASHER-HARD (17X32X3.5-MM THK)						
	4	1	7X-0448	32	NUT (5/8-11-THD)						
	5	2	9Y-5992	8	GASKET-RADIATOR CORE						
	6	2	9Y-5983	4	CORE AS-RADIATOR						
	7	2	9Y-5984	1	TANK AS-TOP						
	8	2	9Y-5986	1	TANK AS-CENTER						
	9	2	9Y-6003	8	BRACKET-CORNER						
	10	2	9Y-6004	8	BRACKET-CORNER						
	11	2	9Y-5994	8	PLATE-WASHER						
	12	2	9Y-5995	4	PLATE-WASHER						
	13	2	9Y-5996	8	PLATE-STRAP						
	14	2	9Y-5997	16	PLATE-WASHER						
	15	2	9Y-5998	4	BRACKET-WASHER						
	16	2	9Y-5987	4	CHANNEL AS-SIDE						
	17	1,2	4M-6425	260	BOLT (5/16-18X1-IN)						
	18	2	8C-6561	32	BOLT (5/16-18X1.375-IN)						
	19	2	8T-8911	76	BOLT (5/16-18X2-IN)						
	20	2	8T-8912	28	BOLT (5/16-18X2.25-IN)						
Y	21	1	7E-6681	1	COOLER GP-FUEL						792
	22	1,2	6V-8189	356	NUT (5/16-18-THD)						
	23	1,2	7H-3937	752	LOCKWASHER						
	24	2	9Y-5991	2	SPACER AS-CORE						
	25	1	8T-9393	28	BOLT (5/8-11X1.5-IN)						
	26	1	9Y-5993	1	GAUGE GP-SIGHT (COOLANT LEVEL)						
	27	2	6L-8617	1	CAP-PRESSURE (7-PSI) (RADIATOR)						
E	28	2	5P-1420		HOSE (274-CM)						
	29	2	9F-2947	4	CLIP						
	30	2	9Y-5990	4	GUARD AS-CORE						
	31	2	9Y-6007	48	WASHER-FLANGE						
	32	2	9Y-6005	24	BRACKET AS-GUARD						
	33	1	9Y-6006	2	TUBE AS						
	34	1	8T-6765	4	PLUG-PIPE (1/4-18-THD)						
	35	1,2	8T-6761	3	PLUG-PIPE (1-11-1/2 NPT THD)						
	36	1	7E-5576	1	BOX AS-PLENUM						
	38	1	8T-2561	32	WASHER-HARD (10.5X28.5X5-MM THK)						
	39	1	7E-9507	1	PLATE-ORIFICE						
	40	1	9B-7237	32	BOLT (3/8-16X1.25-IN)						
	41	1	9Y-6008	1	FRAME AS-SUPPORT						
	42	1	150-4153	2	BRACE AS						
	43	1	8T-9397	4	BOLT (3/4-10X1.25-IN)						
	45	1	8T-4994	4	WASHER-HARD (20X36.5X3.5-MM THK)						
	46	1	7E-5574	1	BRACKET						
	47	1	7E-5575	1	BRACKET						
	50	1	6V-8182	4	NUT (3/4-10-THD)						

COOLING SYSTEM

9Y-6675 **RADIATOR GP** (contd.)

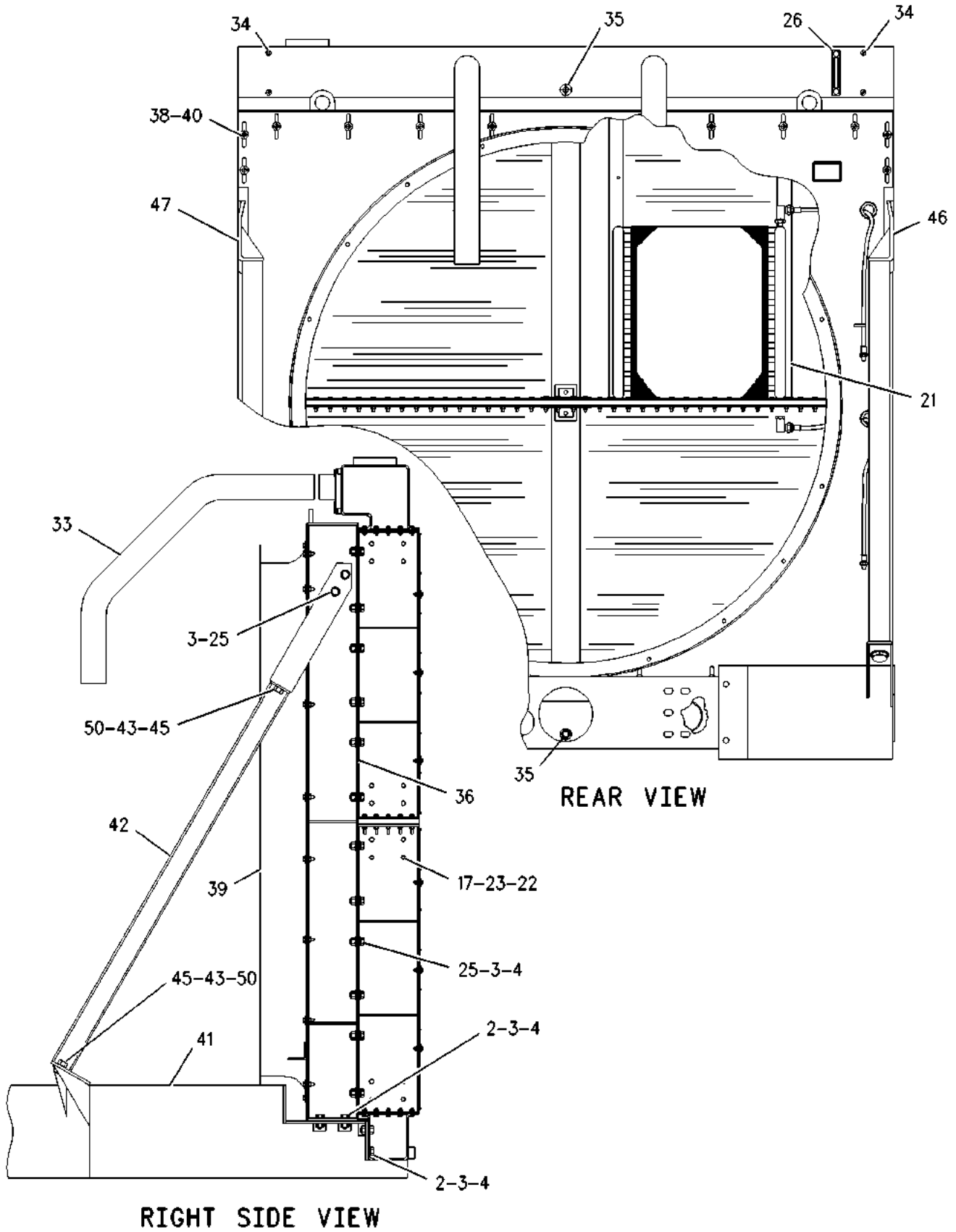
106616726

NOTE	REF NO	GRAPHIC REF	PART NUMBER	QTY	PART NAME						SEE PAGE
					1	2	3	4	5	6 (PRODUCT LEVEL)	
E - ORDER BY THE CENTIMETER											
Y - SEPARATE ILLUSTRATION											

COOLING SYSTEM

9Y-6675 RADIATOR GP (contd.)

i06616726



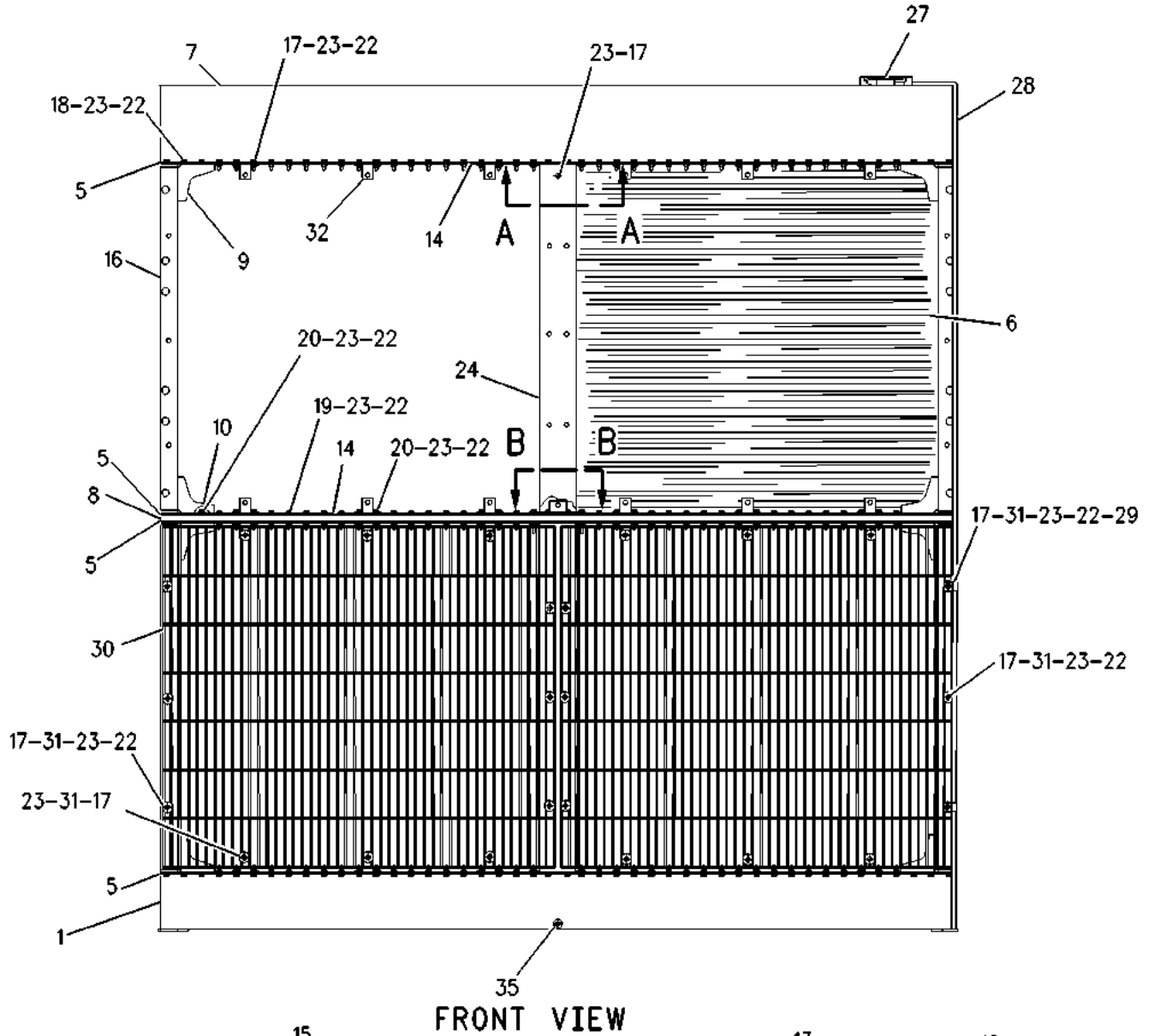
GRAPHIC #1

g00864544

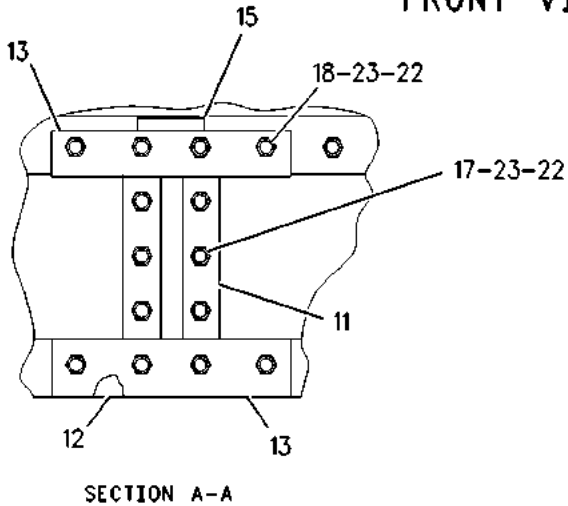
COOLING SYSTEM

9Y-6675 RADIATOR GP (contd.)

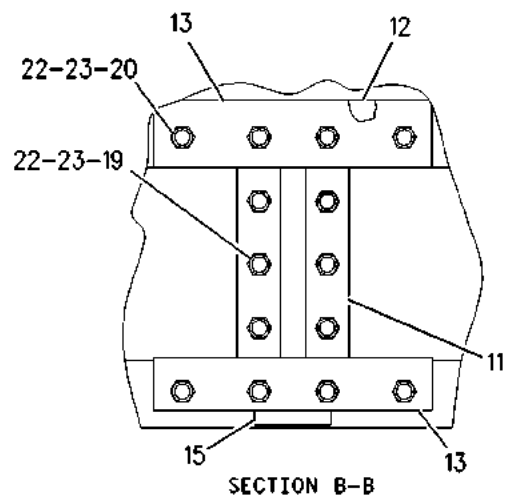
106616726



FRONT VIEW



SECTION A-A



SECTION B-B

GRAPHIC #2

<END>

g00864550

COOLING SYSTEM

7C-8124 REGULATOR GP-TEMPERATURE-OUTLET AN ATTACHMENT

SMCS-1355

i04401220

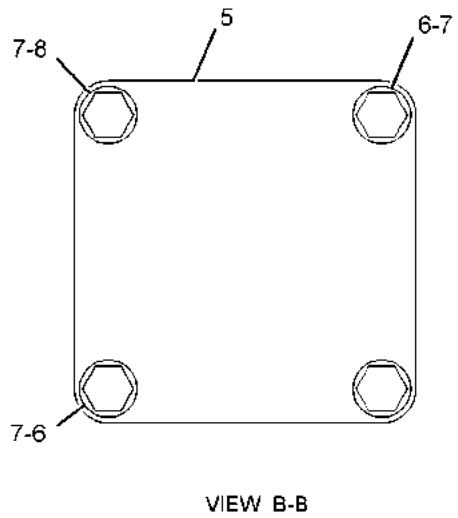
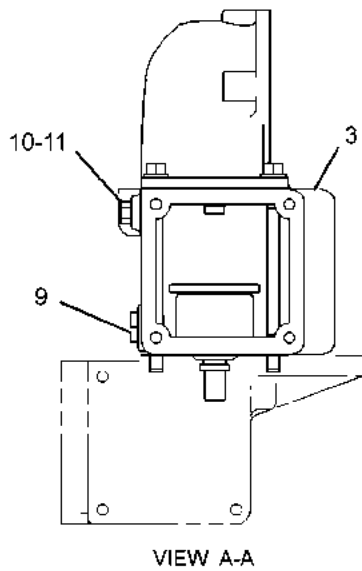
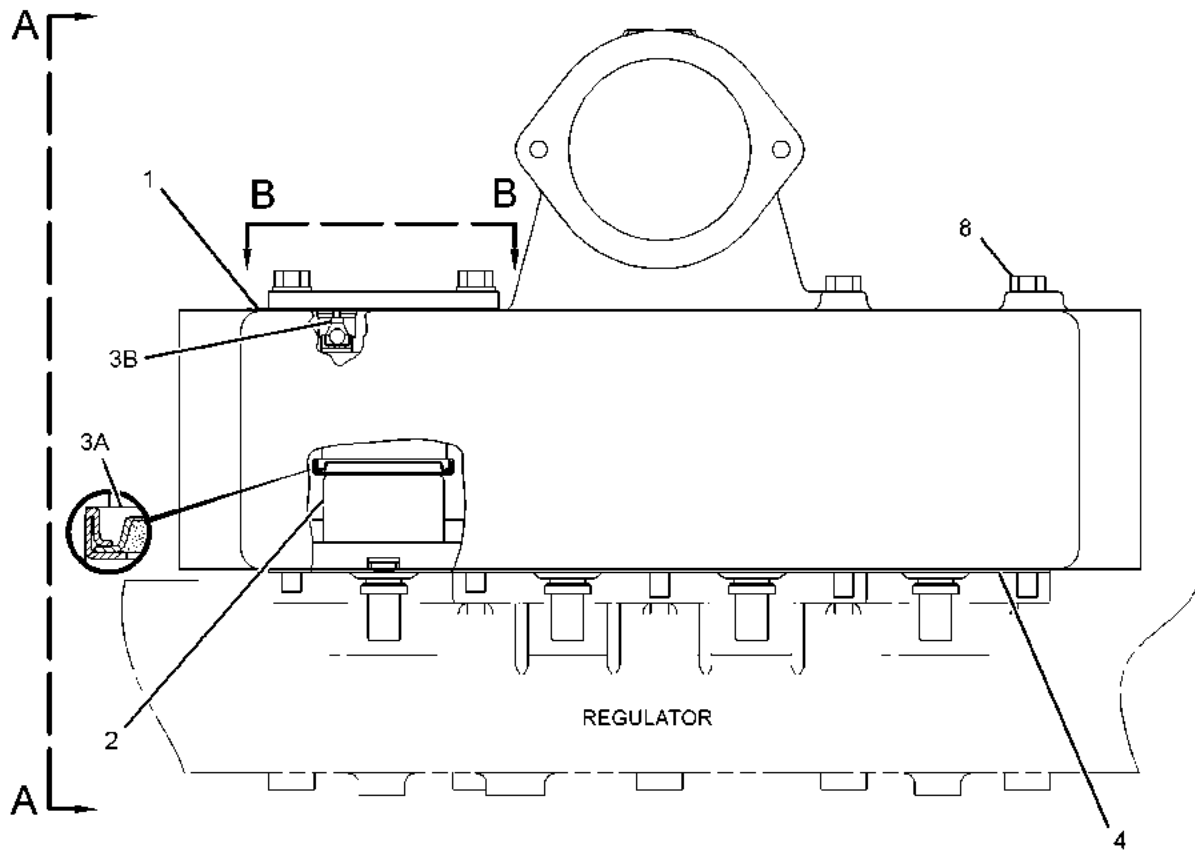
NOTE	REF NO	GRAPHIC REF	PART NUMBER	QTY	PART NAME						SEE PAGE
					1	2	3	4	5	6 (PRODUCT LEVEL)	
	1	1	4W-3100	1	GASKET						
	2	1	248-5513	4	REGULATOR-TEMPERATURE (92-DEG C) (WATER)						
	3	1	7C-8536	1	HOUSING AS-REGULATOR						
	3A	1	3S-9643	4	SEAL-LIP TYPE (WATER TEMPERATURE REGULATOR)						
	3B	1	111-4374	1	VALVE AS						
	4	1	7N-4927	1	GASKET-HOUSING COVER						
	5	1	7N-4928	1	COVER						
	6	1	0S-1594	2	BOLT (3/8-16X1-IN)						
	7	1	5M-2894	4	WASHER-HARD (10.2X18.5X2.5-MM THK)						
	8	1	7F-3425	5	BOLT (3/8-16X5.75-IN)						
	9	1	7W-6492	1	PLUG-PIPE (1/2-14-THD)						
B	10	1	6V-9027	1	SEAL-O-RING						
B	11	1	9S-4182	1	PLUG (7/16-20-THD)						

B - USE AS REQUIRED

COOLING SYSTEM

7C-8124 REGULATOR GP-TEMPERATURE (contd.)

i04401220



GRAPHIC #1

<END>

g01297702

COOLING SYSTEM

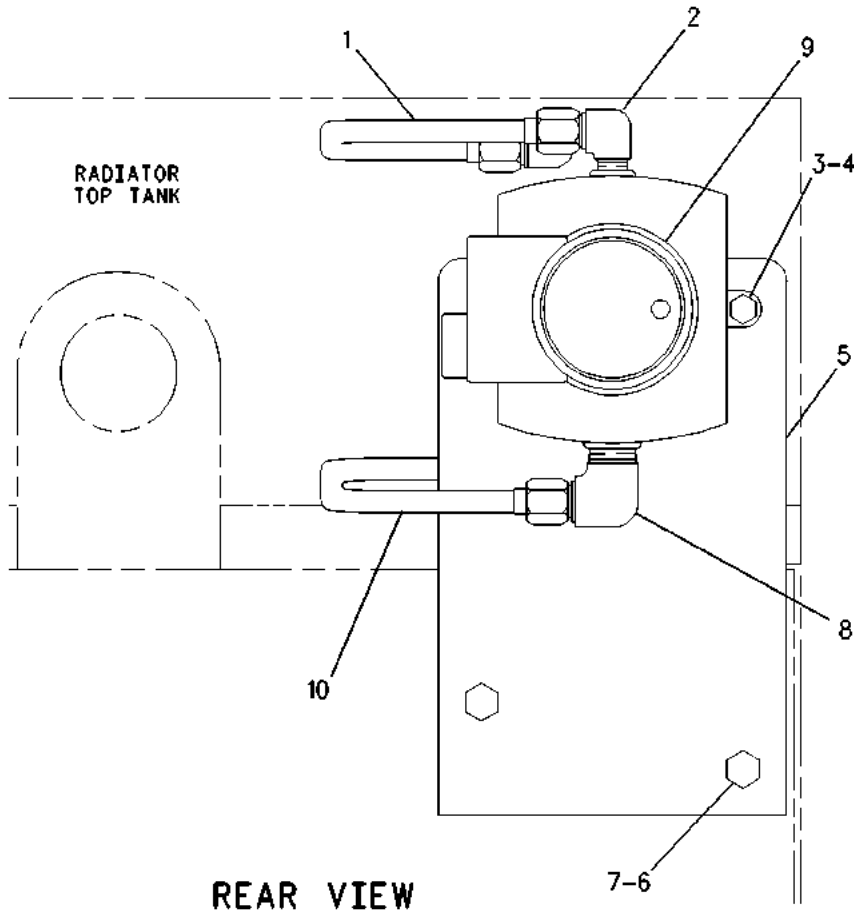
7E-9267 SWITCH GP-COOLANT LEVEL

FOR USE WITH 46-CV RADIATOR
AN ATTACHMENT

SMCS-7470

i02327528

NOTE	REF NO	GRAPHIC REF	PART NUMBER	QTY	PART NAME						SEE PAGE
					1	2	3	4	5	6 (PRODUCT LEVEL)	
	1	1	4P-0721	1	TUBE AS						
	2	1	032-1268	3	CONNECTOR (90-DEG)						
	3	1	4M-5281	2	BOLT (1/4-20X0.75-IN)						
	4	1	8T-4205	2	WASHER-HARD (7.2X14.5X2-MM THK)						
	5	1	7E-9268	1	SUPPORT AS-SWITCH						
		1	9F-6445	2	NUT-WELD (1/4-20-THD)						
	6	1	5S-7382	2	BOLT (3/8-16X1.375-IN)						
	7	1	8T-4896	2	WASHER-HARD (10.2X18.5X2.5-MM THK)						
	8	1	7D-8793	1	ELBOW-FLARED						
	9	1	2N-9768	1	SWITCH-LIQUID LEVEL (COOLANT)						
	10	1	4P-0720	1	TUBE AS						



REAR VIEW

GRAPHIC #1

<END>

g00650637

COOLING SYSTEM

7N-4885 SWITCH GP-COOLANT LEVEL

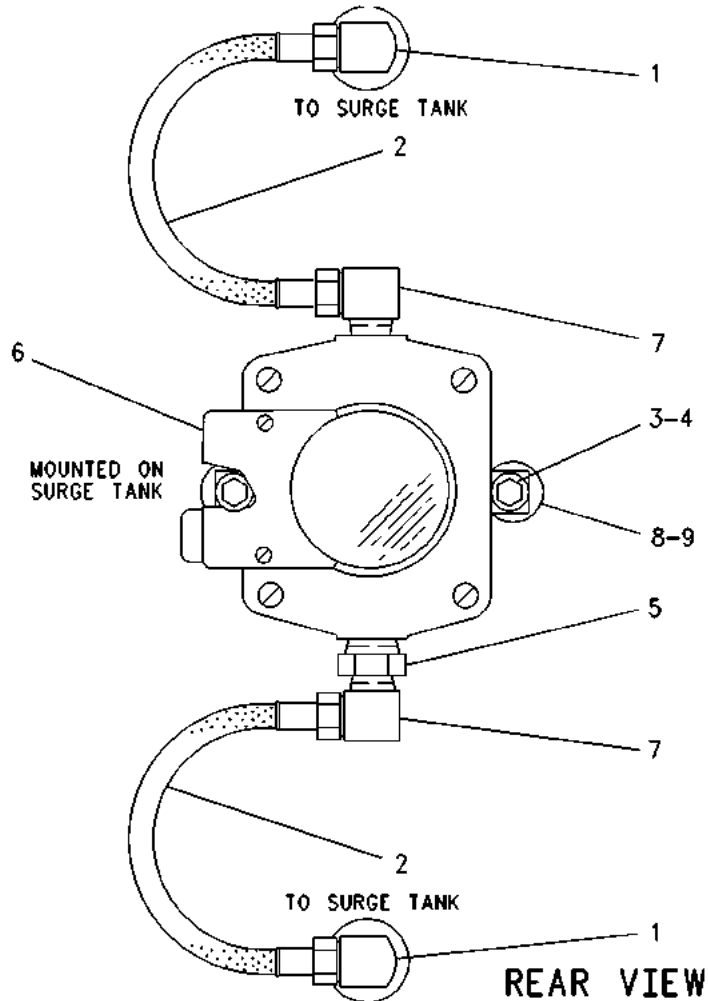
FOR USE WITH EXPANSION TANK
AN ATTACHMENT

SMCS-7470

i07192332

NOTE	REF NO	GRAPHIC REF	PART NUMBER	QTY	PART NAME						SEE PAGE
					1	2	3	4	5	6 (PRODUCT LEVEL)	
C	1	1	6V-4245	2	ELBOW						
CI	2	1	3N-4622	2	HOSE AS						
C	3	1	2A-0762	2	BOLT (1/4-20X0.625-IN)						
	4	1	5P-0537	2	WASHER-HARD (7.2X14.5X2-MM THK)						
	5	1	6B-5072	1	ADAPTER						
	6	1	2N-9768	1	SWITCH-LIQUID LEVEL (COOLANT)						
C	7	1	6K-1972	2	ELBOW-FLARED						
C	8	1	7E-7731	2	MOUNT						
	9	1	6V-7646	2	WASHER-HARD (7.2X25X2-MM THK)						

C - CHANGE FROM PREVIOUS TYPE
I - REFER TO HYDRAULIC INFORMATION SYSTEM



GRAPHIC #1

<END>

g00899609

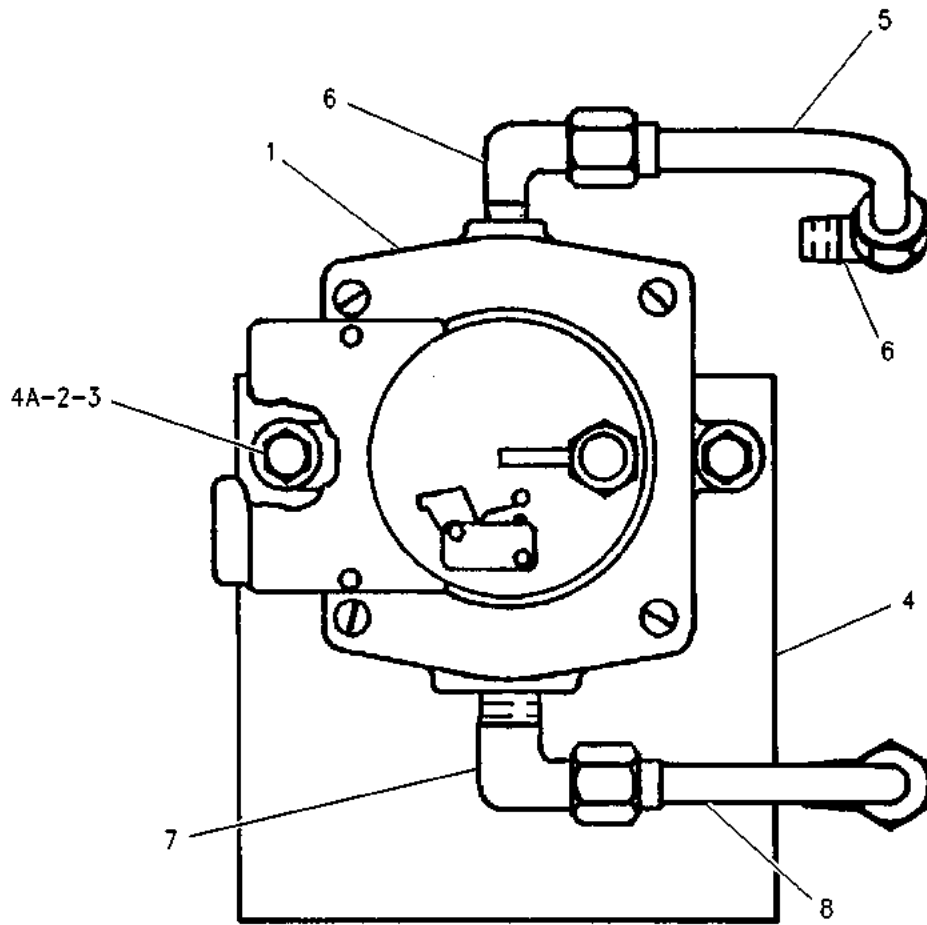
COOLING SYSTEM

9Y-7579 SWITCH GP-COOLANT LEVEL FOR USE WITH 50-11 AND 60-13 FOLDED CORE RADIATOR AN ATTACHMENT

SMCS-7470

i02235017

NOTE	REF NO	GRAPHIC REF	PART NUMBER	QTY	PART NAME						SEE PAGE
					1	2	3	4	5	6 (PRODUCT LEVEL)	
	1	1	2N-9768	1	SWITCH-LIQUID LEVEL (COOLANT)						
	2	1	4M-5281	2	BOLT (1/4-20X0.75-IN)						
	3	1	8T-4205	2	WASHER-HARD (7.2X14.5X2-MM THK)						
	4	1	9Y-7580	1	SUPPORT AS-SWITCH						
	4A	1	9F-6445	2	NUT-WELD (1/4-20-THD)						
	5	1	9Y-7189	1	TUBE AS-GAUGE						
	6	1	032-1268	3	CONNECTOR (90-DEG)						
	7	1	7D-8793	1	ELBOW-FLARED						
	8	1	7E-8937	1	TUBE AS-GAUGE						



REAR VIEW

GRAPHIC #1

<END>

g00899091

COOLING SYSTEM

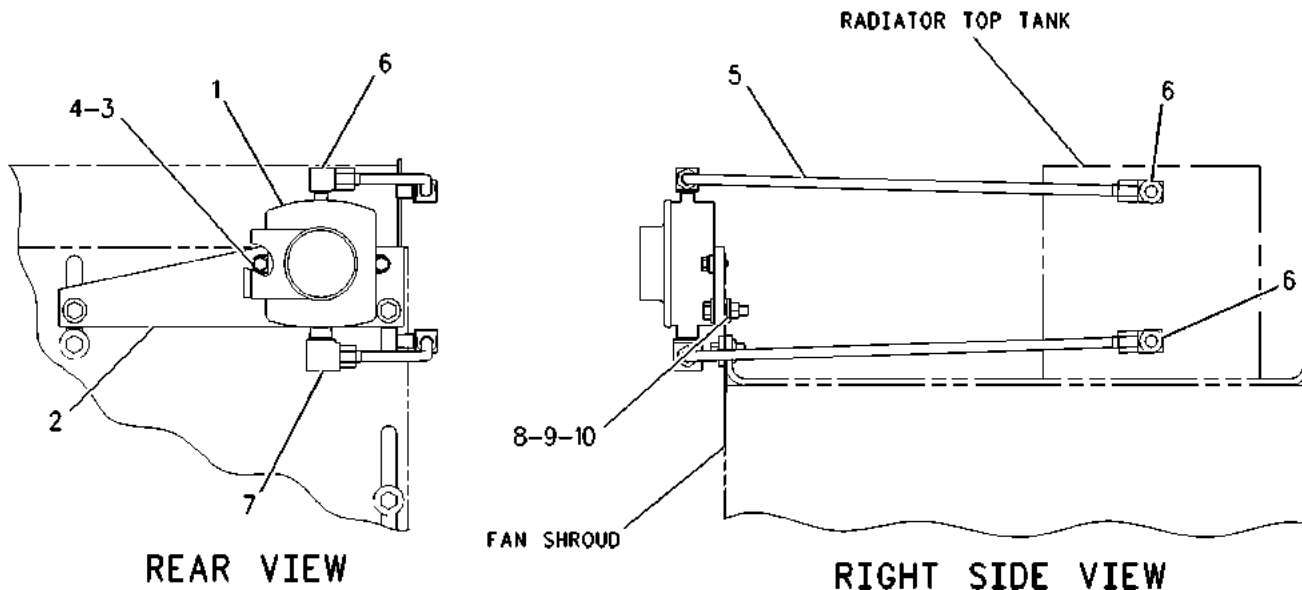
9Y-7695 SWITCH GP-COOLANT LEVEL

CAN BE INSTALLED ON RIGHT OR LEFT SIDE OF RADIATOR TOP TANK
FOR USE WITH 72-25 FOLDED CORE RADIATOR
AN ATTACHMENT

SMCS-7470

i01868020

NOTE	REF NO	GRAPHIC REF	PART NUMBER	QTY	PART NAME						SEE PAGE
					1	2	3	4	5	6	
	1	1	2N-9768	1	SWITCH-LIQUID LEVEL (COOLANT)						
	2	1	228-0413	1	PLATE						
	3	1	8T-4205	2	WASHER-HARD (7.2X14.5X2-MM THK)						
	4	1	4M-5281	2	BOLT (1/4-20X0.75-IN)						
	5	1	9Y-7697	2	TUBE AS-GAUGE						
	6	1	032-1268	3	CONNECTOR (90-DEG)						
	7	1	7D-8793	1	ELBOW-FLARED						
	8	1	5S-7382	2	BOLT (3/8-16X1.375-IN)						
	9	1	5P-1075	4	WASHER-HARD (10.2X22.5X3-MM THK)						
	10	1	6V-8801	2	NUT (3/8-16-THD)						



GRAPHIC #1

<END>

g00985122

COOLING SYSTEM

8N-7717 TANK GP-EXPANSION

FOR USE WITH 9Y-6064-PAGE: 513, 8N-8993-PAGE: 465, 8N-7643-PAGE: 511
AN ATTACHMENT

SMCS-1354

i07232141

NOTE	REF NO	GRAPHIC REF	PART NUMBER	QTY	PART NAME						SEE PAGE
					1	2	3	4	5	6 (PRODUCT LEVEL)	
	1	1	1S-5772	1	GASKET						
	2	1	2N-0931	4	GASKET						
	3	1	3H-5939	1	GASKET-HEAT EXCHANGER						
	4	1	3N-1341	1	ADAPTER AS-NECK						
J	5	1	4N-3311	1	CAP-PRESSURE (7-PSI) (EXPANSION TANK)						
					-OR-						
L		1	127-8660	1	CAP-PRESSURE (14-PSI) (EXPANSION TANK)						
	6	1	5D-1026	1	CLAMP-BAND						
	7	1	7N-4927	1	GASKET-HOUSING COVER						
	8	1	7N-5120	1	FLANGE						
	9	1	7N-5123	1	TUBE						
	10	1	7N-5127	1	HOUSING AS						
		1	4W-3108	1	VALVE AS						
	11	1	8B-9725	4	BOSS (17/32X1X1/4-IN THK)						
E	12	1	5P-0721		HOSE (193-CM)						
	13	1	8N-9422	1	ELBOW						
	14	1	8N-9609	4	FLANGE						
	15	1	8N-9706	2	TUBE						
C	16	1	245-2876	1	TANK AS-EXPANSION						
C	17	1	0L-1351	6	BOLT (3/8-16X0.875-IN)						
C	18	1	0S-1585	4	BOLT (1/2-13X1.5-IN)						
	19	1	0S-1590	8	BOLT (3/8-16X2-IN)						
	20	1	0S-1595	1	BOLT (1/2-13X1.25-IN)						
	21	1	0S-1621	1	BOLT (1/2-13X1-IN)						
	22	1	1A-2029	4	BOLT (3/8-16X1.125-IN)						
	23	1	1C-2251	16	BOLT (3/8-16X1.87-IN)						
	24	1	2A-1531	2	BOLT (1/2-13X6.5-IN)						
	25	1	3S-8664	2	CLIP (LOOP)						
	26	1	4M-2442	4	BOLT (1/2-13X12.32-IN)						
	27	1	5B-9603	10	BOLT (3/8-16X5-IN)						
C	28	1	5M-2894	24	WASHER-HARD (10.2X18.5X2.5-MM THK)						
	29	1	6D-4636	1	CLIP (LOOP)						
C	30	1	5P-8245	12	WASHER-HARD (13.5X25.5X3-MM THK)						
	31	1	6V-1454	4	SEAL-O-RING						
	32	1	6V-6809	1	SEAL-O-RING						
	33	1	8T-2903	2	SEAL-O-RING						
	34	1	8T-6765	5	PLUG-PIPE (1/4-18-THD)						
	35	1	357-9544	1	CLIP						
	36	1	9X-6772	1	STRAP-CABLE						
					AVAILABLE REPAIR KIT(S):						
JL			225-4256	1	FILM-WARNING (HOT FLUID UNDER PRESSURE, U.S.)						
J			294-9052	1	KIT-COOLING SYSTEM PARTS (7-PSI) (EXPANSION TANK)						
					(INCLUDES RADIATOR CAP & WARNING FILM)						
L			295-5458	1	KIT-COOLING SYSTEM PARTS (14-PSI) (EXPANSION TANK)						
					(INCLUDES RADIATOR CAP & WARNING FILM)						

COOLING SYSTEM

8N-7717 TANK GP-EXPANSION (contd.)

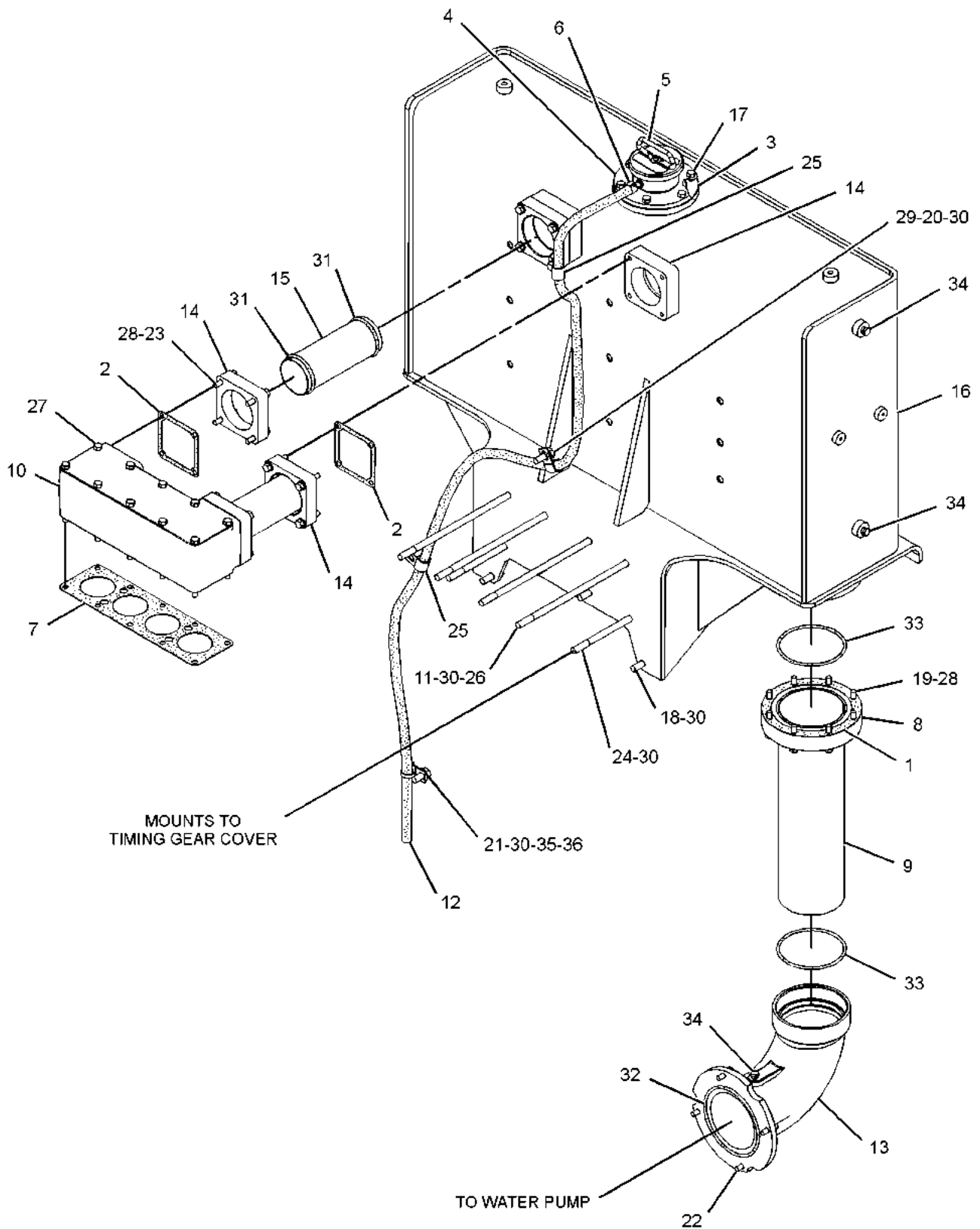
107232141

NOTE	REF	GRAPHIC	PART NUMBER	QTY	PART NAME						SEE PAGE
	NO	REF			1	2	3	4	5	6 (PRODUCT LEVEL)	
C - CHANGE FROM PREVIOUS TYPE											
E - ORDER BY THE CENTIMETER											
J - KIT MARKED J SERVICES PART(S) MARKED J											
L - KIT MARKED L SERVICES PART(S) MARKED L											

COOLING SYSTEM

8N-7717 TANK GP-EXPANSION (contd.)

i07232141



GRAPHIC #1

<END>

g02265455

COOLING SYSTEM

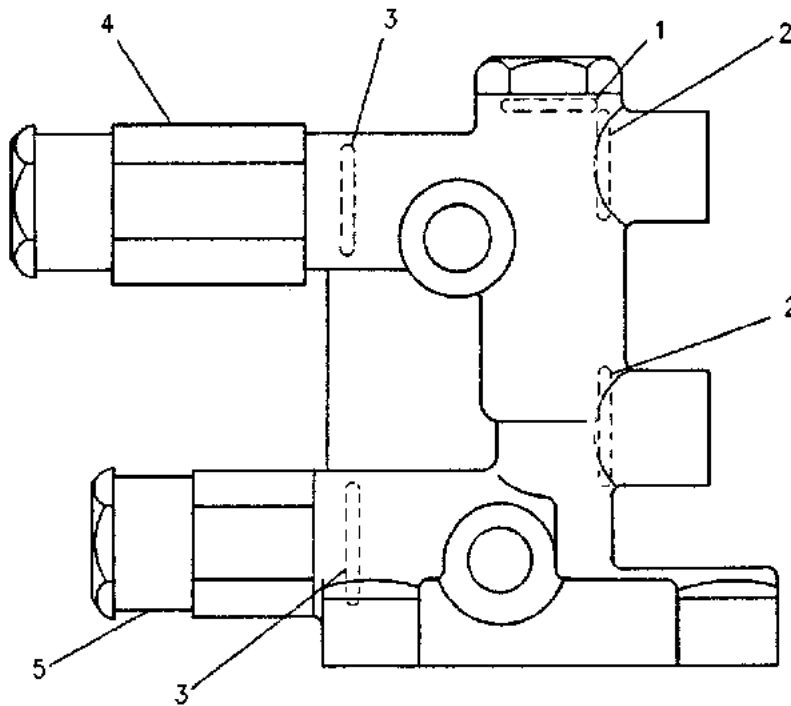
4W-1701 VALVE GP-DIVERTER

24/32 VDC. REMOTE ROUTINE SHUT OFF
FOR USE WITH ELECTRIC START
PART OF 4W-1771 VALVE GP-DIVERTER
AN ATTACHMENT

SMCS-135D

i01763121

NOTE	REF NO	GRAPHIC REF	PART NUMBER	QTY	PART NAME						SEE PAGE
					1	2	3	4	5	6 (PRODUCT LEVEL)	
	1	1	7L-9061	1	SEAL-O-RING						
	2	1	8L-2746	2	SEAL-O-RING						
	3	1	5P-9757	2	SEAL-O-RING						
	4	1	7W-0618	1	OPERATOR AS						
	5	1	7W-0610	1	OPERATOR AS						
					AVAILABLE REPAIR KIT(S) :						
			4W-1989	1	KIT-VALVE						
(KIT INCLUDES SEALS, DISC ASSEMBLY & VALVE)											



GRAPHIC #1

<END>

g00720251

COOLING SYSTEM

4W-1703 VALVE GP-DIVERTER

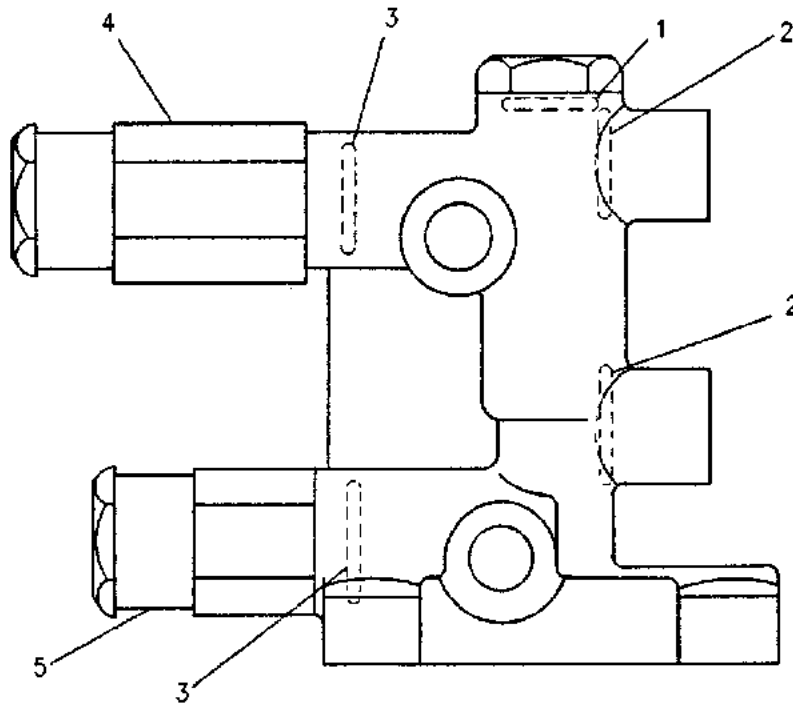
FOR USE WITH HYDRAMECHANICAL SHUT-OFF
FOR USAGE REFER TO CHART 5N-8200 CHART-REMOTE SHUTOFF
AN ATTACHMENT

SMCS-135D

i03502398

NOTE	REF NO	GRAPHIC REF	PART NUMBER	QTY	PART NAME						SEE PAGE
					1	2	3	4	5	6 (PRODUCT LEVEL)	
J	1	1	7L-9061	1	SEAL-O-RING						
J	2	1	8L-2746	2	SEAL-O-RING						
	3	1	5P-9757	2	SEAL-O-RING						
	4	1	7W-0620	1	OPERATOR AS						
	5	1	7W-0612	1	OPERATOR AS						
					AVAILABLE REPAIR KIT(S):						
J			4W-1989		KIT-VALVE (DIVERTER)						
					(ALSO INCLUDES CHECK VALVE & DISC ASSEMBLY)						

J - KIT MARKED J SERVICES PART(S) MARKED J



GRAPHIC #1

<END>

g00720251

COOLING SYSTEM

4W-1704 VALVE GP-DIVERTER PART OF 4W-7205, 4W-7211 CONTROL GP-AIR STARTING AN ATTACHMENT

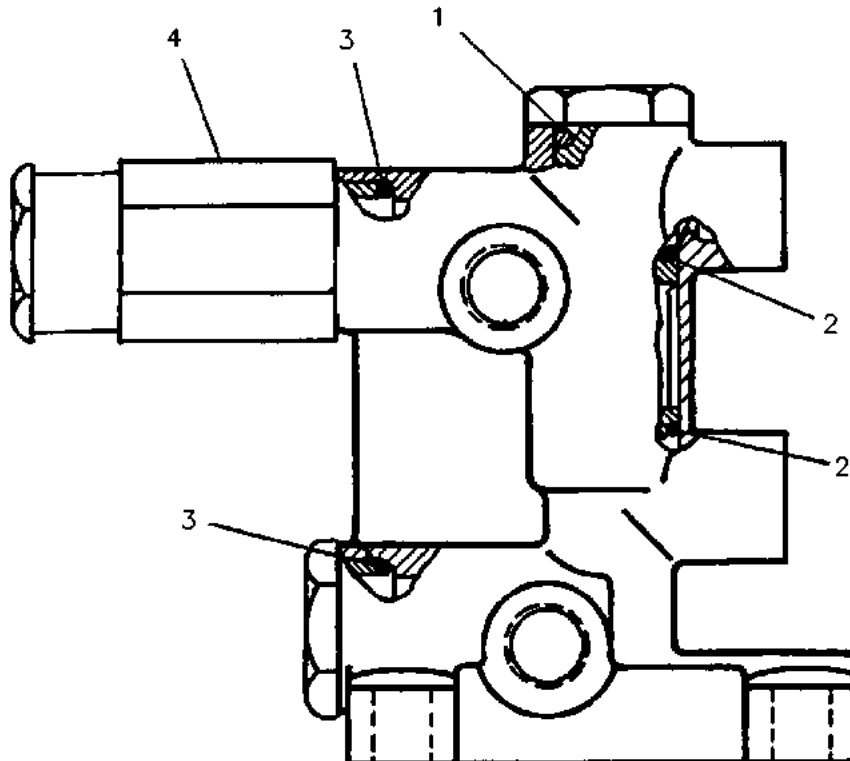
SMCS - 135D

i03502395

NOTE	REF NO	GRAPHIC REF	PART NUMBER	QTY	PART NAME						SEE PAGE
					1	2	3	4	5	6	
J	1	1	7L-9061	1	SEAL-O-RING						
J	2	1	8L-2746	2	SEAL-O-RING						
	3	1	5P-9757	2	SEAL-O-RING						
	4	1	7W-0620	1	OPERATOR AS						

AVAILABLE REPAIR KIT(S):					
J			4W-1989	1	KIT-VALVE (DIVERTER)
(INCLUDES SEALS, CHECK VALVE, & DISC ASSEMBLY)					

J - KIT MARKED J SERVICES PART(S) MARKED J



GRAPHIC #1

<END>

g00218619

COOLING SYSTEM

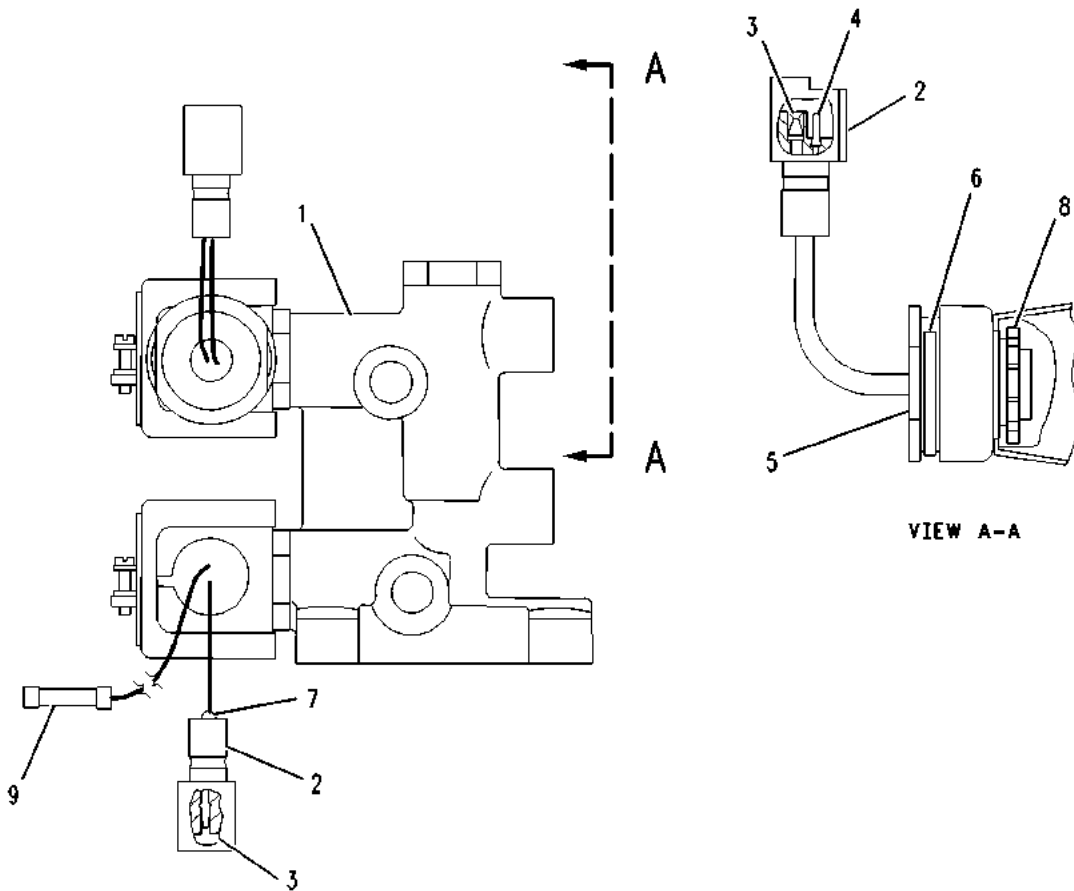
4W-1771 VALVE GP-DIVERTER FOR USAGE REFER TO CHART 5N-8200-PAGE: 1459 AN ATTACHMENT

SMCS-135D

i00931449

NOTE	REF NO	GRAPHIC REF	PART NUMBER	QTY	PART NAME						SEE PAGE
					1	2	3	4	5	6	
Y	1	1	4W-1701	1	VALVE GP-DIVERTER						645
	2	1	7N-9738	2	HOUSING-RECEPTACLE (14-GA TO 18-GA)						
	3	1	7N-7779	2	SOCKET-CONNECTOR (14-GA TO 18-GA)						
	4	1	7N-7780	1	PIN-CONNECTOR (14-GA TO 18-GA)						
	5	1	5N-8943	1	ADAPTER						
	6	1	5N-9073	1	CLIP						
	7	1	9G-3695	1	PLUG-SEAL						
	8	1	3F-2065	1	LOCKNUT (1/2-14-THD)						
	9	1	8S-4626	1	SPLICE-WIRE						

Y - SEPARATE ILLUSTRATION



GRAPHIC #1

<END>

g00476658

COOLING SYSTEM

4W-1775 VALVE GP-DIVERTER

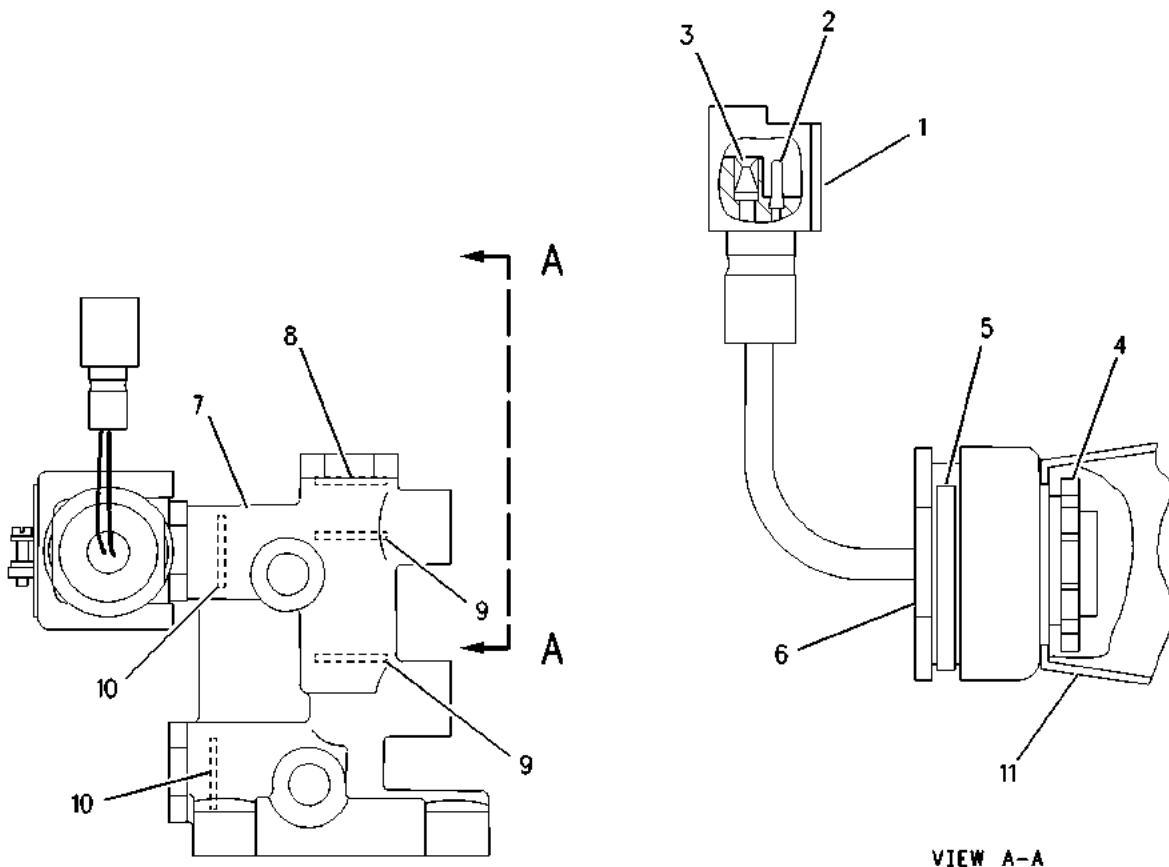
PART OF 2W-4925, 2W-4926, 2W-4927, 2W-4928 LINES GP-DIVERTER VALVE
AN ATTACHMENT

SMCS-135D

i02775643

NOTE	REF NO	GRAPHIC REF	PART NUMBER	QTY	PART NAME						SEE PAGE
					1	2	3	4	5	6	
	1	1	7N-9738	1	HOUSING-RECEPTACLE (14-GA TO 18-GA)						
	2	1	7N-7780	1	PIN-CONNECTOR (14-GA TO 18-GA)						
	3	1	7N-7779	1	SOCKET-CONNECTOR (14-GA TO 18-GA)						
	4	1	3F-2065	1	LOCKNUT (1/2-14-THD)						
	5	1	5N-9073	1	CLIP						
	6	1	5N-8943	1	ADAPTER						
	7	1	4W-1705	1	VALVE GP-DIVERTER						
CJ	8	1	7L-9061	1	SEAL-O-RING						
CJ	9	1	8L-2746	2	SEAL-O-RING						
C	10	1	5P-9757	2	SEAL-O-RING						
C	11	1	7W-0618	1	OPERATOR AS						
					AVAILABLE REPAIR KIT(S):						
J			4W-1989	1	KIT-VALVE						
					(INCLUDES SEALS, CHECK VALVE & DISC ASSEMBLY)						

C - CHANGE FROM PREVIOUS TYPE
J - KIT MARKED J INCLUDES PART(S) MARKED J



GRAPHIC #1

<END>

g00798606

COOLING SYSTEM

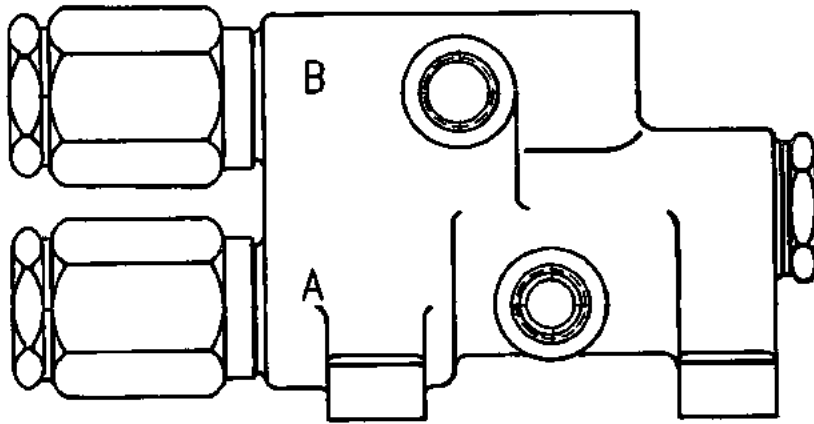
5N-7184 VALVE GP-DIVERTER FIELD INSTALLATION

SMCS-135D

i01450280

NOTE	REF NO	GRAPHIC REF	PART NUMBER	QTY	PART NAME	SEE PAGE
------	--------	-------------	-------------	-----	-----------	----------

(NO SERVICED PARTS)



GRAPHIC #1

<END>

g00759570

COOLING SYSTEM

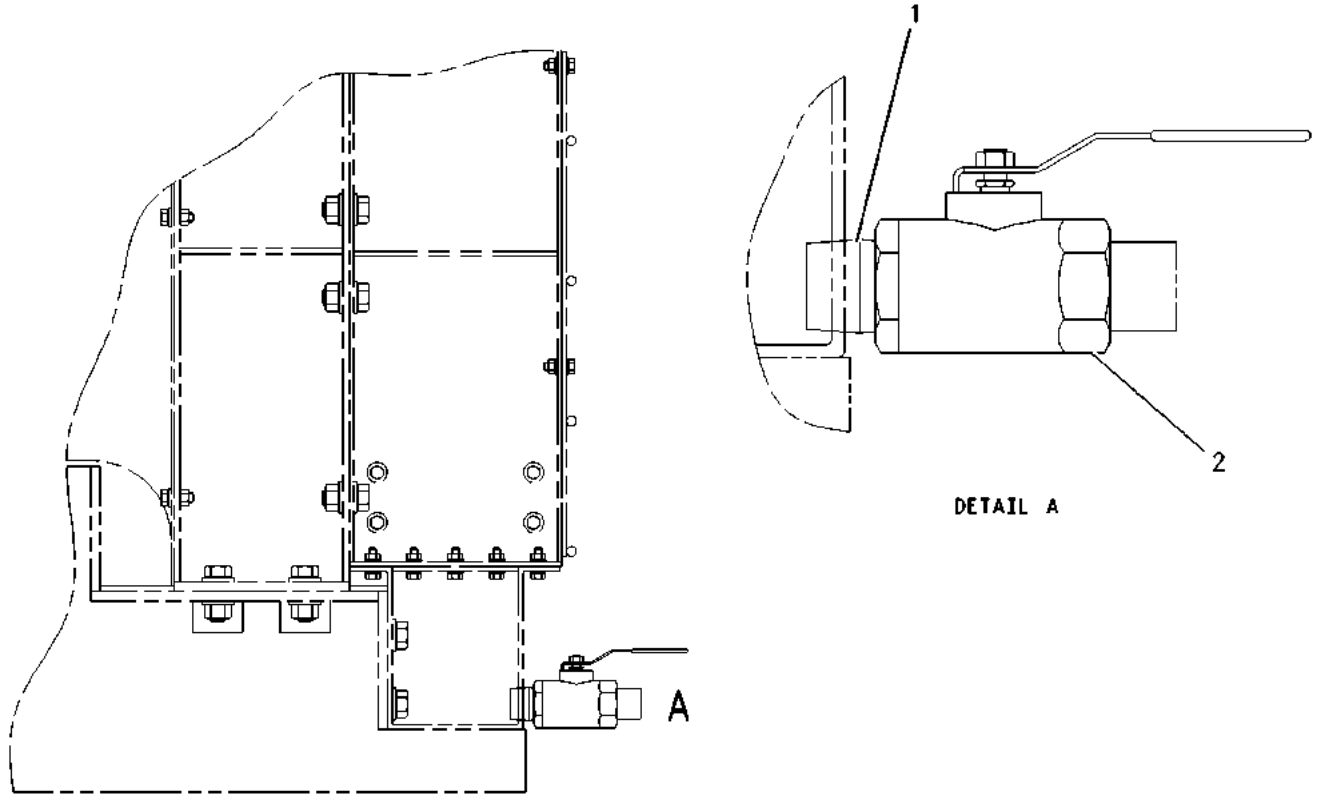
137-1942 VALVE GP-RADIATOR DRAIN

1-INCH BALL VALVE
FOR USE WITH CV OR CVD RADIATORS
AN ATTACHMENT

SMCS-1353

i01758769

NOTE	REF NO	GRAPHIC REF	PART NUMBER	QTY	PART NAME						SEE PAGE
					1	2	3	4	5	6 (PRODUCT LEVEL)	
	1	1	3B-7749	1	NIPPLE-PIPE						
	2	1	4P-3117	1	VALVE-BALL (RADIATOR DRAIN)						



RIGHT SIDE VIEW

DETAIL A

GRAPHIC #1

<END>

g00899863

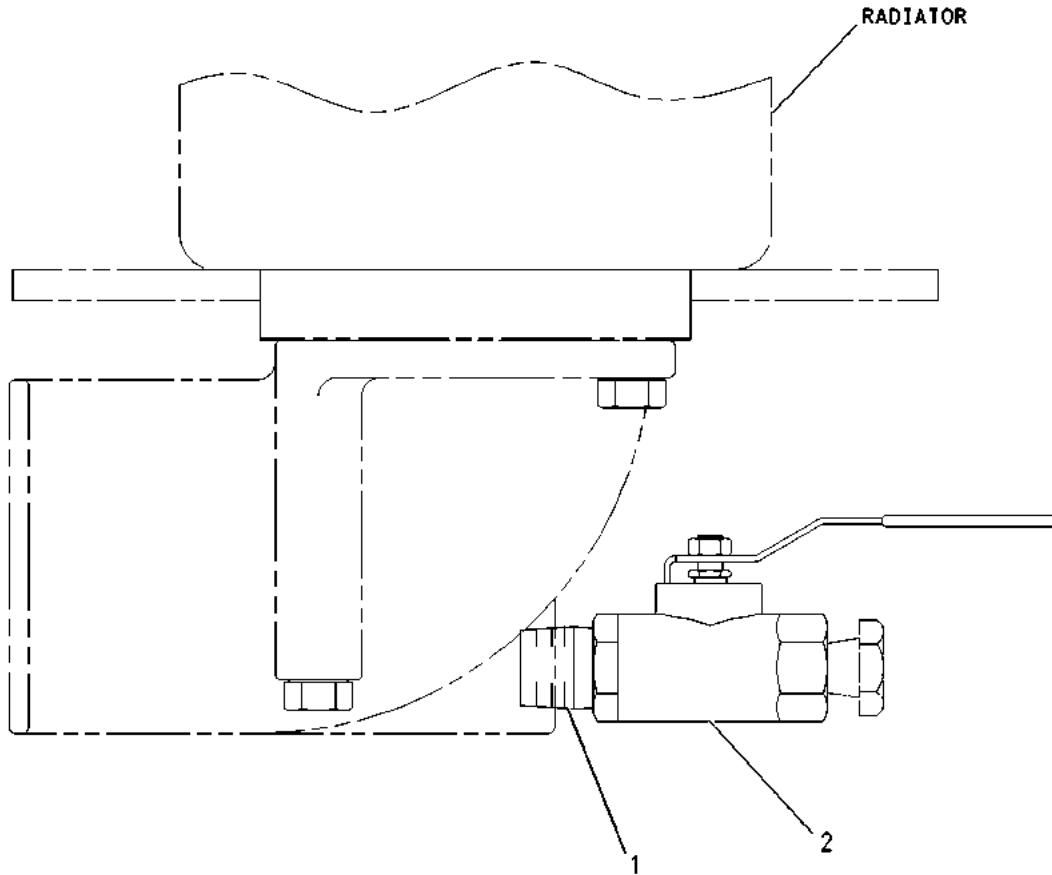
COOLING SYSTEM

137-1943 VALVE GP-RADIATOR DRAIN 3/4-INCH BALL VALVE FOR USE WITH FOLDED CORE RADIATORS AN ATTACHMENT

SMCS-1353

i01758773

NOTE	REF NO	GRAPHIC REF	PART NUMBER	QTY	PART NAME						SEE PAGE
					1	2	3	4	5	6 (PRODUCT LEVEL)	
	1	1	3B-7745	1	NIPPLE-PIPE						
	2	1	112-4036	1	VALVE AS-SHUTOFF (RADIATOR DRAIN)						



RIGHT SIDE VIEW

GRAPHIC #1

<END>

g00899865

AIR INLET AND EXHAUST SYSTEM

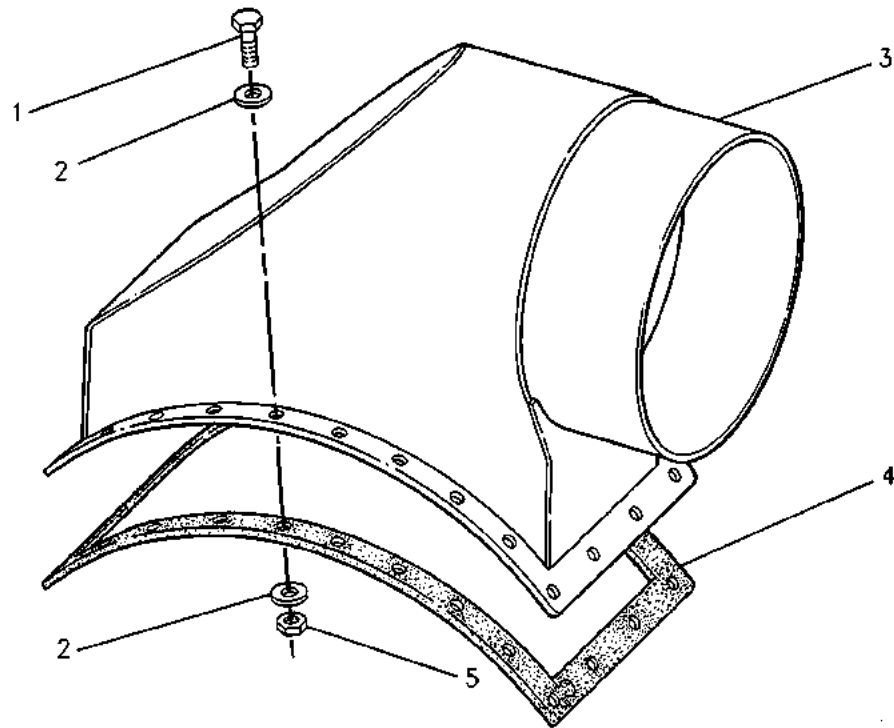
5N-7823 ADAPTER GP-AIR CLEANER

FOR USE WITH 5N-7831-PAGE: 738, 5N-7836-PAGE: 654, RATED SPEED 2100-RPM ENGINE
AN ATTACHMENT

SMCS-1051

i02809104

NOTE	REF NO	GRAPHIC REF	PART NUMBER	QTY	PART NAME						SEE PAGE
					1	2	3	4	5	6 (PRODUCT LEVEL)	
	1	1	8T-9043	24	BOLT (5/16-18X0.875-IN)						
	2	1	8T-4224	48	WASHER-HARD (8.8X16X2-MM THK)						
	3	1	5N-7824	1	ADAPTER AS						
	4	1	5N-7830	1	GASKET						
	5	1	031-4155	24	LOCKNUT (5/16-18-THD)						



GRAPHIC #1

<END>

g00474156

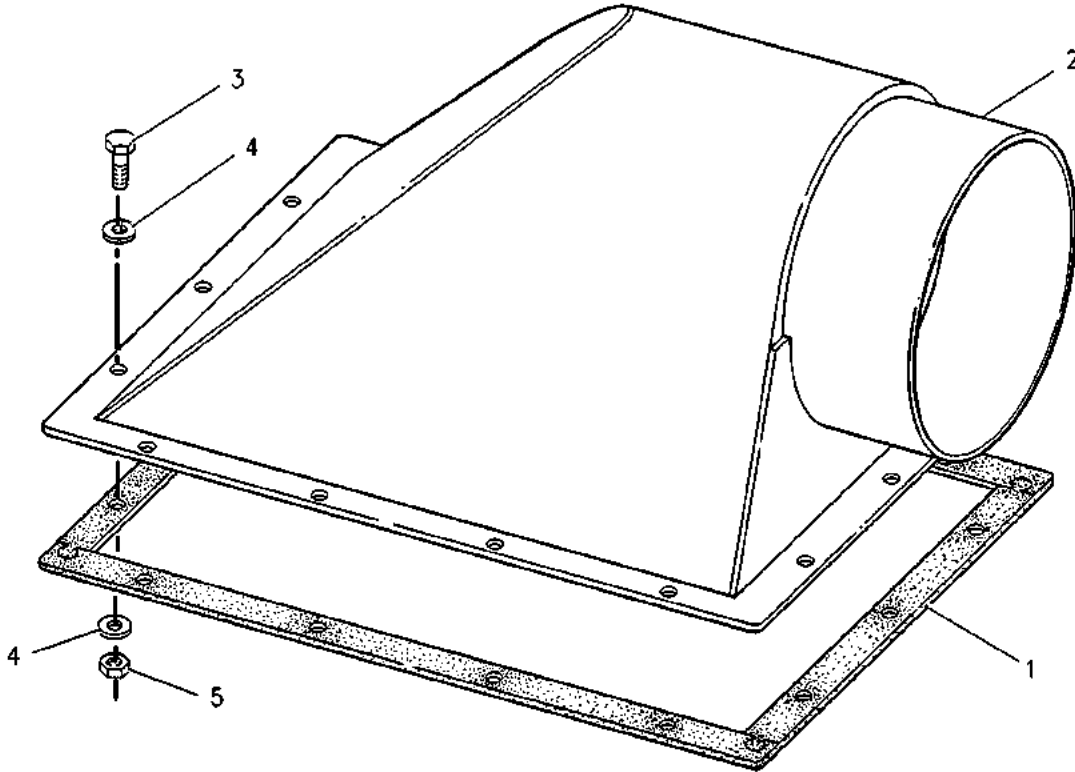
AIR INLET AND EXHAUST SYSTEM

5N-7836 ADAPTER GP-AIR CLEANER PRECLEANER AN ATTACHMENT

SMCS-1051

i01503079

NOTE	REF NO	GRAPHIC REF	PART NUMBER	QTY	PART NAME						SEE PAGE
					1	2	3	4	5	6 (PRODUCT LEVEL)	
	1	1	5N-7832	1	GASKET						
	2	1	5N-7837	1	ADAPTER AS						
	3	1	0S-1594	14	BOLT (3/8-16X1-IN)						
	4	1	5M-2894	28	WASHER-HARD (10.2X18.5X2.5-MM THK)						
	5	1	9S-8752	14	NUT-FULL (3/8-16-THD)						



GRAPHIC #1

<END>

g00820885

AIR INLET AND EXHAUST SYSTEM

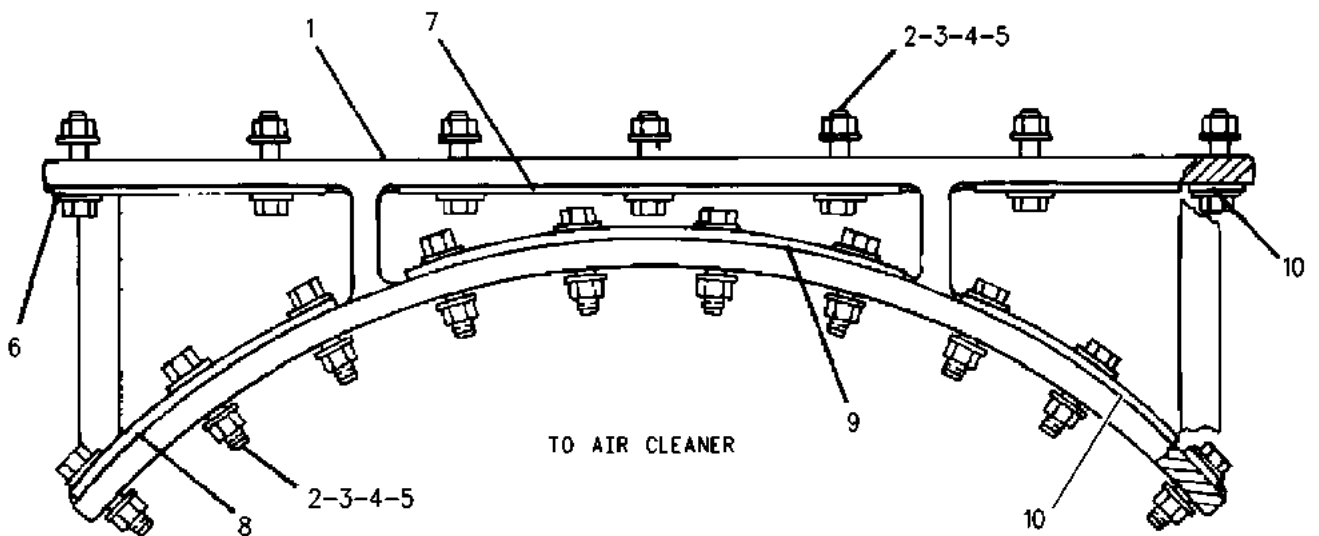
7N-8549 ADAPTER GP-AIR CLEANER

FOR USE WITH 10-INCH AIR CLEANER
AN ATTACHMENT

SMCS-1051

i02220726

NOTE	REF NO	GRAPHIC REF	PART NUMBER	QTY	PART NAME						SEE PAGE
					1	2	3	4	5	6 (PRODUCT LEVEL)	
	1	1	7N-7416	2	ADAPTER-AIR CLEANER						
	2	1	4M-6425	84	BOLT (5/16-18X1-IN)						
	3	1	8T-4224	168	WASHER-HARD (8.8X16X2-MM THK)						
	4	1	7D-4493	84	TUBE						
	5	1	6V-8189	84	NUT (5/16-18-THD)						
	6	1	1W-0431	8	STRIP						
	7	1	1W-0432	4	STRIP						
	8	1	1W-0433	8	STRIP						
	9	1	1W-0434	4	STRIP						
	10	1	1W-0494	8	STRIP						



GRAPHIC #1

<END>

g00820859

AIR INLET AND EXHAUST SYSTEM

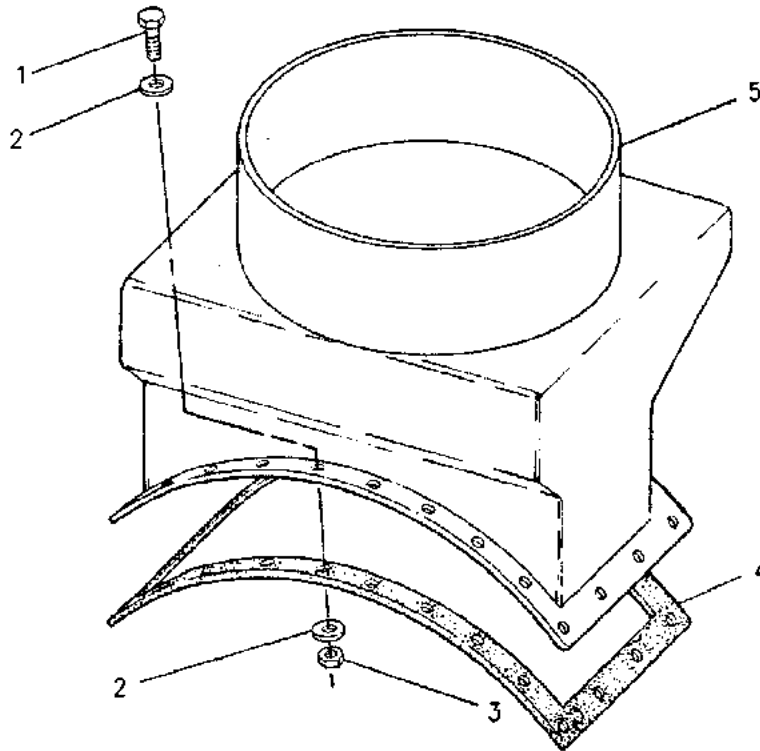
7W-9828 ADAPTER GP-AIR CLEANER FOR USE WITH 12-INCH INNER DIAMETER DUCTING AN ATTACHMENT

SMCS-1051

i05934676

NOTE	REF NO	GRAPHIC REF	PART NUMBER	QTY	PART NAME						SEE PAGE
					1	2	3	4	5	6	
	1	1	8T-9043	48	BOLT (5/16-18X0.875-IN)						
	2	1	8T-4224	96	WASHER-HARD (8.8X16X2-MM THK)						
	3	1	031-4155	48	LOCKNUT (5/16-18-THD)						
	4	1	5N-7830	2	GASKET						
	5	1	7W-9829	2	ADAPTER AS						

QUANTITIES SHOWN ARE THOSE REQUIRED FOR BOTH LH & RH SIDES



GRAPHIC #1

<END>

g00826427

AIR INLET AND EXHAUST SYSTEM

1W-9461 AFTERCOOLER GP-WATER

S/N: 65Z887-1007

FRESH AIR

SMCS-1063

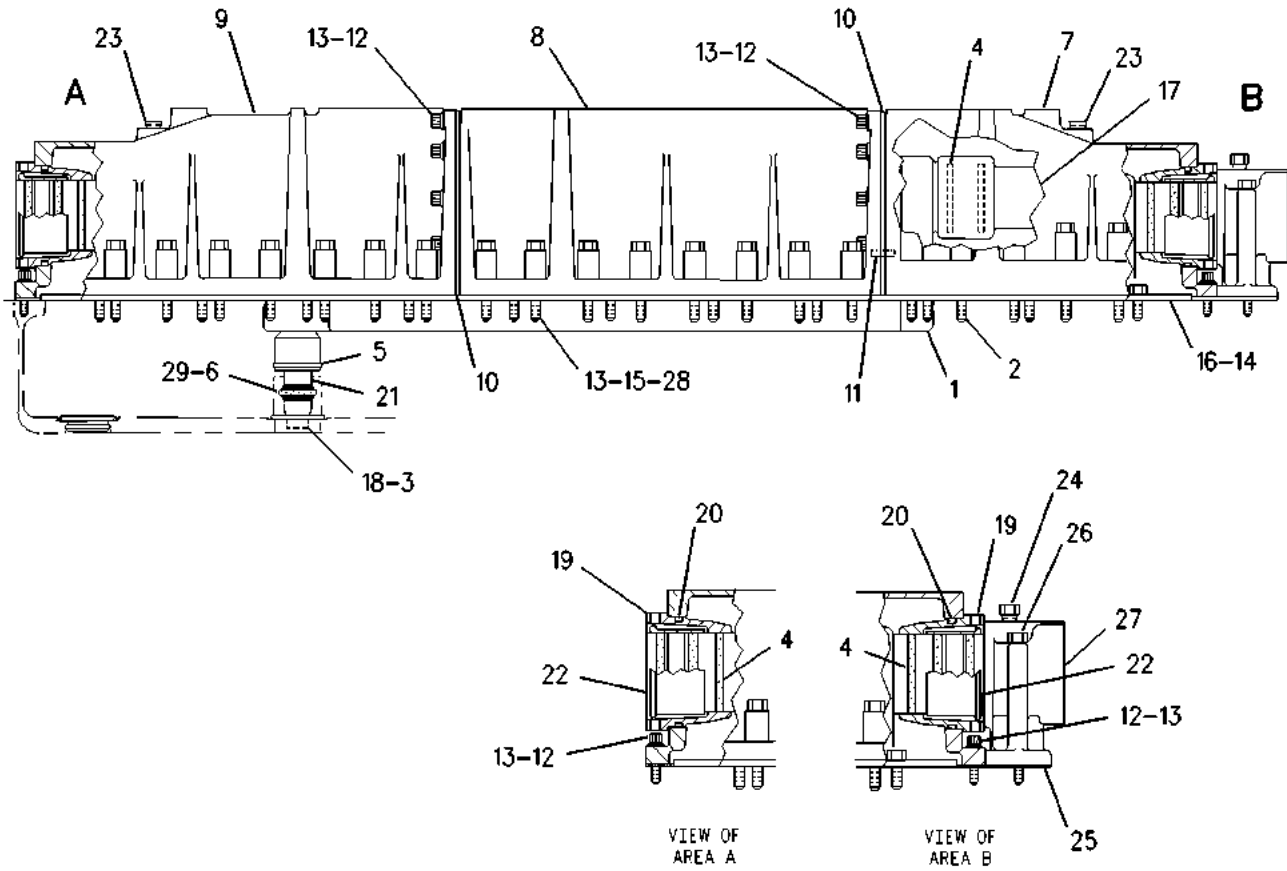
i00931539

NOTE	REF NO	GRAPHIC REF	PART NUMBER	QTY	PART NAME						SEE PAGE
					1	2	3	4	5	6 (PRODUCT LEVEL)	
	1	1	7W-5456	1	CORE AS-AFTERCOOLER						
	2	1	031-4630	22	BOLT-LOCKING (5/16-18X0.75-IN)						
	3	1	8T-2929	2	SEAL-O-RING						
	4	1	6V-1454	10	SEAL-O-RING						
	5	1	1M-7913	1	RING-RETAINING						
	6	1	8C-5209	2	SEAL-O-RING						
	7	1	107-8758	1	HOUSING-FRONT						
	8	1	107-8759	1	HOUSING-INTERMEDIATE						
	9	1	107-8760	1	HOUSING-REAR						
	10	1	1W-1253	2	GASKET						
	11	1	4N-0684	4	DOWEL (.75 LONG)						
	12	1	1T-0720	20	BOLT-12 POINT HEAD (3/8-16X1.25-IN)						
	13	1	5M-2894	64	WASHER-HARD (10.2X18.5X2.5-MM THK)						
	14	1	8N-2410	1	GASKET						
	15	1	0L-1143	44	BOLT (3/8-16X2.5-IN)						
	16	1	1N-3268	2	COVER						
	17	1	1N-3269	2	PIPE						
	18	1	8T-2928	2	SEAL-O-RING						
	19	1	8N-2409	2	ADAPTER						
	20	1	7M-9909	2	SEAL-O-RING						
	21	1	1W-5421	1	CONNECTOR						
	22	1	1W-5728	2	SLEEVE						
	23	1	8T-6762	4	PLUG-PIPE (1/2-14-THD)						
	24	1	8T-6765	1	PLUG-PIPE (1/4-18-THD)						
	25	1	1A-9066	1	GASKET						
	26	1	5F-4899	2	BOLT (3/8-16X5.5-IN)						
	27	1	8N-9654	1	ADAPTER						
	28	1	1W-4955	44	SPACER (11.36X17.46X27-MM THK)						
	29	1	8T-2929	2	SEAL-O-RING						

AIR INLET AND EXHAUST SYSTEM

1W-9461 AFTERCOOLER GP-WATER (contd.)

i00931539



GRAPHIC #1

<END>

g00296145

AIR INLET AND EXHAUST SYSTEM

1W-9466 AFTERCOOLER GP-WATER

SMCS-1063

i02429376

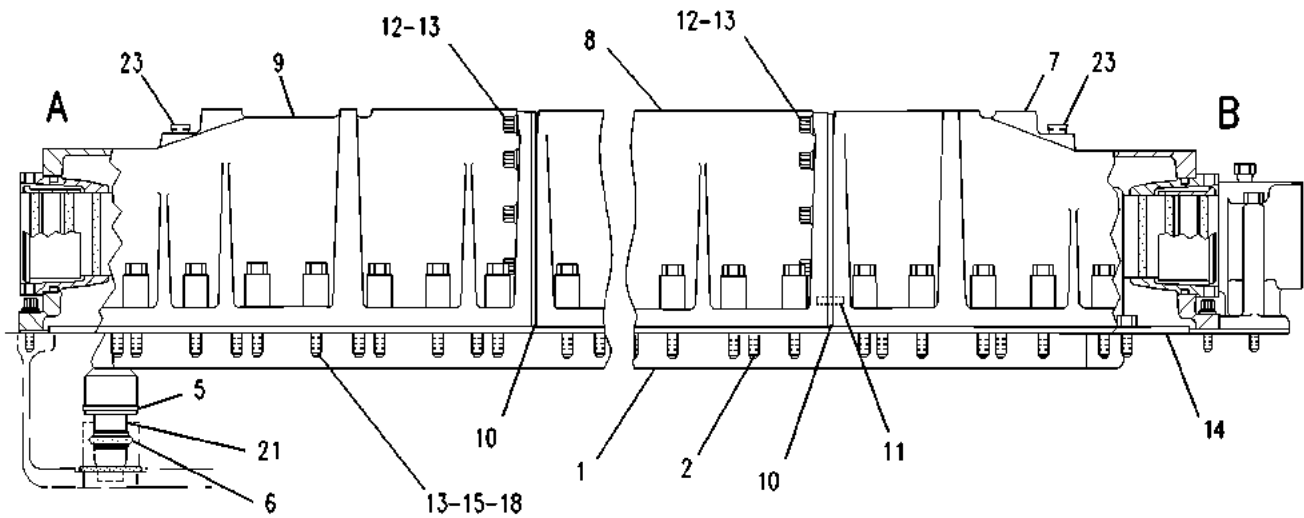
NOTE	REF NO	GRAPHIC REF	PART NUMBER	QTY	PART NAME						SEE PAGE
					1	2	3	4	5	6 (PRODUCT LEVEL)	
	1	1	7W-5455	1	CORE AS-AFTERCOOLER						
	2	1	031-4630	22	BOLT-LOCKING (5/16-18X0.75-IN)						
	3	1	230-1072	1	GASKET						
	4	1	6V-1454	6	SEAL-O-RING						
	5	1	1M-7913	1	RING-RETAINING						
	6	1	8C-5209	2	SEAL-O-RING						
	7	1	107-8758	1	HOUSING-FRONT						
	8	1	107-8759	1	HOUSING-INTERMEDIATE						
	9	1	107-8760	1	HOUSING-REAR						
	10	1	1W-1253	2	GASKET						
	11	1	4N-0684	4	DOWEL						
	12	1	1T-0720	20	BOLT-12 POINT HEAD (3/8-16X1.25-IN)						
C	13	1	5M-2894	64	WASHER-HARD (10.2X18.5X2.5-MM THK)						
	14	1	8N-2410	1	GASKET						
	15	1	0L-1143	44	BOLT (3/8-16X2.5-IN)						
	16	1	5F-4899	2	BOLT (3/8-16X5.5-IN)						
	17	1	8N-9654	1	ADAPTER						
	18	1	1W-4955	44	SPACER (11.36X17.46X27-MM THK)						
	19	1	8N-2409	2	ADAPTER						
	20	1	7M-9909	2	SEAL-O-RING						
	21	1	1W-5421	1	CONNECTOR						
	22	1	1W-5728	2	SLEEVE						
	23	1	8T-6762	4	PLUG-PIPE (1/2-14-THD)						
	24	1	8T-6765	1	PLUG-PIPE (1/4-18-THD)						

C - CHANGE FROM PREVIOUS TYPE

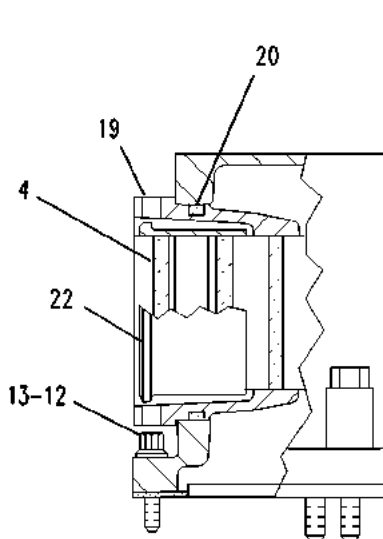
AIR INLET AND EXHAUST SYSTEM

1W-9466 AFTERCOOLER GP-WATER (contd.)

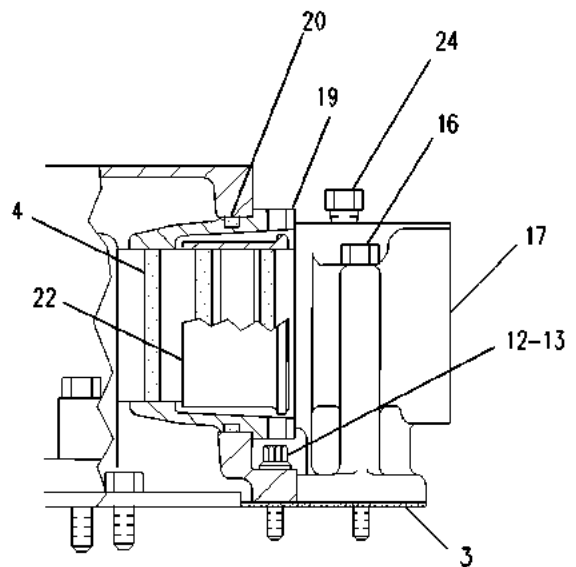
i02429376



RIGHT SIDE VIEW



VIEW OF AREA A



VIEW OF AREA B

GRAPHIC #1

<END>

g00782592

AIR INLET AND EXHAUST SYSTEM

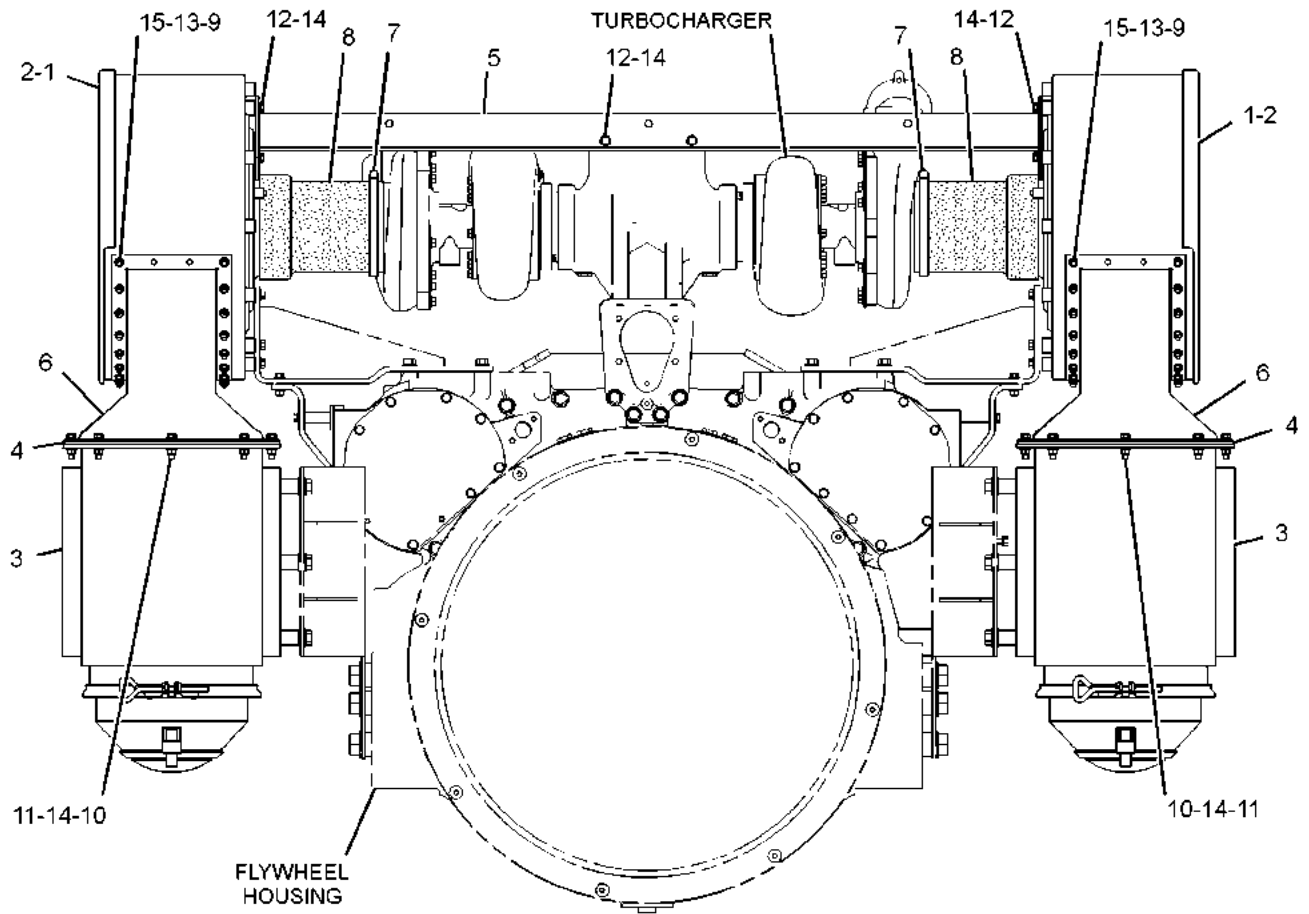
328-5302 AIR CLEANER GP-REAR AN ATTACHMENT

SMCS-1051, 1054

i03293164

NOTE	REF NO	GRAPHIC REF	PART NUMBER	QTY	PART NAME						SEE PAGE
					1	2	3	4	5	6 (PRODUCT LEVEL)	
Y	1	1	5N-7822	2	AIR CLEANER GP						662
	2	1	5N-7830	2	GASKET						
Y	3	1	<i>5N-7831</i>	2	PRECLEANER GP						738
	4	1	5N-7832	2	GASKET						
	5	1	5N-7906	1	SUPPORT AS						
	6	1	5N-7920	2	ADAPTER AS						
	7	1	5P-4869	2	CLAMP-HOSE						
	8	1	309-1854	2	HOSE						
	9	1	031-4155	40	LOCKNUT (5/16-18-THD)						
	10	1	4L-9337	28	BOLT (3/8-16X1.5-IN)						
	11	1	6V-8801	28	NUT (3/8-16-THD)						
	12	1	8T-2502	6	BOLT (3/8-16X1.125-IN)						
	13	1	8T-4224	80	WASHER-HARD (8.8X16X2-MM THK)						
	14	1	8T-4896	62	WASHER-HARD (10.2X18.5X2.5-MM THK)						
	15	1	8T-9043	40	BOLT (5/16-18X0.875-IN)						

Y - SEPARATE ILLUSTRATION



REAR VIEW OF ENGINE

GRAPHIC #1

<END>

g01678335

AIR INLET AND EXHAUST SYSTEM

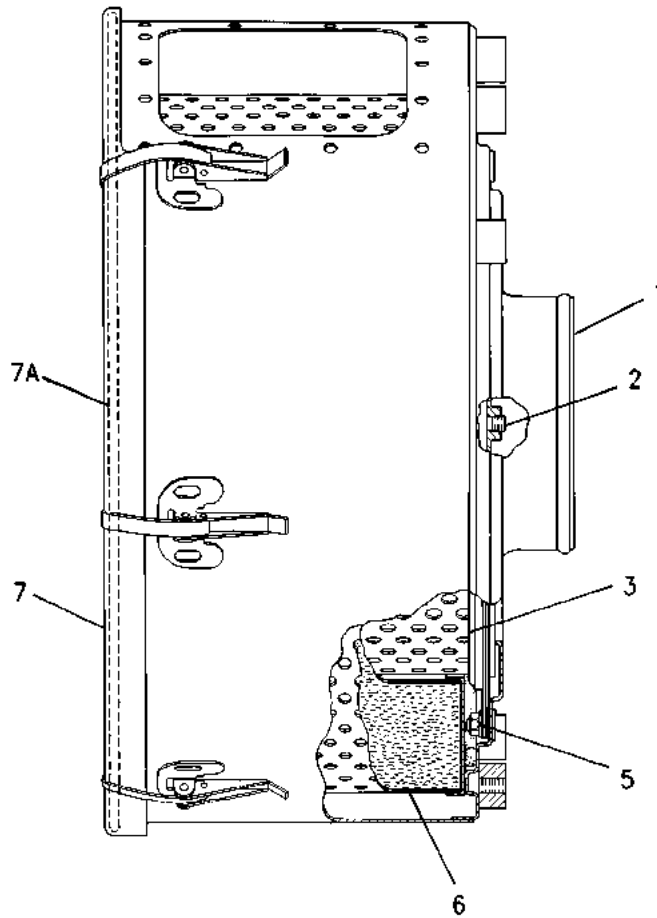
5N-7822 AIR CLEANER GP

PART OF 328-5302, 5N-7904 AIR CLEANER GP, 331-7143, 331-8941, 336-1545 MOUNTING GP-
AIR CLEANER
AN ATTACHMENT

SMCS-1051, 1054

i07362395

NOTE	REF NO	GRAPHIC REF	PART NUMBER	QTY	PART NAME						SEE PAGE
					1	2	3	4	5	6 (PRODUCT LEVEL)	
	1	1	8N-2562	1	HOUSING AS-AIR CLEANER						
	2	1	8T-6757	2	PLUG-PIPE						
	3	1	8N-2556	1	FILTER ELEMENT AS-AIR (SECONDARY)						
	5	1	9S-8752	8	NUT-FULL (3/8-16-THD)						
	6	1	8N-6309	1	FILTER ELEMENT AS-AIR (PRIMARY)						
	7	1	8N-6534	1	COVER AS						
	7A	1	8N-2559	1	GASKET						



GRAPHIC #1

<END>

g00891410

AIR INLET AND EXHAUST SYSTEM

5N-7904 AIR CLEANER GP AN ATTACHMENT

SMCS-1051, 1054

i07424173

NOTE	REF NO	GRAPHIC REF	PART NUMBER	QTY	PART NAME						SEE PAGE
					1	2	3	4	5	6 (PRODUCT LEVEL)	
Y	1	1	5N-7822	2	AIR CLEANER GP						662
	2	1	5N-7830	2	GASKET						
Y	3	1	<i>5N-7831</i>	2	PRECLEANER GP						738
	4	1	5N-7832	2	GASKET						
	5	1	5N-7906	1	SUPPORT AS						
	6	1	5N-7918	2	PLATE						
	7	1	5N-7920	2	ADAPTER AS						
	8	1	5P-4869	4	CLAMP-HOSE						
	9	1	031-4155	48	LOCKNUT (5/16-18-THD)						
	10	1	201-7354	6	BOLT (5/8-11X2.5-IN)						
	11	1	201-7355	4	BOLT (5/8-11X2.75-IN)						
	12	1	4L-6454	28	BOLT (3/8-16X1-IN)						
	13	1	538-6981	2	ANGLE						
	14	1	5N-7905	2	HOSE						
	15	1	5N-7917	4	SPACER (10.74X17.14X54.4-MM THK)						
	16	1	5N-7919	12	SPACER (18.85X26.67X33-MM THK)						
	17	1	5S-7379	6	BOLT (3/8-16X0.875-IN)						
	18	1	6V-8801	28	NUT (3/8-16-THD)						
	19	1	7X-0344	2	BOLT (5/8-11X1.375-IN)						
	20	1	7X-0448	2	NUT (5/8-11-THD)						
	21	1	8T-2502	6	BOLT (3/8-16X1.125-IN)						
	22	1	8T-4122	16	WASHER-HARD (17X32X3.5-MM THK)						
	23	1	8T-4224	96	WASHER-HARD (8.8X16X2-MM THK)						
B	24	1	8T-4896	72	WASHER-HARD (10.2X18.5X2.5-MM THK)						
	25	1	8T-8915	4	BOLT (3/8-16X3.25-IN)						
	26	1	8T-9043	48	BOLT (5/16-18X0.875-IN)						
	27	1	8T-9396	2	BOLT (5/8-11X3.25-IN)						
B	28	1	8T-4122	12	WASHER-HARD (17X32X3.5-MM THK)						
B	29	1	8T-4896	20	WASHER-HARD (10.2X18.5X2.5-MM THK)						

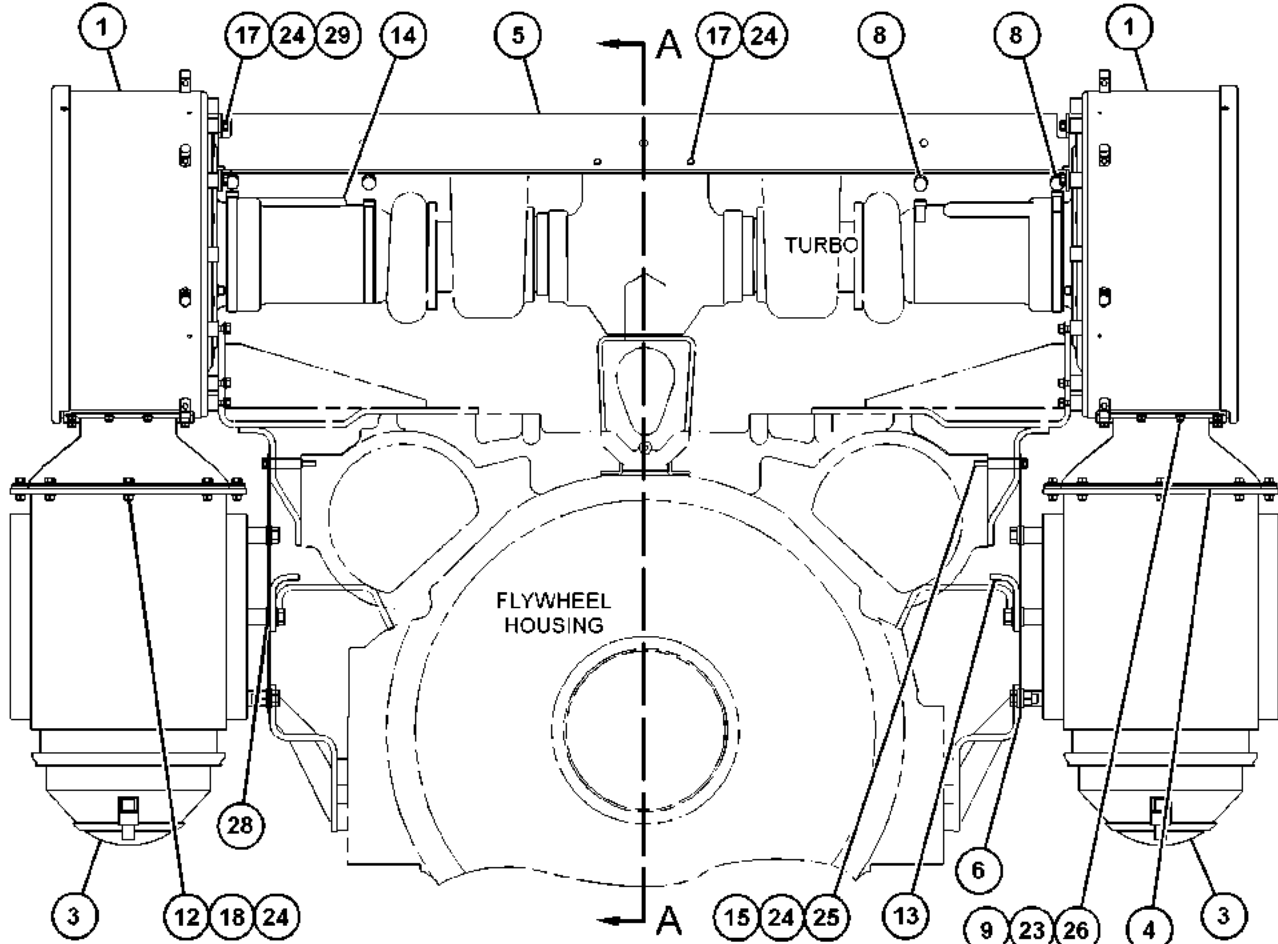
B - USE AS REQUIRED

Y - SEPARATE ILLUSTRATION

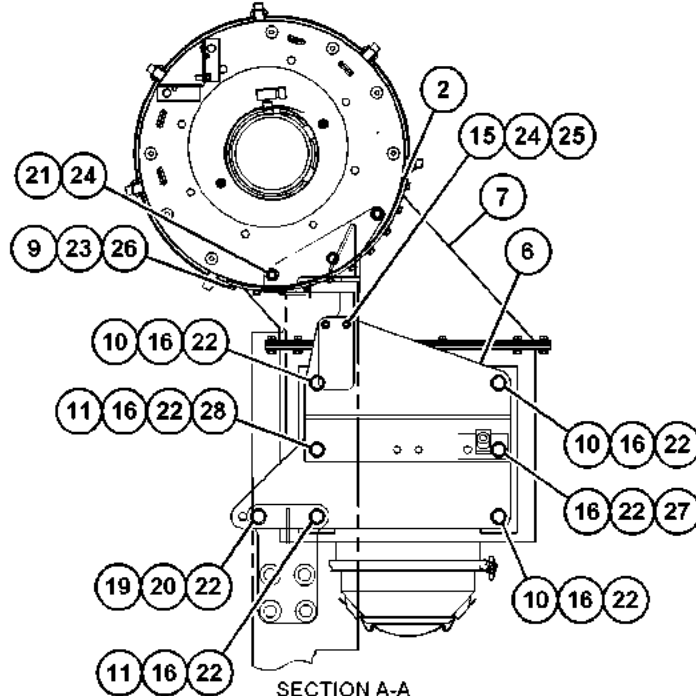
AIR INLET AND EXHAUST SYSTEM

5N-7904 AIR CLEANER GP (contd.)

i07424173



REAR VIEW OF ENGINE



SECTION A-A
<END>

GRAPHIC #1

g06330220

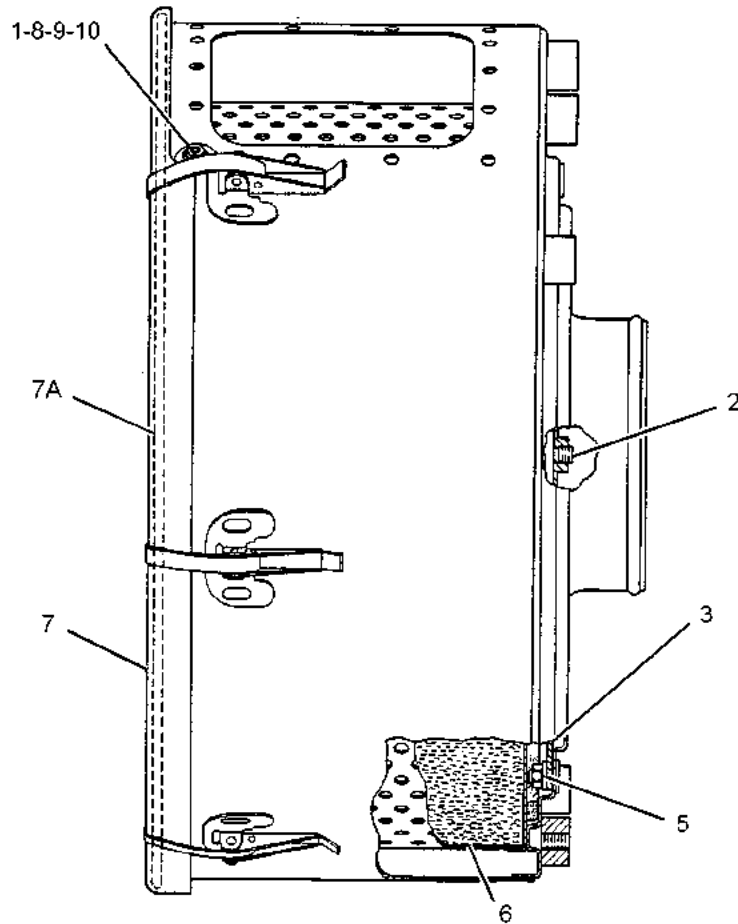
AIR INLET AND EXHAUST SYSTEM

8N-3378 AIR CLEANER GP PART OF 8N-9302, 8N-9303 AIR CLEANER GP AN ATTACHMENT

SMCS-1051, 1054

i03969949

NOTE	REF NO	GRAPHIC REF	PART NUMBER	QTY	PART NAME						SEE PAGE
					1	2	3	4	5	6 (PRODUCT LEVEL)	
	1	1	5S-0003	2	NUT (5/16-18-THD)						
	2	1	8T-6757	2	PLUG-PIPE						
	3	1	7W-0495	1	GUIDE AS						
	5	1	2K-4973	4	LOCKNUT (3/8-16-THD)						
	6	1	8N-6309	1	FILTER ELEMENT AS-AIR (PRIMARY)						
	7	1	8N-6534	1	COVER AS						
	7A	1	8N-2559	1	GASKET						
	8	1	1B-7182	2	BOLT (5/16-18X1.25-IN)						
	9	1	7K-3215	2	BOSS (0.413X1X0.630-IN THK)						
	10	1	9M-1974	2	WASHER-HARD (8.8X16X2-MM THK)						



GRAPHIC #1

<END>

g02162187

AIR INLET AND EXHAUST SYSTEM

8N-9302 AIR CLEANER GP

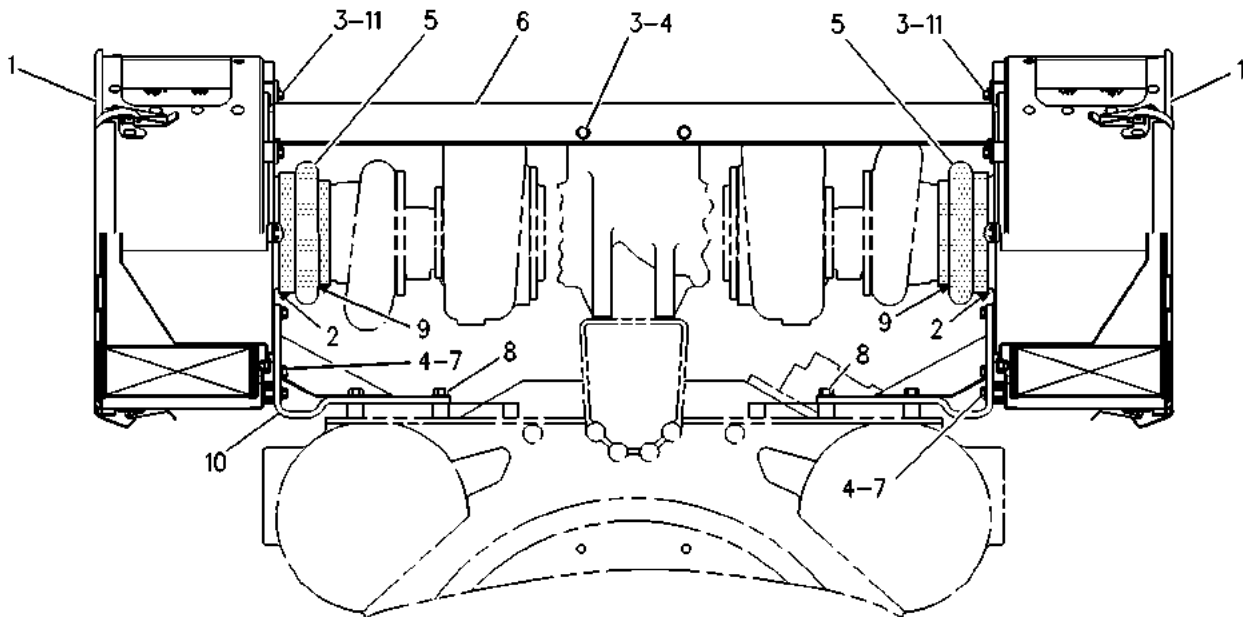
**INDUSTRIAL
AN ATTACHMENT**

SMCS-1051, 1054

i02179426

NOTE	REF NO	GRAPHIC REF	PART NUMBER	QTY	PART NAME						SEE PAGE
					1	2	3	4	5	6 (PRODUCT LEVEL)	
Y	1	1	8N-3378	2	AIR CLEANER GP						665
C	2	1	5P-3860	2	CLAMP-HOSE						
	3	1	0L-1351	6	BOLT (3/8-16X0.875-IN)						
	4	1	5M-2894	8	WASHER-HARD (10.2X18.5X2.5-MM THK)						
	5	1	8N-5254	2	HOSE-REDUCER						
	6	1	7W-5409	1	SUPPORT-AIR CLEANER						
	7	1	1A-2029	6	BOLT (3/8-16X1.125-IN)						
	8	1	6H-1717	6	BOLT (1/2-13X1.125-IN)						
			1	5P-8245	6	WASHER-HARD (13.5X25.5X3-MM THK)					
C	9	1	5P-4869	2	CLAMP-HOSE						
	10	1	8N-8879	1	BRACKET AS (LH)						
		1	8N-8880	1	BRACKET AS (RH)						
	11	1	3V-3308	4	WASHER-HARD (10.2X20.5X2.5-MM THK)						

C - CHANGE FROM PREVIOUS TYPE
Y - SEPARATE ILLUSTRATION



REAR VIEW

GRAPHIC #1

<END>

g00267170

AIR INLET AND EXHAUST SYSTEM

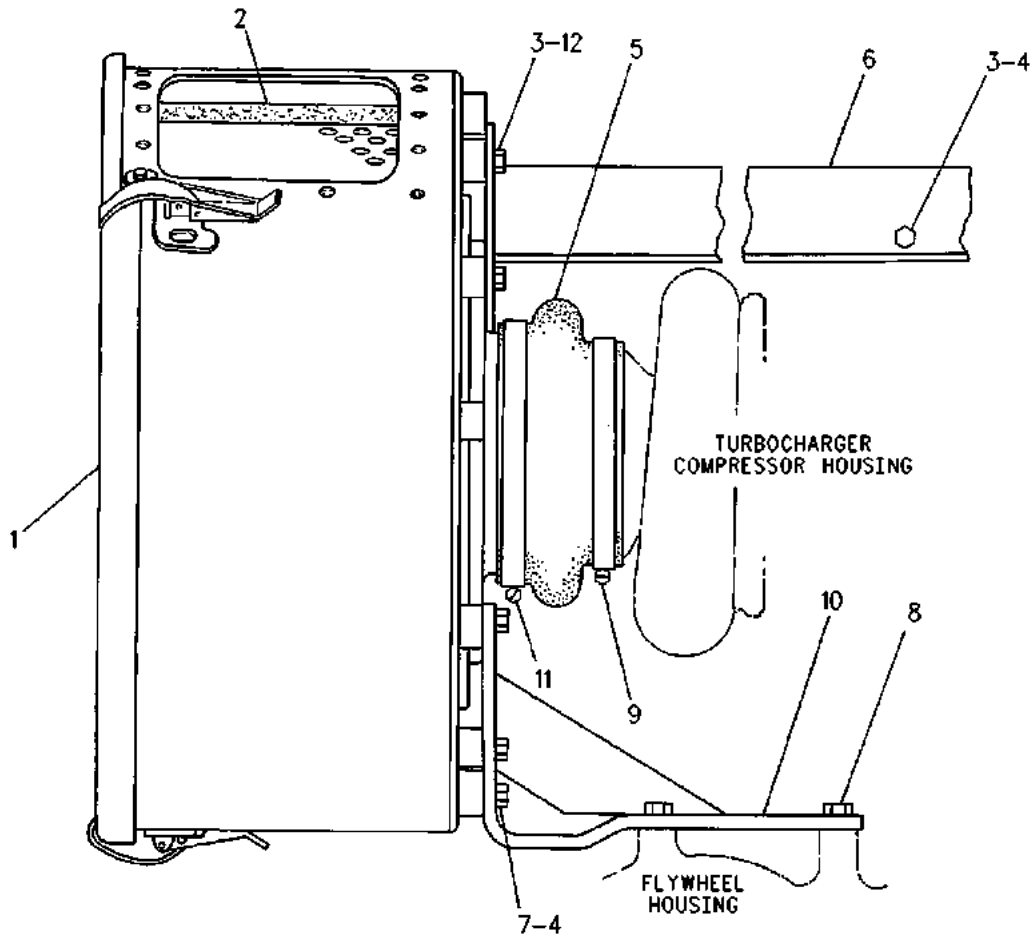
8N-9303 AIR CLEANER GP AN ATTACHMENT

SMCS-1051, 1054

i01977616

NOTE	REF NO	GRAPHIC REF	PART NUMBER	QTY	PART NAME						SEE PAGE
					1	2	3	4	5	6 (PRODUCT LEVEL)	
Y	1	1	8N-3378	2	AIR CLEANER GP						665
	2	1	8N-2555	2	FILTER-SOOT (AIR CLEANER) (AIR CLEANER)						
	3	1	0L-1351	6	BOLT (3/8-16X0.875-IN)						
	4	1	5M-2894	8	WASHER-HARD (10.2X18.5X2.5-MM THK)						
	5	1	8N-5254	2	HOSE-REDUCER						
	6	1	7W-5409	1	SUPPORT-AIR CLEANER						
	7	1	1A-2029	6	BOLT (3/8-16X1.125-IN)						
	8	1	6H-1717	6	BOLT (1/2-13X1.125-IN)						
		1	5P-8245	6	WASHER-HARD (13.5X25.5X3-MM THK)						
	9	1	5P-3860	2	CLAMP-HOSE						
	10	1	8N-8879	1	BRACKET AS (LH)						
		1	8N-8880	1	BRACKET AS (RH)						
	11	1	5P-4869	2	CLAMP-HOSE						
	12	1	3V-3308	4	WASHER-HARD (10.2X20.5X2.5-MM THK)						

Y - SEPARATE ILLUSTRATION



REAR VIEW

GRAPHIC #1

<END>

g00994987

AIR INLET AND EXHAUST SYSTEM

118-2988 CARTRIDGE GP-TURBOCHARGER*R

S/N: 65Z887-1716

PART OF 118-2987, 118-2989, 120-9188, 134-5402, 135-5101 TURBOCHARGER GP
ALSO AN ATTACHMENT

SMCS-1053

i06268900

NOTE	PART NUMBER	QTY	PART NAME 1 2 3 4 5 6 (PRODUCT LEVEL)	SEE PAGE
	239-5894	2	BEARING-JOURNAL	
	461-3754	2	BEARING-JOURNAL (0.51-MM OS)	
	461-3757	2	BEARING-JOURNAL (0.25-MM US)	
	461-3762	2	BEARING-JOURNAL (0.25-MM OS, 0.25-MM US)	
	461-3767	2	BEARING-JOURNAL (0.25-MM OS)	
	461-3778	2	BEARING-JOURNAL (0.25-MM US, 0.51-MM OS)	
	211-2261	1	BEARING-THRUST	
M	4P-3818	3	BOLT (M4X0.7X10-MM)	
M	4P-3819	4	BOLT (M6X1X22-MM)	
	223-4291	1	COLLAR-THRUST	
	9M-8915	3	RING-RETAINING	
	223-4288	2	SEAL RING-PISTON	
	223-4289	1	SEAL RING-PISTON	
	223-4287	1	SEAL-RING	
	461-3792	3	WASHER (WEAR)	

M - METRIC PART

<END>

AIR INLET AND EXHAUST SYSTEM

140-9053 CARTRIDGE GP-TURBOCHARGER*R

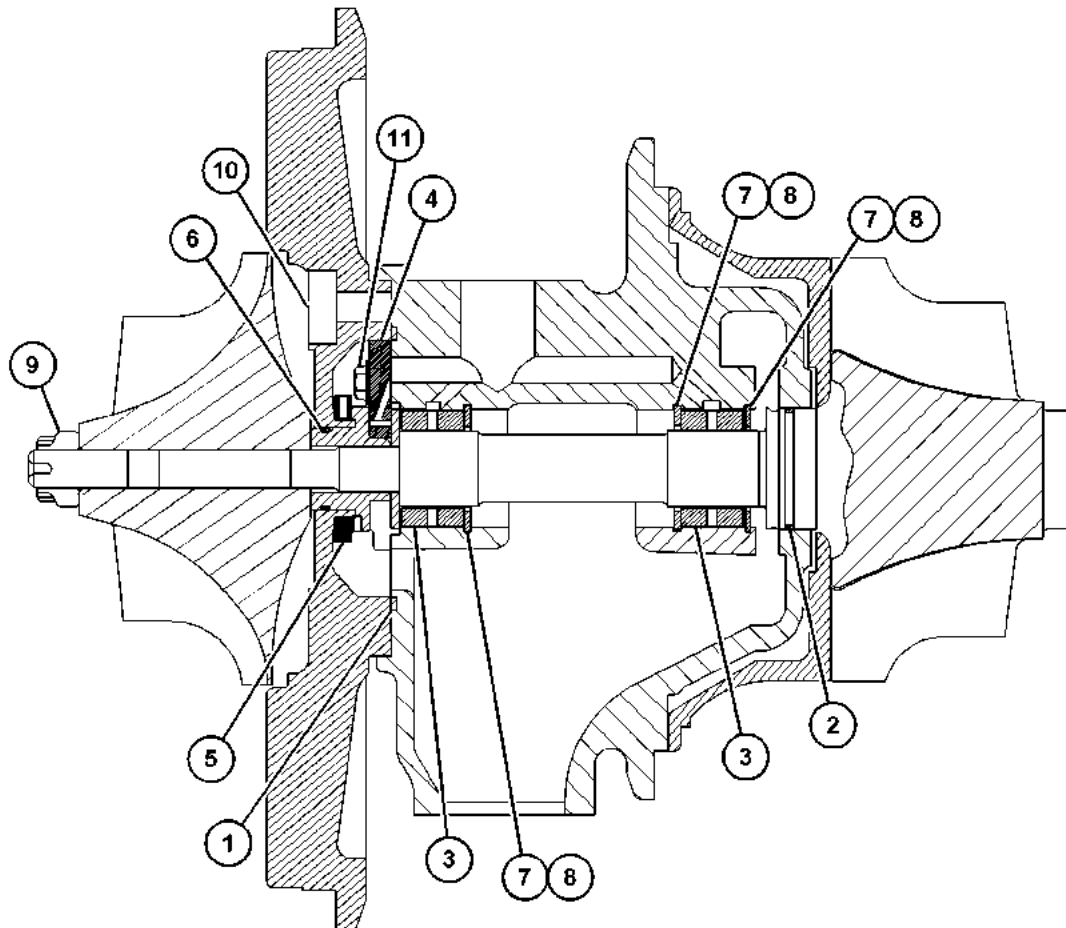
PART OF 140-9052 TURBOCHARGER GP
AN ATTACHMENT

SMCS-1053

i06870788

NOTE	REF NO	GRAPHIC REF	PART NUMBER	QTY	PART NAME						SEE PAGE
					1	2	3	4	5	6	
	1	1	1P-1120	1	RING-SEAL						
	2	1	223-4289	1	SEAL RING-PISTON						
	3	1	239-5894	2	BEARING-JOURNAL						
	4	1	211-2261	1	BEARING-THRUST						
	5	1	223-4291	1	COLLAR-THRUST						
	6	1	223-4288	1	SEAL RING-PISTON						
	7	1	461-3792	3	WASHER (WEAR)						
	8	1	9M-8915	3	RING-RETAINING						
	9	1	1S-1770	1	LOCKNUT-TURBOCHARGER						
M	10	1	349-5727	4	BOLT-FLANGE HEAD (M6X1X22-MM)						
M	11	1	4P-3818	3	BOLT (M4X0.7X10-MM)						

M - METRIC PART



GRAPHIC #1

<END>

g06148603

AIR INLET AND EXHAUST SYSTEM

450-1415 CARTRIDGE GP-TURBOCHARGER*R

S/N: 65Z1717-UP

PART OF 134-5402, 450-1421, 450-6710 TURBOCHARGER GP
ALSO AN ATTACHMENT

SMCS-1053

i07396193

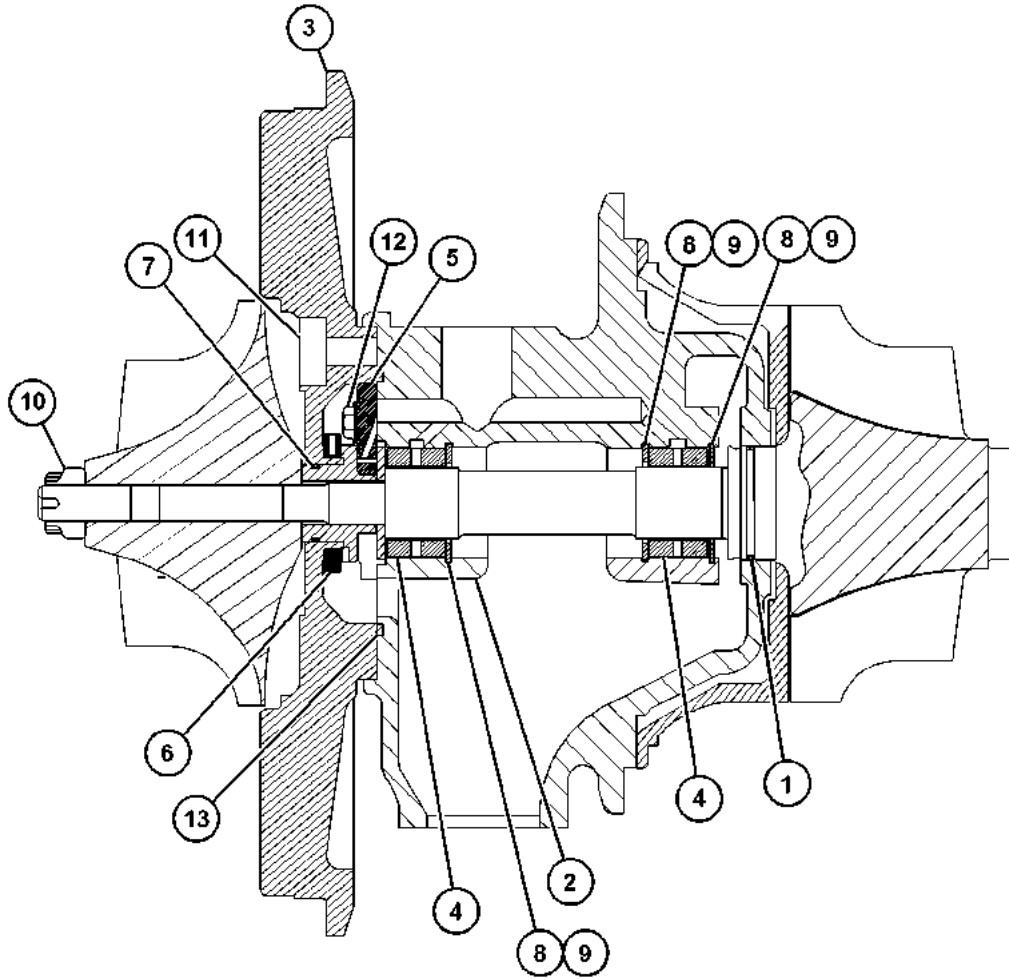
NOTE	REF NO	GRAPHIC REF	PART NUMBER	QTY	PART NAME						SEE PAGE
					1	2	3	4	5	6 (PRODUCT LEVEL)	
	1	1	211-2264	1	RING-PISTON						
	2	1	119-6004	1	HOUSING-BEARING						
	3	1	126-0893	1	PLATE-BACK						
	4	1	496-5224	2	BEARING-JOURNAL (STANDARD)						
AB		1	496-5225		BEARING-JOURNAL (0.25-MM US)						
AB		1	496-5226		BEARING-JOURNAL (0.25-MM OS)						
AB		1	496-5227		BEARING-JOURNAL (0.25-MM OS, 0.25-MM US)						
AB		1	496-5228		BEARING-JOURNAL (0.51-MM OS)						
AB		1	496-5229		BEARING-JOURNAL (0.25-MM US, 0.51-MM OS)						
	5	1	211-2261	1	BEARING-THRUST						
	6	1	223-4291	1	COLLAR-THRUST						
	7	1	9M-8919	1	RING-SEAL						
	8	1	461-3792	3	WASHER (WEAR)						
	9	1	461-3728	3	RING-RETAINING						
	10	1	1S-1770	1	LOCKNUT-TURBOCHARGER						
M	11	1	4P-3819	4	BOLT (M6X1X22-MM)						
M	12	1	4P-3818	3	BOLT (M4X0.7X10-MM)						
	13	1	1P-1120	1	RING-SEAL						

A - NOT PART OF THIS GROUP
B - USE AS REQUIRED
M - METRIC PART

AIR INLET AND EXHAUST SYSTEM

450-1415 CARTRIDGE GP-TURBOCHARGER (contd.)

107396193



GRAPHIC #1

<END>

g06331785

AIR INLET AND EXHAUST SYSTEM

6N-7960 CARTRIDGE GP-TURBOCHARGER*R PART OF 7W-8008 TURBOCHARGER GP AN ATTACHMENT

SMCS-1053

i07459600

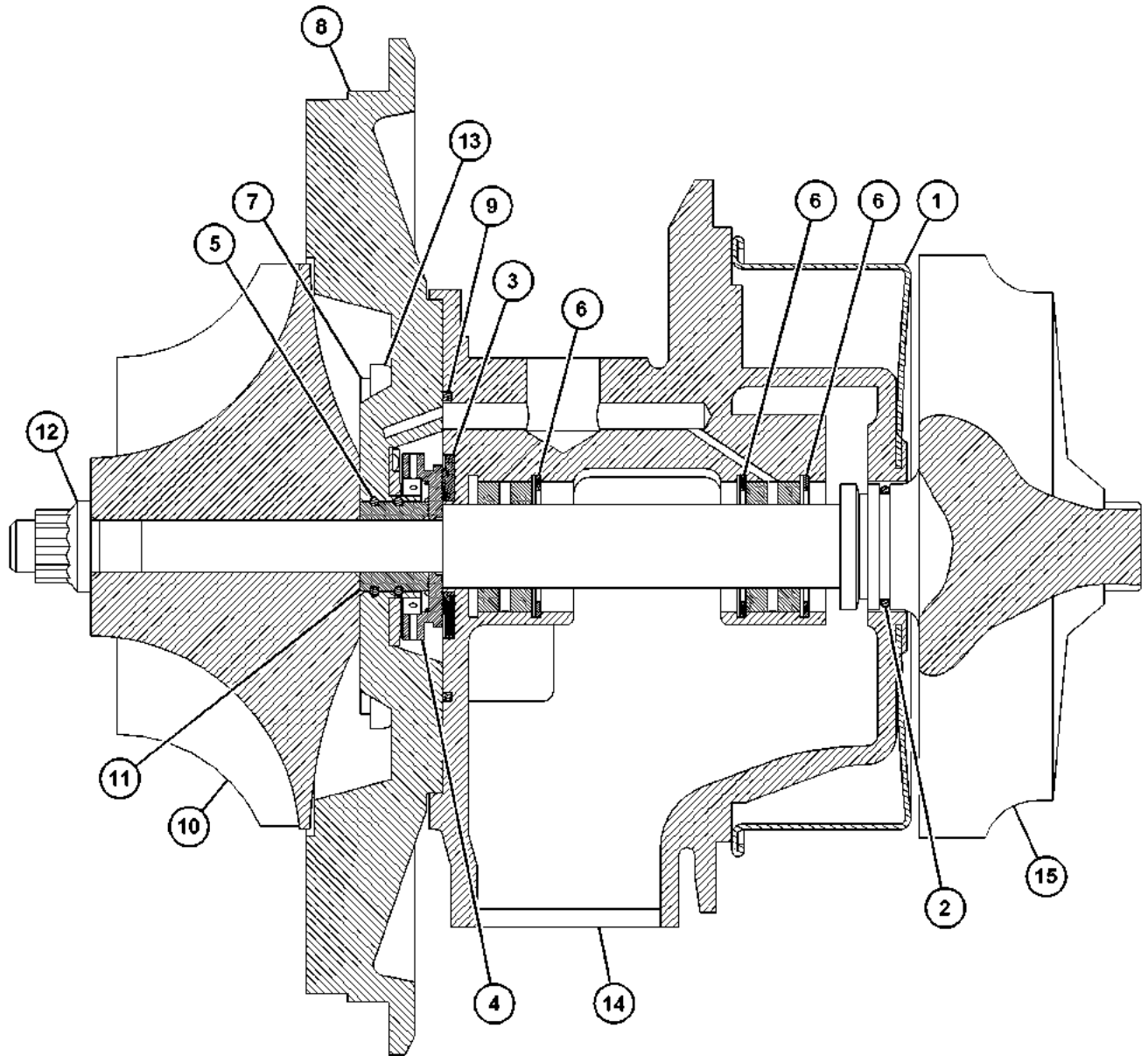
NOTE	REF NO	GRAPHIC REF	PART NUMBER	QTY	PART NAME						SEE PAGE
					1	2	3	4	5	6 (PRODUCT LEVEL)	
	1	1	9Y-1936	1	SHROUD						
J	2	1	7N-3759	1	RING-PISTON						
J	3	1	6N-5004	1	BEARING-THRUST						
	4	1	9M-8911	1	COLLAR-THRUST						
J	5	1	9M-8919	2	RING-SEAL						
J	6	1	9M-8915	3	RING-RETAINING						
	7	1	0S-1616	4	BOLT (1/4-20X1-IN)						
	8	1	6N-7962	1	PLATE AS-BACKING						
		1	7W-0130	1	BEARING-THRUST						
		1	7W-0131	3	STUD-DRIVE						
J	9	1	1P-1120	1	RING-SEAL						
	10	1	4P-3429	1	WHEEL-COMPRESSOR						
	11	1	9N-2046	1	SPACER-THRUST						
J	12	1	1S-1770	1	LOCKNUT-TURBOCHARGER						
J	13	1	9N-2036	4	PLATE-LOCK						
	14	1	9N-2035	1	HOUSING AS-CENTER						
		1	4M-6646	2	PIN-GROOVED						
		1	7W-2368	1	RING-SEAL						
	15	1	9N-2043	1	WHEEL & SHAFT AS						
					AVAILABLE REPAIR KIT(S) :						
			9N-2041	1	KIT-BEARING						
					(INCLUDES BEARINGS & WASHERS)						
AB			7C-7446		KIT-BEARING (0.51-MM OS)						
					(INCLUDES BEARINGS & WASHERS)						
AB			7C-7447		KIT-BEARING (0.51-MM OS, 0.25-MM US)						
					(INCLUDES BEARINGS & WASHERS)						
AB			7N-3194		KIT-BEARING (0.25-MM OS, 0.25-MM US)						
					(INCLUDES BEARINGS & WASHERS)						
AB			8N-4157		KIT-BEARING (0.25-MM OS)						
					(INCLUDES BEARINGS & WASHERS)						
AB			8N-4160		KIT-BEARING (0.25-MM US)						
					(INCLUDES BEARINGS & WASHERS)						
J			2W-0715	1	KIT-CARTRIDGE (TURBOCHARGER)						
					(INCLUDES SEAL RINGS, RETAINER RINGS, LOCK PLATES, LOCKNUTS, & THRUST BEARING)						

A - NOT PART OF THIS GROUP
 B - USE AS REQUIRED
 J - KIT MARKED J SERVICES PART(S) MARKED J

AIR INLET AND EXHAUST SYSTEM

6N-7960 CARTRIDGE GP-TURBOCHARGER (contd.)

i07459600



GRAPHIC #1

<END>

g06359433

AIR INLET AND EXHAUST SYSTEM

7W-0288 ELBOW GP-EXHAUST

WATERCOOLED
AN ATTACHMENT

SMCS-1061

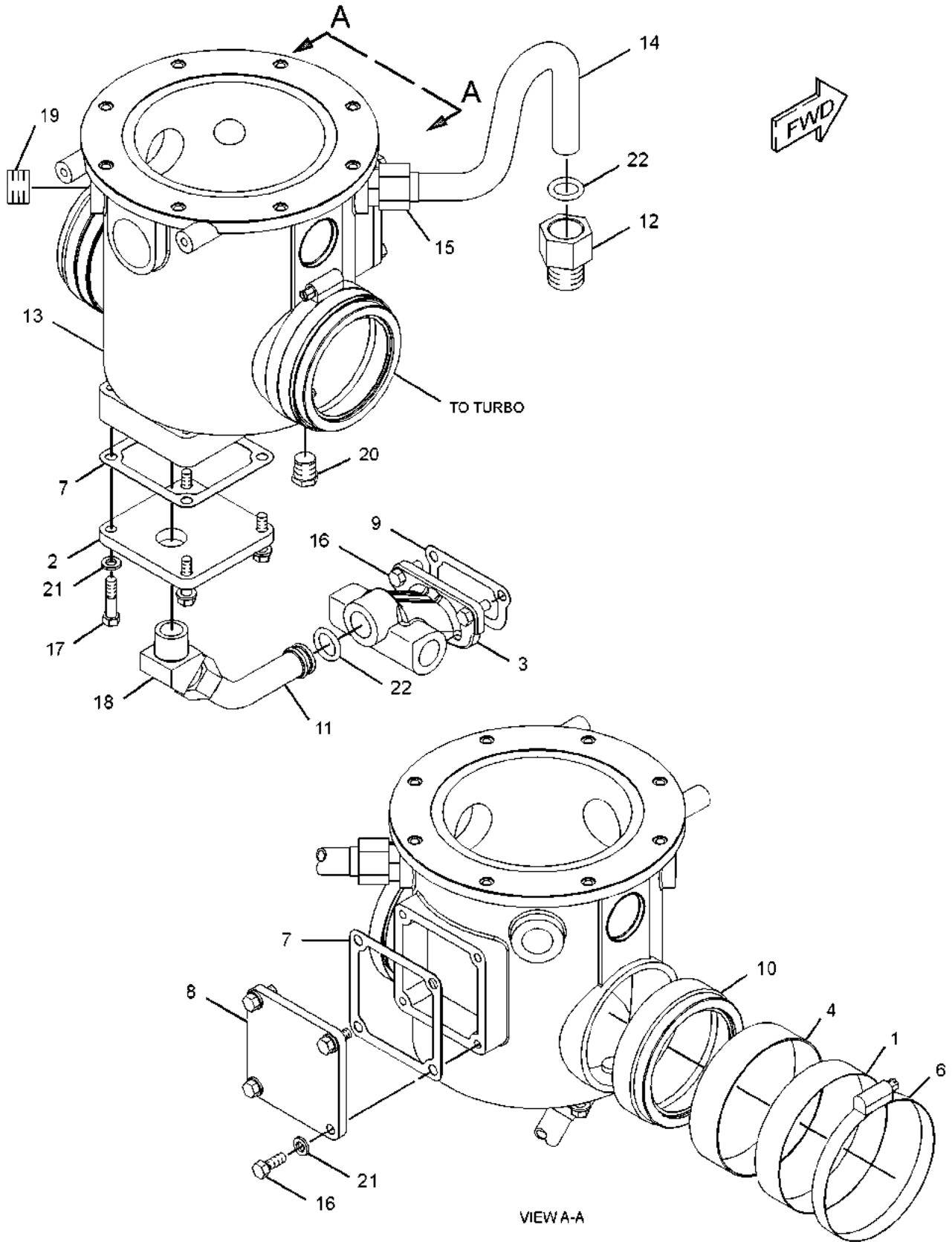
i06268377

NOTE	REF NO	GRAPHIC REF	PART NUMBER	QTY	PART NAME						SEE PAGE
					1	2	3	4	5	6 (PRODUCT LEVEL)	
	1	1	1N-4302	2	COLLAR-SEAL						
	2	1	1W-5941	1	COVER						
	3	1	1W-6737	1	HOUSING						
	4	1	1W-9451	2	SEAL - TURBOCHARGER						
	6	1	5P-0599	2	CLAMP - BAND						
	7	1	7E-6016	2	GASKET						
	8	1	7E-6017	1	COVER						
	9	1	7N-3368	1	GASKET						
	10	1	7N-6222	2	ADAPTER - TURBOCHARGER						
	11	1	7N-7130	1	TUBE AS						
	12	1	7N-7415	1	FITTING						
	13	1	7W-0290	1	ELBOW AS-EXHAUST						
		1	4F-5695	3	PLUG-CUP						
	14	1	8N-8954	1	TUBE AS						
	15	1	009-4440	1	CONNECTOR						
	16	1	0S-1594	7	BOLT (3/8-16X1-IN)						
	17	1	2A-4639	4	BOLT (3/8-16X1.625-IN)						
	18	1	2P-1312	1	ELBOW						
	19	1	3B-0551	1	PLUG-PIPE						
	20	1	3J-5389	2	PLUG (EXTERNAL)						
	21	1	5M-2894	8	WASHER-HARD (10.2X18.5X2.5-MM THK)						
	22	1	7L-4773	2	SEAL-O-RING						

AIR INLET AND EXHAUST SYSTEM

7W-0288 ELBOW GP-EXHAUST (contd.)

106268377



GRAPHIC #1

<END>

g03880404

AIR INLET AND EXHAUST SYSTEM

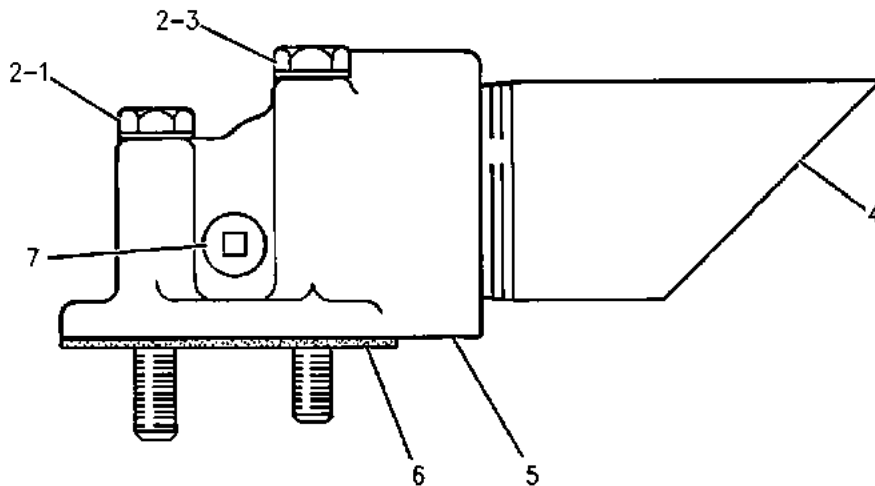
8N-8487 ELBOW GP-EXHAUST

FOR USE WITH AIR STARTING MOTOR
AN ATTACHMENT

SMCS-1061

i07109197

NOTE	REF NO	GRAPHIC REF	PART NUMBER	QTY	PART NAME						SEE PAGE
					1	2	3	4	5	6	
	1	1	1D-4566	2	BOLT (1/2-13X3.5-IN)						
	2	1	5P-8245	4	WASHER-HARD (13.5X25.5X3-MM THK)						
	3	1	1D-4569	2	BOLT (1/2-13X4.25-IN)						
	4	1	6N-4857	1	FITTING						
	5	1	8N-8447	1	ELBOW						
	6	1	8N-8452	1	GASKET						
	7	1	8T-6762	1	PLUG-PIPE (1/2-14-THD)						



GRAPHIC #1

<END>

g00625351

AIR INLET AND EXHAUST SYSTEM

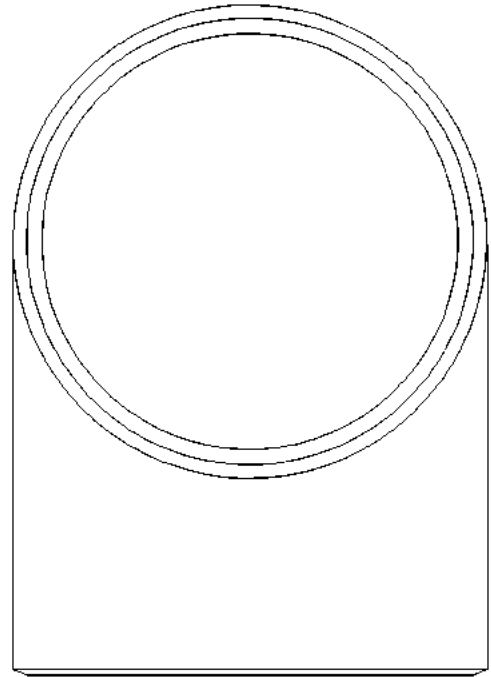
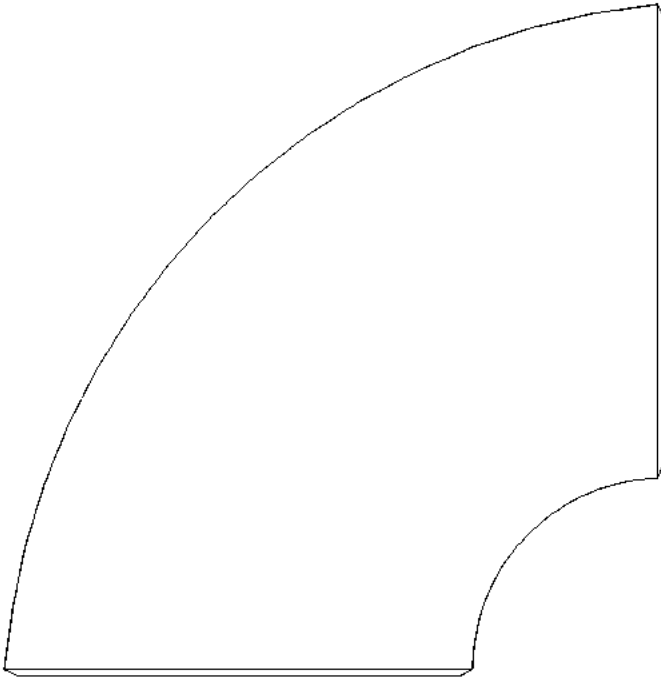
5L - 6954 ELBOW - EXHAUST

12-IN
AN ATTACHMENT

SMCS - 1061

i01213269

NOTE	REF NO	GRAPHIC REF	PART NUMBER	QTY	PART NAME						SEE PAGE
					1	2	3	4	5	6 (PRODUCT LEVEL)	
(NO SERVICED PARTS)											



GRAPHIC #1

<END>

g00648631

AIR INLET AND EXHAUST SYSTEM

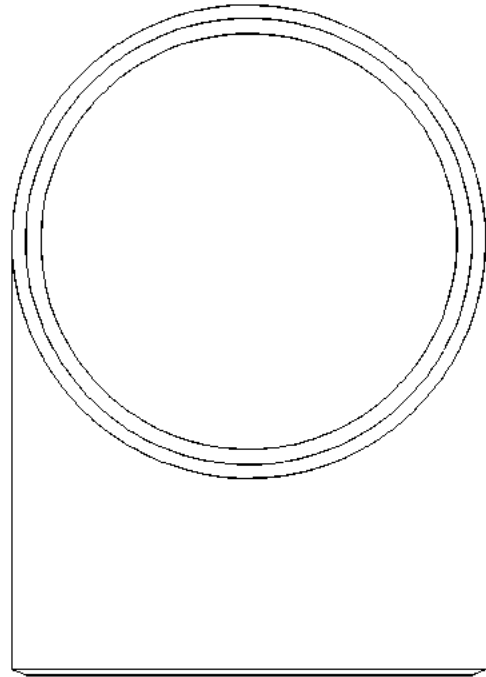
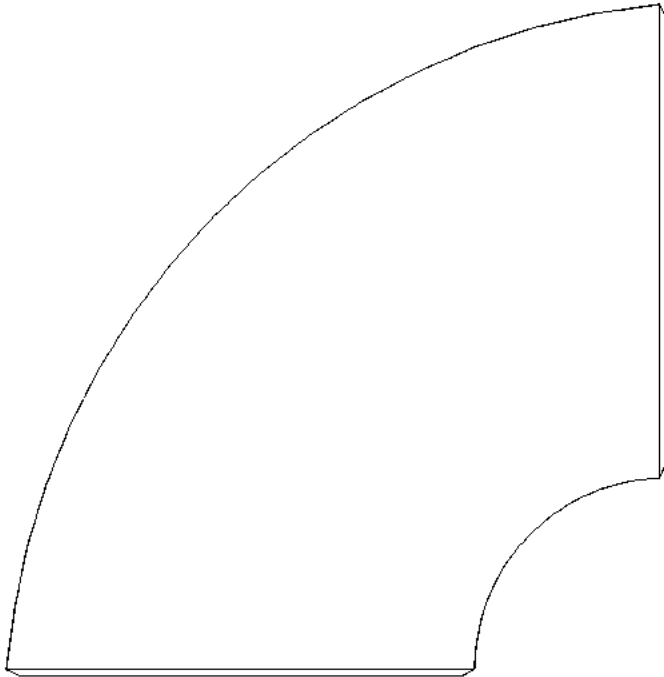
5N-2458 ELBOW-EXHAUST

10-IN
AN ATTACHMENT

SMCS-1061

i02729077

NOTE	REF NO	GRAPHIC REF	PART NUMBER	QTY	PART NAME						SEE PAGE
					1	2	3	4	5	6 (PRODUCT LEVEL)	
(NO SERVICED PARTS)											



GRAPHIC #1

<END>

g00648631

AIR INLET AND EXHAUST SYSTEM

5N-2457 FITTING GP-EXHAUST-FLEXIBLE

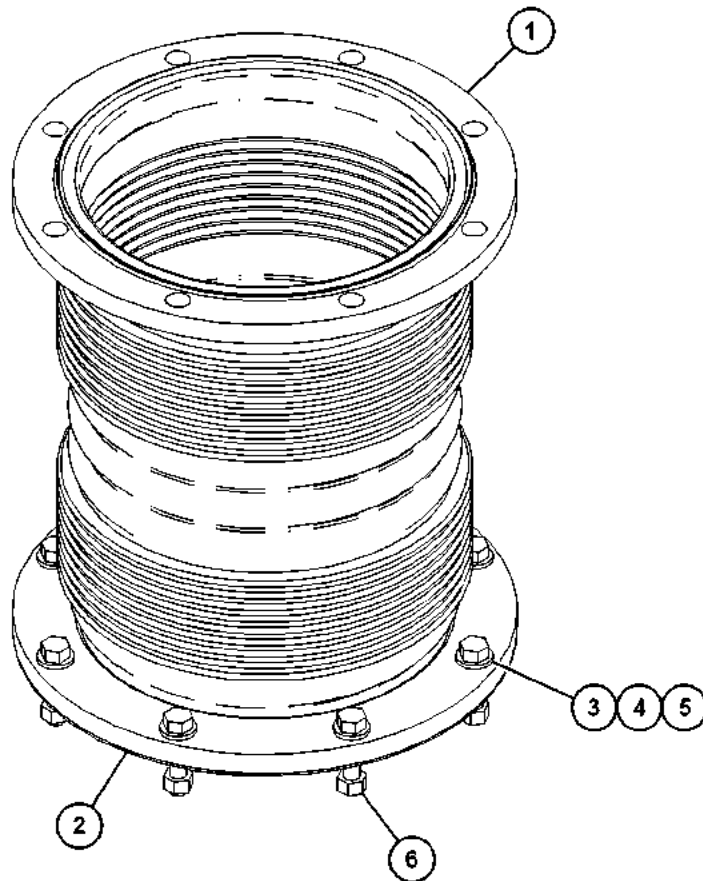
203.2-MM
AN ATTACHMENT

SMCS-1061

i06105509

NOTE	REF NO	GRAPHIC REF	PART NUMBER	QTY	PART NAME						SEE PAGE
					1	2	3	4	5	6 (PRODUCT LEVEL)	
	1	1	214-6045	1	BELLOWS AS						
	2	1	245-3512	1	GASKET (EXHAUST)						
	3	1	3V-3308	8	WASHER-HARD (10.2X20.5X2.5-MM THK)						
BL	4	1	0S-1588	8	BOLT (3/8-16X1.25-IN)						
BJ	5	1	0S-1571	8	BOLT (3/8-16X1.75-IN)						
BJ	6	1	9S-8752	8	NUT-FULL (3/8-16-THD)						

B - USE AS REQUIRED
 J - FOR USE WITH HOT EXHAUST
 L - FOR USE WITH WATER COOLED EXHAUST



GRAPHIC #1

<END>

g03811923

AIR INLET AND EXHAUST SYSTEM

5N-9527 FITTING GP-EXHAUST-FLEXIBLE

305-MM

FOR USE WITH WATERCOOLED, HOT EXHAUST STACKS
AN ATTACHMENT

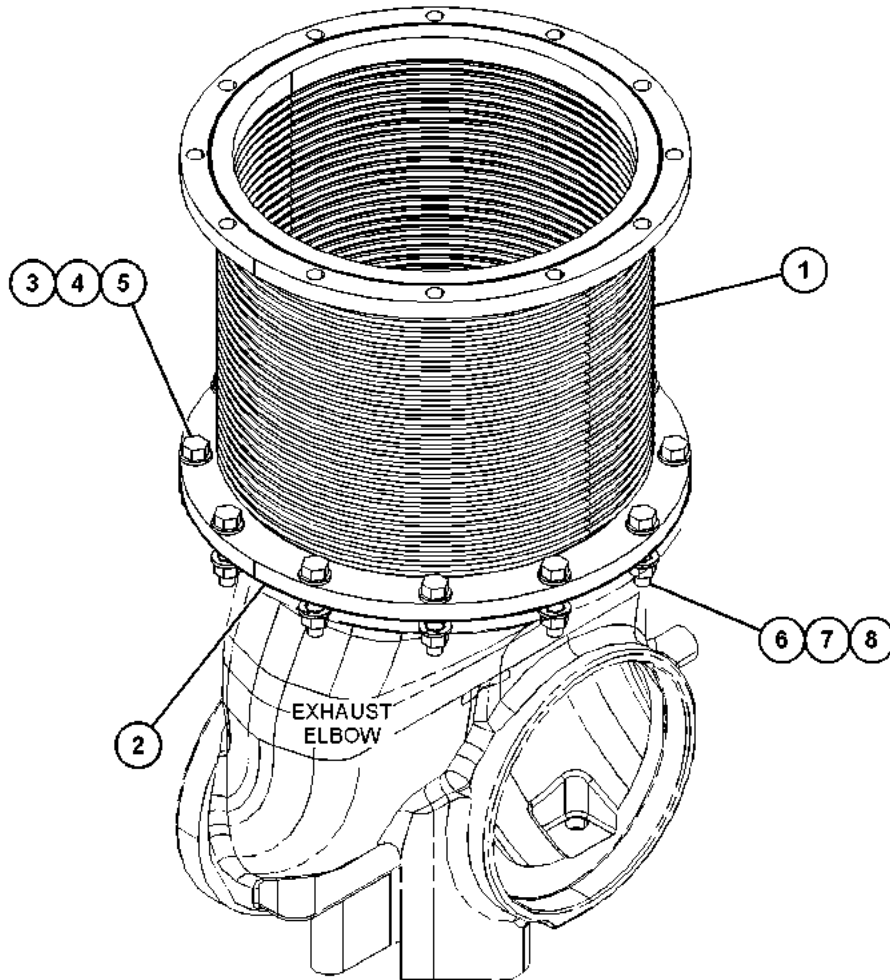
SMCS-1061

i06707486

NOTE	REF NO	GRAPHIC REF	PART NUMBER	QTY	PART NAME						SEE PAGE
					1	2	3	4	5	6 (PRODUCT LEVEL)	
	1	1	207-1332	1	BELLOWS AS						
	2	1	495-4092	1	GASKET-EXHAUST						
B	3	1	5L-4398	12	BOLT (1/2-13X2.25-IN)						
B	4	1	1F-7958	12	NUT-FULL (1/2-13-THD)						
B	5	1	5P-8245	24	WASHER-HARD (13.5X25.5X3-MM THK)						
BJ	6	1	165-3931	12	BOLT (3/8-16X1.75-IN)						
BJ	7	1	9S-8752	12	NUT-FULL (3/8-16-THD)						
BJ	8	1	5M-2894	12	WASHER-HARD (10.2X18.5X2.5-MM THK)						

B - USE AS REQUIRED

J - FOR USE WITH 1W5532 ELBOW OR 7N6959 ADAPTER



GRAPHIC #1

<END>

g06080794

AIR INLET AND EXHAUST SYSTEM

7N-6967 FITTING GP-EXHAUST-FLEXIBLE

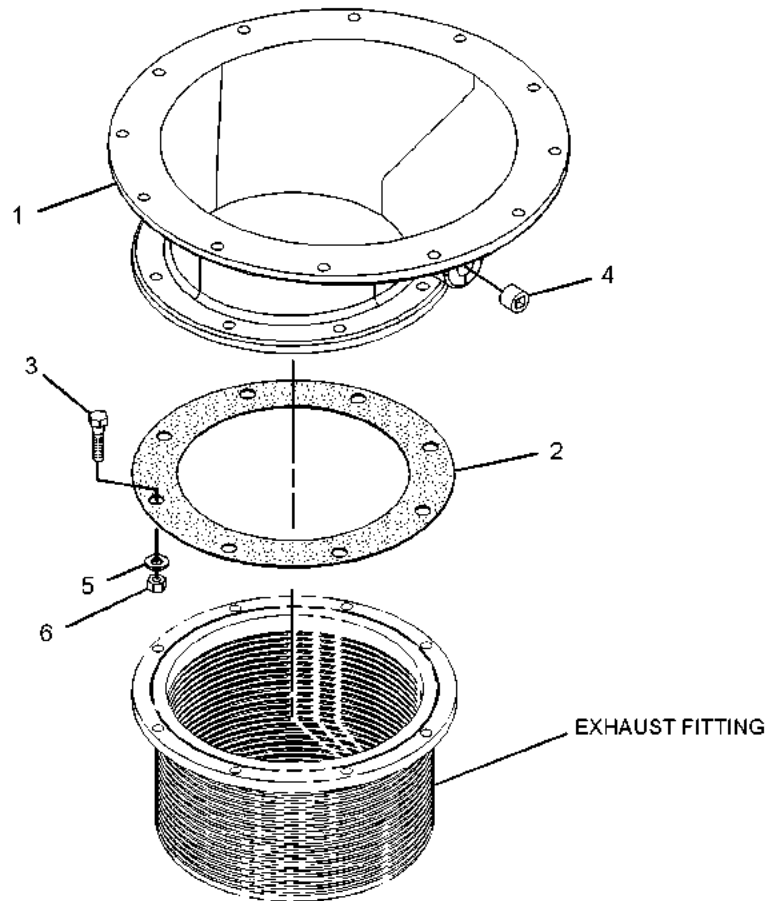
305-MM
AN ATTACHMENT

SMCS-1061

i06121684

NOTE	REF NO	GRAPHIC REF	PART NUMBER	QTY	PART NAME						SEE PAGE
					1	2	3	4	5	6 (PRODUCT LEVEL)	
	1	1	7N-6959	1	ADAPTER						
	2	1	245-3512	1	GASKET (EXHAUST)						
B	3	1	0S-1591	8	BOLT (3/8-16X1.5-IN)						
	4	1	2B-0858	1	PLUG-PIPE						
B	5	1	3V-3308	8	WASHER-HARD (10.2X20.5X2.5-MM THK)						
	6	1	9S-8752	8	NUT-FULL (3/8-16-THD)						

B - USE AS REQUIRED



GRAPHIC #1

<END>

g02846941

AIR INLET AND EXHAUST SYSTEM

7N-6968 FITTING GP-EXHAUST

254-MM

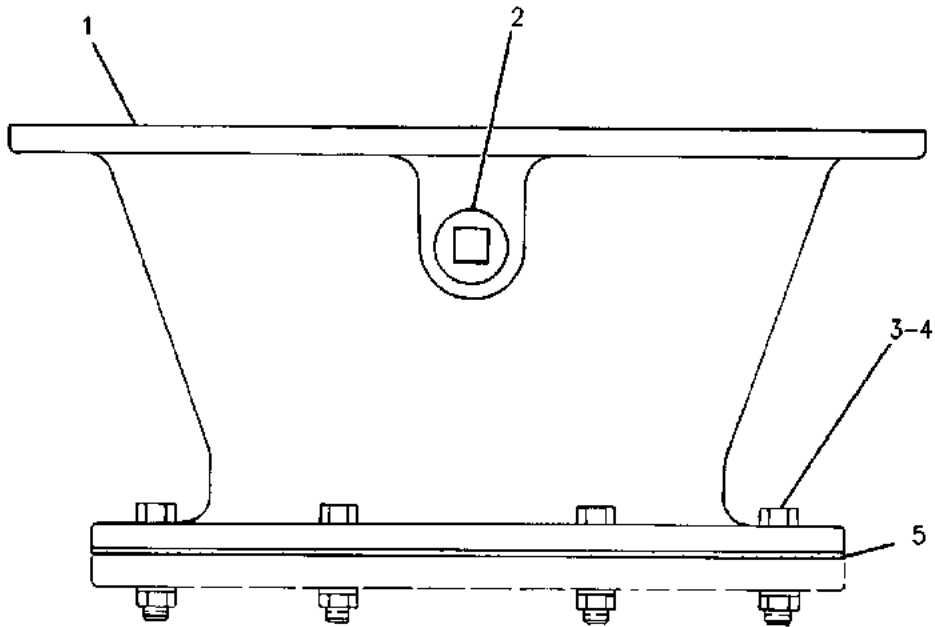
FOR USE WITH 7N-6962-PAGE: 689
AN ATTACHMENT

SMCS-1061

i02911660

NOTE	REF NO	GRAPHIC REF	PART NUMBER	QTY	PART NAME						SEE PAGE
					1	2	3	4	5	6 (PRODUCT LEVEL)	
	1	1	7N-5971	1	ADAPTER						
	2	1	8T-6762	1	PLUG-PIPE (1/2-14-THD)						
B	3	1	0S-1591	8	BOLT (3/8-16X1.5-IN)						
	4	1	9S-8752	8	NUT-FULL (3/8-16-THD)						
CB		1	3V-3308	8	WASHER-HARD (10.2X20.5X2.5-MM THK)						
	5	1	5L-3773	1	GASKET-EXHAUST ELBOW						

B - USE AS REQUIRED
C - CHANGE FROM PREVIOUS TYPE



GRAPHIC #1

<END>

g00622974

AIR INLET AND EXHAUST SYSTEM

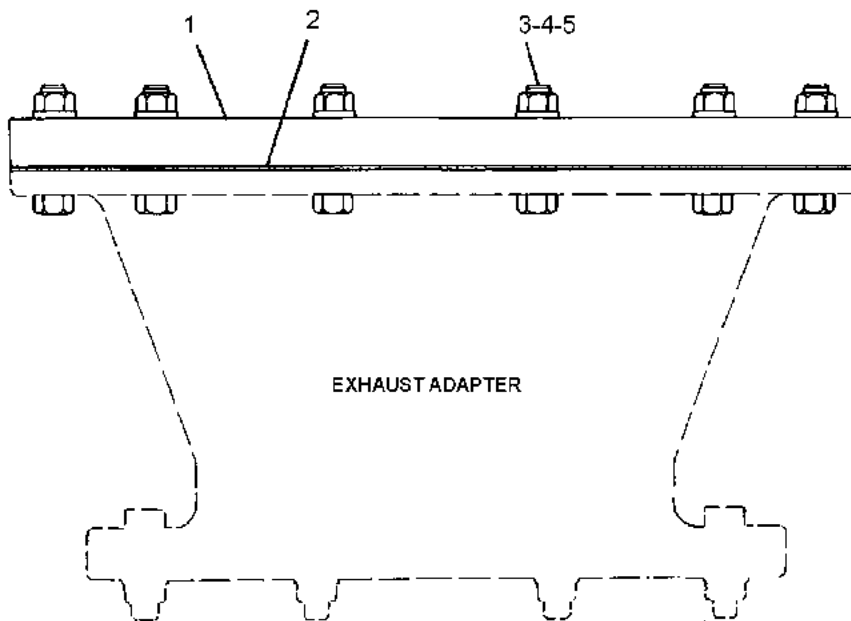
1W-9488 FLANGE GP-EXHAUST

355.6-MM
AN ATTACHMENT

SMCS-1061

i02617064

NOTE	REF NO	GRAPHIC REF	PART NUMBER	QTY	PART NAME						SEE PAGE
					1	2	3	4	5	6 (PRODUCT LEVEL)	
	1	1	1W-7579	1	FLANGE						
	2	1	1W-7580	1	GASKET						
	3	1	0S-1571	12	BOLT (3/8-16X1.75-IN)						
	4	1	9S-8752	12	NUT-FULL (3/8-16-THD)						
	5	1	5M-2894	12	WASHER-HARD (10.2X18.5X2.5-MM THK)						



GRAPHIC #1

<END>

g01301072

AIR INLET AND EXHAUST SYSTEM

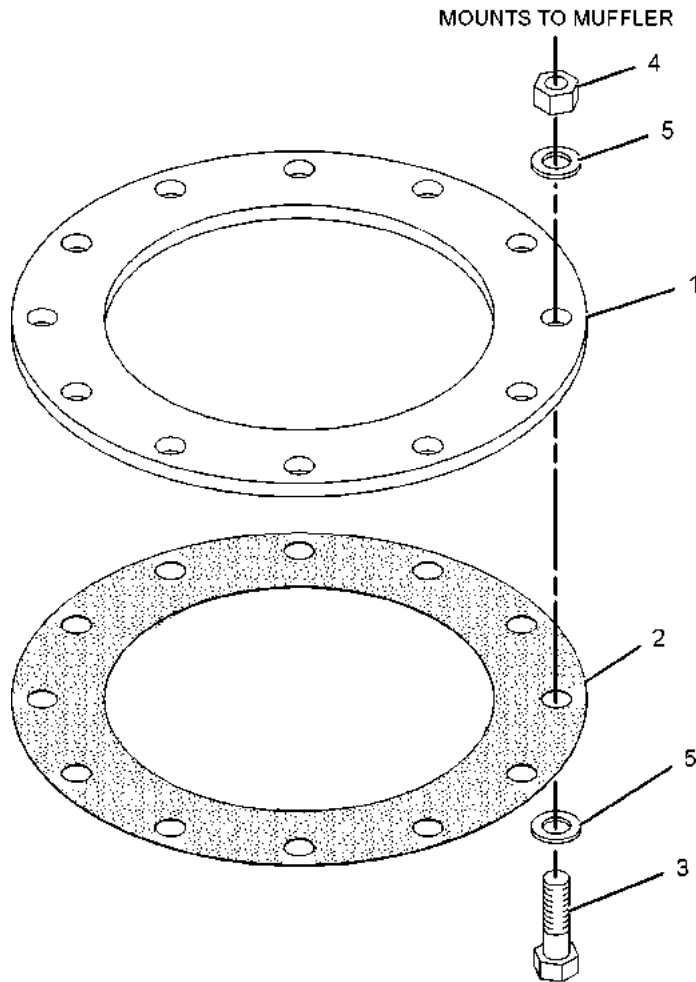
254-9222 FLANGE GP-EXHAUST

FOR USE WITH OXIDATION CATALYST
AN ATTACHMENT

SMCS-1061

i02279461

NOTE	REF NO	GRAPHIC REF	PART NUMBER	QTY	PART NAME						SEE PAGE
					1	2	3	4	5	6 (PRODUCT LEVEL)	
	1	1	255-0838	1	FLANGE						
	2	1	255-0889	1	GASKET						
	3	1	1D-4627	12	BOLT (7/8-9X3-IN)						
	4	1	2J-3505	12	NUT-FULL (7/8-9-THD)						
	5	1	5P-8249	24	WASHER-HARD (24X41.5X4-MM THK)						



GRAPHIC #1

<END>

g01153393

AIR INLET AND EXHAUST SYSTEM

255-1276 FLANGE GP-EXHAUST

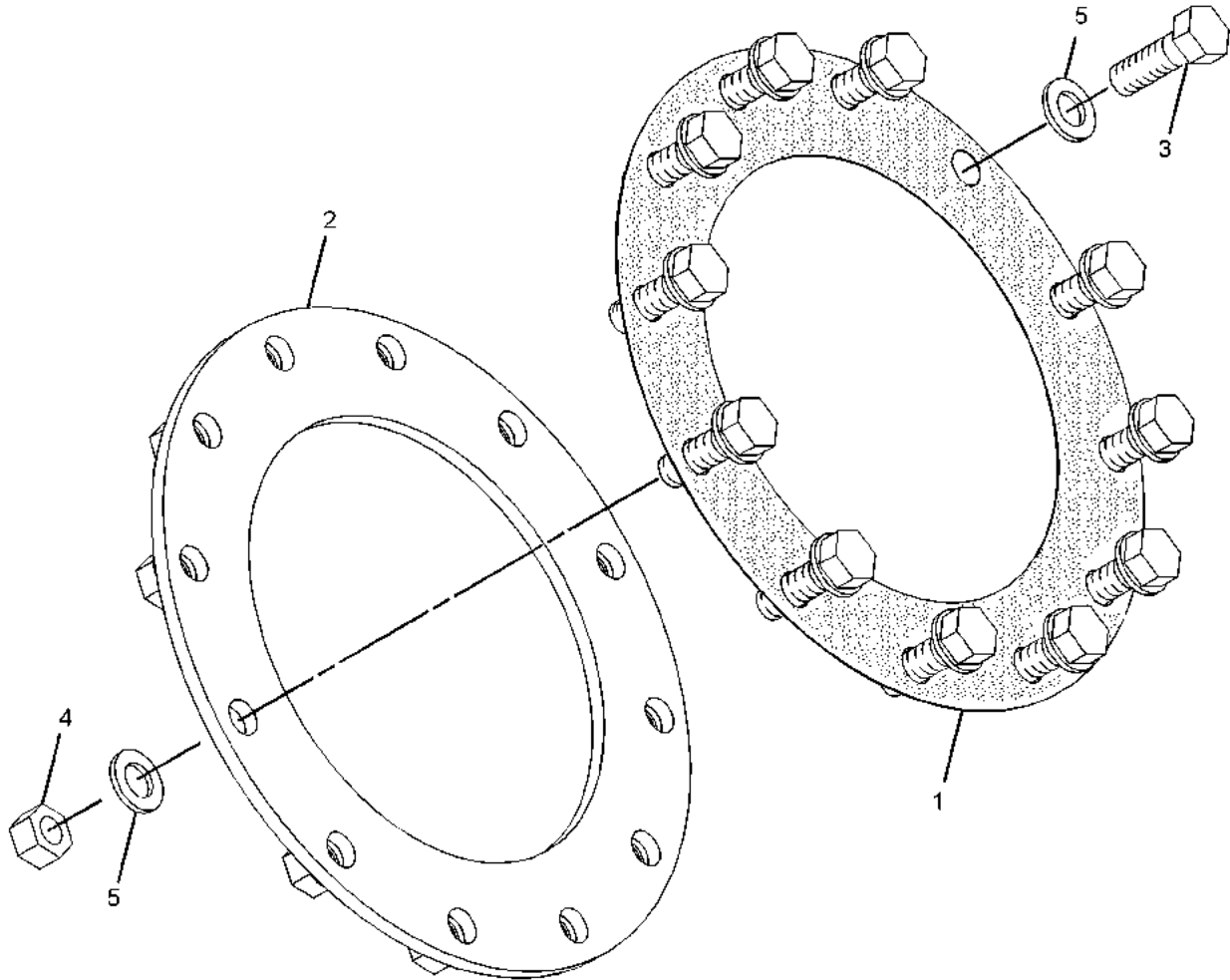
359.4-MM

FOR USE WITH OPTIONAL OXIDATION CATALYST
AN ATTACHMENT

SMCS-1061

i02516678

NOTE	REF NO	GRAPHIC REF	PART NUMBER	QTY	PART NAME						SEE PAGE
					1	2	3	4	5	6 (PRODUCT LEVEL)	
	1	1	255-1274	1	GASKET						
	2	1	255-1275	1	FLANGE						
	3	1	1D-4709	12	BOLT (1-8X3-IN)						
	4	1	2J-3507	12	NUT-FULL (1-8-THD)						
	5	1	5P-8250	24	WASHER (28X49X5-MM THK)						



GRAPHIC #1

<END>

g01280906

AIR INLET AND EXHAUST SYSTEM

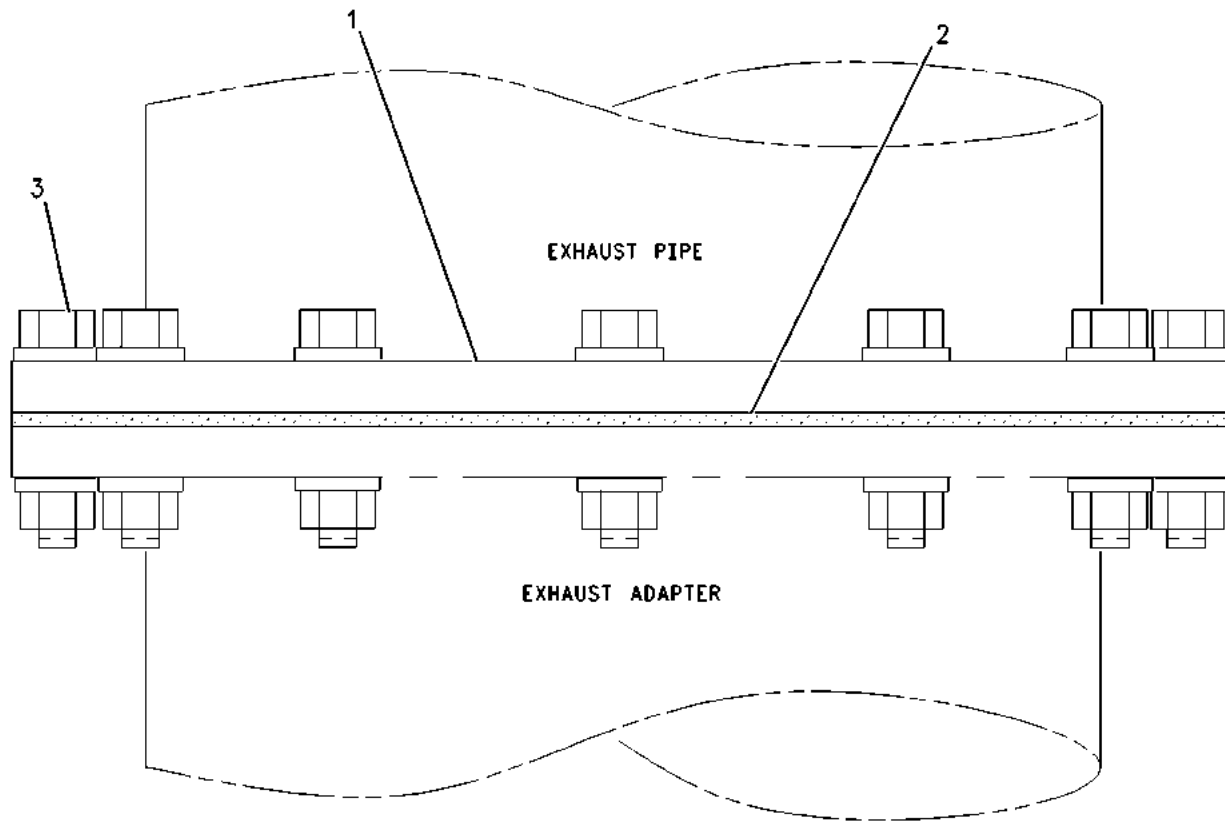
2W-7866 FLANGE GP-EXHAUST

254-MM (10-INCH) DIAMETER PIPE
AN ATTACHMENT

SMCS-1061

i02179546

NOTE	REF NO	GRAPHIC REF	PART NUMBER	QTY	PART NAME						SEE PAGE
					1	2	3	4	5	6	
	1	1	2W-7867	1	FLANGE-EXHAUST						
	2	1	2W-7868	1	GASKET-EXHAUST						
	3	1	5L-4398	12	BOLT (1/2-13X2.25-IN)						
		1	1B-5357	12	NUT-FULL (1/2-13-THD)						
		1	5P-8245	24	WASHER-HARD (13.5X25.5X3-MM THK)						



GRAPHIC #1

<END>

g00618627

AIR INLET AND EXHAUST SYSTEM

2W-7871 FLANGE GP-EXHAUST

323.9-MM
AN ATTACHMENT

SMCS-1061

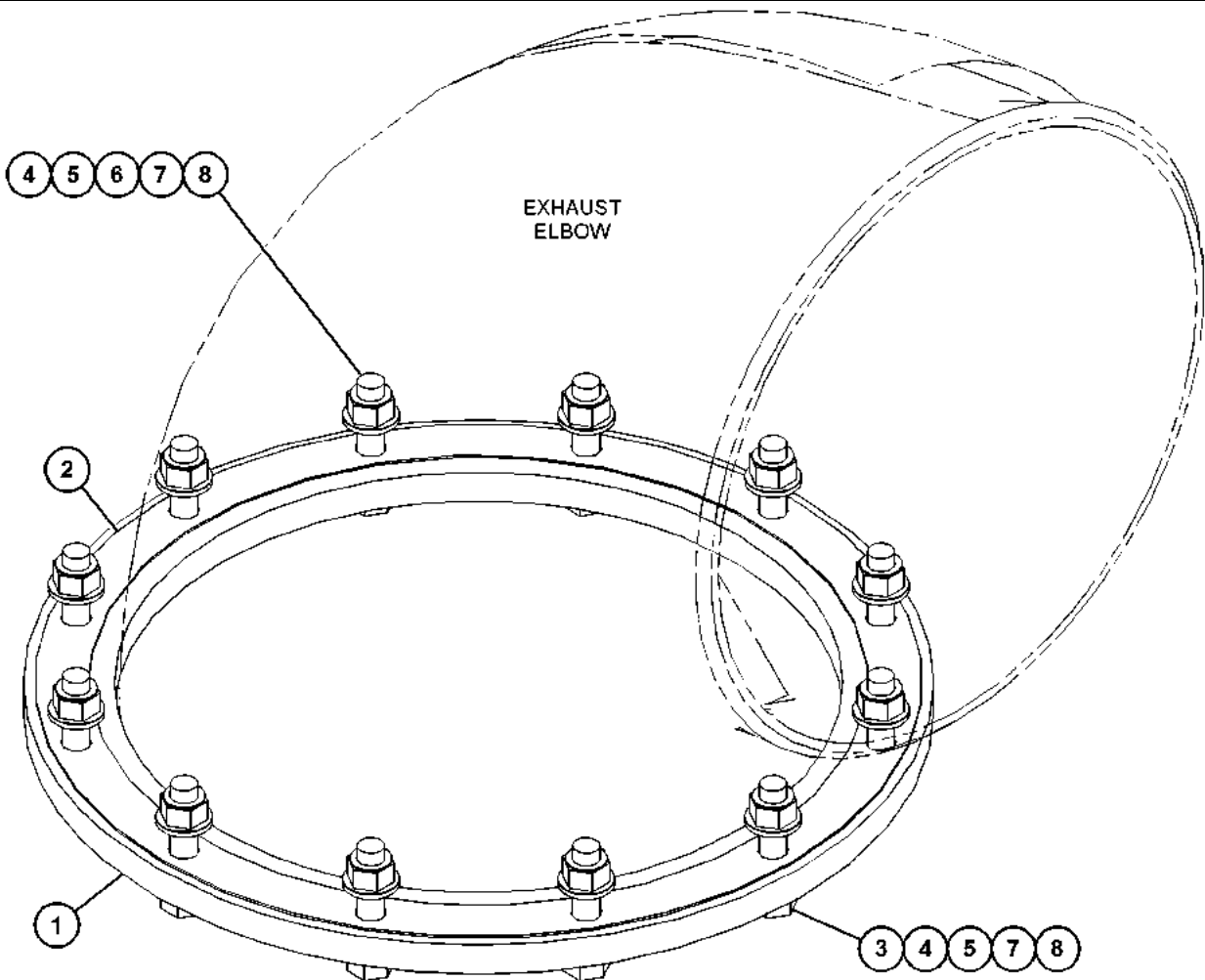
i06708030

NOTE	REF NO	GRAPHIC REF	PART NUMBER	QTY	PART NAME						SEE PAGE
					1	2	3	4	5	6 (PRODUCT LEVEL)	
	1	1	2W-7872	1	FLANGE-EXHAUST						
	2	1	495-4092	1	GASKET-EXHAUST						
BL	3	1	5L-4398	12	BOLT (1/2-13X2.25-IN)						
BL	4	1	1F-7958	12	NUT-FULL (1/2-13-THD)						
BL	5	1	5P-8245	24	WASHER-HARD (13.5X25.5X3-MM THK)						
BJ	6	1	165-3931	12	BOLT (3/8-16X1.75-IN)						
BJ	7	1	9S-8752	12	NUT-FULL (3/8-16-THD)						
BJ	8	1	9L-9132	24	WASHER (10.2X25.5X2.5-MM THK)						

B - USE AS REQUIRED

J - FOR USE WITH ENGINE EXHAUST ELBOW OR EXPANDER FITTING GP

L - FOR USE WITH FLEXIBLE FITTING GP OR MUFFLER GP



GRAPHIC #1

<END>

g06073014

AIR INLET AND EXHAUST SYSTEM

7N-6961 FLANGE GP-EXHAUST

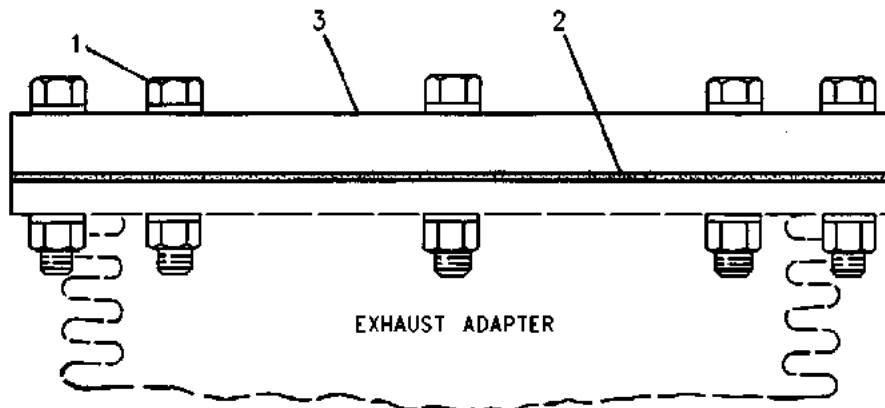
203-MM
AN ATTACHMENT

SMCS-1061

i02327546

NOTE	REF NO	GRAPHIC REF	PART NUMBER	QTY	PART NAME						SEE PAGE
					1	2	3	4	5	6 (PRODUCT LEVEL)	
B	1	1	0S-1590	8	BOLT (3/8-16X2-IN)						
		1	9S-8752	8	NUT-FULL (3/8-16-THD)						
BC		1	3V-3308	16	WASHER-HARD (10.2X20.5X2.5-MM THK)						
		2	5L-3773	1	GASKET-EXHAUST ELBOW						
		3	7N-6955	1	FLANGE						

B - USE AS REQUIRED
C - CHANGE FROM PREVIOUS TYPE



GRAPHIC #1

<END>

g00622100

AIR INLET AND EXHAUST SYSTEM

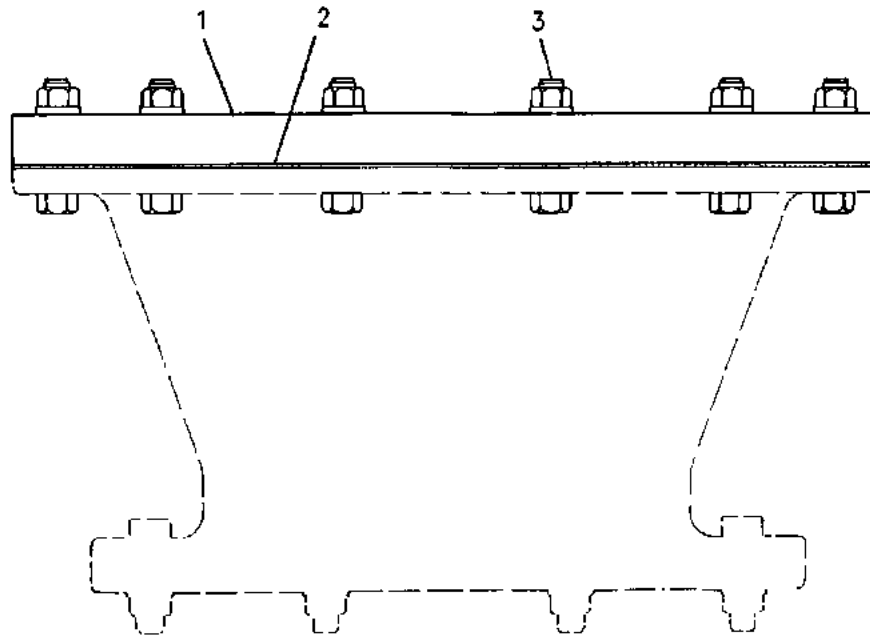
7N-6962 FLANGE GP-EXHAUST

FOR USE WITH 254-MM PIPE
AN ATTACHMENT

SMCS-1061

i02220722

NOTE	REF NO	GRAPHIC REF	PART NUMBER	QTY	PART NAME						SEE PAGE
					1	2	3	4	5	6 (PRODUCT LEVEL)	
	1	1	7N-6954	1	FLANGE						
	2	1	7N-6957	1	GASKET						
	3	1	0S-1571	12	BOLT (3/8-16X1.75-IN)						
		1	9S-8752	12	NUT-FULL (3/8-16-THD)						
		1	5M-2894	12	WASHER-HARD (10.2X18.5X2.5-MM THK)						



GRAPHIC #1

<END>

g00622145

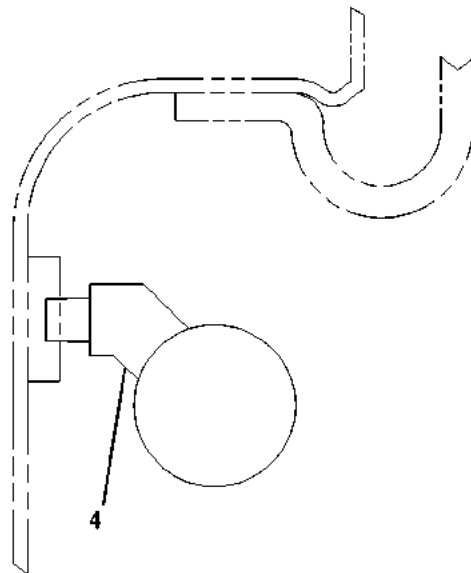
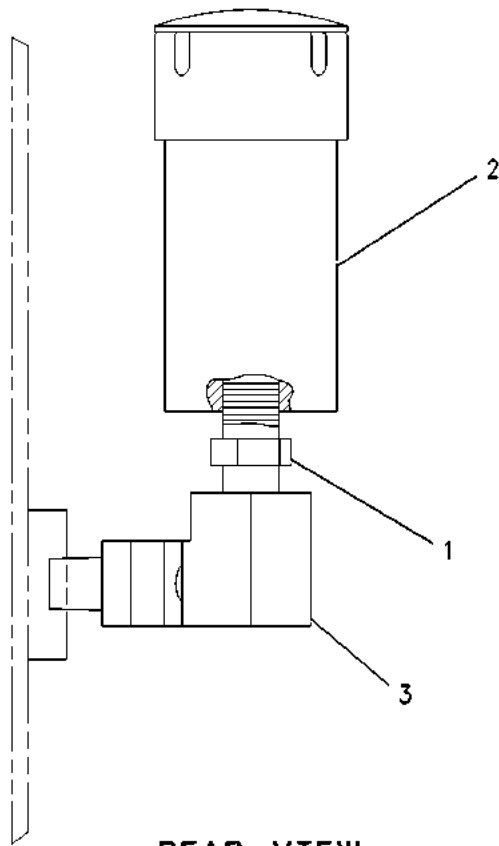
AIR INLET AND EXHAUST SYSTEM

213-1412 INDICATOR GP-AIR FILTER CHANGE AN ATTACHMENT

SMCS-7452

i02230845

NOTE	REF NO	GRAPHIC REF	PART NUMBER	QTY	PART NAME						SEE PAGE
					1	2	3	4	5	6 (PRODUCT LEVEL)	
	1	1	5L-3233	2	FITTING-CONNECTOR						
	2	1	6I-2933	2	INDICATOR-AIR FILTER SERVICE						
	3	1	3B-6552	2	ELBOW-PIPE						
	4	1	8L-5008	2	ELBOW-PIPE						



GRAPHIC #1

<END>

g00833429

AIR INLET AND EXHAUST SYSTEM

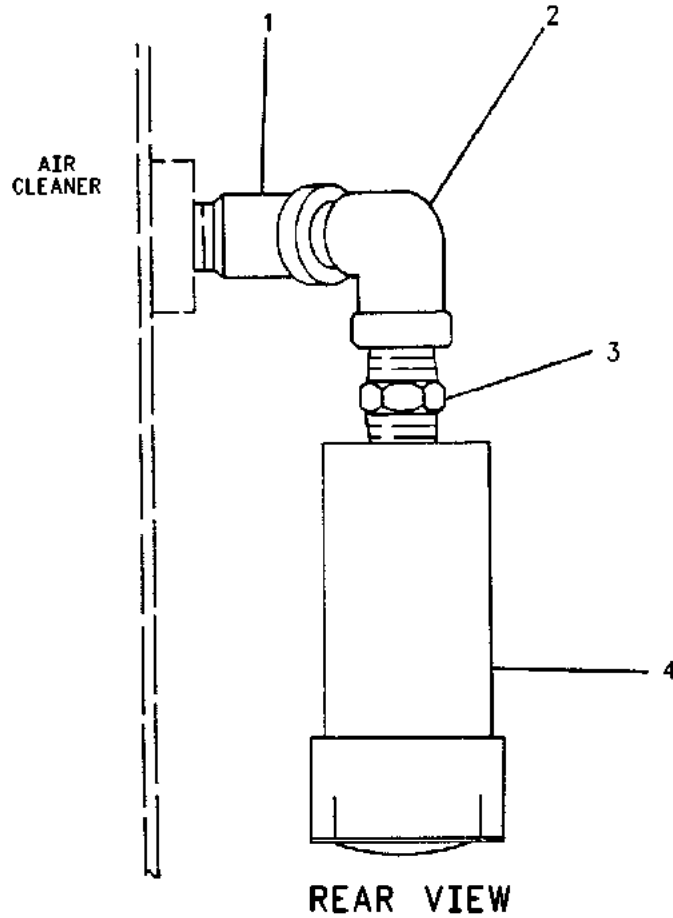
7N-6782 INDICATOR GP-AIR FILTER CHANGE

CANNOT BE USED WITH PREMIUM INSTRUMENT PANEL
AN ATTACHMENT

SMCS-7452

i04832749

NOTE	REF NO	GRAPHIC REF	PART NUMBER	QTY	PART NAME						SEE PAGE
					1	2	3	4	5	6 (PRODUCT LEVEL)	
	1	1	8L-5008	2	ELBOW-PIPE						
	2	1	3B-6552	2	ELBOW-PIPE						
	3	1	5L-3233	2	FITTING-CONNECTOR						
	4	1	6I-2933	2	INDICATOR-AIR FILTER SERVICE						



GRAPHIC #1

<END>

g00622080

AIR INLET AND EXHAUST SYSTEM

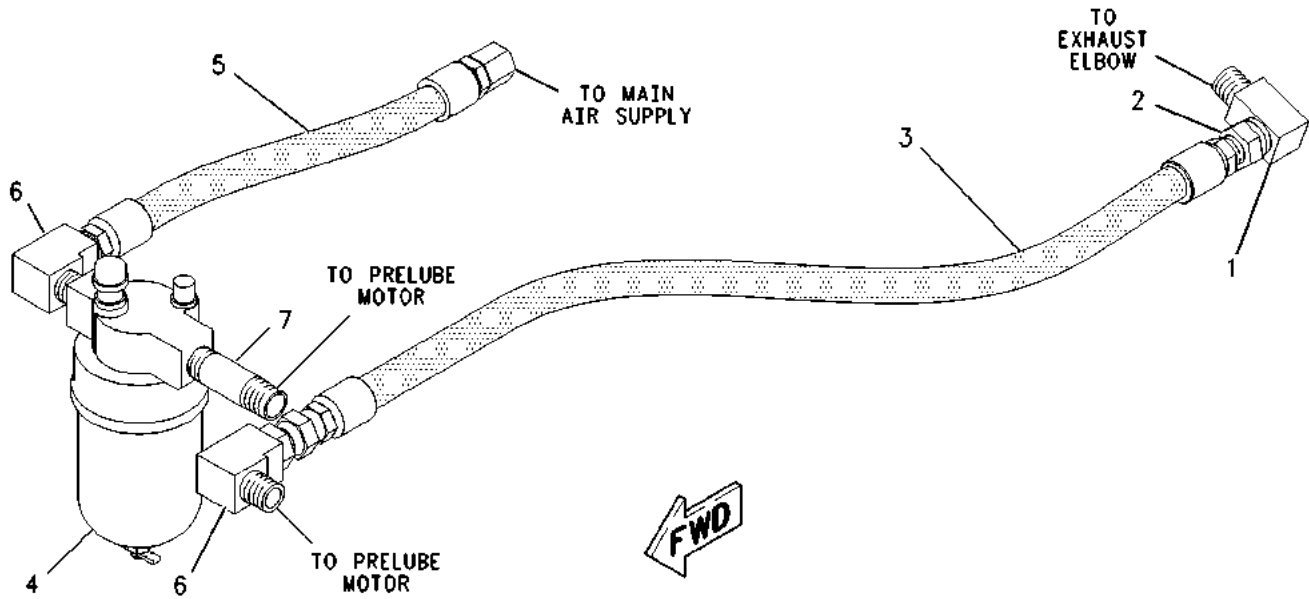
191-8390 LINES GP-AIR-PRELUBRICATION PUMP AN ATTACHMENT

SMCS-1071

i01426545

NOTE	REF NO	GRAPHIC REF	PART NUMBER	QTY	PART NAME						SEE PAGE
					1	2	3	4	5	6	
	1	1	2H-3940	1	ELBOW						
	2	1	2H-9091	1	CONNECTOR-PIPE						
I	3	1	3N-4829	1	HOSE AS						
Y	4	1	7W-0522	1	LUBRICATOR GP-AIR MOTOR						1115
I	5	1	191-8389	1	HOSE AS						
	6	1	002-6453	2	ELBOW						
	7	1	3B-7272	1	NIPPLE-PIPE						

I - REFER TO HYDRAULIC INFORMATION SYSTEM
Y - SEPARATE ILLUSTRATION



GRAPHIC #1

<END>

g00747953

AIR INLET AND EXHAUST SYSTEM

333-1462 LINES GP-AIR

S/N: 65Z887-1615

AN ATTACHMENT

SMCS-1071

i03418960

NOTE	REF NO	GRAPHIC REF	PART NUMBER	QTY	PART NAME						SEE PAGE
					1	2	3	4	5	6 (PRODUCT LEVEL)	
	1	1	2L-2811	2	FITTING						
	2	1	3B-6492	1	COUPLING-PIPE (1-1/2-11-1/2 NPT THD)						
	3	1	3J-7355	2	UNION-FLARED						
I	4	1	3N-4622	1	HOSE AS						
J	5	1	4N-3411	1	VALVE GP-RELAY (AIR STARTING MOTOR)						
I	6	1	6F-5985	1	HOSE AS						
I	7	1	6N-3170	1	HOSE AS						
	8	1	8N-8449	1	BRACKET						
I	9	1	9G-4524	1	HOSE AS						
Y	10	1	119-6284	1	LUBRICATOR GP-AIR MOTOR						1114
	11	1	1B-2886	2	BOLT (1/2-13X3.75-IN)						
	12	1	3L-8993	1	FITTING						
	13	1	4M-5317	2	BUSHING-REDUCER						
	14	1	5B-7643	2	NIPPLE-PIPE						
	15	1	5B-7666	1	ELBOW						
	16	1	5L-2534	1	U-BOLT						
	17	1	5P-1075	2	WASHER-HARD (10.2X22.5X3-MM THK)						
	18	1	5P-8245	2	WASHER-HARD (13.5X25.5X3-MM THK)						
	19	1	6B-3685	2	ELBOW						
	20	1	6K-1972	2	ELBOW-FLARED						
	21	1	9S-8752	2	NUT-FULL (3/8-16-THD)						

AVAILABLE REPAIR KIT(S):

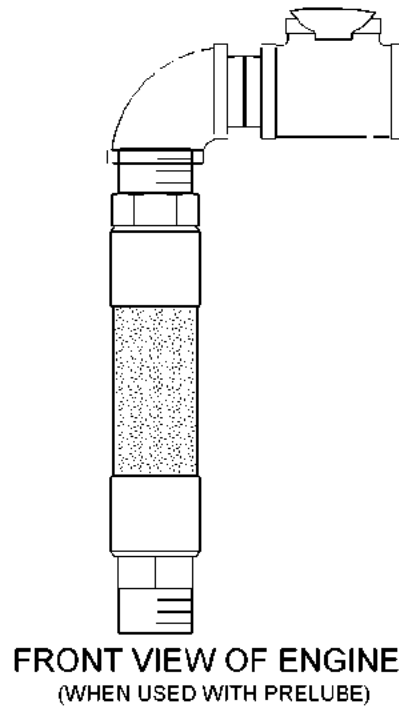
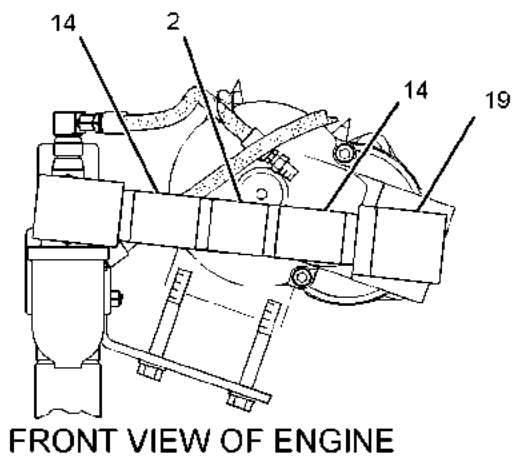
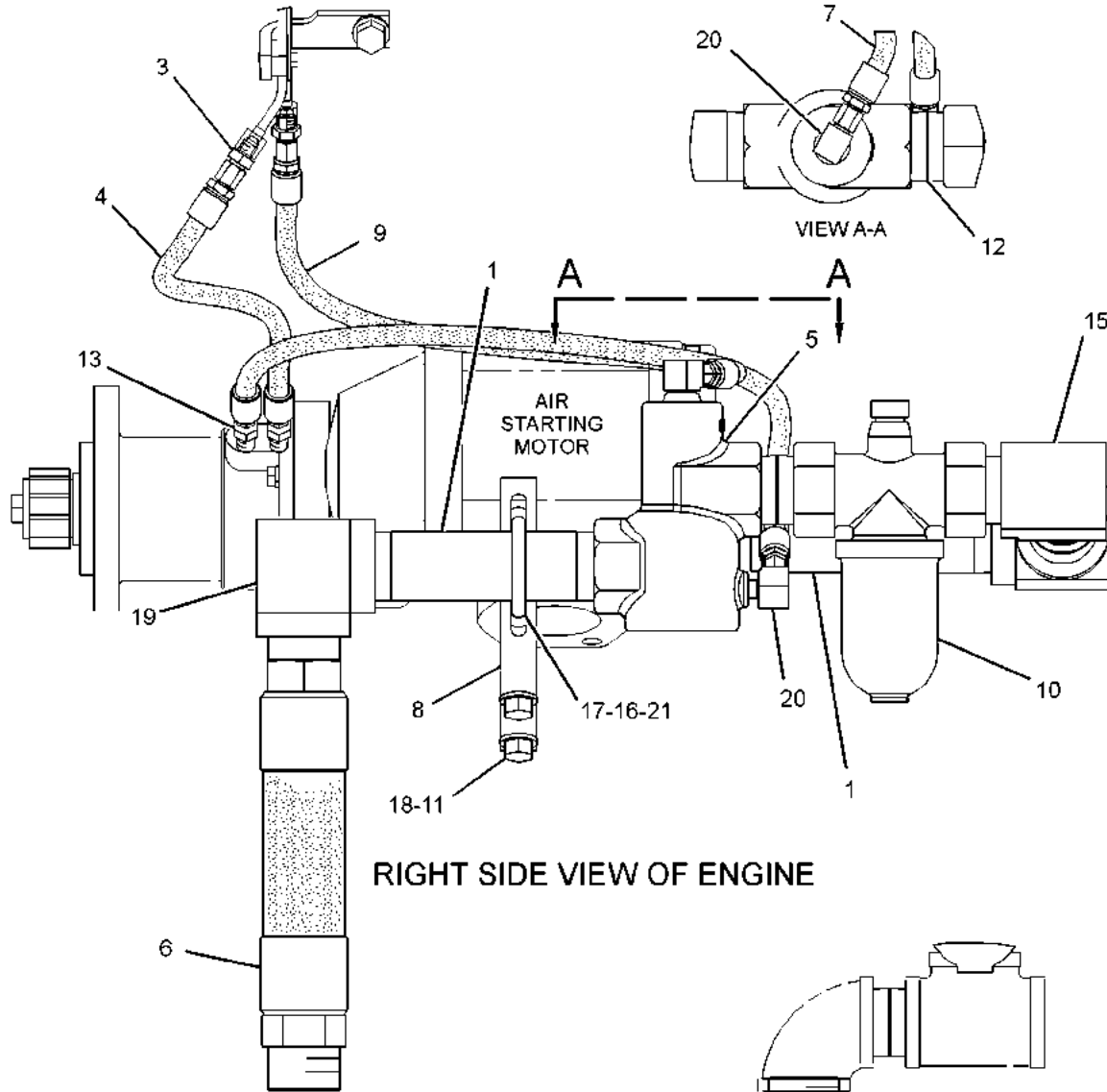
J	7C-5105	1	KIT-VALVE SEAL (AIR STARTING) (INCLUDES SEALS,RETAINER & BUMPER)
---	----------------	---	---

I - REFER TO HYDRAULIC INFORMATION SYSTEM
 J - KIT MARKED J AVAILABLE FOR PART MARKED J
 Y - SEPARATE ILLUSTRATION

AIR INLET AND EXHAUST SYSTEM

333-1462 LINES GP-AIR (contd.)

103418960



GRAPHIC #1

<END>

g01886054

AIR INLET AND EXHAUST SYSTEM

333-1462 LINES GP-AIR

S/N: 65Z1616-UP

AN ATTACHMENT

SMCS-1071

i07109136

NOTE	REF NO	GRAPHIC REF	PART NUMBER	QTY	PART NAME 1 2 3 4 5 6 (PRODUCT LEVEL)	SEE PAGE
	1	1	2L-2811	2	FITTING	
C	2	1	204-0241	1	FITTING	
	3	1	3J-7355	2	UNION-FLARED	
I	4	1	3N-4622	1	HOSE AS	
J	5	1	4N-3411	1	VALVE GP-RELAY (AIR STARTING MOTOR)	
I	6	1	6F-5985	1	HOSE AS	
I	7	1	6N-3170	1	HOSE AS	
	8	1	8N-8449	1	BRACKET	
I	9	1	9G-4524	1	HOSE AS	
Y	10	1	119-6284	1	LUBRICATOR GP-AIR MOTOR	1114
	11	1	1B-2886	2	BOLT (1/2-13X3.75-IN)	
	12	1	3L-8993	1	FITTING	
	13	1	4M-5317	2	BUSHING-REDUCER	
	15	1	5B-7666	1	ELBOW	
	16	1	5L-2534	1	U-BOLT	
	17	1	5P-1075	2	WASHER-HARD (10.2X22.5X3-MM THK)	
	18	1	5P-8245	2	WASHER-HARD (13.5X25.5X3-MM THK)	
	19	1	6B-3685	2	ELBOW	
C	20	1	6K-1972	2	ELBOW-FLARED	
C	21	1	3K-6060	2	LOCKNUT (3/8-16-THD)	
	22	1	9X-6772	1	STRAP-CABLE	

AVAILABLE REPAIR KIT(S):

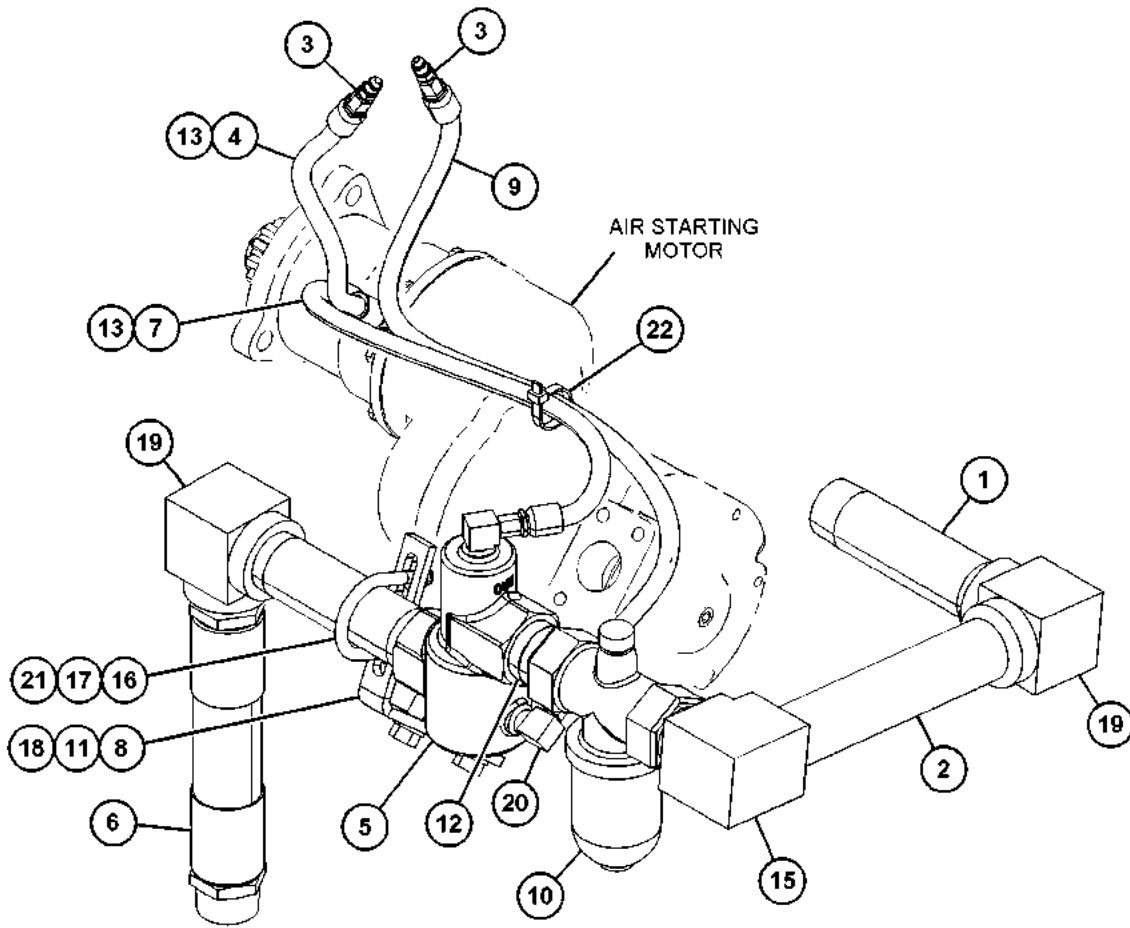
J	7C-5105	1	KIT-VALVE SEAL (AIR STARTING) (INCLUDES SEALS,RETAINER & BUMPER)
---	----------------	---	---

C - CHANGE FROM PREVIOUS TYPE
 I - REFER TO HYDRAULIC INFORMATION SYSTEM
 J - KIT MARKED J AVAILABLE FOR PART MARKED J
 Y - SEPARATE ILLUSTRATION

AIR INLET AND EXHAUST SYSTEM

333-1462 LINES GP-AIR (contd.)

i07109136



GRAPHIC #1

<END>

g06166564

AIR INLET AND EXHAUST SYSTEM

357-7137 LINES GP-AIR-AIR SHUTOFF AN ATTACHMENT

SMCS-1071

i06890493

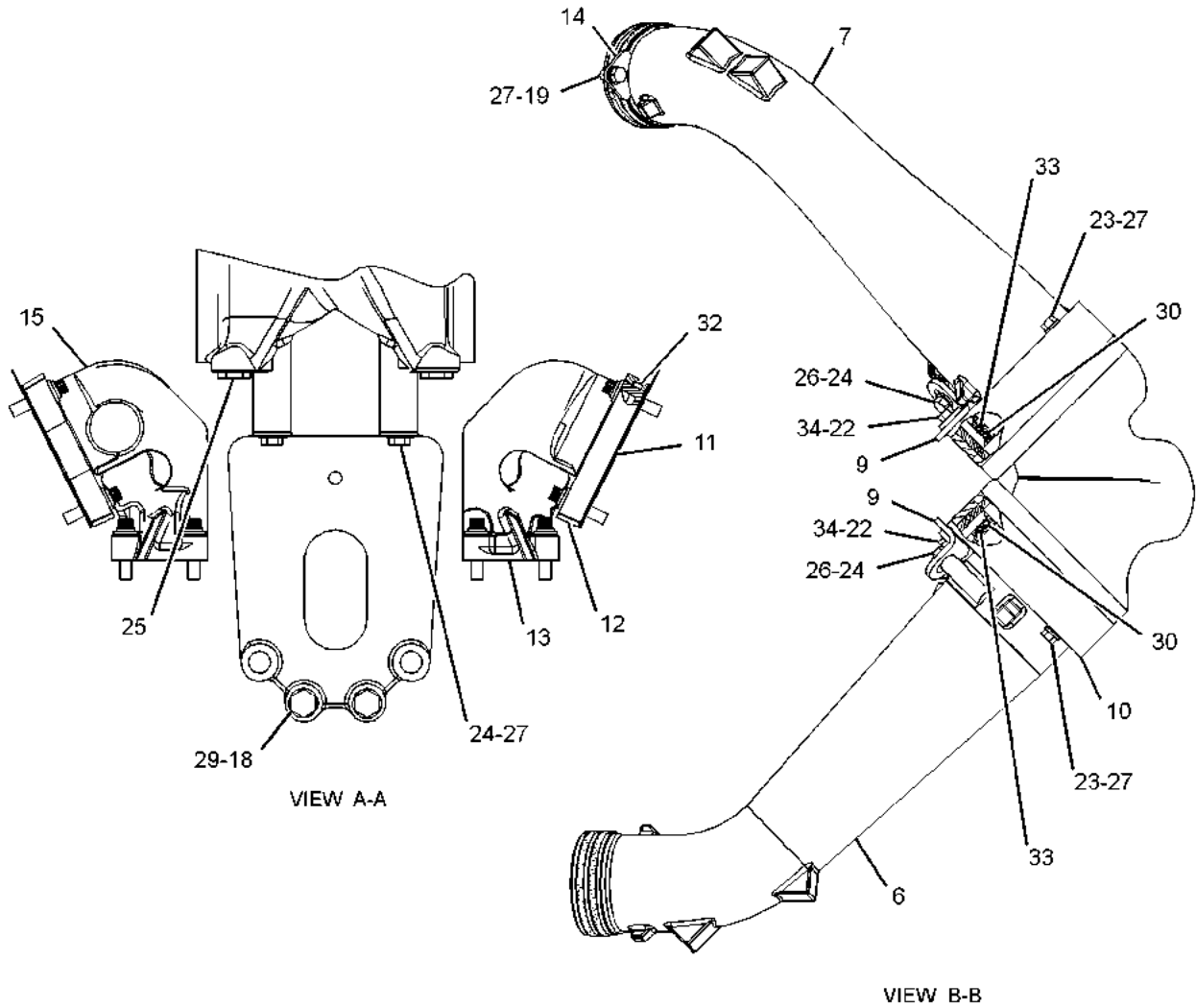
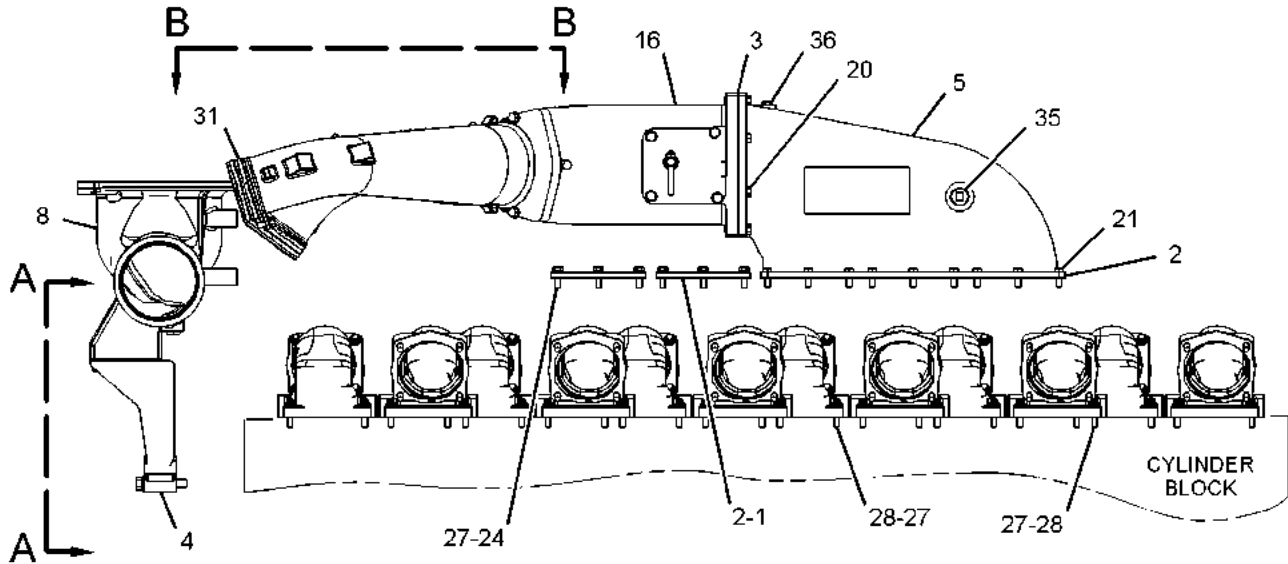
NOTE	REF NO	GRAPHIC REF	PART NUMBER	QTY	PART NAME						SEE PAGE
					1	2	3	4	5	6 (PRODUCT LEVEL)	
	1	1	1W-1250	2	COVER						
	2	1	1W-1251	5	GASKET						
	3	1	1W-7391	1	GASKET						
	4	1	2W-1640	1	BRACKET						
	5	1	2W-5213	1	HOUSING						
	6	1	2W-9584	1	PIPE						
	7	1	2W-9585	1	PIPE						
	8	1	4W-1453	1	ELBOW-EXHAUST						
	9	1	4W-6964	2	BRACKET						
	10	1	7E-8550	2	FLANGE						
	11	1	7N-5080	12	GASKET-MANIFOLD						
	12	1	7N-5085	12	FLANGE						
	13	1	7N-5089	12	GASKET						
	14	1	7W-1944	2	RETAINER						
	15	1	134-3804	12	ELBOW						
Y	16	1	<i>144-8275</i>	1	SHUTOFF GP-AIR						741
	18	1	0L-1329	2	BOLT (1/2-13X3-IN)						
	19	1	0L-1351	2	BOLT (3/8-16X0.875-IN)						
	20	1	0S-1591	8	BOLT (3/8-16X1.5-IN)						
	21	1	0S-1594	18	BOLT (3/8-16X1-IN)						
	22	1	0S-1619	2	BOLT (3/8-16X3-IN)						
	23	1	0T-0573	4	BOLT (3/8-16X2.75-IN)						
	24	1	1A-2029	22	BOLT (3/8-16X1.125-IN)						
	25	1	3J-5389	2	PLUG (EXTERNAL)						
	26	1	3V-3308	2	WASHER-HARD (10.2X20.5X2.5-MM THK)						
	27	1	5M-2894	122	WASHER-HARD (10.2X18.5X2.5-MM THK)						
	28	1	5P-0076	96	BOLT-12 POINT HEAD (3/8-16X1.5-IN)						
	29	1	5P-8245	2	WASHER-HARD (13.5X25.5X3-MM THK)						
	30	1	6V-3319	2	SEAL-O-RING						
	31	1	6V-3917	4	SEAL-O-RING						
	32	1	6V-5101	12	SEAL-O-RING						
	33	1	6V-5167	4	SEAL-O-RING						
	34	1	8M-7145	2	WASHER (10.2X28.5X5-MM THK)						
	35	1	8T-6761	2	PLUG-PIPE (1-11-1/2 NPT THD)						
	36	1	8T-6765	1	PLUG-PIPE (1/4-18-THD)						

Y - SEPARATE ILLUSTRATION

AIR INLET AND EXHAUST SYSTEM

357-7137 LINES GP-AIR (contd.)

i06890493



GRAPHIC #1

<END>

g06156609

AIR INLET AND EXHAUST SYSTEM

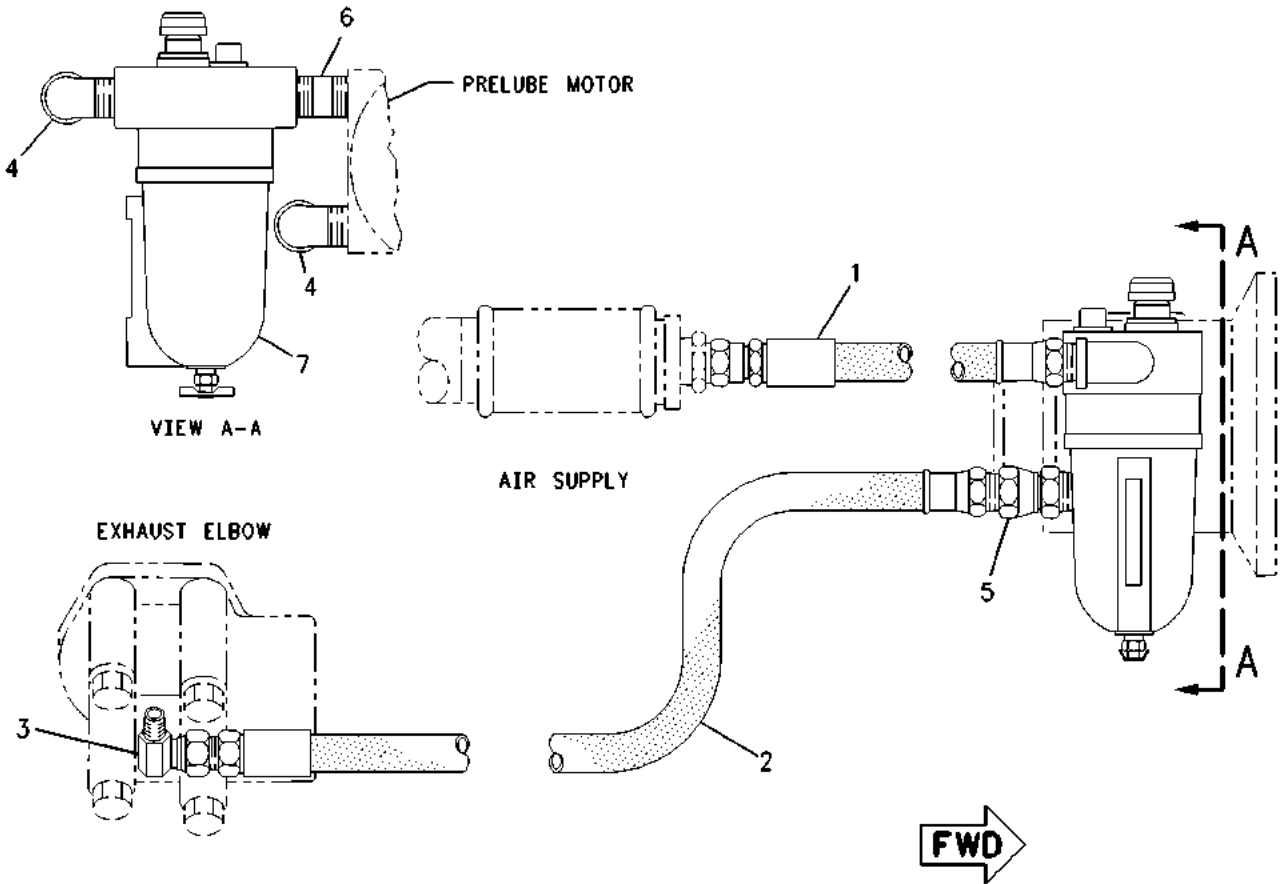
5N-8354 LINES GP-AIR-PRELUBRICATION PUMP AN ATTACHMENT

SMCS-1071

i07327833

NOTE	REF NO	GRAPHIC REF	PART NUMBER	QTY	PART NAME						SEE PAGE
					1	2	3	4	5	6	
I	1	1	5N-8353	1	HOSE AS						
I	2	1	5N-8352	1	HOSE AS						
	3	1	2H-3940	1	ELBOW						
	4	1	002-6453	2	ELBOW						
C	5	1	2H-9091	1	CONNECTOR-PIPE						
	6	1	3B-7272	1	NIPPLE-PIPE						
C	7	1	7W-0522	1	LUBRICATOR GP-AIR MOTOR						

C - CHANGE FROM PREVIOUS TYPE
I - REFER TO HYDRAULIC INFORMATION SYSTEM



GRAPHIC #1

<END>

g00899967

AIR INLET AND EXHAUST SYSTEM

2W-9588 LINES GP-TURBOCHARGER AIR FOR USE WITH AIR SHIELD WATER COOLED EXHAUST SYSTEM AN ATTACHMENT

SMCS-1052, 1071

i07000885

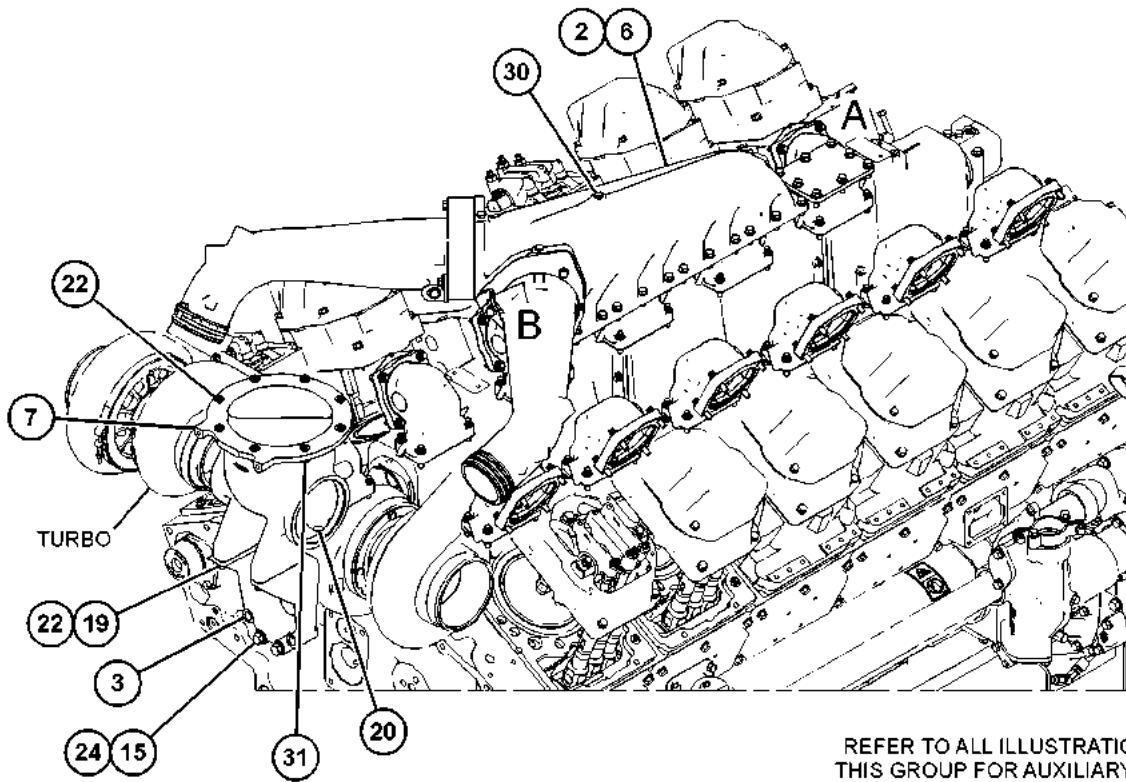
NOTE	REF NO	GRAPHIC REF	PART NUMBER	QTY	PART NAME						SEE PAGE
					1	2	3	4	5	6 (PRODUCT LEVEL)	
	1	1	1W-1250	1	COVER						
	2	1	1W-1251	5	GASKET						
	3	1	2W-1640	1	BRACKET						
	4	2	2W-9584	1	PIPE						
	5	2	2W-9585	1	PIPE						
	6	1	4W-0715	1	MANIFOLD-INLET						
	7	1	4W-1453	1	ELBOW-EXHAUST						
	8	2	4W-6964	2	BRACKET						
	9	2	7E-8550	2	FLANGE						
	10	1	7N-5080	12	GASKET-MANIFOLD						
	11	1	7N-5085	12	FLANGE						
	12	1	7N-5089	12	GASKET						
C	13	2	7W-1944	2	RETAINER						
	14	1	134-3804	12	ELBOW						
	15	1	0L-1329	2	BOLT (1/2-13X3-IN)						
C	16	2	0L-1351	2	BOLT (3/8-16X0.875-IN)						
	17	2	0S-1619	2	BOLT (3/8-16X3-IN)						
	18	2	0T-0573	4	BOLT (3/8-16X2.75-IN)						
	19	1,2	1A-2029	40	BOLT (3/8-16X1.125-IN)						
	20	1	3J-5389	2	PLUG (EXTERNAL)						
	21	2	3V-3308	2	WASHER-HARD (10.2X20.5X2.5-MM THK)						
C	22	1,2	5M-2894	148	WASHER-HARD (10.2X18.5X2.5-MM THK)						
	23	1	5P-0076	96	BOLT-12 POINT HEAD (3/8-16X1.5-IN)						
	24	1	5P-8245	2	WASHER-HARD (13.5X25.5X3-MM THK)						
	25	2	6V-3319	2	SEAL-O-RING						
	26	2	6V-3917	4	SEAL-O-RING						
	27	1	6V-5101	12	SEAL-O-RING						
	28	2	6V-5167	4	SEAL-O-RING						
	29	2	8M-7145	2	WASHER (10.2X28.5X5-MM THK)						
	30	1,2	8T-6765	3	PLUG-PIPE (1/4-18-THD)						
	31	1	9S-8752	8	NUT-FULL (3/8-16-THD)						

C - CHANGE FROM PREVIOUS TYPE

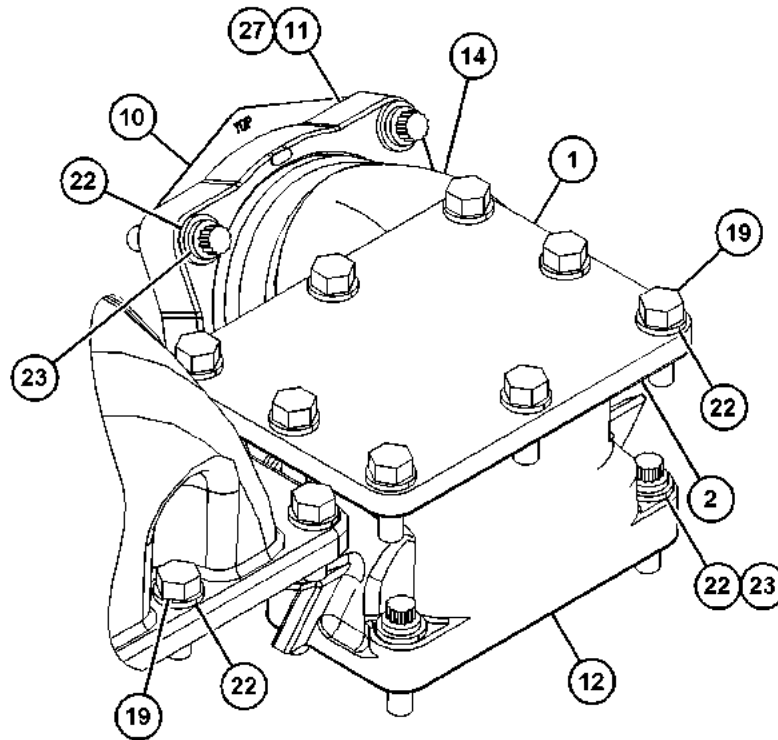
AIR INLET AND EXHAUST SYSTEM

2W-9588 LINES GP-TURBOCHARGER AIR (contd.)

i07000885



REFER TO ALL ILLUSTRATIONS OF THIS GROUP FOR AUXILIARY VIEWS



VIEW OF AREA A

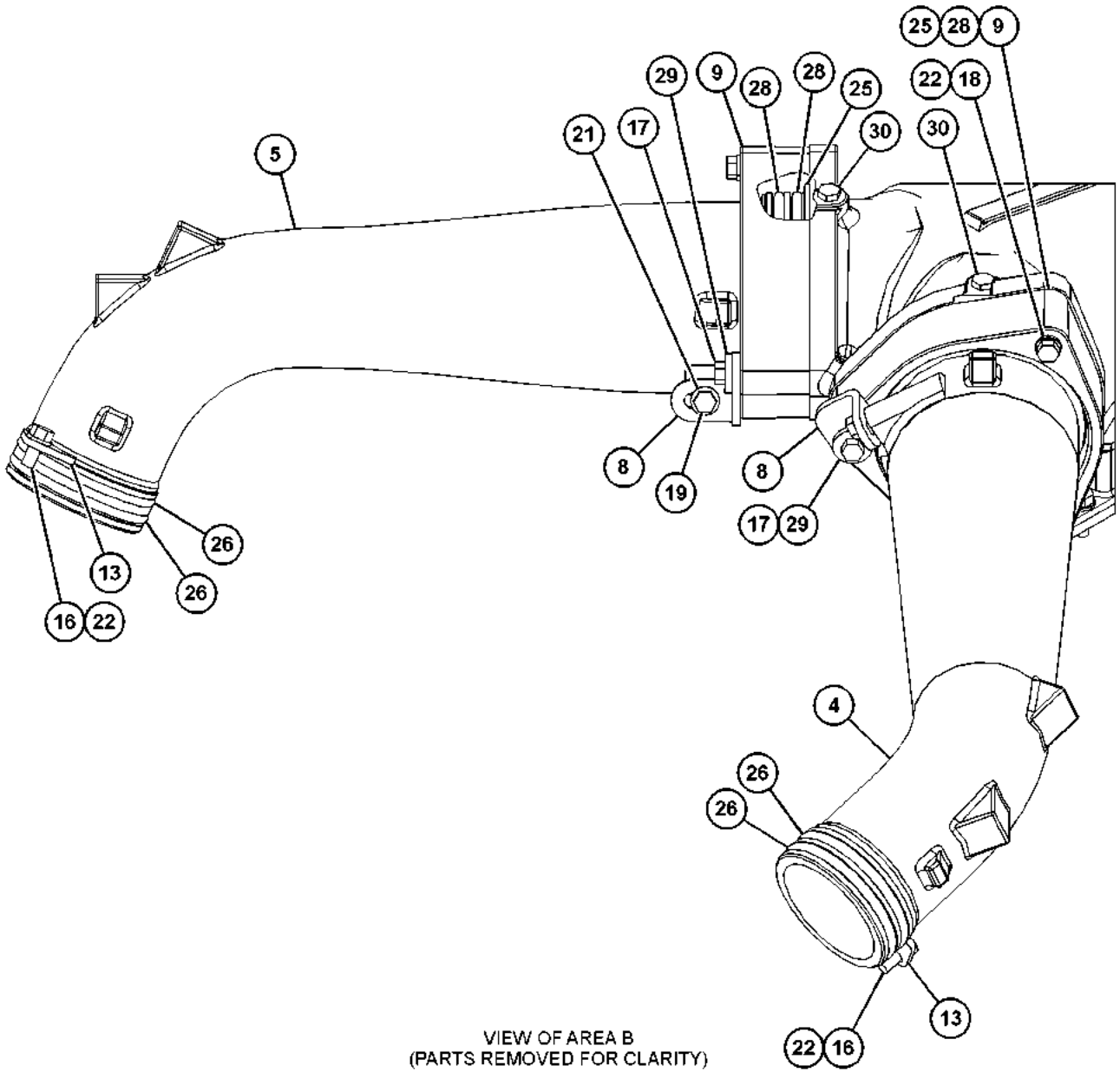
GRAPHIC #1

g06214477

AIR INLET AND EXHAUST SYSTEM

2W-9588 LINES GP-TURBOCHARGER AIR (contd.)

i07000885



GRAPHIC #2

<END>

g06214479

AIR INLET AND EXHAUST SYSTEM

7C-1313 LINES GP-TURBOCHARGER AIR

SMCS-1052, 1071

i06890603

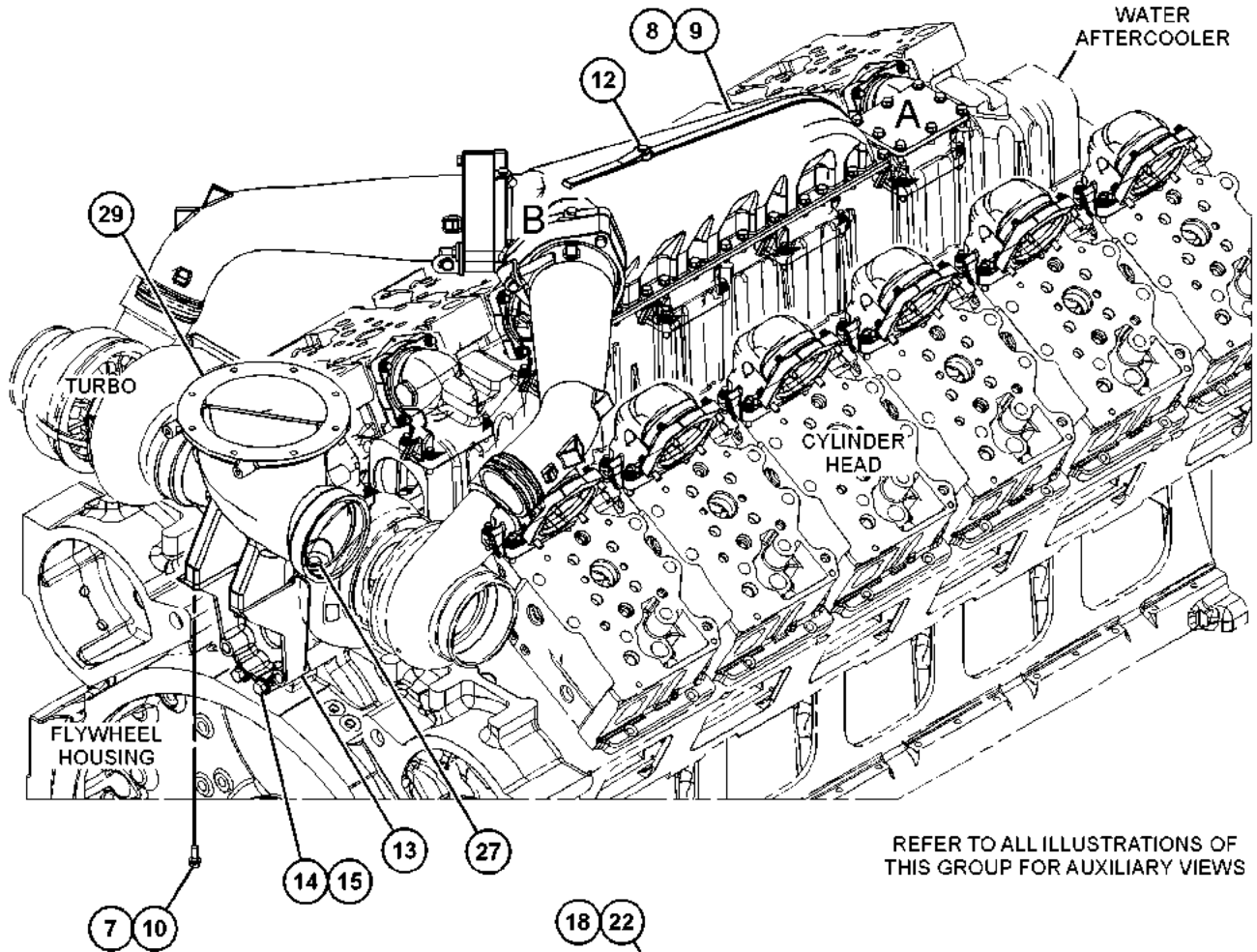
NOTE	REF NO	GRAPHIC REF	PART NUMBER	QTY	PART NAME						SEE PAGE
					1	2	3	4	5	6 (PRODUCT LEVEL)	
C	1	2	7W-1944	2	RETAINER						
	2	2	2W-9585	1	PIPE						
	3	2	6V-5167	4	SEAL-O-RING						
C	4	2	6V-3319	2	SEAL-O-RING						
C	5	2	7E-8550	2	FLANGE						
	6	2	0S-1619	2	BOLT (3/8-16X3-IN)						
C	7	1,2	5M-2894	140	WASHER-HARD (10.2X18.5X2.5-MM THK)						
	8	1	4W-0715	1	MANIFOLD-INLET						
	9	1	1W-1251	5	GASKET						
	10	1,2	1A-2029	40	BOLT (3/8-16X1.125-IN)						
	11	2	6V-3917	4	SEAL-O-RING						
	12	1,2	8T-6765	3	PLUG-PIPE (1/4-18-THD)						
	13	1	2W-1640	1	BRACKET						
	14	1	0L-1329	2	BOLT (1/2-13X3-IN)						
	15	1	5P-8245	2	WASHER-HARD (13.5X25.5X3-MM THK)						
	17	1	134-3804	12	ELBOW						
	18	1	7N-5085	12	FLANGE						
	19	1	7N-5080	12	GASKET-MANIFOLD						
	20	1	5P-0076	96	BOLT-12 POINT HEAD (3/8-16X1.5-IN)						
	21	1	7N-5089	12	GASKET						
	22	1	6V-5101	12	SEAL-O-RING						
C	27	1	3J-5389	2	PLUG (EXTERNAL)						
	28	2	2W-9584	1	PIPE						
	29	1	140-0407	1	ELBOW-EXHAUST						
	31	2	4W-6964	2	BRACKET						
	32	2	3V-3308	2	WASHER-HARD (10.2X20.5X2.5-MM THK)						
	33	2	8M-7145	2	WASHER (10.2X28.5X5-MM THK)						
	35	2	0T-0573	4	BOLT (3/8-16X2.75-IN)						
	36	1	1W-1250	1	COVER						
C	37	2	0L-1351	2	BOLT (3/8-16X0.875-IN)						

C - CHANGE FROM PREVIOUS TYPE

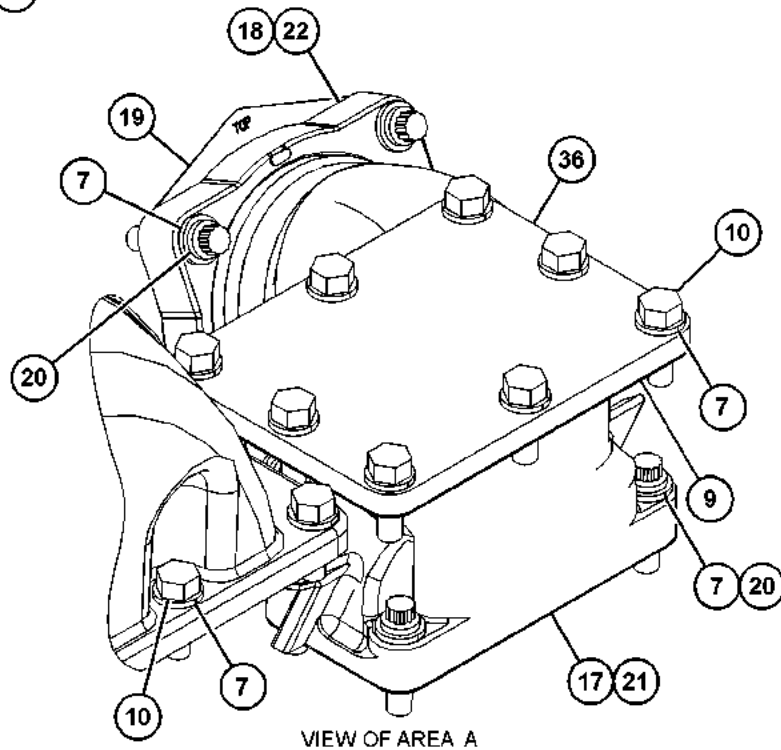
AIR INLET AND EXHAUST SYSTEM

7C-1313 LINES GP-TURBOCHARGER AIR (contd.)

106890603



REFER TO ALL ILLUSTRATIONS OF THIS GROUP FOR AUXILIARY VIEWS



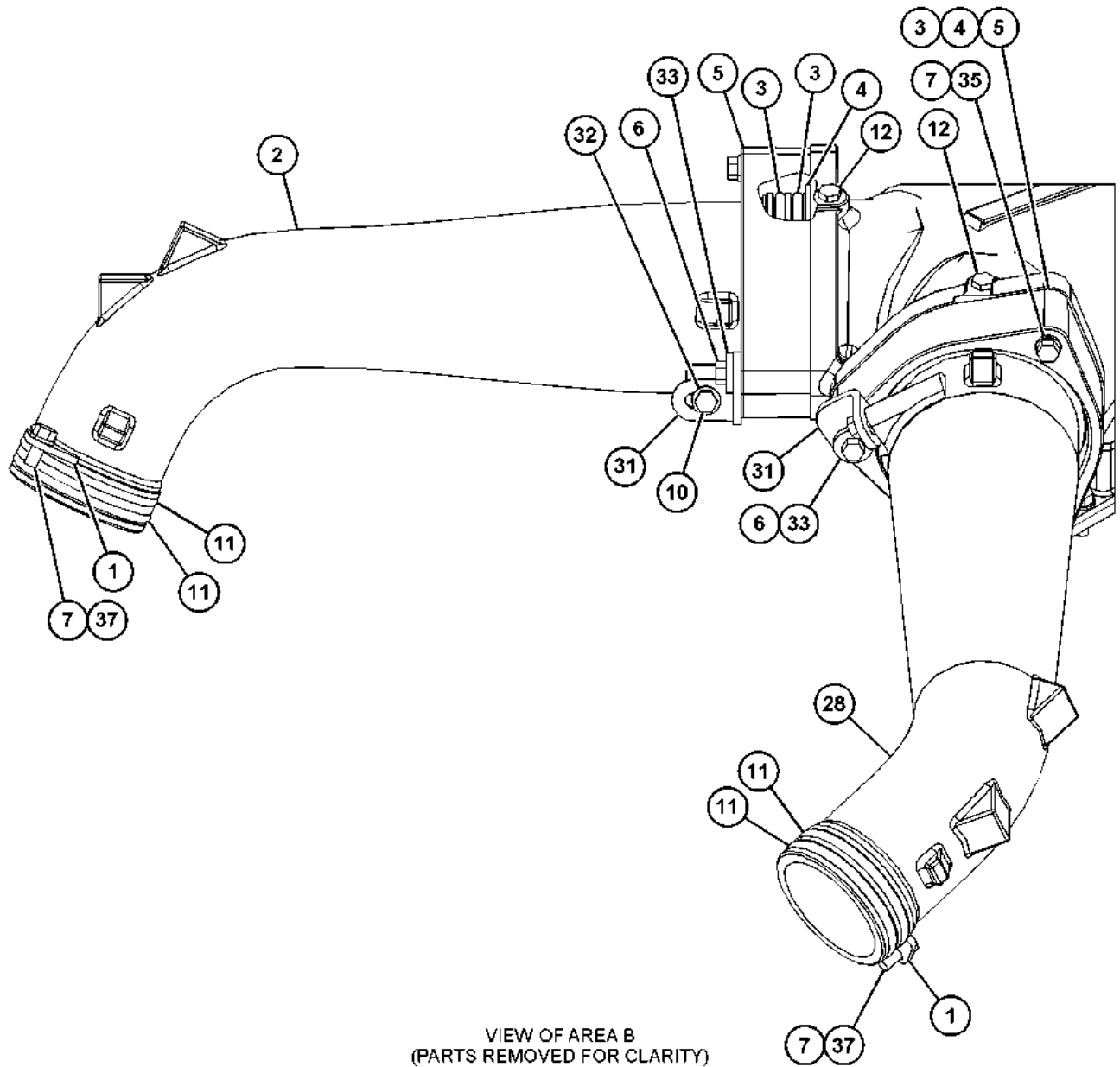
GRAPHIC #1

g06156655

AIR INLET AND EXHAUST SYSTEM

7C-1313 LINES GP-TURBOCHARGER AIR (contd.)

i06890603



GRAPHIC #2

<END>

g06186587

AIR INLET AND EXHAUST SYSTEM

129-5488 MANIFOLD GP-EXHAUST AN ATTACHMENT

SMCS - 1059

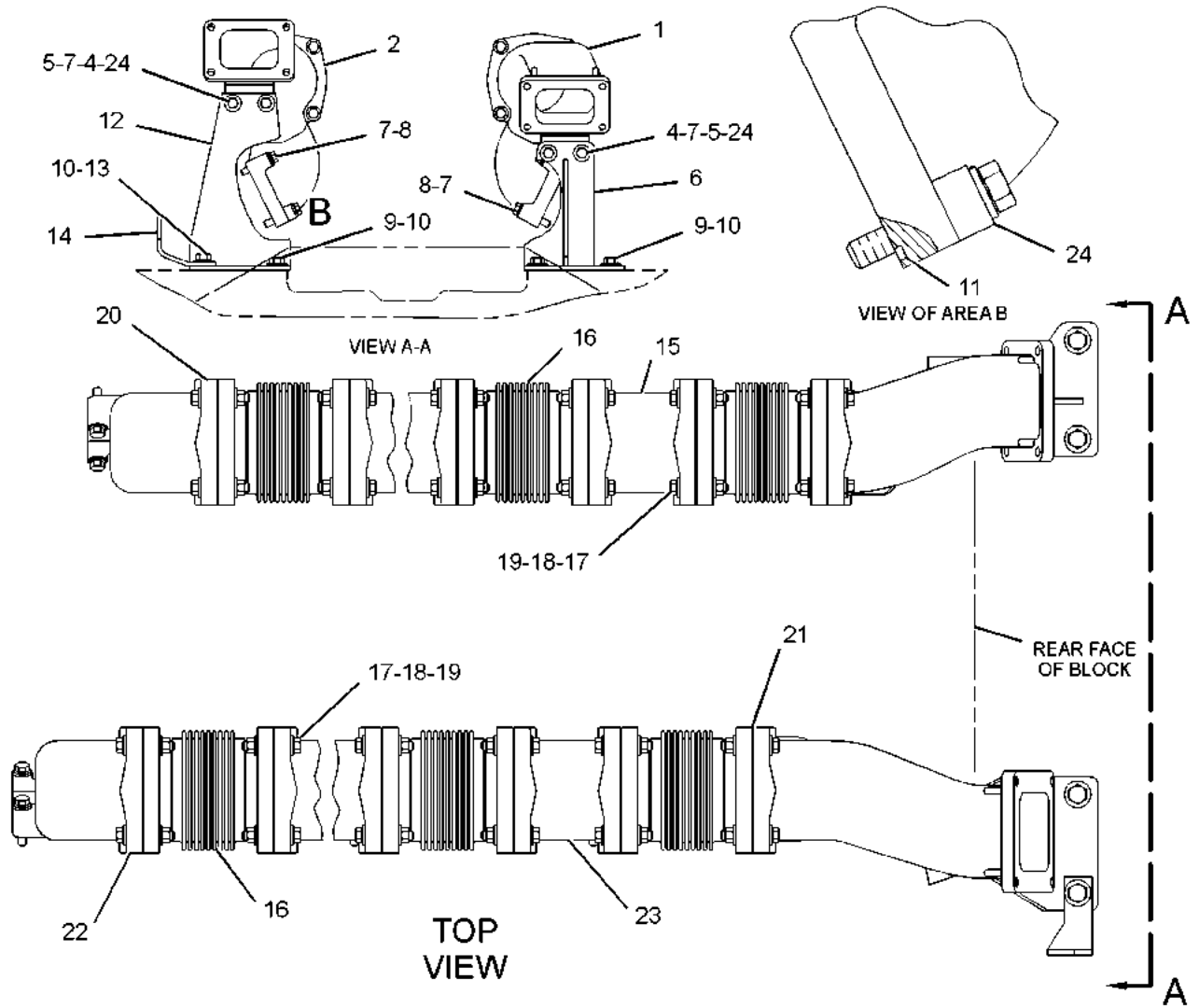
i05908160

NOTE	REF NO	GRAPHIC REF	PART NUMBER	QTY	PART NAME						SEE PAGE
					1	2	3	4	5	6 (PRODUCT LEVEL)	
	1	1	128-9508	1	MANIFOLD-EXHAUST (REAR, RH)						
	2	1	125-9754	1	MANIFOLD-EXHAUST (REAR, LH)						
	4	1	9L-9132	4	WASHER (10.2X25.5X2.5-MM THK)						
	5	1	2N-2766	4	LOCKNUT (3/8-16-THD)						
	6	1	254-3261	1	BRACKET AS (RH)						
	7	1	9L-7373	52	BOLT-HIGH TEMPERATURE (3/8-16X2-IN)						
	8	1	5M-2894	48	WASHER-HARD (10.2X18.5X2.5-MM THK)						
	9	1	6H-1717	3	BOLT (1/2-13X1.125-IN)						
	10	1	5P-1076	5	WASHER-HARD (13.5X30X4-MM THK)						
	11	1	428-9129	12	GASKET						
	12	1	254-3269	1	BRACKET (LH)						
	13	1	7B-3235	1	BOLT (1/2-13X1.375-IN)						
	14	1	116-9863	1	BRACKET						
	15	1	100-3146	4	MANIFOLD-EXHAUST (INTERMEDIATE, RH)						
	16	1	207-1364	10	BELLOWS AS						
	17	1	7L-6443	72	BOLT-HIGH TEMPERATURE (3/8-16X2.25-IN)						
	18	1	110-8314	144	WASHER (10.3X18.3X2.66-MM THK)						
	19	1	3E-6916	72	NUT-FULL (3/8-16-THD)						
	20	1	100-3145	1	MANIFOLD-EXHAUST (FRONT, RH)						
	21	1	428-9130	20	GASKET						
	22	1	100-3147	1	MANIFOLD-EXHAUST (FRONT, LH)						
	23	1	100-3148	4	MANIFOLD-EXHAUST (INTERMEDIATE, LH)						
	24	1	4P-7680	16	SPACER (10.5X22.5X15-MM THK)						

AIR INLET AND EXHAUST SYSTEM

129-5488 MANIFOLD GP-EXHAUST (contd.)

i05908160



GRAPHIC #1

<END>

g01968243

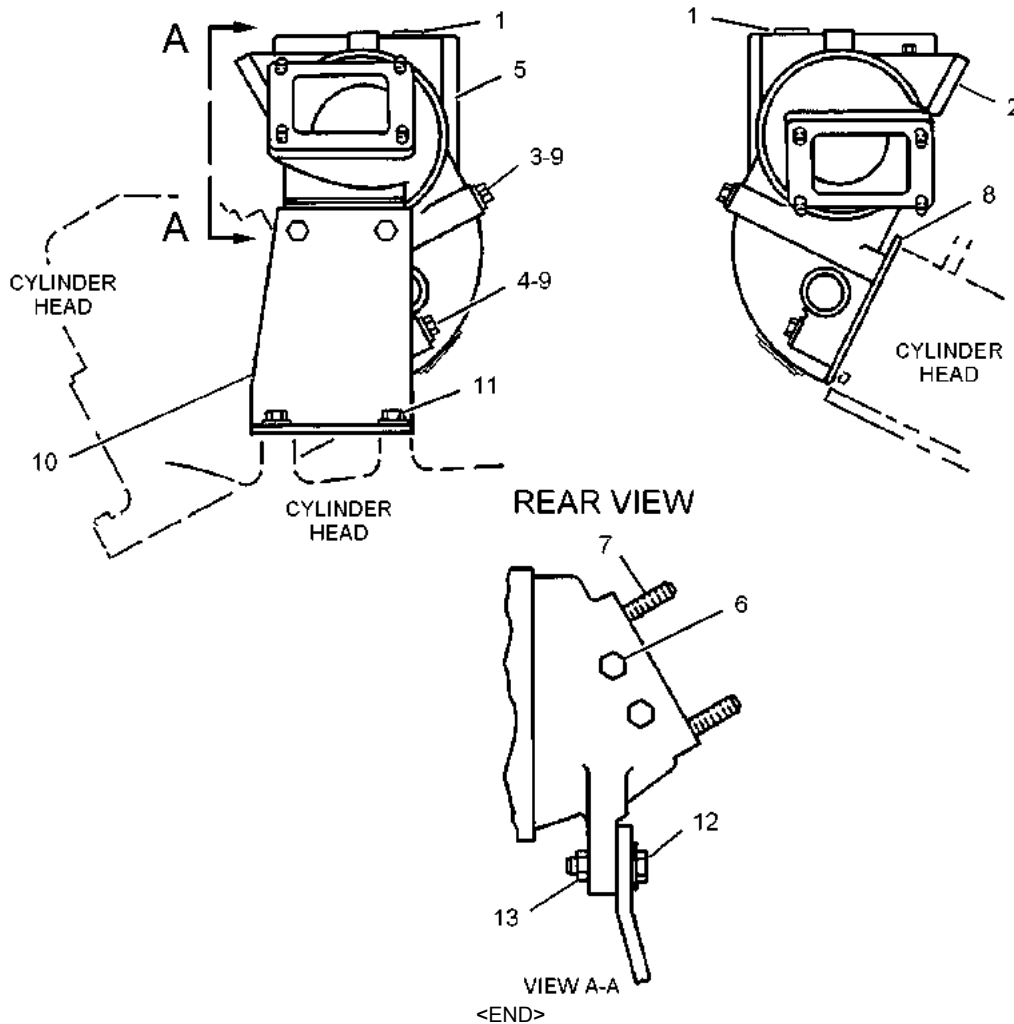
AIR INLET AND EXHAUST SYSTEM

6I-0042 MANIFOLD GP-EXHAUST AN ATTACHMENT

SMCS-1059

i01959492

NOTE	REF NO	GRAPHIC REF	PART NUMBER	QTY	PART NAME						SEE PAGE
					1	2	3	4	5	6	
	1	1	8T-6761	3	PLUG-PIPE (1-11-1/2 NPT THD)						
	2	1	6I-0046	1	MANIFOLD AS (RH)						
	3	1	1D-4706	24	BOLT (3/8-16X6-IN)						
	4	1	0L-2070	24	BOLT (3/8-16X2.25-IN)						
	5	1	6I-0047	1	MANIFOLD AS (LH)						
	6	1	5B-7890	4	PLUG-PIPE						
	7	1	6L-8562	8	STUD-TAPERLOCK (3/8-16X1.77-IN)						
	8	1	7E-1754	12	GASKET-EXHAUST MANIFOLD						
	9	1	5M-2894	48	WASHER-HARD (10.2X18.5X2.5-MM THK)						
	10	1	4W-3053	1	BRACKET						
	11	1	0S-1595	2	BOLT (1/2-13X1.25-IN)						
		1	7D-1649	2	WASHER-HARD (13.5X32X5-MM THK)						
	12	1	0S-1591	2	BOLT (3/8-16X1.5-IN)						
		1	9L-9132	2	WASHER (10.2X25.5X2.5-MM THK)						
	13	1	9S-8752	2	NUT-FULL (3/8-16-THD)						



GRAPHIC #1

g01018673

AIR INLET AND EXHAUST SYSTEM

8N-7721 MANIFOLD GP-EXHAUST

SMCS - 1059

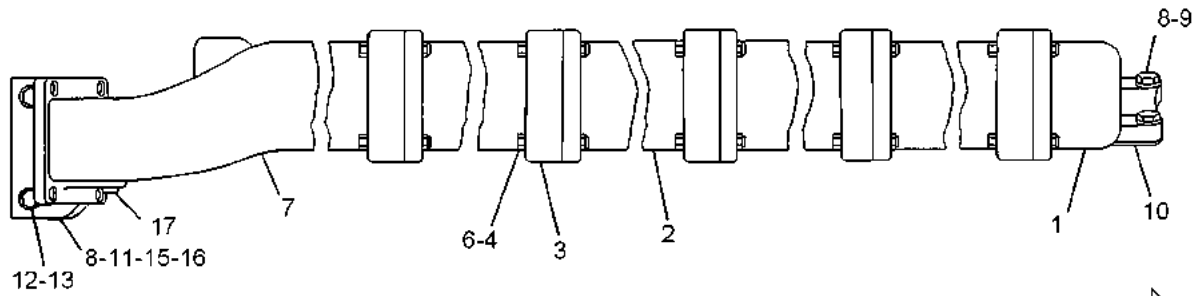
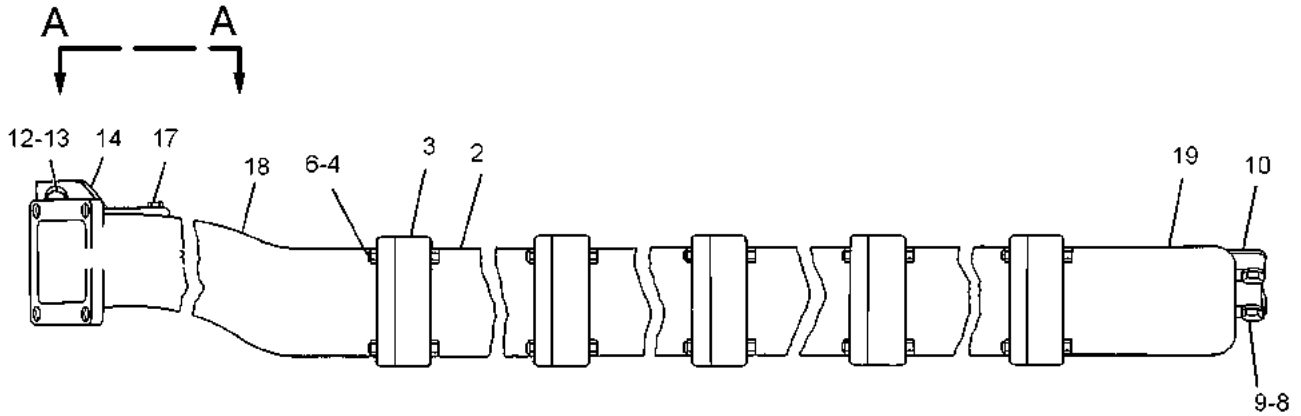
i03630010

NOTE	REF NO	GRAPHIC REF	PART NUMBER	QTY	PART NAME						SEE PAGE
					1	2	3	4	5	6 (PRODUCT LEVEL)	
	1	1	7N-4909	1	MANIFOLD-EXHAUST (RH FRONT)						
	2	1	7N-4905	8	MANIFOLD-EXHAUST (INTERMEDIATE)						
	3	1	204-5455	10	SLEEVE-EXHAUST MANIFOLD						
	4	1	2N-2766	40	LOCKNUT (3/8-16-THD)						
	6	1	5P-2755	40	BOLT-HIGH TEMPERATURE (3/8-16X2.75-IN)						
	7	1	124-0211	1	MANIFOLD-EXHAUST (TURBOCHARGER) (RH REAR)						
	8	1	3B-1915	52	BOLT (3/8-16X1.375-IN)						
	9	1	5M-2894	48	WASHER-HARD (10.2X18.5X2.5-MM THK)						
	10	1	7W-8145	12	GASKET-EXHAUST MANIFOLD						
	11	1	8N-8819	1	BRACKET (RH)						
	12	1	6H-1717	4	BOLT (1/2-13X1.125-IN)						
	13	1	5P-1076	4	WASHER-HARD (13.5X30X4-MM THK)						
	14	1	254-3269	1	BRACKET (LH)						
	15	1	3E-6916	4	NUT-FULL (3/8-16-THD)						
	16	1	9L-9132	4	WASHER (10.2X25.5X2.5-MM THK)						
	17	1	8T-6765	2	PLUG-PIPE (1/4-18-THD)						
	18	1	124-0210	1	MANIFOLD-EXHAUST (TURBOCHARGER) (LH REAR)						
	19	1	7N-4906	1	MANIFOLD-EXHAUST (LH FRONT)						

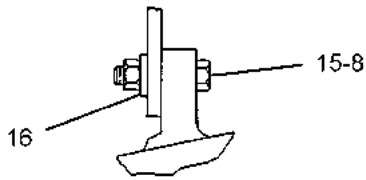
AIR INLET AND EXHAUST SYSTEM

8N-7721 MANIFOLD GP-EXHAUST (contd.)

i03630010



TOP VIEW



VIEW A-A
ROTATED 90° CW

GRAPHIC #1

<END>

g01100853

AIR INLET AND EXHAUST SYSTEM

321-2579 MOUNTING GP-AIR CLEANER

FOR USE WITH JACKET WATER HEATERS
AN ATTACHMENT

SMCS-1051

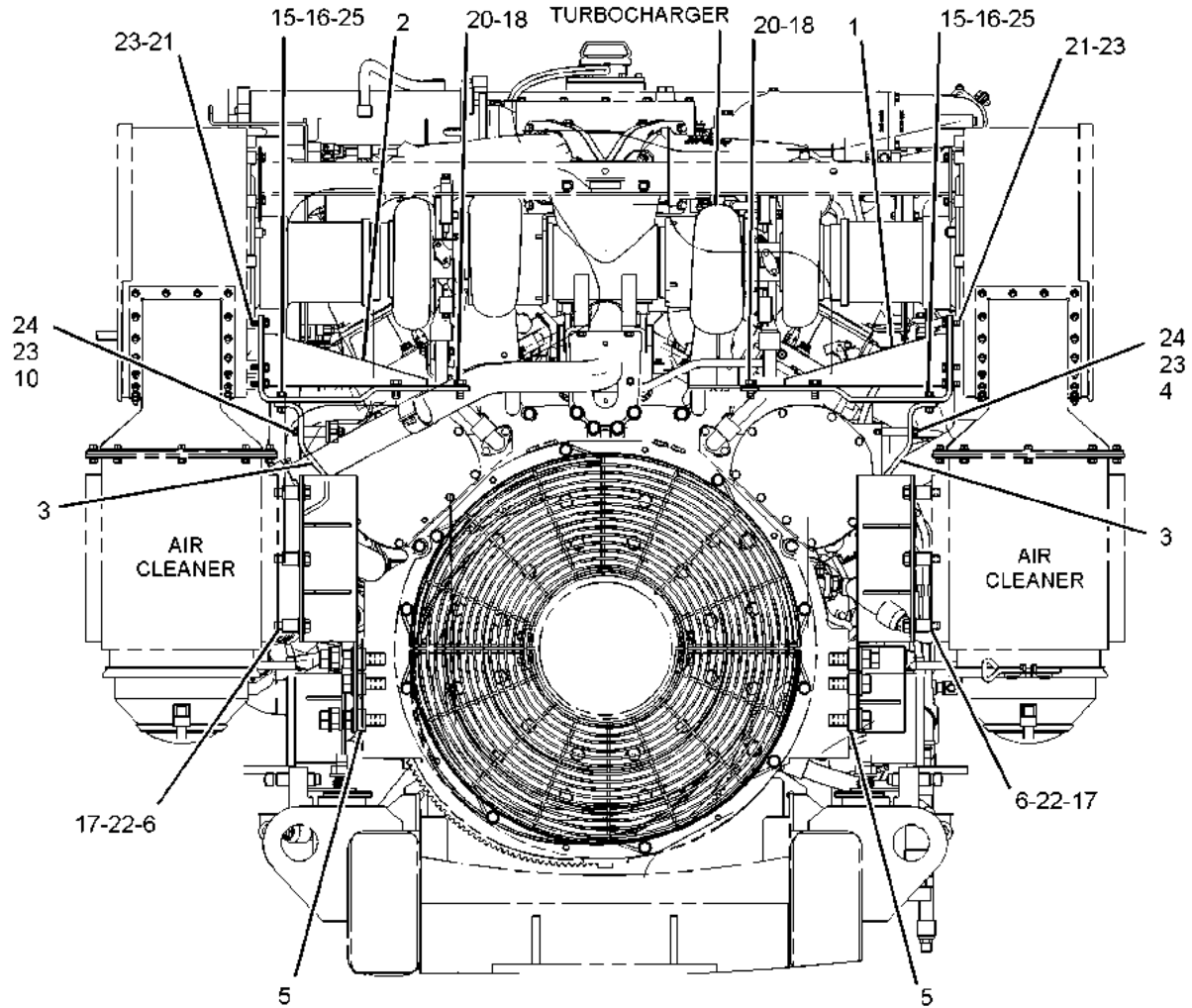
i03520549

NOTE	REF NO	GRAPHIC REF	PART NUMBER	QTY	PART NAME						SEE PAGE
					1	2	3	4	5	6 (PRODUCT LEVEL)	
	1	1	5N-7908	1	BRACKET AS (RH)						
	2	1	5N-7910	1	BRACKET AS (LH)						
	3	1	5N-7916	2	BRACKET						
	4	1	5N-7917	2	SPACER (10.74X17.14X54.4-MM THK)						
	5	1	8G-2077	6	SPACER (26X45X17.5-MM THK)						
	6	1	201-7354	12	BOLT (5/8-11X2.5-IN)						
	7	1	308-7311	1	BRACKET AS						
	8	1	309-4591	1	BRACKET						
	9	1	310-3632	1	BRACKET AS						
	10	1	087-3796	2	SPACER (17.61X21.34X48-MM THK)						
	11	1	0S-1588	1	BOLT (3/8-16X1.25-IN)						
	12	1	1A-2029	4	BOLT (3/8-16X1.125-IN)						
	13	1	2H-3745	6	BOLT (1-14X2.75-IN)						
	14	1	2M-5656	2	NUT (1-14-THD)						
	15	1	3B-1915	4	BOLT (3/8-16X1.375-IN)						
	16	1	5M-2894	12	WASHER-HARD (10.2X18.5X2.5-MM THK)						
	17	1	5N-7919	12	SPACER (18.85X26.67X33-MM THK)						
	18	1	5P-8245	6	WASHER-HARD (13.5X25.5X3-MM THK)						
	19	1	5P-8250	8	WASHER (28X49X5-MM THK)						
	20	1	6H-1717	6	BOLT (1/2-13X1.125-IN)						
	21	1	8T-2502	6	BOLT (3/8-16X1.125-IN)						
	22	1	8T-4122	24	WASHER-HARD (17X32X3.5-MM THK)						
	23	1	8T-4896	10	WASHER-HARD (10.2X18.5X2.5-MM THK)						
	24	1	8T-8915	4	BOLT (3/8-16X3.25-IN)						
	25	1	9S-8752	5	NUT-FULL (3/8-16-THD)						
	26	1	9X-6458	2	WASHER-HARD (10.2X22.5X3-MM THK)						

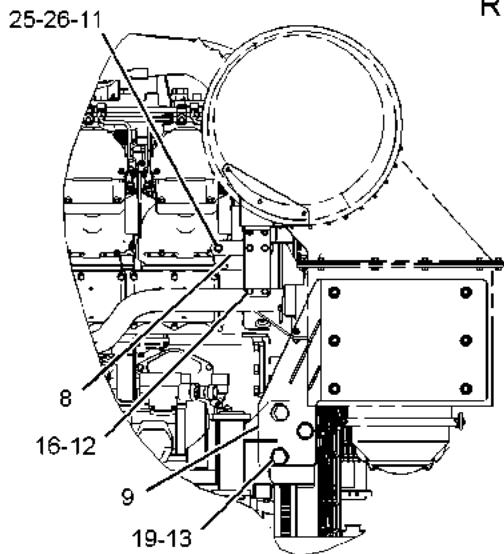
AIR INLET AND EXHAUST SYSTEM

321-2579 MOUNTING GP-AIR CLEANER (contd.)

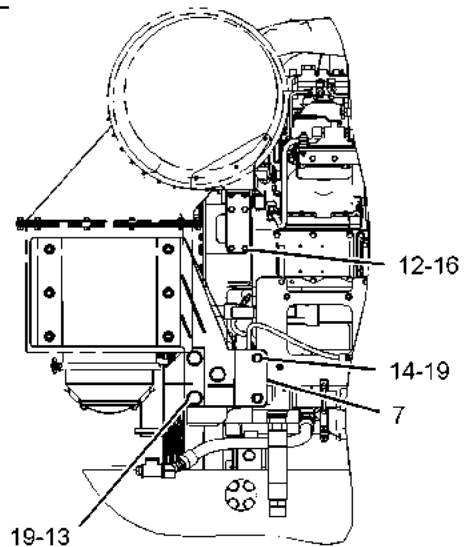
i03520549



REAR VIEW OF ENGINE



LEFT SIDE VIEW OF ENGINE



RIGHT SIDE VIEW OF ENGINE

GRAPHIC #1

<END>

g01523938

AIR INLET AND EXHAUST SYSTEM

331-7143 MOUNTING GP-AIR CLEANER AN ATTACHMENT

SMCS-1051

i06285338

NOTE	REF NO	GRAPHIC REF	PART NUMBER	QTY	PART NAME						SEE PAGE
					1	2	3	4	5	6 (PRODUCT LEVEL)	
Y	1	1	5N-7822	2	AIR CLEANER GP						662
	2	1	5N-7905	2	HOSE						
	3	1	5N-7906	1	SUPPORT AS						
	4	1	5N-7908	1	BRACKET AS (RH)						
	5	1	5N-7910	1	BRACKET AS (LH)						
	6	1	5N-7916	1	BRACKET						
	7	1	5P-4869	4	CLAMP-HOSE						
	10	1	209-7017	1	BRACKET						
	11	1	1A-2029	4	BOLT (3/8-16X1.125-IN)						
	12	1	3B-1915	3	BOLT (3/8-16X1.375-IN)						
	13	1	5M-2894	10	WASHER-HARD (10.2X18.5X2.5-MM THK)						
	14	1	5P-8245	6	WASHER-HARD (13.5X25.5X3-MM THK)						
	15	1	5S-7379	6	BOLT (3/8-16X0.875-IN)						
	16	1	6H-1717	6	BOLT (1/2-13X1.125-IN)						
	17	1	8T-2502	6	BOLT (3/8-16X1.125-IN)						
B	18	1	8T-4896	22	WASHER-HARD (10.2X18.5X2.5-MM THK)						
	19	1	9S-8752	3	NUT-FULL (3/8-16-THD)						

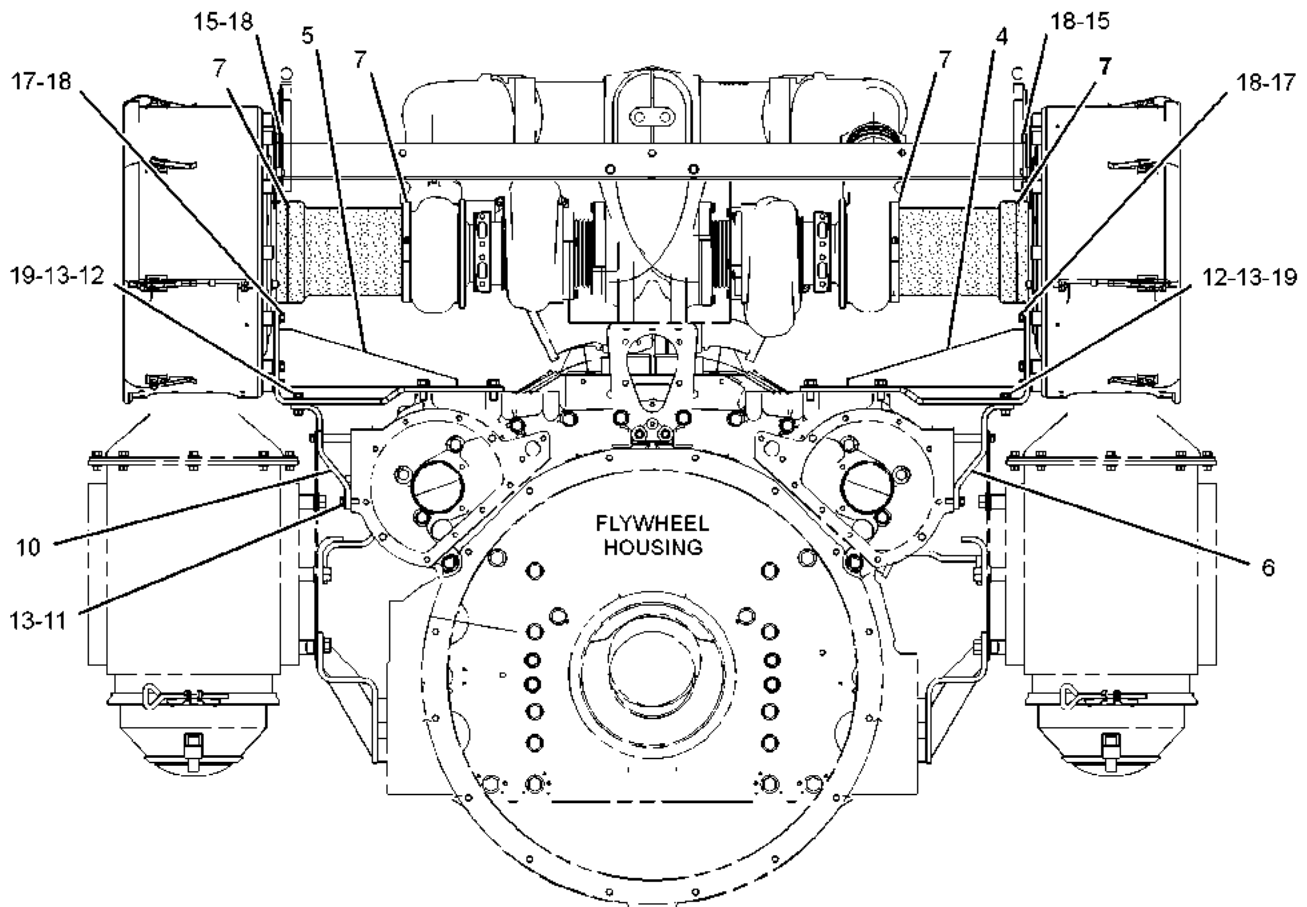
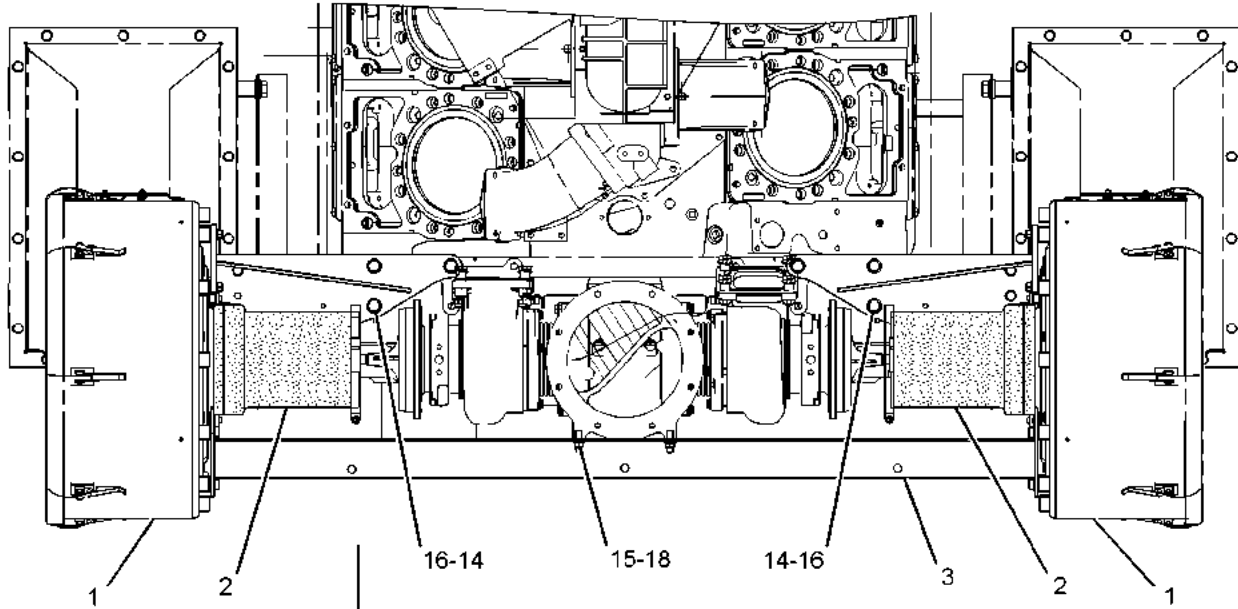
B - USE AS REQUIRED

Y - SEPARATE ILLUSTRATION

AIR INLET AND EXHAUST SYSTEM

331-7143 MOUNTING GP-AIR CLEANER (contd.)

i06285338



GRAPHIC #1

<END>

g06057904

AIR INLET AND EXHAUST SYSTEM

331-8941 MOUNTING GP-AIR CLEANER AN ATTACHMENT

SMCS-1051

i03477163

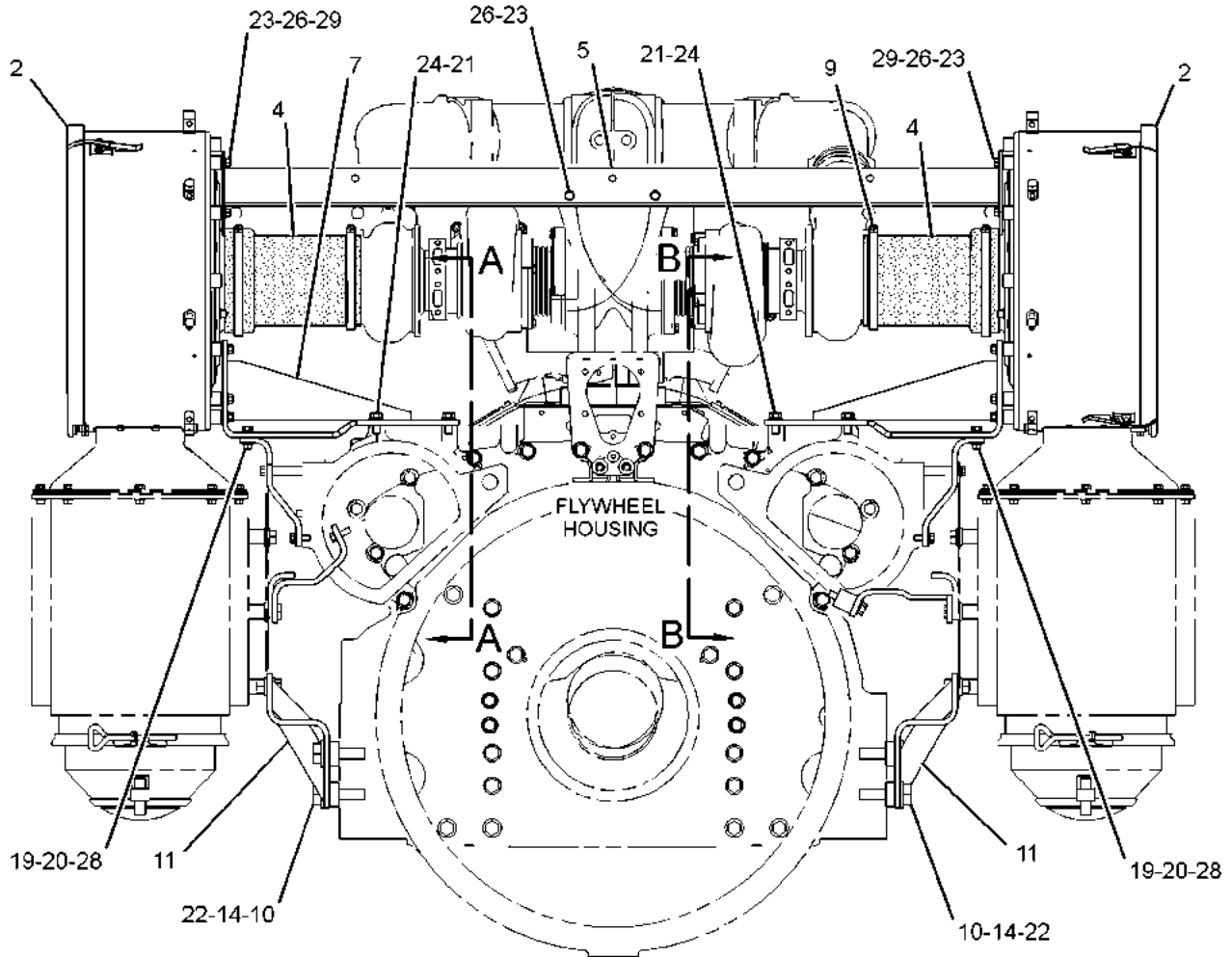
NOTE	REF NO	GRAPHIC REF	PART NUMBER	QTY	PART NAME						SEE PAGE
					1	2	3	4	5	6 (PRODUCT LEVEL)	
B	1	1	1K-4649	1	SPACER (0.516X1X1-IN THK)						
Y	2	1	5N-7822	2	AIR CLEANER GP						662
	3	1	5N-7830	2	GASKET						
	4	1	5N-7905	2	HOSE						
	5	1	5N-7906	1	SUPPORT AS						
	6	1	5N-7908	1	BRACKET AS (RH)						
	7	1	5N-7910	1	BRACKET AS (LH)						
	8	1	5N-7916	1	BRACKET						
	9	1	5P-4869	4	CLAMP-HOSE						
	10	1	6B-9194	4	BOLT (1-14X3-IN)						
	11	1	7C-0799	2	BRACKET AS						
	12	1	7E-9762	1	BRACKET AS						
B	13	1	7N-3674	1	BLOCK						
	14	1	8G-2077	4	SPACER (26X45X17.5-MM THK)						
	15	1	9Y-2942	1	BRACKET						
	16	1	209-7017	1	BRACKET						
	17	1	0S-1588	1	BOLT (3/8-16X1.25-IN)						
	18	1	1A-2029	4	BOLT (3/8-16X1.125-IN)						
	19	1	3B-1915	3	BOLT (3/8-16X1.375-IN)						
	20	1	5M-2894	11	WASHER-HARD (10.2X18.5X2.5-MM THK)						
	21	1	5P-8245	7	WASHER-HARD (13.5X25.5X3-MM THK)						
	22	1	5P-8250	4	WASHER (28X49X5-MM THK)						
	23	1	5S-7379	6	BOLT (3/8-16X0.875-IN)						
	24	1	6H-1717	6	BOLT (1/2-13X1.125-IN)						
	25	1	8T-2502	6	BOLT (3/8-16X1.125-IN)						
	26	1	8T-4896	12	WASHER-HARD (10.2X18.5X2.5-MM THK)						
	27	1	9S-1366	1	BOLT (1/2-13X2.5-IN)						
	28	1	9S-8752	3	NUT-FULL (3/8-16-THD)						
B	29	1	8T-4896	10	WASHER-HARD (10.2X18.5X2.5-MM THK)						

B - USE AS REQUIRED
Y - SEPARATE ILLUSTRATION

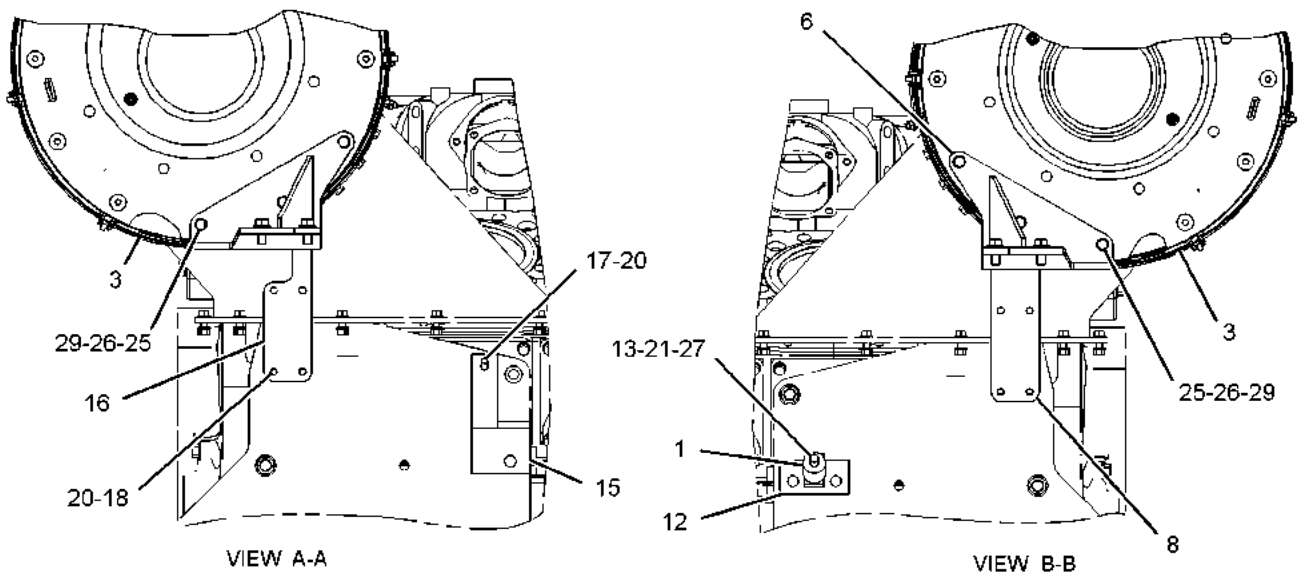
AIR INLET AND EXHAUST SYSTEM

331-8941 MOUNTING GP-AIR CLEANER (contd.)

i03477163



REAR VIEW OF ENGINE



VIEW A-A

VIEW B-B

GRAPHIC #1

<END>

g01820153

AIR INLET AND EXHAUST SYSTEM

336-1545 MOUNTING GP-AIR CLEANER AN ATTACHMENT

SMCS-1051

i07003840

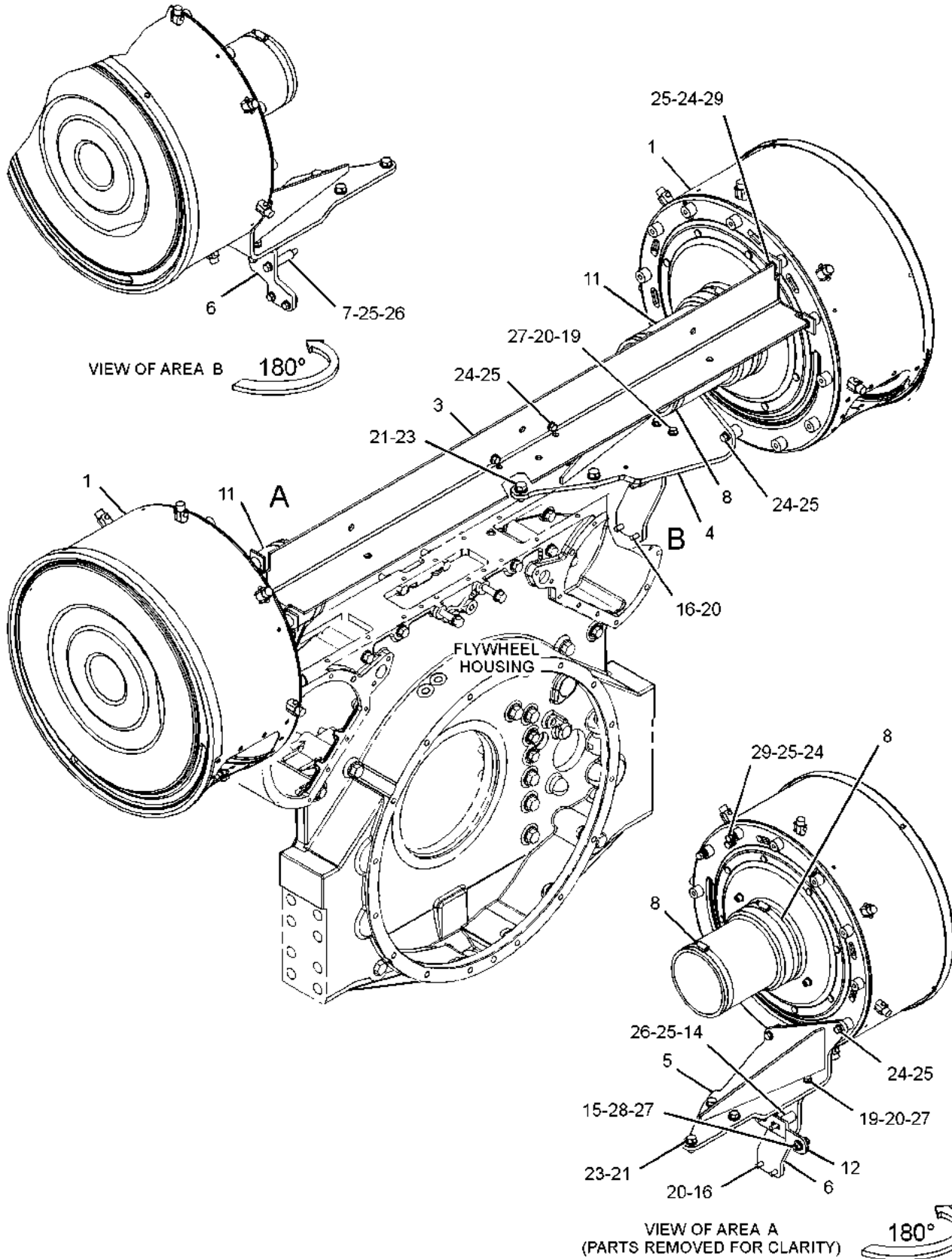
NOTE	REF NO	GRAPHIC REF	PART NUMBER	QTY	PART NAME						SEE PAGE
					1	2	3	4	5	6 (PRODUCT LEVEL)	
Y	1	1	5N-7822	2	AIR CLEANER GP						662
	3	1	5N-7906	1	SUPPORT AS						
	4	1	5N-7908	1	BRACKET AS (RH)						
	5	1	5N-7910	1	BRACKET AS (LH)						
	6	1	5N-7916	2	BRACKET						
	7	1	5N-7917	2	SPACER (10.74X17.14X54.4-MM THK)						
	8	1	5P-4869	4	CLAMP-HOSE						
	11	1	309-1854	2	HOSE						
	12	1	309-4591	1	BRACKET						
	14	1	087-3796	2	SPACER (17.61X21.34X48-MM THK)						
	15	1	0S-1588	1	BOLT (3/8-16X1.25-IN)						
	16	1	1A-2029	4	BOLT (3/8-16X1.125-IN)						
	19	1	3B-1915	4	BOLT (3/8-16X1.375-IN)						
	20	1	5M-2894	12	WASHER-HARD (10.2X18.5X2.5-MM THK)						
	21	1	5P-8245	6	WASHER-HARD (13.5X25.5X3-MM THK)						
	23	1	6H-1717	6	BOLT (1/2-13X1.125-IN)						
	24	1	8T-2502	12	BOLT (3/8-16X1.125-IN)						
	25	1	8T-4896	16	WASHER-HARD (10.2X18.5X2.5-MM THK)						
	26	1	8T-8915	4	BOLT (3/8-16X3.25-IN)						
	27	1	9S-8752	5	NUT-FULL (3/8-16-THD)						
	28	1	9X-6458	2	WASHER-HARD (10.2X22.5X3-MM THK)						
B	29	1	8T-4896	10	WASHER-HARD (10.2X18.5X2.5-MM THK)						
F		1	8N-9729	2	COVER-AIR CLEANER HOUSING						
F		1	7W-5760	20	FASTENER						

B - USE AS REQUIRED
 F - NOT SHOWN
 Y - SEPARATE ILLUSTRATION

AIR INLET AND EXHAUST SYSTEM

336-1545 MOUNTING GP-AIR CLEANER (contd.)

i07003840



GRAPHIC #1

<END>

g06194957

AIR INLET AND EXHAUST SYSTEM

4W-6341 MOUNTING GP-AIR CLEANER AN ATTACHMENT

SMCS-1051

i04823888

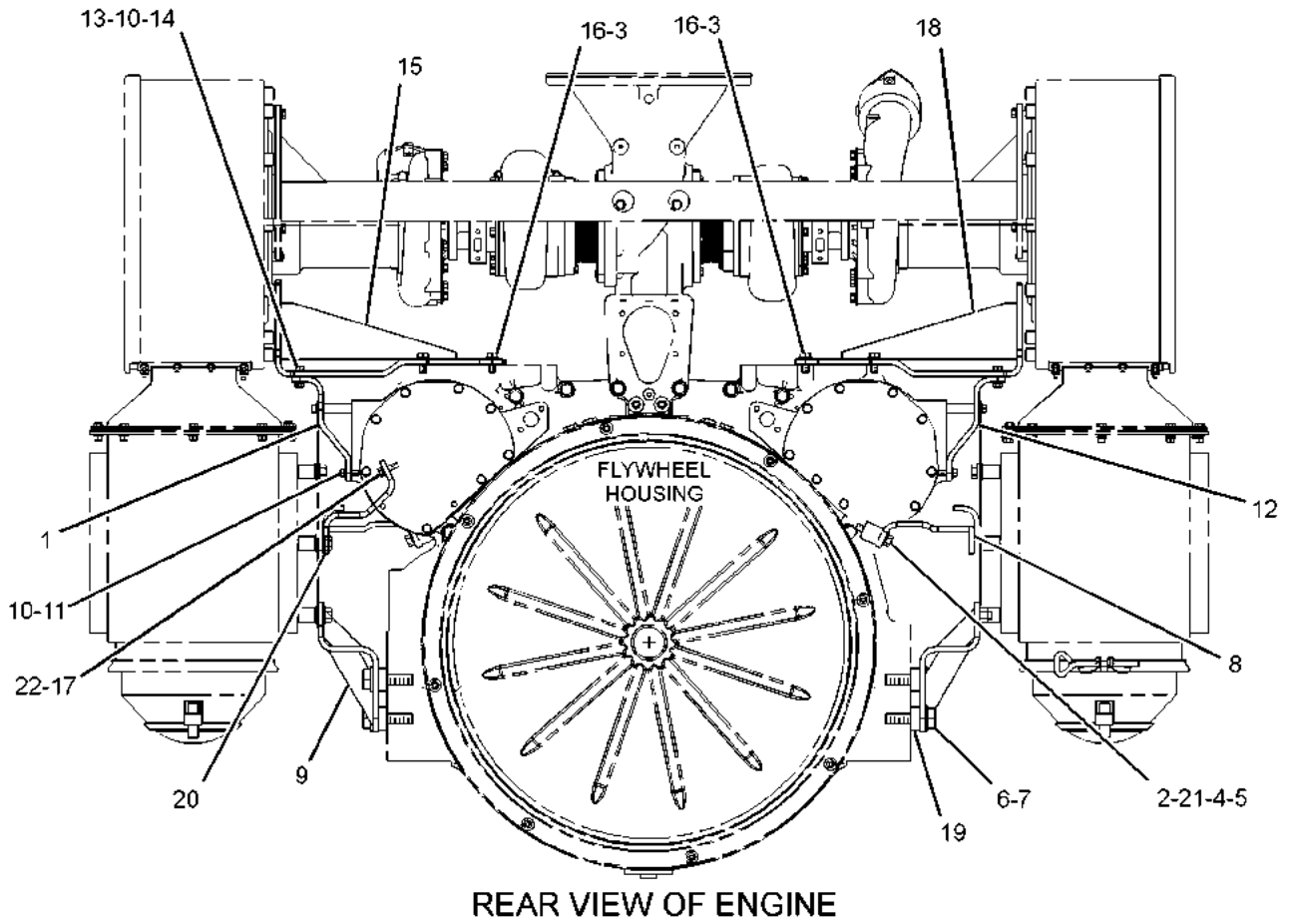
NOTE	REF NO	GRAPHIC REF	PART NUMBER	QTY	PART NAME						SEE PAGE
					1	2	3	4	5	6 (PRODUCT LEVEL)	
	1	1	209-7017	1	BRACKET						
	2	1	9S-1366	1	BOLT (1/2-13X2.5-IN)						
	3	1	5P-8245	6	WASHER-HARD (13.5X25.5X3-MM THK)						
B	4	1	7N-3674	1	BLOCK						
B	5	1	1K-4649	1	SPACER (0.516X1X1-IN THK)						
	6	1	6B-9194	4	BOLT (1-14X3-IN)						
	7	1	5P-8250	4	WASHER (28X49X5-MM THK)						
	8	1	7E-9762	1	BRACKET AS						
	9	1	7C-0799	2	BRACKET AS						
	10	1	5M-2894	10	WASHER-HARD (10.2X18.5X2.5-MM THK)						
	11	1	1A-2029	4	BOLT (3/8-16X1.125-IN)						
	12	1	5N-7916	1	BRACKET						
	13	1	9S-8752	3	NUT-FULL (3/8-16-THD)						
	14	1	3B-1915	3	BOLT (3/8-16X1.375-IN)						
	15	1	5N-7910	1	BRACKET AS (LH) (LH)						
	16	1	6H-1717	6	BOLT (1/2-13X1.125-IN)						
	17	1	0S-1588	1	BOLT (3/8-16X1.25-IN)						
	18	1	5N-7908	1	BRACKET AS (RH) (RH)						
	19	1	8G-2077	4	SPACER (26X45X17.5-MM THK)						
	20	1	9Y-2942	1	BRACKET						
	21	1	5P-8245	1	WASHER-HARD (13.5X25.5X3-MM THK)						
	22	1	5M-2894	1	WASHER-HARD (10.2X18.5X2.5-MM THK)						

B - USE AS REQUIRED

AIR INLET AND EXHAUST SYSTEM

4W-6341 MOUNTING GP-AIR CLEANER (contd.)

i04823888



REAR VIEW OF ENGINE

GRAPHIC #1

<END>

g01826097

AIR INLET AND EXHAUST SYSTEM

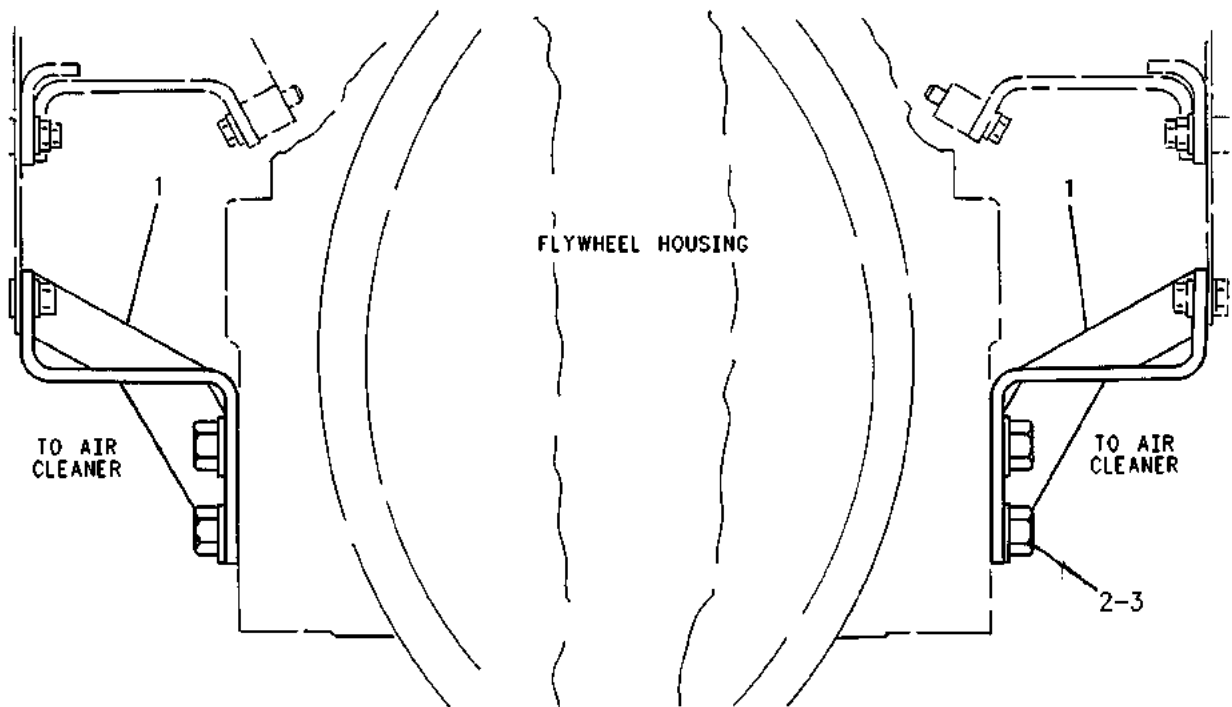
5N-7925 MOUNTING GP-AIR CLEANER

FOR USE WITH HEAVY DUTY ENGINE MOUNTED AIR CLEANERS WHEN MOUNTED ON ENGINE WITH "O"
FLYWHEEL HOUSING
AN ATTACHMENT

SMCS-1051

i02179567

NOTE	REF NO	GRAPHIC REF	PART NUMBER	QTY	PART NAME						SEE PAGE
					1	2	3	4	5	6 (PRODUCT LEVEL)	
	1	1	5N-7926	2	BRACKET AS						
	2	1	2H-3744	8	BOLT (1-14X2.25-IN)						
	3	1	5P-8250	8	WASHER (28X49X5-MM THK)						



GRAPHIC #1

<END>

g00480060

AIR INLET AND EXHAUST SYSTEM

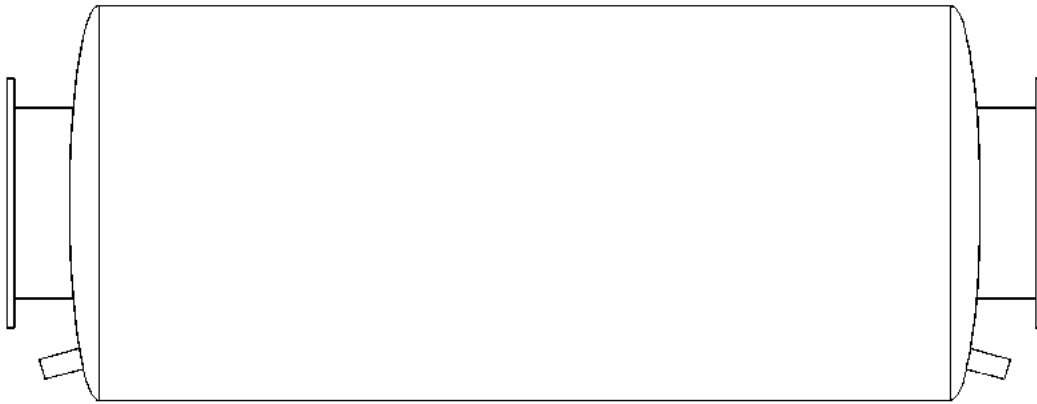
141-7047 MUFFLER

304.8-MM ID
AN ATTACHMENT

SMCS-1062

i01333885

NOTE	REF NO	GRAPHIC REF	PART NUMBER	QTY	PART NAME	SEE PAGE
					1 2 3 4 5 6 (PRODUCT LEVEL)	
(NO SERVICED PARTS)						



GRAPHIC #1

<END>

g00705396

AIR INLET AND EXHAUST SYSTEM

2W-4075 MUFFLER

254-MM (10-INCH) ID
AN ATTACHMENT

SMCS-1062

i01906756

NOTE	REF NO	GRAPHIC REF	PART NUMBER	QTY	PART NAME						SEE PAGE
					1	2	3	4	5	6 (PRODUCT LEVEL)	
(NO SERVICED PARTS)											



GRAPHIC #1

<END>

g00993159

AIR INLET AND EXHAUST SYSTEM

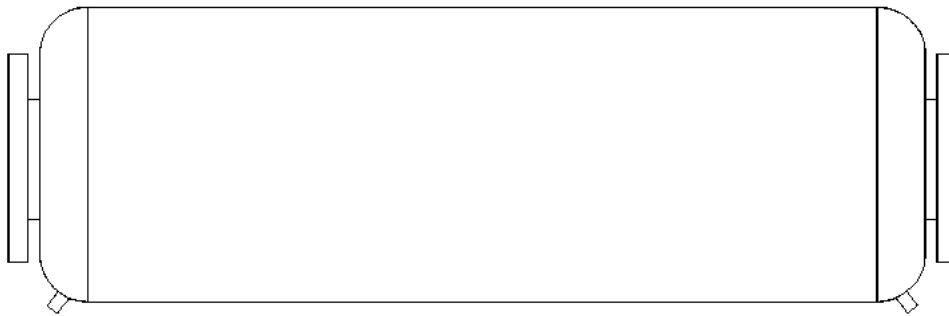
2W-4076 MUFFLER

304.8-MM ID
AN ATTACHMENT

SMCS-1062

i01094755

NOTE	REF NO	GRAPHIC REF	PART NUMBER	QTY	PART NAME	SEE PAGE
					1 2 3 4 5 6 (PRODUCT LEVEL)	
(NO SERVICED PARTS)						



GRAPHIC #1

<END>

g00575313

AIR INLET AND EXHAUST SYSTEM

160-6548 MUFFLER GP-SPARK ARRESTOR

355.6-MM (14-IN)

AN ATTACHMENT

SMCS-1062

i01689740

NOTE	PART NUMBER	QTY	PART NAME	SEE PAGE
			1 2 3 4 5 6 (PRODUCT LEVEL)	

(NO SERVICED PARTS)

<END>

214-6395 MUFFLER GP-SPARK ARRESTOR

12 INCH, MSA1. FEATURES END IN, END OUT, CLEANOUT, SPARKBOX, PAIR OF STEEL RING
FLANGES WITH BOLTS AND GASKETS

AN ATTACHMENT

SMCS-1062

i01700139

NOTE	PART NUMBER	QTY	PART NAME	SEE PAGE
			1 2 3 4 5 6 (PRODUCT LEVEL)	

(NO SERVICED PARTS)

<END>

AIR INLET AND EXHAUST SYSTEM

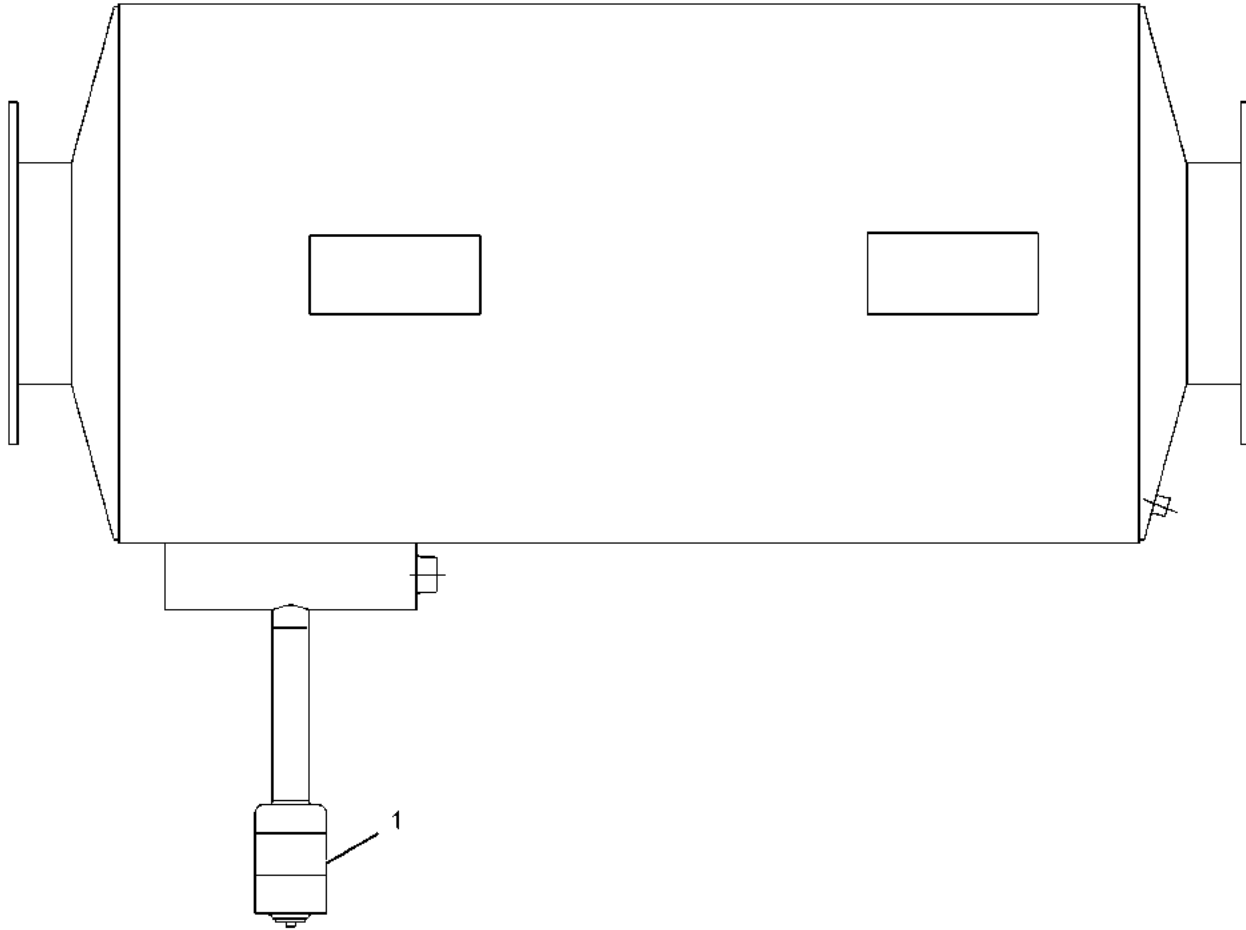
264-0023 MUFFLER GP-SPARK ARRESTOR

12-INCH
AN ATTACHMENT

SMCS-1062

i05915858

NOTE	REF NO	GRAPHIC REF	PART NUMBER	QTY	PART NAME						SEE PAGE
					1	2	3	4	5	6 (PRODUCT LEVEL)	
	1	1	346-9090	1	ARRESTOR-SPARK						



GRAPHIC #1

<END>

g02049594

AIR INLET AND EXHAUST SYSTEM

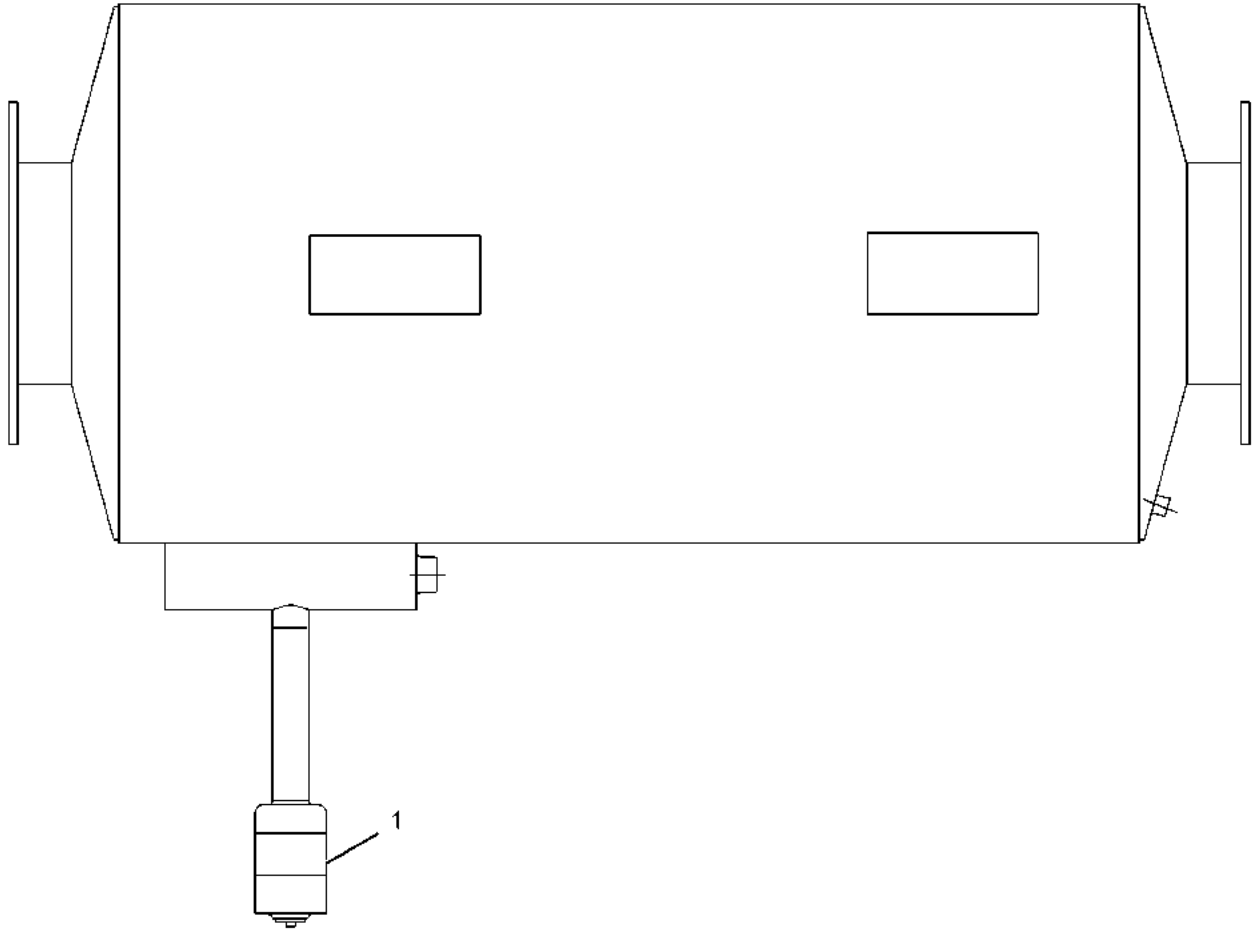
264-0025 MUFFLER GP-SPARK ARRESTOR

14-INCH
AN ATTACHMENT

SMCS-1062

i03758792

NOTE	REF NO	GRAPHIC REF	PART NUMBER	QTY	PART NAME						SEE PAGE
					1	2	3	4	5	6 (PRODUCT LEVEL)	
	1	1	346-9090	1	ARRESTOR-SPARK						



GRAPHIC #1

<END>

g02049594

AIR INLET AND EXHAUST SYSTEM

331-7144 PRECLEANER GP

S/N: 65Z887-1520

AN ATTACHMENT

SMCS-1055

i03790133

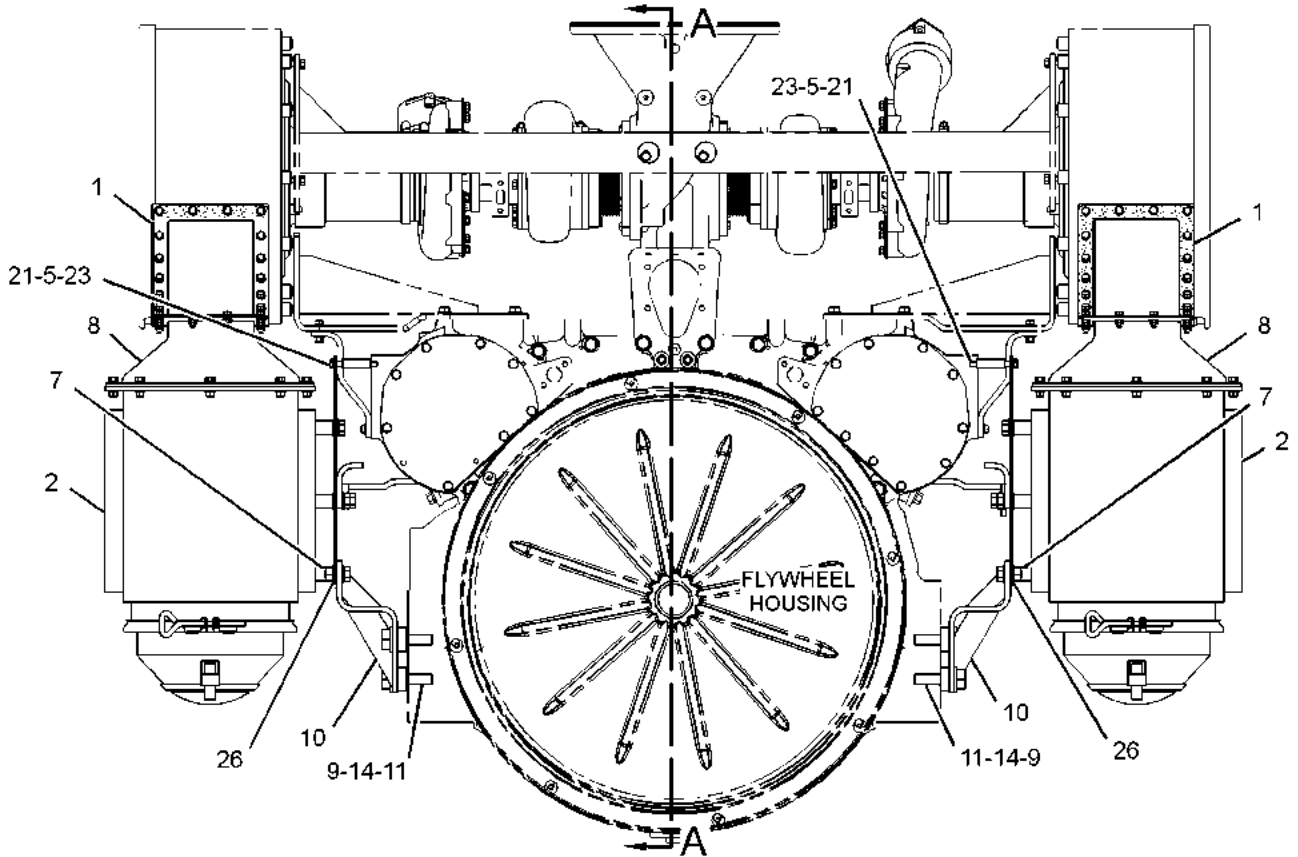
NOTE	REF NO	GRAPHIC REF	PART NUMBER	QTY	PART NAME						SEE PAGE
					1	2	3	4	5	6 (PRODUCT LEVEL)	
	1	1	5N-7830	2	GASKET						
Y	2	1	5N-7831	2	PRECLEANER GP						738
	3	1	5N-7832	2	GASKET						
	4	1	5N-7915	2	ANGLE						
	5	1	5N-7917	4	SPACER (10.74X17.14X54.4-MM THK)						
	6	1	5N-7918	2	PLATE						
	7	1	5N-7919	12	SPACER (18.85X26.67X33-MM THK)						
	8	1	5N-7920	2	ADAPTER AS						
	9	1	6B-9194	4	BOLT (1-14X3-IN)						
	10	1	7C-0799	2	BRACKET AS						
	11	1	8G-2077	4	SPACER (26X45X17.5-MM THK)						
	12	1	031-4155	48	LOCKNUT (5/16-18-THD)						
	13	1	4L-6454	28	BOLT (3/8-16X1-IN)						
	14	1	5P-8250	4	WASHER (28X49X5-MM THK)						
	15	1	6V-8801	28	NUT (3/8-16-THD)						
	16	1	7X-0344	2	BOLT (5/8-11X1.375-IN)						
	17	1	7X-0448	2	NUT (5/8-11-THD)						
	18	1	8C-6362	4	BOLT (5/8-11X2.75-IN)						
	19	1	8T-4122	16	WASHER-HARD (17X32X3.5-MM THK)						
	20	1	8T-4224	96	WASHER-HARD (8.8X16X2-MM THK)						
	21	1	8T-4896	60	WASHER-HARD (10.2X18.5X2.5-MM THK)						
	22	1	8T-6871	6	BOLT (5/8-11X2.5-IN)						
	23	1	8T-8915	4	BOLT (3/8-16X3.25-IN)						
	24	1	8T-9043	48	BOLT (5/16-18X0.875-IN)						
	25	1	8T-9396	2	BOLT (5/8-11X3.25-IN)						
B	26	1	8T-4122	12	WASHER-HARD (17X32X3.5-MM THK)						

B - USE AS REQUIRED
Y - SEPARATE ILLUSTRATION

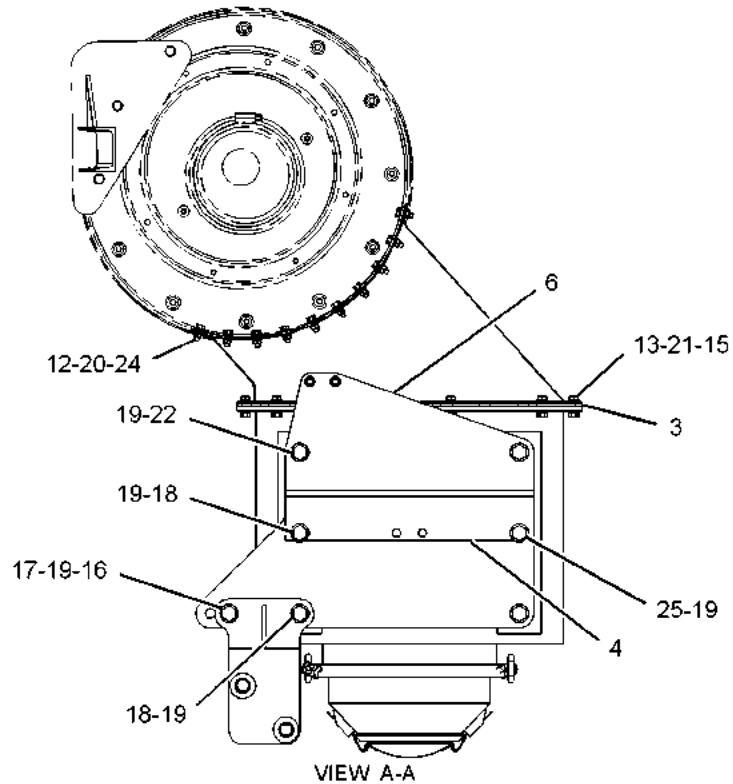
AIR INLET AND EXHAUST SYSTEM

331-7144 PRECLEANER GP (contd.)

i03790133



REAR VIEW OF ENGINE



VIEW A-A

GRAPHIC #1

<END>

g02209733

AIR INLET AND EXHAUST SYSTEM

331-7144 PRECLEANER GP

S/N: 65Z1521-UP

AN ATTACHMENT

SMCS-1055

i07396683

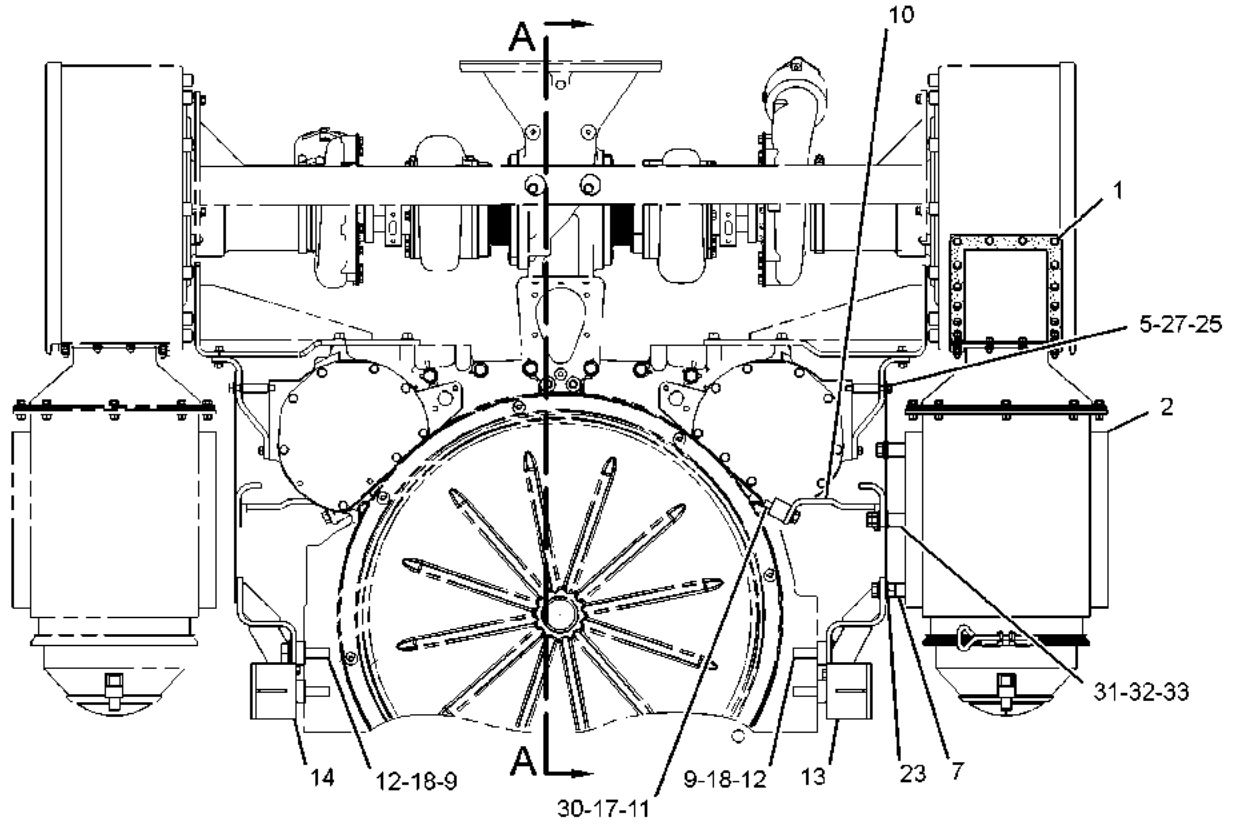
NOTE	REF NO	GRAPHIC REF	PART NUMBER	QTY	PART NAME						SEE PAGE
					1	2	3	4	5	6 (PRODUCT LEVEL)	
C	1	1	5N-7830	1	GASKET						
CY	2	1	5N-7831	1	PRECLEANER GP						738
C	3	1	5N-7832	1	GASKET						
C	4	1	538-6981	1	ANGLE						
C	5	1	5N-7917	2	SPACER (10.74X17.14X54.4-MM THK)						
C	6	1	5N-7918	1	PLATE						
C	7	1	5N-7919	6	SPACER (18.85X26.67X33-MM THK)						
C	8	1	5N-7920	1	ADAPTER AS						
	9	1	6B-9194	4	BOLT (1-14X3-IN)						
C	10	1	7E-9762	1	BRACKET AS						
C	11	1	7N-3674	1	BLOCK						
	12	1	8G-2077	4	SPACER (26X45X17.5-MM THK)						
C	13	1	340-0236	1	BRACKET AS						
C	14	1	340-0237	1	BRACKET AS						
C	15	1	031-4155	24	LOCKNUT (5/16-18-THD)						
C	16	1	4L-9337	14	BOLT (3/8-16X1.5-IN)						
C	17	1	5P-8245	1	WASHER-HARD (13.5X25.5X3-MM THK)						
	18	1	5P-8250	4	WASHER (28X49X5-MM THK)						
C	19	1	6V-8801	14	NUT (3/8-16-THD)						
C	20	1	7X-0344	1	BOLT (5/8-11X1.375-IN)						
C	21	1	7X-0448	1	NUT (5/8-11-THD)						
C	22	1	8C-6362	3	BOLT (5/8-11X2.75-IN)						
BC	23	1	8T-4122	14	WASHER-HARD (17X32X3.5-MM THK)						
C	24	1	8T-4224	48	WASHER-HARD (8.8X16X2-MM THK)						
C	25	1	8T-4896	30	WASHER-HARD (10.2X18.5X2.5-MM THK)						
C	26	1	8T-6871	3	BOLT (5/8-11X2.5-IN)						
C	27	1	8T-8915	2	BOLT (3/8-16X3.25-IN)						
C	28	1	8T-9043	24	BOLT (5/16-18X0.875-IN)						
C	30	1	9S-1366	1	BOLT (1/2-13X2.5-IN)						
	31	1	8T-8919	1	BOLT (1/2-13X1.75-IN)						
	32	1	8T-4223	2	WASHER-HARD (13.5X25.5X3-MM THK)						
	33	1	6V-8188	1	NUT (1/2-13-THD)						

B - USE AS REQUIRED
 C - CHANGE FROM PREVIOUS TYPE
 Y - SEPARATE ILLUSTRATION

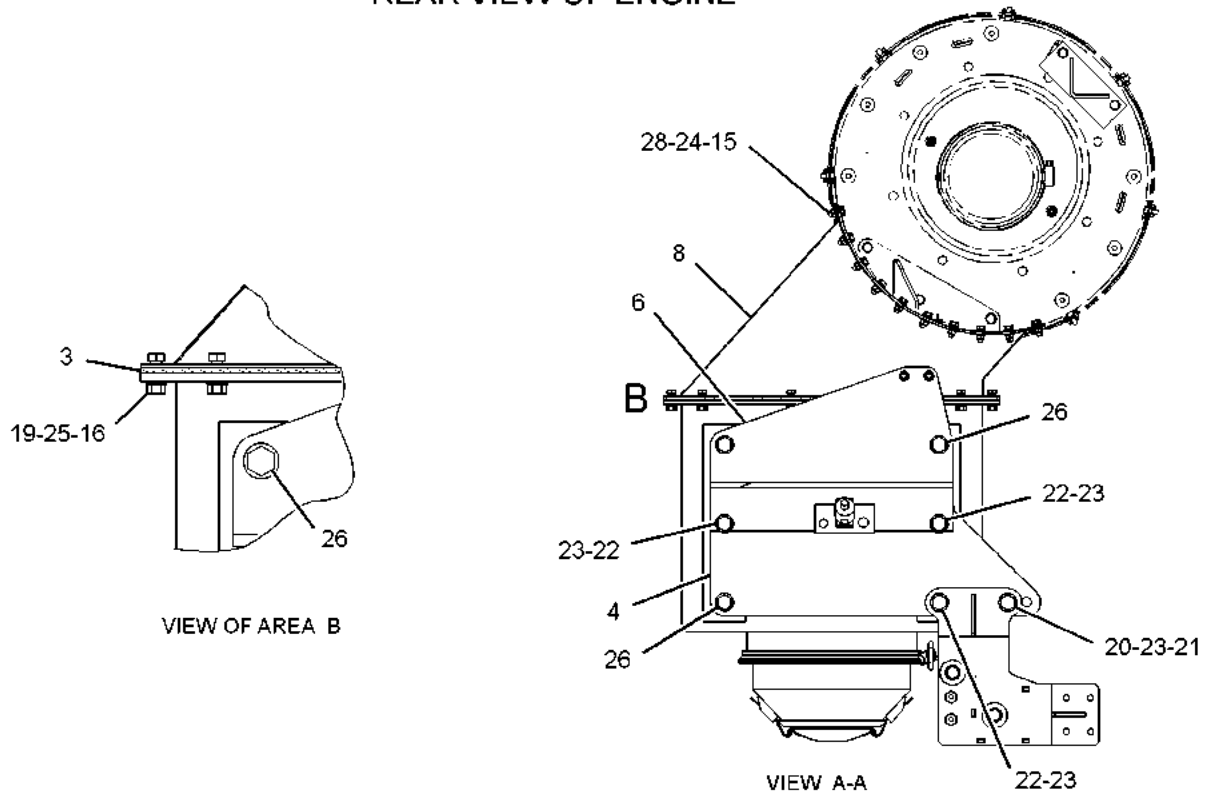
AIR INLET AND EXHAUST SYSTEM

331-7144 PRECLEANER GP (contd.)

107396683



REAR VIEW OF ENGINE



GRAPHIC #1

<END>

g03625897

AIR INLET AND EXHAUST SYSTEM

336-1546 PRECLEANER GP-WITH PRECLEANER

S/N: 65Z887-1520

AN ATTACHMENT

SMCS-1055

i03790132

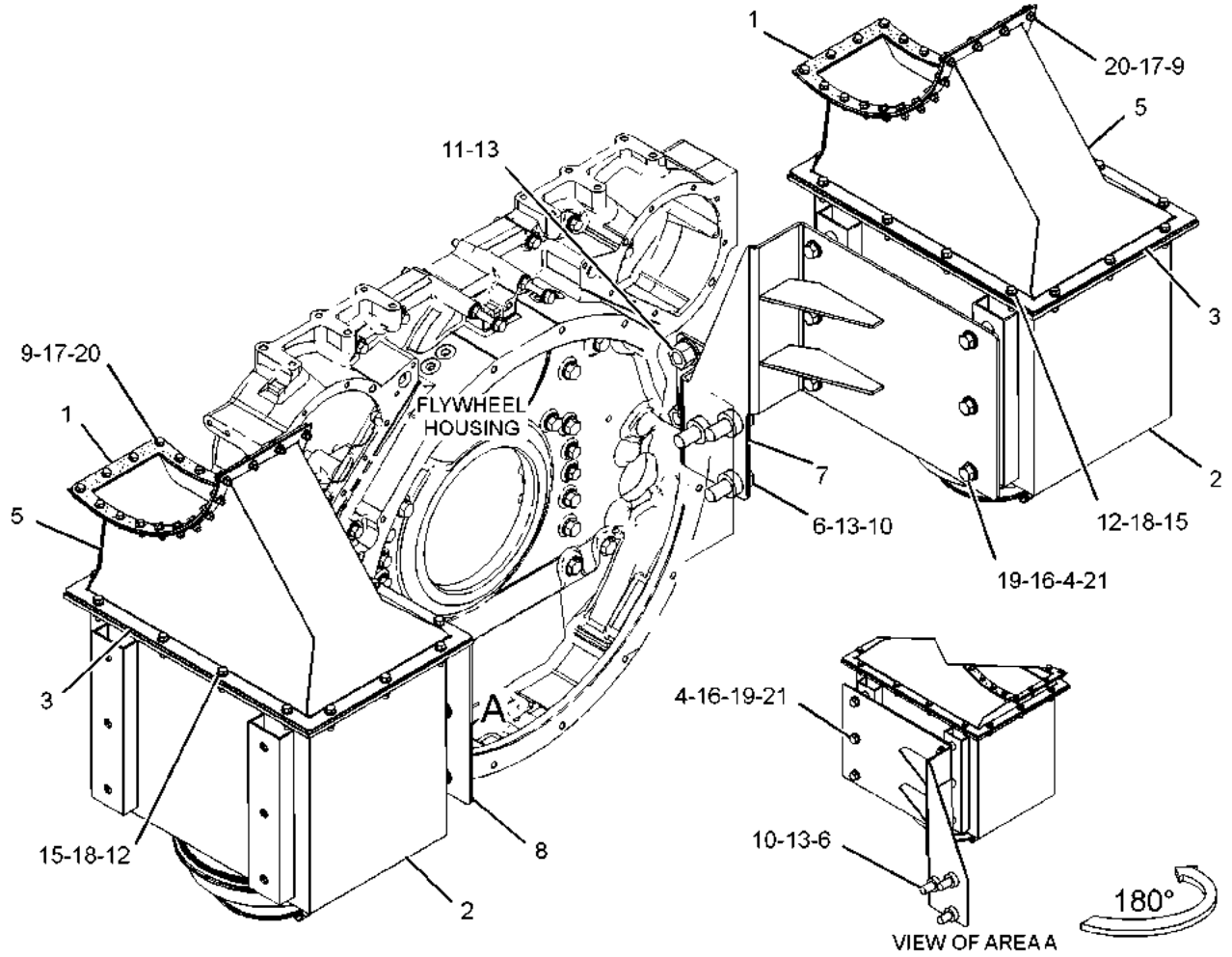
NOTE	REF NO	GRAPHIC REF	PART NUMBER	QTY	PART NAME						SEE PAGE
					1	2	3	4	5	6 (PRODUCT LEVEL)	
	1	1	5N-7830	2	GASKET						
Y	2	1	5N-7831	2	PRECLEANER GP						738
	3	1	5N-7832	2	GASKET						
	4	1	5N-7919	12	SPACER (18.85X26.67X33-MM THK)						
	5	1	5N-7920	2	ADAPTER AS						
	6	1	8G-2077	6	SPACER (26X45X17.5-MM THK)						
	7	1	308-7311	1	BRACKET AS						
	8	1	310-3632	1	BRACKET AS						
	9	1	031-4155	48	LOCKNUT (5/16-18-THD)						
	10	1	2H-3745	6	BOLT (1-14X2.75-IN)						
	11	1	2M-5656	2	NUT (1-14-THD)						
	12	1	4L-9337	28	BOLT (3/8-16X1.5-IN)						
	13	1	5P-8250	8	WASHER (28X49X5-MM THK)						
	15	1	6V-8801	28	NUT (3/8-16-THD)						
	16	1	8T-4122	12	WASHER-HARD (17X32X3.5-MM THK)						
	17	1	8T-4224	96	WASHER-HARD (8.8X16X2-MM THK)						
	18	1	8T-4896	56	WASHER-HARD (10.2X18.5X2.5-MM THK)						
	19	1	8T-6871	12	BOLT (5/8-11X2.5-IN)						
	20	1	8T-9043	48	BOLT (5/16-18X0.875-IN)						
B	21	1	8T-4122	12	WASHER-HARD (17X32X3.5-MM THK)						

B - USE AS REQUIRED
Y - SEPARATE ILLUSTRATION

AIR INLET AND EXHAUST SYSTEM

336-1546 PRECLEANER GP (contd.)

103790132



GRAPHIC #1

<END>

g02176534

AIR INLET AND EXHAUST SYSTEM

336-1546 PRECLEANER GP-WITH PRECLEANER

S/N: 65Z1521-UP

AN ATTACHMENT

SMCS-1055

i04140671

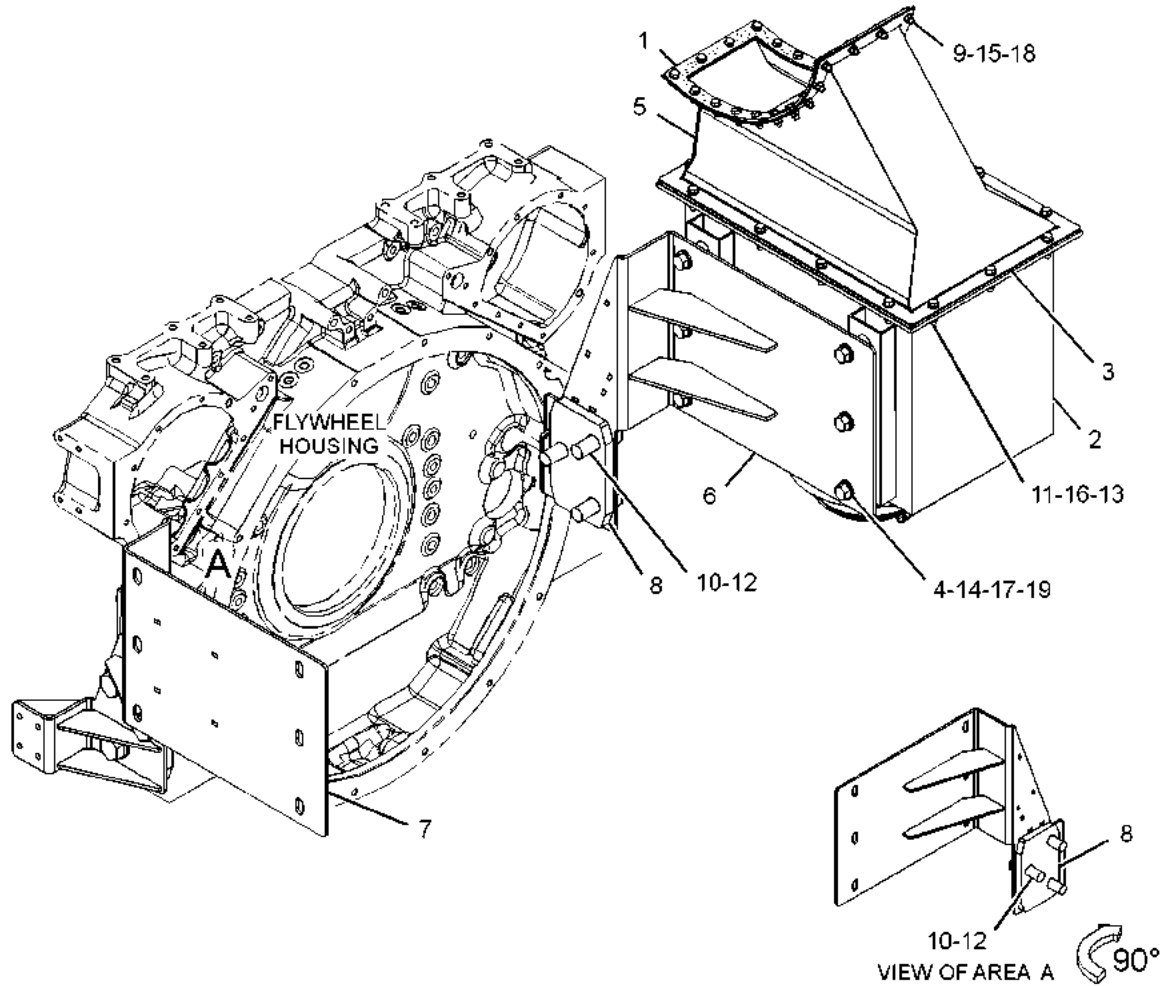
NOTE	REF NO	GRAPHIC REF	PART NUMBER	QTY	PART NAME						SEE PAGE
					1	2	3	4	5	6 (PRODUCT LEVEL)	
C	1	1	5N-7830	1	GASKET						
CY	2	1	5N-7831	1	PRECLEANER GP						738
C	3	1	5N-7832	1	GASKET						
C	4	1	5N-7919	6	SPACER (18.85X26.67X33-MM THK)						
C	5	1	5N-7920	1	ADAPTER AS						
C	6	1	340-0238	1	BRACKET AS						
C	7	1	340-0239	1	BRACKET AS						
C	8	1	353-0248	2	PLATE						
C	9	1	031-4155	24	LOCKNUT (5/16-18-THD)						
	10	1	2H-3745	6	BOLT (1-14X2.75-IN)						
C	11	1	4L-9337	14	BOLT (3/8-16X1.5-IN)						
C	12	1	5P-8250	6	WASHER (28X49X5-MM THK)						
C	13	1	6V-8801	14	NUT (3/8-16-THD)						
	14	1	8T-4122	6	WASHER-HARD (17X32X3.5-MM THK)						
C	15	1	8T-4224	48	WASHER-HARD (8.8X16X2-MM THK)						
C	16	1	8T-4896	28	WASHER-HARD (10.2X18.5X2.5-MM THK)						
C	17	1	8T-6871	6	BOLT (5/8-11X2.5-IN)						
C	18	1	8T-9043	24	BOLT (5/16-18X0.875-IN)						
BC	19	1	8T-4122	6	WASHER-HARD (17X32X3.5-MM THK)						

B - USE AS REQUIRED
 C - CHANGE FROM PREVIOUS TYPE
 Y - SEPARATE ILLUSTRATION

AIR INLET AND EXHAUST SYSTEM

336-1546 PRECLEANER GP (contd.)

i04140671



GRAPHIC #1

<END>

g02345956

AIR INLET AND EXHAUST SYSTEM

356-4916 PRECLEANER GP

AN ATTACHMENT

SMCS - 1055

i07396685

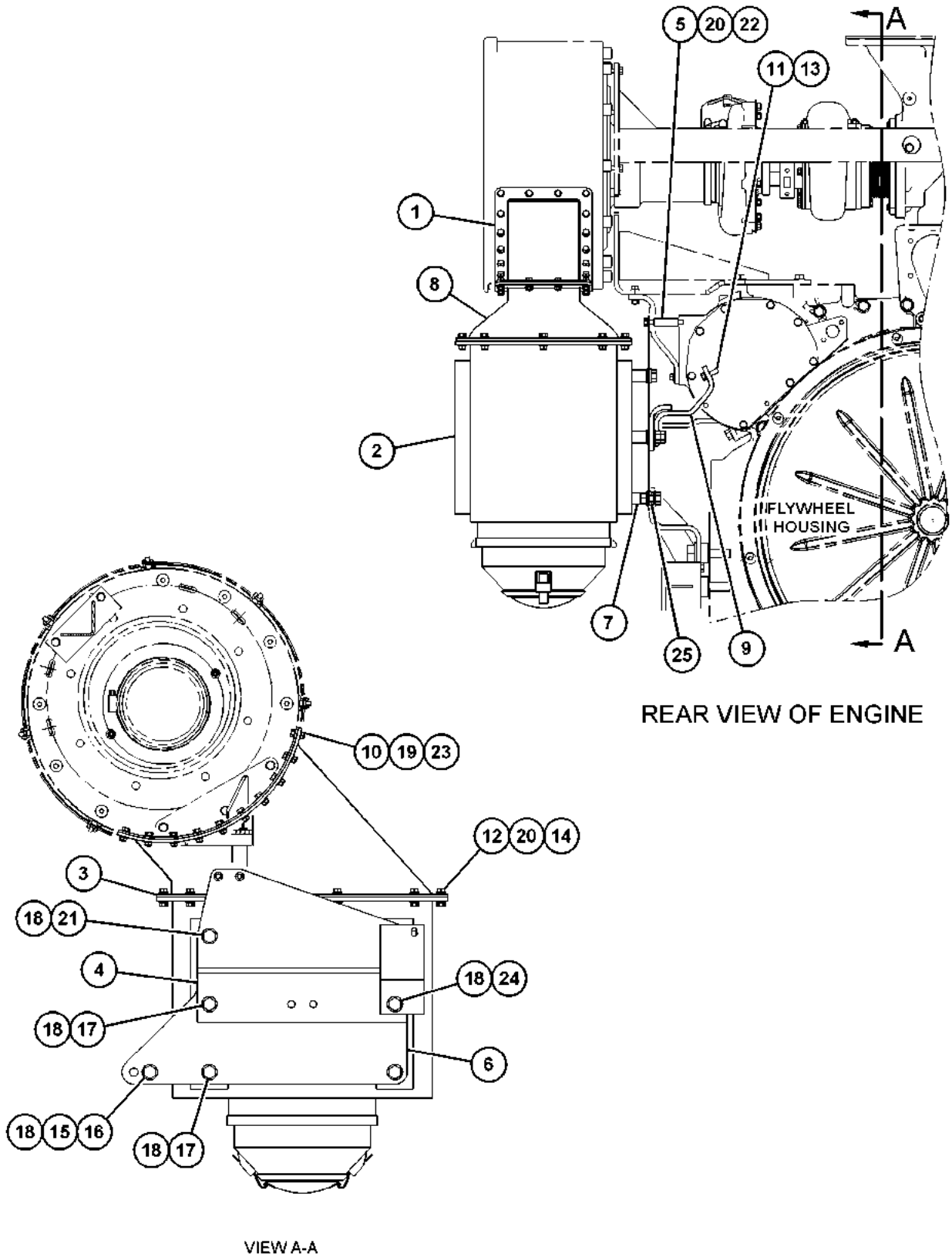
NOTE	REF NO	GRAPHIC REF	PART NUMBER	QTY	PART NAME						SEE PAGE
					1	2	3	4	5	6	
	1	1	5N-7830	1	GASKET						
Y	2	1	5N-7831	1	PRECLEANER GP (AIR CLEANER)						738
	3	1	5N-7832	1	GASKET						
	4	1	538-6981	1	ANGLE						
	5	1	5N-7917	2	SPACER (10.74X17.14X54.4-MM THK)						
	6	1	5N-7918	1	PLATE						
	7	1	5N-7919	6	SPACER (18.85X26.67X33-MM THK)						
	8	1	5N-7920	1	ADAPTER AS						
	9	1	238-4745	1	BRACKET						
	10	1	031-4155	24	LOCKNUT (5/16-18-THD)						
	11	1	0S-1588	1	BOLT (3/8-16X1.25-IN)						
	12	1	4L-6454	14	BOLT (3/8-16X1-IN)						
	13	1	5M-2894	1	WASHER-HARD (10.2X18.5X2.5-MM THK)						
	14	1	6V-8801	14	NUT (3/8-16-THD)						
	15	1	7X-0344	1	BOLT (5/8-11X1.375-IN)						
	16	1	7X-0448	1	NUT (5/8-11-THD)						
	17	1	8C-6362	2	BOLT (5/8-11X2.75-IN)						
	18	1	8T-4122	8	WASHER-HARD (17X32X3.5-MM THK)						
	19	1	8T-4224	48	WASHER-HARD (8.8X16X2-MM THK)						
	20	1	8T-4896	30	WASHER-HARD (10.2X18.5X2.5-MM THK)						
	21	1	8T-6871	3	BOLT (5/8-11X2.5-IN)						
	22	1	8T-8915	2	BOLT (3/8-16X3.25-IN)						
	23	1	8T-9043	24	BOLT (5/16-18X0.875-IN)						
	24	1	8T-9396	1	BOLT (5/8-11X3.25-IN)						
B	25	1	8T-4122	6	WASHER-HARD (17X32X3.5-MM THK)						

B - USE AS REQUIRED
 Y - SEPARATE ILLUSTRATION

AIR INLET AND EXHAUST SYSTEM

356-4916 PRECLEANER GP (contd.)

107396685



REAR VIEW OF ENGINE

VIEW A-A

GRAPHIC #1

<END>

g06333085

AIR INLET AND EXHAUST SYSTEM

5N-7831 PRECLEANER GP

FOR USE WITH 5N-7823—PAGE: 653

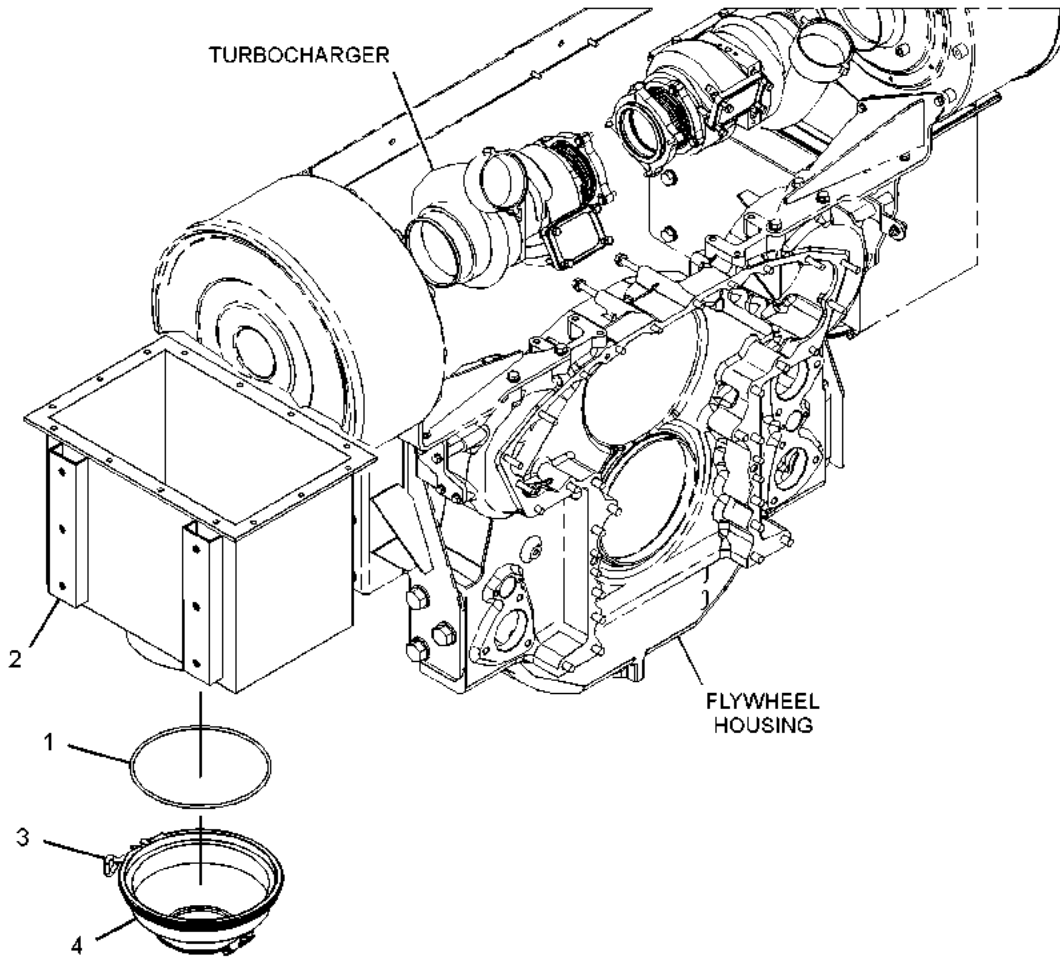
CANNOT BE USED WITH LIGHT DUTY AIR CLEANERS

PART OF 328-5302, 5N-7904 AIR CLEANER GP, 331-7144, 336-1546, 356-4916 PRECLEANER GP
AN ATTACHMENT

SMCS-1055

i05145351

NOTE	REF NO	GRAPHIC REF	PART NUMBER	QTY	PART NAME						SEE PAGE
					1	2	3	4	5	6 (PRODUCT LEVEL)	
	1	1	2M-0879	1	SEAL-O-RING						
	2	1	5N-7833	1	BODY AS						
	3	1	5N-7834	1	CLAMP AS						
	4	1	5N-7835	1	CUP AS						



GRAPHIC #1

<END>

g03308396

AIR INLET AND EXHAUST SYSTEM

372-4717 REGULATOR GP-AIR PRESSURE

S/N: 65Z1718-UP

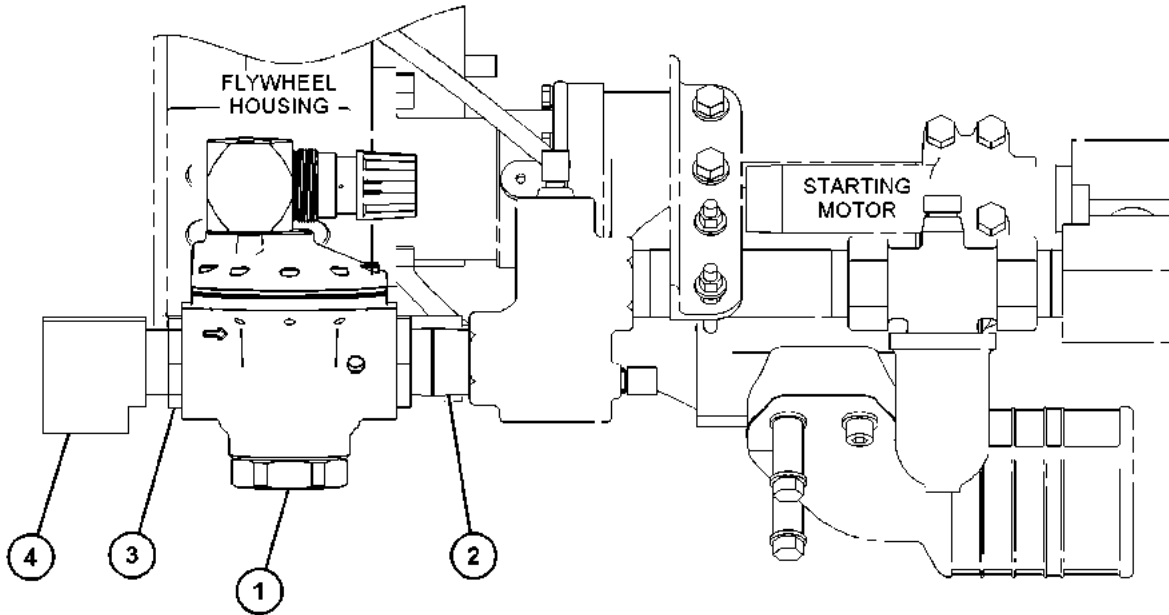
AN ATTACHMENT

SMCS-5503

i07073750

NOTE	REF NO	GRAPHIC REF	PART NUMBER	QTY	PART NAME						SEE PAGE
					1	2	3	4	5	6 (PRODUCT LEVEL)	
CY	1	1	521-0039	1	REGULATOR GP-AIR PRESSURE						740
	2	1	3L-8993	1	FITTING						
	3	1	5B-7660	2	BUSHING-REDUCER						
	4	1	5B-7666	1	ELBOW						

C - CHANGE FROM PREVIOUS TYPE
 Y - SEPARATE ILLUSTRATION



RIGHT SIDE VIEW OF ENGINE

GRAPHIC #1

<END>

g06216241

AIR INLET AND EXHAUST SYSTEM

521-0039 REGULATOR GP-AIR PRESSURE-LOW

S/N: 65Z1718-UP

PART OF 372-4717 REGULATOR GP-AIR PRESSURE
AN ATTACHMENT

SMCS-5503

i06987128

NOTE	PART NUMBER	QTY	PART NAME						SEE PAGE
			1	2	3	4	5	6 (PRODUCT LEVEL)	
			AVAILABLE REPAIR KIT(S):						
	521-0040	1	KIT-SERVICE						
			(INCLUDES FILTER, O-RINGS & SCREEN)						
	521-0041	1	KIT-DIAPHRAGM						
			(INCLUDES DIAPHRAGM AS & O-RINGS)						
	521-0054	1	KIT-DIAPHRAGM						
			(INCLUDES DIAPHRAGM AS & O-RING)						
	521-0055	1	KIT-VALVE						
			(INCLUDES O-RINGS, RING, VALVE SPRING, VALVE & WASHER)						
			<END>						

AIR INLET AND EXHAUST SYSTEM

144-8275 SHUTOFF GP-AIR

PART OF 357-7137 LINES GP-AIR, 348-2347, 4W-3048, 7C-5032 SHUTOFF GP-AIR
AN ATTACHMENT

SMCS-1078

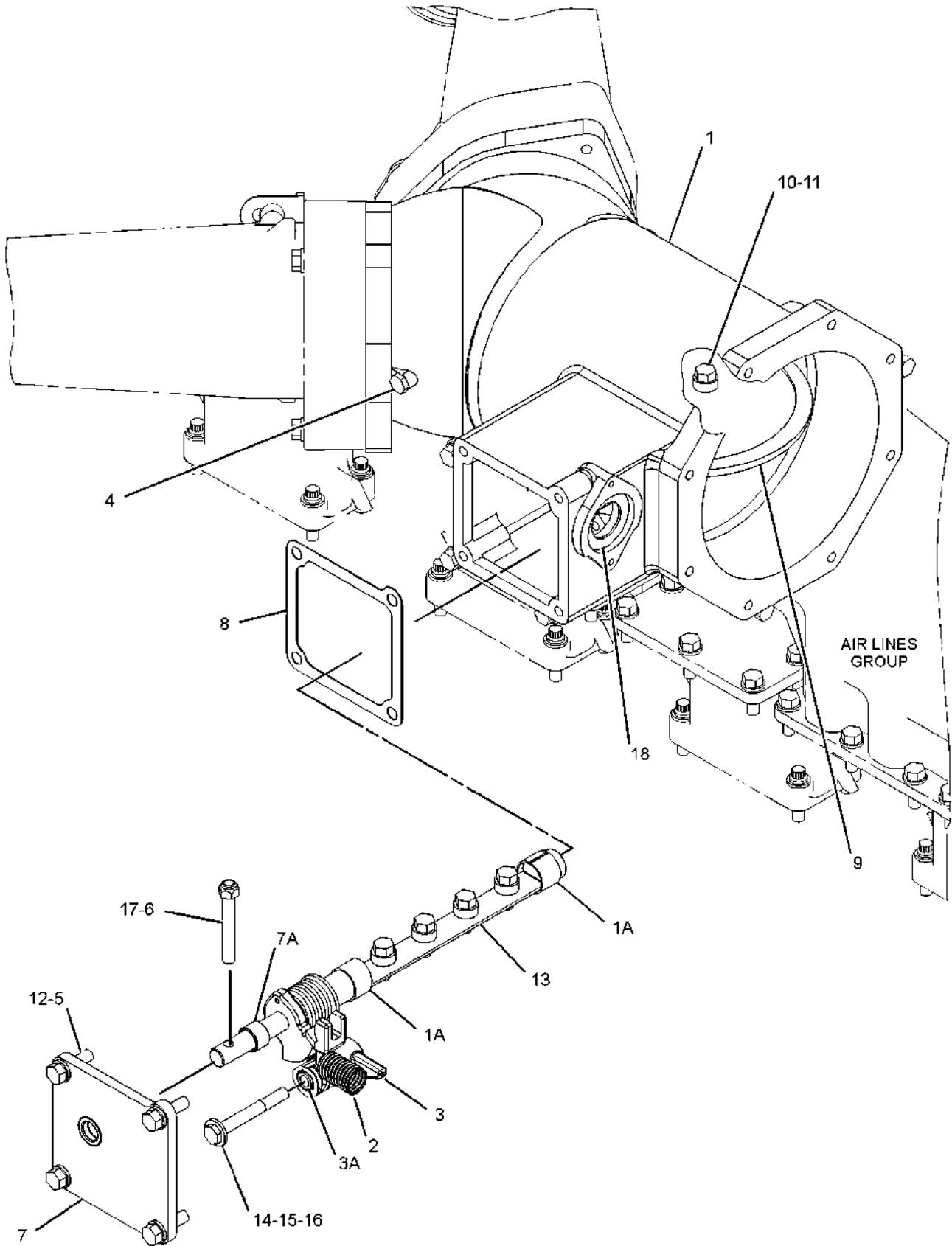
i06013251

NOTE	REF NO	GRAPHIC REF	PART NUMBER	QTY	PART NAME						SEE PAGE
					1	2	3	4	5	6	
	1	1	144-8274	1	HOUSING AS						
	1A	1	1W-8975	2	BUSHING-TERMINAL						
		1	3S-8313	1	PLUG-CUP						
		1	9H-0858	1	SEAL-LIP TYPE						
	2	1	4W-7959	1	SPRING						
	3	1	433-3496	1	LEVER AS						
	3A	1	1W-8974	2	BUSHING-TERMINAL						
	4	1	8T-6765	2	PLUG-PIPE (1/4-18-THD)						
	5	1	0S-1588	4	BOLT (3/8-16X1.25-IN)						
	6	1	5C-6819	1	ROD						
	7	1	133-9302	1	COVER AS						
	7A	1	5G-0400	1	BEARING						
		1	5P-6859	1	SEAL-LIP TYPE						
	8	1	1W-8393	1	GASKET						
	9	1	2W-4880	1	PLATE AS						
	10	1	0S-1594	4	BOLT (3/8-16X1-IN)						
	11	1	8D-5898	4	SPACER (0.406X0.75X0.312-IN THK)						
	12	1	5M-2894	4	WASHER-HARD (10.2X18.5X2.5-MM THK)						
	13	1	433-3495	1	SHAFT AS						
		1	1H-9726	1	WASHER (0.656X1.62X0.12-IN)						
		1	4W-1954	1	SPRING						
		1	6N-0265	1	DOWEL						
	14	1	1T-0689	2	WASHER (9.93X22.22X2.54-MM THK)						
	15	1	1W-8378	1	SLEEVE						
	16	1	3H-6624	1	BOLT (3/8-16X3-IN)						
	17	1	2K-4973	1	LOCKNUT (3/8-16-THD)						
	18	1	129-3021	1	RING						

AIR INLET AND EXHAUST SYSTEM

144-8275 SHUTOFF GP-AIR (contd.)

i06013251



GRAPHIC #1

<END>

g03410848

AIR INLET AND EXHAUST SYSTEM

2W-5216 SHUTOFF GP-AIR

PART OF 4W-3048 SHUTOFF GP-AIR
AN ATTACHMENT

SMCS-1078

i00653123

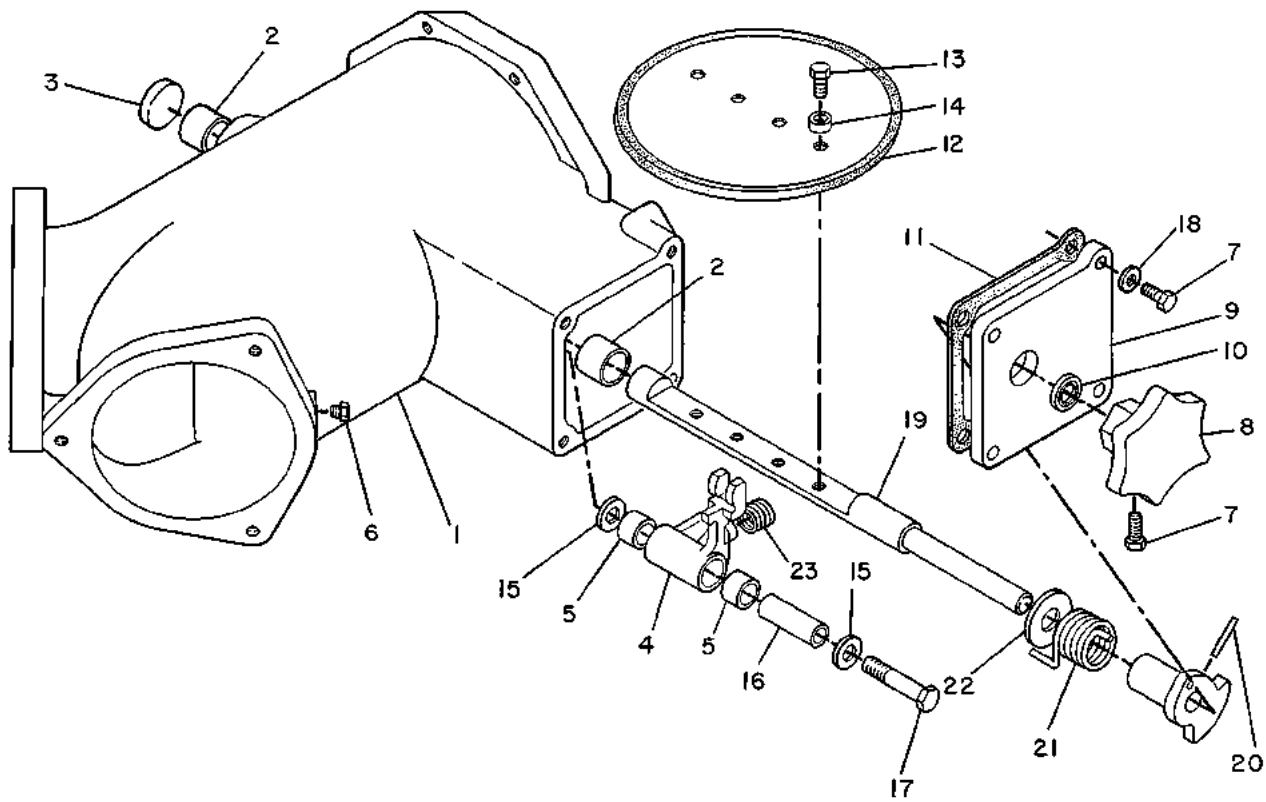
NOTE	REF NO	GRAPHIC REF	PART NUMBER	QTY	PART NAME						SEE PAGE
					1	2	3	4	5	6 (PRODUCT LEVEL)	
	1	1	2W-5215	1	HOUSING AS						
	2	1	1W-8975	2	BUSHING-TERMINAL						
	3	1	3S-8313	1	PLUG-CUP						
C	4	1	7E-2891	1	LEVER AS						
	5	1	1W-8974	2	BUSHING-TERMINAL						
	6	1	5M-6213	2	PLUG-PIPE (1/4-18-THD)						
	7	1	0S-1588	5	BOLT (3/8-16X1.25-IN)						
	8	1	2W-5652	1	KNOB						
	9	1	2W-5653	1	COVER AS						
	10	1	5P-6859	1	SEAL-LIP TYPE						
	11	1	1W-8393	1	GASKET						
	12	1	2W-4880	1	PLATE AS						
	13	1	0S-1594	4	BOLT (3/8-16X1-IN)						
	14	1	8D-5898	4	SPACER (0.406X0.75X0.312-IN THK)						
	15	1	1T-0689	2	WASHER (9.93X22.22X2.54-MM THK)						
	16	1	1W-8378	1	SLEEVE						
	17	1	3H-6624	1	BOLT (3/8-16X3-IN)						
	18	1	5M-2894	4	WASHER-HARD (10.2X18.5X2.5-MM THK)						
	19	1	7E-2889	1	SHAFT AS						
	20	1	6N-0265	1	DOWEL						
	21	1	4W-1954	1	SPRING						
	22	1	1H-9726	1	WASHER (0.656X1.62X0.12-IN)						
	23	1	4W-7959	1	SPRING						

C - CHANGE FROM PREVIOUS TYPE

AIR INLET AND EXHAUST SYSTEM

2W-5216 SHUTOFF GP-AIR (contd.)

i00653123



GRAPHIC #1

<END>

g00204083

AIR INLET AND EXHAUST SYSTEM

348-2347 SHUTOFF GP-AIR FOR USE WITH WATER COOLER MANIFOLDS AN ATTACHMENT

SMCS-1078

i07523671

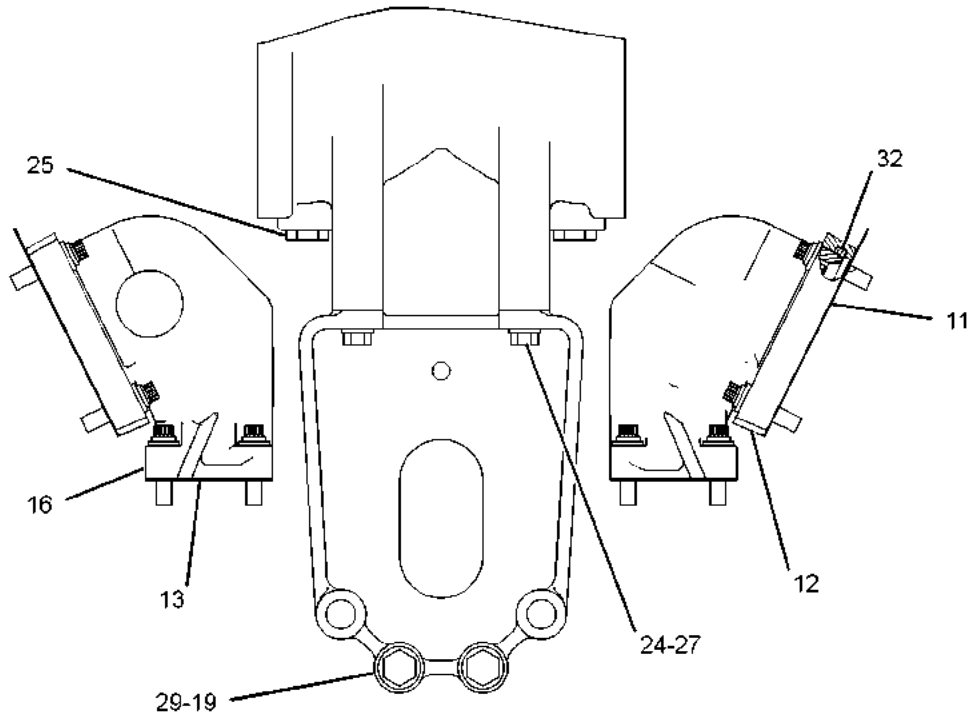
NOTE	REF NO	GRAPHIC REF	PART NUMBER	QTY	PART NAME						SEE PAGE
					1	2	3	4	5	6 (PRODUCT LEVEL)	
	1	1	1W-1250	2	COVER						
	2	1	1W-1251	5	GASKET						
	3	1	1W-7391	1	GASKET						
	4	1	2W-1640	1	BRACKET						
	5	1	2W-5213	1	HOUSING						
	6	1	2W-9584	1	PIPE						
	7	1	2W-9585	1	PIPE						
	8	1	4W-1453	1	ELBOW-EXHAUST						
	9	2	4W-6964	2	BRACKET						
	10	2	7E-8550	2	FLANGE						
	11	2	7N-5080	12	GASKET-MANIFOLD						
	12	2	7N-5085	12	FLANGE						
	13	2	7N-5089	12	GASKET						
	14	1	7W-1944	2	RETAINER						
Y	15	1	<i>7W-6957</i>	1	SOLENOID GP-SHUTOFF						1214
	16	2	134-3804	12	ELBOW						
Y	17	1	144-8275	1	SHUTOFF GP-AIR						741
	19	2	0L-1329	2	BOLT (1/2-13X3-IN)						
	20	1	0L-1351	2	BOLT (3/8-16X0.875-IN)						
	21	1	165-3929	8	BOLT (3/8-16X1.5-IN)						
	22	2	0S-1619	2	BOLT (3/8-16X3-IN)						
	23	2	0T-0573	4	BOLT (3/8-16X2.75-IN)						
	24	1,2	1A-2029	22	BOLT (3/8-16X1.125-IN)						
	25	2	3J-5389	2	PLUG (EXTERNAL)						
	26	2	3V-3308	2	WASHER-HARD (10.2X20.5X2.5-MM THK)						
	27	1,2	5M-2894	130	WASHER-HARD (10.2X18.5X2.5-MM THK)						
	28	1	5P-0076	96	BOLT-12 POINT HEAD (3/8-16X1.5-IN)						
	29	2	5P-8245	2	WASHER-HARD (13.5X25.5X3-MM THK)						
	30	2	6V-3319	2	SEAL-O-RING						
	31	1	6V-3917	4	SEAL-O-RING						
	32	2	6V-5101	12	SEAL-O-RING						
	33	2	6V-5167	4	SEAL-O-RING						
	34	2	8M-7145	2	WASHER (10.2X28.5X5-MM THK)						
	35	1	8T-6761	2	PLUG-PIPE (1-11-1/2 NPT THD)						
	36	1	8T-6765	1	PLUG-PIPE (1/4-18-THD)						
	37	1	0S-1594	18	BOLT (3/8-16X1-IN)						

Y - SEPARATE ILLUSTRATION

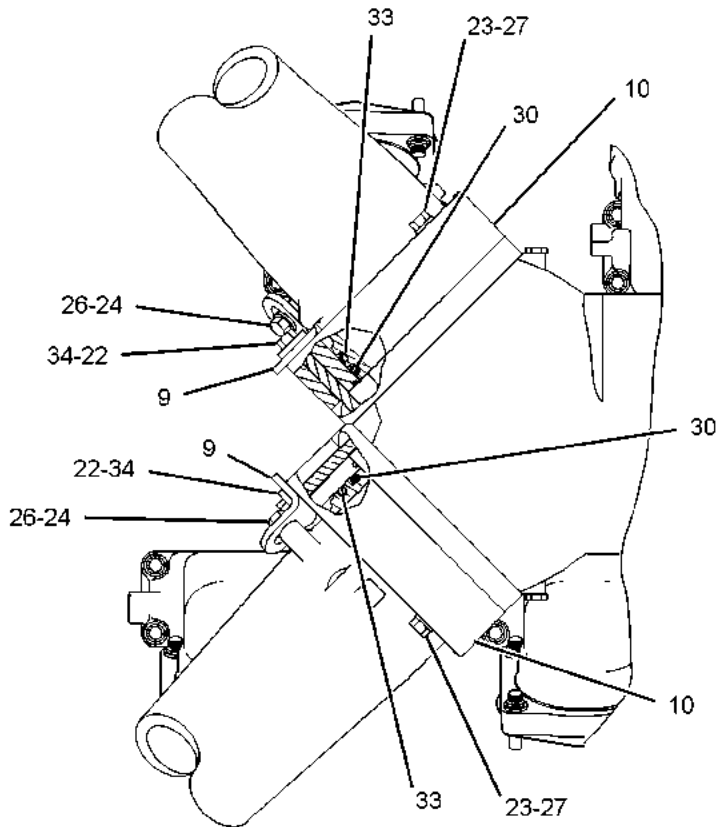
AIR INLET AND EXHAUST SYSTEM

348-2347 SHUTOFF GP-AIR (contd.)

i07523671



REAR VIEW OF ENGINE



VIEW OF AREA A

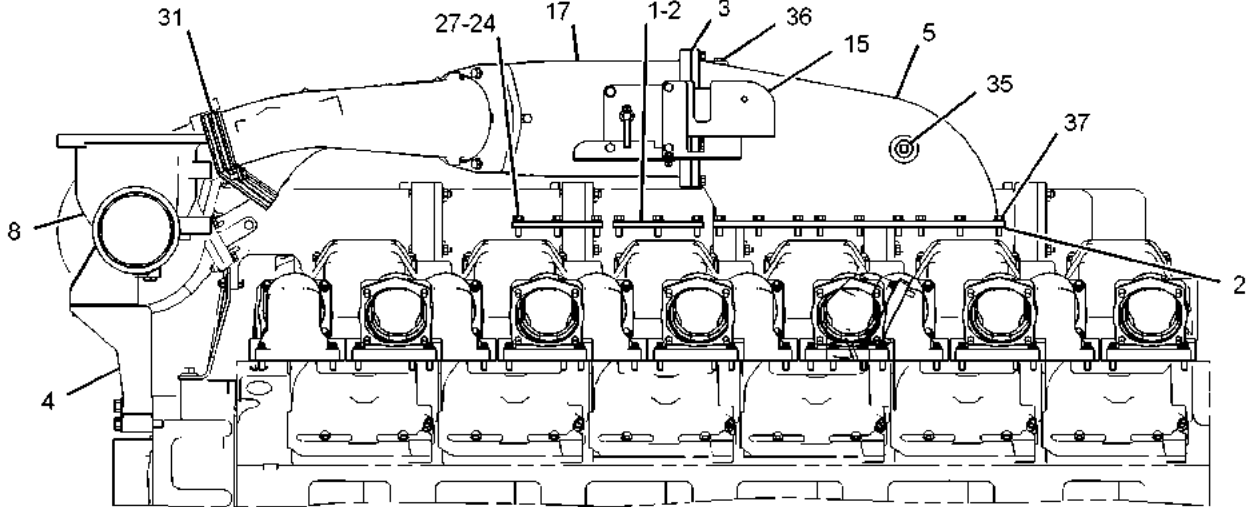
GRAPHIC #1

g06368273

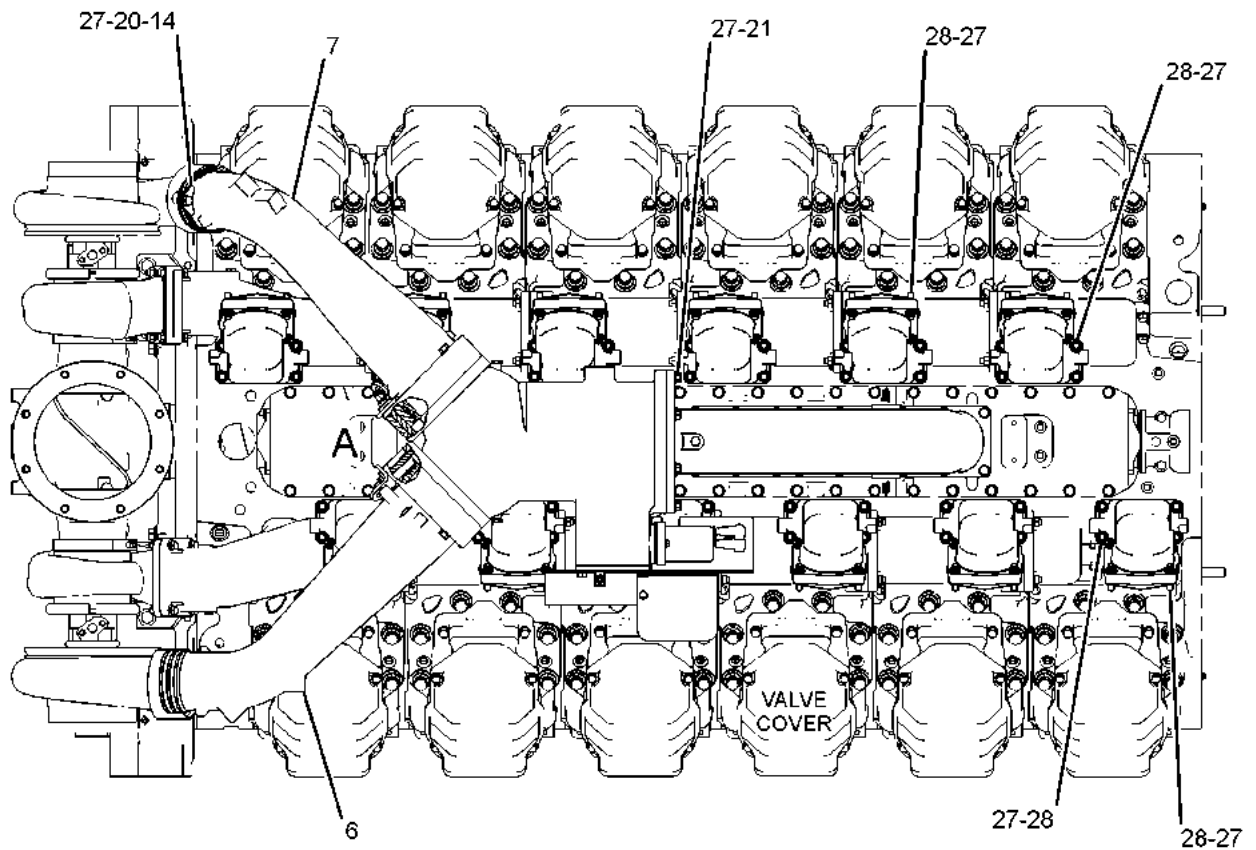
AIR INLET AND EXHAUST SYSTEM

348-2347 SHUTOFF GP-AIR (contd.)

107523671



RIGHT SIDE VIEW OF ENGINE



TOP VIEW OF ENGINE

REFER TO ALL ILLUSTRATIONS OF THIS GROUP FOR AUXILIARY VIEWS

GRAPHIC #2

<END>

g06368272

AIR INLET AND EXHAUST SYSTEM

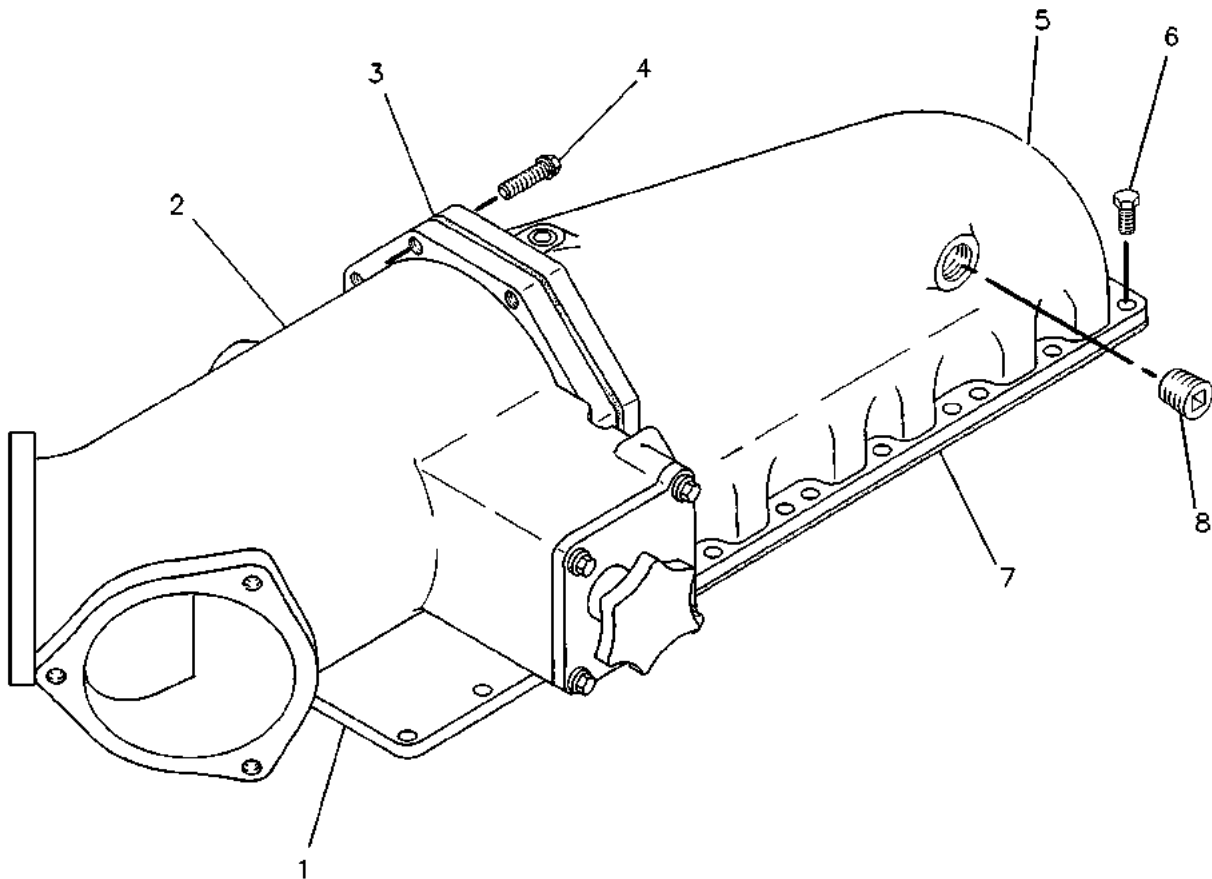
4W-3048 SHUTOFF GP-AIR-INTAKE FOR USE WITH HYDROMECHANICAL SHUTOFF PART OF 7C-5032 SHUTOFF GP-AIR AN ATTACHMENT TYPE 1

SMCS-1078

i00652647

NOTE	REF NO	GRAPHIC REF	PART NUMBER	QTY	PART NAME						SEE PAGE
					1	2	3	4	5	6	
	1	1	1W-1250	1	COVER						
Y	2	1	2W-5216	1	SHUTOFF GP-AIR						743
	3	1	1W-7391	1	GASKET						
	4	1	0S-1591	8	BOLT (3/8-16X1.5-IN)						
	5	1	2W-5213	1	HOUSING						
	6	1	0S-1594	18	BOLT (3/8-16X1-IN)						
	7	1	1W-1251	4	GASKET						
	8	1	8T-6761	2	PLUG-PIPE (1-11-1/2 NPT THD)						

Y - SEPARATE ILLUSTRATION



GRAPHIC #1

<END>

g00224096

AIR INLET AND EXHAUST SYSTEM

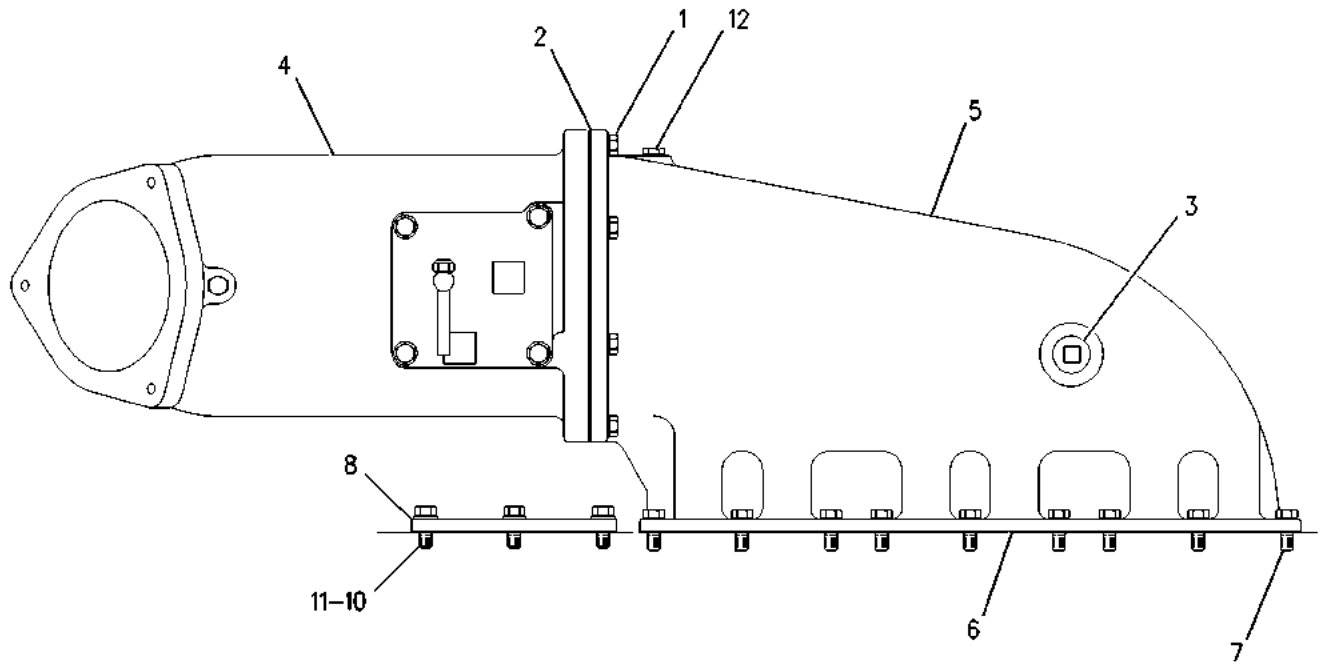
4W-3048 SHUTOFF GP-AIR-INTAKE FOR USE WITH HYDROMECHANICAL SHUTOFF PART OF 7C-5032 SHUTOFF GP-AIR AN ATTACHMENT TYPE 2

SMCS-1078

i02171440

NOTE	REF NO	GRAPHIC REF	PART NUMBER	QTY	PART NAME						SEE PAGE
					1	2	3	4	5	6 (PRODUCT LEVEL)	
	1	1	OS-1591	8	BOLT (3/8-16X1.5-IN)						
	2	1	1W-7391	1	GASKET						
	3	1	8T-6761	2	PLUG-PIPE (1-11-1/2 NPT THD)						
CY	4	1	144-8275	1	SHUTOFF GP-AIR						741
	5	1	2W-5213	1	HOUSING						
	6	1	1W-1251	4	GASKET						
	7	1	OS-1594	18	BOLT (3/8-16X1-IN)						
	8	1	1W-1250	1	COVER						
	10	1	5M-2894	8	WASHER-HARD (10.2X18.5X2.5-MM THK)						
	11	1	1A-2029	8	BOLT (3/8-16X1.125-IN)						
	12	1	8T-6765	1	PLUG-PIPE (1/4-18-THD)						

C - CHANGE FROM PREVIOUS TYPE
Y - SEPARATE ILLUSTRATION



RIGHT SIDE VIEW

GRAPHIC #1

<END>

g00856531

AIR INLET AND EXHAUST SYSTEM

7C-5032 SHUTOFF GP-AIR-INTAKE

24-VOLT TO 32-VOLT DC

AN ATTACHMENT

TYPE 1

SMCS-1078

i00933246

NOTE	PART NUMBER	QTY	PART NAME						SEE PAGE
			1	2	3	4	5	6 (PRODUCT LEVEL)	
Y	4W-3048	1	SHUTOFF GP-AIR						748
Y	7W-6957	1	SOLENOID GP-SHUTOFF						1214
Y - SEPARATE ILLUSTRATION									

<END>

AIR INLET AND EXHAUST SYSTEM

7C-5032 SHUTOFF GP-AIR-INTAKE

24-VOLT TO 32-VOLT DC

AN ATTACHMENT

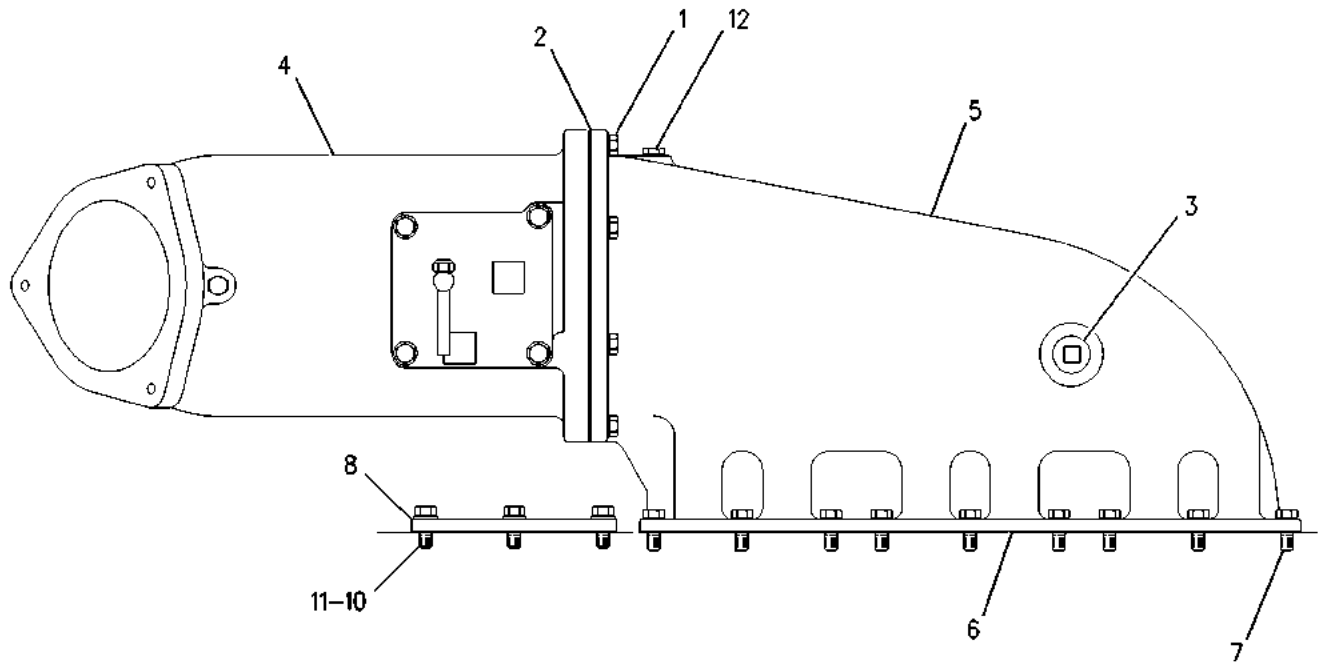
TYPE 2

SMCS-1078

i02097996

NOTE	REF NO	GRAPHIC REF	PART NUMBER	QTY	PART NAME						SEE PAGE
					1	2	3	4	5	6 (PRODUCT LEVEL)	
	1	1	OS-1591	8	BOLT (3/8-16X1.5-IN)						
	2	1	1W-7391	1	GASKET						
	3	1	8T-6761	2	PLUG-PIPE (1-11-1/2 NPT THD)						
Y	4	1	144-8275	1	SHUTOFF GP-AIR						741
	5	1	2W-5213	1	HOUSING						
	6	1	1W-1251	4	GASKET						
	7	1	OS-1594	18	BOLT (3/8-16X1-IN)						
	8	1	1W-1250	1	COVER						
	10	1	5M-2894	8	WASHER-HARD (10.2X18.5X2.5-MM THK)						
	11	1	1A-2029	8	BOLT (3/8-16X1.125-IN)						
	12	1	8T-6765	1	PLUG-PIPE (1/4-18-THD)						
FY			7W-6957	1	SOLENOID GP-SHUTOFF						1214

F - NOT SHOWN
Y - SEPARATE ILLUSTRATION



RIGHT SIDE VIEW

GRAPHIC #1

<END>

g00856531

AIR INLET AND EXHAUST SYSTEM

118-2987 TURBOCHARGER GP*R

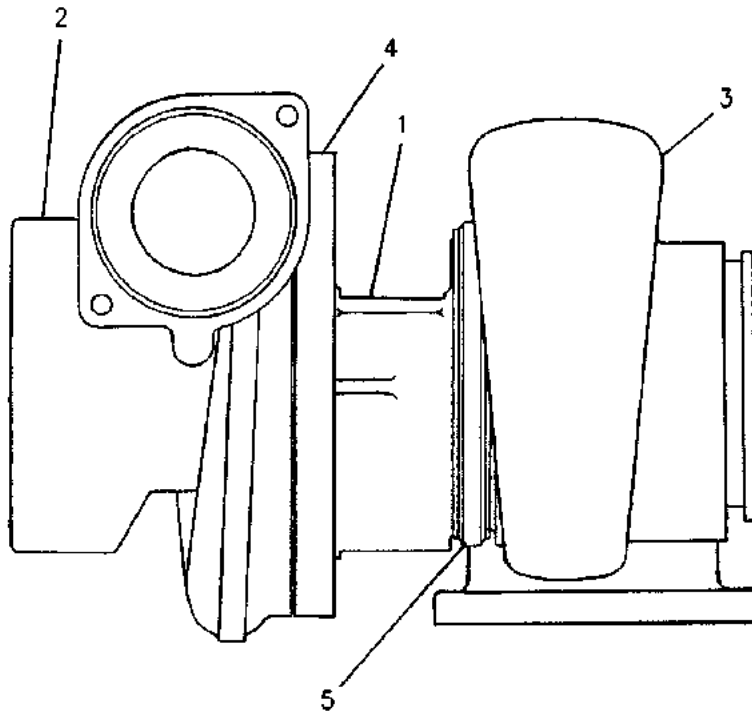
PART OF 120-8197 TURBOCHARGER GP
AN ATTACHMENT

SMCS-1052, 1053

i06269733

NOTE	REF NO	GRAPHIC REF	PART NUMBER	QTY	PART NAME						SEE PAGE
					1	2	3	4	5	6 (PRODUCT LEVEL)	
YR	1	1	118-2988	1	CARTRIDGE GP - TURBOCHARGER						668
	2	1	6I-0850	1	HOUSING - COMPRESSOR						
	3	1	119-3687	1	HOUSING (TURBINE)						
	4	1	7W-2297	1	CLAMP AS (COMPRESSOR)						
	5	1	9N-2038	1	CLAMP AS - TURBINE						

R - REMANUFACTURED PART MAY BE AVAILABLE
Y - SEPARATE ILLUSTRATION



GRAPHIC #1

<END>

g00758617

AIR INLET AND EXHAUST SYSTEM

118-2989 TURBOCHARGER GP*R

S/N: 65Z887-1716

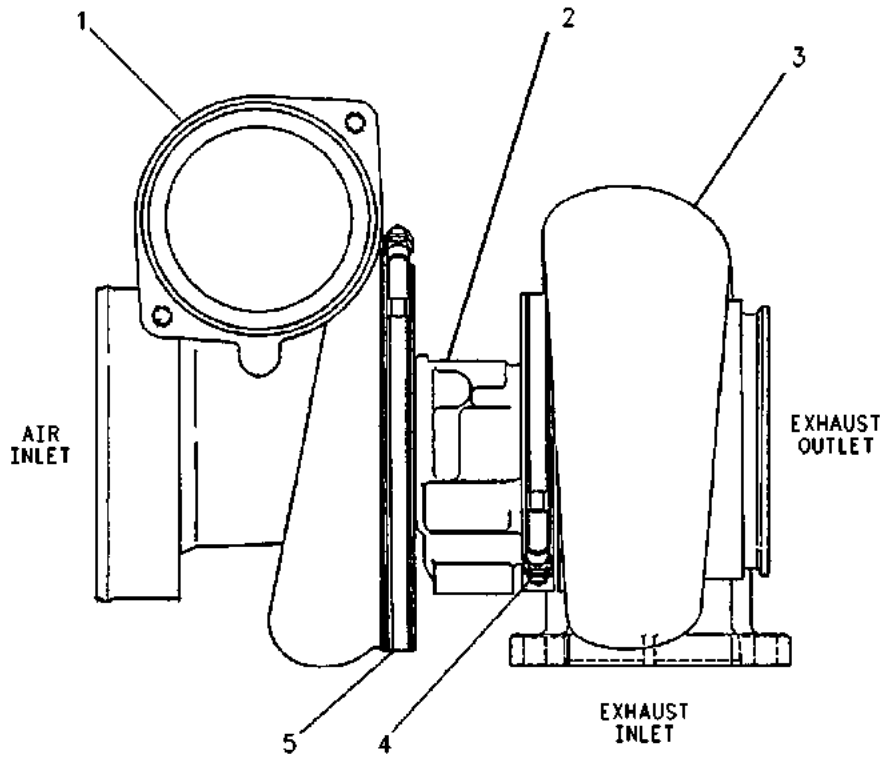
PART OF 118-9492 TURBOCHARGER GP

SMCS-1052, 1053

i06269773

NOTE	REF NO	GRAPHIC REF	PART NUMBER	QTY	PART NAME						SEE PAGE
					1	2	3	4	5	6 (PRODUCT LEVEL)	
	1	1	6I-0850	1	HOUSING-COMPRESSOR						
YR	2	1	118-2988	1	CARTRIDGE GP-TURBOCHARGER						668
	3	1	119-3686	1	HOUSING (TURBINE)						
	4	1	9N-2038	1	CLAMP AS-TURBINE						
	5	1	7W-2297	1	CLAMP AS (COMPRESSOR)						

R - REMANUFACTURED PART MAY BE AVAILABLE
 Y - SEPARATE ILLUSTRATION



GRAPHIC #1

<END>

g00769747

AIR INLET AND EXHAUST SYSTEM

118-9492 TURBOCHARGER GP

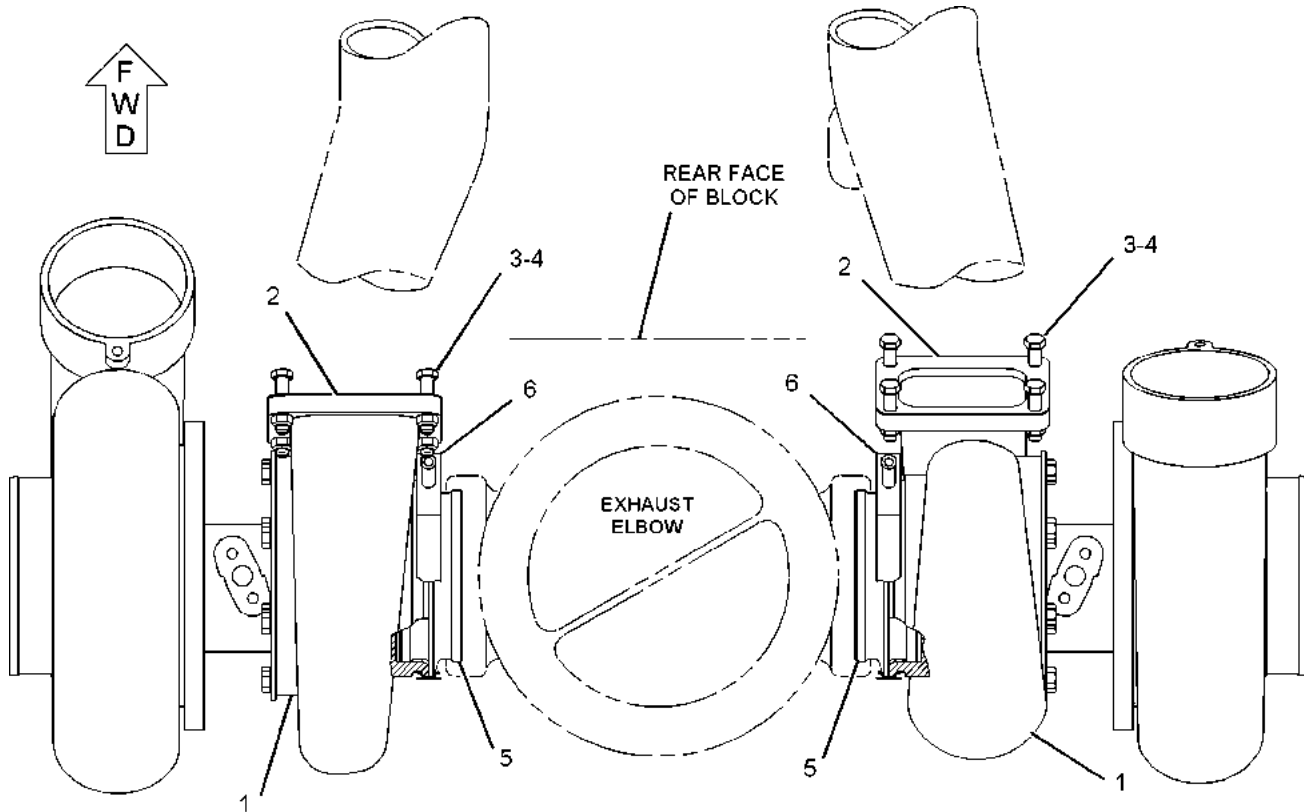
S/N: 65Z887-1716

SMCS-1052, 1053

i02171467

NOTE	REF NO	GRAPHIC REF	PART NUMBER	QTY	PART NAME						SEE PAGE
					1	2	3	4	5	6	
YR	1	1	118-2989	2	TURBOCHARGER GP						753
	2	1	121-5736	2	GASKET (TURBOCHARGER)						
	3	1	2N-2765	8	BOLT-HIGH TEMPERATURE (3/8-16X1.75-IN)						
	4	1	2N-2766	8	LOCKNUT (3/8-16-THD)						
	5	1	124-5514	2	COUPLING-EXHAUST						
	6	1	6L-3005	2	CLAMP-BAND						
					(EACH INCLUDES)						
		1	8T-0122	1	NUT-FULL (1/4-28-THD)						

R - REMANUFACTURED PART MAY BE AVAILABLE
 Y - SEPARATE ILLUSTRATION



TOP VIEW

<END>

GRAPHIC #1

g01102155

AIR INLET AND EXHAUST SYSTEM

118-9492 TURBOCHARGER GP

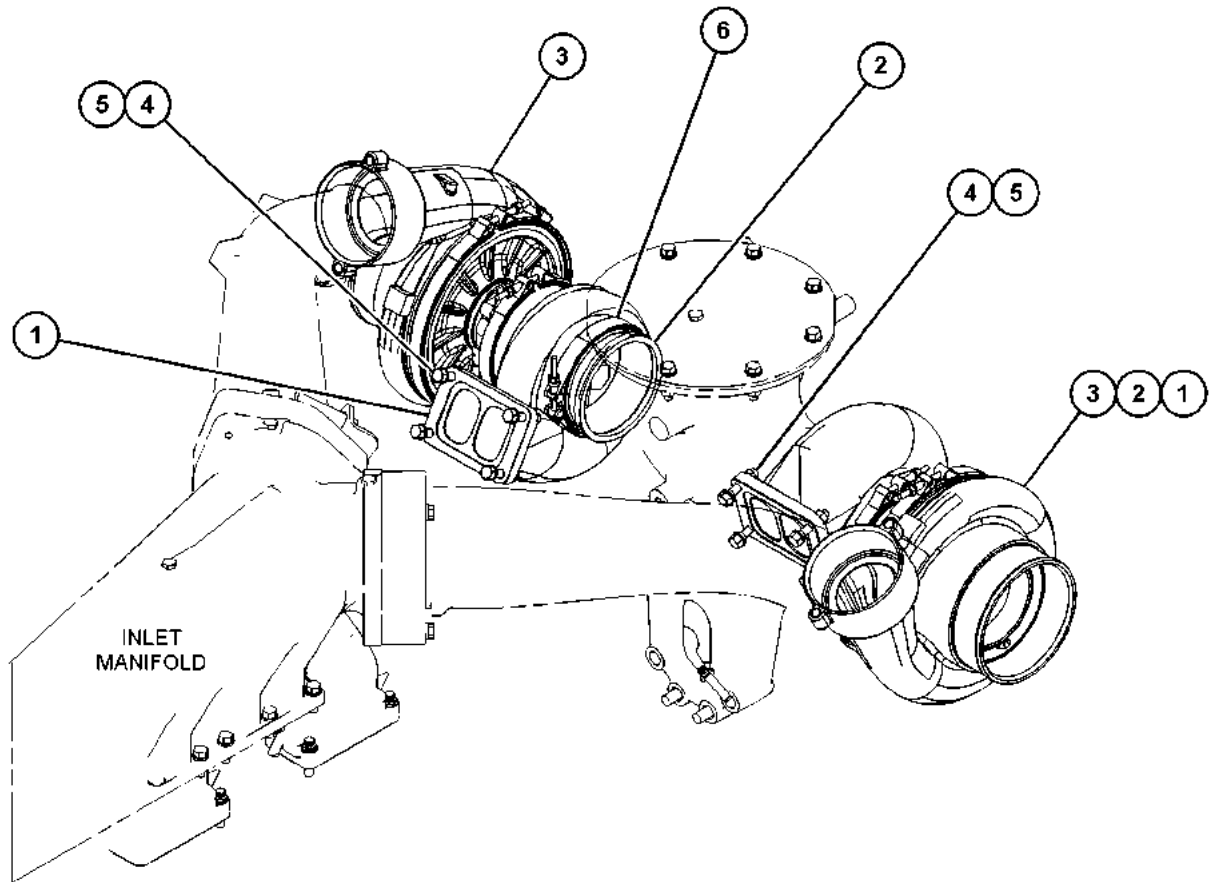
S/N: 65Z1717-UP

SMCS-1052, 1053

i07077685

NOTE	REF NO	GRAPHIC REF	PART NUMBER	QTY	PART NAME						SEE PAGE
					1	2	3	4	5	6 (PRODUCT LEVEL)	
	1	1	121-5736	2	GASKET (TURBOCHARGER)						
	2	1	124-5514	2	COUPLING-EXHAUST						
CY	3	1	450-6710	2	TURBOCHARGER GP						772
	4	1	2N-2765	8	BOLT-HIGH TEMPERATURE (3/8-16X1.75-IN)						
	5	1	2N-2766	8	LOCKNUT (3/8-16-THD)						
	6	1	6L-3005	2	CLAMP-BAND						

C - CHANGE FROM PREVIOUS TYPE
Y - SEPARATE ILLUSTRATION



GRAPHIC #1

<END>

g06223691

AIR INLET AND EXHAUST SYSTEM

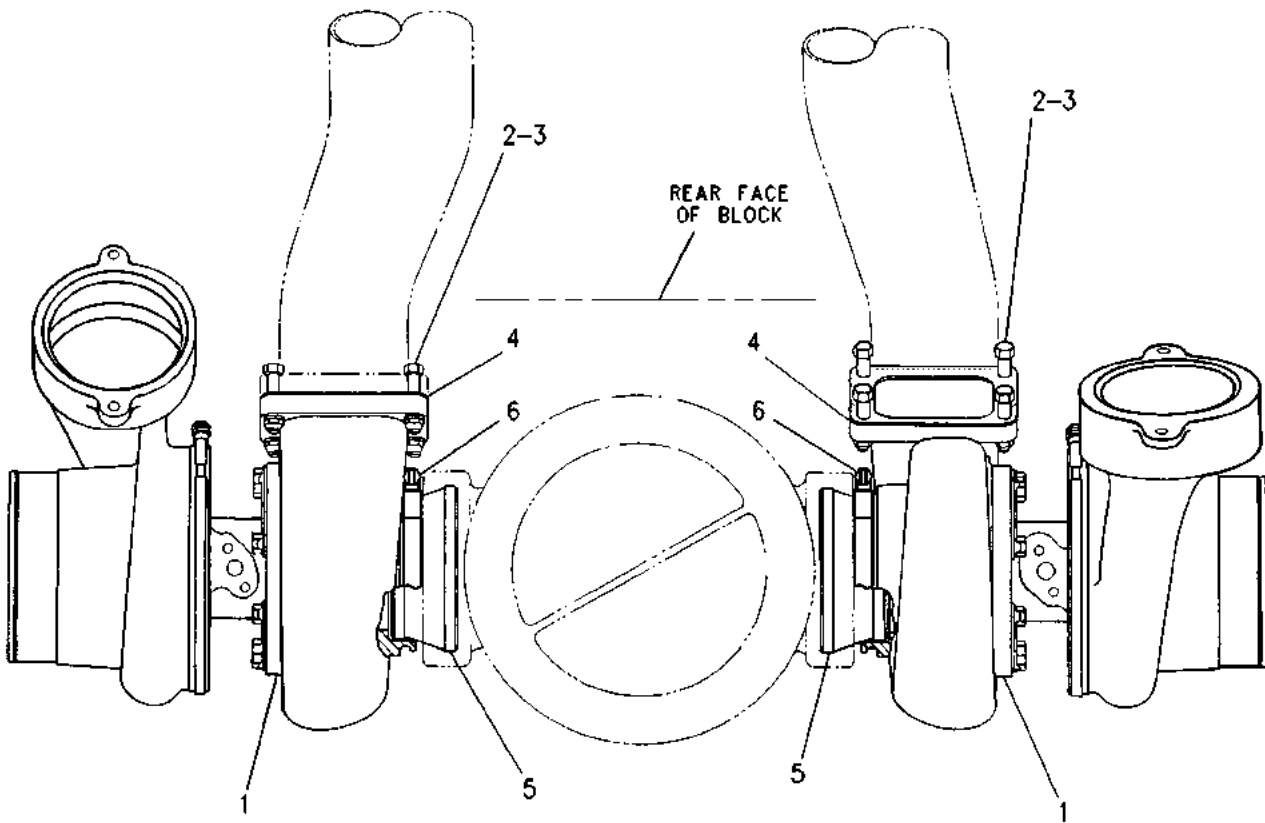
120-8197 TURBOCHARGER GP AN ATTACHMENT

SMCS-1052, 1053

i01723365

NOTE	REF NO	GRAPHIC REF	PART NUMBER	QTY	PART NAME						SEE PAGE
					1	2	3	4	5	6 (PRODUCT LEVEL)	
YR	1	1	118-2987	2	TURBOCHARGER GP						752
	2	1	2N-2765	8	BOLT-HIGH TEMPERATURE (3/8-16X1.75-IN)						
	3	1	2N-2766	8	LOCKNUT (3/8-16-THD) (HIGH TEMPERATURE)						
	4	1	121-5736	2	GASKET (TURBOCHARGER)						
	5	1	124-5514	2	COUPLING-EXHAUST						
	6	1	6L-3005	2	CLAMP-BAND						
					(EACH INCLUDES)						
		1	8T-0122	1	NUT-FULL (1/4-28-THD)						

R - REMANUFACTURED PART MAY BE AVAILABLE
Y - SEPARATE ILLUSTRATION



TOP VIEW

GRAPHIC #1

<END>

g00622350

AIR INLET AND EXHAUST SYSTEM

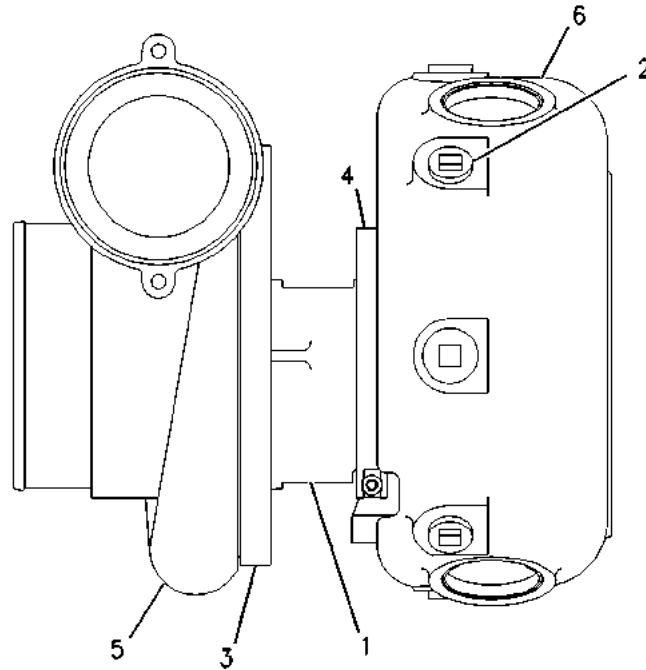
120-9188 TURBOCHARGER GP PART OF 140-0412, 9Y-5596 TURBOCHARGER GP AN ATTACHMENT

SMCS-1052, 1053

i06268901

NOTE	REF NO	GRAPHIC REF	PART NUMBER	QTY	PART NAME						SEE PAGE
					1	2	3	4	5	6 (PRODUCT LEVEL)	
YR	1	1	118-2988	1	CARTRIDGE GP-TURBOCHARGER						668
	2	1	1B-5174	4	PLUG-PIPE						
	3	1	7W-2297	1	CLAMP AS (COMPRESSOR)						
	4	1	9N-2038	1	CLAMP AS-TURBINE						
	5	1	6I-0850	1	HOUSING-COMPRESSOR						
	6	1	7C-6708	1	HOUSING AS-TURBINE						
B		1	3B-0645	3	PLUG-CUP (32.08-MM OD)						
B		1	3P-1896	3	PLUG-CUP (35.31-MM OD)						
B		1	4N-0932	4	PLUG-CUP (57.53-MM OD)						
B		1	100-6816	4	PLUG-CUP (60.71-MM OD)						

B - USE AS REQUIRED
R - REMANUFACTURED PART MAY BE AVAILABLE
Y - SEPARATE ILLUSTRATION



GRAPHIC #1

<END>

g00705634

AIR INLET AND EXHAUST SYSTEM

134-5402 TURBOCHARGER GP*R

S/N: 65Z887-1717

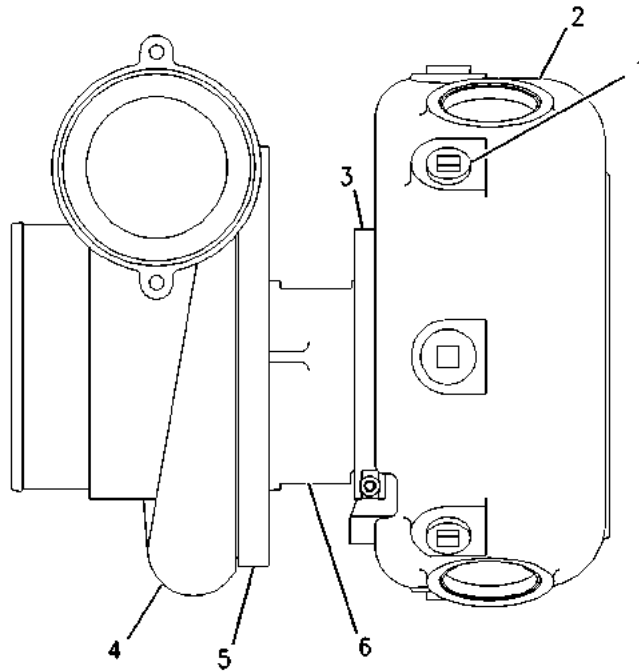
PART OF 140-0413 TURBOCHARGER GP
AN ATTACHMENT

SMCS-1052, 1053

i06269787

NOTE	REF NO	GRAPHIC REF	PART NUMBER	QTY	PART NAME						SEE PAGE
					1	2	3	4	5	6 (PRODUCT LEVEL)	
	1	1	1B-5174	4	PLUG-PIPE						
	2	1	6N-9908	1	HOUSING AS-TURBINE						
B		1	3B-0645	3	PLUG-CUP (32.08-MM OD)						
B		1	3P-1896	3	PLUG-CUP (35.31-MM OD)						
B		1	4N-0932	4	PLUG-CUP (57.53-MM OD)						
B		1	100-6816	4	PLUG-CUP (60.71-MM OD)						
	3	1	9N-2038	1	CLAMP AS-TURBINE						
	4	1	6I-0850	1	HOUSING-COMPRESSOR						
	5	1	7W-2297	1	CLAMP AS (COMPRESSOR)						
YR	6	1	118-2988	1	CARTRIDGE GP-TURBOCHARGER						668

B - USE AS REQUIRED
R - REMANUFACTURED PART MAY BE AVAILABLE
Y - SEPARATE ILLUSTRATION



GRAPHIC #1

<END>

g00758619

AIR INLET AND EXHAUST SYSTEM

134-5402 TURBOCHARGER GP*R

S/N: 65Z1718-UP

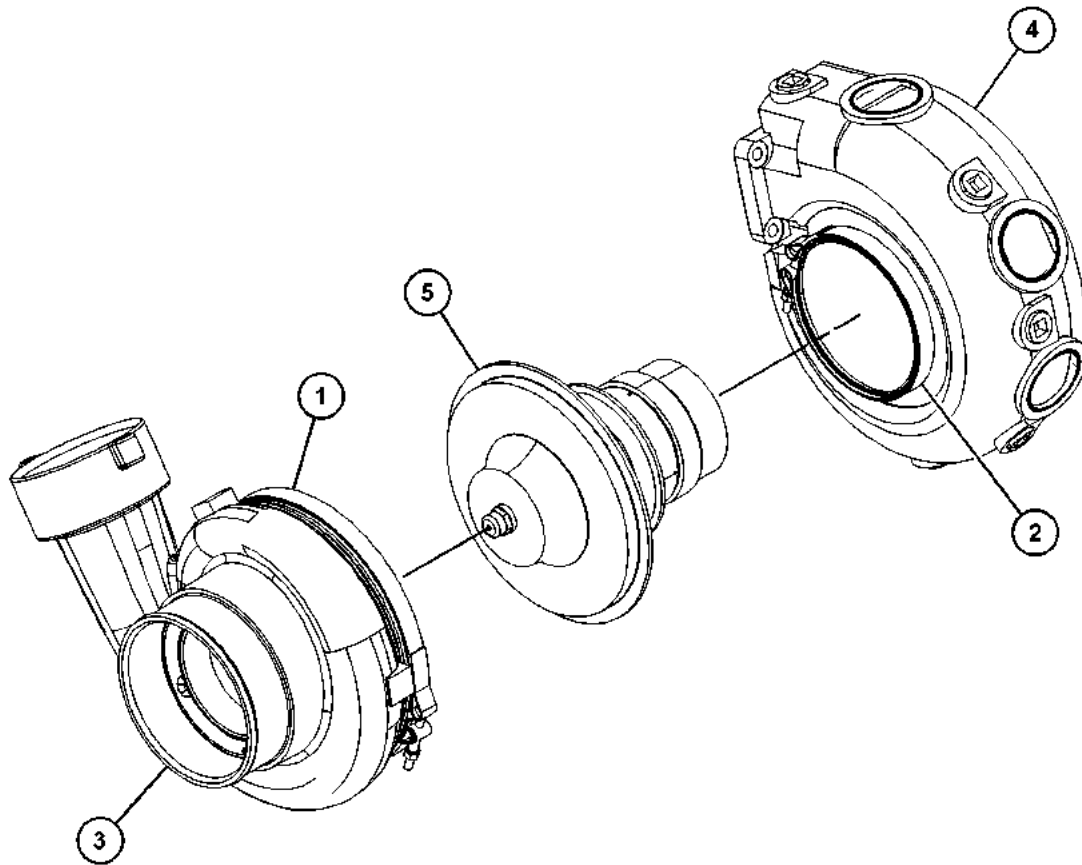
PART OF 140-0413 TURBOCHARGER GP
AN ATTACHMENT

SMCS-1052, 1053

i07104482

NOTE	REF NO	GRAPHIC REF	PART NUMBER	QTY	PART NAME						SEE PAGE
					1	2	3	4	5	6 (PRODUCT LEVEL)	
	1	1	7W-2297	1	CLAMP AS (COMPRESSOR)						
	2	1	9N-2038	1	CLAMP AS-TURBINE						
	3	1	6I-0850	1	HOUSING-COMPRESSOR						
	4	1	6N-9908	1	HOUSING AS-TURBINE						
		1	1B-5174	7	PLUG-PIPE						
B		1	3B-0645	3	PLUG-CUP (32.08-MM OD)						
B		1	3P-1896	3	PLUG-CUP (35.31-MM OD)						
B		1	4N-0932	4	PLUG-CUP (57.53-MM OD)						
B		1	100-6816	4	PLUG-CUP (60.71-MM OD)						
CYR	5	1	450-1415	1	CARTRIDGE GP-TURBOCHARGER						670

B - USE AS REQUIRED
 C - CHANGE FROM PREVIOUS TYPE
 R - REMANUFACTURED PART MAY BE AVAILABLE
 Y - SEPARATE ILLUSTRATION



GRAPHIC #1

<END>

g06225864

AIR INLET AND EXHAUST SYSTEM

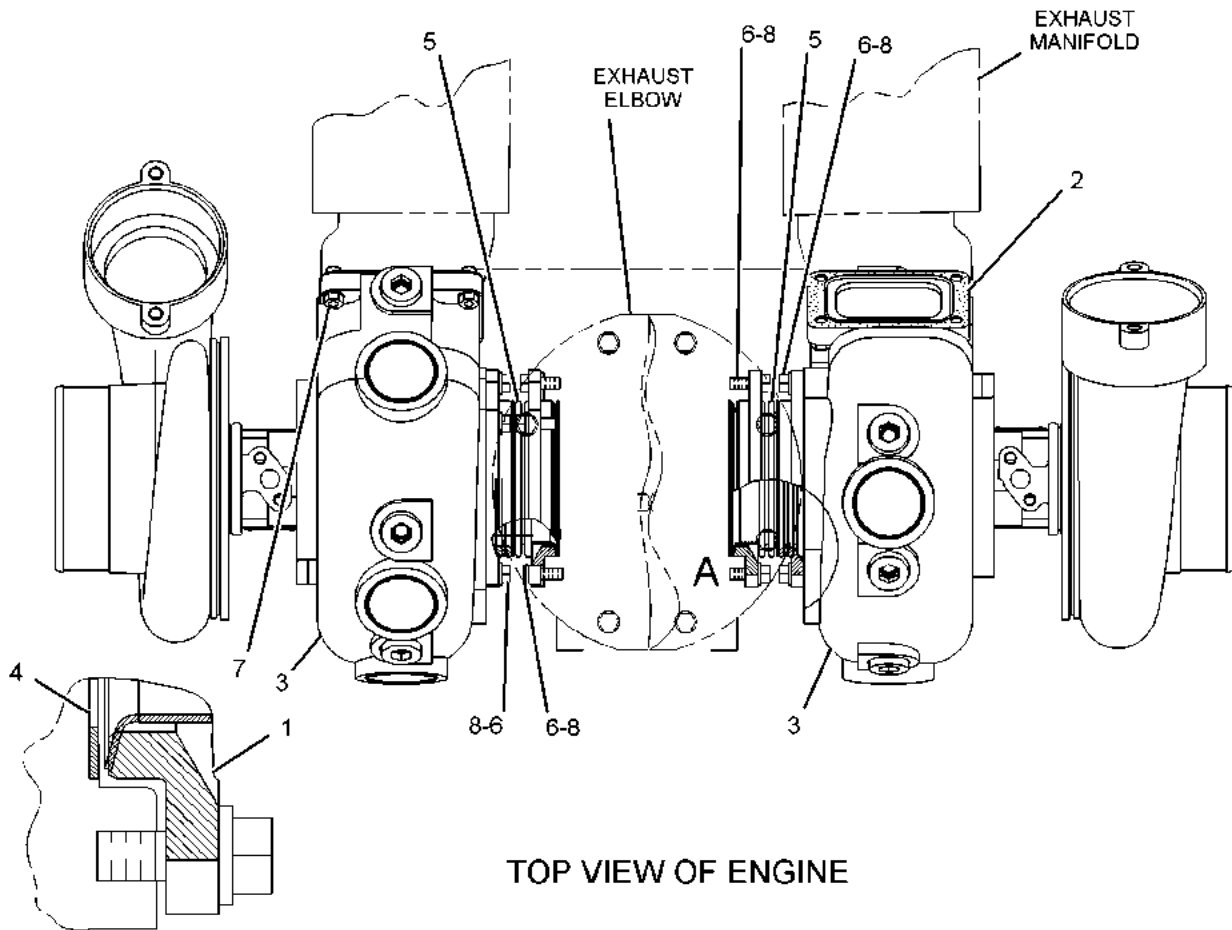
135-0178 TURBOCHARGER GP AN ATTACHMENT

SMCS-1052, 1053

i06006958

NOTE	REF NO	GRAPHIC REF	PART NUMBER	QTY	PART NAME						SEE PAGE
					1	2	3	4	5	6 (PRODUCT LEVEL)	
	1	1	6I-2102	8	FLANGE - HALF						
	2	1	121-5736	2	GASKET (TURBOCHARGER)						
YR	3	1	135-5101	2	TURBOCHARGER GP						761
	4	1	453-7799	4	GASKET (EXHAUST MANIFOLD)						
	5	1	210-2531	2	BELLOWS AS						
	6	1	0S-1594	16	BOLT (3/8-16X1-IN)						
	7	1	2N-2766	8	LOCKNUT (3/8-16-THD) (HIGH TEMPERATURE)						
	8	1	5M-2894	16	WASHER-HARD (10.2X18.5X2.5-MM THK)						

R - REMANUFACTURED PART MAY BE AVAILABLE
Y - SEPARATE ILLUSTRATION



TOP VIEW OF ENGINE

VIEW OF AREA A
GRAPHIC #1

<END>

g01513312

AIR INLET AND EXHAUST SYSTEM

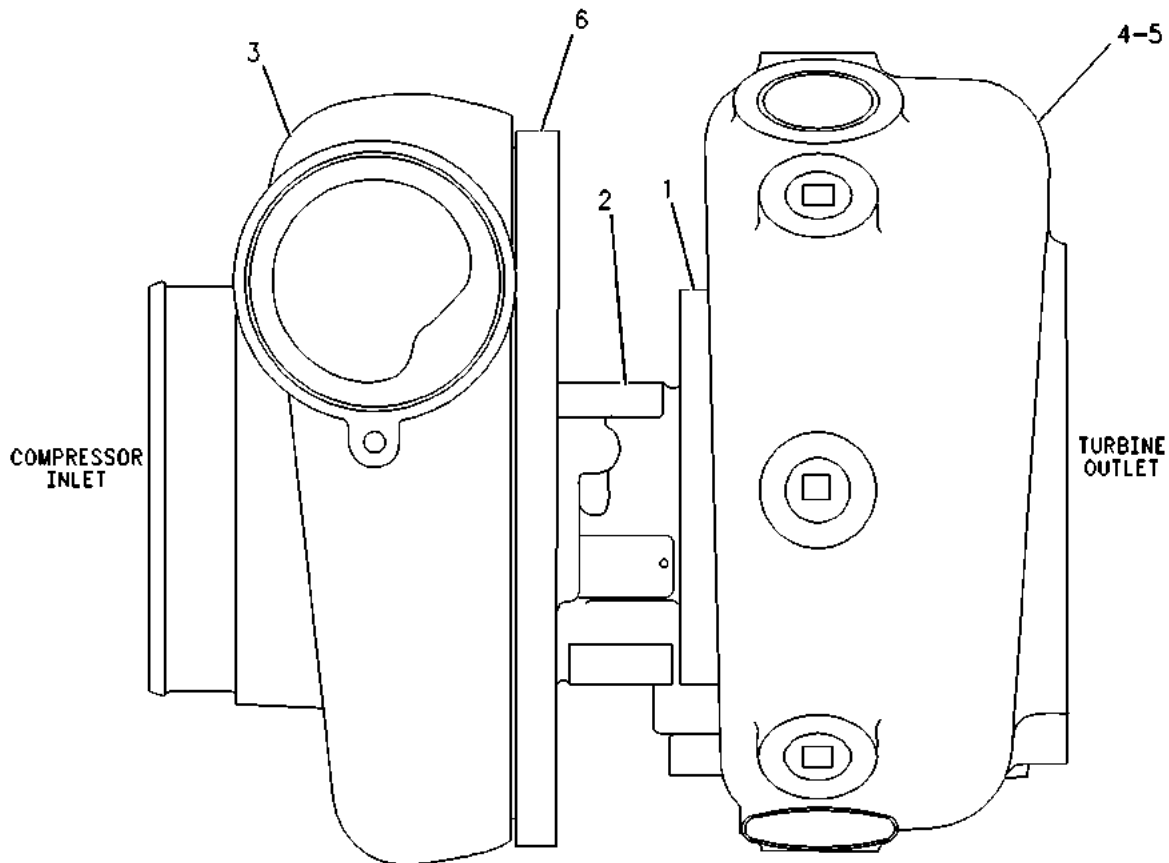
135-5101 TURBOCHARGER GP*R PART OF 135-0178, 140-0414 TURBOCHARGER GP AN ATTACHMENT

SMCS-1052, 1053

i06269585

NOTE	REF NO	GRAPHIC REF	PART NUMBER	QTY	PART NAME						SEE PAGE
					1	2	3	4	5	6 (PRODUCT LEVEL)	
	1	1	9N-2038	1	CLAMP AS-TURBINE						
YR	2	1	118-2988	1	CARTRIDGE GP-TURBOCHARGER						668
	3	1	6I-0850	1	HOUSING-COMPRESSOR						
	4	1	6N-9910	1	HOUSING AS-TURBINE						
	5	1	3B-0645	3	PLUG-CUP (32.08-MM OD)						
		1	3P-1896	3	PLUG-CUP (35.31-MM OD)						
		1	4N-0932	4	PLUG-CUP (57.53-MM OD)						
		1	100-6816	4	PLUG-CUP (60.71-MM OD)						
	6	1	7W-2297	1	CLAMP AS (COMPRESSOR)						

R - REMANUFACTURED PART MAY BE AVAILABLE
Y - SEPARATE ILLUSTRATION



GRAPHIC #1

<END>

g00290881

AIR INLET AND EXHAUST SYSTEM

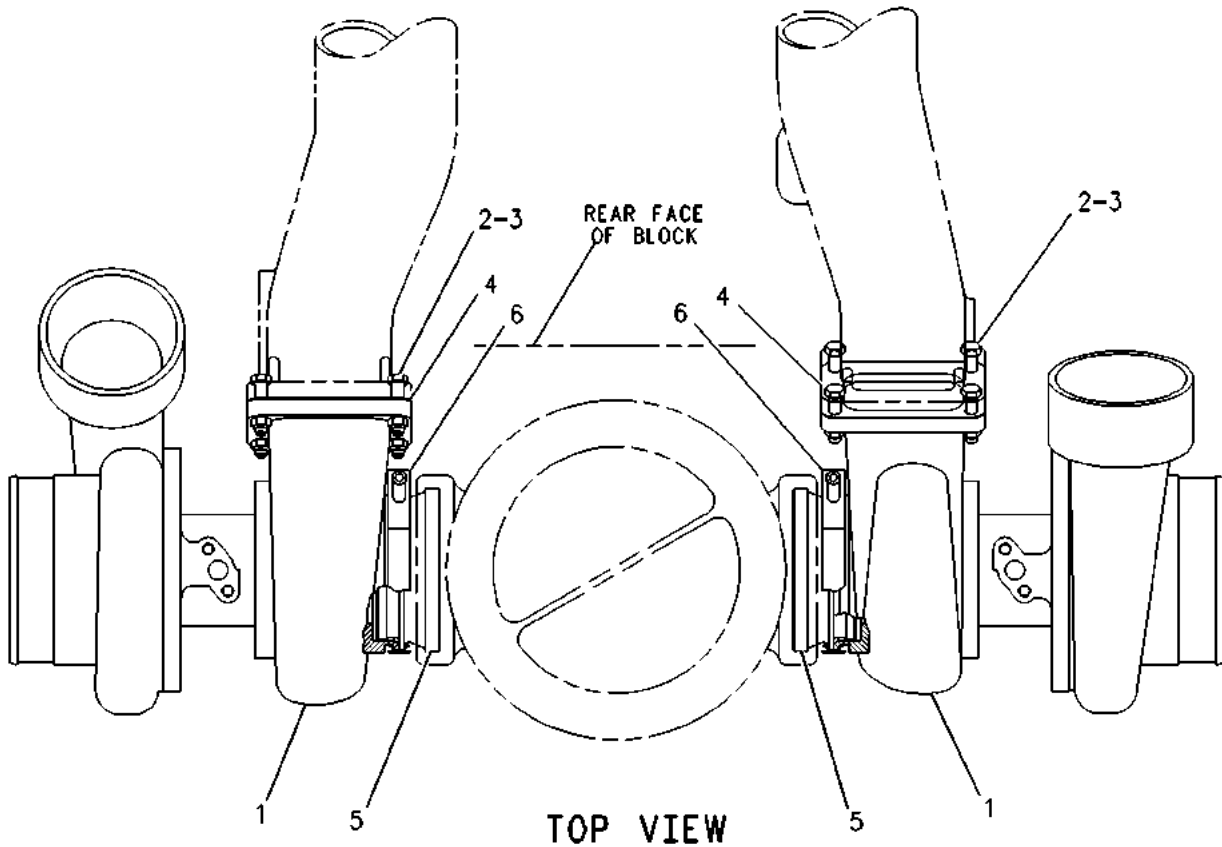
135-6909 TURBOCHARGER GP AN ATTACHMENT

SMCS-1052, 1053

i06282603

NOTE	REF NO	GRAPHIC REF	PART NUMBER	QTY	PART NAME						SEE PAGE
					1	2	3	4	5	6 (PRODUCT LEVEL)	
YR	1	1	450-1421	2	TURBOCHARGER GP						771
	2	1	2N-2765	8	BOLT-HIGH TEMPERATURE (3/8-16X1.75-IN)						
	3	1	2N-2766	8	LOCKNUT (3/8-16-THD) (HIGH TEMPERATURE)						
	4	1	121-5736	2	GASKET (TURBOCHARGER)						
	5	1	124-5514	2	COUPLING-EXHAUST						
	6	1	6L-3005	2	CLAMP-BAND						
					(EACH INCLUDES)						
		1	8T-0122	1	NUT-FULL (1/4-28-THD)						

R - REMANUFACTURED PART MAY BE AVAILABLE
Y - SEPARATE ILLUSTRATION



GRAPHIC #1

<END>

g00268490

AIR INLET AND EXHAUST SYSTEM

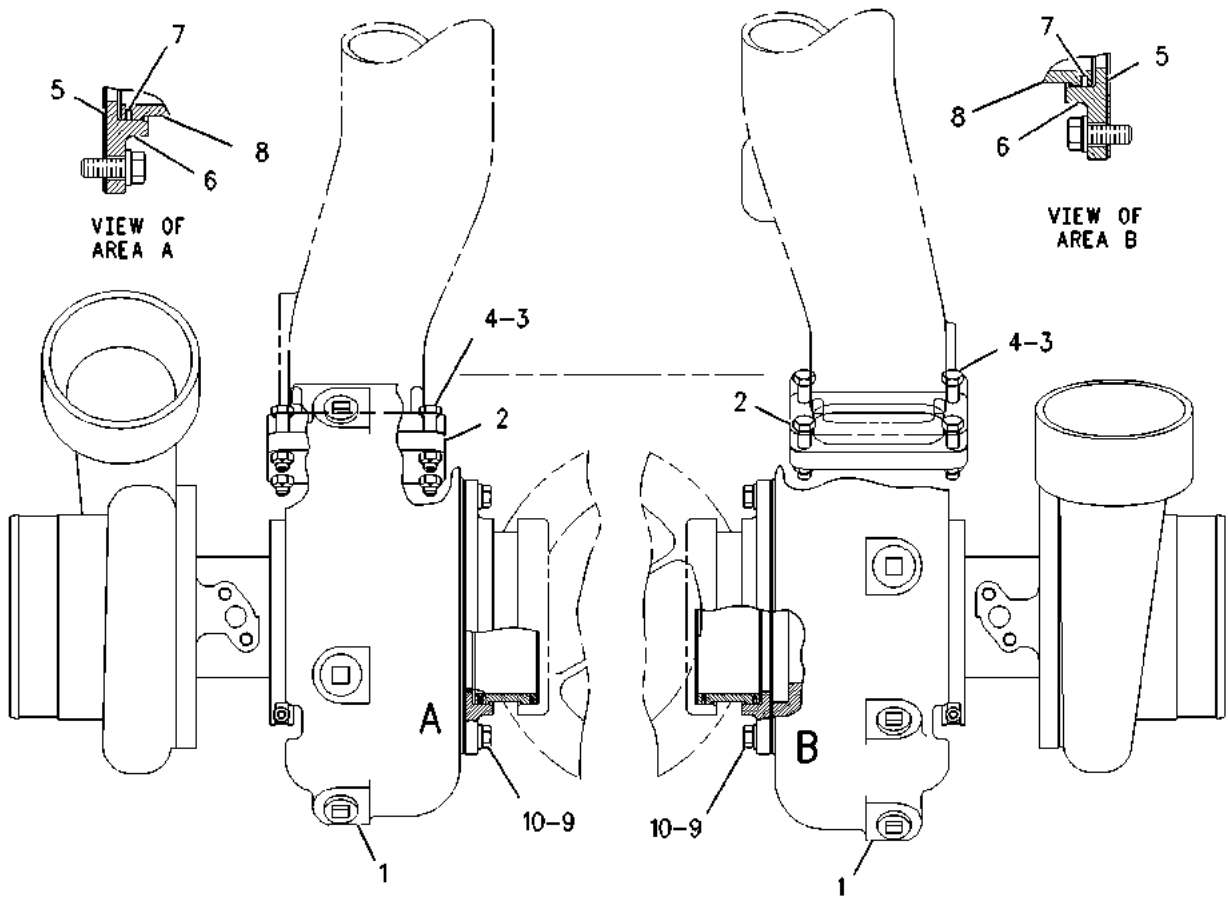
140-0412 TURBOCHARGER GP AN ATTACHMENT

SMCS-1052, 1053

i02645975

NOTE	REF NO	GRAPHIC REF	PART NUMBER	QTY	PART NAME						SEE PAGE
					1	2	3	4	5	6	
Y	1	1	120-9188	2	TURBOCHARGER GP						757
	2	1	121-5736	2	GASKET (TURBOCHARGER)						
	3	1	2N-2766	8	LOCKNUT (3/8-16-THD) (HIGH TEMPERATURE)						
	4	1	2N-2765	8	BOLT-HIGH TEMPERATURE (3/8-16X1.75-IN)						
C	5	1	4W-2359	2	GASKET						
C	6	1	4W-1454	2	ADAPTER-EXHAUST						
	7	1	4W-1478	4	SEAL GP-EXHAUST (TURBOCHARGER)						
C	8	1	4W-1455	2	COUPLING-EXHAUST						
C	9	1	5M-2894	8	WASHER-HARD (10.2X18.5X2.5-MM THK)						
C	10	1	OS-1594	8	BOLT (3/8-16X1-IN)						

C - CHANGE FROM PREVIOUS TYPE
Y - SEPARATE ILLUSTRATION



TOP VIEW

GRAPHIC #1

<END>

g00556403

AIR INLET AND EXHAUST SYSTEM

140-0413 TURBOCHARGER GP

AN ATTACHMENT

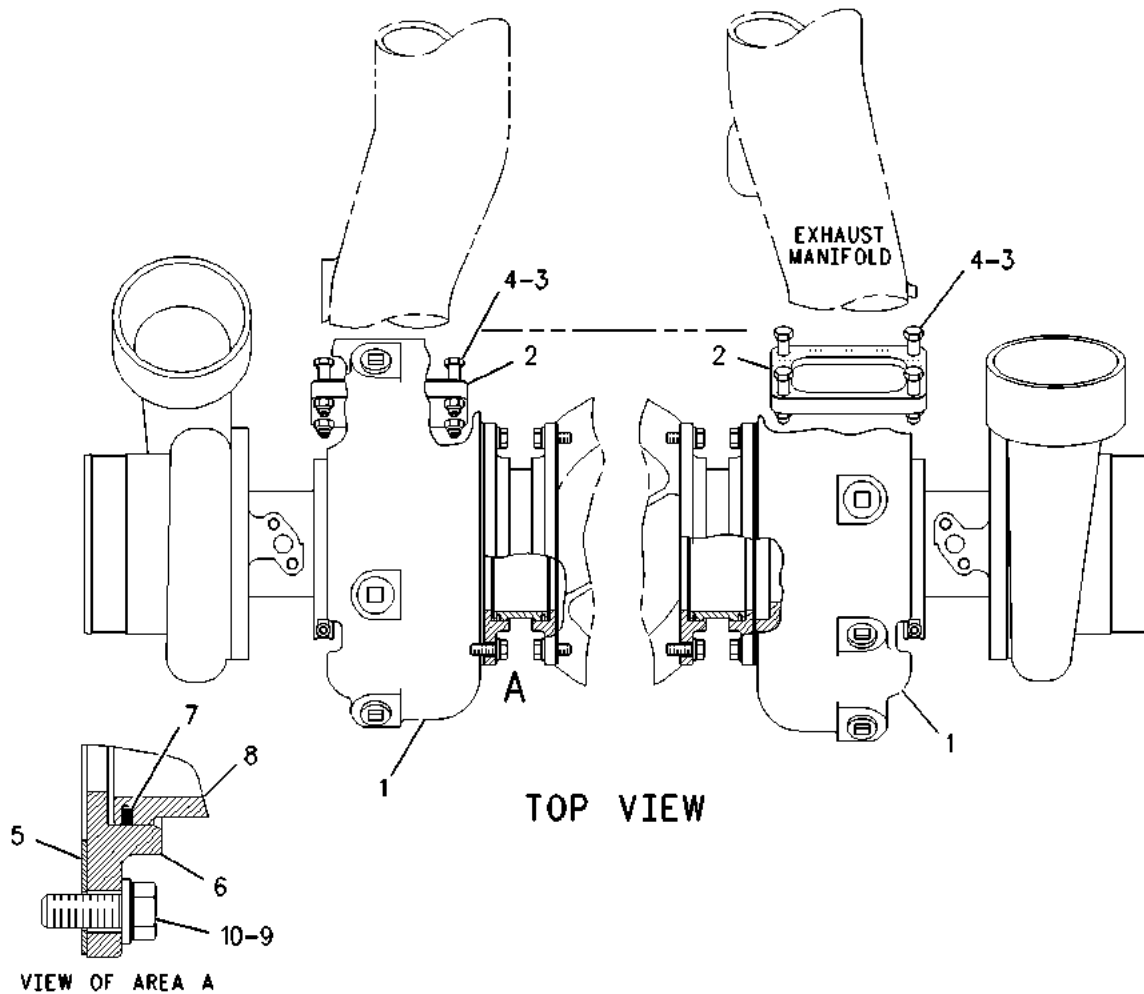
TYPE 1

SMCS-1052, 1053

i02646086

NOTE	REF NO	GRAPHIC REF	PART NUMBER	QTY	PART NAME						SEE PAGE
					1	2	3	4	5	6 (PRODUCT LEVEL)	
YR	1	1	134-5402	2	TURBOCHARGER GP						758
	2	1	121-5736	2	GASKET (TURBOCHARGER)						
	3	1	2N-2766	8	LOCKNUT (3/8-16-THD)						
	4	1	2N-2765	8	BOLT-HIGH TEMPERATURE (3/8-16X1.75-IN)						
	5	1	4W-2359	4	GASKET						
	6	1	4W-1454	4	ADAPTER-EXHAUST						
	7	1	4W-1478	4	SEAL GP-EXHAUST (TURBOCHARGER)						
	8	1	4W-1455	4	COUPLING-EXHAUST						
	9	1	5M-2894	16	WASHER-HARD (10.2X18.5X2.5-MM THK)						
	10	1	0S-1594	16	BOLT (3/8-16X1-IN)						

R - REMANUFACTURED PART MAY BE AVAILABLE
 Y - SEPARATE ILLUSTRATION



GRAPHIC #1

<END>

g00525047

AIR INLET AND EXHAUST SYSTEM

140-0413 TURBOCHARGER GP

AN ATTACHMENT

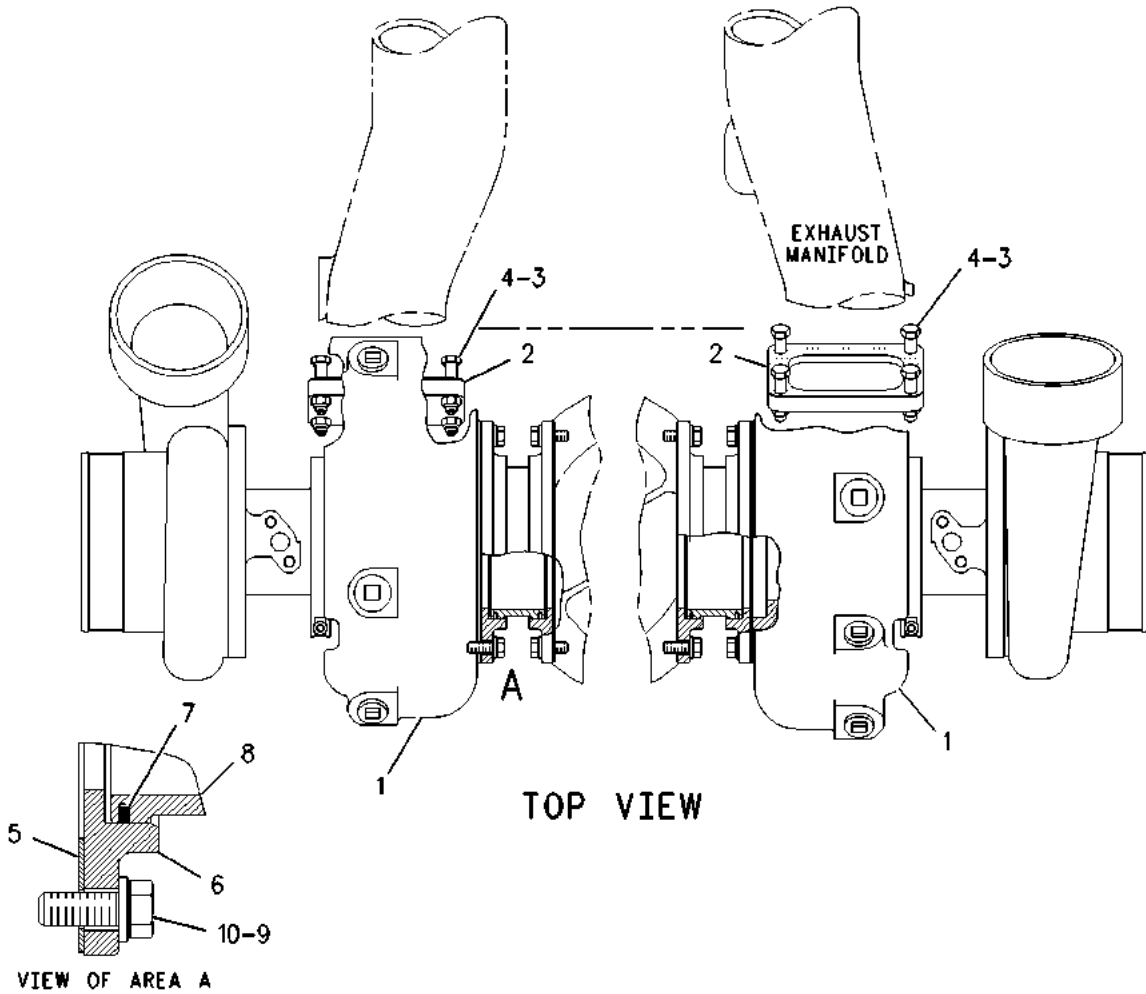
TYPE 2

SMCS-1052, 1053

i02646087

NOTE	REF NO	GRAPHIC REF	PART NUMBER	QTY	PART NAME						SEE PAGE
					1	2	3	4	5	6	
YR	1	1	134-5402	2	TURBOCHARGER GP						758
	2	1	121-5736	2	GASKET (TURBOCHARGER)						
	3	1	2N-2766	8	LOCKNUT (3/8-16-THD) (HIGH TEMPERATURE)						
	4	1	2N-2765	8	BOLT-HIGH TEMPERATURE (3/8-16X1.75-IN)						
C	5	1	4W-2359	2	GASKET						
C	6	1	4W-1454	2	ADAPTER-EXHAUST						
	7	1	4W-1478	4	SEAL GP-EXHAUST (TURBOCHARGER)						
C	8	1	4W-1455	2	COUPLING-EXHAUST						
C	9	1	5M-2894	8	WASHER-HARD (10.2X18.5X2.5-MM THK)						
C	10	1	0S-1594	8	BOLT (3/8-16X1-IN)						

C - CHANGE FROM PREVIOUS TYPE
 R - REMANUFACTURED PART MAY BE AVAILABLE
 Y - SEPARATE ILLUSTRATION



GRAPHIC #1

<END>

g00525047

AIR INLET AND EXHAUST SYSTEM

140-0414 TURBOCHARGER GP

AN ATTACHMENT

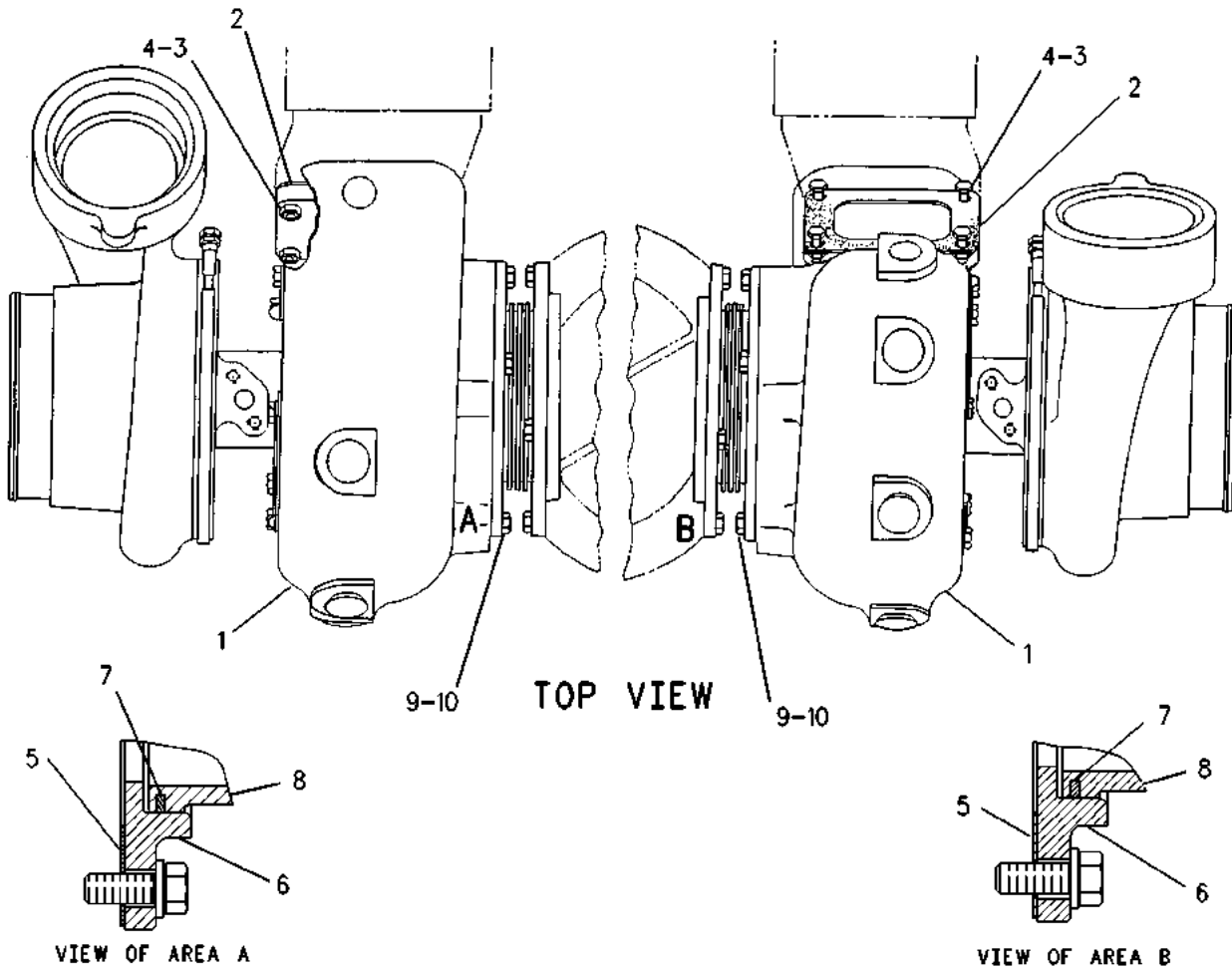
TYPE 1

SMCS-1052, 1053

i02646085

NOTE	REF NO	GRAPHIC REF	PART NUMBER	QTY	PART NAME						SEE PAGE
					1	2	3	4	5	6 (PRODUCT LEVEL)	
YR	1	1	135-5101	2	TURBOCHARGER GP						761
	2	1	121-5736	2	GASKET (TURBOCHARGER)						
	3	1	2N-2766	8	LOCKNUT (3/8-16-THD)						
	4	1	2N-2765	8	BOLT-HIGH TEMPERATURE (3/8-16X1.75-IN)						
	5	1	4W-2359	4	GASKET						
	6	1	4W-1454	4	ADAPTER-EXHAUST						
	7	1	4W-1478	4	SEAL GP-EXHAUST (TURBOCHARGER)						
	8	1	4W-1455	4	COUPLING-EXHAUST						
	9	1	5M-2894	16	WASHER-HARD (10.2X18.5X2.5-MM THK)						
	10	1	0S-1594	16	BOLT (3/8-16X1-IN)						

R - REMANUFACTURED PART MAY BE AVAILABLE
 Y - SEPARATE ILLUSTRATION



GRAPHIC #1

<END>

g00270915

AIR INLET AND EXHAUST SYSTEM

140-0414 TURBOCHARGER GP

AN ATTACHMENT

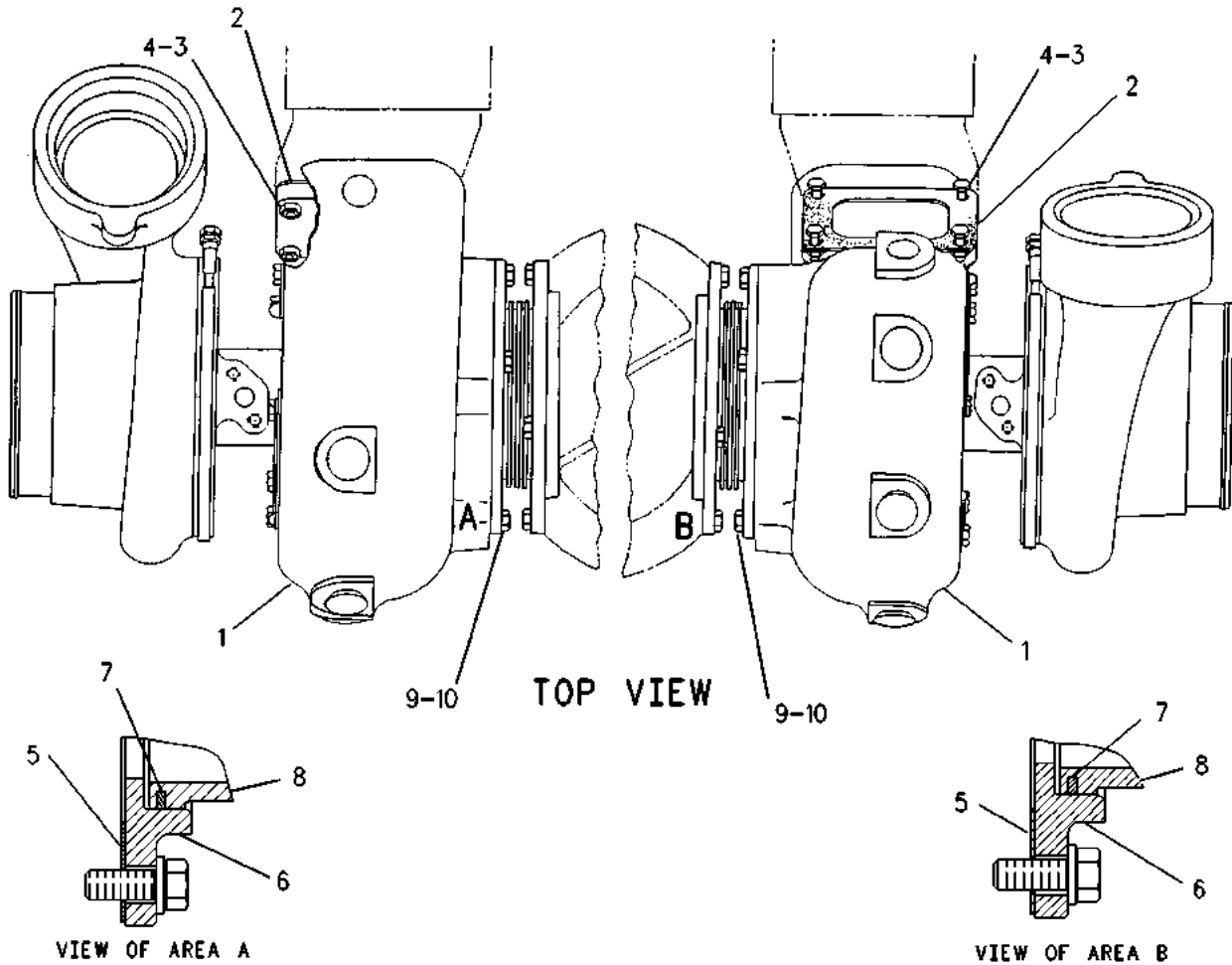
TYPE 2

SMCS-1052, 1053

i02646084

NOTE	REF NO	GRAPHIC REF	PART NUMBER	QTY	PART NAME						SEE PAGE
					1	2	3	4	5	6 (PRODUCT LEVEL)	
YR	1	1	135-5101	2	TURBOCHARGER GP						761
	2	1	121-5736	2	GASKET (TURBOCHARGER)						
	3	1	2N-2766	8	LOCKNUT (3/8-16-THD) (HIGH TEMPERATURE)						
	4	1	2N-2765	8	BOLT-HIGH TEMPERATURE (3/8-16X1.75-IN)						
C	5	1	4W-2359	2	GASKET						
C	6	1	4W-1454	2	ADAPTER-EXHAUST						
	7	1	4W-1478	4	SEAL GP-EXHAUST (TURBOCHARGER)						
C	8	1	4W-1455	2	COUPLING-EXHAUST						
C	9	1	5M-2894	8	WASHER-HARD (10.2X18.5X2.5-MM THK)						
C	10	1	0S-1594	8	BOLT (3/8-16X1-IN)						

C - CHANGE FROM PREVIOUS TYPE
 R - REMANUFACTURED PART MAY BE AVAILABLE
 Y - SEPARATE ILLUSTRATION



GRAPHIC #1

<END>

g00270915

AIR INLET AND EXHAUST SYSTEM

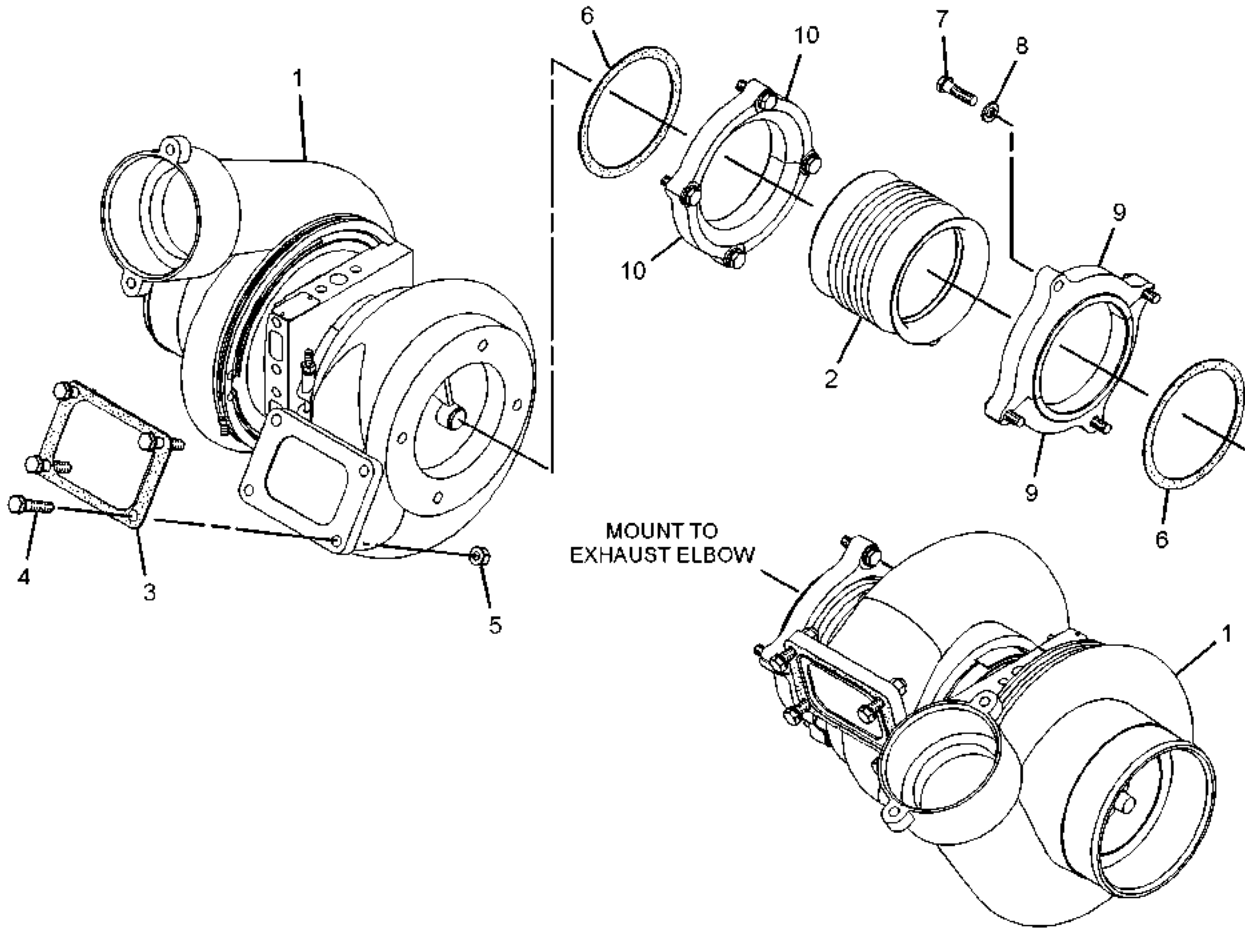
140-7549 TURBOCHARGER GP AN ATTACHMENT

SMCS-1052, 1053

i06114227

NOTE	REF NO	GRAPHIC REF	PART NUMBER	QTY	PART NAME						SEE PAGE
					1	2	3	4	5	6 (PRODUCT LEVEL)	
Y	1	1	140-9052	2	TURBOCHARGER GP						769
	2	1	207-1388	2	BELLOWS AS						
	3	1	121-5736	2	GASKET (TURBOCHARGER)						
	4	1	2N-2765	8	BOLT-HIGH TEMPERATURE (3/8-16X1.75-IN)						
	5	1	2N-2766	8	LOCKNUT (3/8-16-THD) (HIGH TEMPERATURE)						
	6	1	453-7799	4	GASKET (EXHAUST MANIFOLD)						
	7	1	6V-6753	16	BOLT-HIGH TEMPERATURE (3/8-16X1.375-IN)						
	8	1	5M-2894	16	WASHER-HARD (10.2X18.5X2.5-MM THK)						
	9	1	188-0473	4	FLANGE - HALF						
	10	1	188-0472	4	FLANGE - HALF						

Y - SEPARATE ILLUSTRATION



GRAPHIC #1

<END>

g01641616

AIR INLET AND EXHAUST SYSTEM

140-9052 TURBOCHARGER GP

PART OF 140-7549 TURBOCHARGER GP

AN ATTACHMENT

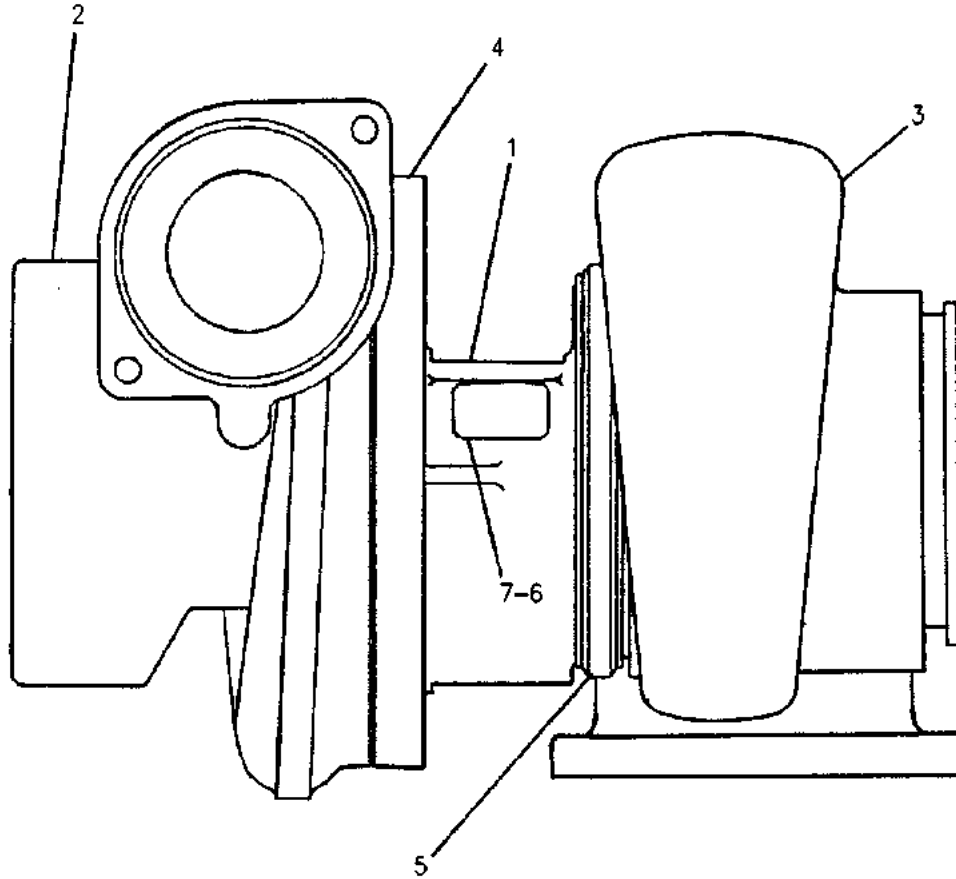
SMCS-1052, 1053

i06871343

NOTE	REF NO	GRAPHIC REF	PART NUMBER	QTY	PART NAME						SEE PAGE
					1	2	3	4	5	6 (PRODUCT LEVEL)	
YR	1	1	140-9053	1	CARTRIDGE GP-TURBOCHARGER						669
	2	1	6I-0850	1	HOUSING-COMPRESSOR						
	3	1	136-4422	1	HOUSING						
	4	1	7W-2297	1	CLAMP AS (COMPRESSOR)						
	5	1	9N-2038	1	CLAMP AS-TURBINE						
	6	1	2F-0808	2	SCREW (6X0.25-IN)						
	7	1	1W-4795	1	PLATE-IDENTIFICATION (TURBOCHARGER CARTRIDGE)						

R - REMANUFACTURED PART MAY BE AVAILABLE

Y - SEPARATE ILLUSTRATION



GRAPHIC #1

<END>

g00763075

AIR INLET AND EXHAUST SYSTEM

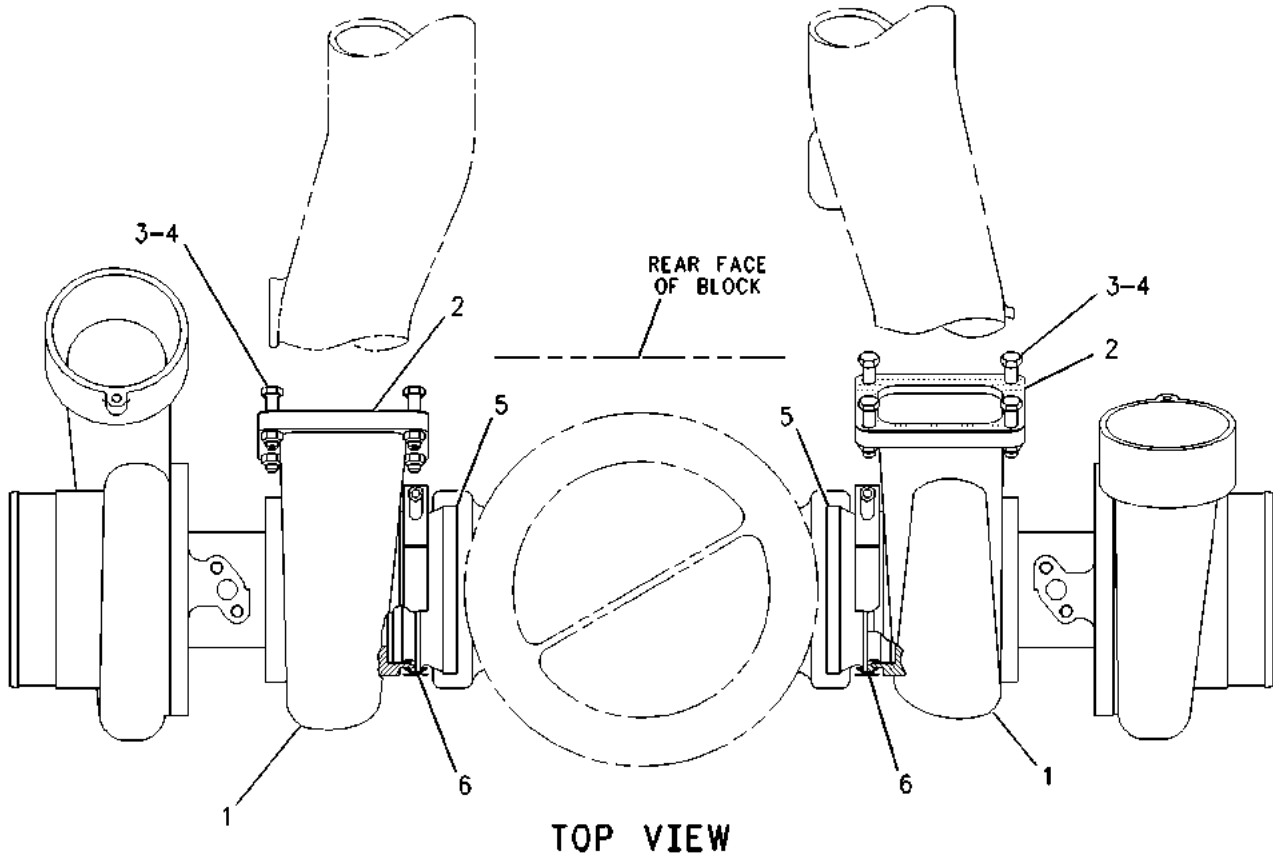
2W-9606 TURBOCHARGER GP AN ATTACHMENT

SMCS-1052, 1053

i02177923

NOTE	REF NO	GRAPHIC REF	PART NUMBER	QTY	PART NAME						SEE PAGE
					1	2	3	4	5	6	
YR	1	1	7W-8008	2	TURBOCHARGER GP						773
	2	1	121-5736	2	GASKET (TURBOCHARGER)						
	3	1	2N-2765	8	BOLT-HIGH TEMPERATURE (3/8-16X1.75-IN)						
	4	1	2N-2766	8	LOCKNUT (3/8-16-THD) (HIGH TEMPERATURE)						
	5	1	124-5514	2	COUPLING-EXHAUST						
	6	1	6L-3005	2	CLAMP-BAND						
					(EACH INCLUDES)						
		1	8T-0122	1	NUT-FULL (1/4-28-THD)						

R - REMANUFACTURED PART MAY BE AVAILABLE
Y - SEPARATE ILLUSTRATION



GRAPHIC #1

<END>

g00624313

AIR INLET AND EXHAUST SYSTEM

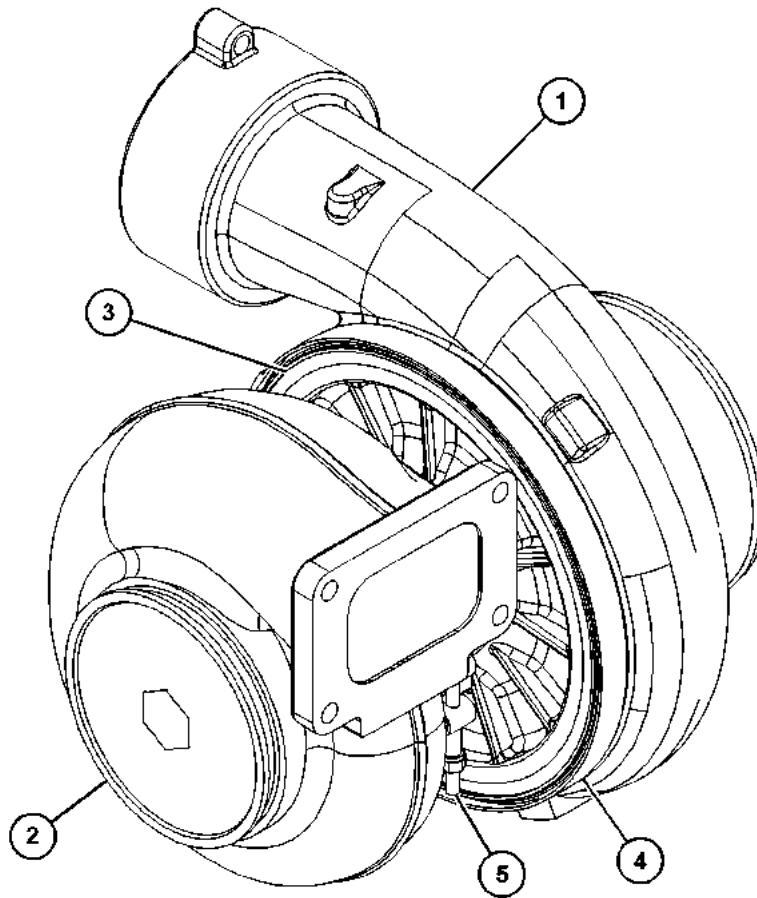
450-1421 TURBOCHARGER GP*R PART OF 135-6909 TURBOCHARGER GP AN ATTACHMENT

SMCS-1052, 1053

i07000842

NOTE	REF NO	GRAPHIC REF	PART NUMBER	QTY	PART NAME						SEE PAGE
					1	2	3	4	5	6 (PRODUCT LEVEL)	
	1	1	6I-0850	1	HOUSING-COMPRESSOR						
	2	1	135-8827	1	HOUSING-TURBINE						
YR	3	1	450-1415	1	CARTRIDGE GP-TURBOCHARGER						670
	4	1	7W-2297	1	CLAMP AS (COMPRESSOR)						
	5	1	9N-2038	1	CLAMP AS-TURBINE						

R - REMANUFACTURED PART MAY BE AVAILABLE
Y - SEPARATE ILLUSTRATION



GRAPHIC #1

<END>

g06030680

AIR INLET AND EXHAUST SYSTEM

450-6710 TURBOCHARGER GP

S/N: 65Z1717-UP

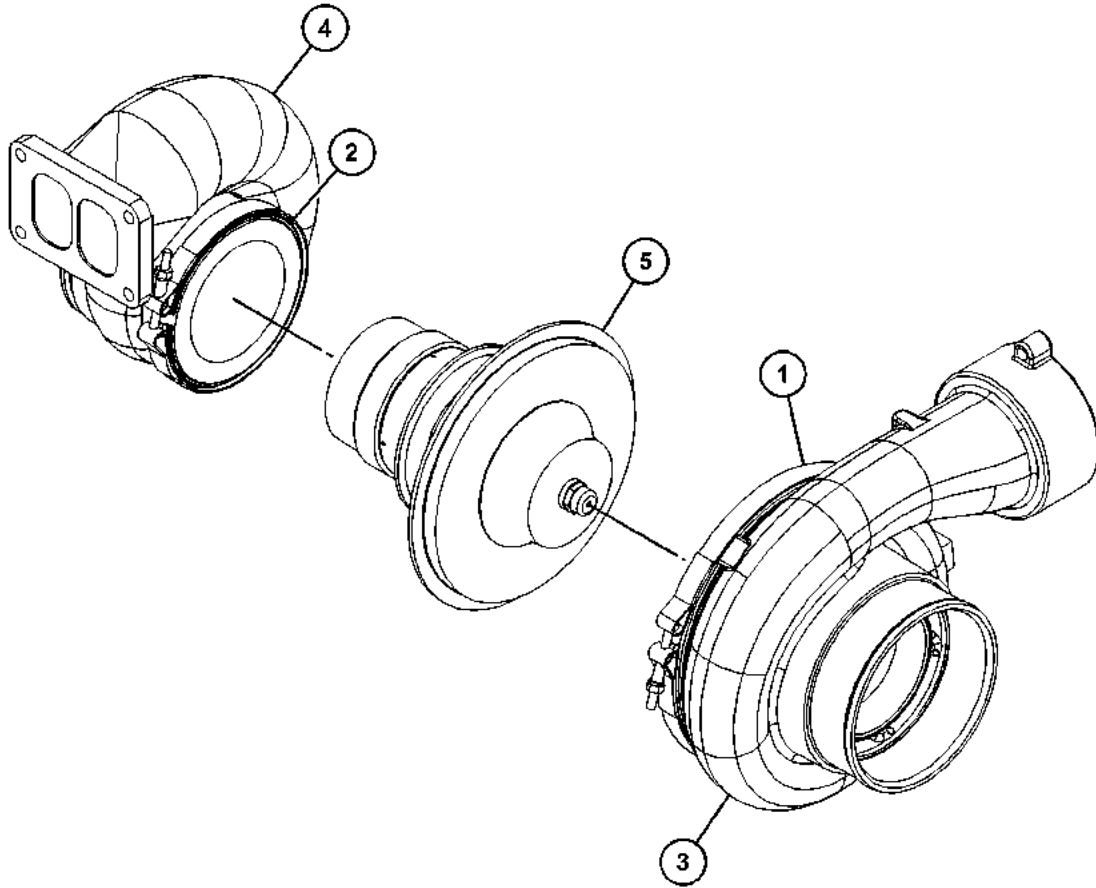
PART OF 118-9492 TURBOCHARGER GP

SMCS-1052, 1053

i06998871

NOTE	REF NO	GRAPHIC REF	PART NUMBER	QTY	PART NAME						SEE PAGE
					1	2	3	4	5	6 (PRODUCT LEVEL)	
	1	1	7W-2297	1	CLAMP AS (COMPRESSOR)						
	2	1	9N-2038	1	CLAMP AS-TURBINE						
	3	1	6I-0850	1	HOUSING-COMPRESSOR						
	4	1	119-3686	1	HOUSING (TURBINE)						
YR	5	1	450-1415	1	CARTRIDGE GP-TURBOCHARGER						670

R - REMANUFACTURED PART MAY BE AVAILABLE
 Y - SEPARATE ILLUSTRATION



GRAPHIC #1

<END>

g06193615

AIR INLET AND EXHAUST SYSTEM

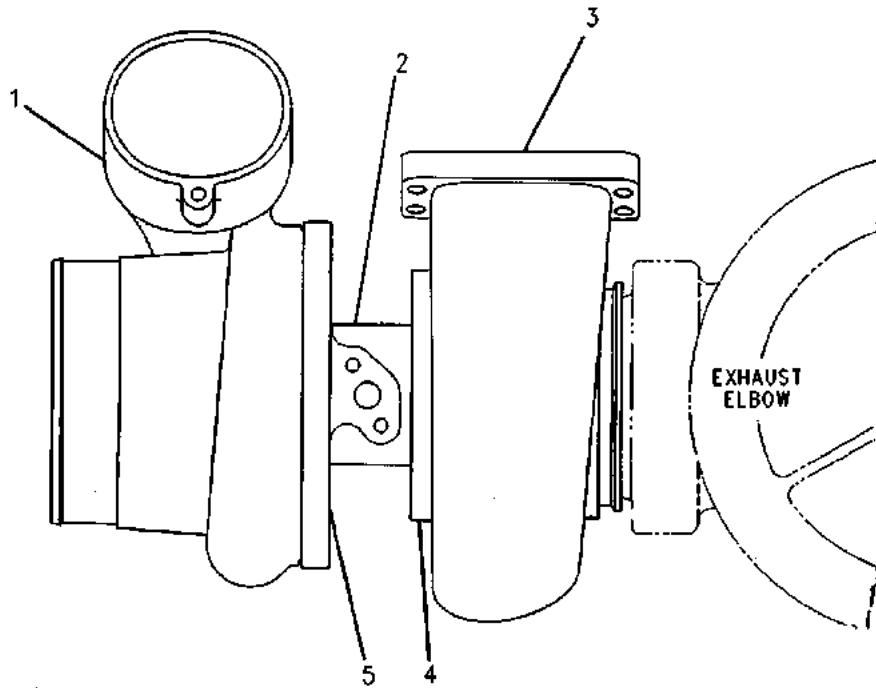
7W-8008 TURBOCHARGER GP*R PART OF 2W-9606 TURBOCHARGER GP AN ATTACHMENT

SMCS-1052, 1053

i01449051

NOTE	REF NO	GRAPHIC REF	PART NUMBER	QTY	PART NAME						SEE PAGE
					1	2	3	4	5	6 (PRODUCT LEVEL)	
	1	1	6N-7959	1	HOUSING-COMPRESSOR						
YR	2	1	6N-7960	1	CARTRIDGE GP-TURBOCHARGER						672
	3	1	7W-8009	1	HOUSING						
	4	1	9N-2038	1	CLAMP AS-TURBINE						
		1	7M-9918	1	LOCKNUT (1/4-28-THD)						
	5	1	9N-2039	1	CLAMP AS (COMPRESSOR)						
		1	7M-9918	1	LOCKNUT (1/4-28-THD)						

R - REMANUFACTURED PART MAY BE AVAILABLE
Y - SEPARATE ILLUSTRATION



GRAPHIC #1

<END>

g00758688

AIR INLET AND EXHAUST SYSTEM

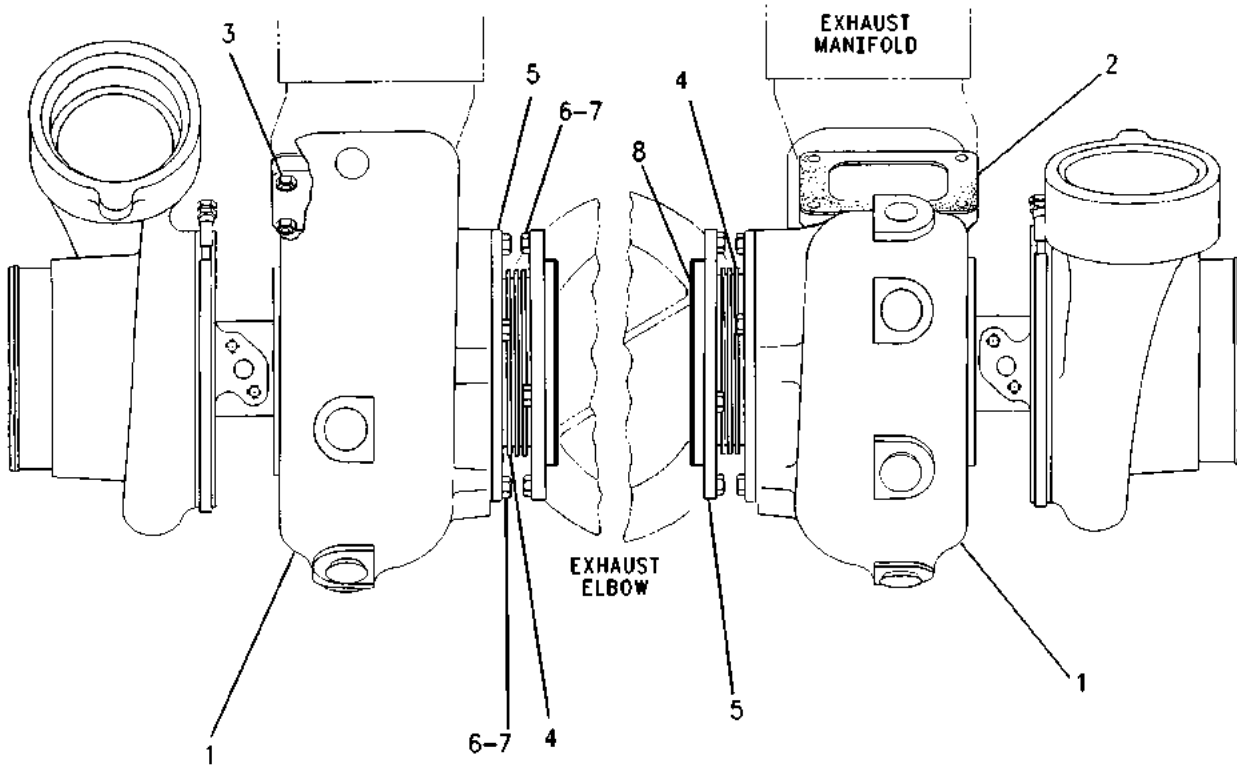
9Y-5596 TURBOCHARGER GP AN ATTACHMENT

SMCS-1052, 1053

i05926759

NOTE	REF NO	GRAPHIC REF	PART NUMBER	QTY	PART NAME						SEE PAGE
					1	2	3	4	5	6 (PRODUCT LEVEL)	
Y	1	1	120-9188	2	TURBOCHARGER GP						757
	2	1	121-5736	2	GASKET (TURBOCHARGER)						
	3	1	2N-2766	8	LOCKNUT (3/8-16-THD)						
	4	1	210-2531	2	BELLOWS AS						
	5	1	6I-2102	8	FLANGE - HALF						
	6	1	0S-1594	16	BOLT (3/8-16X1-IN)						
	7	1	5M-2894	16	WASHER - HARD (10.2X18.5X2.5-MM THK)						
	8	1	453-7799	4	GASKET (EXHAUST MANIFOLD)						

Y - SEPARATE ILLUSTRATION



GRAPHIC #1

<END>

g00622056

AIR INLET AND EXHAUST SYSTEM

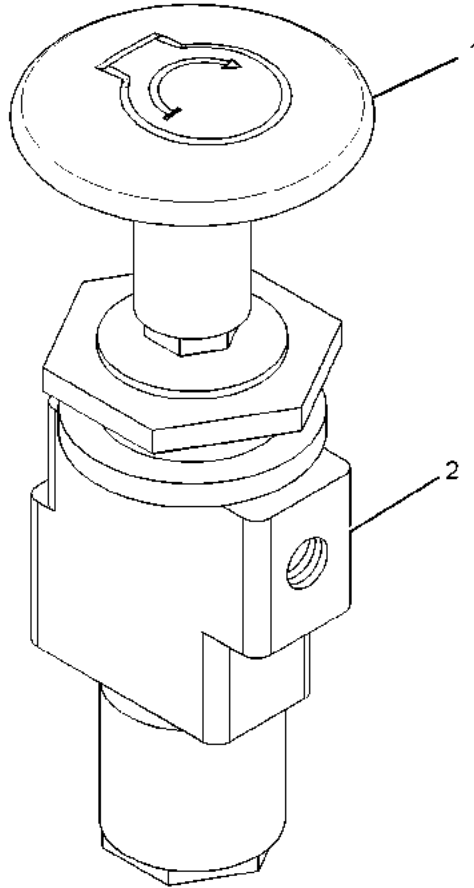
4W-5424 VALVE GP-AIR CONTROL

PART OF 4W-7202, 4W-7205, 4W-7208, 4W-7211 CONTROL GP-AIR STARTING
AN ATTACHMENT

SMCS-108A, 1462

i03168925

NOTE	REF NO	GRAPHIC REF	PART NUMBER	QTY	PART NAME						SEE PAGE
					1	2	3	4	5	6 (PRODUCT LEVEL)	
	1	1	329-4282	1	KNOB						
	2	1	2W-6820	1	VALVE-CONTROL (AIR)						



GRAPHIC #1

<END>

g01560907

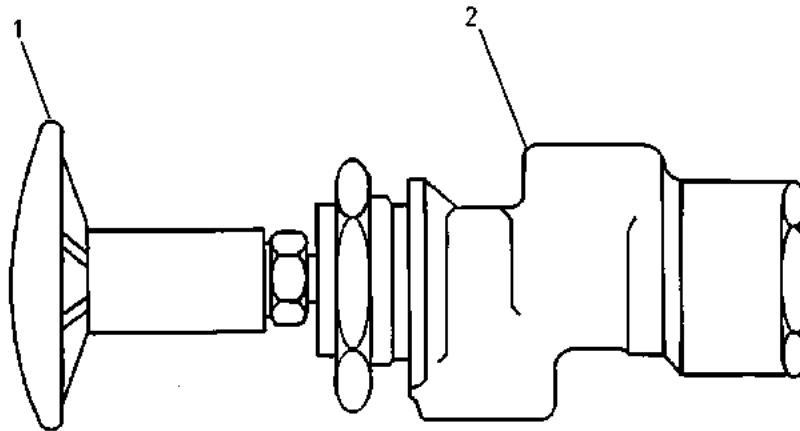
AIR INLET AND EXHAUST SYSTEM

4W-5426 VALVE GP-AIR CONTROL PART OF 4W-7205, 4W-7211 CONTROL GP-AIR STARTING AN ATTACHMENT

SMCS-108A, 1462

i03129058

NOTE	REF NO	GRAPHIC REF	PART NUMBER	QTY	PART NAME						SEE PAGE
					1	2	3	4	5	6 (PRODUCT LEVEL)	
	1	1	2W-0630	1	KNOB-LOCK						
	2	1	2W-6820	1	VALVE-CONTROL						



GRAPHIC #1

<END>

g00477108

AIR INLET AND EXHAUST SYSTEM

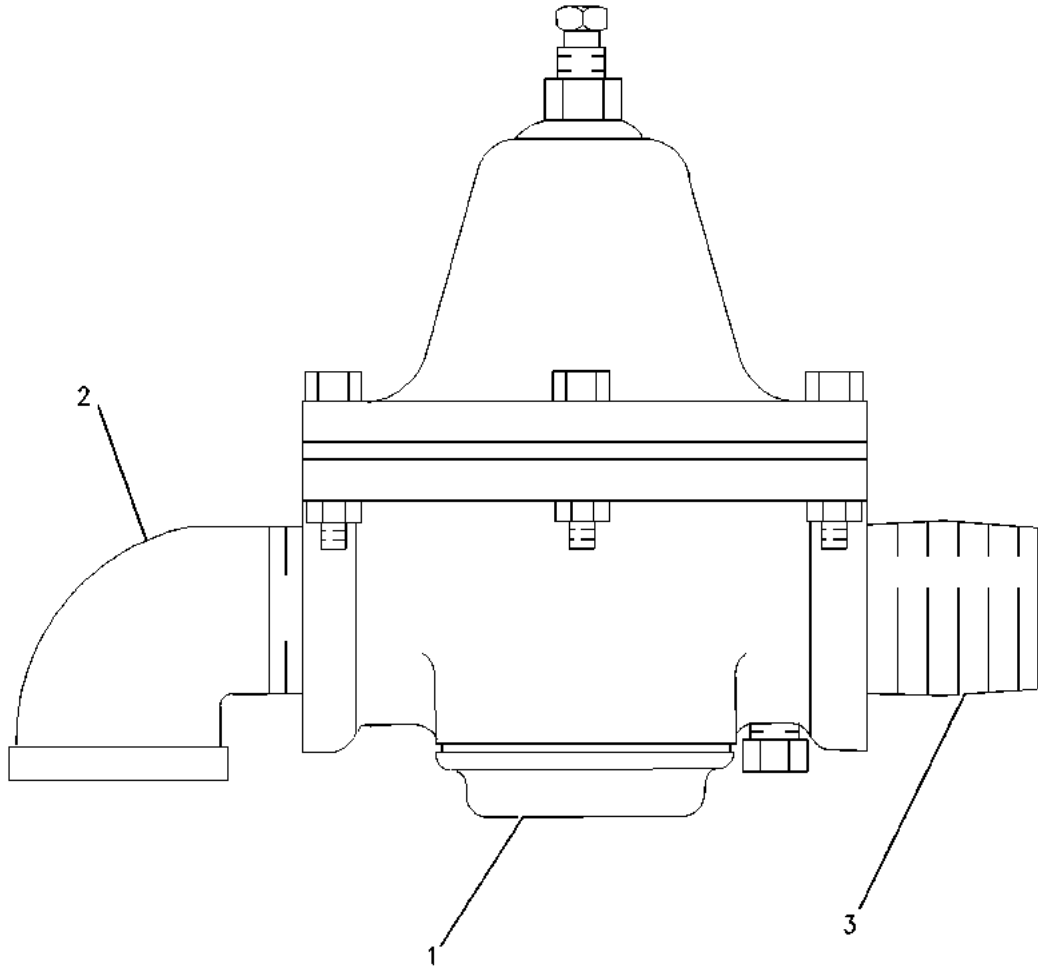
8N-8483 VALVE GP-AIR CONTROL-RH FOR USE WITH AIR START SYSTEM AN ATTACHMENT

SMCS-108A, 1462

i04723930

NOTE	REF NO	GRAPHIC REF	PART NUMBER	QTY	PART NAME						SEE PAGE
					1	2	3	4	5	6 (PRODUCT LEVEL)	
Y	1	1	1L-2073	1	VALVE GP-PRESSURE REDUCING (AIR STARTING)						1341
	2	1	5B-7666	1	ELBOW						
	3	1	3L-8993	1	FITTING						

Y - SEPARATE ILLUSTRATION



GRAPHIC #1

<END>

g00637864

FUEL SYSTEM

155-2600 ACTUATOR GP-ELECTRONIC

CANNOT BE USED WITH FUEL SHUTOFF SOLENOID, POST LOCK GOVERNOR CONTROL
AN ATTACHMENT

SMCS-1716

i00839706

NOTE	PART NUMBER	QTY	PART NAME 1 2 3 4 5 6 (PRODUCT LEVEL)	SEE PAGE
R	7W-6722	1	ACTUATOR AS	
	4W-8072	1	GASKET-TOP COVER	
	7N-7779	1	SOCKET-CONNECTOR (14-GA TO 18-GA)	
	7N-7780	1	PIN-CONNECTOR (14-GA TO 18-GA)	
	7N-9738	1	HOUSING-RECEPTACLE (14-GA TO 18-GA)	
Y	<i>8N-0117</i>	1	DRIVE GP-GOVERNOR	801
YR	<i>4W-5030</i>	1	FASTENER GP-FUEL INJ PUMP	810
	8T-6762	1	PLUG-PIPE (1/2-14-THD)	

R - REMANUFACTURED PART MAY BE AVAILABLE
Y - SEPARATE ILLUSTRATION

<END>

FUEL SYSTEM

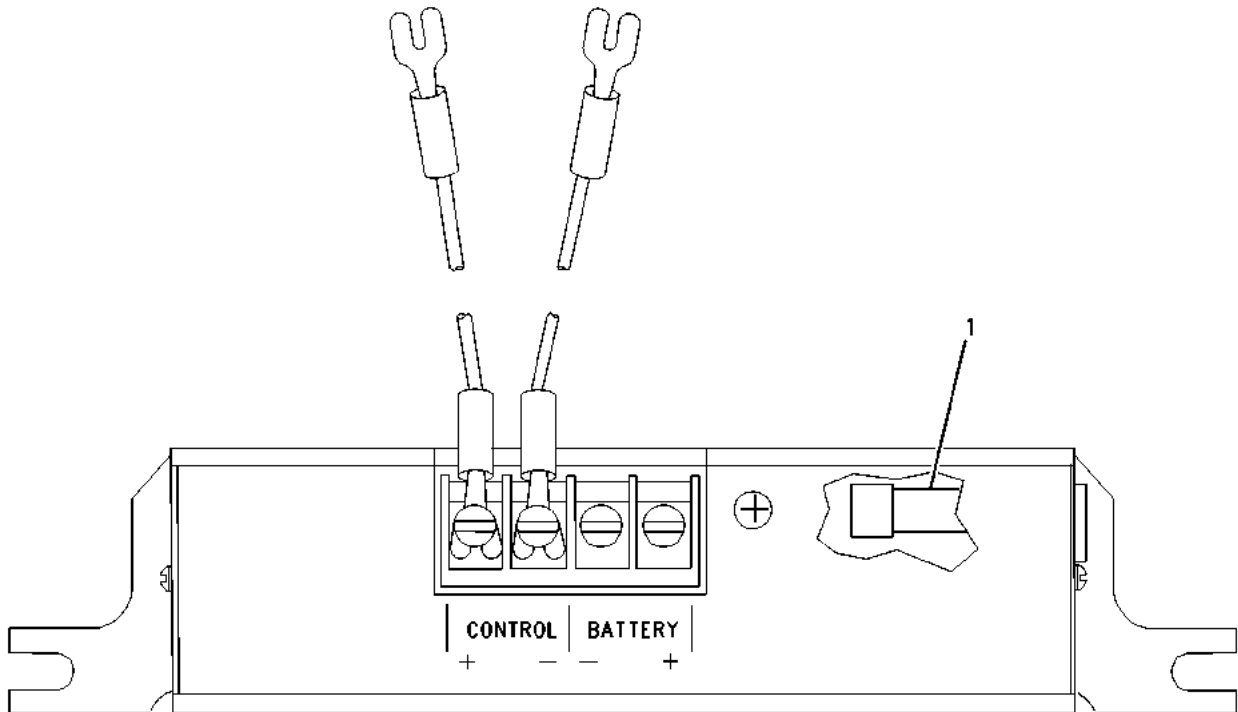
4W-5391 BOX AS-GOVERNOR PREREGULATOR AN ATTACHMENT

SMCS-1264

i02319945

NOTE	REF NO	GRAPHIC REF	PART NUMBER	QTY	PART NAME						SEE PAGE
					1	2	3	4	5	6 (PRODUCT LEVEL)	
B	1	1	7T-0037	3	FUSE (0.75-AMPERE)						

B - USE AS REQUIRED



GRAPHIC #1

<END>

g00758599

FUEL SYSTEM

4P-3783 CONTROL & HOUSING GP-GOVERNOR

AN ATTACHMENT

SMCS-1265, 1287

i06589753

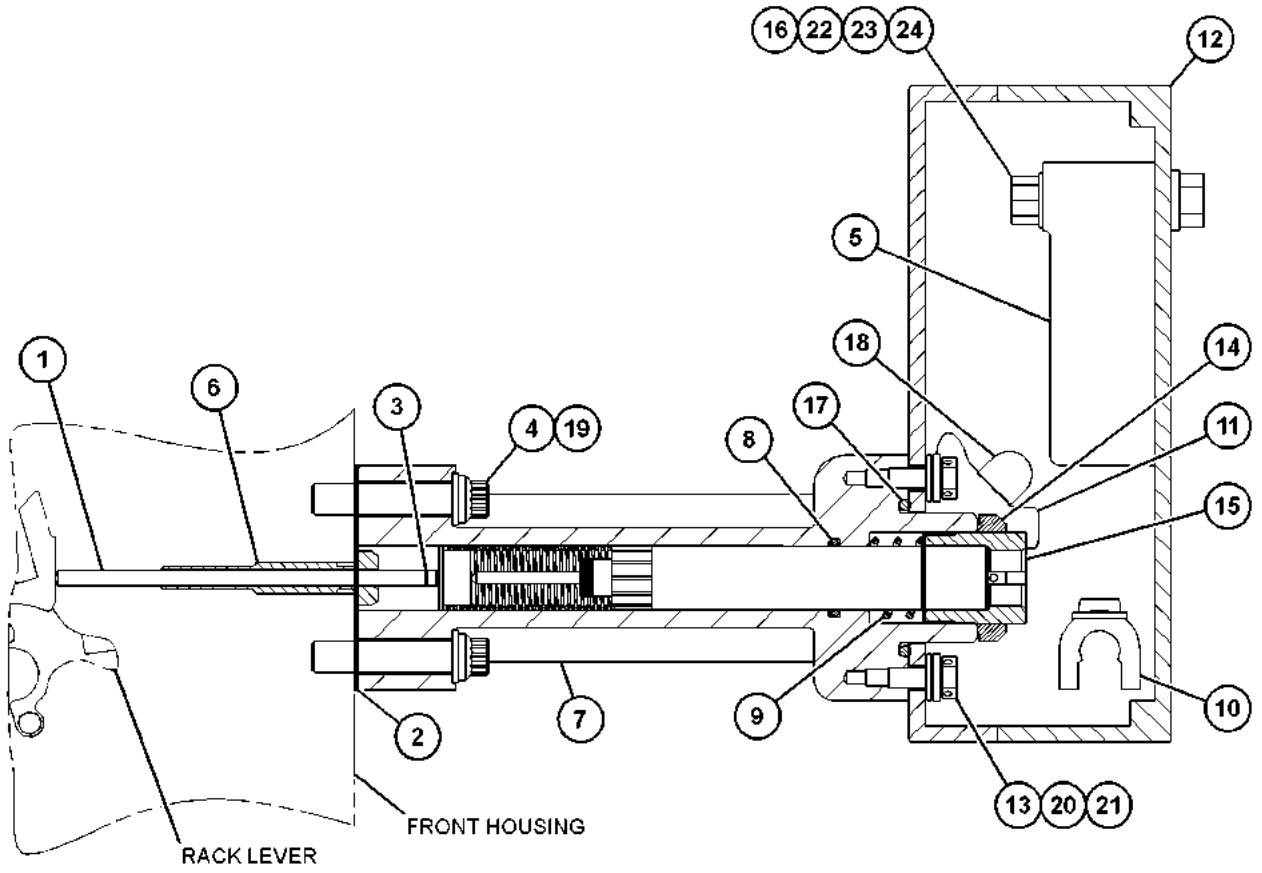
NOTE	REF NO	GRAPHIC REF	PART NUMBER	QTY	PART NAME						SEE PAGE
					1	2	3	4	5	6 (PRODUCT LEVEL)	
	1	1	7E-3924	1	ROD						
	2	1	4W-5100	1	GASKET						
	3	1	5P-4672	1	RING-RETAINING						
	4	1	031-2458	4	BOLT-12 POINT HEAD (3/8-16X1.75-IN)						
Y	5	1	6T-9593	1	CONTROL GP-ENGINE ELECTRONIC (RACK POSITION)						1024
	6	1	4W-5540	1	GUIDE-BUSHING						
	7	1	4P-3893	1	HOUSING						
	8	1	7F-8607	1	SEAL-O-RING						
	9	1	4B-4909	1	SPRING						
	10	1	9G-2265	2	CLIP						
D	11	1	5P-6025		LOCKWIRE (0.1-M)						
	12	1	4P-3870	1	BOX AS						
	13	1	2N-5919	4	BOLT (1/4-20X0.62-IN)						
	14	1	7E-9701	1	NUT						
	15	1	7W-2795	1	COLLAR						
	16	1	0S-1590	2	BOLT (3/8-16X2-IN)						
	17	1	8J-8725	1	SEAL-O-RING						
	18	1	8S-8158	1	SEAL-WIRE						
	19	1	1B-4218	4	WASHER (0.39X0.625X0.064-IN THK)						
	20	1	5P-0537	4	WASHER-HARD (7.2X14.5X2-MM THK)						
	21	1	3N-6744	4	WASHER						
	22	1	5M-2894	2	WASHER-HARD (10.2X18.5X2.5-MM THK)						
	23	1	5R-7136	2	WASHER-SEALING						
	24	1	9S-8752	2	NUT-FULL (3/8-16-THD)						

D - ORDER BY THE METER
Y - SEPARATE ILLUSTRATION

FUEL SYSTEM

4P-3783 CONTROL & HOUSING GP-GOVERNOR (contd.)

i06589753



GRAPHIC #1

<END>

g06040800

FUEL SYSTEM

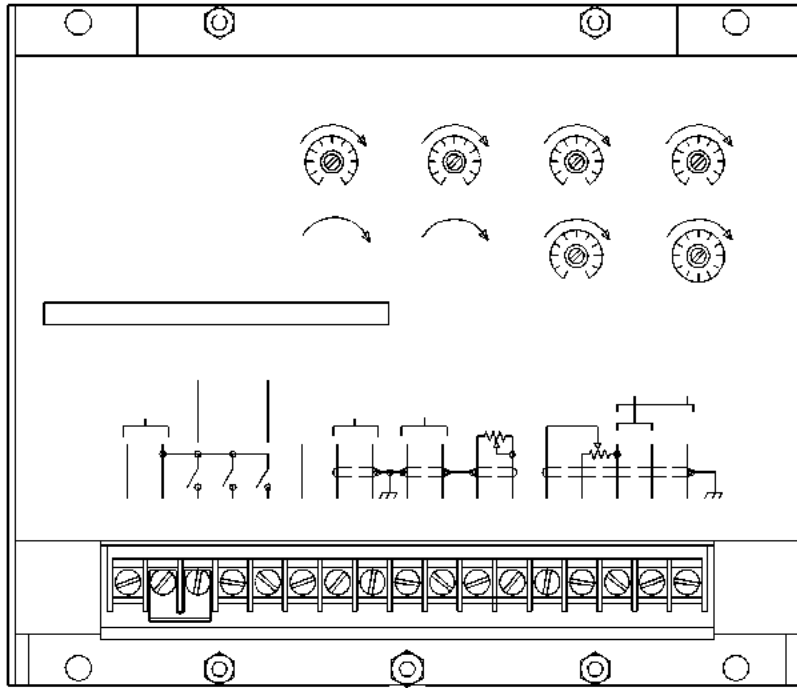
224-4319 CONTROL AS-GOVERNOR-SPEED CONTROL AN ATTACHMENT

SMCS-1264

i02666937

NOTE	REF NO	GRAPHIC REF	PART NUMBER	QTY	PART NAME	SEE PAGE
					1 2 3 4 5 6 (PRODUCT LEVEL)	

(NO SERVICED PARTS)



GRAPHIC #1

<END>

g01340265

FUEL SYSTEM

4W-2966 CONTROL GP-FUEL INJECTION

SMCS-1265, 1298

i06999216

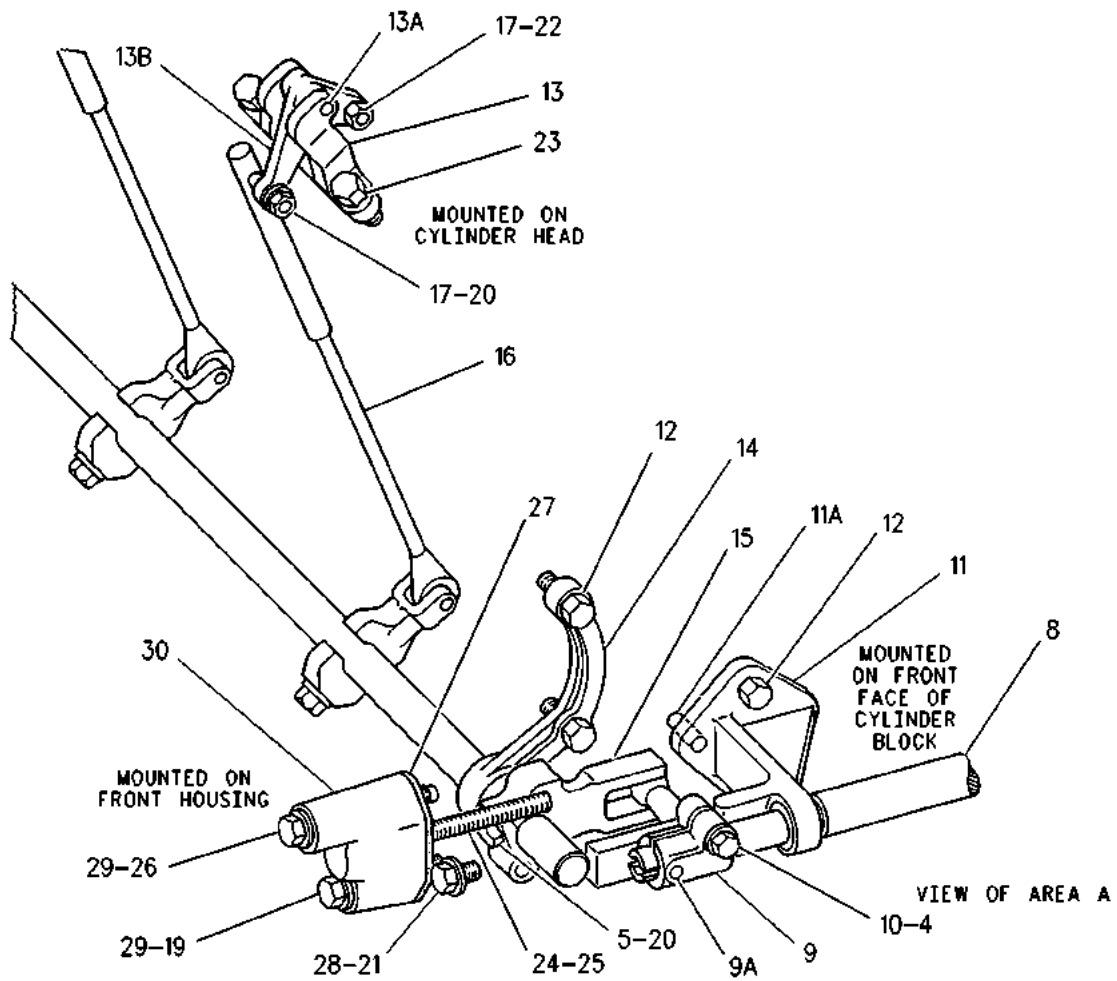
NOTE	REF NO	GRAPHIC REF	PART NUMBER	QTY	PART NAME						SEE PAGE
					1	2	3	4	5	6 (PRODUCT LEVEL)	
	1	2	1W-4341	2	SHAFT-FUEL CONTROL						
	2	2	061-8114	4	RING-RETAINING						
	3	2	2W-6047	4	WASHER (22.05X31.75X0.89-MM THK)						
	4	1	9M-1974	2	WASHER-HARD (8.8X16X2-MM THK)						
	5	1	6V-3279	14	BOLT-SPECIAL						
	6	2	7C-0305	4	BRACKET AS						
					(EACH INCLUDES)						
		2	7N-5984	1	BEARING						
	7	2	0L-1351	8	BOLT (3/8-16X0.875-IN)						
	8	1	7N-5376	1	SHAFT						
	9	1	220-7173	2	LEVER AS						
					(EACH INCLUDES)						
	9A	1	5H-3182	1	PIN-SPRING						
	10	1	4B-3388	2	BOLT (5/16-18X1.125-IN)						
	11	1	7N-5345	2	BRACKET AS						
					(EACH INCLUDES)						
	11A	1	7N-2047	2	DOWEL						
		1	7N-5984	1	BEARING						
	12	1	0S-1594	8	BOLT (3/8-16X1-IN)						
	13	1	7N-5358	12	BRACKET						
	13A	1	7N-5352	12	DOWEL						
	13B	1	7N-5360	12	LEVER						
	14	1	7N-5976	2	SUPPORT AS						
					(EACH INCLUDES)						
		1	7N-5984	1	BEARING						
	15	1	1N-4674	2	LEVER-GOVERNOR						
	16	1	1N-4679	12	ROD AS-CONTROL						
	17	1	2L-9038	24	LOCKNUT (1/4-28-THD)						
	18	2	8N-2004	12	CAP						
	19	1	2L-6324	1	BOLT (3/8-16X2.25-IN)						
	20	1	5P-0537	26	WASHER-HARD (7.2X14.5X2-MM THK)						
	21	1	1B-4218	2	WASHER (0.39X0.625X0.064-IN THK)						
	22	1	7N-5343	12	BOLT-PIVOT (1/4-28-THD)						
	23	1	005-8160	24	BOLT-12 POINT HEAD (1/4-20X0.875-IN)						
	24	1	4W-4803	1	SETSCREW (3/8-16-THD)						
	25	1	9S-8752	1	NUT-FULL (3/8-16-THD)						
	26	1	7N-5368	1	PIN-RACK						
	27	1	8N-1996	1	GASKET						
	28	1	2A-5220	2	PLUG						
	29	1	5M-2894	2	WASHER-HARD (10.2X18.5X2.5-MM THK)						
	30	1	8N-1995	1	COVER						
B	31	2	2A-5220	3	PLUG						
B	32	2	1B-4218	3	WASHER (0.39X0.625X0.064-IN THK)						

B - USE AS REQUIRED

FUEL SYSTEM

4W-2966 CONTROL GP-FUEL INJECTION (contd.)

i06999216



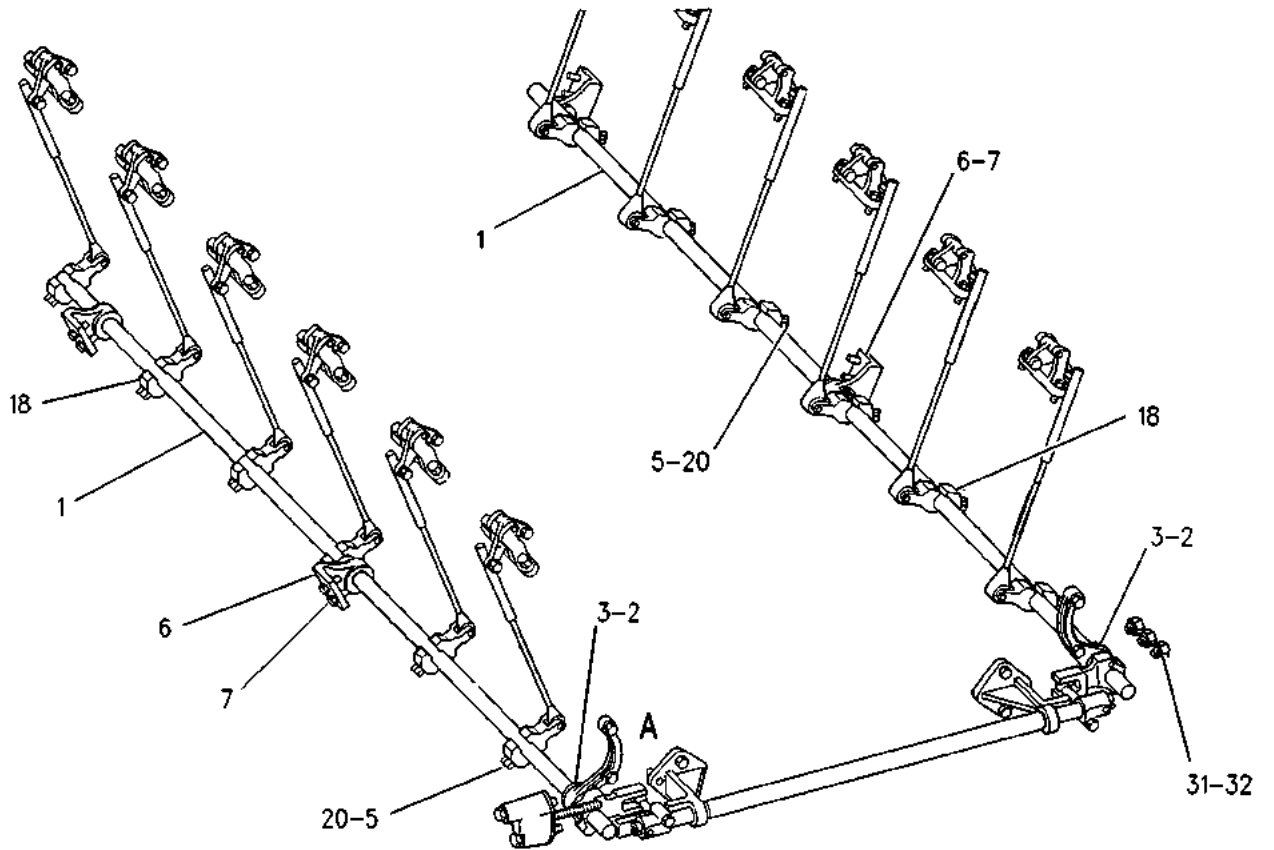
GRAPHIC #1

g00888711

FUEL SYSTEM

4W-2966 CONTROL GP-FUEL INJECTION (contd.)

i06999216



GRAPHIC #2

<END>

g00888712

FUEL SYSTEM

101-8238 CONTROL GP-FUEL RATIO

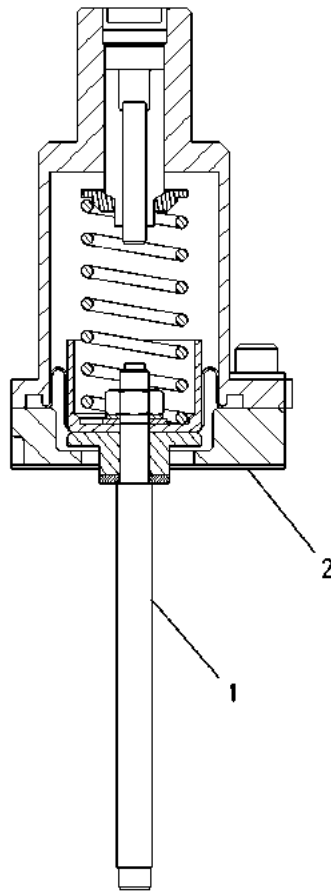
PART OF 124-3173, 124-3174 GOVERNOR GP

ALSO AN ATTACHMENT

SMCS-1278

i01395348

NOTE	REF NO	GRAPHIC REF	PART NUMBER	QTY	PART NAME						SEE PAGE	
					1	2	3	4	5	6 (PRODUCT LEVEL)		
	1	1	133-9309	1	STEM AS							
	2	1	2W-0142	1	GASKET-GUIDE							
					AVAILABLE REPAIR KIT(S):							
					4P-6869	1	KIT-CONTROL REPAIR (FUEL RATIO)					
					(KIT INCLUDES PLUG, DIAPGRAM & SEAL)							



GRAPHIC #1

<END>

g00735248

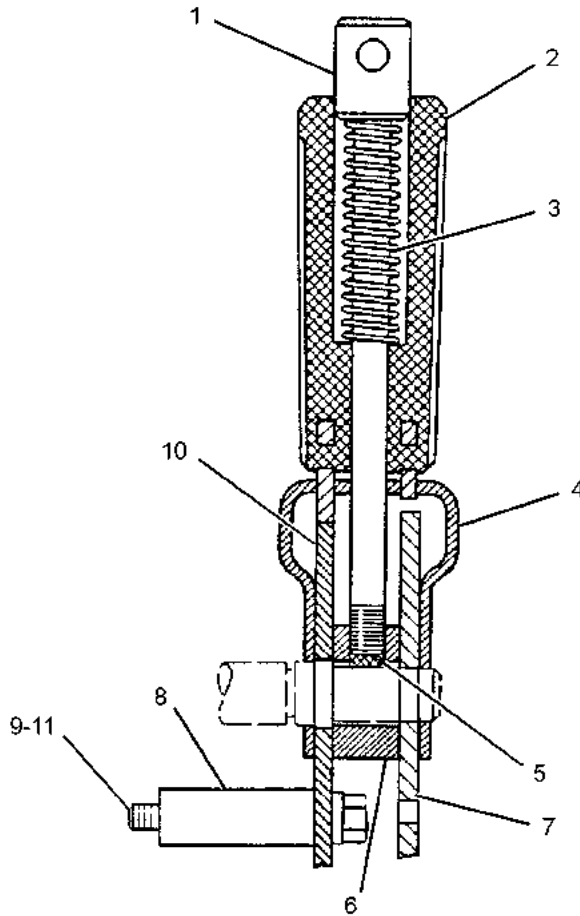
FUEL SYSTEM

2W-0543 CONTROL GP-GOVERNOR-REMOTE POSITIVE LOCK AN ATTACHMENT

SMCS-1265, 1276

i07109186

NOTE	REF NO	GRAPHIC REF	PART NUMBER	QTY	PART NAME						SEE PAGE
					1	2	3	4	5	6 (PRODUCT LEVEL)	
	1	1	4W-2541	1	SHAFT						
	2	1	4N-4523	1	HANDLE AS						
	3	1	4W-2542	1	SPRING						
	4	1	4N-4520	1	GUIDE						
	5	1	5K-0605	1	PLUG						
	6	1	8L-4282	1	HUB						
	7	1	5N-7812	1	RATCHET-GOVERNOR CONTROL						
	8	1	8B-2026	4	SPACER (0.438X0.75X1.5-IN THK)						
	9	1	1D-4539	4	BOLT (5/16-18X2.5-IN)						
	10	1	4N-4519	1	QUADRANT-CONTROL						
	11	1	9M-1974	4	WASHER-HARD (8.8X16X2-MM THK)						



GRAPHIC #1

<END>

g03256519

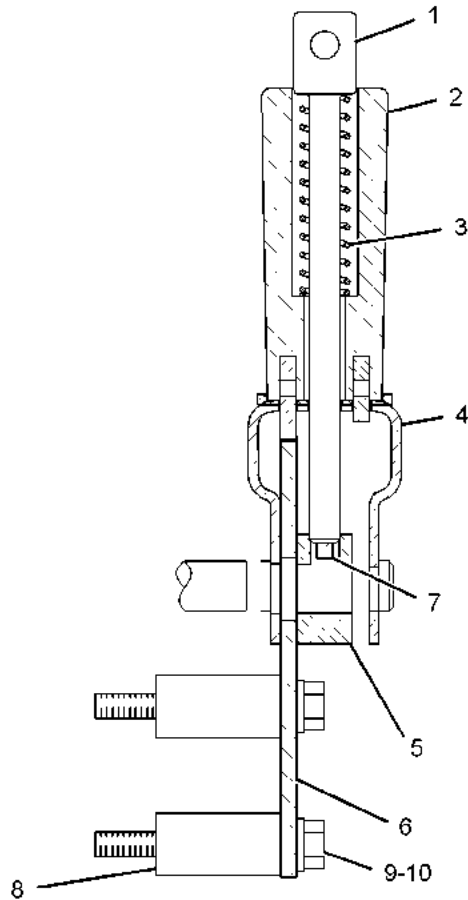
FUEL SYSTEM

2W-0688 CONTROL GP-GOVERNOR FOR USE WITH 3161 ISOCHRONOUS GOVERNORS AN ATTACHMENT

SMCS-1265, 1276

i03421110

NOTE	REF NO	GRAPHIC REF	PART NUMBER	QTY	PART NAME						SEE PAGE
					1	2	3	4	5	6 (PRODUCT LEVEL)	
	1	1	4W-2541	1	SHAFT						
	2	1	4N-4523	1	HANDLE AS						
	3	1	4W-2542	1	SPRING						
	4	1	4N-4520	1	GUIDE						
	5	1	8L-4282	1	HUB						
	6	1	5N-7812	1	RATCHET-GOVERNOR CONTROL						
	7	1	5K-0605	1	PLUG						
	8	1	8B-2026	4	SPACER (0.438X0.75X1.5-IN THK)						
	9	1	1D-4539	4	BOLT (5/16-18X2.5-IN)						
	10	1	9M-1974	4	WASHER-HARD (8.8X16X2-MM THK)						



GRAPHIC #1

<END>

g01805914

FUEL SYSTEM

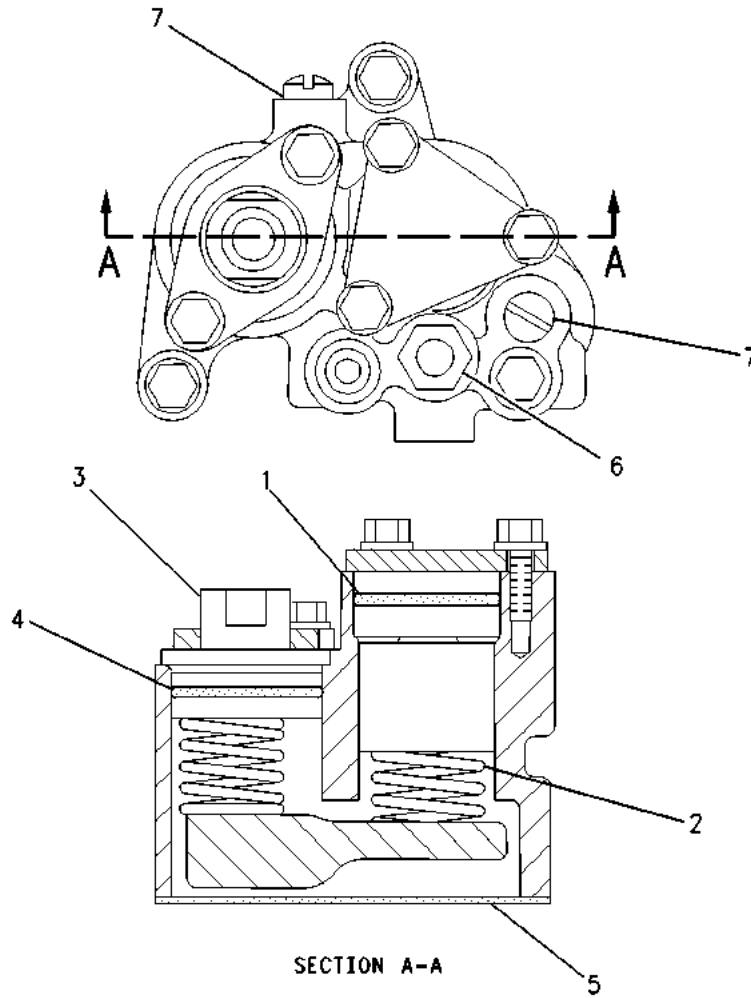
4P-6538 CONTROL GP-GOVERNOR

PART OF 124-3174 GOVERNOR GP
AN ATTACHMENT

SMCS-1265, 1276

i01612570

NOTE	REF NO	GRAPHIC REF	PART NUMBER	QTY	PART NAME						SEE PAGE
					1	2	3	4	5	6	
	1	1	5P-5600	1	SEAL-O-RING						
	2	1	7E-9534	1	SPRING						
	3	1	7W-0948	1	BELLOWS AS						
	4	1	2W-0225	1	SEAL-O-RING						
	5	1	2W-0125	1	GASKET						
	6	1	6V-5048	1	SEAL-O-RING						
	7	1	2W-0221	2	SEAL-O-RING						



GRAPHIC #1

<END>

g00735247

FUEL SYSTEM

7C-7504 CONVERSION GP-GOVERNOR-LH

**FOR USE WITH LOCOMOTIVE ENGINES WITH PROGRAMMABLE ELECTRONIC ENGINE CONTROL
AN ATTACHMENT**

SMCS-1264

i00650199

NOTE	PART NUMBER	QTY	PART NAME						SEE PAGE
			1	2	3	4	5	6 (PRODUCT LEVEL)	
Y	7C-7506	1	DRIVE GP-GOVERNOR						800
	7C-7505	1	ACTUATOR AS						
	7C-7509	1	LEVER AS						
	7C-7510	1	LEVER-GOVERNOR						
	7C-7512	1	LEVER-GOVERNOR CONTROL						
	8N-8160	1	PIN-RACK ACTUATOR						

Y - SEPARATE ILLUSTRATION

<END>

FUEL SYSTEM

7E-6634 COOLER GP-FUEL

FOR USE WITH 72-25 RADIATOR
AN ATTACHMENT

SMCS-1712

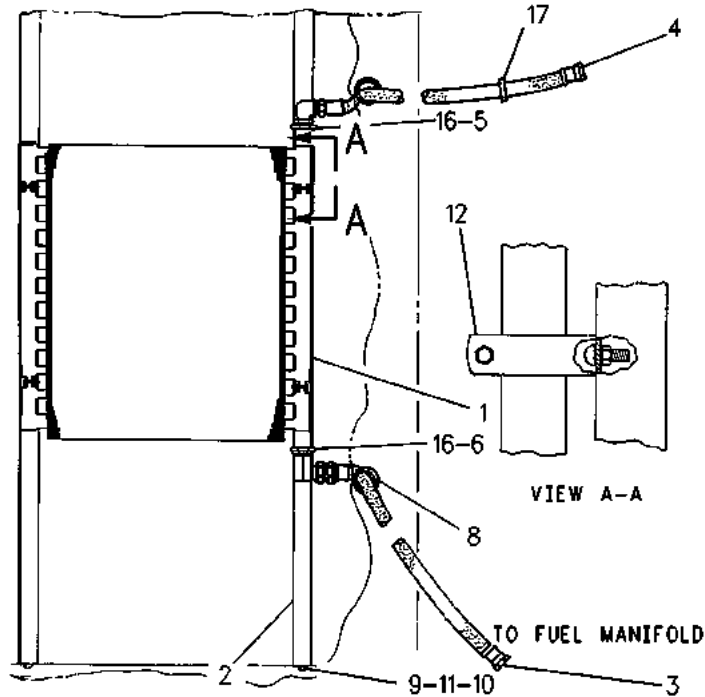
i04832597

NOTE	REF NO	GRAPHIC REF	PART NUMBER	QTY	PART NAME						SEE PAGE
					1	2	3	4	5	6 (PRODUCT LEVEL)	
	1	1	7E-6633	1	COOLER-FUEL						
	2	1	7E-6685	2	SUPPORT AS						
I	3	1	8N-1186	1	HOSE AS						
I	4	1	3N-4906	1	HOSE AS						
	5	1	2H-3939	1	ELBOW						
	6	1	2L-8228	1	ELBOW						
	8	1	6P-0699	2	GROMMET						
	9	1	9B-7237	4	BOLT (3/8-16X1.25-IN)						
	10	1	6V-8801	4	NUT (3/8-16-THD)						
	11	1	5P-1075	8	WASHER-HARD (10.2X22.5X3-MM THK)						
C	12	1	4P-1701	1	KIT-COOLER MOUNTING (FUEL)						
	16	1	6B-9081	2	BUSHING-REDUCER						
B	17	1	034-1432	3	STRAP-CABLE						

B - USE AS REQUIRED

C - CHANGE FROM PREVIOUS TYPE

I - REFER TO HYDRAULIC INFORMATION SYSTEM



REAR VIEW

GRAPHIC #1

<END>

g00901614

FUEL SYSTEM

7E-6681 COOLER GP-FUEL FOR USE WITH 46-CV RADIATOR PART OF 127-8525, 9Y-6675 RADIATOR GP AN ATTACHMENT

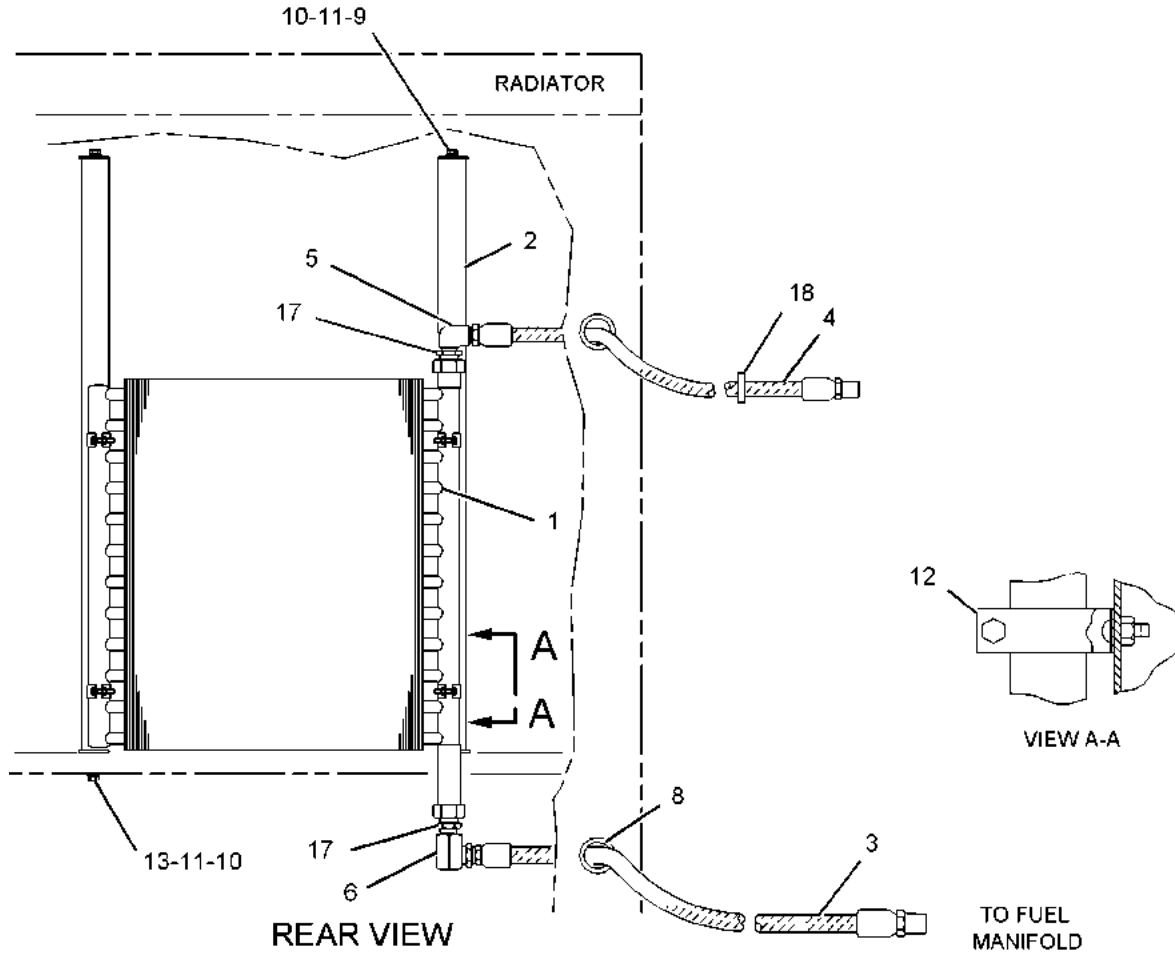
SMCS-1712

i02766358

NOTE	REF NO	GRAPHIC REF	PART NUMBER	QTY	PART NAME						SEE PAGE
					1	2	3	4	5	6	
	1	1	7E-6633	1	COOLER-FUEL						
	2	1	7E-6683	2	SUPPORT AS						
I	3	1	8N-1186	1	HOSE AS						
I	4	1	3N-4906	1	HOSE AS						
	5	1	2H-3939	1	ELBOW						
	6	1	2L-8228	1	ELBOW						
	8	1	1S-1014	2	GROMMET						
	9	1	8C-3121	2	BOLT (5/16-18X1.5-IN)						
	10	1	6V-8189	4	NUT (5/16-18-THD)						
B	11	1	8T-4224	12	WASHER-HARD (8.8X16X2-MM THK)						
	12	1	4P-1701	1	KIT-COOLER MOUNTING (FUEL)						
	13	1	5P-2955	2	BOLT (5/16-18X2.5-IN)						
	17	1	6B-9081	2	BUSHING-REDUCER						
B	18	1	034-1432	3	STRAP-CABLE						

B - USE AS REQUIRED

I - REFER TO HYDRAULIC INFORMATION SYSTEM



GRAPHIC #1

<END>

g01103265

FUEL SYSTEM

7E-6682 COOLER GP-FUEL

FOR USE WITH 60-13 RADIATOR
AN ATTACHMENT

SMCS-1712

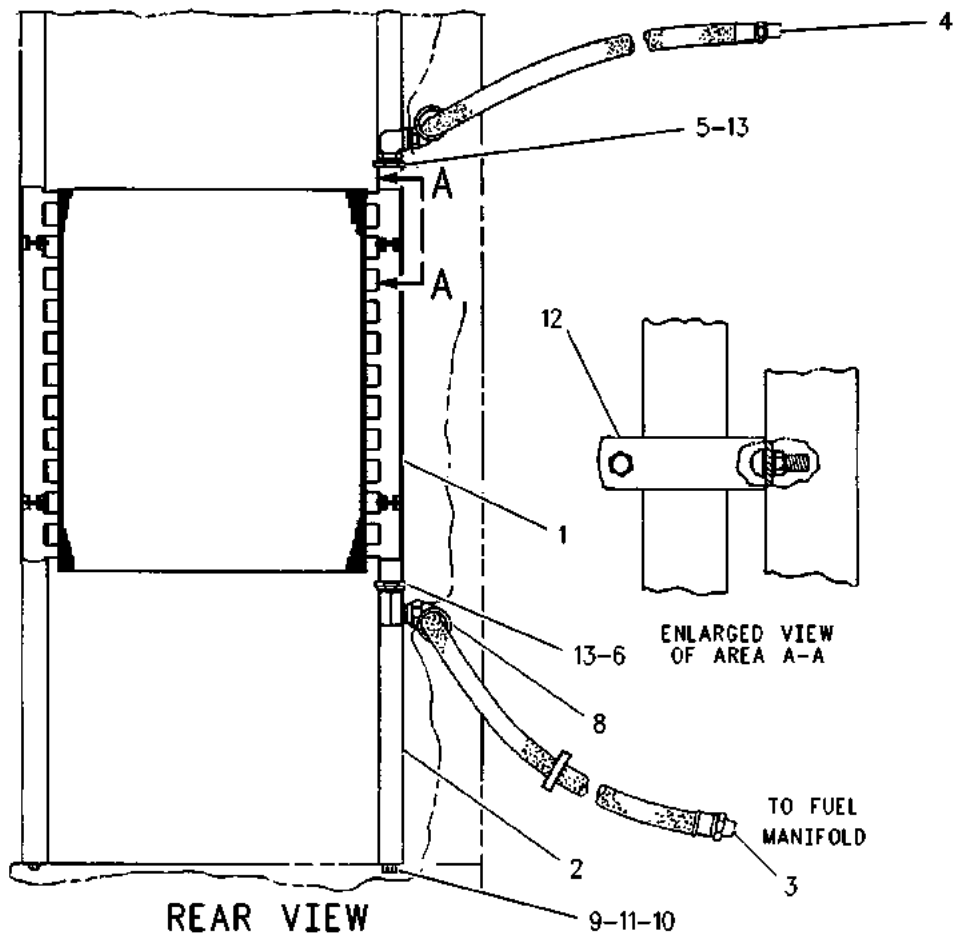
i02766359

NOTE	REF NO	GRAPHIC REF	PART NUMBER	QTY	PART NAME						SEE PAGE
					1	2	3	4	5	6	
	1	1	7E-6633	1	COOLER-FUEL						
	2	1	7E-6684	2	SUPPORT AS						
I	3	1	8N-1186	1	HOSE AS						
I	4	1	3N-4906	1	HOSE AS						
	5	1	2H-3939	1	ELBOW						
	6	1	2L-8228	1	ELBOW						
	8	1	6P-0699	2	GROMMET						
	9	1	4M-6425	4	BOLT (5/16-18X1-IN)						
	10	1	6V-8189	4	NUT (5/16-18-THD)						
B	11	1	8T-4224	12	WASHER-HARD (8.8X16X2-MM THK)						
C	12	1	4P-1701	1	KIT-COOLER MOUNTING (FUEL)						
	13	1	6B-9081	2	BUSHING-REDUCER						
B	14	1	034-1432	3	STRAP-CABLE						

B - USE AS REQUIRED

C - CHANGE FROM PREVIOUS TYPE

I - REFER TO HYDRAULIC INFORMATION SYSTEM



GRAPHIC #1

<END>

g00901620

FUEL SYSTEM

7E-8090 COOLER GP-FUEL

FOR USE WITH 50-11 RADIATOR
AN ATTACHMENT

SMCS-1712

i04380794

NOTE	REF NO	GRAPHIC REF	PART NUMBER	QTY	PART NAME						SEE PAGE
					1	2	3	4	5	6 (PRODUCT LEVEL)	
	1	1	006-5707	1	ELBOW-PIPE						
B	2	1	9M-1974	4	WASHER-HARD (8.8X16X2-MM THK)						
	3	1	2H-3939	1	ELBOW						
I	4	1	7E-8825	1	HOSE AS						
	5	1	6B-9081	2	BUSHING-REDUCER						
I	6	1	3N-7223	1	HOSE AS						
	7	1	5P-6994	1	CLIP						
	8	1	0S-1595	1	BOLT (1/2-13X1.25-IN)						
	9	1	2M-0849	2	WASHER-HARD (13.5X25.5X5-MM THK)						
	10	1	1F-7958	1	NUT-FULL (1/2-13-THD)						
	11	1	7E-8827	2	BRACKET AS-COOLER						
	12	1	0S-1618	4	BOLT (5/16-18X1-IN)						
	13	1	9M-1974	8	WASHER-HARD (8.8X16X2-MM THK)						
	14	1	5S-0003	4	NUT (5/16-18-THD)						
	15	1	7E-6633	1	COOLER-FUEL						
	16	1	7E-8826	2	SUPPORT AS-COOLER						
	17	1	0S-1588	8	BOLT (3/8-16X1.25-IN)						
	18	1	9M-6527	16	WASHER-HARD (10.2X25.5X5-MM THK)						
	19	1	9S-8752	8	NUT-FULL (3/8-16-THD)						
	20	1	4P-1701	1	KIT-COOLER MOUNTING (FUEL)						

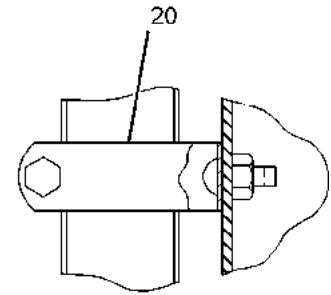
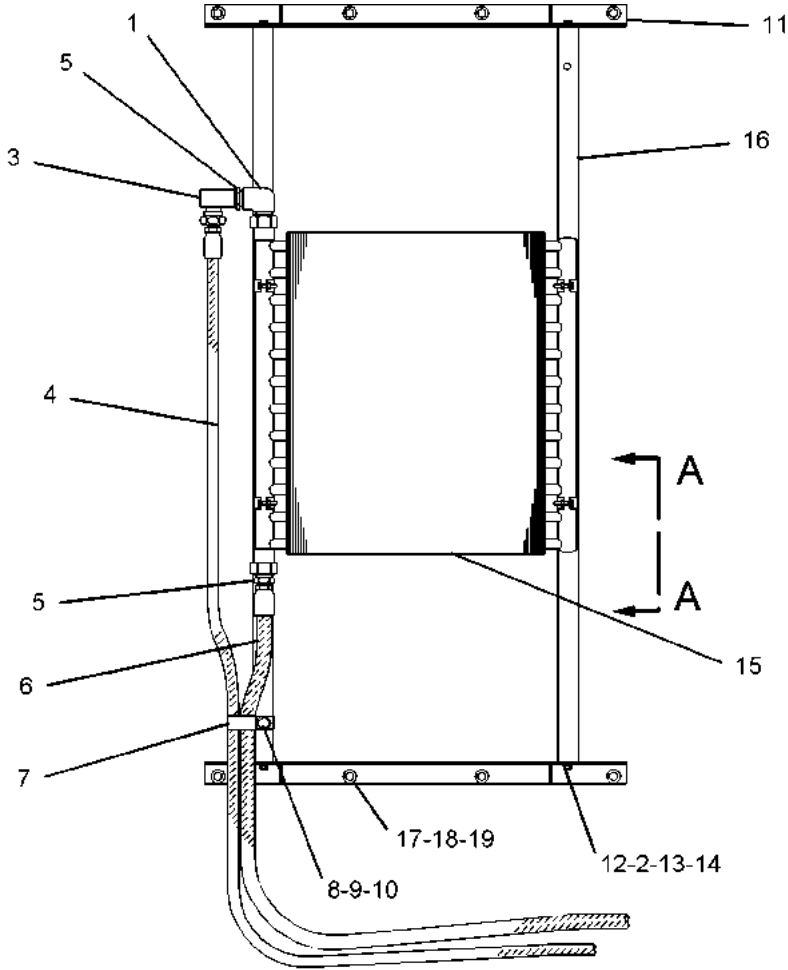
B - USE AS REQUIRED

I - REFER TO HYDRAULIC INFORMATION SYSTEM

FUEL SYSTEM

7E-8090 COOLER GP-FUEL (contd.)

i04380794



FRONT VIEW

GRAPHIC #1

<END>

g01102830

FUEL SYSTEM

1W-2135 DRIVE GP-GOVERNOR

PART OF 4W-1534 CONVERSION AR-ENGINE, 1W-5021, 2W-8583, 7W-3333, 8N-6712, 8N-6714 GOVERNOR GP
ALSO AN ATTACHMENT

SMCS-1288

i04547000

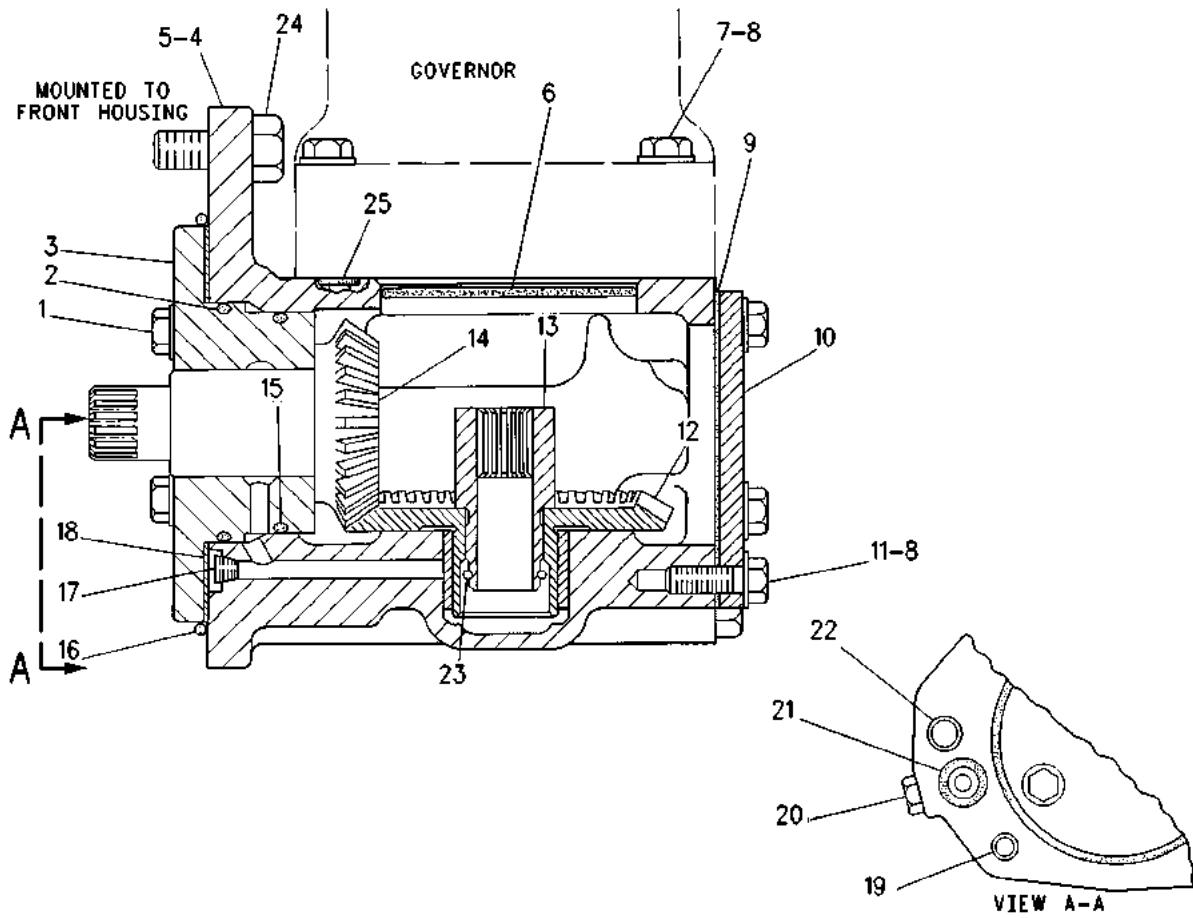
NOTE	REF NO	GRAPHIC REF	PART NUMBER	QTY	PART NAME						SEE PAGE
					1	2	3	4	5	6 (PRODUCT LEVEL)	
	1	1	2B-2695	4	BOLT (5/16-18X0.875-IN)						
		1	9M-1974	4	WASHER-HARD (8.8X16X2-MM THK)						
	2	1	6J-2244	1	SEAL-O-RING						
	3	1	7N-5700	1	ADAPTER						
	4	1	1W-2133	1	HOUSING AS-DRIVE						
		1	1W-9379	1	BUSHING						
	5	1	1T-0550	2	PIN-SPRING						
	6	1	8C-5197	1	SEAL-O-RING						
	7	1	0L-2070	4	BOLT (3/8-16X2.25-IN)						
	8	1	5M-2894	9	WASHER-HARD (10.2X18.5X2.5-MM THK)						
	9	1	7N-5695	1	GASKET						
	10	1	7N-5696	1	COVER						
	11	1	0S-1594	5	BOLT (3/8-16X1-IN)						
	12	1	1N-3409	1	GEAR-BEVEL (42-TEETH)						
	13	1	8N-9392	1	COUPLING-GOVERNOR DRIVE						
	14	1	7N-5701	1	PINION-GOVERNOR DRIVE (24-TEETH)						
	15	1	061-9457	1	SEAL-O-RING						
	16	1	6V-8260	1	SEAL-O-RING						
	17	1	8T-6757	3	PLUG-PIPE						
B	18	1	7N-5694	1	SHIM (0.8-MM THK)						
	19	1	1A-7669	2	BOLT (1/2-13X7-IN)						
	20	1	9S-4182	2	PLUG (7/16-20-THD)						
		1	6V-5048	2	SEAL-O-RING						
	21	1	6V-3348	2	SEAL-O-RING						
	22	1	1D-4588	2	BOLT (5/8-11X4.25-IN)						
	23	1	4H-8158	1	RING-RETAINING						
	24	1	0S-1621	2	BOLT (1/2-13X1-IN)						
	25	1	3P-0647	4	SEAL-O-RING						

B - USE AS REQUIRED

FUEL SYSTEM

1W-2135 DRIVE GP-GOVERNOR (contd.)

i04547000



GRAPHIC #1

<END>

g00705547

FUEL SYSTEM

4W-3151 DRIVE GP-GOVERNOR FOR USE WITH PGEV LOCOMOTIVE GOVERNOR PART OF 4W-3152 INSTALLATION GP-GOVERNOR AN ATTACHMENT

SMCS - 1288

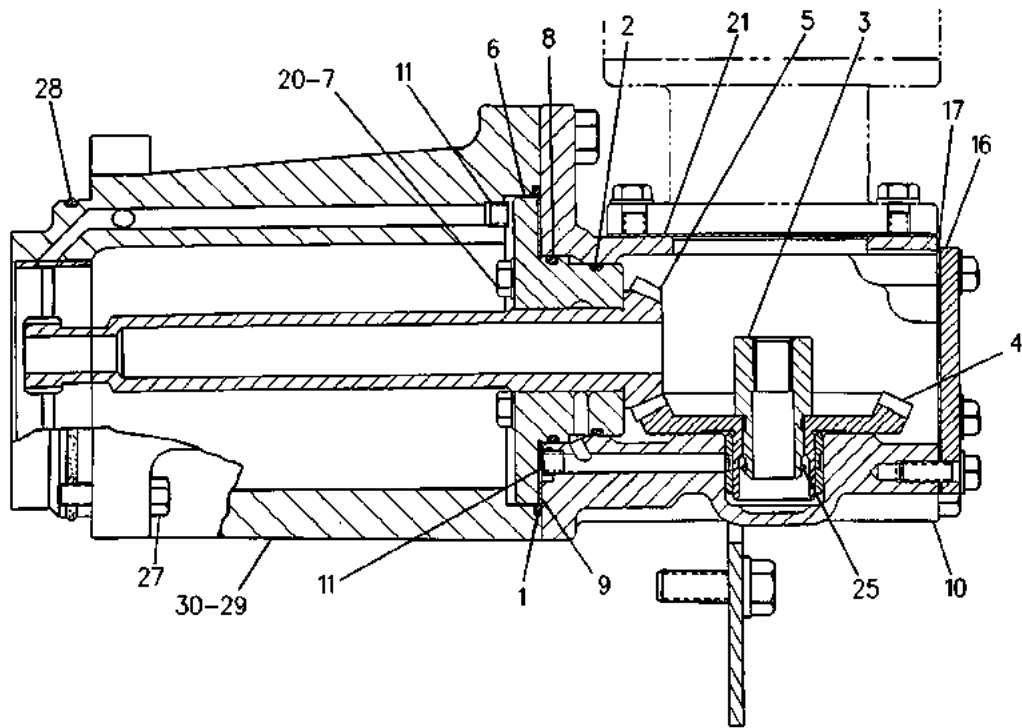
i00931451

NOTE	REF NO	GRAPHIC REF	PART NUMBER	QTY	PART NAME						SEE PAGE
					1	2	3	4	5	6 (PRODUCT LEVEL)	
	1	1	6V-8260	1	SEAL-O-RING						
	2	1	061-9457	1	SEAL-O-RING						
	3	1	8N-9392	1	COUPLING-GOVERNOR DRIVE						
	4	1	4W-0216	1	GEAR-BEVEL (45-TEETH)						
	5	1	4W-0215	1	PINION-GOVERNOR DRIVE						
	6	1	7N-5700	1	ADAPTER						
	7	1	2B-2695	4	BOLT (5/16-18X0.875-IN)						
	8	1	6J-2244	1	SEAL-O-RING						
	9	1	7N-5694	1	SHIM (0.8-MM THK)						
	10	1	1W-3437	1	HOUSING AS-DRIVE						
		1	1W-9379	1	BUSHING						
		1	1T-0550	1	PIN-SPRING						
	11	1	9F-2247	4	PLUG-PIPE (1/8-27-THD)						
	12	1	9S-4182	1	PLUG (7/16-20-THD)						
	13	1	1A-8651	2	BOLT (5/8-11X4.5-IN)						
	14	1	0S-1595	2	BOLT (1/2-13X1.25-IN)						
	15	1	6V-3348	2	SEAL-O-RING						
	16	1	7N-5696	1	COVER						
	17	1	7N-5695	1	GASKET						
	18	1	0S-1594	5	BOLT (3/8-16X1-IN)						
	19	1	5M-2894	9	WASHER-HARD (10.2X18.5X2.5-MM THK)						
	20	1	9M-1974	4	WASHER-HARD (8.8X16X2-MM THK)						
	21	1	6L-3401	1	GASKET-GOVERNOR HOUSING						
	22	1	9S-8002	1	PLUG (7/16-20-THD)						
	23	1	6V-5048	2	SEAL-O-RING						
	24	1	1A-0168	2	BOLT (1/2-13X7.5-IN)						
	25	1	4H-8158	1	RING-RETAINING						
	26	1	0S-1588	4	BOLT (3/8-16X1.25-IN)						
	27	1	0S-1591	6	BOLT (3/8-16X1.5-IN)						
	28	1	8M-5255	1	SEAL-O-RING						
	29	1	4W-3148	1	ADAPTER AS						
		1	7N-5244	1	BUSHING						
	30	1	5P-0840	1	SEAL-O-RING						
	31	1	4W-0162	1	PLATE						
	32	1	5P-8247	2	WASHER-HARD (17X32X3.5-MM THK)						
	33	1	0S-1585	3	BOLT (1/2-13X1.5-IN)						
	34	1	5P-8245	3	WASHER-HARD (13.5X25.5X3-MM THK)						

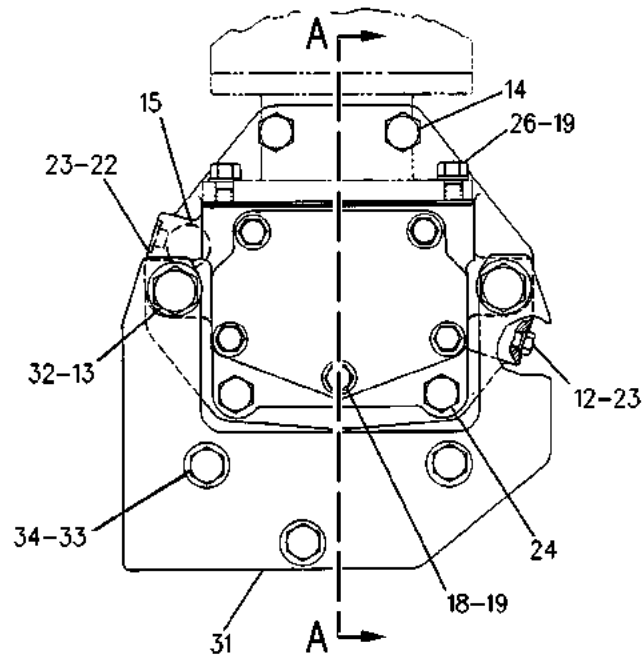
FUEL SYSTEM

4W-3151 DRIVE GP-GOVERNOR (contd.)

i00931451



SECTION A-A



GRAPHIC #1

<END>

g00476691

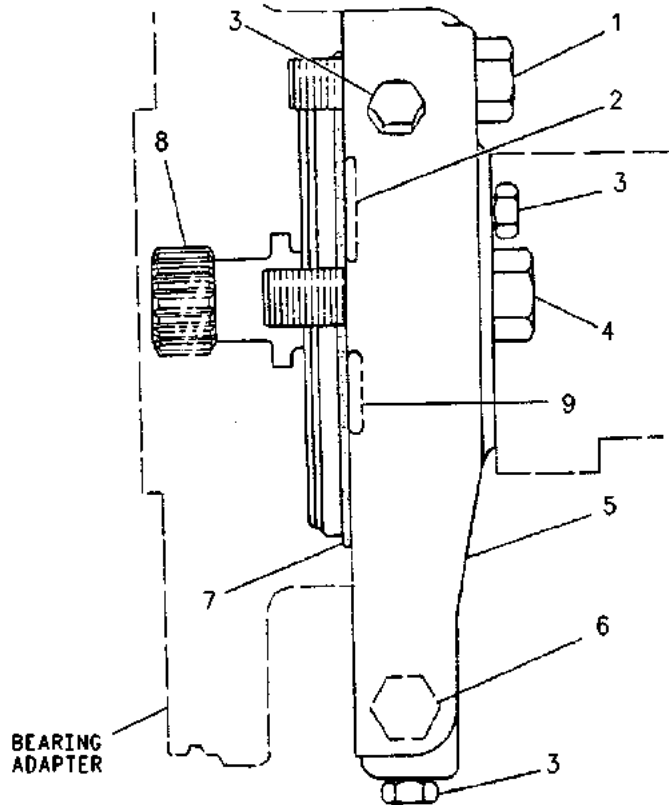
FUEL SYSTEM

7C-7506 DRIVE GP-GOVERNOR PART OF 7C-7504 CONVERSION GP-GOVERNOR AN ATTACHMENT

SMCS-1288

i01451390

NOTE	REF NO	GRAPHIC REF	PART NUMBER	QTY	PART NAME						SEE PAGE
					1	2	3	4	5	6 (PRODUCT LEVEL)	
	1	1	1A-1460	2	BOLT (1/2-13X2-IN)						
	2	1	1S-0004	1	SEAL-O-RING						
	3	1	1N-5999	3	PLUG-O-RING						
		1	7J-0204	3	SEAL-O-RING						
	4	1	0S-1625	2	BOLT (5/8-11X2.5-IN)						
	5	1	7C-7507	1	HOUSING AS-MOUNTING						
		1	4K-8603	2	PLUG-CUP						
	6	1	3K-8460	1	PLUG (1/2-20-THD)						
		1	1J-9671	1	SEAL-O-RING						
	7	1	7M-6637	1	SEAL-O-RING						
	8	1	2W-7253	1	COUPLING-DRIVE						
	9	1	5P-5598	1	SEAL-O-RING						



GRAPHIC #1

<END>

g00759464

FUEL SYSTEM

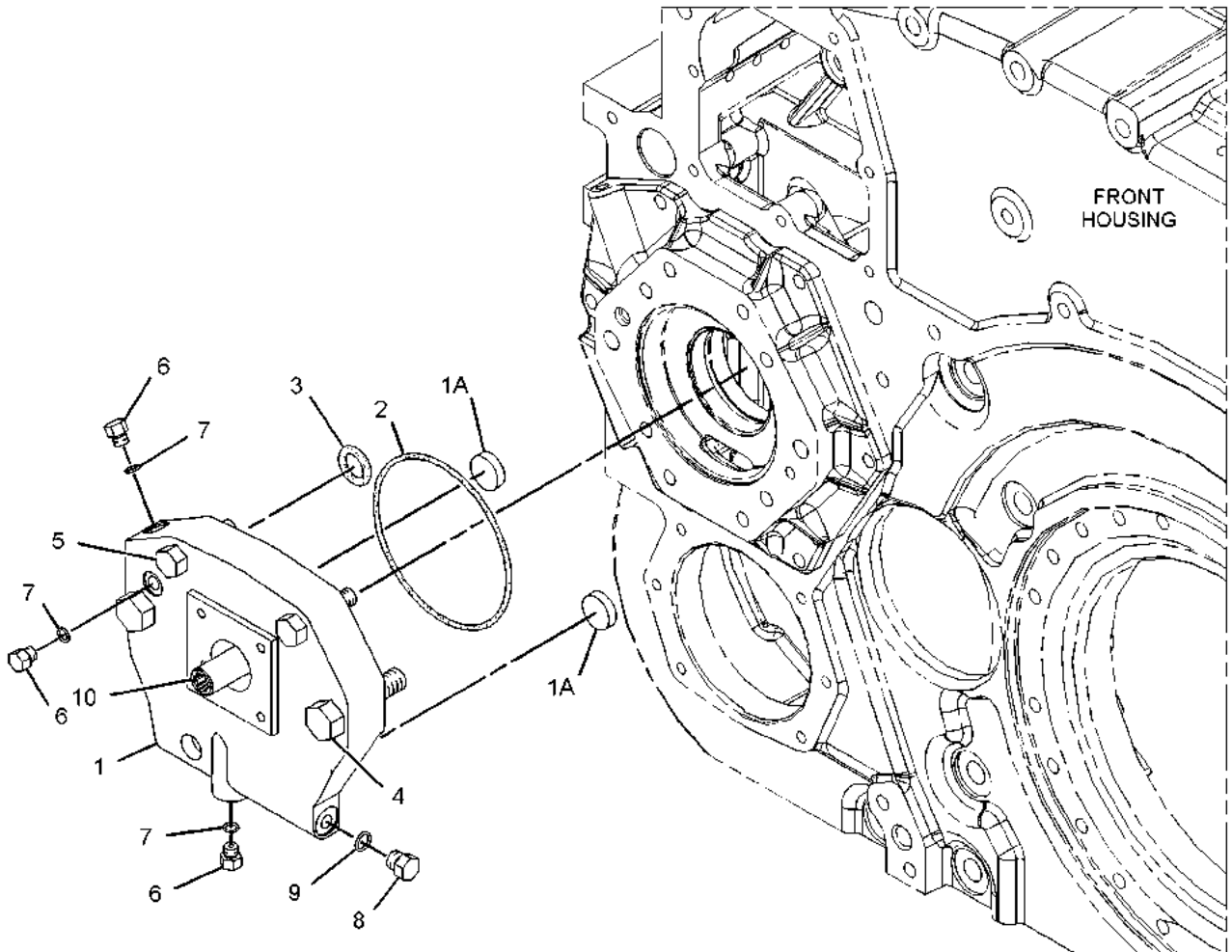
8N-0117 DRIVE GP-GOVERNOR

PART OF 155-2600 ACTUATOR GP-ELECTRONIC, 8N-0237 GOVERNOR GP-ELECTRIC
AN ATTACHMENT

SMCS-1288

i05071043

NOTE	REF NO	GRAPHIC REF	PART NUMBER	QTY	PART NAME						SEE PAGE
					1	2	3	4	5	6	
	1	1	7N-8736	1	HOUSING AS-MOUNTING						
	1A	1	4K-8603	2	PLUG-CUP						
	2	1	6V-8260	1	SEAL-O-RING						
	3	1	6V-3348	1	SEAL-O-RING						
	4	1	0S-1625	2	BOLT (5/8-11X2.5-IN)						
	5	1	1A-1460	2	BOLT (1/2-13X2-IN)						
	6	1	1N-5999	3	PLUG-O-RING						
	7	1	7J-0204	3	SEAL-O-RING						
	8	1	3K-8460	1	PLUG (1/2-20-THD)						
	9	1	1J-9671	1	SEAL-O-RING						
	10	1	2W-7253	1	COUPLING-DRIVE						



GRAPHIC #1

<END>

g01887638

FUEL SYSTEM

4W-5267 DRIVE GP-TACHOMETER AN ATTACHMENT

SMCS-7487

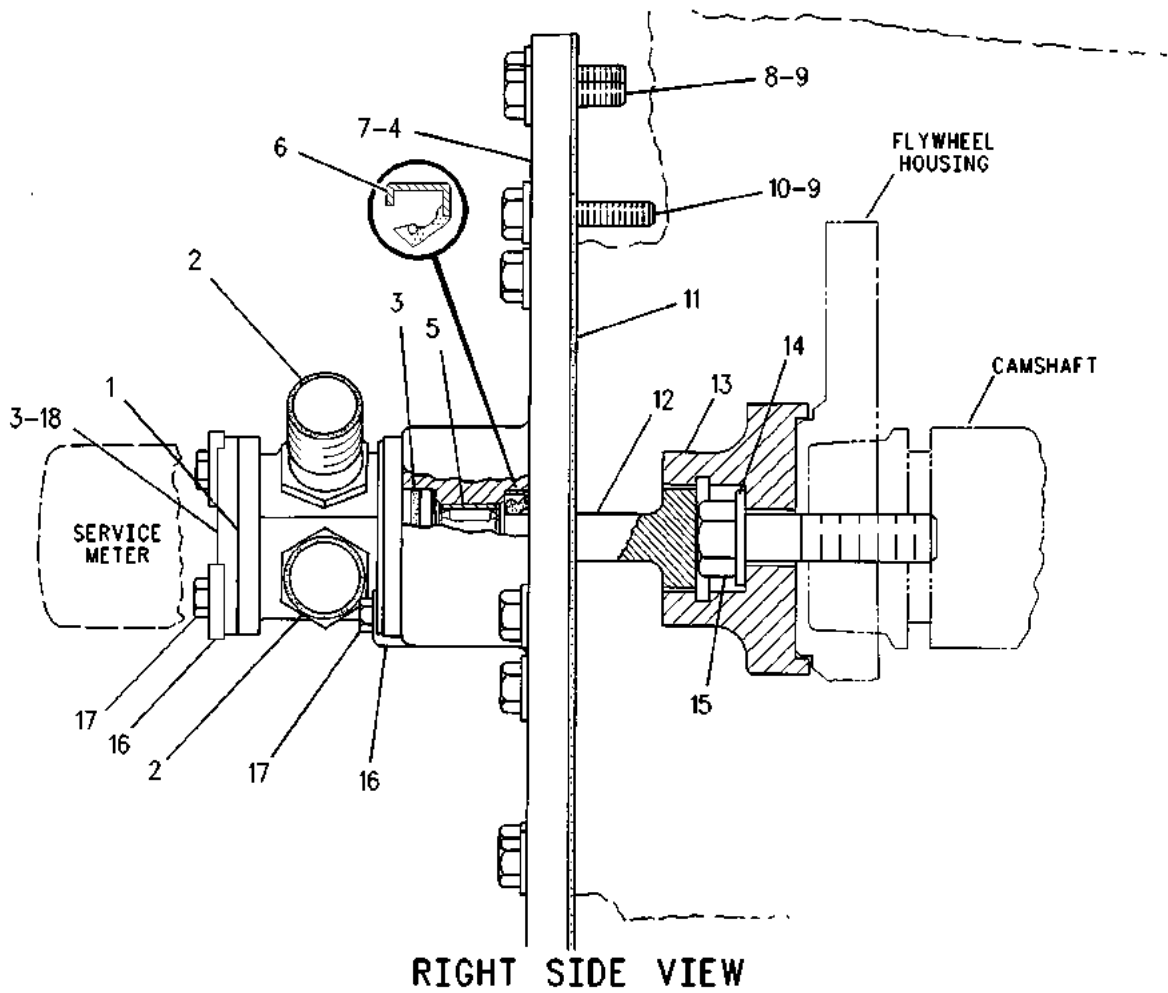
i07142225

NOTE	REF NO	GRAPHIC REF	PART NUMBER	QTY	PART NAME						SEE PAGE
					1	2	3	4	5	6 (PRODUCT LEVEL)	
	1	1	4W-2493	1	ADAPTER AS-DRIVE						
	2	1	7H-9899	2	SEAL						
	3	1	4M-8303	2	SEAL-O-RING						
	4	1	1N-3126	1	COVER AS-CAMSHAFT DRIVE						
	5	1	1F-4622	1	BEARING AS-NEEDLE						
	6	1	4S-7756	1	SEAL-LIP TYPE						
	7	1	5M-4987	2	DOWEL						
	8	1	1A-2029	8	BOLT (3/8-16X1.125-IN)						
	9	1	5M-2894	10	WASHER-HARD (10.2X18.5X2.5-MM THK)						
	10	1	0S-1591	2	BOLT (3/8-16X1.5-IN)						
	11	1	7N-4320	1	GASKET						
	12	1	4W-4589	1	SHAFT-TACHOMETER DRIVE						
	13	1	4W-4587	1	ADAPTER-TACHOMETER DRIVE						
	14	1	5P-8248	1	WASHER-HARD (20X36.5X3.5-MM THK)						
	15	1	9X-8887	1	BOLT (3/4-10X3-IN)						
	16	1	9S-0211	4	CLAMP-METER						
	17	1	0S-1615	4	BOLT (1/4-20X0.75-IN)						
	18	1	7N-4076	1	COVER						

FUEL SYSTEM

4W-5267 DRIVE GP-TACHOMETER (contd.)

107142225



RIGHT SIDE VIEW

GRAPHIC #1

<END>

g00901625

FUEL SYSTEM

1W-6034 FASTENER GP-FUEL INJ PUMP-RH

TORQUE CONTROL

PART OF 8N-6712, 8N-6714 GOVERNOR GP

ALSO AN ATTACHMENT

SMCS-1251

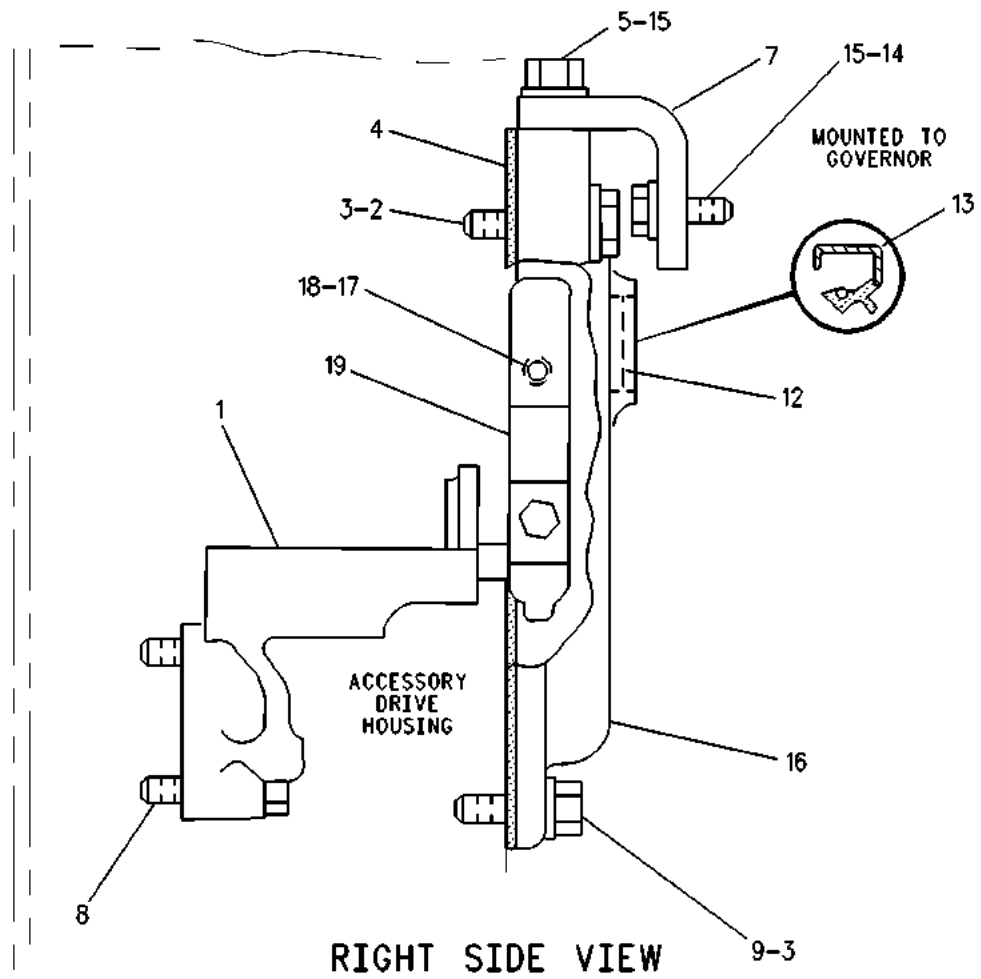
i03293349

NOTE	REF NO	GRAPHIC REF	PART NUMBER	QTY	PART NAME						SEE PAGE
					1	2	3	4	5	6 (PRODUCT LEVEL)	
	1	1	8N-0032	1	LEVER-GOVERNOR						
	2	1	2A-4639	2	BOLT (3/8-16X1.625-IN)						
	3	1	5M-2894	7	WASHER-HARD (10.2X18.5X2.5-MM THK)						
	4	1	8N-9885	1	GASKET-COVER						
	5	1	0S-1594	2	BOLT (3/8-16X1-IN)						
	7	1	1W-8434	1	SUPPORT-GOVERNOR						
	8	1	7F-5634	2	BOLT-SPECIAL						
	9	1	1A-2029	5	BOLT (3/8-16X1.125-IN)						
	12	1	2W-9063	1	WASHER						
	13	1	4H-1722	1	SEAL-LIP TYPE						
	14	1	0L-1351	2	BOLT (3/8-16X0.875-IN)						
	15	1	9L-9132	4	WASHER (10.2X25.5X2.5-MM THK)						
	16	1	1W-6033	1	COVER						
	17	1	2B-2694	1	BOLT (5/16-18X2-IN)						
	18	1	9M-1974	1	WASHER-HARD (8.8X16X2-MM THK)						
	19	1	1W-6035	1	LEVER GP-CALIBRATION (GOVERNOR)						
		1	1W-6032	1	CAM-CALIBRATION						
		1	1S-6097	1	BOLT-LOCKING						

FUEL SYSTEM

1W-6034 FASTENER GP-FUEL INJ PUMP (contd.)

103293349



GRAPHIC #1

<END>

g00922122

FUEL SYSTEM

1W-6036 FASTENER GP-FUEL INJ PUMP-LH

TORQUE CONTROL

PART OF 1W-5021, 2W-8583, 7W-3333 GOVERNOR GP
AN ATTACHMENT

SMCS-1251

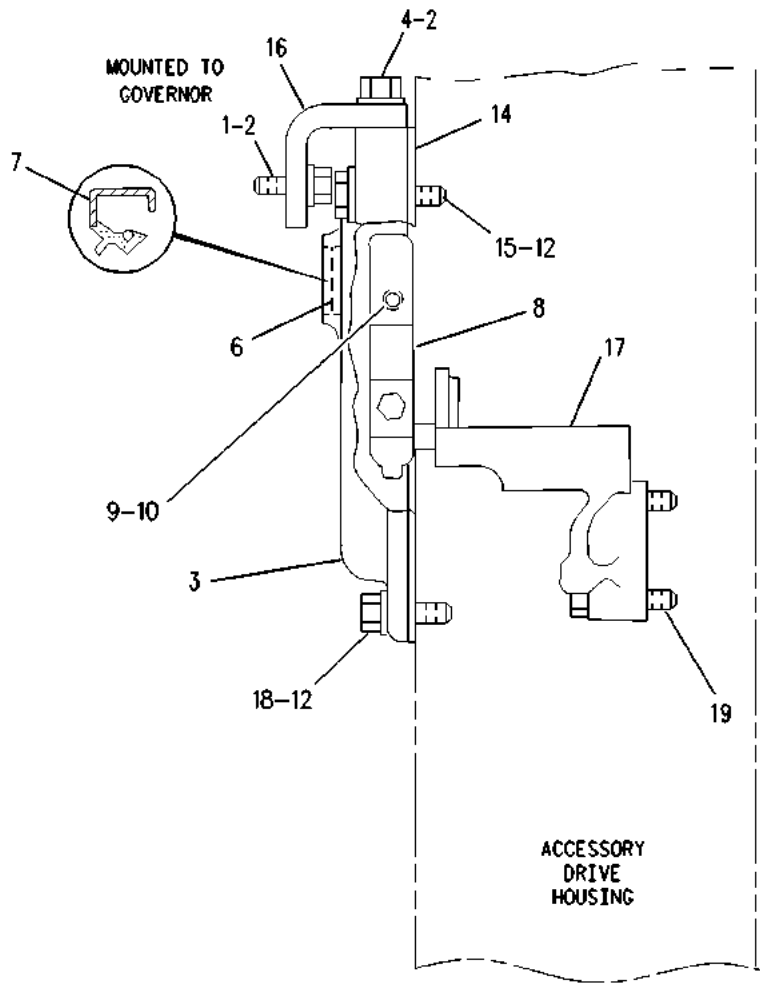
i01328153

NOTE	REF NO	GRAPHIC REF	PART NUMBER	QTY	PART NAME						SEE PAGE
					1	2	3	4	5	6 (PRODUCT LEVEL)	
	1	1	0L-1351	2	BOLT (3/8-16X0.875-IN)						
	2	1	9L-9132	4	WASHER (10.2X25.5X2.5-MM THK)						
	3	1	1W-6033	1	COVER						
	4	1	0S-1594	2	BOLT (3/8-16X1-IN)						
	6	1	2W-9063	1	WASHER						
	7	1	4H-1722	1	SEAL-LIP TYPE						
	8	1	1W-6037	1	LEVER GP-CALIBRATION						
		1	1S-6097	1	BOLT-LOCKING						
		1	1W-6032	1	CAM-CALIBRATION						
	9	1	2B-2694	1	BOLT (5/16-18X2-IN)						
	10	1	9M-1974	1	WASHER-HARD (8.8X16X2-MM THK)						
	12	1	5M-2894	7	WASHER-HARD (10.2X18.5X2.5-MM THK)						
	14	1	8N-9885	1	GASKET-COVER						
	15	1	2A-4639	2	BOLT (3/8-16X1.625-IN)						
	16	1	1W-8434	1	SUPPORT-GOVERNOR						
	17	1	8N-0033	1	LEVER-GOVERNOR						
	18	1	1A-2029	5	BOLT (3/8-16X1.125-IN)						
	19	1	7F-5634	2	BOLT-SPECIAL						

FUEL SYSTEM

1W-6036 FASTENER GP-FUEL INJ PUMP (contd.)

101328153



GRAPHIC #1

<END>

g00702784

FUEL SYSTEM

4W-3153 FASTENER GP-FUEL INJ PUMP

PART OF 4W-3152 INSTALLATION GP-GOVERNOR

AN ATTACHMENT

SMCS-1251

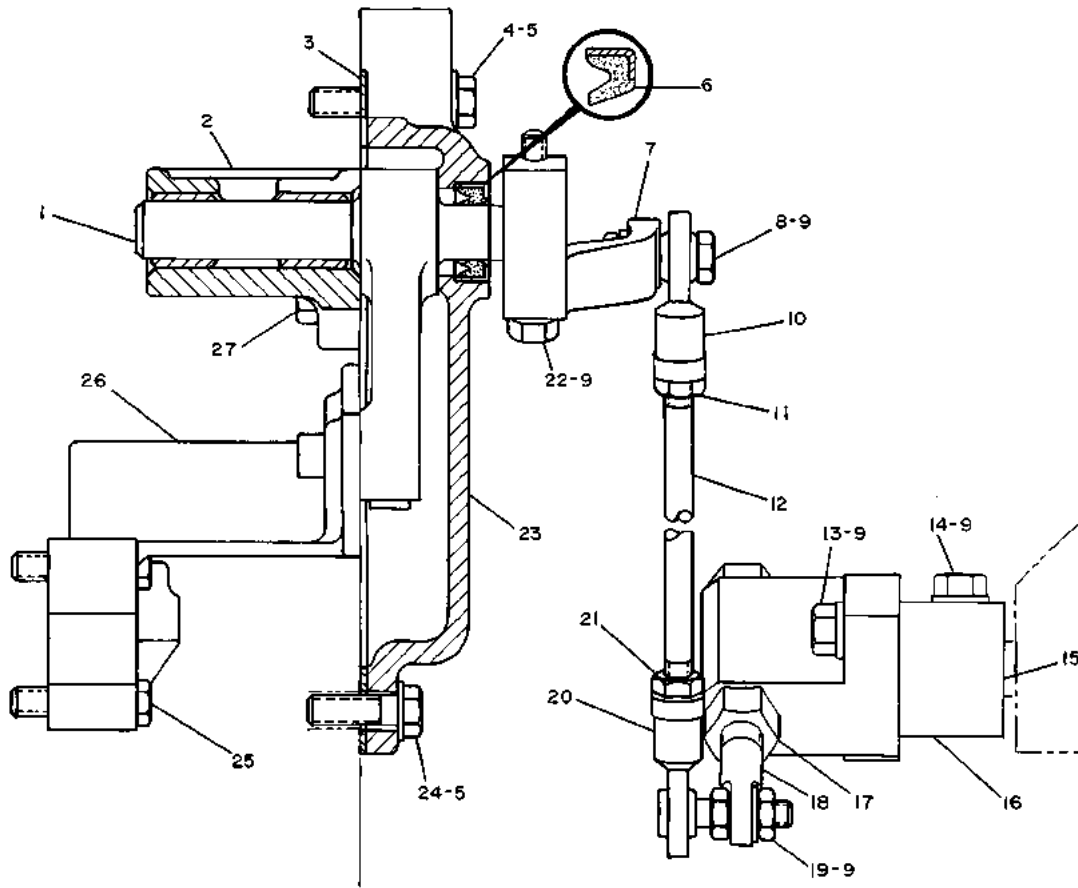
i00649225

NOTE	REF NO	GRAPHIC REF	PART NUMBER	QTY	PART NAME						SEE PAGE
					1	2	3	4	5	6	
	1	1	4W-5757	1	LEVER AS						
		1	8N-8160	1	PIN-RACK ACTUATOR						
	2	1	7N-9971	1	BRACKET AS						
		1	8L-6376	2	BUSHING						
	3	1	8N-9885	1	GASKET-COVER						
	4	1	2A-4639	2	BOLT (3/8-16X1.625-IN)						
	5	1	5M-2894	7	WASHER-HARD (10.2X18.5X2.5-MM THK)						
	6	1	5H-1190	1	SEAL-LIP TYPE						
	7	1	4W-0968	1	LEVER						
	8	1	4B-3388	1	BOLT (5/16-18X1.125-IN)						
		1	9S-8752	1	NUT-FULL (3/8-16-THD)						
	9	1	9M-1974	6	WASHER-HARD (8.8X16X2-MM THK)						
	10	1	8L-8598	1	ROD END						
	11	1	8L-4496	1	NUT-JAM (5/16-24 LH-THD)						
	12	1	4W-3584	1	ROD						
	13	1	1B-7182	2	BOLT (5/16-18X1.25-IN)						
	14	1	2B-2694	1	BOLT (5/16-18X2-IN)						
	15	1	5N-2258	1	BLOCK-GOVERNOR LEVER						
	16	1	4W-6495	1	BLOCK						
	17	1	6B-6684	2	NUT-FULL (1/2-20-THD)						
	18	1	4W-6497	1	ROD-CONTROL						
	19	1	6V-8186	1	NUT-FULL (5/16-24-THD)						
	20	1	6V-8917	1	ROD END						
	21	1	4F-2294	1	NUT-JAM (5/16-24-THD)						
	22	1	1B-2790	1	BOLT (5/16-18X1.375-IN)						
	23	1	1W-2458	1	COVER						
	24	1	1A-2029	7	BOLT (3/8-16X1.125-IN)						
	25	1	7F-5634	2	BOLT-SPECIAL						
	26	1	8N-0033	1	LEVER-GOVERNOR						
	27	1	0S-1594	2	BOLT (3/8-16X1-IN)						

FUEL SYSTEM

4W-3153 FASTENER GP-FUEL INJ PUMP (contd.)

100649225



GRAPHIC #1

<END>

g00199924

FUEL SYSTEM

4W-5030 FASTENER GP-FUEL INJ PUMP*R PART OF 155-2600 ACTUATOR GP-ELECTRONIC, 8N-0237 GOVERNOR GP-ELECTRIC AN ATTACHMENT

SMCS-1251

i06947020

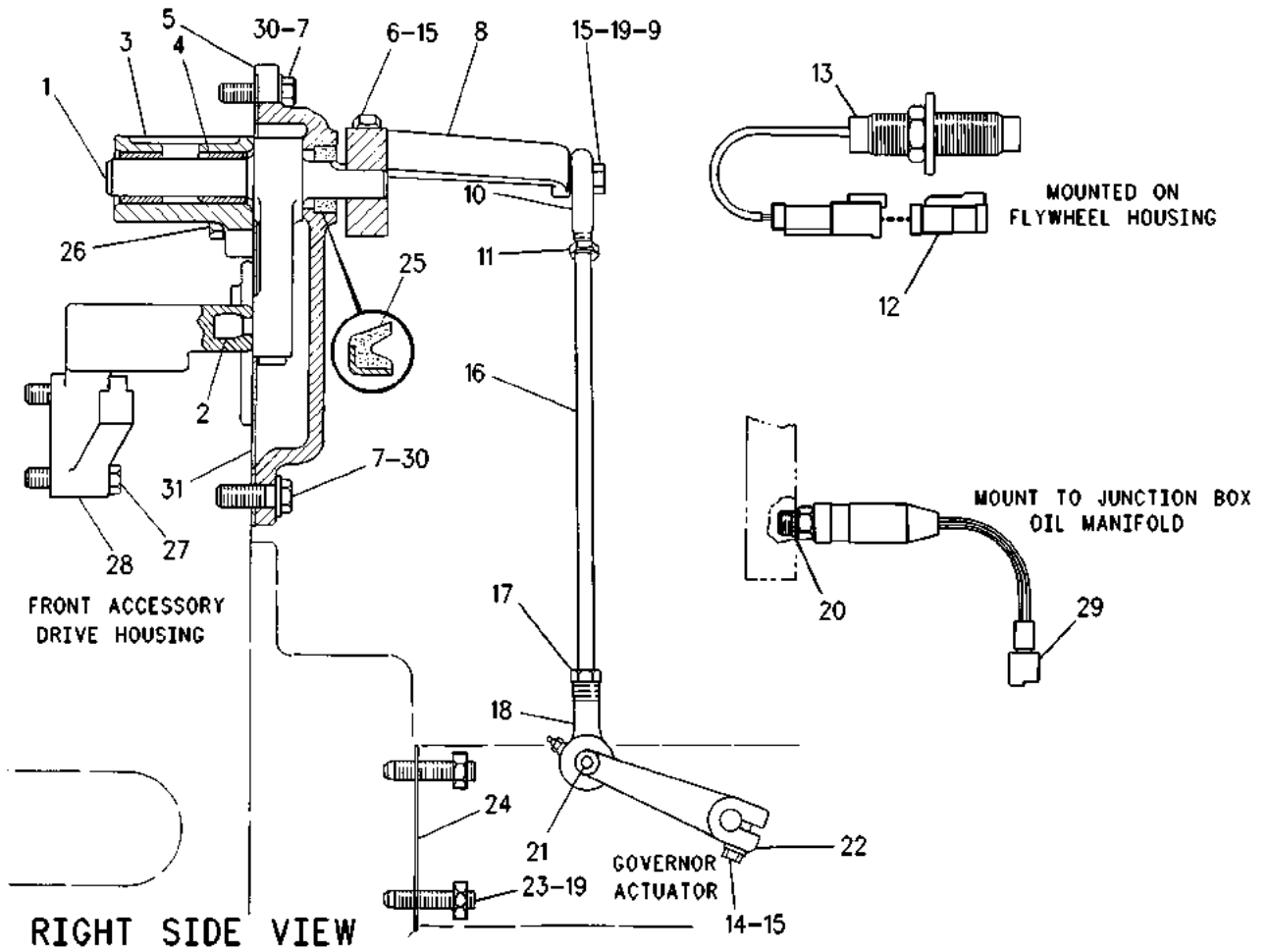
NOTE	REF NO	GRAPHIC REF	PART NUMBER	QTY	PART NAME						SEE PAGE
					1	2	3	4	5	6 (PRODUCT LEVEL)	
	1	1	4W-5029	1	LEVER AS						
	2	1	8N-8160	1	PIN-RACK ACTUATOR						
	3	1	7N-9971	1	BRACKET AS						
	4	1	8L-6376	2	BUSHING						
	5	1	1W-2458	1	COVER						
	6	1	2B-2694	1	BOLT (5/16-18X2-IN)						
	7	1	1A-2029	7	BOLT (3/8-16X1.125-IN)						
	8	1	4W-5026	1	LEVER-GOVERNOR						
	9	1	4B-3388	1	BOLT (5/16-18X1.125-IN)						
	10	1	6V-8955	1	ROD END						
	11	1	6V-8186	1	NUT-FULL (5/16-24-THD)						
C	12	1	102-8807	1	KIT-CONNECTING PLUG (2-PIN) (INLCUDES PLUG AS & WEDGE)						
		1	8T-8730	1	SOCKET-CONNECTOR (16-GA TO 18-GA)						
CY	13	1	<i>4P-7610</i>	1	SENSOR GP-SPEED (ENGINE)						1188
	14	1	0S-1618	1	BOLT (5/16-18X1-IN)						
	15	1	9M-1974	3	WASHER-HARD (8.8X16X2-MM THK)						
	16	1	4W-5062	1	ROD AS						
	17	1	6V-8186	1	NUT-FULL (5/16-24-THD)						
	18	1	6V-8955	1	ROD END						
	19	1	5S-0003	5	NUT (5/16-18-THD)						
	20	1	3J-1907	1	SEAL-O-RING						
	21	1	0S-1617	1	BOLT (5/16-18X0.75-IN)						
	22	1	4W-5027	1	LEVER-GOVERNOR CONTROL						
	23	1	5L-3708	4	STUD-TAPERLOCK (5/16-18X1.28-IN)						
	24	1	4W-5369	1	GASKET						
	25	1	5H-1190	1	SEAL-LIP TYPE						
	26	1	0S-1594	2	BOLT (3/8-16X1-IN)						
	27	1	7F-5634	2	BOLT-SPECIAL						
	28	1	8N-0032	1	LEVER-GOVERNOR						
	29	1	9X-4276	1	SWITCH AS-PRESSURE (ENGINE OIL)						
		1	7N-7779	1	SOCKET-CONNECTOR (14-GA TO 18-GA)						
		1	7N-7780	2	PIN-CONNECTOR (14-GA TO 18-GA)						
		1	7N-7781	1	HOUSING-RECEPTACLE (14-GA TO 18-GA)						
	30	1	5M-2894	7	WASHER-HARD (10.2X18.5X2.5-MM THK)						
	31	1	8N-9885	1	GASKET-COVER						

C - CHANGE FROM PREVIOUS TYPE
Y - SEPARATE ILLUSTRATION

FUEL SYSTEM

4W-5030 FASTENER GP-FUEL INJ PUMP (contd.)

106947020



GRAPHIC #1

<END>

g00901752

FUEL SYSTEM

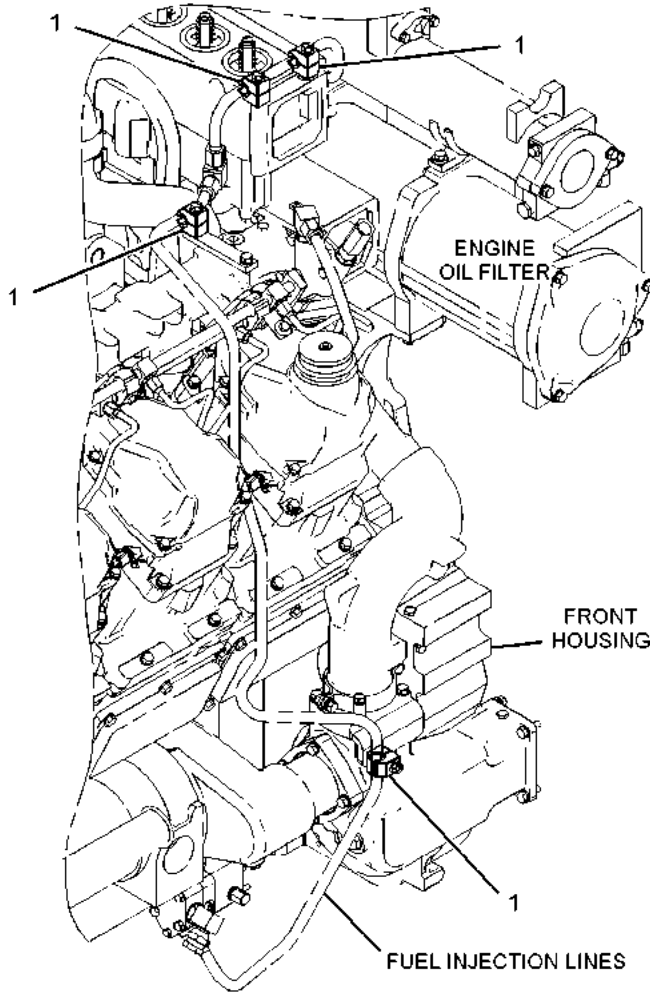
383-8576 FASTENER GP-FUEL LINES

S/N: 65Z1596-UP

SMCS-1252

i06534714

NOTE	REF NO	GRAPHIC REF	PART NUMBER	QTY	PART NAME						SEE PAGE
					1	2	3	4	5	6 (PRODUCT LEVEL)	
	1	1	4P-0692	8	CLAMP AS						
(EACH INCLUDES)											
		1	108-1434	1	GROMMET						



GRAPHIC #1

<END>

g06023733

FUEL SYSTEM

442-1762 FILTER GP-FUEL

LH SERVICE
AN ATTACHMENT

SMCS-1261

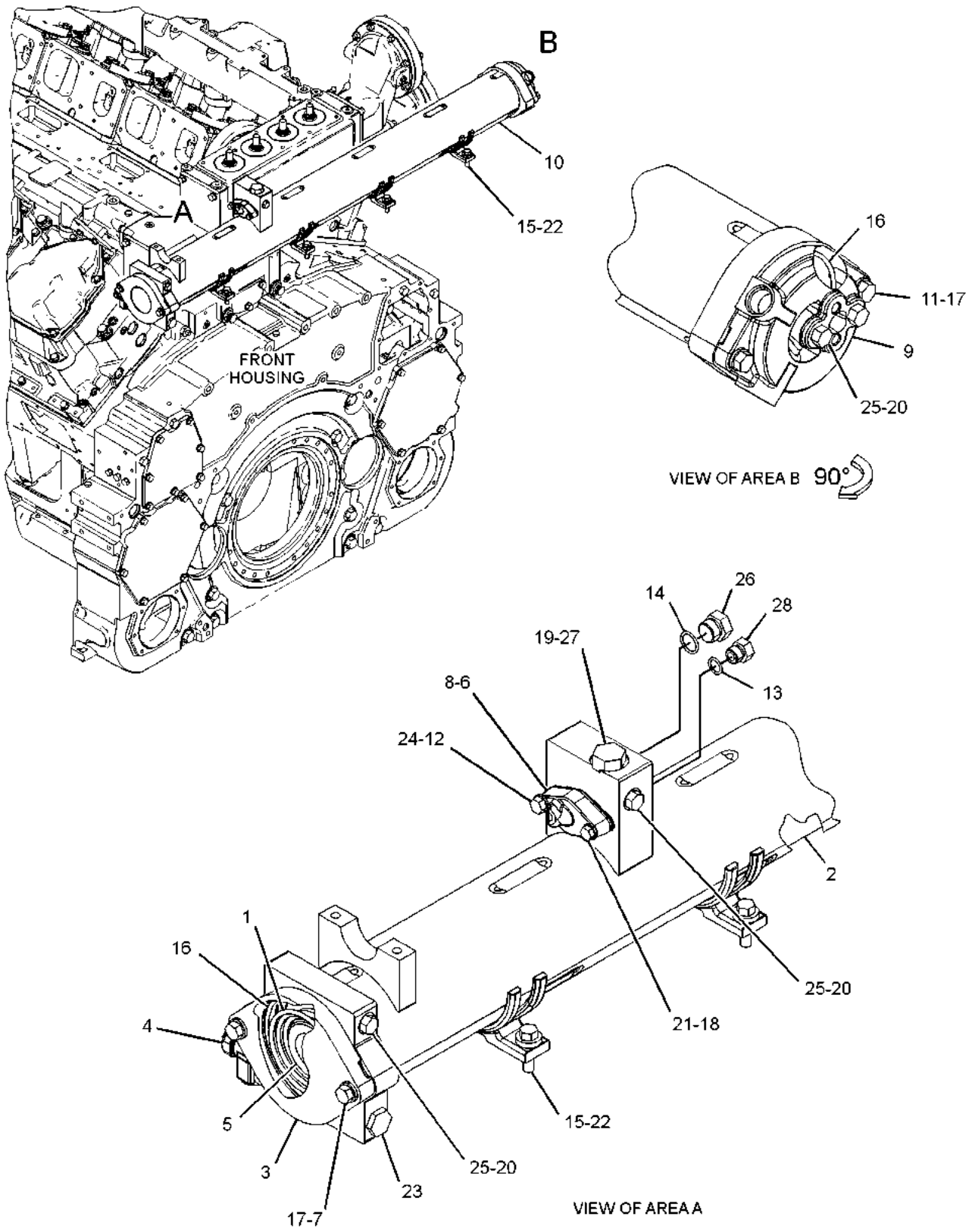
i07187968

NOTE	REF NO	GRAPHIC REF	PART NUMBER	QTY	PART NAME						SEE PAGE
					1	2	3	4	5	6 (PRODUCT LEVEL)	
	1	1	1N-2895	1	SPRING						
	2	1	1R-0756	5	FILTER ELEMENT-FUEL (ADVANCED EFFICIENCY)						
	3	1	2W-9300	1	COVER-FILTER HOUSING						
	4	1	2S-5100	1	VALVE-MANUAL						
	5	1	6I-3754	1	RETAINER-FILTER						
	6	1	6N-4414	1	COVER-FILTER BASE						
	7	1	7F-0192	2	BOLT (3/8-16X2-IN)						
	8	1	9Y-8389	1	GASKET						
	9	1	267-9689	1	COVER-FILTER HOUSING						
	10	1	278-1776	1	HOUSING AS-FUEL FILTER						
	11	1	0S-1588	2	BOLT (3/8-16X1.25-IN)						
	12	1	1B-7182	1	BOLT (5/16-18X1.25-IN)						
	13	1	214-7568	1	SEAL-O-RING						
	14	1	238-5080	1	SEAL-O-RING						
	15	1	3B-1915	8	BOLT (3/8-16X1.375-IN)						
	16	1	5D-5957	2	SEAL-O-RING						
	17	1	5M-2894	4	WASHER-HARD (10.2X18.5X2.5-MM THK)						
	18	1	5P-0537	1	WASHER-HARD (7.2X14.5X2-MM THK)						
	19	1	6V-4589	1	SEAL-O-RING						
	20	1	6V-5048	5	SEAL-O-RING						
	21	1	7B-2742	1	BOLT (1/4-20X1.25-IN)						
	22	1	8M-9024	8	WASHER-HARD (10.2X22.5X5-MM THK)						
	23	1	8T-6766	1	PLUG-PIPE						
	24	1	9M-1974	1	WASHER-HARD (8.8X16X2-MM THK)						
	25	1	9S-4182	5	PLUG (7/16-20-THD)						
	26	1	9S-4185	1	PLUG (3/4-16-THD)						
	27	1	9S-4190	1	PLUG-O-RING (7/8-14-THD)						
	28	1	9S-4191	1	PLUG (9/16-18-THD)						

FUEL SYSTEM

442-1762 FILTER GP-FUEL (contd.)

i07187968



GRAPHIC #1

<END>

g06249120

FUEL SYSTEM

442-1777 FILTER GP-FUEL-DUPLEX AN ATTACHMENT

SMCS-1261

i07005125

NOTE	REF NO	GRAPHIC REF	PART NUMBER	QTY	PART NAME						SEE PAGE
					1	2	3	4	5	6 (PRODUCT LEVEL)	
	1	1	1N-2895	2	SPRING						
	2	1	1R-0756	7	FILTER ELEMENT-FUEL (ADVANCED EFFICIENCY)						
	3	1	471-8150	1	VALVE AS-CONTROL (DUPLEX FUEL FILTER)						
	4	1	2W-6287	2	VALVE AS-CHECK						
	5	1	2W-6290	1	TUBE AS						
	6	1	2W-6667	1	TUBE AS						
	7	1	2W-6672	1	VALVE AS (FUEL)						
	8	1	2W-9300	2	COVER-FILTER HOUSING						
	9	1	3E-2306	2	VALVE AS (FUEL DRAIN)						
	10	1	4W-4444	1	ADAPTER-VALVE						
	11	1	6I-3754	2	RETAINER-FILTER						
	13	1	6N-4414	1	COVER-FILTER BASE						
	14	1	7F-0192	2	BOLT (3/8-16X2-IN)						
	15	1	9Y-8389	1	GASKET						
	16	1	353-5133	1	ELBOW AS						
		1	030-7949	1	ELBOW						
		1	238-5081	1	SEAL-O-RING						
	17	1	267-9689	1	COVER-FILTER HOUSING						
	18	1	278-1774	1	HOUSING AS-FUEL FILTER						
	19	1	278-1775	1	HOUSING AS-FUEL FILTER (AUXILIARY)						
	20	1	030-7946	1	ELBOW						
	21	1	061-8639	4	SEAL-O-RING						
	22	1	214-7568	1	SEAL-O-RING						
	23	1	0S-1588	4	BOLT (3/8-16X1.25-IN)						
	24	1	165-3929	2	BOLT (3/8-16X1.5-IN)						
	25	1	0S-1594	2	BOLT (3/8-16X1-IN)						
	26	1	1B-7182	1	BOLT (5/16-18X1.25-IN)						
	27	1	1P-3861	1	CONNECTOR						
	28	1	3B-1915	10	BOLT (3/8-16X1.375-IN)						
	29	1	3K-0360	1	SEAL-O-RING						
	30	1	5D-5957	4	SEAL-O-RING						
	31	1	5M-2894	12	WASHER-HARD (10.2X18.5X2.5-MM THK)						
	32	1	5P-0537	1	WASHER-HARD (7.2X14.5X2-MM THK)						
	33	1	6M-7476	1	ELBOW						
	34	1	6V-4589	4	SEAL-O-RING						
	35	1	6V-5048	11	SEAL-O-RING						
	36	1	7B-2742	1	BOLT (1/4-20X1.25-IN)						
	37	1	7D-4903	1	ADAPTER						
	38	1	8L-6557	1	CONNECTOR						
	39	1	8M-9024	8	WASHER-HARD (10.2X22.5X5-MM THK)						
	40	1	8T-6766	2	PLUG-PIPE						
	41	1	9M-1974	1	WASHER-HARD (8.8X16X2-MM THK)						
	42	1	9S-4182	9	PLUG (7/16-20-THD)						
	43	1	9S-4185	1	PLUG (3/4-16-THD)						
	44	1	9S-4190	1	PLUG-O-RING (7/8-14-THD)						
	45	1	9S-4191	1	PLUG (9/16-18-THD)						
	46	1	9S-7381	4	BOLT-SOCKET HEAD (5/16-18X2-IN)						
	47	1	9S-8752	2	NUT-FULL (3/8-16-THD)						

FUEL SYSTEM

442-1777 **FILTER GP-FUEL** (contd.)

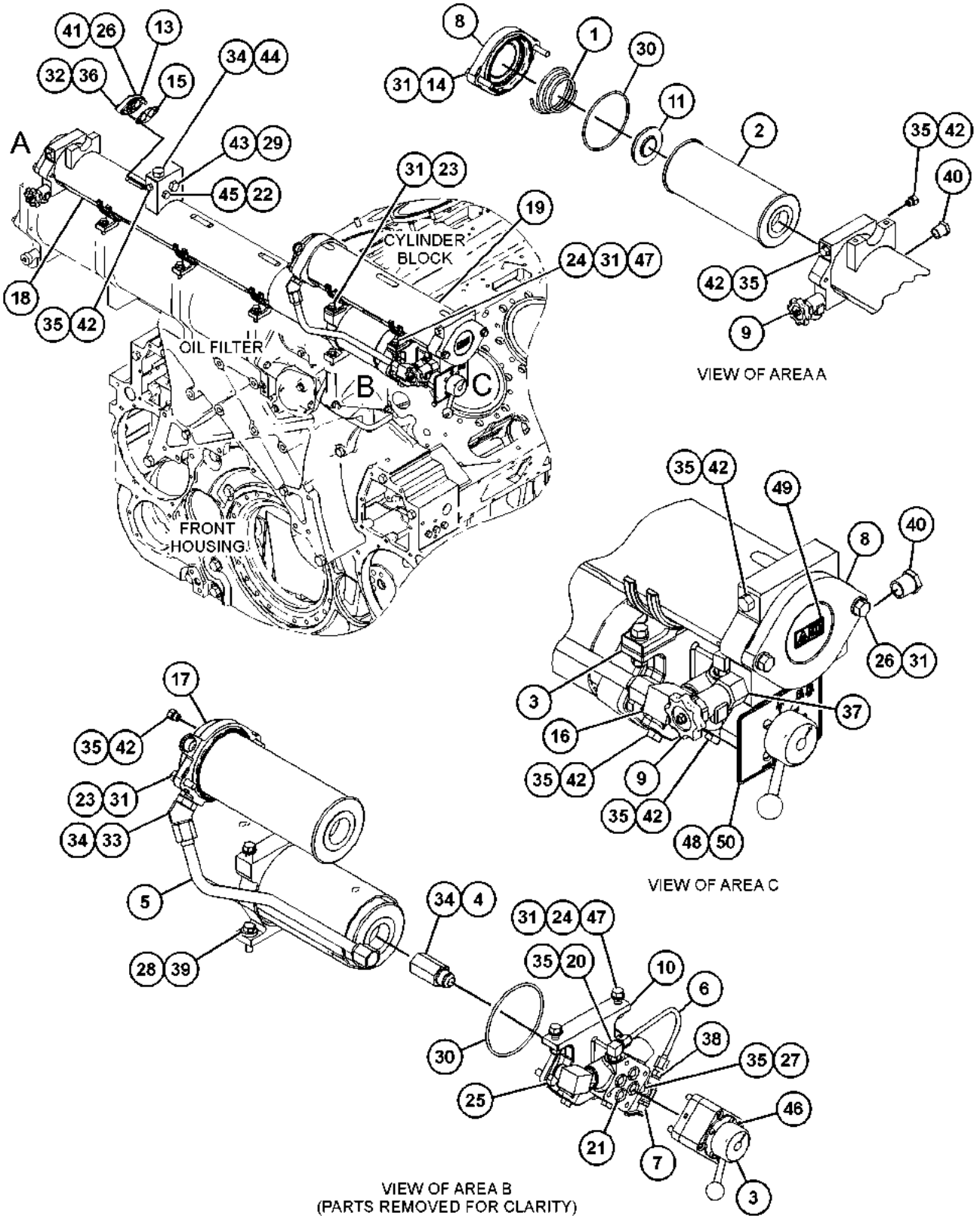
i07005125

NOTE	REF	GRAPHIC	PART NUMBER	QTY	PART NAME						SEE PAGE
	NO	REF			1	2	3	4	5	6 (PRODUCT LEVEL)	
	48	1	2N-3479	4	SCREW (10-24X0.5-IN)						
	49	1	392-3229	2	FILM-WARNING (VAPOR EXPLOSION)						
	50	1	483-1016	1	PLATE-INSTRUCTION (FUEL)						

FUEL SYSTEM

442-1777 FILTER GP-FUEL (contd.)

i07005125



GRAPHIC #1

<END>

g06211681

FUEL SYSTEM

7W-9741 FILTER GP-FUEL-RH

S/N: 65Z887-1048

SMCS-1261

i04030002

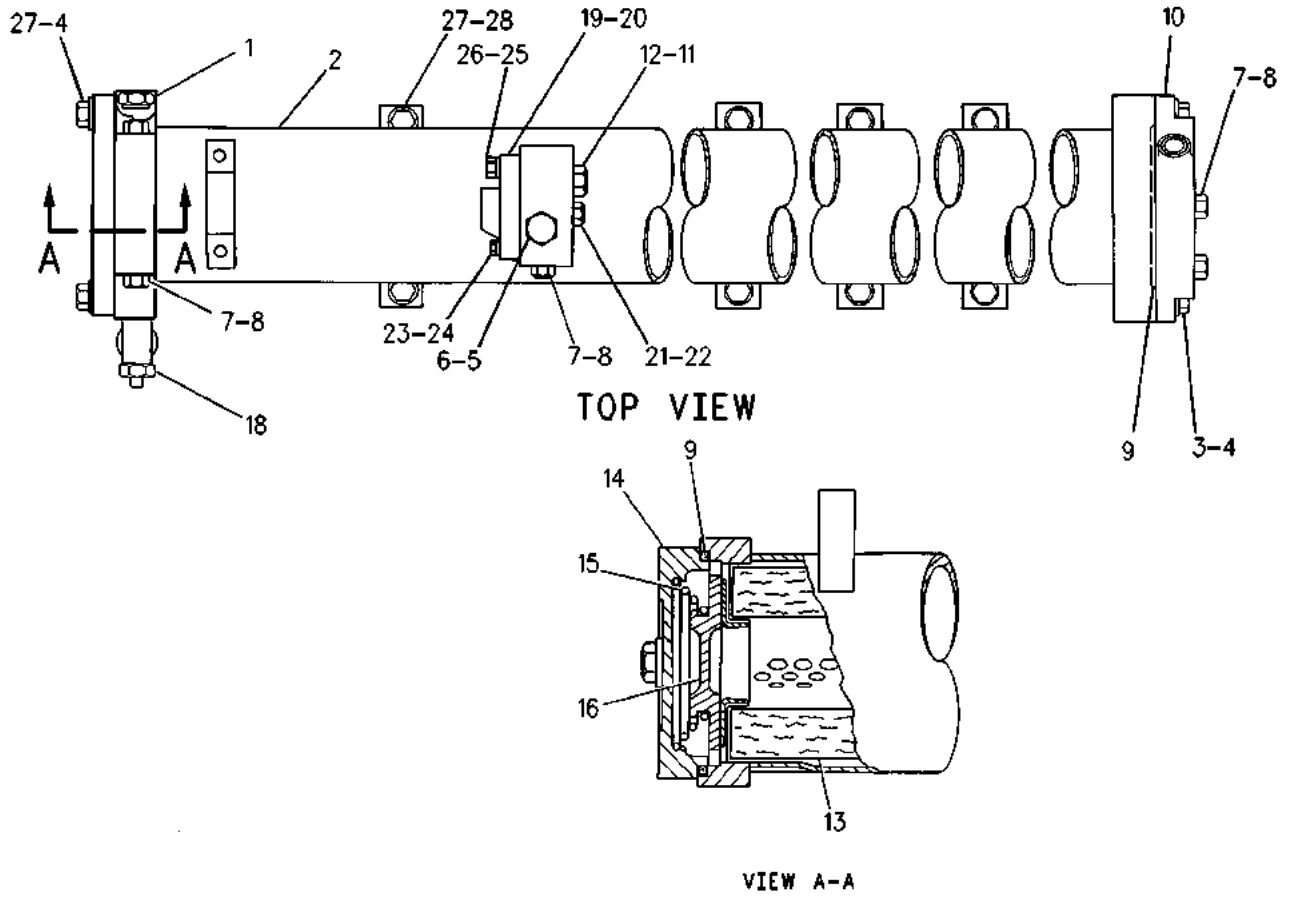
NOTE	REF NO	GRAPHIC REF	PART NUMBER	QTY	PART NAME						SEE PAGE
					1	2	3	4	5	6 (PRODUCT LEVEL)	
	1	1	8T-6766	1	PLUG-PIPE						
C	2	1	169-8612	1	HOUSING AS						
	3	1	0S-1588	2	BOLT (3/8-16X1.25-IN)						
	4	1	5M-2894	4	WASHER-HARD (10.2X18.5X2.5-MM THK)						
	5	1	9S-4190	1	PLUG-O-RING (7/8-14-THD)						
	6	1	2M-9780	1	SEAL-O-RING						
	7	1	9S-4182	5	PLUG (7/16-20-THD)						
	8	1	6V-5048	5	SEAL-O-RING						
	9	1	5D-5957	2	SEAL-O-RING						
	10	1	2W-6288	1	COVER-FILTER HOUSING						
	11	1	3K-0360	1	SEAL-O-RING						
	12	1	9S-4185	1	PLUG (3/4-16-THD)						
	13	1	1R-0756	5	FILTER ELEMENT-FUEL (ADVANCED EFFICIENCY)						
	14	1	2W-9300	1	COVER-FILTER HOUSING						
	15	1	1N-2895	1	SPRING						
	16	1	6I-3754	1	RETAINER-FILTER						
	18	1	2S-5100	1	VALVE-MANUAL						
	19	1	6N-4414	1	COVER-FILTER BASE						
	20	1	9Y-8389	1	GASKET (PRIMING PUMP/COVER)						
	21	1	6V-5049	1	SEAL-O-RING						
	22	1	9S-4191	1	PLUG (9/16-18-THD)						
	23	1	7B-2742	1	BOLT (1/4-20X1.25-IN)						
	24	1	5P-0537	1	WASHER-HARD (7.2X14.5X2-MM THK)						
	25	1	1B-2790	1	BOLT (5/16-18X1.375-IN)						
	26	1	9M-1974	1	WASHER-HARD (8.8X16X2-MM THK)						
	27	1	3B-1915	10	BOLT (3/8-16X1.375-IN)						
	28	1	8M-9024	8	WASHER-HARD (10.2X22.5X5-MM THK)						

C - CHANGE FROM PREVIOUS TYPE

FUEL SYSTEM

7W-9741 FILTER GP-FUEL (contd.)

i04030002



GRAPHIC #1

<END>

g00901873

FUEL SYSTEM

7W-9741 FILTER GP-FUEL-RH S/N: 65Z1049-UP

SMCS - 1261

i04907931

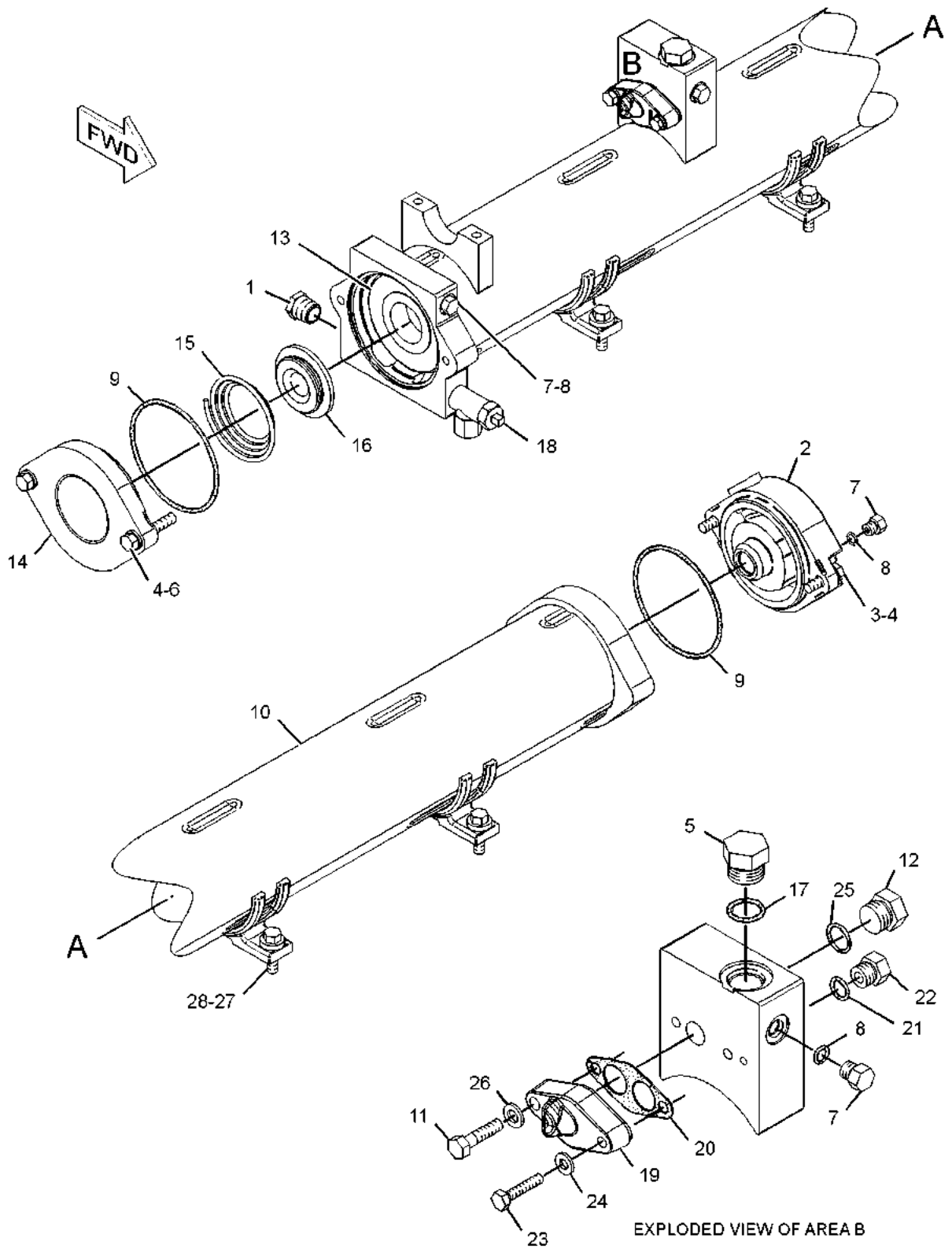
NOTE	REF NO	GRAPHIC REF	PART NUMBER	QTY	PART NAME						SEE PAGE
					1	2	3	4	5	6 (PRODUCT LEVEL)	
	1	1	8T-6766	1	PLUG-PIPE						
	2	1	267-9689	1	COVER-FILTER HOUSING						
	3	1	0S-1588	2	BOLT (3/8-16X1.25-IN)						
	4	1	5M-2894	4	WASHER-HARD (10.2X18.5X2.5-MM THK)						
	5	1	9S-4190	1	PLUG-O-RING (7/8-14-THD)						
C	6	1	7F-0192	2	BOLT (3/8-16X2-IN)						
	7	1	9S-4182	5	PLUG (7/16-20-THD)						
	8	1	6V-5048	5	SEAL-O-RING						
	9	1	5D-5957	2	SEAL-O-RING						
	10	1	278-1776	1	HOUSING AS-FUEL FILTER						
C	11	1	1B-7182	1	BOLT (5/16-18X1.25-IN)						
	12	1	9S-4185	1	PLUG (3/4-16-THD)						
	13	1	1R-0756	5	FILTER ELEMENT-FUEL (ADVANCED EFFICIENCY)						
	14	1	2W-9300	1	COVER-FILTER HOUSING						
	15	1	1N-2895	1	SPRING						
	16	1	6I-3754	1	RETAINER-FILTER						
	17	1	6V-4589	1	SEAL-O-RING						
	18	1	2S-5100	1	VALVE-MANUAL						
	19	1	6N-4414	1	COVER-FILTER BASE						
	20	1	9Y-8389	1	GASKET (PRIMING PUMP/COVER)						
	21	1	6V-5049	1	SEAL-O-RING						
	22	1	9S-4191	1	PLUG (9/16-18-THD)						
	23	1	7B-2742	1	BOLT (1/4-20X1.25-IN)						
	24	1	5P-0537	1	WASHER-HARD (7.2X14.5X2-MM THK)						
	25	1	8L-2786	1	SEAL-O-RING						
	26	1	9M-1974	1	WASHER-HARD (8.8X16X2-MM THK)						
C	27	1	3B-1915	8	BOLT (3/8-16X1.375-IN)						
	28	1	8M-9024	8	WASHER-HARD (10.2X22.5X5-MM THK)						

C - CHANGE FROM PREVIOUS TYPE

FUEL SYSTEM

7W-9741 FILTER GP-FUEL (contd.)

i04907931



GRAPHIC #1

<END>

g01228338

FUEL SYSTEM

7W-9742 FILTER GP-FUEL-LH AN ATTACHMENT TYPE 1

SMCS-1261

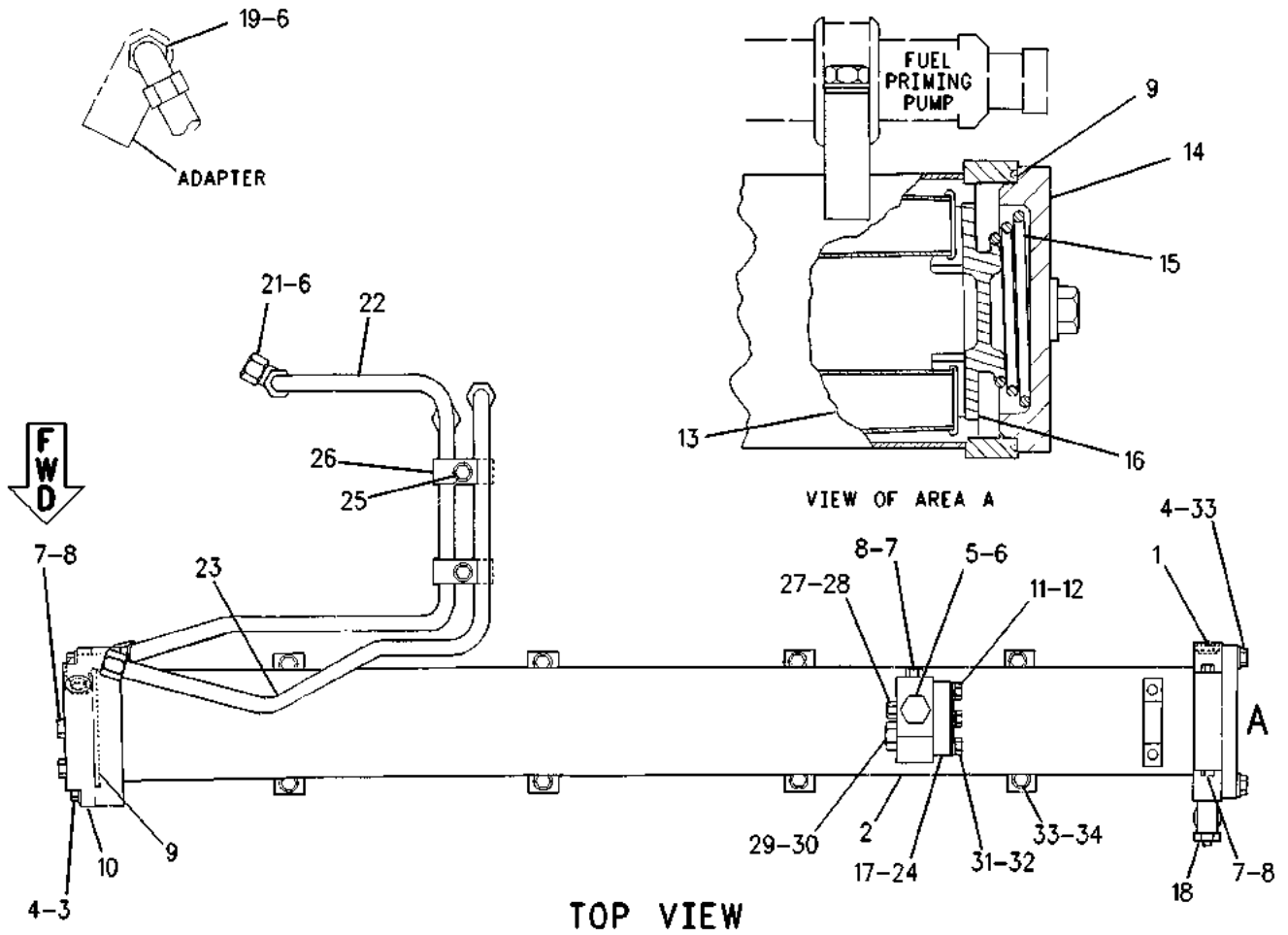
i04418404

NOTE	REF NO	GRAPHIC REF	PART NUMBER	QTY	PART NAME						SEE PAGE
					1	2	3	4	5	6 (PRODUCT LEVEL)	
1	1	1	8T-6766	1	PLUG-PIPE						
2	1	1	169-8612	1	HOUSING AS						
3	1	1	0S-1588	2	BOLT (3/8-16X1.25-IN)						
4	1	1	5M-2894	4	WASHER-HARD (10.2X18.5X2.5-MM THK)						
5	1	1	9S-4190	1	PLUG-O-RING (7/8-14-THD)						
6	1	1	2M-9780	3	SEAL-O-RING						
7	1	1	9S-4182	5	PLUG (7/16-20-THD)						
8	1	1	6V-5048	5	SEAL-O-RING						
9	1	1	5D-5957	2	SEAL-O-RING						
10	1	1	2W-6288	1	COVER-FILTER HOUSING						
11	1	1	7B-2742	1	BOLT (1/4-20X1.25-IN)						
12	1	1	5P-0537	1	WASHER-HARD (7.2X14.5X2-MM THK)						
13	1	1	1R-0756	5	FILTER ELEMENT-FUEL (ADVANCED EFFICIENCY)						
14	1	1	2W-9300	1	COVER-FILTER HOUSING						
15	1	1	1N-2895	1	SPRING						
16	1	1	6I-3754	1	RETAINER-FILTER						
17	1	1	9Y-8389	1	GASKET (PRIMING PUMP/COVER)						
18	1	1	2S-5100	1	VALVE-MANUAL						
19	1	1	030-7949	1	ELBOW						
21	1	1	031-4136	1	TEE-FLARED						
22	1	1	1W-7548	1	TUBE AS						
23	1	1	8N-6297	1	TUBE AS						
24	1	1	6N-4414	1	COVER-FILTER BASE						
25	1	1	0S-1608	2	BOLT (3/8-16X3.75-IN)						
26	1	1	4P-0692	4	CLAMP AS						
					(EACH INCLUDES)						
		1	108-1434	1	GROMMET						
27	1	1	9S-4191	1	PLUG (9/16-18-THD)						
28	1	1	6V-5049	1	SEAL-O-RING						
29	1	1	3K-0360	1	SEAL-O-RING						
30	1	1	9S-4185	1	PLUG (3/4-16-THD)						
31	1	1	1B-2790	1	BOLT (5/16-18X1.375-IN)						
32	1	1	9M-1974	1	WASHER-HARD (8.8X16X2-MM THK)						
33	1	1	3B-1915	10	BOLT (3/8-16X1.375-IN)						
34	1	1	8M-9024	8	WASHER-HARD (10.2X22.5X5-MM THK)						

FUEL SYSTEM

7W-9742 FILTER GP-FUEL (contd.)

i04418404



GRAPHIC #1

<END>

g00994880

FUEL SYSTEM

7W-9742 FILTER GP-FUEL-LH AN ATTACHMENT TYPE 2

SMCS-1261

i04821349

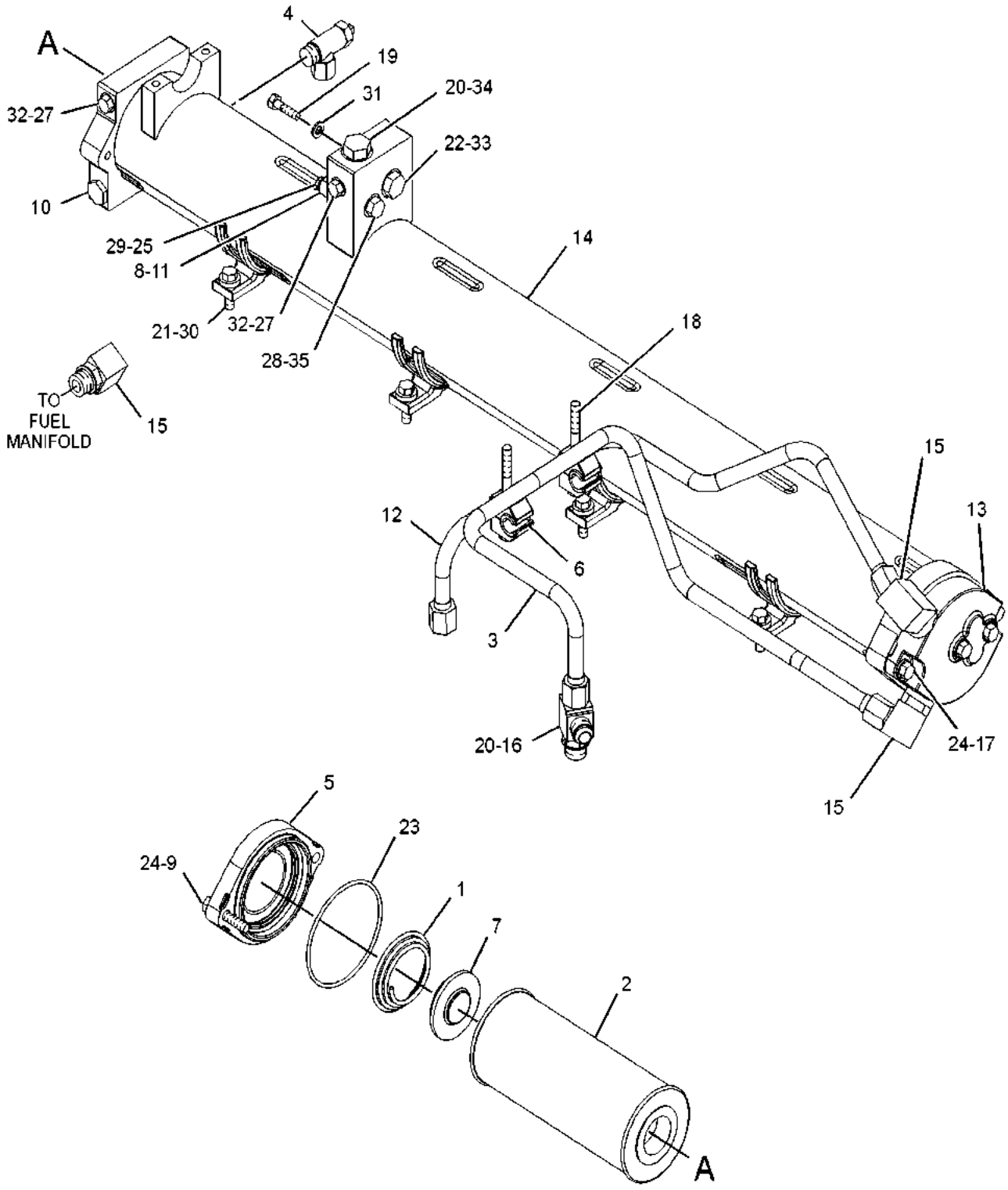
NOTE	REF NO	GRAPHIC REF	PART NUMBER	QTY	PART NAME						SEE PAGE
					1	2	3	4	5	6 (PRODUCT LEVEL)	
	1	1	1N-2895	1	SPRING						
	2	1	1R-0756	5	FILTER ELEMENT-FUEL (ADVANCED EFFICIENCY)						
	3	1	1W-7548	1	TUBE AS						
	4	1	2S-5100	1	VALVE-MANUAL						
	5	1	2W-9300	1	COVER-FILTER HOUSING						
	6	1	4P-0692	4	CLAMP AS						
					(EACH INCLUDES)						
		1	108-1434	1	GROMMET						
	7	1	6I-3754	1	RETAINER-FILTER						
	8	1	6N-4414	1	COVER-FILTER BASE						
C	9	1	7F-0192	2	BOLT (3/8-16X2-IN)						
	10	1	8T-6766	1	PLUG-PIPE						
	11	1	9Y-8389	1	GASKET (FUEL FILTER)						
	12	1	237-2719	1	TUBE AS						
	13	1	267-9689	1	COVER-FILTER HOUSING						
	14	1	278-1776	1	HOUSING AS-FUEL FILTER						
	15	1	<i>250-1498</i>	3	ELBOW AS						
					(EACH INCLUDES)						
		1	6V-4589	1	SEAL-O-RING						
		1	250-1497	1	ELBOW						
	16	1	031-4136	1	TEE-FLARED						
	17	1	0S-1588	2	BOLT (3/8-16X1.25-IN)						
	18	1	0S-1608	2	BOLT (3/8-16X3.75-IN)						
C	19	1	1B-7182	1	BOLT (5/16-18X1.25-IN)						
	20	1	2M-9780	2	SEAL-O-RING						
C	21	1	3B-1915	8	BOLT (3/8-16X1.375-IN)						
	22	1	3K-0360	1	SEAL-O-RING						
	23	1	5D-5957	2	SEAL-O-RING						
	24	1	5M-2894	4	WASHER-HARD (10.2X18.5X2.5-MM THK)						
	25	1	5P-0537	1	WASHER-HARD (7.2X14.5X2-MM THK)						
	27	1	6V-5048	5	SEAL-O-RING						
	28	1	6V-5049	1	SEAL-O-RING						
	29	1	7B-2742	1	BOLT (1/4-20X1.25-IN)						
	30	1	8M-9024	8	WASHER-HARD (10.2X22.5X5-MM THK)						
	31	1	9M-1974	1	WASHER-HARD (8.8X16X2-MM THK)						
	32	1	9S-4182	5	PLUG (7/16-20-THD)						
	33	1	9S-4185	1	PLUG (3/4-16-THD)						
	34	1	9S-4190	1	PLUG-O-RING (7/8-14-THD)						
	35	1	9S-4191	1	PLUG (9/16-18-THD)						

C - CHANGE FROM PREVIOUS TYPE

FUEL SYSTEM

7W-9742 FILTER GP-FUEL (contd.)

i04821349



GRAPHIC #1

<END>

g01341896

FUEL SYSTEM

7W-9743 FILTER GP-FUEL-DUPLEX S/N: 65Z887-1048 AN ATTACHMENT

SMCS-1261

i03293352

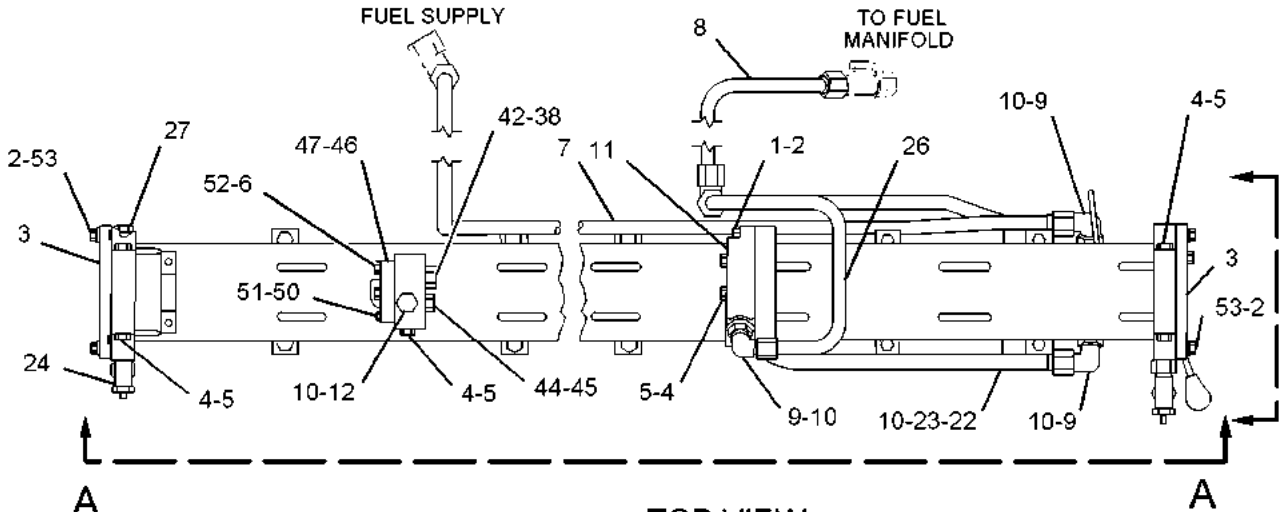
NOTE	REF NO	GRAPHIC REF	PART NUMBER	QTY	PART NAME						SEE PAGE
					1	2	3	4	5	6 (PRODUCT LEVEL)	
	1	1,2	0S-1588	4	BOLT (3/8-16X1.25-IN)						
	2	1,2	5M-2894	12	WASHER-HARD (10.2X18.5X2.5-MM THK)						
	3	1	2W-9300	2	COVER-FILTER HOUSING						
	4	1,2	9S-4182	9	PLUG (7/16-20-THD)						
	5	1,2	6V-5048	11	SEAL-O-RING						
	6	1	9M-1974	1	WASHER-HARD (8.8X16X2-MM THK)						
	7	1	2W-6289	1	TUBE AS						
	8	1	2W-6293	1	TUBE AS						
	9	1	030-7949	4	ELBOW						
	10	1,2	6V-4589	8	SEAL-O-RING						
	11	1	2W-6288	1	COVER-FILTER HOUSING						
	12	1	9S-4190	1	PLUG-O-RING (7/8-14-THD)						
	13	2	169-8614	1	HOUSING AS (FUEL FILTER)						
	14	2	0S-1591	2	BOLT (3/8-16X1.5-IN)						
	15	2	9S-8752	2	NUT-FULL (3/8-16-THD)						
	16	2	169-8613	1	HOUSING AS (AUXILIARY FUEL FILTER)						
	17	2	9S-7381	4	BOLT-SOCKET HEAD (5/16-18X2-IN)						
	18	2	2W-6286	1	VALVE AS-CONTROL (DUPLEX FUEL FILTER)						
		1	6I-0325	1	HANDLE						
	19	2	061-8639	4	SEAL-O-RING						
	20	2	4W-4444	1	ADAPTER-VALVE						
	21	2	0S-1594	2	BOLT (3/8-16X1-IN)						
	22	1	2W-6290	1	TUBE AS						
	23	1	6M-7476	1	ELBOW						
	24	1	2S-5100	2	VALVE-MANUAL						
	25	1	030-7946	1	ELBOW						
	26	1	4P-1931	1	TUBE AS						
	27	1	8T-6766	2	PLUG-PIPE						
	28	1	003-8581	1	TEE-UNION						
	29	1	2W-6667	1	TUBE AS						
	30	1	2W-6292	1	TUBE AS						
	31	1	8L-6557	1	CONNECTOR						
	32	1	2W-6672	1	VALVE AS						
	33	1	1P-3861	1	CONNECTOR						
	36	1	7D-4903	1	ADAPTER						
	37	2	5D-5957	4	SEAL-O-RING						
	38	1	3K-0360	1	SEAL-O-RING						
	39	2	6I-3754	2	RETAINER-FILTER						
	40	2	2W-6287	2	VALVE AS-CHECK						
	41	2	1R-0756	7	FILTER ELEMENT-FUEL (ADVANCED EFFICIENCY)						
	42	1	9S-4185	1	PLUG (3/4-16-THD)						
	43	2	1N-2895	2	SPRING						
	44	1	9S-4191	1	PLUG (9/16-18-THD)						
	45	1	6V-5049	1	SEAL-O-RING						
	46	1	9Y-8389	1	GASKET (FUEL FILTER)						
	47	1	6N-4414	1	COVER-FILTER BASE						
	50	1	7B-2742	1	BOLT (1/4-20X1.25-IN)						

FUEL SYSTEM

7W-9743 **FILTER GP-FUEL (contd.)**

i03293352

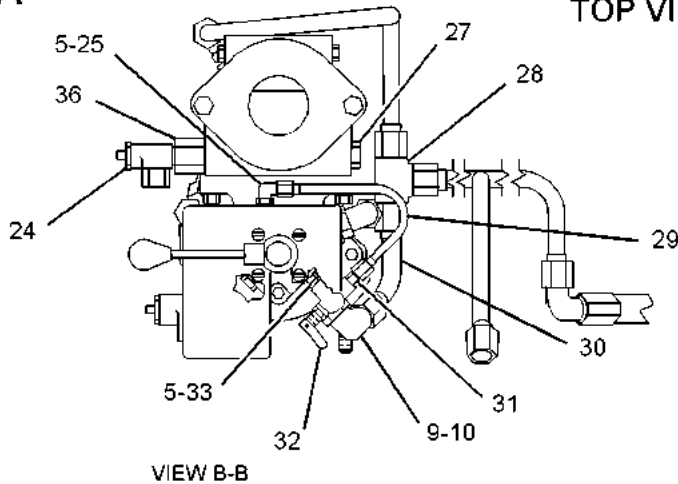
NOTE	REF NO	GRAPHIC REF	PART NUMBER	QTY	PART NAME						SEE PAGE
					1	2	3	4	5	6 (PRODUCT LEVEL)	
	51	1	5P-0537	1	WASHER-HARD (7.2X14.5X2-MM THK)						
	52	1	1B-2790	1	BOLT (5/16-18X1.375-IN)						
	53	1,2	3B-1915	12	BOLT (3/8-16X1.375-IN)						
	54	2	8M-9024	8	WASHER-HARD (10.2X22.5X5-MM THK)						



A

TOP VIEW

A



VIEW B-B



REFER TO ALL ILLUSTRATIONS OF THIS GROUP FOR AUXILIARY VIEWS

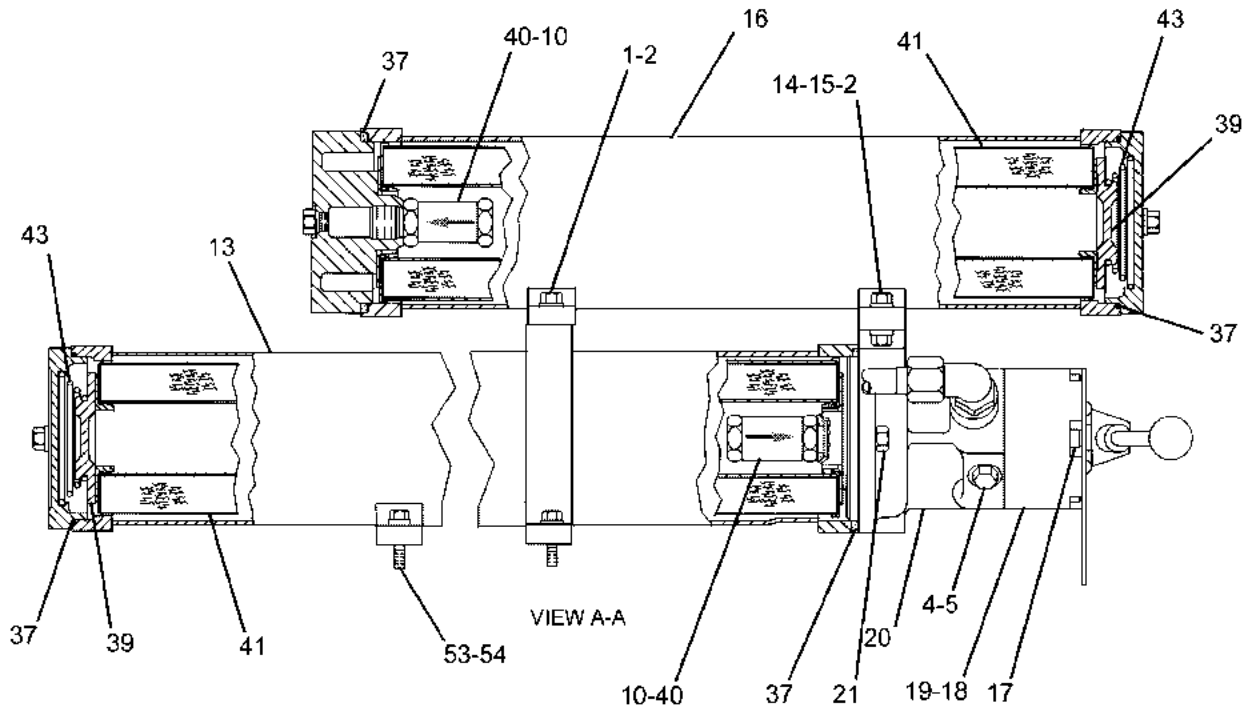
GRAPHIC #1

g01100868

FUEL SYSTEM

7W-9743 FILTER GP-FUEL (contd.)

i03293352



GRAPHIC #2

<END>

g01100869

FUEL SYSTEM

7W-9743 FILTER GP-FUEL-DUPLEX

S/N: 65Z1049-UP

AN ATTACHMENT

SMCS-1261

i07097932

NOTE	REF NO	GRAPHIC REF	PART NUMBER	QTY	PART NAME						SEE PAGE
					1	2	3	4	5	6 (PRODUCT LEVEL)	
	1	3	1N-2895	2	SPRING						
	2	3	1R-0756	7	FILTER ELEMENT-FUEL (ADVANCED EFFICIENCY)						
	3	3	2W-6287	2	VALVE AS-CHECK						
	4	1	2W-6289	1	TUBE AS						
	5	2	2W-6290	1	TUBE AS						
	6	2	2W-6292	1	TUBE AS						
	7	1	2W-6293	1	TUBE AS						
	8	2	2W-6667	1	TUBE AS						
	9	2	2W-6672	1	VALVE AS						
	10	1,3	2W-9300	2	COVER-FILTER HOUSING						
	11	2	4P-1931	1	TUBE AS						
	12	2	4W-4444	1	ADAPTER-VALVE						
	13	3	6I-3754	2	RETAINER-FILTER						
	14	2	9S-8752	2	NUT-FULL (3/8-16-THD)						
	15	1	6N-4414	1	COVER-FILTER BASE						
	16	1	9Y-8389	1	GASKET						
	17	1,2,3	214-7566	11	SEAL-O-RING						
	18	1	238-5080	1	SEAL-O-RING						
	19	3	267-9689	1	COVER-FILTER HOUSING						
	20	1	278-1774	1	HOUSING AS-FUEL FILTER						
	21	2	278-1775	1	HOUSING AS-FUEL FILTER (AUXILIARY)						
	22	2,3	353-5133	4	ELBOW AS						
					(EACH INCLUDES)						
		2,3	238-5081	1	SEAL-O-RING						
		2,3	030-7949	1	ELBOW (90-DEG)						
	23	2	392-3229	2	FILM-WARNING (VAPOR EXPLOSION)						
	24	2	471-8150	1	VALVE AS-CONTROL (DUPLEX FUEL FILTER)						
	25	2	483-1016	1	PLATE-INSTRUCTION (FUEL)						
	26	2	003-8581	1	TEE-UNION (FLARED 37-DEG)						
	27	2	030-7946	1	ELBOW						
	28	2	061-8639	4	SEAL-O-RING						
	29	1,2,3	238-5081	4	SEAL-O-RING						
	30	2	0S-1588	4	BOLT (3/8-16X1.25-IN)						
	31	2	165-3929	2	BOLT (3/8-16X1.5-IN)						
	32	2	0S-1594	2	BOLT (3/8-16X1-IN)						
C	33	1	1B-7182	1	BOLT (5/16-18X1.25-IN)						
	34	2	1P-3861	1	CONNECTOR						
	35	2	2N-3479	4	SCREW (10-24X0.5-IN)						
	36	2,3	2S-5100	2	VALVE-MANUAL						
C	37	1,3	3B-1915	10	BOLT (3/8-16X1.375-IN)						
	38	3	5D-5957	4	SEAL-O-RING						
	39	1,2,3	5M-2894	12	WASHER-HARD (10.2X18.5X2.5-MM THK)						
	40	1	5P-0537	1	WASHER-HARD (7.2X14.5X2-MM THK)						
	41	2	6M-7476	1	ELBOW						
	42	1	214-7568	1	SEAL-O-RING						
	43	1	7B-2742	1	BOLT (1/4-20X1.25-IN)						
	44	2	7D-4903	1	ADAPTER (PIPE)						
C	45	1	7F-0192	2	BOLT (3/8-16X2-IN)						

FUEL SYSTEM

7W-9743 **FILTER GP-FUEL** (contd.)

i07097932

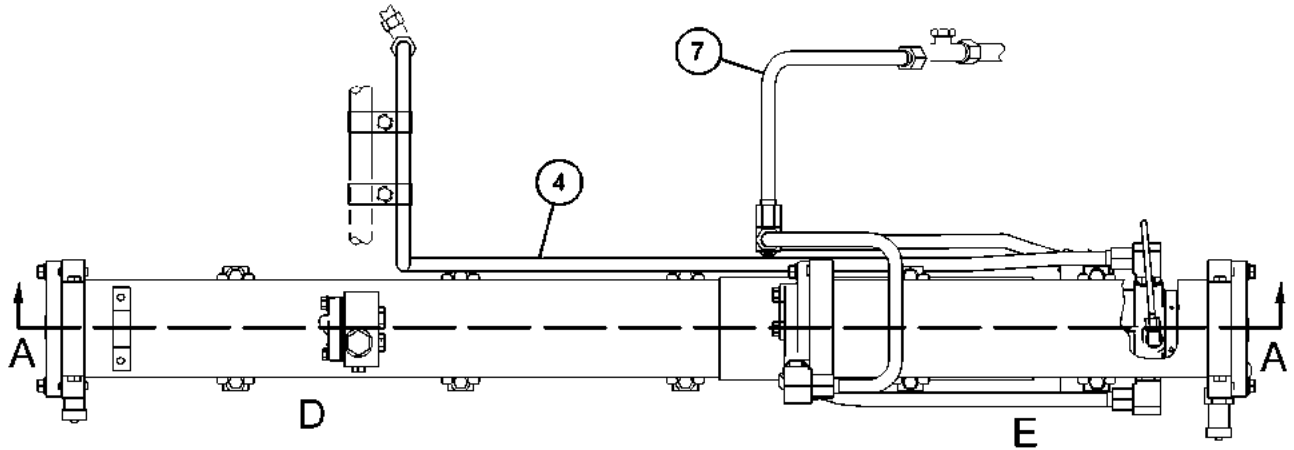
NOTE	REF NO	GRAPHIC REF	PART NUMBER	QTY	PART NAME						SEE PAGE
					1	2	3	4	5	6 (PRODUCT LEVEL)	
	46	2	8L-6557	1	CONNECTOR (FLARED)						
	47	1	8M-9024	8	WASHER-HARD (10.2X22.5X5-MM THK)						
	48	2	8T-6766	2	PLUG-PIPE						
	49	1	9M-1974	1	WASHER-HARD (8.8X16X2-MM THK)						
	50	1,2,3	9S-4182	9	PLUG (7/16-20-THD)						
	51	1	9S-4185	1	PLUG (3/4-16-THD)						
	52	1	9S-4190	1	PLUG-O-RING (7/8-14-THD)						
	53	1	9S-4191	1	PLUG (9/16-18-THD)						
	54	2	9S-7381	4	BOLT-SOCKET HEAD (5/16-18X2-IN)						

C - CHANGE FROM PREVIOUS TYPE

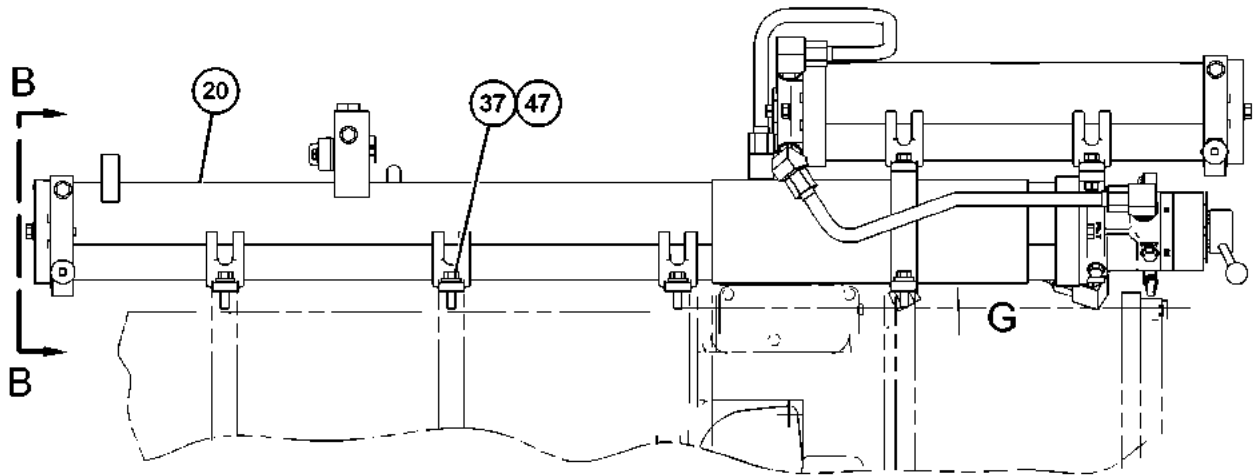
FUEL SYSTEM

7W-9743 FILTER GP-FUEL (contd.)

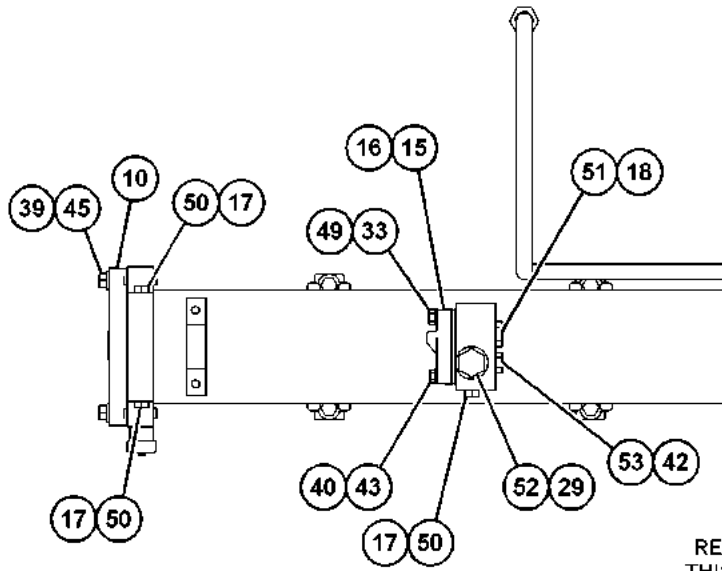
i07097932



TOP VIEW OF ENGINE



FRONT VIEW OF ENGINE



VIEW OF AREA D

REFER TO ALL ILLUSTRATIONS OF THIS GROUP FOR AUXILIARY VIEWS

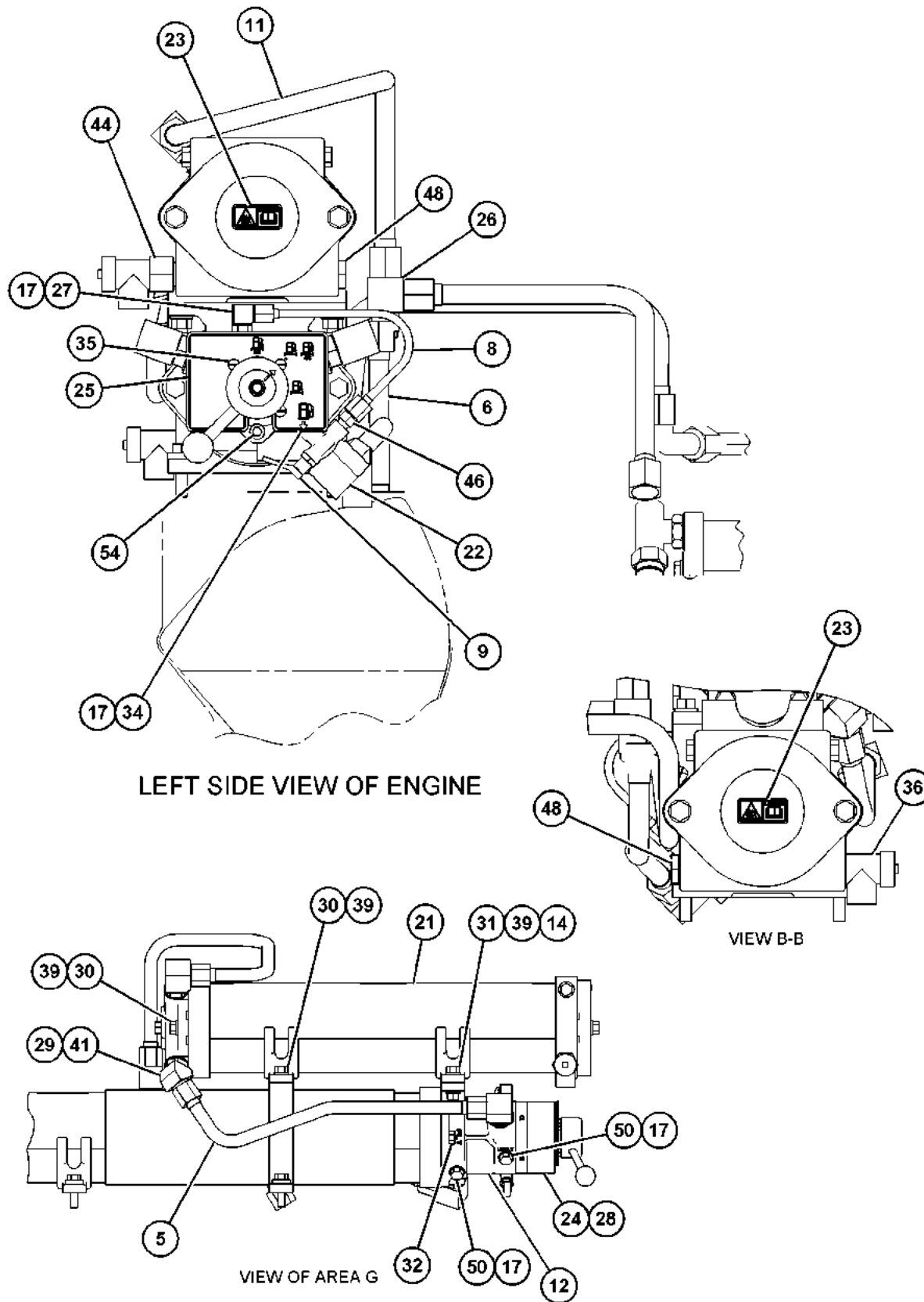
GRAPHIC #1

g06227596

FUEL SYSTEM

7W-9743 FILTER GP-FUEL (contd.)

i07097932



LEFT SIDE VIEW OF ENGINE

VIEW B-B

VIEW OF AREA G

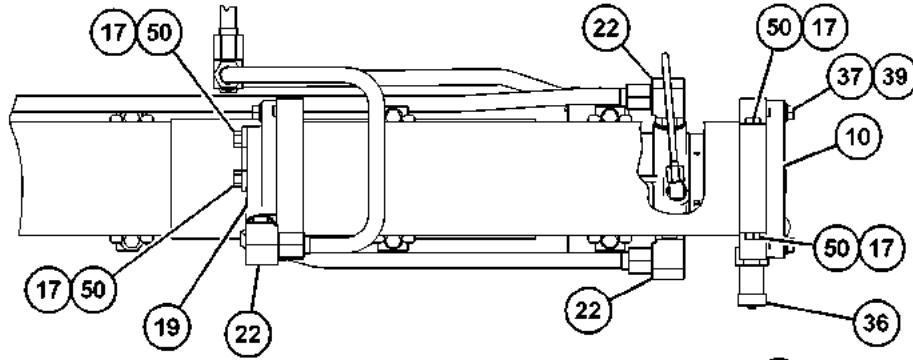
GRAPHIC #2

g06227597

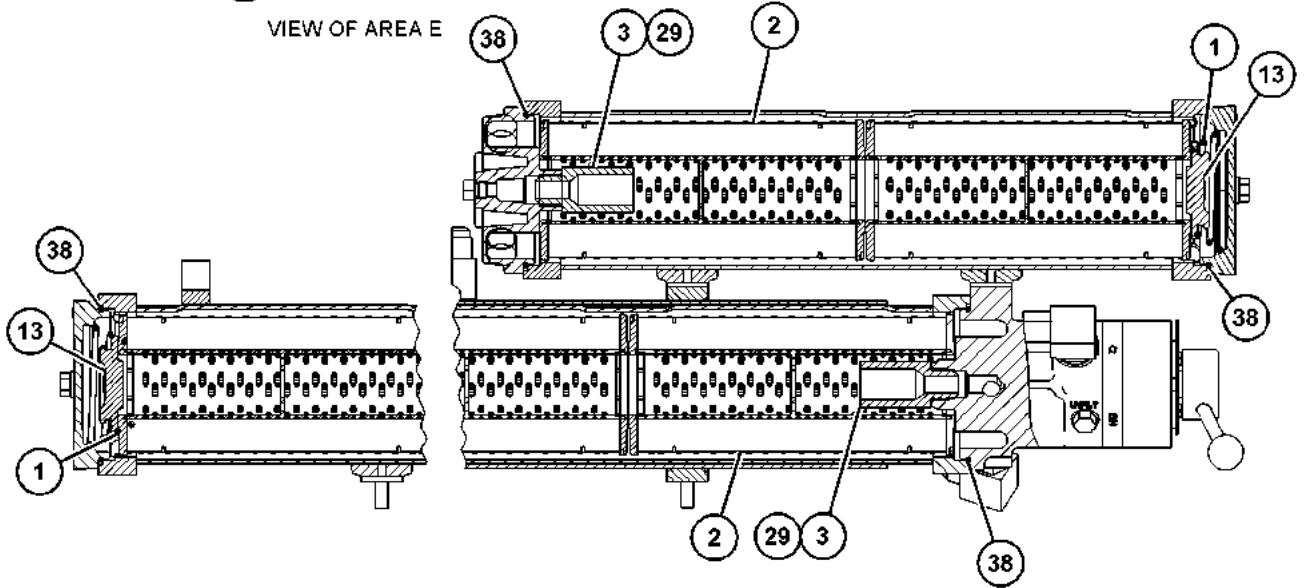
FUEL SYSTEM

7W-9743 FILTER GP-FUEL (contd.)

i07097932



VIEW OF AREA E



SECTION A-A

GRAPHIC #3

<END>

g06229228

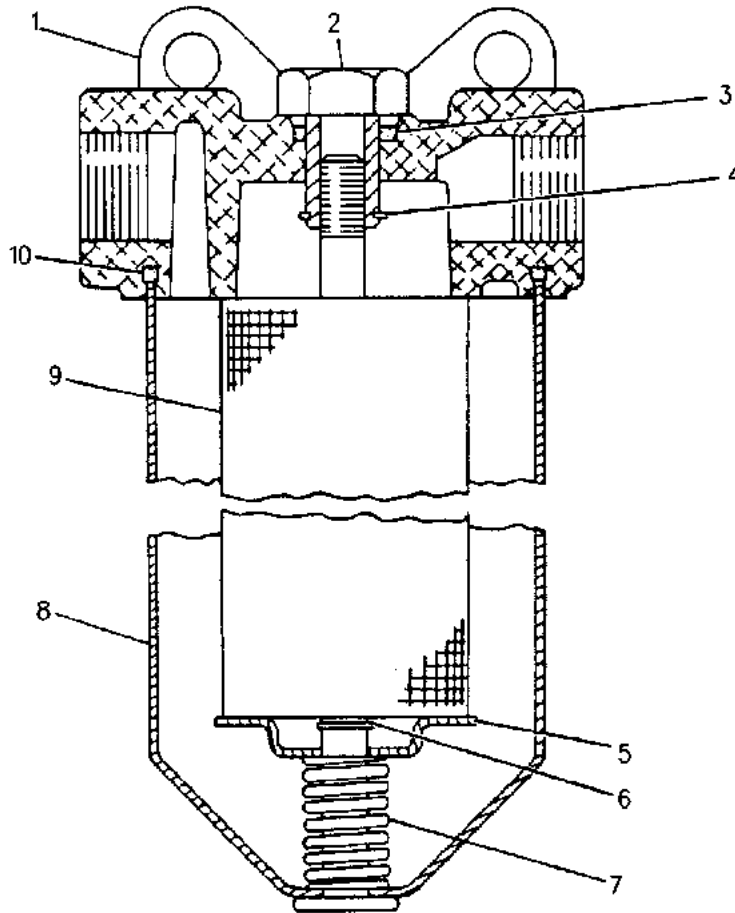
FUEL SYSTEM

8N-6435 FILTER GP-PRIMARY FUEL AN ATTACHMENT

SMCS-1260, 1261

i07245584

NOTE	REF NO	GRAPHIC REF	PART NUMBER	QTY	PART NAME						SEE PAGE
					1	2	3	4	5	6 (PRODUCT LEVEL)	
	1	1	1W-0531	1	BASE-PRIMARY FUEL FILTER						
	2	1	7N-1628	1	NUT (3/8-24-THD)						
	3	1	2J-0157	1	SEAL-O-RING						
	4	1	1L-3769	1	RING-RETAINING						
	5	1	7H-9678	1	RETAINER-ELEMENT						
	6	1	2H-3429	1	RING-RETAINING						
	7	1	7S-9323	1	SPRING						
	8	1	8H-7202	1	CASE AS-FUEL FILTER						
	9	1	9M-2342	1	FILTER ELEMENT-FUEL						
	10	1	8H-2778	1	SEAL-RING (FUEL FILTER)						



GRAPHIC #1

<END>

g00625270

FUEL SYSTEM

124-3173 GOVERNOR GP*R PART OF 2W-8583, 8N-6714 GOVERNOR GP ALSO AN ATTACHMENT

SMCS-1264, 1908

i05992452

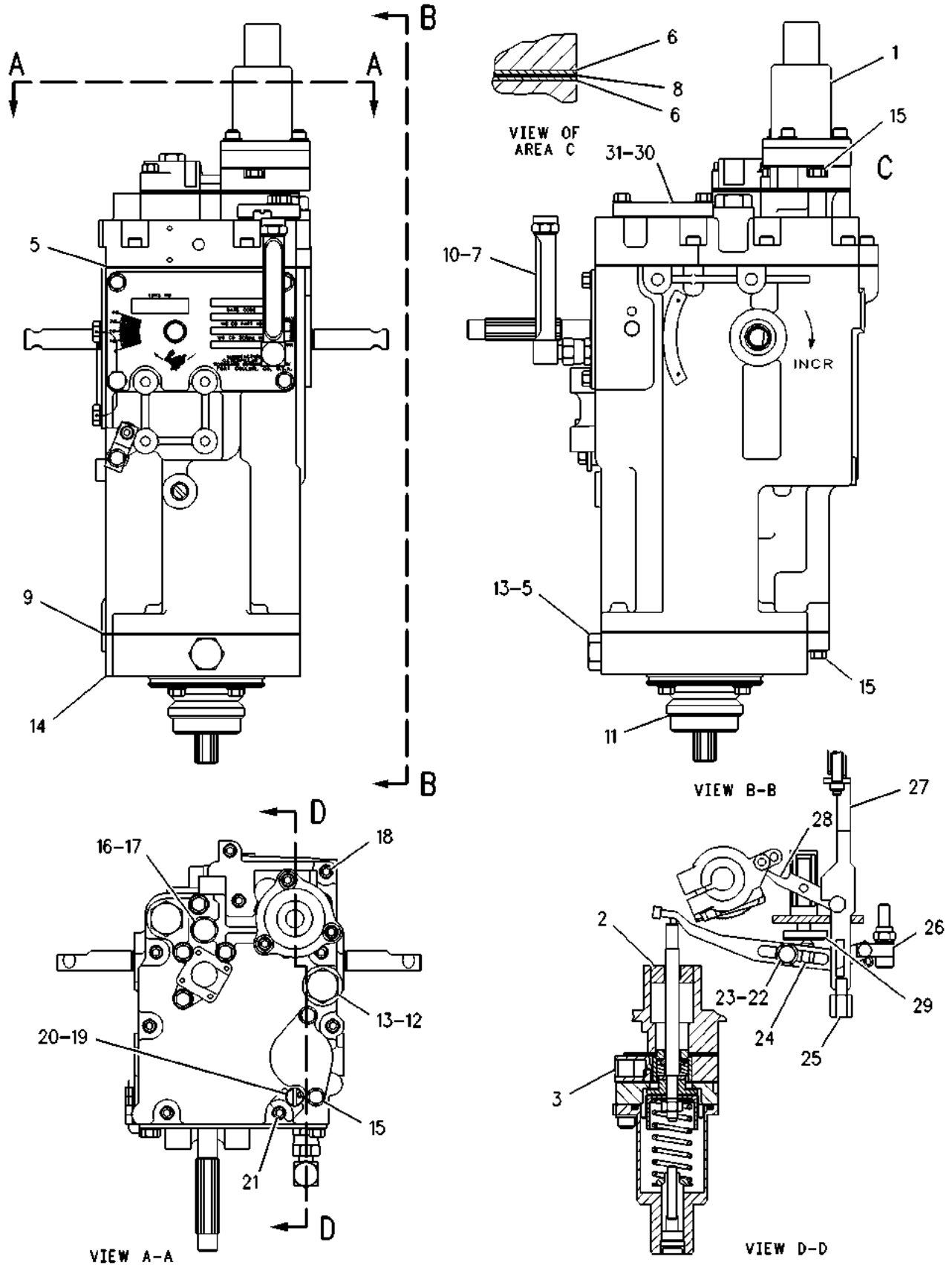
NOTE	REF NO	GRAPHIC REF	PART NUMBER	QTY	PART NAME						SEE PAGE
					1	2	3	4	5	6 (PRODUCT LEVEL)	
Y	1	1	101-8238	1	CONTROL GP-FUEL RATIO						786
	2	1	6I-3846	1	BUSHING-GUIDE						
	3	1	6I-3844	1	COVER AS-SETTING						
		1	6I-3847	1	KIT-REPAIR						
					(INCLUDES SEALS & BUSHING)						
	4	1	1W-9780	1	GASKET						
	5	1	9S-4185	1	PLUG (3/4-16-THD)						
	6	1	4P-6857	2	GASKET-PLATE						
	7	1	129-3096	1	GAUGE-SIGHT (OIL LEVEL) (GOVERNOR OIL)						
	8	1	2W-4606	1	PLATE-ORIFICE						
	9	1	2W-0124	1	GASKET						
	10	1	131-4345	1	GLASS-SIGHT						
Y	11	1	6I-3842	1	PUMP GP-GEROTOR (GOVERNOR)						916
	12	1	123-9693	1	CAP-BREATHER (ATMOSPHERIC)						
	13	1	8L-2786	2	SEAL-O-RING						
	14	1	135-6910	1	BASE						
	15	1	032-2580	20	SCREW-TAPPING (1/4-20X1-IN)						
	16	1	9S-4182	1	PLUG (7/16-20-THD)						
	17	1	6V-5048	1	SEAL-O-RING						
	18	1	8H-0707	8	BOLT (1/4-20X1-IN)						
	19	1	7C-3900	1	PLUG						
	20	1	5P-7812	1	SEAL-O-RING						
	21	1	9X-5999	1	BOLT (1/4-20X1-IN)						
	22	1	2W-5975	1	SCREW-BOLT (1/4-28X0.5-IN)						
	23	1	3L-6759	1	WASHER						
	24	1	4P-6860	1	BLOCK-CAM						
	25	1	2W-1228	1	NUT-SHUTDOWN ADJUSTMENT (1/4-28-THD)						
	26	1	4P-6859	1	LEVER AS						
	27	1	4P-6867	1	ROD AS-SHUTOFF						
	28	1	4P-6863	1	LEVER AS						
	29	1	4P-6861	1	ROD AS						
	30	1	2W-0776	1	COVER-SHUTDOWN						
	31	1	1W-9782	1	GASKET-SHUTOFF						

Y - SEPARATE ILLUSTRATION

FUEL SYSTEM

124-3173 GOVERNOR GP (contd.)

i05992452



GRAPHIC #1

<END>

g00276118

FUEL SYSTEM

124-3174 GOVERNOR GP*R PART OF 1W-5021, 7W-3333, 8N-6712 GOVERNOR GP AN ATTACHMENT

SMCS-1264, 1908

i02657806

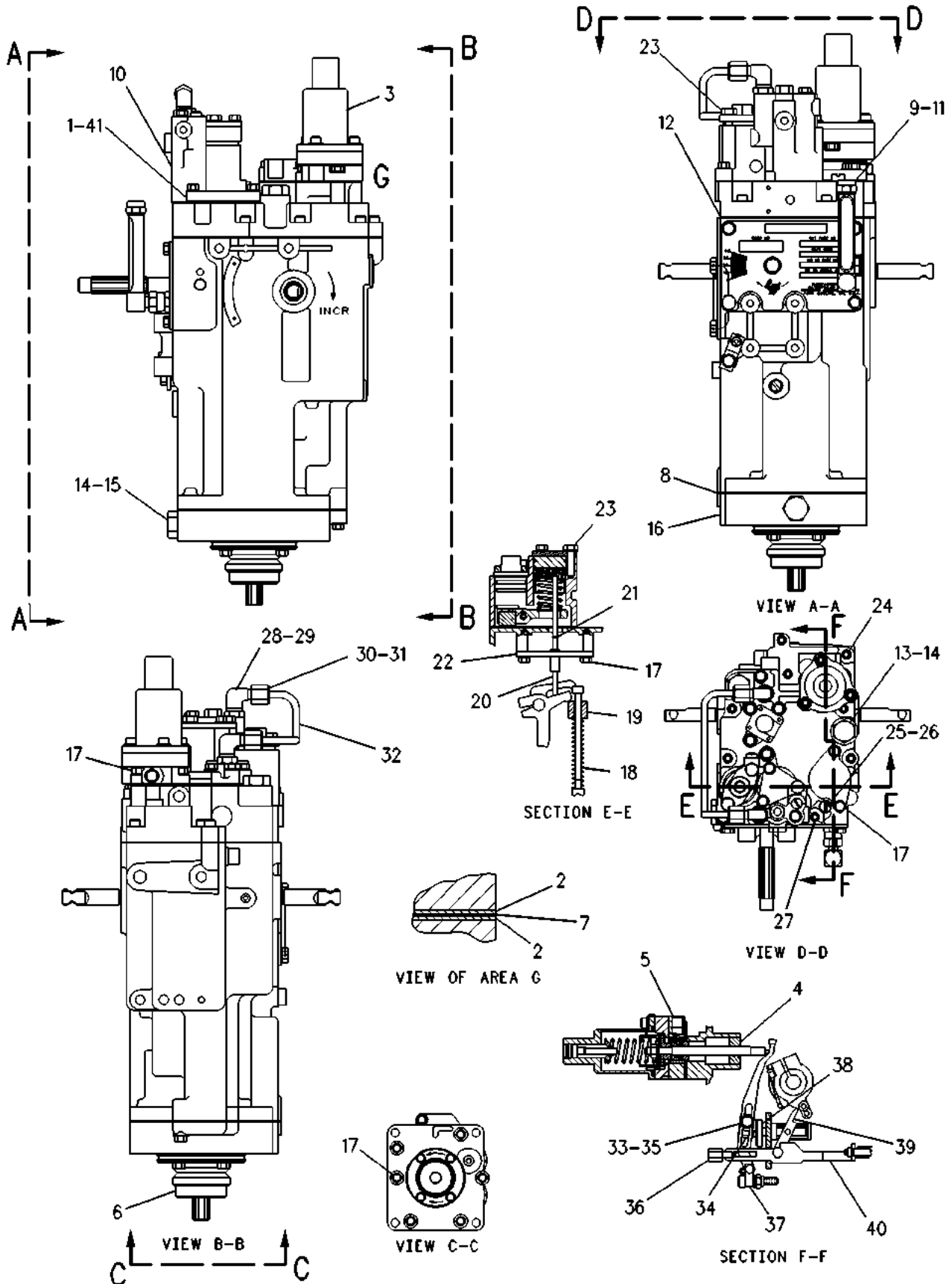
NOTE	REF NO	GRAPHIC REF	PART NUMBER	QTY	PART NAME						SEE PAGE
					1	2	3	4	5	6 (PRODUCT LEVEL)	
	1	1	1W-9782	1	GASKET - SHUTOFF						
	2	1	4P-6857	2	GASKET - PLATE						
Y	3	1	101-8238	1	CONTROL GP - FUEL RATIO						786
	4	1	6I-3846	1	BUSHING - GUIDE						
	5	1	6I-3844	1	COVER AS - SETTING						
		1	6I-3847	1	KIT - REPAIR (FUEL RATIO CONTROL) (INCLUDES SEALS & BUSHINGS)						
Y	6	1	6I-3842	1	PUMP GP - GEROTOR (GOVERNOR)						916
	7	1	2W-4606	1	PLATE - ORIFICE						
	8	1	2W-0124	1	GASKET						
	9	1	129-3096	1	GAUGE - SIGHT (OIL LEVEL) (GOVERNOR OIL)						
Y	10	1	4P-6538	1	CONTROL GP - GOVERNOR						789
	11	1	131-4345	1	GLASS - SIGHT						
	12	1	1W-9780	1	GASKET						
	13	1	123-9693	1	CAP - BREATHER (ATMOSPHERIC)						
	14	1	8L-2786	2	SEAL - O-RING						
	15	1	9S-4185	1	PLUG (3/4-16-THD)						
	16	1	135-6910	1	BASE						
	17	1	032-2580	26	SCREW - TAPPING (1/4-20X1-IN)						
	18	1	2W-1476	1	SPRING						
	19	1	2W-4619	1	SEAT						
	20	1	2W-4622	1	ROD						
	21	1	5P-4672	1	RING - RETAINING						
	22	1	7C-0077	1	GUIDE AS - ROD						
	23	1	2W-0138	3	SCREW - FORMING (1/4-20X1-IN)						
	24	1	8H-0707	7	BOLT (1/4-20X1-IN)						
	25	1	7C-3900	1	PLUG						
	26	1	5P-7812	1	SEAL - O-RING						
	27	1	9X-5999	1	BOLT (1/4-20X1-IN)						
	28	1	6V-5048	2	SEAL - O-RING						
	29	1	030-7946	2	ELBOW						
	30	1	8L-3161	2	NUT - FLARED (7/16-20-THD)						
	31	1	8L-3162	2	SLEEVE - FLARED						
	32	1	2W-4633	1	TUBE						
	33	1	3L-6759	1	WASHER						
	34	1	4P-6860	1	BLOCK - CAM						
	35	1	2W-5975	1	SCREW - BOLT (1/4-28X0.5-IN)						
	36	1	2W-1228	1	NUT - SHUTDOWN ADJUSTMENT (1/4-28-THD)						
	37	1	4P-6859	1	LEVER AS						
	38	1	4P-6861	1	ROD AS						
	39	1	4P-6863	1	LEVER AS						
	40	1	4P-6867	1	ROD AS - SHUTOFF						
	41	1	2W-0776	1	COVER - SHUTDOWN						

Y - SEPARATE ILLUSTRATION

FUEL SYSTEM

124-3174 GOVERNOR GP (contd.)

102657806



GRAPHIC #1

<END>

g00265459

FUEL SYSTEM

1W-5021 GOVERNOR GP-LH 3161 WITH SMOKE LIMITER & HYDRAULIC/PNEUMATIC SPEED SETTING FOR USE WITH STANDARD ENGINE ROTATION AN ATTACHMENT

SMCS-1264, 1908

i01433597

NOTE	PART NUMBER	QTY	PART NAME 1 2 3 4 5 6 (PRODUCT LEVEL)	SEE PAGE
Y	8N-4263	1	COVER GP-ACCESSORY DRIVE	46
Y	1W-2135	1	DRIVE GP-GOVERNOR	796
Y	1W-6036	1	FASTENER GP-FUEL INJ PUMP	806
R	7E-8948	1	GOVERNOR GP	
-OR-				
YR	124-3174	1	GOVERNOR GP	837
Y	1W-5171	1	LINES GP-FUEL RATIO CONTROL	889
R - REMANUFACTURED PART MAY BE AVAILABLE				
Y - SEPARATE ILLUSTRATION				

<END>

2W-8583 GOVERNOR GP-LH FOR USE WITH STANDARD ENGINE ROTATION AN ATTACHMENT

SMCS-1264, 1908

i01433959

NOTE	PART NUMBER	QTY	PART NAME 1 2 3 4 5 6 (PRODUCT LEVEL)	SEE PAGE
Y	8N-4263	1	COVER GP-ACCESSORY DRIVE	46
Y	1W-2135	1	DRIVE GP-GOVERNOR	796
Y	1W-6036	1	FASTENER GP-FUEL INJ PUMP	806
R	7E-8949	1	GOVERNOR GP	
-OR-				
YR	124-3173	1	GOVERNOR GP	835
Y	1W-5171	1	LINES GP-FUEL RATIO CONTROL	889
R - REMANUFACTURED PART MAY BE AVAILABLE				
Y - SEPARATE ILLUSTRATION				

<END>

FUEL SYSTEM

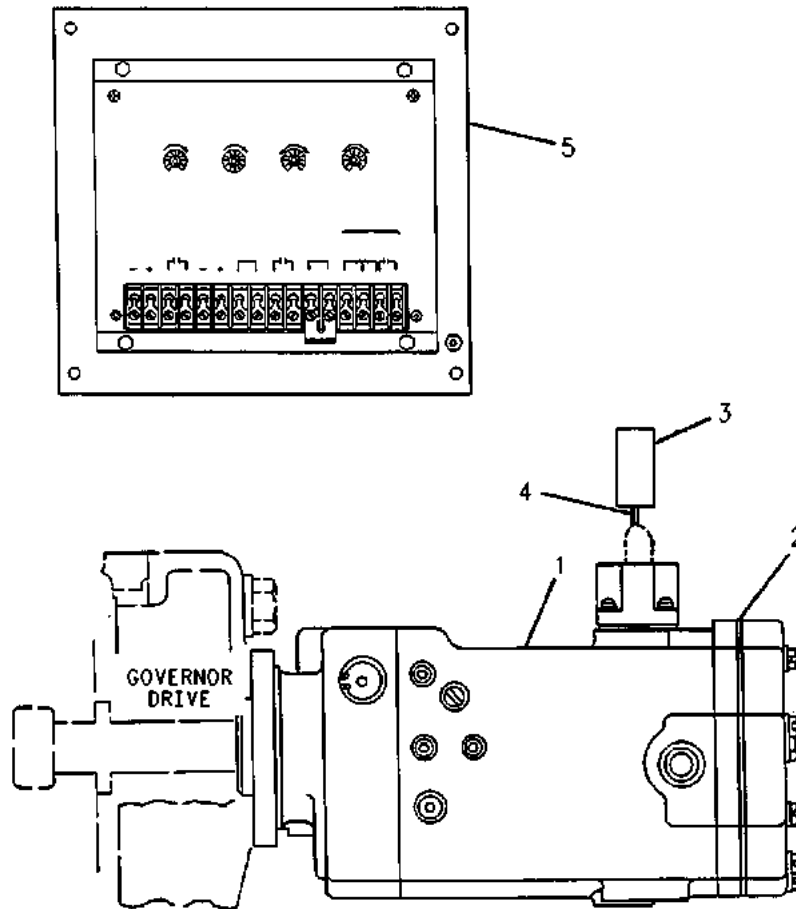
7E-8799 GOVERNOR GP PART OF 8N-0237 GOVERNOR GP-ELECTRIC AN ATTACHMENT

SMCS-1264, 1908

i01377428

NOTE	REF NO	GRAPHIC REF	PART NUMBER	QTY	PART NAME						SEE PAGE	
					1	2	3	4	5	6 (PRODUCT LEVEL)		
R	1	1	7W-6722	1	ACTUATOR AS							
	2	1	4W-8072	1	GASKET-TOP COVER							
	3	1	7N-9738	1	HOUSING-RECEPTACLE (14-GA TO 18-GA)							
			1	7N-7779	1	SOCKET-CONNECTOR (14-GA TO 18-GA)						
			1	7N-7780	1	PIN-CONNECTOR (14-GA TO 18-GA)						
D	4	1	8T-5677		SLEEVE (.1M)							
	5	1	131-5453	1	CONTROL AS-ELECTRONIC GOVERNOR							

D - ORDER BY THE METER
R - REMANUFACTURED PART MAY BE AVAILABLE



GRAPHIC #1

<END>

g00727322

FUEL SYSTEM

7W-3333 GOVERNOR GP-LH 3161-PNEUMATIC-EXTERNAL DROOP ADJUSTMENT FOR USE WITH OPPOSITE ENGINE ROTATION AN ATTACHMENT

SMCS-1264, 1908

i00890641

NOTE	PART NUMBER	QTY	PART NAME						SEE PAGE
			1	2	3	4	5	6 (PRODUCT LEVEL)	
Y	8N-4266	1	COVER GP-ACCESSORY DRIVE						47
Y	1W-2135	1	DRIVE GP-GOVERNOR						796
Y	1W-6036	1	FASTENER GP-FUEL INJ PUMP						806
R	7E-8948	1	GOVERNOR GP						
-OR-									
YR	124-3174	1	GOVERNOR GP						837
Y	1W-5171	1	LINES GP-FUEL RATIO CONTROL						889

R - REMANUFACTURED PART MAY BE AVAILABLE
Y - SEPARATE ILLUSTRATION

<END>

8N-6712 GOVERNOR GP AN ATTACHMENT

SMCS-1264, 1908

i02390827

NOTE	PART NUMBER	QTY	PART NAME						SEE PAGE
			1	2	3	4	5	6 (PRODUCT LEVEL)	
Y	1W-2135	1	DRIVE GP-GOVERNOR						796
Y	1W-6034	1	FASTENER GP-FUEL INJ PUMP						804
R	7E-8948	1	GOVERNOR GP						
-OR-									
YR	124-3174	1	GOVERNOR GP						837
Y	1W-2136	1	LINES GP-FUEL RATIO CONTROL						887

R - REMANUFACTURED PART MAY BE AVAILABLE
Y - SEPARATE ILLUSTRATION

<END>

8N-6714 GOVERNOR GP-RH 3161 WITH SMOKE LIMITER & HYDRAULIC/PNEUMATIC SHUT-OFF -HYDRAULIC CYLINDER FOR USE WITH STANDARD & OPPOSITE ENGINE ROTATION

SMCS-1264, 1908

i01433908

NOTE	PART NUMBER	QTY	PART NAME						SEE PAGE
			1	2	3	4	5	6 (PRODUCT LEVEL)	
Y	1W-2135	1	DRIVE GP-GOVERNOR						796
Y	1W-6034	1	FASTENER GP-FUEL INJ PUMP						804
	2W-8580	1	GOVERNOR GP						
-OR-									
R	7E-8949	1	GOVERNOR GP						
-OR-									
YR	124-3173	1	GOVERNOR GP						835
Y	1W-2136	1	LINES GP-FUEL RATIO CONTROL						887
Y	1W-4862	1	SHUTOFF GP-REMOTE						954

R - REMANUFACTURED PART MAY BE AVAILABLE
Y - SEPARATE ILLUSTRATION

<END>

FUEL SYSTEM

8N-0237 GOVERNOR GP-ELECTRIC AN ATTACHMENT

SMCS-1908

i01819361

NOTE	PART NUMBER	QTY	PART NAME						SEE PAGE
			1	2	3	4	5	6 (PRODUCT LEVEL)	
Y	4W-5391	1	BOX AS-GOVERNOR PREREGULATOR						779
Y	8N-0117	1	DRIVE GP-GOVERNOR						801
YR	4W-5030	1	FASTENER GP-FUEL INJ PUMP						810
Y	7E-8799	1	GOVERNOR GP						840
	8T-6762	1	PLUG-PIPE (1/2-14-THD) (PRESSURE TAP)						
			(TO UPPER FRONT AIR MANIFOLD)						

R - REMANUFACTURED PART MAY BE AVAILABLE
Y - SEPARATE ILLUSTRATION

<END>

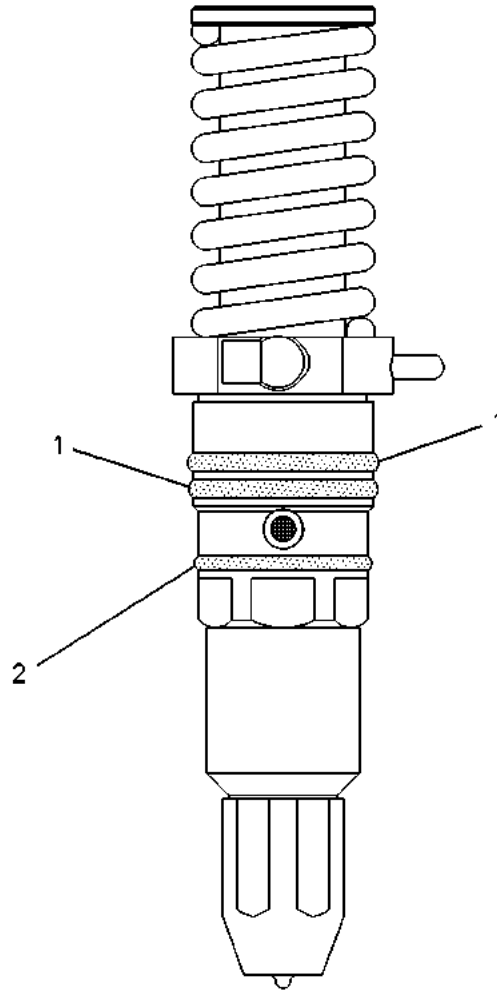
FUEL SYSTEM

121-2630 INJECTOR GP-FUEL*R PART OF 121-3563 PUMP GP-FUEL INJECTION AN ATTACHMENT

SMCS-1251, 1254, 1290, 1713

i01461830

NOTE	REF NO	GRAPHIC REF	PART NUMBER	QTY	PART NAME						SEE PAGE
					1	2	3	4	5	6 (PRODUCT LEVEL)	
	1	1	194-9584	2	SEAL-O-RING						
	2	1	5P-8065	1	SEAL-O-RING						



GRAPHIC #1

<END>

g00083426

FUEL SYSTEM

4W-3152 INSTALLATION GP-GOVERNOR-LH

FOR USE WITH WOODWARD PGEV LOCOMOTIVE GOVERNOR, 4W-6845 PAN GP-OIL, 4W-6846 PAN GP-OIL, 4W-6847 PAN GP-OIL
AN ATTACHMENT

SMCS-1264

i00649215

NOTE	PART NUMBER	QTY	PART NAME						SEE PAGE
			1	2	3	4	5	6 (PRODUCT LEVEL)	
Y	8N-4263	1	COVER GP-ACCESSORY DRIVE						46
Y	4W-3151	1	DRIVE GP-GOVERNOR						798
Y	4W-3153	1	FASTENER GP-FUEL INJ PUMP						808
	2B-0858	1	PLUG-PIPE						

Y - SEPARATE ILLUSTRATION

<END>

FUEL SYSTEM

2W-4925 LINES GP-DIVERTER VALVE

PART OF 4W-6979 SHUTOFF GP-HYDROMECHANICAL

AN ATTACHMENT

TYPE 1

SMCS-1274

i00651330

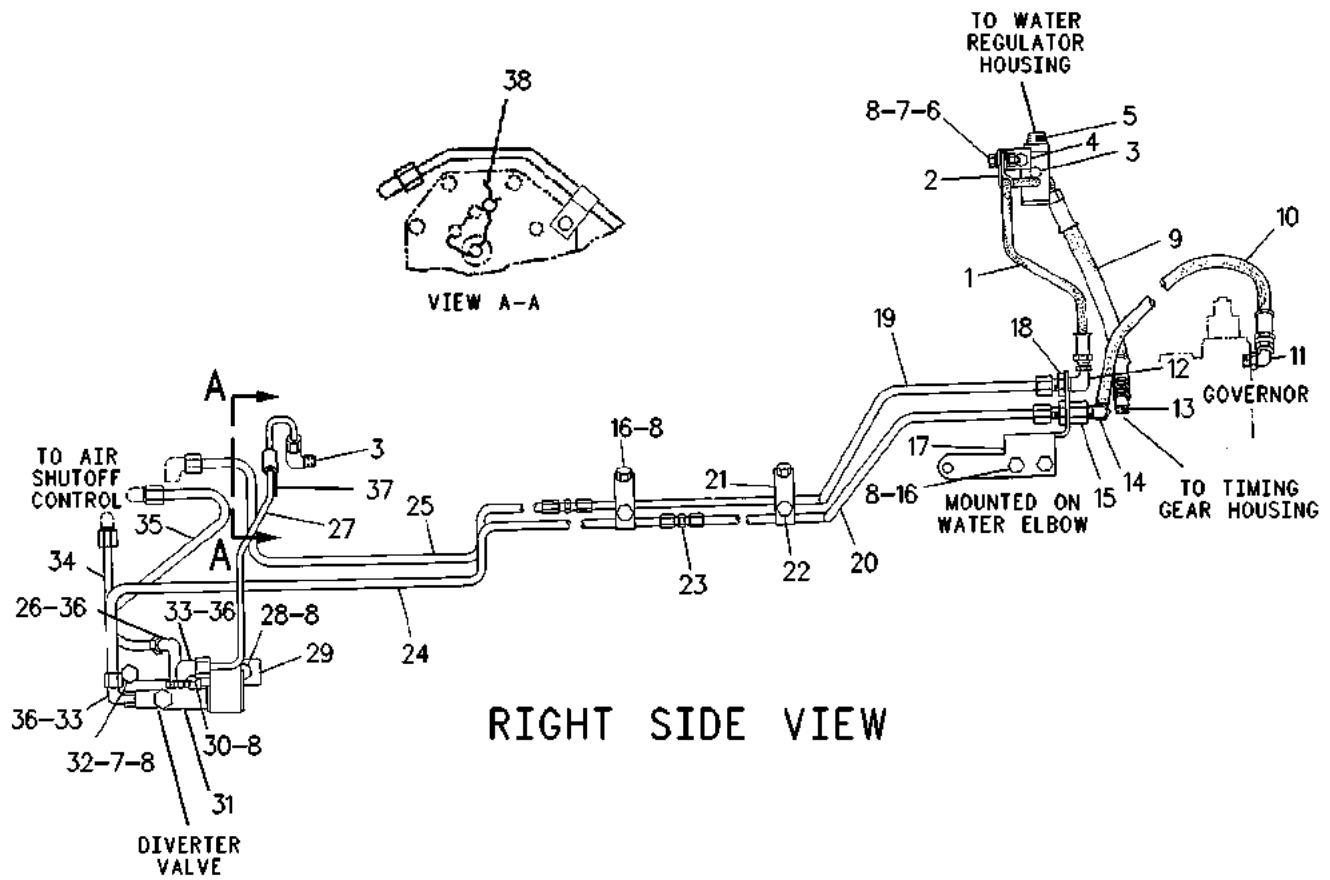
NOTE	REF NO	GRAPHIC REF	PART NUMBER	QTY	PART NAME						SEE PAGE
					1	2	3	4	5	6 (PRODUCT LEVEL)	
I	1	1	2W-4332	1	HOSE AS						
		1	032-1267	1	CONNECTOR (STRAIGHT)						
	2	1	5P-7458	1	CLIP (SLOT)						
		1	5P-7459	1	CLIP (TAB)						
	3	1	032-1268	2	CONNECTOR (90-DEG)						
C	4	1	4P-7048	1	BRACKET						
	5	1	7E-1121	1	VALVE (THERMOSTATIC)						
	6	1	1A-2029	1	BOLT (3/8-16X1.125-IN)						
C	7	1	9S-8752	2	NUT-FULL (3/8-16-THD)						
	8	1	5M-2894	11	WASHER-HARD (10.2X18.5X2.5-MM THK)						
I	9	1	2W-4331	1	HOSE AS						
CI	10	1	2V-5956	1	HOSE AS						
C	11	1	030-7946	1	ELBOW						
C		1	3J-7354	1	SEAL-O-RING						
	12	1	2P-7215	1	ELBOW						
	13	1	001-6498	1	ELBOW						
	14	1	6K-1972	1	ELBOW-FLARED						
	15	1	5P-4653	1	CONNECTOR						
	16	1	0L-1351	5	BOLT (3/8-16X0.875-IN)						
	17	1	8N-8514	1	BRACKET						
	18	1	2P-1279	2	LOCKNUT (9/16-18-THD)						
	19	1	8N-8501	1	TUBE AS						
	20	1	5N-7782	1	TUBE AS						
	21	1	2W-7703	3	BRACKET						
		1	2W-7704	3	CLAMP						
	22	1	4F-7957	3	BOLT (1/4-20X0.875-IN)						
		1	5P-0537	3	WASHER-HARD (7.2X14.5X2-MM THK)						
	23	1	7K-4129	2	UNION-FLARED						
	24	1	2W-0634	1	TUBE AS						
	25	1	5N-7781	1	TUBE AS						
C	26	1	6K-9194	1	ELBOW						
C		1	2R-6806	1	CONNECTOR						
	27	1	2W-0635	1	TUBE AS						
	28	1	0S-1594	1	BOLT (3/8-16X1-IN)						
	29	1	8N-8506	1	BRACKET						
	30	1	3B-1915	1	BOLT (3/8-16X1.375-IN)						
CY	31	1	4W-1775	1	VALVE GP-DIVERTER						649
	32	1	0S-1588	1	BOLT (3/8-16X1.25-IN)						
C	33	1	030-7947	3	ADAPTER-ELBOW						
	34	1	2W-0633	1	TUBE AS						
	35	1	2W-0636	1	TUBE AS						
	36	1	3J-1907	4	SEAL-O-RING						
	37	1	7B-1597	1	CLIP						
	38	1	5P-1275	3	LOCKWIRE						

C - CHANGE FROM PREVIOUS TYPE
 I - REFER TO HYDRAULIC INFORMATION SYSTEM
 Y - SEPARATE ILLUSTRATION

FUEL SYSTEM

2W-4925 LINES GP-DIVERTER VALVE (contd.)

i00651330



GRAPHIC #1

<END>

g00238884

FUEL SYSTEM

2W-4925 LINES GP-DIVERter VALVE

PART OF 4W-6979 SHUTOFF GP-HYDROMECHANICAL

AN ATTACHMENT

TYPE 2

SMCS-1274

i05940038

NOTE	REF NO	GRAPHIC REF	PART NUMBER	QTY	PART NAME						SEE PAGE
					1	2	3	4	5	6 (PRODUCT LEVEL)	
I	1	1	2V-5956	1	HOSE AS						
	2	1	2W-0633	1	TUBE AS						
	3	1	2W-0634	1	TUBE AS						
	4	1	2W-0635	1	TUBE AS						
	5	1	2W-0636	1	TUBE AS						
I	6	1	2W-4331	1	HOSE AS						
I	7	1	2W-4332	1	HOSE AS						
	8	1	2W-7703	3	BRACKET						
	9	1	2W-7704	3	CLAMP						
	10	1	4P-7048	1	BRACKET						
	11	1	5N-7781	1	TUBE AS						
	12	1	5N-7782	1	TUBE AS						
	13	1	5P-4653	1	CONNECTOR						
	14	1	7E-1121	1	VALVE (THERMOSTATIC)						
	15	1	8N-8501	1	TUBE AS						
	16	1	8N-8506	1	BRACKET						
	17	1	8N-8514	1	BRACKET						
	18	1	8S-8158	1	SEAL-WIRE						
	19	1	001-6498	1	ELBOW						
	20	1	030-7946	1	ELBOW						
	21	1	030-7947	3	ADAPTER-ELBOW						
	22	1	032-1267	1	CONNECTOR (STRAIGHT)						
	23	1	032-1268	2	CONNECTOR (90-DEG)						
	24	1	0L-1351	5	BOLT (3/8-16X0.875-IN)						
	25	1	0S-1588	1	BOLT (3/8-16X1.25-IN)						
	26	1	0S-1594	1	BOLT (3/8-16X1-IN)						
	27	1	1A-2029	1	BOLT (3/8-16X1.125-IN)						
	28	1	2P-1279	2	LOCKNUT (9/16-18-THD)						
	29	1	2P-7215	1	ELBOW						
	30	1	2R-6806	1	CONNECTOR						
	31	1	3B-1915	1	BOLT (3/8-16X1.375-IN)						
	32	1	3J-1907	4	SEAL-O-RING						
	33	1	3J-7354	1	SEAL-O-RING						
	34	1	4F-7957	3	BOLT (1/4-20X0.875-IN)						
	35	1	5M-2894	9	WASHER-HARD (10.2X18.5X2.5-MM THK)						
	36	1	5P-0537	3	WASHER-HARD (7.2X14.5X2-MM THK)						
	37	1	5P-7458	1	CLIP (SLOT)						
	38	1	5P-7459	1	CLIP (TAB)						
	39	1	6K-1972	1	ELBOW-FLARED						
	40	1	6K-9194	1	ELBOW						
	41	1	7B-1597	1	CLIP						
	42	1	7K-4129	2	UNION-FLARED						
	43	1	9S-8752	2	NUT-FULL (3/8-16-THD)						
	44	1	9X-6458	2	WASHER-HARD (10.2X22.5X3-MM THK)						
D	45	1	5P-6025		LOCKWIRE (0.3-M)						

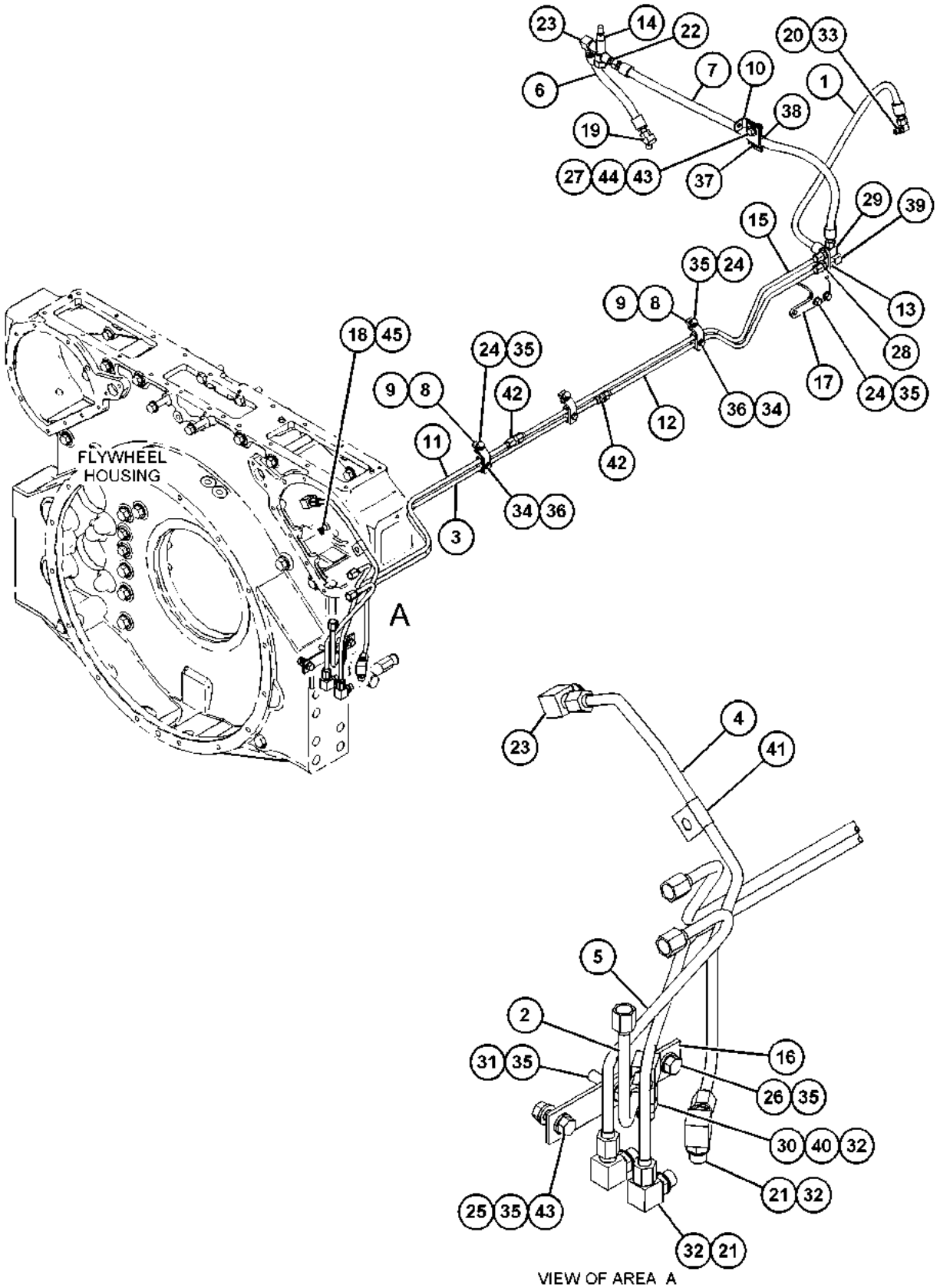
D - ORDER BY THE METER

I - REFER TO HYDRAULIC INFORMATION SYSTEM

FUEL SYSTEM

2W-4925 LINES GP-DIVERTER VALVE (contd.)

i05940038



GRAPHIC #1

<END>

g03737531

FUEL SYSTEM

2W-4926 LINES GP-DIVERTER VALVE

S/N: 65Z887-1652

FOR USAGE REFER TO CHART 7W-7326-PAGE: 1450

AN ATTACHMENT

TYPE 1

SMCS-1274

i00931444

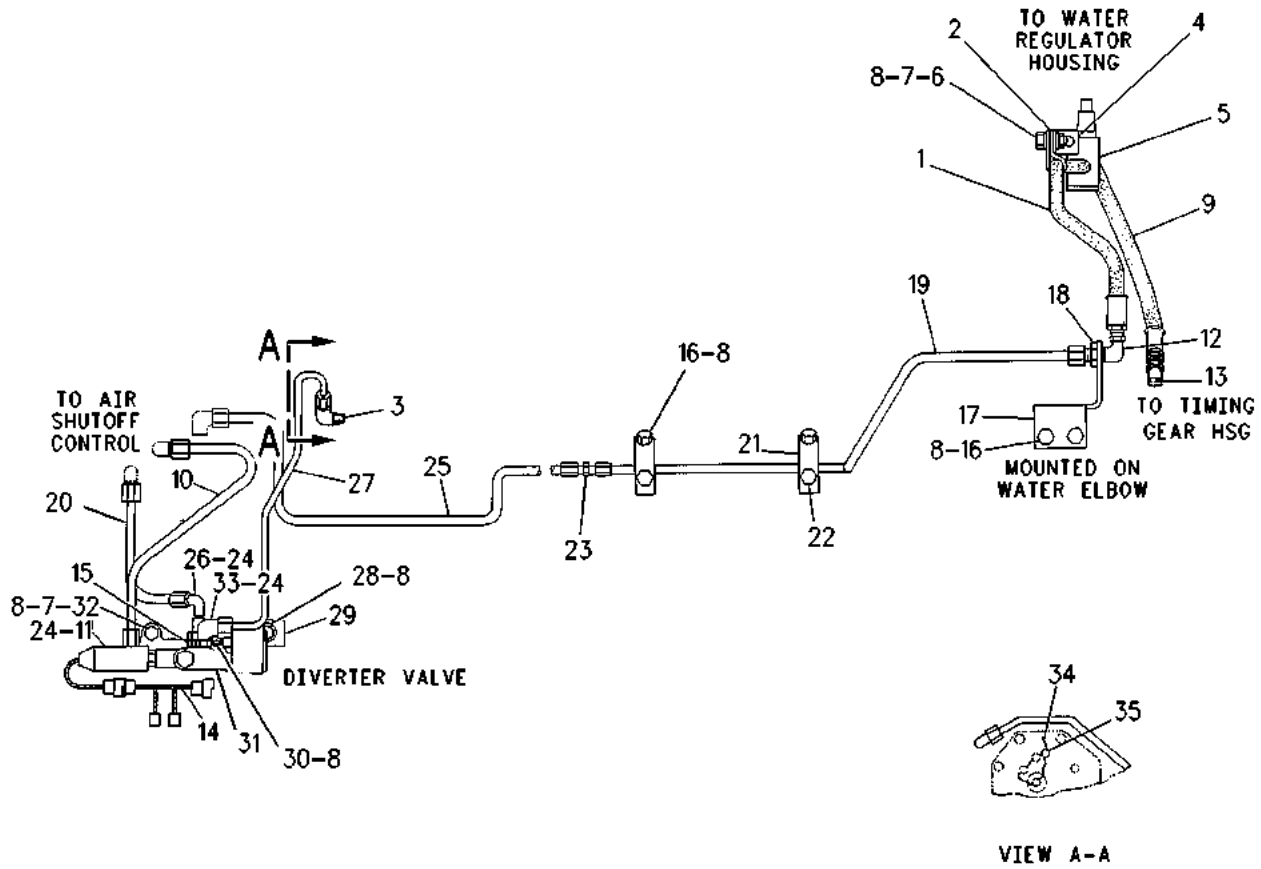
NOTE	REF NO	GRAPHIC REF	PART NUMBER	QTY	PART NAME						SEE PAGE
					1	2	3	4	5	6 (PRODUCT LEVEL)	
I	1	1	2W-4332	1	HOSE AS						
		1	032-1267	1	CONNECTOR (STRAIGHT)						
	2	1	5P-7458	1	CLIP (SLOT)						
		1	5P-7459	1	CLIP (TAB)						
	3	1	032-1268	2	CONNECTOR (90-DEG)						
	4	1	9M-0766	1	BRACKET						
	5	1	4L-7108	1	VALVE-PILOT						
	6	1	1A-2029	1	BOLT (3/8-16X1.125-IN)						
	7	1	1D-4717	2	NUT (3/8-16-THD)						
	8	1	5M-2894	11	WASHER-HARD (10.2X18.5X2.5-MM THK)						
I	9	1	2W-4331	1	HOSE AS						
	10	1	2W-0636	1	TUBE AS						
C	11	1	6T-1546	1	SWITCH AS-PRESSURE (FUEL)						
		1	7N-7779	1	SOCKET-CONNECTOR (14-GA TO 18-GA)						
		1	7N-7780	2	PIN-CONNECTOR (14-GA TO 18-GA)						
		1	7N-7781	1	HOUSING-RECEPTACLE (14-GA TO 18-GA)						
	12	1	2P-7215	1	ELBOW						
	13	1	001-6498	1	ELBOW						
C	14	1	7W-0231	1	HARNESS AS-SWITCH (FUEL PRESSURE) (FUEL PRESS. SWITCH)						
C	15	1	2R-6806	1	CONNECTOR						
	16	1	0L-1351	5	BOLT (3/8-16X0.875-IN)						
	17	1	8N-8514	1	BRACKET						
	18	1	2P-1279	1	LOCKNUT (9/16-18-THD)						
	19	1	8N-8501	1	TUBE AS						
	20	1	2W-0633	1	TUBE AS						
	21	1	5N-5671	3	BRACKET						
		1	5N-5996	3	CLAMP						
	22	1	0S-1615	3	BOLT (1/4-20X0.75-IN)						
		1	5P-0537	3	WASHER-HARD (7.2X14.5X2-MM THK)						
	23	1	7K-4129	1	UNION-FLARED						
	24	1	3J-1907	4	SEAL-O-RING						
	25	1	5N-7781	1	TUBE AS						
C	26	1	6K-9194	1	ELBOW						
	27	1	2W-0635	1	TUBE AS						
	28	1	0S-1594	1	BOLT (3/8-16X1-IN)						
	29	1	8N-8506	1	BRACKET						
	30	1	3B-1915	1	BOLT (3/8-16X1.375-IN)						
Y	31	1	4W-1775	1	VALVE GP-DIVERTER						649
	32	1	0S-1588	1	BOLT (3/8-16X1.25-IN)						
	33	1	030-7947	2	ADAPTER-ELBOW						
CBD	34	1	8S-7115		LOCKWIRE						
C	35	1	8S-8159	1	SEAL						

B - USE AS REQUIRED
 C - CHANGE FROM PREVIOUS TYPE
 D - ORDER BY THE METER
 I - REFER TO HYDRAULIC INFORMATION SYSTEM
 Y - SEPARATE ILLUSTRATION

FUEL SYSTEM

2W-4926 LINES GP-DIVERTER VALVE (contd.)

i00931444



GRAPHIC #1

<END>

g00475649

FUEL SYSTEM

2W-4926 LINES GP-DIVERTER VALVE

S/N: 65Z887-1652

FOR USAGE REFER TO CHART 7W-7326-PAGE: 1450

AN ATTACHMENT

TYPE 2

SMCS-1274

i02646042

NOTE	REF NO	GRAPHIC REF	PART NUMBER	QTY	PART NAME						SEE PAGE
					1	2	3	4	5	6 (PRODUCT LEVEL)	
I	1	1	2W-4332	1	HOSE AS						
			032-1267	1	CONNECTOR (STRAIGHT)						
	2	1	5P-7458	1	CLIP (SLOT)						
			5P-7459	1	CLIP (TAB)						
	3	1	032-1268	2	CONNECTOR (90-DEG)						
	4	1	4P-7048	1	BRACKET						
	5	1	7E-1121	1	VALVE (THERMOSTATIC)						
	6	1	1A-2029	1	BOLT (3/8-16X1.125-IN)						
	7	1	9S-8752	2	NUT-FULL (3/8-16-THD)						
	8	1	5M-2894	11	WASHER-HARD (10.2X18.5X2.5-MM THK)						
	I	9	1	2W-4331	1	HOSE AS					
2W-0636				1	TUBE AS						
11		1	6T-1546	1	SWITCH AS-PRESSURE (FUEL)						
			7N-7779	1	SOCKET-CONNECTOR (14-GA TO 18-GA)						
		1	7N-7780	2	PIN-CONNECTOR (14-GA TO 18-GA)						
			7N-7781	1	HOUSING-RECEPTACLE (14-GA TO 18-GA)						
12		1	2P-7215	1	ELBOW						
13		1	001-6498	1	ELBOW						
14		1	7W-0231	1	HARNESS AS-SWITCH (FUEL PRESSURE)						
15		1	2R-6806	1	CONNECTOR						
16		1	0L-1351	5	BOLT (3/8-16X0.875-IN)						
17	1	8N-8514	1	BRACKET							
18	1	2P-1279	1	LOCKNUT (9/16-18-THD)							
19	1	8N-8501	1	TUBE AS							
20	1	2W-0633	1	TUBE AS							
21	1	5N-5671	3	BRACKET							
		5N-5996	3	CLAMP							
22	1	0S-1615	3	BOLT (1/4-20X0.75-IN)							
		5P-0537	3	WASHER-HARD (7.2X14.5X2-MM THK)							
23	1	7K-4129	1	UNION-FLARED							
24	1	3J-1907	4	SEAL-O-RING							
25	1	5N-7781	1	TUBE AS							
26	1	6K-9194	1	ELBOW							
27	1	2W-0635	1	TUBE AS							
28	1	0S-1594	1	BOLT (3/8-16X1-IN)							
29	1	8N-8506	1	BRACKET							
30	1	3B-1915	1	BOLT (3/8-16X1.375-IN)							
Y	31	1	4W-1775	1	VALVE GP-DIVERTER						649
			0S-1588	1	BOLT (3/8-16X1.25-IN)						
	33	1	030-7947	2	ADAPTER-ELBOW						
BD	34	1	8S-7115		LOCKWIRE						
			8S-8159	1	SEAL						
C	36	1	9G-8010	1	SWITCH AS-PRESSURE (ENGINE OIL)						
			6V-8376	2	SCREW-MACHINE (8-32X0.25-IN)						
		1	9B-7233	2	LOCKWASHER						

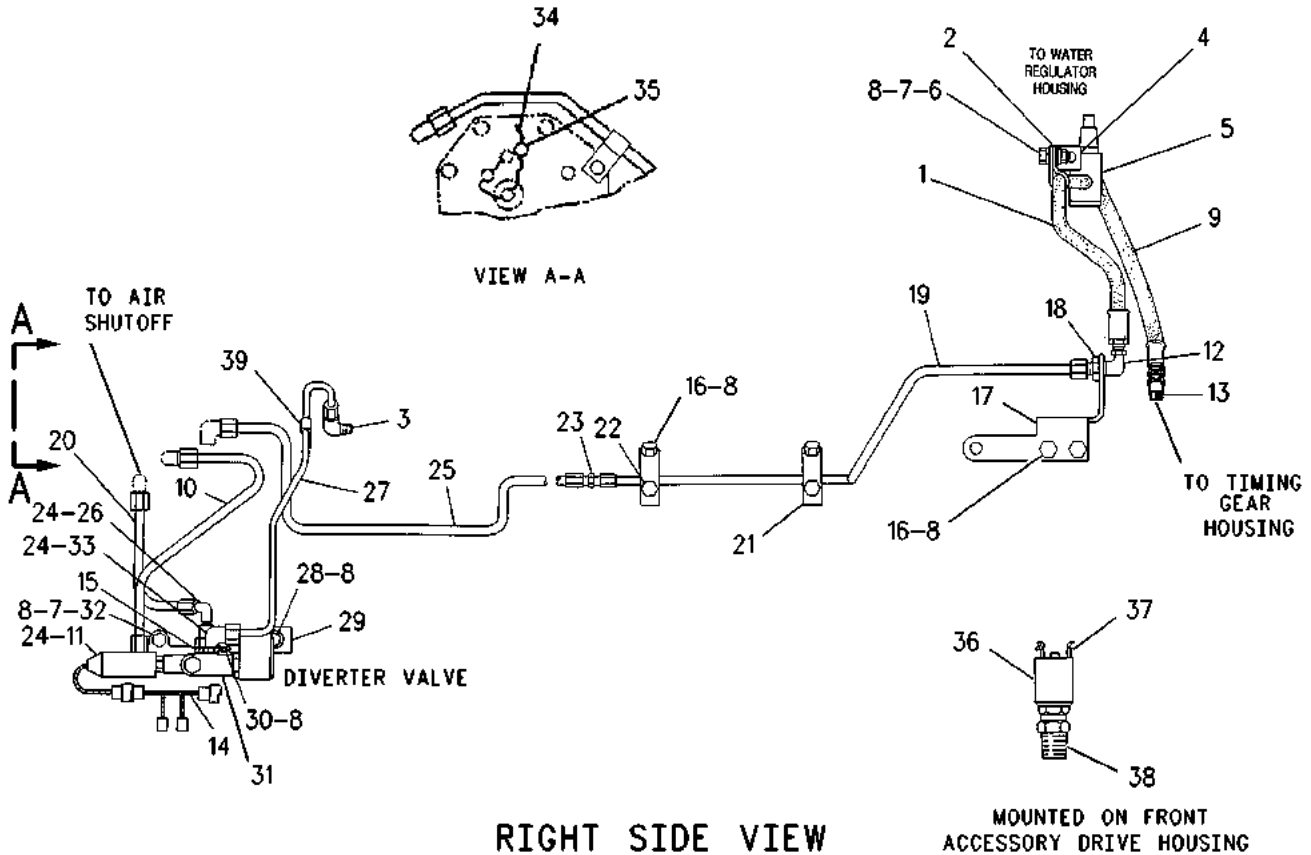
FUEL SYSTEM

2W-4926 LINES GP-DIVERTER VALVE (contd.)

i02646042

NOTE	REF NO	GRAPHIC REF	PART NUMBER	QTY	PART NAME						SEE PAGE
					1	2	3	4	5	6 (PRODUCT LEVEL)	
C	38	1	4M-5317	1	BUSHING-REDUCER						
	39	1	7B-1597	1	CLIP						

B - USE AS REQUIRED
 C - CHANGE FROM PREVIOUS TYPE
 D - ORDER BY THE METER
 I - REFER TO HYDRAULIC INFORMATION SYSTEM
 Y - SEPARATE ILLUSTRATION



GRAPHIC #1

<END>

g00901887

FUEL SYSTEM

2W-4926 LINES GP-DIVERTER VALVE

S/N: 65Z887-1652

FOR USAGE REFER TO CHART 7W-7326-PAGE: 1450

AN ATTACHMENT

TYPE 3

SMCS-1274

i03561267

NOTE	REF NO	GRAPHIC REF	PART NUMBER	QTY	PART NAME						SEE PAGE
					1	2	3	4	5	6 (PRODUCT LEVEL)	
	1	1	7K-4129	1	UNION-FLARED						
	2	1	8N-8501	1	TUBE AS						
	3	1	7E-1121	1	VALVE (THERMOSTATIC)						
	4	1	9X-4276	1	SWITCH AS-PRESSURE (FUEL)						
		1	7N-7779	1	SOCKET-CONNECTOR (14-GA TO 18-GA)						
		1	7N-7780	2	PIN-CONNECTOR (14-GA TO 18-GA)						
		1	7N-7781	1	HOUSING-RECEPTACLE (14-GA TO 18-GA)						
	5	2	030-7947	2	ADAPTER-ELBOW						
	6	1,2	6V-5049	4	SEAL-O-RING						
	7	1	2P-7215	1	ELBOW						
	8	2	2R-6806	1	CONNECTOR						
	9	1	7W-0231	1	HARNES AS-SWITCH (FUEL PRESSURE)						
		1	2W-4899	1	DIODE AS						
		1	3S-2093	4	STRAP-CABLE						
		1	7N-7779	3	SOCKET-CONNECTOR (14-GA TO 18-GA)						
		1	7N-7780	3	PIN-CONNECTOR (14-GA TO 18-GA)						
		1	7N-7781	1	HOUSING-RECEPTACLE (14-GA TO 18-GA)						
		1	7N-7782	1	HOUSING-PLUG (14-GA TO 18-GA)						
		1	8S-4626	2	SPLICE-WIRE						
		1	5P-5618	1	TERMINAL-BLADE (10-GA TO 12-GA)						
E		1	6V-9023		TUBE-HEAT SHRINK (12.7-MM DIA) (4-CM)						
		1	153-7049	1	TERMINAL-BLADE						
D		1	5P-6006		TUBE-HEAT SHRINK (9.52-MM DIA) (1-M)						
	10	1	2P-1279	1	LOCKNUT (9/16-18-THD)						
	11	1	8N-8514	1	BRACKET						
	12	1	0L-1351	5	BOLT (3/8-16X0.875-IN)						
	13	1	5M-2894	9	WASHER-HARD (10.2X18.5X2.5-MM THK)						
	14	1	1A-2029	1	BOLT (3/8-16X1.125-IN)						
	15	1	8N-8506	1	BRACKET						
	16	1	0S-1588	1	BOLT (3/8-16X1.25-IN)						
	17	1	0S-1594	1	BOLT (3/8-16X1-IN)						
	18	1	9X-6458	2	WASHER-HARD (10.2X22.5X3-MM THK)						
	19	1	3B-1915	1	BOLT (3/8-16X1.375-IN)						
	20	1	9S-8752	2	NUT-FULL (3/8-16-THD)						
	21	1	2W-0633	1	TUBE AS						
	22	2	5P-7458	1	CLIP (SLOT)						
	23	1	4P-7048	1	BRACKET						
	24	2	032-1268	2	CONNECTOR (90-DEG)						
	25	2	032-1267	1	CONNECTOR (STRAIGHT)						
	26	1	2W-7703	3	BRACKET						
	27	2	001-6498	1	ELBOW						
	28	1	4F-7957	3	BOLT (1/4-20X0.875-IN)						
	29	1	5P-0537	3	WASHER-HARD (7.2X14.5X2-MM THK)						
	30	1	2W-7704	3	CLAMP						
	31	1	5N-7781	1	TUBE AS						
	32	1	2W-0635	1	TUBE AS						

FUEL SYSTEM

2W-4926 LINES GP-DIVERTER VALVE (contd.)

i03561267

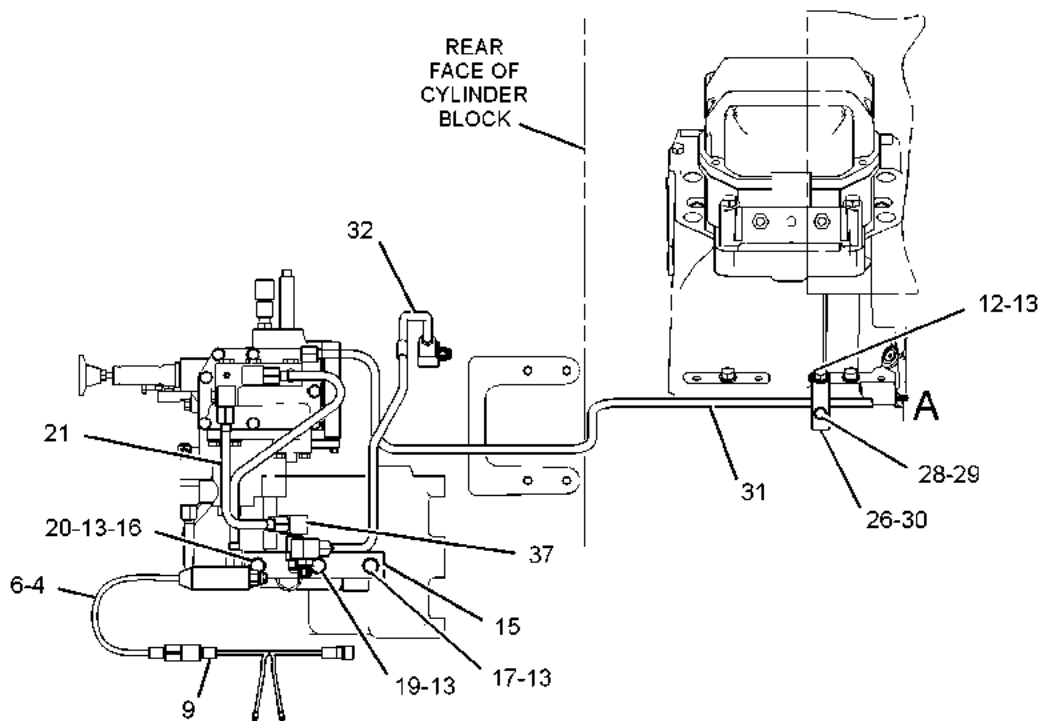
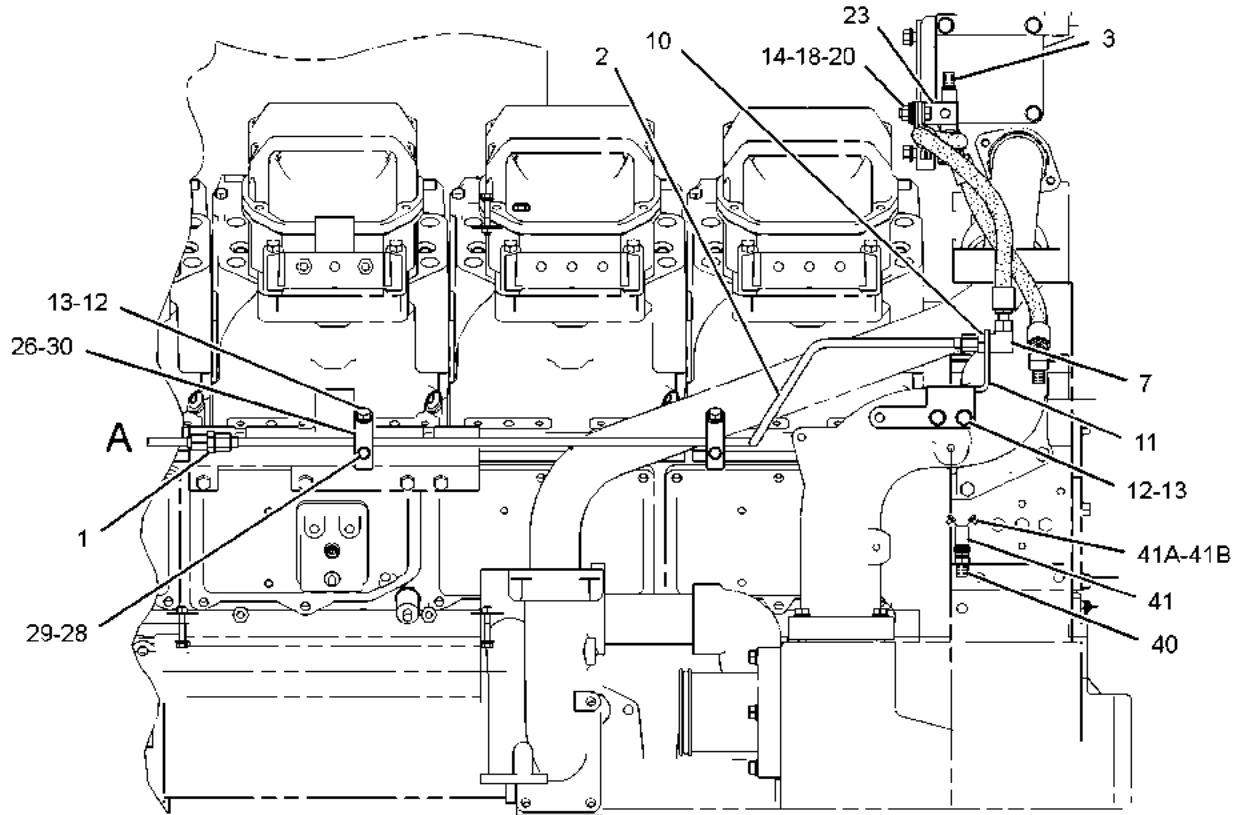
NOTE	REF NO	GRAPHIC REF	PART NUMBER	QTY	PART NAME						SEE PAGE
					1	2	3	4	5	6 (PRODUCT LEVEL)	
I	33	2	2W-4331	1	HOSE AS						
I	34	2	2W-4332	1	HOSE AS						
	35	2	2W-0636	1	TUBE AS						
	36	2	5P-7459	1	CLIP (TAB)						
	37	1	6K-9194	1	ELBOW						
	38	2	8S-8158	1	SEAL-WIRE						
BD	39	2	5P-6025		LOCKWIRE						
	40	1	4M-5317	1	BUSHING-REDUCER						
	41	1	9G-8010	1	SWITCH AS-PRESSURE (ENGINE OIL)						
	41A	1	6V-8376	2	SCREW-MACHINE (8-32X0.25-IN)						
	41B	1	9B-7233	2	LOCKWASHER						
	42	2	7B-1597	1	CLIP						

B - USE AS REQUIRED
 D - ORDER BY THE METER
 E - ORDER BY THE CENTIMETER
 I - REFER TO HYDRAULIC INFORMATION SYSTEM

FUEL SYSTEM

2W-4926 LINES GP-DIVERTER VALVE (contd.)

103561267



RIGHT SIDE VIEW OF ENGINE

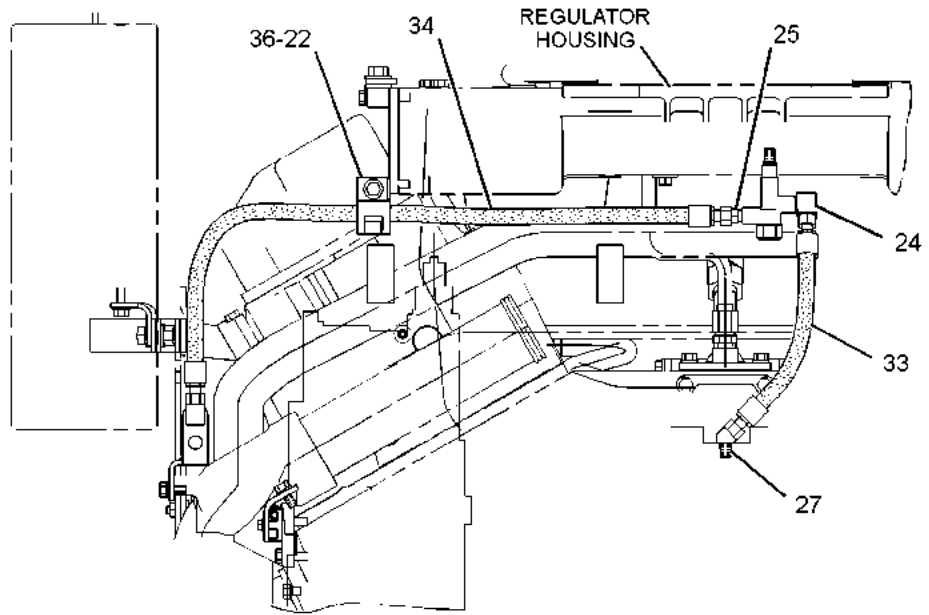
GRAPHIC #1

g01889695

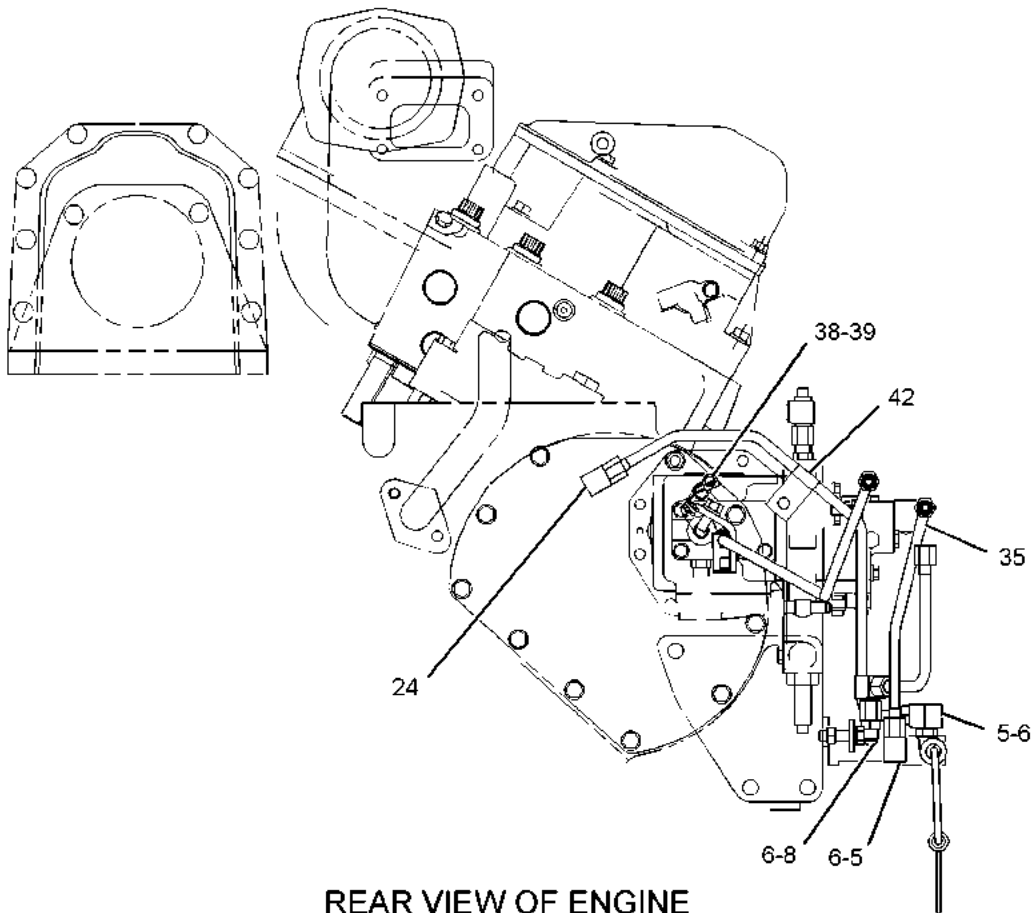
FUEL SYSTEM

2W-4926 LINES GP-DIVERter VALVE (contd.)

i03561267



FRONT VIEW OF ENGINE



REAR VIEW OF ENGINE

GRAPHIC #2

<END>

g01889696

FUEL SYSTEM

2W-4926 LINES GP-DIVERTER VALVE

S/N: 65Z1653-UP

FOR USAGE REFER TO CHART 7W-7326-PAGE: 1450

AN ATTACHMENT

SMCS-1274

i05926152

NOTE	REF NO	GRAPHIC REF	PART NUMBER	QTY	PART NAME						SEE PAGE
					1	2	3	4	5	6 (PRODUCT LEVEL)	
	1	1	7K-4129	1	UNION-FLARED						
	2	1	8N-8501	1	TUBE AS						
	3	1	7E-1121	1	VALVE (THERMOSTATIC)						
	4	1	9X-4276	1	SWITCH AS-PRESSURE (FUEL)						
		1	7N-7779	1	SOCKET-CONNECTOR (14-GA TO 18-GA)						
		1	7N-7780	2	PIN-CONNECTOR (14-GA TO 18-GA)						
		1	7N-7781	1	HOUSING-RECEPTACLE (14-GA TO 18-GA)						
	5	2	030-7947	2	ADAPTER-ELBOW						
	6	1,2	6V-5049	4	SEAL-O-RING						
	7	1	2P-7215	1	ELBOW						
	8	1	2R-6806	1	CONNECTOR						
	9	1	7W-0231	1	HARNESS AS-SWITCH (FUEL PRESSURE)						
		1	2W-4899	1	DIODE AS						
		1	3S-2093	4	STRAP-CABLE						
		1	7N-7779	3	SOCKET-CONNECTOR (14-GA TO 18-GA)						
		1	7N-7780	3	PIN-CONNECTOR (14-GA TO 18-GA)						
		1	7N-7781	1	HOUSING-RECEPTACLE (14-GA TO 18-GA)						
		1	7N-7782	1	HOUSING-PLUG (14-GA TO 18-GA)						
		1	8S-4626	2	SPLICE-WIRE						
		1	5P-5618	1	TERMINAL-BLADE (10-GA TO 12-GA)						
E		1	6V-9023		TUBE-HEAT SHRINK (12.7-MM DIA) (4-CM)						
		1	153-7049	1	TERMINAL-BLADE						
D		1	5P-6006		TUBE-HEAT SHRINK (9.52-MM DIA) (1-M)						
	10	1	2P-1279	1	LOCKNUT (9/16-18-THD)						
	11	1	8N-8514	1	BRACKET						
	12	1	0L-1351	5	BOLT (3/8-16X0.875-IN)						
	13	1	5M-2894	9	WASHER-HARD (10.2X18.5X2.5-MM THK)						
	14	1	1A-2029	1	BOLT (3/8-16X1.125-IN)						
	15	1	8N-8506	1	BRACKET						
	16	1	0S-1588	1	BOLT (3/8-16X1.25-IN)						
	17	1	0S-1594	1	BOLT (3/8-16X1-IN)						
	18	1	9X-6458	2	WASHER-HARD (10.2X22.5X3-MM THK)						
	19	1	3B-1915	1	BOLT (3/8-16X1.375-IN)						
	20	1	9S-8752	2	NUT-FULL (3/8-16-THD)						
	21	1	2W-0633	1	TUBE AS						
	22	2	5P-7458	1	CLIP (SLOT)						
	23	1	4P-7048	1	BRACKET						
	24	2	032-1268	2	CONNECTOR (90-DEG)						
	25	2	032-1267	1	CONNECTOR (STRAIGHT)						
	26	1	2W-7703	3	BRACKET						
	27	2	001-6498	1	ELBOW						
	28	1	4F-7957	3	BOLT (1/4-20X0.875-IN)						
	29	1	5P-0537	3	WASHER-HARD (7.2X14.5X2-MM THK)						
	30	1	2W-7704	3	CLAMP						
	31	1	5N-7781	1	TUBE AS						
	32	1	2W-0635	1	TUBE AS						
CI	33	2	451-6973	1	HOSE AS						

FUEL SYSTEM

2W-4926 LINES GP-DIVERTER VALVE (contd.)

i05926152

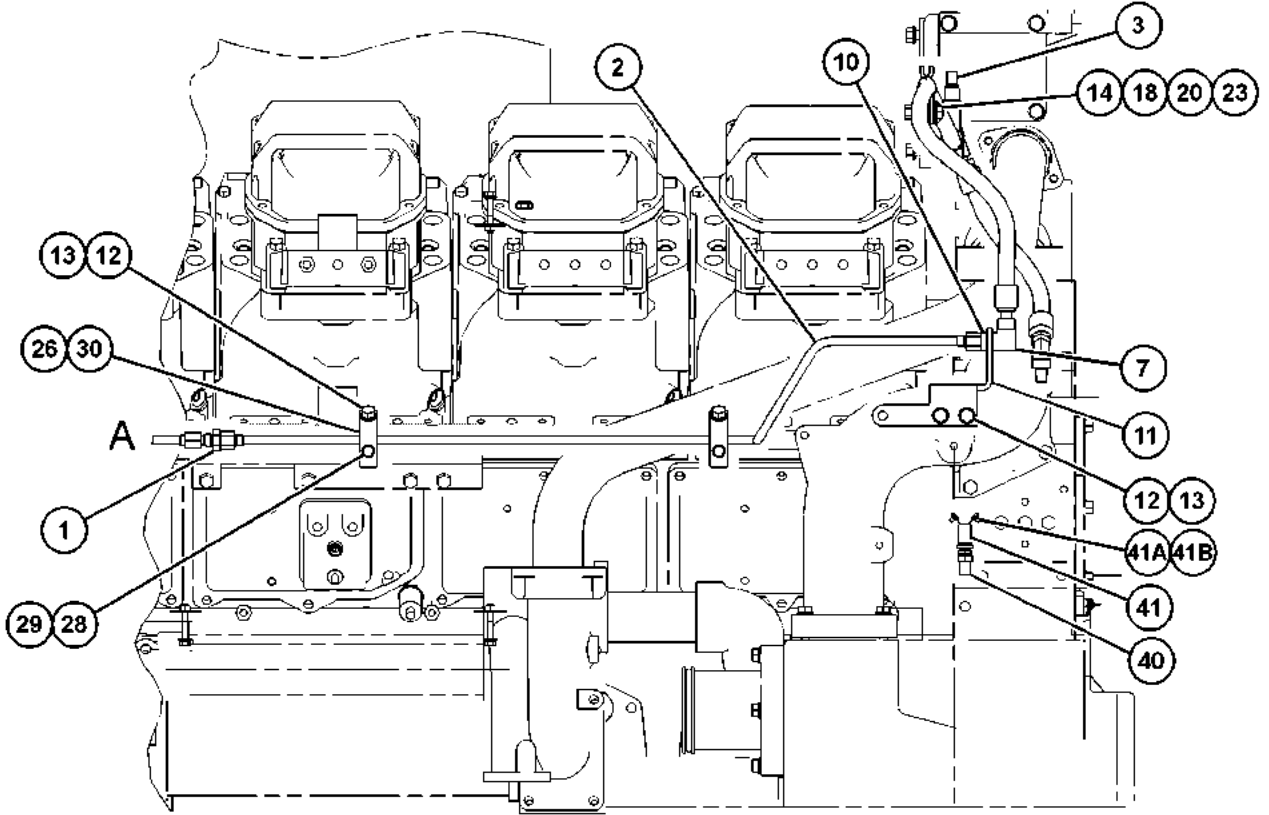
NOTE	REF NO	GRAPHIC REF	PART NUMBER	QTY	PART NAME						SEE PAGE
					1	2	3	4	5	6 (PRODUCT LEVEL)	
I	34	2	2W-4332	1	HOSE AS						
	35	2	2W-0636	1	TUBE AS						
	36	2	5P-7459	1	CLIP (TAB)						
	37	1	6K-9194	1	ELBOW						
	38	2	8S-8158	1	SEAL-WIRE						
BD	39	2	5P-6025		LOCKWIRE						
	40	1	4M-5317	1	BUSHING-REDUCER						
	41	1	9G-8010	1	SWITCH AS-PRESSURE (ENGINE OIL)						
	41A	1	6V-8376	2	SCREW-MACHINE (8-32X0.25-IN)						
	41B	1	9B-7233	2	LOCKWASHER						
	42	2	7B-1597	1	CLIP						

B - USE AS REQUIRED
 C - CHANGE FROM PREVIOUS TYPE
 D - ORDER BY THE METER
 E - ORDER BY THE CENTIMETER
 I - REFER TO HYDRAULIC INFORMATION SYSTEM

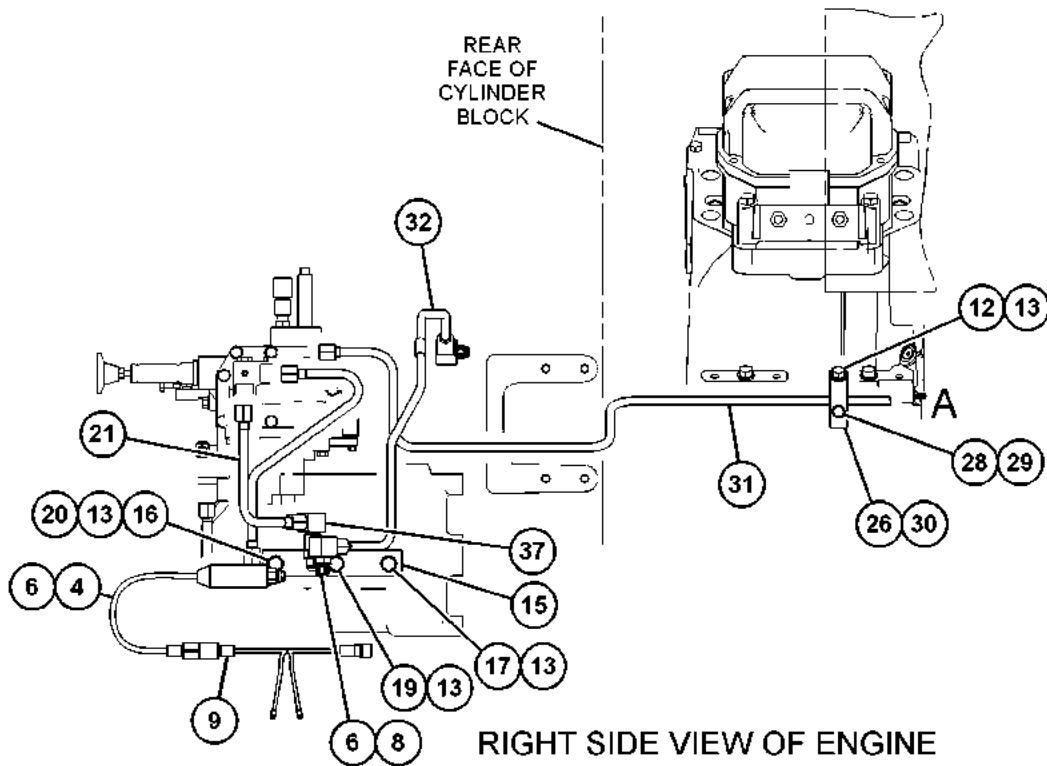
FUEL SYSTEM

2W-4926 LINES GP-DIVERTER VALVE (contd.)

105926152



RIGHT SIDE VIEW OF ENGINE



RIGHT SIDE VIEW OF ENGINE

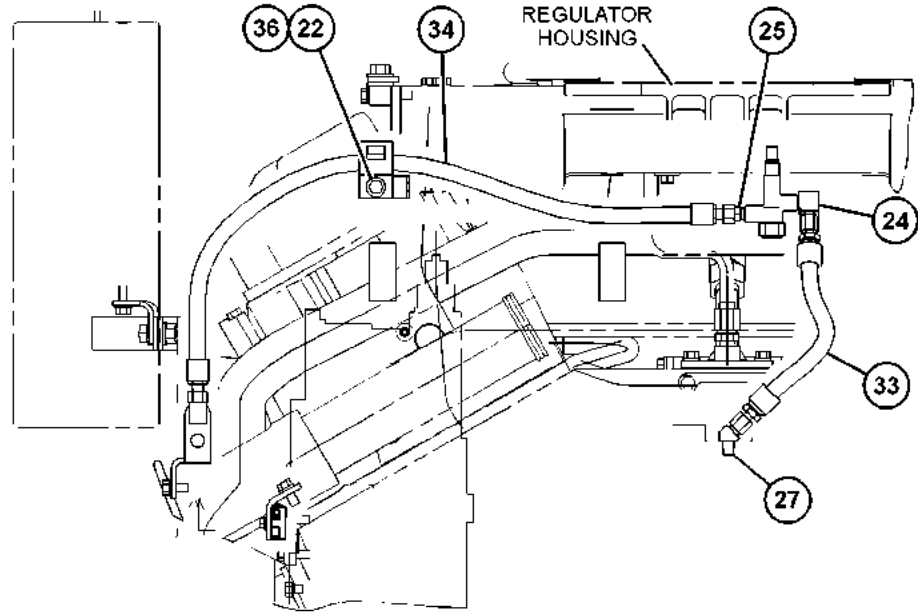
GRAPHIC #1

g03833320

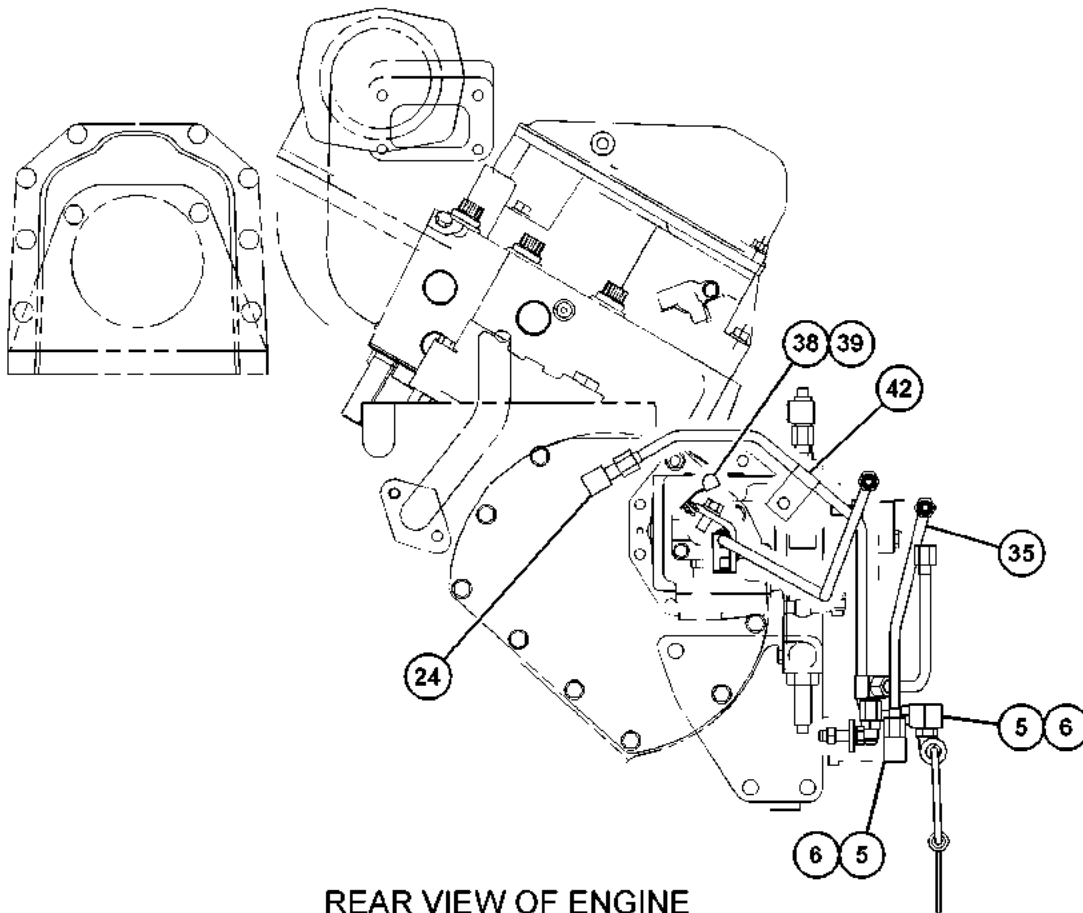
FUEL SYSTEM

2W-4926 LINES GP-DIVERTER VALVE (contd.)

i05926152



FRONT VIEW OF ENGINE



REAR VIEW OF ENGINE

GRAPHIC #2

<END>

g03833321

FUEL SYSTEM

2W-4927 LINES GP-DIVERTER VALVE

PART OF 7W-7322 SHUTOFF GP-ELECTRICAL

AN ATTACHMENT

TYPE 1

SMCS-1274

i02646846

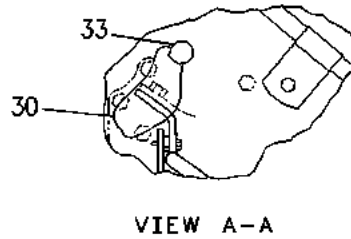
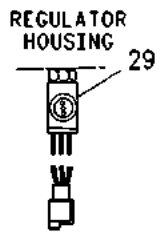
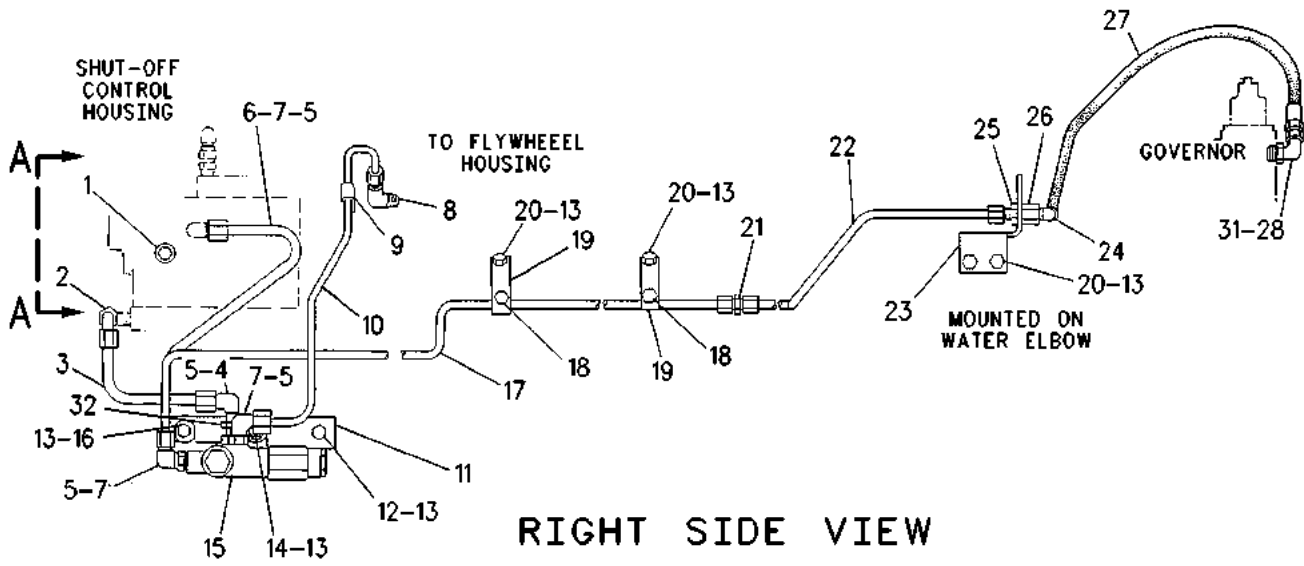
NOTE	REF NO	GRAPHIC REF	PART NUMBER	QTY	PART NAME						SEE PAGE
					1	2	3	4	5	6 (PRODUCT LEVEL)	
	1	1	9D-7032	1	SWITCH AS-PRESSURE (FUEL)						
	2	1	6K-9194	1	ELBOW						
	3	1	2W-0632	1	TUBE AS						
	4	1	6K-9194	1	ELBOW						
	5	1	3J-1907	4	SEAL-O-RING						
	6	1	2W-0636	1	TUBE AS						
	7	1	030-7947	3	ADAPTER-ELBOW						
	8	1	032-1268	1	CONNECTOR (90-DEG)						
	9	1	7B-1597	1	CLIP						
	10	1	2W-0635	1	TUBE AS						
	11	1	8N-8506	1	BRACKET						
	12	1	0S-1594	1	BOLT (3/8-16X1-IN)						
	13	1	5M-2894	9	WASHER-HARD (10.2X18.5X2.5-MM THK)						
	14	1	3B-1915	1	BOLT (3/8-16X1.375-IN)						
Y	15	1	<i>4W-1775</i>	1	VALVE GP-DIVERTER						649
	16	1	0S-1588	1	BOLT (3/8-16X1.25-IN)						
		1	9S-8752	1	NUT-FULL (3/8-16-THD)						
	17	1	2W-0634	1	TUBE AS						
	18	1	4F-7957	3	BOLT (1/4-20X0.875-IN)						
		1	5P-0537	3	WASHER-HARD (7.2X14.5X2-MM THK)						
	19	1	5N-5671	3	BRACKET						
		1	5N-5996	3	CLAMP						
	20	1	0L-1351	5	BOLT (3/8-16X0.875-IN)						
	21	1	7K-4129	1	UNION-FLARED						
	22	1	5N-7782	1	TUBE AS						
	23	1	8N-8514	1	BRACKET						
	24	1	6K-1972	1	ELBOW-FLARED						
	25	1	2P-1279	1	LOCKNUT (9/16-18-THD)						
	26	1	5P-4653	1	CONNECTOR						
I	27	1	2V-5956	1	HOSE AS						
	28	1	030-7946	1	ELBOW						
Y	29	1	9Y-0914	1	SWITCH GP-TEMPERATURE (WATER)						1332
D	30	1	5P-6025		LOCKWIRE (.3M)						
	31	1	3J-7354	1	SEAL-O-RING						
	32	1	2R-6806	1	CONNECTOR						
	33	1	8S-8159	1	SEAL						

D - ORDER BY THE METER
 I - REFER TO HYDRAULIC INFORMATION SYSTEM
 Y - SEPARATE ILLUSTRATION

FUEL SYSTEM

2W-4927 LINES GP-DIVERter VALVE (contd.)

i02646846



GRAPHIC #1

<END>

g00705459

FUEL SYSTEM

2W-4927 LINES GP-DIVERTER VALVE

PART OF 7W-7322 SHUTOFF GP-ELECTRICAL

AN ATTACHMENT

TYPE 2

SMCS-1274

i02646852

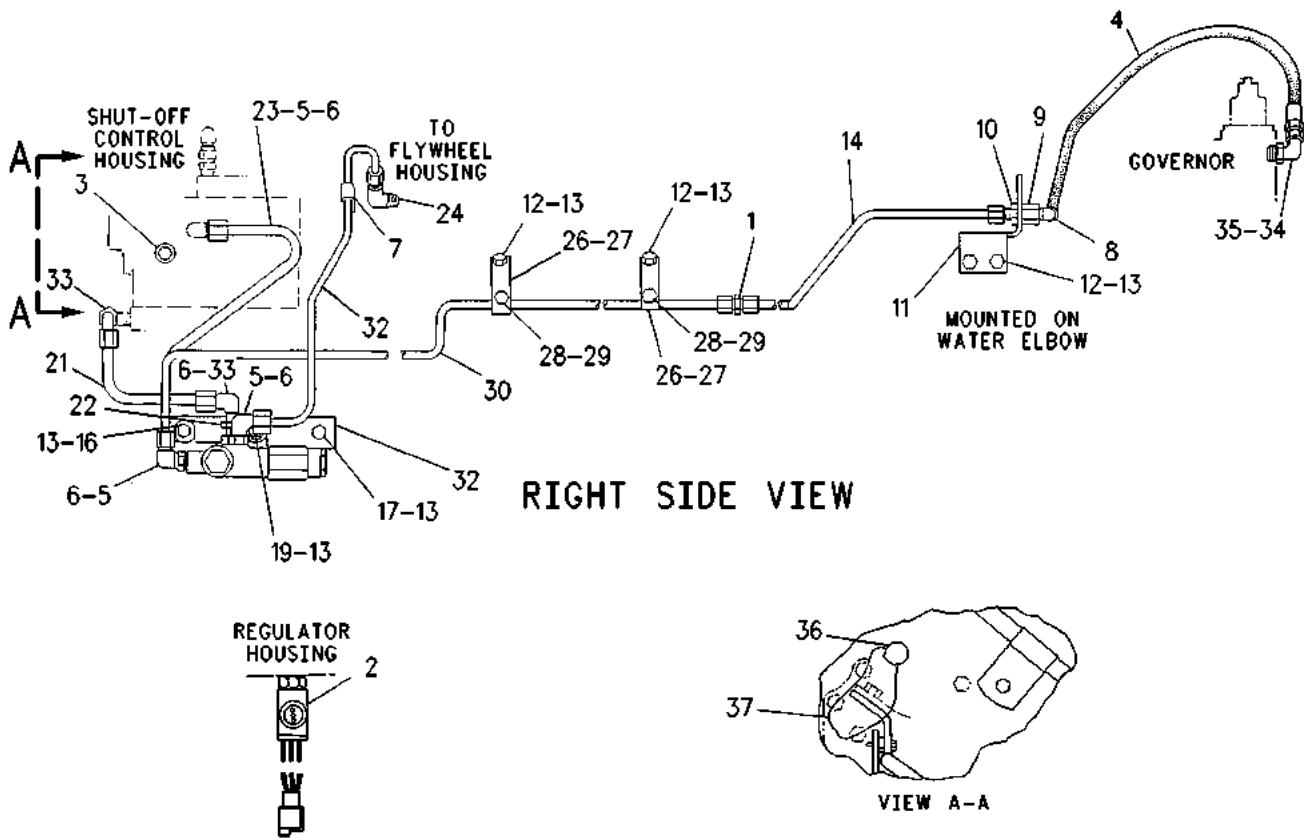
NOTE	REF NO	GRAPHIC REF	PART NUMBER	QTY	PART NAME						SEE PAGE
					1	2	3	4	5	6 (PRODUCT LEVEL)	
	1	1	7K-4129	1	UNION-FLARED						
Y	2	1	9Y-0914	1	SWITCH GP-TEMPERATURE (WATER)						1332
	3	1	9D-7032	1	SWITCH AS-PRESSURE (FUEL)						
I	4	1	2V-5956	1	HOSE AS						
	5	1	030-7947	3	ADAPTER-ELBOW						
	6	1	3J-1907	4	SEAL-O-RING						
	7	1	7B-1597	1	CLIP						
	8	1	6K-1972	1	ELBOW-FLARED						
	9	1	5P-4653	1	CONNECTOR						
	10	1	2P-1279	1	LOCKNUT (9/16-18-THD)						
	11	1	8N-8514	1	BRACKET						
	12	1	0L-1351	5	BOLT (3/8-16X0.875-IN)						
	13	1	5M-2894	9	WASHER-HARD (10.2X18.5X2.5-MM THK)						
	14	1	5N-7782	1	TUBE AS						
	15	1	8N-8506	1	BRACKET						
	16	1	0S-1588	1	BOLT (3/8-16X1.25-IN)						
	17	1	0S-1594	1	BOLT (3/8-16X1-IN)						
	19	1	3B-1915	1	BOLT (3/8-16X1.375-IN)						
	20	1	9S-8752	1	NUT-FULL (3/8-16-THD)						
	21	1	2W-0632	1	TUBE AS						
	22	1	2R-6806	1	CONNECTOR						
	23	1	2W-0636	1	TUBE AS						
	24	1	032-1268	1	CONNECTOR (90-DEG)						
	26	1	2W-7703	3	BRACKET						
	27	1	2W-7704	3	CLAMP						
	28	1	4F-7957	3	BOLT (1/4-20X0.875-IN)						
	29	1	5P-0537	3	WASHER-HARD (7.2X14.5X2-MM THK)						
	30	1	2W-0634	1	TUBE AS						
	32	1	2W-0635	1	TUBE AS						
	33	1	6K-9194	2	ELBOW						
	34	1	030-7946	1	ELBOW						
	35	1	3J-7354	1	SEAL-O-RING						
	36	1	8S-8159	1	SEAL						
D	37	1	5P-6025		LOCKWIRE (.3M)						

D - ORDER BY THE METER
 I - REFER TO HYDRAULIC INFORMATION SYSTEM
 Y - SEPARATE ILLUSTRATION

FUEL SYSTEM

2W-4927 LINES GP-DIVERter VALVE (contd.)

i02646852



GRAPHIC #1

<END>

g00713300

FUEL SYSTEM

2W-4928 LINES GP-DIVERTER VALVE

FOR USAGE REFER TO CHART 7W-7326-PAGE: 1450

AN ATTACHMENT

TYPE 1

SMCS-1274

i02646899

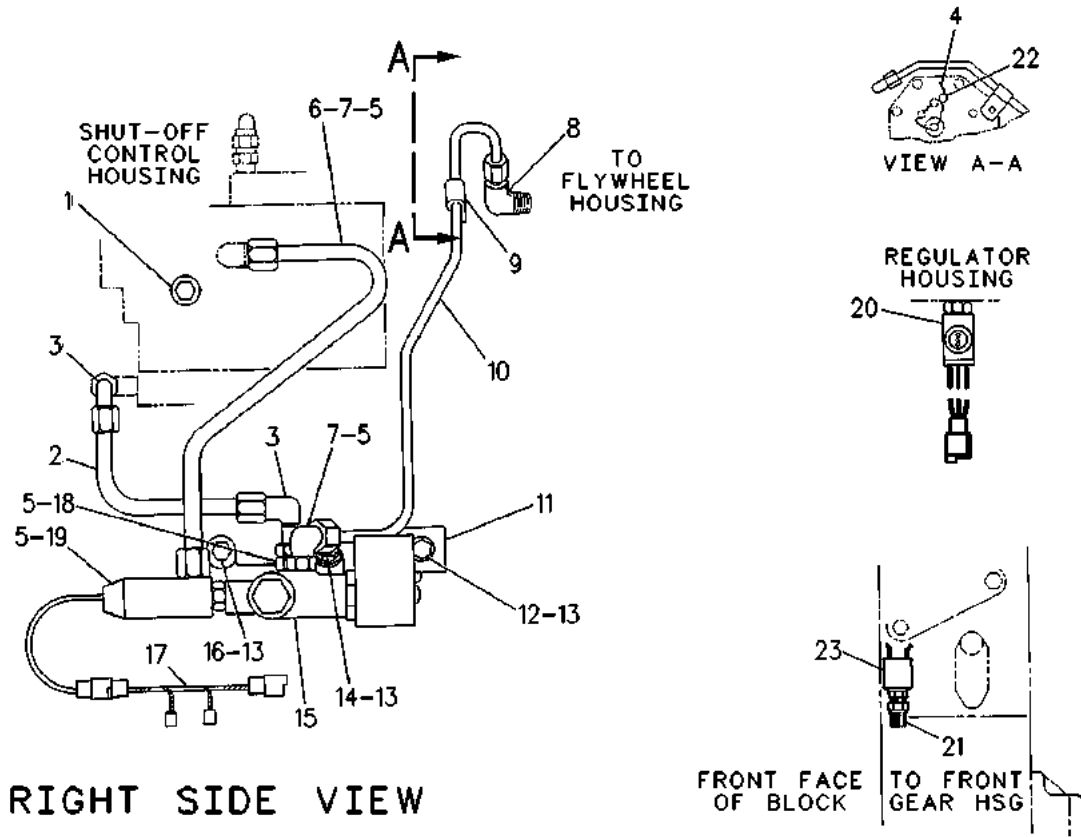
NOTE	REF NO	GRAPHIC REF	PART NUMBER	QTY	PART NAME						SEE PAGE
					1	2	3	4	5	6 (PRODUCT LEVEL)	
	1	1	9D-7032	1	SWITCH AS-PRESSURE (LOW OIL)						
	2	1	2W-0632	1	TUBE AS						
	3	1	6K-9194	2	ELBOW						
BD	4	1	5P-6025		LOCKWIRE						
	5	1	3J-1907	4	SEAL-O-RING						
	6	1	2W-0636	1	TUBE AS						
	7	1	030-7947	2	ADAPTER-ELBOW						
	8	1	032-1268	1	CONNECTOR (90-DEG)						
	9	1	7B-1597	1	CLIP						
	10	1	2W-0635	1	TUBE AS						
	11	1	8N-8506	1	BRACKET						
	12	1	0S-1594	1	BOLT (3/8-16X1-IN)						
	13	1	5M-2894	4	WASHER-HARD (10.2X18.5X2.5-MM THK)						
	14	1	3B-1915	1	BOLT (3/8-16X1.375-IN)						
Y	15	1	4W-1775	1	VALVE GP-DIVERTER						649
	16	1	0S-1588	1	BOLT (3/8-16X1.25-IN)						
		1	9S-8752	1	NUT-FULL (3/8-16-THD)						
	17	1	7W-0231	1	HARNESS AS-SWITCH (FUEL PRESSURE)						
	18	1	2R-6806	1	CONNECTOR						
	19	1	9X-4276	1	SWITCH AS-PRESSURE (FUEL)						
		1	7N-7779	1	SOCKET-CONNECTOR (14-GA TO 18-GA)						
		1	7N-7780	2	PIN-CONNECTOR (14-GA TO 18-GA)						
		1	7N-7781	1	HOUSING-RECEPTACLE (14-GA TO 18-GA)						
Y	20	1	9Y-0914	1	SWITCH GP-TEMPERATURE (WATER)						1332
	21	1	4M-5317	1	BUSHING-REDUCER						
	22	1	8S-8158	1	SEAL-WIRE						
	23	1	9G-8010	1	SWITCH AS-PRESSURE (ENGINE OIL)						
		1	6V-8376	2	SCREW-MACHINE (8-32X0.25-IN)						
		1	9B-7233	2	LOCKWASHER						

B - USE AS REQUIRED
D - ORDER BY THE METER
Y - SEPARATE ILLUSTRATION

FUEL SYSTEM

2W-4928 LINES GP-DIVERTER VALVE (contd.)

102646899



GRAPHIC #1

<END>

g00238887

FUEL SYSTEM

2W-4928 LINES GP-DIVERTER VALVE

FOR USAGE REFER TO CHART 7W-7326-PAGE: 1450

AN ATTACHMENT

TYPE 2

SMCS-1274

i02646900

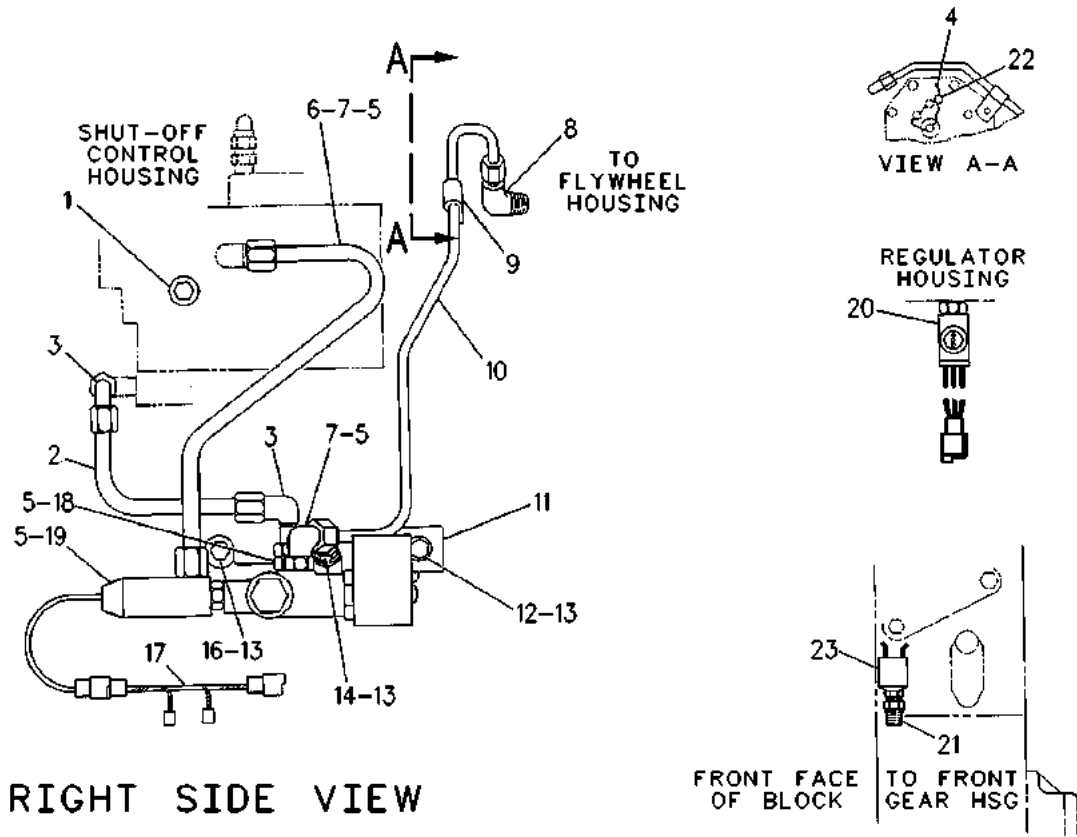
NOTE	REF NO	GRAPHIC REF	PART NUMBER	QTY	PART NAME						SEE PAGE
					1	2	3	4	5	6 (PRODUCT LEVEL)	
	1	1	9D-7032	1	SWITCH AS-PRESSURE (LOW OIL)						
	2	1	2W-0632	1	TUBE AS						
	3	1	6K-9194	2	ELBOW						
BD	4	1	5P-6025		LOCKWIRE						
	5	1	3J-1907	4	SEAL-O-RING						
	6	1	2W-0636	1	TUBE AS						
	7	1	030-7947	2	ADAPTER-ELBOW						
	8	1	032-1268	1	CONNECTOR (90-DEG)						
	9	1	7B-1597	1	CLIP						
	10	1	2W-0635	1	TUBE AS						
	11	1	8N-8506	1	BRACKET						
	12	1	0S-1594	1	BOLT (3/8-16X1-IN)						
	13	1	5M-2894	4	WASHER-HARD (10.2X18.5X2.5-MM THK)						
	14	1	3B-1915	1	BOLT (3/8-16X1.375-IN)						
	16	1	0S-1588	1	BOLT (3/8-16X1.25-IN)						
		1	9S-8752	1	NUT-FULL (3/8-16-THD)						
	17	1	7W-0231	1	HARNESS AS-SWITCH (FUEL PRESSURE)						
	18	1	2R-6806	1	CONNECTOR						
	19	1	9X-4276	1	SWITCH AS-PRESSURE (FUEL)						
		1	7N-7779	1	SOCKET-CONNECTOR (14-GA TO 18-GA)						
		1	7N-7780	2	PIN-CONNECTOR (14-GA TO 18-GA)						
		1	7N-7781	1	HOUSING-RECEPTACLE (14-GA TO 18-GA)						
Y	20	1	9Y-0914	1	SWITCH GP-TEMPERATURE (WATER)						1332
	21	1	4M-5317	1	BUSHING-REDUCER						
	22	1	8S-8158	1	SEAL-WIRE						
	23	1	9G-8010	1	SWITCH AS-PRESSURE (ENGINE OIL)						
		1	6V-8376	2	SCREW-MACHINE (8-32X0.25-IN)						
		1	9B-7233	2	LOCKWASHER						

B - USE AS REQUIRED
D - ORDER BY THE METER
Y - SEPARATE ILLUSTRATION

FUEL SYSTEM

2W-4928 LINES GP-DIVERter VALVE (contd.)

i02646900



GRAPHIC #1

<END>

g00513655

FUEL SYSTEM

5N-2438 LINES GP-FLEXIBLE FUEL AN ATTACHMENT

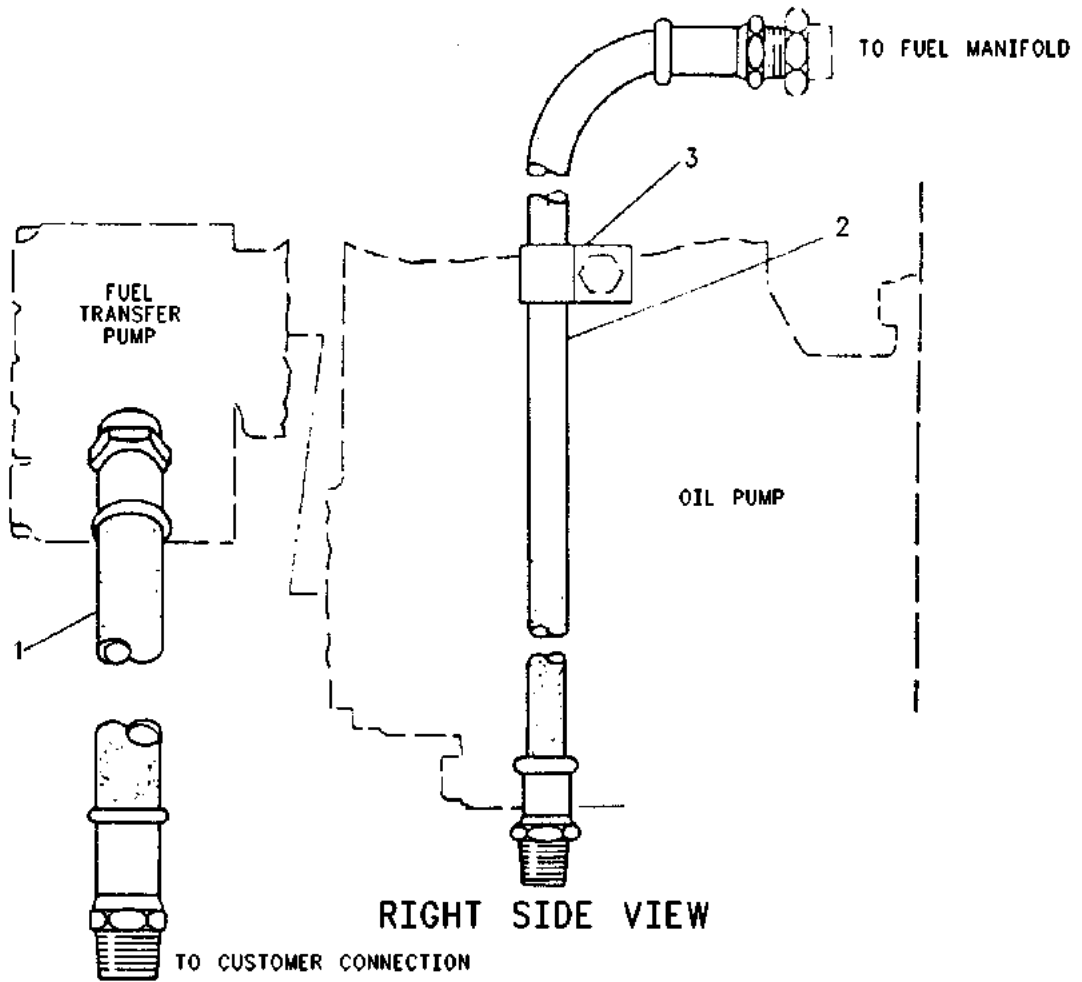
SMCS-1274

i01979418

NOTE	REF NO	GRAPHIC REF	PART NUMBER	QTY	PART NAME						SEE PAGE
					1	2	3	4	5	6 (PRODUCT LEVEL)	
I	1	1	3N-6504	1	HOSE AS						
I	2	1	8N-1186	1	HOSE AS						
B	3	1	5F-5990	2	CLIP						

B - USE AS REQUIRED

I - REFER TO HYDRAULIC INFORMATION SYSTEM



GRAPHIC #1

<END>

g00995187

FUEL SYSTEM

6I-1457 LINES GP-FUEL

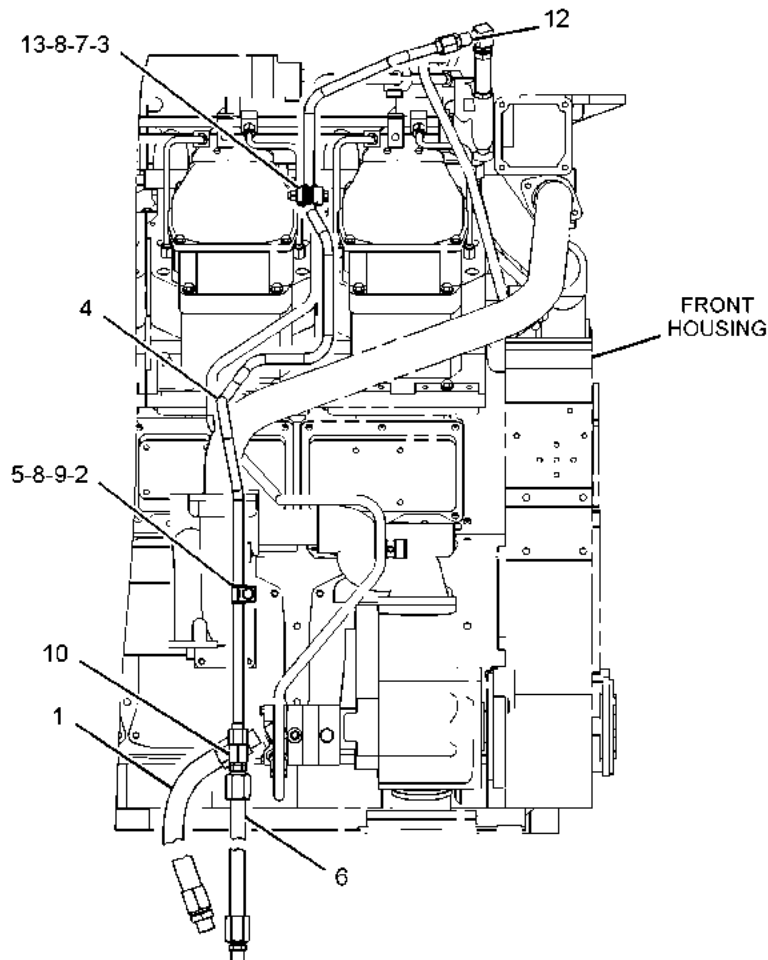
FOR USE WITH PETROLEUM ENGINE

CANNOT BE USED WITH FLEXIBLE FUEL LINES OR ELECTRIC SHUTOFF AN ATTACHMENT

SMCS-1274

i07023196

NOTE	REF NO	GRAPHIC REF	PART NUMBER	QTY	PART NAME						SEE PAGE
					1	2	3	4	5	6 (PRODUCT LEVEL)	
	1	1	486-0410	1	HOSE AS						
	2	1	4P-0692	2	CLAMP AS						
					(EACH INCLUDES)						
		1	108-1434	1	GROMMET						
	3	1	4P-0693	2	CLAMP AS						
					(EACH INCLUDES)						
		1	108-1434	1	GROMMET						
	4	1	326-8854	1	TUBE AS						
	5	1	5G-4313	1	SPACER (10.34X15.88X12-MM THK)						
	6	1	486-0409	1	HOSE AS						
	7	1	0L-2070	1	BOLT (3/8-16X2.25-IN)						
	8	1	5M-2894	3	WASHER-HARD (10.2X18.5X2.5-MM THK)						
	9	1	6B-1557	1	BOLT (3/8-16X7.5-IN)						
	10	1	6V-1846	1	CONNECTOR						
	12	1	8C-8554	1	CONNECTOR						
	13	1	9S-8752	1	NUT-FULL (3/8-16-THD)						



RIGHT SIDE VIEW OF ENGINE

GRAPHIC #1

<END>

g06207018

FUEL SYSTEM

428-6127 LINES GP-FUEL INJECTION

S/N: 65Z1596-UP

SMCS-1252, 1254

i07124102

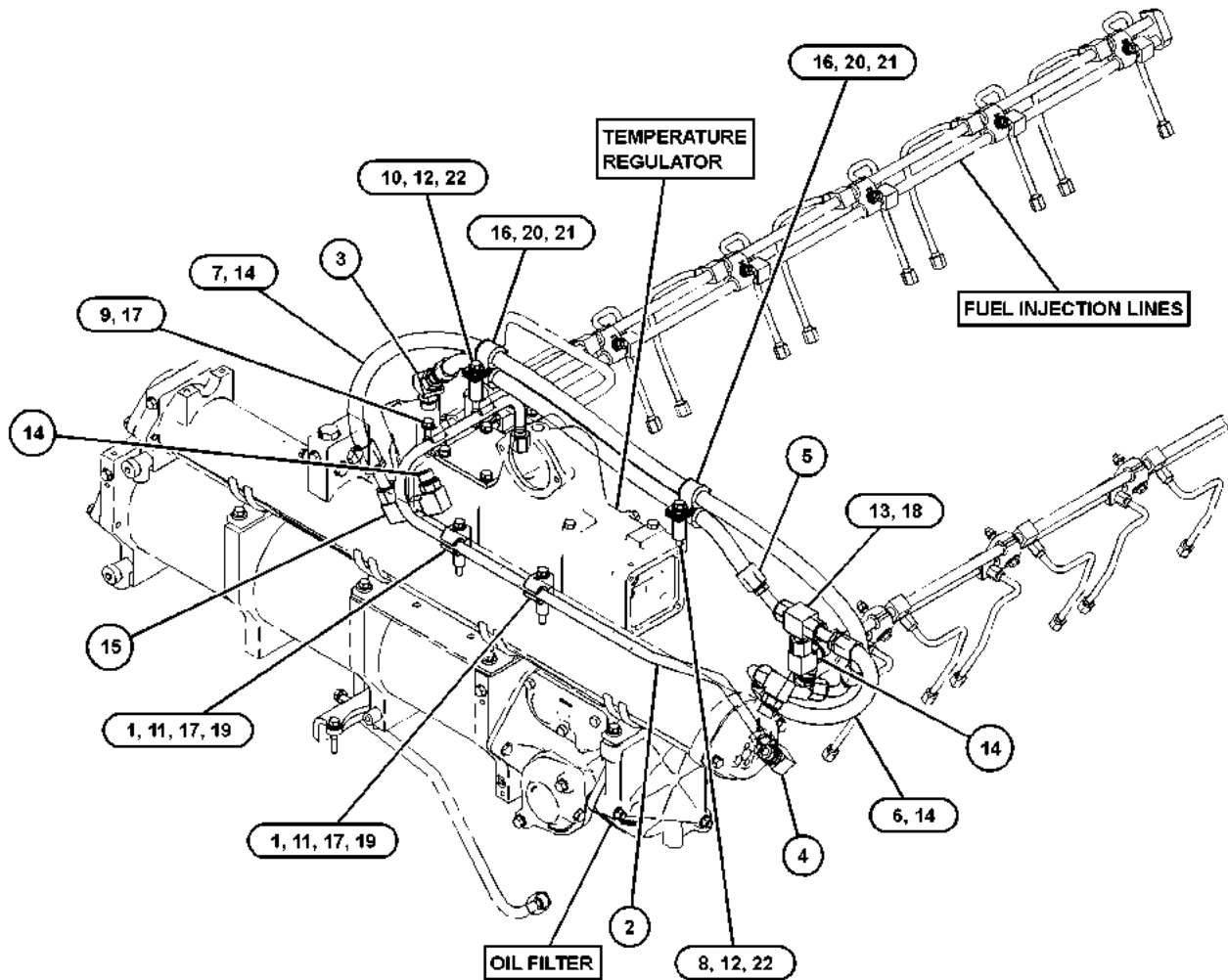
NOTE	REF NO	GRAPHIC REF	PART NUMBER	QTY	PART NAME						SEE PAGE
					1	2	3	4	5	6 (PRODUCT LEVEL)	
	1	1	4P-0692	4	CLAMP AS						
					(EACH INCLUDES)						
		1	108-1434	1	GROMMET						
	2	1	8N-6326	1	TUBE AS						
	3	1	<i>349-8519</i>	1	ELBOW AS						
		1	6V-9003	1	ELBOW						
		1	228-7091	1	SEAL-O-RING						
		1	238-5081	1	SEAL-O-RING						
	4	1	<i>386-6229</i>	1	ELBOW AS						
		1	238-5081	1	SEAL-O-RING						
		1	250-1497	1	ELBOW						
I	5	1	424-3584	1	HOSE AS						
I	6	1	424-3585	1	HOSE AS						
I	7	1	424-3586	1	HOSE AS						
	8	1	0T-0573	1	BOLT (3/8-16X2.75-IN)						
	9	1	0L-2070	1	BOLT (3/8-16X2.25-IN)						
	10	1	0T-0055	1	BOLT (3/8-16X4.25-IN)						
	11	1	0T-0065	2	BOLT (3/8-16X3.5-IN)						
	12	1	179-0469	2	SPACER (11X20X40-MM THK)						
	13	1	228-7091	2	SEAL-O-RING						
	14	1	<i>281-5975</i>	4	ELBOW AS						
					(EACH INCLUDES)						
		1	6V-8626	1	ELBOW						
		1	228-7091	1	SEAL-O-RING						
		1	238-5081	1	SEAL-O-RING						
	15	1	<i>332-8562</i>	1	ELBOW AS						
		1	6V-9852	1	ELBOW (SWIVEL)						
		1	228-7091	1	SEAL-O-RING						
	16	1	353-7952	4	GROMMET						
	17	1	5M-2894	3	WASHER-HARD (10.2X18.5X2.5-MM THK)						
	18	1	6V-9845	1	TEE-SWIVEL						
	19	1	7K-3377	2	PIPE						
	20	1	8T-1897	4	CLIP (SLOT)						
	21	1	8T-1898	4	CLIP (TAB)						
	22	1	9X-6458	2	WASHER-HARD (10.2X22.5X3-MM THK)						

I - REFER TO HYDRAULIC INFORMATION SYSTEM

FUEL SYSTEM

428-6127 LINES GP-FUEL INJECTION (contd.)

i07124102



GRAPHIC #1

<END>

g06242275

FUEL SYSTEM

428-6128 LINES GP-FUEL INJECTION

FOR USE WITH LHS FUEL COOLED ECM
AN ATTACHMENT

SMCS-1252, 1254

i05416812

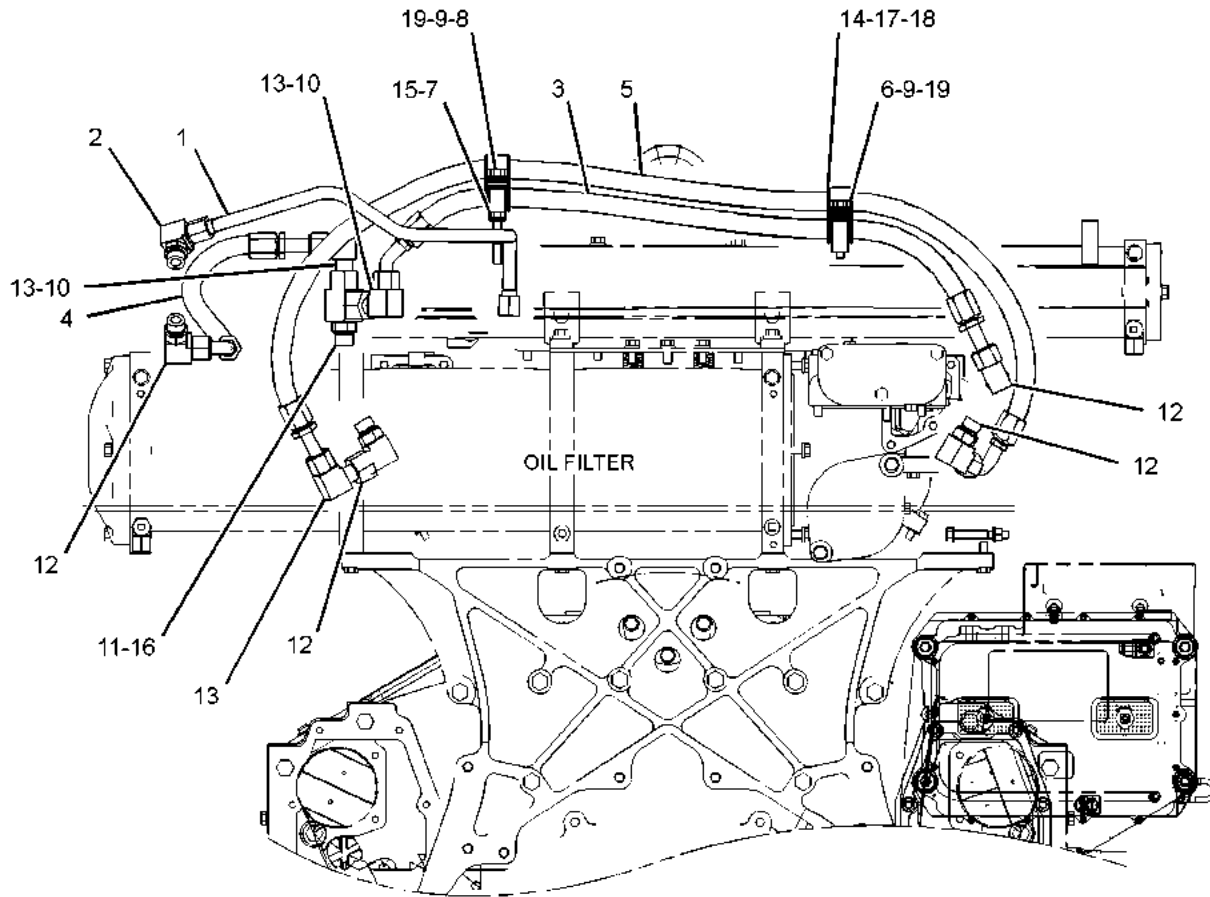
NOTE	REF NO	GRAPHIC REF	PART NUMBER	QTY	PART NAME						SEE PAGE
					1	2	3	4	5	6 (PRODUCT LEVEL)	
	1	1	237-2719	1	TUBE AS						
	2	1	250-1498	1	ELBOW AS						
		1	6V-4589	1	SEAL-O-RING						
		1	250-1497	1	ELBOW						
I	3	1	424-3584	1	HOSE AS						
I	4	1	424-3585	1	HOSE AS						
I	5	1	424-3586	1	HOSE AS						
	6	1	0L-1143	1	BOLT (3/8-16X2.5-IN)						
	7	1	0L-2070	1	BOLT (3/8-16X2.25-IN)						
	8	1	0T-0055	1	BOLT (3/8-16X4.25-IN)						
	9	1	179-0469	2	SPACER (11X20X40-MM THK)						
	10	1	228-7091	2	SEAL-O-RING						
	11	1	238-5081	1	SEAL-O-RING						
	12	1	281-5975	4	ELBOW AS						
					(EACH INCLUDES)						
		1	6V-8626	1	ELBOW						
		1	228-7091	1	SEAL-O-RING						
		1	238-5081	1	SEAL-O-RING						
	13	1	332-8562	3	ELBOW AS						
					(EACH INCLUDES)						
		1	6V-9852	1	ELBOW (SWIVEL)						
		1	228-7091	1	SEAL-O-RING						
	14	1	353-7952	4	GROMMET						
	15	1	5M-2894	1	WASHER-HARD (10.2X18.5X2.5-MM THK)						
	16	1	6V-8783	1	TEE-FACE SEAL						
	17	1	8T-1897	4	CLIP (SLOT)						
	18	1	8T-1898	4	CLIP (TAB)						
	19	1	9X-6458	2	WASHER-HARD (10.2X22.5X3-MM THK)						

I - REFER TO HYDRAULIC INFORMATION SYSTEM

FUEL SYSTEM

428-6128 LINES GP-FUEL INJECTION (contd.)

i05416812



FRONT VIEW OF ENGINE

GRAPHIC #1

<END>

g03424427

FUEL SYSTEM

428-6130 LINES GP-FUEL INJECTION

RH SIDE
AN ATTACHMENT

SMCS-1252, 1254

i07003839

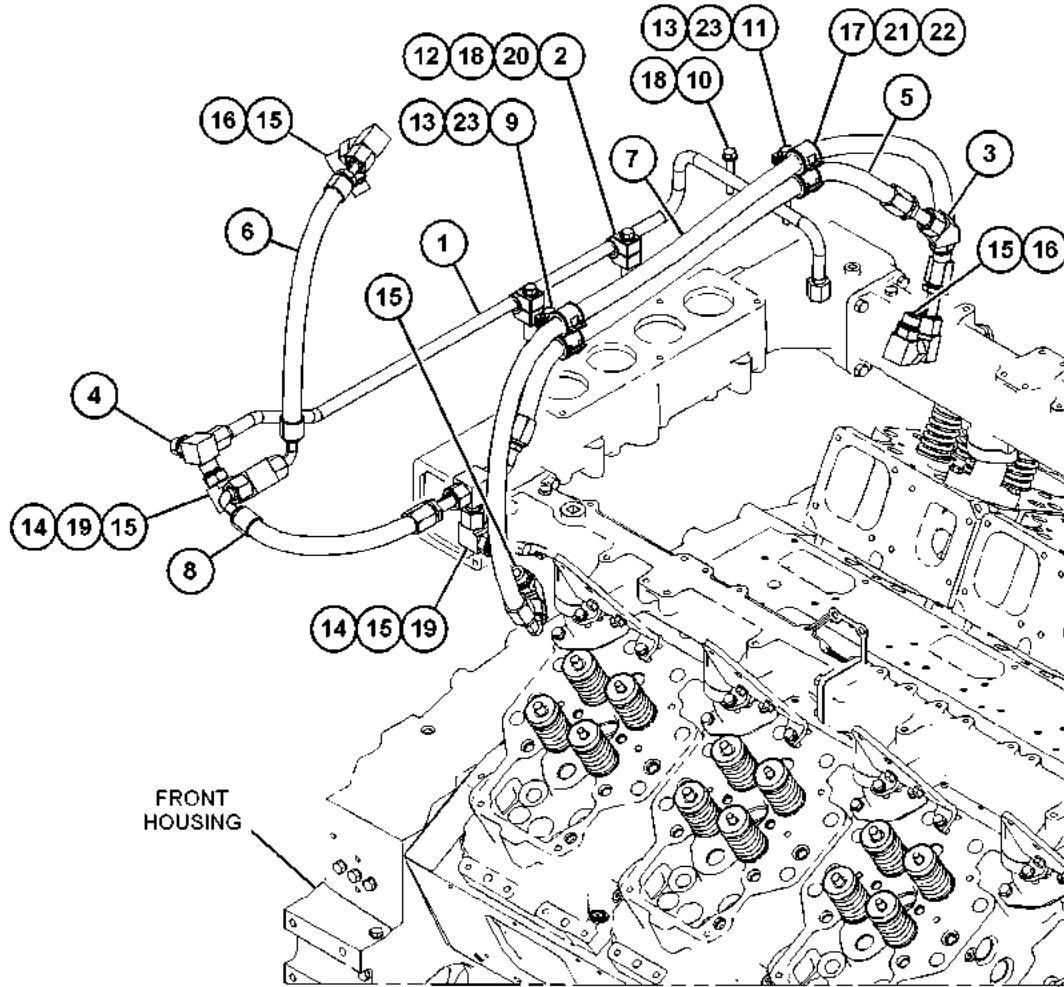
NOTE	REF NO	GRAPHIC REF	PART NUMBER	QTY	PART NAME						SEE PAGE
					1	2	3	4	5	6 (PRODUCT LEVEL)	
	1	1	2W-6289	1	TUBE AS						
	2	1	4P-0692	4	CLAMP AS						
					(EACH INCLUDES)						
		1	108-1434	1	GROMMET						
	3	1	<i>349-8519</i>	1	ELBOW AS						
		1	6V-9003	1	ELBOW						
		1	228-7091	1	SEAL-O-RING						
		1	238-5081	1	SEAL-O-RING						
	4	1	<i>386-6229</i>	1	ELBOW AS						
		1	250-1497	1	ELBOW						
		1	238-5081	1	SEAL-O-RING						
I	5	1	424-3584	1	HOSE AS						
I	6	1	424-3585	1	HOSE AS						
I	7	1	424-3586	1	HOSE AS						
I	8	1	432-6564	1	HOSE AS						
	9	1	0L-1143	1	BOLT (3/8-16X2.5-IN)						
	10	1	0L-2070	1	BOLT (3/8-16X2.25-IN)						
	11	1	0T-0055	1	BOLT (3/8-16X4.25-IN)						
	12	1	0T-0065	2	BOLT (3/8-16X3.5-IN)						
	13	1	179-0469	2	SPACER (11X20X40-MM THK)						
	14	1	228-7091	4	SEAL-O-RING						
	15	1	<i>281-5975</i>	5	ELBOW AS						
					(EACH INCLUDES)						
		1	6V-8626	1	ELBOW						
		1	228-7091	1	SEAL-O-RING						
		1	238-5081	1	SEAL-O-RING						
	16	1	<i>332-8562</i>	2	ELBOW AS						
					(EACH INCLUDES)						
		1	6V-9852	1	ELBOW (SWIVEL)						
		1	228-7091	1	SEAL-O-RING						
	17	1	353-7952	4	GROMMET						
	18	1	5M-2894	3	WASHER-HARD (10.2X18.5X2.5-MM THK)						
	19	1	6V-9845	2	TEE-SWIVEL						
	20	1	7K-3377	2	PIPE						
	21	1	8T-1897	4	CLIP (SLOT)						
	22	1	8T-1898	4	CLIP (TAB)						
	23	1	9X-6458	2	WASHER-HARD (10.2X22.5X3-MM THK)						

I - REFER TO HYDRAULIC INFORMATION SYSTEM

FUEL SYSTEM

428-6130 LINES GP-FUEL INJECTION (contd.)

i07003839



GRAPHIC #1

<END>

g06196845

FUEL SYSTEM

431-3847 LINES GP-FUEL INJECTION

S/N: 65Z1596-UP

SMCS-1252, 1254

i05417167

NOTE	REF NO	GRAPHIC REF	PART NUMBER	QTY	PART NAME						SEE PAGE
					1	2	3	4	5	6 (PRODUCT LEVEL)	
	1	1	4P-1932	1	TUBE AS						
	2	1	6V-4363	1	ELBOW						
	3	1	7C-7677	12	TUBE AS						
	4	1	7C-7678	12	TUBE AS						
	5	1	7C-7682	1	ADAPTER-FUEL MANIFOLD (RH)						
	6	1	7C-7683	1	ADAPTER-FUEL MANIFOLD (LH)						
	7	1	7E-3921	1	VALVE-CHECK						
	8	1	7W-2122	24	CONNECTOR-PORT						
	9	1	8N-6210	1	BRACKET-LINE SUPPORT						
	10	1	8N-6211	1	PLATE-LINE SUPPORT						
	11	1	9N-4053	1	SPRING						
	12	1	030-7977	1	ELBOW						
	13	1	114-5477	1	PLUNGER-VALVE						
Y	14	1	156-9753	1	MANIFOLD GP-FUEL (RH)						890
Y	15	1	156-9754	1	MANIFOLD GP-FUEL (LH)						891
	16	1	250-1496	1	ELBOW						
	19	1	0L-2070	1	BOLT (3/8-16X2.25-IN)						
	20	1	0S-1590	3	BOLT (3/8-16X2-IN)						
	21	1	0S-1594	1	BOLT (3/8-16X1-IN)						
	22	1	1D-4539	1	BOLT (5/16-18X2.5-IN)						
	23	1	1D-4541	1	BOLT (5/16-18X3-IN)						
	24	1	214-7566	1	SEAL-O-RING						
	25	1	214-7568	24	SEAL-O-RING						
	26	1	238-5080	1	SEAL-O-RING						
	27	1	238-5081	3	SEAL-O-RING						
	28	1	2P-7636	1	CONNECTOR (3/4-16 STR-THD)						
	29	1	5M-2894	5	WASHER-HARD (10.2X18.5X2.5-MM THK)						
	30	1	5S-0003	1	NUT (5/16-18-THD)						
	31	1	7N-6806	4	SEAL-RECTANGULAR						
	32	1	9M-1974	3	WASHER-HARD (8.8X16X2-MM THK)						
	33	1	9S-4182	1	PLUG (7/16-20-THD)						
B	34	1	5S-0003	11	NUT (5/16-18-THD)						
B	35	1	9M-1974	11	WASHER-HARD (8.8X16X2-MM THK)						

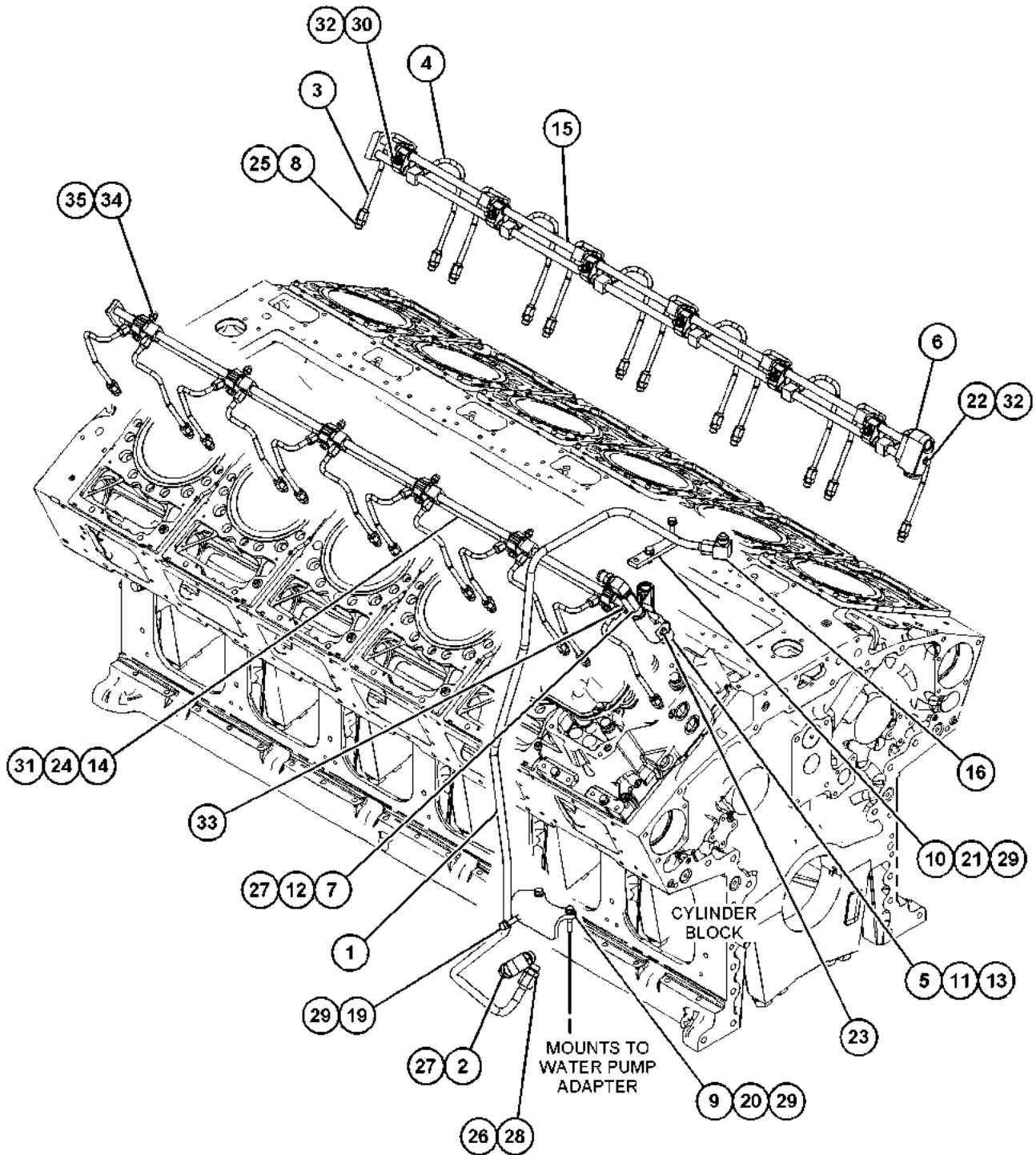
B - USE AS REQUIRED

Y - SEPARATE ILLUSTRATION

FUEL SYSTEM

431-3847 LINES GP-FUEL INJECTION (contd.)

i05417167



GRAPHIC #1

<END>

g03432620

FUEL SYSTEM

9Y-6576 LINES GP-FUEL INJECTION

S/N: 65Z887-960

SMCS-1252, 1254

i01323043

NOTE	REF NO	GRAPHIC REF	PART NUMBER	QTY	PART NAME						SEE PAGE
					1	2	3	4	5	6 (PRODUCT LEVEL)	
	1	1	7P-8672	1	PLATE						
	2	1	3K-0360	1	SEAL-O-RING						
	3	1	4P-0693	4	CLAMP AS						
	4	1	0L-2070	6	BOLT (3/8-16X2.25-IN)						
	5	1,2	5M-2894	15	WASHER-HARD (10.2X18.5X2.5-MM THK)						
	6	1	8N-6326	1	TUBE AS						
	7	1	4P-0692	16	CLAMP AS						
	8	1	0T-0065	4	BOLT (3/8-16X3.5-IN)						
	9	1	7K-3377	3	PIPE						
	10	1,2	7N-6806	4	SEAL-RECTANGULAR						
	11	1	8N-6327	1	TUBE AS						
	12	1	030-7949	3	ELBOW						
	13	1,2	2M-9780	9	SEAL-O-RING						
	14	1	7C-7683	1	ADAPTER-FUEL MANIFOLD (LH)						
	15	1	1D-4539	1	BOLT (5/16-18X2.5-IN)						
	16	1	9M-1974	2	WASHER-HARD (8.8X16X2-MM THK)						
	17	1	2P-1296	1	TEE						
	18	1	9M-4584	2	CONNECTOR						
	19	1	8N-8293	1	TUBE AS						
	20	1	1W-7537	1	TUBE AS						
	21	1	8N-6211	1	PLATE-LINE SUPPORT						
	22	1	5P-4900	1	ELBOW-FLARED						
	23	2	114-5477	1	PLUNGER-VALVE						
	24	2	9N-4053	1	SPRING						
	25	1	7C-7682	1	ADAPTER-FUEL MANIFOLD (RH)						
	26	1	1D-4541	1	BOLT (5/16-18X3-IN)						
	27	1	0S-1594	2	BOLT (3/8-16X1-IN)						
	28	1	6B-6205	1	SPACER (0.438X0.875X1.281-IN THK)						
	29	2	3J-1907	25	SEAL-O-RING						
	30	2	4P-1932	1	TUBE AS						
	31	1,2	2B-2694	12	BOLT (5/16-18X2-IN)						
	32	1	2P-7636	1	CONNECTOR (3/4-16 STR-THD)						
	33	1	4P-5495	1	MANIFOLD AS-FUEL						
		1	9Y-0047	12	CLAMP						
		1	100-3237	12	GROMMET						
		1	101-4135	6	PIN-SPRING						
	34	2	4P-5494	1	MANIFOLD AS-FUEL						
		2	9Y-0047	12	CLAMP						
		2	100-3237	12	GROMMET						
		2	101-4135	6	PIN-SPRING						
	35	2	9S-4191	1	PLUG (9/16-18-THD)						
	36	1	030-7977	1	ELBOW						
	37	2	7C-7678	6	TUBE AS						
	38	2	7C-7677	6	TUBE AS						
	41	2	7W-2122	24	CONNECTOR-PORT						
	43	2	9S-4182	1	PLUG (7/16-20-THD)						
	44	2	3J-7354	1	SEAL-O-RING						
	45	1	9S-8752	1	NUT-FULL (3/8-16-THD)						

FUEL SYSTEM

9Y-6576 **LINES GP-FUEL INJECTION** (contd.)

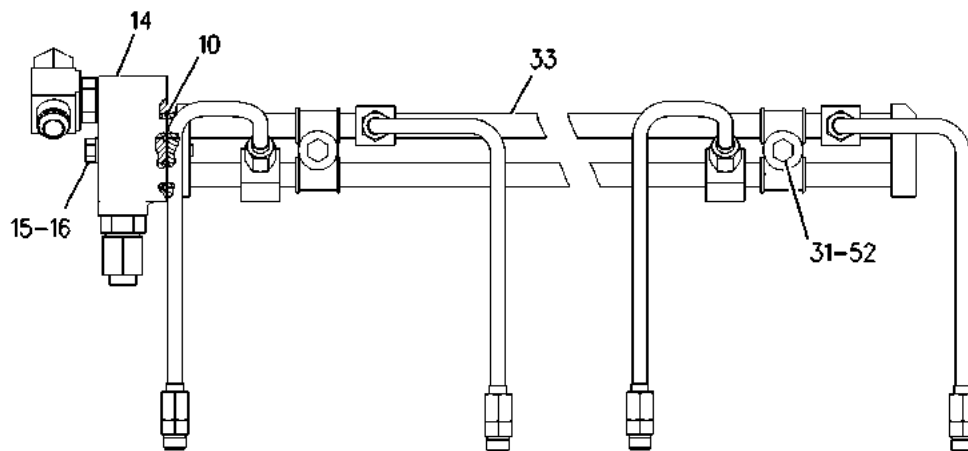
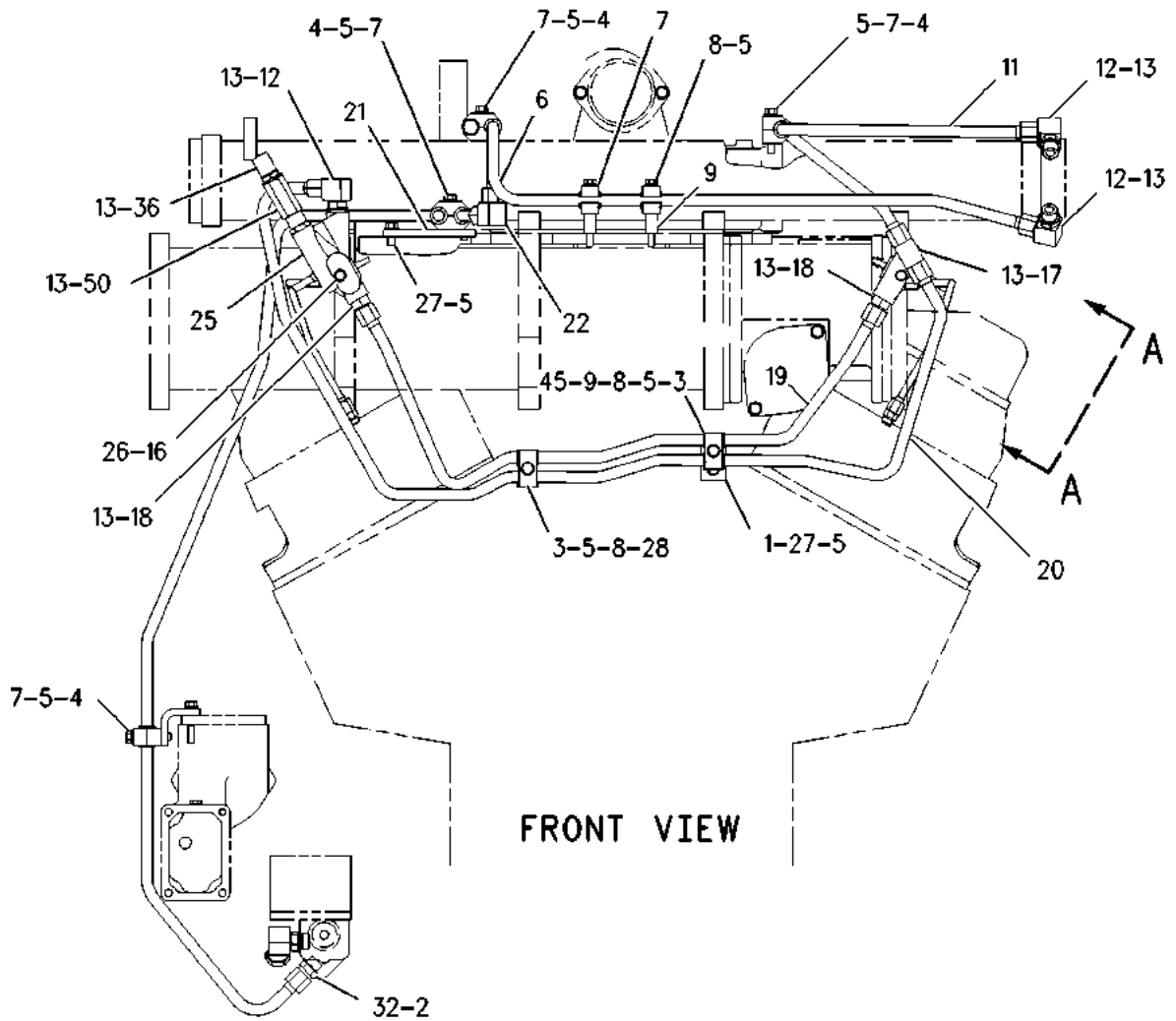
i01323043

NOTE	REF NO	GRAPHIC REF	PART NUMBER	QTY	PART NAME						SEE PAGE
					1	2	3	4	5	6 (PRODUCT LEVEL)	
	46	2	6V-4363	1	ELBOW						
	48	2	0S-1590	2	BOLT (3/8-16X2-IN)						
	49	2	8N-6210	1	BRACKET-LINE SUPPORT						
	50	1	7E-3921	1	VALVE-CHECK						
	52	1,2	9N-0869	6	WASHER-HARD (8.8X25.5X2-MM THK)						

FUEL SYSTEM

9Y-6576 LINES GP-FUEL INJECTION (contd.)

i01323043



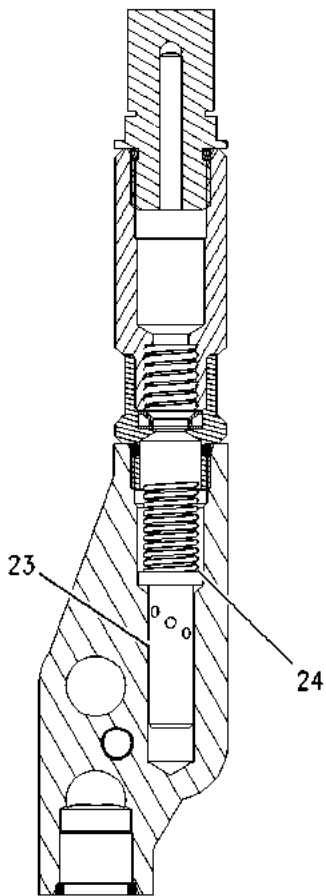
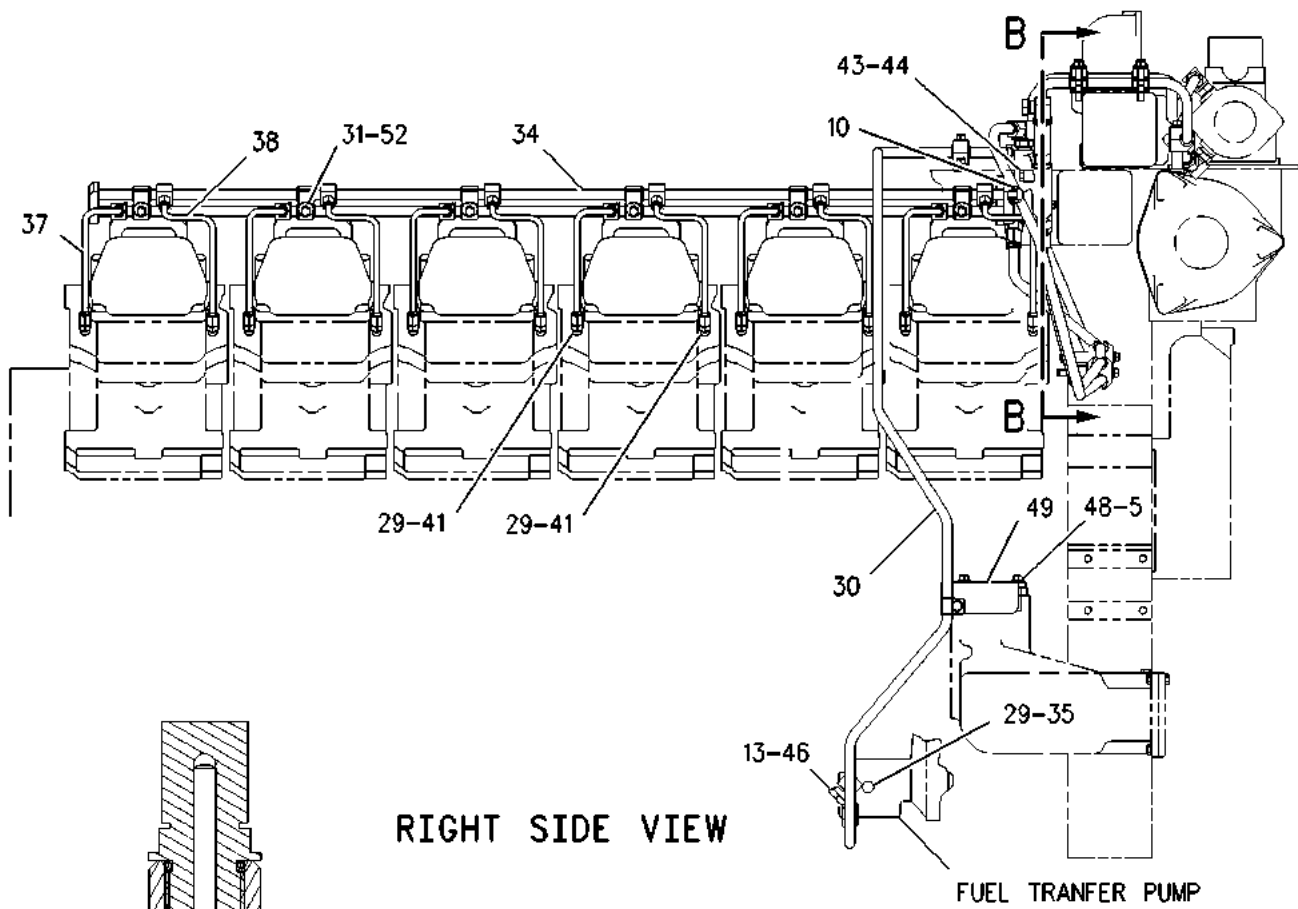
GRAPHIC #1

g00700031

FUEL SYSTEM

9Y-6576 LINES GP-FUEL INJECTION (contd.)

i01323043



GRAPHIC #2

<END>

g00700042

FUEL SYSTEM

9Y-6576 LINES GP-FUEL INJECTION

S/N: 65Z961-1595

SMCS-1252, 1254

i06760153

NOTE	REF NO	GRAPHIC REF	PART NUMBER	QTY	PART NAME						SEE PAGE
					1	2	3	4	5	6 (PRODUCT LEVEL)	
	1	1	1W-7537	1	TUBE AS						
	2	1	238-5081	6	SEAL-O-RING						
	3	1,2	214-7568	25	SEAL-O-RING						
	4	2	214-7566	1	SEAL-O-RING						
	5	1	238-5080	1	SEAL-O-RING						
	6	1	4P-0692	16	CLAMP AS						
					(EACH INCLUDES)						
		1	108-1434	1	GROMMET						
	7	1	4P-0693	4	CLAMP AS						
					(EACH INCLUDES)						
		1	108-1434	2	GROMMET						
	8	2	4P-1932	1	TUBE AS						
	9	1	6B-6205	1	SPACER (0.438X0.875X1.281-IN THK)						
	10	1	6V-4363	1	ELBOW						
	11	2	7C-7677	12	TUBE AS						
	12	2	7C-7678	12	TUBE AS						
	13	1	7C-7682	1	ADAPTER-FUEL MANIFOLD (RH)						
	14	1	7C-7683	1	ADAPTER-FUEL MANIFOLD (LH)						
	15	1	7E-3921	1	VALVE-CHECK						
	16	1	7K-3377	3	PIPE						
	17	1,2	7N-6806	4	SEAL-RECTANGULAR						
	18	1	7P-8672	1	PLATE						
	19	2	7W-2122	24	CONNECTOR-PORT						
	20	2	8N-6210	1	BRACKET-LINE SUPPORT						
	21	1	8N-6211	1	PLATE-LINE SUPPORT						
	22	1	8N-6326	1	TUBE AS						
	23	1	8N-6327	1	TUBE AS						
	24	1	8N-8293	1	TUBE AS						
	25	2	9N-4053	1	SPRING						
	26	1	030-7977	1	ELBOW						
	27	2	114-5477	1	PLUNGER-VALVE						
CY	28	2	156-9753	1	MANIFOLD GP-FUEL (RH)						890
CY	29	1	156-9754	1	MANIFOLD GP-FUEL (LH)						891
	30	1	353-5133	3	ELBOW AS						
					(EACH INCLUDES)						
		1	030-7949	1	ELBOW						
		1	238-5081	1	SEAL-O-RING						
	31	1	0L-2070	5	BOLT (3/8-16X2.25-IN)						
	32	1,2	0S-1590	3	BOLT (3/8-16X2-IN)						
	33	1	0S-1594	2	BOLT (3/8-16X1-IN)						
	34	1	0T-0065	3	BOLT (3/8-16X3.5-IN)						
	35	1	1D-4539	1	BOLT (5/16-18X2.5-IN)						
	36	1	1D-4541	1	BOLT (5/16-18X3-IN)						
	37	1	2P-1296	1	TEE						
	38	1	2P-7636	1	CONNECTOR (3/4-16 STR-THD)						
	39	1,2	5M-2894	15	WASHER-HARD (10.2X18.5X2.5-MM THK)						
	40	1	250-1496	1	ELBOW						
C	41	2	5S-0003	1	NUT (5/16-18-THD)						
C	42	1,2	9M-1974	3	WASHER-HARD (8.8X16X2-MM THK)						

FUEL SYSTEM

9Y-6576 **LINES GP-FUEL INJECTION** (contd.)

i06760153

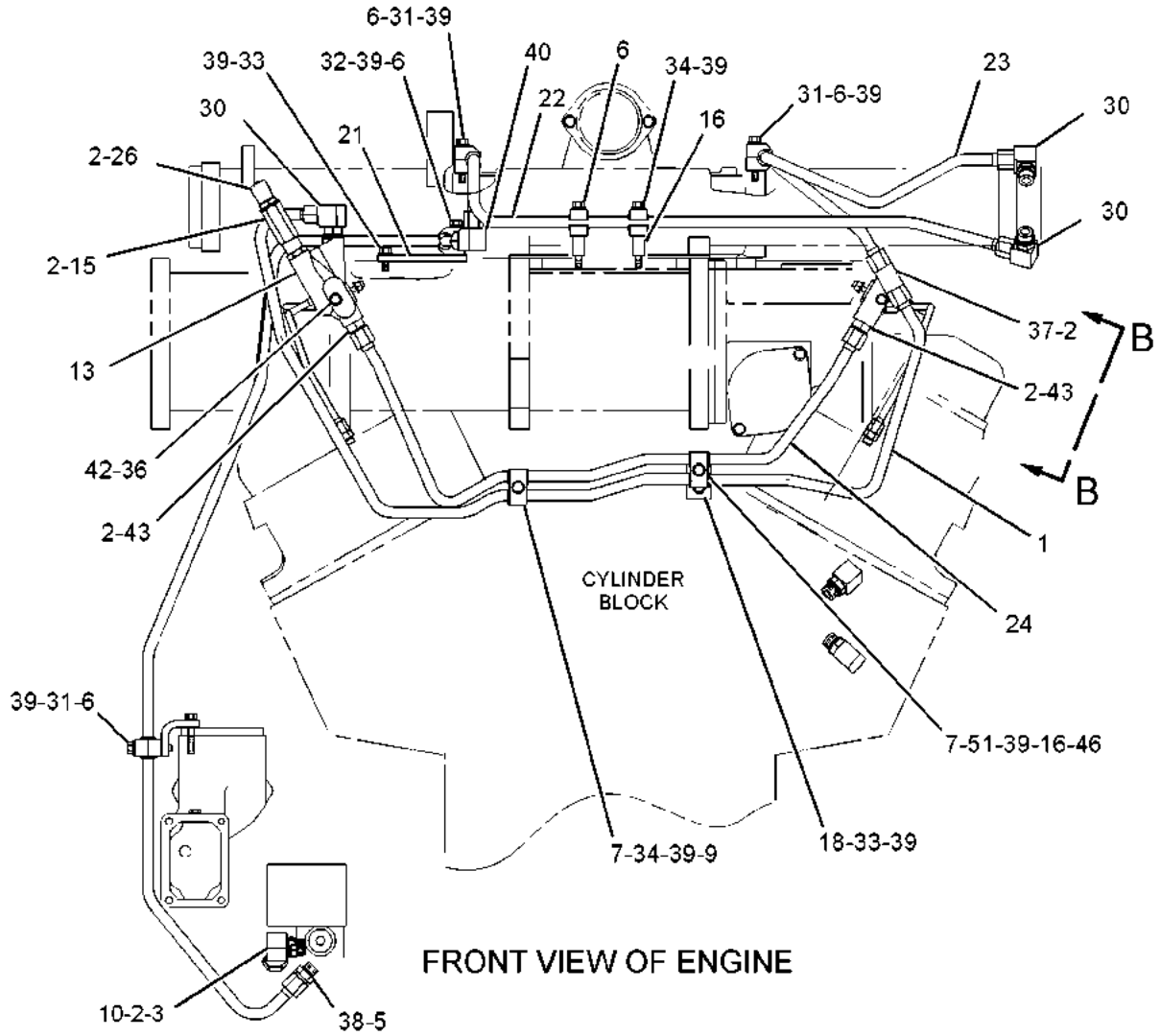
NOTE	REF NO	GRAPHIC REF	PART NUMBER	QTY	PART NAME						SEE PAGE
					1	2	3	4	5	6 (PRODUCT LEVEL)	
	43	1	9M-4584	2	CONNECTOR						
	44	2	9S-4182	1	PLUG (7/16-20-THD)						
	45	2	9S-4191	1	PLUG (9/16-18-THD)						
	46	1	9S-8752	1	NUT-FULL (3/8-16-THD)						
BC	49	2	5S-0003	11	NUT (5/16-18-THD)						
BC	50	2	9M-1974	11	WASHER-HARD (8.8X16X2-MM THK)						
	51	1	0S-1608	1	BOLT (3/8-16X3.75-IN)						

B - USE AS REQUIRED
 C - CHANGE FROM PREVIOUS TYPE
 Y - SEPARATE ILLUSTRATION

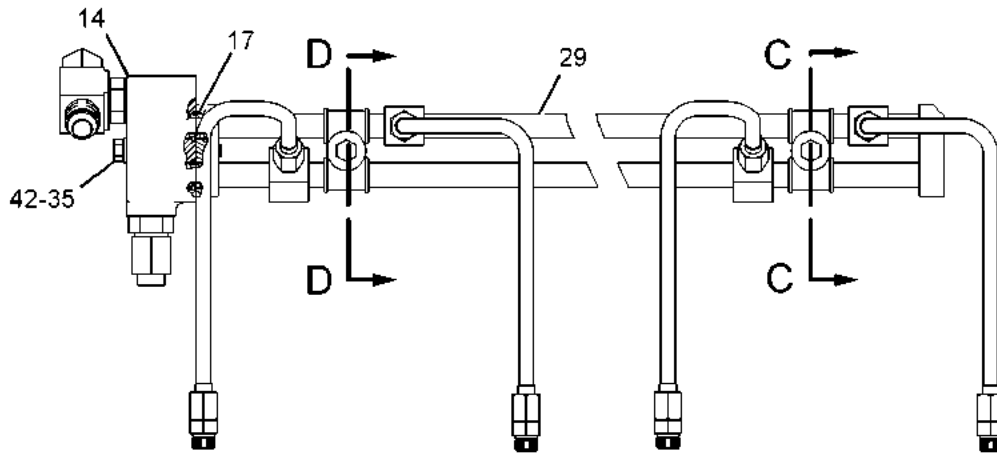
FUEL SYSTEM

9Y-6576 LINES GP-FUEL INJECTION (contd.)

106760153



FRONT VIEW OF ENGINE



VIEW B-B

REFER TO ALL ILLUSTRATIONS OF THIS GROUP FOR AUXILIARY VIEWS.

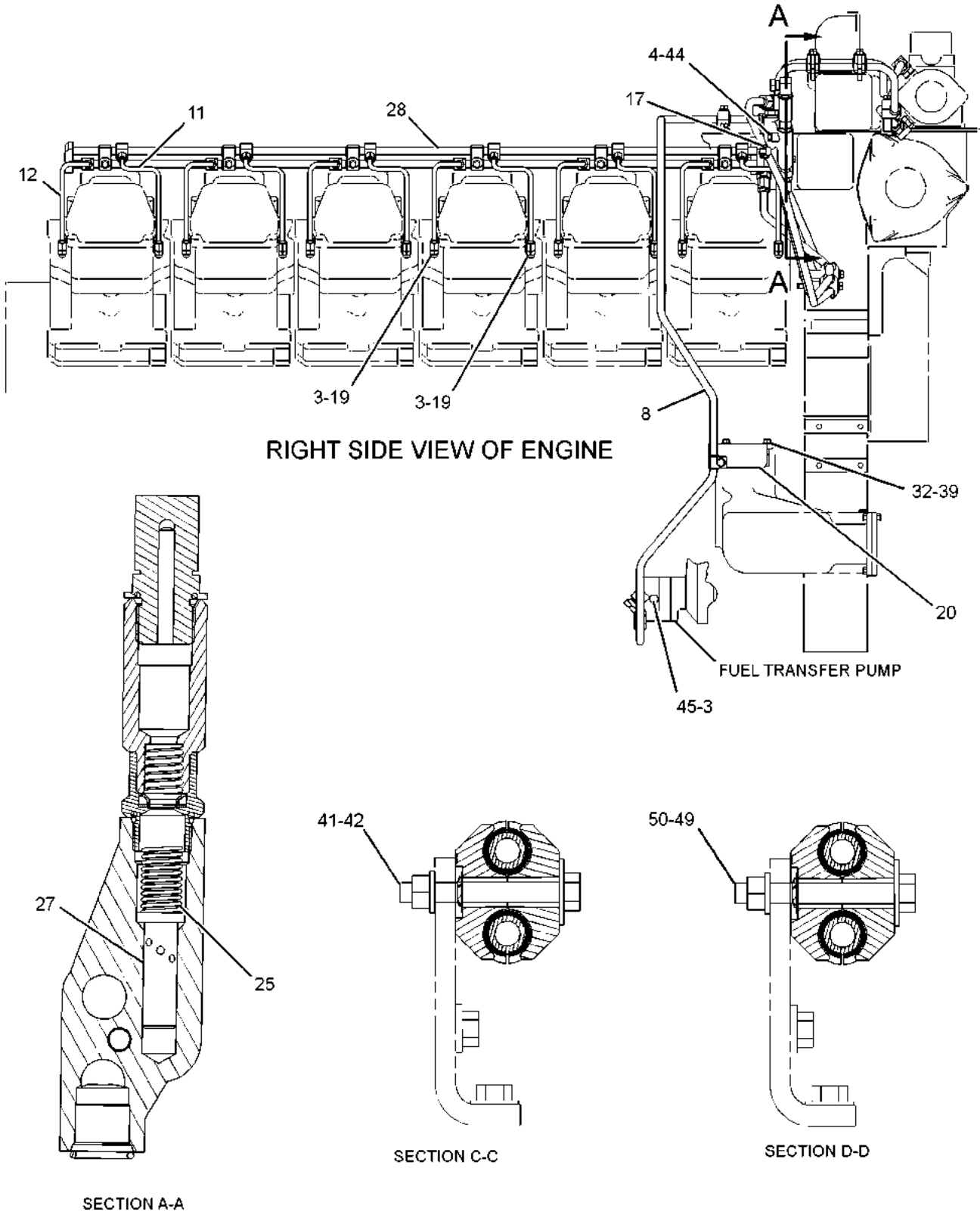
GRAPHIC #1

g01328315

FUEL SYSTEM

9Y-6576 LINES GP-FUEL INJECTION (contd.)

i06760153



GRAPHIC #2

<END>

g01330482

FUEL SYSTEM

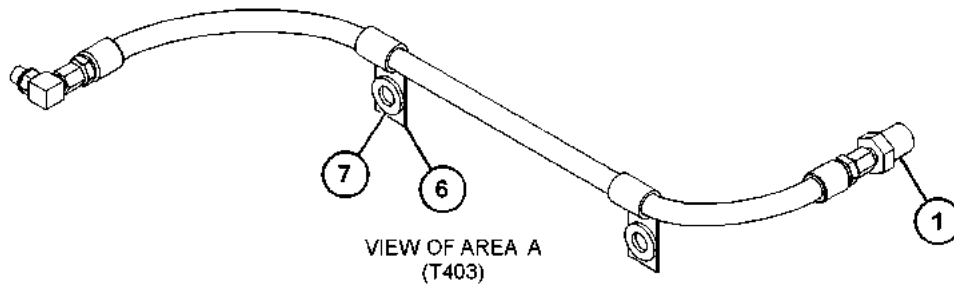
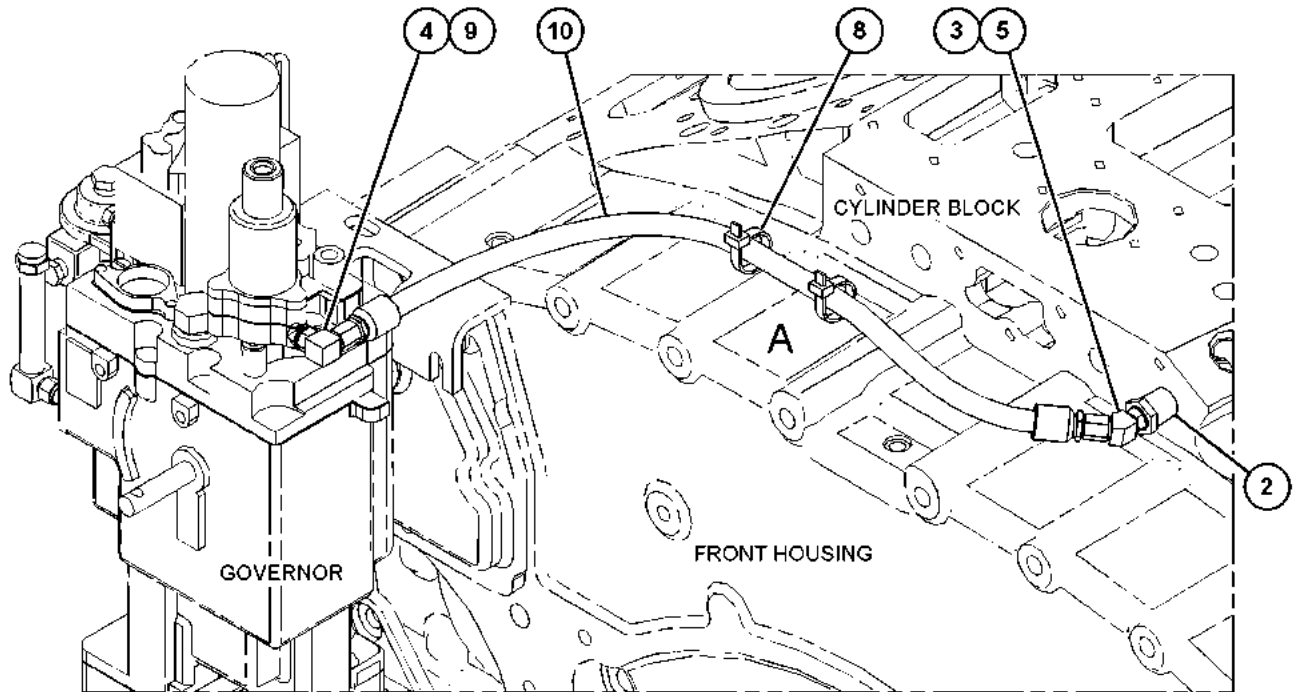
1W-2136 LINES GP-FUEL RATIO CONTROL-RH PART OF 8N-6712, 8N-6714 GOVERNOR GP ALSO AN ATTACHMENT

SMCS-1278

i07505206

NOTE	REF NO	GRAPHIC REF	PART NUMBER	QTY	PART NAME						SEE PAGE
					1	2	3	4	5	6 (PRODUCT LEVEL)	
B	1	1	001-9440	1	CONNECTOR						
	2	1	5R-5304	1	ADAPTER						
B	3	1	030-7941	1	ELBOW						
	4	1	030-7946	1	ELBOW						
B	5	1	214-7566	1	SEAL-O-RING						
CB	6	1	4S-1936	2	CLIP						
B	7	1	5P-8245	2	WASHER-HARD (13.5X25.5X3-MM THK)						
B	8	1,2	6K-0806	2	STRAP-CABLE						
	9	1	6V-5048	1	SEAL-O-RING						
I	10	1	172-4288	1	HOSE AS						

B - USE AS REQUIRED
C - CHANGE FROM PREVIOUS TYPE
I - REFER TO HYDRAULIC INFORMATION SYSTEM



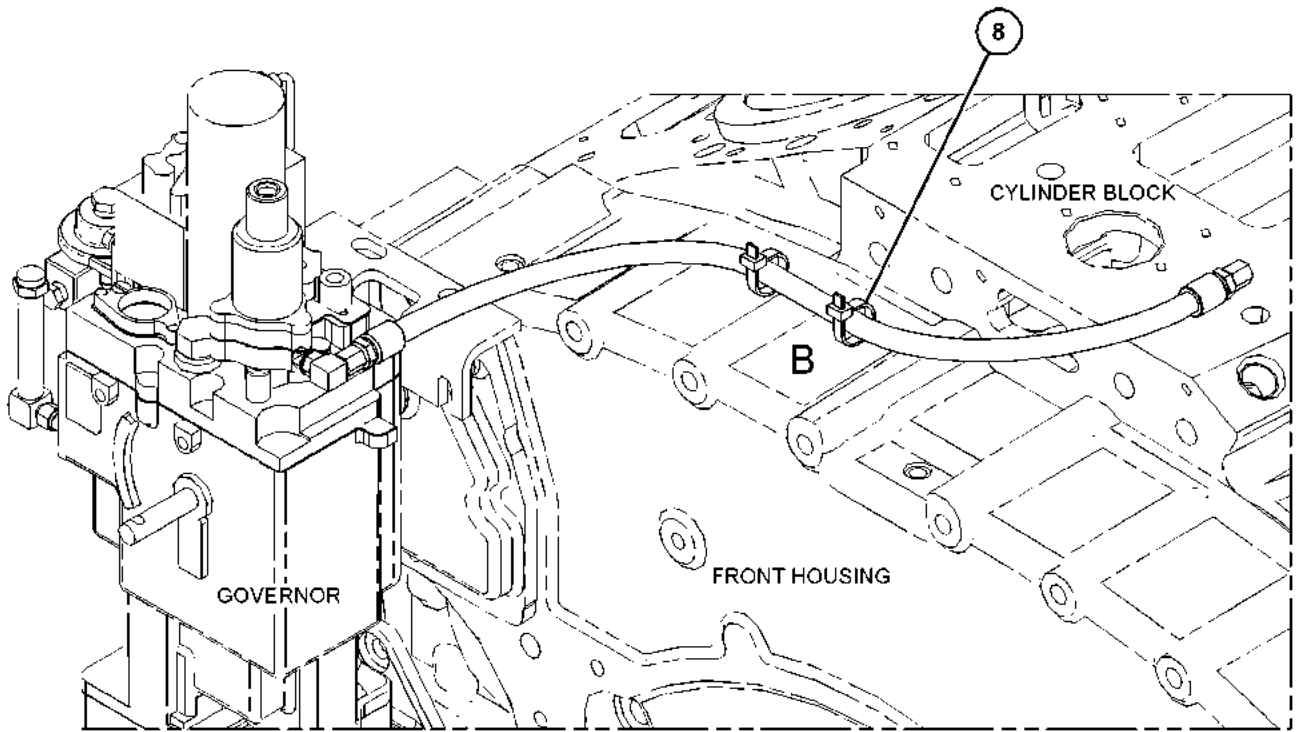
GRAPHIC #1

g06359583

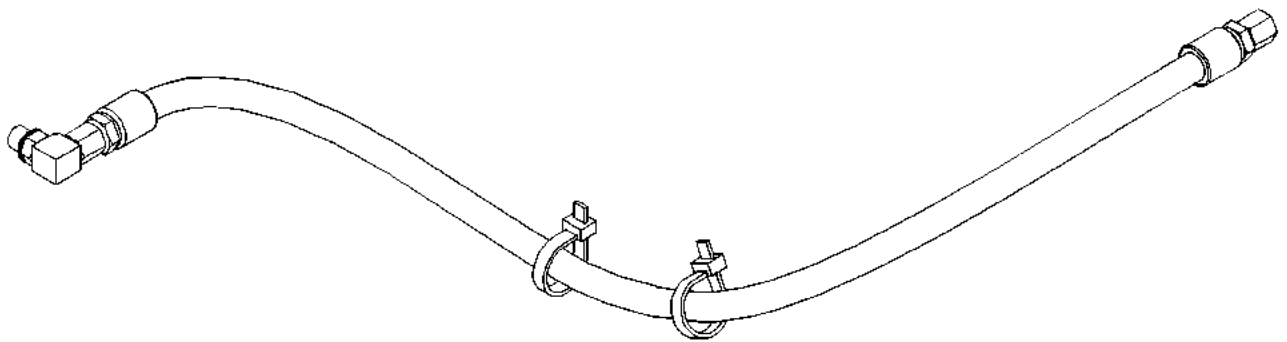
FUEL SYSTEM

1W-2136 LINES GP-FUEL RATIO CONTROL (contd.)

i07505206



(RM386, RM389, RM413, RM415, T534)



GRAPHIC #2

<END>

g06359584

FUEL SYSTEM

1W-5171 LINES GP-FUEL RATIO CONTROL

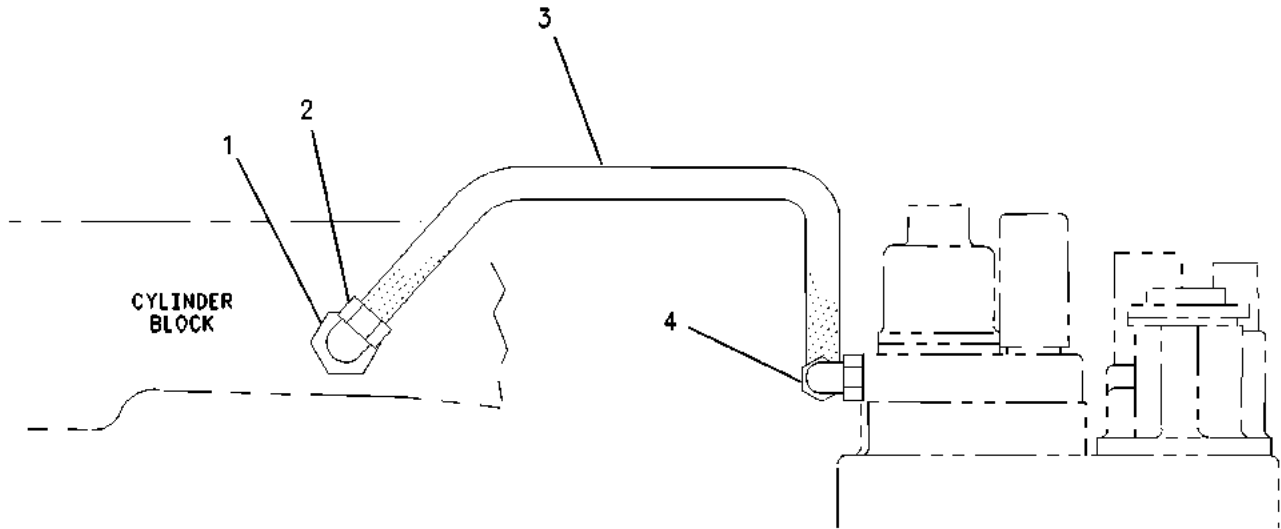
PART OF 1W-5021, 2W-8583, 7W-3333 GOVERNOR GP
AN ATTACHMENT

SMCS-1278

i00931960

NOTE	REF NO	GRAPHIC REF	PART NUMBER	QTY	PART NAME						SEE PAGE
					1	2	3	4	5	6 (PRODUCT LEVEL)	
	1	1	001-9440	1	CONNECTOR						
	2	1	7K-9197	1	ELBOW						
CI	3	1	3T-3848	1	HOSE AS						
	4	1	030-7946	1	ELBOW						
C	1	1	6V-5048	1	SEAL-O-RING						

C - CHANGE FROM PREVIOUS TYPE
I - REFER TO HYDRAULIC INFORMATION SYSTEM



GRAPHIC #1

<END>

g00478247

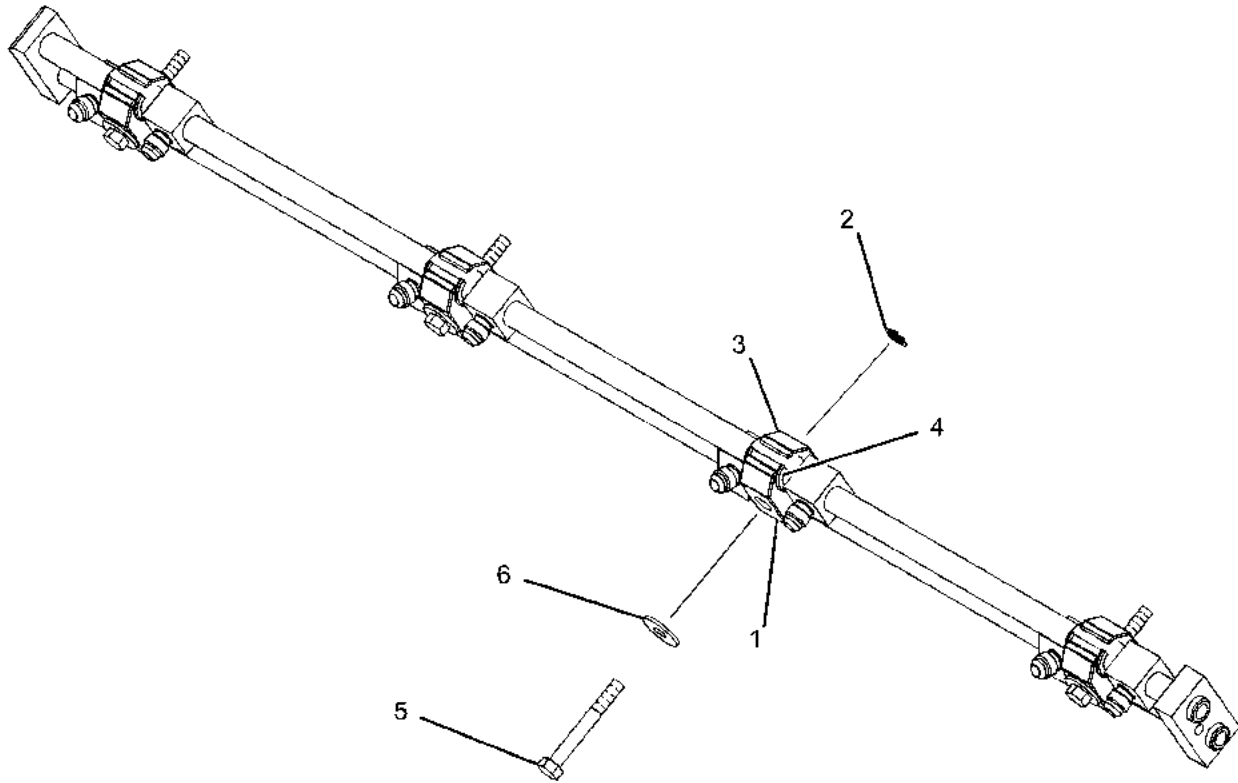
FUEL SYSTEM

156-9753 MANIFOLD GP-FUEL-RH PART OF 431-3847, 9Y-6576 LINES GP-FUEL INJECTION

SMCS-1274, 1380, 1702

i06831403

NOTE	REF NO	GRAPHIC REF	PART NUMBER	QTY	PART NAME						SEE PAGE
					1	2	3	4	5	6 (PRODUCT LEVEL)	
	1	1	9Y-0047	6	CLAMP						
	2	1	147-3745	6	WASHER-RETAINING						
	3	1	156-9748	6	CLAMP						
	4	1	100-3237	12	GROMMET						
	5	1	1D-4539	6	BOLT (5/16-18X2.5-IN)						
	6	1	9N-0869	6	WASHER-HARD (8.8X25.5X2-MM THK)						



GRAPHIC #1

<END>

g01102832

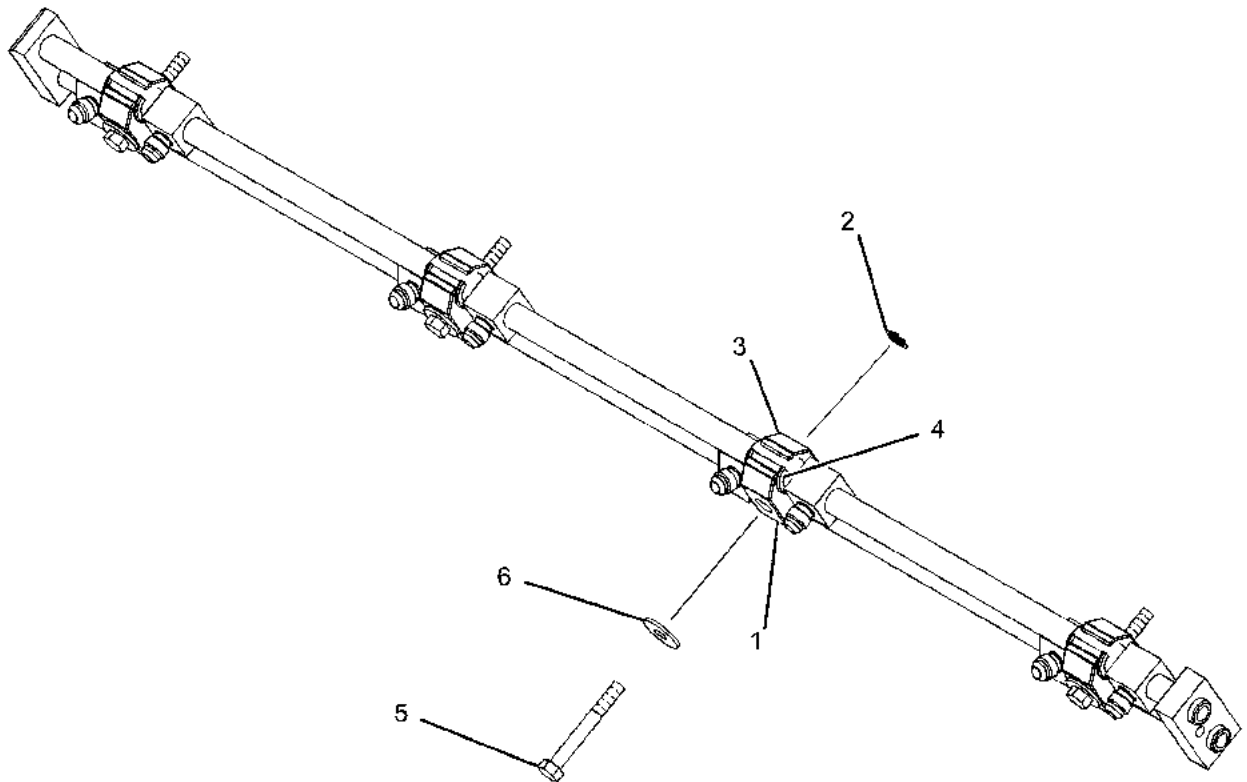
FUEL SYSTEM

156-9754 MANIFOLD GP-FUEL-LH PART OF 431-3847, 9Y-6576 LINES GP-FUEL INJECTION

SMCS-1274, 1380, 1702

i06831427

NOTE	REF NO	GRAPHIC REF	PART NUMBER	QTY	PART NAME						SEE PAGE
					1	2	3	4	5	6 (PRODUCT LEVEL)	
	1	1	9Y-0047	6	CLAMP						
	2	1	147-3745	6	WASHER - RETAINING						
	3	1	156-9748	6	CLAMP						
	4	1	100-3237	12	GROMMET						
	5	1	1D-4539	6	BOLT (5/16-18X2.5-IN)						
	6	1	9N-0869	6	WASHER - HARD (8.8X25.5X2-MM THK)						



GRAPHIC #1

<END>

g01102832

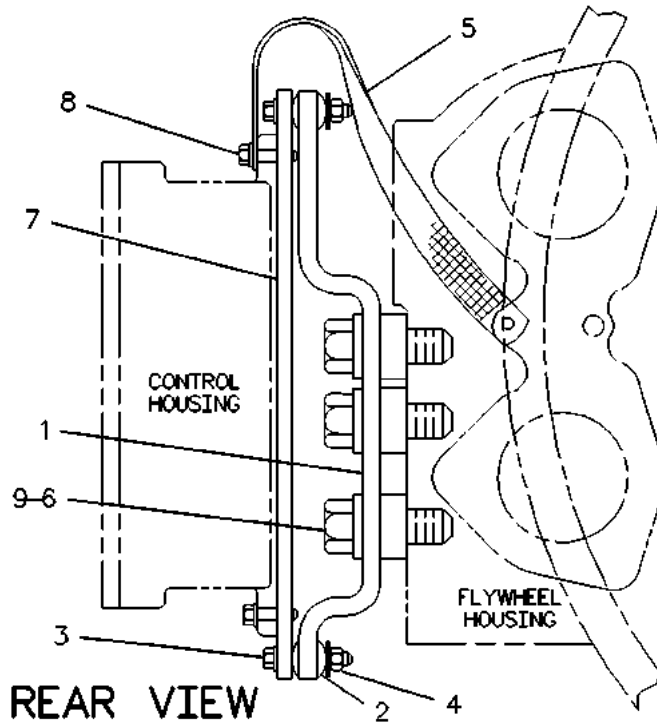
FUEL SYSTEM

7C-2375 MOUNTING GP-GOVERNOR CONTROL PROVIDES MOUNTING FOR ELECTRONIC GOVERNOR ON LOCOMOTIVE ENGINES AN ATTACHMENT

SMCS-1264, 1265

i00651092

NOTE	REF NO	GRAPHIC REF	PART NUMBER	QTY	PART NAME						SEE PAGE
					1	2	3	4	5	6 (PRODUCT LEVEL)	
	1	1	9Y-5843	1	BRACKET						
	2	1	8T-9655	12	MOUNT-ISOLATION						
		1	8T-9658	6	SPACER (8.2X12.7X25.4-MM THK)						
	3	1	2B-2694	6	BOLT (5/16-18X2-IN)						
		1	9M-1974	6	WASHER-HARD (8.8X16X2-MM THK)						
	4	1	1D-4716	6	NUT-FULL (5/16-18-THD)						
		1	9N-0869	6	WASHER-HARD (8.8X25.5X2-MM THK)						
	5	1	034-3665	1	STRAP-GROUNDING						
	6	1	5B-9385	3	BOLT (1-14X2.5-IN)						
		1	5P-8250	3	WASHER (28X49X5-MM THK)						
	7	1	9Y-5842	1	PLATE						
	8	1	0S-1588	8	BOLT (3/8-16X1.25-IN)						
		1	5M-2894	8	WASHER-HARD (10.2X18.5X2.5-MM THK)						
	9	1	8G-2077	3	SPACER (26X45X17.5-MM THK)						



GRAPHIC #1

<END>

g00210770

FUEL SYSTEM

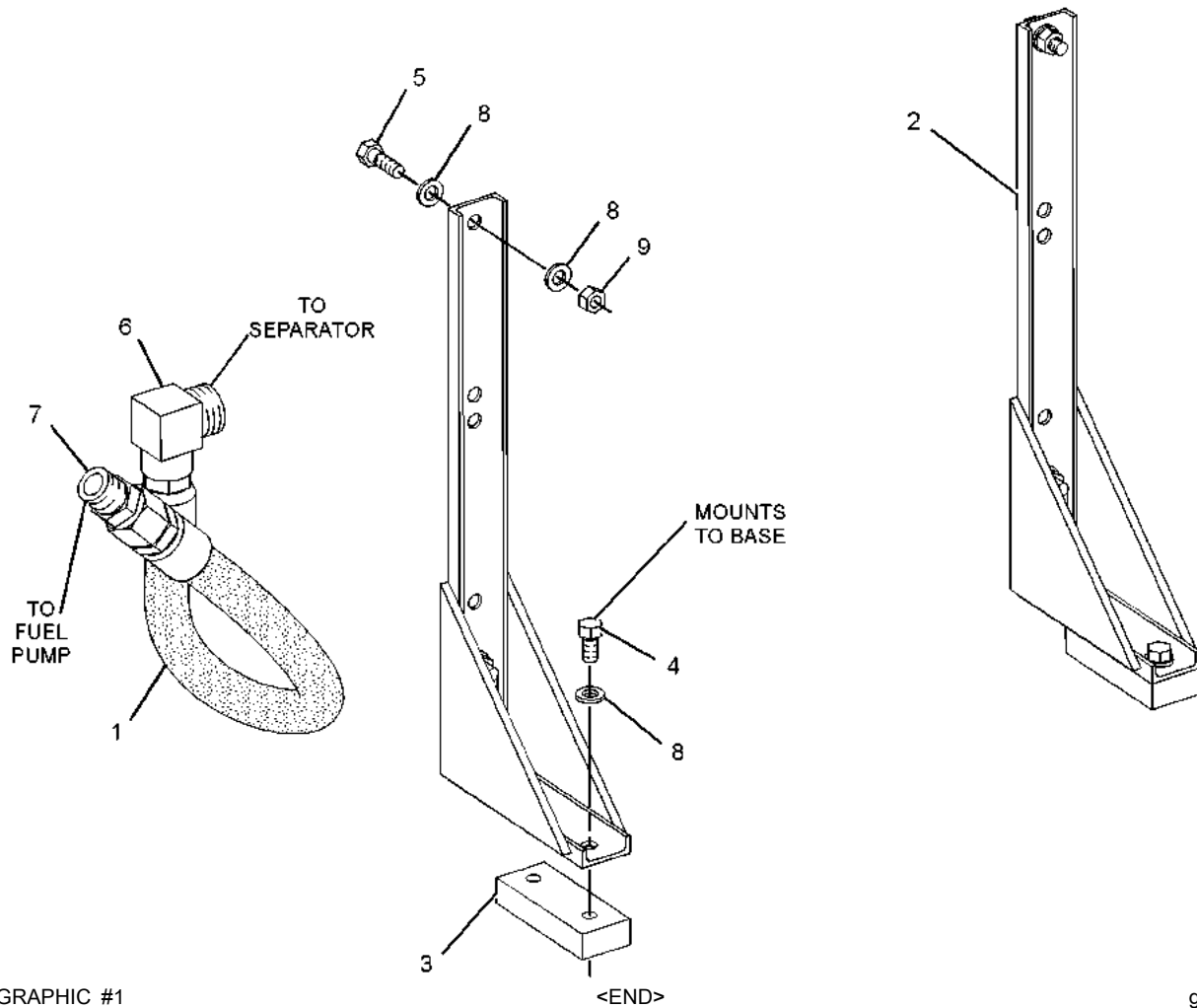
179-1479 MOUNTING GP-WATER SEPARATOR AN ATTACHMENT

SMCS-1263

i02582669

NOTE	REF NO	GRAPHIC REF	PART NUMBER	QTY	PART NAME						SEE PAGE
					1	2	3	4	5	6 (PRODUCT LEVEL)	
I	1	1	165-4030	1	HOSE AS						
	2	1	179-1478	2	SUPPORT AS						
	3	1	183-7427	2	BLOCK						
	4	1	0S-0509	4	BOLT (3/8-16X0.75-IN)						
	5	1	1A-2029	4	BOLT (3/8-16X1.125-IN)						
	6	1	1K-6937	1	ELBOW-PIPE						
	7	1	4S-6678	1	CONNECTOR						
	8	1	5M-2894	12	WASHER-HARD (10.2X18.5X2.5-MM THK)						
	9	1	9S-8752	4	NUT-FULL (3/8-16-THD)						

I - REFER TO HYDRAULIC INFORMATION SYSTEM



FUEL SYSTEM

121-3563 PUMP GP-FUEL INJECTION

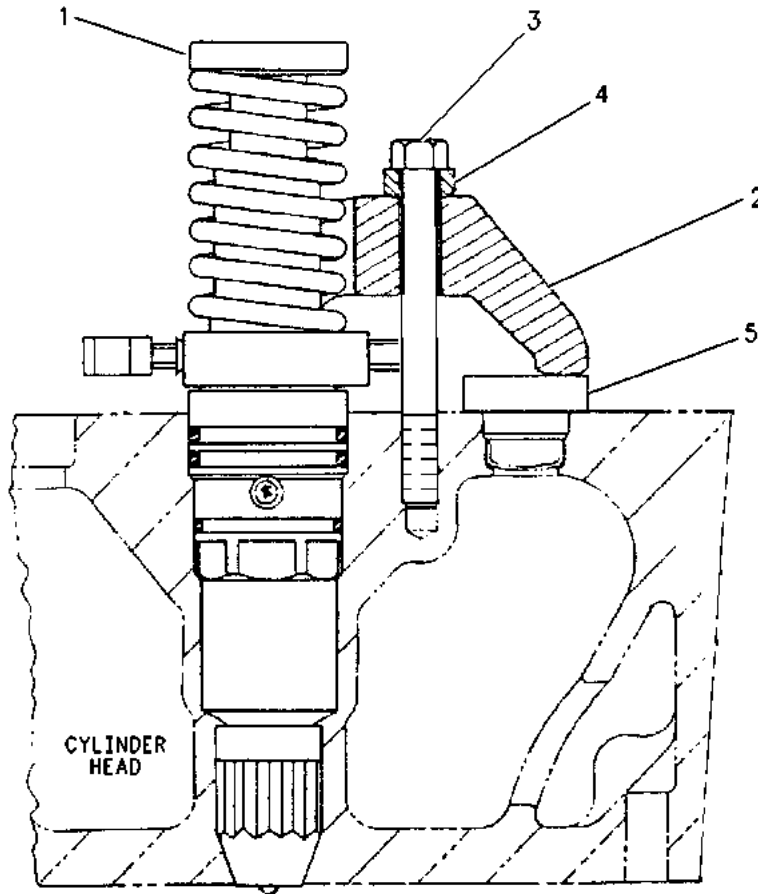
FOR USE WITH 900 RPM APPLICATIONS
AN ATTACHMENT

SMCS-1251, 1290

i02055416

NOTE	REF NO	GRAPHIC REF	PART NUMBER	QTY	PART NAME						SEE PAGE
					1	2	3	4	5	6 (PRODUCT LEVEL)	
YR	1	1	121-2630	1	INJECTOR GP-FUEL						843
	2	1	1N-4910	1	CLAMP-INJECTOR						
	3	1	4F-7226	1	BOLT (7/16-14X4-IN)						
	4	1	7N-5487	1	WASHER (12X22X9.5-MM THK)						
	5	1	234-4182	1	PLUG						

R - REMANUFACTURED PART MAY BE AVAILABLE
Y - SEPARATE ILLUSTRATION



GRAPHIC #1

<END>

g00763104

FUEL SYSTEM

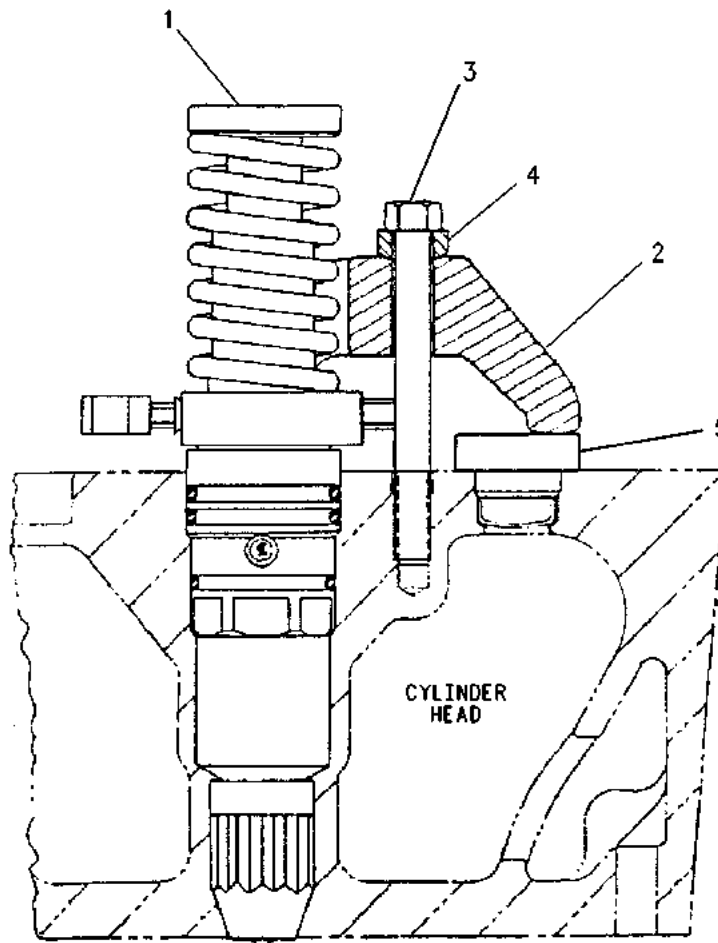
9Y-7841 PUMP GP-FUEL INJECTION

SMCS-1251, 1290

i02171419

NOTE	REF NO	GRAPHIC REF	PART NUMBER	QTY	PART NAME						SEE PAGE
					1	2	3	4	5	6 (PRODUCT LEVEL)	
CR	1	1	4P-9075	1	INJECTOR GP-FUEL						
		1	194-9584	2	SEAL-O-RING						
		1	5P-8065	1	SEAL-O-RING						
		1	6V-1250	1	SEAL-O-RING						
	2	1	1N-4910	1	CLAMP-INJECTOR						
	3	1	4F-7226	1	BOLT (7/16-14X4-IN)						
	4	1	7N-5487	1	WASHER (12X22X9.5-MM THK)						
	5	1	234-4182	1	PLUG						

C - CHANGE FROM PREVIOUS TYPE
 R - REMANUFACTURED PART MAY BE AVAILABLE



GRAPHIC #1

<END>

g00763286

FUEL SYSTEM

7N-8599 PUMP GP-FUEL PRIMING

S/N: 65Z887-954

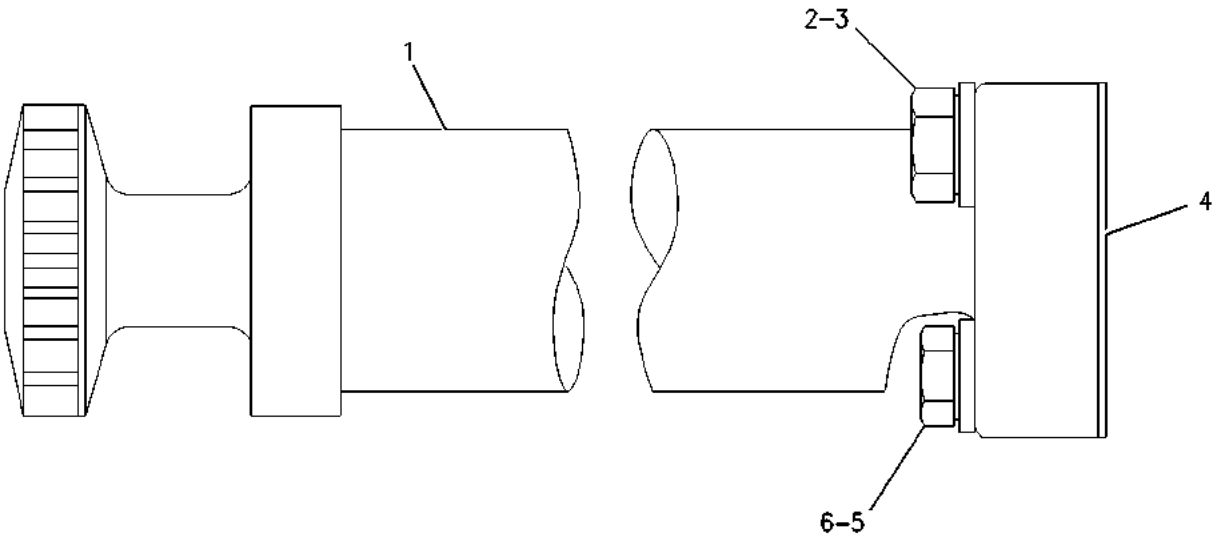
PART OF 7W-9465, 7W-9466 PUMP GP-FUEL PRIMING
AN ATTACHMENT

SMCS-1258

i03129061

NOTE	REF NO	GRAPHIC REF	PART NUMBER	QTY	PART NAME						SEE PAGE
					1	2	3	4	5	6 (PRODUCT LEVEL)	
C	1	1	2W-2606	1	PUMP AS-FUEL PRIMING						
	2	1	7B-2742	1	BOLT (1/4-20X1.25-IN)						
	3	1	5P-0537	1	WASHER-HARD (7.2X14.5X2-MM THK)						
	4	1	9Y-8389	1	GASKET (FUEL PRIMING PUMP)						
	5	1	9M-1974	1	WASHER-HARD (8.8X16X2-MM THK)						
	6	1	1B-7182	1	BOLT (5/16-18X1.25-IN)						

C - CHANGE FROM PREVIOUS TYPE



GRAPHIC #1

<END>

g00698268

FUEL SYSTEM

7W-9465 PUMP GP-FUEL PRIMING-RH AN ATTACHMENT

SMCS - 1258

i02634216

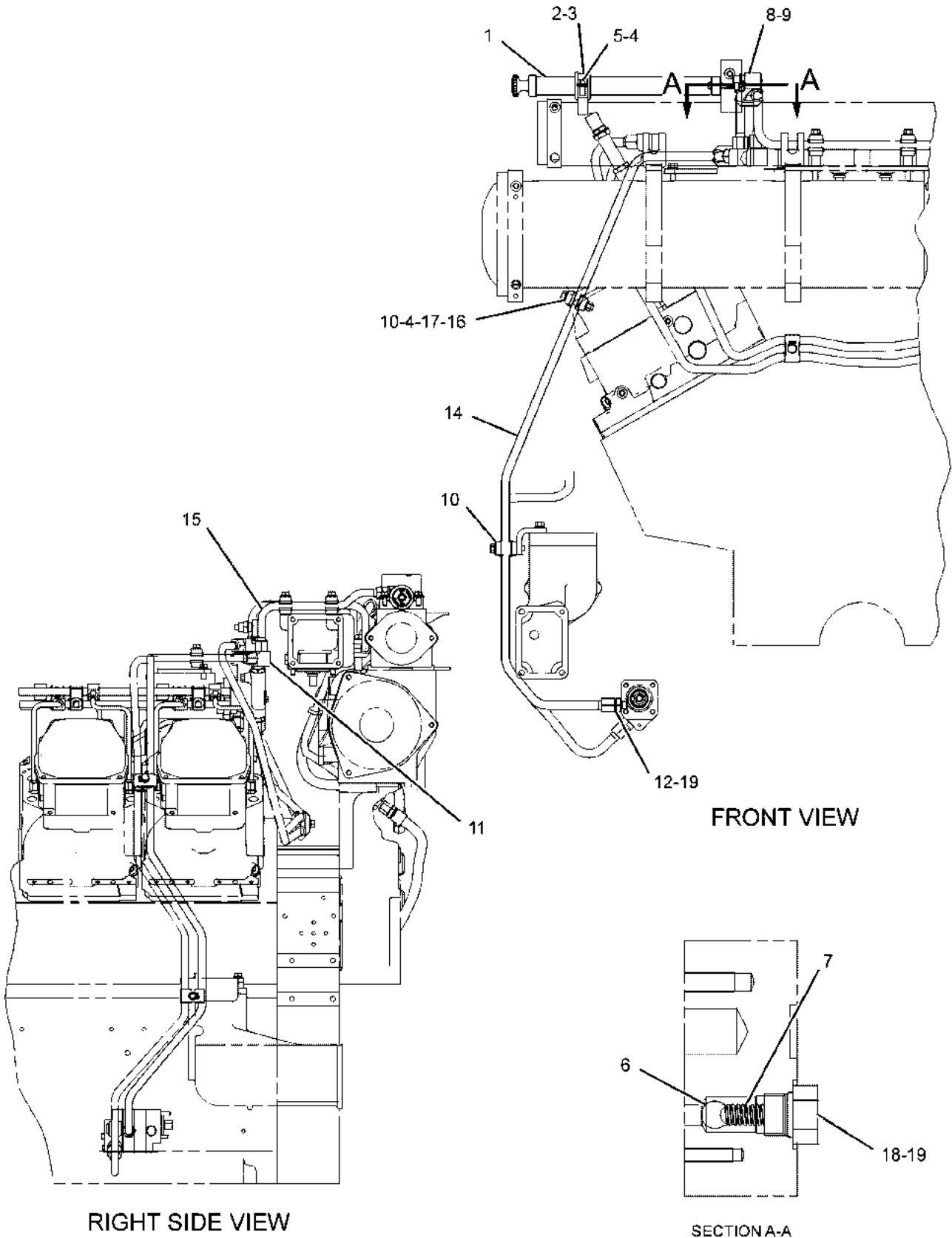
NOTE	REF NO	GRAPHIC REF	PART NUMBER	QTY	PART NAME	SEE PAGE
					1 2 3 4 5 6 (PRODUCT LEVEL)	
Y	1	1	7N-8599	1	PUMP GP-FUEL PRIMING	896
	2	1	2H-9523	1	GROMMET	
	3	1	8N-3480	1	CLIP	
	4	1	5M-2894	4	WASHER-HARD (10.2X18.5X2.5-MM THK)	
	5	1	0L-1351	2	BOLT (3/8-16X0.875-IN)	
	6	1	4B-9782	1	BALL	
	7	1	9N-1752	1	SPRING	
	8	1	1P-7625	1	ELBOW	
	9	1	8L-2786	1	SEAL-O-RING	
C	10	1	4P-0693	10	CLAMP AS	
					(EACH INCLUDES)	
		1	108-1434	2	GROMMET	
	11	1	250-1496	1	ELBOW	
	12	1	6V-4362	1	CONNECTOR	
	14	1	1N-4640	1	TUBE AS	
	15	1	237-2715	1	TUBE AS	
	16	1	0L-2070	1	BOLT (3/8-16X2.25-IN)	
C	17	1	9S-8752	1	NUT-FULL (3/8-16-THD)	
	18	1	9S-4191	1	PLUG (9/16-18-THD)	
	19	1	6V-5049	2	SEAL-O-RING	

C - CHANGE FROM PREVIOUS TYPE
Y - SEPARATE ILLUSTRATION

FUEL SYSTEM

7W-9465 PUMP GP-FUEL PRIMING (contd.)

102634216



GRAPHIC #1

<END>

g01075148

FUEL SYSTEM

7W-9466 PUMP GP-FUEL PRIMING-LH AN ATTACHMENT

SMCS - 1258

i03874017

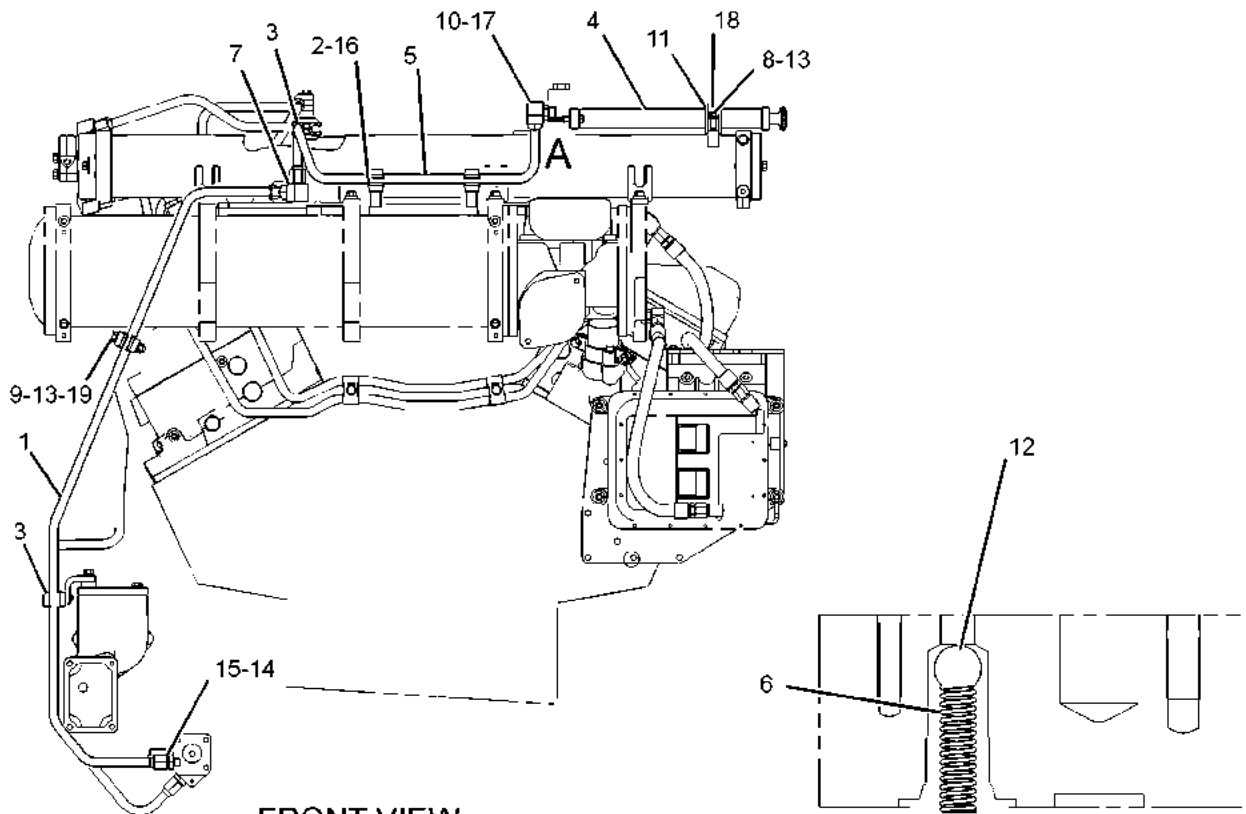
NOTE	REF NO	GRAPHIC REF	PART NUMBER	QTY	PART NAME	SEE PAGE
					1 2 3 4 5 6 (PRODUCT LEVEL)	
	1	1	1N-4640	1	TUBE AS	
	2	1	4P-0692	4	CLAMP AS	
					(EACH INCLUDES)	
		1	108-1434	1	GROMMET	
	3	1	4P-0693	10	CLAMP AS	
					(EACH INCLUDES)	
		1	108-1434	1	GROMMET	
Y	4	1	<i>7N-8599</i>	1	PUMP GP-FUEL PRIMING	896
	5	1	237-2718	1	TUBE AS	
	6	1	9N-1752	1	SPRING	
	7	1	250-1496	1	ELBOW	
	8	1	0L-1351	2	BOLT (3/8-16X0.875-IN)	
	9	1	0L-2070	1	BOLT (3/8-16X2.25-IN)	
	10	1	1P-7625	1	ELBOW (90-DEG)	
	11	1	2H-9523	1	GROMMET	
	12	1	4B-9782	1	BALL	
	13	1	5M-2894	4	WASHER-HARD (10.2X18.5X2.5-MM THK)	
	14	1	6V-4362	1	CONNECTOR	
	15	1	6V-5049	1	SEAL-O-RING	
	16	1	7K-3377	2	PIPE	
	17	1	8L-2786	1	SEAL-O-RING	
	18	1	8N-3480	1	CLIP	
	19	1	9S-8752	1	NUT-FULL (3/8-16-THD)	

Y - SEPARATE ILLUSTRATION

FUEL SYSTEM

7W-9466 PUMP GP-FUEL PRIMING (contd.)

i03874017



FRONT VIEW

VIEW OF AREA A

GRAPHIC #1

<END>

g01319914

FUEL SYSTEM

169-8615 PUMP GP-FUEL TRANSFER*R

S/N: 65Z887-1090

ONE SECTION GEAR

PART OF 8N-6151 PUMP GP-FUEL TRANSFER

SMCS-1256

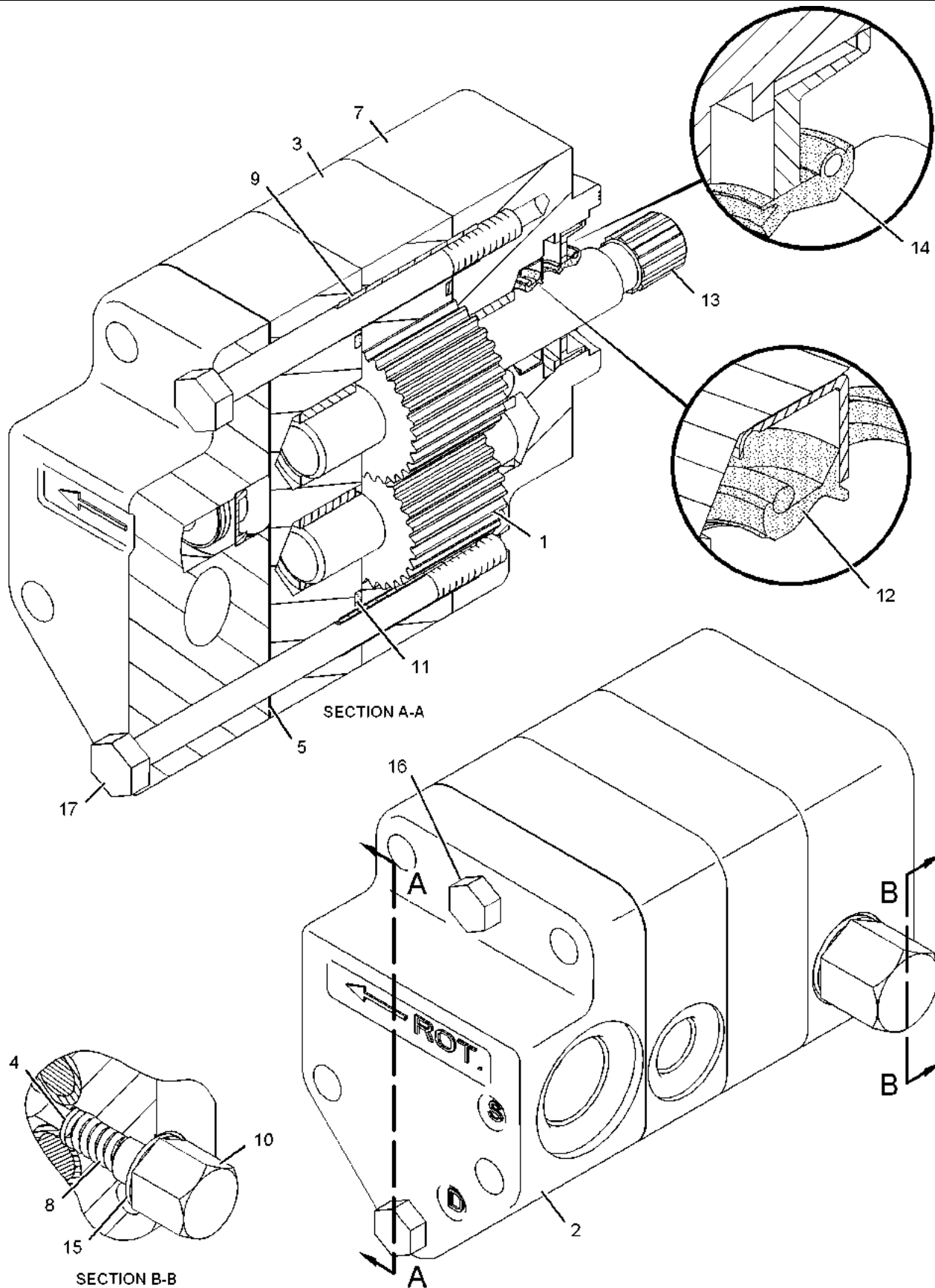
i03536840

NOTE	REF NO	GRAPHIC REF	PART NUMBER	QTY	PART NAME						SEE PAGE
					1	2	3	4	5	6 (PRODUCT LEVEL)	
	1	1	1W-4003	1	GEAR AS-IDLER						
	2	1	1W-4005	1	HEAD AS						
		1	1W-4009	1	VALVE AS (FUEL)						
	3	1	1W-4006	1	CASING						
	4	1	1W-4007	1	POPPET-VALVE (RELIEF)						
	5	1	1W-4008	1	GASKET						
	6	1	1W-4010	1	PLATE AS						
		1	7C-2870	2	BUSHING-TERMINAL						
	7	1	1W-4121	1	BRACKET AS						
		1	7C-2870	2	BUSHING-TERMINAL						
	8	1	1W-4655	1	SPRING-RELIEF VALVE						
	9	1	1W-6935	2	SLEEVE						
	10	1	1W-6936	1	CAP						
	11	1	6V-0895	2	SEAL-O-RING						
	12	1	112-3597	1	SEAL-LIP TYPE						
	13	1	124-9437	1	SHAFT AS-DRIVE						
	14	1	169-8617	1	SEAL-LIP TYPE						
	15	1	7W-3556	1	WASHER (14.27X20.57X1.5-MM THK)						
	16	1	8F-8178	1	BOLT (1/4-20X3.25-IN)						
	17	1	8S-4710	1	BOLT (1/4-20X4-IN)						

FUEL SYSTEM

169-8615 PUMP GP-FUEL TRANSFER (contd.)

i03536840



SECTION A-A

SECTION B-B

GRAPHIC #1

<END>

g01036070

FUEL SYSTEM

1N-4478 PUMP GP-FUEL TRANSFER*R

ONE SECTION GEAR

PART OF 8N-6151 PUMP GP-FUEL TRANSFER

SMCS-1256

i03531907

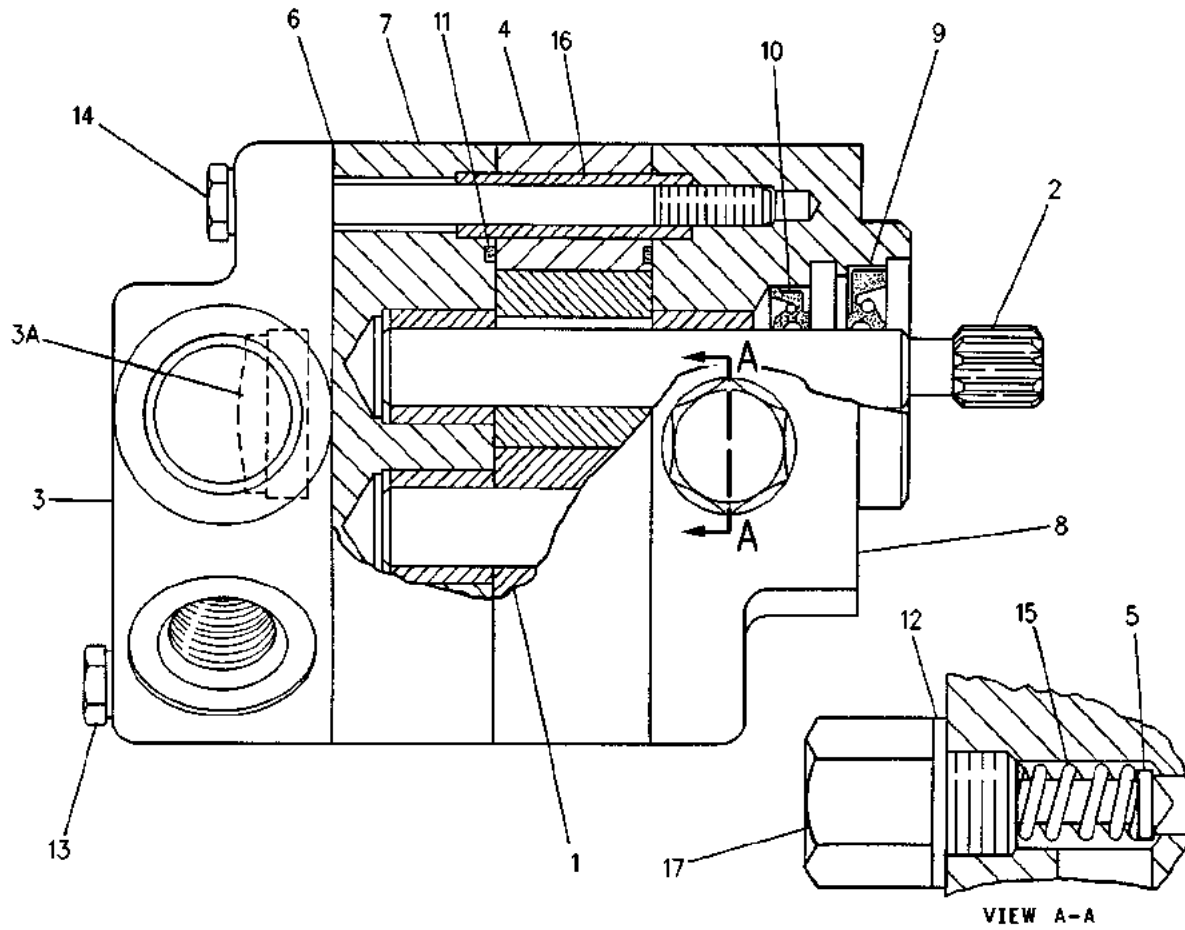
NOTE	REF NO	GRAPHIC REF	PART NUMBER	QTY	PART NAME						SEE PAGE
					1	2	3	4	5	6 (PRODUCT LEVEL)	
	1	1	1W-4003	1	GEAR AS-IDLER						
	2	1	124-9437	1	SHAFT AS-DRIVE						
	3	1	1W-4005	1	HEAD AS						
	3A	1	1W-4009	1	VALVE AS (FUEL)						
	4	1	1W-4006	1	CASING						
	5	1	1W-4007	1	POPPET-VALVE (RELIEF)						
	6	1	1W-4008	1	GASKET						
C	7	1	1W-4010	1	PLATE AS						
		1	7C-2870	2	BUSHING-TERMINAL						
C	8	1	1W-4121	1	BRACKET AS						
		1	7C-2870	2	BUSHING-TERMINAL						
	9	1	112-3596	1	SEAL-LIP TYPE						
	10	1	112-3597	1	SEAL-LIP TYPE						
	11	1	6V-0895	2	SEAL-O-RING						
C	12	1	7W-3556	1	WASHER (14.27X20.57X1.5-MM THK)						
	13	1	8S-4710	1	BOLT (1/4-20X4-IN)						
	14	1	8F-8178	1	BOLT (1/4-20X3.25-IN)						
	15	1	1W-4655	1	SPRING-RELIEF VALVE						
	16	1	1W-6935	2	SLEEVE						
	17	1	1W-6936	1	CAP						

C - CHANGE FROM PREVIOUS TYPE

FUEL SYSTEM

1N-4478 PUMP GP-FUEL TRANSFER (contd.)

i03531907



GRAPHIC #1

<END>

g00717276

FUEL SYSTEM

225-4260 PUMP GP-FUEL TRANSFER-1-SECTION GEAR

S/N: 65Z1091-1158

PART OF 8N-6151 PUMP GP-FUEL TRANSFER

SMCS-1256

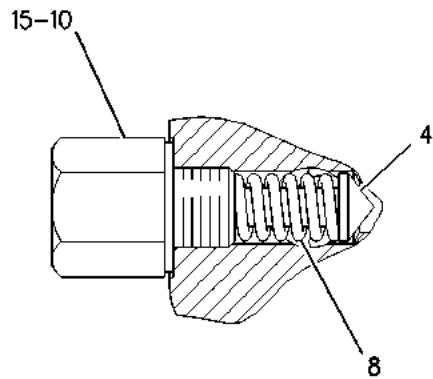
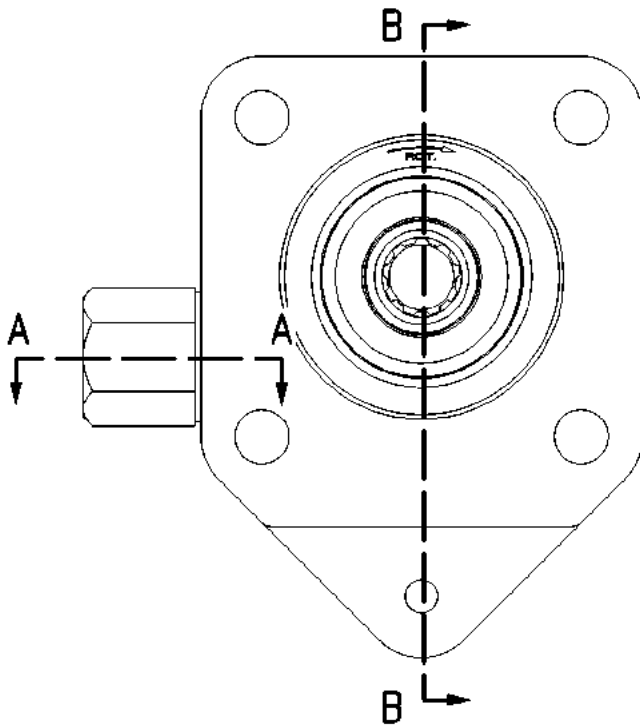
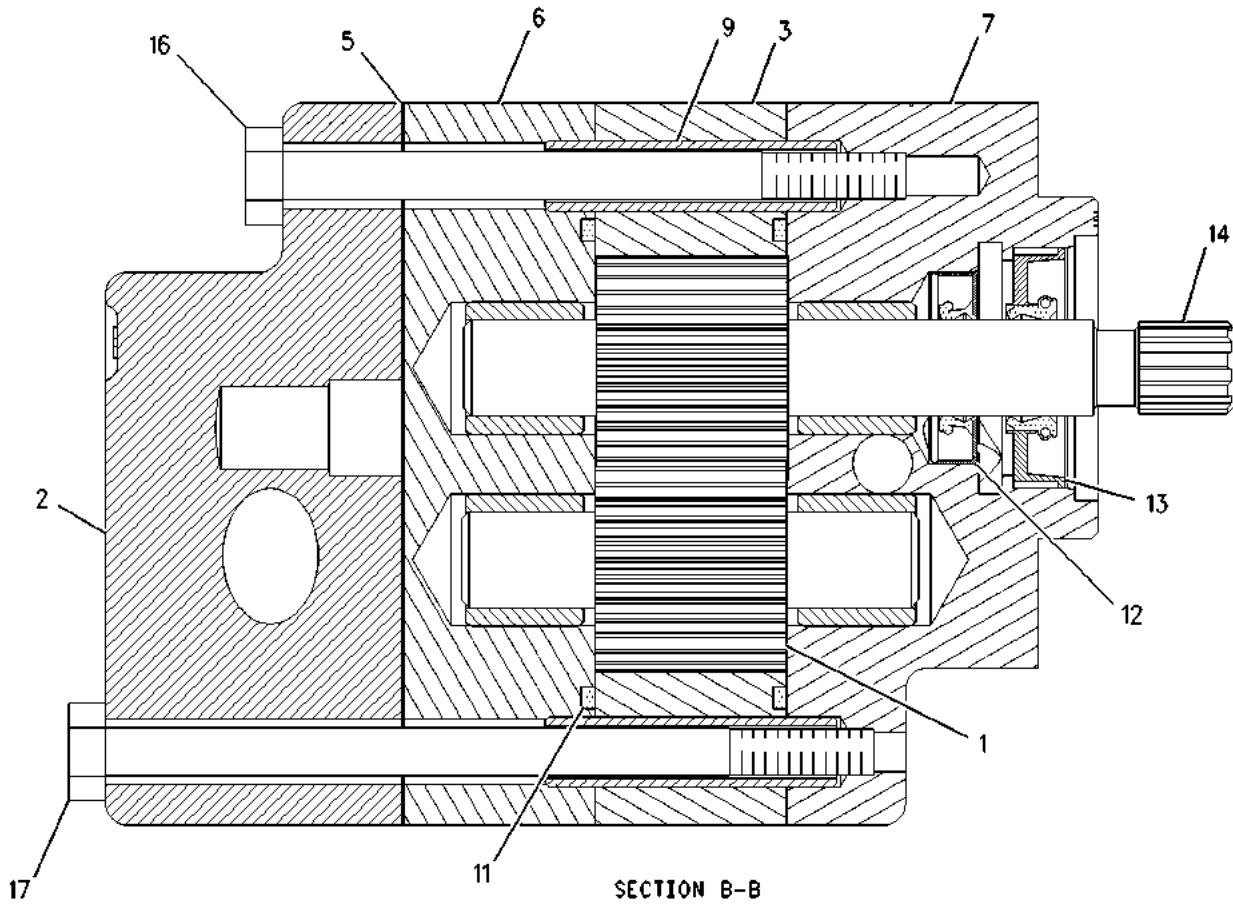
i03536882

NOTE	REF NO	GRAPHIC REF	PART NUMBER	QTY	PART NAME						SEE PAGE
					1	2	3	4	5	6 (PRODUCT LEVEL)	
	1	1	1W-4003	1	GEAR AS- IDLER						
	2	1	1W-4005	1	HEAD AS						
		1	1W-4009	1	VALVE AS (FUEL)						
	3	1	1W-4006	1	CASING						
	4	1	1W-4007	1	POPPET-VALVE (RELIEF)						
	5	1	1W-4008	1	GASKET						
	6	1	1W-4010	1	PLATE AS						
		1	7C-2870	2	BUSHING-TERMINAL						
	7	1	1W-4121	1	BRACKET AS						
		1	7C-2870	2	BUSHING-TERMINAL						
	8	1	1W-4655	1	SPRING-RELIEF VALVE						
	9	1	1W-6935	2	SLEEVE						
	10	1	1W-6936	1	CAP						
	11	1	6V-0895	2	SEAL-O-RING						
	12	1	112-3597	1	SEAL-LIP TYPE						
	13	1	169-8617	1	SEAL-LIP TYPE						
	14	1	225-4259	1	SHAFT AS-DRIVE						
	15	1	7W-3556	1	WASHER (14.27X20.57X1.5-MM THK)						
	16	1	8F-8178	1	BOLT (1/4-20X3.25-IN)						
	17	1	8S-4710	1	BOLT (1/4-20X4-IN)						

FUEL SYSTEM

225-4260 PUMP GP-FUEL TRANSFER (contd.)

i03536882



SECTION A-A

GRAPHIC #1

<END>

g00954635

FUEL SYSTEM

313-7770 PUMP GP-FUEL TRANSFER-1-SECTION GEAR*R

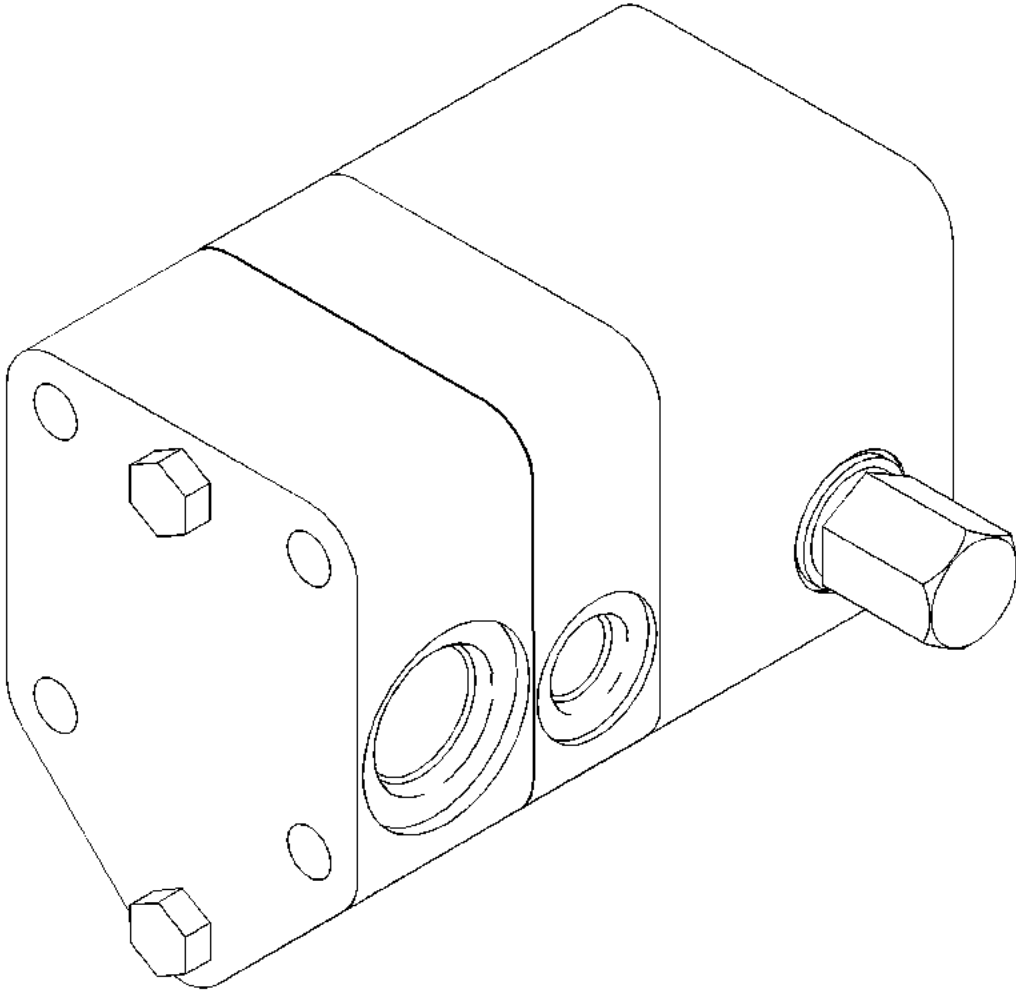
S/N: 65Z1159-UP

PART OF 8N-6151 PUMP GP-FUEL TRANSFER

SMCS-1256

i06858041

NOTE	REF NO	GRAPHIC REF	PART NUMBER	QTY	PART NAME 1 2 3 4 5 6 (PRODUCT LEVEL)	SEE PAGE
AVAILABLE REPAIR KIT(S) :						
			255-8691	1	KIT-SEAL (KIT INCLUDES GASKET & SEALS)	
			255-8692	1	KIT-REPAIR (GEAR, SHAFT) (KIT INCLUDES GEAR AS, BUSHINGS, & SHAFT AS)	



GRAPHIC #1

<END>

g01975973

FUEL SYSTEM

8N-6151 PUMP GP-FUEL TRANSFER-1-SECTION GEAR

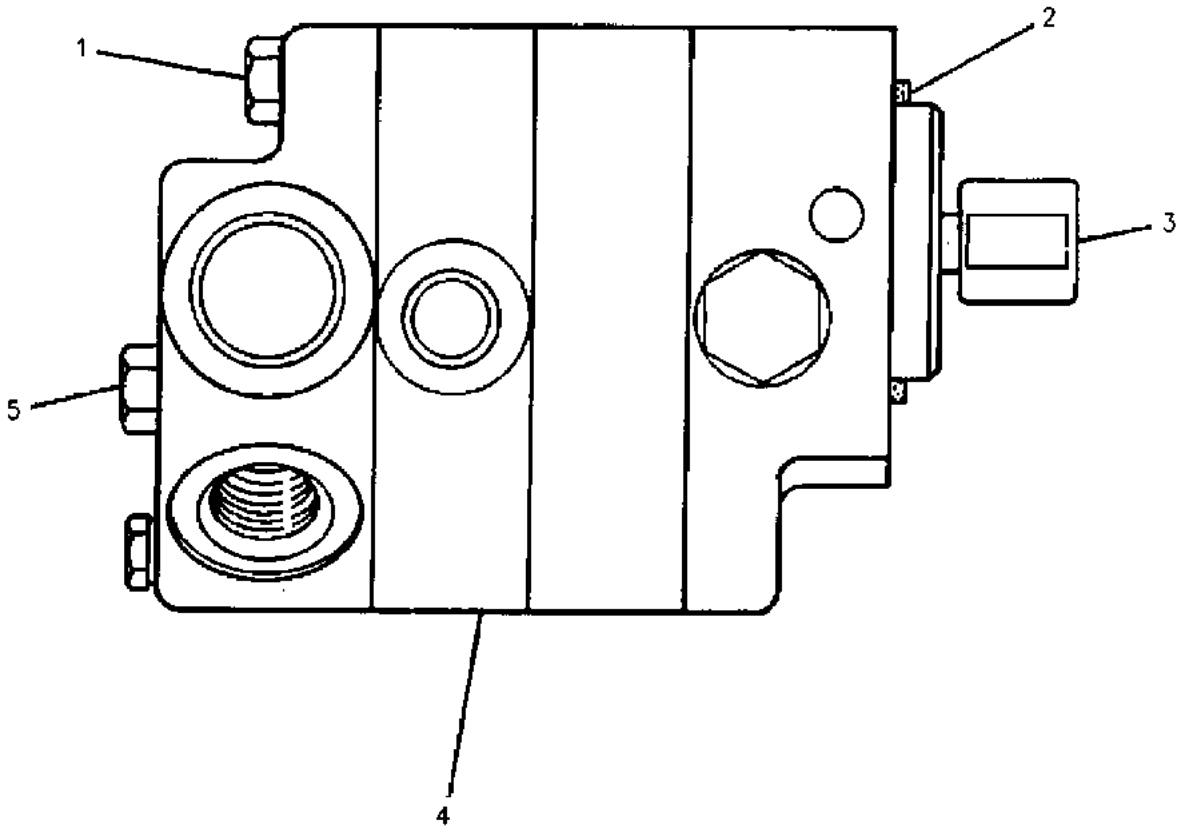
S/N: 65Z887-960

SMCS - 1256

i03531910

NOTE	REF NO	GRAPHIC REF	PART NUMBER	QTY	PART NAME						SEE PAGE
					1	2	3	4	5	6 (PRODUCT LEVEL)	
	1	1	3H-3243	2	BOLT (5/16-18X4.75-IN)						
	2	1	1H-9696	1	SEAL-O-RING						
	3	1	1N-4636	1	COUPLING-DRIVE						
YR	4	1	<i>1N-4478</i>	1	PUMP GP-FUEL TRANSFER (1-SECTION GEAR)						903
	5	1	5L-1761	2	BOLT (5/16-18X5.5-IN)						

R - REMANUFACTURED PART MAY BE AVAILABLE
 Y - SEPARATE ILLUSTRATION



GRAPHIC #1

<END>

g00773824

FUEL SYSTEM

8N-6151 PUMP GP-FUEL TRANSFER-1-SECTION GEAR

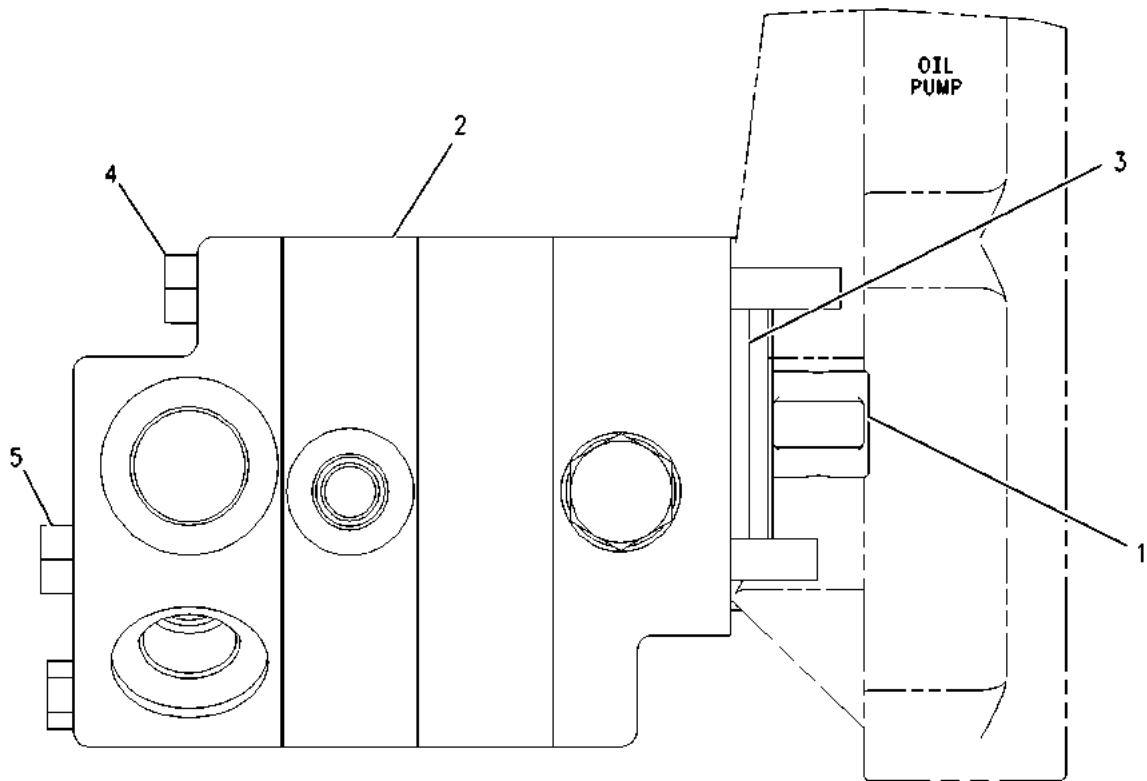
S/N: 65Z887-1090

SMCS-1256

i03531913

NOTE	REF NO	GRAPHIC REF	PART NUMBER	QTY	PART NAME						SEE PAGE
					1	2	3	4	5	6 (PRODUCT LEVEL)	
	1	1	1N-4636	1	COUPLING-DRIVE						
CYR	2	1	169-8615	1	PUMP GP-FUEL TRANSFER (1-SECTION GEAR)						901
	3	1	1H-9696	1	SEAL-O-RING						
	4	1	3H-3243	2	BOLT (5/16-18X4.75-IN)						
	5	1	5L-1761	2	BOLT (5/16-18X5.5-IN)						

C - CHANGE FROM PREVIOUS TYPE
 R - REMANUFACTURED PART MAY BE AVAILABLE
 Y - SEPARATE ILLUSTRATION



GRAPHIC #1

<END>

g00773828

FUEL SYSTEM

8N-6151 PUMP GP-FUEL TRANSFER-1-SECTION GEAR

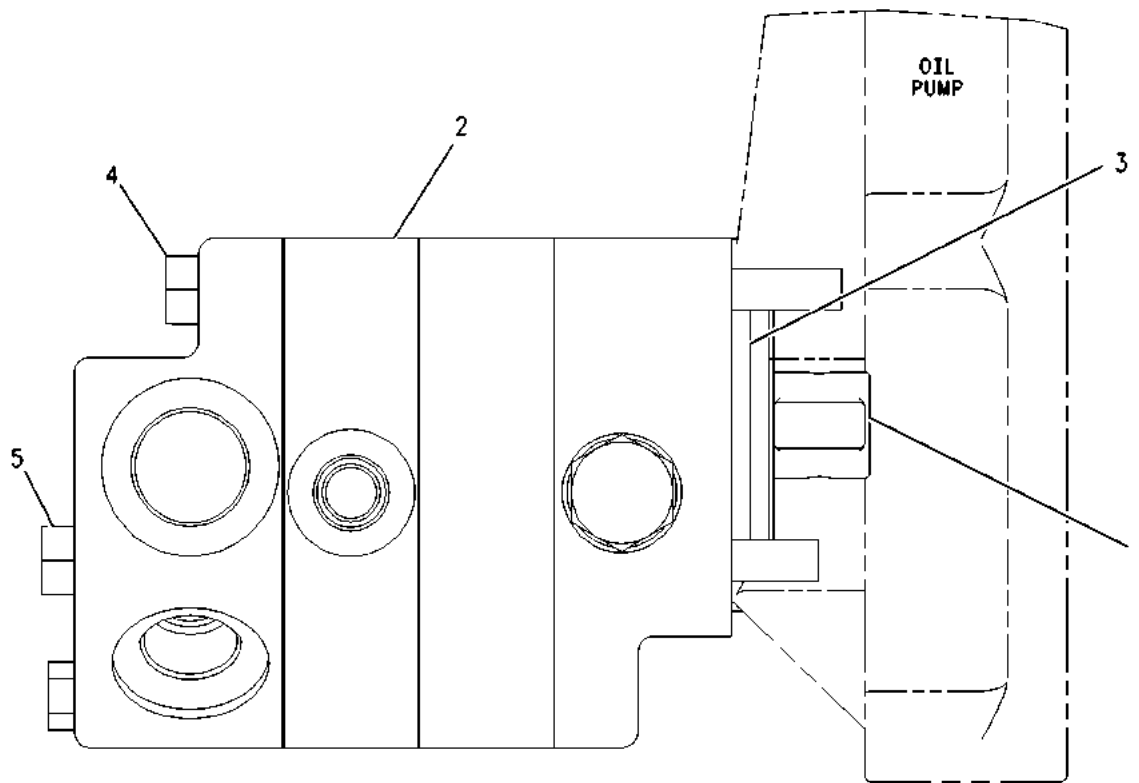
S/N: 65Z1091-1158

SMCS-1256

i03479480

NOTE	REF NO	GRAPHIC REF	PART NUMBER	QTY	PART NAME						SEE PAGE
					1	2	3	4	5	6 (PRODUCT LEVEL)	
	1	1	1N-4636	1	COUPLING-DRIVE						
CY	2	1	225-4260	1	PUMP GP-FUEL TRANSFER (1-SECTION GEAR)						905
	3	1	1H-9696	1	SEAL-O-RING						
	4	1	3H-3243	2	BOLT (5/16-18X4.75-IN)						
	5	1	5L-1761	2	BOLT (5/16-18X5.5-IN)						

C - CHANGE FROM PREVIOUS TYPE
Y - SEPARATE ILLUSTRATION



GRAPHIC #1

<END>

g00773828

FUEL SYSTEM

8N-6151 PUMP GP-FUEL TRANSFER-1-SECTION GEAR

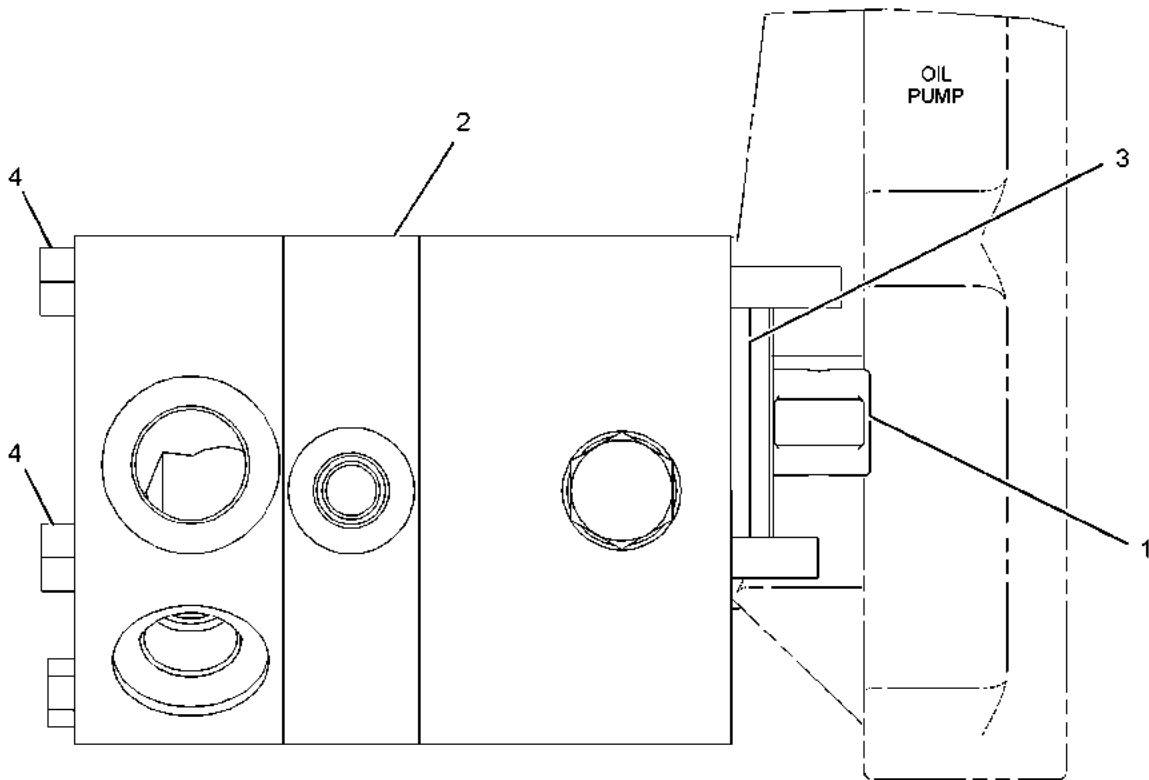
S/N: 65Z1159-UP

SMCS - 1256

i06692543

NOTE	REF NO	GRAPHIC REF	PART NUMBER	QTY	PART NAME						SEE PAGE
					1	2	3	4	5	6 (PRODUCT LEVEL)	
	1	1	1N-4636	1	COUPLING-DRIVE						
CYR	2	1	313-7770	1	PUMP GP-FUEL TRANSFER (1-SECTION GEAR)						907
	3	1	1H-9696	1	SEAL-O-RING						
C	4	1	5L-1761	4	BOLT (5/16-18X5.5-IN)						

C - CHANGE FROM PREVIOUS TYPE
 R - REMANUFACTURED PART MAY BE AVAILABLE
 Y - SEPARATE ILLUSTRATION



GRAPHIC #1

<END>

g01184091

FUEL SYSTEM

172-0265 PUMP GP-GEROTOR

PART OF 172-0257, 172-0262 SHUTOFF GP-CONTROL, 172-0258, 172-0261 SHUTOFF GP-
HYDROMECHANICAL
AN ATTACHMENT

SMCS-1251, 1286

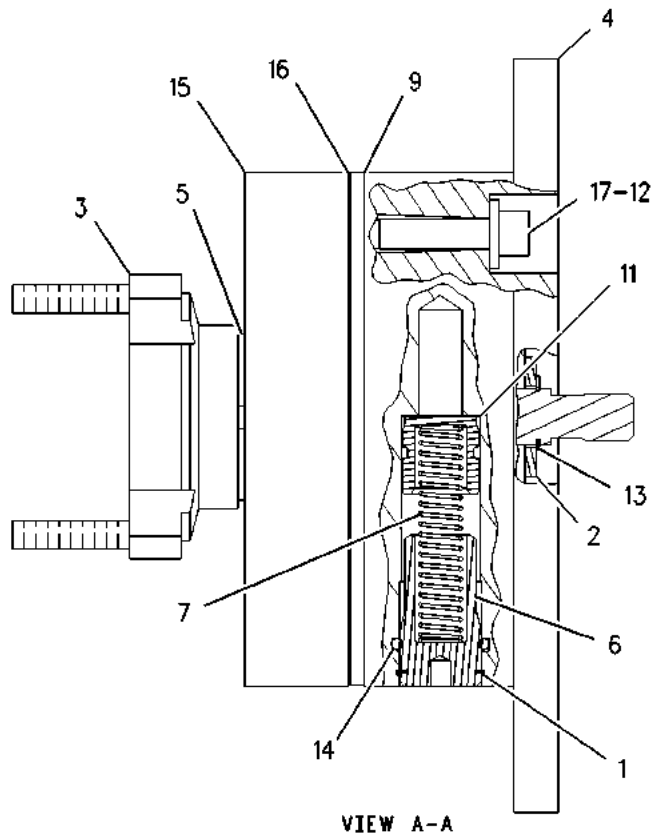
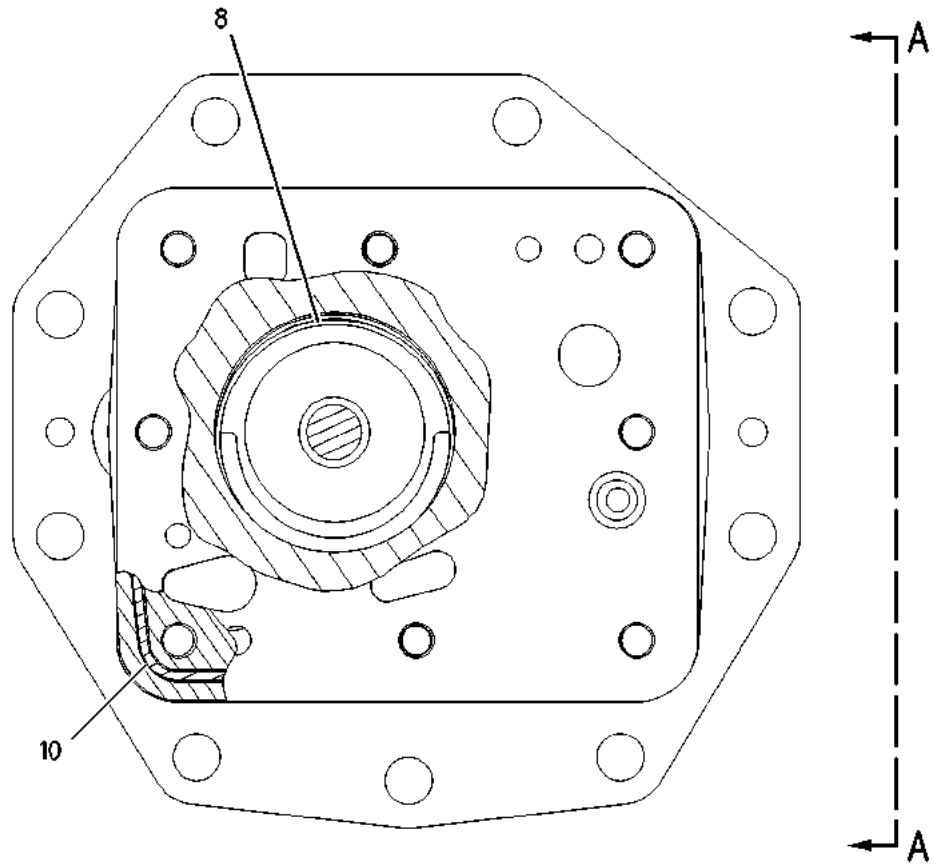
i06737436

NOTE	REF NO	GRAPHIC REF	PART NUMBER	QTY	PART NAME						SEE PAGE
					1	2	3	4	5	6 (PRODUCT LEVEL)	
	1	1	1H-4142	1	RING-RETAINING (INTERNAL)						
	2	1	4J-4144	1	WASHER (13.1X25.4X2.5-MM THK)						
	3	1	5N-1923	1	CARRIER AS						
		1	1S-5440	2	DOWEL						
		1	2N-0478	2	WEIGHT AS-GOVERNOR						
		1	5N-1913	1	SHAFT						
		1	5N-5574	1	PIN-GROOVED						
4		1	332-6711	1	HOUSING AS-PUMP						
5		1	5N-2710	1	WASHER						
6		1	5N-5991	1	SEAT						
7		1	5N-6449	1	SPRING						
8		1	5N-7928	1	GEROTOR AS						
9		1	5N-8432	1	PLATE-SEAL						
10		1	5N-8458	1	SEAL						
11		1	5N-9063	1	PLUNGER AS-BYPASS VALVE						
12		1	5P-0537	2	WASHER-HARD (7.2X14.5X2-MM THK)						
13		1	6L-3801	1	RING-RETAINING (EXTERNAL)						
14		1	8L-2786	1	SEAL-O-RING						
15		1	172-0263	1	COVER GP-PUMP						
		1	7S-5005	2	DOWEL						
		1	172-0272	1	PLUG-PIPE						
16		1	172-0271	1	GASKET						
17		1	6L-1596	2	BOLT (1/4-20X2-IN)						

FUEL SYSTEM

172-0265 PUMP GP-GEROTOR (contd.)

106737436



VIEW A-A
<END>

GRAPHIC #1

g00893037

FUEL SYSTEM

5N-1925 PUMP GP-GEROTOR

PART OF 5N-5328, 5N-5329, 5N-6051 SHUTOFF GP-CONTROL
AN ATTACHMENT

SMCS-1251, 1286

i02183404

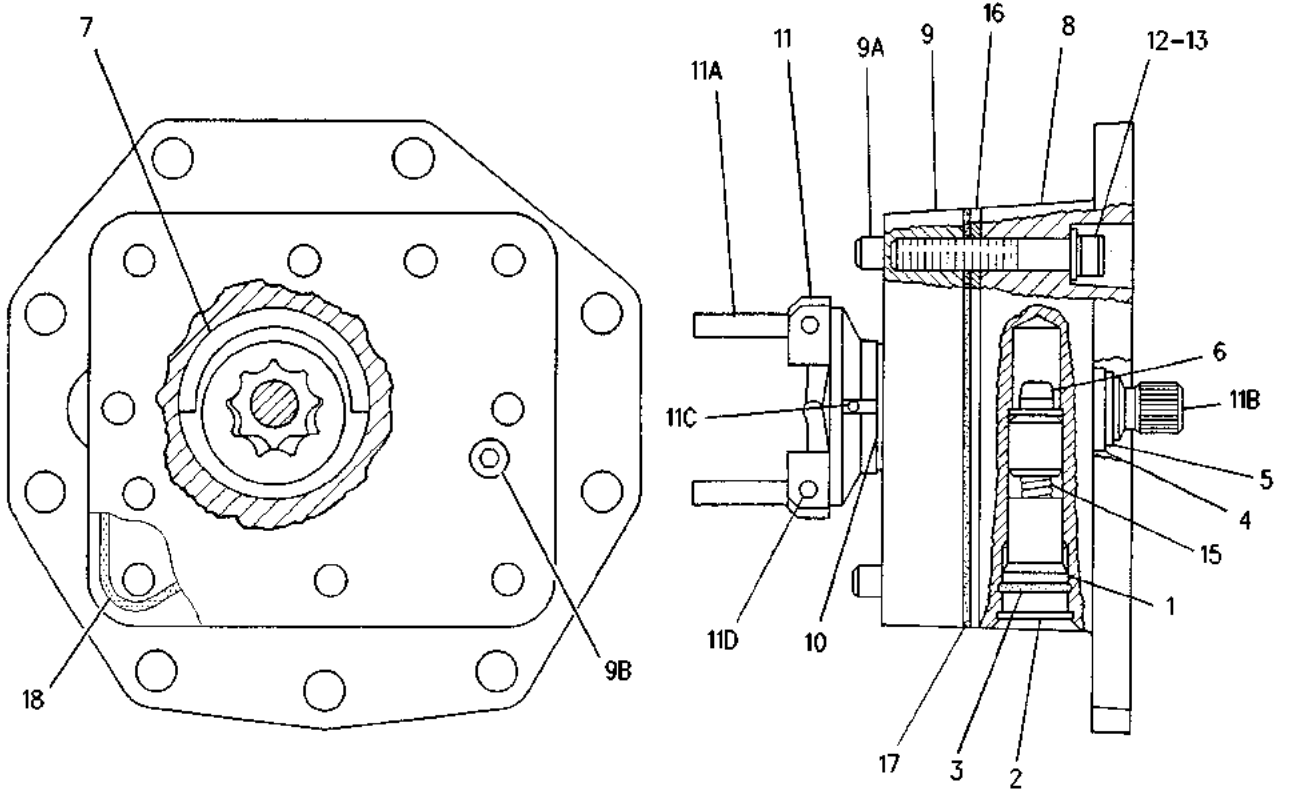
NOTE	REF NO	GRAPHIC REF	PART NUMBER	QTY	PART NAME						SEE PAGE
					1	2	3	4	5	6 (PRODUCT LEVEL)	
	1	1	5N-5991	1	SEAT						
	2	1	1H-4142	1	RING-RETAINING						
	3	1	8L-2786	1	SEAL-O-RING						
C	4	1	4J-4144	1	WASHER (13.1X25.4X2.5-MM THK)						
	5	1	6L-3801	1	RING-RETAINING						
C	6	1	5N-9063	1	PLUNGER AS-BYPASS VALVE						
C	7	1	5N-7928	1	GEROTOR AS						
	8	1	5N-1943	1	HOUSING AS						
C	9	1	172-0263	1	COVER GP-PUMP						
	9A	1	7S-5005	2	DOWEL						
	9B	1	172-0272	1	PLUG-PIPE						
	10	1	5N-2710	1	WASHER						
	11	1	5N-1923	1	CARRIER AS						
	11A	1	2N-0477	2	WEIGHT						
	11B	1	5N-1913	1	SHAFT						
	11C	1	5N-5574	1	PIN-GROOVED						
	11D	1	1S-5440	2	DOWEL						
	12	1	6L-1596	2	BOLT (1/4-20X2-IN) (SOCKET HEAD)						
	13	1	5P-0537	2	WASHER-HARD (7.2X14.5X2-MM THK)						
	15	1	5N-6449	1	SPRING						
C	16	1	5N-8432	1	PLATE-SEAL						
C	17	1	5N-8459	1	GASKET						
C	18	1	5N-8458	1	SEAL						

C - CHANGE FROM PREVIOUS TYPE

FUEL SYSTEM

5N-1925 PUMP GP-GEROTOR (contd.)

i02183404



GRAPHIC #1

<END>

g00587121

FUEL SYSTEM

6I-3842 PUMP GP-GEROTOR

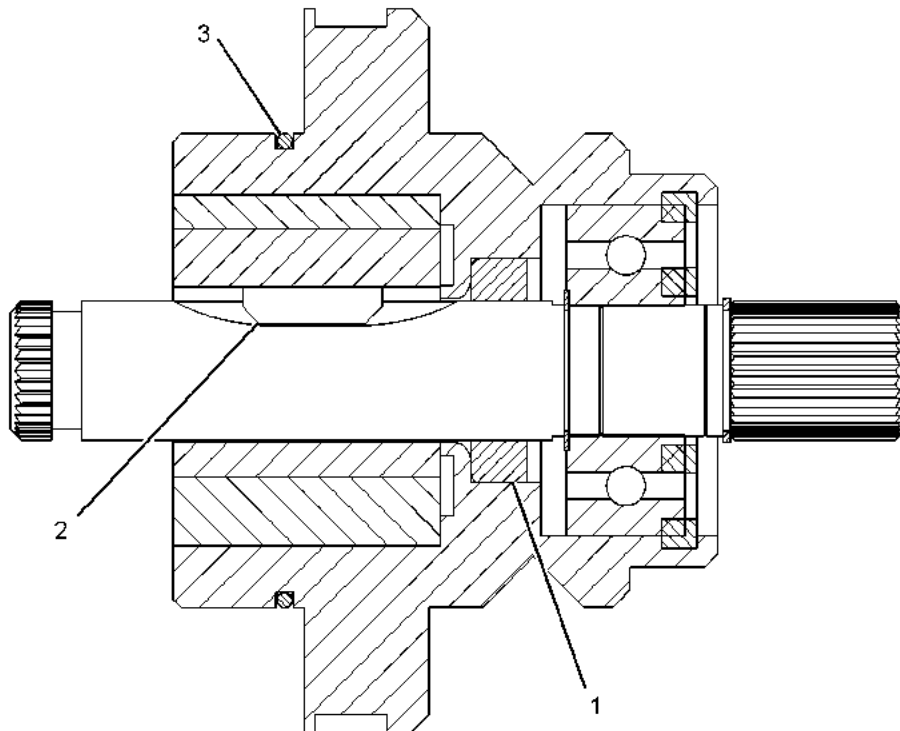
PART OF 124-3173, 124-3174 GOVERNOR GP

ALSO AN ATTACHMENT

SMCS-1251, 1286

i03314603

NOTE	REF NO	GRAPHIC REF	PART NUMBER	QTY	PART NAME						SEE PAGE
					1	2	3	4	5	6 (PRODUCT LEVEL)	
	1	1	2W-0282	1	SEAL-OIL						
	2	1	9Y-1782	1	KEY						
	3	1	180-3927	1	SEAL-O-RING						



GRAPHIC #1

<END>

g01558335

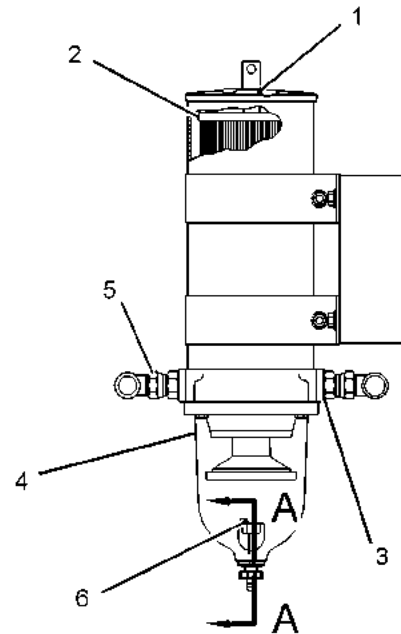
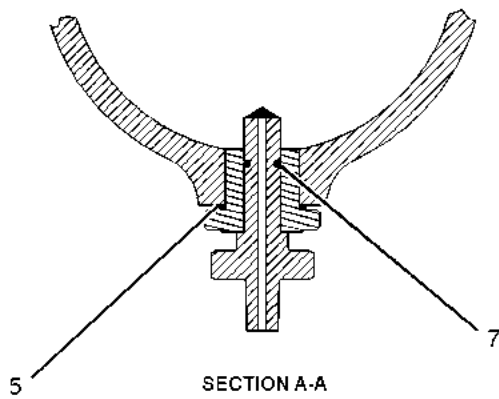
FUEL SYSTEM

133-1764 SEPARATOR GP-WATER-PRIMARY FUEL FILTER AN ATTACHMENT

SMCS - 1263

i05876403

NOTE	REF NO	GRAPHIC REF	PART NUMBER	QTY	PART NAME						SEE PAGE
					1	2	3	4	5	6	
	1	1	3J-1907	3	SEAL-O-RING						
	2	1	4P-7384	3	FILTER ELEMENT-FUEL (WATER SEPARATOR)						
	3	1	4P-7383	9	GASKET						
	4	1	4P-7381	3	BOWL AS						
	5	1	2M-9780	6	SEAL-O-RING						
	6	1	1J-9671	3	SEAL-O-RING						
	7	1	4J-5477	3	SEAL-O-RING						



GRAPHIC #1

<END>

g01314683

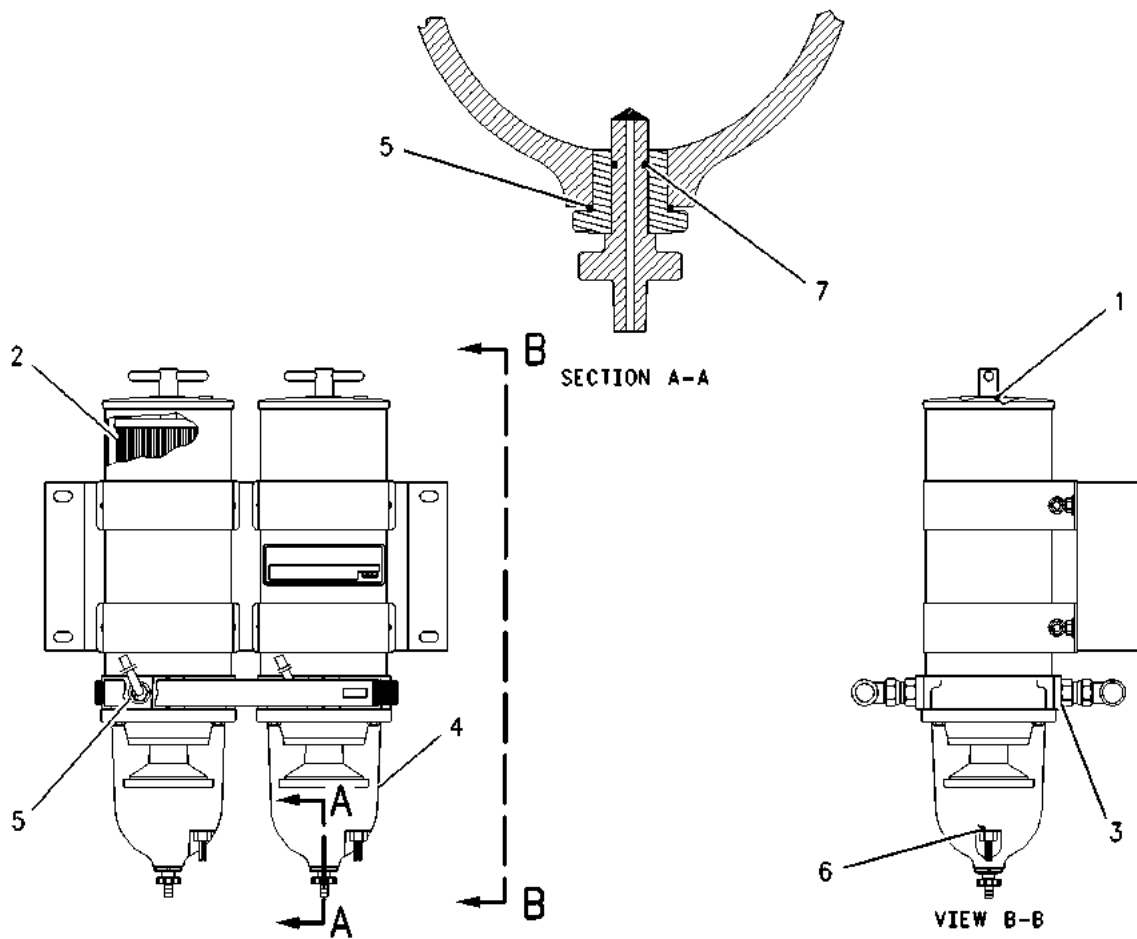
FUEL SYSTEM

233-7973 SEPARATOR GP-WATER-PRIMARY FUEL FILTER AN ATTACHMENT

SMCS-1263

i07394306

NOTE	REF NO	GRAPHIC REF	PART NUMBER	QTY	PART NAME						SEE PAGE
					1	2	3	4	5	6	
	1	1	3J-1907	2	SEAL-O-RING						
	2	1	134-6307	2	FILTER ELEMENT-FUEL (WATER SEPARATOR)						
	3	1	4P-7383	6	GASKET						
	4	1	4P-7381	2	BOWL AS						
	5	1	2M-9780	4	SEAL-O-RING						
	6	1	1J-9671	2	SEAL-O-RING						
	7	1	4J-5477	2	SEAL-O-RING						



GRAPHIC #1

<END>

g00894701

FUEL SYSTEM

274-5013 SHIELD GP-FUEL LINES

S/N: 65Z887-1327

AN ATTACHMENT

SMCS-1067, 1252

i02610741

NOTE	REF NO	GRAPHIC REF	PART NUMBER	QTY	PART NAME						SEE PAGE
					1	2	3	4	5	6 (PRODUCT LEVEL)	
	1	1	241-6244	48	SHIELD-FUEL LINE FITTING (9.8-MM ID)						
	2	1	250-1498	2	ELBOW AS (90-DEG)						
					(EACH INCLUDES)						
		1	6V-4589	1	SEAL-O-RING						
		1	250-1497	1	ELBOW (90-DEG)						
	3	1	251-1255	6	SHIELD-FUEL LINE FITTING (18.05-MM ID)						
BE	4	1	237-3860		TAPE (ANTI-SPLASH, 50-MM WIDE) (190-CM)						

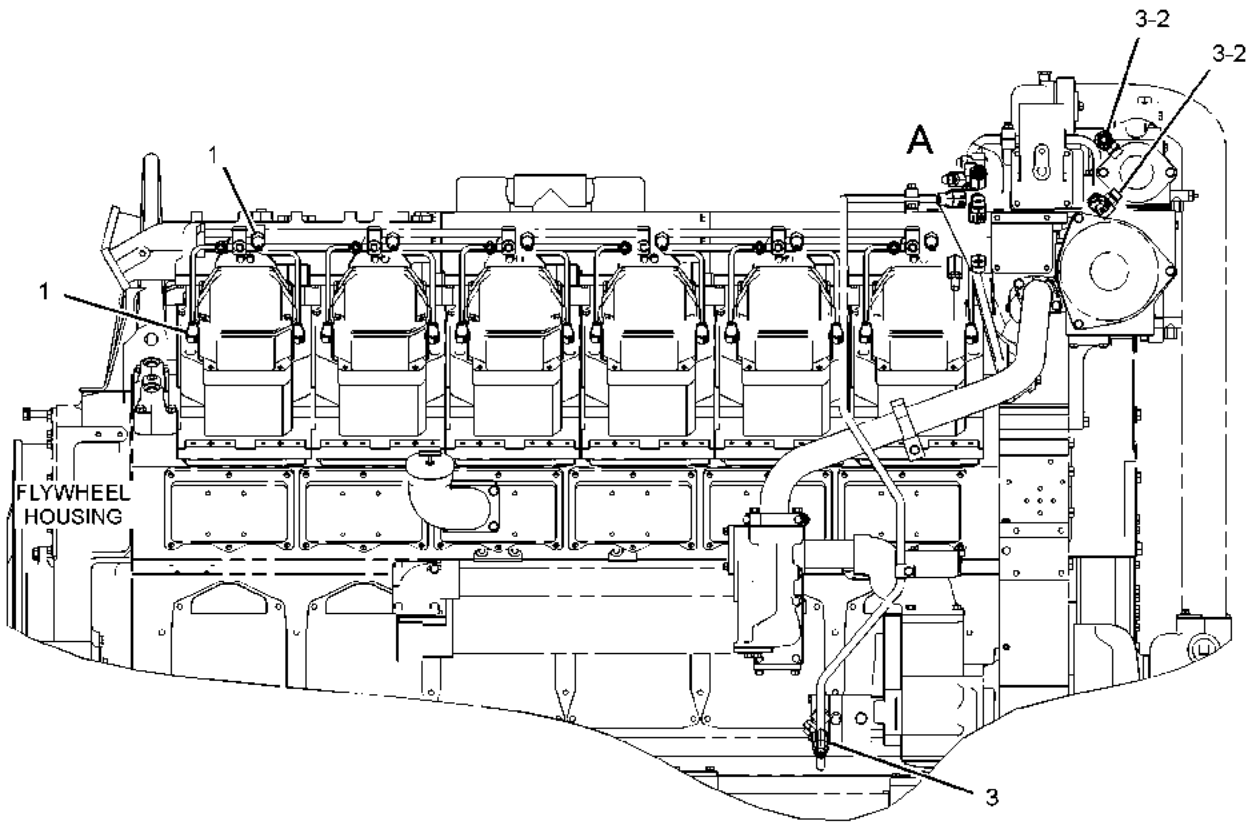
B - USE AS REQUIRED

E - ORDER BY THE CENTIMETER

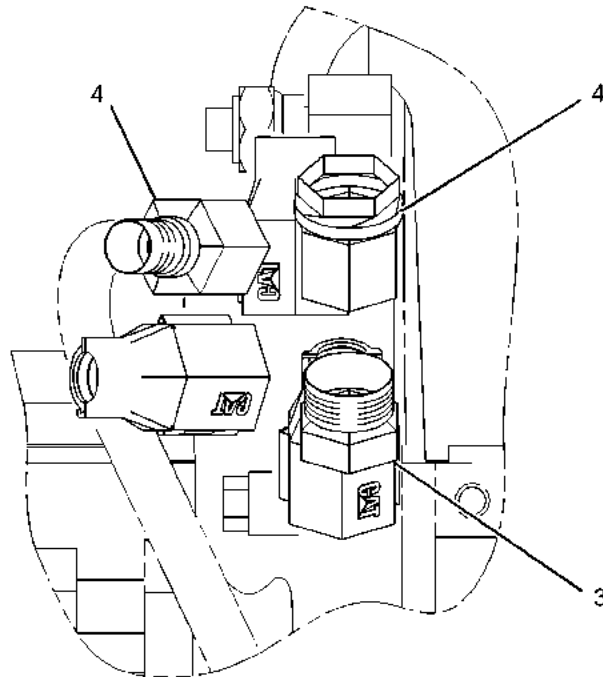
FUEL SYSTEM

274-5013 SHIELD GP-FUEL LINES (contd.)

i02610741



RIGHT SIDE VIEW OF ENGINE



VIEW OF AREA A

GRAPHIC #1

<END>

g01325122

FUEL SYSTEM

274-5013 SHIELD GP-FUEL LINES

S/N: 65Z1328-UP

AN ATTACHMENT

SMCS-1067, 1252

i03102401

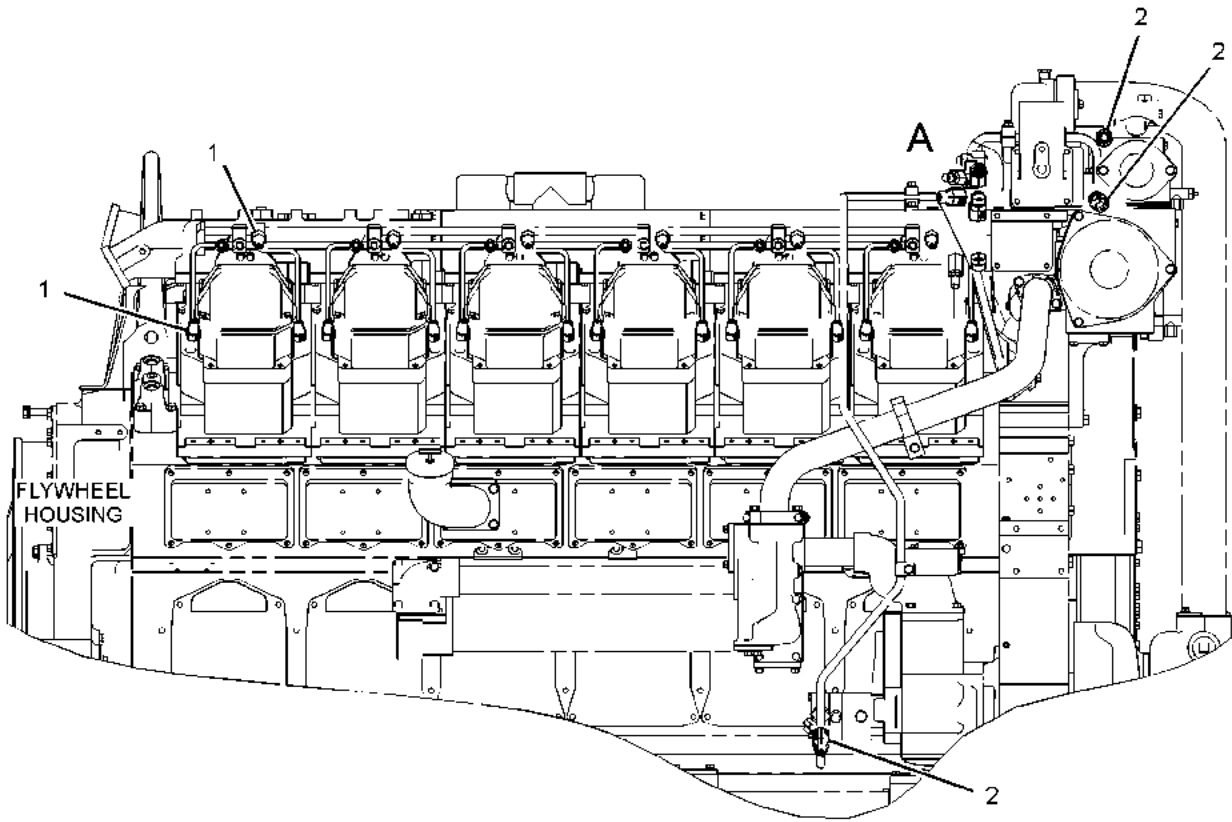
NOTE	REF NO	GRAPHIC REF	PART NUMBER	QTY	PART NAME						SEE PAGE
					1	2	3	4	5	6 (PRODUCT LEVEL)	
	1	1	241-6244	48	SHIELD-FUEL LINE FITTING (9.8-MM ID)						
	2	1	251-1255	6	SHIELD-FUEL LINE FITTING (18.05-MM ID)						
B	3	1	237-3860		TAPE (ANTI-SPLASH, 50-MM WIDE)						

B - USE AS REQUIRED

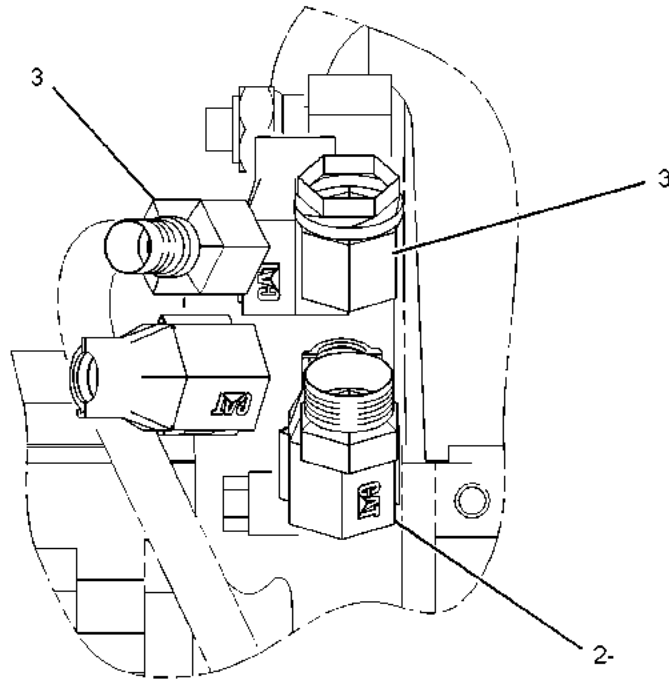
FUEL SYSTEM

274-5013 SHIELD GP-FUEL LINES (contd.)

i03102401



RIGHT SIDE VIEW OF ENGINE



VIEW OF AREA A

GRAPHIC #1

<END>

g01626585

FUEL SYSTEM

172-0257 SHUTOFF GP-CONTROL

PART OF 4W-6979 SHUTOFF GP-HYDROMECHANICAL

AN ATTACHMENT

TYPE 1

SMCS-1704, 7418

i01251667

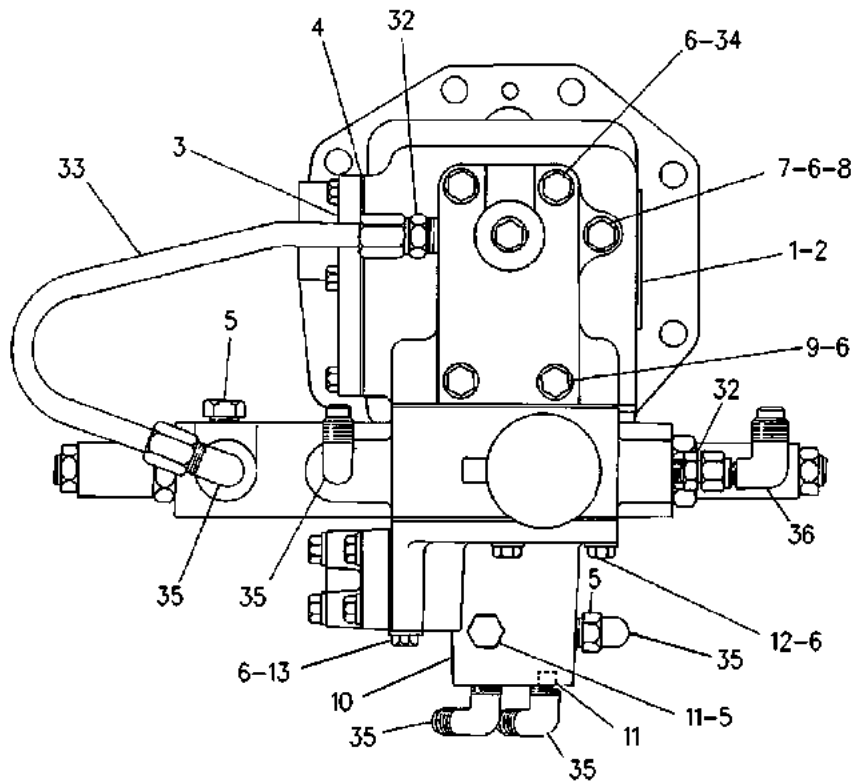
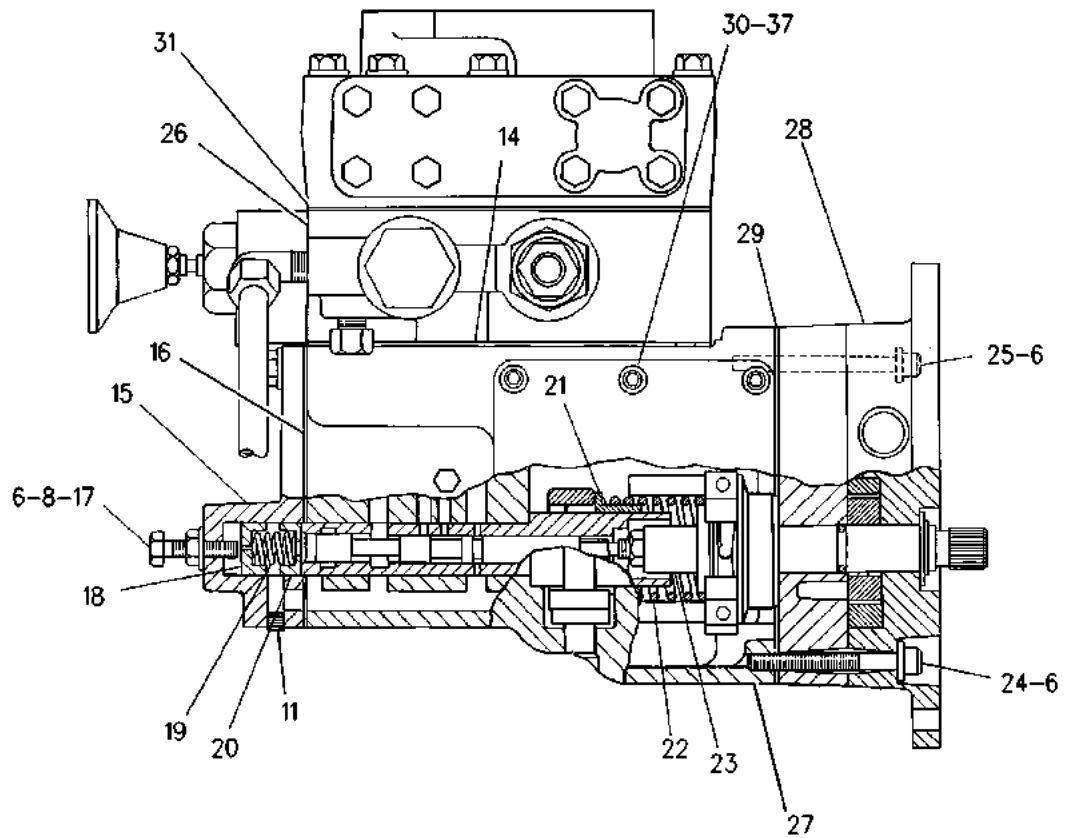
NOTE	REF NO	GRAPHIC REF	PART NUMBER	QTY	PART NAME						SEE PAGE
					1	2	3	4	5	6 (PRODUCT LEVEL)	
	1	1	2H-3880	2	SCREW-DRIVE (NO 2X0.125-IN)						
	2	1	5N-1782	1	PLATE-IDENTIFICATION (HYDROMECHANICAL SHUTOFF)						
	3	1	5N-6711	1	COVER						
	4	1	5N-2707	1	GASKET						
	5	1	5M-6213	5	PLUG-PIPE (1/4-18-THD)						
	6	1	5P-0537	22	WASHER-HARD (7.2X14.5X2-MM THK)						
	7	1	5N-2709	1	BOLT (1/4-28X2.5-IN)						
	8	1	6F-0612	2	NUT-JAM (1/4-28-THD)						
	9	1	4F-7957	3	BOLT (1/4-20X0.875-IN)						
Y	10	1	5N-6443	1	VALVE GP-FUEL SHUTOFF						958
	11	1	3D-4603	3	PLUG-PIPE						
	12	1	2A-4781	5	BOLT (1/4-20X2.75-IN)						
	13	1	8S-4710	3	BOLT (1/4-20X4-IN)						
	14	1	5N-4718	1	GASKET						
	15	1	5N-4727	1	COVER						
	16	1	5N-2725	1	GASKET						
	17	1	5N-2716	1	BOLT (1/4-28X1.1-IN)						
	18	1	172-0264	1	SEAT						
	19	1	2N-7029	1	SPRING-CONTROL PIN						
	20	1	5N-4728	1	SEAT						
	21	1	6N-3504	1	SEAT-GOVERNOR SPRING						
	22	1	8M-1682	1	SPRING						
Y	23	1	5N-2718	1	VALVE GP-SPEED SENSING						961
	24	1	6H-3958	1	BOLT-SOCKET HEAD (1/4-20X2.5-IN)						
	25	1	6J-2819	7	BOLT-SOCKET HEAD (1/4-20X2.75-IN)						
Y	26	1	5N-5990	1	VALVE GP-PRESSURE CONTROL						960
	27	1	5N-6141	1	HOUSING AS-CONTROL						
		1	3N-5744	1	SHAFT						
		1	3N-5755	1	LEVER						
		1	9F-2247	1	PLUG-PIPE (1/8-27-THD)						
		1	9L-9503	2	DOWEL-HOLLOW						
Y	28	1	172-0265	1	PUMP GP-GEROTOR						912
	29	1	5N-3198	1	GASKET						
	30	1	3K-6168	8	BOLT-SOCKET HEAD (10-32X0.625-IN)						
	31	1	5N-8227	1	GASKET						
	32	1	032-1267	2	CONNECTOR (STRAIGHT)						
	33	1	5N-4990	1	TUBE AS						
	34	1	3R-6569	1	BOLT (1/4-20X0.875-IN)						
	35	1	032-1268	5	CONNECTOR (90-DEG)						
	36	1	6K-9194	1	ELBOW						
	37	1	3H-0240	8	WASHER (5X9.7X0.8-MM THK)						

Y - SEPARATE ILLUSTRATION

FUEL SYSTEM

172-0257 SHUTOFF GP-CONTROL (contd.)

i01251667



GRAPHIC #1

<END>

g00667816

FUEL SYSTEM

172-0257 SHUTOFF GP-CONTROL

PART OF 4W-6979 SHUTOFF GP-HYDROMECHANICAL

AN ATTACHMENT

TYPE 2

SMCS-1704, 7418

i01742805

NOTE	REF NO	GRAPHIC REF	PART NUMBER	QTY	PART NAME	SEE PAGE
					1 2 3 4 5 6 (PRODUCT LEVEL)	
	2	2	2N-7029	1	SPRING-CONTROL PIN	
	3	1	3K-6168	8	BOLT-SOCKET HEAD (10-32X0.625-IN)	
	4	1	3R-6569	1	BOLT (1/4-20X0.875-IN)	
	6	1	5N-2707	1	GASKET	
	7	1	5N-2709	1	BOLT (1/4-28X2.5-IN)	
	8	2	5N-2716	1	BOLT (1/4-28X1.1-IN)	
Y	9	2	5N-2718	1	VALVE GP-SPEED SENSING	961
	10	1	5N-2725	1	GASKET	
	11	1	5N-3198	1	GASKET	
	12	1	5N-4718	1	GASKET	
	13	1	5N-4727	1	COVER	
	14	2	5N-4728	1	SEAT	
	15	1	5N-4990	1	TUBE AS	
	16	1	5N-6141	1	HOUSING AS-CONTROL	
		1	3N-5744	1	SHAFT	
		1	3N-5755	1	LEVER	
		1	5M-6214	1	PLUG (1/8-27 PTF)	
		1	9L-9503	2	DOWEL-HOLLOW	
Y	17	1	5N-6443	1	VALVE GP-FUEL SHUTOFF	958
	18	1	5N-6711	1	COVER	
	19	1	5N-8227	1	GASKET	
	20	1,2	5P-0537	22	WASHER-HARD (7.2X14.5X2-MM THK)	
	21	1,2	6F-0612	2	NUT-JAM (1/4-28-THD)	
	22	2	6N-3504	1	SEAT-GOVERNOR SPRING	
	23	2	8M-1682	1	SPRING	
	24	1	032-1267	2	CONNECTOR (STRAIGHT)	
	25	2	172-0264	1	SEAT	
Y	26	1	172-0265	1	PUMP GP-GEROTOR	912
CY	27	1	172-0269	1	VALVE GP-PRESSURE CONTROL	959
	28	1,2	032-1268	5	CONNECTOR (90-DEG)	
	29	2	2A-4781	5	BOLT (1/4-20X2.75-IN)	
	30	2	3D-4603	2	PLUG-PIPE	
	31	1	3H-0240	8	WASHER (5X9.7X0.8-MM THK)	
	32	1	4F-7957	3	BOLT (1/4-20X0.875-IN)	
	33	1,2	5M-6213	5	PLUG-PIPE (1/4-18-THD)	
	34	2	6H-3958	1	BOLT-SOCKET HEAD (1/4-20X2.5-IN)	
	35	2	6J-2819	7	BOLT-SOCKET HEAD (1/4-20X2.75-IN)	
	36	1	6K-9194	1	ELBOW	
	37	2	8S-4710	3	BOLT (1/4-20X4-IN)	

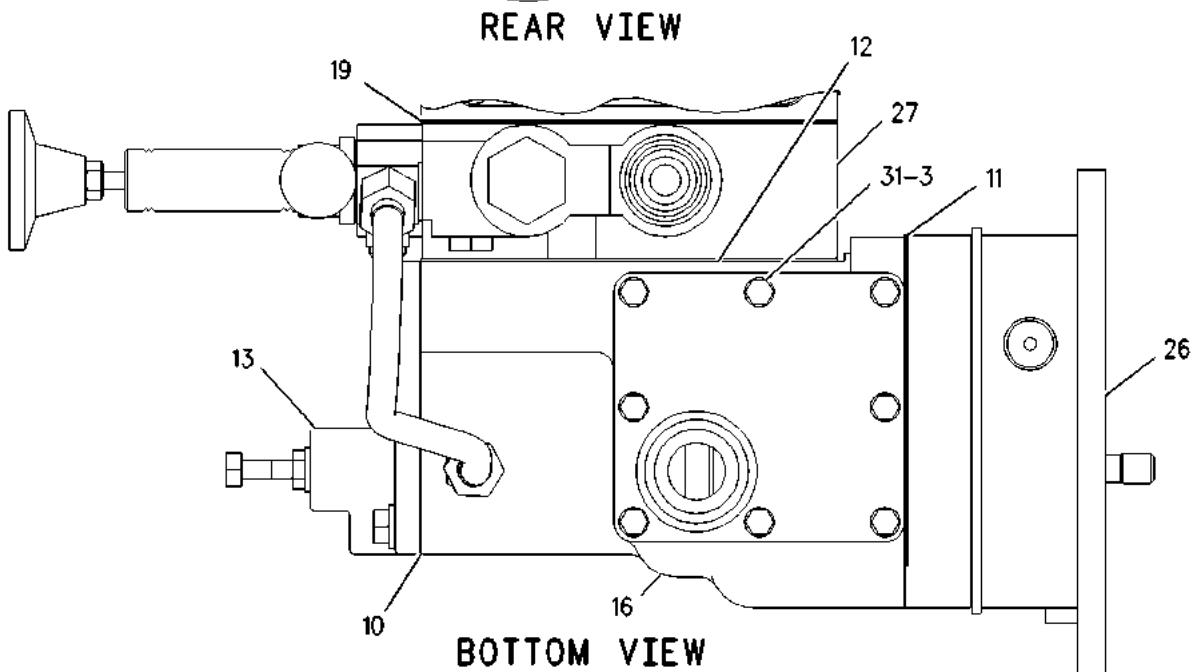
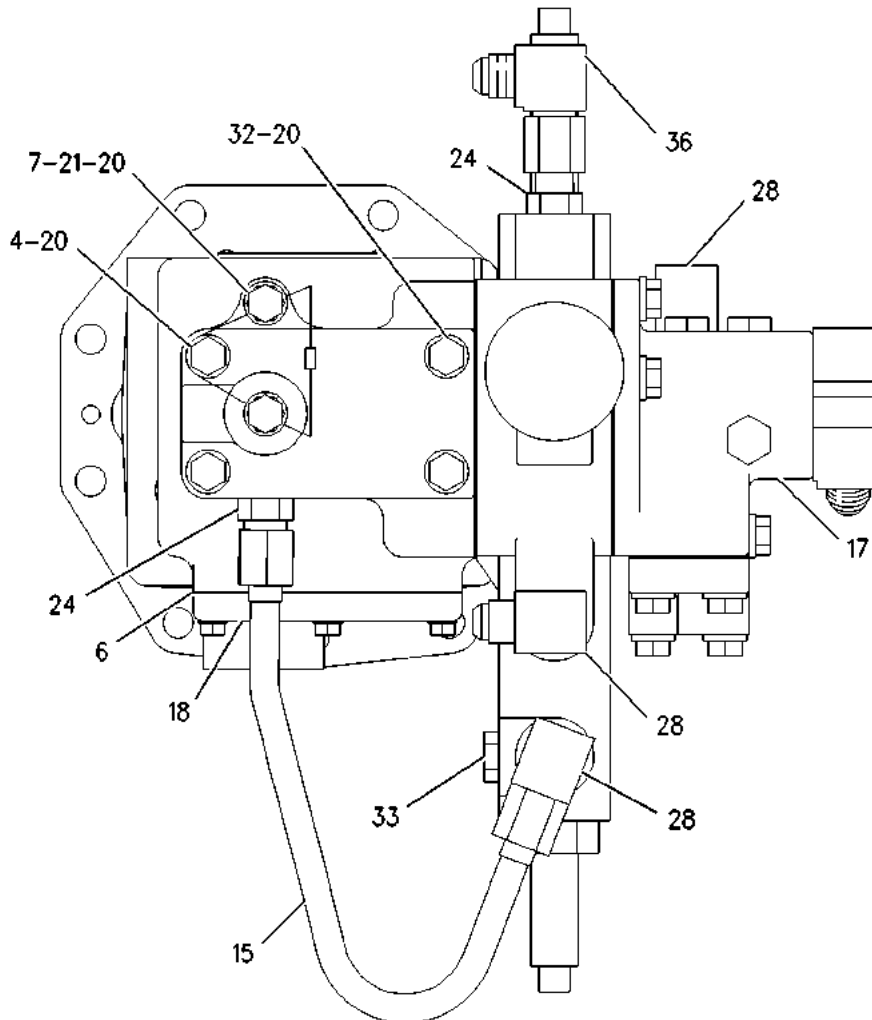
C - CHANGE FROM PREVIOUS TYPE

Y - SEPARATE ILLUSTRATION

FUEL SYSTEM

172-0257 SHUTOFF GP-CONTROL (contd.)

i01742805



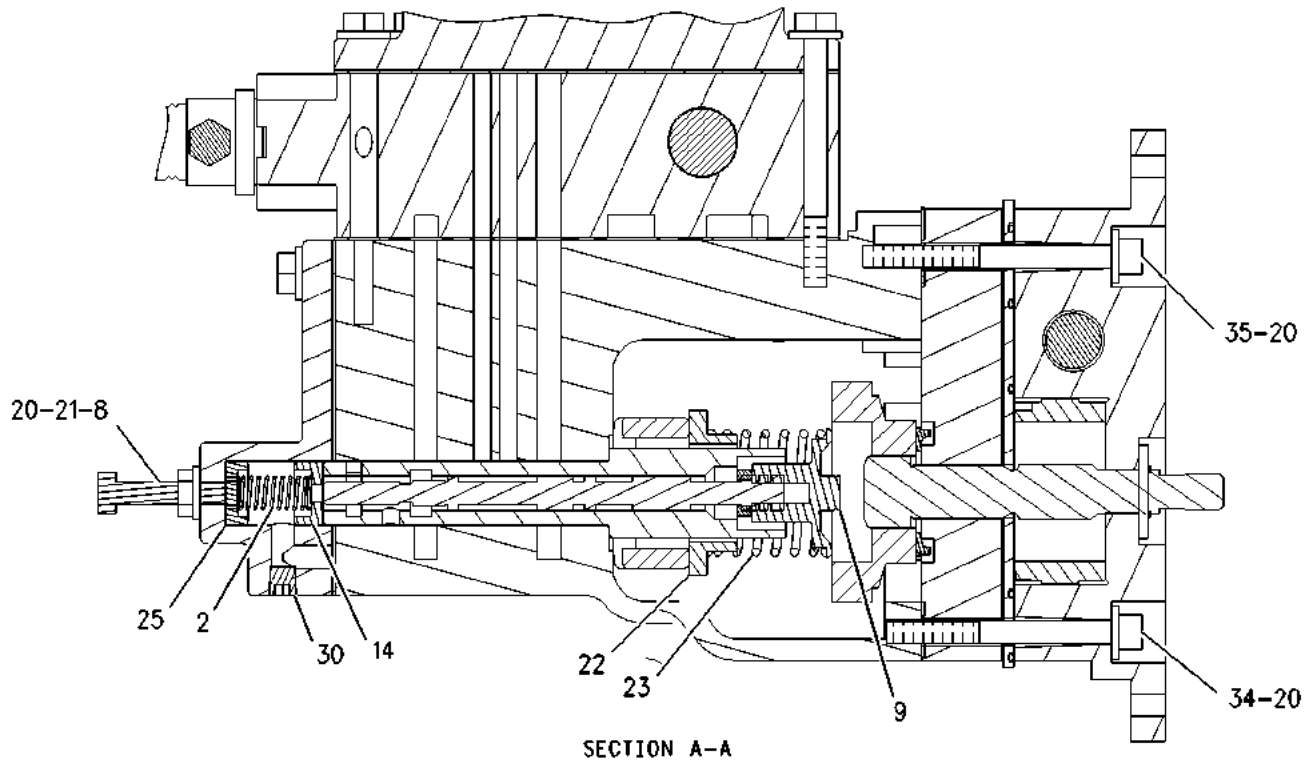
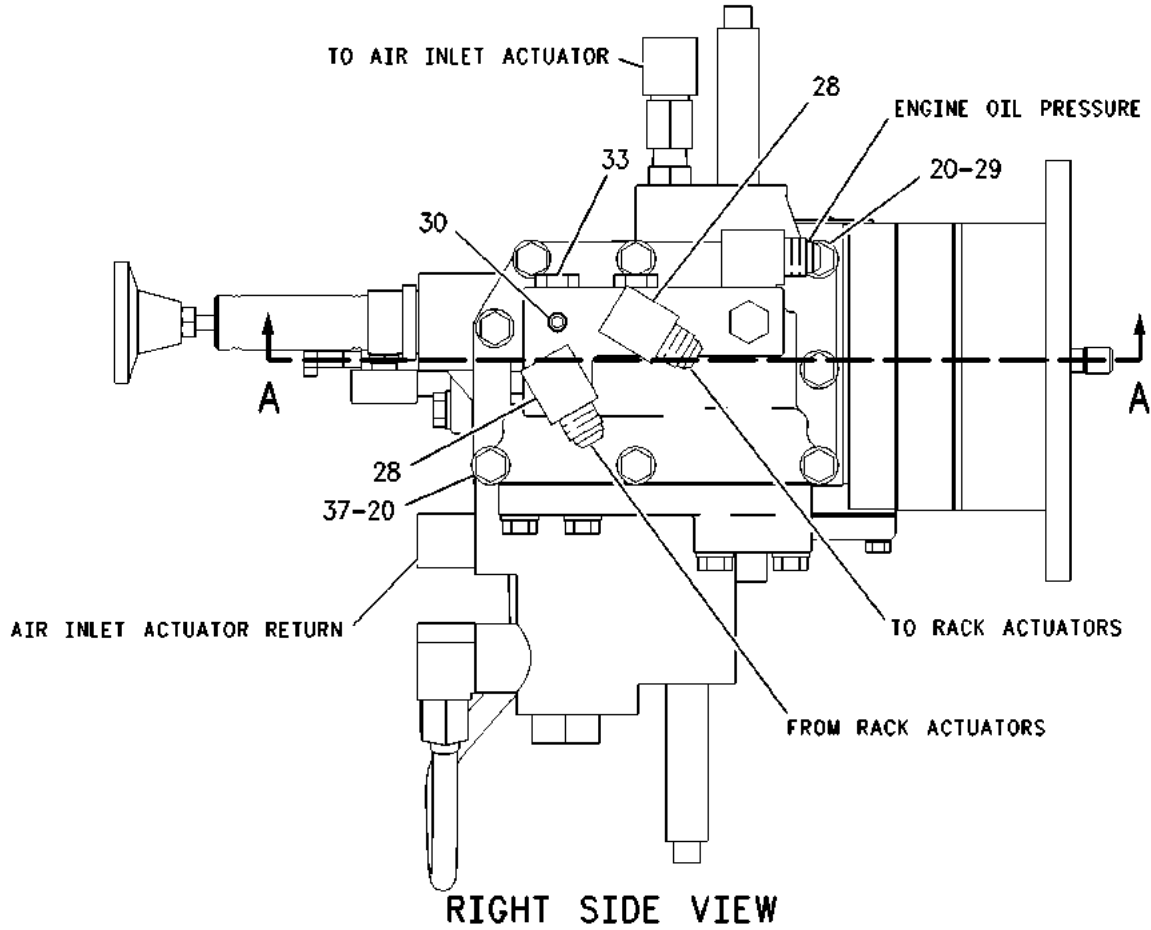
GRAPHIC #1

g00901458

FUEL SYSTEM

172-0257 SHUTOFF GP-CONTROL (contd.)

101742805



GRAPHIC #2

<END>

g00901471

FUEL SYSTEM

172-0262 SHUTOFF GP-CONTROL

AN ATTACHMENT

TYPE 1

SMCS-1704, 7418

i01251708

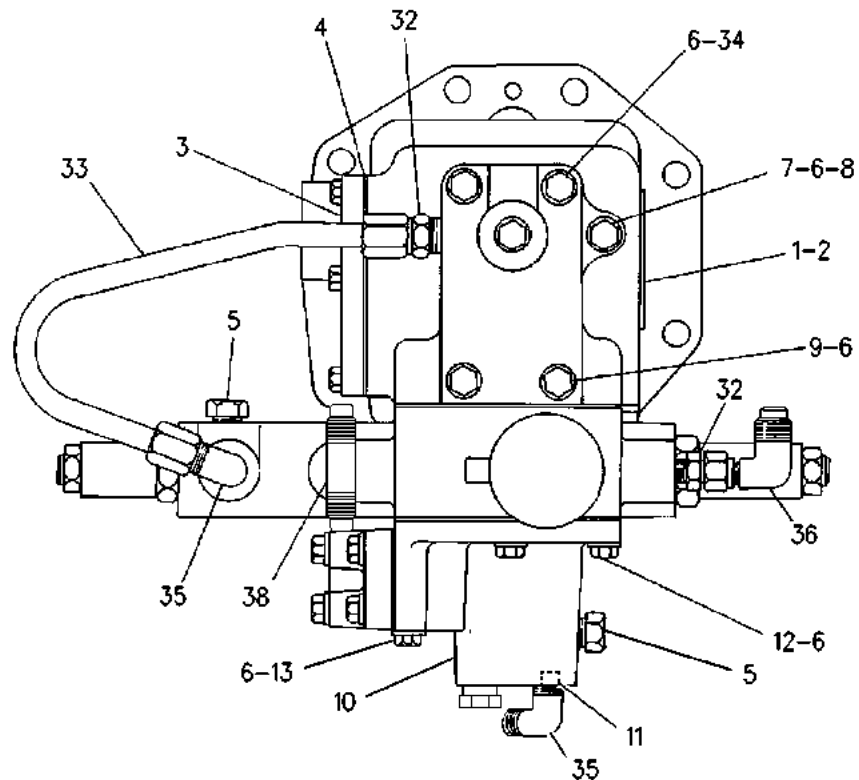
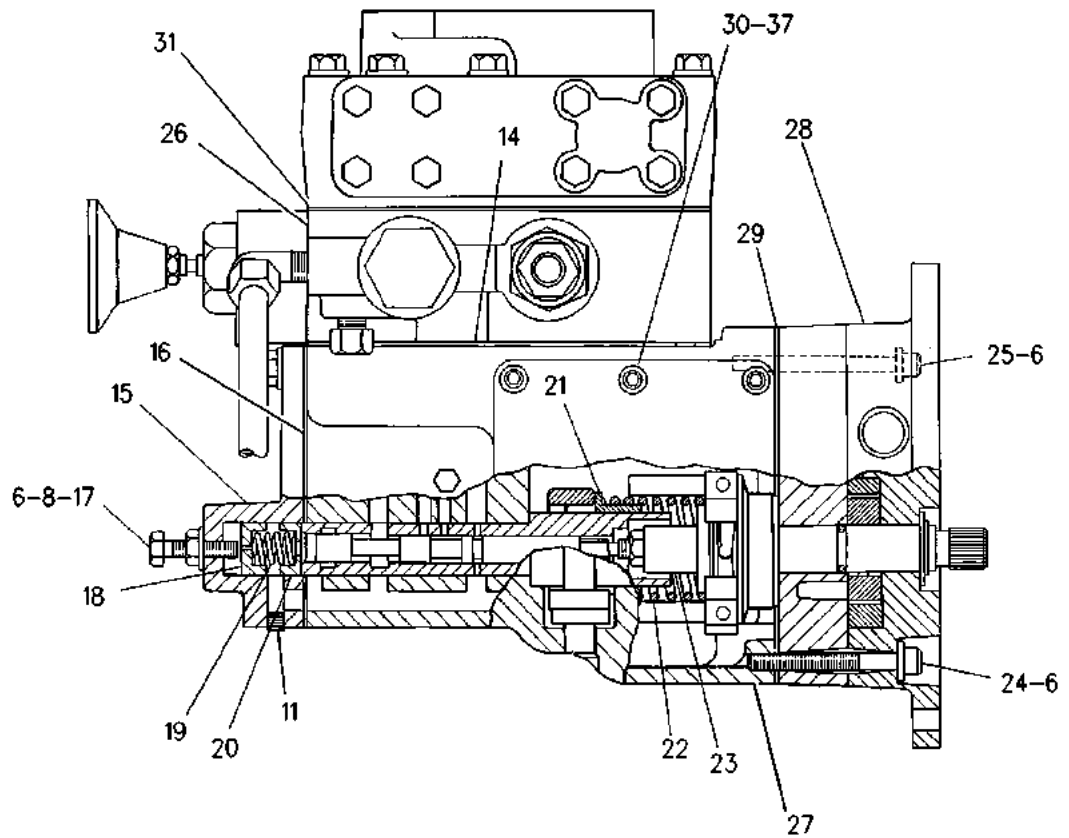
NOTE	REF NO	GRAPHIC REF	PART NUMBER	QTY	PART NAME						SEE PAGE
					1	2	3	4	5	6 (PRODUCT LEVEL)	
	1	1	2H-3880	2	SCREW-DRIVE (NO 2X0.125-IN)						
	2	1	5N-1782	1	PLATE-IDENTIFICATION (HYDROMECHANICAL SHUTOFF)						
	3	1	5N-6711	1	COVER						
	4	1	5N-2707	1	GASKET						
	5	1	5M-6213	6	PLUG-PIPE (1/4-18-THD)						
	6	1	5P-0537	22	WASHER-HARD (7.2X14.5X2-MM THK)						
	7	1	5N-2709	1	BOLT (1/4-28X2.5-IN)						
	8	1	6F-0612	2	NUT-JAM (1/4-28-THD)						
	9	1	4F-7957	3	BOLT (1/4-20X0.875-IN)						
Y	10	1	5N-6443	1	VALVE GP-FUEL SHUTOFF						958
	11	1	3D-4603	2	PLUG-PIPE						
	12	1	2A-4781	5	BOLT (1/4-20X2.75-IN)						
	13	1	8S-4710	3	BOLT (1/4-20X4-IN)						
	14	1	5N-4718	1	GASKET						
	15	1	5N-4727	1	COVER						
	16	1	5N-2725	1	GASKET						
	17	1	5N-2716	1	BOLT (1/4-28X1.1-IN)						
	18	1	172-0264	1	SEAT						
	19	1	5N-5297	1	SPRING						
	20	1	5N-4728	1	SEAT						
	21	1	6N-3504	1	SEAT-GOVERNOR SPRING						
	22	1	5N-5296	1	SPRING						
Y	23	1	5N-2718	1	VALVE GP-SPEED SENSING						961
	24	1	6H-3958	1	BOLT-SOCKET HEAD (1/4-20X2.5-IN)						
	25	1	6J-2819	7	BOLT-SOCKET HEAD (1/4-20X2.75-IN)						
Y	26	1	5N-5990	1	VALVE GP-PRESSURE CONTROL						960
	27	1	5N-6141	1	HOUSING AS-CONTROL						
		1	3N-5744	1	SHAFT						
		1	3N-5755	1	LEVER						
		1	9F-2247	1	PLUG-PIPE (1/8-27-THD)						
		1	9L-9503	2	DOWEL-HOLLOW						
Y	28	1	172-0265	1	PUMP GP-GEROTOR						912
	29	1	5N-3198	1	GASKET						
	30	1	3K-6168	8	BOLT-SOCKET HEAD (10-32X0.625-IN)						
	31	1	5N-8227	1	GASKET						
	32	1	032-1267	2	CONNECTOR (STRAIGHT)						
	33	1	5N-4990	1	TUBE AS						
	34	1	3R-6569	1	BOLT (1/4-20X0.875-IN)						
	35	1	032-1268	2	CONNECTOR (90-DEG)						
	36	1	6K-9194	1	ELBOW						
	37	1	3H-0240	8	WASHER (5X9.7X0.8-MM THK)						
	38	1	7K-4128	1	TEE-FLARED						

Y - SEPARATE ILLUSTRATION

FUEL SYSTEM

172-0262 SHUTOFF GP-CONTROL (contd.)

101251708



GRAPHIC #1

<END>

g00669776

FUEL SYSTEM

172-0262 SHUTOFF GP-CONTROL

AN ATTACHMENT

TYPE 2

SMCS-1704, 7418

i01627707

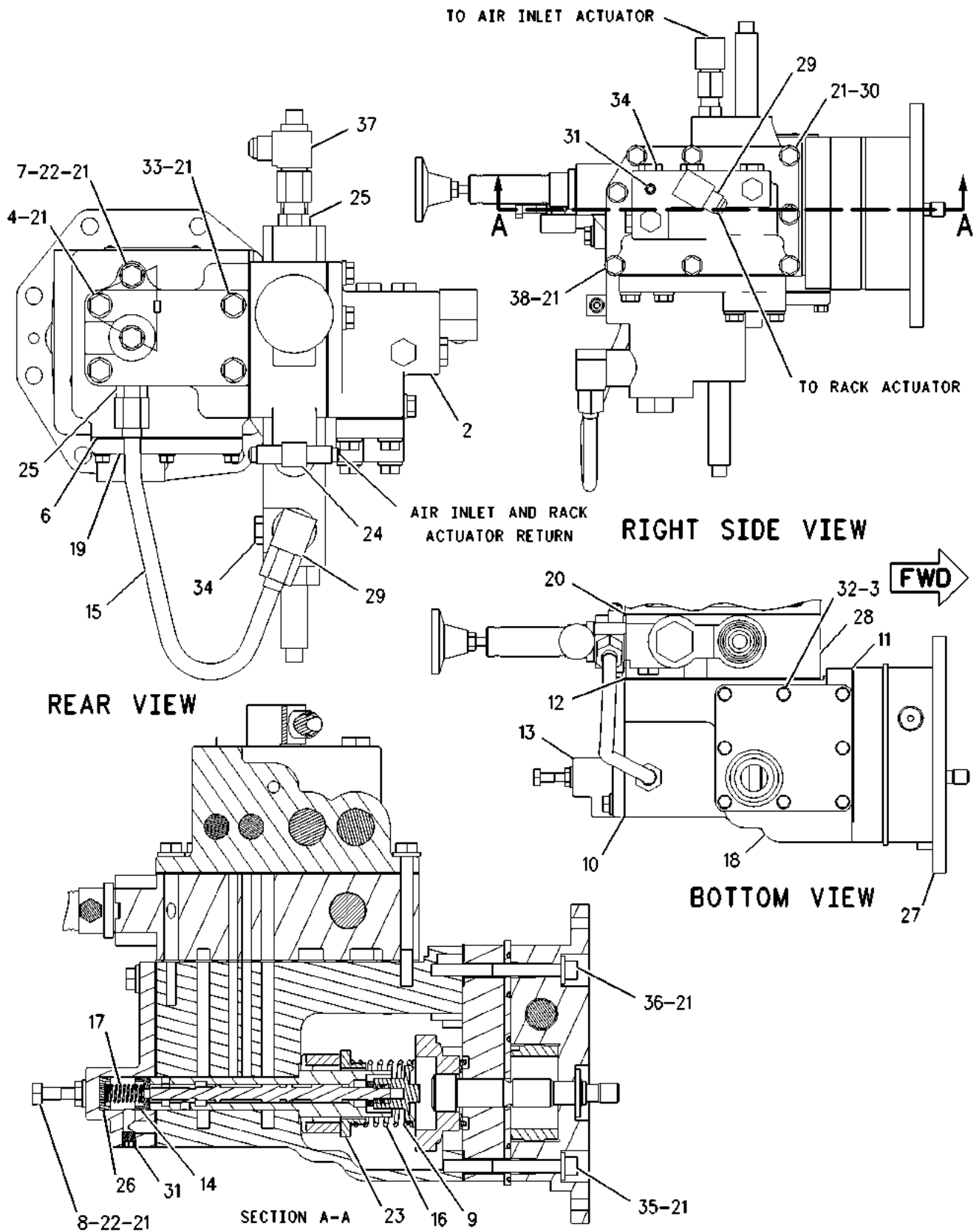
NOTE	REF NO	GRAPHIC REF	PART NUMBER	QTY	PART NAME						SEE PAGE
					1	2	3	4	5	6 (PRODUCT LEVEL)	
Y	2	1	2W-9635	1	VALVE GP-FUEL SHUTOFF						957
	3	1	3K-6168	8	BOLT-SOCKET HEAD (10-32X0.625-IN)						
	4	1	3R-6569	1	BOLT (1/4-20X0.875-IN)						
	6	1	5N-2707	1	GASKET						
	7	1	5N-2709	1	BOLT (1/4-28X2.5-IN)						
	8	1	5N-2716	1	BOLT (1/4-28X1.1-IN)						
Y	9	1	5N-2718	1	VALVE GP-SPEED SENSING						961
	10	1	5N-2725	1	GASKET						
	11	1	5N-3198	1	GASKET						
	12	1	5N-4718	1	GASKET						
	13	1	5N-4727	1	COVER						
	14	1	5N-4728	1	SEAT						
	15	1	5N-4990	1	TUBE AS						
	16	1	5N-5296	1	SPRING						
	17	1	5N-5297	1	SPRING						
	18	1	5N-6141	1	HOUSING AS-CONTROL						
		1	3N-5744	1	SHAFT						
		1	3N-5755	1	LEVER						
		1	5M-6214	1	PLUG (1/8-27 PTF)						
		1	9L-9503	2	DOWEL-HOLLOW						
	19	1	5N-6711	1	COVER						
	20	1	5N-8227	1	GASKET						
	21	1	5P-0537	22	WASHER-HARD (7.2X14.5X2-MM THK)						
	22	1	6F-0612	2	NUT-JAM (1/4-28-THD)						
	23	1	6N-3504	1	SEAT-GOVERNOR SPRING						
	24	1	7K-4128	1	TEE-FLARED						
	25	1	032-1267	2	CONNECTOR (STRAIGHT)						
	26	1	172-0264	1	SEAT						
Y	27	1	172-0265	1	PUMP GP-GEROTOR						912
CY	28	1	172-0269	1	VALVE GP-PRESSURE CONTROL						959
	29	1	032-1268	2	CONNECTOR (90-DEG)						
	30	1	2A-4781	5	BOLT (1/4-20X2.75-IN)						
C	31	1	3D-4603	2	PLUG-PIPE						
	32	1	3H-0240	8	WASHER (5X9.7X0.8-MM THK)						
	33	1	4F-7957	3	BOLT (1/4-20X0.875-IN)						
	34	1	5M-6213	6	PLUG-PIPE (1/4-18-THD)						
	35	1	6H-3958	1	BOLT-SOCKET HEAD (1/4-20X2.5-IN)						
	36	1	6J-2819	7	BOLT-SOCKET HEAD (1/4-20X2.75-IN)						
	37	1	6K-9194	1	ELBOW						
	38	1	8S-4710	3	BOLT (1/4-20X4-IN)						

C - CHANGE FROM PREVIOUS TYPE
Y - SEPARATE ILLUSTRATION

FUEL SYSTEM

172-0262 SHUTOFF GP-CONTROL (contd.)

101627707



GRAPHIC #1

<END>

g00861040

FUEL SYSTEM

5N-5328 SHUTOFF GP-CONTROL

FOR USAGE REFER TO CHART 7W-7326-PAGE: 1450

AN ATTACHMENT

SMCS-1704, 7418

i01104533

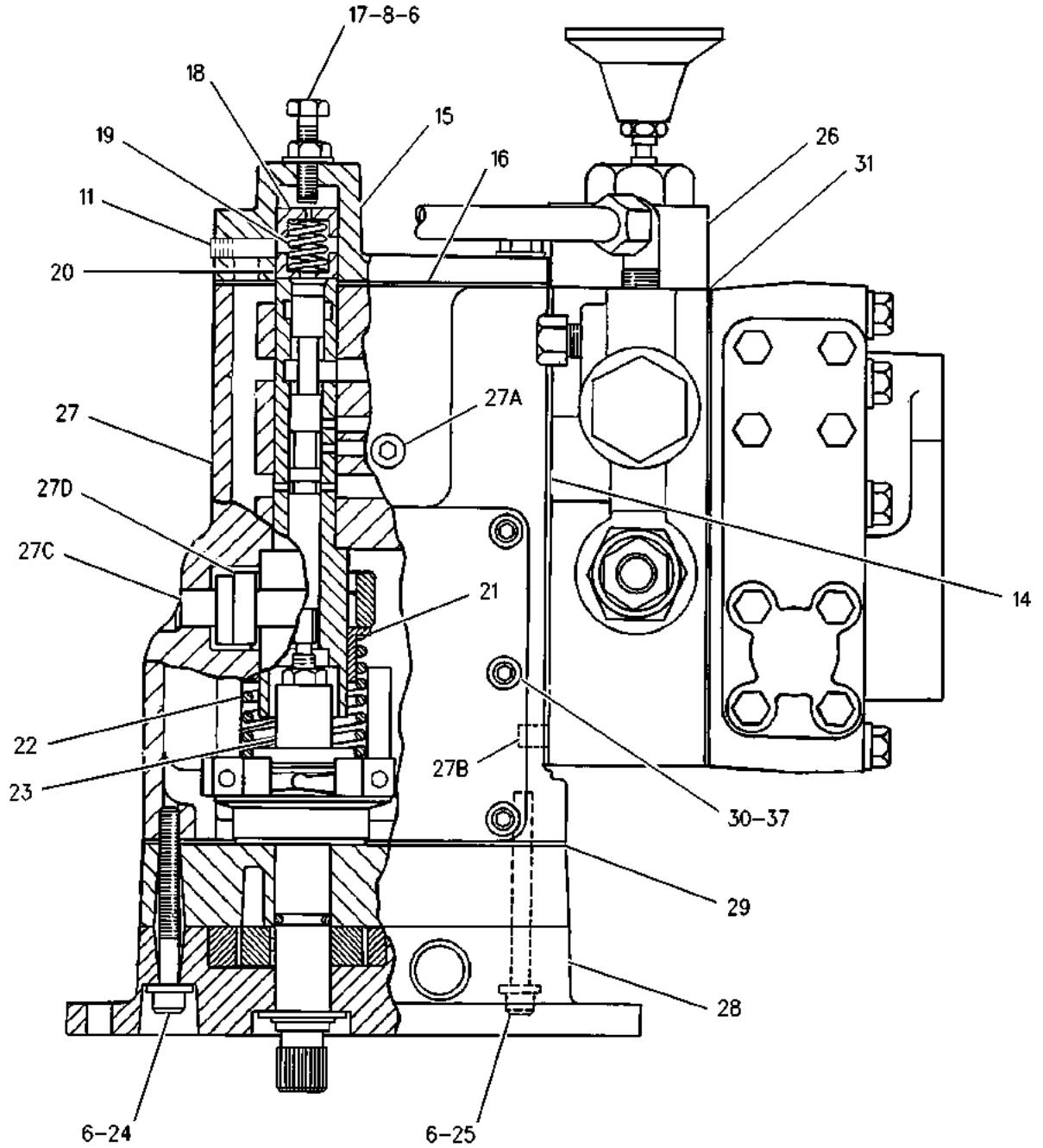
NOTE	REF NO	GRAPHIC REF	PART NUMBER	QTY	PART NAME						SEE PAGE
					1	2	3	4	5	6 (PRODUCT LEVEL)	
	1	2	2H-3880	2	SCREW-DRIVE (NO 2X0.125-IN)						
	2	2	5N-1782	1	PLATE-IDENTIFICATION (HYDROMECHANICAL SHUTOFF)						
	3	2	5N-6711	1	COVER						
	4	2	5N-2707	1	GASKET						
	5	2	5M-6213	5	PLUG-PIPE (1/4-18-THD)						
	6	1,2	5P-0537	22	WASHER-HARD (7.2X14.5X2-MM THK)						
	7	2	5N-2709	1	BOLT (1/4-28X2.5-IN)						
	8	1,2	6F-0612	2	NUT-JAM (1/4-28-THD)						
	9	2	4F-7957	3	BOLT (1/4-20X0.875-IN)						
Y	10	2	5N-6443	1	VALVE GP-FUEL SHUTOFF						958
	11	1,2	3D-4603	3	PLUG-PIPE						
	12	2	2A-4781	5	BOLT (1/4-20X2.75-IN)						
	13	2	8S-4710	3	BOLT (1/4-20X4-IN)						
	14	1	5N-4718	1	GASKET						
	15	1	5N-4727	1	COVER						
	16	1	5N-2725	1	GASKET						
	17	1	5N-2716	1	BOLT (1/4-28X1.1-IN)						
	18	1	172-0264	1	SEAT						
	19	1	5N-5297	1	SPRING						
	20	1	5N-4728	1	SEAT						
	21	1	6N-3504	1	SEAT-GOVERNOR SPRING						
	22	1	5N-5296	1	SPRING						
Y	23	1	5N-2718	1	VALVE GP-SPEED SENSING						961
	24	1	6H-3958	1	BOLT-SOCKET HEAD (1/4-20X2.5-IN)						
	25	1	6J-2819	7	BOLT-SOCKET HEAD (1/4-20X2.75-IN)						
Y	26	1	5N-5990	1	VALVE GP-PRESSURE CONTROL						960
	27	1	5N-6141	1	HOUSING AS-CONTROL						
	27A	1	5M-6214	1	PLUG (1/8-27 PTF)						
	27B	1	9L-9503	2	DOWEL-HOLLOW						
	27C	1	3N-5744	1	SHAFT						
	27D	1	3N-5755	1	LEVER						
CY	28	1	5N-1925	1	PUMP GP-GEROTOR						914
	29	1	5N-3198	1	GASKET						
C	30	1	3K-6168	8	BOLT-SOCKET HEAD (10-32X0.625-IN)						
C	31	1	5N-8227	1	GASKET						
	32	2	032-1267	2	CONNECTOR (STRAIGHT)						
	33	2	5N-4990	1	TUBE AS						
	34	2	3R-6569	1	BOLT (1/4-20X0.875-IN)						
	35	2	032-1268	5	CONNECTOR (90-DEG)						
	36	2	6K-9194	1	ELBOW						
C	37	1	3H-0240	8	WASHER (5X9.7X0.8-MM THK)						

C - CHANGE FROM PREVIOUS TYPE
Y - SEPARATE ILLUSTRATION

FUEL SYSTEM

5N-5328 SHUTOFF GP-CONTROL (contd.)

i01104533



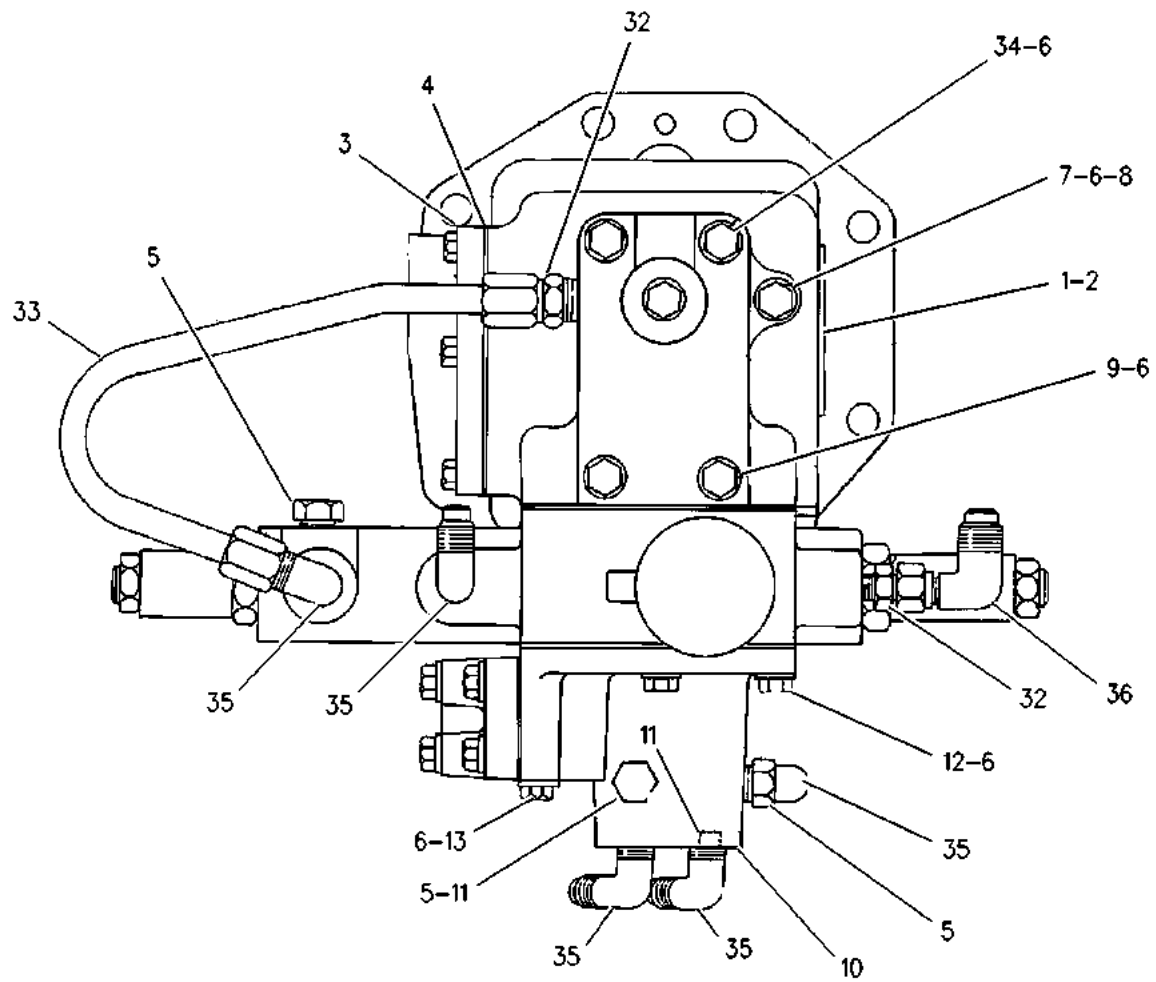
GRAPHIC #1

g00587122

FUEL SYSTEM

5N-5328 SHUTOFF GP-CONTROL (contd.)

i01104533



GRAPHIC #2

<END>

g00581960

FUEL SYSTEM

5N-5329 SHUTOFF GP-CONTROL

S/N: 65Z887-970

FOR USAGE REFER TO CHART 7W-7326-PAGE: 1450

PART OF 4W-6979 SHUTOFF GP-HYDROMECHANICAL

AN ATTACHMENT

SMCS-1704, 7418

i01104581

NOTE	REF NO	GRAPHIC REF	PART NUMBER	QTY	PART NAME						SEE PAGE
					1	2	3	4	5	6 (PRODUCT LEVEL)	
	1	2	2H-3880	2	SCREW-DRIVE (NO 2X0.125-IN)						
	2	2	5N-1782	1	PLATE-IDENTIFICATION (HYDROMECHANICAL SHUTOFF)						
	3	2	5N-6711	1	COVER						
	4	2	5N-2707	1	GASKET						
	5	2	5M-6213	5	PLUG-PIPE (1/4-18-THD)						
	6	1,2	5P-0537	22	WASHER-HARD (7.2X14.5X2-MM THK)						
	7	2	5N-2709	1	BOLT (1/4-28X2.5-IN)						
	8	1,2	6F-0612	2	NUT-JAM (1/4-28-THD)						
	9	2	4F-7957	3	BOLT (1/4-20X0.875-IN)						
Y	10	2	5N-6443	1	VALVE GP-FUEL SHUTOFF						958
	11	1,2	3D-4603	3	PLUG-PIPE						
	12	2	2A-4781	5	BOLT (1/4-20X2.75-IN)						
	13	2	8S-4710	3	BOLT (1/4-20X4-IN)						
	14	1	5N-4718	1	GASKET						
	15	1	5N-4727	1	COVER						
	16	1	5N-2725	1	GASKET						
	17	1	5N-2716	1	BOLT (1/4-28X1.1-IN)						
	18	1	172-0264	1	SEAT						
	19	1	2N-7029	1	SPRING-CONTROL PIN						
	20	1	5N-4728	1	SEAT						
	21	1	6N-3504	1	SEAT-GOVERNOR SPRING						
	22	1	8M-1682	1	SPRING						
Y	23	1	5N-2718	1	VALVE GP-SPEED SENSING						961
	24	1	6H-3958	1	BOLT-SOCKET HEAD (1/4-20X2.5-IN)						
	25	1	6J-2819	7	BOLT-SOCKET HEAD (1/4-20X2.75-IN)						
Y	26	1	5N-5990	1	VALVE GP-PRESSURE CONTROL						960
	27	1	5N-6141	1	HOUSING AS-CONTROL						
	27A	1	5M-6214	1	PLUG (1/8-27 PTF)						
	27B	1	9L-9503	2	DOWEL-HOLLOW						
	27C	1	3N-5744	1	SHAFT						
	27D	1	3N-5755	1	LEVER						
CY	28	1	5N-1925	1	PUMP GP-GEROTOR						914
	29	1	5N-3198	1	GASKET						
C	30	1	3K-6168	8	BOLT-SOCKET HEAD (10-32X0.625-IN)						
C	31	1	5N-8227	1	GASKET						
	32	2	032-1267	2	CONNECTOR (STRAIGHT)						
	33	2	5N-4990	1	TUBE AS						
	34	2	3R-6569	1	BOLT (1/4-20X0.875-IN)						
	35	2	032-1268	5	CONNECTOR (90-DEG)						
	36	2	6K-9194	1	ELBOW						
C	37	1	3H-0240	8	WASHER (5X9.7X0.8-MM THK)						

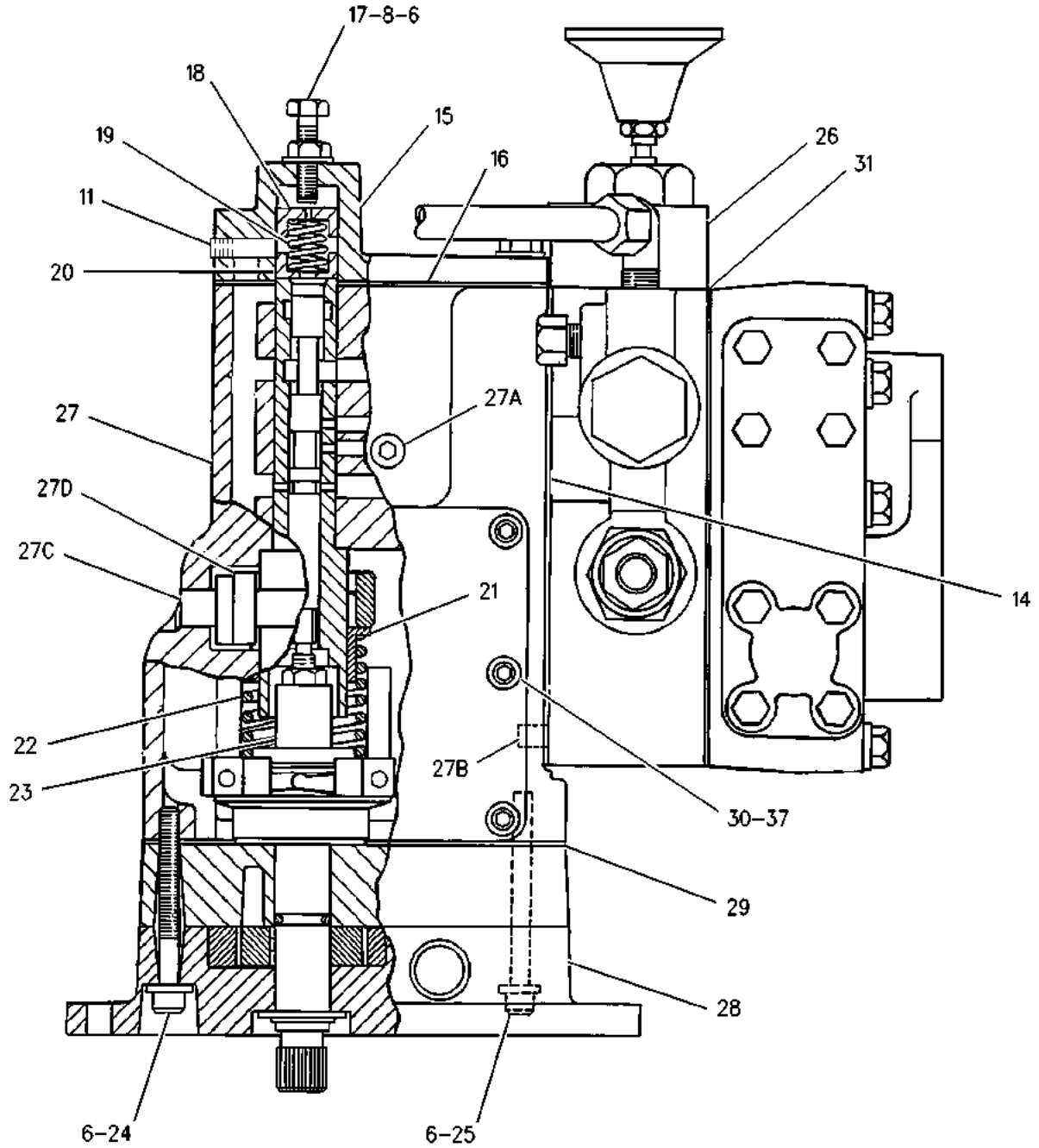
C - CHANGE FROM PREVIOUS TYPE

Y - SEPARATE ILLUSTRATION

FUEL SYSTEM

5N-5329 SHUTOFF GP-CONTROL (contd.)

i01104581



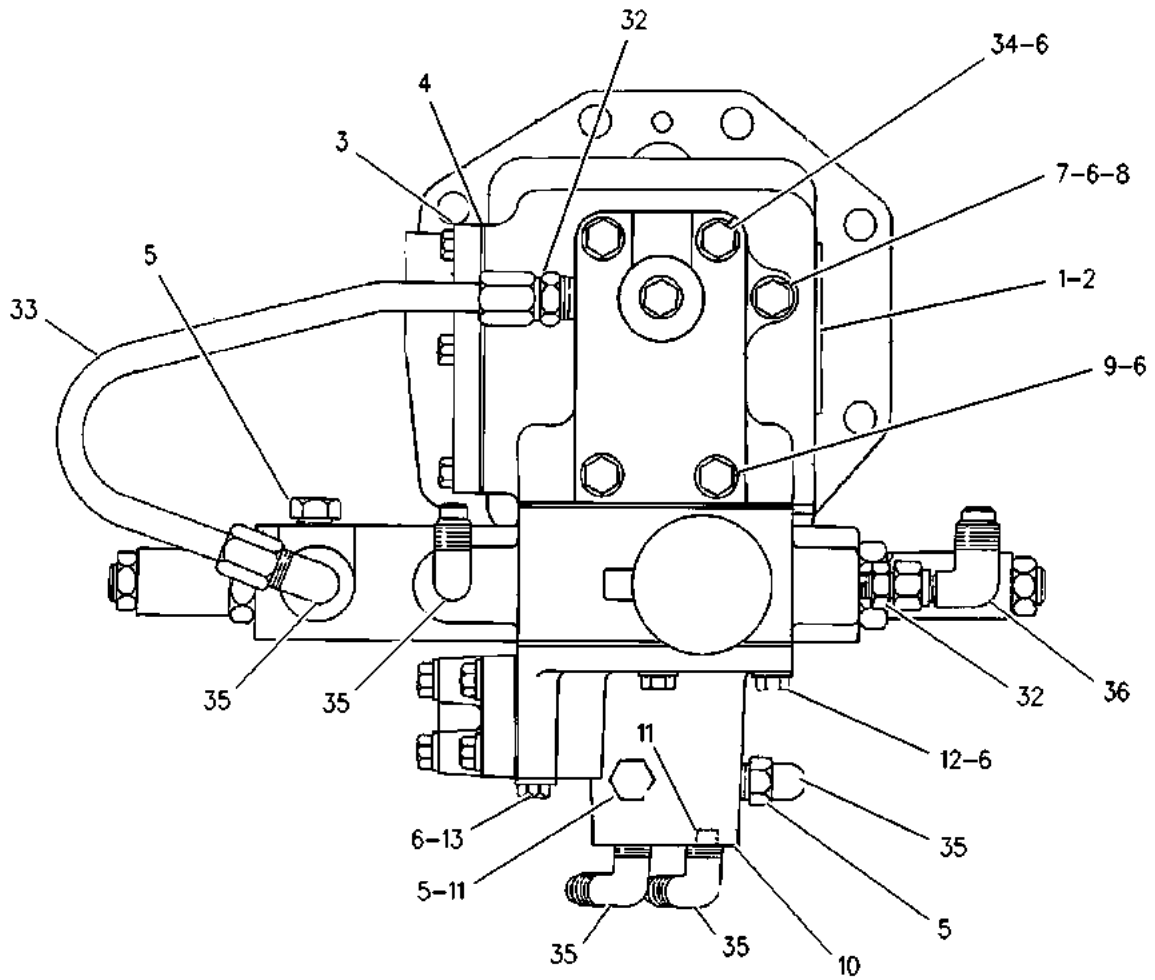
GRAPHIC #1

g00587137

FUEL SYSTEM

5N-5329 SHUTOFF GP-CONTROL (contd.)

i01104581



GRAPHIC #2

<END>

g00581960

FUEL SYSTEM

172-0258 SHUTOFF GP-HYDROMECHANICAL

AN ATTACHMENT

TYPE 1

SMCS-1085

i01251671

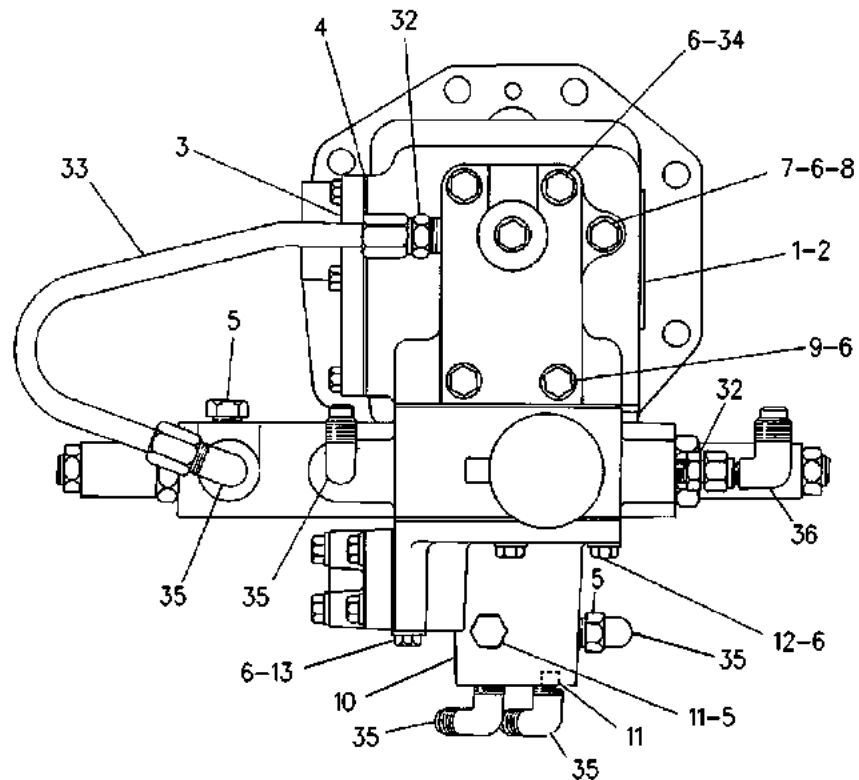
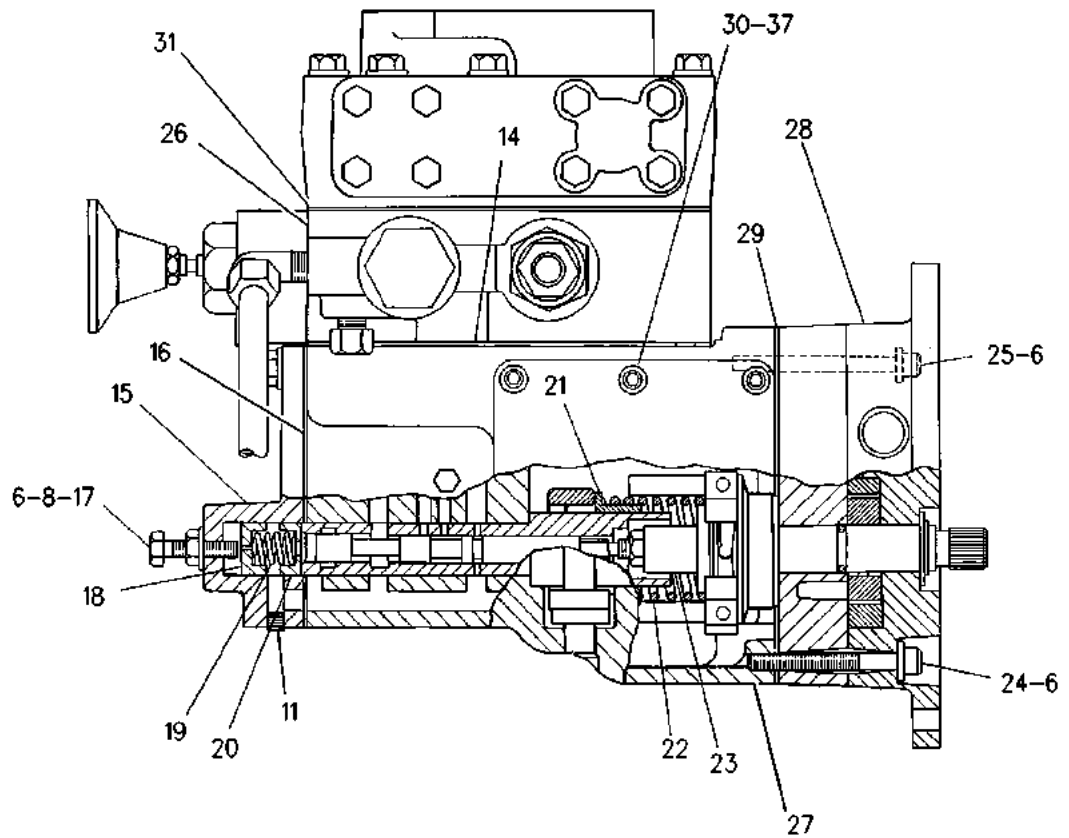
NOTE	REF NO	GRAPHIC REF	PART NUMBER	QTY	PART NAME	SEE PAGE
					1 2 3 4 5 6 (PRODUCT LEVEL)	
	1	1	2H-3880	2	SCREW-DRIVE (NO 2X0.125-IN)	
	2	1	5N-1782	1	PLATE-IDENTIFICATION (HYDROMECHANICAL SHUTOFF)	
	3	1	5N-6711	1	COVER	
	4	1	5N-2707	1	GASKET	
	5	1	5M-6213	5	PLUG-PIPE (1/4-18-THD)	
	6	1	5P-0537	22	WASHER-HARD (7.2X14.5X2-MM THK)	
	7	1	5N-2709	1	BOLT (1/4-28X2.5-IN)	
	8	1	6F-0612	2	NUT-JAM (1/4-28-THD)	
	9	1	4F-7957	3	BOLT (1/4-20X0.875-IN)	
Y	10	1	5N-6443	1	VALVE GP-FUEL SHUTOFF	958
	11	1	3D-4603	3	PLUG-PIPE	
	12	1	2A-4781	5	BOLT (1/4-20X2.75-IN)	
	13	1	8S-4710	3	BOLT (1/4-20X4-IN)	
	14	1	5N-4718	1	GASKET	
	15	1	5N-4727	1	COVER	
	16	1	5N-2725	1	GASKET	
	17	1	5N-2716	1	BOLT (1/4-28X1.1-IN)	
	18	1	172-0264	1	SEAT	
	19	1	5N-5297	1	SPRING	
	20	1	5N-4728	1	SEAT	
	21	1	6N-3504	1	SEAT-GOVERNOR SPRING	
	22	1	5N-5296	1	SPRING	
Y	23	1	5N-2718	1	VALVE GP-SPEED SENSING	961
	24	1	6H-3958	1	BOLT-SOCKET HEAD (1/4-20X2.5-IN)	
	25	1	6J-2819	7	BOLT-SOCKET HEAD (1/4-20X2.75-IN)	
Y	26	1	5N-5990	1	VALVE GP-PRESSURE CONTROL	960
	27	1	5N-6141	1	HOUSING AS-CONTROL	
		1	3N-5744	1	SHAFT	
		1	3N-5755	1	LEVER	
		1	9F-2247	1	PLUG-PIPE (1/8-27-THD)	
		1	9L-9503	2	DOWEL-HOLLOW	
Y	28	1	172-0265	1	PUMP GP-GEROTOR	912
	29	1	5N-3198	1	GASKET	
	30	1	3K-6168	8	BOLT-SOCKET HEAD (10-32X0.625-IN)	
	31	1	5N-8227	1	GASKET	
	32	1	032-1267	2	CONNECTOR (STRAIGHT)	
	33	1	5N-4990	1	TUBE AS	
	34	1	3R-6569	1	BOLT (1/4-20X0.875-IN)	
	35	1	032-1268	5	CONNECTOR (90-DEG)	
	36	1	6K-9194	1	ELBOW	
	37	1	3H-0240	8	WASHER (5X9.7X0.8-MM THK)	

Y - SEPARATE ILLUSTRATION

FUEL SYSTEM

172-0258 SHUTOFF GP-HYDROMECHANICAL (contd.)

101251671



GRAPHIC #1

<END>

g00667509

FUEL SYSTEM

172-0258 SHUTOFF GP-HYDROMECHANICAL

AN ATTACHMENT

TYPE 2

SMCS-1085

i01627757

NOTE	REF NO	GRAPHIC REF	PART NUMBER	QTY	PART NAME						SEE PAGE
					1	2	3	4	5	6 (PRODUCT LEVEL)	
	2	1	3K-6168	8	BOLT-SOCKET HEAD (10-32X0.625-IN)						
	3	2	3R-6569	1	BOLT (1/4-20X0.875-IN)						
	5	2	5N-2707	1	GASKET						
	6	2	5N-2709	1	BOLT (1/4-28X2.5-IN)						
	7	2	5N-2716	1	BOLT (1/4-28X1.1-IN)						
Y	8	2	5N-2718	1	VALVE GP-SPEED SENSING						961
	9	1	5N-2725	1	GASKET						
	10	1	5N-3198	1	GASKET						
	11	1	5N-4718	1	GASKET						
	12	1	5N-4727	1	COVER						
	13	2	5N-4728	1	SEAT						
	14	2	5N-4990	1	TUBE AS						
	15	2	5N-5296	1	SPRING						
	16	2	5N-5297	1	SPRING						
	17	1	5N-6141	1	HOUSING AS-CONTROL						
			3N-5744	1	SHAFT						
			3N-5755	1	LEVER						
			5M-6214	1	PLUG (1/8-27 PTF)						
			9L-9503	2	DOWEL-HOLLOW						
Y	18	2	5N-6443	1	VALVE GP-FUEL SHUTOFF						958
	19	2	5N-6711	1	COVER						
	20	1	5N-8227	1	GASKET						
	21	1,2	5P-0537	22	WASHER-HARD (7.2X14.5X2-MM THK)						
	22	2	6F-0612	2	NUT-JAM (1/4-28-THD)						
	23	2	6N-3504	1	SEAT-GOVERNOR SPRING						
	24	2	032-1267	2	CONNECTOR (STRAIGHT)						
	25	2	172-0264	1	SEAT						
Y	26	1	172-0265	1	PUMP GP-GEROTOR						912
CY	27	1	172-0269	1	VALVE GP-PRESSURE CONTROL						959
	28	1,2	032-1268	5	CONNECTOR (90-DEG)						
	29	1	2A-4781	5	BOLT (1/4-20X2.75-IN)						
	30	1,2	3D-4603	2	PLUG-PIPE						
	31	1	3H-0240	8	WASHER (5X9.7X0.8-MM THK)						
	32	2	4F-7957	3	BOLT (1/4-20X0.875-IN)						
	33	1,2	5M-6213	5	PLUG-PIPE (1/4-18-THD)						
	34	2	6H-3958	1	BOLT-SOCKET HEAD (1/4-20X2.5-IN)						
	35	2	6J-2819	7	BOLT-SOCKET HEAD (1/4-20X2.75-IN)						
	36	2	6K-9194	1	ELBOW						
	37	1	8S-4710	3	BOLT (1/4-20X4-IN)						

C - CHANGE FROM PREVIOUS TYPE

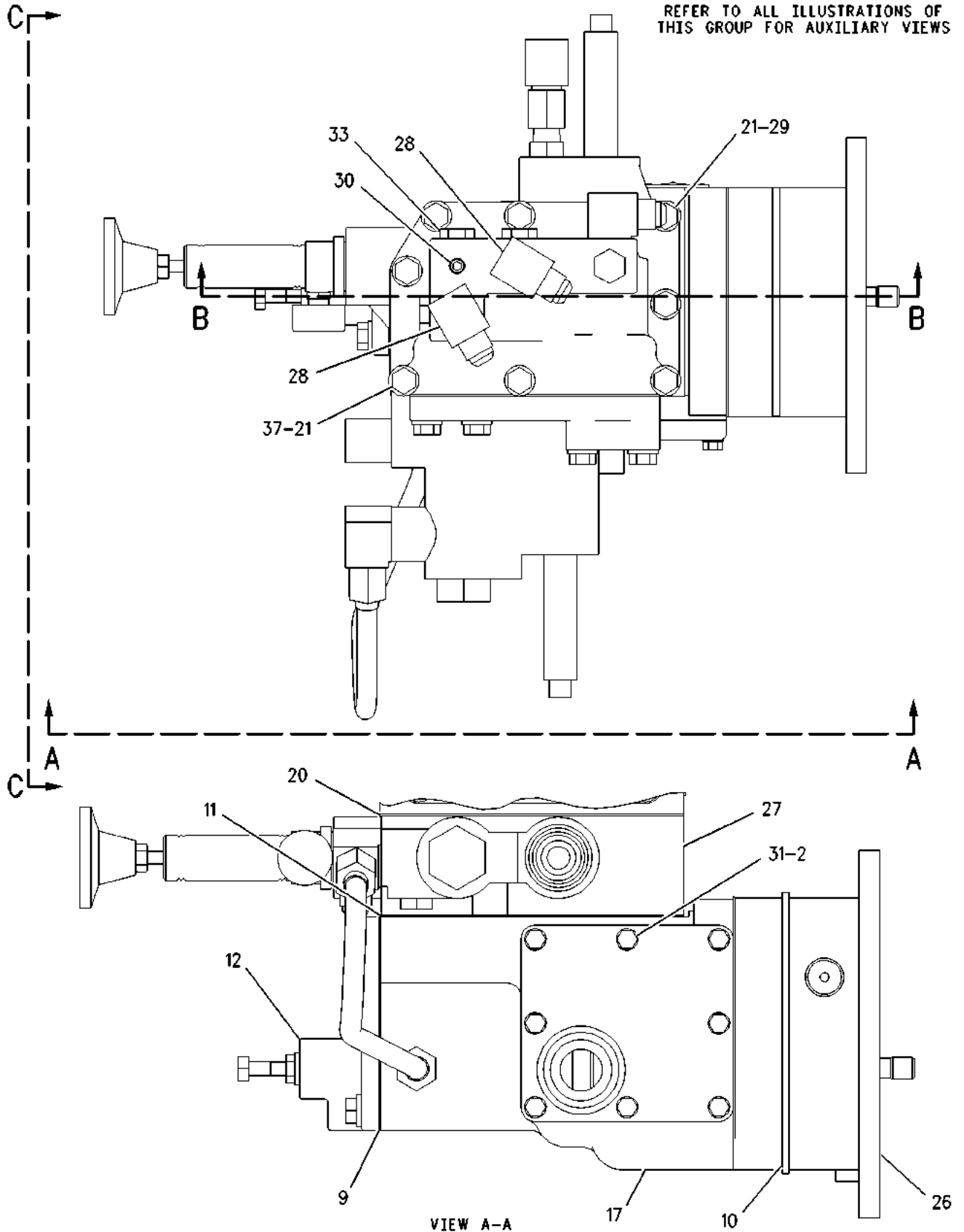
Y - SEPARATE ILLUSTRATION

FUEL SYSTEM

172-0258 SHUTOFF GP-HYDROMECHANICAL (contd.)

101627757

REFER TO ALL ILLUSTRATIONS OF THIS GROUP FOR AUXILIARY VIEWS



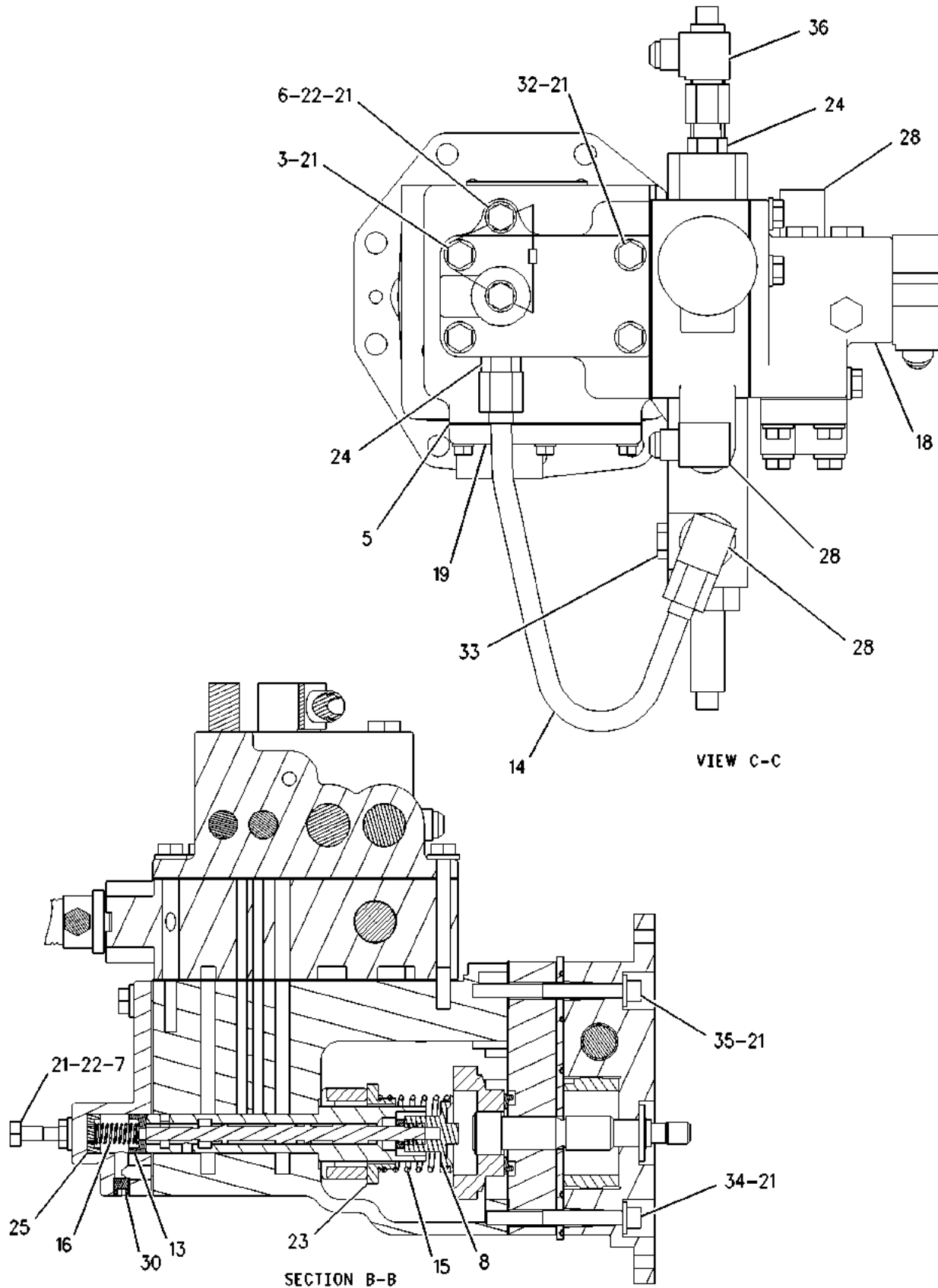
GRAPHIC #1

g00848259

FUEL SYSTEM

172-0258 SHUTOFF GP-HYDROMECHANICAL (contd.)

i01627757



GRAPHIC #2

<END>

g00848304

FUEL SYSTEM

172-0261 SHUTOFF GP-HYDROMECHANICAL

PART OF 7W-7322 SHUTOFF GP-ELECTRICAL
AN ATTACHMENT

SMCS-1085

i01254028

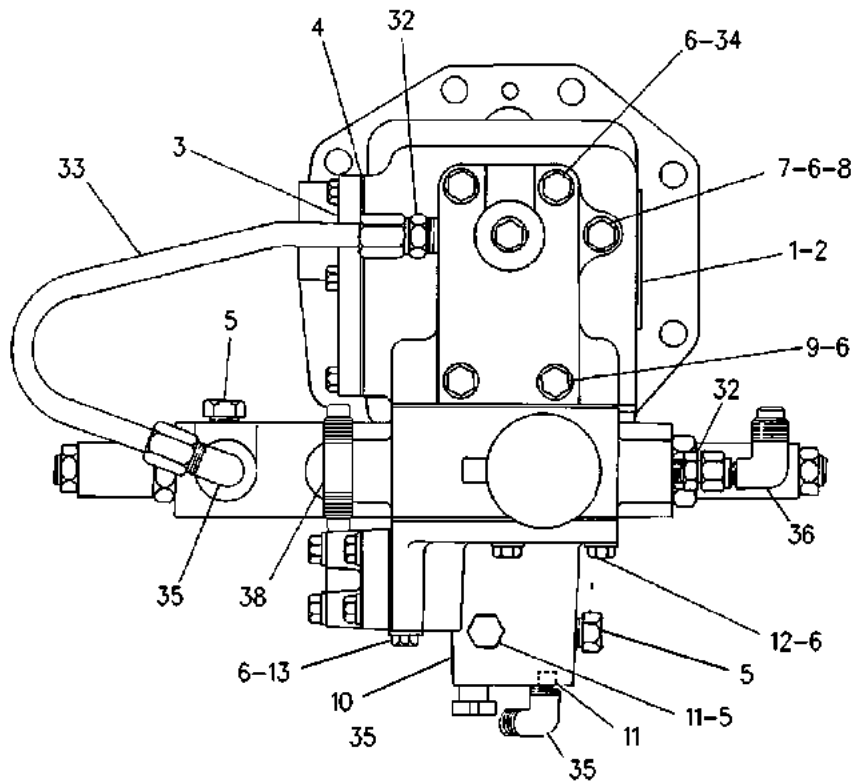
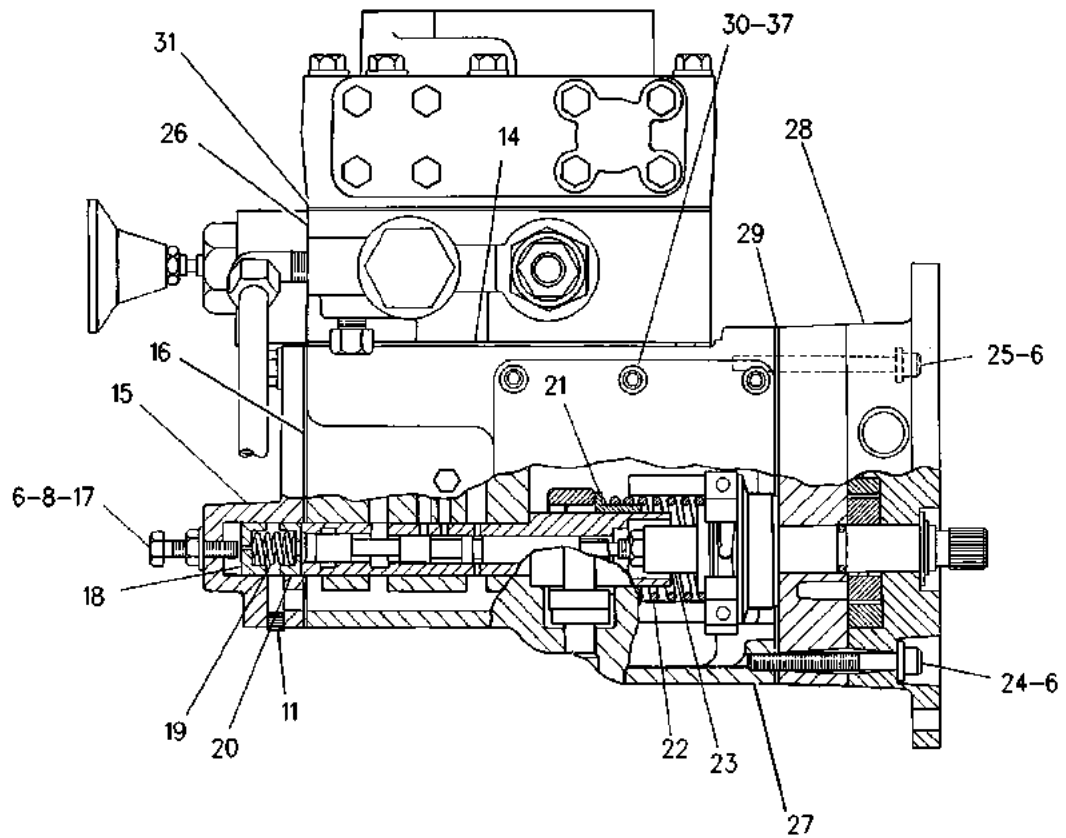
NOTE	REF NO	GRAPHIC REF	PART NUMBER	QTY	PART NAME						SEE PAGE
					1	2	3	4	5	6 (PRODUCT LEVEL)	
	1	1	2H-3880	2	SCREW-DRIVE (NO 2X0.125-IN)						
	2	1	5N-1782	1	PLATE-IDENTIFICATION (HYDROMECHANICAL SHUTOFF)						
	3	1	5N-6711	1	COVER						
	4	1	5N-2707	1	GASKET						
	5	1	5M-6213	6	PLUG-PIPE (1/4-18-THD)						
	6	1	5P-0537	22	WASHER-HARD (7.2X14.5X2-MM THK)						
	7	1	5N-2709	1	BOLT (1/4-28X2.5-IN)						
	8	1	6F-0612	2	NUT-JAM (1/4-28-THD)						
	9	1	4F-7957	3	BOLT (1/4-20X0.875-IN)						
Y	10	1	5N-6443	1	VALVE GP-FUEL SHUTOFF						958
	11	1	3D-4603	2	PLUG-PIPE						
	12	1	2A-4781	5	BOLT (1/4-20X2.75-IN)						
	13	1	8S-4710	3	BOLT (1/4-20X4-IN)						
	14	1	5N-4718	1	GASKET						
	15	1	5N-4727	1	COVER						
	16	1	5N-2725	1	GASKET						
	17	1	5N-2716	1	BOLT (1/4-28X1.1-IN)						
	18	1	172-0264	1	SEAT						
	19	1	2N-7029	1	SPRING-CONTROL PIN						
	20	1	5N-4728	1	SEAT						
	21	1	6N-3504	1	SEAT-GOVERNOR SPRING						
	22	1	8M-1682	1	SPRING						
Y	23	1	5N-2718	1	VALVE GP-SPEED SENSING						961
	24	1	6H-3958	1	BOLT-SOCKET HEAD (1/4-20X2.5-IN)						
	25	1	6J-2819	7	BOLT-SOCKET HEAD (1/4-20X2.75-IN)						
Y	26	1	5N-5990	1	VALVE GP-PRESSURE CONTROL						960
	27	1	5N-6141	1	HOUSING AS-CONTROL						
		1	3N-5744	1	SHAFT						
		1	3N-5755	1	LEVER						
		1	5M-6214	1	PLUG (1/8-27 PTF)						
		1	9L-9503	2	DOWEL-HOLLOW						
Y	28	1	172-0265	1	PUMP GP-GEROTOR						912
	29	1	5N-3198	1	GASKET						
	30	1	3K-6168	8	BOLT-SOCKET HEAD (10-32X0.625-IN)						
	31	1	5N-8227	1	GASKET						
	32	1	032-1267	2	CONNECTOR (STRAIGHT)						
	33	1	5N-4990	1	TUBE AS						
	34	1	3R-6569	1	BOLT (1/4-20X0.875-IN)						
	35	1	032-1268	2	CONNECTOR (90-DEG) (90 DEGREE)						
	36	1	6K-9194	1	ELBOW						
	37	1	3H-0240	8	WASHER (5X9.7X0.8-MM THK)						
	38	1	7K-4128	1	TEE-FLARED						

Y - SEPARATE ILLUSTRATION

FUEL SYSTEM

172-0261 SHUTOFF GP-HYDROMECHANICAL (contd.)

i01254028



GRAPHIC #1

<END>

g00668290

FUEL SYSTEM

172-0261 SHUTOFF GP-HYDROMECHANICAL

S/N: 65Z887-1075

PART OF 7W-7322 SHUTOFF GP-ELECTRICAL
AN ATTACHMENT

SMCS-1085

i01761159

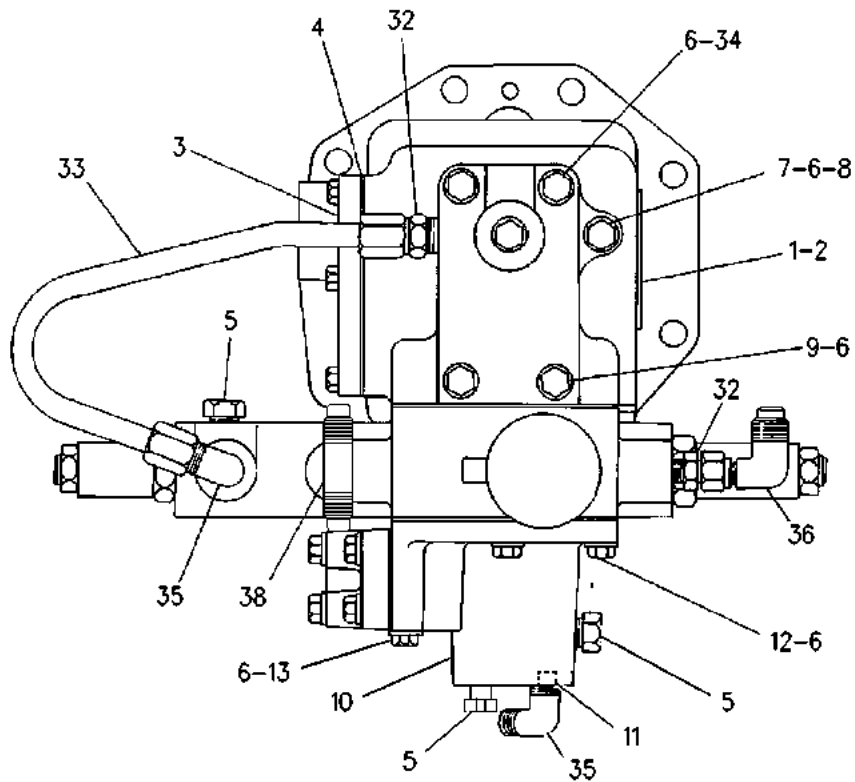
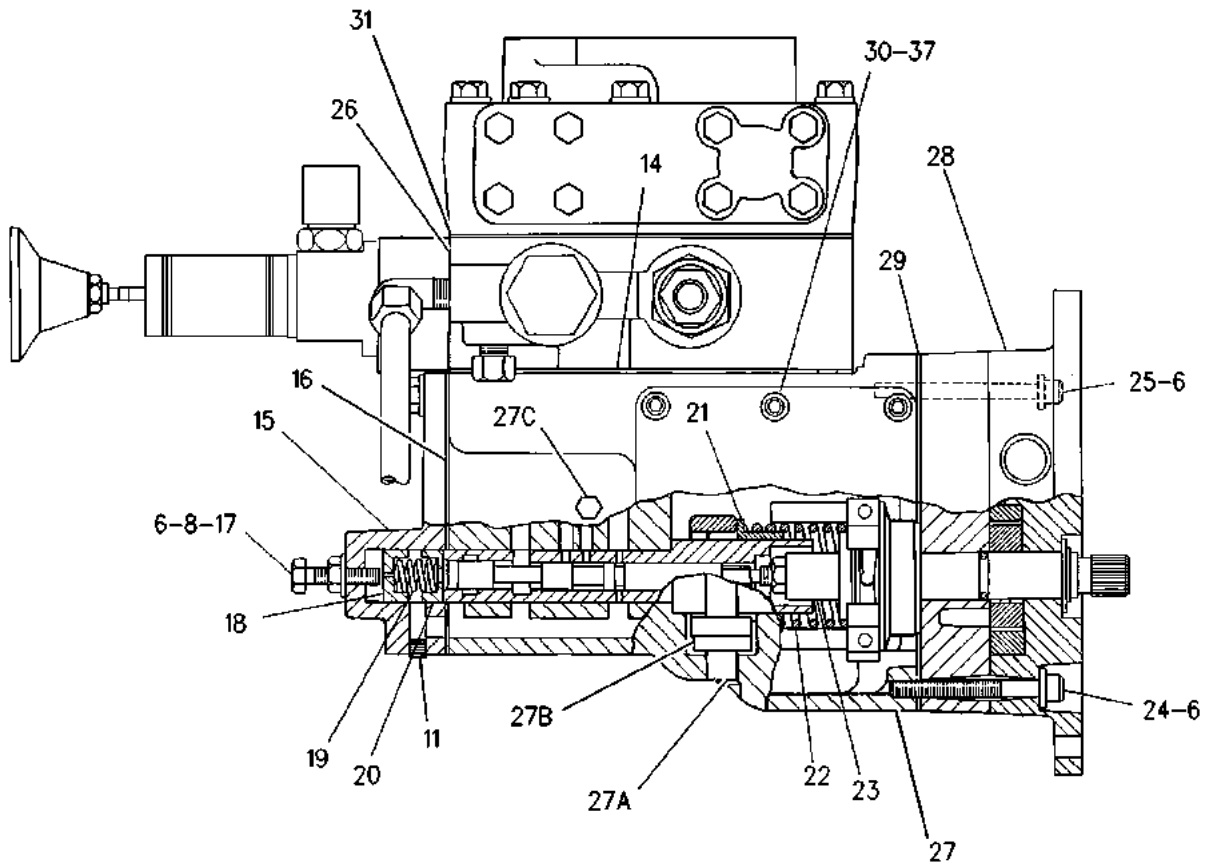
NOTE	REF NO	GRAPHIC REF	PART NUMBER	QTY	PART NAME						SEE PAGE
					1	2	3	4	5	6 (PRODUCT LEVEL)	
	1	1	2H-3880	2	SCREW-DRIVE (NO 2X0.125-IN)						
	2	1	5N-1782	1	PLATE-IDENTIFICATION (HYDROMECHANICAL SHUTOFF)						
	3	1	5N-6711	1	COVER						
	4	1	5N-2707	1	GASKET						
	5	1	5M-6213	6	PLUG-PIPE (1/4-18-THD)						
	6	1	5P-0537	22	WASHER-HARD (7.2X14.5X2-MM THK)						
	7	1	5N-2709	1	BOLT (1/4-28X2.5-IN)						
	8	1	6F-0612	2	NUT-JAM (1/4-28-THD)						
	9	1	4F-7957	3	BOLT (1/4-20X0.875-IN)						
Y	10	1	5N-6443	1	VALVE GP-FUEL SHUTOFF						958
C	11	1	3D-4603	1	PLUG-PIPE						
	12	1	2A-4781	5	BOLT (1/4-20X2.75-IN)						
	13	1	8S-4710	3	BOLT (1/4-20X4-IN)						
	14	1	5N-4718	1	GASKET						
	15	1	5N-4727	1	COVER						
	16	1	5N-2725	1	GASKET						
	17	1	5N-2716	1	BOLT (1/4-28X1.1-IN)						
	18	1	172-0264	1	SEAT						
	19	1	2N-7029	1	SPRING-CONTROL PIN						
	20	1	5N-4728	1	SEAT						
	21	1	6N-3504	1	SEAT-GOVERNOR SPRING						
	22	1	8M-1682	1	SPRING						
Y	23	1	5N-2718	1	VALVE GP-SPEED SENSING						961
	24	1	6H-3958	1	BOLT-SOCKET HEAD (1/4-20X2.5-IN)						
	25	1	6J-2819	7	BOLT-SOCKET HEAD (1/4-20X2.75-IN)						
CY	26	1	172-0269	1	VALVE GP-PRESSURE CONTROL						959
	27	1	5N-6141	1	HOUSING AS-CONTROL						
	27A	1	3N-5744	1	SHAFT						
	27B	1	3N-5755	1	LEVER						
	27C	1	5M-6214	1	PLUG (1/8-27 PTF)						
		1	9L-9503	2	DOWEL-HOLLOW						
Y	28	1	172-0265	1	PUMP GP-GEROTOR						912
	29	1	5N-3198	1	GASKET						
	30	1	3K-6168	8	BOLT-SOCKET HEAD (10-32X0.625-IN)						
	31	1	5N-8227	1	GASKET						
	32	1	032-1267	2	CONNECTOR (STRAIGHT)						
	33	1	5N-4990	1	TUBE AS						
	34	1	3R-6569	1	BOLT (1/4-20X0.875-IN)						
	35	1	032-1268	2	CONNECTOR (90-DEG) (90 DEGREE)						
	36	1	6K-9194	1	ELBOW						
	37	1	3H-0240	8	WASHER (5X9.7X0.8-MM THK)						
	38	1	7K-4128	1	TEE-FLARED						

C - CHANGE FROM PREVIOUS TYPE
Y - SEPARATE ILLUSTRATION

FUEL SYSTEM

172-0261 SHUTOFF GP-HYDROMECHANICAL (contd.)

i01761159



GRAPHIC #1

<END>

g00688973

FUEL SYSTEM

172-0261 SHUTOFF GP-HYDROMECHANICAL

S/N: 65Z1076-UP

PART OF 7W-7322 SHUTOFF GP-ELECTRICAL

AN ATTACHMENT

SMCS-1085

i01759517

NOTE	REF NO	GRAPHIC REF	PART NUMBER	QTY	PART NAME						SEE PAGE
					1	2	3	4	5	6 (PRODUCT LEVEL)	
	2	1	2N-7029	1	SPRING-CONTROL PIN						
CY	3	1	2W-9635	1	VALVE GP-FUEL SHUTOFF						957
	4	1	3K-6168	8	BOLT-SOCKET HEAD (10-32X0.625-IN)						
	5	1	3R-6569	1	BOLT (1/4-20X0.875-IN)						
	7	1	5N-2707	1	GASKET						
	8	1	5N-2709	1	BOLT (1/4-28X2.5-IN)						
	9	1	5N-2716	1	BOLT (1/4-28X1.1-IN)						
Y	10	1	5N-2718	1	VALVE GP-SPEED SENSING						961
	11	1	5N-2725	1	GASKET						
	12	1	5N-3198	1	GASKET						
	13	1	5N-4718	1	GASKET						
	14	1	5N-4727	1	COVER						
	15	1	5N-4728	1	SEAT						
	16	1	5N-4990	1	TUBE AS						
	17	1	5N-6141	1	HOUSING AS-CONTROL						
		1	3N-5744	1	SHAFT						
		1	3N-5755	1	LEVER						
		1	5M-6214	1	PLUG (1/8-27 PTF)						
		1	9L-9503	2	DOWEL-HOLLOW						
	18	1	5N-6711	1	COVER						
	19	1	5N-8227	1	GASKET						
	20	1	5P-0537	22	WASHER-HARD (7.2X14.5X2-MM THK)						
	21	1	6F-0612	2	NUT-JAM (1/4-28-THD)						
	22	1	6N-3504	1	SEAT-GOVERNOR SPRING						
	23	1	7K-4128	1	TEE-FLARED						
	24	1	8M-1682	1	SPRING						
	25	1	032-1267	2	CONNECTOR (STRAIGHT)						
	26	1	172-0264	1	SEAT						
Y	27	1	172-0265	1	PUMP GP-GEROTOR						912
Y	28	1	172-0269	1	VALVE GP-PRESSURE CONTROL						959
	29	1	032-1268	2	CONNECTOR (90-DEG) (90 DEGREE)						
	30	1	2A-4781	5	BOLT (1/4-20X2.75-IN)						
C	31	1	3D-4603	2	PLUG-PIPE						
	32	1	3H-0240	8	WASHER (5X9.7X0.8-MM THK)						
	33	1	4F-7957	3	BOLT (1/4-20X0.875-IN)						
	34	1	5M-6213	6	PLUG-PIPE (1/4-18-THD)						
	35	1	6H-3958	1	BOLT-SOCKET HEAD (1/4-20X2.5-IN)						
	36	1	6J-2819	7	BOLT-SOCKET HEAD (1/4-20X2.75-IN)						
	37	1	6K-9194	1	ELBOW						
	38	1	8S-4710	3	BOLT (1/4-20X4-IN)						

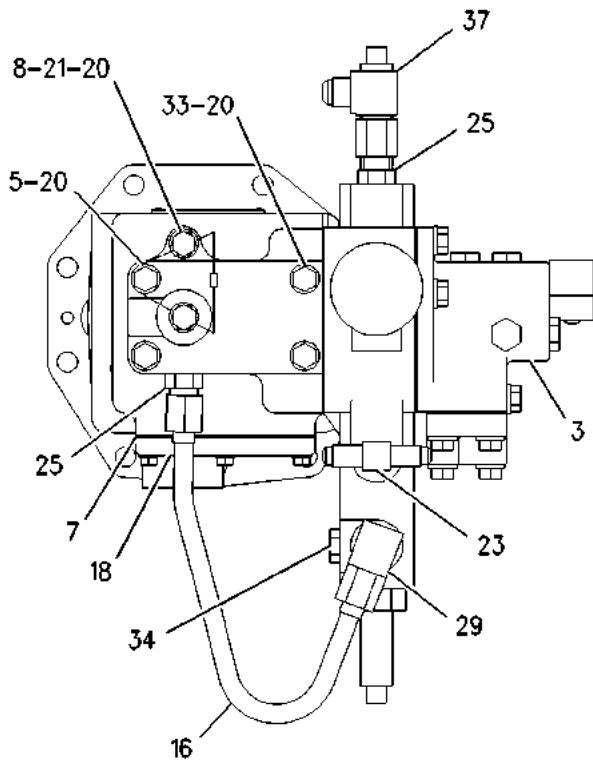
C - CHANGE FROM PREVIOUS TYPE

Y - SEPARATE ILLUSTRATION

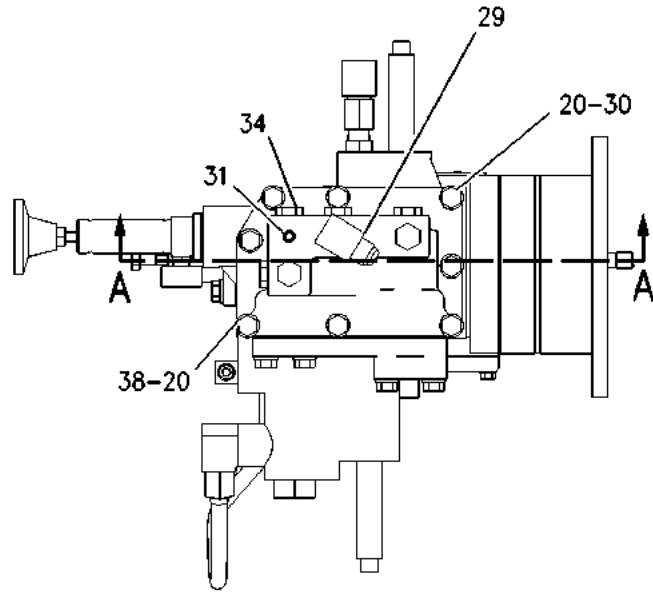
FUEL SYSTEM

172-0261 SHUTOFF GP-HYDROMECHANICAL (contd.)

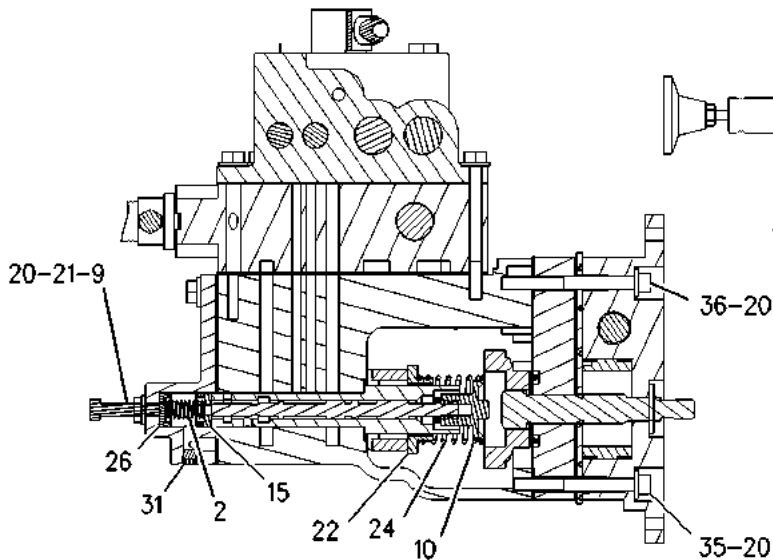
i01759517



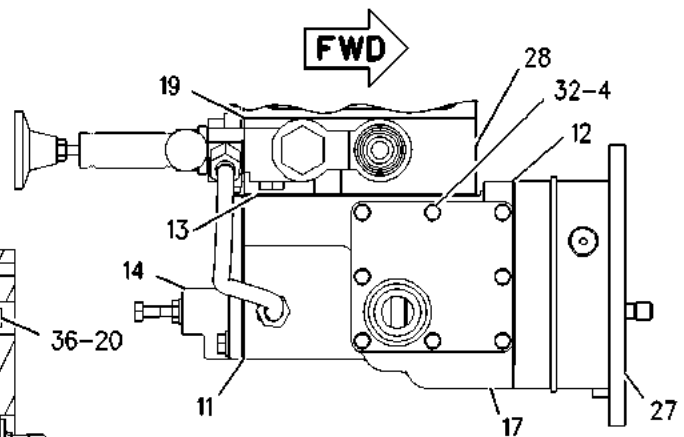
REAR VIEW



RIGHT SIDE VIEW



SECTION A-A



BOTTOM VIEW

GRAPHIC #1

<END>

g00920481

FUEL SYSTEM

4W-6979 SHUTOFF GP-HYDROMECHANICAL

S/N: 65Z887-970

LOW SPEED

FOR USAGE REFER TO CHART 7W-7326-PAGE: 1450
AN ATTACHMENT

SMCS-1085

i00653088

NOTE	PART NUMBER	QTY	PART NAME						SEE PAGE
			1	2	3	4	5	6 (PRODUCT LEVEL)	
Y	4W-6883	1	DRIVE GP-ACCESSORY						151
Y	2W-4925	1	LINES GP-DIVERter VALVE						845
Y	2W-6108	1	LINES GP-SHUTOFF (AIR)						1107
Y	4W-6885	1	LINES GP-SHUTOFF						1110
Y	5N-5329	1	SHUTOFF GP-CONTROL						935
Y	1W-4862	1	SHUTOFF GP-REMOTE						954

Y - SEPARATE ILLUSTRATION

<END>

FUEL SYSTEM

4W-6979 SHUTOFF GP-HYDROMECHANICAL

S/N: 65Z971-UP

LOW SPEED

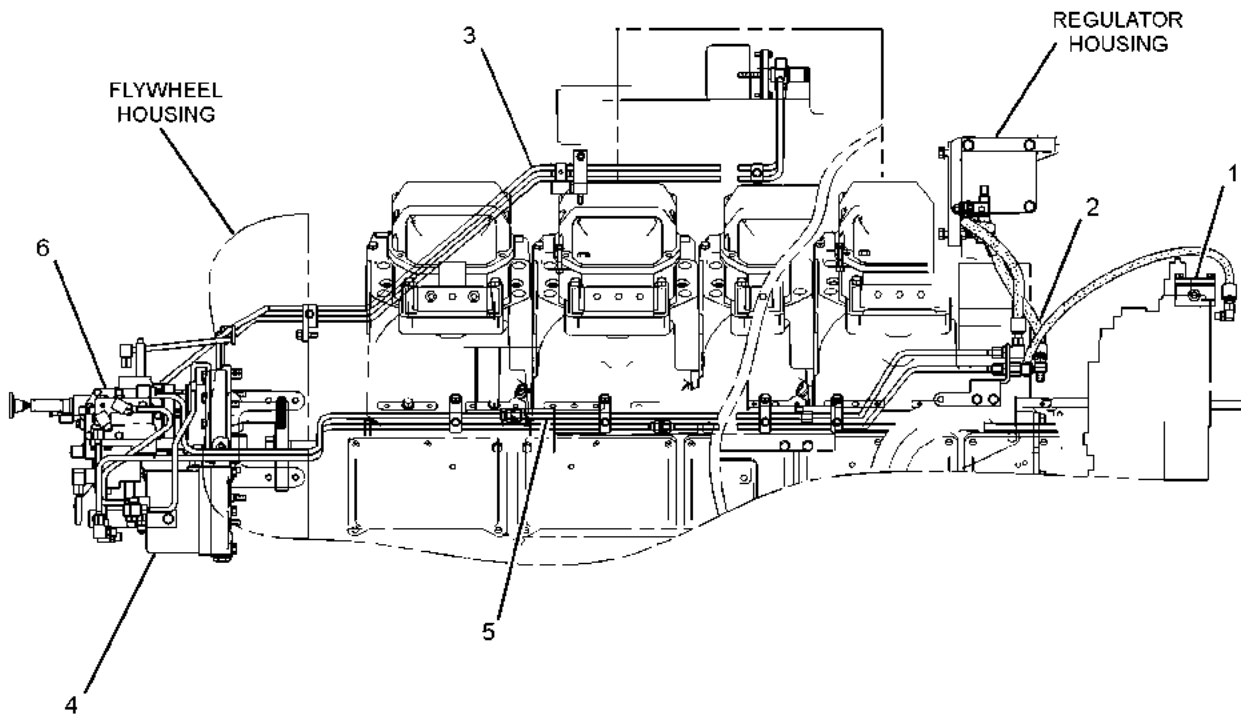
FOR USAGE REFER TO CHART 7W-7326-PAGE: 1450
AN ATTACHMENT

SMCS-1085

i03502904

NOTE	REF NO	GRAPHIC REF	PART NUMBER	QTY	PART NAME						SEE PAGE
					1	2	3	4	5	6 (PRODUCT LEVEL)	
Y	1	1	1W-4862	1	SHUTOFF GP-REMOTE						954
Y	2	1	2W-4925	1	LINES GP-DIVERTER VALVE						845
Y	3	1	2W-6108	1	LINES GP-SHUTOFF (AIR)						1107
Y	4	1	4W-6883	1	DRIVE GP-ACCESSORY						151
Y	5	1	4W-6885	1	LINES GP-SHUTOFF						1110
Y	6	1	172-0257	1	SHUTOFF GP-CONTROL						923

Y - SEPARATE ILLUSTRATION



RIGHT SIDE VIEW OF ENGINE

GRAPHIC #1

<END>

g01885715

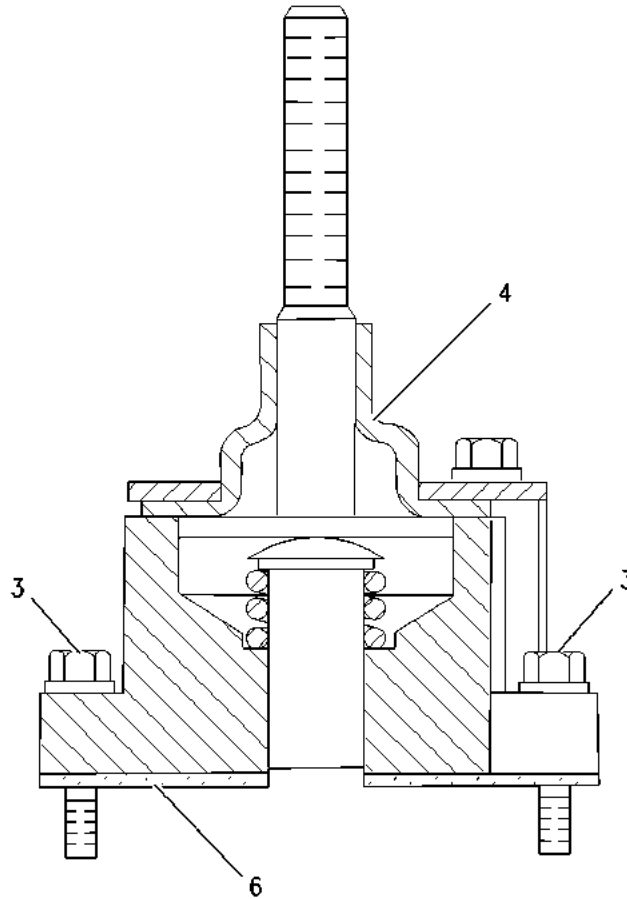
FUEL SYSTEM

1W-4861 SHUTOFF GP-MANUAL AN ATTACHMENT

SMCS-1265, 1704, 7418

i05401866

NOTE	REF NO	GRAPHIC REF	PART NUMBER	QTY	PART NAME						SEE PAGE
					1	2	3	4	5	6 (PRODUCT LEVEL)	
	3	1	2W-0138	2	SCREW-FORMING (1/4-20X1-IN)						
	4	1	2W-2324	1	BOOT-SHUTOFF						
	6	1	1W-9782	1	GASKET-SHUTOFF						



GRAPHIC #1

<END>

g00716661

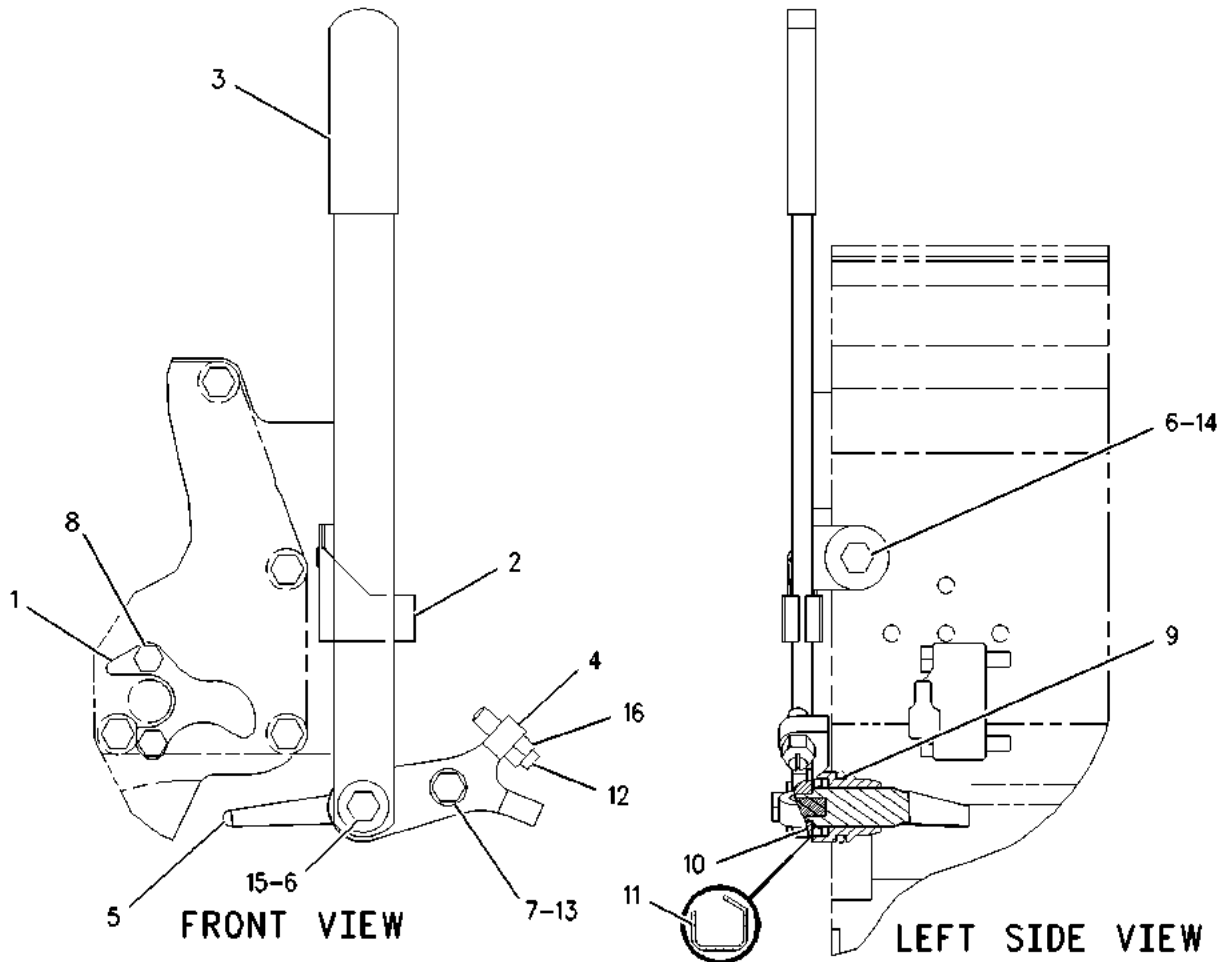
FUEL SYSTEM

2W-5531 SHUTOFF GP-MANUAL-LH FOR USE WITH RH MOUNTED GOVERNOR AN ATTACHMENT

SMCS-1265, 1704, 7418

i02178663

NOTE	REF NO	GRAPHIC REF	PART NUMBER	QTY	PART NAME						SEE PAGE
					1	2	3	4	5	6 (PRODUCT LEVEL)	
	1	1	2W-5530	1	LEVER						
	2	1	7N-5906	1	CLIP						
	3	1	7N-5907	1	LEVER-SHUTOFF						
	4	1	7N-9941	1	ADAPTER-SHUTOFF						
	5	1	7N-9942	1	LEVER-SHUTOFF						
	6	1	0S-0509	2	BOLT (3/8-16X0.75-IN)						
	7	1	0S-1594	1	BOLT (3/8-16X1-IN)						
	8	1	1A-9579	2	BOLT (5/16-18X1.5-IN)						
	9	1	2H-3932	1	SEAL-O-RING						
	10	1	2J-6356	1	RING-RETAINING						
	11	1	3K-2593	1	SEAL-LIP TYPE						
	12	1	4B-3643	1	SETSCREW						
	13	1	5M-2894	1	WASHER-HARD (10.2X18.5X2.5-MM THK)						
	14	1	6N-8863	1	WASHER (10.2X32X2.5-MM THK)						
	15	1	9L-9132	1	WASHER (10.2X25.5X2.5-MM THK)						
	16	1	9S-8752	1	NUT-FULL (3/8-16-THD)						



GRAPHIC #1

<END>

g00882405

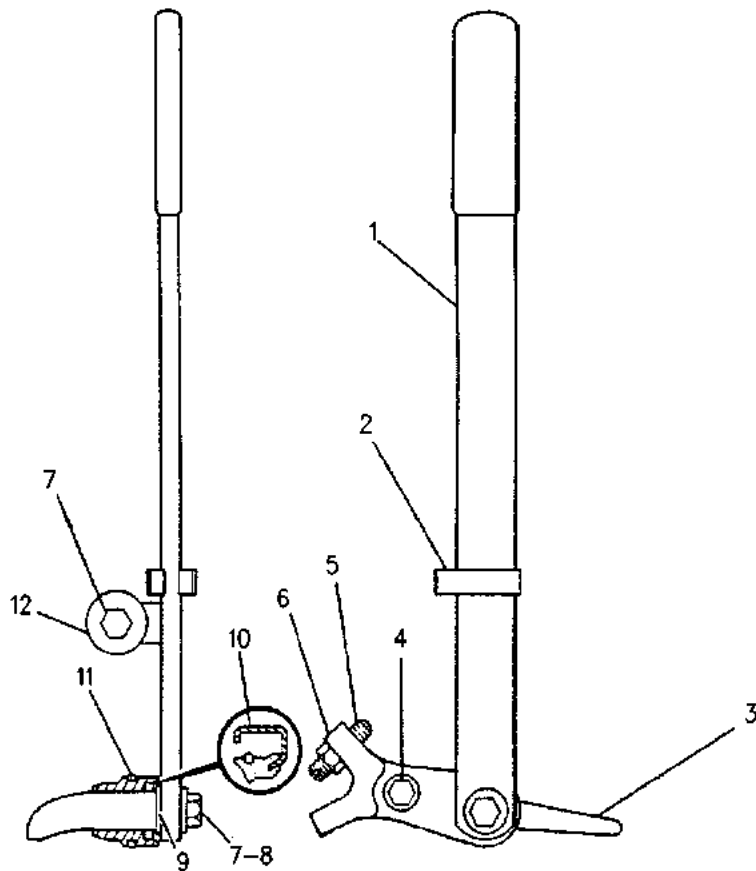
FUEL SYSTEM

7N-4869 SHUTOFF GP-MANUAL-RH, LH MOUNTED

SMCS-1265, 1704, 7418

i02178660

NOTE	REF NO	GRAPHIC REF	PART NUMBER	QTY	PART NAME						SEE PAGE
					1	2	3	4	5	6 (PRODUCT LEVEL)	
	1	1	7N-5907	1	LEVER-SHUTOFF						
	2	1	7N-5906	1	CLIP						
	3	1	7N-9942	1	LEVER-SHUTOFF						
	4	1	0S-1594	1	BOLT (3/8-16X1-IN)						
		1	5M-2894	1	WASHER-HARD (10.2X18.5X2.5-MM THK)						
	5	1	4B-3643	1	SETSCREW						
		1	9S-8752	1	NUT-FULL (3/8-16-THD)						
	6	1	7N-9941	1	ADAPTER-SHUTOFF						
	7	1	0S-0509	2	BOLT (3/8-16X0.75-IN)						
	8	1	9L-9132	1	WASHER (10.2X25.5X2.5-MM THK)						
	9	1	2J-6356	1	RING-RETAINING						
	10	1	3K-2593	1	SEAL-LIP TYPE						
	11	1	2H-3932	1	SEAL-O-RING						
	12	1	6N-8863	1	WASHER (10.2X32X2.5-MM THK)						



GRAPHIC #1

<END>

g00727315

FUEL SYSTEM

1W-4862 SHUTOFF GP-REMOTE

HYDRAULIC-PNEUMATIC

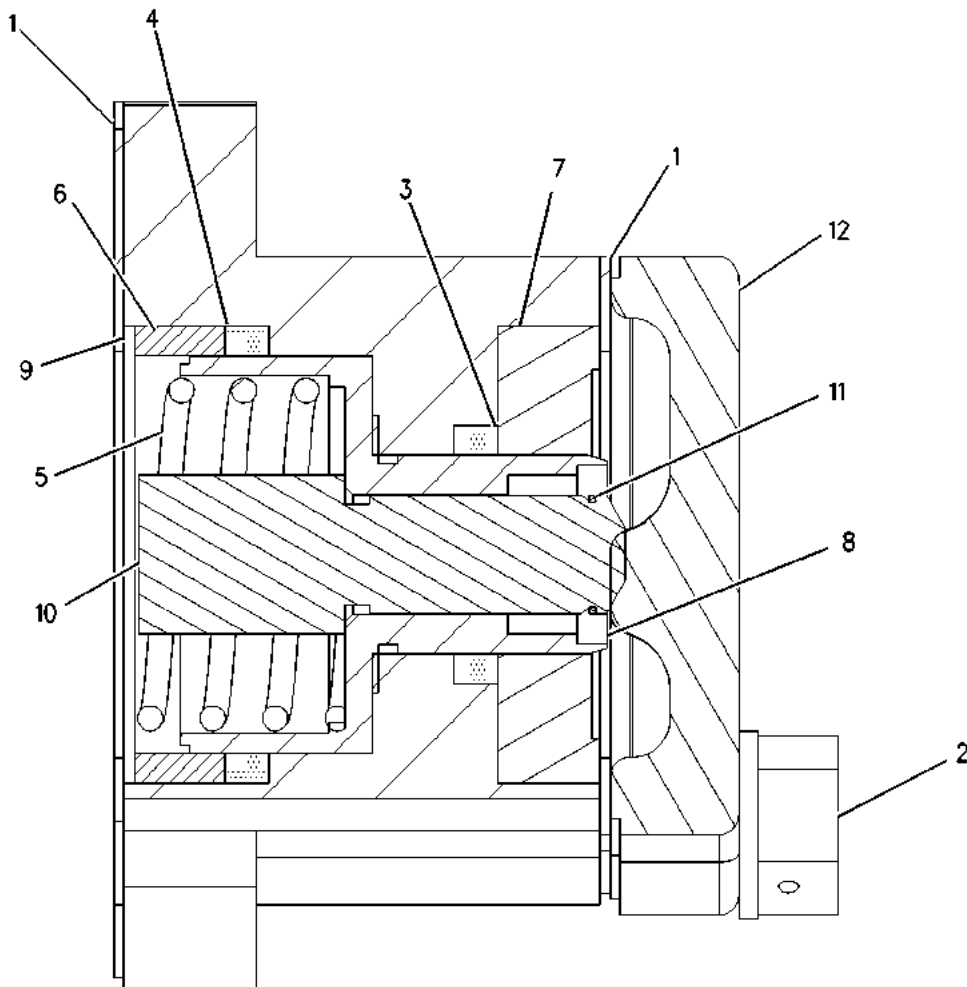
FOR USE WITH 3161 GOVERNORS

PART OF 7W-7322 SHUTOFF GP-ELECTRICAL, 4W-6979 SHUTOFF GP-HYDROMECHANICAL
AN ATTACHMENT

SMCS-1704, 7418

i02357916

NOTE	REF NO	GRAPHIC REF	PART NUMBER	QTY	PART NAME						SEE PAGE
					1	2	3	4	5	6	
	1	1	1W-9782	2	GASKET - SHUTOFF						
	2	1	2W-0138	2	SCREW-FORMING (1/4-20X1-IN)						
	3	1	2W-2327	1	SEAL						
	4	1	2W-2328	1	SEAL						
	5	1	2W-2330	1	SPRING - SHUTOFF						
	6	1	2W-4609	1	RING - SHUTOFF						
	7	1	2W-4611	1	GUIDE - SHUTOFF						
	8	1	2W-4621	1	PISTON - SHUTOFF						
	9	1	2W-5013	1	HOUSING - SHUTOFF						
	10	1	4W-3170	1	PLUNGER						
	11	1	7W-7101	1	RING - SNAP						
	12	1	164-8926	1	COVER (SHUTDOWN)						



GRAPHIC #1

<END>

g00813341

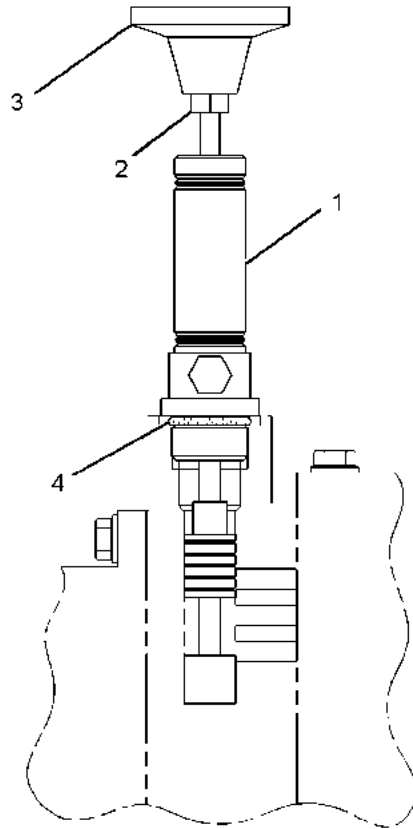
FUEL SYSTEM

5N-5880 SHUTOFF GP-REMOTE PNEUMATIC/HYDRAULIC FUEL & AIR FOR USAGE REFER TO CHART 7W-7326-PAGE: 1450 AN ATTACHMENT

SMCS-1704, 7418

i02429002

NOTE	REF NO	GRAPHIC REF	PART NUMBER	QTY	PART NAME						SEE PAGE
					1	2	3	4	5	6 (PRODUCT LEVEL)	
	1	1	5N-7408	1	CYLINDER (PNEUMATIC)						
	2	1	6V-8187	1	NUT (1/4-28-THD)						
	3	1	9K-6765	1	KNOB						
	4	1	7L-2224	1	SEAL-O-RING						



GRAPHIC #1

<END>

g01247897

FUEL SYSTEM

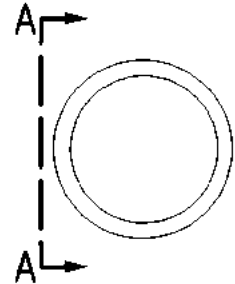
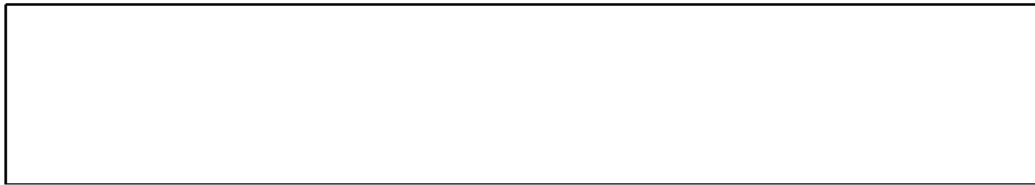
173-1800 TUBE

3.76-MM ID, 4.52-MM OD. TEFLON
FIELD REPLACEMENT FOR 2W-0242 TUBE-TEFLON
FIELD INSTALLATION

SMCS-1264

i01422776

NOTE	REF NO	GRAPHIC REF	PART NUMBER	QTY	PART NAME	SEE PAGE
					1 2 3 4 5 6 (PRODUCT LEVEL)	
(NO SERVICED PARTS)						



VIEW A-A

GRAPHIC #1

<END>

g00746129

FUEL SYSTEM

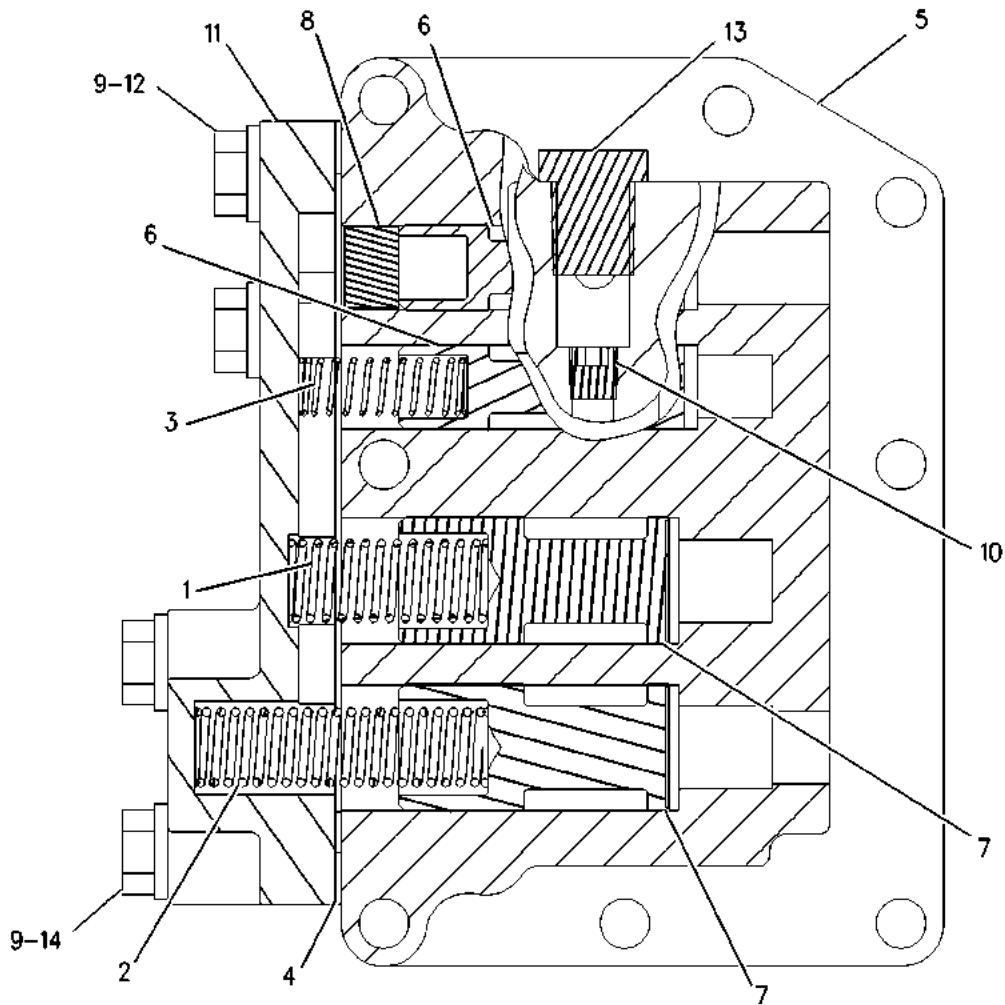
2W-9635 VALVE GP-FUEL SHUTOFF

PART OF 172-0262, 5N-6051 SHUTOFF GP-CONTROL, 172-0261 SHUTOFF GP-HYDROMECHANICAL AN ATTACHMENT

SMCS-1273, 1274

i01724829

NOTE	REF NO	GRAPHIC REF	PART NUMBER	QTY	PART NAME						SEE PAGE
					1	2	3	4	5	6 (PRODUCT LEVEL)	
	1	1	3N-5738	1	SPRING						
	2	1	3N-5739	1	SPRING						
	3	1	3N-5757	1	SPRING						
	4	1	5N-2720	1	GASKET						
	5	1	5N-2724	1	BODY-VALVE						
	6	1	5N-2885	2	VALVE AS						
	7	1	5N-2886	2	VALVE AS						
	8	1	5N-6442	1	SPACER (8.28-MM THK)						
	9	1	5P-0537	8	WASHER-HARD (7.2X14.5X2-MM THK)						
	10	1	8J-6815	1	PLUG-ORIFICE						
	11	1	9Y-8733	1	COVER						
	12	1	0S-1616	4	BOLT (1/4-20X1-IN)						
	13	1	5M-6213	1	PLUG-PIPE (1/4-18-THD)						
	14	1	7B-8167	4	BOLT (1/4-20X1.625-IN)						



GRAPHIC #1

<END>

g00920817

FUEL SYSTEM

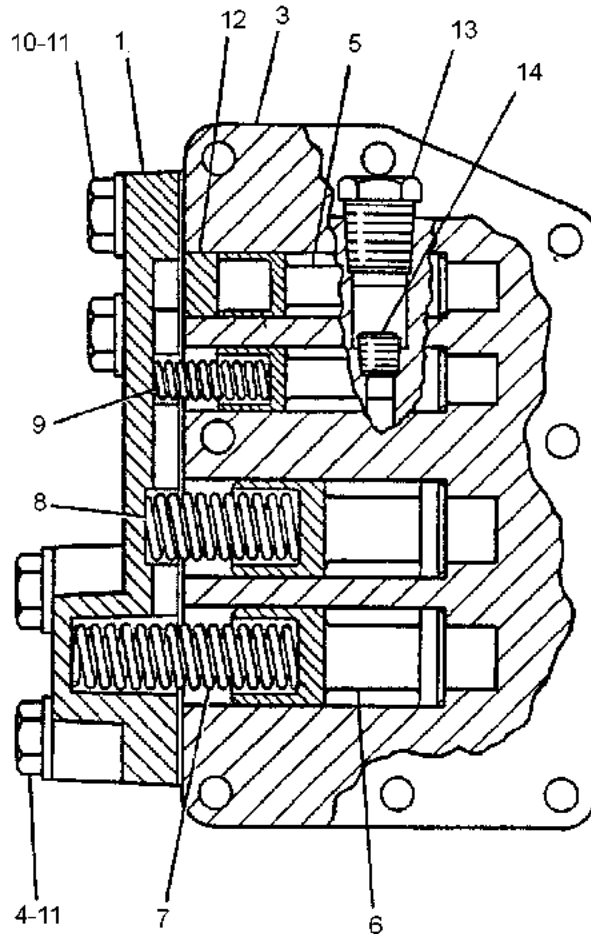
5N-6443 VALVE GP-FUEL SHUTOFF

PART OF 172-0257, 172-0262, 5N-5328, 5N-5329 SHUTOFF GP-CONTROL, 172-0258, 172-0261 SHUTOFF GP-HYDROMECHANICAL
AN ATTACHMENT

SMCS-1273, 1274

i03397749

NOTE	REF NO	GRAPHIC REF	PART NUMBER	QTY	PART NAME						SEE PAGE
					1	2	3	4	5	6 (PRODUCT LEVEL)	
	1	1	331-7163	1	COVER						
	2	1	5N-2720	1	GASKET						
	3	1	5N-2724	1	BODY-VALVE						
	4	1	7B-8167	4	BOLT (1/4-20X1.625-IN)						
	5	1	5N-2885	2	VALVE AS						
	6	1	5N-2886	2	VALVE AS						
	7	1	3N-5739	1	SPRING						
	8	1	3N-5738	1	SPRING						
	9	1	3N-5757	1	SPRING						
	10	1	0S-1616	4	BOLT (1/4-20X1-IN)						
	11	1	5P-0537	8	WASHER-HARD (7.2X14.5X2-MM THK)						
	12	1	5N-6442	1	SPACER (8.28-MM THK)						
	13	1	5M-6213	1	PLUG-PIPE (1/4-18-THD)						
	14	1	3D-4603	1	PLUG-PIPE						



GRAPHIC #1

<END>

g01241073

FUEL SYSTEM

172-0269 VALVE GP-PRESSURE CONTROL

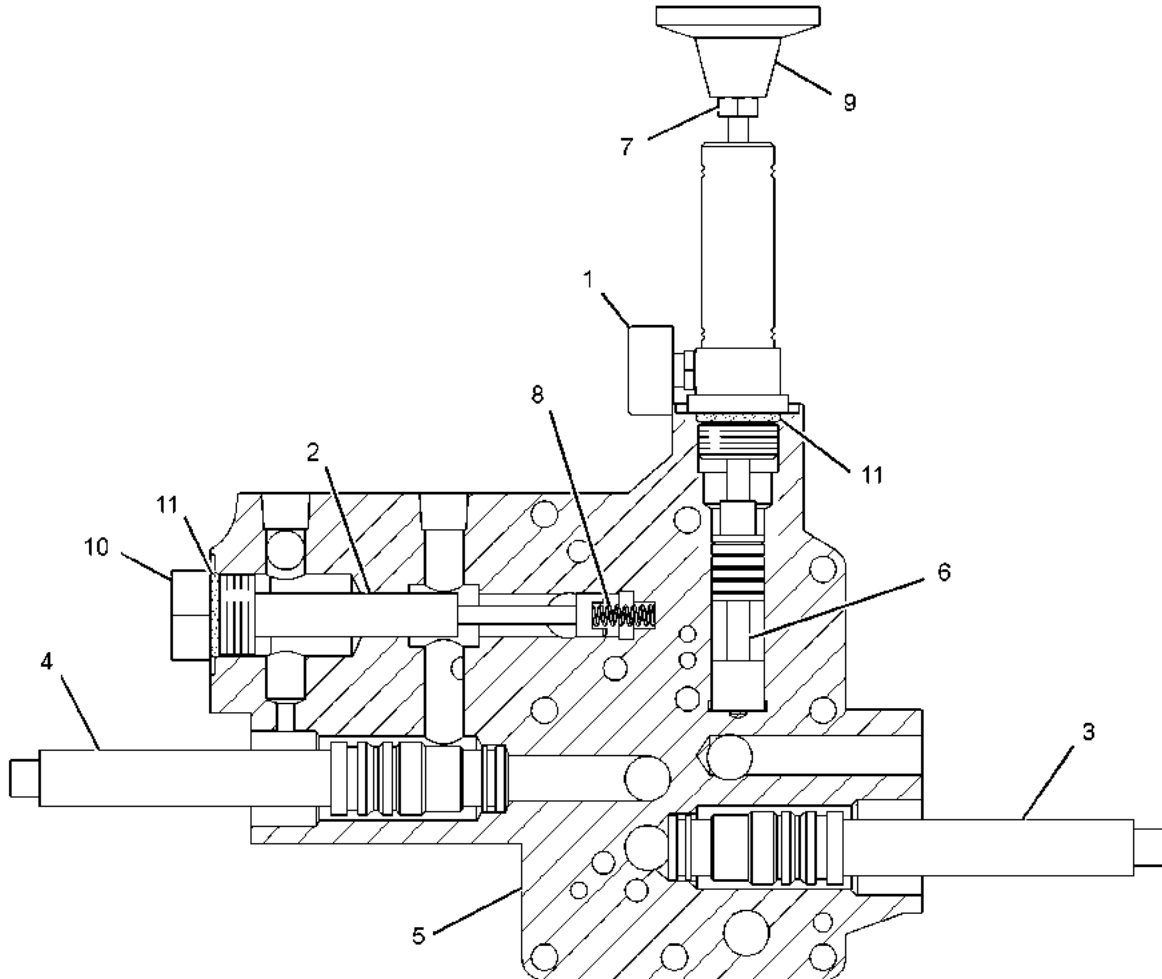
PART OF 172-0257, 172-0262 SHUTOFF GP-CONTROL, 172-0258, 172-0261 SHUTOFF GP-HYDROMECHANICAL AN ATTACHMENT

SMCS-1715

i03345892

NOTE	REF NO	GRAPHIC REF	PART NUMBER	QTY	PART NAME						SEE PAGE
					1	2	3	4	5	6 (PRODUCT LEVEL)	
	1	1	3K-6905	1	VALVE-BREATHER						
	2	1	5N-4722	1	VALVE (PILOT)						
Y	3	1	5N-4749	1	VALVE GP-CONTROL (RACK SHUTOFF)						1339
Y	4	1	5N-5755	1	VALVE GP-CONTROL (AIR SHUTOFF)						1340
	5	1	327-3519	1	BODY AS-VALVE						
		1	9L-9503	2	DOWEL-HOLLOW						
	6	1	5N-7408	1	CYLINDER (PNEUMATIC)						
	7	1	6V-8187	1	NUT (1/4-28-THD)						
	8	1	8H-8731	1	SPRING						
	9	1	9K-6765	1	KNOB						
	10	1	6V-0740	1	PLUG						
	11	1	6V-4589	2	SEAL-O-RING						

Y - SEPARATE ILLUSTRATION



GRAPHIC #1

<END>

g01836935

FUEL SYSTEM

5N-5990 VALVE GP-PRESSURE CONTROL

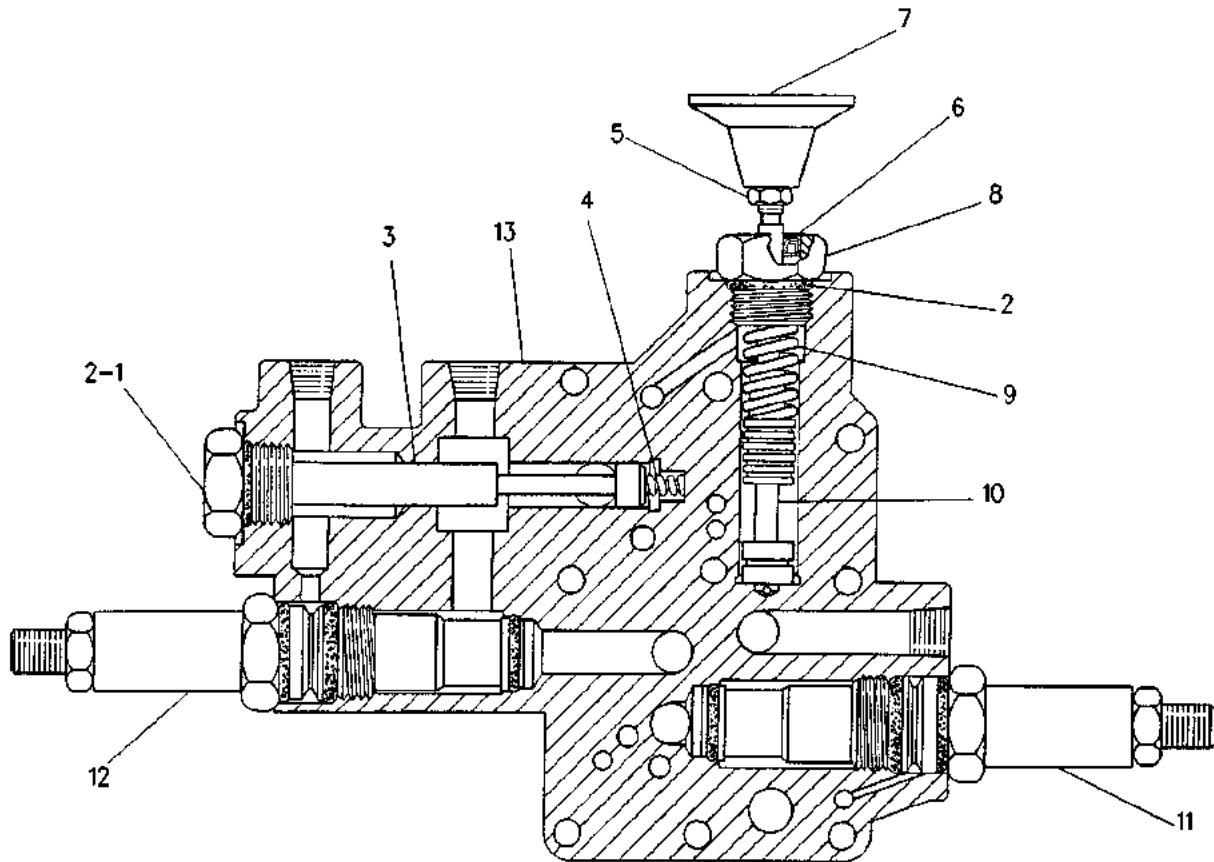
PART OF 172-0257, 172-0262, 5N-5328, 5N-5329, 5N-6051 SHUTOFF GP-CONTROL, 172-0258,
172-0261 SHUTOFF GP-HYDROMECHANICAL
AN ATTACHMENT

SMCS-1715

i02668233

NOTE	REF NO	GRAPHIC REF	PART NUMBER	QTY	PART NAME						SEE PAGE
					1	2	3	4	5	6 (PRODUCT LEVEL)	
	1	1	6V-0740	1	PLUG						
	2	1	6V-4589	2	SEAL-O-RING						
	3	1	5N-4722	1	VALVE						
	4	1	8H-8731	1	SPRING						
	5	1	6F-0612	1	NUT-JAM (1/4-28-THD)						
C	6	1	6V-5029	1	SEAL-LIP TYPE						
	7	1	9K-6765	1	KNOB						
C	8	1	7W-5235	1	ADAPTER						
	9	1	5N-6096	1	SPRING						
C	10	1	7W-5236	1	VALVE						
Y	11	1	5N-5755	1	VALVE GP-CONTROL						1340
Y	12	1	5N-4749	1	VALVE GP-CONTROL						1339
	13	1	5N-6138	1	BODY AS-VALVE						
		1	9L-9503	2	DOWEL-HOLLOW						

C - CHANGE FROM PREVIOUS TYPE
Y - SEPARATE ILLUSTRATION



GRAPHIC #1

<END>

g00720153

FUEL SYSTEM

5N-2718 VALVE GP-SPEED SENSING

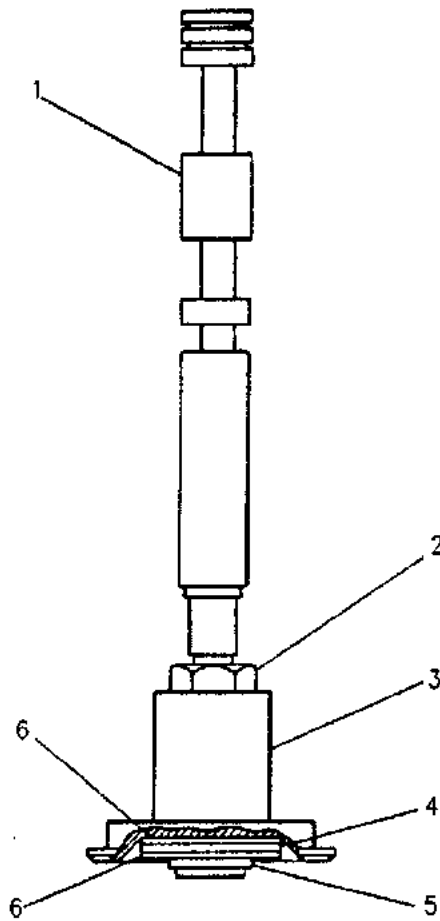
PART OF 172-0257, 172-0262, 5N-5328, 5N-5329, 5N-6051 SHUTOFF GP-CONTROL, 172-0258,
172-0261 SHUTOFF GP-HYDROMECHANICAL
AN ATTACHMENT

SMCS-1268, 1329

i01407282

NOTE	REF NO	GRAPHIC REF	PART NUMBER	QTY	PART NAME						SEE PAGE
					1	2	3	4	5	6 (PRODUCT LEVEL)	
C	1	1	5N-4726	1	VALVE						
	2	1	6F-0612	1	NUT-JAM (1/4-28-THD)						
	3	1	3N-5752	1	SEAT						
	4	1	7M-7219	1	BEARING-THRUST						
	5	1	3K-0810	1	RING-LOCK						
	6	1	7M-7193	2	RACE-THRUST BEARING						

C - CHANGE FROM PREVIOUS TYPE



GRAPHIC #1

<END>

g00740848

ELECTRICAL AND STARTING SYSTEM

266-7227 ALTERNATOR GP-CHARGING*R

24-VOLT, 60-AMPERE

FIELD REPLACEMENT FOR 4N-3986-PAGE: 968

SMCS-1405

i04404610

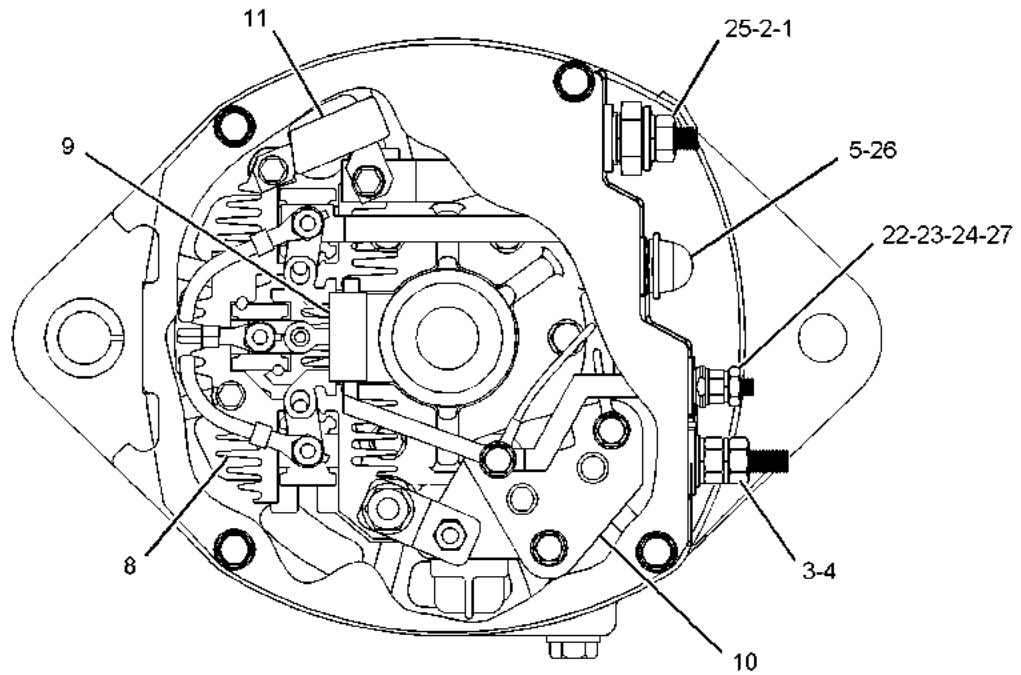
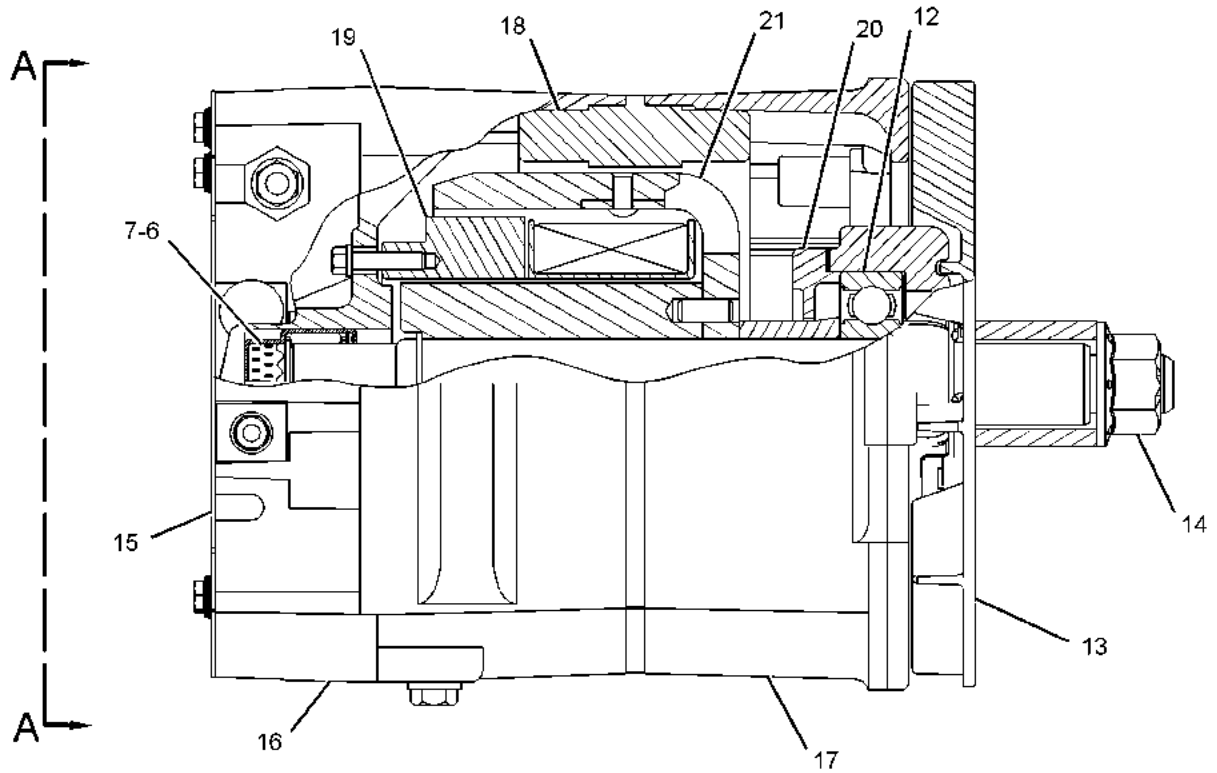
NOTE	REF NO	GRAPHIC REF	PART NUMBER	QTY	PART NAME						SEE PAGE
					1	2	3	4	5	6	
	1	1	8T-4205	1	WASHER-HARD (7.2X14.5X2-MM THK)						
	2	1	1H-3244	1	LOCKWASHER						
	3	1	6V-8187	1	NUT (1/4-28-THD)						
	4	1	292-3815	2	KIT-TERMINAL						
	5	1	9L-6770	1	CAP-DUST						
	6	1	5P-3418	1	BEARING-ROLLER						
	7	1	5P-3419	1	RACE-BEARING INNER						
	8	1	291-8247	1	RECTIFIER AS						
	9	1	202-2708	1	DIODE AS						
	10	1	3T-6354	1	REGULATOR AS-VOLTAGE (24-VOLT) (ALTERNATOR)						
	11	1	291-8253	1	CAPACITOR AS						
	12	1	202-9897	1	BEARING-SPECIAL BALL						
	13	1	100-6531	1	FAN-ALTERNATOR (11-BLADE)						
	14	1	187-2034	1	NUT-FLANGE (5/8-18-THD)						
	15	1	291-8274	1	PLATE						
	16	1	291-8271	1	HOUSING AS						
	17	1	202-2700	1	FRAME						
	18	1	291-8263	1	STATOR AS						
	19	1	6N-1945	1	COIL AS-FIELD						
	20	1	9S-2390	1	RETAINER						
	21	1	9S-2302	1	ROTOR AS						
	22	1	4B-2047	1	NUT (10-24-THD)						
	23	1	8T-0328	1	WASHER-HARD (5.5X10X1-MM THK)						
	24	1	8F-1434	1	LOCKWASHER						
	25	1	202-2784	1	KIT-ALTERNATOR TERMINAL (OUTPUT)						
					(KIT INCLUDES NUT, WASHERS, INSULATORS, CONNECTORS, ADAPTER, & SCREW)						
	26	1	202-2785	1	KIT-ALTERNATOR TERMINAL (RELAY)						
					(KIT INCLUDES STUD, BUSHINGS, CONNECTOR, & NUT)						
	27	1	202-2786	1	KIT-ALTERNATOR TERMINAL (INDICATOR LIGHT)						
					(KIT INCLUDES NUTS, WASHERS, BUSHINGS, & CONNECTOR)						
	F		202-2787	1	KIT-HARDWARE (ALTERNATOR AIR)						
					(KIT INCLUDES NUTS, SCREWS, WASHER, BOOT, COLLAR, & CONNECTOR)						

F - NOT SHOWN

ELECTRICAL AND STARTING SYSTEM

266-7227 ALTERNATOR GP-CHARGING (contd.)

i04404610



VIEW A-A

GRAPHIC #1

<END>

g01394690

ELECTRICAL AND STARTING SYSTEM

331-5717 ALTERNATOR GP-CHARGING*R

24-VOLT, 105-AMPERE
FIELD INSTALLATION

SMCS-1405

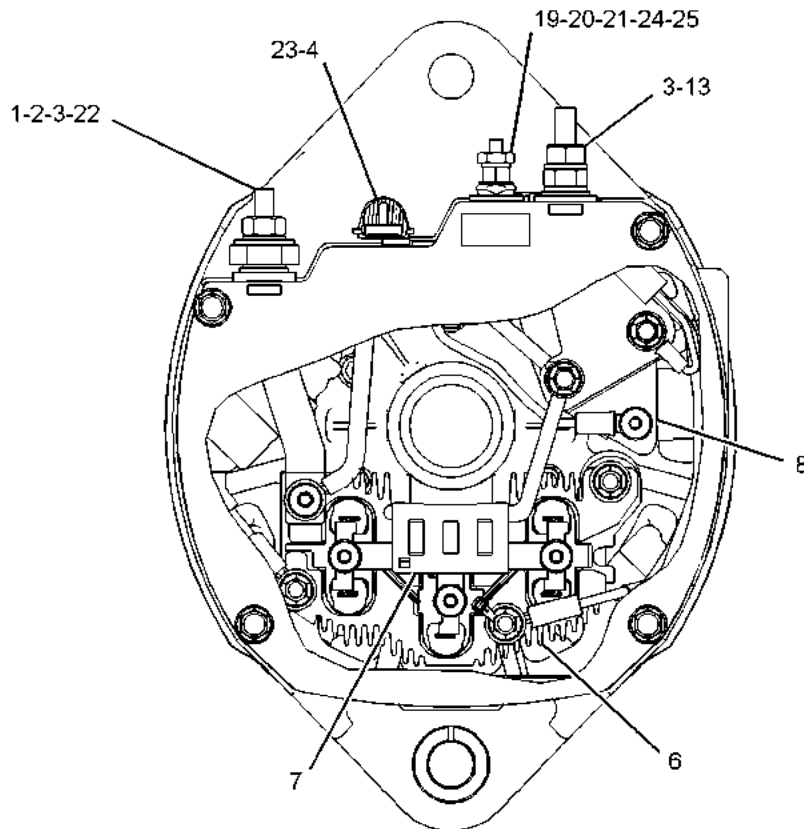
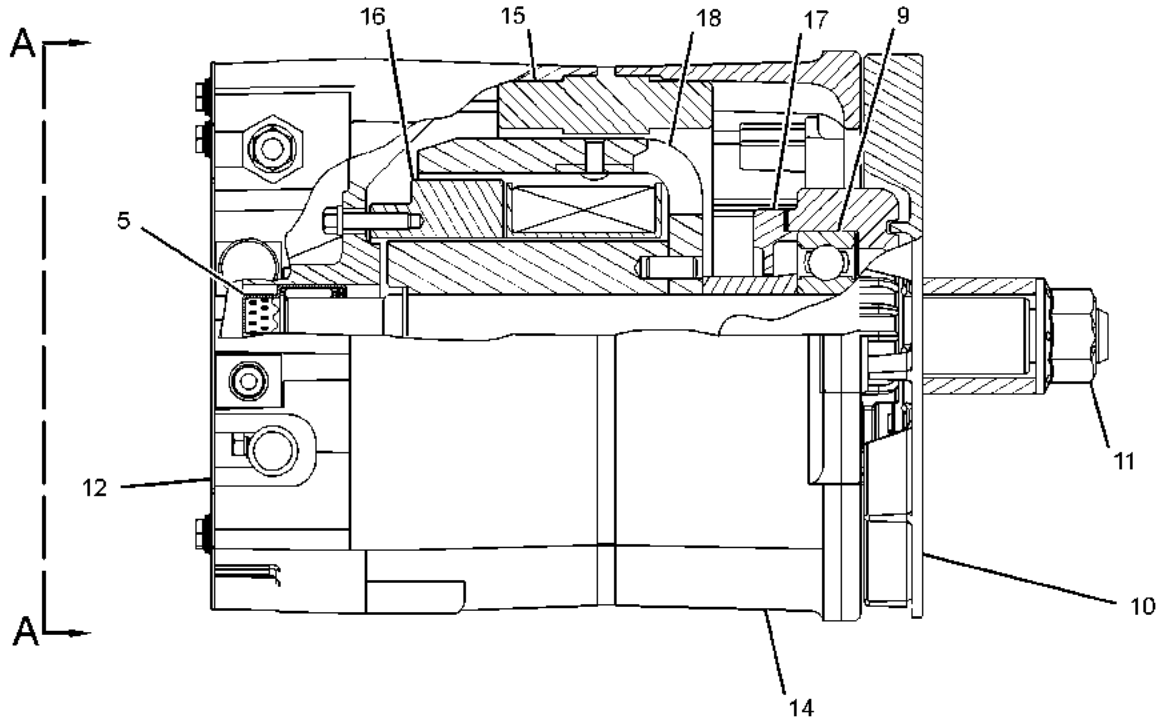
i04302165

NOTE	REF NO	GRAPHIC REF	PART NUMBER	QTY	PART NAME						SEE PAGE
					1	2	3	4	5	6 (PRODUCT LEVEL)	
	1	1	8T-4205	1	WASHER-HARD (7.2X14.5X2-MM THK)						
	2	1	1H-3244	1	LOCKWASHER						
	3	1	6V-8187	2	NUT (1/4-28-THD)						
	4	1	9L-6770	1	CAP-DUST						
	5	1	231-6133	1	KIT-BEARING (ALTERNATOR)						
		1	5P-3419	1	RACE-BEARING INNER						
		1	229-9407	1	BEARING AS						
	6	1	308-1362	1	RECTIFIER AS						
	7	1	202-2708	1	DIODE AS (ALTERNATOR)						
	8	1	3T-6354	1	REGULATOR AS-VOLTAGE (24-VOLT) (ALTERNATOR)						
	9	1	202-9897	1	BEARING-SPECIAL BALL						
	10	1	100-6531	1	FAN-ALTERNATOR (11-BLADE)						
	11	1	187-2034	1	NUT-FLANGE (5/8-18-THD)						
	12	1	202-2783	1	PLATE						
	13	1	292-3815	1	KIT-TERMINAL						
	14	1	202-2700	1	FRAME (ALTERNATOR)						
	15	1	308-1365	1	STATOR AS (ALTERNATOR)						
	16	1	308-1366	1	COIL AS (ALTERNATOR)						
	17	1	9S-2390	1	RETAINER						
	18	1	299-1761	1	ROTOR AS						
	19	1	4B-2047	1	NUT (10-24-THD)						
	20	1	8T-0328	1	WASHER-HARD (5.5X10X1-MM THK)						
	21	1	8F-1434	1	LOCKWASHER						
	22	1	202-2784	1	KIT-ALTERNATOR TERMINAL						
					(INCLUDES NUT, LOCKWASHERS, WASHERS, INSULATORS, SCREW, CONNECTORS, & ADAPTER)						
	23	1	202-2785	1	KIT-ALTERNATOR TERMINAL						
					(INCLUDES STUD, BUSHINGS, WASHERS, CONNECTOR, AND NUT)						
	24	1	202-2787	1	KIT-HARDWARE (ALTERNATOR)						
					(INCLUDES NUT AS, SCREW AS, SCREW, PLUG, LOCKWASHER, NUT, CONNECTOR, BOLT, COLLAR & BOOT)						
	25	1	328-8410	1	KIT-TERMINAL						

ELECTRICAL AND STARTING SYSTEM

331-5717 ALTERNATOR GP-CHARGING (contd.)

104302165



VIEW A-A

<END>

GRAPHIC #1

g02141298

ELECTRICAL AND STARTING SYSTEM

333-1184 ALTERNATOR GP-CHARGING*R

24-VOLT,60-AMPERE

FIELD REPLACEMENT FOR 4N-3986-PAGE: 968

SMCS-1405

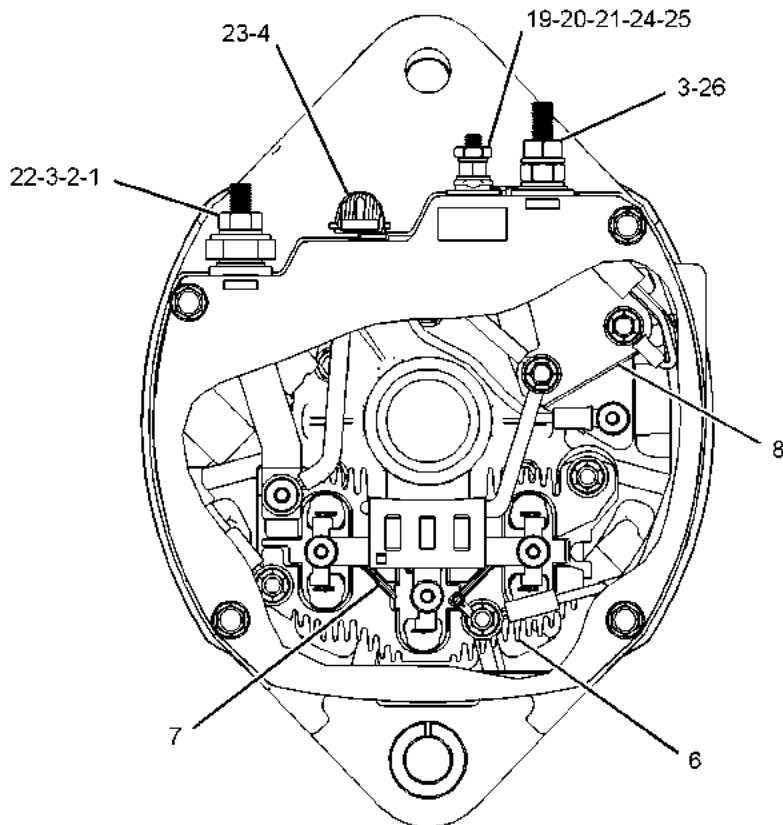
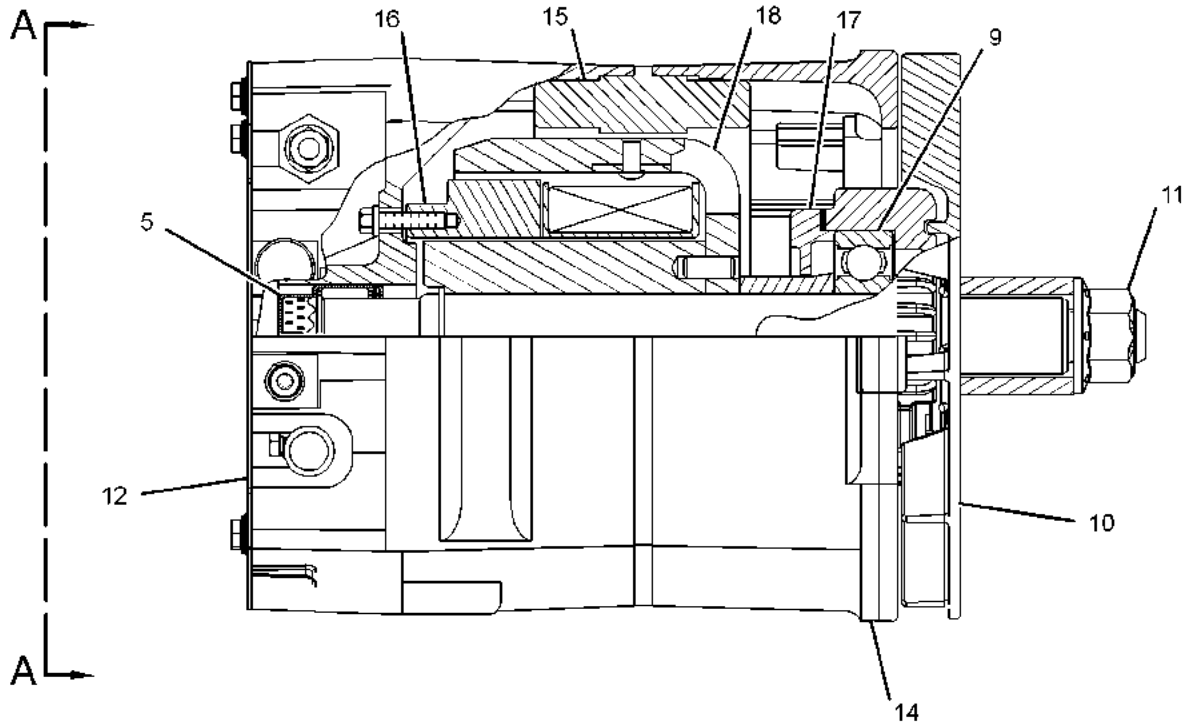
i04580616

NOTE	REF NO	GRAPHIC REF	PART NUMBER	QTY	PART NAME						SEE PAGE
					1	2	3	4	5	6	
	1	1	8T-4205	1	WASHER-HARD (7.2X14.5X2-MM THK)						
	2	1	1H-3244	1	LOCKWASHER						
	3	1	6V-8187	2	NUT (1/4-28-THD)						
	4	1	9L-6770	1	CAP-DUST						
	5	1	231-6133	1	KIT-BEARING						
					(INCLUDES BEARING AS & RACE-BEARING INNER)						
	6	1	308-1362	1	RECTIFIER AS						
	7	1	202-2708	1	DIODE AS						
	8	1	3T-6354	1	REGULATOR AS-VOLTAGE (24-VOLT) (ALTERNATOR AIR)						
	9	1	202-9897	1	BEARING-SPECIAL BALL						
	10	1	100-6531	1	FAN-ALTERNATOR (11-BLADE)						
	11	1	187-2034	1	NUT-FLANGE (5/8-18-THD)						
	12	1	202-2783	1	PLATE						
	14	1	202-2700	1	FRAME						
	15	1	308-1365	1	STATOR AS						
	16	1	308-1366	1	COIL AS						
	17	1	9S-2390	1	RETAINER						
	18	1	299-1761	1	ROTOR AS						
	19	1	4B-2047	1	NUT (10-24-THD)						
	20	1	8T-0328	1	WASHER-HARD (5.5X10X1-MM THK)						
	21	1	8F-1434	1	LOCKWASHER						
	22	1	202-2784	1	KIT-ALTERNATOR TERMINAL (OUTPUT)						
					(INCLUDES NUT, LOCKWASHERS, WASHERS, INSULATORS, SCREW, CONNECTORS, & ADAPTER)						
	23	1	202-2785	1	KIT-ALTERNATOR TERMINAL (RELAY)						
					(INCLUDES STUD, BUSHINGS, WASHERS, CONNECTOR, & NUT)						
	24	1	202-2787	1	KIT-HARDWARE (ALTERNATOR AIR)						
					(INCLUDES NUT AS, SCREW AS, SCREW, PLUG, LOCKWASHER, NUT, CONNECTOR, BOLT, COLLAR & BOOT)						
	25	1	328-8410	1	KIT-TERMINAL						
	26	1	292-3815	1	KIT-TERMINAL						

ELECTRICAL AND STARTING SYSTEM

333-1184 ALTERNATOR GP-CHARGING (contd.)

i04580616



VIEW A-A

<END>

GRAPHIC #1

g02109864

ELECTRICAL AND STARTING SYSTEM

4N-3986 ALTERNATOR GP-CHARGING*R

24-VOLT, 60-AMPERE

FIELD REPLACEMENT ORDER 333-1184-PAGE: 966, 1- 3T-4688 TERMINAL-RING, 266-7227-PAGE: 962

PART OF 7N-7981 ALTERNATOR GP-CHARGING
AN ATTACHMENT
TYPE 1

SMCS-1405

i02858057

NOTE	REF NO	GRAPHIC REF	PART NUMBER	QTY	PART NAME						SEE PAGE
					1	2	3	4	5	6 (PRODUCT LEVEL)	
1		1	6N-1876	1	HOUSING AS (RECTIFIER)						
2		1	9S-2396	1	BUSHING-TERMINAL						
3		1	9N-0943	1	PLUG-BEARING WELL						
4		1	5P-3418	1	BEARING-ROLLER						
5		1	6N-1968	1	STATOR AS						
		1	2L-8075	3	TERMINAL-RING (14-GA TO 16-GA, NO. 8 SCREW)						
		1	9N-0939	1	GROMMET						
6		1	9N-0942	1	PLATE-COVER						
7		1	2P-5616	1	FRAME-DRIVE END						
8		1	9S-2390	1	RETAINER						
9		1	9N-0937	1	RECTIFIER AS						
10		1	9S-2302	1	ROTOR AS						
11		1	5P-7807	1	BALL BEARING						
12		1	100-6531	1	FAN-ALTERNATOR (11-BLADE)						
13		1	5P-3419	1	RACE-BEARING INNER						
14		1	7F-7621	1	WASHER (0.635X1.25X0.09-IN THK)						
15		1	2K-4821	1	LOCKNUT (5/8-18-THD)						
16		1	6N-1945	1	COIL AS-FIELD						
17		1	9X-2500	4	SCREW-HEX FLANGE (10-24X38.1-MM)						
18		1	9N-3388	5	BOLT (10-24X0.75-IN)						
19		1	100-6532	1	COLLAR-ALTERNATOR						
20		1	9S-2009	4	BOLT-FLANGE HEAD (10-24X3.625-IN)						
21		2	6N-1944	1	DIODE AS						
22		2	6N-1870	2	SCREW AS (8-32X34-MM)						
23		2	8T-0328	2	WASHER-HARD (5.5X10X1-MM THK)						
24		2	9S-2544	7	SCREW-HEX HEAD (8-32X11.13-MM)						
25		2	9B-7233	11	LOCKWASHER						
26		2	4B-2043	4	NUT (8-32-THD)						
27		2	6V-8187	2	NUT (1/4-28-THD)						
28		2	1H-3244	2	LOCKWASHER						
29		2	6N-1925	1	BRACKET						
30		2	6N-1946	1	CAPACITOR AS						
31		2	6N-1872	3	SCREW AS (8-32X1.25-IN)						
32		2	3T-6354	1	REGULATOR AS-VOLTAGE (24-VOLT) (ALTERNATOR)						
33		2	6N-1873	1	LEAD AS						
34		2	2L-8075	3	TERMINAL-RING (14-GA TO 16-GA, NO. 8 SCREW)						
35		2	8T-4205	2	WASHER-HARD (7.2X14.5X2-MM THK)						
36		2	6N-1871	1	LEAD AS						
37		2	8M-6701	3	WASHER (0.281X0.5X0.032-IN THK)						
38		2	6N-1856	4	BUSHING-TERMINAL						
					AVAILABLE REPAIR KIT(S):						
			6N-1875	1	KIT-OUTPUT TERMINAL (ALTERNATOR) (INCLUDES TERMINAL, LEAD ASSEMBLY, BUSHING, WASHERS, NUTS & LOCKWASHERS)						

ELECTRICAL AND STARTING SYSTEM

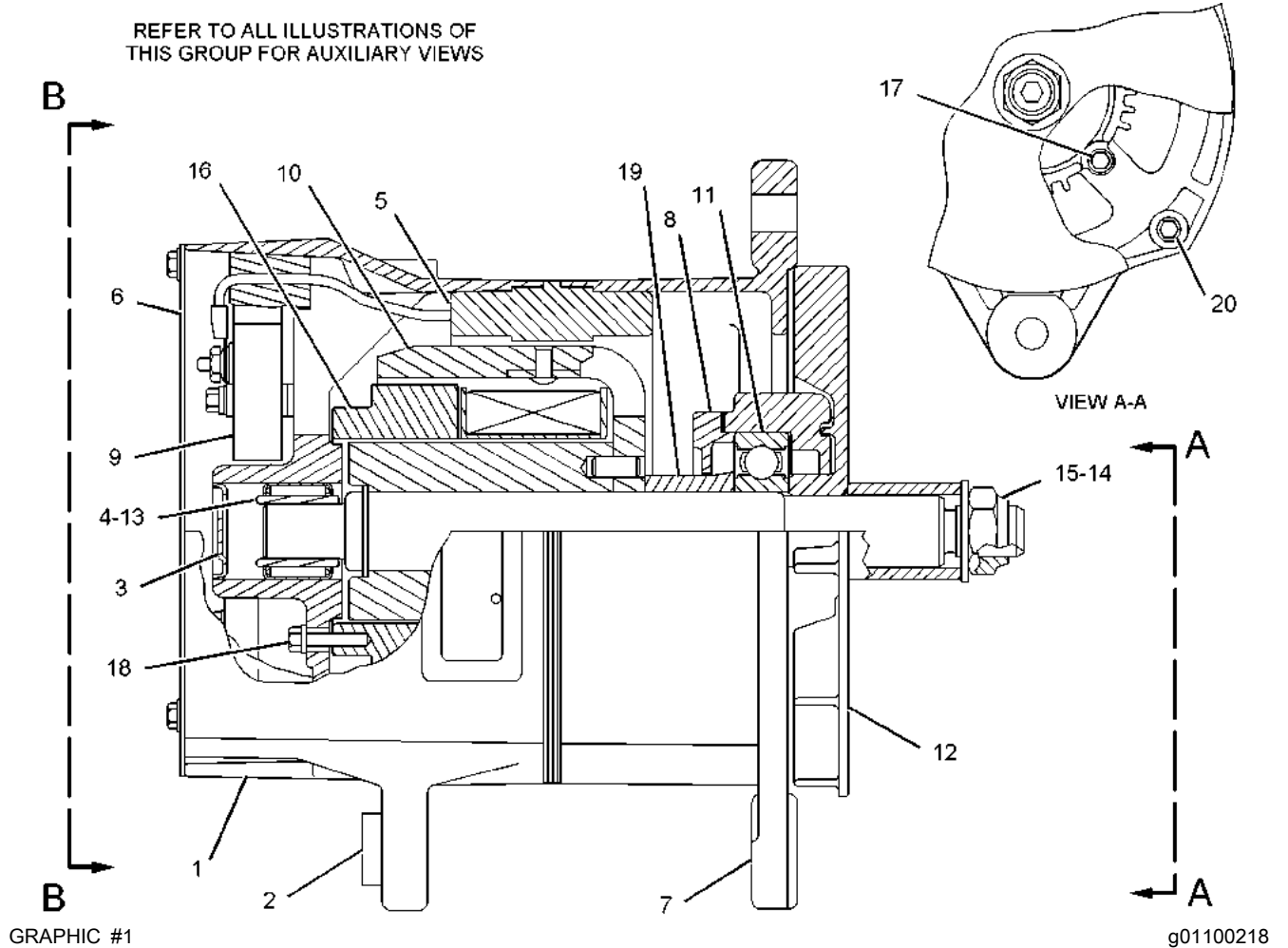
4N-3986 ALTERNATOR GP-CHARGING (contd.)

i02858057

NOTE	REF NO	GRAPHIC REF	PART NUMBER	QTY	PART NAME	SEE PAGE
			105-3762	1	KIT-ALTERNATOR TERMINAL	

(INCLUDES TERMINAL ASSEMBLY, INSULATOR, BUSHING, WASHER, NUTS & LOCKWASHERS)

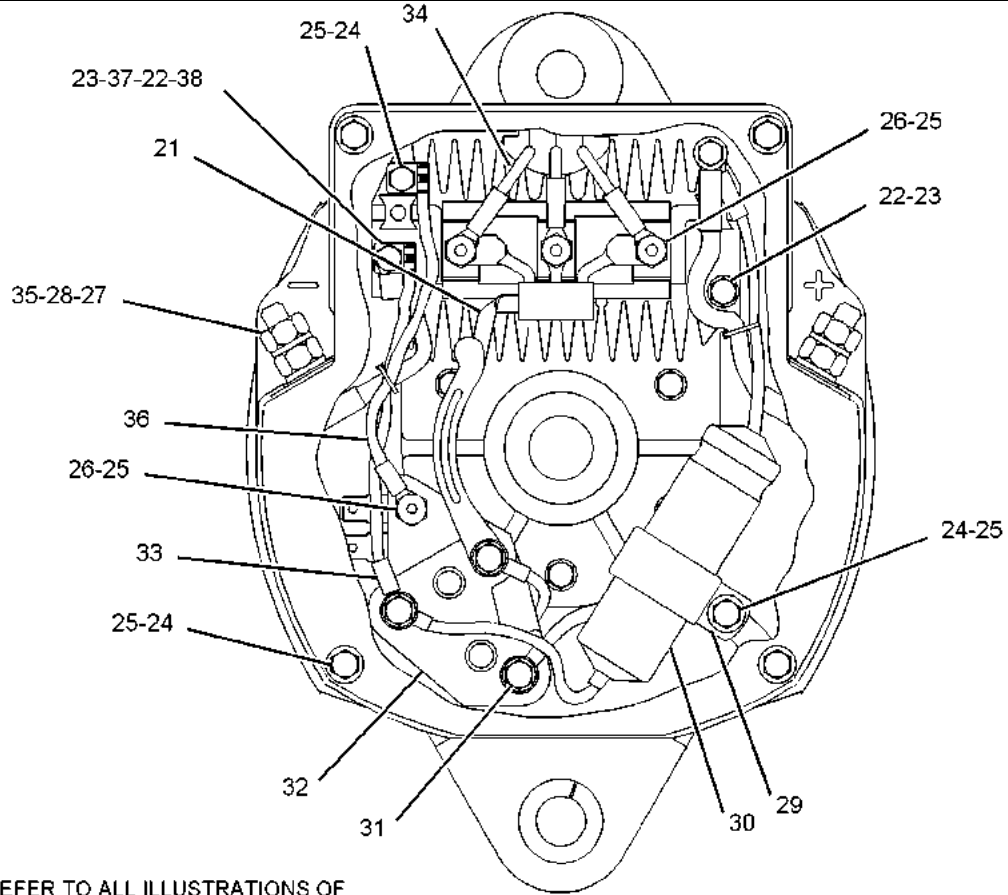
REFER TO ALL ILLUSTRATIONS OF THIS GROUP FOR AUXILIARY VIEWS



ELECTRICAL AND STARTING SYSTEM

4N-3986 ALTERNATOR GP-CHARGING (contd.)

i02858057



REFER TO ALL ILLUSTRATIONS OF THIS GROUP FOR AUXILIARY VIEWS

VIEW B-B

<END>

GRAPHIC #2

g01117023

ELECTRICAL AND STARTING SYSTEM

4N-3986 ALTERNATOR GP-CHARGING*R

24-VOLT, 60-AMPERE

FIELD REPLACEMENT ORDER 333-1184-PAGE: 966, 1- 3T-4688 TERMINAL-RING, 266-7227-PAGE: 962

PART OF 7N-7981 ALTERNATOR GP-CHARGING
AN ATTACHMENT
TYPE 2

SMCS-1405

i07232031

NOTE	REF NO	GRAPHIC REF	PART NUMBER	QTY	PART NAME						SEE PAGE
					1	2	3	4	5	6 (PRODUCT LEVEL)	
	1	1	6N-1876	1	HOUSING AS (RECTIFIER)						
	2	1	9S-2396	1	BUSHING-TERMINAL						
	3	1	9N-0943	1	PLUG-BEARING WELL						
	4	1	5P-3418	1	BEARING-ROLLER						
	5	1	6N-1968	1	STATOR AS						
		1	2L-8075	3	TERMINAL-RING (14-GA TO 16-GA, NO. 8 SCREW)						
		1	9N-0939	1	GROMMET						
	6	1	9N-0942	1	PLATE-COVER						
	7	1	2P-5616	1	FRAME-DRIVE END						
	8	1	9S-2390	1	RETAINER						
	9	1	9N-0937	1	RECTIFIER AS						
	10	1	9S-2302	1	ROTOR AS						
	11	1	5P-7807	1	BALL BEARING						
	12	1	100-6531	1	FAN-ALTERNATOR (11-BLADE)						
	13	1	5P-3419	1	RACE-BEARING INNER						
	15	1	2K-4821	1	LOCKNUT (5/8-18-THD)						
	16	1	6N-1945	1	COIL AS-FIELD						
	17	1	9X-2500	4	SCREW-HEX FLANGE (10-24X38.1-MM)						
	18	1	9N-3388	5	BOLT (10-24X0.75-IN)						
	19	1	100-6532	1	COLLAR-ALTERNATOR						
	20	1	9S-2009	4	BOLT-FLANGE HEAD (10-24X3.625-IN)						
	21	2	6N-1944	1	DIODE AS						
	22	2	6N-1870	2	SCREW AS (8-32X34-MM)						
	23	2	8T-0328	2	WASHER-HARD (5.5X10X1-MM THK)						
	24	2	9S-2544	7	SCREW-HEX HEAD (8-32X11.13-MM)						
	25	2	9B-7233	11	LOCKWASHER						
	26	2	4B-2043	4	NUT (8-32-THD)						
	27	2	6V-8187	2	NUT (1/4-28-THD)						
	28	2	1H-3244	2	LOCKWASHER						
	29	2	6N-1925	1	BRACKET						
	30	2	6N-1946	1	CAPACITOR AS						
	31	2	6N-1872	3	SCREW AS (8-32X1.25-IN)						
	32	2	3T-6354	1	REGULATOR AS-VOLTAGE (24-VOLT) (ALTERNATOR AIR)						
	33	2	6N-1873	1	LEAD AS						
	34	2	2L-8075	3	TERMINAL-RING (14-GA TO 16-GA, NO. 8 SCREW)						
	35	2	8T-4205	2	WASHER-HARD (7.2X14.5X2-MM THK)						
	36	2	6N-1871	1	LEAD AS						
	37	2	8M-6701	3	WASHER (0.281X0.5X0.032-IN THK)						
	38	2	6N-1856	4	BUSHING-TERMINAL						
					AVAILABLE REPAIR KIT(S):						
			6N-1875	1	KIT-OUTPUT TERMINAL (ALTERNATOR)						
					(INCLUDES TERMINAL, LEAD ASSEMBLY, BUSHING, WASHERS, NUTS & LOCKWASHERS)						

ELECTRICAL AND STARTING SYSTEM

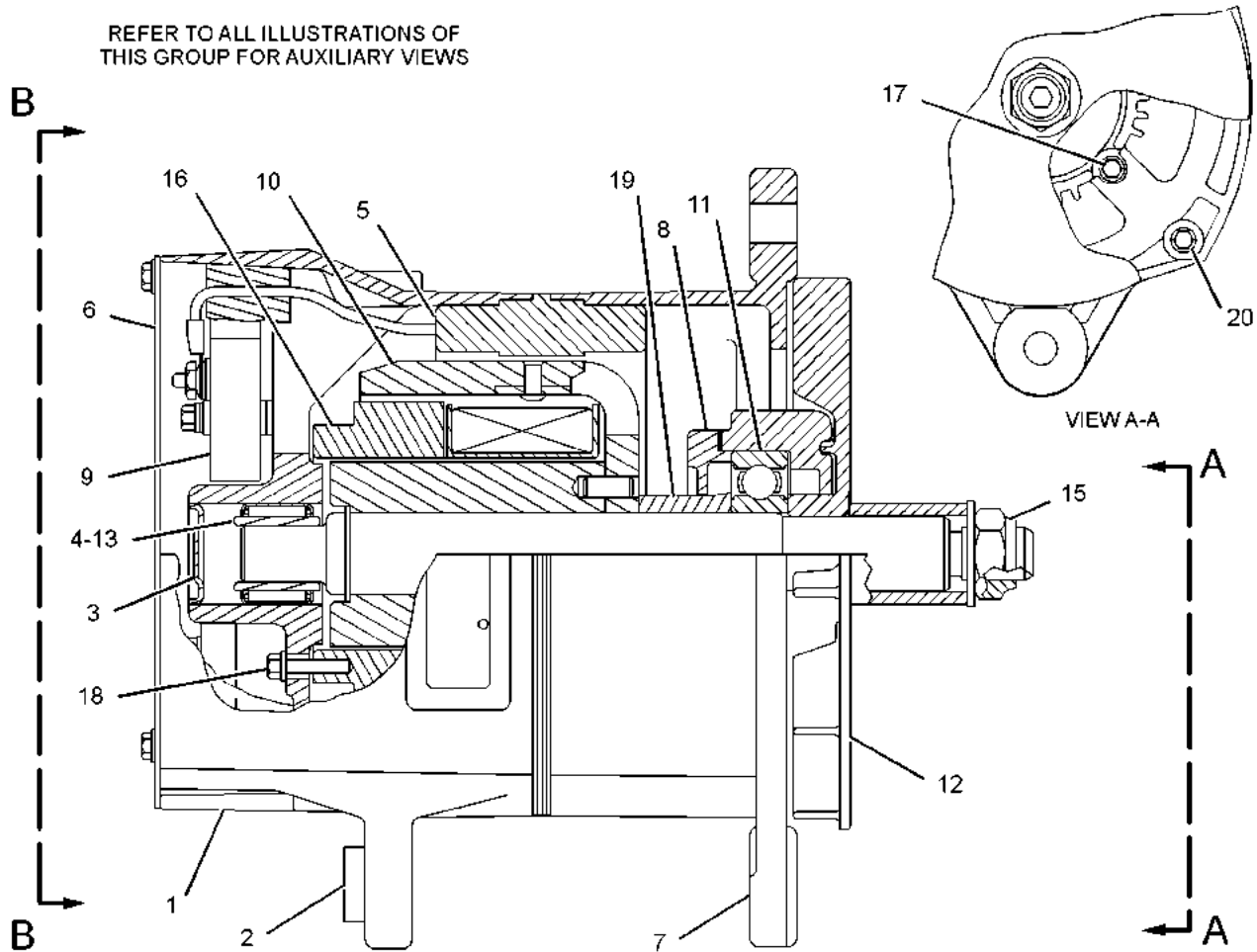
4N-3986 ALTERNATOR GP-CHARGING (contd.)

i07232031

NOTE	REF NO	GRAPHIC REF	PART NUMBER	QTY	PART NAME	SEE PAGE
			105-3762	1	KIT-ALTERNATOR TERMINAL	

(INCLUDES TERMINAL ASSEMBLY, INSULATOR, BUSHING, WASHER, NUTS & LOCKWASHERS)

REFER TO ALL ILLUSTRATIONS OF THIS GROUP FOR AUXILIARY VIEWS



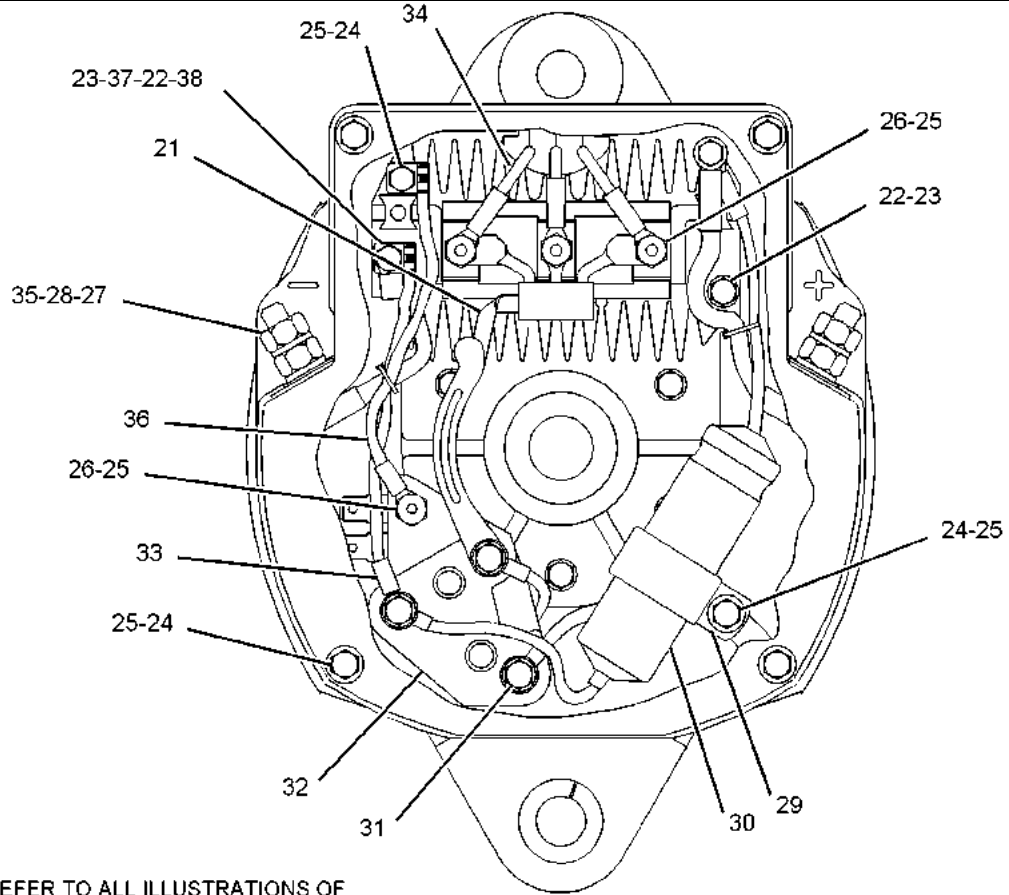
GRAPHIC #1

g01852654

ELECTRICAL AND STARTING SYSTEM

4N-3986 ALTERNATOR GP-CHARGING (contd.)

107232031



REFER TO ALL ILLUSTRATIONS OF THIS GROUP FOR AUXILIARY VIEWS

VIEW B-B

<END>

GRAPHIC #2

g01117023

ELECTRICAL AND STARTING SYSTEM

7N-7981 ALTERNATOR GP-CHARGING

24-VOLT, 60-AMPERE

AN ATTACHMENT

SMCS-1405

i02336475

NOTE	PART NUMBER	QTY	PART NAME						SEE PAGE
			1	2	3	4	5	6 (PRODUCT LEVEL)	
YR	4N-3986	1	ALTERNATOR GP-CHARGING (24-VOLT, 60-AMPERE)						968
Y	3N-9012	1	AMMETER GP (60-AMPERE)						1362
	2L-0273	1	FITTING (RUBBER)						
B	8F-1434	1	LOCKWASHER						
B	4B-2047	1	NUT (10-24-THD)						
B	2N-3479	1	SCREW (10-24X0.5-IN)						
	4B-4274	1	WASHER (5.5X13X1.2-MM THK)						
	090-4719	2	WASHER (7.14X15.88X1.58-MM THK)						
B	3K-7543	1	WIRE AS						

B - USE AS REQUIRED

R - REMANUFACTURED PART MAY BE AVAILABLE

Y - SEPARATE ILLUSTRATION

<END>

ELECTRICAL AND STARTING SYSTEM

7W-0408 BATTERY CHARGER

24-VOLT

FOR USE WITH LEAD ACID OR NICAD BATTERY
AN ATTACHMENT

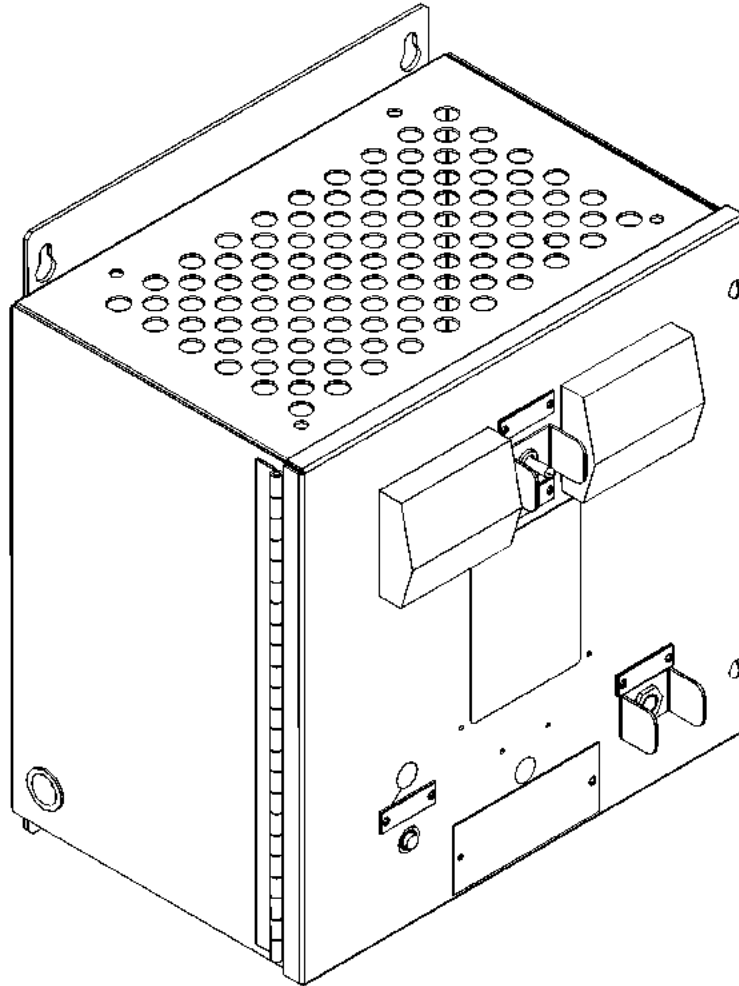
SMCS-1401, 1406

i05898832

NOTE	REF NO	GRAPHIC REF	PART NUMBER	QTY	PART NAME	SEE PAGE
------	--------	-------------	-------------	-----	-----------	----------

1 2 3 4 5 6 (PRODUCT LEVEL)

(NO SERVICED PARTS)



GRAPHIC #1

<END>

g02717432

ELECTRICAL AND STARTING SYSTEM

7L-7871 BATTERY GP

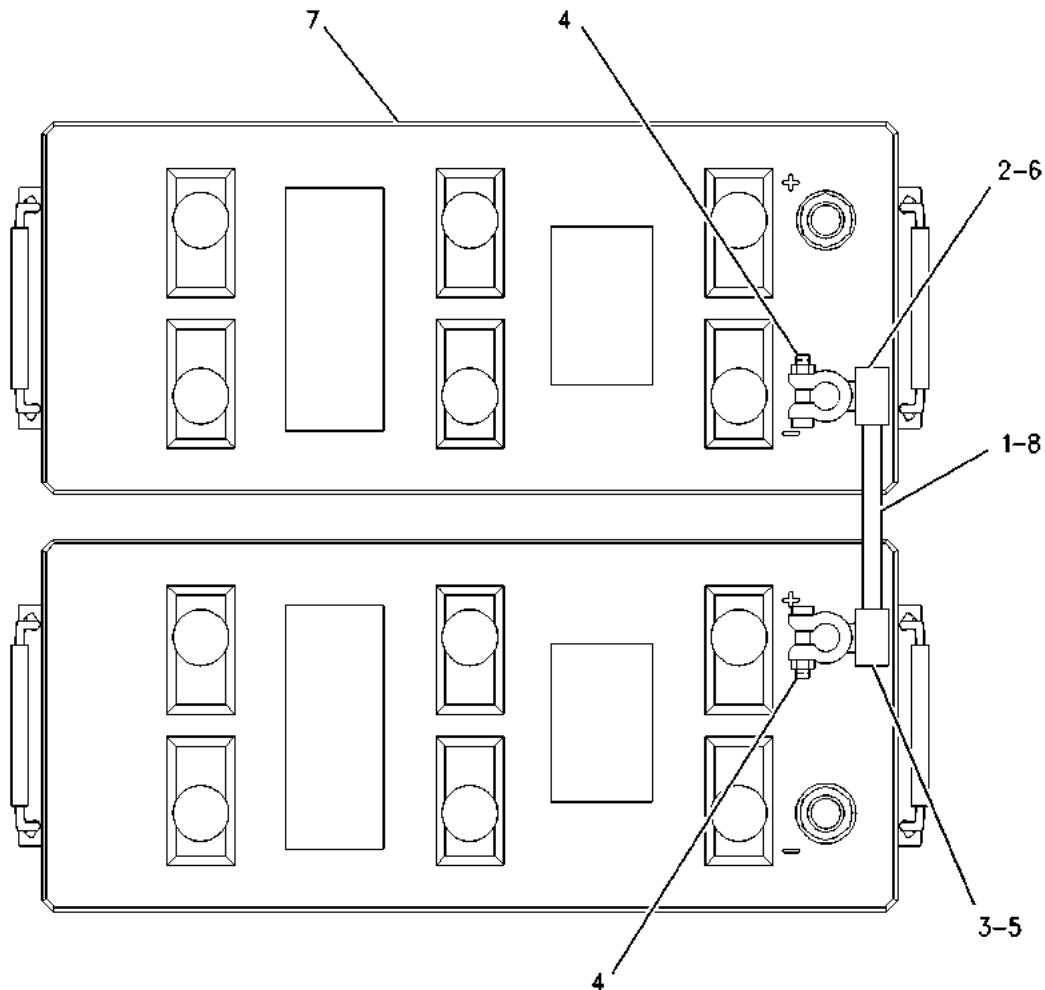
**24-VOLT, 1000-COLD CRANKING AMPERE, 140-AMPERE HOUR
AN ATTACHMENT**

SMCS-1401

i05326833

NOTE	REF NO	GRAPHIC REF	PART NUMBER	QTY	PART NAME						SEE PAGE
					1	2	3	4	5	6 (PRODUCT LEVEL)	
	1	1	2V-7397	1	CABLE AS						
E		1	5P-0747		CABLE (00-GA, BLACK) (20-CM)						
	2	1	8T-9757	1	TERMINAL AS-BATTERY (NEGATIVE)						
	3	1	8C-5917	1	TERMINAL AS-BATTERY (POSITIVE)						
	4	1	1M-6119	2	BOLT (5/16-18X1.375-IN)						
		1	1M-6120	2	NUT (5/16-18-THD)						
	5	1	9G-0004	1	COVER AS-TERMINAL (RED)						
	6	1	9G-0003	1	COVER AS-TERMINAL (BLACK)						
C	7	1	9X-9720	2	BATTERY (12-VOLT) (DRY)						
					(EACH INCLUDES)						
		1	7N-0060	6	VENT AS (BATTERY)						
	8	1	8L-8413	2	STRAP-CABLE (WHITE)						

C - CHANGE FROM PREVIOUS TYPE
E - ORDER BY THE CENTIMETER



GRAPHIC #1

<END>

g00621897

ELECTRICAL AND STARTING SYSTEM

7L-7872 BATTERY GP

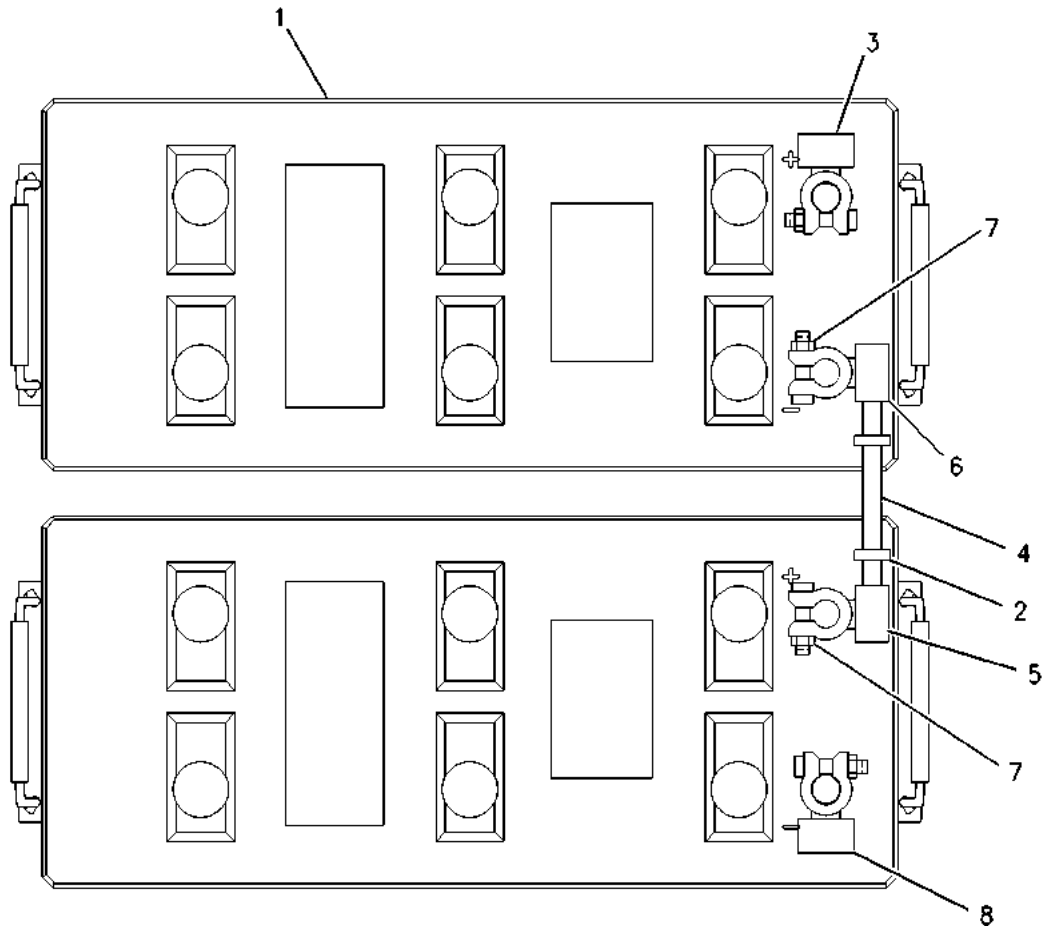
**24-VOLT. 1300-COLD CRANKING AMPERE. 190-AMPERE HOUR
AN ATTACHMENT**

SMCS-1401

i03760525

NOTE	REF NO	GRAPHIC REF	PART NUMBER	QTY	PART NAME						SEE PAGE
					1	2	3	4	5	6 (PRODUCT LEVEL)	
CY	1	1	9X-9730	2	BATTERY GP (12-VOLT) (DRY)						978
C	2	1	8L-8413	2	STRAP-CABLE (WHITE)						
C	3	1	9G-0004	1	COVER AS-TERMINAL (RED)						
C	4	1	2V-7397	1	CABLE AS						
E		1	5P-0747		CABLE (00-GA, BLACK) (20-CM)						
		1	1M-6120	2	NUT (5/16-18-THD)						
	5	1	8C-5917	1	TERMINAL AS-BATTERY (POSITIVE)						
	6	1	8T-9757	1	TERMINAL AS-BATTERY (NEGATIVE)						
	7	1	1M-6119	2	BOLT (5/16-18X1.375-IN)						
C	8	1	9G-0003	1	COVER AS-TERMINAL (BLACK)						

C - CHANGE FROM PREVIOUS TYPE
E - ORDER BY THE CENTIMETER
Y - SEPARATE ILLUSTRATION



GRAPHIC #1

<END>

g00622754

ELECTRICAL AND STARTING SYSTEM

9X-9730 BATTERY GP-DRY

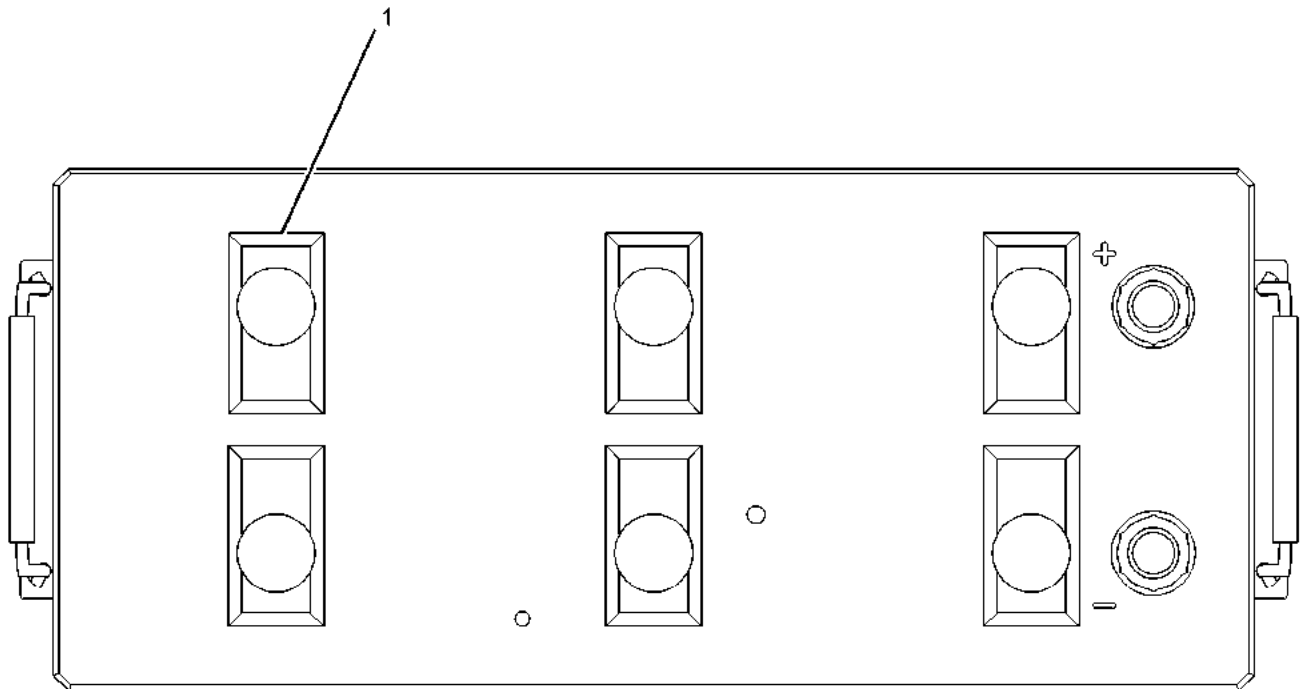
12-VOLT

PART OF 7L-7872 BATTERY GP
AN ATTACHMENT

SMCS-1401

i02482336

NOTE	REF NO	GRAPHIC REF	PART NUMBER	QTY	PART NAME						SEE PAGE
					1	2	3	4	5	6	
	1	1	7N-0060	6	VENT AS						



GRAPHIC #1

<END>

g01239900

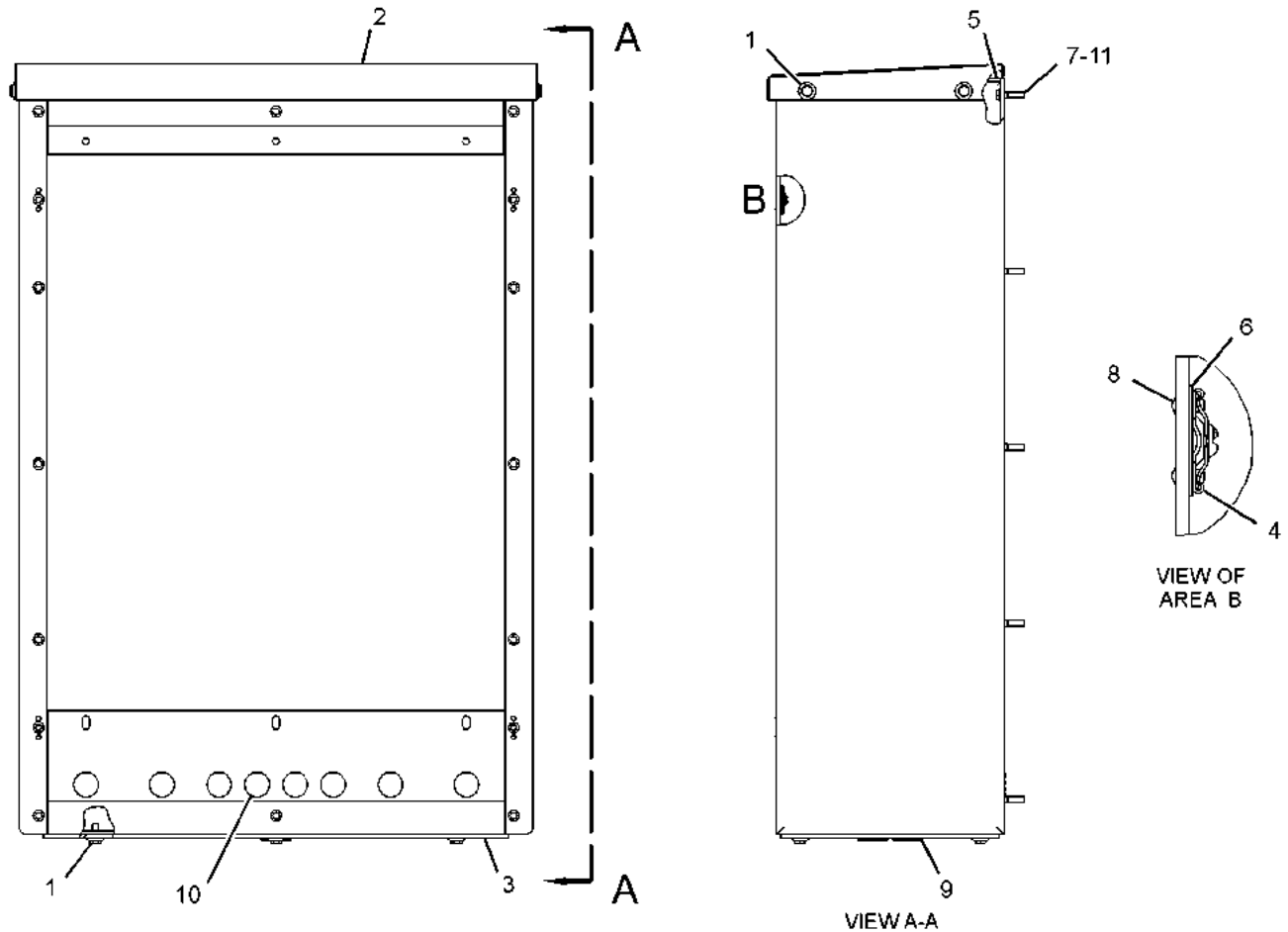
ELECTRICAL AND STARTING SYSTEM

357-3040 BOX & MOUNTING GP-CABLE ACCESS PART OF 361-2595 BOX GP-EXTENSION TERMINAL AN ATTACHMENT

SMCS-4460, 7426

i07451841

NOTE	REF NO	GRAPHIC REF	PART NUMBER	QTY	PART NAME						SEE PAGE
					1	2	3	4	5	6 (PRODUCT LEVEL)	
	1	1	8T-0023	10	BOLT-HEAD LOCKING (5/16-18X1-IN)						
	2	1	123-0835	1	COVER-TOP						
	3	1	123-0836	1	COVER-BOTTOM						
	4	1	235-8354	4	FASTENER						
	5	1	357-3039	1	FRAME AS-BOX						
	6	1	361-3326	4	PLATE						
	7	1	1B-7182	10	BOLT (5/16-18X1.25-IN)						
	8	1	3E-4337	8	RIVET-POP						
	9	1	4F-8711	2	PLUG-BUTTON						
	10	1	4V-2027	8	PLUG-BUTTON						
	11	1	9M-1974	10	WASHER-HARD (8.8X16X2-MM THK)						



GRAPHIC #1

<END>

g02209333

ELECTRICAL AND STARTING SYSTEM

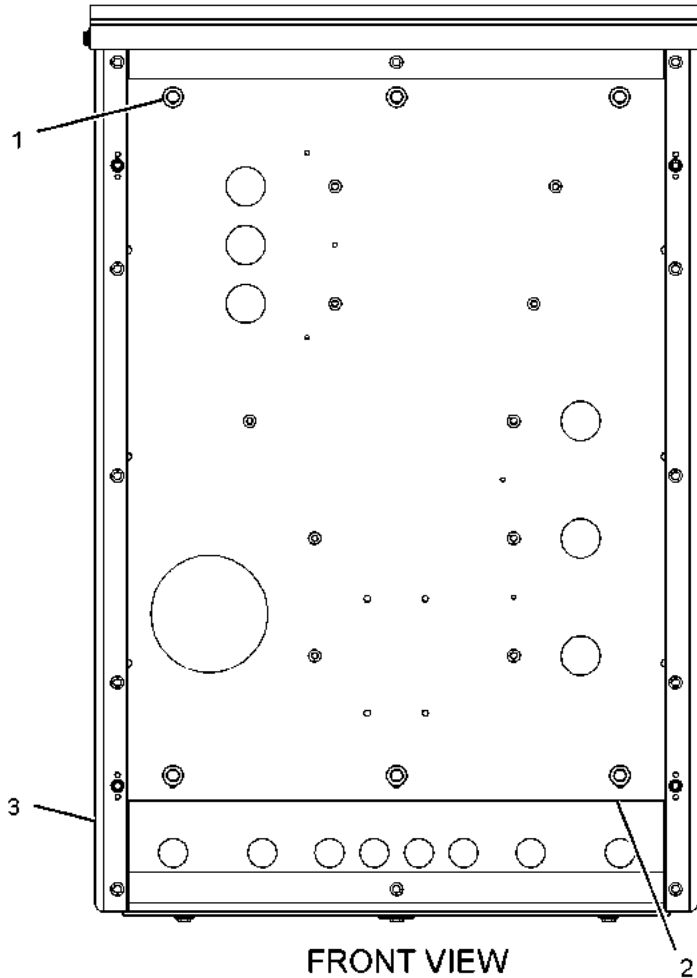
361-2595 **BOX GP-EXTENSION TERMINAL-LOW VOLTAGE** PART OF 361-2453 CONVERSION GP-GENERATOR AN ATTACHMENT

SMCS-4460

i03960519

NOTE	REF NO	GRAPHIC REF	PART NUMBER	QTY	PART NAME						SEE PAGE
					1	2	3	4	5	6 (PRODUCT LEVEL)	
	1	1	8T-0023	6	BOLT-HEAD LOCKING (5/16-18X1-IN)						
	2	1	123-0837	1	PANEL AS						
Y	3	1	357-3040	1	BOX & MOUNTING GP (CABLE ACCESS)						979

Y - SEPARATE ILLUSTRATION



FRONT VIEW

<END>

GRAPHIC #1

g02162343

ELECTRICAL AND STARTING SYSTEM

108-5564 BOX GP-JUNCTION

FOR USE WITH 64-VOLT STARTING SYSTEMS
AN ATTACHMENT

SMCS-7426

i07023202

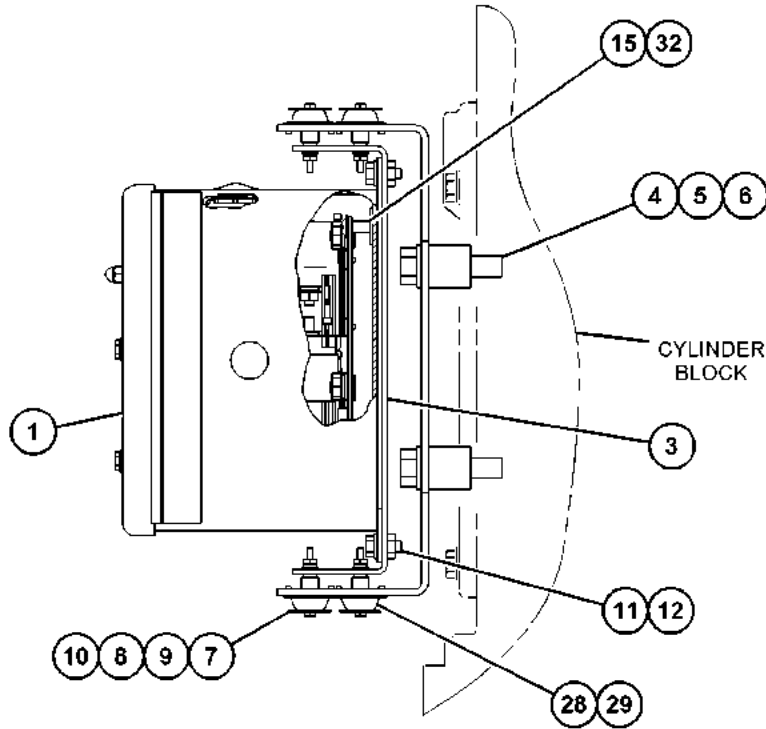
NOTE	REF NO	GRAPHIC REF	PART NUMBER	QTY	PART NAME						SEE PAGE
					1	2	3	4	5	6 (PRODUCT LEVEL)	
Y	1	1	257-5609	1	BOX GP-JUNCTION						986
	2	1	108-5566	1	PLATE						
	3	1	108-5567	1	BRACKET AS						
		1	9F-6445	4	NUT-WELD (1/4-20-THD)						
	4	1	1A-1460	4	BOLT (1/2-13X2-IN)						
	5	1	5P-8245	4	WASHER-HARD (13.5X25.5X3-MM THK)						
	6	1	1K-4649	4	SPACER (0.516X1X1-IN THK)						
	7	1	1F-2622	6	WASHER (0.156X0.97X0.049-IN THK)						
	8	1	9X-2079	6	SCREW-MACHINE (6-32X1.5-IN)						
	9	1	4B-5324	6	WASHER (3.9X9.6X1.2-MM THK)						
	10	1	7D-6922	6	LOCKNUT (6-32-THD)						
	11	1	2A-0762	4	BOLT (1/4-20X0.625-IN)						
	12	1	5P-0537	8	WASHER-HARD (7.2X14.5X2-MM THK)						
	13	1	9X-8124	2	SWITCH AS-MAGNETIC (24-VOLT) (STARTING MOTOR)						
	14	1	039-6554	2	RESISTOR						
	15	1	6L-7104	4	SCREW-MACHINE						
	16	1	096-5962	4	WASHER-HARD (3.4X7X0.8-MM THK)						
	17	1	9S-8750	4	NUT-FULL (1/4-20-THD)						
	18	1	7E-8866	18	TERMINAL-BLADE (14-GA TO 16-GA)						
	19	1	8L-8413	4	STRAP-CABLE (WHITE)						
	20	1	108-5568	1	PANEL AS						
	21	1	2N-7456	2	SCREW-MACHINE (10-24X1.5-IN)						
	22	1	8J-1256	2	CLIP (LOOP)						
	23	1	108-5569	1	RELAY-INTERVAL						
	24	1	152-0485	1	BOARD-TERMINAL						
	25	1	5B-9100	4	GASKET						
	26	1	2N-3480	2	SCREW-MACHINE (10-24X0.75-IN)						
	28	1	9Y-9373	6	MOUNT-FLEXIBLE						
	29	1	7K-6536	24	RIVET-POP						
	30	1	8C-8558	4	SCREW-LOCK (4-40X0.25-IN)						
	31	1	3E-0105	1	MOUNT						
	32	1	4B-4274	6	WASHER (5.5X13X1.2-MM THK)						
M	33	1	5C-2890	4	NUT (M6X1-THD)						
	34	1	4B-2047	4	NUT (10-24-THD)						
	35	1	4P-6599	1	PLUG						
EF		1	8T-1487		WIRE-ELECTRICAL (16-GA, RED) (418-CM)						

E - ORDER BY THE CENTIMETER
 F - NOT SHOWN
 M - METRIC PART
 Y - SEPARATE ILLUSTRATION

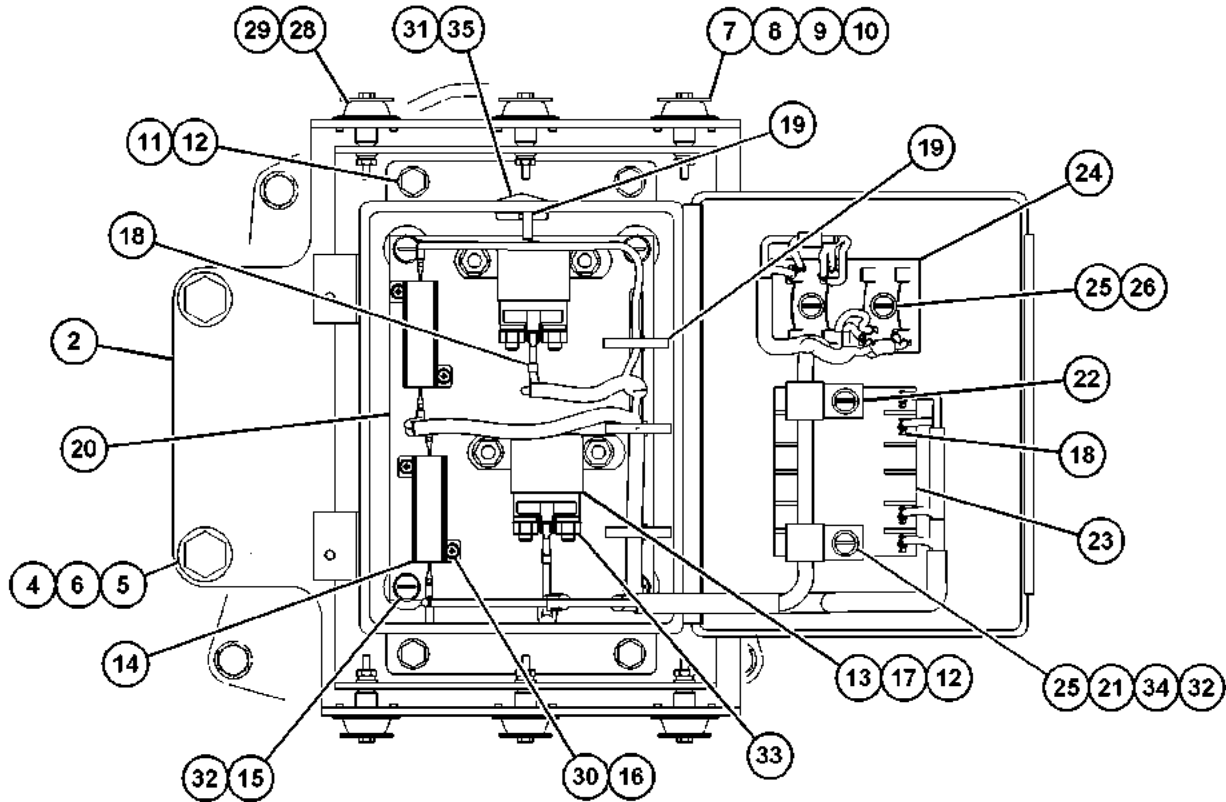
ELECTRICAL AND STARTING SYSTEM

108-5564 BOX GP-JUNCTION (contd.)

i07023202



FRONT VIEW OF ENGINE



RIGHT SIDE VIEW OF ENGINE
(DOOR OPENED FOR CLARITY)

GRAPHIC #1

<END>

g06209782

ELECTRICAL AND STARTING SYSTEM

108-5565 BOX GP-JUNCTION

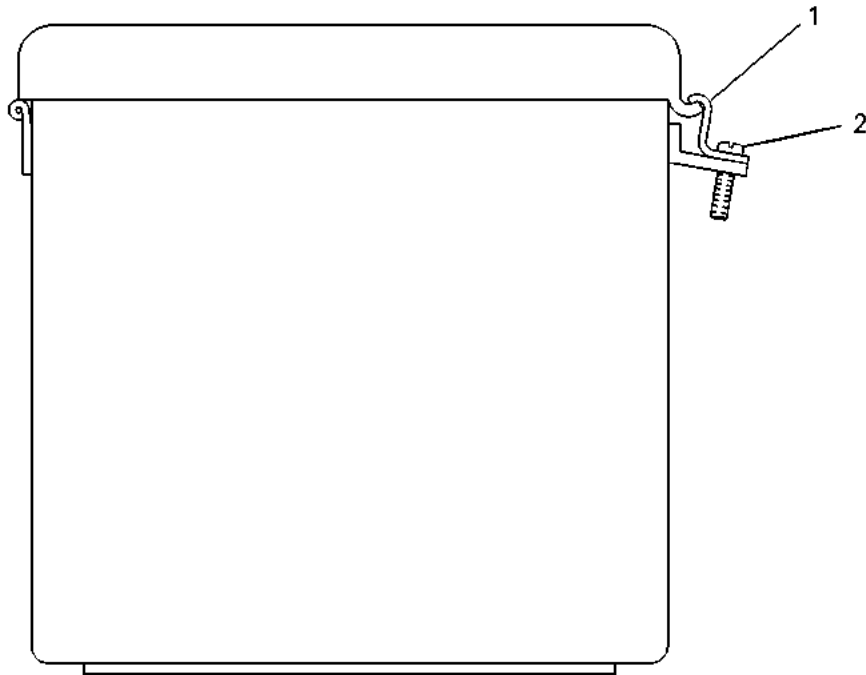
PART OF 257-5609 BOX GP-JUNCTION

AN ATTACHMENT

SMCS-7426

i02019625

NOTE	REF NO	GRAPHIC REF	PART NUMBER	QTY	PART NAME						SEE PAGE
					1	2	3	4	5	6 (PRODUCT LEVEL)	
	1	1	7E-9932	2	CLIP						
	2	1	6J-4762	2	SCREW (10-32X0.625-IN)						



GRAPHIC #1

<END>

g00259531

ELECTRICAL AND STARTING SYSTEM

174-1417 BOX GP-JUNCTION

PART OF 166-4363 SHUTOFF GP-ELECTRICAL

AN ATTACHMENT

SMCS-7426

i02660047

NOTE	PART NUMBER	QTY	PART NAME						SEE PAGE
			1	2	3	4	5	6 (PRODUCT LEVEL)	
Y	7C-5030	1	BOX GP-JUNCTION						996
Y	7W-6955	1	MOUNTING GP-JUNCTION BOX						1179
Y	2W-8956	1	SWITCH GP-ENGINE (RELAY)						1319
	2W-6832	1	SWITCH AS (SHUTOFF)						
	5N-0361	1	GUARD						

Y - SEPARATE ILLUSTRATION

<END>

ELECTRICAL AND STARTING SYSTEM

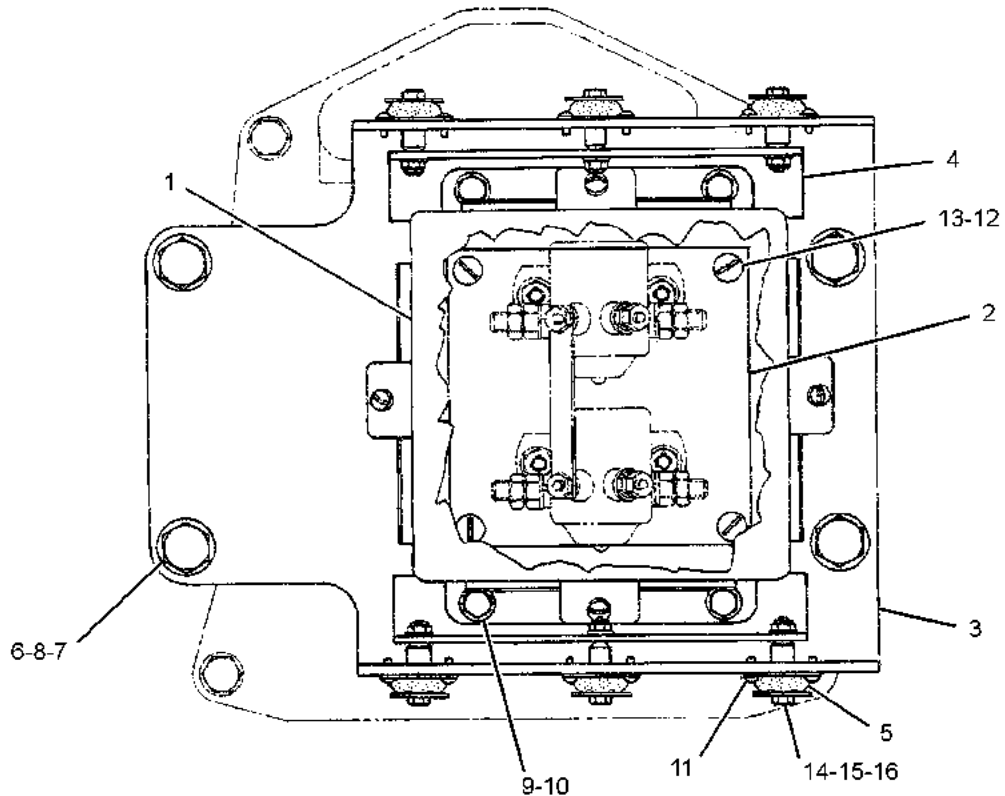
222-1408 BOX GP-JUNCTION AN ATTACHMENT

SMCS-7426

i03786150

NOTE	REF NO	GRAPHIC REF	PART NUMBER	QTY	PART NAME						SEE PAGE
					1	2	3	4	5	6 (PRODUCT LEVEL)	
Y	1	1	4P-5660	1	BOX GP-JUNCTION						991
	2	1	4P-5248	1	PANEL AS						
	3	1	4P-5648	1	PLATE						
	4	1	4P-5649	2	BRACKET AS						
					(EACH INCLUDES)						
		1	9F-6445	2	NUT-WELD (1/4-20-THD)						
	5	1	9Y-9373	6	MOUNT-FLEXIBLE						
	6	1	1K-4649	4	SPACER (0.516X1X1-IN THK)						
	7	1	8T-4835	4	BOLT (1/2-13X2-IN)						
	8	1	8T-4223	4	WASHER-HARD (13.5X25.5X3-MM THK)						
	9	1	8T-9364	4	BOLT (1/4-20X0.625-IN)						
	10	1	8T-4205	4	WASHER-HARD (7.2X14.5X2-MM THK)						
	11	1	7K-6536	24	RIVET-POP						
	12	1	6L-7104	4	SCREW-MACHINE						
	13	1	4B-4274	4	WASHER (5.5X13X1.2-MM THK)						
	14	1	9X-2079	6	SCREW-MACHINE (6-32X1.5-IN)						
	15	1	7D-6922	6	LOCKNUT (6-32-THD)						
	16	1	4B-5324	6	WASHER (3.9X9.6X1.2-MM THK)						

Y - SEPARATE ILLUSTRATION



GRAPHIC #1

<END>

g02052594

ELECTRICAL AND STARTING SYSTEM

257-5609 BOX GP-JUNCTION

PART OF 108-5564 BOX GP-JUNCTION

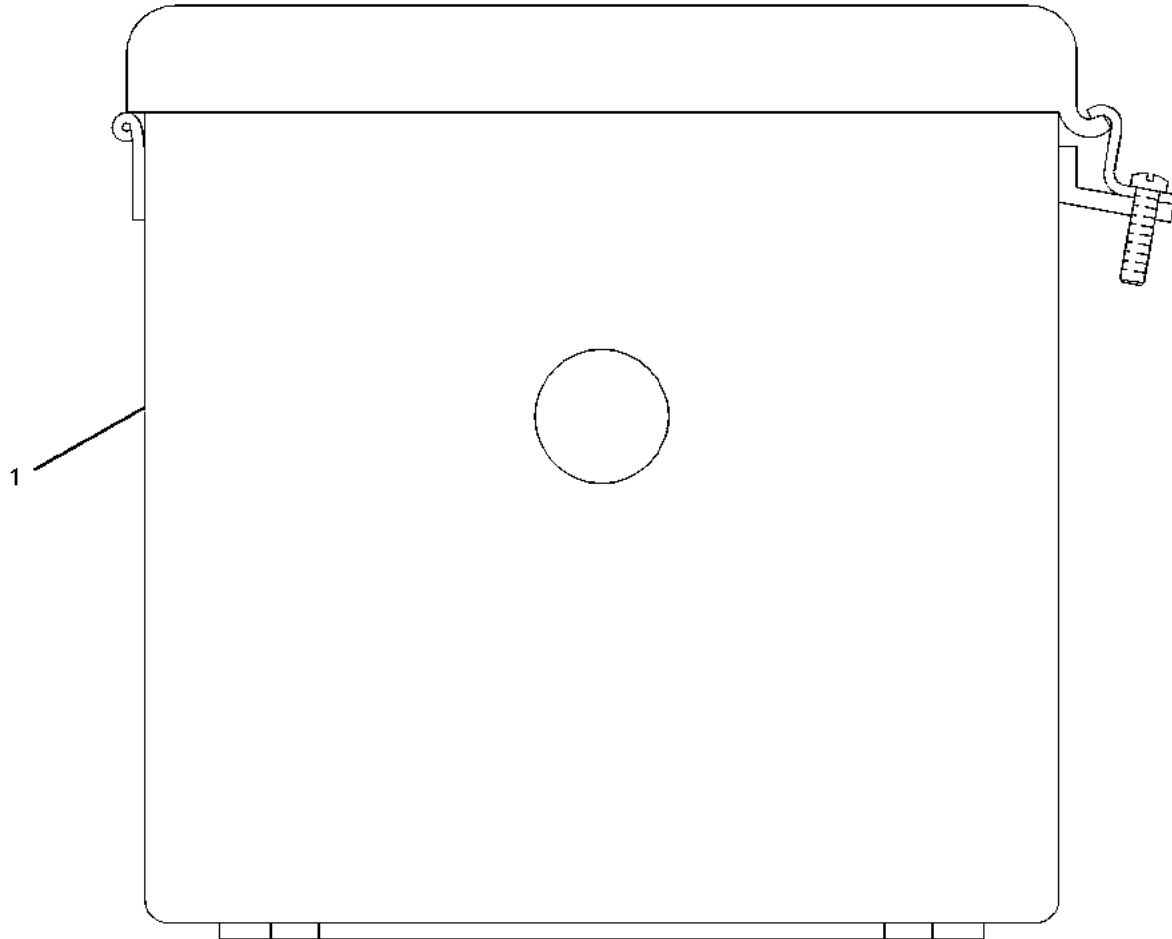
AN ATTACHMENT

SMCS-7426

i05936383

NOTE	REF NO	GRAPHIC REF	PART NUMBER	QTY	PART NAME						SEE PAGE
					1	2	3	4	5	6 (PRODUCT LEVEL)	
Y	1		108-5565	1	BOX GP-JUNCTION						983

Y - SEPARATE ILLUSTRATION



GRAPHIC #1

<END>

g01132375

ELECTRICAL AND STARTING SYSTEM

4P-5284 BOX GP-JUNCTION

S/N: 65Z887-1634

**FOR USE WITH ELECTRO-MECHANICAL SHUT-OFF, ELECTRIC STARTING MOTOR AND 24-VOLT DC
PRELUBRICATION PUMP
AN ATTACHMENT**

SMCS-7426

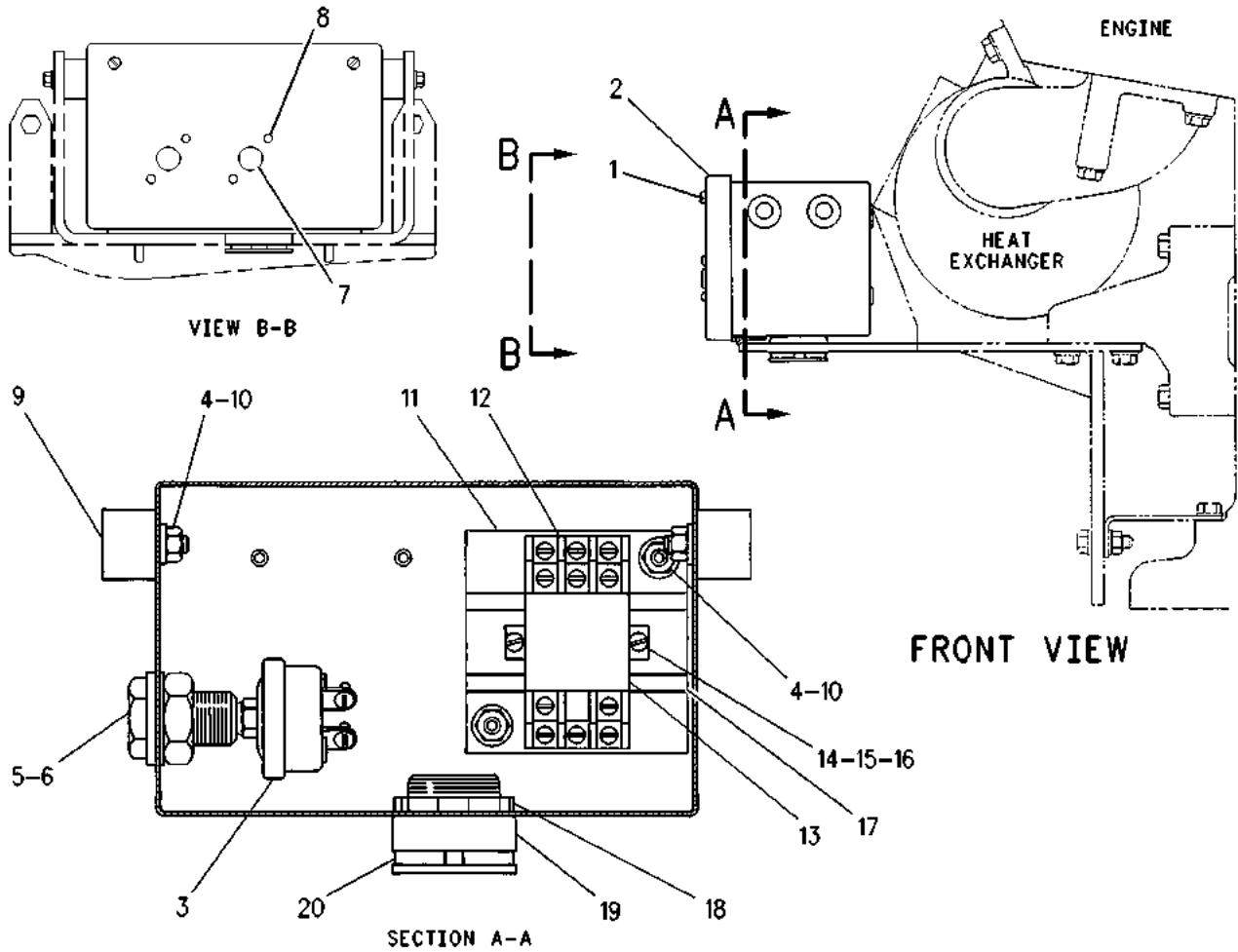
i05983876

NOTE	REF NO	GRAPHIC REF	PART NUMBER	QTY	PART NAME	SEE PAGE
					1 2 3 4 5 6 (PRODUCT LEVEL)	
	1	1	9M-5520	2	SCREW-TAPPING (10-24X0.5-IN)	
	2	1	4P-5285	1	ENCLOSURE AS	
		1	3H-5366	2	STUD-WELD (1/4-20X0.625-IN)	
	3	1	3N-1400	1	SWITCH AS-PRESSURE (PRELUBRICATION)	
	4	1	8T-4205	6	WASHER-HARD (7.2X14.5X2-MM THK)	
	5	1	9M-7357	1	COUPLING AS	
	6	1	7X-0519	1	WASHER-HARD (20X33.5X5-MM THK)	
	7	1	3L-4566	2	PLUG-BUTTON	
	8	1	6K-9591	4	PLUG-BUTTON	
	9	1	7E-7731	4	MOUNT	
	10	1	6V-8185	6	NUT (1/4-20-THD)	
	11	1	4P-4930	1	PLATE	
	12	1	4W-8787	1	SOCKET-RELAY	
	13	1	3N-5714	1	RELAY AS (24-VOLT) (AUXILIARY)	
	14	1	6L-7159	2	SCREW-MACHINE (8-32X0.313-IN)	
	15	1	4B-4863	2	WASHER (4.7X11X1.2-MM THK)	
	16	1	3B-4501	2	LOCKWASHER	
	17	1	191-8396	1	RAIL	
	18	1	062-5388	1	LOCKNUT (1-11-1/2-THD)	
	19	1	5N-9117	1	ADAPTER	
	20	1	5N-9073	1	CLIP	

ELECTRICAL AND STARTING SYSTEM

4P-5284 BOX GP-JUNCTION (contd.)

i05983876



GRAPHIC #1

<END>

g00766285

ELECTRICAL AND STARTING SYSTEM

4P-5284 BOX GP-JUNCTION

S/N: 65Z1635-UP

**FOR USE WITH ELECTRO-MECHANICAL SHUT-OFF, ELECTRIC STARTING MOTOR AND 24-VOLT DC
PRELUBRICATION PUMP
AN ATTACHMENT**

SMCS-7426

i05983872

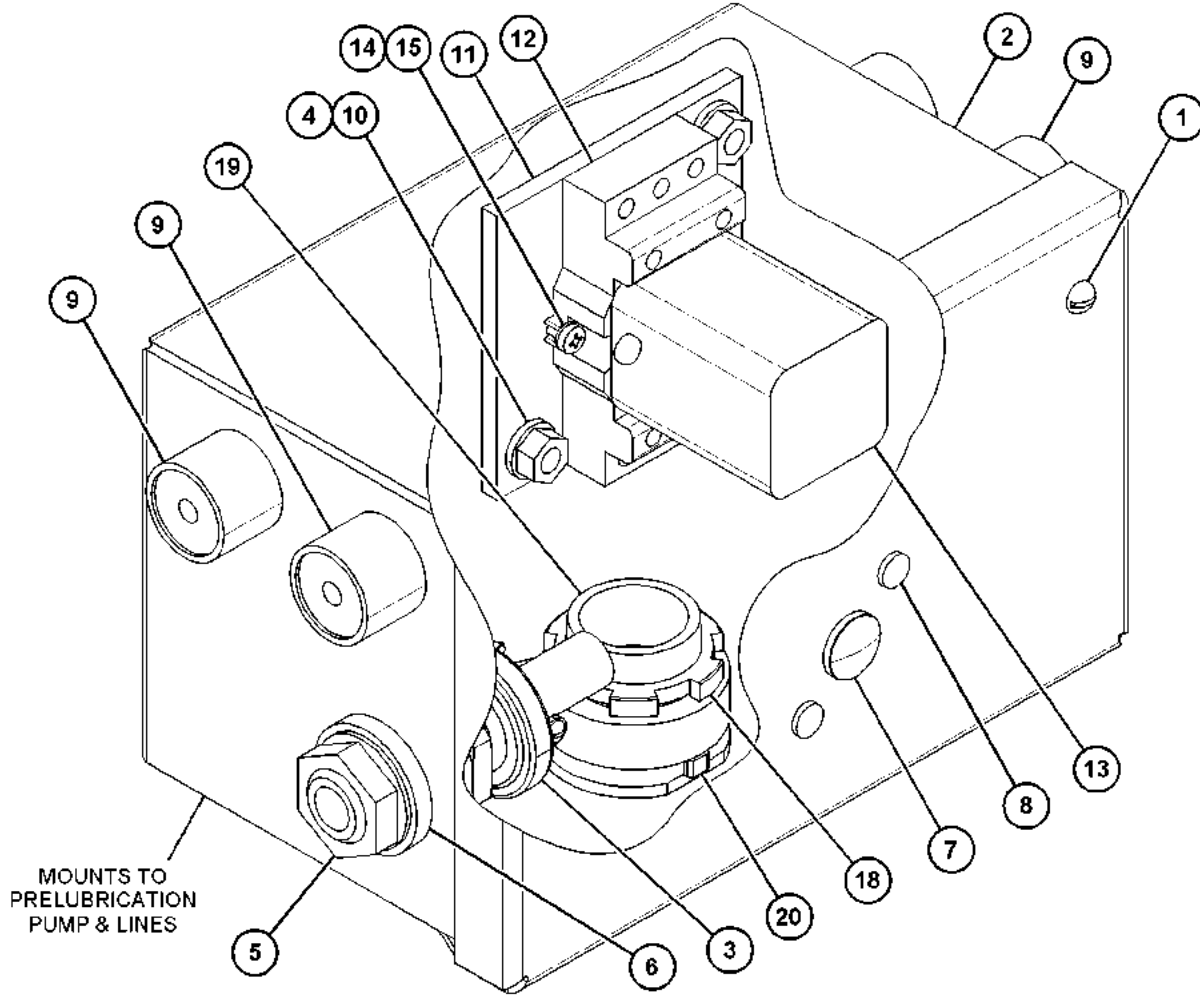
NOTE	REF NO	GRAPHIC REF	PART NUMBER	QTY	PART NAME						SEE PAGE
					1	2	3	4	5	6 (PRODUCT LEVEL)	
	1	1	9M-5520	2	SCREW-TAPPING (10-24X0.5-IN)						
	2	1	4P-5285	1	ENCLOSURE AS						
		1	3H-5366	2	STUD-WELD (1/4-20X0.625-IN)						
	3	1	3N-1400	1	SWITCH AS-PRESSURE (PRELUBRICATION)						
	4	1	8T-4205	6	WASHER-HARD (7.2X14.5X2-MM THK)						
	5	1	9M-7357	1	COUPLING AS						
	6	1	7X-0519	1	WASHER-HARD (20X33.5X5-MM THK)						
	7	1	3L-4566	2	PLUG-BUTTON						
	8	1	6K-9591	4	PLUG-BUTTON						
	9	1	7E-7731	4	MOUNT						
	10	1	6V-8185	6	NUT (1/4-20-THD)						
	11	1	4P-4930	1	PLATE						
	12	1	4W-8787	1	SOCKET-RELAY						
	13	1	3N-5714	1	RELAY AS (24-VOLT) (AUXILIARY)						
C	14	1	9X-6259	2	SCREW-MACHINE (6-32X0.375-IN)						
C	15	1	6V-9499	2	WASHER-HARD (4.3X7X0.8-MM THK)						
	18	1	062-5388	1	LOCKNUT (1-11-1/2-THD)						
	19	1	5N-9117	1	ADAPTER						
	20	1	5N-9073	1	CLIP						

C - CHANGE FROM PREVIOUS TYPE

ELECTRICAL AND STARTING SYSTEM

4P-5284 BOX GP-JUNCTION (contd.)

i05983872



GRAPHIC #1

<END>

g03734896

ELECTRICAL AND STARTING SYSTEM

4P-5660 BOX GP-JUNCTION

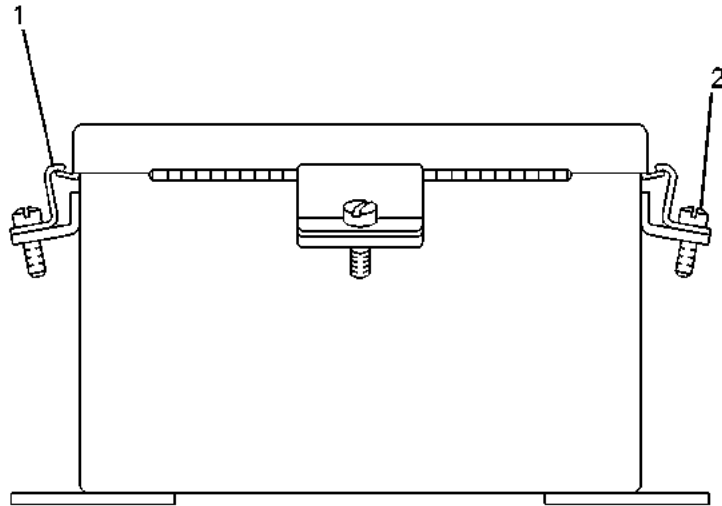
PART OF 222-1408 BOX GP-JUNCTION

AN ATTACHMENT

SMCS-7426

i00655716

NOTE	REF NO	GRAPHIC REF	PART NUMBER	QTY	PART NAME						SEE PAGE
					1	2	3	4	5	6	
	1	1	7E-9932	4	CLIP						
	2	1	6J-4762	4	SCREW (10-32X0.625-IN)						



GRAPHIC #1

<END>

g00214552

ELECTRICAL AND STARTING SYSTEM

7C-2225 BOX GP-JUNCTION

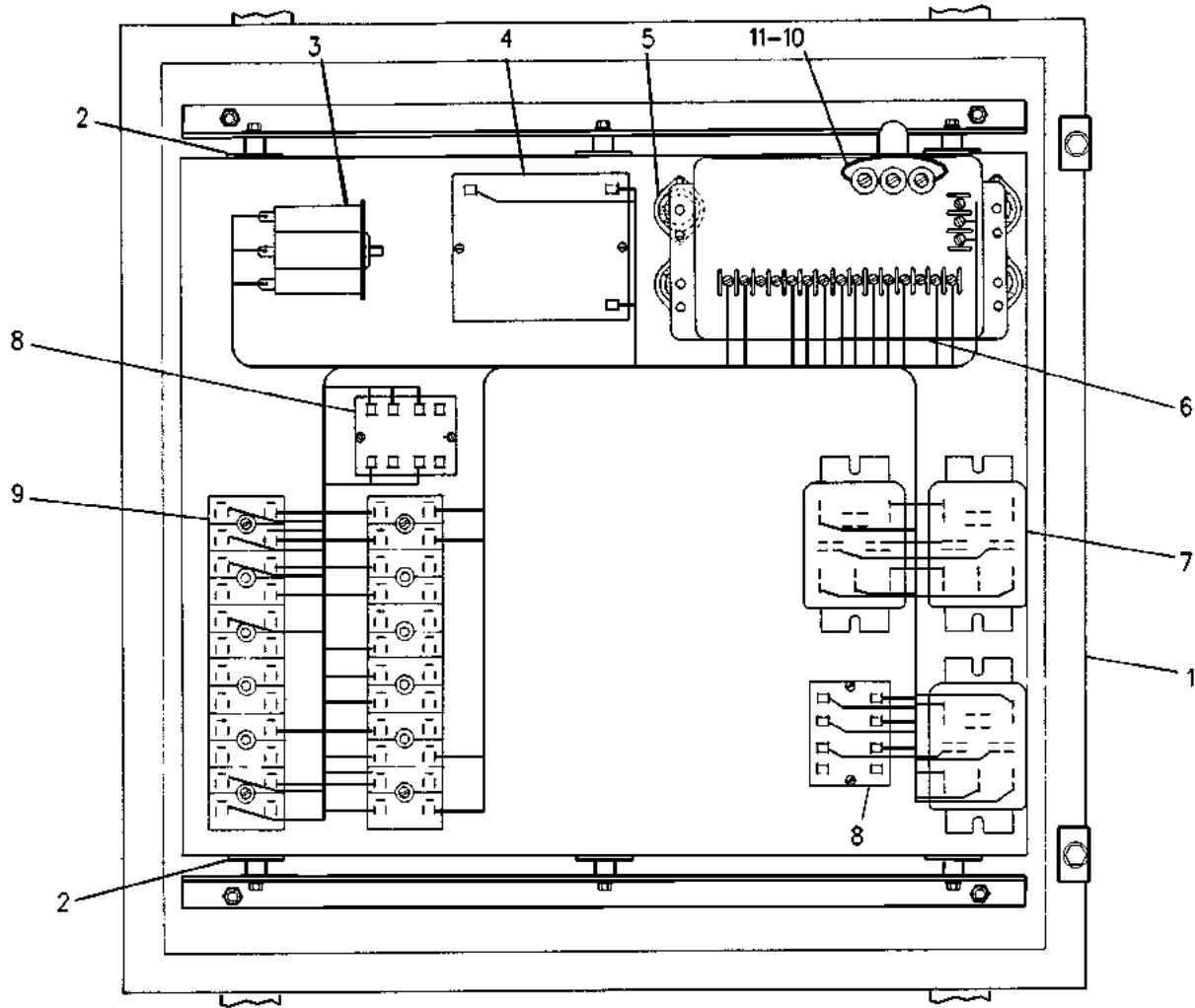
LOCOMOTIVE WITH 3161 GOVERNOR
PART OF 7C-1892 SHUTOFF GP-ELECTRICAL
AN ATTACHMENT

SMCS-7426

i03169741

NOTE	REF NO	GRAPHIC REF	PART NUMBER	QTY	PART NAME						SEE PAGE
					1	2	3	4	5	6	
	1	1	7C-2670	1	BOX AS						
	2	1	8N-9300	6	MOUNT AS (RESILIENT)						
	3	1	7C-3477	1	CIRCUIT BREAKER AS (10-AMPERE)						
	4	1	7C-4543	1	CONVERTER-VOLTAGE						
	5	1	2W-8603	4	MOUNT-FLEXIBLE						
	6	1	7C-2111	1	SWITCH AS (ELECTRONIC SPEED SWITCH)						
	7	1	7W-8415	3	RELAY (SLAVE)						
	8	1	7C-2668	2	DIODE AS						
	9	1	7C-2671	2	BOARD-TERMINAL						
	10	1	8S-8158	1	SEAL-WIRE						
BD	11	1	5P-6025		LOCKWIRE (1-DM)						

B - USE AS REQUIRED
D - ORDER BY THE METER



GRAPHIC #1

<END>

g00608149

ELECTRICAL AND STARTING SYSTEM

7C-5029 BOX GP-JUNCTION

ENERGIZED TO SHUT-OFF

PART OF 7C-5237, 7C-5275, 7W-8053, 7W-8054 SHUTOFF GP-ELECTRICAL
ALSO AN ATTACHMENT

SMCS-7426

i07317467

NOTE	REF NO	GRAPHIC REF	PART NUMBER	QTY	PART NAME						SEE PAGE
					1	2	3	4	5	6 (PRODUCT LEVEL)	
	1	1	2N-2258	16	RIVET-POP						
	2	1	2W-0394	1	CLAMP						
	3	1	2W-8602	2	STRIP-TERMINAL						
	4	1	2W-8603	4	MOUNT-FLEXIBLE						
	5	1	2W-8684	1	FILM-IDENTIFICATION (TERMINAL MARKER)						
	6	1	2W-8802	4	STRIP-SEAL						
	7	1	2W-8803	1	FILM-IDENTIFICATION (TERMINAL MARKER)						
	8	2	3E-6477	1	RELAY AS (24-VOLT) (SLAVE)						
	9	1	3L-4566	1	PLUG-BUTTON						
	10	2	4W-3969	2	BRACKET-RETAINER						
	11	1	4W-7957	1	PLATE GP-IDENTIFICATION (JUNCTION BOX)						
	12	1	4W-8471	1	RELAY-TIME DELAY						
	13	1	5N-4988	1	DIODE AS						
	14	1	5N-5159	5	JUMPER-STRIP						
	15	2	5N-9222	1	MANIFOLD-PRESSURE						
	16	1	6I-0757	1	BOX AS-JUNCTION						
	17	2	6I-0897	1	PLATE						
	18	1	6T-3644	1	CIRCUIT BREAKER AS (20-AMPERE)						
		1	6V-8376	2	SCREW-MACHINE (8-32X0.25-IN)						
		1	9B-7233	2	LOCKWASHER						
	19	2	6T-6651	1	SWITCH AS-PRESSURE (ENGINE OIL)						
		2	7N-7781	1	HOUSING-RECEPTACLE (14-GA TO 18-GA)						
		2	7N-7780	2	PIN-CONNECTOR (14-GA TO 18-GA)						
		2	7N-7779	1	SOCKET-CONNECTOR (14-GA TO 18-GA)						
	20	2	6V-2673	2	CAP-PROTECTION						
	21	1	7E-8960	1	FILM-IDENTIFICATION (TERMINAL MARKER)						
	22	2	7L-0688	3	BOLT-SOCKET HEAD (10-24X1.2-IN)						
	23	2	7T-6365	3	HOUSING-RECEPTACLE						
	24	1	7W-0088	1	FILM-IDENTIFICATION (EMERGENCY STOP)						
	25	1	7W-1170	1	CLAMP						
	26	1	7W-1171	2	CLAMP						
	27	2	8M-5312	2	SPACER (0.203X0.75X0.25-IN THK)						
	28	1	8S-8158	1	SEAL-WIRE						
	29	2	9S-4684	3	PLUG (STRAIGHT THREAD O-RING)						
	30	2	9X-4276	1	SWITCH AS-PRESSURE (ENGINE OIL)						
		2	7N-7781	1	HOUSING-RECEPTACLE (14-GA TO 18-GA)						
		2	7N-7780	2	PIN-CONNECTOR (14-GA TO 18-GA)						
		2	7N-7779	1	SOCKET-CONNECTOR (14-GA TO 18-GA)						
Y	31	1	100-3638	1	HARNESS AS-PANEL (JUNCTION BOX)						1050
	32	1	109-6507	1	SWITCH AS-PUSH BUTTON (EMERGENCY STOP)						
		1	398-1723	1	NUT (3/16X18-THD)						
	33	1	111-1325	2	BLOCK-CONTACT (2-POLE)						
	34	1	124-3176	1	COVER						
YR	35	1	379-3359	1	SWITCH AS-SPEED (OVERSPEED)						1318
	36	2	030-9613	3	SCREW-FORMING (10-24X0.37-IN)						
	37	1	1L-6561	1	PLUG						

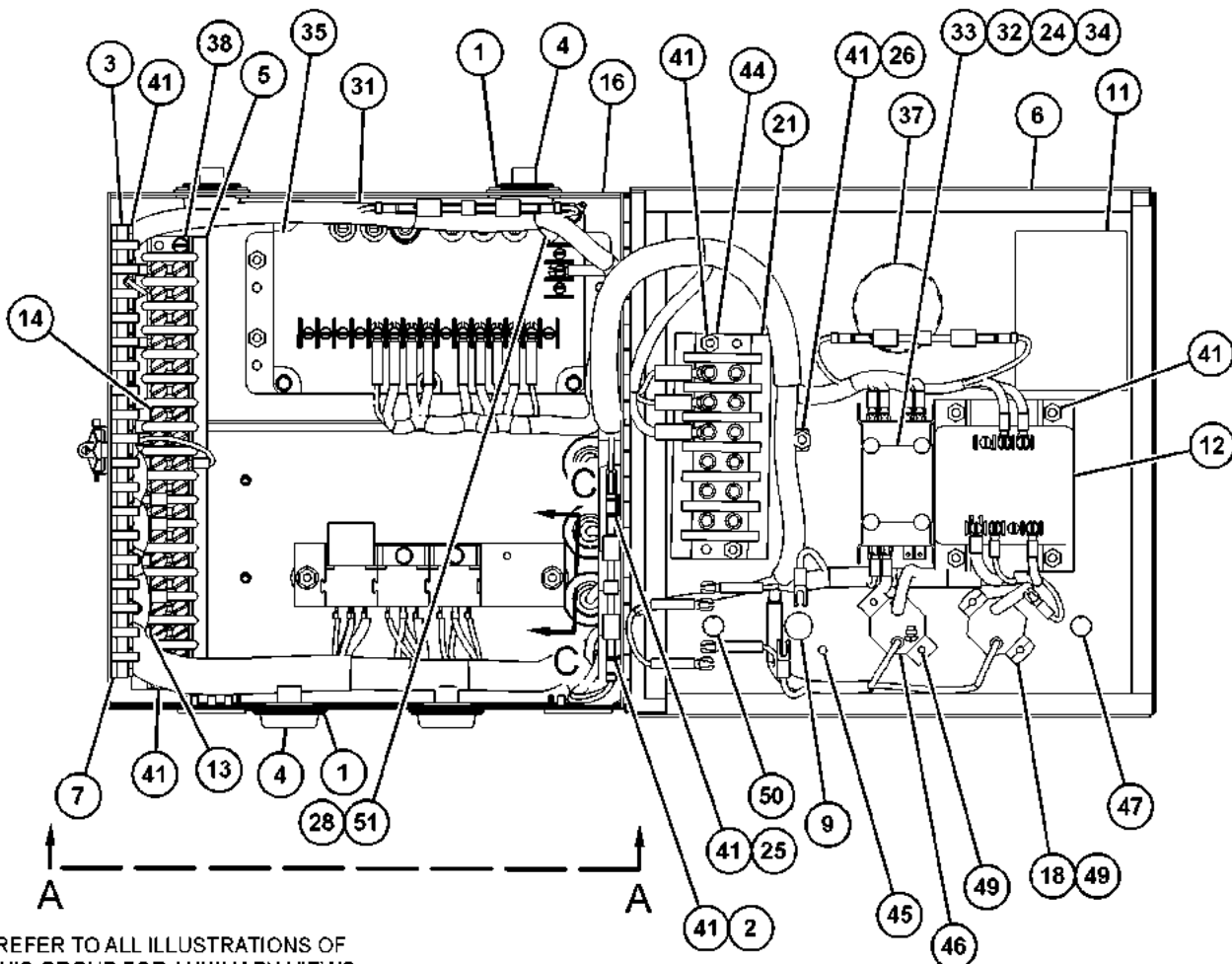
ELECTRICAL AND STARTING SYSTEM

7C-5029 **BOX GP-JUNCTION** (contd.)

i07317467

NOTE	REF NO	GRAPHIC REF	PART NUMBER	QTY	PART NAME						SEE PAGE
					1	2	3	4	5	6 (PRODUCT LEVEL)	
	38	1	2N-3480	1	SCREW-MACHINE (10-24X0.75-IN)						
	39	2	3J-1907	5	SEAL-O-RING						
	40	2	4B-1226	4	SCREW-MACHINE (10-24X6.35-MM)						
	41	1,2	4B-2047	19	NUT (10-24-THD)						
	42	2	4B-4274	2	WASHER (5.5X13X1.2-MM THK)						
	43	2	4F-8711	2	PLUG-BUTTON						
	44	1	4K-6498	1	BLOCK AS-TERMINAL						
		1	6V-8363	12	SCREW (10-32X0.312-IN)						
	45	1	6K-9591	2	PLUG-BUTTON						
	46	1	6T-3642	1	CIRCUIT BREAKER AS (10-AMPERE)						
		1	6V-8376	2	SCREW-MACHINE (8-32X0.25-IN)						
		1	9B-7233	2	LOCKWASHER						
	47	1	8M-3839	1	BUTTON-PLUG						
	48	2	8T-0328	3	WASHER-HARD (5.5X10X1-MM THK)						
	49	1	9X-8486	4	SCREW-MACHINE (8-32X0.75-IN)						
B	50	1	8M-3839	1	BUTTON-PLUG						
BD	51	1	5P-6025		LOCKWIRE						

B - USE AS REQUIRED
 D - ORDER BY THE METER
 R - REMANUFACTURED PART MAY BE AVAILABLE
 Y - SEPARATE ILLUSTRATION



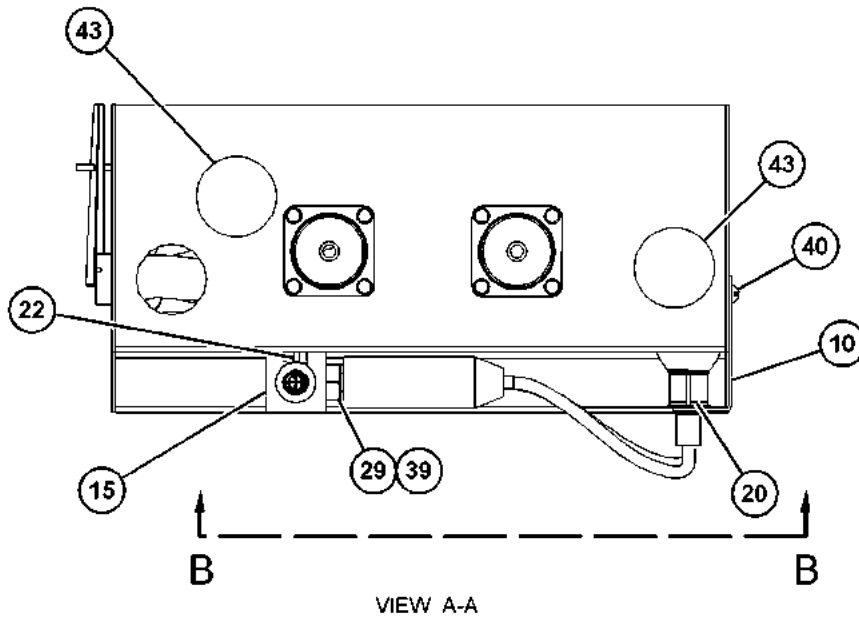
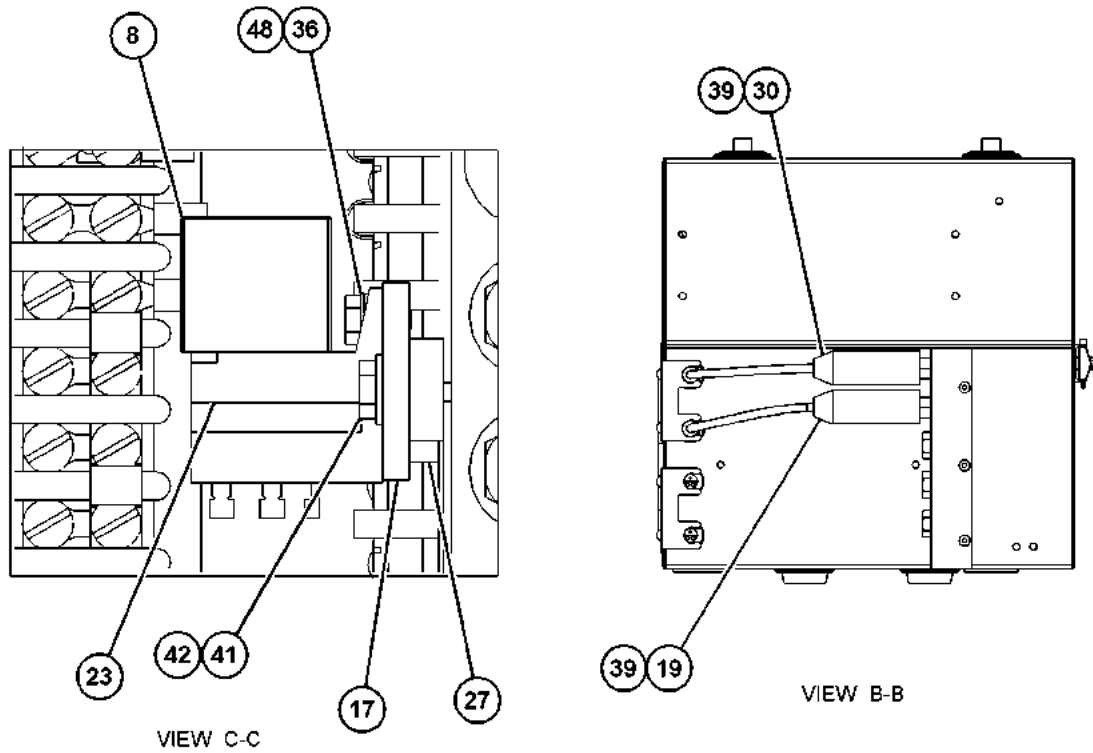
REFER TO ALL ILLUSTRATIONS OF THIS GROUP FOR AUXILIARY VIEWS
 GRAPHIC #1

g06285532

ELECTRICAL AND STARTING SYSTEM

7C-5029 BOX GP-JUNCTION (contd.)

107317467



GRAPHIC #2

<END>

g06285063

ELECTRICAL AND STARTING SYSTEM

7C-5030 BOX GP-JUNCTION

ENERGIZED TO RUN

PART OF 174-1417 BOX GP-JUNCTION

AN ATTACHMENT

SMCS-7426

i06871365

NOTE	REF NO	GRAPHIC REF	PART NUMBER	QTY	PART NAME	SEE PAGE
					1 2 3 4 5 6 (PRODUCT LEVEL)	
	1	1	6I-0757	1	BOX AS-JUNCTION	
	2	1	2W-8603	4	MOUNT-FLEXIBLE	
	3	1	2N-2258	16	RIVET-POP	
	4	1	4F-8711	2	PLUG-BUTTON	
	5	1	030-9613	3	SCREW-FORMING (10-24X0.37-IN)	
	6	1	6I-0897	1	PLATE	
	7	1	2W-8803	1	FILM-IDENTIFICATION (TERMINAL MARKER)	
	8	1	2W-8602	2	STRIP-TERMINAL	
	9	1	2W-8684	1	FILM-IDENTIFICATION (TERMINAL MARKER)	
	10	1	4B-2047	15	NUT (10-24-THD)	
	11	1	2N-3480	1	SCREW-MACHINE (10-24X0.75-IN)	
YR	12	1	379-3359	1	SWITCH AS-SPEED (ENGINE OVERSPEED)	1318
	13	1	1L-6561	1	PLUG	
	14	1	5N-9222	1	MANIFOLD-PRESSURE (ENGINE OIL)	
	15	1	7L-0688	3	BOLT-SOCKET HEAD (10-24X1.2-IN)	
	16	1	6V-2673	2	CAP-PROTECTION	
	17	1	3J-1907	5	SEAL-O-RING	
	18	1	9S-4684	3	PLUG	
	19	1	4W-7957	1	PLATE GP-IDENTIFICATION (JUNCTION BOX)	
	20	1	9X-4276	1	SWITCH AS-PRESSURE (ENGINE OIL)	
		1	7N-7779	1	SOCKET-CONNECTOR (14-GA TO 18-GA)	
		1	7N-7780	2	PIN-CONNECTOR (14-GA TO 18-GA)	
		1	7N-7781	1	HOUSING-RECEPTACLE (14-GA TO 18-GA)	
	21	1	4W-3969	2	BRACKET-RETAINER	
	22	1	4B-1226	4	SCREW-MACHINE (10-24X6.35-MM)	
	23	1	5N-5159	4	JUMPER-STRIP	
	24	1	6T-6651	1	SWITCH AS-PRESSURE (ENGINE OIL)	
		1	7N-7779	1	SOCKET-CONNECTOR (14-GA TO 18-GA)	
		1	7N-7780	2	PIN-CONNECTOR (14-GA TO 18-GA)	
		1	7N-7781	1	HOUSING-RECEPTACLE (14-GA TO 18-GA)	
	25	1	7W-0088	1	FILM-IDENTIFICATION (EMERGENCY STOP)	
	26	1	6T-3644	1	CIRCUIT BREAKER AS (20-AMPERE)	
					(EACH INCLUDES)	
		1	6V-8376	2	SCREW-MACHINE (8-32X0.25-IN)	
		1	9B-7233	2	LOCKWASHER	
	27	1	6T-3642	1	CIRCUIT BREAKER AS (10-AMPERE)	
		1	6V-8376	2	SCREW-MACHINE (8-32X0.25-IN)	
		1	9B-7233	2	LOCKWASHER	
	28	1	9X-8486	4	SCREW-MACHINE (8-32X0.75-IN)	
	29	1	100-3639	1	HARNESS AS-PANEL (JUNCTION BOX)	
		1	1S-9593	70	STRAP-CABLE	
		1	2W-4899	3	DIODE AS	
		1	7N-7779	6	SOCKET-CONNECTOR (14-GA TO 18-GA)	
		1	7N-7780	8	PIN-CONNECTOR (14-GA TO 18-GA)	
		1	7N-7782	4	HOUSING-PLUG (14-GA TO 18-GA)	
		1	9G-3662	4	GROMMET	
		1	9G-3695	2	PLUG-SEAL	

ELECTRICAL AND STARTING SYSTEM

7C-5030 **BOX GP-JUNCTION** (contd.)

i06871365

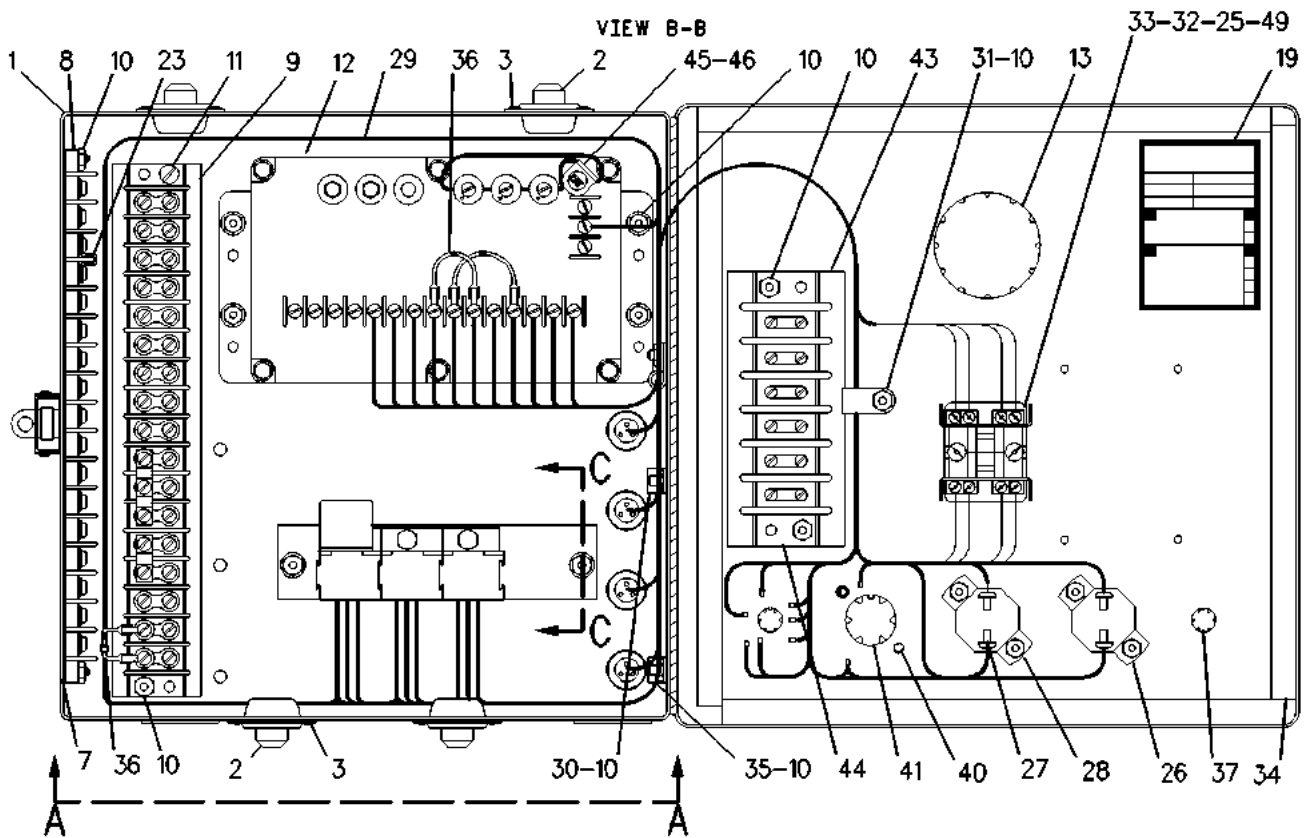
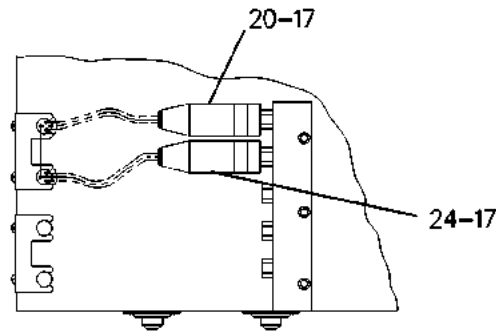
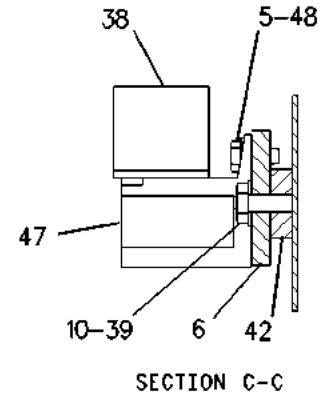
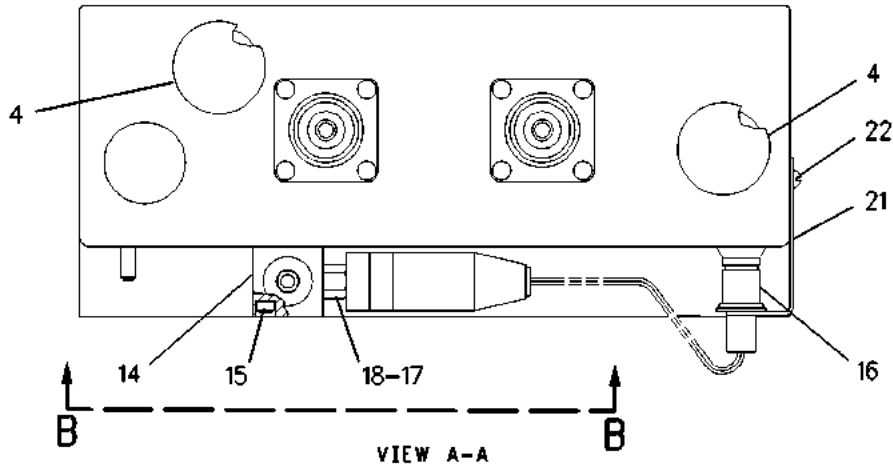
NOTE	REF NO	GRAPHIC REF	PART NUMBER	QTY	PART NAME						SEE PAGE
					1	2	3	4	5	6 (PRODUCT LEVEL)	
	30	1	7W-1170	1	CLAMP						
	31	1	7W-1171	2	CLAMP						
	32	1	109-6507	1	SWITCH AS-PUSH BUTTON (EMERGENCY STOP)						
	33	1	111-1325	2	BLOCK-CONTACT (2-POLE)						
	34	1	2W-8802	4	STRIP-SEAL						
	35	1	2W-0394	1	CLAMP						
	36	1	5N-4988	3	DIODE AS						
	37	1	8M-3839	2	BUTTON-PLUG						
	38	1	3E-6477	1	RELAY AS (24-VOLT) (AC, CONDENSER)						
	39	1	4B-4274	2	WASHER (5.5X13X1.2-MM THK)						
	40	1	6K-9591	2	PLUG-BUTTON						
	41	1	3L-4566	1	PLUG-BUTTON						
	42	1	8M-5312	2	SPACER (0.203X0.75X0.25-IN THK)						
	43	1	7E-8960	1	FILM-IDENTIFICATION (TERMINAL MARKER)						
	44	1	4K-6498	1	BLOCK AS-TERMINAL						
		1	6V-8363	12	SCREW (10-32X0.312-IN)						
BE	45	1	5P-6025		LOCKWIRE						
	46	1	8S-8158	1	SEAL-WIRE						
	47	1	7T-6365	3	HOUSING-RECEPTACLE						
	48	1	8T-0328	3	WASHER-HARD (5.5X10X1-MM THK)						
	49	1	124-3176	1	COVER						

B - USE AS REQUIRED
 E - ORDER BY THE CENTIMETER
 R - REMANUFACTURED PART MAY BE AVAILABLE
 Y - SEPARATE ILLUSTRATION

ELECTRICAL AND STARTING SYSTEM

7C-5030 BOX GP-JUNCTION (contd.)

i06871365



GRAPHIC #1

<END>

g00511977

ELECTRICAL AND STARTING SYSTEM

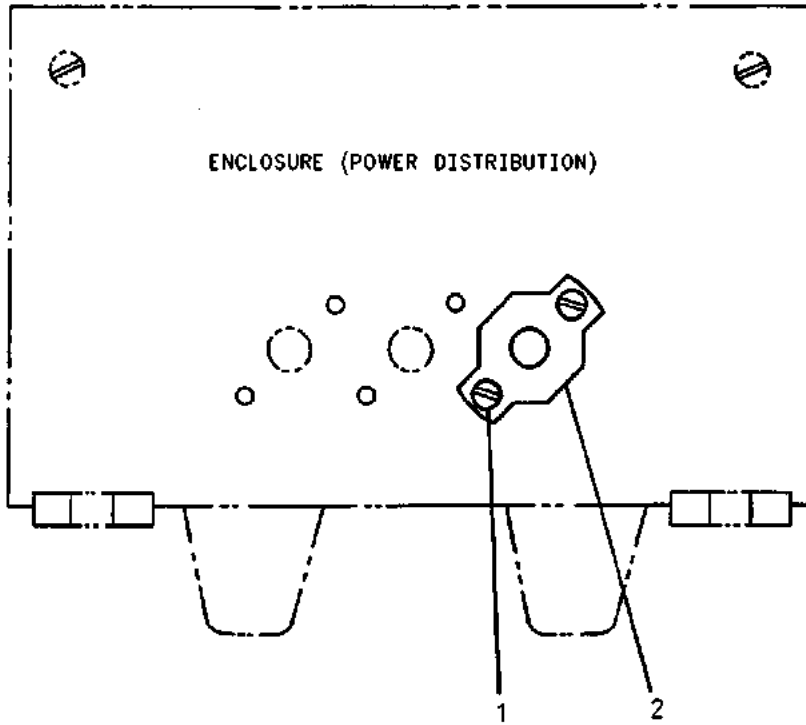
7W-9612 CIRCUIT BREAKER GP

20-AMPERE HMSO STARTER
FOR USE WITH ENCLOSURE GP
AN ATTACHMENT

SMCS-1420, 4461

i02641907

NOTE	REF NO	GRAPHIC REF	PART NUMBER	QTY	PART NAME						SEE PAGE
					1	2	3	4	5	6 (PRODUCT LEVEL)	
	1	1	3K-8106	2	SCREW-MACHINE (8-32X1-IN)						
		1	4B-4863	2	WASHER (4.7X11X1.2-MM THK)						
	2	1	6T-3644	1	CIRCUIT BREAKER AS (20-AMPERE)						
		1	6V-8376	2	SCREW-MACHINE (8-32X0.25-IN)						
		1	9B-7233	2	LOCKWASHER						



GRAPHIC #1

<END>

g00762970

ELECTRICAL AND STARTING SYSTEM

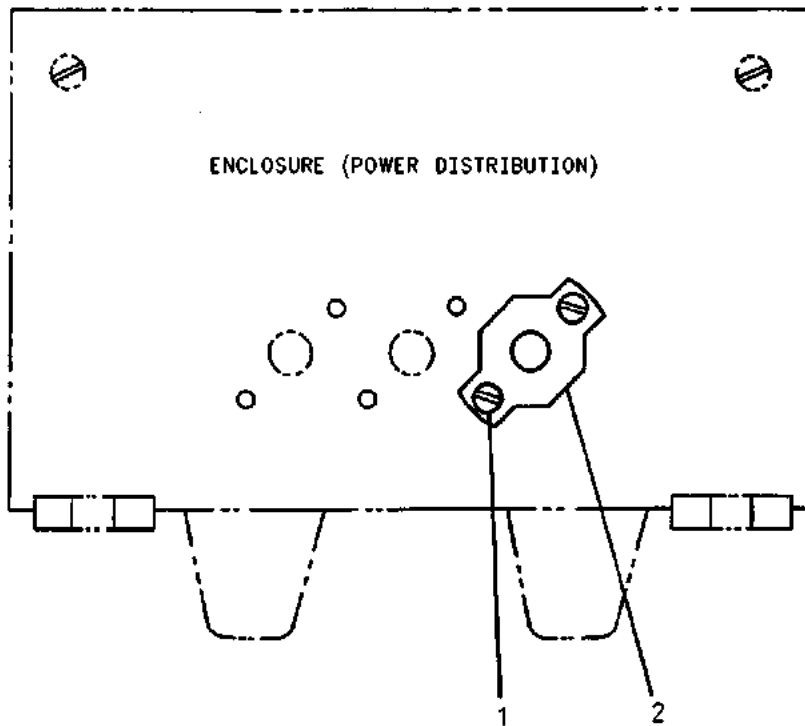
7W-9640 CIRCUIT BREAKER GP

60-AMPERE. ALTERNATOR
FOR USE WITH ENCLOSURE GP
AN ATTACHMENT

SMCS-1420, 4461

i02221699

NOTE	REF NO	GRAPHIC REF	PART NUMBER	QTY	PART NAME						SEE PAGE
					1	2	3	4	5	6 (PRODUCT LEVEL)	
	1	1	3K-8106	2	SCREW-MACHINE (8-32X1-IN)						
		1	4B-4863	2	WASHER (4.7X11X1.2-MM THK)						
	2	1	6T-3645	1	CIRCUIT BREAKER GP (60-AMPERE)						
		1	6V-8378	2	NUT (10-32-THD)						
		1	8F-1434	2	LOCKWASHER						
		1	8T-0328	2	WASHER-HARD (5.5X10X1-MM THK)						



GRAPHIC #1

<END>

g00762970

ELECTRICAL AND STARTING SYSTEM

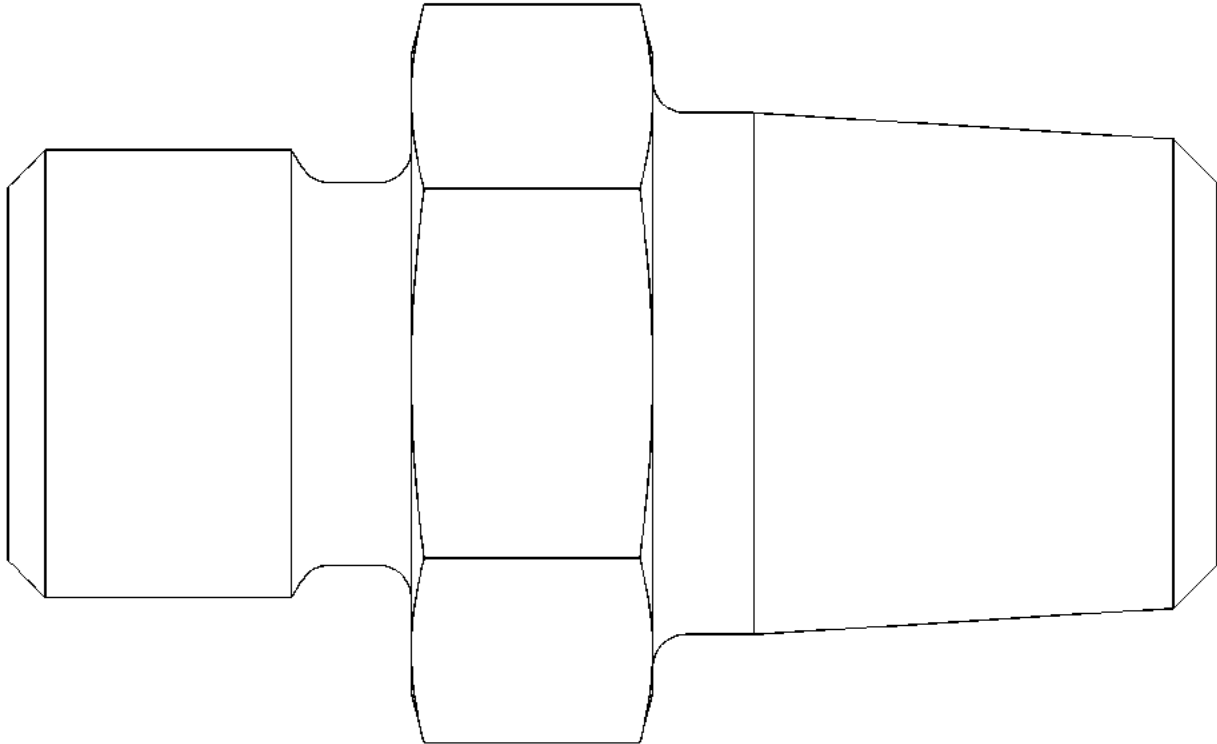
5N-2126 CONNECTOR-THERMOCOUPLE AN ATTACHMENT

SMCS-1408, 7553

i02332022

NOTE	REF NO	GRAPHIC REF	PART NUMBER	QTY	PART NAME	SEE PAGE
------	--------	-------------	-------------	-----	-----------	----------

(NO SERVICED PARTS)



GRAPHIC #1

<END>

g01164313

ELECTRICAL AND STARTING SYSTEM

4W-2767 CONTACTOR GP

ALARM
AN ATTACHMENT

SMCS-1400, 7400

i07279139

NOTE	PART NUMBER	QTY	PART NAME						SEE PAGE
			1	2	3	4	5	6 (PRODUCT LEVEL)	
	4W-2642	1	CONTACTOR-PRESSURE (ENGINE OIL)						
J	4W-2637	1	CONTACTOR-TEMPERATURE (COOLANT)						
AVAILABLE REPAIR KIT(S):									
J	7E-3127	1	KIT-SENSOR POCKET (TEMPERATURE CONTROL)						
(INCLUDES POCKET, RETAINERS, WASHERS, RING, ADAPTER & GAUGE STRIP)									
J - KIT MARKED J SERVICES PART(S) MARKED J									
<END>									

4W-2768 CONTACTOR GP

SHUTOFF
AN ATTACHMENT

SMCS-1400, 7400

i07280032

NOTE	PART NUMBER	QTY	PART NAME						SEE PAGE
			1	2	3	4	5	6 (PRODUCT LEVEL)	
	4W-2641	1	CONTACTOR-PRESSURE (ENGINE OIL)						
J	4W-2640	1	CONTACTOR-TEMPERATURE (COOLANT)						
AVAILABLE REPAIR KIT(S):									
J	7E-3127	1	KIT-SENSOR POCKET (TEMPERATURE CONTROL)						
(INCLUDES POCKET, RETAINERS, WASHERS, RING, ADAPTER & GAUGE STRIP)									
J - KIT MARKED J SERVICES PART(S) MARKED J									
<END>									

7C-1505 CONTACTOR GP-ALARM

OIL PRESSURE & WATER TEMPERATURE ALARM
AN ATTACHMENT

SMCS-1400, 7400

i07279085

NOTE	PART NUMBER	QTY	PART NAME						SEE PAGE
			1	2	3	4	5	6 (PRODUCT LEVEL)	
	4W-2642	1	CONTACTOR-PRESSURE						
J	4W-2640	1	CONTACTOR-TEMPERATURE (COOLANT)						
AVAILABLE REPAIR KIT(S):									
J	7E-3127	1	KIT-SENSOR POCKET (TEMPERATURE CONTROL)						
(INCLUDES POCKET, RETAINERS, WASHERS, RING, ADAPTER & GAUGE STRIP)									
J - KIT MARKED J SERVICES PART(S) MARKED J									
<END>									

ELECTRICAL AND STARTING SYSTEM

7E-5842 CONTACTOR GP

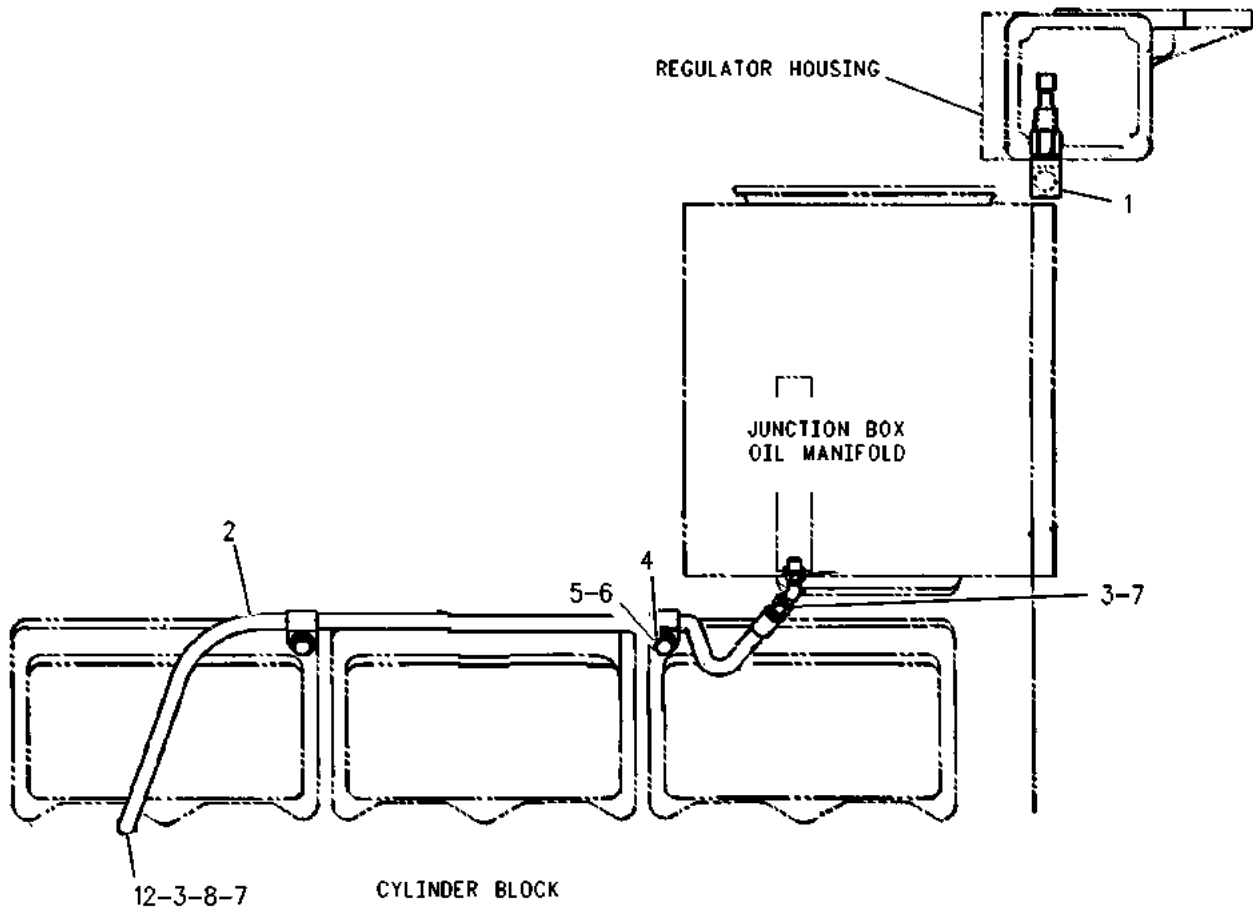
PART OF 166-4363, 7C-5274 SHUTOFF GP-ELECTRICAL
ALSO AN ATTACHMENT

SMCS-1400, 7400

i02665639

NOTE	REF NO	GRAPHIC REF	PART NUMBER	QTY	PART NAME						SEE PAGE
					1	2	3	4	5	6 (PRODUCT LEVEL)	
Y	1	1	7C-9365	1	SWITCH GP-TEMPERATURE (WATER)						1331
I	2	1	3P-6048	1	HOSE AS						
	3	1	030-7941	2	ELBOW						
	4	1	202-2762	2	CLIP (LOOP)						
	5	1	0S-1588	2	BOLT (3/8-16X1.25-IN)						
	6	1	5M-2894	2	WASHER-HARD (10.2X18.5X2.5-MM THK)						
	7	1	6V-5048	2	SEAL-O-RING						
	8	1	033-6042	1	SEAL-O-RING						
	12	1	5P-9617	1	ADAPTER						

I - REFER TO HYDRAULIC INFORMATION SYSTEM
Y - SEPARATE ILLUSTRATION



GRAPHIC #1

<END>

g00891366

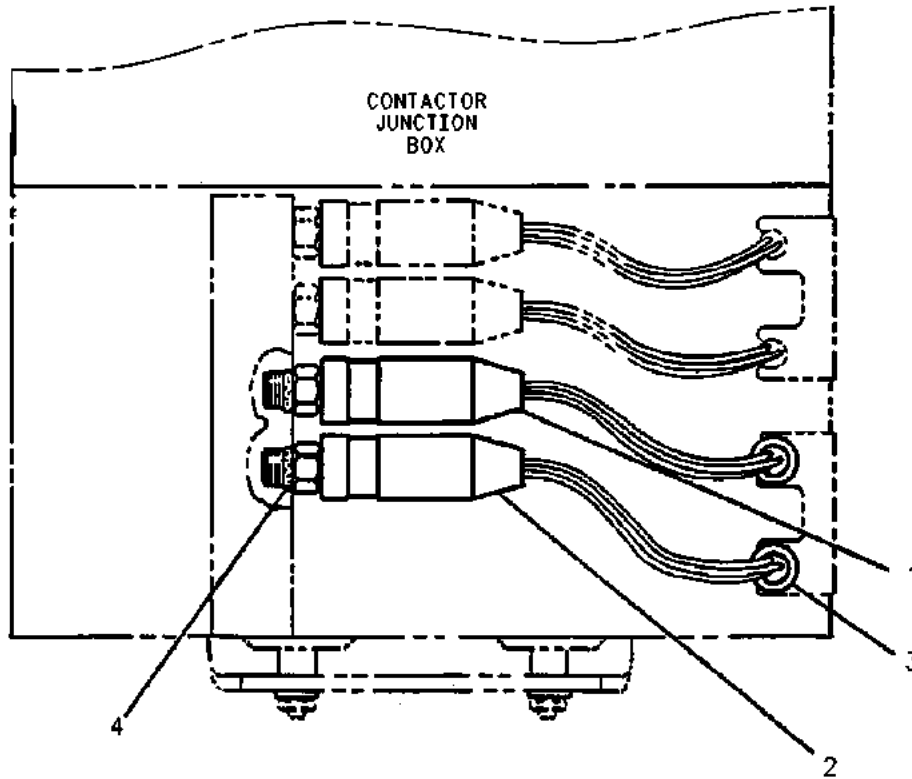
ELECTRICAL AND STARTING SYSTEM

7W-6959 CONTACTOR GP-ENGINE OIL PRESSURE FOR USE WITH ENGINES WITH AN ELECTRIC SAFETY SHUT-OFF SYSTEM AN ATTACHMENT

SMCS-1400, 7400

i05083150

NOTE	REF NO	GRAPHIC REF	PART NUMBER	QTY	PART NAME						SEE PAGE
					1	2	3	4	5	6 (PRODUCT LEVEL)	
	1	1	6T-6652	1	SWITCH AS-PRESSURE (ENGINE OIL)						
		1	7N-7781	1	HOUSING-RECEPTACLE (14-GA TO 18-GA)						
		1	7N-7779	1	SOCKET-CONNECTOR (14-GA TO 18-GA)						
		1	7N-7780	2	PIN-CONNECTOR (14-GA TO 18-GA)						
2		1	6T-6653	1	SWITCH AS-PRESSURE (ENGINE OIL)						
3		1	7N-7781	1	HOUSING-RECEPTACLE (14-GA TO 18-GA)						
		1	7N-7779	1	SOCKET-CONNECTOR (14-GA TO 18-GA)						
		1	7N-7780	2	PIN-CONNECTOR (14-GA TO 18-GA)						
4		1	3J-1907	2	SEAL-O-RING						



GRAPHIC #1

<END>

g00758815

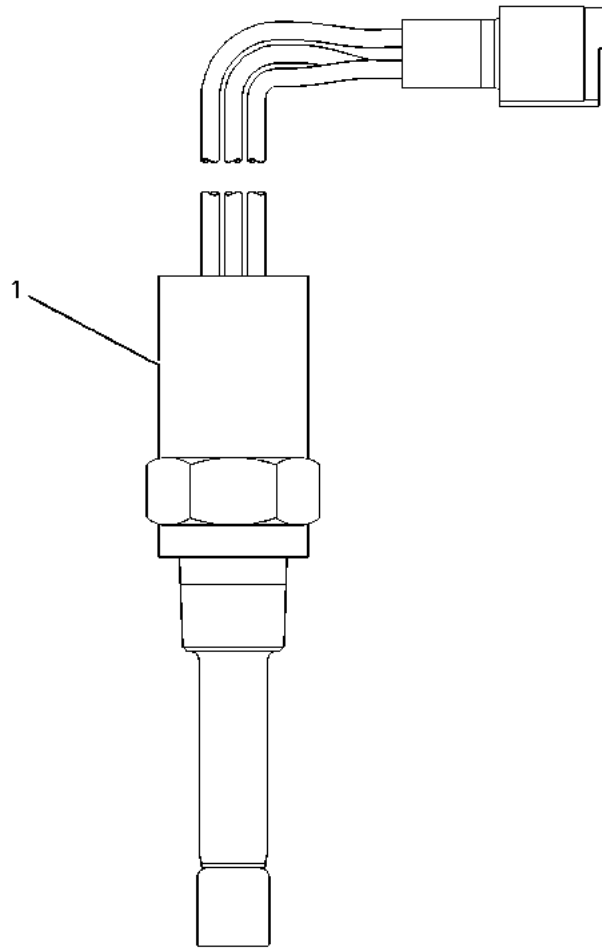
ELECTRICAL AND STARTING SYSTEM

8N-8542 CONTACTOR GP-INLET MANIFOLD TEMPERATURE AN ATTACHMENT

SMCS-1400, 7400

i01807341

NOTE	REF NO	GRAPHIC REF	PART NUMBER	QTY	PART NAME						SEE PAGE
					1	2	3	4	5	6 (PRODUCT LEVEL)	
	1	1	6L-4207	1	SWITCH AS-TEMPERATURE (INLET MANIFOLD)						
		1	7N-7779	1	SOCKET-CONNECTOR (14-GA TO 18-GA)						
		1	7N-7780	2	PIN-CONNECTOR (14-GA TO 18-GA)						
		1	7N-7781	1	HOUSING-RECEPTACLE (14-GA TO 18-GA)						



GRAPHIC #1

<END>

g00924506

ELECTRICAL AND STARTING SYSTEM

106-8943 CONTROL GP-AIR STARTING

115-VOLT
AN ATTACHMENT

SMCS-1462

i02667911

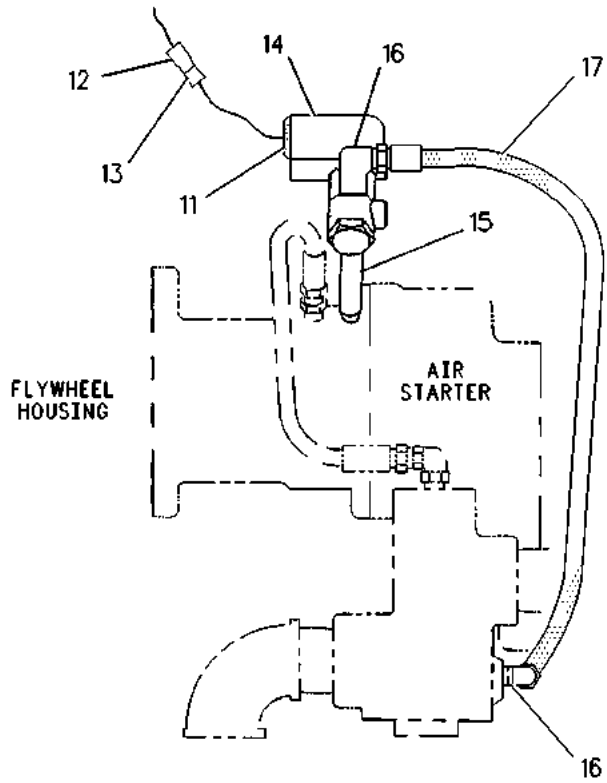
NOTE	REF NO	GRAPHIC REF	PART NUMBER	QTY	PART NAME						SEE PAGE
					1	2	3	4	5	6 (PRODUCT LEVEL)	
	1	1	6I-1966	1	PLATE-CONTROL MOUNTING						
	2	1	6I-1997	1	SWITCH (AIR STARTING)						
	3	1	0S-1591	2	BOLT (3/8-16X1.5-IN)						
	4	1	5M-2894	2	WASHER-HARD (10.2X18.5X2.5-MM THK)						
	5	1	9S-8752	2	NUT-FULL (3/8-16-THD)						
	6	1	3F-2065	1	LOCKNUT (1/2-14-THD)						
	7	1	4F-8184	1	BUSHING-TERMINAL						
	8	1	7D-5473	4	BOLT-SOCKET HEAD (8-32X0.75-IN)						
	9	1	4B-2043	4	NUT (8-32-THD)						
	10	1	3B-4501	4	LOCKWASHER						
	11	1	5L-2579	1	GROMMET						
	12	1	6N-9587	2	CONNECTOR						
	13	1	5P-5610	2	CONNECTOR						
	14	1	5N-2746	1	VALVE-SOLENOID						
	15	1	5H-7598	1	NIPPLE-PIPE						
	16	1	6K-1972	2	ELBOW-FLARED						
I	17	1	2V-5956	1	HOSE AS						
	18	1	5P-1075	2	WASHER-HARD (10.2X22.5X3-MM THK)						

I - REFER TO HYDRAULIC INFORMATION SYSTEM

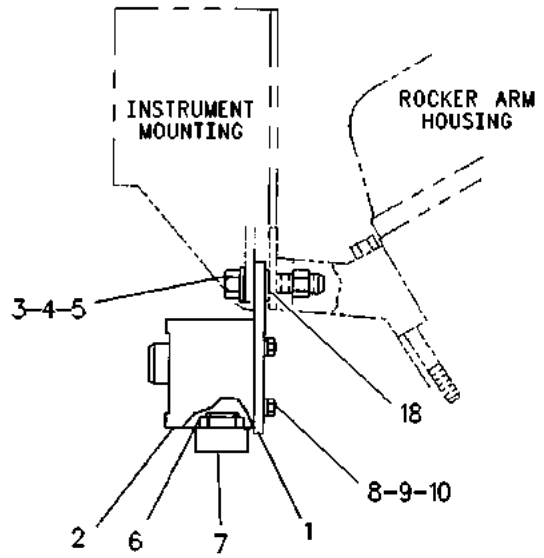
ELECTRICAL AND STARTING SYSTEM

106-8943 CONTROL GP-AIR STARTING (contd.)

102667911



RIGHT SIDE VIEW



FRONT VIEW

GRAPHIC #1

<END>

g00255630

ELECTRICAL AND STARTING SYSTEM

4W-7202 CONTROL GP-AIR STARTING-RH

MANUAL AN ATTACHMENT

SMCS-1462

i00653106

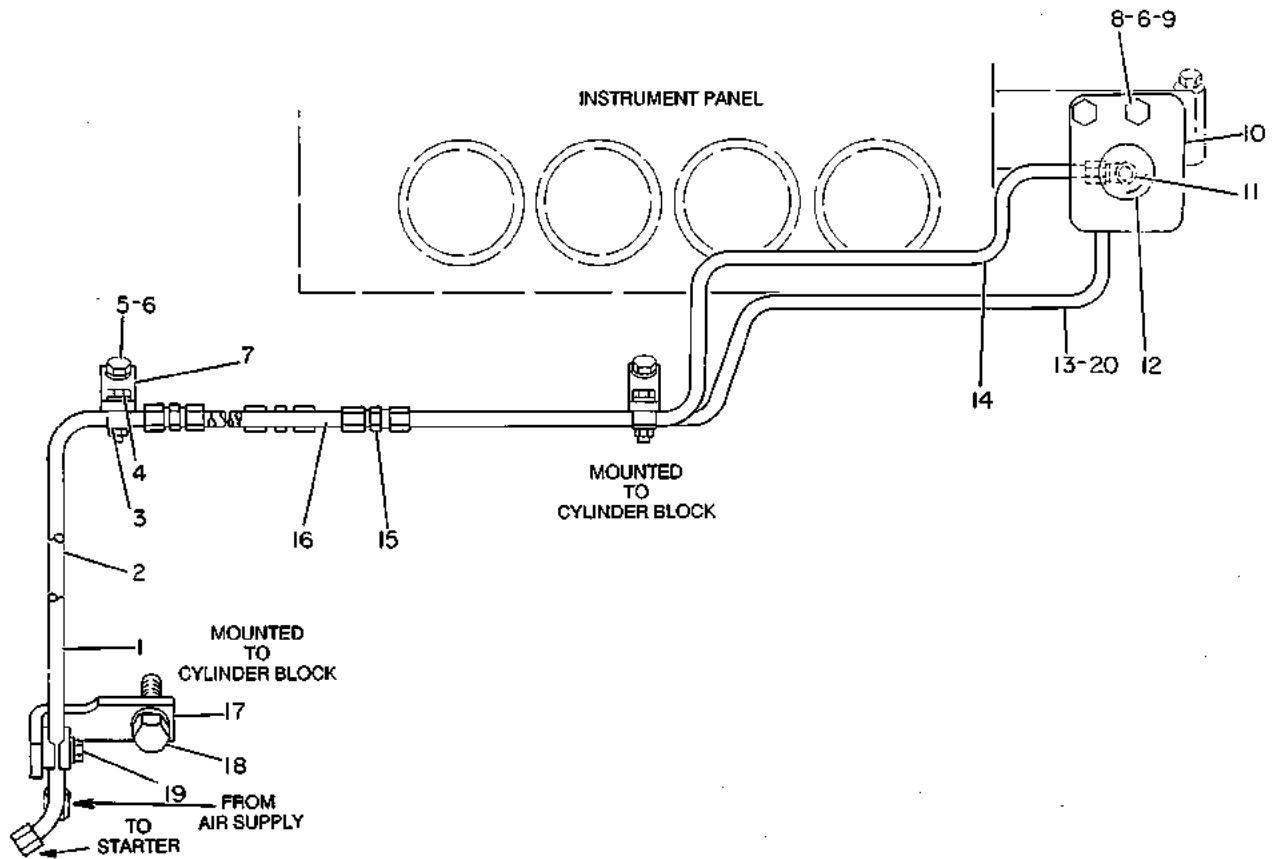
NOTE	REF NO	GRAPHIC REF	PART NUMBER	QTY	PART NAME						SEE PAGE
					1	2	3	4	5	6 (PRODUCT LEVEL)	
	1	1	5N-8060	1	TUBE AS						
	2	1	5N-8059	1	TUBE AS						
	3	1	8N-8472	4	CLAMP-TUBE						
B	4	1	7B-2742	8	BOLT (1/4-20X1.25-IN)						
B		1	1B-2713	8	BOLT (1/4-20X1.75-IN)						
		1	9S-8750	8	NUT-FULL (1/4-20-THD)						
		1	5P-0537	16	WASHER-HARD (7.2X14.5X2-MM THK)						
	5	1	0S-1594	4	BOLT (3/8-16X1-IN)						
	6	1	5M-2894	6	WASHER-HARD (10.2X18.5X2.5-MM THK)						
	7	1	8N-8470	4	BRACKET						
	8	1	0S-1591	2	BOLT (3/8-16X1.5-IN)						
		1	9S-8752	2	NUT-FULL (3/8-16-THD)						
	9	1	5P-1075	2	WASHER-HARD (10.2X22.5X3-MM THK)						
	10	1	4W-5425	1	PLATE						
	11	1	2N-1287	2	ELBOW-FLARED						
Y	12	1	<i>4W-5424</i>	1	VALVE GP-AIR CONTROL						775
	13	1	4W-7213	1	TUBE AS						
	14	1	4W-7214	1	TUBE AS						
	15	1	3J-7355	4	UNION-FLARED						
	16	1	8N-5701	2	TUBE AS						
	17	1	8N-2266	1	BRACKET						
	18	1	0S-1595	1	BOLT (1/2-13X1.25-IN)						
		1	5P-8245	1	WASHER-HARD (13.5X25.5X3-MM THK)						
	19	1	4F-7957	1	BOLT (1/4-20X0.875-IN)						
		1	5P-9287	1	WASHER-HARD (7.2X32X2-MM THK)						
		1	8N-8471	1	CLAMP-TUBE						
	20	1	3B-6552	1	ELBOW-PIPE						
		1	8L-6557	1	CONNECTOR						

B - USE AS REQUIRED
Y - SEPARATE ILLUSTRATION

ELECTRICAL AND STARTING SYSTEM

4W-7202 CONTROL GP-AIR STARTING (contd.)

100653106



GRAPHIC #1

<END>

g00166562

ELECTRICAL AND STARTING SYSTEM

4W-7205 CONTROL GP-AIR STARTING-RH

MANUAL WITH OVERRIDE

AN ATTACHMENT

SMCS-1462

i00653109

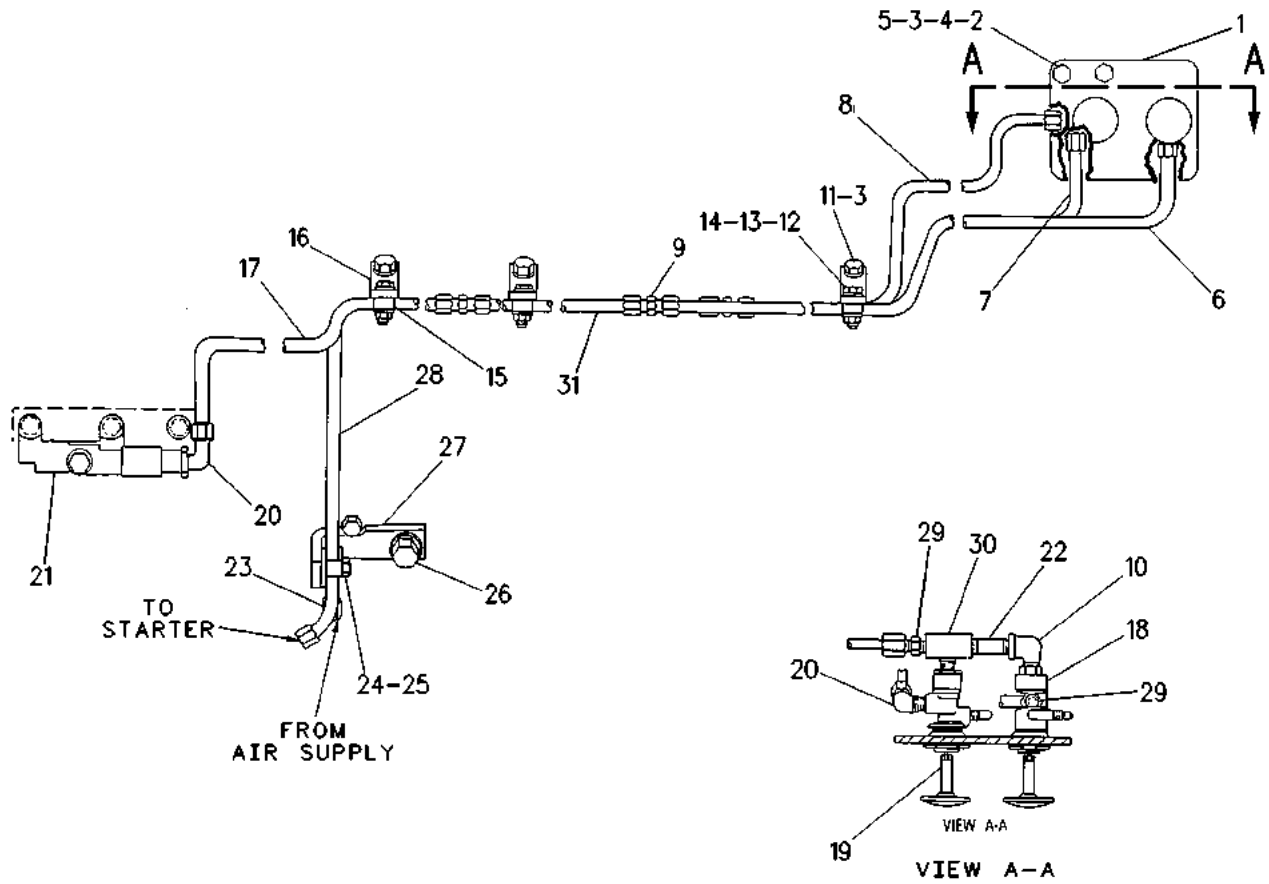
NOTE	REF NO	GRAPHIC REF	PART NUMBER	QTY	PART NAME						SEE PAGE
					1	2	3	4	5	6 (PRODUCT LEVEL)	
	1	1	4W-5427	1	PLATE						
	2	1	0S-1591	2	BOLT (3/8-16X1.5-IN)						
	3	1	5M-2894	6	WASHER-HARD (10.2X18.5X2.5-MM THK)						
	4	1	9S-8752	2	NUT-FULL (3/8-16-THD)						
	5	1	5P-1075	2	WASHER-HARD (10.2X22.5X3-MM THK)						
	6	1	5N-8057	1	TUBE AS						
	7	1	4W-7213	1	TUBE AS						
	8	1	4W-7214	1	TUBE AS						
	9	1	3J-7355	6	UNION-FLARED						
	10	1	3B-6552	1	ELBOW-PIPE						
	11	1	0S-1594	4	BOLT (3/8-16X1-IN)						
B	12	1	7B-2742	8	BOLT (1/4-20X1.25-IN)						
B		1	1B-2713	8	BOLT (1/4-20X1.75-IN)						
	13	1	5P-0537	16	WASHER-HARD (7.2X14.5X2-MM THK)						
	14	1	9S-8750	8	NUT-FULL (1/4-20-THD)						
	15	1	8N-8472	4	CLAMP-TUBE						
	16	1	8N-8470	4	BRACKET						
	17	1	2W-1772	1	TUBE AS						
Y	18	1	4W-5426	1	VALVE GP-AIR CONTROL (ENGINE START)						776
Y	19	1	4W-5424	1	VALVE GP-AIR CONTROL (ENGINE)						775
	20	1	2N-1287	4	ELBOW-FLARED						
Y	21	1	4W-1704	1	VALVE GP-DIVERTER						647
	22	1	3B-7733	1	FITTING						
	23	1	5N-8059	1	TUBE AS						
	24	1	8N-8471	1	CLAMP-TUBE						
	25	1	4F-7957	1	BOLT (1/4-20X0.875-IN)						
		1	5P-9287	1	WASHER-HARD (7.2X32X2-MM THK)						
	26	1	0S-1595	1	BOLT (1/2-13X1.25-IN)						
		1	5P-8245	1	WASHER-HARD (13.5X25.5X3-MM THK)						
	27	1	8N-2266	1	BRACKET						
	28	1	5N-8060	1	TUBE AS						
	29	1	8L-6557	2	CONNECTOR						
	30	1	6V-1240	1	TEE-PIPE						
	31	1	8N-5701	3	TUBE AS						

B - USE AS REQUIRED
Y - SEPARATE ILLUSTRATION

ELECTRICAL AND STARTING SYSTEM

4W-7205 CONTROL GP-AIR STARTING (contd.)

i00653109



GRAPHIC #1

<END>

g00237724

ELECTRICAL AND STARTING SYSTEM

4W-7208 CONTROL GP-AIR STARTING-LH

MANUAL AN ATTACHMENT

SMCS-1462

i07308039

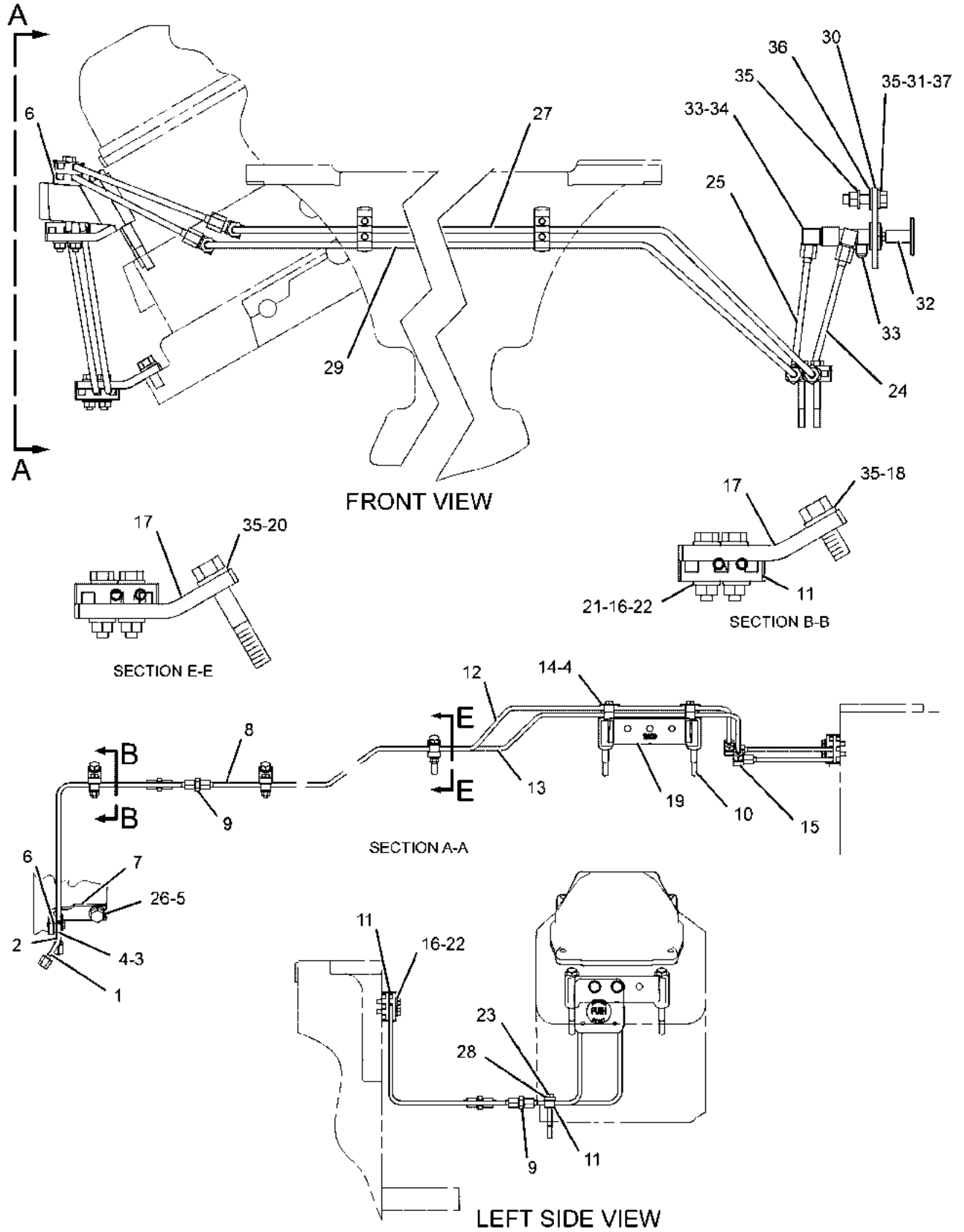
NOTE	REF NO	GRAPHIC REF	PART NUMBER	QTY	PART NAME						SEE PAGE
					1	2	3	4	5	6 (PRODUCT LEVEL)	
	1	1	5N-8060	1	TUBE AS						
	2	1	5N-8059	1	TUBE AS						
	3	1	4F-7957	1	BOLT (1/4-20X0.875-IN)						
	4	1	5P-9287	3	WASHER-HARD (7.2X32X2-MM THK)						
	5	1	0S-1595	1	BOLT (1/2-13X1.25-IN)						
	6	1	8N-8471	5	CLAMP-TUBE						
	7	1	8N-2266	1	BRACKET						
	8	1	8N-5701	2	TUBE AS						
	9	1	3J-7355	6	UNION-FLARED						
C	10	1	0T-0055	2	BOLT (3/8-16X4.25-IN)						
C	11	1	8N-8472	11	CLAMP-TUBE						
	12	1	1W-8144	1	TUBE AS						
	13	1	1W-8145	1	TUBE AS						
C	14	1	2A-5546	2	BOLT (1/4-20X1.375-IN)						
	15	1	067-6495	2	ELBOW-FLARED						
C	16	1	7B-2742	14	BOLT (1/4-20X1.25-IN)						
C	17	1	8N-8470	4	BRACKET						
C	18	1	0S-1594	3	BOLT (3/8-16X1-IN)						
C	19	1	1W-8129	1	SUPPORT						
	20	1	0L-2070	1	BOLT (3/8-16X2.25-IN)						
	21	1	9S-8750	8	NUT-FULL (1/4-20-THD)						
C	22	1	5P-0537	22	WASHER-HARD (7.2X14.5X2-MM THK)						
	23	1	1B-2714	2	BOLT (1/4-20X2.5-IN)						
	24	1	4W-7216	1	TUBE AS						
	25	1	4W-7217	1	TUBE AS						
	26	1	5P-8245	1	WASHER-HARD (13.5X25.5X3-MM THK)						
	27	1	4W-7219	1	TUBE AS						
	28	1	5N-8071	1	PLATE						
	29	1	4W-7220	1	TUBE AS						
	30	1	4W-5425	1	PLATE						
	31	1	165-3929	2	BOLT (3/8-16X1.5-IN)						
Y	32	1	4W-5424	1	VALVE GP-AIR CONTROL						775
	33	1	2N-1287	3	ELBOW-FLARED						
	34	1	3B-6552	1	ELBOW-PIPE						
C	35	1	5M-2894	8	WASHER-HARD (10.2X18.5X2.5-MM THK)						
	36	1	5P-1075	2	WASHER-HARD (10.2X22.5X3-MM THK)						
	37	1	9S-8752	2	NUT-FULL (3/8-16-THD)						

C - CHANGE FROM PREVIOUS TYPE
Y - SEPARATE ILLUSTRATION

ELECTRICAL AND STARTING SYSTEM

4W-7208 CONTROL GP-AIR STARTING (contd.)

i07308039



GRAPHIC #1

<END>

g0105535

ELECTRICAL AND STARTING SYSTEM

4W-7211 CONTROL GP-AIR STARTING-LH

MANUAL WITH OVERRIDE
AN ATTACHMENT

SMCS-1462

i02052554

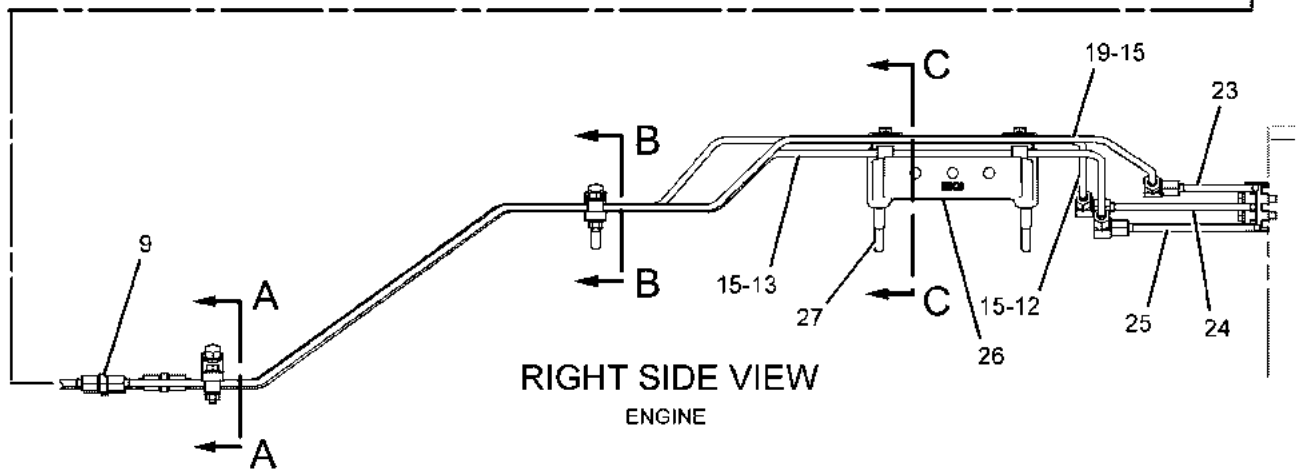
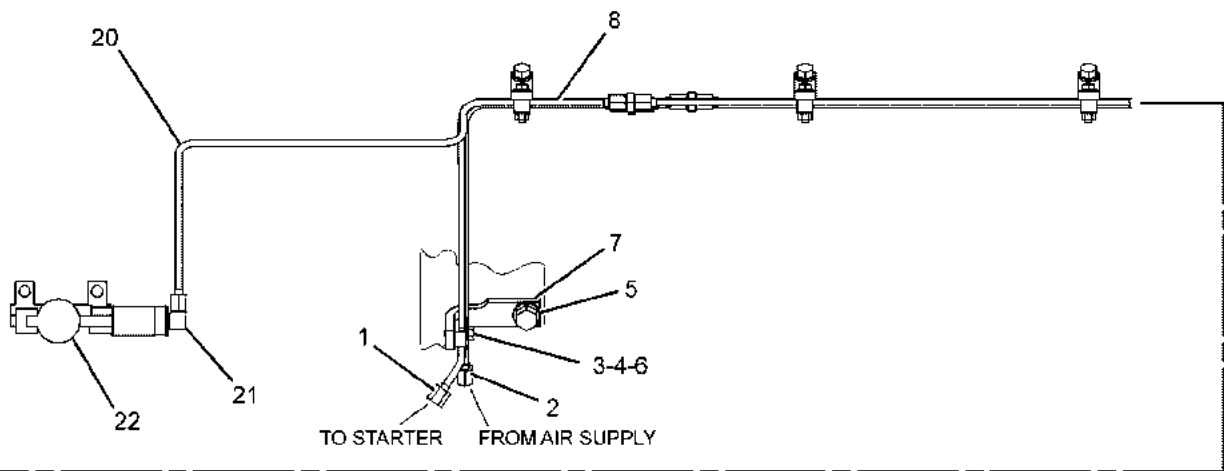
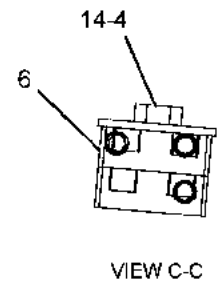
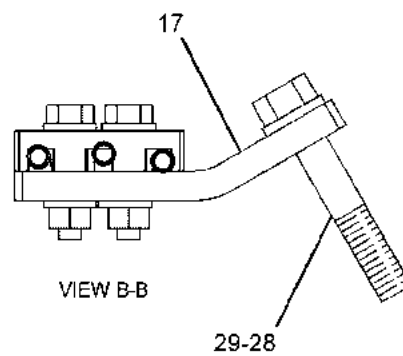
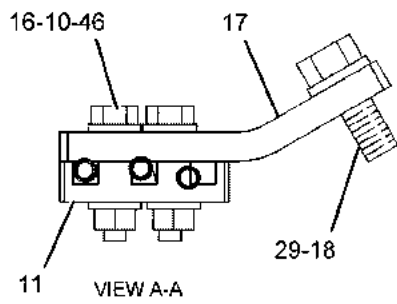
NOTE	REF NO	GRAPHIC REF	PART NUMBER	QTY	PART NAME						SEE PAGE
					1	2	3	4	5	6 (PRODUCT LEVEL)	
	1	1	5N-8060	1	TUBE AS						
	2	1	5N-8059	1	TUBE AS						
	3	1	4F-7957	1	BOLT (1/4-20X0.875-IN)						
	4	1	5P-9287	3	WASHER-HARD (7.2X32X2-MM THK)						
	5	1	2H-3855	1	BOLT (1/2-13X0.875-IN)						
		1	5P-8245	1	WASHER-HARD (13.5X25.5X3-MM THK)						
	6	1	8N-8471	5	CLAMP-TUBE						
	7	1	8N-2266	1	BRACKET						
	8	1	8N-5701	3	TUBE AS						
	9	1,2	3J-7355	9	UNION-FLARED						
C	10	1,2	7B-2742	16	BOLT (1/4-20X1.25-IN)						
C	11	1,2	8N-8472	12	CLAMP-TUBE						
	12	1	1W-8144	1	TUBE AS						
	13	1	1W-8145	1	TUBE AS						
	14	1	2A-5546	2	BOLT (1/4-20X1.375-IN)						
	15	1	067-6495	3	ELBOW-FLARED						
C	16	1	9S-8750	10	NUT-FULL (1/4-20-THD)						
C	17	1	8N-8470	5	BRACKET						
C	18	1	0S-1594	3	BOLT (3/8-16X1-IN)						
	19	1	1W-8143	1	TUBE AS						
	20	1	2W-1772	1	TUBE AS						
	21	1,2	2N-1287	5	ELBOW-FLARED						
Y	22	1	4W-1704	1	VALVE GP-DIVERTER						647
	23	1	4W-7218	1	TUBE AS						
	24	1	4W-7219	1	TUBE AS						
	25	1	4W-7220	1	TUBE AS						
C	26	1	1W-8129	1	SUPPORT						
C	27	1	0T-0055	2	BOLT (3/8-16X4.25-IN)						
	28	1	0L-2070	1	BOLT (3/8-16X2.25-IN)						
C	29	1,2	5M-2894	9	WASHER-HARD (10.2X18.5X2.5-MM THK)						
	32	2	5N-8071	1	PLATE						
		2	1B-2714	2	BOLT (1/4-20X2.5-IN)						
	33	2	4W-7216	1	TUBE AS						
	34	2	4W-7217	1	TUBE AS						
	36	2	4W-7215	1	TUBE AS						
	37	2	6V-1240	1	TEE-PIPE						
	38	2	3B-7733	1	FITTING						
	39	2	4W-5427	1	PLATE						
	40	2	0S-1591	2	BOLT (3/8-16X1.5-IN)						
		2	9S-8752	2	NUT-FULL (3/8-16-THD)						
		2	5P-1075	2	WASHER-HARD (10.2X22.5X3-MM THK)						
Y	41	2	4W-5424	1	VALVE GP-AIR CONTROL						775
	43	2	3B-6552	1	ELBOW-PIPE						
	44	2	8L-6557	1	CONNECTOR						
Y	45	2	4W-5426	1	VALVE GP-AIR CONTROL						776
C	46	1,2	5P-0537	26	WASHER-HARD (7.2X14.5X2-MM THK)						

C - CHANGE FROM PREVIOUS TYPE
Y - SEPARATE ILLUSTRATION

ELECTRICAL AND STARTING SYSTEM

4W-7211 CONTROL GP-AIR STARTING (contd.)

i02052554



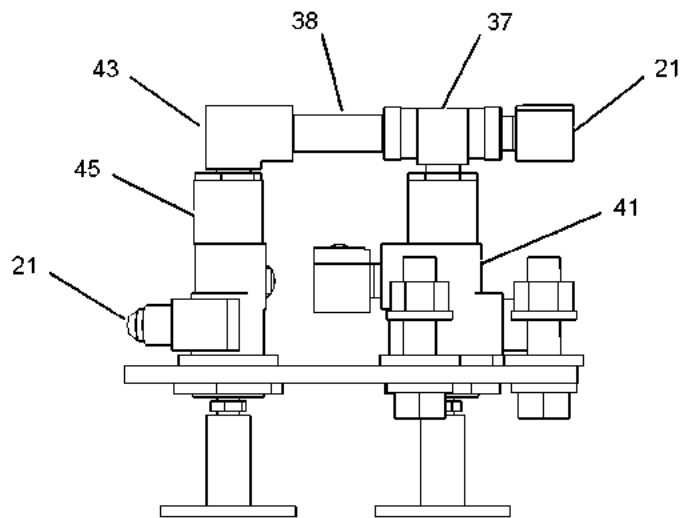
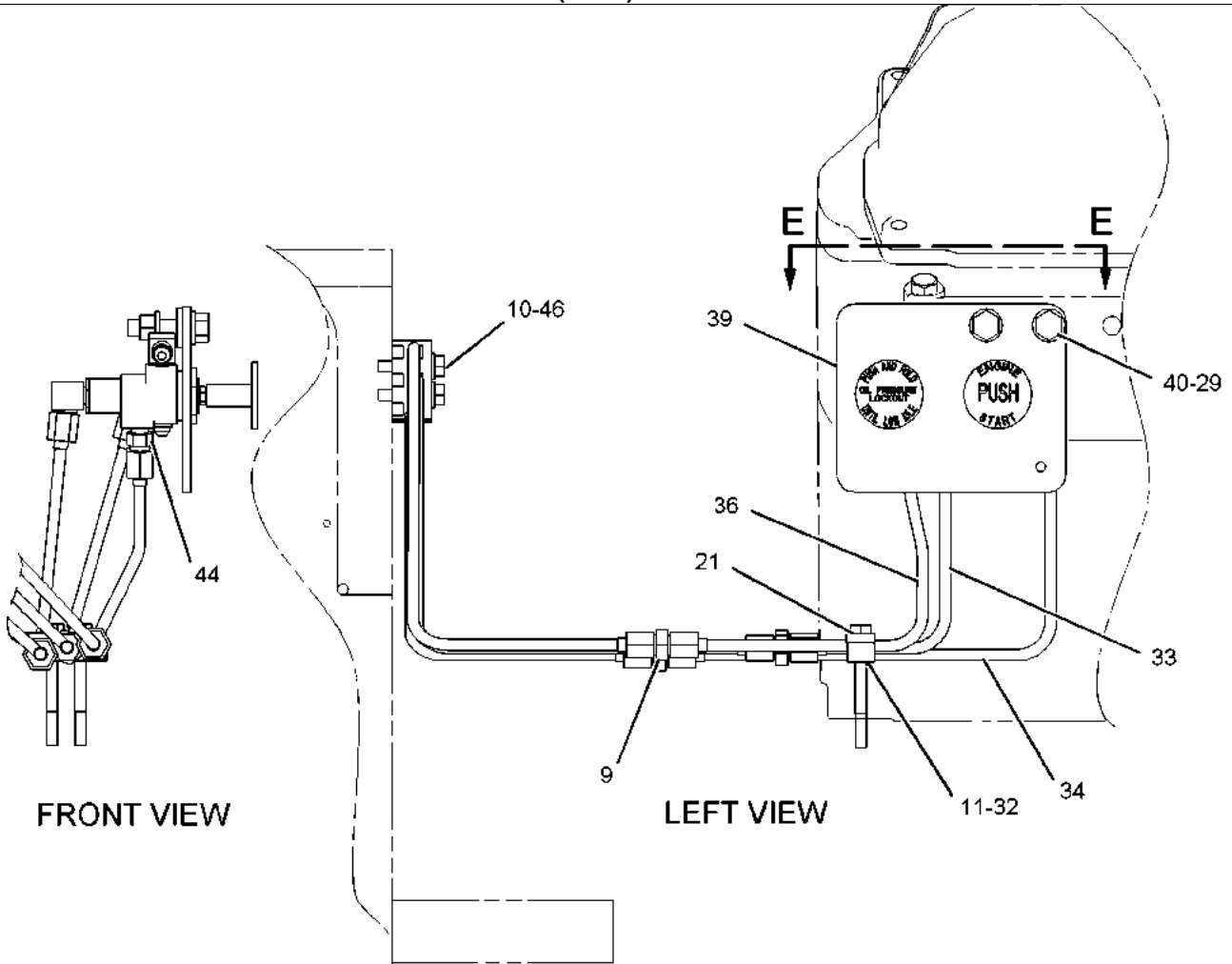
GRAPHIC #1

g01056483

ELECTRICAL AND STARTING SYSTEM

4W-7211 CONTROL GP-AIR STARTING (contd.)

102052554



VIEW E-E

REFER TO ALL ILLUSTRATIONS OF THIS GROUP FOR AUXILIARY VIEWS

GRAPHIC #2

<END>

g01065264

ELECTRICAL AND STARTING SYSTEM

5N-8166 CONTROL GP-AIR STARTING

24-VOLT TO 32-VOLT

**FOR USE WITH HYDROMECHANICAL SYSTEM AND AIR START OR ELECTRIC ASSISTED AIR START
CANNOT BE USED WITH MANUAL AIR START CONTROL OR MANUAL CONTROL WITH OVERRIDE
AN ATTACHMENT**

SMCS-1462

i06279644

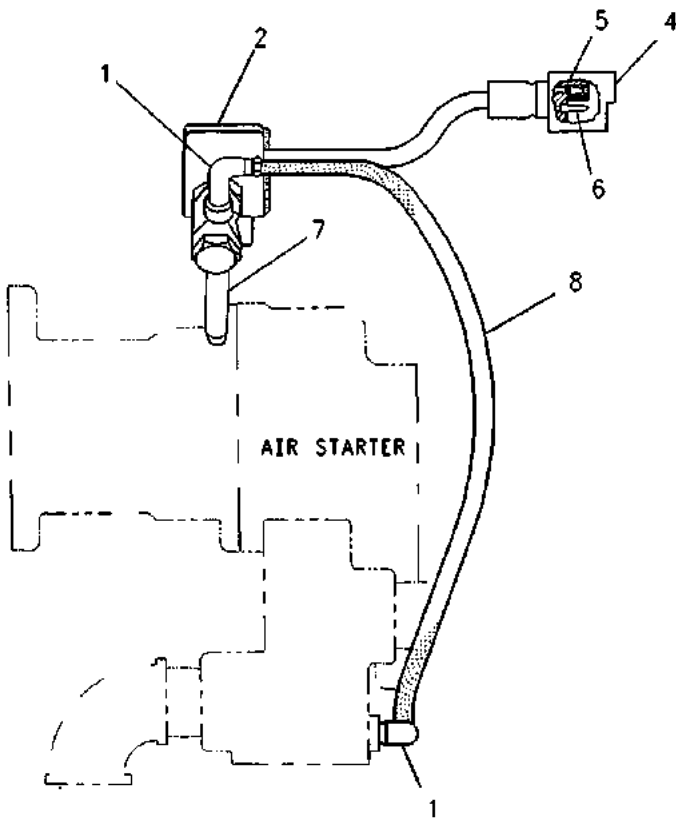
NOTE	REF NO	GRAPHIC REF	PART NUMBER	QTY	PART NAME	SEE PAGE
					1 2 3 4 5 6 (PRODUCT LEVEL)	
C	1	1	6K-1972	2	ELBOW-FLARED	
Y	2	1	5N-8980	1	VALVE AS-SOLENOID (AIR START)	1338
Y	3	1	454-7489	1	SWITCH AS-PUSH BUTTON (ENGINE START)	1314
	4	1	0S-1591	2	BOLT (3/8-16X1.5-IN)	
		1	9S-8752	2	NUT-FULL (3/8-16-THD)	
		1	5M-2894	2	WASHER-HARD (10.2X18.5X2.5-MM THK)	
		1	5P-1075	2	WASHER-HARD (10.2X22.5X3-MM THK)	
	5	1	454-4749	1	PLATE	
	6	1	7D-5473	4	BOLT-SOCKET HEAD (8-32X0.75-IN)	
		1	4B-2043	4	NUT (8-32-THD)	
		1	3B-4501	4	LOCKWASHER	
	7	1	5H-7598	1	NIPPLE-PIPE	
I	8	1	2V-5956	1	HOSE AS	

C - CHANGE FROM PREVIOUS TYPE
I - REFER TO HYDRAULIC INFORMATION SYSTEM
Y - SEPARATE ILLUSTRATION

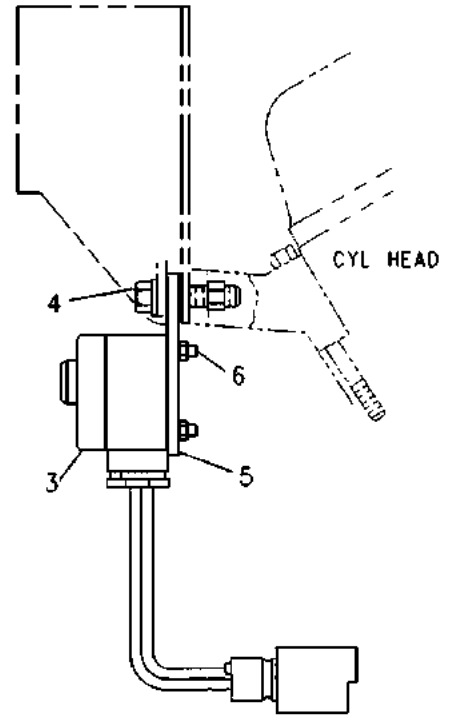
ELECTRICAL AND STARTING SYSTEM

5N-8166 CONTROL GP-AIR STARTING (contd.)

i06279644



RIGHT SIDE VIEW



FRONT VIEW

GRAPHIC #1

<END>

g00906489

ELECTRICAL AND STARTING SYSTEM

7C-0330 CONTROL GP-AIR STARTING

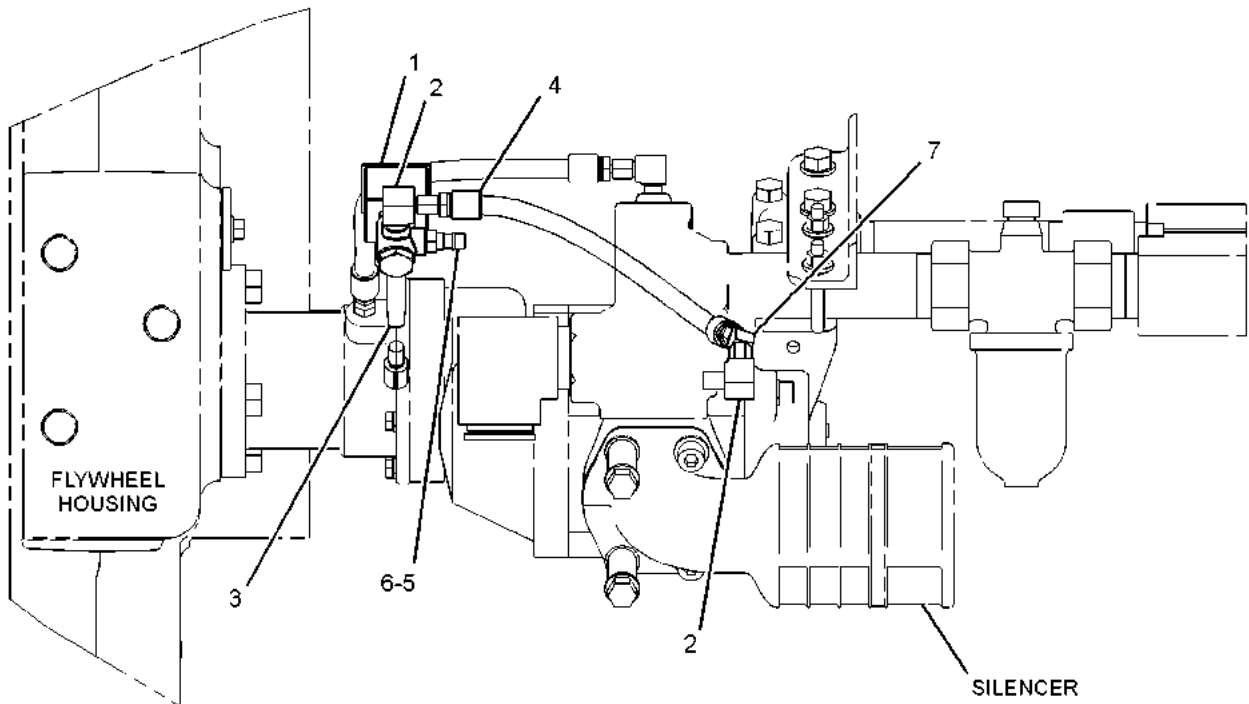
24/32-VOLT
AN ATTACHMENT

SMCS-1462

i06680229

NOTE	REF NO	GRAPHIC REF	PART NUMBER	QTY	PART NAME						SEE PAGE
					1	2	3	4	5	6 (PRODUCT LEVEL)	
Y	1	1	5N-8980	1	VALVE AS-SOLENOID (AIR START)						1338
C	2	1	6K-1972	2	ELBOW-FLARED						
	3	1	5H-7598	1	NIPPLE-PIPE						
CI	4	1	2V-5956	1	HOSE AS						
	5	1	4M-5317	1	BUSHING-REDUCER						
	6	1	5F-5434	1	VALVE AS-VENT						
	7	1	030-7961	1	ELBOW						

C - CHANGE FROM PREVIOUS TYPE
I - REFER TO HYDRAULIC INFORMATION SYSTEM
Y - SEPARATE ILLUSTRATION



RIGHT SIDE VIEW OF ENGINE

GRAPHIC #1

<END>

g06075499

ELECTRICAL AND STARTING SYSTEM

8N-8490 CONTROL GP-AIR STARTING

115-VOLT AC

**FOR USE WITH AIR START OR ELECTRIC ASSISTED AIR START
CANNOT BE USED WITH MANUAL AIR START CONTROL, MANUAL CONTROL WITH OVERRIDE OR
HYDRO-MECHANICAL SYSTEM
AN ATTACHMENT**

SMCS-1462

i07021233

NOTE	REF NO	GRAPHIC REF	PART NUMBER	QTY	PART NAME						SEE PAGE
					1	2	3	4	5	6 (PRODUCT LEVEL)	
	1	1	6I-1966	1	PLATE-CONTROL MOUNTING						
I	2	1	2V-5956	1	HOSE AS						
	3	1	3F-2065	1	LOCKNUT (1/2-14-THD)						
	4	1	4F-8184	1	BUSHING-TERMINAL						
	5	1	5N-2746	1	VALVE-SOLENOID						
	6	1	5P-5610	2	CONNECTOR						
	7	1	6I-1997	1	SWITCH (AIR STARTING)						
	8	1	6N-9587	2	CONNECTOR						
	9	1	165-3929	2	BOLT (3/8-16X1.5-IN)						
	10	1	3B-4501	4	LOCKWASHER						
	11	1	4B-2043	4	NUT (8-32-THD)						
	12	1	5H-7598	1	NIPPLE-PIPE						
C	13	1	5L-2579	1	GROMMET						
	14	1	5M-2894	2	WASHER-HARD (10.2X18.5X2.5-MM THK)						
	15	1	5P-1075	2	WASHER-HARD (10.2X22.5X3-MM THK)						
C	16	1	6K-1972	2	ELBOW-FLARED						
	17	1	7D-5473	4	BOLT-SOCKET HEAD (8-32X0.75-IN)						
	18	1	7J-8611	1	ELBOW-PIPE						
	19	1	9S-8752	2	NUT-FULL (3/8-16-THD)						

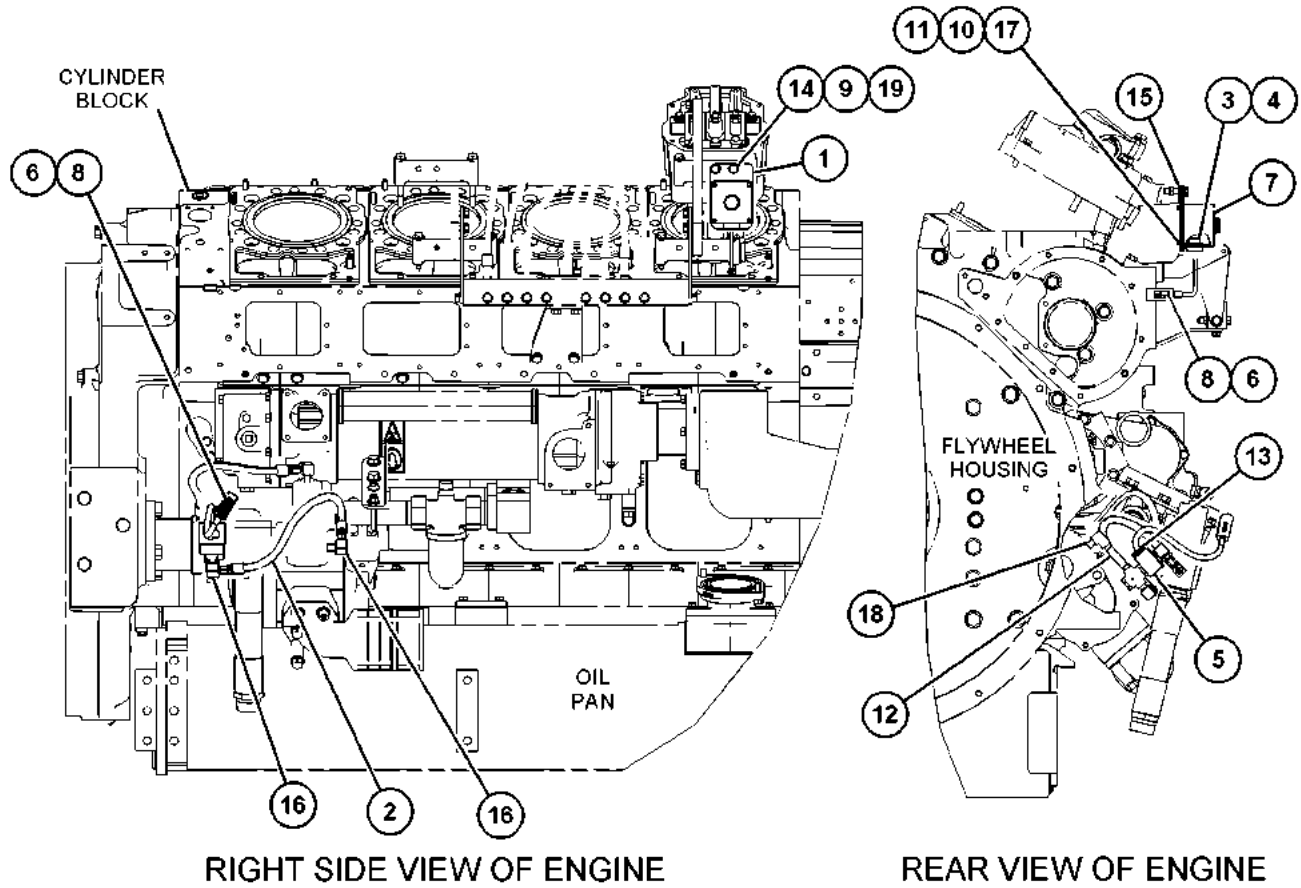
C - CHANGE FROM PREVIOUS TYPE

I - REFER TO HYDRAULIC INFORMATION SYSTEM

ELECTRICAL AND STARTING SYSTEM

8N-8490 CONTROL GP-AIR STARTING (contd.)

i07021233



GRAPHIC #1

<END>

g06214724

ELECTRICAL AND STARTING SYSTEM

8N-8491 CONTROL GP-AIR STARTING

24-VOLT TO 32-VOLT DC

**FOR USE WITH AIR START OR ELECTRIC ASSISTED AIR START
CANNOT BE USED WITH MANUAL AIR START CONTROL, MANUAL CONTROL WITH OVERRIDE OR
HYDROMECHANICAL SYSTEM
AN ATTACHMENT**

SMCS-1462

i03171060

NOTE	REF NO	GRAPHIC REF	PART NUMBER	QTY	PART NAME						SEE PAGE
					1	2	3	4	5	6 (PRODUCT LEVEL)	
Y	1	1	5N-8980	1	VALVE AS-SOLENOID (AIR START)						1338
C	2	1	6I-1966	1	PLATE-CONTROL MOUNTING						
C	3	1	7D-5473	4	BOLT-SOCKET HEAD (8-32X0.75-IN)						
C		1	4B-2043	4	NUT (8-32-THD)						
C		1	3B-4501	4	LOCKWASHER						
	4	1	6K-1972	1	ELBOW-FLARED						
C	5	1	5H-7598	1	NIPPLE-PIPE						
CI	6	1	6N-3170	1	HOSE AS						
YC	7	1	6I-1998	1	SWITCH AS-PUSH BUTTON (ENGINE START)						1315
	8	1	0S-1591	2	BOLT (3/8-16X1.5-IN)						
C	9	1	9S-8752	2	NUT-FULL (3/8-16-THD)						
	10	1	5M-2894	2	WASHER-HARD (10.2X18.5X2.5-MM THK)						
	11	1	5P-1075	2	WASHER-HARD (10.2X22.5X3-MM THK)						

C - CHANGE FROM PREVIOUS TYPE

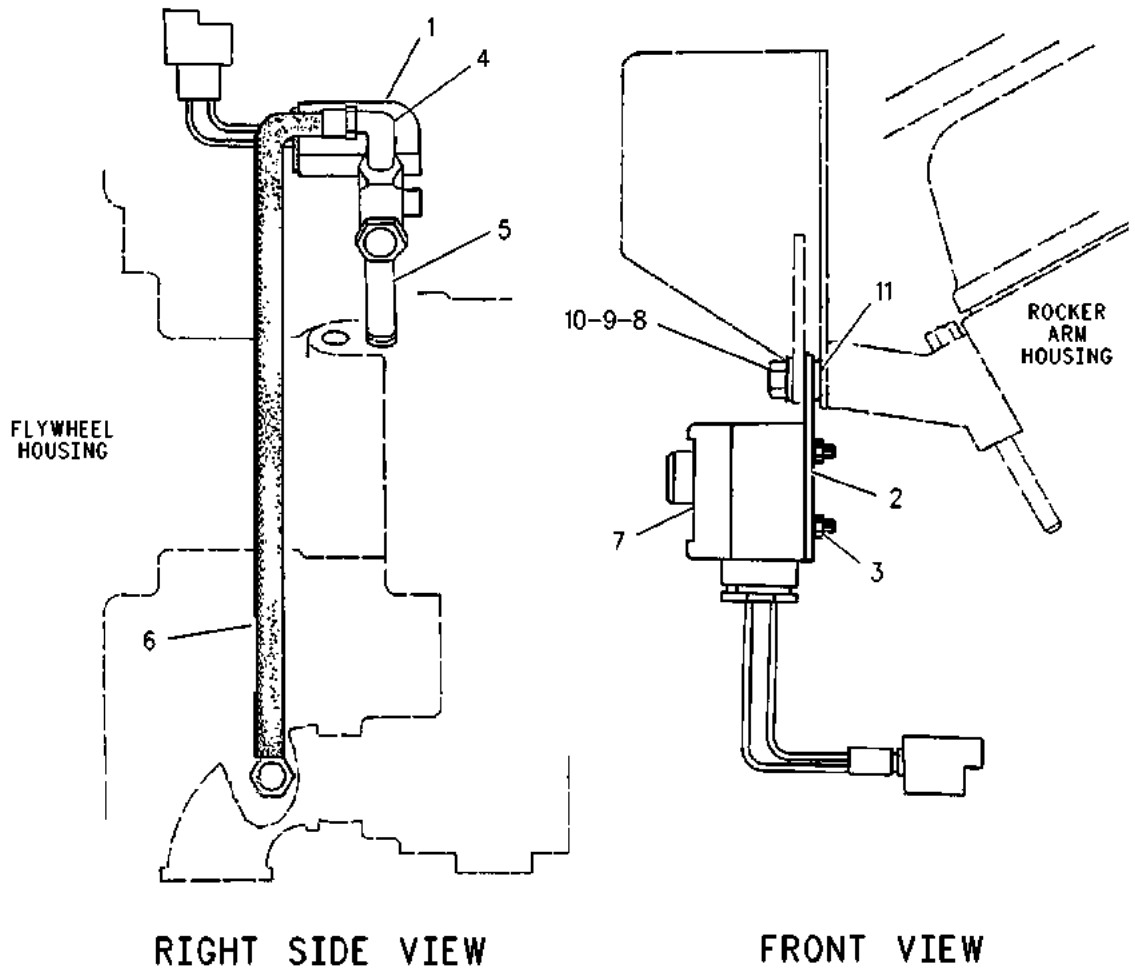
I - REFER TO HYDRAULIC INFORMATION SYSTEM

Y - SEPARATE ILLUSTRATION

ELECTRICAL AND STARTING SYSTEM

8N-8491 CONTROL GP-AIR STARTING (contd.)

103171060



GRAPHIC #1

<END>

g00903507

ELECTRICAL AND STARTING SYSTEM

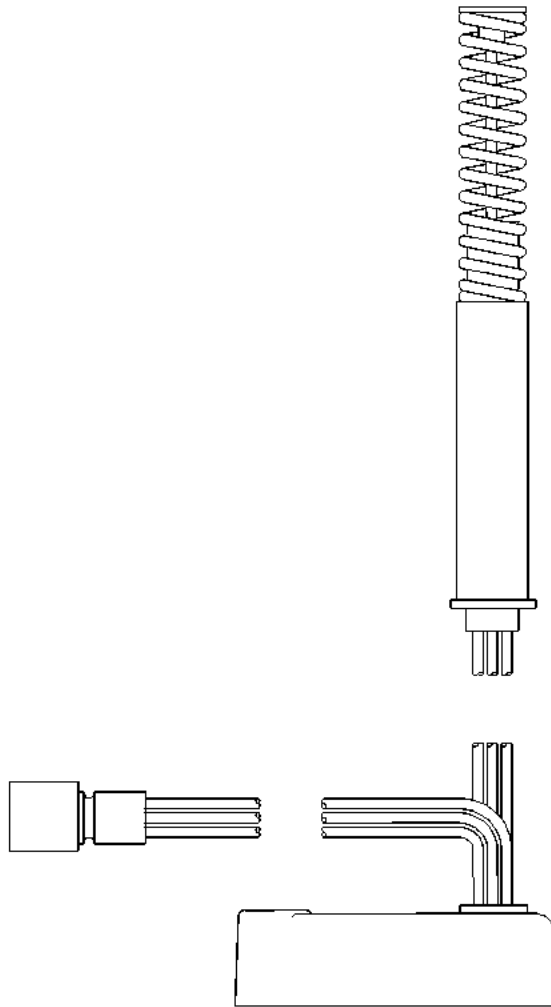
6T-9593 CONTROL GP-ENGINE ELECTRONIC-RACK POSITION PART OF 4P-3783 CONTROL & HOUSING GP-GOVERNOR AN ATTACHMENT

SMCS-1901

i01472447

NOTE	REF NO	GRAPHIC REF	PART NUMBER	QTY	PART NAME						SEE PAGE
					1	2	3	4	5	6 (PRODUCT LEVEL)	

(NO SERVICED PARTS)



GRAPHIC #1

<END>

g00767997

ELECTRICAL AND STARTING SYSTEM

440-2105 CONTROL GP-ELECTRONIC-PL641E CELLULAR*R
PART OF 426-5363 INSTALLATION GP-COMMUNICATION

SMCS-7610

i07395706

NOTE	PART NUMBER	QTY	PART NAME						SEE PAGE
			1	2	3	4	5	6 (PRODUCT LEVEL)	
	560-0261	1	SOFTWARE GP-MONITOR (CELLULAR)						

<END>

ELECTRICAL AND STARTING SYSTEM

110-9211 CONTROL GP-VOLTAGE

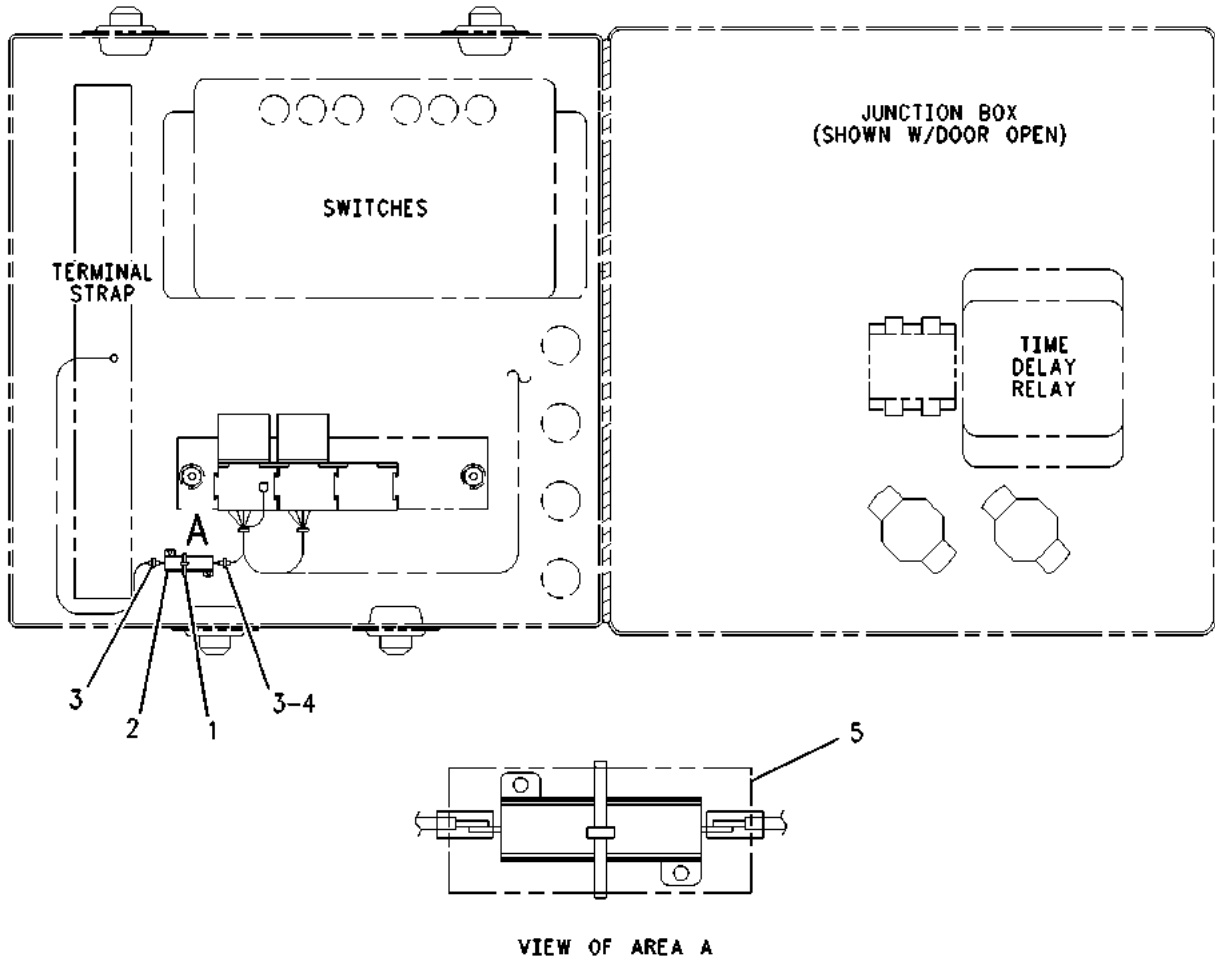
**32-VOLT DC RELAY
AN ATTACHMENT**

SMCS-1410, 4467, 4490

i06925829

NOTE	REF NO	GRAPHIC REF	PART NUMBER	QTY	PART NAME						SEE PAGE
					1	2	3	4	5	6 (PRODUCT LEVEL)	
	1	1	8L-8413	1	STRAP-CABLE (WHITE)						
	2	1	3T-1415	1	RESISTOR						
D	3	1	5P-6009		TUBE-HEAT SHRINK (9.52-MM DIA) (0.1-M)						
B	4	1	1S-9593	8	STRAP-CABLE						
D	5	1	6V-2722		TUBE-HEAT SHRINK (25.4-MM DIA) (0.1-M)						

B - USE AS REQUIRED
D - ORDER BY THE METER



GRAPHIC #1

<END>

g00744429

ELECTRICAL AND STARTING SYSTEM

7W-5028 CONVERSION GP-WIRING

AN ATTACHMENT

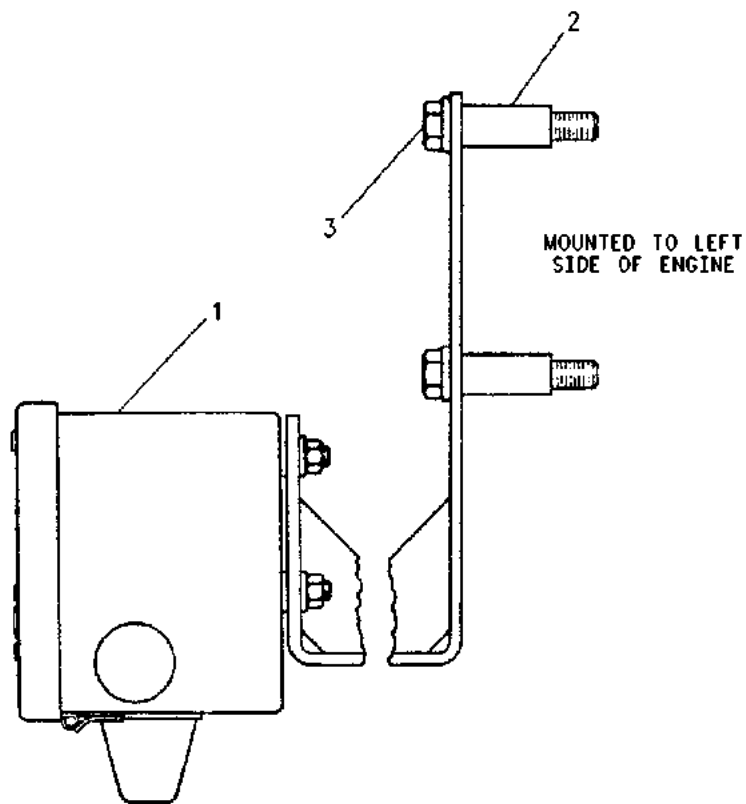
TYPE 1

SMCS-1408

i01337899

NOTE	REF NO	GRAPHIC REF	PART NUMBER	QTY	PART NAME						SEE PAGE
					1	2	3	4	5	6 (PRODUCT LEVEL)	
Y	1	1	7W-9032	1	ENCLOSURE GP-WIRING						1030
	2	1	1V-7753	4	SPACER (0.546X0.841X1.75-IN THK)						
	3	1	0L-1329	4	BOLT (1/2-13X3-IN)						
		1	5P-8245	8	WASHER-HARD (13.5X25.5X3-MM THK)						

Y - SEPARATE ILLUSTRATION



LEFT SIDE VIEW

GRAPHIC #1

<END>

g00707597

ELECTRICAL AND STARTING SYSTEM

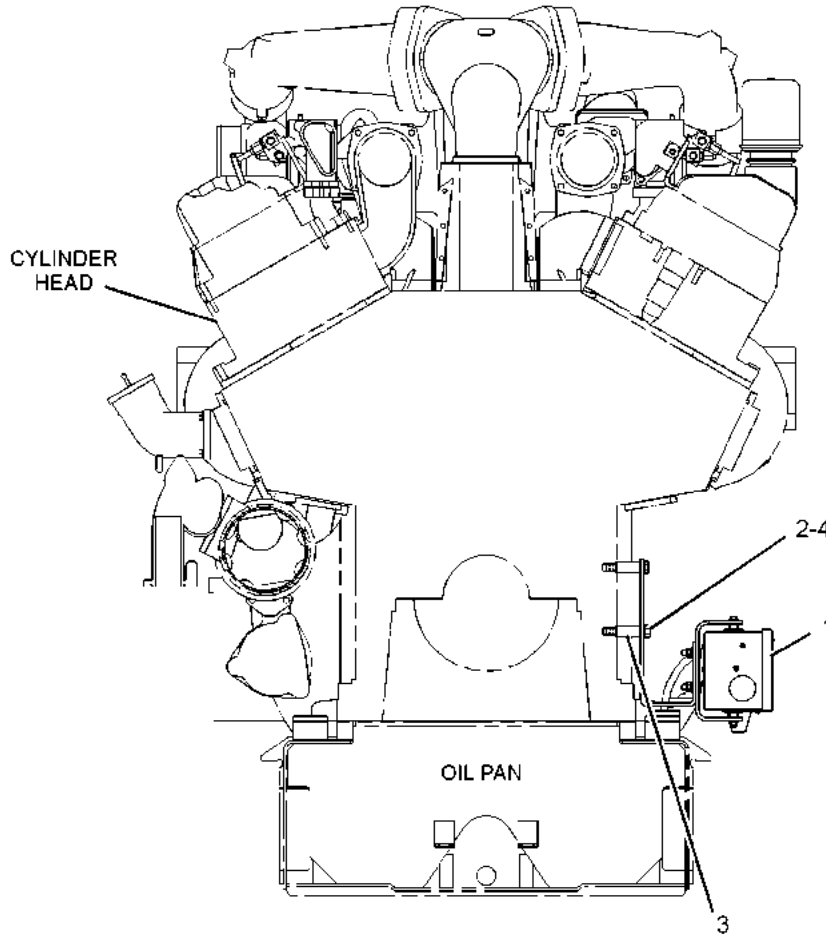
7W-5028 CONVERSION GP-WIRING AN ATTACHMENT TYPE 2

SMCS-1408

i02973999

NOTE	REF NO	GRAPHIC REF	PART NUMBER	QTY	PART NAME						SEE PAGE
					1	2	3	4	5	6 (PRODUCT LEVEL)	
Y	1	1	155-2593	1	ENCLOSURE GP						1355
	2	1	0L-1329	4	BOLT (1/2-13X3-IN)						
	3	1	1V-7753	4	SPACER (0.546X0.841X1.75-IN THK)						
	4	1	5P-8245	4	WASHER-HARD (13.5X25.5X3-MM THK)						

Y - SEPARATE ILLUSTRATION



FRONT VIEW OF ENGINE

GRAPHIC #1

<END>

g01513298

ELECTRICAL AND STARTING SYSTEM

7W-8052 DIODE GP

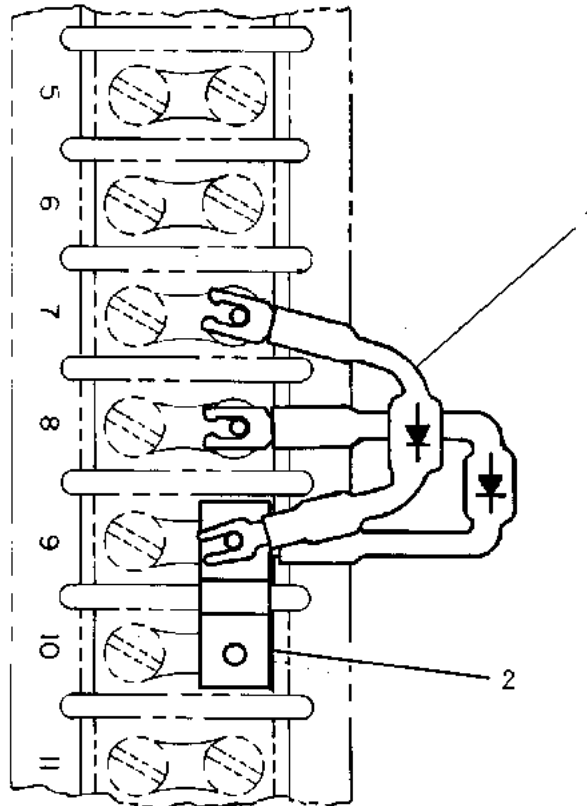
PART OF 7C-5237, 7W-8054 SHUTOFF GP-ELECTRICAL

ALSO AN ATTACHMENT

SMCS-1408

i02183666

NOTE	REF NO	GRAPHIC REF	PART NUMBER	QTY	PART NAME						SEE PAGE
					1	2	3	4	5	6 (PRODUCT LEVEL)	
	1	1	5N-4988	2	DIODE AS (5-AMPERE)						
	2	1	5N-5159	1	JUMPER-STRIP						



JUNCTION BOX
TERMINAL STRIP

GRAPHIC #1

<END>

g00698280

ELECTRICAL AND STARTING SYSTEM

7W-9032 ENCLOSURE GP-WIRING

POWER DISTRIBUTION

**PART OF 7W-5028 CONVERSION GP-WIRING, 155-2593 ENCLOSURE GP, 4W-4750 WIRING GP-ENGINE
AN ATTACHMENT
TYPE 1**

SMCS-1408

i01763444

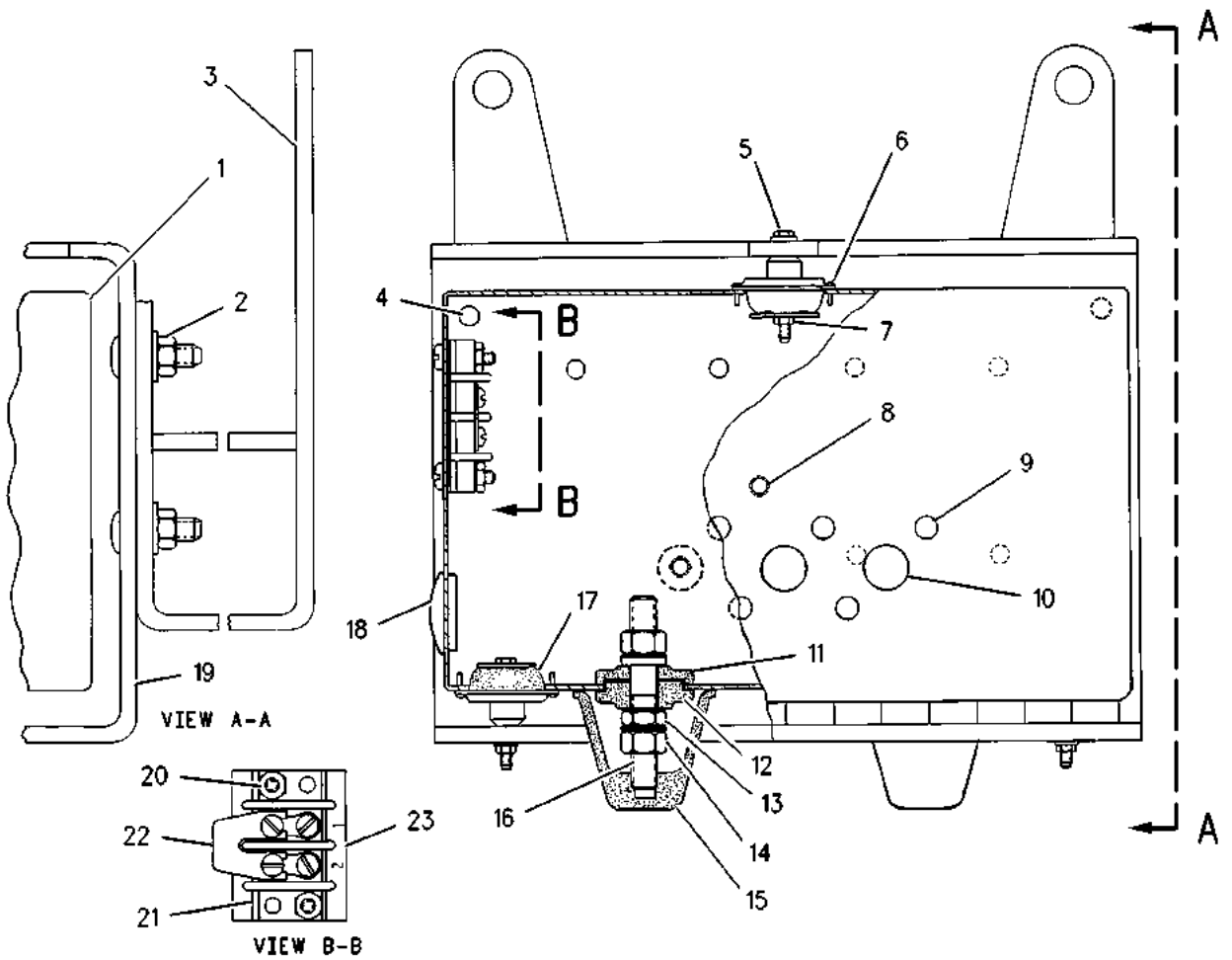
NOTE	REF NO	GRAPHIC REF	PART NUMBER	QTY	PART NAME						SEE PAGE
					1	2	3	4	5	6 (PRODUCT LEVEL)	
C	1	1	9Y-8474	1	ENCLOSURE AS						
	2	1	9S-8752	4	NUT-FULL (3/8-16-THD)						
C		1	5M-2894	4	WASHER-HARD (10.2X18.5X2.5-MM THK)						
	3	1	7W-9033	1	BRACKET AS						
	4	1	9M-5520	2	SCREW-TAPPING (10-24X0.5-IN)						
C	5	1	9X-2079	3	SCREW-MACHINE (6-32X1.5-IN)						
C		1	4B-5324	3	WASHER (3.9X9.6X1.2-MM THK)						
C	6	1	7K-6536	12	RIVET-POP						
	7	1	7D-6922	3	LOCKNUT (6-32-THD)						
C		1	1F-2622	3	WASHER (0.156X0.97X0.049-IN THK)						
	8	1	5N-3174	2	PLUG-BUTTON						
	9	1	6K-9591	6	PLUG-BUTTON						
	10	1	3L-4566	3	PLUG-BUTTON						
	11	1	7W-2710	2	INSULATOR						
	12	1	7W-2709	2	INSULATOR						
	13	1	6H-5431	2	NUT-BRASS JAM (3/8-16-THD)						
		1	3L-7314	8	WASHER (0.406X0.62X0.032-IN THK)						
	14	1	5P-7751	4	NUT-BRONZE (3/8-16-THD)						
	15	1	5N-8998	2	BOOT						
	16	1	5N-7510	2	STUD (3/8-16, 3/8-16X2.76-IN)						
C	17	1	9Y-9373	3	MOUNT-FLEXIBLE						
	18	1	4F-8711	1	PLUG-BUTTON						
C	19	1	9Y-8445	1	BRACKET AS						
	20	1	4B-2047	2	NUT (10-24-THD)						
		1	2N-3480	2	SCREW-MACHINE (10-24X0.75-IN)						
	21	1	6L-5855	1	STRIP-TERMINAL						
	22	1	6L-8150	1	JUMPER-STRIP (TERMINAL)						
	23	1	5N-0367	1	FILM-IDENTIFICATION (TERMINAL MARKER)						

C - CHANGE FROM PREVIOUS TYPE

ELECTRICAL AND STARTING SYSTEM

7W-9032 ENCLOSURE GP-WIRING (contd.)

i01763444



GRAPHIC #1

<END>

g00903036

ELECTRICAL AND STARTING SYSTEM

7W-9032 ENCLOSURE GP-WIRING

POWER DISTRIBUTION

PART OF 155-2593 ENCLOSURE GP, 4W-4750 WIRING GP-ENGINE

AN ATTACHMENT

TYPE 2

SMCS-1408

i01324365

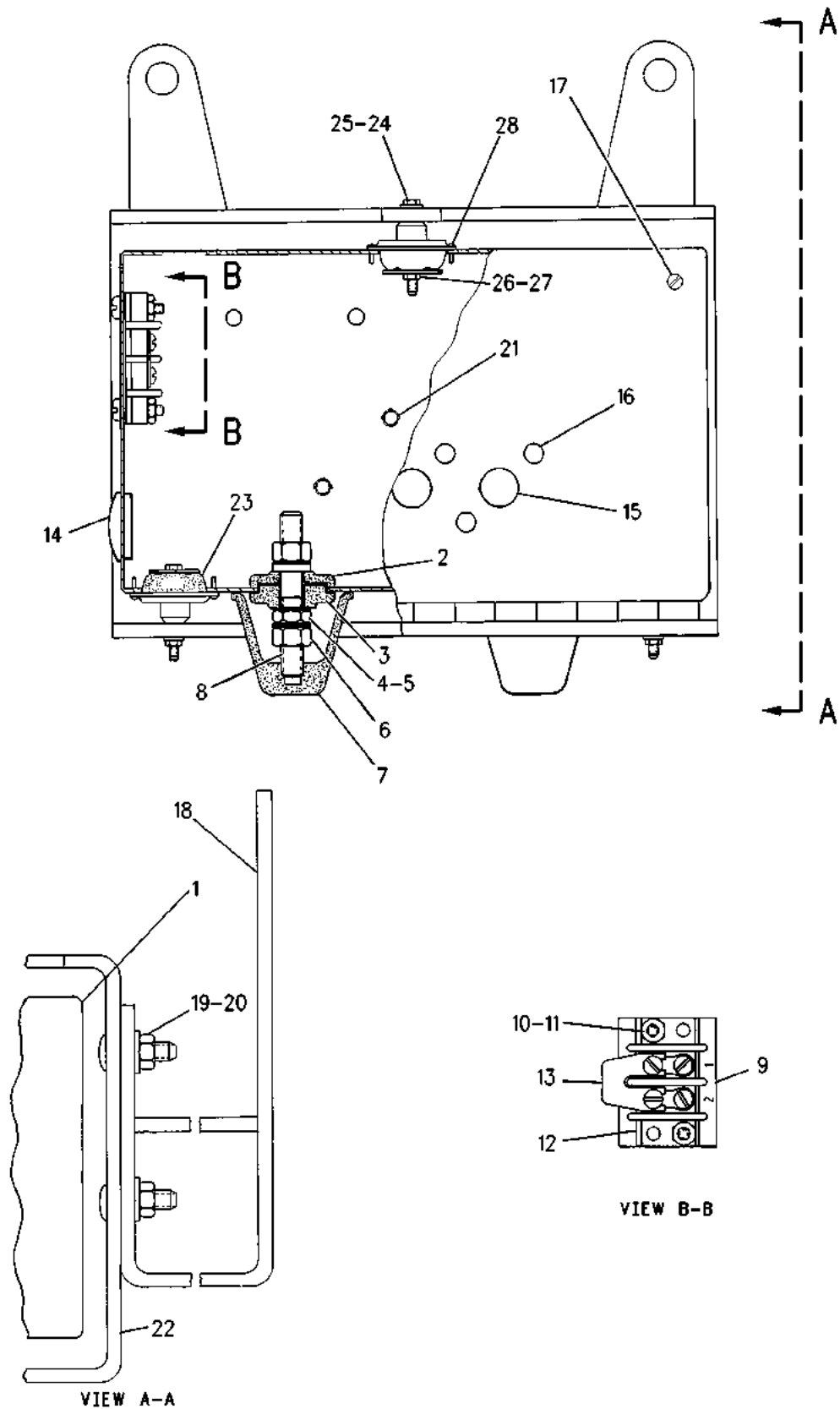
NOTE	REF NO	GRAPHIC REF	PART NUMBER	QTY	PART NAME						SEE PAGE
					1	2	3	4	5	6 (PRODUCT LEVEL)	
C	1	1	166-4173	1	ENCLOSURE AS						
	2	1	7W-2710	2	INSULATOR						
	3	1	7W-2709	2	INSULATOR						
	4	1	3L-7314	8	WASHER (0.406X0.62X0.032-IN THK)						
	5	1	6H-5431	2	NUT-BRASS JAM (3/8-16-THD)						
	6	1	5P-7751	4	NUT-BRONZE (3/8-16-THD)						
	7	1	5N-8998	2	BOOT						
	8	1	5N-7510	2	STUD (3/8-16, 3/8-16X2.76-IN)						
	9	1	5N-0367	1	FILM-IDENTIFICATION (TERMINAL MARKER)						
	10	1	4B-2047	2	NUT (10-24-THD)						
	11	1	2N-3480	2	SCREW-MACHINE (10-24X0.75-IN)						
	12	1	6L-5855	1	STRIP-TERMINAL						
	13	1	6L-8150	1	JUMPER-STRIP (TERMINAL)						
	14	1	4F-8711	1	PLUG-BUTTON						
	15	1	3L-4566	3	PLUG-BUTTON						
	16	1	6K-9591	6	PLUG-BUTTON						
	17	1	9M-5520	2	SCREW-TAPPING (10-24X0.5-IN)						
	18	1	7W-9033	1	BRACKET AS						
	19	1	5M-2894	4	WASHER-HARD (10.2X18.5X2.5-MM THK)						
	20	1	9S-8752	4	NUT-FULL (3/8-16-THD)						
	21	1	5N-3174	2	PLUG-BUTTON						
C	22	1	169-7294	1	BRACKET AS						
C	23	1	2W-8603	3	MOUNT-FLEXIBLE						
C	24	1	5P-2675	3	BOLT (1/4-20X1.75-IN)						
C	25	1	8T-4205	3	WASHER-HARD (7.2X14.5X2-MM THK)						
C	26	1	2W-8604	3	WASHER (6.5X35X1.5-MM THK)						
C	27	1	6V-8185	3	NUT (1/4-20-THD)						
C	28	1	2N-2258	12	RIVET-POP						

C - CHANGE FROM PREVIOUS TYPE

ELECTRICAL AND STARTING SYSTEM

7W-9032 ENCLOSURE GP-WIRING (contd.)

101324365



GRAPHIC #1

<END>

g00704805

ELECTRICAL AND STARTING SYSTEM

7W-9032 ENCLOSURE GP-WIRING

POWER DISTRIBUTION

PART OF 155-2593 ENCLOSURE GP, 4W-4750 WIRING GP-ENGINE

AN ATTACHMENT

TYPE 3

SMCS-1408

i07035094

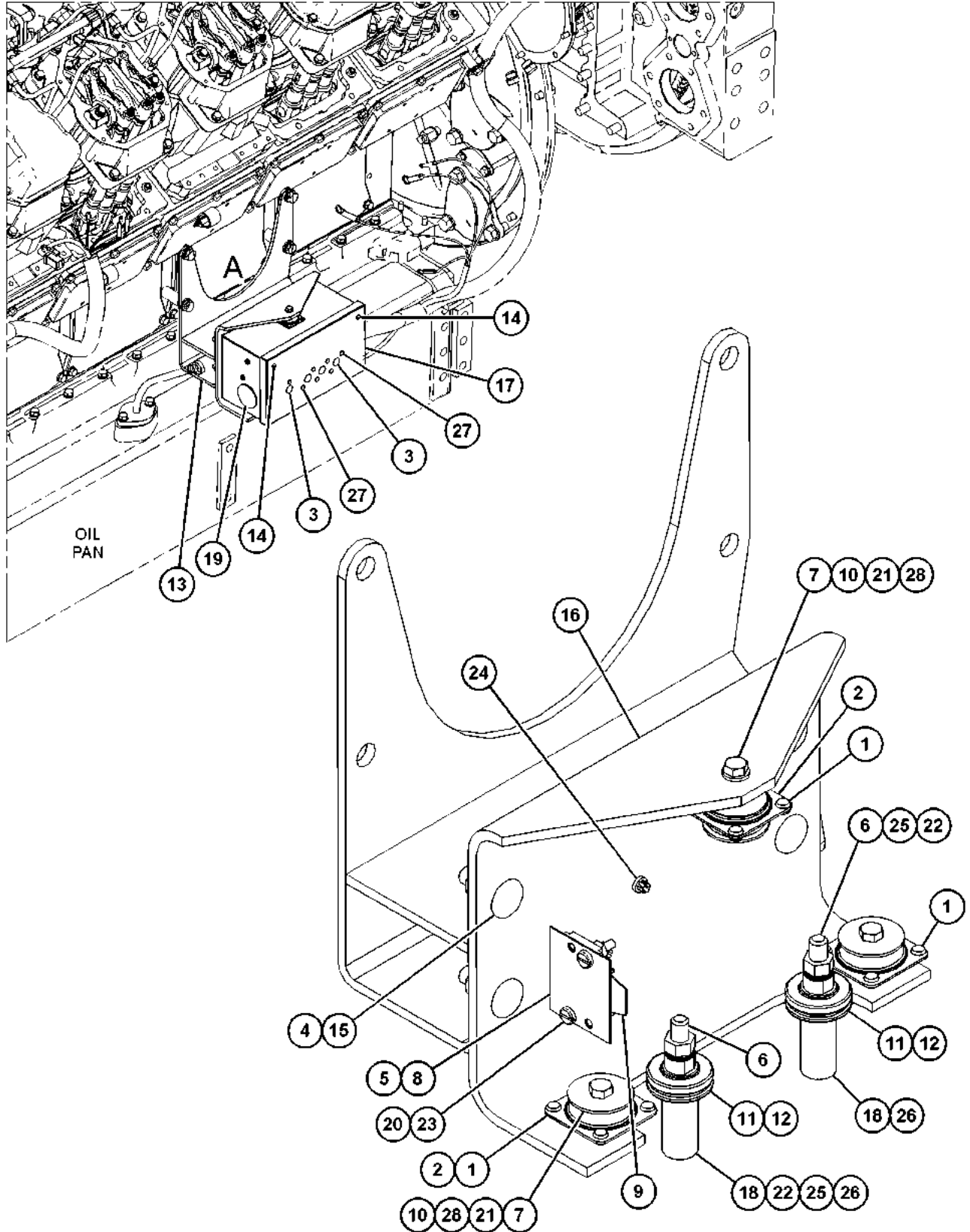
NOTE	REF NO	GRAPHIC REF	PART NUMBER	QTY	PART NAME						SEE PAGE
					1	2	3	4	5	6 (PRODUCT LEVEL)	
	1	1	2N-2258	12	RIVET-POP						
	2	1	2W-8603	3	MOUNT-FLEXIBLE						
C	3	1	3L-4566	4	PLUG-BUTTON						
	4	1	5M-2894	4	WASHER-HARD (10.2X18.5X2.5-MM THK)						
	5	1	5N-0367	1	FILM-IDENTIFICATION (TERMINAL MARKER)						
	6	1	5N-7510	2	STUD (3/8-16, 3/8-16X2.76-IN)						
	7	1	5P-2675	3	BOLT (1/4-20X1.75-IN)						
	8	1	6L-5855	1	STRIP-TERMINAL						
	9	1	6L-8150	1	JUMPER-STRIP (TERMINAL)						
	10	1	6V-8185	3	NUT (1/4-20-THD)						
	11	1	7W-2709	2	INSULATOR						
	12	1	7W-2710	2	INSULATOR						
	13	1	7W-9033	1	BRACKET AS						
	14	1	9M-5520	2	SCREW-TAPPING (10-24X0.5-IN)						
	15	1	9S-8752	4	NUT-FULL (3/8-16-THD)						
	16	1	169-7294	1	BRACKET AS						
C	17	1	191-8395	1	ENCLOSURE AS						
	18	1	443-6357	2	BOOT						
C	19	1	1V-9020	1	PLUG						
	20	1	2N-3480	2	SCREW-MACHINE (10-24X0.75-IN)						
	21	1	2W-8604	3	WASHER (6.5X35X1.5-MM THK)						
	22	1	3L-7314	8	WASHER (0.406X0.62X0.032-IN THK)						
	23	1	4B-2047	2	NUT (10-24-THD)						
	24	1	5N-3174	2	PLUG-BUTTON						
	25	1	5P-7751	6	NUT-BRONZE (3/8-16-THD)						
	26	1	6H-5431	2	NUT-BRASS JAM (3/8-16-THD)						
C	27	1	6K-9591	7	PLUG-BUTTON						
	28	1	8T-4205	3	WASHER-HARD (7.2X14.5X2-MM THK)						

C - CHANGE FROM PREVIOUS TYPE

ELECTRICAL AND STARTING SYSTEM

7W-9032 ENCLOSURE GP-WIRING (contd.)

i07035094



OIL PAN

VIEW OF AREA A
(PARTS REMOVED FOR CLARITY)

GRAPHIC #1

<END>

g06208496

ELECTRICAL AND STARTING SYSTEM

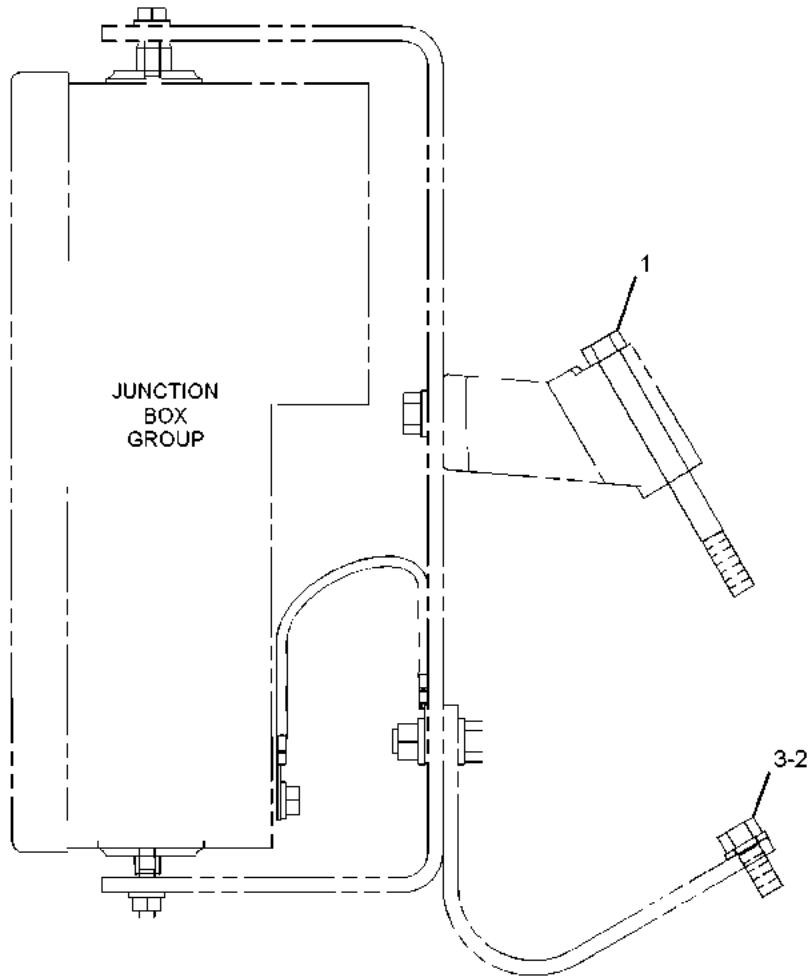
7W-6956 FASTENER GP-JUNCTION BOX

PART OF 166-4363, 7C-5274 SHUTOFF GP-ELECTRICAL
ALSO AN ATTACHMENT

SMCS-7426

i03517313

NOTE	REF NO	GRAPHIC REF	PART NUMBER	QTY	PART NAME						SEE PAGE
					1	2	3	4	5	6 (PRODUCT LEVEL)	
	1	1	0T-0055	2	BOLT (3/8-16X4.25-IN)						
	2	1	0L-1351	1	BOLT (3/8-16X0.875-IN)						
	3	1	5M-2894	1	WASHER-HARD (10.2X18.5X2.5-MM THK)						



GRAPHIC #1

<END>

g01885774

ELECTRICAL AND STARTING SYSTEM

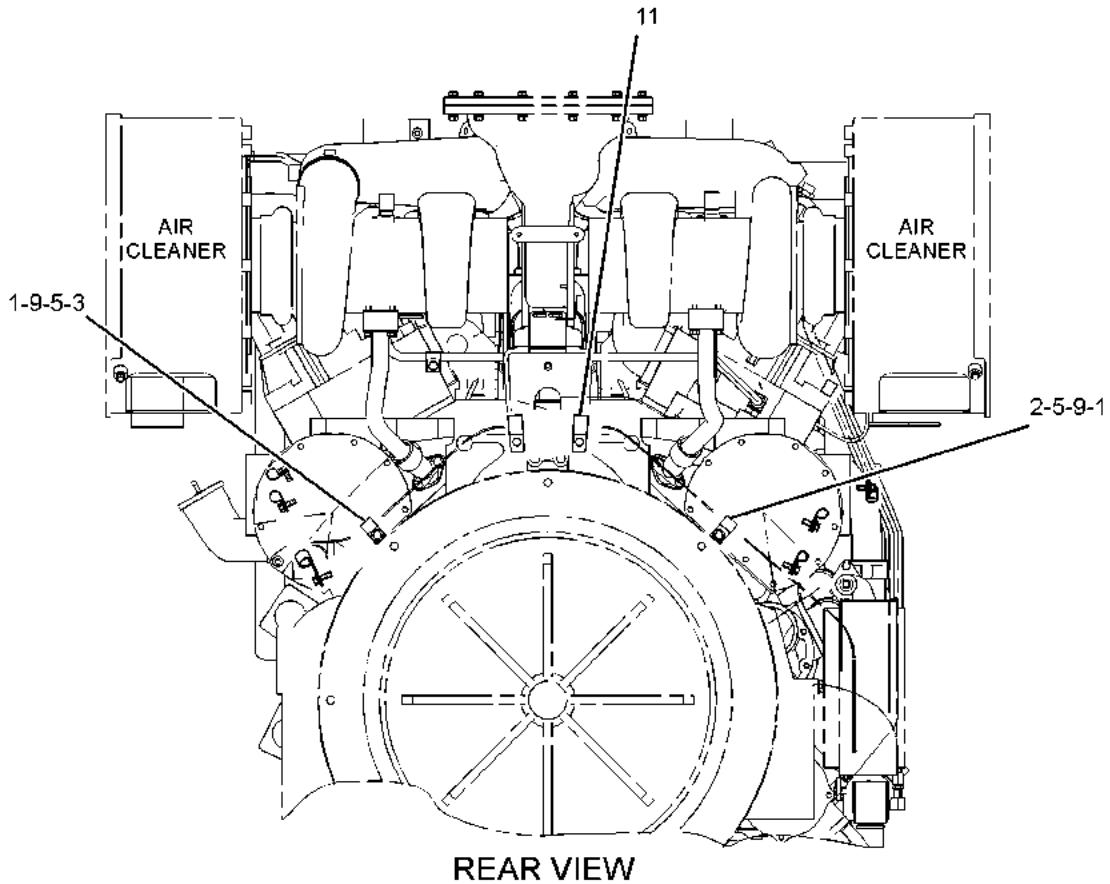
105-5202 FASTENER GP-WIRING HARNESS

AN ATTACHMENT

SMCS-1408, 7553

i02429445

NOTE	REF NO	GRAPHIC REF	PART NUMBER	QTY	PART NAME						SEE PAGE
					1	2	3	4	5	6 (PRODUCT LEVEL)	
	1	1	2B-0941	2	SPACER (10.5X19X19-MM THK)						
	2	1,2	5F-5990	9	CLIP						
	3	1,2	002-9372	6	CLIP						
	4	2	0L-1351	2	BOLT (3/8-16X0.875-IN)						
	5	1	0S-1590	2	BOLT (3/8-16X2-IN)						
	6	2	0S-1594	10	BOLT (3/8-16X1-IN)						
	7	2	1A-2029	1	BOLT (3/8-16X1.125-IN)						
	8	2	5M-2894	3	WASHER-HARD (10.2X18.5X2.5-MM THK)						
	9	1,2	5P-1075	12	WASHER-HARD (10.2X22.5X3-MM THK)						
	10	2	8D-9671	3	CLIP						
	11	1	8D-9947	2	CLIP						



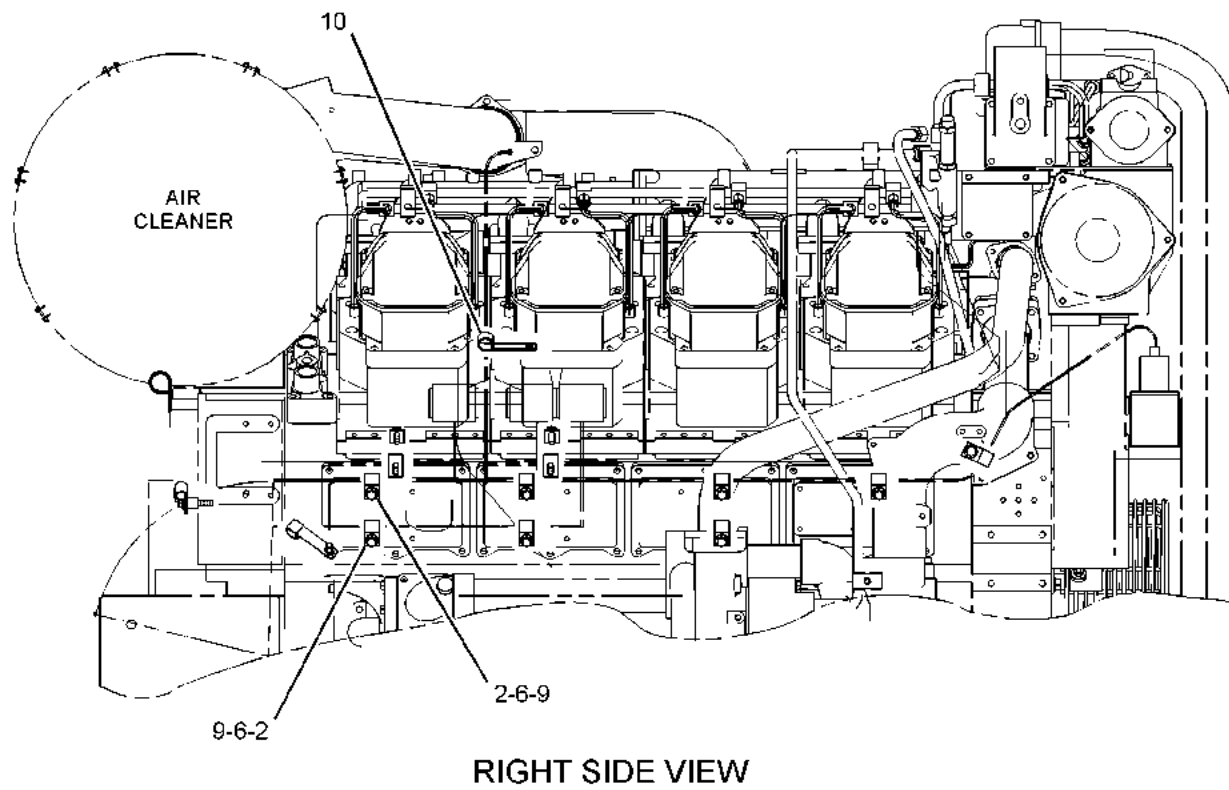
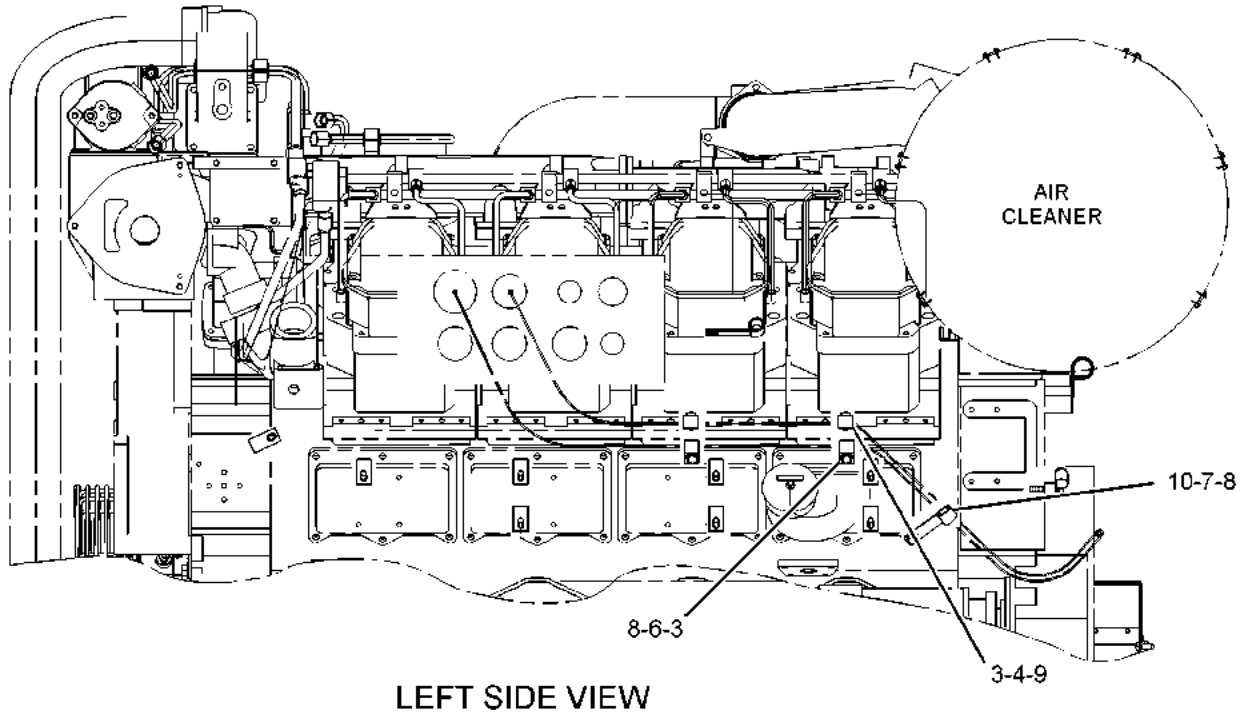
GRAPHIC #1

g01266444

ELECTRICAL AND STARTING SYSTEM

105-5202 FASTENER GP-WIRING HARNESS (contd.)

i02429445



GRAPHIC #2

<END>

g01266464

ELECTRICAL AND STARTING SYSTEM

105-5203 FASTENER GP-WIRING HARNESS

AN ATTACHMENT

SMCS-1408, 7553

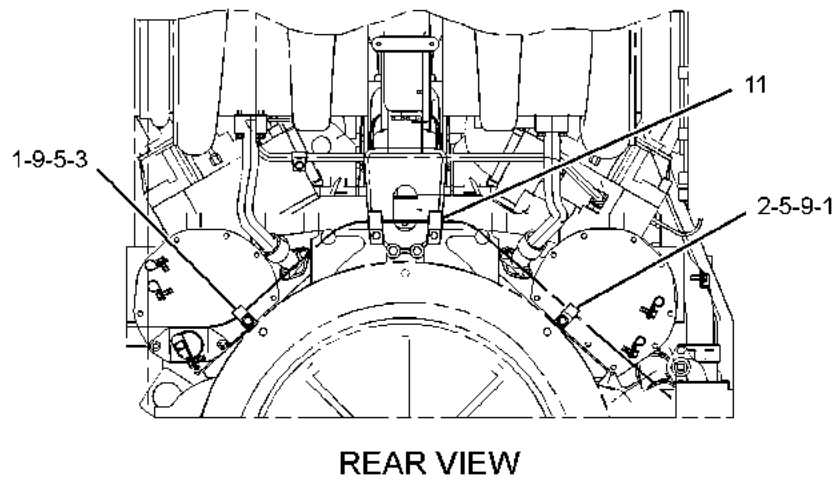
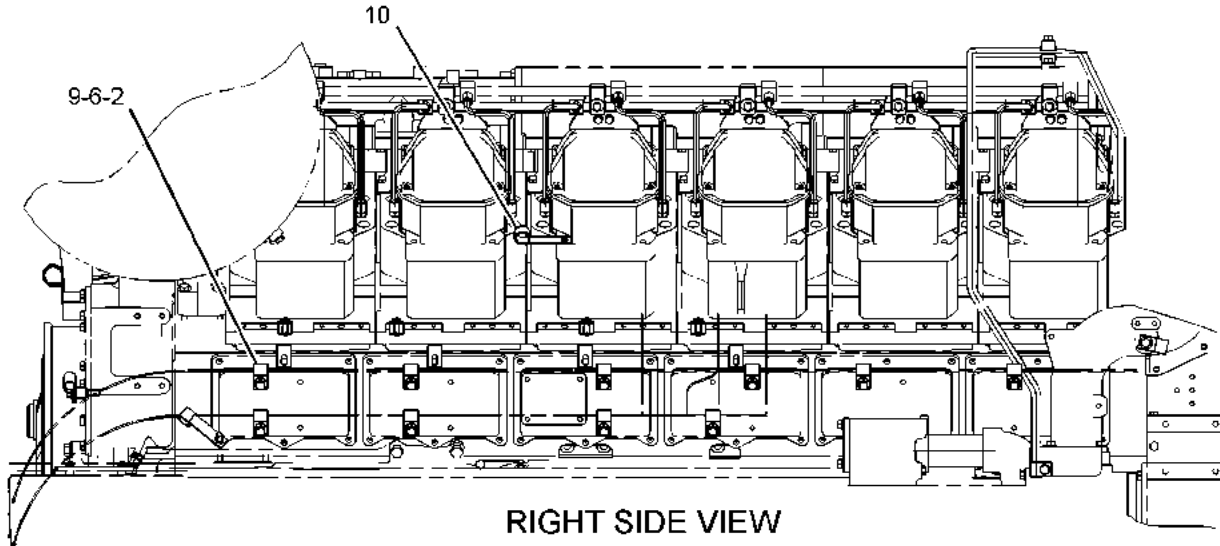
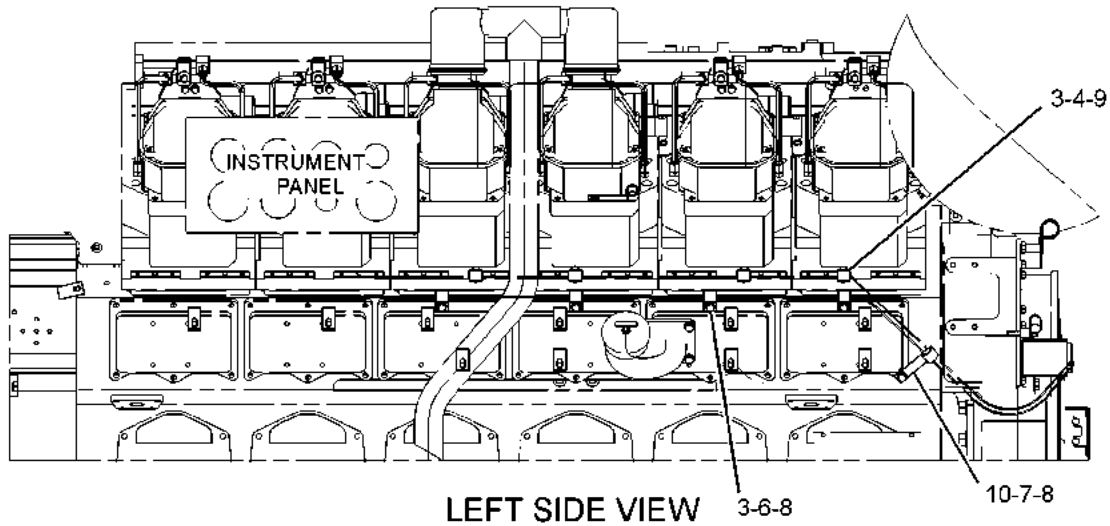
i02429444

NOTE	REF NO	GRAPHIC REF	PART NUMBER	QTY	PART NAME						SEE PAGE
					1	2	3	4	5	6 (PRODUCT LEVEL)	
	1	1	2B-0941	2	SPACER (10.5X19X19-MM THK)						
	2	1	5F-5990	12	CLIP						
	3	1	002-9372	10	CLIP						
	4	1	0L-1351	4	BOLT (3/8-16X0.875-IN)						
	5	1	0S-1590	2	BOLT (3/8-16X2-IN)						
	6	1	0S-1594	15	BOLT (3/8-16X1-IN)						
	7	1	1A-2029	1	BOLT (3/8-16X1.125-IN)						
	8	1	5M-2894	5	WASHER-HARD (10.2X18.5X2.5-MM THK)						
	9	1	5P-1075	17	WASHER-HARD (10.2X22.5X3-MM THK)						
	10	1	8D-9671	3	CLIP						
	11	1	8D-9947	2	CLIP						

ELECTRICAL AND STARTING SYSTEM

105-5203 FASTENER GP-WIRING HARNESS (contd.)

i02429444



GRAPHIC #1

<END>

g01270826

ELECTRICAL AND STARTING SYSTEM

417-7787 FASTENER GP-WIRING HARNESS-SERVICE, LH

S/N: 65Z1705-1712

PART OF 5N-9304 WIRING GP-ENGINE
AN ATTACHMENT

SMCS-1408, 7553

i05907445

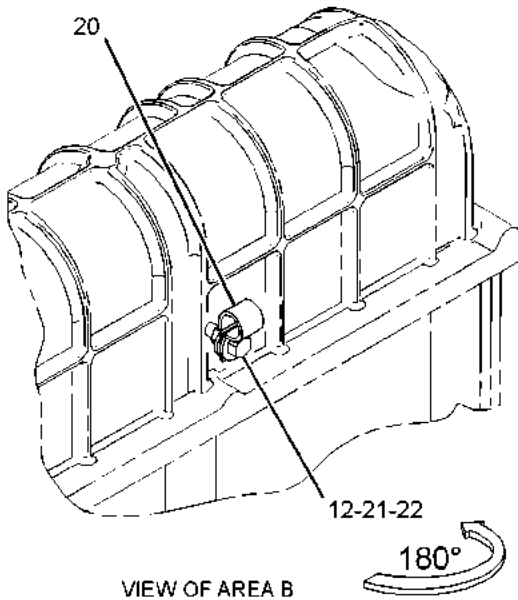
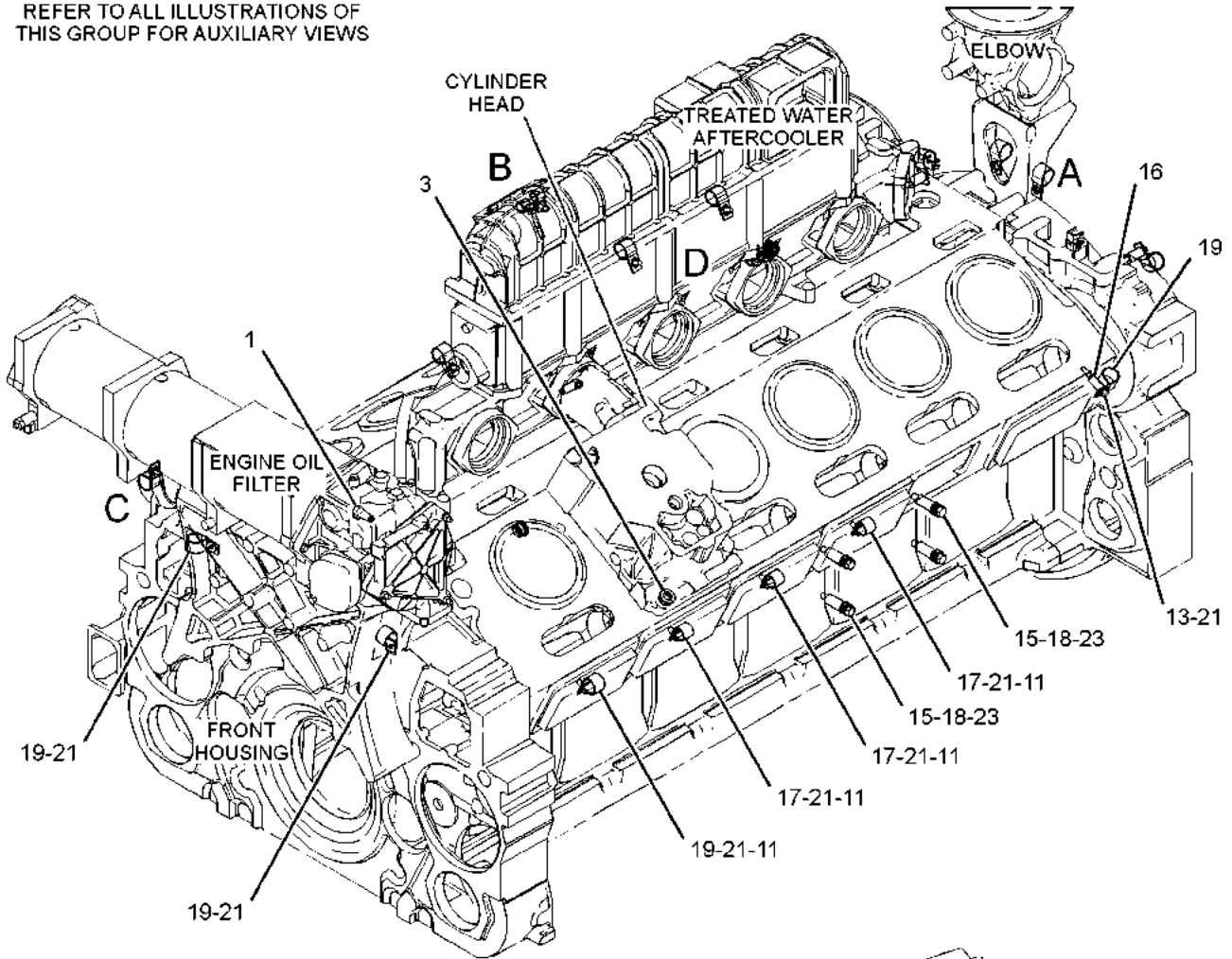
NOTE	REF NO	GRAPHIC REF	PART NUMBER	QTY	PART NAME						SEE PAGE
					1	2	3	4	5	6 (PRODUCT LEVEL)	
	1	1,2	1H-4560	2	BOOT-SPARK PLUG						
	2	2	5N-8943	1	ADAPTER						
	3	1,2	5N-9070	2	COLLAR						
	4	2	5N-9071	1	COLLAR						
	5	2	5N-9073	1	CLIP						
	6	2	6B-0933	1	SPACER (10.31X19.05X6.35-MM THK)						
	7	2	6W-6672	2	SPACER (10.5X20X38-MM THK)						
	8	2	9G-9151	2	CLIP						
	9	2	9G-9155	1	CLIP						
	10	2	0L-1143	2	BOLT (3/8-16X2.5-IN)						
	11	1,2	0L-1351	8	BOLT (3/8-16X0.875-IN)						
	12	1	0S-1594	1	BOLT (3/8-16X1-IN)						
	13	1,2	0T-0573	2	BOLT (3/8-16X2.75-IN)						
	15	1	1V-7753	4	SPACER (0.546X0.841X1.75-IN THK)						
	16	1	3L-3825	1	SPACER (0.493X0.675X1.375-IN THK)						
	17	1	4S-1962	3	CLIP (LOOP)						
	18	1,2	5P-8245	9	WASHER-HARD (13.5X25.5X3-MM THK)						
	19	1,2	8D-9947	12	CLIP						
	20	1,2	8M-2773	2	CLIP (LOOP)						
	21	1,2	9L-9132	16	WASHER (10.2X25.5X2.5-MM THK)						
	22	1	9S-8752	1	NUT-FULL (3/8-16-THD)						
	23	1	9X-8874	4	BOLT (1/2-13X3-IN)						

ELECTRICAL AND STARTING SYSTEM

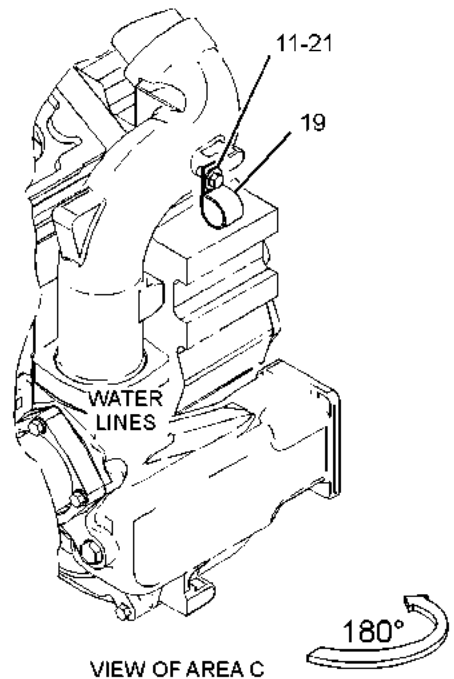
417-7787 FASTENER GP-WIRING HARNESS (contd.)

i05907445

REFER TO ALL ILLUSTRATIONS OF THIS GROUP FOR AUXILIARY VIEWS



GRAPHIC #1

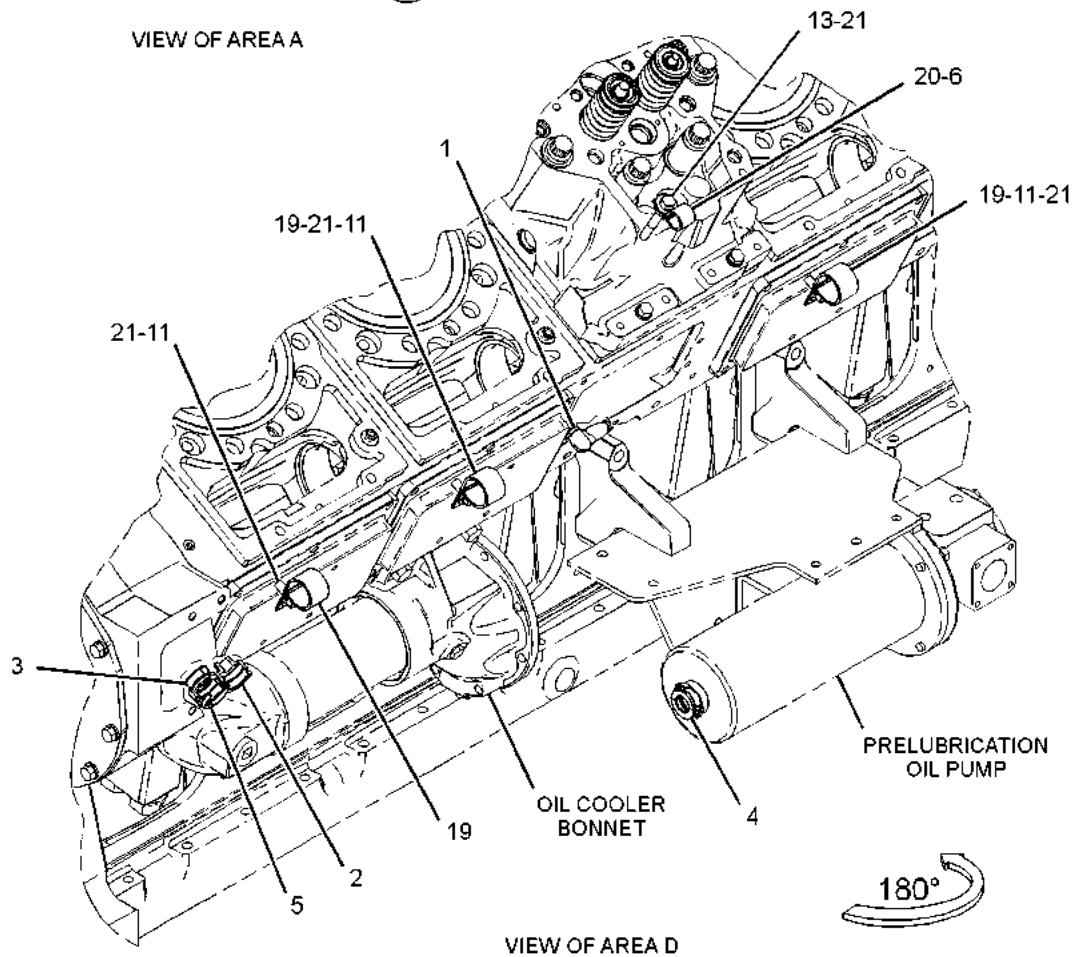
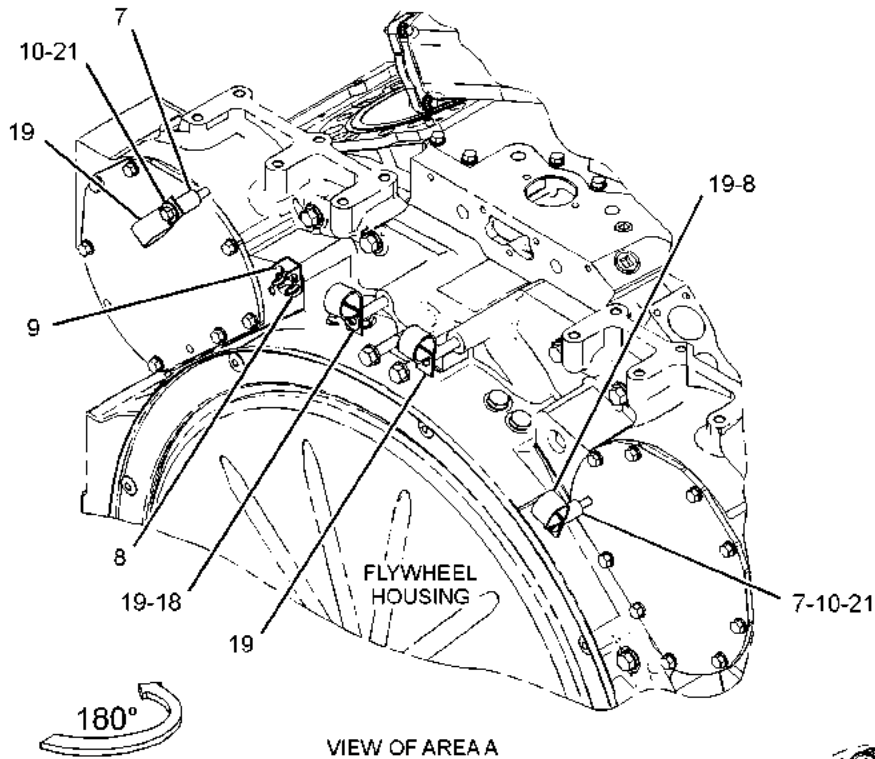


g03727653

ELECTRICAL AND STARTING SYSTEM

417-7787 FASTENER GP-WIRING HARNESS (contd.)

i05907445



GRAPHIC #2

<END>

g03188658

ELECTRICAL AND STARTING SYSTEM

417-7787 FASTENER GP-WIRING HARNESS-SERVICE, LH

S/N: 65Z1713-UP

PART OF 5N-9304 WIRING GP-ENGINE
AN ATTACHMENT

SMCS-1408, 7553

i07003855

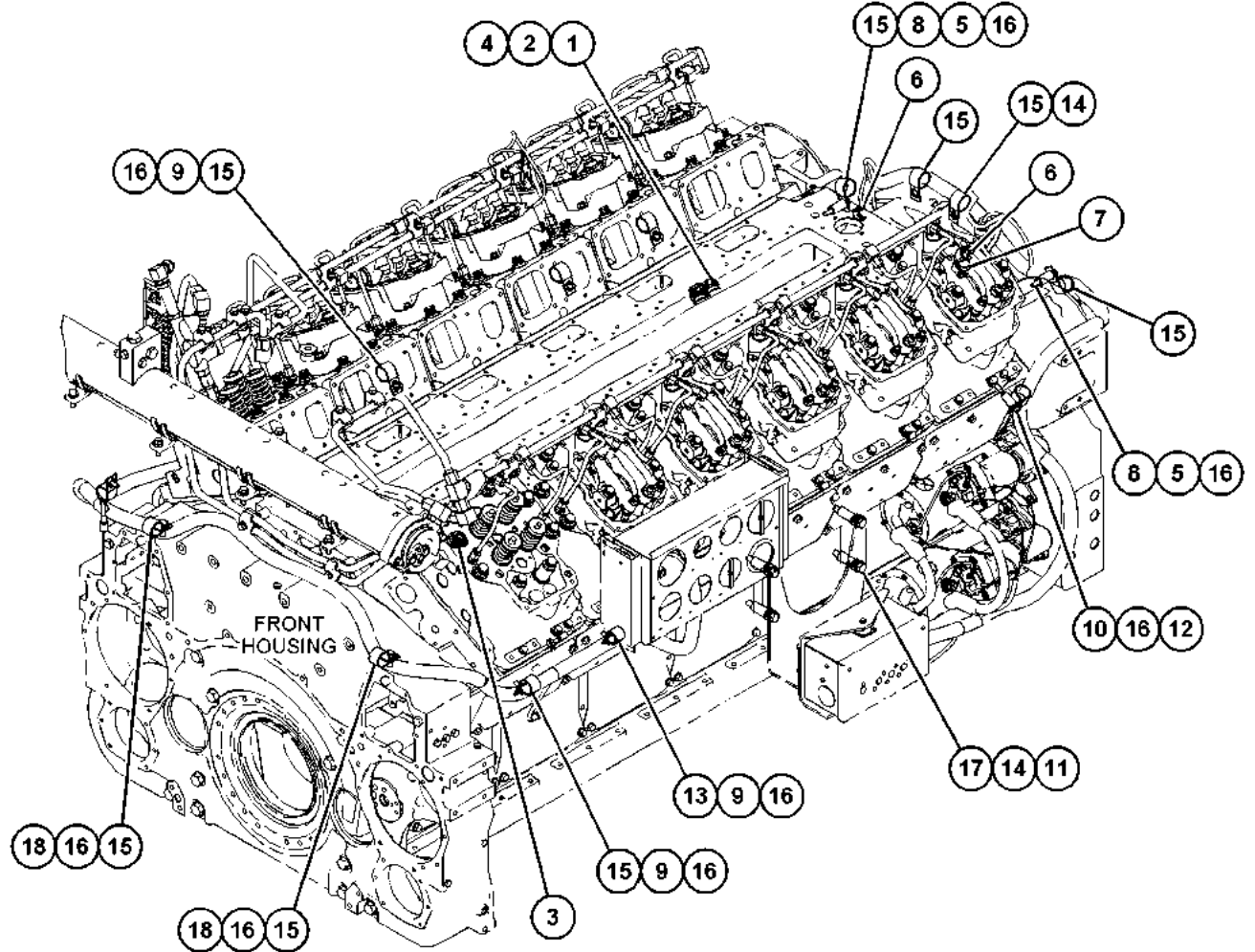
NOTE	REF NO	GRAPHIC REF	PART NUMBER	QTY	PART NAME						SEE PAGE
					1	2	3	4	5	6 (PRODUCT LEVEL)	
	1	1	5N-8943	1	ADAPTER						
C	2	1	5N-9070	1	COLLAR						
	3	1	5N-9071	1	COLLAR						
	4	1	5N-9073	1	CLIP						
	5	1	6W-6672	2	SPACER (10.5X20X38-MM THK)						
	6	1	9G-9151	2	CLIP						
	7	1	9G-9155	1	CLIP						
	8	1	0L-1143	2	BOLT (3/8-16X2.5-IN)						
C	9	1	0L-1351	6	BOLT (3/8-16X0.875-IN)						
C	10	1	0T-0573	1	BOLT (3/8-16X2.75-IN)						
	11	1	1V-7753	4	SPACER (0.546X0.841X1.75-IN THK)						
	12	1	3L-3825	1	SPACER (0.493X0.675X1.375-IN THK)						
C	13	1	4S-1962	1	CLIP (LOOP)						
	14	1	5P-8245	9	WASHER-HARD (13.5X25.5X3-MM THK)						
	15	1	8D-9947	12	CLIP						
C	16	1	9L-9132	11	WASHER (10.2X25.5X2.5-MM THK)						
	17	1	0L-1329	4	BOLT (1/2-13X3-IN)						
C	18	1	0S-1621	2	BOLT (1/2-13X1-IN)						

C - CHANGE FROM PREVIOUS TYPE

ELECTRICAL AND STARTING SYSTEM

417-7787 FASTENER GP-WIRING HARNESS (contd.)

i07003855



GRAPHIC #1

<END>

g06197567

ELECTRICAL AND STARTING SYSTEM

5N-8941 FASTENER GP-WIRING HARNESS

PART OF 5N-9304 WIRING GP-ENGINE
AN ATTACHMENT

SMCS-1408, 7553

i05934621

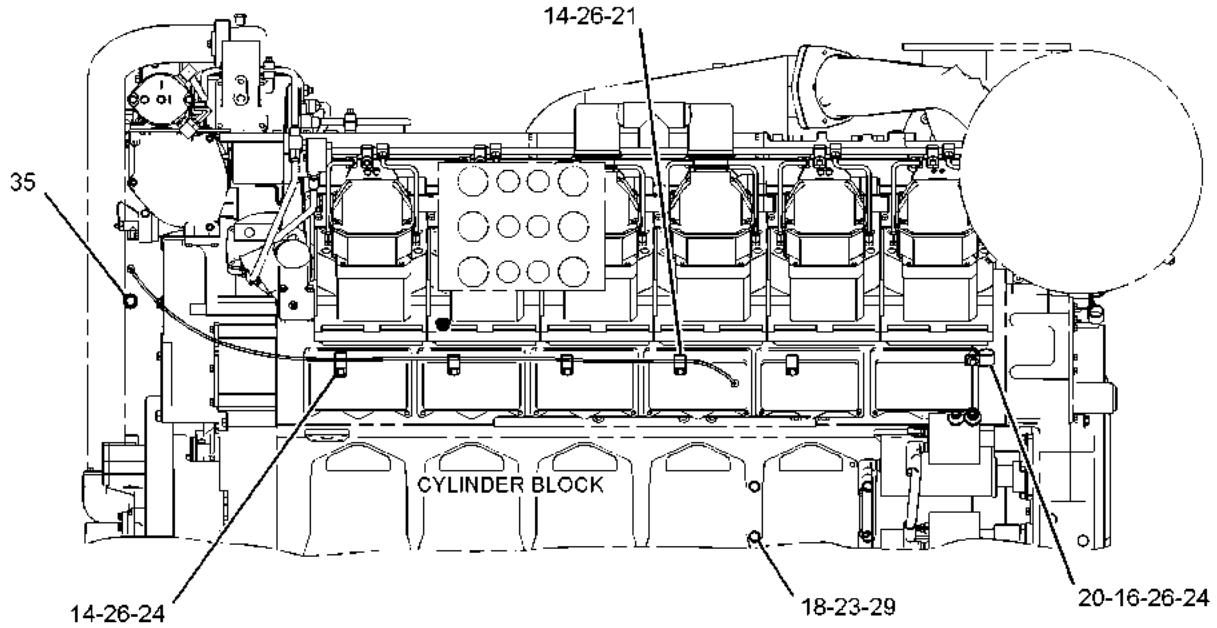
NOTE	REF NO	GRAPHIC REF	PART NUMBER	QTY	PART NAME						SEE PAGE
					1	2	3	4	5	6 (PRODUCT LEVEL)	
	1	1,2	1H-4560	2	BOOT-SPARK PLUG						
B	2	1	3F-2065	1	LOCKNUT (1/2-14-THD)						
B	3	2	3H-2137	1	LUG						
	4	1	5N-8943	1	ADAPTER						
	5	1	5N-9070	2	COLLAR						
	6	1	5N-9071	1	COLLAR						
	7	1	5N-9073	1	CLIP						
	8	1	6B-0933	1	SPACER (10.31X19.05X6.35-MM THK)						
B	9	2	6K-0806	5	STRAP-CABLE						
	10	2	6W-6672	2	SPACER (10.5X20X38-MM THK)						
	11	2	9G-9151	2	CLIP						
	12	2	9G-9155	1	CLIP						
	13	2	0L-1143	2	BOLT (3/8-16X2.5-IN)						
	14	1	0L-1351	8	BOLT (3/8-16X0.875-IN)						
	15	1	0S-1594	1	BOLT (3/8-16X1-IN)						
	16	1	0T-0573	2	BOLT (3/8-16X2.75-IN)						
	17	2	1A-2029	2	BOLT (3/8-16X1.125-IN)						
	18	1	1V-7753	4	SPACER (0.546X0.841X1.75-IN THK)						
B	19	2	2A-0762	1	BOLT (1/4-20X0.625-IN)						
	20	1	3L-3825	1	SPACER (0.493X0.675X1.375-IN THK)						
	21	1	4S-1962	3	CLIP (LOOP)						
B	22	2	5P-0537	2	WASHER-HARD (7.2X14.5X2-MM THK)						
	23	1,2	5P-8245	5	WASHER-HARD (13.5X25.5X3-MM THK)						
	24	1,2	8D-9947	12	CLIP						
	25	1	8M-2773	2	CLIP (LOOP)						
	26	1,2	9L-9132	16	WASHER (10.2X25.5X2.5-MM THK)						
B	27	2	9S-8750	1	NUT-FULL (1/4-20-THD)						
	28	1	9S-8752	1	NUT-FULL (3/8-16-THD)						
	29	1	9X-8874	4	BOLT (1/2-13X3-IN)						
B	30	2	5N-8943	1	ADAPTER						
B	31	2	5N-9070	1	COLLAR						
B	32	2	5N-9073	1	CLIP						
B	33	1	5N-9070	1	COLLAR						
B	34	1	9G-9151	2	CLIP						
B	35	1	5N-9070	1	COLLAR						
B	36	2	9G-9151	1	CLIP						
B	37	1	5N-8943	1	ADAPTER						
B	38	1	5N-9070	1	COLLAR						
B	39	1	5N-9073	1	CLIP						
B	40	2	2W-0618	1	WIRE AS						

B - USE AS REQUIRED

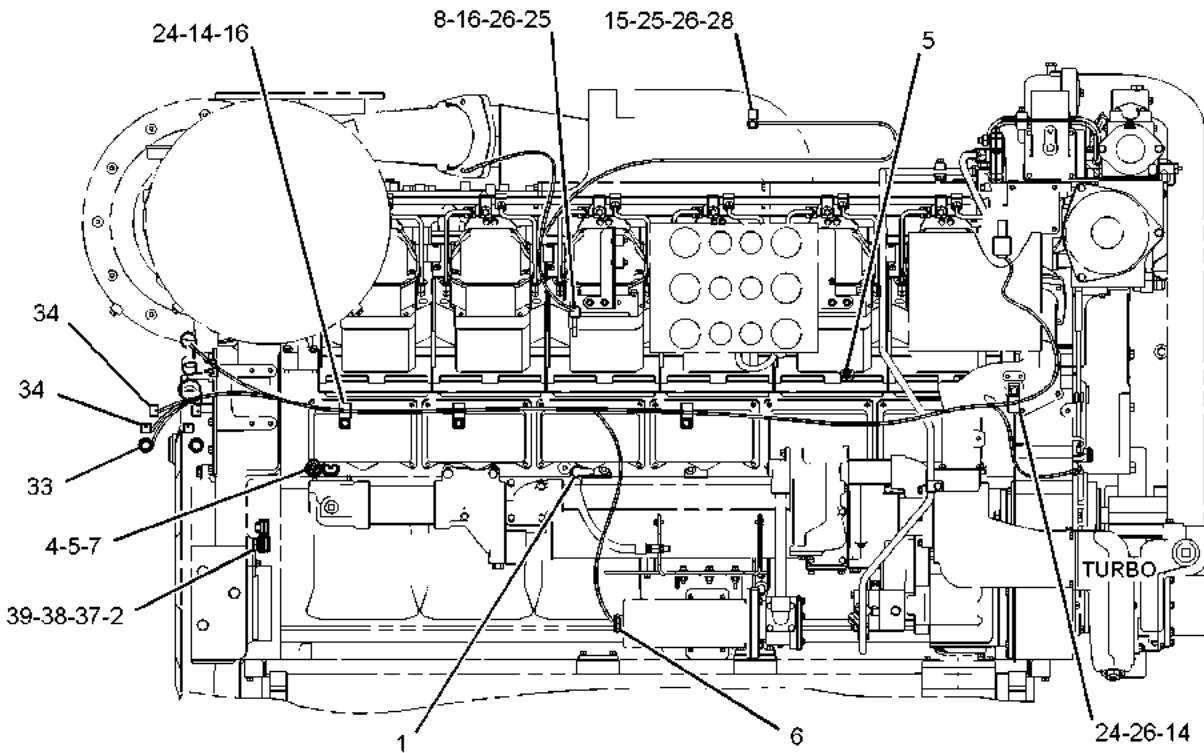
ELECTRICAL AND STARTING SYSTEM

5N-8941 FASTENER GP-WIRING HARNESS (contd.)

i05934621



LEFT SIDE VIEW OF ENGINE



RIGHT SIDE VIEW OF ENGINE

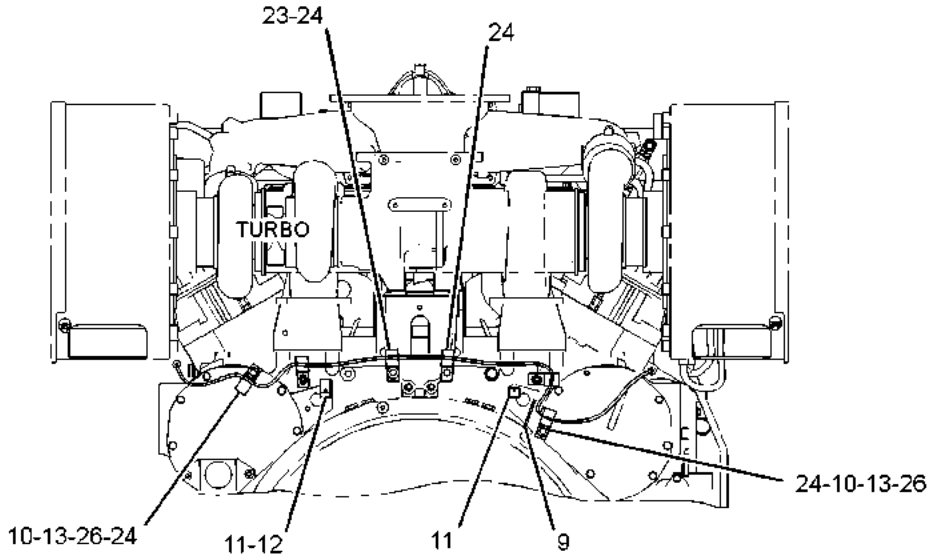
GRAPHIC #1

g01702383

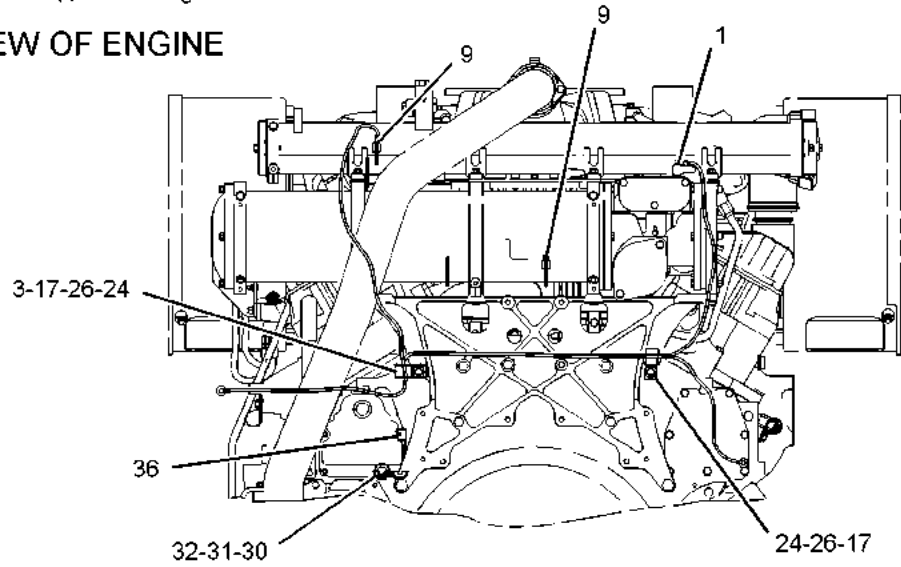
ELECTRICAL AND STARTING SYSTEM

5N-8941 FASTENER GP-WIRING HARNESS (contd.)

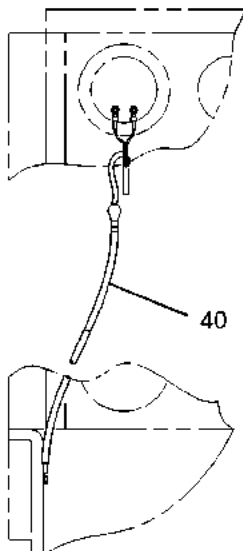
i05934621



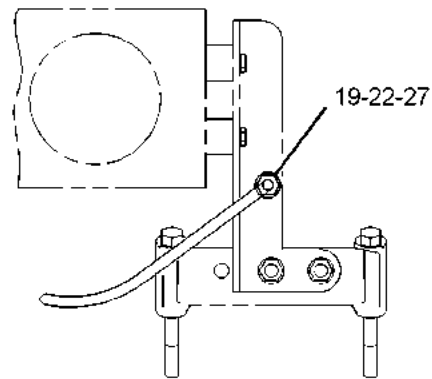
REAR VIEW OF ENGINE



FRONT VIEW OF ENGINE



FRONT VIEW
(TACHOMETER)



4 GAUGE INSTRUMENT PANEL
TACHOMETER

GRAPHIC #2

<END>

g01702694

ELECTRICAL AND STARTING SYSTEM

360-4226 HARNESS AS-CONTROL-PRODUCT LINK PART OF 426-5362 INSTALLATION GP-COMMUNICATION

SMCS-1408

i06097262

NOTE	PART NUMBER	QTY	PART NAME 1 2 3 4 5 6 (PRODUCT LEVEL)	SEE PAGE
	340-7298	1	CAP AS	
	374-7466	1	CAP-SEAL	
	374-7468	1	CAP-SEAL	
	133-0969	1	CONNECTOR-SOCKET (16-GA TO 18-GA)	
	126-1774	1	COVER-CONNECTOR	
	155-2256	2	KIT-CONNECTING PLUG (12-PIN)	
	155-2260	2	KIT-CONNECTING PLUG (3-PIN)	
	155-2274	1	KIT-CONNECTING PLUG (6-PIN)	
			(EACH PLUG KIT INCLUDES PLUS AS, WEDGE, & INTERFACE SEAL)	
	102-8803	1	KIT-RECEPTACLE (3-PIN)	
			(INCLUDES RECEPTACLE AS & WEDGE)	
	8T-8729	6	PIN-CONNECTOR (16-GA TO 20-GA)	
	147-1445	1	PLUG AS-CONNECTOR (70-PIN)	
	159-9322	1	SEAL-O-RING	
	8T-8737	63	PLUG-SEAL	
	133-0970	1	RECEPTACLE AS-CONNECTOR (TEE)	
	210-8950	1	RECEPTACLE-CONNECTOR (9-PIN)	
	8T-8730	48	SOCKET-CONNECTOR (16-GA TO 18-GA)	
	7K-1181	2	STRAP-CABLE	
E	125-7874		TUBE-HEAT SHRINK (5.72-MM DIA) (15-CM)	
E	125-7875		TUBE-HEAT SHRINK (7.44-MM DIA) (10-CM)	

E - ORDER BY THE CENTIMETER

<END>

436-2867 HARNESS AS-ENGINE PART OF 454-9494 WIRING GP-ENGINE AN ATTACHMENT

SMCS-1408

i06039403

NOTE	PART NUMBER	QTY	PART NAME 1 2 3 4 5 6 (PRODUCT LEVEL)	SEE PAGE
D	5P-6001		TUBE-HEAT SHRINK (4.75-MM DIA) (0.1-M)	
	5P-4571	2	TERMINAL-BLADE (14-GA TO 16-GA)	
	5P-5618	1	TERMINAL-BLADE (10-GA TO 12-GA)	
	7N-7779	5	SOCKET-CONNECTOR (14-GA TO 18-GA)	
	7N-7780	3	PIN-CONNECTOR (14-GA TO 18-GA)	
	7N-7782	1	HOUSING-PLUG (14-GA TO 18-GA)	
	7N-9737	3	HOUSING-RECEPTACLE (14-GA TO 18-GA)	
	8T-8730	2	SOCKET-CONNECTOR (16-GA TO 18-GA)	
	8T-8737	4	PLUG-SEAL	
	9G-3695	1	PLUG-SEAL	
E	114-8843		SLEEVE-PLASTIC (100-CM)	
E	125-7876		TUBE-HEAT SHRINK (17.78-MM DIA) (20-CM)	
	155-2274	1	KIT-CONNECTING PLUG (6-PIN)	
			(INCLUDES PLUG AS, WEDGE, & INTERFACE SEAL)	

D - ORDER BY THE METER

E - ORDER BY THE CENTIMETER

<END>

ELECTRICAL AND STARTING SYSTEM

100-3638 HARNESS AS-PANEL

JUNCTION BOX

PART OF 7C-5029 BOX GP-JUNCTION

ALSO AN ATTACHMENT

SMCS-1408

i05031954

NOTE	PART NUMBER	QTY	PART NAME						SEE PAGE
			1	2	3	4	5	6 (PRODUCT LEVEL)	
	1S-9593	70	STRAP-CABLE						
	2W-4899	4	DIODE AS						
			(EACH INCLUDES)						
	4S-1988	1	TERMINAL-BLADE (14-GA TO 16-GA)						
	5P-4571	1	TERMINAL-BLADE (14-GA TO 16-GA)						
	5P-1476	4	TERMINAL-FORK (14-GA TO 16-GA, NO. 10 SCREW)						
D	5P-6009		TUBE-HEAT SHRINK (9.52-MM DIA) (0.2-M)						
	5P-1475	21	TERMINAL-FORK (14-GA TO 16-GA, NO. 8 SCREW)						
	5P-3059	21	TERMINAL-FORK (18-GA TO 22-GA, NO. 6 SCREW)						
	5P-4571	1	TERMINAL-BLADE (14-GA TO 16-GA)						
	6V-0491	13	TERMINAL-BLADE (14-GA TO 18-GA)						
	7N-7221	4	TERMINAL-BLADE (18-GA TO 22-GA)						
	7N-7779	5	SOCKET-CONNECTOR (14-GA TO 18-GA)						
	7N-7780	4	PIN-CONNECTOR (14-GA TO 18-GA)						
	7N-7782	4	HOUSING-PLUG (14-GA TO 18-GA)						
	8N-1610	3	TERMINAL-BLADE (18-GA TO 22-GA)						
	9G-3186	25	TERMINAL-FORK (18-GA TO 22-GA, NO. 8 SCREW)						
	9G-3662	4	GROMMET						
	9G-3695	3	PLUG-SEAL						

D - ORDER BY THE METER

<END>

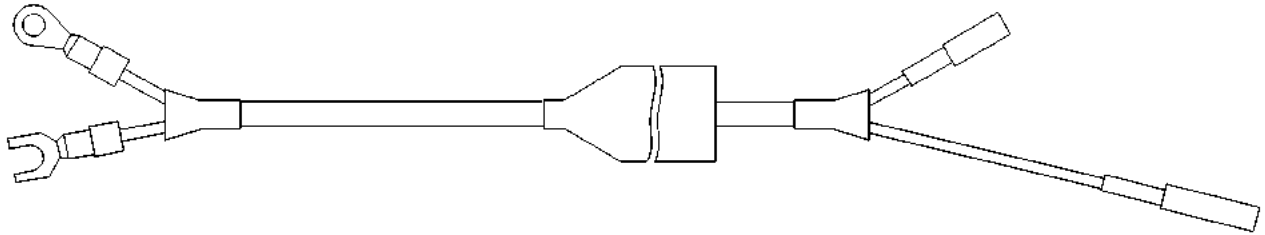
ELECTRICAL AND STARTING SYSTEM

5N-9366 HARNESS AS-SENSOR FOR USE WITH INSTRUMENT PANEL, THERMOCOUPLE AND PYROMETER AN ATTACHMENT

SMCS-1408

i01934996

NOTE	REF NO	GRAPHIC REF	PART NUMBER	QTY	PART NAME						SEE PAGE
					1	2	3	4	5	6 (PRODUCT LEVEL)	
(NO SERVICED PARTS)											



GRAPHIC #1

<END>

g00580089

ELECTRICAL AND STARTING SYSTEM

423-7018 HARNESS AS-WIRING-PRODUCT LINK RADIO 3-METER EXTENSION PART OF 426-5363 INSTALLATION GP-COMMUNICATION

SMCS-1408

i06733922

NOTE	PART NUMBER	QTY	PART NAME 1 2 3 4 5 6 (PRODUCT LEVEL)	SEE PAGE
	155-2255	1	KIT-CONNECTING PLUG (12-PIN)	
	155-2256	1	KIT-CONNECTING PLUG (12-PIN)	
			(EACH KIT INCLUDES PLUG AS, WEDGE, & INTERFACE SEAL)	
	102-8801	1	KIT-RECEPTACLE (12-PIN)	
	190-7614	1	KIT-RECEPTACLE (12-PIN)	
			(EACH KIT INCLUDES RECEPTACLE AS & WEDGE)	
	8T-8729	8	PIN-CONNECTOR (16-GA TO 20-GA)	
	8T-8737	8	PLUG-SEAL	
	8T-8730	8	SOCKET-CONNECTOR (16-GA TO 18-GA)	
<END>				

447-5512 HARNESS AS-WIRING-PL461 TO PL462 CONVERSION PART OF 426-5363 INSTALLATION GP-COMMUNICATION

SMCS-1408

i05433648

NOTE	PART NUMBER	QTY	PART NAME 1 2 3 4 5 6 (PRODUCT LEVEL)	SEE PAGE
	8T-8729	8	PIN-CONNECTOR (16-GA TO 20-GA)	
	8T-8730	8	SOCKET-CONNECTOR (16-GA TO 18-GA)	
	8T-8737	8	PLUG-SEAL	
	155-2255	1	KIT-CONNECTING PLUG (12-PIN)	
			(KIT INCLUDES PLUG AS, WEDGE & INTERFACE SEAL)	
	190-7614	1	KIT-RECEPTACLE (12-PIN)	
			(KIT INCLUDES RECEPTACLE AS & WEDGE)	
<END>				

ELECTRICAL AND STARTING SYSTEM

7C-1882 HARNESS GP-WIRING

PART OF 4W-4750 WIRING GP-ENGINE
AN ATTACHMENT

SMCS-1408

i06589307

NOTE	PART NUMBER	QTY	PART NAME						SEE PAGE
			1	2	3	4	5	6 (PRODUCT LEVEL)	
	2L-8066	3	TERMINAL-RING (10-GA TO 12-GA, NO. 10 SCREW)						
	2L-8049	2	TERMINAL-RING (6-GA, NO. 10 SCREW)						
			-OR-						
	2L-8057	2	TERMINAL-RING (8-GA, NO. 10 SCREW)						
	2L-8065	2	TERMINAL-RING (10-GA TO 12-GA, NO. 8 SCREW)						
	3S-2093	9	STRAP-CABLE						
	5P-1475	10	TERMINAL-FORK (14-GA TO 16-GA, NO. 8 SCREW)						
	2L-8052	4	TERMINAL-RING (6-GA, 3/8-IN SCREW)						
	2L-8069	6	TERMINAL-RING (2-GA TO 10-GA, 3/8-IN SCREW)						
	2L-8075	2	TERMINAL-RING (14-GA TO 16-GA, NO. 8 SCREW)						
	2L-8079	6	TERMINAL-RING (14-GA TO 16-GA, 3/8-IN SCREW)						
	5P-1477	2	TERMINAL-FORK (10-GA TO 12-GA, NO. 8 SCREW)						
	2L-8068	5	TERMINAL-RING (10-GA TO 12-GA, 5/16-IN SCREW)						
	2L-8077	1	TERMINAL-RING (14-GA TO 16-GA, 1/4-IN SCREW)						
	2L-8054	2	TERMINAL-RING (6-GA, 1/2-IN SCREW)						
			-OR-						
	2L-8061	2	TERMINAL-RING (8-GA, 1/2-IN SCREW)						
	9G-3670	1	HOUSING-PLUG						
	7N-9737	3	HOUSING-RECEPTACLE (14-GA TO 18-GA)						
	062-5388	1	LOCKNUT (1-11-1/2-THD)						
	5N-9117	1	ADAPTER						
BD	6V-5818		CONDUIT-FLEXIBLE (18.62-MM ID, SPLIT)						
	1S-2244	1	BOOT						
	5N-9072	13	CLIP						
BD	6V-5817		CONDUIT-FLEXIBLE (26.1-MM ID, SPLIT)						
	5N-9068	4	COLLAR						
	5N-9067	9	COLLAR						
	5N-9065	4	TEE						
	7N-7780	5	PIN-CONNECTOR (14-GA TO 18-GA)						
	7N-7779	6	SOCKET-CONNECTOR (14-GA TO 18-GA)						
	9G-3695	2	PLUG-SEAL						
	2L-8075	4	TERMINAL-RING (14-GA TO 16-GA, NO. 8 SCREW)						
	1S-2294	2	BOOT						
BD	6V-5819		CONDUIT-FLEXIBLE (12.54-MM ID, SPLIT)						
BD	6V-5817		CONDUIT-FLEXIBLE (26.1-MM ID, SPLIT)						
	5N-9065	8	TEE						
	5N-9067	14	COLLAR						
	5N-9072	24	CLIP						
	5N-9069	3	COLLAR						
	5P-4571	2	TERMINAL-BLADE (14-GA TO 16-GA)						
	3S-2093	3	STRAP-CABLE						
BD	6V-5818		CONDUIT-FLEXIBLE (18.62-MM ID, SPLIT)						
	5N-9068	8	COLLAR						
	9G-3695	2	PLUG-SEAL						
	7N-7782	1	HOUSING-PLUG (14-GA TO 18-GA)						
	7N-9737	3	HOUSING-RECEPTACLE (14-GA TO 18-GA)						
	2L-8067	3	TERMINAL-RING (10-GA TO 12-GA, 1/4-IN SCREW)						
	2L-8066	2	TERMINAL-RING (10-GA TO 12-GA, NO. 10 SCREW)						

ELECTRICAL AND STARTING SYSTEM

7C-1882 HARNESS GP-WIRING (contd.)

i06589307

NOTE	PART NUMBER	QTY	PART NAME						SEE PAGE
			1	2	3	4	5	6 (PRODUCT LEVEL)	
	7N-9738	1	HOUSING-RECEPTACLE (14-GA TO 18-GA)						
	2L-8076	1	TERMINAL-RING (14-GA TO 16-GA, NO. 10 SCREW)						
	7N-7779	5	SOCKET-CONNECTOR (14-GA TO 18-GA)						
	2L-8066	2	TERMINAL-RING (10-GA TO 12-GA, NO. 10 SCREW)						
	7N-7221	1	TERMINAL-BLADE (18-GA TO 22-GA)						
	7N-7780	4	PIN-CONNECTOR (14-GA TO 18-GA)						
	5P-1475	10	TERMINAL-FORK (14-GA TO 16-GA, NO. 8 SCREW)						
	9G-3695	2	PLUG-SEAL						
	5P-3059	3	TERMINAL-FORK (18-GA TO 22-GA, NO. 6 SCREW)						
	3S-2093	14	STRAP-CABLE						
	7N-7782	3	HOUSING-PLUG (14-GA TO 18-GA)						
	5N-9068	4	COLLAR						
BD	6V-5818		CONDUIT-FLEXIBLE (18.62-MM ID, SPLIT)						
	5N-9067	18	COLLAR						
	5N-9072	22	CLIP						
BD	6V-5817		CONDUIT-FLEXIBLE (26.1-MM ID, SPLIT)						
	5N-9065	7	TEE						
	062-5388	1	LOCKNUT (1-11-1/2-THD)						
	5N-9117	1	ADAPTER						
	7N-7780	7	PIN-CONNECTOR (14-GA TO 18-GA)						
	7N-9737	3	HOUSING-RECEPTACLE (14-GA TO 18-GA)						
	7N-9738	1	HOUSING-RECEPTACLE (14-GA TO 18-GA)						
	9G-3695	1	PLUG-SEAL						
	7N-7779	9	SOCKET-CONNECTOR (14-GA TO 18-GA)						
	3T-4696	1	TERMINAL-RING (10-GA TO 12-GA, 7/16-IN SCREW)						
	1S-2244	1	BOOT						
	2L-8050	2	TERMINAL-RING (6-GA, 1/4-IN SCREW)						
			-OR-						
	2L-8058	2	TERMINAL-RING (8-GA, 1/4-IN SCREW)						
	5P-1475	27	TERMINAL-FORK (14-GA TO 16-GA, NO. 8 SCREW)						
	5P-1477	2	TERMINAL-FORK (10-GA TO 12-GA, NO. 8 SCREW)						
	2L-8068	1	TERMINAL-RING (10-GA TO 12-GA, 5/16-IN SCREW)						
	9G-3695	1	PLUG-SEAL						
BD	5P-6009		TUBE-HEAT SHRINK (9.52-MM DIA)						
	7N-7221	1	TERMINAL-BLADE (18-GA TO 22-GA)						
	3S-2093	1	STRAP-CABLE						
BD	6V-5818		CONDUIT-FLEXIBLE (18.62-MM ID, SPLIT)						
	2L-8057	2	TERMINAL-RING (8-GA, NO. 10 SCREW)						
	7N-9738	4	HOUSING-RECEPTACLE (14-GA TO 18-GA)						
	7N-8205	1	HOUSING-PLUG						
	1S-2294	1	BOOT						
BD	6V-5819		CONDUIT-FLEXIBLE (12.54-MM ID, SPLIT)						
	2L-8076	1	TERMINAL-RING (14-GA TO 16-GA, NO. 10 SCREW)						
	7N-9737	1	HOUSING-RECEPTACLE (14-GA TO 18-GA)						
	7N-7782	1	HOUSING-PLUG (14-GA TO 18-GA)						
	5N-9069	2	COLLAR						
	5N-9068	6	COLLAR						
	5N-9067	11	COLLAR						
	5N-9065	6	TEE						
	5N-9072	18	CLIP						
BD	6V-5817		CONDUIT-FLEXIBLE (26.1-MM ID, SPLIT)						

ELECTRICAL AND STARTING SYSTEM

7C-1882 HARNESS GP-WIRING (contd.)

106589307

NOTE	PART NUMBER	QTY	PART NAME						SEE PAGE
			1	2	3	4	5	6 (PRODUCT LEVEL)	
	7N-7779	9	SOCKET-CONNECTOR (14-GA TO 18-GA)						
	2L-8066	2	TERMINAL-RING (10-GA TO 12-GA, NO. 10 SCREW)						
	5P-4571	2	TERMINAL-BLADE (14-GA TO 16-GA)						
	7N-7780	8	PIN-CONNECTOR (14-GA TO 18-GA)						
B	5N-9164	1	PLUG						
	2L-8077	1	TERMINAL-RING (14-GA TO 16-GA, 1/4-IN SCREW)						
	186-3736	4	SOCKET-CONNECTOR (16-GA TO 18-GA)						
	155-2274	1	KIT-CONNECTING PLUG (6-PIN)						
			(KIT INCLUDES PLUG AS & WEDGE)						

B - USE AS REQUIRED
D - ORDER BY THE METER

<END>

ELECTRICAL AND STARTING SYSTEM

7C-3769 HARNESS GP-WIRING

ENGINE

FOR USE WITH 64 VOLT ELECTRICAL LOCOMOTIVE SHUT- OFF
AN ATTACHMENT

SMCS-1408

i02646059

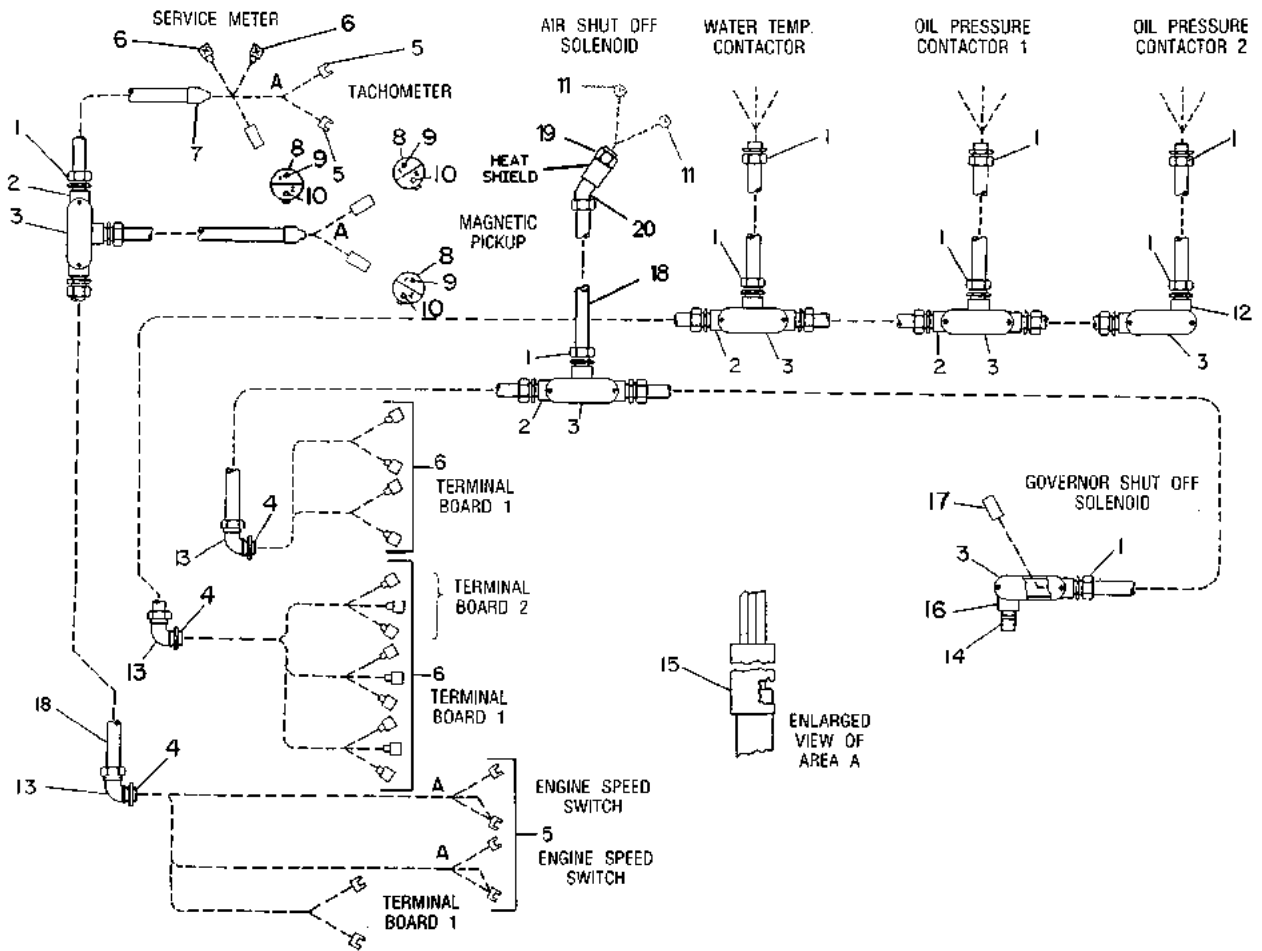
NOTE	REF NO	GRAPHIC REF	PART NUMBER	QTY	PART NAME						SEE PAGE
					1	2	3	4	5	6 (PRODUCT LEVEL)	
C	1	1	1S-4435	16	CONNECTOR (SEALTITE)						
C	2	1	5N-1597	4	BODY-THREAD						
C	3	1	5N-1859	6	COVER-UNILET						
C		1	5N-1858	6	GASKET-UNILET						
C	4	1	9M-6739	3	BUSHING						
	5	1	5P-3059	8	TERMINAL-FORK (18-GA TO 22-GA, NO. 6 SCREW)						
C	6	1	5P-4571	15	TERMINAL-BLADE (14-GA TO 16-GA)						
C	7	1	1S-2294	2	BOOT						
	8	1	7N-9737	3	HOUSING-RECEPTACLE (14-GA TO 18-GA)						
C	9	1	7N-7780	4	PIN-CONNECTOR (14-GA TO 18-GA)						
C	10	1	7N-7779	4	SOCKET-CONNECTOR (14-GA TO 18-GA)						
	11	1	2L-8075	2	TERMINAL-RING (14-GA TO 16-GA, NO. 8 SCREW)						
C	12	1	5N-1594	1	BODY-THREAD						
	13	1	5N-4027	3	CONNECTOR						
C	14	1	3B-7744	2	FITTING						
BD	15	1	5P-6009		TUBE-HEAT SHRINK (9.52-MM DIA)						
C	16	1	5N-1593	1	BODY-THREAD						
C	17	1	7N-9738	1	HOUSING-RECEPTACLE (14-GA TO 18-GA)						
BEC	18	1	5P-7620		CONDUIT-FLEXIBLE (12.7-MM ID) (980 CM)						
	19	1	5D-5569	1	CONNECTOR						
	20	1	5N-5201	1	CONNECTOR						
					AVAILABLE REPAIR KIT(S):						
BEC			6V-2744		WIRE-ELECTRICAL (18-GA)						
BE			8T-1487		WIRE-ELECTRICAL (16-GA, RED)						

B - USE AS REQUIRED
 C - CHANGE FROM PREVIOUS TYPE
 D - ORDER BY THE METER
 E - ORDER BY THE CENTIMETER

ELECTRICAL AND STARTING SYSTEM

7C-3769 HARNESS GP-WIRING (contd.)

102646059



GRAPHIC #1

<END>

g00227751

ELECTRICAL AND STARTING SYSTEM

7C-3772 HARNESS GP-WIRING AN ATTACHMENT

SMCS-1408

i00944796

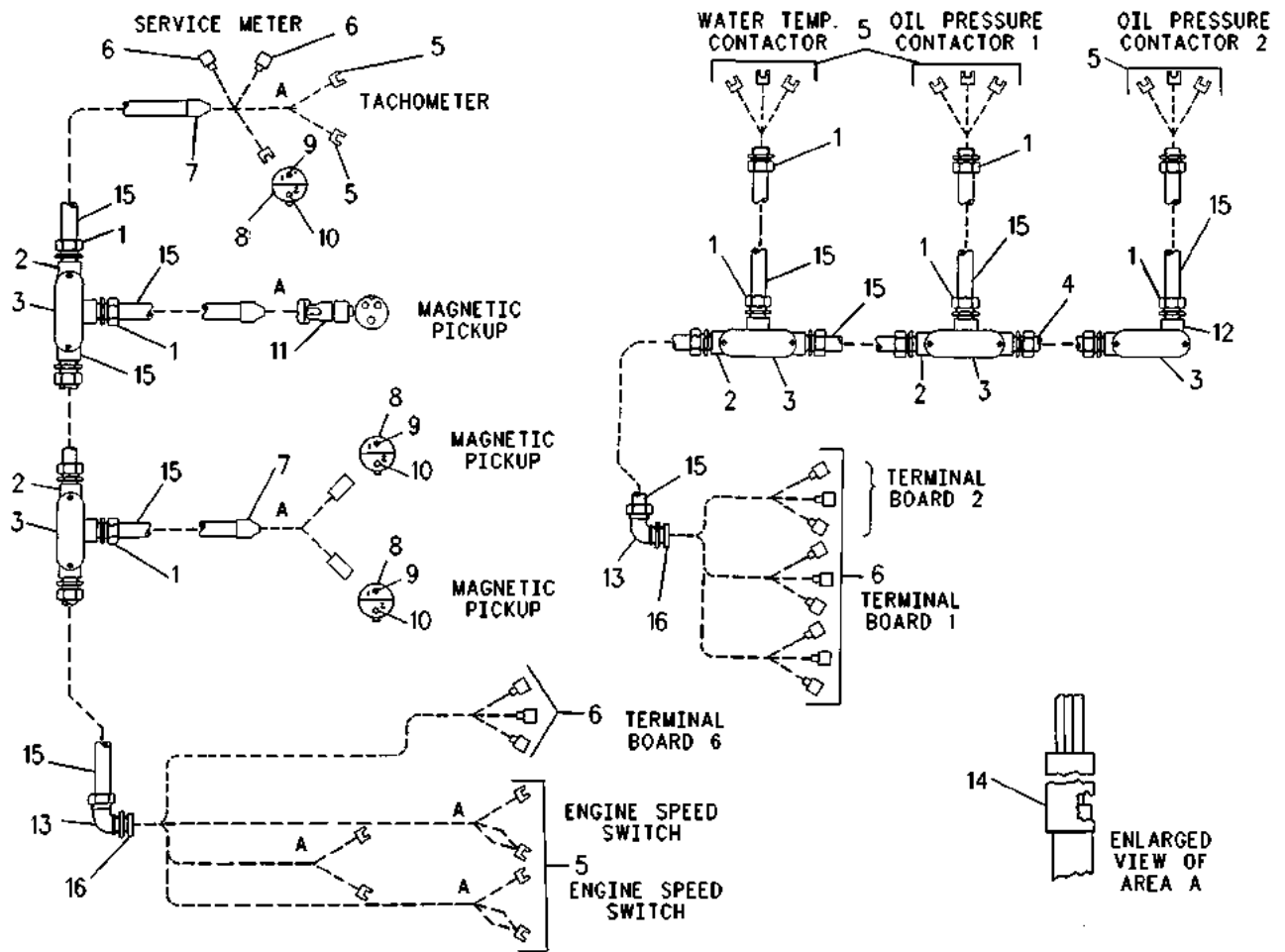
NOTE	REF NO	GRAPHIC REF	PART NUMBER	QTY	PART NAME						SEE PAGE
					1	2	3	4	5	6 (PRODUCT LEVEL)	
	1	1	1S-4435	17	CONNECTOR (SEALTITE)						
	2	1	5N-1597	4	BODY-THREAD						
	3	1	5N-1859	5	COVER-UNILET						
		1	5N-1858	5	GASKET-UNILET						
	4	1	3B-7744	1	FITTING						
	5	1	5P-3059	15	TERMINAL-FORK (18-GA TO 22-GA, NO. 6 SCREW)						
	6	1	5P-4571	14	TERMINAL-BLADE (14-GA TO 16-GA)						
	7	1	1S-2294	3	BOOT						
	8	1	7N-9737	3	HOUSING-RECEPTACLE (14-GA TO 18-GA)						
	9	1	7N-7780	3	PIN-CONNECTOR (14-GA TO 18-GA)						
	10	1	7N-7779	3	SOCKET-CONNECTOR (14-GA TO 18-GA)						
	11	1	9D-3955	1	PLUG AS-CONNECTOR (3-PIN)						
	12	1	5N-1594	1	BODY-THREAD						
	13	1	5N-4027	2	CONNECTOR						
BD	14	1	5P-6009		TUBE-HEAT SHRINK (9.52-MM DIA)						
BE	15	1	5P-7620		CONDUIT-FLEXIBLE (12.7-MM ID)						
	16	1	9M-6739	2	BUSHING						
	17	2	5N-1859	3	COVER-UNILET						
		2	5N-1858	3	GASKET-UNILET						
	18	2	5N-1597	2	BODY-THREAD						
	19	2	1S-4435	8	CONNECTOR (SEALTITE)						
	20	2	1S-2294	1	BOOT						
	21	2	5P-4571	36	TERMINAL-BLADE (14-GA TO 16-GA)						
	22	2	2L-8075	2	TERMINAL-RING (14-GA TO 16-GA, NO. 8 SCREW)						
	23	2	7N-9737	1	HOUSING-RECEPTACLE (14-GA TO 18-GA)						
	24	2	7N-7780	2	PIN-CONNECTOR (14-GA TO 18-GA)						
	25	2	7N-7779	3	SOCKET-CONNECTOR (14-GA TO 18-GA)						
	26	2	5N-1594	1	BODY-THREAD						
	27	2	5N-4027	1	CONNECTOR						
	28	2	7N-7782	1	HOUSING-PLUG (14-GA TO 18-GA)						
	29	2	3B-7744	1	FITTING						
	30	2	8N-1525	1	PLUG AS-CONNECTOR (20-PIN)						
	31	2	9G-4223	1	PLUG AS-CONNECTOR						
	32	2	8N-1539	29	SOCKET-CONNECTOR						
	33	2	7G-7917	11	PLUG-SEAL						
BE	34	2	8C-3423		TUBE-HEAT SHRINK (68-MM DIA)						
E	35	2	5P-1919		HOSE-FLEXIBLE METAL (273CM)						
E	36	2	5P-1919		HOSE-FLEXIBLE METAL (278CM)						
	37	2	3N-9711	2	CONNECTOR						
	38	2	9M-6739	1	BUSHING						
	39	2	8L-7593	2	BUSHING-TERMINAL						
BE	40	2	5P-7620		CONDUIT-FLEXIBLE (12.7-MM ID)						
					AVAILABLE REPAIR KIT(S):						
BE			5P-5677		WIRE (18-GA, BLACK)						
BD			5P-5623		WIRE-ELECTRICAL (16-GA, BLACK)						
BD			5P-5624		WIRE (14-GA, BLACK)						

B - USE AS REQUIRED
D - ORDER BY THE METER
E - ORDER BY THE CENTIMETER

ELECTRICAL AND STARTING SYSTEM

7C-3772 HARNESS GP-WIRING (contd.)

i00944796



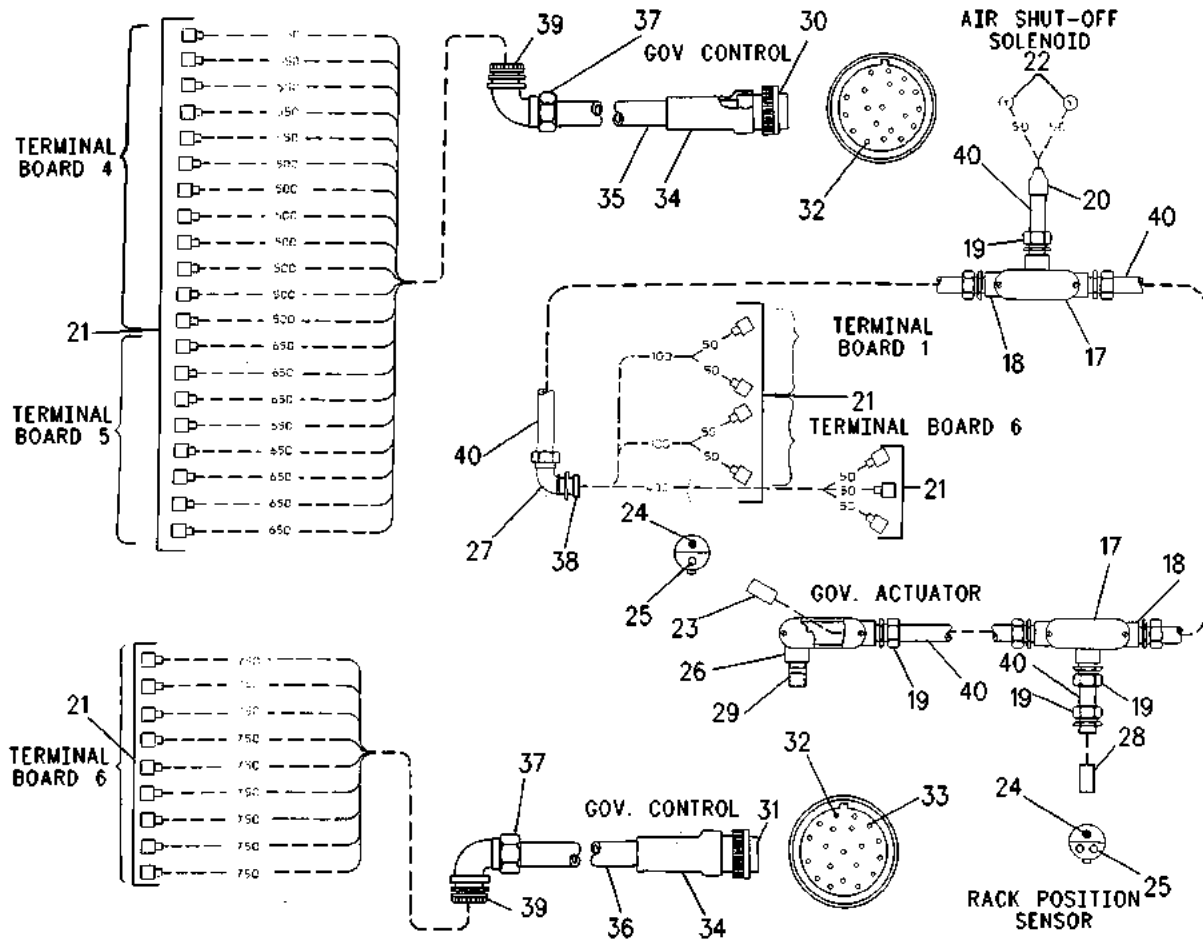
GRAPHIC #1

g00481677

ELECTRICAL AND STARTING SYSTEM

7C-3772 HARNESS GP-WIRING (contd.)

i00944796



GRAPHIC #2

<END>

g00481678

ELECTRICAL AND STARTING SYSTEM

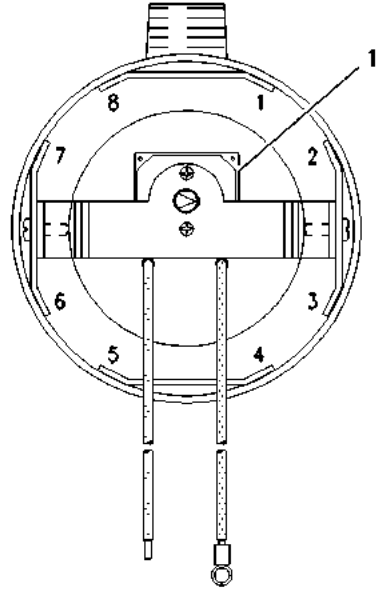
200-6504 HEATER GP-JACKET WATER

240-VOLT TO 480-VOLT AC, 6-KILOWATT
 FIELD REPLACEMENT FOR 7E-6248-PAGE: 1087
 AN ATTACHMENT

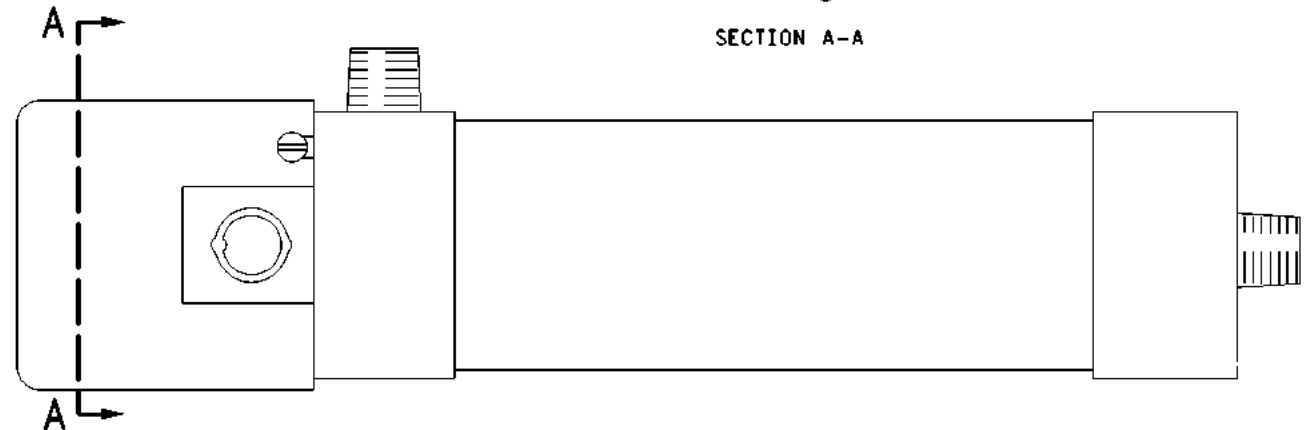
SMCS-1383

i03021477

NOTE	REF NO	GRAPHIC REF	PART NUMBER	QTY	PART NAME 1 2 3 4 5 6 (PRODUCT LEVEL)	SEE PAGE
	1	1	127-6260	1	THERMOSTAT AS (20-DEG C TO 80-DEG C) (JACKET WATER HEATER)	



SECTION A-A



GRAPHIC #1

<END>

g01000471

ELECTRICAL AND STARTING SYSTEM

200-6504 HEATER GP-JACKET WATER

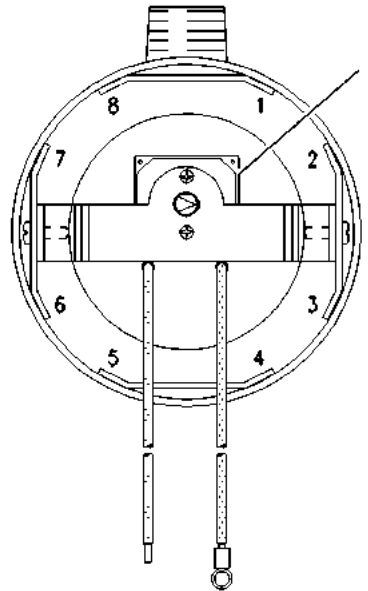
240-VOLT TO 480-VOLT AC, 6-KILOWATT
 FIELD REPLACEMENT FOR 7E-6248-PAGE: 1087
 PART OF 349-6225 HEATER GP-JACKET WATER
 AN ATTACHMENT

SMCS-1383

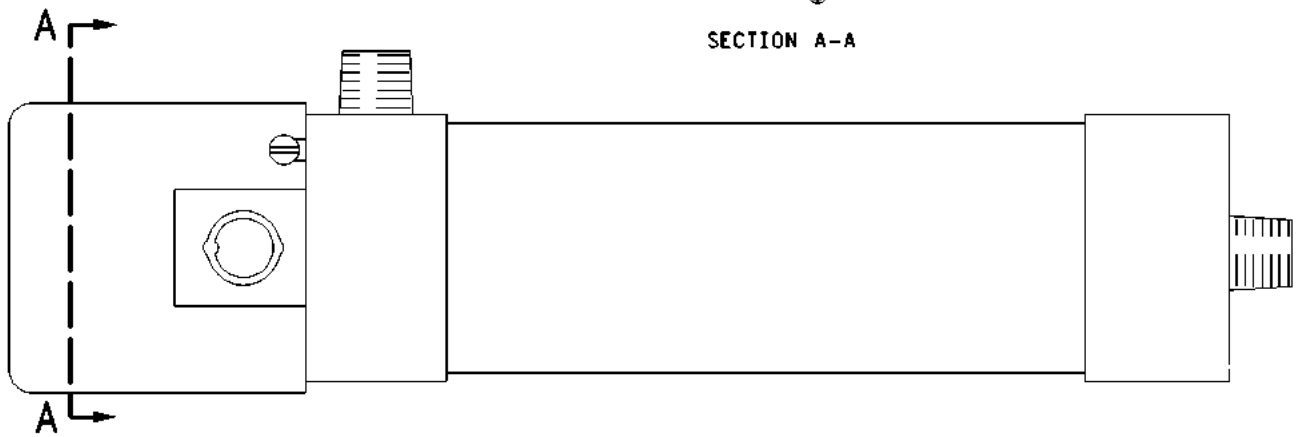
i03167554

NOTE	REF NO	GRAPHIC REF	PART NUMBER	QTY	PART NAME	SEE PAGE
C	1	1	109-8932	1	THERMOSTAT (60 DEG F TO 160 DEG F) (JACKET WATER HEATER)	

C - CHANGE FROM PREVIOUS TYPE



SECTION A-A



GRAPHIC #1

<END>

g01000471

ELECTRICAL AND STARTING SYSTEM

349-6224 HEATER GP-JACKET WATER

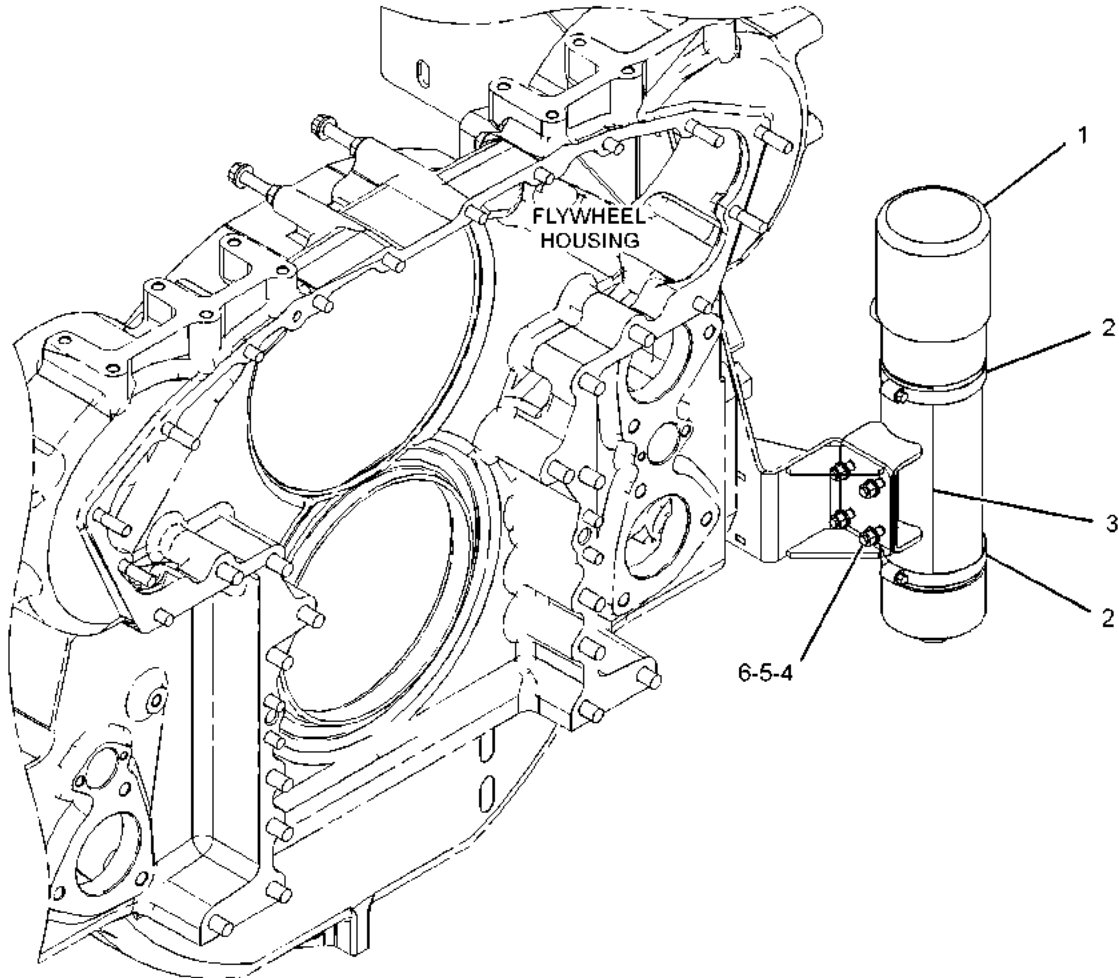
3-KW
AN ATTACHMENT

SMCS-1383

i04011943

NOTE	REF NO	GRAPHIC REF	PART NUMBER	QTY	PART NAME						SEE PAGE
					1	2	3	4	5	6 (PRODUCT LEVEL)	
Y	1	1	7E-6247	1	HEATER GP-JACKET WATER						1085
	2	1	8T-6726	2	CLAMP-HOSE						
	3	1	339-2092	1	BRACKET AS						
	4	1	3B-1915	4	BOLT (3/8-16X1.375-IN)						
	5	1	5M-2894	8	WASHER-HARD (10.2X18.5X2.5-MM THK)						
	6	1	9S-8752	4	NUT-FULL (3/8-16-THD)						

Y - SEPARATE ILLUSTRATION



GRAPHIC #1

<END>

g02220474

ELECTRICAL AND STARTING SYSTEM

349-6225 HEATER GP-JACKET WATER

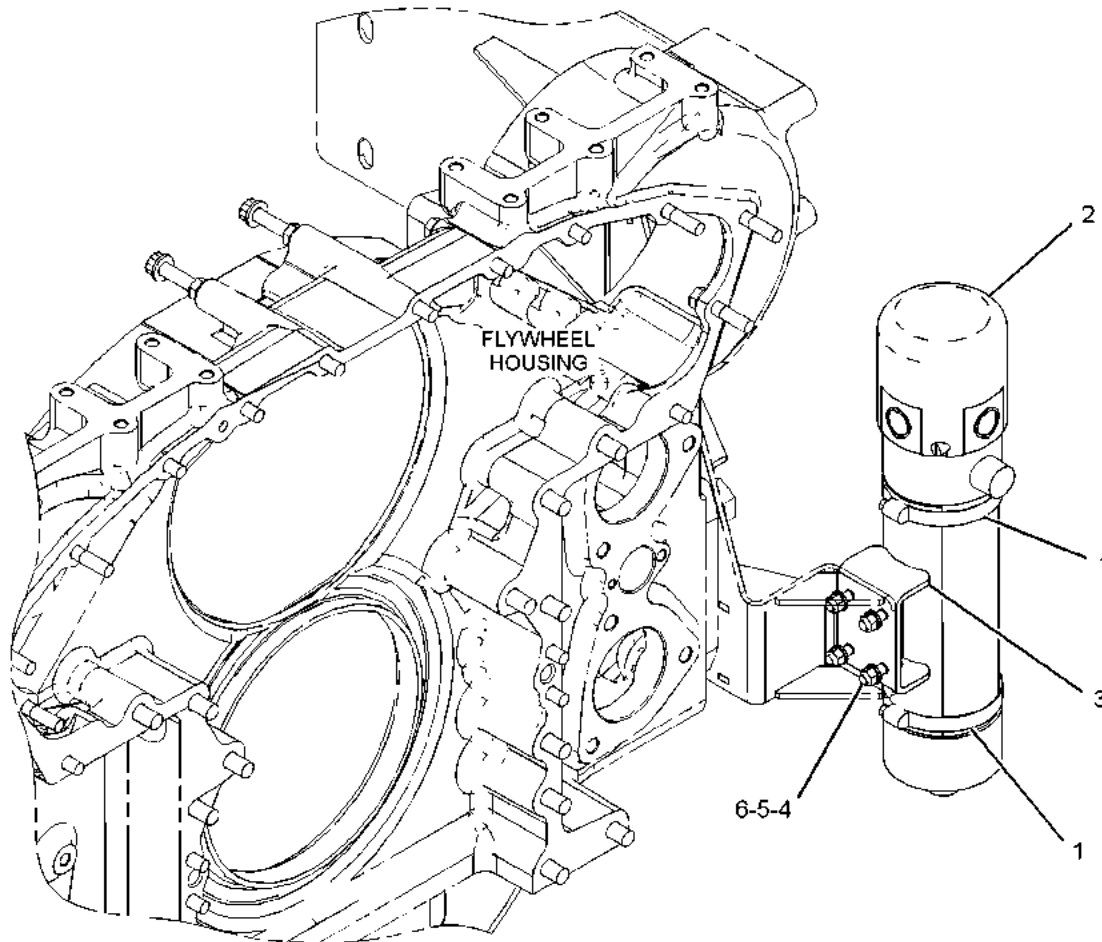
6-KW
AN ATTACHMENT

SMCS-1383

i04026312

NOTE	REF NO	GRAPHIC REF	PART NUMBER	QTY	PART NAME						SEE PAGE
					1	2	3	4	5	6 (PRODUCT LEVEL)	
	1	1	8T-6726	2	CLAMP-HOSE						
Y	2	1	200-6504	1	HEATER GP-JACKET WATER						1061
	3	1	339-2092	1	BRACKET AS						
	4	1	3B-1915	4	BOLT (3/8-16X1.375-IN)						
	5	1	5M-2894	8	WASHER-HARD (10.2X18.5X2.5-MM THK)						
	6	1	9S-8752	4	NUT-FULL (3/8-16-THD)						

Y - SEPARATE ILLUSTRATION



GRAPHIC #1

<END>

g02213535

ELECTRICAL AND STARTING SYSTEM

430-2740 HEATER GP-JACKET WATER-LH

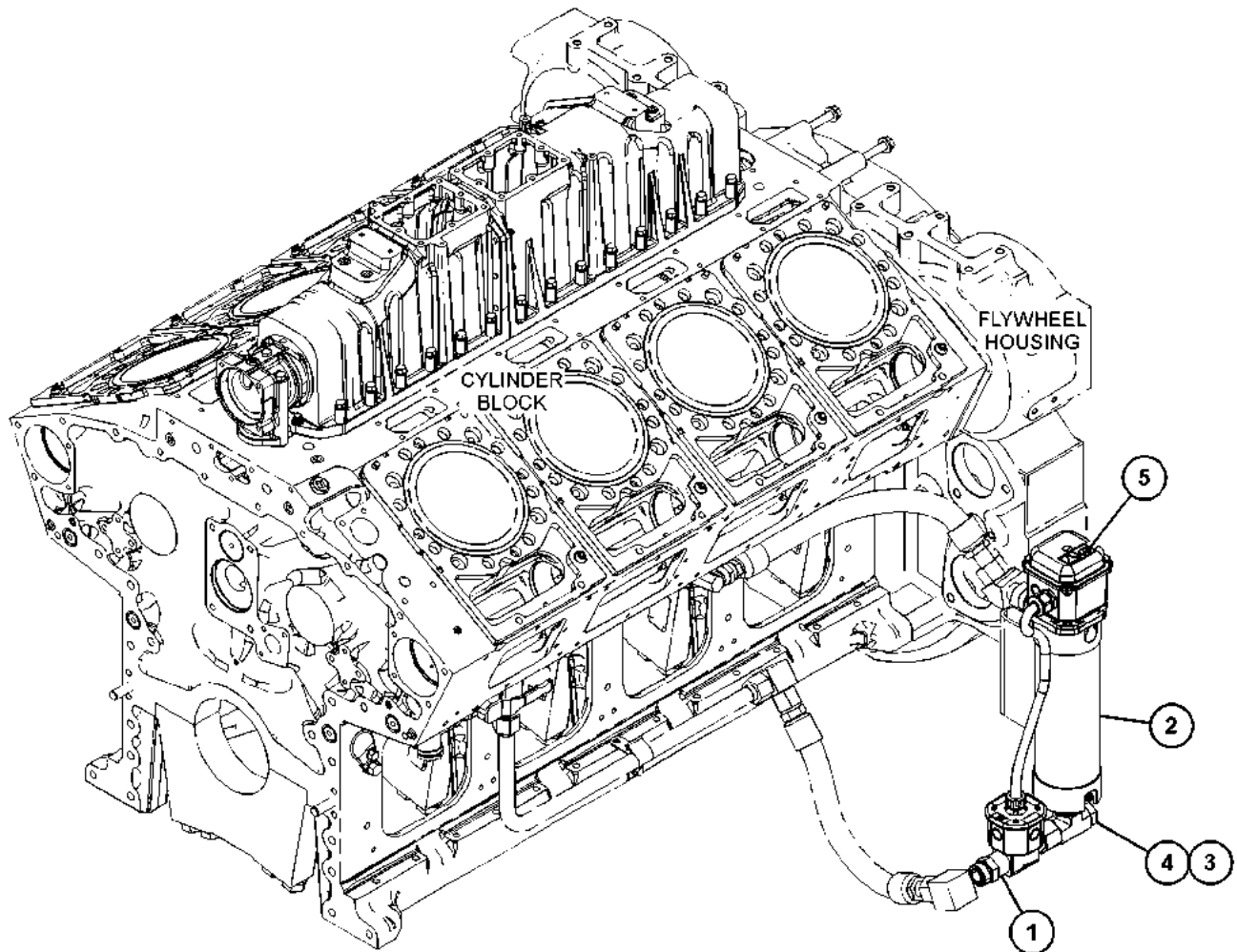
120-VOLT. 3-KW
AN ATTACHMENT

SMCS-1383

i06970000

NOTE	REF NO	GRAPHIC REF	PART NUMBER	QTY	PART NAME						SEE PAGE
					1	2	3	4	5	6 (PRODUCT LEVEL)	
	1	1	369-7765	2	ADAPTER AS						
					(EACH INCLUDES)						
		1	5K-9090	1	SEAL-O-RING						
		1	7M-8485	1	SEAL-O-RING						
Y	2	1	430-2750	1	HEATER GP-JACKET WATER						1071
	3	1	7M-8485	1	SEAL-O-RING						
	4	1	9S-4181	1	PLUG (1-5/16-12-THD)						
	5	1	332-1841	1	FILM-WARNING (SHOCK HAZARD, READ OMM)						

Y - SEPARATE ILLUSTRATION



GRAPHIC #1

<END>

g06158867

ELECTRICAL AND STARTING SYSTEM

430-2741 HEATER GP-JACKET WATER-LH

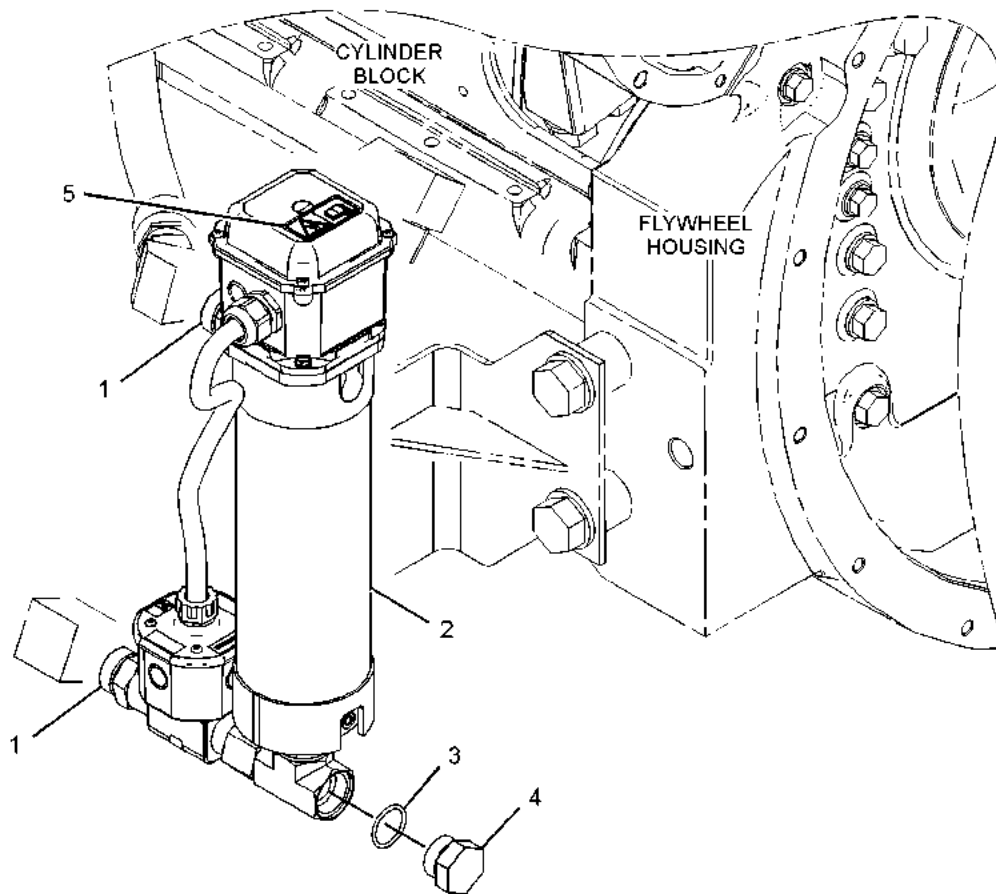
120-VOLT. 3-KW
AN ATTACHMENT

SMCS-1383

i07039746

NOTE	REF NO	GRAPHIC REF	PART NUMBER	QTY	PART NAME						SEE PAGE
					1	2	3	4	5	6 (PRODUCT LEVEL)	
	1	1	369-7765	2	ADAPTER AS						
					(EACH INCLUDES)						
		1	5K-9090	1	SEAL-O-RING						
		1	7M-8485	1	SEAL-O-RING						
Y	2	1	430-2750	1	HEATER GP-JACKET WATER (120-VOLT)						1071
	3	1	7M-8485	1	SEAL-O-RING						
	4	1	9S-4181	1	PLUG (1-5/16-12-THD)						
	5	1	332-1841	1	FILM-WARNING (SHOCK HAZARD, READ OMM)						

Y - SEPARATE ILLUSTRATION



GRAPHIC #1

<END>

g06105025

ELECTRICAL AND STARTING SYSTEM

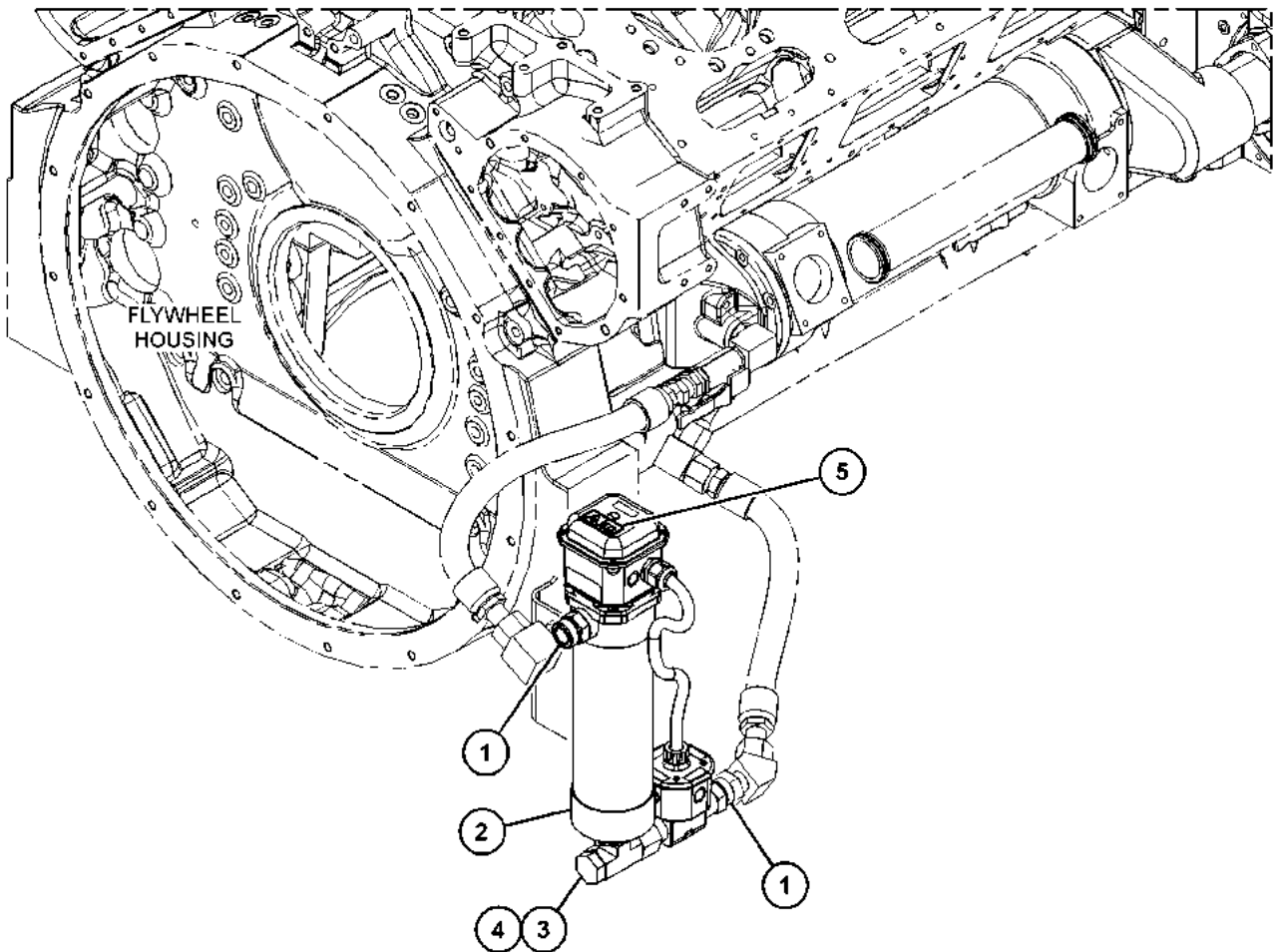
430-2742 HEATER GP-JACKET WATER-RH 120-VOLT. 3-KW AN ATTACHMENT

SMCS-1383

i06748500

NOTE	REF NO	GRAPHIC REF	PART NUMBER	QTY	PART NAME						SEE PAGE
					1	2	3	4	5	6 (PRODUCT LEVEL)	
	1	1	369-7765	2	ADAPTER AS						
					(EACH INCLUDES)						
		1	5K-9090	1	SEAL-O-RING						
		1	7M-8485	1	SEAL-O-RING						
Y	2	1	430-2750	1	HEATER GP-JACKET WATER (120-VOLT)						1071
	3	1	7M-8485	1	SEAL-O-RING						
	4	1	9S-4181	1	PLUG (1-5/16-12-THD)						
	5	1	332-1841	1	FILM-WARNING (SHOCK HAZARD, READ OMM)						

Y - SEPARATE ILLUSTRATION



GRAPHIC #1

<END>

g06105027

ELECTRICAL AND STARTING SYSTEM

430-2744 HEATER GP-JACKET WATER-LH

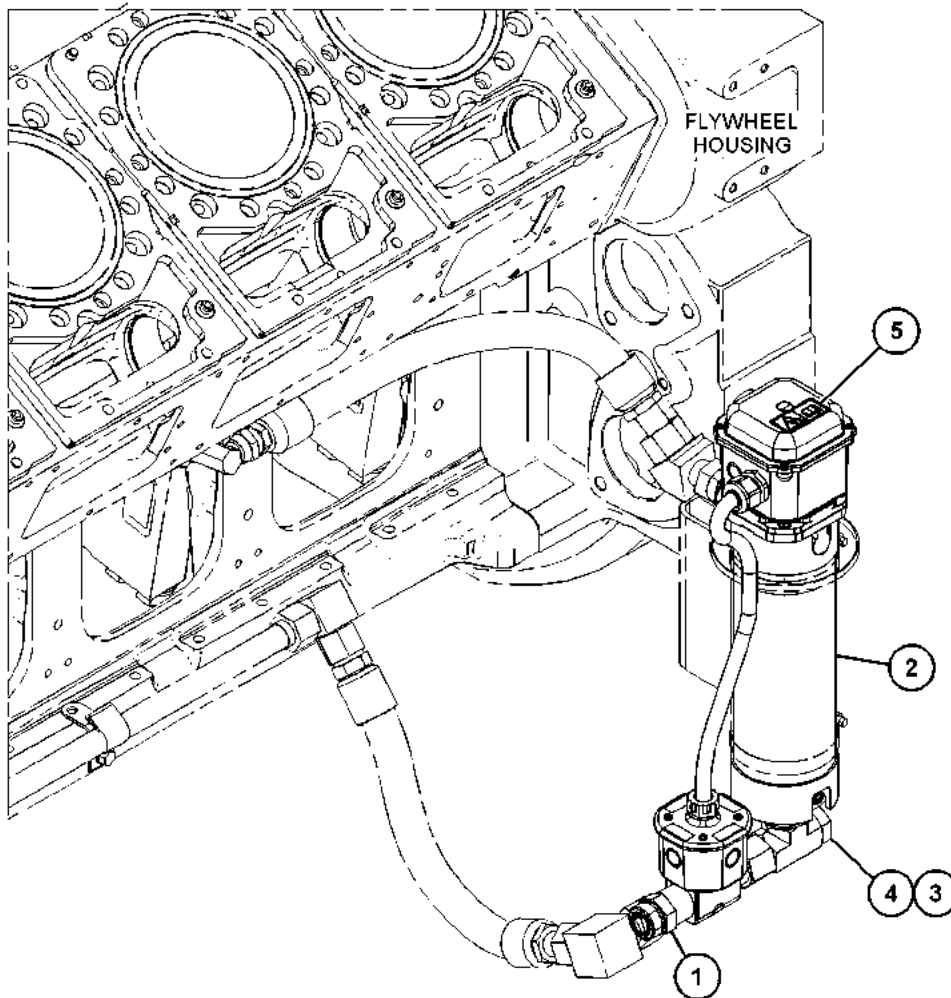
240-VOLT. 6-KW
AN ATTACHMENT

SMCS-1383

i06953232

NOTE	REF NO	GRAPHIC REF	PART NUMBER	QTY	PART NAME						SEE PAGE
					1	2	3	4	5	6 (PRODUCT LEVEL)	
	1	1	369-7765	2	ADAPTER AS						
					(EACH INCLUDES)						
		1	5K-9090	1	SEAL-O-RING						
		1	7M-8485	1	SEAL-O-RING						
Y	2	1	430-2751	1	HEATER GP-JACKET WATER (240-VOLT)						1072
	3	1	7M-8485	1	SEAL-O-RING						
	4	1	9S-4181	1	PLUG (1-5/16-12-THD)						
	5	1	332-1841	1	FILM-WARNING (SHOCK HAZARD, READ OMM)						

Y - SEPARATE ILLUSTRATION



GRAPHIC #1

<END>

g06159236

ELECTRICAL AND STARTING SYSTEM

430-2745 HEATER GP-JACKET WATER-LH

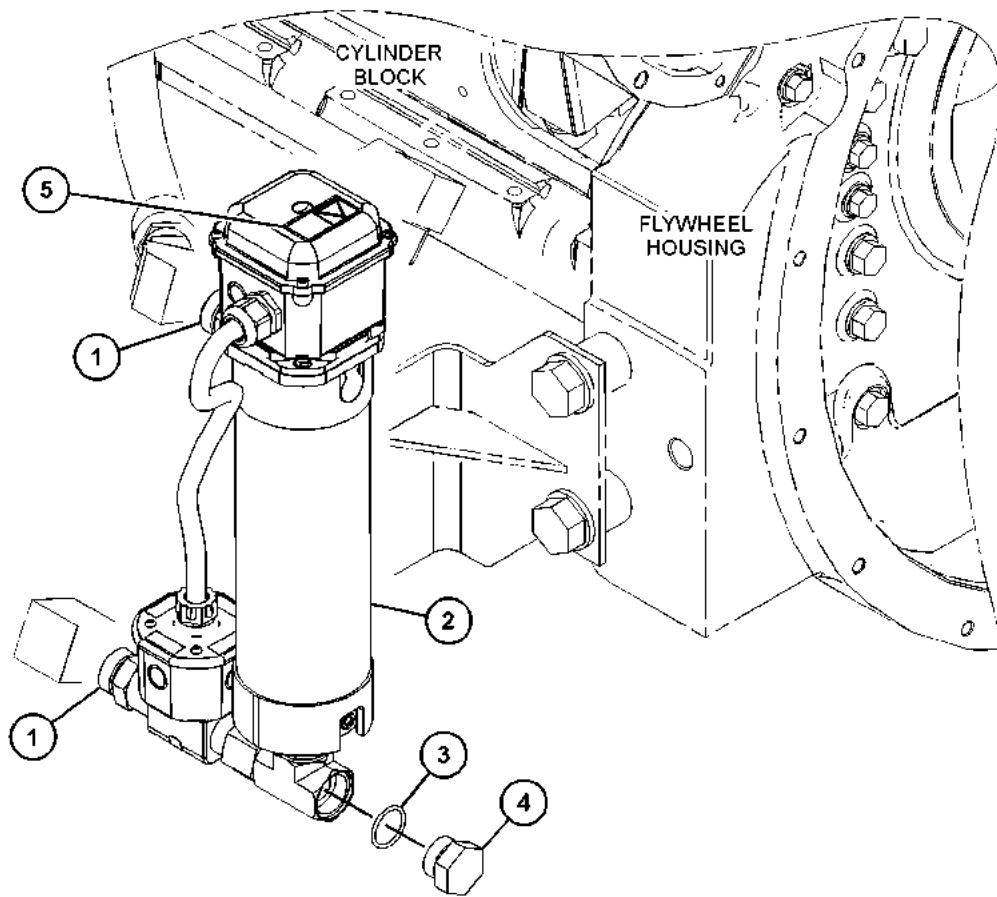
240-VOLT. 6-KW
AN ATTACHMENT

SMCS-1383

i07039760

NOTE	REF NO	GRAPHIC REF	PART NUMBER	QTY	PART NAME						SEE PAGE
					1	2	3	4	5	6 (PRODUCT LEVEL)	
	1	1	369-7765	2	ADAPTER AS						
					(EACH INCLUDES)						
		1	5K-9090	1	SEAL-O-RING						
		1	7M-8485	1	SEAL-O-RING						
Y	2	1	430-2751	1	HEATER GP-JACKET WATER (240-VOLT)						1072
	3	1	7M-8485	1	SEAL-O-RING						
	4	1	9S-4181	1	PLUG (1-5/16-12-THD)						
	5	1	332-1841	1	FILM-WARNING (SHOCK HAZARD, READ OMM)						

Y - SEPARATE ILLUSTRATION



GRAPHIC #1

<END>

g06103553

ELECTRICAL AND STARTING SYSTEM

430-2746 HEATER GP-JACKET WATER-RH

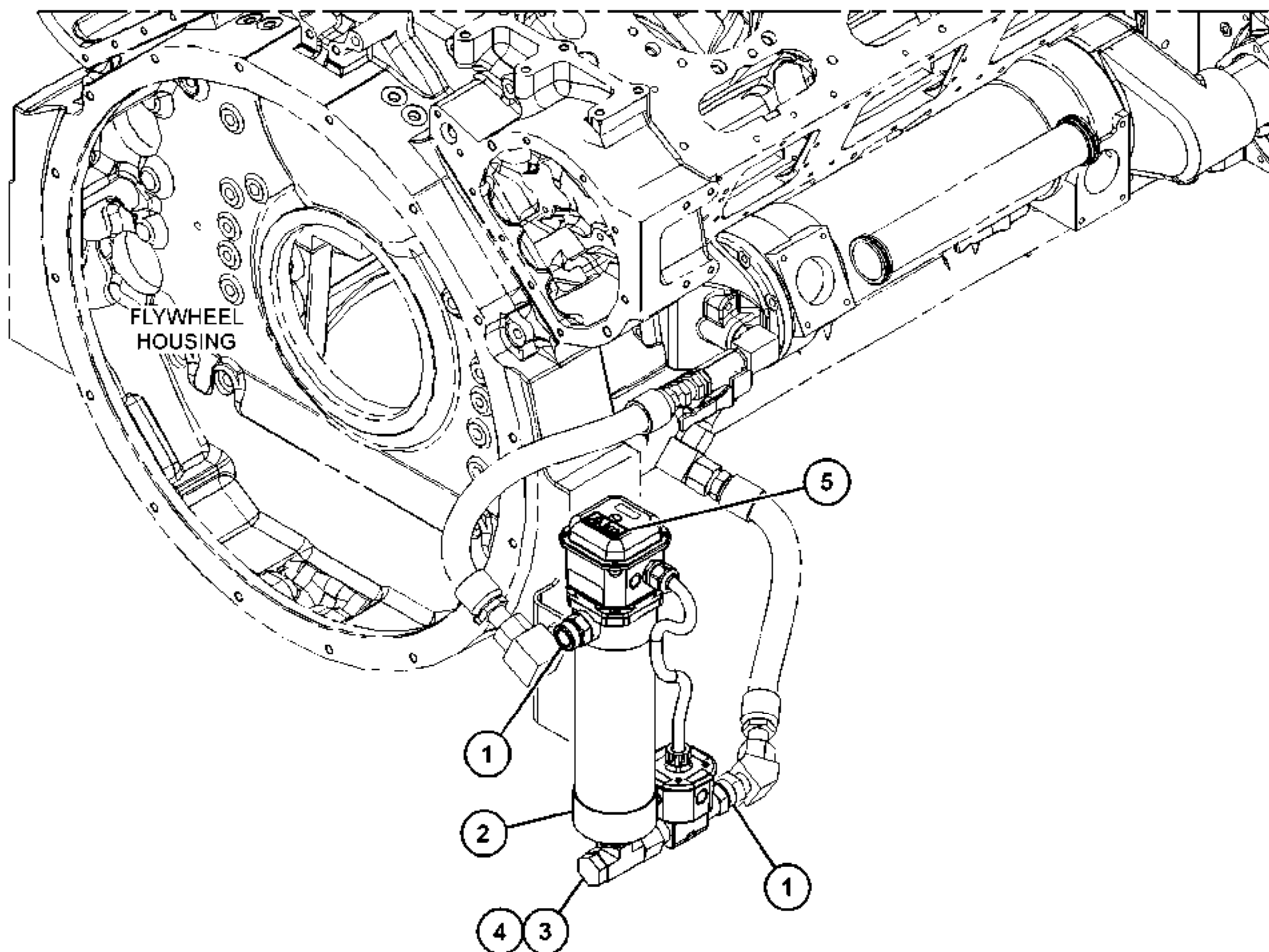
240-VOLT. 6-KW
AN ATTACHMENT

SMCS-1383

i07039776

NOTE	REF NO	GRAPHIC REF	PART NUMBER	QTY	PART NAME						SEE PAGE
					1	2	3	4	5	6 (PRODUCT LEVEL)	
	1	1	369-7765	2	ADAPTER AS						
					(EACH INCLUDES)						
		1	5K-9090	1	SEAL-O-RING						
		1	7M-8485	1	SEAL-O-RING						
Y	2	1	430-2751	1	HEATER GP-JACKET WATER (240-VOLT)						1072
	3	1	7M-8485	1	SEAL-O-RING						
	4	1	9S-4181	1	PLUG (1-5/16-12-THD)						
	5	1	332-1841	1	FILM-WARNING (SHOCK HAZARD, READ OMM)						

Y - SEPARATE ILLUSTRATION



GRAPHIC #1

<END>

g06105033

ELECTRICAL AND STARTING SYSTEM

430-2750 HEATER GP-JACKET WATER-RH

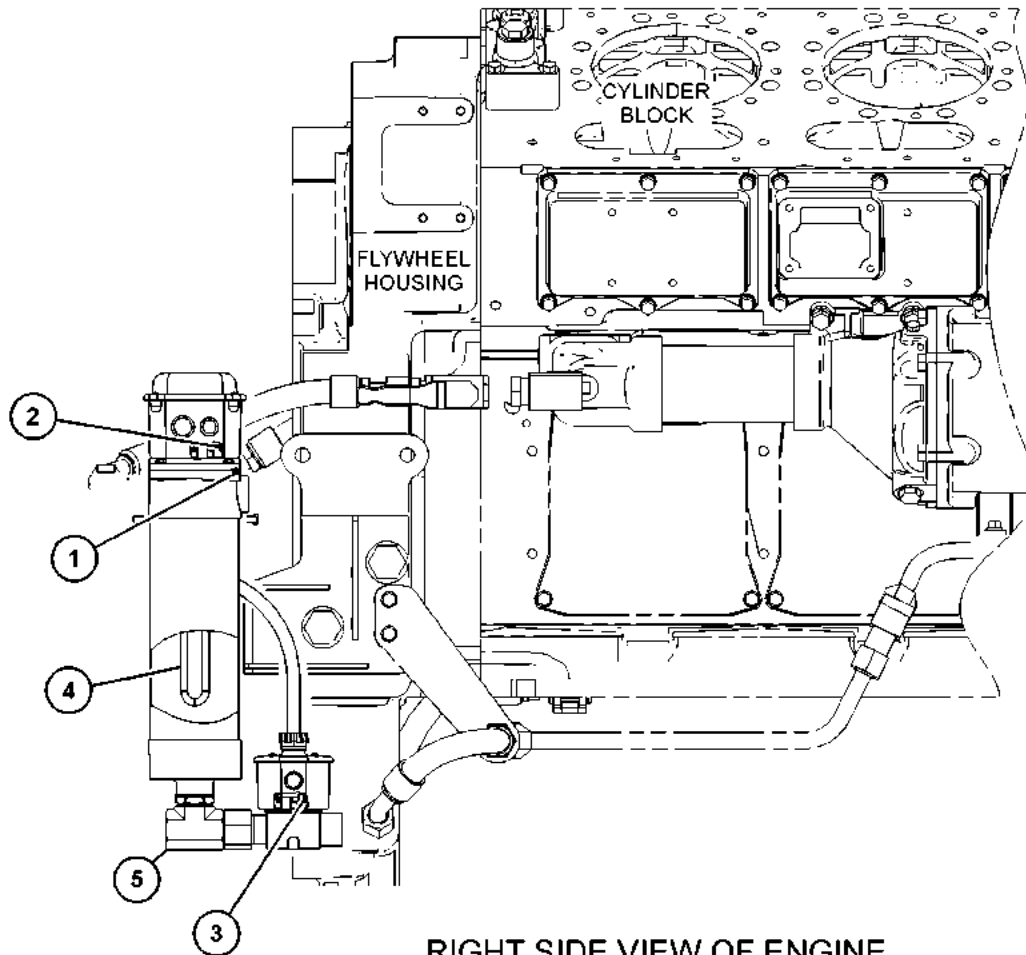
120-VOLT. 3-KW

PART OF 430-2740, 430-2741, 430-2742, 447-8601, 447-8602, 447-8615, 447-8616 HEATER
GP-JACKET WATER
AN ATTACHMENT

SMCS-1383

i07039783

NOTE	REF NO	GRAPHIC REF	PART NUMBER	QTY	PART NAME						SEE PAGE
					1	2	3	4	5	6 (PRODUCT LEVEL)	
	1	1	169-2182	1	SEAL						
	2	1	377-3044	1	THERMOSTAT AS (205-DEG F) (JACKET WATER HEATER)						
	3	1	378-8437	1	THERMOSTAT AS (120-DEG F) (JACKET WATER HEATER)						
	4	1	447-8617	1	ELEMENT AS-JACKET WATER HEATER (120-VOLT)						
	5	1	448-9012	1	TEE AS						
		1	7M-8485	1	SEAL-O-RING						
		1	448-9011	1	ADAPTER-TEE						



RIGHT SIDE VIEW OF ENGINE

GRAPHIC #1

<END>

g03725852

ELECTRICAL AND STARTING SYSTEM

430-2751 HEATER GP-JACKET WATER-RH

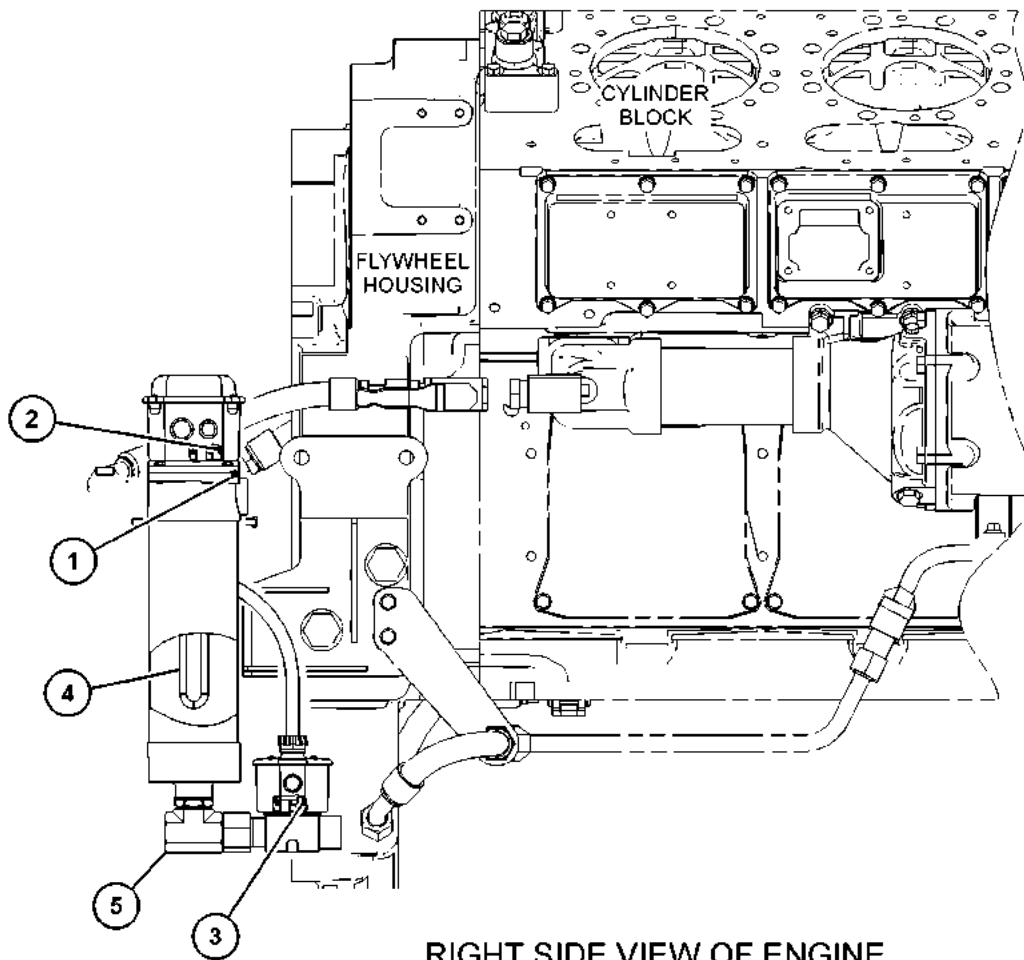
240-VOLT. 6-KW

PART OF 430-2744, 430-2745, 430-2746, 447-8620, 447-8621 HEATER GP-JACKET WATER
AN ATTACHMENT

SMCS-1383

i07581792

NOTE	REF NO	GRAPHIC REF	PART NUMBER	QTY	PART NAME						SEE PAGE
					1	2	3	4	5	6 (PRODUCT LEVEL)	
	1	1	169-2182	1	SEAL						
	2	1	377-3044	1	THERMOSTAT AS (205-DEG F) (JACKET WATER HEATER)						
	3	1	378-8437	1	THERMOSTAT AS (120-DEG F) (JACKET WATER HEATER)						
	4	1	447-8618	1	ELEMENT AS-JACKET WATER HEATER (240-VOLT)						
	5	1	448-9012	1	TEE AS						
		1	7M-8485	1	SEAL-O-RING						
		1	448-9011	1	ADAPTER-TEE						



RIGHT SIDE VIEW OF ENGINE

GRAPHIC #1

<END>

g03725850

ELECTRICAL AND STARTING SYSTEM

430-2752 HEATER GP-JACKET WATER-RH

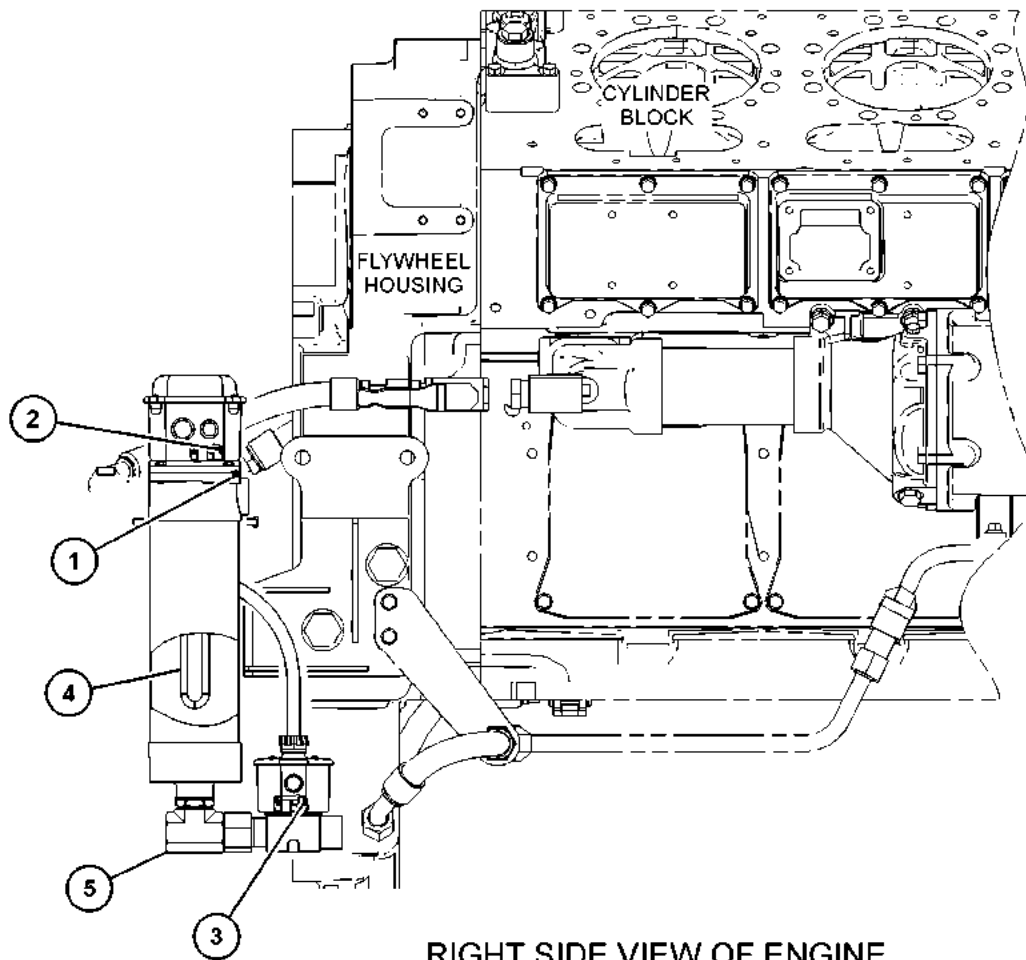
480-VOLT. 6-KW

PART OF 447-0808, 447-0809, 447-8622, 447-8623 HEATER GP-JACKET WATER
AN ATTACHMENT

SMCS-1383

i07581796

NOTE	REF NO	GRAPHIC REF	PART NUMBER	QTY	PART NAME						SEE PAGE
					1	2	3	4	5	6 (PRODUCT LEVEL)	
	1	1	169-2182	1	SEAL						
	2	1	377-3044	1	THERMOSTAT AS (205-DEG F) (JACKET WATER HEATER)						
	3	1	378-8437	1	THERMOSTAT AS (120-DEG F) (JACKET WATER HEATER)						
	4	1	447-8619	1	ELEMENT AS-JACKET WATER HEATER (480-VOLT)						
	5	1	448-9012	1	TEE AS						
		1	7M-8485	1	SEAL-O-RING						
		1	448-9011	1	ADAPTER-TEE						



RIGHT SIDE VIEW OF ENGINE

GRAPHIC #1

<END>

g03725849

ELECTRICAL AND STARTING SYSTEM

447-0808 HEATER GP-JACKET WATER-RH

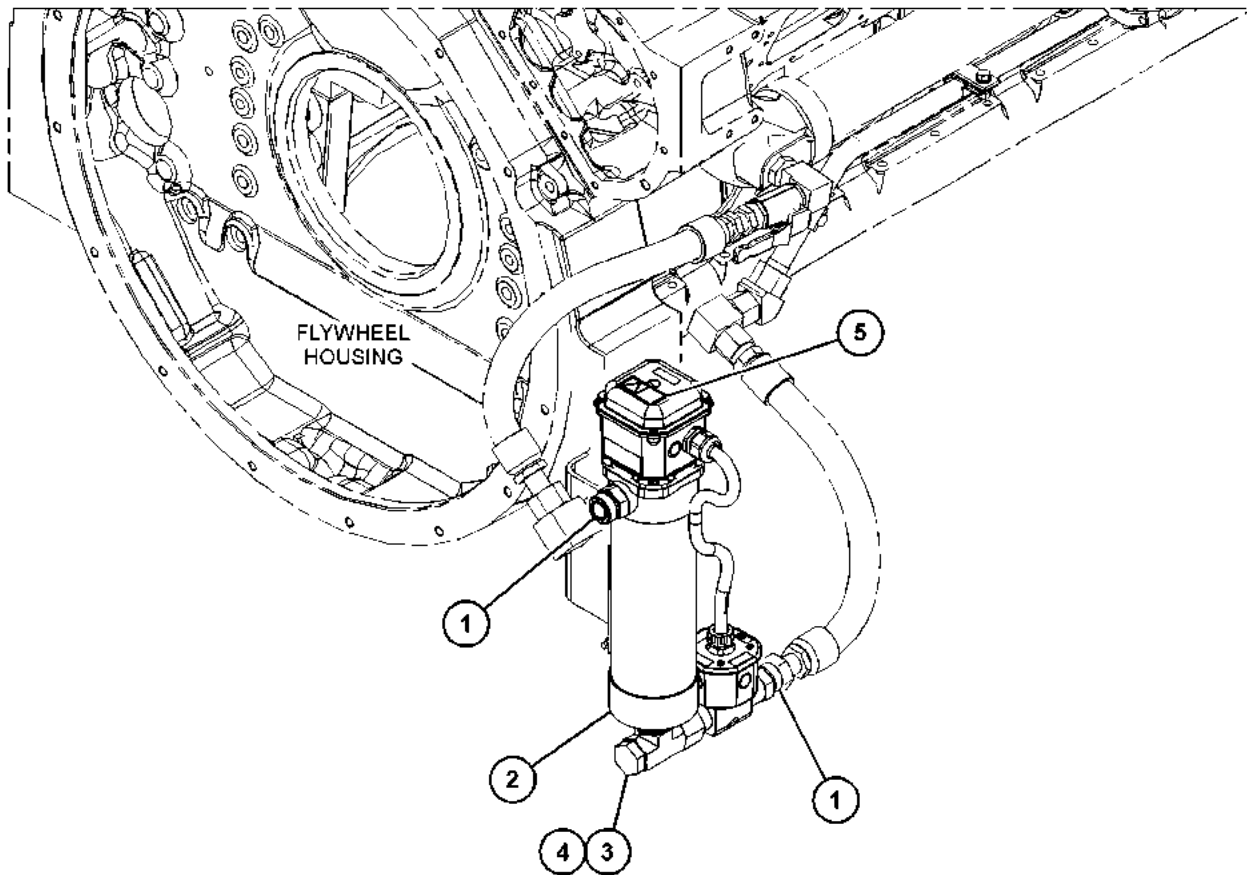
480-VOLT, 6-KW
AN ATTACHMENT

SMCS-1383

i06748506

NOTE	REF NO	GRAPHIC REF	PART NUMBER	QTY	PART NAME						SEE PAGE
					1	2	3	4	5	6 (PRODUCT LEVEL)	
	1	1	369-7765	2	ADAPTER AS						
					(EACH INCLUDES)						
		1	5K-9090	1	SEAL-O-RING						
		1	7M-8485	1	SEAL-O-RING						
Y	2	1	430-2752	1	HEATER GP-JACKET WATER (480-VOLT)						1073
	3	1	7M-8485	1	SEAL-O-RING						
	4	1	9S-4181	1	PLUG (1-5/16-12-THD)						
	5	1	332-1841	1	FILM-WARNING (SHOCK HAZARD, READ OMM)						

Y - SEPARATE ILLUSTRATION



GRAPHIC #1

<END>

g06103511

ELECTRICAL AND STARTING SYSTEM

447-0809 HEATER GP-JACKET WATER-LH

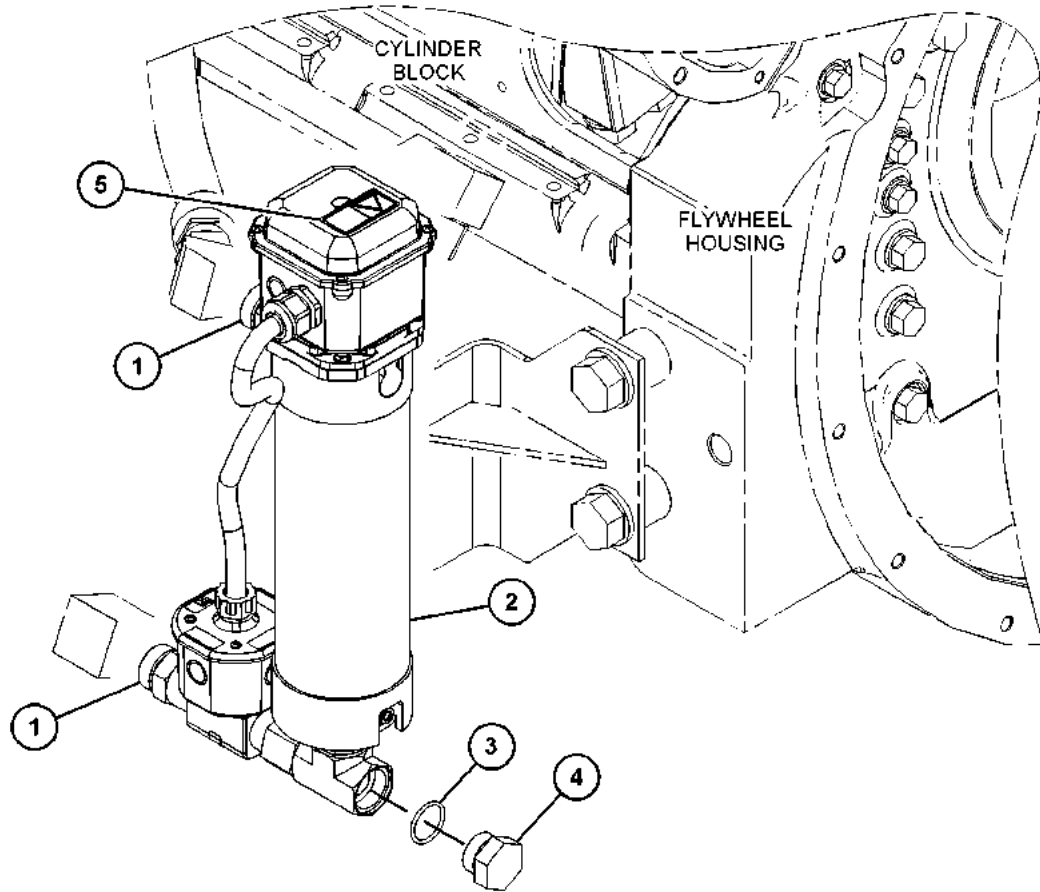
480-VOLT. 6-KW
AN ATTACHMENT

SMCS-1383

i07039906

NOTE	REF NO	GRAPHIC REF	PART NUMBER	QTY	PART NAME						SEE PAGE
					1	2	3	4	5	6 (PRODUCT LEVEL)	
	1	1	369-7765	2	ADAPTER AS						
					(EACH INCLUDES)						
		1	5K-9090	1	SEAL-O-RING						
		1	7M-8485	1	SEAL-O-RING						
Y	2	1	430-2752	1	HEATER GP-JACKET WATER (480-VOLT)						1073
	3	1	7M-8485	1	SEAL-O-RING						
	4	1	9S-4181	1	PLUG (1-5/16-12-THD)						
	5	1	332-1841	1	FILM-WARNING (SHOCK HAZARD, READ OMM)						

Y - SEPARATE ILLUSTRATION



GRAPHIC #1

<END>

g06103513

ELECTRICAL AND STARTING SYSTEM

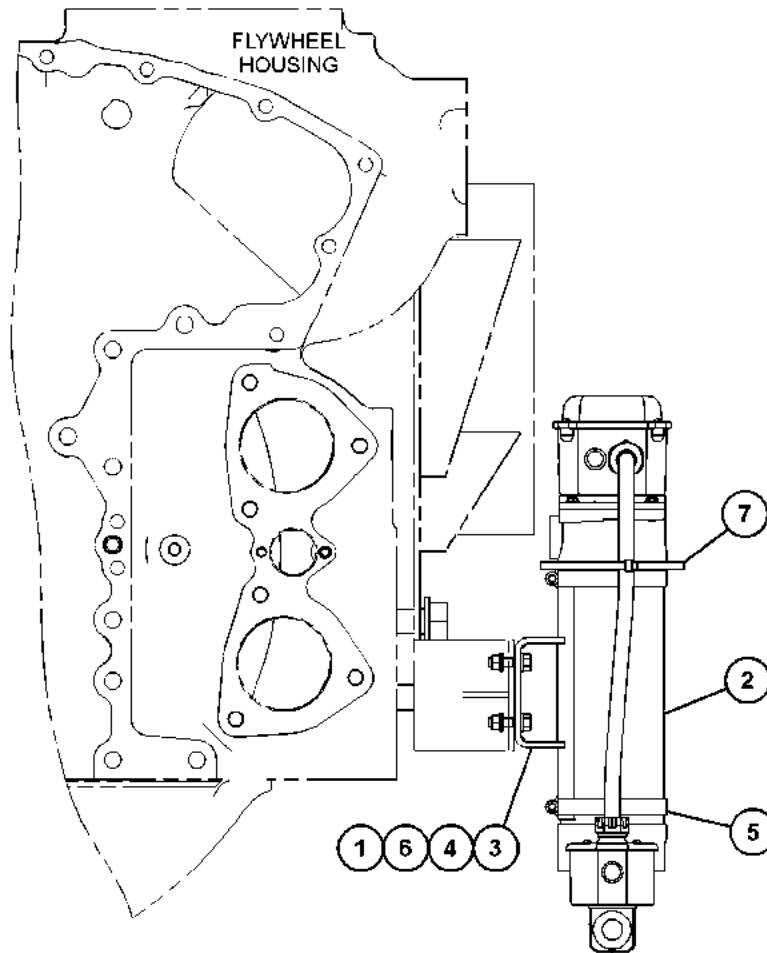
447-8601 HEATER GP-JACKET WATER AN ATTACHMENT

SMCS-1383

i05684957

NOTE	REF NO	GRAPHIC REF	PART NUMBER	QTY	PART NAME						SEE PAGE
					1	2	3	4	5	6 (PRODUCT LEVEL)	
	1	1	339-2092	1	BRACKET AS						
Y	2	1	430-2750	1	HEATER GP-JACKET WATER						1071
	3	1	3B-1915	4	BOLT (3/8-16X1.375-IN)						
	4	1	5M-2894	8	WASHER-HARD (10.2X18.5X2.5-MM THK)						
	5	1	8T-6726	2	CLAMP-HOSE						
	6	1	9S-8752	4	NUT-FULL (3/8-16-THD)						
	7	1	7K-1181	1	STRAP-CABLE						

Y - SEPARATE ILLUSTRATION



FRONT VIEW OF ENGINE

GRAPHIC #1

<END>

g03724486

ELECTRICAL AND STARTING SYSTEM

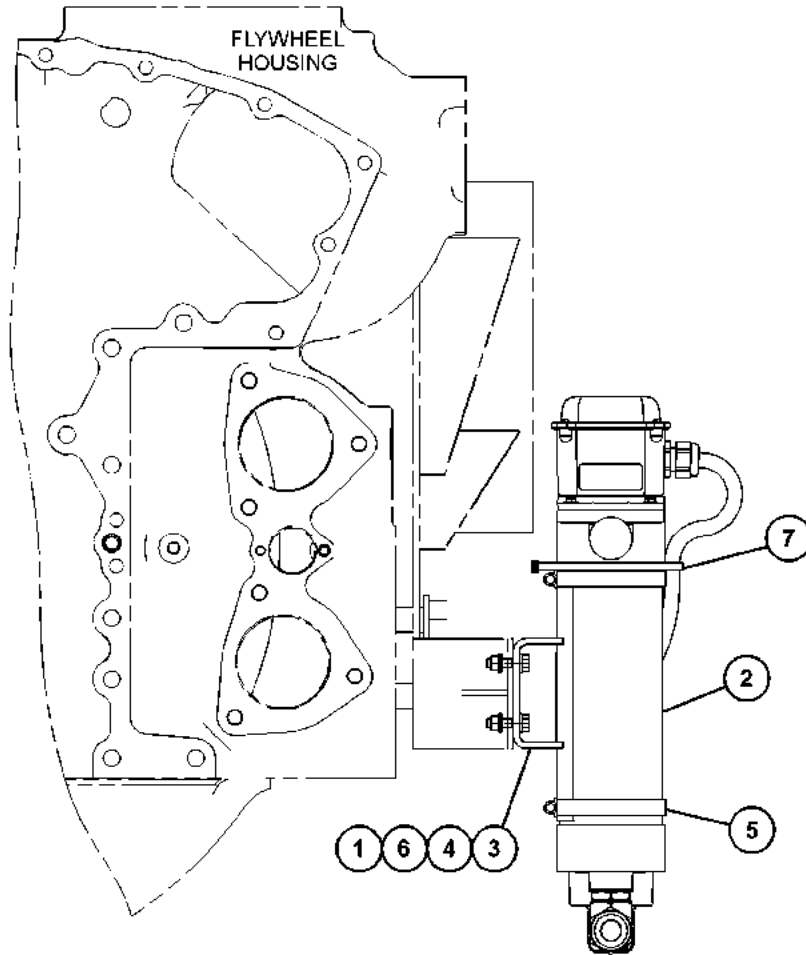
447-8602 HEATER GP-JACKET WATER AN ATTACHMENT

SMCS-1383

i05684959

NOTE	REF NO	GRAPHIC REF	PART NUMBER	QTY	PART NAME						SEE PAGE
					1	2	3	4	5	6 (PRODUCT LEVEL)	
	1	1	339-2092	1	BRACKET AS						
Y	2	1	430-2750	1	HEATER GP-JACKET WATER						1071
	3	1	3B-1915	4	BOLT (3/8-16X1.375-IN)						
	4	1	5M-2894	8	WASHER-HARD (10.2X18.5X2.5-MM THK)						
	5	1	8T-6726	2	CLAMP-HOSE						
	6	1	9S-8752	4	NUT-FULL (3/8-16-THD)						
	7	1	7K-1181	1	STRAP-CABLE						

Y - SEPARATE ILLUSTRATION



GRAPHIC #1

<END>

g03725600

ELECTRICAL AND STARTING SYSTEM

447-8615 HEATER GP-JACKET WATER-LH

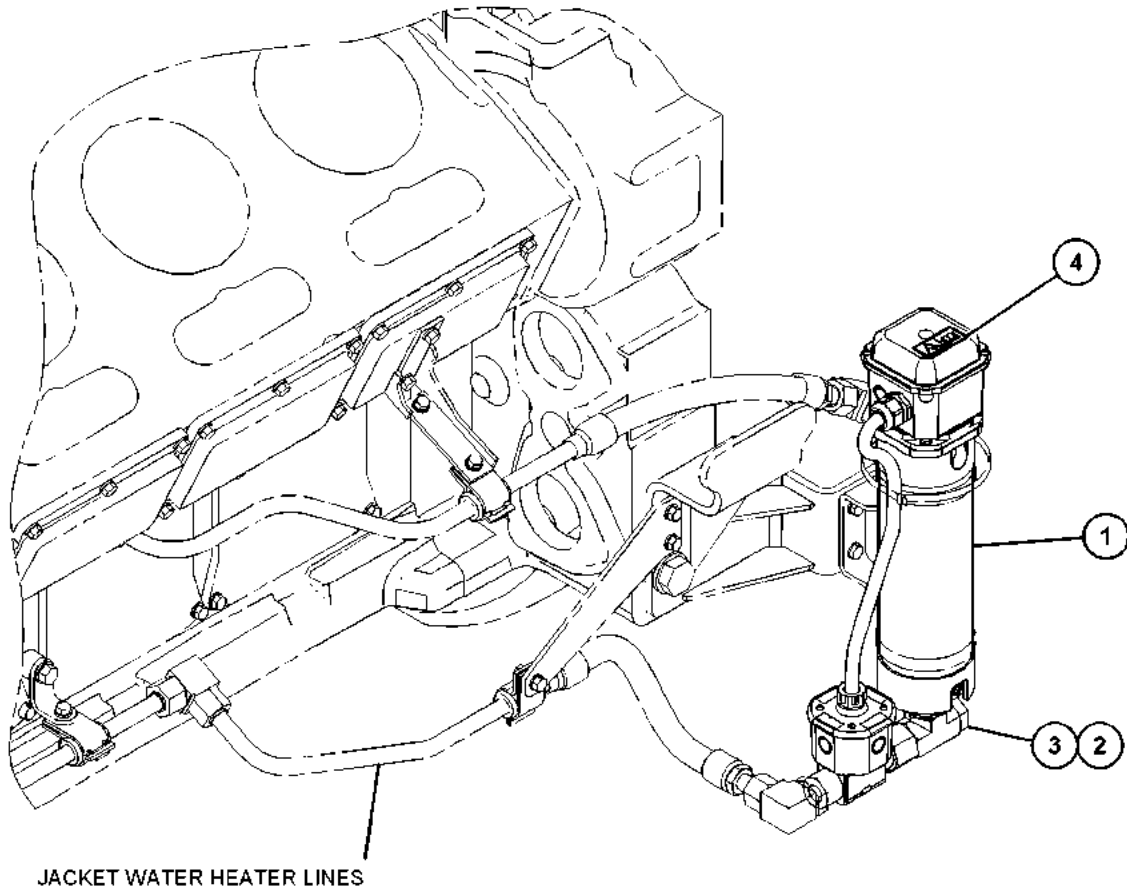
120-VOLT. 3-KW
AN ATTACHMENT

SMCS-1383

i06985554

NOTE	REF NO	GRAPHIC REF	PART NUMBER	QTY	PART NAME						SEE PAGE
					1	2	3	4	5	6 (PRODUCT LEVEL)	
Y	1	1	430-2750	1	HEATER GP-JACKET WATER (120-VOLT)						1071
	2	1	7M-8485	1	SEAL-O-RING						
	3	1	9S-4181	1	PLUG (1-5/16-12-THD)						
	4	1	332-1841	1	FILM-WARNING (SHOCK HAZARD, READ OMM)						

Y - SEPARATE ILLUSTRATION



GRAPHIC #1

<END>

g06158784

ELECTRICAL AND STARTING SYSTEM

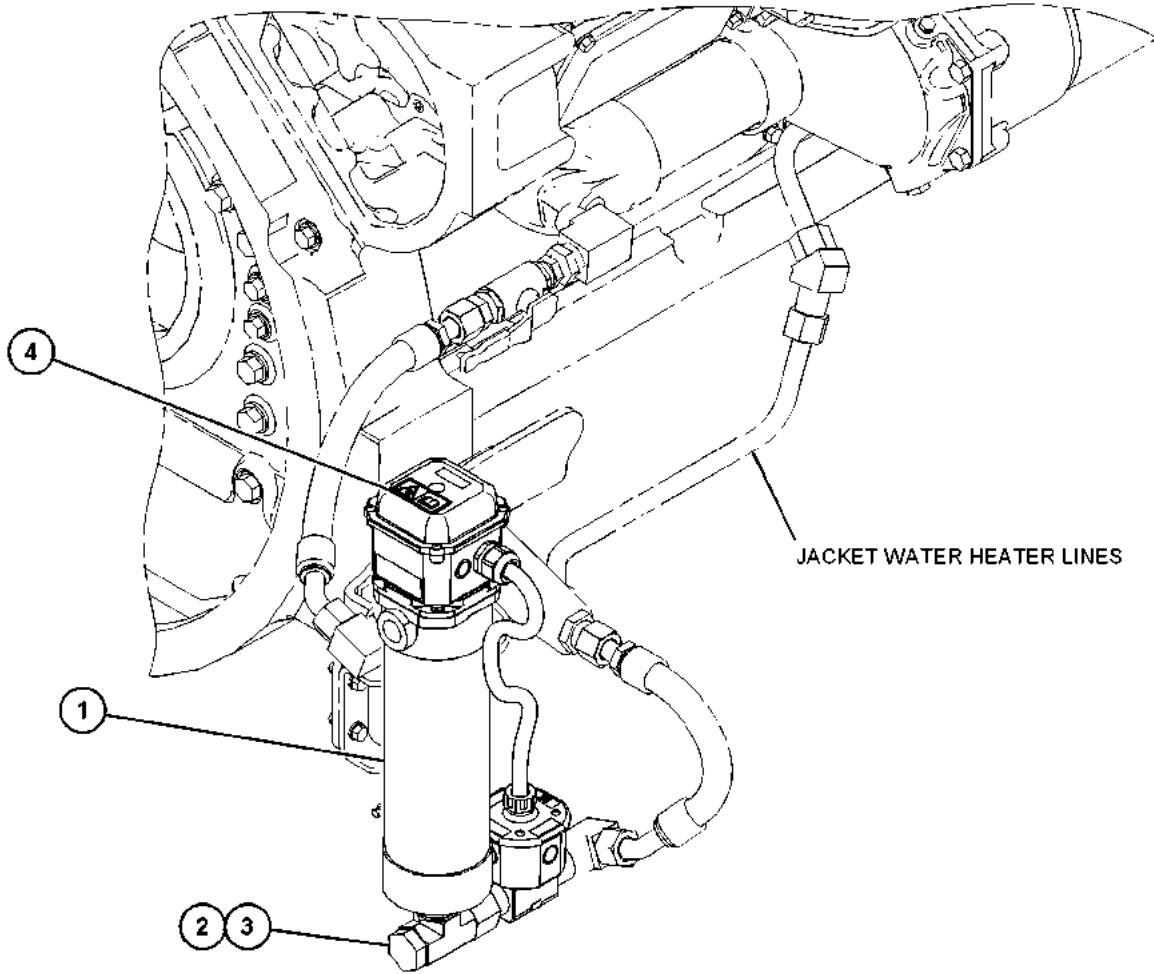
447-8616 HEATER GP-JACKET WATER-RH 120-VOLT. 3-KW AN ATTACHMENT

SMCS-1383

i06922226

NOTE	REF NO	GRAPHIC REF	PART NUMBER	QTY	PART NAME						SEE PAGE
					1	2	3	4	5	6 (PRODUCT LEVEL)	
Y	1	1	430-2750	1	HEATER GP-JACKET WATER (120-VOLT)						1071
	2	1	7M-8485	1	SEAL-O-RING						
	3	1	9S-4181	1	PLUG (1-5/16-12-THD)						
	4	1	332-1841	1	FILM-WARNING (SHOCK HAZARD, READ OMM)						

Y - SEPARATE ILLUSTRATION



GRAPHIC #1

<END>

g06158486

ELECTRICAL AND STARTING SYSTEM

447-8620 HEATER GP-JACKET WATER-LH

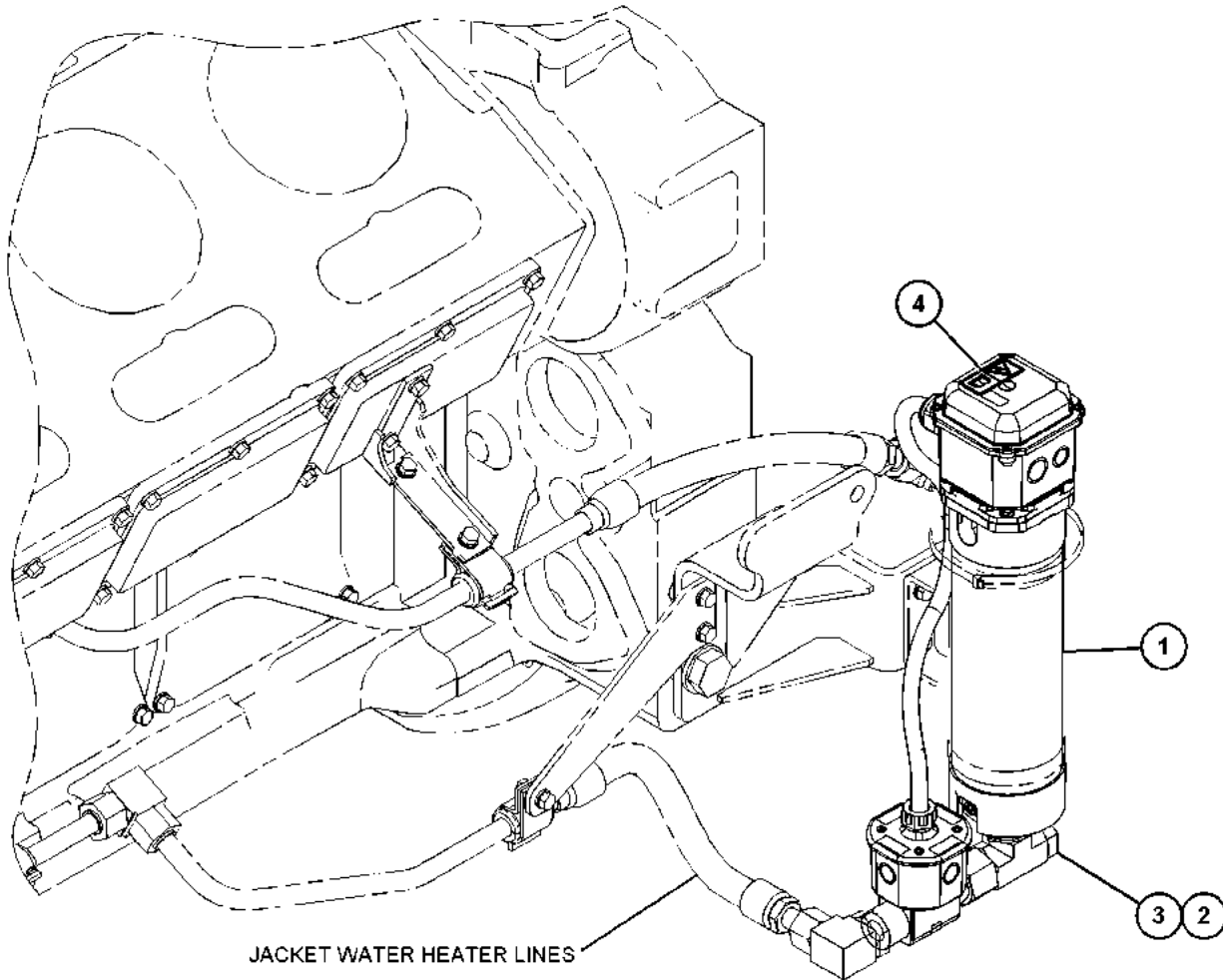
240-VOLT, 6-KW
AN ATTACHMENT

SMCS-1383

i06907568

NOTE	REF NO	GRAPHIC REF	PART NUMBER	QTY	PART NAME						SEE PAGE
					1	2	3	4	5	6 (PRODUCT LEVEL)	
Y	1	1	430-2751	1	HEATER GP-JACKET WATER (240-VOLT)						1072
	2	1	7M-8485	1	SEAL-O-RING						
	3	1	9S-4181	1	PLUG (1-5/16-12-THD)						
	4	1	332-1841	1	FILM-WARNING (SHOCK HAZARD, READ OMM)						

Y - SEPARATE ILLUSTRATION



GRAPHIC #1

<END>

g06159620

ELECTRICAL AND STARTING SYSTEM

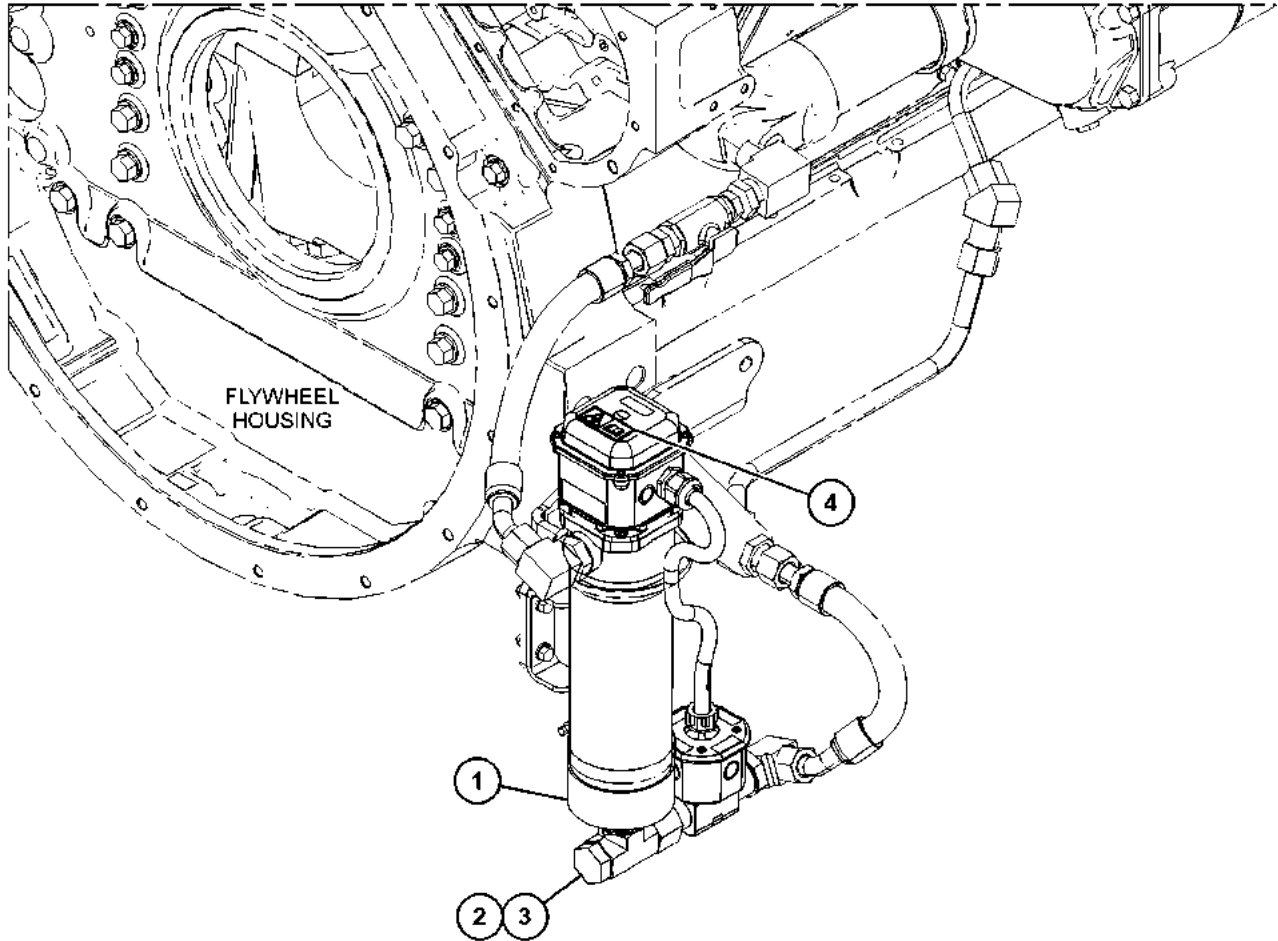
447-8621 HEATER GP-JACKET WATER-RH 240-VOLT. 6-KW AN ATTACHMENT

SMCS-1383

i06969885

NOTE	REF NO	GRAPHIC REF	PART NUMBER	QTY	PART NAME						SEE PAGE
					1	2	3	4	5	6 (PRODUCT LEVEL)	
Y	1	1	430-2751	1	HEATER GP-JACKET WATER (240-VOLT)						1072
	2	1	7M-8485	1	SEAL-O-RING						
	3	1	9S-4181	1	PLUG (1-5/16-12-THD)						
	4	1	332-1841	1	FILM-WARNING (SHOCK HAZARD, READ OMM)						

Y - SEPARATE ILLUSTRATION



GRAPHIC #1

<END>

g06158432

ELECTRICAL AND STARTING SYSTEM

447-8622 HEATER GP-JACKET WATER-LH

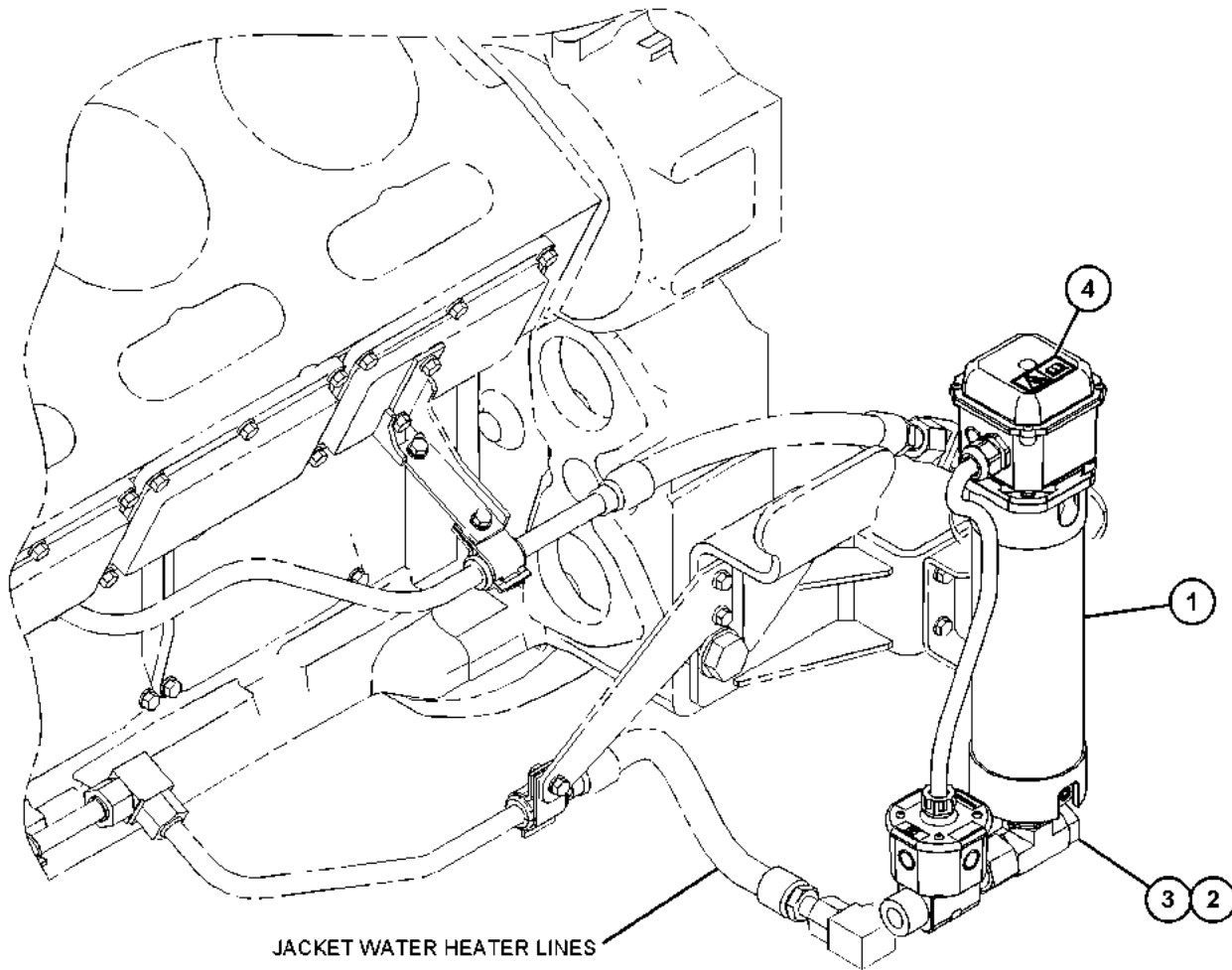
480-VOLT, 6-KW
AN ATTACHMENT

SMCS-1383

i06907573

NOTE	REF NO	GRAPHIC REF	PART NUMBER	QTY	PART NAME						SEE PAGE
					1	2	3	4	5	6 (PRODUCT LEVEL)	
Y	1	1	430-2752	1	HEATER GP-JACKET WATER (480-VOLT)						1073
	2	1	7M-8485	1	SEAL-O-RING						
	3	1	9S-4181	1	PLUG (1-5/16-12-THD)						
	4	1	332-1841	1	FILM-WARNING (SHOCK HAZARD, READ OMM)						

Y - SEPARATE ILLUSTRATION



JACKET WATER HEATER LINES

GRAPHIC #1

<END>

g06159105

ELECTRICAL AND STARTING SYSTEM

447-8623 HEATER GP-JACKET WATER-RH

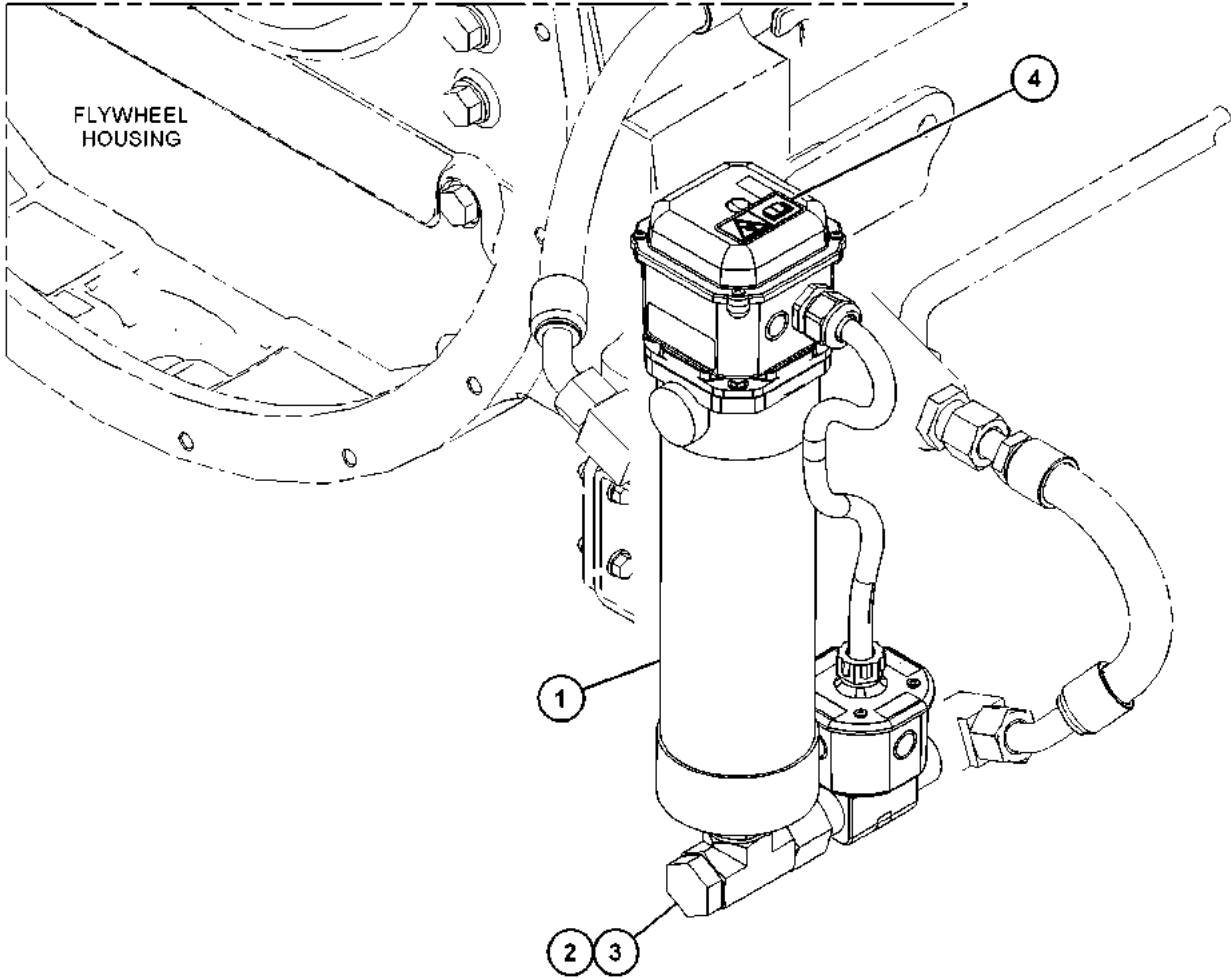
480-VOLT. 6-KW
AN ATTACHMENT

SMCS-1383

i06907308

NOTE	REF NO	GRAPHIC REF	PART NUMBER	QTY	PART NAME						SEE PAGE
					1	2	3	4	5	6 (PRODUCT LEVEL)	
Y	1	1	430-2752	1	HEATER GP-JACKET WATER (480-VOLT)						1073
	2	1	7M-8485	1	SEAL-O-RING						
	3	1	9S-4181	1	PLUG (1-5/16-12-THD)						
	4	1	332-1841	1	FILM-WARNING (SHOCK HAZARD, READ OMM)						

Y - SEPARATE ILLUSTRATION



GRAPHIC #1

<END>

g06159611

ELECTRICAL AND STARTING SYSTEM

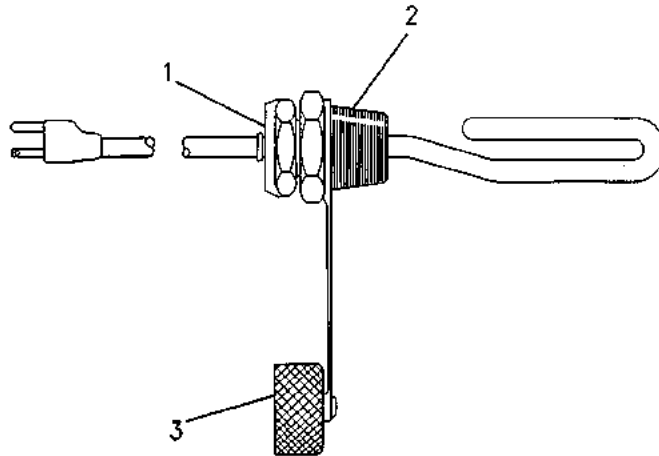
4N-0730 HEATER GP-JACKET WATER

120 VOLT
AN ATTACHMENT

SMCS-1383

i02658467

NOTE	REF NO	GRAPHIC REF	PART NUMBER	QTY	PART NAME						SEE PAGE
					1	2	3	4	5	6 (PRODUCT LEVEL)	
	1	1	9N-5253	1	CORD AS-HEATER ELEMENT (120-VOLT, 15-AMPERE)						
	2	1	9G-6655	1	ELEMENT AS-JACKET WATER HEATER (120-VOLT, 1500-WATT)						
	3	1	6N-1604	1	CAP AS-DUST						



GRAPHIC #1

<END>

g00595822

ELECTRICAL AND STARTING SYSTEM

7E-6247 HEATER GP-JACKET WATER

120-VOLT TO 240-VOLT. 3-KILOWATT

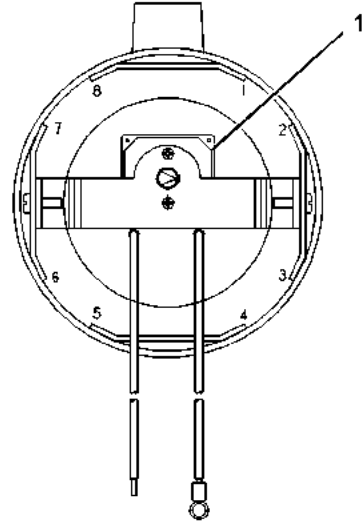
AN ATTACHMENT

SMCS-1383

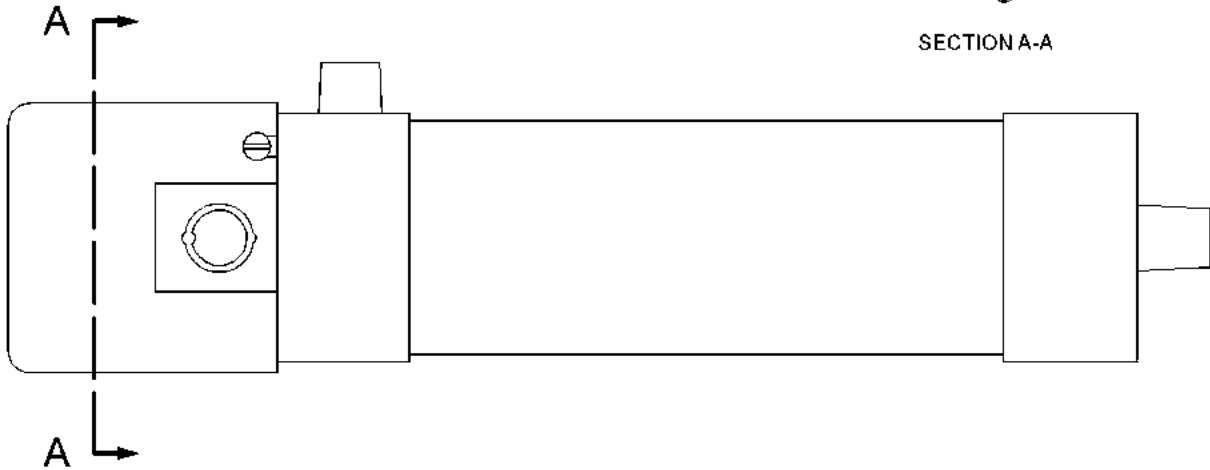
i03021944

NOTE	REF NO	GRAPHIC REF	PART NUMBER	QTY	PART NAME 1 2 3 4 5 6 (PRODUCT LEVEL)	SEE PAGE
C	1	1	127-6260	1	THERMOSTAT AS (20-DEG C TO 80-DEG C) (JACKET WATER HEATER)	

C - CHANGE FROM PREVIOUS TYPE



SECTION A-A



GRAPHIC #1

<END>

g01397474

ELECTRICAL AND STARTING SYSTEM

7E-6247 HEATER GP-JACKET WATER

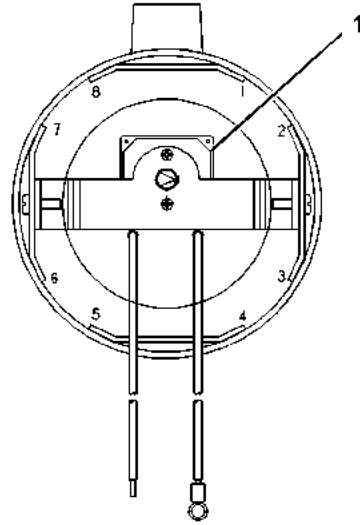
120-VOLT TO 240-VOLT. 3-KILOWATT
PART OF 349-6224 HEATER GP-JACKET WATER
AN ATTACHMENT

SMCS-1383

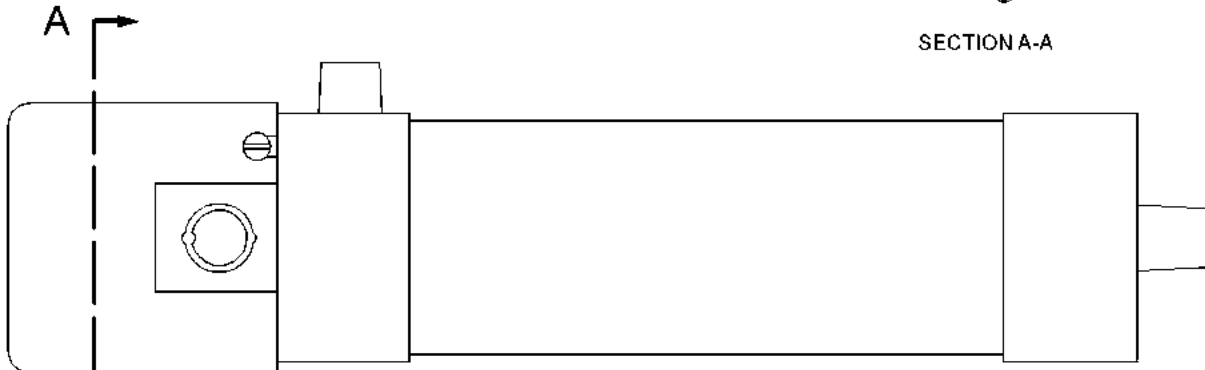
i03167895

NOTE	REF NO	GRAPHIC REF	PART NUMBER	QTY	PART NAME 1 2 3 4 5 6 (PRODUCT LEVEL)	SEE PAGE
C	1	1	109-8932	1	THERMOSTAT (60 DEG F TO 160 DEG F) (JACKET WATER HEATER)	

C - CHANGE FROM PREVIOUS TYPE



SECTION A-A



GRAPHIC #1

<END>

g01397474

ELECTRICAL AND STARTING SYSTEM

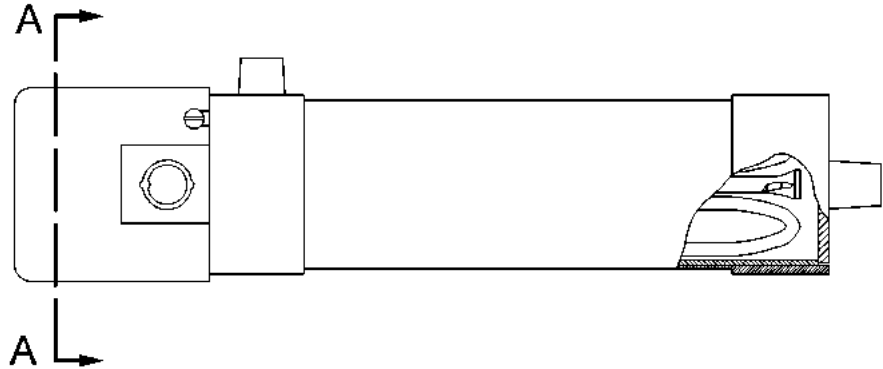
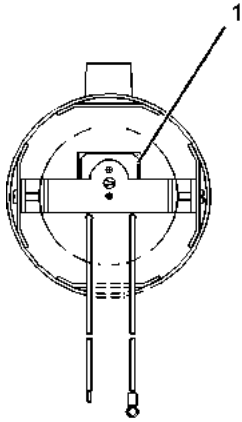
7E-6248 HEATER GP-JACKET WATER

240-VOLT TO 480-VOLT. 6-KILOWATT
 FIELD REPLACEMENT ORDER 200-6504-PAGE: 1061
 AN ATTACHMENT
 TYPE 1

SMCS-1383

i03294321

NOTE	REF NO	GRAPHIC REF	PART NUMBER	QTY	PART NAME	SEE PAGE
	1	1	127-6260	1	THERMOSTAT AS (20-DEG C TO 80-DEG C) (JACKET WATER HEATER)	



SECTION A-A
 GRAPHIC #1

<END>

g01127706

ELECTRICAL AND STARTING SYSTEM

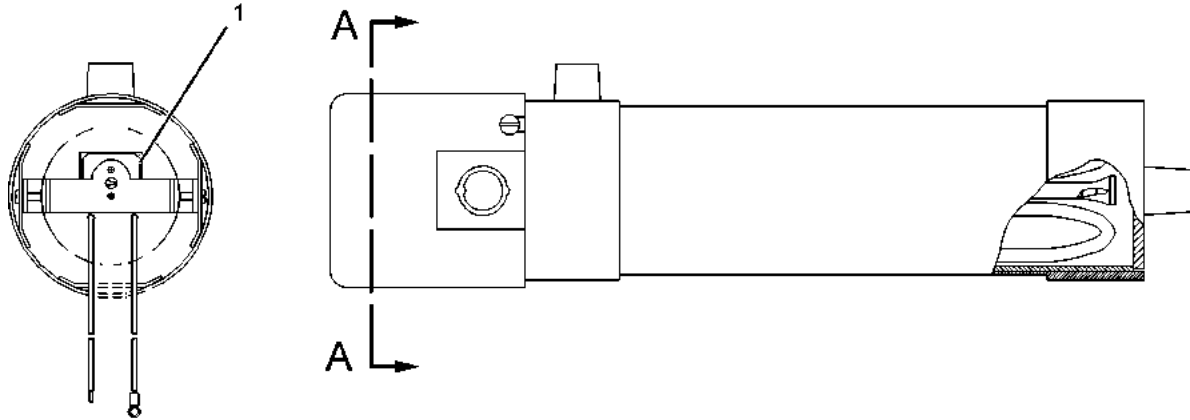
7E-6248 HEATER GP-JACKET WATER

240-VOLT TO 480-VOLT. 6-KILOWATT
 FIELD REPLACEMENT ORDER 200-6504-PAGE: 1061
 AN ATTACHMENT
 TYPE 2

SMCS-1383

i03324024

NOTE	REF NO	GRAPHIC REF	PART NUMBER	QTY	PART NAME						SEE PAGE
					1	2	3	4	5	6 (PRODUCT LEVEL)	
	1	1	109-8932	1	THERMOSTAT (60 DEG F TO 160 DEG F) (JACKET WATER HEATER)						



SECTION A-A

GRAPHIC #1

<END>

g01127706

ELECTRICAL AND STARTING SYSTEM

426-5362 INSTALLATION GP-COMMUNICATION-~~PLE601~~ NETWORK MANAGER

FIELD INSTALLATION

SMCS-1408, 1901, 1902, 7610, 7620

i06098882

NOTE	PART NUMBER	QTY	PART NAME						SEE PAGE
			1	2	3	4	5	6 (PRODUCT LEVEL)	
Y	360-4226	1	HARNES AS-CONTROL						1049
M	7X-2534	4	BOLT (M6X1X50-MM)						
	417-4722	1	CONTROL GP-COMMUNICATION (NETWORK MANAGER)						
	8C-5607	8	MOUNT-ISOLATION						
M	344-5673	4	NUT (M6X1-THD)						
	8C-5608	4	SPACER (6.5X9.5X25.4-MM THK)						
	7K-1181	15	STRAP-CABLE						
	9X-6165	4	WASHER (6.5X22X2.5-MM THK)						
	9X-8256	4	WASHER (6.6X12X2-MM THK)						

M - METRIC PART

Y - SEPARATE ILLUSTRATION

<END>

426-5363 INSTALLATION GP-COMMUNICATION-~~PL641~~ CELLULAR FIELD INSTALLATION

SMCS-1408, 1901, 1902, 7610, 7620

i06632416

NOTE	PART NUMBER	QTY	PART NAME						SEE PAGE
			1	2	3	4	5	6 (PRODUCT LEVEL)	
Y	423-7018	1	HARNES AS-WIRING (PRODUCT LINK RADIO)						1052
CYR	440-2105	1	CONTROL GP-ELECTRONIC (PRODUCT LINK ELITE 641 CELLULAR)						1025
M	8T-4971	4	BOLT (M6X1X30-MM)						
	433-9722	1	FILM-IDENTIFICATION (WIRELESS COM DEVICE, READ OMM)						
	433-9728	1	FILM-WARNING (EXPLOSION, WIRELESS, OMM, U.S.)						
	433-9730	1	FILM-WARNING (EXPLOSION, WIRELESS, OMM, INTL)						
M	344-5673	4	NUT (M6X1-THD)						
	9X-8256	8	WASHER (6.6X12X2-MM THK)						

C - CHANGE FROM PREVIOUS TYPE

M - METRIC PART

R - REMANUFACTURED PART MAY BE AVAILABLE

Y - SEPARATE ILLUSTRATION

<END>

ELECTRICAL AND STARTING SYSTEM

9W-1494 KIT-SERVICE METER

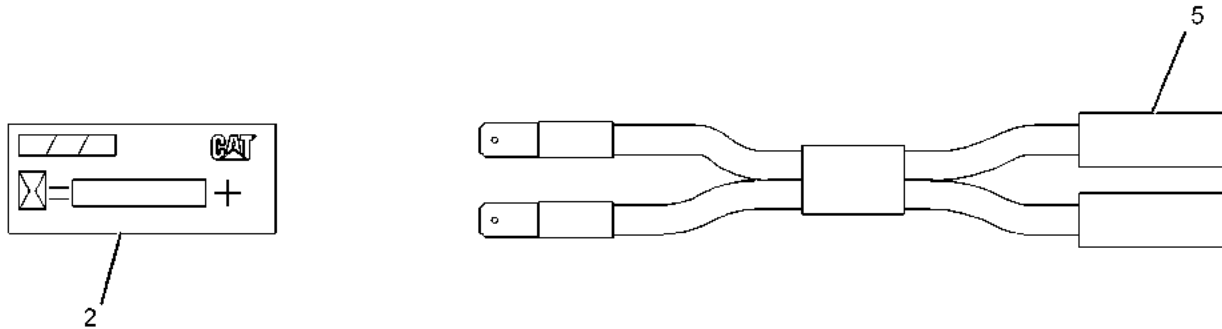
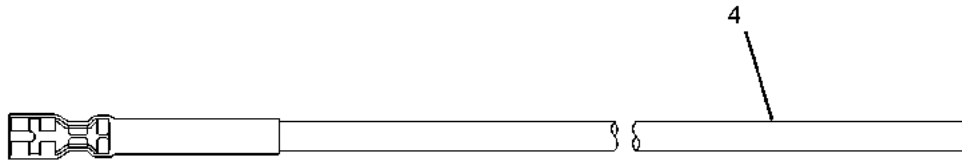
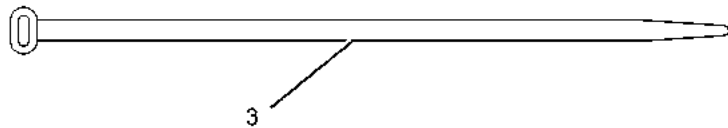
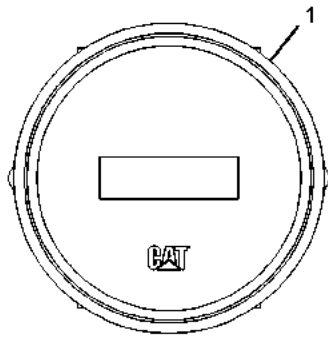
FIELD REPLACEMENT FOR 6T-7337-PAGE: 1402

PART OF 2W-9592 METER GP-SERVICE

SMCS-7478

i02560797

NOTE	REF NO	GRAPHIC REF	PART NUMBER	QTY	PART NAME						SEE PAGE
					1	2	3	4	5	6 (PRODUCT LEVEL)	
	1	1	197-8832	1	METER GP-SERVICE						
	2	1	114-2505	1	FILM-IDENTIFICATION (SERVICE METER)						
	3	1	8L-8413	15	STRAP-CABLE (WHITE)						
	4	1	200-5719	1	WIRE AS						
	5	1	200-5722	1	WIRE AS						



GRAPHIC #1

<END>

g01285747

ELECTRICAL AND STARTING SYSTEM

207-4476 LINES GP-AIR STARTING-RH

S/N: 65Z887-1179

AN ATTACHMENT

SMCS-1451

i02766474

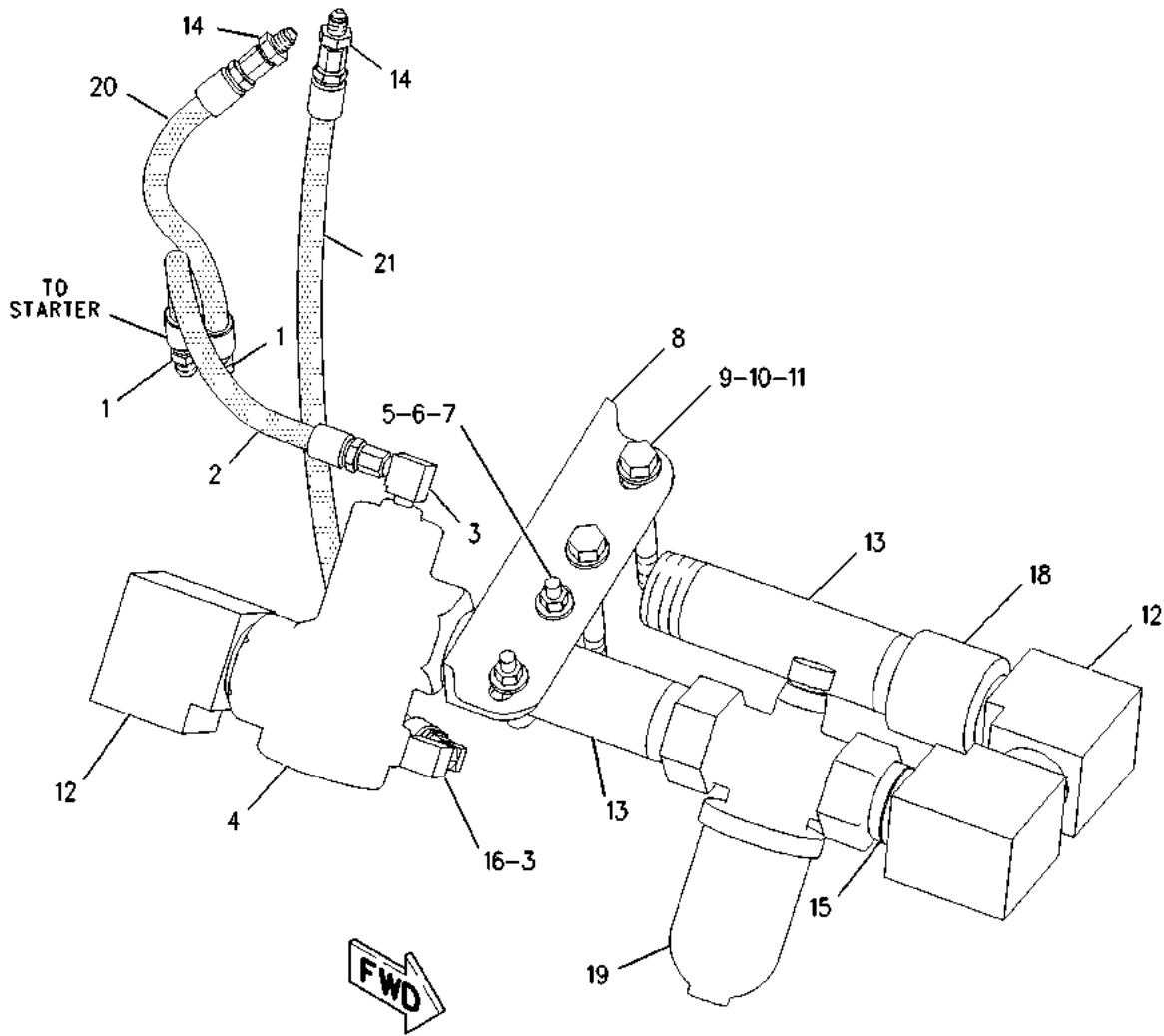
NOTE	REF NO	GRAPHIC REF	PART NUMBER	QTY	PART NAME						SEE PAGE
					1	2	3	4	5	6 (PRODUCT LEVEL)	
	1	1	4M-5317	2	BUSHING-REDUCER						
I	2	1	4W-4536	1	HOSE AS						
	3	1	6K-1972	2	ELBOW-FLARED						
J	4	1	4N-3411	1	VALVE GP-RELAY (AIR STARTING)						
	5	1	5P-1075	2	WASHER-HARD (10.2X22.5X3-MM THK)						
	6	1	9S-8752	2	NUT-FULL (3/8-16-THD)						
	7	1	5L-2534	1	U-BOLT						
	8	1	7C-2946	1	BRACKET						
	9	1	8S-9089	2	BOLT (1/2-13X4.5-IN)						
	10	1	5P-8245	2	WASHER-HARD (13.5X25.5X3-MM THK)						
	11	1	9S-9238	2	SPACER (13.49X23.88X16.13-MM THK)						
	12	1	5B-7666	3	ELBOW						
	13	1	2L-2811	2	FITTING						
	14	1	3J-7355	2	UNION-FLARED						
	15	1	3L-8993	1	FITTING						
	16	1	030-7961	1	ELBOW						
	18	1	3B-6492	1	COUPLING-PIPE (1-1/2-11-1/2 NPT THD)						
Y	19	1	119-6284	1	LUBRICATOR GP-AIR MOTOR						1114
I	20	1	3N-4622	1	HOSE AS						
I	21	1	2V-5956	1	HOSE AS						
					AVAILABLE REPAIR KIT(S):						
J			7C-5105	1	KIT-VALVE SEAL (AIR STARTING)						
					(INCLUDES SEALS, RETAINER & BUMPER)						

I - REFER TO HYDRAULIC INFORMATION SYSTEM
 J - KIT MARKED J SERVICES PART(S) MARKED J
 Y - SEPARATE ILLUSTRATION

ELECTRICAL AND STARTING SYSTEM

207-4476 LINES GP-AIR STARTING (contd.)

i02766474



GRAPHIC #1

<END>

g00799060

ELECTRICAL AND STARTING SYSTEM

207-4476 LINES GP-AIR STARTING-RH

S/N: 65Z1180-UP

AN ATTACHMENT

SMCS-1451

i05409042

NOTE	REF NO	GRAPHIC REF	PART NUMBER	QTY	PART NAME						SEE PAGE
					1	2	3	4	5	6 (PRODUCT LEVEL)	
C	1	1	4M-5317	1	BUSHING-REDUCER						
	2	1	3J-7355	2	UNION-FLARED						
	3	1	6K-1972	2	ELBOW-FLARED						
J	4	1	4N-3411	1	VALVE GP-RELAY (AIR STARTING)						
	5	1	5P-1075	2	WASHER-HARD (10.2X22.5X3-MM THK)						
	6	1	3K-6060	2	LOCKNUT (3/8-16-THD)						
	7	1	5L-2534	1	U-BOLT						
	8	1	7C-2946	1	BRACKET						
	9	1	8S-9089	2	BOLT (1/2-13X4.5-IN)						
	10	1	5P-8245	2	WASHER-HARD (13.5X25.5X3-MM THK)						
	11	1	9S-9238	2	SPACER (13.49X23.88X16.13-MM THK)						
	12	1	5B-7666	3	ELBOW						
	13	1	2L-2811	2	FITTING						
I	14	1	3N-4622	1	HOSE AS						
	15	1	3L-8993	1	FITTING						
	16	1	030-7961	1	ELBOW						
	18	1	3B-6492	1	COUPLING-PIPE (1-1/2-11-1/2 NPT THD)						
Y	19	1	119-6284	1	LUBRICATOR GP-AIR MOTOR						1114
I	20	1	2V-5956	1	HOSE AS						
C	21	1	4S-6399	1	CONNECTOR						
C	22	1	7K-9197	1	ELBOW						
CI	23	1	7V-0916	1	HOSE AS						

AVAILABLE REPAIR KIT(S):

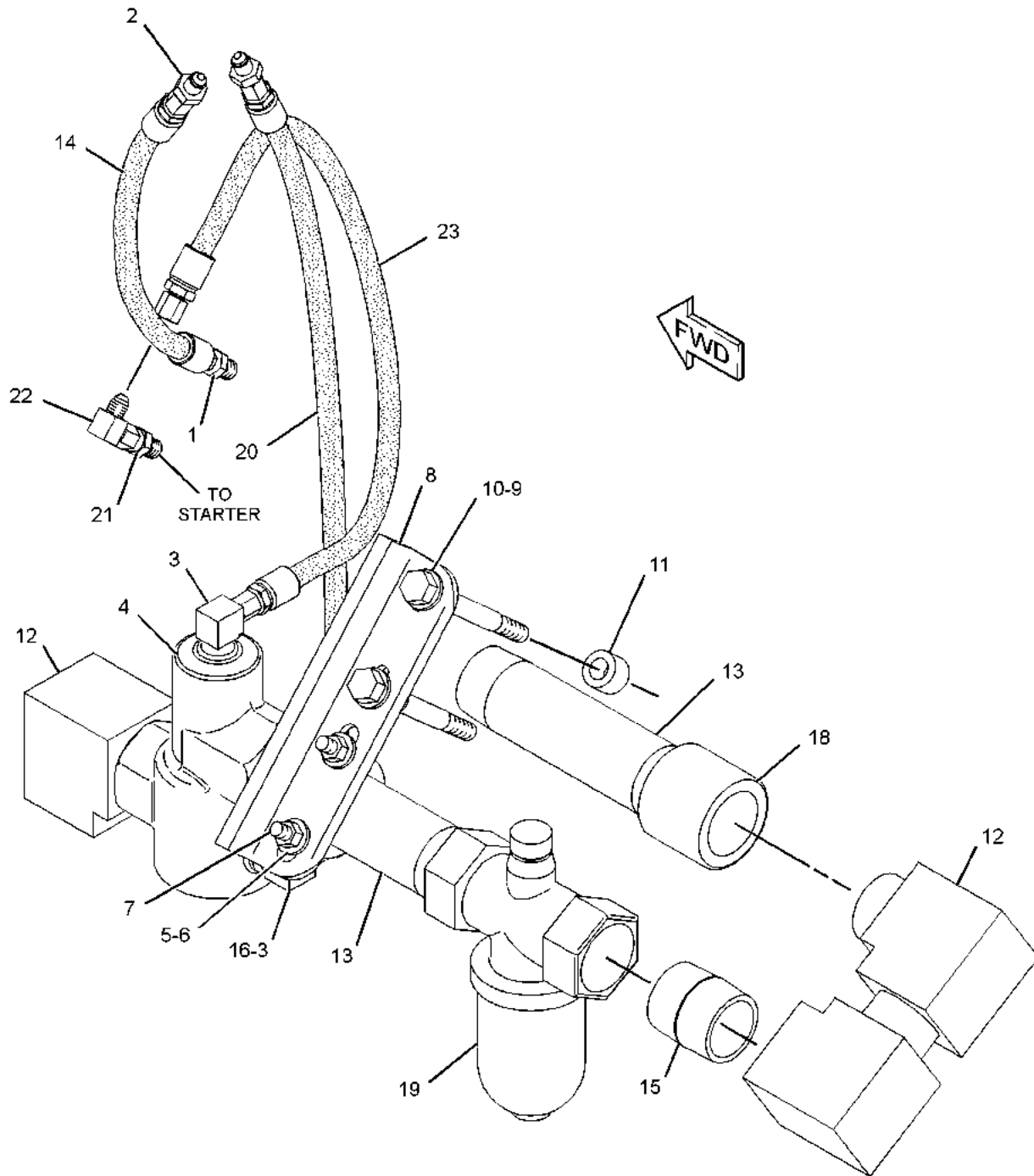
J	7C-5105	1	KIT-VALVE SEAL (AIR STARTING) (INCLUDES SEALS, RETAINER, & BUMPER)
---	----------------	---	---

C - CHANGE FROM PREVIOUS TYPE
 I - REFER TO HYDRAULIC INFORMATION SYSTEM
 J - KIT MARKED J SERVICES PART(S) MARKED J
 Y - SEPARATE ILLUSTRATION

ELECTRICAL AND STARTING SYSTEM

207-4476 LINES GP-AIR STARTING (contd.)

i05409042



GRAPHIC #1

<END>

g01158562

ELECTRICAL AND STARTING SYSTEM

7W-9269 LINES GP-AIR STARTING-RH

S/N: 65Z887-1504

FOR USE WITH MANUAL AND ELECTRIC AIR START
AN ATTACHMENT

SMCS-1451

i02765752

NOTE	REF NO	GRAPHIC REF	PART NUMBER	QTY	PART NAME	SEE PAGE
					1 2 3 4 5 6 (PRODUCT LEVEL)	
	1	1	4M-5317	1	BUSHING-REDUCER	
I	2	1	4W-4536	1	HOSE AS	
	3	1	6K-1972	2	ELBOW-FLARED	
J	4	1	4N-3411	1	VALVE GP-RELAY (AIR STARTING)	
	5	1	5P-1075	2	WASHER-HARD (10.2X22.5X3-MM THK)	
	6	1	9S-8752	2	NUT-FULL (3/8-16-THD)	
	7	1	5L-2534	1	U-BOLT	
	8	1	7C-2946	1	BRACKET	
	9	1	7X-0332	2	BOLT (1/2-13X4.5-IN)	
	10	1	8T-4223	2	WASHER-HARD (13.5X25.5X3-MM THK)	
	11	1	9S-9238	2	SPACER (13.49X23.88X16.13-MM THK)	
	12	1	5B-7666	3	ELBOW	
C	13	1	2L-2811	2	FITTING	
	14	1	3J-7355	2	UNION-FLARED	
C	15	1	3L-8993	1	FITTING	
	16	1	030-7961	1	ELBOW	
C	18	1	3B-6492	1	COUPLING-PIPE (1-1/2-11-1/2 NPT THD)	
CY	19	1	119-6284	1	LUBRICATOR GP-AIR MOTOR	1114
I	20	1	3N-4622	1	HOSE AS	
I	21	1	2V-5956	1	HOSE AS	
I	22	1	6F-5985	1	HOSE AS	

AVAILABLE REPAIR KIT(S):

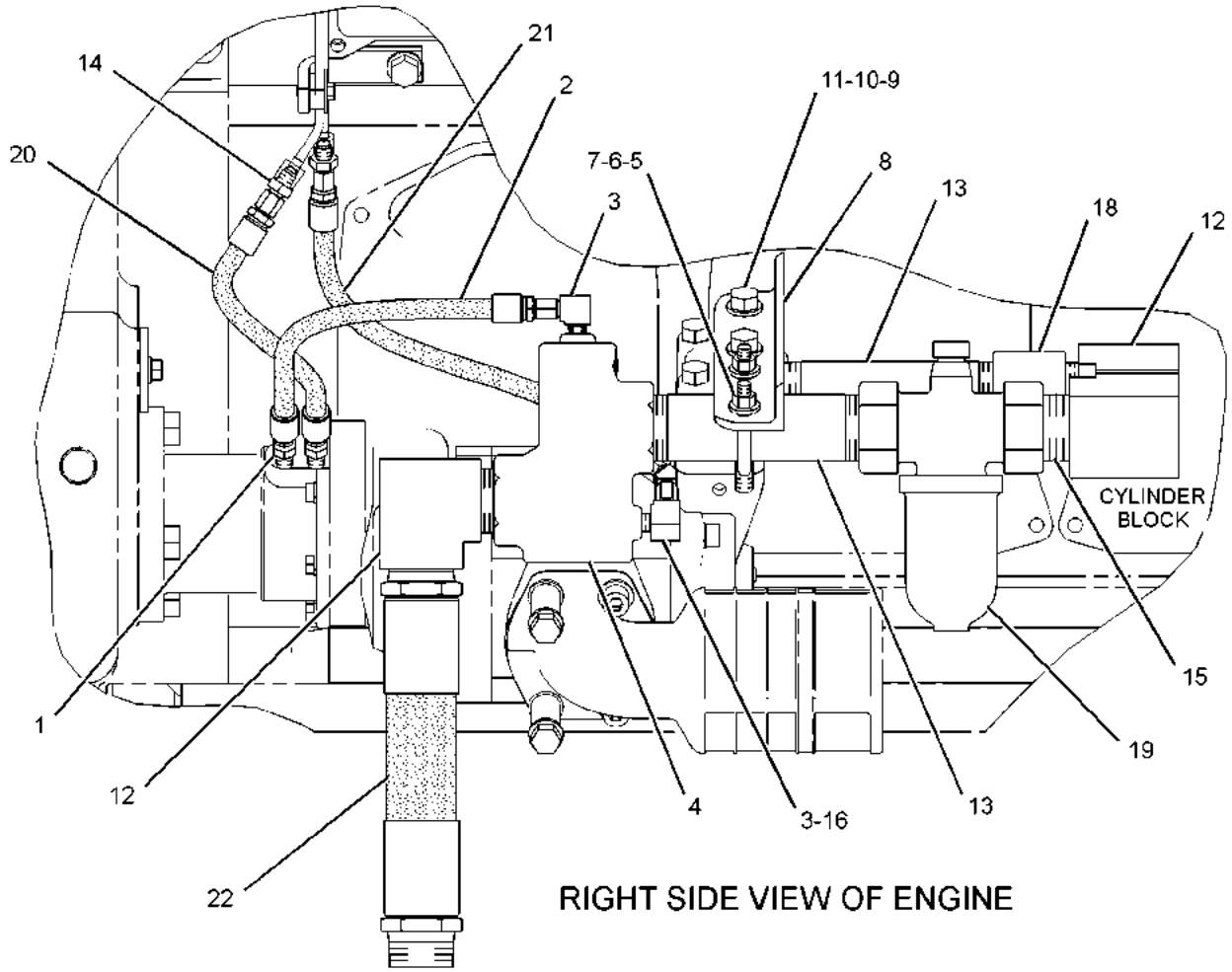
J	7C-5105	KIT-VALVE SEAL (AIR STARTING) (INCLUDES SEALS, BUMPER & RETAINER)
---	----------------	--

C - CHANGE FROM PREVIOUS TYPE
 I - REFER TO HYDRAULIC INFORMATION SYSTEM
 J - KIT MARKED J SERVICES PART(S) MARKED J
 Y - SEPARATE ILLUSTRATION

ELECTRICAL AND STARTING SYSTEM

7W-9269 LINES GP-AIR STARTING (contd.)

i02765752



RIGHT SIDE VIEW OF ENGINE

GRAPHIC #1

<END>

g01288249

ELECTRICAL AND STARTING SYSTEM

7W-9269 LINES GP-AIR STARTING-RH

S/N: 65Z1505-UP

FOR USE WITH MANUAL AND ELECTRIC AIR START
AN ATTACHMENT

SMCS-1451

i07024090

NOTE	REF NO	GRAPHIC REF	PART NUMBER	QTY	PART NAME	SEE PAGE
					1 2 3 4 5 6 (PRODUCT LEVEL)	
	1	1	4M-5317	2	BUSHING-REDUCER	
C	2	1	149-3996	1	NIPPLE-PIPE	
	3	1	6K-1972	2	ELBOW-FLARED (90-DEG)	
J	4	1	4N-3411	1	VALVE GP-RELAY (AIR STARTING)	
	5	1	5P-1075	2	WASHER-HARD (10.2X22.5X3-MM THK)	
	6	1	3K-6060	2	LOCKNUT (3/8-16-THD)	
	7	1	5L-2534	1	U-BOLT	
	8	1	7C-2946	1	BRACKET	
C	9	1	6B-3685	2	ELBOW (90-DEG)	
	10	1	8T-4223	2	WASHER-HARD (13.5X25.5X3-MM THK)	
	11	1	9S-9238	2	SPACER (13.49X23.88X16.13-MM THK)	
C	12	1	5B-7666	1	ELBOW (90-DEG)	
C	13	1	2L-2811	1	FITTING	
	14	1	7X-0332	2	BOLT (1/2-13X4.5-IN)	
C	15	1	3L-8993	2	FITTING	
	16	1	030-7961	1	ELBOW (45-DEG)	
	18	1	3J-7355	2	UNION-FLARED	
Y	19	1	119-6284	1	LUBRICATOR GP-AIR MOTOR	1114
I	20	1	4W-4536	1	HOSE AS	
I	21	1	3N-4622	1	HOSE AS	
I	22	1	2V-5956	1	HOSE AS	
I	23	1	6F-5985	1	HOSE AS	
	24	1	9X-6772	1	STRAP-CABLE	

AVAILABLE REPAIR KIT(S):

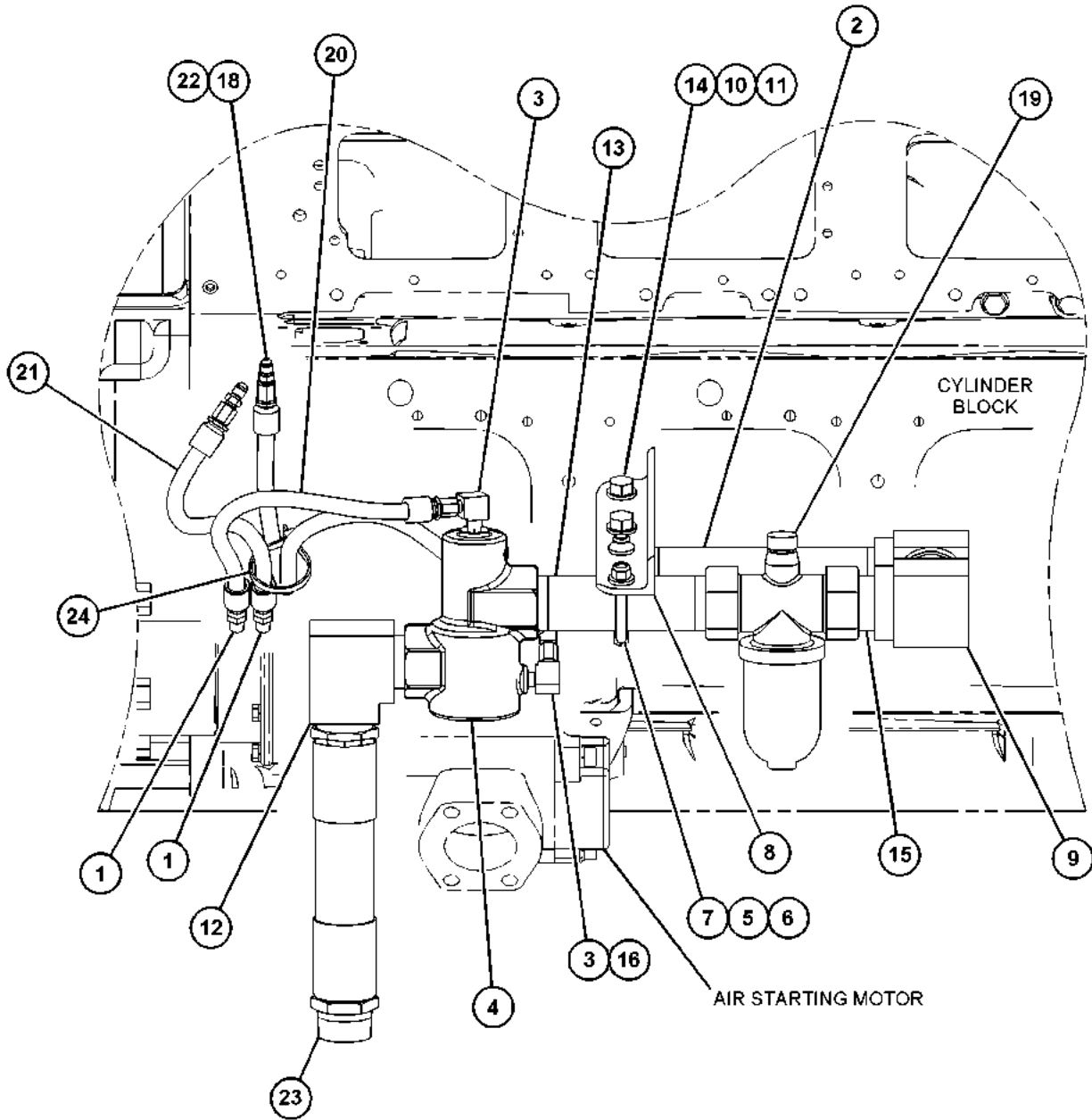
J	7C-5105	KIT-VALVE SEAL (AIR STARTING) (INCLUDES SEALS, BUMPER & RETAINER)
---	----------------	--

C - CHANGE FROM PREVIOUS TYPE
 I - REFER TO HYDRAULIC INFORMATION SYSTEM
 J - KIT MARKED J SERVICES PART(S) MARKED J
 Y - SEPARATE ILLUSTRATION

ELECTRICAL AND STARTING SYSTEM

7W-9269 LINES GP-AIR STARTING (contd.)

i07024090



GRAPHIC #1

<END>

g06207877

ELECTRICAL AND STARTING SYSTEM

8N-8481 LINES GP-AIR STARTING

FOR USE WITH AIR START OR AIR START WITH ELECTRIC PRELUBRICATION
 CANNOT BE USED WITH NATURAL GAS WITH GREATER THAN 0.1 PERCENT HYDROGEN SULFIDE
 AN ATTACHMENT
 TYPE 1

SMCS-1451

i03122142

NOTE	REF NO	GRAPHIC REF	PART NUMBER	QTY	PART NAME	SEE PAGE
					1 2 3 4 5 6 (PRODUCT LEVEL)	
	1	1	3B-6492	1	COUPLING-PIPE (1-1/2-11-1/2 NPT THD)	
C	2	1	5B-7666	3	ELBOW	
J	3	1	4N-3411	1	VALVE GP-RELAY (AIR STARTING)	
YC	4	1	119-6284	1	LUBRICATOR GP-AIR MOTOR	1114
	5	1	1B-2886	2	BOLT (1/2-13X3.75-IN)	
	6	1	5P-1075	2	WASHER-HARD (10.2X22.5X3-MM THK)	
	7	1	5B-7643	2	NIPPLE-PIPE	
	8	1	9S-8752	2	NUT-FULL (3/8-16-THD)	
I	9	1	6F-5985	1	HOSE AS	
	10	1	4M-5317	2	BUSHING-REDUCER	
C	11	1	3J-7355	1	UNION-FLARED	
CI	12	1	3N-4622	2	HOSE AS	
	13	1	5L-2534	1	U-BOLT	
	14	1	8N-8449	1	BRACKET	
C	15	1	2L-2811	1	FITTING	
	16	1	6K-1972	1	ELBOW-FLARED	

AVAILABLE REPAIR KIT(S):

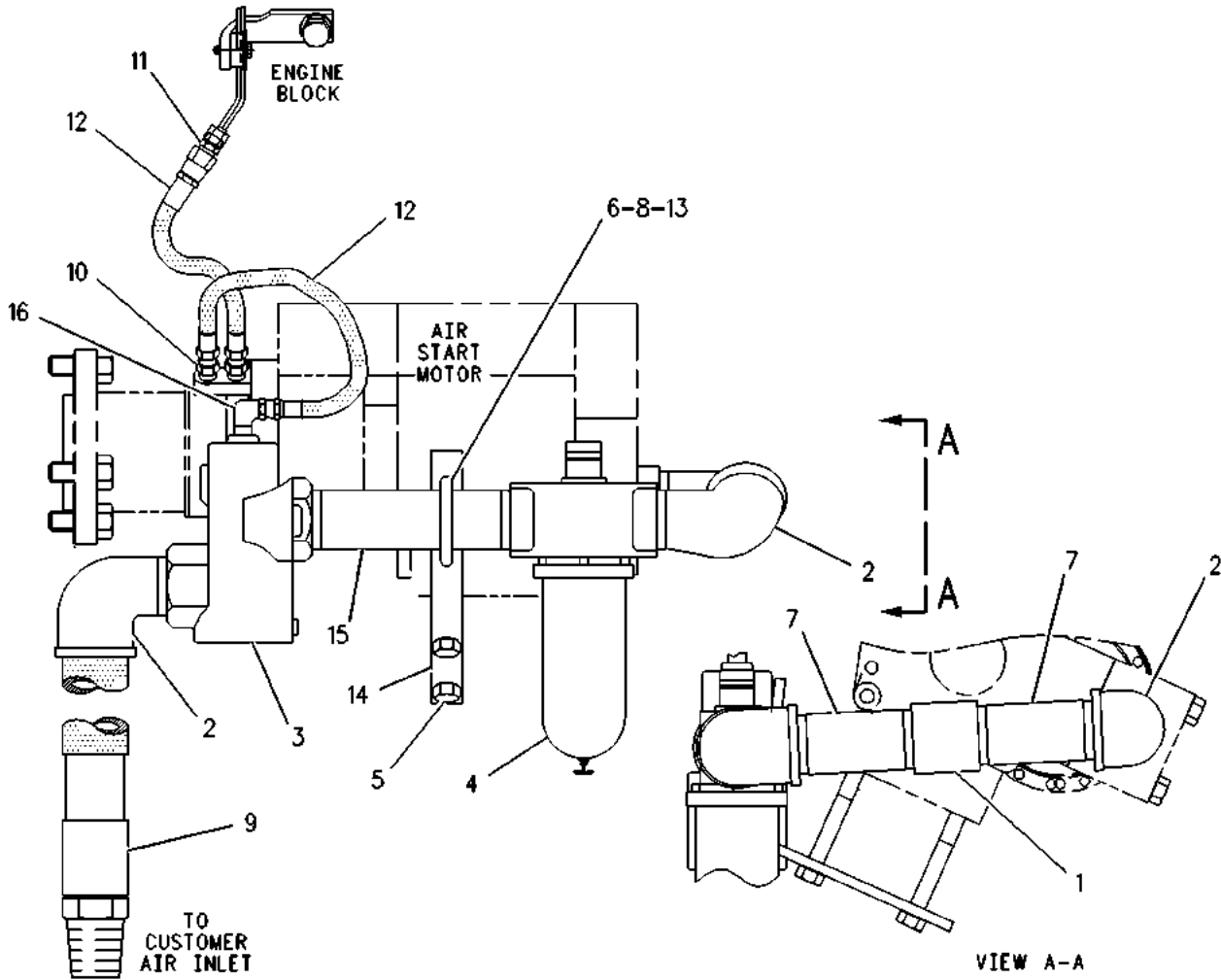
BJ	7C-5105	KIT-VALVE SEAL (AIR STARTING) (KIT INCLUDES SEALS, BUMPER & RETAINER)
----	----------------	--

- B - USE AS REQUIRED
- C - CHANGE FROM PREVIOUS TYPE
- I - REFER TO HYDRAULIC INFORMATION SYSTEM
- J - KIT MARKED J AVAILABLE FOR PART MARKED J
- Y - SEPARATE ILLUSTRATION

ELECTRICAL AND STARTING SYSTEM

8N-8481 LINES GP-AIR STARTING (contd.)

i03122142



GRAPHIC #1

<END>

g00252962

ELECTRICAL AND STARTING SYSTEM

8N-8481 LINES GP-AIR STARTING

FOR USE WITH AIR START OR AIR START WITH ELECTRIC PRELUBRICATION
 CANNOT BE USED WITH NATURAL GAS WITH GREATER THAN 0.1 PERCENT HYDROGEN SULFIDE
 AN ATTACHMENT
 TYPE 2

SMCS-1451

i05916762

NOTE	REF NO	GRAPHIC REF	PART NUMBER	QTY	PART NAME						SEE PAGE
					1	2	3	4	5	6 (PRODUCT LEVEL)	
C	1	1	2L-2811	2	FITTING						
	3	1	3J-7355	1	UNION-FLARED						
CI	4	1	3N-4622	1	HOSE AS						
J	5	1	4N-3411	1	VALVE GP-RELAY (AIR STARTING)						
C	6	1	6B-3685	2	ELBOW						
I	7	1	6F-5985	1	HOSE AS						
CI	8	1	6N-3170	1	HOSE AS						
	10	1	8N-8449	1	BRACKET						
Y	11	1	119-6284	1	LUBRICATOR GP-AIR MOTOR						1114
	12	1	1B-2886	2	BOLT (1/2-13X3.75-IN)						
C	13	1	3L-8993	1	FITTING						
	14	1	4M-5317	2	BUSHING-REDUCER						
	15	1	204-0241	1	FITTING						
C	16	1	5B-7666	1	ELBOW						
	17	1	5L-2534	1	U-BOLT						
	18	1	5P-1075	2	WASHER-HARD (10.2X22.5X3-MM THK)						
C	19	1	5P-8245	2	WASHER-HARD (13.5X25.5X3-MM THK)						
	20	1	6K-1972	1	ELBOW-FLARED						
	21	1	3K-6060	2	LOCKNUT (3/8-16-THD)						

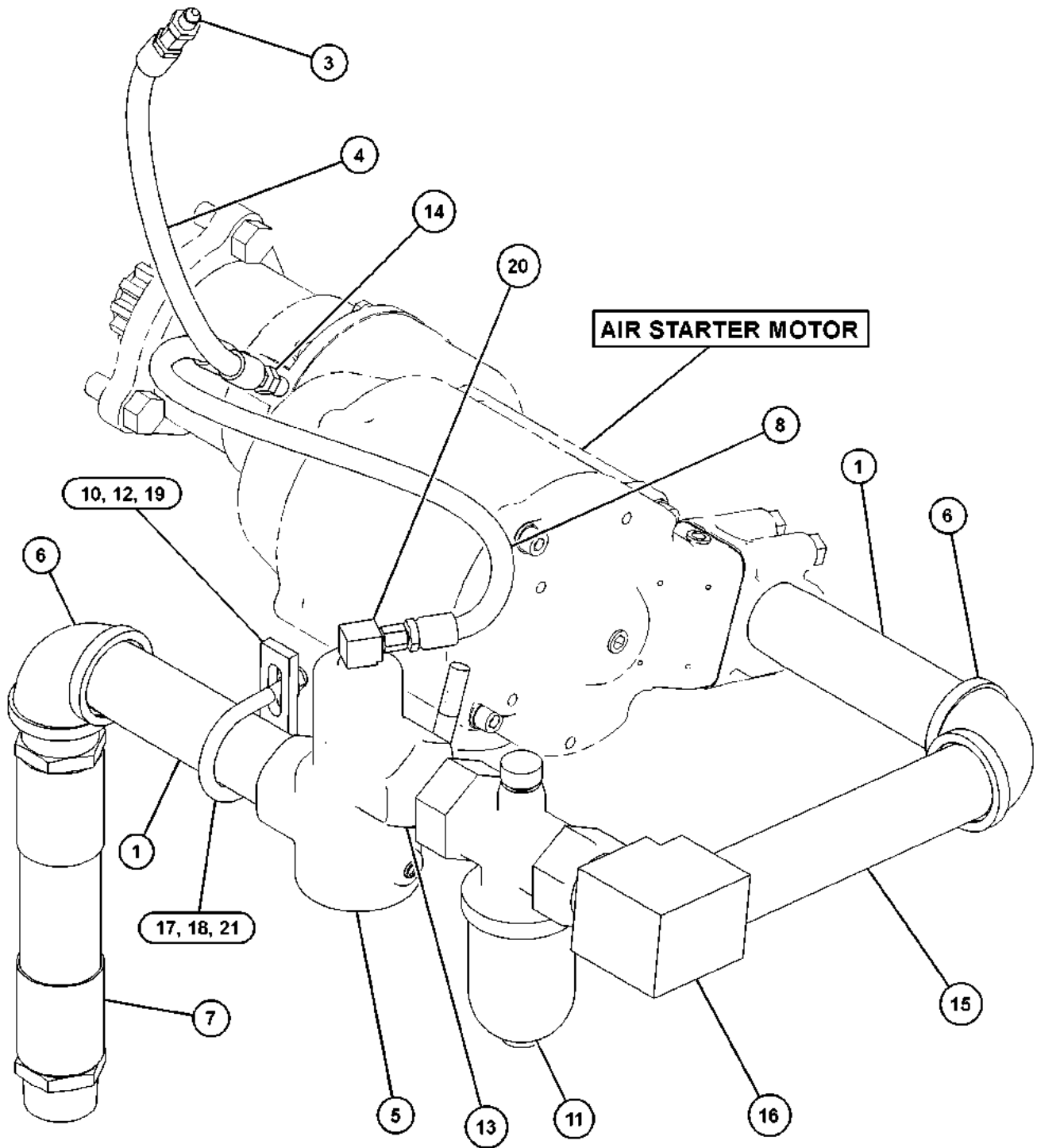
AVAILABLE REPAIR KIT(S):
 BJ **7C-5105** KIT-VALVE SEAL (AIR STARTING)
 (INCLUDES SEALS, BUMPER & RETAINER)

B - USE AS REQUIRED
 C - CHANGE FROM PREVIOUS TYPE
 I - REFER TO HYDRAULIC INFORMATION SYSTEM
 J - KIT MARKED J AVAILABLE FOR PART MARKED J
 Y - SEPARATE ILLUSTRATION

ELECTRICAL AND STARTING SYSTEM

8N-8481 LINES GP-AIR STARTING (contd.)

i05916762



GRAPHIC #1

<END>

g03818863

ELECTRICAL AND STARTING SYSTEM

8N-8489 LINES GP-AIR STARTING-RH FOR USE WITH AIR PRELUBRICATION PUMP AN ATTACHMENT

SMCS-1451

i05409014

NOTE	REF NO	GRAPHIC REF	PART NUMBER	QTY	PART NAME						SEE PAGE
					1	2	3	4	5	6	
	1	1	5P-1075	2	WASHER-HARD (10.2X22.5X3-MM THK)						
I	2	1	2V-5956	3	HOSE AS						
J	3	1	4N-3411	2	VALVE GP-RELAY (AIR STARTING)						
YC	4	1	119-6284	1	LUBRICATOR GP-AIR MOTOR						1114
	5	1	1B-2886	2	BOLT (1/2-13X3.75-IN)						
	6	1	0T-0055	2	BOLT (3/8-16X4.25-IN)						
	7	1	5B-7643	1	NIPPLE-PIPE						
	8	1	7W-3342	1	BRACKET-VALVE MOUNTING						
	9	1	3L-8993	1	FITTING						
I	10	1	6F-5985	1	HOSE AS						
	11	1	5N-8862	1	VALVE-PILOT (AIR)						
	12	1	5B-7661	2	FITTING						
	13	1	4M-5317	2	BUSHING-REDUCER						
I	14	1	7N-2539	1	HOSE AS						
	15	1	3J-7355	2	UNION-FLARED						
I	16	1	3N-4622	1	HOSE AS						
	17	1	4S-6399	1	CONNECTOR						
	18	1	004-5933	1	TEE-PIPE						
	19	1	2L-2811	2	FITTING						
	20	1	6K-1972	7	ELBOW-FLARED						
I	21	1	6N-3170	1	HOSE AS						
	22	1	4D-9517	1	CLIP (SLOT)						
	23	1	1L-2782	1	TEE-PIPE						
	24	1	6F-7732	1	BUSHING-REDUCER						
	25	1	004-7626	1	CONNECTOR (FLARED)						
	26	1	8N-8449	1	BRACKET						
	27	1	5L-2534	1	U-BOLT						
	28	1	3K-6060	2	LOCKNUT (3/8-16-THD)						
	29	1	5M-2894	2	WASHER-HARD (10.2X18.5X2.5-MM THK)						
	30	1	0S-1618	2	BOLT (5/16-18X1-IN)						
	31	1	9M-1974	2	WASHER-HARD (8.8X16X2-MM THK)						
	32	1	6B-3685	2	ELBOW						

AVAILABLE REPAIR KIT(S) :

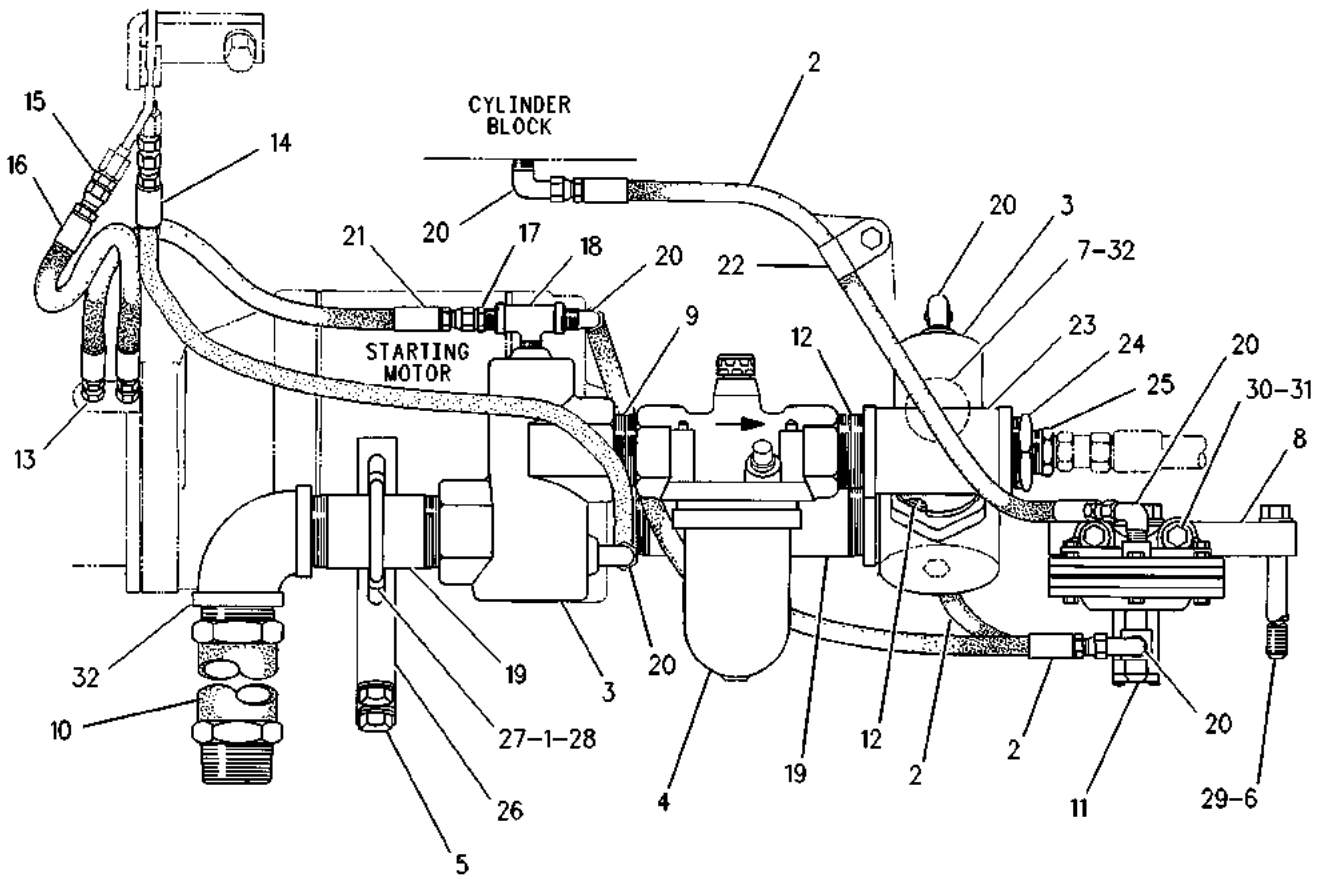
BJ	7C-5105	KIT-VALVE SEAL (AIR STARTING) (INCLUDES SEALS, BUMPER & RETAINER)
----	----------------	--

B - USE AS REQUIRED
 C - CHANGE FROM PREVIOUS TYPE
 I - REFER TO HYDRAULIC INFORMATION SYSTEM
 J - KIT MARKED J SERVICES PART(S) MARKED J
 Y - SEPARATE ILLUSTRATION

ELECTRICAL AND STARTING SYSTEM

8N-8489 LINES GP-AIR STARTING (contd.)

i05409014



GRAPHIC #1

<END>

g00261648

ELECTRICAL AND STARTING SYSTEM

349-6222 LINES GP-JACKET WATER HEATER-REAR AN ATTACHMENT

SMCS-1383

i05909710

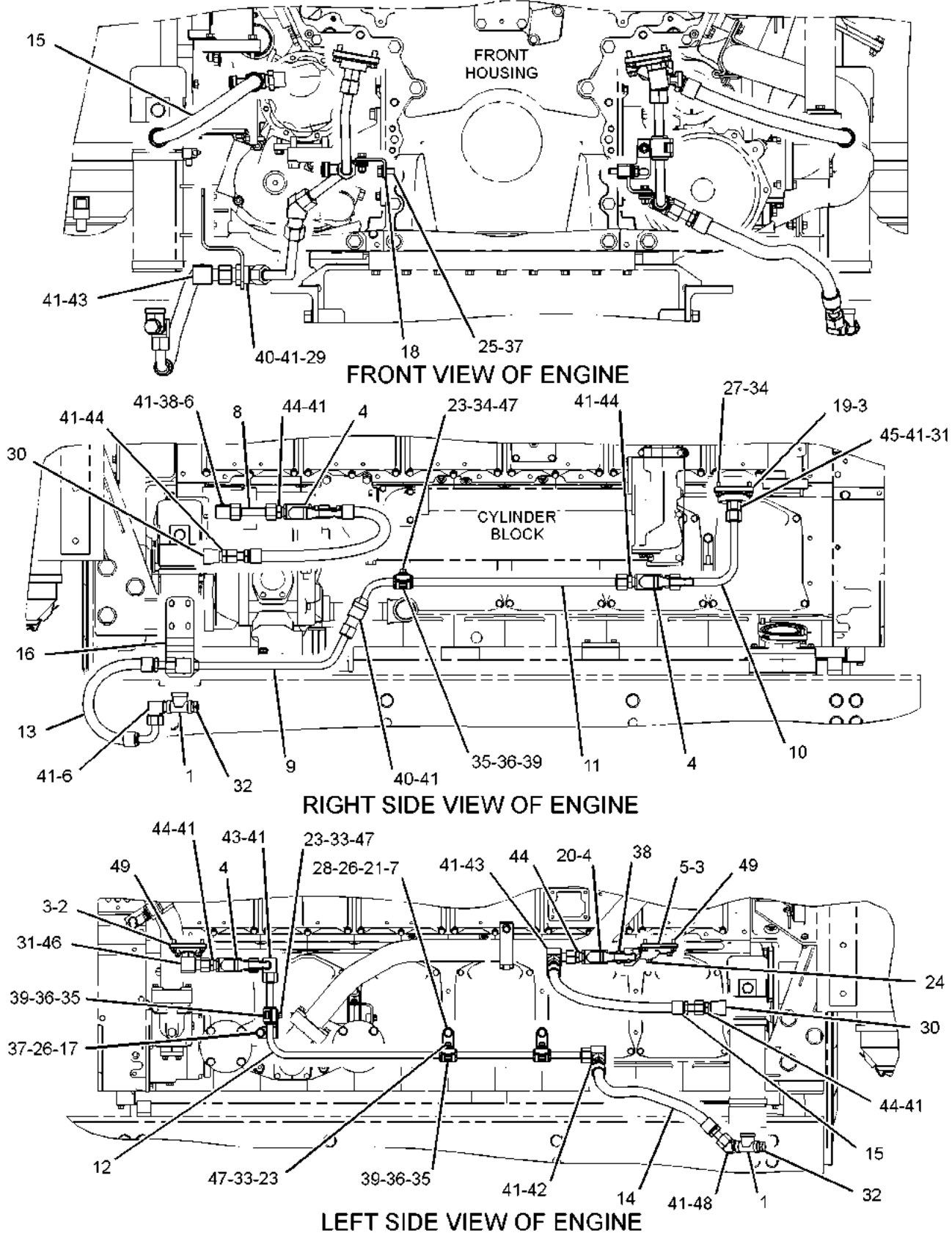
NOTE	REF NO	GRAPHIC REF	PART NUMBER	QTY	PART NAME						SEE PAGE
					1	2	3	4	5	6 (PRODUCT LEVEL)	
	1	1	6F-0496	2	TEE-PIPE						
	2	1	7E-9437	1	COVER						
	3	1	7N-4945	3	GASKET						
	4	1	8C-1358	4	VALVE-BALL						
	5	1	8N-8550	1	ELBOW						
	6	1	9X-2398	1	ELBOW						
	7	1	297-4904	2	BRACKET						
	8	1	309-4587	1	TUBE AS						
	9	1	349-5311	1	TUBE AS						
	10	1	349-5312	1	TUBE AS						
	11	1	349-5314	1	TUBE AS						
	12	1	349-5315	1	TUBE AS						
I	13	1	381-0476	1	HOSE AS						
I	14	1	349-5321	1	HOSE AS						
I	15	1	349-5322	2	HOSE AS						
	16	1	378-9877	1	BRACKET						
	17	1	349-6230	1	BRACKET						
	18	1	349-6231	1	BRACKET						
	19	1	357-2007	1	FLANGE						
	20	1	004-7270	1	FITTING-PIPE						
	21	1	039-8557	2	WASHER (13X26X6-MM THK)						
	23	1	0S-1588	4	BOLT (3/8-16X1.25-IN)						
	24	1	0S-1571	1	BOLT (3/8-16X1.75-IN)						
	25	1	0S-1621	1	BOLT (1/2-13X1-IN)						
	26	1	1A-1460	3	BOLT (1/2-13X2-IN)						
	27	1	1A-2029	4	BOLT (3/8-16X1.125-IN)						
	28	1	1W-8793	2	SPACER (13.8X30X20-MM THK)						
	29	1	2P-1293	1	LOCKNUT (1-3/16-12-THD)						
	30	1	2R-7712	2	COUPLING (REDUCING)						
	31	1	3D-2824	2	SEAL-O-RING						
	32	1	3E-7430	2	PLUG-PIPE (3/4-14-THD)						
	33	1	3V-3308	6	WASHER-HARD (10.2X20.5X2.5-MM THK)						
	34	1	5M-2894	6	WASHER-HARD (10.2X18.5X2.5-MM THK)						
	35	1	5P-7462	4	CLIP (SLOT)						
	36	1	5P-7463	4	CLIP (TAB)						
	37	1	5P-8245	2	WASHER-HARD (13.5X25.5X3-MM THK)						
	38	1	6B-9081	2	BUSHING-REDUCER						
	39	1	6V-0683	4	GROMMET						
	40	1	6V-8990	2	ELBOW						
	41	1	6V-9746	22	SEAL-O-RING						
	42	1	6V-9810	1	UNION						
	43	1	6V-9853	3	ELBOW						
	44	1	8C-6874	9	CONNECTOR						
	45	1	8C-8498	1	CONNECTOR-HYDRAULIC						
	46	1	8T-6451	1	ELBOW						
	47	1	9S-8752	4	NUT-FULL (3/8-16-THD)						
	48	1	106-7650	1	ADAPTER AS						
	49	1	0S-1594	7	BOLT (3/8-16X1-IN)						

I - REFER TO HYDRAULIC INFORMATION SYSTEM

ELECTRICAL AND STARTING SYSTEM

349-6222 LINES GP-JACKET WATER HEATER (contd.)

i05909710



GRAPHIC #1

<END>

g03784080

ELECTRICAL AND STARTING SYSTEM

2W-6108 LINES GP-SHUTOFF-RH

PART OF 7W-7322 SHUTOFF GP-ELECTRICAL, 4W-6979 SHUTOFF GP-HYDROMECHANICAL
AN ATTACHMENT

SMCS-7418

i06056997

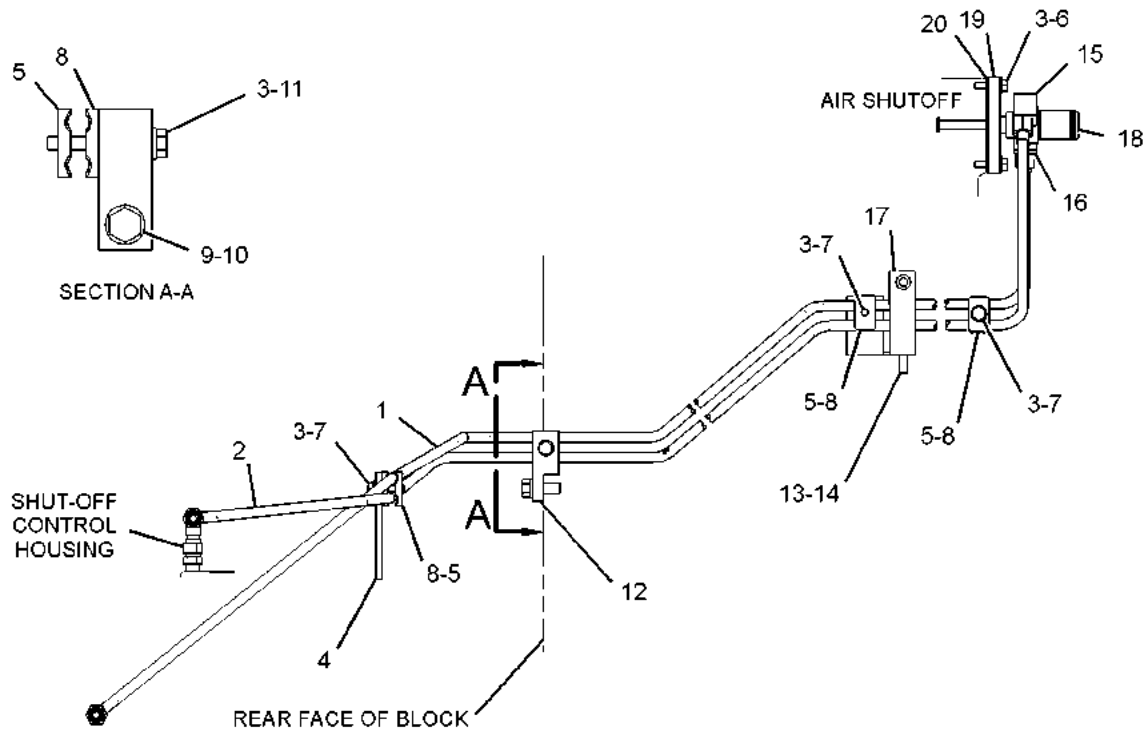
NOTE	REF NO	GRAPHIC REF	PART NUMBER	QTY	PART NAME						SEE PAGE
					1	2	3	4	5	6 (PRODUCT LEVEL)	
	1	1	2W-6128	1	TUBE AS						
	2	1	2W-6129	1	TUBE AS						
	3	1	5P-0537	6	WASHER-HARD (7.2X14.5X2-MM THK)						
	4	1	5N-8557	1	PLATE						
	5	1	5N-5670	4	CLAMP (THREADED)						
	6	1	0S-1616	2	BOLT (1/4-20X1-IN)						
	7	1	9F-6580	3	BOLT (1/4-20X1.125-IN)						
	8	1	5N-7886	4	CLAMP (NON-THREADED)						
	9	1	1A-2029	1	BOLT (3/8-16X1.125-IN)						
	10	1	5M-2894	1	WASHER-HARD (10.2X18.5X2.5-MM THK)						
	11	1	8B-2377	1	BOLT (1/4-20X2-IN)						
	12	1	4P-8098	1	BLOCK-CLAMP						
	13	1	2B-2695	2	BOLT (5/16-18X0.875-IN)						
	14	1	9M-1974	2	WASHER-HARD (8.8X16X2-MM THK)						
	15	1	032-1268	1	CONNECTOR (90-DEG) (90 DEG)						
	16	1	001-6498	1	ELBOW (45 DEG)						
	17	1	5N-8418	1	BRACKET AS						
		1	1F-0750	1	NUT-WELD (3/8-16-THD)						
C	18	1	4W-1901	1	CYLINDER-HYDRAULIC						
	19	1	5N-2049	1	FLANGE						
	20	1	8L-3873	1	GASKET						

C - CHANGE FROM PREVIOUS TYPE

ELECTRICAL AND STARTING SYSTEM

2W-6108 LINES GP-SHUTOFF (contd.)

i06056997



RIGHT SIDE VIEW OF ENGINE

GRAPHIC #1

<END>

g01805681

ELECTRICAL AND STARTING SYSTEM

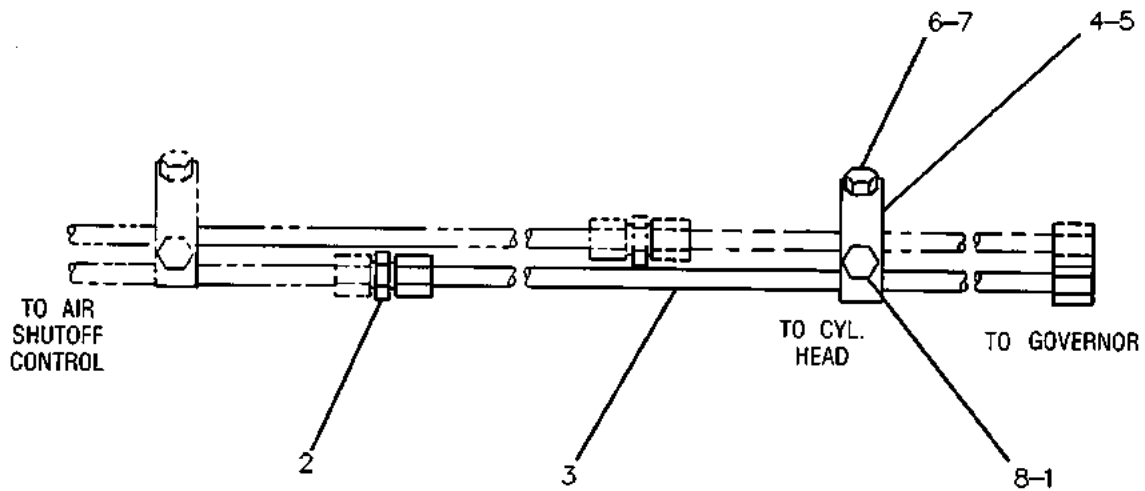
4P-5020 LINES GP-SHUTOFF

PART OF 7W-7322 SHUTOFF GP-ELECTRICAL
AN ATTACHMENT

SMCS-7418

i01404715

NOTE	REF NO	GRAPHIC REF	PART NUMBER	QTY	PART NAME						SEE PAGE
					1	2	3	4	5	6 (PRODUCT LEVEL)	
	1	1	5P-0537	2	WASHER-HARD (7.2X14.5X2-MM THK)						
	2	1	7K-4129	1	UNION-FLARED						
	3	1	2W-4929	1	TUBE AS						
	4	1	2W-7703	2	BRACKET						
	5	1	2W-7704	2	CLAMP						
	6	1	0L-1351	2	BOLT (3/8-16X0.875-IN)						
	7	1	5M-2894	2	WASHER-HARD (10.2X18.5X2.5-MM THK)						
	8	1	4F-7957	2	BOLT (1/4-20X0.875-IN)						



GRAPHIC #1

<END>

g00219524

ELECTRICAL AND STARTING SYSTEM

4W-6885 LINES GP-SHUTOFF

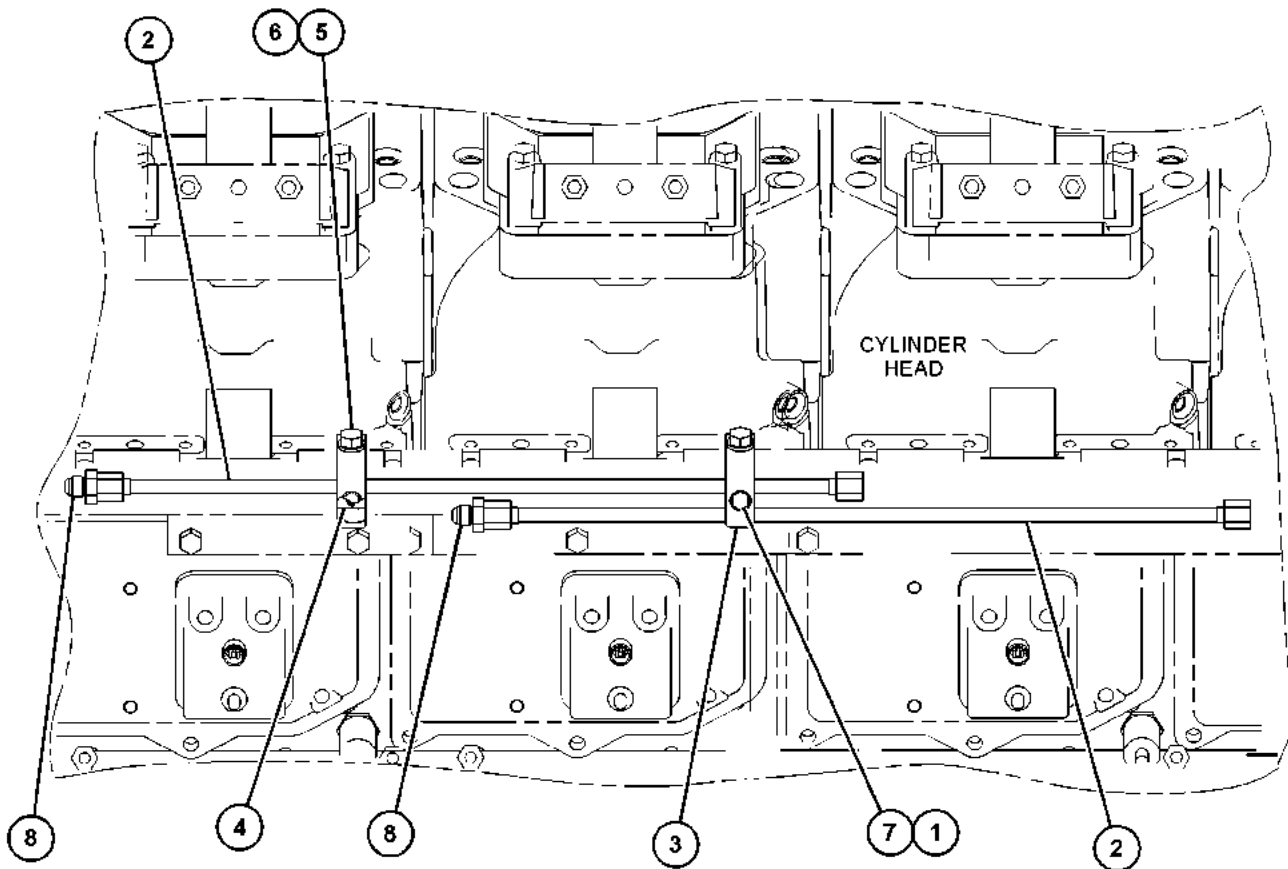
EXTENSION

PART OF 4W-6979 SHUTOFF GP-HYDROMECHANICAL
AN ATTACHMENT

SMCS-7418

i07034540

NOTE	REF NO	GRAPHIC REF	PART NUMBER	QTY	PART NAME						SEE PAGE
					1	2	3	4	5	6 (PRODUCT LEVEL)	
	1	1	5P-0537	2	WASHER-HARD (7.2X14.5X2-MM THK)						
	2	1	2W-4929	2	TUBE AS						
	3	1	2W-7703	2	BRACKET						
	4	1	2W-7704	2	CLAMP						
	5	1	0L-1351	2	BOLT (3/8-16X0.875-IN)						
	6	1	5M-2894	2	WASHER-HARD (10.2X18.5X2.5-MM THK)						
	7	1	4F-7957	2	BOLT (1/4-20X0.875-IN)						
	8	1	7K-4129	2	UNION-FLARED						



RIGHT SIDE VIEW OF ENGINE

GRAPHIC #1

<END>

g06206978

ELECTRICAL AND STARTING SYSTEM

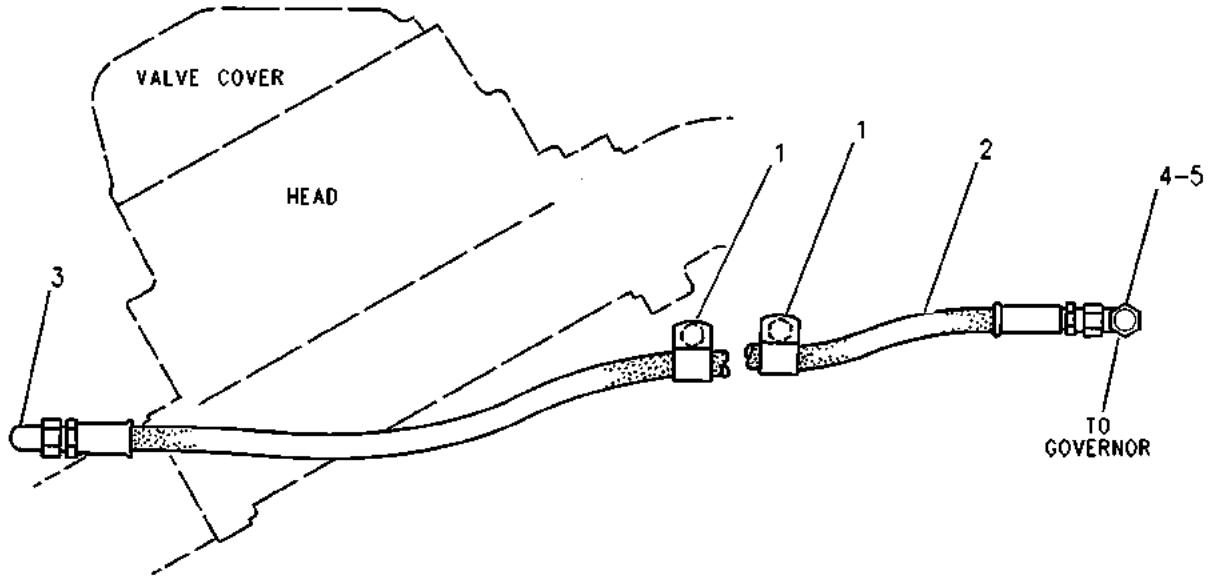
5N-5735 LINES GP-SHUTOFF-LH MECHANICAL-GOVERNOR FOR USAGE REFER TO CHART 7W-7326-PAGE: 1450 AN ATTACHMENT

SMCS-7418

i01763752

NOTE	REF NO	GRAPHIC REF	PART NUMBER	QTY	PART NAME						SEE PAGE
					1	2	3	4	5	6 (PRODUCT LEVEL)	
	1	1	9F-2947	2	CLIP						
CI	2	1	5N-5646	1	HOSE AS						
C	3	1	6K-1972	1	ELBOW-FLARED						
C	4	1	030-7941	1	ELBOW						
C	5	1	3J-7354	1	SEAL-O-RING						

C - CHANGE FROM PREVIOUS TYPE
I - REFER TO HYDRAULIC INFORMATION SYSTEM



FRONT VIEW

GRAPHIC #1

<END>

g00902350

ELECTRICAL AND STARTING SYSTEM

119-6282 LUBRICATOR GP-AIR MOTOR

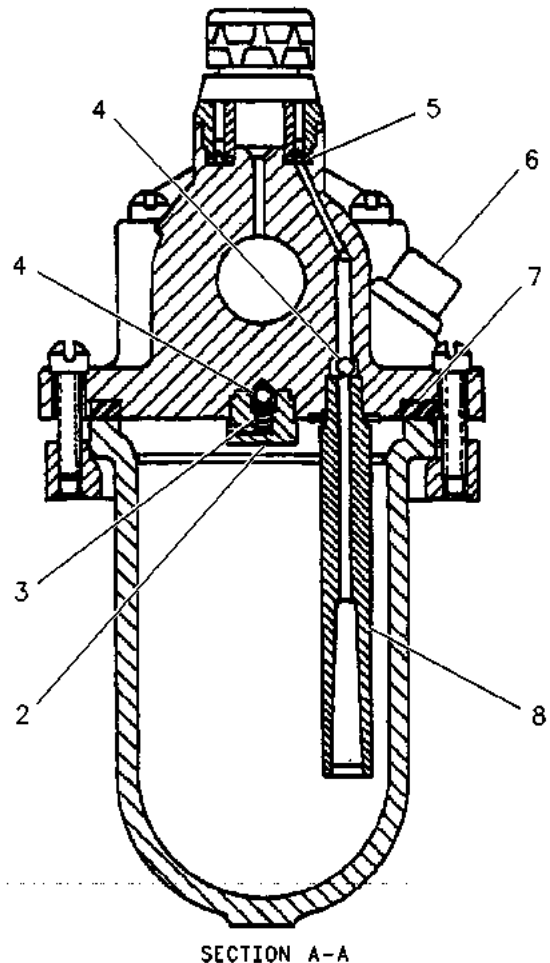
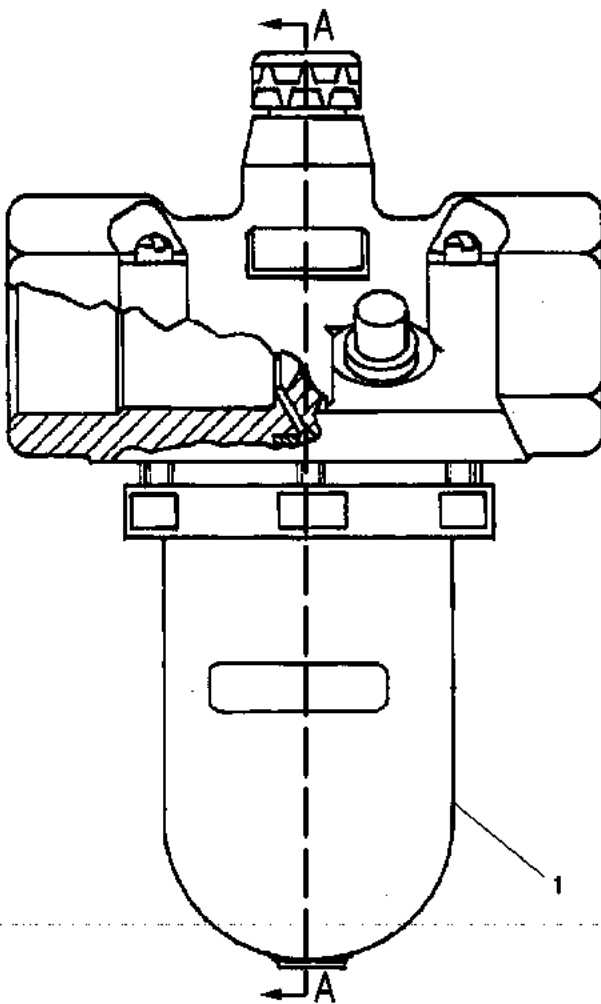
FIELD REPLACEMENT ORDER 119-6284-PAGE: 1114

PART OF 119-6284 LUBRICATOR GP-AIR MOTOR
AN ATTACHMENT

SMCS-1451

i01889307

NOTE	REF NO	GRAPHIC REF	PART NUMBER	QTY	PART NAME						SEE PAGE
					1	2	3	4	5	6	
	1	1	6N-2192	1	BOWL						
	2	1	6N-2191	1	SEAT						
	3	1	6N-2190	1	SPRING						
	4	1	6N-2188	2	BALL						
	5	1	7C-4429	1	SEAL						
	6	1	6N-2185	2	PLUG-FILLER						
	7	1	6N-2184	1	GASKET						
	8	1	6N-2193	1	TUBE-SIPHON						



GRAPHIC #1

<END>

g00103878

ELECTRICAL AND STARTING SYSTEM

119-6283 LUBRICATOR GP-AIR MOTOR

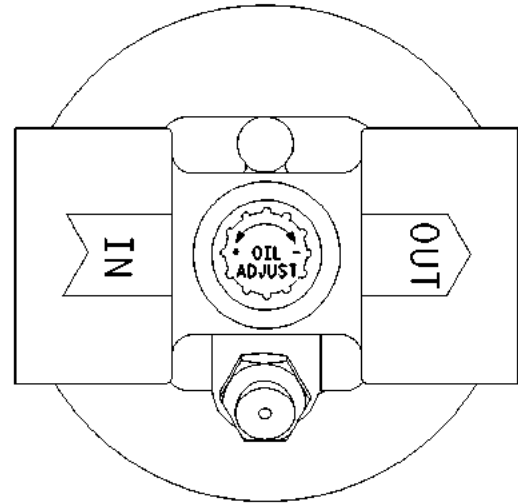
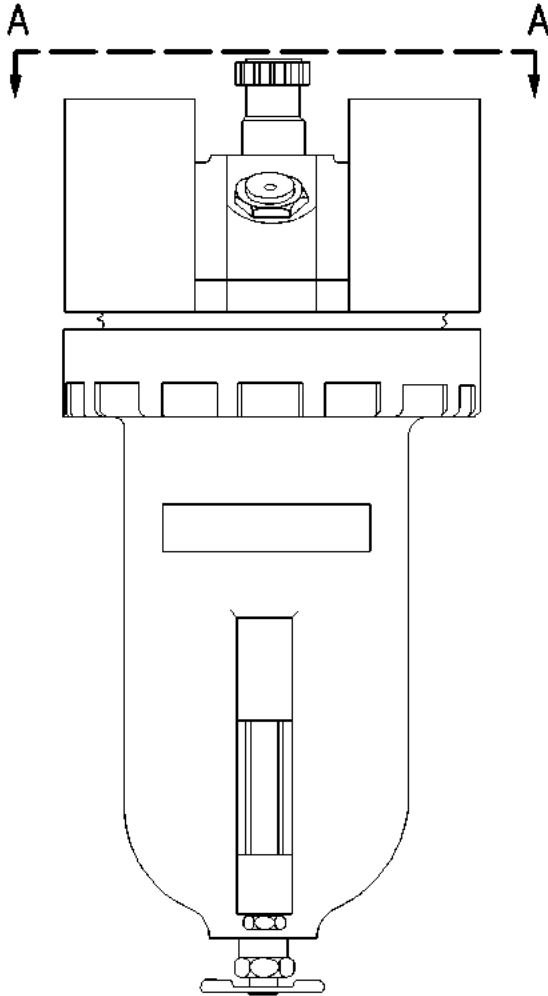
FIELD REPLACEMENT ORDER 119-6284-PAGE: 1114

PART OF 119-6284 LUBRICATOR GP-AIR MOTOR
AN ATTACHMENT

SMCS-1451

i01491135

NOTE	REF NO	GRAPHIC REF	PART NUMBER	QTY	PART NAME						SEE PAGE
					1	2	3	4	5	6 (PRODUCT LEVEL)	
(NO SERVICED PARTS)											



VIEW A-A

GRAPHIC #1

<END>

g00774411

ELECTRICAL AND STARTING SYSTEM

119-6284 LUBRICATOR GP-AIR MOTOR

FIELD REPLACEMENT FOR 119-6282-PAGE: 1112: FOR 119-6283-PAGE: 1113

PART OF 333-1462 LINES GP-AIR, 207-4476, 7W-9269, 8N-8481, 8N-8489 LINES GP-AIR
STARTING
AN ATTACHMENT

SMCS-1451

i01168549

NOTE	PART NUMBER	QTY	PART NAME						SEE PAGE
			1	2	3	4	5	6 (PRODUCT LEVEL)	
Y	119-6282	1	LUBRICATOR GP-AIR MOTOR						1112
			-OR-						
Y	119-6283	1	LUBRICATOR GP-AIR MOTOR						1113
Y - SEPARATE ILLUSTRATION									

<END>

ELECTRICAL AND STARTING SYSTEM

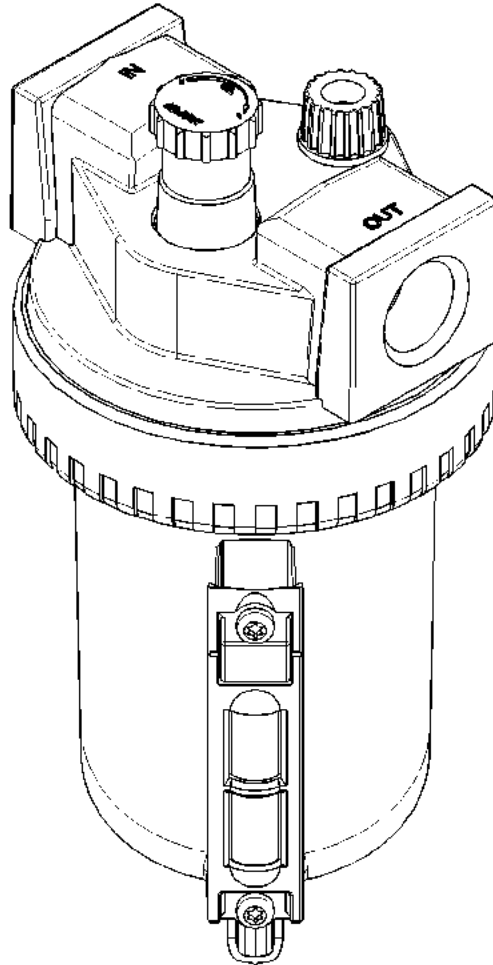
7W-0522 LUBRICATOR GP-AIR MOTOR

PART OF 191-8390 LINES GP-AIR
AN ATTACHMENT

SMCS-1451

i05914271

NOTE	REF NO	GRAPHIC REF	PART NUMBER	QTY	PART NAME						SEE PAGE
					1	2	3	4	5	6 (PRODUCT LEVEL)	
(NO SERVICED PARTS)											



GRAPHIC #1

<END>

g03722810

ELECTRICAL AND STARTING SYSTEM

7E-6469 MOUNTING GP-CONTACTOR-ALARM OR SHUTOFF PART OF 7C-1892 SHUTOFF GP-ELECTRICAL AN ATTACHMENT

SMCS-7400

i02549070

NOTE	REF NO	GRAPHIC REF	PART NUMBER	QTY	PART NAME						SEE PAGE
					1	2	3	4	5	6 (PRODUCT LEVEL)	
	1	1	1W-8129	1	SUPPORT						
	2	1	0T-0573	2	BOLT (3/8-16X2.75-IN)						
	3	1	7W-7431	1	BRACKET						
	4	1	3N-1968	8	MOUNT-FLEXIBLE						
	5	1	9S-8750	16	NUT-FULL (1/4-20-THD)						
	6	1	0S-1571	2	BOLT (3/8-16X1.75-IN)						
	7	1	9S-8752	2	NUT-FULL (3/8-16-THD)						
	8	1	5M-2894	14	WASHER-HARD (10.2X18.5X2.5-MM THK)						
	9	1	4W-2648	1	ADAPTER AS						
	10	1	7K-9197	1	ELBOW						
	11	1	0S-0509	7	BOLT (3/8-16X0.75-IN)						
	12	1	6S-5992	1	CLIP						
I	13	1	3V-6153	1	HOSE AS						
	14	1	5P-9617	1	ADAPTER						
	15	1	5P-9085	11	CLIP (LOOP)						
B	16	1	5P-8937	1	COMPOUND-JOINT (THERMAL)						
	17	1	9M-4594	2	SPACER (0.406X0.875X0.75-IN THK)						
	18	1	153-4906	1	SEAL-O-RING						
	19	1	6V-5048	1	SEAL-O-RING						
	20	1	030-7941	1	ELBOW						

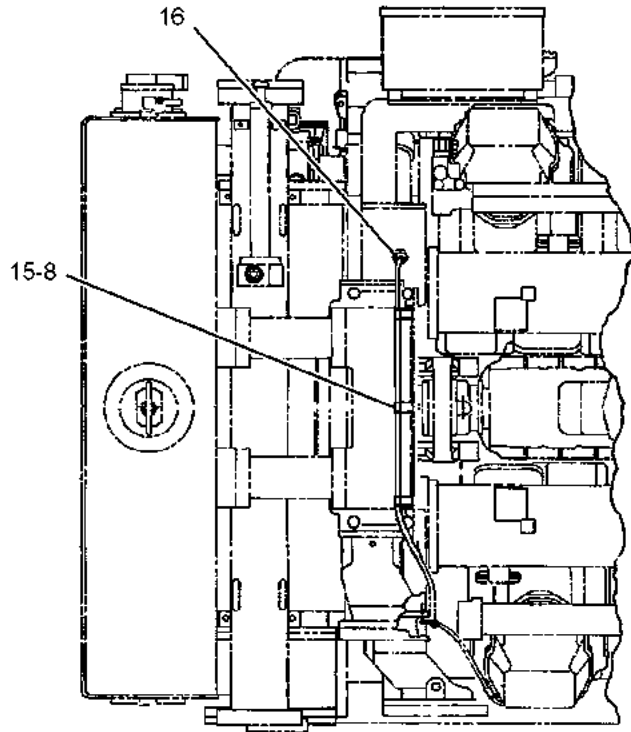
B - USE AS REQUIRED

I - REFER TO HYDRAULIC INFORMATION SYSTEM

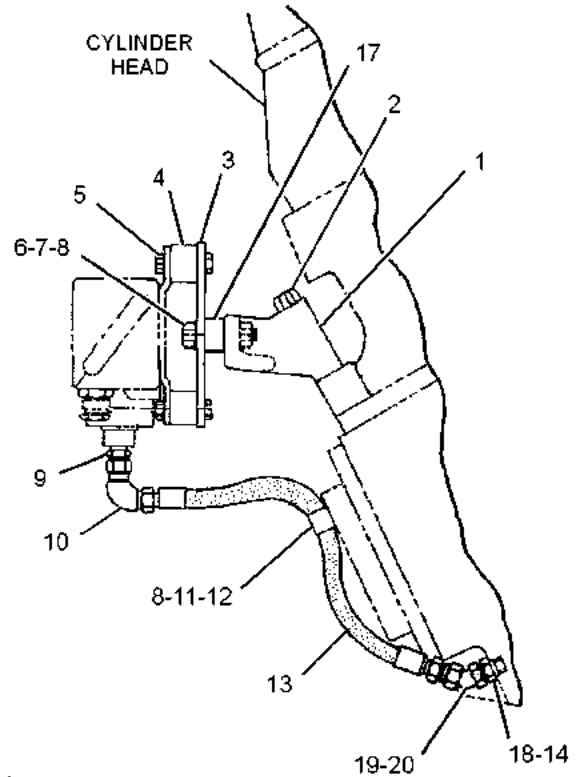
ELECTRICAL AND STARTING SYSTEM

7E-6469 MOUNTING GP-CONTACTOR (contd.)

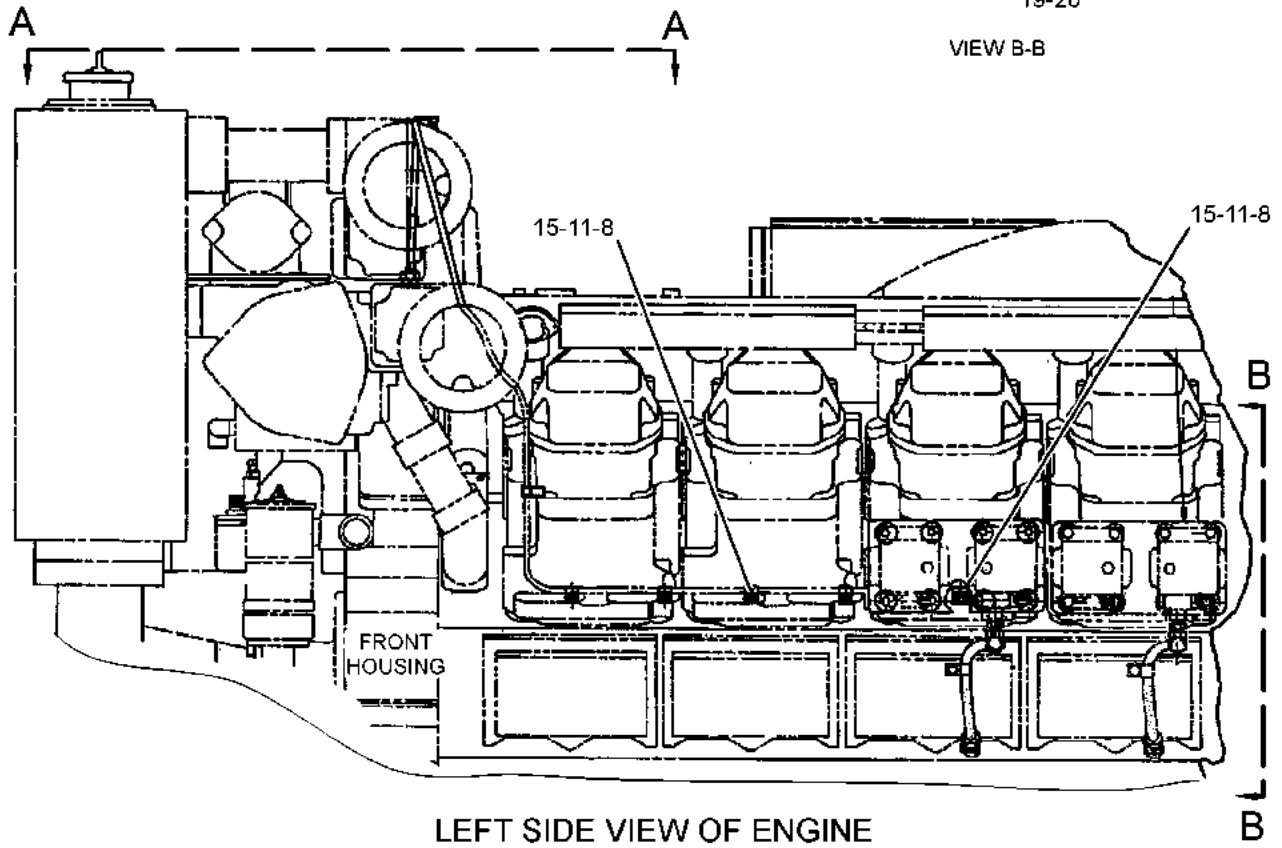
102549070



VIEW A-A



VIEW B-B



LEFT SIDE VIEW OF ENGINE

GRAPHIC #1

<END>

g01314784

ELECTRICAL AND STARTING SYSTEM

108-9654 MOUNTING GP-JACKET WTR HEATER-RH FOR USE WITH POWER MODULE AN ATTACHMENT

SMCS-1383

i01810250

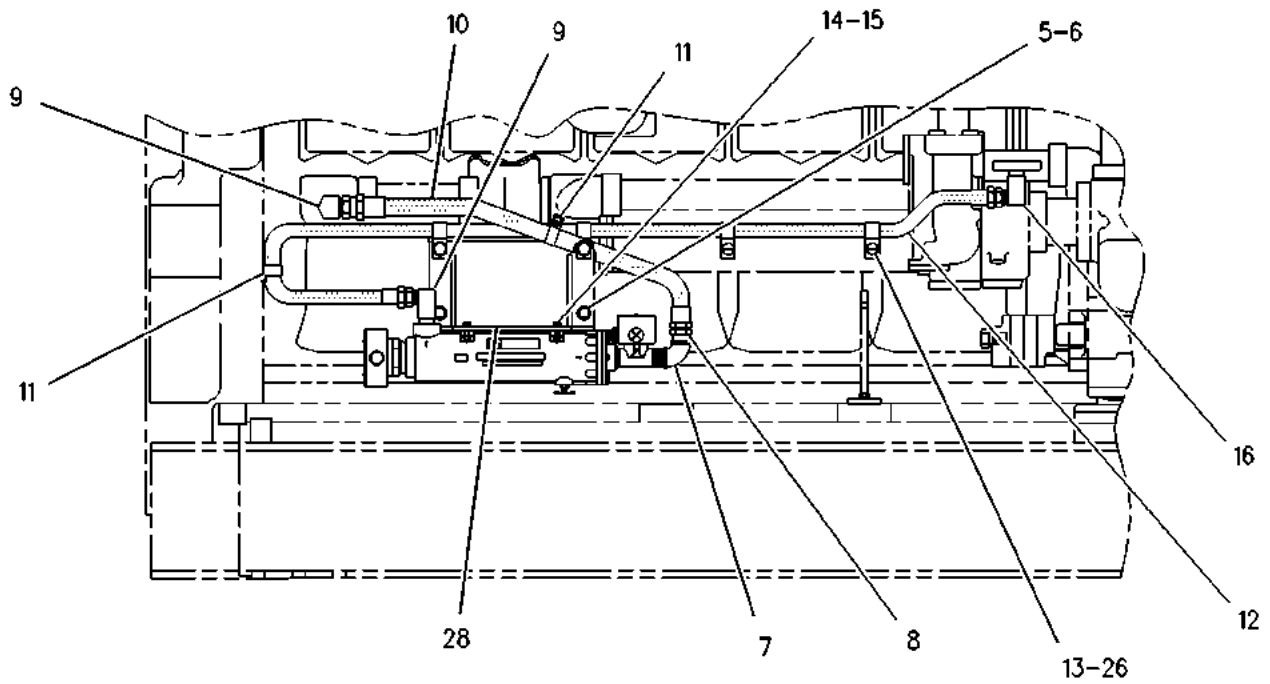
NOTE	REF NO	GRAPHIC REF	PART NUMBER	QTY	PART NAME						SEE PAGE
					1	2	3	4	5	6 (PRODUCT LEVEL)	
	1	1	7X-2501	4	BOLT (1/4-20X1.25-IN)						
	2	1	8T-4205	4	WASHER-HARD (7.2X14.5X2-MM THK)						
	3	1	3E-9865	4	LOCKNUT (1/4-20-THD)						
	4	1	6V-7646	4	WASHER-HARD (7.2X25X2-MM THK)						
	5	1	1A-1460	8	BOLT (1/2-13X2-IN)						
	6	1	5P-8245	8	WASHER-HARD (13.5X25.5X3-MM THK)						
	7	1	3B-6498	2	ELBOW						
	8	1	6B-9081	2	BUSHING-REDUCER						
	9	1	004-3935	3	ELBOW						
I	10	1	130-1592	1	HOSE AS						
	11	1	4S-4455	2	CLIP						
I	12	1	130-1593	1	HOSE AS						
	13	1	9F-7716	4	CLIP						
	14	1	9B-7237	1	BOLT (3/8-16X1.25-IN)						
	15	1	5P-1075	1	WASHER-HARD (10.2X22.5X3-MM THK)						
	16	1	2P-8511	1	ELBOW-FLARED						
I	17	1	8N-0855	1	HOSE AS						
	18	1	8N-8550	1	ELBOW						
	19	1	2R-7712	1	COUPLING (REDUCING)						
	20	1	4B-9029	1	NIPPLE-PIPE						
	21	1	113-7099	1	CONNECTOR						
I	22	1	3N-6504	1	HOSE AS						
	23	1	0S-1571	1	BOLT (3/8-16X1.75-IN)						
	24	1	5M-2894	1	WASHER-HARD (10.2X18.5X2.5-MM THK)						
	25	1	0S-1594	3	BOLT (3/8-16X1-IN)						
	26	1	1K-4649	2	SPACER (0.516X1X1-IN THK)						
	27	1	7N-4945	1	GASKET						
	28	1	108-5982	2	BRACKET AS						

I - REFER TO HYDRAULIC INFORMATION SYSTEM

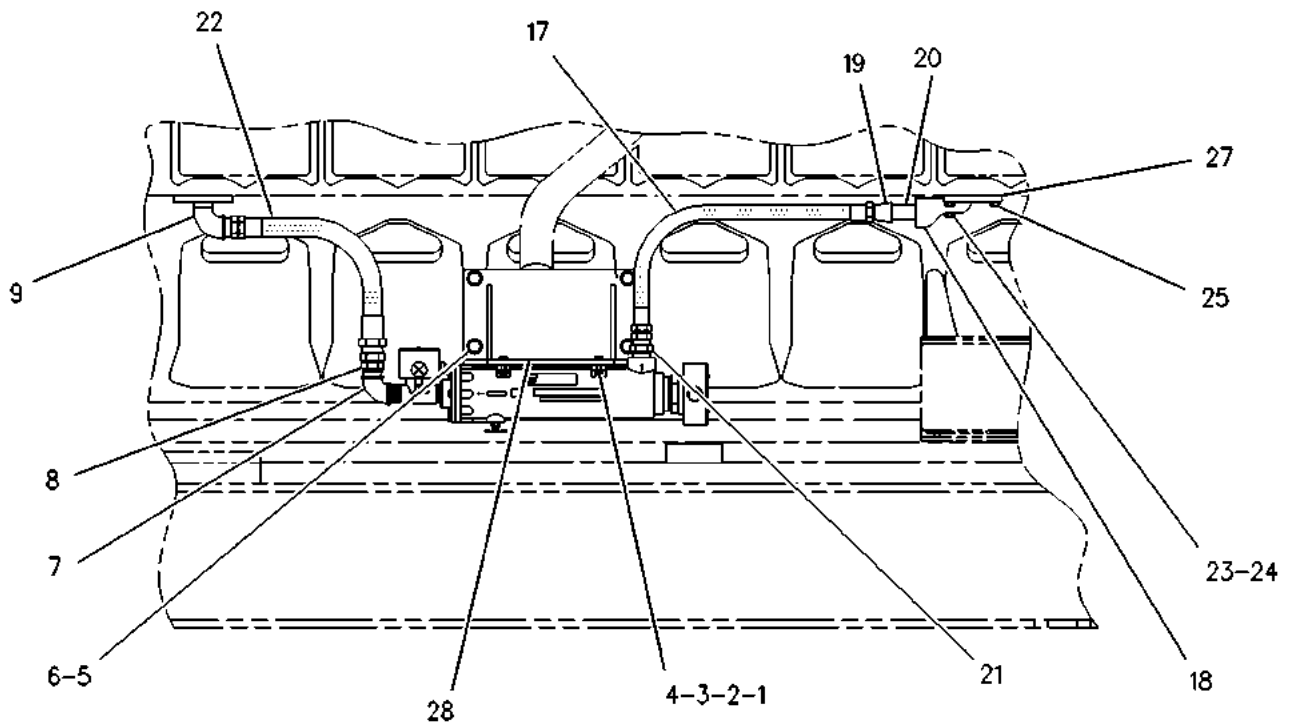
ELECTRICAL AND STARTING SYSTEM

108-9654 MOUNTING GP-JACKET WTR HEATER (contd.)

101810250



RIGHT SIDE VIEW



LEFT SIDE VIEW

GRAPHIC #1

<END>

g00261129

ELECTRICAL AND STARTING SYSTEM

136-9369 MOUNTING GP-JACKET WTR HEATER-RH CANNOT BE USED WITH HEAVY DUTY AIR CLEANER, RH SUMP PUMP OR RH PRELUBRICATION CONVERSION AN ATTACHMENT TYPE 1

SMCS-1383

i01763312

NOTE	REF NO	GRAPHIC REF	PART NUMBER	QTY	PART NAME						SEE PAGE
					1	2	3	4	5	6 (PRODUCT LEVEL)	
	1	1	134-3098	1	TUBE AS						
	2	1	1S-2303	2	SPACER (1.062X1.75X1.44-IN THK)						
	3	1	9S-8752	3	NUT-FULL (3/8-16-THD)						
	4	1	5M-2894	12	WASHER-HARD (10.2X18.5X2.5-MM THK)						
	5	1	5P-8250	2	WASHER (28X49X5-MM THK)						
	6	1	0S-1619	3	BOLT (3/8-16X3-IN)						
	7	1	6H-8297	2	ELBOW						
	8	1	034-0728	3	CLIP						
	9	1	7K-3377	3	PIPE						
I	10	1	<i>136-9145</i>	1	HOSE AS						
G		1	9X-2377		HOSE (22.22-MM ID) (62 IN)						
		1	9X-3816	2	COUPLING						
	11	1	6F-0496	1	TEE-PIPE						
	12	1	3E-7430	1	PLUG-PIPE (3/4-14-THD)						
	13	1	3E-7404	2	CLAMP-HOSE						
I	14	1	<i>144-2159</i>	1	HOSE AS						
G		1	9X-2377		HOSE (22.22-MM ID) (21 IN)						
		1	9X-3816	2	COUPLING						
	15	1	9S-1368	2	BOLT (1-14X3.5-IN)						
	16	1	7C-1707	1	BRACKET AS						
	17	1	3P-2021	1	NIPPLE-PIPE						
	18	1	8C-1358	2	VALVE-BALL (ISOLATION)						
	19	1	4W-2110	1	RING-RETAINING						
	20	1	134-3100	1	FLANGE						
	21	1	4W-2109	2	RETAINER						
	22	1	030-8307	1	CONNECTOR						
	23	1	3B-7728	1	ELBOW						
	24	1	004-7270	1	FITTING-PIPE						
	25	1	0S-1594	4	BOLT (3/8-16X1-IN)						
	26	1	0S-1588	2	BOLT (3/8-16X1.25-IN)						
	27	1	9M-4849	1	SEAL-O-RING						
	28	1	8B-0544	1	SPACER						
	29	1	5P-1075	1	WASHER-HARD (10.2X22.5X3-MM THK)						
	30	1	0L-1352	1	BOLT (3/8-16X3.25-IN)						
	31	1	7C-4354	1	CLIP						
	32	1	7N-4945	1	GASKET						
	33	1	3B-7745	1	NIPPLE-PIPE						
	34	1	1K-6937	1	ELBOW-PIPE						
	35	1	3B-6498	1	ELBOW						
	36	1	6B-9081	2	BUSHING-REDUCER						

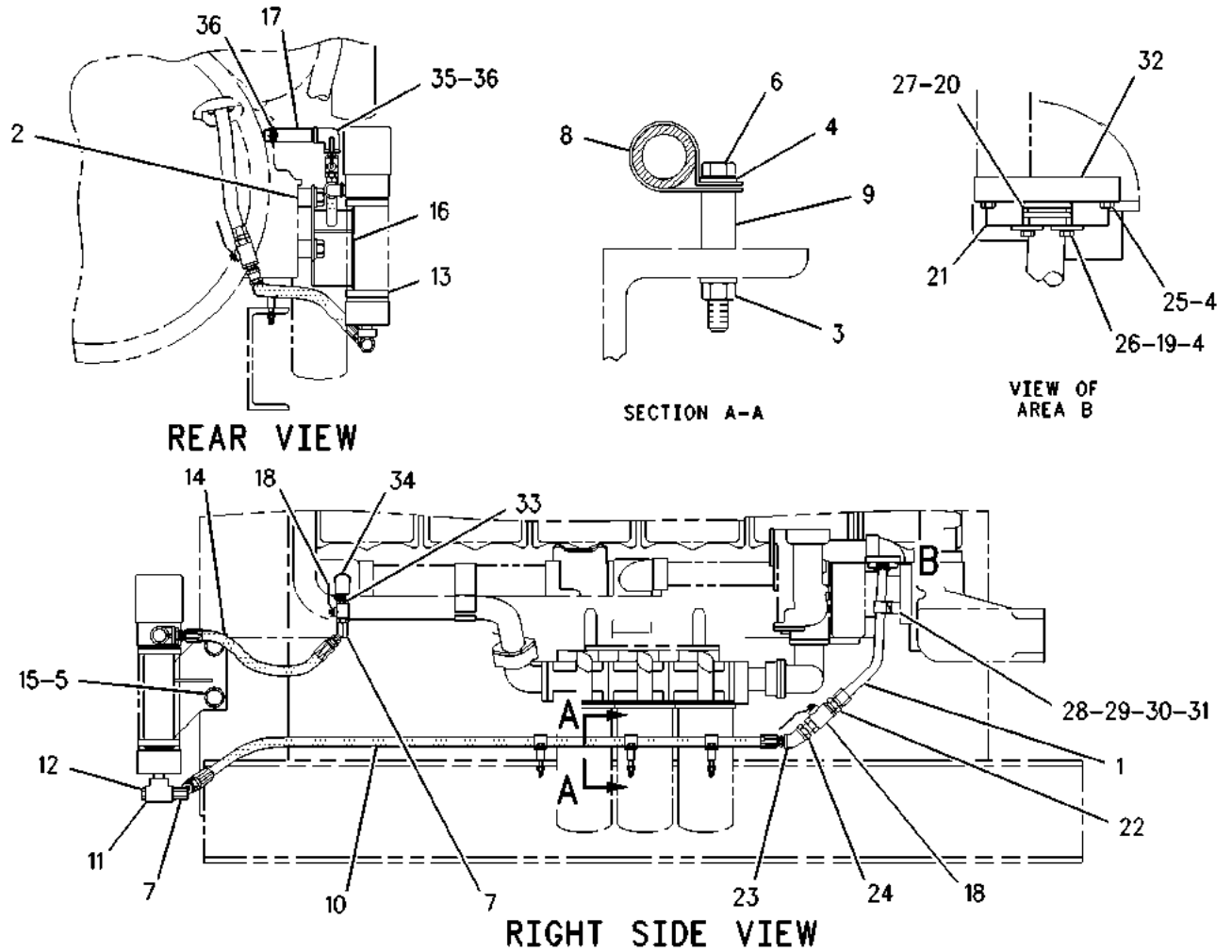
G - ORDER BY THE INCH

I - REFER TO HYDRAULIC INFORMATION SYSTEM

ELECTRICAL AND STARTING SYSTEM

136-9369 MOUNTING GP-JACKET WTR HEATER (contd.)

101763312



GRAPHIC #1

<END>

g00367585

ELECTRICAL AND STARTING SYSTEM

136-9369 MOUNTING GP-JACKET WTR HEATER-RH CANNOT BE USED WITH HEAVY DUTY AIR CLEANER, RH SUMP PUMP OR RH PRELUBRICATION CONVERSION AN ATTACHMENT TYPE 2

SMCS-1383

i03397744

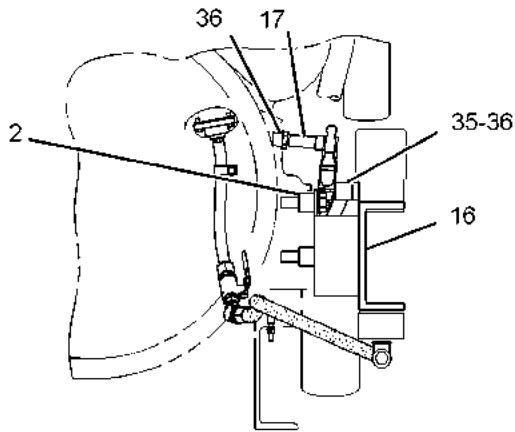
NOTE	REF NO	GRAPHIC REF	PART NUMBER	QTY	PART NAME						SEE PAGE
					1	2	3	4	5	6 (PRODUCT LEVEL)	
	1	1	134-3098	1	TUBE AS						
	2	1	1S-2303	2	SPACER (1.062X1.75X1.44-IN THK)						
	3	1	9S-8752	3	NUT-FULL (3/8-16-THD)						
	4	1	5M-2894	8	WASHER-HARD (10.2X18.5X2.5-MM THK)						
	5	1	5P-8250	2	WASHER (28X49X5-MM THK)						
	6	1	0S-1619	3	BOLT (3/8-16X3-IN)						
C	7	1	6H-8297	1	ELBOW						
	8	1	034-0728	3	CLIP						
	9	1	7K-3377	3	PIPE						
I	10	1	136-9145	1	HOSE AS						
	11	1	6F-0496	1	TEE-PIPE						
	12	1	3E-7430	1	PLUG-PIPE (3/4-14-THD)						
C	13	1	5P-0598	2	CLAMP-HOSE						
I	14	1	144-2159	1	HOSE AS						
	15	1	9S-1368	2	BOLT (1-14X3.5-IN)						
	16	1	7C-1707	1	BRACKET AS						
	17	1	3P-2021	1	NIPPLE-PIPE						
	18	1	8C-1358	2	VALVE-BALL (ISOLATION)						
	19	1	4W-2110	1	RING-RETAINING						
	20	1	134-3100	1	FLANGE						
	21	1	4W-2109	2	RETAINER						
	22	1	030-8307	1	CONNECTOR						
	23	1	3B-7728	1	ELBOW						
	24	1	004-7270	1	FITTING-PIPE						
	25	1	0S-1594	6	BOLT (3/8-16X1-IN)						
	27	1	9M-4849	1	SEAL-O-RING						
	28	1	8B-0544	1	SPACER						
	29	1	5P-1075	1	WASHER-HARD (10.2X22.5X3-MM THK)						
	30	1	0L-1352	1	BOLT (3/8-16X3.25-IN)						
	31	1	7C-4354	1	CLIP						
	32	1	7N-4945	1	GASKET						
	33	1	3B-7745	1	NIPPLE-PIPE						
	34	1	1K-6937	1	ELBOW-PIPE						
	35	1	3B-6498	1	ELBOW						
	36	1	6B-9081	2	BUSHING-REDUCER						
C	37	1	5F-6371	1	CONNECTOR						

C - CHANGE FROM PREVIOUS TYPE
I - REFER TO HYDRAULIC INFORMATION SYSTEM

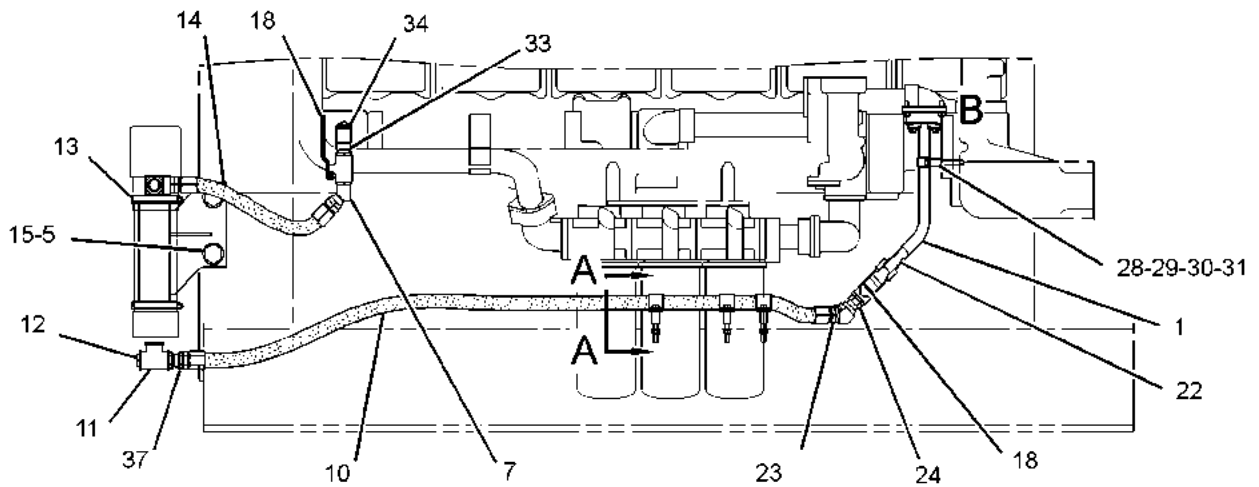
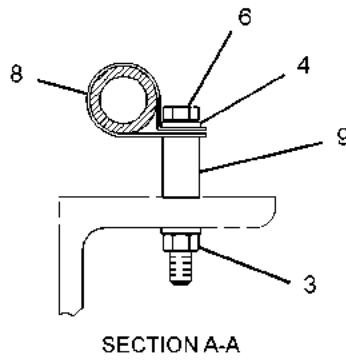
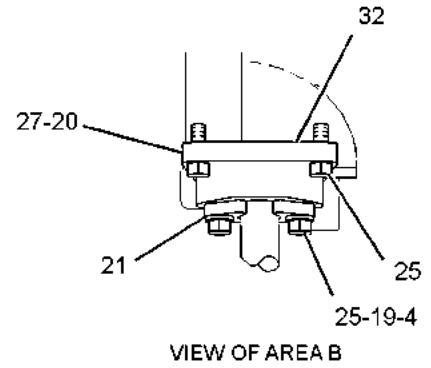
ELECTRICAL AND STARTING SYSTEM

136-9369 MOUNTING GP-JACKET WTR HEATER (contd.)

i03397744



REAR VIEW OF ENGINE



RIGHT SIDE VIEW OF ENGINE

GRAPHIC #1

<END>

g01768634

ELECTRICAL AND STARTING SYSTEM

136-9370 MOUNTING GP-JACKET WTR HEATER-LH CANNOT BE USED WITH HEAVY DUTY AIR CLEANER, RH SUMP PUMP OR RH PRELUBRICATION CONVERSION AN ATTACHMENT TYPE 1

SMCS-1383

i00928496

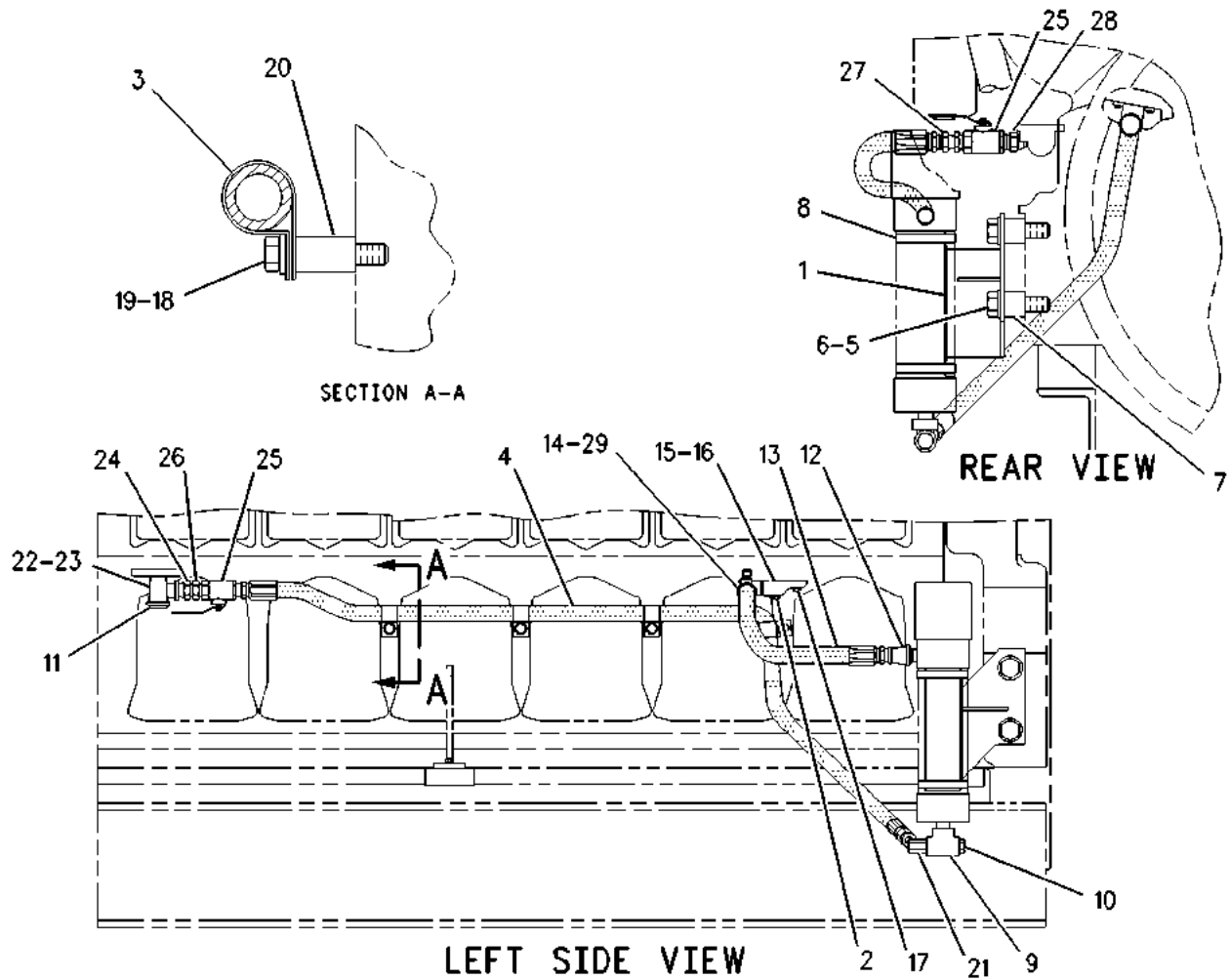
NOTE	REF NO	GRAPHIC REF	PART NUMBER	QTY	PART NAME						SEE PAGE
					1	2	3	4	5	6 (PRODUCT LEVEL)	
	1	1	7C-1707	1	BRACKET AS						
	2	1	0S-1571	1	BOLT (3/8-16X1.75-IN)						
	3	1	1L-8181	4	CLIP						
I	4	1	<i>136-9476</i>	1	HOSE AS						
	5	1	5P-8250	2	WASHER (28X49X5-MM THK)						
	6	1	9S-1368	2	BOLT (1-14X3.5-IN)						
	7	1	1S-2303	2	SPACER (1.062X1.75X1.44-IN THK)						
	8	1	3E-7404	2	CLAMP-HOSE						
	9	1	6F-0496	1	TEE-PIPE						
	10	1	3E-7430	1	PLUG-PIPE (3/4-14-THD)						
	11	1	8T-6762	1	PLUG-PIPE (1/2-14-THD)						
	12	1	2R-7712	1	COUPLING (REDUCING)						
I	13	1	4P-8463	1	HOSE AS						
	14	1	7L-8074	1	ELBOW-REDUCING						
	15	1	8N-8550	1	ELBOW						
	16	1	7N-4945	1	GASKET						
	17	1	0S-1594	3	BOLT (3/8-16X1-IN)						
	18	1	9X-8874	4	BOLT (1/2-13X3-IN)						
	19	1	5P-8245	4	WASHER-HARD (13.5X25.5X3-MM THK)						
	20	1	8S-5107	4	SPACER (0.622X0.84X2-IN THK)						
	21	1	6H-8297	1	ELBOW						
	22	1	5B-4855	1	BUSHING-REDUCER						
	23	1	1L-4031	1	TEE-SERVICE						
	24	1	6B-9081	1	BUSHING-REDUCER						
	25	1	8C-1358	2	VALVE-BALL						
	26	1	004-7270	1	FITTING-PIPE						
	27	1	5F-6371	1	CONNECTOR						
	28	1	3B-7270	1	NIPPLE-PIPE						
	29	1	6B-8128	1	NIPPLE-PIPE						

I - REFER TO HYDRAULIC INFORMATION SYSTEM

ELECTRICAL AND STARTING SYSTEM

136-9370 MOUNTING GP-JACKET WTR HEATER (contd.)

i00928496



GRAPHIC #1

<END>

g00365924

ELECTRICAL AND STARTING SYSTEM

136-9370 MOUNTING GP-JACKET WTR HEATER-LH CANNOT BE USED WITH HEAVY DUTY AIR CLEANER, RH SUMP PUMP OR RH PRELUBRICATION CONVERSION AN ATTACHMENT TYPE 2

SMCS-1383

i07101066

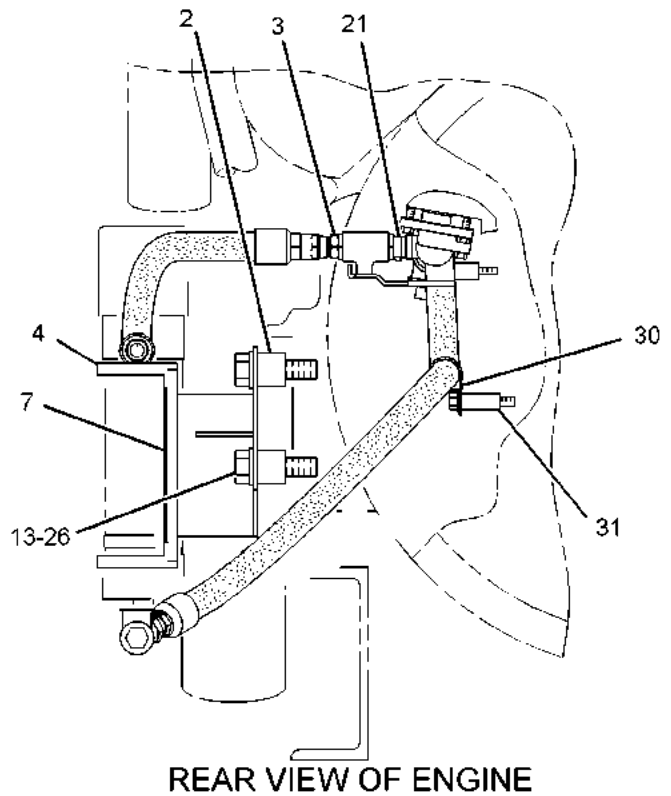
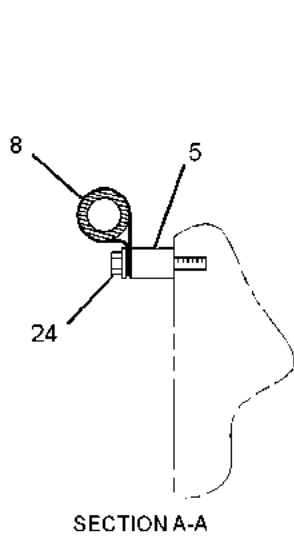
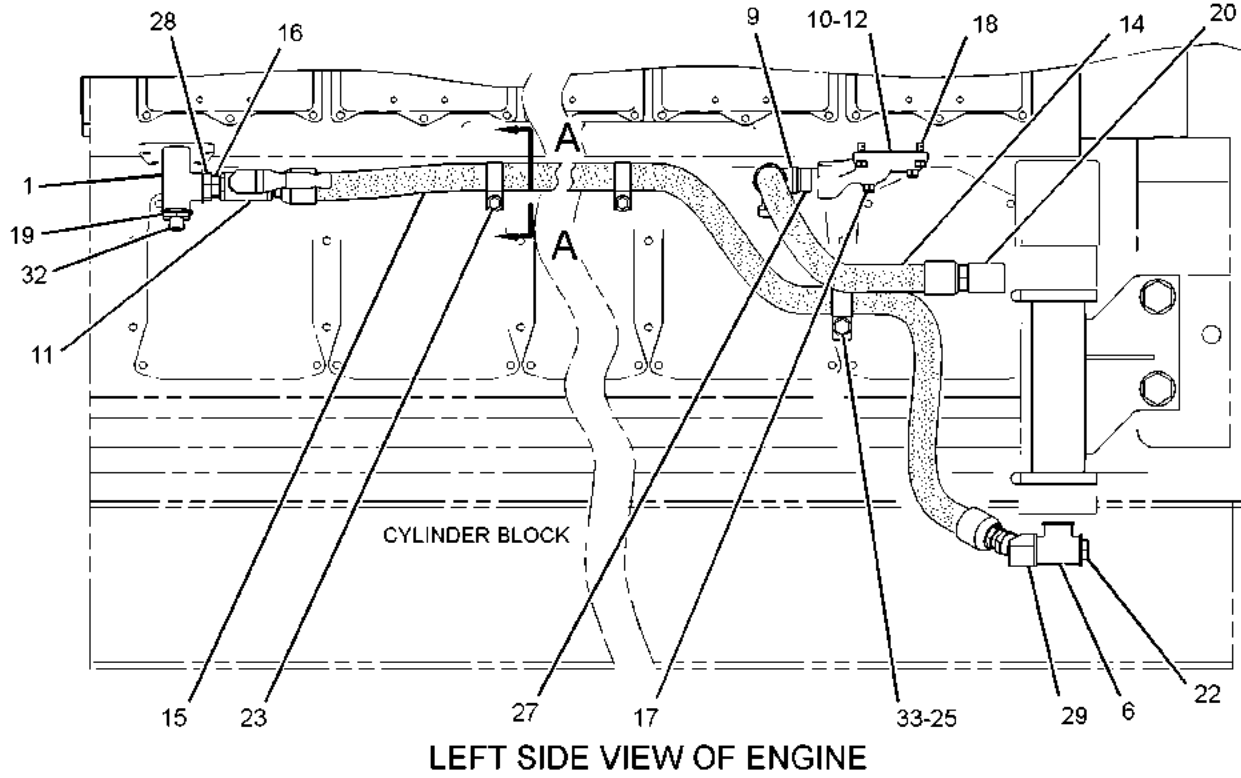
NOTE	REF NO	GRAPHIC REF	PART NUMBER	QTY	PART NAME						SEE PAGE
					1	2	3	4	5	6 (PRODUCT LEVEL)	
	1	1	1L-4031	1	TEE-SERVICE						
	2	1	1S-2303	2	SPACER (1.062X1.75X1.44-IN THK)						
	3	1	2N-7308	1	CONNECTOR-PIPE						
	4	1	8T-6726	2	CLAMP-HOSE						
	5	1	6B-6205	3	SPACER (0.438X0.875X1.281-IN THK)						
	6	1	6F-0496	1	TEE-PIPE						
	7	1	7C-1707	1	BRACKET AS						
		1	5P-2251	1	GUSSET						
	8	1	7D-7233	3	CLIP (LOOP)						
	9	1	7L-8074	1	ELBOW-REDUCING						
	10	1	7N-4945	1	GASKET						
	11	1	8C-1358	2	VALVE-BALL (ISOLATION)						
	12	1	8N-8550	1	ELBOW						
	13	1	9S-1368	2	BOLT (1-14X3.5-IN)						
CI	14	1	177-9116	1	HOSE AS						
CI	15	1	183-5974	1	HOSE AS						
	16	1	004-7270	1	FITTING-PIPE						
	17	1	0S-1571	1	BOLT (3/8-16X1.75-IN)						
	18	1	0S-1594	3	BOLT (3/8-16X1-IN)						
C	19	1	118-1656	1	BUSHING-REDUCER						
	20	1	3B-6491	1	COUPLING-PIPE						
	21	1	3B-7270	1	NIPPLE-PIPE						
	22	1	3E-7430	1	PLUG-PIPE (3/4-14-THD)						
	23	1	4L-6459	3	BOLT (3/8-16X2.5-IN)						
	24	1	5P-1075	3	WASHER-HARD (10.2X22.5X3-MM THK)						
C	25	1	5P-8245	1	WASHER-HARD (13.5X25.5X3-MM THK)						
	26	1	5P-8250	2	WASHER (28X49X5-MM THK)						
	27	1	6B-8128	1	NIPPLE-PIPE						
	28	1	6B-9081	1	BUSHING-REDUCER						
	29	1	6H-8297	1	ELBOW						
C	30	1	7D-4092	1	CLIP						
C	31	1	8S-5107	1	SPACER (0.622X0.84X2-IN THK)						
	32	1	8T-6762	1	PLUG-PIPE (1/2-14-THD)						
C	33	1	9X-8874	1	BOLT (1/2-13X3-IN)						

C - CHANGE FROM PREVIOUS TYPE
I - REFER TO HYDRAULIC INFORMATION SYSTEM

ELECTRICAL AND STARTING SYSTEM

136-9370 MOUNTING GP-JACKET WTR HEATER (contd.)

i07101066



GRAPHIC #1

<END>

g01285248

ELECTRICAL AND STARTING SYSTEM

166-6653 MOUNTING GP-JACKET WTR HEATER-RH CANNOT BE USED WITH HEAVY DUTY AIR CLEANER, RH SUMP PUMP OR RH PRELUBRICATION CONVERSION AN ATTACHMENT

SMCS-1383

i01659274

NOTE	REF NO	GRAPHIC REF	PART NUMBER	QTY	PART NAME						SEE PAGE
					1	2	3	4	5	6 (PRODUCT LEVEL)	
B	1	1	003-9163	2	ELBOW						
B	2	1	6B-9081	2	BUSHING-REDUCER						
B	3	1	3P-2021	1	NIPPLE-PIPE						
	4	1	7C-1707	1	BRACKET AS						
	5	1	5P-0598	2	CLAMP-HOSE						
	6	1	1S-2303	2	SPACER (1.062X1.75X1.44-IN THK)						
	7	1	8C-1358	2	VALVE-BALL						
I	8	1	166-8067	1	HOSE AS						
	9	1	3B-6498	1	ELBOW						
	10	1	9S-1368	2	BOLT (1-14X3.5-IN)						
	11	1	5P-8250	2	WASHER (28X49X5-MM THK)						
	12	1	3E-7430	1	PLUG-PIPE (3/4-14-THD)						
	13	1	6F-0496	1	TEE-PIPE						
	14	1	5F-6371	1	CONNECTOR						
I	15	1	166-6518	1	HOSE AS						
	16	1	030-8307	1	CONNECTOR						
	17	1	187-4019	1	BRACKET						
	18	1	7D-7233	1	CLIP (LOOP)						
	19	1	0S-1594	7	BOLT (3/8-16X1-IN)						
	20	1	5M-2894	4	WASHER-HARD (10.2X18.5X2.5-MM THK)						
	21	1	7N-4945	1	GASKET						
	22	1	134-3100	1	FLANGE						
	23	1	9S-8752	1	NUT-FULL (3/8-16-THD)						
	24	1	9M-4849	1	SEAL-O-RING						
	25	1	4W-2110	1	RING-RETAINING						
	26	1	187-4017	1	TUBE AS						
	27	1	4W-2109	2	RETAINER						
	28	1	7C-4354	1	CLIP						
	29	1	3B-7745	1	NIPPLE-PIPE						
	30	1	2N-7308	1	CONNECTOR-PIPE						

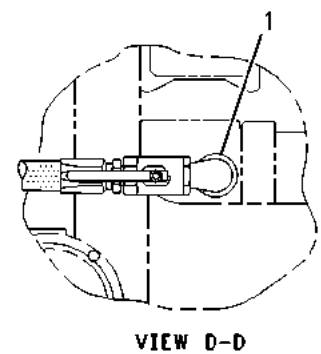
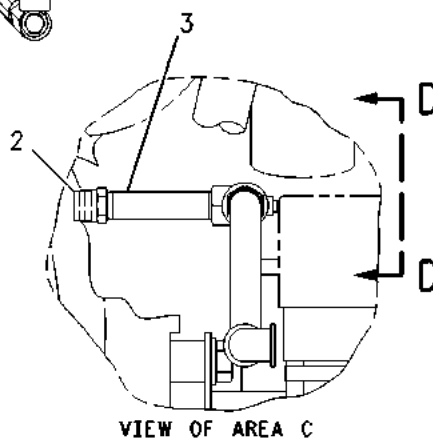
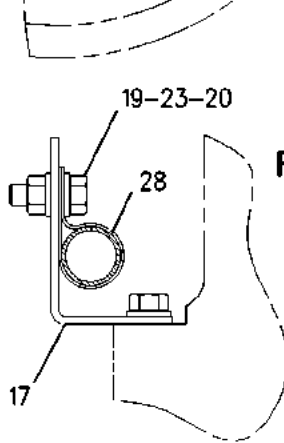
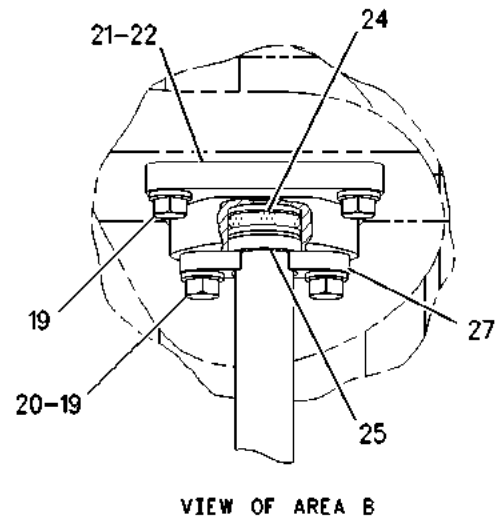
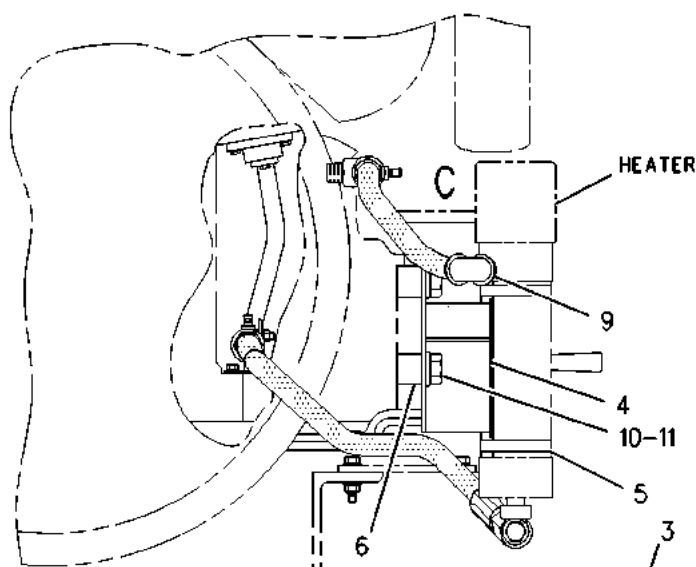
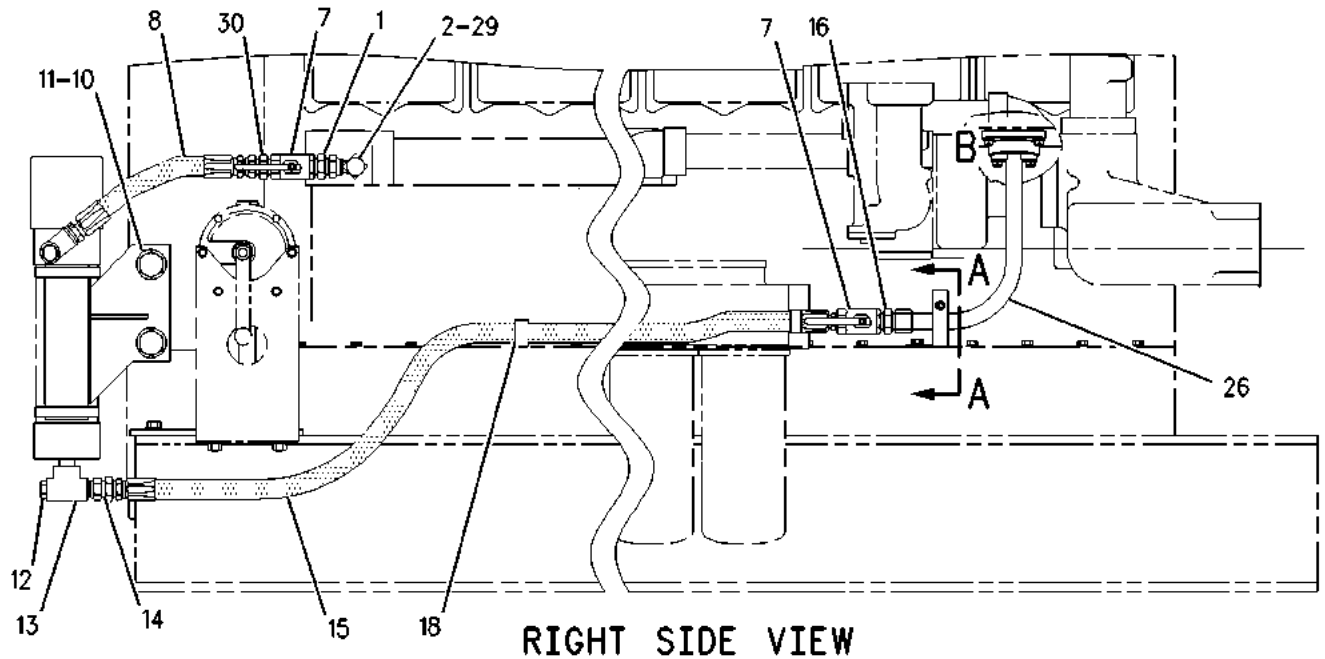
B - USE AS REQUIRED

I - REFER TO HYDRAULIC INFORMATION SYSTEM

ELECTRICAL AND STARTING SYSTEM

166-6653 MOUNTING GP-JACKET WTR HEATER (contd.)

101659274



OPTIONAL INSTALLATION FOR USE WITH STAND-BY ENGINES

GRAPHIC #1

<END>

g00774302

ELECTRICAL AND STARTING SYSTEM

266-7484 MOUNTING GP-JACKET WTR HEATER-LH AN ATTACHMENT

SMCS-1383

i05412322

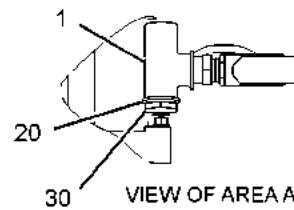
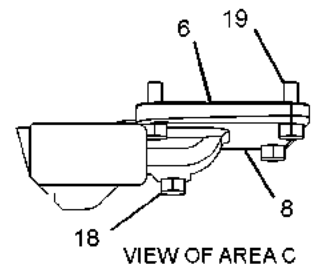
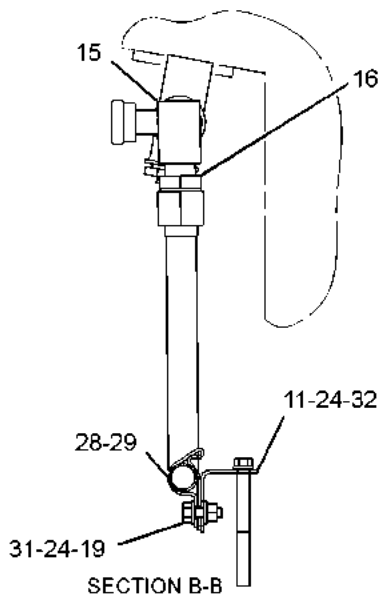
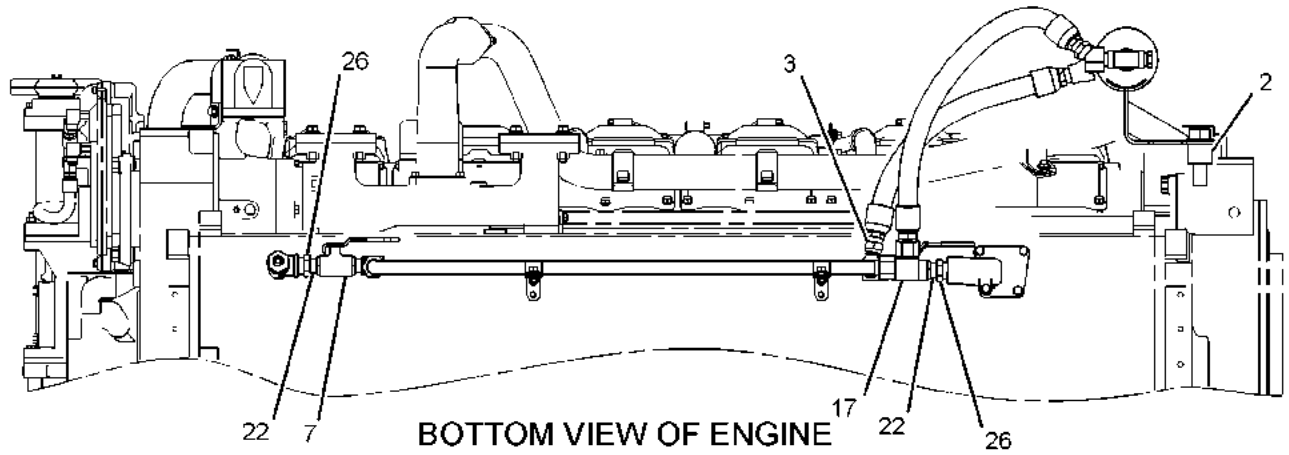
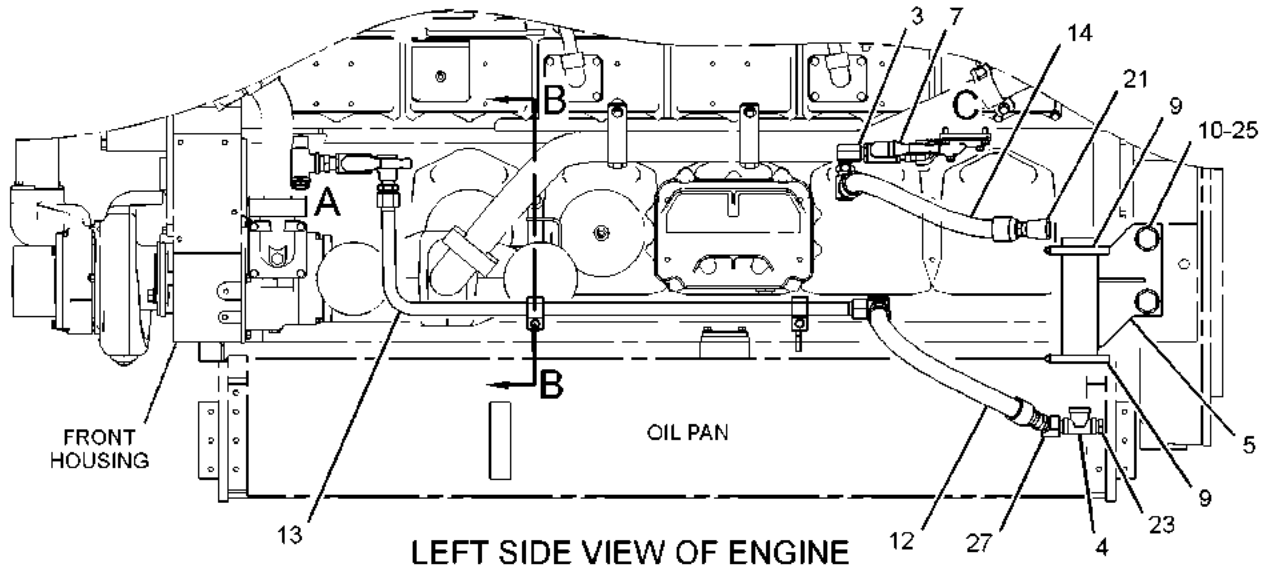
NOTE	REF NO	GRAPHIC REF	PART NUMBER	QTY	PART NAME						SEE PAGE
					1	2	3	4	5	6 (PRODUCT LEVEL)	
	1	1	1L-4031	1	TEE-SERVICE						
	2	1	1S-2303	2	SPACER (1.062X1.75X1.44-IN THK)						
	3	1	2H-3939	2	ELBOW						
	4	1	6F-0496	1	TEE-PIPE						
	5	1	7C-1707	1	BRACKET AS						
		1	5P-2251	1	GUSSET						
	6	1	7N-4945	1	GASKET						
	7	1	8C-1358	2	VALVE-BALL						
	8	1	8N-8550	1	ELBOW						
	9	1	8T-6726	2	CLAMP-HOSE						
	10	1	9S-1368	2	BOLT (1-14X3.5-IN)						
	11	1	116-3266	2	BRACKET						
I	12	1	258-8955	1	HOSE AS						
	13	1	422-8088	1	TUBE AS						
I	14	1	267-7346	1	HOSE AS						
	15	1	003-9163	1	ELBOW						
	16	1	030-8307	1	CONNECTOR						
	17	1	031-5744	1	ELBOW						
	18	1	0S-1571	1	BOLT (3/8-16X1.75-IN)						
	19	1	0S-1594	5	BOLT (3/8-16X1-IN)						
	20	1	118-1656	1	BUSHING-REDUCER						
	21	1	2R-7712	1	COUPLING (REDUCING)						
	22	1	3B-7745	2	NIPPLE-PIPE						
	23	1	3E-7430	1	PLUG-PIPE (3/4-14-THD)						
	24	1	5M-2894	6	WASHER-HARD (10.2X18.5X2.5-MM THK)						
	25	1	5P-8250	2	WASHER (28X49X5-MM THK)						
	26	1	6B-9081	2	BUSHING-REDUCER						
	27	1	6H-8297	1	ELBOW						
	28	1	7J-0728	2	CLIP (TAB)						
	29	1	7J-0729	2	CLIP (SLOT)						
	30	1	8T-6762	1	PLUG-PIPE (1/2-14-THD)						
	31	1	9S-8752	2	NUT-FULL (3/8-16-THD)						
	32	1	0S-1608	2	BOLT (3/8-16X3.75-IN)						

I - REFER TO HYDRAULIC INFORMATION SYSTEM

ELECTRICAL AND STARTING SYSTEM

266-7484 MOUNTING GP-JACKET WTR HEATER (contd.)

105412322



GRAPHIC #1

<END>

g03420797

ELECTRICAL AND STARTING SYSTEM

316-8256 MOUNTING GP-JACKET WTR HEATER-RH AN ATTACHMENT

SMCS-1383

i03790139

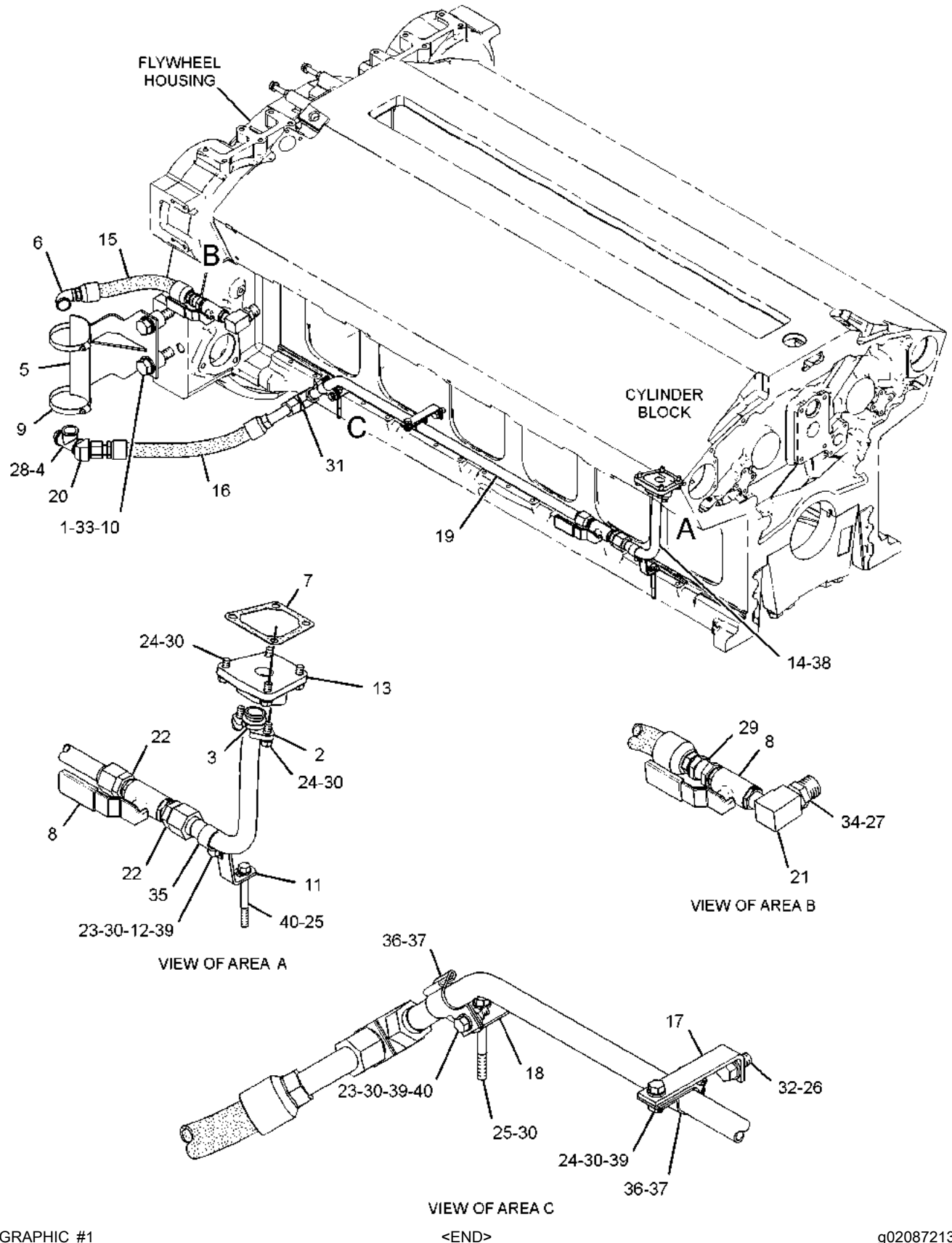
NOTE	REF NO	GRAPHIC REF	PART NUMBER	QTY	PART NAME						SEE PAGE
					1	2	3	4	5	6 (PRODUCT LEVEL)	
	1	1	1S-2303	2	SPACER (1.062X1.75X1.44-IN THK)						
	2	1	4W-2109	2	RETAINER						
	3	1	4W-2110	1	RING-RETAINING						
	4	1	6F-0496	1	TEE-PIPE						
	5	1	7C-1707	1	BRACKET AS						
	6	1	7L-8074	1	ELBOW-REDUCING						
	7	1	7N-4945	1	GASKET						
	8	1	8C-1358	2	VALVE-BALL						
	9	1	8T-6726	2	CLAMP-HOSE						
	10	1	9S-1368	2	BOLT (1-14X3.5-IN)						
	11	1	9Y-3108	1	BRACKET						
	12	1	6W-2928	1	BOSS						
	13	1	134-3100	1	FLANGE						
	14	1	258-8952	1	TUBE AS						
I	15	1	259-2608	1	HOSE AS						
I	16	1	312-8762	1	HOSE AS						
	17	1	314-7965	1	BRACKET						
	18	1	314-7966	1	BRACKET						
	19	1	316-8633	1	TUBE AS						
	20	1	001-7042	1	ELBOW						
	21	1	003-9163	1	ELBOW						
	22	1	030-8307	2	CONNECTOR						
	23	1	0S-1588	2	BOLT (3/8-16X1.25-IN)						
	24	1	0S-1594	7	BOLT (3/8-16X1-IN)						
	25	1	0S-1608	2	BOLT (3/8-16X3.75-IN)						
	26	1	0S-1621	1	BOLT (1/2-13X1-IN)						
	27	1	3B-7745	1	NIPPLE-PIPE						
	28	1	3E-7430	1	PLUG-PIPE (3/4-14-THD)						
	29	1	5F-6371	1	CONNECTOR						
	30	1	5M-2894	8	WASHER-HARD (10.2X18.5X2.5-MM THK)						
	31	1	5P-0912	1	ELBOW						
	32	1	5P-8245	1	WASHER-HARD (13.5X25.5X3-MM THK)						
	33	1	5P-8250	2	WASHER (28X49X5-MM THK)						
	34	1	6B-9081	1	BUSHING-REDUCER						
	35	1	7C-4354	1	CLIP						
	36	1	7J-0728	2	CLIP (TAB)						
	37	1	7J-0729	2	CLIP (SLOT)						
	38	1	9M-4849	1	SEAL-O-RING						
	39	1	9S-8752	3	NUT-FULL (3/8-16-THD)						
	40	1	9X-6458	2	WASHER-HARD (10.2X22.5X3-MM THK)						

I - REFER TO HYDRAULIC INFORMATION SYSTEM

ELECTRICAL AND STARTING SYSTEM

316-8256 MOUNTING GP-JACKET WTR HEATER (contd.)

103790139



GRAPHIC #1

<END>

g02087213

ELECTRICAL AND STARTING SYSTEM

323-1217 MOUNTING GP-JACKET WTR HEATER-RH FOR USE WITH PRECLEANERS AN ATTACHMENT

SMCS-1383

i05915448

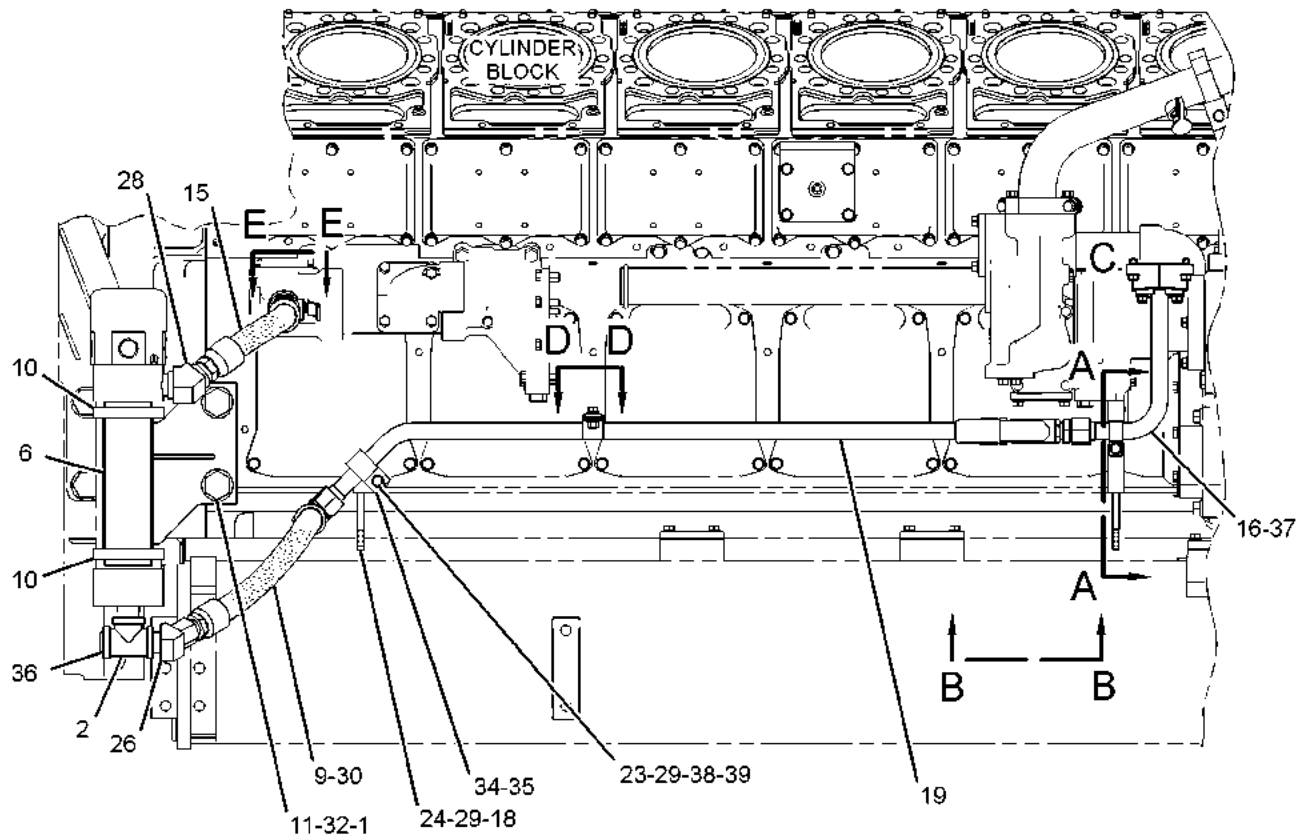
NOTE	REF NO	GRAPHIC REF	PART NUMBER	QTY	PART NAME 1 2 3 4 5 6 (PRODUCT LEVEL)	SEE PAGE
	1	1	1S-2303	2	SPACER (1.062X1.75X1.44-IN THK)	
	2	1	4B-7770	1	TEE	
	3	1	4P-3117	1	VALVE-BALL	
	4	1	4W-2109	2	RETAINER	
	5	1	4W-2110	1	RING-RETAINING	
	6	1	7C-1707	1	BRACKET AS	
		1	5P-2251	1	GUSSET	
	7	1	7N-4945	1	GASKET	
	8	1	8C-1358	1	VALVE-BALL	
I	9	1	8K-4024	1	HOSE AS	
	10	1	8T-6726	2	CLAMP-HOSE	
	11	1	9S-1368	2	BOLT (1-14X3.5-IN)	
	12	1	9Y-3108	1	BRACKET	
	13	1	6W-2928	1	BOSS	
	14	1	134-3100	1	FLANGE	
I	15	1	140-8402	1	HOSE AS	
	16	1	258-8952	1	TUBE AS	
	17	1	314-7965	1	BRACKET	
	18	1	314-7966	1	BRACKET	
	19	1	316-8633	1	TUBE AS	
	20	1	009-4440	1	CONNECTOR	
	21	1	030-8307	2	CONNECTOR	
	22	1	0S-1588	1	BOLT (3/8-16X1.25-IN)	
	23	1	0S-1594	8	BOLT (3/8-16X1-IN)	
	24	1	0S-1608	2	BOLT (3/8-16X3.75-IN)	
	25	1	0S-1621	1	BOLT (1/2-13X1-IN)	
	26	1	2P-1312	1	ELBOW	
	27	1	3B-7749	1	NIPPLE-PIPE	
	28	1	4B-9030	1	ELBOW	
	29	1	5M-2894	8	WASHER-HARD (10.2X18.5X2.5-MM THK)	
	30	1	5P-0912	1	ELBOW	
	31	1	5P-8245	1	WASHER-HARD (13.5X25.5X3-MM THK)	
	32	1	5P-8250	2	WASHER (28X49X5-MM THK)	
	33	1	7C-4354	1	CLIP	
	34	1	7J-0728	2	CLIP (TAB)	
	35	1	7J-0729	2	CLIP (SLOT)	
	36	1	8T-6761	1	PLUG-PIPE (1-11-1/2 NPT THD)	
	37	1	9M-4849	1	SEAL-O-RING	
	38	1	9S-8752	3	NUT-FULL (3/8-16-THD)	
	39	1	9X-6458	2	WASHER-HARD (10.2X22.5X3-MM THK)	

I - REFER TO HYDRAULIC INFORMATION SYSTEM

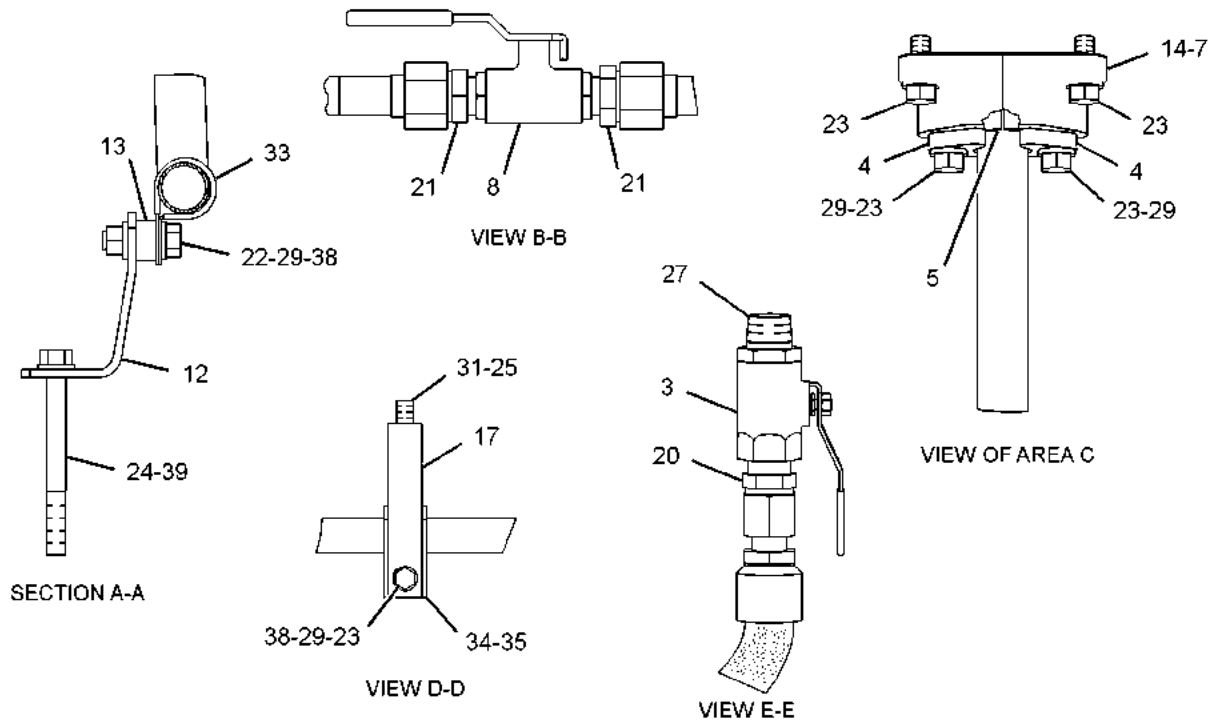
ELECTRICAL AND STARTING SYSTEM

323-1217 MOUNTING GP-JACKET WTR HEATER (contd.)

i05915448



RIGHT SIDE VIEW OF ENGINE



GRAPHIC #1

<END>

g02141077

ELECTRICAL AND STARTING SYSTEM

323-1840 MOUNTING GP-JACKET WTR HEATER-LH FOR USE WITH PRECLEANERS AN ATTACHMENT

SMCS-1383

i03007648

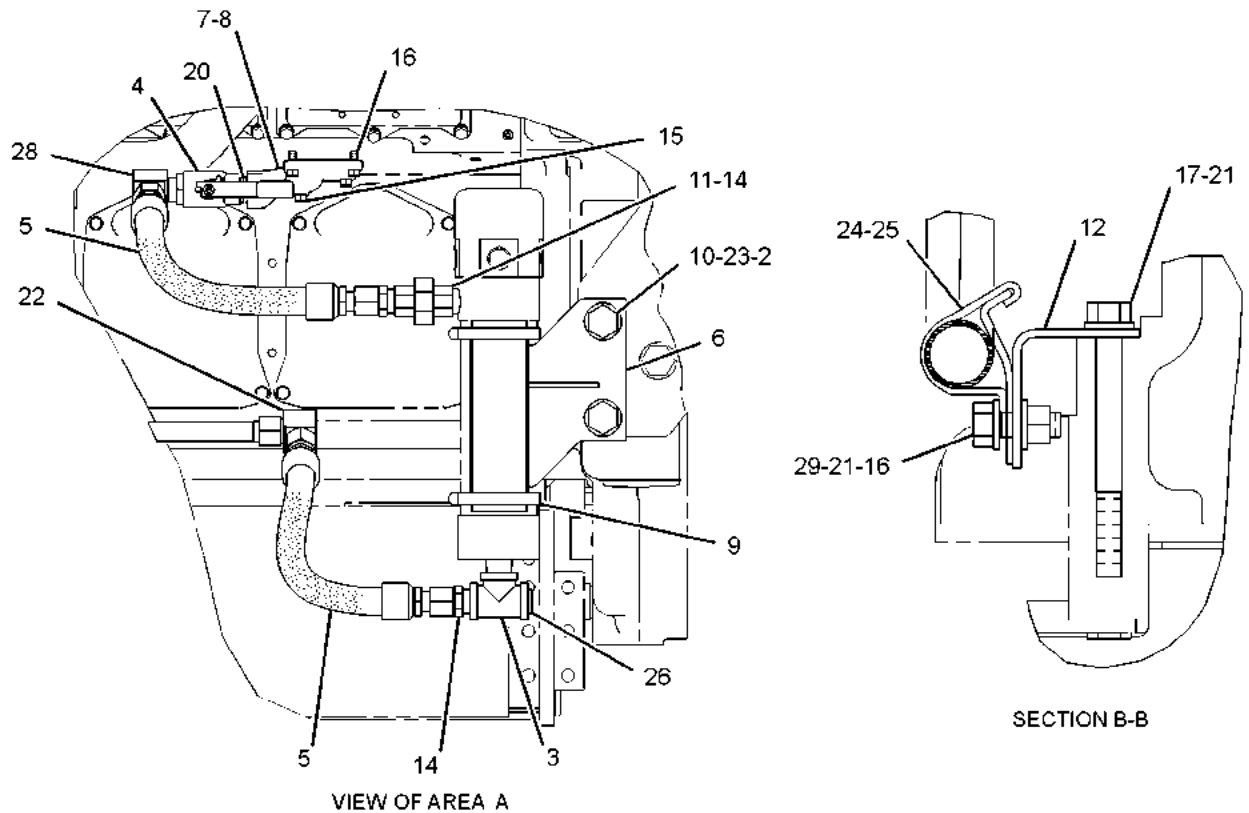
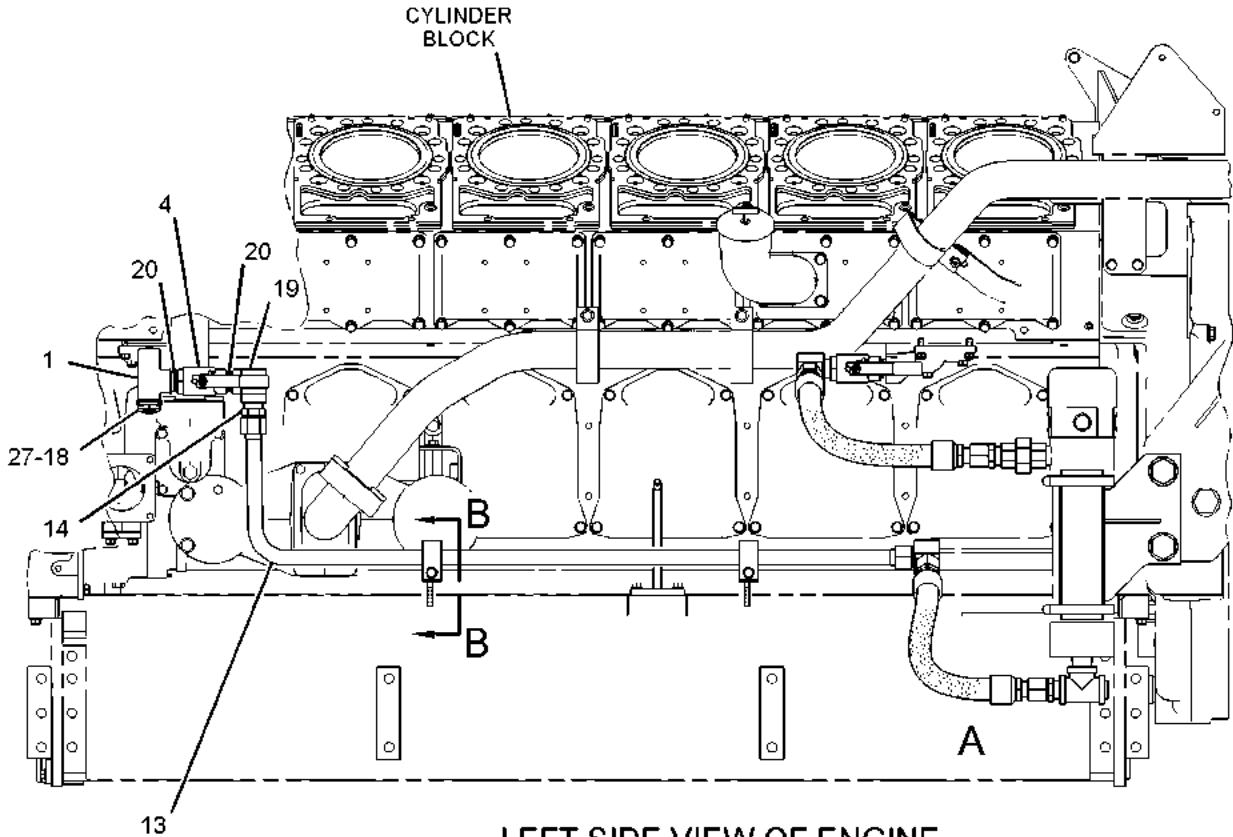
NOTE	REF NO	GRAPHIC REF	PART NUMBER	QTY	PART NAME						SEE PAGE
					1	2	3	4	5	6 (PRODUCT LEVEL)	
	1	1	1L-4031	1	TEE-SERVICE						
	2	1	1S-2303	2	SPACER (1.062X1.75X1.44-IN THK)						
	3	1	4B-7770	1	TEE						
	4	1	4P-3117	2	VALVE-BALL						
I	5	1	6T-1065	2	HOSE AS						
	6	1	7C-1707	1	BRACKET AS						
	7	1	7N-4945	1	GASKET						
	8	1	8N-8550	1	ELBOW						
	9	1	8T-6726	2	CLAMP-HOSE						
	10	1	9S-1368	2	BOLT (1-14X3.5-IN)						
	11	1	109-9866	1	UNION						
	12	1	116-3266	2	BRACKET						
	13	1	266-7485	1	TUBE AS						
	14	1	009-4440	3	CONNECTOR						
	15	1	0S-1571	1	BOLT (3/8-16X1.75-IN)						
	16	1	0S-1594	5	BOLT (3/8-16X1-IN)						
	17	1	0S-1608	2	BOLT (3/8-16X3.75-IN)						
	18	1	118-1656	1	BUSHING-REDUCER						
	19	1	3B-6498	1	ELBOW						
	20	1	3B-7749	3	NIPPLE-PIPE						
	21	1	5M-2894	6	WASHER-HARD (10.2X18.5X2.5-MM THK)						
	22	1	5P-0912	1	ELBOW						
	23	1	5P-8250	2	WASHER (28X49X5-MM THK)						
	24	1	7J-0728	2	CLIP (TAB)						
	25	1	7J-0729	2	CLIP (SLOT)						
	26	1	8T-6761	1	PLUG-PIPE (1-11-1/2 NPT THD)						
	27	1	8T-6762	1	PLUG-PIPE (1/2-14-THD)						
	28	1	9S-7296	1	ELBOW-FLARED						
	29	1	9S-8752	2	NUT-FULL (3/8-16-THD)						

I - REFER TO HYDRAULIC INFORMATION SYSTEM

ELECTRICAL AND STARTING SYSTEM

323-1840 MOUNTING GP-JACKET WTR HEATER (contd.)

i03007648



GRAPHIC #1

<END>

g01524812

ELECTRICAL AND STARTING SYSTEM

349-6219 MOUNTING GP-JACKET WTR HEATER

S/N: 65Z887-1712

AN ATTACHMENT

SMCS-1383

i04818573

NOTE	REF NO	GRAPHIC REF	PART NUMBER	QTY	PART NAME						SEE PAGE
					1	2	3	4	5	6 (PRODUCT LEVEL)	
	1	2	6B-9194	4	BOLT (1-14X3-IN)						
	2	2	6F-0496	2	TEE-PIPE						
	3	2	7E-9437	1	COVER						
	4	1,2	7N-4945	3	GASKET						
	5	1,2	8C-1358	4	VALVE-BALL						
	6	2	8G-2077	4	SPACER (26X45X17.5-MM THK)						
	7	1	8N-8550	1	ELBOW						
	8	1,2	086-8503	2	ELBOW						
	9	2	106-7650	1	ADAPTER AS						
	10	2	297-4904	2	BRACKET						
	11	2	340-0236	1	BRACKET AS						
		2	8T-5912	2	NUT-WELD (3/8-16-THD)						
	12	2	340-0237	1	BRACKET AS						
		2	8T-5912	2	NUT-WELD (3/8-16-THD)						
	13	2	349-5311	1	TUBE AS						
	14	2	349-5312	1	TUBE AS						
	15	2	349-5314	1	TUBE AS						
	16	2	349-5315	1	TUBE AS						
I	17	2	349-5324	1	HOSE AS						
I	18	2	349-5325	1	HOSE AS						
	19	2	349-6227	1	BRACKET						
	20	1	349-6228	1	BRACKET AS						
	21	2	349-6229	1	BRACKET						
	22	2	349-6230	1	BRACKET						
	23	1	349-6231	1	BRACKET						
	24	2	350-0651	1	HOSE AS						
	25	2	356-9765	1	HOSE AS						
	26	2	357-2007	1	FLANGE						
	27	1	004-7270	2	FITTING-PIPE						
	28	1	006-5707	1	ELBOW-PIPE						
	29	2	039-8557	2	WASHER (13X26X6-MM THK)						
	30	2	054-4048	1	PIPE						
	31	1	0L-1351	3	BOLT (3/8-16X0.875-IN)						
	32	1,2	0S-1588	8	BOLT (3/8-16X1.25-IN)						
	33	1	0S-1590	1	BOLT (3/8-16X2-IN)						
	34	1	0S-1621	1	BOLT (1/2-13X1-IN)						
	35	2	1A-1460	3	BOLT (1/2-13X2-IN)						
	36	1,2	1A-2029	11	BOLT (3/8-16X1.125-IN)						
	37	2	1W-8793	2	SPACER (13.8X30X20-MM THK)						
	38	1	2P-1293	1	LOCKNUT (1-3/16-12-THD)						
	39	1,2	2R-7712	2	COUPLING (REDUCING)						
	40	2	3B-1915	2	BOLT (3/8-16X1.375-IN)						
	41	1,2	3D-2824	2	SEAL-O-RING						
	42	2	3E-7430	2	PLUG-PIPE (3/4-14-THD)						
	43	1,2	3V-3308	10	WASHER-HARD (10.2X20.5X2.5-MM THK)						
	44	1,2	5M-2894	22	WASHER-HARD (10.2X18.5X2.5-MM THK)						
	45	1,2	5P-7462	6	CLIP (SLOT)						

ELECTRICAL AND STARTING SYSTEM

349-6219 MOUNTING GP-JACKET WTR HEATER (contd.)

i04818573

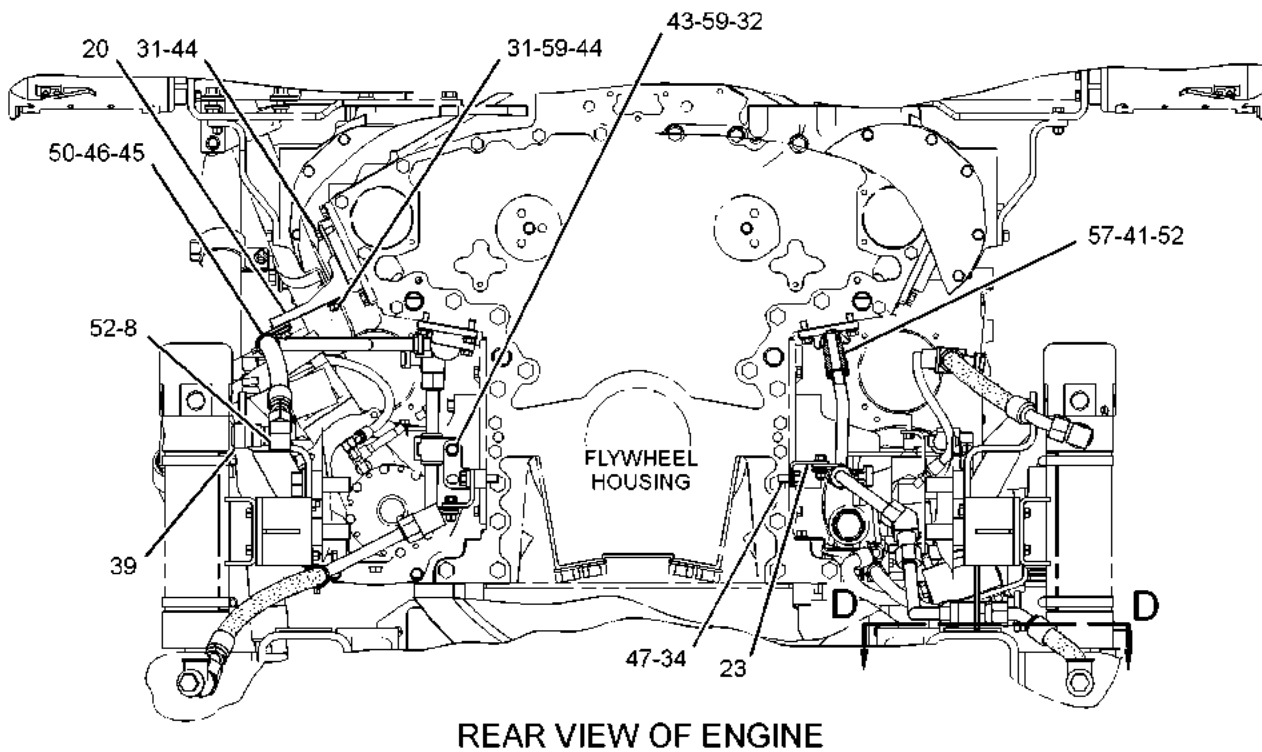
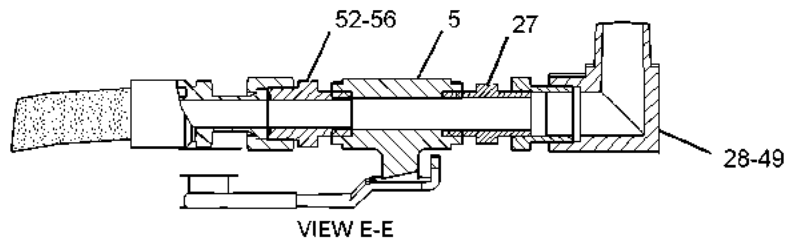
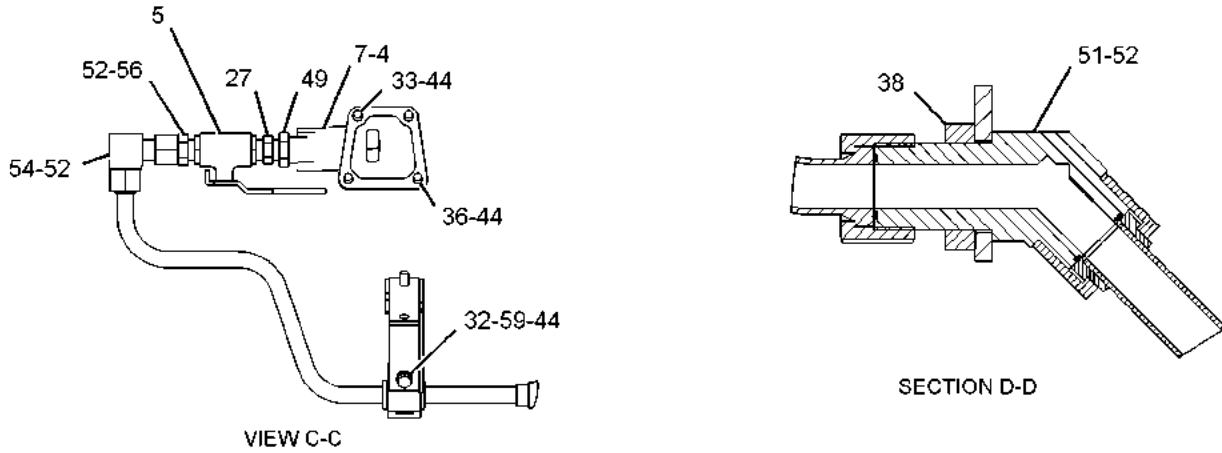
NOTE	REF NO	GRAPHIC REF	PART NUMBER	QTY	PART NAME						SEE PAGE
					1	2	3	4	5	6 (PRODUCT LEVEL)	
	46	1,2	5P-7463	6	CLIP (TAB)						
	47	1,2	5P-8245	2	WASHER-HARD (13.5X25.5X3-MM THK)						
	48	2	5P-8250	4	WASHER (28X49X5-MM THK)						
	49	1	6B-9081	2	BUSHING-REDUCER						
	50	1,2	6V-0683	6	GROMMET						
	51	1,2	6V-8990	2	ELBOW						
	52	1,2	6V-9746	19	SEAL-O-RING						
	53	2	6V-9810	1	UNION						
	54	1,2	6V-9853	2	ELBOW						
	55	2	7X-0563	2	WASHER-HARD (12X35X8-MM THK)						
	56	1,2	8C-6874	7	CONNECTOR						
	57	1	8C-8498	1	CONNECTOR-HYDRAULIC						
	58	2	8T-6451	1	ELBOW						
	59	1,2	9S-8752	7	NUT-FULL (3/8-16-THD)						

I - REFER TO HYDRAULIC INFORMATION SYSTEM

ELECTRICAL AND STARTING SYSTEM

349-6219 MOUNTING GP-JACKET WTR HEATER (contd.)

i04818573



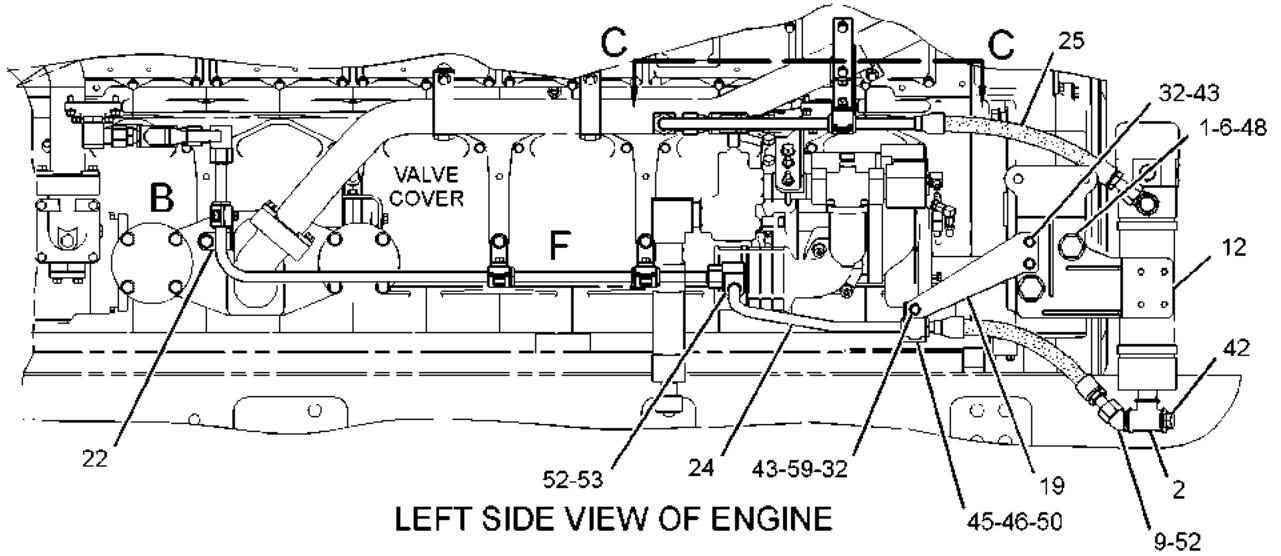
GRAPHIC #1

g02337976

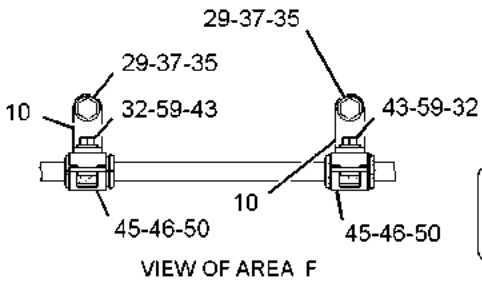
ELECTRICAL AND STARTING SYSTEM

349-6219 MOUNTING GP-JACKET WTR HEATER (contd.)

i04818573

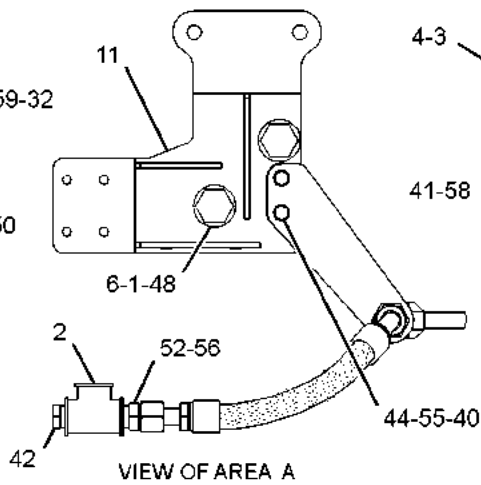


LEFT SIDE VIEW OF ENGINE

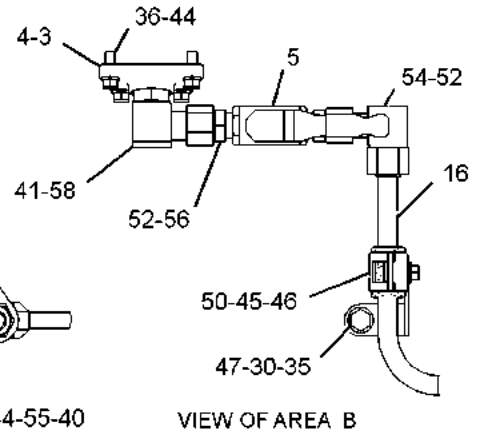


VIEW OF AREA F

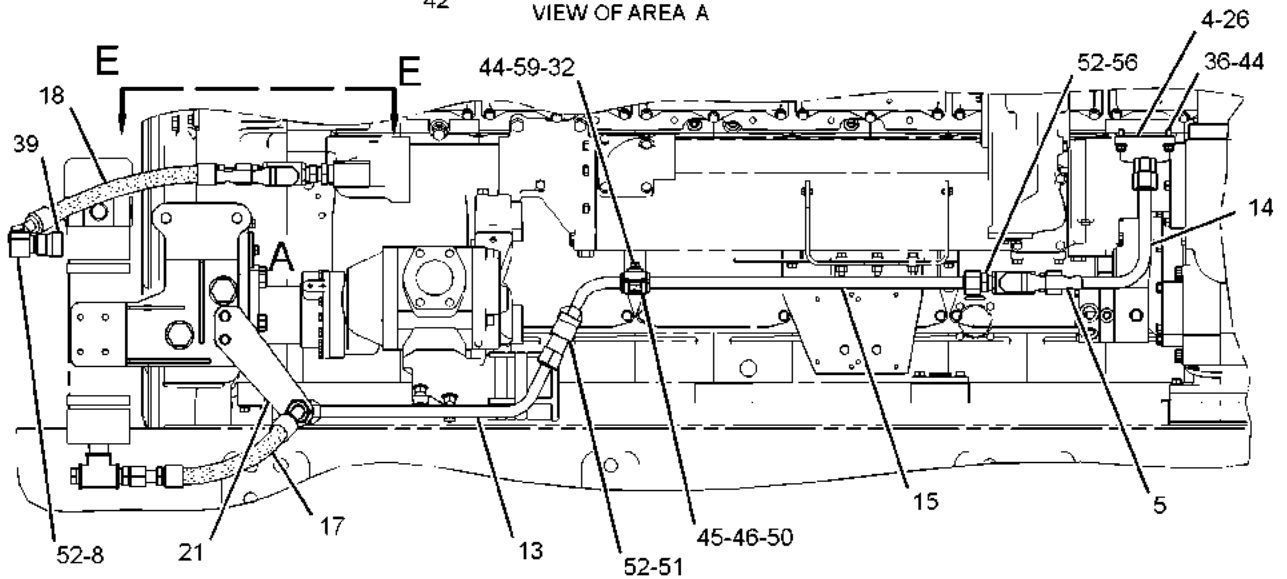
REFER TO ALL ILLUSTRATIONS OF THIS GROUP FOR AUXILIARY VIEWS



VIEW OF AREA A



VIEW OF AREA B



RIGHT SIDE VIEW OF ENGINE

GRAPHIC #2

<END>

g02338418

ELECTRICAL AND STARTING SYSTEM

349-6219 MOUNTING GP-JACKET WTR HEATER

S/N: 65Z1713-UP

AN ATTACHMENT

SMCS-1383

i07000929

NOTE	REF NO	GRAPHIC REF	PART NUMBER	QTY	PART NAME						SEE PAGE
					1	2	3	4	5	6 (PRODUCT LEVEL)	
	1	2	6B-9194	4	BOLT (1-14X3-IN)						
	2	2	6F-0496	2	TEE-PIPE						
	3	2	7E-9437	1	COVER						
	4	1,2	7N-4945	3	GASKET						
	5	1,2	8C-1358	4	VALVE-BALL						
	6	2	8G-2077	4	SPACER (26X45X17.5-MM THK)						
	7	1	8N-8550	1	ELBOW						
	8	1,2	9X-2398	2	ELBOW						
	9	2	106-7650	1	ADAPTER AS						
	10	2	297-4904	2	BRACKET						
	11	2	340-0236	1	BRACKET AS						
		2	8T-5912	2	NUT-WELD (3/8-16-THD)						
	12	2	340-0237	1	BRACKET AS						
		2	8T-5912	2	NUT-WELD (3/8-16-THD)						
	13	2	349-5311	1	TUBE AS						
	14	2	349-5312	1	TUBE AS						
	15	2	349-5314	1	TUBE AS						
	16	2	349-5315	1	TUBE AS						
I	17	2	349-5324	1	HOSE AS						
I	18	2	349-5325	1	HOSE AS						
	19	2	349-6227	1	BRACKET						
	20	1	349-6228	1	BRACKET AS						
	21	2	349-6229	1	BRACKET						
	22	2	349-6230	1	BRACKET						
	23	1	349-6231	1	BRACKET						
	24	2	350-0651	1	HOSE AS						
	25	2	356-9765	1	HOSE AS						
	26	2	357-2007	1	FLANGE						
	27	1	004-7270	2	FITTING-PIPE						
	28	1	006-5707	1	ELBOW-PIPE						
	29	2	039-8557	2	WASHER (13X26X6-MM THK)						
	30	2	054-4048	1	PIPE						
	31	1	0L-1351	3	BOLT (3/8-16X0.875-IN)						
	32	1,2	0S-1588	8	BOLT (3/8-16X1.25-IN)						
	33	1	165-3931	1	BOLT (3/8-16X1.75-IN)						
	34	1	0S-1621	1	BOLT (1/2-13X1-IN)						
	35	2	1A-1460	3	BOLT (1/2-13X2-IN)						
	36	1,2	1A-2029	4	BOLT (3/8-16X1.125-IN)						
	37	2	1W-8793	2	SPACER (13.8X30X20-MM THK)						
	38	1	2P-1293	1	LOCKNUT (1-3/16-12-THD)						
	39	1,2	2R-7712	2	COUPLING (REDUCING)						
	40	2	3B-1915	2	BOLT (3/8-16X1.375-IN)						
	41	1,2	3D-2824	2	SEAL-O-RING						
	42	2	3E-7430	2	PLUG-PIPE (3/4-14-THD)						
	43	1,2	3V-3308	10	WASHER-HARD (10.2X20.5X2.5-MM THK)						
	44	1,2	5M-2894	14	WASHER-HARD (10.2X18.5X2.5-MM THK)						
	45	1,2	5P-7462	6	CLIP (SLOT)						

ELECTRICAL AND STARTING SYSTEM

349-6219 MOUNTING GP-JACKET WTR HEATER (contd.)

i07000929

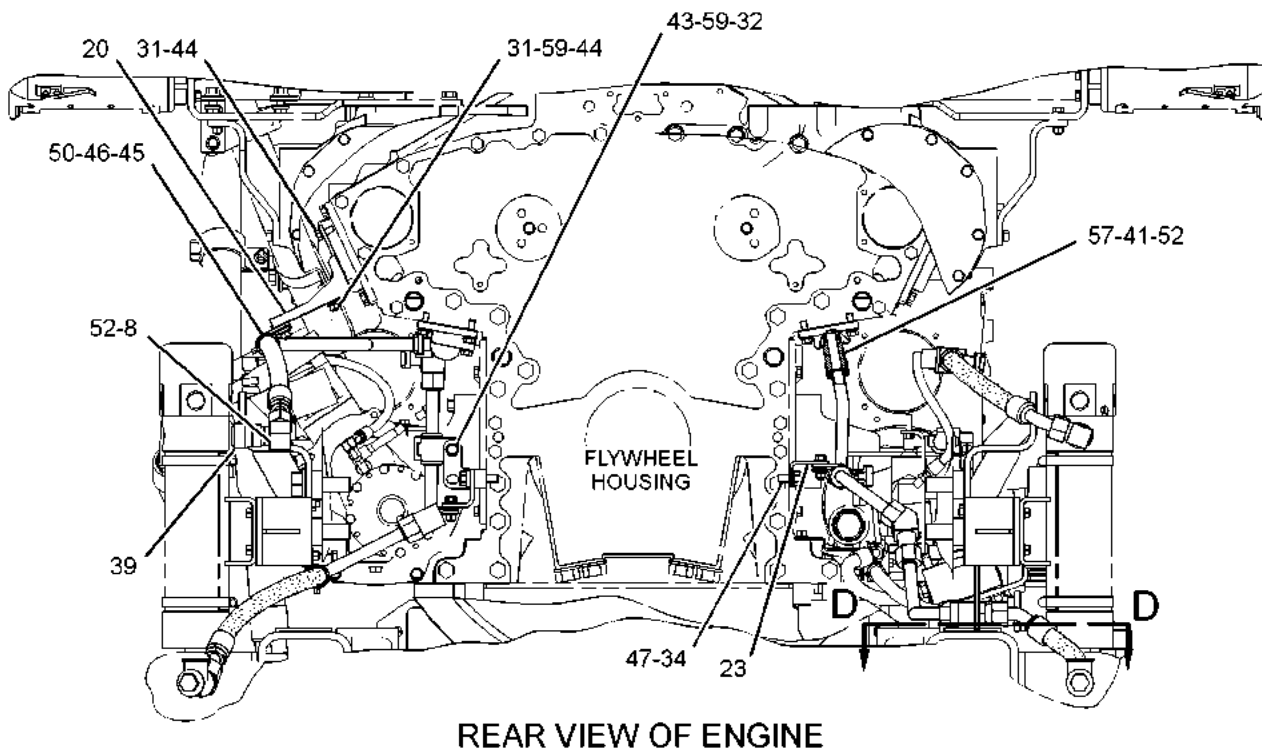
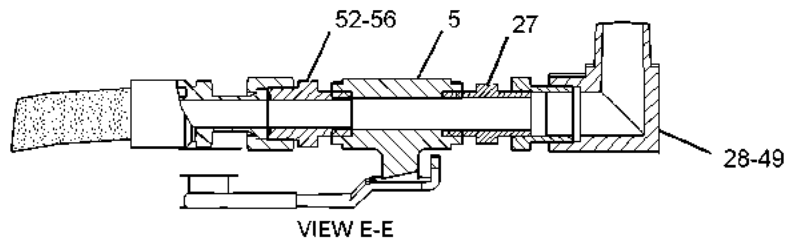
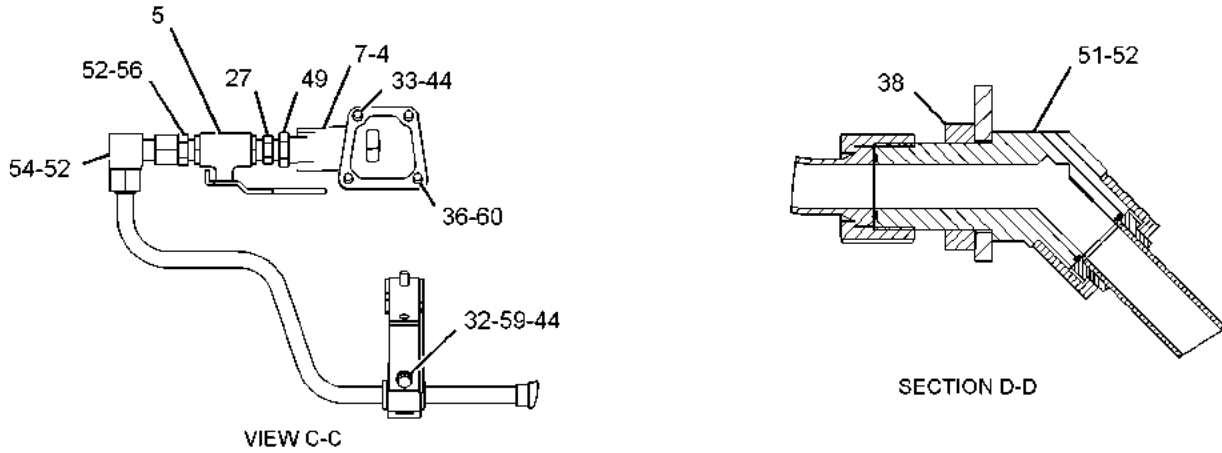
NOTE	REF NO	GRAPHIC REF	PART NUMBER	QTY	PART NAME						SEE PAGE
					1	2	3	4	5	6 (PRODUCT LEVEL)	
	46	1,2	5P-7463	6	CLIP (TAB)						
	47	1,2	5P-8245	2	WASHER-HARD (13.5X25.5X3-MM THK)						
	48	2	5P-8250	4	WASHER (28X49X5-MM THK)						
	49	1	6B-9081	2	BUSHING-REDUCER						
	50	1,2	6V-0683	6	GROMMET						
	51	1,2	6V-8990	2	ELBOW						
	52	1,2	6V-9746	19	SEAL-O-RING						
	53	2	6V-9810	1	UNION						
	54	1,2	6V-9853	2	ELBOW						
	55	2	7X-0563	2	WASHER-HARD (12X35X8-MM THK)						
	56	1,2	8C-6874	7	CONNECTOR						
	57	1	8C-8498	1	CONNECTOR-HYDRAULIC						
	58	2	8T-6451	1	ELBOW						
	59	1,2	9S-8752	7	NUT-FULL (3/8-16-THD)						
	60	1	0S-1594	7	BOLT (3/8-16X1-IN)						

I - REFER TO HYDRAULIC INFORMATION SYSTEM

ELECTRICAL AND STARTING SYSTEM

349-6219 MOUNTING GP-JACKET WTR HEATER (contd.)

i07000929



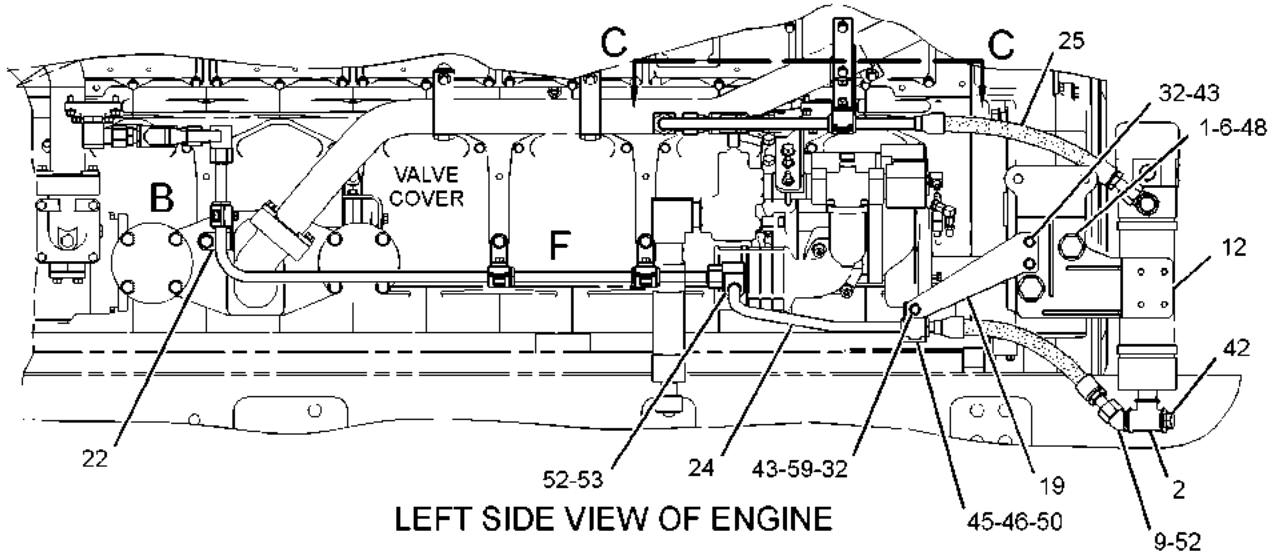
GRAPHIC #1

g06206564

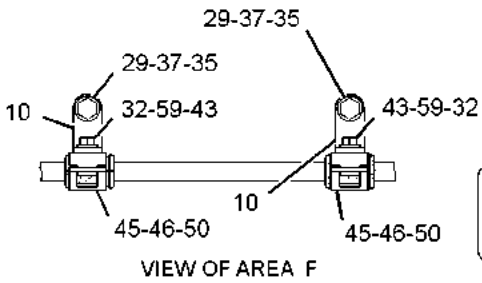
ELECTRICAL AND STARTING SYSTEM

349-6219 MOUNTING GP-JACKET WTR HEATER (contd.)

i07000929

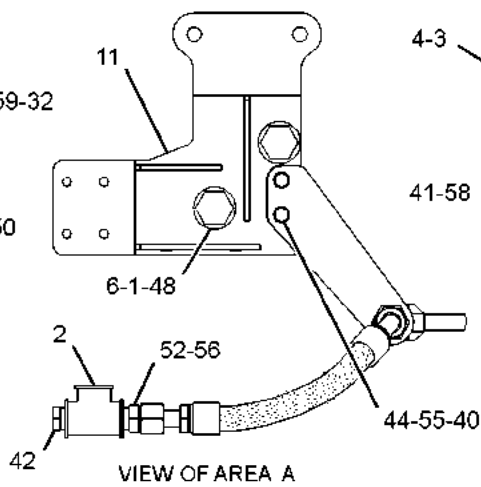


LEFT SIDE VIEW OF ENGINE

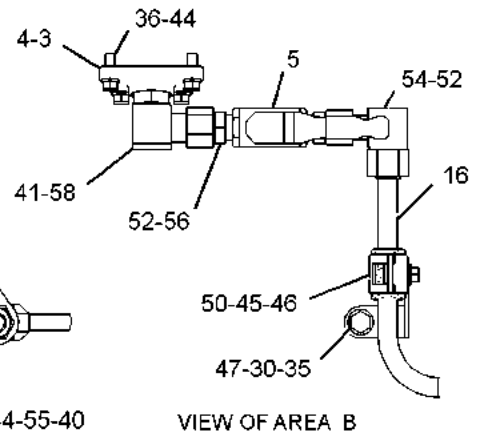


VIEW OF AREA F

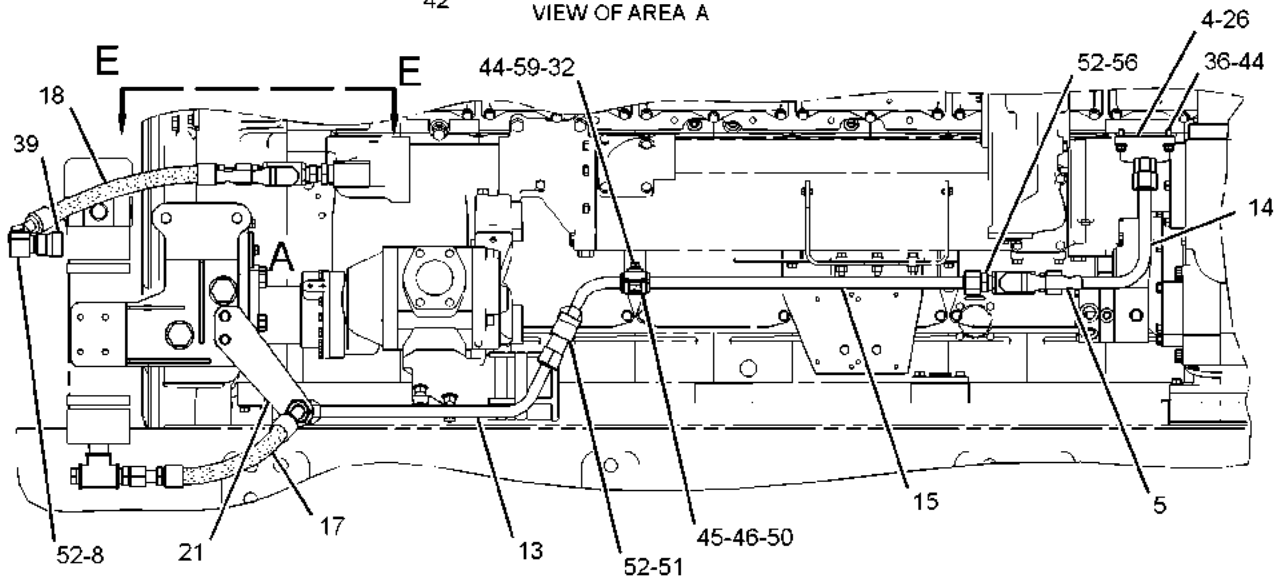
REFER TO ALL ILLUSTRATIONS OF THIS GROUP FOR AUXILIARY VIEWS



VIEW OF AREA A



VIEW OF AREA B



RIGHT SIDE VIEW OF ENGINE

GRAPHIC #2

<END>

g02338418

ELECTRICAL AND STARTING SYSTEM

422-8087 MOUNTING GP-JACKET WTR HEATER-LH AN ATTACHMENT

SMCS-1383

i05414395

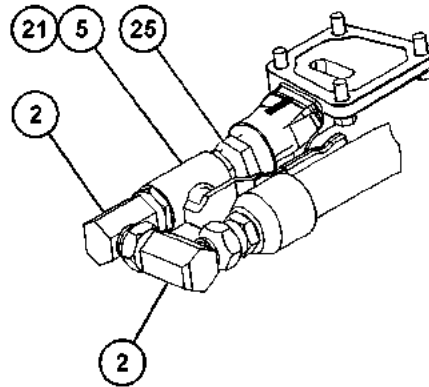
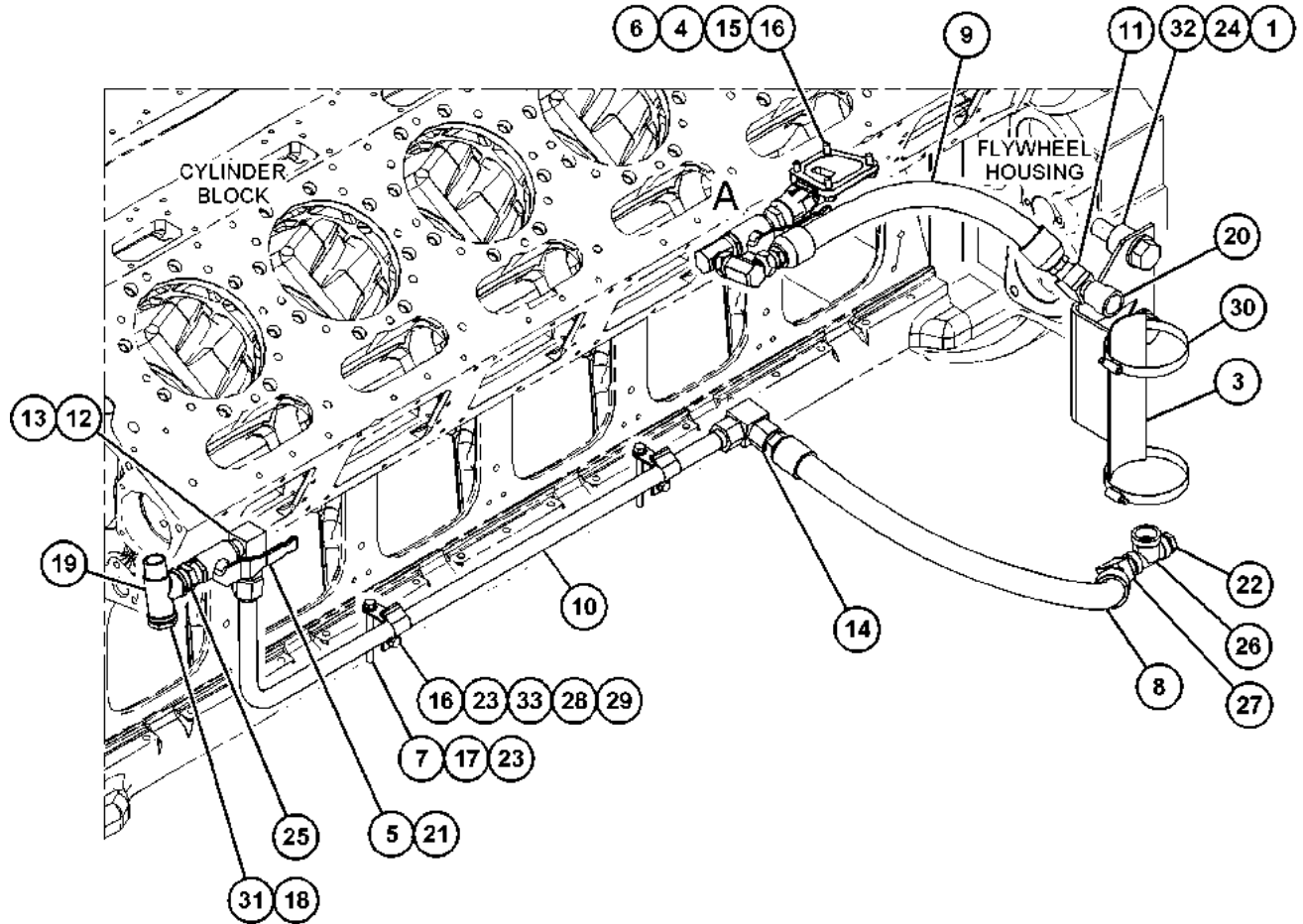
NOTE	REF NO	GRAPHIC REF	PART NUMBER	QTY	PART NAME						SEE PAGE
					1	2	3	4	5	6 (PRODUCT LEVEL)	
	1	1	1S-2303	2	SPACER (1.062X1.75X1.44-IN THK)						
	2	1	2H-3939	2	ELBOW						
	3	1	7C-1707	1	BRACKET AS						
		1	5P-2251	1	GUSSET						
	4	1	7N-4945	1	GASKET						
	5	1	8C-1358	2	VALVE-BALL						
	6	1	8N-8550	1	ELBOW						
	7	1	116-3266	2	BRACKET						
I	8	1	258-8955	1	HOSE AS						
I	9	1	267-7346	1	HOSE AS						
	10	1	422-8088	1	TUBE AS						
	11	1	000-7246	1	ELBOW						
	12	1	003-9163	1	ELBOW						
	13	1	030-8307	1	CONNECTOR						
	14	1	031-5744	1	ELBOW						
	15	1	165-3931	1	BOLT (3/8-16X1.75-IN)						
	16	1	0S-1594	5	BOLT (3/8-16X1-IN)						
	17	1	0S-1608	2	BOLT (3/8-16X3.75-IN)						
	18	1	118-1656	1	BUSHING-REDUCER						
	19	1	1L-4031	1	TEE-SERVICE						
	20	1	2R-7712	1	COUPLING (REDUCING)						
	21	1	3B-7745	2	NIPPLE-PIPE						
	22	1	3E-7430	1	PLUG-PIPE (3/4-14-THD)						
	23	1	5M-2894	6	WASHER-HARD (10.2X18.5X2.5-MM THK)						
	24	1	5P-8250	2	WASHER (28X49X5-MM THK)						
	25	1	6B-9081	2	BUSHING-REDUCER						
	26	1	6F-0496	1	TEE-PIPE						
	27	1	6H-8297	1	ELBOW						
	28	1	7J-0728	2	CLIP (TAB)						
	29	1	7J-0729	2	CLIP (SLOT)						
	30	1	8T-6726	2	CLAMP-HOSE						
	31	1	8T-6762	1	PLUG-PIPE (1/2-14-THD)						
	32	1	9S-1368	2	BOLT (1-14X3.5-IN)						
	33	1	9S-8752	2	NUT-FULL (3/8-16-THD)						

I - REFER TO HYDRAULIC INFORMATION SYSTEM

ELECTRICAL AND STARTING SYSTEM

422-8087 MOUNTING GP-JACKET WTR HEATER (contd.)

i05414395



GRAPHIC #1

<END>

g03698031

ELECTRICAL AND STARTING SYSTEM

430-2763 MOUNTING GP-JACKET WTR HEATER-LH AN ATTACHMENT

SMCS-1383

i05683233

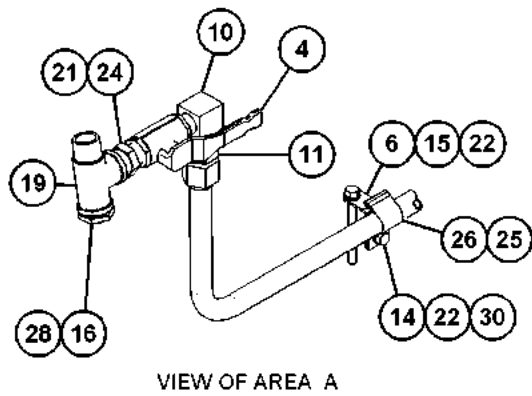
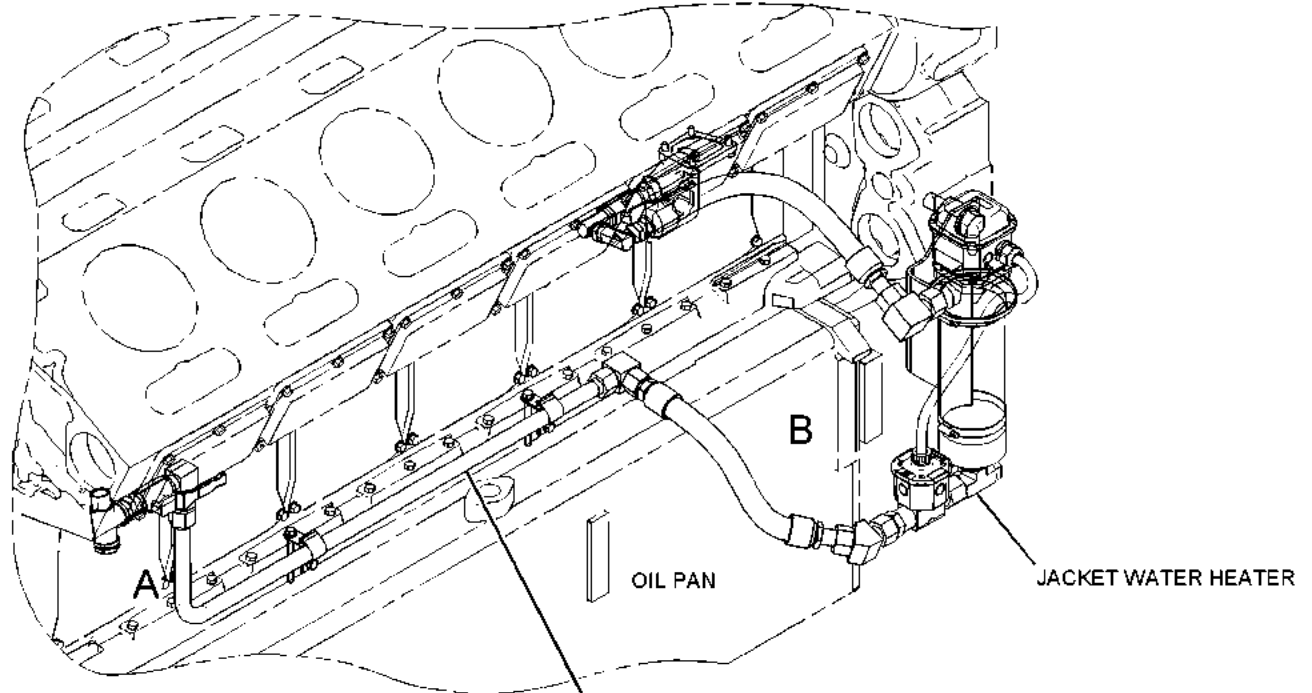
NOTE	REF NO	GRAPHIC REF	PART NUMBER	QTY	PART NAME						SEE PAGE
					1	2	3	4	5	6 (PRODUCT LEVEL)	
	1	1	1S-2303	2	SPACER (1.062X1.75X1.44-IN THK)						
	2	1	7C-1707	1	BRACKET AS						
		1	5P-2251	1	GUSSET						
	3	1	7N-4945	1	GASKET						
	4	1	8C-1358	2	VALVE-BALL						
	5	1	8N-8550	1	ELBOW						
	6	1	116-3266	2	BRACKET						
	7	1	422-8088	1	TUBE AS						
I	8	1	447-8609	1	HOSE AS						
I	9	1	447-8614	1	HOSE AS						
	10	1	003-9163	1	ELBOW						
	11	1	030-8307	1	CONNECTOR						
	12	1	031-5744	1	ELBOW						
	13	1	165-3931	1	BOLT (3/8-16X1.75-IN)						
	14	1	0S-1594	5	BOLT (3/8-16X1-IN)						
	15	1	0S-1608	2	BOLT (3/8-16X3.75-IN)						
	16	1	118-1656	1	BUSHING-REDUCER						
	17	1	<i>148-8352</i>	1	ELBOW AS						
		1	5K-9090	1	SEAL-O-RING						
		1	6V-9854	1	ELBOW (SWIVEL)						
	18	1	<i>177-1061</i>	1	ELBOW AS						
		1	5K-9090	1	SEAL-O-RING						
		1	142-0038	1	ELBOW						
	19	1	1L-4031	1	TEE-SERVICE						
	20	1	2H-3939	2	ELBOW						
	21	1	3B-7745	2	NIPPLE-PIPE						
	22	1	5M-2894	6	WASHER-HARD (10.2X18.5X2.5-MM THK)						
	23	1	5P-8250	2	WASHER (28X49X5-MM THK)						
	24	1	6B-9081	2	BUSHING-REDUCER						
	25	1	7J-0728	2	CLIP (TAB)						
	26	1	7J-0729	2	CLIP (SLOT)						
	27	1	8T-6726	2	CLAMP-HOSE						
	28	1	8T-6762	1	PLUG-PIPE (1/2-14-THD)						
	29	1	9S-1368	2	BOLT (1-14X3.5-IN)						
	30	1	9S-8752	2	NUT-FULL (3/8-16-THD)						
	31	1	7K-1181	1	STRAP-CABLE						

I - REFER TO HYDRAULIC INFORMATION SYSTEM

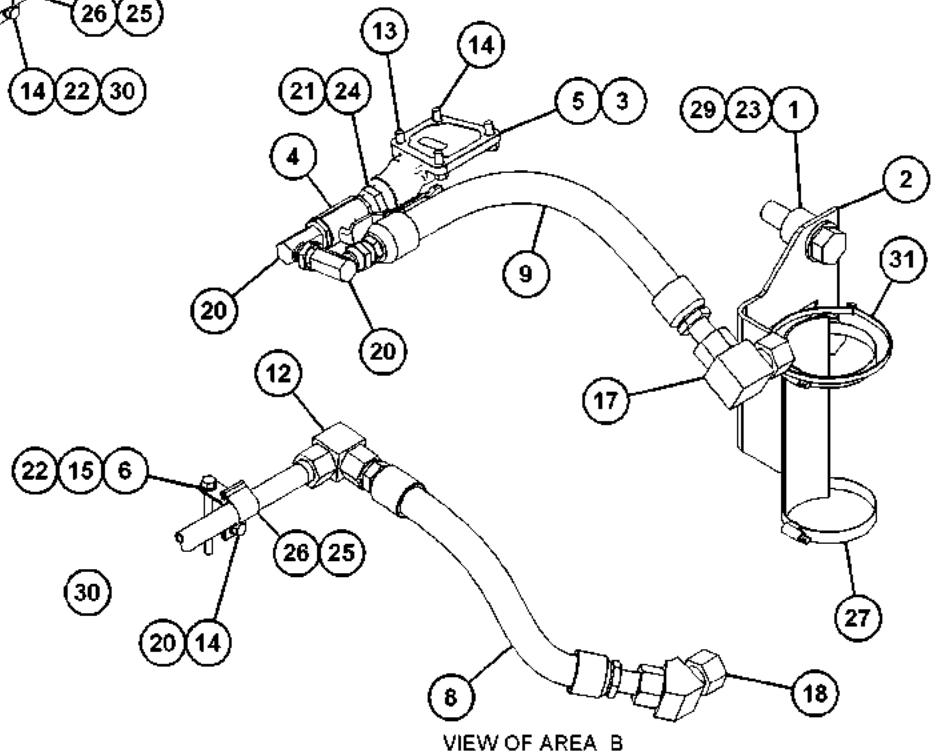
ELECTRICAL AND STARTING SYSTEM

430-2763 MOUNTING GP-JACKET WTR HEATER (contd.)

105683233



VIEW OF AREA A



VIEW OF AREA B

GRAPHIC #1

<END>

g03696789

ELECTRICAL AND STARTING SYSTEM

444-1831 MOUNTING GP-JACKET WTR HEATER-LH AN ATTACHMENT

SMCS-1383

i05597330

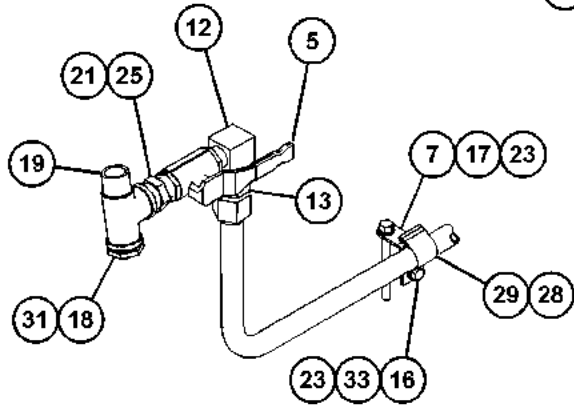
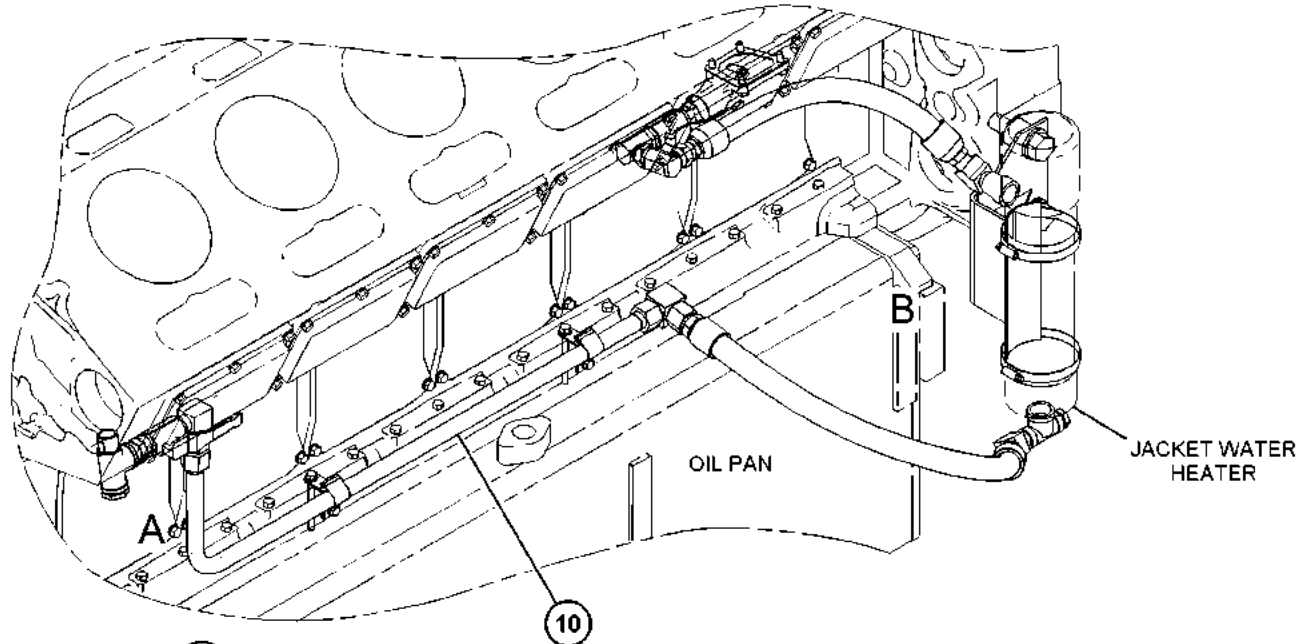
NOTE	REF NO	GRAPHIC REF	PART NUMBER	QTY	PART NAME						SEE PAGE
					1	2	3	4	5	6 (PRODUCT LEVEL)	
	1	1	1S-2303	2	SPACER (1.062X1.75X1.44-IN THK)						
	2	1	2H-3939	2	ELBOW						
	3	1	7C-1707	1	BRACKET AS						
		1	5P-2251	1	GUSSET						
	4	1	7N-4945	1	GASKET						
	5	1	8C-1358	2	VALVE-BALL						
	6	1	8N-8550	1	ELBOW						
	7	1	116-3266	2	BRACKET						
I	8	1	258-8955	1	HOSE AS						
I	9	1	267-7346	1	HOSE AS						
	10	1	422-8088	1	TUBE AS						
	11	1	000-7246	1	ELBOW						
	12	1	003-9163	1	ELBOW						
	13	1	030-8307	1	CONNECTOR						
	14	1	031-5744	1	ELBOW						
	15	1	165-3931	1	BOLT (3/8-16X1.75-IN)						
	16	1	0S-1594	5	BOLT (3/8-16X1-IN)						
	17	1	0S-1608	2	BOLT (3/8-16X3.75-IN)						
	18	1	118-1656	1	BUSHING-REDUCER						
	19	1	1L-4031	1	TEE-SERVICE						
	20	1	2R-7712	1	COUPLING (REDUCING)						
	21	1	3B-7745	2	NIPPLE-PIPE						
	22	1	3E-7430	1	PLUG-PIPE (3/4-14-THD)						
	23	1	5M-2894	6	WASHER-HARD (10.2X18.5X2.5-MM THK)						
	24	1	5P-8250	2	WASHER (28X49X5-MM THK)						
	25	1	6B-9081	2	BUSHING-REDUCER						
	26	1	6F-0496	1	TEE-PIPE						
	27	1	6H-8297	1	ELBOW						
	28	1	7J-0728	2	CLIP (TAB)						
	29	1	7J-0729	2	CLIP (SLOT)						
	30	1	8T-6726	2	CLAMP-HOSE						
	31	1	8T-6762	1	PLUG-PIPE (1/2-14-THD)						
	32	1	9S-1368	2	BOLT (1-14X3.5-IN)						
	33	1	9S-8752	2	NUT-FULL (3/8-16-THD)						

I - REFER TO HYDRAULIC INFORMATION SYSTEM

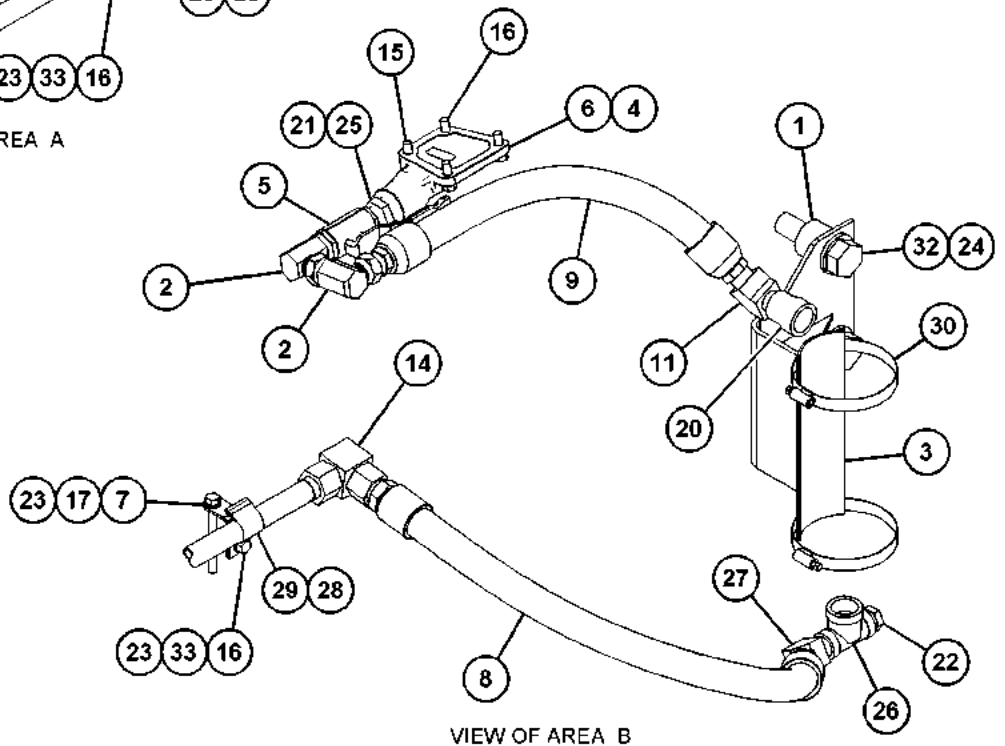
ELECTRICAL AND STARTING SYSTEM

444-1831 MOUNTING GP-JACKET WTR HEATER (contd.)

i05597330



VIEW OF AREA A



VIEW OF AREA B

GRAPHIC #1

<END>

g03696812

ELECTRICAL AND STARTING SYSTEM

444-8114 MOUNTING GP-JACKET WTR HEATER-LH AN ATTACHMENT

SMCS-1383

i05597329

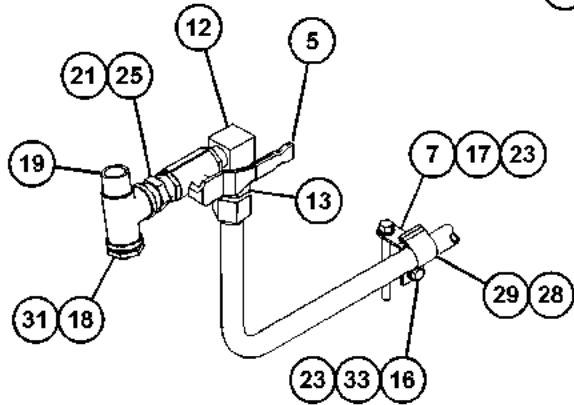
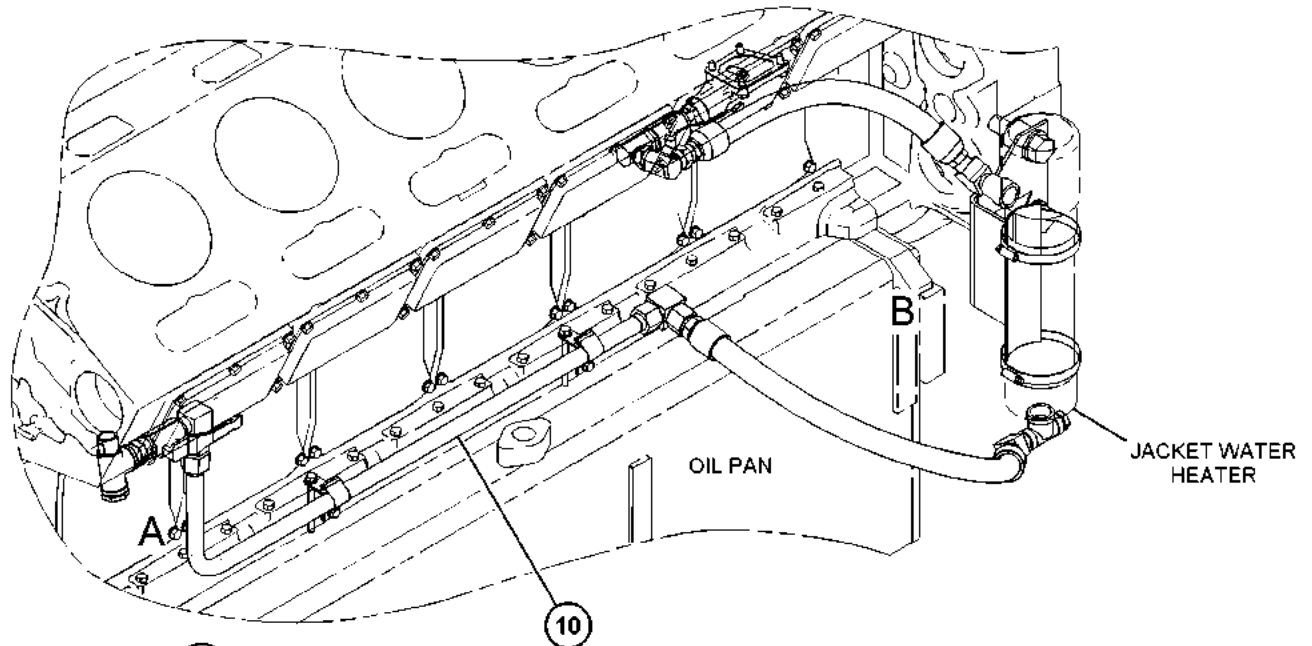
NOTE	REF NO	GRAPHIC REF	PART NUMBER	QTY	PART NAME						SEE PAGE
					1	2	3	4	5	6 (PRODUCT LEVEL)	
	1	1	1S-2303	2	SPACER (1.062X1.75X1.44-IN THK)						
	2	1	2H-3939	2	ELBOW						
	3	1	7C-1707	1	BRACKET AS						
		1	5P-2251	1	GUSSET						
	4	1	7N-4945	1	GASKET						
	5	1	8C-1358	2	VALVE-BALL						
	6	1	8N-8550	1	ELBOW						
	7	1	116-3266	2	BRACKET						
I	8	1	258-8955	1	HOSE AS						
I	9	1	267-7346	1	HOSE AS						
	10	1	422-8088	1	TUBE AS						
	11	1	000-7246	1	ELBOW						
	12	1	003-9163	1	ELBOW						
	13	1	030-8307	1	CONNECTOR						
	14	1	031-5744	1	ELBOW						
	15	1	165-3931	1	BOLT (3/8-16X1.75-IN)						
	16	1	0S-1594	5	BOLT (3/8-16X1-IN)						
	17	1	0S-1608	2	BOLT (3/8-16X3.75-IN)						
	18	1	118-1656	1	BUSHING-REDUCER						
	19	1	1L-4031	1	TEE-SERVICE						
	20	1	2R-7712	1	COUPLING (REDUCING)						
	21	1	3B-7745	2	NIPPLE-PIPE						
	22	1	3E-7430	1	PLUG-PIPE (3/4-14-THD)						
	23	1	5M-2894	6	WASHER-HARD (10.2X18.5X2.5-MM THK)						
	24	1	5P-8250	2	WASHER (28X49X5-MM THK)						
	25	1	6B-9081	2	BUSHING-REDUCER						
	26	1	6F-0496	1	TEE-PIPE						
	27	1	6H-8297	1	ELBOW						
	28	1	7J-0728	2	CLIP (TAB)						
	29	1	7J-0729	2	CLIP (SLOT)						
	30	1	8T-6726	2	CLAMP-HOSE						
	31	1	8T-6762	1	PLUG-PIPE (1/2-14-THD)						
	32	1	9S-1368	2	BOLT (1-14X3.5-IN)						
	33	1	9S-8752	2	NUT-FULL (3/8-16-THD)						

I - REFER TO HYDRAULIC INFORMATION SYSTEM

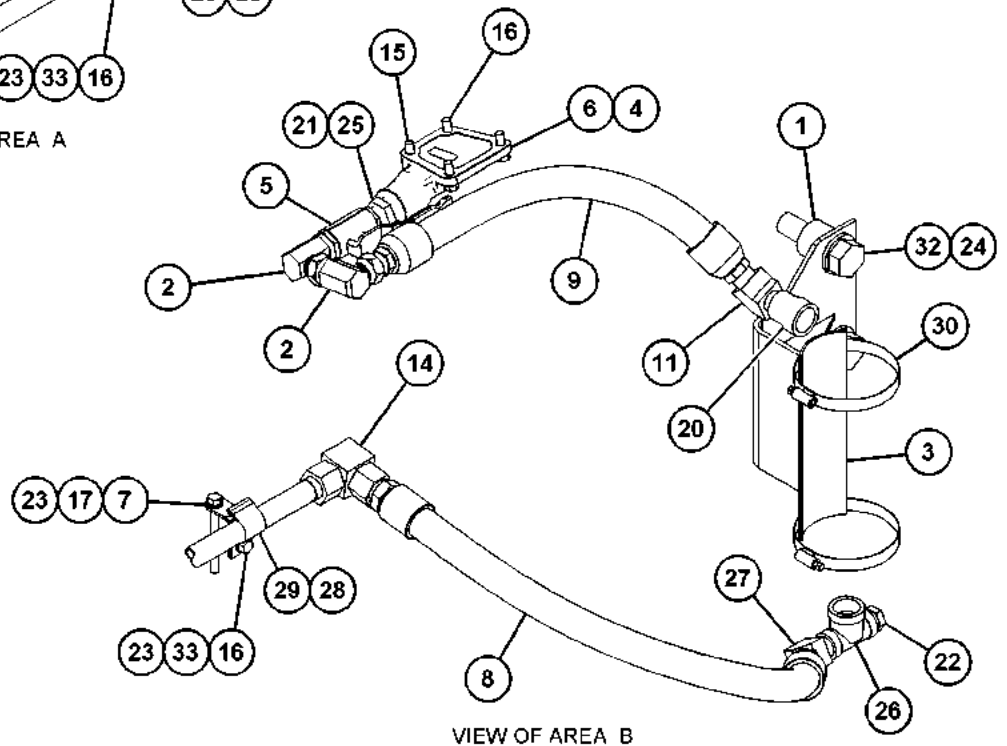
ELECTRICAL AND STARTING SYSTEM

444-8114 MOUNTING GP-JACKET WTR HEATER (contd.)

i05597329



VIEW OF AREA A



VIEW OF AREA B

GRAPHIC #1

<END>

g03696812

ELECTRICAL AND STARTING SYSTEM

447-0814 MOUNTING GP-JACKET WTR HEATER-LH AN ATTACHMENT

SMCS - 1383

i05683280

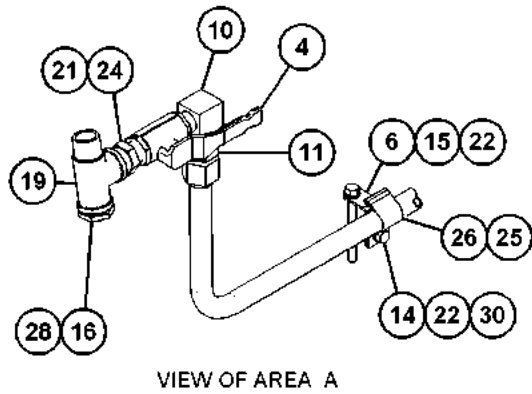
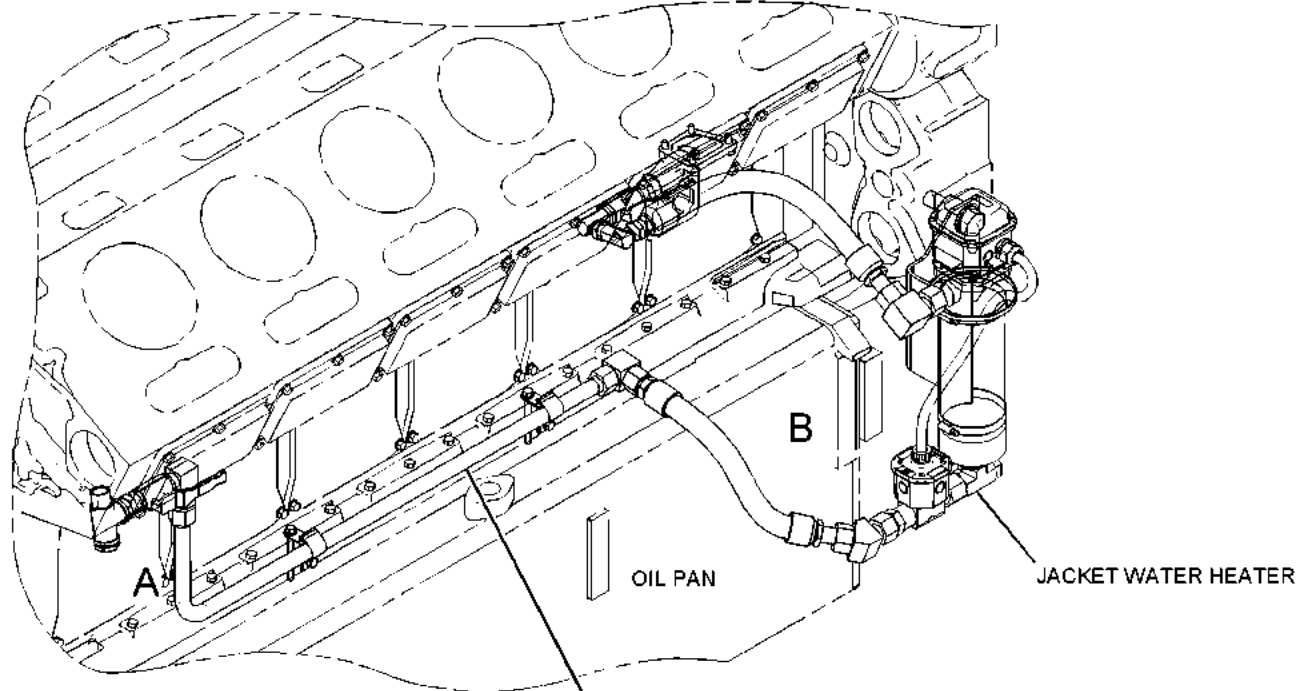
NOTE	REF NO	GRAPHIC REF	PART NUMBER	QTY	PART NAME						SEE PAGE
					1	2	3	4	5	6 (PRODUCT LEVEL)	
	1	1	1S-2303	2	SPACER (1.062X1.75X1.44-IN THK)						
	2	1	7C-1707	1	BRACKET AS						
		1	5P-2251	1	GUSSET						
	3	1	7N-4945	1	GASKET						
	4	1	8C-1358	2	VALVE-BALL						
	5	1	8N-8550	1	ELBOW						
	6	1	116-3266	2	BRACKET						
	7	1	422-8088	1	TUBE AS						
I	8	1	447-8609	1	HOSE AS						
I	9	1	447-8614	1	HOSE AS						
	10	1	003-9163	1	ELBOW						
	11	1	030-8307	1	CONNECTOR						
	12	1	031-5744	1	ELBOW						
	13	1	165-3931	1	BOLT (3/8-16X1.75-IN)						
	14	1	0S-1594	5	BOLT (3/8-16X1-IN)						
	15	1	0S-1608	2	BOLT (3/8-16X3.75-IN)						
	16	1	118-1656	1	BUSHING-REDUCER						
	17	1	<i>148-8352</i>	1	ELBOW AS						
		1	5K-9090	1	SEAL-O-RING						
		1	6V-9854	1	ELBOW (SWIVEL)						
	18	1	<i>177-1061</i>	1	ELBOW AS						
		1	5K-9090	1	SEAL-O-RING						
		1	142-0038	1	ELBOW						
	19	1	1L-4031	1	TEE-SERVICE						
	20	1	2H-3939	2	ELBOW						
	21	1	3B-7745	2	NIPPLE-PIPE						
	22	1	5M-2894	6	WASHER-HARD (10.2X18.5X2.5-MM THK)						
	23	1	5P-8250	2	WASHER (28X49X5-MM THK)						
	24	1	6B-9081	2	BUSHING-REDUCER						
	25	1	7J-0728	2	CLIP (TAB)						
	26	1	7J-0729	2	CLIP (SLOT)						
	27	1	8T-6726	2	CLAMP-HOSE						
	28	1	8T-6762	1	PLUG-PIPE (1/2-14-THD)						
	29	1	9S-1368	2	BOLT (1-14X3.5-IN)						
	30	1	9S-8752	2	NUT-FULL (3/8-16-THD)						
	31	1	7K-1181	1	STRAP-CABLE						

I - REFER TO HYDRAULIC INFORMATION SYSTEM

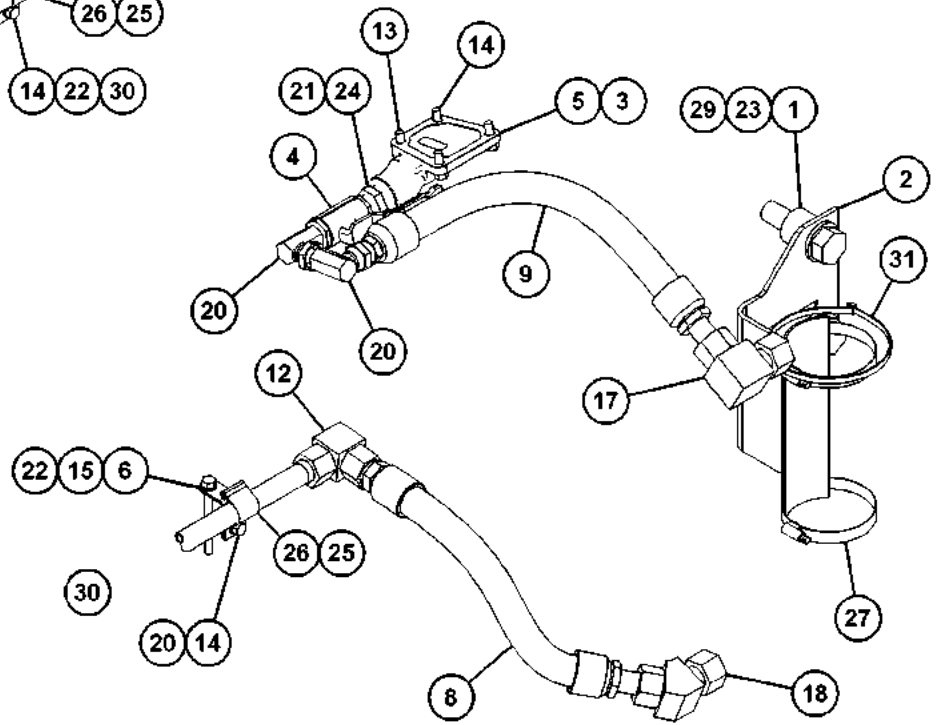
ELECTRICAL AND STARTING SYSTEM

447-0814 MOUNTING GP-JACKET WTR HEATER (contd.)

i05683280



VIEW OF AREA A



VIEW OF AREA B

GRAPHIC #1

<END>

g03696789

ELECTRICAL AND STARTING SYSTEM

447-0816 MOUNTING GP-JACKET WTR HEATER AN ATTACHMENT

SMCS-1383

i05762918

NOTE	REF NO	GRAPHIC REF	PART NUMBER	QTY	PART NAME						SEE PAGE
					1	2	3	4	5	6 (PRODUCT LEVEL)	
	1	1	6B-9194	4	BOLT (1-14X3-IN)						
	2	1	7E-9437	1	COVER						
	3	1	7N-4945	3	GASKET						
	4	1	8C-1358	4	VALVE-BALL						
	5	1	8G-2077	4	SPACER (26X45X17.5-MM THK)						
	6	1	8N-8550	1	ELBOW						
	7	1	7K-1181	2	STRAP-CABLE						
	8	1	297-4904	2	BRACKET						
	9	1	339-2092	2	BRACKET AS						
	10	1	340-0236	1	BRACKET AS						
	11	1	340-0237	1	BRACKET AS						
	12	1	349-5311	1	TUBE AS						
	13	1	349-5312	1	TUBE AS						
	14	1	349-5314	1	TUBE AS						
	15	1	349-5315	1	TUBE AS						
I	16	1	349-5324	1	HOSE AS						
I	17	1	349-5325	1	HOSE AS						
	18	1	349-6227	1	BRACKET						
	19	1	349-6228	1	BRACKET AS						
	20	1	349-6229	1	BRACKET						
	21	1	349-6230	1	BRACKET						
	22	1	349-6231	1	BRACKET						
	23	1	350-0651	1	HOSE AS						
	24	1	356-9765	1	HOSE AS						
	25	1	357-2007	1	FLANGE						
	26	1	004-7270	2	FITTING-PIPE						
	27	1	006-5707	1	ELBOW-PIPE						
	28	1	039-8557	2	WASHER (13X26X6-MM THK)						
	29	1	054-4048	1	PIPE						
	30	1	0L-1351	3	BOLT (3/8-16X0.875-IN)						
	31	1	0S-1588	8	BOLT (3/8-16X1.25-IN)						
	32	1	0S-1590	1	BOLT (3/8-16X2-IN)						
	33	1	0S-1621	1	BOLT (1/2-13X1-IN)						
	34	1	1A-1460	3	BOLT (1/2-13X2-IN)						
	35	1	1A-2029	11	BOLT (3/8-16X1.125-IN)						
	36	1	1W-8793	2	SPACER (13.8X30X20-MM THK)						
	37	1	2P-1293	1	LOCKNUT (1-3/16-12-THD)						
	38	1	3B-1915	10	BOLT (3/8-16X1.375-IN)						
	39	1	3D-2824	2	SEAL-O-RING						
	40	1	3V-3308	10	WASHER-HARD (10.2X20.5X2.5-MM THK)						
	41	1	5M-2894	38	WASHER-HARD (10.2X18.5X2.5-MM THK)						
	42	1	5P-7462	6	CLIP (SLOT)						
	43	1	5P-7463	6	CLIP (TAB)						
	44	1	5P-8245	2	WASHER-HARD (13.5X25.5X3-MM THK)						
	45	1	5P-8250	4	WASHER (28X49X5-MM THK)						
	46	1	6B-9081	2	BUSHING-REDUCER						
	47	1	6V-0683	6	GROMMET						
	48	1	6V-8637	1	CONNECTOR						

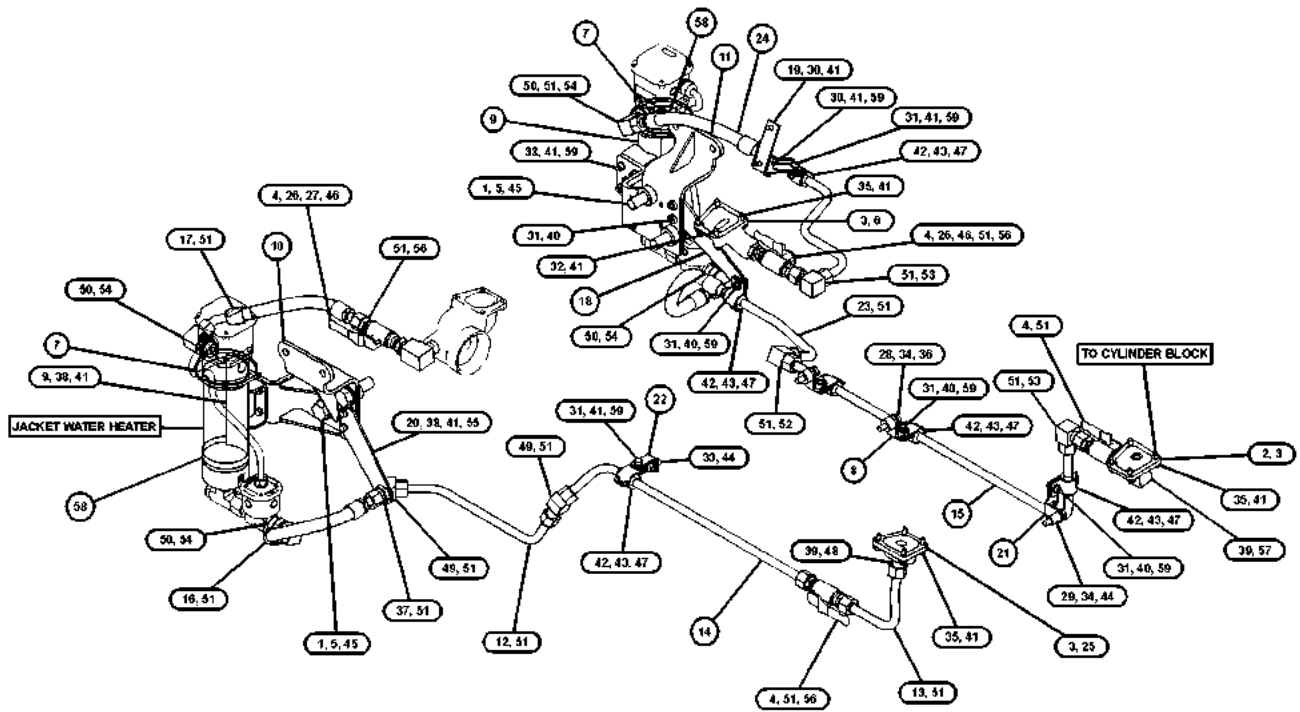
ELECTRICAL AND STARTING SYSTEM

447-0816 MOUNTING GP-JACKET WTR HEATER (contd.)

i05762918

NOTE	REF NO	GRAPHIC REF	PART NUMBER	QTY	PART NAME						SEE PAGE
					1	2	3	4	5	6 (PRODUCT LEVEL)	
	49	1	6V-8990	2	ELBOW						
	50	1	6V-9182	4	ELBOW						
	51	1	6V-9746	19	SEAL-O-RING						
	52	1	6V-9810	1	UNION						
	53	1	6V-9853	2	ELBOW						
	54	1	7M-8485	4	SEAL-O-RING						
	55	1	7X-0563	2	WASHER-HARD (12X35X8-MM THK)						
	56	1	8C-6874	6	CONNECTOR						
	57	1	8T-6451	1	ELBOW						
	58	1	8T-6726	4	CLAMP-HOSE						
	59	1	9S-8752	15	NUT-FULL (3/8-16-THD)						

I - REFER TO HYDRAULIC INFORMATION SYSTEM



GRAPHIC #1

<END>

g03686948

ELECTRICAL AND STARTING SYSTEM

447-8597 MOUNTING GP-JACKET WTR HEATER-LH AN ATTACHMENT

SMCS-1383

i05683310

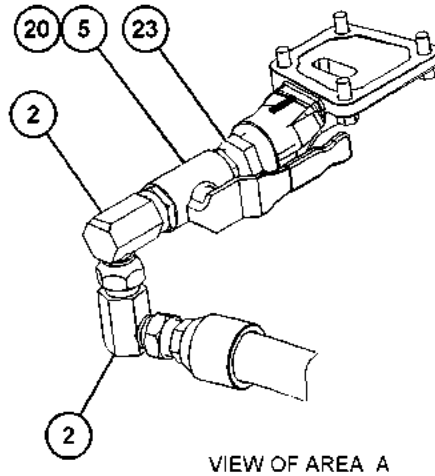
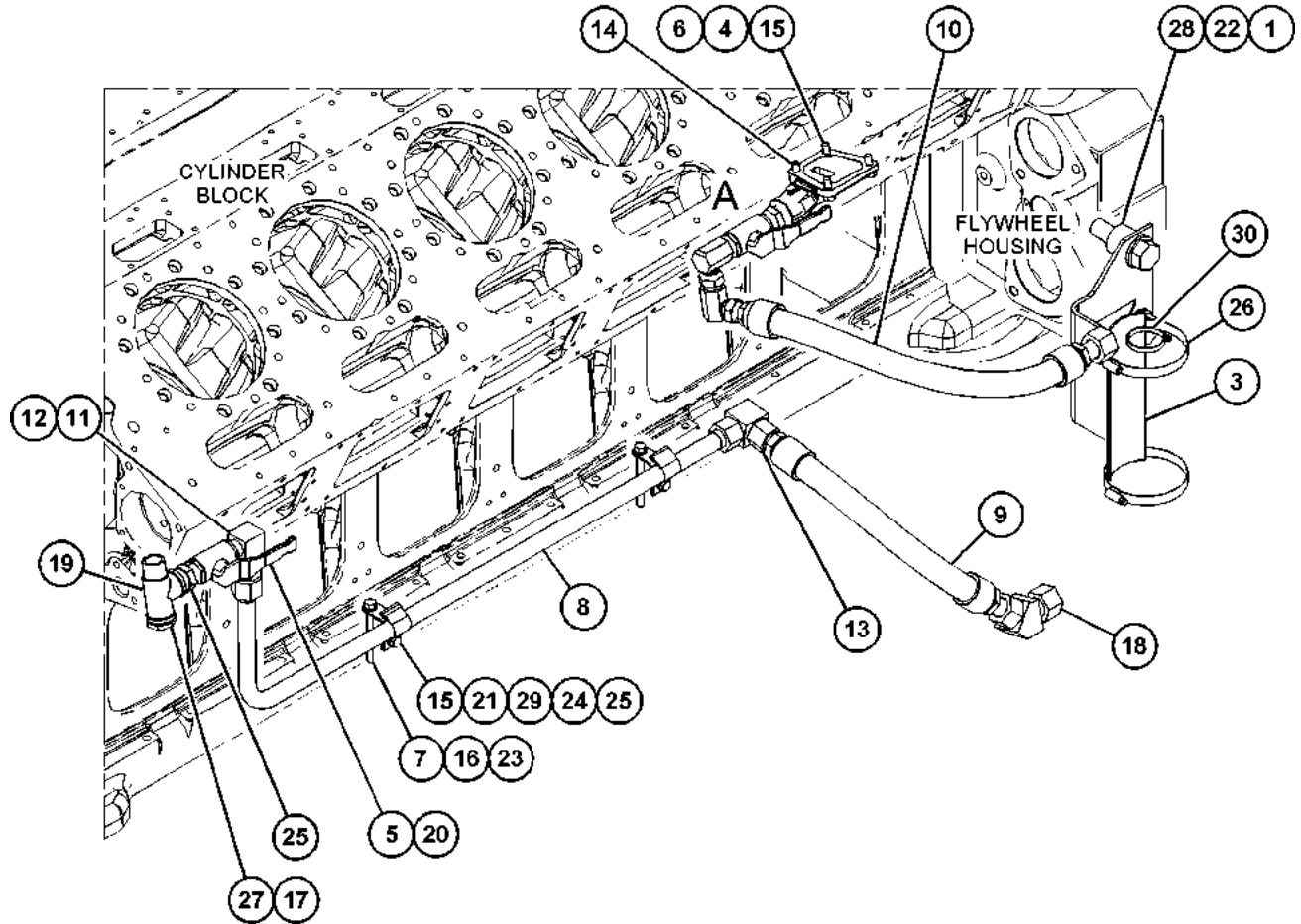
NOTE	REF NO	GRAPHIC REF	PART NUMBER	QTY	PART NAME						SEE PAGE
					1	2	3	4	5	6 (PRODUCT LEVEL)	
	1	1	1S-2303	2	SPACER (1.062X1.75X1.44-IN THK)						
	2	1	2H-3939	2	ELBOW						
	3	1	7C-1707	1	BRACKET AS						
		1	5P-2251	1	GUSSET						
	4	1	7N-4945	1	GASKET						
	5	1	8C-1358	2	VALVE-BALL						
	6	1	8N-8550	1	ELBOW						
	7	1	116-3266	2	BRACKET						
	8	1	422-8088	1	TUBE AS						
I	9	1	447-8609	1	HOSE AS						
I	10	1	447-8613	1	HOSE AS						
	11	1	003-9163	1	ELBOW						
	12	1	030-8307	1	CONNECTOR						
	13	1	031-5744	1	ELBOW						
	14	1	165-3931	1	BOLT (3/8-16X1.75-IN)						
	15	1	0S-1594	5	BOLT (3/8-16X1-IN)						
	16	1	0S-1608	2	BOLT (3/8-16X3.75-IN)						
	17	1	118-1656	1	BUSHING-REDUCER						
	18	1	<i>177-1061</i>	1	ELBOW AS						
		1	5K-9090	1	SEAL-O-RING						
		1	142-0038	1	ELBOW						
	19	1	1L-4031	1	TEE-SERVICE						
	20	1	3B-7745	2	NIPPLE-PIPE						
	21	1	5M-2894	6	WASHER-HARD (10.2X18.5X2.5-MM THK)						
	22	1	5P-8250	2	WASHER (28X49X5-MM THK)						
	23	1	6B-9081	2	BUSHING-REDUCER						
	24	1	7J-0728	2	CLIP (TAB)						
	25	1	7J-0729	2	CLIP (SLOT)						
	26	1	8T-6726	2	CLAMP-HOSE						
	27	1	8T-6762	1	PLUG-PIPE (1/2-14-THD)						
	28	1	9S-1368	2	BOLT (1-14X3.5-IN)						
	29	1	9S-8752	2	NUT-FULL (3/8-16-THD)						
	30	1	7K-1181	1	STRAP-CABLE						

I - REFER TO HYDRAULIC INFORMATION SYSTEM

ELECTRICAL AND STARTING SYSTEM

447-8597 MOUNTING GP-JACKET WTR HEATER (contd.)

105683310



GRAPHIC #1

<END>

g03698049

ELECTRICAL AND STARTING SYSTEM

447-8600 MOUNTING GP-JACKET WTR HEATER-RH AN ATTACHMENT

SMCS-1383

i07012876

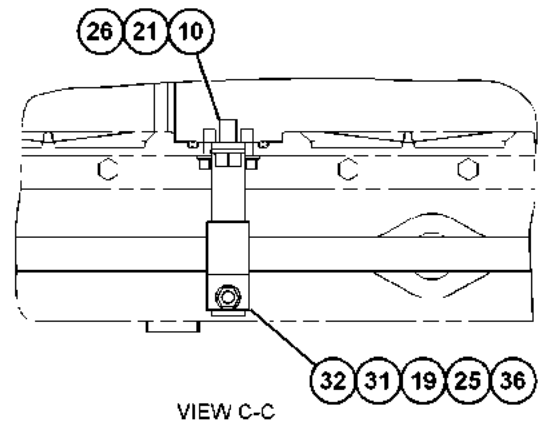
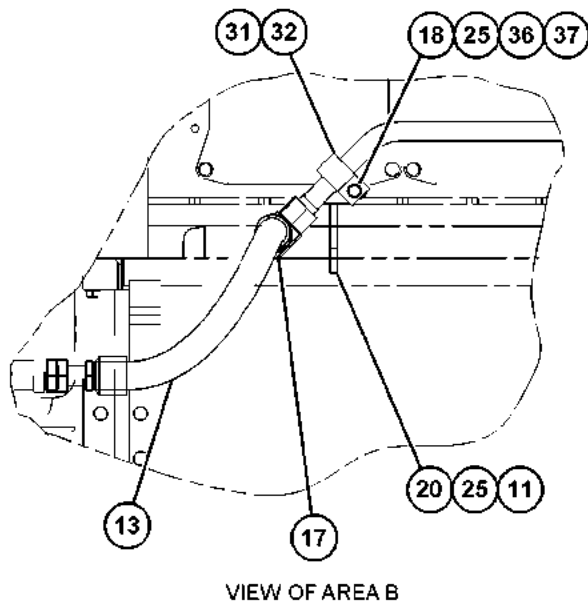
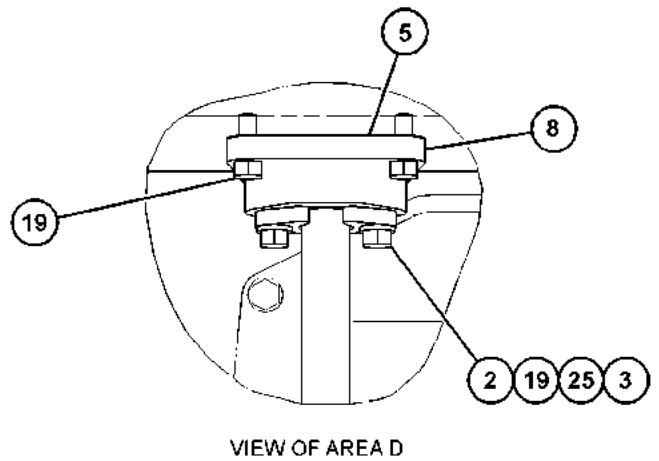
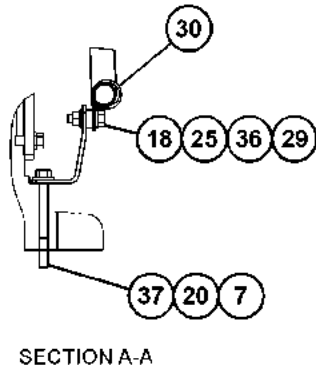
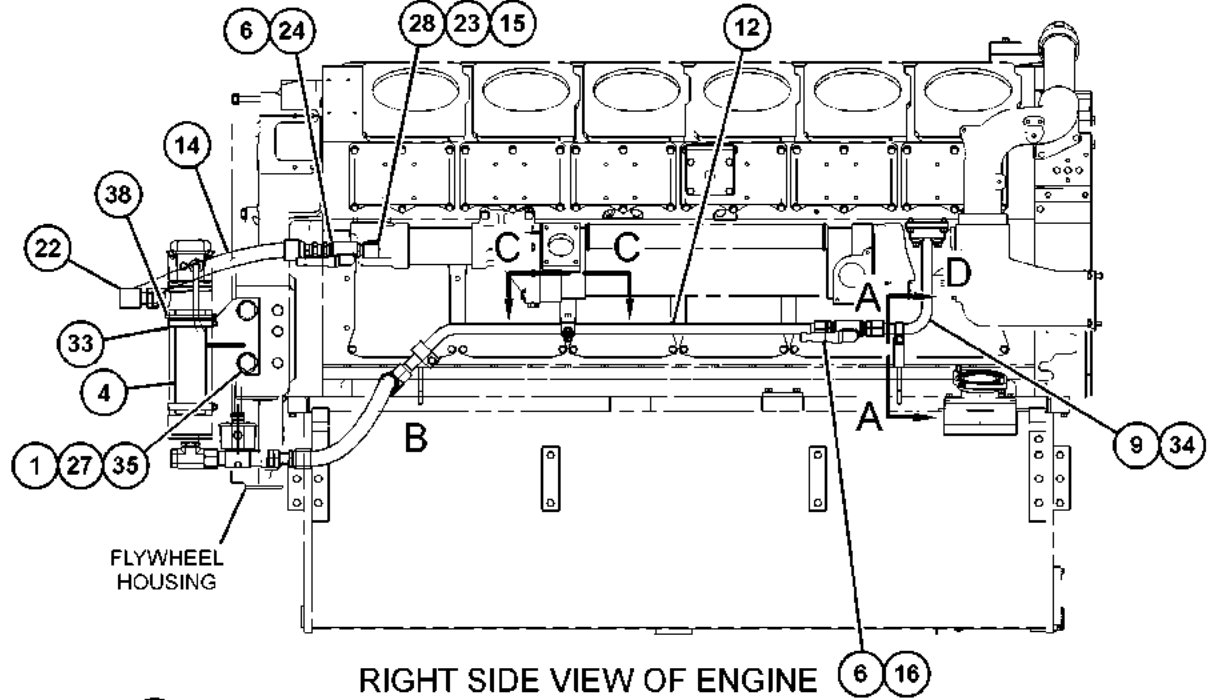
NOTE	REF NO	GRAPHIC REF	PART NUMBER	QTY	PART NAME						SEE PAGE
					1	2	3	4	5	6 (PRODUCT LEVEL)	
	1	1	1S-2303	2	SPACER (1.062X1.75X1.44-IN THK)						
	2	1	4W-2109	2	RETAINER						
	3	1	4W-2110	1	RING-RETAINING						
	4	1	7C-1707	1	BRACKET AS						
		1	5P-2251	1	GUSSET						
	5	1	7N-4945	1	GASKET						
	6	1	8C-1358	2	VALVE-BALL						
	7	1	9Y-3108	1	BRACKET						
	8	1	134-3100	1	FLANGE						
	9	1	258-8952	1	TUBE AS						
	10	1	314-7965	1	BRACKET						
	11	1	314-7966	1	BRACKET						
	12	1	316-8633	1	TUBE AS						
I	13	1	447-8610	1	HOSE AS						
I	14	1	447-8613	1	HOSE AS						
	15	1	003-9163	1	ELBOW						
	16	1	030-8307	2	CONNECTOR						
	17	1	031-5744	1	ELBOW						
	18	1	0S-1588	2	BOLT (3/8-16X1.25-IN)						
	19	1	0S-1594	7	BOLT (3/8-16X1-IN)						
	20	1	0S-1608	2	BOLT (3/8-16X3.75-IN)						
	21	1	0S-1621	1	BOLT (1/2-13X1-IN)						
	22	1	<i>148-8352</i>	1	ELBOW AS						
		1	6V-9854	1	ELBOW (SWIVEL)						
		1	5K-9090	1	SEAL-O-RING						
	23	1	3B-7745	1	NIPPLE-PIPE						
	24	1	5F-6371	1	CONNECTOR						
	25	1	5M-2894	8	WASHER-HARD (10.2X18.5X2.5-MM THK)						
	26	1	5P-8245	1	WASHER-HARD (13.5X25.5X3-MM THK)						
	27	1	5P-8250	2	WASHER (28X49X5-MM THK)						
	28	1	6B-9081	1	BUSHING-REDUCER						
	29	1	6W-2928	1	BOSS						
	30	1	7C-4354	1	CLIP						
	31	1	7J-0728	2	CLIP (TAB)						
	32	1	7J-0729	2	CLIP (SLOT)						
	33	1	8T-6726	2	CLAMP-HOSE						
	34	1	9M-4849	1	SEAL-O-RING						
	35	1	9S-1368	2	BOLT (1-14X3.5-IN)						
	36	1	9S-8752	3	NUT-FULL (3/8-16-THD)						
	37	1	9X-6458	2	WASHER-HARD (10.2X22.5X3-MM THK)						
	38	1	7K-1181	1	STRAP-CABLE						

I - REFER TO HYDRAULIC INFORMATION SYSTEM

ELECTRICAL AND STARTING SYSTEM

447-8600 MOUNTING GP-JACKET WTR HEATER (contd.)

107012876



GRAPHIC #1

<END>

g03724956

ELECTRICAL AND STARTING SYSTEM

447-8604 MOUNTING GP-JACKET WTR HEATER-LH AN ATTACHMENT

SMCS-1383

i05683335

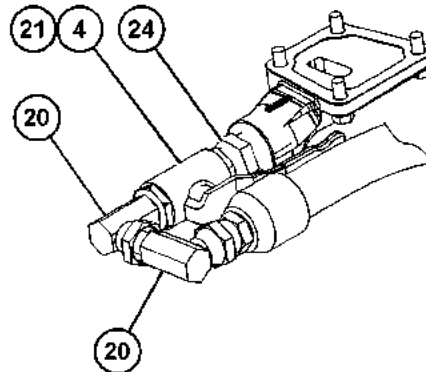
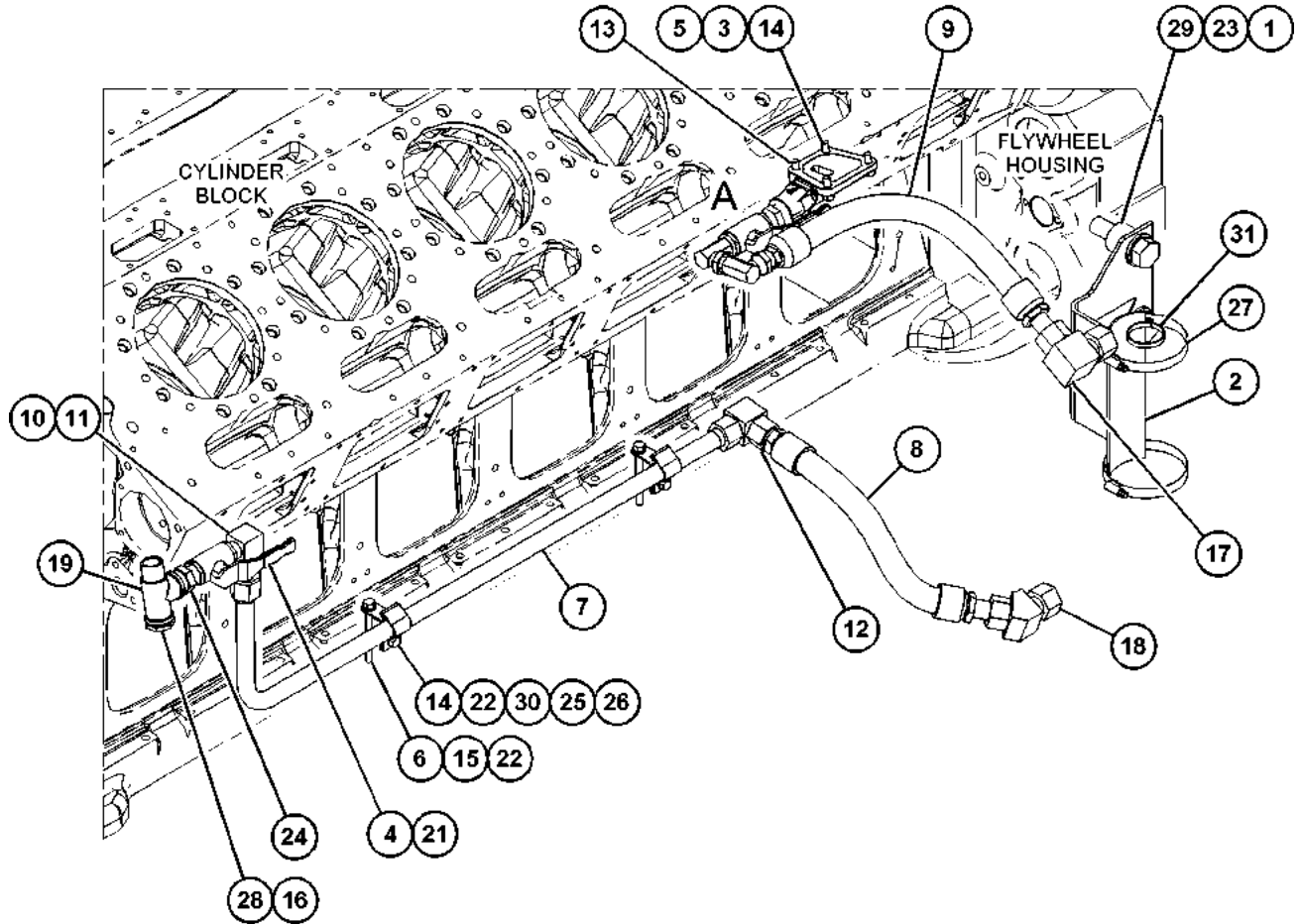
NOTE	REF NO	GRAPHIC REF	PART NUMBER	QTY	PART NAME						SEE PAGE
					1	2	3	4	5	6 (PRODUCT LEVEL)	
	1	1	1S-2303	2	SPACER (1.062X1.75X1.44-IN THK)						
	2	1	7C-1707	1	BRACKET AS						
		1	5P-2251	1	GUSSET						
	3	1	7N-4945	1	GASKET						
	4	1	8C-1358	2	VALVE-BALL						
	5	1	8N-8550	1	ELBOW						
	6	1	116-3266	2	BRACKET						
	7	1	422-8088	1	TUBE AS						
I	8	1	447-8609	1	HOSE AS						
I	9	1	447-8614	1	HOSE AS						
	10	1	003-9163	1	ELBOW						
	11	1	030-8307	1	CONNECTOR						
	12	1	031-5744	1	ELBOW						
	13	1	165-3931	1	BOLT (3/8-16X1.75-IN)						
	14	1	0S-1594	5	BOLT (3/8-16X1-IN)						
	15	1	0S-1608	2	BOLT (3/8-16X3.75-IN)						
	16	1	118-1656	1	BUSHING-REDUCER						
	17	1	<i>148-8352</i>	1	ELBOW AS						
		1	5K-9090	1	SEAL-O-RING						
		1	6V-9854	1	ELBOW (SWIVEL)						
	18	1	<i>177-1061</i>	1	ELBOW AS						
		1	5K-9090	1	SEAL-O-RING						
		1	142-0038	1	ELBOW						
	19	1	1L-4031	1	TEE-SERVICE						
	20	1	2H-3939	2	ELBOW						
	21	1	3B-7745	2	NIPPLE-PIPE						
	22	1	5M-2894	6	WASHER-HARD (10.2X18.5X2.5-MM THK)						
	23	1	5P-8250	2	WASHER (28X49X5-MM THK)						
	24	1	6B-9081	2	BUSHING-REDUCER						
	25	1	7J-0728	2	CLIP (TAB)						
	26	1	7J-0729	2	CLIP (SLOT)						
	27	1	8T-6726	2	CLAMP-HOSE						
	28	1	8T-6762	1	PLUG-PIPE (1/2-14-THD)						
	29	1	9S-1368	2	BOLT (1-14X3.5-IN)						
	30	1	9S-8752	2	NUT-FULL (3/8-16-THD)						
	31	1	7K-1181	1	STRAP-CABLE						

I - REFER TO HYDRAULIC INFORMATION SYSTEM

ELECTRICAL AND STARTING SYSTEM

447-8604 MOUNTING GP-JACKET WTR HEATER (contd.)

105683335



VIEW OF AREA A

GRAPHIC #1

<END>

g03698068

ELECTRICAL AND STARTING SYSTEM

4P-4993 MOUNTING GP-JACKET WTR HEATER-LH AN ATTACHMENT

SMCS-1383

i00652067

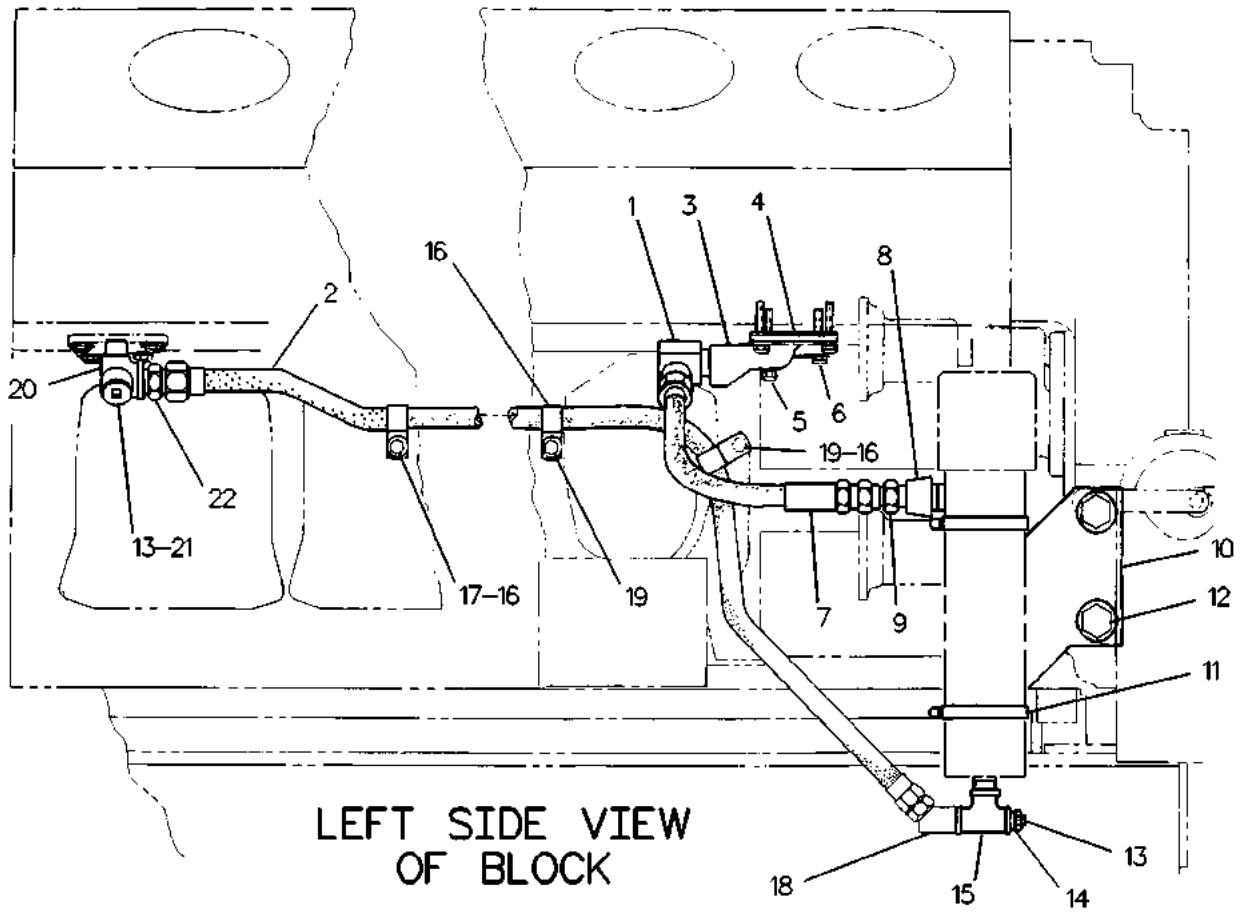
NOTE	REF NO	GRAPHIC REF	PART NUMBER	QTY	PART NAME						SEE PAGE
					1	2	3	4	5	6 (PRODUCT LEVEL)	
	1	1	004-3935	1	ELBOW						
YI	2	1	3N-7223	1	HOSE AS						378
	3	1	8N-8550	1	ELBOW						
	4	1	7N-4945	1	GASKET						
	5	1	0S-1571	1	BOLT (3/8-16X1.75-IN)						
	6	1	0S-1594	3	BOLT (3/8-16X1-IN)						
I	7	1	8N-0855	1	HOSE AS						
	8	1	2R-7712	1	COUPLING (REDUCING)						
B	9	1	5F-6371	1	CONNECTOR						
	10	1	7C-1707	1	BRACKET AS						
	11	1	5P-0598	2	CLAMP-HOSE						
	12	1	9S-1368	2	BOLT (1-14X3.5-IN)						
		1	5P-8250	2	WASHER (28X49X5-MM THK)						
		1	1S-2303	2	SPACER (1.062X1.75X1.44-IN THK)						
	13	1	2B-0858	2	PLUG-PIPE						
	14	1	8B-2664	1	BUSHING-REDUCER						
	15	1	6F-0496	1	TEE-PIPE						
	16	1	9F-7716	4	CLIP						
	17	1	0L-1329	2	BOLT (1/2-13X3-IN)						
		1	5P-8245	2	WASHER-HARD (13.5X25.5X3-MM THK)						
		1	8S-5107	2	SPACER (0.622X0.84X2-IN THK)						
	18	1	6H-8297	1	ELBOW						
B	19	1	0L-1329	2	BOLT (1/2-13X3-IN)						
B		1	5P-8245	2	WASHER-HARD (13.5X25.5X3-MM THK)						
B		1	8S-5107	2	SPACER (0.622X0.84X2-IN THK)						
	20	1	1L-4031	1	TEE-SERVICE						
	21	1	5B-4855	1	BUSHING-REDUCER						
	22	1	6B-9081	1	BUSHING-REDUCER						

B - USE AS REQUIRED
 I - REFER TO HYDRAULIC INFORMATION SYSTEM
 Y - SEPARATE ILLUSTRATION

ELECTRICAL AND STARTING SYSTEM

4P-4993 MOUNTING GP-JACKET WTR HEATER (contd.)

i00652067



GRAPHIC #1

<END>

g00219758

ELECTRICAL AND STARTING SYSTEM

4P-4995 MOUNTING GP-JACKET WTR HEATER-RH AN ATTACHMENT

SMCS-1383

i00652137

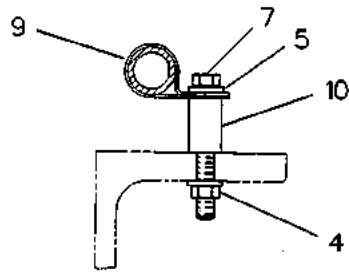
NOTE	REF NO	GRAPHIC REF	PART NUMBER	QTY	PART NAME	SEE PAGE
					1 2 3 4 5 6 (PRODUCT LEVEL)	
	1	1	6B-9081	2	BUSHING-REDUCER	
	2	1	2R-7712	1	COUPLING (REDUCING)	
	3	1	8V-2636	2	SPACER (17-MM THK)	
	4	1	9S-8752	2	NUT-FULL (3/8-16-THD)	
	5	1	5M-2894	4	WASHER-HARD (10.2X18.5X2.5-MM THK)	
	6	1	5P-8250	2	WASHER (28X49X5-MM THK)	
	7	1	0S-1619	2	BOLT (3/8-16X3-IN)	
	8	1	6H-8297	1	ELBOW	
	9	1	1S-0724	2	CLIP	
	10	1	7K-3377	2	PIPE	
YI	11	1	3N-7223	1	HOSE AS	378
	12	1	6F-0496	1	TEE-PIPE	
	13	1	3M-7045	1	PLUG (3/4-14 NPT-THD)	
	14	1	5P-0598	2	CLAMP-HOSE	
I	15	1	5N-5988	1	HOSE AS	
	16	1	2H-3745	2	BOLT (1-14X2.75-IN)	
	17	1	4P-4774	1	BRACKET AS	
		1	5P-2251	1	GUSSET	

I - REFER TO HYDRAULIC INFORMATION SYSTEM
Y - SEPARATE ILLUSTRATION

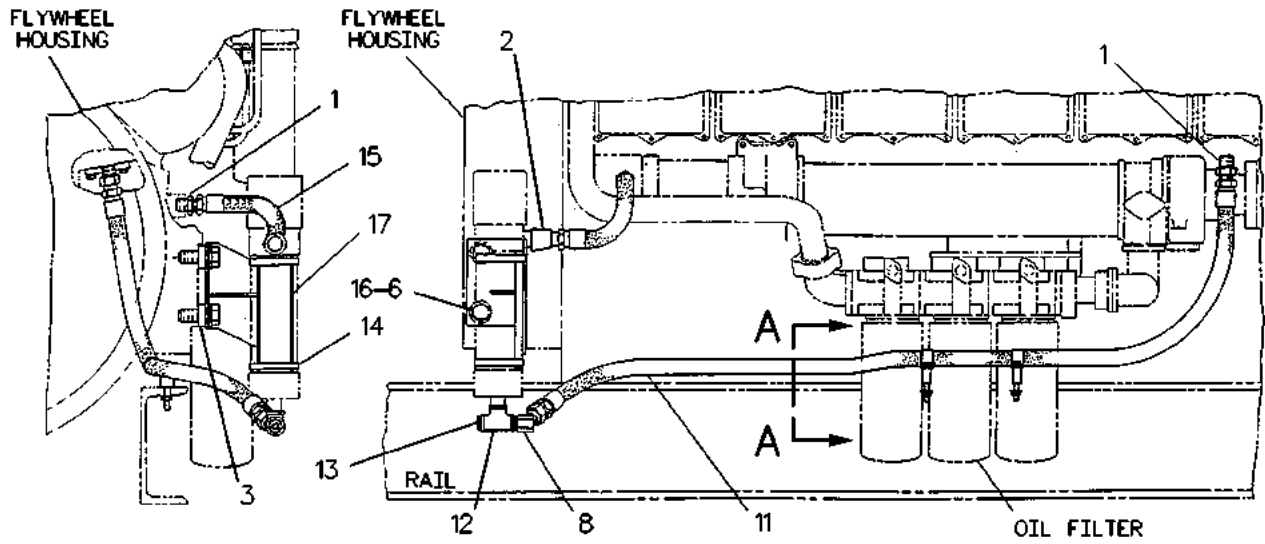
ELECTRICAL AND STARTING SYSTEM

4P-4995 MOUNTING GP-JACKET WTR HEATER (contd.)

i00652137



VIEW A-A



REAR VIEW

RIGHT SIDE VIEW

GRAPHIC #1

<END>

g00220136

ELECTRICAL AND STARTING SYSTEM

6I-1041 MOUNTING GP-JACKET WTR HEATER-LH

S/N: 65Z887-1122

AN ATTACHMENT

SMCS-1383

i02183652

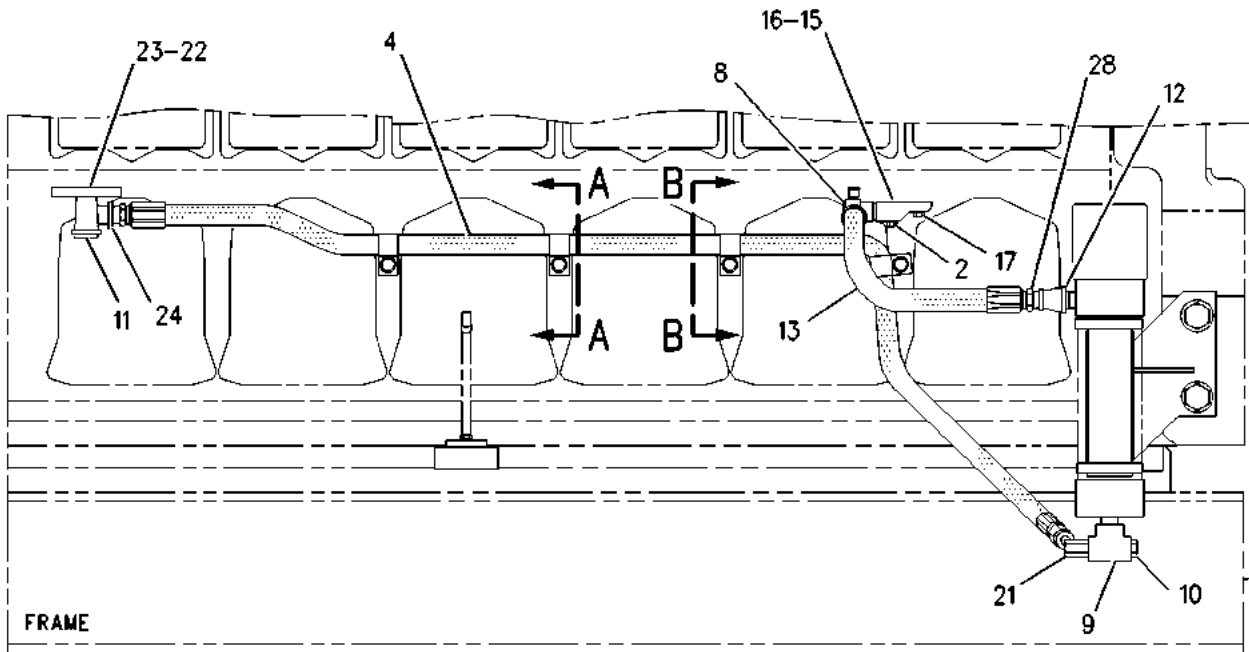
NOTE	REF NO	GRAPHIC REF	PART NUMBER	QTY	PART NAME						SEE PAGE
					1	2	3	4	5	6 (PRODUCT LEVEL)	
	1	1	7C-1707	1	BRACKET AS						
	2	1	0S-1571	1	BOLT (3/8-16X1.75-IN)						
	3	1	1L-8181	4	CLIP						
I	4	1	6I-1046	1	HOSE AS						
	5	1	5P-8250	2	WASHER (28X49X5-MM THK)						
	6	1	9S-1368	2	BOLT (1-14X3.5-IN)						
	7	1	1S-2303	2	SPACER (1.062X1.75X1.44-IN THK)						
	8	1	004-3935	1	ELBOW						
	9	1	6F-0496	1	TEE-PIPE						
	10	1	3E-7430	1	PLUG-PIPE (3/4-14-THD)						
	11	1	8T-6762	1	PLUG-PIPE (1/2-14-THD)						
	12	1	2R-7712	1	COUPLING (REDUCING)						
I	13	1	4P-8463	1	HOSE AS						
	14	1	5P-0598	2	CLAMP-HOSE						
	15	1	8N-8550	1	ELBOW						
	16	1	7N-4945	1	GASKET						
	17	1	0S-1594	3	BOLT (3/8-16X1-IN)						
	18	1	9X-8874	2	BOLT (1/2-13X3-IN)						
	19	1	5P-8245	2	WASHER-HARD (13.5X25.5X3-MM THK)						
	20	1	8S-5107	2	SPACER (0.622X0.84X2-IN THK)						
	21	1	6H-8297	1	ELBOW						
	22	1	5B-4855	1	BUSHING-REDUCER						
	23	1	1L-4031	1	TEE-SERVICE						
	24	1	6B-9081	1	BUSHING-REDUCER						
	25	1	8S-5107	2	SPACER (0.622X0.84X2-IN THK)						
	26	1	9X-8874	2	BOLT (1/2-13X3-IN)						
	27	1	5P-8245	2	WASHER-HARD (13.5X25.5X3-MM THK)						
	28	1	5F-6371	1	CONNECTOR						

I - REFER TO HYDRAULIC INFORMATION SYSTEM

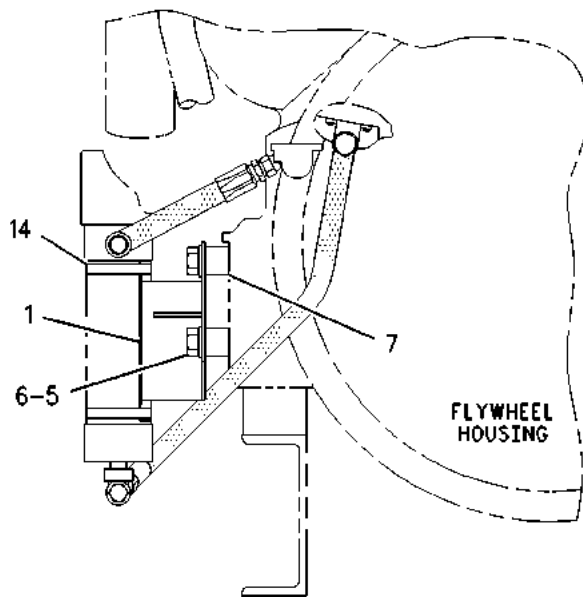
ELECTRICAL AND STARTING SYSTEM

6I-1041 MOUNTING GP-JACKET WTR HEATER (contd.)

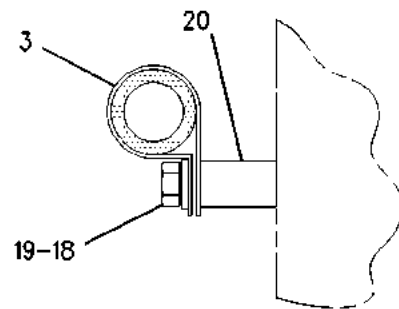
102183652



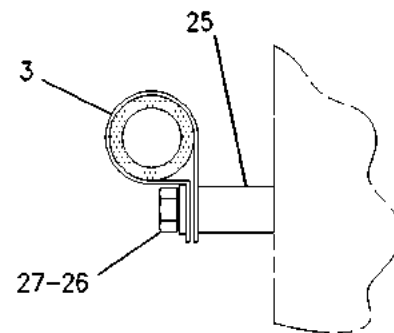
LEFT SIDE VIEW



REAR VIEW



SECTION A-A



SECTION B-B

GRAPHIC #1

<END>

g00575102

ELECTRICAL AND STARTING SYSTEM

6I-1041 MOUNTING GP-JACKET WTR HEATER-LH

S/N: 65Z1123-UP

AN ATTACHMENT

SMCS-1383

i07192442

NOTE	REF NO	GRAPHIC REF	PART NUMBER	QTY	PART NAME						SEE PAGE
					1	2	3	4	5	6 (PRODUCT LEVEL)	
	1	1	7C-1707	1	BRACKET AS						
	2	1	0S-1571	1	BOLT (3/8-16X1.75-IN)						
C	3	1	053-0558	4	CLIP						
CI	4	1	233-4243	1	HOSE AS						
	5	1	5P-8250	2	WASHER (28X49X5-MM THK)						
	6	1	9S-1368	2	BOLT (1-14X3.5-IN)						
	7	1	1S-2303	2	SPACER (1.062X1.75X1.44-IN THK)						
	8	1	004-3935	1	ELBOW						
	9	1	6F-0496	1	TEE-PIPE						
	10	1	3E-7430	1	PLUG-PIPE (3/4-14-THD)						
	11	1	8T-6762	1	PLUG-PIPE (1/2-14-THD)						
	12	1	2R-7712	1	COUPLING (REDUCING)						
CI	13	1	233-4241	1	HOSE AS						
	14	1	8T-6726	2	CLAMP-HOSE						
	15	1	8N-8550	1	ELBOW						
	16	1	7N-4945	1	GASKET						
	17	1	0S-1594	3	BOLT (3/8-16X1-IN)						
	18	1	9X-8874	2	BOLT (1/2-13X3-IN)						
	19	1	5P-8245	2	WASHER-HARD (13.5X25.5X3-MM THK)						
	20	1	8S-5107	2	SPACER (0.622X0.84X2-IN THK)						
	21	1	6H-8297	1	ELBOW						
C	22	1	118-1656	1	BUSHING-REDUCER						
	23	1	1L-4031	1	TEE-SERVICE						
	24	1	6B-9081	1	BUSHING-REDUCER						
	25	1	5F-6371	1	CONNECTOR						
B	26	1	5P-8245	2	WASHER-HARD (13.5X25.5X3-MM THK)						
B	27	1	8S-5107	2	SPACER (0.622X0.84X2-IN THK)						
B	28	1	9X-8874	2	BOLT (1/2-13X3-IN)						

B - USE AS REQUIRED

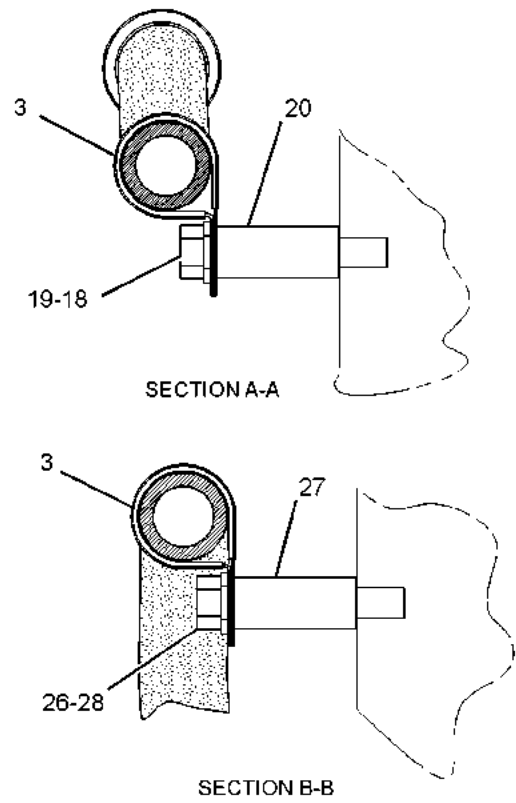
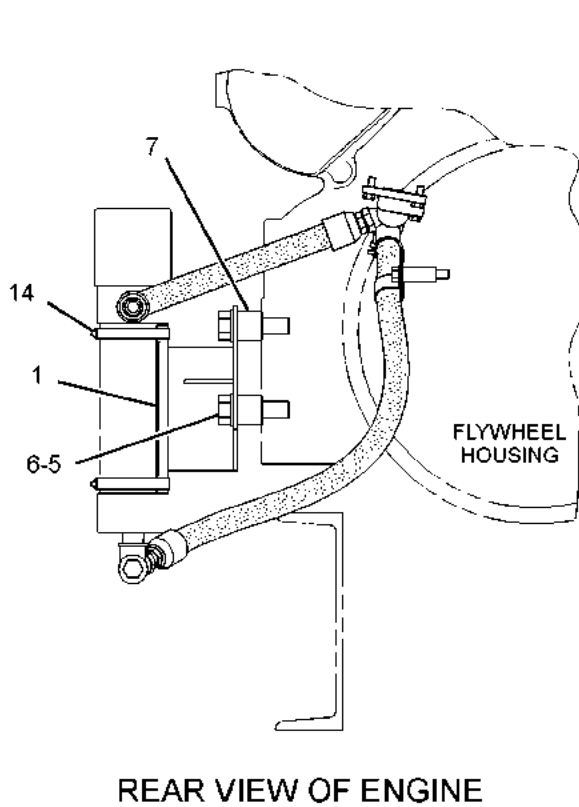
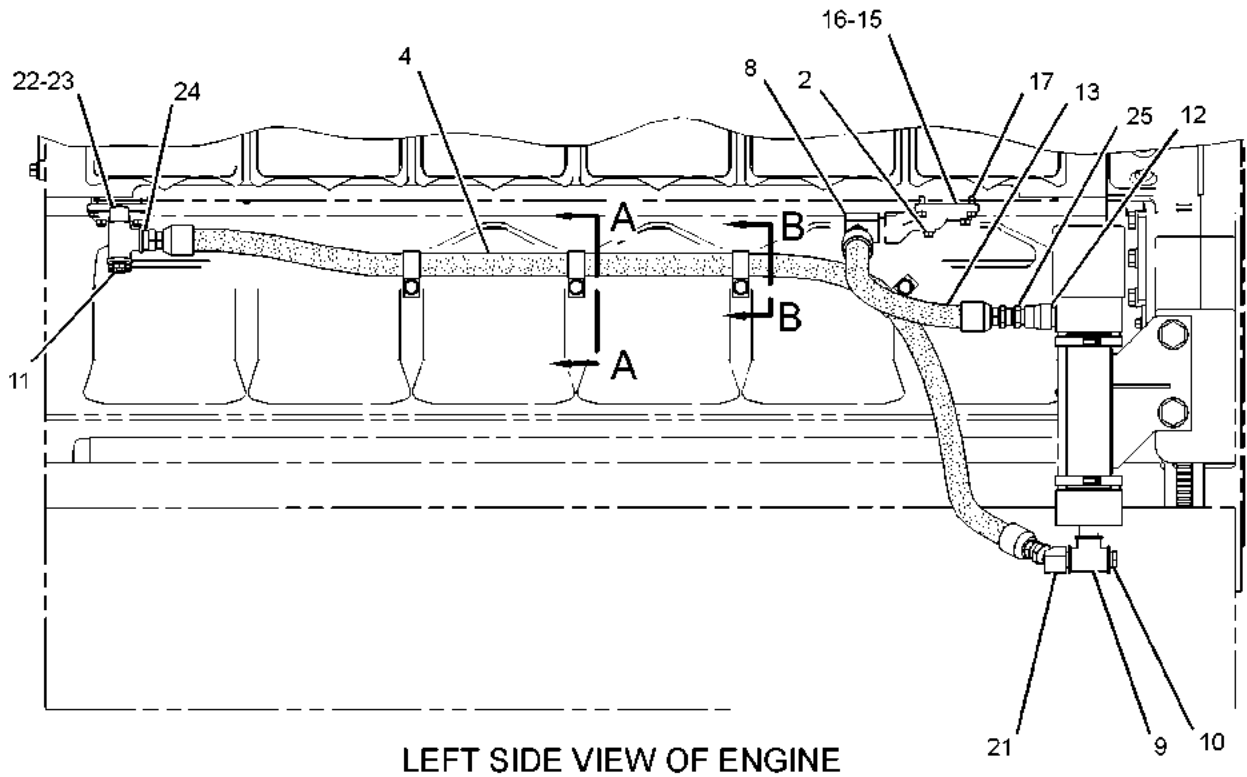
C - CHANGE FROM PREVIOUS TYPE

I - REFER TO HYDRAULIC INFORMATION SYSTEM

ELECTRICAL AND STARTING SYSTEM

6I-1041 MOUNTING GP-JACKET WTR HEATER (contd.)

i07192442



GRAPHIC #1

<END>

g02047314

ELECTRICAL AND STARTING SYSTEM

6I-1042 MOUNTING GP-JACKET WTR HEATER-RH AN ATTACHMENT

SMCS-1383

i00930706

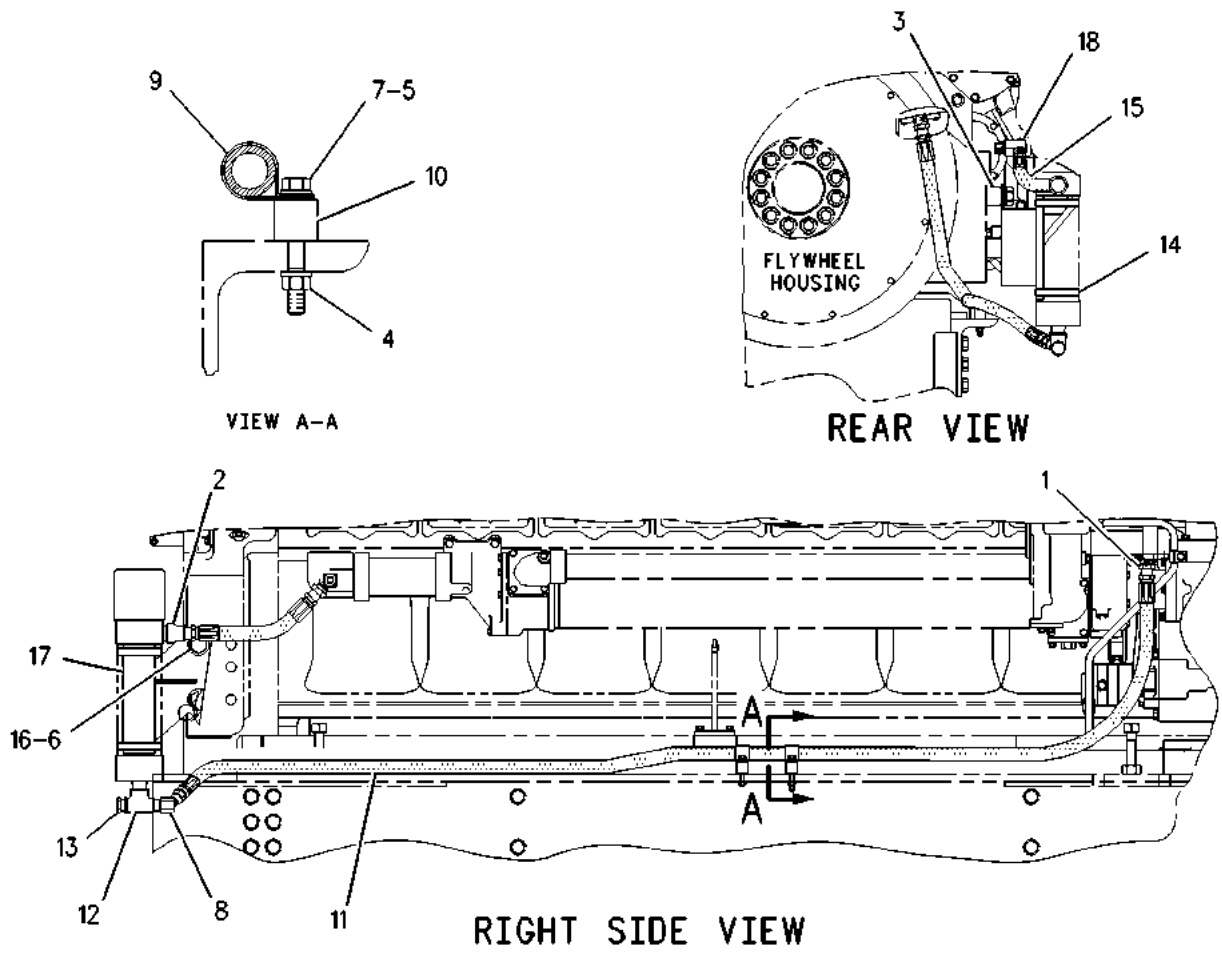
NOTE	REF NO	GRAPHIC REF	PART NUMBER	QTY	PART NAME	SEE PAGE
					1 2 3 4 5 6 (PRODUCT LEVEL)	
	1	1	6B-9081	1	BUSHING-REDUCER	
	2	1	2R-7712	1	COUPLING (REDUCING)	
	3	1	1S-2303	2	SPACER (1.062X1.75X1.44-IN THK)	
	4	1	9S-8752	2	NUT-FULL (3/8-16-THD)	
	5	1	5M-2894	4	WASHER-HARD (10.2X18.5X2.5-MM THK)	
	6	1	5P-8250	2	WASHER (28X49X5-MM THK)	
	7	1	0S-1619	2	BOLT (3/8-16X3-IN)	
	8	1	6H-8297	1	ELBOW	
	9	1	1S-0724	2	CLIP	
	10	1	7K-3377	2	PIPE	
I	11	1	3N-4793	1	HOSE AS	
	12	1	6F-0496	1	TEE-PIPE	
	13	1	3E-7430	1	PLUG-PIPE (3/4-14-THD)	
	14	1	5P-0598	2	CLAMP-HOSE	
I	15	1	8N-0855	1	HOSE AS	
	16	1	9S-1368	2	BOLT (1-14X3.5-IN)	
	17	1	7C-1707	1	BRACKET AS	
	18	1	004-3935	1	ELBOW	

I - REFER TO HYDRAULIC INFORMATION SYSTEM

ELECTRICAL AND STARTING SYSTEM

6I-1042 MOUNTING GP-JACKET WTR HEATER (contd.)

i00930706



GRAPHIC #1

<END>

g00290814

ELECTRICAL AND STARTING SYSTEM

6I-1042 MOUNTING GP-JACKET WTR HEATER-RH

S/N: 65Z887-1122

AN ATTACHMENT

SMCS-1383

i01303543

NOTE	REF NO	GRAPHIC REF	PART NUMBER	QTY	PART NAME						SEE PAGE
					1	2	3	4	5	6 (PRODUCT LEVEL)	
	1	1	7L-8074	1	ELBOW-REDUCING						
I	2	1	4P-8463	1	HOSE AS						
	3	1	1S-2303	2	SPACER (1.062X1.75X1.44-IN THK)						
	4	1	5M-2894	4	WASHER-HARD (10.2X18.5X2.5-MM THK)						
	5	1	5P-8250	2	WASHER (28X49X5-MM THK)						
	6	1	6B-9081	2	BUSHING-REDUCER						
	7	1	6H-8297	1	ELBOW						
	8	1	034-0728	2	CLIP						
	9	1	7K-3377	2	PIPE						
I	10	1	3N-4793	1	HOSE AS						
	11	1	6F-0496	1	TEE-PIPE						
	12	1	3E-7430	1	PLUG-PIPE (3/4-14-THD)						
	13	1	5P-0598	2	CLAMP-HOSE						
B	14	1	3P-2021	1	NIPPLE-PIPE						
	15	1	9S-1368	2	BOLT (1-14X3.5-IN)						
	16	1	7C-1707	1	BRACKET AS						
	17	1	0S-1619	2	BOLT (3/8-16X3-IN)						
	18	1	9S-8752	2	NUT-FULL (3/8-16-THD)						
B	19	1	1K-6937	1	ELBOW-PIPE						
B	20	1	5F-6371	1	CONNECTOR						

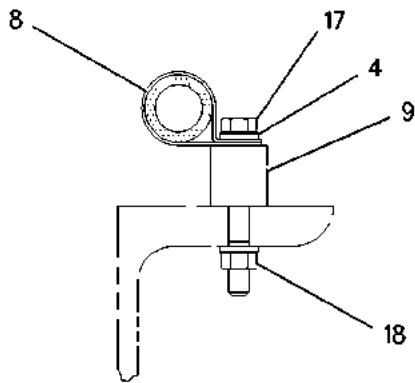
B - USE AS REQUIRED

I - REFER TO HYDRAULIC INFORMATION SYSTEM

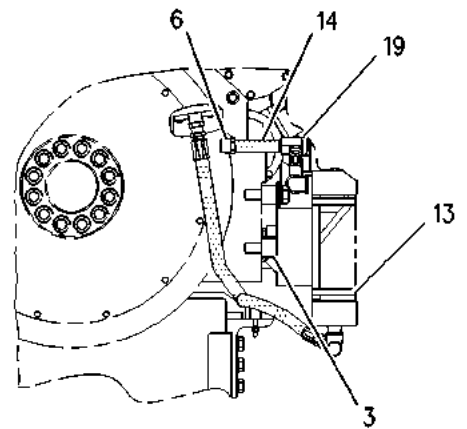
ELECTRICAL AND STARTING SYSTEM

6I-1042 MOUNTING GP-JACKET WTR HEATER (contd.)

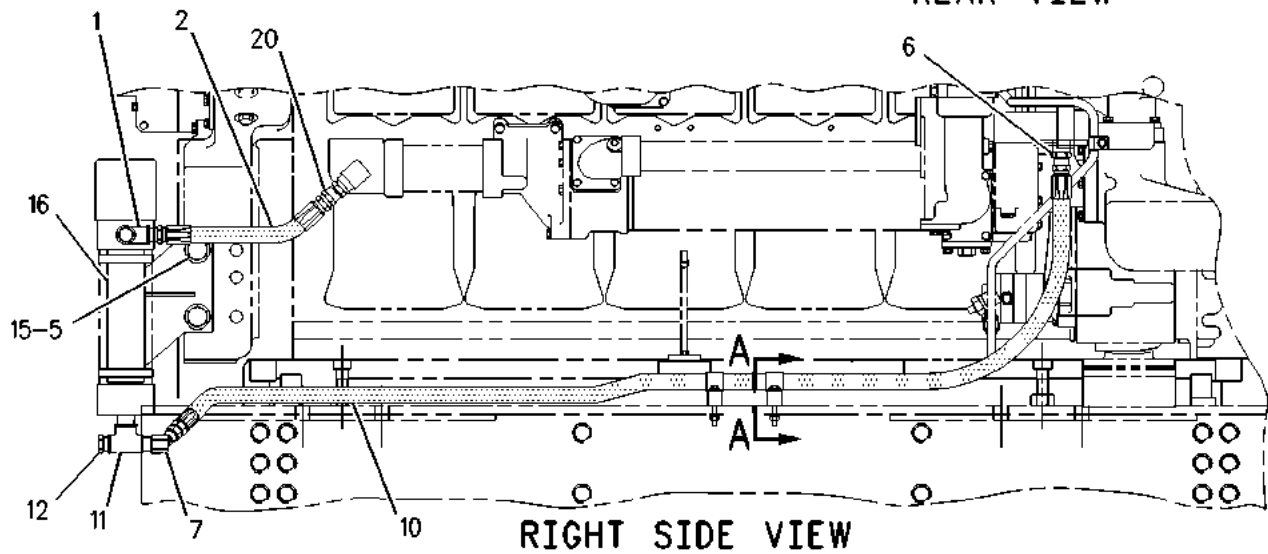
101303543



SECTION A-A



REAR VIEW



RIGHT SIDE VIEW

GRAPHIC #1

<END>

g00691692

ELECTRICAL AND STARTING SYSTEM

6I-1042 MOUNTING GP-JACKET WTR HEATER-RH

S/N: 65Z1123-UP

AN ATTACHMENT

SMCS-1383

i07113700

NOTE	REF NO	GRAPHIC REF	PART NUMBER	QTY	PART NAME						SEE PAGE
					1	2	3	4	5	6 (PRODUCT LEVEL)	
	1	1	7L-8074	1	ELBOW-REDUCING						
CI	2	1	231-6036	1	HOSE AS						
	3	1	1S-2303	2	SPACER (1.062X1.75X1.44-IN THK)						
	4	1	5M-2894	4	WASHER-HARD (10.2X18.5X2.5-MM THK)						
	5	1	5P-8250	2	WASHER (28X49X5-MM THK)						
	6	1	6B-9081	2	BUSHING-REDUCER						
	7	1	6H-8297	1	ELBOW						
C	8	1	7D-7233	2	CLIP (LOOP)						
	9	1	7K-3377	2	PIPE						
CI	10	1	166-6519	1	HOSE AS						
	11	1	6F-0496	1	TEE-PIPE						
	12	1	3E-7430	1	PLUG-PIPE (3/4-14-THD)						
	13	1	8T-6726	2	CLAMP-HOSE						
BC	14	1	3B-7270	1	NIPPLE-PIPE						
	15	1	9S-1368	2	BOLT (1-14X3.5-IN)						
	16	1	7C-1707	1	BRACKET AS						
	17	1	0S-1619	2	BOLT (3/8-16X3-IN)						
	18	1	9S-8752	2	NUT-FULL (3/8-16-THD)						
B	19	1	1K-6937	1	ELBOW-PIPE						
B	20	1	5F-6371	1	CONNECTOR						

B - USE AS REQUIRED

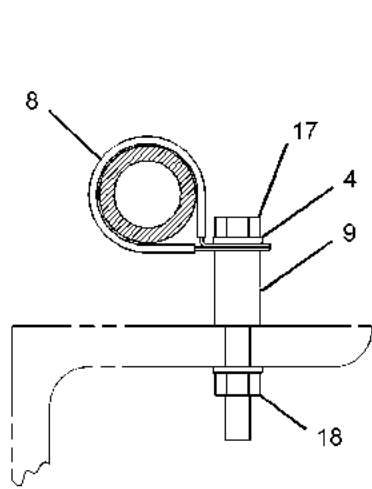
C - CHANGE FROM PREVIOUS TYPE

I - REFER TO HYDRAULIC INFORMATION SYSTEM

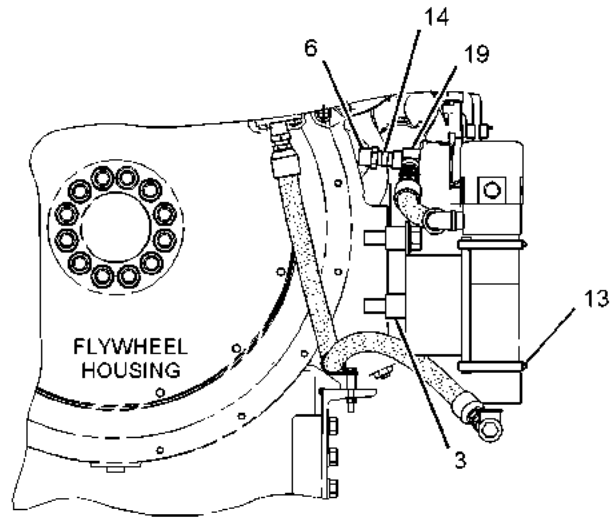
ELECTRICAL AND STARTING SYSTEM

6I-1042 MOUNTING GP-JACKET WTR HEATER (contd.)

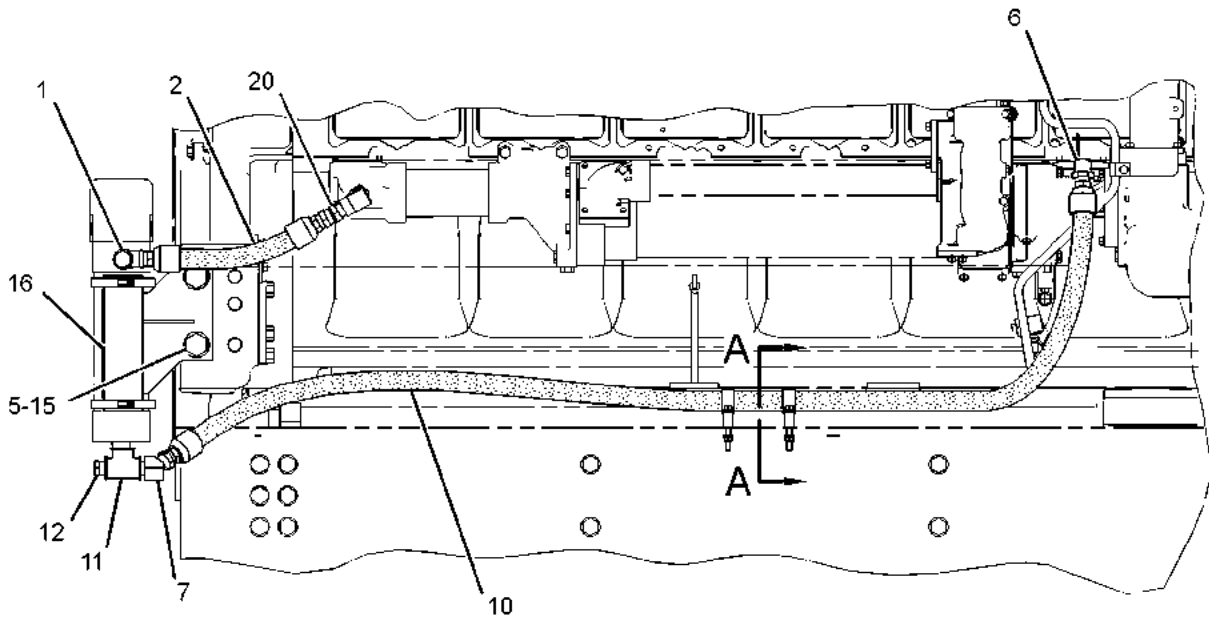
i07113700



SECTION A-A



REAR VIEW OF ENGINE



RIGHT SIDE VIEW OF ENGINE

GRAPHIC #1

<END>

g02050593

ELECTRICAL AND STARTING SYSTEM

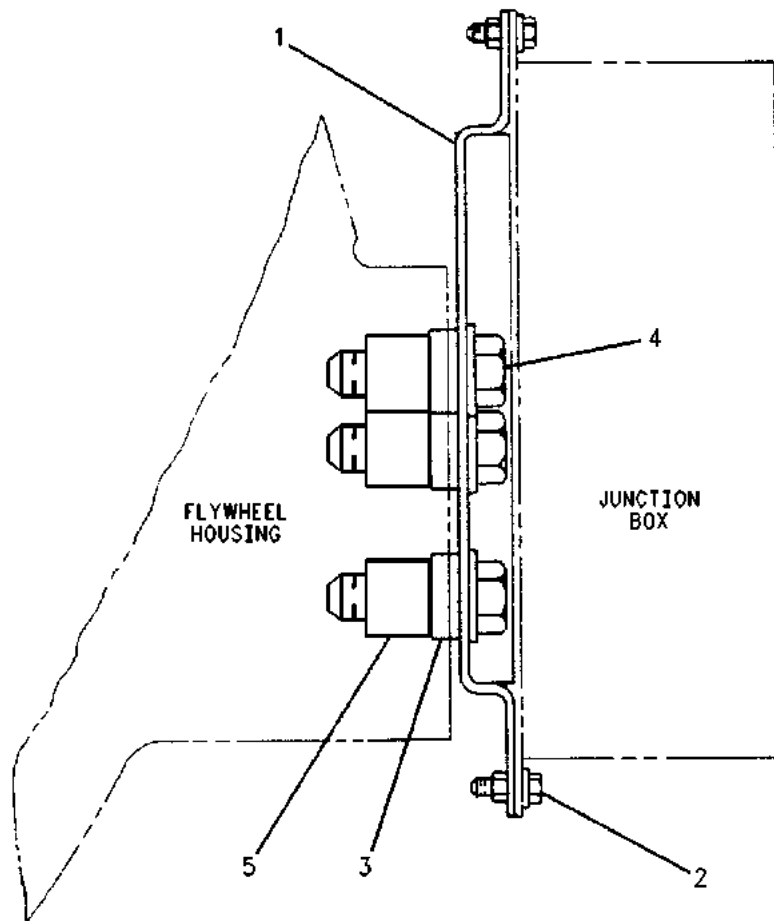
7C-1893 MOUNTING GP-JUNCTION BOX

PART OF 7C-1892 SHUTOFF GP-ELECTRICAL
AN ATTACHMENT

SMCS-7426

i01460167

NOTE	REF NO	GRAPHIC REF	PART NUMBER	QTY	PART NAME						SEE PAGE
					1	2	3	4	5	6 (PRODUCT LEVEL)	
	1	1	7C-2373	1	BRACKET						
	2	1	9S-1368	3	BOLT (1-14X3.5-IN)						
		1	5P-8250	3	WASHER (28X49X5-MM THK)						
	3	1	8G-2077	3	SPACER (26X45X17.5-MM THK)						
	4	1	0S-1594	4	BOLT (3/8-16X1-IN)						
		1	5P-1075	4	WASHER-HARD (10.2X22.5X3-MM THK)						
	5	1	1S-2303	3	SPACER (1.062X1.75X1.44-IN THK)						



GRAPHIC #1

<END>

g00763116

ELECTRICAL AND STARTING SYSTEM

7W-6955 MOUNTING GP-JUNCTION BOX

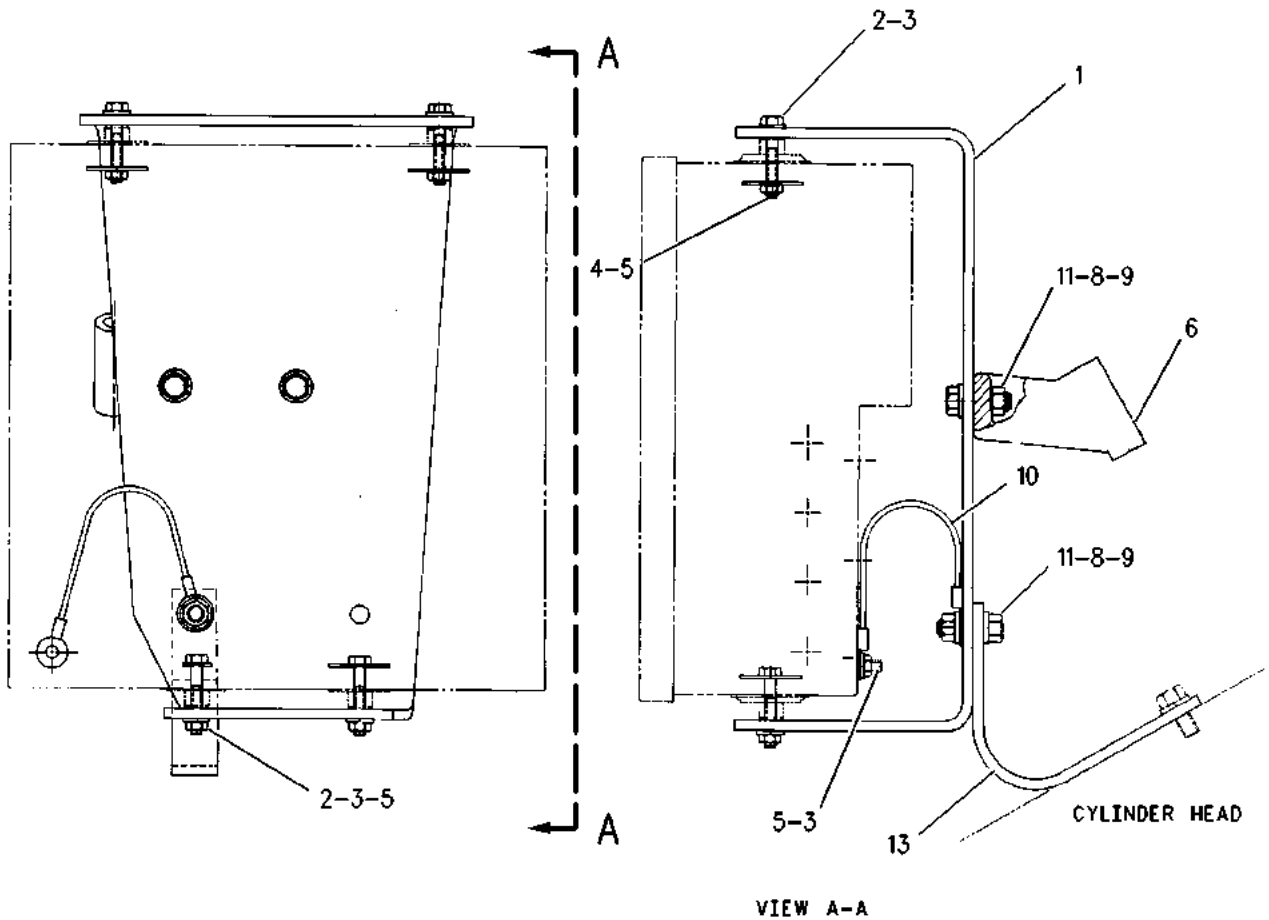
PART OF 174-1417 BOX GP-JUNCTION, 7C-5237, 7C-5275, 7W-8053, 7W-8054 SHUTOFF GP-ELECTRICAL
ALSO AN ATTACHMENT

SMCS-7426

i01191638

NOTE	REF NO	GRAPHIC REF	PART NUMBER	QTY	PART NAME						SEE PAGE
					1	2	3	4	5	6 (PRODUCT LEVEL)	
C	1	1	9Y-5062	1	PLATE						
	2	1	7B-8167	4	BOLT (1/4-20X1.625-IN)						
	3	1	5P-0537	6	WASHER-HARD (7.2X14.5X2-MM THK)						
	4	1	2W-8604	3	WASHER (6.5X35X1.5-MM THK)						
	5	1	9S-8750	5	NUT-FULL (1/4-20-THD)						
	6	1	1W-8129	1	SUPPORT						
	8	1	5M-2894	4	WASHER-HARD (10.2X18.5X2.5-MM THK)						
	9	1	9S-8752	3	NUT-FULL (3/8-16-THD)						
	10	1	1H-6936	1	WIRE AS						
	11	1	1A-2029	3	BOLT (3/8-16X1.125-IN)						
	C	13	1	7C-9600	1	PLATE					

C - CHANGE FROM PREVIOUS TYPE



GRAPHIC #1

<END>

g00638212

ELECTRICAL AND STARTING SYSTEM

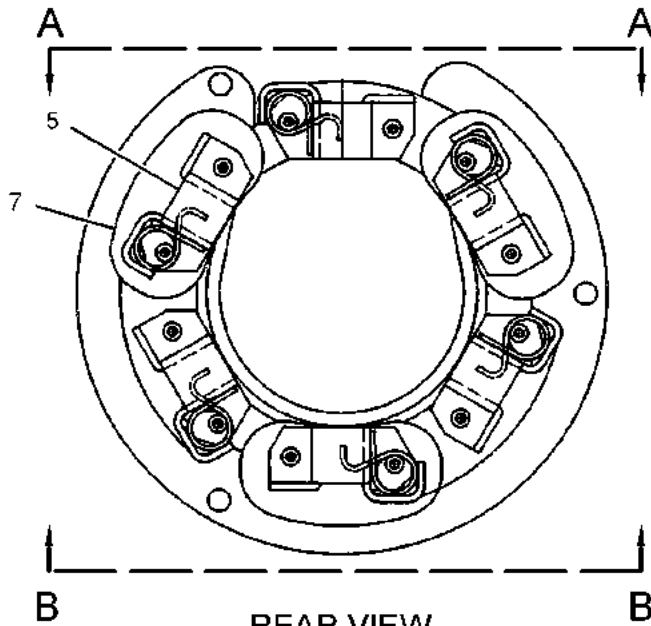
3T-9525 PLATE AS-BRUSH

PART OF 107-0997, 352-9766, 363-9837, 6V-0927 STARTING MOTOR GP-ELECTRIC
AN ATTACHMENT

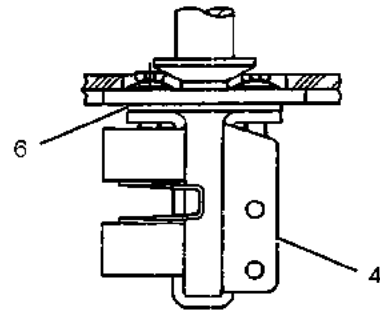
SMCS-4463

i04083269

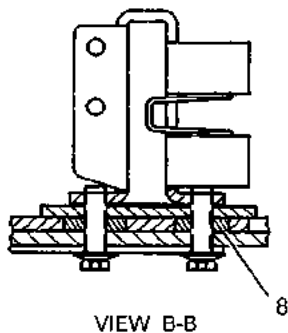
NOTE	REF NO	GRAPHIC REF	PART NUMBER	QTY	PART NAME						SEE PAGE
					1	2	3	4	5	6	
	1	1	6T-0372	1	PLATE						
	2	1	6T-0371	1	INSULATOR						
	3	1	9F-5599	12	LOCKWASHER						
	4	1	6T-0363	6	HOLDER AS-BRUSH						
					(EACH INCLUDES)						
		1	3T-9494	1	SPRING						
	5	1	3T-4709	3	PLATE						
	6	1	3T-4710	3	PLATE						
	7	1	2L-6679	3	PLATE-INSULATOR						
	8	1	7F-3525	6	WASHER-SPECIAL (0.207X0.39X0.09-IN THK)						
	9	1	5P-6298	12	SCREW-MACHINE (10-32X0.5-IN)						



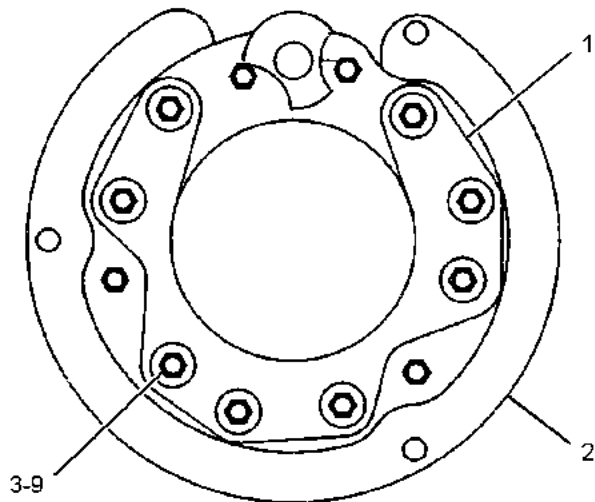
REAR VIEW



VIEW A-A



VIEW B-B



FRONT VIEW

GRAPHIC #1

<END>

g02294074

ELECTRICAL AND STARTING SYSTEM

372-4717 REGULATOR GP-AIR PRESSURE

S/N: 65Z887-1717

AN ATTACHMENT

SMCS-5503

i06042380

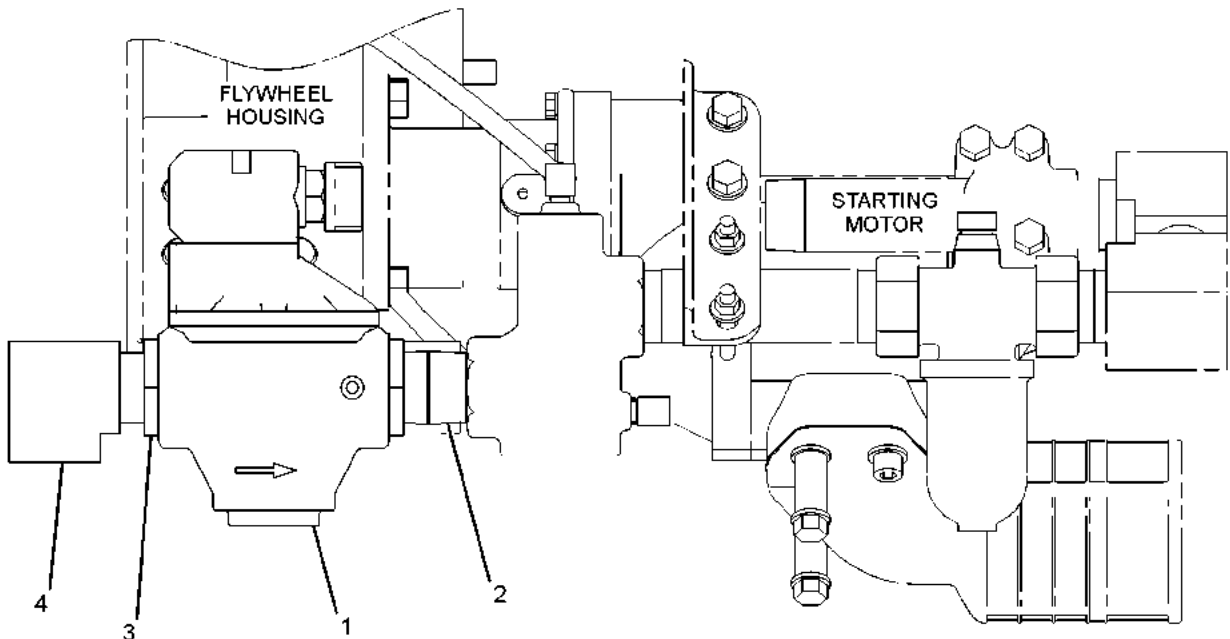
NOTE	REF NO	GRAPHIC REF	PART NUMBER	QTY	PART NAME						SEE PAGE
					1	2	3	4	5	6 (PRODUCT LEVEL)	
J	1	1	330-1843	1	REGULATOR GP-AIR PRESSURE						
	2	1	3L-8993	1	FITTING						
	3	1	5B-7660	2	BUSHING-REDUCER						
	4	1	5B-7666	1	ELBOW						

AVAILABLE REPAIR KIT(S) :

362-0158	1	KIT-REGULATOR
-----------------	---	---------------

KIT INCLUDES DIAPHRAGM AS, PLUG AS, VALVE SPRINGS, SCREENS, VALVE, GUIDE BUSHING & O-RINGS

J - KIT MARKED J SERVICES PART J



RIGHT SIDE VIEW OF ENGINE

GRAPHIC #1

<END>

g02485118

ELECTRICAL AND STARTING SYSTEM

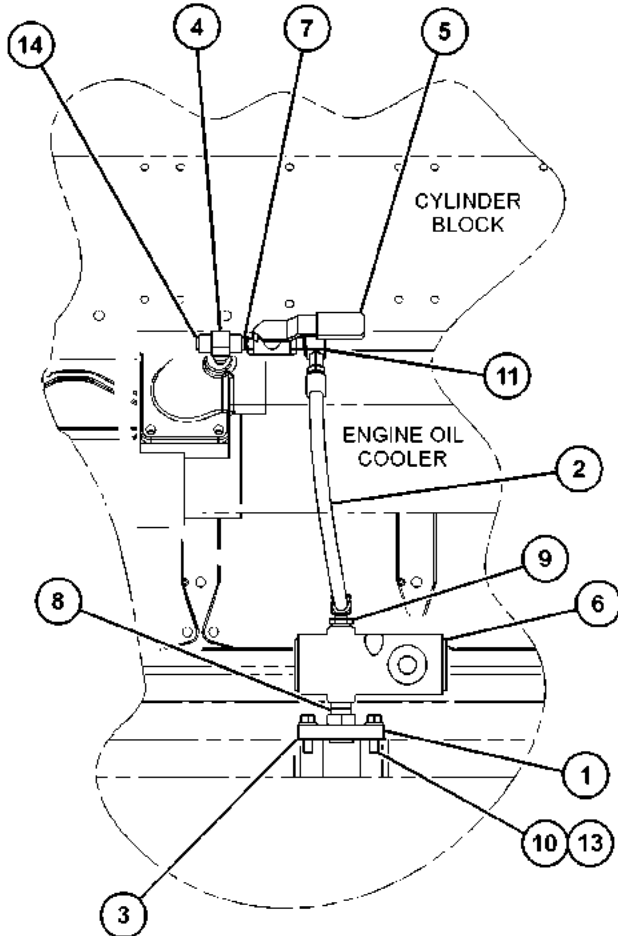
152-8466 SENSOR GP-PARTICLE-ENGINE OIL AN ATTACHMENT

SMCS-1308

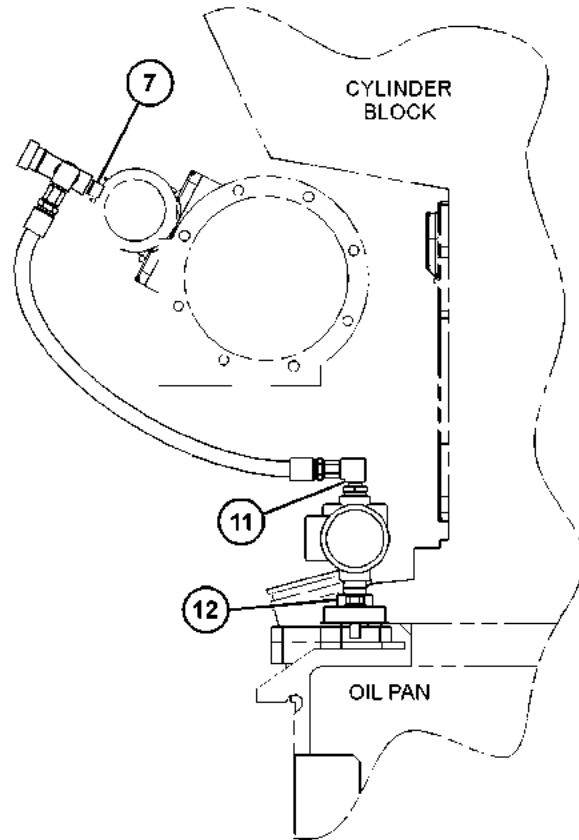
i06906608

NOTE	REF NO	GRAPHIC REF	PART NUMBER	QTY	PART NAME						SEE PAGE
					1	2	3	4	5	6 (PRODUCT LEVEL)	
	1	1	3R-1059	1	FLANGE						
I	2	1	3V-6153	1	HOSE AS						
	3	1	9L-1480	1	GASKET						
	4	1	006-0210	1	TEE-PIPE						
	5	1	224-1228	1	VALVE-BALL						
J	6	1	366-4746	1	SENSOR GP-PARTICLE (ENGINE OIL)						
	7	1	3B-7738	2	FITTING						
	8	1	3B-7744	1	FITTING						
	9	1	3B-7764	1	BUSHING (REDUCING)						
	10	1	9B-7237	2	BOLT (3/8-16X1.25-IN)						
	11	1	6K-1972	2	ELBOW-FLARED						
	12	1	8B-2664	1	BUSHING-REDUCER						
	13	1	8T-4896	2	WASHER-HARD (10.2X18.5X2.5-MM THK)						
	14	1	8T-6763	1	PLUG-PIPE (1/4-18-THD)						
					AVAILABLE REPAIR KIT(S):						
J			129-2915	1	KIT-PARTICLE DETECTOR						
					(INCLUDES GRID, END CAP O-SEALS, & GRID O-SEAL)						

I - REFER TO HYDRAULIC INFORMATION SYSTEM
J - KIT MARKED J SERVICES PART(S) MARKED J



RIGHT SIDE VIEW OF ENGINE



FRONT VIEW OF ENGINE

GRAPHIC #1

<END>

g06159593

ELECTRICAL AND STARTING SYSTEM

117-4739 SENSOR GP-SPEED-ENGINE

TACHOMETER

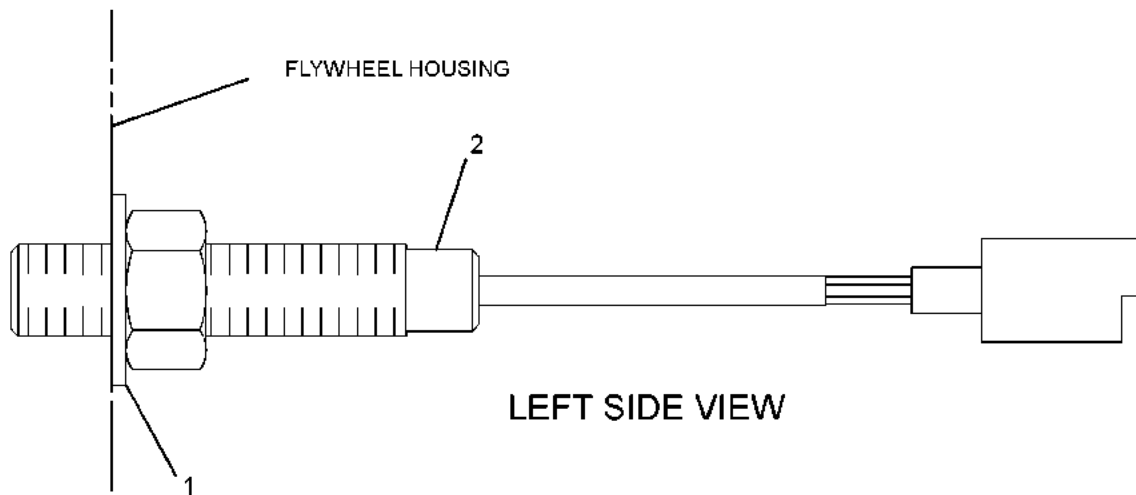
PART OF 2W-9592 METER GP-SERVICE

SMCS-1907

i05608470

NOTE	REF NO	GRAPHIC REF	PART NUMBER	QTY	PART NAME						SEE PAGE
					1	2	3	4	5	6 (PRODUCT LEVEL)	
	1	1	4B-4281	1	WASHER (16.8X33X2.5-MM THK)						
Y	2	1	3E-7886	1	SENSOR GP-SPEED						1186
F		1	171-5349		STRAP-MARKER						

F - NOT SHOWN
Y - SEPARATE ILLUSTRATION



GRAPHIC #1

<END>

g01353642

ELECTRICAL AND STARTING SYSTEM

189-5746 SENSOR GP-SPEED

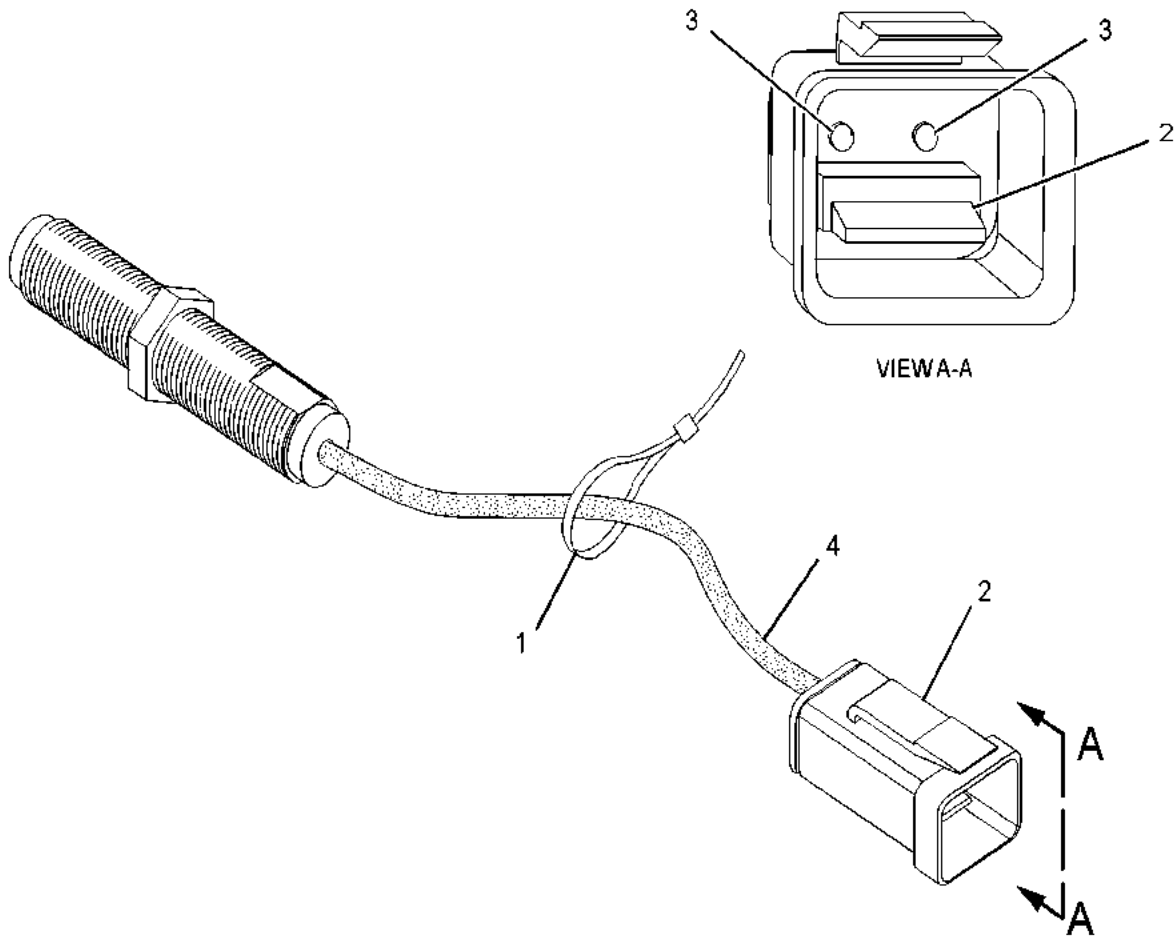
FIELD REPLACEMENT ORDER 318-1181-PAGE: 1185
FIELD REPLACEMENT FOR 3E-7886-PAGE: 1186

SMCS-1907

i06128272

NOTE	REF NO	GRAPHIC REF	PART NUMBER	QTY	PART NAME						SEE PAGE
					1	2	3	4	5	6 (PRODUCT LEVEL)	
	1	1	171-5349	1	STRAP-MARKER						
	2	1	102-8802	1	KIT-RECEPTACLE (2-PIN)						
					(INCLUDES RECEPTACLE AS & WEDGE)						
	3	1	126-1767	2	PIN-CONNECTOR (14-GA TO 16-GA)						
					-OR-						
		1	9X-3401	2	PIN-CONNECTOR (16-GA TO 18-GA)						
E	4	1	9X-1386		SLEEVE (14-CM)						

E - ORDER BY THE CENTIMETER



GRAPHIC #1

<END>

g01353977

ELECTRICAL AND STARTING SYSTEM

318-1181 SENSOR GP-SPEED

MAGNETIC, LOW OUTPUT

FIELD REPLACEMENT FOR 189-5746-PAGE: 1184

PART OF 7W-3355 SENSOR GP-SPEED

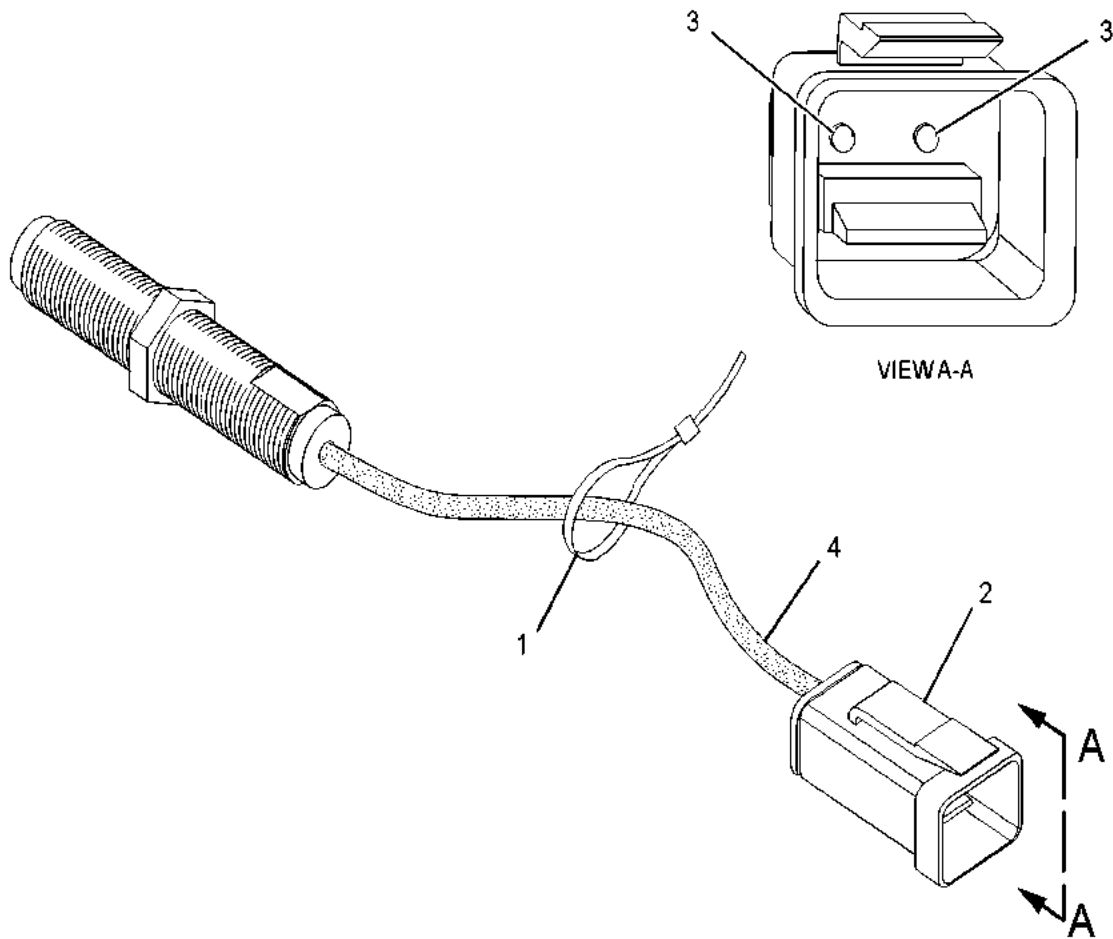
ALSO AN ATTACHMENT

SMCS-1907

i06972738

NOTE	REF NO	GRAPHIC REF	PART NUMBER	QTY	PART NAME						SEE PAGE
					1	2	3	4	5	6 (PRODUCT LEVEL)	
	1	1	171-5349	1	STRAP-MARKER						
	2	1	102-8802	1	KIT-RECEPTACLE (2-PIN)						
					(INCLUDES RECEPTACLE AS & WEDGE)						
	3	1	9X-3401	2	PIN-CONNECTOR (16-GA TO 18-GA)						
					-OR-						
		1	126-1767	2	PIN-CONNECTOR (14-GA TO 16-GA)						
E	4	1	9X-1386		SLEEVE (14-CM)						

E - ORDER BY THE CENTIMETER



GRAPHIC #1

<END>

g03381476

ELECTRICAL AND STARTING SYSTEM

3E-7886 SENSOR GP-SPEED

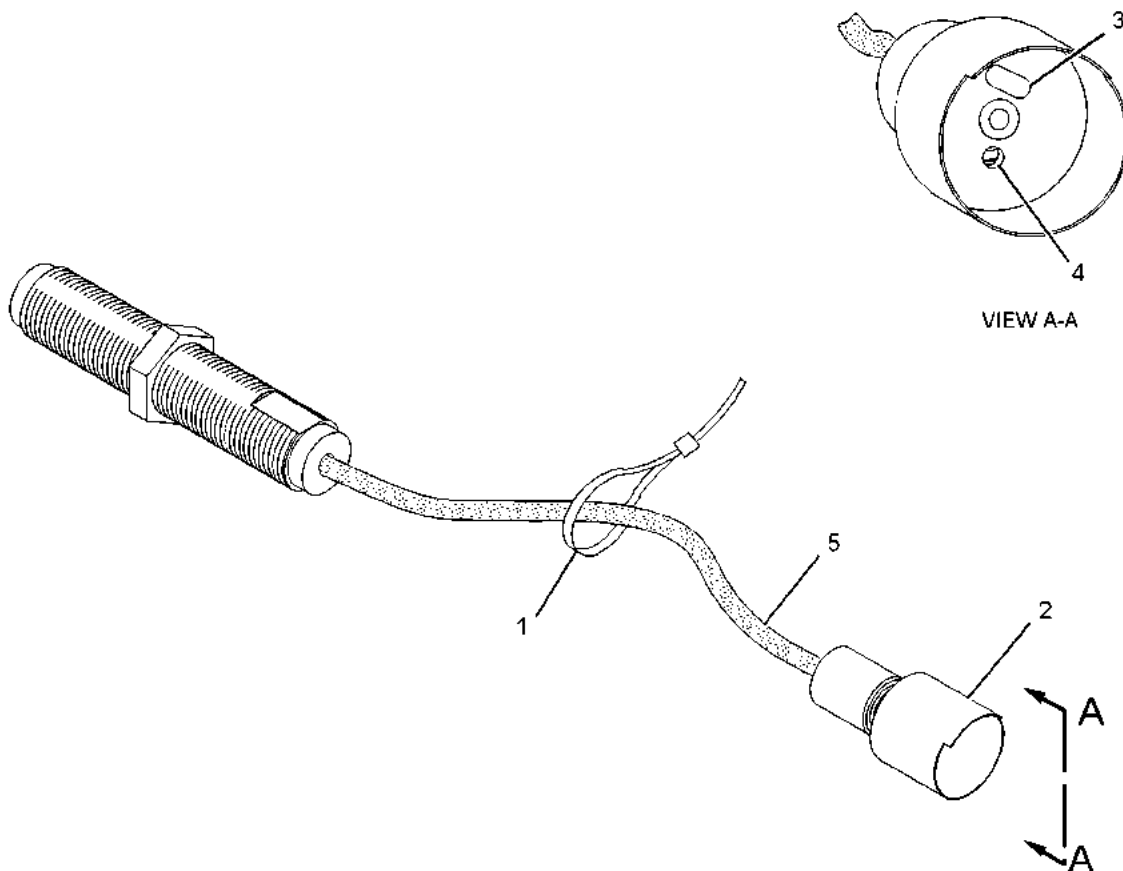
FIELD REPLACEMENT ORDER 1-155-2270 KIT-CONNECTING PLUG, 2-186-3736 SOCKET-CONNECTOR, 189-5746-PAGE: 1184
PART OF 117-4739, 7W-3355 SENSOR GP-SPEED
ALSO AN ATTACHMENT

SMCS-1907

i07459674

NOTE	REF NO	GRAPHIC REF	PART NUMBER	QTY	PART NAME						SEE PAGE
					1	2	3	4	5	6 (PRODUCT LEVEL)	
	1	1	171-5349	1	STRAP-MARKER						
	2	1	7N-9738	1	HOUSING-RECEPTACLE (14-GA TO 18-GA)						
	3	1	7N-7780	1	PIN-CONNECTOR (14-GA TO 18-GA)						
	4	1	7N-7779	1	SOCKET-CONNECTOR (14-GA TO 18-GA)						
E	5	1	9X-1386		SLEEVE (14-CM)						
					AVAILABLE REPAIR KIT(S):						
			155-2270	1	KIT-CONNECTING PLUG (2-PIN)						
					(INCLUDES PLUG AS & WEDGE)						

E - ORDER BY THE CENTIMETER



GRAPHIC #1

<END>

g01123339

ELECTRICAL AND STARTING SYSTEM

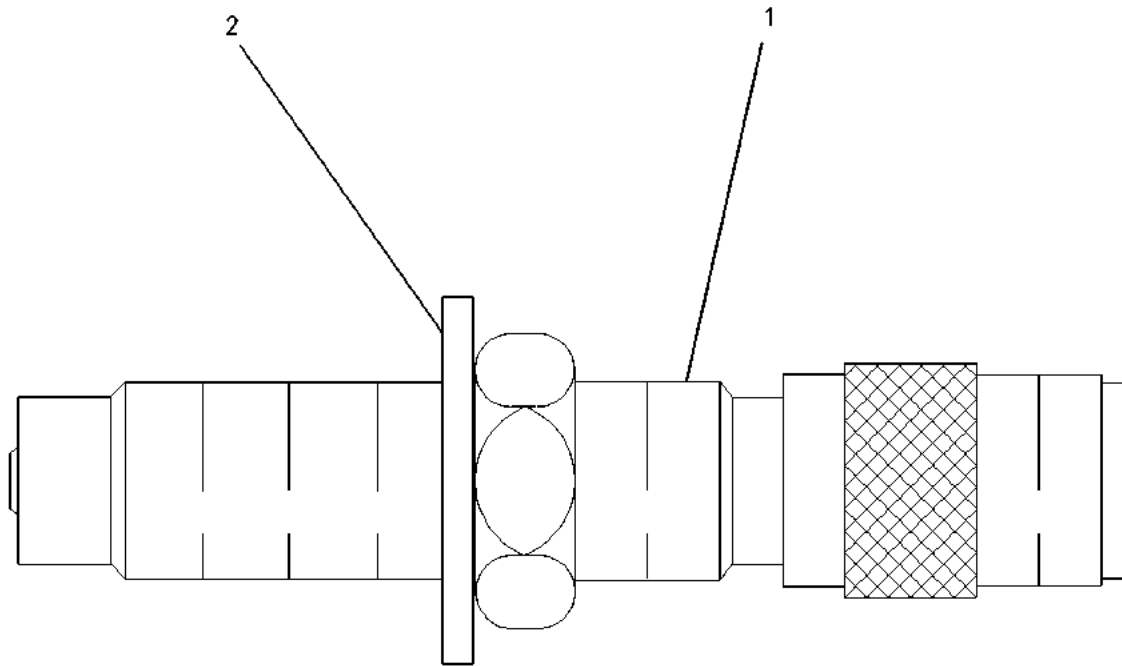
4P-3483 SENSOR GP-SPEED

PART OF 105-5205 METER GP-SERVICE, 7C-1892 SHUTOFF GP-ELECTRICAL
AN ATTACHMENT

SMCS-1907

i01459986

NOTE	REF NO	GRAPHIC REF	PART NUMBER	QTY	PART NAME						SEE PAGE
					1	2	3	4	5	6	
	1	1	4B-4281	1	WASHER (16.8X33X2.5-MM THK)						
	2	1	8L-4171	1	SENSOR GP-SPEED						



GRAPHIC #1

<END>

g00722623

ELECTRICAL AND STARTING SYSTEM

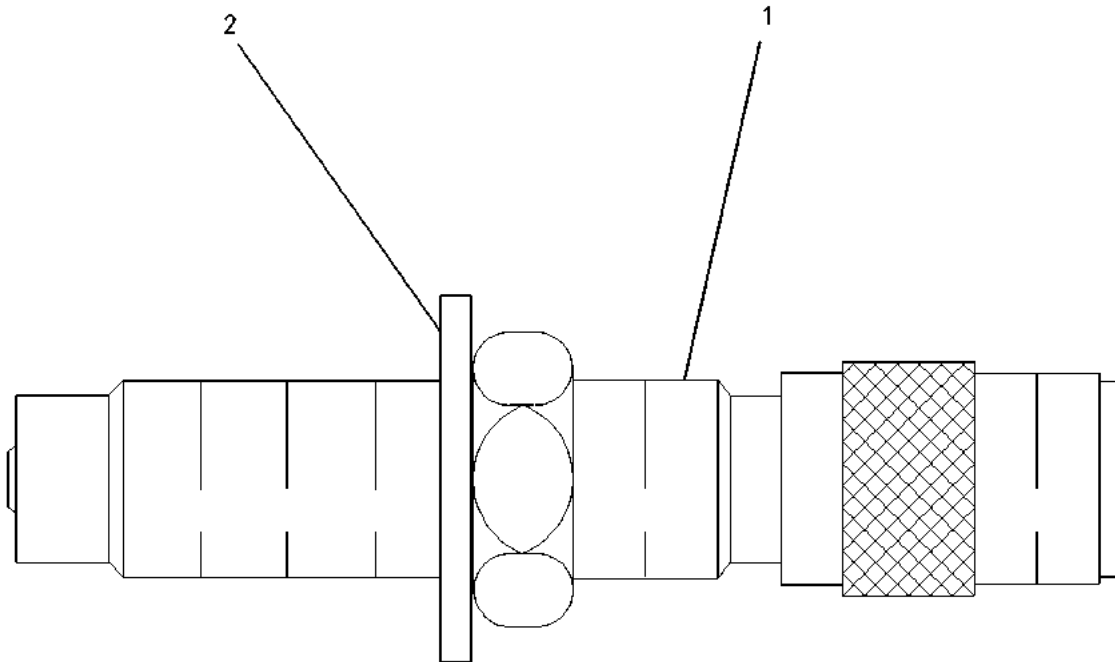
4P-7610 SENSOR GP-SPEED FOR USE WITH ELECTRONIC MODULAR CONTROL PANEL PART OF 4W-5030 FASTENER GP-FUEL INJ PUMP AN ATTACHMENT

SMCS-1907

i07581811

NOTE	REF NO	GRAPHIC REF	PART NUMBER	QTY	PART NAME						SEE PAGE
					1	2	3	4	5	6 (PRODUCT LEVEL)	
	1	1	6V-2455	1	SENSOR GP-SPEED (LOW OUTPUT)						
		1	171-5349	1	STRAP-MARKER						
		1	186-3735	2	PIN-CONNECTOR (16-GA TO 18-GA)						
E		1	9X-1386		SLEEVE (14-CM)						
		1	102-8802	1	KIT-RECEPTACLE (2-PIN)						
					(INCLUDES RECEPTACLE AS & WEDGE)						
	2	1	4B-4281	1	WASHER (16.8X33X2.5-MM THK)						

E - ORDER BY THE CENTIMETER



GRAPHIC #1

<END>

g00722623

ELECTRICAL AND STARTING SYSTEM

7W-3355 SENSOR GP-SPEED

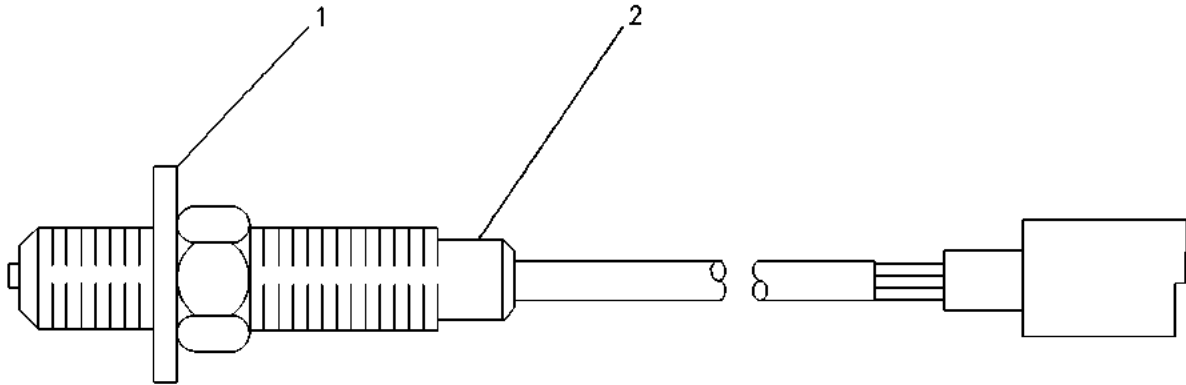
FOR USE WITH ENGINE MOUNTED INSTRUMENT PANEL
 FOR USAGE REFER TO CHART 4W-6500-PAGE: 1453
 PART OF 166-4363, 7C-5274 SHUTOFF GP-ELECTRICAL
 ALSO AN ATTACHMENT

SMCS-1907

i06687068

NOTE	REF NO	GRAPHIC REF	PART NUMBER	QTY	PART NAME						SEE PAGE
					1	2	3	4	5	6 (PRODUCT LEVEL)	
B	1	1	4B-4281	1	WASHER (16.8X33X2.5-MM THK)						
Y	2	1	3E-7886	1	SENSOR GP-SPEED						1186

B - USE AS REQUIRED
 Y - SEPARATE ILLUSTRATION



GRAPHIC #1

<END>

g00065532

ELECTRICAL AND STARTING SYSTEM

7W-3355 SENSOR GP-SPEED

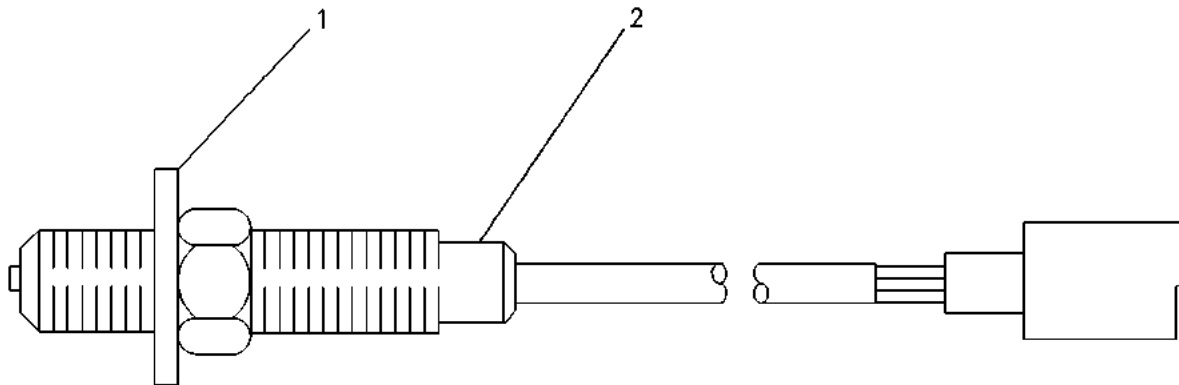
FOR USE WITH ENGINE MOUNTED INSTRUMENT PANEL
 FOR USAGE REFER TO CHART 4W-6500-PAGE: 1453
 PART OF 7C-5274 SHUTOFF GP-ELECTRICAL
 ALSO AN ATTACHMENT

SMCS-1907

i07426256

NOTE	REF NO	GRAPHIC REF	PART NUMBER	QTY	PART NAME						SEE PAGE
					1	2	3	4	5	6 (PRODUCT LEVEL)	
	1	1	4B-4281	1	WASHER (16.8X33X2.5-MM THK)						
Y	2	1	318-1181	1	SENSOR GP-SPEED (MAGNETIC)						1185

Y - SEPARATE ILLUSTRATION



GRAPHIC #1

<END>

g00065532

ELECTRICAL AND STARTING SYSTEM

124-0326 SENSOR GP-TEMPERATURE

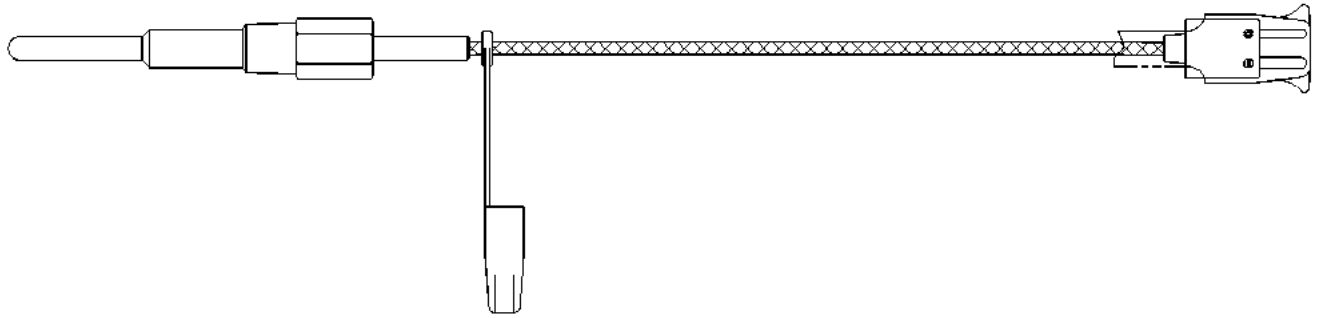
PART OF 127-8129 THERMOCOUPLE GP

AN ATTACHMENT

SMCS-1906, 1919, 1921, 1922, 1928, 1929

i01810276

NOTE	REF NO	GRAPHIC REF	PART NUMBER	QTY	PART NAME						SEE PAGE
					1	2	3	4	5	6 (PRODUCT LEVEL)	
(NO SERVICED PARTS)											



GRAPHIC #1

<END>

g00926562

ELECTRICAL AND STARTING SYSTEM

243-5752 SENSOR GP-TEMPERATURE

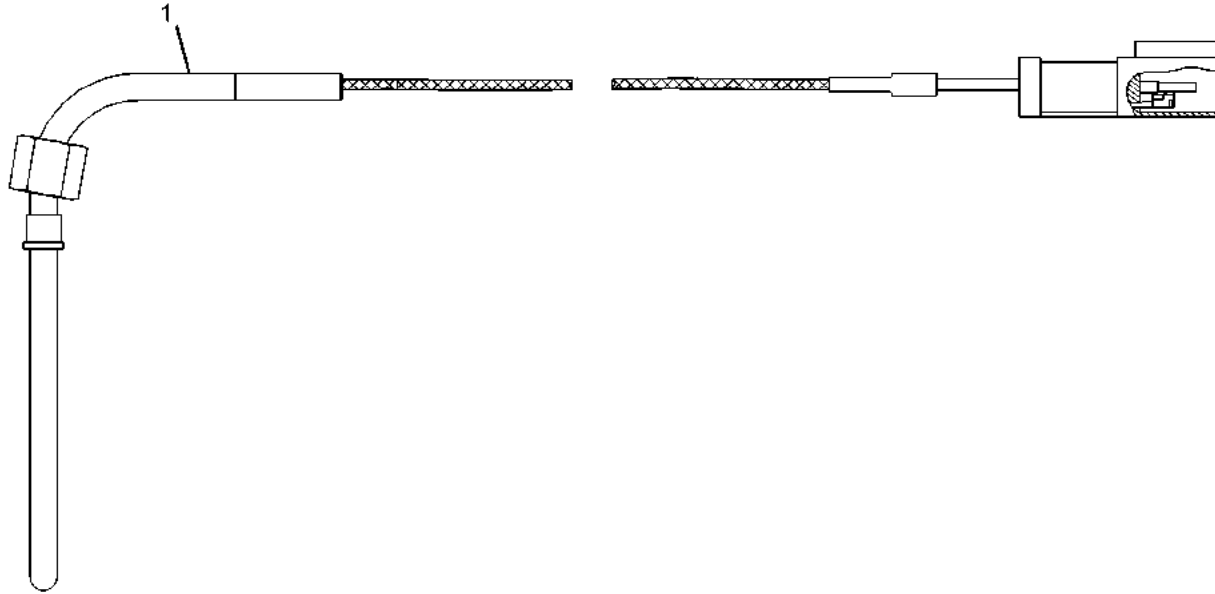
PART OF 120-4498 THERMOCOUPLE GP

AN ATTACHMENT

SMCS-1906, 1919, 1921, 1922, 1928, 1929

i07394311

NOTE	REF NO	GRAPHIC REF	PART NUMBER	QTY	PART NAME						SEE PAGE
					1	2	3	4	5	6 (PRODUCT LEVEL)	
	1	1	383-2990	1	SENSOR GP-TEMPERATURE (THERMOCOUPLE)						



GRAPHIC #1

<END>

g03147037

ELECTRICAL AND STARTING SYSTEM

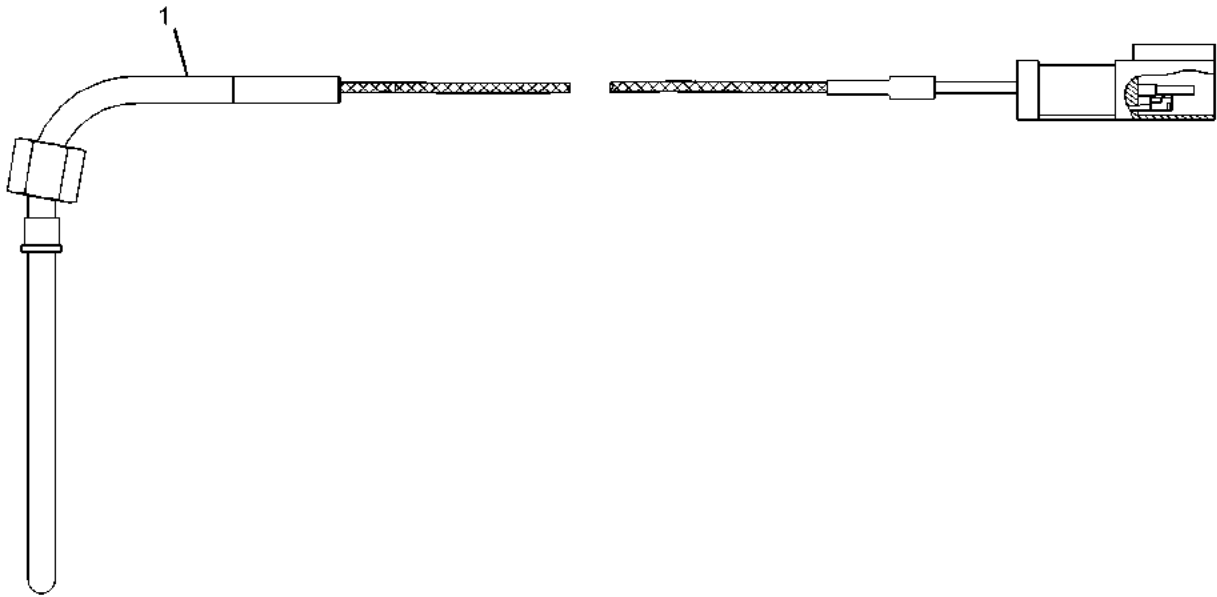
449-3900 SENSOR GP-TEMPERATURE-THERMOCOUPLE

FIELD REPLACEMENT ORDER 1-449-3985 SENSOR GP-TEMPERATURE
PART OF 120-4498 THERMOCOUPLE GP
AN ATTACHMENT

SMCS-1906, 1919, 1921, 1922, 1928, 1929

i06098034

NOTE	REF NO	GRAPHIC REF	PART NUMBER	QTY	PART NAME						SEE PAGE
					1	2	3	4	5	6 (PRODUCT LEVEL)	
	1	1	449-3985	1	SENSOR GP-TEMPERATURE (THERMOCOUPLE)						



GRAPHIC #1

<END>

g03147037

ELECTRICAL AND STARTING SYSTEM

5N-6051 SHUTOFF GP-CONTROL

S/N: 65Z887-970

**PROVIDES OVERSPEED PROTECTION FOR ENGINES RATED AT 1200 RPM
PART OF 7W-7322 SHUTOFF GP-ELECTRICAL
AN ATTACHMENT**

SMCS-7418

i01336395

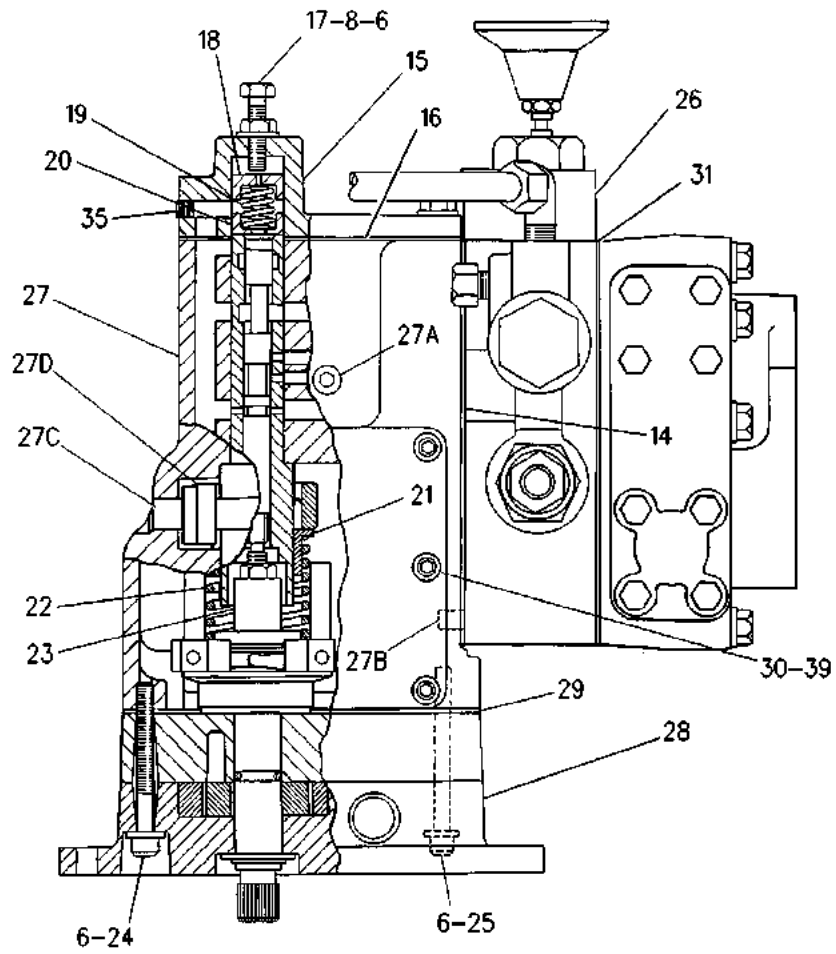
NOTE	REF NO	GRAPHIC REF	PART NUMBER	QTY	PART NAME 1 2 3 4 5 6 (PRODUCT LEVEL)	SEE PAGE
	1	2	2H-3880	2	SCREW-DRIVE (NO 2X0.125-IN)	
	2	2	5N-1782	1	PLATE-IDENTIFICATION (HYDROMECHANICAL SHUTOFF)	
	3	2	5N-6711	1	COVER	
	4	2	5N-2707	1	GASKET	
	5	2	5M-6213	6	PLUG-PIPE (1/4-18-THD)	
	6	1,2	5P-0537	22	WASHER-HARD (7.2X14.5X2-MM THK)	
	7	2	5N-2709	1	BOLT (1/4-28X2.5-IN)	
	8	1,2	6F-0612	2	NUT-JAM (1/4-28-THD)	
	9	2	4F-7957	3	BOLT (1/4-20X0.875-IN)	
Y	10	2	2W-9635	1	VALVE GP-FUEL SHUTOFF	957
	12	2	2A-4781	5	BOLT (1/4-20X2.75-IN)	
	13	2	8S-4710	3	BOLT (1/4-20X4-IN)	
	14	1	5N-4718	1	GASKET	
	15	1	5N-4727	1	COVER	
	16	1	5N-2725	1	GASKET	
	17	1	5N-2716	1	BOLT (1/4-28X1.1-IN)	
	18	1	172-0264	1	SEAT	
	19	1	2N-7029	1	SPRING-CONTROL PIN	
	20	1	5N-4728	1	SEAT	
	21	1	6N-3504	1	SEAT-GOVERNOR SPRING	
	22	1	8M-1682	1	SPRING	
Y	23	1	5N-2718	1	VALVE GP-SPEED SENSING	961
	24	1	6H-3958	1	BOLT-SOCKET HEAD (1/4-20X2.5-IN)	
	25	1	6J-2819	7	BOLT-SOCKET HEAD (1/4-20X2.75-IN)	
Y	26	1	5N-5990	1	VALVE GP-PRESSURE CONTROL	960
	27	1	5N-6141	1	HOUSING AS-CONTROL	
	27A	1	5M-6214	1	PLUG (1/8-27 PTF)	
	27B	1	9L-9503	2	DOWEL-HOLLOW	
	27C	1	3N-5744	1	SHAFT	
	27D	1	3N-5755	1	LEVER	
CY	28	1	5N-1925	1	PUMP GP-GEROTOR	914
	29	1	5N-3198	1	GASKET	
C	30	1	3K-6168	8	BOLT-SOCKET HEAD (10-32X0.625-IN)	
C	31	1	5N-8227	1	GASKET	
	32	2	032-1267	2	CONNECTOR (STRAIGHT)	
	33	2	5N-4990	1	TUBE AS	
	34	2	3R-6569	1	BOLT (1/4-20X0.875-IN)	
	35	1,2	3D-4603	2	PLUG-PIPE	
	36	2	032-1268	2	CONNECTOR (90-DEG)	
	37	2	6K-9194	1	ELBOW	
	38	2	7K-4128	1	TEE-FLARED	
C	39	1	3H-0240	8	WASHER (5X9.7X0.8-MM THK)	

C - CHANGE FROM PREVIOUS TYPE
Y - SEPARATE ILLUSTRATION

ELECTRICAL AND STARTING SYSTEM

5N-6051 SHUTOFF GP-CONTROL (contd.)

101336395



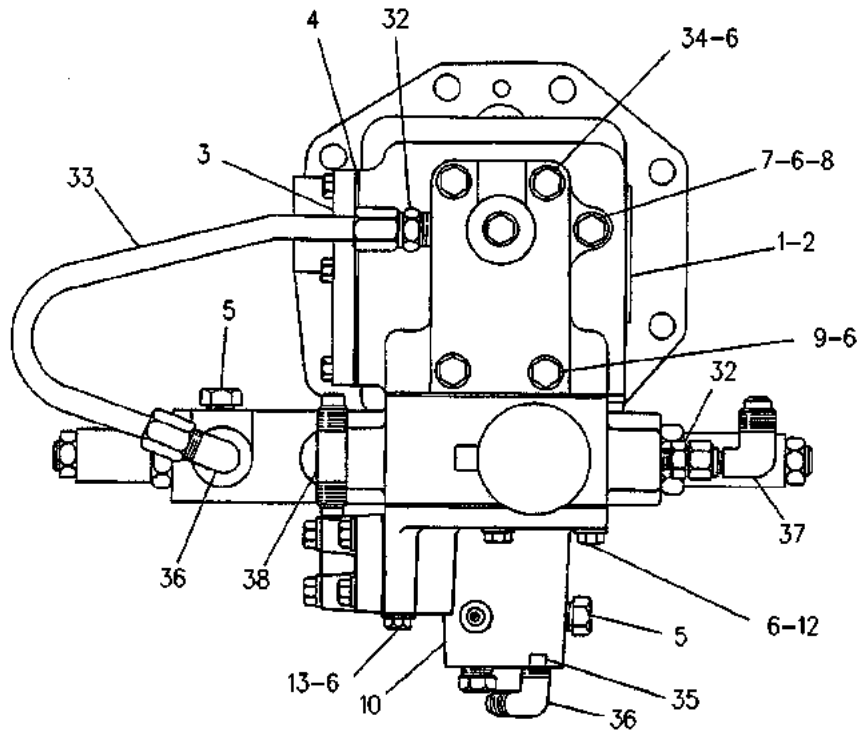
GRAPHIC #1

g00587079

ELECTRICAL AND STARTING SYSTEM

5N-6051 SHUTOFF GP-CONTROL (contd.)

101336395



GRAPHIC #2

<END>

g00582516

ELECTRICAL AND STARTING SYSTEM

166-4363 SHUTOFF GP-ELECTRICAL

CANNOT BE USED WITH HYDROMECHANICAL SHUT-OFF
AN ATTACHMENT

SMCS-7418

i06907917

NOTE	PART NUMBER	QTY	PART NAME 1 2 3 4 5 6 (PRODUCT LEVEL)	SEE PAGE
Y	7E-5842	1	CONTACTOR GP	1003
Y	7W-6956	1	FASTENER GP-JUNCTION BOX	1036
Y	174-1417	1	BOX GP-JUNCTION	984
Y	7W-3355	1	SENSOR GP-SPEED	1189

Y - SEPARATE ILLUSTRATION

<END>

7C-1892 SHUTOFF GP-ELECTRICAL

64 VOLT. LOCOMOTIVE
AN ATTACHMENT

SMCS-7418

i07233231

NOTE	PART NUMBER	QTY	PART NAME 1 2 3 4 5 6 (PRODUCT LEVEL)	SEE PAGE
Y	7C-2225	1	BOX GP-JUNCTION	992
Y	7E-6469	2	MOUNTING GP-CONTACTOR	1116
Y	7C-1893	1	MOUNTING GP-JUNCTION BOX	1178
Y	7W-3355	1	SENSOR GP-SPEED	1189
-OR-				
Y	4P-3483	1	SENSOR GP-SPEED (MAGNETIC)	1187
Y	4W-2768	1	CONTACTOR GP	1002
-OR-				
J	4W-7793	1	CONTACTOR GP-TEMPERATURE	
	4W-2641	1	CONTACTOR-PRESSURE	
	4W-2642	1	CONTACTOR-PRESSURE	
	336-0729	1	FILM-IDENTIFICATION (ENGINE OIL PRESSURE)	
	336-0730	1	FILM-IDENTIFICATION (ENGINE COOLANT TEMPERATURE)	
AVAILABLE REPAIR KIT(S):				
J	7E-3127	1	KIT-SENSOR POCKET (TEMPERATURE CONTROL) (INCLUDES RETAINERS, WASHER, RING, ADAPTER, & STRIP)	

J - PART(S) MARKED J INCLUDES KIT(S) MARKED J
Y - SEPARATE ILLUSTRATION

<END>

7C-5237 SHUTOFF GP-ELECTRICAL

ENERGIZED TO SHUT-OFF-OVERSPEED, OIL PRESSURE, WATER TEMPERATURE
PART OF 7C-5274 SHUTOFF GP-ELECTRICAL

SMCS-7418

i02157462

NOTE	PART NUMBER	QTY	PART NAME 1 2 3 4 5 6 (PRODUCT LEVEL)	SEE PAGE
Y	7C-5029	1	BOX GP-JUNCTION	993
Y	7W-8052	1	DIODE GP	1029
Y	7W-6955	1	MOUNTING GP-JUNCTION BOX	1179
Y	7W-8051	1	SWITCH GP-ENGINE (SHUTOFF)	1321

Y - SEPARATE ILLUSTRATION

<END>

ELECTRICAL AND STARTING SYSTEM

7C-5274 SHUTOFF GP-ELECTRICAL

ENERGIZED TO SHUT-OFF-OVERSPEED,OIL PRESSURE,WATER TEMPERATURE

SMCS-7418

i03171056

NOTE	PART NUMBER	QTY	PART NAME						SEE PAGE
			1	2	3	4	5	6 (PRODUCT LEVEL)	
Y	7E-5842	1	CONTACTOR GP						1003
			S/N: 65Z887-UP						
Y	7W-6956	1	FASTENER GP-JUNCTION BOX						1036
Y	7W-3355	1	SENSOR GP-SPEED (ENGINE)						1189
Y	7C-5237	1	SHUTOFF GP-ELECTRICAL						1197
Y	7W-3555	1	SHUTOFF GP-ELECTRICAL						1200

Y - SEPARATE ILLUSTRATION

<END>

ELECTRICAL AND STARTING SYSTEM

7C-5275 SHUTOFF GP-ELECTRICAL

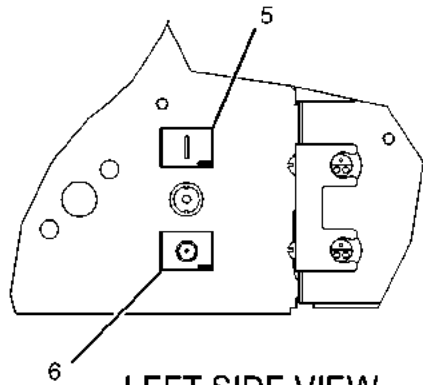
ENERGIZED TO SHUT-OFF-OVERSPEED
AN ATTACHMENT

SMCS-7418

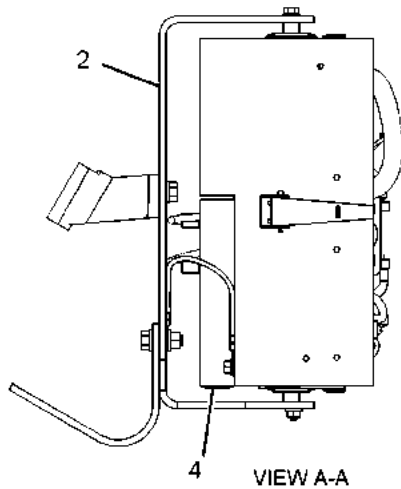
i05530006

NOTE	REF NO	GRAPHIC REF	PART NUMBER	QTY	PART NAME						SEE PAGE
					1	2	3	4	5	6 (PRODUCT LEVEL)	
Y	1	1	7C-5029	1	BOX GP-JUNCTION						993
Y	2	1	7W-6955	1	MOUNTING GP-JUNCTION BOX						1179
Y	3	1	7W-8051	1	SWITCH GP-ENGINE (SHUTOFF)						1321
	4	1	8T-6762	1	PLUG-PIPE (1/2-14-THD)						
	5	1	4W-6402	1	FILM-IDENTIFICATION (ENGINE START)						
	6	1	4W-6401	1	FILM-IDENTIFICATION (ENGINE STOP)						

Y - SEPARATE ILLUSTRATION

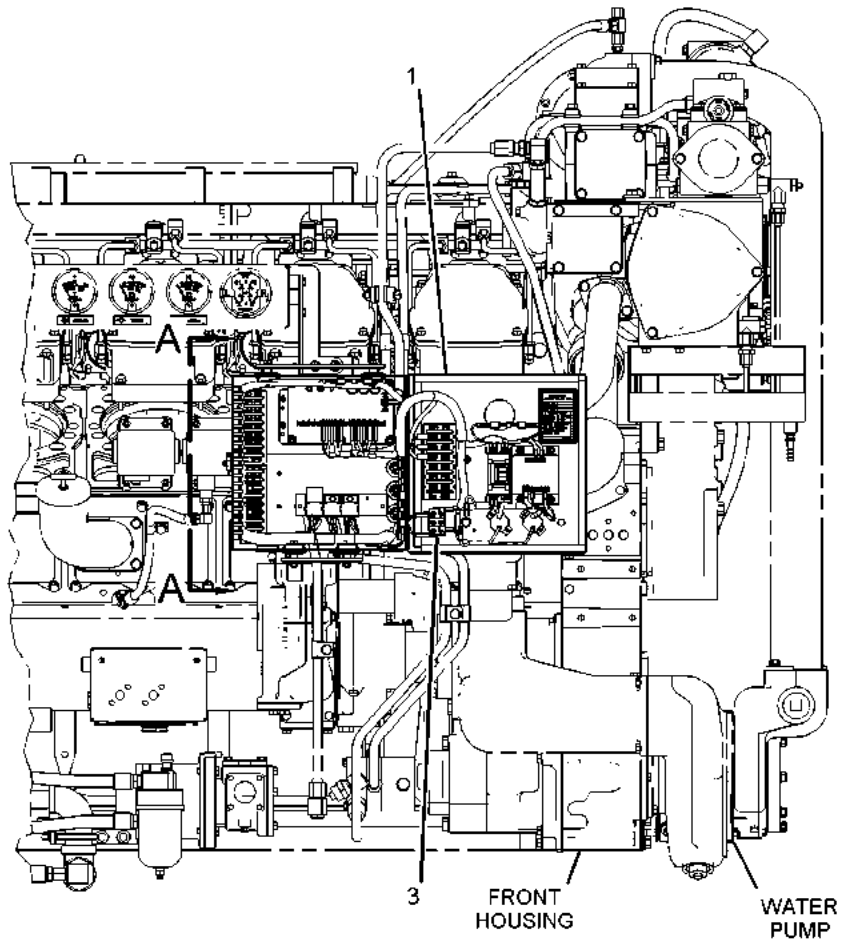


LEFT SIDE VIEW OF ENGINE



VIEW A-A

GRAPHIC #1



RIGHT SIDE VIEW OF ENGINE

<END>

g03521243

ELECTRICAL AND STARTING SYSTEM

7W-3555 SHUTOFF GP-ELECTRICAL

24-VOLT, 32-VOLT. ENERGIZED TO SHUTDOWN

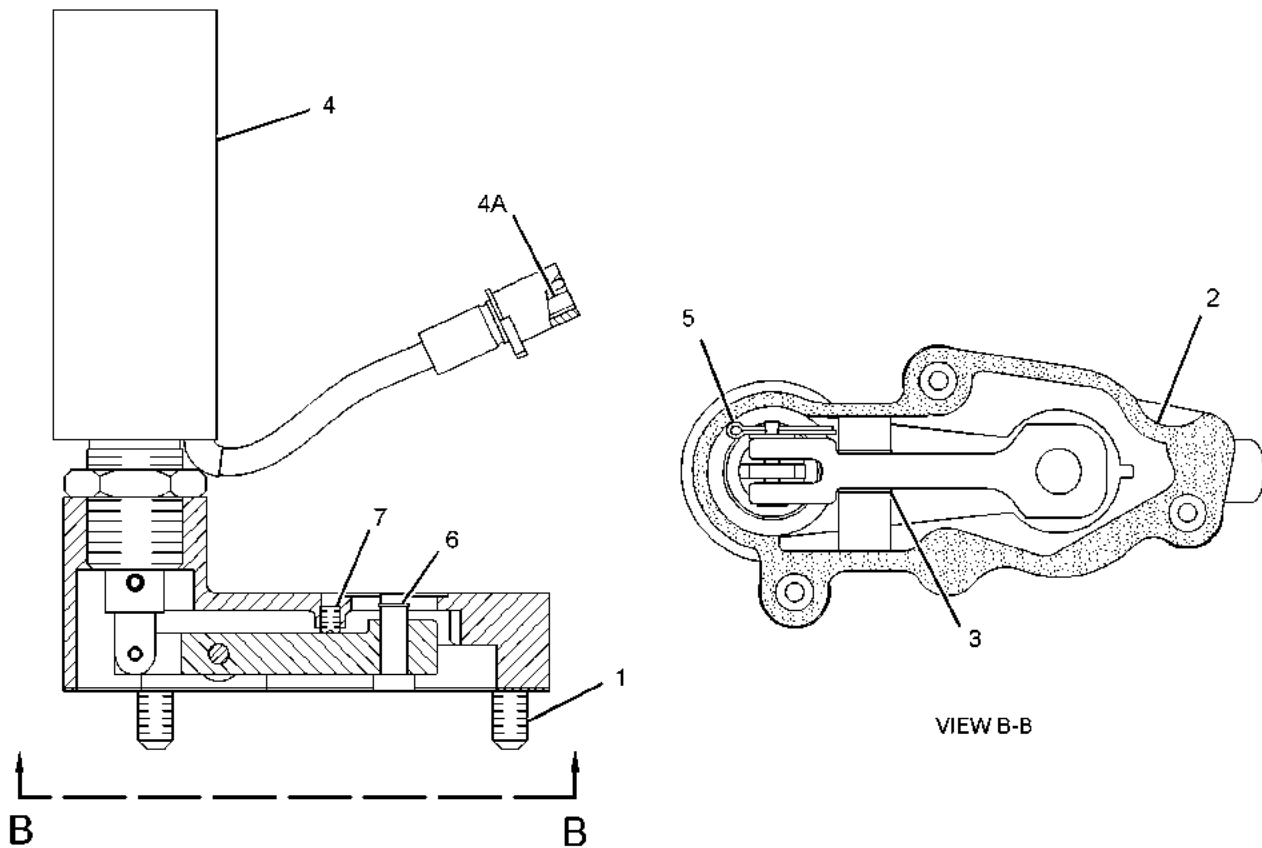
PART OF 7C-5274 SHUTOFF GP-ELECTRICAL

ALSO AN ATTACHMENT

SMCS-7418

i02854799

NOTE	REF NO	GRAPHIC REF	PART NUMBER	QTY	PART NAME						SEE PAGE
					1	2	3	4	5	6	
	1	1	2W-0138	3	SCREW-FORMING (1/4-20X1-IN)						
	2	1	2W-2333	1	GASKET-SHUTDOWN						
	3	1	2W-5907	2	WASHER (5.16X11.13X0.81-MM THK)						
	4	1	7W-5967	1	SOLENOID AS (FUEL SHUTOFF)						
	4A	1	7N-7779	1	SOCKET-CONNECTOR (14-GA TO 18-GA)						
		1	7N-7780	1	PIN-CONNECTOR (14-GA TO 18-GA)						
		1	7N-9737	1	HOUSING-RECEPTACLE (14-GA TO 18-GA)						
	5	1	3B-4605	2	PIN-COTTER						
	6	1	6H-5829	1	RING-RETAINING						
	7	1	7L-8316	1	SETSCREW-SOCKET (10-32X2.54-IN)						



GRAPHIC #1

<END>

g01429908

ELECTRICAL AND STARTING SYSTEM

7W-3610 SHUTOFF GP-ELECTRICAL

24-VOLT, 32-VOLT. ENERGIZED TO RUN
AN ATTACHMENT

SMCS-7418

i01764087

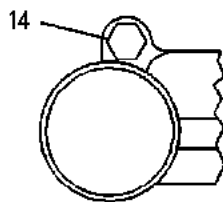
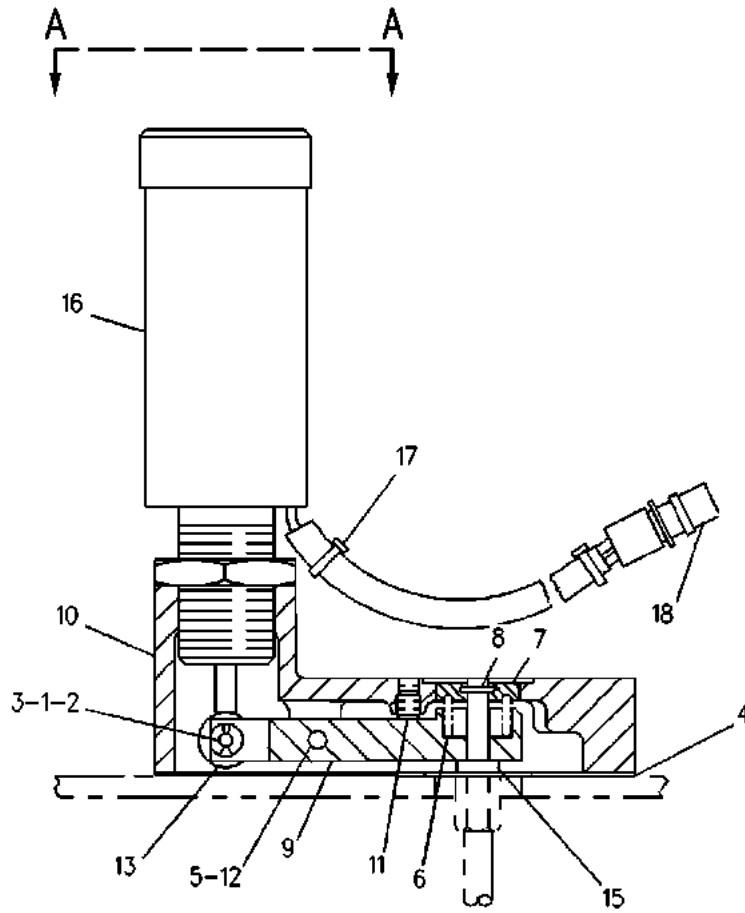
NOTE	REF NO	GRAPHIC REF	PART NUMBER	QTY	PART NAME						SEE PAGE
					1	2	3	4	5	6 (PRODUCT LEVEL)	
	1	1	2W-5909	1	WASHER (3.78X9.53X0.81-MM THK)						
	2	1	2W-5974	1	PIN						
	3	1	3B-4605	1	PIN-COTTER						
	4	1	2W-2333	1	GASKET-SHUTDOWN						
	5	1	2W-5907	2	WASHER (5.16X11.13X0.81-MM THK)						
	6	1	7W-5175	1	SPRING						
	7	1	7W-5176	1	SEAT						
	8	1	6H-5829	1	RING-RETAINING						
	9	1	7W-5173	1	LEVER						
	10	1	2W-5450	1	HOUSING-SHUTDOWN						
	11	1	7L-8316	1	SETSCREW-SOCKET (10-32X2.54-IN)						
	12	1	2W-5917	1	ROLLER-NEEDLE						
	13	1	7W-5174	1	ROLLER						
	14	1	2W-0138	3	SCREW-FORMING (1/4-20X1-IN)						
	15	1	4W-3169	1	PLUNGER						
	16	1	7W-5968	1	SOLENOID AS (ENERGIZED TO RUN)						
BD		1	5P-5624		WIRE (14-GA, BLACK)						
BD		1	8T-5677		SLEEVE						
		1	8S-4626	2	SPLICE-WIRE						
	17	1	1S-9593	2	STRAP-CABLE						
	18	1	7N-9737	1	HOUSING-RECEPTACLE (14-GA TO 18-GA)						
		1	7N-7779	1	SOCKET-CONNECTOR (14-GA TO 18-GA)						
		1	7N-7780	1	PIN-CONNECTOR (14-GA TO 18-GA)						

B - USE AS REQUIRED
D - ORDER BY THE METER

ELECTRICAL AND STARTING SYSTEM

7W-3610 SHUTOFF GP-ELECTRICAL (contd.)

i01764087



VIEW A-A

GRAPHIC #1

<END>

g00811364

ELECTRICAL AND STARTING SYSTEM

7W-3955 SHUTOFF GP-ELECTRICAL

64/76 VOLT DC. ENERGIZED TO RUN
FOR USE WITH 3161 GOVERNOR WITH 115 VOLT AC SYSTEMS
AN ATTACHMENT

SMCS-7418

i02658723

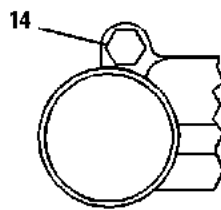
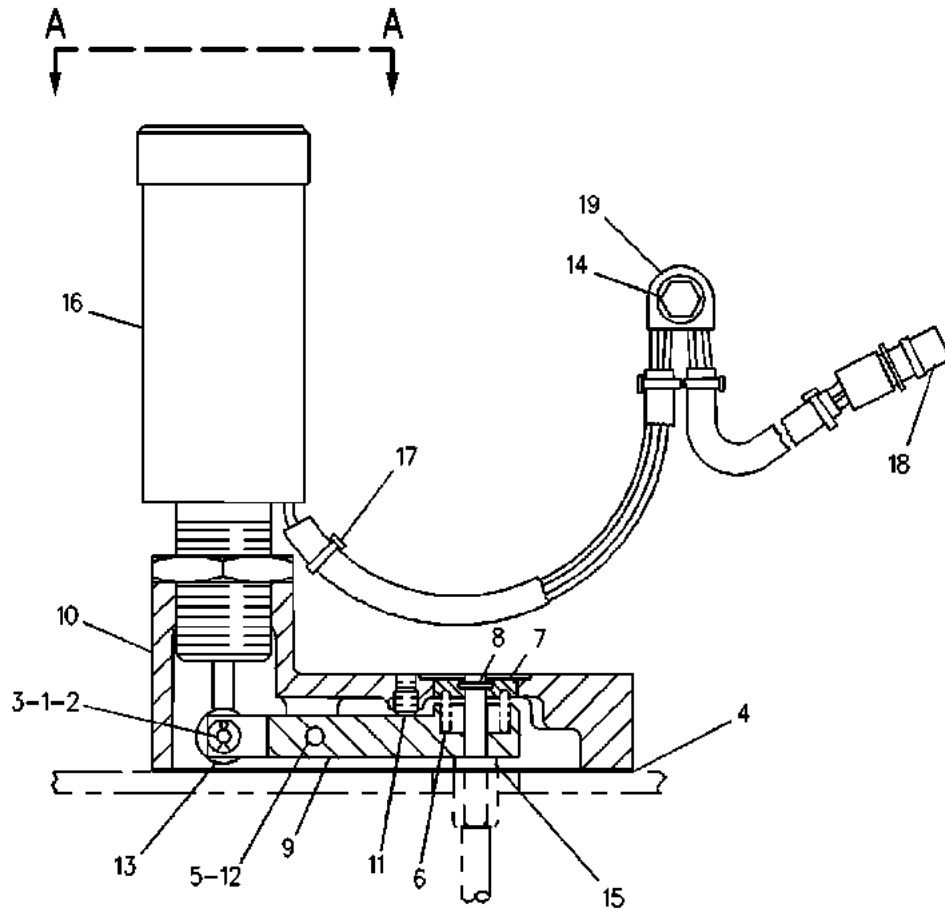
NOTE	REF NO	GRAPHIC REF	PART NUMBER	QTY	PART NAME						SEE PAGE
					1	2	3	4	5	6 (PRODUCT LEVEL)	
	1	1	2W-5909	1	WASHER (3.78X9.53X0.81-MM THK)						
	2	1	2W-5974	1	PIN						
	3	1	3B-4605	1	PIN-COTTER						
	4	1	2W-2333	1	GASKET-SHUTDOWN						
	5	1	2W-5907	2	WASHER (5.16X11.13X0.81-MM THK)						
	6	1	7W-5175	1	SPRING						
	7	1	7W-5176	1	SEAT						
	8	1	6H-5829	1	RING-RETAINING						
	9	1	7W-5173	1	LEVER						
	10	1	2W-5450	1	HOUSING-SHUTDOWN						
	11	1	7L-8316	1	SETSCREW-SOCKET (10-32X2.54-IN)						
	12	1	2W-5917	1	ROLLER-NEEDLE						
	13	1	7W-5174	1	ROLLER						
	14	1	2W-0138	4	SCREW-FORMING (1/4-20X1-IN)						
	15	1	4W-3169	1	PLUNGER						
	16	1	7W-5295	1	SOLENOID AS (ELECTRIC SHUTOFF)						
BD		1	5P-5624		WIRE (14-GA, BLACK)						
BD		1	8T-5677		SLEEVE						
		1	8S-4626	2	SPLICE-WIRE						
	17	1	1S-9593	4	STRAP-CABLE						
	18	1	7N-9737	1	HOUSING-RECEPTACLE (14-GA TO 18-GA)						
		1	7N-7779	1	SOCKET-CONNECTOR (14-GA TO 18-GA)						
		1	7N-7780	1	PIN-CONNECTOR (14-GA TO 18-GA)						
	19	1	2W-2336	1	SUPPRESSOR AS						

B - USE AS REQUIRED
D - ORDER BY THE METER

ELECTRICAL AND STARTING SYSTEM

7W-3955 SHUTOFF GP-ELECTRICAL (contd.)

102658723



VIEW A-A

GRAPHIC #1

<END>

g00809700

ELECTRICAL AND STARTING SYSTEM

7W-7322 SHUTOFF GP-ELECTRICAL

HYDRO-MECHANICAL

FOR USAGE REFER TO CHART 7W-7326-PAGE: 1450
AN ATTACHMENT

SMCS-7418

i01439170

NOTE	PART NUMBER	QTY	PART NAME 1 2 3 4 5 6 (PRODUCT LEVEL)	SEE PAGE
Y	4W-6883	1	DRIVE GP-ACCESSORY	151
Y	2W-4927	1	LINES GP-DIVERTER VALVE	861
Y	2W-6108	1	LINES GP-SHUTOFF (AIR)	1107
Y	4W-6885	1	LINES GP-SHUTOFF	1110
-OR-				
Y	4P-5020	1	LINES GP-SHUTOFF	1109
Y	5N-6051	1	SHUTOFF GP-CONTROL	1194
S/N: 65Z887-970				
Y	172-0261	1	SHUTOFF GP-HYDROMECHANICAL	943
S/N: 65Z971-UP				
Y	1W-4862	1	SHUTOFF GP-REMOTE	954

Y - SEPARATE ILLUSTRATION

<END>

ELECTRICAL AND STARTING SYSTEM

7W-8053 SHUTOFF GP-ELECTRICAL

**ENERGIZED TO SHUT-OFF , OVERSPEED
CANNOT BE USED WITH HYDROMECHANICAL SHUT-OFF SYSTEM
AN ATTACHMENT**

SMCS-7418

i05530008

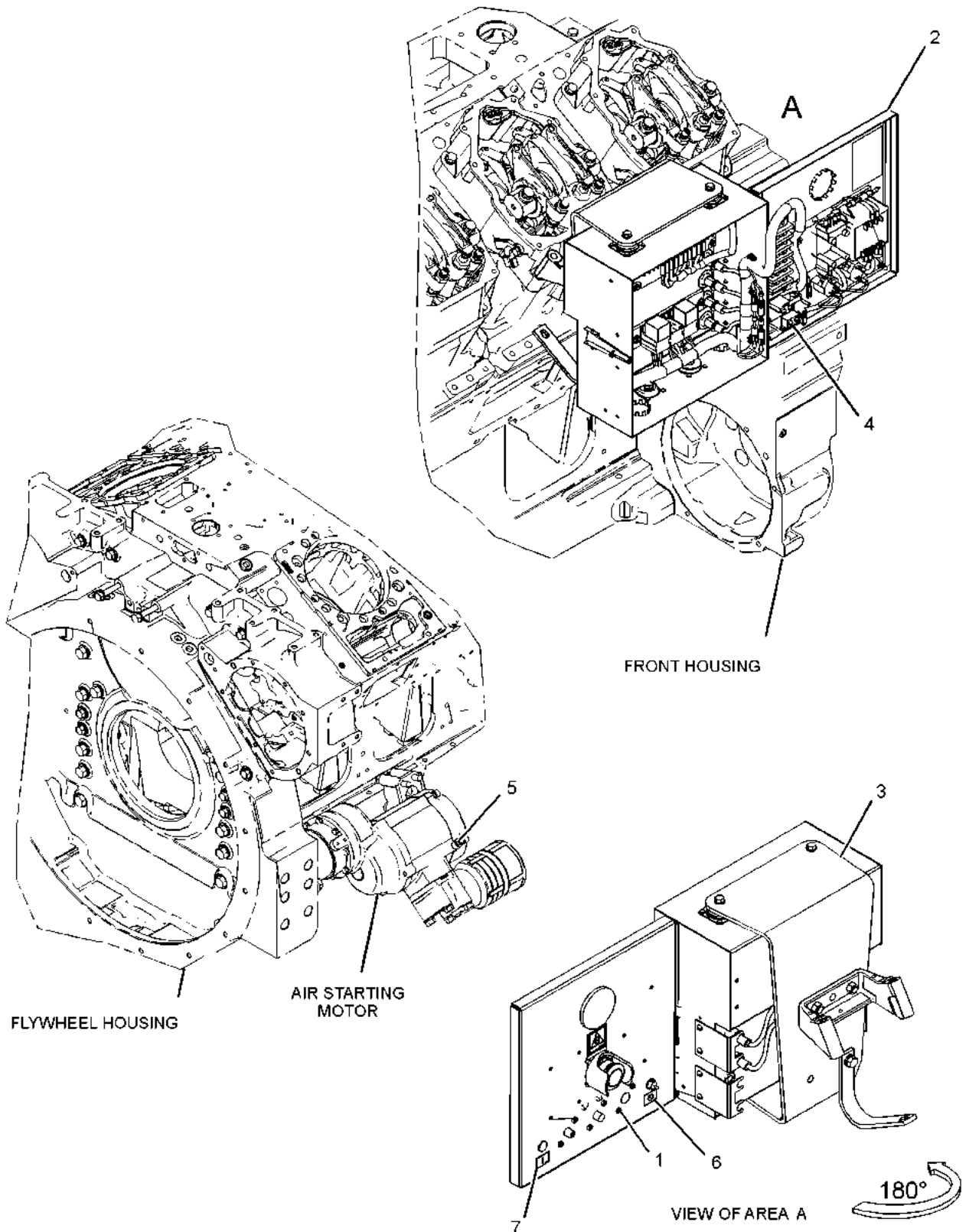
NOTE	REF NO	GRAPHIC REF	PART NUMBER	QTY	PART NAME	SEE PAGE
					1 2 3 4 5 6 (PRODUCT LEVEL)	
Y	1	1	2W-8956	1	SWITCH GP-ENGINE (ELECTRIC SHUTOFF)	1319
Y	2	1	7C-5029	1	BOX GP-JUNCTION	993
Y	3	1	7W-6955	1	MOUNTING GP-JUNCTION BOX	1179
Y	4	1	7W-8051	1	SWITCH GP-ENGINE (EMERGENCY STOP)	1321
	5	1	8T-6762	1	PLUG-PIPE (1/2-14-THD)	
	6	1	4W-6401	1	FILM-IDENTIFICATION (ENGINE STOP)	
	7	1	4W-6402	1	FILM-IDENTIFICATION (ENGINE START)	

Y - SEPARATE ILLUSTRATION

ELECTRICAL AND STARTING SYSTEM

7W-8053 SHUTOFF GP-ELECTRICAL (contd.)

i05530008



GRAPHIC #1

<END>

g03521659

ELECTRICAL AND STARTING SYSTEM

7W-8054 SHUTOFF GP-ELECTRICAL

ENERGIZED TO SHUTOFF-OVERSPEED, OIL PRESSURE, WATER TEMPERATURE
AN ATTACHMENT

SMCS-7418

i05868613

NOTE	PART NUMBER	QTY	PART NAME						SEE PAGE
			1	2	3	4	5	6 (PRODUCT LEVEL)	
Y	7C-5029	1	BOX GP-JUNCTION						993
Y	7W-8052	1	DIODE GP						1029
Y	7W-6955	1	MOUNTING GP-JUNCTION BOX						1179
Y	7W-8051	1	SWITCH GP-ENGINE (EMERGENCY STOP)						1321
Y	2W-8956	1	SWITCH GP-ENGINE (RELAY)						1319
	4W-6401	1	FILM-IDENTIFICATION (ENGINE STOP)						
	4W-6402	1	FILM-IDENTIFICATION (ENGINE START)						

Y - SEPARATE ILLUSTRATION

<END>

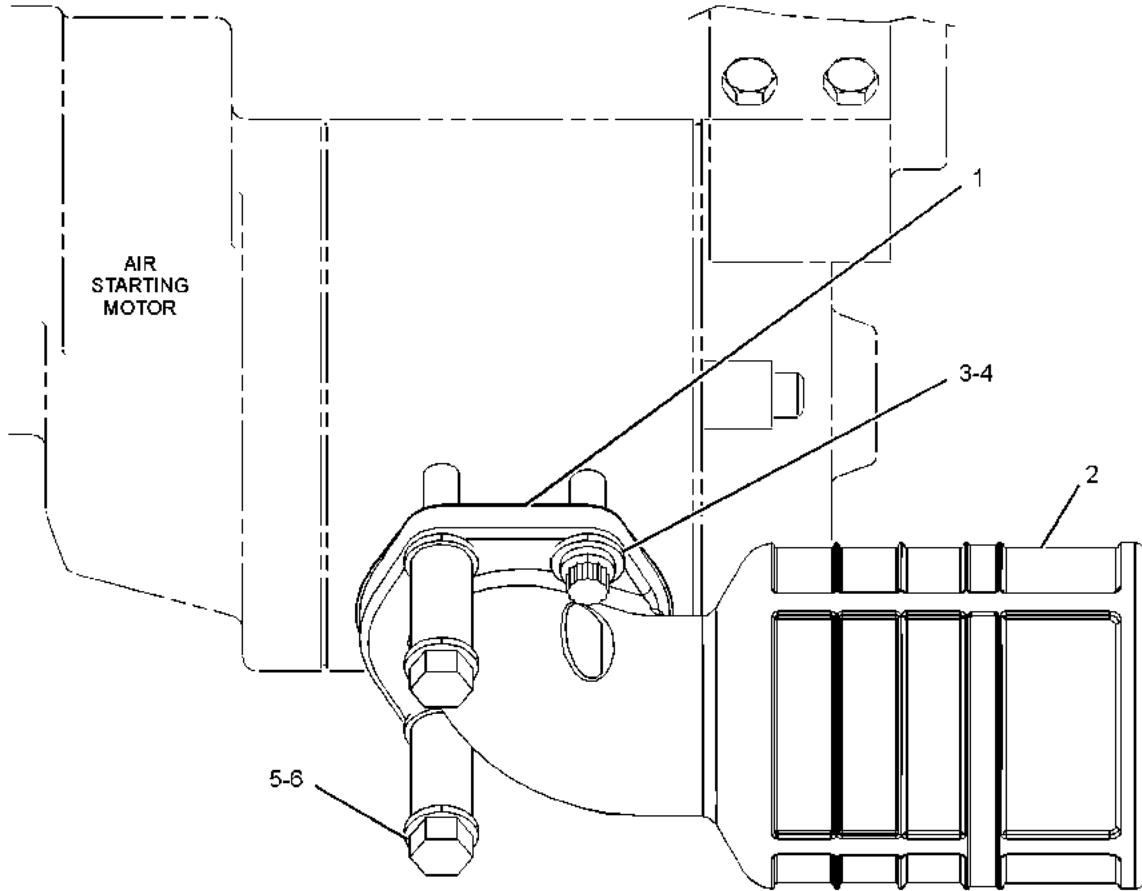
ELECTRICAL AND STARTING SYSTEM

112-6597 SILENCER GP-AIR STARTING AN ATTACHMENT

SMCS-1468

i05766815

NOTE	REF NO	GRAPHIC REF	PART NUMBER	QTY	PART NAME						SEE PAGE
					1	2	3	4	5	6 (PRODUCT LEVEL)	
	1	1	8N-8452	1	GASKET						
	2	1	107-8769	1	SILENCER-AIR STARTING						
	3	1	5P-8245	6	WASHER-HARD (13.5X25.5X3-MM THK)						
	4	1	4K-5175	2	BOLT-12 POINT HEAD (1/2-13X1.5-IN)						
	5	1	1D-4566	2	BOLT (1/2-13X3.5-IN)						
	6	1	1V-7753	2	SPACER (0.546X0.841X1.75-IN THK)						



GRAPHIC #1

<END>

g03662957

ELECTRICAL AND STARTING SYSTEM

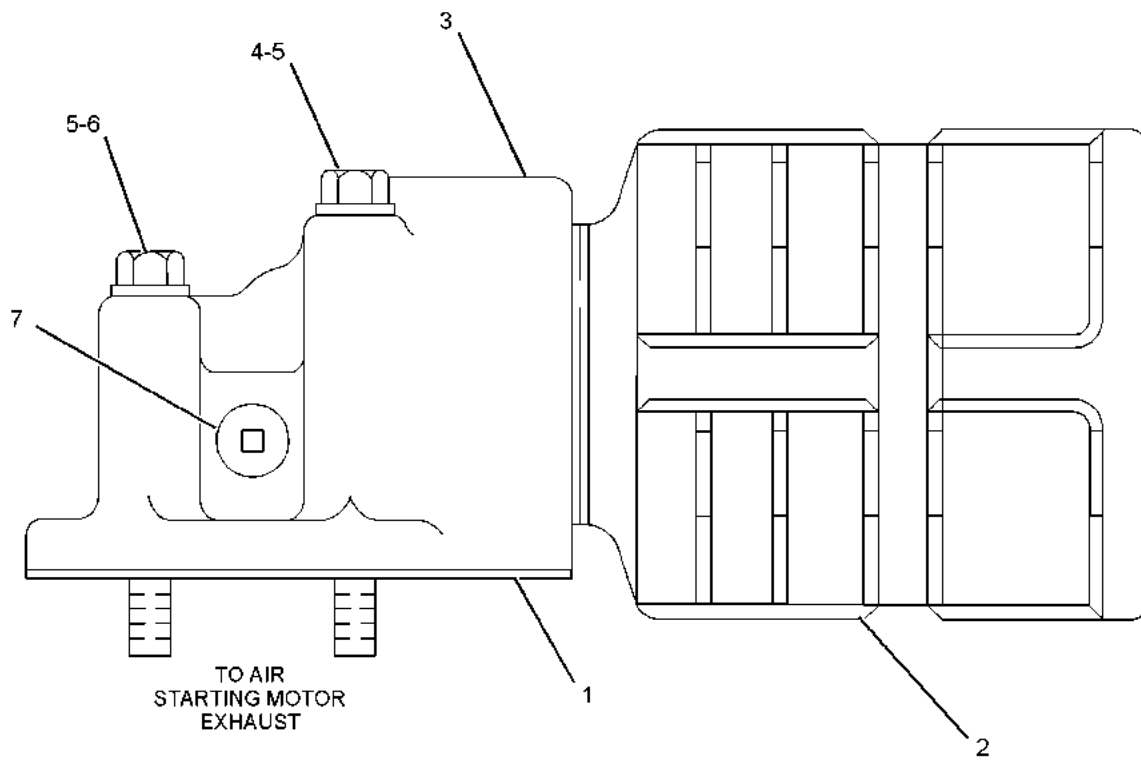
8N-8486 SILENCER GP-AIR STARTING

FOR USE WITH AIR PRELUBRICATION
AN ATTACHMENT

SMCS-1468

i05408997

NOTE	REF NO	GRAPHIC REF	PART NUMBER	QTY	PART NAME						SEE PAGE
					1	2	3	4	5	6 (PRODUCT LEVEL)	
	1	1	8N-8452	1	GASKET						
	2	1	8N-8488	1	SILENCER-AIR STARTING						
	3	1	8N-8447	1	ELBOW						
	4	1	1D-4569	2	BOLT (1/2-13X4.25-IN)						
	5	1	5P-8245	4	WASHER-HARD (13.5X25.5X3-MM THK)						
	6	1	1D-4566	2	BOLT (1/2-13X3.5-IN)						
	7	1	8T-6762	1	PLUG-PIPE (1/2-14-THD)						



GRAPHIC #1

<END>

g01397487

ELECTRICAL AND STARTING SYSTEM

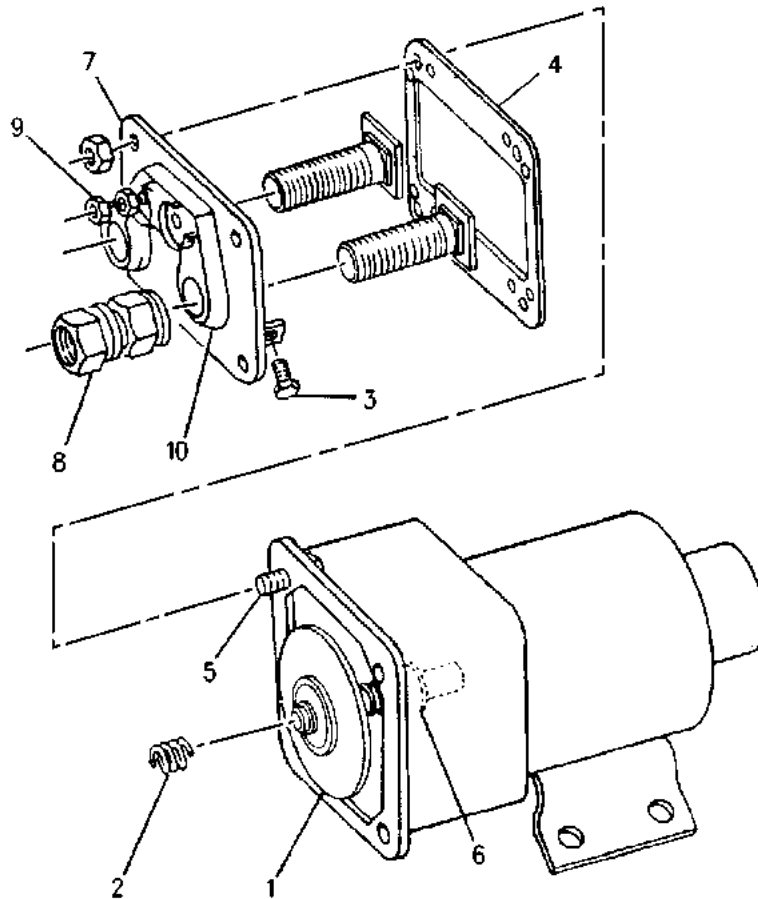
3T-4704 SOLENOID AS-STARTING MOTOR

24-VOLT
FIELD INSTALLATION

SMCS-1467

i03537971

NOTE	REF NO	GRAPHIC REF	PART NUMBER	QTY	PART NAME						SEE PAGE
					1	2	3	4	5	6	
	1	1	318-2082	1	SOLENOID AS-STARTING MOTOR (24-VOLT)						
	2	1	4M-1815	1	SPRING-CONTACT						
	3	1	6V-8373	3	SCREW-MACHINE (6-32X0.187-IN)						
	4	1	7T-9123	1	GASKET-PLATE						
	5	1	045-4065	4	SCREW-MACHINE (10-32X0.75-IN)						
		1	4B-4274	8	WASHER (5.5X13X1.2-MM THK)						
		1	4B-2049	4	NUT (10-32-THD)						
	6	1	6T-1120	1	BUSHING-TERMINAL						
	7	1	6T-1119	1	TERMINAL AS						
	8	1	8T-0328	3	WASHER-HARD (5.5X10X1-MM THK)						
		1	8F-1434	2	LOCKWASHER						
		1	6V-8188	3	NUT (1/2-13-THD)						
	9	1	4B-2049	3	NUT (10-32-THD)						
		1	7X-0562	3	WASHER-HARD (13.5X19X0.8-MM THK)						
	10	1	6T-0362	1	INSULATOR						



GRAPHIC #1

<END>

g00744087

ELECTRICAL AND STARTING SYSTEM

3T-5051 SOLENOID AS-STARTING MOTOR

32 VOLT

PART OF 3T-8948 STARTING MOTOR GP-ELECTRIC

SMCS-1467

i01188848

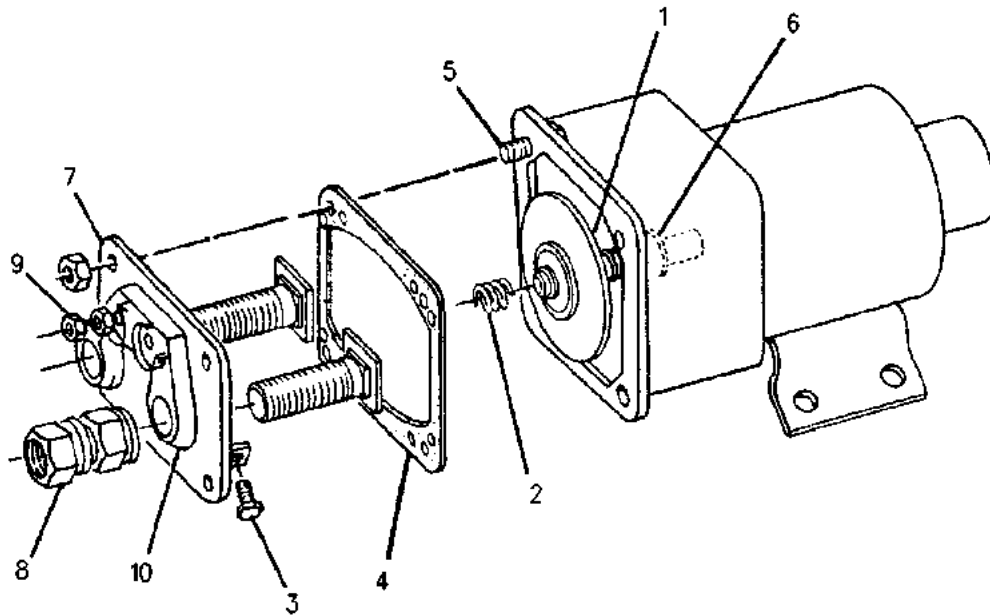
NOTE	REF NO	GRAPHIC REF	PART NUMBER	QTY	PART NAME						SEE PAGE
					1	2	3	4	5	6 (PRODUCT LEVEL)	
	1	1	9G-6770	1	CONTACT AS						
	2	1	4M-1815	1	SPRING-CONTACT						
	3	1	4M-5274	3	SCREW-MACHINE (TRUSS HEAD)						
C	4	1	7T-9123	1	GASKET-PLATE						
	5	1	045-4065	4	SCREW-MACHINE (10-32X0.75-IN)						
		1	4B-4274	8	WASHER (5.5X13X1.2-MM THK)						
		1	4B-2049	4	NUT (10-32-THD)						
	6	1	6T-1120	1	BUSHING-TERMINAL						
C	7	1	6T-1124	1	TERMINAL AS						
	8	1	3H-3680	3	NUT-JAM (1/2-13-THD)						
		1	4B-4280	3	WASHER (13.5X27X2.5-MM THK)						
		1	9F-4976	2	LOCKWASHER						
	9	1	4B-2049	3	NUT (10-32-THD)						
		1	4B-4274	3	WASHER (5.5X13X1.2-MM THK)						
		1	3B-4502	2	LOCKWASHER						
	10	1	6T-0362	1	INSULATOR						

C - CHANGE FROM PREVIOUS TYPE

ELECTRICAL AND STARTING SYSTEM

3T-5051 SOLENOID AS-STARTING MOTOR (contd.)

i01188848



GRAPHIC #1

<END>

g00636436

ELECTRICAL AND STARTING SYSTEM

7W-6957 SOLENOID GP-SHUTOFF-AIR

24-VOLT TO 32-VOLT DC

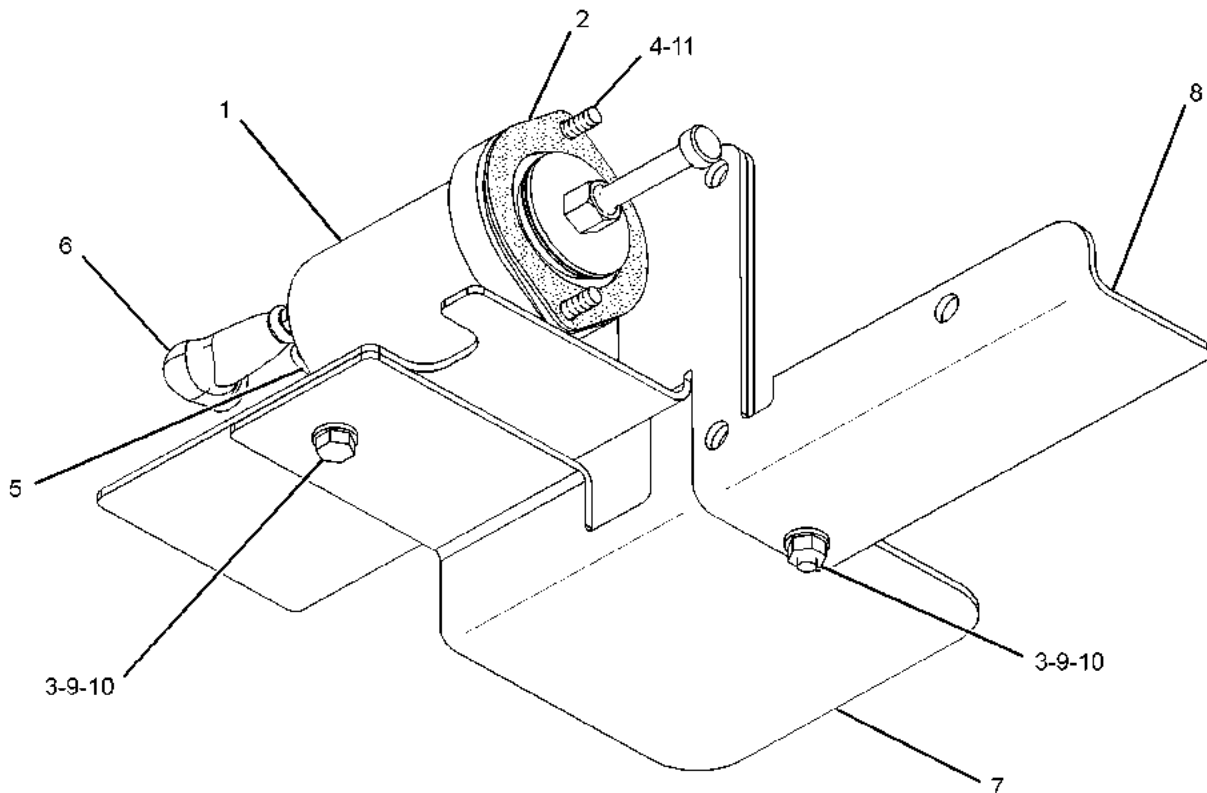
PART OF 348-2347, 7C-5032 SHUTOFF GP-AIR
AN ATTACHMENT

SMCS - 1259

i03473922

NOTE	REF NO	GRAPHIC REF	PART NUMBER	QTY	PART NAME						SEE PAGE
					1	2	3	4	5	6 (PRODUCT LEVEL)	
C	1	1	139-1568	1	SOLENOID AS (SHUTOFF)						
C		1	6V-8377	1	NUT (8-32-THD)						
C		1	9B-7233	2	LOCKWASHER						
C		1	2W-6382	1	SHAFT-SOLENOID						
	2	1	8L-3873	1	GASKET						
C	3	1	0S-1615	2	BOLT (1/4-20X0.75-IN)						
	4	1	1A-8912	2	WASHER (6.7X12.7X1.6-MM THK)						
	5	1	1W-9070	1	DIODE AS						
	6	1	1H-4560	2	BOOT-SPARK PLUG						
	7	1	7W-6958	1	SHIELD						
	8	1	2W-6507	1	SHIELD						
	9	1	5P-0537	4	WASHER-HARD (7.2X14.5X2-MM THK)						
	10	1	9S-8750	2	NUT-FULL (1/4-20-THD)						
C	11	1	7B-2742	2	BOLT (1/4-20X1.25-IN)						

C - CHANGE FROM PREVIOUS TYPE



GRAPHIC #1

<END>

g01674394

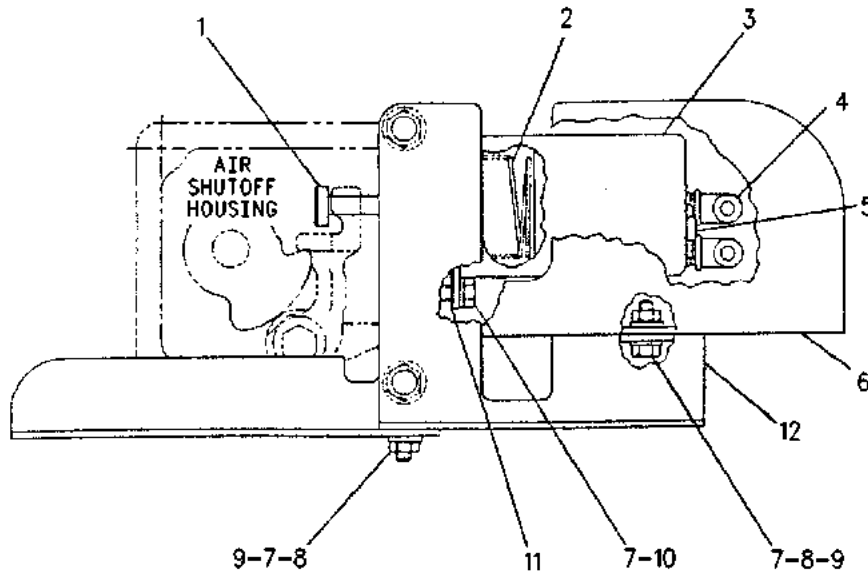
ELECTRICAL AND STARTING SYSTEM

7W-8640 SOLENOID GP-SHUTOFF-AIR 64 VOLT DC AN ATTACHMENT

SMCS-1259

i02658731

NOTE	REF NO	GRAPHIC REF	PART NUMBER	QTY	PART NAME						SEE PAGE
					1	2	3	4	5	6	
	1	1	2W-6382	1	SHAFT-SOLENOID						
	2	1	5L-8983	1	SPRING-SOLENOID						
	3	1	9W-0755	1	SOLENOID AS (AIR SHUTOFF)						
		1	6V-8377	4	NUT (8-32-THD)						
		1	4B-4863	2	WASHER (4.7X11X1.2-MM THK)						
		1	6V-8244	1	PLATE-SOLENOID INFORMATION						
4		1	1H-4560	2	BOOT-SPARK PLUG						
5		1	1W-9070	1	DIODE AS						
6		1	4P-5645	1	SHIELD AS						
7		1	0S-1615	4	BOLT (1/4-20X0.75-IN)						
8		1	9S-8750	2	NUT-FULL (1/4-20-THD)						
9		1	5P-0537	4	WASHER-HARD (7.2X14.5X2-MM THK)						
10		1	1A-8912	2	WASHER (6.7X12.7X1.6-MM THK)						
11		1	8L-3873	1	GASKET						
12		1	4P-5644	1	SHIELD						



GRAPHIC #1

<END>

g00763111

ELECTRICAL AND STARTING SYSTEM

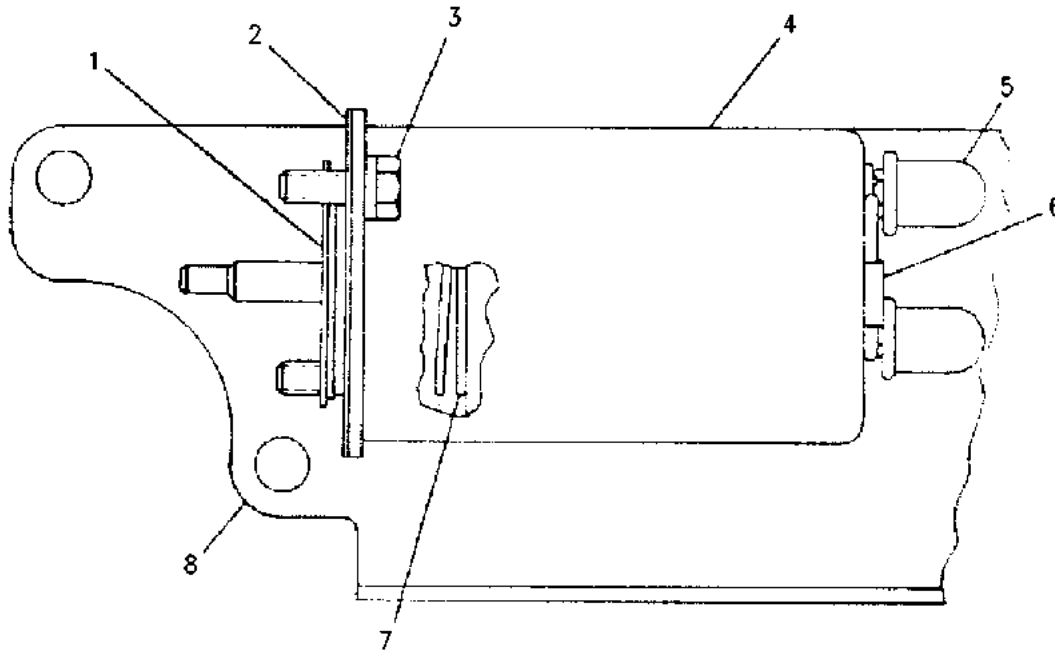
7W-8641 SOLENOID GP-SHUTOFF-AIR 64 VOLT DC AN ATTACHMENT

SMCS - 1259

i02658744

NOTE	REF NO	GRAPHIC REF	PART NUMBER	QTY	PART NAME						SEE PAGE
					1	2	3	4	5	6 (PRODUCT LEVEL)	
	1	1	5N-8954	1	WASHER (10.5X48X0.8-MM THK)						
	2	1	8L-3873	1	GASKET						
	3	1	0S-1615	2	BOLT (1/4-20X0.75-IN)						
		1	1A-8912	2	WASHER (6.7X12.7X1.6-MM THK)						
	4	1	7T-0491	1	SOLENOID-AIR (SHUTOFF)						
	5	1	1H-4560	2	BOOT-SPARK PLUG						
	6	1	1W-9070	1	DIODE AS						
BD		1	6V-2689		TUBE-HEAT SHRINK (6.35-MM DIA)						
		1	7N-9194	2	RING-TERMINAL (18-GA TO 22-GA)						
	7	1	5L-8983	1	SPRING-SOLENOID						
	8	1	5N-2336	1	SHIELD						

B - USE AS REQUIRED
D - ORDER BY THE METER



GRAPHIC #1

<END>

g00759473

ELECTRICAL AND STARTING SYSTEM

4P-2731 STARTING AID GP-ETHER

24 VDC

FOR USE WITH ELECTRIC SHUTOFF
AN ATTACHMENT

SMCS-1456

i07109137

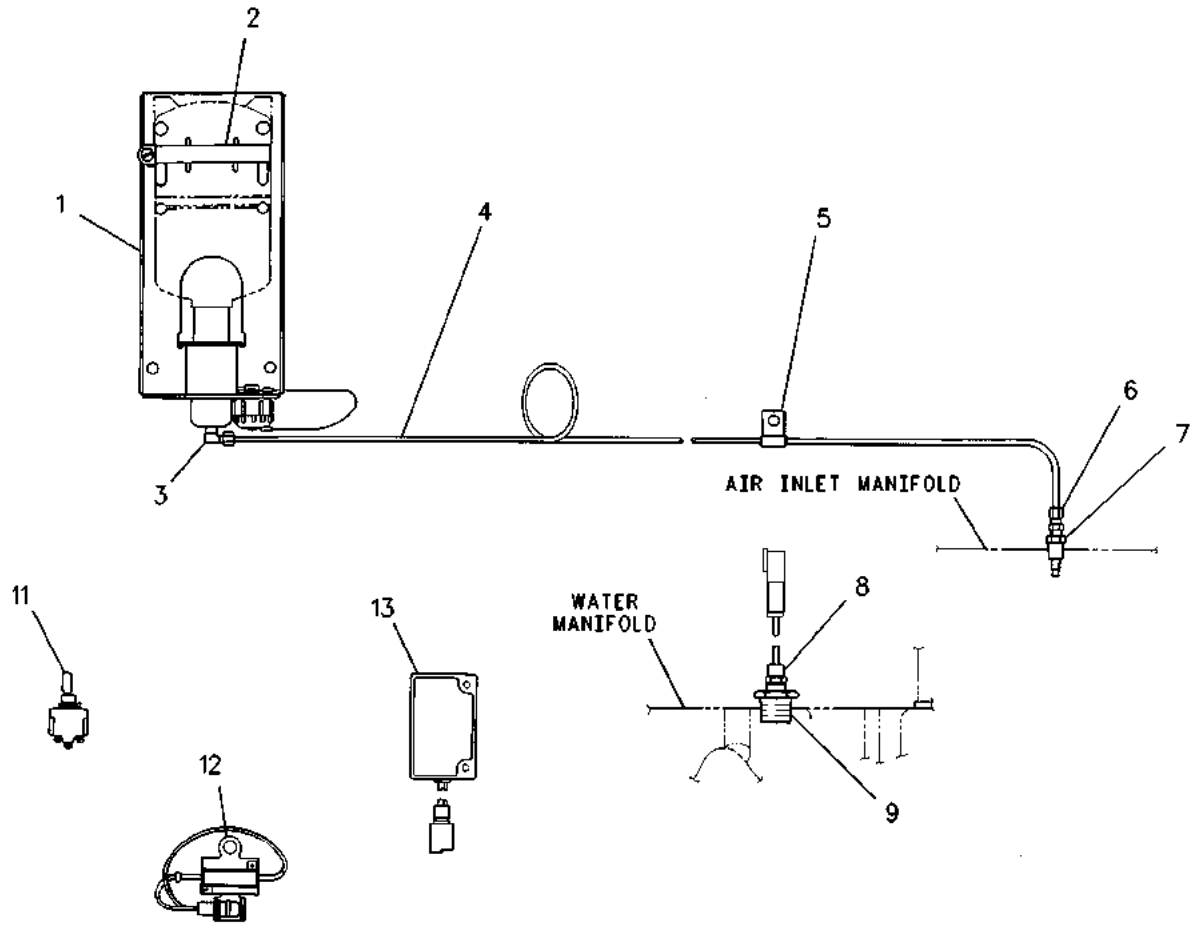
NOTE	REF NO	GRAPHIC REF	PART NUMBER	QTY	PART NAME						SEE PAGE
					1	2	3	4	5	6 (PRODUCT LEVEL)	
	1	1	9X-7137	1	VALVE AS-ETHER START						
		1	7N-7779	1	SOCKET-CONNECTOR (14-GA TO 18-GA)						
		1	7N-7780	1	PIN-CONNECTOR (14-GA TO 18-GA)						
		1	7N-9737	1	HOUSING-RECEPTACLE (14-GA TO 18-GA)						
		1	9X-7138	1	FILTER & GASKET AS (ETHER STARTING AID)						
	2	1	7N-2059	1	CLAMP AS (CYLINDER)						
	3	1	160-8766	1	FITTING AS						
		1	160-8761	1	FILTER (ETHER)						
	4	1	1N-3416	1	TUBE-STEEL						
	5	1	6V-2686	4	CLIP						
	6	1	7X-1078	1	NOZZLE AS-ETHER						
	7	1	3B-6768	1	BUSHING-REDUCER						
	8	1	3E-7298	1	SWITCH AS-TEMPERATURE (ENGINE COOLANT)						
		1	3E-3365	1	WEDGE-RECEPTACLE LOCK (2-PIN)						
		1	8T-8729	2	PIN-CONNECTOR (16-GA TO 20-GA)						
		1	102-8802	1	KIT-RECEPTACLE (2-PIN)						
					(INCLUDES RECEPTACLE AS & WEDGE)						
	9	1	6B-1628	1	BUSHING-REDUCER						
	11	1	8C-9812	1	SWITCH AS-TOGGLE (ETHER INJECTION)						
		1	3L-8187	3	LOCKWASHER						
		1	6T-3631	2	NUT-HEX (15/32-32-THD)						
		1	6T-3632	1	LOCKWASHER						
		1	6T-3633	1	RING-LOCKING						
		1	6V-8374	3	SCREW-MACHINE (6-32X0.25-IN)						
	12	1	9X-9584	1	RESISTOR AS						
D		1	5P-6008		TUBE-HEAT SHRINK (6.35-MM DIA) (1M)						
		1	3T-3270	1	WIRE AS (16-GA)						
Y	13	1	9X-3207	1	TIMER GP (ETHER PULL IN)						1449
A		1	7X-1062	1	CYLINDER AS-ETHER						
					(MUST BE PROCURED LOCALLY FROM YOUR CAT DEALER)						

A - NOT PART OF THIS GROUP
D - ORDER BY THE METER
Y - SEPARATE ILLUSTRATION

ELECTRICAL AND STARTING SYSTEM

4P-2731 STARTING AID GP-ETHER (contd.)

i07109137



GRAPHIC #1

<END>

g00618792

ELECTRICAL AND STARTING SYSTEM

129-7563 STARTING MOTOR GP-AIR AN ATTACHMENT

SMCS-1451

i04574932

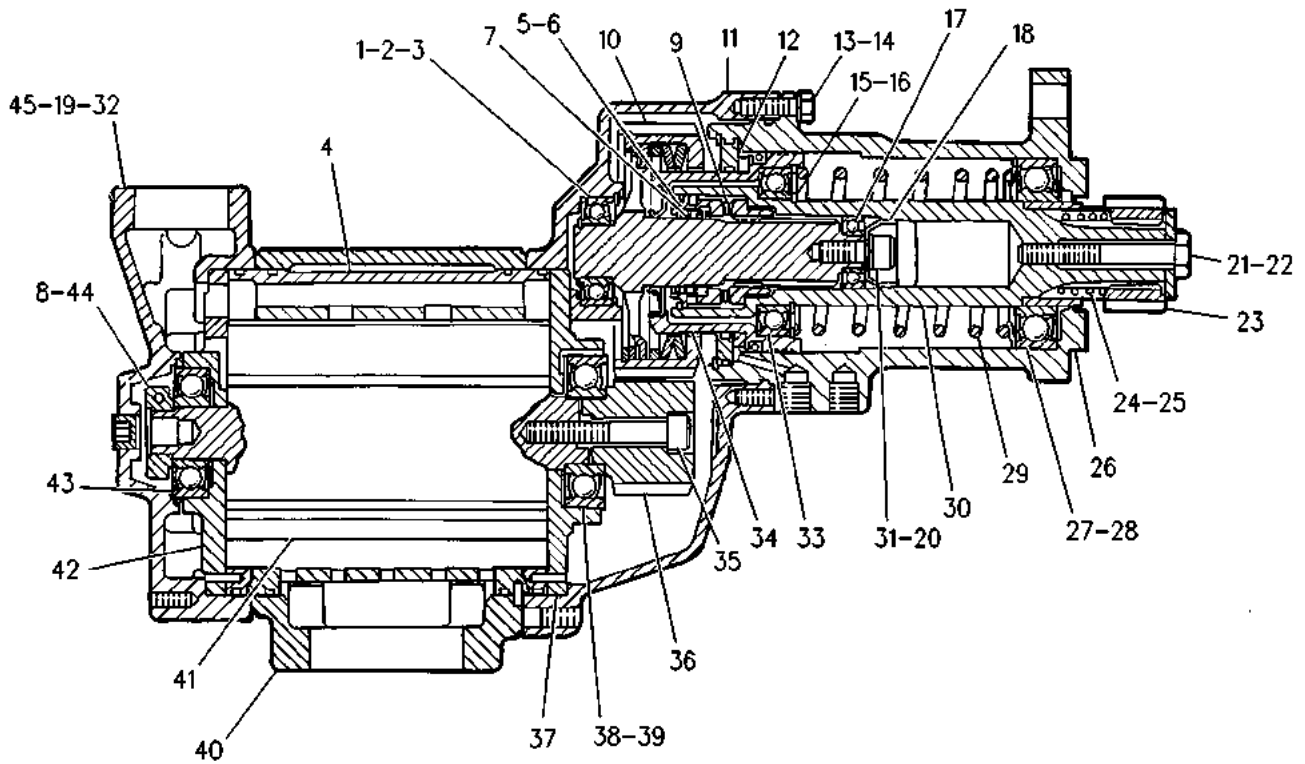
NOTE	REF NO	GRAPHIC REF	PART NUMBER	QTY	PART NAME 1 2 3 4 5 6 (PRODUCT LEVEL)	SEE PAGE
	1	1	6V-3916	1	BALL BEARING	
	2	1	1L-8497	1	RING-SNAP	
	3	1	6J-7855	1	RING-RETAINING	
	4	1	5N-8383	1	CYLINDER	
	5	1	5N-8375	1	CUP-SPRING	
	6	1	6V-3935	1	RING-RETAINING	
	7	1	5N-8381	1	SPRING-CLUTCH	
M	8	1	096-4833	1	BOLT-SOCKET HEAD (M5X0.8X20-MM)	
	9	1	5N-9575	1	JAW AS-CLUTCH	
	10	1	2W-6081	1	GEAR AS-DRIVE (37-TEETH)	
	11	1	5N-8387	1	CASE-GEAR	
	12	1	5N-8424	1	BULKHEAD	
M	13	1	6V-3940	8	BOLT (M8X1.25X25-MM)	
	14	1	3B-4505	8	LOCKWASHER	
	15	1	3J-7719	1	RING-RETAINING (INNER)	
	16	1	6V-3971	1	RING-RETAINING	
	17	1	7F-8671	1	BALL BEARING	
	18	1	5N-8428	1	WASHER-GEAR (10.1X34X15.5-MM THK)	
M	19	1	5N-8427	4	BOLT-MOTOR (M10X1.5X180-MM)	
	20	1	6V-3959	1	LOCKWASHER	
M	21	1	6V-3941	1	BOLT (M12X1.25X70-MM)	
	22	1	5N-8425	1	WASHER (12.2X41.5X4.5-MM THK)	
	23	1	2W-6079	1	PINION-DRIVE (12-TEETH)	
	24	1	5N-8374	1	SLEEVE-SPRING	
	25	1	5N-8389	1	SPRING-PINION	
	26	1	2W-6082	1	KIT-DRIVE (AIR STARTING MOTOR)	
	27	1	8B-7624	1	BALL BEARING	
	28	1	5N-8379	1	SEAT-SPRING	
	29	1	5N-8372	1	SPRING-RETURN	
	30	1	5N-8385	1	SHAFT-DRIVE	
M	31	1	6V-3938	1	BOLT (M10X1.5X20-MM)	
	32	1	5N-8363	1	COVER AS	
		1	4D-3118	3	PLUG-PIPE	
	33	1	5N-8377	1	BEARING-DRIVE SHAFT	
	34	1	5N-8373	1	PISTON	
M	35	1	095-0673	1	BOLT-SOCKET HEAD (M12X1.75X60-MM)	
	36	1	5N-8368	1	PINION-ROTOR (17-TEETH)	
	37	1	5N-8365	1	PLATE-FRONT END	
	38	1	6V-1394	1	BALL BEARING	
	39	1	039-4317	2	WASHER-SPRING	
	40	1	111-4399	1	HOUSING-MOTOR	
	41	1	5N-8388	1	ROTOR	
	42	1	5N-8366	1	PLATE-REAR END	
	43	1	5P-9514	1	BALL BEARING	
	44	1	5N-8378	1	NUT-ROTOR CLAMP (M5X0.8-THD)	
	45	1	9X-2027	4	WASHER (11X18X2-MM THK)	
					AVAILABLE REPAIR KIT(S):	
			5N-8390	1	KIT-SEAL & VANE (AIR STARTING MOTOR)	

M - METRIC PART

ELECTRICAL AND STARTING SYSTEM

129-7563 STARTING MOTOR GP-AIR (contd.)

i04574932



GRAPHIC #1

<END>

g00266394

ELECTRICAL AND STARTING SYSTEM

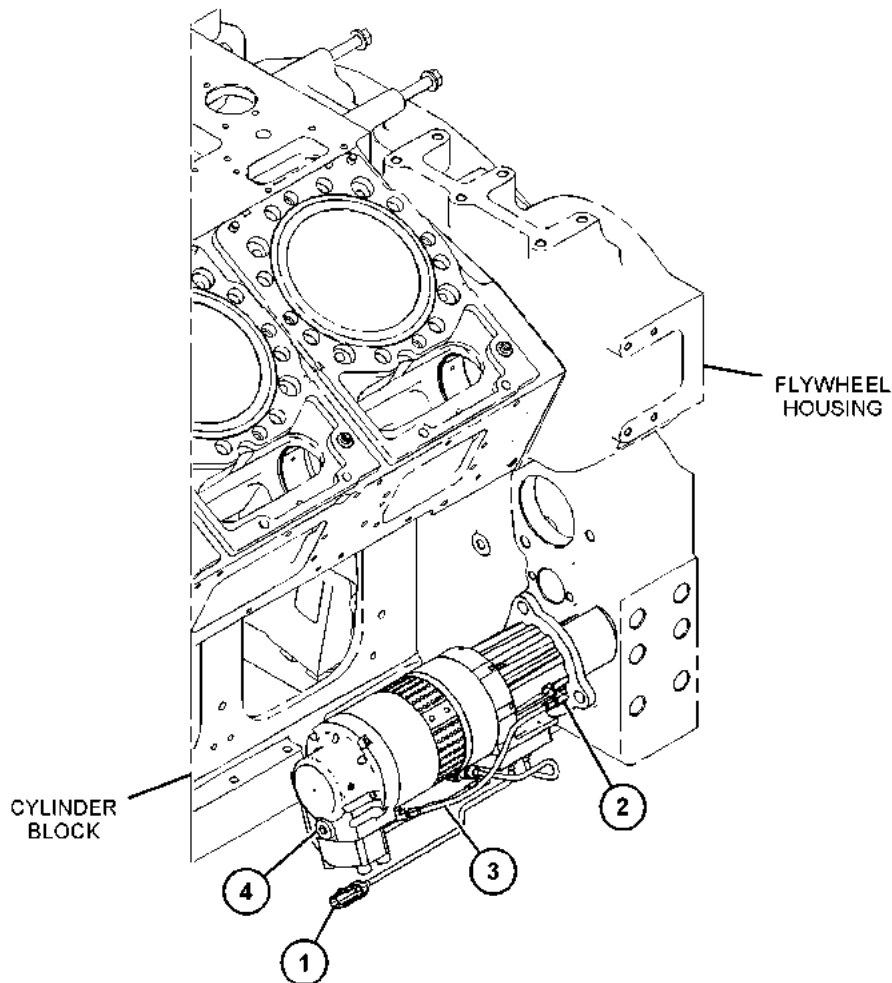
382-9606 STARTING MOTOR GP-AIR

PART OF 399-0633 STARTING MOTOR GP-AIR
AN ATTACHMENT

SMCS-1451

i07373342

NOTE	REF NO	GRAPHIC REF	PART NUMBER	QTY	PART NAME						SEE PAGE
					1	2	3	4	5	6 (PRODUCT LEVEL)	
	1	1	297-5479	1	RECEPTACLE AS-CONNECTOR (2-PIN)						
	2	1	6K-1972	4	ELBOW-FLARED						
	3	1	539-6084	2	HOSE AS (AIR)						
	4	1	3M-7045	1	PLUG (3/4-14 NPT-THD)						
					AVAILABLE REPAIR KIT(S):						
			278-0513	1	KIT-STARTER REPAIR (INCLUDES STARTER DRIVE)						
			385-1748	1	KIT-ENGINE OVERHAUL (INCLUDES O-RINGS, BEARINGS, SCREWS, RING, SPACERS, SHIMS, ELEMENTS, SHAFTS, LOCTITE & WASHERS)						
			465-8142	1	KIT-SERVICE (CONTROLLER, O-RINGS, FASTENERS) (INCLUDES LOCTITE)						
			533-5902	1	KIT-SERVICE (INCLUDES RETAINER, RETAINER PLATE, SCREW, & SILENCER ELEMENT)						



GRAPHIC #1

<END>

g06247665

ELECTRICAL AND STARTING SYSTEM

399-0633 STARTING MOTOR GP-AIR AN ATTACHMENT

SMCS-1451

i06895539

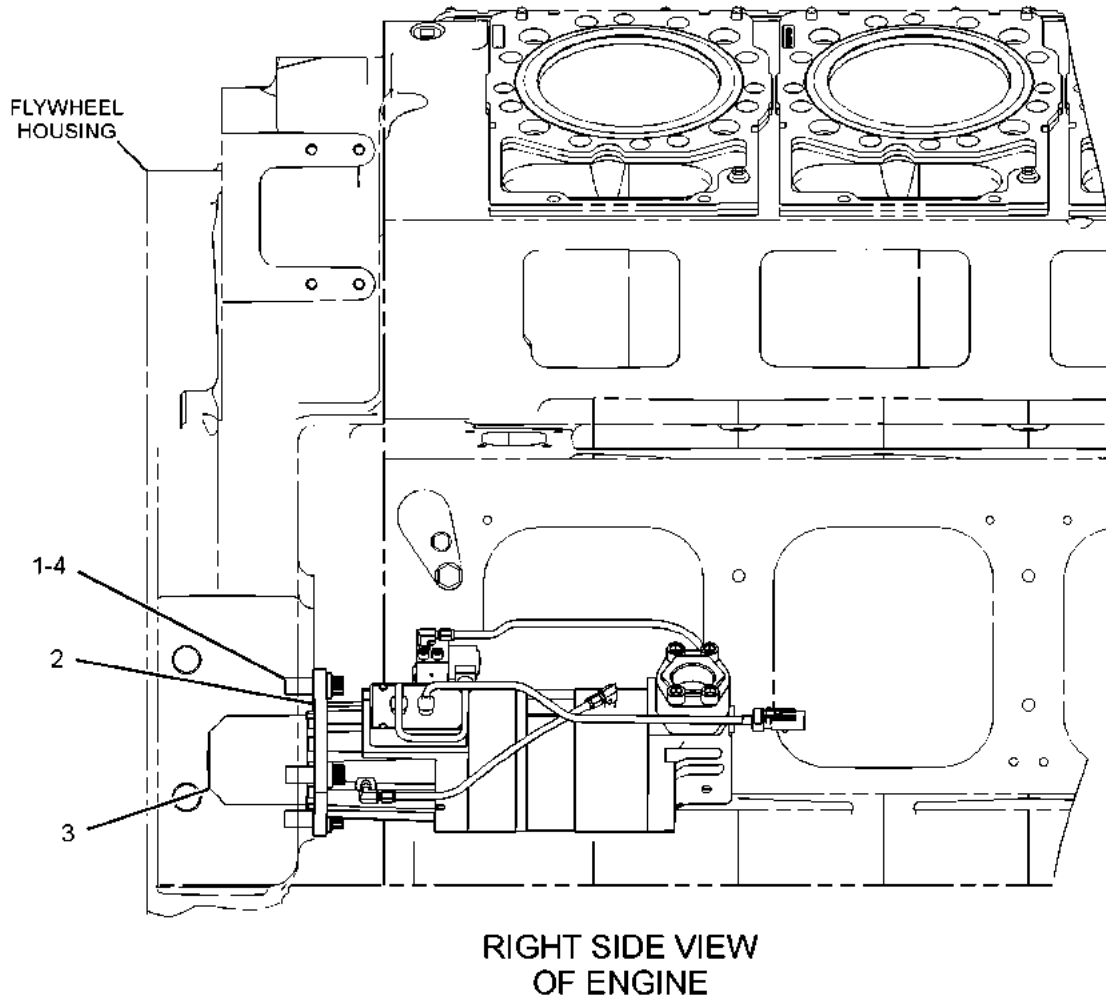
NOTE	REF NO	GRAPHIC REF	PART NUMBER	QTY	PART NAME	SEE PAGE
					1 2 3 4 5 6 (PRODUCT LEVEL)	
	1	1	7J-8902	3	BOLT-12 POINT HEAD (5/8-11X1.5-IN)	
	2	1	9Y-6089	1	GASKET	
Y	3	1	382-9606	1	STARTING MOTOR GP-AIR	1221
	4	1	5P-8247	3	WASHER-HARD (17X32X3.5-MM THK)	

Y - SEPARATE ILLUSTRATION

ELECTRICAL AND STARTING SYSTEM

399-0633 STARTING MOTOR GP-AIR (contd.)

106895539



GRAPHIC #1

<END>

g06159012

ELECTRICAL AND STARTING SYSTEM

4W-5107 STARTING MOTOR GP-AIR

FIELD REPLACEMENT ORDER 7C-3372-PAGE: 1232

FIELD REPLACEMENT FOR 4W-5108-PAGE: 1226

PART OF 8N-8477 STARTING MOTOR GP-AIR

AN ATTACHMENT AND FIELD INSTALLATION

SMCS-1451

i06580835

NOTE	REF NO	GRAPHIC REF	PART NUMBER	QTY	PART NAME						SEE PAGE
					1	2	3	4	5	6 (PRODUCT LEVEL)	
	1	1	2W-6078	1	PINION-DRIVE (12-TEETH)						
	2	1	2W-6082	1	KIT-DRIVE (AIR STARTING MOTOR)						
					(INCLUDES O-RING, HOUSING, BEARING, SEAL & VENT)						
	3	1	3B-4505	8	LOCKWASHER						
	4	1	5N-8363	1	COVER AS						
		1	4D-3118	3	PLUG-PIPE						
	5	1	5N-8364	1	HOUSING-MOTOR						
	6	1	5N-8384	1	SHAFT-DRIVE						
	7	1	5N-8387	1	CASE-GEAR						
M	8	1	5N-8403	1	SCREW-PINION (M12X1.25X70-MM)						
	9	1	5N-8425	1	WASHER (12.2X41.5X4.5-MM THK)						
	10	1	6V-3959	5	LOCKWASHER						
M	11	1	5N-8427	4	BOLT-MOTOR (M10X1.5X180-MM)						
M	12	1	6V-3940	8	BOLT (M8X1.25X25-MM)						
	13	1	1L-8497	1	RING-SNAP (SMALL)						
	14	1	2W-6081	1	GEAR AS-DRIVE (37-TEETH)						
	15	1	3J-7719	1	RING-RETAINING (INNER)						
	16	1	5N-8365	1	PLATE-FRONT END						
	17	1	5N-8367	1	PLATE-REAR END						
	18	1	5N-8368	1	PINION-ROTOR (17-TEETH)						
	19	1	5N-8372	1	SPRING-RETURN						
	20	1	5N-8373	1	PISTON						
	21	1	5N-8374	1	SLEEVE-SPRING						
	22	1	5N-8375	1	CUP-SPRING						
	23	1	5N-8377	1	BEARING-DRIVE SHAFT						
	24	1	5N-8378	1	NUT-ROTOR CLAMP (M5X0.8-THD)						
	25	1	5N-8379	1	SEAT-SPRING						
	26	1	5N-8380	1	SPRING-PINION						
	27	1	5N-8381	1	SPRING-CLUTCH						
	28	1	5N-8383	1	CYLINDER						
	29	1	5N-8388	1	ROTOR						
	30	1	5N-8424	1	BULKHEAD						
	31	1	5N-8428	1	WASHER-GEAR (10.1X34X15.5-MM THK)						
	32	1	5N-9574	1	JAW AS-CLUTCH						
	33	1	5P-9514	1	BALL BEARING						
	34	1	6J-7855	1	RING-RETAINING (LARGE)						
	35	1	6V-1394	1	BALL BEARING						
	36	1	6V-3916	1	BALL BEARING						
	37	1	6V-3935	1	RING-RETAINING						
M	38	1	096-4833	1	BOLT-SOCKET HEAD (M5X0.8X20-MM)						
M	39	1	6V-3938	1	BOLT (M10X1.5X20-MM)						
M	40	1	6V-3939	1	BOLT (M12X1.75X60-MM)						
	41	1	6V-3971	1	RING-RETAINING (OUTER)						
	42	1	7F-8671	1	BALL BEARING						
	43	1	8B-7624	1	BALL BEARING						

ELECTRICAL AND STARTING SYSTEM

4W-5107 **STARTING MOTOR GP-AIR** (contd.)

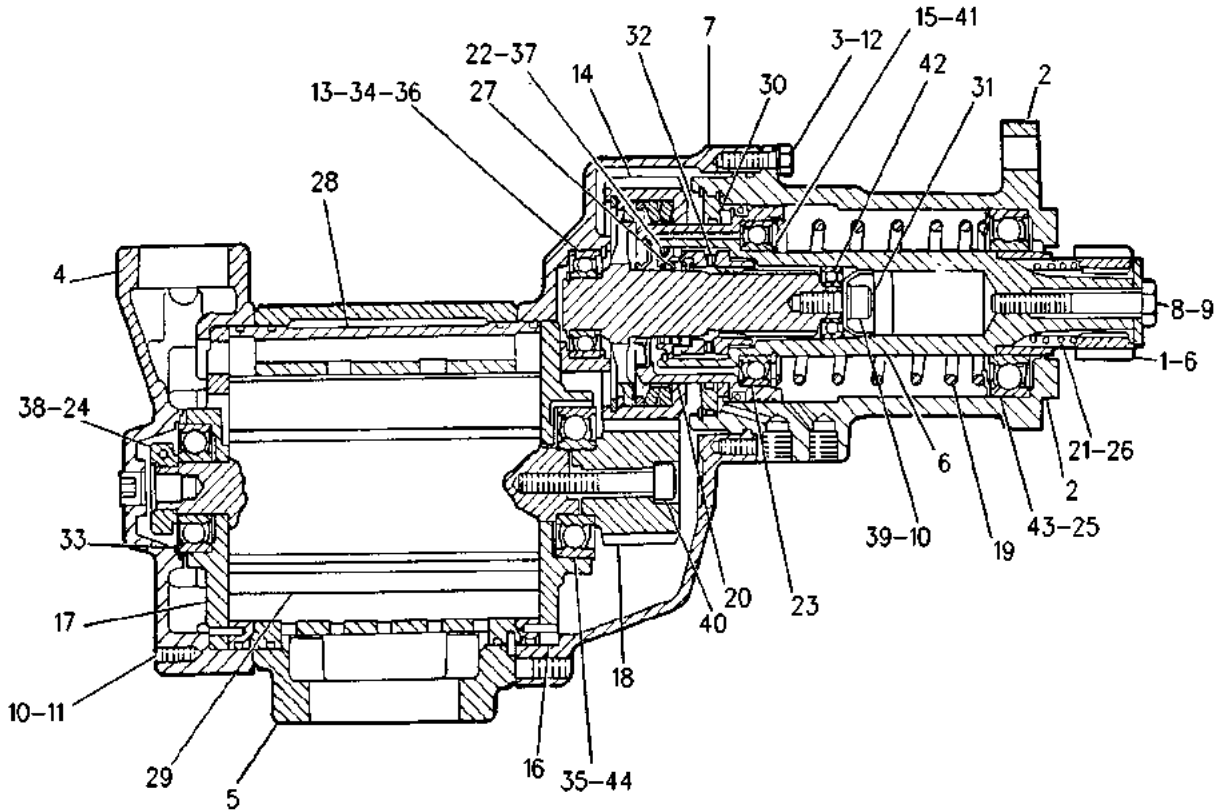
106580835

NOTE	REF	GRAPHIC	PART NUMBER	QTY	PART NAME						SEE PAGE
	NO	REF			1	2	3	4	5	6 (PRODUCT LEVEL)	
	44	1	039-4317	2	WASHER-SPRING						

AVAILABLE REPAIR KIT(S) :

5N-8390	1	KIT-SEAL & VANE (AIR STARTING MOTOR) (INCLUDES PINS, RINGS, SEALS & VANE)
----------------	---	---

M - METRIC PART



GRAPHIC #1

<END>

g00827191

ELECTRICAL AND STARTING SYSTEM

4W-5108 STARTING MOTOR GP-AIR-RH

FIELD REPLACEMENT ORDER 7C-3372-PAGE: 1232

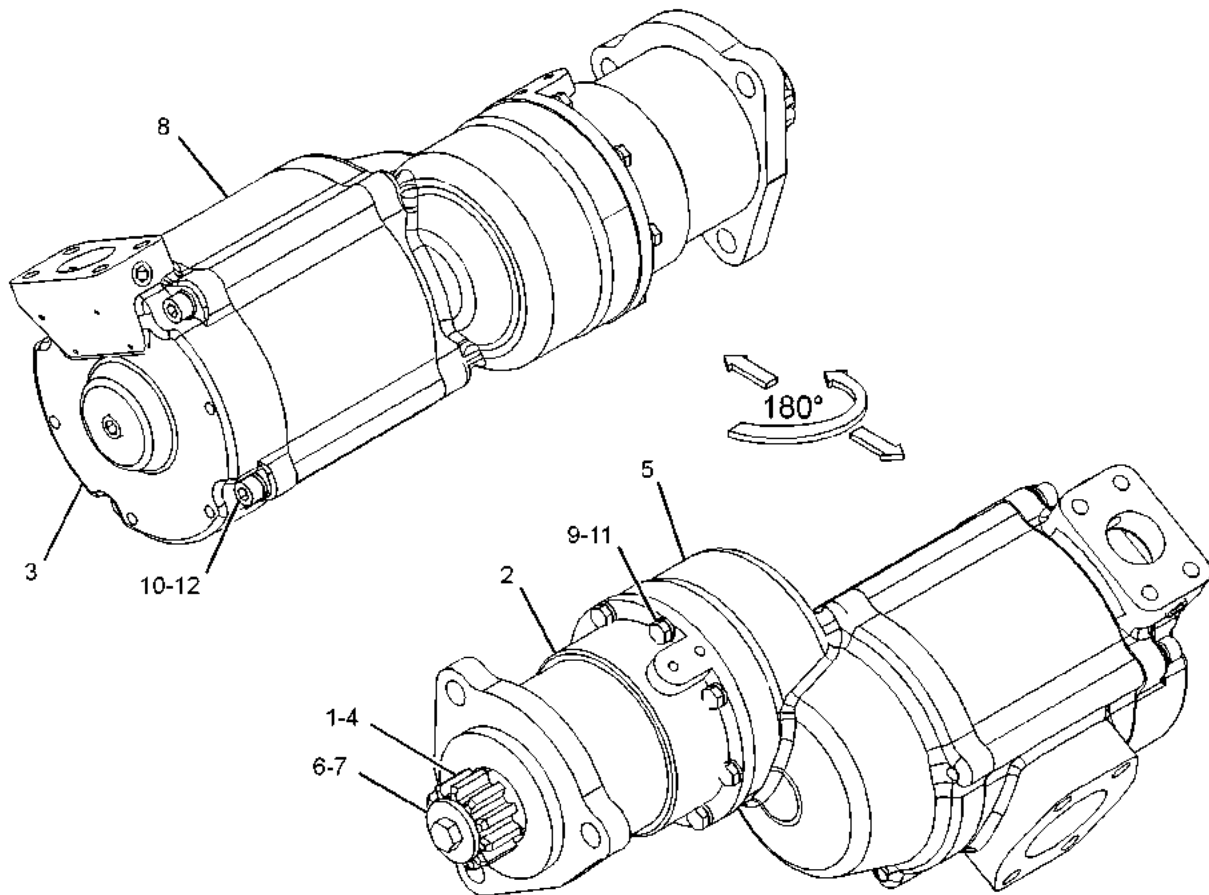
PART OF 8N-8476 STARTING MOTOR GP-AIR
AN ATTACHMENT

SMCS-1451

i05480915

NOTE	REF NO	GRAPHIC REF	PART NUMBER	QTY	PART NAME						SEE PAGE
					1	2	3	4	5	6 (PRODUCT LEVEL)	
	1	1	2W-6078	1	PINION-DRIVE (12-TEETH)						
	2	1	2W-6082	1	KIT-DRIVE (AIR STARTING MOTOR)						
					(INCLUDES O-RING, HOUSING, BEARING, SEAL, & VENT)						
	3	1	5N-8363	1	COVER AS						
		1	4D-3118	3	PLUG-PIPE						
	4	1	5N-8384	1	SHAFT-DRIVE						
	5	1	5N-8387	1	CASE-GEAR						
M	6	1	5N-8403	1	SCREW-PINION (M12X1.25X70-MM)						
	7	1	5N-8425	1	WASHER (12.2X41.5X4.5-MM THK)						
	8	1	111-4399	1	HOUSING-MOTOR						
	9	1	3B-4505	8	LOCKWASHER						
M	10	1	5N-8427	4	BOLT-MOTOR (M10X1.5X180-MM)						
M	11	1	6V-3940	8	BOLT (M8X1.25X25-MM)						
	12	1	7X-0796	4	LOCKWASHER (10.2X18.4X2.5-MM THK)						

M - METRIC PART



GRAPHIC #1

<END>

g03475102

ELECTRICAL AND STARTING SYSTEM

4W-5109 STARTING MOTOR GP-AIR FIELD INSTALLATION

SMCS-1451

i00649387

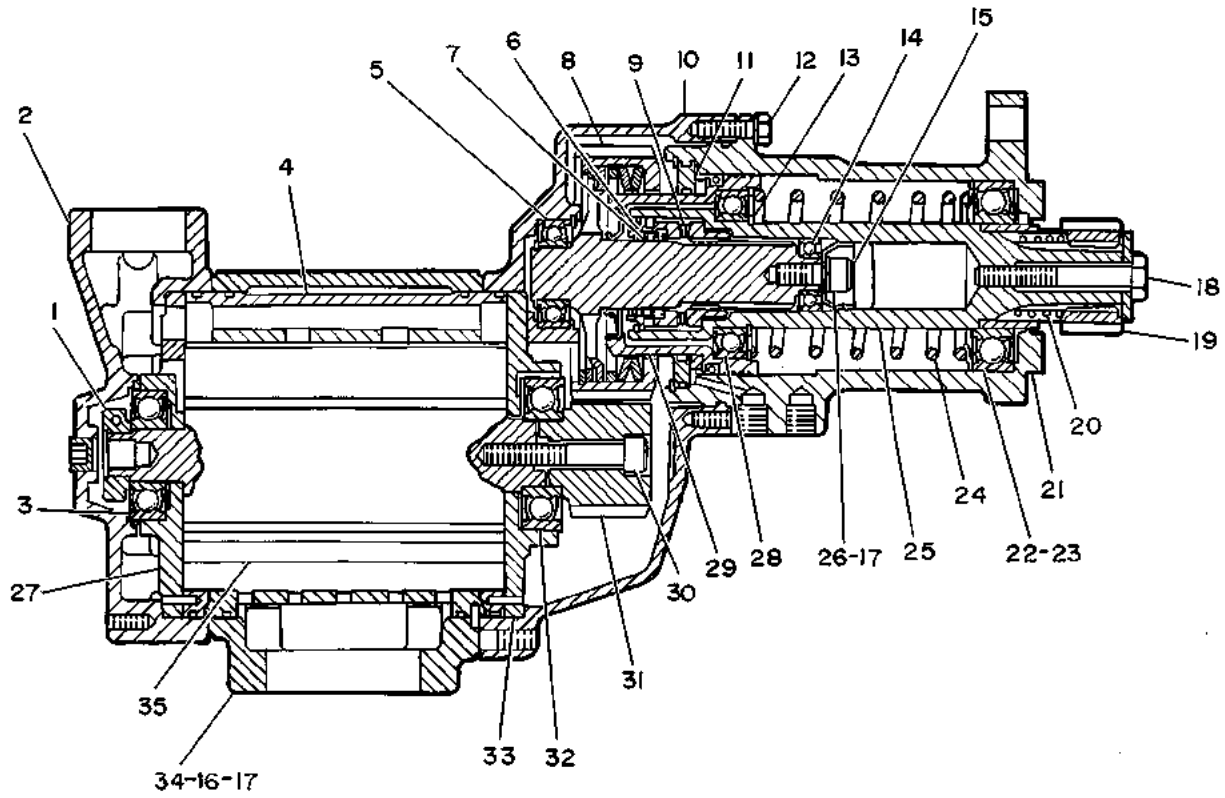
NOTE	REF NO	GRAPHIC REF	PART NUMBER	QTY	PART NAME						SEE PAGE
					1	2	3	4	5	6 (PRODUCT LEVEL)	
M	1	1	6V-3937	1	BOLT (M5X0.8X20-MM)						
		1	5N-8378	1	NUT-ROTOR CLAMP (M5X0.8-THD)						
	2	1	5N-8363	1	COVER AS						
		1	4D-3118	3	PLUG-PIPE						
	3	1	5P-9514	1	BALL BEARING						
	4	1	5N-8383	1	CYLINDER						
	5	1	6V-3916	1	BALL BEARING						
		1	1L-8497	1	RING-SNAP (SMALL)						
		1	6J-7855	1	RING-RETAINING (LARGE)						
	6	1	5N-8375	1	CUP-SPRING						
		1	6V-3935	1	RING-RETAINING						
	7	1	5N-8381	1	SPRING-CLUTCH						
	8	1	2W-6081	1	GEAR AS-DRIVE (37-TEETH)						
	9	1	5N-9575	1	JAW AS-CLUTCH						
	10	1	5N-8387	1	CASE-GEAR						
	11	1	5N-8424	1	BULKHEAD						
M	12	1	6V-3940	8	BOLT (M8X1.25X25-MM)						
		1	3B-4505	8	LOCKWASHER						
	13	1	3J-7719	1	RING-RETAINING (INNER) (INNER)						
		1	6V-3971	1	RING-RETAINING (OUTER)						
	14	1	7F-8671	1	BALL BEARING						
	15	1	5N-8428	1	WASHER-GEAR (10.1X34X15.5-MM THK)						
M	16	1	5N-8427	4	BOLT-MOTOR (M10X1.5X180-MM)						
	17	1	6V-3959	5	LOCKWASHER						
M	18	1	6V-3941	1	BOLT (M12X1.25X70-MM)						
		1	5N-8425	1	WASHER (12.2X41.5X4.5-MM THK)						
	19	1	2W-6079	1	PINION-DRIVE (12-TEETH) (12 TEETH)						
	20	1	5N-8389	1	SPRING-PINION						
		1	5N-8374	1	SLEEVE-SPRING						
	21	1	5N-8362	1	HOUSING-DRIVE						
	22	1	8B-7624	1	BALL BEARING						
	23	1	5N-8379	1	SEAT-SPRING						
	24	1	5N-8372	1	SPRING-RETURN						
	25	1	5N-8385	1	SHAFT-DRIVE						
M	26	1	6V-3938	1	BOLT (M10X1.5X20-MM)						
	27	1	5N-8366	1	PLATE-REAR END						
	28	1	5N-8377	1	BEARING-DRIVE SHAFT						
	29	1	5N-8373	1	PISTON						
M	30	1	6V-3939	1	BOLT (M12X1.75X60-MM)						
	31	1	5N-8368	1	PINION-ROTOR (17-TEETH)						
	32	1	6V-1394	1	BALL BEARING						
		1	039-4317	2	WASHER-SPRING						
	33	1	5N-8365	1	PLATE-FRONT END						
	34	1	5N-8364	1	HOUSING-MOTOR						
	35	1	5N-8388	1	ROTOR						
					AVAILABLE REPAIR KIT(S):						
					5N-8390	1	KIT-SEAL & VANE (AIR STARTING MOTOR)				
					(INCLUDES PINS & RINGS)						

M - METRIC PART

ELECTRICAL AND STARTING SYSTEM

4W-5109 STARTING MOTOR GP-AIR (contd.)

i00649387



GRAPHIC #1

<END>

g00167331

ELECTRICAL AND STARTING SYSTEM

4W-5110 STARTING MOTOR GP-AIR

FIELD REPLACEMENT ORDER 7C-3374-PAGE: 1235

PART OF 8N-8478 STARTING MOTOR GP-AIR

AN ATTACHMENT

SMCS-1451

i04418401

NOTE	REF NO	GRAPHIC REF	PART NUMBER	QTY	PART NAME						SEE PAGE
					1	2	3	4	5	6 (PRODUCT LEVEL)	
M	1	1	6V-3937	1	BOLT (M5X0.8X20-MM)						
		1	5N-8378	1	NUT-ROTOR CLAMP (M5X0.8-THD)						
	2	1	5N-8363	1	COVER AS						
		1	4D-3118	3	PLUG-PIPE						
	3	1	5P-9514	1	BALL BEARING						
	4	1	5N-8383	1	CYLINDER						
	5	1	6V-3916	1	BALL BEARING						
		1	1L-8497	1	RING-SNAP (SMALL)						
		1	6J-7855	1	RING-RETAINING (LARGE)						
	6	1	5N-8375	1	CUP-SPRING						
		1	6V-3935	1	RING-RETAINING						
	7	1	5N-8381	1	SPRING-CLUTCH						
	8	1	2W-6081	1	GEAR AS-DRIVE (37-TEETH)						
	9	1	5N-9575	1	JAW AS-CLUTCH						
	10	1	5N-8387	1	CASE-GEAR						
	11	1	5N-8424	1	BULKHEAD						
M	12	1	6V-3940	8	BOLT (M8X1.25X25-MM)						
		1	3B-4505	8	LOCKWASHER						
	13	1	3J-7719	1	RING-RETAINING (INNER) (INNER)						
		1	6V-3971	1	RING-RETAINING (OUTER)						
	14	1	7F-8671	1	BALL BEARING						
	15	1	5N-8428	1	WASHER-GEAR (10.1X34X15.5-MM THK)						
M	16	1	5N-8427	4	BOLT-MOTOR (M10X1.5X180-MM)						
	17	1	6V-3959	5	LOCKWASHER						
M	18	1	6V-3941	1	BOLT (M12X1.25X70-MM)						
		1	5N-8425	1	WASHER (12.2X41.5X4.5-MM THK)						
	19	1	2W-6079	1	PINION-DRIVE (12-TEETH) (12 TEETH)						
	20	1	5N-8389	1	SPRING-PINION						
		1	5N-8374	1	SLEEVE-SPRING						
	21	1	2W-6082	1	KIT-DRIVE (AIR STARTING MOTOR)						
					(INCLUDES O-RING, HOUSING, BEARING, SEAL & VENT)						
	22	1	8B-7624	1	BALL BEARING						
	23	1	5N-8379	1	SEAT-SPRING						
	24	1	5N-8372	1	SPRING-RETURN						
	25	1	5N-8385	1	SHAFT-DRIVE						
M	26	1	6V-3938	1	BOLT (M10X1.5X20-MM)						
	27	1	5N-8366	1	PLATE-REAR END						
	28	1	5N-8377	1	BEARING-DRIVE SHAFT						
	29	1	5N-8373	1	PISTON						
M	30	1	6V-3939	1	BOLT (M12X1.75X60-MM)						
	31	1	5N-8368	1	PINION-ROTOR (17-TEETH)						
	32	1	6V-1394	1	BALL BEARING						
		1	039-4317	2	WASHER-SPRING						
	33	1	5N-8365	1	PLATE-FRONT END						
	34	1	111-4399	1	HOUSING-MOTOR						
	35	1	5N-8388	1	ROTOR						

ELECTRICAL AND STARTING SYSTEM

4W-5110 **STARTING MOTOR GP-AIR** (contd.)

i04418401

NOTE	REF NO	GRAPHIC REF	PART NUMBER	QTY	PART NAME	1	2	3	4	5	6	(PRODUCT LEVEL)	SEE PAGE
------	--------	-------------	-------------	-----	-----------	---	---	---	---	---	---	-----------------	----------

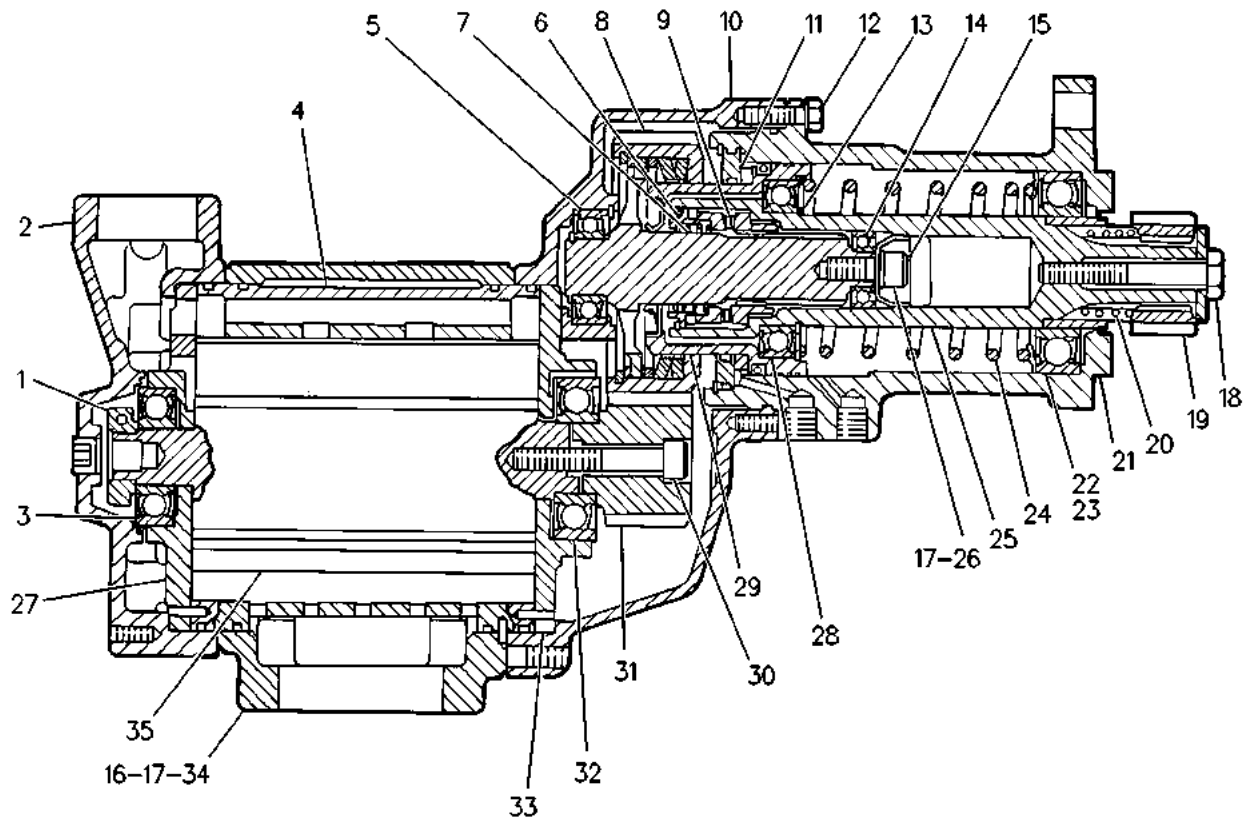
AVAILABLE REPAIR KIT(S) :

5N-8390

KIT-SEAL & VANE (AIR STARTING MOTOR)

(INCLUDES PINS, O-RINGS, VANES, SEALS & RETAINER)

M - METRIC PART



GRAPHIC #1

<END>

g00248934

ELECTRICAL AND STARTING SYSTEM

7C-3371 STARTING MOTOR GP-AIR-SINGLE

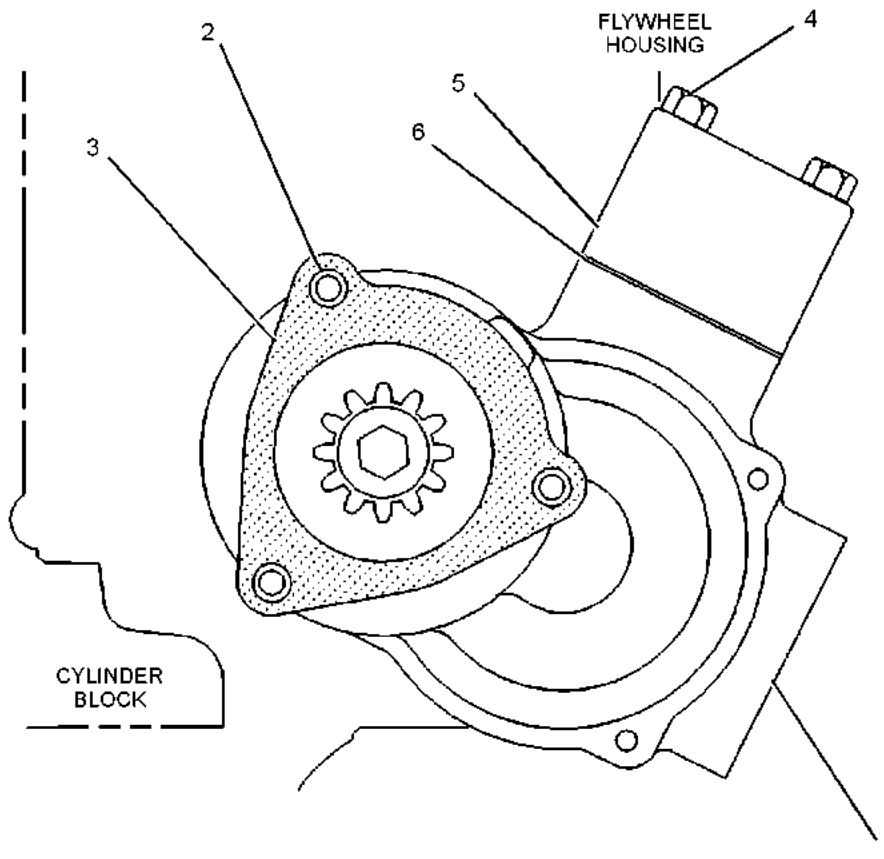
STANDARD ENGINE ROTATION
FOR USE WITH SAE "00" FLYWHEEL HOUSING
AN ATTACHMENT

SMCS-1451

i07143136

NOTE	REF NO	GRAPHIC REF	PART NUMBER	QTY	PART NAME						SEE PAGE
					1	2	3	4	5	6	
YR	1	1	7C-3372	1	STARTING MOTOR GP-AIR						1232
	2	1	0S-1566	3	BOLT (5/8-11X1.5-IN)						
	3	1	4H-7869	1	GASKET						
	4	1	1D-4566	4	BOLT (1/2-13X3.5-IN)						
	5	1	8N-8446	1	ELBOW						
	6	1	8N-8451	1	GASKET						

R - REMANUFACTURED PART MAY BE AVAILABLE
Y - SEPARATE ILLUSTRATION



REAR VIEW

GRAPHIC #1

<END>

g01217301

ELECTRICAL AND STARTING SYSTEM

7C-3372 STARTING MOTOR GP-AIR*R

FIELD REPLACEMENT FOR 4W-5108-PAGE: 1226: FOR 4W-5107-PAGE: 1224

PART OF 7C-3371 STARTING MOTOR GP-AIR
AN ATTACHMENT

SMCS-1451

i05814031

NOTE	REF NO	GRAPHIC REF	PART NUMBER	QTY	PART NAME						SEE PAGE
					1	2	3	4	5	6 (PRODUCT LEVEL)	
M	1	1	096-4833	1	BOLT-SOCKET HEAD (M5X0.8X20-MM)						
	2	1	5N-8363	1	COVER AS						
	2A	1	4D-3118	3	PLUG-PIPE						
	3	1	039-4317	2	WASHER-SPRING						
	4	1	5N-8383	1	CYLINDER						
	5	1	6V-3916	1	BALL BEARING						
	6	1	5N-8375	1	CUP-SPRING						
	7	1	5N-8381	1	SPRING-CLUTCH						
	8	1	2W-6081	1	GEAR AS-DRIVE (37-TEETH)						
	9	1	5N-9574	1	JAW AS-CLUTCH						
	10	1	5N-8387	1	CASE-GEAR						
	11	1	5N-8424	1	BULKHEAD						
M	12	1	6V-3940	8	BOLT (M8X1.25X25-MM)						
	13	1	3J-7719	1	RING-RETAINING (INNER)						
	14	1	7F-8671	1	BALL BEARING						
	15	1	5N-8428	1	WASHER-GEAR (10.1X34X15.5-MM THK)						
M	16	1	5N-8427	4	BOLT-MOTOR (M10X1.5X180-MM)						
	17	1	7X-0796	5	LOCKWASHER (10.2X18.4X2.5-MM THK)						
M	18	1	5N-8403	1	SCREW-PINION (M12X1.25X70-MM)						
	19	1	2W-6078	1	PINION-DRIVE (12-TEETH)						
	20	1	5N-8380	1	SPRING-PINION						
	21	1	2W-6082	1	KIT-DRIVE (AIR STARTING MOTOR)						
					(INCLUDES O-RING, HOUSING, BEARING, SEAL & VENT)						
	22	1	8B-7624	1	BALL BEARING						
	23	1	5N-8379	1	SEAT-SPRING						
	24	1	5N-8372	1	SPRING-RETURN						
	25	1	5N-8384	1	SHAFT-DRIVE						
M	26	1	6V-3938	1	BOLT (M10X1.5X20-MM)						
	27	1	5P-9514	1	BALL BEARING						
	28	1	5N-8377	1	BEARING-DRIVE SHAFT						
	29	1	5N-8373	1	PISTON						
M	30	1	6V-3939	1	BOLT (M12X1.75X60-MM)						
	31	1	5N-8368	1	PINION-ROTOR (17-TEETH)						
	32	1	6V-1394	1	BALL BEARING						
	33	1	5N-8365	1	PLATE-FRONT END						
	34	1	111-4399	1	HOUSING-MOTOR						
	35	1	5N-8388	1	ROTOR						
	36	1	5N-8367	1	PLATE-REAR END						
	37	1	5N-8378	1	NUT-ROTOR CLAMP (M5X0.8-THD)						
	38	1	1L-8497	1	RING-SNAP						
	39	1	6J-7855	1	RING-RETAINING						
	40	1	6V-3935	1	RING-RETAINING						
	41	1	3B-4505	8	LOCKWASHER						
	42	1	5N-8425	1	WASHER (12.2X41.5X4.5-MM THK)						
	43	1	6V-3971	1	RING-RETAINING (OUTER)						
	44	1	5N-8374	1	SLEEVE-SPRING						

ELECTRICAL AND STARTING SYSTEM

7C-3372 **STARTING MOTOR GP-AIR** (contd.)

i05814031

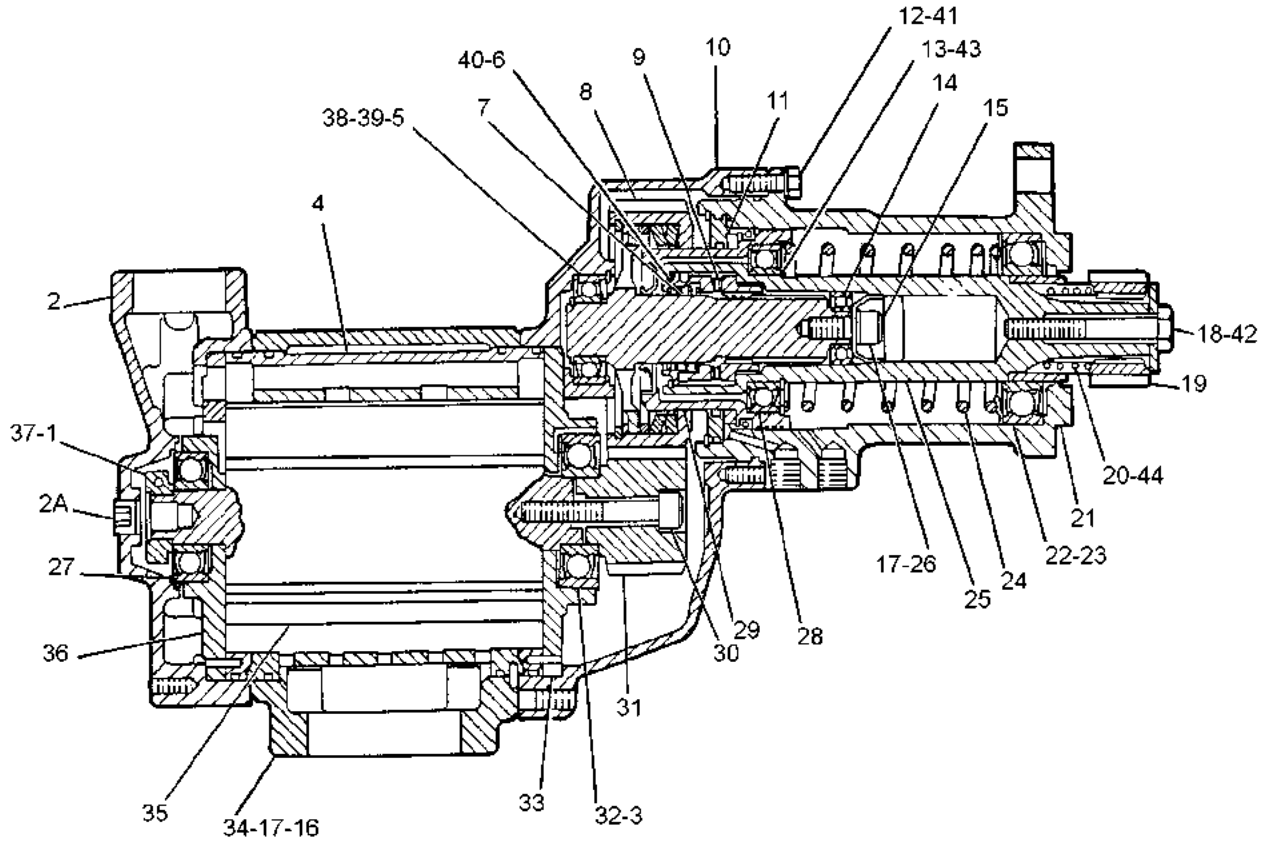
NOTE	REF NO	GRAPHIC REF	PART NUMBER	QTY	PART NAME	SEE PAGE
					1 2 3 4 5 6 (PRODUCT LEVEL)	

AVAILABLE REPAIR KIT(S) :

5N-8390 1 **KIT-SEAL & VANE (AIR STARTING MOTOR)**

(INCLUDES PINS, O-RINGS, SEALS, VANE, RETAINER & PISTON BUMPERS)

M - METRIC PART



GRAPHIC #1

<END>

g01454609

ELECTRICAL AND STARTING SYSTEM

7C-3373 STARTING MOTOR GP-AIR

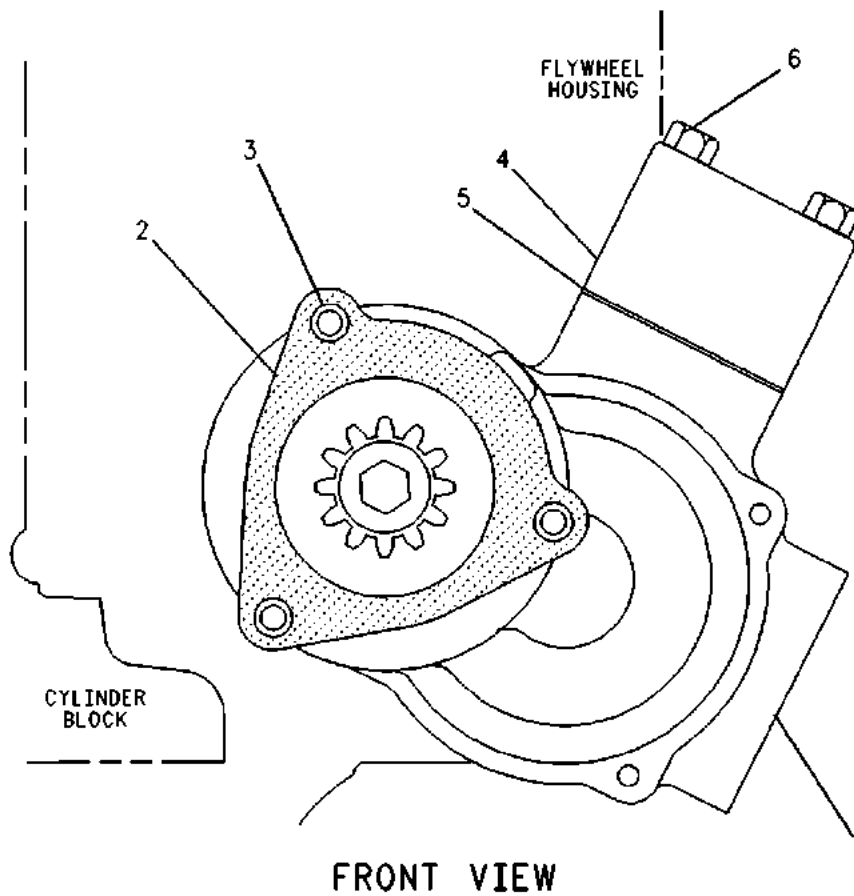
OPPOSITE STANDARD ENGINE ROTATION-RH MOUNTED
FOR USE WITH SAE "00" FLYWHEEL HOUSING
AN ATTACHMENT

SMCS-1451

i03114053

NOTE	REF NO	GRAPHIC REF	PART NUMBER	QTY	PART NAME						SEE PAGE
					1	2	3	4	5	6	
YR	1	1	7C-3374	1	STARTING MOTOR GP-AIR						1235
	2	1	9Y-6089	1	GASKET						
	3	1	0S-1566	3	BOLT (5/8-11X1.5-IN)						
	4	1	8N-8446	1	ELBOW						
	5	1	8N-8451	1	GASKET						
	6	1	1D-4566	4	BOLT (1/2-13X3.5-IN)						

R - REMANUFACTURED PART MAY BE AVAILABLE
Y - SEPARATE ILLUSTRATION



GRAPHIC #1

<END>

g00643850

ELECTRICAL AND STARTING SYSTEM

7C-3374 STARTING MOTOR GP-AIR*R

FIELD REPLACEMENT FOR 4W-5110-PAGE: 1229

PART OF 7C-3373 STARTING MOTOR GP-AIR
AN ATTACHMENT

SMCS-1451

i04418403

NOTE	REF NO	GRAPHIC REF	PART NUMBER	QTY	PART NAME						SEE PAGE
					1	2	3	4	5	6 (PRODUCT LEVEL)	
M	1	1	6V-3937	1	BOLT (M5X0.8X20-MM)						
		1	5N-8378	1	NUT-ROTOR CLAMP (M5X0.8-THD)						
	2	1	5N-8363	1	COVER AS						
		1	4D-3118	3	PLUG-PIPE						
	3	1	5P-9514	1	BALL BEARING						
	4	1	5N-8383	1	CYLINDER						
	5	1	6V-3916	1	BALL BEARING						
		1	1L-8497	1	RING-SNAP (SMALL)						
		1	6J-7855	1	RING-RETAINING (LARGE)						
	6	1	5N-8375	1	CUP-SPRING						
		1	6V-3935	1	RING-RETAINING						
	7	1	5N-8381	1	SPRING-CLUTCH						
	8	1	2W-6081	1	GEAR AS-DRIVE (37-TEETH)						
	9	1	5N-9575	1	JAW AS-CLUTCH						
	10	1	5N-8387	1	CASE-GEAR						
	11	1	5N-8424	1	BULKHEAD						
M	12	1	6V-3940	8	BOLT (M8X1.25X25-MM)						
		1	3B-4505	8	LOCKWASHER						
	13	1	3J-7719	1	RING-RETAINING (INNER) (INNER)						
		1	6V-3971	1	RING-RETAINING (OUTER)						
	14	1	7F-8671	1	BALL BEARING						
	15	1	5N-8428	1	WASHER-GEAR (10.1X34X15.5-MM THK)						
M	16	1	5N-8427	4	BOLT-MOTOR (M10X1.5X180-MM)						
	17	1	6V-3959	5	LOCKWASHER						
M	18	1	6V-3941	1	BOLT (M12X1.25X70-MM)						
		1	5N-8425	1	WASHER (12.2X41.5X4.5-MM THK)						
	19	1	2W-6079	1	PINION-DRIVE (12-TEETH) (12 TEETH)						
	20	1	5N-8389	1	SPRING-PINION						
		1	5N-8374	1	SLEEVE-SPRING						
	21	1	2W-6082	1	KIT-DRIVE (AIR STARTING MOTOR)						
					(INCLUDES O-RING, HOUSING, BEARING, SEAL, & VENT)						
	22	1	8B-7624	1	BALL BEARING						
	23	1	5N-8379	1	SEAT-SPRING						
	24	1	5N-8372	1	SPRING-RETURN						
	25	1	5N-8385	1	SHAFT-DRIVE						
M	26	1	6V-3938	1	BOLT (M10X1.5X20-MM)						
	27	1	5N-8366	1	PLATE-REAR END						
	28	1	5N-8377	1	BEARING-DRIVE SHAFT						
	29	1	5N-8373	1	PISTON						
M	30	1	6V-3939	1	BOLT (M12X1.75X60-MM)						
	31	1	5N-8368	1	PINION-ROTOR (17-TEETH)						
	32	1	6V-1394	1	BALL BEARING						
		1	039-4317	2	WASHER-SPRING						
	33	1	5N-8365	1	PLATE-FRONT END						
	34	1	111-4399	1	HOUSING-MOTOR						
	35	1	5N-8388	1	ROTOR						

ELECTRICAL AND STARTING SYSTEM

7C-3374 **STARTING MOTOR GP-AIR** (contd.)

i04418403

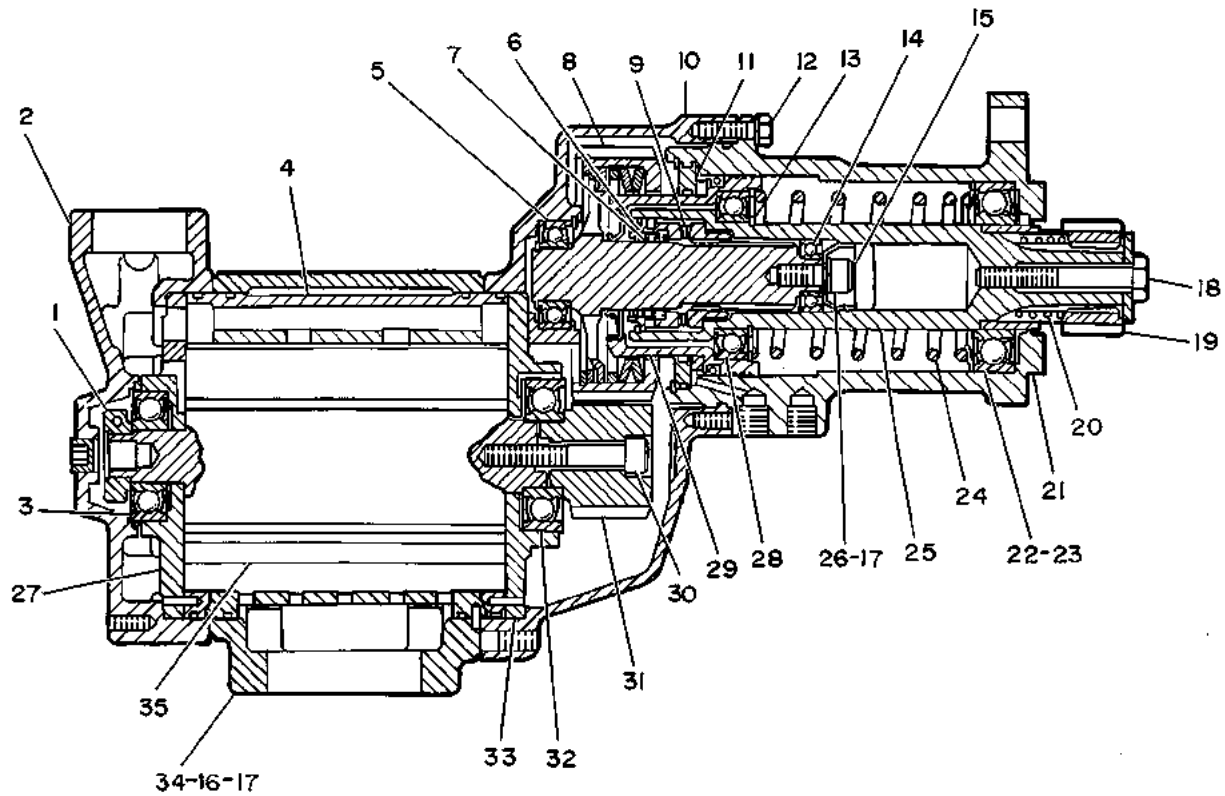
NOTE	REF NO	GRAPHIC REF	PART NUMBER	QTY	PART NAME	SEE PAGE
					1 2 3 4 5 6 (PRODUCT LEVEL)	

AVAILABLE REPAIR KIT(S) :

5N-8390 1 **KIT-SEAL & VANE (AIR STARTING MOTOR)**

(INCLUDES PINS, RINGS, SEALS, VANE, ETC)

M - METRIC PART



GRAPHIC #1

<END>

g00167331

ELECTRICAL AND STARTING SYSTEM

8N-8476 STARTING MOTOR GP-AIR-RH

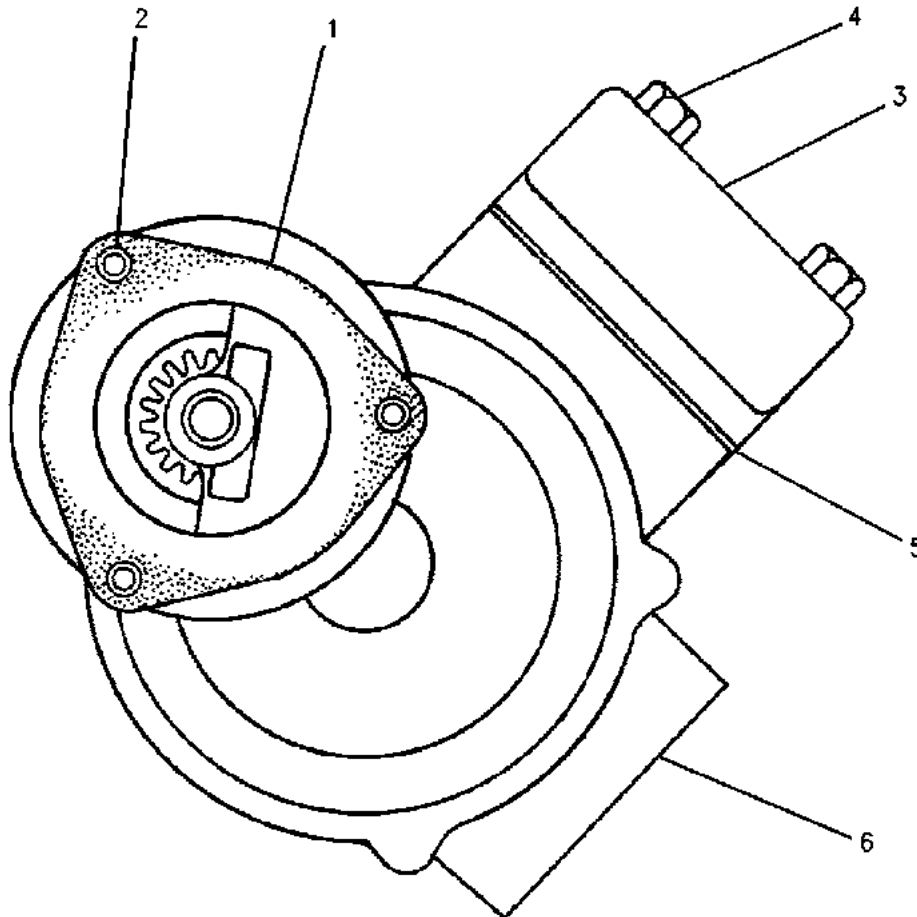
STANDARD ENGINE ROTATION
FOR USE WITH SAE "0" FLYWHEEL HOUSING
AN ATTACHMENT

SMCS-1451

i01204538

NOTE	REF NO	GRAPHIC REF	PART NUMBER	QTY	PART NAME						SEE PAGE
					1	2	3	4	5	6 (PRODUCT LEVEL)	
	1	1	3H-0510	1	GASKET						
	2	1	0S-1566	3	BOLT (5/8-11X1.5-IN)						
	3	1	8N-8446	1	ELBOW						
	4	1	1D-4566	4	BOLT (1/2-13X3.5-IN)						
	5	1	8N-8451	1	GASKET						
CY	6	1	4W-5108	1	STARTING MOTOR GP-AIR						1226

C - CHANGE FROM PREVIOUS TYPE
Y - SEPARATE ILLUSTRATION



GRAPHIC #1

<END>

g00644074

ELECTRICAL AND STARTING SYSTEM

8N-8477 STARTING MOTOR GP-AIR-RH

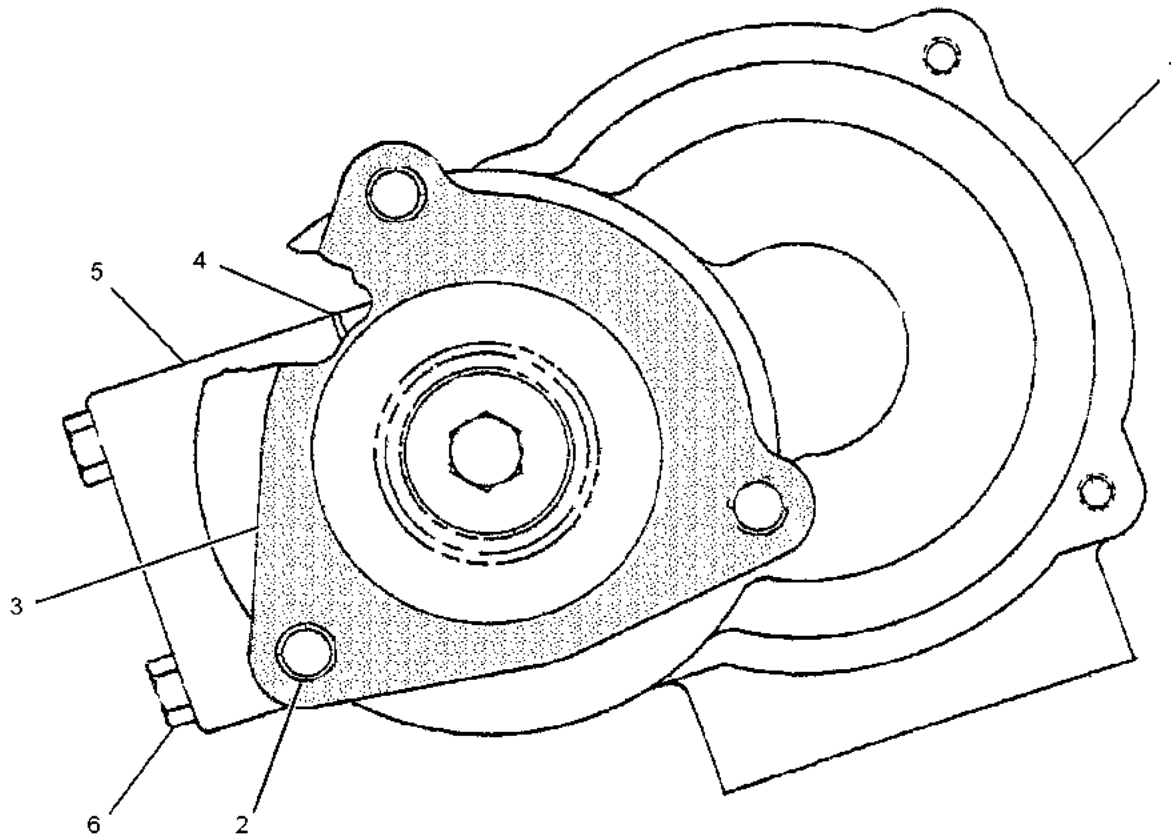
**STANDARD ENGINE ROTATION
FOR USE WITH SAE NO. 00 FLYWHEEL HOUSING
AN ATTACHMENT**

SMCS-1451

i07109195

NOTE	REF NO	GRAPHIC REF	PART NUMBER	QTY	PART NAME						SEE PAGE
					1	2	3	4	5	6 (PRODUCT LEVEL)	
Y	1	1	4W-5107	1	STARTING MOTOR GP-AIR						1224
	2	1	0S-1566	3	BOLT (5/8-11X1.5-IN)						
	3	1	4H-7869	1	GASKET						
	4	1	8N-8451	1	GASKET						
	5	1	8N-8446	1	ELBOW						
	6	1	1D-4566	4	BOLT (1/2-13X3.5-IN)						

Y - SEPARATE ILLUSTRATION



GRAPHIC #1

<END>

g01273606

ELECTRICAL AND STARTING SYSTEM

8N-8478 STARTING MOTOR GP-AIR

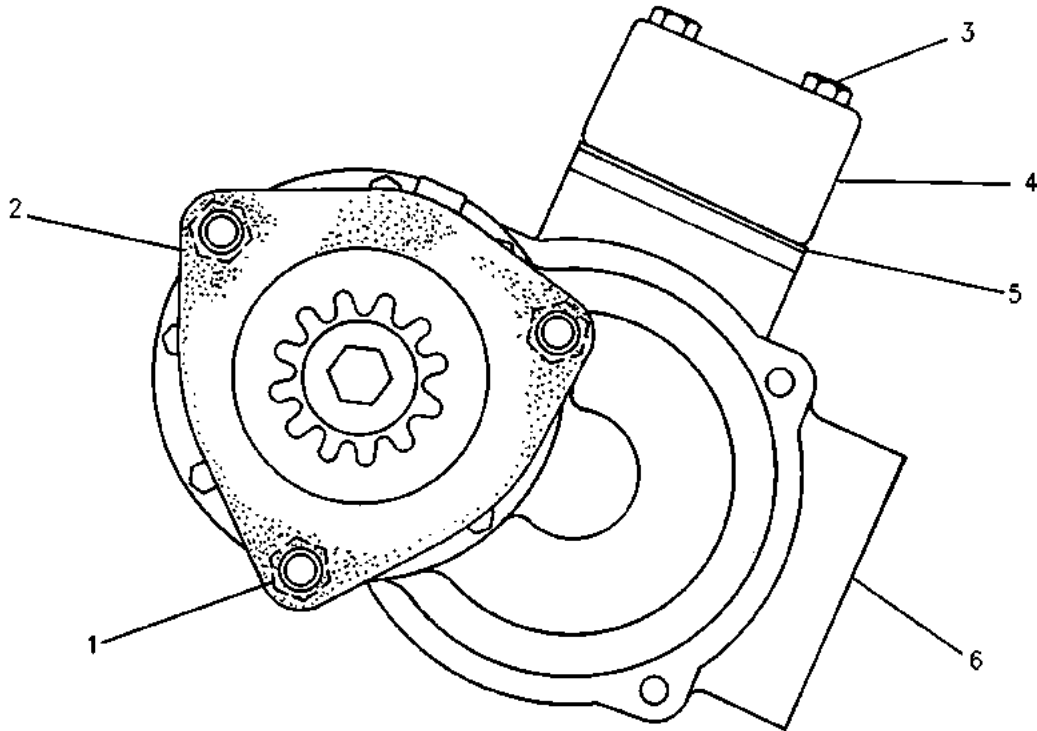
OPPOSITE STANDARD ENGINE ROTATION-RH MOUNTED
FOR USE WITH SAE "0" FLYWHEEL HOUSING
AN ATTACHMENT

SMCS-1451

i00931715

NOTE	REF NO	GRAPHIC REF	PART NUMBER	QTY	PART NAME						SEE PAGE
					1	2	3	4	5	6 (PRODUCT LEVEL)	
	1	1	0S-1566	3	BOLT (5/8-11X1.5-IN)						
	2	1	3H-0510	1	GASKET						
	3	1	1D-4566	4	BOLT (1/2-13X3.5-IN)						
	4	1	8N-8446	1	ELBOW						
	5	1	8N-8451	1	GASKET						
CY	6	1	<i>4W-5110</i>	1	STARTING MOTOR GP-AIR						1229

C - CHANGE FROM PREVIOUS TYPE
Y - SEPARATE ILLUSTRATION



GRAPHIC #1

<END>

g00475019

ELECTRICAL AND STARTING SYSTEM

106-8551 STARTING MOTOR GP-ELECTRIC

24-VOLT

FIELD REPLACEMENT ORDER 6V-5539-PAGE: 1298

PART OF 6V-4246 STARTING MOTOR GP-ELECTRIC

AN ATTACHMENT

SMCS-1453

i02730872

NOTE	REF NO	GRAPHIC REF	PART NUMBER	QTY	PART NAME						SEE PAGE
					1	2	3	4	5	6	
	1	1	8F-1434	2	LOCKWASHER						
	2	1	6V-8188	4	NUT (1/2-13-THD)						
	3	1	8T-8566	1	TERMINAL AS						
	4	1	7X-0562	4	WASHER-HARD (13.5X19X0.8-MM THK)						
	5	1	3T-3422	1	WIRE AS						
	6	1	7T-3278	1	HOLDER AS-BRUSH						
	7	1	5S-7349	4	BOLT (1/4-20X0.5-IN)						
	8	1	8T-4205	4	WASHER-HARD (7.2X14.5X2-MM THK)						
	9	1	7T-3276	2	ARMATURE AS (24-VOLT)						
	10	1	4M-1831	1	PLUG-LEVER HOUSING						
	11	1	7L-2894	1	GASKET						
	12	1	9X-9511	1	SOLENOID AS (24-VOLT) (STARTING MOTOR)						
	13	1	036-9821	1	WASHER						
	14	1	7T-3269	1	BOOT						
	15	1	4M-1828	1	RETAINER-SPRING						
	16	1	9M-7609	1	SPRING (SHIFT LEVER)						
	17	1	4M-1827	1	RETAINER-SPRING						
	18	1	2H-3429	1	RING-RETAINING						
	19	1	4B-2049	3	NUT (10-32-THD)						
	20	1	6N-3826	1	DRIVE AS-MOTOR						
	21	1	9X-4824	1	COVER-STARTING MOTOR						
	22	1	8T-0328	3	WASHER-HARD (5.5X10X1-MM THK)						
	23	1	7T-3277	1	COIL AS-FIELD						
	24	1	7T-3454	1	INSULATOR						
	25	1	8H-1141	4	SHOE-POLE						
	26	1	3F-0379	8	SCREW-POLE SHOE (3/8-24-THD)						
	27	1	7T-3271	1	CONNECTOR						
	28	1	8T-8569	1	INSULATOR-TERMINAL						
	29	1	7T-3451	1	KIT-INSULATOR (STARTING MOTOR)						
	30	1	3E-7775	1	HOUSING AS						
	31	1	036-9823	5	BOLT (1/4-28X1-IN)						
	32	1	7T-3974	1	HOUSING AS-DRIVE						
	33	1	3T-3434	6	PLUG						
	34	1	7X-3373	6	BOLT (5/16-18X0.88-IN)						
	35	1	7T-3270	1	PLUNGER AS						
	36	1	7T-3279	1	HOUSING AS						
					AVAILABLE REPAIR KIT(S):						
			8C-3655	1	KIT-BRUSH (STARTING MOTOR) (KIT INCLUDES SPRINGS, BRUSHES, SEAL, SCREW ASSEMBLIES & SCREWS)						
			7T-3267	1	KIT-BUSHING (STARTING MOTOR) (KIT INCLUDES BUSHINGS, WICKS, CUPS, SEALS, GASKET, SCREW ASSEMBLIES, WASHERS, SPACER & NUT)						
			7T-3268	1	KIT-LEVER (STARTING MOTOR) (KIT INCLUDES GASKET, RETAINER, LEVER ASSEMBLIES, NUT & SEALS)						

ELECTRICAL AND STARTING SYSTEM

106-8551 **STARTING MOTOR GP-ELECTRIC (contd.)**

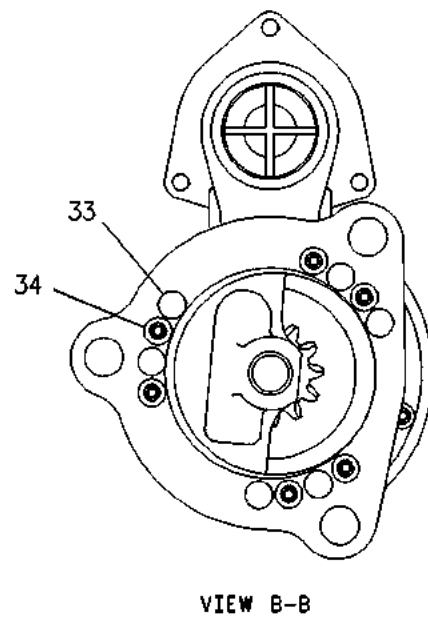
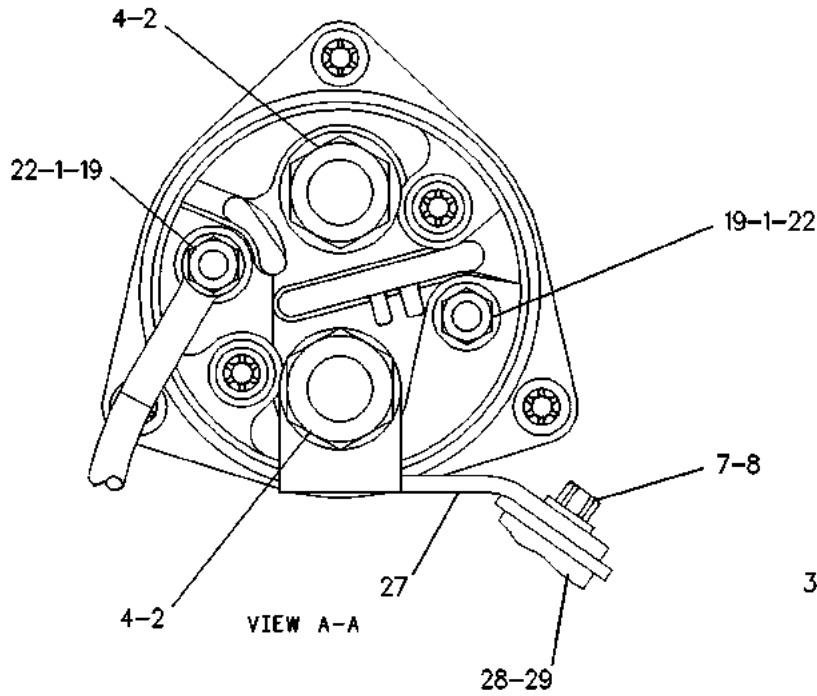
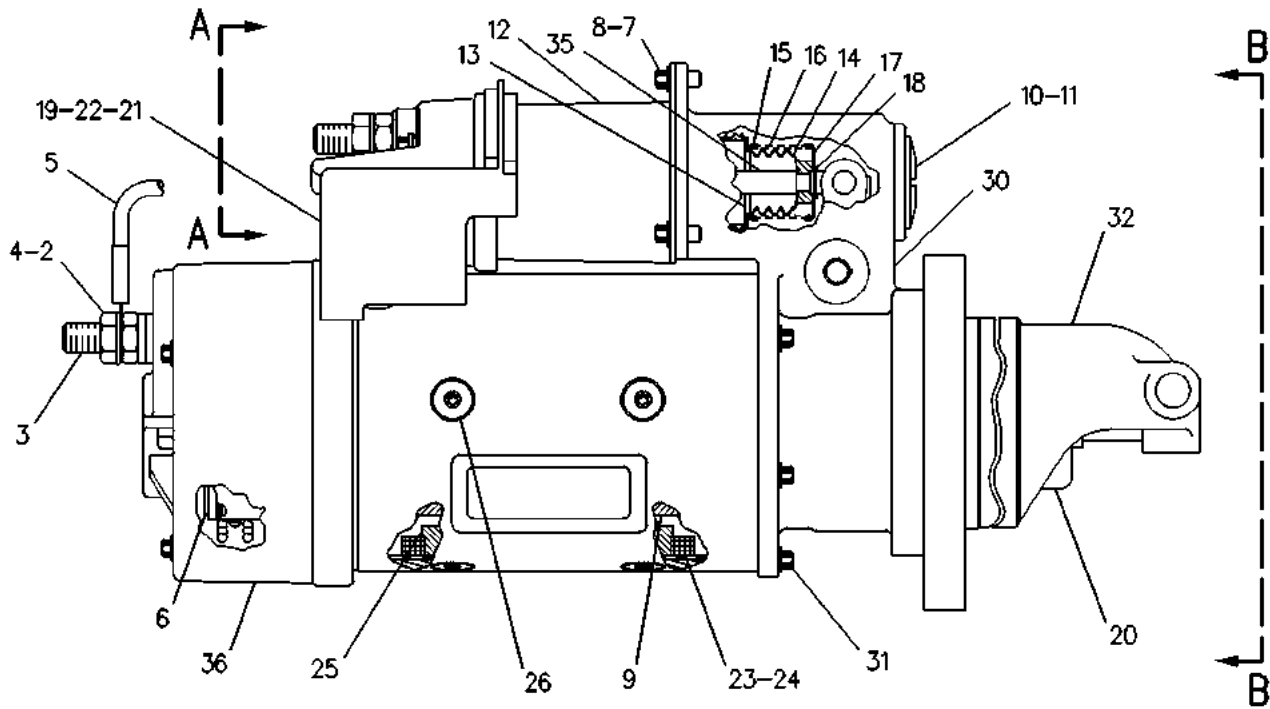
i02730872

NOTE	REF NO	GRAPHIC REF	PART NUMBER	QTY	PART NAME 1 2 3 4 5 6 (PRODUCT LEVEL)	SEE PAGE
			8T-9884	1	KIT-INSULATOR (STARTING MOTOR) (KIT INCLUDES BUSHING & INSULATORS)	

ELECTRICAL AND STARTING SYSTEM

106-8551 STARTING MOTOR GP-ELECTRIC (contd.)

i02730872



GRAPHIC #1

<END>

g00084518

ELECTRICAL AND STARTING SYSTEM

106-8554 STARTING MOTOR GP-ELECTRIC*R

24-VOLT

PART OF 6V-5539 STARTING MOTOR GP-ELECTRIC

SMCS-1453

i03812410

NOTE	REF NO	GRAPHIC REF	PART NUMBER	QTY	PART NAME						SEE PAGE
					1	2	3	4	5	6 (PRODUCT LEVEL)	
	1	1	8F-1434	2	LOCKWASHER						
	2	1	6V-8188	4	NUT (1/2-13-THD)						
	3	1	8T-8566	1	TERMINAL AS						
	4	1	7X-0562	4	WASHER-HARD (13.5X19X0.8-MM THK)						
	5	1	3T-3422	1	WIRE AS						
	6	1	7T-3278	1	HOLDER AS-BRUSH						
	7	1	5S-7349	4	BOLT (1/4-20X0.5-IN)						
	8	1	8T-4205	4	WASHER-HARD (7.2X14.5X2-MM THK)						
	9	1	7T-3276	1	ARMATURE AS (24-VOLT)						
	10	1	4M-1831	1	PLUG-LEVER HOUSING						
	11	1	7L-2894	1	GASKET						
	12	1	250-8279	1	KIT-SOLENOID (24-VOLT) (STARTING MOTOR) (INCLUDES BOLT, COVER, CONNECTORS, NUTS & SOLENOID AS)						
	13	1	036-9821	1	WASHER						
	14	1	306-3997	1	BOOT						
	15	1	4M-1828	1	RETAINER-SPRING						
	16	1	9M-7609	1	SPRING (SHIFT LEVER)						
	17	1	4M-1827	1	RETAINER-SPRING						
	18	1	2H-3429	1	RING-RETAINING						
	19	1	4B-2049	3	NUT (10-32-THD)						
	20	1	6N-3826	1	DRIVE AS-MOTOR						
	21	1	9X-4824	1	COVER-STARTING MOTOR						
	22	1	8T-0328	3	WASHER-HARD (5.5X10X1-MM THK)						
	23	1	7T-3277	1	COIL AS-FIELD						
	24	1	7T-3454	1	INSULATOR						
	25	1	8H-1141	4	SHOE-POLE						
	26	1	3R-8797	8	SCREW & WASHER AS (3/8-24X0.72-IN)						
	27	1	283-1107	1	KIT-CONNECTOR (STARTING MOTOR) (INCLUDES CONNECTORS, BOLT & TERMINAL-STARTER)						
	28	1	8T-8569	1	INSULATOR-TERMINAL						
	29	1	7T-3451	1	KIT-INSULATOR (STARTING MOTOR)						
	30	1	3E-7775	1	HOUSING AS						
	31	1	0S-1597	5	BOLT (1/4-28X1-IN)						
	32	1	7T-3974	1	HOUSING AS-DRIVE						
	33	1	3T-3434	6	PLUG						
	34	1	7X-3373	6	BOLT (5/16-18X0.88-IN)						
	35	1	7T-3270	1	PLUNGER AS						
	36	1	7T-3279	1	HOUSING AS						
					AVAILABLE REPAIR KIT(S):						
			8C-3655	1	KIT-BRUSH (STARTING MOTOR) (INCLUDES SPRINGS, BRUSH ASSEMBLIES & SCREWS)						
			7T-3267	1	KIT-BUSHING (STARTING MOTOR) (INCLUDES NUT, SPACER, GASKET, BUSHINGS, WICKS, CUPS, SEALS & SCREW ASSEMBLIES)						
			7T-3268	1	KIT-LEVER (STARTING MOTOR) (INCLUDES RETAINER, LEVER ASSEMBLIES, NUT & SEALS)						

ELECTRICAL AND STARTING SYSTEM

106-8554 **STARTING MOTOR GP-ELECTRIC (contd.)**

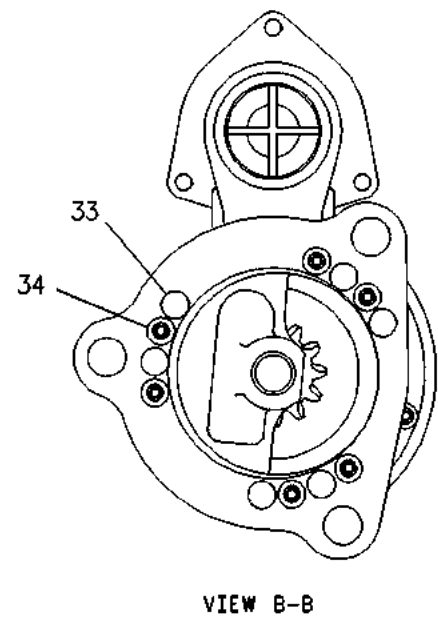
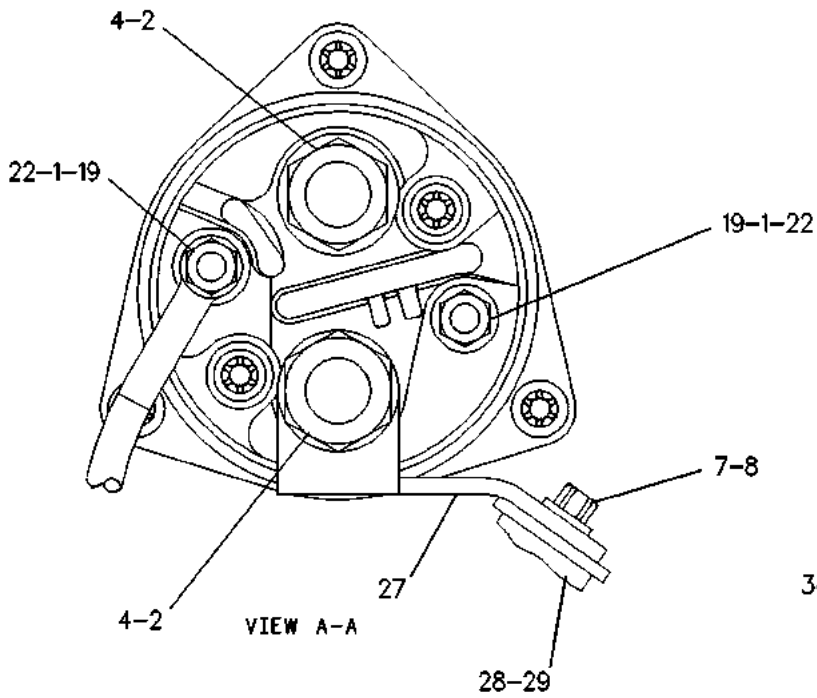
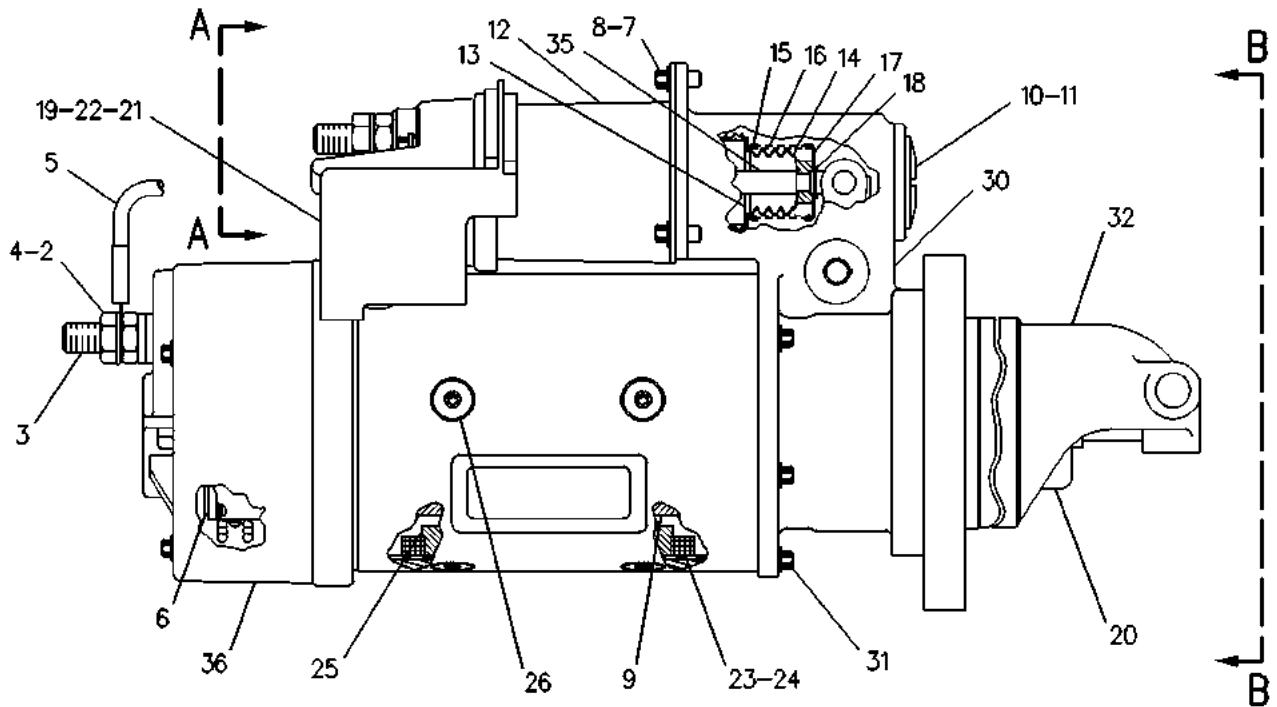
i03812410

NOTE	REF NO	GRAPHIC REF	PART NUMBER	QTY	PART NAME 1 2 3 4 5 6 (PRODUCT LEVEL)	SEE PAGE
			8T-9884	1	KIT-INSULATOR (STARTING MOTOR) (INCLUDES BUSHING & INSULATORS)	

ELECTRICAL AND STARTING SYSTEM

106-8554 STARTING MOTOR GP-ELECTRIC (contd.)

i03812410



GRAPHIC #1

<END>

g00084518

ELECTRICAL AND STARTING SYSTEM

107-0997 STARTING MOTOR GP-ELECTRIC*R

PART OF 108-5546 STARTING MOTOR GP-ELECTRIC

AN ATTACHMENT

TYPE 1

SMCS - 1453

i02664483

NOTE	REF NO	GRAPHIC REF	PART NUMBER	QTY	PART NAME						SEE PAGE
					1	2	3	4	5	6 (PRODUCT LEVEL)	
	1	1	036-9823	13	BOLT (1/4-28X1-IN)						
	2	1	3L-3380	1	BUSHING-TERMINAL						
	3	1	3T-3418	1	FRAME AS-END						
	4	1	3T-3423	1	CUP						
	5	1	9G-4101	1	BUSHING-END						
	6	1	3T-3424	1	PLUG-FELT						
	7	1	7M-0327	1	WASHER-THRUST (17.4X25.4X1.6-MM THK)						
	8	1	7M-8651	1	ARMATURE AS						
	9	1	7M-0324	1	COIL AS-FIELD						
	10	1	9H-3757	2	WASHER (0.516X1X0.094-IN THK)						
	11	1	7X-0562	6	WASHER-HARD (13.5X19X0.8-MM THK)						
	12	1	6V-8188	6	NUT (1/2-13-THD)						
	13	1	7M-0326	1	CONNECTOR						
	14	1	8T-4205	4	WASHER-HARD (7.2X14.5X2-MM THK)						
	15	1	3E-7769	1	SOLENOID AS (STARTER)						
	16	1	6V-1322	4	BOLT (1/4-20X0.375-IN)						
	17	1	4M-1831	4	PLUG-LEVER HOUSING						
	18	1	7L-2894	4	GASKET						
	19	1	3F-0379	12	SCREW-POLE SHOE (3/8-24-THD)						
	20	1	7M-0325	1	INSULATOR						
	21	1	7F-3488	6	SHOE-POLE						
	22	1	1S-7446	3	SCREW-MACHINE (8-32X0.437-IN)						
	23	1	3T-9524	6	BRUSH AS						
	24	1	9S-2544	6	SCREW-HEX HEAD (8-32X11.13-MM)						
	25	1	3T-9525	1	PLATE AS-BRUSH (STARTING MOTOR)						
	26	1	6T-0371	1	INSULATOR						
	27	1	3T-4711	12	SCREW AS (10-32X17.5-MM)						
		1	9F-5599	12	LOCKWASHER						
	28	1	7F-3525	6	WASHER-SPECIAL (0.207X0.39X0.09-IN THK)						
	29	1	6T-0372	1	PLATE						
	30	1	3T-4709	3	PLATE						
	31	1	2L-6679	3	PLATE-INSULATOR						
	32	1	3T-4710	3	PLATE						
	33	1	6T-0363	6	HOLDER AS-BRUSH						
					(EACH INCLUDES)						
	34	1	3T-9494	1	SPRING						
	35	1	2D-6392	1	SEAL-O-RING						
	36	1	2J-8163	2	SEAL-O-RING						
	37	1	7F-3491	2	WASHER (0.516X1X0.094-IN THK)						
	38	1	3R-8801	1	CLAMP						
	39	1	6N-3826	1	DRIVE AS-MOTOR						
	40	1	1H-2629	3	STRIP-INSULATION						
	41	1	6V-4155	1	TERMINAL AS						
	42	1	9M-7606	1	PLUNGER AS						
	43	1	036-9821	1	WASHER						
	44	1	4M-1829	1	BOOT-RUBBER						
	45	1	4M-1828	1	RETAINER-SPRING						

ELECTRICAL AND STARTING SYSTEM

107-0997 **STARTING MOTOR GP-ELECTRIC (contd.)**

i02664483

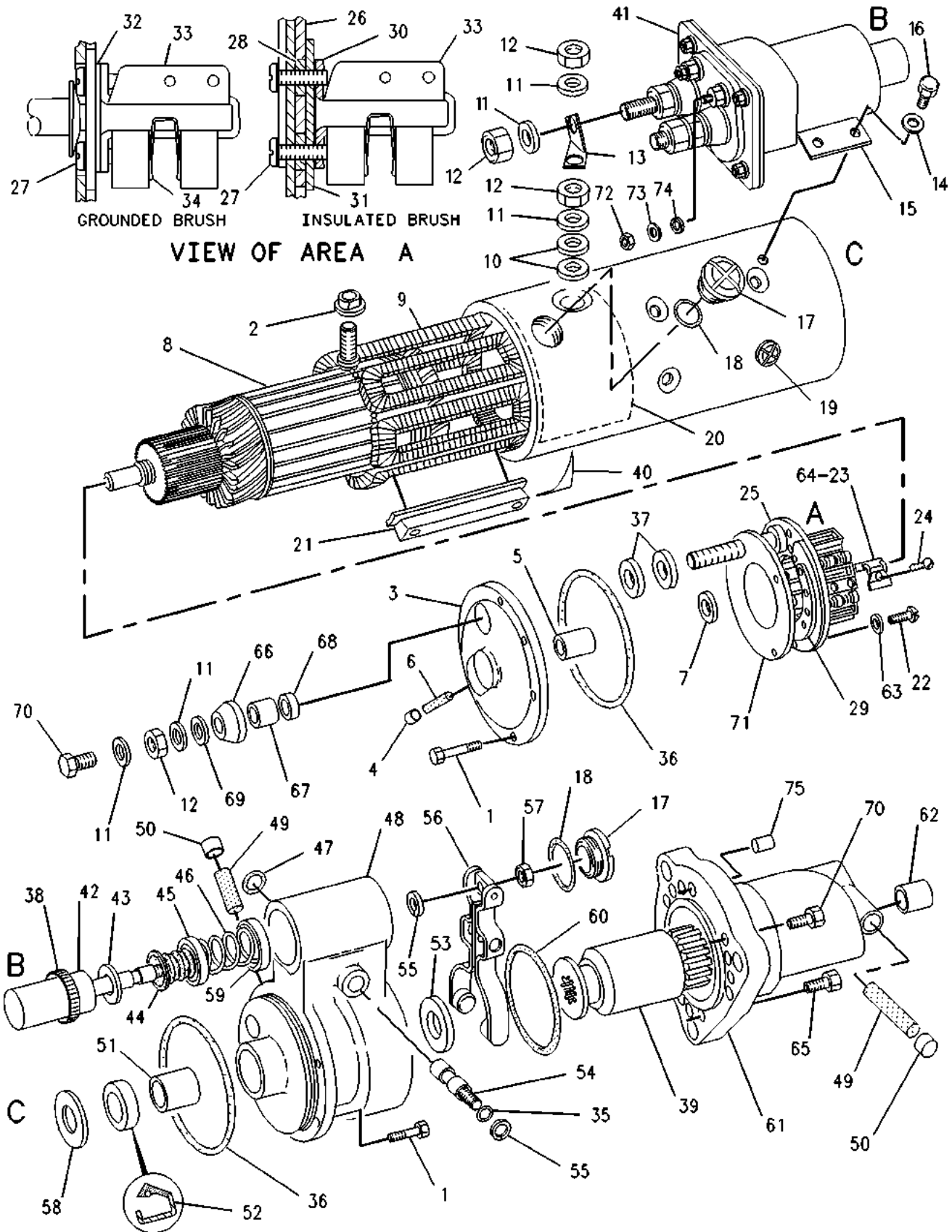
NOTE	REF NO	GRAPHIC REF	PART NUMBER	QTY	PART NAME						SEE PAGE
					1	2	3	4	5	6 (PRODUCT LEVEL)	
	46	1	9M-7609	1	SPRING (SHIFT LEVER)						
	47	1	1H-1023	1	SEAL-O-RING						
	48	1	3E-7771	1	HOUSING AS (STARTING MOTOR)						
	49	1	3T-3424	2	PLUG-FELT						
	50	1	3T-3423	2	CUP						
	51	1	1M-9968	1	BUSHING						
	52	1	2F-6678	1	SEAL-LIP TYPE						
	53	1	4L-2729	1	WASHER (0.844X1.9X0.188-IN THK)						
	54	1	4M-1854	1	SHAFT-LEVER						
	55	1	2H-3429	2	RING-RETAINING						
	56	1	4M-1853	1	LEVER AS-SHIFT						
	57	1	5M-3034	1	LOCKNUT (5/16-24-THD)						
	58	1	1M-9971	1	SPACER (0.835X1.72X0.188-IN THK)						
	59	1	4M-1827	1	RETAINER-SPRING						
	60	1	8C-3089	1	SEAL-O-RING						
	61	1	7T-3974	1	HOUSING AS-DRIVE						
	62	1	4M-1896	1	BUSHING-TERMINAL						
	63	1	8C-9660	3	WASHER (4.6X7.9X0.8-MM THK)						
	64	1	3T-9494	6	SPRING						
	65	1	5J-5314	5	BOLT (5/16-18X1.5-IN)						
	66	1	3N-3763	1	KIT-TERMINAL (STARTING MOTOR)						
					(INCLUDES PARTS MARKED J)						
JZ		1		1	INSULATOR						
JZ	67	1		1	BUSHING						
JZ	68	1		1	BUSHING						
JZ	69	1		1	WASHER						
	70	1	7X-3373	1	BOLT (5/16-18X0.88-IN)						
	71	1	6N-3279	1	INSULATOR						
	72	1	4B-2049	2	NUT (10-32-THD)						
	73	1	8T-0328	10	WASHER-HARD (5.5X10X1-MM THK)						
	74	1	8F-1434	2	LOCKWASHER						
B	75	1	3T-3434	6	PLUG						

B - USE AS REQUIRED
 J - (null)
 Z - NOT SERVICED SEPARATELY

ELECTRICAL AND STARTING SYSTEM

107-0997 STARTING MOTOR GP-ELECTRIC (contd.)

i02664483



GRAPHIC #1

<END>

g00251023

ELECTRICAL AND STARTING SYSTEM

107-0997 STARTING MOTOR GP-ELECTRIC*R

PART OF 108-5546 STARTING MOTOR GP-ELECTRIC

AN ATTACHMENT

TYPE 2

SMCS-1453

i05808941

NOTE	REF NO	GRAPHIC REF	PART NUMBER	QTY	PART NAME						SEE PAGE
					1	2	3	4	5	6 (PRODUCT LEVEL)	
C	1	1	0S-1597	13	BOLT (1/4-28X1-IN)						
	2	1	3L-3380	1	BUSHING-TERMINAL						
	3	1	3T-3418	1	FRAME AS-END						
	4	1	3T-3423	1	CUP						
	5	1	9G-4101	1	BUSHING-END						
	6	1	3T-3424	1	PLUG-FELT						
	7	1	7M-0327	1	WASHER-THRUST (17.4X25.4X1.6-MM THK)						
	8	1	7M-8651	1	ARMATURE AS						
	9	1	7M-0324	1	COIL AS-FIELD						
	10	1	9H-3757	2	WASHER (0.516X1X0.094-IN THK)						
	11	1	7X-0562	6	WASHER-HARD (13.5X19X0.8-MM THK)						
	12	1	6V-8188	6	NUT (1/2-13-THD)						
	13	1	7M-0326	1	CONNECTOR						
	14	1	8T-4205	4	WASHER-HARD (7.2X14.5X2-MM THK)						
	15	1	3E-7769	1	SOLENOID AS (STARTER)						
	16	1	6V-1322	4	BOLT (1/4-20X0.375-IN)						
	17	1	4M-1831	4	PLUG-LEVER HOUSING						
	18	1	7L-2894	4	GASKET						
C	19	1	3R-8797	12	SCREW & WASHER AS (3/8-24X0.72-IN)						
	20	1	7M-0325	1	INSULATOR						
	21	1	7F-3488	6	SHOE-POLE						
	22	1	1S-7446	3	SCREW-MACHINE (8-32X0.437-IN)						
	23	1	3T-9524	6	BRUSH AS						
	24	1	9S-2544	6	SCREW-HEX HEAD (8-32X11.13-MM)						
Y	25	1	3T-9525	1	PLATE AS-BRUSH (STARTING MOTOR)						1180
	35	1	2D-6392	1	SEAL-O-RING						
	36	1	2J-8163	2	SEAL-O-RING						
C	37	1	1T-0808	2	WASHER (0.516X0.812X0.09-IN THK)						
	38	1	3R-8801	1	CLAMP						
	39	1	6N-3826	1	DRIVE AS-MOTOR						
	40	1	1H-2629	3	STRIP-INSULATION						
	42	1	9M-7606	1	PLUNGER AS						
	43	1	036-9821	1	WASHER						
C	44	1	306-3998	1	BOOT-RUBBER						
	45	1	4M-1828	1	RETAINER-SPRING						
	46	1	9M-7609	1	SPRING (SHIFT LEVER)						
	47	1	1H-1023	1	SEAL-O-RING						
	48	1	3E-7771	1	HOUSING AS (STARTING MOTOR)						
	49	1	3T-3424	2	PLUG-FELT						
	50	1	3T-3423	2	CUP						
	51	1	1M-9968	1	BUSHING						
	52	1	2F-6678	1	SEAL-LIP TYPE						
	53	1	4L-2729	1	WASHER (0.844X1.9X0.188-IN THK)						
	54	1	4M-1854	1	SHAFT-LEVER						
	55	1	2H-3429	2	RING-RETAINING						
	56	1	4M-1853	1	LEVER AS-SHIFT						

ELECTRICAL AND STARTING SYSTEM

107-0997 **STARTING MOTOR GP-ELECTRIC (contd.)**

i05808941

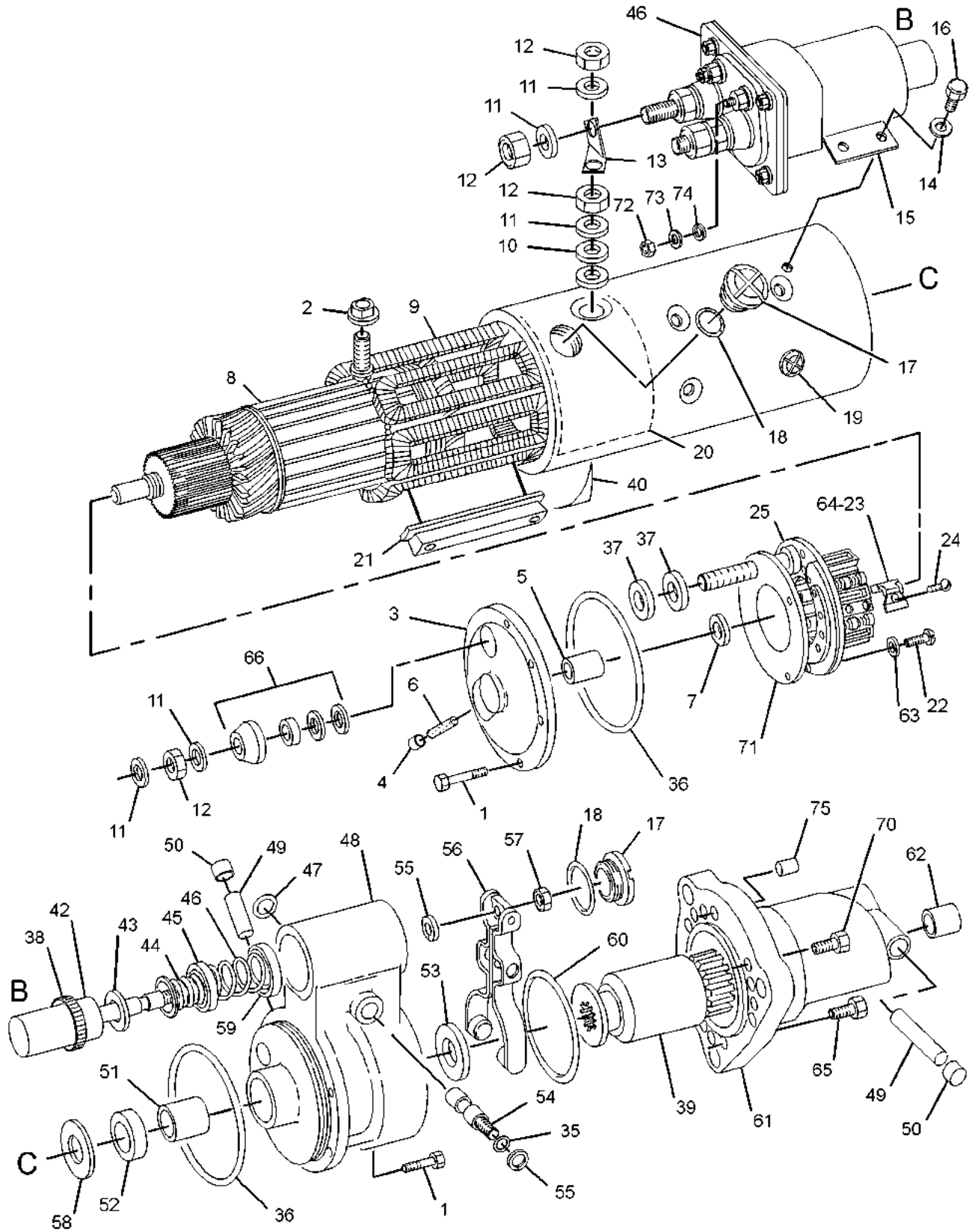
NOTE	REF NO	GRAPHIC REF	PART NUMBER	QTY	PART NAME						SEE PAGE
					1	2	3	4	5	6 (PRODUCT LEVEL)	
	57	1	5M-3034	1	LOCKNUT (5/16-24-THD)						
	58	1	1M-9971	1	SPACER (0.835X1.72X0.188-IN THK)						
	59	1	4M-1827	1	RETAINER-SPRING						
	60	1	8C-3089	1	SEAL-O-RING						
	61	1	7T-3974	1	HOUSING AS-DRIVE						
	62	1	4M-1896	1	BUSHING-TERMINAL						
	63	1	8C-9660	3	WASHER (4.6X7.9X0.8-MM THK)						
	64	1	3T-9494	6	SPRING						
	65	1	5J-5314	5	BOLT (5/16-18X1.5-IN)						
	66	1	3N-3763	1	KIT-TERMINAL (STARTING MOTOR)						
					(INCLUDES PARTS MARKED J IN GRAPHIC)						
	70	1	7X-3373	1	BOLT (5/16-18X0.88-IN)						
	71	1	6N-3279	1	INSULATOR						
	72	1	4B-2049	2	NUT (10-32-THD)						
	73	1	8T-0328	10	WASHER-HARD (5.5X10X1-MM THK)						
	74	1	8F-1434	2	LOCKWASHER						
B	75	1	3T-3434	6	PLUG						

B - USE AS REQUIRED
 C - CHANGE FROM PREVIOUS TYPE
 Y - SEPARATE ILLUSTRATION

ELECTRICAL AND STARTING SYSTEM

107-0997 STARTING MOTOR GP-ELECTRIC (contd.)

i05808941



GRAPHIC #1

<END>

g03691344

ELECTRICAL AND STARTING SYSTEM

107-0998 STARTING MOTOR GP-ELECTRIC

PART OF 108-5547 STARTING MOTOR GP-ELECTRIC

AN ATTACHMENT

SMCS - 1453

i02667934

NOTE	REF NO	GRAPHIC REF	PART NUMBER	QTY	PART NAME						SEE PAGE
					1	2	3	4	5	6 (PRODUCT LEVEL)	
	1	1	036-9823	13	BOLT (1/4-28X1-IN)						
	2	1	3L-3380	1	BUSHING-TERMINAL						
	3	1	3T-5440	1	FRAME AS-END						
	4	1	3T-3423	1	CUP						
	5	1	9G-4101	1	BUSHING-END						
	6	1	3T-3424	1	PLUG-FELT						
	7	1	7M-0327	1	WASHER-THRUST (17.4X25.4X1.6-MM THK)						
	8	1	7M-8651	1	ARMATURE AS						
	9	1	5L-6425	1	COIL AS-FIELD						
	10	1	9H-3757	2	WASHER (0.516X1X0.094-IN THK)						
	11	1	7X-0562	6	WASHER-HARD (13.5X19X0.8-MM THK)						
	12	1	6V-8188	6	NUT (1/2-13-THD)						
	13	1	7M-0326	1	CONNECTOR						
	14	1	8T-4205	4	WASHER-HARD (7.2X14.5X2-MM THK)						
	15	1	3E-7769	1	SOLENOID AS (STARTER)						
	16	1	6V-1322	4	BOLT (1/4-20X0.375-IN)						
	17	1	4M-1831	4	PLUG-LEVER HOUSING						
	18	1	7L-2894	4	GASKET						
	19	1	3F-0379	12	SCREW-POLE SHOE (3/8-24-THD)						
	20	1	7M-0325	1	INSULATOR						
	21	1	7F-3488	6	SHOE-POLE						
	22	1	1S-7446	3	SCREW-MACHINE (8-32X0.437-IN)						
	23	1	3T-9524	6	BRUSH AS						
	24	1	9S-2544	6	SCREW-HEX HEAD (8-32X11.13-MM)						
	25	1	3T-9525	1	PLATE AS-BRUSH (STARTING MOTOR)						
	26	1	6T-0371	1	INSULATOR						
	27	1	3T-4711	12	SCREW AS (10-32X17.5-MM)						
		1	9F-5599	12	LOCKWASHER						
	28	1	7F-3525	6	WASHER-SPECIAL (0.207X0.39X0.09-IN THK)						
	29	1	6T-0372	1	PLATE						
	30	1	3T-4709	3	PLATE						
	31	1	2L-6679	3	PLATE-INSULATOR						
	32	1	3T-4710	3	PLATE						
	33	1	6T-0363	6	HOLDER AS-BRUSH						
					(EACH INCLUDES)						
	34	1	3T-9494	1	SPRING						
	35	1	2D-6392	1	SEAL-O-RING						
	36	1	2J-8163	2	SEAL-O-RING						
	37	1	7F-3491	2	WASHER (0.516X1X0.094-IN THK)						
	38	1	3R-8801	1	CLAMP						
	39	1	3T-5343	1	DRIVE AS-MOTOR						
	40	1	1H-2629	3	STRIP-INSULATION						
	41	1	6V-4155	1	TERMINAL AS						
	42	1	9M-7606	1	PLUNGER AS						
	43	1	036-9821	1	WASHER						
	44	1	4M-1829	1	BOOT-RUBBER						
	45	1	4M-1828	1	RETAINER-SPRING						
	46	1	9M-7609	1	SPRING (SHIFT LEVER)						

ELECTRICAL AND STARTING SYSTEM

107-0998 **STARTING MOTOR GP-ELECTRIC (contd.)**

i02667934

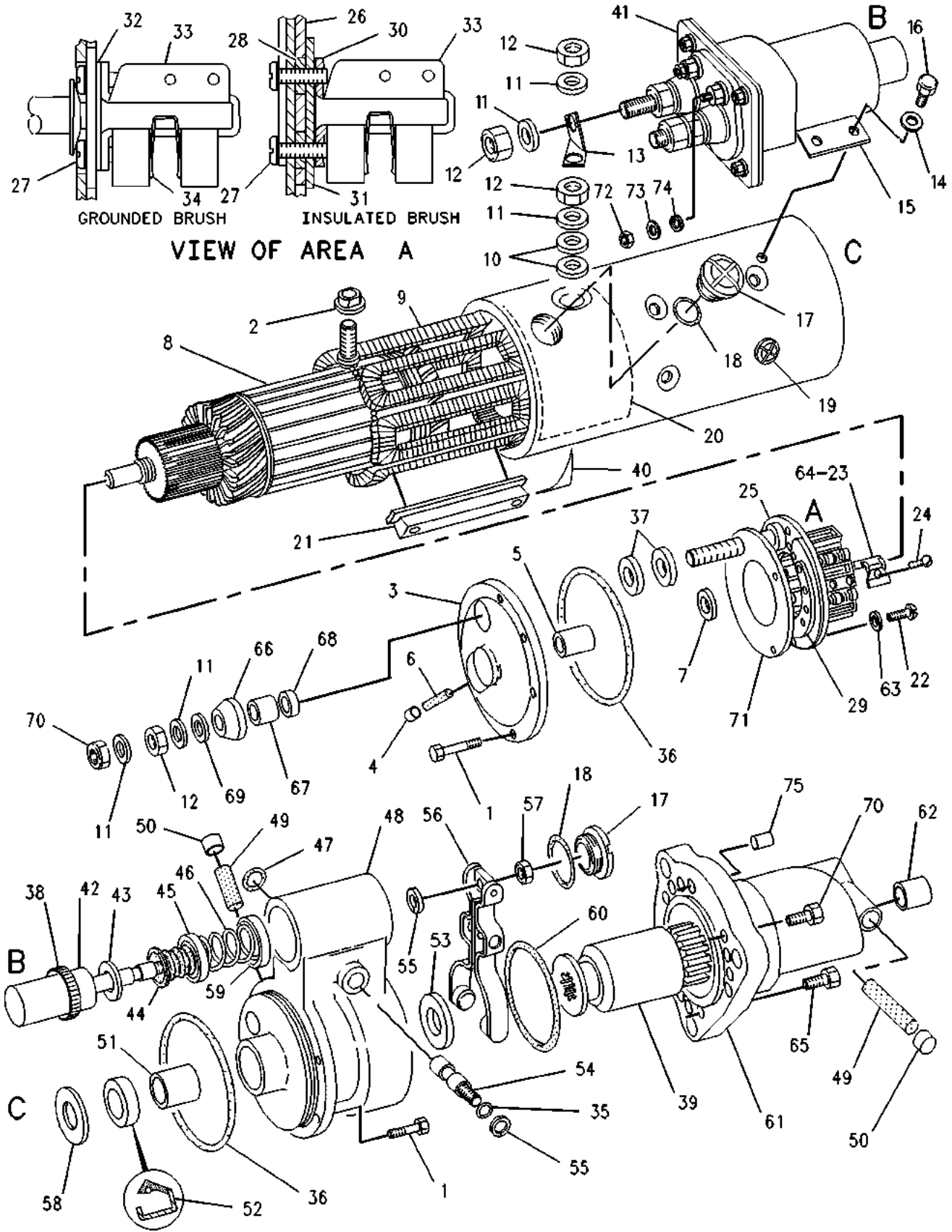
NOTE	REF NO	GRAPHIC REF	PART NUMBER	QTY	PART NAME						SEE PAGE
					1	2	3	4	5	6 (PRODUCT LEVEL)	
	47	1	1H-1023	1	SEAL-O-RING						
	48	1	3E-7771	1	HOUSING AS (STARTING MOTOR)						
	49	1	3T-3424	2	PLUG-FELT						
	50	1	3T-3423	2	CUP						
	51	1	1M-9968	1	BUSHING						
	52	1	2F-6678	1	SEAL-LIP TYPE						
	53	1	4L-2729	1	WASHER (0.844X1.9X0.188-IN THK)						
	54	1	4M-1854	1	SHAFT-LEVER						
	55	1	2H-3429	2	RING-RETAINING						
	56	1	4M-1853	1	LEVER AS-SHIFT						
	57	1	5M-3034	1	LOCKNUT (5/16-24-THD)						
	58	1	1M-9971	1	SPACER (0.835X1.72X0.188-IN THK)						
	59	1	4M-1827	1	RETAINER-SPRING						
	60	1	8C-3089	1	SEAL-O-RING						
	61	1	7T-3974	1	HOUSING AS-DRIVE						
	62	1	4M-1896	1	BUSHING-TERMINAL						
	63	1	8C-9660	3	WASHER (4.6X7.9X0.8-MM THK)						
	64	1	3T-9494	6	SPRING						
	65	1	5J-5314	5	BOLT (5/16-18X1.5-IN)						
J	66	1	3N-3763	1	KIT-TERMINAL (STARTING MOTOR) (INCLUDES BUSHINGS & WASHERS)						
JZ		1		1	INSULATOR						
JZ	67	1		1	BUSHING						
JZ	68	1		1	BUSHING						
JZ	69	1		1	WASHER						
	70	1	7X-3373	1	BOLT (5/16-18X0.88-IN)						
	71	1	6N-3279	1	INSULATOR						
	72	1	4B-2049	2	NUT (10-32-THD)						
	73	1	8T-0328	10	WASHER-HARD (5.5X10X1-MM THK)						
	74	1	8F-1434	2	LOCKWASHER						
B	75	1	3T-3434	6	PLUG						

B - USE AS REQUIRED
 J - KIT(S) MARKED J INCLUDES PART(S) MARKED J
 Z - NOT SERVICED SEPARATELY

ELECTRICAL AND STARTING SYSTEM

107-0998 STARTING MOTOR GP-ELECTRIC (contd.)

i02667934



GRAPHIC #1

<END>

g00241535

ELECTRICAL AND STARTING SYSTEM

108-5546 STARTING MOTOR GP-ELECTRIC

FOR USE WITH 64-VOLT STARTING SYSTEM

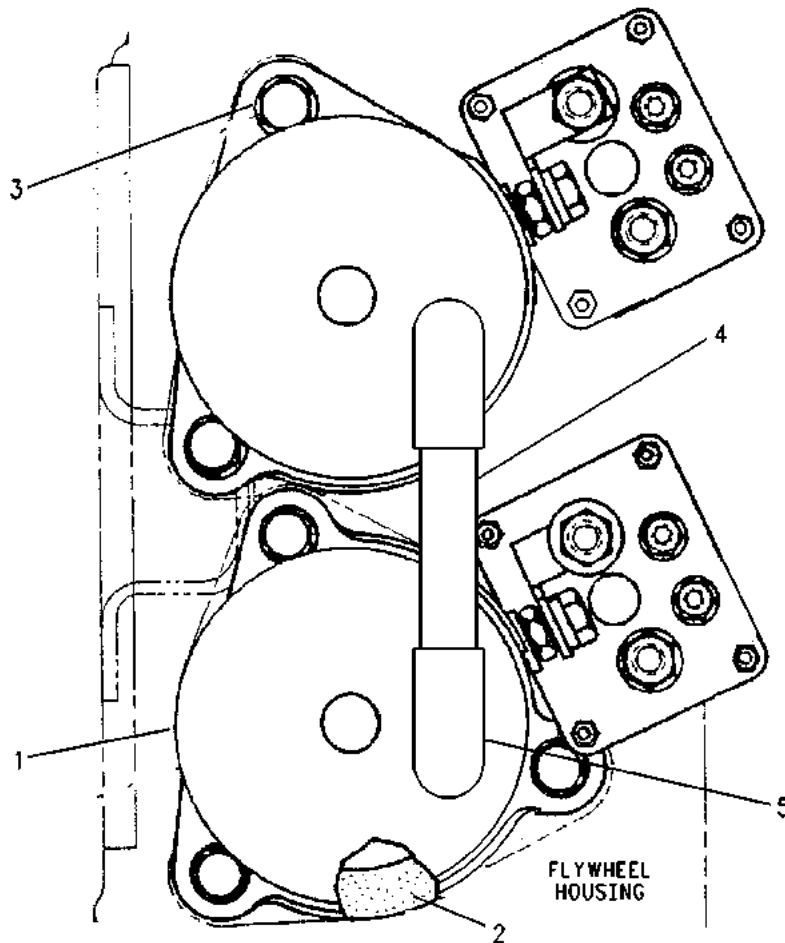
AN ATTACHMENT

SMCS-1453

i07152640

NOTE	REF NO	GRAPHIC REF	PART NUMBER	QTY	PART NAME						SEE PAGE
					1	2	3	4	5	6 (PRODUCT LEVEL)	
YR	1	1	107-0997	2	STARTING MOTOR GP-ELECTRIC						1246
	2	1	4H-7869	2	GASKET						
	3	1	7J-8902	6	BOLT-12 POINT HEAD (5/8-11X1.5-IN)						
	4	1	4L-6155	1	CABLE AS (0000-GA)						
BG		1	5P-0745		CABLE (0000-GA)						
		1	3L-7634	2	TERMINAL-RING (0000-GA, 1/2-IN SCREW)						
	5	1	294-2319	2	COVER-TERMINAL (BLACK)						

B - USE AS REQUIRED
 G - ORDER BY THE INCH
 R - REMANUFACTURED PART MAY BE AVAILABLE
 Y - SEPARATE ILLUSTRATION



GRAPHIC #1

<END>

g00763119

ELECTRICAL AND STARTING SYSTEM

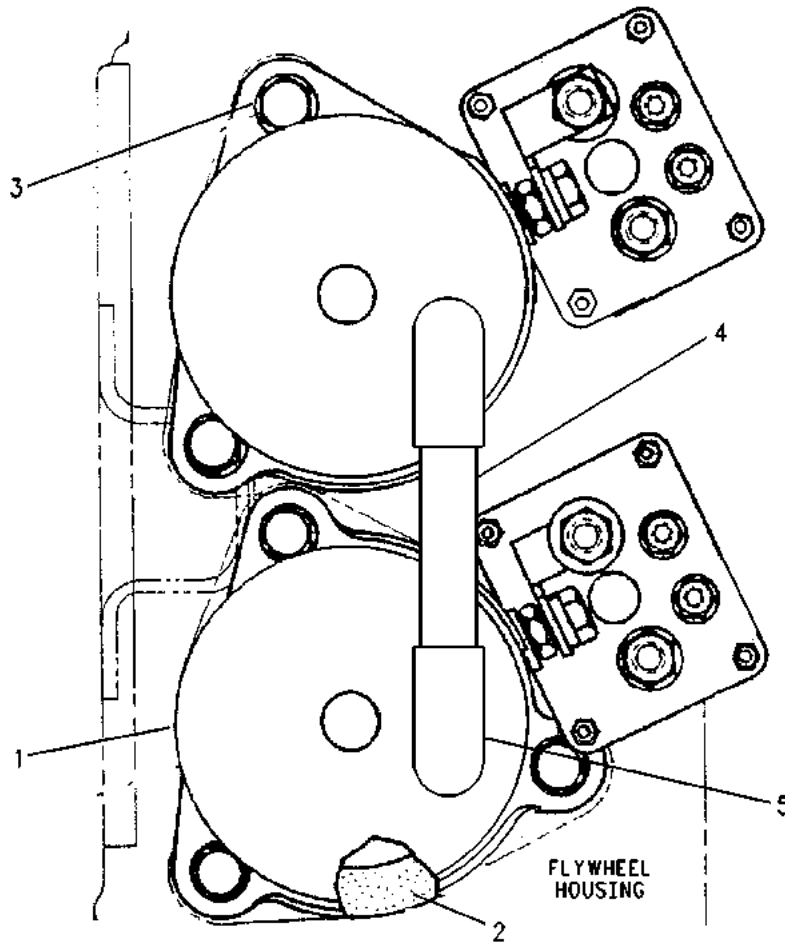
108-5547 STARTING MOTOR GP-ELECTRIC AN ATTACHMENT

SMCS-1453

i01460171

NOTE	REF NO	GRAPHIC REF	PART NUMBER	QTY	PART NAME						SEE PAGE
					1	2	3	4	5	6 (PRODUCT LEVEL)	
Y	1	1	107-0998	2	STARTING MOTOR GP-ELECTRIC						1252
	2	1	4H-7869	2	GASKET						
	3	1	7J-8902	6	BOLT-12 POINT HEAD (5/8-11X1.5-IN)						
	4	1	4L-6155	1	CABLE AS (0000-GA)						
	5	1	3L-7604	2	SHIELD-TERMINAL						

Y - SEPARATE ILLUSTRATION



GRAPHIC #1

<END>

g00763123

ELECTRICAL AND STARTING SYSTEM

117-8846 STARTING MOTOR GP-ELECTRIC

32-VOLT

PART OF 117-9064 STARTING MOTOR GP-ELECTRIC
AN ATTACHMENT

SMCS-1453

i02618852

NOTE	REF NO	GRAPHIC REF	PART NUMBER	QTY	PART NAME						SEE PAGE
					1	2	3	4	5	6 (PRODUCT LEVEL)	
	1	1	9H-3757	2	WASHER (0.516X1X0.094-IN THK)						
	2	1	1S-7446	3	SCREW-MACHINE (8-32X0.437-IN)						
	3	1	8C-9660	3	WASHER (4.6X7.9X0.8-MM THK)						
	4	1	9S-2544	6	SCREW-HEX HEAD (8-32X11.13-MM)						
	5	1	7M-0327	1	WASHER-THRUST (17.4X25.4X1.6-MM THK)						
	6	1	3T-3418	1	FRAME AS-END						
	7	1	3T-9525	1	PLATE AS-BRUSH (STARTING MOTOR)						
	8	1	7F-3491	2	WASHER (0.516X1X0.094-IN THK)						
	9	1	242-7979	1	SOLENOID AS (STARTING MOTOR)						
	10	1	2J-8163	2	SEAL-O-RING						
	11	1	7X-3373	1	BOLT (5/16-18X0.88-IN)						
	12	1	3T-3434	6	PLUG						
	13	1	5J-5314	5	BOLT (5/16-18X1.5-IN)						
	14	1	3L-3380	1	BUSHING-TERMINAL						
	15	1	036-9821	1	WASHER						
	16	1	4M-1828	1	RETAINER-SPRING						
	17	1	4M-1829	1	BOOT-RUBBER						
	19	1	9M-7609	1	SPRING (SHIFT LEVER)						
	20	1	4M-1827	1	RETAINER-SPRING						
	21	1	8C-3089	1	SEAL-O-RING						
	22	1	4M-1853	1	LEVER AS-SHIFT						
	23	1	5M-3034	1	LOCKNUT (5/16-24-THD)						
	24	1	7L-2894	4	GASKET						
	25	1	4M-1831	4	PLUG-LEVER HOUSING						
	26	1	4M-1854	1	SHAFT-LEVER						
	27	1	1H-1023	1	SEAL-O-RING						
	28	1	2D-6392	1	SEAL-O-RING						
	29	1	7T-3974	1	HOUSING AS-DRIVE						
	30	1	6N-3826	1	DRIVE AS-MOTOR						
	31	1	2H-3429	2	RING-RETAINING						
	32	1	6V-1322	4	BOLT (1/4-20X0.375-IN)						
	33	1	8T-4205	4	WASHER-HARD (7.2X14.5X2-MM THK)						
	34	1	6N-3279	1	INSULATOR						
	35	1	036-9823	13	BOLT (1/4-28X1-IN)						
	36	1	1M-9971	1	SPACER (0.835X1.72X0.188-IN THK)						
	37	1	1H-2629	3	STRIP-INSULATION						
	38	1	7M-0324	1	COIL AS-FIELD						
	39	1	3F-0379	12	SCREW-POLE SHOE (3/8-24-THD)						
	40	1	7F-3488	6	SHOE-POLE						
	41	1	7M-8651	1	ARMATURE AS						
	42	1	7M-0325	1	INSULATOR						
	43	1	3T-9524	6	BRUSH AS						
	44	1	3N-3763	1	KIT-TERMINAL (STARTING MOTOR)						
					(INCLUDES BUSHINGS & INSULATED WASHERS)						
	45	1	3T-3422	1	WIRE AS						
	46	1	3R-8801	1	CLAMP						
	47	1	8F-1434	2	LOCKWASHER						

ELECTRICAL AND STARTING SYSTEM

117-8846 **STARTING MOTOR GP-ELECTRIC (contd.)**

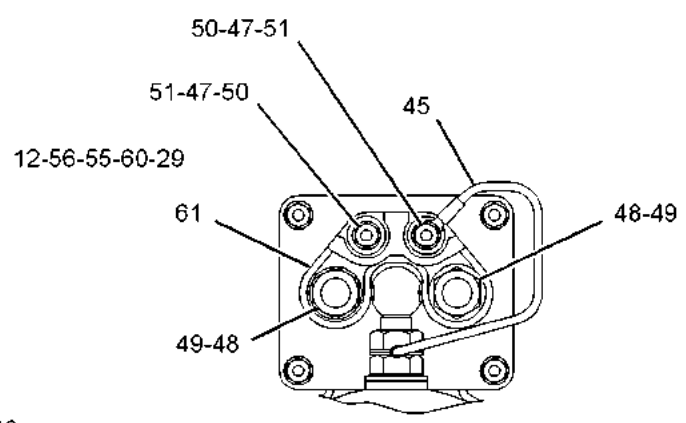
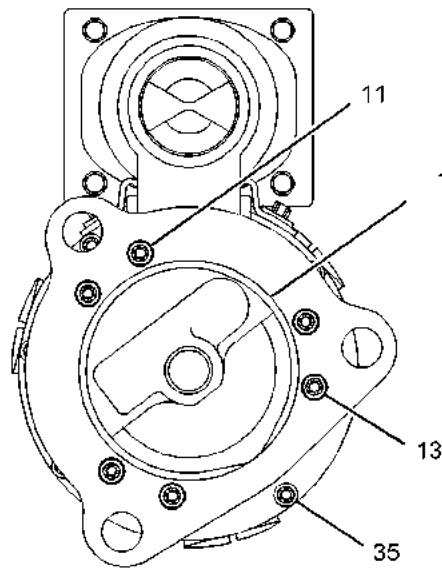
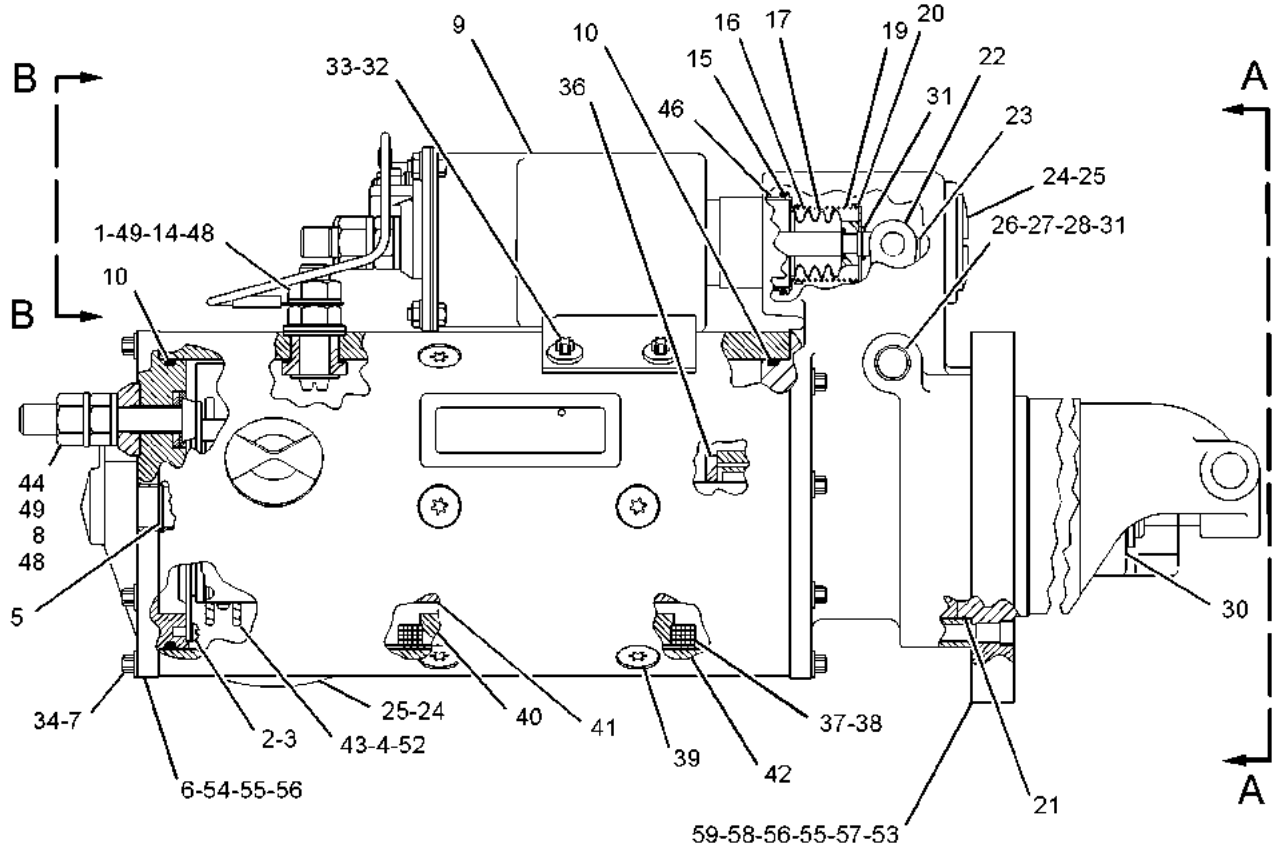
i02618852

NOTE	REF NO	GRAPHIC REF	PART NUMBER	QTY	PART NAME						SEE PAGE
					1	2	3	4	5	6 (PRODUCT LEVEL)	
	48	1	6V-8188	6	NUT (1/2-13-THD)						
	49	1	7X-0562	6	WASHER-HARD (13.5X19X0.8-MM THK)						
	50	1	4B-2049	2	NUT (10-32-THD)						
	51	1	8T-0328	2	WASHER-HARD (5.5X10X1-MM THK)						
	52	1	3T-9494	6	SPRING						
	53	1	3E-7771	1	HOUSING AS (STARTING MOTOR)						
	54	1	9G-4101	1	BUSHING-END						
	55	1	3T-3424	3	PLUG-FELT						
	56	1	3T-3423	3	CUP						
	57	1	1M-9968	1	BUSHING						
	58	1	2F-6678	1	SEAL-LIP TYPE						
	59	1	4L-2729	1	WASHER (0.844X1.9X0.188-IN THK)						
	60	1	4M-1896	1	BUSHING-TERMINAL						
	61	1	6T-0362	1	INSULATOR						

ELECTRICAL AND STARTING SYSTEM

117-8846 STARTING MOTOR GP-ELECTRIC (contd.)

102618852



GRAPHIC #1

VIEW A-A

<END>

g01068590

ELECTRICAL AND STARTING SYSTEM

117-9064 STARTING MOTOR GP-ELECTRIC-DUAL

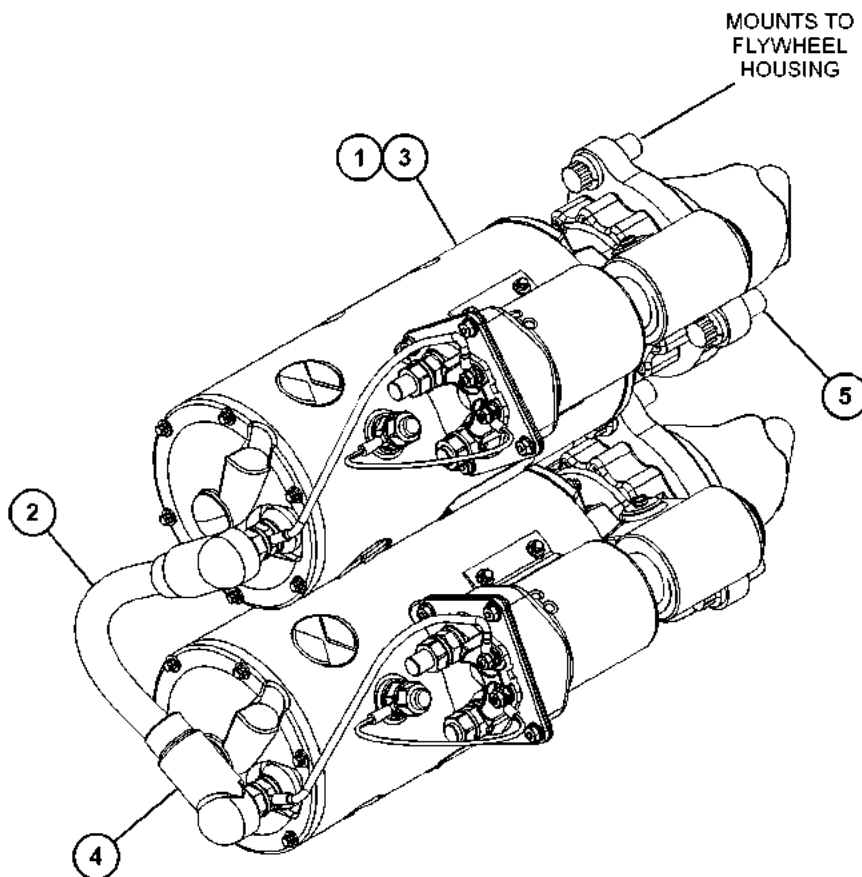
64-VOLT
AN ATTACHMENT

SMCS-1453

i07152642

NOTE	REF NO	GRAPHIC REF	PART NUMBER	QTY	PART NAME						SEE PAGE
					1	2	3	4	5	6 (PRODUCT LEVEL)	
	1	1	4H-7869	2	GASKET						
	2	1	4L-6155	1	CABLE AS (0000-GA)						
		1	3L-7634	2	TERMINAL-RING (0000-GA, 1/2-IN SCREW)						
Y	3	1	117-8846	2	STARTING MOTOR GP-ELECTRIC (32-VOLT)						1257
	4	1	294-2319	2	COVER-TERMINAL (BLACK)						
	5	1	7J-8902	6	BOLT-12 POINT HEAD (5/8-11X1.5-IN)						

Y - SEPARATE ILLUSTRATION



GRAPHIC #1

<END>

g06243649

ELECTRICAL AND STARTING SYSTEM

207-1562 STARTING MOTOR GP-ELECTRIC*R

24-VOLT

PART OF 7C-0526, 7C-0527 STARTING MOTOR GP-ELECTRIC
AN ATTACHMENT

SMCS-1453

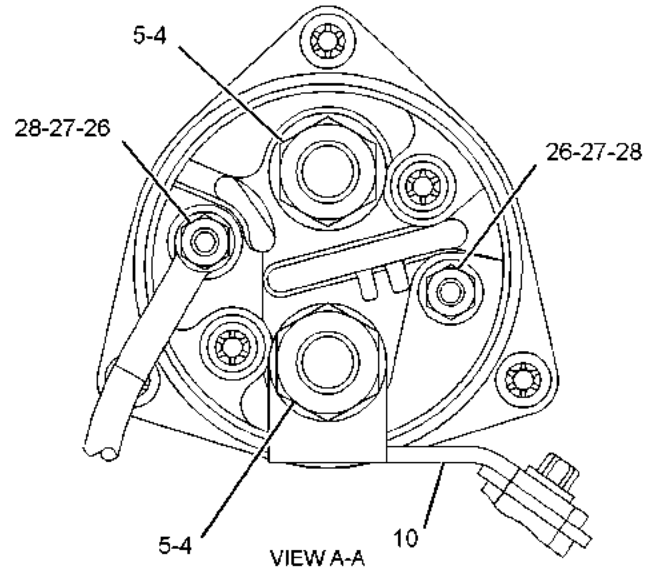
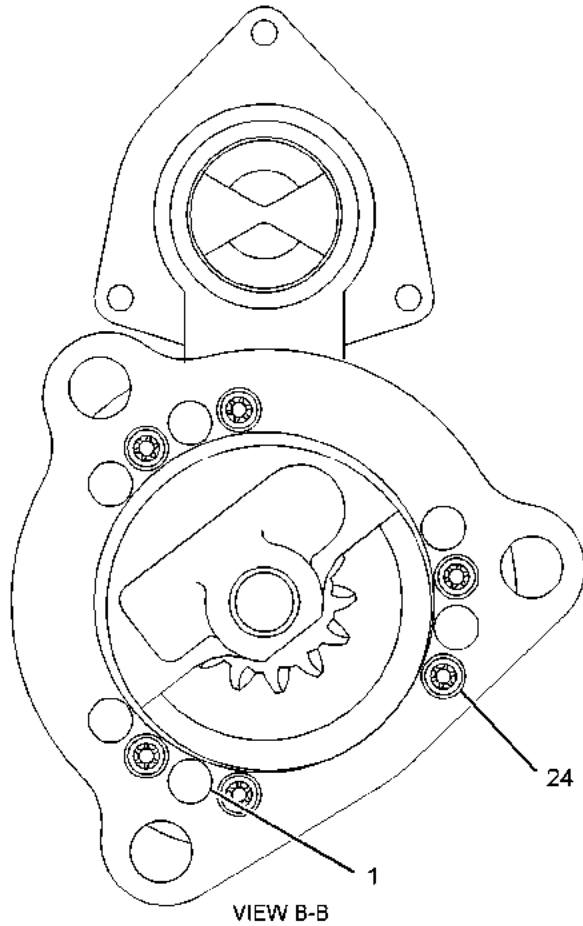
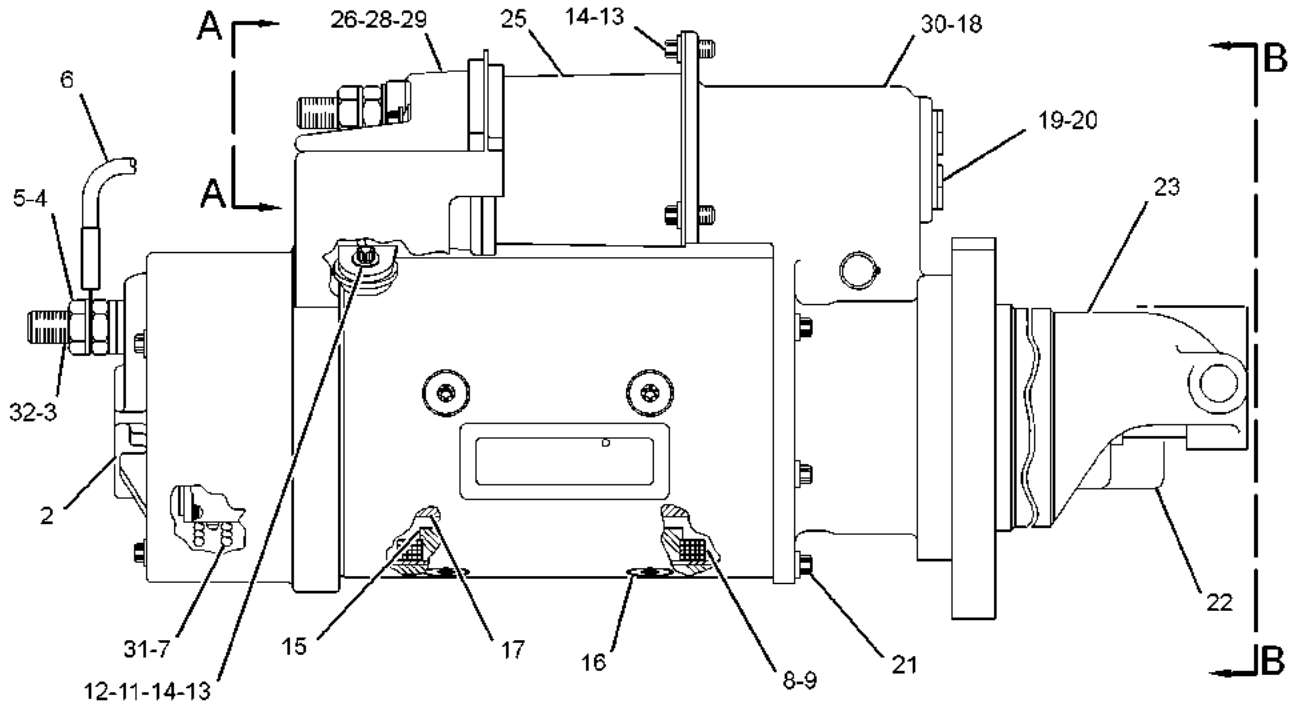
i07423201

NOTE	REF NO	GRAPHIC REF	PART NUMBER	QTY	PART NAME						SEE PAGE
					1	2	3	4	5	6 (PRODUCT LEVEL)	
	1	1	3T-3434	6	PLUG						
	2	1	7T-3279	1	HOUSING AS						
	3	1	8T-8566	1	TERMINAL AS						
	4	1	6V-8188	4	NUT (1/2-13-THD)						
	5	1	7X-0562	4	WASHER-HARD (13.5X19X0.8-MM THK)						
	6	1	3T-3422	1	WIRE AS						
	7	1	7T-3278	1	HOLDER AS-BRUSH (STARTING MOTOR)						
	8	1	7T-3277	1	COIL AS-FIELD						
	9	1	7T-3454	1	INSULATOR						
	10	1	283-1107	1	KIT-CONNECTOR (STARTING MOTOR)						
					(INCLUDES CONNECTORS, BOLT & TERMINAL-STARTER)						
	11	1	7T-3451	1	KIT-INSULATOR (STARTING MOTOR)						
	12	1	8T-8569	1	INSULATOR-TERMINAL						
	13	1	5S-7349	4	BOLT (1/4-20X0.5-IN)						
	14	1	8T-4205	4	WASHER-HARD (7.2X14.5X2-MM THK)						
	15	1	8H-1141	4	SHOE-POLE						
	16	1	3R-8797	8	SCREW & WASHER AS (3/8-24X0.72-IN)						
	17	1	7T-3276	1	ARMATURE AS (24-VOLT)						
	18	1	3E-7775	1	HOUSING AS						
	19	1	4M-1831	1	PLUG-LEVER HOUSING						
	20	1	7L-2894	1	GASKET						
	21	1	0S-1597	5	BOLT (1/4-28X1-IN)						
	22	1	6N-3826	1	DRIVE AS-MOTOR						
	23	1	7T-3974	1	HOUSING AS-DRIVE						
	24	1	7X-3373	6	BOLT (5/16-18X0.88-IN)						
	25	1	548-9596	1	KIT-SOLENOID (24-VOLT) (INSULATED)						
					(INCLUDES BOLT, NUT AS, NUT, & CONNECTORS)						
	26	1	6V-8378	3	NUT (10-32-THD)						
	27	1	8F-1434	2	LOCKWASHER						
	28	1	8T-0328	3	WASHER-HARD (5.5X10X1-MM THK)						
	29	1	9X-4824	1	COVER-STARTING MOTOR						
	30	1	7T-3268	1	KIT-LEVER (STARTING MOTOR)						
					(INCLUDES LEVER ASSEMBLIES, SEALS, NUT, GASKET & RETAINER)						
	31	1	8C-3655	1	KIT-BRUSH (STARTING MOTOR)						
					(INCLUDES BRUSHES, SPRINGS, SCREWS, SCREW ASSEMBLIES, & SEAL)						
	32	1	8T-9884	1	KIT-INSULATOR (STARTING MOTOR)						
					(INCLUDES INSULATORS & BUSHING)						
					AVAILABLE REPAIR KIT(S):						
			7T-3267	1	KIT-BUSHING (STARTING MOTOR)						
					(INCLUDES BUSHINGS, WICKS, CUPS, SEALS, GASKET, SCREW ASSEMBLIES, WASHERS, SPACER & NUT)						

ELECTRICAL AND STARTING SYSTEM

207-1562 STARTING MOTOR GP-ELECTRIC (contd.)

i07423201



GRAPHIC #1

<END>

g01478494

ELECTRICAL AND STARTING SYSTEM

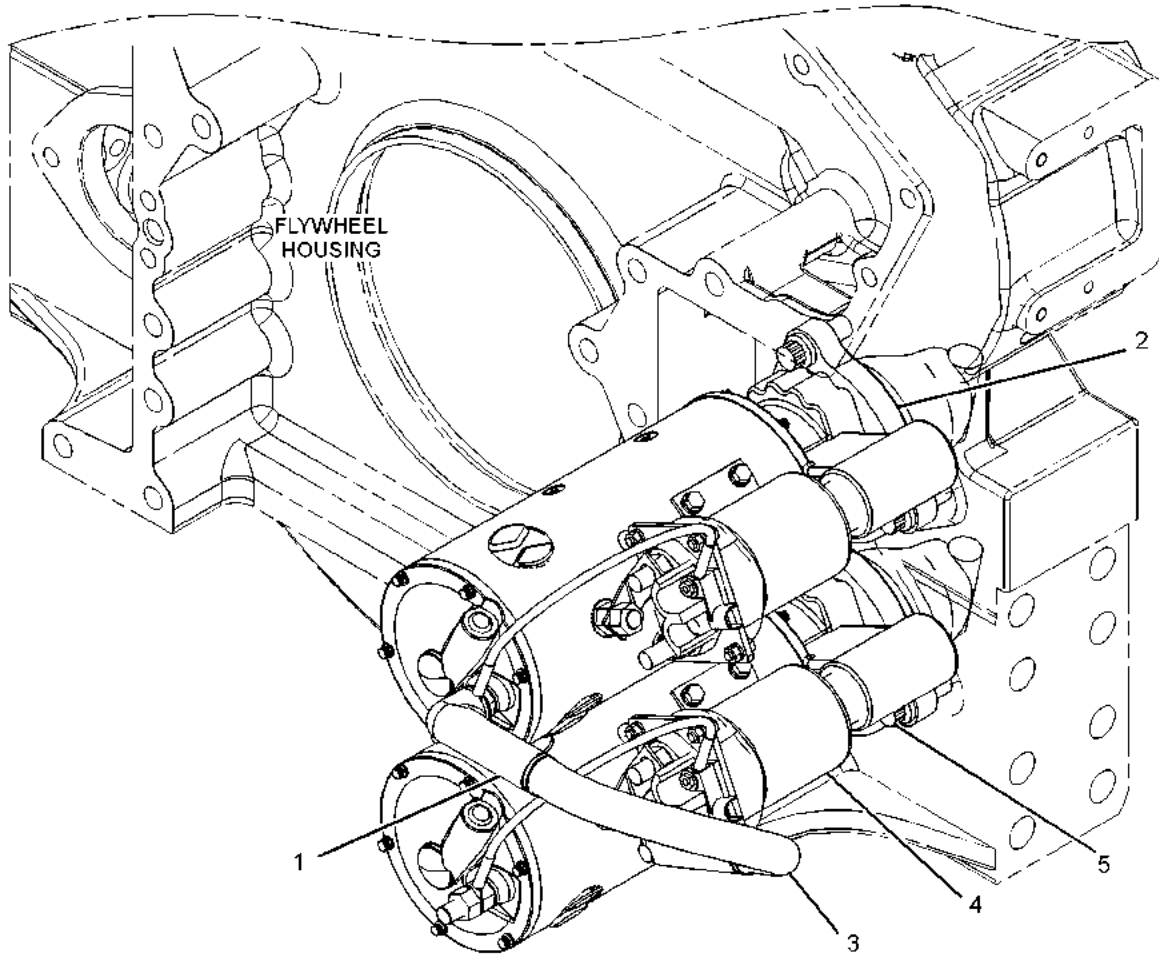
212-4683 STARTING MOTOR GP-ELECTRIC-DUAL AN ATTACHMENT

SMCS-1453

i03898447

NOTE	REF NO	GRAPHIC REF	PART NUMBER	QTY	PART NAME						SEE PAGE
					1	2	3	4	5	6 (PRODUCT LEVEL)	
	1	1	3L-7604	2	SHIELD-TERMINAL						
	2	1	4H-7869	2	GASKET						
	3	1	4L-6155	1	CABLE AS (0000-GA)						
Y	4	1	6V-0508	2	STARTING MOTOR GP-ELECTRIC						1284
	5	1	7J-8902	6	BOLT-12 POINT HEAD (5/8-11X1.5-IN)						

Y - SEPARATE ILLUSTRATION



GRAPHIC #1

<END>

g02269133

ELECTRICAL AND STARTING SYSTEM

237-1962 STARTING MOTOR GP-ELECTRIC*R

24-VOLT

TYPE 1

SMCS-1453

i07142093

NOTE	REF NO	GRAPHIC REF	PART NUMBER	QTY	PART NAME						SEE PAGE
					1	2	3	4	5	6 (PRODUCT LEVEL)	
	1	1	7M-0326	1	CONNECTOR						
	2	1	9H-3757	2	WASHER (0.516X1X0.094-IN THK)						
	3	1	1S-7446	3	SCREW-MACHINE (8-32X0.437-IN)						
	4	1	8C-9660	3	WASHER (4.6X7.9X0.8-MM THK)						
	5	1	9S-2544	9	SCREW-HEX HEAD (8-32X11.13-MM)						
	6	1	7M-0327	1	WASHER-THRUST (17.4X25.4X1.6-MM THK)						
	7	1	3T-3418	1	FRAME AS-END						
		1	3T-3423	1	CUP						
		1	3T-3424	1	PLUG-FELT						
		1	9G-4101	1	BUSHING-END						
	8	1	3T-9525	1	PLATE AS-BRUSH (STARTING MOTOR)						
	8A	1	6T-0371	1	INSULATOR						
	8B	1	5P-6298	12	SCREW-MACHINE (10-32X0.5-IN)						
		1	9F-5599	12	LOCKWASHER						
	8C	1	7F-3525	6	WASHER-SPECIAL (0.207X0.39X0.09-IN THK)						
	8D	1	6T-0372	1	PLATE						
	8E	1	3T-4709	3	PLATE						
	8F	1	2L-6679	3	PLATE-INSULATOR						
	8G	1	3T-4710	3	PLATE						
	8H	1	6T-0363	6	HOLDER AS-BRUSH (STARTING MOTOR)						
					(EACH INCLUDES)						
	8J	1	3T-9494	1	SPRING						
	9	1	1T-0808	2	WASHER (0.516X0.812X0.09-IN THK)						
	10	1	3T-3422	1	WIRE AS (STARTING MOTOR)						
	11	1	2J-8163	2	SEAL-O-RING						
	12	1	7X-3373	1	BOLT (5/16-18X0.88-IN)						
	13	1	3T-3434	6	PLUG						
	14	1	5J-5314	5	BOLT (5/16-18X1.5-IN)						
	15	1	3L-3380	1	BUSHING-TERMINAL						
	16	1	036-9821	1	WASHER						
	17	1	4M-1828	1	RETAINER-SPRING						
	18	1	306-3998	1	BOOT-RUBBER						
	19	1	9M-7609	1	SPRING (SHIFT LEVER)						
	20	1	4M-1827	1	RETAINER-SPRING						
	21	1	8C-3089	1	SEAL-O-RING						
	22	1	4M-1853	1	LEVER AS-SHIFT						
	23	1	5M-3034	1	LOCKNUT (5/16-24-THD)						
	24	1	7L-2894	4	GASKET						
	25	1	4M-1831	4	PLUG-LEVER HOUSING						
	26	1	4M-1854	1	SHAFT-LEVER						
	27	1	1H-1023	1	SEAL-O-RING						
	28	1	2D-6392	1	SEAL-O-RING						
	29	1	7T-3974	1	HOUSING AS-DRIVE						
	30	1	6N-3826	1	DRIVE AS-MOTOR						
	31	1	2H-3429	2	RING-RETAINING						
	32	1	6V-1322	4	BOLT (1/4-20X0.375-IN)						
	33	1	8T-4205	4	WASHER-HARD (7.2X14.5X2-MM THK)						
	34	1	6N-3279	1	INSULATOR						

ELECTRICAL AND STARTING SYSTEM

237-1962 **STARTING MOTOR GP-ELECTRIC (contd.)**

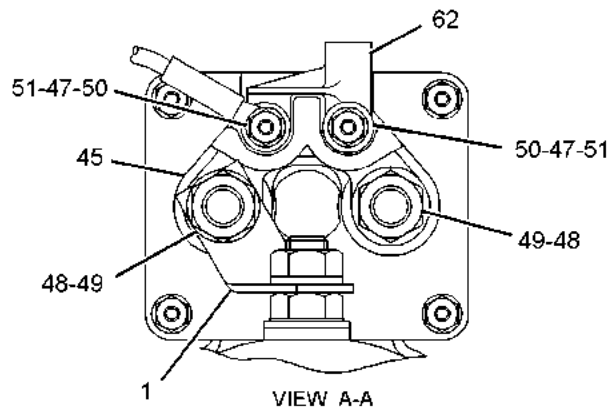
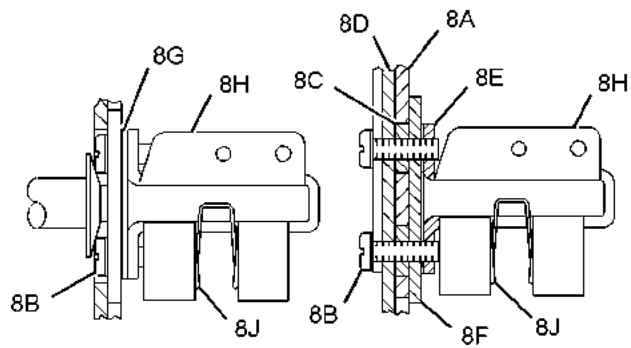
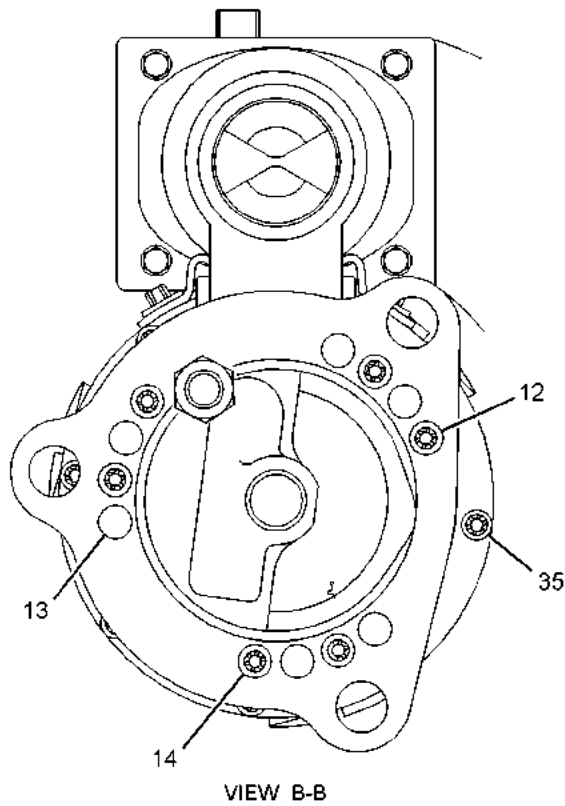
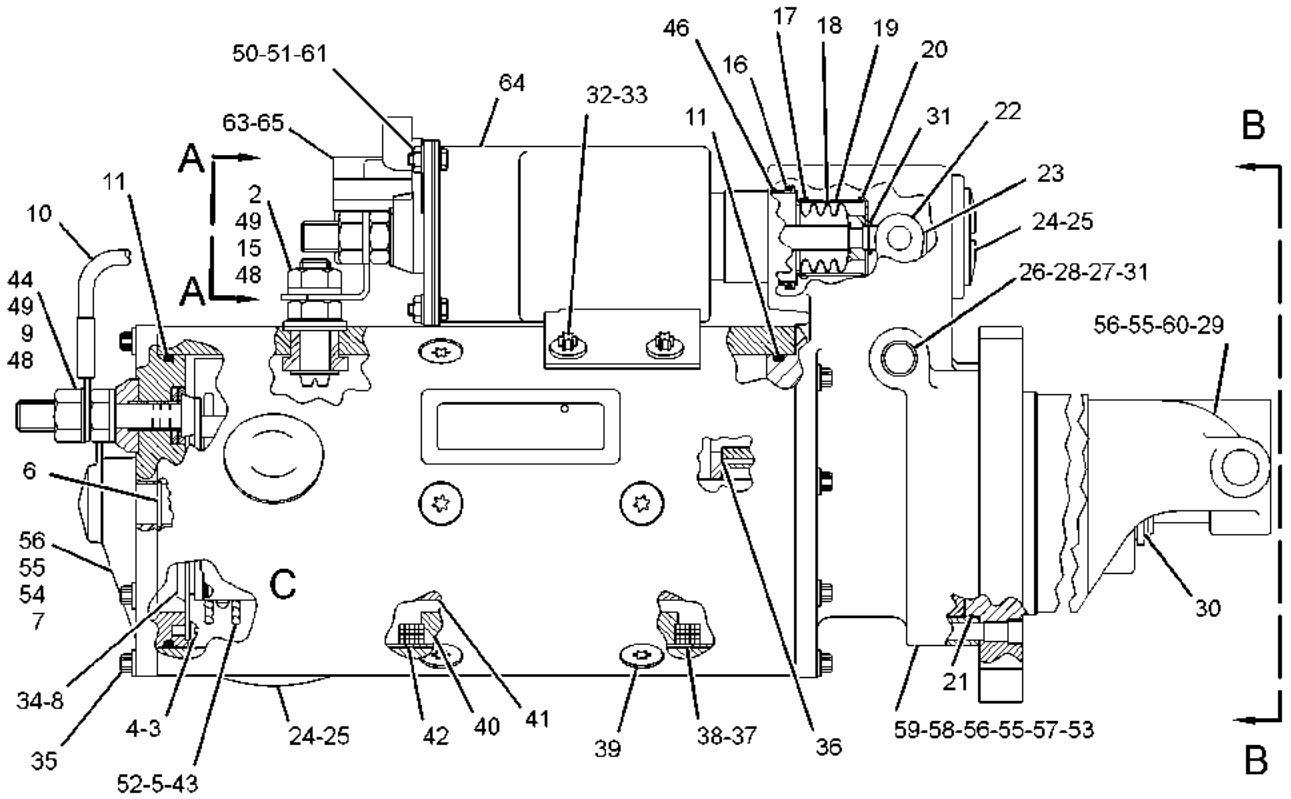
i07142093

NOTE	REF NO	GRAPHIC REF	PART NUMBER	QTY	PART NAME						SEE PAGE
					1	2	3	4	5	6 (PRODUCT LEVEL)	
	35	1	0S-1597	13	BOLT (1/4-28X1-IN)						
	36	1	1M-9971	1	SPACER (0.835X1.72X0.188-IN THK)						
	37	1	1H-2629	3	STRIP-INSULATION						
	38	1	7M-0324	1	COIL AS-FIELD						
	39	1	3R-8797	12	SCREW & WASHER AS (3/8-24X0.72-IN)						
	40	1	7F-3488	6	SHOE-POLE						
	41	1	7M-8651	1	ARMATURE AS						
	42	1	7M-0325	1	INSULATOR						
	43	1	3T-9524	6	BRUSH AS						
	44	1	3N-3763	1	KIT-TERMINAL (STARTING MOTOR)						
					(INCLUDES BUSHINGS & WASHERS)						
	45	1	125-6537	1	INSULATOR						
	46	1	3R-8801	1	CLAMP						
	47	1	8F-1434	2	LOCKWASHER						
	48	1	6V-8188	6	NUT (1/2-13-THD)						
	49	1	7X-0562	6	WASHER-HARD (13.5X19X0.8-MM THK)						
	50	1	4B-2049	6	NUT (10-32-THD)						
	51	1	8T-0328	10	WASHER-HARD (5.5X10X1-MM THK)						
	52	1	3T-9494	6	SPRING (STARTING MOTOR)						
	53	1	3E-7771	1	HOUSING AS (STARTING MOTOR)						
	54	1	9G-4101	1	BUSHING-END						
	55	1	3T-3424	3	PLUG-FELT						
	56	1	3T-3423	3	CUP						
	57	1	1M-9968	1	BUSHING						
	58	1	2F-6678	1	SEAL-LIP TYPE						
	59	1	4L-2729	1	WASHER (0.844X1.9X0.188-IN THK)						
	60	1	4M-1896	1	BUSHING-TERMINAL						
	61	1	045-4065	4	SCREW-MACHINE (10-32X0.75-IN)						
	62	1	125-6535	1	COVER-STARTING MOTOR						
	63	1	7T-9123	1	GASKET-PLATE						
	64	1	318-2082	1	SOLENOID AS-STARTING MOTOR (24-VOLT)						
		1	3R-8801	1	CLAMP						
	65	1	125-6536	1	TERMINAL AS						

ELECTRICAL AND STARTING SYSTEM

237-1962 STARTING MOTOR GP-ELECTRIC (contd.)

i07142093



GRAPHIC #1

<END>

g01453239

ELECTRICAL AND STARTING SYSTEM

237-1962 STARTING MOTOR GP-ELECTRIC*R

24-VOLT

TYPE 2

SMCS-1453

i06992648

NOTE	REF NO	GRAPHIC REF	PART NUMBER	QTY	PART NAME						SEE PAGE
					1	2	3	4	5	6 (PRODUCT LEVEL)	
	1	1	7M-0326	1	CONNECTOR						
	2	1	9H-3757	2	WASHER (0.516X1X0.094-IN THK)						
	3	1	1S-7446	3	SCREW-MACHINE (8-32X0.437-IN)						
	4	1	8C-9660	3	WASHER (4.6X7.9X0.8-MM THK)						
	5	1	9S-2544	9	SCREW-HEX HEAD (8-32X11.13-MM)						
	6	1	7M-0327	1	WASHER-THRUST (17.4X25.4X1.6-MM THK)						
	7	1	3T-3418	1	FRAME AS-END						
		1	3T-3423	1	CUP						
		1	3T-3424	1	PLUG-FELT						
		1	9G-4101	1	BUSHING-END						
	8	1	3T-9525	1	PLATE AS-BRUSH (STARTING MOTOR)						
	8A	1	6T-0371	1	INSULATOR						
	8B	1	5P-6298	12	SCREW-MACHINE (10-32X0.5-IN)						
		1	9F-5599	12	LOCKWASHER						
	8C	1	7F-3525	6	WASHER-SPECIAL (0.207X0.39X0.09-IN THK)						
	8D	1	6T-0372	1	PLATE						
	8E	1	3T-4709	3	PLATE						
	8F	1	2L-6679	3	PLATE-INSULATOR						
	8G	1	3T-4710	3	PLATE						
	8H	1	6T-0363	6	HOLDER AS-BRUSH (STARTING MOTOR)						
					(EACH INCLUDES)						
	8J	1	3T-9494	1	SPRING						
	9	1	1T-0808	2	WASHER (0.516X0.812X0.09-IN THK)						
	10	1	3T-3422	1	WIRE AS (STARTING MOTOR)						
	11	1	2J-8163	2	SEAL-O-RING						
	12	1	7X-3373	1	BOLT (5/16-18X0.88-IN)						
	13	1	3T-3434	6	PLUG						
	14	1	5J-5314	5	BOLT (5/16-18X1.5-IN)						
	15	1	3L-3380	1	BUSHING-TERMINAL						
	16	1	036-9821	1	WASHER						
	17	1	4M-1828	1	RETAINER-SPRING						
	18	1	306-3998	1	BOOT-RUBBER						
	19	1	9M-7609	1	SPRING (SHIFT LEVER)						
	20	1	4M-1827	1	RETAINER-SPRING						
	21	1	8C-3089	1	SEAL-O-RING						
	22	1	4M-1853	1	LEVER AS-SHIFT						
	23	1	5M-3034	1	LOCKNUT (5/16-24-THD)						
	24	1	7L-2894	4	GASKET						
	25	1	4M-1831	4	PLUG-LEVER HOUSING						
	26	1	4M-1854	1	SHAFT-LEVER						
	27	1	1H-1023	1	SEAL-O-RING						
	28	1	2D-6392	1	SEAL-O-RING						
	29	1	7T-3974	1	HOUSING AS-DRIVE						
	30	1	6N-3826	1	DRIVE AS-MOTOR						
	31	1	2H-3429	2	RING-RETAINING						
	32	1	6V-1322	4	BOLT (1/4-20X0.375-IN)						
	33	1	8T-4205	4	WASHER-HARD (7.2X14.5X2-MM THK)						
	34	1	6N-3279	1	INSULATOR						

ELECTRICAL AND STARTING SYSTEM

237-1962 **STARTING MOTOR GP-ELECTRIC (contd.)**

i06992648

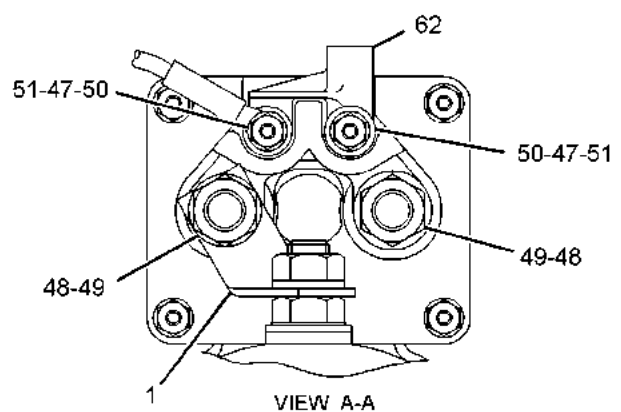
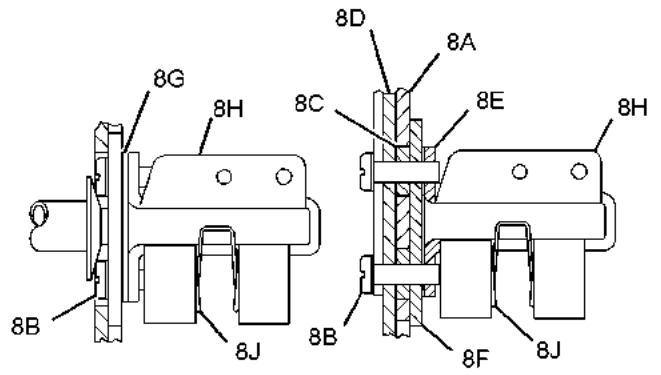
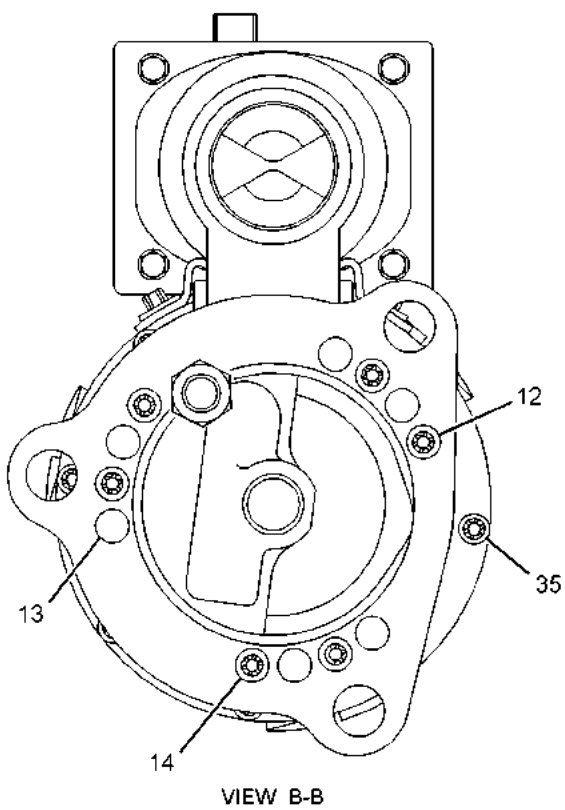
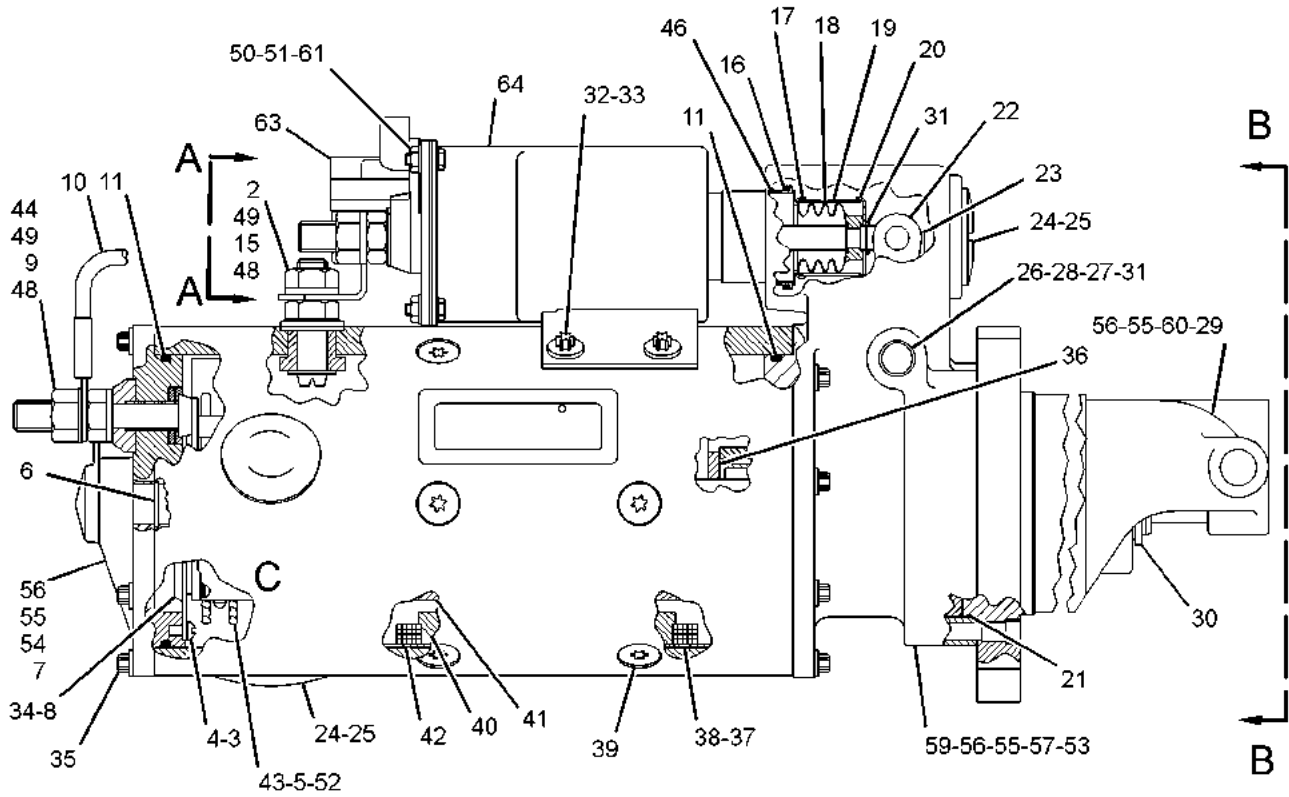
NOTE	REF NO	GRAPHIC REF	PART NUMBER	QTY	PART NAME						SEE PAGE
					1	2	3	4	5	6 (PRODUCT LEVEL)	
	35	1	0S-1597	13	BOLT (1/4-28X1-IN)						
	36	1	1M-9971	1	SPACER (0.835X1.72X0.188-IN THK)						
	37	1	1H-2629	3	STRIP-INSULATION						
	38	1	7M-0324	1	COIL AS-FIELD						
	39	1	3R-8797	12	SCREW & WASHER AS (3/8-24X0.72-IN)						
	40	1	7F-3488	6	SHOE-POLE						
	41	1	7M-8651	1	ARMATURE AS						
	42	1	7M-0325	1	INSULATOR						
	43	1	3T-9524	6	BRUSH AS						
	44	1	3N-3763	1	KIT-TERMINAL (STARTING MOTOR)						
					(INCLUDES BUSHINGS & WASHERS)						
	46	1	3R-8801	1	CLAMP						
	47	1	8F-1434	2	LOCKWASHER						
	48	1	6V-8188	6	NUT (1/2-13-THD)						
	49	1	7X-0562	6	WASHER-HARD (13.5X19X0.8-MM THK)						
	50	1	4B-2049	6	NUT (10-32-THD)						
	51	1	8T-0328	10	WASHER-HARD (5.5X10X1-MM THK)						
	52	1	3T-9494	6	SPRING (STARTING MOTOR)						
	53	1	3E-7771	1	HOUSING AS (STARTING MOTOR)						
	54	1	9G-4101	1	BUSHING-END						
	55	1	3T-3424	3	PLUG-FELT						
	56	1	3T-3423	3	CUP						
	57	1	1M-9968	1	BUSHING						
	59	1	4L-2729	1	WASHER (0.844X1.9X0.188-IN THK)						
	60	1	4M-1896	1	BUSHING-TERMINAL						
	61	1	045-4065	4	SCREW-MACHINE (10-32X0.75-IN)						
	62	1	125-6535	1	COVER-STARTING MOTOR						
	63	1	7T-9123	1	GASKET-PLATE						
C	64	1	338-3453	1	SOLENOID AS-STARTING MOTOR (24-VOLT)						
		1	3R-8801	1	CLAMP						

C - CHANGE FROM PREVIOUS TYPE

ELECTRICAL AND STARTING SYSTEM

237-1962 **STARTING MOTOR GP-ELECTRIC** (contd.)

106992648



GRAPHIC #1

<END>

g06180456

ELECTRICAL AND STARTING SYSTEM

352-9766 STARTING MOTOR GP-ELECTRIC*R

24-VOLT

PART OF 8N-3896 STARTING MOTOR GP-ELECTRIC
AN ATTACHMENT

SMCS-1453

i07436016

NOTE	REF NO	GRAPHIC REF	PART NUMBER	QTY	PART NAME	SEE PAGE
					1 2 3 4 5 6 (PRODUCT LEVEL)	
	1	1	7M-0326	1	CONNECTOR	
	2	1	9H-3757	2	WASHER (0.516X1X0.094-IN THK)	
	3	1	1S-7446	3	SCREW-MACHINE (8-32X0.437-IN)	
	4	1	8C-9660	3	WASHER (4.6X7.9X0.8-MM THK)	
	5	1	9S-2544	9	SCREW-HEX HEAD (8-32X11.13-MM)	
	6	1	7M-0327	1	WASHER-THRUST (17.4X25.4X1.6-MM THK)	
	7	1	3T-3418	1	FRAME AS-END	
		1	3T-3423	1	CUP	
		1	3T-3424	1	PLUG-FELT	
		1	9G-4101	1	BUSHING-END	
Y	8	1	3T-9525	1	PLATE AS-BRUSH (STARTING MOTOR)	1180
	9	1	1T-0808	2	WASHER (0.516X0.812X0.09-IN THK)	
	10	1	3T-3422	1	WIRE AS	
	11	1	2J-8163	2	SEAL-O-RING	
	12	1	7X-3373	1	BOLT (5/16-18X0.88-IN)	
	13	1	3T-3434	6	PLUG (FELT)	
	14	1	5J-5314	5	BOLT (5/16-18X1.5-IN)	
	15	1	3L-3380	1	BUSHING-TERMINAL	
	16	1	8C-3089	1	SEAL-O-RING	
	17	1	4M-1853	1	LEVER AS-SHIFT	
	18	1	5M-3034	1	LOCKNUT (5/16-24-THD)	
	19	1	7L-2894	4	GASKET	
	20	1	4M-1831	4	PLUG-LEVER HOUSING	
	21	1	4M-1854	1	SHAFT-LEVER	
	22	1	1H-1023	1	SEAL-O-RING	
	23	1	2D-6392	1	SEAL-O-RING	
	24	1	528-6787	1	HOUSING AS-DRIVE	
	25	1	6N-3826	1	DRIVE AS-MOTOR	
	26	1	2H-3429	1	RING-RETAINING	
	27	1	6V-1322	4	BOLT (1/4-20X0.375-IN)	
	28	1	8T-4205	4	WASHER-HARD (7.2X14.5X2-MM THK)	
	29	1	6N-3279	1	INSULATOR	
	30	1	0S-1597	13	BOLT (1/4-28X1-IN)	
	31	1	1M-9971	1	SPACER (0.835X1.72X0.188-IN THK)	
	32	1	1H-2629	3	STRIP-INSULATION	
	33	1	7M-0324	1	COIL AS-FIELD	
	34	1	3R-8797	12	SCREW & WASHER AS (3/8-24X0.72-IN)	
	35	1	7F-3488	6	SHOE-POLE	
	36	1	7M-8651	1	ARMATURE AS	
	37	1	7M-0325	1	INSULATOR	
	38	1	3T-9524	6	BRUSH AS	
	39	1	3N-3763	1	KIT-TERMINAL (STARTING MOTOR) (INCLUDES BUSHINGS & WASHERS)	
	40	1	338-3453	1	SOLENOID AS-STARTING MOTOR (24-VOLT)	
		1	3R-8801	1	CLAMP	
	41	1	3R-8801	1	CLAMP	
	42	1	8F-1434	2	LOCKWASHER	

ELECTRICAL AND STARTING SYSTEM

352-9766 STARTING MOTOR GP-ELECTRIC (contd.)

i07436016

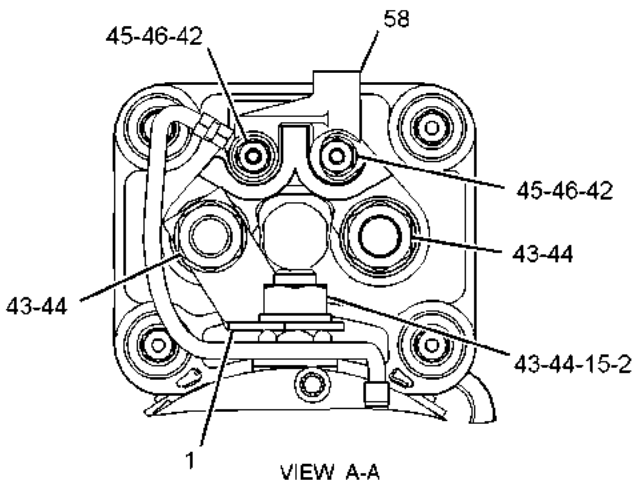
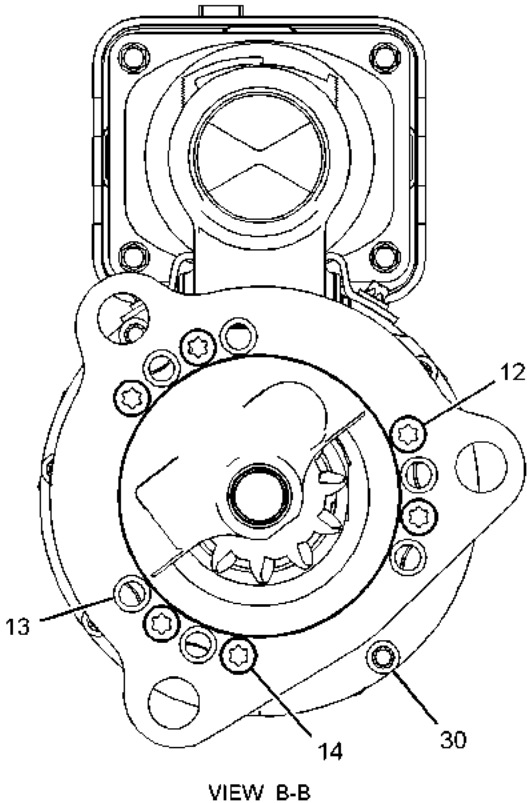
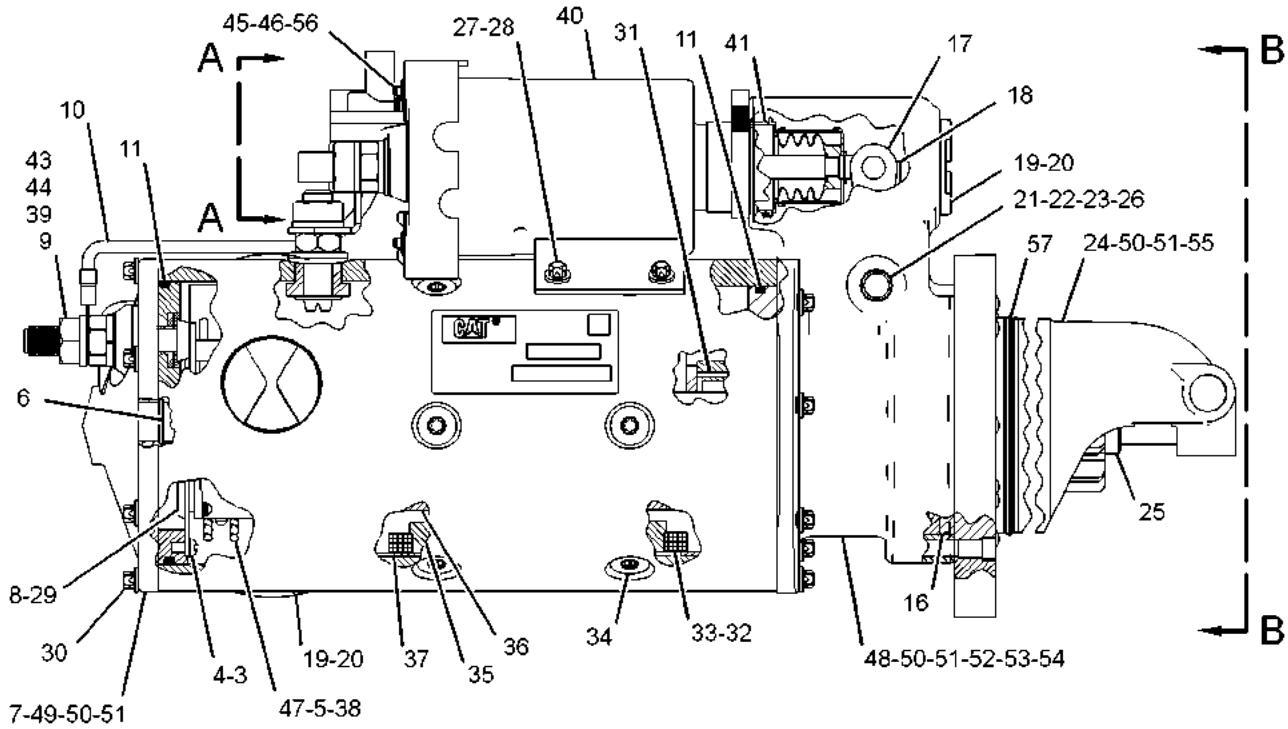
NOTE	REF NO	GRAPHIC REF	PART NUMBER	QTY	PART NAME						SEE PAGE
					1	2	3	4	5	6 (PRODUCT LEVEL)	
	43	1	6V-8188	6	NUT (1/2-13-THD)						
	44	1	7X-0562	6	WASHER-HARD (13.5X19X0.8-MM THK)						
	45	1	4B-2049	6	NUT (10-32-THD)						
	46	1	8T-0328	10	WASHER-HARD (5.5X10X1-MM THK)						
	47	1	3T-9494	6	SPRING						
	48	1	3E-7771	1	HOUSING AS (STARTING MOTOR)						
	49	1	9G-4101	1	BUSHING-END						
	50	1	3T-3424	3	PLUG-FELT						
	51	1	3T-3423	3	CUP						
	52	1	1M-9968	1	BUSHING						
	53	1	2F-6678	1	SEAL-LIP TYPE						
	54	1	4L-2729	1	WASHER (0.844X1.9X0.188-IN THK)						
	55	1	4M-1896	1	BUSHING-TERMINAL						
	56	1	045-4065	4	SCREW-MACHINE (10-32X0.75-IN)						
	57	1	351-8955	1	SEAL-O-RING						
	58	1	125-6535	1	COVER-STARTING MOTOR						

Y - SEPARATE ILLUSTRATION

ELECTRICAL AND STARTING SYSTEM

352-9766 STARTING MOTOR GP-ELECTRIC (contd.)

i07436016



GRAPHIC #1

<END>

g06287383

ELECTRICAL AND STARTING SYSTEM

363-9837 STARTING MOTOR GP-ELECTRIC*R

24-VOLT

PART OF 8N-3898, 8N-7253 STARTING MOTOR GP-ELECTRIC
AN ATTACHMENT

SMCS-1453

i07496377

NOTE	REF NO	GRAPHIC REF	PART NUMBER	QTY	PART NAME						SEE PAGE
					1	2	3	4	5	6 (PRODUCT LEVEL)	
	1	1	7M-0326	1	CONNECTOR						
	2	1	9H-3757	2	WASHER (0.516X1X0.094-IN THK)						
	3	1	1S-7446	3	SCREW-MACHINE (8-32X0.437-IN)						
	4	1	8C-9660	3	WASHER (4.6X7.9X0.8-MM THK)						
	5	1	9S-2544	9	SCREW-HEX HEAD (8-32X11.13-MM)						
	6	1	7M-0327	1	WASHER-THRUST (17.4X25.4X1.6-MM THK)						
	7	1	3T-3418	1	FRAME AS-END						
		1	3T-3423	1	CUP						
		1	3T-3424	1	PLUG-FELT						
		1	9G-4101	1	BUSHING-END						
Y	8	1	3T-9525	1	PLATE AS-BRUSH (STARTING MOTOR)						1180
	9	1	1T-0808	2	WASHER (0.516X0.812X0.09-IN THK)						
	10	1	3T-3422	1	WIRE AS						
	11	1	2J-8163	2	SEAL-O-RING						
	12	1	7X-3373	1	BOLT (5/16-18X0.88-IN)						
	13	1	3T-3434	6	PLUG						
	14	1	5J-5314	5	BOLT (5/16-18X1.5-IN)						
	15	1	3L-3380	1	BUSHING-TERMINAL						
	16	1	8C-3089	1	SEAL-O-RING						
	17	1	4M-1853	1	LEVER AS-SHIFT						
	18	1	5M-3034	1	LOCKNUT (5/16-24-THD)						
	19	1	7L-2894	4	GASKET						
	20	1	4M-1831	4	PLUG-LEVER HOUSING						
	21	1	4M-1854	1	SHAFT-LEVER						
	22	1	1H-1023	1	SEAL-O-RING						
	23	1	2D-6392	1	SEAL-O-RING						
	24	1	7T-3974	1	HOUSING AS-DRIVE						
	25	1	3T-5343	1	DRIVE AS-MOTOR						
	26	1	2H-3429	1	RING-RETAINING						
	27	1	6V-1322	4	BOLT (1/4-20X0.375-IN)						
	28	1	8T-4205	4	WASHER-HARD (7.2X14.5X2-MM THK)						
	29	1	6N-3279	1	INSULATOR						
	30	1	0S-1597	13	BOLT (1/4-28X1-IN)						
	31	1	1M-9971	1	SPACER (0.835X1.72X0.188-IN THK)						
	32	1	1H-2629	3	STRIP-INSULATION						
	33	1	7M-0324	1	COIL AS-FIELD						
	34	1	3R-8797	12	SCREW & WASHER AS (3/8-24X0.72-IN)						
	35	1	7F-3488	6	SHOE-POLE						
	36	1	7M-8651	1	ARMATURE AS						
	37	1	7M-0325	1	INSULATOR						
	38	1	3T-9524	6	BRUSH AS						
	39	1	3N-3763	1	KIT-TERMINAL (STARTING MOTOR)						
					(INCLUDES BUSHINGS & WASHERS)						
	40	1	338-3453	1	SOLENOID AS-STARTING MOTOR (24-VOLT)						
		1	3R-8801	1	CLAMP						
	41	1	3R-8801	1	CLAMP						
	42	1	8F-1434	2	LOCKWASHER						

ELECTRICAL AND STARTING SYSTEM

363-9837 STARTING MOTOR GP-ELECTRIC (contd.)

i07496377

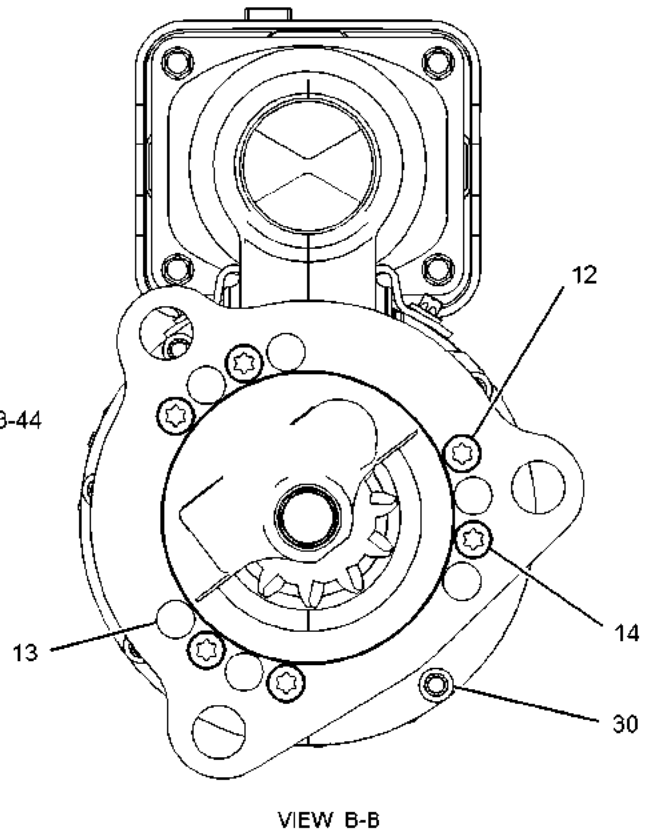
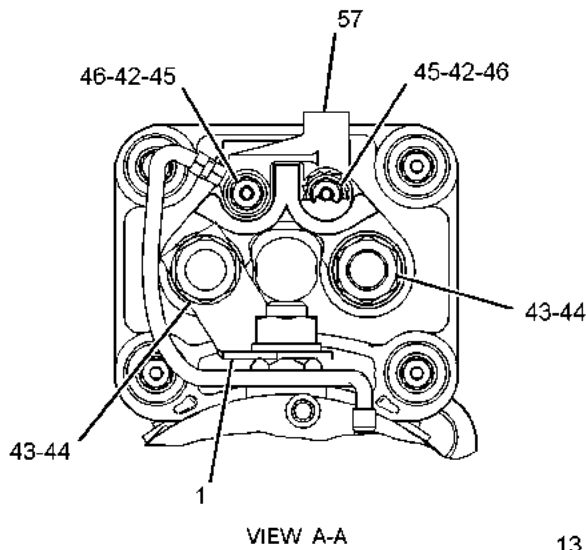
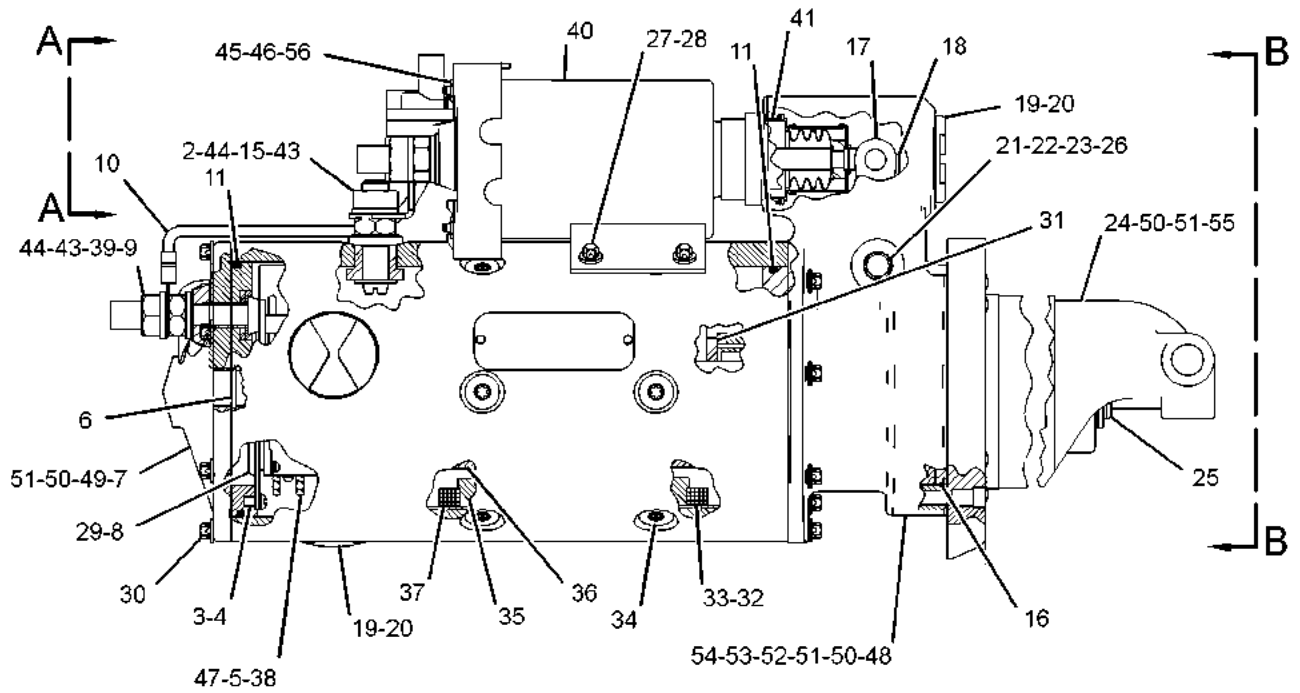
NOTE	REF NO	GRAPHIC REF	PART NUMBER	QTY	PART NAME						SEE PAGE
					1	2	3	4	5	6 (PRODUCT LEVEL)	
	43	1	6V-8188	6	NUT (1/2-13-THD)						
	44	1	7X-0562	6	WASHER-HARD (13.5X19X0.8-MM THK)						
	45	1	4B-2049	6	NUT (10-32-THD)						
	46	1	8T-0328	10	WASHER-HARD (5.5X10X1-MM THK)						
	47	1	3T-9494	6	SPRING						
	48	1	3E-7771	1	HOUSING AS (STARTING MOTOR)						
	49	1	9G-4101	1	BUSHING-END						
	50	1	3T-3424	3	PLUG-FELT						
	51	1	3T-3423	3	CUP						
	52	1	1M-9968	1	BUSHING						
	53	1	2F-6678	1	SEAL-LIP TYPE						
	54	1	4L-2729	1	WASHER (0.844X1.9X0.188-IN THK)						
	55	1	4M-1896	1	BUSHING-TERMINAL						
	56	1	045-4065	4	SCREW-MACHINE (10-32X0.75-IN)						
	57	1	125-6535	1	COVER-STARTING MOTOR						

Y - SEPARATE ILLUSTRATION

ELECTRICAL AND STARTING SYSTEM

363-9837 STARTING MOTOR GP-ELECTRIC (contd.)

i07496377



GRAPHIC #1

<END>

g03346557

ELECTRICAL AND STARTING SYSTEM

3T-8948 STARTING MOTOR GP-ELECTRIC*R

32 VOLT

FIELD REPLACEMENT ORDER 6V-0501-PAGE: 1281

FIELD INSTALLATION

SMCS-1453

i02405906

NOTE	REF NO	GRAPHIC REF	PART NUMBER	QTY	PART NAME						SEE PAGE
					1	2	3	4	5	6 (PRODUCT LEVEL)	
	1	1	036-9823	6	BOLT (1/4-28X1-IN)						
	2	1	7F-3488	6	SHOE-POLE						
	3	1	3T-3418	1	FRAME AS-END						
	4	1	3T-3423	1	CUP						
	5	1	9G-4367	1	BUSHING-TERMINAL						
	6	1	3T-3424	1	PLUG-FELT						
	7	1	6V-8188	2	NUT (1/2-13-THD)						
	8	1	7M-0327	1	WASHER-THRUST (17.4X25.4X1.6-MM THK)						
	9	1	7M-8651	1	ARMATURE AS						
	10	1	3L-3380	1	BUSHING-TERMINAL						
	11	1	7M-0324	1	COIL AS-FIELD						
	12	1	9H-3757	2	WASHER (0.516X1X0.094-IN THK)						
	13	1	7X-0562	1	WASHER-HARD (13.5X19X0.8-MM THK)						
	14	1	7M-0326	1	CONNECTOR						
	15	1	4B-2049	1	NUT (10-32-THD)						
		1	8T-0328	1	WASHER-HARD (5.5X10X1-MM THK)						
		1	8F-1434	1	LOCKWASHER						
Y	16	1	3T-5051	1	SOLENOID AS-STARTING MOTOR						1212
	17	1	6V-1322	4	BOLT (1/4-20X0.375-IN)						
	18	1	1H-2629	3	STRIP-INSULATION						
	19	1	3F-0379	12	SCREW-POLE SHOE (3/8-24-THD)						
	20	1	7M-0325	1	INSULATOR						
	21	1	4M-1831	3	PLUG-LEVER HOUSING						
	22	1	7L-2894	3	GASKET						
	23	2	3T-3422	1	WIRE AS						
D		2	5P-5621		WIRE (12-GA)						
	24	2	2L-8071	1	TERMINAL-RING (10-GA TO 12-GA, 1/2-IN SCREW)						
	25	2	2L-8066	1	TERMINAL-RING (10-GA TO 12-GA, NO. 10 SCREW)						
	26	2	1S-7446	3	SCREW-MACHINE (8-32X0.437-IN)						
	27	2	2J-8163	1	SEAL-O-RING						
	28	2	3T-9525	1	PLATE AS-BRUSH (STARTING MOTOR)						
	29	2	6T-0371	1	INSULATOR						
	30	2	6T-0372	1	PLATE						
	31	2	3T-4709	3	PLATE						
	32	2	7F-3525	6	WASHER-SPECIAL (0.207X0.39X0.09-IN THK)						
	33	2	2L-6679	3	PLATE-INSULATOR						
	34	2	3T-4710	3	PLATE						
	35	2	5P-6298	12	SCREW-MACHINE (10-32X0.5-IN)						
		2	9F-5599	12	LOCKWASHER						
	36	2	6T-0363	6	HOLDER AS-BRUSH (STARTING MOTOR)						
					(EACH INCLUDES)						
	37	2	3T-9494	1	SPRING						
	38	2	9S-2544	6	SCREW-HEX HEAD (8-32X11.13-MM)						
	39	2	3T-9524	6	BRUSH AS (STARTING MOTOR)						
	40	2	7F-3491	2	WASHER (0.516X1X0.094-IN THK)						
	41	2	6V-8188	2	NUT (1/2-13-THD)						
	42	2	6N-3279	1	INSULATOR						

ELECTRICAL AND STARTING SYSTEM

3T-8948 STARTING MOTOR GP-ELECTRIC (contd.)

i02405906

NOTE	REF NO	GRAPHIC REF	PART NUMBER	QTY	PART NAME						SEE PAGE
					1	2	3	4	5	6 (PRODUCT LEVEL)	
	43	2	8C-9660	3	WASHER (4.6X7.9X0.8-MM THK)						
	44	2	7X-0562	1	WASHER-HARD (13.5X19X0.8-MM THK)						
	45	3	9M-7606	1	PLUNGER AS						
	46	3	036-9821	1	WASHER						
	47	3	4M-1829	1	BOOT-RUBBER						
	48	3	4M-1828	1	RETAINER-SPRING						
	49	3	9M-7609	1	SPRING (SHIFT LEVER)						
	50	3	4M-1827	1	RETAINER-SPRING						
	51	3	1H-1023	1	SEAL-O-RING						
	52	3	3T-3420	1	HOUSING AS-LEVER						
	53	3	3T-3434	1	PLUG						
	54	3	3T-3423	1	CUP						
	55	3	1M-9968	1	BUSHING						
	56	3	2F-6678	1	SEAL-LIP TYPE						
	57	3	3T-3433	1	PLUG						
	58	3	4M-1851	1	GASKET						
	59	3	2H-3429	2	RING-RETAINING						
	60	3	2J-8163	1	SEAL-O-RING						
	61	3	4M-1853	1	LEVER AS-SHIFT						
	62	3	5M-3034	1	LOCKNUT (5/16-24-THD)						
	63	3	7L-2894	1	GASKET						
	64	3	4M-1831	1	PLUG-LEVER HOUSING						
	65	3	3T-3419	1	HOUSING AS-DRIVE						
	66	3	4M-1896	1	BUSHING-TERMINAL						
	67	3	3T-3424	1	PLUG-FELT						
	68	3	3T-3423	1	CUP						
	69	3	5J-5314	5	BOLT (5/16-18X1.5-IN)						
		3	7X-3373	1	BOLT (5/16-18X0.88-IN)						
	70	3	1M-9971	1	SPACER (0.835X1.72X0.188-IN THK)						
	71	3	6N-3826	1	DRIVE AS-MOTOR						
	72	3	4M-1854	1	SHAFT-LEVER						
	73	3	2D-6392	1	SEAL-O-RING						
	74	3	036-9823	7	BOLT (1/4-28X1-IN)						
	75	3	3R-8801	1	CLAMP						
	76	3	3T-3434	6	PLUG						

AVAILABLE REPAIR KIT(S):

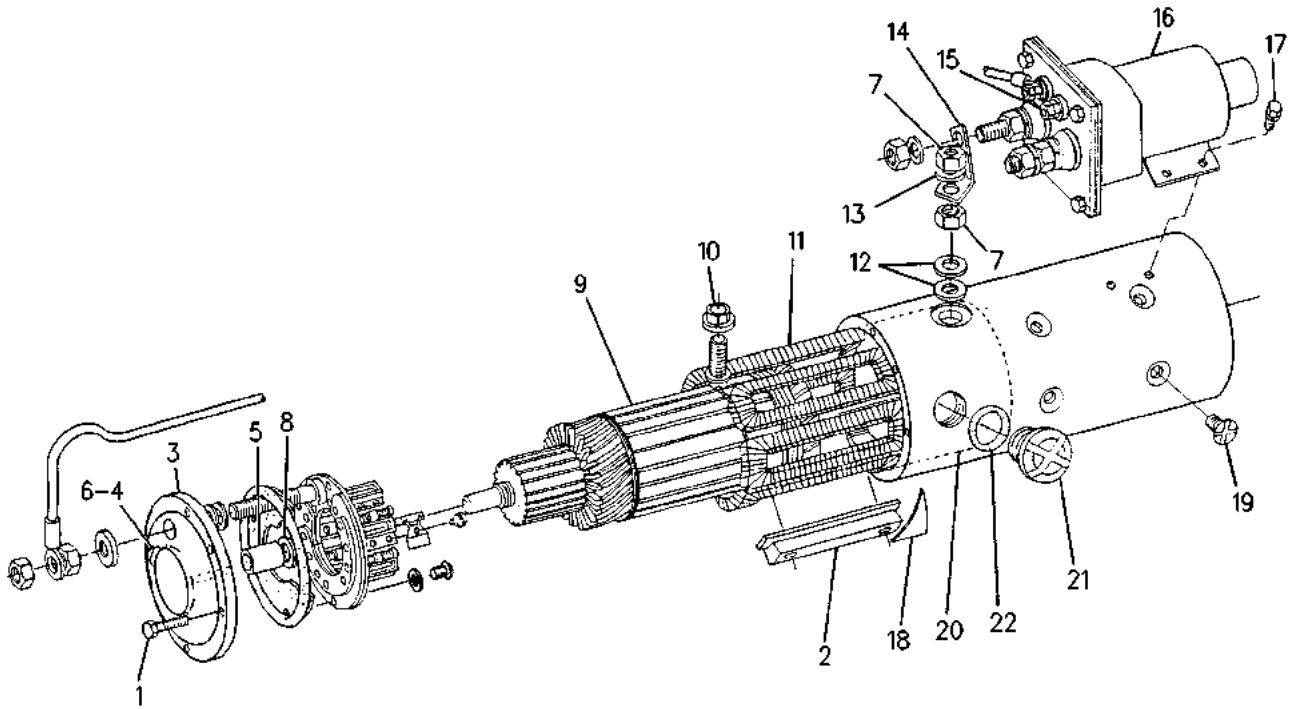
3N-3763	1	KIT-TERMINAL (STARTING MOTOR) (INCLUDES BUSHINGS & WASHER)
----------------	---	---

D - ORDER BY THE METER
Y - SEPARATE ILLUSTRATION

ELECTRICAL AND STARTING SYSTEM

3T-8948 STARTING MOTOR GP-ELECTRIC (contd.)

i02405906



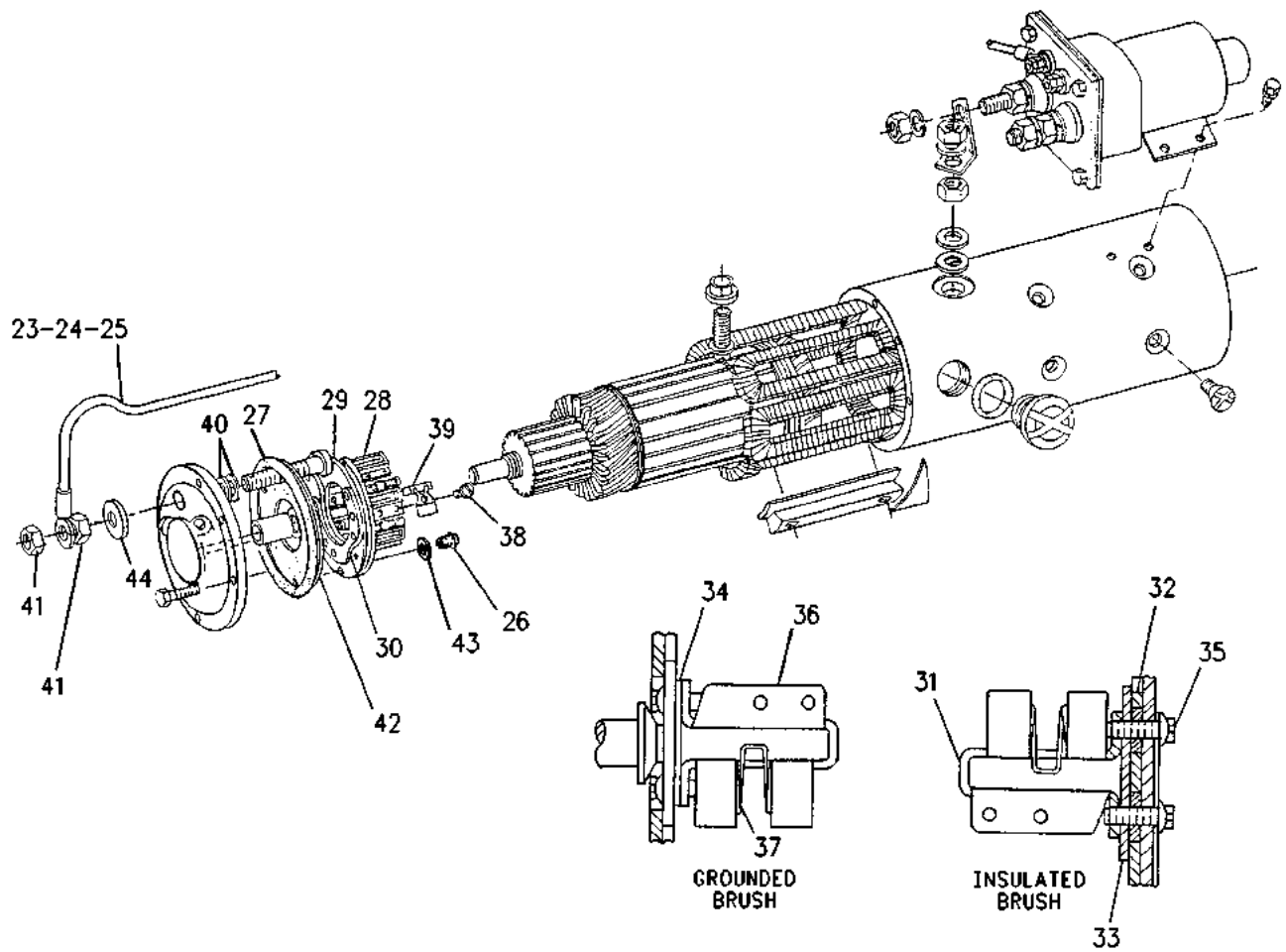
GRAPHIC #1

g00419961

ELECTRICAL AND STARTING SYSTEM

3T-8948 STARTING MOTOR GP-ELECTRIC (contd.)

i02405906



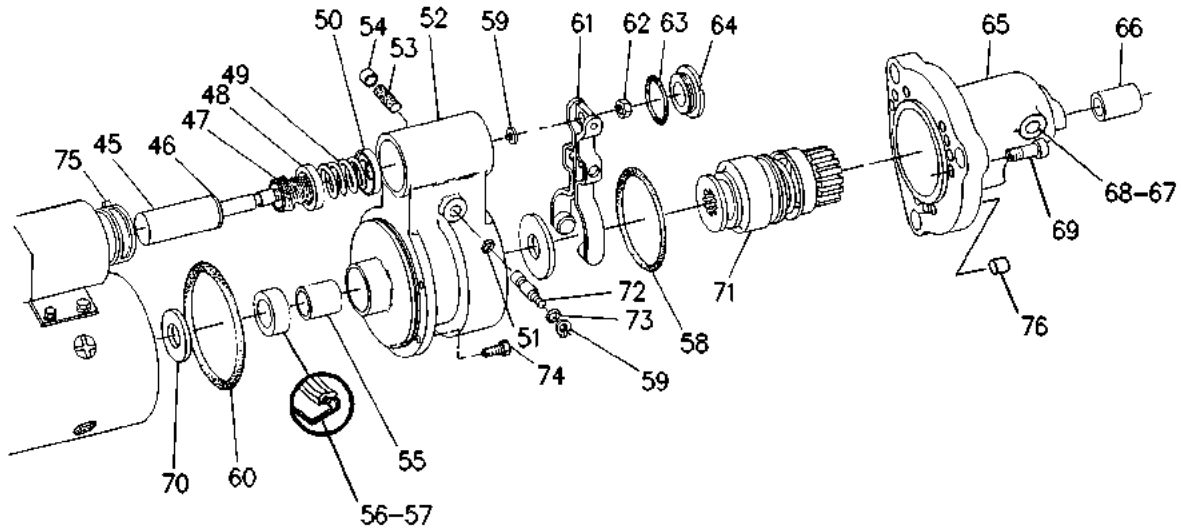
GRAPHIC #2

g00419962

ELECTRICAL AND STARTING SYSTEM

3T-8948 STARTING MOTOR GP-ELECTRIC (contd.)

i02405906



GRAPHIC #3

<END>

g00419963

ELECTRICAL AND STARTING SYSTEM

6V-0501 STARTING MOTOR GP-ELECTRIC*R

32-VOLT

FIELD REPLACEMENT FOR 3T-8948-PAGE: 1276: FOR 6V-0508-PAGE: 1284
FIELD INSTALLATION

SMCS-1453

i02658799

NOTE	REF NO	GRAPHIC REF	PART NUMBER	QTY	PART NAME						SEE PAGE
					1	2	3	4	5	6 (PRODUCT LEVEL)	
	1	1	7M-0326	1	CONNECTOR						
	2	1	9H-3757	2	WASHER (0.516X1X0.094-IN THK)						
	3	1	1S-7446	3	SCREW-MACHINE (8-32X0.437-IN)						
	4	1	8C-9660	3	WASHER (4.6X7.9X0.8-MM THK)						
	5	1	9S-2544	6	SCREW-HEX HEAD (8-32X11.13-MM)						
	6	1	7M-0327	1	WASHER-THRUST (17.4X25.4X1.6-MM THK)						
	7	1	3T-3418	1	FRAME AS-END						
	7A	1	3T-3424	1	PLUG-FELT						
	7B	1	3T-3423	1	CUP						
	7C	1	9G-4101	1	BUSHING-END						
	8	1	3T-9525	1	PLATE AS-BRUSH (STARTING MOTOR)						
	8A	1	9F-5599	12	LOCKWASHER						
	8B	1	6T-0371	1	INSULATOR						
	8C	1	6T-0363	6	HOLDER AS-BRUSH (EACH INCLUDES)						
	8D	1	3T-9494	1	SPRING						
	8E	1	3T-4709	3	PLATE						
	8F	1	3T-4710	3	PLATE						
	8G	1	2L-6679	3	PLATE-INSULATOR						
	8H	1	7F-3525	6	WASHER-SPECIAL (0.207X0.39X0.09-IN THK)						
	8J	1	6T-0372	1	PLATE						
	8K	1	5P-6298	12	SCREW-MACHINE (10-32X0.5-IN)						
	9	1	7F-3491	2	WASHER (0.516X1X0.094-IN THK)						
	10	1	3T-3422	1	WIRE AS						
	11	1	2J-8163	2	SEAL-O-RING						
	12	1	7X-3373	1	BOLT (5/16-18X0.88-IN)						
B	13	1	3T-3434	6	PLUG						
	14	1	5J-5314	5	BOLT (5/16-18X1.5-IN)						
	15	1	3L-3380	1	BUSHING-TERMINAL						
	16	1	036-9821	1	WASHER						
	17	1	4M-1828	1	RETAINER-SPRING (EXTERNAL)						
	18	1	4M-1829	1	BOOT-RUBBER						
	19	1	4M-1827	1	RETAINER-SPRING						
	20	1	9M-7609	1	SPRING (SHIFT LEVER)						
	21	1	8C-3089	1	SEAL-O-RING						
	22	1	4M-1853	1	LEVER AS-SHIFT						
	23	1	5M-3034	1	LOCKNUT (5/16-24-THD)						
	24	1	7L-2894	4	GASKET						
	25	1	4M-1831	4	PLUG-LEVER HOUSING						
	26	1	4M-1854	1	SHAFT-LEVER						
	27	1	1H-1023	1	SEAL-O-RING						
	28	1	2D-6392	1	SEAL-O-RING						
	29	1	7T-3974	1	HOUSING AS-DRIVE						
	30	1	6N-3826	1	DRIVE AS-MOTOR						
	31	1,1	2H-3429	2	RING-RETAINING						
	32	1	6V-1322	4	BOLT (1/4-20X0.375-IN)						
	33	1	8T-4205	4	WASHER-HARD (7.2X14.5X2-MM THK)						

ELECTRICAL AND STARTING SYSTEM

6V-0501 STARTING MOTOR GP-ELECTRIC (contd.)

i02658799

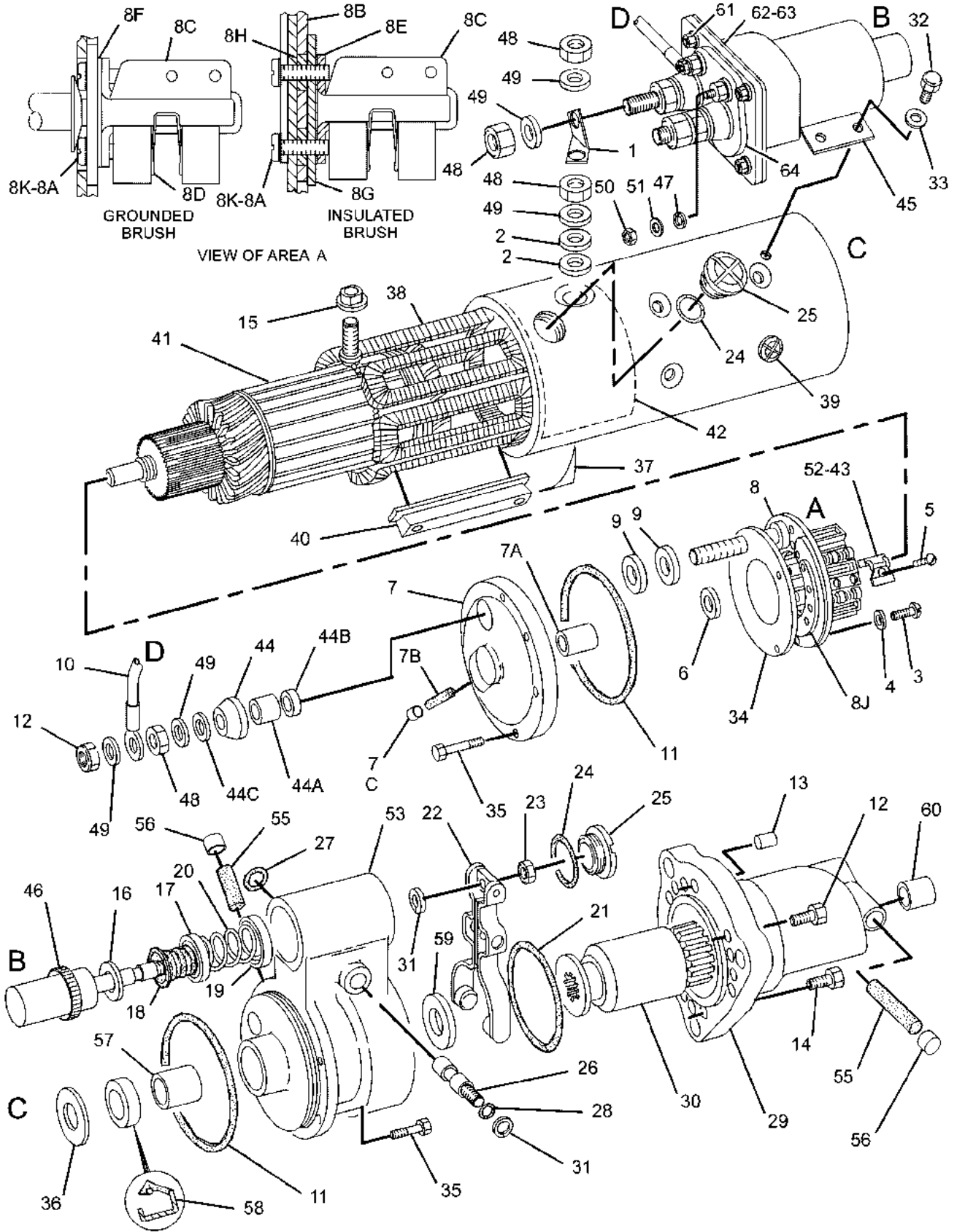
NOTE	REF	GRAPHIC	PART NUMBER	QTY	PART NAME						SEE PAGE
	NO	REF			1	2	3	4	5	6 (PRODUCT LEVEL)	
	34	1	6N-3279	1	INSULATOR						
	35	1	036-9823	13	BOLT (1/4-28X1-IN)						
	36	1	1M-9971	1	SPACER (0.835X1.72X0.188-IN THK)						
	37	1	1H-2629	3	STRIP-INSULATION						
	38	1	7M-0324	1	COIL AS-FIELD						
	39	1	3F-0379	12	SCREW-POLE SHOE (3/8-24-THD)						
	40	1	7F-3488	6	SHOE-POLE						
	41	1	7M-8651	1	ARMATURE AS						
	42	1	7M-0325	1	INSULATOR						
	43	1	3T-9524	6	BRUSH AS (STARTING MOTOR)						
J	44	1	3N-3763	1	KIT-TERMINAL (STARTING MOTOR)						
JZ	44A	1		1	BUSHING						
JZ	44B	1		1	BUSHING						
JZ	44C	1		1	WASHER						
	45	1	242-7983	1	SOLENOID AS (STARTING MOTOR)						
	46	1	3R-8801	1	CLAMP						
	47	1	8F-1434	2	LOCKWASHER						
	48	1	6V-8188	6	NUT (1/2-13-THD)						
	49	1	7X-0562	6	WASHER-HARD (13.5X19X0.8-MM THK)						
	50	1	4B-2049	6	NUT (10-32-THD)						
	51	1	8T-0328	10	WASHER-HARD (5.5X10X1-MM THK)						
	52	1	3T-9494	6	SPRING						
	53	1	3E-7771	1	HOUSING AS (STARTING MOTOR)						
	55	1	3T-3424	2	PLUG-FELT						
	56	1	3T-3423	2	CUP						
	57	1	1M-9968	1	BUSHING						
	58	1	2F-6678	1	SEAL-LIP TYPE						
	59	1	4L-2729	1	WASHER (0.844X1.9X0.188-IN THK)						
	60	1	4M-1896	1	BUSHING-TERMINAL						
	61	1	045-4065	4	SCREW-MACHINE (10-32X0.75-IN)						
	62	1	6T-1124	1	TERMINAL AS						
	63	1	7T-9123	1	GASKET-PLATE						
	64	1	6T-0362	1	INSULATOR						

B - USE AS REQUIRED
 J - KIT MARKED J INCLUDES PART(S) MARKED J
 Z - NOT SERVICED SEPARATELY

ELECTRICAL AND STARTING SYSTEM

6V-0501 STARTING MOTOR GP-ELECTRIC (contd.)

102658799



ELECTRICAL AND STARTING SYSTEM

6V-0508 STARTING MOTOR GP-ELECTRIC

FIELD REPLACEMENT ORDER 6V-0501-PAGE: 1281

PART OF 212-4683, 8N-3897 STARTING MOTOR GP-ELECTRIC
AN ATTACHMENT

SMCS-1453

i02851389

NOTE	REF NO	GRAPHIC REF	PART NUMBER	QTY	PART NAME						SEE PAGE
					1	2	3	4	5	6 (PRODUCT LEVEL)	
	1	1	7M-0326	1	CONNECTOR						
	2	1	9H-3757	2	WASHER (0.516X1X0.094-IN THK)						
	3	1	1S-7446	3	SCREW-MACHINE (8-32X0.437-IN)						
	4	1	8C-9660	3	WASHER (4.6X7.9X0.8-MM THK)						
	5	1	9S-2544	6	SCREW-HEX HEAD (8-32X11.13-MM)						
	6	1	7M-0327	1	WASHER-THRUST (17.4X25.4X1.6-MM THK)						
	7	1	3T-3418	1	FRAME AS-END						
	7A	1	3T-3424	1	PLUG-FELT						
	7B	1	3T-3423	1	CUP						
	7C	1	9G-4101	1	BUSHING-END						
	8	1	3T-9525	1	PLATE AS-BRUSH (STARTING MOTOR)						
	8A	1	9F-5599	12	LOCKWASHER						
	8B	1	6T-0371	1	INSULATOR						
	8C	1	6T-0363	6	HOLDER AS-BRUSH (EACH INCLUDES)						
	8D	1	3T-9494	1	SPRING						
	8E	1	3T-4709	3	PLATE						
	8F	1	3T-4710	3	PLATE						
	8G	1	2L-6679	3	PLATE-INSULATOR						
	8H	1	7F-3525	6	WASHER-SPECIAL (0.207X0.39X0.09-IN THK)						
	8J	1	6T-0372	1	PLATE						
	8K	1	5P-6298	12	SCREW-MACHINE (10-32X0.5-IN)						
	9	1	7F-3491	2	WASHER (0.516X1X0.094-IN THK)						
	10	1	3T-3422	1	WIRE AS						
	11	1	2J-8163	2	SEAL-O-RING						
	12	1	7X-3373	1	BOLT (5/16-18X0.88-IN)						
B	13	1	3T-3434	6	PLUG						
	14	1	5J-5314	5	BOLT (5/16-18X1.5-IN)						
	15	1	3L-3380	1	BUSHING-TERMINAL						
	16	1	036-9821	1	WASHER						
	17	1	4M-1828	1	RETAINER-SPRING						
	18	1	306-3998	1	BOOT-RUBBER						
	19	1	9M-7609	1	SPRING (SHIFT LEVER)						
	20	1	4M-1827	1	RETAINER-SPRING						
	21	1	8C-3089	1	SEAL-O-RING						
	22	1	4M-1853	1	LEVER AS-SHIFT						
	23	1	5M-3034	1	LOCKNUT (5/16-24-THD)						
	24	1	7L-2894	4	GASKET						
	25	1	4M-1831	4	PLUG-LEVER HOUSING						
	26	1	4M-1854	1	SHAFT-LEVER						
	27	1	1H-1023	1	SEAL-O-RING						
	28	1	2D-6392	1	SEAL-O-RING						
	29	1	7T-3974	1	HOUSING AS-DRIVE						
	30	1	6N-3826	1	DRIVE AS-MOTOR						
	31	1,1	2H-3429	2	RING-RETAINING						
	32	1	6V-1322	4	BOLT (1/4-20X0.375-IN)						
	33	1	8T-4205	4	WASHER-HARD (7.2X14.5X2-MM THK)						

ELECTRICAL AND STARTING SYSTEM

6V-0508 STARTING MOTOR GP-ELECTRIC (contd.)

i02851389

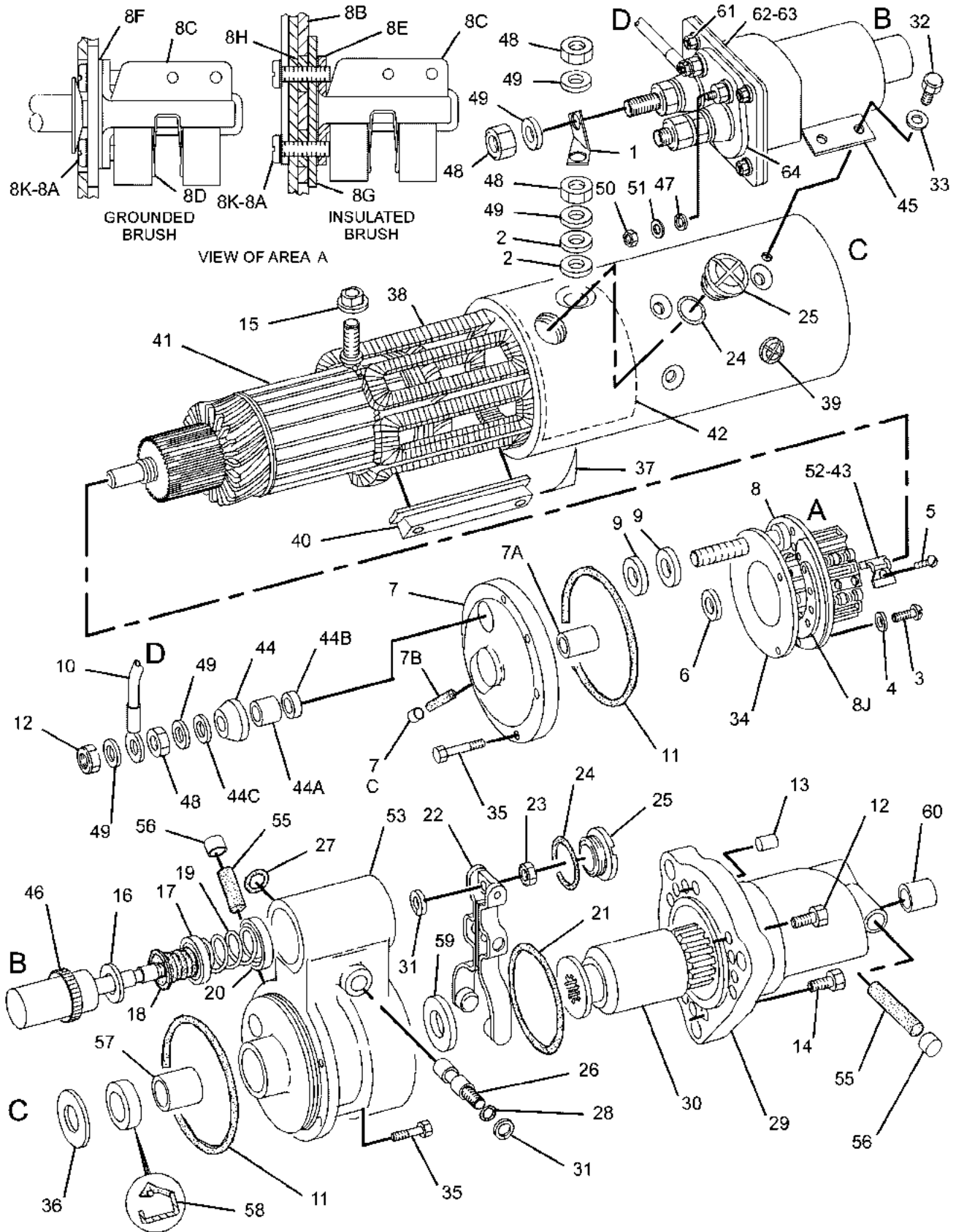
NOTE	REF NO	GRAPHIC REF	PART NUMBER	QTY	PART NAME						SEE PAGE
					1	2	3	4	5	6 (PRODUCT LEVEL)	
	34	1	6N-3279	1	INSULATOR						
	35	1	036-9823	13	BOLT (1/4-28X1-IN)						
	36	1	1M-9971	1	SPACER (0.835X1.72X0.188-IN THK)						
	37	1	1H-2629	3	STRIP-INSULATION						
	38	1	7M-0324	1	COIL AS-FIELD						
	39	1	3R-8797	12	SCREW & WASHER AS (3/8-24X0.72-IN)						
	40	1	7F-3488	6	SHOE-POLE						
	41	1	7M-8651	1	ARMATURE AS						
	42	1	7M-0325	1	INSULATOR						
	43	1	3T-9524	6	BRUSH AS						
J	44	1	3N-3763	1	KIT-TERMINAL (STARTING MOTOR)						
JZ	44A	1		1	BUSHING						
JZ	44B	1		1	BUSHING						
JZ	44C	1		1	WASHER						
	45	1	242-7983	1	SOLENOID AS (STARTING MOTOR)						
	46	1	3R-8801	1	CLAMP						
	47	1	8F-1434	2	LOCKWASHER						
	48	1	6V-8188	6	NUT (1/2-13-THD)						
	49	1	7X-0562	6	WASHER-HARD (13.5X19X0.8-MM THK)						
	50	1	4B-2049	6	NUT (10-32-THD)						
	51	1	8T-0328	10	WASHER-HARD (5.5X10X1-MM THK)						
	52	1	3T-9494	6	SPRING						
	53	1	3E-7771	1	HOUSING AS (STARTING MOTOR)						
	55	1	3T-3424	2	PLUG-FELT						
	56	1	3T-3423	2	CUP						
	57	1	1M-9968	1	BUSHING						
	58	1	2F-6678	1	SEAL-LIP TYPE						
	59	1	4L-2729	1	WASHER (0.844X1.9X0.188-IN THK)						
	60	1	4M-1896	1	BUSHING-TERMINAL						
	61	1	045-4065	4	SCREW-MACHINE (10-32X0.75-IN)						
	62	1	6T-1124	1	TERMINAL AS						
	63	1	7T-9123	1	GASKET-PLATE						
	64	1	6T-0362	1	INSULATOR						

B - USE AS REQUIRED
 J - KIT MARKED J INCLUDES PART(S) MARKED J
 Z - NOT SERVICED SEPARATELY

ELECTRICAL AND STARTING SYSTEM

6V-0508 STARTING MOTOR GP-ELECTRIC (contd.)

i02851389



GRAPHIC #1

<END>

g01073049

ELECTRICAL AND STARTING SYSTEM

6V-0511 STARTING MOTOR GP-ELECTRIC

24-VOLT

PART OF 8N-3898, 8N-7253 STARTING MOTOR GP-ELECTRIC

AN ATTACHMENT

TYPE 1

SMCS-1453

i02400529

NOTE	REF NO	GRAPHIC REF	PART NUMBER	QTY	PART NAME						SEE PAGE
					1	2	3	4	5	6 (PRODUCT LEVEL)	
	1	1	7M-0326	1	CONNECTOR						
	2	1	9H-3757	2	WASHER (0.516X1X0.094-IN THK)						
	3	1	1S-7446	3	SCREW-MACHINE (8-32X0.437-IN)						
	4	1	8C-9660	3	WASHER (4.6X7.9X0.8-MM THK)						
	5	1	9S-2544	9	SCREW-HEX HEAD (8-32X11.13-MM)						
	6	1	7M-0327	1	WASHER-THRUST (17.4X25.4X1.6-MM THK)						
	7	1	5L-6425	1	COIL AS-FIELD						
	8	1	3T-9525	1	PLATE AS-BRUSH (STARTING MOTOR)						
	8A	1	6T-0372	1	PLATE						
	8B	1	6T-0371	1	INSULATOR						
	8C	1	6T-0363	6	HOLDER AS-BRUSH (STARTING MOTOR)						
					(EACH INCLUDES)						
		1	3T-9494	1	SPRING						
	8D	1	3T-4709	3	PLATE						
	8E	1	3T-4710	3	PLATE						
	8F	1	2L-6679	3	PLATE-INSULATOR						
	8G	1	7F-3525	6	WASHER-SPECIAL (0.207X0.39X0.09-IN THK)						
	8H	1	5P-6298	12	SCREW-MACHINE (10-32X0.5-IN)						
	8J	1	9F-5599	12	LOCKWASHER						
	9	1	7F-3491	2	WASHER (0.516X1X0.094-IN THK)						
	10	1	3T-3422	1	WIRE AS						
	11	1	2J-8163	2	SEAL-O-RING						
	12	1	7X-3373	1	BOLT (5/16-18X0.88-IN)						
B	13	1	3T-3434	6	PLUG						
	14	1	5J-5314	5	BOLT (5/16-18X1.5-IN)						
	15	1	3L-3380	1	BUSHING-TERMINAL						
	16	1	036-9821	1	WASHER						
	17	1	4M-1828	1	RETAINER-SPRING						
	18	1	4M-1829	1	BOOT-RUBBER						
	19	1	9M-7606	1	PLUNGER AS						
	20	1	9M-7609	1	SPRING (SHIFT LEVER)						
	21	1	4M-1827	1	RETAINER-SPRING						
	22	1	8C-3089	1	SEAL-O-RING						
	23	1	4M-1853	1	LEVER AS-SHIFT						
	24	1	5M-3034	1	LOCKNUT (5/16-24-THD)						
	25	1	7L-2894	4	GASKET						
	26	1	4M-1831	4	PLUG-LEVER HOUSING						
	27	1	4M-1854	1	SHAFT-LEVER						
	28	1	1H-1023	1	SEAL-O-RING						
	29	1	2D-6392	1	SEAL-O-RING						
	30	1	7T-3974	1	HOUSING AS-DRIVE						
	31	1	3T-5440	1	FRAME AS-END						
	31A	1	3T-3423	1	CUP						
	31B	1	3T-3424	1	PLUG-FELT						
	31C	1	9G-4101	1	BUSHING-END						
	32	1	2H-3429	2	RING-RETAINING						

ELECTRICAL AND STARTING SYSTEM

6V-0511 STARTING MOTOR GP-ELECTRIC (contd.)

i02400529

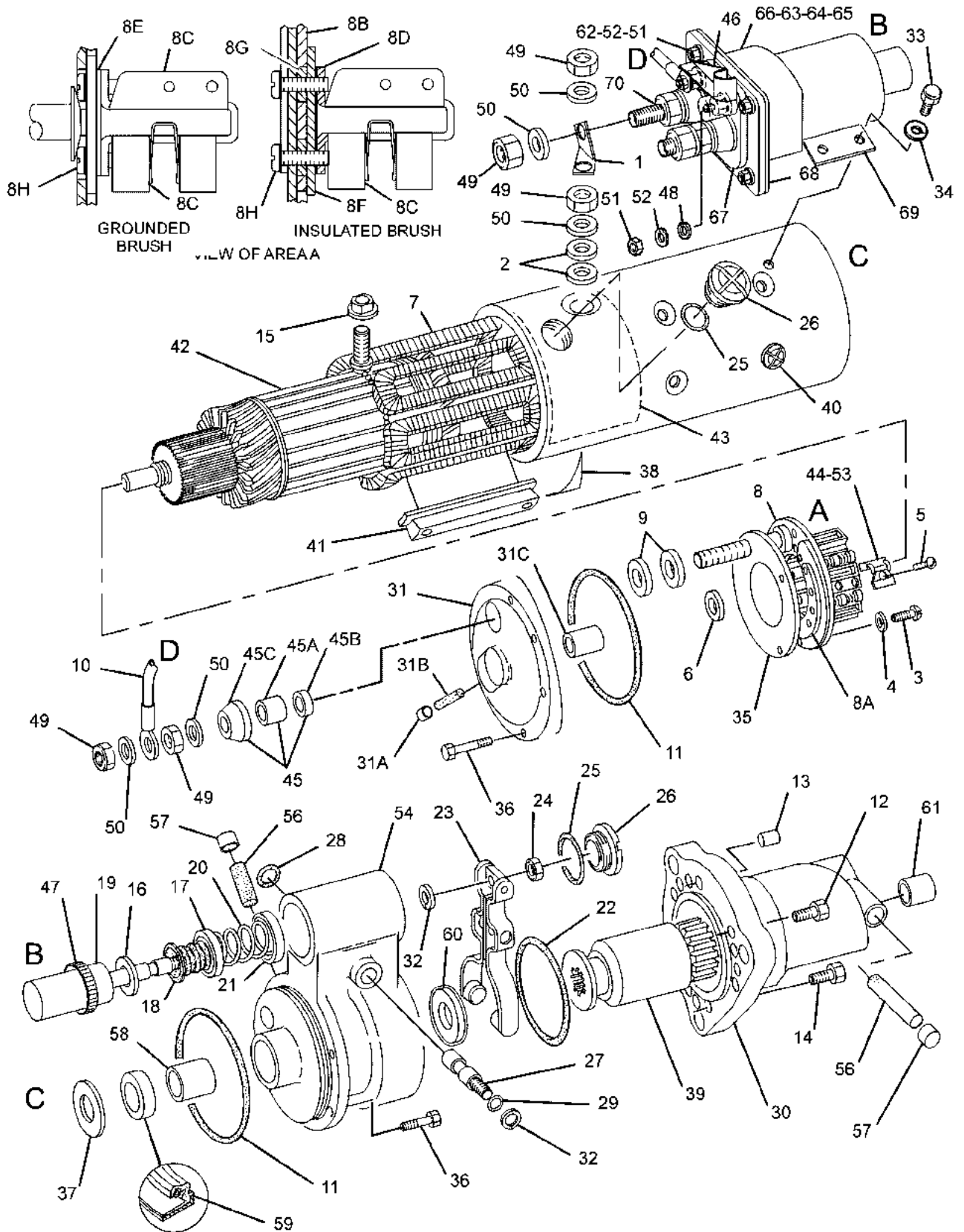
NOTE	REF NO	GRAPHIC REF	PART NUMBER	QTY	PART NAME						SEE PAGE
					1	2	3	4	5	6 (PRODUCT LEVEL)	
	33	1	6V-1322	4	BOLT (1/4-20X0.375-IN)						
	34	1	8T-4205	4	WASHER-HARD (7.2X14.5X2-MM THK)						
	35	1	6N-3279	1	INSULATOR						
	36	1	036-9823	13	BOLT (1/4-28X1-IN)						
	37	1	1M-9971	1	SPACER (0.835X1.72X0.188-IN THK)						
	38	1	1H-2629	3	STRIP-INSULATION						
	39	1	3T-5343	1	DRIVE AS-MOTOR						
	40	1	3F-0379	12	SCREW-POLE SHOE (3/8-24-THD)						
	41	1	7F-3488	6	SHOE-POLE						
	42	1	7M-8651	1	ARMATURE AS						
	43	1	7M-0325	1	INSULATOR						
	44	1	3T-9524	6	BRUSH AS (STARTING MOTOR)						
J	45	1	3N-3763	1	KIT-TERMINAL (STARTING MOTOR)						
JZ	45A	1			BUSHING						
JZ	45B	1			BUSHING						
JZ	45C	1			WASHER (INSULATED)						
	46	1	125-6535	1	COVER-STARTING MOTOR						
	47	1	3R-8801	1	CLAMP						
	48	1	8F-1434	2	LOCKWASHER						
	49	1	6V-8188	6	NUT (1/2-13-THD)						
	50	1	7X-0562	6	WASHER-HARD (13.5X19X0.8-MM THK)						
	51	1	4B-2049	6	NUT (10-32-THD)						
	52	1	8T-0328	10	WASHER-HARD (5.5X10X1-MM THK)						
	53	1	3T-9494	6	SPRING (STARTING MOTOR BRUSH)						
	54	1	3E-7771	1	HOUSING AS (STARTING MOTOR)						
	56	1	3T-3424	3	PLUG-FELT						
	57	1	3T-3423	3	CUP						
	58	1	1M-9968	1	BUSHING						
	59	1	2F-6678	1	SEAL-LIP TYPE						
	60	1	4L-2729	1	WASHER (0.844X1.9X0.188-IN THK)						
	61	1	4M-1896	1	BUSHING-TERMINAL						
	62	1	045-4065	4	SCREW-MACHINE (10-32X0.75-IN)						
	63	1	6V-8373	3	SCREW-MACHINE (6-32X0.187-IN)						
	64	1	9G-6770	1	CONTACT AS						
	65	1	6T-1120	1	BUSHING-TERMINAL						
	66	1	4M-1815	1	SPRING-CONTACT						
	67	1	125-6537	1	INSULATOR						
	68	1	7T-9123	1	GASKET-PLATE						
	69	1	125-6533	1	SOLENOID AS-STARTING MOTOR (24-VOLT) (24-VOLT)						
		1	3R-8801	1	CLAMP						
	70	1	125-6536	1	TERMINAL AS						

B - USE AS REQUIRED
 J - KIT MARKED J INCLUDES PART(S) MARKED J
 Z - NOT SERVICED SEPARATELY

ELECTRICAL AND STARTING SYSTEM

6V-0511 STARTING MOTOR GP-ELECTRIC (contd.)

i02400529



GRAPHIC #1

<END>

g01024372

ELECTRICAL AND STARTING SYSTEM

6V-0511 STARTING MOTOR GP-ELECTRIC

24-VOLT

PART OF 8N-3898, 8N-7253 STARTING MOTOR GP-ELECTRIC

AN ATTACHMENT

TYPE 2

SMCS-1453

i05043274

NOTE	REF NO	GRAPHIC REF	PART NUMBER	QTY	PART NAME						SEE PAGE
					1	2	3	4	5	6 (PRODUCT LEVEL)	
	1	1	7M-0326	1	CONNECTOR						
	2	1	9H-3757	2	WASHER (0.516X1X0.094-IN THK)						
	3	1	1S-7446	3	SCREW-MACHINE (8-32X0.437-IN)						
	4	1	8C-9660	3	WASHER (4.6X7.9X0.8-MM THK)						
	5	1	9S-2544	9	SCREW-HEX HEAD (8-32X11.13-MM)						
	6	1	7M-0327	1	WASHER-THRUST (17.4X25.4X1.6-MM THK)						
	7	1	5L-6425	1	COIL AS-FIELD						
	8	1	3T-9525	1	PLATE AS-BRUSH (STARTING MOTOR)						
	8A	1	6T-0372	1	PLATE						
	8B	1	6T-0371	1	INSULATOR						
	8C	1	6T-0363	6	HOLDER AS-BRUSH						
					(EACH INCLUDES)						
		1	3T-9494	1	SPRING						
	8D	1	3T-4709	3	PLATE						
	8E	1	3T-4710	3	PLATE						
	8F	1	2L-6679	3	PLATE-INSULATOR						
	8G	1	7F-3525	6	WASHER-SPECIAL (0.207X0.39X0.09-IN THK)						
	8H	1	5P-6298	12	SCREW-MACHINE (10-32X0.5-IN)						
	8J	1	9F-5599	12	LOCKWASHER						
	9	1	1T-0808	2	WASHER (0.516X0.812X0.09-IN THK)						
	10	1	3T-3422	1	WIRE AS						
	11	1	2J-8163	2	SEAL-O-RING						
	12	1	7X-3373	1	BOLT (5/16-18X0.88-IN)						
B	13	1	3T-3434	6	PLUG						
	14	1	5J-5314	5	BOLT (5/16-18X1.5-IN)						
	15	1	3L-3380	1	BUSHING-TERMINAL						
	16	1	036-9821	1	WASHER						
	17	1	4M-1828	1	RETAINER-SPRING						
	18	1	306-3998	1	BOOT-RUBBER						
	20	1	9M-7609	1	SPRING (SHIFT LEVER)						
	21	1	4M-1827	1	RETAINER-SPRING						
	22	1	8C-3089	1	SEAL-O-RING						
	23	1	4M-1853	1	LEVER AS-SHIFT						
	24	1	5M-3034	1	LOCKNUT (5/16-24-THD)						
	25	1	7L-2894	4	GASKET						
	26	1	4M-1831	4	PLUG-LEVER HOUSING						
	27	1	4M-1854	1	SHAFT-LEVER						
	28	1	1H-1023	1	SEAL-O-RING						
	29	1	2D-6392	1	SEAL-O-RING						
	30	1	7T-3974	1	HOUSING AS-DRIVE						
	31	1	3T-5440	1	FRAME AS-END						
	31A	1	3T-3423	1	CUP						
	31B	1	3T-3424	1	PLUG-FELT						
	31C	1	9G-4101	1	BUSHING-END						
	32	1	2H-3429	2	RING-RETAINING						
	33	1	6V-1322	4	BOLT (1/4-20X0.375-IN)						

ELECTRICAL AND STARTING SYSTEM

6V-0511 STARTING MOTOR GP-ELECTRIC (contd.)

i05043274

NOTE	REF NO	GRAPHIC REF	PART NUMBER	QTY	PART NAME						SEE PAGE
					1	2	3	4	5	6 (PRODUCT LEVEL)	
	34	1	8T-4205	4	WASHER-HARD (7.2X14.5X2-MM THK)						
	35	1	6N-3279	1	INSULATOR						
	36	1	0S-1597	13	BOLT (1/4-28X1-IN)						
	37	1	1M-9971	1	SPACER (0.835X1.72X0.188-IN THK)						
	38	1	1H-2629	3	STRIP-INSULATION						
	39	1	3T-5343	1	DRIVE AS-MOTOR						
	40	1	3R-8797	12	SCREW & WASHER AS (3/8-24X0.72-IN)						
	41	1	7F-3488	6	SHOE-POLE						
	42	1	7M-8651	1	ARMATURE AS						
	43	1	7M-0325	1	INSULATOR						
	44	1	3T-9524	6	BRUSH AS						
	45	1	3N-3763	1	KIT-TERMINAL (STARTING MOTOR) (INCLUDES BUSHINGS & WASHER)						
	46	1	125-6535	1	COVER-STARTING MOTOR						
	47	1	3R-8801	1	CLAMP						
	48	1	8F-1434	2	LOCKWASHER						
	49	1	6V-8188	6	NUT (1/2-13-THD)						
	50	1	7X-0562	6	WASHER-HARD (13.5X19X0.8-MM THK)						
	51	1	4B-2049	6	NUT (10-32-THD)						
	52	1	8T-0328	10	WASHER-HARD (5.5X10X1-MM THK)						
	53	1	3T-9494	6	SPRING						
	54	1	3E-7771	1	HOUSING AS (STARTING MOTOR)						
	56	1	3T-3424	3	PLUG-FELT						
	57	1	3T-3423	3	CUP						
	58	1	1M-9968	1	BUSHING						
	59	1	2F-6678	1	SEAL-LIP TYPE						
	60	1	4L-2729	1	WASHER (0.844X1.9X0.188-IN THK)						
	61	1	4M-1896	1	BUSHING-TERMINAL						
	62	1	045-4065	4	SCREW-MACHINE (10-32X0.75-IN)						
	67	1	125-6536	1	TERMINAL AS						
	68	1	7T-9123	1	GASKET-PLATE						
C	69	1	338-3453	1	SOLENOID AS-STARTING MOTOR (24-VOLT)						
		1	3R-8801	1	CLAMP						

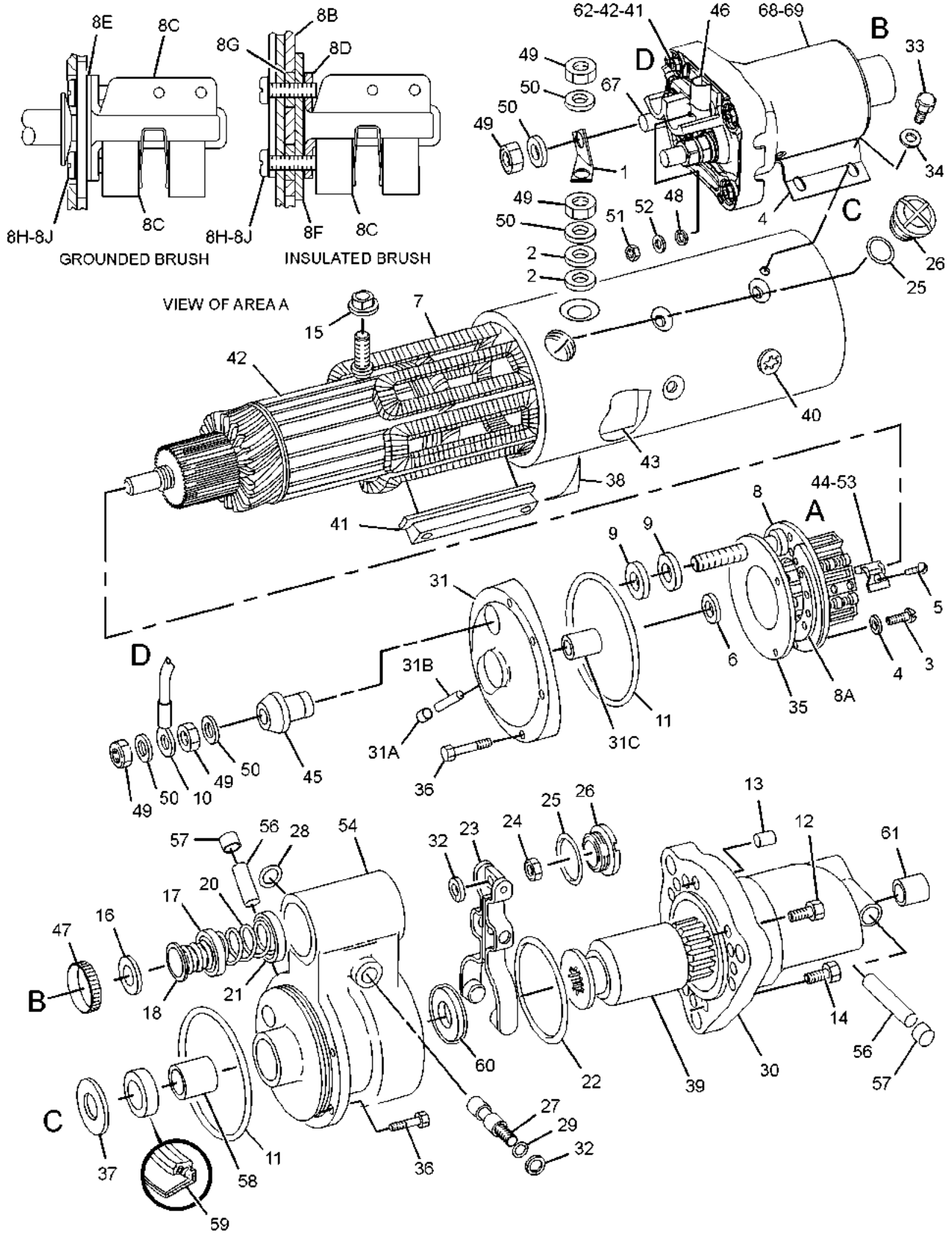
B - USE AS REQUIRED

C - CHANGE FROM PREVIOUS TYPE

ELECTRICAL AND STARTING SYSTEM

6V-0511 STARTING MOTOR GP-ELECTRIC (contd.)

i05043274



GRAPHIC #1

<END>

g03229217

ELECTRICAL AND STARTING SYSTEM

6V-0927 STARTING MOTOR GP-ELECTRIC

24-VOLT

PART OF 8N-3896 STARTING MOTOR GP-ELECTRIC
AN ATTACHMENT

SMCS-1453

i04998896

NOTE	REF NO	GRAPHIC REF	PART NUMBER	QTY	PART NAME						SEE PAGE
					1	2	3	4	5	6 (PRODUCT LEVEL)	
	1	1	7M-0326	1	CONNECTOR						
	2	1	9H-3757	2	WASHER (0.516X1X0.094-IN THK)						
	3	1	1S-7446	3	SCREW-MACHINE (8-32X0.437-IN)						
	4	1	8C-9660	3	WASHER (4.6X7.9X0.8-MM THK)						
	5	1	9S-2544	9	SCREW-HEX HEAD (8-32X11.13-MM)						
	6	1	7M-0327	1	WASHER-THRUST (17.4X25.4X1.6-MM THK)						
	7	1	3T-3418	1	FRAME AS-END						
		1	3T-3423	1	CUP						
		1	9G-4101	1	BUSHING-END						
		1	3T-3424	1	PLUG-FELT						
Y	8	1	3T-9525	1	PLATE AS-BRUSH (STARTING MOTOR)						1180
	9	1	1T-0808	2	WASHER (0.516X0.812X0.09-IN THK)						
	10	1	3T-3422	1	WIRE AS						
	11	1	2J-8163	2	SEAL-O-RING						
	12	1	7X-3373	1	BOLT (5/16-18X0.88-IN)						
B	13	1	3T-3434	6	PLUG						
	14	1	5J-5314	5	BOLT (5/16-18X1.5-IN)						
	15	1	3L-3380	1	BUSHING-TERMINAL						
	16	1	036-9821	1	WASHER						
	17	1	4M-1828	1	RETAINER-SPRING						
	18	1	306-3998	1	BOOT-RUBBER						
	19	1	4M-1827	1	RETAINER-SPRING						
	20	1	9M-7609	1	SPRING (SHIFT LEVER)						
	21	1	8C-3089	1	SEAL-O-RING						
	22	1	4M-1853	1	LEVER AS-SHIFT						
	23	1	5M-3034	1	LOCKNUT (5/16-24-THD)						
	24	1	7L-2894	4	GASKET						
	25	1	4M-1831	4	PLUG-LEVER HOUSING						
	26	1	4M-1854	1	SHAFT-LEVER						
	27	1	1H-1023	1	SEAL-O-RING						
	28	1	2D-6392	1	SEAL-O-RING						
	29	1	7T-3974	1	HOUSING AS-DRIVE						
	30	1	6N-3826	1	DRIVE AS-MOTOR						
	31	1	2H-3429	2	RING-RETAINING (EXTERNAL)						
	32	1	6V-1322	4	BOLT (1/4-20X0.375-IN)						
	33	1	8T-4205	4	WASHER-HARD (7.2X14.5X2-MM THK)						
	34	1	6N-3279	1	INSULATOR						
	35	1	0S-1597	13	BOLT (1/4-28X1-IN)						
	36	1	1M-9971	1	SPACER (0.835X1.72X0.188-IN THK)						
	37	1	1H-2629	3	STRIP-INSULATION						
	38	1	7M-0324	1	COIL AS-FIELD						
	39	1	3R-8797	12	SCREW & WASHER AS (3/8-24X0.72-IN)						
	40	1	7F-3488	6	SHOE-POLE						
	41	1	7M-8651	1	ARMATURE AS						
	42	1	7M-0325	1	INSULATOR						
	43	1	3T-9524	6	BRUSH AS (STARTING MOTOR)						

ELECTRICAL AND STARTING SYSTEM

6V-0927 STARTING MOTOR GP-ELECTRIC (contd.)

i04998896

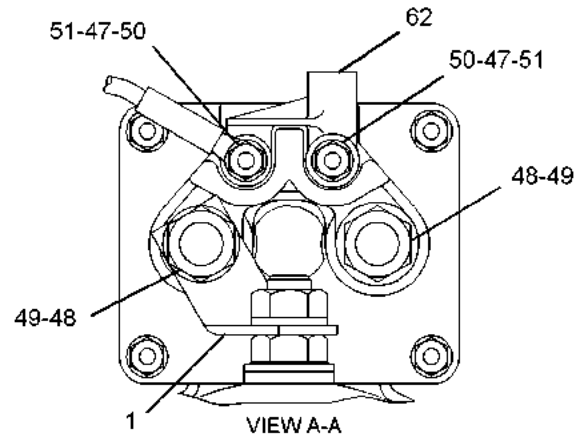
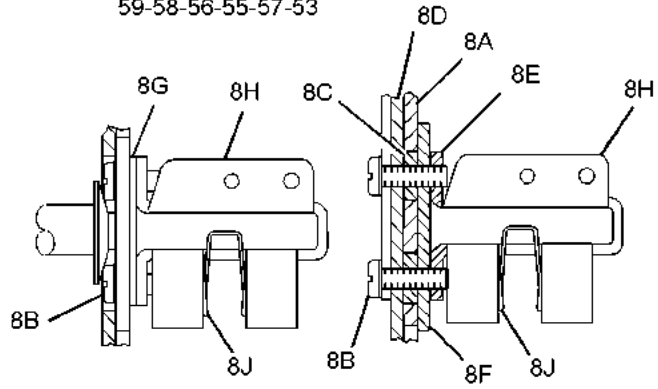
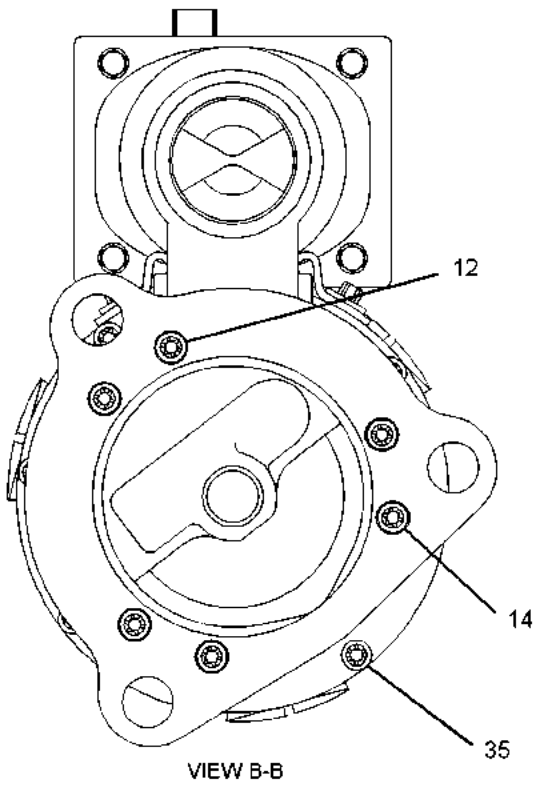
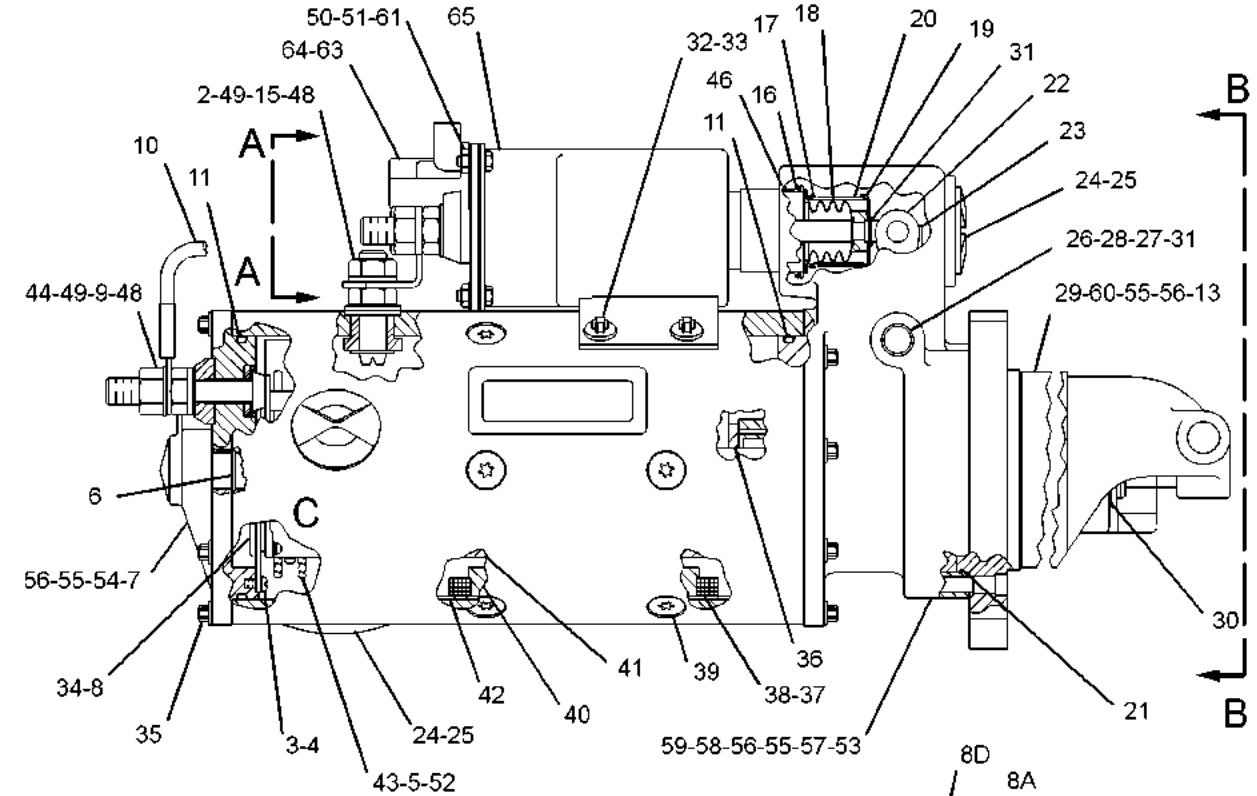
NOTE	REF NO	GRAPHIC REF	PART NUMBER	QTY	PART NAME						SEE PAGE
					1	2	3	4	5	6 (PRODUCT LEVEL)	
	44	1	3N-3763	1	KIT-TERMINAL (STARTING MOTOR)						
					(INCLUDES BUSHINGS & WASHERS)						
	46	1	3R-8801	1	CLAMP						
	47	1	8F-1434	2	LOCKWASHER						
	48	1	6V-8188	6	NUT (1/2-13-THD)						
	49	1	7X-0562	6	WASHER-HARD (13.5X19X0.8-MM THK)						
	50	1	4B-2049	6	NUT (10-32-THD)						
	51	1	8T-0328	10	WASHER-HARD (5.5X10X1-MM THK)						
	52	1	3T-9494	6	SPRING (STARTING MOTOR BRUSH)						
	53	1	3E-7771	1	HOUSING AS (STARTING MOTOR)						
	54	1	9G-4101	1	BUSHING-END						
	55	1	3T-3424	3	PLUG-FELT						
	56	1	3T-3423	3	CUP						
	57	1	1M-9968	1	BUSHING						
	58	1	2F-6678	1	SEAL-LIP TYPE						
	59	1	4L-2729	1	WASHER (0.844X1.9X0.188-IN THK)						
	60	1	4M-1896	1	BUSHING-TERMINAL						
	61	1	045-4065	4	SCREW-MACHINE (10-32X0.75-IN)						
	62	1	125-6535	1	COVER-STARTING MOTOR						
	63	1	7T-9123	1	GASKET-PLATE						
	64	1	125-6536	1	TERMINAL AS						
	65	1	338-3453	1	SOLENOID AS-STARTING MOTOR (24-VOLT)						
		1	3R-8801	1	CLAMP						

B - USE AS REQUIRED
Y - SEPARATE ILLUSTRATION

ELECTRICAL AND STARTING SYSTEM

6V-0927 STARTING MOTOR GP-ELECTRIC (contd.)

104998896



GRAPHIC #1

<END>

g03175958

ELECTRICAL AND STARTING SYSTEM

6V-4246 STARTING MOTOR GP-ELECTRIC

FIELD REPLACEMENT ORDER 6V-5539-PAGE: 1298

PART OF 7C-0526, 7C-0527 STARTING MOTOR GP-ELECTRIC
AN ATTACHMENT

SMCS-1453

i00980443

NOTE	PART NUMBER	QTY	PART NAME						SEE PAGE
			1	2	3	4	5	6 (PRODUCT LEVEL)	
Y	6V-4320	1	STARTING MOTOR GP-ELECTRIC						1297
			-OR-						
Y	106-8551	1	STARTING MOTOR GP-ELECTRIC						1240
Y - SEPARATE ILLUSTRATION									
<END>									

ELECTRICAL AND STARTING SYSTEM

6V-4320 STARTING MOTOR GP-ELECTRIC

FIELD REPLACEMENT ORDER 6V-5539-PAGE: 1298

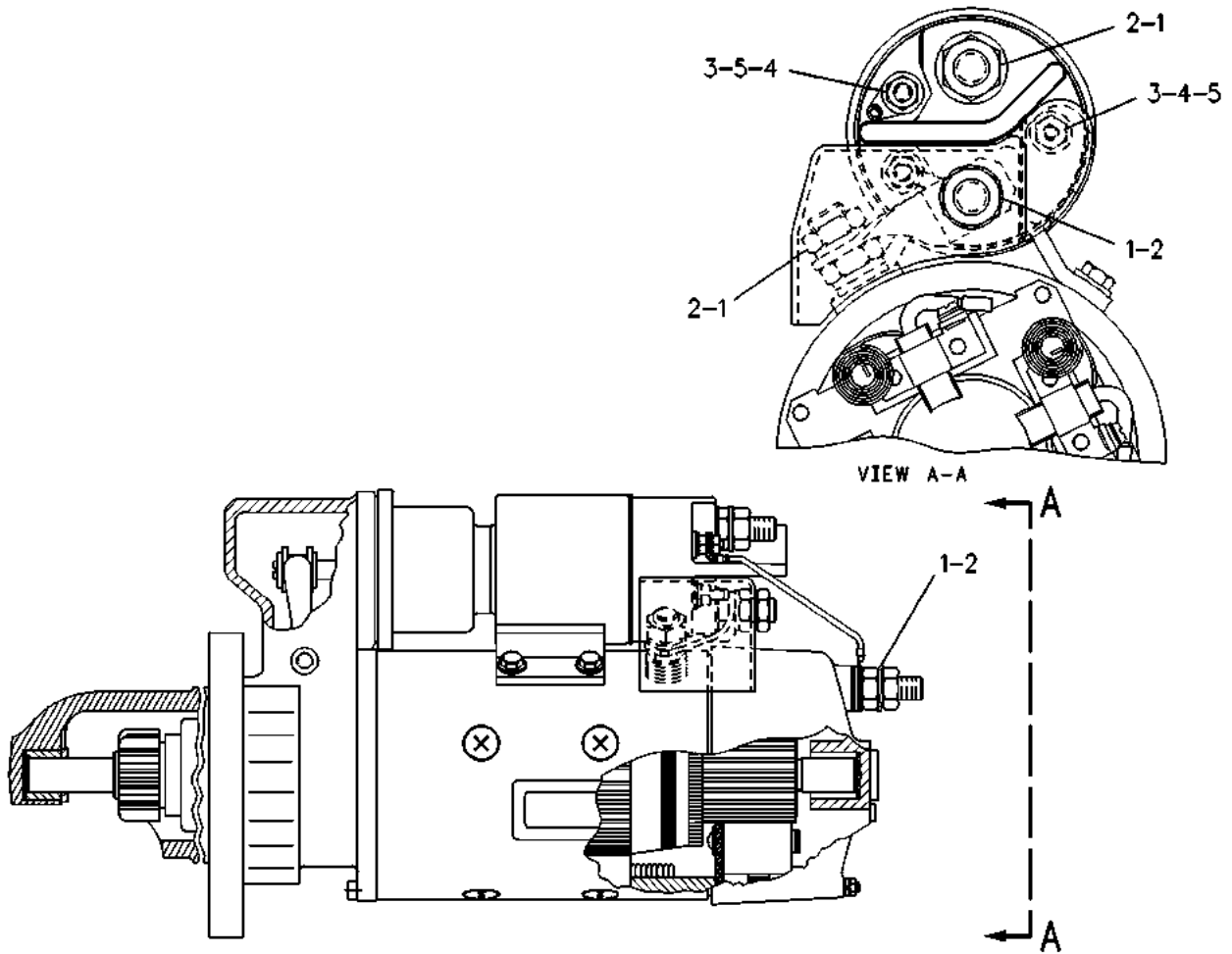
PART OF 6V-4246 STARTING MOTOR GP-ELECTRIC
AN ATTACHMENT

SMCS-1453

i00649534

NOTE	REF NO	GRAPHIC REF	PART NUMBER	QTY	PART NAME						SEE PAGE
					1	2	3	4	5	6	
	1	1	7X-0562	5	WASHER-HARD (13.5X19X0.8-MM THK)						
M	2	1	8T-4244	5	NUT (M12X1.75-THD)						
M	3	1	5C-2874	2	NUT (M5X0.8-THD)						
	4	1	8F-1434	2	LOCKWASHER						
	5	1	8T-0328	2	WASHER-HARD (5.5X10X1-MM THK)						

M - METRIC PART



GRAPHIC #1

<END>

g00084514

ELECTRICAL AND STARTING SYSTEM

6V-5539 STARTING MOTOR GP-ELECTRIC

24-VOLT

FIELD REPLACEMENT FOR 6V-4246-PAGE: 1296: FOR 6V-4320-PAGE: 1297: FOR 106-8551-PAGE: 1240: FOR 6V-5540-PAGE: 1299

SMCS-1453

i03720350

NOTE	PART NUMBER	QTY	PART NAME						SEE PAGE
			1	2	3	4	5	6 (PRODUCT LEVEL)	
Y	6V-5582	1	STARTING MOTOR GP-ELECTRIC (24-VOLT)						1300
			-OR-						
YR	106-8554	1	STARTING MOTOR GP-ELECTRIC (24-VOLT)						1243
			-OR-						
Y	6V-5540	1	STARTING MOTOR GP-ELECTRIC (24-VOLT)						1299

R - REMANUFACTURED PART MAY BE AVAILABLE
Y - SEPARATE ILLUSTRATION

<END>

ELECTRICAL AND STARTING SYSTEM

6V-5540 STARTING MOTOR GP-ELECTRIC

24-VOLT

FIELD REPLACEMENT ORDER 6V-5539-PAGE: 1298

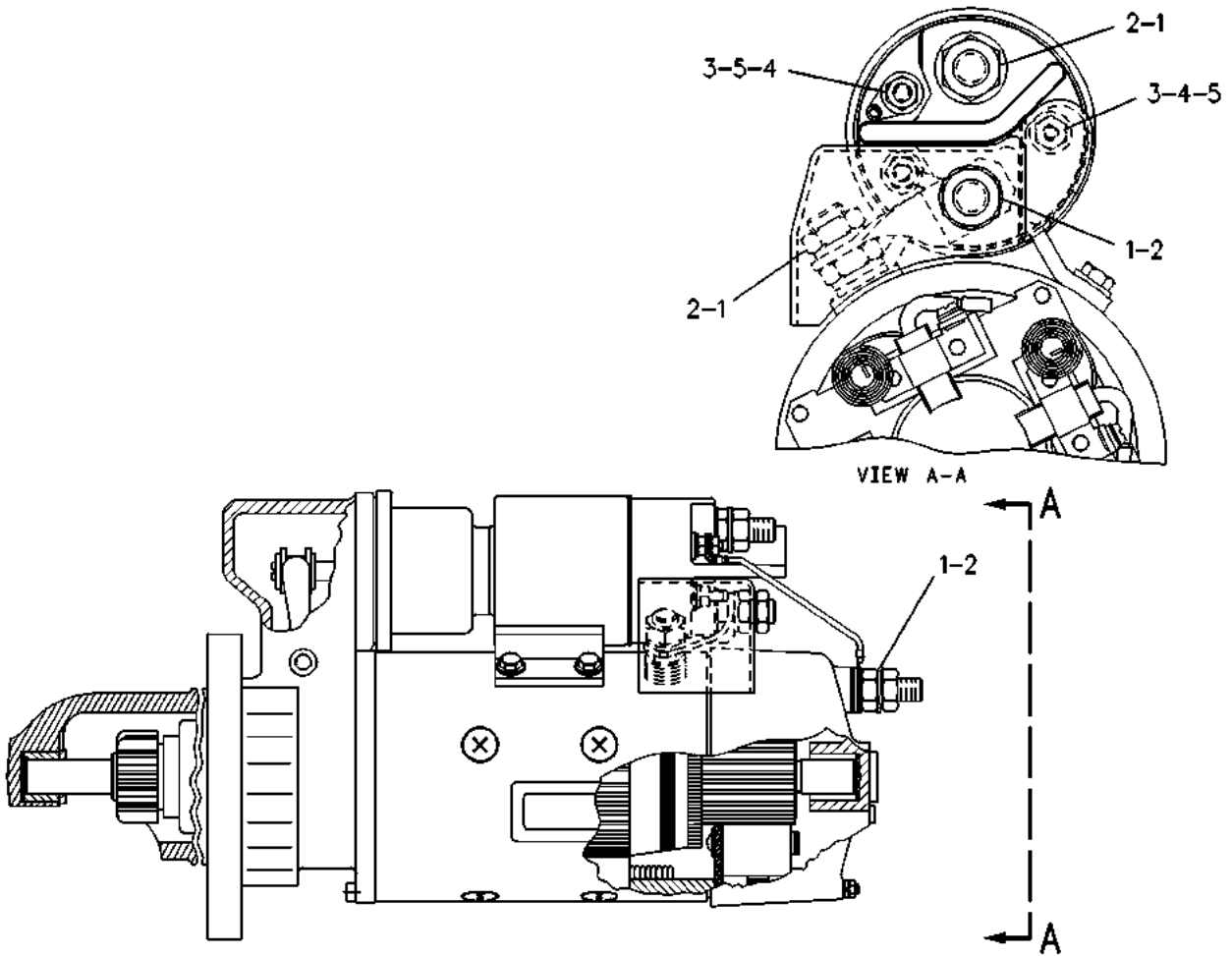
PART OF 6V-5539 STARTING MOTOR GP-ELECTRIC

SMCS-1453

i00112093

NOTE	REF NO	GRAPHIC REF	PART NUMBER	QTY	PART NAME						SEE PAGE
					1	2	3	4	5	6	
	1	1	7X-0562	5	WASHER-HARD (13.5X19X0.8-MM THK)						
M	2	1	8T-4244	5	NUT (M12X1.75-THD)						
M	3	1	5C-2874	2	NUT (M5X0.8-THD)						
	4	1	8F-1434	2	LOCKWASHER						
	5	1	8T-0328	2	WASHER-HARD (5.5X10X1-MM THK)						

M - METRIC PART



GRAPHIC #1

<END>

g00084514

ELECTRICAL AND STARTING SYSTEM

6V-5582 STARTING MOTOR GP-ELECTRIC

24-VOLT

PART OF 6V-5539 STARTING MOTOR GP-ELECTRIC

SMCS-1453

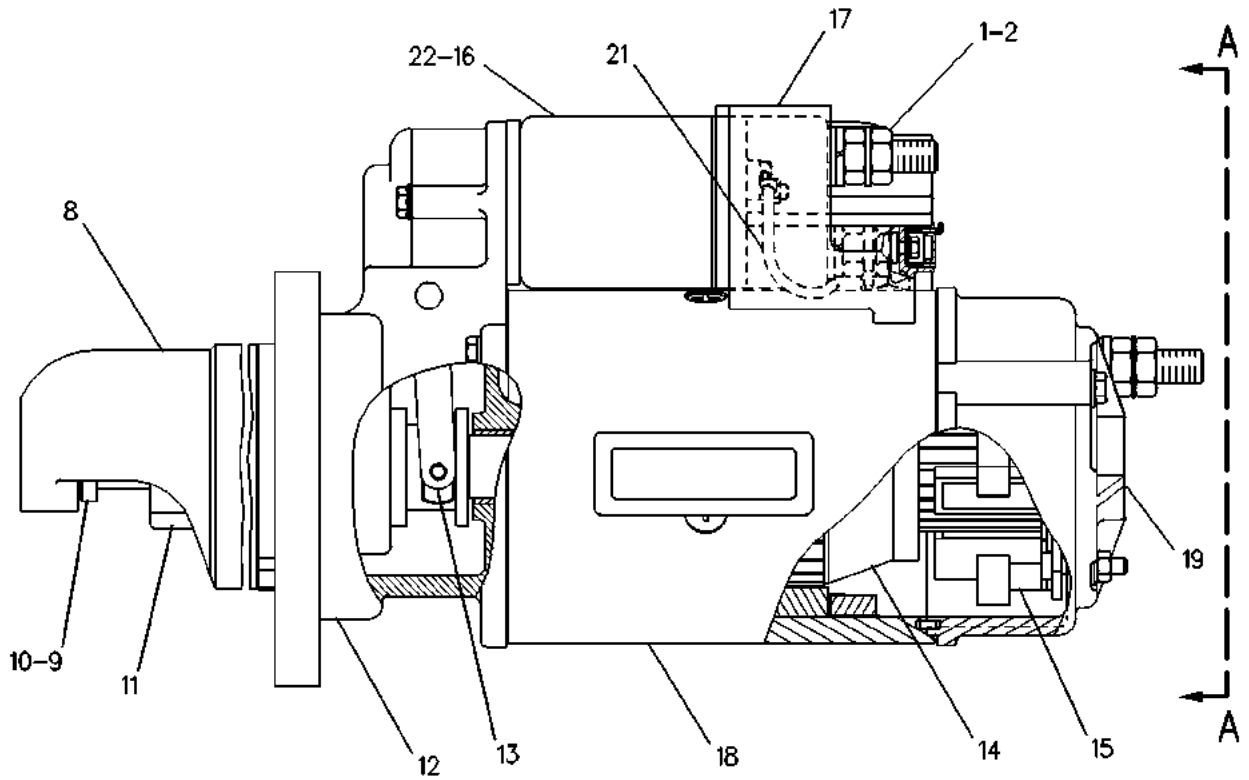
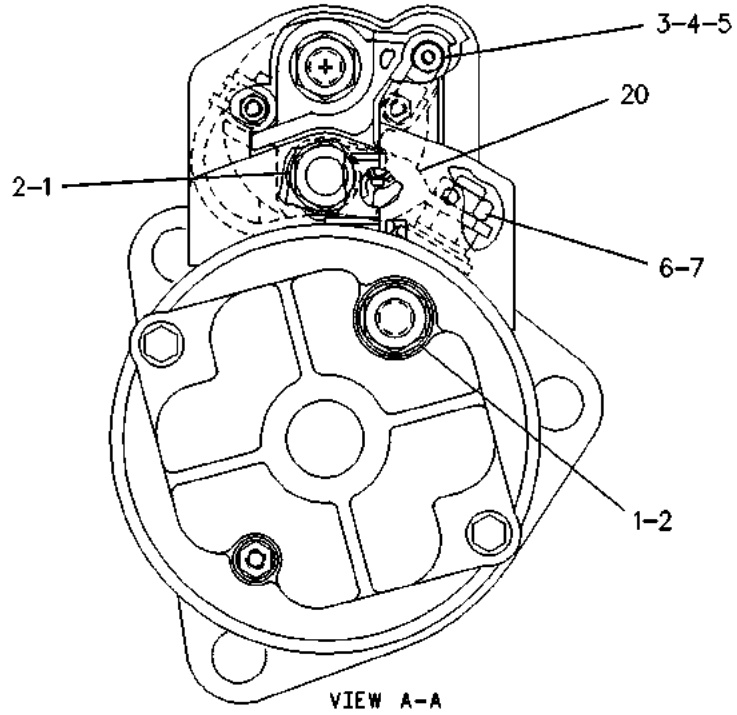
i02656360

NOTE	REF NO	GRAPHIC REF	PART NUMBER	QTY	PART NAME						SEE PAGE
					1	2	3	4	5	6 (PRODUCT LEVEL)	
	1	1	6V-8188	3	NUT (1/2-13-THD)						
	2	1	7X-0562	3	WASHER-HARD (13.5X19X0.8-MM THK)						
	3	1	4B-2049	1	NUT (10-32-THD)						
	4	1	8F-1434	1	LOCKWASHER						
	5	1	8T-0328	1	WASHER-HARD (5.5X10X1-MM THK)						
M	6	1	8T-4133	1	NUT (M10X1.5-THD)						
	7	1	8T-4121	1	WASHER-HARD (11X21X2.5-MM THK)						
	8	1	3E-0142	1	HOUSING AS						
	9	1	3E-0141	1	STOP-STARTING MOTOR						
	10	1	4N-7521	1	RING-LOCK						
	11	1	3E-0146	1	DRIVE AS-STARTING MOTOR						
	12	1	3E-0144	1	HOUSING AS						
	13	1	3E-0140	1	LEVER AS-STARTING MOTOR						
	14	1	3E-0138	1	ARMATURE AS (24-VOLT)						
	15	1	3E-0137	1	HOLDER AS-BRUSH (STARTING MOTOR)						
	16	1	3E-0135	1	SOLENOID AS (24-VOLT) (STARTING MOTOR)						
	17	1	3E-0125	1	COVER AS-STARTING MOTOR						
	18	1	3E-0139	1	HOUSING AS						
	19	1	3E-0136	1	HOUSING AS						
	20	1	3E-0132	1	CONNECTOR						
	21	1	3E-0133	1	WIRE AS-STARTING MOTOR						
	22	1	3E-0134	1	COVER-PLUNGER						
					AVAILABLE REPAIR KIT(S):						
			3E-0127	1	KIT-BEARING (INCLUDES BEARINGS, SEAL & BUSHING)						
			3E-0128	1	KIT-BRUSH (24-VOLT) (INCLUDES O-RINGS, SCREW, SPRING & BRUSH)						
			3E-0129	1	KIT-HARDWARE (24-VOLT) (INCLUDES WASHERS, BOLTS, LOCKWASHERS, NUTS, BUSHINGS & PLATE)						
			3E-0145	1	KIT-STARTING MOTOR PIN (24-VOLT) (INCLUDES O-RINGS, SHAFT & RING)						
			3E-0130	1	KIT-STARTING MOTOR SEAL (24-VOLT) (INCLUDES SEAL & O-RINGS)						
			3E-0131	1	KIT-WASHER (24-VOLT) (INCLUDES WASHERS)						
M - METRIC PART											

ELECTRICAL AND STARTING SYSTEM

6V-5582 STARTING MOTOR GP-ELECTRIC (contd.)

102656360



GRAPHIC #1

<END>

g00084516

ELECTRICAL AND STARTING SYSTEM

7C-0526 STARTING MOTOR GP-ELECTRIC-SINGLE

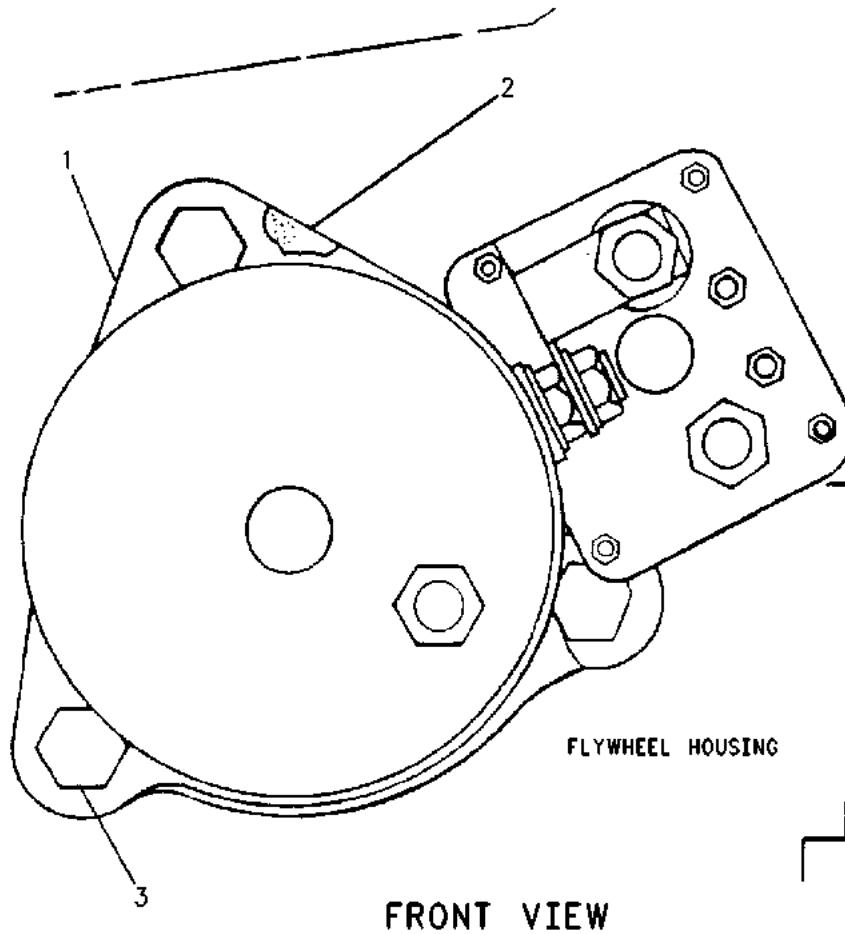
24-VOLT
AN ATTACHMENT
TYPE 1

SMCS-1453

i01211799

NOTE	REF NO	GRAPHIC REF	PART NUMBER	QTY	PART NAME						SEE PAGE
					1	2	3	4	5	6 (PRODUCT LEVEL)	
Y	1	1	6V-4246	1	STARTING MOTOR GP-ELECTRIC						1296
	2	1	4H-7869	1	GASKET						
	3	1	7J-8902	3	BOLT-12 POINT HEAD (5/8-11X1.5-IN)						

Y - SEPARATE ILLUSTRATION



GRAPHIC #1

<END>

g00647744

ELECTRICAL AND STARTING SYSTEM

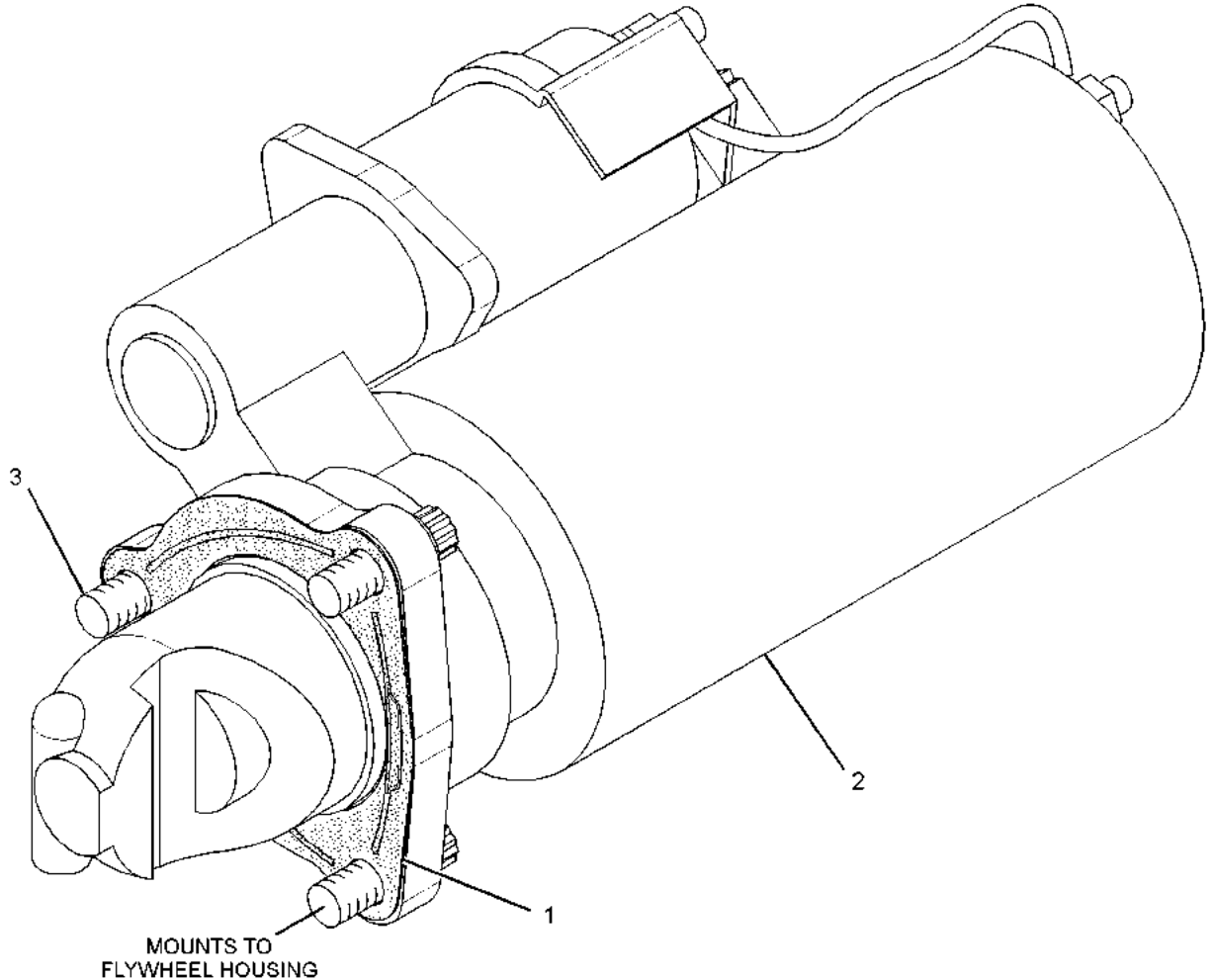
7C-0526 STARTING MOTOR GP-ELECTRIC-SINGLE 24-VOLT AN ATTACHMENT TYPE 2

SMCS-1453

i07585616

NOTE	REF NO	GRAPHIC REF	PART NUMBER	QTY	PART NAME						SEE PAGE
					1	2	3	4	5	6 (PRODUCT LEVEL)	
	1	1	9Y-6089	1	GASKET						
CYR	2	1	207-1562	1	STARTING MOTOR GP-ELECTRIC						1261
	3	1	7J-8902	3	BOLT-12 POINT HEAD (5/8-11X1.5-IN)						

C - CHANGE FROM PREVIOUS TYPE
 R - REMANUFACTURED PART MAY BE AVAILABLE
 Y - SEPARATE ILLUSTRATION



GRAPHIC #1

<END>

g01538979

ELECTRICAL AND STARTING SYSTEM

7C-0527 STARTING MOTOR GP-ELECTRIC-DUAL

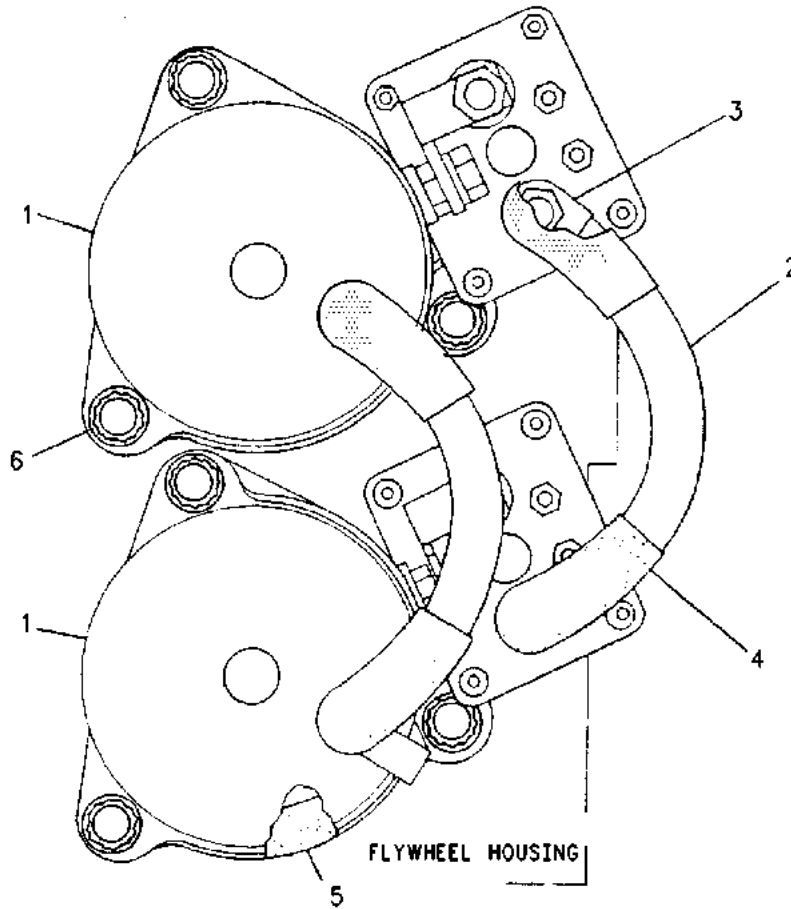
24-VOLT
AN ATTACHMENT
TYPE 1

SMCS-1453

i04380997

NOTE	REF NO	GRAPHIC REF	PART NUMBER	QTY	PART NAME						SEE PAGE
					1	2	3	4	5	6 (PRODUCT LEVEL)	
Y	1	1	6V-4246	2	STARTING MOTOR GP-ELECTRIC						1296
	2	1	7L-5887	2	CABLE AS (0000-GA) (EACH INCLUDES)						
BE		1	5P-0745		CABLE (0000-GA)						
	3	1	3L-7634	2	TERMINAL-RING (0000-GA, 1/2-IN SCREW)						
	4	1	3L-7604	4	SHIELD-TERMINAL						
	5	1	4H-7869	2	GASKET						
	6	1	7J-8902	6	BOLT-12 POINT HEAD (5/8-11X1.5-IN)						

B - USE AS REQUIRED
E - ORDER BY THE CENTIMETER
Y - SEPARATE ILLUSTRATION



FRONT VIEW

GRAPHIC #1

<END>

g00647750

ELECTRICAL AND STARTING SYSTEM

7C-0527 STARTING MOTOR GP-ELECTRIC-DUAL

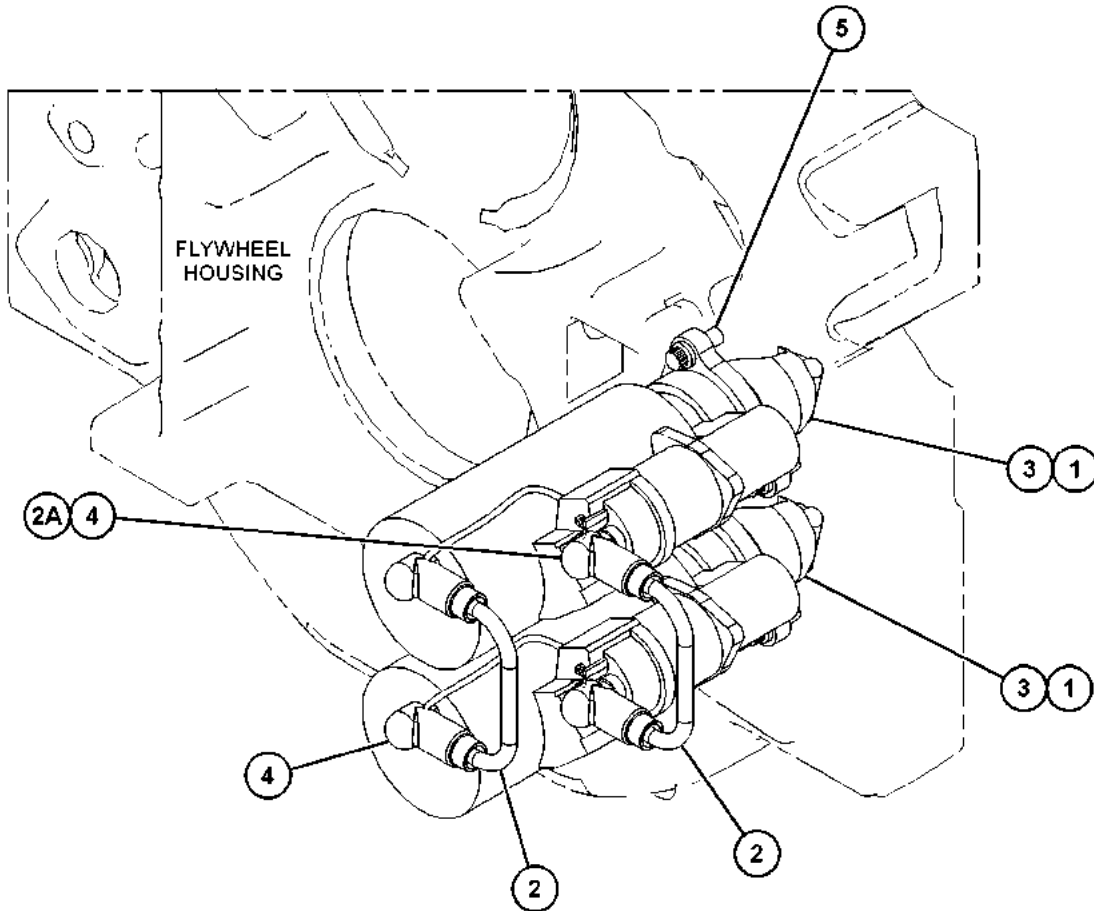
24-VOLT
AN ATTACHMENT
TYPE 2

SMCS-1453

i07090136

NOTE	REF NO	GRAPHIC REF	PART NUMBER	QTY	PART NAME						SEE PAGE
					1	2	3	4	5	6 (PRODUCT LEVEL)	
	1	1	4H-7869	2	GASKET						
	2	1	7L-5887	2	CABLE AS (0000-GA)						
					(EACH INCLUDES)						
	2A	1	3L-7634	2	TERMINAL-RING (0000-GA, 1/2-IN SCREW)						
	BE	1	5P-0745		CABLE (0000-GA) (25.4-CM)						
	YR	3	207-1562	2	STARTING MOTOR GP-ELECTRIC						1261
	4	1	294-2319	4	COVER-TERMINAL (BLACK)						
	5	1	7J-8902	6	BOLT-12 POINT HEAD (5/8-11X1.5-IN)						

B - USE AS REQUIRED
E - ORDER BY THE CENTIMETER
R - REMANUFACTURED PART MAY BE AVAILABLE
Y - SEPARATE ILLUSTRATION



GRAPHIC #1

<END>

g06222424

ELECTRICAL AND STARTING SYSTEM

8N-3896 STARTING MOTOR GP-ELECTRIC-DUAL

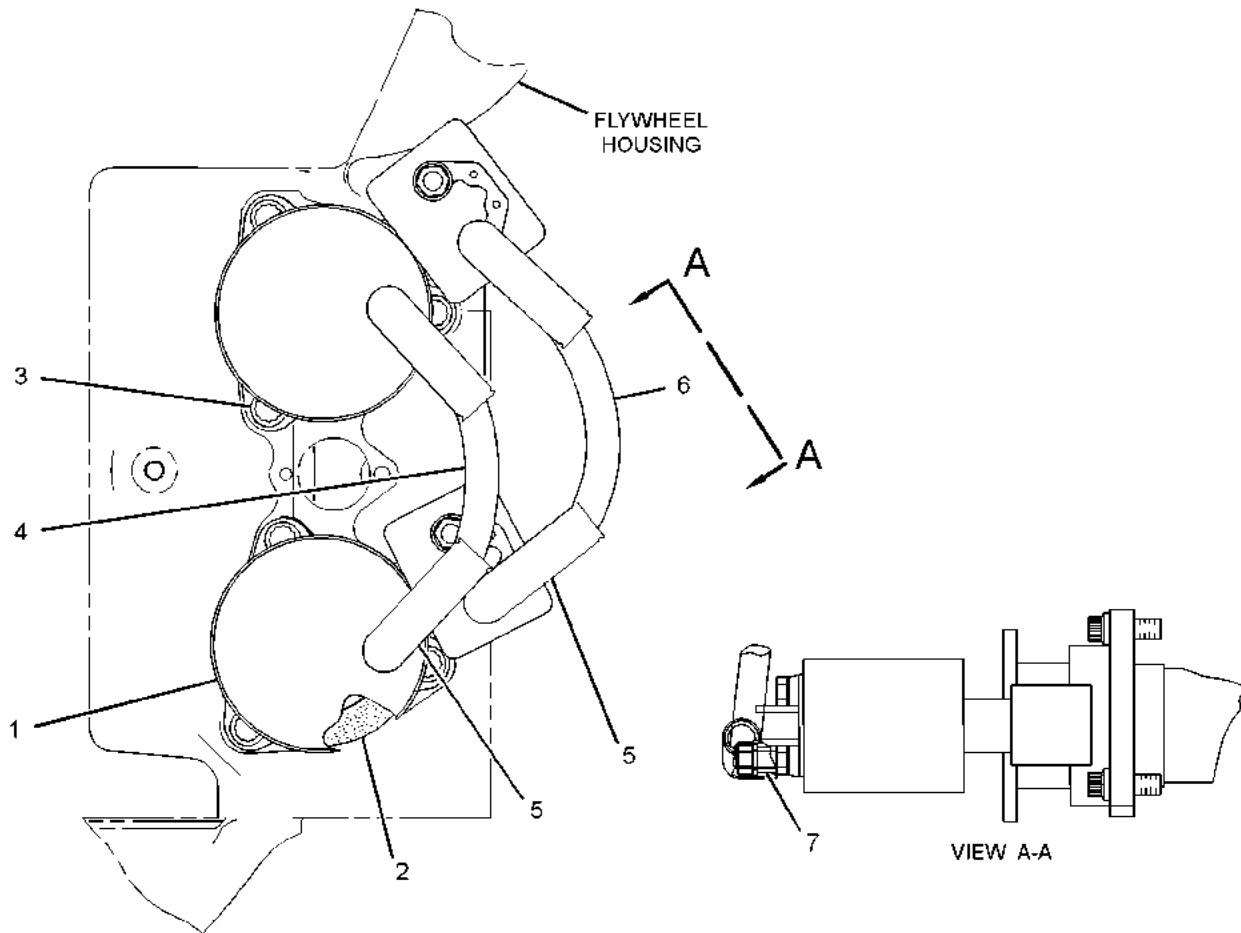
24-VOLT
AN ATTACHMENT
TYPE 1

SMCS-1453

i04832849

NOTE	REF NO	GRAPHIC REF	PART NUMBER	QTY	PART NAME						SEE PAGE
					1	2	3	4	5	6	
Y	1	1	6V-0927	2	STARTING MOTOR GP-ELECTRIC						1293
C	2	1	9Y-6089	2	GASKET						
	3	1	7J-8902	6	BOLT-12 POINT HEAD (5/8-11X1.5-IN)						
	4	1	7L-5887	1	CABLE AS (0000-GA)						
		1	5P-0745		CABLE (0000-GA)						
BE		1	3L-7634	2	TERMINAL-RING (0000-GA, 1/2-IN SCREW)						
	5	1	3L-7604	4	SHIELD-TERMINAL						
	6	1	4L-6155	1	CABLE AS (0000-GA)						
BE		1	5P-0745		CABLE (0000-GA)						
		1	3L-7634	2	TERMINAL-RING (0000-GA, 1/2-IN SCREW)						
	7	1	3L-6836	1	SPACER (0.5X0.75X0.56-IN THK)						

B - USE AS REQUIRED
 C - CHANGE FROM PREVIOUS TYPE
 E - ORDER BY THE CENTIMETER
 Y - SEPARATE ILLUSTRATION



FRONT VIEW OF ENGINE

GRAPHIC #1

<END>

g01539094

ELECTRICAL AND STARTING SYSTEM

8N-3896 STARTING MOTOR GP-ELECTRIC-DUAL

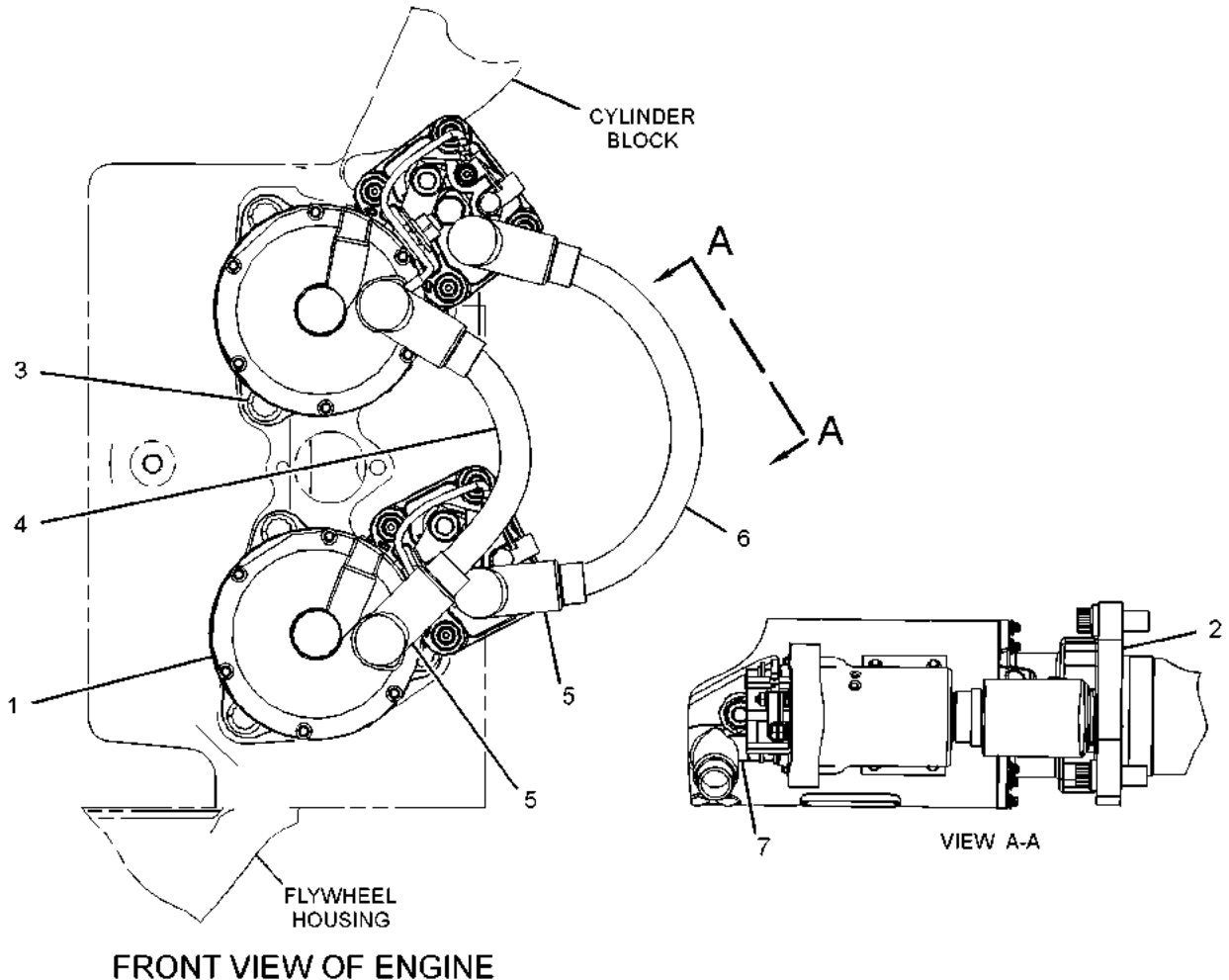
24-VOLT
AN ATTACHMENT
TYPE 2

SMCS-1453

i07175207

NOTE	REF NO	GRAPHIC REF	PART NUMBER	QTY	PART NAME						SEE PAGE	
					1	2	3	4	5	6 (PRODUCT LEVEL)		
CYR	1	1	352-9766	2	STARTING MOTOR GP-ELECTRIC (24-VOLT)						1270	
	2	1	9Y-6089	2	GASKET							
	3	1	7J-8902	6	BOLT-12 POINT HEAD (5/8-11X1.5-IN)							
	4	1	7L-5887	1	CABLE AS (0000-GA)							
			1	3L-7634	2	TERMINAL-RING (0000-GA, 1/2-IN SCREW)						
	C	5	1	294-2319	4	COVER-TERMINAL (BLACK)						
		6	1	4L-6155	1	CABLE AS (0000-GA)						
	7	1	3L-6836	1	SPACER (0.5X0.75X0.56-IN THK)							

C - CHANGE FROM PREVIOUS TYPE
R - REMANUFACTURED PART MAY BE AVAILABLE
Y - SEPARATE ILLUSTRATION



GRAPHIC #1

<END>

g03370486

ELECTRICAL AND STARTING SYSTEM

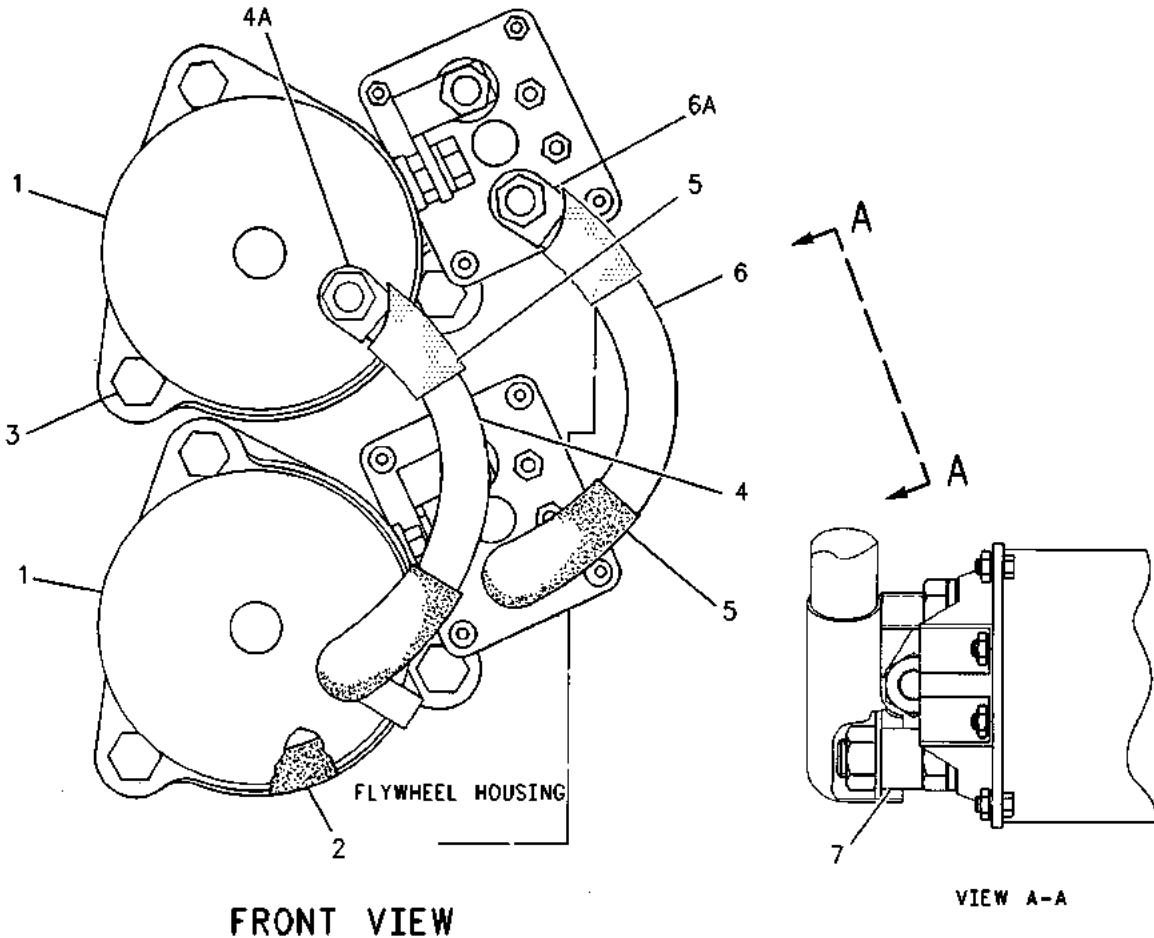
8N-3897 STARTING MOTOR GP-ELECTRIC-DUAL 32-VOLT. DC-STANDARD ROTATION AN ATTACHMENT

SMCS-1453

i03114051

NOTE	REF NO	GRAPHIC REF	PART NUMBER	QTY	PART NAME						SEE PAGE
					1	2	3	4	5	6	
Y	1	1	6V-0508	2	STARTING MOTOR GP-ELECTRIC						1284
	2	1	9Y-6089	2	GASKET						
	3	1	7J-8902	6	BOLT-12 POINT HEAD (5/8-11X1.5-IN)						
	4	1	7L-5887	1	CABLE AS (0000-GA)						
	4A	1	3L-7634	2	TERMINAL-RING (0000-GA, 1/2-IN SCREW)						
	5	1	3L-7604	4	SHIELD-TERMINAL						
	6	1	4L-6155	1	CABLE AS (0000-GA)						
	6A	1	3L-7634	2	TERMINAL-RING (0000-GA, 1/2-IN SCREW)						
	7	1	3L-6836	1	SPACER (0.5X0.75X0.56-IN THK)						

Y - SEPARATE ILLUSTRATION



GRAPHIC #1

<END>

g00712235

ELECTRICAL AND STARTING SYSTEM

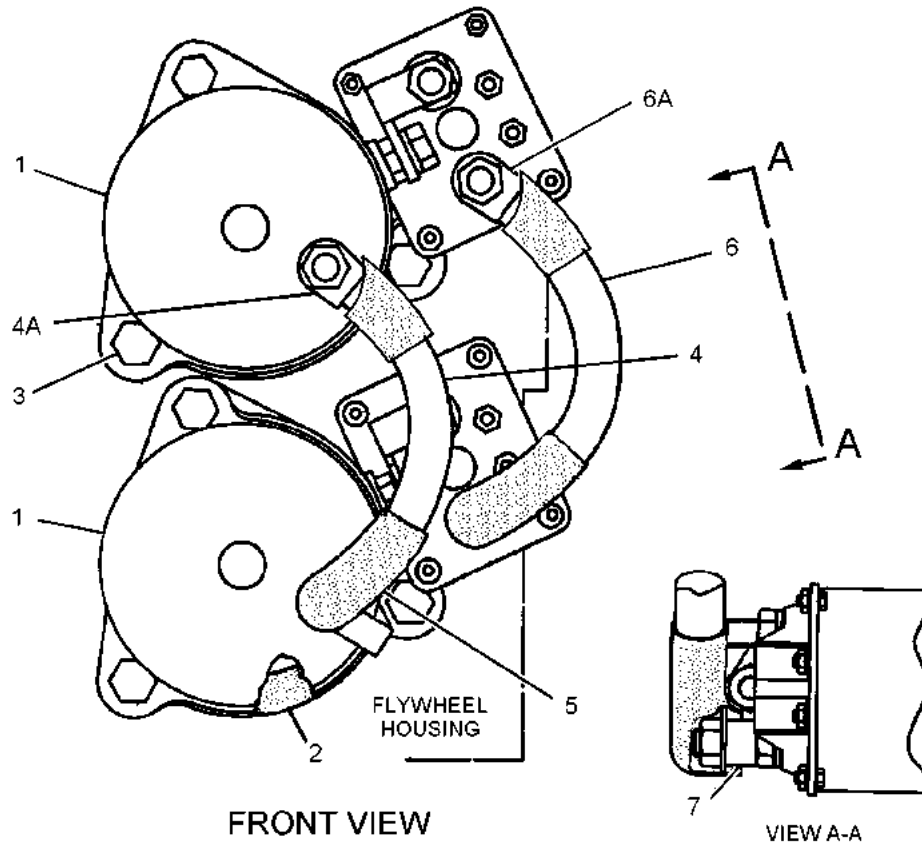
8N-3898 STARTING MOTOR GP-ELECTRIC-DUAL 24-VOLT. REVERSE ROTATION AN ATTACHMENT TYPE 1

SMCS-1453

i03114050

NOTE	REF NO	GRAPHIC REF	PART NUMBER	QTY	PART NAME						SEE PAGE
					1	2	3	4	5	6	
Y	1	1	6V-0511	2	STARTING MOTOR GP-ELECTRIC						1287
	2	1	9Y-6089	2	GASKET						
	3	1	7J-8902	6	BOLT-12 POINT HEAD (5/8-11X1.5-IN)						
	4	1	7L-5887	1	CABLE AS (0000-GA)						
	4A	1	3L-7634	2	TERMINAL-RING (0000-GA, 1/2-IN SCREW)						
	5	1	3L-7604	4	SHIELD-TERMINAL						
	6	1	4L-6155	1	CABLE AS (0000-GA)						
	6A	1	3L-7634	2	TERMINAL-RING (0000-GA, 1/2-IN SCREW)						
	7	1	3L-6836	1	SPACER (0.5X0.75X0.56-IN THK)						

Y - SEPARATE ILLUSTRATION



GRAPHIC #1

<END>

g0118891

ELECTRICAL AND STARTING SYSTEM

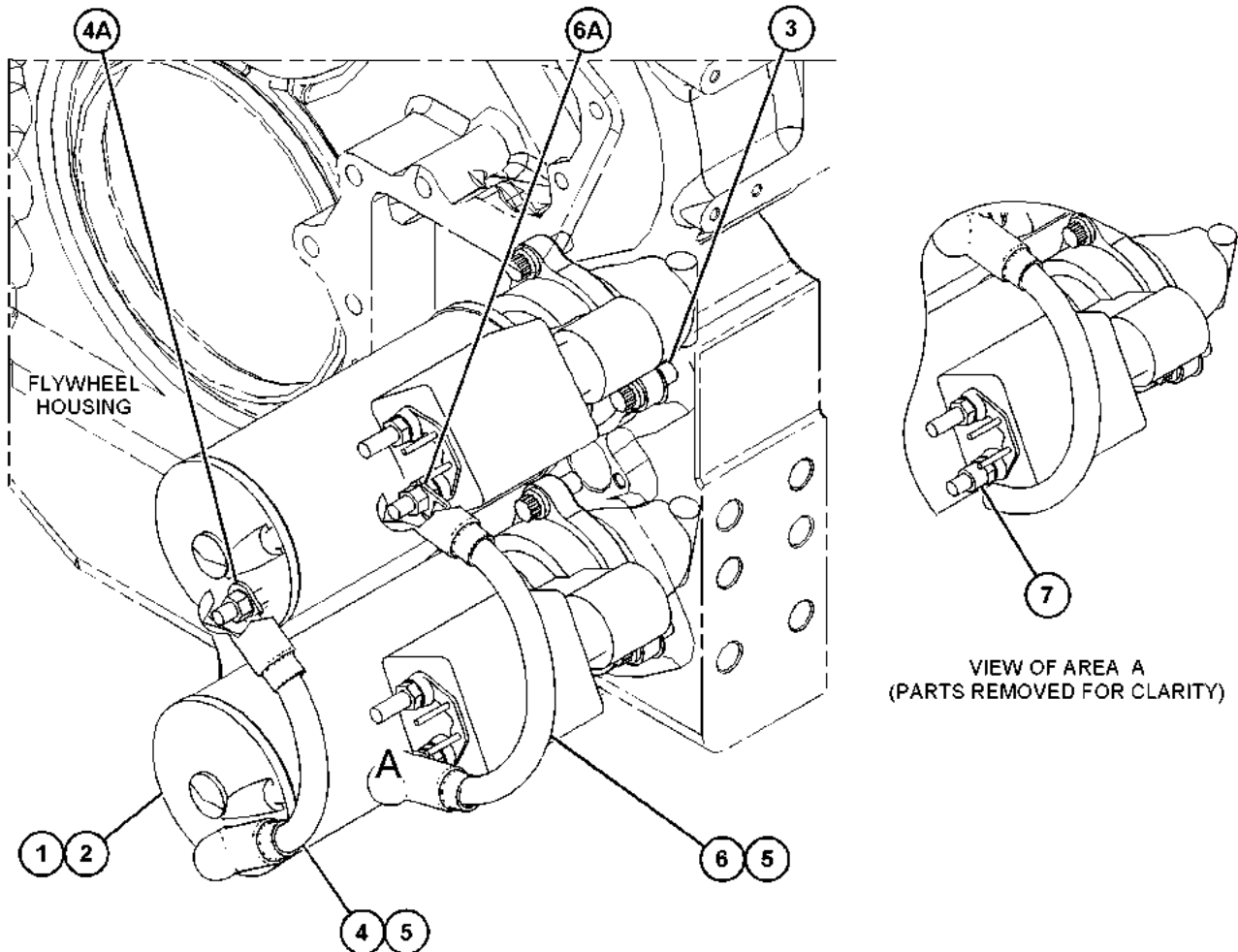
8N-3898 STARTING MOTOR GP-ELECTRIC-DUAL 24-VOLT. REVERSE ROTATION AN ATTACHMENT TYPE 2

SMCS-1453

i05916770

NOTE	REF NO	GRAPHIC REF	PART NUMBER	QTY	PART NAME						SEE PAGE
					1	2	3	4	5	6 (PRODUCT LEVEL)	
CYR	1	1	363-9837	2	STARTING MOTOR GP-ELECTRIC						1273
	2	1	9Y-6089	2	GASKET						
	3	1	7J-8902	6	BOLT-12 POINT HEAD (5/8-11X1.5-IN)						
	4	1	7L-5887	1	CABLE AS (0000-GA)						
	4A	1	3L-7634	2	TERMINAL-RING (0000-GA, 1/2-IN SCREW)						
C	5	1	294-2319	4	COVER-TERMINAL (BLACK)						
	6	1	4L-6155	1	CABLE AS (0000-GA)						
	6A	1	3L-7634	2	TERMINAL-RING (0000-GA, 1/2-IN SCREW)						
	7	1	3L-6836	1	SPACER (0.5X0.75X0.56-IN THK)						

C - CHANGE FROM PREVIOUS TYPE
R - REMANUFACTURED PART MAY BE AVAILABLE
Y - SEPARATE ILLUSTRATION



GRAPHIC #1

<END>

g03746722

ELECTRICAL AND STARTING SYSTEM

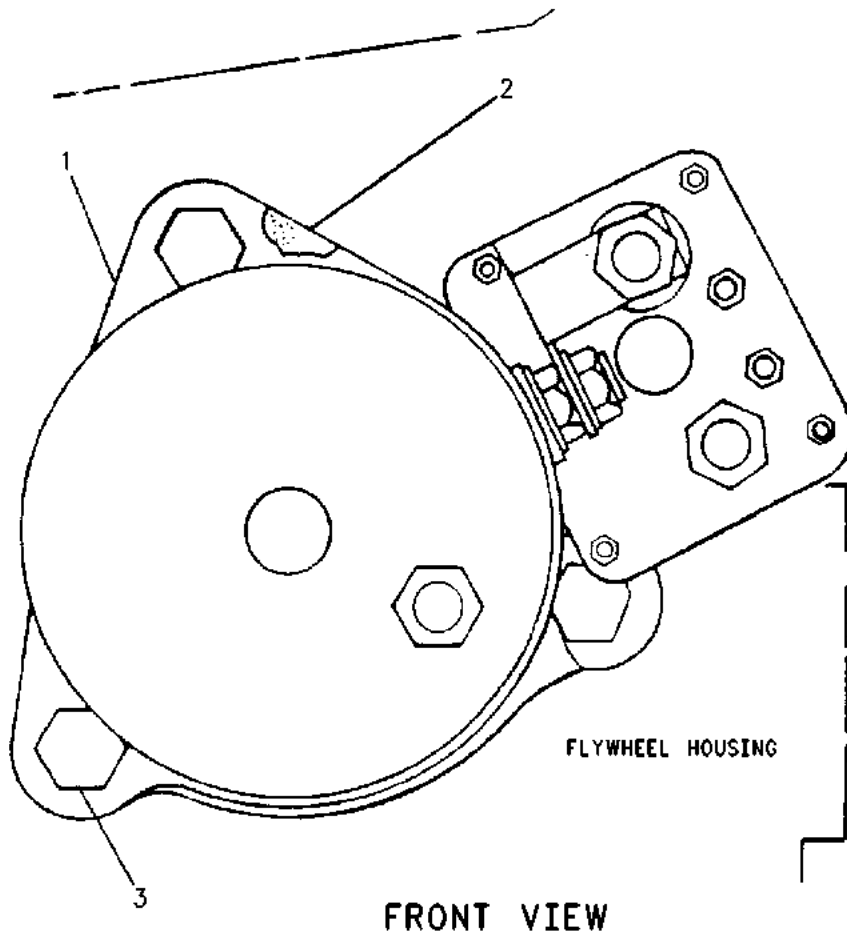
8N-7253 STARTING MOTOR GP-ELECTRIC-SINGLE 24-VOLT-REVERSE ROTATION FOR USE WITH AUTO START-STOP SYSTEMS AN ATTACHMENT TYPE 1

SMCS-1453

i01212196

NOTE	REF NO	GRAPHIC REF	PART NUMBER	QTY	PART NAME						SEE PAGE
					1	2	3	4	5	6 (PRODUCT LEVEL)	
CY	1	1	6V-0511	1	STARTING MOTOR GP-ELECTRIC						1287
	2	1	4H-7869	1	GASKET						
	3	1	7J-8902	3	BOLT-12 POINT HEAD (5/8-11X1.5-IN)						

C - CHANGE FROM PREVIOUS TYPE
Y - SEPARATE ILLUSTRATION



GRAPHIC #1

<END>

g00647744

ELECTRICAL AND STARTING SYSTEM

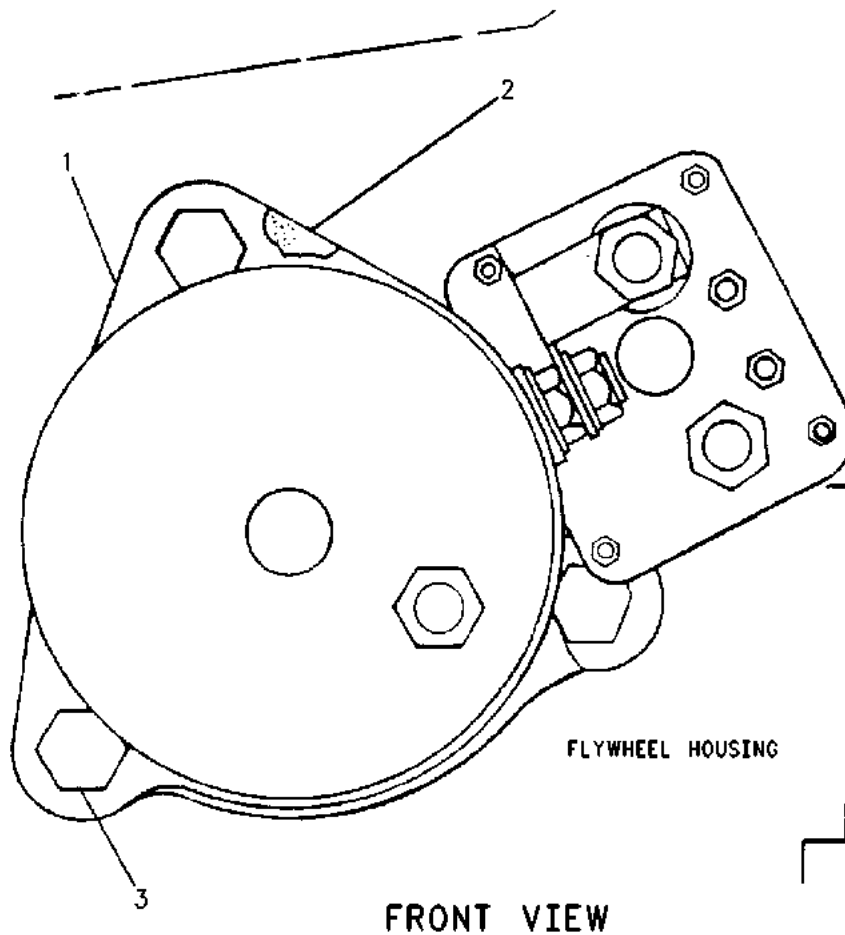
8N-7253 STARTING MOTOR GP-ELECTRIC-SINGLE 24-VOLT-REVERSE ROTATION FOR USE WITH AUTO START-STOP SYSTEMS AN ATTACHMENT TYPE 2

SMCS-1453

i05916825

NOTE	REF NO	GRAPHIC REF	PART NUMBER	QTY	PART NAME						SEE PAGE
					1	2	3	4	5	6 (PRODUCT LEVEL)	
CYR	1	1	363-9837	1	STARTING MOTOR GP-ELECTRIC						1273
	2	1	4H-7869	1	GASKET						
	3	1	7J-8902	3	BOLT-12 POINT HEAD (5/8-11X1.5-IN)						

C - CHANGE FROM PREVIOUS TYPE
R - REMANUFACTURED PART MAY BE AVAILABLE
Y - SEPARATE ILLUSTRATION



GRAPHIC #1

<END>

g00647744

ELECTRICAL AND STARTING SYSTEM

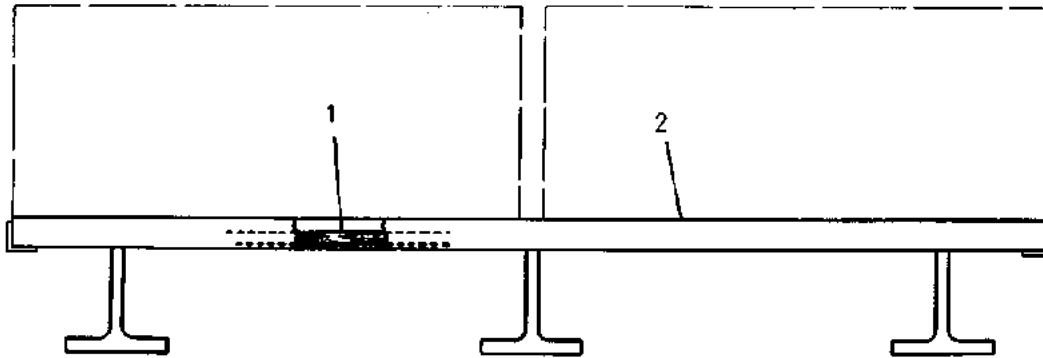
3N-7056 SUPPORT GP-BATTERY

FLOOR TYPE, 2-BATTERY
AN ATTACHMENT

SMCS-7257

i07039968

NOTE	REF NO	GRAPHIC REF	PART NUMBER	QTY	PART NAME						SEE PAGE
					1	2	3	4	5	6 (PRODUCT LEVEL)	
	1	1	3N-7055	1	BOARD						
	2	1	3N-7054	1	SUPPORT AS-BATTERY						



GRAPHIC #1

<END>

g00729953

ELECTRICAL AND STARTING SYSTEM

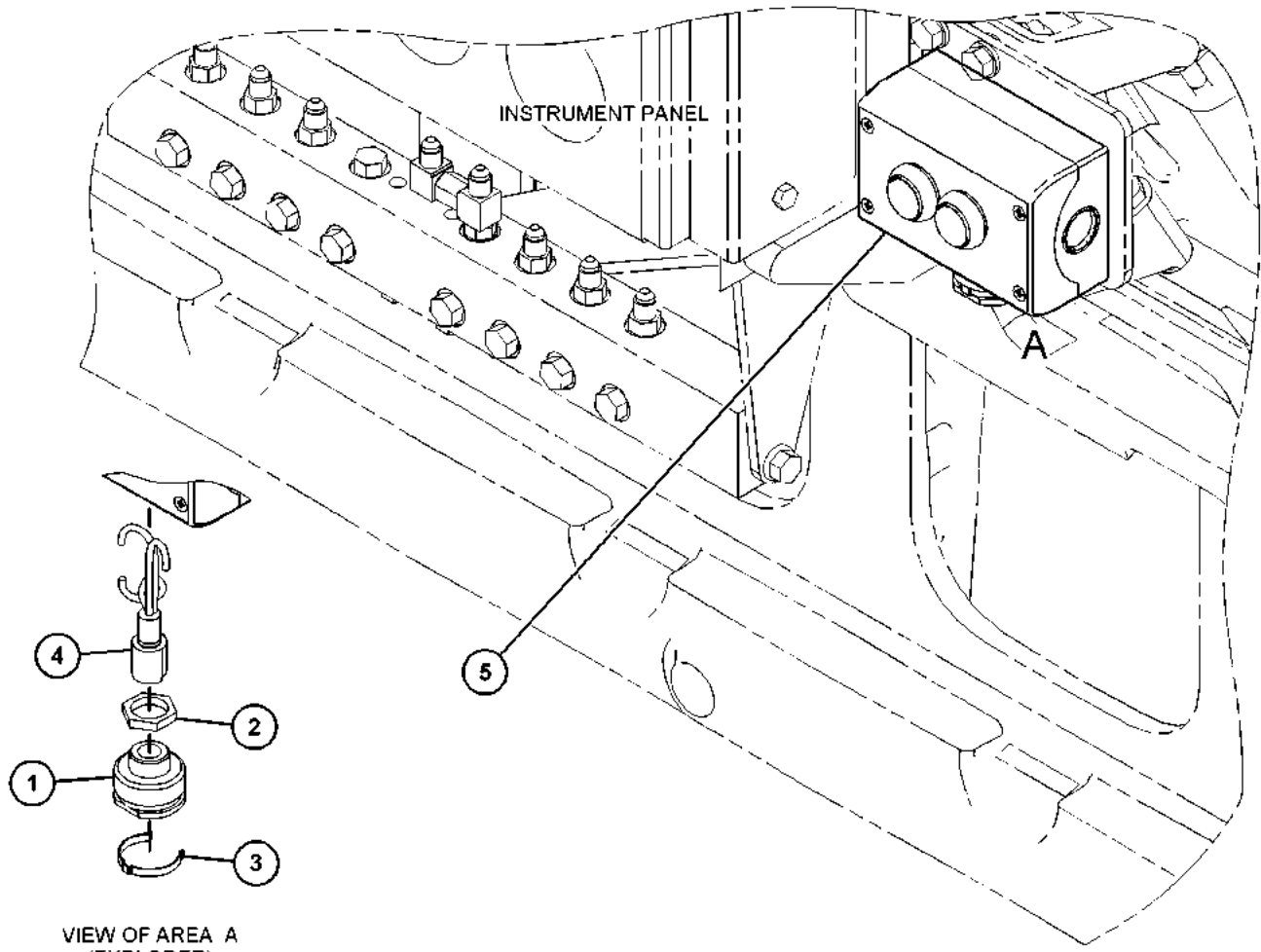
454-7489 SWITCH AS-PUSH BUTTON

PART OF 5N-8166 CONTROL GP-AIR STARTING, 5N-8167 SWITCH GP-ENGINE START
AN ATTACHMENT

SMCS-1416, 7332

i05868669

NOTE	REF NO	GRAPHIC REF	PART NUMBER	QTY	PART NAME						SEE PAGE
					1	2	3	4	5	6 (PRODUCT LEVEL)	
	1	1	5N-8943	1	ADAPTER						
	2	1	3F-2065	1	LOCKNUT (1/2-14-THD)						
	3	1	5N-9073	1	CLIP						
	4	1	454-6822	1	HARNESS AS-SWITCH (START)						
		1	7N-7779	1	SOCKET-CONNECTOR (14-GA TO 18-GA)						
		1	7N-7780	2	PIN-CONNECTOR (14-GA TO 18-GA)						
		1	7N-7781	1	HOUSING-RECEPTACLE (14-GA TO 18-GA)						
5	1	1	454-7477	1	SWITCH AS-PUSH BUTTON (START)						



VIEW OF AREA A
(EXPLODED)

GRAPHIC #1

<END>

g03708207

ELECTRICAL AND STARTING SYSTEM

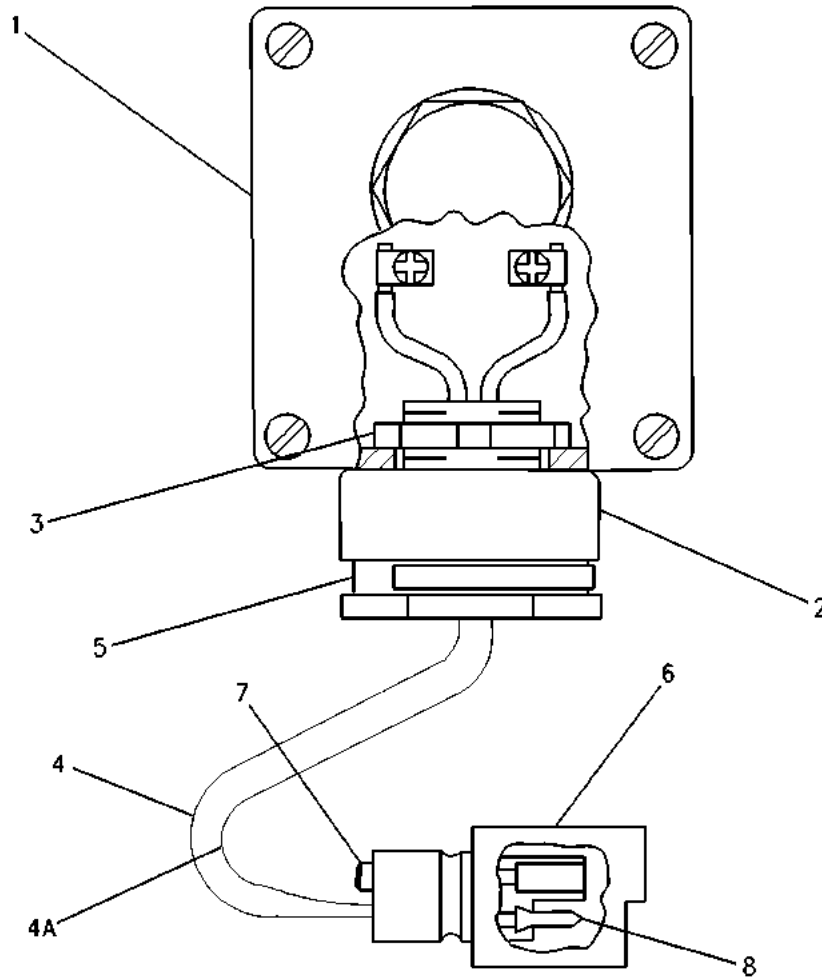
6I-1998 SWITCH AS-PUSH BUTTON-START PART OF 8N-8491 CONTROL GP-AIR STARTING AN ATTACHMENT

SMCS-1416, 7332

i04574955

NOTE	REF NO	GRAPHIC REF	PART NUMBER	QTY	PART NAME						SEE PAGE
					1	2	3	4	5	6 (PRODUCT LEVEL)	
	1	1	6I-1997	1	SWITCH (ENGINE START)						
	2	1	5N-8943	1	ADAPTER						
	3	1	3F-2065	1	LOCKNUT (1/2-14-THD)						
D	4	1	5P-5624		WIRE (14-GA, BLACK) (0.1-M)						
D	4A	1	5P-5624		WIRE (14-GA, BLACK) (0.1-M)						
	5	1	5N-9073	1	CLIP						
	6	1	7N-7781	1	HOUSING-RECEPTACLE (14-GA TO 18-GA)						
	7	1	9G-3695	1	PLUG-SEAL						
	8	1	7N-7780	2	PIN-CONNECTOR (14-GA TO 18-GA)						

D - ORDER BY THE METER



GRAPHIC #1

<END>

g00740718

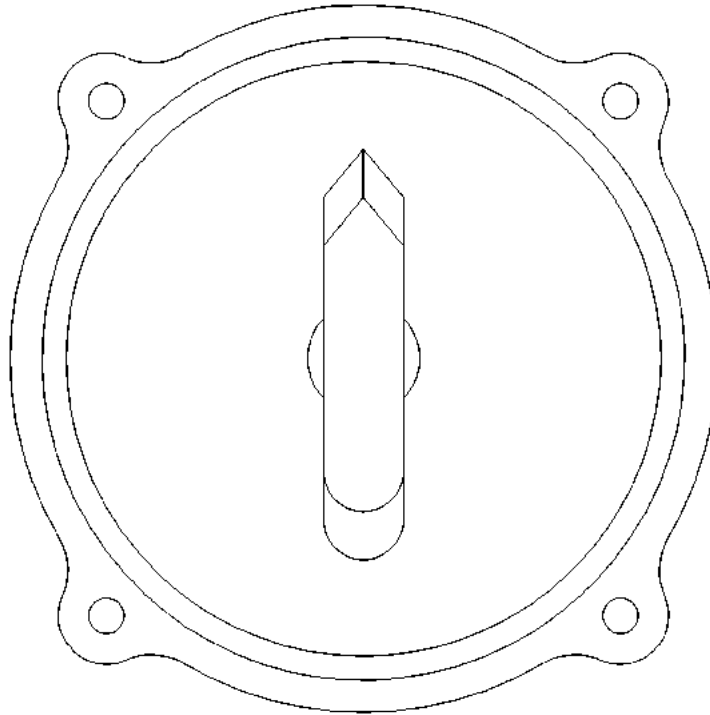
ELECTRICAL AND STARTING SYSTEM

158-4240 SWITCH AS-SELECTOR 18-POSITION FOR USE WITH THERMOCOUPLE, PYROMETER SYSTEMS AN ATTACHMENT

SMCS-1400

i07051308

NOTE	REF NO	GRAPHIC REF	PART NUMBER	QTY	PART NAME	SEE PAGE
					1 2 3 4 5 6 (PRODUCT LEVEL)	
(NO SERVICED PARTS)						



GRAPHIC #1

<END>

g00580317

ELECTRICAL AND STARTING SYSTEM

3N-8271 SWITCH AS-SELECTOR

18-POSITION

FOR USE WITH THERMOCOUPLE THERMOMETER
AN ATTACHMENT

SMCS-1400

i01103165

NOTE	PART NUMBER	QTY	PART NAME 1 2 3 4 5 6 (PRODUCT LEVEL)	SEE PAGE
(NO SERVICED PARTS)				
<END>				

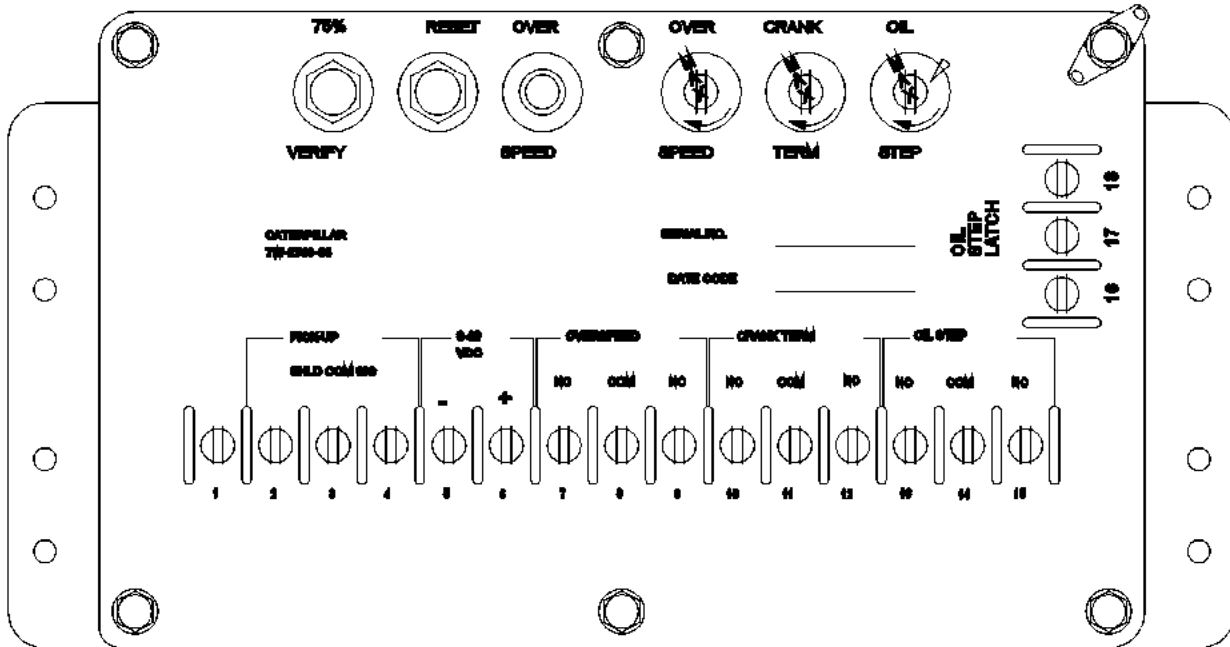
ELECTRICAL AND STARTING SYSTEM

379-3359 SWITCH AS-SPEED*R PART OF 7C-5029, 7C-5030 BOX GP-JUNCTION ALSO AN ATTACHMENT

SMCS-1915

i05957219

NOTE	REF NO	GRAPHIC REF	PART NUMBER	QTY	PART NAME 1 2 3 4 5 6 (PRODUCT LEVEL)	SEE PAGE
(NO SERVICED PARTS)						



GRAPHIC #1

<END>

g01173126

ELECTRICAL AND STARTING SYSTEM

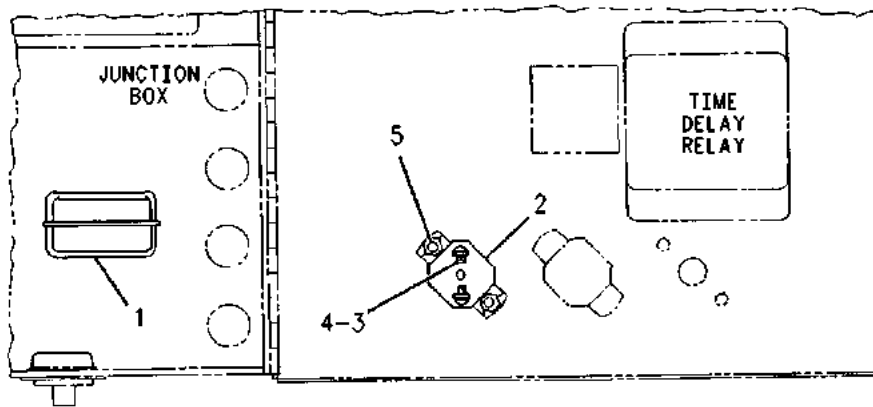
2W-8956 SWITCH GP-ENGINE

PART OF 174-1417 BOX GP-JUNCTION, 7W-8053, 7W-8054 SHUTOFF GP-ELECTRICAL
AN ATTACHMENT

SMCS-7332

i05645558

NOTE	REF NO	GRAPHIC REF	PART NUMBER	QTY	PART NAME						SEE PAGE
					1	2	3	4	5	6 (PRODUCT LEVEL)	
	1	1	3E-6477	1	RELAY AS (24-VOLT) (SHUTOFF)						
	2	1	6T-3644	1	CIRCUIT BREAKER AS (20-AMPERE)						
		1	6V-8376	2	SCREW-MACHINE (8-32X0.25-IN)						
		1	9B-7233	2	LOCKWASHER						
	3	1	7S-4338	2	SCREW-MACHINE (8-32X0.75-IN)						



GRAPHIC #1

<END>

g00698297

ELECTRICAL AND STARTING SYSTEM

4P-2586 SWITCH GP-ENGINE

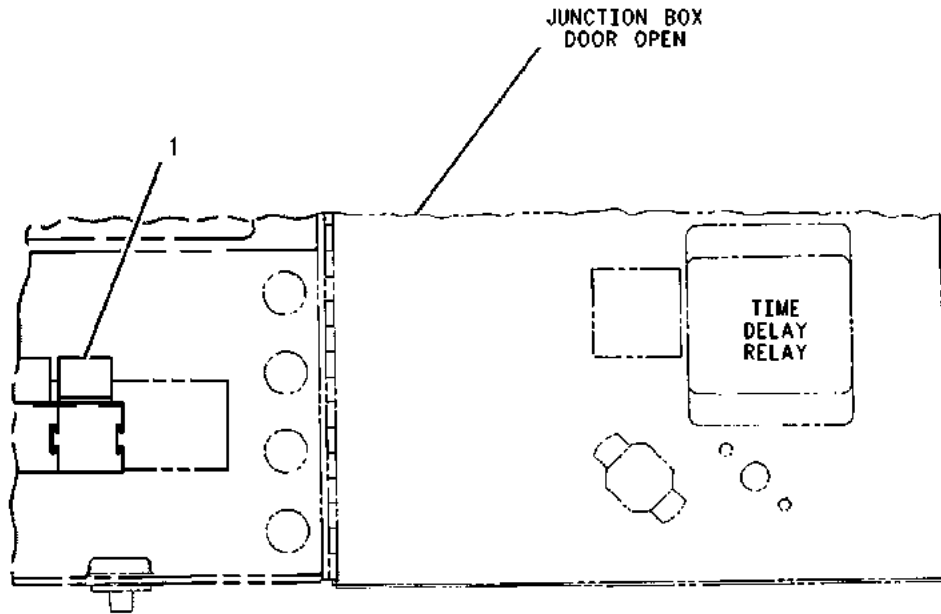
24-VOLT

FOR USE WITH ELECTRICAL SHUT-OFF SYSTEM AND ETHER AID
AN ATTACHMENT

SMCS-7332

i07000870

NOTE	REF NO	GRAPHIC REF	PART NUMBER	QTY	PART NAME						SEE PAGE
					1	2	3	4	5	6 (PRODUCT LEVEL)	
	1	1	3E-6477	1	RELAY AS (24-VOLT) (SLAVE)						



GRAPHIC #1

<END>

g00744126

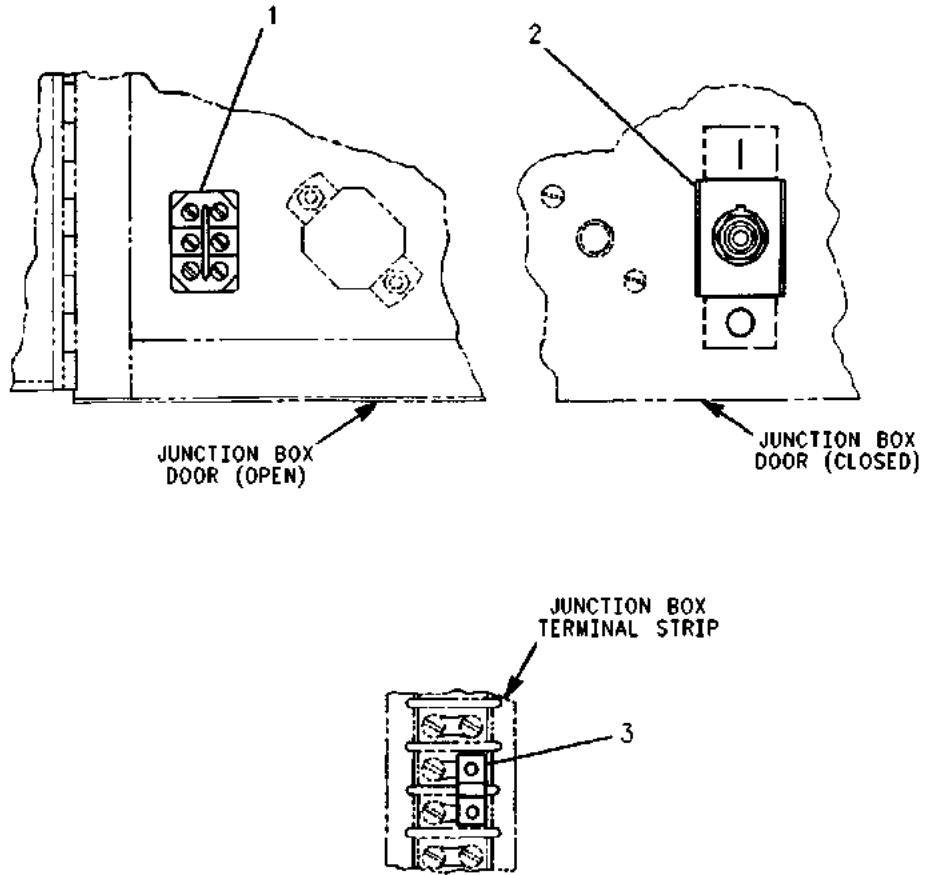
ELECTRICAL AND STARTING SYSTEM

7W-8051 SWITCH GP-ENGINE-SHUTOFF PART OF 7C-5237, 7C-5275, 7W-8053, 7W-8054 SHUTOFF GP-ELECTRICAL ALSO AN ATTACHMENT

SMCS-7332

i02235645

NOTE	REF NO	GRAPHIC REF	PART NUMBER	QTY	PART NAME						SEE PAGE
					1	2	3	4	5	6 (PRODUCT LEVEL)	
	1	1	5N-0364	1	SWITCH AS-TOGGLE (ENGINE SHUTOFF)						
	2	1	5N-0361	1	GUARD						
	3	1	5N-5159	1	JUMPER-STRIP						



GRAPHIC #1

<END>

g00698260

ELECTRICAL AND STARTING SYSTEM

5N-8167 SWITCH GP-ENGINE START

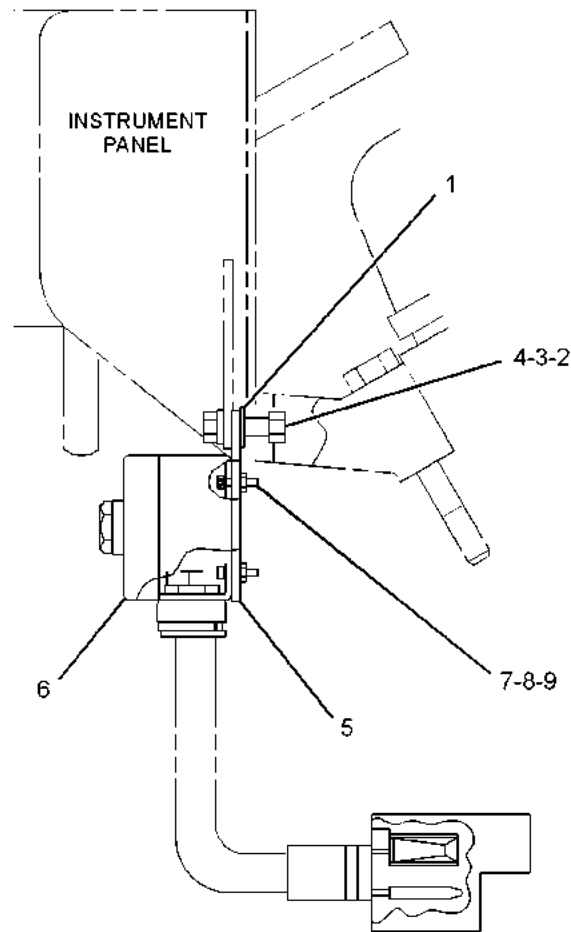
FOR USE WITH HYDRO-MECHANICAL SYSTEM, ELECTRIC STARTING MOTORS & ELECTRIC AIR START
CONTROLS (DUAL)
AN ATTACHMENT

SMCS-1416

i05868646

NOTE	REF NO	GRAPHIC REF	PART NUMBER	QTY	PART NAME						SEE PAGE
					1	2	3	4	5	6 (PRODUCT LEVEL)	
	1	1	5P-1075	2	WASHER-HARD (10.2X22.5X3-MM THK)						
	2	1	0S-1591	2	BOLT (3/8-16X1.5-IN)						
	3	1	5M-2894	2	WASHER-HARD (10.2X18.5X2.5-MM THK)						
	4	1	9S-8752	2	NUT-FULL (3/8-16-THD)						
	5	1	45A-4749	1	PLATE						
Y	6	1	45A-7489	1	SWITCH AS-PUSH BUTTON (ENGINE START)						1314
	7	1	7D-5473	4	BOLT-SOCKET HEAD (8-32X0.75-IN)						
	8	1	3B-4501	4	LOCKWASHER						
	9	1	4B-2043	4	NUT (8-32-THD)						

Y - SEPARATE ILLUSTRATION



RIGHT SIDE VIEW OF ENGINE

GRAPHIC #1

<END>

g01885593

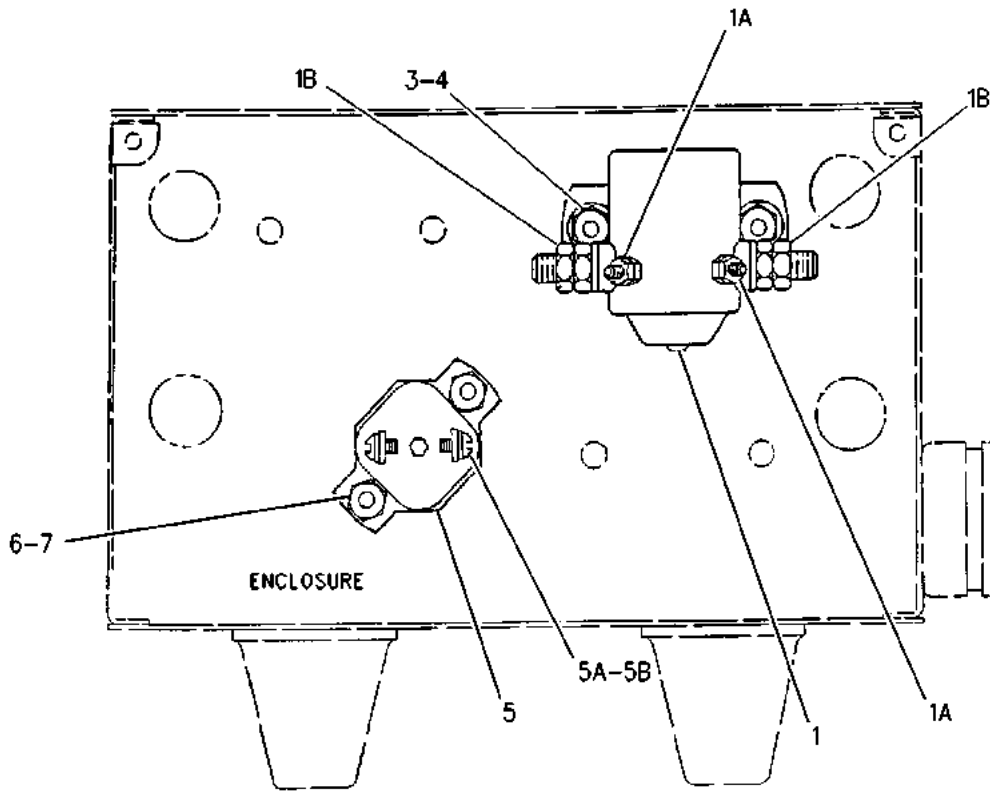
ELECTRICAL AND STARTING SYSTEM

4W-4753 SWITCH GP-MAGNETIC FOR USE WITH SINGLE 24-VOLT ELECTRIC STARTING MOTOR AN ATTACHMENT

SMCS-7499

i02658996

NOTE	REF NO	GRAPHIC REF	PART NUMBER	QTY	PART NAME						SEE PAGE
					1	2	3	4	5	6 (PRODUCT LEVEL)	
	1	1	9F-3099	1	SWITCH GP-MAGNETIC (24-VOLT) (STARTING MOTOR)						
	1A	1	6V-8377	2	NUT (8-32-THD)						
		1	3B-4501	2	LOCKWASHER						
	1B	1	6V-8186	2	NUT-FULL (5/16-24-THD)						
		1	3F-9556	2	LOCKWASHER						
	3	1	5P-0537	2	WASHER-HARD (7.2X14.5X2-MM THK)						
	4	1	9S-8750	2	NUT-FULL (1/4-20-THD)						
	5	1	1N-9770	1	CIRCUIT BREAKER AS (12.5-AMPERE)						
	5A	1	6V-8376	2	SCREW-MACHINE (8-32X0.25-IN)						
	5B	1	9B-7233	2	LOCKWASHER						
	6	1	3K-8106	2	SCREW-MACHINE (8-32X1-IN)						
	7	1	4B-4863	2	WASHER (4.7X11X1.2-MM THK)						



GRAPHIC #1

<END>

g00727558

ELECTRICAL AND STARTING SYSTEM

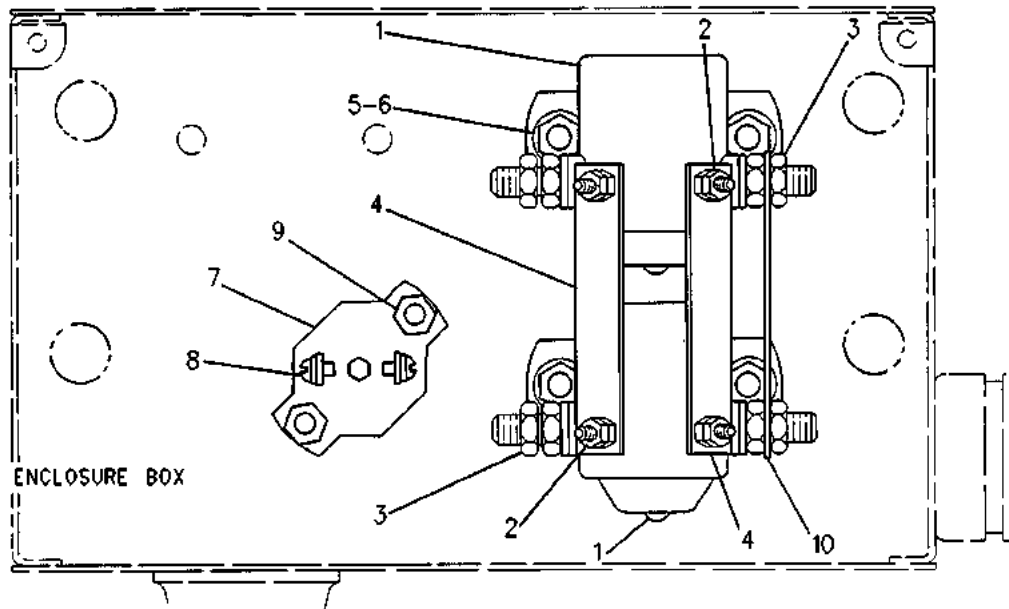
4W-4754 SWITCH GP-MAGNETIC FOR USE WITH DUAL 32-VOLT ELECTRIC STARTING MOTOR AN ATTACHMENT

SMCS-7499

i01764475

NOTE	REF NO	GRAPHIC REF	PART NUMBER	QTY	PART NAME						SEE PAGE
					1	2	3	4	5	6	
	1	1	9F-3099	2	SWITCH GP-MAGNETIC (24-VOLT) (STARTING MOTOR)						
					(EACH INCLUDES)						
	2	1	6V-8377	2	NUT (8-32-THD)						
C		1	3B-4501	2	LOCKWASHER						
	3	1	6V-8186	2	NUT-FULL (5/16-24-THD)						
		1	3F-9556	2	LOCKWASHER						
	4	1	9F-9203	2	CONNECTOR						
	5	1	9S-8750	4	NUT-FULL (1/4-20-THD)						
C	6	1	5P-0537	4	WASHER-HARD (7.2X14.5X2-MM THK)						
	7	1	9M-9085	1	CIRCUIT BREAKER AS (15-AMPERE)						
	8	1	6V-8376	2	SCREW-MACHINE (8-32X0.25-IN)						
		1	9B-7233	2	LOCKWASHER						
	9	1	8H-5429	2	SCREW-MACHINE (10-24X1-IN)						
		1	4B-2047	2	NUT (10-24-THD)						
		1	4B-4274	2	WASHER (5.5X13X1.2-MM THK)						
	10	1	5N-7759	1	CONNECTOR						

C - CHANGE FROM PREVIOUS TYPE



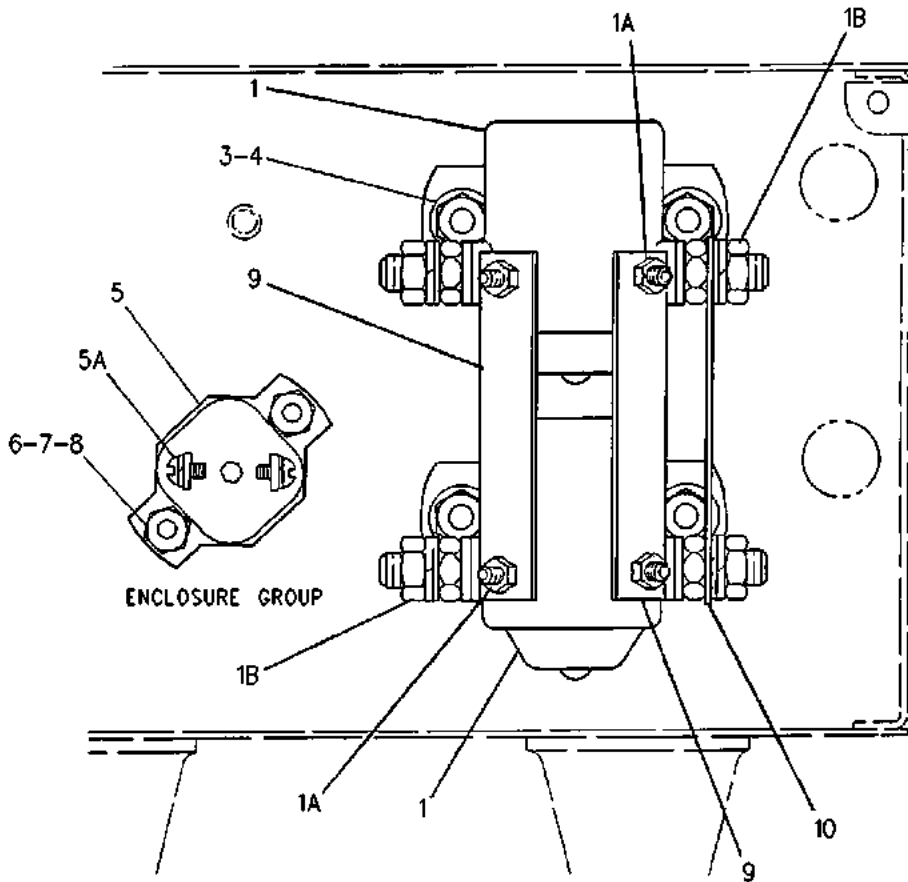
ELECTRICAL AND STARTING SYSTEM

4W-4755 SWITCH GP-MAGNETIC FOR USE WITH DUAL 24-VOLT ELECTRIC STARTING MOTOR AN ATTACHMENT

SMCS-7499

i02233087

NOTE	REF NO	GRAPHIC REF	PART NUMBER	QTY	PART NAME						SEE PAGE
					1	2	3	4	5	6	
	1	1	9F-3099	2	SWITCH GP-MAGNETIC (24-VOLT) (STARTING MOTOR)						
					(EACH INCLUDES)						
	1A	1	6V-8377	2	NUT (8-32-THD)						
		1	3B-4501	2	LOCKWASHER						
	1B	1	6V-8186	2	NUT-FULL (5/16-24-THD)						
		1	3F-9556	2	LOCKWASHER						
	3	1	8T-4205	4	WASHER-HARD (7.2X14.5X2-MM THK)						
	4	1	6V-8185	4	NUT (1/4-20-THD)						
	5	1	9H-1958	1	CIRCUIT BREAKER GP (20-AMPERE)						
	5A	1	6V-8376	2	SCREW-MACHINE (8-32X0.25-IN)						
		1	9B-7233	2	LOCKWASHER						
	6	1	8H-5429	2	SCREW-MACHINE (10-24X1-IN)						
	7	1	4B-4274	2	WASHER (5.5X13X1.2-MM THK)						
	8	1	4B-2047	2	NUT (10-24-THD)						
	9	1	9F-9203	2	CONNECTOR						
	10	1	5N-7759	1	CONNECTOR						



GRAPHIC #1

<END>

g00690803

ELECTRICAL AND STARTING SYSTEM

7C-3124 SWITCH GP-MAGNETIC-DUAL

64-VOLT

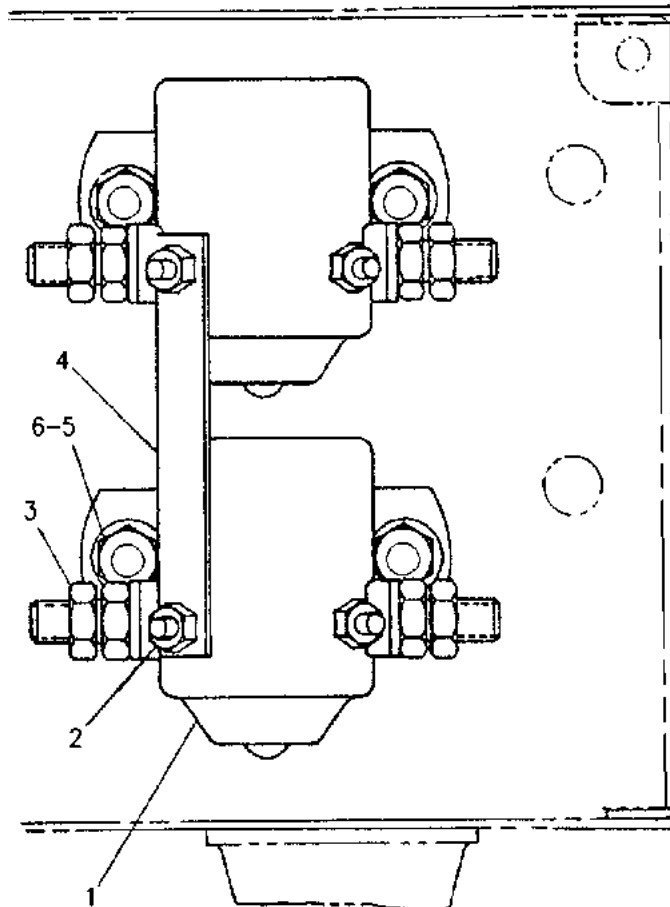
FOR USE WITH DUAL 64-VOLT ELECTRIC STARTING MOTOR
AN ATTACHMENT

SMCS-7499

i03132308

NOTE	REF NO	GRAPHIC REF	PART NUMBER	QTY	PART NAME						SEE PAGE
					1	2	3	4	5	6 (PRODUCT LEVEL)	
	1	1	9F-3099	2	SWITCH GP-MAGNETIC (24-VOLT) (STARTING MOTOR)						
					(EACH INCLUDES)						
	2	1	4B-2043	2	NUT (8-32-THD)						
	3	1	4F-2294	2	NUT-JAM (5/16-24-THD)						
		1	3B-4501	2	LOCKWASHER						
		1	3L-6789	2	LOCKWASHER						
		1	8F-0908	2	WASHER (0.318X0.562X0.035-IN THK)						
	4	1	9F-9203	1	CONNECTOR						
	5	1	9S-8750	4	NUT-FULL (1/4-20-THD)						
C	6	1	5P-0537	4	WASHER-HARD (7.2X14.5X2-MM THK)						

C - CHANGE FROM PREVIOUS TYPE



GRAPHIC #1

<END>

g00763099

ELECTRICAL AND STARTING SYSTEM

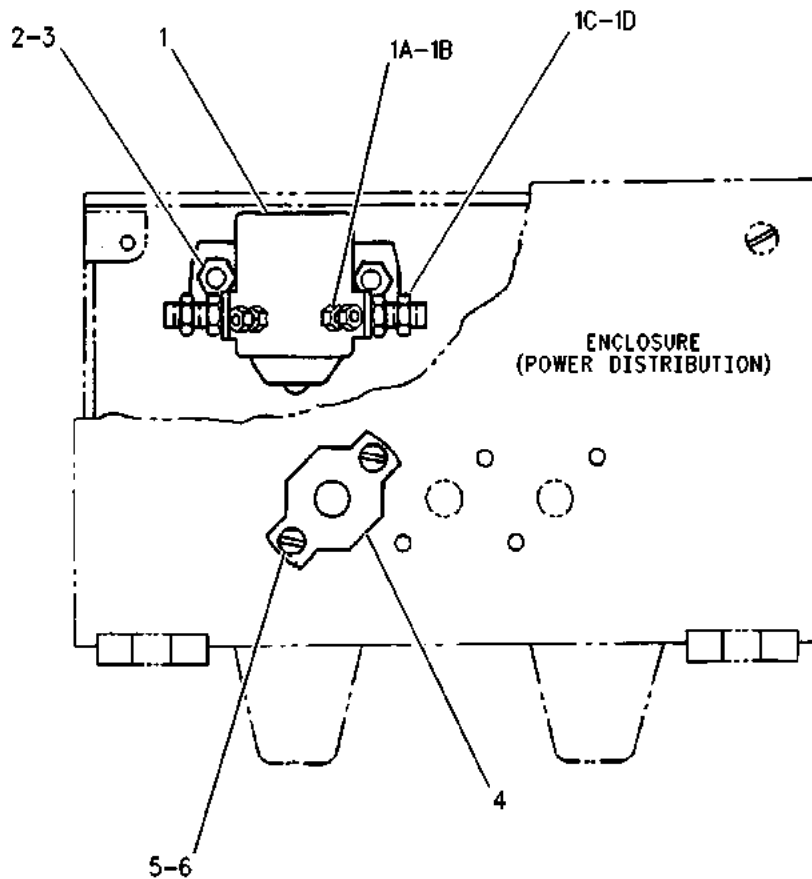
7W-9613 SWITCH GP-MAGNETIC

FOR USE WITH ENCLOSURE GP
AN ATTACHMENT

SMCS-7499

i02659935

NOTE	REF NO	GRAPHIC REF	PART NUMBER	QTY	PART NAME						SEE PAGE
					1	2	3	4	5	6 (PRODUCT LEVEL)	
	1	1	9F-3099	1	SWITCH GP-MAGNETIC (24-VOLT) (PRELUBRICATION PUMP)						
	1A	1	6V-8377	2	NUT (8-32-THD)						
	1B	1	3B-4501	2	LOCKWASHER						
	1C	1	6V-8186	2	NUT-FULL (5/16-24-THD)						
	1D	1	3F-9556	2	LOCKWASHER						
	2	1	5P-0537	2	WASHER-HARD (7.2X14.5X2-MM THK)						
	3	1	9S-8750	2	NUT-FULL (1/4-20-THD)						
	4	1	6N-9349	1	CIRCUIT BREAKER AS (30-AMPERE)						
		1	6V-8376	2	SCREW-MACHINE (8-32X0.25-IN)						
		1	9B-7233	2	LOCKWASHER						
	5	1	3K-8106	2	SCREW-MACHINE (8-32X1-IN)						
	6	1	4B-4863	2	WASHER (4.7X11X1.2-MM THK)						



GRAPHIC #1

<END>

g00740980

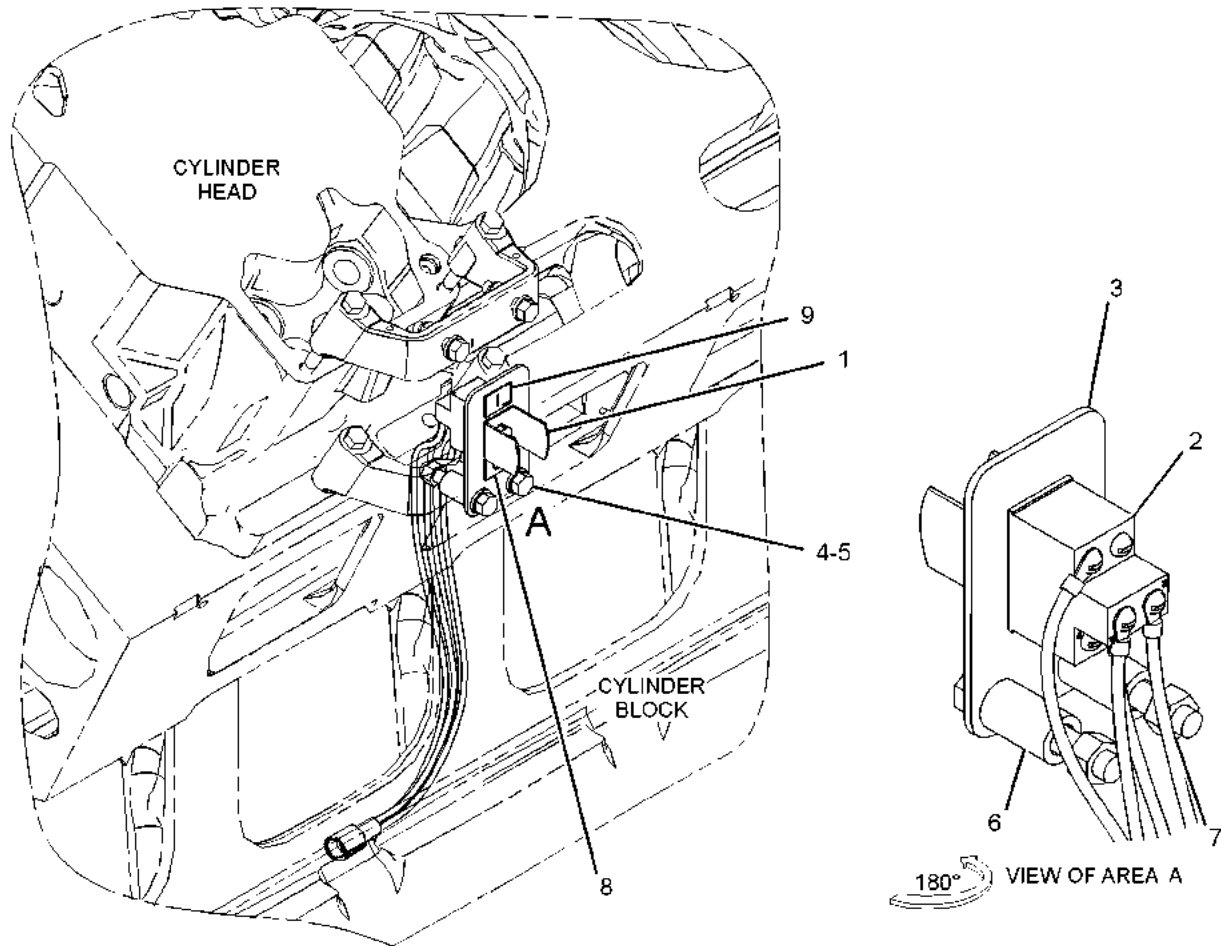
ELECTRICAL AND STARTING SYSTEM

7C-0331 SWITCH GP-START/STOP AN ATTACHMENT

SMCS-1416

i05468729

NOTE	REF NO	GRAPHIC REF	PART NUMBER	QTY	PART NAME						SEE PAGE
					1	2	3	4	5	6 (PRODUCT LEVEL)	
	1	1	5N-0361	1	GUARD						
	2	1	7C-0332	1	SWITCH AS (START-STOP)						
		1	2L-8074	4	TERMINAL-RING (14-GA TO 16-GA, NO. 6 SCREW)						
		1	5N-0364	1	SWITCH AS-TOGGLE (START/STOP)						
		1	7N-7779	2	SOCKET-CONNECTOR (14-GA TO 18-GA)						
		1	7N-7780	2	PIN-CONNECTOR (14-GA TO 18-GA)						
		1	7N-8204	1	HOUSING-RECEPTACLE (14-GA TO 18-GA)						
3		1	7C-0333	1	PLATE						
4		1	0L-2070	2	BOLT (3/8-16X2.25-IN)						
5		1	5M-2894	2	WASHER-HARD (10.2X18.5X2.5-MM THK)						
6		1	7K-3377	2	PIPE						
7		1	9S-8752	2	NUT-FULL (3/8-16-THD)						
8		1	4W-6401	1	FILM-IDENTIFICATION (ENGINE STOP)						
9		1	4W-6402	1	FILM-IDENTIFICATION (ENGINE START)						



GRAPHIC #1

<END>

g03462176

ELECTRICAL AND STARTING SYSTEM

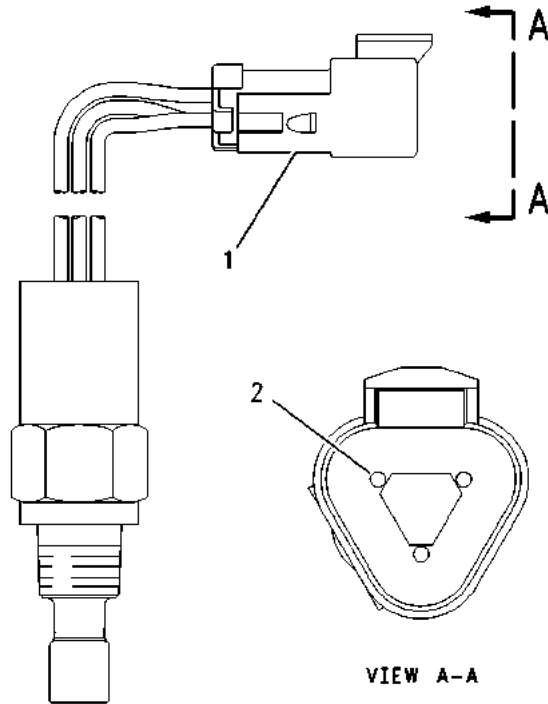
108-3190 SWITCH GP-TEMPERATURE

FIELD REPLACEMENT FOR 7C-9365-PAGE: 1331

SMCS-7400

i04149809

NOTE	REF NO	GRAPHIC REF	PART NUMBER	QTY	PART NAME 1 2 3 4 5 6 (PRODUCT LEVEL)	SEE PAGE
	1	1	102-8803	1	KIT-RECEPTACLE (3-PIN) (INCLUDES RECEPTACLE AS & WEDGE)	
	2	1	8T-8729	3	PIN-CONNECTOR (16-GA TO 20-GA)	



GRAPHIC #1

<END>

g00715292

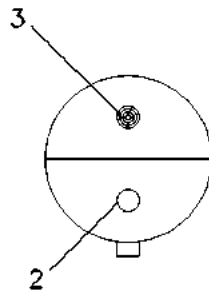
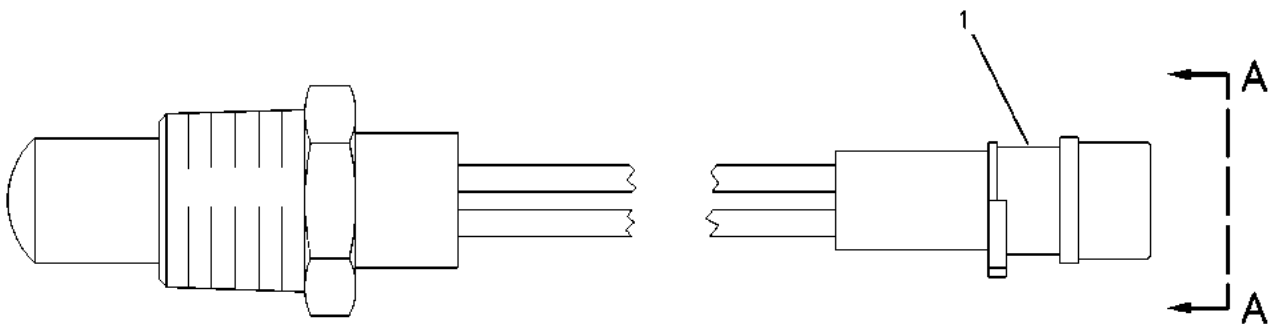
ELECTRICAL AND STARTING SYSTEM

3E-0264 SWITCH GP-TEMPERATURE AN ATTACHMENT

SMCS-7400

i07435134

NOTE	REF NO	GRAPHIC REF	PART NUMBER	QTY	PART NAME						SEE PAGE
					1	2	3	4	5	6 (PRODUCT LEVEL)	
	1	1	7N-9737	1	HOUSING-RECEPTACLE (14-GA TO 18-GA)						
	2	1	7N-7779	1	SOCKET-CONNECTOR (14-GA TO 18-GA)						
	3	1	7N-7780	1	PIN-CONNECTOR (14-GA TO 18-GA)						



VIEW A-A

GRAPHIC #1

<END>

g00632115

ELECTRICAL AND STARTING SYSTEM

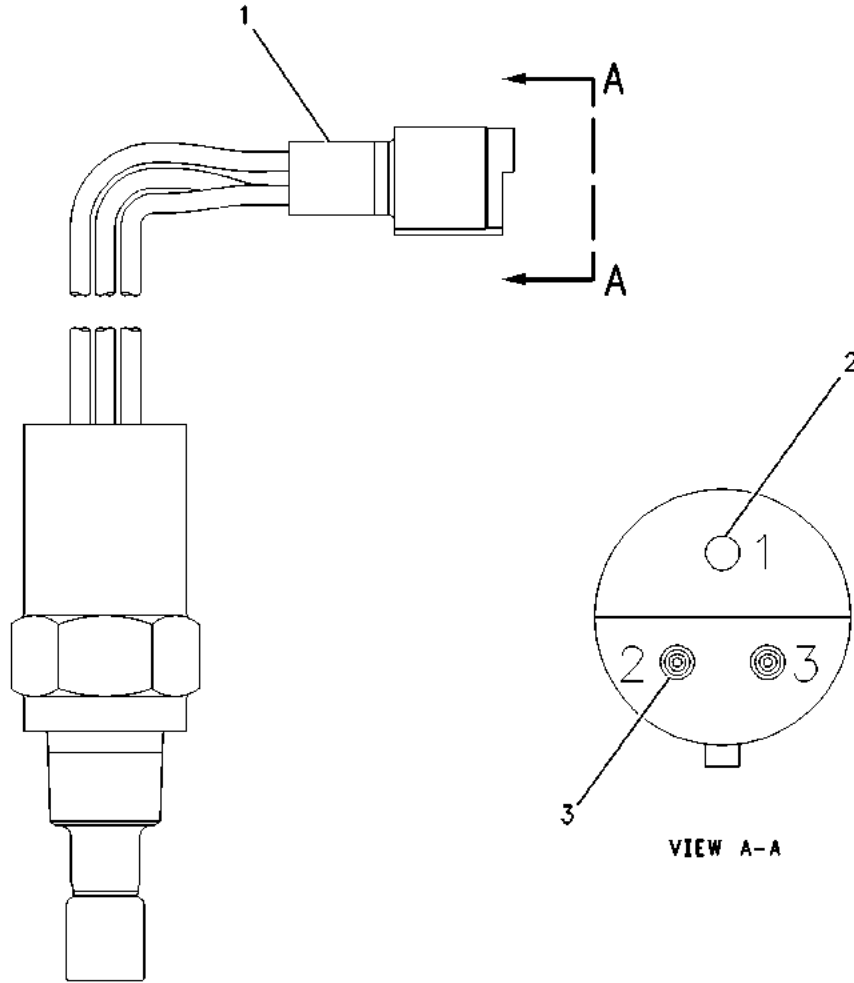
7C-9365 SWITCH GP-TEMPERATURE

**FIELD REPLACEMENT ORDER 108-3190-PAGE: 1329, 3-186-3736 SOCKET-CONNECTOR,
155-2260 KIT-CONNECTING PLUG
PART OF 7E-5842 CONTACTOR GP
ALSO AN ATTACHMENT**

SMCS-7400

i02707367

NOTE	REF NO	GRAPHIC REF	PART NUMBER	QTY	PART NAME						SEE PAGE
					1	2	3	4	5	6 (PRODUCT LEVEL)	
	1	1	7N-7781	1	HOUSING-RECEPTACLE (14-GA TO 18-GA)						
	2	1	7N-7779	1	SOCKET-CONNECTOR (14-GA TO 18-GA)						
	3	1	7N-7780	2	PIN-CONNECTOR (14-GA TO 18-GA)						



GRAPHIC #1

<END>

g00698224

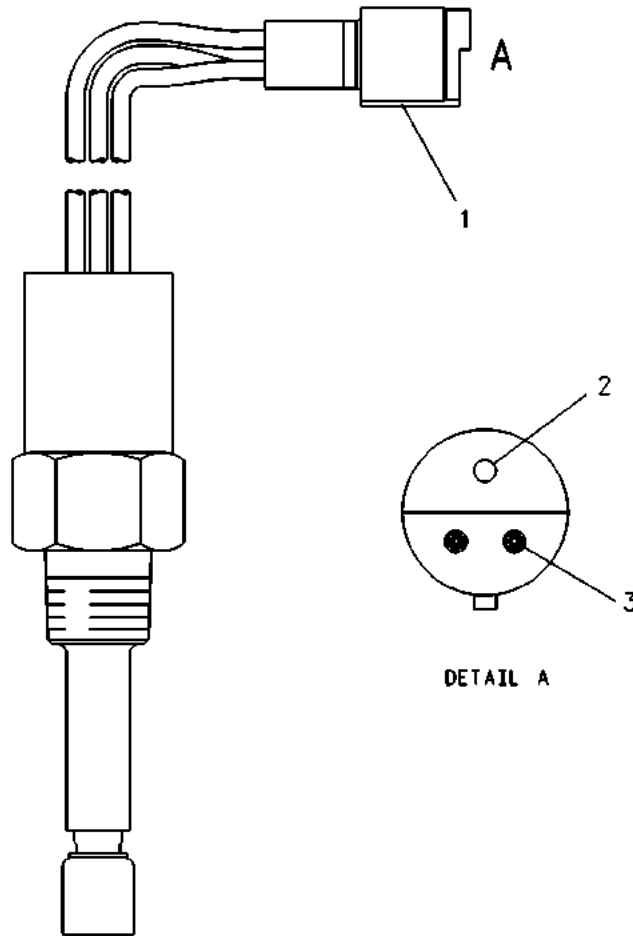
ELECTRICAL AND STARTING SYSTEM

9Y-0914 SWITCH GP-TEMPERATURE-WATER, COOLANT FOR USE WITH SHUTDOWN SYSTEM AND STANDBY RATINGS CANNOT BE USED WITH EMCP PART OF 2W-4927, 2W-4928 LINES GP-DIVERTER VALVE AN ATTACHMENT

SMCS-7400

i02666650

NOTE	REF NO	GRAPHIC REF	PART NUMBER	QTY	PART NAME						SEE PAGE
					1	2	3	4	5	6 (PRODUCT LEVEL)	
	1	1	7N-7781	1	HOUSING-RECEPTACLE (14-GA TO 18-GA)						
	2	1	7N-7779	1	SOCKET-CONNECTOR (14-GA TO 18-GA)						
	3	1	7N-7780	2	PIN-CONNECTOR (14-GA TO 18-GA)						



GRAPHIC #1

<END>

g00644089

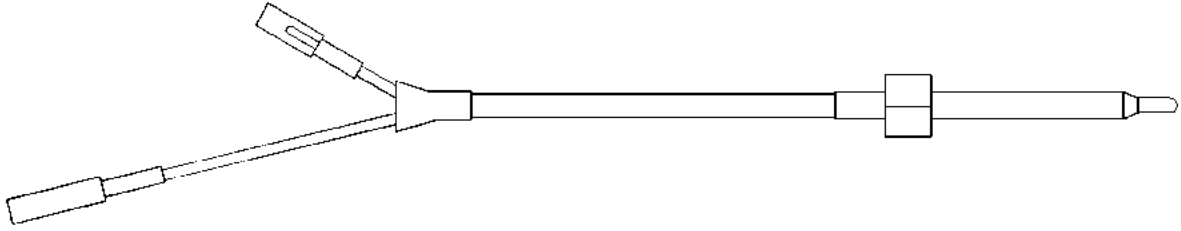
ELECTRICAL AND STARTING SYSTEM

5N-9365 THERMOCOUPLE FOR USE WITH PREMIUM INSTRUMENT PANEL AN ATTACHMENT

SMCS-7498

i03879488

NOTE	REF NO	GRAPHIC REF	PART NUMBER	QTY	PART NAME						SEE PAGE
					1	2	3	4	5	6 (PRODUCT LEVEL)	
(NO SERVICED PARTS)											



GRAPHIC #1

<END>

g02125753

ELECTRICAL AND STARTING SYSTEM

120-4498 THERMOCOUPLE GP

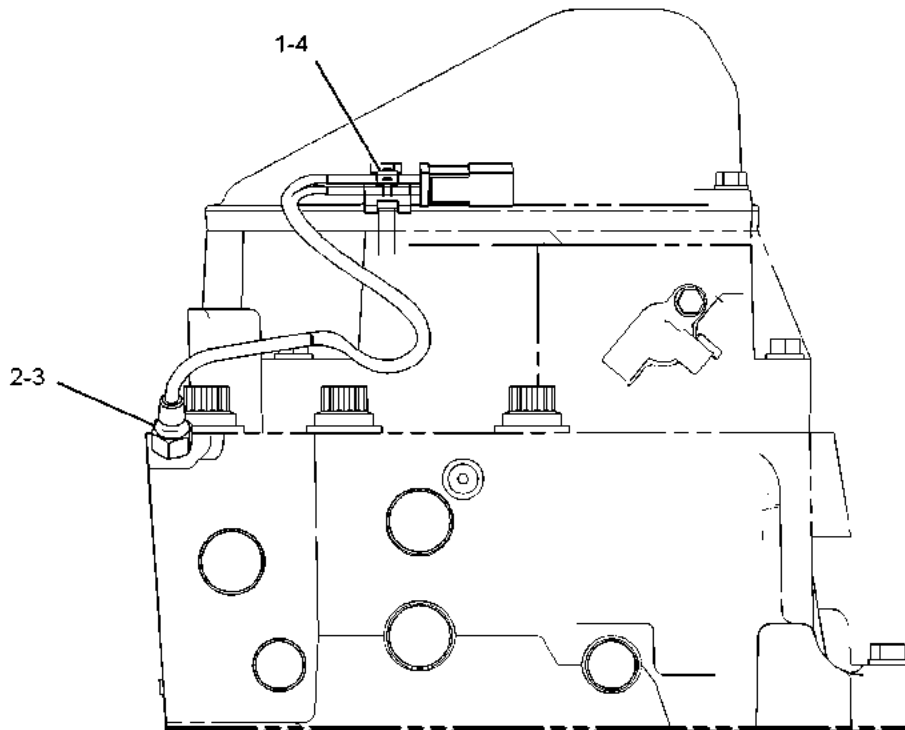
FOR USE WITH MONITORING SYSTEM PANEL AND PYROMETER GROUP, 139-8548—PAGE: 1444, 139-8549—PAGE: 1444
AN ATTACHMENT
TYPE 1

SMCS-7498

i04956711

NOTE	REF NO	GRAPHIC REF	PART NUMBER	QTY	PART NAME						SEE PAGE
					1	2	3	4	5	6 (PRODUCT LEVEL)	
	1	1	3S-2093	1	STRAP-CABLE						
	2	1	5N-2126	1	CONNECTOR (THERMOCOUPLE)						
Y	3	1	243-5752	1	SENSOR GP-TEMPERATURE (CYLINDER EXHAUST)						1192
	4	1	4P-7581	1	CLIP (LADDER)						

Y - SEPARATE ILLUSTRATION



FRONT VIEW

GRAPHIC #1

<END>

g01277880

ELECTRICAL AND STARTING SYSTEM

120-4498 THERMOCOUPLE GP

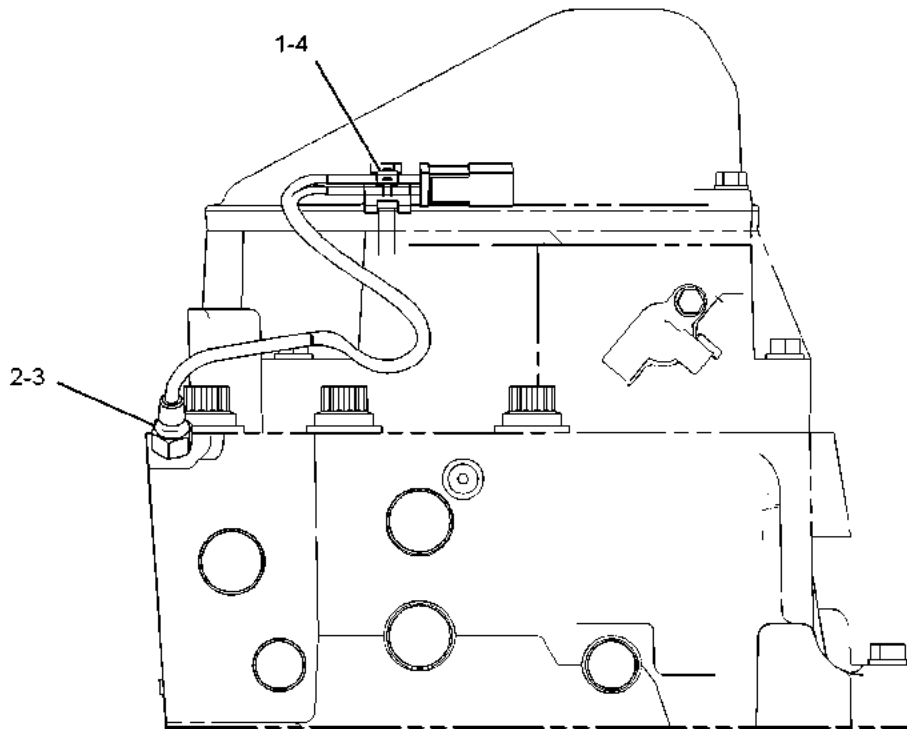
FOR USE WITH MONITORING SYSTEM PANEL AND PYROMETER GROUP, 139-8548—PAGE: 1444, 139-8549—PAGE: 1444
AN ATTACHMENT
TYPE 2

SMCS-7498

i05882788

NOTE	REF NO	GRAPHIC REF	PART NUMBER	QTY	PART NAME						SEE PAGE
					1	2	3	4	5	6 (PRODUCT LEVEL)	
	1	1	3S-2093	1	STRAP-CABLE						
	2	1	5N-2126	1	CONNECTOR (THERMOCOUPLE)						
CY	3	1	449-3900	1	SENSOR GP-TEMPERATURE (CYLINDER EXHAUST)						1193
	4	1	4P-7581	1	CLIP (LADDER) (LADDER)						

C - CHANGE FROM PREVIOUS TYPE
Y - SEPARATE ILLUSTRATION



FRONT VIEW

GRAPHIC #1

<END>

g01277880

ELECTRICAL AND STARTING SYSTEM

127-8129 THERMOCOUPLE GP INSTALLED IN EXHAUST MANIFOLD AHEAD OF TURBINE INLETS FOR USE WITH 131-9119-PAGE: 1444 AN ATTACHMENT

SMCS-7498

i02668247

NOTE	PART NUMBER	QTY	PART NAME 1 2 3 4 5 6 (PRODUCT LEVEL)	SEE PAGE
	129-2269	2	ADAPTER	
	131-9118	2	LEAD AS	
Y	124-0326	2	SENSOR GP-TEMPERATURE (TURBOCHARGER INLET)	1191
			-OR-	
	115-9609	2	SENSOR GP-TEMPERATURE (TURBOCHARGER INLET) (EACH INCLUDES)	
	3E-3365	1	WEDGE-RECEPTACLE LOCK (2-PIN)	
E	8T-6342		TUBE-HEAT SHRINK (3.2-MM DIA) (10-CM)	
	186-3735	2	PIN-CONNECTOR (16-GA TO 18-GA)	
	102-8802	1	KIT-RECEPTACLE (2-PIN) (INCLUDES RECEPTACLE ASSEMBLY & WEDGE)	
E - ORDER BY THE CENTIMETER				
Y - SEPARATE ILLUSTRATION				

<END>

ELECTRICAL AND STARTING SYSTEM

7C-0182 THERMOCOUPLE GP

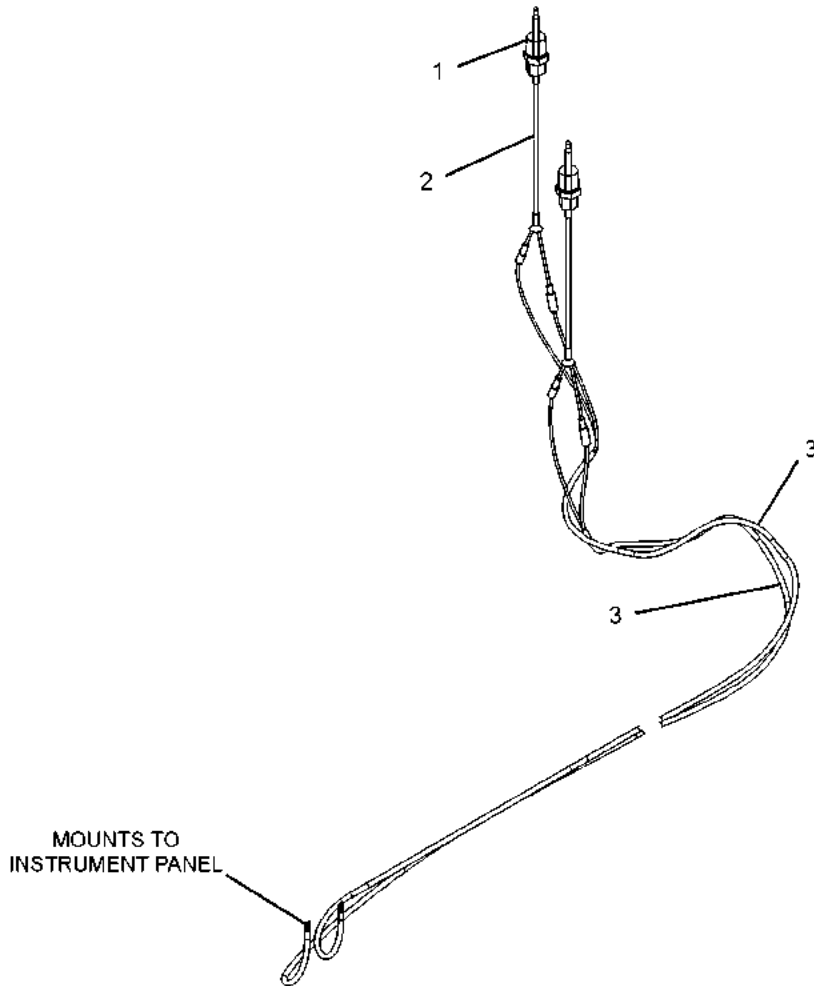
8-GAUGE PANEL

FOR USAGE REFER TO CHART 4W-6500 CHART-INSTRUMENT PANEL
AN ATTACHMENT

SMCS-7498

i05946468

NOTE	REF NO	GRAPHIC REF	PART NUMBER	QTY	PART NAME						SEE PAGE
					1	2	3	4	5	6 (PRODUCT LEVEL)	
	1	1	3N-8278	2	ADAPTER-SENSOR						
	2	1	5N-9365	2	THERMOCOUPLE						
	3	1	5N-9366	2	HARNESS AS-SENSOR (THERMOCOUPLE)						



GRAPHIC #1

<END>

g01694773

ELECTRICAL AND STARTING SYSTEM

5N-8980 VALVE AS-SOLENOID-AIR START

24/32-VOLT

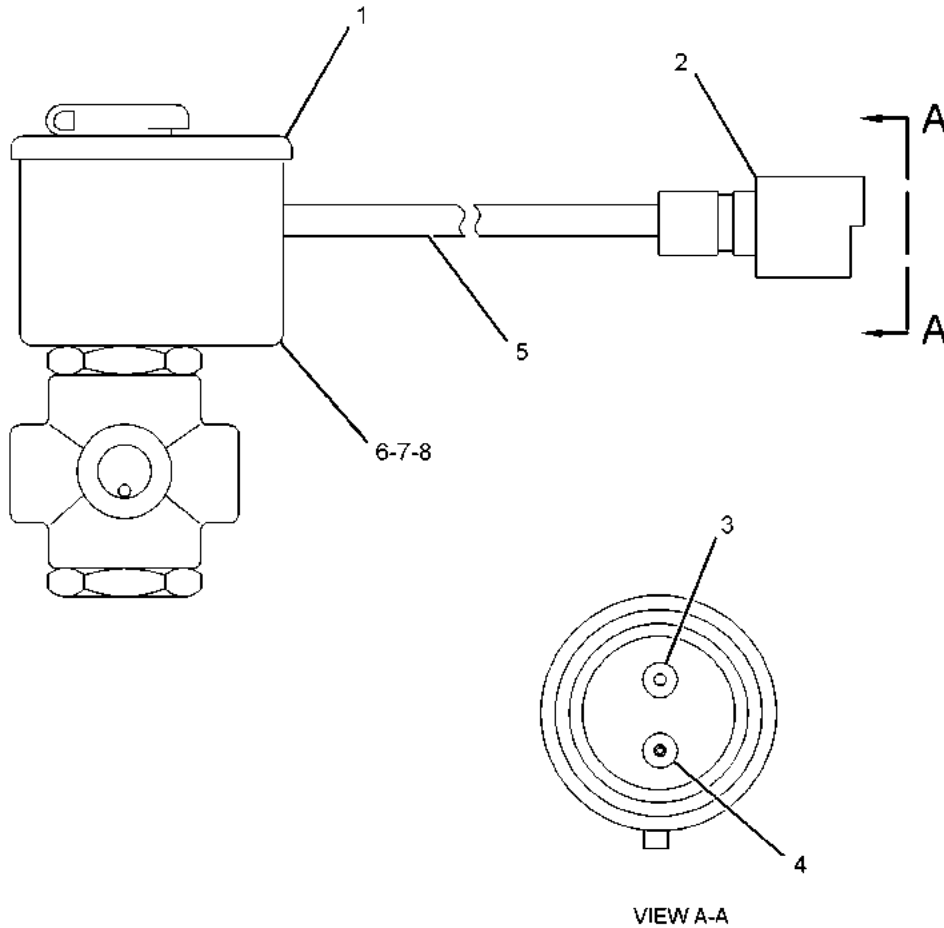
PART OF 5N-8166, 7C-0330, 8N-8491 CONTROL GP-AIR STARTING
AN ATTACHMENT

SMCS-5479

i02871444

NOTE	REF NO	GRAPHIC REF	PART NUMBER	QTY	PART NAME						SEE PAGE
					1	2	3	4	5	6	
	1	1	7G-8765	1	VALVE-SOLENOID						
	2	1	7N-9738	1	HOUSING-RECEPTACLE (14-GA TO 18-GA)						
	3	1	7N-7779	1	SOCKET-CONNECTOR (14-GA TO 18-GA)						
	4	1	7N-7780	1	PIN-CONNECTOR (14-GA TO 18-GA)						
E	5	1	9X-1813		SLEEVE (21-CM)						
	6	1	5N-9073	1	CLIP						
	7	1	3F-2065	1	LOCKNUT (1/2-14-THD)						
	8	1	5N-8943	1	ADAPTER						

E - ORDER BY THE CENTIMETER



GRAPHIC #1

<END>

g01441571

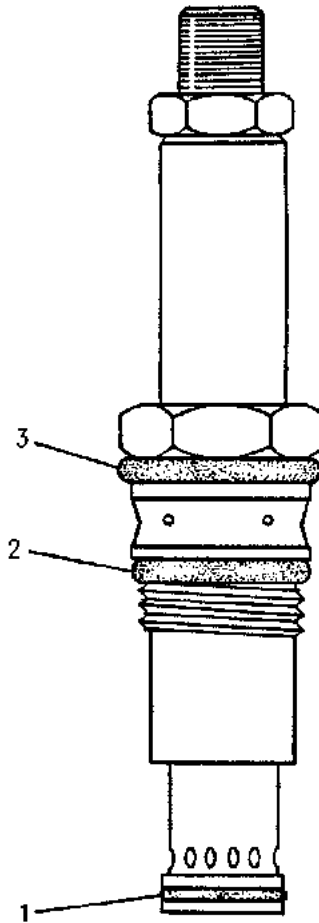
ELECTRICAL AND STARTING SYSTEM

5N-4749 VALVE GP-CONTROL PART OF 172-0269, 5N-5990 VALVE GP-PRESSURE CONTROL AN ATTACHMENT

SMCS-1400

i01922216

NOTE	REF NO	GRAPHIC REF	PART NUMBER	QTY	PART NAME						SEE PAGE
					1	2	3	4	5	6 (PRODUCT LEVEL)	
	1	1	7J-9108	1	SEAL-O-RING						
	2	1	1H-8171	1	SEAL-O-RING						
	3	1	9H-6761	1	SEAL-O-RING						



GRAPHIC #1

<END>

g00740850

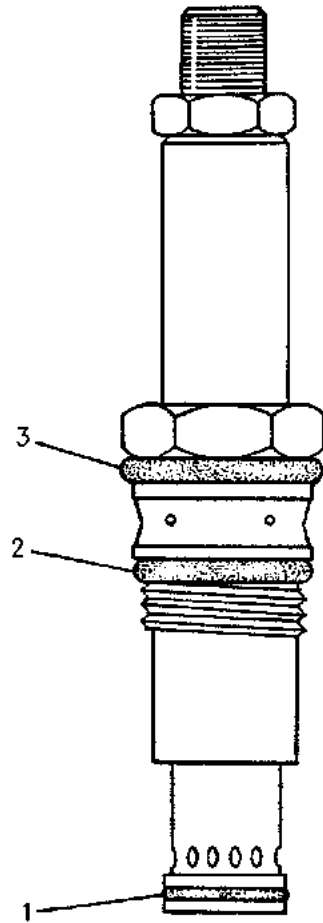
ELECTRICAL AND STARTING SYSTEM

5N-5755 VALVE GP-CONTROL PART OF 172-0269, 5N-5990 VALVE GP-PRESSURE CONTROL AN ATTACHMENT

SMCS-1400

i01922217

NOTE	REF NO	GRAPHIC REF	PART NUMBER	QTY	PART NAME						SEE PAGE
					1	2	3	4	5	6 (PRODUCT LEVEL)	
	1	1	7J-9108	1	SEAL-O-RING						
	2	1	1H-8171	1	SEAL-O-RING						
	3	1	9H-6761	1	SEAL-O-RING						



GRAPHIC #1

<END>

g00746695

ELECTRICAL AND STARTING SYSTEM

1L-2073 VALVE GP-PRESSURE REDUCING-RH

AIR CONTROL

PART OF 8N-8483 VALVE GP-AIR CONTROL

AN ATTACHMENT

SMCS-1462

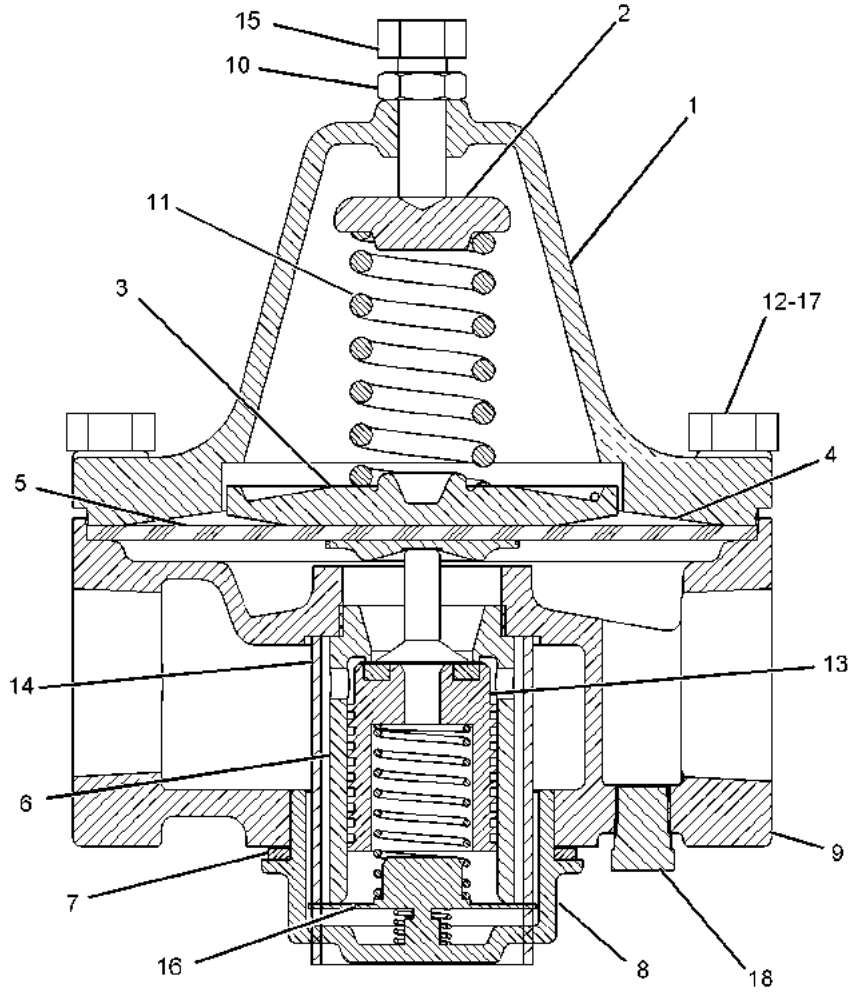
i05308086

NOTE	REF NO	GRAPHIC REF	PART NUMBER	QTY	PART NAME						SEE PAGE
					1	2	3	4	5	6 (PRODUCT LEVEL)	
	1	1	1H-9570	1	CHAMBER						
	2	1	1H-9569	1	BUTTON-SPRING						
	3	1	1H-9572	1	PLATE-PRESSURE						
	4	1	1H-9573	1	DIAPHRAGM						
	5	1	1H-9574	1	BUTTON						
	6	1	1H-9575	1	CYLINDER						
	7	1	1H-9580	1	GASKET-PLUG						
	8	1	1H-9581	1	PLUG AS						
	9	1	1L-2072	1	BODY-VALVE						
	10	1	1L-9048	1	NUT-PLATED JAM (7/16-14-THD)						
	11	1	1L-9049	1	SPRING-PRESSURE						
	12	1	1L-9079	6	NUT-PLATED FULL (7/16-20-THD)						
	13	1	5N-6942	1	PISTON AS						
	14	1	252-9298	1	SCREEN-STRAINER (PRESSURE REDUCING VALVE)						
	15	1	0T-0320	1	BOLT (7/16-14X1.25-IN)						
	16	1	1H-9578	1	SPRING-PISTON						
	17	1	1L-9080	6	BOLT (7/16-20X1.5-IN)						
	18	1	5B-7890	1	PLUG-PIPE						

ELECTRICAL AND STARTING SYSTEM

1L-2073 VALVE GP-PRESSURE REDUCING (contd.)

i05308086



GRAPHIC #1

<END>

g01069160

ELECTRICAL AND STARTING SYSTEM

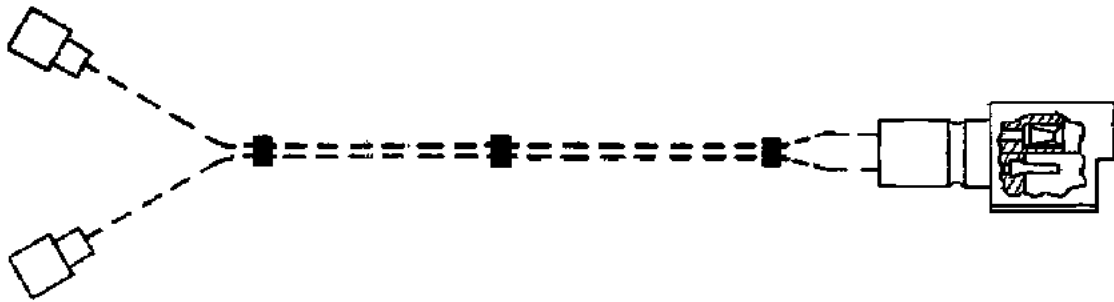
4W-1568 WIRE AS-SERVICE METER FIELD INSTALLATION

SMCS-7478

i01804856

NOTE	REF NO	GRAPHIC REF	PART NUMBER	QTY	PART NAME	SEE PAGE
------	--------	-------------	-------------	-----	-----------	----------

(NO SERVICED PARTS)



GRAPHIC #1

<END>

g00923569

ELECTRICAL AND STARTING SYSTEM

108-5570 WIRING GP-ELECTRIC STARTING

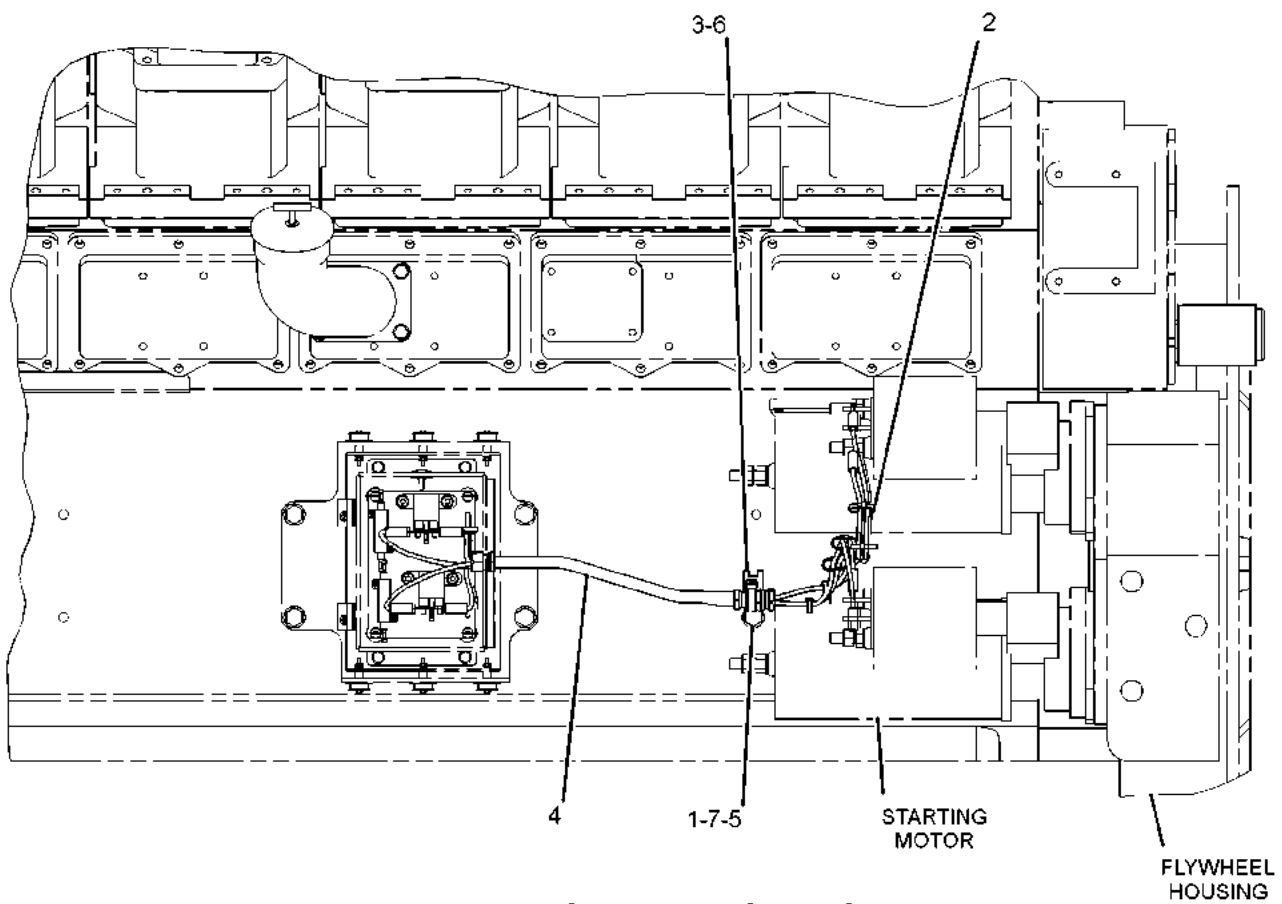
FOR USE WITH 64V STARTING SYSTEMS
AN ATTACHMENT

SMCS-1408, 1453

i02974000

NOTE	REF NO	GRAPHIC REF	PART NUMBER	QTY	PART NAME						SEE PAGE
					1	2	3	4	5	6 (PRODUCT LEVEL)	
	1	1	1K-4649	1	SPACER (0.516X1X1-IN THK)						
B	2	1	8L-8413	12	STRAP-CABLE (WHITE)						
	3	1	9X-6772	1	STRAP-CABLE						
	4	1	108-5572	1	HARNESS AS-SWITCH						
	5	1	1A-1460	1	BOLT (1/2-13X2-IN)						
	6	1	4P-7428	1	CLIP (LADDER)						
	7	1	5P-8245	1	WASHER-HARD (13.5X25.5X3-MM THK)						

B - USE AS REQUIRED



LEFT SIDE VIEW OF ENGINE

GRAPHIC #1

<END>

g01507894

ELECTRICAL AND STARTING SYSTEM

454-9494 WIRING GP-ENGINE

S/N: 65Z887-1717

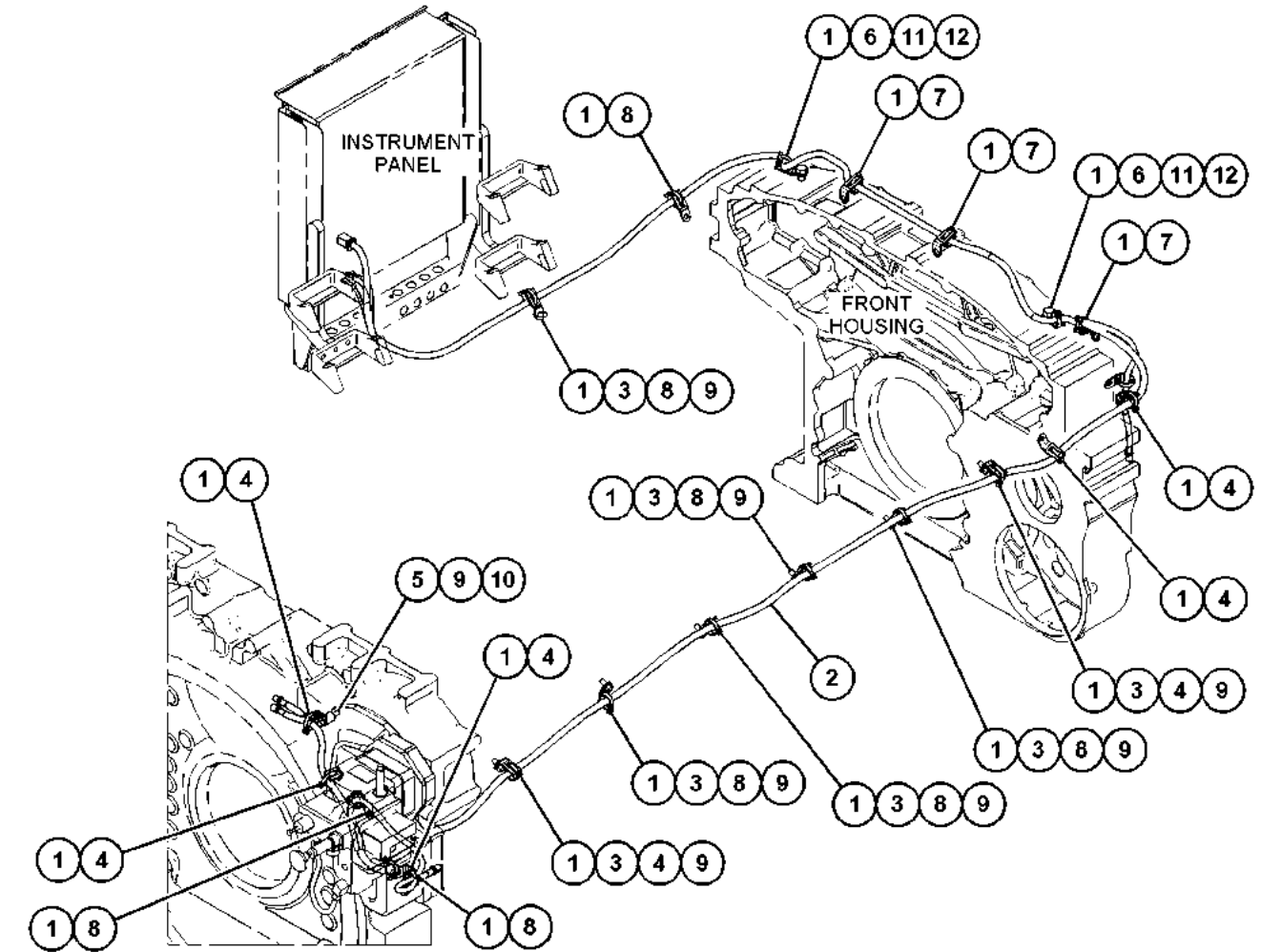
FOR USE WITH HYDRO-MECHANICAL SHUTOFF
AN ATTACHMENT

SMCS-1403

i06952883

NOTE	REF NO	GRAPHIC REF	PART NUMBER	QTY	PART NAME						SEE PAGE
					1	2	3	4	5	6 (PRODUCT LEVEL)	
	1	1	7K-1181	21	STRAP-CABLE						
Y	2	1	436-2867	1	HARNESS AS-ENGINE						1049
	3	1	0S-0509	7	BOLT (3/8-16X0.75-IN)						
	4	1	4P-8134	7	CLIP (LADDER)						
	5	1	1C-2251	1	BOLT (3/8-16X1.87-IN)						
	6	1	4P-7428	2	CLIP (LADDER)						
	7	1	4P-7429	3	CLIP (LADDER)						
	8	1	4P-7581	9	CLIP (LADDER)						
	9	1	5M-2894	8	WASHER-HARD (10.2X18.5X2.5-MM THK)						
	10	1	7C-8246	1	SPACER (10.5X20X24-MM THK)						
	11	1	3H-7654	2	WASHER-HARD (13.5X22.5X3-MM THK)						
	12	1	0S-1620	2	BOLT (1/2-13X0.75-IN)						

Y - SEPARATE ILLUSTRATION



GRAPHIC #1

<END>

g06002520

ELECTRICAL AND STARTING SYSTEM

454-9494 WIRING GP-ENGINE

S/N: 65Z1718-UP

FOR USE WITH HYDRO-MECHANICAL SHUTOFF
AN ATTACHMENT

SMCS-1403

i07177719

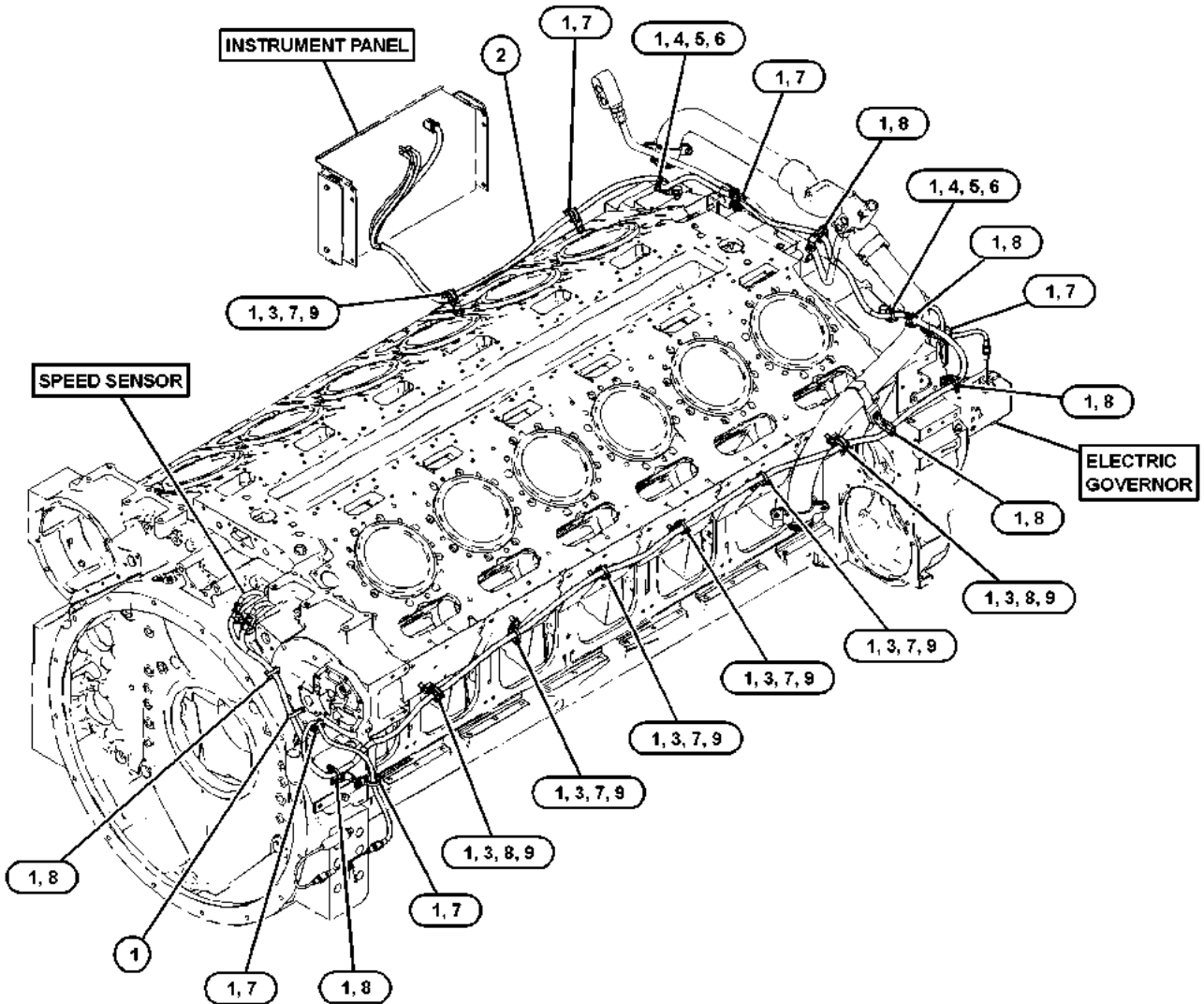
NOTE	REF NO	GRAPHIC REF	PART NUMBER	QTY	PART NAME						SEE PAGE
					1	2	3	4	5	6 (PRODUCT LEVEL)	
	1	1	7K-1181	21	STRAP-CABLE						
Y	2	1	436-2867	1	HARNESS AS-ENGINE						1049
	3	1	0S-0509	7	BOLT (3/8-16X0.75-IN)						
	4	1	0S-1620	2	BOLT (1/2-13X0.75-IN)						
	5	1	3H-7654	2	WASHER-HARD (13.5X22.5X3-MM THK)						
	6	1	4P-7428	2	CLIP (LADDER)						
	7	1	4P-7581	10	CLIP (LADDER)						
C	8	1	4P-8134	8	CLIP (LADDER)						
C	9	1	5M-2894	7	WASHER-HARD (10.2X18.5X2.5-MM THK)						

C - CHANGE FROM PREVIOUS TYPE
Y - SEPARATE ILLUSTRATION

ELECTRICAL AND STARTING SYSTEM

454-9494 WIRING GP-ENGINE (contd.)

i07177719



GRAPHIC #1

<END>

g06244946

ELECTRICAL AND STARTING SYSTEM

4W-4750 WIRING GP-ENGINE

PART OF 5N-9304 WIRING GP-ENGINE

AN ATTACHMENT

SMCS-1403

i02660055

NOTE	PART NUMBER	QTY	PART NAME						SEE PAGE
			1	2	3	4	5	6 (PRODUCT LEVEL)	
Y	7W-9032	1	ENCLOSURE GP-WIRING						1030
			S/N: 65Z887-UP						
Y	7C-1882	1	HARNESS GP-WIRING (ENGINE)						1053
			S/N: 65Z887-UP						
Y - SEPARATE ILLUSTRATION									
<END>									

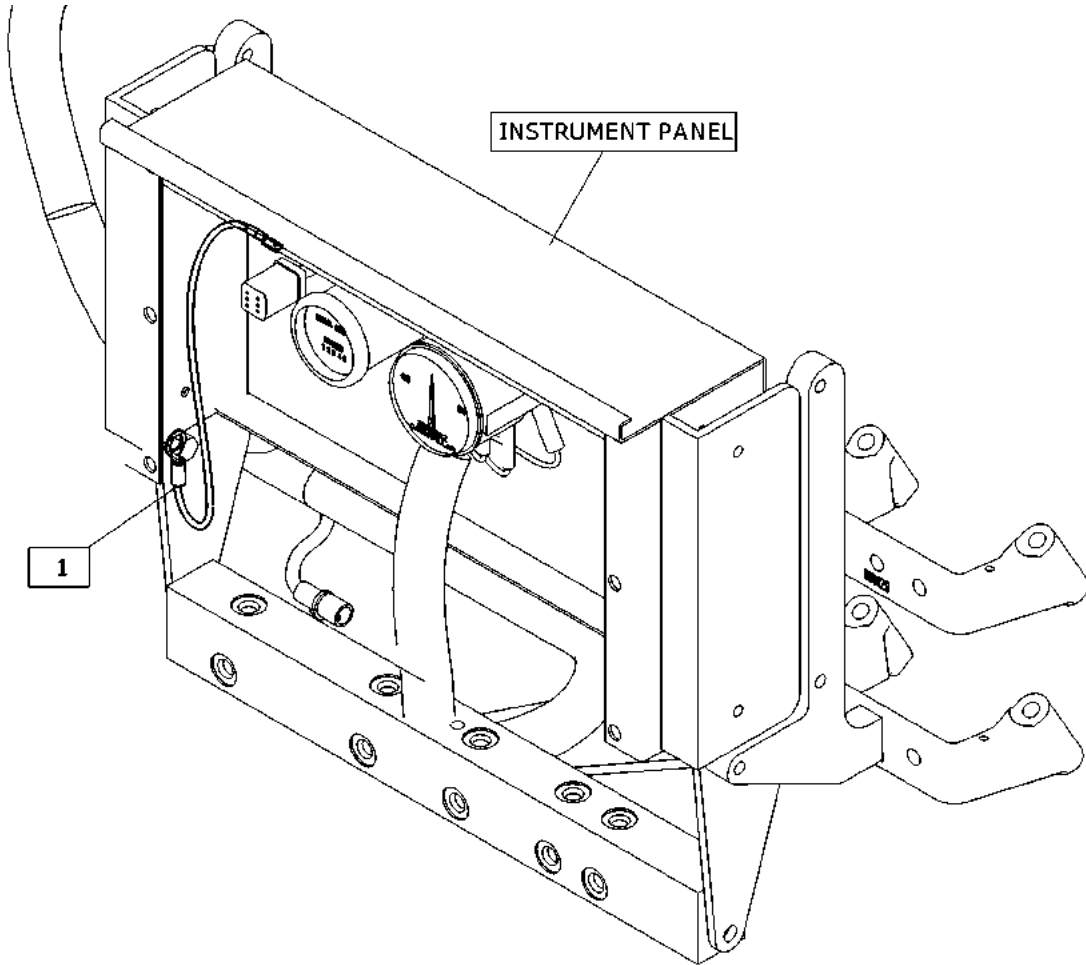
ELECTRICAL AND STARTING SYSTEM

555-7225 WIRING GP-ENGINE AN ATTACHMENT

SMCS-1403

i07425987

NOTE	REF NO	GRAPHIC REF	PART NUMBER	QTY	PART NAME						SEE PAGE
					1	2	3	4	5	6 (PRODUCT LEVEL)	
	1	1	2W-0618	1	WIRE AS						



GRAPHIC #1

<END>

g06359384

ELECTRICAL AND STARTING SYSTEM

5N-9304 WIRING GP-ENGINE-LH

S/N: 65Z887-1704

AN ATTACHMENT

SMCS-1403

i05907188

NOTE	PART NUMBER	QTY	PART NAME						SEE PAGE
			1	2	3	4	5	6 (PRODUCT LEVEL)	
Y	5N-8941	1	FASTENER GP-WIRING HARNESS						1046
Y	4W-4750	1	WIRING GP-ENGINE						1348
Y - SEPARATE ILLUSTRATION									
<END>									

ELECTRICAL AND STARTING SYSTEM

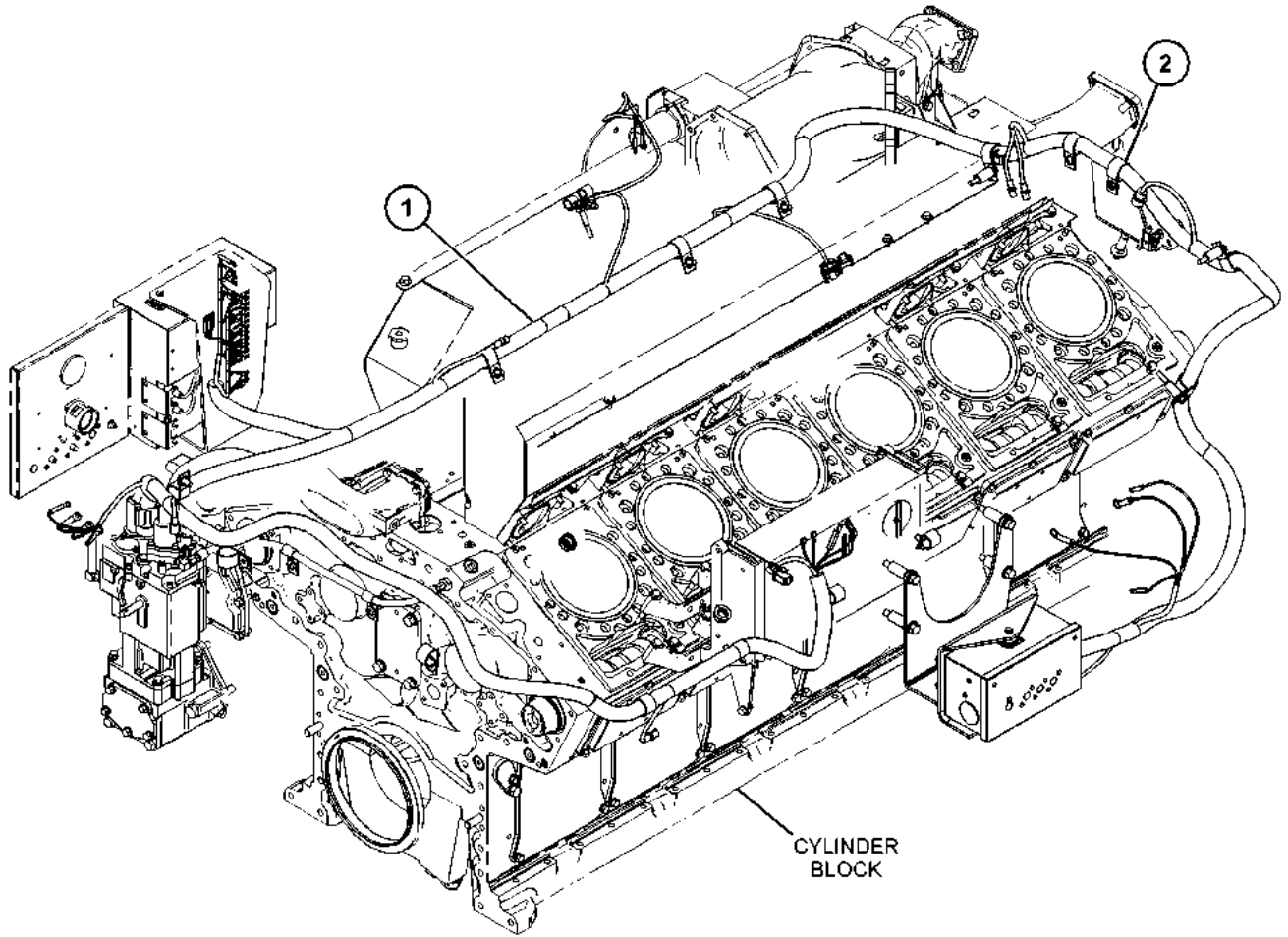
5N-9304 WIRING GP-ENGINE-LH S/N: 65Z1705-UP AN ATTACHMENT

SMCS-1403

i06606143

NOTE	REF NO	GRAPHIC REF	PART NUMBER	QTY	PART NAME						SEE PAGE
					1	2	3	4	5	6 (PRODUCT LEVEL)	
Y	1	1	4W-4750	1	WIRING GP-ENGINE						1348
CY	2	1	417-7787	1	FASTENER GP-WIRING HARNESS						1041

C - CHANGE FROM PREVIOUS TYPE
Y - SEPARATE ILLUSTRATION



GRAPHIC #1

<END>

g06043705

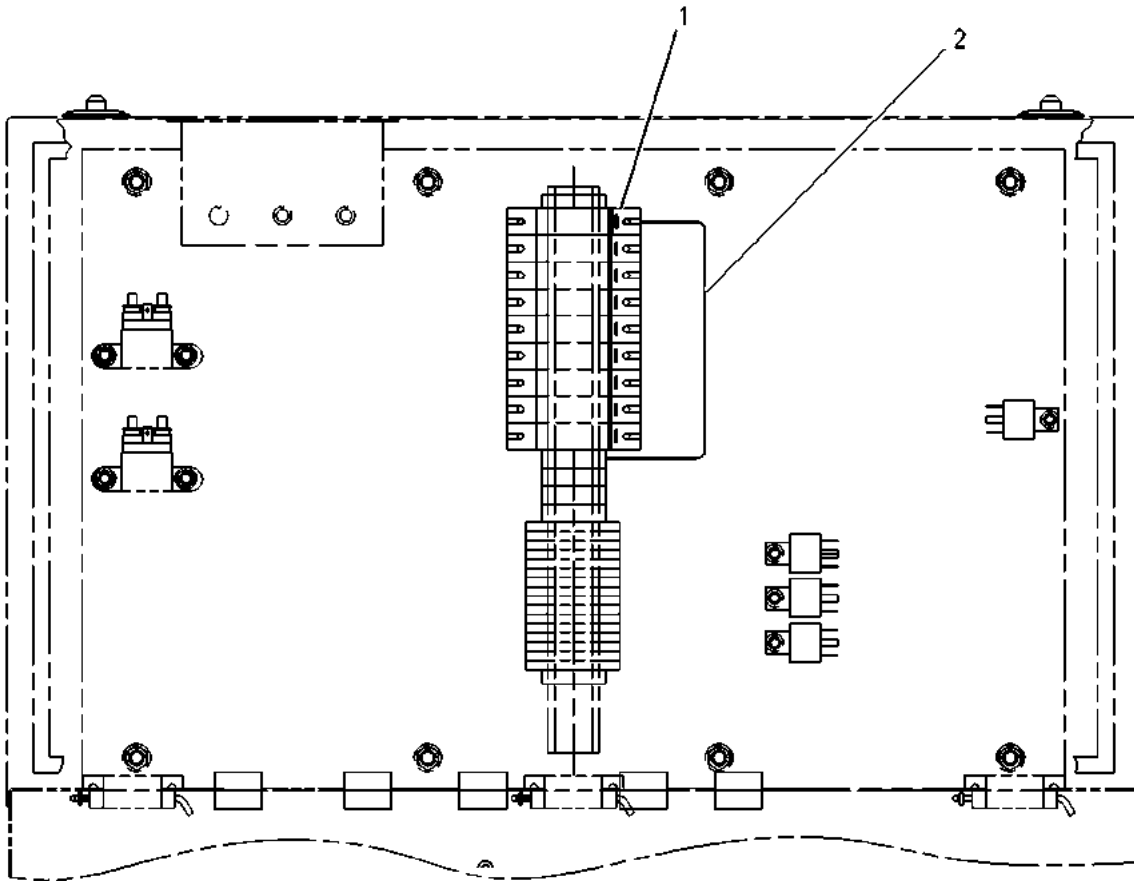
ELECTRICAL AND STARTING SYSTEM

134-6317 WIRING GP-PANEL-ALTERNATOR AN ATTACHMENT

SMCS-4459

i02205312

NOTE	REF NO	GRAPHIC REF	PART NUMBER	QTY	PART NAME						SEE PAGE
					1	2	3	4	5	6 (PRODUCT LEVEL)	
	1	1	125-7096	1	CIRCUIT BREAKER AS (63-AMPERE)						
	2	1	134-6318	1	HARNESS AS-WIRING (ALTERNATOR)						



GRAPHIC #1

<END>

g00269435

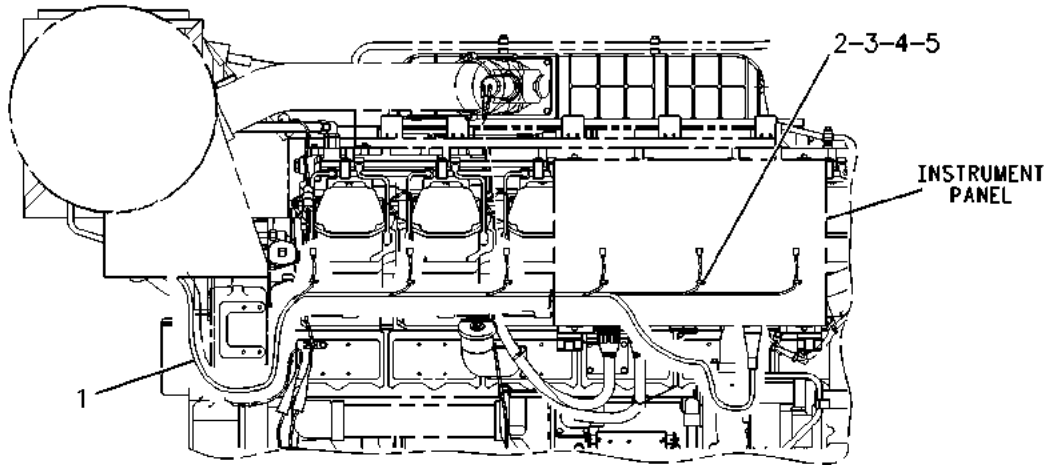
ELECTRICAL AND STARTING SYSTEM

139-8551 WIRING GP-PYROMETER FOR USE WITH 139-8548-PAGE: 1444, 139-8549-PAGE: 1444 AN ATTACHMENT

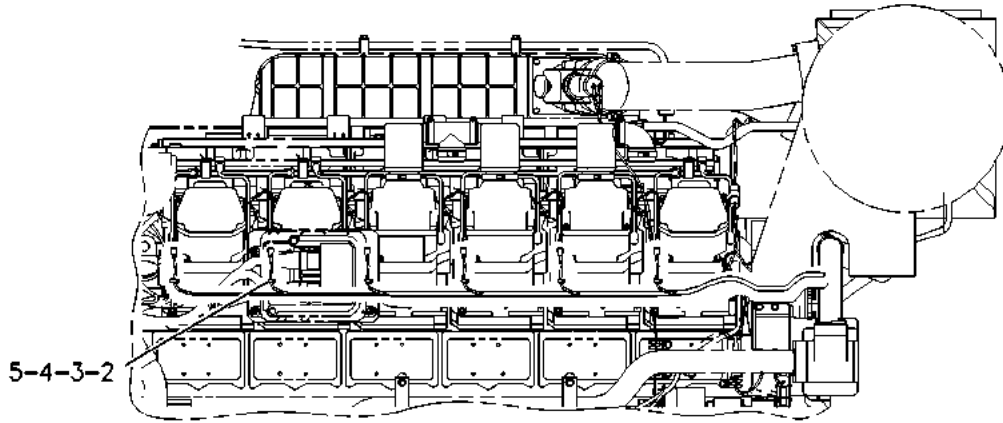
SMCS-1408, 7466

i02659239

NOTE	REF NO	GRAPHIC REF	PART NUMBER	QTY	PART NAME						SEE PAGE
					1	2	3	4	5	6 (PRODUCT LEVEL)	
	1	1	120-0568	1	HARNES AS-WIRING (PYROMETER)						
	2	1	7K-1181	12	STRAP-CABLE						
	3	1	0S-1594	12	BOLT (3/8-16X1-IN)						
	4	1	5M-2894	12	WASHER-HARD (10.2X18.5X2.5-MM THK)						
	5	1	104-6202	12	CLIP (LADDER)						



RIGHT SIDE VIEW



LEFT SIDE VIEW

GRAPHIC #1

<END>

g00362817

ELECTRICAL AND STARTING SYSTEM

204-5166 WIRING GP-PYROMETER

FOR USE WITH 7C-0289-PAGE: 1413

AN ATTACHMENT

SMCS-1408, 7466

i02157861

NOTE	PART NUMBER	QTY	PART NAME						SEE PAGE
			1	2	3	4	5	6 (PRODUCT LEVEL)	
	5B-4855	1	BUSHING-REDUCER						
	5N-9366	2	HARNESS AS-SENSOR (THERMOCOUPLE)						
	5P-7878	1	TAPE (ROLL)						
<END>									

ENCLOSURES, GUARDS AND BASES

155-2593 ENCLOSURE GP PART OF 7W-5028 CONVERSION GP-WIRING AN ATTACHMENT

SMCS-7263, 7274

i00911021

NOTE	PART NUMBER	QTY	PART NAME						SEE
			1	2	3	4	5	6 (PRODUCT LEVEL)	PAGE
Y	7W-9032	1	ENCLOSURE GP-WIRING						1030

Y - SEPARATE ILLUSTRATION

<END>

ENCLOSURES, GUARDS AND BASES

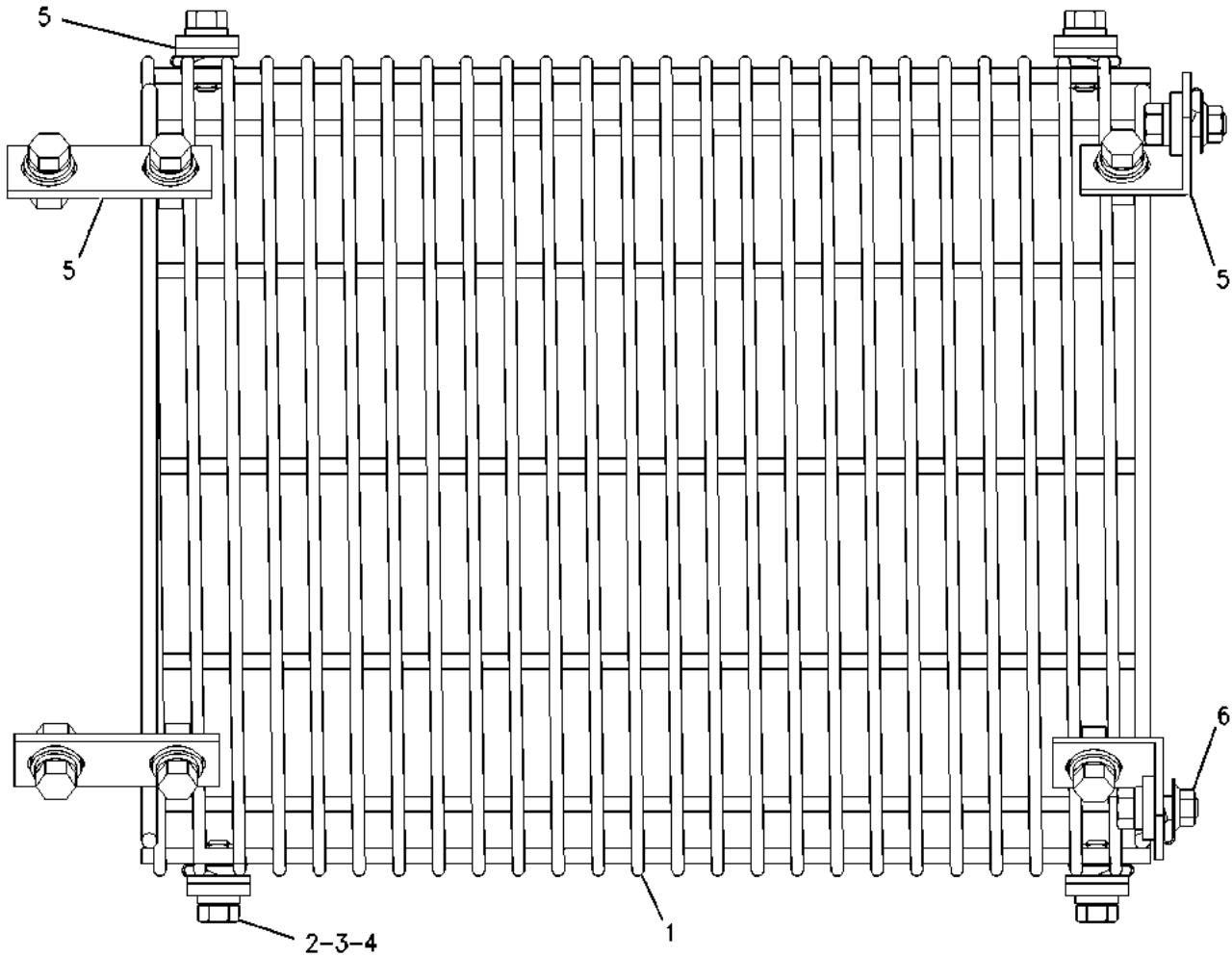
103-7277 GUARD GP-EXTENSION

PART OF 103-6226 COUPLING GP-FLEXIBLE
AN ATTACHMENT

SMCS-7154

i02329805

NOTE	REF NO	GRAPHIC REF	PART NUMBER	QTY	PART NAME						SEE PAGE
					1	2	3	4	5	6 (PRODUCT LEVEL)	
	1	1	103-8500	1	GUARD AS-EXTENSION						
	2	1	0S-1594	24	BOLT (3/8-16X1-IN)						
	3	1	3B-4506	24	LOCKWASHER						
	4	1	5M-2894	24	WASHER-HARD (10.2X18.5X2.5-MM THK)						
	5	1	1V-0623	12	PLATE						
	6	1	2N-3385	24	NUT-CLIP (3/8-16-THD)						



GRAPHIC #1

<END>

g00582164

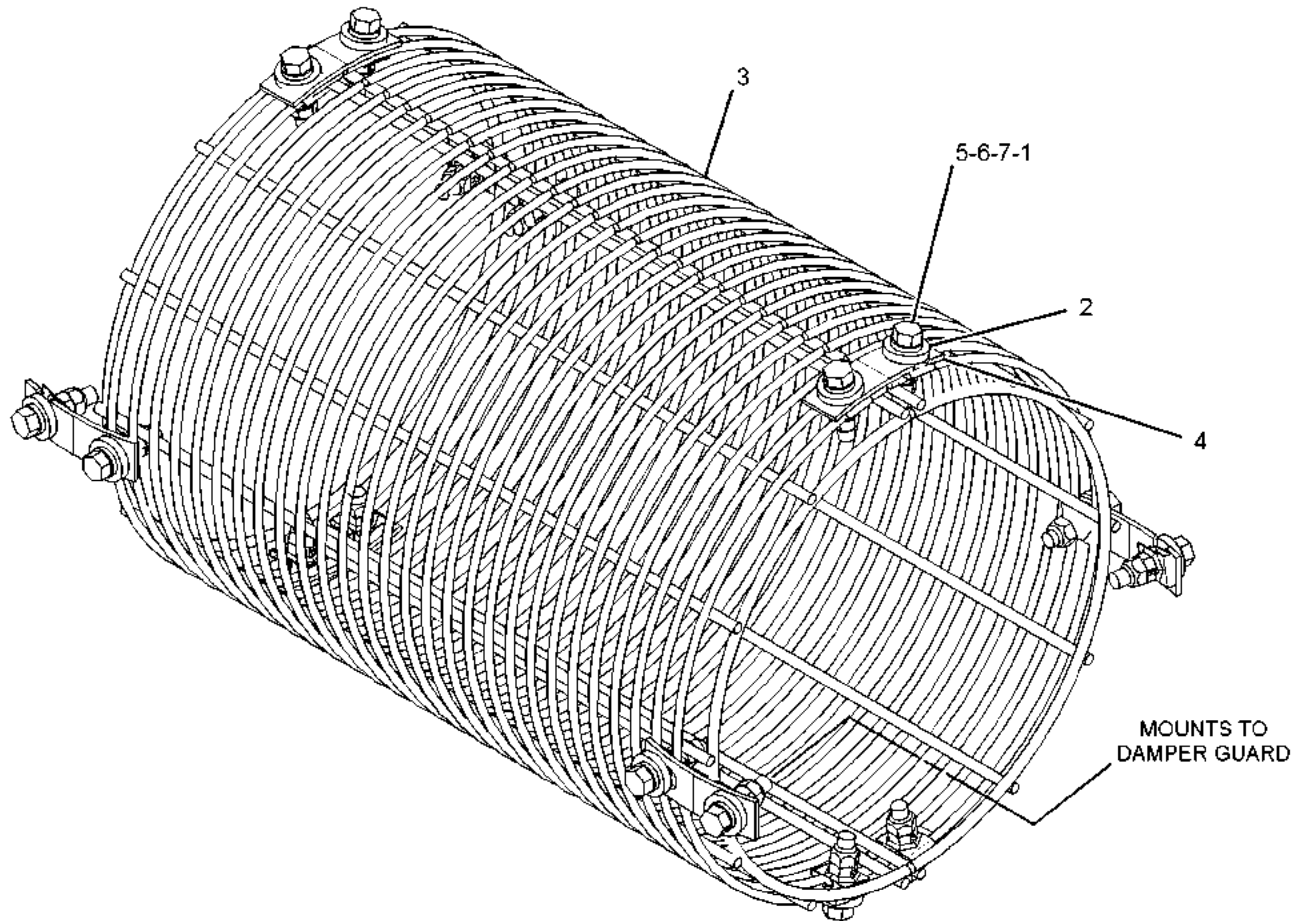
ENCLOSURES, GUARDS AND BASES

3N-5764 GUARD GP-EXTENSION AN ATTACHMENT

SMCS-7154

i03896603

NOTE	REF NO	GRAPHIC REF	PART NUMBER	QTY	PART NAME						SEE PAGE
					1	2	3	4	5	6 (PRODUCT LEVEL)	
	1	1	2N-3385	16	NUT-CLIP (3/8-16-THD)						
	2	1	3L-9689	16	WASHER (10.5X25.4X5-MM THK)						
	3	1	3N-5708	1	GUARD AS-EXTENSION						
	4	1	350-8624	8	PLATE						
	5	1	2A-4639	16	BOLT (3/8-16X1.625-IN)						
	6	1	2K-4973	16	LOCKNUT (3/8-16-THD)						
	7	1	3B-4506	16	LOCKWASHER						



GRAPHIC #1

<END>

g02141630

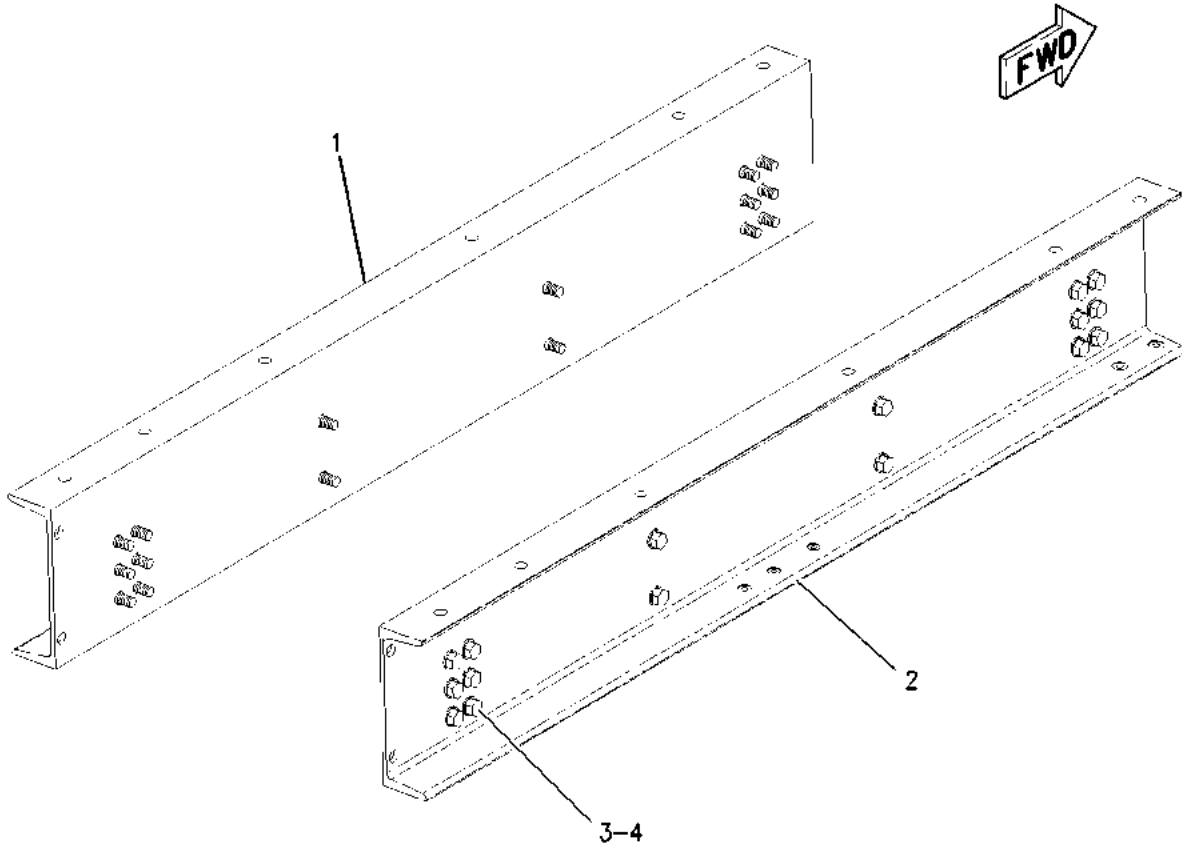
ENCLOSURES, GUARDS AND BASES

7W-3730 RAIL GP-ENGINE & RAD SUPPORT AN ATTACHMENT

SMCS-7060

i01754853

NOTE	REF NO	GRAPHIC REF	PART NUMBER	QTY	PART NAME						SEE PAGE
					1	2	3	4	5	6 (PRODUCT LEVEL)	
	1	1	7W-3734	1	SUPPORT-ENGINE & RADIATOR (LH)						
	2	1	7W-3732	1	SUPPORT-ENGINE & RADIATOR (RH)						
	3	1	8T-9398	32	BOLT (3/4-10X1.75-IN)						
	4	1	8T-4994	32	WASHER-HARD (20X36.5X3.5-MM THK)						



GRAPHIC #1

<END>

g00910125

ENCLOSURES, GUARDS AND BASES

8N-9698 RAIL GP-ENGINE SUPPORT

CANNOT BE USED WITH GENERATOR SET ARRANGEMENTS
AN ATTACHMENT

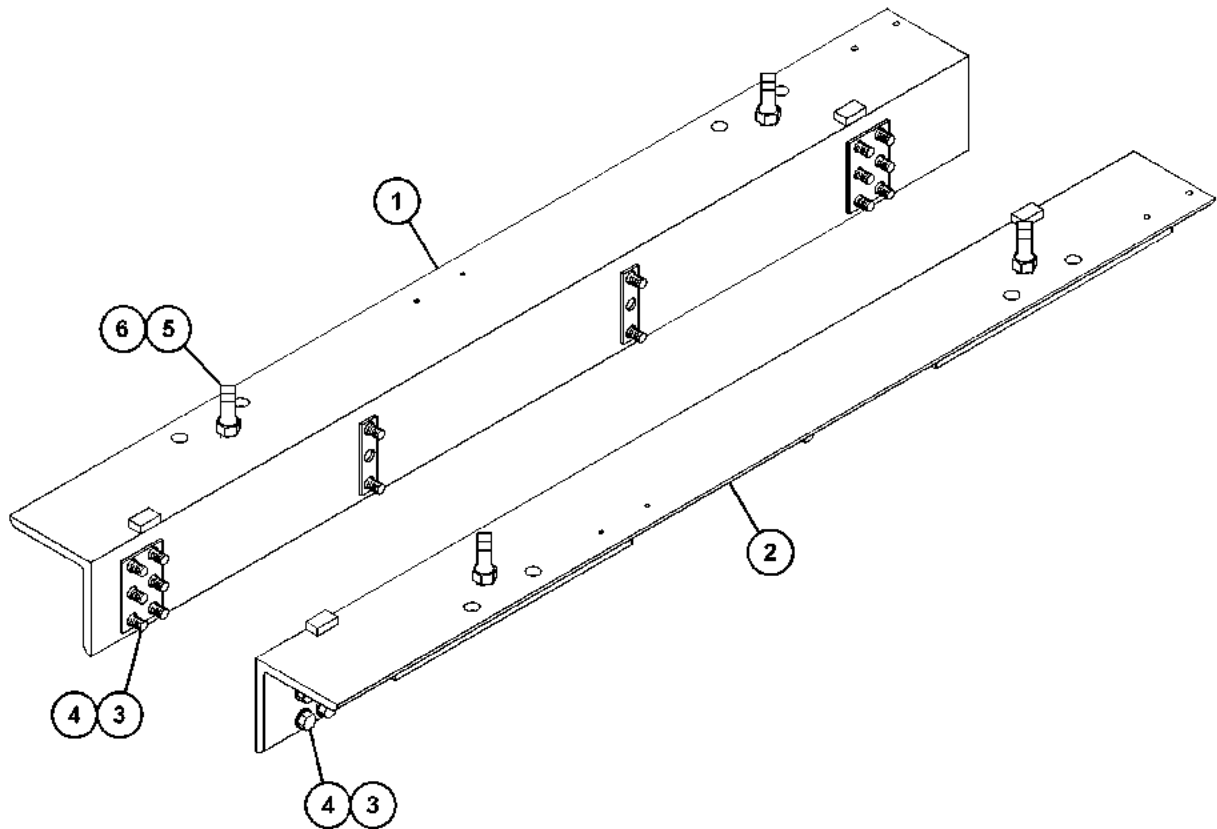
SMCS-7060

i06276965

NOTE	REF NO	GRAPHIC REF	PART NUMBER	QTY	PART NAME						SEE PAGE
					1	2	3	4	5	6 (PRODUCT LEVEL)	
	1	1	1N-3229	1	SUPPORT AS (RH)						
	2	1	1N-3228	1	SUPPORT AS (LH)						
	3	1	0S-1897	32	BOLT (3/4-16X2.25-IN)						
					-OR-						
BC			8T-9399	32	BOLT (3/4-10X2.25-IN)						
	4	1	8T-4994	32	WASHER-HARD (20X36.5X3.5-MM THK)						
	5	1	4L-6665	4	SETSCREW (1-14X3.88-IN)						
	6	1	1B-4209	4	NUT-FULL (1-14-THD)						

B - USE AS REQUIRED

C - CHANGE FROM PREVIOUS TYPE



GRAPHIC #1

<END>

g03882026

ENCLOSURES, GUARDS AND BASES

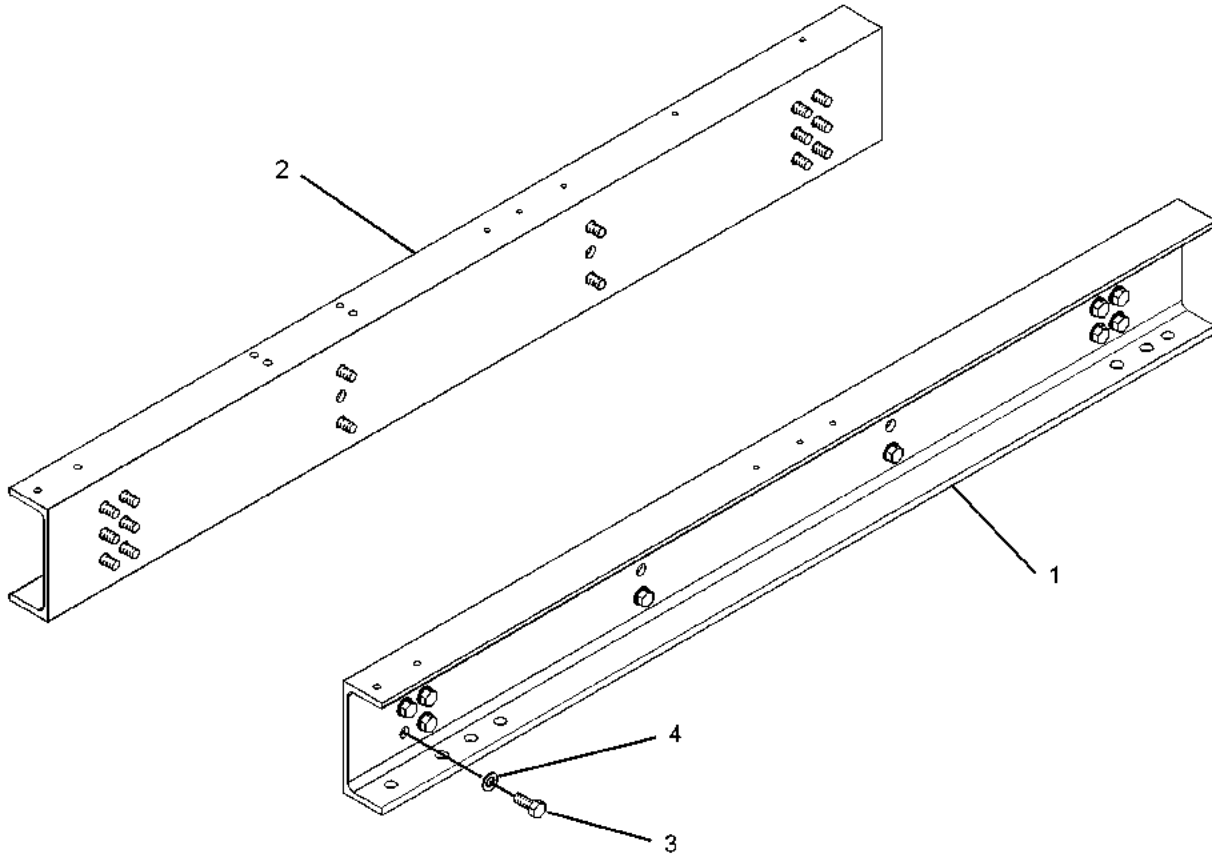
9Y-0848 RAIL GP-ENGINE SUPPORT

CANNOT BE USED WITH ENGINE MOUNTED RADIATOR
AN ATTACHMENT

SMCS-7060

i03557048

NOTE	REF NO	GRAPHIC REF	PART NUMBER	QTY	PART NAME						SEE PAGE
					1	2	3	4	5	6 (PRODUCT LEVEL)	
	1	1	9Y-0849	1	SUPPORT-ENGINE (RH)						
	2	1	342-4500	1	SUPPORT-ENGINE (LH)						
	3	1	8T-9398	32	BOLT (3/4-10X1.75-IN)						
	4	1	8T-4994	32	WASHER-HARD (20X36.5X3.5-MM THK)						



GRAPHIC #1

<END>

g01891073

GENERATORS

361-2453 CONVERSION GP-GENERATOR-EXTENSION BOX

LOW VOLTAGE

FOR USE WITH 860-FRAME, 820-FRAME, MOVING INTERCONNECT POINTS FROM MAIN TERMINAL BOX
TO EXTENSION BOX WITH CAPTIVE FASTENERS
AN ATTACHMENT

SMCS-4450

i06691358

NOTE	PART NUMBER	QTY	PART NAME						SEE PAGE
			1	2	3	4	5	6 (PRODUCT LEVEL)	
Y	361-2595	1	BOX GP-EXTENSION TERMINAL						980
Y - SEPARATE ILLUSTRATION									

<END>

OPERATOR STATION

3N-9012 AMMETER GP

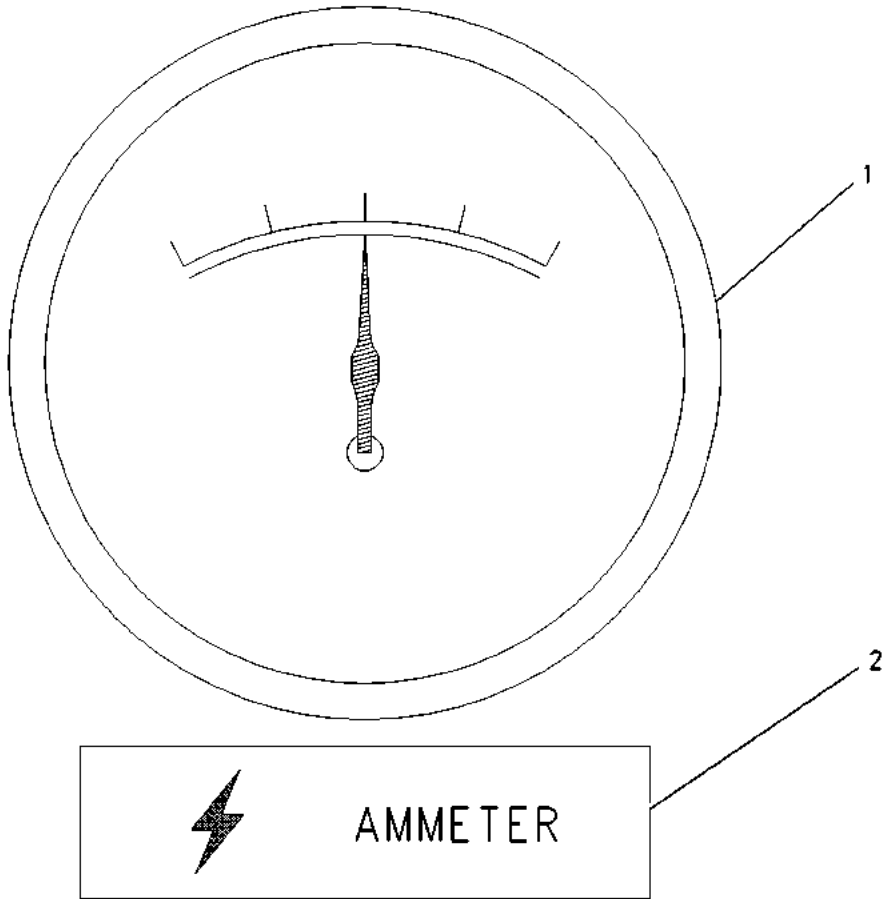
60-AMPERE

FOR USE WITH PREMIUM INSTRUMENT PANEL
PART OF 7N-7981 ALTERNATOR GP-CHARGING
AN ATTACHMENT

SMCS-7467

i02868856

NOTE	REF NO	GRAPHIC REF	PART NUMBER	QTY	PART NAME						SEE PAGE
					1	2	3	4	5	6 (PRODUCT LEVEL)	
	1	1	3N-5992	1	AMMETER AS (60-AMPERE)						
		1	6V-8378	5	NUT (10-32-THD)						
		1	8F-1434	3	LOCKWASHER						
2	1	1	3N-5990	1	FILM-GAUGE IDENTIFICATION (AMMETER)						



GRAPHIC #1

<END>

g00781783

OPERATOR STATION

139-8537 BOX GP-INSTRUMENT PANEL

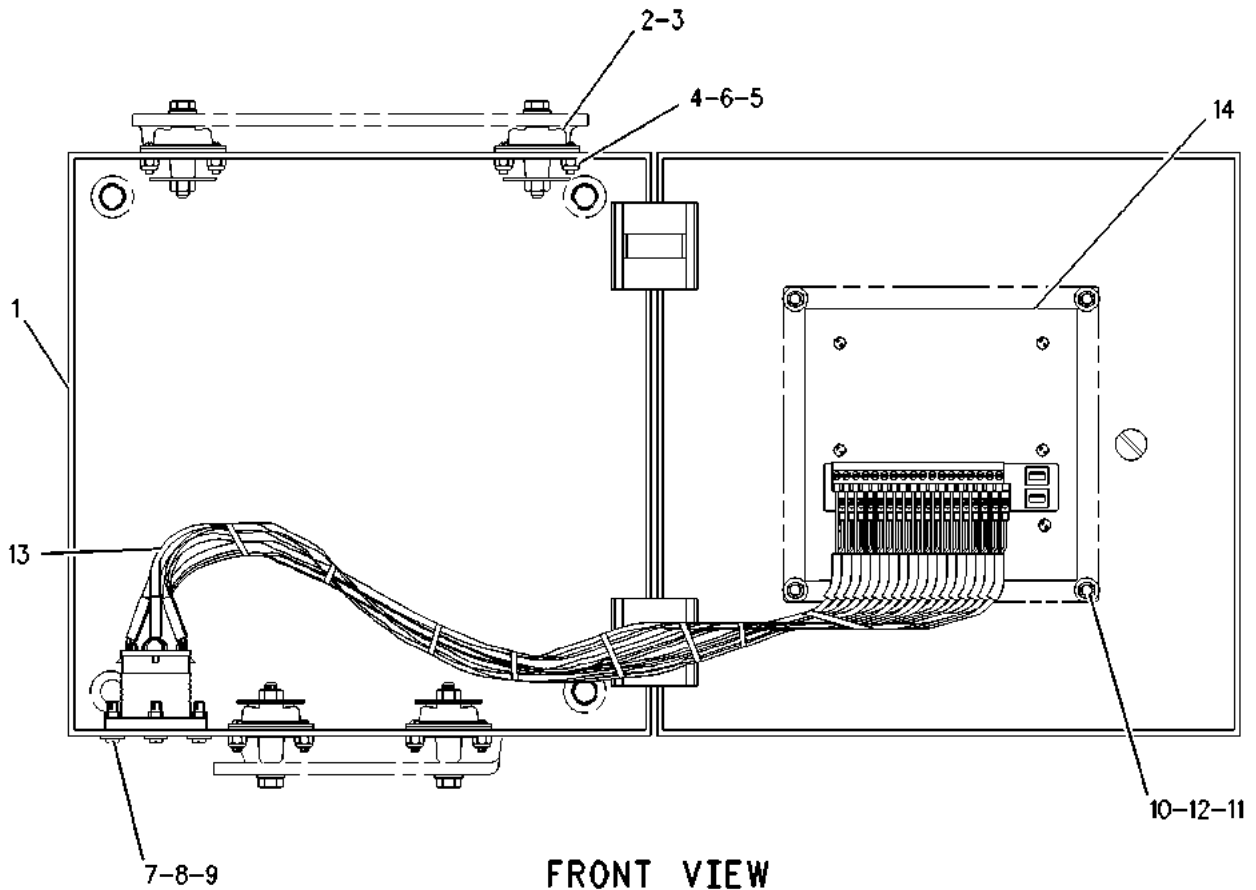
PART OF 139-8549 PYROMETER GP
AN ATTACHMENT

SMCS-7451, 7490

i01148054

NOTE	REF NO	GRAPHIC REF	PART NUMBER	QTY	PART NAME						SEE PAGE
					1	2	3	4	5	6 (PRODUCT LEVEL)	
	1	1	126-1655	1	JUNCTION BOX						
	2	1	8T-4412	4	MOUNT						
	3	1	121-0817	4	GASKET						
	4	1	7S-1197	8	SCREW-MACHINE (8-32X0.5-IN)						
	5	1	3B-4501	8	LOCKWASHER						
	6	1	6D-5801	8	LOCKNUT (8-32-THD)						
	7	1	4B-2041	4	NUT (6-32-THD)						
	8	1	3B-4504	4	LOCKWASHER						
	9	1	2N-3476	4	SCREW-MACHINE (6-32X0.75-IN)						
	10	1	4B-4274	4	WASHER (5.5X13X1.2-MM THK)						
M	11	1	5C-2874	4	NUT (M5X0.8-THD)						
M	12	1	7Y-7389	4	SCREW (M5X0.8X16-MM)						
	13	1	121-4102	1	HARNESS AS-PANEL (PYROMETER)						
	14	1	114-2410	1	PYROMETER GP						

M - METRIC PART



FRONT VIEW

GRAPHIC #1

<END>

g00609327

OPERATOR STATION

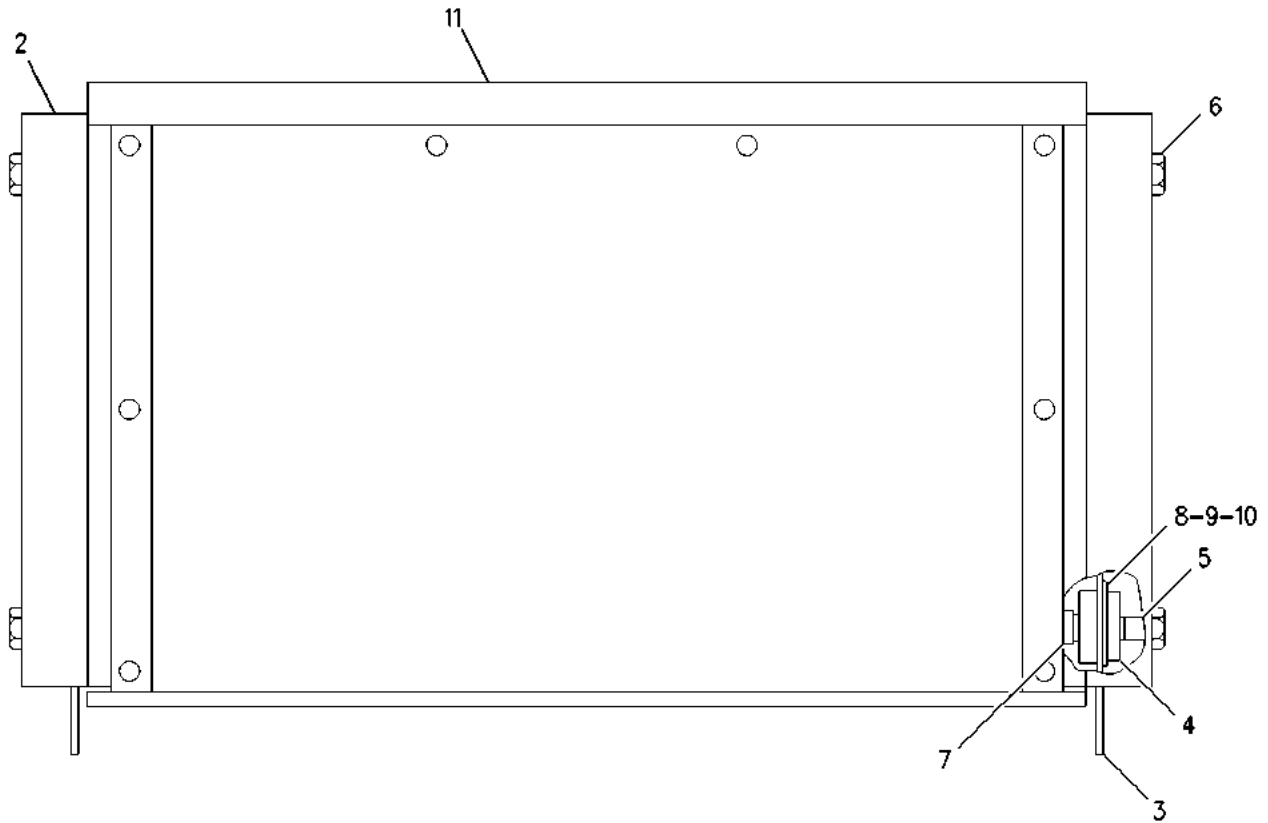
3N-9015 BOX GP-INSTRUMENT PANEL

PART OF 4W-4526, 7C-0286 PANEL GP-INSTRUMENT
AN ATTACHMENT

SMCS-7451, 7490

i02730594

NOTE	REF NO	GRAPHIC REF	PART NUMBER	QTY	PART NAME						SEE PAGE
					1	2	3	4	5	6 (PRODUCT LEVEL)	
	2	1	3N-4418	2	PLATE						
	3	1	3N-4565	2	SUPPORT - PANEL						
	4	1	6I-1815	4	MOUNT - FLEXIBLE						
	5	1	9F-3691	4	SPACER (0.281X0.438X0.26-IN THK)						
	6	1	5P-2675	4	BOLT (1/4-20X1.75-IN)						
	7	1	5N-6646	4	SPACER (7.14X16X7.5-MM THK)						
	8	1	3N-4427	8	SCREW (10-32X1/2-IN)						
	9	1	4B-2049	8	NUT (10-32-THD)						
	10	1	9F-8125	16	LOCKWASHER						
	11	1	3N-4420	1	BOX AS-INSTRUMENT						



GRAPHIC #1

<END>

g00712969

OPERATOR STATION

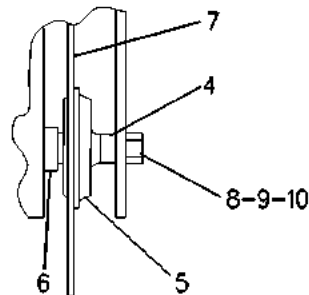
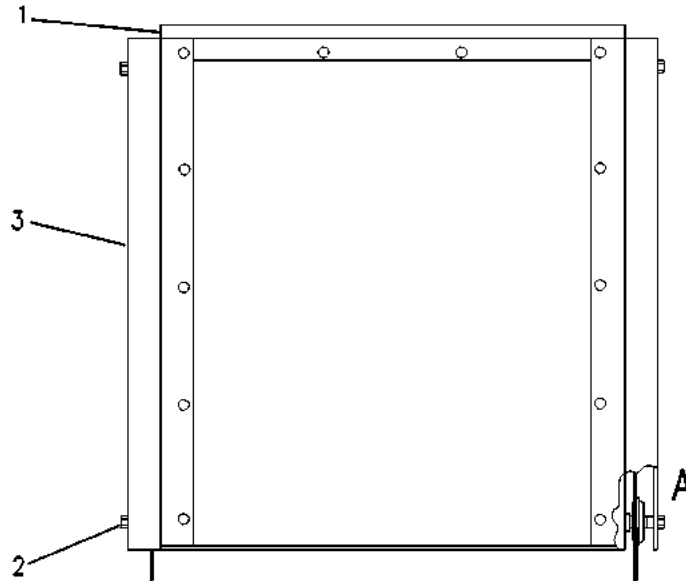
5N-8291 BOX GP-INSTRUMENT PANEL

PART OF 4W-4527, 7C-0285 PANEL GP-INSTRUMENT
AN ATTACHMENT

SMCS-7451, 7490

i02183651

NOTE	REF NO	GRAPHIC REF	PART NUMBER	QTY	PART NAME						SEE PAGE
					1	2	3	4	5	6 (PRODUCT LEVEL)	
	1	1	5N-2194	1	BOX AS-INSTRUMENT						
	2	1	5P-2675	4	BOLT (1/4-20X1.75-IN)						
	3	1	5N-2196	2	PLATE						
	4	1	9F-3691	4	SPACER (0.281X0.438X0.26-IN THK)						
	5	1	5N-6645	4	MOUNT-FLEXIBLE						
	6	1	5N-6646	4	SPACER (7.14X16X7.5-MM THK)						
	7	1	5N-2195	2	SUPPORT-PANEL						
	8	1	3N-4427	8	SCREW (10-32X1/2-IN)						
	9	1	4B-2049	8	NUT (10-32-THD)						
	10	1	9F-8125	16	LOCKWASHER						



VIEW OF AREA A

GRAPHIC #1

<END>

g00698221

OPERATOR STATION

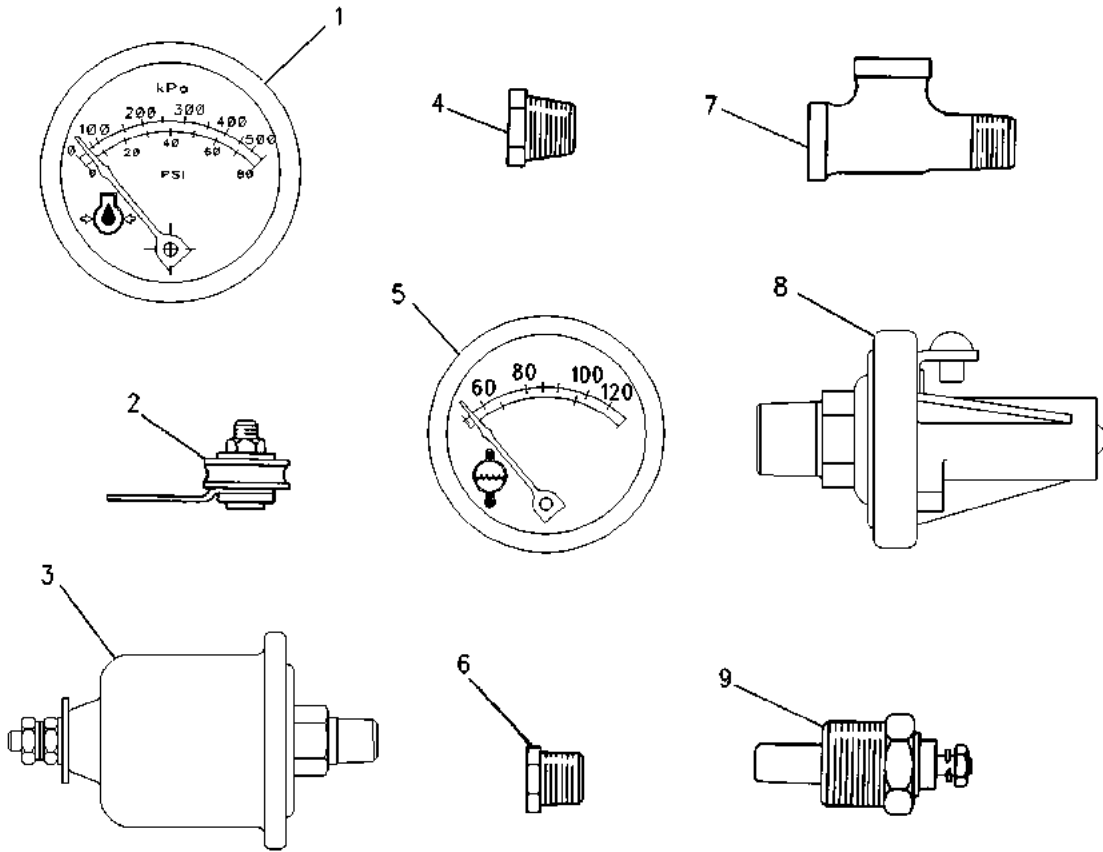
5L-9895 GAUGE GP-ENGINE OIL PRESSURE, WATER TEMPERATURE 24-VOLT TO 32-VOLT AN ATTACHMENT

SMCS-7450, 7451

i03630700

NOTE	REF NO	GRAPHIC REF	PART NUMBER	QTY	PART NAME						SEE PAGE
					1	2	3	4	5	6 (PRODUCT LEVEL)	
CY	1	1	7W-2937	1	GAUGE GP-ENGINE OIL PRESSURE						1368
	2	1	5L-7441	2	RESISTOR UNIT (65-OHM, 32-VOLT)						
C	3	1	9X-1124	1	SENDER AS-PRESSURE (ENGINE OIL)						
			8T-0328	1	WASHER-HARD (5.5X10X1-MM THK)						
			4B-2049	1	NUT (10-32-THD)						
			8F-1434	1	LOCKWASHER						
	4	1	6B-5072	1	ADAPTER						
C	5	1	7W-2060	1	GAUGE (WATER TEMPERATURE)						
B	6	1	4M-5317	1	BUSHING-REDUCER						
B	7	1	3L-6521	1	TEE-SERVICE						
	8	1	2L-3402	1	SWITCH AS (PRESSURE) (ENGINE OIL)						
			6V-8376	2	SCREW-MACHINE (8-32X0.25-IN)						
	9	1	5L-7442	1	SENDING UNIT (24-VOLT)						

B - USE AS REQUIRED
C - CHANGE FROM PREVIOUS TYPE
Y - SEPARATE ILLUSTRATION



GRAPHIC #1

<END>

g00708316

OPERATOR STATION

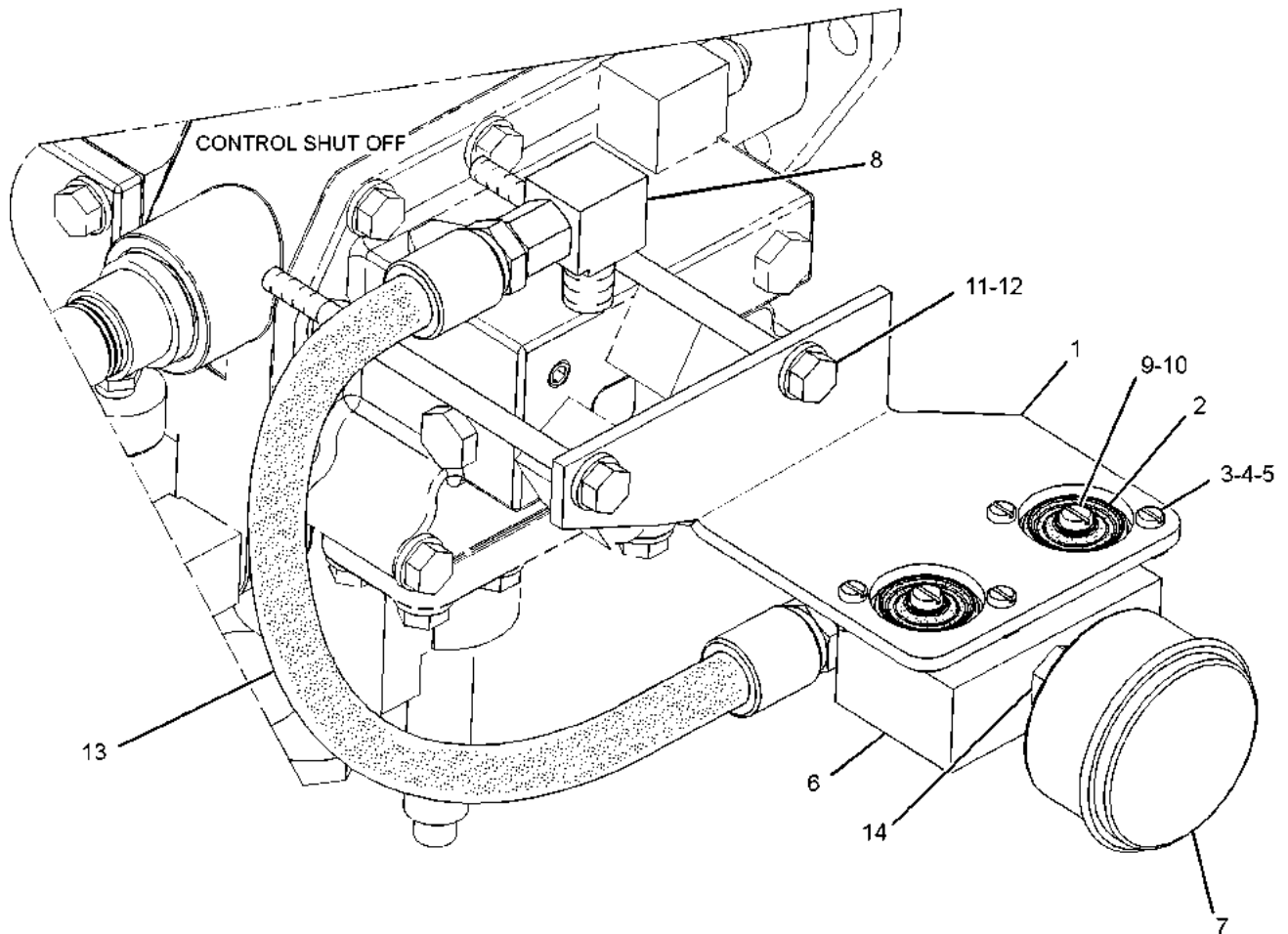
2W-8810 GAUGE GP-ENGINE OIL PRESSURE-INDICATOR FOR USAGE REFER TO CHART 7W-7326-PAGE: 1450 AN ATTACHMENT

SMCS-7455

i07197062

NOTE	REF NO	GRAPHIC REF	PART NUMBER	QTY	PART NAME						SEE PAGE
					1	2	3	4	5	6 (PRODUCT LEVEL)	
	1	1	2W-8811	1	SUPPORT						
	2	1	8N-9300	2	MOUNT AS						
	3	1	9X-6259	4	SCREW-MACHINE (6-32X0.375-IN)						
	4	1	5H-6555	4	LOCKWASHER						
	5	1	4B-2041	4	NUT (6-32-THD)						
	6	1	2W-1769	1	PLATE						
	7	1	1W-5280	1	GAUGE-PRESSURE (ENGINE OIL)						
	8	1	6K-1972	2	ELBOW-FLARED						
	9	1	9X-8486	2	SCREW-MACHINE (8-32X0.75-IN)						
	10	1	1H-4393	2	LOCKWASHER						
	11	1	8S-4711	2	BOLT (1/4-20X4.5-IN)						
	12	1	5P-0537	2	WASHER-HARD (7.2X14.5X2-MM THK)						
I	13	1	3T-3848	1	HOSE AS						
	14	1	4M-5317	1	BUSHING-REDUCER						

I - REFER TO HYDRAULIC INFORMATION SYSTEM



GRAPHIC #1

<END>

g01719411

OPERATOR STATION

7W-2937 GAUGE GP-ENGINE OIL PRESSURE

24-VOLT

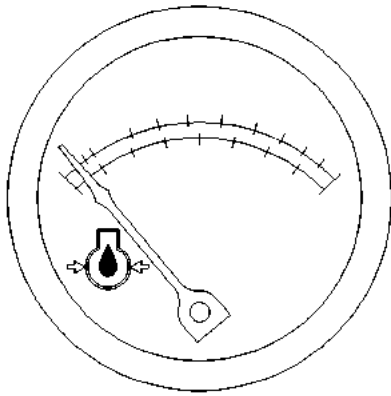
PART OF 5L-9895 GAUGE GP
AN ATTACHMENT

SMCS-7455

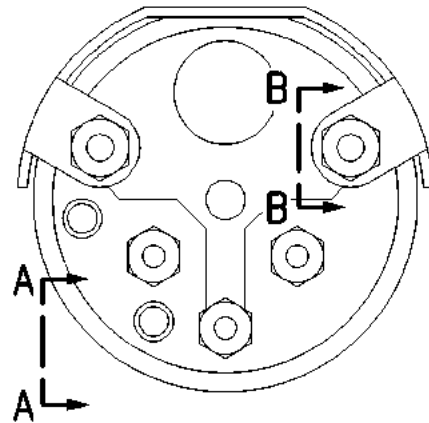
i02874974

NOTE	REF NO	GRAPHIC REF	PART NUMBER	QTY	PART NAME						SEE PAGE
					1	2	3	4	5	6 (PRODUCT LEVEL)	
	1	1	6V-8368	3	NUT (6-32-THD)						
	2	1	4B-5324	3	WASHER (3.9X9.6X1.2-MM THK)						
	3	1	3L-8187	3	LOCKWASHER						
	4	1	6V-8377	2	NUT (8-32-THD)						
	5	1	9B-7233	2	LOCKWASHER						

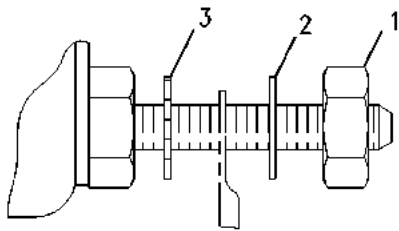
F			6V-3507	1	SEAL - RECTANGULAR					
F - NOT SHOWN										



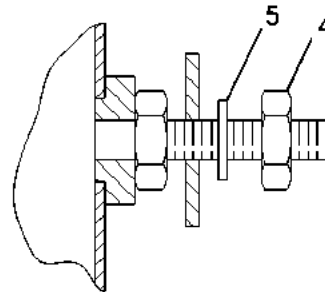
FRONT VIEW



REAR VIEW



VIEW A-A



SECTION B-B

GRAPHIC #1

<END>

g00730383

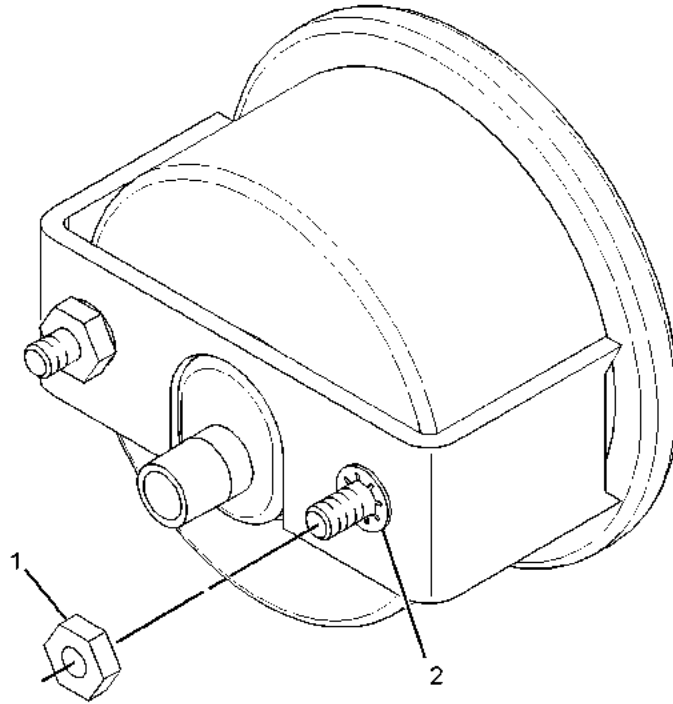
OPERATOR STATION

4W-2683 GAUGE GP-TEMPERATURE AN ATTACHMENT

SMCS-7450

i02987790

NOTE	REF NO	GRAPHIC REF	PART NUMBER	QTY	PART NAME						SEE PAGE
					1	2	3	4	5	6 (PRODUCT LEVEL)	
	1	1	4B-2049	2	NUT (10-32-THD)						
	2	1	8F-1434	2	LOCKWASHER						



GRAPHIC #1

<END>

g01515538

OPERATOR STATION

125-6347 LINES GP-INSTRUMENT PANEL-LH OIL FILTER DIFFERENTIAL AN ATTACHMENT

SMCS-7451

i02183683

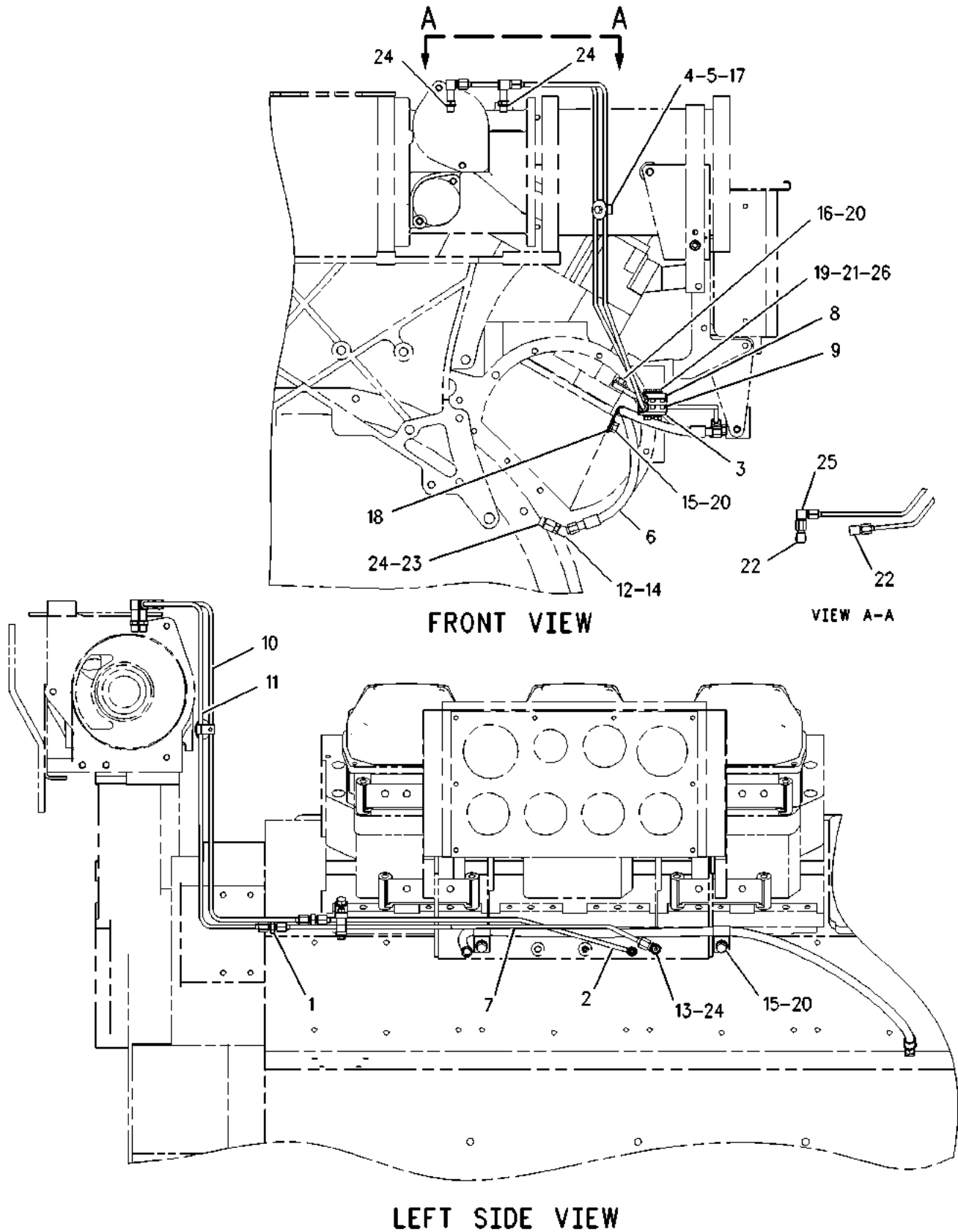
NOTE	REF NO	GRAPHIC REF	PART NUMBER	QTY	PART NAME						SEE PAGE
					1	2	3	4	5	6 (PRODUCT LEVEL)	
	1	1	3J-7355	2	UNION-FLARED						
	2	1	4W-5990	1	TUBE AS						
	3	1	5N-8071	1	PLATE						
	4	1	5N-9230	1	CLAMP-TUBE						
	5	1	5P-9287	1	WASHER-HARD (7.2X32X2-MM THK)						
I	6	1	7N-2539	1	HOSE AS						
	7	1	7W-2899	1	TUBE AS						
	8	1	8N-8470	1	BRACKET						
	9	1	8N-8472	2	CLAMP-TUBE						
	10	1	129-2300	1	TUBE AS						
	11	1	129-2301	1	TUBE AS						
	12	1	030-7941	1	ELBOW						
	13	1	030-7946	1	ELBOW						
	14	1	033-6042	1	SEAL-O-RING						
	15	1	0S-0509	2	BOLT (3/8-16X0.75-IN)						
	16	1	0S-1594	1	BOLT (3/8-16X1-IN)						
	17	1	0S-1615	1	BOLT (1/4-20X0.75-IN)						
	18	1	124-0174	2	CLIP (LOOP)						
	19	1	1B-2713	2	BOLT (1/4-20X1.75-IN)						
	20	1	5M-2894	3	WASHER-HARD (10.2X18.5X2.5-MM THK)						
	21	1	5P-0537	4	WASHER-HARD (7.2X14.5X2-MM THK)						
	22	1	5P-3426	2	ELBOW						
	23	1	5P-9617	1	ADAPTER						
	24	1	6V-5048	4	SEAL-O-RING						
	25	1	7K-9197	1	ELBOW						
	26	1	9S-8750	2	NUT-FULL (1/4-20-THD)						

I - REFER TO HYDRAULIC INFORMATION SYSTEM

OPERATOR STATION

125-6347 LINES GP-INSTRUMENT PANEL (contd.)

102183683



FRONT VIEW

VIEW A-A

LEFT SIDE VIEW

GRAPHIC #1

<END>

g00708130

OPERATOR STATION

125-6348 LINES GP-INSTRUMENT PANEL-LH OIL FILTER DIFFERENTIAL AN ATTACHMENT

SMCS-7451

i06955071

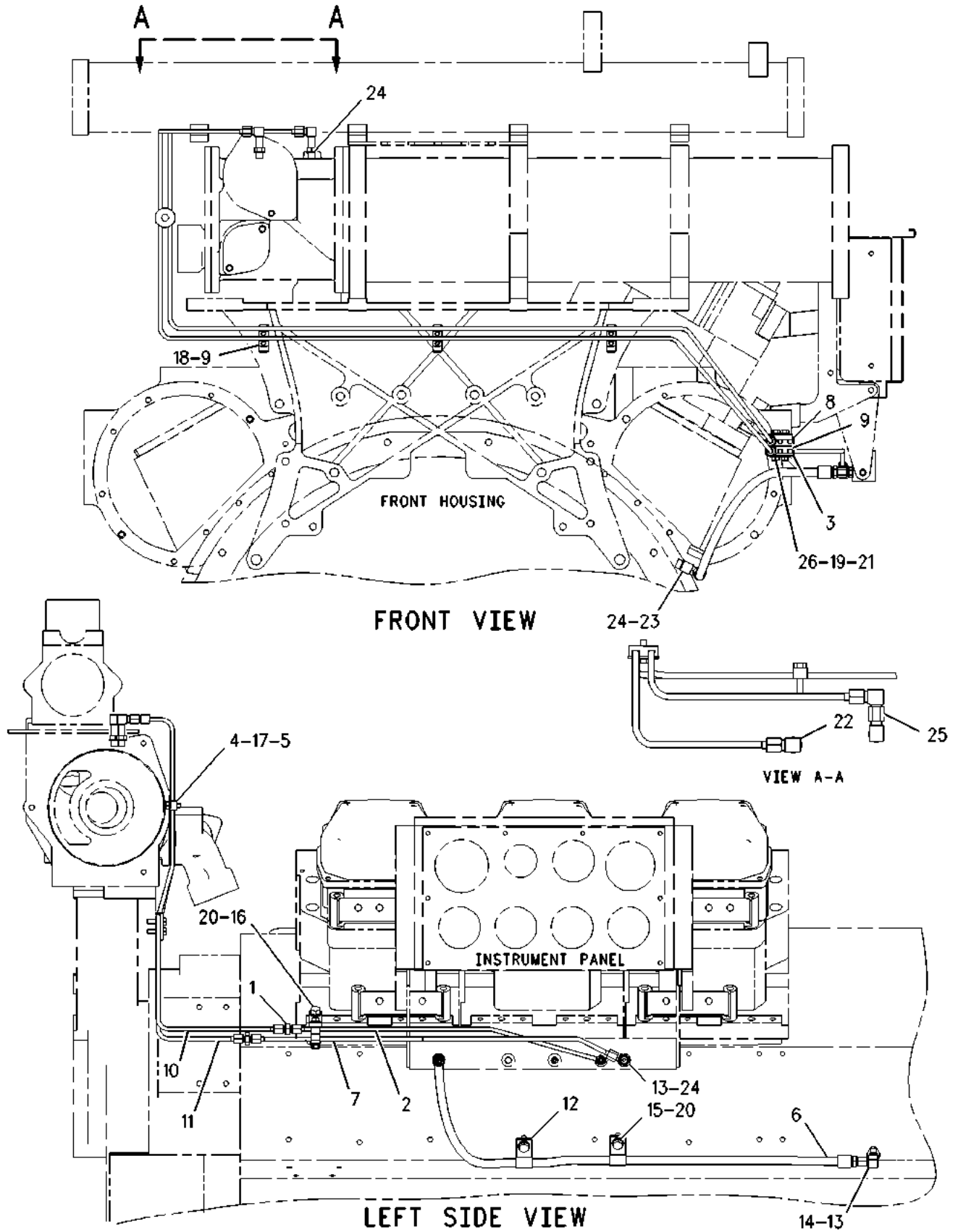
NOTE	REF NO	GRAPHIC REF	PART NUMBER	QTY	PART NAME						SEE PAGE
					1	2	3	4	5	6 (PRODUCT LEVEL)	
	1	1	3J-7355	2	UNION-FLARED						
	2	1	4W-5990	1	TUBE AS						
	3	1	5N-8071	1	PLATE						
	4	1	5N-9230	1	CLAMP-TUBE						
	5	1	5P-9287	1	WASHER-HARD (7.2X32X2-MM THK)						
I	6	1	7N-2539	1	HOSE AS						
	7	1	7W-2899	1	TUBE AS						
	8	1	8N-8470	1	BRACKET						
	9	1	8N-8472	5	CLAMP-TUBE						
	10	1	129-2302	1	TUBE AS						
	11	1	129-2303	1	TUBE AS						
	12	1	202-2762	2	CLIP (LOOP)						
	13	1	030-7946	2	ELBOW						
	14	1	153-4906	1	SEAL-O-RING						
	15	1	0S-1588	2	BOLT (3/8-16X1.25-IN)						
	16	1	0S-1594	1	BOLT (3/8-16X1-IN)						
	17	1	0S-1615	1	BOLT (1/4-20X0.75-IN)						
	18	1	0S-1616	6	BOLT (1/4-20X1-IN)						
	19	1	1B-2713	2	BOLT (1/4-20X1.75-IN)						
	20	1	5M-2894	3	WASHER-HARD (10.2X18.5X2.5-MM THK)						
	21	1	5P-0537	4	WASHER-HARD (7.2X14.5X2-MM THK)						
	22	1	5P-3426	2	ELBOW						
	23	1	5P-9617	1	ADAPTER						
	24	1	6V-5048	4	SEAL-O-RING						
	25	1	7K-9197	1	ELBOW						
	26	1	9S-8750	2	NUT-FULL (1/4-20-THD)						

I - REFER TO HYDRAULIC INFORMATION SYSTEM

OPERATOR STATION

125-6348 LINES GP-INSTRUMENT PANEL (contd.)

i06955071



GRAPHIC #1

<END>

g00891544

OPERATOR STATION

125-6351 LINES GP-INSTRUMENT PANEL-RH OIL FILTER DIFFERENTIAL AN ATTACHMENT

SMCS-7451

i02295579

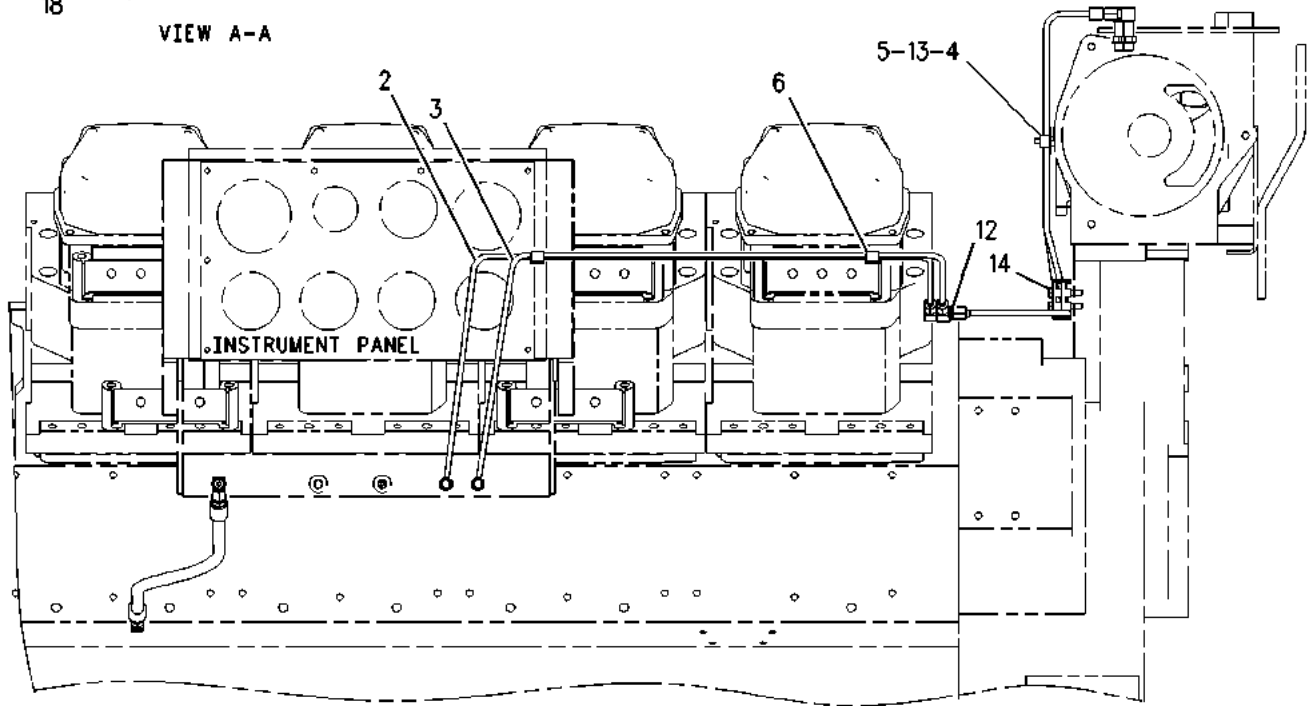
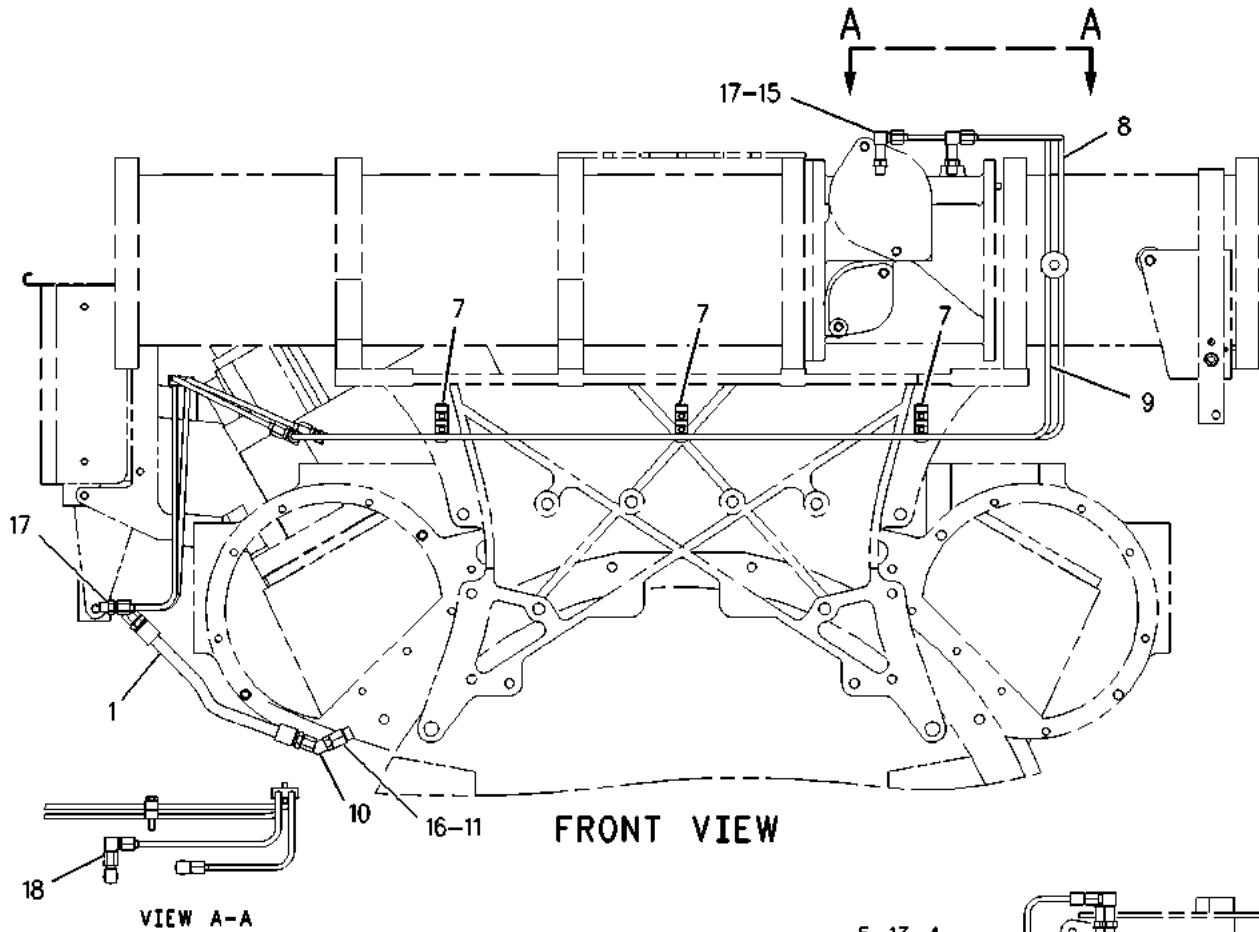
NOTE	REF NO	GRAPHIC REF	PART NUMBER	QTY	PART NAME						SEE PAGE
					1	2	3	4	5	6 (PRODUCT LEVEL)	
I	1	1	3J-7311	1	HOSE AS						
	2	1	4W-3657	1	TUBE AS						
	3	1	4W-3658	1	TUBE AS						
	4	1	5N-9230	1	CLAMP-TUBE						
	5	1	5P-9287	1	WASHER-HARD (7.2X32X2-MM THK)						
	6	1	8N-8471	2	CLAMP-TUBE						
	7	1	8N-8472	6	CLAMP-TUBE						
	8	1	129-2304	1	TUBE AS						
	9	1	129-2305	1	TUBE AS						
	10	1	030-7941	2	ELBOW						
	11	1	153-4906	1	SEAL-O-RING						
	12	1	067-6495	2	ELBOW-FLARED						
	13	1	0S-1615	1	BOLT (1/4-20X0.75-IN)						
	14	1	2A-5546	6	BOLT (1/4-20X1.375-IN)						
	15	1	5P-3426	2	ELBOW						
	16	1	5P-9617	1	ADAPTER						
	17	1	6V-5048	4	SEAL-O-RING						
	18	1	7K-9197	1	ELBOW						

I - REFER TO HYDRAULIC INFORMATION SYSTEM

OPERATOR STATION

125-6351 LINES GP-INSTRUMENT PANEL (contd.)

102295579



GRAPHIC #1

<END>

g00793333

OPERATOR STATION

1W-8104 LINES GP-INSTRUMENT PANEL-RH

AIR CLEANER RESTRICTION

FOR USAGE REFER TO CHART 4W-6500-PAGE: 1453

AN ATTACHMENT

SMCS-7451

i07141497

NOTE	REF NO	GRAPHIC REF	PART NUMBER	QTY	PART NAME						SEE PAGE
					1	2	3	4	5	6 (PRODUCT LEVEL)	
	2	1	3J-7355	2	UNION-FLARED						
B	3	1	8B-9725	1	BOSS (17/32X1X1/4-IN THK)						
	4	1	5P-8245	1	WASHER-HARD (13.5X25.5X3-MM THK)						
	5	1	8N-8432	1	TUBE AS						
	6	1	1W-8120	1	TUBE AS						
	7	1	1W-8121	1	TUBE AS						
	8	1	067-6495	2	ELBOW-FLARED						
	9	1	2N-1287	2	ELBOW-FLARED						
C	10	1	7W-6147	1	PLATE						
	11	1	8N-8470	1	BRACKET						
	12	1	0S-1594	1	BOLT (3/8-16X1-IN)						
	13	1	5M-2894	1	WASHER-HARD (10.2X18.5X2.5-MM THK)						
C	14	1	7B-2742	1	BOLT (1/4-20X1.25-IN)						
C	15	1	6V-7646	1	WASHER-HARD (7.2X25X2-MM THK)						
	16	1	9S-8750	2	NUT-FULL (1/4-20-THD)						
	17	1	6H-1717	1	BOLT (1/2-13X1.125-IN)						
B	18	1	7B-2742	2	BOLT (1/4-20X1.25-IN)						
	19	1	5P-9287	2	WASHER-HARD (7.2X32X2-MM THK)						
	20	1	4D-8948	1	CLIP						
I	21	1	2V-5956	2	HOSE AS						
	22	1	202-2762	2	CLIP (LOOP)						
	23	1	5N-9230	2	CLAMP-TUBE						
CB	24	1	5P-0537	4	WASHER-HARD (7.2X14.5X2-MM THK)						
	25	1	8N-8472	1	CLAMP-TUBE						
	26	1	9F-6580	1	BOLT (1/4-20X1.125-IN)						
	27	1	8N-5698	1	TUBE AS						
C	28	1	5P-0537	1	WASHER-HARD (7.2X14.5X2-MM THK)						

B - USE AS REQUIRED

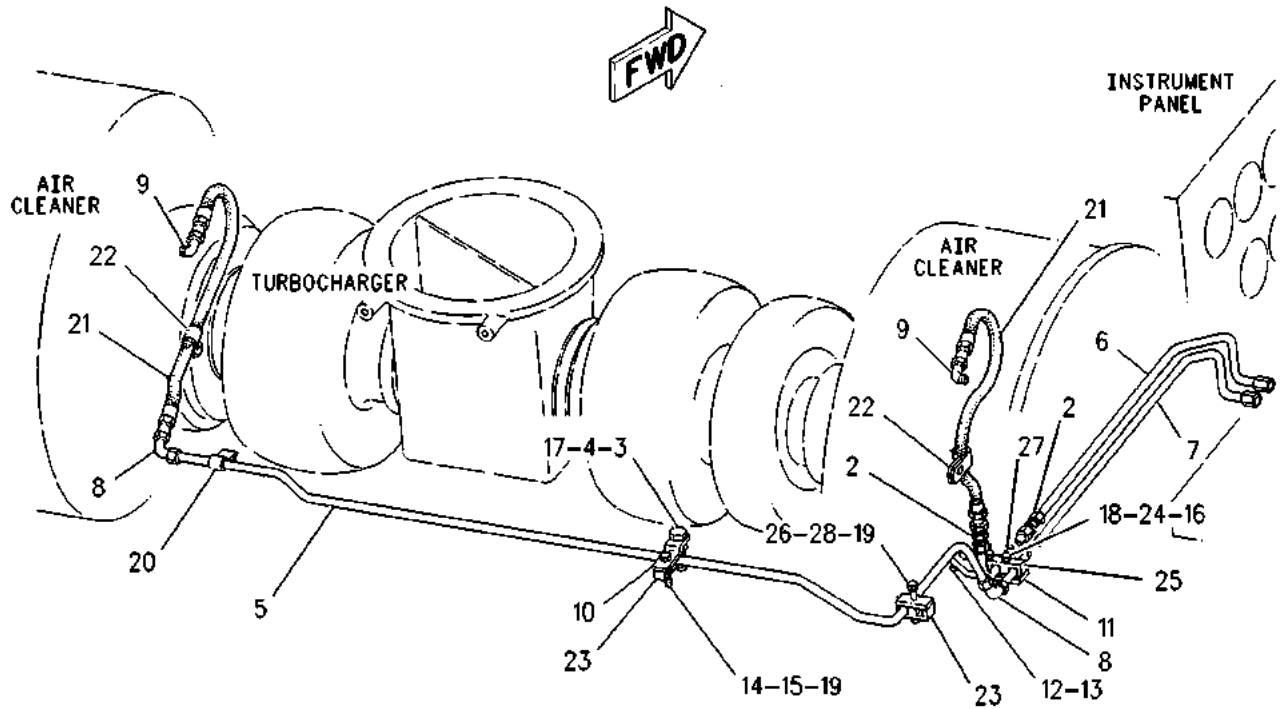
C - CHANGE FROM PREVIOUS TYPE

I - REFER TO HYDRAULIC INFORMATION SYSTEM

OPERATOR STATION

1W-8104 LINES GP-INSTRUMENT PANEL (contd.)

i07141497



GRAPHIC #1

<END>

g00887025

OPERATOR STATION

1W-8116 LINES GP-INSTRUMENT PANEL-LH

AIR CLEANER RESTRICTION

FOR USAGE REFER TO CHART 4W-6500-PAGE: 1453

AN ATTACHMENT

SMCS-7451

i02550003

NOTE	REF NO	GRAPHIC REF	PART NUMBER	QTY	PART NAME						SEE PAGE
					1	2	3	4	5	6 (PRODUCT LEVEL)	
	1	1	8N-5698	1	TUBE AS						
	2	1	3J-7355	2	UNION-FLARED						
B	3	1	8B-9725	1	BOSS (17/32X1X1/4-IN THK)						
	4	1	5P-8245	1	WASHER-HARD (13.5X25.5X3-MM THK)						
	5	1	8N-8433	1	TUBE AS						
	6	1	7C-0813	1	TUBE AS						
	7	1	4W-4563	1	TUBE AS						
	8	1	067-6495	2	ELBOW-FLARED						
	9	1	2N-1287	2	ELBOW-FLARED						
	10	1	103-0174	1	BRACKET						
	11	1	8N-8470	2	BRACKET						
	12	1	0S-1594	2	BOLT (3/8-16X1-IN)						
	13	1	5M-2894	2	WASHER-HARD (10.2X18.5X2.5-MM THK)						
	15	1	6V-7646	1	WASHER-HARD (7.2X25X2-MM THK)						
	16	1	9S-8750	4	NUT-FULL (1/4-20-THD)						
	17	1	6H-1717	1	BOLT (1/2-13X1.125-IN)						
	18	1	7B-2742	4	BOLT (1/4-20X1.25-IN)						
	19	1	5P-9287	1	WASHER-HARD (7.2X32X2-MM THK)						
	20	1	4D-8948	1	CLIP						
I	21	1	2V-5956	2	HOSE AS						
	22	1	202-2762	2	CLIP (LOOP)						
	23	1	5N-9230	2	CLAMP-TUBE						
	24	1	5P-0537	9	WASHER-HARD (7.2X14.5X2-MM THK)						
	25	1	8N-8472	2	CLAMP-TUBE						
	26	1	9F-6580	1	BOLT (1/4-20X1.125-IN)						
	27	1	0S-1615	1	BOLT (1/4-20X0.75-IN)						
B	28	1	9L-8493	2	CAP-FLARED						

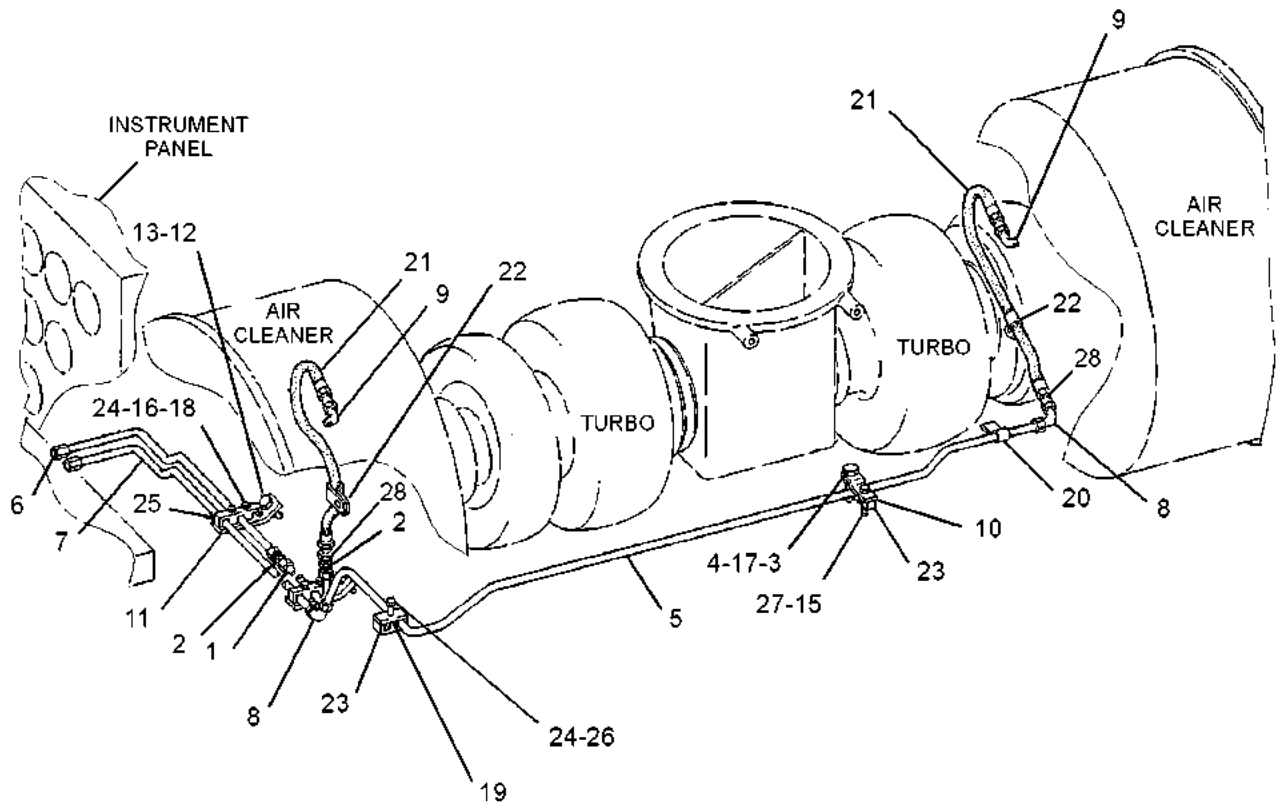
B - USE AS REQUIRED

I - REFER TO HYDRAULIC INFORMATION SYSTEM

OPERATOR STATION

1W-8116 LINES GP-INSTRUMENT PANEL (contd.)

102550003



GRAPHIC #1

<END>

g01279183

OPERATOR STATION

2W-8371 LINES GP-INSTRUMENT PANEL

FOR USE WITH LH SERVICE DUPLEX FUEL FILTERS
AN ATTACHMENT

SMCS-7451

i05103050

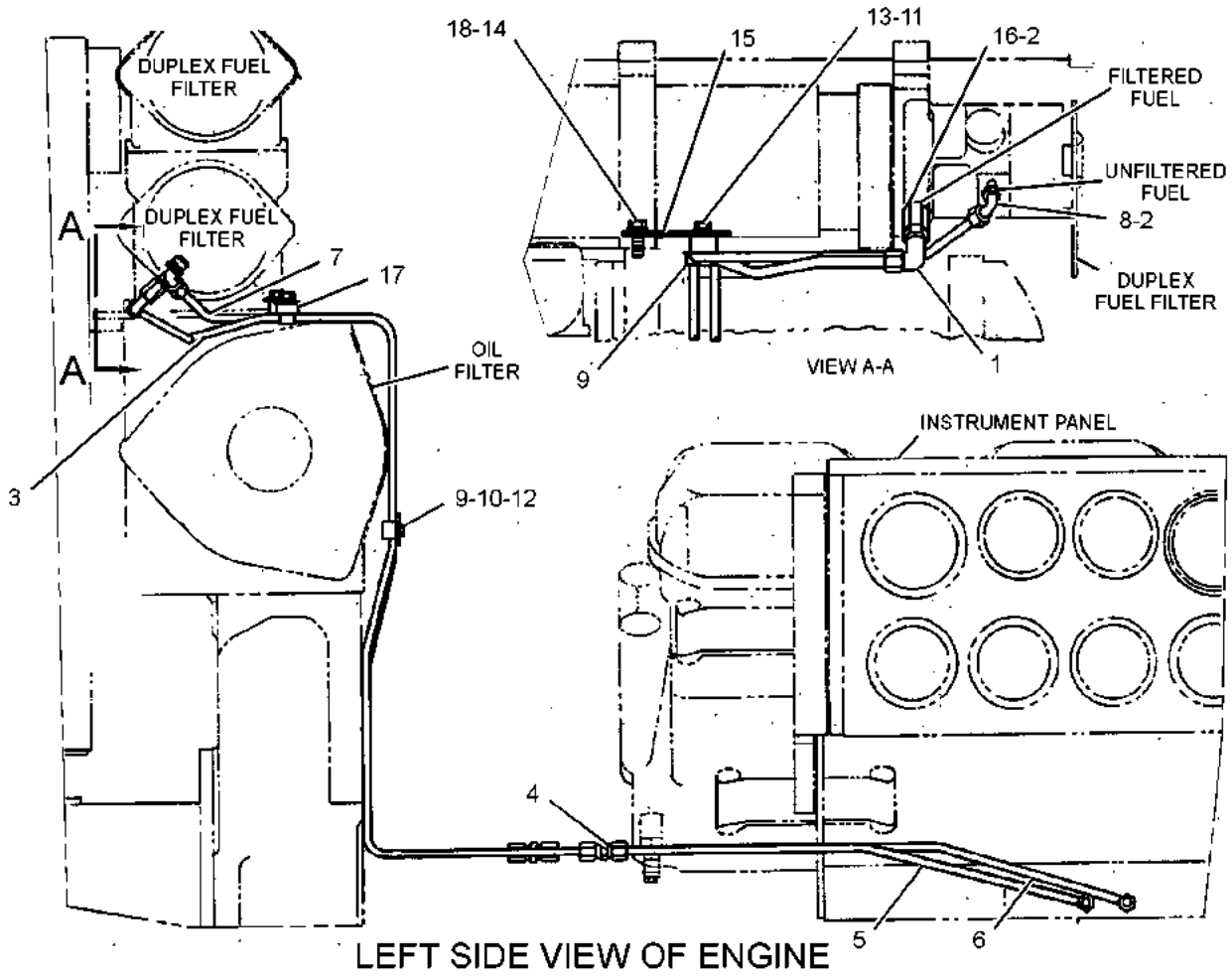
NOTE	REF NO	GRAPHIC REF	PART NUMBER	QTY	PART NAME						SEE PAGE
					1	2	3	4	5	6 (PRODUCT LEVEL)	
C	1	1	7K-9197	1	ELBOW						
	2	1	6V-5048	2	SEAL-O-RING						
C	3	1	9Y-8418	1	TUBE AS						
	4	1	3J-7355	2	UNION-FLARED						
	5	1	4W-5986	1	TUBE AS						
	6	1	4W-5992	1	TUBE AS						
	7	1	7W-9350	1	TUBE AS						
	8	1	030-7941	1	ELBOW						
	9	1	5N-9230	2	CLAMP-TUBE						
	10	1	2A-0762	1	BOLT (1/4-20X0.625-IN)						
C	11	1	5P-0537	1	WASHER-HARD (7.2X14.5X2-MM THK)						
	12	1	5P-9287	1	WASHER-HARD (7.2X32X2-MM THK)						
C	13	1	9F-6580	1	BOLT (1/4-20X1.125-IN)						
C	14	1	3B-1915	1	BOLT (3/8-16X1.375-IN)						
C	15	1	9Y-2893	1	PLATE						
C	16	1	9K-5469	1	CONNECTOR						
C	17	1	7K-3215	1	BOSS (0.413X1X0.630-IN THK)						
C	18	1	5M-2894	1	WASHER-HARD (10.2X18.5X2.5-MM THK)						

C - CHANGE FROM PREVIOUS TYPE

OPERATOR STATION

2W-8371 LINES GP-INSTRUMENT PANEL (contd.)

105103050



GRAPHIC #1

<END>

g03285418

OPERATOR STATION

2W-8373 LINES GP-INSTRUMENT PANEL-RH

FUEL FILTER DIFFERENTIAL

FOR USAGE REFER TO CHART 4W-6500-PAGE: 1453

AN ATTACHMENT

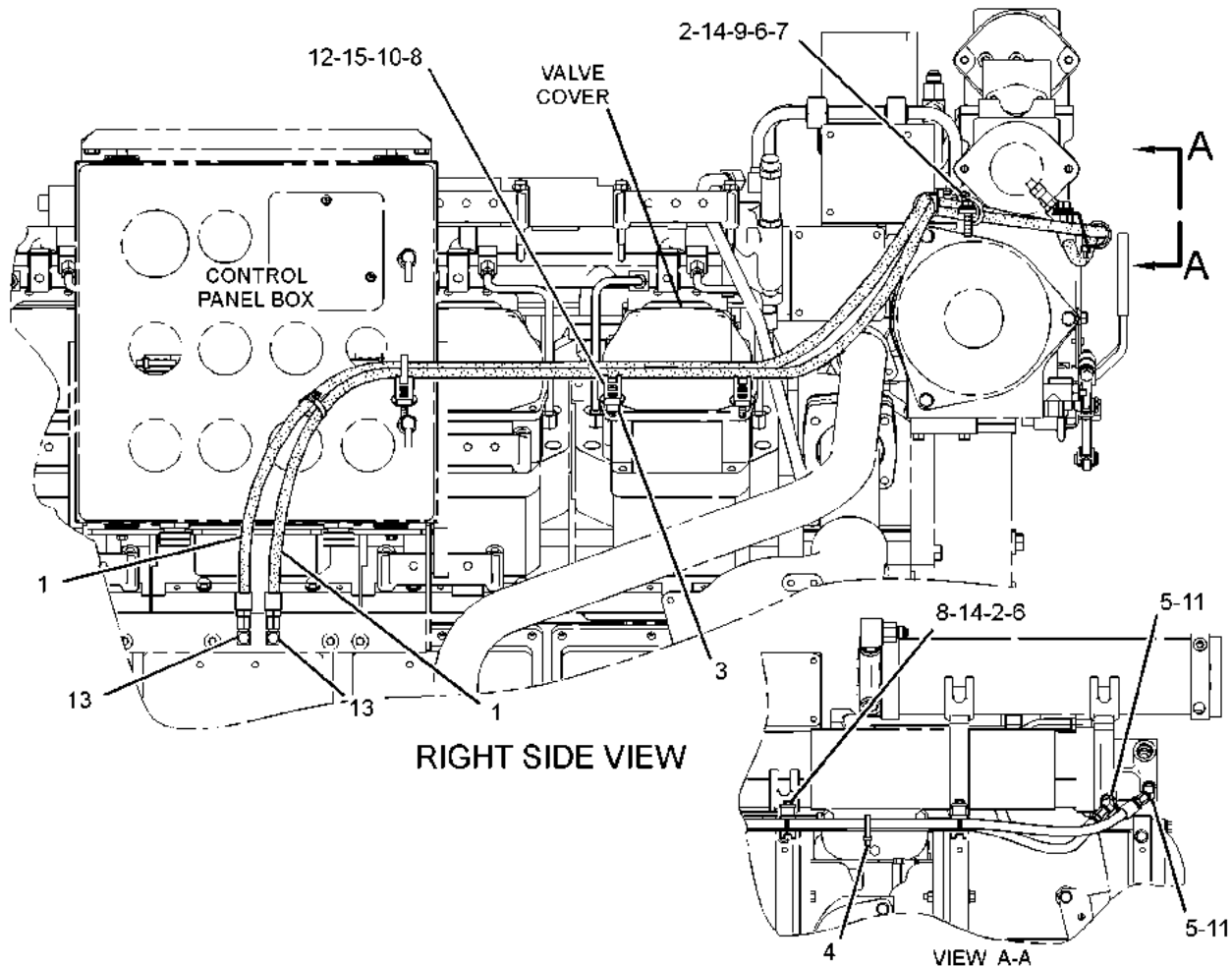
SMCS-7451

i02554430

NOTE	REF NO	GRAPHIC REF	PART NUMBER	QTY	PART NAME						SEE PAGE
					1	2	3	4	5	6 (PRODUCT LEVEL)	
I	1	1	6N-4379	2	HOSE AS						
	2	1	7K-1181	4	STRAP-CABLE						
	3	1	8N-8471	1	CLAMP-TUBE						
C	4	1	9X-6772	6	STRAP-CABLE						
	5	1	030-7941	2	ELBOW						
	6	1	0S-1591	4	BOLT (3/8-16X1.5-IN)						
	7	1	4P-7581	1	CLIP (LADDER)						
	8	1	4P-8134	6	CLIP (LADDER)						
	9	1	5M-2894	1	WASHER-HARD (10.2X18.5X2.5-MM THK)						
	10	1	5P-9287	3	WASHER-HARD (7.2X32X2-MM THK)						
	11	1	6V-5048	2	SEAL-O-RING						
	12	1	7B-2742	3	BOLT (1/4-20X1.25-IN)						
C	13	1	7K-9197	2	ELBOW						
	14	1	8M-9024	4	WASHER-HARD (10.2X22.5X5-MM THK)						
	15	1	9X-6165	3	WASHER (6.5X22X2.5-MM THK)						

C - CHANGE FROM PREVIOUS TYPE

I - REFER TO HYDRAULIC INFORMATION SYSTEM



GRAPHIC #1

<END>

g01278921

OPERATOR STATION

4W-5995 LINES GP-INSTRUMENT PANEL-LH

FUEL FILTER DIFFERENTIAL

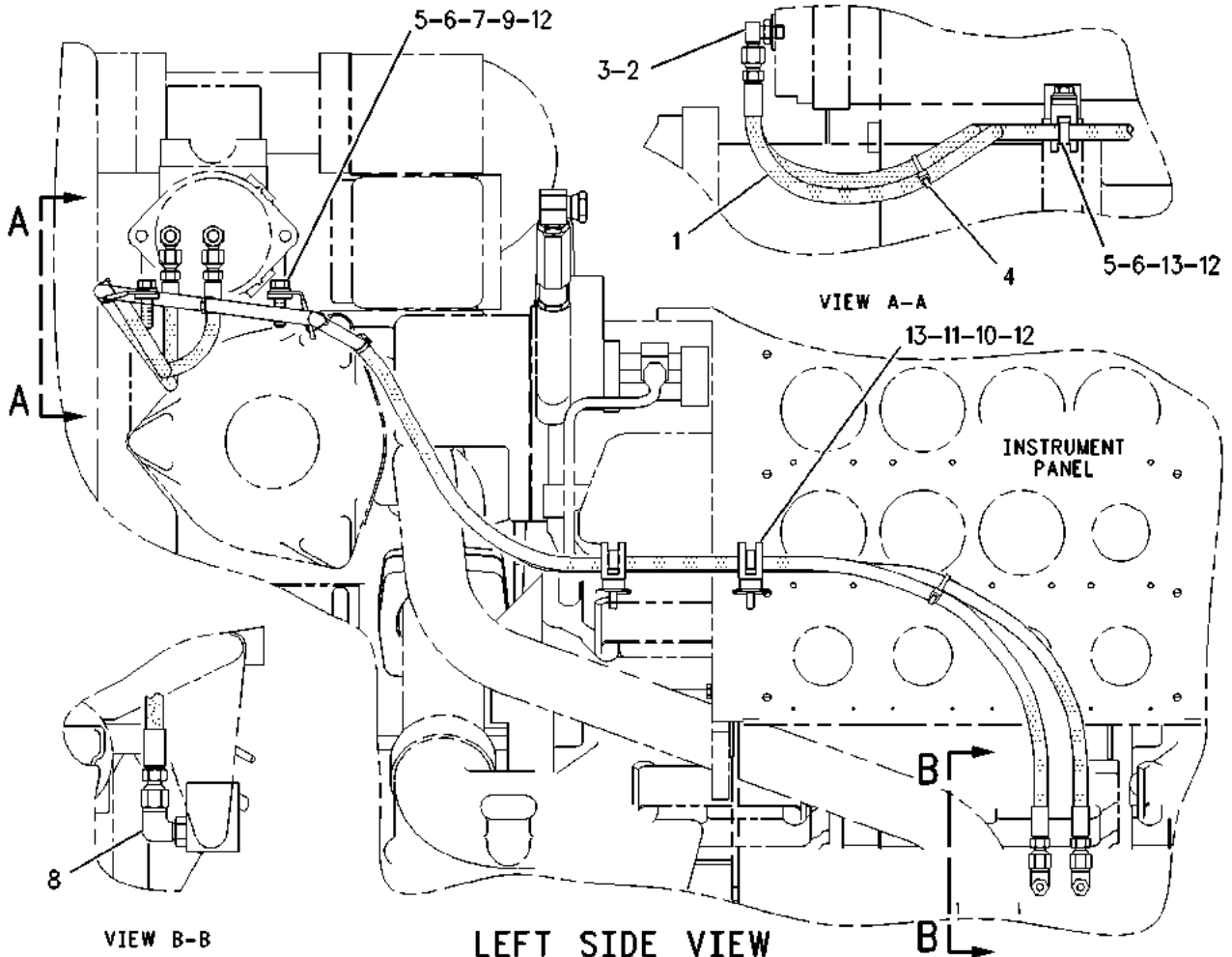
FOR USAGE REFER TO CHART 4W-6500-PAGE: 1453
AN ATTACHMENT

SMCS-7451

i01156697

NOTE	REF NO	GRAPHIC REF	PART NUMBER	QTY	PART NAME						SEE PAGE
					1	2	3	4	5	6 (PRODUCT LEVEL)	
CI	1	1	6N-4379	2	HOSE AS						
	2	1	030-7946	2	ELBOW						
C	3	1	6V-5048	2	SEAL-O-RING						
C	4	1	9X-6772	6	STRAP-CABLE						
	5	1	0S-1591	4	BOLT (3/8-16X1.5-IN)						
	6	1	8M-9024	4	WASHER-HARD (10.2X22.5X5-MM THK)						
C	7	1	4P-7581	1	CLIP (LADDER)						
	8	1	7K-9197	2	ELBOW						
	9	1	5M-2894	1	WASHER-HARD (10.2X18.5X2.5-MM THK)						
	10	1	9X-6165	2	WASHER (6.5X22X2.5-MM THK)						
C	11	1	7B-2742	2	BOLT (1/4-20X1.25-IN)						
	12	1	7K-1181	6	STRAP-CABLE						
	13	1	4P-8134	5	CLIP (LADDER)						

C - CHANGE FROM PREVIOUS TYPE
I - REFER TO HYDRAULIC INFORMATION SYSTEM



GRAPHIC #1

<END>

g00614734

OPERATOR STATION

4W-6463 LINES GP-INSTRUMENT PANEL-RH

FUEL FILTER DIFFERENTIAL

FOR USAGE REFER TO CHART 4W-6500-PAGE: 1453
AN ATTACHMENT

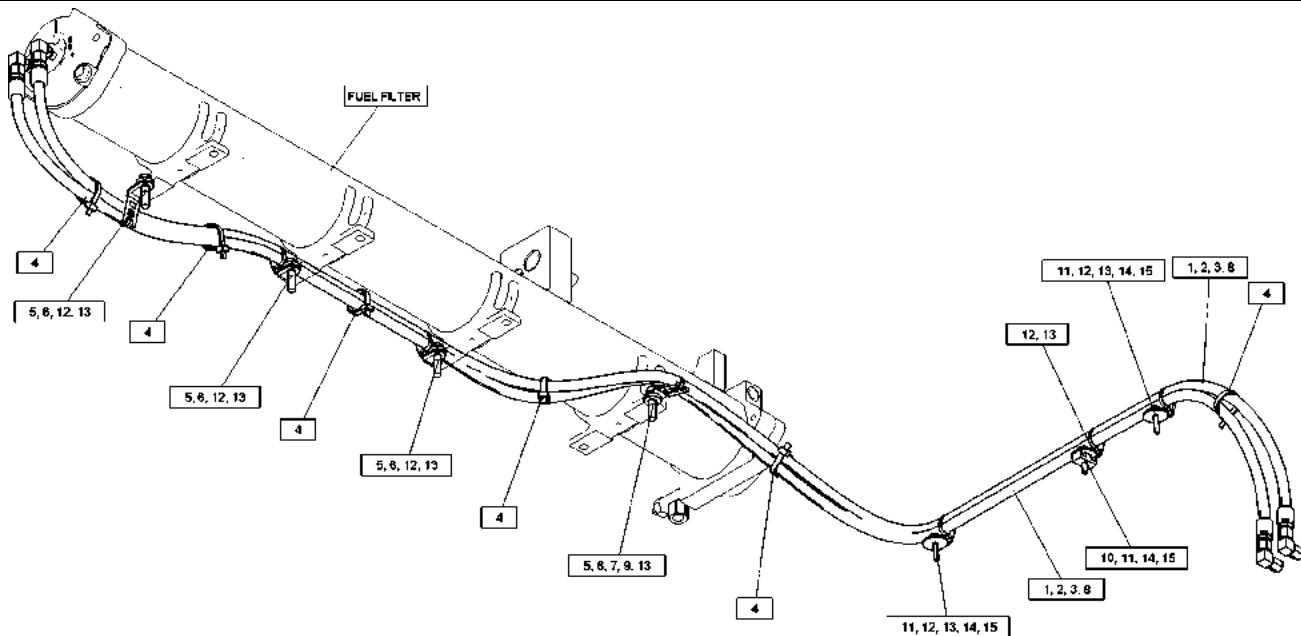
SMCS-7451

i07495838

NOTE	REF NO	GRAPHIC REF	PART NUMBER	QTY	PART NAME						SEE PAGE
					1	2	3	4	5	6 (PRODUCT LEVEL)	
I	1	1	6N-4379	2	HOSE AS						
	2	1	030-7946	2	ELBOW						
	3	1	214-7566	2	SEAL-O-RING						
C	4	1	9X-6772	6	STRAP-CABLE						
	5	1	0S-1591	4	BOLT (3/8-16X1.5-IN)						
	6	1	8M-9024	4	WASHER-HARD (10.2X22.5X5-MM THK)						
	7	1	5M-2894	1	WASHER-HARD (10.2X18.5X2.5-MM THK)						
C	8	1	7K-9197	2	ELBOW						
	9	1	4P-7581	1	CLIP (LADDER)						
	10	1	8N-8471	1	CLAMP-TUBE						
	11	1	5P-9287	3	WASHER-HARD (7.2X32X2-MM THK)						
	12	1	4P-8134	6	CLIP (LADDER)						
	13	1	7K-1181	7	STRAP-CABLE						
	14	1	7B-2742	3	BOLT (1/4-20X1.25-IN)						
C	15	1	9X-6165	3	WASHER (6.5X22X2.5-MM THK)						

C - CHANGE FROM PREVIOUS TYPE

I - REFER TO HYDRAULIC INFORMATION SYSTEM



GRAPHIC #1

<END>

g06342207

OPERATOR STATION

7W-9262 LINES GP-INSTRUMENT PANEL-LH OIL FILTER DIFFERENTIAL AN ATTACHMENT

SMCS-7451

i02297051

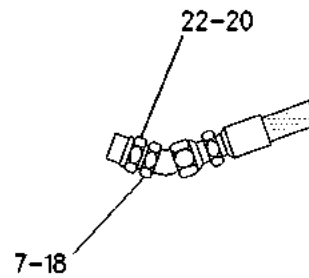
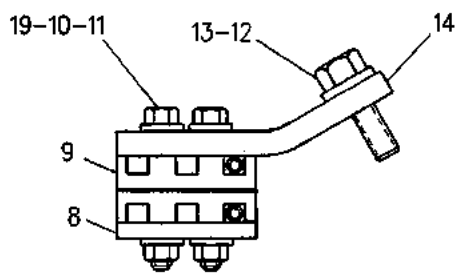
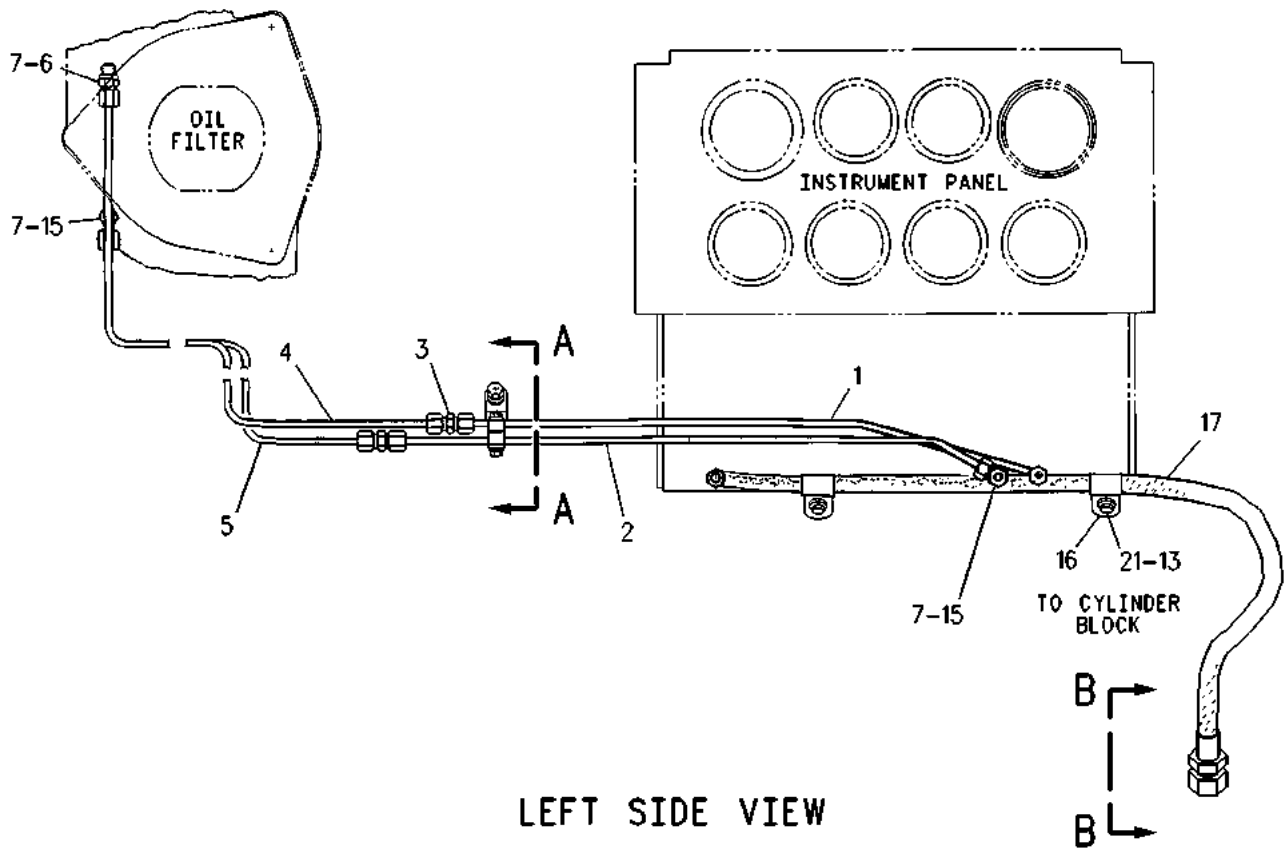
NOTE	REF NO	GRAPHIC REF	PART NUMBER	QTY	PART NAME						SEE PAGE
					1	2	3	4	5	6 (PRODUCT LEVEL)	
	1	1	4W-5990	1	TUBE AS						
	2	1	7W-2899	1	TUBE AS						
	3	1	3J-7355	2	UNION-FLARED						
	4	1	7E-8721	1	TUBE AS						
	5	1	7E-8722	1	TUBE AS						
	6	1	3J-7352	1	CONNECTOR						
	7	1	6V-5048	4	SEAL-O-RING						
	8	1	5N-8071	1	PLATE						
	9	1	8N-8472	2	CLAMP-TUBE						
	10	1	1B-2713	2	BOLT (1/4-20X1.75-IN)						
	11	1	9S-8750	2	NUT-FULL (1/4-20-THD)						
	12	1	0S-1594	1	BOLT (3/8-16X1-IN)						
	13	1	5M-2894	3	WASHER-HARD (10.2X18.5X2.5-MM THK)						
	14	1	8N-8470	1	BRACKET						
	15	1	030-7946	2	ELBOW						
	16	1	202-2762	2	CLIP (LOOP)						
I	17	1	7N-2539	1	HOSE AS						
	18	1	030-7941	1	ELBOW						
	19	1	5P-0537	4	WASHER-HARD (7.2X14.5X2-MM THK)						
	20	1	153-4906	1	SEAL-O-RING						
	21	1	0S-0509	2	BOLT (3/8-16X0.75-IN)						
	22	1	5P-9617	1	ADAPTER						

I - REFER TO HYDRAULIC INFORMATION SYSTEM

OPERATOR STATION

7W-9262 LINES GP-INSTRUMENT PANEL (contd.)

i02297051



GRAPHIC #1

<END>

g00704866

OPERATOR STATION

7W-9265 LINES GP-INSTRUMENT PANEL-RH OIL FILTER DIFFERENTIAL AN ATTACHMENT

SMCS-7451

i02297315

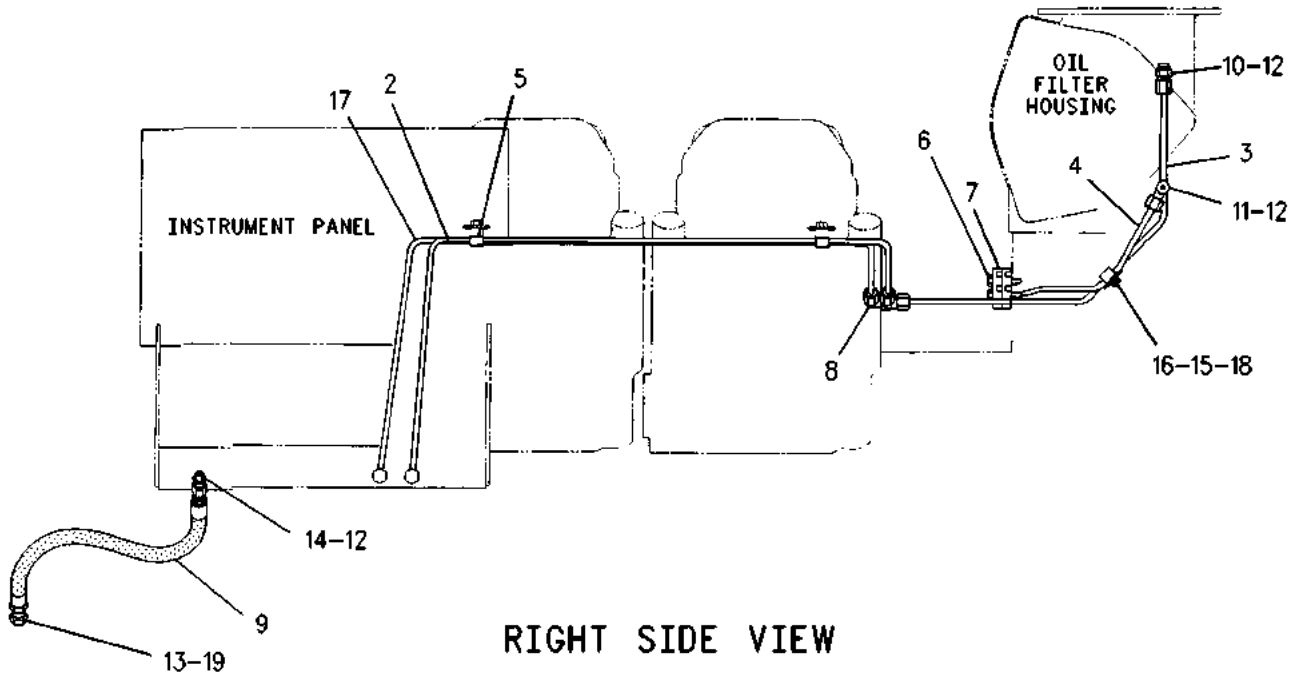
NOTE	REF NO	GRAPHIC REF	PART NUMBER	QTY	PART NAME						SEE PAGE
					1	2	3	4	5	6 (PRODUCT LEVEL)	
	2	1	4W-3658	1	TUBE AS						
	3	1	7W-9494	1	TUBE AS						
	4	1	7W-9495	1	TUBE AS						
	5	1	8N-8471	2	CLAMP-TUBE						
	6	1	2A-5546	6	BOLT (1/4-20X1.375-IN)						
	7	1	8N-8472	6	CLAMP-TUBE						
	8	1	067-6495	2	ELBOW-FLARED						
I	9	1	3J-7311	1	HOSE AS						
	10	1	3J-7352	1	CONNECTOR						
	11	1	030-7946	1	ELBOW						
	12	1	6V-5048	4	SEAL-O-RING						
	13	1	153-4906	1	SEAL-O-RING						
	14	1	030-7941	2	ELBOW						
	15	1	5N-9230	1	CLAMP-TUBE						
	16	1	2A-0762	1	BOLT (1/4-20X0.625-IN)						
	17	1	4W-3657	1	TUBE AS						
	18	1	5P-9287	1	WASHER-HARD (7.2X32X2-MM THK)						
	19	1	5P-9617	1	ADAPTER						

I - REFER TO HYDRAULIC INFORMATION SYSTEM

OPERATOR STATION

7W-9265 LINES GP-INSTRUMENT PANEL (contd.)

i02297315



RIGHT SIDE VIEW

GRAPHIC #1

<END>

g00626851

OPERATOR STATION

7W-9273 LINES GP-INSTRUMENT PANEL-LH OIL FILTER DIFFERENTIAL AN ATTACHMENT

SMCS-7451

i03517312

NOTE	REF NO	GRAPHIC REF	PART NUMBER	QTY	PART NAME						SEE PAGE
					1	2	3	4	5	6 (PRODUCT LEVEL)	
	1	1	153-4906	1	SEAL-O-RING						
	2	1	7W-2899	1	TUBE AS						
	3	1	3J-7355	2	UNION-FLARED						
	4	1	7W-9491	1	TUBE AS						
	5	1	7W-9490	1	TUBE AS						
	6	1	030-7946	4	ELBOW						
	7	1	6V-5048	4	SEAL-O-RING						
	8	1	5N-8071	1	PLATE						
	9	1	8N-8472	5	CLAMP-TUBE						
	10	1	1B-2713	2	BOLT (1/4-20X1.75-IN)						
	11	1	9S-8750	2	NUT-FULL (1/4-20-THD)						
	12	1	0S-1594	1	BOLT (3/8-16X1-IN)						
	13	1	5M-2894	3	WASHER-HARD (10.2X18.5X2.5-MM THK)						
	14	1	8N-8470	1	BRACKET						
	15	1	0S-1616	6	BOLT (1/4-20X1-IN)						
	16	1	5P-0537	4	WASHER-HARD (7.2X14.5X2-MM THK)						
	17	1	202-2762	2	CLIP (LOOP)						
I	18	1	7N-2539	1	HOSE AS						
	19	1	5P-9617	1	ADAPTER						
	20	1	5P-9287	1	WASHER-HARD (7.2X32X2-MM THK)						
	21	1	5N-9230	1	CLAMP-TUBE						
	22	1	0S-1615	1	BOLT (1/4-20X0.75-IN)						
	23	1	0S-1588	2	BOLT (3/8-16X1.25-IN)						
	24	1	4W-5990	1	TUBE AS						
B	25	1	5P-4939	3	SCREW-MACHINE (10-24X15.88-IN)						
B	26	1	9L-8715	3	CLAMP						
B	27	1	9L-8716	3	CLAMP						
B	28	1	5P-9287	3	WASHER-HARD (7.2X32X2-MM THK)						
B	29	1	5N-9230	3	CLAMP-TUBE						
B	30	1	0S-1615	3	BOLT (1/4-20X0.75-IN)						

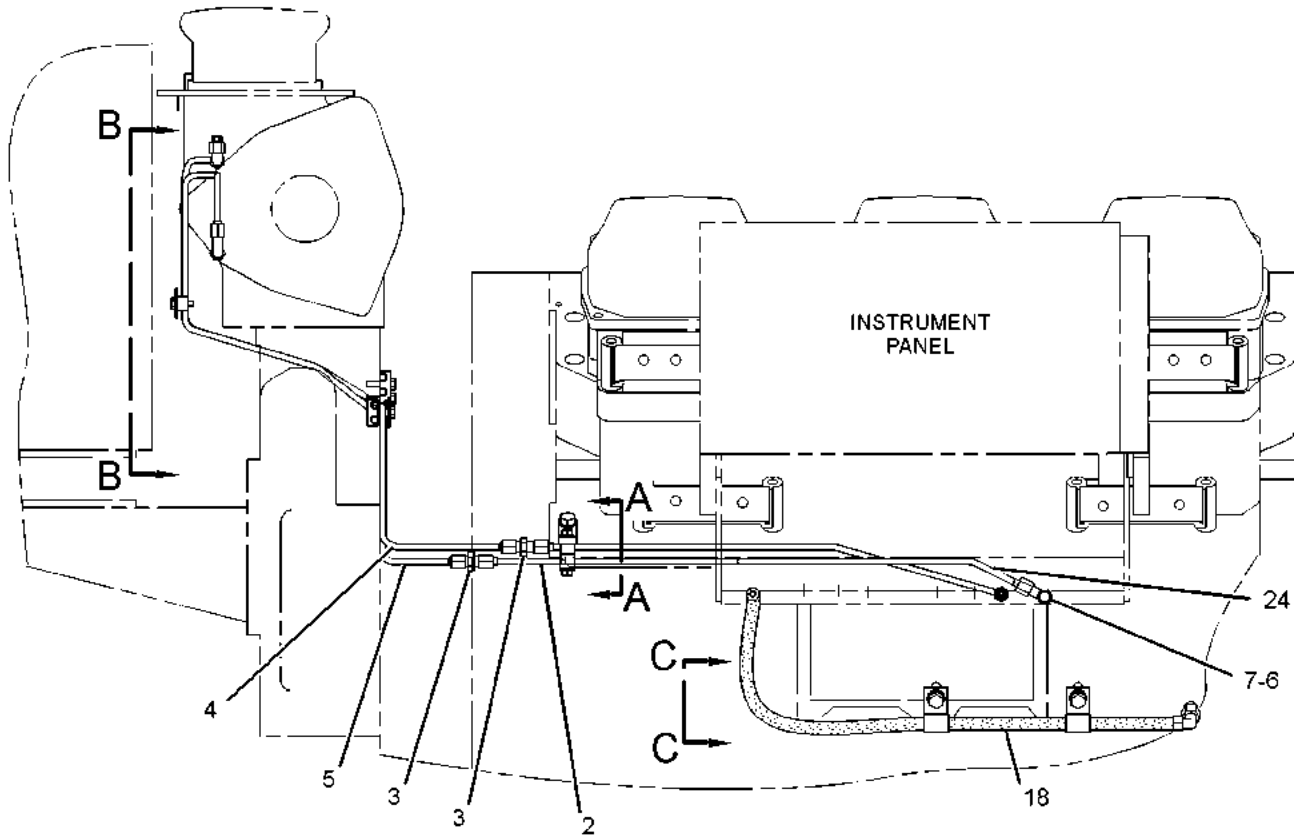
B - USE AS REQUIRED

I - REFER TO HYDRAULIC INFORMATION SYSTEM

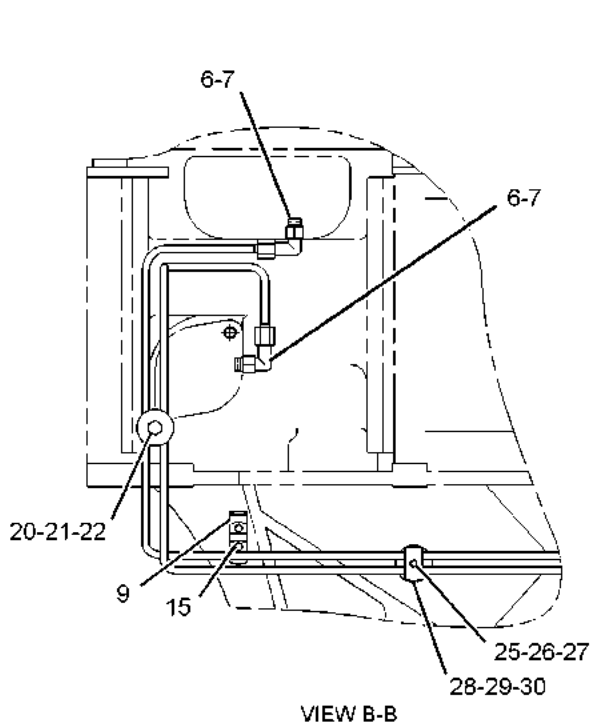
OPERATOR STATION

7W-9273 LINES GP-INSTRUMENT PANEL (contd.)

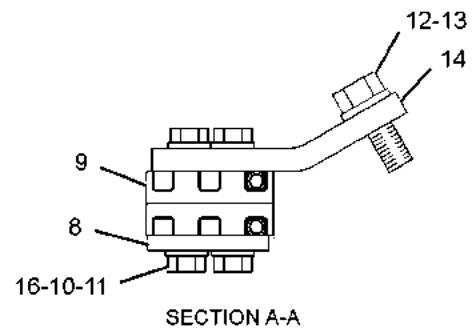
i03517312



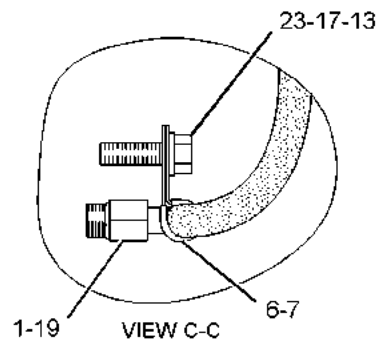
LEFT SIDE VIEW OF ENGINE



VIEW B-B



SECTION A-A



VIEW C-C

GRAPHIC #1

<END>

g01885894

OPERATOR STATION

7W-9449 LINES GP-INSTRUMENT PANEL-RH INDICATOR, DUPLEX FOR USE WITH 8-GAUGE INSTRUMENT PANELS AN ATTACHMENT

SMCS-7451

i00651507

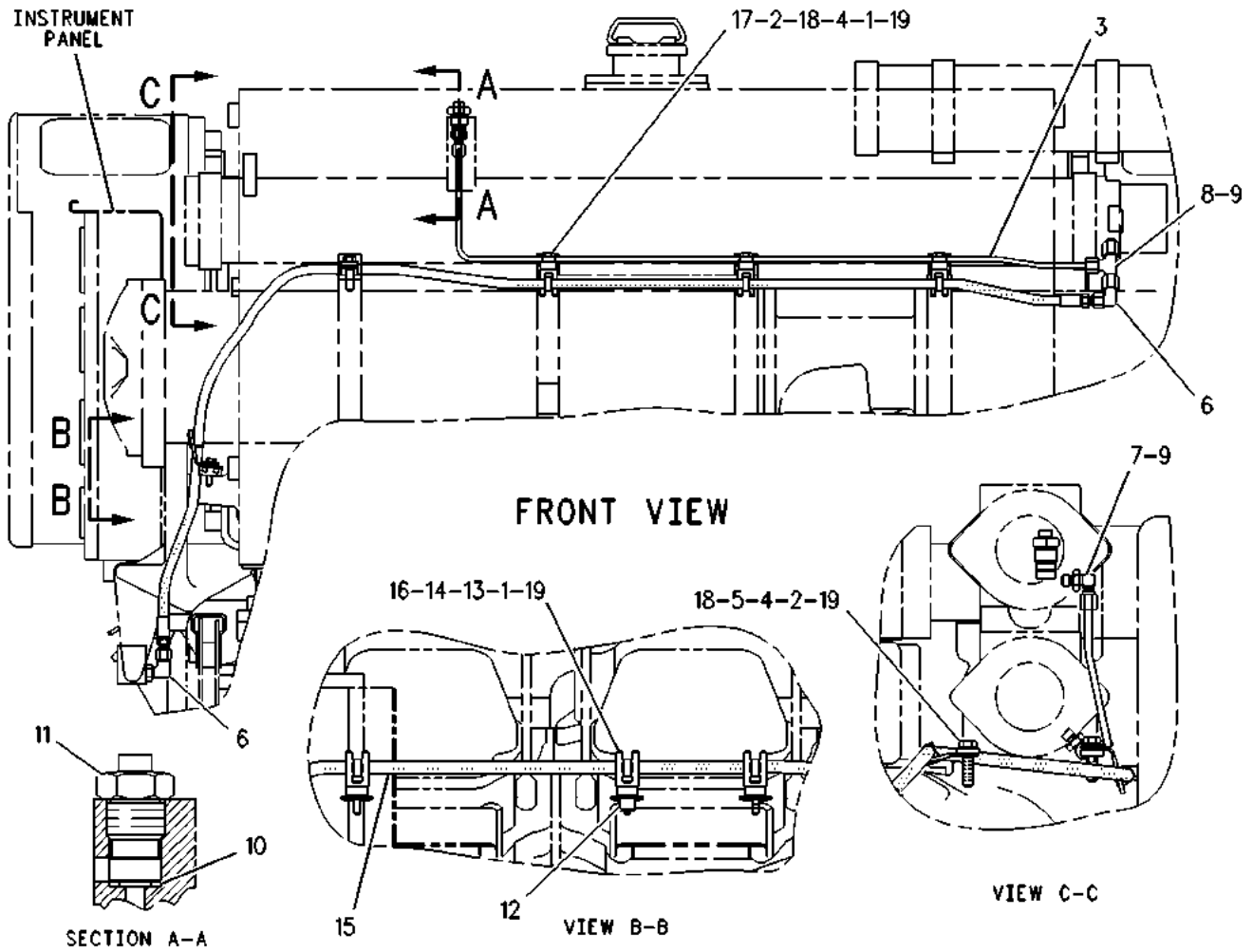
NOTE	REF NO	GRAPHIC REF	PART NUMBER	QTY	PART NAME						SEE PAGE
					1	2	3	4	5	6 (PRODUCT LEVEL)	
C	1	1	8M-2770	6	CLIP (LOOP)						
	2	1	0S-1591	4	BOLT (3/8-16X1.5-IN)						
	3	1	7W-6778	1	TUBE AS						
	4	1	8M-9024	4	WASHER-HARD (10.2X22.5X5-MM THK)						
C	5	1	4P-7581	1	CLIP (LADDER)						
C	6	1	7K-9197	2	ELBOW						
	7	1	030-7946	1	ELBOW						
C	8	1	030-7957	1	TEE-FLARED						
	9	1	6V-5048	2	SEAL-O-RING						
	10	1	5P-0840	1	SEAL-O-RING						
	11	1	6J-0468	1	INDICATOR AS (FUEL PRESSURE)						
		1	2M-9780	1	SEAL-O-RING						
	12	1	8N-8471	1	CLAMP-TUBE						
C	13	1	7B-2742	3	BOLT (1/4-20X1.25-IN)						
	14	1	5P-9287	3	WASHER-HARD (7.2X32X2-MM THK)						
CI	15	1	6N-4379	1	HOSE AS						
	16	1	9X-6165	3	WASHER (6.5X22X2.5-MM THK)						
	17	1	8M-2772	3	CLIP (LOOP)						
C	18	1	5M-2894	4	WASHER-HARD (10.2X18.5X2.5-MM THK)						
	19	1	7K-1181	7	STRAP-CABLE						

C - CHANGE FROM PREVIOUS TYPE
I - REFER TO HYDRAULIC INFORMATION SYSTEM

OPERATOR STATION

7W-9449 LINES GP-INSTRUMENT PANEL (contd.)

i00651507



GRAPHIC #1

<END>

g00269078

OPERATOR STATION

7W-9452 LINES GP-INSTRUMENT PANEL-LH INDICATOR FOR USE WITH 8-GAUGE PANELS AN ATTACHMENT

SMCS-7451

i02233194

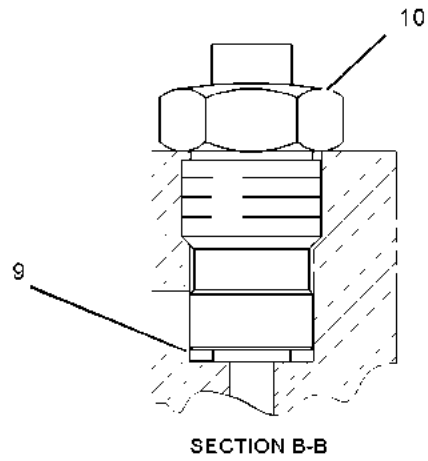
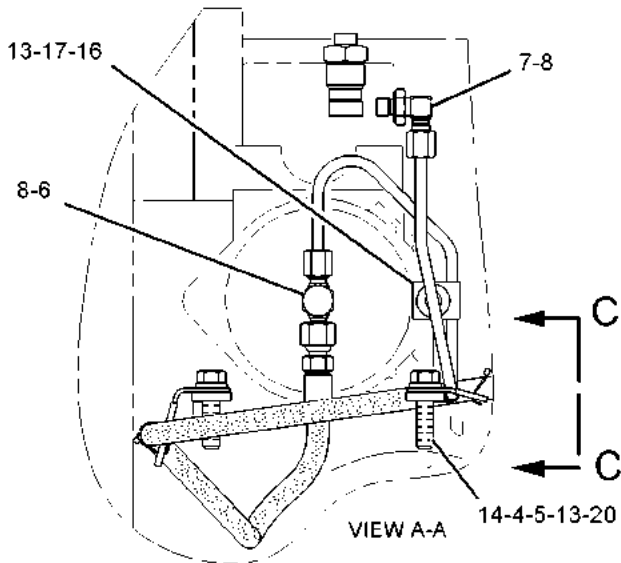
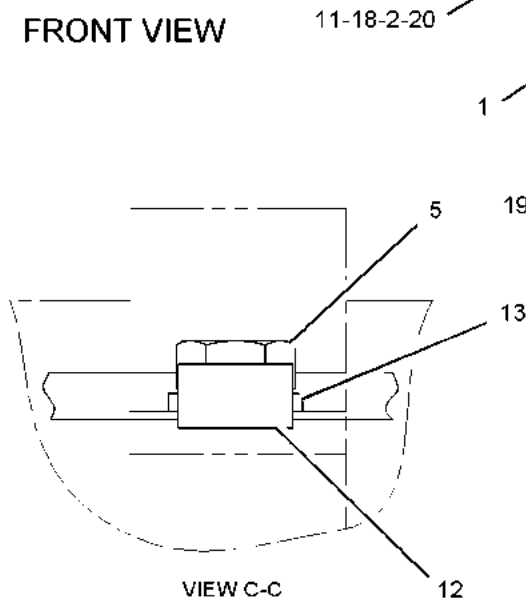
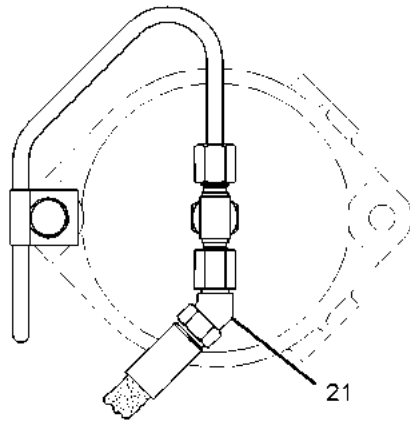
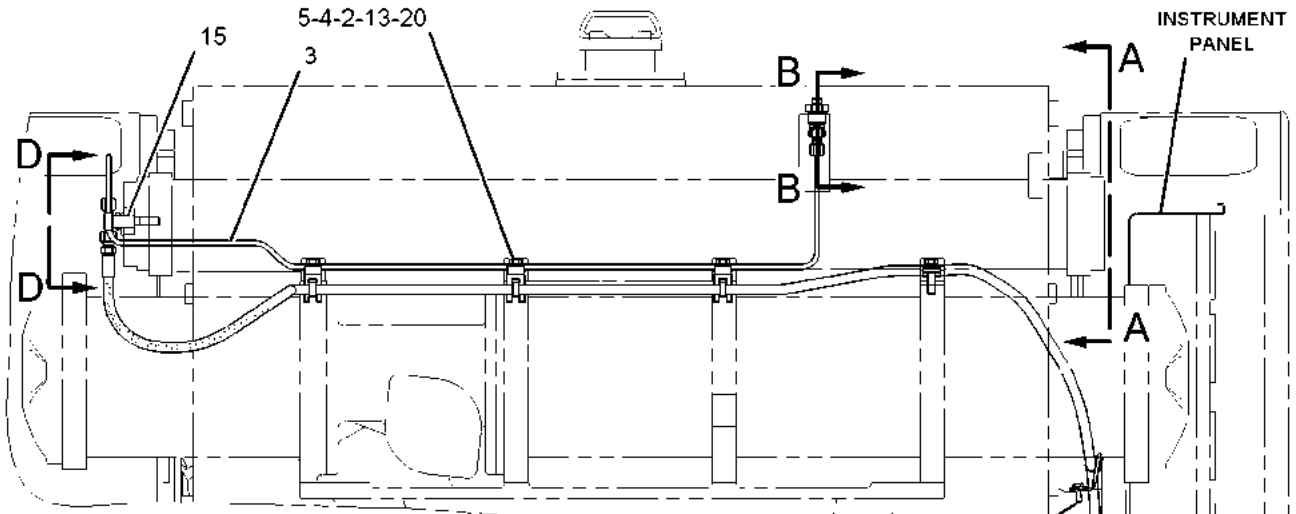
NOTE	REF NO	GRAPHIC REF	PART NUMBER	QTY	PART NAME						SEE PAGE
					1	2	3	4	5	6 (PRODUCT LEVEL)	
I	1	1	6N-4379	1	HOSE AS						
	2	1	4P-8134	5	CLIP (LADDER)						
	3	1	7W-9777	1	TUBE AS						
	4	1	8M-9024	4	WASHER-HARD (10.2X22.5X5-MM THK)						
	5	1	0S-1591	7	BOLT (3/8-16X1.5-IN)						
	6	1	4S-4857	1	TEE						
	7	1	030-7946	1	ELBOW						
	8	1	6V-5048	2	SEAL-O-RING						
	9	1	5P-0840	1	SEAL-O-RING						
	10	1	6J-0468	1	INDICATOR AS (FUEL PRESSURE)						
C		1	2M-9780	1	SEAL-O-RING						
	11	1	0S-1615	2	BOLT (1/4-20X0.75-IN)						
	12	1	8M-2772	3	CLIP (LOOP)						
	13	1	5M-2894	8	WASHER-HARD (10.2X18.5X2.5-MM THK)						
	14	1	4P-7581	1	CLIP (LADDER)						
	15	1	7K-3377	1	PIPE						
	16	1	4P-1703	1	CLIP						
	17	1	0L-1143	1	BOLT (3/8-16X2.5-IN)						
	18	1	9X-6165	2	WASHER (6.5X22X2.5-MM THK)						
	19	1	7K-9197	1	ELBOW						
20	1	7K-1181	6	STRAP-CABLE							
21	1	030-7961	1	ELBOW							

C - CHANGE FROM PREVIOUS TYPE
I - REFER TO HYDRAULIC INFORMATION SYSTEM

OPERATOR STATION

7W-9452 LINES GP-INSTRUMENT PANEL (contd.)

102233194



GRAPHIC #1

<END>

g01126387

OPERATOR STATION

7W-9453 LINES GP-INSTRUMENT PANEL-RH INDICATOR FOR USE WITH 8-GAUGE INSTRUMENT PANEL AN ATTACHMENT

SMCS-7451

i01942234

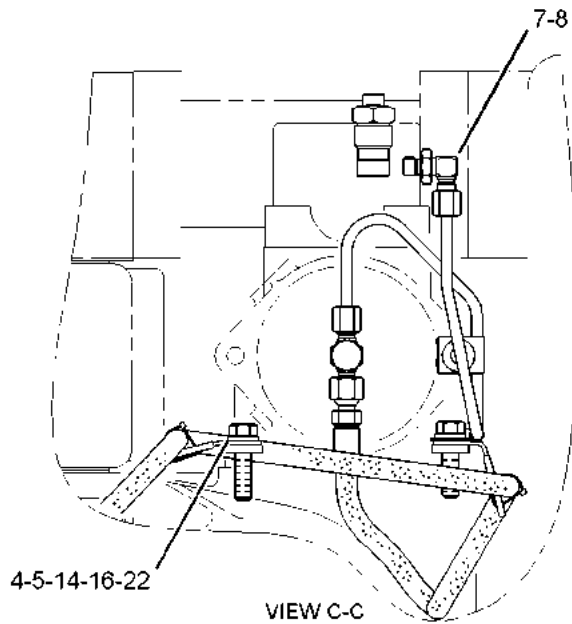
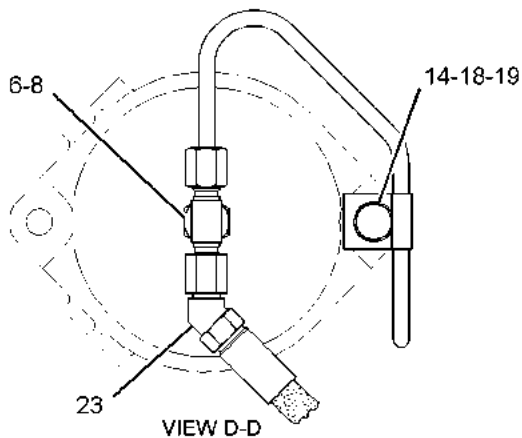
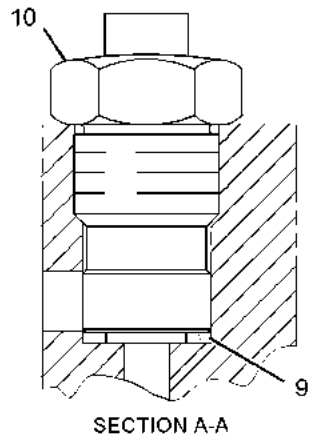
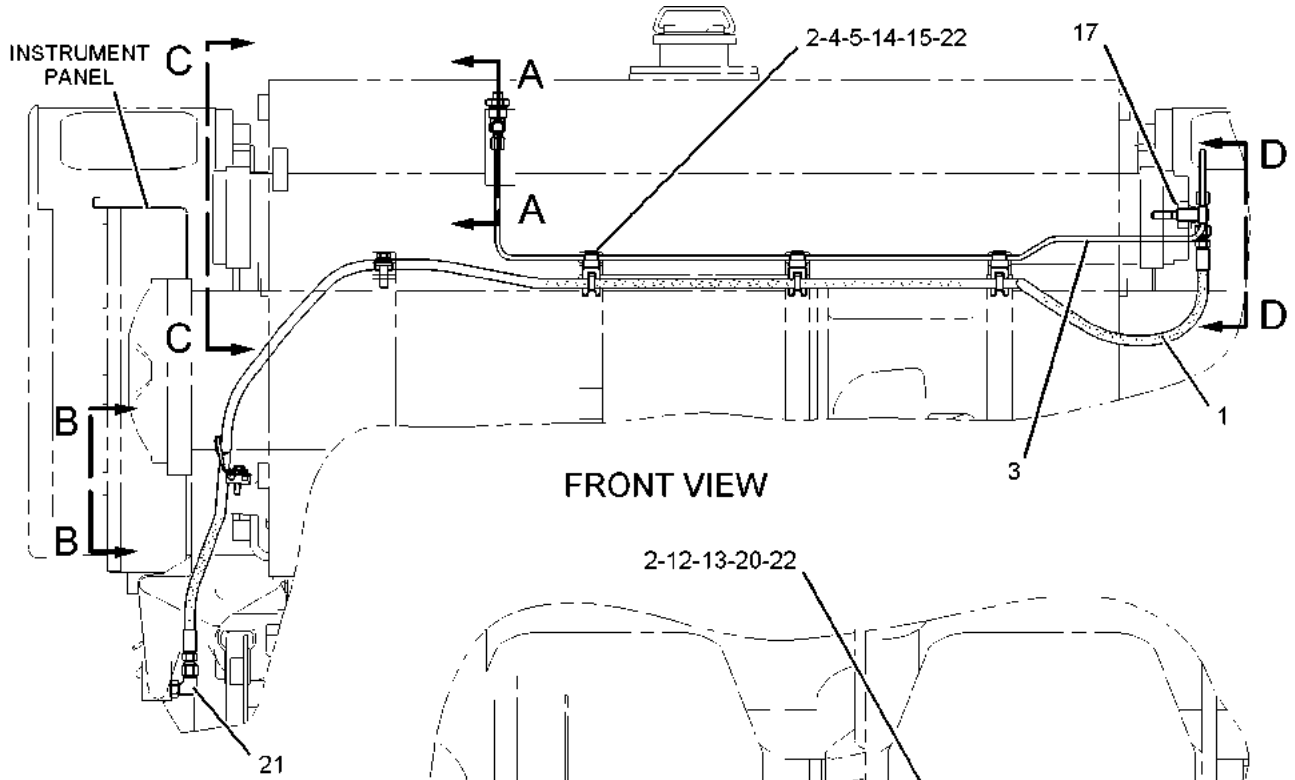
NOTE	REF NO	GRAPHIC REF	PART NUMBER	QTY	PART NAME						SEE PAGE
					1	2	3	4	5	6 (PRODUCT LEVEL)	
I	1	1	6N-4379	1	HOSE AS						
C	2	1	4P-8134	6	CLIP (LADDER)						
	3	1	7W-9777	1	TUBE AS						
	4	1	8M-9024	4	WASHER-HARD (10.2X22.5X5-MM THK)						
	5	1	0S-1591	4	BOLT (3/8-16X1.5-IN)						
	6	1	4S-4857	1	TEE						
	7	1	030-7946	1	ELBOW						
	8	1	6V-5048	2	SEAL-O-RING						
	9	1	5P-0840	1	SEAL-O-RING						
	10	1	6J-0468	1	INDICATOR AS (FUEL PRESSURE)						
		1	2M-9780	1	SEAL-O-RING						
	11	1	8N-8471	1	CLAMP-TUBE						
	12	1	7B-2742	3	BOLT (1/4-20X1.25-IN)						
	13	1	5P-9287	3	WASHER-HARD (7.2X32X2-MM THK)						
C	14	1	5M-2894	5	WASHER-HARD (10.2X18.5X2.5-MM THK)						
	15	1	8M-2772	3	CLIP (LOOP)						
C	16	1	4P-7581	1	CLIP (LADDER)						
	17	1	7K-3377	1	PIPE						
	18	1	4P-1703	1	CLIP						
	19	1	0L-1143	1	BOLT (3/8-16X2.5-IN)						
	20	1	9X-6165	3	WASHER (6.5X22X2.5-MM THK)						
C	21	1	7K-9197	1	ELBOW						
	22	1	7K-1181	7	STRAP-CABLE						
	23	1	030-7961	1	ELBOW						

C - CHANGE FROM PREVIOUS TYPE
I - REFER TO HYDRAULIC INFORMATION SYSTEM

OPERATOR STATION

7W-9453 LINES GP-INSTRUMENT PANEL (contd.)

i01942234



GRAPHIC #1

<END>

g01023785

OPERATOR STATION

7W-9454 LINES GP-INSTRUMENT PANEL-LH INDICATOR, DUPLEX FOR USE WITH 8-GAUGE PANELS AN ATTACHMENT

SMCS-7451

i02183669

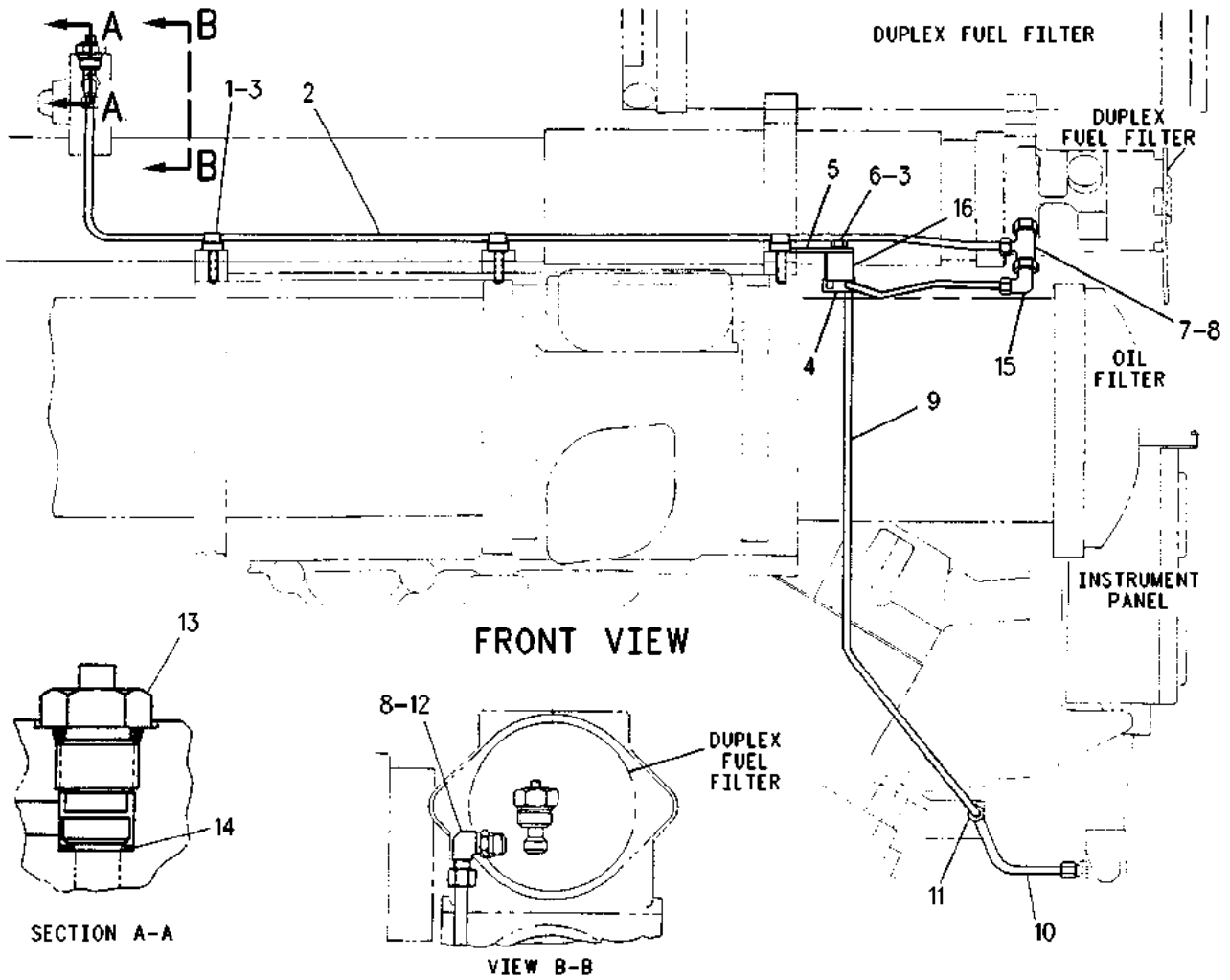
NOTE	REF NO	GRAPHIC REF	PART NUMBER	QTY	PART NAME						SEE PAGE
					1	2	3	4	5	6 (PRODUCT LEVEL)	
	1	1	8M-2772	3	CLIP (LOOP)						
		1	8M-9024	3	WASHER-HARD (10.2X22.5X5-MM THK)						
	2	1	7W-6778	1	TUBE AS						
C	3	1	3B-1915	4	BOLT (3/8-16X1.375-IN)						
C		1	5M-2894	4	WASHER-HARD (10.2X18.5X2.5-MM THK)						
	4	1	5N-9230	1	CLAMP-TUBE						
C	5	1	9Y-2893	1	PLATE						
C	6	1	9F-6580	1	BOLT (1/4-20X1.125-IN)						
		1	5P-0537	1	WASHER-HARD (7.2X14.5X2-MM THK)						
C	7	1	030-7957	1	TEE-FLARED						
	8	1	6V-5048	2	SEAL-O-RING						
C	9	1	9Y-8418	1	TUBE AS						
	10	1	4W-5986	1	TUBE AS						
	11	1	3J-7355	1	UNION-FLARED						
	12	1	030-7946	1	ELBOW						
	13	1	6J-0468	1	INDICATOR AS (FUEL PRESSURE)						
		1	2M-9780	1	SEAL-O-RING						
	14	1	5P-0840	1	SEAL-O-RING						
C	15	1	7K-9197	1	ELBOW						
C	16	1	7K-3215	1	BOSS (0.413X1X0.630-IN THK)						

C - CHANGE FROM PREVIOUS TYPE

OPERATOR STATION

7W-9454 LINES GP-INSTRUMENT PANEL (contd.)

102183669



GRAPHIC #1

<END>

g00930122

OPERATOR STATION

8N-5719 LINES GP-INSTRUMENT PANEL

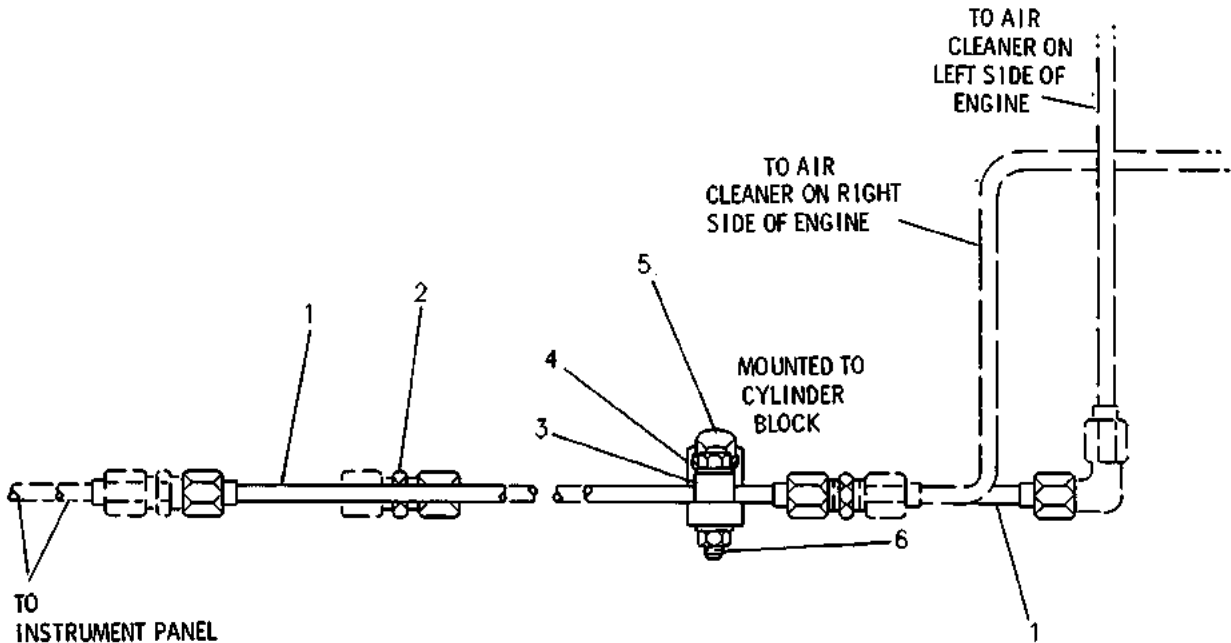
AIR CLEANER RESTRICTION
FOR USE WITH PREMIUM PANEL
FOR USAGE REFER TO CHART 4W-6500-PAGE: 1453
AN ATTACHMENT

SMCS-7451

i02183670

NOTE	REF NO	GRAPHIC REF	PART NUMBER	QTY	PART NAME						SEE PAGE
					1	2	3	4	5	6 (PRODUCT LEVEL)	
	1	1	8N-5701	2	TUBE AS						
	2	1	3J-7355	2	UNION-FLARED						
B	3	1	8N-8472	3	CLAMP-TUBE						
	4	1	8N-8470	3	BRACKET						
	5	1	0S-1594	3	BOLT (3/8-16X1-IN)						
		1	5M-2894	3	WASHER-HARD (10.2X18.5X2.5-MM THK)						
B	6	1	7B-2742	6	BOLT (1/4-20X1.25-IN)						
		1	9S-8750	6	NUT-FULL (1/4-20-THD)						
		1	5P-0537	12	WASHER-HARD (7.2X14.5X2-MM THK)						

B - USE AS REQUIRED



GRAPHIC #1

<END>

g00237824

OPERATOR STATION

105-5205 METER GP-SERVICE

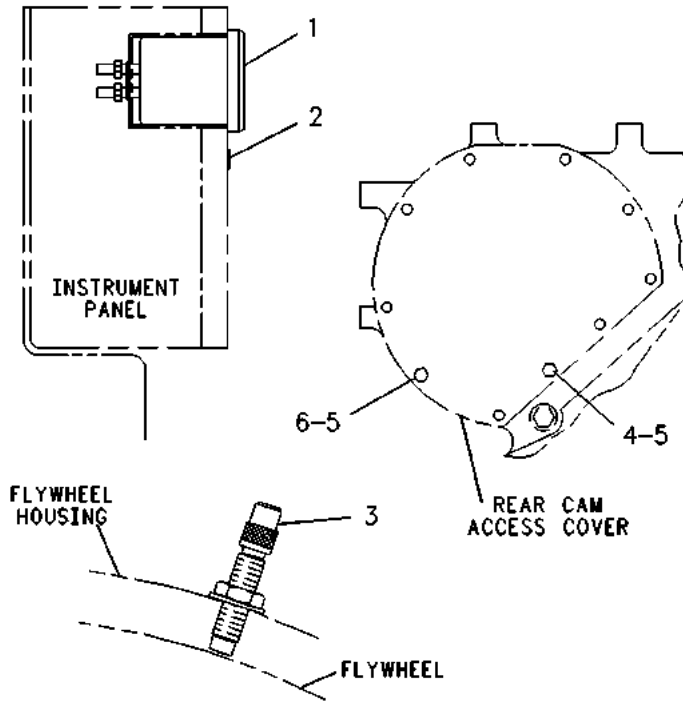
FOR USE WITH LOCOMOTIVE WIRING HARNESS
AN ATTACHMENT

SMCS-7478

i03129077

NOTE	REF NO	GRAPHIC REF	PART NUMBER	QTY	PART NAME						SEE PAGE
					1	2	3	4	5	6 (PRODUCT LEVEL)	
Y	1	1	6T-7337	1	METER GP-SERVICE						1402
	2	1	7C-0973	1	FILM-GAUGE IDENTIFICATION (ENGINE HOURS)						
Y	3	1	4P-3483	1	SENSOR GP-SPEED (MAGNETIC) (ENGINE)						1187
	4	1	0S-1594	1	BOLT (3/8-16X1-IN)						
	5	1	5M-2894	2	WASHER-HARD (10.2X18.5X2.5-MM THK)						
	6	1	0S-1591	1	BOLT (3/8-16X1.5-IN)						

Y - SEPARATE ILLUSTRATION



GRAPHIC #1

<END>

g00267258

OPERATOR STATION

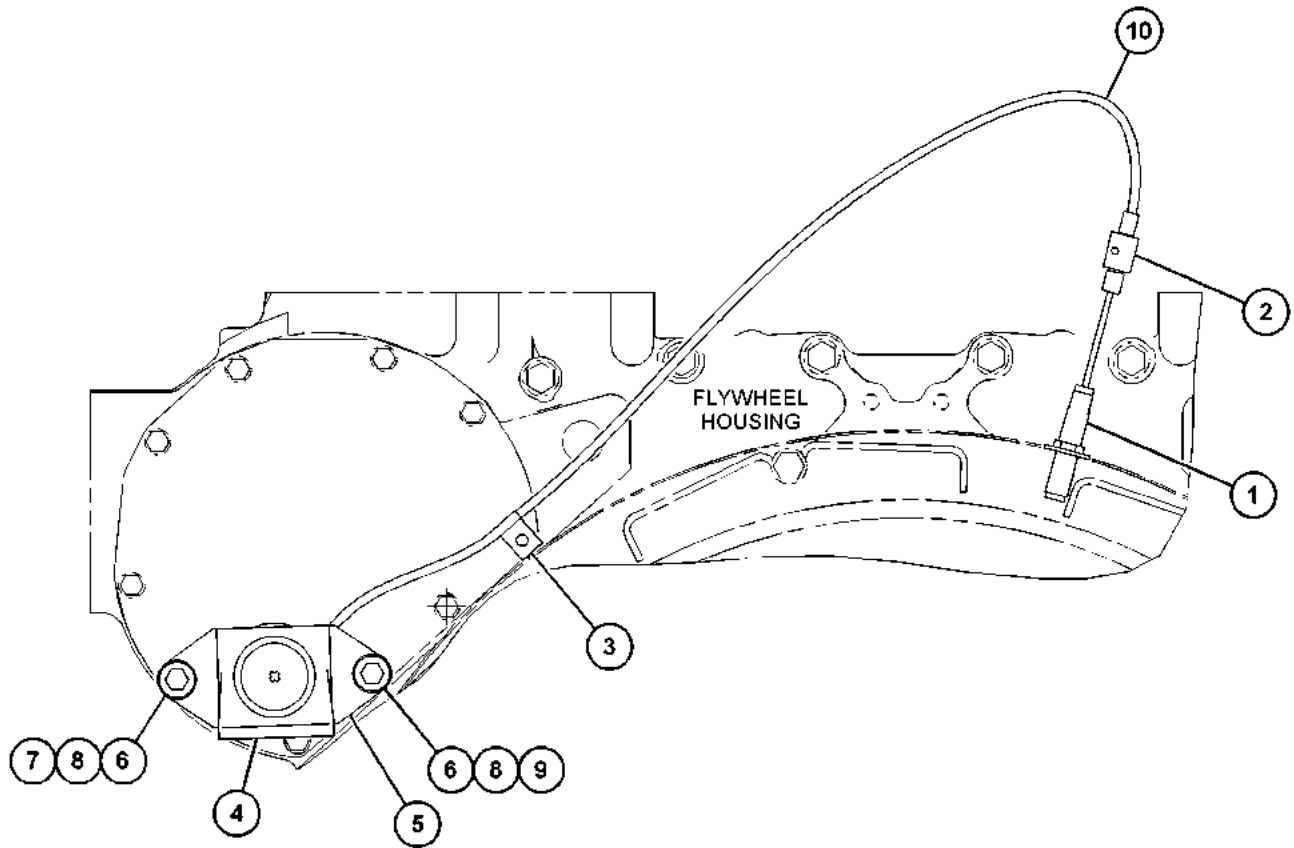
2W-9592 METER GP-SERVICE

SMCS-7478

i07247068

NOTE	REF NO	GRAPHIC REF	PART NUMBER	QTY	PART NAME						SEE PAGE
					1	2	3	4	5	6 (PRODUCT LEVEL)	
CY	1	1	117-4739	1	SENSOR GP-SPEED (ENGINE)						1183
	2	1	9G-9151	1	CLIP						
	3	1	6V-2686	1	CLIP						
Y	4	1	9W-1494	1	KIT-SERVICE METER (24-VOLT)						1090
	5	1	1N-3755	1	BRACKET AS						
	6	1	6N-8744	2	MOUNT						
	7	1	0S-1590	1	BOLT (3/8-16X2-IN)						
	8	1	9L-9132	2	WASHER (10.2X25.5X2.5-MM THK)						
	9	1	165-3929	1	BOLT (3/8-16X1.5-IN)						
	10	1	4W-3474	1	WIRE AS-METER						

C - CHANGE FROM PREVIOUS TYPE
 Y - SEPARATE ILLUSTRATION



GRAPHIC #1

<END>

g06270297

OPERATOR STATION

6T-7337 METER GP-SERVICE
FIELD REPLACEMENT ORDER 9W-1494-PAGE: 1090
PART OF 105-5205 METER GP-SERVICE
AN ATTACHMENT

SMCS-7478

i02560822

NOTE	PART NUMBER	QTY	PART NAME						SEE PAGE
			1	2	3	4	5	6 (PRODUCT LEVEL)	
	7T-1914	1	METER GP-SERVICE						
<END>									

OPERATOR STATION

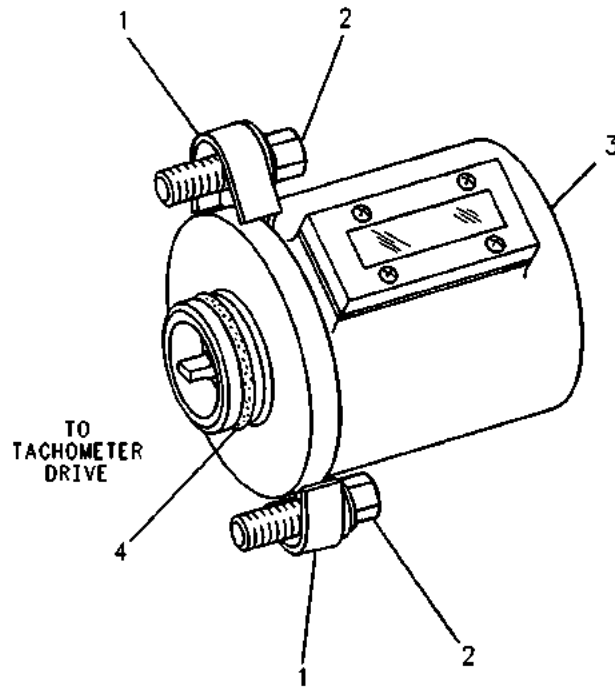
8N-6701 METER GP-SERVICE FOR USE WITH SAE OPPOSITE STANDARD ENGINE ROTATION AN ATTACHMENT

SMCS-7478

i01471310

NOTE	REF NO	GRAPHIC REF	PART NUMBER	QTY	PART NAME						SEE PAGE
					1	2	3	4	5	6 (PRODUCT LEVEL)	
	1	1	9S-0211	2	CLAMP-METER						
	2	1	0S-1615	2	BOLT (1/4-20X0.75-IN)						
J	3	1	2N-8378	1	METER GP-SERVICE						
	4	1	4M-8303	1	SEAL-O-RING						
					AVAILABLE REPAIR KIT(S):						
J			1P-4923	1	KIT-SERVICE METER						
					(KIT INCLUDES WINDOW, COVER, GASKET & SCREW)						

J - KIT MARKED J AVAILABLE FOR PART MARKED J



GRAPHIC #1

<END>

g00476788

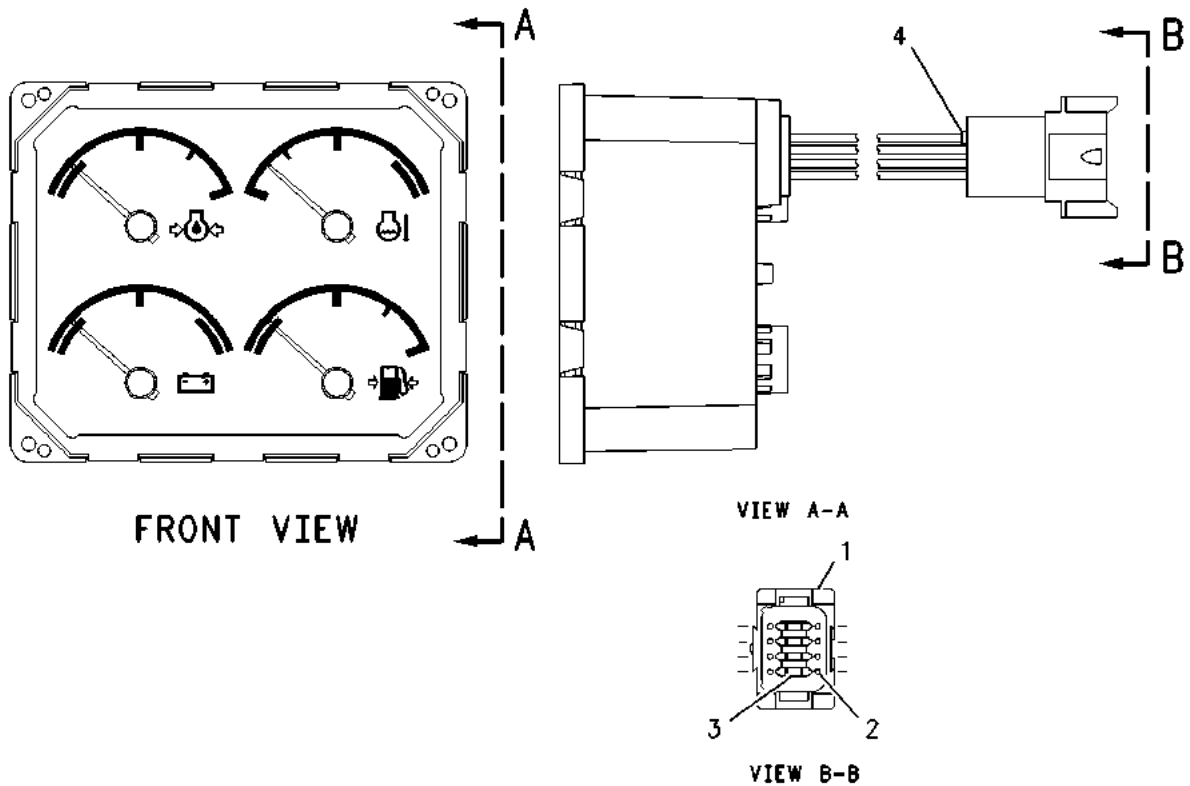
OPERATOR STATION

166-6936 MODULE GP-QUAD GAUGE*R ENGINE OIL PRESSURE, COOLANT TEMPERATURE, BATTERY, FUEL PRESSURE PART OF 222-1424 PANEL GP-INSTRUMENT AN ATTACHMENT

SMCS-7450, 7451, 7490

i07034491

NOTE	REF NO	GRAPHIC REF	PART NUMBER	QTY	PART NAME 1 2 3 4 5 6 (PRODUCT LEVEL)	SEE PAGE
1	1	1	102-8806	1	KIT-RECEPTACLE (8-PIN) (INCLUDES RECEPTACLE ASSEMBLY & WEDGE)	
2	1	1	186-3735	7	PIN-CONNECTOR (16-GA TO 18-GA)	
3	1	1	3E-3389	1	WEDGE-RECEPTACLE LOCK (8-PIN)	
4	1	1	8T-8737	1	PLUG-SEAL	



GRAPHIC #1

<END>

g00814003

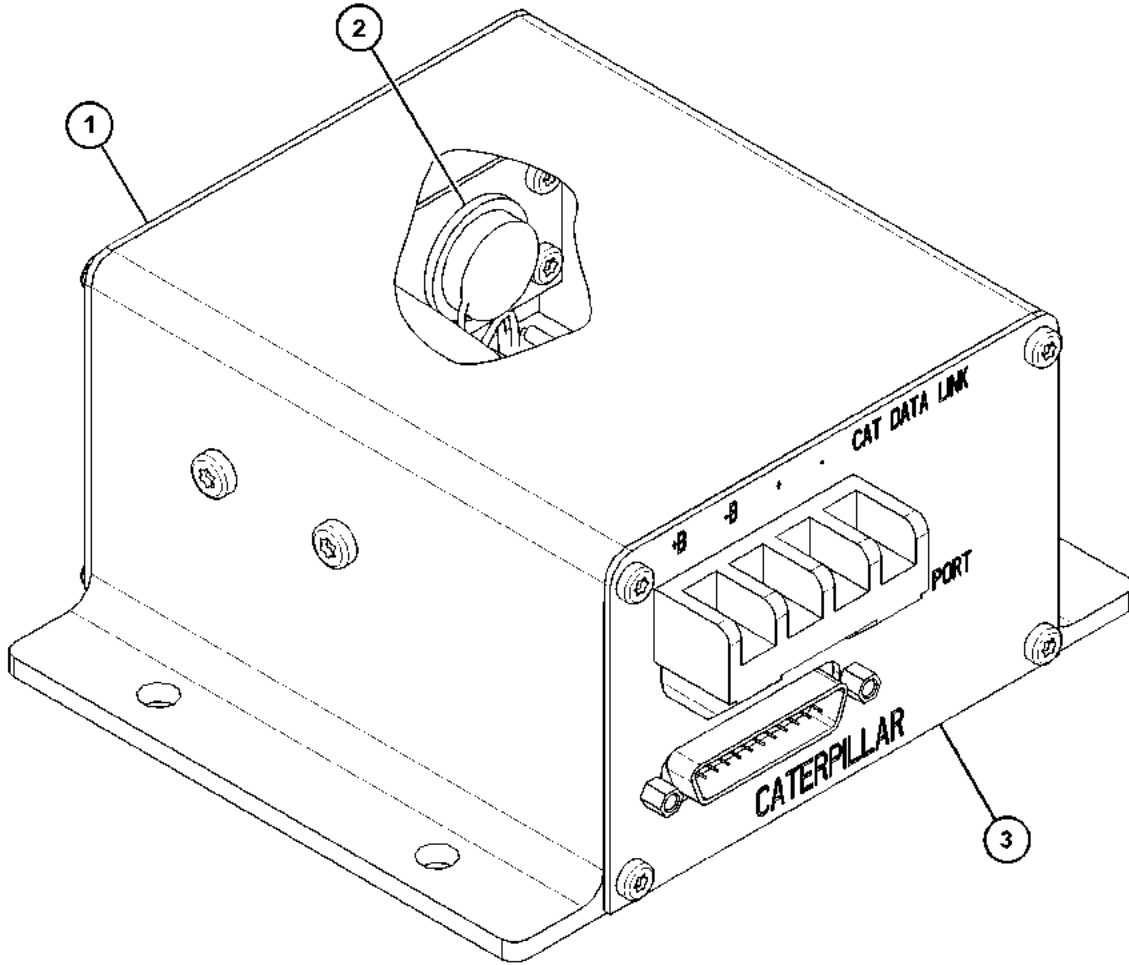
OPERATOR STATION

188-3080 MODULE GP-SYSTEM COMMUNICATION*R AN ATTACHMENT

SMCS-1926

i05943466

NOTE	REF NO	GRAPHIC REF	PART NUMBER	QTY	PART NAME						SEE PAGE
					1	2	3	4	5	6 (PRODUCT LEVEL)	
	1	1	109-5737	1	FILM-IDENTIFICATION (COMMUNICATION MODULE)						
	2	1	193-5488	1	BATTERY (LITHIUM)						
	3	1	109-5738	1	FILM-IDENTIFICATION (COMMUNICATION MODULE)						



GRAPHIC #1

<END>

g03737074

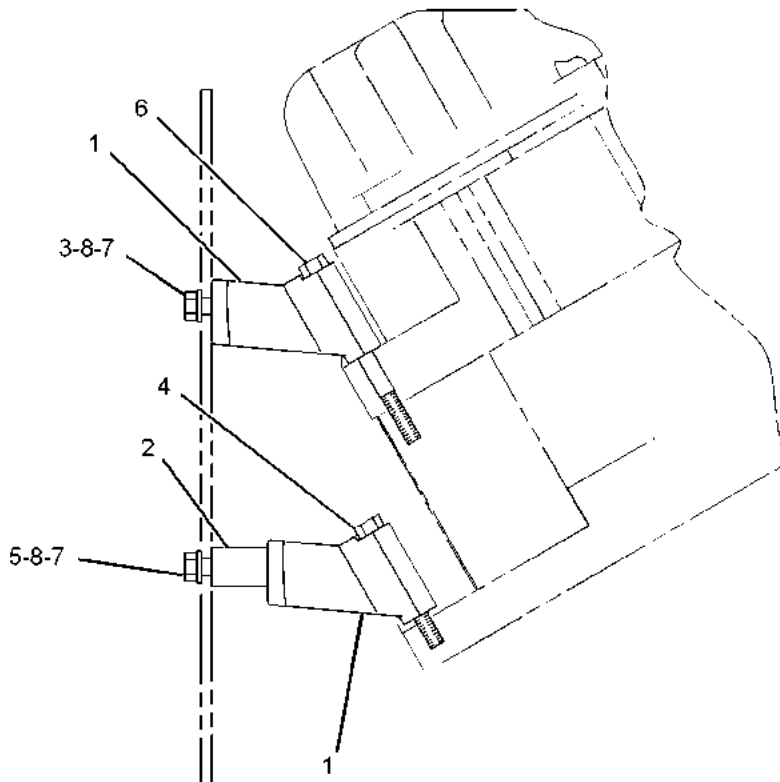
OPERATOR STATION

197-7029 MOUNTING GP-CONTROL PANEL AN ATTACHMENT

SMCS-7451

i07022066

NOTE	REF NO	GRAPHIC REF	PART NUMBER	QTY	PART NAME						SEE PAGE
					1	2	3	4	5	6 (PRODUCT LEVEL)	
	1	1	1W-8129	2	SUPPORT						
	2	1	6B-6205	2	SPACER (0.438X0.875X1.281-IN THK)						
	3	1	0S-1591	2	BOLT (3/8-16X1.5-IN)						
	4	1	0S-1619	2	BOLT (3/8-16X3-IN)						
	5	1	0T-0573	2	BOLT (3/8-16X2.75-IN)						
	6	1	1A-5964	2	BOLT (3/8-16X4.5-IN)						
	7	1	3K-6060	4	LOCKNUT (3/8-16-THD)						
	8	1	5M-2894	8	WASHER-HARD (10.2X18.5X2.5-MM THK)						



GRAPHIC #1

<END>

g01139810

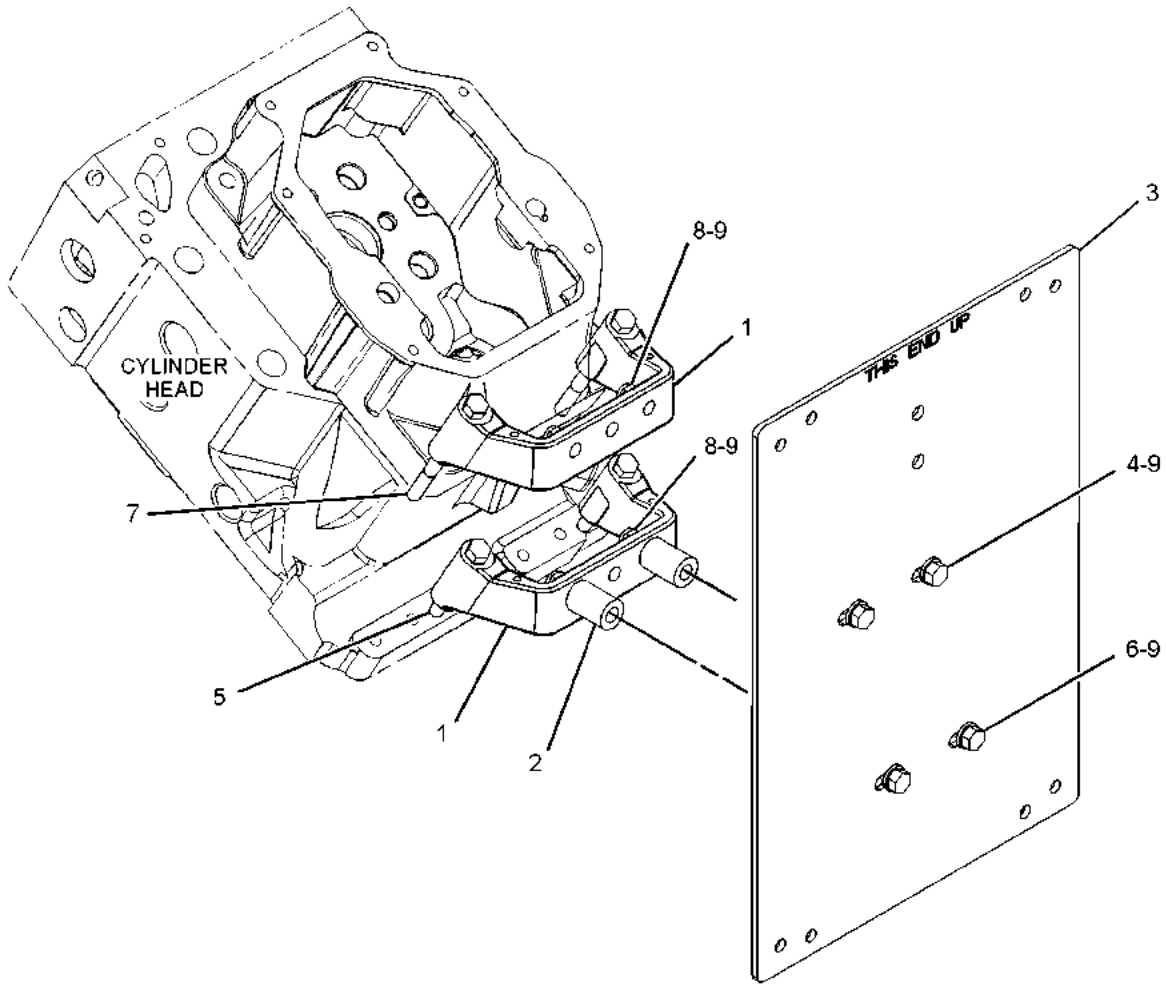
OPERATOR STATION

330-6781 MOUNTING GP-CONTROL PANEL AN ATTACHMENT

SMCS-7451

i03888731

NOTE	REF NO	GRAPHIC REF	PART NUMBER	QTY	PART NAME						SEE PAGE
					1	2	3	4	5	6 (PRODUCT LEVEL)	
	1	1	1W-8129	2	SUPPORT						
	2	1	6B-6205	2	SPACER (0.438X0.875X1.281-IN THK)						
	3	1	180-4677	1	PLATE-MOUNTING						
	4	1	0S-1591	2	BOLT (3/8-16X1.5-IN)						
	5	1	0S-1619	2	BOLT (3/8-16X3-IN)						
	6	1	0T-0573	2	BOLT (3/8-16X2.75-IN)						
	7	1	1A-5964	2	BOLT (3/8-16X4.5-IN)						
	8	1	3K-6060	4	LOCKNUT (3/8-16-THD)						
	9	1	5M-2894	8	WASHER-HARD (10.2X18.5X2.5-MM THK)						



GRAPHIC #1

<END>

g02138864

OPERATOR STATION

126-5486 MOUNTING GP-INSTRUMENT PANEL

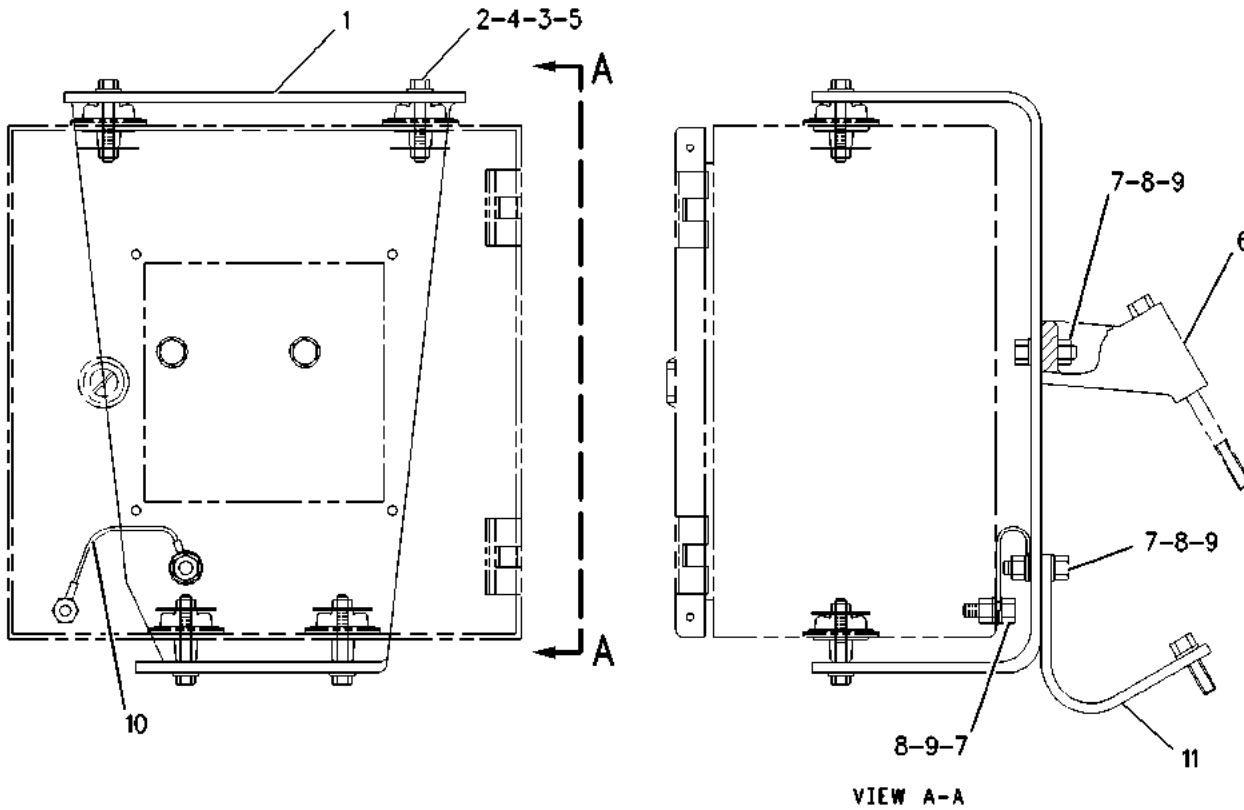
DIGITAL PYROMETER

PART OF 139-8548, 139-8549 PYROMETER GP
AN ATTACHMENT

SMCS-7451

i00884981

NOTE	REF NO	GRAPHIC REF	PART NUMBER	QTY	PART NAME						SEE PAGE
					1	2	3	4	5	6 (PRODUCT LEVEL)	
	1	1	9Y-5062	1	PLATE						
	2	1	7B-8167	4	BOLT (1/4-20X1.625-IN)						
	3	1	5P-0537	4	WASHER-HARD (7.2X14.5X2-MM THK)						
	4	1	2W-8604	4	WASHER (6.5X35X1.5-MM THK)						
	5	1	9S-8750	4	NUT-FULL (1/4-20-THD)						
	6	1	1W-8129	1	SUPPORT						
	7	1	1A-2029	4	BOLT (3/8-16X1.125-IN)						
	8	1	5M-2894	6	WASHER-HARD (10.2X18.5X2.5-MM THK)						
	9	1	9S-8752	4	NUT-FULL (3/8-16-THD)						
	10	1	127-0594	1	WIRE AS-GROUND						
	11	1	7C-9600	1	PLATE						



GRAPHIC #1

<END>

g00350321

OPERATOR STATION

4W-5310 MOUNTING GP-INSTRUMENT PANEL

8-HOLE

FOR USE WITH NATURALLY ASPIRATED SPARK IGNITED ENGINES WITH MANIFOLD VACUUM GAUGE
FOR USAGE REFER TO CHART 4W-6500-PAGE: 1453
AN ATTACHMENT

SMCS-7451

i02183283

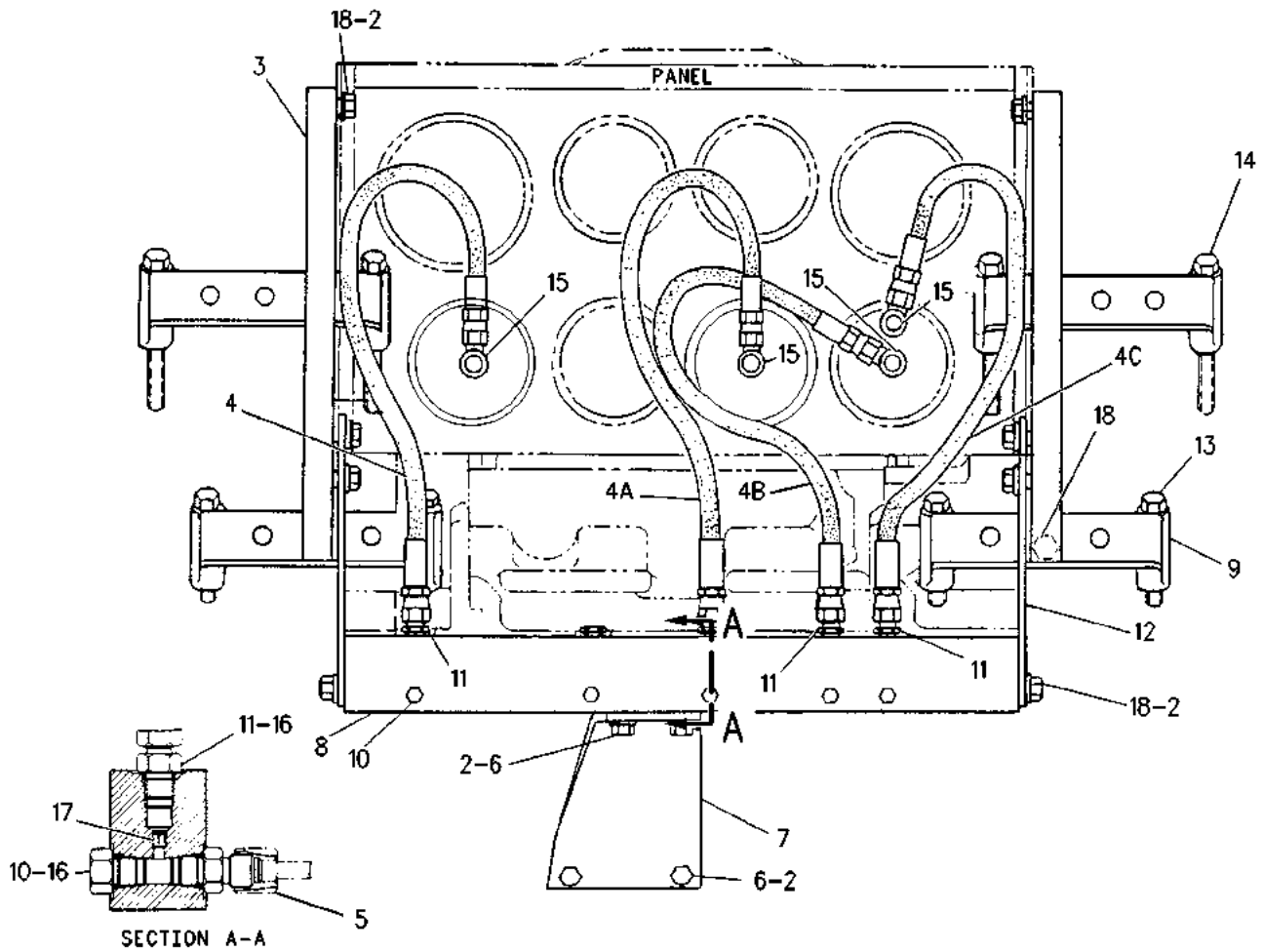
NOTE	REF NO	GRAPHIC REF	PART NUMBER	QTY	PART NAME						SEE PAGE
					1	2	3	4	5	6	
	2	1	5M-2894	12	WASHER-HARD (10.2X18.5X2.5-MM THK)						
	3	1	1W-8133	2	SUPPORT						
I	4	1	3V-6153	1	HOSE AS (ENGINE OIL PRESSURE)						
I	4A	1	3V-6153	1	HOSE AS (ENGINE FUEL PRESSURE)						
I	4B	1	3V-6153	1	HOSE AS (DIFFERENTIAL OIL, UNFILTERED)						
I	4C	1	3V-6153	1	HOSE AS (DIFFERENTIAL OIL, FILTERED)						
	5	1	3F-6166	1	EXTENSION						
	6	1	0S-1594	4	BOLT (3/8-16X1-IN)						
	7	1	2W-1793	1	BRACE						
C	8	1	7W-7962	1	JUNCTION BLOCK						
	9	1	1W-8129	4	SUPPORT						
C	10	1	9S-4182	7	PLUG (7/16-20-THD)						
	11	1	3J-7352	8	CONNECTOR						
	12	1	7N-6987	2	PLATE						
	13	1	0T-0573	4	BOLT (3/8-16X2.75-IN)						
	14	1	0T-0055	4	BOLT (3/8-16X4.25-IN)						
	15	1	3S-1099	4	ELBOW-FLARED						
C	16	1	3J-7354	15	SEAL-O-RING						
	17	1	4W-5308	4	PLUG-ORIFICE						
	18	1	0L-1351	12	BOLT (3/8-16X0.875-IN)						

C - CHANGE FROM PREVIOUS TYPE
I - REFER TO HYDRAULIC INFORMATION SYSTEM

OPERATOR STATION

4W-5310 MOUNTING GP-INSTRUMENT PANEL (contd.)

i02183283



GRAPHIC #1

<END>

g00893569

OPERATOR STATION

4W-6803 MOUNTING GP-INSTRUMENT PANEL

13-GAUGE

FOR USAGE REFER TO CHART 4W-6500-PAGE: 1453
AN ATTACHMENT

SMCS-7451

i07023193

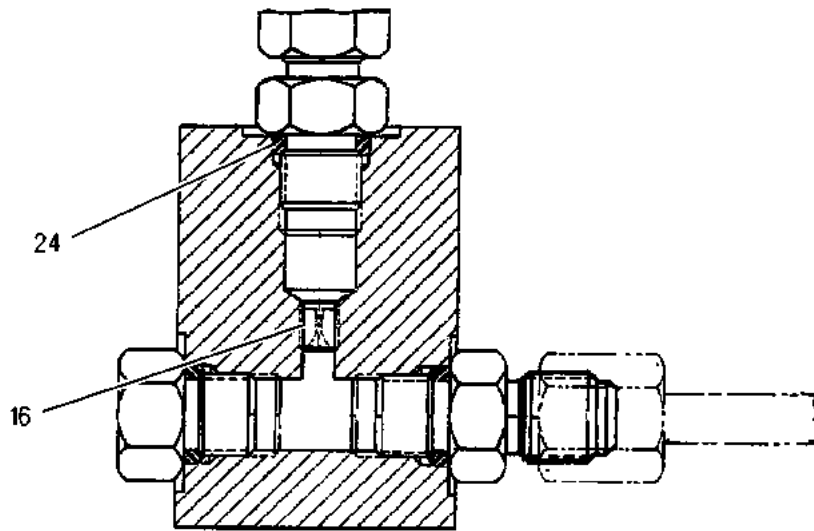
NOTE	REF NO	GRAPHIC REF	PART NUMBER	QTY	PART NAME						SEE PAGE
					1	2	3	4	5	6 (PRODUCT LEVEL)	
	1	1	0L-1351	12	BOLT (3/8-16X0.875-IN)						
	2	1	5M-2894	12	WASHER-HARD (10.2X18.5X2.5-MM THK)						
	3	1	1W-8133	2	SUPPORT						
I	4	1	3N-7229	1	HOSE AS (ENGINE FUEL PRESSURE)						
I	4A	1	3N-7229	1	HOSE AS (ENGINE OIL PRESSURE)						
	5	1	7K-9197	1	ELBOW						
I	6	1	6N-3170	1	HOSE AS (OIL FILTER DIFF, FILTERED)						
I	7	1	3N-4579	1	HOSE AS (FUEL FILTER DIFF, FILTERED)						
I	7A	1	3N-4579	1	HOSE AS (VACUUM AIR RESTRICTION, RH)						
I	7B	1	3N-4579	1	HOSE AS (VACUUM AIR RESTRICTION, LH)						
	8	1	4W-5307	1	JUNCTION BLOCK						
	9	1	1W-8129	4	SUPPORT						
	10	1	9S-4182	10	PLUG (7/16-20-THD)						
C	11	1	3J-7352	13	CONNECTOR						
	12	1	7N-6987	2	PLATE						
	13	1	0T-0573	4	BOLT (3/8-16X2.75-IN)						
	14	1	0T-0055	4	BOLT (3/8-16X4.25-IN)						
	15	1	8B-4884	4	ELBOW						
	16	1	4W-5308	7	PLUG-ORIFICE						
C	17	1	030-7957	1	TEE-FLARED						
I	18	1	3N-4411	1	HOSE AS (OIL FILTER DIFF, UNFILTERED)						
I	19	1	3N-4622	1	HOSE AS (FUEL FILTER DIFF, UNFILTERED)						
	20	1	3B-6552	4	ELBOW-PIPE						
	21	1	3B-6487	2	COUPLING (PIPE)						
	22	1	0S-1594	4	BOLT (3/8-16X1-IN)						
	23	1	2W-1793	1	BRACE						
	24	1	3J-7354	24	SEAL-O-RING						

C - CHANGE FROM PREVIOUS TYPE
I - REFER TO HYDRAULIC INFORMATION SYSTEM

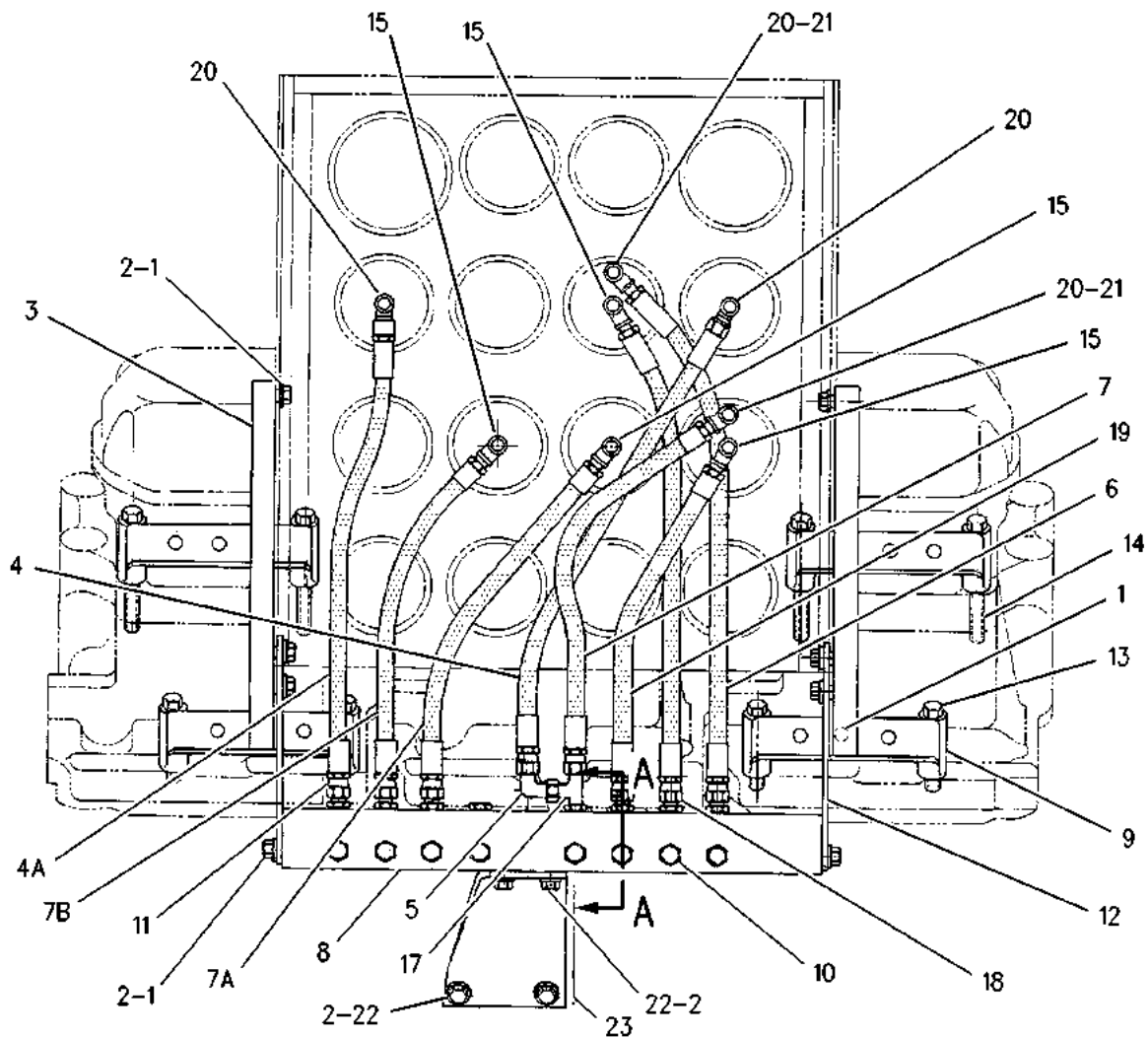
OPERATOR STATION

4W-6803 MOUNTING GP-INSTRUMENT PANEL (contd.)

i07023193



SECTION A-A



GRAPHIC #1

<END>

g00740994

OPERATOR STATION

7C-0289 MOUNTING GP-INSTRUMENT PANEL INSTRUMENT PANEL LINES REMOTE AN ATTACHMENT

SMCS-7451

i01600418

NOTE	REF NO	GRAPHIC REF	PART NUMBER	QTY	PART NAME						SEE PAGE
					1	2	3	4	5	6 (PRODUCT LEVEL)	
	1	1	0L-1351	8	BOLT (3/8-16X0.875-IN)						
	2	1	5M-2894	10	WASHER-HARD (10.2X18.5X2.5-MM THK)						
C	3	1	1W-8133	2	SUPPORT						
	4	1	6V-5048	24	SEAL-O-RING						
C	5	1	0T-0055	4	BOLT (3/8-16X4.25-IN)						
C	6	1	0S-1594	4	BOLT (3/8-16X1-IN)						
	7	1	2W-1793	1	BRACE						
	8	1	4W-5307	1	JUNCTION BLOCK						
C	9	1	1W-8129	4	SUPPORT						
	10	1	9S-4182	17	PLUG (7/16-20-THD)						
	11	1	3J-7352	7	CONNECTOR						
C	12	1	7N-6987	2	PLATE						
C	13	1	0T-0573	4	BOLT (3/8-16X2.75-IN)						
C	14	1	1A-2029	2	BOLT (3/8-16X1.125-IN)						
	17	1	5N-9365	2	THERMOCOUPLE						
	18	1	3N-8278	2	ADAPTER-SENSOR						
B	20	1	3S-2093	25	STRAP-CABLE						

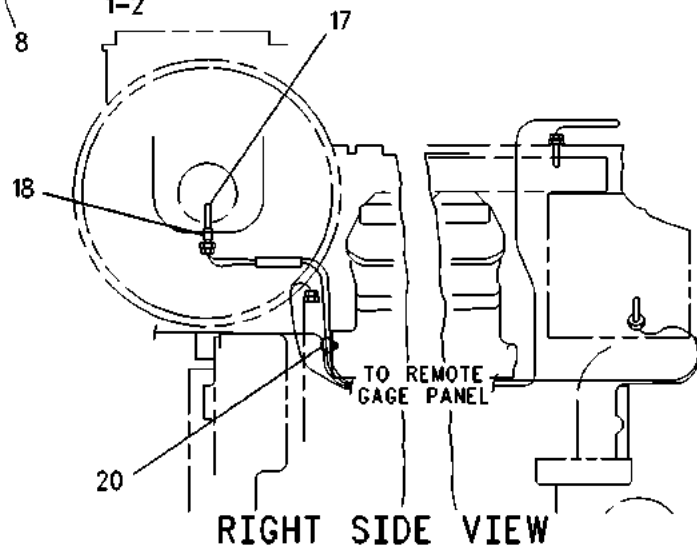
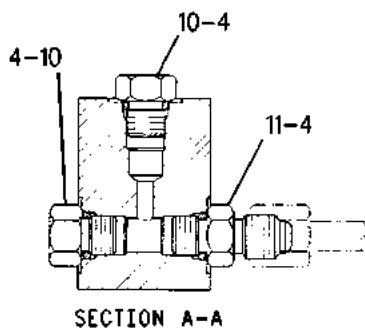
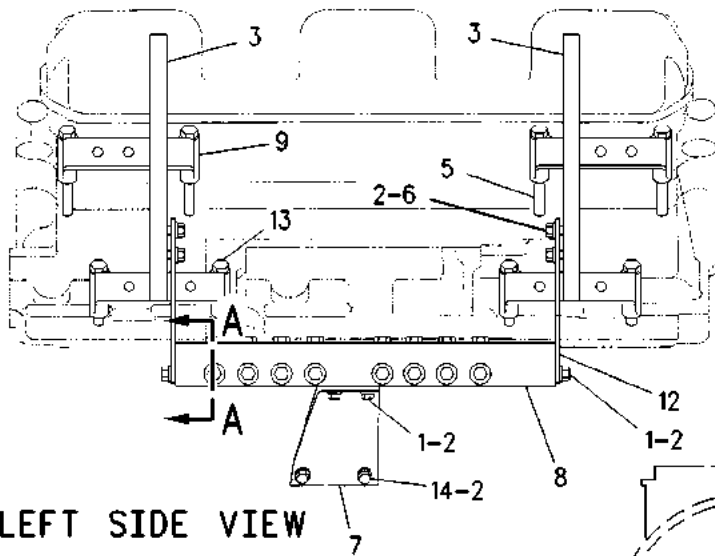
B - USE AS REQUIRED

C - CHANGE FROM PREVIOUS TYPE

OPERATOR STATION

7C-0289 MOUNTING GP-INSTRUMENT PANEL (contd.)

i01600418



GRAPHIC #1

<END>

g00892856

OPERATOR STATION

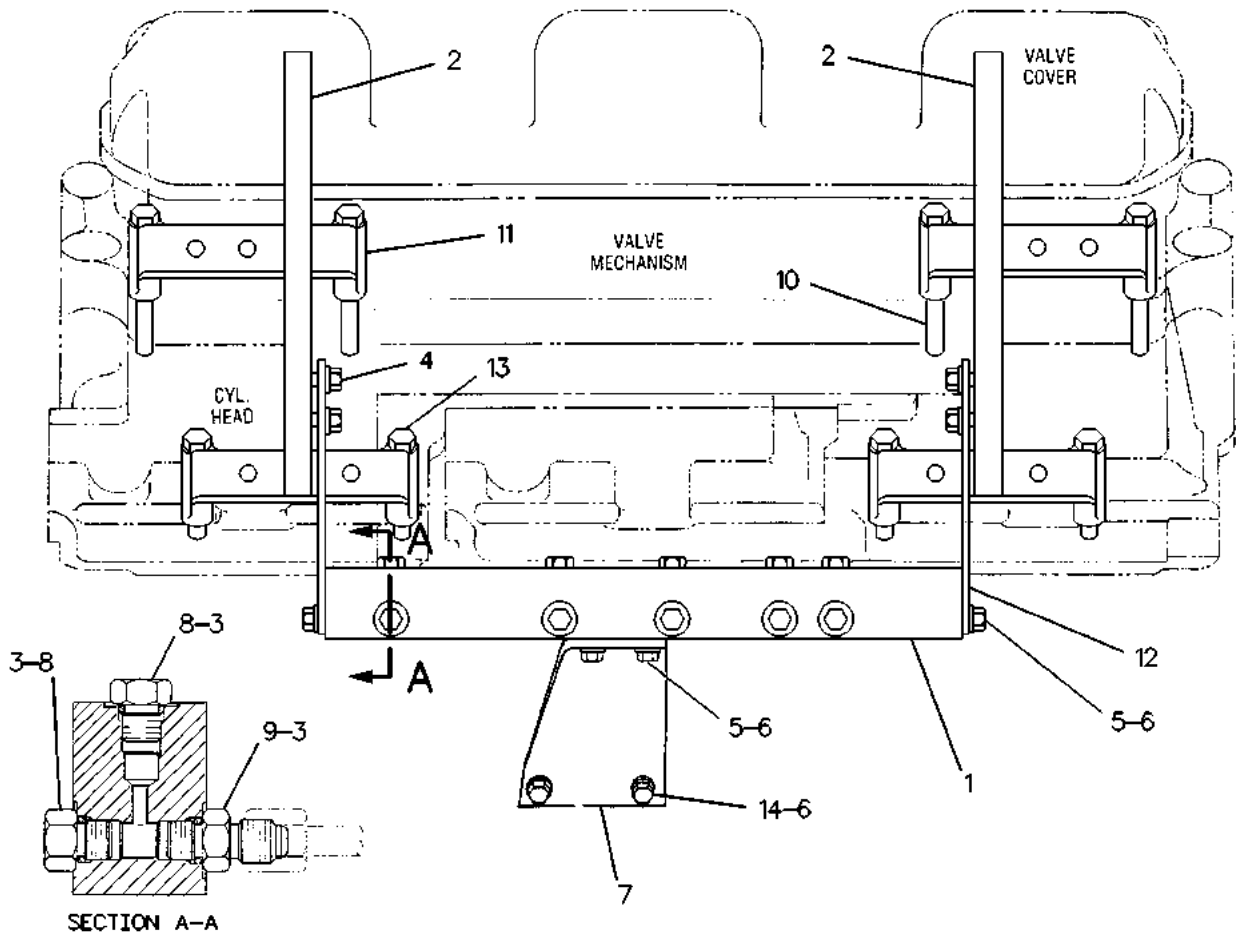
7C-0290 MOUNTING GP-INSTRUMENT PANEL INSTRUMENT PANEL LINES REMOTE AN ATTACHMENT

SMCS-7451

i02183659

NOTE	REF NO	GRAPHIC REF	PART NUMBER	QTY	PART NAME						SEE PAGE
					1	2	3	4	5	6	
	1	1	4W-5307	1	JUNCTION BLOCK						
C	2	1	1W-8133	2	SUPPORT						
	3	1	6V-5048	15	SEAL-O-RING						
C	4	1	0S-1594	4	BOLT (3/8-16X1-IN)						
	5	1	0L-1351	8	BOLT (3/8-16X0.875-IN)						
	6	1	5M-2894	10	WASHER-HARD (10.2X18.5X2.5-MM THK)						
	7	1	2W-1793	1	BRACE						
	8	1	9S-4182	13	PLUG (7/16-20-THD)						
	9	1	3J-7352	2	CONNECTOR						
C	10	1	0T-0055	4	BOLT (3/8-16X4.25-IN)						
C	11	1	1W-8129	4	SUPPORT						
C	12	1	7N-6987	2	PLATE						
C	13	1	0T-0573	4	BOLT (3/8-16X2.75-IN)						
C	14	1	1A-2029	2	BOLT (3/8-16X1.125-IN)						

C - CHANGE FROM PREVIOUS TYPE



GRAPHIC #1

<END>

g00212171

OPERATOR STATION

197-7037 PANEL GP-ANNUNCIATOR

AN ATTACHMENT

SMCS-4490

i07544745

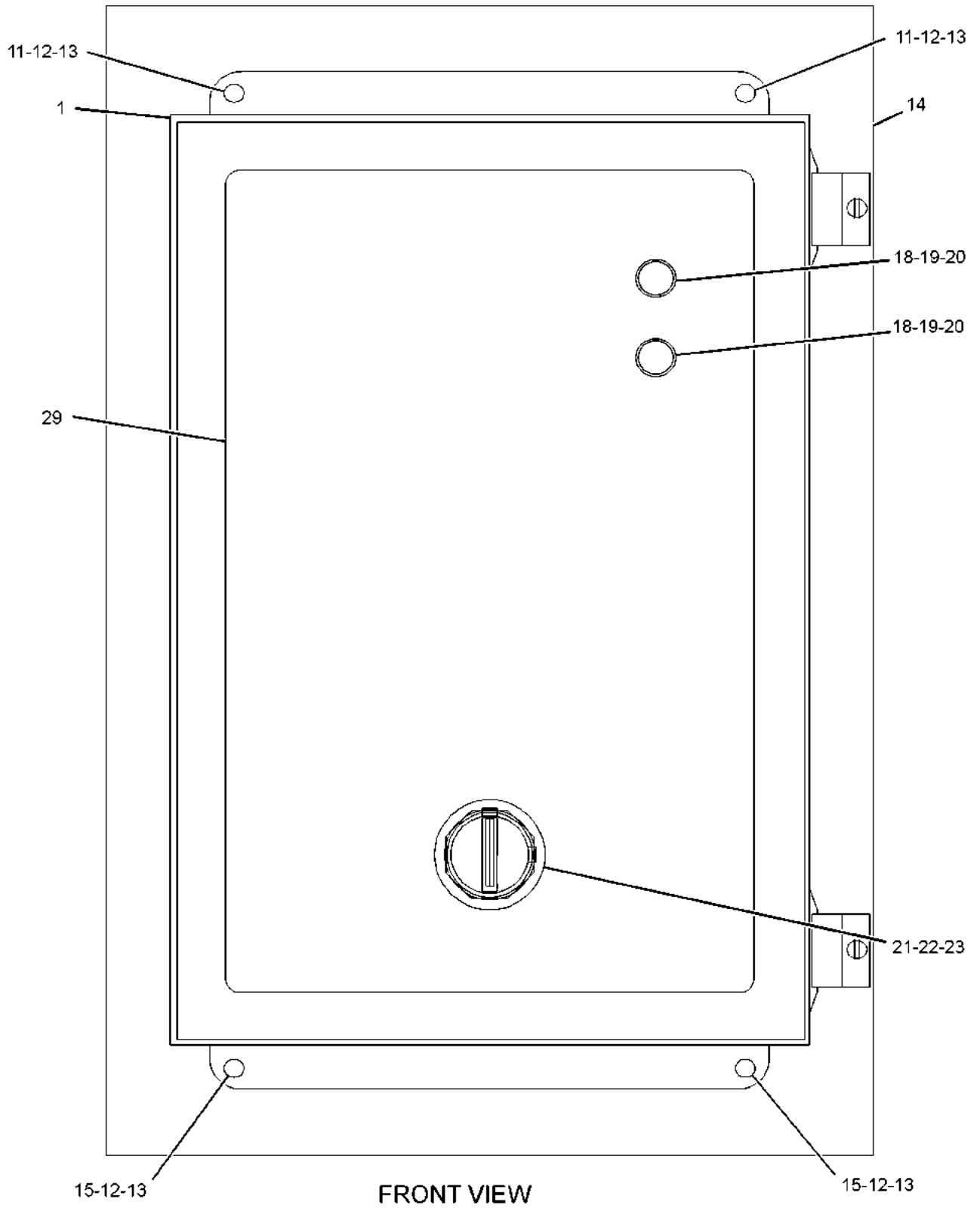
NOTE	REF NO	GRAPHIC REF	PART NUMBER	QTY	PART NAME						SEE PAGE
					1	2	3	4	5	6 (PRODUCT LEVEL)	
	1	1	199-7763	1	ENCLOSURE AS						
	2	2	180-4543	1	PANEL						
	3	2	147-1960	1	RAIL						
	4	2	115-2538	1	COVER-END						
	5	2	564-5691	1	RELAY (VOLTAGE SENSING)						
	6	2	189-4774	1	BASE-RELAY						
	7	2	173-5413	4	CLAMP (END)						
	8	2	9X-9614	25	TERMINAL (SINGLE)						
	9	2	135-6740	1	BLOCK-DIODE						
	10	2	3E-0357	1	DIODE AS						
	11	1	183-8023	2	MOUNTING-SHOCK						
	12	1	8T-4205	8	WASHER-HARD (7.2X14.5X2-MM THK)						
	13	1	3E-9865	8	LOCKNUT (1/4-20-THD)						
	14	1	180-4677	1	PLATE-MOUNTING						
	15	1	7C-6121	2	MOUNT-FLEXIBLE						
	16	2	131-5374	2	MODULE AS (ANNUNCIATOR)						
	17	2	131-5377	1	FLASHER AS (CONTROL)						
	18	1	125-9941	2	BASE-LAMP						
	19	1	125-9942	2	LENS (AMBER)						
	20	1	125-9956	2	LAMP-LED (24-VOLT, AMBER)						
	21	1	125-9945	1	SWITCH-ROTARY (3-POSITION, MOMENTARY) (ALARM)						
	22	1	111-1324	1	BLOCK-CONTACT (1-POLE)						
	23	1	111-1323	1	BLOCK-CONTACT (1-POLE)						
	24	2	138-4959	1	CIRCUIT BREAKER AS (5-AMPERE)						
	25	2	134-0957	1	COVER-BLOCK						
	26	2	3E-5504	3	BAR-FIXED BRIDGE						
	27	2	109-6539	5	PLATE-SEPARATOR						
	28	2	<i>240-1733</i>	1	WIRE GP (CONTROL PANEL) (ANNUNCIATOR)						
		2	110-8714	50	END-WIRE (18-GA)						
		2	151-4906	50	END-WIRE (18-GA)						
		2	160-9231	4	TERMINAL-BLADE (18-GA TO 22-GA)						
E		2	151-4908		WIRE-ELECTRICAL (18-GA, WHITE) (660-CM)						
	29	1	304-5240	1	FILM-PANEL (ANNUNCIATOR)						

E - ORDER BY THE CENTIMETER

OPERATOR STATION

197-7037 PANEL GP-ANNUNCIATOR (contd.)

i07544745



FRONT VIEW

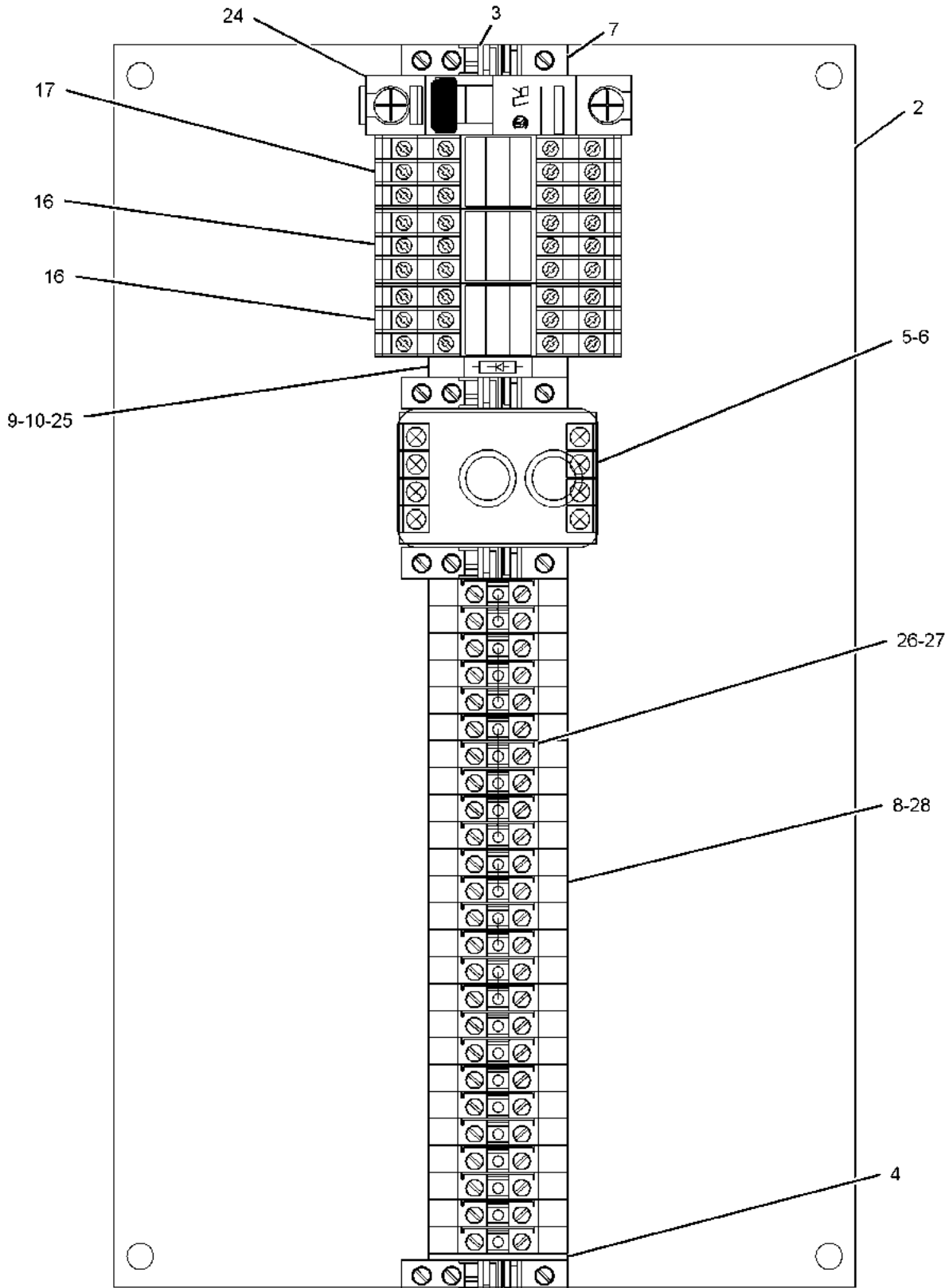
GRAPHIC #1

g01482294

OPERATOR STATION

197-7037 PANEL GP-ANNUNCIATOR (contd.)

i07544745



FRONT VIEW
(ENCLOSE REMOVED FOR CLARITY)

<END>

GRAPHIC #2

g01482295

OPERATOR STATION

309-0031 PANEL GP-ANNUNCIATOR AN ATTACHMENT

SMCS-4490

i03807670

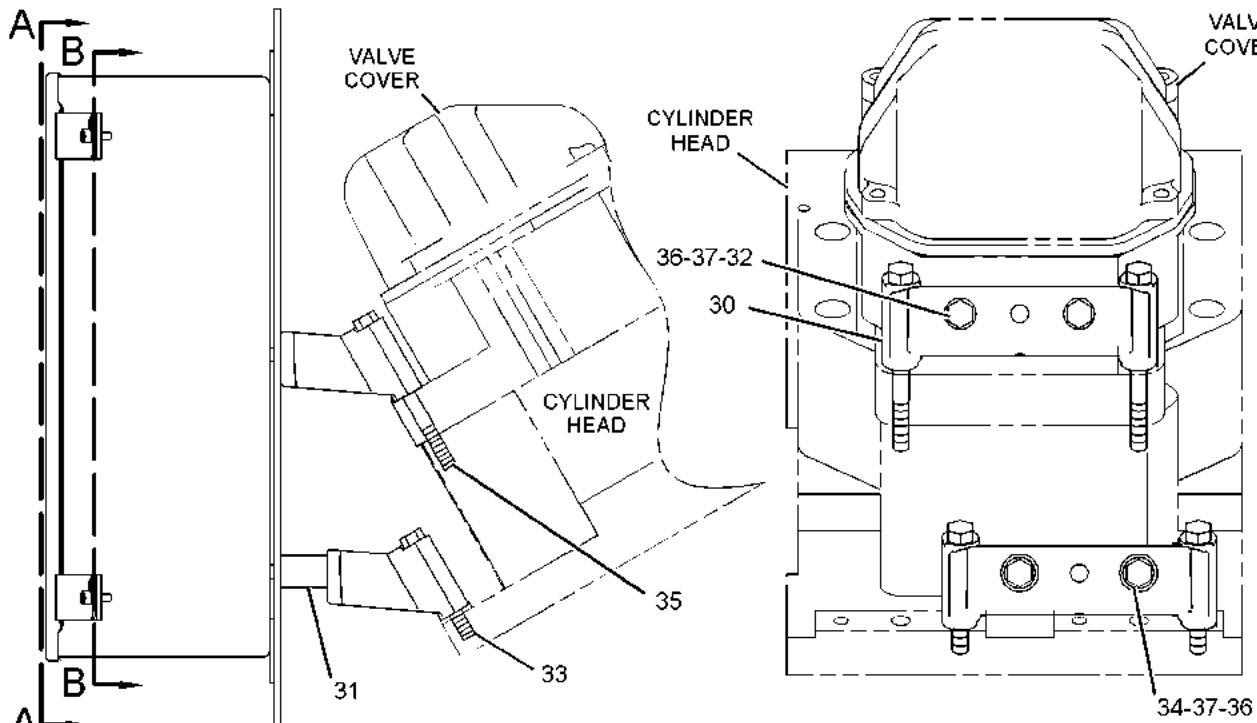
NOTE	REF NO	GRAPHIC REF	PART NUMBER	QTY	PART NAME						SEE PAGE
					1	2	3	4	5	6 (PRODUCT LEVEL)	
	1	1	199-7763	1	ENCLOSURE AS						
	2	1	180-4543	1	PANEL						
	3	1	125-9969	1	RAIL (PERFORATED)						
	4	1	115-2538	1	COVER-END						
	5	1	195-5820	1	RELAY (VOLTAGE SENSING)						
	6	1	189-4774	1	BASE-RELAY						
	7	1	9X-9675	4	BRACKET-END						
	8	1	9X-9614	25	TERMINAL (SINGLE)						
	9	1	135-6740	1	BLOCK-DIODE						
	10	1	3E-0357	1	DIODE AS						
	11	1	183-8023	2	MOUNTING-SHOCK						
	12	1	8T-4205	8	WASHER-HARD (7.2X14.5X2-MM THK)						
	13	1	3E-9865	8	LOCKNUT (1/4-20-THD)						
	14	1	180-4677	1	PLATE-MOUNTING						
	15	1	7C-6121	2	MOUNT-FLEXIBLE						
	16	1	131-5374	2	MODULE AS (ANNUNCIATOR)						
	17	1	131-5377	1	FLASHER AS (CONTROL)						
	18	1	125-9941	2	BASE-LAMP						
	19	1	125-9942	2	LENS (AMBER)						
	20	1	125-9956	2	LAMP-LED (24-VOLT, AMBER)						
	21	1	125-9945	1	SWITCH-ROTARY (3-POSITION, MOMENTARY) (ALARM)						
	22	1	111-1324	1	BLOCK-CONTACT (1-POLE) (NORMALLY CLOSED)						
	23	1	111-1323	1	BLOCK-CONTACT (1-POLE) (NORMALLY OPEN)						
	24	1	138-4959	1	CIRCUIT BREAKER AS (5-AMPERE)						
	25	1	134-0957	1	COVER-BLOCK						
	26	1	3E-5504	3	BAR-FIXED BRIDGE						
	27	1	109-6539	5	PLATE-SEPARATOR						
	28	1	240-1733	1	WIRE GP (CONTROL PANEL) (ANNUNCIATOR)						
		1	110-8714	50	END-WIRE (18-GA)						
		1	151-4906	50	END-WIRE (18-GA)						
		1	160-9231	2	TERMINAL-BLADE (18-GA TO 22-GA)						
E		1	151-4908		WIRE-ELECTRICAL (18-GA, WHITE) (660-CM)						
	30	1	1W-8129	2	SUPPORT						
	31	1	6B-6205	2	SPACER (0.438X0.875X1.281-IN THK)						
	32	1	0S-1591	2	BOLT (3/8-16X1.5-IN)						
	33	1	0S-1619	2	BOLT (3/8-16X3-IN)						
	34	1	0T-0573	2	BOLT (3/8-16X2.75-IN)						
	35	1	1A-5964	2	BOLT (3/8-16X4.5-IN)						
	36	1	3K-6060	4	LOCKNUT (3/8-16-THD)						
	37	1	5M-2894	8	WASHER-HARD (10.2X18.5X2.5-MM THK)						

E - ORDER BY THE CENTIMETER

OPERATOR STATION

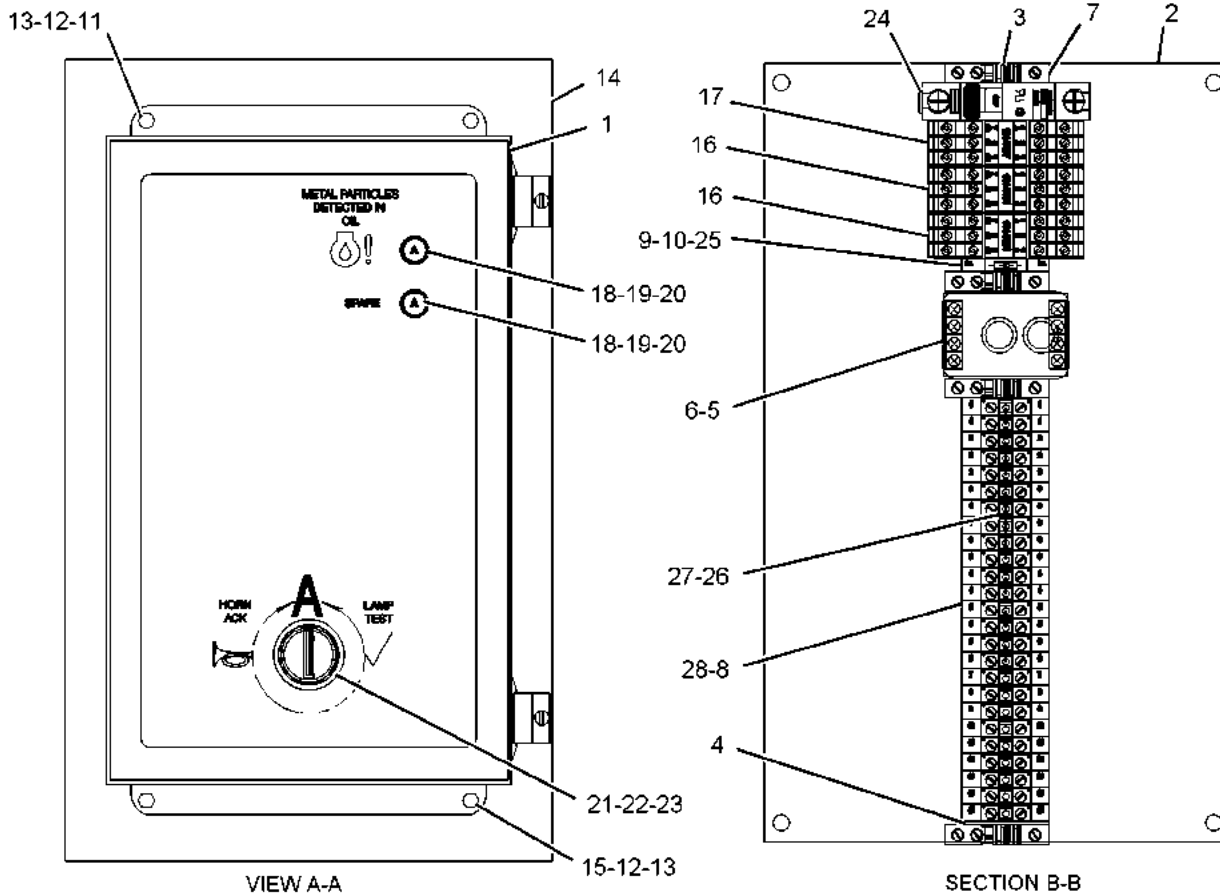
309-0031 PANEL GP-ANNUNCIATOR (contd.)

i03807670



FRONT VIEW OF ENGINE

TOP VIEW OF ENGINE



VIEW A-A

SECTION B-B

GRAPHIC #1

<END>

g01366379

OPERATOR STATION

320-1335 PANEL GP-ANNUNCIATOR AN ATTACHMENT

SMCS-4490

i07548153

NOTE	REF NO	GRAPHIC REF	PART NUMBER	QTY	PART NAME						SEE PAGE
					1	2	3	4	5	6 (PRODUCT LEVEL)	
	1	1	325-4735	1	ENCLOSURE AS						
	2	1	180-4543	1	PANEL						
E	3	1	147-1960		RAIL (37.5-CM)						
	4	1	9X-9616	1	COVER-END						
	5	1	564-5691	1	RELAY (VOLTAGE SENSING)						
	6	1	189-4774	1	BASE-RELAY						
	7	1	206-1576	4	BRACKET						
	8	1	9X-9614	25	TERMINAL (SINGLE)						
	9	1	135-6740	1	BLOCK-DIODE						
	10	1	3E-0357	1	DIODE AS						
	11	1	183-8023	2	MOUNTING-SHOCK						
	12	1	8T-4205	8	WASHER-HARD (7.2X14.5X2-MM THK)						
	13	1	3E-9865	8	LOCKNUT (1/4-20-THD)						
	14	1	180-4677	1	PLATE-MOUNTING						
	15	1	7C-6121	2	MOUNT-FLEXIBLE						
	16	1	131-5374	2	MODULE AS (ANNUNCIATOR)						
	17	1	131-5377	1	FLASHER AS (CONTROL)						
	18	1	125-9941	2	BASE-LAMP						
	19	1	125-9942	2	LENS (AMBER)						
	20	1	125-9956	2	LAMP-LED (24-VOLT, AMBER)						
	21	1	125-9945	1	SWITCH-ROTARY (3-POSITION, MOMENTARY) (ALARM)						
	22	1	111-1324	1	BLOCK-CONTACT (1-POLE)						
	23	1	111-1323	1	BLOCK-CONTACT (1-POLE)						
	24	1	138-4959	1	CIRCUIT BREAKER AS (5-AMPERE)						
	25	1	134-0957	1	COVER-BLOCK						
	26	1	3E-5504	2	BAR-FIXED BRIDGE						
	27	1	109-6539	5	PLATE-SEPARATOR						
	28	1	320-1337	1	HARNESS AS-PANEL (ANNUNCIATOR)						
		1	8T-8729	2	PIN-CONNECTOR (16-GA TO 20-GA)						
		1	8T-8737	1	PLUG-SEAL						
		1	9X-4813	1	RECEPTACLE AS-CONNECTOR (3-PIN)						
		1	8L-8413	90	STRAP-CABLE (WHITE)						
		1	207-5432	4	TERMINAL-BLADE (14-GA TO 16-GA)						
		1	5P-2321	4	TERMINAL-FORK (14-GA TO 16-GA, NO. 6 SCREW)						
		1	109-3038	72	END-WIRE (16-GA)						
E		1	121-0199		WRAP-SPIRAL (3/8-IN OD) (40-CM)						
	29	1	304-5240	1	FILM-PANEL (ANNUNCIATOR)						
	30	1	1W-8129	2	SUPPORT						
	31	1	6B-6205	2	SPACER (0.438X0.875X1.281-IN THK)						
	32	1	165-3929	2	BOLT (3/8-16X1.5-IN)						
	33	1	0S-1619	2	BOLT (3/8-16X3-IN)						
	34	1	0T-0573	2	BOLT (3/8-16X2.75-IN)						
	35	1	1A-5964	2	BOLT (3/8-16X4.5-IN)						
	36	1	3K-6060	4	LOCKNUT (3/8-16-THD)						
	37	1	5M-2894	8	WASHER-HARD (10.2X18.5X2.5-MM THK)						
	38	1	6V-2480	4	SCREW (4-40X0.5-IN)						
	39	1	6B-4540	4	NUT (4-40-THD)						
	40	1	6B-4542	4	LOCKWASHER						

OPERATOR STATION

320-1335 PANEL GP-ANNUNCIATOR (contd.)

i07548153

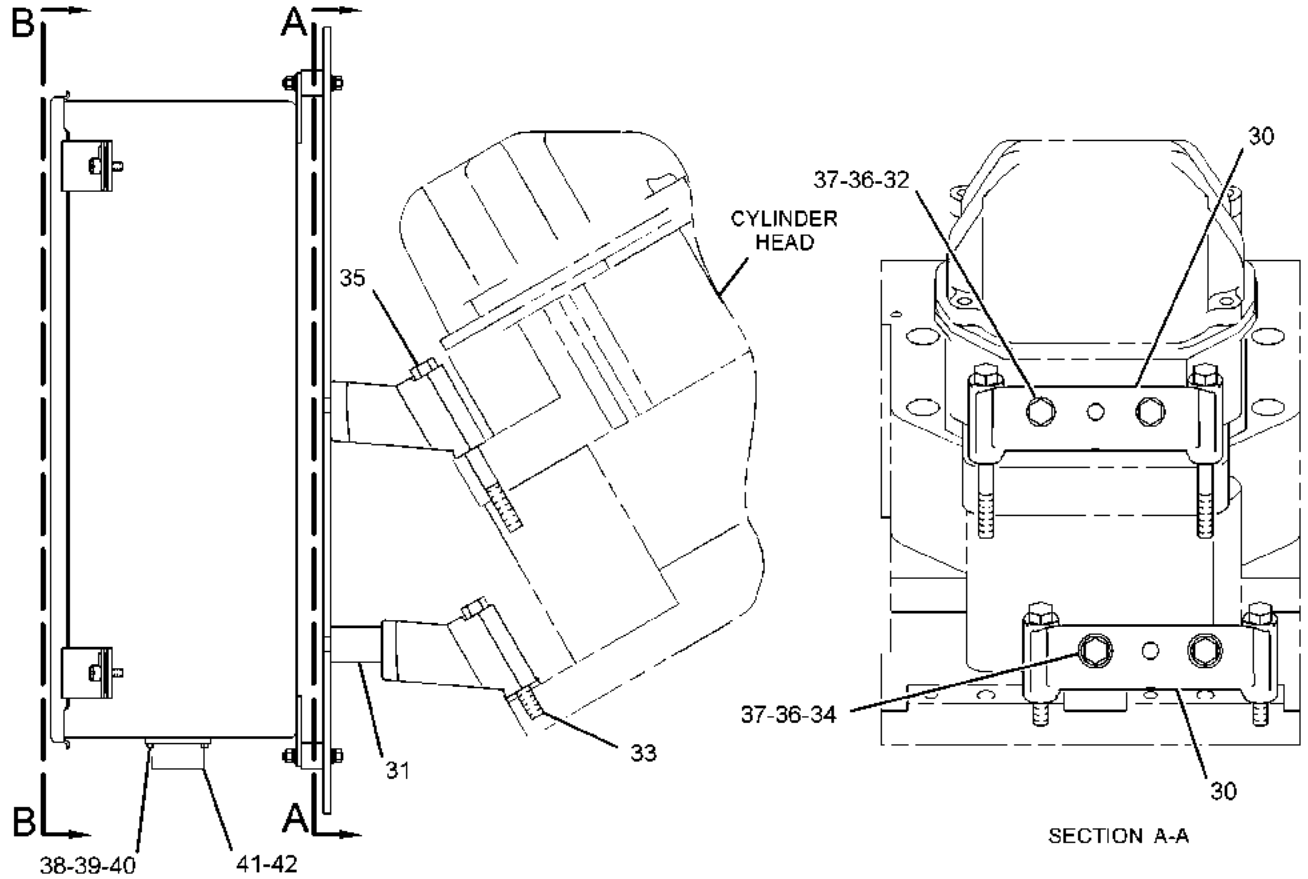
NOTE	REF NO	GRAPHIC REF	PART NUMBER	QTY	PART NAME						SEE PAGE
					1	2	3	4	5	6 (PRODUCT LEVEL)	
	41	1	203-8944	1	GASKET						
	42	1	8T-8737	1	PLUG-SEAL						
	43	1	276-4138	2	FILM-IDENTIFICATION (TERMINAL MARKER)						
	44	1	325-2876	2	MARKER-TERMINAL						
	45	1	325-2877	2	MARKER-TERMINAL						
	46	1	1H-4393	4	LOCKWASHER						
	47	1	4B-4863	4	WASHER (4.7X11X1.2-MM THK)						
	48	1	178-3339	4	SCREW (8-32X0.5-IN)						

E - ORDER BY THE CENTIMETER

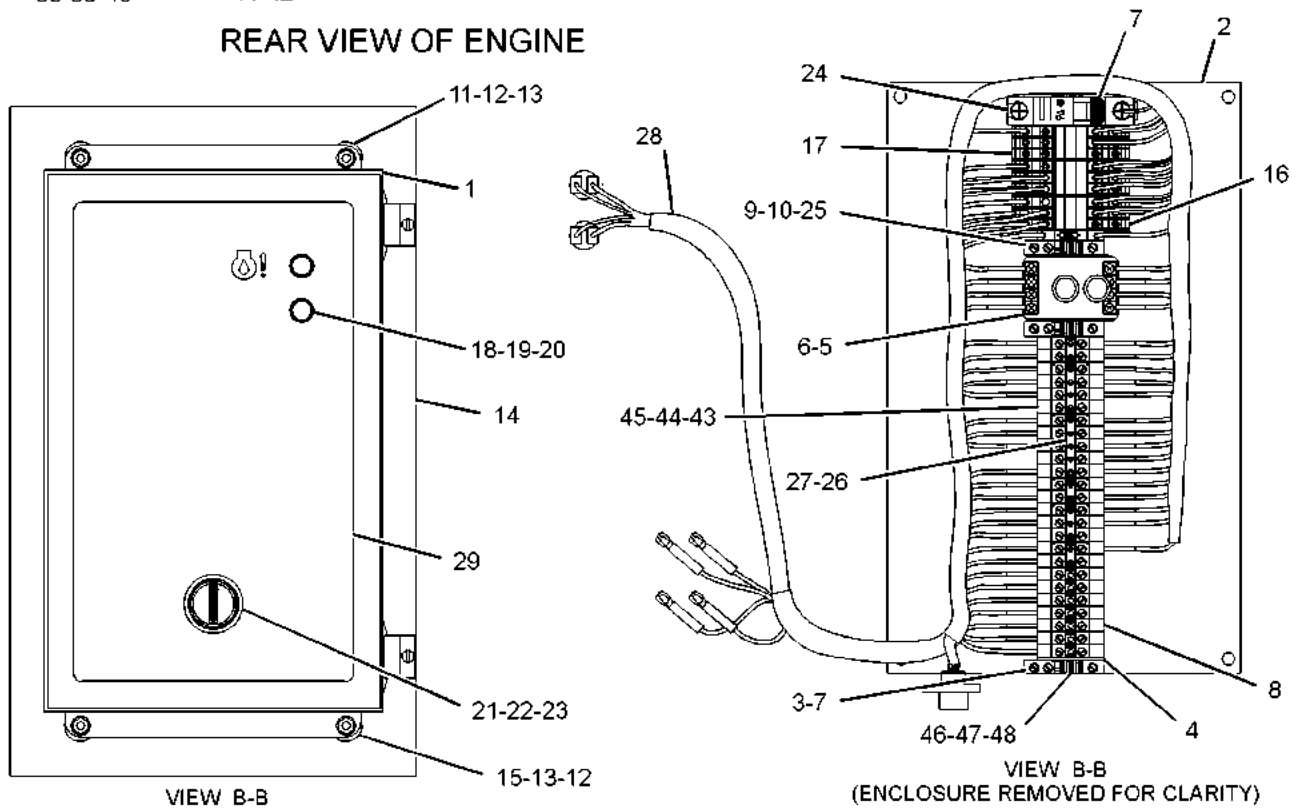
OPERATOR STATION

320-1335 PANEL GP-ANNUNCIATOR (contd.)

107548153



REAR VIEW OF ENGINE



VIEW B-B

VIEW B-B
(ENCLOSURE REMOVED FOR CLARITY)

GRAPHIC #1

<END>

g01518578

OPERATOR STATION

320-1336 PANEL GP-ANNUNCIATOR-ENGINE MOUNTED AN ATTACHMENT

SMCS-4490

i06853049

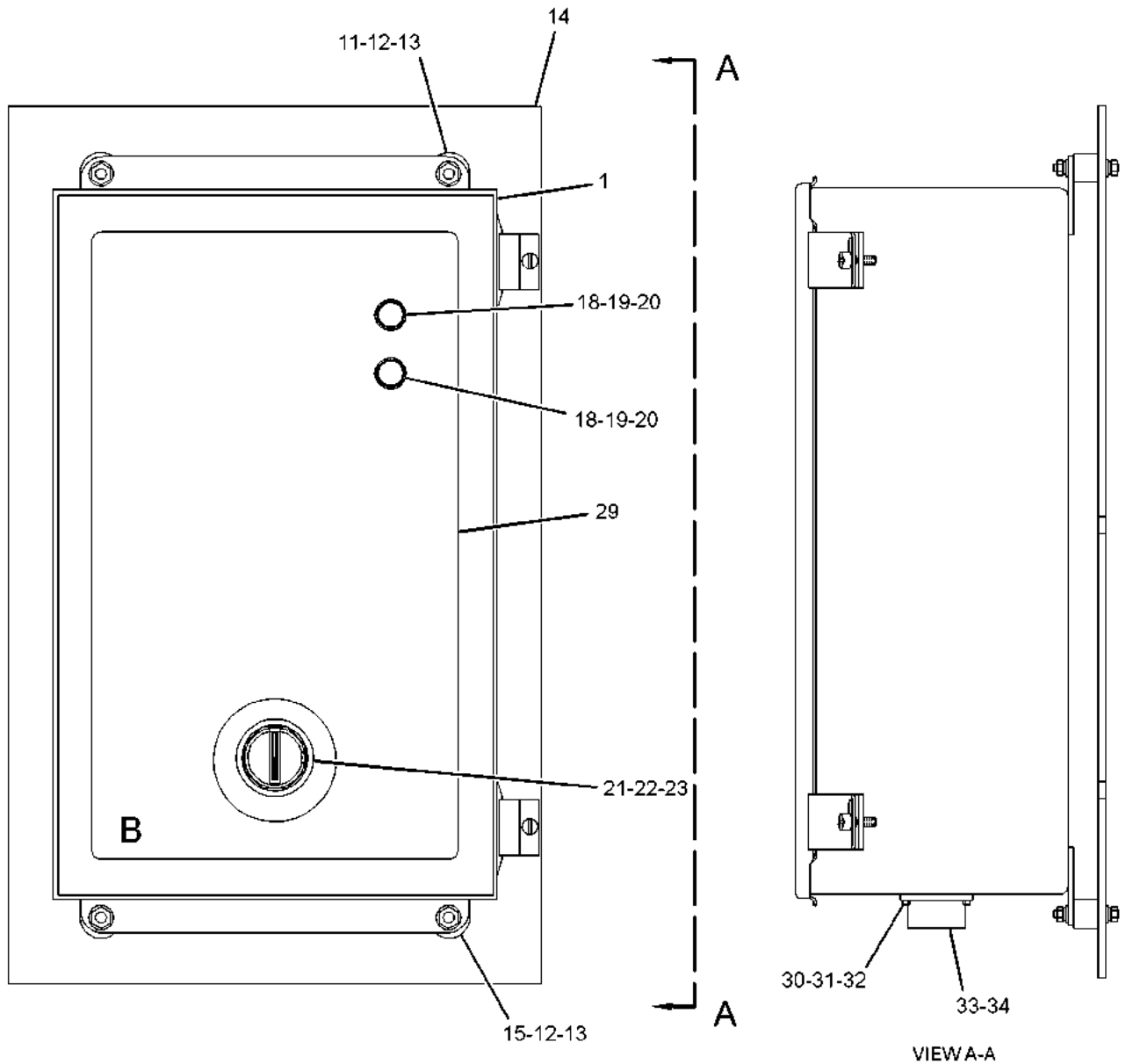
NOTE	REF NO	GRAPHIC REF	PART NUMBER	QTY	PART NAME						SEE PAGE
					1	2	3	4	5	6 (PRODUCT LEVEL)	
	1	1	325-4735	1	ENCLOSURE AS						
	2	2	180-4543	1	PANEL						
E	3	2	147-1960		RAIL (37.5-CM)						
	4	2	9X-9616	1	COVER-END						
	5	2	195-5820	1	RELAY (VOLTAGE SENSING)						
	6	2	189-4774	1	BASE-RELAY						
	7	2	206-1576	4	BRACKET						
	8	2	9X-9614	25	TERMINAL (SINGLE)						
	9	2	135-6740	1	BLOCK-DIODE						
	10	2	3E-0357	1	DIODE AS						
	11	1	183-8023	2	MOUNTING-SHOCK						
	12	1	8T-4205	8	WASHER-HARD (7.2X14.5X2-MM THK)						
	13	1	3E-9865	8	LOCKNUT (1/4-20-THD)						
	14	1	180-4677	1	PLATE-MOUNTING						
	15	1	7C-6121	2	MOUNT-FLEXIBLE						
	16	2	131-5374	2	MODULE AS (ANNUNCIATOR)						
	17	2	131-5377	1	FLASHER AS (CONTROL)						
	18	1	125-9941	2	BASE-LAMP						
	19	1	125-9942	2	LENS (AMBER)						
	20	1	125-9956	2	LAMP-LED (24-VOLT, AMBER)						
	21	1	125-9945	1	SWITCH-ROTARY (3-POSITION, MOMENTARY) (ALARM TEST)						
	22	1	111-1324	1	BLOCK-CONTACT (1-POLE)						
	23	1	111-1323	1	BLOCK-CONTACT (1-POLE)						
	24	2	138-4959	1	CIRCUIT BREAKER AS (5-AMPERE)						
	25	2	134-0957	1	COVER-BLOCK						
	26	2	3E-5504	2	BAR-FIXED BRIDGE						
	27	2	109-6539	5	PLATE-SEPARATOR						
	28	2	320-1337	1	HARNES AS-PANEL (ANNUNCIATOR)						
		1	8L-8413	90	STRAP-CABLE (WHITE)						
		1	8T-8729	2	PIN-CONNECTOR (16-GA TO 20-GA)						
		1	8T-8737	1	PLUG-SEAL						
		1	9X-4813	1	RECEPTACLE AS-CONNECTOR (3-PIN)						
		1	109-3038	72	END-WIRE (16-GA)						
E		1	121-0199		WRAP-SPIRAL (3/8-IN OD) (40-CM)						
		1	5P-2321	4	TERMINAL-FORK (14-GA TO 16-GA, NO. 6 SCREW)						
		1	207-5432	4	TERMINAL-BLADE (14-GA TO 16-GA)						
	29	1	304-5240	1	FILM-PANEL (ANNUNCIATOR)						
	30	1	5S-4245	4	SCREW-MACHINE (4-40X0.5-IN)						
	31	1	6B-4540	4	NUT (4-40-THD)						
	32	1	6B-4542	4	LOCKWASHER						
	33	1	203-8944	1	GASKET						
	34	1	8T-8737	1	PLUG-SEAL						
	35	2	276-4138	2	FILM-IDENTIFICATION (TERMINAL MARKER)						
	36	2	325-2876	2	MARKER-TERMINAL						
	37	2	325-2877	2	MARKER-TERMINAL						
	38	2	1H-4393	4	LOCKWASHER						
	39	2	4B-4863	4	WASHER (4.7X11X1.2-MM THK)						
	40	2	178-3339	4	SCREW (8-32X0.5-IN)						

OPERATOR STATION

320-1336 PANEL GP-ANNUNCIATOR (contd.)

i06853049

NOTE	REF NO	GRAPHIC REF	PART NUMBER	QTY	PART NAME	SEE PAGE
					1 2 3 4 5 6 (PRODUCT LEVEL)	
E - ORDER BY THE CENTIMETER						



REFER TO ALL ILLUSTRATIONS OF THIS GROUP FOR AUXILIARY VIEWS

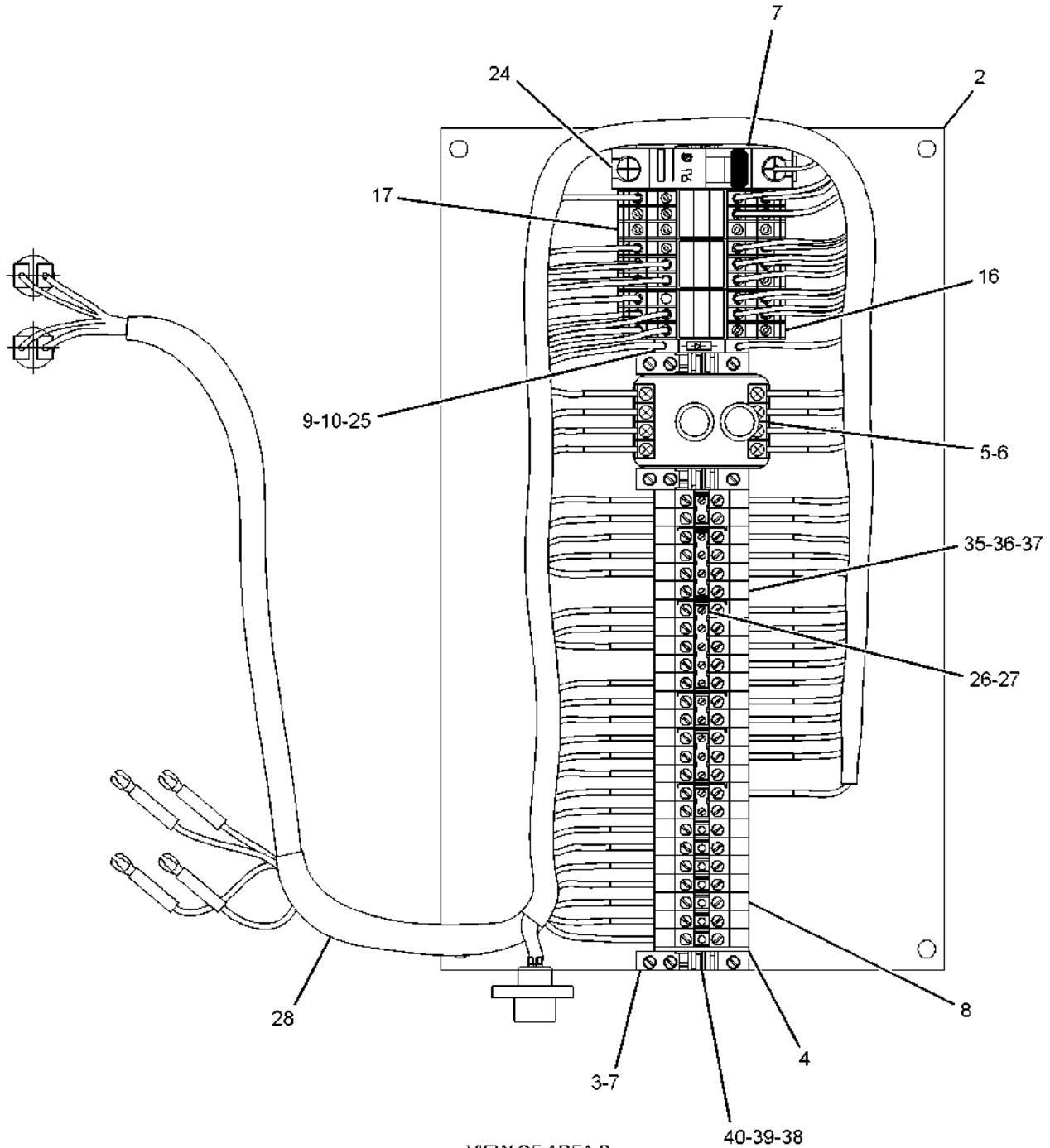
GRAPHIC #1

g01519385

OPERATOR STATION

320-1336 PANEL GP-ANNUNCIATOR (contd.)

i06853049



VIEW OF AREA B
(ENCLOSURE REMOVED FOR CLARITY)

GRAPHIC #2

<END>

g01519386

OPERATOR STATION

126-5485 PANEL GP-INSTRUMENT

PART OF 139-8548 PYROMETER GP
AN ATTACHMENT

SMCS-7451

i03561270

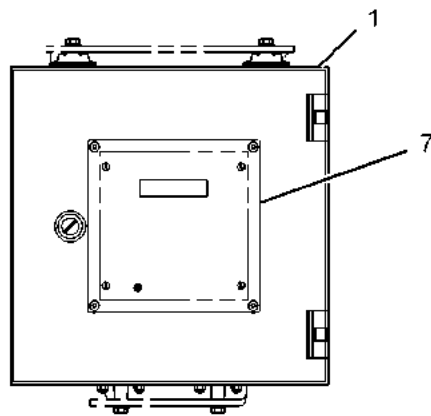
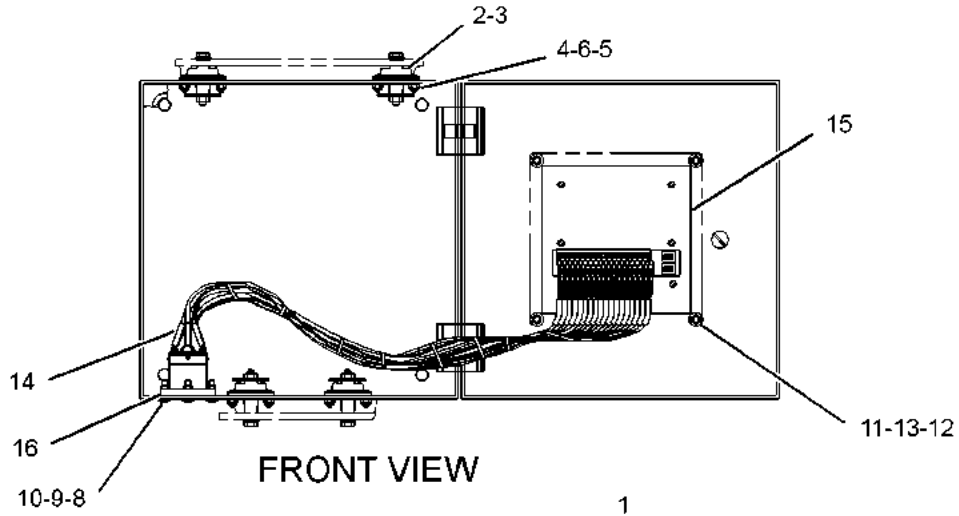
NOTE	REF NO	GRAPHIC REF	PART NUMBER	QTY	PART NAME						SEE PAGE
					1	2	3	4	5	6 (PRODUCT LEVEL)	
	1	1	126-1655	1	JUNCTION BOX						
	2	1	8T-4412	4	MOUNT						
	3	1	121-0817	4	GASKET						
	4	1	7S-1197	8	SCREW-MACHINE (8-32X0.5-IN)						
	5	1	3B-4501	8	LOCKWASHER						
	6	1	6D-5801	8	LOCKNUT (8-32-THD)						
	7	1	111-8684	1	FILM-CONTROL PANEL						
	8	1	4B-2041	4	NUT (6-32-THD)						
	9	1	3B-4504	4	LOCKWASHER						
	10	1	2N-3476	4	SCREW-MACHINE (6-32X0.75-IN)						
	11	1	4B-4274	4	WASHER (5.5X13X1.2-MM THK)						
M	12	1	5C-2874	4	NUT (M5X0.8-THD)						
M	13	1	7Y-7389	4	SCREW (M5X0.8X16-MM)						
	14	1	121-4101	1	HARNESS AS-PANEL (PYROMETER)						
		1	8L-8413	4	STRAP-CABLE (WHITE)						
		1	186-3735	36	PIN-CONNECTOR (16-GA TO 18-GA)						
		1	9X-1343	1	RECEPTACLE AS-CONNECTOR (40-PIN)						
		1	110-8714	36	END-WIRE (18-GA)						
	15	1	114-2410	1	PYROMETER GP (RH)						
	16	1	8C-6024	1	SEAL-CONNECTOR						

M - METRIC PART

OPERATOR STATION

126-5485 PANEL GP-INSTRUMENT (contd.)

i03561270



GRAPHIC #1

<END>

g01890913

OPERATOR STATION

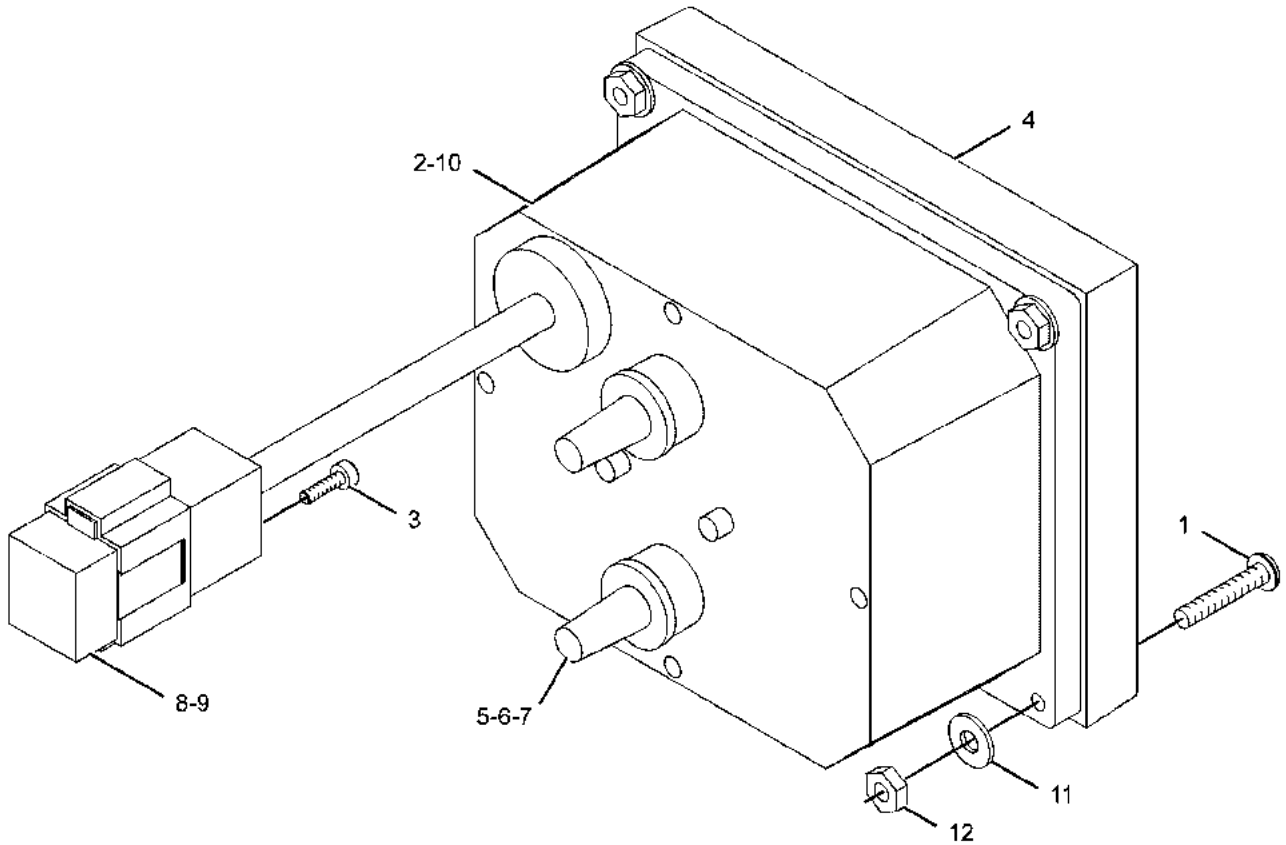
222-1424 PANEL GP-INSTRUMENT AN ATTACHMENT

SMCS-7451

i01981490

NOTE	REF NO	GRAPHIC REF	PART NUMBER	QTY	PART NAME						SEE PAGE
					1	2	3	4	5	6 (PRODUCT LEVEL)	
	1	1	7U-4891	4	SCREW (10-32X1-IN)						
	2	1	186-3736	9	SOCKET-CONNECTOR (16-GA TO 18-GA)						
	3	1	8T-8737	1	PLUG-SEAL						
	4	1	100-5566	1	BEZEL						
	5	1	113-5183	2	SOCKET-LAMP						
	6	1	113-5184	4	TERMINAL-RECEPTACLE (16-GA TO 18-GA)						
	7	1	118-5075	2	LAMP (12-VOLT)						
	8	1	155-2259	1	WEDGE-PLUG LOCK (8-PIN)						
	9	1	155-2265	1	KIT-CONNECTING PLUG (8-PIN)						
					(KIT INCLUDES PLUG AS & WEDGE)						
YR	10	1	166-6936	1	MODULE GP-QUAD GAUGE						1404
	11	1	4B-4274	4	WASHER (5.5X13X1.2-MM THK)						
	12	1	6V-8378	4	NUT (10-32-THD)						

R - REMANUFACTURED PART MAY BE AVAILABLE
Y - SEPARATE ILLUSTRATION



GRAPHIC #1

<END>

g01027307

OPERATOR STATION

4W-4526 PANEL GP-INSTRUMENT

8-HOLE

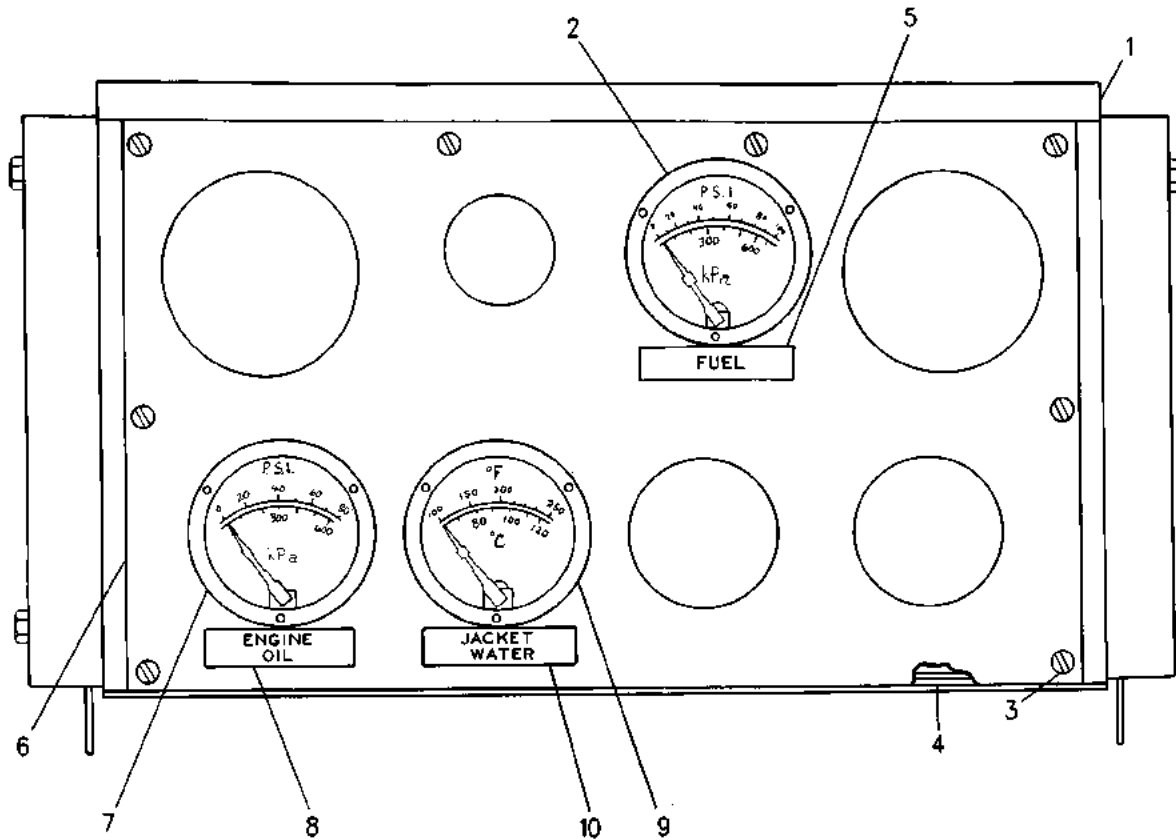
PART OF 4W-5309 PANEL GP-INSTRUMENT
AN ATTACHMENT

SMCS-7451

i02157896

NOTE	REF NO	GRAPHIC REF	PART NUMBER	QTY	PART NAME						SEE PAGE
					1	2	3	4	5	6 (PRODUCT LEVEL)	
Y	1	1	3N-9015	1	BOX GP-INSTRUMENT PANEL						1364
	2	1	4W-0506	1	GAUGE GP-PRESSURE (FUEL)						
	3	1	3N-4427	8	SCREW (10-32X1/2-IN)						
	4	1	3N-8269	2	STRIP						
	5	1	3N-5988	1	FILM-IDENTIFICATION (FUEL PRESSURE)						
	6	1	7W-5221	1	PANEL-INSTRUMENT						
	7	1	4W-0506	1	GAUGE GP-PRESSURE (ENGINE OIL)						
	8	1	3N-5986	1	FILM-IDENTIFICATION (ENGINE OIL PRESSURE)						
	9	1	4W-2683	1	GAUGE GP-TEMPERATURE (JACKET WATER)						
	10	1	3N-5987	1	FILM-IDENTIFICATION (JACKET WATER TEMPERATURE)						

Y - SEPARATE ILLUSTRATION



GRAPHIC #1

<END>

g00908860

OPERATOR STATION

4W-4527 PANEL GP-INSTRUMENT

16-HOLE

PART OF 4W-6887 PANEL GP-INSTRUMENT
AN ATTACHMENT

SMCS-7451

i03294346

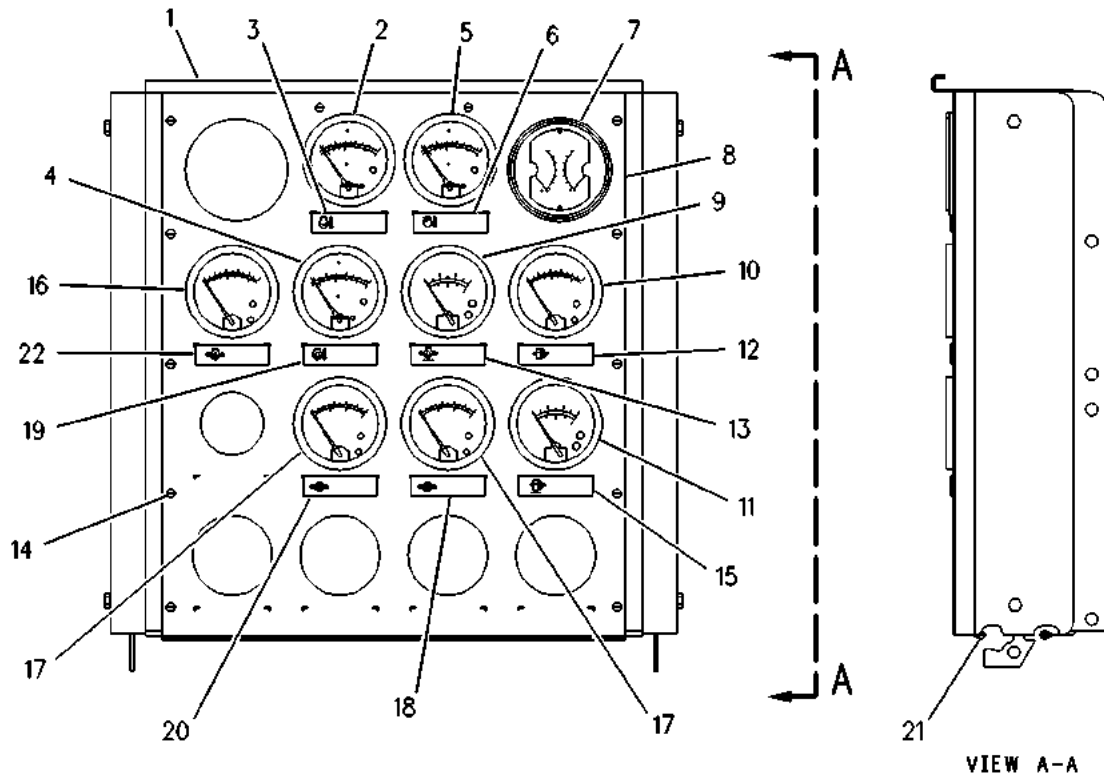
NOTE	REF NO	GRAPHIC REF	PART NUMBER	QTY	PART NAME						SEE PAGE
					1	2	3	4	5	6 (PRODUCT LEVEL)	
Y	1	1	5N-8297	1	BOX GP-INSTRUMENT PANEL						1365
	2	1	4W-2683	1	GAUGE GP-TEMPERATURE (JACKET WATER)						
		1	4B-2049	2	NUT (10-32-THD)						
		1	8F-1434	2	LOCKWASHER						
3	1	1	3N-5987	1	FILM-IDENTIFICATION (JACKET WATER TEMPERATURE)						
4	1	1	4W-2683	1	GAUGE GP-TEMPERATURE (ENGINE OIL)						
		1	4B-2049	2	NUT (10-32-THD)						
		1	8F-1434	2	LOCKWASHER						
5	1	1	4W-0511	1	GAUGE AS-TEMPERATURE (AIR MANIFOLD)						
		1	4B-2049	2	NUT (10-32-THD)						
		1	8F-1434	2	LOCKWASHER						
6	1	1	2W-9215	1	FILM-GAUGE (MANIFOLD AIR TEMPERATURE)						
7	1	1	3N-4416	1	PYROMETER GP (EXHAUST)						
8	1	1	7W-5222	1	PANEL-INSTRUMENT						
9	1	1	4W-0508	1	INDICATOR AS-DIFF PRESSURE (OIL FILTER)						
		1	4B-2049	2	NUT (10-32-THD)						
		1	8F-1434	2	LOCKWASHER						
10	1	1	4W-0506	1	GAUGE GP-PRESSURE (FUEL)						
		1	4B-2049	2	NUT (10-32-THD)						
		1	8F-1434	2	LOCKWASHER						
11	1	1	4W-0508	1	INDICATOR AS-DIFF PRESSURE (FUEL FILTER)						
		1	4B-2049	2	NUT (10-32-THD)						
		1	8F-1434	2	LOCKWASHER						
12	1	1	3N-5988	1	FILM-IDENTIFICATION (FUEL PRESSURE)						
13	1	1	3N-5989	1	FILM-INFORMATION (OIL FILTER PRESSURE DIFF)						
14	1	1	3N-4427	12	SCREW (10-32X1/2-IN)						
15	1	1	2W-9217	1	FILM-IDENTIFICATION (FUEL FILTER PRESSURE DIFF)						
16	1	1	4W-0506	1	GAUGE GP-PRESSURE (ENGINE OIL)						
		1	4B-2049	2	NUT (10-32-THD)						
		1	8F-1434	2	LOCKWASHER						
17	1	1	4W-0507	2	GAUGE GP-VACUUM (AIR PRESSURE RESTRICTION)						
					(EACH INCLUDES)						
		1	4B-2049	2	NUT (10-32-THD)						
		1	8F-1434	2	LOCKWASHER						
18	1	1	7C-4065	1	PLATE-IDENTIFICATION (AIR RESTRICTION RIGHT)						
19	1	1	2W-7811	1	FILM-IDENTIFICATION (ENGINE OIL TEMPERATURE)						
20	1	1	7C-4066	1	PLATE-IDENTIFICATION (AIR RESTRICTION LEFT)						
21	1	1	3N-8269	2	STRIP						
22	1	1	3N-5986	1	FILM-IDENTIFICATION (ENGINE OIL PRESSURE)						

Y - SEPARATE ILLUSTRATION

OPERATOR STATION

4W-4527 PANEL GP-INSTRUMENT (contd.)

i03294346



GRAPHIC #1

<END>

g00268642

OPERATOR STATION

4W-5309 PANEL GP-INSTRUMENT

8-HOLE

FOR USAGE REFER TO CHART 4W-6500-PAGE: 1453
AN ATTACHMENT

SMCS-7451

i07222519

NOTE	REF NO	GRAPHIC REF	PART NUMBER	QTY	PART NAME						SEE PAGE
					1	2	3	4	5	6 (PRODUCT LEVEL)	
	1	1	8F-1434	2	LOCKWASHER						
B	2	1	3S-2093	20	STRAP-CABLE						
	3	1	118-1656	1	BUSHING-REDUCER						
	4	1	7W-2354	1	PLUG AS						
	5	1	7W-2353	1	PLUG AS						
	6	1	7W-2355	1	PLUG AS						
Y	7	1	4W-4526	1	PANEL GP-INSTRUMENT						1430
B	8	1	5P-9085	6	CLIP (LOOP)						
B	9	1	0S-0509	6	BOLT (3/8-16X0.75-IN)						
B	10	1	5M-2894	6	WASHER-HARD (10.2X18.5X2.5-MM THK)						
	11	1	4W-0508	1	INDICATOR AS-DIFF PRESSURE (OIL FILTER)						
		1	4B-2049	2	NUT (10-32-THD)						
		1	8F-1434	2	LOCKWASHER						
	12	1	3N-5989	1	FILM-INFORMATION (OIL FILTER PRESSURE DIFF)						
	15	1	1L-6561	1	PLUG						
	16	1	2N-3479	1	SCREW (10-24X0.5-IN)						
	17	1	3K-7543	1	WIRE AS						
	18	1	4B-2047	1	NUT (10-24-THD)						

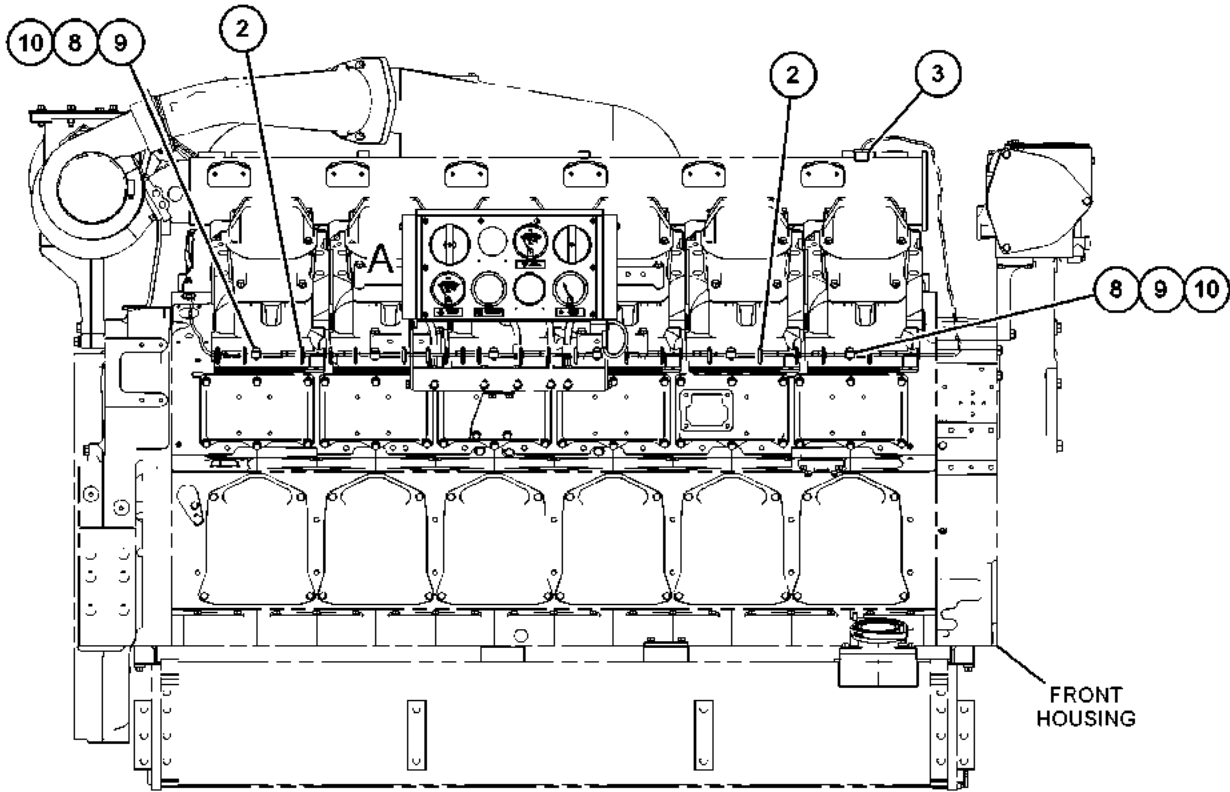
B - USE AS REQUIRED

Y - SEPARATE ILLUSTRATION

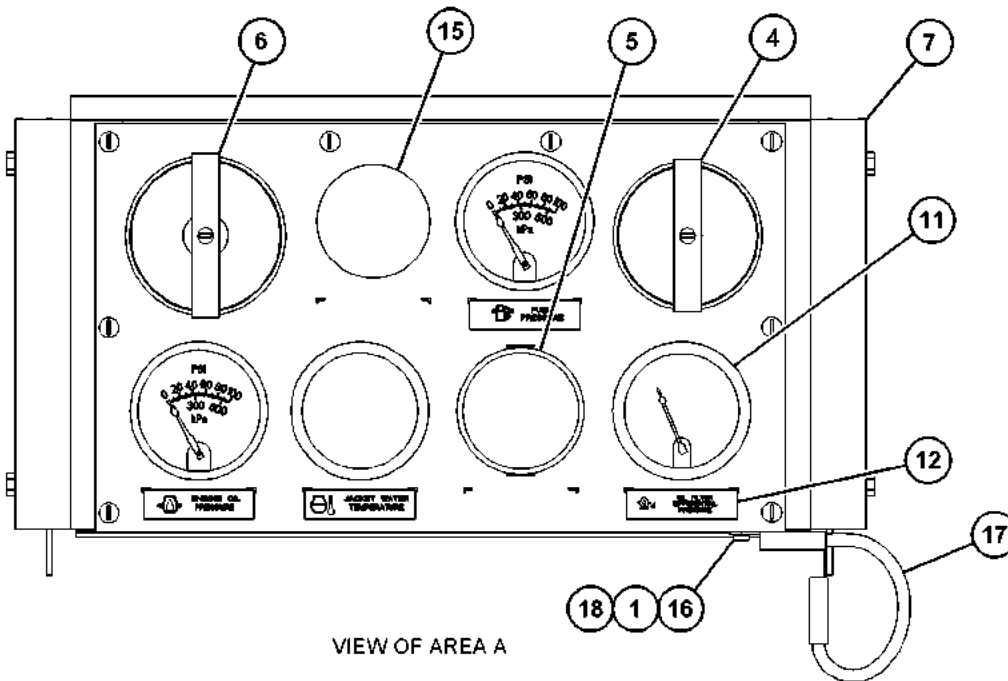
OPERATOR STATION

4W-5309 PANEL GP-INSTRUMENT (contd.)

i07222519



RIGHT SIDE VIEW OF ENGINE



VIEW OF AREA A

GRAPHIC #1

<END>

g06260553

OPERATOR STATION

4W-6887 PANEL GP-INSTRUMENT

16-HOLE

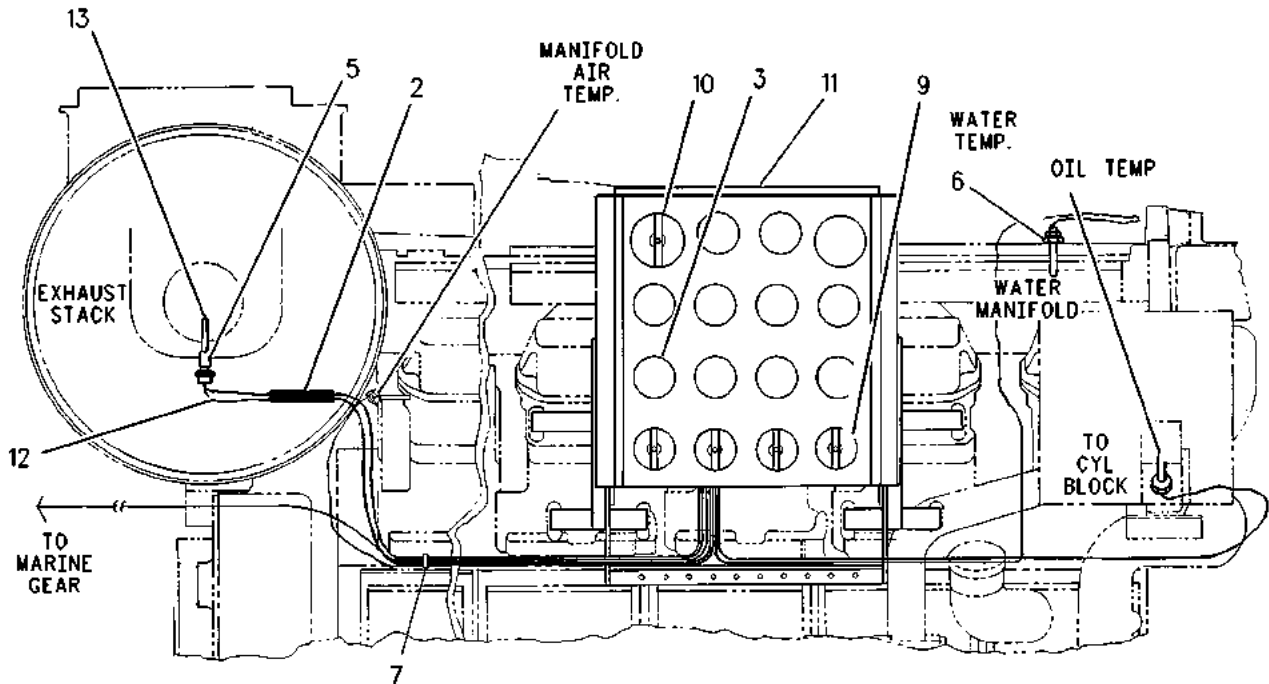
FOR USAGE REFER TO CHART 4W-6500-PAGE: 1453
AN ATTACHMENT

SMCS-7451

i07168680

NOTE	REF NO	GRAPHIC REF	PART NUMBER	QTY	PART NAME						SEE PAGE
					1	2	3	4	5	6 (PRODUCT LEVEL)	
B	2	1	5P-7878		TAPE						
	3	1	1L-6561	1	PLUG						
	5	1	3N-8278	2	ADAPTER-SENSOR						
	6	1	118-1656	1	BUSHING-REDUCER						
B	7	1	3S-2093	30	STRAP-CABLE						
	9	1	7W-2353	4	PLUG AS						
	10	1	7W-2355	1	PLUG AS						
Y	11	1	4W-4527	1	PANEL GP-INSTRUMENT						1431
	12	1	5N-9366	2	HARNESS AS-SENSOR (THERMOCOUPLE)						
	13	1	5N-9365	2	THERMOCOUPLE (EXHAUST TEMPERATURE)						
BF		1	061-9593	1	ADAPTER						

B - USE AS REQUIRED
F - NOT SHOWN
Y - SEPARATE ILLUSTRATION



GRAPHIC #1

<END>

g00747226

OPERATOR STATION

7C-0285 PANEL GP-INSTRUMENT

PART OF 7C-0287 PANEL GP-INSTRUMENT
AN ATTACHMENT

SMCS-7451

i02235563

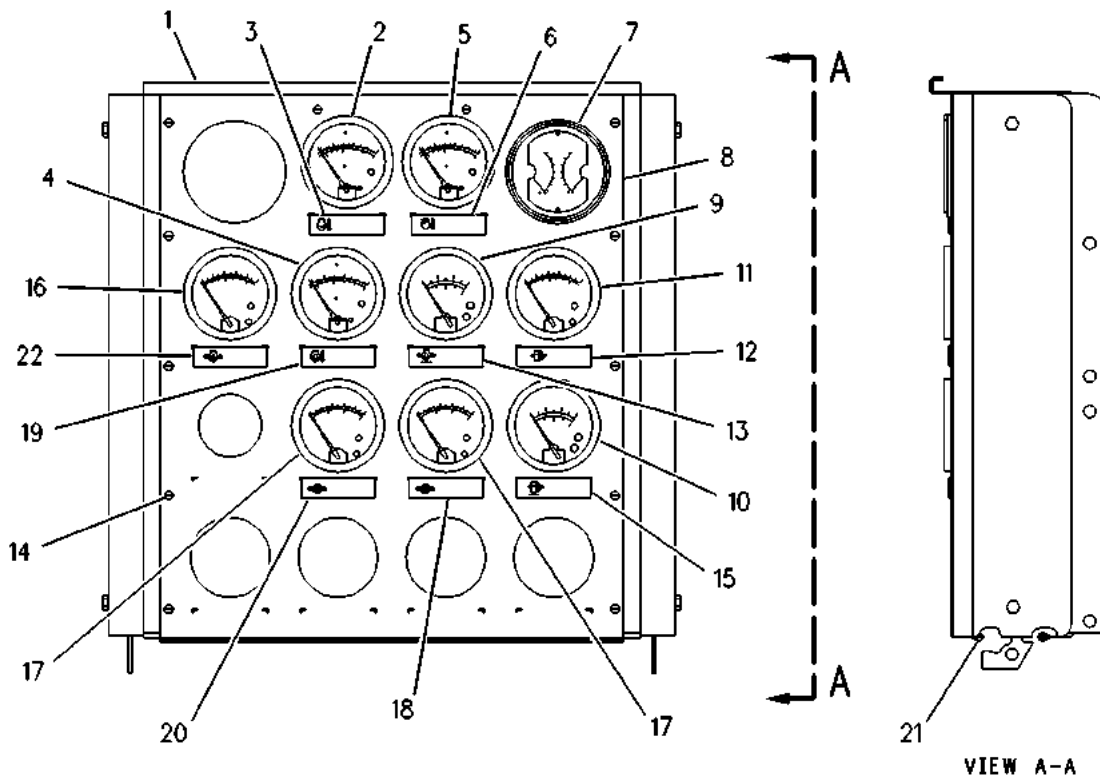
NOTE	REF NO	GRAPHIC REF	PART NUMBER	QTY	PART NAME	SEE PAGE
					1 2 3 4 5 6 (PRODUCT LEVEL)	
Y	1	1	5N-8291	1	BOX GP-INSTRUMENT PANEL	1365
C	2	1	4W-4472	1	GAUGE GP-TEMPERATURE (TEMPERATURE) (JACKET WATER)	
			4B-2049	2	NUT (10-32-THD)	
			8F-1434	2	LOCKWASHER	
	3	1	3N-5987	1	FILM-IDENTIFICATION (JACKET WATER TEMPERATURE)	
C	4	1	4W-4472	1	GAUGE GP-TEMPERATURE (TEMPERATURE) (ENGINE OIL)	
			4B-2049	2	NUT (10-32-THD)	
			8F-1434	2	LOCKWASHER	
C	5	1	4W-4472	1	GAUGE GP-TEMPERATURE (TEMPERATURE) (MANIFOLD AIR)	
			4B-2049	2	NUT (10-32-THD)	
			8F-1434	2	LOCKWASHER	
	6	1	2W-9215	1	FILM-GAUGE (MANIFOLD AIR TEMPERATURE)	
	7	1	3N-4416	1	PYROMETER GP (EXHAUST)	
	8	1	7W-5222	1	PANEL-INSTRUMENT	
	9	1	4W-0508	1	INDICATOR AS-DIFF PRESSURE (OIL FILTER)	
			8F-1434	2	LOCKWASHER	
			4B-2049	2	NUT (10-32-THD)	
10	1	1	4W-0508	1	INDICATOR AS-DIFF PRESSURE (FUEL FILTER)	
			8F-1434	2	LOCKWASHER	
			4B-2049	2	NUT (10-32-THD)	
11	1	1	4W-0506	1	GAUGE GP-PRESSURE (FUEL)	
			8F-1434	2	LOCKWASHER	
			4B-2049	2	NUT (10-32-THD)	
12	1	1	3N-5988	1	FILM-IDENTIFICATION (FUEL PRESSURE)	
13	1	1	3N-5989	1	FILM-INFORMATION (OIL FILTER PRESSURE DIFF)	
14	1	1	3N-4427	12	SCREW (10-32X1/2-IN)	
15	1	1	2W-9217	1	FILM-IDENTIFICATION (FUEL FILTER PRESSURE DIFF)	
16	1	1	4W-0506	1	GAUGE GP-PRESSURE (ENGINE OIL)	
			8F-1434	2	LOCKWASHER	
			4B-2049	2	NUT (10-32-THD)	
17	1	1	4W-0507	2	GAUGE GP-VACUUM (AIR PRESSURE RESTRICTION) (EACH INCLUDES)	
			8F-1434	2	LOCKWASHER	
			4B-2049	2	NUT (10-32-THD)	
18	1	1	7C-4065	1	PLATE-IDENTIFICATION (AIR RESTRICTION)	
19	1	1	2W-7811	1	FILM-IDENTIFICATION (ENGINE OIL TEMPERATURE)	
20	1	1	7C-4066	1	PLATE-IDENTIFICATION (AIR RESTRICTION)	
21	1	1	3N-8269	2	STRIP	
22	1	1	3N-5986	1	FILM-IDENTIFICATION (ENGINE OIL PRESSURE)	

C - CHANGE FROM PREVIOUS TYPE
Y - SEPARATE ILLUSTRATION

OPERATOR STATION

7C-0285 PANEL GP-INSTRUMENT (contd.)

102235563



GRAPHIC #1

<END>

g00268942

OPERATOR STATION

7C-0286 PANEL GP-INSTRUMENT

BASIC

PART OF 7C-0288 PANEL GP-INSTRUMENT
AN ATTACHMENT

SMCS-7451

i02235564

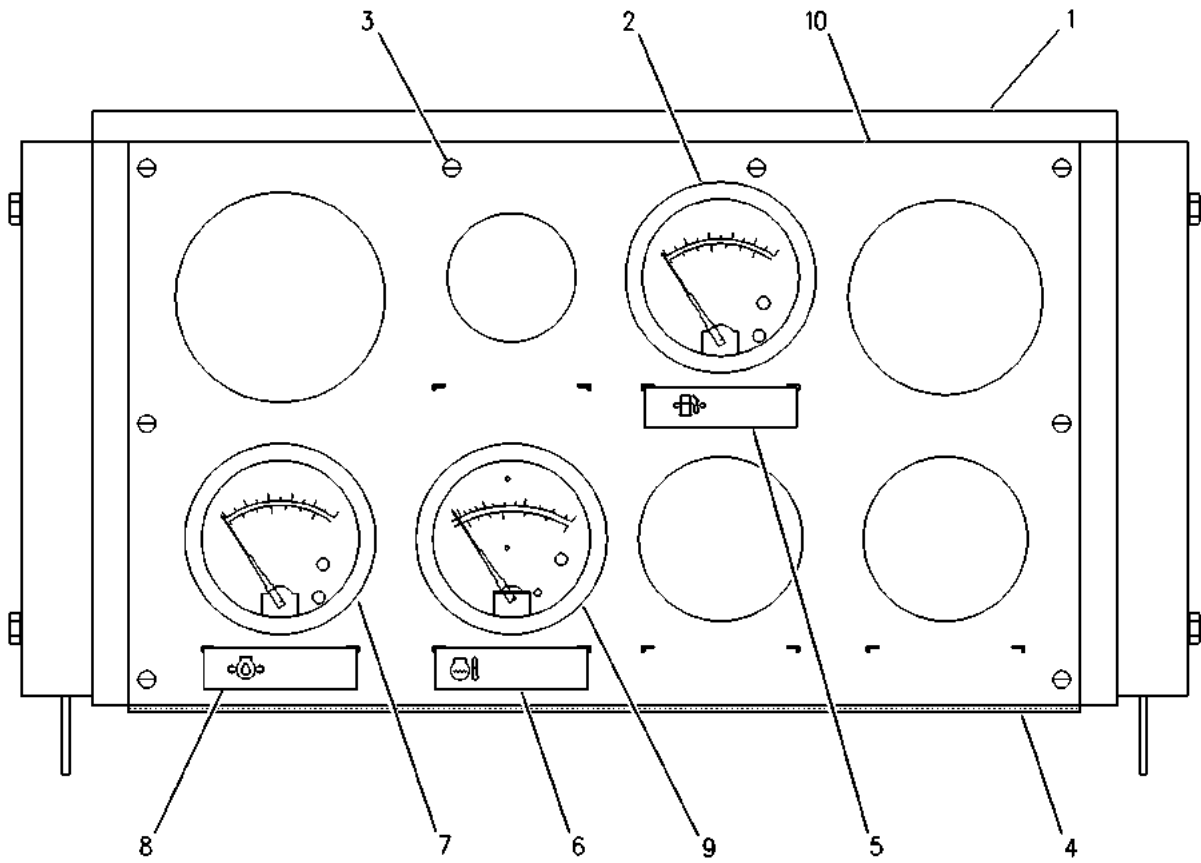
NOTE	REF NO	GRAPHIC REF	PART NUMBER	QTY	PART NAME						SEE PAGE
					1	2	3	4	5	6 (PRODUCT LEVEL)	
Y	1	1	3N-9015	1	BOX GP-INSTRUMENT PANEL						1364
	2	1	4W-0506	1	GAUGE GP-PRESSURE (FUEL)						
		1	4B-2049	2	NUT (10-32-THD)						
		1	8F-1434	2	LOCKWASHER						
	3	1	3N-4427	8	SCREW (10-32X1/2-IN)						
	4	1	3N-8269	2	STRIP						
	5	1	3N-5988	1	FILM-IDENTIFICATION (FUEL PRESSURE)						
	6	1	3N-5987	1	FILM-IDENTIFICATION (JACKET WATER TEMPERATURE)						
	7	1	4W-0506	1	GAUGE GP-PRESSURE (JACKET WATER)						
		1	4B-2049	2	NUT (10-32-THD)						
	1	8F-1434	2	LOCKWASHER							
8	1	3N-5986	1	FILM-IDENTIFICATION (ENGINE OIL PRESSURE)							
9	1	4W-4472	1	GAUGE GP-TEMPERATURE (TEMPERATURE) (ENGINE OIL)							
	1	4B-2049	2	NUT (10-32-THD)							
	1	8F-1434	2	LOCKWASHER							
10	1	7W-5221	1	PANEL-INSTRUMENT							

Y - SEPARATE ILLUSTRATION

OPERATOR STATION

7C-0286 PANEL GP-INSTRUMENT (contd.)

i02235564



GRAPHIC #1

<END>

g00267539

OPERATOR STATION

7C-0287 PANEL GP-INSTRUMENT REMOTE AN ATTACHMENT

SMCS-7451

i02183658

NOTE	REF NO	GRAPHIC REF	PART NUMBER	QTY	PART NAME						SEE PAGE
					1	2	3	4	5	6 (PRODUCT LEVEL)	
Y	1	1	7C-0285	1	PANEL GP-INSTRUMENT						1436
	2	1	5M-2894	42	WASHER-HARD (10.2X18.5X2.5-MM THK)						
I	3	1	3N-7229	1	HOSE AS (ENGINE FUEL PRESSURE)						
I	3A	1	3N-7229	1	HOSE AS (ENGINE OIL PRESSURE)						
	4	1	7K-9197	1	ELBOW						
I	5	1	6N-3170	1	HOSE AS (OIL FILTER DIFF. FILTERED)						
I	6	1	3N-4579	1	HOSE AS (FUEL FILTER DIFF. FILTERED)						
I	6A	1	3N-4579	1	HOSE AS (VACUUM AIR RESTRICTION, RH)						
I	6B	1	3N-4579	1	HOSE AS (VACUUM AIR RESTRICTION, LH)						
	7	1	4W-5307	1	JUNCTION BLOCK						
	8	1	9S-4182	17	PLUG (7/16-20-THD)						
	9	1	3J-7352	7	CONNECTOR						
	10	1	7N-6987	2	PLATE						
	11	1	8B-4884	5	ELBOW						
	12	1	030-7957	1	TEE-FLARED						
I	13	1	3N-4411	1	HOSE AS (OIL FILTER DIFF, UNFILTERED)						
I	14	1	3N-4622	1	HOSE AS (FUEL FILTER DIFF, UNFILTERED)						
	15	1	3B-6552	3	ELBOW-PIPE						
	16	1	3B-6487	1	COUPLING (PIPE)						
	17	1	3J-7354	24	SEAL-O-RING						
	18	1	5P-9085	30	CLIP (LOOP)						
	19	1	0L-1351	2	BOLT (3/8-16X0.875-IN)						
	20	1	1M-0644	8	BOLT (3/8-16X2.25-IN)						
	21	1	6V-8801	16	NUT (3/8-16-THD)						
	22	1	1L-5081	8	SPACER (0.41X0.75X0.56-IN THK)						
	23	1	4W-5308	7	PLUG-ORIFICE						
	24	1	7W-2355	1	PLUG AS						
	25	1	7W-2353	4	PLUG AS						
	26	1	1L-6561	1	PLUG						

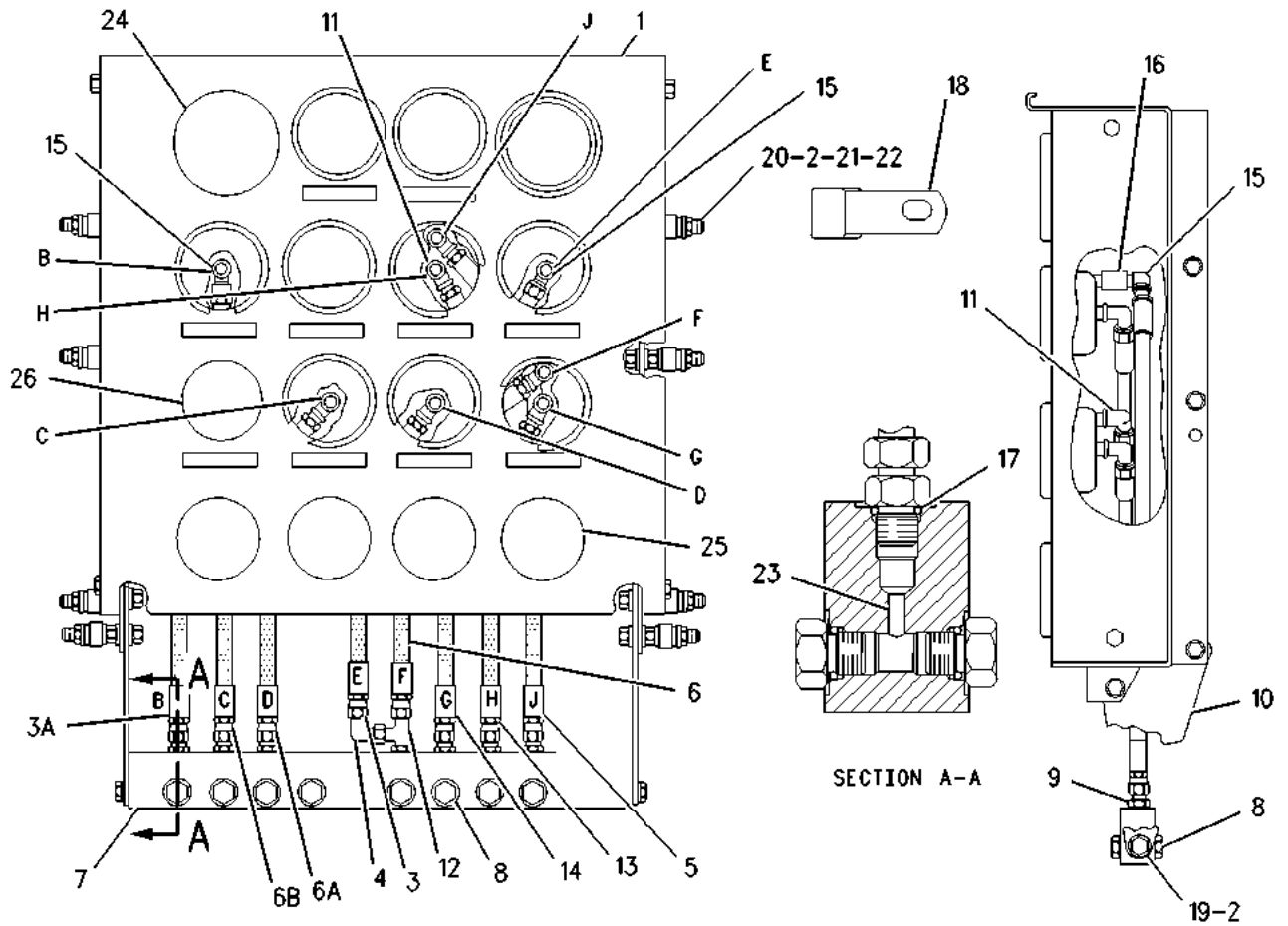
I - REFER TO HYDRAULIC INFORMATION SYSTEM

Y - SEPARATE ILLUSTRATION

OPERATOR STATION

7C-0287 PANEL GP-INSTRUMENT (contd.)

102183658



GRAPHIC #1

<END>

g00740964

OPERATOR STATION

7C-0288 PANEL GP-INSTRUMENT

REMOTE
AN ATTACHMENT

SMCS-7451

i02248831

NOTE	REF NO	GRAPHIC REF	PART NUMBER	QTY	PART NAME						SEE PAGE
					1	2	3	4	5	6 (PRODUCT LEVEL)	
Y	1	1	7C-0286	1	PANEL GP-INSTRUMENT						1438
	2	1	5M-2894	32	WASHER-HARD (10.2X18.5X2.5-MM THK)						
I	3	1	3V-6153	1	HOSE AS (FILTERED OIL LINE)						
I	3A	1	3V-6153	1	HOSE AS (UNFILTERED OIL LINE)						
I	3B	1	3V-6153	1	HOSE AS (ENGINE FUEL PRESSURE)						
I	3C	1	3V-6153	1	HOSE AS (ENGINE OIL PRESSURE)						
	4	1	7W-2354	1	PLUG AS						
	5	1	0L-1351	2	BOLT (3/8-16X0.875-IN)						
	6	1	3N-5989	1	FILM-INFORMATION (OIL FILTER PRESSURE DIFF)						
	7	1	7W-7962	1	JUNCTION BLOCK						
	8	1	9S-4182	11	PLUG (7/16-20-THD)						
	9	1	3J-7352	4	CONNECTOR						
	10	1	7N-6987	2	PLATE						
	11	1	3S-1099	4	ELBOW-FLARED						
	12	1	3J-7354	15	SEAL-O-RING						
	13	1	1M-0644	6	BOLT (3/8-16X2.25-IN)						
	14	1	9S-8752	12	NUT-FULL (3/8-16-THD)						
	15	1	1L-5081	6	SPACER (0.41X0.75X0.56-IN THK)						
	16	1	4W-5308	4	PLUG-ORIFICE						
	17	1	7W-2353	1	PLUG AS						
	18	1	7W-2355	1	PLUG AS						
	19	1	3F-6166	1	EXTENSION						
	20	1	4W-0508	1	INDICATOR AS-DIFF PRESSURE (OIL FILTER)						
		1	4B-2049	2	NUT (10-32-THD)						
		1	8F-1434	2	LOCKWASHER						
F			2R-1913	10	CLIP						

F - NOT SHOWN

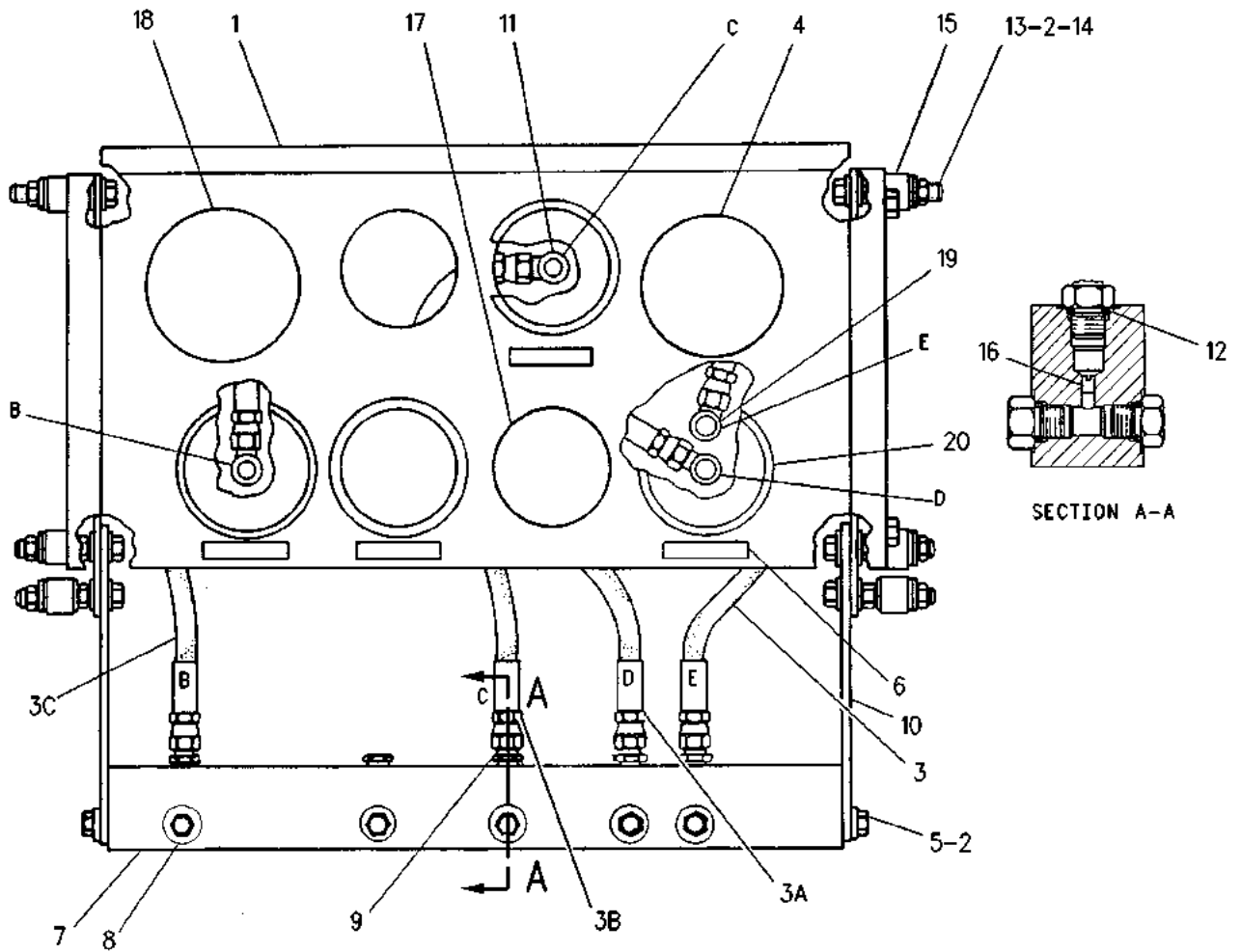
I - REFER TO HYDRAULIC INFORMATION SYSTEM

Y - SEPARATE ILLUSTRATION

OPERATOR STATION

7C-0288 PANEL GP-INSTRUMENT (contd.)

i02248831



GRAPHIC #1

<END>

g00741015

OPERATOR STATION

131-9119 PYROMETER GP

DIGITAL
AN ATTACHMENT

SMCS-7466

i01437356

NOTE	PART NUMBER	QTY	PART NAME 1 2 3 4 5 6 (PRODUCT LEVEL)	SEE PAGE
			(NO SERVICED PARTS)	
			<END>	

139-8548 PYROMETER GP-RH

AN ATTACHMENT

SMCS-7466

i00884803

NOTE	PART NUMBER	QTY	PART NAME 1 2 3 4 5 6 (PRODUCT LEVEL)	SEE PAGE
Y	126-5485	1	PANEL GP-INSTRUMENT	1427
Y	126-5486	1	MOUNTING GP-INSTRUMENT PANEL	1408
Y - SEPARATE ILLUSTRATION				
			<END>	

139-8549 PYROMETER GP-LH

AN ATTACHMENT

SMCS-7466

i00884808

NOTE	PART NUMBER	QTY	PART NAME 1 2 3 4 5 6 (PRODUCT LEVEL)	SEE PAGE
Y	139-8537	1	BOX GP-INSTRUMENT PANEL	1363
Y	126-5486	1	MOUNTING GP-INSTRUMENT PANEL	1408
Y - SEPARATE ILLUSTRATION				
			<END>	

OPERATOR STATION

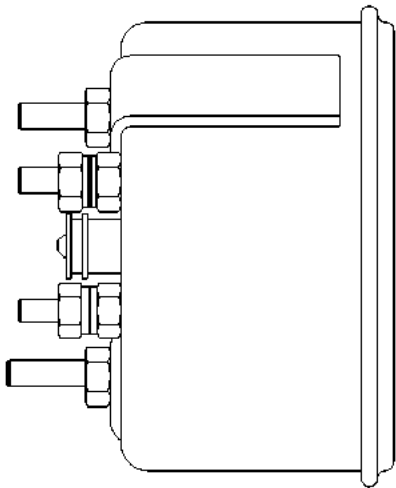
3N-4416 PYROMETER GP

FOR USE WITH CHROME ALUMEL THERMOCOUPLE WITH 15-FOOT CHROME ALUMEL LEADS AND 4-OHMS RESISTANCE AN ATTACHMENT

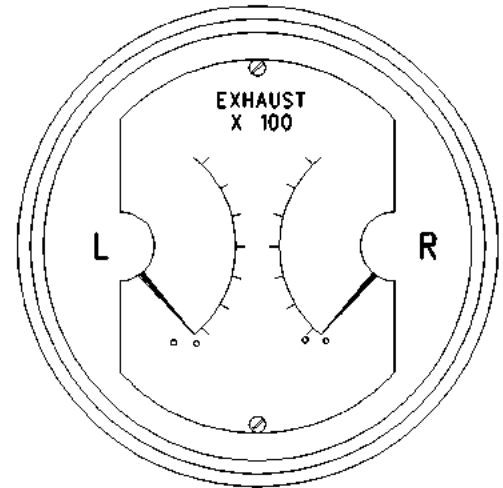
SMCS-7466

i01422665

NOTE	REF NO	GRAPHIC REF	PART NUMBER	QTY	PART NAME						SEE PAGE
					1	2	3	4	5	6 (PRODUCT LEVEL)	
(NO SERVICED PARTS)											



VIEW A-A



GRAPHIC #1

<END>

g00746119

OPERATOR STATION

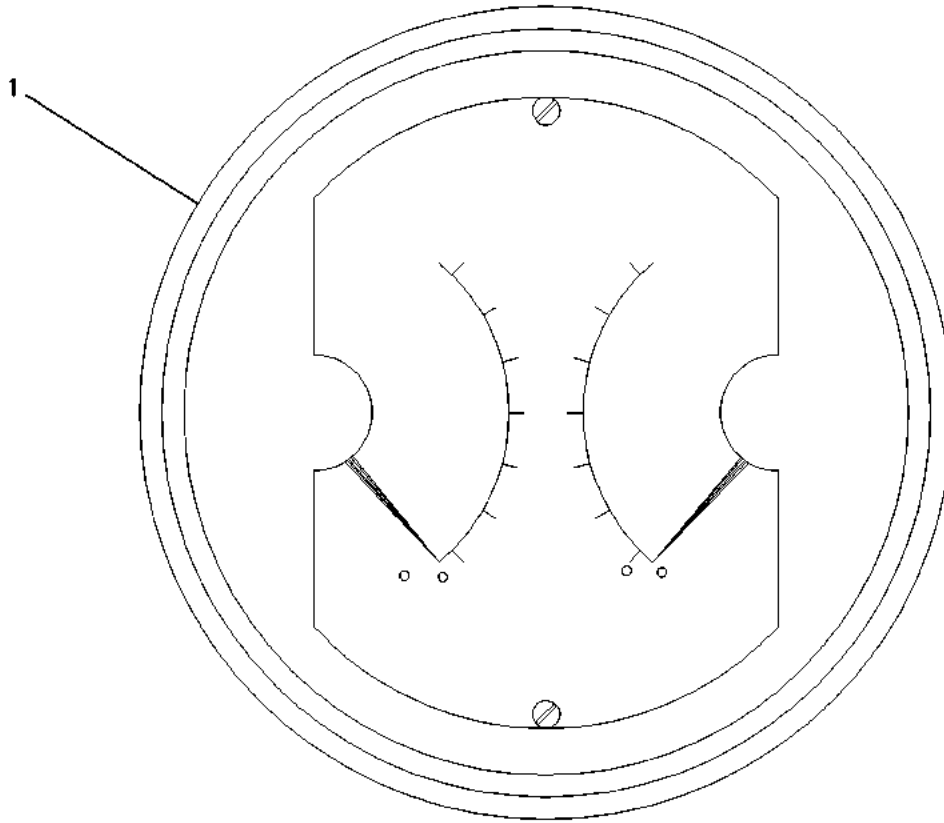
3N-8275 PYROMETER GP

FOR USAGE REFER TO CHART 3N-8277-PAGE: 1457
AN ATTACHMENT

SMCS-7466

i02157959

NOTE	REF NO	GRAPHIC REF	PART NUMBER	QTY	PART NAME						SEE PAGE
					1	2	3	4	5	6 (PRODUCT LEVEL)	
	1	1	3N-4416	1	PYROMETER GP						



GRAPHIC #1

<END>

g00705663

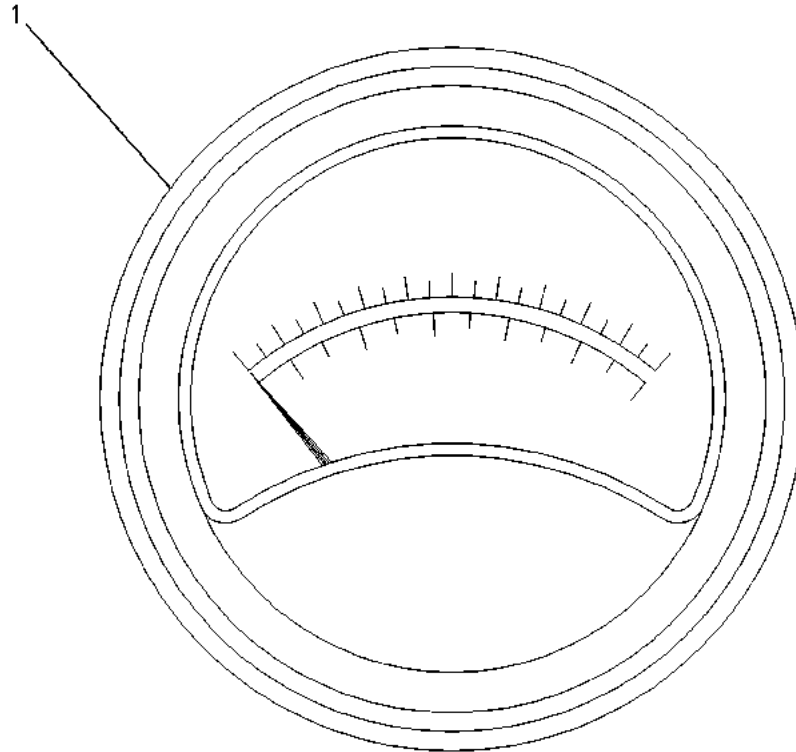
OPERATOR STATION

3N-8276 PYROMETER GP FOR USAGE REFER TO CHART 3N-8277-PAGE: 1457 AN ATTACHMENT

SMCS-7466

i07051240

NOTE	REF NO	GRAPHIC REF	PART NUMBER	QTY	PART NAME						SEE PAGE
					1	2	3	4	5	6 (PRODUCT LEVEL)	
	1	1	3N-7012	1	PYROMETER GP						



GRAPHIC #1

<END>

g00705661

OPERATOR STATION

7E-3159 TACHOMETER GP-ELECTRIC

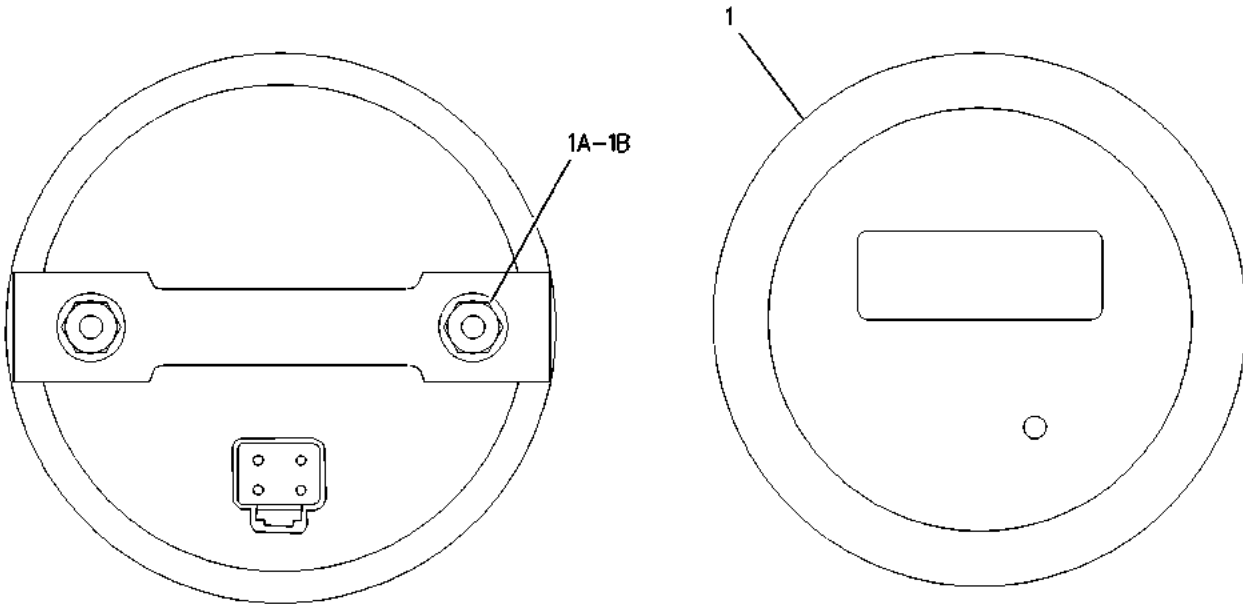
ADJUSTABLE

FOR USE WITH PREMIUM & 4-HOLE PANELS-REQUIRES MOUNTING GP WITH 4-HOLE PANEL
CANNOT BE USED WITH EMCP
AN ATTACHMENT

SMCS-7462

i02229445

NOTE	REF NO	GRAPHIC REF	PART NUMBER	QTY	PART NAME						SEE PAGE
					1	2	3	4	5	6 (PRODUCT LEVEL)	
	1	1	197-7348	1	TACHOMETER GP						
	1A	1	9B-7233	2	LOCKWASHER						
	1B	1	6V-8377	2	NUT (8-32-THD)						



REAR VIEW

FRONT VIEW

GRAPHIC #1

<END>

g00779344

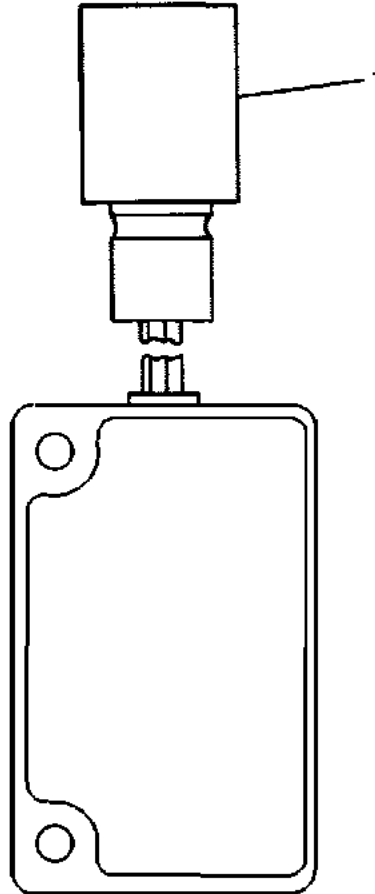
OPERATOR STATION

9X-3207 TIMER GP PART OF 4P-2731 STARTING AID GP-ETHER AN ATTACHMENT

SMCS-7418

i04550338

NOTE	REF NO	GRAPHIC REF	PART NUMBER	QTY	PART NAME	SEE PAGE
					1 2 3 4 5 6 (PRODUCT LEVEL)	
	1	1	7N-7781	1	HOUSING-RECEPTACLE (14-GA TO 18-GA)	
		1	7N-7779	1	SOCKET-CONNECTOR (14-GA TO 18-GA)	
		1	7N-7780	2	PIN-CONNECTOR (14-GA TO 18-GA)	



GRAPHIC #1

<END>

g00638308

SERVICE EQUIPMENT AND SUPPLIES

7W-7326 CHART-ALARM SYSTEM

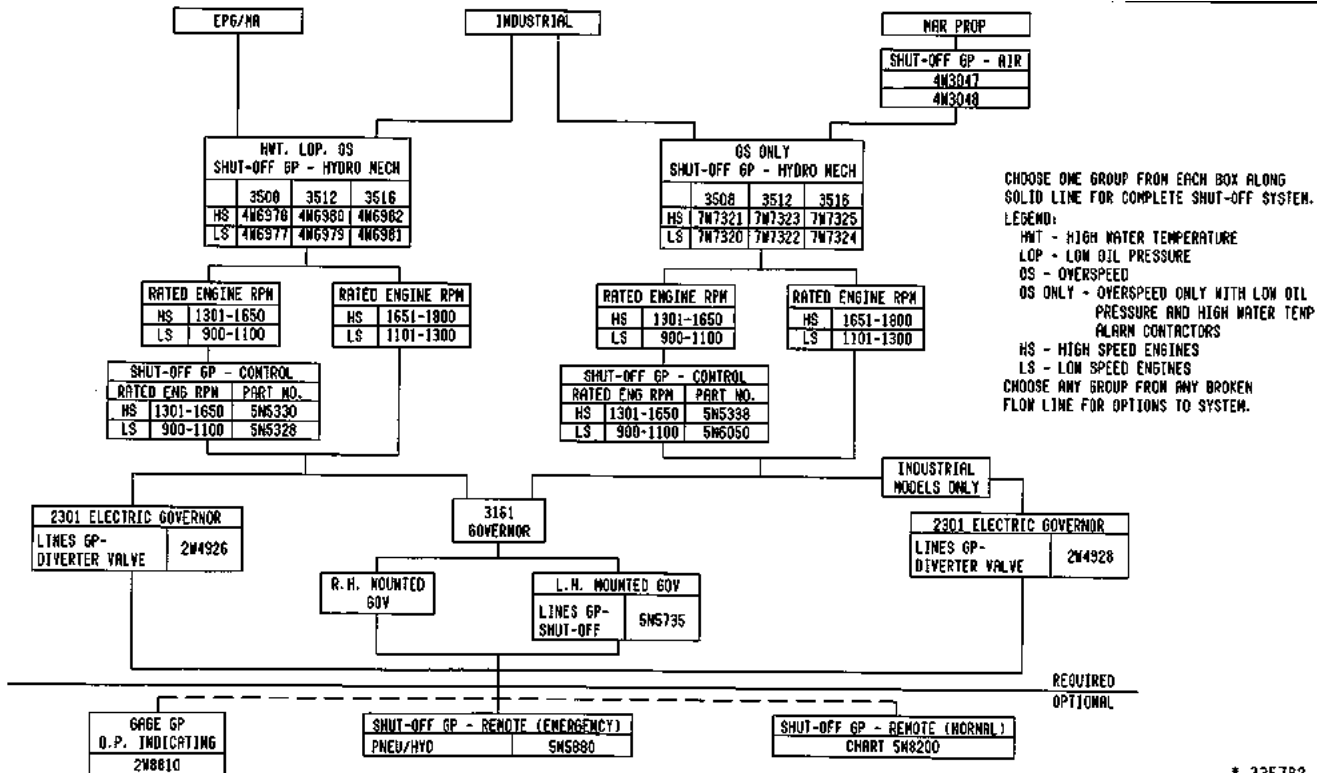
HYDRO-MECHANICAL SHUT-OFF
AN ATTACHMENT

SMCS-4490, 7400

i01334737

NOTE	REF NO	GRAPHIC REF	PART NUMBER	QTY	PART NAME	SEE PAGE
					1 2 3 4 5 6 (PRODUCT LEVEL)	

(NO SERVICED PARTS)



GRAPHIC #1

<END>

* 335782
g00172400

SERVICE EQUIPMENT AND SUPPLIES

8N-7500 CHART-AUXILIARY DRIVE

GEARS & INSTALLATION INFORMATION

AN ATTACHMENT

SMCS-1207

i01946069

NOTE	REF NO	GRAPHIC REF	PART NUMBER	QTY	PART NAME	SEE PAGE
					1 2 3 4 5 6 (PRODUCT LEVEL)	
(NO SERVICED PARTS)						

SERVICE EQUIPMENT AND SUPPLIES

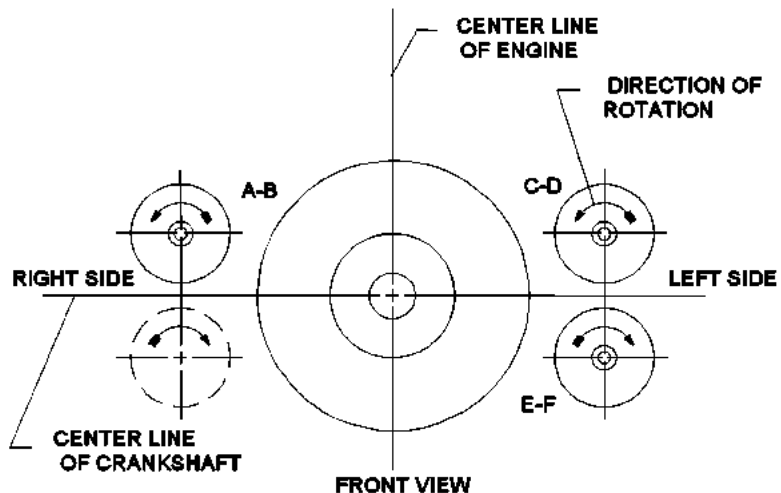
8N-7500 CHART-AUXILIARY DRIVE (contd.)

i01946069

ENGINE DRIVE POSITION	ACCESSORY DRIVE GEAR GROUP REQUIRED				ATTACHMENT PARTS AVAILABLE
	HIGH SPEED		LOW SPEED		
	STD. ROT.	REV. ROT.	STD. ROT.	REV. ROT.	
A - FRONT - RIGHT UPPER	7N4871	STD	7N4871	STD	GOVERNOR-STANDARD LOCATION 7N8042-SHAFT GROUP-AUXILIARY DRIVE
B - REAR - RIGHT UPPER	7N4871	STD	7N4871	STD	1W5048-ALTERNATOR MOUNTING GROUP 8N8468-PULLEY GROUP-AUXILIARY DRIVE
C - FRONT - LEFT UPPER	8N9166 & 8N9167	8N5743	8N9166 & 8N5678	8N5745	GOVERNOR-ATTACHMENT LOCATED 7N8042-SHAFT GROUP-AUXILIARY DRIVE 7N8041-PULLEY GROUP
D - REAR - LEFT UPPER	8N9166 & 8N9167	8N5743	8N9166 & 8N5678	8N5745	8N8360-AIR COMPRESSOR GROUP 7N8042-SHAFT GROUP-AUXILIARY DRIVE 8N8467-PULLEY GROUP
E - FRONT - LEFT LOWER	8N9167	8N5767 & 8N5743	8N5878	8N5767 & 8N5745	4W6673-PUMP GROUP-SEA WATER 7N8042-SHAFT GROUP-AUXILIARY DRIVE 7N8041-PULLEY GROUP 8N8467-PULLEY GROUP 8N8466-PUMP GROUP-SEA WATER 4W6674-PUMP GROUP-SEA WATER
F - REAR - LEFT LOWER	8N9167	8N5767 & 8N5743	8N5878	8N5767 & 8N5745	5N2605-PUMP GROUP-FRESH WATER 7N8042-SHAFT GROUP-AUXILIARY DRIVE 7N8041-PULLEY GROUP
G - CRANKSHAFT DRIVE - FRONT	NONE	NONE	NONE	NONE	7N7660-SHAFT GROUP-STUB 5N2324-SHAFT GROUP-STUB 8N6564-PULLEY ASSEMBLY-CRANKSHAFT 7N4106-PULLEY ASSEMBLY-CRANKSHAFT

ENGINE	ENGINE RPM	DRIVE RPM
LOW SPEED ENGINE	900	1800
	1000	2000
	1200	2400
	1300	2600
HIGH SPEED ENGINE	1300	1733
	1500	2000
	1600	2133
	1800	2400

- A - RIGHT FRONT GEAR
- B - RIGHT REAR GEAR
- C - LEFT FRONT GEAR
- D - LEFT REAR GEAR
- E - LEFT FRONT GEAR
- F - LEFT REAR GEAR
- G - CRANKSHAFT



GRAPHIC #1

<END>

g01013484

SERVICE EQUIPMENT AND SUPPLIES

4W-6500 CHART-INSTRUMENT PANEL
AN ATTACHMENT

SMCS-7451

i00910866

NOTE	REF NO	GRAPHIC REF	PART NUMBER	QTY	PART NAME	SEE PAGE
------	--------	-------------	-------------	-----	-----------	----------

1 2 3 4 5 6 (PRODUCT LEVEL)

(SEE CHART FOR SERVICED PARTS)

SERVICE EQUIPMENT AND SUPPLIES

4W-6500 CHART-INSTRUMENT PANEL (contd.)

100910866

NAME	PART NO.	INDUSTRIAL & GEN SET				MARINE AUXILIARY				MARINE PROPULSION				SPARK IGNITED ENGINE			
		BASIC PANEL (8 HOLE)		PREMIUM PANEL (16 HOLE)		BASIC PANEL (8 HOLE)		PREMIUM PANEL (16 HOLE)		BASIC PANEL (8 HOLE)		PREMIUM PANEL (16 HOLE)		BASIC PANEL (8 HOLE)		PREMIUM PANEL (16 HOLE)	
INSTRUMENT PANEL																	
PANEL GP-BASIC (8 HOLE)	4W7509																
PANEL GP-BASIC (8 HOLE)	4W7276																
PANEL GP-PREMIUM (16 HOLE)	4W6887																
MOUNTING																	
MOUNTING GP-BASIC (8 HOLE)	4W6310																
MOUNTING GP-BASIC (8 HOLE)	4W7275																
MOUNTING GP-PREMIUM (16 HOLE) (13 GAGE)	4W6805																
MOUNTING GP-PREMIUM (16 HOLE)	4W6461																
OIL FILTER-DIFFERENTIAL																	
LINES GP-STANDARD OR DUPLEX FILTERS (RH)	4W6462																
LINES GP-ATTACHMENT FILTERS (LH)	4W5994																
LINES GP-DUPLEX FILTERS (LH)	2W6370																
LINES GP-DUPLEX FUEL AND STANDARD OIL (RH)	7W3294																
FUEL FILTER DIFFERENTIAL																	
LINES GP-PREMIUM (STANDARD FILTERS) (RH)	4W6463																
LINES GP-PREMIUM (ATTACHMENT FILTERS) (LH)	4W5995																
LINES GP-PREMIUM (DUPLEX FILTERS) (RH)	2W6373																
LINES GP-PREMIUM (DUPLEX FILTERS) (LH)	2W6371																
LINES GP-DUPLEX FUEL AND STANDARD OIL (RH)	7W3295																
LINES GP-DUPLEX OIL AND STANDARD FUEL (RH)	7W3296																
INDICATOR GP-FILTER CHANGE (RH & LH)	7W6780																
INDICATOR GP-FILTER CHANGE (DUPLEX)(RH)	7W6779																
FUEL PRESSURE (8 HOLE PANEL)																	
LINES GP-STANDARD FILTERS (RH)	4W6464																
LINES GP-ATTACHMENT FILTERS (LH)	4W5998																
LINES GP-DUPLEX FILTERS (RH)	2W6372																
LINES GP-DUPLEX FILTERS (LH)	2W6369																

GRAPHIC #1

g00466859

SERVICE EQUIPMENT AND SUPPLIES

6L-4502 CHART-PLATE & FILM

SMCS-7557

i02659654

NOTE	PART NUMBER	QTY	PART NAME 1 2 3 4 5 6 (PRODUCT LEVEL)	SEE PAGE
	7W-0088	1	FILM-IDENTIFICATION (EMERGENCY STOP) ON FRONT OF JUNCTION BOX DIRECTLY ABOVE EMERGENCY BUTTON	
	8L-9765	1	FILM-FUEL RETURN (EXCESS) ON FUEL RETURN VALVE, OR FUEL FILTER HOUSING.	
	2W-8684	1	FILM-IDENTIFICATION (TERMINAL MARKER) ON TERMINAL STRIP ASSEMBLY	
	106-9927		FILM-IDENTIFICATION (JUNCTION BOX WIRE) (JUNCTION BOX) ON JUNCTION BOX WIRING	
	7E-8960	1	FILM-IDENTIFICATION (TERMINAL MARKER) ON TERMINAL STRIP ASSEMBLY	
	250-3444	1	FILM-INFORMATION (STANDARD ROTATION) ON LH CAM GEAR COVER IN A VISIBLE LOCATION, IF THAT COVER IS NOT AVAILABLE MOVE TO RH CAM GEAR COVER	
	8N-7851	2	FILM-INFORMATION (FUEL SHUTOFF) ONE ON EACH SIDE OF EMERGENCY FUEL SHUT-OFF LEVER WITH TOP OF FILM NEAR HANDLE	
	7E-2674	2	FILM-WARNING (ENGINE LIFTING INSTRUCTIONS) ONE ON TOP LH REAR VALVE COVER AND ONE ON TOP RH FRONT VALVE COVER READABLE FROM SIDE OF ENGINE IF COVER IS NOT AVAILABLE, SWITCH TO LH FRONT & RH REAR	
	1H-4950	2	FILM-WARNING (CRANKCASE) ONE FILM ON LH FRONT & ONE ON RH REAR CRANKCASE COVER, VISIBLE FROM SIDE OF ENGINE. IF EITHER OF THESE LOCATIONS ARE NOT VISIBLE FROM THE SIDE, MOVE THE FILM TO NEXT AVAILABLE CRANKCASE COVER THAT IS VISIBLE FROM SIDE OF THE ENGINE	
	115-5852	1	PLATE & FILM GP (ENGINE INFORMATION) ON LH, FRONT, LOWER HEAD FACE OF BLOCK BETWEEN CYLINDER #2 & THE FRONT HOUSING, READABLE FROM THE REAR OF ENGINE	
	7E-2681	2	PLATE-IDENTIFICATION (CATERPILLAR) ONE PLATE ON RH REAR CAM COVER & ONE PLATE ON LH FRONT CAM COVER, IF VISIBLE. IF EITHER PRIMARY LOCATION IS NOT VISIBLE, INSTALL PLATE ON NEXT VISIBLE CAM COVER LOCATION ON THAT SIDE OF ENGINE.	
	3N-3790	1	PLATE-SERIAL NUMBER (ENGINE) ON LH SIDE OF BLOCK NEAR REAR FACE ON CAMSHAFT COMPARTMENT USING 4B-4158 DRIVE SCREWS	
	4B-4158	2	SCREW-DRIVE (NO 4X0.25-IN)	
<END>				

SERVICE EQUIPMENT AND SUPPLIES

3N-8277 CHART-PYROMETER
AN ATTACHMENT

SMCS-7466

i00649155

NOTE	REF NO	GRAPHIC REF	PART NUMBER	QTY	PART NAME	SEE PAGE
------	--------	-------------	-------------	-----	-----------	----------

1 2 3 4 5 6 (PRODUCT LEVEL)

(SEE CHART FOR SERVICED PARTS)

SERVICE EQUIPMENT AND SUPPLIES

5N-8200 CHART-REMOTE SHUTOFF AN ATTACHMENT

SMCS-7418

i01334856

NOTE	REF NO	GRAPHIC REF	PART NUMBER	QTY	PART NAME 1 2 3 4 5 6 (PRODUCT LEVEL)	SEE PAGE
------	--------	-------------	-------------	-----	--	----------

(NO SERVICED PARTS)

NOTE	NAME	PART NO.	ENGINE START CONTROL		
			DC OR DC ASSISTED AIR	AC ASSISTED AIR	DIRECT AIR
	VALVE 6P (24/32 VDC)	4W1771	1		
	VALVE 6P (24/32 VDC)	4W1777		1	
	VALVE 6P (24/32 VDC)	4W1778			1
	VALVE 6P (115 VAC)	4W1702		1	
A	VALVE 6P (HYD/PNEU)	4W1703			1

A - 240-1050 kPa (35-150 PSI) REQUIRED TO OPERATE.
FOR USE WITH HYDRO-MECHANICAL SHUTOFF SYSTEMS ONLY.

GRAPHIC #1

<END>

* 335631

g00172301

SERVICE EQUIPMENT AND SUPPLIES

7N-8698 CHART-SUMP PUMP
AN ATTACHMENT

SMCS-1324

i01334744

NOTE	REF NO	GRAPHIC REF	PART NUMBER	QTY	PART NAME	SEE PAGE
------	--------	-------------	-------------	-----	-----------	----------

(NO SERVICED PARTS)

SERVICE EQUIPMENT AND SUPPLIES

352-9860 FILM GP-ENGINE AN ATTACHMENT

SMCS-7405, 7557

i07604931

NOTE	PART NUMBER	QTY	PART NAME	SEE PAGE
			1 2 3 4 5 6 (PRODUCT LEVEL)	
	8L-8413	2	STRAP-CABLE (WHITE)	
	353-2691	1	TAG (DECLARATION OF INCORPORATION)	
<END>				

SERVICE EQUIPMENT AND SUPPLIES

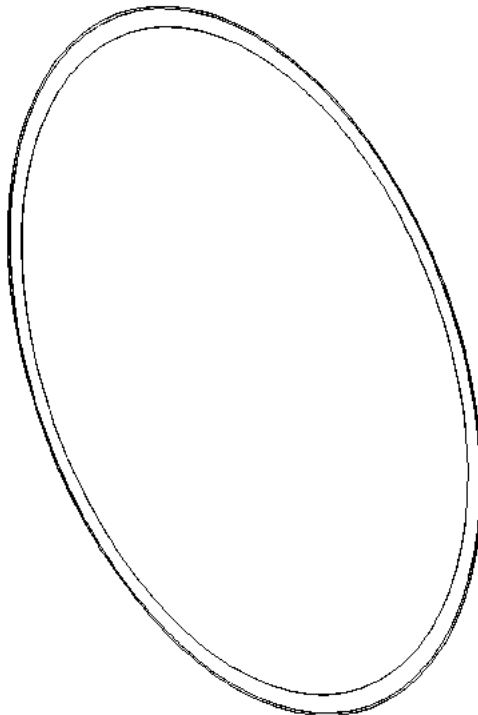
7W-5949 INSERT-LINER SEAT
FIELD INSTALLATION

SMCS-1217

i01334741

NOTE	REF NO	GRAPHIC REF	PART NUMBER	QTY	PART NAME	SEE PAGE
------	--------	-------------	-------------	-----	-----------	----------

(NO SERVICED PARTS)



GRAPHIC #1

<END>

g00281637

SERVICE EQUIPMENT AND SUPPLIES

135-8813 KIT-GASKET

OIL PUMP

FIELD INSTALLATION

SMCS-7555

i07383525

NOTE	PART NUMBER	QTY	PART NAME						SEE PAGE
			1	2	3	4	5	6 (PRODUCT LEVEL)	
	4N-1320	2	GASKET (ADAPTER)						
	7N-4932	1	GASKET						
	7N-5057	2	GASKET						
	111-1349	2	GASKET						
	6V-1454	1	SEAL-O-RING						
	6V-3908	1	SEAL-O-RING						
	6V-5066	3	SEAL-O-RING						
	6V-5101	1	SEAL-O-RING						
	109-2332	2	SEAL-O-RING						
	259-4600	1	SEAL-O-RING						
	298-6387	1	SEAL-O-RING						

FOR A LIST OF RELATED PARTS THAT MAY BE
REQUIRED FOR THE ENGINE REBUILD TO THE KIT
CONSIST, PLEASE VISIT

[HTTP://DEALER.CAT.COM/RELATED](http://dealer.cat.com/related)

<END>

SERVICE EQUIPMENT AND SUPPLIES

145-4923 KIT-GASKET

**KIT CONTAINS GASKETS AND SEALS TO REINSTALL THE FRONT COVER.
FOR USE WITH E301- ENGINE ARRANGEMENT S/N 68Z 754-UP
FIELD INSTALLATION**

SMCS-7555

i07540408

NOTE	PART NUMBER	QTY	PART NAME 1 2 3 4 5 6 (PRODUCT LEVEL)	SEE PAGE
	4N-1320	2	GASKET (ADAPTER)	
	1S-5772	1	GASKET	
	8N-1996	1	GASKET	
	7J-8114	1	GASKET	
	7N-3049	1	GASKET	
	497-3911	1	GASKET (COVER)	
	8N-3640	2	RING-RETAINING	
	6V-0405	2	SEAL-BONDED	
	436-1478	1	SEAL-CRANKSHAFT	
	3K-2593	1	SEAL-LIP TYPE	
	235-3546	2	SEAL-O-RING	
	2H-3932	1	SEAL-O-RING	
	5P-0840	2	SEAL-O-RING	
	2M-9780	2	SEAL-O-RING	
	5H-6734	1	SEAL-O-RING	
	5P-4892	2	SEAL-O-RING	
	5P-6302	1	SEAL-O-RING	
	6V-3348	7	SEAL-O-RING	
	6V-5066	3	SEAL-O-RING	
	6V-6809	1	SEAL-O-RING	
	298-6387	1	SEAL-O-RING	
	6V-8260	1	SEAL-O-RING	
	7X-4805	2	SEAL-O-RING	
	259-4598	3	SEAL-O-RING	
	5F-9657	2	SEAL-O-RING	
	8J-6775	1	SEAL-THREAD	

FOR A LIST OF RELATED PARTS THAT MAY BE
REQUIRED FOR THE ENGINE REBUILD TO THE KIT
CONSIST, PLEASE VISIT:

[HTTP://DEALER.CAT.COM/RELATED](http://dealer.cat.com/related)

<END>

SERVICE EQUIPMENT AND SUPPLIES

146-8947 KIT-GASKET

KIT CONTAINS GASKETS AND SEALS TO ASSEMBLE AND REINSTALL THE OIL COOLERS, OIL FILTER
BASE, AND ATTACHING LINES.

FOR USE WITH E306- ENGINE ARRANGEMENT S/N 67Z 653-UP
FIELD INSTALLATION

SMCS-7555

i07545264

NOTE	PART NUMBER	QTY	PART NAME 1 2 3 4 5 6 (PRODUCT LEVEL)	SEE PAGE
	236-7227	4	FILM-WARNING (PARKING BRAKE, INTERNATIONAL)	
	247-3796	2	GASKET	
	4N-1320	1	GASKET (ADAPTER)	
	7N-4945	1	GASKET	
	4B-8407	1	GASKET-COPPER	
	8N-1991	2	RING-RETAINING	
	111-3820	2	RING-RETAINING	
	4W-3251	2	SEAL (OIL FILTER)	
	269-7885	3	SEAL-O-RING	
	5D-5957	1	SEAL-O-RING	
	5P-4892	4	SEAL-O-RING	
	5P-5846	1	SEAL-O-RING	
	5P-7817	1	SEAL-O-RING	
	6V-3907	4	SEAL-O-RING	
	6V-5048	5	SEAL-O-RING	
	6V-5066	4	SEAL-O-RING	
	6V-6609	1	SEAL-O-RING	
	6V-8002	2	SEAL-O-RING	
	8L-2786	1	SEAL-O-RING	
	124-1858	4	SEAL-O-RING	
	109-2332	8	SEAL-O-RING	

FOR A LIST OF RELATED PARTS THAT MAY BE
REQUIRED FOR THE ENGINE REBUILD TO THE KIT
CONSIST, PLEASE VISIT

[HTTP://DEALER.CAT.COM/RELATED](http://dealer.cat.com/related)

<END>

SERVICE EQUIPMENT AND SUPPLIES

196-0237 KIT-GASKET-WATER PUMP FIELD INSTALLATION

SMCS-7555

i07426961

NOTE	PART NUMBER	QTY	PART NAME 1 2 3 4 5 6 (PRODUCT LEVEL)	SEE PAGE
	1S-5772	1	GASKET	
	7N-4932	1	GASKET	
	7N-4945	1	GASKET	
	340-1591	2	RING	
	5H-6734	1	SEAL-O-RING	
	5P-6302	1	SEAL-O-RING	
	6V-5066	2	SEAL-O-RING	
	6V-6809	1	SEAL-O-RING	
	271-4926	1	SEAL	

FOR A LIST OF RELATED PARTS THAT REQUIRED FOR
THE ENGINE REBUILD TO THE KIT CONSISST, PLEASE
VISIT

[HTTPS://DEALER.CAT.COM/RELATED](https://dealer.cat.com/related)

<END>

SERVICE EQUIPMENT AND SUPPLIES

200-1886 KIT-GASKET-WATER LINES

KIT CONTAINS THE GASKETS AND SEALS NEEDED TO REINSTALL UPPER WATER MANIFILDS AND REGULATORS.

FOR USE WITH 4W-0283-PAGE: 4
FIELD INSTALLATION

SMCS-7555

i07395504

NOTE	PART NUMBER	QTY	PART NAME 1 2 3 4 5 6 (PRODUCT LEVEL)	SEE PAGE
	1W-8545	4	GASKET	
	241-5928	12	GASKET	
	243-2288	4	GASKET	
	4W-3100	1	GASKET	
	7E-6016	4	GASKET	
	8N-4524	12	GASKET	
	122-8856	2	GASKET	
	4N-1320	2	GASKET (ADAPTER)	
	7N-4927	1	GASKET-HOUSING COVER	
	8N-3640	2	RING-RETAINING	
	127-2176	12	SEAL-INTEGRAL	
	3S-9643	4	SEAL-LIP TYPE	
	5P-6302	1	SEAL-O-RING	
	6V-1454	2	SEAL-O-RING	
	6V-5064	2	SEAL-O-RING	
	6V-5066	2	SEAL-O-RING	
	6V-9027	6	SEAL-O-RING	
	6V-9769	12	SEAL-O-RING	
	6V-6609	7	SEAL-O-RING	
	180-8424	3	SEAL-O-RING	

FOR A LIST OF RELATED PARTS THAT MAY BE
REQUIRED FOR THE ENGINE REBUILD TO THE KIT
CONSIST, PLEASE VISIT

[HTTP://DEALER.CAT.COM/RELATED](http://dealer.cat.com/related)

<END>

SERVICE EQUIPMENT AND SUPPLIES

201-1519 KIT-GASKET-REAR STRUCTURE

CONTAINS THE GASKETS & SEALS TO REINSTALL THE FLYWHEEL HOUSING, CRANKSHAFT SEAL, & REAR COVERS. THIS KIT DOES NOT INCLUDE AN OIL PAN GASKET. *FLYWHEEL HOUSING GASKET IS NOT INCLUDED IN THIS KIT. CATERPILLAR RECOMMENDS USING LOCTITE HI-TEMP FLANGE SEALANT (FOR EUROPE, AFRICA, & MIDDLE EAST USE LOCTITE 5188). IN PLACE OF THE GASKET & MUST BE ORDERED SEPARATELY FROM LOCTITE.*****

**FOR USE WITH 1W-4216-PAGE: 2, 4W-0283-PAGE: 4
FIELD INSTALLATION**

SMCS-7555

i07050556

NOTE	PART NUMBER	QTY	PART NAME 1 2 3 4 5 6 (PRODUCT LEVEL)	SEE PAGE
	2S-1251	1	GASKET (INTAKE MANIFOLD)	
	4H-7869	3	GASKET	
	6L-1694	2	GASKET	
	7N-3049	1	GASKET	
	7N-3368	1	GASKET (REAR)	
	7N-4320	2	GASKET	
	4B-8407	7	GASKET-COPPER	
	1S-4810	2	GASKET-OIL DRAIN	
	1S-6595	2	GASKET-OIL SUPPLY	
	436-1479	1	SEAL-CRANKSHAFT (COUNTERCLOCKWISE ROTATION)	
	234-8937	2	SEAL-INTEGRAL	
	3K-0360	4	SEAL-O-RING	
	3S-3074	1	SEAL-O-RING	
	5F-9657	2	SEAL-O-RING	
	112-3540	2	SEAL-O-RING	
	6V-3348	4	SEAL-O-RING	
	136-7227	2	SEAL-O-RING	
	7X-4805	1	SEAL-O-RING	

FOR A LIST OF RELATED PARTS THAT REQUIRED FOR THE ENGINE REBUILD TO THE KIT CONSISST, PLEASE VISIT

[HTTPS://DEALER.CAT.COM/RELATED](https://dealer.cat.com/related)

****FLYWEEL HOUSING GASKET IS NOT INCLUDED IN THIS KIT.
CATERPILLAR RECOMMENDS USING LOCTITE HI-TEMP FLANGE SEALANT (FOR EUROPE, AFRICA, & MIDDLE EAST USE LOCTITE 5188)
IN PLACE OF THE GASKET & MUST BE ORDERED SEPARATELY FROM LOCTITE.***

<END>

SERVICE EQUIPMENT AND SUPPLIES

219-0280 KIT-GASKET-EXTERNAL OIL PUMP

THIS KIT IS BEING RELEASED TO PROVIDE A NEW OIL PUMP KIT FOR THE 3500 SERIES FAMILY OF ENGINES. CONTAINS GASKETS, SEALS, AND BENDABLE LOCKS TO REINSTALL AN EXTERNAL OIL PUMP.

FIELD INSTALLATION

SMCS-7555

i07426954

NOTE	PART NUMBER	QTY	PART NAME 1 2 3 4 5 6 (PRODUCT LEVEL)	SEE PAGE
	4N-1320	2	GASKET (ADAPTER)	
	7N-4932	1	GASKET	
	7N-5057	1	GASKET	
	8N-8089	1	GASKET	
	111-1349	1	GASKET	
	1H-9696	1	SEAL-O-RING	
	2M-9780	1	SEAL-O-RING	
	3J-1907	1	SEAL-O-RING	
	3K-0360	2	SEAL-O-RING	
	259-4600	1	SEAL-O-RING	
	6V-3908	1	SEAL-O-RING	
	6V-5066	3	SEAL-O-RING	
	6V-5101	1	SEAL-O-RING	
	298-6387	1	SEAL-O-RING	
	8T-1919	1	SEAL-O-RING	
	109-2332	2	SEAL-O-RING	

<END>

304-7216 KIT-GASKET-WATER PUMP

PART OF 494-1279 KIT-ENGINE OVERHAUL

SMCS-7555

i07432156

NOTE	PART NUMBER	QTY	PART NAME 1 2 3 4 5 6 (PRODUCT LEVEL)	SEE PAGE
	7N-4932	1	GASKET (ELBOW)	
	1S-5772	1	GASKET	
	110-0096	2	RING	
	271-4926	1	SEAL	
	5H-6734	1	SEAL-O-RING	
	6V-5066	2	SEAL-O-RING	
	6V-6809	1	SEAL-O-RING	
	3J-1907	1	SEAL-O-RING	
	5P-6302	1	SEAL-O-RING	
	235-3546	1	SEAL-O-RING	

FOR A LIST OF RELATED PARTS THAT MAY BE REQUIRED FOR THE ENGINE REBUILD TO THE KIT CONSIST, PLEASE VISIT

[HTTPS://DEALER.CAT.COM/RELATED](https://dealer.cat.com/related)

<END>

SERVICE EQUIPMENT AND SUPPLIES

313-4914 KIT-GASKET

KIT CONTAINS GASKETS AND SEALS TO REINSTALL THE TURBOS AND ATTACHING LINES FOR USE WITH E261- ENGINE S/N 49Y 1-UP, E274- ENGINE S/N 24Z 1-UP, E304- ENGINE S/N 65Z 1-UP, 1W-4216-PAGE: 2, E306- ENGINE S/N 67Z 1-UP, E307- ENGINE S/N 71Z 1-UP, E309- ENGINE S/N 73Z 1-UP, E408- ENGINE S/N 6PM 1-UP, E506- ENGINE S/N 3MS 1-UP
FIELD INSTALLATION

SMCS-7555

i07214597

NOTE	PART NUMBER	QTY	PART NAME						SEE PAGE
			1	2	3	4	5	6 (PRODUCT LEVEL)	
	1W-5957	2	GASKET						
	121-5736	2	GASKET (TURBOCHARGER)						
	252-8374	2	GASKET						
	5L-3773	1	GASKET-EXHAUST ELBOW						
	1S-4810	2	GASKET-OIL DRAIN						
	1S-6595	2	GASKET-OIL SUPPLY						
	5P-9890	2	SEAL-O-RING						
	6V-3319	2	SEAL-O-RING						
	6V-3917	4	SEAL-O-RING						
	6V-4589	3	SEAL-O-RING						
	6V-5167	4	SEAL-O-RING						

FOR A LIST OF RELATED PARTS THAT REQUIRED FOR THE ENGINE REBUILD TO THE KIT CONSIST, PLEASE VISIT

[HTTP://DEALER.CAT.COM/RELATED](http://dealer.cat.com/related)

<END>

SERVICE EQUIPMENT AND SUPPLIES

492-0914 KIT-GASKET

OIL COOLER AND LINES GASKET KIT
PART OF 494-1221, 494-1279 KIT-ENGINE OVERHAUL
FIELD INSTALLATION

SMCS-7555

i07395518

NOTE	PART NUMBER	QTY	PART NAME 1 2 3 4 5 6 (PRODUCT LEVEL)	SEE PAGE
	4N-1320	2	GASKET (ADAPTER)	
	7N-4945	1	GASKET	
	247-3796	2	GASKET	
	4B-8407	1	GASKET-COPPER	
	361-7097	1	RING	
	111-3820	1	RING-RETAINING	
	269-7885	3	SEAL-O-RING	
	5P-4892	3	SEAL-O-RING	
	5P-5846	1	SEAL-O-RING	
	6V-3908	1	SEAL-O-RING	
	6V-5048	2	SEAL-O-RING	
	6V-5066	4	SEAL-O-RING	
	6V-6609	2	SEAL-O-RING	
	8L-2786	1	SEAL-O-RING	
	109-2332	8	SEAL-O-RING	
	238-5080	1	SEAL-O-RING	

FOR A LIST OF RELATED PARTS THAT MAY BE
REQUIRED FOR THE ENGINE REBUILD TO THE KIT
CONSIST, PLEASE VISIT

[HTTP://DEALER.CAT.COM/RELATED](http://dealer.cat.com/related)

<END>

SERVICE EQUIPMENT AND SUPPLIES

492-5099 KIT-GASKET PART OF 494-1221 KIT-ENGINE OVERHAUL

SMCS-7555

i07366347

NOTE	PART NUMBER	QTY	PART NAME 1 2 3 4 5 6 (PRODUCT LEVEL)	SEE PAGE
	1S-5772	1	GASKET	
	4N-1320	2	GASKET (ADAPTER)	
	7J-8114	1	GASKET	
	7N-3049	1	GASKET	
	7N-3368	1	GASKET	
	7N-4932	1	GASKET	
	8N-1996	1	GASKET	
	497-3911	1	GASKET (COVER)	
	110-0096	2	RING	
	436-1478	1	SEAL -CRANKSHAFT	
	1H-9696	1	SEAL -O-RING	
	5H-6734	1	SEAL -O-RING	
	5P-0840	1	SEAL -O-RING	
	5P-4892	2	SEAL -O-RING	
	5P-6302	1	SEAL -O-RING	
	6V-1454	2	SEAL -O-RING	
	6V-3348	2	SEAL -O-RING	
	6V-5048	1	SEAL -O-RING	
	6V-5066	4	SEAL -O-RING	
	6V-6809	1	SEAL -O-RING	
	235-3546	2	SEAL -O-RING	
	259-4598	3	SEAL -O-RING	
	298-6387	1	SEAL -O-RING	
	214-7566	1	SEAL -O-RING	
	6J-2680	1	SEAL -O-RING	
	5R-7136	2	WASHER-SEALING	
	5R-7137	2	WASHER-SEALING	

FOR A LIST OF RELATED PARTS THAT MAY BE
REQUIRED FOR THE ENGINE REBUILD TO THE KIT
CONSIST, PLEASE VISIT:

[HTTP://DEALER.CAT.COM/RELATED](http://dealer.cat.com/related)

<END>

SERVICE EQUIPMENT AND SUPPLIES

6V-3776 KIT-GASKET-FRONT STRUCTURE

KIT CONTAINS GASKETS, SEALS, AND BENDABLE LOCKS TO REINSTALL THE FRONT COVER. KIT DOES NOT INCLUDE OIL PAN GASKET.
FIELD INSTALLATION

SMCS-7555

i06103499

NOTE	PART NUMBER	QTY	PART NAME						SEE PAGE
			1	2	3	4	5	6 (PRODUCT LEVEL)	
	7J-8114	1	GASKET						
	7N-3049	1	GASKET						
	8N-1996	1	GASKET						
	8N-9885	1	GASKET-COVER						
	436-1478	1	SEAL-CRANKSHAFT (CLOCKWISE ROTATION)						
	5H-1190	1	SEAL-LIP TYPE						
	2J-6274	2	SEAL-O-RING						
	3S-3074	1	SEAL-O-RING						
	5P-0840	3	SEAL-O-RING						
	5P-8211	2	SEAL-O-RING						
	6F-4718	1	SEAL-O-RING						
	6V-3348	5	SEAL-O-RING						
	235-3546	5	SEAL-O-RING						
	259-4598	6	SEAL-O-RING						
	5R-7136	1	WASHER-SEALING						
	5R-7137	2	WASHER-SEALING						

FOR A LIST OF RELATED PARTS THAT MAY BE REQUIRED FOR THE ENGINE REBUILD TO THE KIT CONSIST, PLEASE VISIT

[HTTP://DEALER.CAT.COM/RELATED](http://dealer.cat.com/related)

<END>

SERVICE EQUIPMENT AND SUPPLIES

6V-9897 KIT-GASKET-SINGLE FUEL INJECTOR

CONTAINS THE SEALS NEEDED TO REINSTALL ONE INJECTOR INTO THE CYLINDER HEAD
FIELD INSTALLATION

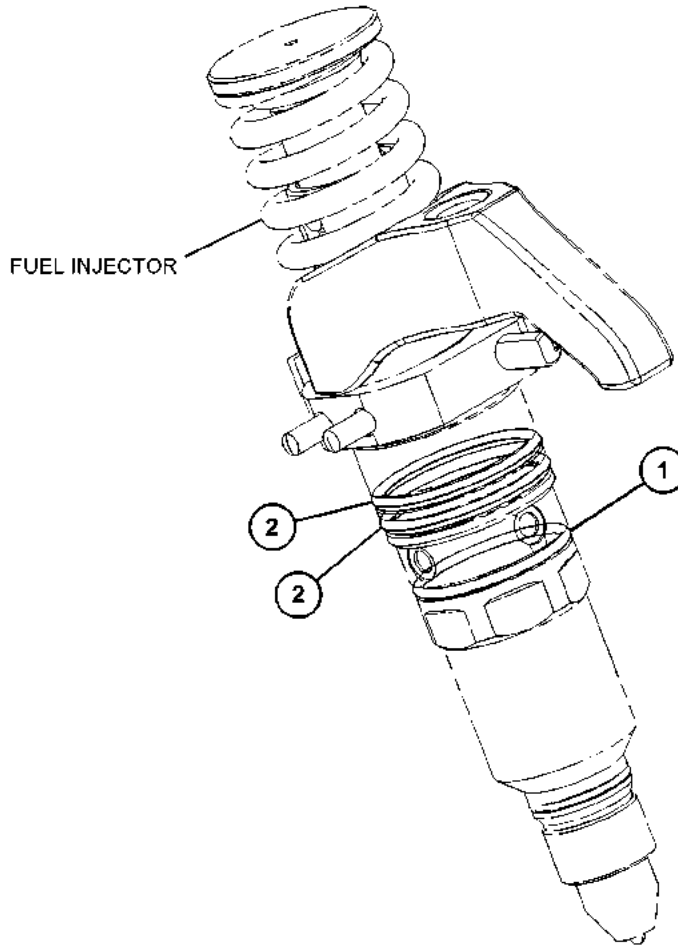
SMCS-7555

i07432915

NOTE	REF NO	GRAPHIC REF	PART NUMBER	QTY	PART NAME						SEE PAGE
					1	2	3	4	5	6 (PRODUCT LEVEL)	
	1	1	6V-1250	1	SEAL-O-RING						
	2	1	8J-8725	2	SEAL-O-RING						

FOR A LIST OF RELATED PARTS THAT MAY BE
REQUIRED FOR THE ENGINE REBUILD IN ADDITION TO
THE KIT CONSIST, PLEASE VISIT

[HTTPS://DEALER.CAT.COM/RELATED](https://dealer.cat.com/related)



GRAPHIC #1

<END>

g03856056

SERVICE EQUIPMENT AND SUPPLIES

8T-8189 KIT-GASKET-FRONT STRUCTURE

KIT CONTAINS GASKETS, SEALS, AND BENDABLE LOCKS TO REINSTALL THE FRONT COVER. KIT DOES NOT INCLUDE OIL PAN GASKET.

FIELD INSTALLATION

SMCS-7555

i06103519

NOTE	PART NUMBER	QTY	PART NAME						SEE PAGE
			1	2	3	4	5	6 (PRODUCT LEVEL)	
	7J-8114	1	GASKET						
	7N-3049	1	GASKET						
	8N-9885	1	GASKET-COVER						
	436-1478	1	SEAL-CRANKSHAFT (CLOCKWISE ROTATION)						
	3S-3074	1	SEAL-O-RING						
	4D-0449	1	SEAL-O-RING						
	5P-0840	3	SEAL-O-RING						
	6V-3348	4	SEAL-O-RING						
	6V-7991	1	SEAL-O-RING						
	235-3546	4	SEAL-O-RING						
	259-4598	6	SEAL-O-RING						
	5R-7136	1	WASHER-SEALING						
	5R-7137	2	WASHER-SEALING						
FOR A LIST OF RELATED PARTS THAT MAY BE REQUIRED FOR THE ENGINE REBUILD TO THE KIT CONSIST, PLEASE VISIT									
HTTP://DEALER.CAT.COM/RELATED									
<END>									

SERVICE EQUIPMENT AND SUPPLIES

353-5995 KIT-SEAL-SINGLE CYLINDER LINER FIELD INSTALLATION

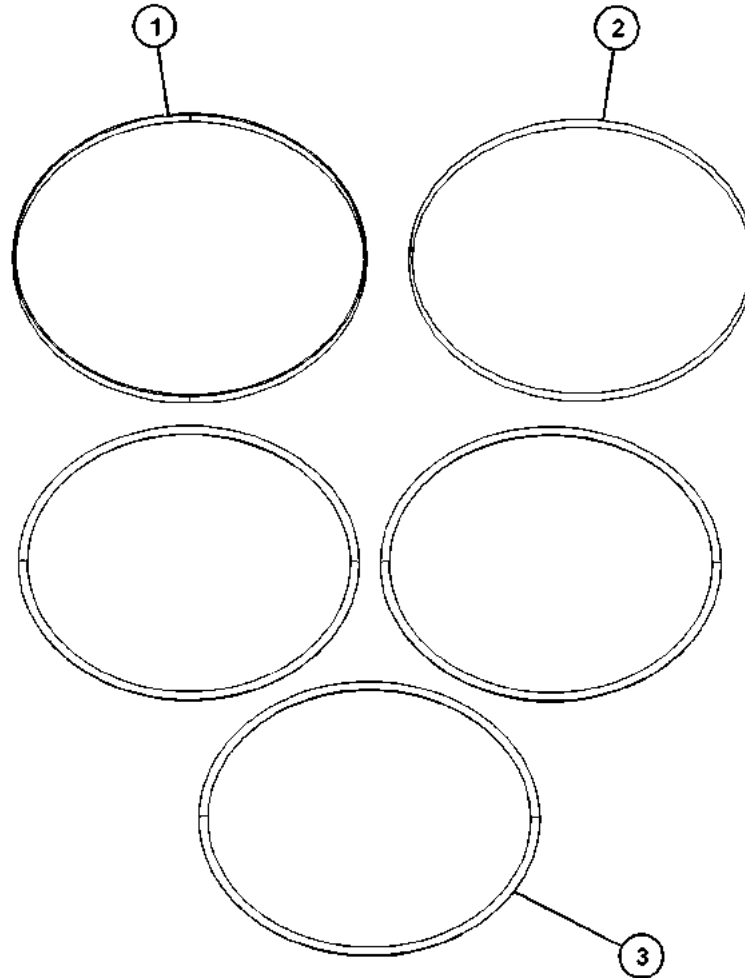
SMCS-1000

i07445551

NOTE	REF NO	GRAPHIC REF	PART NUMBER	QTY	PART NAME						SEE PAGE
					1	2	3	4	5	6 (PRODUCT LEVEL)	
	1	1	8N-4707	1	BAND-FILLER						
	2	1	352-6061	1	SEAL-LINER						
	3	1	7N-2046	3	SEAL-O-RING						

FOR A LIST OF RELATED PARTS THAT MAY BE
REQUIRED FOR THE ENGINE REBUILD TO THE KIT
CONSIST, PLEASE VISIT

[HTTP://DEALER.CAT.COM/RELATED](http://dealer.cat.com/related)



GRAPHIC #1

<END>

g03771039

SERVICE EQUIPMENT AND SUPPLIES

4W-1989 KIT-VALVE
FIELD INSTALLATION

SMCS-1000

i01424325

NOTE	PART NUMBER	QTY	PART NAME 1 2 3 4 5 6 (PRODUCT LEVEL)	SEE PAGE
(NO SERVICED PARTS)				
<END>				

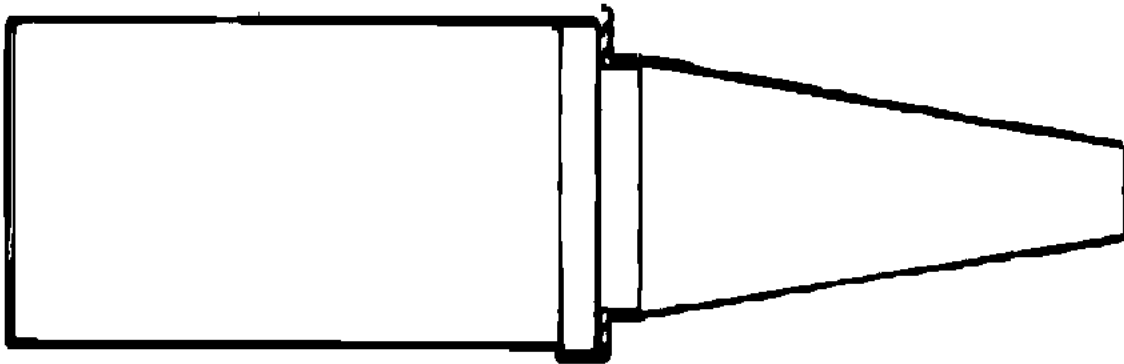
SERVICE EQUIPMENT AND SUPPLIES

2W-1054 SCREEN AS
FOR USE DURING DYNAMOMETER TESTING
FIELD INSTALLATION

SMCS-1307

i01424293

NOTE	REF NO	GRAPHIC REF	PART NUMBER	QTY	PART NAME	SEE PAGE
					1 2 3 4 5 6 (PRODUCT LEVEL)	
(NO SERVICED PARTS)						



GRAPHIC #1

<END>

g00746671

PART NUMBER INDEX

Part	Page	Part	Page	Part	Page	Part	Page
0							
			269		435		592
			286		441		594
OL-0639	34		290		443		596
OL-0701	424		340		445		679
	426		343		529		683
	428		347		556		689
	429		351		708		1105
OL-1143	151		354		796		1116
	256		357		870		1118
	258		360		871		1124
	340		362		873		1126
	343		392		875		1130
	347		394		877		1136
	351		396		879		1164
	354		398		883		1168
	356		399		897		1170
	359		403		899	OS-1585	164
	362		405		1012		166
	380		407		1014		263
	383		409		1328		269
	386		523	OS-0509	33		412
	389		572		192		464
	399		574		204		466
	401		642		461		547
	431		666		893		549
	433		667		952		642
	435		697		953		798
	437		700		1116	OS-1587	36
	439		703		1345		211
	441		745		1346		223
	443		783		1370		224
	445		804		1385		253
	447		806		1433		254
	449		845	OS-1566	1231		255
	451		847		1234		281
	461		849		1237		282
	529		851		1238		283
	530		853		1239		424
	539		857	OS-1571	151	OS-1588	16
	541		861		192		20
	543		863		240		23
	545		897		246		26
	556		899		248		58
	558		1036		259		149
	657		1037		261		151
	659		1039		265		164
	873		1041		267		166
	875		1044		286		256
	1041		1046		290		258
	1044		1109		291		259
	1046		1110		335		261
	1393		1138		336		263
	1395		1142		340		265
OL-1178	252		1156		343		267
OL-1325	422		1409		347		269
OL-1329	55		1411		351		337
	216		1413		354		338
	697		1415		356		340
	700		1440		359		343
	703		1442		380		347
	745	OL-1352	12		383		351
	1027		14		386		354
	1028		50		401		357
	1044		52		456		360
	1164		287		461		362
OL-1351	57		288		498		380
	153		289		519		383
	183		381		521		386
	187		386		539		389
	259		456		547		403
	261		1120		572		405
	263		1122		574		407
	265	OL-2070	102		580		409
	267		431		590		416

PART NUMBER INDEX

Part	Page	Part	Page	Part	Page	Part	Page
	418		263		1322		513
	419		265		1382		514
	420		267		1383		515
	456		269		1384		521
	507		285		1391		523
	509		287		1393		529
	510		314		1395		530
	511		320		1400		532
	512		328		1406		534
	513		330		1407		538
	547		332		1419		539
	549		380	OS-1592	47		541
	570		386		155		543
	580		389		157		545
	590		412		159		547
	592		456		161		549
	594		460	OS-1594	16		551
	596		463		17		553
	614		464		20		556
	679		465		23		558
	711		466		26		572
	715		467		36		574
	717		523		49		580
	719		551		50		582
	736		553		52		584
	741		642		181		586
	743		688		183		588
	794		780		208		590
	798		877		259		592
	813		880		261		594
	815		883		263		596
	818		1037		265		598
	820		1039		267		614
	822		1138		269		636
	824		1156		340		654
	826		1401		343		674
	829	OS-1591	16		356		697
	845		36		359		741
	847		151		362		743
	849		194		365		745
	851		206		367		748
	853		209		368		749
	857		213		369		751
	861		214		380		760
	863		335		383		763
	865		336		386		764
	867		380		389		765
	892		383		392		766
	1003		386		394		767
	1105		392		401		774
	1120		394		403		783
	1132		403		405		796
	1134		407		407		798
	1138		409		409		804
	1142		456		431		806
	1156		460		433		808
	1160		523		435		810
	1372		598		437		815
	1389		681		439		826
OS-1589	44		682		441		829
OS-1590	16		697		443		845
	20		708		445		847
	23		748		447		849
	26		749		449		851
	38		751		451		853
	39		798		455		857
	151		802		456		861
	181		826		458		863
	183		1006		460		865
	242		1008		461		867
	244		1010		463		877
	250		1014		464		879
	259		1017		465		883
	261		1022		466		952

PART NUMBER INDEX

Part	Page	Part	Page	Part	Page	Part	Page
	953		1249		1103		1413
	1008		1261	OS-1619	12		1415
	1010		1265		14	OT-0065	256
	1012		1268		343		258
	1014		1270		347		380
	1037		1273		351		383
	1039		1291		354		386
	1041		1293		356		389
	1046	OS-1608	394		357		403
	1105		405		359		523
	1118		407		362		539
	1120		409		521		541
	1122		822		530		543
	1124		824		558		545
	1126		884		697		547
	1128		1130		700		549
	1130		1132		703		871
	1132		1134		745		875
	1134		1136		1120		879
	1136		1146		1122		883
	1143		1148		1166	OT-0102	70
	1146		1150		1172		72
	1148		1152		1174		80
	1150		1154		1176		271
	1152		1158		1406		273
	1154		1160		1407	OT-0320	281
	1158		1162		1419		282
	1160	OS-1614	336		1421		283
	1162	OS-1615	12	OS-1620	1345		490
	1164		14		1346		493
	1168		151	OS-1621	38		496
	1170		802		192		1341
	1178		849		194	OT-0573	340
	1353		851		204		360
	1356		1214		206		362
	1370		1215		208		379
	1372		1216		213		383
	1376		1370		288		399
	1378		1372		289		523
	1385		1374		312		697
	1389		1378		316		700
	1399		1389		318		703
	1400		1393		447		745
	1409		1403		449		871
	1411	OS-1616	212		623		1041
	1413		672		625		1044
	1415		957		627		1046
OS-1595	17		958		642		1116
	20		1107		796		1406
	23		1372		1044		1407
	26		1389		1105		1409
	49	OS-1617	392		1132		1411
	70		394		1134		1413
	72		403		1138		1415
	75		405		1142		1419
	77		407		1156		1421
	80		409		1160	OT-0768	490
	83		416	OS-1625	800		493
	153		418		801		496
	183		419	OS-1897	1359	OT-0924	362
	215		420	OT-0055	155	OV-0459	252
	218		810		157		
	220	OS-1618	518		169		
	424		532		181		
	547		534		183		
	549		551		871		
	642		553		873	1A-0168	240
	708		570		875		242
	794		600		1012		244
	798		601		1014		246
	1008		603		1036		248
	1010		609		1103		250
	1012		794		1409		798
OS-1597	1243		810		1411	1A-1460	240

PART NUMBER INDEX

Part	Page	Part	Page	Part	Page	Part	Page
	242		806		818		340
	244		808		822		344
	246		810		827		348
	248		845	1B-2886	693		351
	250		847		695		354
	338		849		1099		356
	433		851		1101		359
	451		853		1103		362
	471		857	1B-4209	1359	1D-4586	240
	472		893	1B-4218	780		242
	478		1037		783		244
	479		1039	1B-4367	164		246
	549		1046		166		248
	800		1105		187		250
	801		1107	1B-5174	757	1D-4588	796
	981		1138		758	1D-4590	218
	1105		1142		759		219
	1118		1156	1B-5357	686		220
	1138		1179	1B-7182	532		221
	1142		1408		534		222
	1156		1413		551	1D-4593	215
	1344		1415		553		216
1A-2029	12	1A-5183	507		665		223
	14		509		808		224
	33		510		813	1D-4597	215
	46		511		815		216
	49		512		820	1D-4602	215
	54		513		824		216
	55	1A-5576	40		829	1D-4627	684
	70	1A-5822	164		896	1D-4706	708
	72		166		979	1D-4709	685
	75		392	1B-8706	357	1D-4716	576
	77		394		359		578
	80		403		362		892
	83		405	1B-9575	415	1D-4717	849
	138		407		578	1F-0750	20
	139		409	1C-2251	55		23
	140		523		523		26
	141	1A-5964	16		642		431
	142		20		1345		433
	143		23	1D-4538	194		435
	263		26		206		441
	269		1406	1D-4539	787		443
	338		1407		788		445
	396		1419		877		451
	399		1421		879		614
	431	1A-7669	796		883		616
	433	1A-8063	498		890		619
	447	1A-8537	44		891		621
	449	1A-8651	798	1D-4540	17		623
	451	1A-8912	1214		576		625
	467		1215		578		627
	508		1216	1D-4541	877		629
	519	1A-9066	657		879		630
	521	1A-9252	356		883		631
	523		359	1D-4566	325		1107
	551	1A-9579	59		676	1F-2417	623
	553		334		1209	1F-2622	981
	642		952		1210		1030
	666	1B-2713	576		1231	1F-4622	151
	667		1008		1234		802
	697		1010		1237	1F-6660	150
	700		1370		1238	1F-7958	191
	703		1372		1239		203
	711		1385	1D-4569	240		211
	713		1389		242		240
	715	1B-2714	1012		244		242
	717		1014		676		246
	719	1B-2790	70		1210		248
	745		72	1D-4572	155		338
	749		80		157		424
	751		271		184		523
	802		273	1D-4574	215		680
	804		808		216		687

PART NUMBER INDEX

Part	Page	Part	Page	Part	Page	Part	Page
	794		909		1224	1N-2914	49
1F-7960	164		910		1227	1N-2929	16
	166		911		1229		20
1H-1023	1247		1470		1232		23
	1249		1473		1235		26
	1253	1H-9726	741	1L-9048	1341	1N-3126	802
	1257		743	1L-9049	1341	1N-3228	1359
	1264	1J-4034	164	1L-9079	1341	1N-3229	1359
	1267		166	1L-9080	1341	1N-3268	657
	1270	1J-6472	578	1M-0644	341	1N-3269	657
	1273	1J-9671	800		343	1N-3333	380
	1277		801		347		383
	1281		917		351		386
	1284		918		354		389
	1287	1K-4649	433		357	1N-3409	796
	1290		451		360	1N-3416	1217
	1293		715		362	1N-3482	137
1H-1200	488		719		1440		144
	490		981		1442		145
	493		985	1M-3381	403	1N-3755	1401
	496		1118		405	1N-3770	180
	499		1344		407	1N-3784	180
	501	1K-6872	263		409	1N-3872	392
	504		269		415		394
1H-2629	1246		560		422		403
	1249		562	1M-6119	976		405
	1252		563		977		407
	1257		564	1M-6120	976		409
	1265		566		977		523
	1268		568	1M-7913	657	1N-3967	279
	1270	1K-6937	399		659		308
	1273		424	1M-9968	1247	1N-4087	519
	1276		426		1249	1N-4302	674
	1282		428		1253	1N-4478	903
	1285		429		1258		908
	1288		893		1265	1N-4636	908
	1291		1120		1268		909
	1293		1122		1271		910
1H-3244	962		1174		1274		911
	964		1176		1277	1N-4637	412
	966	1L-2072	1341		1282	1N-4640	897
	968	1L-2073	777		1285		899
	971		1341		1288	1N-4674	783
1H-4142	912	1L-2782	1103		1291	1N-4679	783
	914	1L-3769	834		1294	1N-4859	456
1H-4393	1367	1L-4031	1124	1M-9971	1247		461
	1422		1126		1250	1N-4860	461
	1424		1130		1253	1N-4910	894
1H-4560	1041		1136		1257		895
	1046		1146		1265	1N-5742	171
	1214		1148		1268		173
	1215		1150		1270		175
	1216		1152		1273	1N-5999	570
1H-4950	1456		1154		1277		800
1H-5959	416		1158		1282		801
	418		1162		1285	1N-9770	1323
	419		1164		1288	1P-1120	669
	420		1168		1291		670
1H-6936	1179		1170		1293		672
1H-7666	456	1L-4863	34	1N-2895	340	1P-3861	815
1H-8171	1339	1L-5081	1440		351		826
	1340		1442		356		829
1H-8278	605	1L-5316	601		813	1P-4923	1403
	606		603		815	1P-5274	392
			609		818		396
1H-9569	1341		993		820		398
1H-9570	1341	1L-6561	996		822		403
1H-9572	1341		996		822		407
1H-9573	1341		1433		824		407
1H-9574	1341		1435		826	1P-7115	209
1H-9575	1341		1440		829		213
1H-9578	1341	1L-6931	36	1N-2902	16		214
1H-9580	1341	1L-8181	1124		20	1P-7625	897
1H-9581	1341		1168		23		899
1H-9696	908	1L-8497	1219		26	1R-0726	235

PART NUMBER INDEX

Part	Page	Part	Page	Part	Page	Part	Page
	237		556		619		409
	343		558		630	1W-4003	901
	347		614		631		903
	354		642		1034		905
	359		1465	1W-0422	292	1W-4005	901
	362		1467	1W-0427	16		903
1R-0756	235		1470		20		905
	237		1473		23	1W-4006	901
	813	1S-6097	804		26		903
	815		806	1W-0428	17		905
	818	1S-6420	433	1W-0431	655	1W-4007	901
	820		451	1W-0432	655		903
	822	1S-6595	231	1W-0433	655		905
	824		401	1W-0434	655	1W-4008	901
	826		1469	1W-0494	655		903
	829		1471	1W-0513	519		905
1S-0004	800	1S-7107	12		521	1W-4009	901
1S-0724	1166		14	1W-0531	834		903
	1172	1S-7446	1246	1W-1250	697		905
1S-1014	792		1249		700	1W-4010	901
1S-1770	669		1252		703		903
	670		1257		745		905
	672		1264		748	1W-4121	901
1S-2244	1053		1267		749		903
	1054		1270		751		905
1S-2294	1053		1273	1W-1251	235	1W-4188	70
	1054		1276		237		80
	1056		1281		697	1W-4191	338
	1058		1284		700		▶339
1S-2303	1120		1287		703	1W-4216	▶2
	1122		1290		745	1W-4253	392
	1124		1293		748		394
	1126	1S-9593	996		749	1W-4257	392
	1128		1026		751		394
	1130		1050	1W-1253	235		403
	1132		1201		237		405
	1134		1203		657		407
	1136	1T-0132	590		659		409
	1146	1T-0550	796	1W-1564	263	1W-4341	783
	1148		798		269	1W-4594	328
	1150	1T-0689	741	1W-2133	796		330
	1152		743	1W-2135	▶796		332
	1154	1T-0720	657		839	1W-4655	901
	1158		659		841		903
	1160	1T-0765	155	1W-2136	841		905
	1162		157		▶887	1W-4674	▶415
	1164		159	1W-2458	808	1W-4776	415
	1168		161		810		▶416
	1170		590	1W-2639	460	1W-4795	769
	1172		592		463	1W-4820	392
	1174		594		465		407
	1176		596	1W-2963	340		409
	1178	1T-0808	1249		351	1W-4821	403
1S-4435	1056		1264		357	1W-4861	▶951
	1058		1267	1W-3437	798	1W-4862	841
1S-4589	246		1270	1W-3940	▶392		949
1S-4810	231		1273	1W-3941	▶394		950
	234		1290	1W-3942	392		▶954
	401		1293		394		1205
	1469	1U-4738	424		403	1W-4923	213
	1471		426		405		214
1S-5440	912		428		407	1W-4955	657
	914		429		409		659
1S-5772	456	1V-0623	208	1W-3943	392	1W-5021	▶839
	460		1356		394	1W-5171	839
	461	1V-7753	1027		403		841
	463		1028		405		▶889
	465		1041		407	1W-5280	1367
	529		1044		409	1W-5421	657
	530		1046	1W-3944	392		659
	539		1209		394	1W-5728	657
	541	1V-8638	213		403		659
	543		214		405	1W-5941	674
	545	1V-9020	616		407	1W-5957	1471

PART NUMBER INDEX

Part	Page	Part	Page	Part	Page	Part	Page
1W-6005	412	1W-8393	741		543		1249
1W-6032	804		743		545		1252
	806	1W-8434	804		547		1257
1W-6033	804		806		549		1264
	806	1W-8495	▶14		556		1267
1W-6034	▶804		17		558		1270
	841	1W-8545	532		558		1270
1W-6035	804		1468		674		1273
1W-6036	▶806	1W-8793	1105		804		1277
	839		1138		806		1281
	841		1142		808		1284
			1156	2A-4781	1357		1287
1W-6037	806		1156		923		1290
1W-6263	16	1W-8974	741		925		1293
1W-6737	538		743		928	2F-0808	769
	674	1W-8975	741		930	2F-6678	1247
1W-6935	901		743		932		1249
	903	1W-9070	1214		935		1253
	905		1215		938		1258
1W-6936	901		1216		940		1265
	903	1W-9275	12		943		1271
	905		14		945		1274
1W-7214	401	1W-9276	12		947		1277
1W-7391	697		14		1194		1282
	745	1W-9277	12	2A-5220	783		1285
	748		14	2A-5546	1012		1288
	749	1W-9278	12		1014		1291
	751		14		1374		1294
1W-7537	879	1W-9279	12		1387	2G-6303	392
	883		14		14		394
1W-7548	822	1W-9379	796	2B-0858	16		403
	824		798		259		405
1W-7579	683	1W-9451	674		265		407
1W-7580	683	1W-9461	2		351		409
1W-8104	▶1376		▶657		380	2G-6304	392
1W-8109	▶169	1W-9466	4		383		394
1W-8116	▶1378		▶659		681		403
1W-8120	1376	1W-9488	▶683		844		405
1W-8121	1376	1W-9780	835		1164		407
1W-8129	169		837	2B-0941	1037		409
	1012	1W-9782	835		1039	2H-1258	422
	1014		837	2B-0947	216	2H-1259	422
	1116		951	2B-2694	403	2H-3429	834
	1179		954		405		1240
	1406				407		1243
	1407				409		1247
	1408				422		1249
	1409				804		1253
	1411				806		1257
	1413	2A-0762	259		808		1264
	1415		261		810		1267
	1419		265		879		1270
	1421		267		892		1273
1W-8133	1409		413	2B-2695	8		1277
	1411		639		10		1281
	1413		981		12		1284
	1415		1046		14		1287
1W-8143	1014		1380		153		1290
1W-8144	1012		1387		155		1293
	1014	2A-1162	570		157	2H-3743	252
1W-8145	1012	2A-1531	642		159	2H-3744	32
	1014	2A-4429	103		161		721
1W-8188	392		105		183	2H-3745	711
	394		108		238		732
	403		115		392		734
	405		117		394		1166
	407		119		403	2H-3755	192
	409		123		405		194
1W-8238	16		125		407		204
	20		129		409		206
	23	2A-4639	204		796	2H-3855	1014
	26		209		798	2H-3880	923
1W-8264	538		519		1107		928
1W-8378	741		521	2D-6235	212		932
	743			2D-6392	1246		935

2

PART NUMBER INDEX

Part	Page	Part	Page	Part	Page	Part	Page
	938		1093		1395		947
	943		1095		1397		1194
	945		1097		1465	2N-7308	1126
	1194		1099		1470		1128
2H-3932	952		1101	2N-0477	914	2N-7456	981
	953		1103	2N-0478	912	2N-7520	416
	1465	2L-3402	1366	2N-0931	539		418
2H-3934	572	2L-6267	34		541		420
	574	2L-6324	783		543	2N-7521	416
2H-3939	616	2L-6679	1180		545		418
	619		1246		642		420
	791		1252	2N-1287	36	2N-7522	416
	792		1264		1008		419
	793		1267		1010		420
	794		1276		1012	2N-7523	418
	1130		1281		1014		419
	1146		1284		1376		420
	1148		1287		1378	2N-7524	418
	1150		1290	2N-2258	993		419
	1152	2L-8049	1053		996		420
	1154	2L-8050	1054		1032	2N-7604	455
	1158	2L-8052	1053		1034	2N-8037	431
	1162	2L-8054	1053	2N-2765	231		433
2H-3940	692	2L-8057	1053		754		435
	699		1054		755		441
2H-9091	692	2L-8058	1054		756		443
	699	2L-8061	1053		762		445
2H-9523	897	2L-8065	1053		763		451
	899	2L-8066	1053		764	2N-8263	492
2J-0157	226		1054		765		495
	227		1055		766		498
	230		1276		767	2N-8329	456
	232	2L-8067	1053		768	2N-8378	1403
	328	2L-8068	1053		770	2N-8611	151
	330		1054	2N-2766	706	2N-8613	356
	332	2L-8069	1053		709		359
	834	2L-8071	1276		754	2N-8928	366
2J-3505	684	2L-8074	1328		755	2N-9768	616
2J-3506	240	2L-8075	968		756		619
	242		971		760		638
	244		1053		762		639
	248		1056		763		640
	250		1058		764		641
	498	2L-8076	1054		765	2P-1279	845
2J-3507	685	2L-8077	1053		766		847
2J-6274	50		1055		767		849
	1474	2L-8079	1053		768		851
2J-6356	952	2L-8228	616		770		853
	953		619		774		857
2J-8163	1246		791	2N-3385	208		861
	1249		792		209		863
	1252		793		1356	2P-1293	1105
	1257	2L-9038	783		1357		1138
	1264	2M-0849	146	2N-3476	1363		1142
	1267		523		1427		1156
	1270		794	2N-3479	816	2P-1296	879
	1273	2M-0879	738		829		883
	1276	2M-4453	17		974	2P-1306	16
	1277		164		1433		20
	1281		166	2N-3480	981		23
	1284		226		994		26
	1287		227		996	2P-1312	674
	1290		580		1030		1134
	1293	2M-5656	711		1032	2P-2772	50
2K-4821	968		732		1034		52
	971	2M-9780	338	2N-5104	16	2P-5616	968
2K-4973	209		818	2N-5842	328		971
	665		822		332	2P-7215	845
	741		824	2N-5919	780		847
	1357		879	2N-7029	923		849
2L-0273	974		917		925		851
2L-2811	693		918		935		853
	695		1391		943		857
	1091		1393		945	2P-7636	877

PART NUMBER INDEX

Part	Page	Part	Page	Part	Page	Part	Page
	879	2W-0125	789	2W-1061	151	2W-4331	422
	883	2W-0138	837	2W-1228	835		845
2P-8511	1118		951		837		847
2R-1913	1442		954	2W-1476	837		849
2R-6806	403		1200	2W-1635	340		851
	405		1201		343		854
	407		1203		347	2W-4332	845
	409	2W-0142	786		351		847
	422	2W-0181	623		354		849
	845	2W-0221	789		356		851
	847	2W-0225	789		359		854
	849	2W-0282	916		362		858
	851	2W-0394	993		380	2W-4334	464
	853		997		383		466
	857	2W-0543	▶787		386	2W-4606	835
	861	2W-0618	1046		389		837
	863		1349	2W-1640	697	2W-4609	954
	865	2W-0630	776		700	2W-4611	954
	867	2W-0632	861		703	2W-4619	837
2R-7712	1105		863		745	2W-4621	954
	1118		865	2W-1769	1367	2W-4622	837
	1124		867	2W-1772	1010	2W-4633	837
	1130	2W-0633	845		1014	2W-4875	490
	1138		847	2W-1793	1409		493
	1142		849		1411		496
	1146		851		1413	2W-4880	741
	1150		853		1415		743
	1152		857	2W-1969	343	2W-4899	853
	1164	2W-0634	845		347		857
	1166		847		351		996
	1168		861		354		1050
	1170		863		356	2W-4925	▶845
	1172	2W-0635	845		359		▶847
2S-1251	1469		847		362		949
2S-2760	412		849		380		950
2S-2923	17		851		383	2W-4926	▶849
	20		853		386		▶851
	23		857		389		▶853
	26		861	2W-2288	60		▶857
2S-5100	340		863		61	2W-4927	▶861
	343		865		62		▶863
	347		867	2W-2324	951		1205
	351	2W-0636	845	2W-2327	954	2W-4928	▶865
	354		847	2W-2328	954		▶867
	356		849	2W-2330	954	2W-4929	1109
	359		851	2W-2333	1200		1110
	362		854		1201	2W-5013	954
	813		858		1203	2W-5213	697
	818		861	2W-2336	1203		745
	820		863	2W-2606	896		748
	822		865	2W-2662	103		749
	824		867		105		751
	826	2W-0688	▶788		108	2W-5215	743
	829	2W-0694	392		129	2W-5216	▶743
2V-4387	523		394	2W-2895	181		748
2V-5956	845		403		183	2W-5225	523
	847		405		187	2W-5285	54
	861		407	2W-2940	70		55
	863		409		72	2W-5330	623
	1006	2W-0715	672		74	2W-5450	1201
	1017	2W-0752	48		75		1203
	1019		226		77	2W-5479	412
	1020		227		80	2W-5530	952
	1091		228		83	2W-5531	▶952
	1093		235		85	2W-5551	623
	1095		337		87	2W-5563	625
	1097		338	2W-3146	532		627
	1103	2W-0776	835		534	2W-5616	▶57
	1376		837	2W-3406	392		▶58
	1378	2W-1053	380		394	2W-5652	743
2V-7397	976		383	2W-3584	326	2W-5653	743
	977		386		327	2W-5907	1200
2W-0124	835		389	2W-4075	▶723		1201
	837	2W-1054	▶1479	2W-4076	▶724		1203

PART NUMBER INDEX

Part	Page	Part	Page	Part	Page	Part	Page
2W-5909	1201		183	2W-9209	356		159
	1203	2W-7703	845		359		161
2W-5917	1201		847	2W-9210	454		164
	1203		853	2W-9215	1431		166
2W-5974	1201		857		1436		184
	1203		863	2W-9217	1431		340
2W-5975	835		1109		1436		343
	837		1110	2W-9299	340		380
2W-6047	783	2W-7704	845		351		383
2W-6078	1224		847		356		386
	1226		853	2W-9300	813		389
	1232		857		815		523
2W-6079	1219		863		818		605
	1227		1109		820		606
	1229		1110		822		607
	1235	2W-7811	1431		824		608
2W-6081	1219		1436		826		709
	1224	2W-7824	510		829		711
	1227	2W-7866	▶686	2W-9584	697		713
	1229	2W-7867	686		700		715
	1232	2W-7868	686		703		717
	1235	2W-7871	▶687		745		719
2W-6082	1219	2W-7872	687	2W-9585	697		813
	1224	2W-7931	625		700		815
	1226		627		703		818
	1229	2W-7989	572		745		820
	1232	2W-7990	572	2W-9588	▶700		822
	1235	2W-8014	253	2W-9592	3		824
2W-6083	416		254		5		827
2W-6108	949		255		▶1401		829
	950		281	2W-9606	▶770		845
	▶1107		282	2W-9635	930		847
	1205		283		947		849
2W-6128	1107	2W-8202	16		▶957		851
2W-6129	1107		20		1194		853
2W-6286	826		23	2W-9723	600		857
2W-6287	815		26		601		861
	826	2W-8338	16	2W-9724	600		863
	829		20		601		865
2W-6288	818		23	2W-9726	3		867
	822		26		5		1063
	826	2W-8371	▶1380		▶605		1064
2W-6289	826	2W-8373	▶1382		606		1076
	829	2W-8378	351		607		1077
	875		356		608		1138
2W-6290	815	2W-8580	841				1142
	826	2W-8583	▶839				1156
	829	2W-8602	993				1380
2W-6292	826		996				1397
	829	2W-8603	992				151
2W-6293	826		993	3B-0551	16	3B-1925	151
	829		996		17	3B-2968	164
2W-6382	1214		1032		674		166
	1215		1034	3B-0623	89	3B-4501	987
2W-6507	1214	2W-8604	1032		91		1006
2W-6618	412		1034		95		1017
2W-6632	627		1179		97		1020
2W-6667	815		1408		100		1022
	826	2W-8684	993		101		1322
	829		996		107		1323
2W-6672	815		1456	3B-0645	89		1324
	826	2W-8802	993		91		1325
	829		997		95		1326
2W-6820	775	2W-8803	993		97		1327
	776		996		100		1363
2W-6832	984	2W-8810	▶1367		101		1427
2W-7226	380	2W-8811	1367		107	3B-4502	1212
	383	2W-8894	59		757	3B-4504	12
	386	2W-8956	984		758		14
2W-7253	800		1206		759		1363
	801		1208		761		1427
2W-7320	155		▶1319	3B-1915	153	3B-4505	8
	157	2W-9063	804		155		10
	181		806		157		12
							14

3

PART NUMBER INDEX

Part	Page	Part	Page	Part	Page	Part	Page
	1219	3B-7296	147	3D-2824	518	3E-7430	458
	1224		148		600		464
	1226		149		601		623
	1227	3B-7329	454		603		625
	1229	3B-7614	38		609		627
	1232		39		1105		1105
	1235	3B-7722	437		1138		1120
3B-4506	12		439		1142		1122
	14		447		1156		1124
	36		449	3D-4067	523		1126
	208	3B-7728	1120	3D-4603	923		1128
	209		1122		925		1130
	490	3B-7733	1010		928		1132
	493		1014		930		1138
	496	3B-7738	1182		932		1142
	1356	3B-7741	431		935		1146
	1357		433		938		1150
3B-4507	490		435		940		1152
	493		437		943		1168
	496		439		945		1170
	576		441		947		1172
	578		443		958		1174
3B-4508	208		445		1194		1176
3B-4605	1200		447	3D-9777	356	3E-7769	1246
	1201		449		359		1249
	1203		451		362		1252
3B-4615	356		453	3E-0105	981	3E-7771	1247
	359	3B-7744	1056	3E-0125	1300		1249
3B-4618	17		1058	3E-0127	1300		1253
	20		1182	3E-0128	1300		1258
	23	3B-7745	396	3E-0129	1300		1265
	26		398	3E-0130	1300		1268
3B-6487	1411		623	3E-0131	1300		1271
	1440		625	3E-0132	1300		1274
3B-6491	1126		627	3E-0133	1300		1282
3B-6492	693		652	3E-0134	1300		1285
	1091		1120	3E-0135	1300		1288
	1093		1122	3E-0136	1300		1291
	1095		1128	3E-0137	1300		1294
	1099		1130	3E-0138	1300	3E-7775	1240
3B-6498	1118		1132	3E-0139	1300		1243
	1120		1146	3E-0140	1300		1261
	1122		1148	3E-0141	1300	3E-7886	1183
	1128		1150	3E-0142	1300		1186
	1136		1152	3E-0144	1300		1189
3B-6552	690		1154	3E-0145	1300	3E-9865	1118
	691		1158	3E-0146	1300		1416
	1008		1160	3E-0264	1330		1419
	1010		1162	3E-0357	1416		1421
	1012	3B-7749	621		1419		1424
	1014		651		1421	3F-0379	1240
	1411		1134		1424		1246
	1440		1136	3E-2306	815		1252
3B-6768	1217	3B-7764	1182	3E-2319	147		1257
3B-7255	431	3B-8453	590	3E-3365	1217		1276
	433		592		1336		1282
	435		594	3E-3389	1404		1288
	437	3B-8488	36	3E-4337	979	3F-1358	570
	439	3B-8489	36	3E-4352	194	3F-1417	209
	441		164		206		213
	443		166	3E-4365	576		214
	445	3B-8686	164	3E-5504	1416	3F-2065	403
	447		166		1419		407
	449		192		1421		422
	451		194		1424		648
3B-7265	428		204	3E-6477	993		649
	429		206		997		1006
3B-7266	424	3B-8822	192		1319		1020
3B-7270	399		194		1320		1046
	1124		196	3E-6916	706		1314
	1126		198		709		1315
	1176		200	3E-7298	1217		1338
3B-7272	692		204	3E-7404	1120	3F-5289	8
	699		206		1124		10

PART NUMBER INDEX

Part	Page	Part	Page	Part	Page	Part	Page
3F-6166	1409		697		818		359
	1442		700		822	3L-5893	623
3F-9556	1323		703		824	3L-6008	435
	1324		745		826		441
	1325	3J-7311	1374		879		443
	1327		1387		1469	3L-6521	1366
3H-0107	151	3J-7352	1385		1470	3L-6759	835
3H-0240	923		1387	3K-0810	961		837
	925		1409	3K-2593	952	3L-6789	1326
	928		1411		953	3L-6836	1306
	930		1413		1465		1307
	932		1415	3K-2889	240		1308
	935		1440		242		1309
	938		1442		244		1310
	940	3J-7354	89		246	3L-7314	1030
	943		91		248		1032
	945		97		250		1034
	947		101	3K-6060	40	3L-7604	1256
	1194		226		695		1263
3H-0510	1237		227		1093		1304
	1239		523		1097		1306
3H-2137	1046		845		1101		1308
3H-2617	454		847		1103		1309
3H-3243	908		861		1406	3L-7634	1255
	909		863		1407		1260
	910		879		1419		1304
3H-3433	396		1111		1421		1305
	398		1409	3K-6168	923		1306
	399		1411		925		1307
3H-3680	1212		1440		928		1308
3H-5366	987		1442		930		1309
	989	3J-7355	693		932		1310
3H-5844	570		695		935	3L-8187	1217
3H-5939	455		1008		938		1368
	642		1010		940	3L-8993	693
3H-6591	36		1012		943		695
3H-6624	741		1014		945		739
	743		1091		947		777
3H-7131	340		1093		1194		1091
	343		1095	3K-6662	151		1093
	380		1097	3K-6905	959		1095
	383		1099	3K-7543	974		1097
	386		1101		1433		1101
	389		1103	3K-8106	999		1103
3H-7654	216		1370		1000		1181
	1345		1372		1000	3L-9689	208
	1346		1376		1323		209
3H-9571	34		1378	3K-8460	800		1357
3H-9572	34		1380		801	3M-7045	1166
3H-9574	34		1385		1246		1221
3J-1907	523		1389	3L-3380	1249	3N-1283	416
	582		1397		1252	3N-1284	416
	584		1399		1257	3N-1285	416
	586	3J-7719	1219		1264	3N-1287	416
	589		1224		1267	3N-1341	642
	598		1227		1270	3N-1400	422
	810		1229		1273		987
	845		1232		1276		989
	847		1235		1281	3N-1968	1116
	849	3J-9173	356		1284	3N-2451	516
	851		359		1287		614
	861		362		1290	3N-2652	455
	863	3J-9196	328		1293	3N-3297	413
	865		330	3L-3825	1041	3N-3299	413
	867		332		1044	3N-3300	413
	879	3K-0360	52		1046	3N-3763	1247
	917		215	3L-4566	987		1250
	918		216		989		1253
	994		218		993		1257
	996		219		997		1265
	1004		234		1030		1268
	1470		508		1032		1270
3J-5389	447		523		1034		1273
	674		815	3L-5389	356		1277

PART NUMBER INDEX

Part	Page	Part	Page	Part	Page	Part	Page
	1282		925	3N-8276	▶1447		572
	1285		928	3N-8277	▶1457		574
	1288		930	3N-8278	1337		580
	1291		932		1413		590
	1294		935		1435		592
3N-3790	1456		938	3N-8441	578		594
3N-4128	▶34		940	3N-8442	578		596
	36		943	3N-8445	576	3R-1059	1182
3N-4130	▶36		945		578	3R-6569	923
	281		947	3N-8446	578		925
	282		1194	3N-8447	578		928
	283	3N-5752	961	3N-8448	578		930
3N-4411	1411	3N-5755	923	3N-8452	578		932
	1440		925	3N-8455	578		935
3N-4416	1431		928	3N-8462	578		938
	1436		930	3N-8463	576		940
	▶1445		932		578		943
	1446		935	3N-8468	578		945
3N-4418	1364		938	3N-8469	578		947
3N-4420	1364		940	3N-8647	▶168		1194
3N-4427	1364		943	3N-8888	▶490	3R-8797	1243
	1365		945		492		1249
	1430		947	3N-8889	▶492		1261
	1431		1194	3N-8890	▶493		1265
	1436	3N-5757	957		495		1268
	1438		958	3N-8891	▶495		1270
3N-4511	▶372	3N-5764	▶1357	3N-8892	▶496		1273
3N-4512	▶373	3N-5765	40		498		1285
3N-4565	1364		▶208	3N-8893	▶498		1291
3N-4579	1411		▶209	3N-9012	974		1293
	1440	3N-5986	1430		▶1362	3R-8801	1246
3N-4622	192		1431	3N-9015	▶1364		1249
	194		1436		1430		1252
	196		1438		1438		1257
	198	3N-5987	1430	3N-9606	488		1265
	200		1431		490		1268
	204		1436		493		1270
	206		1438		496		1273
	639	3N-5988	1430		499		1277
	693		1431		501		1282
	695		1436		504		1285
	1091		1438	3N-9610	490		1288
	1093	3N-5989	1431		493		1291
	1095		1433		496		1294
	1097		1436	3N-9626	490	3S-1099	1409
	1099		1442	3N-9629	493		1442
	1101	3N-5990	1362	3N-9711	1058	3S-1307	181
	1103	3N-5992	1362	3P-0647	796		183
	1411	3N-6504	869	3P-0649	335		187
	1440		1118	3P-0654	229	3S-1546	572
3N-4793	1172	3N-6666	44		256		574
	1174	3N-6744	780		258	3S-2093	853
3N-4829	692	3N-7012	1447		259		857
3N-4868	370	3N-7054	1313		261		1053
	▶374	3N-7055	1313		263		1054
3N-4869	371	3N-7056	▶1313		265		1334
	▶375	3N-7057	396		267		1335
3N-4905	▶376		398		269		1413
3N-4906	616		399	3P-0655	380		1433
	619	3N-7223	▶378		383		1435
	791		794		386	3S-3074	1469
	792		1164		389		1474
	793		1166	3P-1896	55		1476
3N-4907	▶377	3N-7229	1411		757	3S-8313	538
3N-5573	40		1440		758		741
3N-5596	▶225	3N-8123	34		759		743
3N-5708	1357	3N-8124	34		761	3S-8664	20
3N-5714	987	3N-8125	34	3P-2021	1120		23
	989	3N-8269	1430		1122		26
3N-5738	957		1431		1128		642
	958		1436		1174	3S-9643	235
3N-5739	957		1438	3P-4347	151		237
	958	3N-8271	▶1317	3P-6048	1003		507
3N-5744	923	3N-8275	▶1446	3P-6061	523		508

PART NUMBER INDEX

Part	Page	Part	Page	Part	Page	Part	Page
	509		1270		966		745
	510		1271		968		1105
	511		1273		971		1138
	512		1274	3T-7583	420		1142
	513		1276	3T-8948	▶1276		1156
	514		1277	3T-9494	1180	3V-6153	16
	515		1281		1246		20
	636		1282		1247		23
	1468		1284		1250		26
3T-1415	1026		1285		1252		1116
3T-3270	1217		1287		1253		1182
3T-3418	1246		1288		1258		1409
	1249		1290		1264		1442
	1257		1291		1265		
	1264		1293		1267		
	1267		1294		1268		
	1270	3T-3433	1277		1271		
	1273	3T-3434	1240		1274		
	1276		1243		1276	4B-1226	994
	1281		1247		1281		996
	1284		1250		1282	4B-1243	422
	1293		1253		1284	4B-2041	1363
3T-3419	1277		1257		1285		1367
3T-3420	1277		1261		1287		1427
3T-3422	1240		1264		1288	4B-2043	968
	1243		1267		1290		971
	1257		1270		1291		1006
	1261		1273		1294		1017
	1264		1277	3T-9524	1246		1020
	1267		1281		1249		1022
	1270		1284		1252		1322
	1273		1287		1257		1326
	1276		1290		1265	4B-2047	962
	1281		1293		1268		964
	1284	3T-3735	403		1270		966
	1287		407		1273		974
	1290		▶420		1276		981
	1293	3T-3848	889		1282		994
3T-3423	1246		1367		1285		996
	1247	3T-4696	1054		1288		1030
	1249	3T-4704	▶1211		1291		1032
	1252	3T-4709	1180		1293		1034
	1253		1246	3T-9525	▶1180		1324
	1258		1252		1246		1325
	1264		1264		1249		1325
	1265		1267		1252	4B-2049	1211
	1267		1276		1257		1212
	1268		1281		1264		1240
	1270		1284		1267		1243
	1271		1287		1270		1247
	1273		1290		1273		1250
	1274	3T-4710	1180		1276		1253
	1276		1246		1281		1258
	1277		1252		1284		1265
	1281		1264		1287		1268
	1282		1267		1290		1271
	1284		1276		1293		1274
	1285		1281	3V-2431	138		1276
	1287		1284		139		1282
	1288		1287		140		1285
	1290		1290		141		1288
	1291	3T-4711	1246		142		1291
	1293		1252		143		1294
	1294	3T-5051	▶1212	3V-3308	455		1300
3T-3424	1246		1276		523		1364
	1247	3T-5343	1252		666		1365
	1249		1273		667		1366
	1252		1288		679		1369
	1253		1291		681		1431
	1258	3T-5440	1252		682		1433
	1264		1287		688		1436
	1265		1290		697		1438
	1267	3T-6354	962		700		1442
	1268		964		703	4B-2363	259

PART NUMBER INDEX

Part	Page	Part	Page	Part	Page	Part	Page
	261		985		928		196
	263		1030		930		200
	265		1368		932		204
	267	4B-7270	36		935		206
	269	4B-7770	17		938		392
4B-3140	259		20		940		394
	261		23		943		403
	263		26		945		405
	265		1134		947		407
	267		1136		1008		409
	269	4B-8407	50		1010	4L-2729	1247
	368		52		1012		1249
	369		151		1014		1253
	380		216		1109		1258
	383		234		1110		1265
	386		456		1194		1268
	389		547	4F-8184	1006		1271
4B-3388	181		549		1020		1274
	183		1466	4F-8711	979		1282
	783		1469		994		1285
	808		1472		996		1288
	810	4B-9029	1118		1030		1291
4B-3643	952	4B-9030	1134		1032		1294
	953	4B-9782	603	4H-0002	34	4L-3527	34
4B-4043	29		609	4H-0019	36	4L-3862	492
	50		897	4H-1722	804		495
	52		899		806	4L-6155	1255
	580	4D-0449	138	4H-3157	12		1256
4B-4158	1456		139		14		1260
4B-4274	974		140	4H-6996	454		1263
	981		141	4H-7869	29		1306
	985		142		30		1307
	994		143		31		1308
	997		1476		50		1309
	1211	4D-0514	17		52		1310
	1212		90		234	4L-6454	482
	1324		92		1231		483
	1325	4D-3118	1219		1238		484
	1363		1224		1255		526
	1427		1226		1256		527
	1429		1227		1260		528
4B-4278	498		1229		1263		614
4B-4280	208		1232		1302		616
	1212		1235		1304		619
4B-4281	1183	4D-3704	44		1305		621
	1187	4D-8948	1376		1311		623
	1188		1378		1312		625
	1189	4D-9517	1103		1469		627
	1190	4F-2294	808	4H-8158	796		629
4B-4283	16		1326		798		630
	17	4F-3765	229	4J-0521	424		631
4B-4550	192	4F-4879	16		426		663
	194		20		428		728
	204		23		429		736
4B-4716	34		26	4J-4102	16	4L-6459	1126
4B-4721	34	4F-5695	674		20	4L-6665	1359
4B-4754	36	4F-7226	235		23	4L-7108	849
4B-4758	34		237		26	4L-9337	196
4B-4792	36		894	4J-4144	912		198
4B-4810	36		895		914		200
4B-4845	14	4F-7387	523	4J-4382	574		623
4B-4863	987		580	4J-5477	917		625
	999		590		918		661
	1000		592	4J-7533	572		730
	1215		594		574		732
	1323		596	4K-0367	246		734
	1327	4F-7957	845		487	4M-0061	196
	1422		847	4K-5175	1209		198
	1424		853	4K-6498	994		200
4B-4909	780		857		997	4M-1815	1211
4B-5006	196		861	4K-8603	800		1212
	198		863		801		1288
	200		923	4K-9097	192	4M-1827	1240
4B-5324	981		925		194		1243

PART NUMBER INDEX

Part	Page	Part	Page	Part	Page	Part	Page
	1247		1281	4N-0932	757	4P-1703	1393
	1250		1284		758		1395
	1253		1287		759	4P-1931	826
	1257		1290		761		829
	1264		1293	4N-1114	50	4P-1932	877
	1267	4M-1896	1247		52		879
	1277		1250	4N-1320	229		883
	1281		1253		456	4P-2522	103
	1284		1258		519		108
	1287		1265		521	4P-2586	▶1320
	1290		1268		547	4P-2731	▶1217
	1293		1271		549	4P-2839	340
4M-1828	1240		1274		1464		351
	1243		1277		1465		356
	1246		1282		1466	4P-3117	621
	1249		1285		1468		651
	1252		1288		1470		1134
	1257		1291		1472		1136
	1264		1294		1473	4P-3429	672
	1267	4M-2442	164	4N-1650	33	4P-3483	▶1187
	1277		166	4N-3311	642		1197
	1281		642	4N-3411	693		1400
	1284	4M-3248	412		695	4P-3783	▶780
	1287	4M-5274	1212		1091	4P-3784	368
	1290	4M-5281	616		1093	4P-3818	668
	1293		619		1095		669
4M-1829	1246		638		1097		670
	1252		640		1099	4P-3819	668
	1257		641		1101		670
	1277	4M-5317	693		1103	4P-3870	780
	1281		695	4N-3986	▶968	4P-3893	780
	1287		852		▶971	4P-3897	532
4M-1831	1240		854		974		534
	1243		858	4N-4519	787	4P-3966	8
	1246		865	4N-4520	787		10
	1249		867		788	4P-4691	▶506
	1252		1019	4N-4523	787	4P-4774	1166
	1257		1091		788	4P-4890	405
	1261		1093	4N-5834	518		409
	1264		1095		600	4P-4925	▶403
	1267		1097		601		▶405
	1270		1099		603	4P-4926	▶407
	1273		1101		609		▶409
	1276		1103	4N-7521	1300	4P-4927	403
	1277		1366	4N-9681	17		405
	1281		1367		20		407
	1284	4M-6107	576		23		409
	1287		578		26	4P-4930	987
	1290	4M-6425	610	4N-9720	492		989
	1293		619		495	4P-4993	▶1164
4M-1851	1277		632	4P-0692	379	4P-4995	▶1166
4M-1853	1247		655		401	4P-5020	▶1109
	1249		793		812		1205
	1253	4M-6646	672		822	4P-5211	240
	1257	4M-6953	43		824		242
	1264		168		870		244
	1267	4M-8303	151		871		246
	1270		802		875		248
	1273		1403		879		250
	1277	4N-0683	70		883	4P-5242	424
	1281		72		899		426
	1284		75	4P-0693	870		428
	1287		77		879		429
	1290		80		883	4P-5248	985
	1293		83		897	4P-5284	▶987
4M-1854	1247		253		899		▶989
	1249		254	4P-0720	638	4P-5285	987
	1253		255	4P-0721	638		989
	1257		281	4P-1701	616	4P-5437	187
	1264		282		619	4P-5438	187
	1267		283		791	4P-5490	220
	1270	4N-0684	657		792		221
	1273		659		793	4P-5494	879
	1277	4N-0730	▶1084		794	4P-5495	879

PART NUMBER INDEX

Part	Page	Part	Page	Part	Page	Part	Page
4P-5637	412	4P-9941	616		1436		1122
4P-5638	▶412		631	4W-0508	1431		1128
	414	4R-8658	338		1433		1132
4P-5644	1215	4S-1936	887		1436		1134
4P-5645	1215	4S-1962	1041		1442		1160
4P-5648	985		1044	4W-0511	1431	4W-2359	763
4P-5649	985		1046	4W-0530	523		764
4P-5660	985	4S-1988	1050	4W-0531	523		765
	▶991	4S-4455	1118	4W-0715	700		766
4P-6409	12	4S-4857	1393		703		767
	14		1395	4W-0968	808	4W-2493	802
4P-6538	▶789	4S-5882	340	4W-1035	3	4W-2541	787
	837		343		5		788
4P-6599	981		347		▶332	4W-2542	787
4P-6857	835		351	4W-1449	2		788
	837		354		4	4W-2637	1002
4P-6859	835		356		▶334	4W-2640	1002
	837		359	4W-1450	334	4W-2641	1002
4P-6860	835		362	4W-1453	697		1197
	837		414		700	4W-2642	1002
4P-6861	835	4S-6399	1093		745		1197
	837		1103	4W-1454	763	4W-2648	1116
4P-6863	835	4S-6678	893		764	4W-2683	▶1369
	837	4S-7756	151		765		1430
4P-6867	835		802		766		1431
	837	4V-2027	979		767	4W-2767	▶1002
4P-6869	786	4V-7412	343	4W-1455	763	4W-2768	▶1002
4P-7048	845		347		764		1197
	847		354		765	4W-2966	2
	851		362		766		4
	853	4W-0090	356		767		▶783
	857		359	4W-1478	763	4W-3027	235
4P-7072	▶460		362		764		237
4P-7381	917	4W-0095	2		765		334
	918		4		766	4W-3034	334
4P-7383	917		▶130		767	4W-3048	▶748
	918		▶131	4W-1528	▶50		▶749
4P-7384	917		▶133	4W-1529	2		750
4P-7428	1344	4W-0096	356		4	4W-3053	708
	1345		359		▶52	4W-3100	235
	1346		362	4W-1534	▶1		237
4P-7429	1345	4W-0162	798	4W-1568	▶1343		514
4P-7581	390	4W-0215	798	4W-1701	▶645		515
	399	4W-0216	798		648		539
	1334	4W-0283	▶4	4W-1703	▶646		541
	1335	4W-0288	356	4W-1704	▶647		543
	1345		359		1010		545
	1346		362		1014		636
	1382	4W-0289	356	4W-1705	649		1468
	1383		359	4W-1771	▶648	4W-3108	512
	1384		362	4W-1774	2		642
	1391	4W-0290	356		4	4W-3127	539
	1393		359		▶33		541
	1395		362	4W-1775	▶649		543
4P-7610	810	4W-0334	356		845		545
	▶1188		359		849	4W-3148	798
4P-7680	706		362		851	4W-3151	▶798
4P-8098	1107	4W-0335	285		861		844
4P-8134	1345		294		865	4W-3152	▶844
	1346		295	4W-1901	1107	4W-3153	▶808
	1382		296	4W-1954	741		844
	1383		297		743	4W-3169	1201
	1384		298	4W-1989	645		1203
	1393		300		646	4W-3170	954
	1395		306		647	4W-3251	340
4P-8463	1124	4W-0343	357		649		351
	1168		360		▶1478		356
	1174		362	4W-2109	1120		1466
4P-9075	895	4W-0472	▶365		1122	4W-3474	1401
4P-9122	▶128	4W-0506	1430		1128	4W-3584	808
4P-9123	102		1431		1132	4W-3657	1374
	128		1436		1134		1387
	▶129		1438		1160	4W-3658	1374
4P-9312	578	4W-0507	1431	4W-2110	1120		1387

PART NUMBER INDEX

Part	Page	Part	Page	Part	Page	Part	Page
4W-3864	598	4W-5110	▶1229		354	4W-7957	993
4W-3969	993		1239	4W-6401	1199		996
	996	4W-5267	▶802		1206	4W-7959	741
4W-4076	431	4W-5307	1411		1208		743
	433		1413		1328	4W-8072	778
	443		1415	4W-6402	1199		840
	445	4W-5308	1440		1206	4W-8403	36
	451		1409		1208	4W-8404	36
4W-4313	380		1411		1328	4W-8459	343
	386		1440	4W-6463	▶1384		351
	389		1442	4W-6491	340	4W-8467	340
4W-4444	815	4W-5309	▶1433		343		343
	826	4W-5310	▶1409		347		347
	829	4W-5369	810	4W-6492	343	4W-8468	351
4W-4472	1436	4W-5391	▶779		347		357
	1438		842	4W-6495	808		360
4W-4526	▶1430	4W-5424	▶775	4W-6497	808	4W-8471	993
	1433		1008	4W-6500	▶1453	4W-8504	292
4W-4527	▶1431		1010	4W-6664	33	4W-8505	301
	1435		1012	4W-6673	▶572	4W-8507	302
4W-4536	1091		1014	4W-6674	▶574	4W-8508	303
	1095	4W-5425	1008	4W-6675	574		304
	1097		1012	4W-6676	572	4W-8509	305
4W-4563	1378	4W-5426	▶776	4W-6677	572		306
4W-4586	187		1010		574	4W-8787	987
4W-4587	802		1014	4W-6682	328		989
4W-4589	802	4W-5427	1010		330	4W-8996	▶292
4W-4595	151		1014		332	4W-9479	12
4W-4632	485	4W-5540	780	4W-6803	▶1411		14
	▶499	4W-5592	343	4W-6874	2	4W-9489	12
	485		347		4		14
4W-4642	▶501		351		▶351	4W-9560	130
	486		354		▶354		▶134
4W-4652	▶503		356	4W-6883	▶151	4W-9968	▶356
	▶504		359		949		▶359
4W-4677	380		362		950		▶362
	383	4W-5596	380		1205		
	386		383	4W-6885	949		
	389		386		950		
4W-4750	▶1348		389		▶1110		
	1350	4W-5597	380		1205		
	1351		383	4W-6887	▶1435	5B-0213	104
4W-4753	▶1323		386	4W-6960	351		110
4W-4754	▶1324		389		354		111
4W-4755	▶1325	4W-5757	808	4W-6964	697		121
4W-4803	783	4W-5892	2		700		122
4W-4813	63		4		703		127
	64		▶467		745		128
	65	4W-5986	1380	4W-6979	▶949		130
	66		1397		▶950		131
	68	4W-5990	1370		340		133
	69		1372	4W-7192	343	5B-0841	523
4W-4814	70		1385		347	5B-2407	36
	72		1389	4W-7202	▶1008	5B-2638	524
	75	4W-5992	1380	4W-7205	▶1010	5B-3265	572
	77	4W-5995	▶1383	4W-7208	▶1012		574
	80	4W-6062	3	4W-7211	▶1014	5B-4399	524
	83		5	4W-7213	1008	5B-4855	1124
4W-4980	467		▶380		1010		1164
	▶468		▶383	4W-7214	1008		1168
	49		▶386		1010		1354
4W-5015	810		▶389	4W-7215	1014	5B-7643	693
4W-5026	810	4W-6066	380	4W-7216	1012		1099
4W-5027	810		383		1014		1103
4W-5029	810		386	4W-7217	1012	5B-7660	739
4W-5030	778		389		1014		1181
	▶810	4W-6252	▶424	4W-7218	1014	5B-7661	1103
	842	4W-6255	▶426	4W-7219	1012	5B-7666	693
4W-5062	810	4W-6257	426		1014		695
4W-5100	780	4W-6258	424	4W-7220	1012		739
4W-5107	▶1224	4W-6341	▶719		1014		777
	1238	4W-6387	343	4W-7774	328		1091
4W-5108	▶1226		347		332		1093
	1237		351	4W-7793	1197		1095
4W-5109	▶1227						

PART NUMBER INDEX

Part	Page	Part	Page	Part	Page	Part	Page
	1097		1039		1293		33
	1099	5F-6371	396	5J-7303	17		38
	1101		398		20		39
	1181		399		23		46
5B-7890	102		424		26		49
	104		426	5K-0605	787		50
	110		428		788		52
	111		429	5K-9090	1065		54
	113		1122		1066		55
	121		1124		1067		57
	122		1128		1068		70
	127		1132		1069		72
	128		1160		1070		75
	130		1164		1074		77
	131		1168		1075		80
	133		1170		1148		83
	708		1174		1154		102
	1341		1176		1158		104
5B-9079	356	5F-6562	323		1160		110
	359		324		1162		111
	362	5F-6932	253	5L-1761	908		113
5B-9100	981		254		909		121
5B-9385	892		255		910		122
5B-9603	539		281		911		127
	541		282	5L-2534	693		128
	543		283		695		130
	545	5F-9657	70		1091		131
	642		72		1093		133
5C-2874	1297		74		1095		151
	1299		75		1097		153
	1363		77		1099		155
	1427		80		1101		157
5C-2890	981		83		1103		159
5C-6565	563		85	5L-2579	1006		161
	568		87		1020		181
5C-6819	741		228	5L-3233	690		183
5D-1026	642		235		691		209
5D-5569	1056		1465	5L-3708	810		213
5D-5957	235		1469	5L-3773	682		214
	237	5G-0400	741		688		256
	340	5G-4313	870		1471		258
	343	5H-1190	808	5L-4398	680		259
	347		810		686		261
	351		1474		687		263
	354	5H-3124	523	5L-5006	437		265
	454	5H-3182	783		439		267
	813	5H-6555	1367		447		269
	815	5H-6734	605		449		271
	818		606	5L-5502	12		273
	820		607	5L-5879	572		285
	822		608		574		287
	824		1465	5L-6296	437		288
	826		1467		447		289
	829		1470	5L-6425	1252		326
	1466		1473		1287		328
5F-0304	50	5H-7225	454		1290		330
	52	5H-7598	1006	5L-6954	▶677		332
5F-3106	38		1017	5L-7441	1366		335
	580		1019	5L-7442	1366		336
5F-3144	164		1020	5L-8983	1215		337
	166		1022		1216		338
5F-4899	380	5J-5314	1247	5L-9128	493		340
	383		1250		496		343
	386		1253	5L-9652	34		344
	389		1257	5L-9653	36		347
	657		1264	5L-9654	36		351
	659		1267	5L-9655	36		354
5F-5434	16		1270	5L-9895	▶1366		356
	20		1273	5M-2894	12		357
	23		1277		14		360
	26		1281		16		363
	1019		1284		20		367
5F-5990	869		1287		23		368
	1037		1290		26		369

PART NUMBER INDEX

Part	Page	Part	Page	Part	Page	Part	Page
	379		700		1032		1250
	380		703		1034		1253
	383		706		1036		1257
	386		708		1037		1264
	389		709		1039		1267
	392		711		1063		1270
	394		713		1064		1273
	396		715		1076		1277
	399		717		1077		1281
	401		719		1103		1284
	403		736		1105		1287
	405		741		1107		1290
	407		743		1109		1293
	409		745		1110	5M-4987	802
	412		749		1116	5M-6213	743
	431		751		1118		923
	433		760		1120		925
	435		763		1122		928
	437		764		1128		930
	439		765		1130		932
	441		766		1132		935
	443		767		1134		938
	445		768		1136		940
	447		774		1138		943
	449		780		1142		945
	451		783		1146		947
	454		796		1148		957
	456		798		1150		958
	458		802		1152		1194
	460		804		1154	5M-6214	418
	461		806		1156		420
	463		808		1158		925
	464		810		1160		930
	465		813		1162		932
	466		815		1166		935
	498		818		1172		940
	514		820		1174		943
	515		822		1176		945
	519		824		1179		947
	521		826		1322		1194
	524		829		1328	5N-0361	984
	529		845		1345		1321
	532		847		1346		1328
	534		849		1353	5N-0364	1321
	539		851		1356		1328
	541		853		1370	5N-0367	1030
	543		857		1372		1032
	545		861		1376		1034
	547		863		1378	5N-0408	580
	549		865		1380		590
	551		867		1382		592
	553		870		1383		594
	556		871		1384		596
	558		873		1385	5N-1593	1056
	570		875		1389	5N-1594	1056
	572		877		1391		1058
	574		879		1393	5N-1597	1056
	580		883		1395		1058
	590		892		1397	5N-1755	572
	592		893		1399	5N-1782	923
	594		897		1400		928
	596		899		1406		932
	636		952		1407		935
	642		953		1408		938
	654		1003		1409		943
	657		1006		1411		945
	659		1008		1413		1194
	666		1010		1415	5N-1845	572
	667		1012		1419		574
	674		1014		1421		580
	680		1017		1433	5N-1858	1056
	683		1020		1440		1058
	689		1022		1442	5N-1859	1056
	697		1030	5M-3034	1247		1058

PART NUMBER INDEX

Part	Page	Part	Page	Part	Page	Part	Page
5N-1913	912		945	5N-3765	▶ 44		1321
	914		947	5N-4027	1056	5N-5201	1056
5N-1923	912		1194		1058	5N-5296	928
	914	5N-2710	912	5N-4383	582		930
5N-1925	▶ 914		914		584		932
	932	5N-2716	923		598		938
	935		925	5N-4384	598		940
	1194		928	5N-4504	578	5N-5297	928
5N-1939	590		930	5N-4659	▶ 437		930
	592		932		▶ 439		932
	594		935		▶ 441		938
	596		938		▶ 443		940
5N-1940	580		940		▶ 445	5N-5328	▶ 932
	590		943	5N-4718	923	5N-5329	▶ 935
	592		945		925		949
	594		947		928	5N-5561	44
	596		1194		930	5N-5574	912
5N-1941	580	5N-2718	923		932		914
5N-1943	914		925		935	5N-5646	1111
5N-2049	1107		928		938	5N-5670	1107
5N-2126	▶ 1001		930		940	5N-5671	849
	1334		932		943		851
	1335		935		945		861
5N-2194	1365		938		947	5N-5735	▶ 1111
5N-2195	1365		940		1194	5N-5755	959
5N-2196	1365		943	5N-4722	959		960
5N-2258	808		945		960		▶ 1340
5N-2317	40		947	5N-4726	961	5N-5757	574
	323		▶ 961	5N-4727	923		▶ 576
5N-2322	323		1194		925	5N-5860	574
	324	5N-2720	957		928	5N-5880	▶ 955
5N-2336	1216		958		930	5N-5886	574
5N-2438	▶ 869	5N-2724	957		932	5N-5977	574
5N-2457	▶ 679		958		935	5N-5988	1166
5N-2458	▶ 678	5N-2725	923		938	5N-5990	923
5N-2605	▶ 590		925		940		928
	▶ 592		928		943		932
	▶ 594		930		945		935
	▶ 596		932		947		938
5N-2611	582		935		1194		943
	584		938	5N-4728	923		▶ 960
	586		940		925		1194
	588		943		928	5N-5991	912
	598		945		930		914
5N-2612	590		947		932	5N-5996	849
	592		1194		935		851
	594	5N-2746	1006		938		861
	596		1020		940	5N-6051	▶ 1194
5N-2613	590	5N-2885	957		943		1205
	592		958		945	5N-6055	578
	594	5N-2886	957		947	5N-6096	960
	596		958		1194	5N-6138	960
5N-2618	578	5N-2902	576	5N-4749	959	5N-6141	923
5N-2707	923		578		960		925
	925	5N-2904	576		▶ 1339		928
	928		578	5N-4817	208		930
	930	5N-3174	1030	5N-4988	993		932
	932		1032		997		935
	935		1034		1029		938
	938	5N-3198	923	5N-4990	923		940
	940		925		925		943
	943		928		928		945
	945		930		930		947
	947		932		932		1194
	1194		935		935	5N-6235	429
5N-2709	923		938		938	5N-6236	428
	925		940		940		429
	928		943		943	5N-6237	▶ 413
	930		945		945		424
	932		947		947		426
	935		1194		1194		428
	938	5N-3272	44	5N-5159	993		429
	940	5N-3274	44		996	5N-6241	▶ 396
	943	5N-3284	44		1029		▶ 398

PART NUMBER INDEX

Part	Page	Part	Page	Part	Page	Part	Page
5N-6255	413		715		732		1229
5N-6268	▶399		728		734		1232
5N-6442	957		730		736		1235
	958		732	5N-7925	▶721	5N-8373	1219
5N-6443	923		734	5N-7926	721		1224
	925		736	5N-7928	912		1227
	928	5N-7831	661		914		1229
	932		663	5N-8057	1010		1232
	935		728	5N-8059	1008		1235
	938		730		1010	5N-8374	1219
	940		732		1012		1224
	943		734		1014		1227
	945		736	5N-8060	1008		1229
	▶958		▶738		1010		1232
5N-6449	912	5N-7832	654		1012		1235
	914		661		1014	5N-8375	1219
5N-6645	1365		663	5N-8071	1012		1224
5N-6646	1364		728		1014		1227
	1365		730		1370		1229
5N-6668	416		732		1372		1232
	418		734		1385		1235
	419		736		1389	5N-8377	1219
	420	5N-7833	738	5N-8166	▶1017		1224
5N-6711	923	5N-7834	738	5N-8167	▶1322		1227
	925	5N-7835	738	5N-8200	▶1459		1229
	928	5N-7836	▶654	5N-8227	923		1232
	930	5N-7837	654		925		1235
	932	5N-7886	1107		928	5N-8378	1219
	935	5N-7904	▶663		930		1224
	938	5N-7905	663		932		1227
	940		713		935		1229
	943		715		938		1232
	945	5N-7906	661		940		1235
	947		663		943	5N-8379	1219
	1194		713		945		1224
5N-6942	1341		715		947		1227
5N-7184	▶650		717		1194		1229
5N-7408	955	5N-7908	711	5N-8291	▶1365		1232
	959		713		1431		1235
5N-7510	1030		715		1436	5N-8380	1224
	1032		717	5N-8352	699		1232
	1034		719	5N-8353	699	5N-8381	1219
5N-7743	36	5N-7910	711	5N-8354	▶699		1224
5N-7759	1324		713	5N-8362	1227		1227
	1325		715	5N-8363	1219		1229
5N-7766	437		717		1224		1232
	439		719		1226		1235
	447	5N-7915	728		1227	5N-8383	1219
	449	5N-7916	711		1229		1224
5N-7776	416		713		1232		1227
5N-7781	845		715		1235		1229
	847		717	5N-8364	1224		1232
	849		719		1227		1235
	851	5N-7917	663	5N-8365	1219	5N-8384	1224
	853		711		1224		1226
	857		717		1227		1232
5N-7782	845		728		1229	5N-8385	1219
	847		730		1232		1227
	861		736		1235		1229
	863	5N-7918	663	5N-8366	1219		1235
5N-7812	787		728		1227	5N-8387	1219
	788		730		1229		1224
5N-7822	661		736		1235		1226
	▶662	5N-7919	663	5N-8367	1224		1227
	663		711		1232		1229
	713		728	5N-8368	1219		1232
	715		730		1224		1235
	717		732		1227	5N-8388	1219
5N-7823	▶653		734		1229		1224
5N-7824	653		736		1232		1227
5N-7830	653	5N-7920	661		1235		1229
	656		663	5N-8372	1219		1232
	661		728		1224		1235
	663		730		1227	5N-8389	1219

PART NUMBER INDEX

Part	Page	Part	Page	Part	Page	Part	Page
	1227	5N-9013	576		1232		1380
	1229	5N-9014	576	5N-9575	1219		1385
	1235	5N-9015	576		1227		1389
5N-8390	1219	5N-9016	576		1229		1397
	1225	5N-9017	576		1235		1399
	1227	5N-9018	576	5P-0054	621		1408
	1230	5N-9019	576	5P-0076	33	5P-0597	334
	1233	5N-9020	576		697		366
	1236	5N-9021	576		700	5P-0598	506
5N-8403	1224	5N-9022	576		703		537
	1226	5N-9023	576		745		1122
	1232	5N-9024	576	5P-0537	259		1128
5N-8418	1107	5N-9063	912		261		1164
5N-8424	1219		914		265		1166
	1224	5N-9065	1053		267		1168
	1227		1054		336		1172
	1229	5N-9067	1053		424		1174
	1232		1054		639	5P-0599	506
	1235	5N-9068	1053		780		536
5N-8425	1219		1054		783		674
	1224	5N-9069	1053		813	5P-0721	642
	1226		1054		815	5P-0745	1255
	1227	5N-9070	1041		818		1304
	1229		1044		820		1305
	1232		1046		822		1306
	1235	5N-9071	1041		824		976
5N-8427	1219		1044		827	5P-0747	977
	1224		1046		829		20
	1226	5N-9072	1053		845	5P-0840	23
	1227		1054		847		26
	1229	5N-9073	403		849		46
	1232		405		851		55
	1235		407		853		70
5N-8428	1219		409		857		72
	1224		422		861		75
	1227		648		863		77
	1229		649		896		80
	1232		987		912		83
	1235		989		914		153
5N-8432	912		1041		923		155
	914		1044		925		157
5N-8458	912		1046		928		159
	914		1314		930		161
5N-8459	914		1315		932		183
5N-8557	1107		1338		935		226
5N-8644	36	5N-9117	987		938		227
5N-8645	36		989		940		230
5N-8862	1103		1053		943		232
5N-8941	▶1046		1054		945		286
	1350	5N-9164	1055		947		290
5N-8943	403	5N-9222	993		957		572
	405		996		958		574
	407	5N-9230	1370		981		798
	409		1372		1008		1391
	422		1374		1010		1393
	648		1376		1012		1395
	649		1378		1014		1397
	1041		1380		1046		1465
	1044		1387		1107		1473
	1046		1389		1109		1474
	1314		1397		1110		1476
	1315	5N-9232	148		1179	5P-0912	1132
	1338	5N-9304	▶1350		1194		1134
	1216		▶1351		1214		1136
5N-8954	1017	5N-9365	▶1333		1215	5P-1075	164
5N-8980	1019		1337		1323		166
	1022		1413		1324		192
	▶1338		1435		1326		196
5N-8998	1030	5N-9366	▶1051		1327		198
	1032		1337		1367		200
5N-9006	576		1354		1370		204
5N-9009	576		1435		1372		213
5N-9010	576	5N-9527	▶680		1376		214
5N-9012	576	5N-9574	1224		1378		482

PART NUMBER INDEX

Part	Page	Part	Page	Part	Page	Part	Page
	483		1150		340		858
	484		1152		343		861
	487		1154		347		863
	614		1158		351		865
	616		1160		354		867
	619		1162		356		992
	621		1166		359		994
	623	5P-2321	1421		363		997
	625		1424		380	5P-6298	1180
	627	5P-2546	153		383		1264
	629		161		386		1267
	630	5P-2566	189		389		1276
	631		429		1465		1281
	641	5P-2645	524		1466		1284
	693	5P-2675	1032		1472		1287
	695		1034		1473		1290
	791		1364	5P-4900	879	5P-6302	529
	1006		1365	5P-4939	1389		530
	1008	5P-2755	709	5P-5421	340		556
	1010	5P-2955	792		344		558
	1012	5P-3059	1050		348		1465
	1014		1054		351		1467
	1017		1056		354		1468
	1020		1058		356		1470
	1022	5P-3418	962		359		1473
	1037		968		362	5P-6859	741
	1039		971	5P-5598	800		743
	1091	5P-3419	962	5P-5600	789	5P-6994	794
	1093		964	5P-5610	1006	5P-7458	845
	1095		968		1020		847
	1097		971	5P-5618	853		849
	1099	5P-3426	1370		857		851
	1101		1372		1049		853
	1103		1374	5P-5621	1276		857
	1118	5P-3860	666	5P-5623	1058	5P-7459	845
	1120		667	5P-5624	1058		847
	1122	5P-4116	192		1201		849
	1126		196		1203		851
	1178		198		1315		854
	1322		200	5P-5677	1058		858
5P-1076	192		204	5P-5700	229	5P-7462	1105
	196	5P-4571	1049	5P-5846	380		1138
	198		1050		383		1142
	200		1053		386		1156
	204		1055		389	5P-7463	1105
	466		1056		392		1139
	560		1058		394		1143
	562	5P-4624	340		396		1156
	563		343		398	5P-7592	36
	564		347		399	5P-7620	1056
	566		351		403		1058
	568		354		405	5P-7751	1030
	706		356		407		1032
	709		359		409		1034
5P-1175	337		363		1466	5P-7807	968
5P-1275	845	5P-4653	845		1472		971
5P-1420	610		847	5P-5877	338	5P-7812	835
	632		861	5P-5991	616		837
5P-1472	366		863		619	5P-7817	380
5P-1475	1050	5P-4672	780		629		383
	1053		837		630		386
	1054	5P-4868	334		631		1466
5P-1476	1050		526	5P-6001	1049	5P-7818	228
5P-1477	1053		527	5P-6006	853		235
	1054		528		857		259
5P-1919	1058	5P-4869	661	5P-6008	1217		261
5P-2228	196		663	5P-6009	1026		263
	198		666		1050		265
	200		667		1054		267
5P-2251	1126		713		1056		269
	1130		715		1058	5P-7878	1354
	1134		717	5P-6025	780		1435
	1146	5P-4892	235		847	5P-7972	572
	1148		237		854		574

PART NUMBER INDEX

Part	Page	Part	Page	Part	Page	Part	Page
5P-8026	12		447		166		1139
	14		449		216		1143
5P-8065	843		451		219		1146
	895		464		221		1148
5P-8210	70		471		222		1150
	72		472		240		1152
	75		478		242		1154
	77		479		244		1156
	80		524		246		1158
	83		547		248		1160
	228		549		250		1162
	229		642		580		1164
	230		666		798		1166
	235		667		1222		1168
5P-8211	1474		676	5P-8248	21		1170
5P-8245	17		680		24		1172
	20		686		27		1174
	23		687		102		1176
	26		693		104		1178
	39		695		128	5P-8839	40
	41		697		130		170
	45		700		151		171
	49		703		164		172
	50		711		166		173
	55		713		187		174
	70		715		240		175
	72		717		242		176
	75		719		244		177
	77		730		248		178
	80		745		250		179
	83		798		252		180
	153		887		498	5P-8872	228
	155		981		802		235
	157		1008	5P-8249	40		259
	164		1010		63		261
	166		1012		64		263
	181		1014		65		265
	183		1027		66		267
	191		1028		68		269
	203		1041		69		335
	209		1044		684		336
	211		1046	5P-8250	32	5P-8937	1116
	213		1091		137	5P-9085	1116
	214		1093		144		1433
	215		1101		145		1440
	216		1105		146	5P-9130	▶517
	218		1118		163	5P-9287	1008
	219		1124		253		1010
	220		1126		254		1012
	221		1132		255		1014
	222		1134		281		1370
	240		1139		282		1372
	242		1143		283		1374
	244		1156		298		1376
	246		1160		322		1378
	248		1164		685		1380
	250		1168		711		1382
	253		1170		715		1384
	254		1209		719		1387
	255		1210		721		1389
	263		1344		728		1391
	269		1376		730		1395
	281		1378		732	5P-9514	1219
	282	5P-8246	325		734		1224
	283	5P-8247	7		892		1227
	288		29		1120		1229
	325		47		1122		1232
	338		50		1124		1235
	356		52		1126	5P-9617	1003
	359		155		1128		1116
	363		157		1130		1370
	414		159		1132		1372
	424		161		1134		1374
	433		164		1136		1385

PART NUMBER INDEX

Part	Page	Part	Page	Part	Page	Part	Page
	1387		1097		418		711
	1389		1101		419		713
5P-9757	645		1103		420		715
	646	6B-4540	1421	6D-4636	642		717
	647		1424	6D-5801	1363		719
	649	6B-4542	1421		1427		1376
5P-9890	392		1424	6F-0253	36		1378
	394	6B-5072	437	6F-0496	1105	6H-3609	50
	401		439		1120	6H-3958	923
	403		447		1122		925
	407		449		1124		928
	1471		639		1126		930
5R-1771	16		1366		1128		932
	21	6B-6205	879		1130		935
	24		883		1132		938
	27		1126		1138		940
5R-5304	887		1406		1142		943
5R-7136	39		1407		1146		945
	155		1419		1150		947
	157		1421		1152		1194
	181	6B-6684	808		1164	6H-5431	1030
	183	6B-8128	16		1166		1032
	780		21		1168		1034
	1473		24		1170	6H-5829	1200
	1474		27		1172		1201
	1476		1124		1174		1203
5R-7137	155		1126		1176	6H-6698	523
	157	6B-9081	616	6F-0612	923	6H-7127	16
	181		619		925	6H-8297	399
	183		791		928		1120
	1473		792		930		1122
	1474		793		932		1124
	1476		794		935		1126
5R-7425	▶31		1105		938		1130
5S-0003	578		1118		940		1146
	665		1120		943		1150
	794		1122		945		1152
	810		1124		947		1164
	877		1126		960		1166
	883		1128		961		1168
	884		1130		1194		1170
5S-0581	600		1132	6F-2172	416		1172
	601		1139	6F-4718	1474		1174
5S-4245	1424		1143	6F-4868	150		1176
5S-7349	1240		1146		228	6I-0042	▶708
	1243		1148		229	6I-0046	708
	1261		1150		235	6I-0047	708
5S-7379	663		1152		259	6I-0325	826
	713		1154		261	6I-0744	403
	715		1156		263		405
5S-7382	196		1158		265		407
	198		1160		267		409
	200		1162		269	6I-0757	993
	616		1164	6F-5282	216		996
	638		1166	6F-5985	693	6I-0850	752
	641		1168		695		753
5S-7383	492		1170		1095		757
	495		1172		1097		758
			1174		1099		759
			1176		1101		761
		6B-9194	715		1103		769
			719	6F-7063	12		771
			728		14		772
6B-0933	386		730	6F-7172	600	6I-0897	993
	389		1138		601		996
	1041		1142	6F-7732	1103	6I-1041	▶1168
	1046		1156	6G-2263	431		▶1170
6B-1557	870	6B-9202	236		445	6I-1042	▶1172
6B-1628	1217		380		50		▶1174
6B-1667	396		383	6H-1717	524		▶1176
	398		386		666	6I-1046	1168
6B-3223	36		389		667	6I-1356	102
6B-3685	693	6B-9807	623		706	6I-1357	102
	695	6D-3910	416		709	6I-1457	▶870

6

PART NUMBER INDEX

Part	Page	Part	Page	Part	Page	Part	Page
6I-1815	1364		845	6L-2280	572		971
6I-1966	1006		847		574	6N-1876	968
	1020		861	6L-2282	490		971
	1022		863		493	6N-1925	968
6I-1997	1006		1006		496		971
	1020		1017	6L-2284	487	6N-1944	968
	1315		1019		488		971
6I-1998	1022		1020		490	6N-1945	962
	▶1315		1022		493		968
6I-2092	576		1091		496		971
	578		1093		499	6N-1946	968
6I-2102	760		1095		501		971
	774		1097		504	6N-1968	968
6I-2861	5		1099	6L-2286	487		971
	▶275		1101		488	6N-2184	1112
6I-2933	690		1103		490	6N-2185	1112
	691		1111		493	6N-2188	1112
6I-3142	211		1182		496	6N-2190	1112
6I-3143	▶211		1221		499	6N-2191	1112
6I-3697	136		1367		501	6N-2192	1112
	▶140	6K-3771	155		504	6N-2193	1112
6I-3699	136		181	6L-3005	754	6N-3170	693
	▶141	6K-3772	153		755		695
6I-3754	813		157		756		1022
	815		159		762		1101
	818		161		770		1103
	820		183	6L-3401	798		1411
	822	6K-9194	151	6L-3801	912		1440
	824		356		914	6N-3279	1247
	826		359	6L-3961	34		1250
	829		363	6L-3964	34		1253
6I-3842	835		431	6L-3967	34		1257
	837		441	6L-3972	34		1264
	▶916		845	6L-4207	1005		1267
6I-3844	835		847	6L-4502	▶1456		1270
	837		849	6L-5151	36		1273
6I-3846	835		851	6L-5295	426		1276
	837		854	6L-5855	1030		1282
6I-3847	835		858		1032		1285
	837		861		1034		1288
6I-4488	141		863	6L-7104	981		1291
6J-0468	1391		865		985		1293
	1393		867	6L-7159	987	6N-3504	923
	1395		923	6L-8150	1030		925
	1397		925		1032		928
6J-2244	796		928		1034		930
	798		930	6L-8562	708		932
6J-2680	524		932	6L-8617	610		935
	1473		935		623		938
6J-2819	923		938		625		940
	925		940		627		943
	928		943		632		945
	930		945	6M-7476	815		947
	932		947		826		1194
	935		1194		829	6N-3826	1240
	938	6K-9591	987		218		1243
	940		989	6M-9613	219		1246
	943		994		220		1249
	945		997		221		1257
	947		1030		222		1261
	1194		1032	6N-0265	741		1264
6J-4762	983		1034		743		1267
	991	6L-1595	487	6N-1604	1084		1270
6J-7855	1219	6L-1596	912	6N-1856	968		1277
	1224		914		971		1281
	1227	6L-1694	1469	6N-1870	968		1284
	1229	6L-1883	17		971		1293
	1232		20	6N-1871	968	6N-4379	1382
	1235		23		971		1383
6K-0806	887		26	6N-1872	968		1384
	1046	6L-2279	490		971		1391
6K-1972	639		493	6N-1873	968		1393
	693		496		971		1395
	695		572	6N-1875	968	6N-4414	813

PART NUMBER INDEX

Part	Page	Part	Page	Part	Page	Part	Page
	815		1287		▶ 1290		75
	818		1290		1309		77
	820	6T-0372	1180		1311		80
	822		1246	6V-0683	1105		83
	824		1252		1139		85
	826		1264		1143		87
	829		1267		1156		153
6N-4857	676		1276	6V-0740	959		155
6N-5004	672		1281		960		157
6N-5595	418		1284	6V-0895	901		159
	419		1287		903		161
	420		1290		905		181
6N-7959	773	6T-1065	1136	6V-0927	▶ 1293		183
6N-7960	▶ 672	6T-1119	1211		1306		230
	773	6T-1120	1211	6V-0973	229		235
6N-7962	672		1212		335		596
6N-8599	614		1288		336		796
	616	6T-1124	1212	6V-1240	1010		798
	619		1282		1014		801
	621		1285	6V-1250	895		1465
	629	6T-1546	849		1475		1469
	630		851	6V-1322	1246		1473
	631	6T-3631	1217		1249		1474
6N-8744	16	6T-3632	1217		1252		1476
	17	6T-3633	1217		1257	6V-3349	339
	20	6T-3642	994		1264	6V-3507	1368
	23		996		1267	6V-3537	70
	26	6T-3644	993		1270		72
	392		996		1273		80
	394		999		1276		271
	1401		1319		1281		273
6N-8863	952	6T-3645	1000		1284	6V-3668	41
	953	6T-6651	993		1288		45
6N-9042	16		996		1290	6V-3776	▶ 1474
	20	6T-6652	1004		1293	6V-3835	526
	23	6T-6653	1004	6V-1394	1219		527
	26	6T-7034	394		1224		528
6N-9349	1327		399		1227		621
6N-9587	1006		405		1229		235
	1020		409		1232	6V-3907	237
6N-9908	758	6T-7337	1400		1235		340
	759		▶ 1402	6V-1454	235		343
6N-9910	761	6T-9593	780		237		347
6P-0699	616		▶ 1024		508		351
	619	6U-1989	164		519		354
	791		166		521		356
	793		196		642		359
6P-6256	196		198		657		363
	198		200		659		1466
	200		206		1464	6V-3908	380
6S-5992	1116	6V-0267	340		1468		383
6T-0362	1211		343		1473		386
	1212		365	6V-1846	870		389
	1258		380	6V-2455	1188		1464
	1282		383	6V-2480	1421		1470
	1285		386	6V-2673	993		1472
6T-0363	1180		389		996	6V-3916	1219
	1246	6V-0268	340		1217		1224
	1252		343	6V-2686	1401		1227
	1264		365		1216		1229
	1267		380	6V-2689	1026		1232
	1276		383	6V-2744	1056		1235
	1281		386	6V-2744	1056	6V-3917	231
	1284		389	6V-3279	783		697
	1287	6V-0387	8	6V-3319	231		700
	1290		10		697		700
6T-0371	1180	6V-0405	55		700		703
	1246		1465		703		745
	1252	6V-0491	1050		745		1471
	1264	6V-0501	▶ 1281	6V-3348	46	6V-3935	1219
	1267	6V-0508	1263		55		1224
	1276		▶ 1284		70		1227
	1281		1308		72		1229
	1284	6V-0511	▶ 1287		74		1232
							1235

PART NUMBER INDEX

Part	Page	Part	Page	Part	Page	Part	Page
6V-3937	1227		237		1466	6V-7351	58
	1229		340		1467		149
	1235		344		1468	6V-7646	212
6V-3938	1219		347		1470		639
	1224		351		1472		1118
	1227		354		1473		1376
	1229		356	6V-5100	392		1378
	1232		359		394	6V-7991	138
	1235		363		403		139
6V-3939	1224		380		405		140
	1227		383		407		141
	1229		387		409		142
	1232		389	6V-5101	226		143
	1235		454		227		1476
6V-3940	1219		789		228	6V-8001	235
	1224		796		229		237
	1226		798		230		344
	1227		813		232		347
	1229		815		235		351
	1232		818		256		354
	1235		820		258		357
6V-3941	1219		822		259		359
	1227		824		261		363
	1229		826		263	6V-8002	340
	1235		835		265		357
6V-3959	1219		837		267		360
	1224		887		269		363
	1227		889		697		1466
	1229		1003		700	6V-8182	485
	1235		1116		703		486
6V-3971	1219		1370		745		488
	1224		1372		1464		499
	1227		1374		1470		501
	1229		1380	6V-5167	231		504
	1232		1382		697		564
	1235		1383		700		566
6V-4155	1246		1385		703		568
	1252		1387		745		611
6V-4245	639		1389		1471		621
6V-4246	▶1296		1391	6V-5539	▶1298		632
	1302		1393	6V-5540	1298	6V-8185	987
	1304		1395		▶1299		989
6V-4314	57		1397	6V-5582	1298		1032
	228		1413		▶1300		1034
	229		1415	6V-5817	1053		1325
	259		1466		1054	6V-8186	808
	265		1472	6V-5818	1053		810
6V-4315	229		1473		1054		1323
6V-4320	1296	6V-5049	818	6V-5819	1053		1324
	▶1297		820		1054		1325
6V-4362	897		822	6V-6609	456		1327
	899		824		461	6V-8187	955
6V-4363	877		826		547		959
	880		853		549		962
	883		857		1466		964
6V-4368	389		897		1468		966
6V-4589	237		899		1472		968
	381	6V-5064	1468	6V-6753	768		971
	384	6V-5066	235	6V-6809	529	6V-8188	426
	386		237		530		429
	389		519		539		560
	401		521		541		562
	813		529		543		564
	815		530		545		566
	820		539		551		730
	824		541		553		1211
	826		543		556		1240
	873		545		558		1243
	919		547		642		1246
	959		549		1465		1249
	960		556		1467		1252
	1471		558		1470		1258
6V-5029	960		1464		1473		1261
6V-5048	235		1465	6V-7196	16		1265

PART NUMBER INDEX

Part	Page	Part	Page	Part	Page	Part	Page
	1268		499	6W-2928	1132	7C-0290	▶1415
	1271		501		1134	7C-0305 783
	1274		504		1160	7C-0330	▶1019
	1276		616	6W-6672 399	7C-0331	▶1328
	1282		619		1041	7C-0332 1328
	1285		623		1044	7C-0333 1328
	1288		625		1046	7C-0526	▶1302
	1291		629	6Y-7651 164		▶1303
	1294		630		166	7C-0527	▶1304
	1300		631	6Y-7652 164		▶1305
6V-8189	610		641		166	7C-0551 192
	619		661				. 194
	632		663				. 204
	655		728				. 206
	792		730			7C-0667 33
	793		732			7C-0668 33
6V-8244	1215		734	7B-1597 845	7C-0670 33
6V-8260	155		736		847	7C-0672 33
	157		791		852	7C-0799 715
	159		1440		854		. 719
	161	6V-8823 363		858		. 728
	796	6V-8917 808		861	7C-0813 1378
	798	6V-8955 810		863	7C-0973 1400
	801	6V-8990 1105		865	7C-1313 2
	1465		1139		867		. 5
6V-8287	600		1143	7B-2742 424		▶703
	601		1157		813	7C-1461 204
6V-8363	994	6V-9003 871		815	7C-1464 204
	997		875		818	7C-1465 192
6V-8368	1368	6V-9023 853		820		. 204
6V-8373	1211		857		822	7C-1505	▶1002
	1288	6V-9027 235		824	7C-1649	▶252
6V-8374	1217		237		826	7C-1707 1120
6V-8376	851		507		829		. 1122
	854		511		896		. 1124
	858		513		1008		. 1126
	865		514		1010		. 1128
	867		519		1012		. 1130
	993		521		1014		. 1132
	994		636		1214		. 1134
	996		1468		1376		. 1136
	999	6V-9182 1157		1378		. 1146
	1319	6V-9499 989		1382		. 1148
	1323	6V-9746 1105		1383		. 1150
	1324		1139		1384		. 1152
	1325		1143		1391		. 1154
	1327		1157		1395		. 1158
	1366	6V-9769 226		1399		. 1160
6V-8377	1214		227	7B-3235 146		. 1162
	1215		230		240		. 1164
	1323		232		242		. 1168
	1324		532		244		. 1170
	1325		534		246		. 1172
	1327		551		248		. 1174
	1368		553		250		. 1176
	1448		1468		263	7C-1882	▶1053
6V-8378	1000	6V-9810 1105		269		. 1348
	1261		1139		706	7C-1892	▶1197
	1362		1143	7B-7138 147	7C-1893	▶1178
	1429		1157		148		. 1197
6V-8626	871	6V-9845 871		957	7C-1918	▶322
	873		875	7B-8167 958	7C-1919 322
	875	6V-9852 871		1179	7C-1922 322
6V-8637	1156		873		1408	7C-1925	▶171
6V-8675	39		875	7C-0077 837		▶172
6V-8783	873	6V-9853 1105	7C-0182	▶1337	7C-1926 7
6V-8801	366		1139	7C-0234 16	7C-1927	▶7
	482		1143	7C-0285	▶1436	7C-1928 252
	483		1157		1440	7C-1929 252
	484	6V-9854 1148	7C-0286	▶1438	7C-1930 252
	488		1154		1442	7C-2111 992
	492		1160	7C-0287	▶1440	7C-2225	▶992
	495		1162	7C-0288	▶1442		. 1197
	496	6V-9897	▶1475	7C-0289	▶1413	7C-2277 532

7

▶ PRIMARY REFERENCE
CCRC2966-64

PART NUMBER INDEX

Part	Page	Part	Page	Part	Page	Part	Page
	534	7C-4165	16		269		287
7C-2281	532		20	7C-4716	259		288
	534		23		261		289
7C-2373	1178		26		265		312
7C-2375	▶892		153		267		314
7C-2377	328		183		336		316
	330		286	7C-5029	▶993		318
	332		290		1197		320
7C-2431	277	7C-4229	563		1199	7C-7827	▶564
7C-2668	992		568		1206	7C-7828	▶566
7C-2670	992	7C-4232	623		1208	7C-7829	▶568
7C-2671	992	7C-4233	625	7C-5030	984	7C-7831	▶526
7C-2870	901	7C-4234	627		▶996	7C-7832	▶527
	903	7C-4236	623	7C-5032	▶750	7C-7833	▶528
	905	7C-4237	625		▶751	7C-8122	3
7C-2946	1091	7C-4238	627	7C-5105	693		5
	1093	7C-4240	623		695		▶529
	1095	7C-4241	623		1091		▶530
	1097	7C-4242	625		1093	7C-8124	▶636
7C-3124	▶1326	7C-4243	625		1095	7C-8246	1345
7C-3258	155	7C-4245	627		1097	7C-8390	339
	157	7C-4253	526		1099	7C-8535	529
	181		527		1101		530
	183	7C-4254	526		1103		556
7C-3259	155	7C-4255	527	7C-5230	519		558
	157	7C-4256	528		521	7C-8536	636
	181	7C-4342	526	7C-5237	▶1197	7C-8789	▶482
	183		527		1198	7C-8790	▶483
7C-3371	▶1231		528	7C-5274	3	7C-8791	▶484
7C-3372	1231	7C-4343	526		5	7C-9217	380
	▶1232		527		▶1198		383
7C-3373	▶1234		528	7C-5275	▶1199		386
7C-3374	1234	7C-4344	623	7C-5485	339		389
	▶1235		625	7C-6121	1416	7C-9365	1003
7C-3477	992		627		1419		▶1331
7C-3493	578	7C-4345	526		1421	7C-9597	523
7C-3614	572	7C-4346	527		1424	7C-9600	1179
	▶578	7C-4347	528	7C-6209	60		1408
7C-3722	72	7C-4349	564		61	7C-9639	136
7C-3769	▶1056		566		62		▶142
7C-3772	▶1058	7C-4354	1120	7C-6366	2	7C-9641	136
7C-3879	564		1122		4		▶143
	566		1128		▶368	7C-9688	140
	568		1132	7C-6580	512		141
7C-3892	564		1134	7C-6708	757		142
	566		1160	7C-6752	3		143
	568	7C-4360	568		5	7C-9689	140
7C-3900	835	7C-4397	▶560		▶256		141
	837	7C-4398	▶562	7C-7142	▶510		142
7C-4065	1431	7C-4399	▶563	7C-7446	672		143
	1436	7C-4401	616	7C-7447	672	7C-9784	▶369
7C-4066	1431		▶623	7C-7504	▶790	7C-9786	369
	1436		631	7C-7505	790	7C-9938	▶258
7C-4123	564	7C-4402	619	7C-7506	790	7D-1649	194
	566		▶625		▶800		206
7C-4124	568		630	7C-7507	800		708
7C-4125	509	7C-4403	▶627	7C-7509	790	7D-4092	1126
7C-4129	526		629	7C-7510	790	7D-4493	655
7C-4135	▶509	7C-4415	339	7C-7512	790	7D-4903	815
7C-4136	560	7C-4416	339	7C-7534	506		826
	562	7C-4417	339	7C-7677	877		829
7C-4137	563	7C-4420	339		879	7D-5363	441
7C-4139	527	7C-4421	339		883	7D-5473	1006
	528	7C-4422	339	7C-7678	877		1017
7C-4140	560	7C-4423	339		879		1020
	564	7C-4429	1112		883		1022
7C-4141	560	7C-4501	▶629	7C-7682	877		1322
	564	7C-4543	992		879	7D-6922	981
7C-4142	562	7C-4714	335		883		985
	566	7C-4715	259	7C-7683	877		1030
7C-4143	562		261		879	7D-7233	1126
	566		263		883		1128
7C-4144	563		265	7C-7808	38		1176
	568		267		39	7D-8793	356

PART NUMBER INDEX

Part	Page	Part	Page	Part	Page	Part	Page
	359	7E-5574	610	7E-8827	794		1257
	363		632	7E-8866	981		1276
	431	7E-5575	610	7E-8923	8		1281
	433		632		10		1284
	435	7E-5576	610	7E-8925	8		1287
	441		632	7E-8926	10	7F-3525	1180
	443	7E-5842	▶1003	7E-8937	619		1246
	445		1197		640		1252
	451		1198	7E-8948	839		1264
	616	7E-6016	235		841		1267
	619		458	7E-8949	839		1276
	638		460		841		1281
	640		463	7E-8960	993		1284
	641		464		997		1287
7D-9766	246		465		1456		1290
	248		466	7E-9267	▶638	7F-5634	804
	250		526	7E-9268	638		806
7E-0467	367		527	7E-9437	1105		808
	368		528		1138		810
	369		614		1142	7F-6547	8
7E-0854	146		674		1156		10
7E-1121	845	7E-6017	1468	7E-9507	610	7F-7621	968
	847		458		632	7F-8607	780
	851		460	7E-9534	789	7F-8671	1219
	853		463	7E-9701	780		1224
	857		464	7E-9762	715		1227
7E-1754	708		465		719		1229
7E-2630	228		466		730		1232
	229		674	7E-9780	582		1235
	235	7E-6247	1063		598	7F-8896	281
	256		▶1085	7E-9781	590		282
	258		▶1086		598		283
7E-2674	1456	7E-6248	▶1087	7E-9867	45	7F-8897	36
7E-2681	1456		▶1088	7E-9868	45	7G-1239	335
7E-2748	514	7E-6334	464	7E-9869	41		336
7E-2889	743		466		45	7G-7917	1058
7E-2891	743	7E-6466	507	7E-9932	983	7G-8478	600
7E-3127	1002		511		991		601
	1197		513	7F-0192	341		603
7E-3159	▶1448	7E-6468	▶422		343		609
7E-3772	226	7E-6469	▶1116		347	7G-8765	1338
	227		1197		351	7H-3937	610
	230	7E-6633	616		354		632
	232		619		356	7H-9678	834
	328		791		359	7H-9899	802
	330		792		363	7J-0204	570
	332		793		813		800
7E-3897	187		794		815		801
7E-3921	877	7E-6634	▶791		820	7J-0728	1130
	880	7E-6681	610		824		1132
	883		632		829		1134
7E-3924	780		▶792	7F-0502	210		1136
7E-4609	129	7E-6682	▶793	7F-1866	412		1146
	134	7E-6683	792	7F-3425	514		1148
7E-4707	▶173	7E-6684	619		515		1150
	▶174		793		519		1152
7E-4836	▶246	7E-6685	616		521		1154
	▶248		791		636		1158
	▶250	7E-7527	▶630	7F-3488	1246		1160
7E-4838	240	7E-7528	▶631		1249		1162
	246	7E-7731	639		1252	7J-0729	1130
	248		987		1257		1132
7E-4839	240		989		1265		1134
	242	7E-8090	▶794		1268		1136
	244	7E-8550	697		1270		1146
	246		700		1273		1148
	248		703		1276		1150
	250		745		1282		1152
7E-4840	246	7E-8721	1385		1285		1154
	248	7E-8722	1385		1288		1158
7E-5105	3	7E-8799	▶840		1291		1160
	5		842		1293		1162
	▶532	7E-8825	794	7F-3491	1246	7J-8114	153
	▶534	7E-8826	794		1252		183

PART NUMBER INDEX

Part	Page	Part	Page	Part	Page	Part	Page
	1465		853		1132		1069
	1473		857		1174		1070
	1474		861		1176		1071
	1476		863	7L-8316	1200		1072
7J-8611	437		1109		1201		1073
	439		1110		1203		1074
	447	7K-6536	981	7L-9061	645		1075
	449		985		646		1078
	1020		1030		647		1079
7J-8902	1222	7K-9197	889		649		1080
	1255		1093	7M-0324	1246		1081
	1256		1116		1249		1082
	1260		1370		1257		1083
	1263		1372		1265		1157
	1302		1374		1268	7M-8651	1246
	1303		1380		1270		1249
	1304		1382		1273		1252
	1305		1383		1276		1257
	1306		1384		1282		1265
	1307		1391		1285		1268
	1308		1393		1293		1270
	1309		1395	7M-0325	1246		1273
	1310		1397		1249		1276
	1311		1411		1252		1282
	1312		1440		1257		1285
7J-9108	1339	7L-0486	490		1265		1288
	1340		493		1268		1291
7K-1181	1049		496		1270		1293
	1076	7L-0487	490		1273	7M-9909	236
	1077		493		1276		237
	1089		496		1282		657
	1148	7L-0688	993		1285		659
	1154		996		1288	7M-9918	773
	1156	7L-0811	392		1291	7N-0060	976
	1158		394		1293		978
	1160		403	7M-0326	1246	7N-1628	834
	1162		405		1249	7N-1855	2
	1345		407		1252		4
	1346		409		1264		►59
	1353	7L-2224	955		1267	7N-1863	►325
	1382	7L-2894	1240		1270	7N-1875	2
	1383		1243		1273		4
	1384		1246		1276		►337
	1391		1249		1281	7N-1902	90
	1393		1252		1284		92
	1395		1257		1287		93
7K-3116	7		1261		1290		94
7K-3215	665		1264		1293		96
	1380		1267	7M-0327	1246		97
	1397		1270		1249		103
7K-3377	871		1273		1252		105
	875		1276		1257		108
	879		1277		1264		129
	883		1281		1267		134
	899		1284		1270	7N-1903	103
	1120		1287		1273		105
	1122		1290		1276		108
	1166		1293		1281		129
	1172	7L-4447	337		1284		134
	1174	7L-4773	538		1287	7N-1904	103
	1176		674		1290		105
	1328	7L-5887	1304		1293		108
	1393		1305	7M-1808	235		129
	1395		1306		380		134
7K-4128	928		1307		383	7N-1961	102
	930		1308		386		104
	943		1309		389		110
	945		1310	7M-6637	800		111
	947	7L-6443	706	7M-7193	961		113
	1194	7L-7524	40	7M-7219	961		121
7K-4129	845	7L-7871	►976	7M-8485	1065		122
	847	7L-7872	►977		1066		127
	849	7L-8074	1124		1067		128
	851		1126		1068		130

PART NUMBER INDEX

Part	Page	Part	Page	Part	Page	Part	Page
	131		1473		513		1470
	133		1474		514	7N-5080	226
7N-2003	60		1476		515		227
	61	7N-3194	672		636		230
	62	7N-3216	33		642		232
7N-2043	142	7N-3218	33		1468		697
	143	7N-3297	532	7N-4928	514		700
	151		534		515		703
	271		551		539		745
	273		553		541	7N-5085	697
	275	7N-3298	49		543		700
	277	7N-3368	234		545		703
	279		532		636		745
	340		534	7N-4930	466	7N-5089	226
	343		538	7N-4932	456		227
	347		551		461		230
	351		553		547		232
	354		674		549		697
	359		1469		1464		700
	362		1473		1467		703
	412	7N-3421	330		1470		745
	454		332		1473	7N-5120	461
7N-2044	70	7N-3674	715	7N-4939	547		642
	72		719	7N-4940	547	7N-5123	642
	75		730	7N-4941	547	7N-5127	642
	77	7N-3759	672		549	7N-5239	181
	80	7N-4076	151	7N-4944	547		183
	83		802		549	7N-5244	16
7N-2046	63	7N-4106	▶285	7N-4945	16		798
	67	7N-4148	301		20	7N-5245	181
	79	7N-4319	50		23		183
	1477		52		26	7N-5246	181
7N-2047	70	7N-4320	50		49		183
	72		52		228	7N-5248	153
	75		151		229		159
	77		234		235		161
	80		802		547		183
	83		1469		549	7N-5279	153
	155	7N-4756	600		1105		155
	157		601		1118		157
	181		603		1120		159
	183		609		1122		161
	215	7N-4758	518		1124		183
	216		570		1126	7N-5336	337
	783		600		1128	7N-5343	783
7N-2059	1217		601		1130	7N-5345	783
7N-2326	238		603		1132	7N-5352	783
7N-2328	238		609		1134	7N-5358	783
7N-2405	271	7N-4782	236		1136	7N-5360	783
	273		237		1138	7N-5368	783
	275		328		1142	7N-5376	783
	277		330		1146	7N-5413	380
	279		332		1148		383
7N-2539	1103	7N-4851	2		1150		386
	1370		4		1152	7N-5416	380
	1372		▶175		1154		383
	1385		▶176		1156		386
	1389	7N-4869	3		1158		389
7N-2597	190		5		1160	7N-5449	412
	191		▶953		1162	7N-5487	894
	240	7N-4871	2		1164		895
	242		4		1168	7N-5641	70
	244		▶153		1170		72
	246	7N-4885	▶639		1466		74
	248	7N-4905	709		1467		75
	250	7N-4906	709		1472		77
7N-3049	215	7N-4909	709	7N-4951	46		80
	218	7N-4927	235		55		83
	220		237		46		85
	221		507	7N-4952	46		87
	223		509		55		87
	224		510	7N-5014	175	7N-5694	796
	1465		511	7N-5049	412		798
	1469		512	7N-5057	412	7N-5695	796
					1464		798

PART NUMBER INDEX

Part	Page	Part	Page	Part	Page	Part	Page
7N-5696	796		465		993	7N-7782	853
	798	7N-7010	461		996		857
7N-5700	796	7N-7012	461		1004		996
	798	7N-7057	163		1005		1049
7N-5701	796		298		1049		1050
7N-5796	335	7N-7081	551		1050		1053
	336		553		1053		1054
7N-5798	335	7N-7130	674		1054		1058
	336	7N-7142	538		1055	7N-7784	▶177
7N-5801	614	7N-7144	538		1056	7N-7820	▶334
7N-5874	153	7N-7221	1050		1058	7N-7981	▶974
	155		1054		1186	7N-7991	38
	157	7N-7295	151		1200		39
	159	7N-7297	151		1201		287
	161	7N-7307	151		1203		288
	183	7N-7308	151		1217		289
7N-5875	153	7N-7415	538		1314		312
	159		674		1328		314
	161	7N-7416	655		1330		316
	183	7N-7435	12		1331		318
7N-5906	952		14		1332		320
	953	7N-7442	12		1338	7N-8011	287
7N-5907	952		14		1449		288
	953	7N-7445	12	7N-7780	648		289
7N-5971	682		14		649	7N-8041	▶289
7N-5976	783	7N-7446	12		778	7N-8042	▶320
7N-5981	151		14		810	7N-8204	1328
7N-5984	783	7N-7447	12		840	7N-8205	1054
7N-6222	674		14		849	7N-8268	600
7N-6387	259	7N-7448	12		851	7N-8374	47
	265		14		853		155
7N-6460	392	7N-7450	12		857		157
	394		14		865		159
	403	7N-7451	12		867		161
	405		14		993	7N-8549	▶655
	407	7N-7539	153		996	7N-8599	▶896
	409		155		1004		897
7N-6511	150		157		1005		899
7N-6527	▶456		159		1049	7N-8634	401
7N-6560	458		161		1050	7N-8636	401
	464		183		1053	7N-8638	401
7N-6570	396	7N-7660	▶163		1054	7N-8640	3
	398		292		1055		5
	399		293		1056		▶401
7N-6782	▶691		294		1058	7N-8698	▶1460
7N-6806	226		295		1186	7N-8736	801
	227		296		1200	7N-9044	547
	230		297		1201		549
	232		299		1203	7N-9194	1216
	236		300		1217	7N-9737	1049
	237		301		1314		1053
	877		302		1315		1054
	879		303		1328		1056
	883		304		1330		1058
7N-6921	50		305		1331		1200
7N-6954	689		306		1332		1201
7N-6955	688		307		1338		1203
7N-6957	689	7N-7697	235		1449		1217
7N-6959	681		380	7N-7781	810		1330
7N-6961	▶688		383		849	7N-9738	648
7N-6962	▶689		386		851		649
7N-6965	▶461		389		853		778
7N-6967	▶681	7N-7732	177		857		840
7N-6968	▶682	7N-7779	648		865		1054
7N-6987	1409		649		867		1056
	1411		778		993		1186
	1413		810		996		1338
	1415		840		1004	7N-9941	952
	1440		849		1005		953
	1442		851		1314	7N-9942	952
7N-7008	461		853		1315		953
7N-7009	460		857		1331	7N-9971	808
	461		865		1332		810
	463		867		1449	7P-8672	879

PART NUMBER INDEX

Part	Page	Part	Page	Part	Page	Part	Page
	883	7W-0129	256	7W-2050	299	7W-3730	▶1358
7S-1197	1363		258	7W-2060	1366	7W-3732	1358
	1427		259	7W-2122	877	7W-3734	1358
7S-2245	454		261		879	7W-3813	3
7S-4338	1319		263		883		5
7S-5005	912		265	7W-2221	277		▶311
	914		267		279	7W-3816	356
7S-8420	456		269		308		359
7S-9323	834	7W-0130	672	7W-2285	623		362
7T-0037	779	7W-0131	672	7W-2297	752		▶454
7T-0491	1216	7W-0231	849		753	7W-3952	▶164
7T-1914	1402		851		757	7W-3953	▶166
7T-3267	1240		853		758	7W-3955	▶1203
	1243		857		759	7W-4158	484
	1261		865		761		619
7T-3268	1240		867		769	7W-4230	625
	1243	7W-0281	▶281		771	7W-4422	143
	1261	7W-0282	▶282		772	7W-4979	431
7T-3269	1240		▶283	7W-2353	1433		433
7T-3270	1240		▶283		1435		435
	1243	7W-0283	▶253		1440		439
	1243	7W-0284	▶254		1442		441
7T-3271	1240		▶255	7W-2354	1433		443
7T-3276	1240	7W-0285	253		1442		449
	1243		254	7W-2355	1433		451
	1261		255		1435		453
7T-3277	1240		281		1440	7W-5028	▶1027
	1243		282		1442		▶1028
	1261		283	7W-2368	672	7W-5108	298
7T-3278	1240	7W-0287	254	7W-2378	2	7W-5109	294
	1243		255		4		297
	1261		282		▶54	7W-5173	1201
7T-3279	1240		283	7W-2709	1030		1203
	1243	7W-0288	▶674		1032	7W-5174	1201
	1261	7W-0290	674		1034		1203
7T-3451	1240	7W-0408	▶975	7W-2710	1030	7W-5175	1201
	1243	7W-0495	665		1032		1203
	1261	7W-0522	692		1034	7W-5176	1201
7T-3454	1240		699	7W-2795	780		1203
	1243		▶1115	7W-2899	1370	7W-5221	1430
	1261	7W-0553	279		1372		1438
7T-3974	1240	7W-0610	645		1385	7W-5222	1431
	1243	7W-0612	646		1389		1436
	1247	7W-0618	645	7W-2937	1366	7W-5223	▶294
	1250		649		▶1368	7W-5225	▶295
	1253	7W-0620	646	7W-3031	213	7W-5226	▶296
	1257		647	7W-3032	213	7W-5227	▶297
	1261	7W-0703	293	7W-3333	▶841	7W-5229	298
	1264		307	7W-3342	1103		300
	1267	7W-0948	789	7W-3355	▶1189	7W-5230	▶298
	1273	7W-0967	178		▶1190	7W-5231	▶299
	1281	7W-0968	▶178		1197	7W-5232	▶300
	1284	7W-1170	993		1198	7W-5235	960
	1287		997	7W-3415	253	7W-5236	960
	1290	7W-1171	993		281	7W-5237	▶323
	1293		997	7W-3464	166	7W-5252	▶301
7T-6365	993	7W-1449	293		474	7W-5253	▶302
	997		301		475	7W-5254	▶303
7T-9123	1211		302		480	7W-5255	▶304
	1212		304		481	7W-5256	▶305
	1265		307	7W-3465	164	7W-5257	▶306
	1268	7W-1506	621	7W-3555	1198	7W-5258	302
	1282	7W-1530	2		▶1200	7W-5293	▶324
	1285		5	7W-3556	901	7W-5295	1203
	1288		▶223		903	7W-5390	306
	1291	7W-1929	467		905	7W-5409	666
	1294	7W-1944	697	7W-3565	625		667
7U-4891	1429		700	7W-3610	▶1201	7W-5455	659
7V-0916	1093		703	7W-3722	2	7W-5456	657
7V-0917	447		745		5	7W-5639	▶470
	449	7W-1986	623		▶220	7W-5640	▶471
7W-0050	412	7W-1988	3		221	7W-5641	▶476
7W-0088	993		▶277		222	7W-5642	▶477
	996	7W-2035	483	7W-3724	▶224	7W-5643	471
	1456		616				

PART NUMBER INDEX

Part	Page	Part	Page	Part	Page	Part	Page
	476		480	7W-8402	487		1246
7W-5760	717	7W-6906	▶474	7W-8415	992		1249
7W-5780	▶202	7W-6907	▶475	7W-8640	▶1215		1252
	▶203	7W-6908	▶480	7W-8641	▶1216		1258
7W-5848	▶463	7W-6909	▶481	7W-9032	1027		1261
7W-5849	463	7W-6955	984		▶1030		1265
7W-5949	▶1463		▶1179		▶1032		1268
7W-5967	1200		1197		▶1034		1271
7W-5968	1201		1199		1348		1274
7W-6107	627		1206		1355		1276
7W-6110	164		1208	7W-9033	1030		1277
	166	7W-6956	▶1036		1032		1282
7W-6147	1376		1197		1034		1285
7W-6188	472		1198	7W-9262	▶1385		1288
	479	7W-6957	745	7W-9265	▶1387		1291
7W-6189	▶478		750	7W-9269	▶1095		1294
7W-6190	▶479		751		▶1097		1297
7W-6191	▶472		▶1214	7W-9273	▶1389		1299
7W-6192	▶473	7W-6958	1214	7W-9350	1380		1300
7W-6193	473	7W-6959	▶1004	7W-9449	▶1391	7X-0563	1139
	478	7W-7101	954	7W-9452	▶1393		1143
7W-6336	292	7W-7178	▶453	7W-9453	▶1395		1157
7W-6338	306	7W-7214	▶204	7W-9454	▶1397	7X-0575	519
7W-6339	303		▶206	7W-9465	▶897		521
7W-6370	164	7W-7216	192	7W-9466	▶899	7X-0772	196
	166		194	7W-9490	1389		198
7W-6372	▶464		196	7W-9491	1389		200
7W-6470	295		198	7W-9494	1387	7X-0796	1226
	296		200	7W-9495	1387		1232
	300		204	7W-9541	625	7X-1062	1217
7W-6472	298		206	7W-9612	▶999	7X-1078	1217
	299	7W-7218	192	7W-9613	▶1327	7X-1547	259
7W-6492	458		194	7W-9640	▶1000		261
	464		204	7W-9703	▶428		263
	509		206	7W-9704	▶429		265
	510	7W-7319	▶447	7W-9741	2		267
	512		▶449		4		269
	514		▶451		▶818	7X-2501	426
	515	7W-7322	▶1205		▶820		428
	524	7W-7326	▶1450	7W-9742	▶822		429
	526	7W-7409	431		▶824		1118
	527		433	7W-9743	▶826	7X-2534	1089
	528		447		▶829	7X-3148	576
	529		449	7W-9777	1393	7X-3373	1240
	530		451		1395		1243
	543	7W-7431	1116	7W-9828	▶656		1247
	545	7W-7457	437	7W-9829	656		1250
	551		439	7X-0332	1095		1253
	553		447		1097		1257
	556		449	7X-0344	663		1261
	558	7W-7590	164		728		1264
	582		166		730		1267
	584	7W-7962	1409		736		1270
	586		1442	7X-0345	610		1273
	588	7W-8008	770		632		1277
	598		▶773	7X-0370	488		1281
	614	7W-8009	773		499		1284
	636	7W-8051	1197		501		1287
7W-6513	▶536		1199		504		1290
7W-6514	537		1206	7X-0372	564		1293
7W-6515	▶537		1208		566	7X-4805	70
7W-6544	482		▶1321	7X-0448	485		72
7W-6669	▶212	7W-8052	▶1029		486		75
7W-6722	778		1197		610		77
	840		1208		632		80
7W-6755	164	7W-8053	▶1206		663		83
	166	7W-8054	▶1208		728		228
7W-6778	1391	7W-8137	307		730		234
	1397	7W-8140	307		736		236
7W-6866	301	7W-8144	▶307	7X-0519	987		1465
	305	7W-8145	230		989		1469
7W-6867	302		232	7X-0562	1211	7X-7730	218
	304		709		1240		219
7W-6905	475	7W-8401	487		1243	7X-7731	70

PART NUMBER INDEX

Part	Page	Part	Page	Part	Page	Part	Page
	72		1126		1139		332
	74		1128		1143	8G-2077	711
	75		1130	8C-8554	870		715
	77		1132	8C-8558	981		719
	80		1134	8C-9660	1247		728
	83		1138		1250		730
	85		1142		1253		732
	87		1146		1257		892
	150		1148		1264		1138
	392		1150		1267		1142
	394		1152		1270		1156
	396		1154		1273		1178
	398		1156		1277	8H-0707	835
	399		1158		1281		837
	403		1160		1284	8H-1141	1240
	405		1162		1287		1243
	407	8C-3089	1247		1290		1261
	409		1250		1293	8H-2778	834
	424		1253	8C-9812	1217	8H-3128	582
	426		1257	8D-5898	741		584
	428		1264		743		586
	429		1267	8D-7942	43		589
	519		1270	8D-9671	1037		598
	521		1273		1039	8H-5429	1324
7X-7732	12		1281	8D-9947	1037		1325
	151		1284		1039	8H-7202	834
7X-7875	363		1287		1041	8H-8731	959
7X-7925	63		1290		1044		960
	64		1293		1046	8H-9789	12
	65	8C-3121	792	8F-0908	1326		14
	66	8C-3423	1058	8F-1434	962	8J-1256	981
	68	8C-3655	1240		964	8J-6775	55
	69		1243		966		572
7Y-7389	1363		1261		974		574
	1427	8C-4436	560		1000		1465
			562		1211	8J-6815	957
			563		1240	8J-8725	780
			564		1243		1475
			566		1247	8J-8919	213
			568		1250		214
8B-0544	1120	8C-5197	796		1253	8K-2396	379
	1122	8C-5209	236		1257	8K-4024	1134
8B-2026	787		237		1261	8L-2746	645
	788		657		1265		646
8B-2377	1107		659		1268		647
8B-2664	16	8C-5236	518		1270		649
	21		570		1273	8L-2786	236
	24		600		1276		237
	27		601		1282		820
	1164		603		1285		835
	1182		609		1288		837
8B-4884	1411	8C-5607	1089		1291		897
	1440	8C-5608	1089		1294		899
8B-6283	572	8C-5917	976		1297		912
8B-7613	576		977		1299		914
	578	8C-6024	1427		1300		1466
8B-7614	576	8C-6362	728		1362		1472
	578		730		1366	8L-3161	837
8B-7624	1219		736		1369	8L-3162	837
	1224	8C-6561	611		1431	8L-3282	431
	1227		632		1433		435
	1229	8C-6857	488		1436		441
	1232		499		1438	8L-3873	1107
	1235		501		1442		1214
8B-7987	34		504	8F-2347	485		1215
8B-9725	549	8C-6874	1105		486		1216
	642		1139		498	8L-4171	1187
	1376		1143	8F-8178	901	8L-4282	787
	1378		1157		903		788
8C-0503	578	8C-7323	526		905	8L-4496	808
8C-1358	1105		527	8F-8858	236	8L-4952	490
	1120		528		237		493
	1122		621		328		496
	1124	8C-8498	1105		330	8L-4955	490

8

PART NUMBER INDEX

Part	Page	Part	Page	Part	Page	Part	Page
	493		14		384		332
	496	8M-7145	598		386	8N-4524	532
8L-5008	690		697		1466		1468
	691		700	8N-1992	340	8N-4707	63
8L-5066	496		703		343		1477
8L-6376	808		745		347	8N-5254	666
	810	8M-8489	151		380		667
8L-6557	192	8M-9024	33		383	8N-5678	▶155
	194		58		386	8N-5698	1376
	196		149	8N-1995	783		1378
	198		259	8N-1996	783	8N-5701	1008
	200		261		1465		1010
	204		263		1473		1012
	206		265		1474		1014
	815		267	8N-2004	783		1399
	826		269	8N-2266	1008	8N-5719	▶1399
	830		341		1010	8N-5745	▶157
	1008		813		1012	8N-5767	▶159
	1010		815		1014	8N-5769	1
	1014		818	8N-2407	238		▶183
8L-7593	1058		820	8N-2408	238	8N-5771	159
8L-8413	976		822	8N-2409	657		183
	977		824		659	8N-5772	157
	981		827		235	8N-5839	574
	1026		830	8N-2410	237	8N-6038	1
	1090		1382		657		▶179
	1344		1383		659	8N-6151	3
	1421		1384	8N-2555	667		5
	1424		1391	8N-2556	662		▶908
	1427		1393	8N-2559	662		909
	1462		1395		665		910
8L-8598	808		1397	8N-2562	662		911
8L-9765	1456	8M-9124	256	8N-2929	380	8N-6152	3
8L-9767	488		258		383		5
	490	8N-0032	804		386		▶414
	493		810		389	8N-6210	877
	496	8N-0033	806	8N-2934	151		880
	499		808	8N-3248	623		883
	501	8N-0117	778		625	8N-6211	877
	504		▶801		627		879
8M-1682	923		842	8N-3378	▶665		883
	925	8N-0237	▶842		666	8N-6224	5
	935	8N-0339	4		667		▶279
	943		▶144	8N-3480	897	8N-6297	822
	945		▶145		899	8N-6309	662
	947	8N-0386	519	8N-3504	17		665
	1194		521		20	8N-6326	871
8M-2530	187		547		23		879
8M-2770	1391		549		26		883
8M-2772	1391	8N-0855	1118	8N-3639	529	8N-6327	879
	1393		1164		539		883
	1395		1172		543	8N-6406	529
	1397	8N-0896	177		556		530
8M-2773	431		178	8N-3640	529		539
	435	8N-1186	616		539		541
	441		619		543		543
	443		791		556		545
	445		792		1465		556
	1041		793		1468		558
	1046		869	8N-3752	568	8N-6423	605
8M-2933	582	8N-1233	277	8N-3896	▶1306		606
	584		279		▶1307		607
	598		308	8N-3897	▶1308		608
8M-3839	994	8N-1287	325	8N-3898	▶1309	8N-6424	543
	997	8N-1525	1058		▶1310		545
8M-5255	16	8N-1539	1058	8N-4157	672		556
	798	8N-1610	1050	8N-4160	672		558
8M-5312	993	8N-1989	519	8N-4263	▶46	8N-6432	529
	997		521		839		530
8M-6701	968	8N-1990	519		844		539
	971		521	8N-4266	▶47		541
8M-7065	8	8N-1991	340		841	8N-6435	▶834
	10		343	8N-4387	328	8N-6439	▶180
	12		381		330	8N-6534	662

PART NUMBER INDEX

Part	Page	Part	Page	Part	Page	Part	Page
	665		883		1387	8N-8994	3
8N-6564	294	8N-8360	▶16		1389		5
8N-6567	295		▶20		1399		▶547
	297		▶23	8N-8476	▶1237		▶549
8N-6569	300		▶26	8N-8477	▶1238	8N-9025	▶512
8N-6571	296	8N-8380	529	8N-8478	▶1239	8N-9161	2
8N-6700	294		530	8N-8481	▶1099		4
8N-6701	▶1403		539		▶1101		▶466
8N-6705	295		541	8N-8483	▶777	8N-9166	▶161
8N-6707	303		543	8N-8486	▶1210	8N-9211	50
	305		545	8N-8487	▶676	8N-9300	992
8N-6711	293		556	8N-8488	1210		1367
	296		558	8N-8489	▶1103	8N-9302	▶666
	297	8N-8432	1376	8N-8490	▶1020	8N-9303	▶667
	299	8N-8433	1378	8N-8491	▶1022	8N-9390	519
8N-6712	▶841	8N-8446	1231	8N-8501	845		521
8N-6714	2		1234		847	8N-9392	796
	5		1237		849		798
	▶841		1238		851	8N-9422	642
8N-6718	304		1239		853	8N-9482	340
8N-7103	2	8N-8447	676		857		343
	4		1210	8N-8506	845		347
	▶61	8N-8449	693		847		351
	▶62		695		849		354
8N-7182	2		1099		851		357
	4		1101		853		360
	▶146		1103		857		362
8N-7197	328	8N-8451	1231		861	8N-9554	151
	330		1234		863	8N-9609	642
	332		1237		865	8N-9623	551
8N-7253	▶1311		1238		867		553
	▶1312		1239	8N-8509	326	8N-9624	513
8N-7296	275	8N-8452	676		327	8N-9639	▶213
	277		1209	8N-8510	▶327		▶214
	279		1210	8N-8514	845	8N-9640	2
8N-7500	▶1451	8N-8455	570		847		4
8N-7639	532	8N-8456	570		849		▶49
	534	8N-8461	570		851	8N-9642	▶55
8N-7641	547	8N-8462	580		853	8N-9654	657
	549	8N-8464	570		857		659
8N-7642	551	8N-8466	▶580		861	8N-9658	55
	553	8N-8467	▶290		863	8N-9698	▶1359
8N-7643	▶511	8N-8468	▶291	8N-8524	456	8N-9706	642
8N-7716	2	8N-8470	1008	8N-8535	456	8N-9729	717
	5		1010	8N-8542	▶1005	8N-9885	54
	▶519		1012	8N-8550	1105		55
	▶521		1014		1118		431
8N-7717	▶642		1370		1124		433
8N-7718	▶538		1372		1126		447
8N-7719	▶539		1376		1130		449
	▶541		1378		1136		451
8N-7720	▶543		1385		1138		804
	▶545		1389		1142		806
8N-7721	3		1399		1146		808
	5	8N-8471	1008		1148		810
	▶709		1010		1150		1474
8N-7734	2		1012		1152		1476
	5		1014		1154	8N-9992	49
	▶238		1374		1156	8N-9993	49
8N-7810	277		1382		1158		338
	279		1384		1162	8P-1438	153
	308		1387		1164		183
8N-7851	1456		1391		1168	8S-2331	187
8N-8056	70		1395		1170	8S-3215	16
	72	8N-8472	1008	8N-8819	709	8S-4626	648
	75		1010	8N-8846	623		853
	77		1012	8N-8879	666		857
	80		1014		667		1201
	83		1370	8N-8880	666		1203
8N-8089	1470		1372		667	8S-4710	901
8N-8160	790		1374	8N-8953	538		903
	808		1376	8N-8954	674		905
	810		1378	8N-8955	538		923
8N-8293	879		1385	8N-8993	▶465		925

PART NUMBER INDEX

Part	Page	Part	Page	Part	Page	Part	Page
	928		1240		75		475
	930		1243		77		476
	932		1247		80		477
	935		1250		83		480
	938		1253		228		481
	940		1258		229		495
	943		1261		236		560
	945		1265		657		562
	947		1268	8T-4121	1300		563
	1194		1271	8T-4122	485		564
8S-4711	1367		1274		486		566
8S-4734	325		1276		610		730
8S-4757	137		1282		632		985
	144		1285		663		1095
	145		1288		711		1097
	146		1291		728	8T-4224	619
8S-5107	1124		1294		730		653
	1126		1297		732		655
	1164		1299		734		656
	1168		1300		736		661
	1170		1366	8T-4133	1300		663
8S-5383	246	8T-0707	576	8T-4205	403		728
8S-7115	849	8T-1487	981		405		730
	851		1056		407		732
8S-8158	780	8T-1897	871		409		734
	847		873		426		736
	854		875		428		792
	858	8T-1898	871		429		793
	865		873		616	8T-4244	1297
	867		875		619		1299
	992	8T-1919	524		638	8T-4412	1363
	993		1470		640		1427
	997	8T-2153	181		641	8T-4835	469
8S-8159	849		183		962		470
	851	8T-2501	189		964		473
	861	8T-2502	661		966		474
	863		663		968		475
8S-9089	218		711		971		476
	219		713		985		477
	220		715		987		480
	221		717		989		481
	222	8T-2561	610		1032		985
	1091		616		1034	8T-4896	189
	1093		619		1118		366
8S-9191	456		629		1240		488
	467		630		1243		492
	524		631		1246		495
8T-0023	979		632		1249		499
	980	8T-2903	461		1252		501
8T-0099	70		642		1257		504
	72	8T-2928	63		1261		638
	75		64		1264		661
	77		65		1267		663
	80		66		1270		711
	83		68		1273		713
8T-0122	754		69		1281		715
	756		70		1284		717
	762		72		1288		728
	770		75		1291		730
8T-0169	437		77		1293		732
	439		80		1325		734
	447		83		1416		736
	449		228		1419		1182
8T-0209	576		229		1421	8T-4971	1089
	578		236		1424	8T-4986	526
8T-0328	962		657	8T-4223	43		527
	964	8T-2929	63		189		528
	966		64		426	8T-4994	485
	968		65		428		486
	971		66		429		488
	994		68		469		499
	997		69		470		501
	1000		70		473		504
	1211		72		474		564

PART NUMBER INDEX

Part	Page	Part	Page	Part	Page	Part	Page
	566		119		466		543
	568		123		513		545
	610		125		532		547
	621		128		534		549
	632		134		551		556
	1358		153		553		558
	1359		155		657		600
	1360		157		659		601
8T-5677	840		159		676		603
	1201		161		682		609
	1203		183		778		610
8T-5912	1138		286		842		614
	1142		290		1124		623
8T-6342	1336		584		1126		625
8T-6451	1105		586		1130		627
	1139		589		1136		632
	1143	8T-6760	529		1146		642
	1157		530		1148		657
8T-6690	487		539		1150		659
8T-6726	1063		541		1152		697
	1064		543		1154		700
	1076		545		1158		703
	1077		556		1162		709
	1126		558		1168		741
	1130	8T-6761	21		1170		745
	1132		24		1199		749
	1134		27		1206		751
	1136		49		1210	8T-6766	570
	1146		50	8T-6763	70		572
	1148		52		72		813
	1150		532		74		815
	1152		534		75		818
	1154		538		77		820
	1157		547		80		822
	1158		549		83		824
	1160		610		85		826
	1162		632		87		830
	1170		697	8T-6764	1182	8T-6767	519
	1176		708		8		521
8T-6757	21		745		10	8T-6871	485
	24		748		151		486
	27		749		456		728
	153		751		570		730
	155		1134		582		732
	157		1136		584		734
	159	8T-6762	12		586		736
	161		21		589	8T-7581	328
	183		24		598		330
	662		27		623		332
	665		70		625	8T-8189	▶ 1476
	796		72		627	8T-8566	1240
8T-6758	223		74	8T-6765	52		1243
	224		75		215		1261
	458		77		216	8T-8569	1240
	460		80		223		1243
	463		83		224		1261
	464		85		380	8T-8729	1049
	465		87		383		1052
8T-6759	21		224		387		1217
	24		261		390		1329
	27		263		456		1421
	93		267		461		1424
	94		269		466	8T-8730	810
	96		340		519		1049
	97		344		521		1052
	98		347		526	8T-8737	1049
	99		354		527		1052
	101		387		528		1404
	102		390		529		1421
	103		458		530		1422
	105		460		532		1424
	108		463		534		1429
	115		464		539	8T-8911	196
	117		465		541		198

PART NUMBER INDEX

Part	Page	Part	Page	Part	Page	Part	Page
	200		409		1281	9G-9151	1041
	610	9B-0887	488		1284		1044
	632		499		1287		1046
8T-8912	610		501		1290		1401
	632		504	9F-5977	447	9G-9155	1041
8T-8915	663		572		449		1044
	711		574	9F-6445	638		1046
	717	9B-4202	150		640	9H-0846	44
	728	9B-7233	851		981	9H-0858	741
	730		854		985	9H-1958	1325
	736		858	9F-6580	1107	9H-2367	392
8T-8917	426		865		1376		394
	428		867		1378		396
8T-8919	43		968		1380		398
	210		971		1397		399
	426		993	9F-7707	328		403
	429		994		330		405
	560		996		332		407
	562		999	9F-7716	1118		409
	563		1214		1164	9H-3757	1246
	564		1319	9F-8122	163		1249
	566		1323		298		1252
	568		1324		322		1257
	730		1325	9F-8125	1364		1264
8T-8924	485		1327		1365		1267
	486		1368	9F-9203	1324		1270
8T-9001	614		1448		1325		1273
8T-9043	653	9B-7237	366		1326		1276
	656		492	9G-0003	976		1281
	661		495		977		1284
	663		526	9G-0004	976		1287
	728		527		977		1290
	730		528	9G-2265	780		1293
	732		610	9G-3186	1050	9H-6673	356
	734		616		996		359
	736		621		1050	9H-6761	1339
8T-9364	403		632	9G-3670	1053		1340
	405		791	9G-3695	648	9H-8260	223
	407		1118		996		224
	409		1182		1049	9K-5469	1380
	985	9D-3955	1058		1050	9K-6540	356
8T-9393	610	9D-7032	861		1053		359
	632		863		1054		363
8T-9396	663		865		1315	9K-6765	955
	728		867	9G-4101	1246		959
	736	9F-2247	16		1249		960
8T-9397	610		142		1252	9L-0672	392
	632		143		1258		394
8T-9398	1358		798		1264		396
	1360		923		1265		398
8T-9399	1359		928		1267		399
8T-9655	892		938		1268		403
8T-9658	892	9F-2947	610		1270		405
8T-9757	976		616		1271		407
	977		619		1273		409
8T-9884	1241		629		1274	9L-1480	228
	1244		630		1281		229
	1261		631		1284		235
8V-0536	437		632		1287		259
	439		1111		1290		261
8V-2636	1166	9F-3099	1323		1293		263
8Y-7386	196		1324		1294		265
	198		1325	9G-4223	1058		267
	200		1326	9G-4367	1276		269
			1327	9G-4524	693		367
		9F-3691	1364		695		368
			1365	9G-6655	1084		369
		9F-4976	1212	9G-6770	1212		1182
		9F-5599	1180		1288	9L-5125	16
9B-0701	392		1246	9G-8010	851		21
	394		1252		854		24
	403		1264		858		27
	405		1267		865	9L-6770	962
	407		1276		867		964

9

PART NUMBER INDEX

Part	Page	Part	Page	Part	Page	Part	Page
	966		72		879		757
9L-7373	706		80		884		758
9L-7712	328		153	9M-4594	1116		759
	332		155	9M-4815	16		761
9L-8493	1378		157	9M-4849	1120		769
9L-8715	1389		159		1122		771
9L-8716	1389		161		1128		772
9L-8781	572		181		1132		773
	574		183		1134	9N-2039	773
9L-9132	16		271		1160	9N-2041	672
	17		273	9M-4897	456	9N-2043	672
	21		334	9M-5520	987	9N-2046	672
	24		392		989	9N-3388	968
	27		394		1030		971
	39		403		1032	9N-4053	877
	209		405		1034		879
	213		407	9M-6522	16		883
	214		409		21	9N-5253	1084
	287		422		24	9S-0211	151
	314		518		27		802
	320		532	9M-6527	794		1403
	392		534	9M-6739	1056	9S-1343	50
	394		551		1058	9S-1354	36
	524		553	9M-7269	220	9S-1366	338
	687		570		221		715
	706		600		222		719
	708		601	9M-7357	422		730
	709		603		987	9S-1368	1120
	804		609		989		1122
	806		665	9M-7606	1246		1124
	952		783		1249		1126
	953		787		1252		1128
	1041		788		1277		1130
	1044		794		1287		1132
	1046		796	9M-7609	1240		1134
	1401		798		1243		1136
9L-9503	923		804		1247		1146
	925		806		1249		1148
	928		808		1252		1150
	930		810		1257		1152
	932		813		1264		1154
	935		815		1267		1158
	938		818		1277		1160
	940		820		1281		1162
	943		822		1284		1164
	945		824		1287		1168
	947		826		1290		1170
	959		830		1293		1172
	960		877	9M-8911	672		1174
	1194		879	9M-8915	668		1176
9L-9653	151		883		669		1178
9M-0378	20		884		672	9S-1374	218
	23		892		670		219
	26		896	9M-8919	672		220
9M-0387	142		979		672		221
	143		1103	9M-9085	1324		221
9M-0397	8		1107	9N-0869	238		222
	10	9M-2151	605		880	9S-2009	968
	12		606		890		971
	14		607		891	9S-2302	962
9M-0402	17		608	9N-0937	968		968
9M-0766	20	9M-2342	834		971	9S-2390	962
	23	9M-2610	454	9N-0939	968		964
	26	9M-3786	570		971		966
	849		582	9N-0942	968		968
9M-1289	492		584		971		971
	495		586	9N-0943	968	9S-2396	968
	498		588		971		971
9M-1974	17		598	9N-1752	897	9S-2544	968
	21	9M-4202	151		899		971
	24		547	9N-2035	672		1246
	27		549	9N-2036	672		1249
	59	9M-4355	414	9N-2038	752		1252
	70	9M-4584	401		753		1257

PART NUMBER INDEX

Part	Page	Part	Page	Part	Page	Part	Page
	1264		549		1214		689
	1267		813		1215		693
	1270		815		1323		700
	1273		818		1324		708
	1276		820		1326		711
	1281		822		1327		713
	1284		824		1370		715
	1287		826		1372		717
	1290		830		1376		719
	1293		835		1378		780
9S-4180	572		837		1385		783
	574	9S-4190	380		1389		794
9S-4181	1065		383		1399		808
	1066		387		1408		815
	1067		390	9S-8752	16		826
	1068		813		21		829
	1069		815		24		845
	1070		818		27		847
	1074		820		209		851
	1075		822		213		853
	1078		824		214		857
	1079		826		341		861
	1080		830		344		863
	1081	9S-4191	70		347		865
	1082		72		351		867
	1083		74		354		870
9S-4182	340		75		357		879
	344		77		360		884
	347		80		362		893
	351		83		379		897
	354		85		380		899
	356		87		383		952
	359		524		401		953
	363		582		403		1006
	380		584		405		1008
	383		586		407		1010
	387		589		409		1012
	390		598		460		1014
	454		813		461		1017
	507		815		463		1020
	511		818		465		1022
	513		820		487		1030
	514		822		490		1032
	636		824		493		1034
	796		826		498		1041
	798		830		521		1046
	813		879		524		1063
	815		884		530		1064
	818		897		539		1076
	820	9S-4684	993		541		1077
	822		996		545		1091
	824	9S-7296	538		551		1095
	826		1136		553		1099
	830	9S-7381	815		558		1105
	835		826		572		1116
	877		830		574		1120
	879	9S-8002	89		580		1122
	884		91		590		1128
	1409		95		592		1130
	1411		97		594		1132
	1413		100		596		1134
	1415		101		605		1136
	1440		107		606		1139
	1442		798		607		1143
9S-4185	52	9S-8005	508		608		1146
	215	9S-8750	576		654		1148
	216		981		662		1150
	218		1008		679		1152
	219		1010		680		1154
	456		1012		681		1157
	461		1014		682		1158
	468		1046		683		1160
	524		1116		687		1162
	547		1179		688		1166

PART NUMBER INDEX

Part	Page	Part	Page	Part	Page	Part	Page
	1172		58	9X-8256	586	9Y-1936	672
	1174		147		589	9Y-2156	38
	1176		148		1089	9Y-2159	▶38
	1179		149	9X-8486	994	9Y-2647	164
	1322	9X-6165	1089		996		166
	1328		1382		1367	9Y-2893	1380
	1408		1383	9X-8872	49		1397
	1442		1384		326	9Y-2942	715
9S-8893	170		1391	9X-8873	215		719
	171		1393		219	9Y-3084	258
	172		1395		221		▶259
	173	9X-6259	989		222		▶261
	174		1367		524		▶263
	175	9X-6260	142	9X-8874	215	9Y-3087	256
	176		143		1041		▶265
	177	9X-6458	194		1046		▶267
	178		206		1124		▶269
	179		365		1126	9Y-3108	1132
	180		379		1168		1134
9S-9238	1091		394		1170		1160
	1093		431	9X-8875	218	9Y-3778	598
	1095		445		219	9Y-4016	532
	1097		451		220		551
9S-9635	523		521		221	9Y-4090	532
9V-4924	202		524		222		534
	203		530	9X-8877	623	9Y-4124	279
9W-0755	1215		539		625	9Y-4888	▶335
9W-1494	▶1090		541		627		▶336
	1401		545	9X-8878	215	9Y-4893	57
9W-7783	140		558	9X-8879	181	9Y-4957	312
	141		711		223		314
9X-1124	1366		717	9X-8887	151		316
9X-1343	1427		847		187		318
9X-1386	1184		853		802		320
	1185		857	9X-9511	1240	9Y-5062	1179
	1186		871	9X-9584	1217		1408
	1188		873	9X-9614	1416	9Y-5285	17
9X-1813	1338		875		1419		20
9X-2027	1219		1132		1421		23
9X-2079	981		1134		1424		26
	985		1160	9X-9616	1421	9Y-5286	286
	1030	9X-6772	390		1424		290
9X-2119	43		399	9X-9675	1419		291
9X-2377	1120		642	9X-9720	976	9Y-5563	▶366
9X-2398	1105		695	9X-9730	977	9Y-5596	▶774
	1142		1097		▶978	9Y-5842	892
9X-2500	968		1344	9Y-0047	879	9Y-5843	892
	971		1382		890	9Y-5983	610
9X-3207	1217		1383		891		632
	▶1449		1384	9Y-0635	102	9Y-5984	610
9X-3401	1184	9X-7137	1217		104		632
	1185	9X-7138	1217		110	9Y-5985	610
9X-3816	1120	9X-7258	142		111		632
9X-3872	506		143		113	9Y-5986	610
9X-4276	810	9X-7340	621		121		632
	853	9X-7371	39		122	9Y-5987	610
	857		47		127		632
	865		155		128	9Y-5990	610
	867		161		130		632
	993		287		131	9Y-5991	610
	996		288		133		632
9X-4594	582		289	9Y-0848	▶1360	9Y-5992	610
	584		312	9Y-0849	1360		632
	586		314	9Y-0914	861	9Y-5993	610
	589		316		863		632
	598		318		865	9Y-5994	610
9X-4813	1421		320		867		632
	1424	9X-7438	325		▶1332	9Y-5995	610
9X-4824	1240	9X-7523	523	9Y-1741	328		632
	1243	9X-7537	516		330	9Y-5996	610
	1261		614		332		632
9X-5999	835	9X-7539	614	9Y-1766	623	9Y-5997	610
	837	9X-7540	517	9Y-1767	623		632
9X-6138	57	9X-8124	981	9Y-1782	916	9Y-5998	610

PART NUMBER INDEX

Part	Page	Part	Page	Part	Page	Part	Page
	632		985	009-4440	538		1122
9Y-6003	610		1030		674		1128
	632				1134		1130
9Y-6004	610				1136		1132
	632			012-5751	422		1134
9Y-6005	610			030-3978	523		1146
	632			030-7941	887		1148
9Y-6006	610	000-7246	1146		1003		1150
	632		1150		1111		1152
9Y-6007	610		1152		1116		1154
	632	001-6498	845		1370		1158
9Y-6008	632		847		1374		1160
9Y-6064	▶513		849		1380		1162
9Y-6089	1222		851		1382	030-8535	194
	1234		853		1385		206
	1303		857		1387		213
	1306		1107	030-7946	519		214
	1307	001-7042	1132		521	030-9613	993
	1308	001-9440	887		815		996
	1309		889		826	031-2458	780
	1310	002-6453	356		829	031-3185	252
9Y-6576	3		359		837	031-4136	822
	5		362		845		824
	▶879		437		847	031-4155	653
	▶883		439		861		656
9Y-6675	621		447		863		661
	▶632		449		887		663
9Y-6893	523		692		889		728
9Y-7160	629		699		1370		730
9Y-7161	619	002-9372	1037		1372		732
	630		1039		1383		734
9Y-7189	619	003-8581	826		1384		736
	640		829		1385	031-4630	657
9Y-7199	39	003-9163	396		1387		659
9Y-7201	▶45		398		1389	031-5744	1130
9Y-7579	▶640		424		1391		1146
9Y-7580	619		426		1393		1148
	640		428		1395		1150
9Y-7612	▶39		429		1397		1152
9Y-7645	614		1128	030-7947	845		1154
	621		1130		847		1158
9Y-7695	▶641		1132		849		1160
9Y-7697	616		1146		851		1162
	641		1148		853	032-1267	151
9Y-7841	3		1150		857		403
	5		1152		861		405
	▶895		1154		863		407
9Y-7876	▶150		1158		865		409
9Y-8389	235		1160		867		422
	237	004-3935	1162	030-7949	815		431
	813		1118		822		435
	815		1164		826		441
	818		1168		829		443
	820		1170		879		445
	822		1172		883		845
	824	004-5933	1103	030-7957	1391		847
	826	004-7270	1105		1397		849
	829		1120		1411		851
	896		1122		1440		853
9Y-8418	1380		1124	030-7961	1019		857
	1397		1126		1091		923
9Y-8445	1030		1138		1093		925
9Y-8474	1030		1142		1095		928
9Y-8733	957		1156		1097		930
9Y-9111	▶551	004-7626	1103		1393		932
	▶553	005-8160	783		1395		935
9Y-9171	2	006-0210	1182	030-7972	16		938
	5	006-5707	794		20		940
	▶514		1138		23		943
9Y-9173	▶556		1142		26		945
	▶558		1156	030-7977	877		947
9Y-9220	▶515	008-8694	418		879		1194
9Y-9221	515		419		883	032-1268	433
9Y-9373	981		420	030-8307	1120		437

PART NUMBER INDEX

Part	Page	Part	Page	Part	Page	Part	Page
	439		1287		568		486
	447		1290	067-6495	1012	101-8679	485
	449		1293		1014		486
	451	036-9823	1240		1374		498
	616		1246		1376	102-3540	▶215
	619		1252		1378		▶216
	638		1257		1387	102-3541	▶218
	640		1276	086-8503	1138		▶219
	641		1277	087-3796	711	102-6694	▶507
	845		1282		717	102-8634 224
	847		1285	090-4719	974	102-8801	1052
	849		1288	091-0081	521	102-8802	1184
	851	039-4317	1219	095-0673	1219		1185
	853		1225	096-4833	1219		1188
	857		1227		1224		1217
	861		1229		1232		1336
	863		1232	096-5962	981	102-8803	1049
	865		1235				1329
	867	039-6554	981			102-8806	1404
	923	039-8557	1105			102-8807 810
	925		1138			102-9453 40
	928		1142			103-0174	1378
	930		1156	100-3145	706	103-6226	▶40
	932	045-4065	1211	100-3146	706	103-7277 40
	935		1212	100-3147	706		▶1356
	938		1265	100-3148	706	103-8500	1356
	940		1268	100-3237	879	104-1718 576
	943		1271		890		578
	945		1274		891	104-4767 52
	947		1282	100-3638	993		216
	1107		1285		▶1050	104-6202	1353
	1194		1288	100-3639	996	105-0253 61
032-1269	16		1291	100-4324	▶136	105-0254 61
	17		1294		137	105-0255 61
	20	053-0558	1170		144	105-0256 61
	23	053-2294	312	100-4325	▶136	105-0257 61
	26		314		254	105-3045 215
	338		316	100-5566	1429	105-3762 969
032-2580	835		318	100-6531	962		972
	837		320		964	105-4329 365
033-2177	16	053-5065	17		966	105-4656	▶309
	20		20		968	105-4657	▶310
	23		23		971	105-5202	▶1037
	26		26	100-6532	968	105-5203	▶1039
033-6031	236		246		971	105-5205	▶1400
	237		248	100-6816	757	106-2779	▶64
	334		286		758		74
033-6042	74		290		758	106-3512 458
	407		291		759		507
	422	054-4048	1138	100-8026	▶63		511
	1003		1142		70	106-7650	1105
	1370		1156		72		1138
034-0728	1120	061-8114	783		75		1142
	1122	061-8639	815	100-8075	340	106-8551	▶1240
	1174		826		343		1296
034-1432	616		829		347	106-8554	▶1243
	619	061-9456	380		380		1298
	791		383		383	106-8943	▶1006
	792		386		386	106-9927 1456
	793	061-9457	796		389	107-0997	▶1246
034-3665	892		798	101-0832	223		▶1249
034-4160	12	061-9463	379	101-1207	▶102		1255
	14	061-9593	16	101-1266	▶89	107-0998	▶1252
036-9821	1240		17		90		1256
	1243		20		94	107-1727 485
	1246		23	101-1270	218		486
	1249		26	101-1365	187	107-1728	▶485
	1252		1435	101-1368	187	107-1729	▶485
	1257	062-5388	987	101-4135	879	107-1730	▶486
	1264		989	101-8238	▶786		▶486
	1267		1053		835	107-1822	▶90
	1277		1054		837		103
	1281	064-0047	564	101-8678	485	107-2477 187
	1284		566			107-4910 576

1

PART NUMBER INDEX

Part	Page	Part	Page	Part	Page	Part	Page
	578	109-2332	336		261		261
107-5565	578		340		263		263
107-7330	271		343		265	114-2414	265
	273		347		267		267
	275		380		269		269
	277		383	111-3812	259	114-2505	1090
	279		386		261	114-5477	877
107-7331	271		389		265		879
	273		467		267		883
	275		1464		340	114-8843	1049
	277		1466	111-3820	343	115-1783	470
	279		1470		347		477
107-7332	271		1472		381	115-2538	1416
	273	109-3038	1421		384		1419
	275		1424		386	115-3504	2
	277		1405		389		4
	279	109-5737	1405		1466		▶70
107-7333	271	109-5738	1405		1472	115-3505	4
	273	109-5916	487		509		▶72
	275	109-6507	993	111-4374	510	115-5154	▶74
	277		997		514	115-5852	1456
	279	109-6539	1416		515	115-7841	▶340
107-7334	271		1419		636		▶343
	273		1421		1219		▶347
	275		1424	111-4399	1226	115-9609	1336
	277	109-8932	1062		1229	116-1359	70
	279		1086		1232		72
107-7335	271		1088		1235		75
	273	109-9866	1136		523		77
	275	110-0096	530	111-5052	523		80
	277		539	111-5056	523		83
	279		541	111-8639	343		235
107-7348	380		545		347		155
	383		558		354	116-1365	157
	386		1470		362		181
			1473	111-8684	1427		183
107-8758	657	110-6606	36	112-1552	187		183
	659	110-6991	102	112-1554	187	116-3242	155
107-8759	657		104	112-3540	231		157
	659		110		234		181
107-8760	657		111		405		183
	659		113		409	116-3253	72
107-8769	1209		121		1469	116-3254	70
108-1290	▶137		122	112-3596	903		80
108-1434	379		128	112-3597	901	116-3263	259
	401		130		903		261
	812		131		905		265
	822		133	112-4036	623		267
	824		226		625	116-3266	1130
	870		232		627		1136
	871	110-6994	70		652		1146
	875		72	112-6597	▶1209		1148
	883		75	113-4634	341		1150
	897		77		351		1152
	899		523		356		1154
108-3190	▶1329	110-6995	523	113-5183	1429		1158
108-3561	36	110-8314	706	113-5184	1429		1162
108-5546	▶1255	110-8714	1416	113-7099	1118	116-9856	2
108-5547	▶1256		1419	113-8432	311		4
108-5564	▶981		1427	113-8433	311		▶187
108-5565	▶983	110-9211	▶1026	113-9001	431	116-9863	706
	986	110-9538	523		433	117-4739	▶1183
108-5566	981	111-1323	1416		435		1401
108-5567	981		1419		441	117-8846	▶1257
108-5568	981		1421		443		1260
108-5569	981		1424		445	117-9064	▶1260
108-5570	▶1344	111-1324	1416		451	118-1655	271
108-5572	1344		1419		523		273
108-5982	1118		1421	114-2040	1363		275
108-6170	530		1424	114-2410	1427		277
	539	111-1325	993		259		279
	541		997	114-2411	261	118-1656	1126
	545		412		265		1130
	558	111-1349	1464		267		1136
108-9654	▶1118		1470		259		1146
		111-2081	259	114-2413	259		

PART NUMBER INDEX

Part	Page	Part	Page	Part	Page	Part	Page
	1148		754		1268		161
	1150		755		1271		181
	1152		756		1274		183
	1154		760		1288		286
	1158		762		1291		290
	1162		763		1294		572
	1170		764	125-6536	1265		574
	1433		765		1288		582
	1435		766		1291		584
118-2987	▶752		767		1294		586
	756		768	125-6537	1265		589
118-2988	▶668		770		1288		598
	752		774	125-7096	1352	127-6260	1061
	753		1471	125-7874	1049		1085
	757	121-9839	103	125-7875	1049		1087
	758		129	125-7876	1049	127-7099	▶147
	761		134	125-9751	187	127-8129	▶1336
118-2989	▶753	122-0501	▶600	125-9754	706	127-8522	610
	754		605	125-9794	261	127-8523	610
118-4608	265	122-8856	226		263	127-8524	610
118-4609	259		227		267	127-8525	▶610
118-5075	1429		230		269		614
118-5542	338		235	125-9941	1416	127-8526	▶614
118-9492	3		513		1419	127-8660	642
	5		532		1421	128-4845	60
	▶754		534		1424		61
	▶755		1468	125-9942	1416		62
119-3686	753	122-8966	▶8		1419	128-6786	61
	772		26		1421		62
119-3687	752	122-9281	2		1424	128-9508	706
119-6004	670		4	125-9945	1416	129-2269	1336
119-6282	▶1112		▶181		1419	129-2300	1370
	1114	123-0835	979		1421	129-2301	1370
119-6283	▶1113	123-0836	979		1424	129-2302	1372
	1114	123-0837	980	125-9956	1416	129-2303	1372
119-6284	693	123-4268	275		1419	129-2304	1374
	695	123-6868	338		1421	129-2305	1374
	1091	123-8206	▶239		1424	129-2915	1182
	1093	123-9693	835	125-9969	1419	129-3021	741
	1095		837	126-0893	670	129-3083	523
	1097	124-0174	1370	126-1112	104	129-3096	835
	1099	124-0210	709		128		837
	1101	124-0211	709		130	129-4181	328
	1103	124-0326	▶1191	126-1113	104		332
	▶1114		1336		128	129-5488	▶706
119-6294	458	124-1858	1466		130	129-7563	▶1219
	464	124-3173	▶835	126-1655	1363	130-1592	1118
119-9443	190		839		1427	130-1593	1118
	202		841	126-1767	1184	130-2366	578
120-0568	1353	124-3174	▶837		1185	130-2607	89
120-4498	▶1334		839	126-1774	1049		95
	▶1335		841	126-5485	▶1427		97
120-7420	456	124-3176	993		1444		107
	461		997	126-5486	▶1408	130-2608	95
120-7421	547	124-4273	340		1444		97
	549	124-5245	600	126-6110	▶10		107
120-8197	▶756	124-5505	340		23	130-2613	90
120-9188	▶757	124-5514	754	127-0594	1408		103
	763		755	127-2176	226		129
	774		756		227	131-0410	▶91
121-0199	1421		762		230		92
	1424		770		232		93
121-0817	1363	124-5572	8		532		129
	1427		10		534		134
121-2028	103		12		551	131-0420	104
121-2630	▶843	124-9437	901		553		110
	894		903		1468		111
121-3563	▶894	125-2782	275	127-5400	20		113
121-4101	1427	125-2785	340		23		121
121-4102	1363	125-6347	▶1370		26		122
121-5486	383	125-6348	▶1372		153		127
121-5487	340	125-6351	▶1374		155		130
121-5489	340	125-6533	1288		157		131
121-5736	231	125-6535	1265		159		133

PART NUMBER INDEX

Part	Page	Part	Page	Part	Page	Part	Page
131-0421	104	134-3530	▶487	140-7752	▶148		95
	110		503	140-8402	1134		97
	111	134-3533	▶488	140-9052	768	149-1982	107
	113		503		▶769		90
	121	134-3804	▶697	140-9053	▶669		92
	122		700		769		93
	127		703	140-9597	235		94
	130		745	141-7047	▶722		96
	131	134-5402	▶758	141-7116	240		97
	133		▶759		242		98
131-0424	▶92		764		244		99
131-4340	89		765		246		101
	91	134-5573	▶487		248		103
131-4345	835	134-5645	▶396		250		105
	837		398	142-0038	1148		108
131-5374	1416		399		1154		115
	1419	134-6307	▶918		1158		117
	1421	134-6317	▶1352		1162		119
	1424	134-6318	▶1352	144-0502	12		123
131-5377	1416	135-0178	▶760		14		125
	1419	135-5101	▶760	144-0503	12		129
	1421		▶761		14		134
	1424		766	144-0725	271	149-3996	1097
131-5453	840		767		273	149-5462	607
131-9118	1336	135-6740	▶1416		275		608
131-9119	▶1444		1419		277	149-6031	60
133-0969	1049		1421		279		62
133-0970	1049		1424	144-0742	▶12	149-6032	60
133-1764	▶917	135-6909	▶762		20		62
133-3814	103	135-6910	▶835	144-2159	1120	149-6033	60
	134		837		1122		62
133-6261	48	135-8813	▶1464	144-5692	70	149-6034	60
133-6269	48	135-8827	▶771		72		62
133-6461	▶338	136-4422	▶769		75	149-6035	60
133-8383	275	136-7227	▶231		77		62
133-9302	741		235		80	149-9297	336
133-9306	92		1469		83	149-9298	261
	93	136-9145	▶1120		226		263
	94		1122		227		267
	96	136-9369	▶1120		230		269
	97		▶1122		232	150-0229	149
	98	136-9370	▶1124	144-5695	271	150-4153	610
	99		▶1126		273		632
	101	136-9476	▶1124		275	150-4157	379
	105	136-9630	▶91	144-8274	741	150-4213	20
	108	136-9636	▶340	144-8275	697		23
	115	137-1942	▶651		▶741		26
	117	137-1943	▶652		745	150-5146	8
	119	137-6856	▶105		749		10
	123		108		751	151-2776	▶103
	125		134	145-4923	▶1465		104
	134	137-6857	▶356	146-3740	▶138	151-2777	▶104
133-9307	129	138-2887	▶12		145	151-4906	1416
133-9309	786		14	146-7481	▶267		1419
133-9313	340	138-4959	▶1416	146-8947	▶1466	151-4908	1416
	343		1419	147-1445	1049		1419
	347		1421	147-1960	1416	151-9228	▶189
	351		1424		1421	151-9263	138
	354	138-8506	▶277		1424		139
	357		279	147-3745	194	151-9264	58
	360	138-8507	▶275		206		149
	362	139-1568	▶1214		890	152-0485	981
134-0957	1416	139-8537	▶1363		891	152-1005	20
	1419		1444	147-6616	534		23
	1421	139-8548	▶1444		553		26
	1424	139-8549	▶1444	148-8007	▶379	152-8466	▶1182
134-3098	1120	139-8551	▶1353	148-8352	1148	153-4906	70
	1122	140-0407	▶703		1154		72
134-3100	1120	140-0412	▶763		1160		75
	1122	140-0413	▶764		1162		403
	1128		▶765	149-0245	91		405
	1132	140-0414	▶766	149-0246	89		1116
	1134		▶767		91		1372
	1160	140-7549	▶768	149-1981	89		1374

PART NUMBER INDEX

Part	Page	Part	Page	Part	Page	Part	Page
	1385		625		435	172-0836	96
	1387		627		439		98
	1389	160-6548	▶725		441		▶107
153-7049	853	160-8761	1217		443		108
	857	160-8766	1217		445		117
154-1581	343	160-9231	1416		449		125
	347		1419		451	172-0838	▶96
	354	161-6934	359	169-8612	818	172-0839	▶97
	362	162-2737	523		822	172-4288	887
154-1584	328	164-7572	8	169-8613	826	173-1800	▶956
	330		10	169-8614	826	173-5413	1416
	332	164-8926	954	169-8615	▶901	174-1417	▶984
154-1616	532	165-3929	50		909		1197
	534		52	169-8617	901	175-6716	578
154-1617	532		389		905	176-8290	261
	534		405	171-1359	189	177-1061	1148
155-0726	238		745	171-4571	▶139		1154
155-1690	343		815		255		1158
	347		829		283		1162
	354		1012	171-5349	1183	177-9116	1126
	359		1020		1184	178-3339	1422
	362		1401		1185		1424
155-2255	1052		1421		1186	179-0469	871
155-2256	1049	165-3931	164		1188		873
	1052		166	172-0257	▶923		875
155-2259	1429		343		▶925	179-1478	893
155-2260	1049		347		950	179-1479	▶893
155-2265	1429		354	172-0258	▶938	180-3927	916
155-2270	1186		362		▶940	180-4543	1416
155-2274	1049		389	172-0261	▶943		1419
	1055		454		▶945		1421
155-2574	48		530		▶947		1424
155-2583	▶48		541		1205	180-4677	1407
155-2589	488		545	172-0262	▶928		1416
155-2590	488		558		▶930		1419
	499		680	172-0263	912		1421
	501		687		914		1424
	504		1142	172-0264	923	180-8424	1468
155-2591	488		1146		925	183-5974	1126
	499		1148		928	183-7427	893
	501		1150		930	183-8023	1416
	504		1152		932		1419
155-2592	488		1154		935		1421
	499		1158		938		1424
	501		1162		940	183-8809	100
	504	165-4030	893		943		101
155-2593	1028	166-4173	1032		945	186-3735	1188
	▶1355	166-4363	▶1197		947		1336
155-2596	488	166-4374	518		1194		1404
	499		601	172-0265	▶912		1427
	501		603		923	186-3736	1055
	504		609		925		1429
155-2600	▶778	166-4376	601		928	187-2034	962
156-9140	▶93		603		930		964
156-9141	▶94	166-4377	▶601		938		966
156-9748	890		606		940	187-4017	1128
	891	166-5944	129		943	187-4019	1128
156-9753	877	166-5945	95		945	187-4606	523
	883		97		947	187-7738	110
	▶890		107	172-0269	925		111
156-9754	877	166-6518	1128		930		113
	883	166-6519	1176		940		121
	▶891	166-6653	▶1128		945		122
157-0443	343	166-6936	▶1404		947		127
	347		1429		▶959		131
	354	166-8067	1128	172-0271	912		133
	359	168-6357	339	172-0272	912	188-0472	768
	362	169-2182	1071		914	188-0473	768
158-4240	▶1316		1072	172-0834	▶95	188-3080	▶1405
159-9322	1049		1073		99	189-4774	1416
160-6386	623	169-7294	1032		105		1419
	625		1034		115		1421
	627	169-7326	431	172-0835	▶105		1424
160-6387	623		433		131	189-5746	▶1184

PART NUMBER INDEX

Part	Page	Part	Page	Part	Page	Part	Page
		2					
190-7614	1052				1424		443
190-8920	598			206-6473	▶240		445
191-8389	692	200-1886	▶1468		▶242		451
191-8390	▶692	200-2003	328		▶244	214-6045	679
191-8395	1034		332	207-1332	680	214-6066	271
191-8396	987	200-5719	1090	207-1364	706	214-6395	▶725
192-8745	328	200-5722	1090	207-1388	768	214-7566	95
193-3282	271	200-6504	▶1061	207-1562	▶1261		100
	273		▶1062		1303		107
193-3288	146		1064		1305		236
193-5488	1405	201-1519	▶1469	207-4476	▶1091		237
194-4897	115	201-2184	564		▶1093		829
	117		566	207-5432	1421		877
	119		568		1424		883
194-4902	115		621	209-0962	115		887
	117	201-7354	663		117		1384
	119		711		119		1473
194-9584	843	201-7355	663	209-3559	▶312	214-7568	77
	895	201-8899	168	209-3560	▶314		80
195-1926	3	202-2123	523	209-3561	▶316		83
	6	202-2700	962	209-3562	▶318		85
	▶328		964	209-7017	713		87
	▶330		966		715		226
195-5820	1419	202-2708	962		719		227
	1424		964	210-2529	105		228
196-0237	▶1467		966		108		229
196-4795	328	202-2762	1003	210-2531	760		230
	330		1372		774		232
	332		1376	210-2542	105		236
196-5052	523		1378		108		237
196-5053	523		1385		115		409
196-9530	62		1389		117		813
197-0560	271	202-2783	964		119		815
197-6995	98		966	210-6112	▶149		829
	99	202-2784	962	210-8602	▶286		877
	101		964	210-8950	1049		883
	115		966	210-9214	▶287	216-8359	431
	117	202-2785	962	210-9215	▶288		433
	119		964	211-2261	668		435
	123		966		669		441
	125	202-2786	962		670		443
197-6999	105	202-2787	962	211-2264	670		445
	108		964	211-7826	63		451
197-7006	115		966		67	217-4197	536
	117	202-9897	962		79	217-6692	334
	119		964	212-4683	▶1263	219-0280	▶1470
197-7008	70		966	212-8169	▶582	220-3361	▶431
	72	203-2144	▶108		592	220-7173	783
	75		110	212-8176	▶603	222-1408	▶985
	77	203-2158	359		607	222-1424	▶1429
	80	203-2170	▶110	212-8179	582	222-4059	48
	83		▶111		584	222-5153	▶518
197-7029	▶1406		▶113	212-8180	518		601
197-7037	▶1416	203-8944	1422		603		603
197-7055	115		1424		609		607
	117	204-0241	695	212-8183	582	222-9922	219
	119		1101		584	223-1696	63
	123	204-5166	▶1354		586		64
	125	204-5426	110		589		65
197-7062	115		111	212-8187	518		66
	117		121		603		68
	119		131		609		69
197-7063	115		133	213-1412	▶690	223-4287	668
	117	204-5427	110	213-6133	433	223-4288	668
	119		111		441		669
197-7348	1448		113		443	223-4289	668
197-8832	1090		121		445		669
198-4776	196		131		451	223-4291	668
	198		133	214-0728	508		669
	200	204-5447	271	214-0729	508		670
199-5609	523		273	214-0731	523	223-6361	271
199-7763	1416	204-5455	709	214-3091	431		273
	1419	204-6708	508		433	223-6362	5
		206-1576	1421		441		▶271

PART NUMBER INDEX

Part	Page	Part	Page	Part	Page	Part	Page
224-1228	1182	235-3546	46	242-5326	▶98		248
224-4319	▶782		55	242-5327	▶99		250
225-3227	467		153	242-7979	1257	252-8374	231
225-4256	642		155	242-7983	1282		234
225-4259	905		157		1285		401
225-4260	▶905		159	243-2288	226		1471
	910		161		227	252-9298	1341
226-1759	173		181		230	253-1238	271
226-1760	171		183		235		273
227-3801	138		592		534	253-2468	▶30
	139		594		1468	254-3261	706
227-3805	▶508		596	243-3216	170	254-3269	706
	523		1465	243-3218	174		709
228-0413	616		1470	243-3220	172	254-9222	▶684
	641		1473	243-5752	▶1192	255-0838	684
228-0414	564		1474		1334	255-0889	684
	566		1476	243-7109	41	255-1274	685
228-7091	871	235-3548	21	243-7110	41	255-1275	685
	873		24	243-7111	▶41	255-1276	▶685
	875		572	245-2876	642	255-8691	907
228-7097	236	235-4431	▶370	245-3512	679	255-8692	907
	389	235-4434	▶371		681	255-2007	523
228-8926	263	235-8354	979	247-0308	▶42	257-2143	▶29
	269	236-7227	1466		43	257-5609	981
229-1631	275	237-1962	▶1264	247-3796	467		▶986
229-5332	227		▶1267		1466	258-8952	1132
229-8875	263	237-2715	897		1472		1134
	269	237-2718	899	248-2432	42		1160
229-8876	269	237-2719	824	248-5513	235	258-8955	1130
229-8877	263		873		237		1146
229-9407	964	237-3860	919		507		1150
230-1072	228		921		509		1152
	235	238-4745	736		510	259-2608	1132
	237	238-5080	236		511	259-4598	27
	519		237		512		46
	521		468		513		55
	523		813		514		153
	659		829		515		155
231-5867	263		877		636		157
	269		883	249-0059	42		159
231-6036	1176		1472	250-1496	877		161
231-6133	964	238-5081	236		883		181
	966		237		897		183
231-6339	▶523		815		899		228
233-0643	170		829	250-1497	401		236
	172		871		824		286
	174		873		871		290
	176		875		873		574
233-0644	179		877		875		1465
233-2430	271		883		919		1473
233-4241	1170	239-0689	99	250-1498	401		1474
233-4243	1170		101		824		1476
233-7973	▶918		115		873	259-4600	228
233-8525	574		119		919		235
234-4182	894		123	250-3444	1456		1464
	895	239-0690	▶115	250-8279	1243		1470
234-8776	117		133	251-1255	919	262-4378	570
	125	239-0692	111		921		582
234-8937	50		▶117	251-5715	564		584
	52	239-5894	668		566		586
	234		669		568	263-6679	332
	1469	240-1733	1416		621	263-8955	273
235-2484	20		1419	251-9436	403	264-0023	▶726
	23	240-6650	4		405	264-0025	▶727
	26		▶75		407	264-0450	343
	240		▶77		409		347
	242	241-5928	226	252-6464	240		386
	244		227		242		389
	246		230		244	264-8272	521
	248		232		248	265-7537	330
	250		534		250	265-7538	330
	286		1468	252-6498	240	266-7227	▶962
	290	241-6244	919		242	266-7484	▶1130
	291		921		244	266-7485	1136

PART NUMBER INDEX

Part	Page	Part	Page	Part	Page	Part	Page
267-7346	1130	274-5013	▶919	294-2319	1255		1290
	1146		▶921		1260		1293
	1150	275-5115	▶192		1305	307-2670	468
	1152		▶194		1307	308-1362	964
267-9689	813	276-3875	98		1310		966
	815		99	294-4935	582	308-1365	964
	820		101		584		966
	824		115	294-9052	642	308-1366	964
	829		117	295-2047	▶100		966
268-5727	190		119		119	308-2841	▶435
	191		123		123	308-2842	435
268-6475	▶43		125	295-2048	▶119	308-7311	711
269-1881	324	276-3876	98		121		732
269-7885	1466		99	295-5458	642	309-0031	▶1419
	1472		101	297-4904	1105	309-1854	661
271-4926	518		115		1138		717
	1467		117		1142	309-4550	216
	1470		119		1156	309-4587	1105
271-9270	▶190		123	297-5479	1221	309-4591	711
	▶191		125	297-9834	▶433		717
272-0757	59	276-4138	1422	297-9834	▶433	310-3632	711
	226		1424	298-6387	414		711
	227	277-8005	192		1464	310-3954	228
	230	277-8006	192		1465		236
	232	278-0513	1221		1470	312-8762	1132
	236	278-0539	549	299-1761	964	313-4914	▶1471
	237	278-0540	549		966	313-7770	▶907
	334	278-1082	343	299-3518	▶101		911
272-0758	48		347	299-3520	4	314-5005	273
	49		354		▶121	314-7965	1132
	226		362		▶122		1134
	227	278-1083	362				1160
	228	278-1774	815			314-7966	1132
	230		829				1134
	232	278-1775	815				1160
	338		829			315-5136	570
272-0759	49	278-1776	813	300-8567	242	315-5137	▶570
	228		820	300-8569	242		580
	229		824		244	316-5976	123
	235	278-4287	181		250		125
	326		183	300-8570	242	316-5977	123
	327	280-2089	▶458	301-9248	92		125
272-0760	230	281-5975	871		93	316-5978	123
273-3553	90		873		96		125
	92		875		97	316-5979	123
	93	281-6157	115		98		125
	96		117		99	316-5980	123
	97		119		101		125
	98	282-0645	5		105	316-5981	123
	99		▶273		108		125
	101	283-1107	1243		115	316-8256	▶1132
	105		1261		117	316-8633	1132
	108	288-6174	190		119		1134
	115		202		123		1160
	117	289-9745	100		125	318-1181	▶1185
	119		101		134		1190
	123	290-8203	504	302-8728	418	318-2082	1211
	125	290-8204	501	302-8729	405		1265
	134	290-8205	499		409	319-5889	621
273-3554	92	291-4309	584		▶418	319-5890	621
	93		586		▶419	320-1335	▶1421
	96	291-4313	▶584		422	320-1336	▶1424
	97		594	304-5240	1416	320-1337	1421
	98	291-8247	962		1421		1424
	99	291-8253	962		1424	320-7710	98
	101	291-8263	962	304-7216	237		99
	105	291-8271	962		▶1470		123
	108	291-8274	962	305-2664	▶228		125
	115	292-3815	962	305-3364	▶229	320-7711	98
	117		964	306-3997	1243		99
	119		966	306-3998	1249		123
	123	293-0007	490		1264		125
	125	293-0008	493		1267	320-8974	226
	134	293-0009	496		1284		227

3

PART NUMBER INDEX

Part	Page	Part	Page	Part	Page	Part	Page
321-2579	▶711			349-6232	32	361-2595	▶980
321-6952	469	339-2092	1063	349-6233	▶32		1361
	474		1064	349-8519	871	361-3326	979
	481		1076		875	361-7097	347
322-9878	60		1077	350-0651	1138		389
322-9879	60		1156		1142		1472
323-1217	▶1134	339-5148	347		1156	361-7098	347
323-1840	▶1136		354	350-1391	▶65		389
323-2865	4	340-0236	730		85	361-7756	▶621
	▶60		1138	350-1392	▶66	362-0158	1181
323-7347	226		1142		87	362-8264	127
325-1410	227		1156	350-1409	▶79		227
325-1412	227	340-0237	730		80		230
325-2876	1422		1138	350-1413	▶67	363-9837	▶1273
	1424		1142		77		1310
325-2877	1422		1156		83		1312
	1424	340-0238	734	350-5205	4	365-4214	389
325-4735	1421	340-0239	734		▶127	366-4746	1182
	1424	340-1591	1467	350-5210	▶80	366-6187	▶227
326-8854	870	340-7298	1049	350-5219	4	368-7808	285
327-3519	959	342-4500	1360		▶83	368-7813	293
328-1424	▶616	344-5673	1089	350-8624	209	369-7765	1065
328-1425	▶619	346-7515	330		1357		1066
328-5302	▶661	346-9090	726	351-2245	209		1067
328-8410	964		727		214		1068
	966	348-2347	▶745	351-4395	206		1069
329-4282	775	349-2654	589	351-4503	194		1070
330-1843	1181	349-5311	1105	351-8955	1271		1074
330-6781	▶1407		1138	351-9004	214		1075
331-5717	▶964		1142	351-9005	214	369-9509	389
331-7143	▶713		1156	352-6061	67	372-4717	▶739
331-7144	▶728	349-5312	1105		79		▶1181
	▶730		1138		1477	374-7466	1049
331-7163	958		1142	352-9766	▶1270	374-7468	1049
331-8941	▶715		1156		1307	377-3044	1071
332-1841	1065	349-5314	1105	352-9860	▶1462		1072
	1066		1138	353-0248	734		1073
	1067		1142	353-2691	1462	378-8437	1071
	1068		1156	353-3969	▶85		1072
	1069	349-5315	1105	353-3970	▶87		1073
	1070		1138	353-5133	815	378-9877	1105
	1074		1142		829	379-3359	993
	1075		1156		883		996
	1078	349-5321	1105	353-5995	▶1477		▶1318
	1079	349-5322	1105	353-7952	871	381-0476	1105
	1080	349-5324	1138		873	382-9606	▶1221
	1081		1142		875		1222
	1082		1156	353-8673	206	383-2990	1192
	1083	349-5325	1138	353-8675	194	383-8576	4
332-6711	912		1142		206		▶812
332-8562	871		1156	354-2399	454	385-1748	1221
	873	349-5727	669	354-2989	194	386-6229	871
	875	349-6219	▶1138	355-0769	▶226		875
333-1184	▶966		▶1142	355-4899	209	390-7470	521
333-1462	▶693	349-6222	▶1105	356-4916	▶736	391-2167	231
	▶695	349-6224	▶1063	356-5022	209	392-3229	816
334-1626	330	349-6225	▶1064	356-9765	1138		829
335-6217	122	349-6227	1138		1142	395-3499	50
	▶123		1142		1156	398-0053	42
	127		1156	357-2007	1105	398-1723	993
335-7715	▶469	349-6228	1138		1138	399-0633	▶1222
336-0729	1197		1142		1142		
336-0730	1197		1156		1156		
336-0966	▶367	349-6229	1138	357-3039	979		
336-0968	367		1142	357-3040	▶979		
336-1545	▶717		1156		980		
336-1546	▶732	349-6230	1105	357-7137	▶697	416-0603	518
	▶734		1138	357-9544	642		609
338-3453	1268		1142	358-0768	330	416-0609	608
	1270		1156	358-1394	▶326		▶609
	1273	349-6231	1105	359-4123	389	417-4722	1089
	1291		1138	360-4226	▶1049	417-7787	▶1041
	1294		1142		1089		▶1044
338-8671	113		1156	361-2453	▶1361		1351

PART NUMBER INDEX

Part	Page	Part	Page	Part	Page	Part	Page
420-0652	113		1082		1073	486-8505	196
	122		1083	448-9012	1071		198
	127	430-2763	▶1148		1072		200
	226	430-9695	586		1073	486-8506	196
	230		589	449-3900	▶1193		198
	232	431-3847	5		1335		200
420-0653	113		▶877	449-3985	1193	486-8507	▶196
	122	432-6564	875	450-1415	▶670	486-8525	196
	127	433-3495	741		759		198
	226	433-3496	741		771		200
	230	433-9722	1089	450-1421	762	490-4079	100
	232	433-9728	1089		▶771	490-4080	100
420-8780	138	433-9730	1089	450-3711	29	490-4082	100
	139	436-1478	1465		30	490-4083	100
420-8781	138		1473		31	491-0358	196
	139		1474	450-6710	755		198
422-8087	▶1146		1476		▶772		200
422-8088	1130	436-1479	234	451-6973	857	492-0914	235
	1146		1469	453-7799	760		▶1472
	1148	436-2867	▶1049		768	492-5099	235
	1150		1345	454-4749	774		▶1473
	1152		1346		1017	493-5296	▶198
	1154	437-9760	138	454-6822	1322	493-5297	▶200
	1158		139	454-7477	1314	494-1221	▶235
	1162	440-2105	▶1025	454-7489	1314	494-1279	▶237
423-0938	586		1089		1017	494-2371	196
	589	441-3369	155		▶1314	495-4092	680
423-7018	▶1052		157	454-9494	▶1345		687
	1089		159		▶1346	496-5224	670
424-3584	871	441-4878	138	457-6719	▶231	496-5225	670
	873		139		235	496-5226	670
	875	442-0681	▶230		237	496-5227	670
424-3585	871	442-1762	▶813	458-3417	▶232	496-5228	670
	873	442-1777	▶815		235	496-5229	670
	875	443-6357	1034		237	497-3911	1465
424-3586	871	444-1831	▶1150	461-3728	670		1473
	873	444-8114	▶1152	461-3754	668	497-5568	419
	875	447-0808	▶1074	461-3757	668		
424-3629	▶586	447-0809	▶1075	461-3762	668		
	▶588	447-0814	▶1154	461-3767	668		
	596	447-0816	▶1156	461-3778	668		
425-5935	394	447-5512	▶1052	461-3792	668		
	405	447-7206	228		669	501-6696	191
426-5362	▶1089		235		670		203
426-5363	▶1089	447-8597	▶1158	461-9983	222	505-0522	196
428-6127	5	447-8600	▶1160	462-8646	176		198
	▶871	447-8601	▶1076	465-2689	244	509-6461	273
428-6128	▶873	447-8602	▶1077		250	519-7297	80
428-6130	▶875	447-8604	▶1162	465-8142	1221		83
428-9129	706	447-8609	1148	465-8892	▶234	521-0039	739
428-9130	706		1154		235		▶740
430-2740	▶1065		1158	466-9948	166	521-0040	740
430-2741	▶1066		1162	468-8824	123	521-0041	740
430-2742	▶1067	447-8610	1160		125	521-0054	740
430-2744	▶1068	447-8613	1158	468-8825	123	521-0055	740
430-2745	▶1069		1160		125	521-3763	362
430-2746	▶1070	447-8614	1148	471-0882	179	522-3765	210
430-2750	1065		1154	471-0918	4	522-4208	210
	1066		1162		▶170	523-5086	212
	1067	447-8615	▶1078	471-1762	244	524-0346	216
	▶1071	447-8616	▶1079		250	525-1801	67
	1076	447-8617	1071	471-8150	815		▶68
	1077	447-8618	1072		829	525-1804	▶69
	1078	447-8619	1073	483-1016	816		79
	1079	447-8620	▶1080		829	528-6787	1270
430-2751	1068	447-8621	▶1081	483-9371	330	532-8532	362
	1069	447-8622	▶1082	486-0409	870	533-5902	1221
	1070	447-8623	▶1083	486-0410	870	538-6981	663
	▶1072	448-5087	29		164		730
	1080		30	486-7515	166		736
	1081		31		198	539-6084	1221
430-2752	▶1073	448-9011	1071	486-8504	198	540-4708	588
	1074		1072		200		
	1075						

5

PART NUMBER INDEX

Part	Page	Part	Page	Part	Page	Part	Page
	▶ 589						
545-8456	433						
	445						
	451						
545-8457	433						
	445						
	451						
548-9596	1261						
552-7398	210						
554-3009	362						
555-7225	▶ 1349						
557-7606	164						
	166						
557-7607	164						
	166						
560-0261	1025						
562-4365	▶ 293						
564-5691	1416						
	1421						
569-4809	▶ 210						

MEMORANDA



CCRC2966-64

3512 Engine

65Z887-UP