



Parts Manual

3516 Marine Auxiliary Engine With EUI Option

3XS1-UP (Engine)

Product and Dealer Information

Note: For product identification plate locations, see the section "Product Identification Information" in the Operation and Maintenance Manual.

Delivery Date: _____

Product Information

Model: _____

Product Identification Number: _____

Engine Serial Number: _____

Transmission Serial Number: _____

Generator Serial Number: _____

Attachment Serial Numbers: _____

Attachment Information: _____

Customer Equipment Number: _____

Dealer Equipment Number: _____

Dealer Information

Name: _____ Branch: _____

Address: _____

Dealer Contact

Phone Number

Hours

Sales: _____

Parts: _____

Service: _____

MEMORANDA

TABLE OF CONTENTS

NAME	PAGE	NAME	PAGE
GENERAL INFORMATION	A3	POWER TAKE-OFF GP	123
REPAIR ALTERNATIVES	A5	PULLEY AS-CRANKSHAFT	127
SUPPLEMENTAL COOLANT ADDITIVES	A6	PULLEY GP-AUXILIARY DRIVE	129
MAINTENANCE PARTS	A7	SEAL GP-CRANKSHAFT	133
INDEX	A11	SHAFT GP-AUXILIARY DRIVE	134
ENGINE ARRANGEMENT	1	SHAFT GP-STUB	136
ENGINE AR	1	VALVE GP-EXPLOSION RELIEF	137
BASIC ENGINE	2	VALVE MECHANISM GP	140
BARRING GP	2	LUBRICATION SYSTEM	142
CAMSHAFT GP	3	BREATHER GP	142
CLUTCH AS	5	CONNECTION GP-OIL	145
CLUTCH GP	7	FILLER GP-ENGINE OIL	147
COUPLING GP-FLEXIBLE	9	FILTER GP-CENTRIFUGAL	151
COVER GP-CAMSHAFT	10	FILTER GP-ENGINE OIL	153
COVER GP-CYLINDER BLOCK	12	GAUGE GP-OIL LEVEL (DIPSTICK)	163
COVER GP-FLYWHEEL HOUSING	16	HOSE AS	164
COVER GP-FRONT HOUSING	18	LINES GP-CENTRIFUGAL FILTER	165
COVER GP-OIL PAN	24	LINES GP-ENGINE OIL	166
COVER GP-VALVE MECHANISM	26	LINES GP-TURBOCHARGER OIL	172
CRANKSHAFT AS	29	PUMP GP-ENGINE OIL	176
CRANKSHAFT GP	30	PUMP GP-SUMP	180
CYLINDER BLOCK AS	32	VALVE GP-FLUID CONTROL	181
CYLINDER BLOCK GP	34	VALVE GP-FLUID SAMPLING	182
CYLINDER HEAD AS	39	COOLING SYSTEM	183
CYLINDER HEAD GP	46	CONNECTION GP-EXPANSION TANK	183
DAMPER GP	60	CONNECTION GP-WATER	184
DRAIN GP-ENGINE OIL	75	COOLER GP-ENGINE OIL	190
DRIVE GP-ACCESSORY	76	HEAT EXCHANGER GP-SEA WATER	191
DRIVE GP-FAN	87	HOUSING & REGULATOR GP	210
FASTENER GP-COUPLING	88	LINES GP-AFTERCOOLER WATER	211
FLYWHEEL GP	89	LINES GP-TURBOCHARGER WATER	213
GEAR GP-FRONT	90	LINES GP-WATER	218
GEAR GP-REAR	94	PUMP GP-AUXILIARY SEA WATER	225
GUARD GP-BELT	96	PUMP GP-WATER	237
GUARD GP-COUPLING	98	REGULATOR GP-TEMPERATURE	243
GUARD GP-DAMPER	100	SEPARATOR GP-AIR	245
HOUSING GP-FLYWHEEL	103	SWITCH GP-COOLANT LEVEL	247
HOUSING GP-FRONT	105	TANK GP-EXPANSION	248
HUB-FLEXIBLE COUPLING	107	AIR INLET AND EXHAUST SYSTEM	251
KIT-ENGINE GASKET	108	ADAPTER GP-AIR CLEANER	251
LIFTING GP-ENGINE	109	AFTERCOOLER GP-WATER	252
MOUNTING GP-ALTERNATOR	110	AIR CLEANER GP	254
MOUNTING GP-ENGINE	112	ELBOW GP-EXHAUST	261
MOUNTING GP-ENGINE & GENERATOR	113	ELBOW-EXHAUST	262
MOUNTING GP-ENGINE FLEXIBLE	114	FITTING GP-EXHAUST	266
MOUNTING GP-HYD PUMP DRIVE	115	FLANGE GP-EXHAUST	272
PAN GP-OIL	118	LINES GP-AIR	277
PISTON & ROD GP	121	LINES GP-TURBOCHARGER AIR	279
		MANIFOLD GP-EXHAUST	281
		MOUNTING GP-AIR CLEANER	285

TABLE OF CONTENTS

NAME	PAGE	NAME	PAGE
MOUNTING GP-BELLOWS	291	SENSOR & MTG GP-EXPANSION	
MUFFLER	292	TANK	483
SHIELD GP-EXHAUST	295	SENSOR GP-COOLANT LEVEL	484
SHUTOFF GP-AIR	299	SENSOR GP-EXHAUST	
TURBOCHARGER GP	306	TEMPERATURE	487
VALVE GP-AIR CONTROL	310	SENSOR GP-LIQUID LEVEL	492
FUEL SYSTEM	311	SENSOR GP-PRESSURE	493
CONTROL AS-GOVERNOR	311	SENSOR GP-SPEED	505
FILTER GP-FUEL	312	SENSOR GP-TEMPERATURE	511
FILTER GP-PRIMARY FUEL	340	SILENCER GP-AIR STARTING	515
INJECTOR GP-FUEL	341	SOLENOID GP-SHUTOFF	517
LINES GP-FLEXIBLE FUEL	345	STARTING MOTOR GP-AIR	518
LINES GP-FUEL	346	STARTING MOTOR GP-ELECTRIC	532
LINES GP-FUEL INJECTION	349	SUPPORT GP-BATTERY	569
MANIFOLD GP-FUEL	357	SWITCH AS-PUSH BUTTON	570
PUMP GP-FUEL INJECTION	359	SWITCH AS-SPEED	572
PUMP GP-FUEL PRIMING	363	SWITCH GP-ENGINE START	573
PUMP GP-FUEL TRANSFER	368	SWITCH GP-LIQUID LEVEL	575
ELECTRICAL AND STARTING		SWITCH GP-MAGNETIC	577
SYSTEM	374	SWITCH GP-START/STOP	579
ALTERNATOR GP-CHARGING	374	SWITCH GP-TOGGLE	580
BATTERY CHARGER	379	THERMOCOUPLE GP	581
BATTERY GP	380	TRAY GP-CABLE	582
BOX & MOUNTING GP	383	VALVE AS-SOLENOID	583
BOX GP-JUNCTION	386	VALVE GP-PRESSURE REDUCING	584
CIRCUIT BREAKER GP	390	WIRING GP-AIR STARTING	586
CONNECTION GP-ELECTRICAL	391	WIRING GP-ALTERNATOR	587
CONTACTOR GP	400	WIRING GP-ELECTRIC STARTING	588
CONTACTOR-PRESSURE	401	WIRING GP-ENGINE	589
CONTACTOR-TEMPERATURE	402	WIRING GP-PANEL	647
CONTROL & MTG GP-ENGINE		WIRING GP-PYROMETER	657
ELEK	404	ENCLOSURES, GUARDS AND BASES	659
CONTROL GP-AIR STARTING	405	GUARD GP-EXTENSION	659
CONTROL GP-ENG RATINGS		RAIL GP-ENGINE SUPPORT	661
ELEK	412	OPERATOR STATION	665
CONTROL GP-ENGINE		BOARD AS-RELAY	665
ELECTRONIC	414	BOX GP-INSTRUMENT PANEL	666
CONTROL GP-VOLTAGE	419	CONTROL GP-ENGINE	
CONVERTER GP-ELECTRICAL	420	MONITORING	720
ENCLOSURE GP-WIRING	421	CONTROL GP-LOAD SHARE	
GROUND GP-ELECTRICAL	425	MODULE	724
HARNESS AS-PANEL	426	MODULE GP-QUAD GAUGE	725
HARNESS AS-SENSOR	429	MOUNTING GP-INSTRUMENT	
HARNESS AS-WIRING	429	PANEL	732
HARNESS GP-WIRING	430	PYROMETER GP	736
HEATER GP-JACKET WATER	432	TIMER GP	738
KIT-SENSOR POCKET	436	SERVICE EQUIPMENT AND	
LINES GP-AIR STARTING	437	SUPPLIES	739
LUBRICATOR GP-AIR MOTOR	443	CHART-PLATE & FILM	739
MOUNTING GP-CONTACTOR	446	GREASE GUN GP	740
MOUNTING GP-JACKET WTR		KIT-GASKET	742
HEATER	452	TOOL GP-HAND	744
PLATE AS-BRUSH	478	PART NUMBER INDEX	B1
RELAY GP	479		
SENSOR & MTG GP-ELECTRIC	482		

GENERAL INFORMATION

1. ENGINE IDENTIFICATION

Cat engines are identified with Serial Numbers and Arrangement Numbers. In some cases, Modification Numbers are also used. The serial number plate which shows these numbers is mounted on the engine.

Cat dealers need this information to determine which components were included on the engine when it was assembled at the factory. This permits accurate identification of replacement part numbers.

2. ORDERING PARTS

WARNING

When replacement parts are required for this product Caterpillar recommends using Caterpillar replacement parts or parts with equivalent specifications including, but not limited to, physical dimensions, type, strength and material.

Failure to heed this warning can lead to premature failures, product damage, personal injury or death.

Quality Cat replacement parts are available from Cat dealers throughout the world. Their parts inventories are up to date and include all parts normally required to protect your investment in Cat Engines. Dealers may offer repair kits or remanufactured parts to allow selection of the most effective repair alternative for a particular situation. When ordering parts, your order should specify the quantity, part number, part name, and the serial number/product identification number of the engine for which the parts are needed.

3. PARTS MANUAL ORGANIZATION

Product information in this manual is presented as "information elements" that represent all of the components for the specific model. An Engine Arrangement is an example of an information element. The information elements are organized alphabetically by part name and secondarily by part number within each major section of the manual.

4. TABLE OF CONTENTS

A table of contents (TOC) is found at the beginning of the manual. The TOC lists each section of the manual with a complete list of all information elements organized as they appear in the manual. Page numbers are provided for quick reference to detailed parts identification illustrations and serviceable consist lists.

5. MAINTENANCE PARTS INDEX

The Maintenance Parts Index, located near the beginning of the manual, references most frequently used maintenance part numbers, providing description, quantity, usage and page number. This information is organized alphabetically by part description.

6. INDEX

The index located near the front of the manual is an alphabetical listing of all information elements included in the manual. Page numbers are provided for quick reference to detailed parts identification illustrations and serviceable consist lists.

7. PART NUMBER INDEX

A numerical index listing all part numbers and the corresponding page number(s) appears at the back of the manual.

8. CAPTIONS

Captions located at the beginning each information element identify the part number and part name along with additional descriptive information. S/N information found in each caption should be used to select correct information for a specific engine. Field replacement options, identification of optional attachment components, and where used ("part of") information is also provided.

The first line of a caption is shown in larger type font to indicate the beginning of an information element. Captions for additional pages that may be required to illustrate an information element will be shown in standard type font and will include the term (contd.) .

9. NON-SERVICED PARTS

In some instances it is necessary to display non-serviced parts that are a link to lower level serviceable consist lists. These non-serviced part numbers are shown in italic type indicating that they are not available. All consist lists have not been converted to reflect this enhancement.

GENERAL INFORMATION

10. PARTS LIST REFERENCE NUMBERS

Numbers shown in the Ref No column correspond to numbers used in the associated graphic(s). An alphabetic suffix may be added to a reference number to identify lower level consist items. Numbers shown in the Graphic Ref column refer to the graphic number identifier displayed in the lower left corner of each illustration. The Graphic Ref number may be used in combination with the item Ref No to determine the correct part number. There may be intentional omission of a Ref No in a consist list as information is updated to reflect the latest serviceable part numbers.

11. INDENTED PART NAMES

When a part name is indented in a parts list, it is part of (included in) the group or assembly under which it is indented.

12. ILLUSTRATION REFERENCE LETTERS

When necessary, illustrations contain reference letters (A, B, C etc.) that are intended to track lines and harnesses from one point to another. They are also used to show where to reconnect illustrations that have been separated.

13. ABBREVIATIONS AND SYMBOLS

O.D. – Outside Diameter
I.D. – Inside Diameter
A – Not Part Of This Group
B – Use As Required
C – Change From Previous Type
D – Order By The Meter
E – Order By The Centimeter
F – Not Shown
G – Order By The Inch
I – Refer To Hydraulic Information System
M – Metric Part
R – Remfg Part May Be Available
Y – Separate Illustration
Z – Not Serviced Separately

14. DESCRIPTION OF TYPE CHANGES

Type - A type is defined as any configuration change that requires an additional Information Element for an Arrangement, Group, or Assembly. If serial number breaks for types are not available, a type # (Type 1, Type 2, etc.) will be displayed in the caption. These "type" changes are identified with a "C" note (change from previous type) in the Parts List. Only the "types" that apply to this Parts Manual will be included. Additional types may exist causing "C" notes to appear on an Information Element when no other types are shown.

15. <END>

This symbol indicates the end of an information element.

NOTE:

Continuing improvement and advancement of product design may cause changes to your engine which may not be included in this publication. Whenever a question arises regarding your Cat product or this publication, please consult your Cat dealer for the latest available information.

REPAIR ALTERNATIVES

REMANUFACTURED COMPONENTS

As an option when making repairs consider Cat Remanufactured Components. Components that are available through the Cat Remanufactured Program are identified three ways in the parts book:

- with the letter R in the note field of the parts list
- with an R* at the beginning of the first line of the caption
- with an *R at the end of the first line of the caption

Typical components included in the Remanufacturing Program include:

ALTERNATORS
CONNECTING RODS
CRANKSHAFTS - UNDERSIZE
CRANKSHAFTS - UPGRADE TO NEW
CYLINDER HEADS
ELECTRONIC CONTROL MODULES (ECM)
ELECTRONIC SENSORS
FUEL INJECTORS
FUEL NOZZLES
FUEL PUMPS
GOVERNORS
OIL PUMPS
PISTONS
SHORT BLOCKS
STARTERS
TURBOCHARGERS - COMPLETE
TURBOCHARGER CARTRIDGES
WATER PUMPS

Cat Remanufactured engines for many engine arrangements are also available.

SUPPLEMENTAL COOLANT ADDITIVES

CUSTOMER BENEFITS:

Protects against cavitation, foam, erosion, corrosion, and scale buildup in cooling systems.

- Provides measured coolant conditioner.

DESCRIPTION:

Additives deplete from the coolant with normal operation. For this reason, Supplemental Coolant Additives (SCA) must be added to all heavy duty coolants at regular intervals. In addition, when not using a fully formulated, pre-charged antifreeze, like Cat DEAC, an initial charge of SCA must be added to the cooling system. The amount of SCA added to the system is dependent on the capacity of the system.

The SCA for initial fill is provided as a liquid. SCA's for maintenance intervals are available in liquid form and as a spin-on element. (No Spin-on available for 3600 Family of Engines)

NOTE:

The amount of SCA added at initial fill is not the same as the amount added at maintenance intervals.

The coolant additive elements can be used with any ethylene or propylene glycol type antifreeze which meets ASTM D4985 or ASTM D5345 Specifications.

NOTE:

For use with standard heavy duty coolant only, not for use with Extended Life Coolant.

PARTS NEEDED:

Cooling System Capacity		Liquid SCA at Initial Fill	Liquid SCA at Maintenance*	Spin-on SCA Maintenance Element*
Liters	Gallons			
22-30	(6-8)	3P-2044 (1)	6V-3542 (1)	111-2370 (1)
30-38	(8-10)	3P-2044 (1) 6V-3542 (1)	111-2372 (1)	111-2369 (1)
38-49	(10-13)	3P-2044 (1) 8T-1589 (1)	111-2372 (1)	111-2369 (1)
49-64	(13-17)	3P-2044 (2)	8T-1589 (1)	9N-3368 (1)
64-83	(17-22)	3P-2044 (2) 8T-1589 (1)	111-2372 (1) 6V-3542 (1)	111-2371 (1)
83-114	(22-30)	3P-2044 (3) 8T-1589 (1)	3P-2044 (1)	9N-3718 (1)
114-163	(30-43)	3P-2044 (5)	3P-2044 (1) 6V-3542 (1)	111-2371 (2)
163-242	(43-64)	3P-2044 (8)	3P-2044 (2)	9N-3718 (2)

* Normal maintenance period is 250 hrs. See your Operation and Maintenance Manual for complete coolant maintenance instructions.

() Indicates quantity required.

MAINTENANCE PARTS

DESCRIPTION	PART NUMBER	QTY	WHERE USED	PAGE
AIR INLET AND EXHAUST SYSTEM				
FILTER ELEMENT AS-AIR (PRIMARY)	8N-6309	1	AIR CLEANER GP	258
GASKET-EXHAUST	111-5822	1	FLANGE GP-EXHAUST	274
		1	MOUNTING GP-BELLOWS	291
BASIC ENGINE				
BELT-SERPENTINE (ALTERNATOR)	141-7116	1	MOUNTING GP-ALTERNATOR	110
KEY-SQUARE	7F-8896	1	POWER TAKE-OFF GP	123
		1	POWER TAKE-OFF GP	124
		1	POWER TAKE-OFF GP	125
PLUG-OIL DRAIN (ENGINE OIL PAN)	4B-2363	2	PAN GP-OIL	119
SCREEN AS-SUCTION (ENGINE OIL PAN)	7C-4716	1	PAN GP-OIL	119
SEAL-INTEGRAL	234-8937	2	COVER GP-FLYWHEEL HOUSING	16
SEAL-VALVE COVER	272-0757	1	COVER GP-VALVE MECHANISM	27
SEAL-VALVE COVER (BASE)	272-0760	1	COVER GP-VALVE MECHANISM	26
		1	COVER GP-VALVE MECHANISM	28
COOLING SYSTEM				
CAP-PRESSURE (14-PSI) (EXPANSION TANK)	127-8660	1	TANK GP-EXPANSION	248
CAP-PRESSURE (7-PSI) (EXPANSION TANK)	4N-3311	1	TANK GP-EXPANSION	248
KIT-COOLING SYSTEM PARTS (14-PSI) (EXPANSION TANK)	295-5458	1	TANK GP-EXPANSION	248
KIT-COOLING SYSTEM PARTS (7-PSI) (EXPANSION TANK)	294-9052	1	TANK GP-EXPANSION	248
PLUG-DRAIN (AUXILIARY SEA WATER PUMP)	3F-1358	1	PUMP GP-AUXILIARY SEA WATER	225
PLUG-DRAIN (WATER LINE, LOWER)	9M-4202	1	LINES GP-WATER	222
REGULATOR-TEMPERATURE (92-DEG C) (WATER)	248-5513	4	HOUSING & REGULATOR GP	210
		4	REGULATOR GP-TEMPERATURE	243
ROD-ZINC (AUXILIARY SEA WATER PUMP)	6L-2280	1	PUMP GP-AUXILIARY SEA WATER	227
		1	PUMP GP-AUXILIARY SEA WATER	229
ROD-ZINC (HEAT EXCHANGER)	6L-2284	3	HEAT EXCHANGER GP-SEA WATER	193
		3	HEAT EXCHANGER GP-SEA WATER	194
		3	HEAT EXCHANGER GP-SEA WATER	196
		1	HEAT EXCHANGER GP-SEA WATER	199
		1	HEAT EXCHANGER GP-SEA WATER	202
		3	HEAT EXCHANGER GP-SEA WATER	205
		3	HEAT EXCHANGER GP-SEA WATER	207
SEAL-LIP TYPE (WATER TEMPERATURE REGULATOR)	3S-9643	4	HOUSING & REGULATOR GP	210
		4	REGULATOR GP-TEMPERATURE	243
ELECTRICAL AND STARTING SYSTEM				
BATTERY (12-VOLT) (DRY)	9X-9720	2	BATTERY GP	380

MAINTENANCE PARTS

DESCRIPTION	PART NUMBER	QTY	WHERE USED	PAGE
BATTERY GP (12-VOLT) (DRY)	9X-9730	2	BATTERY GP	381
BREATHER AS	9G-5127	1	WIRING GP-ENGINE	597
		1	WIRING GP-ENGINE	630
		1	WIRING GP-ENGINE	634
		1	WIRING GP-ENGINE	638
BREATHER AS (ATMOSPHERIC AIR)	9G-5127	1	WIRING GP-ENGINE	610
		1	WIRING GP-ENGINE	613
		1	WIRING GP-ENGINE	642
BREATHER AS (PRESSURE RELIEF)	9G-5127	1	WIRING GP-ENGINE	590
		1	WIRING GP-ENGINE	594
		1	WIRING GP-ENGINE	602
		1	WIRING GP-ENGINE	606
CIRCUIT BREAKER AS (10-AMPERE)	114-1142	1	HARNES GP-WIRING	431
CIRCUIT BREAKER AS (15-AMPERE)	9M-9085	1	SWITCH GP-MAGNETIC	577
CIRCUIT BREAKER AS (20-AMPERE)	6T-3644	1	CIRCUIT BREAKER GP	390
CIRCUIT BREAKER AS (32-AMPERE)	107-5857	1	WIRING GP-PANEL	647
	133-6454	1	CONNECTION GP-ELECTRICAL	399
	134-6296	2	CONNECTION GP-ELECTRICAL	396
CIRCUIT BREAKER AS (40-AMPERE)	131-9123	1	BOX GP-JUNCTION	386
		1	BOX GP-JUNCTION	388
	131-9140	1	CONNECTION GP-ELECTRICAL	397
CIRCUIT BREAKER AS (6-AMPERE)	131-9136	1	CONNECTION GP-ELECTRICAL	392
		1	CONNECTION GP-ELECTRICAL	393
CIRCUIT BREAKER AS (63-AMPERE)	107-5856	1	WIRING GP-PANEL	649
	125-7096	1	WIRING GP-PANEL	653
	131-9122	1	BOX GP-JUNCTION	386
		1	BOX GP-JUNCTION	388
		2	CONNECTION GP-ELECTRICAL	394
	131-9134	1	CONNECTION GP-ELECTRICAL	391
CIRCUIT BREAKER GP (20-AMPERE)	9H-1958	1	SWITCH GP-MAGNETIC	578
SCREEN-STRAINER (PRESSURE REDUCING VALVE)	252-9298	1	VALVE GP-PRESSURE REDUCING	584
FUEL SYSTEM				
FILTER ELEMENT-FUEL (ADVANCED EFFICIENCY)	1R-0756	5	FILTER GP-FUEL	312
		5	FILTER GP-FUEL	314
		7	FILTER GP-FUEL	317
		7	FILTER GP-FUEL	320
		7	FILTER GP-FUEL	323
		7	FILTER GP-FUEL	325
		7	FILTER GP-FUEL	329
		7	FILTER GP-FUEL	333
		7	FILTER GP-FUEL	336
FILTER ELEMENT-FUEL (PRIMARY)	9M-2342	1	FILTER GP-PRIMARY FUEL	340
LUBRICATION SYSTEM				
BREATHER AS (CHROME) (CRANKCASE)	126-0577	1	BREATHER GP	143

MAINTENANCE PARTS

DESCRIPTION	PART NUMBER	QTY	WHERE USED	PAGE
		1	BREATHER GP	144
BREATHER AS (CRANKCASE)	4W-3027	4	BREATHER GP	142
CAP AS-ENGINE OIL FILLER	128-5988	1	FILLER GP-ENGINE OIL	147
		1	FILLER GP-ENGINE OIL	149
	7L-4447	1	FILLER GP-ENGINE OIL	150
FILTER ELEMENT AS-ENGINE OIL (STANDARD EFFICIENCY)	1R-0726	3	FILTER GP-ENGINE OIL	155
FILTER ELEMENT AS-OIL (ENGINE)	4P-2839	3	FILTER GP-ENGINE OIL	153
		3	FILTER GP-ENGINE OIL	157
		4	FILTER GP-ENGINE OIL	160
FILTER GP-CENTRIFUGAL	1W-4191	1	FILTER GP-CENTRIFUGAL	151
SCREEN AS-SUCTION (ENGINE OIL PAN)	7C-4716	1	CONNECTION GP-OIL	146
SEAL (OIL FILTER)	4W-3251	2	FILTER GP-ENGINE OIL	153
		2	FILTER GP-ENGINE OIL	157
		2	FILTER GP-ENGINE OIL	160
SEAL-VALVE COVER (BREATHER)	272-0757	1	BREATHER GP	143
	272-0760	4	BREATHER GP	142
		1	BREATHER GP	144
SEAL-VALVE COVER (OIL FILLER)	272-0760	1	FILLER GP-ENGINE OIL	147
		1	FILLER GP-ENGINE OIL	149
OPERATOR STATION				
CIRCUIT BREAKER AS (10-AMPERE)	114-1142	4	BOX GP-INSTRUMENT PANEL	667
		4	BOX GP-INSTRUMENT PANEL	671
		4	BOX GP-INSTRUMENT PANEL	675
		4	BOX GP-INSTRUMENT PANEL	679
		4	BOX GP-INSTRUMENT PANEL	683
		4	BOX GP-INSTRUMENT PANEL	687
		4	BOX GP-INSTRUMENT PANEL	691
		4	BOX GP-INSTRUMENT PANEL	695
		4	BOX GP-INSTRUMENT PANEL	699
		4	BOX GP-INSTRUMENT PANEL	703
CIRCUIT BREAKER AS (16-AMPERE)	114-1143	1	BOX GP-INSTRUMENT PANEL	667
		1	BOX GP-INSTRUMENT PANEL	671
		1	BOX GP-INSTRUMENT PANEL	675
		1	BOX GP-INSTRUMENT PANEL	679
		1	BOX GP-INSTRUMENT PANEL	683
		2	BOX GP-INSTRUMENT PANEL	687
		2	BOX GP-INSTRUMENT PANEL	691
		2	BOX GP-INSTRUMENT PANEL	695
		2	BOX GP-INSTRUMENT PANEL	699
		1	BOX GP-INSTRUMENT PANEL	703
CIRCUIT BREAKER AS (32-AMPERE)	107-5857	1	BOX GP-INSTRUMENT PANEL	668
		1	BOX GP-INSTRUMENT PANEL	672
		1	BOX GP-INSTRUMENT PANEL	675
		1	BOX GP-INSTRUMENT PANEL	679
		1	BOX GP-INSTRUMENT PANEL	684
		1	BOX GP-INSTRUMENT PANEL	688

MAINTENANCE PARTS

DESCRIPTION	PART NUMBER	QTY	WHERE USED	PAGE
		1	BOX GP-INSTRUMENT PANEL	692
		1	BOX GP-INSTRUMENT PANEL	695
		1	BOX GP-INSTRUMENT PANEL	699
		1	BOX GP-INSTRUMENT PANEL	703
CIRCUIT BREAKER AS (50-AMPERE)	116-7655	1	BOX GP-INSTRUMENT PANEL	668
		1	BOX GP-INSTRUMENT PANEL	672
		1	BOX GP-INSTRUMENT PANEL	675
		1	BOX GP-INSTRUMENT PANEL	679
		1	BOX GP-INSTRUMENT PANEL	684
		1	BOX GP-INSTRUMENT PANEL	688
		1	BOX GP-INSTRUMENT PANEL	692
		1	BOX GP-INSTRUMENT PANEL	695
		1	BOX GP-INSTRUMENT PANEL	699
		1	BOX GP-INSTRUMENT PANEL	703
CIRCUIT BREAKER AS (63-AMPERE)	107-5856	1	BOX GP-INSTRUMENT PANEL	667
		1	BOX GP-INSTRUMENT PANEL	671
		1	BOX GP-INSTRUMENT PANEL	675
		1	BOX GP-INSTRUMENT PANEL	679
		1	BOX GP-INSTRUMENT PANEL	683
		1	BOX GP-INSTRUMENT PANEL	687
		1	BOX GP-INSTRUMENT PANEL	691
		1	BOX GP-INSTRUMENT PANEL	695
		1	BOX GP-INSTRUMENT PANEL	699
FUSE (1-AMPERE)	8K-4644	10	BOARD AS-RELAY	665
FUSE (10-AMPERE)	3K-8782	10	CONTROL GP-ENGINE MONITORING	721
SERVICE EQUIPMENT AND SUPPLIES				
SEAL-INTEGRAL	234-8937	2	KIT-GASKET	743

INDEX

NAME	PAGE	NAME	PAGE
A			
ADAPTER GP-AIR CLEANER	251	BREATHER GP-CRANKCASE	142
AFTERCOOLER GP-WATER	252		143
AIR CLEANER GP	254		144
	255	C	
	256	CAMSHAFT GP	3
	257		4
	258	CAP AS-ENGINE OIL FILLER	147
	259		149
ALTERNATOR GP-CHARGING	374		150
	376	CAP-PRESSURE (14-PSI) (EXPANSION TANK)	248
	378	CAP-PRESSURE (7-PSI) (EXPANSION TANK)	248
B			
BARRING GP-LH.	2	CHART-PLATE & FILM	739
BATTERY (12-VOLT) (DRY)	380	CIRCUIT BREAKER AS (10-AMPERE)	431
BATTERY CHARGER	379		667
BATTERY GP	380		671
	381		675
BATTERY GP (12-VOLT) (DRY)	381		679
BATTERY GP-DRY	382		683
BELT-SERPENTINE (ALTERNATOR)	110		687
BOARD AS-RELAY	665		691
BOX & MOUNTING GP	384		695
BOX & MOUNTING GP-POWER DISTRIBUTION	383		699
BOX GP-INSTRUMENT PANEL	666		703
	670	CIRCUIT BREAKER AS (15-AMPERE)	577
	674	CIRCUIT BREAKER AS (16-AMPERE)	667
	678		671
	682		675
	686		679
	690		683
	694		687
	698		691
	702		695
	707		699
	711		703
	715	CIRCUIT BREAKER AS (20-AMPERE)	390
	719	CIRCUIT BREAKER AS (32-AMPERE)	396
BOX GP-JUNCTION	386		399
	388		647
BREATHER AS	597		668
	630		672
	634		675
	638		679
BREATHER AS (ATMOSPHERIC AIR)	610		684
	613		688
	642		692
BREATHER AS (CHROME) (CRANKCASE)	143		695
	144		699
BREATHER AS (CRANKCASE)	142		703
BREATHER AS (PRESSURE RELIEF)	590	CIRCUIT BREAKER AS (40-AMPERE)	386
	594		388
	602		397
	606		

INDEX

NAME	PAGE	NAME	PAGE
CIRCUIT BREAKER AS (50-AMPERE)	668	CONTROL GP-AIR STARTING	405
	672		407
	675		408
	679		410
	684	CONTROL GP-ENG RATINGS ELEK	412
	688		413
	692	CONTROL GP-ENGINE ELECTRONIC	414
	695		415
	699		416
	703		418
CIRCUIT BREAKER AS (6-AMPERE)	392	CONTROL GP-ENGINE ELECTRONIC- RELAY	417
	393	CONTROL GP-ENGINE MONITORING	720
CIRCUIT BREAKER AS (63-AMPERE)	386		723
	388		
	391	CONTROL GP-ENGINE MONITORING- PROGRAMMABLE RELAY	721
	394	CONTROL GP-ENGINE MONITORING- PROGRAMMABLE RELAY CONTROL MODULE	722
	649	CONTROL GP-LOAD SHARE MODULE	724
	653	CONTROL GP-UNPRGMED MONITOR (CATERPILLAR MONITORING SYSTEM)	723
	667	CONTROL GP-VOLTAGE	419
	671	CONVERTER GP-ELECTRICAL	420
	675	COOLER GP-ENGINE OIL	190
	679	CORE AS-AFTERCOOLER	252
	683	CORE GP-OIL COOLER	190
	687	COUPLING GP-FLEXIBLE-VISCOUS DAMPENED	9
	691	COVER GP-CAMSHAFT	10
	695		11
	699	COVER GP-CYLINDER BLOCK	13
	703	COVER GP-CYLINDER BLOCK-CENTRAL STRUCTURE	12
CIRCUIT BREAKER GP	390	COVER GP-CYLINDER BLOCK-CRANKCASE ...	15
CIRCUIT BREAKER GP (20-AMPERE)	578	COVER GP-FLYWHEEL HOUSING	16
CLUTCH AS	5	COVER GP-FRONT HOUSING	18
CLUTCH GP	7		19
CONNECTION GP-ELECTRICAL-AIR SHUTOFF	399		21
CONNECTION GP-ELECTRICAL-AIR START ...	392		22
	393	COVER GP-OIL PAN	24
CONNECTION GP-ELECTRICAL- ALTERNATOR	391		25
CONNECTION GP-ELECTRICAL-DUAL ELECTRIC START	394	COVER GP-VALVE MECHANISM	26
	396		27
CONNECTION GP-ELECTRICAL- PRELUBRICATION	397		28
CONNECTION GP-EXPANSION TANK- AUXILIARY	183	CRANKSHAFT AS	29
CONNECTION GP-OIL	145	CRANKSHAFT GP	30
	146		31
CONNECTION GP-WATER-INLET	185	CYLINDER BLOCK AS	32
CONNECTION GP-WATER-INLET, LH	188		33
CONNECTION GP-WATER-INLET, RH	187	CYLINDER BLOCK GP	34
CONNECTION GP-WATER-OUTLET	184		36
	189		38
CONTACTOR GP	400	CYLINDER HEAD AS	39
CONTACTOR-PRESSURE	401		40
CONTACTOR-TEMPERATURE	402		41
	403		42
CONTROL & MTG GP-ENGINE ELEK- PRIMARY	404		43
CONTROL AS-GOVERNOR-LOAD SHARE	311		44
			45

INDEX

NAME	PAGE	NAME	PAGE
CYLINDER HEAD GP.....	46	FILM-CONTROL PANEL (IDENTIFICATION)	711
	47		715
	49	FILM-IDENTIFICATION (10-AMPERE FUSE)....	721
	50	FILM-IDENTIFICATION (CATERPILLAR).....	420
	52	FILM-IDENTIFICATION (ENGINE	
	53	MONITORING)	667
	54		671
	56		674
	58		678
			683
			687
			691
			694
			698
			702
			707
			711
			715
		FILM-IDENTIFICATION (ENGINE OIL FILL)....	150
		FILM-IDENTIFICATION (ENGINE START)	579
		FILM-IDENTIFICATION (ENGINE STOP).....	579
		FILM-IDENTIFICATION (INSTRUMENT	
		PANEL)	672
			675
			684
			690
			694
			698
			702
		FILM-IDENTIFICATION (INSTRUMENT PANEL)	
		(TERMINAL).....	679
		FILM-IDENTIFICATION (TERMINAL	
		MARKER)	421
			423
		FILM-IDENTIFICATION (WIRE)	667
			671
			675
			679
			683
			687
			691
			695
			699
			703
		FILM-INFORMATION (EMCP II, PRCM)	722
		FILM-INSTRUMENT PANEL (TERMINAL	
		BOX)	668
			686
		FILM-WARNING (HOT FLUID UNDER PRESSURE,	
		U.S.).....	248
		FILTER ELEMENT AS-AIR (PRIMARY).....	258
		FILTER ELEMENT AS-ENGINE OIL (STANDARD	
		EFFICIENCY).....	155
		FILTER ELEMENT AS-OIL (ENGINE)	153
			157
			160
			150
FILM-CONTROL PANEL.....	707		
	711		
	715		
FILM-CONTROL PANEL (EMCP II, PRCM).....	722		

D

E

F

INDEX

NAME	PAGE	NAME	PAGE
HARNESS AS-PANEL (QUAD GAUGE MODULE)	667	HARNESS AS-WIRING (PRELUBRICATION)....	650
	671		656
	674	HARNESS AS-WIRING (PYROMETER).....	657
	675	HARNESS AS-WIRING (RELAY).....	399
	678		479
	679		480
	682	HARNESS AS-WIRING (SPEED CONTROL)....	430
	683	HARNESS AS-WIRING (SPEED CONTROL)....	655
	687	HARNESS AS-WIRING (STARTING AID).....	654
	691	HARNESS AS-WIRING-JUMPER	429
	695	HARNESS GP-WIRING-DENOX	
	699	AFTERTREATMENT	431
	703	HARNESS GP-WIRING-SPEED CONTROL....	430
HARNESS AS-PANEL (TERMINAL STRIP)	386	HEAT EXCHANGER GP-SEA WATER	191
	388		192
HARNESS AS-PANEL-INSTRUMENT	428		193
HARNESS AS-PANEL-INTERCONNECT.....	426		194
	427		196
			198
HARNESS AS-PANEL-PYROMETER			199
INTERCONNECT	426		201
HARNESS AS-POWER.....	587		202
HARNESS AS-SENSOR.....	429		204
	621		205
	630		207
	635		209
	638	HEATER GP-JACKET WATER.....	432
	642		433
HARNESS AS-SENSOR (AIR INLET/OIL			434
TEMPERATURE)	624		435
HARNESS AS-SENSOR (AIR/OIL SENSOR)....	617	HOSE AS.....	164
	619	HOUSING & REGULATOR GP-INLET	
	622	CONTROL	210
	623	HOUSING GP-FLYWHEEL	103
HARNESS AS-SENSOR (THERMOCOUPLE) ...	658		104
HARNESS AS-SENSOR (TURBOCHARGER) ...	630	HOUSING GP-FRONT	105
	638	HOUSING GP-FRONT-ACCESSORY DRIVE....	106
	642	HUB-FLEXIBLE COUPLING	107
HARNESS AS-SOLENOID (AIR STARTING)	586		
HARNESS AS-SWITCH (START)	570	I	
HARNESS AS-WIRING.....	397		
	589		
	593	INJECTOR GP-FUEL	341
	597		342
	625		343
	626		344
	668		
	672		
	676	K	
	680		
HARNESS AS-WIRING (AIR SHUTOFF).....	651	KEY-SQUARE	123
HARNESS AS-WIRING (ALTERNATOR).....	653		124
HARNESS AS-WIRING (DENOX)	431		125
HARNESS AS-WIRING (ELECTRONIC SPEED		KIT-COOLING SYSTEM PARTS (14-PSI)	
SWITCH).....	688	(EXPANSION TANK).....	248
	692	KIT-COOLING SYSTEM PARTS (7-PSI)	
	696	(EXPANSION TANK).....	248
	699	KIT-ENGINE GASKET-TURBOCHARGER.....	108
HARNESS AS-WIRING (MAGNETIC		KIT-GASKET	742
SWITCH).....	394	KIT-GASKET-AUXILIARY WATER PUMP.....	742
		KIT-GASKET-REAR STRUCTURE	743

INDEX

NAME	PAGE	NAME	PAGE
PUMP GP-FUEL INJECTION	359	ROD-ZINC (AUXILIARY SEA WATER PUMP)...	227
	360		229
	361	ROD-ZINC (HEAT EXCHANGER)	193
	362		194
PUMP GP-FUEL PRIMING	367		196
PUMP GP-FUEL PRIMING-LH.	365		199
PUMP GP-FUEL PRIMING-RH	363		202
PUMP GP-FUEL TRANSFER	368		205
	370		207
PUMP GP-FUEL TRANSFER-1-SECTION			
GEAR	372		
	373		
PUMP GP-SUMP	180		
PUMP GP-WATER	237		
	239		
	241		
	242		
PYROMETER GP (LH)	737		
PYROMETER GP (RH)	736		
PYROMETER GP-PANEL, LH	737		
PYROMETER GP-PANEL, RH	736		
		S	
		SCREEN AS-SUCTION (ENGINE OIL PAN)	119
			146
		SCREEN-STRAINER (PRESSURE REDUCING	
		VALVE)	584
		SEAL (OIL FILTER)	153
			157
			160
		SEAL GP (WATER PUMP)	239
		SEAL GP-CRANKSHAFT	133
		SEAL GP-FACE (WATER PUMP)	237
		SEAL-CRANKSHAFT (CLOCKWISE	
		ROTATION)	133
		SEAL-CRANKSHAFT (COUNTERCLOCKWISE	
		ROTATION)	133
			743
		SEAL-INTEGRAL	16
			743
		SEAL-LIP TYPE (WATER TEMPERATURE	
		REGULATOR)	210
			243
		SEAL-VALVE COVER	27
		SEAL-VALVE COVER (BASE)	26
			28
		SEAL-VALVE COVER (BREATHER)	142
			143
			144
		SEAL-VALVE COVER (OIL FILLER)	147
			149
		SENDER AS-TEMPERATURE (12-VOLT)	
		(OIL)	617
			622
		SENSOR & MTG GP-ELECTRIC-ENGINE	
		COOLANT	482
		SENSOR & MTG GP-EXPANSION TANK-	
		COOLANT LEVEL	483
		SENSOR AS-SPEED	508
		SENSOR GP-COOLANT LEVEL	483
			484
			485
			486
			492
		SENSOR GP-EXHAUST TEMPERATURE	487
			488
			489
			490
			491

INDEX

NAME	PAGE	NAME	PAGE
SENSOR GP-EXHAUST TEMPERATURE (AIR TURBO LH).....	589 593 601 605	SENSOR GP-PRESSURE (BOOST).....	593 597 606
SENSOR GP-EXHAUST TEMPERATURE (AIR TURBO RH).....	589 593 601 605	SENSOR GP-PRESSURE (CRANKCASE)	589 594 597 601 605 609 613 642
SENSOR GP-EXHAUST TEMPERATURE (LH TURBO)	597	SENSOR GP-PRESSURE (FILTERED FUEL)...	589 593 597 601 605 609 613 630 634 638 642
SENSOR GP-EXHAUST TEMPERATURE (LH)	630 634 638	SENSOR GP-PRESSURE (FILTERED OIL).....	589 593 597 601 605 609 613 630 634 638 642
SENSOR GP-EXHAUST TEMPERATURE (RH TURBO)	597		
SENSOR GP-EXHAUST TEMPERATURE (RH).....	630 634 638		
SENSOR GP-EXHAUST TEMPERATURE (TURBOCHARGER, LH).....	609 613		
SENSOR GP-EXHAUST TEMPERATURE (TURBOCHARGER, RH)	609 613		
SENSOR GP-LIQUID LEVEL	492		
SENSOR GP-PRESSURE	493 494 495 496 497 498 499 500 501 502 503 504	SENSOR GP-PRESSURE (LH AIR CLEANER).....	597
SENSOR GP-PRESSURE (AIR CLEANER LH).....	589 594 601 605	SENSOR GP-PRESSURE (RH AIR CLEANER).....	597
SENSOR GP-PRESSURE (AIR CLEANER RH).....	589 594 601 605	SENSOR GP-PRESSURE (TURBO OUTLET)...	631 635 639
SENSOR GP-PRESSURE (ATMOSPHERIC)	589 594 597 601 605 609 613 642	SENSOR GP-PRESSURE (TURBOCHARGER INLET, LH).....	609 613 642
		SENSOR GP-PRESSURE (TURBOCHARGER INLET, RH)	609 613 642
		SENSOR GP-PRESSURE (TURBOCHARGER OUTLET).....	610 613 642

INDEX

NAME	PAGE	NAME	PAGE
SENSOR GP-PRESSURE (UNFILTERED FUEL)	589	SENSOR GP-TEMPERATURE	491
	593		511
	597		512
	601		513
	605		514
	609	SENSOR GP-TEMPERATURE (AFTERCOOLER).....	630
	613		634
	630		638
	635		642
	638	SENSOR GP-TEMPERATURE (AIR INLET).....	624
	642	SENSOR GP-TEMPERATURE (AIR)	617
SENSOR GP-PRESSURE (UNFILTERED OIL)	589		619
	593		622
	597		623
	601	SENSOR GP-TEMPERATURE (AIR)(B-SERIES LOCATION)	621
	605	SENSOR GP-TEMPERATURE (COOLANT)	589
	609		593
	613		597
	630		601
	634		605
	638		625
	642		626
SENSOR GP-SPEED	505		630
	506		634
	507		638
	508	SENSOR GP-TEMPERATURE (CYLINDER EXHAUST)	581
	509	SENSOR GP-TEMPERATURE (ENGINE COOLANT).....	482
	510		609
	630		613
	638		642
SENSOR GP-SPEED (ELECTRONIC SPEED CALIBRATION)	634	SENSOR GP-TEMPERATURE (ENGINE OIL)...	624
SENSOR GP-SPEED (ENGINE)	609	SENSOR GP-TEMPERATURE (EXHAUST)	487
	613	SENSOR GP-TEMPERATURE (EXHAUST) (EXHAUST)	488
	642	SENSOR GP-TEMPERATURE (OIL)	619
SENSOR GP-SPEED (PRIMARY SPEED TIMING)	634		623
SENSOR GP-SPEED (RPM).....	589	SENSOR GP-TEMPERATURE (OIL)(EIU LOCATION)	621
	594	SENSOR GP-TEMPERATURE (THERMOCOUPLE).....	514
	597	SEPARATOR GP-AIR.....	245
	601	SHAFT GP-AUXILIARY DRIVE-LOWER FRONT, LH.	134
	606	SHAFT GP-STUB-FRONT.....	136
SENSOR GP-SPEED (SPEED TIMING CALIBRATION)	601	SHIELD GP-EXHAUST	295
	605		297
SENSOR GP-SPEED (SPEED)	630	SHUTOFF GP-AIR.....	299
	638		300
SENSOR GP-SPEED (TIMING CALIBRATION)	589		301
	593		302
SENSOR GP-SPEED (TIMING, CAMSHAFT) ...	609		304
	613	SILENCER GP-AIR STARTING	515
	642		516
SENSOR GP-SPEED (TIMING)	589	SOLENOID AS (24-VOLT) (STARTING MOTOR)	563
	593	SOLENOID AS (SHUTOFF)	517
	597		
	601		
	605		

INDEX

NAME	PAGE	NAME	PAGE
SOLENOID AS (STARTING MOTOR)	545	SWITCH AS-PUSH BUTTON (ALARM SILENCE).....	428
	548		666
SOLENOID AS-STARTING MOTOR (24-VOLT)	539		670
	541		674
	554		678
	557		686
SOLENOID AS-STARTING MOTOR (24-VOLT) (24-VOLT)	551		690
	517		694
SOLENOID GP-SHUTOFF-AIR	517		698
STARTING MOTOR GP-AIR.....	518		707
	520		711
	524		715
	526	SWITCH AS-PUSH BUTTON (EMERGENCY STOP)	666
	528		670
	529		674
STARTING MOTOR GP-AIR-MOUNTED, LH ...	522		678
STARTING MOTOR GP-AIR-RH.....	531		682
STARTING MOTOR GP-ELECTRIC	532		686
	535		690
	538		694
	541		698
	544		702
	547		
	550	SWITCH AS-PUSH BUTTON (ENGINE START).....	410
	553		574
	556	SWITCH AS-PUSH BUTTON (START)	570
	559	SWITCH AS-PUSH BUTTON-START.....	571
	560	SWITCH AS-ROTARY (ENGINE CONTROL)....	666
	561		670
	562		674
	563		678
STARTING MOTOR GP-ELECTRIC-DUAL.....	565		682
	566		686
	567		690
	568		694
SUPPORT GP-BATTERY.....	569		698
SWITCH (AIR STARTING)	408		702
SWITCH (ENGINE START).....	571	SWITCH AS-SPEED	572
SWITCH AS (START-STOP).....	579	SWITCH AS-SPEED (SPEED SWITCH)	684
SWITCH AS-MAGNETIC (24-VOLT) (PRELUBRICATION OVERRIDE).....	650		704
SWITCH AS-MAGNETIC (24-VOLT) (PRELUBRICATION)	397	SWITCH AS-TOGGLE (CLEAR, MODE)	666
	656		670
	667		674
SWITCH AS-MAGNETIC (24-VOLT) (START RELAY).....	667		678
	671		682
	675		686
	679		690
	691		694
	691		698
SWITCH AS-MAGNETIC (24-VOLT) (STARTER RELAY).....	394		702
	683		707
SWITCH AS-MAGNETIC (24-VOLT) (STARTING MOTOR)	683		711
	687		715
	695		
	699		
	703		
SWITCH AS-PUSH BUTTON	570		

INDEX

NAME	PAGE	NAME	PAGE
VALVE GP-RELAY (AIR STARTING).....	437		
	439		
	441		
VALVE MECHANISM GP.....	140		
W			
WIRING GP-AIR STARTING.....	586		
WIRING GP-ALTERNATOR.....	587		
WIRING GP-ELECTRIC STARTING-DUAL ELECTRIC	588		
WIRING GP-ENGINE	589		
	593		
	597		
	625		
	626		
	629		
	630		
	634		
WIRING GP-ENGINE-LH.....	601		
	605		
	609		
	613		
	622		
	623		
	624		
	638		
	642		
	646		
WIRING GP-ENGINE-POWER DISTRIBUTION	628		
WIRING GP-ENGINE-PRELUBRICATION.....	627		
WIRING GP-ENGINE-RH.....	617		
	619		
	621		
WIRING GP-PANEL-AIR SHUTOFF.....	647		
	651		
WIRING GP-PANEL-ALTERNATOR	653		
WIRING GP-PANEL-ALTERNATOR CIRCUIT BREAKER.....	649		
WIRING GP-PANEL-PRELUBRICATION	650		
	656		
WIRING GP-PANEL-SPEED CONTROL	655		
WIRING GP-PANEL-STARTING AID	654		
WIRING GP-PYROMETER	657		
	658		

ENGINE ARRANGEMENT

129-5497 ENGINE AR

SMCS - 1000

i01227890

NOTE	PART NUMBER	QTY	PART NAME						SEE PAGE
			1	2	3	4	5	6 (PRODUCT LEVEL)	
Y	8N-0358	1	AFTERCOOLER GP-WATER						252
Y	124-5513	1	BREATHER GP (CRANKCASE)						142
Y	7E-5538	1	CAMSHAFT GP						3
Y	8N-8993	1	CONNECTION GP-WATER (INLET, LH)						188
Y	101-1172	1	CONTROL & MTG GP-ENGINE ELEK (PRIMARY)						404
Y	4W-5891	1	COOLER GP-ENGINE OIL						190
Y	121-3552	1	COVER GP-CYLINDER BLOCK (CENTRAL STRUCTURE)						12
Y	4W-1529	1	COVER GP-FLYWHEEL HOUSING (REAR STRUCTURE)						16
Y	112-2664	1	COVER GP-FRONT HOUSING						18
Y	101-0831	12	COVER GP-VALVE MECHANISM						26
Y	8N-0337	1	CRANKSHAFT GP						30
Y	115-5156	1	CYLINDER BLOCK GP						34
YR	7E-8758	16	CYLINDER HEAD GP						52
Y	8N-0339	1	DAMPER GP						73
Y	7N-1875	1	FILLER GP-ENGINE OIL						150
Y	112-4921	1	FILTER GP-ENGINE OIL (RH)						153
Y	112-4922	1	FILTER GP-FUEL (RH)						312
Y	7N-4851	1	FLYWHEEL GP						89
Y	7C-9784	1	GAUGE GP-OIL LEVEL (DIPSTICK) (DEEP SUMP)						163
Y	8N-7174	1	GEAR GP-FRONT (STANDARD ROTATION)						90
Y	112-5674	1	GEAR GP-REAR (CAM DRIVE)						94
Y	101-0836	1	HOUSING GP-FLYWHEEL (REAR MOUNT)						103
Y	116-0054	1	HOUSING GP-FRONT						105
Y	140-9593	1	LIFTING GP-ENGINE						109
Y	8N-7716	1	LINES GP-AFTERCOOLER WATER						211
Y	164-0867	1	LINES GP-TURBOCHARGER AIR						279
Y	115-7860	1	LINES GP-ENGINE OIL						166
Y	101-1246	1	LINES GP-FUEL INJECTION						349
Y	162-5719	1	LINES GP-TURBOCHARGER OIL						172
Y	1N-4421	1	LINES GP-WATER (LOWER)						222
Y	161-4087	1	LINES GP-TURBOCHARGER WATER						213
Y	130-2018	1	LINES GP-WATER (UPPER)						218
Y	167-1759	1	MANIFOLD GP-EXHAUST						281
Y	7C-7178	1	PAN GP-OIL (DEEP SUMP)						118
Y	6I-2861	16	PISTON & ROD GP						121
Y	106-9873	1	PUMP GP-ENGINE OIL (2-SECTION GEAR)						178
Y	136-5929	16	PUMP GP-FUEL INJECTION						361
Y	8N-6151	1	PUMP GP-FUEL TRANSFER (1-SECTION GEAR)						372
Y	2W-9729	1	PUMP GP-WATER						241
Y	8N-7643	1	HOUSING & REGULATOR GP (INLET CONTROL)						210
Y	7W-3813	1	SEAL GP-CRANKSHAFT						133
Y	167-1760	1	SHIELD GP-EXHAUST						297
Y	8N-7717	1	TANK GP-EXPANSION						248
Y	167-1762	1	TURBOCHARGER GP						307
Y	7E-5314	16	VALVE MECHANISM GP						140

GASKET KITS WILL BE PROVIDED WHEN AVAILABLE

R - REMANUFACTURED PART MAY BE AVAILABLE
 Y - SEPARATE ILLUSTRATION

<END>

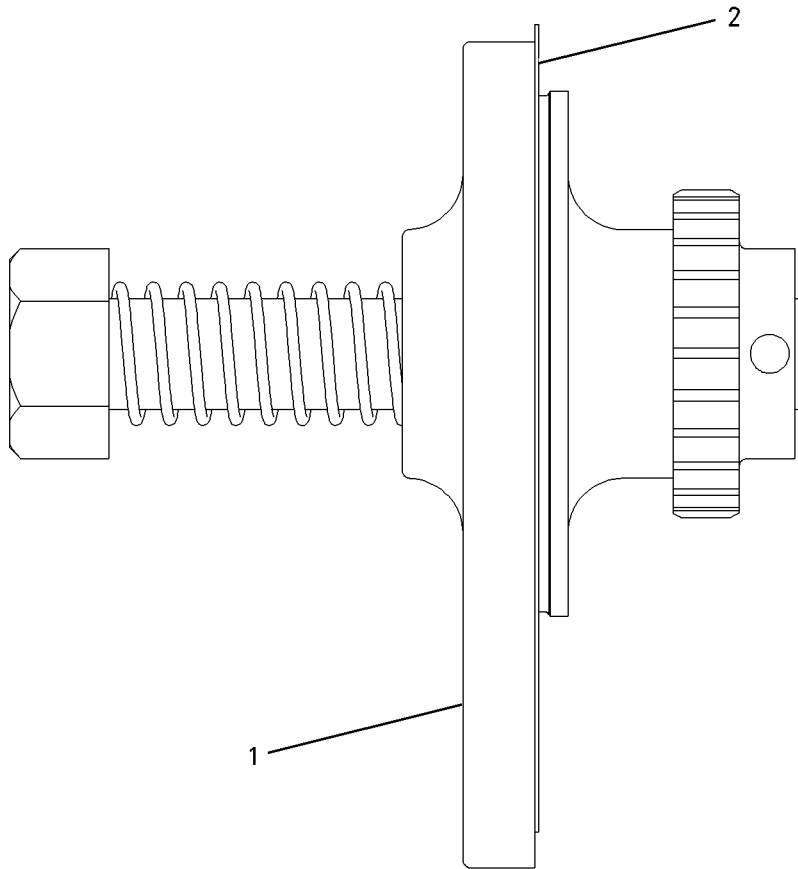
BASIC ENGINE

5R-7425 BARRING GP-LH AN ATTACHMENT

SMCS - 1235

i06682669

NOTE	REF NO	GRAPHIC REF	PART NUMBER	QTY	PART NAME						SEE PAGE
					1	2	3	4	5	6 (PRODUCT LEVEL)	
J	1	1	448-5087	1	TOOL - BARRING						
	2	1	4H-7869	1	GASKET						
					AVAILABLE REPAIR KIT(S) :						
J			450-3711	1	KIT-BUSHING						
					(INCLUDES BEARING & DOWEL)						
J - KIT MARKED J SERVICES PART(S) MARKED J											



GRAPHIC #1

<END>

g00824462

BASIC ENGINE

7E-5538 CAMSHAFT GP

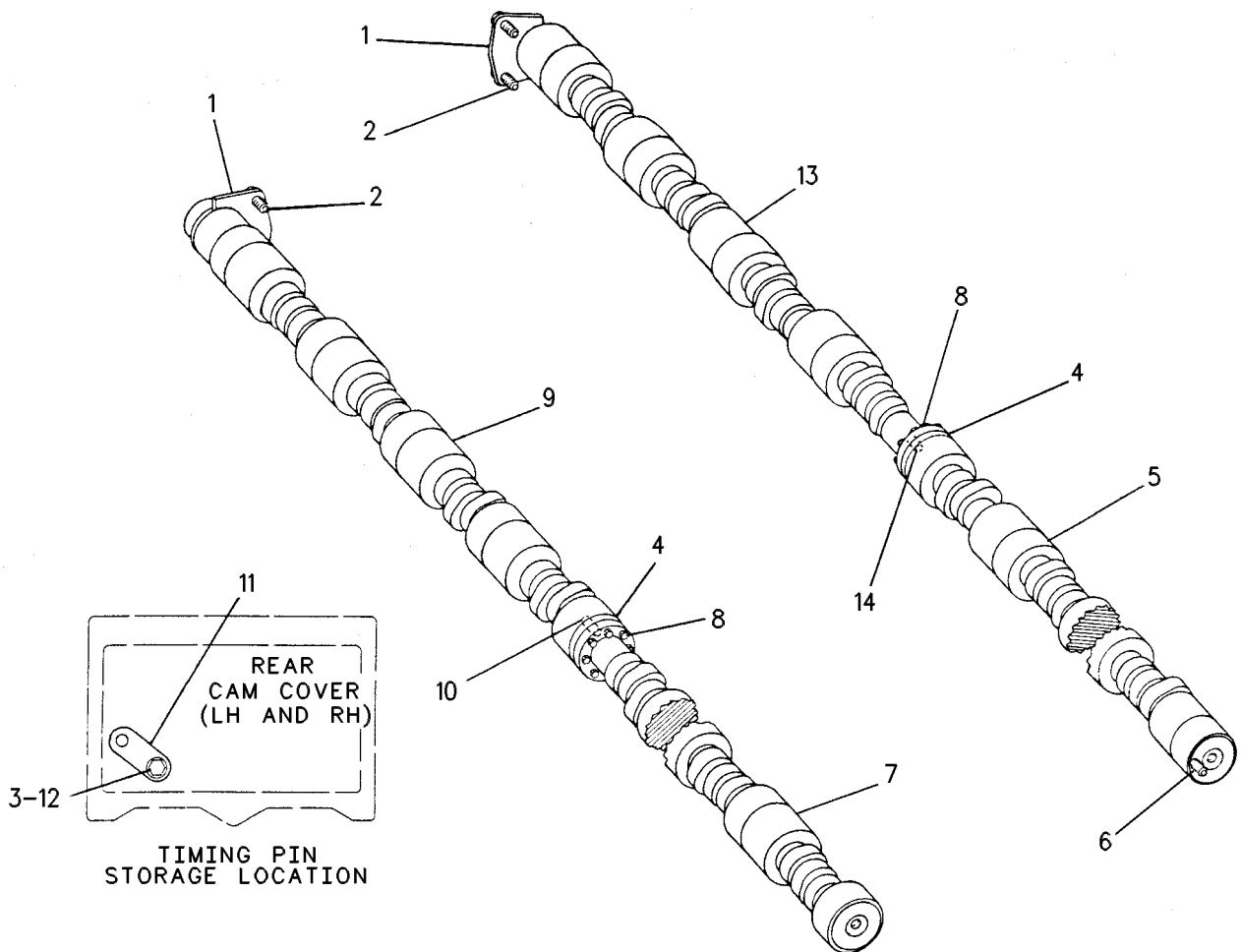
S/N: 3XS404-407

SMCS-1210

i00113917

NOTE	REF NO	GRAPHIC REF	PART NUMBER	QTY	PART NAME						SEE PAGE
					1	2	3	4	5	6 (PRODUCT LEVEL)	
	1	1	128-5994	2	WASHER AS-THRUST						
		1	117-9308	2	PLATE						
	2	1	1A-2029	4	BOLT (3/8-16X1.125-IN)						
	3	1	5M-2894	2	WASHER-HARD (10.2X18.5X2.5-MM THK)						
	4	1	7N-3216	2	SPACER (35.035X84X12-MM THK)						
R	5	1	7E-6822	1	CAMSHAFT AS (FRONT) (FRONT LH)						
	6	1	4N-1650	1	DOWEL						
R	7	1	133-4213	1	CAMSHAFT AS						
	8	1	5P-0076	16	BOLT-12 POINT HEAD (3/8-16X1.5-IN)						
R	9	1	7E-6824	1	CAMSHAFT AS-REAR (RH)						
	10	1	4N-1650	1	DOWEL						
	11	1	4W-6664	2	PLATE AS-TIMING						
	12	1	0S-0509	2	BOLT (3/8-16X0.75-IN)						
R	13	1	7E-5539	1	CAMSHAFT AS (REAR LH)						
	14	1	5B-5821	1	DOWEL						

R - REMANUFACTURED PART MAY BE AVAILABLE



GRAPHIC #1

<END>

g00084548

BASIC ENGINE

7E-5538 CAMSHAFT GP

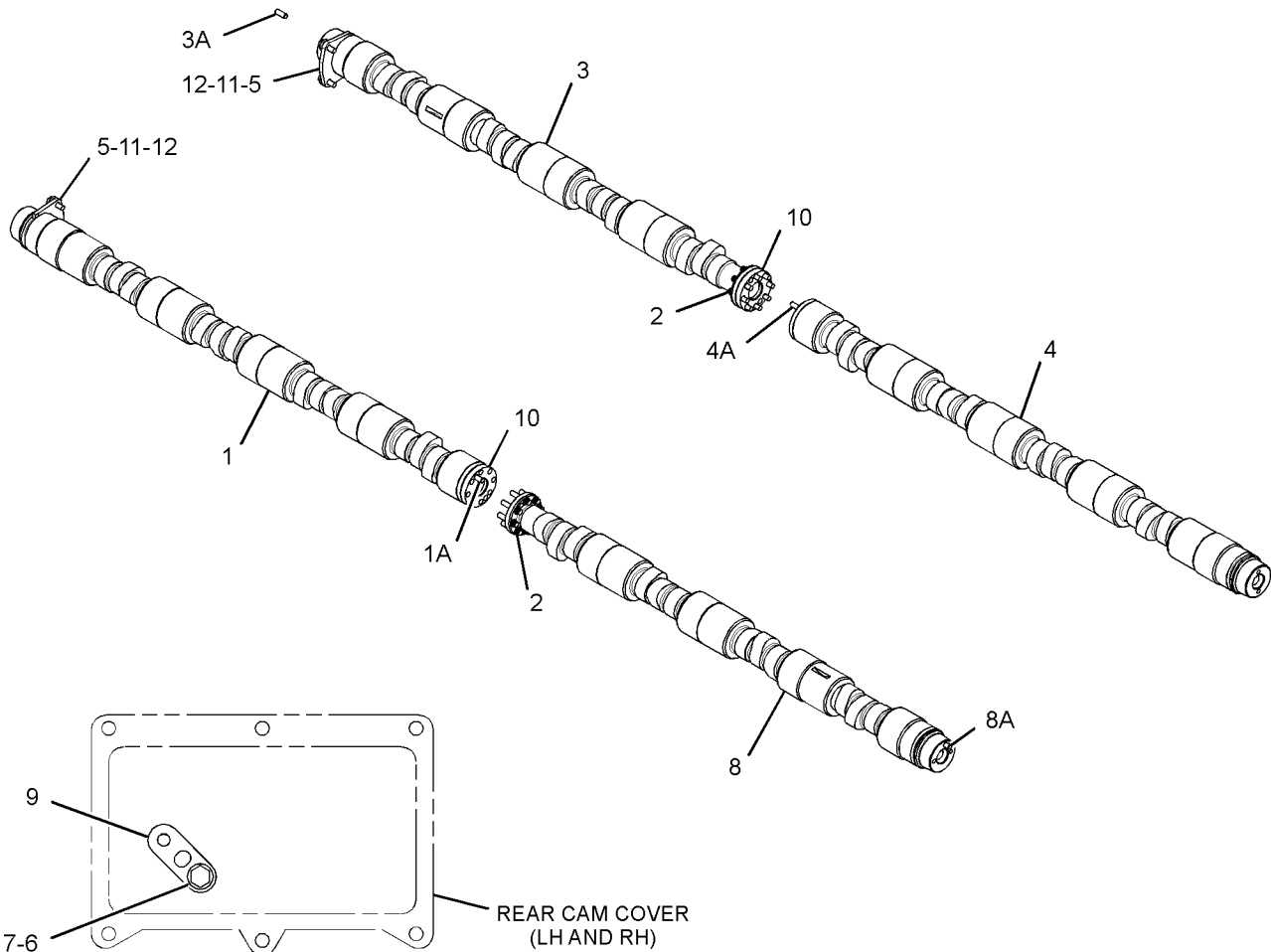
S/N: 3XS408-UP

SMCS-1210

i03577015

NOTE	REF NO	GRAPHIC REF	PART NUMBER	QTY	PART NAME						SEE PAGE
					1	2	3	4	5	6	
R	1	1	7E-6824	1	CAMSHAFT AS-REAR (RH)						
	1A	1	4N-1650	1	DOWEL						
	2	1	5P-0076	16	BOLT-12 POINT HEAD (3/8-16X1.5-IN)						
R	3	1	7E-5539	1	CAMSHAFT AS (REAR LH)						
	3A	1	5B-5821	1	DOWEL						
R	4	1	7E-6822	1	CAMSHAFT AS (FRONT) (FRONT LH)						
	4A	1	4N-1650	1	DOWEL						
C	5	1	7N-3218	2	WASHER-THRUST						
	6	1	0S-0509	2	BOLT (3/8-16X0.75-IN)						
	7	1	5M-2894	2	WASHER-HARD (10.2X18.5X2.5-MM THK)						
R	8	1	133-4213	1	CAMSHAFT AS (FRONT)						
	8A	1	5B-5821	1	DOWEL						
	9	1	4W-6664	2	PLATE AS-TIMING						
	10	1	7N-3216	2	SPACER (35.035X84X12-MM THK)						
C	11	1	1A-2029	4	BOLT (3/8-16X1.125-IN)						
	12	1	8M-9024	4	WASHER-HARD (10.2X22.5X5-MM THK)						

C - CHANGE FROM PREVIOUS TYPE
R - REMANUFACTURED PART MAY BE AVAILABLE



GRAPHIC #1

<END>

g01909597

BASIC ENGINE

3N-4128 CLUTCH AS

PART OF 3N-4130 CLUTCH GP
AN ATTACHMENT

SMCS-1007

i01978825

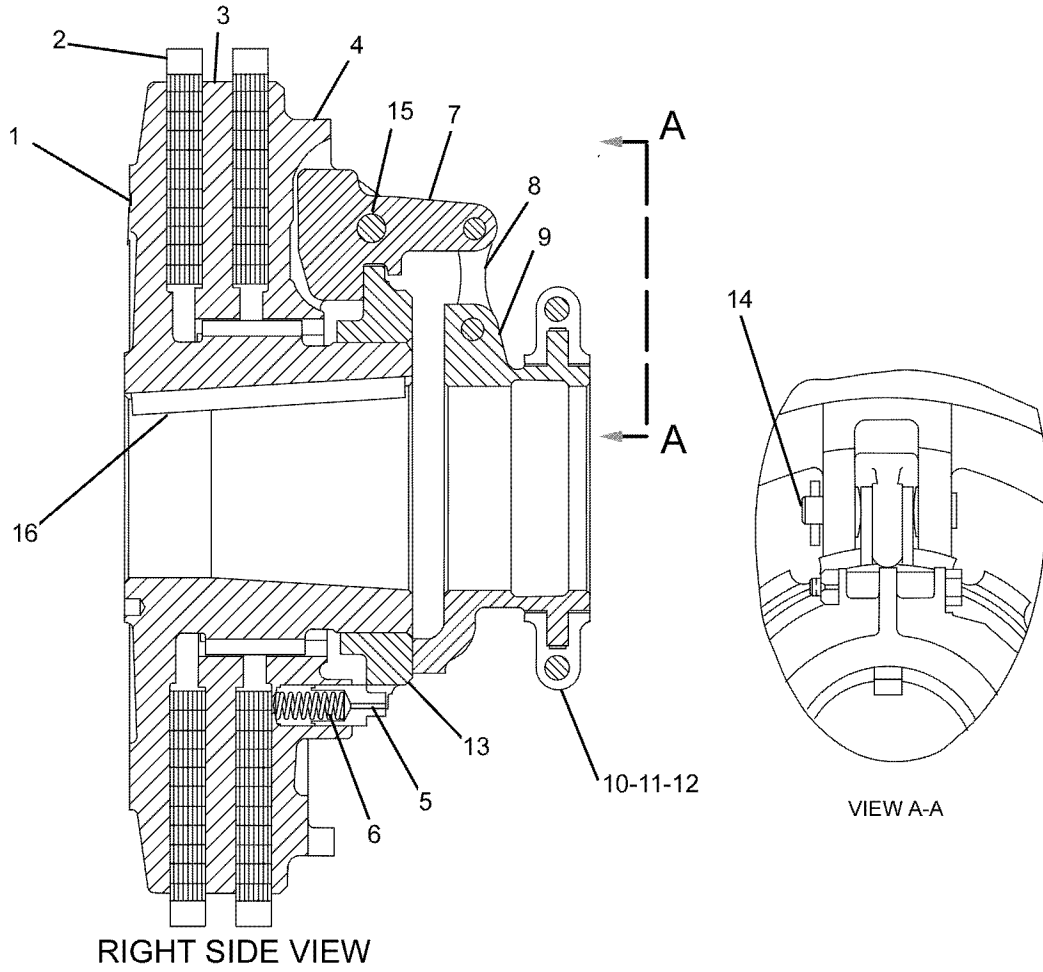
NOTE	REF NO	GRAPHIC REF	PART NUMBER	QTY	PART NAME						SEE PAGE
					1	2	3	4	5	6	
	1	1	5L-9652	1	HUB						
	2	1	4L-3527	2	PLATE-CLUTCH DRIVING						
	3	1	3H-9571	1	PLATE-CENTER						
	4	1	3N-8125	1	PLATE AS-PRESSURE						
	5	1	3N-8123	1	LOCK PIN						
	6	1	3N-8124	1	SPRING						
	7	1	4H-0002	4	LEVER						
	8	1	4B-4721	8	LINK						
	9	1	3H-9574	1	SLEEVE						
	10	1	4B-4716	1	COLLAR AS-SLEEVE						
	11	1	0L-0639	2	BOLT (3/8-24X2.25-IN)						
		1	2L-6267	2	LOCKNUT (3/8-24-THD)						
B	12	1	4B-4758	2	SHIM (0.06-IN THK)						
	13	1	3H-9572	1	RING-ADJUSTMENT						
	14	1	6L-3967	8	PIN						
		1	6L-3964	8	PIN-COTTER						
	15	1	6L-3972	8	PIN						
		1	6L-3961	8	PIN-COTTER						
		1	1L-4863	8	WASHER-SPRING						
	16	1	8B-7987	1	KEY-WOODRUFF						

B - USE AS REQUIRED

BASIC ENGINE

3N-4128 CLUTCH AS (contd.)

i01978825



RIGHT SIDE VIEW

VIEW A-A

GRAPHIC #1

<END>

g01025988

BASIC ENGINE

3N-4130 CLUTCH GP PART OF 7W-0281, 7W-0282 POWER TAKE-OFF GP AN ATTACHMENT

SMCS-1007

i01979149

NOTE	REF NO	GRAPHIC REF	PART NUMBER	QTY	PART NAME						SEE PAGE
					1	2	3	4	5	6 (PRODUCT LEVEL)	
	1	1	6L-5151	2	KEY-WOODRUFF						
	2	1	5L-9653	1	NUT						
	3	1	5L-9654	1	LOCK						
	4	1	3B-8489	4	FITTING-GREASE (1/8-27 PTF)						
	5	1	9S-1354	1	NUT (5/8-18-THD)						
		1	6F-0253	1	LOCKWASHER						
	6	1	5N-8645	1	HOUSING-CLUTCH						
	7	1	108-3561	1	PLATE-INSTRUCTION (POWER TAKE-OFF)						
	8	1	0S-1594	4	BOLT (3/8-16X1-IN)						
	9	1	5N-8644	1	PLATE-SEAL						
Y	10	1	3N-4128	1	CLUTCH AS						5
	11	1	6B-3223	2	CUP-BEARING						
		1	4B-7270	2	CONE-BEARING						
	12	1	3B-8488	1	FITTING-GREASE (1/8-27 PTF)						
	13	1	3H-6591	1	BOLT (5/16-18X0.75-IN)						
		1	5B-2407	1	LOCK						
	14	1	5L-9655	1	RETAINER-BEARING						
	15	1	5N-7743	1	SHAFT-CLUTCH						
	16	1	4H-0019	1	RACE & ROLLER AS						
	17	1	5P-7592	1	RACE-ROLLER BEARING (INNER)						
	18	1	4B-4754	1	SHAFT						
	19	1	1L-6931	4	SCREW AS-MACHINE (1/4-20X0.5-IN)						
	20	1	4B-4810	1	LEVER AS-HAND						
		1	0S-1587	1	BOLT (1/2-13X1.75-IN)						
CI	21	1	4W-8403	1	HOSE AS						
	22	1	4B-4792	1	YOKE AS						
		1	0S-1591	2	BOLT (3/8-16X1.5-IN)						
		1	3B-4506	2	LOCKWASHER						
	23	1	7F-8897	1	PLATE						
C	24	1	2N-1287	1	ELBOW-FLARED						
C	25	1	4W-8404	1	FITTING						
	26	1	110-6606	1	PLATE-WARNING (POWER TAKE-OFF)						

C - CHANGE FROM PREVIOUS TYPE
I - REFER TO HYDRAULIC INFORMATION SYSTEM
Y - SEPARATE ILLUSTRATION

BASIC ENGINE

5N-3765 COUPLING GP-FLEXIBLE-VISCOUS DAMPENED AN ATTACHMENT

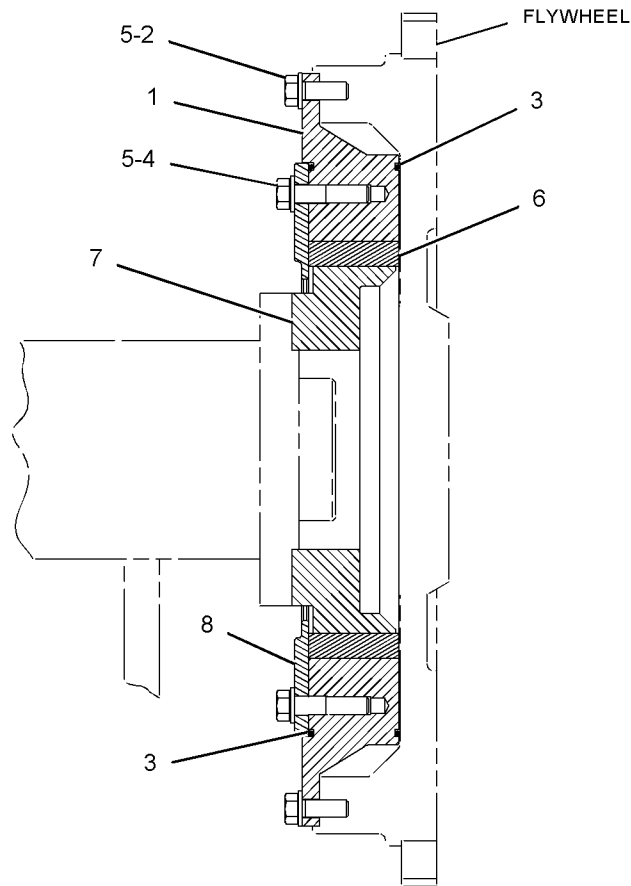
SMCS-3252

i02196472

NOTE	REF NO	GRAPHIC REF	PART NUMBER	QTY	PART NAME						SEE PAGE
					1	2	3	4	5	6	
	1	1	5N-3284	1	COUPLING-OUTER						
	2	1	0S-1589	12	BOLT (5/8-11X1.75-IN)						
	3	1	9H-0846	2	SEAL-O-RING						
	4	1	1A-8537	12	BOLT (5/8-11X2.75-IN)						
	5	1	4D-3704	24	WASHER-HARD (17X30X5-MM THK)						
	6	1	5N-3272	3	BOOT-RUBBER COUPLING						
	7	1	3N-6666	1	COUPLING-DRIVE						
	8	1	5N-3274	1	PLATE						

BF	1	5N-5561	LUBRICANT-SILICONE
----	---	----------------	--------------------

B - USE AS REQUIRED
F - NOT SHOWN



RIGHT SIDE VIEW

GRAPHIC #1

<END>

g01109406

BASIC ENGINE

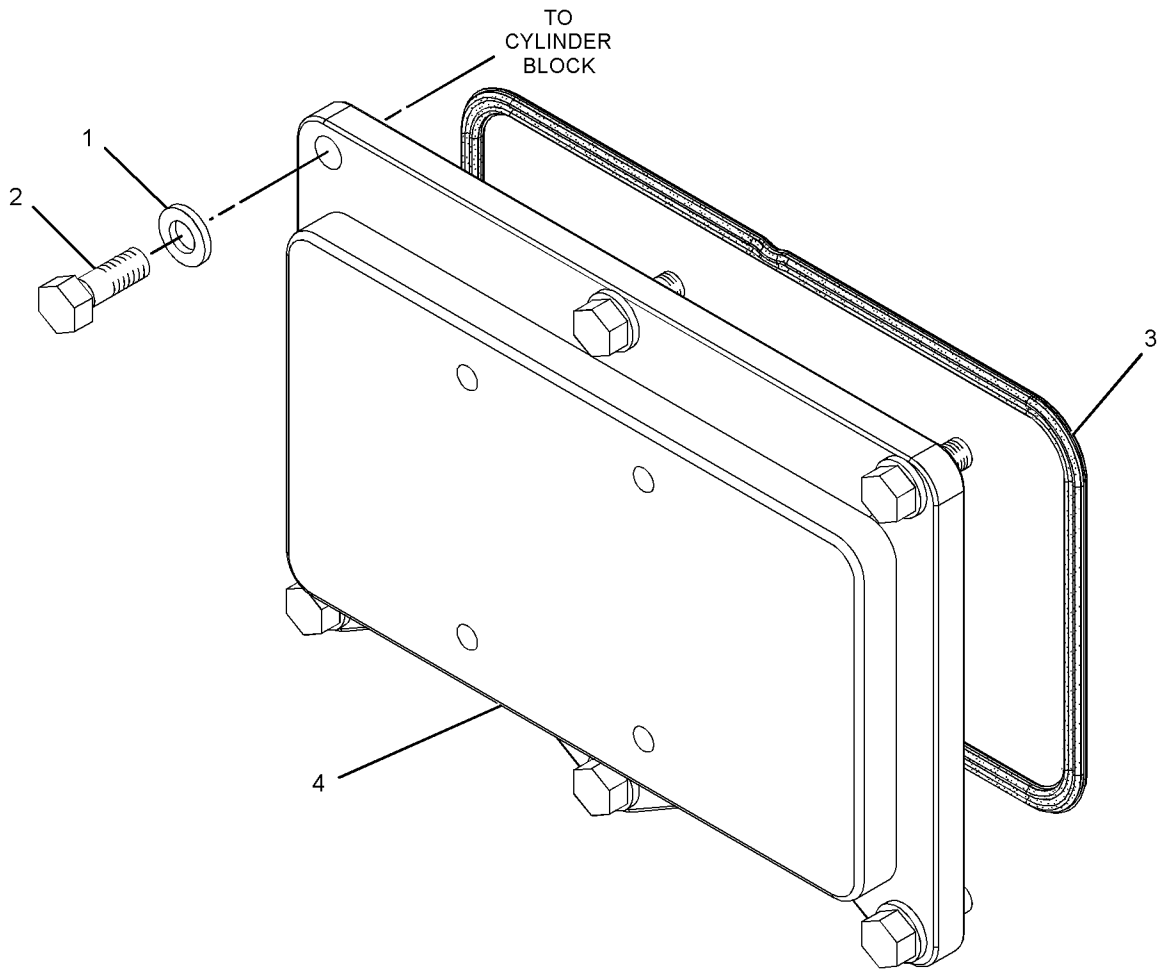
155-2564 COVER GP-CAMSHAFT

**CHROME PLATED
AN ATTACHMENT**

SMCS-1210

i02625637

NOTE	REF NO	GRAPHIC REF	PART NUMBER	QTY	PART NAME						SEE PAGE
					1	2	3	4	5	6	
	1	1	133-6261	6	WASHER (10.2X18.5X2.5-MM THK)						
	2	1	133-6269	6	BOLT (3/8-16X1-IN)						
	3	1	272-0758	1	SEAL						
	4	1	155-2573	1	COVER-CAMSHAFT						



GRAPHIC #1

<END>

g01317508

BASIC ENGINE

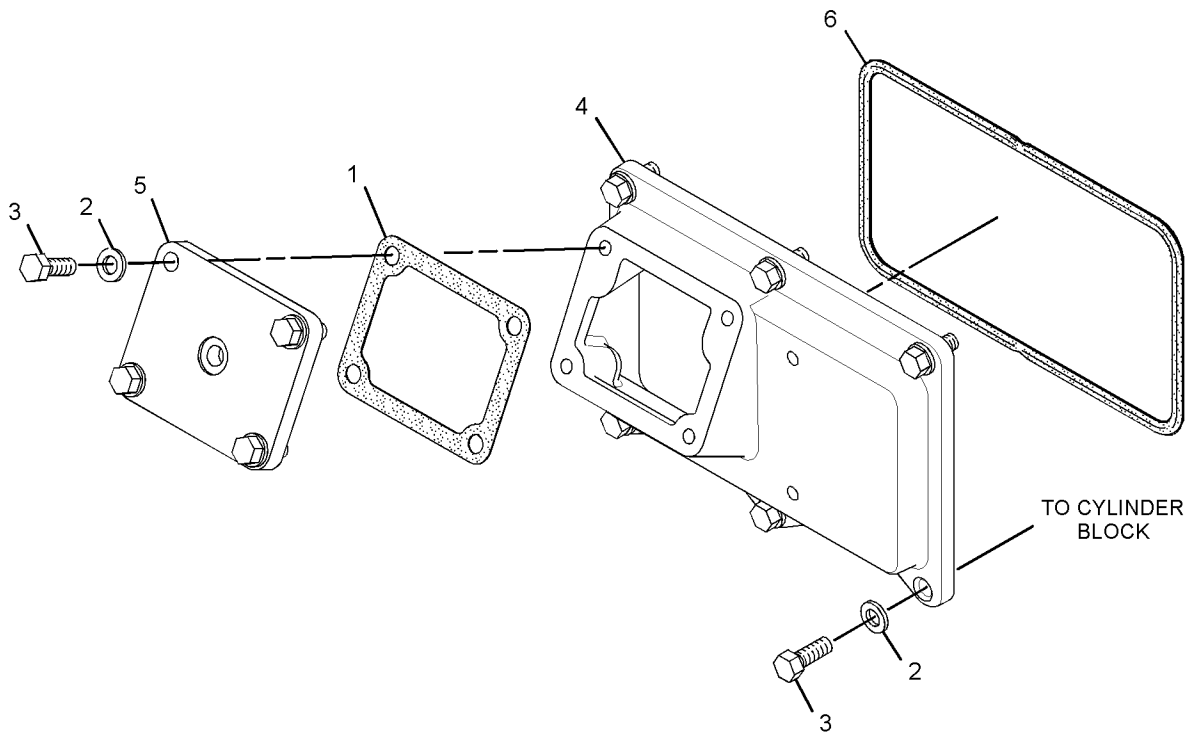
155-2583 COVER GP-CAMSHAFT

**CHROME PLATED
AN ATTACHMENT**

SMCS-1210

i02625635

NOTE	REF NO	GRAPHIC REF	PART NUMBER	QTY	PART NAME						SEE PAGE
					1	2	3	4	5	6	
	1	1	2W-0752	1	GASKET						
	2	1	133-6261	10	WASHER (10.2X18.5X2.5-MM THK)						
	3	1	133-6269	10	BOLT (3/8-16X1-IN)						
	4	1	155-2574	1	COVER-CAMSHAFT						
	5	1	222-4059	1	COVER (SENSOR)						
	6	1	272-0758	1	SEAL						



GRAPHIC #1

<END>

g01317336

BASIC ENGINE

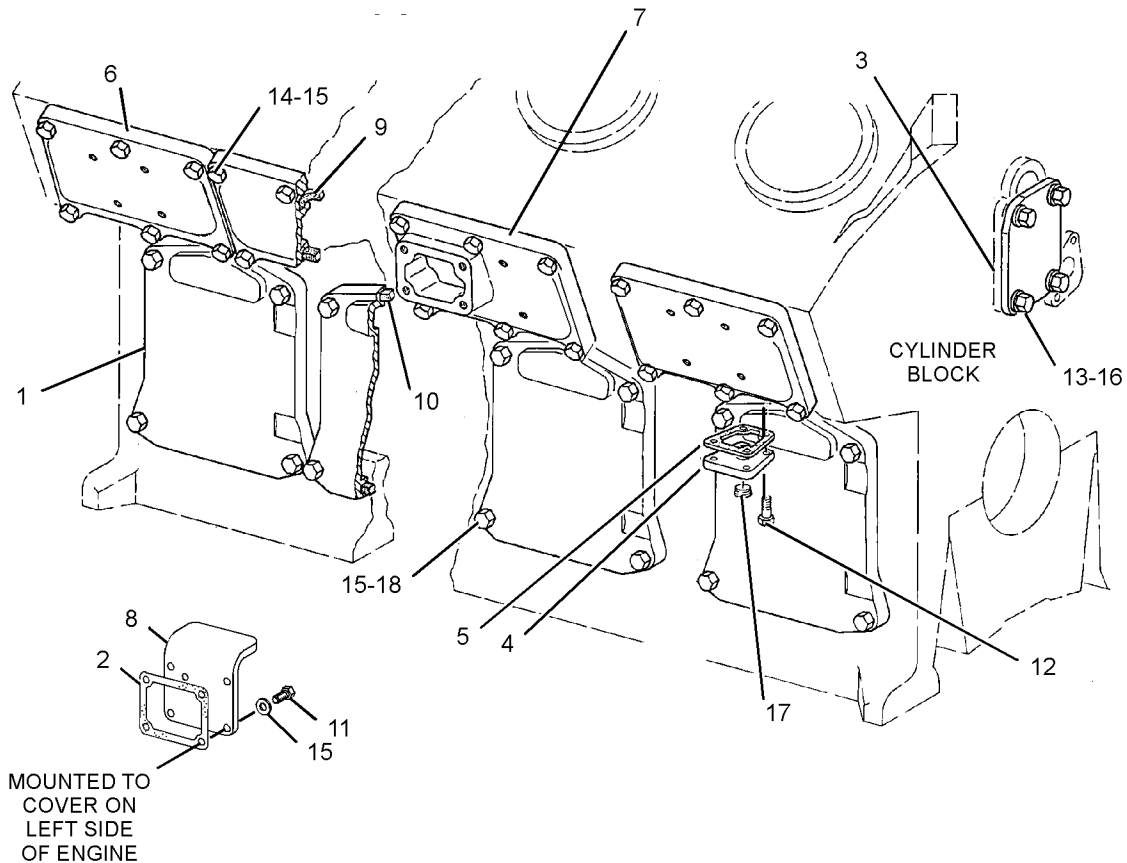
121-3552 COVER GP-CYLINDER BLOCK-CENTRAL STRUCTURE

S/N: 3XS404-UP

SMCS-1201

i07024781

NOTE	REF NO	GRAPHIC REF	PART NUMBER	QTY	PART NAME						SEE PAGE
					1	2	3	4	5	6	
	1	1	1N-2914	16	COVER-CYLINDER BLOCK SIDE						
	2	1	2W-0752	1	GASKET						
	3	1	4W-5015	1	COVER						
	4	1	7N-3298	3	COVER-BLOCK						
	5	1	7N-4945	3	GASKET						
	6	1	8N-9992	14	COVER-CAMSHAFT						
	7	1	8N-9993	2	COVER-CAMSHAFT						
	8	1	117-0066	1	BRACKET-MOUNTING						
	9	1	272-0758	16	SEAL						
	10	1	272-0759	16	SEAL						
	11	1	0S-1588	4	BOLT (3/8-16X1.25-IN)						
	12	1	0S-1594	12	BOLT (3/8-16X1-IN)						
	13	1	0S-1595	4	BOLT (1/2-13X1.25-IN)						
	14	1	1A-2029	96	BOLT (3/8-16X1.125-IN)						
	15	1	5M-2894	164	WASHER-HARD (10.2X18.5X2.5-MM THK)						
	16	1	5P-8245	4	WASHER-HARD (13.5X25.5X3-MM THK)						
	17	1	8T-6761	3	PLUG-PIPE (1-11-1/2 NPT THD)						
	18	1	9X-8872	64	BOLT-LOCKING (3/8-16X0.875-IN)						



GRAPHIC #1

<END>

g01340274

BASIC ENGINE

153-7206 COVER GP-CYLINDER BLOCK AN ATTACHMENT

SMCS-1201

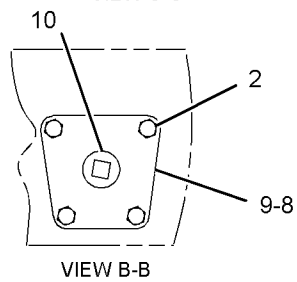
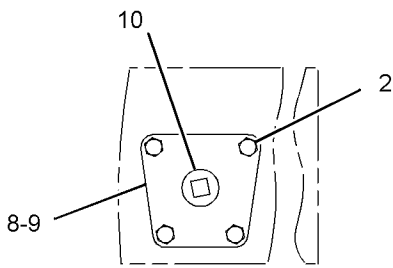
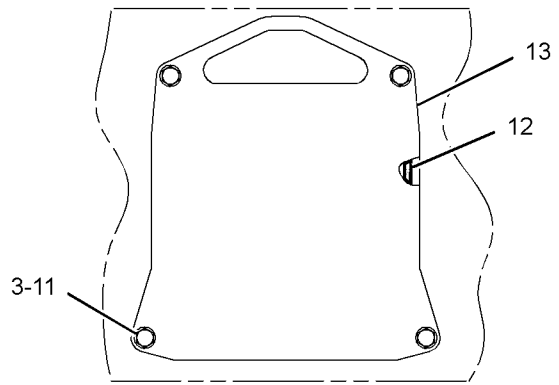
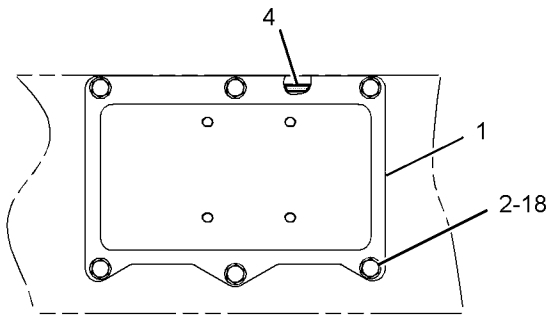
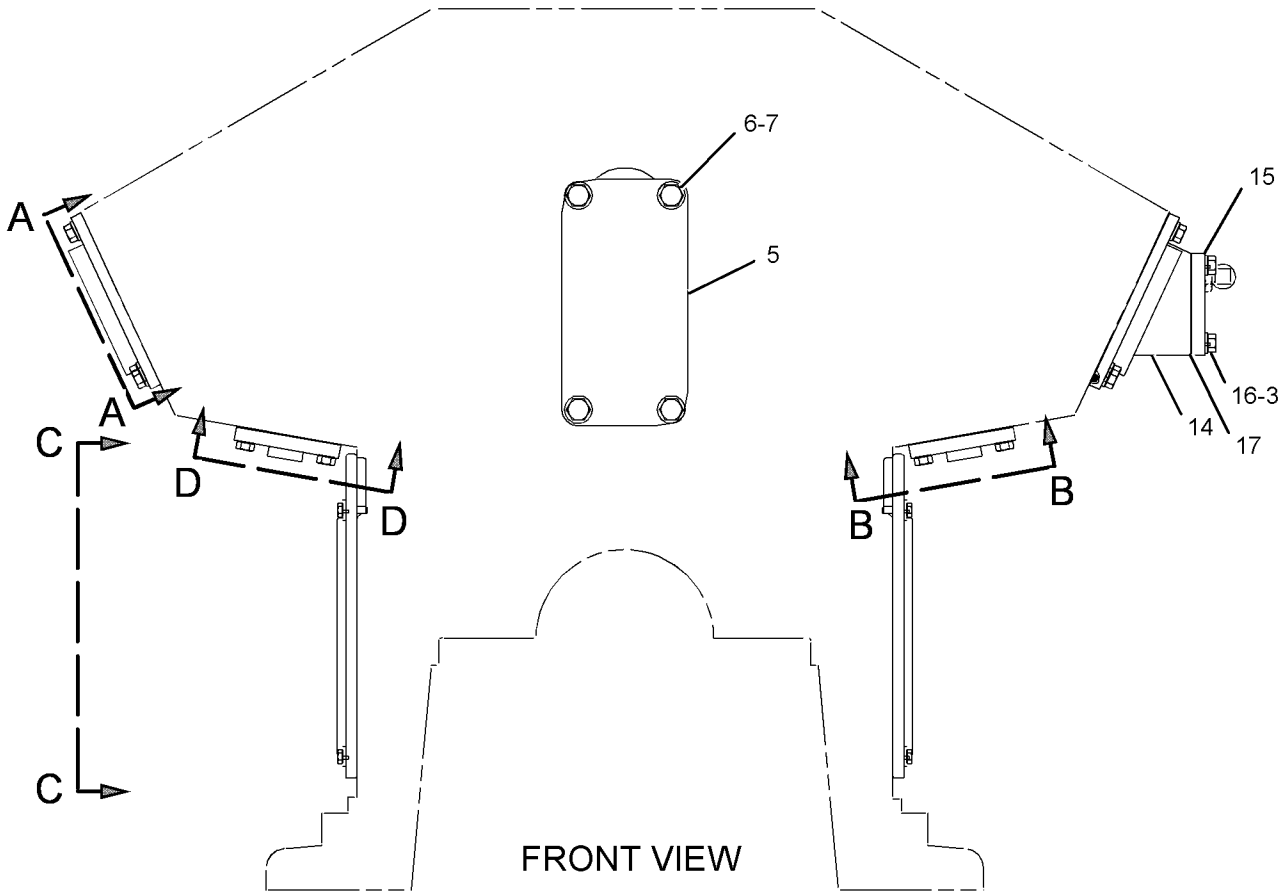
i03880364

NOTE	REF NO	GRAPHIC REF	PART NUMBER	QTY	PART NAME						SEE PAGE
					1	2	3	4	5	6 (PRODUCT LEVEL)	
	1	1	8N-9992	15	COVER-CAMSHAFT						
	2	1	0S-1594	12	BOLT (3/8-16X1-IN)						
	3	1	5M-2894	164	WASHER-HARD (10.2X18.5X2.5-MM THK)						
	4	1	272-0758	16	SEAL						
	5	1	4W-5015	1	COVER						
	6	1	0S-1595	4	BOLT (1/2-13X1.25-IN)						
	7	1	5P-8245	4	WASHER-HARD (13.5X25.5X3-MM THK)						
	8	1	7N-4945	3	GASKET						
	9	1	7N-3298	3	COVER-BLOCK						
	10	1	8T-6761	3	PLUG-PIPE (1-11-1/2 NPT THD)						
	11	1	9X-8872	64	BOLT-LOCKING (3/8-16X0.875-IN)						
	12	1	272-0759	16	SEAL						
	13	1	1N-2914	16	COVER-CYLINDER BLOCK SIDE						
	14	1	8N-9993	1	COVER-CAMSHAFT						
	15	1	4P-7850	1	COVER						
	16	1	0S-1588	4	BOLT (3/8-16X1.25-IN)						
	17	1	2W-0752	1	GASKET						
	18	1	1A-2029	96	BOLT (3/8-16X1.125-IN)						

BASIC ENGINE

153-7206 COVER GP-CYLINDER BLOCK (contd.)

i03880364



GRAPHIC #1

<END>

g02141924

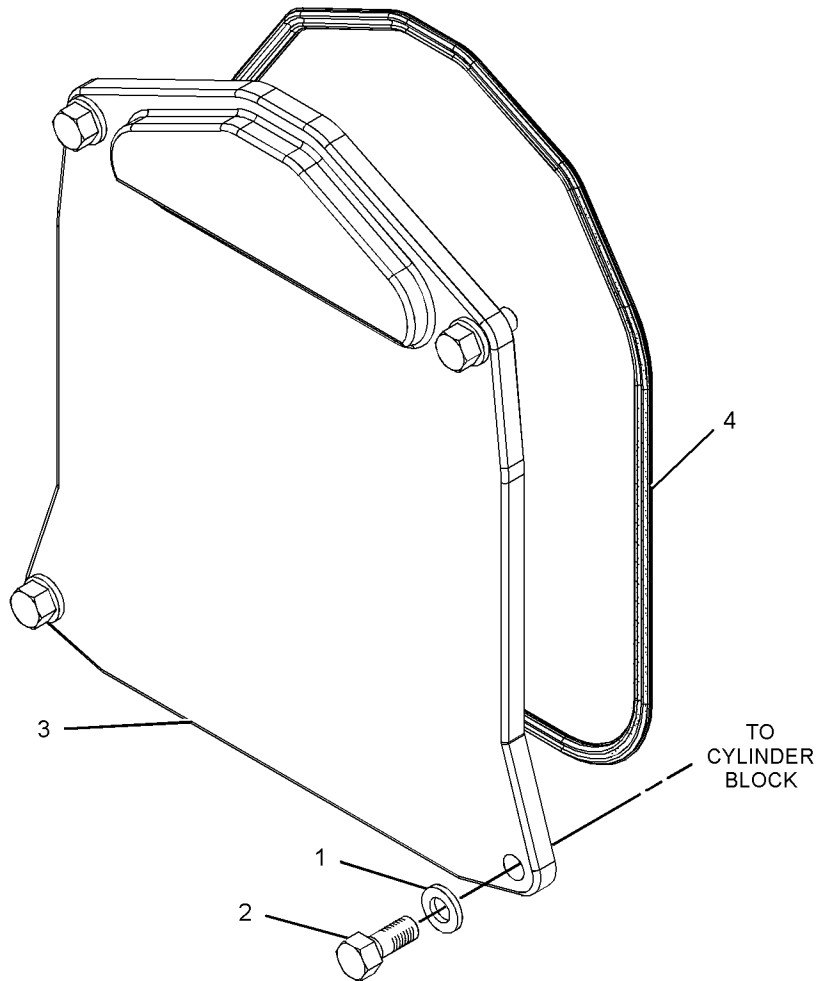
BASIC ENGINE

155-2563 COVER GP-CYLINDER BLOCK-CRANKCASE CHROME PLATED AN ATTACHMENT

SMCS-1201

i02625634

NOTE	REF NO	GRAPHIC REF	PART NUMBER	QTY	PART NAME						SEE PAGE
					1	2	3	4	5	6 (PRODUCT LEVEL)	
	1	1	133-6261	4	WASHER (10.2X18.5X2.5-MM THK)						
	2	1	133-6268	4	BOLT (3/8-16X1-IN)						
	3	1	155-2575	1	COVER						
	4	1	272-0759	1	SEAL						



GRAPHIC #1

<END>

g01317501

BASIC ENGINE

4W-1529 COVER GP-FLYWHEEL HOUSING

S/N: 3XS404-UP

SMCS-1157

i07072362

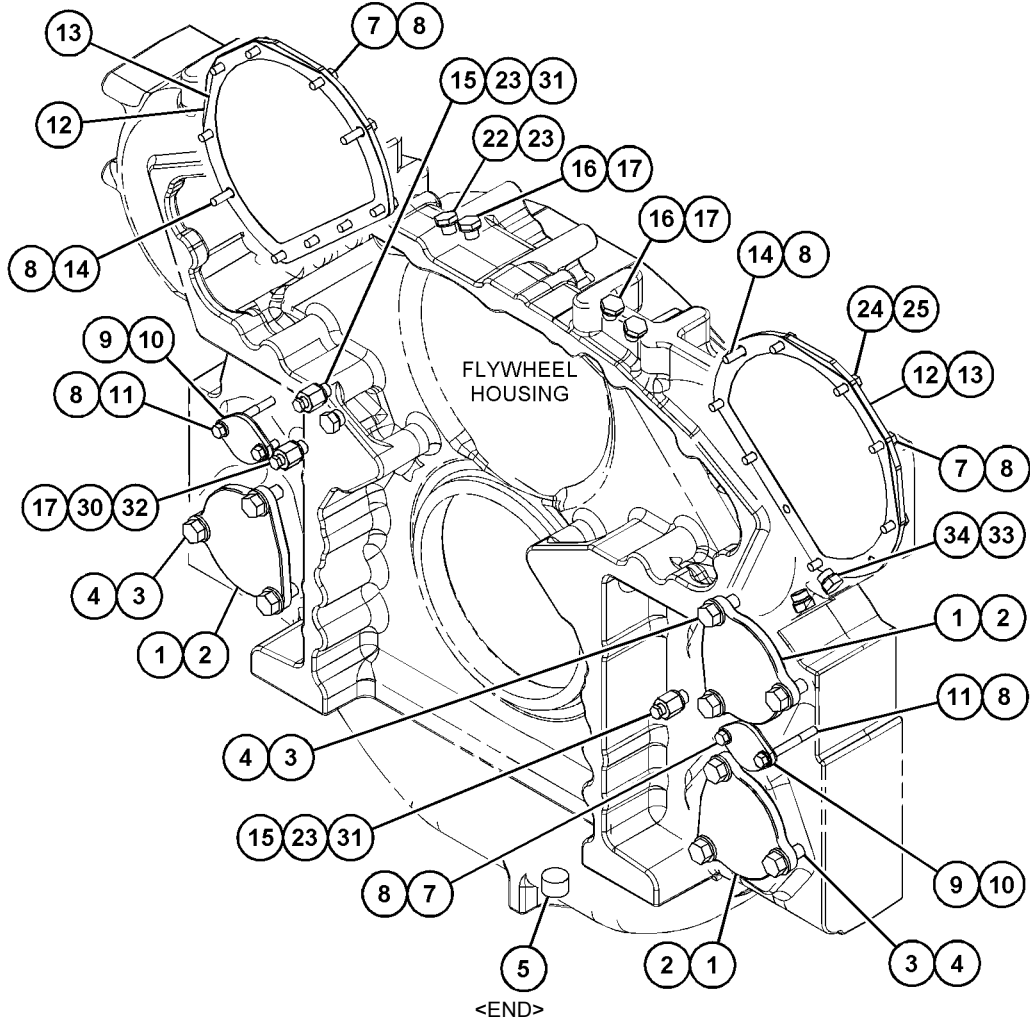
NOTE	REF NO	GRAPHIC REF	PART NUMBER	QTY	PART NAME						SEE PAGE
					1	2	3	4	5	6 (PRODUCT LEVEL)	
	1	1	4N-1114	3	COVER						
	2	1	4H-7869	3	GASKET						
	3	1	4B-4043	9	BOLT (5/8-11X1.375-IN)						
	4	1	5P-8247	9	WASHER-HARD (17X32X3.5-MM THK)						
	5	1	8T-6761	1	PLUG-PIPE (1-11-1/2 NPT THD)						
	7	1	0S-1594	16	BOLT (3/8-16X1-IN)						
	8	1	5M-2894	21	WASHER-HARD (10.2X18.5X2.5-MM THK)						
	9	1	2P-2772	2	COVER						
	10	1	234-8937	2	SEAL-INTEGRAL						
	11	1	0L-1352	2	BOLT (3/8-16X3.25-IN)						
	12	1	7N-4319	2	COVER						
	13	1	7N-4320	2	GASKET						
	14	1	165-3929	3	BOLT (3/8-16X1.5-IN)						
	15	1	8T-6765	2	PLUG-PIPE (1/4-18-THD)						
B	16	1	5F-0304	3	PLUG						
B	17	1	4B-8407	4	GASKET-COPPER						
	22	1	5F-0304	1	PLUG						
	23	1	4B-8407	3	GASKET-COPPER						
B	24	1	0S-1594	1	BOLT (3/8-16X1-IN)						
B	25	1	5M-2894	1	WASHER-HARD (10.2X18.5X2.5-MM THK)						
B	30	1	8T-6765	1	PLUG-PIPE (1/4-18-THD)						
	31	1	104-4767	2	ADAPTER						
B	32	1	104-4767	1	ADAPTER						
B	33	1	3K-0360	3	SEAL-O-RING						
B	34	1	9S-4185	3	PLUG (3/4-16-THD)						

B - USE AS REQUIRED

BASIC ENGINE

4W-1529 COVER GP-FLYWHEEL HOUSING (contd.)

i07072362



GRAPHIC #1

g06215941

BASIC ENGINE

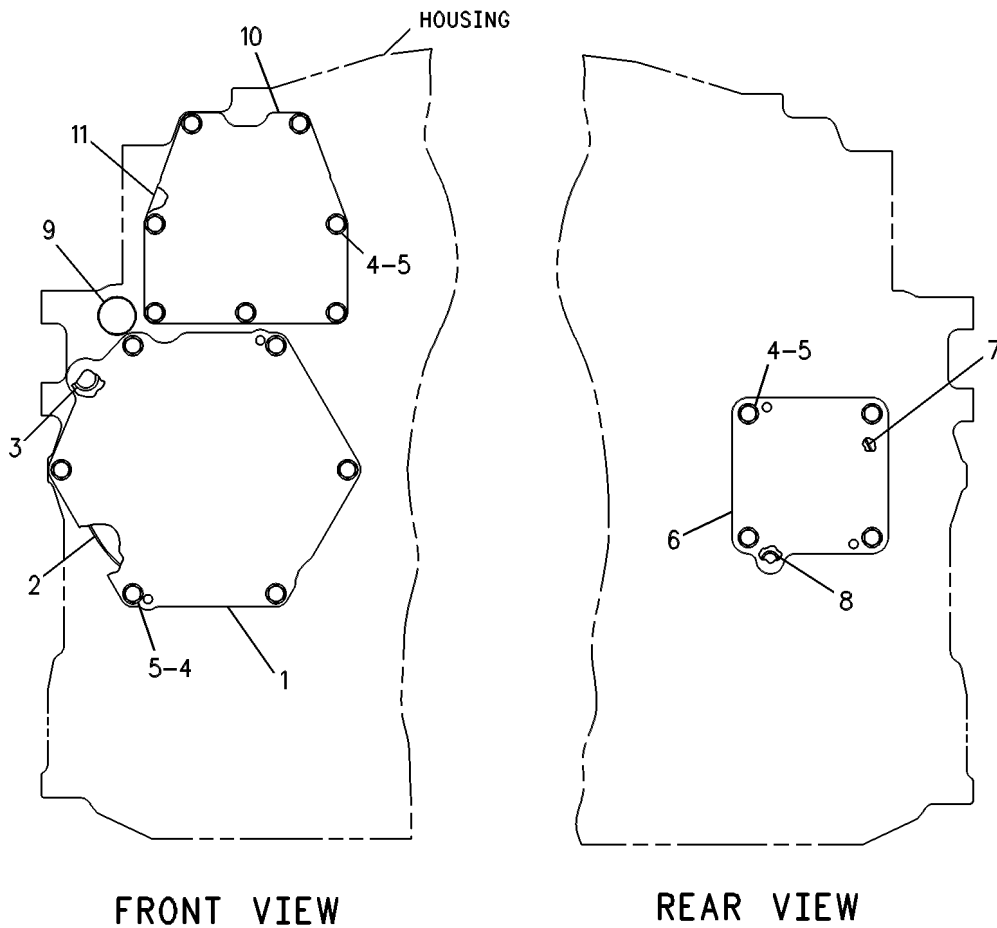
112-2664 COVER GP-FRONT HOUSING

S/N: 3XS404-UP

SMCS-1151, 1166

i03874016

NOTE	REF NO	GRAPHIC REF	PART NUMBER	QTY	PART NAME						SEE PAGE
					1	2	3	4	5	6	
	1	1	7N-4951	1	COVER						
	2	1	235-3546	1	SEAL-O-RING						
	3	1	6V-3348	1	SEAL-O-RING						
	4	1	1A-2029	17	BOLT (3/8-16X1.125-IN)						
	5	1	5M-2894	17	WASHER-HARD (10.2X18.5X2.5-MM THK)						
	6	1	7N-4952	1	COVER						
	7	1	259-4598	1	SEAL-O-RING						
	8	1	5P-0840	1	SEAL-O-RING						
	9	1	3P-1896	1	PLUG-CUP						
	10	1	2W-5285	1	COVER						
	11	1	8N-9885	1	GASKET-COVER						



GRAPHIC #1

<END>

g00265604

BASIC ENGINE

112-8106 COVER GP-FRONT HOUSING AN ATTACHMENT

SMCS-1151, 1166

i03814181

NOTE	REF NO	GRAPHIC REF	PART NUMBER	QTY	PART NAME						SEE PAGE
					1	2	3	4	5	6 (PRODUCT LEVEL)	
	1	1	7N-4951	3	COVER						
	2	1	235-3546	3	SEAL-O-RING						
	3	1	6V-3348	3	SEAL-O-RING						
	4	1	1A-2029	37	BOLT (3/8-16X1.125-IN)						
	5	1	5M-2894	38	WASHER-HARD (10.2X18.5X2.5-MM THK)						
	6	1	7N-4952	3	COVER						
	7	1	259-4598	4	SEAL-O-RING						
	8	1	5P-0840	3	SEAL-O-RING						
	9	1	3P-1896	2	PLUG-CUP						
	10	1	2W-5285	1	COVER						
	11	1	8N-9885	1	GASKET-COVER						
	12	1	9X-8874	2	BOLT (1/2-13X3-IN)						
	13	1	5R-7136	1	WASHER-SEALING						
	14	1	1C-2251	1	BOLT (3/8-16X1.87-IN)						
	15	1	8N-9658	1	PLUG						
	16	1	5P-8245	2	WASHER-HARD (13.5X25.5X3-MM THK)						
	17	1	5R-7137	2	WASHER-SEALING						

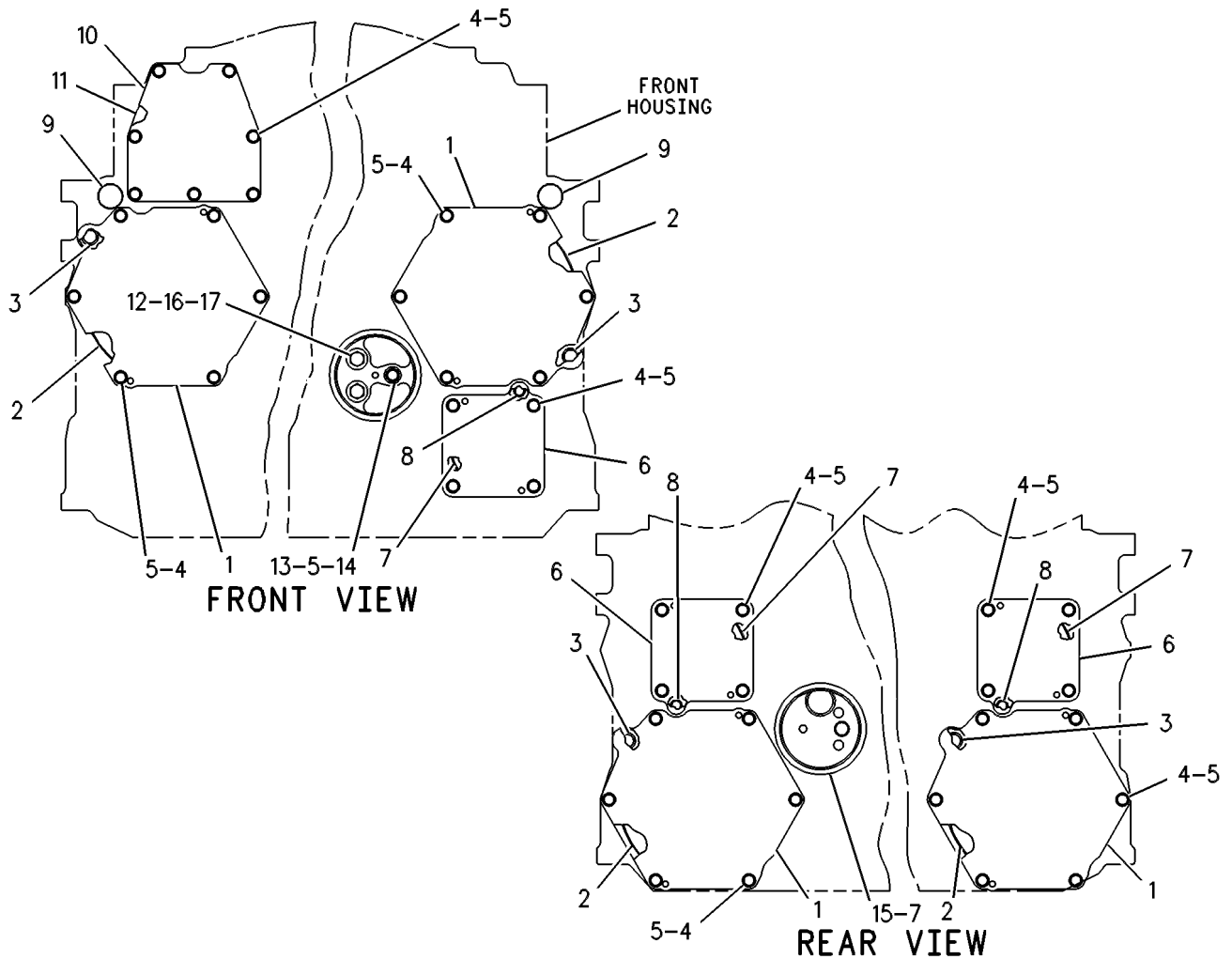
BASIC ENGINE

133-8938 COVER GP-FRONT HOUSING AN ATTACHMENT

SMCS-1151, 1166

i03818629

NOTE	REF NO	GRAPHIC REF	PART NUMBER	QTY	PART NAME						SEE PAGE
					1	2	3	4	5	6	
	1	1	7N-4951	4	COVER						
	2	1	235-3546	4	SEAL-O-RING						
	3	1	6V-3348	4	SEAL-O-RING						
	4	1	1A-2029	43	BOLT (3/8-16X1.125-IN)						
	5	1	5M-2894	44	WASHER-HARD (10.2X18.5X2.5-MM THK)						
	6	1	7N-4952	3	COVER						
	7	1	259-4598	4	SEAL-O-RING						
	8	1	5P-0840	3	SEAL-O-RING						
	9	1	3P-1896	2	PLUG-CUP						
	10	1	2W-5285	1	COVER						
	11	1	8N-9885	1	GASKET-COVER						
	12	1	9X-8874	2	BOLT (1/2-13X3-IN)						
	13	1	5R-7136	1	WASHER-SEALING						
	14	1	1C-2251	1	BOLT (3/8-16X1.87-IN)						
	15	1	8N-9658	1	PLUG						
	16	1	5P-8245	2	WASHER-HARD (13.5X25.5X3-MM THK)						
	17	1	5R-7137	2	WASHER-SEALING						



GRAPHIC #1

<END>

g00327016

BASIC ENGINE

8N-9642 COVER GP-FRONT HOUSING AN ATTACHMENT

SMCS-1151, 1166

i03845506

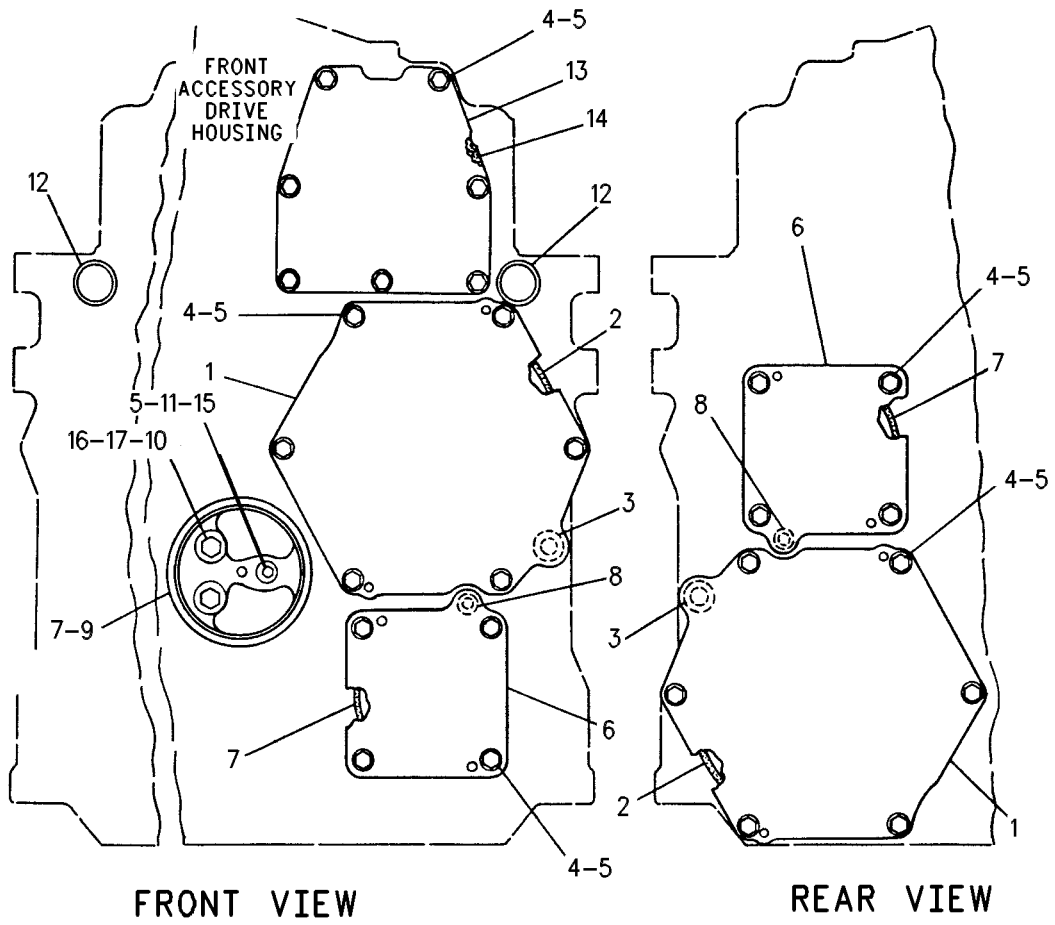
NOTE	REF NO	GRAPHIC REF	PART NUMBER	QTY	PART NAME						SEE PAGE
					1	2	3	4	5	6 (PRODUCT LEVEL)	
	1	1	7N-4951	2	COVER						
	2	1	235-3546	2	SEAL-O-RING						
	3	1	6V-3348	2	SEAL-O-RING						
C	4	1	1A-2029	27	BOLT (3/8-16X1.125-IN)						
C	5	1	5M-2894	28	WASHER-HARD (10.2X18.5X2.5-MM THK)						
	6	1	7N-4952	2	COVER						
	7	1	259-4598	3	SEAL-O-RING						
	8	1	5P-0840	2	SEAL-O-RING						
	9	1	8N-9658	1	PLUG						
	10	1	9X-8874	2	BOLT (1/2-13X3-IN)						
	11	1	1C-2251	1	BOLT (3/8-16X1.87-IN)						
B	12	1	3P-1896	2	PLUG-CUP						
C	13	1	2W-5285	1	COVER						
C	14	1	8N-9885	1	GASKET-COVER						
	15	1	5R-7136	1	WASHER-SEALING						
	16	1	5P-8245	2	WASHER-HARD (13.5X25.5X3-MM THK)						
	17	1	5R-7137	2	WASHER-SEALING						

B - USE AS REQUIRED
C - CHANGE FROM PREVIOUS TYPE

BASIC ENGINE

8N-9642 COVER GP-FRONT HOUSING (contd.)

103845506



GRAPHIC #1

<END>

g01035696

BASIC ENGINE

2W-5616 COVER GP-OIL PAN

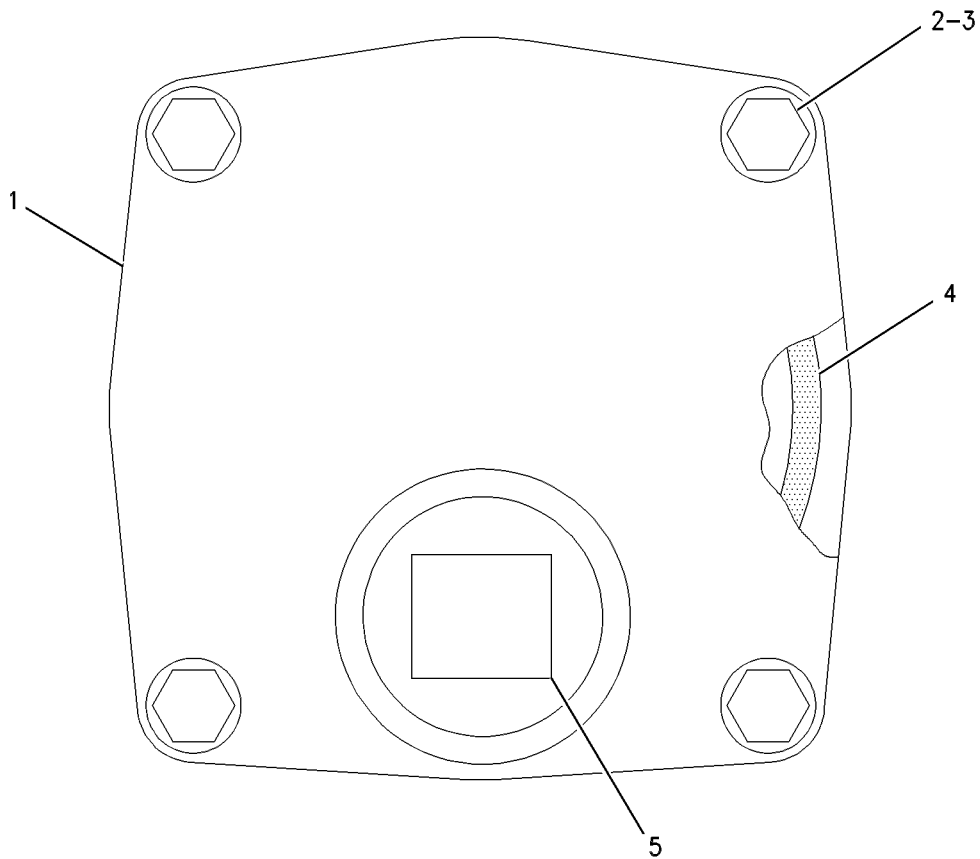
AN ATTACHMENT

TYPE 1

SMCS-1302

i03657741

NOTE	REF NO	GRAPHIC REF	PART NUMBER	QTY	PART NAME						SEE PAGE
					1	2	3	4	5	6 (PRODUCT LEVEL)	
	1	1	9Y-4893	1	COVER						
	2	1	0L-1351	4	BOLT (3/8-16X0.875-IN)						
	3	1	5M-2894	4	WASHER-HARD (10.2X18.5X2.5-MM THK)						
	4	1	6V-4314	1	SEAL-O-RING						
	5	1	9X-6138	1	PLUG-PIPE						



GRAPHIC #1

<END>

g00617902

BASIC ENGINE

2W-5616 COVER GP-OIL PAN

AN ATTACHMENT

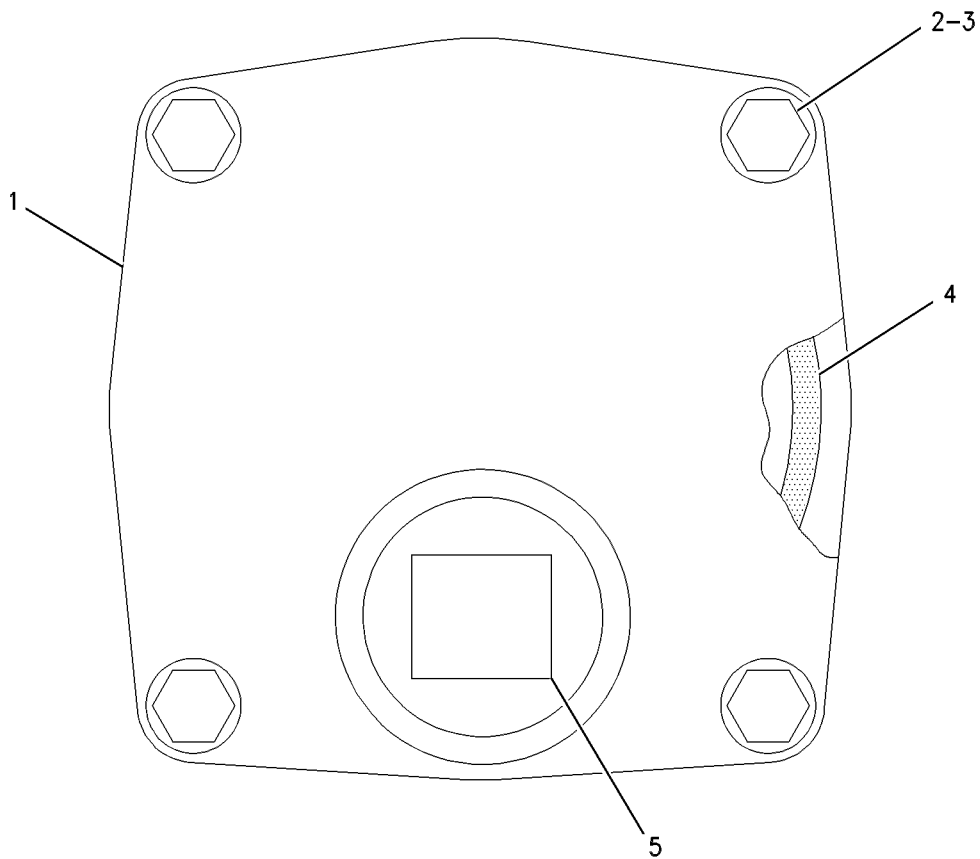
TYPE 2

SMCS-1302

i04823884

NOTE	REF NO	GRAPHIC REF	PART NUMBER	QTY	PART NAME						SEE PAGE
					1	2	3	4	5	6 (PRODUCT LEVEL)	
C	1	1	151-9264	1	COVER AS						
C	2	1	0S-1588	4	BOLT (3/8-16X1.25-IN)						
C	3	1	8M-9024	4	WASHER-HARD (10.2X22.5X5-MM THK)						
C	4	1	6V-7351	1	SEAL-O-RING						
	5	1	9X-6138	1	PLUG-PIPE (ENGINE OIL DRAIN)						

C - CHANGE FROM PREVIOUS TYPE



GRAPHIC #1

<END>

g00617879

BASIC ENGINE

101-0831 COVER GP-VALVE MECHANISM

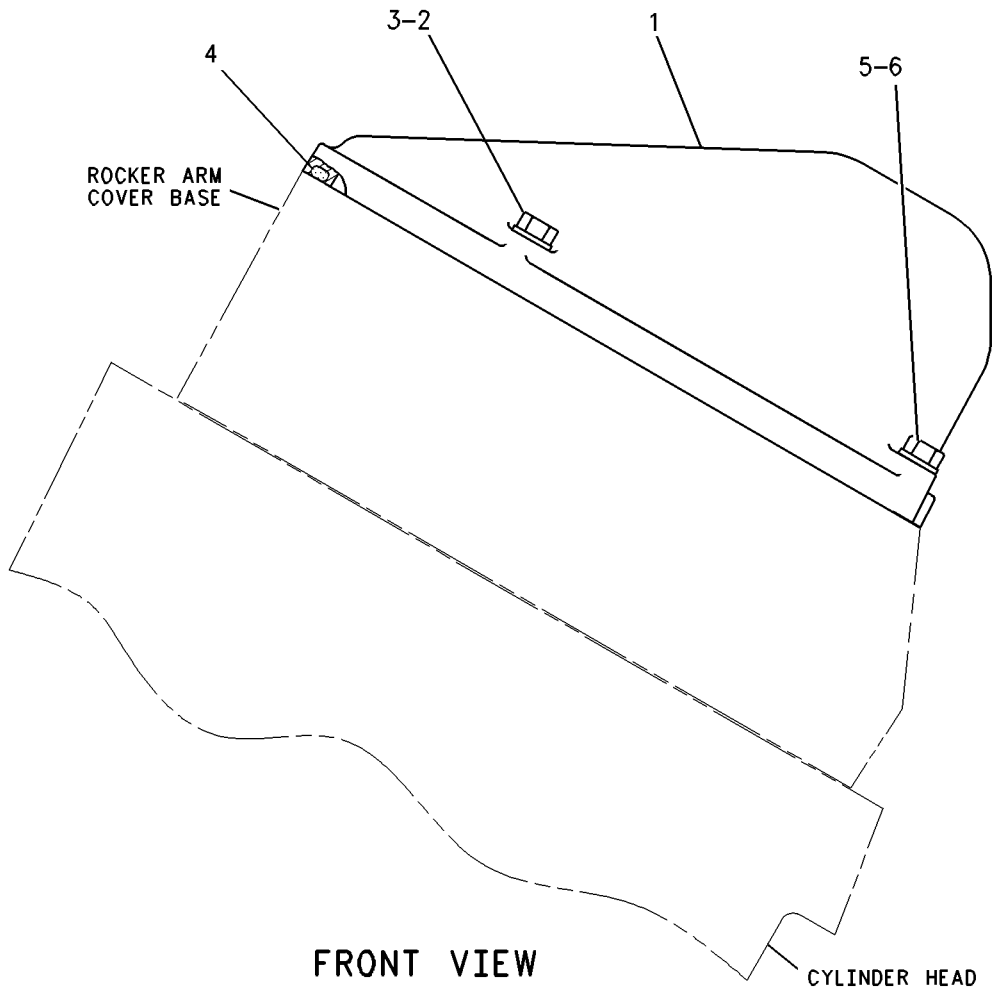
S/N: 3XS404-UP

SMCS-1107

i05854205

NOTE	REF NO	GRAPHIC REF	PART NUMBER	QTY	PART NAME						SEE PAGE
					1	2	3	4	5	6 (PRODUCT LEVEL)	
	1	1	101-4197	1	COVER						
	2	1	1A-9579	3	BOLT (5/16-18X1.5-IN)						
	3	1	9M-1974	3	WASHER-HARD (8.8X16X2-MM THK)						
	4	1	272-0760	1	SEAL-VALVE COVER (BASE)						
B	5	1	1A-9579	1	BOLT (5/16-18X1.5-IN)						
B	6	1	9M-1974	1	WASHER-HARD (8.8X16X2-MM THK)						

B - USE AS REQUIRED



GRAPHIC #1

<END>

g00773092

BASIC ENGINE

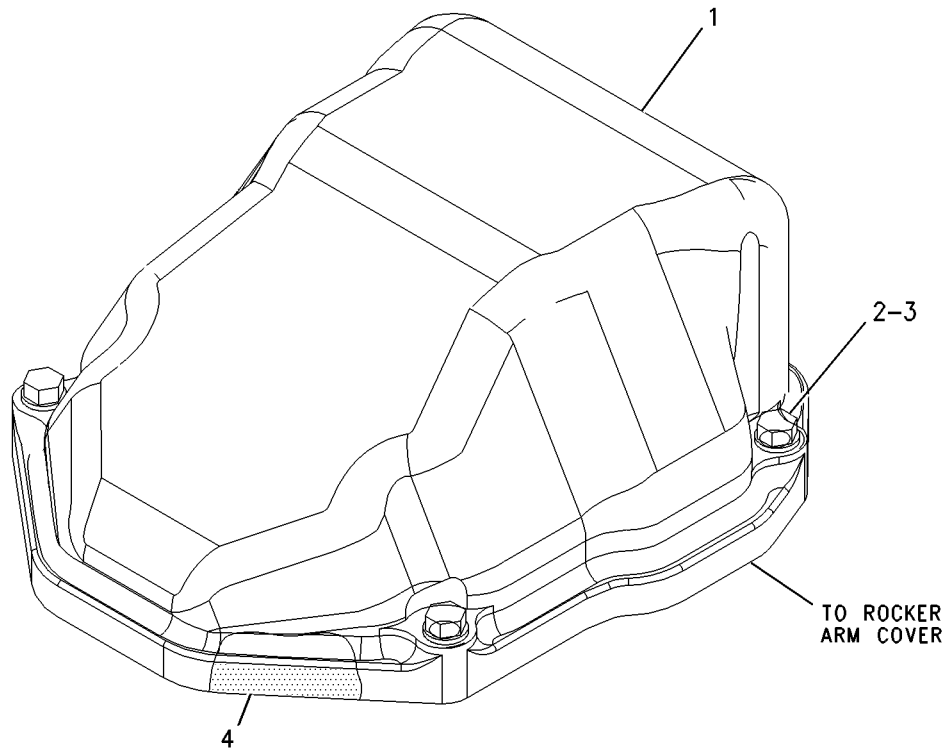
155-2565 COVER GP-VALVE MECHANISM

CHROME PLATED
FOR USE WITH MUI ENGINE
AN ATTACHMENT

SMCS-1107

i04561117

NOTE	REF NO	GRAPHIC REF	PART NUMBER	QTY	PART NAME						SEE PAGE
					1	2	3	4	5	6 (PRODUCT LEVEL)	
	1	1	155-2569	1	COVER						
	2	1	133-6270	4	BOLT (5/16-18X1.5-IN)						
	3	1	133-6265	4	WASHER (8.8X16X2-MM THK)						
	4	1	272-0757	1	SEAL - VALVE COVER						



GRAPHIC #1

<END>

g00901999

BASIC ENGINE

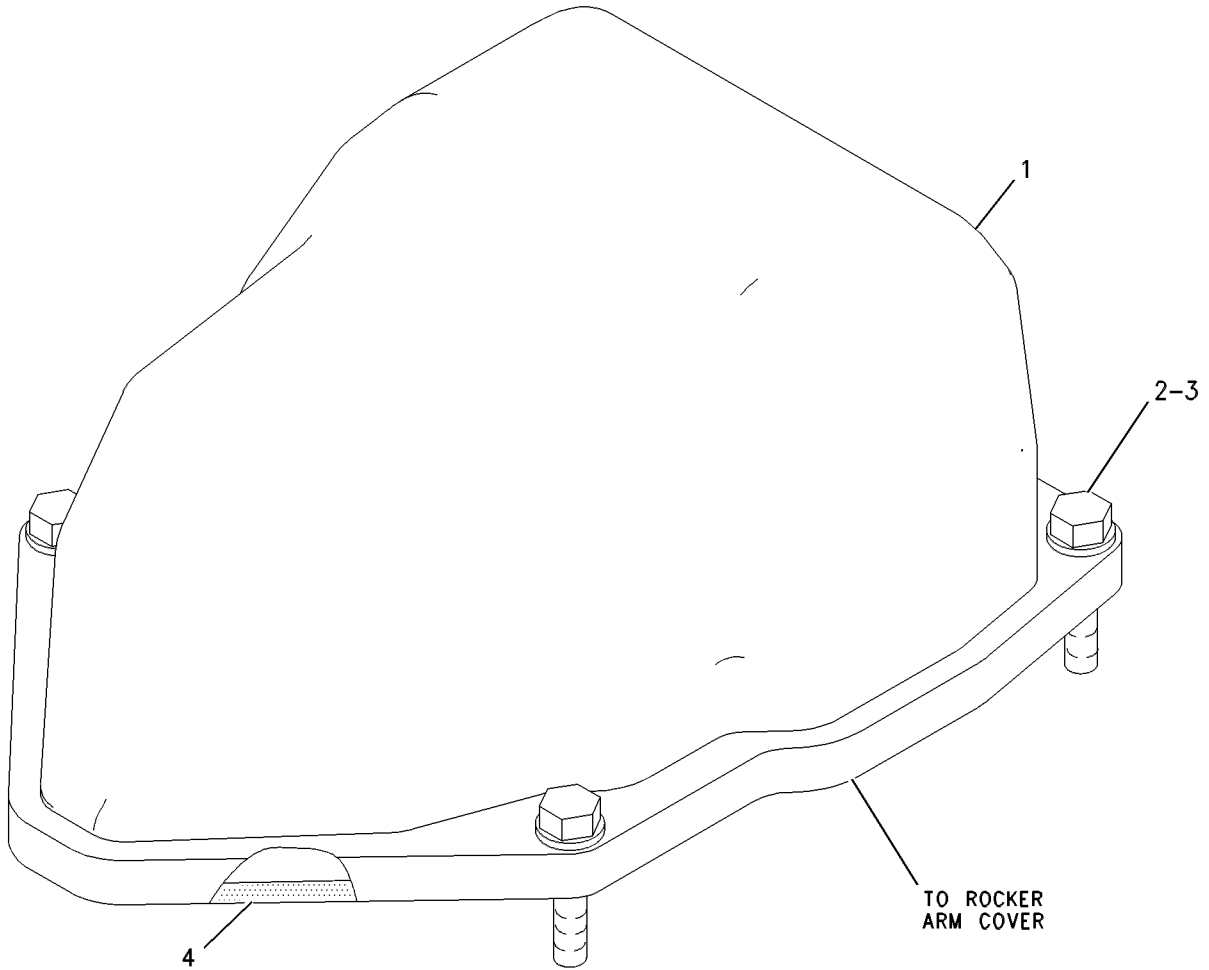
155-2566 COVER GP-VALVE MECHANISM

CHROME PLATED
FOR USE WITH EUI ENGINE
AN ATTACHMENT

SMCS-1107

i03627555

NOTE	REF NO	GRAPHIC REF	PART NUMBER	QTY	PART NAME						SEE PAGE
					1	2	3	4	5	6	
	1	1	155-2571	1	COVER						
	2	1	133-6270	4	BOLT (5/16-18X1.5-IN)						
	3	1	133-6265	4	WASHER (8.8X16X2-MM THK)						
	4	1	272-0760	1	SEAL-VALVE COVER (BASE)						



GRAPHIC #1

<END>

g00536865

BASIC ENGINE

448-8940 CRANKSHAFT AS*R

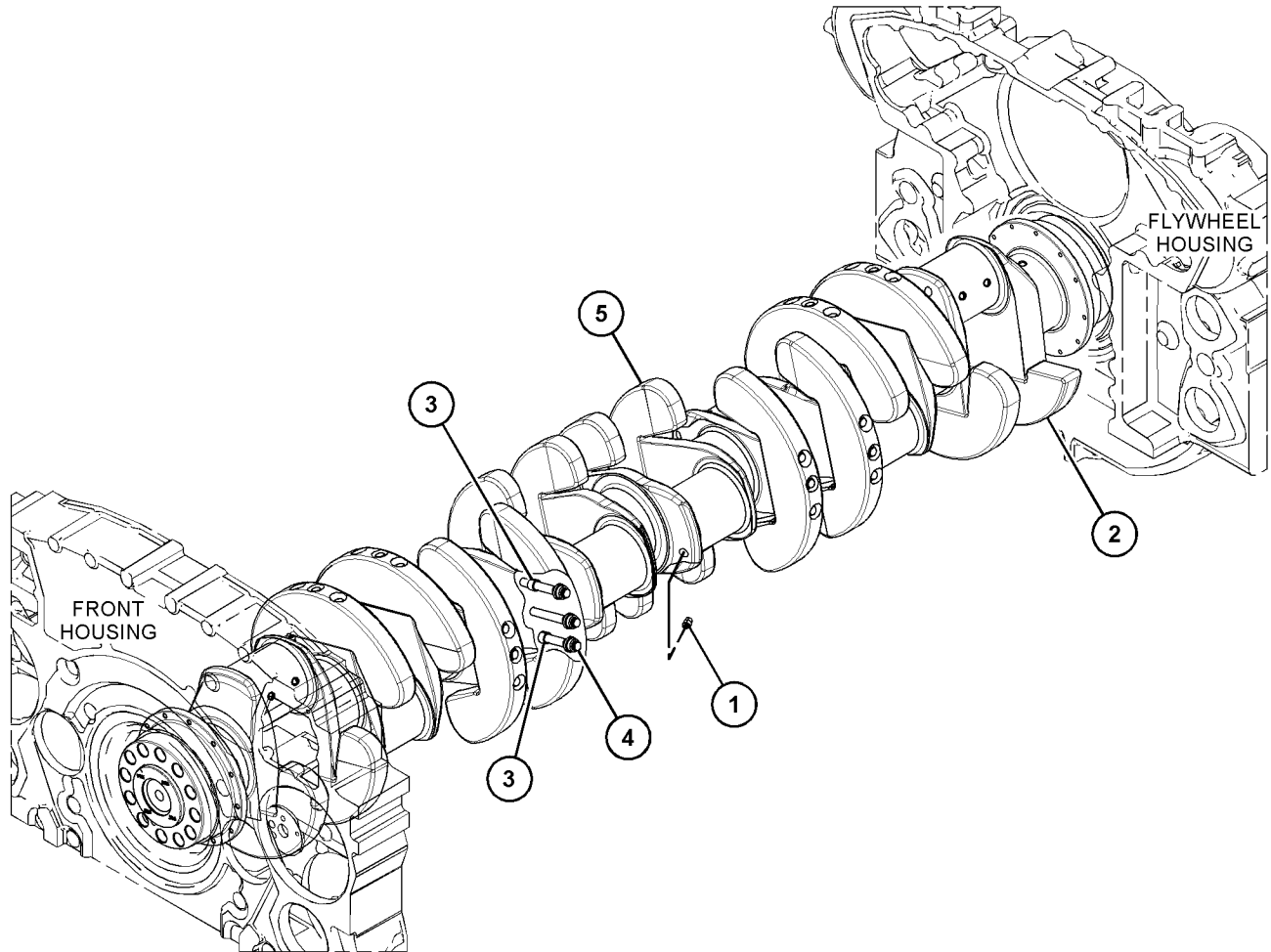
S/N: 3XS408-UP

PART OF 8N-0337 CRANKSHAFT GP

SMCS-1202

i06043094

NOTE	REF NO	GRAPHIC REF	PART NUMBER	QTY	PART NAME						SEE PAGE
					1	2	3	4	5	6	
	1	1	2W-2288	8	PLUG						
	2	1	448-8941	1	COUNTERWEIGHT						
	3	1	7N-2003	32	DOWEL						
	4	1	128-4845	48	BOLT AS						
	5	1	188-0477	15	COUNTERWEIGHT						



GRAPHIC #1

<END>

g03826201

BASIC ENGINE

8N-0337 CRANKSHAFT GP

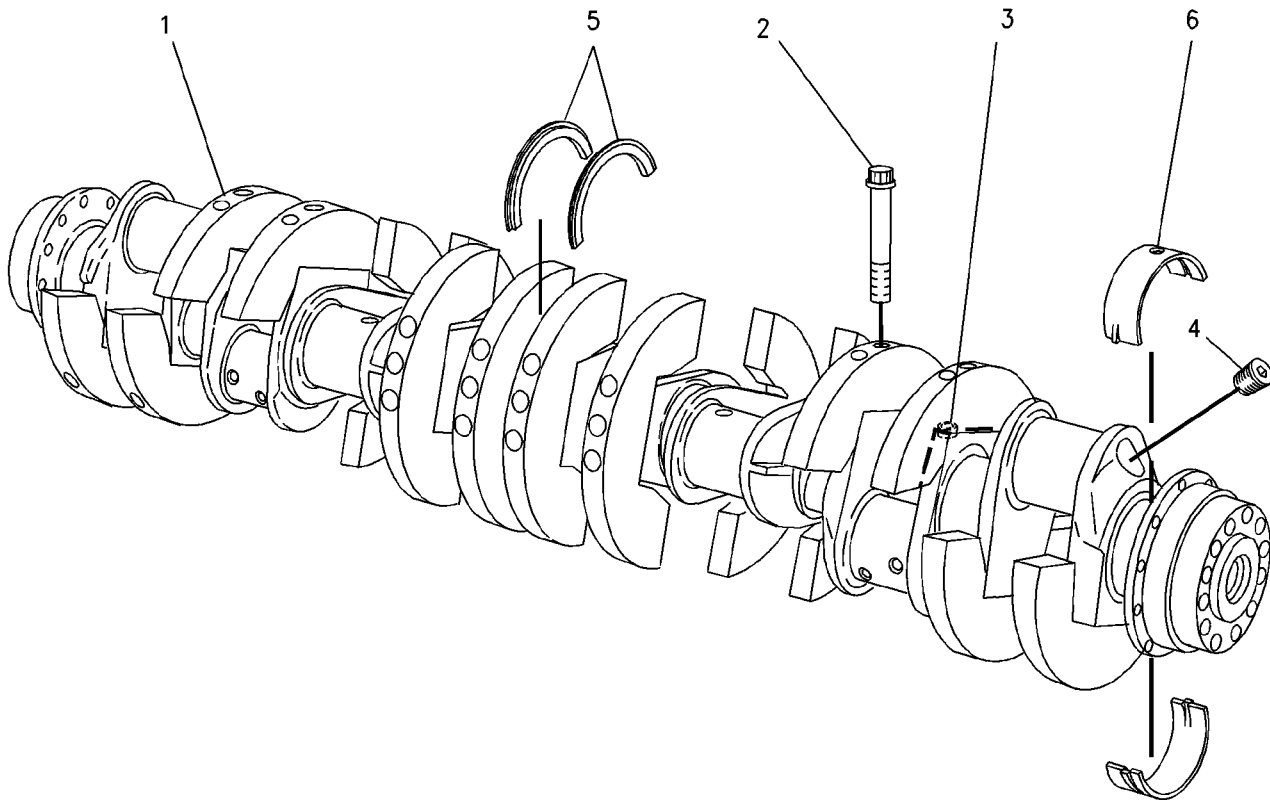
S/N: 3XS404-407

SMCS-1202

i02103777

NOTE	REF NO	GRAPHIC REF	PART NUMBER	QTY	PART NAME						SEE PAGE
					1	2	3	4	5	6 (PRODUCT LEVEL)	
CR	1	1	128-6788	1	CRANKSHAFT AS						
	2	1	128-4845	48	BOLT AS						
	3	1	7N-2003	32	DOWEL						
	4	1	2W-2288	8	PLUG						
	5	1	7C-6209	2	PLATE-THRUST						
	6	1	105-0253	9	BEARING-MAIN (STANDARD)						
AB		1	105-0254		BEARING-MAIN (0.63-MM US)						
AB		1	105-0255		BEARING-MAIN (1.27-MM US)						
AB		1	105-0256		BEARING-MAIN (0.63-MM OS)						
AB		1	105-0257		BEARING-MAIN (0.63-MM OS, 0.63-MM US)						

A - NOT PART OF THIS GROUP
 B - USE AS REQUIRED
 C - CHANGE FROM PREVIOUS TYPE
 R - REMANUFACTURED PART MAY BE AVAILABLE



GRAPHIC #1

<END>

g00872267

BASIC ENGINE

8N-0337 CRANKSHAFT GP

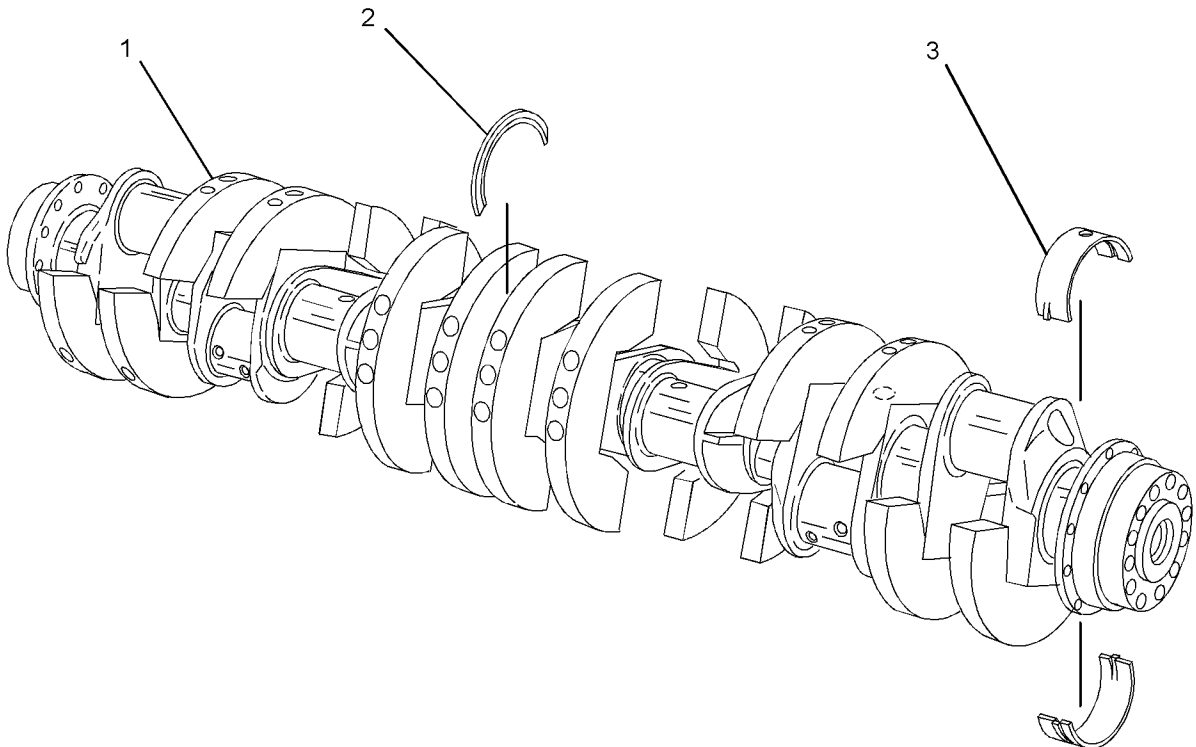
S/N: 3XS408-UP

SMCS-1202

i06187407

NOTE	REF NO	GRAPHIC REF	PART NUMBER	QTY	PART NAME						SEE PAGE
					1	2	3	4	5	6 (PRODUCT LEVEL)	
YR	1	1	448-8940	1	CRANKSHAFT AS						29
J	2	1	7C-6209	2	PLATE-THRUST						
CJ	3	1	149-6031	9	BEARING AS-MAIN (STANDARD)						
AB		1	149-6032		BEARING-MAIN (0.63-MM US)						
AB		1	149-6033		BEARING-MAIN (1.27-MM US)						
AB		1	149-6034		BEARING-MAIN (0.63-MM OS)						
AB		1	149-6035		BEARING-MAIN (0.63-MM OS, 0.63-MM US)						
AVAILABLE REPAIR KIT(S):											
J			196-9531		KIT-BASIC ENGINE REPAIR (MAIN BEARING)						
(INCLUDES THRUST PLATES & MAIN BEARINGS)											

- A - NOT PART OF THIS GROUP
- B - USE AS REQUIRED
- C - CHANGE FROM PREVIOUS TYPE
- J - KIT MARKED J INCLUDES PART(S) MARKED J
- R - REMANUFACTURED PART MAY BE AVAILABLE
- Y - SEPARATE ILLUSTRATION



GRAPHIC #1

<END>

g03841928

BASIC ENGINE

101-1173 CYLINDER BLOCK AS

S/N: 3XS404-UP

FIELD REPLACEMENT ORDER 115-5160-PAGE: 38

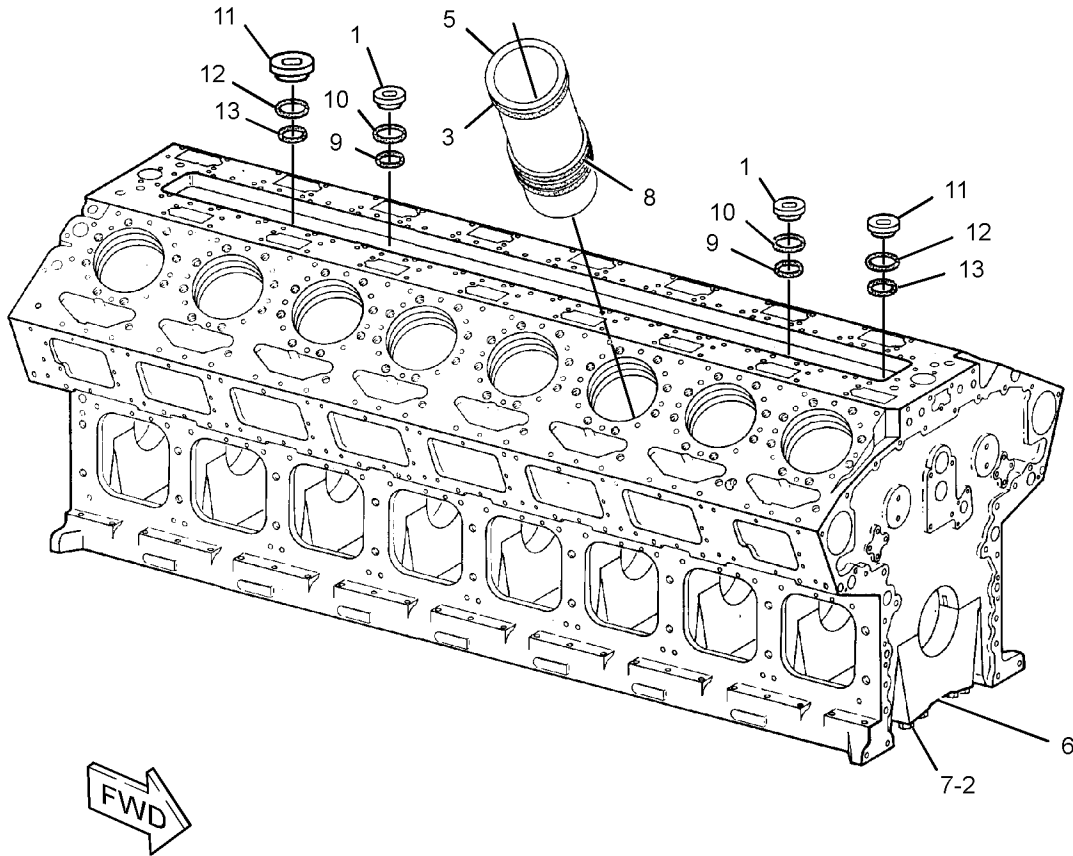
PART OF 115-5156 CYLINDER BLOCK GP

SMCS-1201

i02629910

NOTE	REF NO	GRAPHIC REF	PART NUMBER	QTY	PART NAME						SEE PAGE
					1	2	3	4	5	6 (PRODUCT LEVEL)	
	1	1	4W-4813	2	PLUG						
	2	1	7X-7925	36	BOLT (7/8-14X11-IN)						
	3	1	8N-4707	16	BAND-FILLER						
	5	1	211-7826	16	LINER-CYLINDER BLOCK						
	6	1	223-1696	9	CAP-CRANKSHAFT BEARING						
	7	1	5P-8249	36	WASHER-HARD (24X41.5X4-MM THK)						
	8	1	7N-2046	48	SEAL-O-RING						
	9	1	8T-2928	2	SEAL-O-RING						
	10	1	8T-2929	2	SEAL-O-RING						
B	11	1	4W-4813	2	PLUG						
B	12	1	8T-2928	2	SEAL-O-RING						
B	13	1	8T-2929	2	SEAL-O-RING						

B - USE AS REQUIRED



GRAPHIC #1

<END>

g01318852

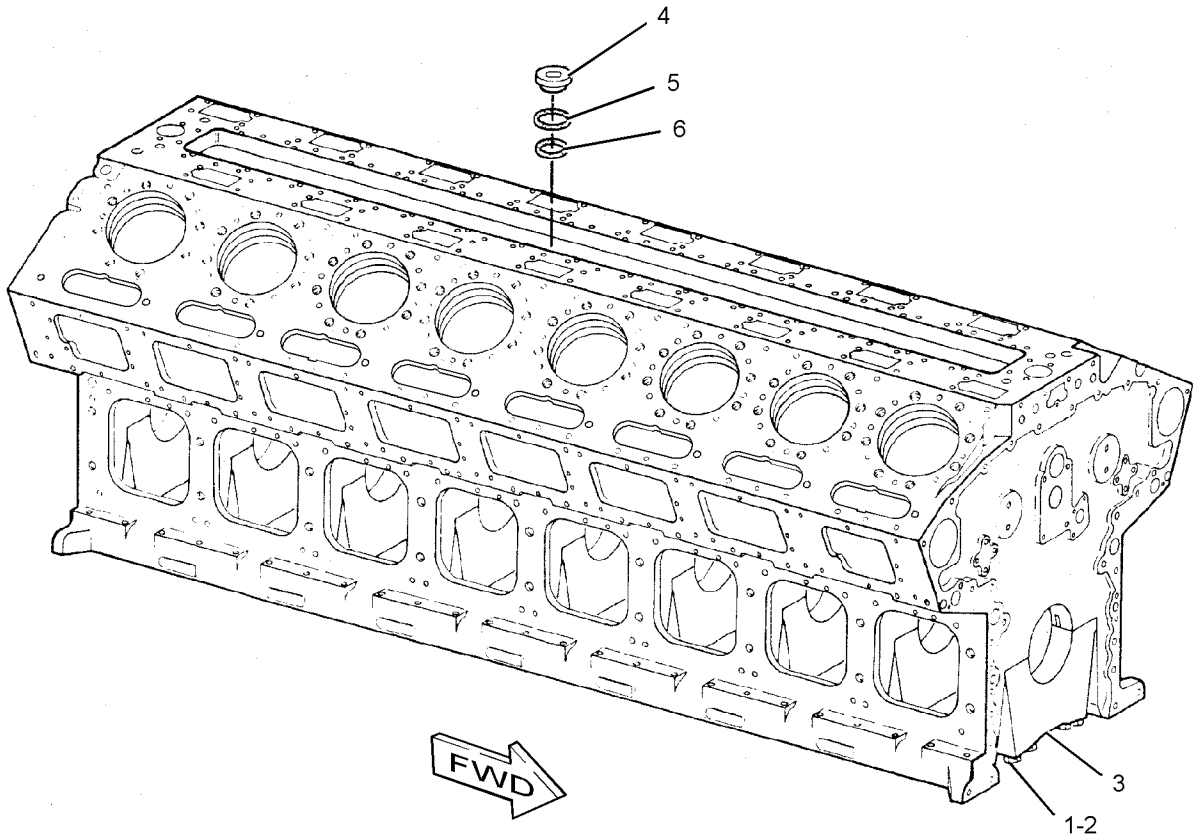
BASIC ENGINE

106-2780 CYLINDER BLOCK AS PART OF 115-5160 CYLINDER BLOCK GP

SMCS-1201

i02768067

NOTE	REF NO	GRAPHIC REF	PART NUMBER	QTY	PART NAME						SEE PAGE
					1	2	3	4	5	6	
	1	1	5P-8249	36	WASHER-HARD (24X41.5X4-MM THK)						
	2	1	7X-7925	36	BOLT (7/8-14X11-IN)						
	3	1	223-1696	9	CAP-CRANKSHAFT BEARING						
	4	1	4W-4813	4	PLUG						
	5	1	8T-2929	4	SEAL-O-RING						
	6	1	8T-2928	4	SEAL-O-RING						



GRAPHIC #1

<END>

g01384705

BASIC ENGINE

115-5156 CYLINDER BLOCK GP

S/N: 3XS404-407

SMCS-1201

i01291077

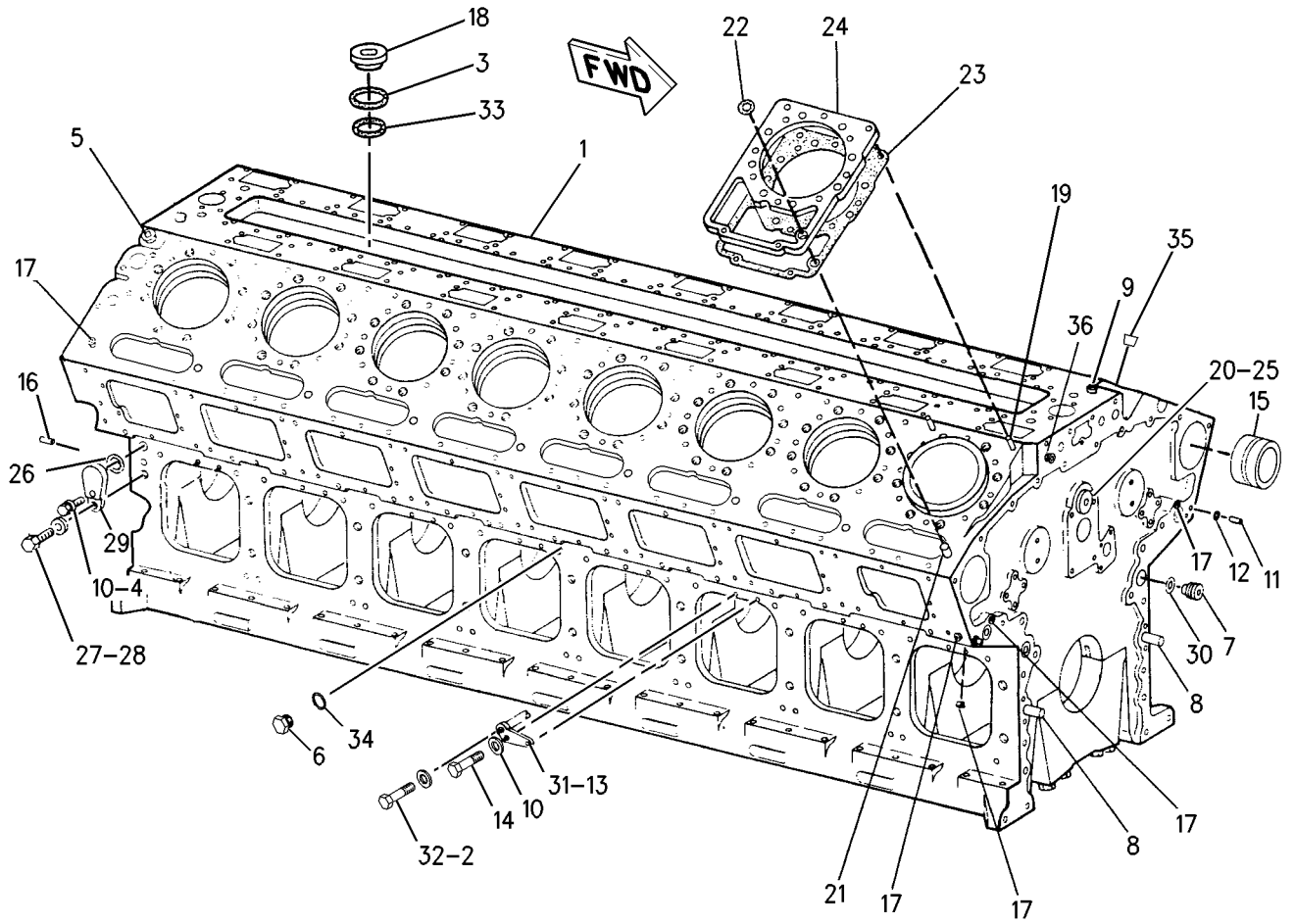
NOTE	REF NO	GRAPHIC REF	PART NUMBER	QTY	PART NAME						SEE PAGE
					1	2	3	4	5	6 (PRODUCT LEVEL)	
Y	1	1	101-1173	1	CYLINDER BLOCK AS						32
	2	1	9M-1974	16	WASHER-HARD (8.8X16X2-MM THK)						
	3	1	8T-2929	2	SEAL-O-RING						
	4	1	1A-2029	2	BOLT (3/8-16X1.125-IN)						
	5	1	7X-7731	1	PLUG-PIPE (3/4-14-THD)						
	6	1	9S-4191	6	PLUG (9/16-18-THD)						
	7	1	2W-2940	8	PLUG						
	8	1	7N-2044	2	DOWEL (FRONT OF BLOCK)						
	9	1	8T-6762	2	PLUG-PIPE (1/2-14-THD)						
	10	1	5M-2894	18	WASHER-HARD (10.2X18.5X2.5-MM THK)						
	11	1	7N-2047	3	DOWEL						
	12	1	7X-4805	3	SEAL-O-RING						
	13	1	116-3253	16	JET AS-PISTON COOLING (FOR USE WITH 2-PC PISTON ONLY)						
	14	1	0T-0102	16	BOLT (3/8-16X0.625-IN)						
	15	1	116-1359	18	BEARING-CAMSHAFT						
	16	1	4N-0683	2	DOWEL (REAR OF BLOCK)						
	17	1	8T-6763	24	PLUG-PIPE (1/4-18-THD)						
	18	1	4W-4814	2	ADAPTER						
	19	1	8T-0099	32	DOWEL						
	20	1	7N-5641	2	PLUG-MANIFOLD						
	21	1	7N-2049	16	DOWEL						
	22	1	5P-0840	32	SEAL-O-RING						
	23	1	144-5692	16	GASKET-PLATE						
	24	1	110-6994	16	PLATE-SPACER						
	25	1	5F-9657	4	SEAL-O-RING						
	26	1	5P-8210	2	SEAL-O-RING						
	27	1	0S-1595	2	BOLT (1/2-13X1.25-IN)						
	28	1	5P-8245	2	WASHER-HARD (13.5X25.5X3-MM THK)						
	29	1	8N-8056	2	COVER						
	30	1	6V-3348	8	SEAL-O-RING						
	31	1	7C-3722	16	RETAINER AS (FOR USE WITH 2-PC PISTON ONLY)						
	32	1	1B-2790	16	BOLT (5/16-18X1.375-IN)						
	33	1	8T-2928	2	SEAL-O-RING						
	34	1	033-6042	6	SEAL-O-RING						
B	35	1	7X-7731	1	PLUG-PIPE (3/4-14-THD)						
B	36	1	8T-6762	1	PLUG-PIPE (1/2-14-THD)						

B - USE AS REQUIRED
Y - SEPARATE ILLUSTRATION

BASIC ENGINE

115-5156 CYLINDER BLOCK GP (contd.)

i01291077



GRAPHIC #1

<END>

g00684241

BASIC ENGINE

115-5156 CYLINDER BLOCK GP

S/N: 3XS408-UP

SMCS-1201

i02041342

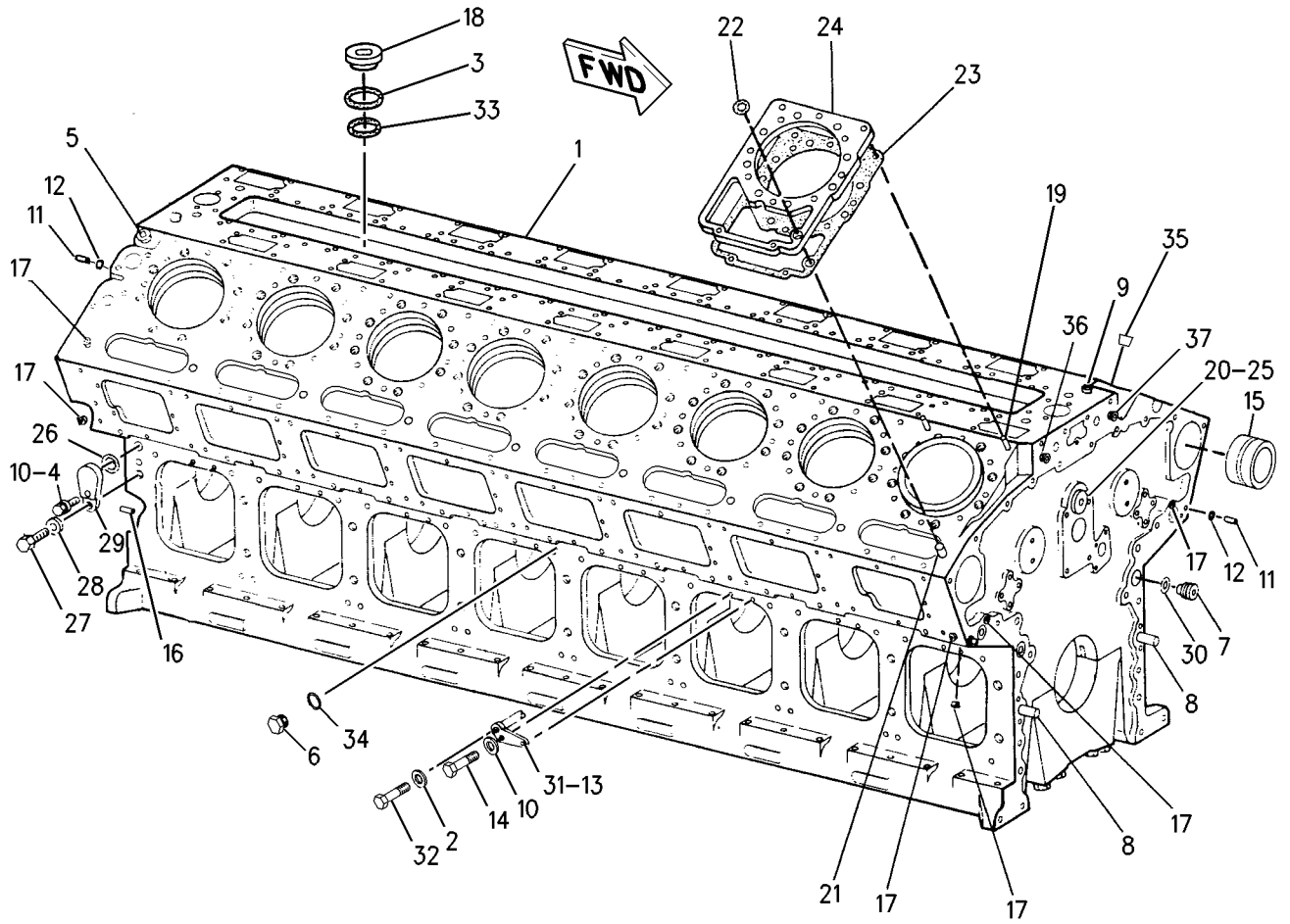
NOTE	REF NO	GRAPHIC REF	PART NUMBER	QTY	PART NAME						SEE PAGE
					1	2	3	4	5	6 (PRODUCT LEVEL)	
Y	1	1	101-1173	1	CYLINDER BLOCK AS						32
	2	1	9M-1974	16	WASHER-HARD (8.8X16X2-MM THK)						
	3	1	8T-2929	2	SEAL-O-RING						
	4	1	1A-2029	2	BOLT (3/8-16X1.125-IN)						
	5	1	7X-7731	1	PLUG-PIPE (3/4-14-THD)						
	6	1	9S-4191	6	PLUG (9/16-18-THD)						
	7	1	2W-2940	8	PLUG						
	8	1	7N-2044	2	DOWEL						
	9	1	8T-6762	2	PLUG-PIPE (1/2-14-THD)						
	10	1	5M-2894	18	WASHER-HARD (10.2X18.5X2.5-MM THK)						
	11	1	7N-2047	3	DOWEL						
	12	1	7X-4805	3	SEAL-O-RING						
	13	1	116-3253	16	JET AS-PISTON COOLING (FOR USE WITH 2-PC PISTON ONLY)						
	14	1	0T-0102	16	BOLT (3/8-16X0.625-IN)						
	15	1	116-1359	18	BEARING-CAMSHAFT						
	16	1	4N-0683	2	DOWEL						
C	17	1	8T-6763	26	PLUG-PIPE (1/4-18-THD)						
	18	1	4W-4814	2	ADAPTER						
	19	1	8T-0099	32	DOWEL						
	20	1	7N-5641	2	PLUG-MANIFOLD						
	21	1	197-7008	16	DOWEL						
	22	1	5P-0840	32	SEAL-O-RING						
	23	1	144-5692	16	GASKET-PLATE						
	24	1	110-6994	16	PLATE-SPACER						
	25	1	5F-9657	4	SEAL-O-RING						
	26	1	5P-8210	2	SEAL-O-RING						
	27	1	0S-1595	2	BOLT (1/2-13X1.25-IN)						
	28	1	5P-8245	2	WASHER-HARD (13.5X25.5X3-MM THK)						
	29	1	8N-8056	2	COVER						
	30	1	6V-3348	8	SEAL-O-RING						
	31	1	7C-3722	16	RETAINER AS (FOR USE WITH 2-PC PISTON ONLY)						
					(EACH INCLUDES)						
		1	6V-3537	1	DOWEL						
	32	1	1B-2790	16	BOLT (5/16-18X1.375-IN)						
	33	1	8T-2928	2	SEAL-O-RING						
	34	1	033-6042	6	SEAL-O-RING						
B	35	1	7X-7731	1	PLUG-PIPE (3/4-14-THD)						
B	36	1	8T-6762	1	PLUG-PIPE (1/2-14-THD)						
B	37	1	8T-6762	1	PLUG-PIPE (1/2-14-THD)						

B - USE AS REQUIRED
 C - CHANGE FROM PREVIOUS TYPE
 Y - SEPARATE ILLUSTRATION

BASIC ENGINE

115-5156 CYLINDER BLOCK GP (contd.)

i02041342



GRAPHIC #1

<END>

g00675724

BASIC ENGINE

115-5160 CYLINDER BLOCK GP*R

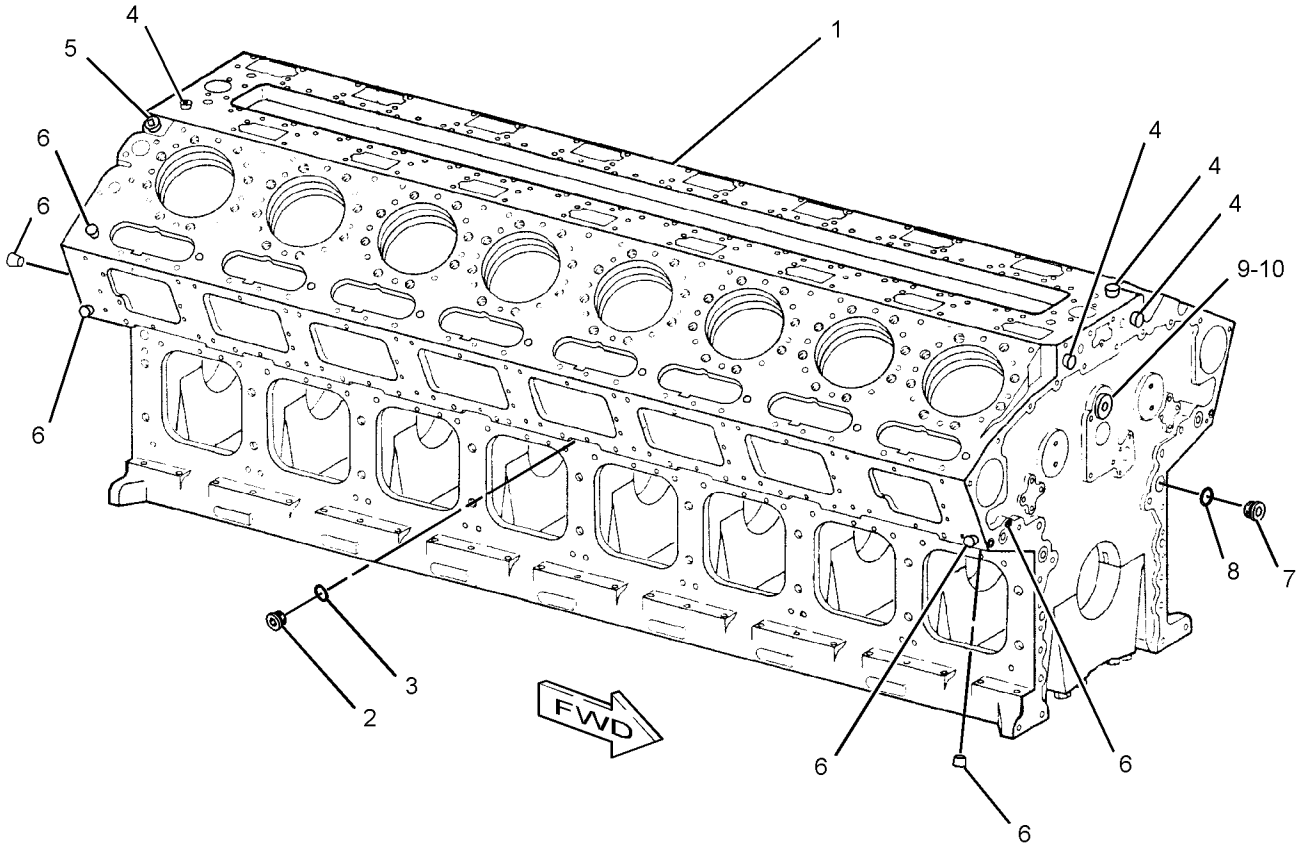
FIELD REPLACEMENT FOR 101-1173—PAGE: 32

SMCS-1201

i03357180

NOTE	REF NO	GRAPHIC REF	PART NUMBER	QTY	PART NAME						SEE PAGE
					1	2	3	4	5	6	
Y	1	1	106-2780	1	CYLINDER BLOCK AS						33
	2	1	9S-4191	6	PLUG (9/16-18-THD)						
	3	1	033-6042	6	SEAL-O-RING						
	4	1	8T-6762	4	PLUG-PIPE (1/2-14-THD)						
	5	1	7X-7731	2	PLUG-PIPE (3/4-14-THD)						
	6	1	8T-6763	26	PLUG-PIPE (1/4-18-THD)						
	7	1	2W-2940	8	PLUG						
	8	1	6V-3348	8	SEAL-O-RING						
	9	1	7N-5641	2	PLUG-MANIFOLD						
	10	1	5F-9657	4	SEAL-O-RING						

Y - SEPARATE ILLUSTRATION



GRAPHIC #1

<END>

g01384720

BASIC ENGINE

131-0411 CYLINDER HEAD AS

S/N: 3XS1-407

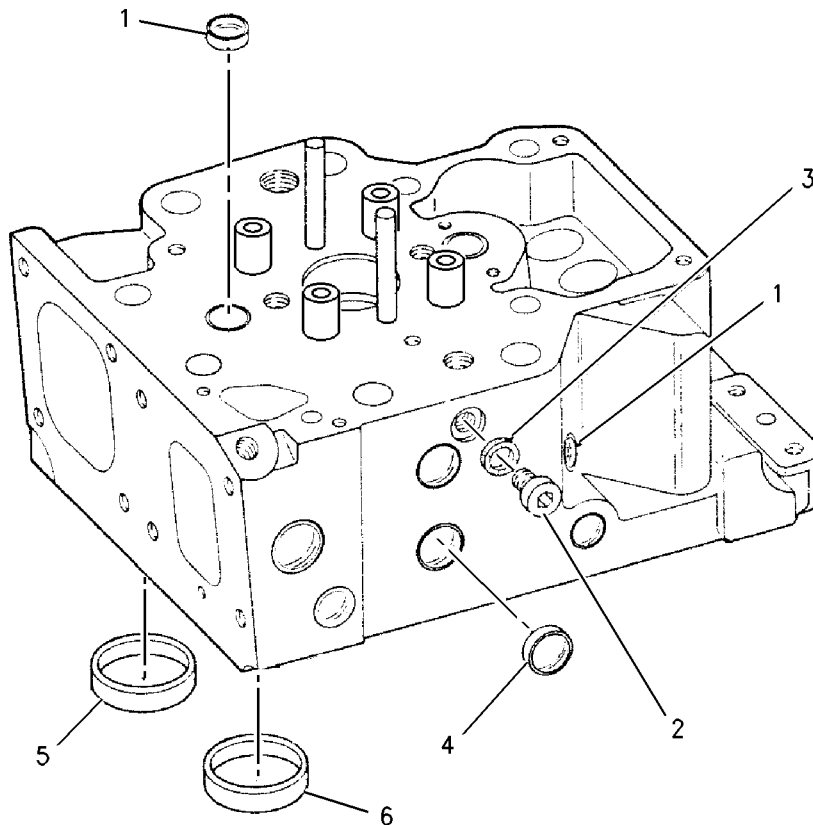
FIELD REPLACEMENT ORDER 172-0838-PAGE: 42, 156-9138-PAGE: 41
PART OF 131-4339, 156-9138 CYLINDER HEAD AS, 125-7094, 156-9137, 7E-8759 CYLINDER HEAD GP

SMCS-1100, 1101

i04546957

NOTE	REF NO	GRAPHIC REF	PART NUMBER	QTY	PART NAME						SEE PAGE
					1	2	3	4	5	6	
	1	1	3B-0623	5	PLUG-CUP						
	2	1	9S-8002	4	PLUG (7/16-20-THD)						
	3	1	3J-7354	4	SEAL-O-RING						
	4	1	3B-0645	5	PLUG-CUP						
	5	1	130-2607	2	INSERT-VALVE SEAT (STANDARD) (INLET)						
AB		1	149-1981		INSERT-VALVE SEAT (0.51-MM OS) (INLET)						
R	6	1	130-2608	2	INSERT-VALVE SEAT (STANDARD) (EXHAUST)						
AB		1	166-5945		INSERT-VALVE SEAT (0.508-MM OS) (EXHAUST)						

A - NOT PART OF THIS GROUP
B - USE AS REQUIRED
R - REMANUFACTURED PART MAY BE AVAILABLE



GRAPHIC #1

<END>

g00927755

BASIC ENGINE

131-4339 CYLINDER HEAD AS*R

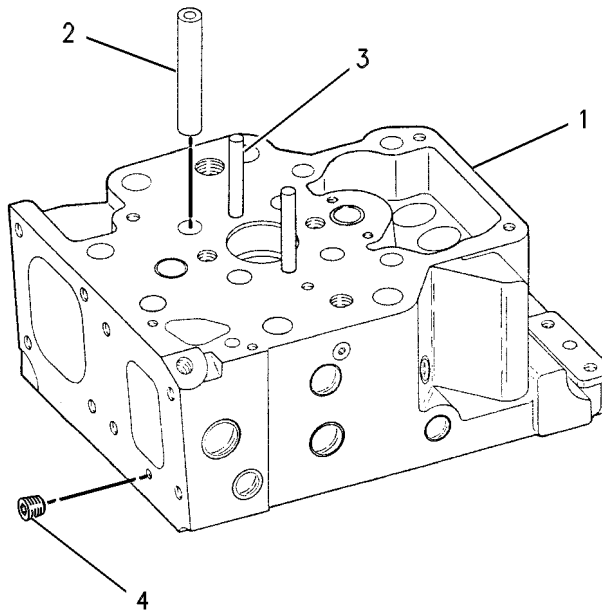
FIELD REPLACEMENT FOR 7E-8760-PAGE: 44

SMCS-1100, 1101

i04541449

NOTE	REF NO	GRAPHIC REF	PART NUMBER	QTY	PART NAME						SEE PAGE
					1	2	3	4	5	6 (PRODUCT LEVEL)	
Y	1	1	131-0411	1	CYLINDER HEAD AS						39
	2	1	130-2613	4	GUIDE-VALVE (STANDARD)						
	AB		149-1982		GUIDE-VALVE (0.508-MM OS)						
	ABR		166-5944		GUIDE-VALVE (0.127-MM OS)						
	3	1	7N-1902	2	DOWEL						
	4	1	4D-0514	1	PLUG-PIPE						

A - NOT PART OF THIS GROUP
 B - USE AS REQUIRED
 R - REMANUFACTURED PART MAY BE AVAILABLE
 Y - SEPARATE ILLUSTRATION



GRAPHIC #1

<END>

g00267124

BASIC ENGINE

156-9138 CYLINDER HEAD AS*R

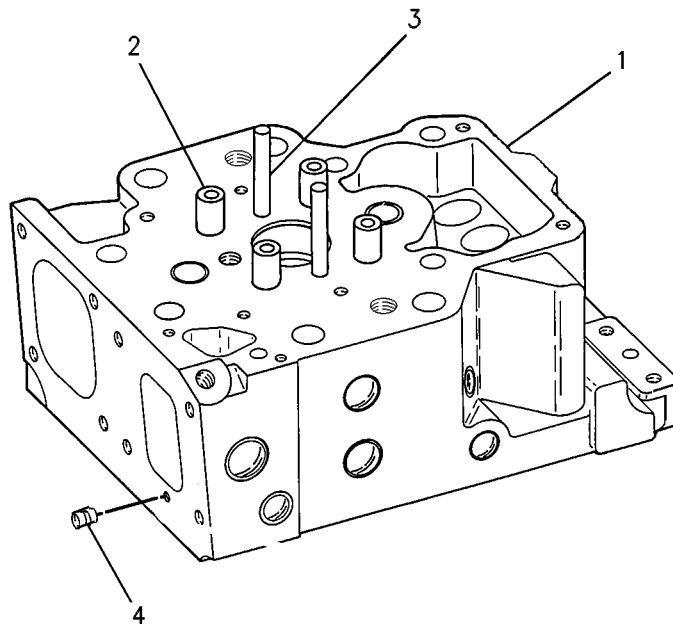
FIELD REPLACEMENT FOR 131-0411—PAGE: 39

SMCS-1100, 1101

i04541450

NOTE	REF NO	GRAPHIC REF	PART NUMBER	QTY	PART NAME						SEE PAGE
					1	2	3	4	5	6 (PRODUCT LEVEL)	
Y	1	1	131-0411	1	CYLINDER HEAD AS						39
R	2	1	133-9306	4	GUIDE-VALVE (STANDARD)						
AB			149-1982		GUIDE-VALVE (0.508-MM OS)						
AB			273-3553		GUIDE-VALVE (0.127-MM OS)						
AB			273-3554		GUIDE-VALVE (0.25-MM OS)						
AB			301-9248		GUIDE-VALVE (0.38-MM THK)						
	3	1	7N-1902	2	DOWEL						
	4	1	8T-6759	1	PLUG-PIPE						

A - NOT PART OF THIS GROUP
 B - USE AS REQUIRED
 R - REMANUFACTURED PART MAY BE AVAILABLE
 Y - SEPARATE ILLUSTRATION



GRAPHIC #1

<END>

g00550542

BASIC ENGINE

172-0838 CYLINDER HEAD AS*R

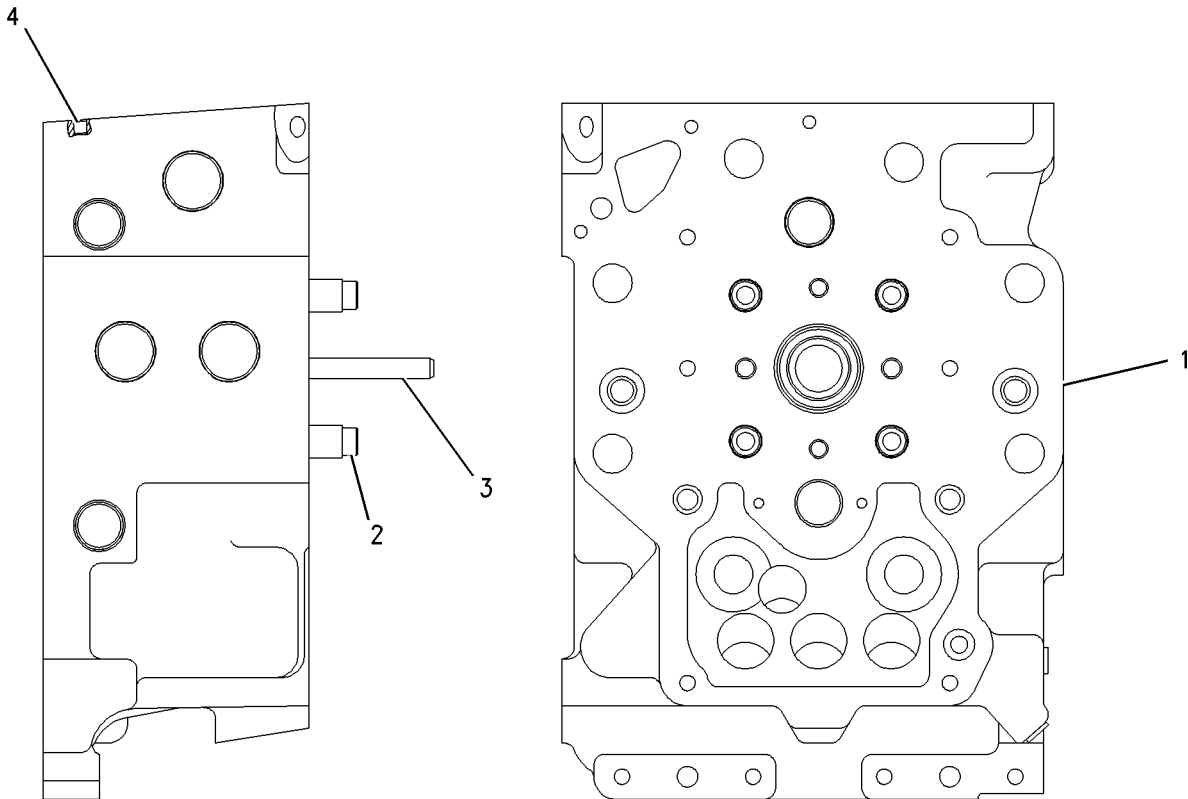
FIELD REPLACEMENT FOR 172-0836—PAGE: 49, 131-0411—PAGE: 39

SMCS-1100, 1101

i04541469

NOTE	REF NO	GRAPHIC REF	PART NUMBER	QTY	PART NAME						SEE PAGE
					1	2	3	4	5	6 (PRODUCT LEVEL)	
Y	1	1	172-0836	1	CYLINDER HEAD GP						49
R	2	1	133-9306	4	GUIDE-VALVE (STANDARD)						
AB			149-1982		GUIDE-VALVE (0.508-MM OS)						
AB			273-3553		GUIDE-VALVE (0.127-MM OS)						
AB			273-3554		GUIDE-VALVE (0.25-MM OS)						
AB			301-9248		GUIDE-VALVE (0.38-MM THK)						
	3	1	7N-1902	2	DOWEL						
	4	1	8T-6759	1	PLUG-PIPE						

A - NOT PART OF THIS GROUP
 B - USE AS REQUIRED
 R - REMANUFACTURED PART MAY BE AVAILABLE
 Y - SEPARATE ILLUSTRATION



GRAPHIC #1

<END>

g00783994

BASIC ENGINE

242-5326 CYLINDER HEAD AS*R

S/N: 3XS408-UP

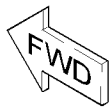
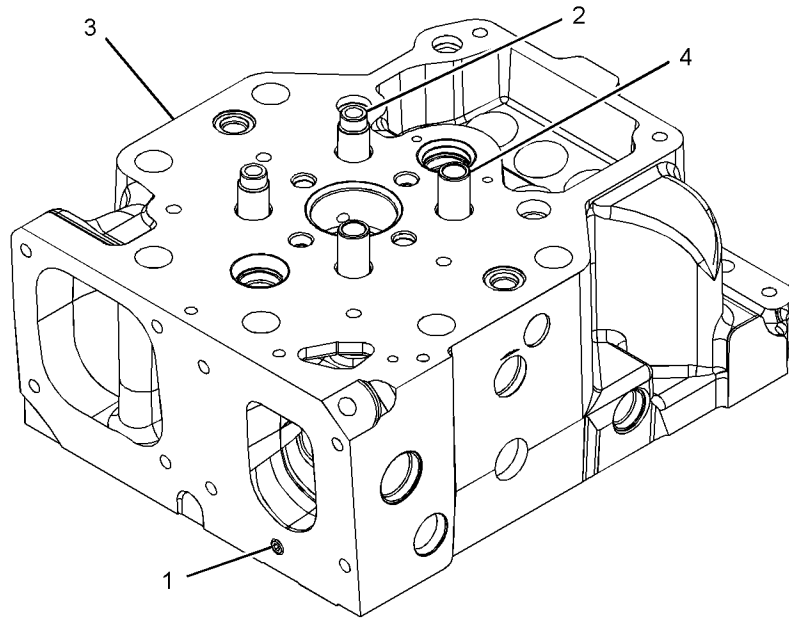
FIELD REPLACEMENT FOR 172-0836—PAGE: 49

SMCS-1100, 1101

i05450084

NOTE	REF NO	GRAPHIC REF	PART NUMBER	QTY	PART NAME						SEE PAGE
					1	2	3	4	5	6	
	1	1	8T-6759	1	PLUG-PIPE						
R	2	1	133-9306	2	GUIDE-VALVE (STANDARD) (INLET)						
AB			149-1982		GUIDE-VALVE (0.508-MM OS) (INLET)						
AB			273-3553		GUIDE-VALVE (0.127-MM OS) (INLET)						
AB			273-3554		GUIDE-VALVE (0.25-MM OS) (INLET)						
ABF			301-9248		GUIDE-VALVE (0.38-MM THK) (INLET)						
Y	3	1	172-0836	1	CYLINDER HEAD GP						49
R	4	1	197-6995	2	GUIDE-VALVE (STANDARD) (EXHAUST)						
AB			276-3875		GUIDE-VALVE (0.127-MM OS) (EXHAUST)						
AB			276-3876		GUIDE-VALVE (0.25-MM OS) (EXHAUST)						
AB			320-7710		GUIDE-VALVE (0.381-MM OS, EXHAUST)						
AB			320-7711		GUIDE-VALVE (0.508-MM OS, EXHAUST)						

A - NOT PART OF THIS GROUP
 B - USE AS REQUIRED
 F - NOT SHOWN
 R - REMANUFACTURED PART MAY BE AVAILABLE
 Y - SEPARATE ILLUSTRATION



GRAPHIC #1

<END>

g01335449

BASIC ENGINE

7E-8760 CYLINDER HEAD AS

S/N: 3XS1-403

FIELD REPLACEMENT ORDER 131-4339-PAGE: 40, 125-7094-PAGE: 46, 7E-8762-PAGE:
45

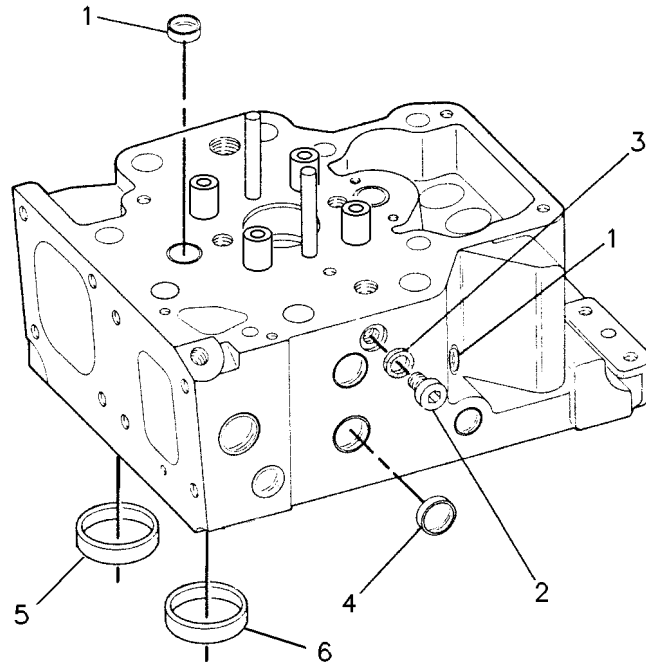
PART OF 7E-8762 CYLINDER HEAD AS, 7E-8759 CYLINDER HEAD GP

SMCS-1100, 1101

i04541405

NOTE	REF NO	GRAPHIC REF	PART NUMBER	QTY	PART NAME						SEE PAGE
					1	2	3	4	5	6 (PRODUCT LEVEL)	
	1	1	3B-0623	5	PLUG-CUP						
	2	1	9S-8002	4	PLUG (7/16-20-THD)						
	3	1	3J-7354	4	SEAL-O-RING						
	4	1	3B-0645	5	PLUG-CUP						
	5	1	7E-5862	2	INSERT-VALVE SEAT (INLET) (STANDARD)						
AB		1	149-0245		INSERT-VALVE SEAT (0.508-MM OS) (INLET)						
	6	1	118-9491	2	INSERT-VALVE SEAT (EXHAUST) (STANDARD)						
AB		1	149-0246		INSERT-VALVE SEAT (0.51-MM OS) (EXHAUST)						

A - NOT PART OF THIS GROUP
B - USE AS REQUIRED



GRAPHIC #1

<END>

g00083674

BASIC ENGINE

7E-8762 CYLINDER HEAD AS*R

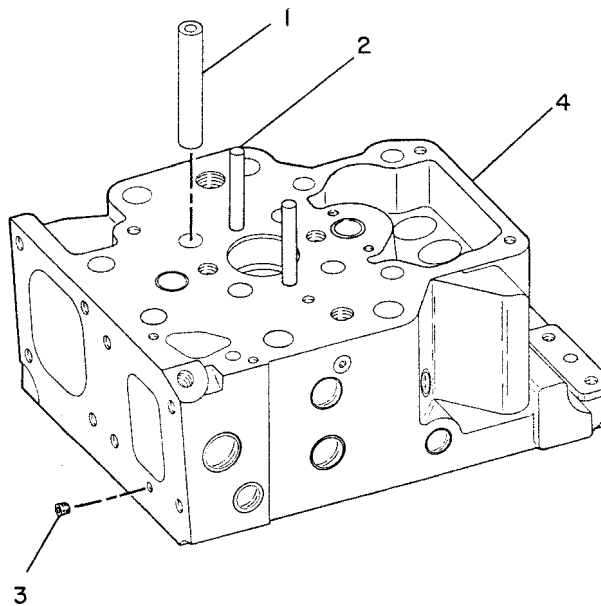
FIELD REPLACEMENT FOR 7E-8760-PAGE: 44

SMCS-1100, 1101

i04546959

NOTE	REF NO	GRAPHIC REF	PART NUMBER	QTY	PART NAME						SEE PAGE
					1	2	3	4	5	6 (PRODUCT LEVEL)	
	1	1	7N-1819	4	GUIDE-VALVE (STANDARD)						
AB			149-1982		GUIDE-VALVE (0.508-MM OS)						
ABR			166-5944		GUIDE-VALVE (0.127-MM OS)						
	2	1	7N-1902	2	DOWEL						
	3	1	4D-0514	1	PLUG-PIPE						
Y	4	1	7E-8760	1	CYLINDER HEAD AS						44

A - NOT PART OF THIS GROUP
 B - USE AS REQUIRED
 R - REMANUFACTURED PART MAY BE AVAILABLE
 Y - SEPARATE ILLUSTRATION



GRAPHIC #1

<END>

g00083672

BASIC ENGINE

125-7094 CYLINDER HEAD GP*R

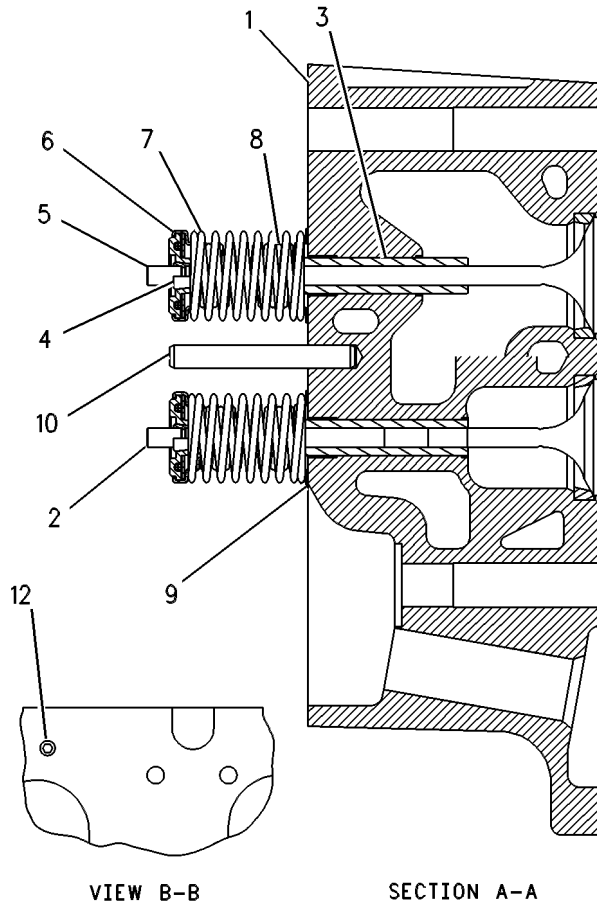
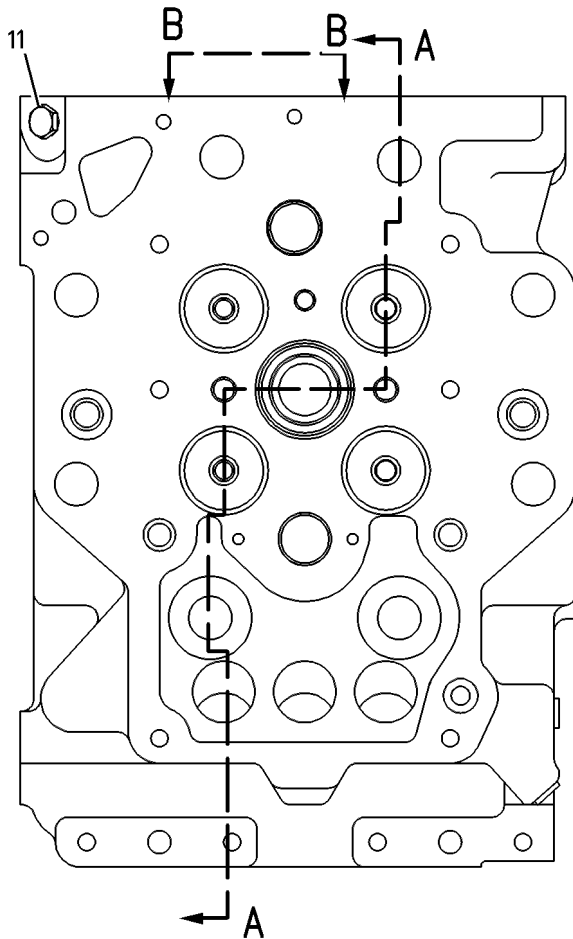
FIELD REPLACEMENT FOR 7E-8760—PAGE: 44

SMCS-1100

i01012900

NOTE	REF NO	GRAPHIC REF	PART NUMBER	QTY	PART NAME						SEE PAGE
					1	2	3	4	5	6	
Y	1	1	131-0411	1	CYLINDER HEAD AS						39
	2	1	121-9839	2	VALVE-EXHAUST						
	3	1	130-2613	4	GUIDE-VALVE						
	4	1	2A-4429	8	LOCK-RETAINER						
	5	1	7E-4609	2	VALVE-INLET						
	6	1	133-3814	4	ROTOCOIL AS						
	7	1	7N-1904	4	SPRING-VALVE OUTER						
	8	1	7N-1903	4	SPRING-VALVE INNER						
	9	1	2W-2662	4	SEAT-SPRING						
	10	1	7N-1902	2	DOWEL						
	11	1	5B-7890	1	PLUG-PIPE						
	12	1	8T-6759	1	PLUG-PIPE						

Y - SEPARATE ILLUSTRATION



GRAPHIC #1

<END>

g00282923

BASIC ENGINE

156-9137 CYLINDER HEAD GP*R

S/N: 3XS404-407

PART OF 7E-8758 CYLINDER HEAD GP

SMCS-1100

i04541483

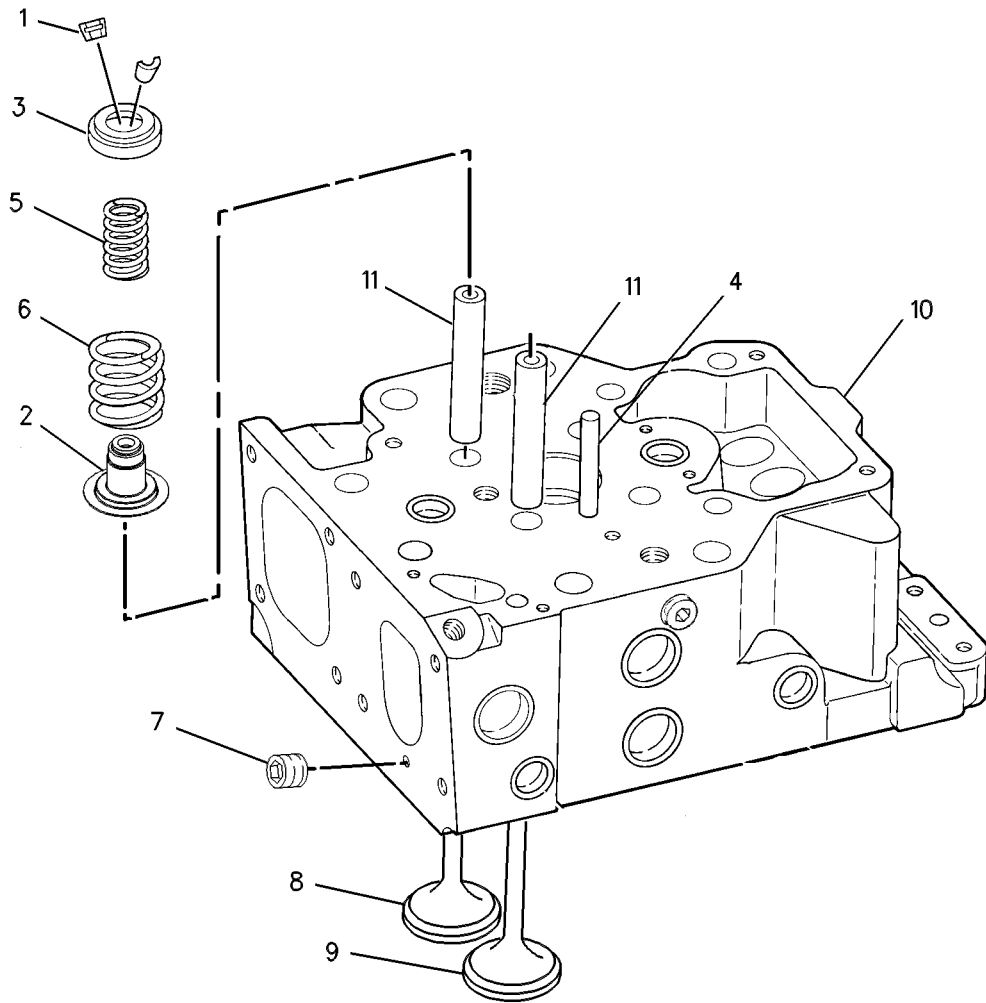
NOTE	REF NO	GRAPHIC REF	PART NUMBER	QTY	PART NAME						SEE PAGE
					1	2	3	4	5	6 (PRODUCT LEVEL)	
	1	1	2A-4429	8	LOCK-RETAINER						
	2	1	137-6856	4	SEAL (VALVE STEM)						
	3	1	133-3814	4	ROTOCOIL AS						
	4	1	7N-1902	2	DOWEL						
	5	1	7N-1903	4	SPRING-VALVE INNER						
	6	1	7N-1904	4	SPRING-VALVE OUTER						
	7	1	8T-6759	1	PLUG-PIPE						
	8	1	7E-4609	2	VALVE-INLET (INTAKE)						
	9	1	121-9839	2	VALVE-EXHAUST						
Y	10	1	<i>131-0411</i>	1	CYLINDER HEAD AS						39
R	11	1	133-9306	4	GUIDE-VALVE (STANDARD)						
AB			149-1982		GUIDE-VALVE (0.508-MM OS)						
AB			273-3553		GUIDE-VALVE (0.127-MM OS)						
AB			273-3554		GUIDE-VALVE (0.25-MM OS)						
AB			301-9248		GUIDE-VALVE (0.38-MM THK)						

A - NOT PART OF THIS GROUP
 B - USE AS REQUIRED
 R - REMANUFACTURED PART MAY BE AVAILABLE
 Y - SEPARATE ILLUSTRATION

BASIC ENGINE

156-9137 CYLINDER HEAD GP (contd.)

i04541483



GRAPHIC #1

<END>

g00537349

BASIC ENGINE

172-0836 CYLINDER HEAD GP

S/N: 3XS408-UP

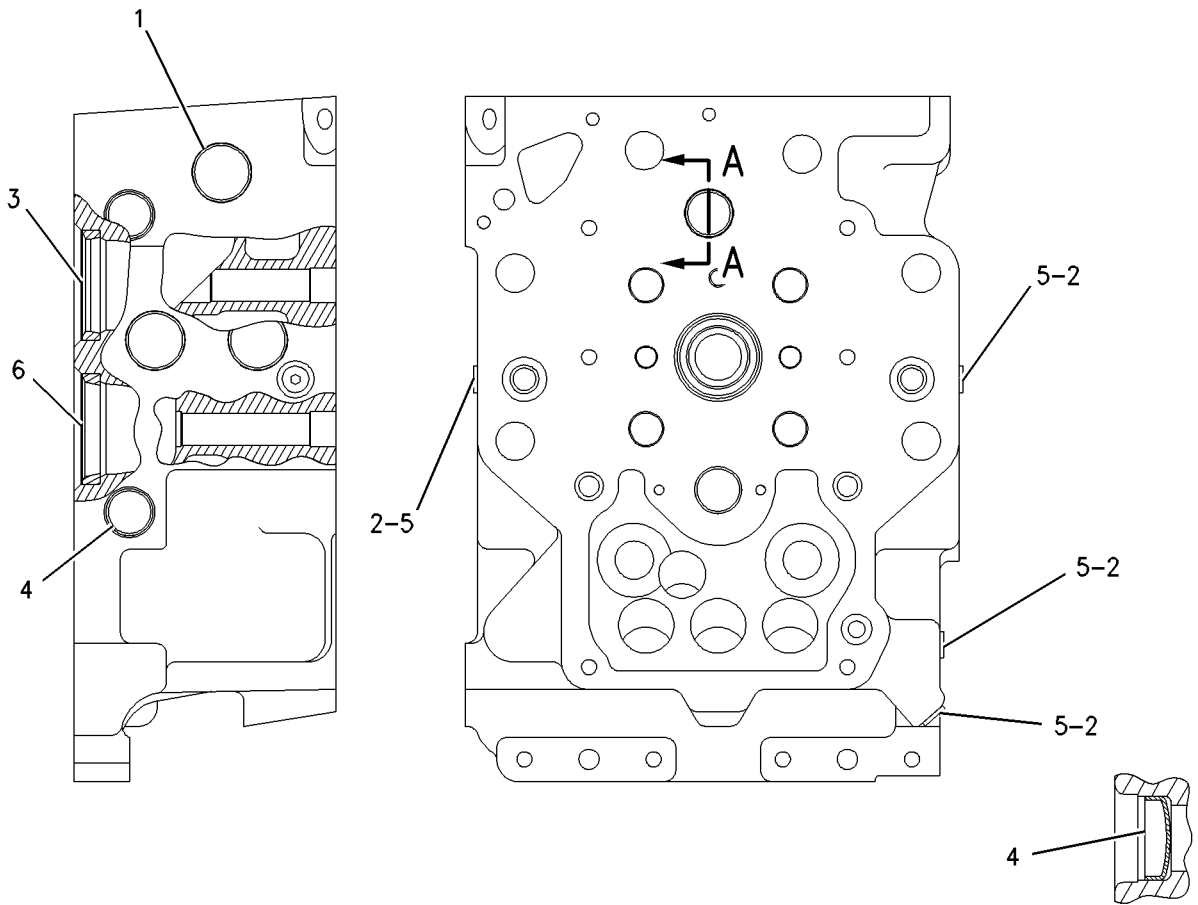
FIELD REPLACEMENT ORDER 172-0838—PAGE: 42, 242-5326—PAGE: 43
PART OF 172-0838, 242-5326 CYLINDER HEAD AS, 172-0837 CYLINDER HEAD GP

SMCS-1100

i04157596

NOTE	REF NO	GRAPHIC REF	PART NUMBER	QTY	PART NAME						SEE PAGE
					1	2	3	4	5	6 (PRODUCT LEVEL)	
	1	1	3B-0645	5	PLUG-CUP						
	2	1	214-7566	4	SEAL-O-RING						
	3	1	130-2607	2	INSERT-VALVE SEAT (STANDARD) (INLET)						
AB		1	149-1981		INSERT-VALVE SEAT (0.51-MM OS) (INLET)						
	4	1	3B-0623	5	PLUG-CUP						
	5	1	9S-8002	4	PLUG (7/16-20-THD)						
R	6	1	130-2608	2	INSERT-VALVE SEAT (STANDARD) (EXHAUST)						
AB		1	166-5945		INSERT-VALVE SEAT (0.508-MM OS) (EXHAUST)						

A - NOT PART OF THIS GROUP
B - USE AS REQUIRED
R - REMANUFACTURED PART MAY BE AVAILABLE



GRAPHIC #1

<END>

g00677688

BASIC ENGINE

172-0837 CYLINDER HEAD GP*R

S/N: 3XS408-UP

PART OF 7E-8758 CYLINDER HEAD GP

SMCS-1100

i04541502

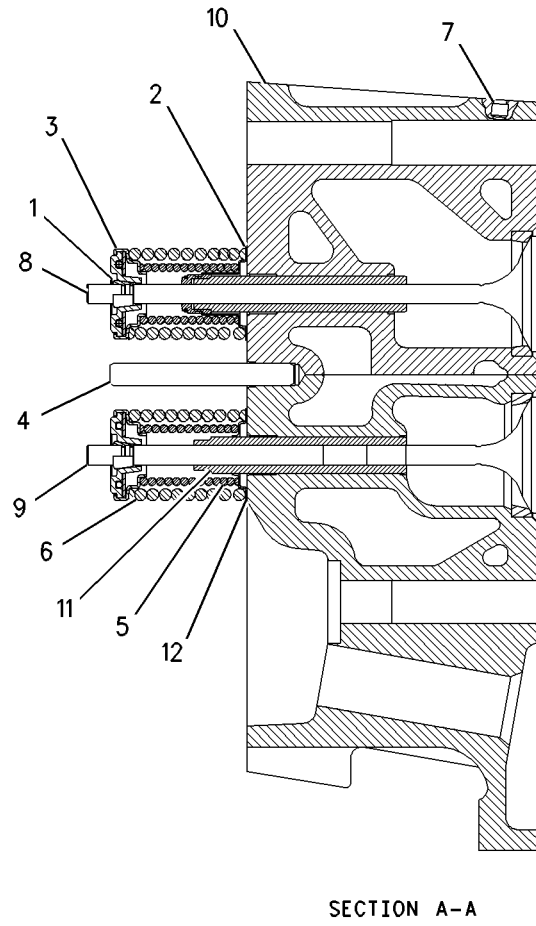
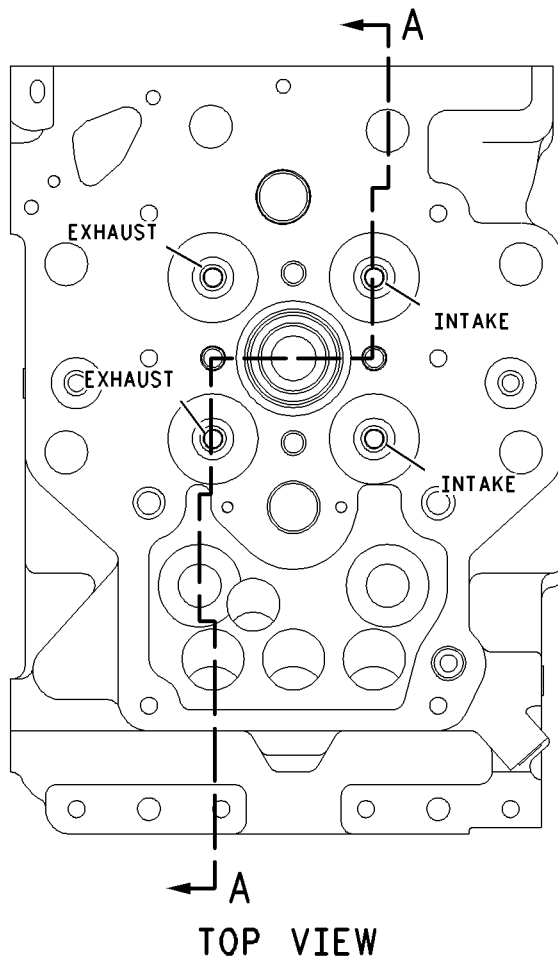
NOTE	REF NO	GRAPHIC REF	PART NUMBER	QTY	PART NAME						SEE PAGE
					1	2	3	4	5	6 (PRODUCT LEVEL)	
	1	1	2A-4429	8	LOCK-RETAINER						
	2	1	137-6856	2	SEAL (VALVE STEM) (INTAKE)						
	3	1	197-6999	4	ROTOCOIL AS						
	4	1	7N-1902	2	DOWEL						
	5	1	7N-1903	4	SPRING-VALVE INNER						
	6	1	7N-1904	4	SPRING-VALVE OUTER						
	7	1	8T-6759	1	PLUG-PIPE						
	8	1	210-2542	2	VALVE-INLET						
	9	1	210-2529	2	VALVE-EXHAUST						
Y	10	1	<i>172-0836</i>	1	CYLINDER HEAD GP						49
R	11	1	133-9306	4	GUIDE-VALVE (STANDARD)						
AB			149-1982		GUIDE-VALVE (0.508-MM OS)						
AB			273-3553		GUIDE-VALVE (0.127-MM OS)						
AB			273-3554		GUIDE-VALVE (0.25-MM OS)						
AB			301-9248		GUIDE-VALVE (0.38-MM THK)						
	12	1	2W-2662	2	SEAT-SPRING (EXHAUST)						

A - NOT PART OF THIS GROUP
 B - USE AS REQUIRED
 R - REMANUFACTURED PART MAY BE AVAILABLE
 Y - SEPARATE ILLUSTRATION

BASIC ENGINE

172-0837 CYLINDER HEAD GP (contd.)

i04541502



GRAPHIC #1

<END>

g00766053

BASIC ENGINE

7E-8758 CYLINDER HEAD GP*R

S/N: 3XS1-403

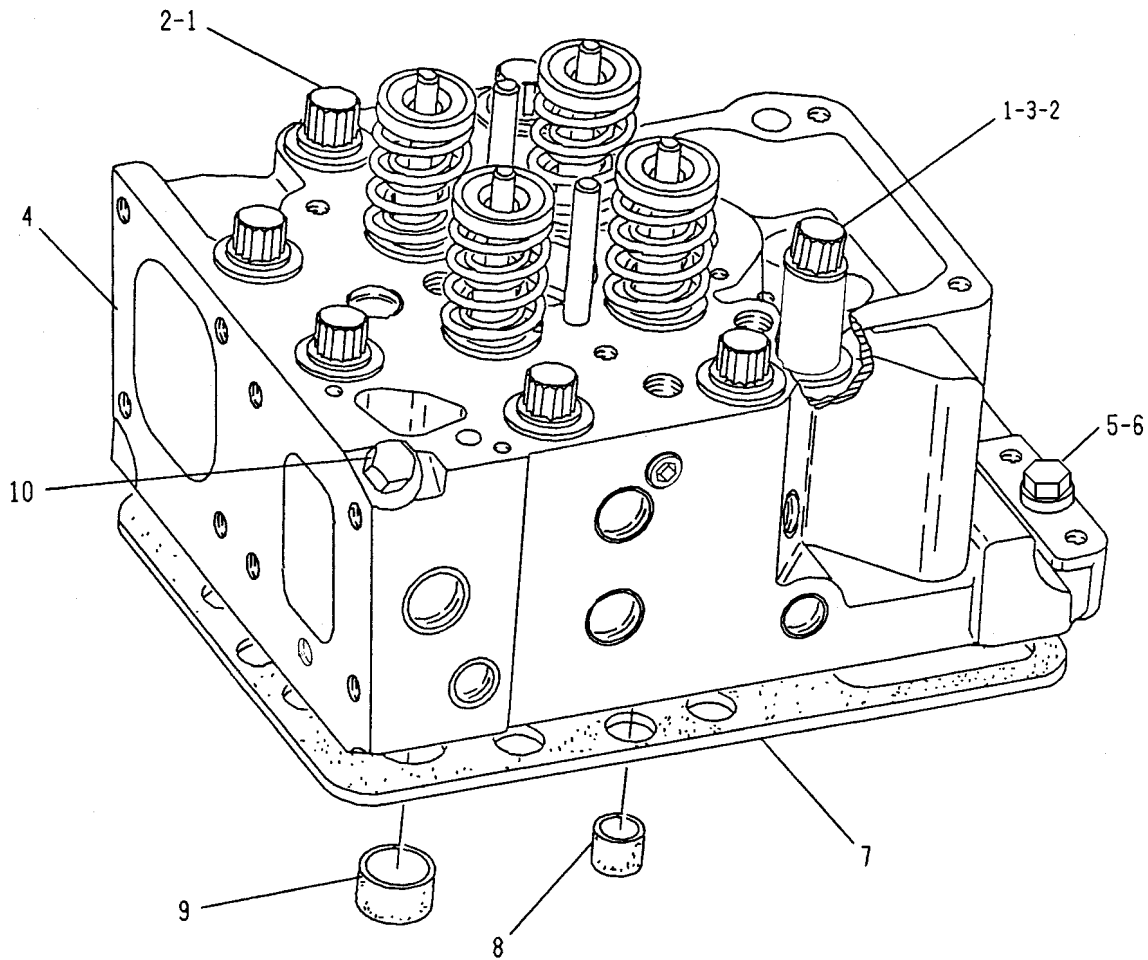
SMCS-1100

i01551691

NOTE	REF NO	GRAPHIC REF	PART NUMBER	QTY	PART NAME						SEE PAGE
					1	2	3	4	5	6	
	1	1	7N-1961	8	BOLT-12 POINT HEAD (3/4-16X8.5-IN)						
	2	1	5P-8248	8	WASHER-HARD (20X36.5X3.5-MM THK)						
	3	1	9Y-0635	2	SPACER (19.35X30.18X45-MM THK)						
YR	4	1	7E-8759	1	CYLINDER HEAD GP						56
	5	1	5B-0213	2	BOLT (3/8-16X2.375-IN)						
	6	1	5M-2894	2	WASHER-HARD (10.2X18.5X2.5-MM THK)						
	7	1	110-6991	1	GASKET-CYLINDER HEAD						
	8	1	6I-1357	4	SEAL						
	9	1	6I-1356	4	SEAL						
	10	1	5B-7890	1	PLUG-PIPE						

R - REMANUFACTURED PART MAY BE AVAILABLE

Y - SEPARATE ILLUSTRATION



GRAPHIC #1

<END>

g00087278

BASIC ENGINE

7E-8758 CYLINDER HEAD GP*R

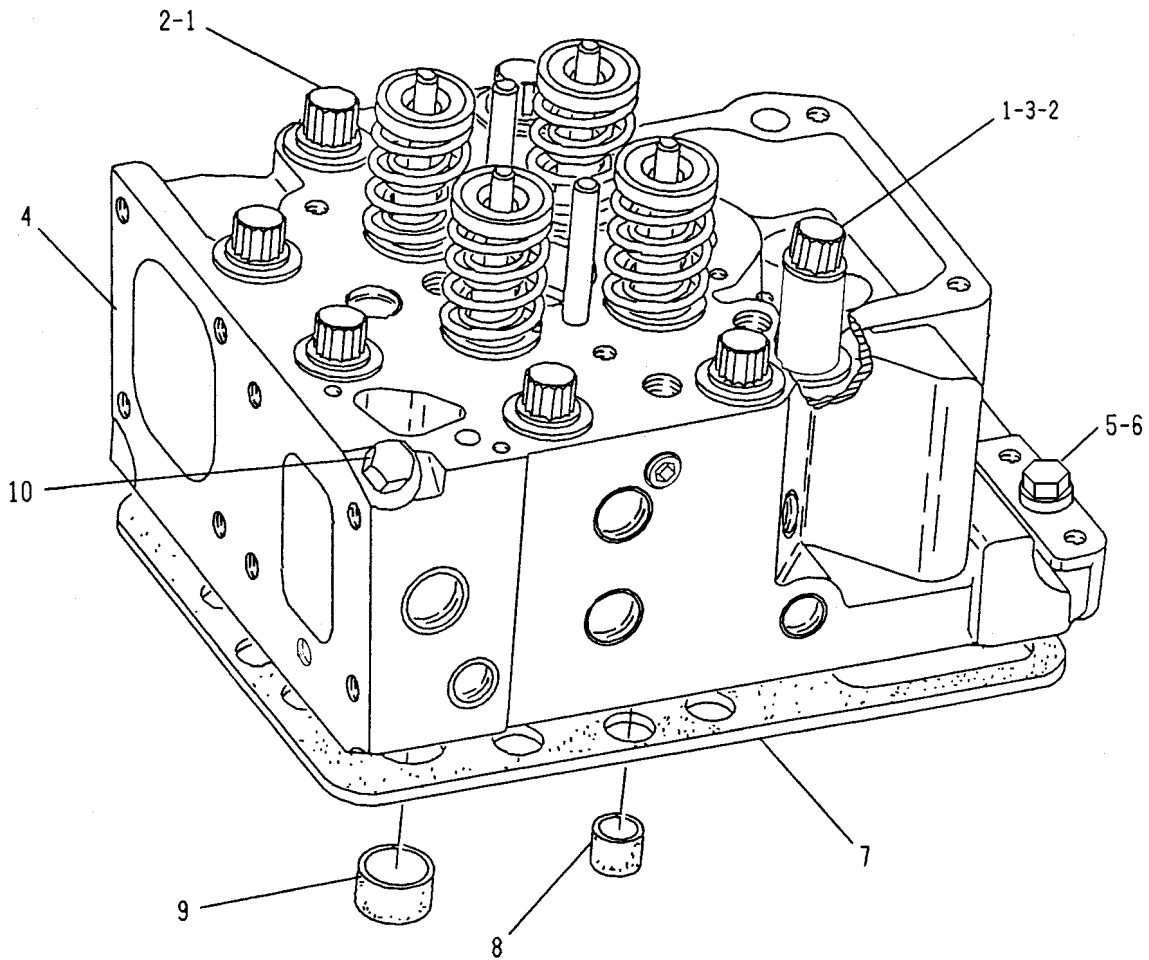
S/N: 3XS404-407

SMCS-1100

i01112370

NOTE	REF NO	GRAPHIC REF	PART NUMBER	QTY	PART NAME						SEE PAGE
					1	2	3	4	5	6 (PRODUCT LEVEL)	
	1	1	7N-1961	8	BOLT-12 POINT HEAD (3/4-16X8.5-IN)						
	2	1	5P-8248	8	WASHER-HARD (20X36.5X3.5-MM THK)						
	3	1	9Y-0635	2	SPACER (19.35X30.18X45-MM THK)						
YR	4	1	156-9137	1	CYLINDER HEAD GP						47
	5	1	5B-0213	2	BOLT (3/8-16X2.375-IN)						
	6	1	5M-2894	2	WASHER-HARD (10.2X18.5X2.5-MM THK)						
	7	1	110-6991	1	GASKET-CYLINDER HEAD						
	8	1	126-1112	4	SEAL						
	9	1	126-1113	4	SEAL						
	10	1	5B-7890	1	PLUG-PIPE						

R - REMANUFACTURED PART MAY BE AVAILABLE
 Y - SEPARATE ILLUSTRATION



GRAPHIC #1

<END>

g00087278

BASIC ENGINE

7E-8758 CYLINDER HEAD GP*R

S/N: 3XS408-UP

SMCS-1100

i01794192

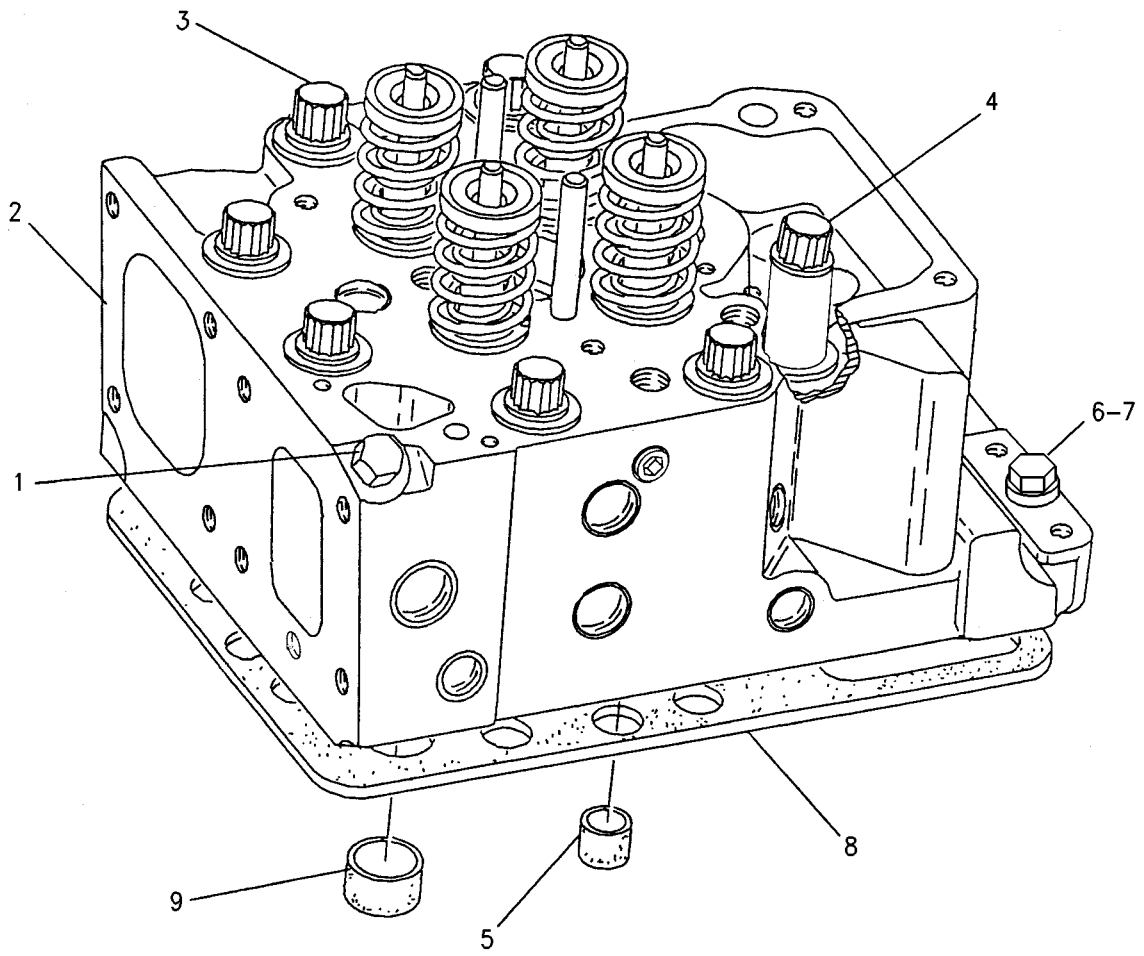
NOTE	REF NO	GRAPHIC REF	PART NUMBER	QTY	PART NAME						SEE PAGE
					1	2	3	4	5	6	
B	1	1	5B-7890	1	PLUG-PIPE						
CYR	2	1	172-0837	1	CYLINDER HEAD GP						50
	3	1	131-0420	6	FASTENER GP-CYLINDER HEAD						
					(EACH INCLUDES)						
		1	7N-1961	1	BOLT-12 POINT HEAD (3/4-16X8.5-IN)						
		1	187-7738	1	WASHER-HARD (21X36.5X3.5-MM THK)						
	4	1	131-0421	2	FASTENER GP-CYLINDER HEAD						
					(EACH INCLUDES)						
		1	7N-1961	1	BOLT-12 POINT HEAD (3/4-16X8.5-IN)						
		1	9Y-0635	1	SPACER (19.35X30.18X45-MM THK)						
		1	187-7738	1	WASHER-HARD (21X36.5X3.5-MM THK)						
	5	1	204-5426	4	SEAL (WATER)						
	6	1	5B-0213	2	BOLT (3/8-16X2.375-IN)						
	7	1	5M-2894	2	WASHER-HARD (10.2X18.5X2.5-MM THK)						
	8	1	110-6991	1	GASKET-CYLINDER HEAD						
	9	1	204-5427	4	SEAL (WATER)						

B - USE AS REQUIRED
 C - CHANGE FROM PREVIOUS TYPE
 R - REMANUFACTURED PART MAY BE AVAILABLE
 Y - SEPARATE ILLUSTRATION

BASIC ENGINE

7E-8758 CYLINDER HEAD GP (contd.)

i01794192



GRAPHIC #1

<END>

g00912332

BASIC ENGINE

7E-8759 CYLINDER HEAD GP*R

S/N: 3XS1-403

PART OF 7E-8758 CYLINDER HEAD GP

TYPE 1

SMCS-1100

i02780914

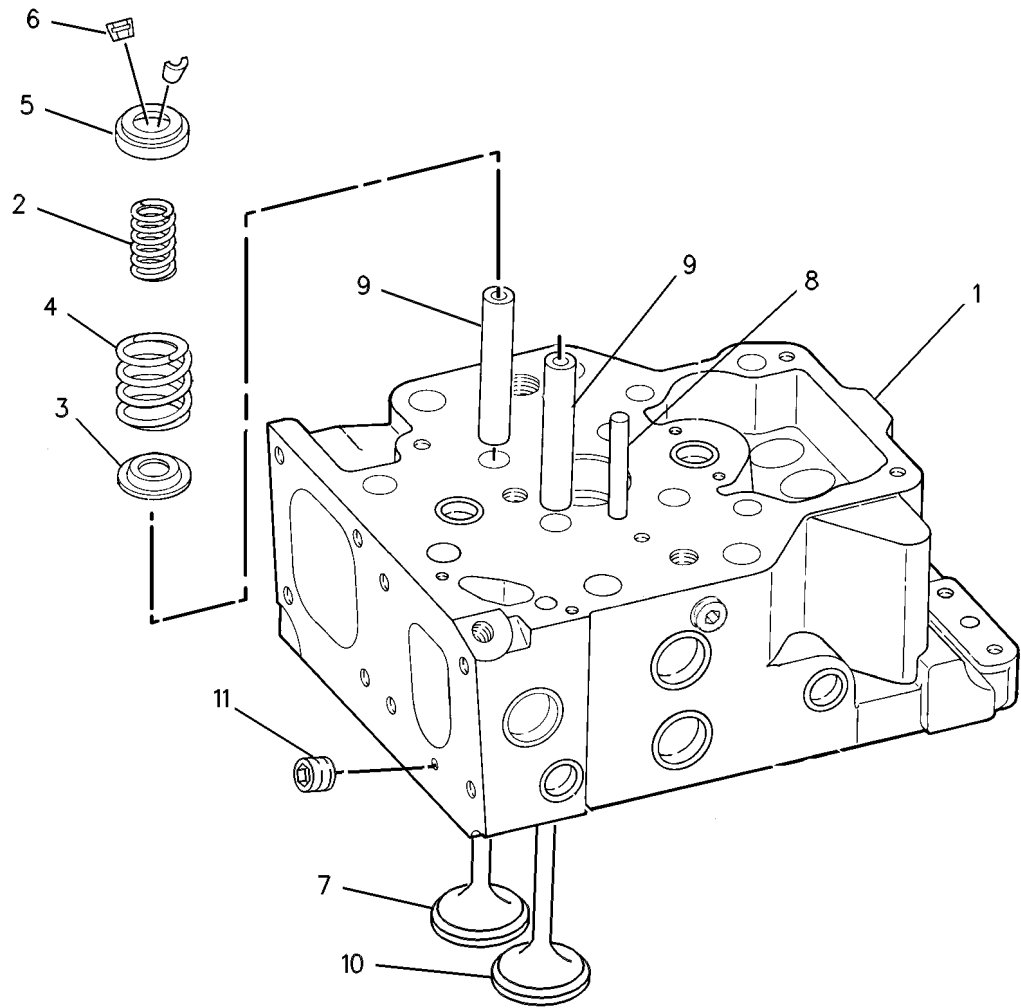
NOTE	REF NO	GRAPHIC REF	PART NUMBER	QTY	PART NAME						SEE PAGE
					1	2	3	4	5	6 (PRODUCT LEVEL)	
Y	1	1	7E-8760	1	CYLINDER HEAD AS						44
	2	1	7N-1903	4	SPRING-VALVE INNER						
	3	1	2W-2662	4	SEAT-SPRING						
	4	1	7N-1904	4	SPRING-VALVE OUTER						
	5	1	4P-2521	4	ROTOCOIL AS						
	6	1	2A-4429	8	LOCK-RETAINER						
	7	1	7E-4609	2	VALVE-INLET (INLET)						
	8	1	7N-1902	2	DOWEL						
R	9	1	133-9306	4	GUIDE-VALVE (STANDARD)						
AB		1	273-3553		GUIDE-VALVE (0.127-MM OS)						
AB		1	273-3554		GUIDE-VALVE (0.25-MM OS)						
AB		1	301-9248		GUIDE-VALVE (0.38-MM THK)						
AB		1	149-1982		GUIDE-VALVE (0.508-MM OS)						
	10	1	121-9839	2	VALVE-EXHAUST						
	11	1	8T-6759	1	PLUG-PIPE						

A - NOT PART OF THIS GROUP
 B - USE AS REQUIRED
 R - REMANUFACTURED PART MAY BE AVAILABLE
 Y - SEPARATE ILLUSTRATION

BASIC ENGINE

7E-8759 CYLINDER HEAD GP (contd.)

102780914



GRAPHIC #1

<END>

g00087346

BASIC ENGINE

7E-8759 CYLINDER HEAD GP*R

S/N: 3XS1-403

PART OF 7E-8758 CYLINDER HEAD GP
TYPE 2

SMCS-1100

i02780919

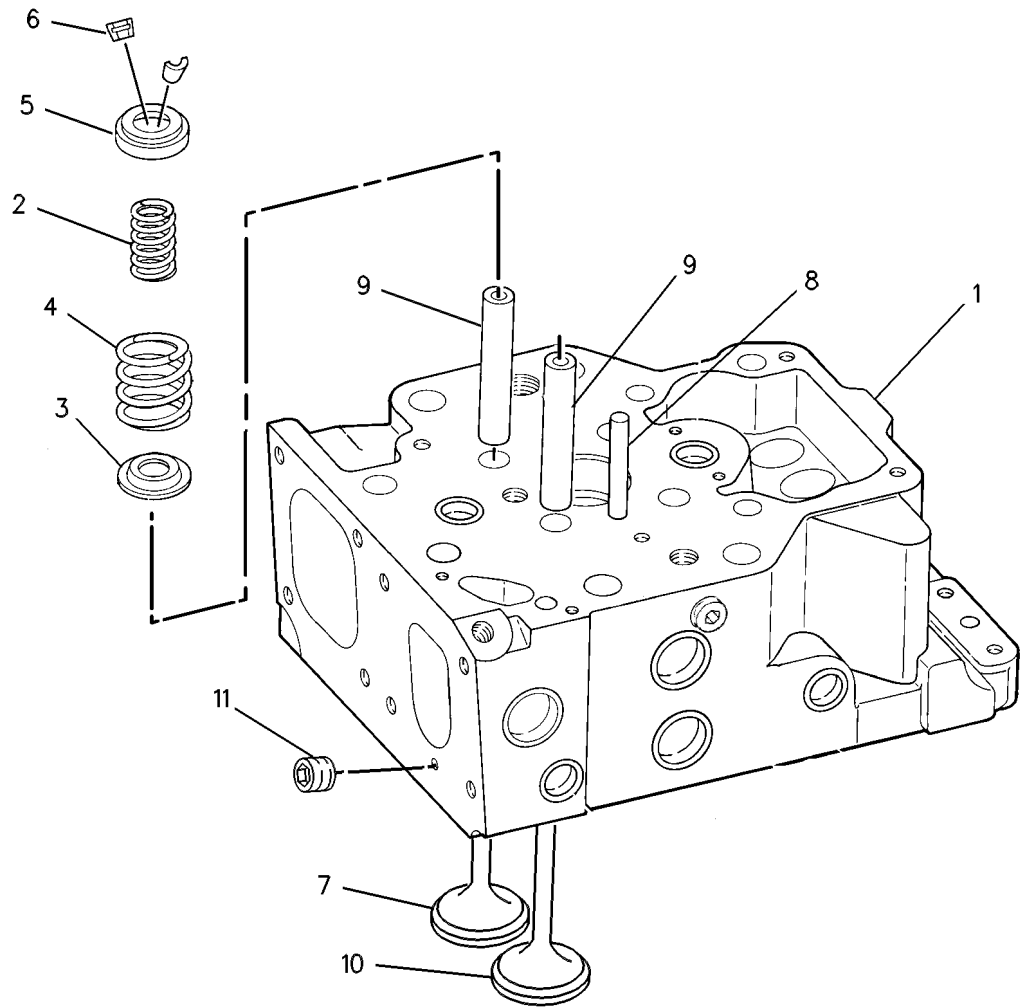
NOTE	REF NO	GRAPHIC REF	PART NUMBER	QTY	PART NAME						SEE PAGE
					1	2	3	4	5	6 (PRODUCT LEVEL)	
CY	1	1	131-0411	1	CYLINDER HEAD AS						39
	2	1	7N-1903	4	SPRING-VALVE INNER						
	3	1	2W-2662	4	SEAT-SPRING						
	4	1	7N-1904	4	SPRING-VALVE OUTER						
C	5	1	133-3814	4	ROTOCOIL AS						
C	6	1	2A-4429	8	LOCK-RETAINER						
	7	1	7E-4609	2	VALVE-INLET (INLET)						
	8	1	7N-1902	2	DOWEL						
CR	9	1	133-9306	4	GUIDE-VALVE (STANDARD)						
AB		1	273-3553		GUIDE-VALVE (0.127-MM OS)						
AB		1	273-3554		GUIDE-VALVE (0.25-MM OS)						
AB		1	301-9248		GUIDE-VALVE (0.38-MM THK)						
AB		1	149-1982		GUIDE-VALVE (0.508-MM OS)						
	10	1	121-9839	2	VALVE-EXHAUST						
	11	1	8T-6759	1	PLUG-PIPE						

A - NOT PART OF THIS GROUP
 B - USE AS REQUIRED
 C - CHANGE FROM PREVIOUS TYPE
 R - REMANUFACTURED PART MAY BE AVAILABLE
 Y - SEPARATE ILLUSTRATION

BASIC ENGINE

7E-8759 CYLINDER HEAD GP (contd.)

102780919



GRAPHIC #1

<END>

g00087346

BASIC ENGINE

100-4323 DAMPER GP

PART OF 4W-3113 DAMPER GP
AN ATTACHMENT

SMCS - 1205

i00932976

NOTE	PART NUMBER	QTY	PART NAME 1 2 3 4 5 6 (PRODUCT LEVEL)	SEE PAGE
Y	6I-3698	1	DAMPER GP	68
			-OR-	
Y	7C-9640	1	DAMPER GP	71
Y - SEPARATE ILLUSTRATION				
<END>				

100-4324 DAMPER GP

S/N: 3XS404-407
PART OF 8N-0339 DAMPER GP

SMCS - 1205

i01329141

NOTE	PART NUMBER	QTY	PART NAME 1 2 3 4 5 6 (PRODUCT LEVEL)	SEE PAGE
Y	6I-3697	1	DAMPER GP	67
			-OR-	
Y	7C-9641	1	DAMPER GP	72
Y - SEPARATE ILLUSTRATION				
<END>				

100-4325 DAMPER GP

PART OF 7W-0284 MOUNTING GP-HYD PUMP DRIVE, 7W-0282 POWER TAKE-OFF GP
AN ATTACHMENT

SMCS - 1205

i01337726

NOTE	PART NUMBER	QTY	PART NAME 1 2 3 4 5 6 (PRODUCT LEVEL)	SEE PAGE
Y	6I-3699	1	DAMPER GP	69
			-OR-	
Y	7C-9639	1	DAMPER GP	70
Y - SEPARATE ILLUSTRATION				
<END>				

BASIC ENGINE

146-3740 DAMPER GP*R

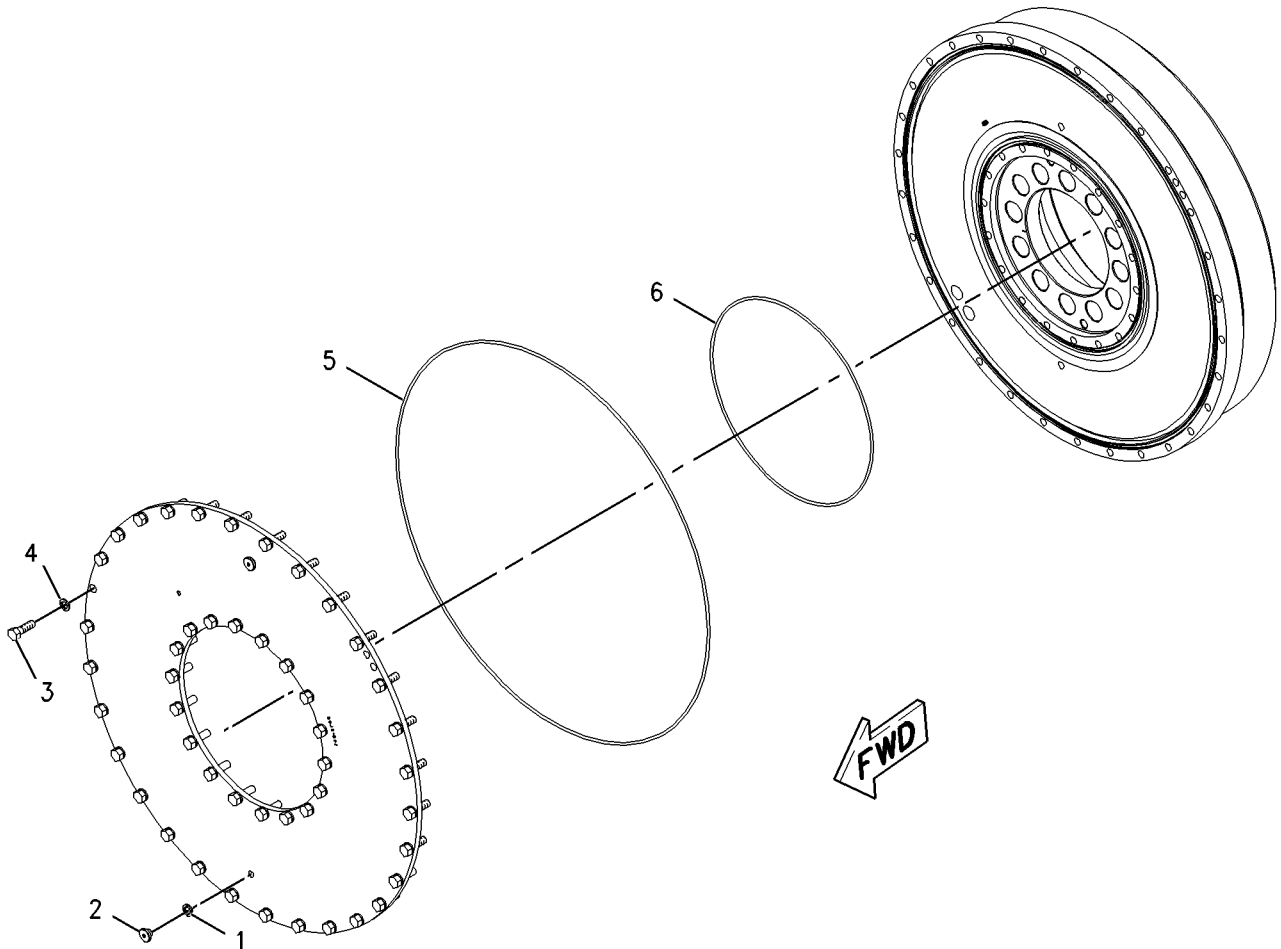
S/N: 3XS408-UP

PART OF 8N-0339 DAMPER GP

SMCS-1205

i05591249

NOTE	REF NO	GRAPHIC REF	PART NUMBER	QTY	PART NAME						SEE PAGE
					1	2	3	4	5	6	
	1	1	151-9263	2	WASHER (10.35X16X2-MM THK)						
	2	1	227-3801	2	PLUG						
	3	1	1A-2029	48	BOLT (3/8-16X1.125-IN)						
	4	1	3V-2431	48	WASHER (10.2X16X2-MM THK)						
	5	1	4D-0449	1	SEAL-O-RING						
	6	1	6V-7991	1	SEAL-O-RING						
					AVAILABLE REPAIR KIT(S) :						
			420-8780	1	KIT-DAMPER (INCLUDES SCREWS, WASHERS, PLUGS, O-RINGS, & BEARINGS)						
			420-8781	1	KIT-DAMPER (INCLUDES WASHERS & PLUGS)						
			437-9760	1	KIT-DAMPER (INCLUDES SILICONE)						
			441-4878	1	KIT-DAMPER (INCLUDES CARTRIDGE)						



GRAPHIC #1

<END>

g00995286

BASIC ENGINE

171-4570 DAMPER GP*R

PART OF 4W-3113 DAMPER GP

AN ATTACHMENT

SMCS - 1205

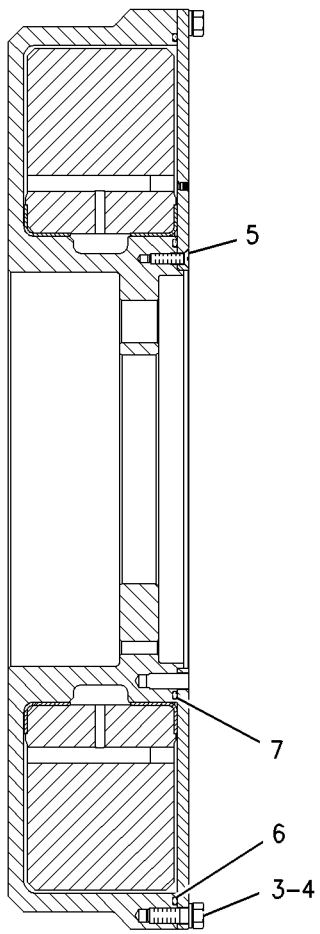
i05922037

NOTE	REF NO	GRAPHIC REF	PART NUMBER	QTY	PART NAME						SEE PAGE
					1	2	3	4	5	6	
	1	1	151-9263	2	WASHER (10.35X16X2-MM THK)						
	2	1	227-3801	2	PLUG						
	3	1	1A-2029	30	BOLT (3/8-16X1.125-IN)						
	4	1	3V-2431	30	WASHER (10.2X16X2-MM THK)						
	5	1	4B-1284	3	SCREW-MACHINE (1/4-20X1-IN)						
	6	1	4D-0449	1	SEAL-O-RING						
	7	1	6V-7991	1	SEAL-O-RING						
					AVAILABLE REPAIR KIT(S):						
			420-8779	1	KIT-DAMPER						
					(INCLUDES SCREWS, WASHERS, PLUGS & O-RING SEALS)						
			420-8781	1	KIT-DAMPER						
					(INCLUDES WASHERS & PLUGS)						
			441-4878	1	KIT-DAMPER						
					(INCLUDES EMPTY CARTRIDGE)						
			437-9760	1	KIT-DAMPER						
					(INCLUDES CARTRIDGE FILLED WITH SILICONE FLUID)						

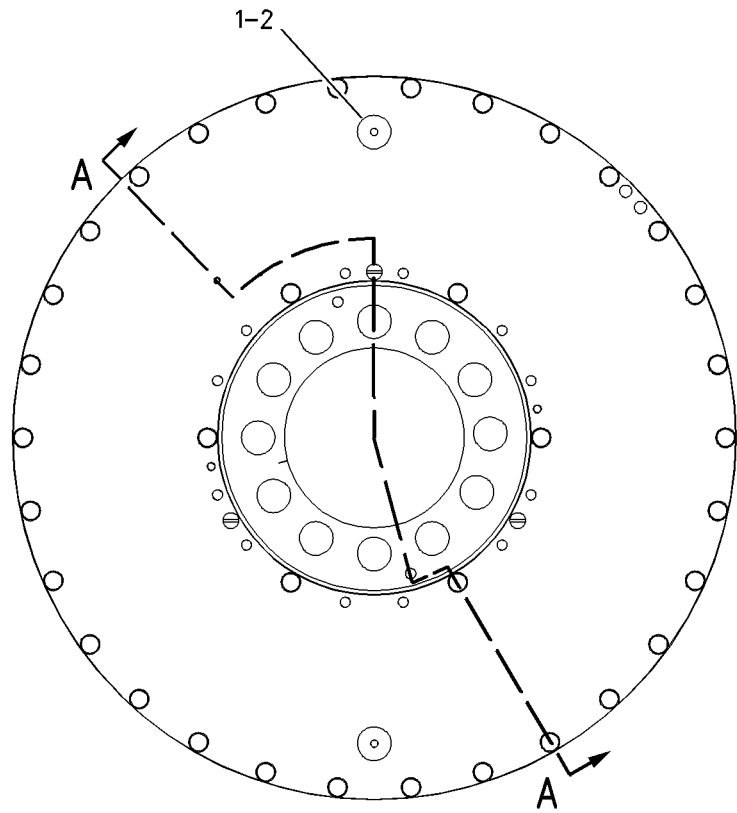
BASIC ENGINE

171-4570 DAMPER GP (contd.)

105922037



SECTION A-A



GRAPHIC #1

<END>

g00942757

BASIC ENGINE

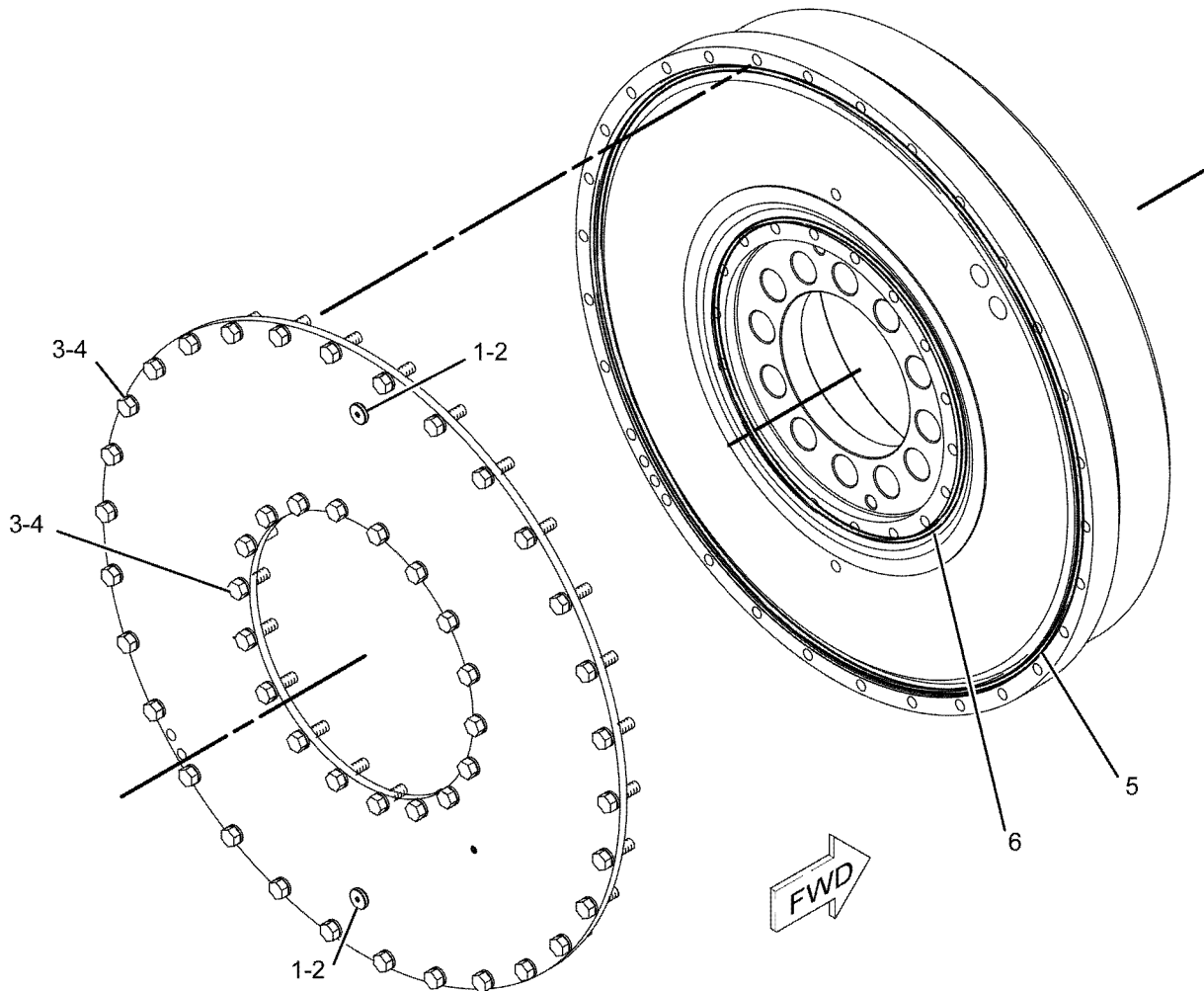
171-4571 DAMPER GP*R

PART OF 7W-0284 MOUNTING GP-HYD PUMP DRIVE, 7W-0282 POWER TAKE-OFF GP
AN ATTACHMENT AND FIELD INSTALLATION

SMCS-1205

i06193637

NOTE	REF NO	GRAPHIC REF	PART NUMBER	QTY	PART NAME						SEE PAGE
					1	2	3	4	5	6 (PRODUCT LEVEL)	
	1	1	151-9263	2	WASHER (10.35X16X2-MM THK)						
	2	1	227-3801	2	PLUG						
	3	1	1A-2029	48	BOLT (3/8-16X1.125-IN)						
	4	1	3V-2431	48	WASHER (10.2X16X2-MM THK)						
	5	1	4D-0449	1	SEAL-O-RING						
	6	1	6V-7991	1	SEAL-O-RING						
					AVAILABLE REPAIR KIT(S) :						
					420-8780 KIT-DAMPER						
					(INCLUDES SCREWS, WASHERS, PLUGS, SEALS, BEARING ELEMENTS & SEALING WASHERS)						
					420-8781 KIT-DAMPER						
					(INCLUDES WASHERS & PLUGS)						
					437-9760 1 KIT-DAMPER						
					(INCLUDES CARTRIDGE FILLED WITH SILICONE FLUID)						
					441-4878 1 KIT-DAMPER						
					(INCLUDES EMPTY CARTRIDGE)						



GRAPHIC #1

<END>

g01150378

BASIC ENGINE

4W-3113 DAMPER GP

AN ATTACHMENT

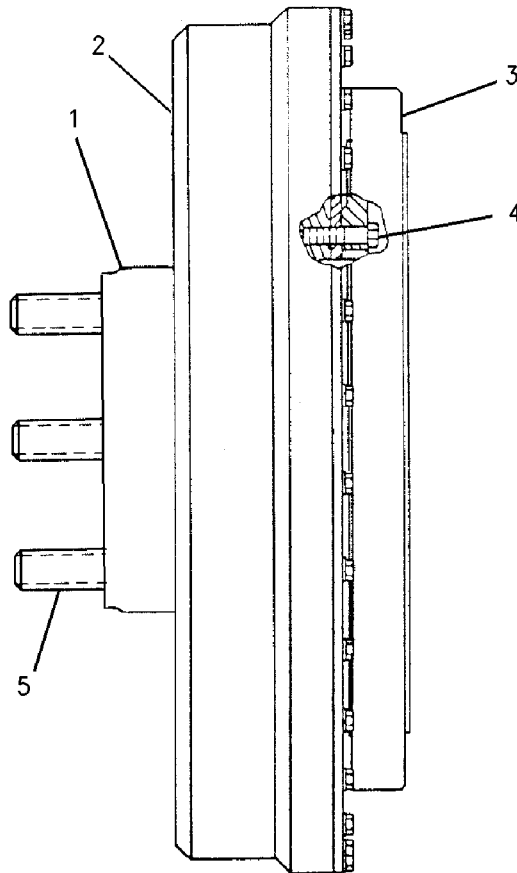
TYPE 1

SMCS-1205

i01909903

NOTE	REF NO	GRAPHIC REF	PART NUMBER	QTY	PART NAME						SEE PAGE
					1	2	3	4	5	6 (PRODUCT LEVEL)	
	1	1	1N-3482	1	ADAPTER						
CY	2	1	100-4323	1	DAMPER GP						60
	3	1	7W-3193	1	DAMPER AS						
		1	7N-2043	2	DOWEL						
	4	1	0S-1571	18	BOLT (3/8-16X1.75-IN)						
		1	3V-2431	18	WASHER (10.2X16X2-MM THK)						
	5	1	8S-4757	6	BOLT (1-14X8-IN)						
		1	5P-8250	6	WASHER (28X49X5-MM THK)						

C - CHANGE FROM PREVIOUS TYPE
Y - SEPARATE ILLUSTRATION



RIGHT SIDE VIEW

GRAPHIC #1

<END>

g00995306

BASIC ENGINE

4W-3113 DAMPER GP

AN ATTACHMENT

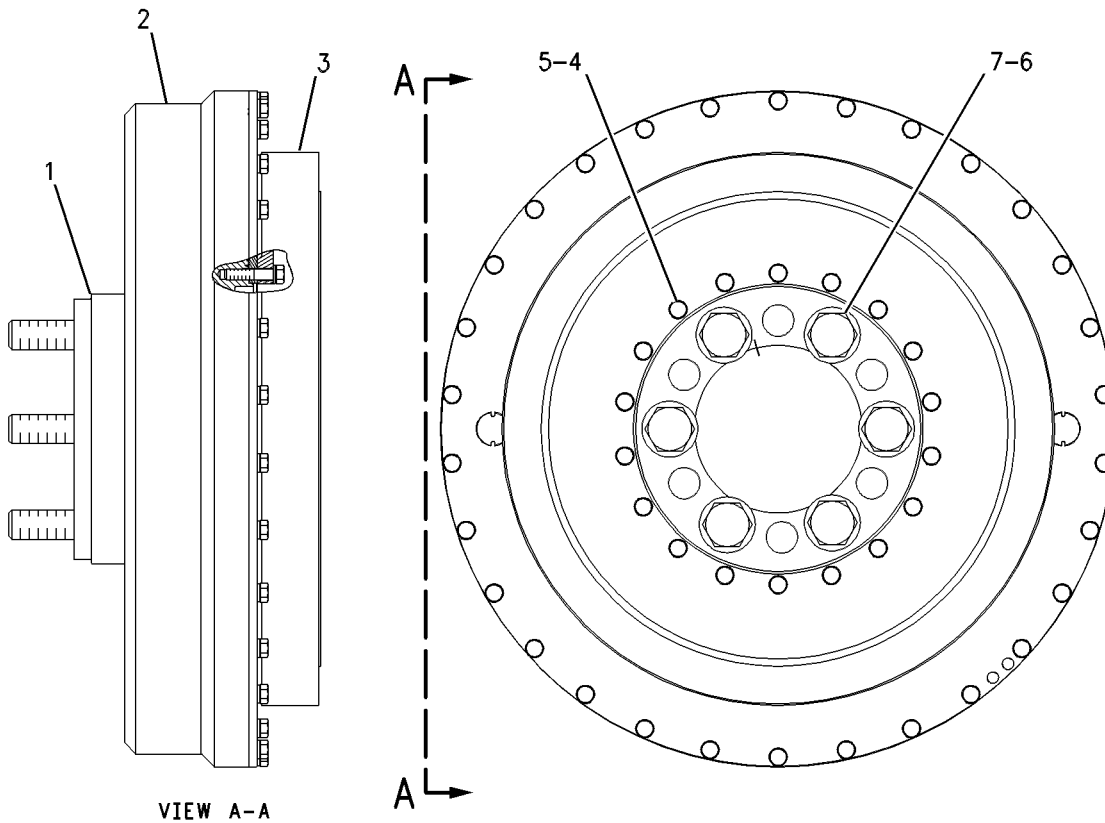
TYPE 2

SMCS-1205

i02327552

NOTE	REF NO	GRAPHIC REF	PART NUMBER	QTY	PART NAME						SEE PAGE
					1	2	3	4	5	6 (PRODUCT LEVEL)	
	1	1	1N-3482	1	ADAPTER						
CYR	2	1	171-4570	1	DAMPER GP						62
	3	1	7W-3193	1	DAMPER AS						
		1	7N-2043	2	DOWEL						
	4	1	0S-1571	18	BOLT (3/8-16X1.75-IN)						
	5	1	3V-2431	18	WASHER (10.2X16X2-MM THK)						
	6	1	8S-4757	6	BOLT (1-14X8-IN)						
	7	1	5P-8250	6	WASHER (28X49X5-MM THK)						

C - CHANGE FROM PREVIOUS TYPE
 R - REMANUFACTURED PART MAY BE AVAILABLE
 Y - SEPARATE ILLUSTRATION



GRAPHIC #1

<END>

g00616016

BASIC ENGINE

6I-3697 DAMPER GP

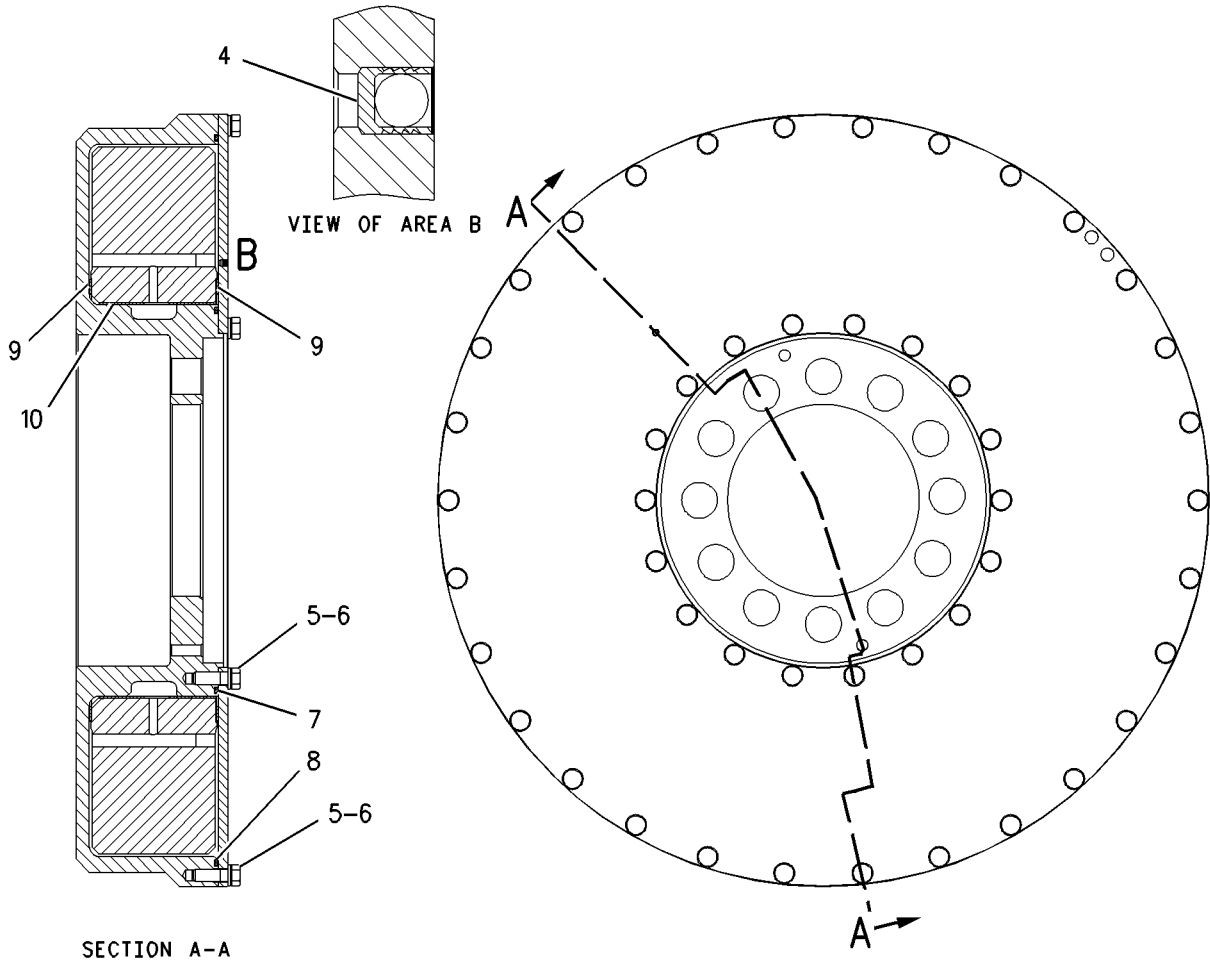
S/N: 3XS1-407

PART OF 100-4324 DAMPER GP

SMCS-1205

i01886634

NOTE	REF NO	GRAPHIC REF	PART NUMBER	QTY	PART NAME						SEE PAGE
					1	2	3	4	5	6 (PRODUCT LEVEL)	
	4	1	9W-7783	1	PLUG						
	5	1	1A-2029	48	BOLT (3/8-16X1.125-IN)						
	6	1	3V-2431	48	WASHER (10.2X16X2-MM THK)						
	7	1	6V-7991	1	SEAL-O-RING						
	8	1	4D-0449	1	SEAL-O-RING						
	9	1	7C-9689	2	BEARING-THRUST						
	10	1	7C-9688	1	BEARING-RADIAL						



GRAPHIC #1

<END>

g00714566

BASIC ENGINE

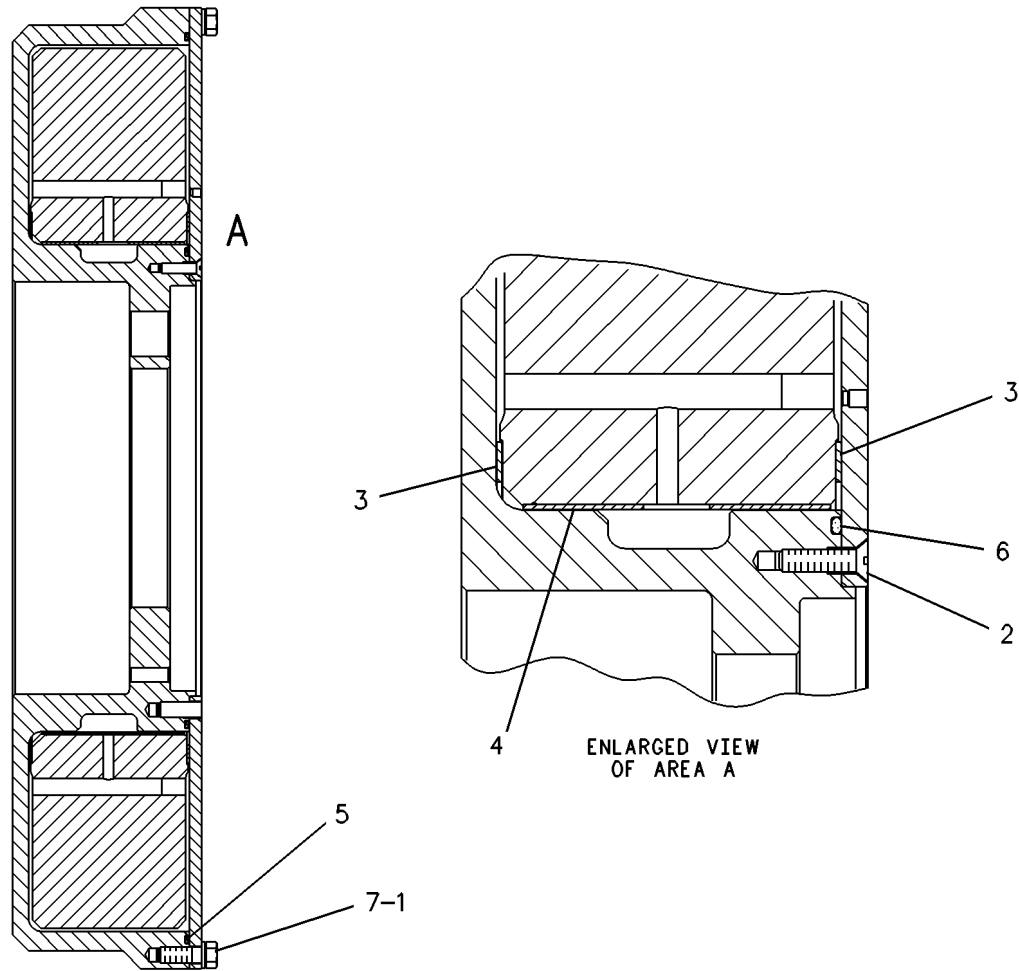
6I-3698 DAMPER GP

PART OF 100-4323 DAMPER GP
AN ATTACHMENT

SMCS-1205

i01886642

NOTE	REF NO	GRAPHIC REF	PART NUMBER	QTY	PART NAME						SEE PAGE
					1	2	3	4	5	6	
	1	1	3V-2431	30	WASHER (10.2X16X2-MM THK)						
	2	1	4B-1284	3	SCREW-MACHINE (1/4-20X1-IN)						
	3	1	7C-9689	2	BEARING-THRUST						
	4	1	7C-9688	1	BEARING-RADIAL						
	5	1	4D-0449	1	SEAL-O-RING						
	6	1	6V-7991	1	SEAL-O-RING						
	7	1	1A-2029	30	BOLT (3/8-16X1.125-IN)						



GRAPHIC #1

<END>

g00233277

BASIC ENGINE

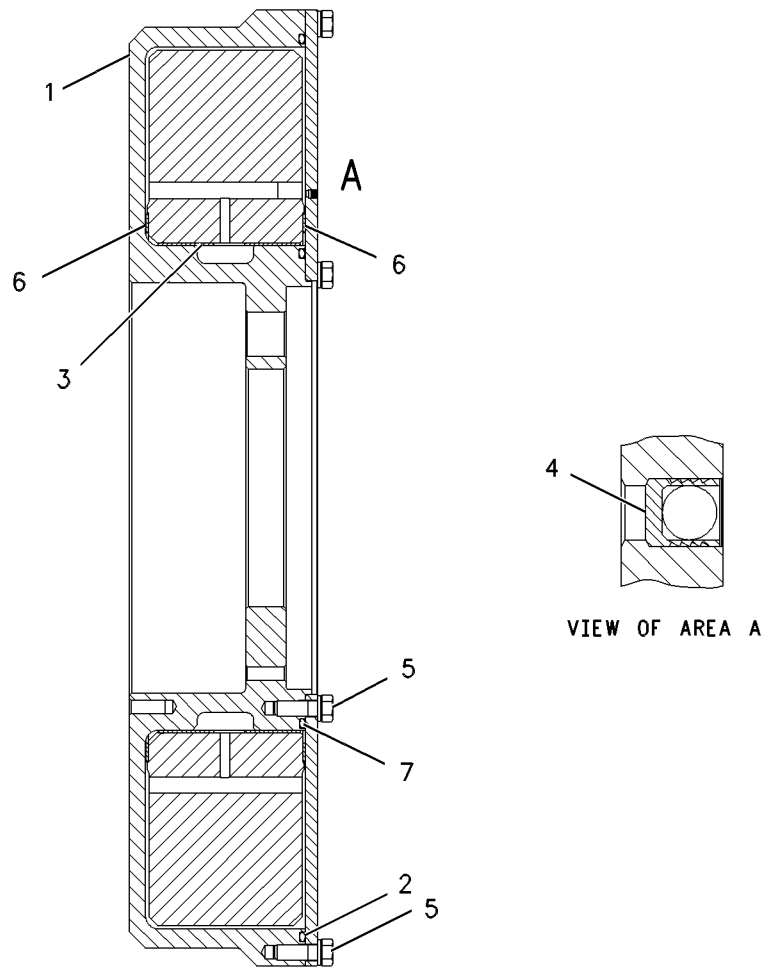
6I-3699 DAMPER GP

FIELD REPLACEMENT ORDER 171-4571-PAGE: 64
PART OF 100-4325 DAMPER GP
AN ATTACHMENT

SMCS-1205

i01886674

NOTE	REF NO	GRAPHIC REF	PART NUMBER	QTY	PART NAME						SEE PAGE
					1	2	3	4	5	6	
	1	1	6I-4488	1	CASE-DAMPER						
	2	1	4D-0449	1	SEAL-O-RING						
	3	1	7C-9688	1	BEARING-RADIAL						
	4	1	9W-7783	1	PLUG						
	5	1	1A-2029	48	BOLT (3/8-16X1.125-IN)						
		1	3V-2431	48	WASHER (10.2X16X2-MM THK)						
	6	1	7C-9689	2	BEARING-THRUST						
	7	1	6V-7991	1	SEAL-O-RING						



GRAPHIC #1

<END>

g00621394

BASIC ENGINE

7C-9639 DAMPER GP

FIELD REPLACEMENT ORDER 171-4571-PAGE: 64

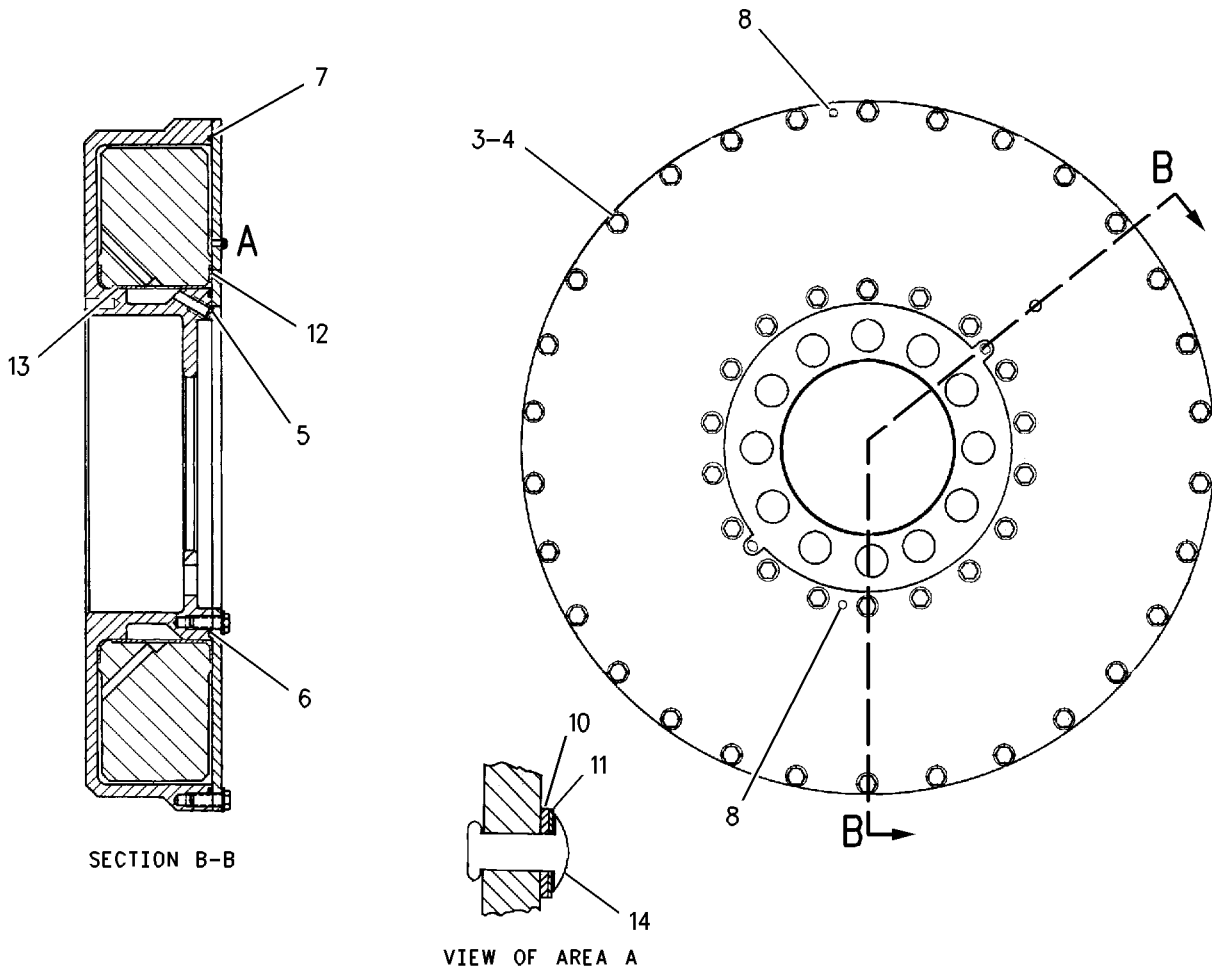
PART OF 100-4325 DAMPER GP

AN ATTACHMENT AND FIELD INSTALLATION

SMCS-1205

i01886801

NOTE	REF NO	GRAPHIC REF	PART NUMBER	QTY	PART NAME						SEE PAGE
					1	2	3	4	5	6 (PRODUCT LEVEL)	
	3	1	1A-2029	48	BOLT (3/8-16X1.125-IN)						
	4	1	3V-2431	48	WASHER (10.2X16X2-MM THK)						
	5	1	9F-2247	2	PLUG-PIPE						
	6	1	6V-7991	1	SEAL-O-RING						
	7	1	4D-0449	1	SEAL-O-RING						
	8	1	7N-2043	2	DOWEL						
	10	1	9X-7258	1	WASHER-PLASTIC (4.9X11.13X0.74-MM THK)						
	11	1	9M-0387	1	SEAT-VALVE SPRING						
	12	1	7C-9689	2	BEARING-THRUST						
	13	1	7C-9688	1	BEARING-RADIAL						
	14	1	9X-6260	1	RIVET-POP						



GRAPHIC #1

<END>

g00717932

BASIC ENGINE

7C-9640 DAMPER GP

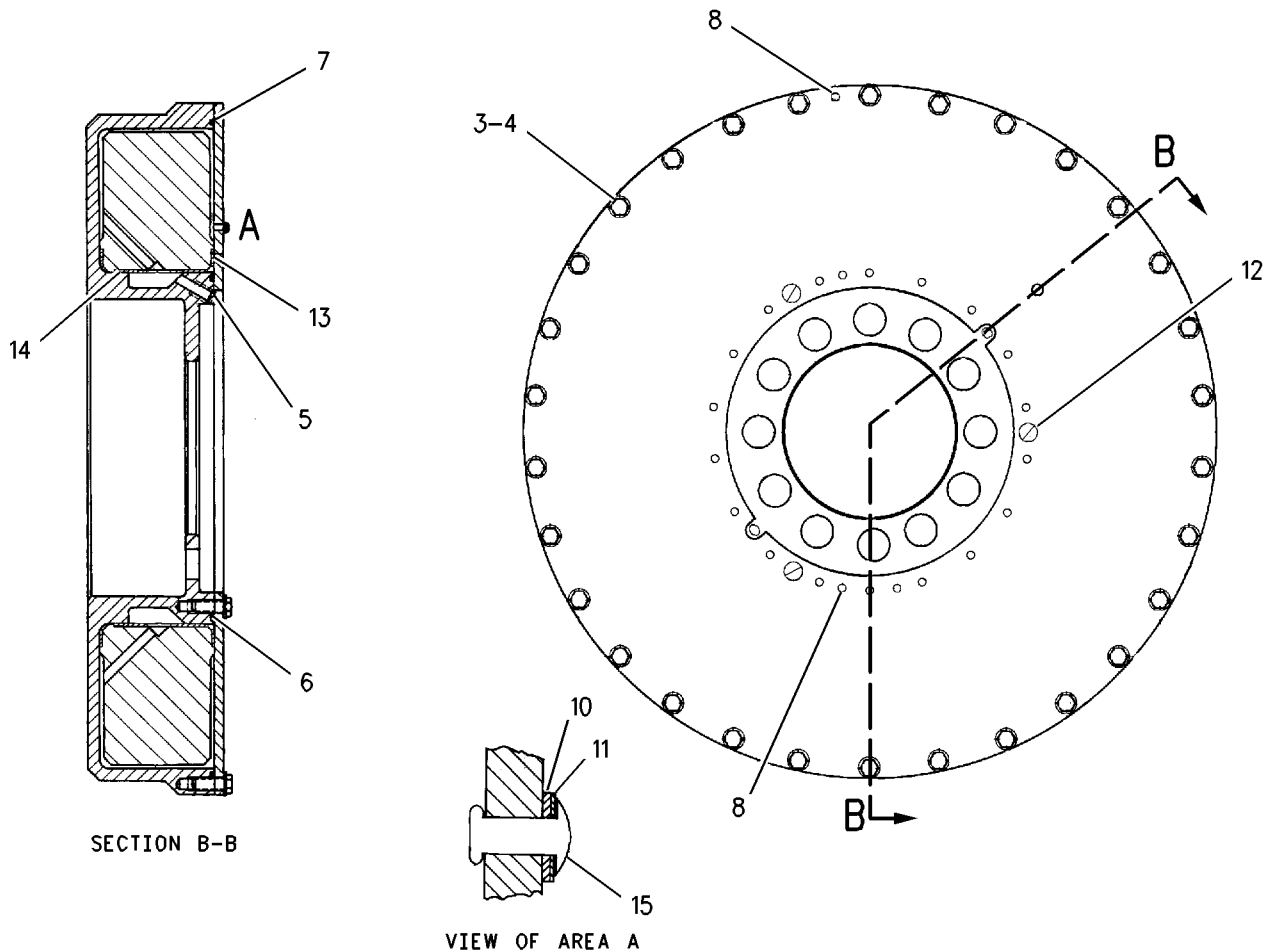
PART OF 100-4323 DAMPER GP

AN ATTACHMENT

SMCS-1205

i01886893

NOTE	REF NO	GRAPHIC REF	PART NUMBER	QTY	PART NAME						SEE PAGE
					1	2	3	4	5	6 (PRODUCT LEVEL)	
	3	1	1A-2029	30	BOLT (3/8-16X1.125-IN)						
	4	1	3V-2431	30	WASHER (10.2X16X2-MM THK)						
	5	1	9F-2247	2	PLUG-PIPE						
	6	1	6V-7991	1	SEAL-O-RING						
	7	1	4D-0449	1	SEAL-O-RING						
	8	1	7N-2043	2	DOWEL						
	10	1	9X-7258	1	WASHER-PLASTIC (4.9X11.13X0.74-MM THK)						
	11	1	9M-0387	1	SEAT-VALVE SPRING						
	12	1	4B-1284	3	SCREW-MACHINE (1/4-20X1-IN)						
	13	1	7C-9689	2	BEARING-THRUST						
	14	1	7C-9688	1	BEARING-RADIAL						
	15	1	9X-6260	1	RIVET-POP						



GRAPHIC #1

<END>

g00717250

BASIC ENGINE

7C-9641 DAMPER GP

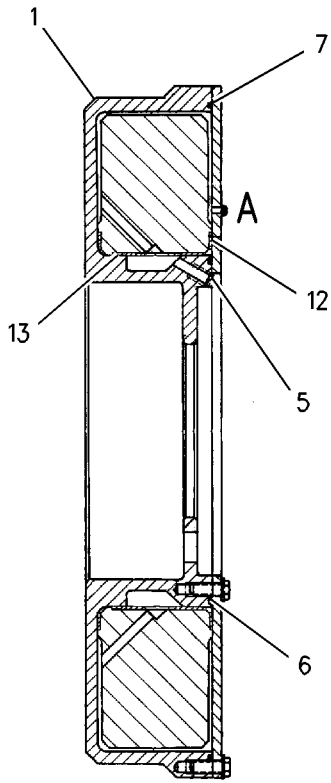
S/N: 3XS1-407

PART OF 100-4324 DAMPER GP

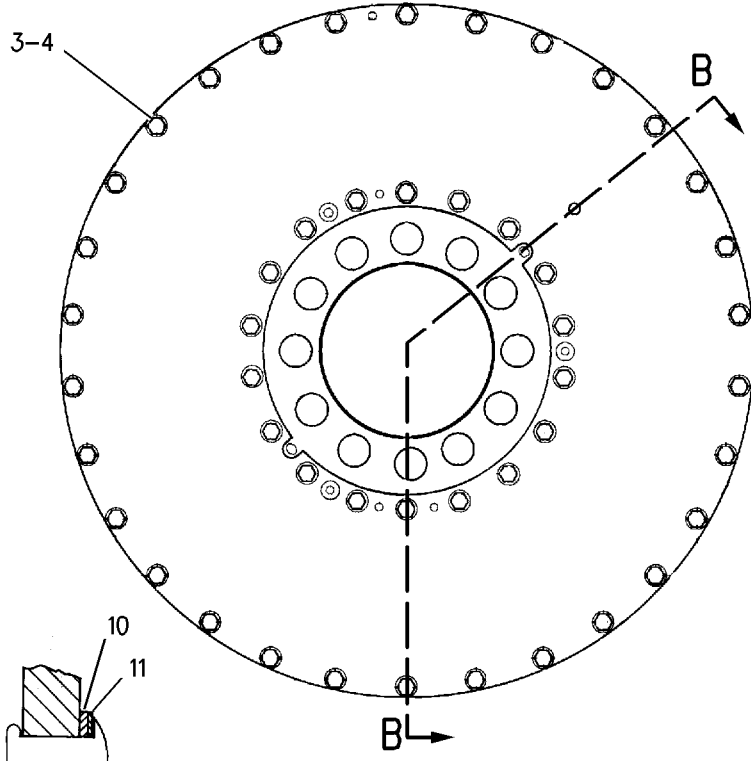
SMCS-1205

i01886961

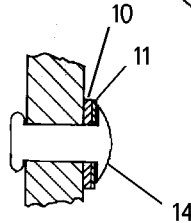
NOTE	REF NO	GRAPHIC REF	PART NUMBER	QTY	PART NAME						SEE PAGE
					1	2	3	4	5	6	
	1	1	7W-4422	1	CASE AS-DAMPER						
		1	7N-2043	2	DOWEL						
	3	1	1A-2029	48	BOLT (3/8-16X1.125-IN)						
	4	1	3V-2431	48	WASHER (10.2X16X2-MM THK)						
	5	1	9F-2247	2	PLUG-PIPE						
	6	1	6V-7991	1	SEAL-O-RING						
	7	1	4D-0449	1	SEAL-O-RING						
	10	1	9X-7258	1	WASHER-PLASTIC (4.9X11.13X0.74-MM THK)						
	11	1	9M-0387	1	SEAT-VALVE SPRING						
	12	1	7C-9689	2	BEARING-THRUST						
	13	1	7C-9688	1	BEARING-RADIAL						
	14	1	9X-6260	1	RIVET-POP						



SECTION B-B



VIEW OF AREA A



GRAPHIC #1

<END>

g00716645

BASIC ENGINE

8N-0339 DAMPER GP

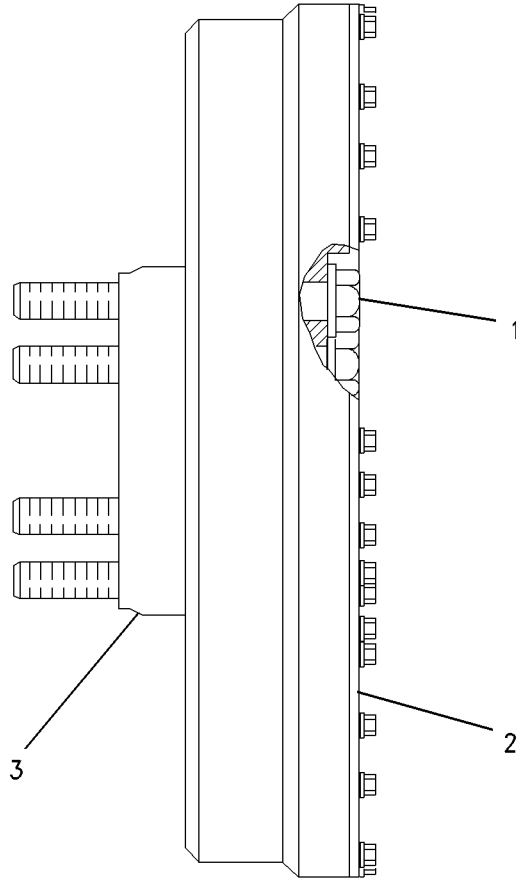
S/N: 3XS404-407

SMCS-1205

i01909881

NOTE	REF NO	GRAPHIC REF	PART NUMBER	QTY	PART NAME						SEE PAGE
					1	2	3	4	5	6 (PRODUCT LEVEL)	
	1	1	8S-4757	6	BOLT (1-14X8-IN)						
		1	5P-8250	6	WASHER (28X49X5-MM THK)						
CY	2	1	100-4324	1	DAMPER GP						60
	3	1	1N-3482	1	ADAPTER						

C - CHANGE FROM PREVIOUS TYPE
Y - SEPARATE ILLUSTRATION



RIGHT SIDE VIEW

GRAPHIC #1

<END>

g00995300

BASIC ENGINE

8N-0339 DAMPER GP

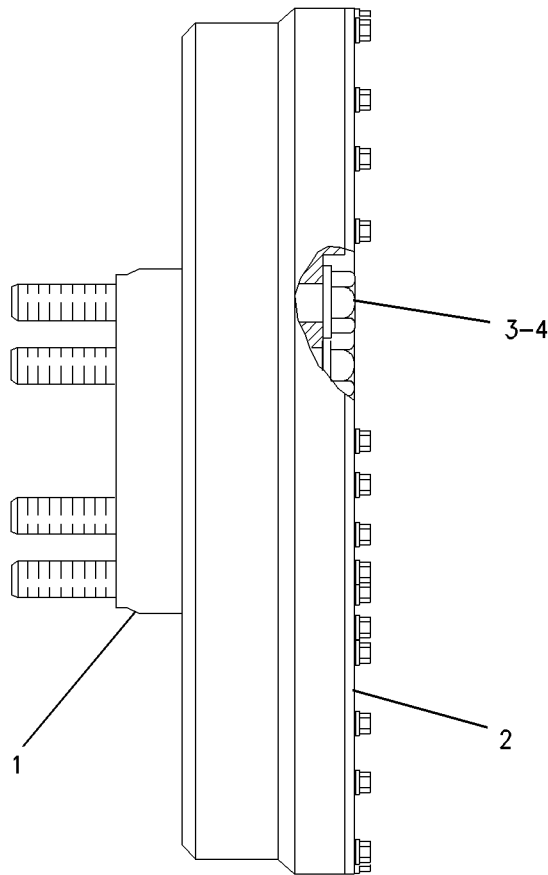
S/N: 3XS408-UP

SMCS-1205

i02327580

NOTE	REF NO	GRAPHIC REF	PART NUMBER	QTY	PART NAME						SEE PAGE
					1	2	3	4	5	6 (PRODUCT LEVEL)	
	1	1	1N-3482	1	ADAPTER						
CYR	2	1	146-3740	1	DAMPER GP						61
	3	1	8S-4757	6	BOLT (1-14X8-IN)						
	4	1	5P-8250	6	WASHER (28X49X5-MM THK)						

C - CHANGE FROM PREVIOUS TYPE
 R - REMANUFACTURED PART MAY BE AVAILABLE
 Y - SEPARATE ILLUSTRATION



RIGHT SIDE VIEW

GRAPHIC #1

<END>

g00995293

BASIC ENGINE

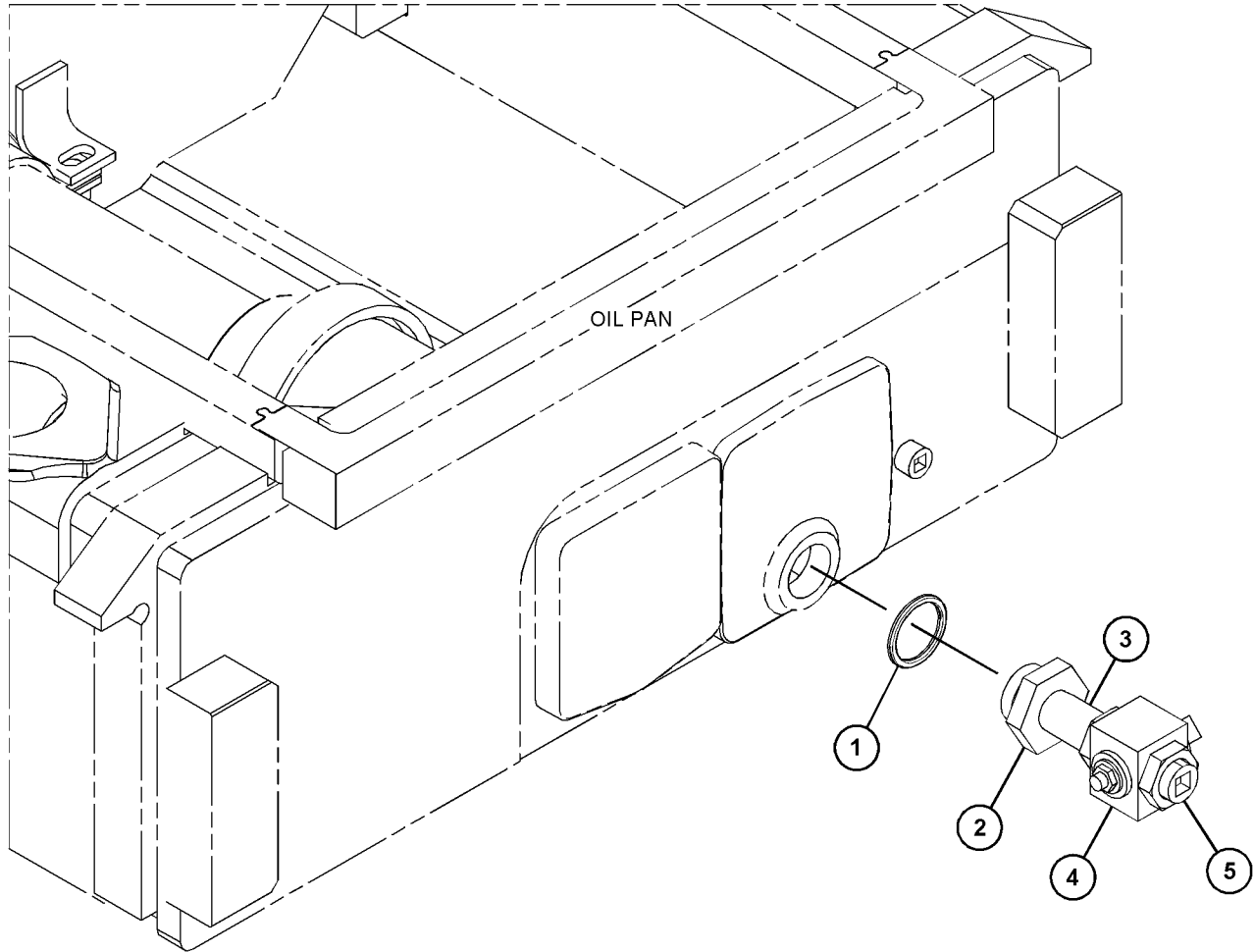
9Y-7876 DRAIN GP-ENGINE OIL-PAN AN ATTACHMENT

SMCS-1302

i05848964

NOTE	REF NO	GRAPHIC REF	PART NUMBER	QTY	PART NAME						SEE PAGE
					1	2	3	4	5	6 (PRODUCT LEVEL)	
	1	1	6F-4868	1	GASKET						
	2	1	7N-6511	1	ADAPTER						
	3	1	1F-6660	1	NIPPLE-PIPE						
	4	1	9B-4202	1	VALVE-DRAIN (ENGINE OIL)						
B	5	1	7X-7731	1	PLUG-PIPE (3/4-14-THD)						

B - USE AS REQUIRED



GRAPHIC #1

<END>

g03702787

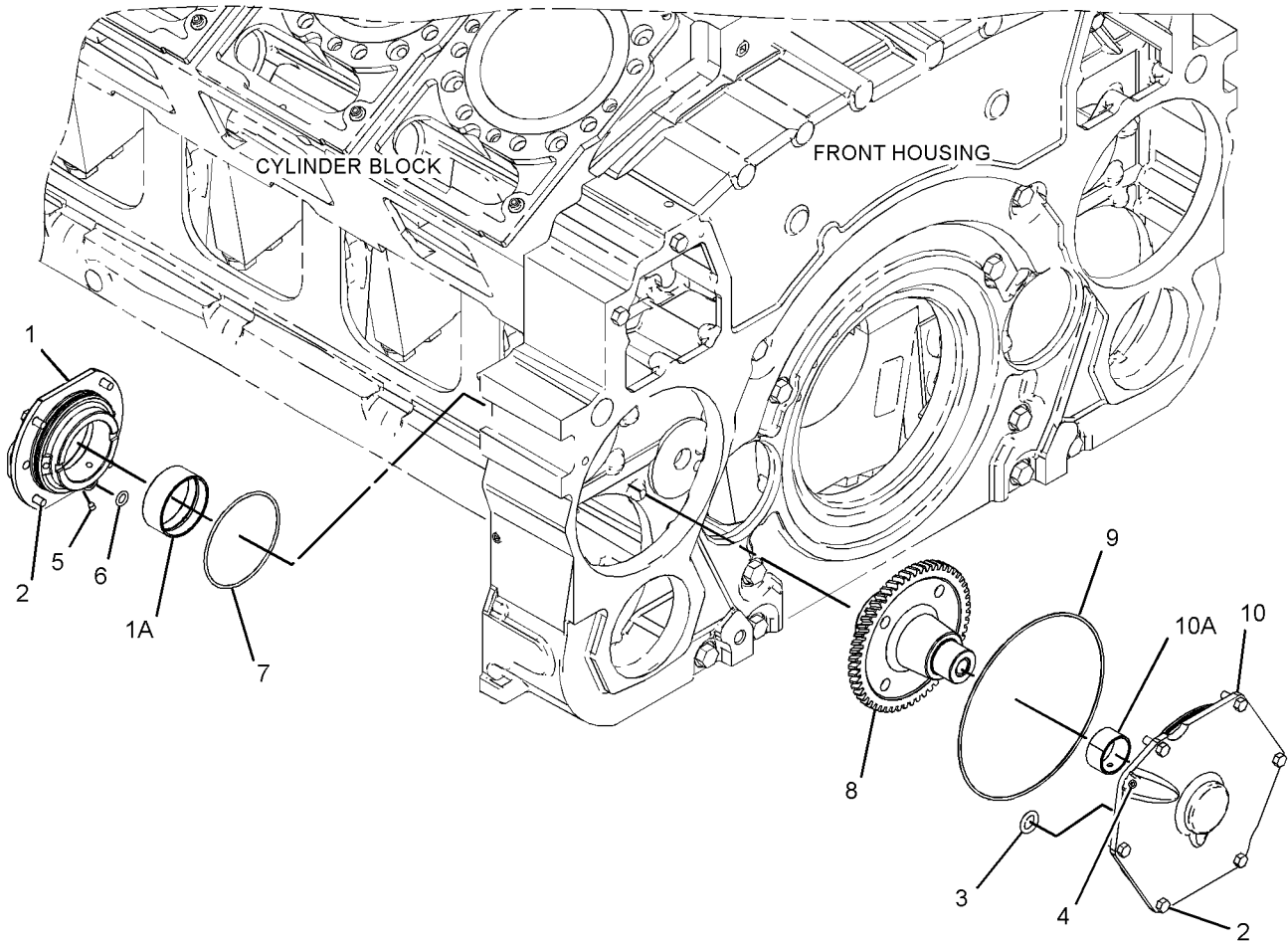
BASIC ENGINE

107-7361 DRIVE GP-ACCESSORY-UPPER, RH STANDARD ROTATION CANNOT BE USED WITH MECHANICAL GOVERNOR AN ATTACHMENT

SMCS-1207

i04841890

NOTE	REF NO	GRAPHIC REF	PART NUMBER	QTY	PART NAME						SEE PAGE
					1	2	3	4	5	6 (PRODUCT LEVEL)	
	1	1	7C-4165	1	ADAPTER AS						
	1A	1	127-5400	1	BUSHING						
	2	1	0L-1351	10	BOLT (3/8-16X0.875-IN)						
	3	1	6V-3348	1	SEAL-O-RING						
	4	1	8T-6757	1	PLUG-PIPE						
	5	1	8T-6759	1	PLUG-PIPE						
	6	1	5P-0840	1	SEAL-O-RING						
	7	1	259-4598	1	SEAL-O-RING						
	8	1	107-0466	1	GEAR-ACCESSORY DRIVE (55-TEETH)						
	9	1	235-3546	1	SEAL-O-RING						
	10	1	107-7362	1	COVER AS						
	10A	1	2S-7056	1	BUSHING						



GRAPHIC #1

<END>

g02320633

BASIC ENGINE

166-4357 DRIVE GP-ACCESSORY-UPPER, RH STANDARD ROTATION CANNOT BE USED WITH RIGHT HAND GOVERNOR AN ATTACHMENT

SMCS-1207

i06755905

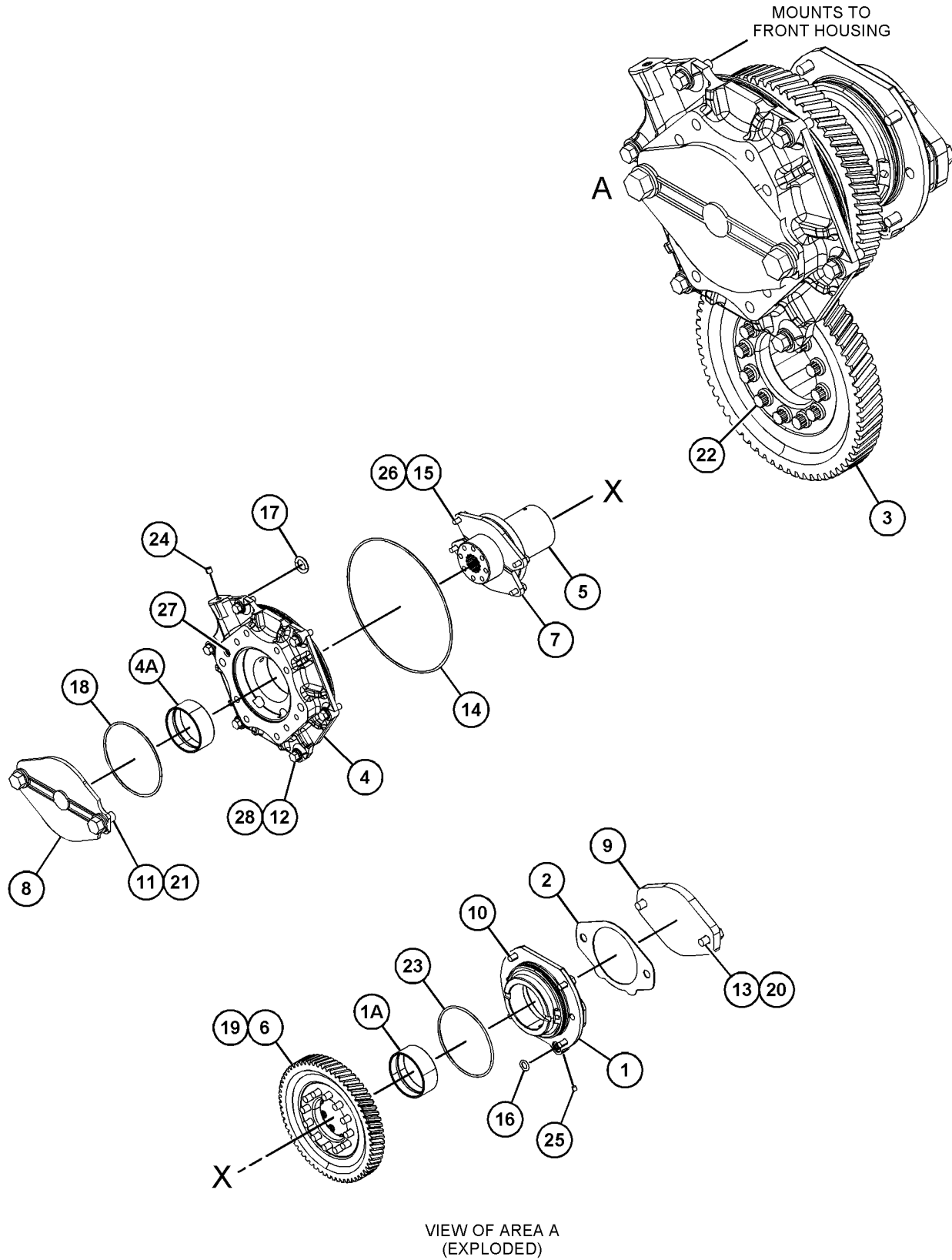
NOTE	REF NO	GRAPHIC REF	PART NUMBER	QTY	PART NAME						SEE PAGE
					1	2	3	4	5	6 (PRODUCT LEVEL)	
	1	1	7C-4165	1	ADAPTER AS						
	1A	1	127-5400	1	BUSHING						
	2	1	7J-8114	1	GASKET						
	3	1	7N-5248	1	GEAR-AUXILIARY DRIVE (63-TEETH)						
	4	1	7N-5279	1	ADAPTER AS						
	4A	1	127-5400	1	BUSHING						
	5	1	7N-5874	1	SHAFT-AUXILIARY DRIVE (14-TEETH)						
	6	1	7N-5875	1	GEAR-AUXILIARY DRIVE (63-TEETH)						
	7	1	7N-7539	2	WASHER-THRUST						
	8	1	7N-8374	1	COVER-PUMP						
	9	1	8P-1438	1	COVER						
	10	1	0L-1351	4	BOLT (3/8-16X0.875-IN)						
	11	1	0S-1592	2	BOLT (5/8-11X1.25-IN)						
	12	1	3B-1915	6	BOLT (3/8-16X1.375-IN)						
	13	1	0S-1595	2	BOLT (1/2-13X1.25-IN)						
	14	1	235-3546	1	SEAL-O-RING						
	15	1	2B-2695	4	BOLT (5/16-18X0.875-IN)						
	16	1	5P-0840	1	SEAL-O-RING						
	17	1	6V-3348	1	SEAL-O-RING						
	18	1	9X-7371	1	SEAL-O-RING						
	19	1	5P-2546	12	BOLT-12 POINT HEAD (7/16-14X1.25-IN)						
	20	1	5P-8245	2	WASHER-HARD (13.5X25.5X3-MM THK)						
	21	1	5P-8247	2	WASHER-HARD (17X32X3.5-MM THK)						
	22	1	6K-3772	12	BOLT-12 POINT HEAD (7/16-14X2.25-IN)						
	23	1	259-4598	1	SEAL-O-RING						
	24	1	8T-6757	1	PLUG-PIPE						
	25	1	8T-6759	1	PLUG-PIPE						
	26	1	9M-1974	4	WASHER-HARD (8.8X16X2-MM THK)						
B	27	1	8T-6757	1	PLUG-PIPE						
	28	1	5M-2894	6	WASHER-HARD (10.2X18.5X2.5-MM THK)						

B - USE AS REQUIRED

BASIC ENGINE

166-4357 DRIVE GP-ACCESSORY (contd.)

106755905



GRAPHIC #1

<END>

g06163951

BASIC ENGINE

7N-4871 DRIVE GP-ACCESSORY-UPPER, RH FOR USE WITH 900-1800 RPM CANNOT BE USED WITH RIGHT HAND GOVERNOR AN ATTACHMENT

SMCS-1207

i06680566

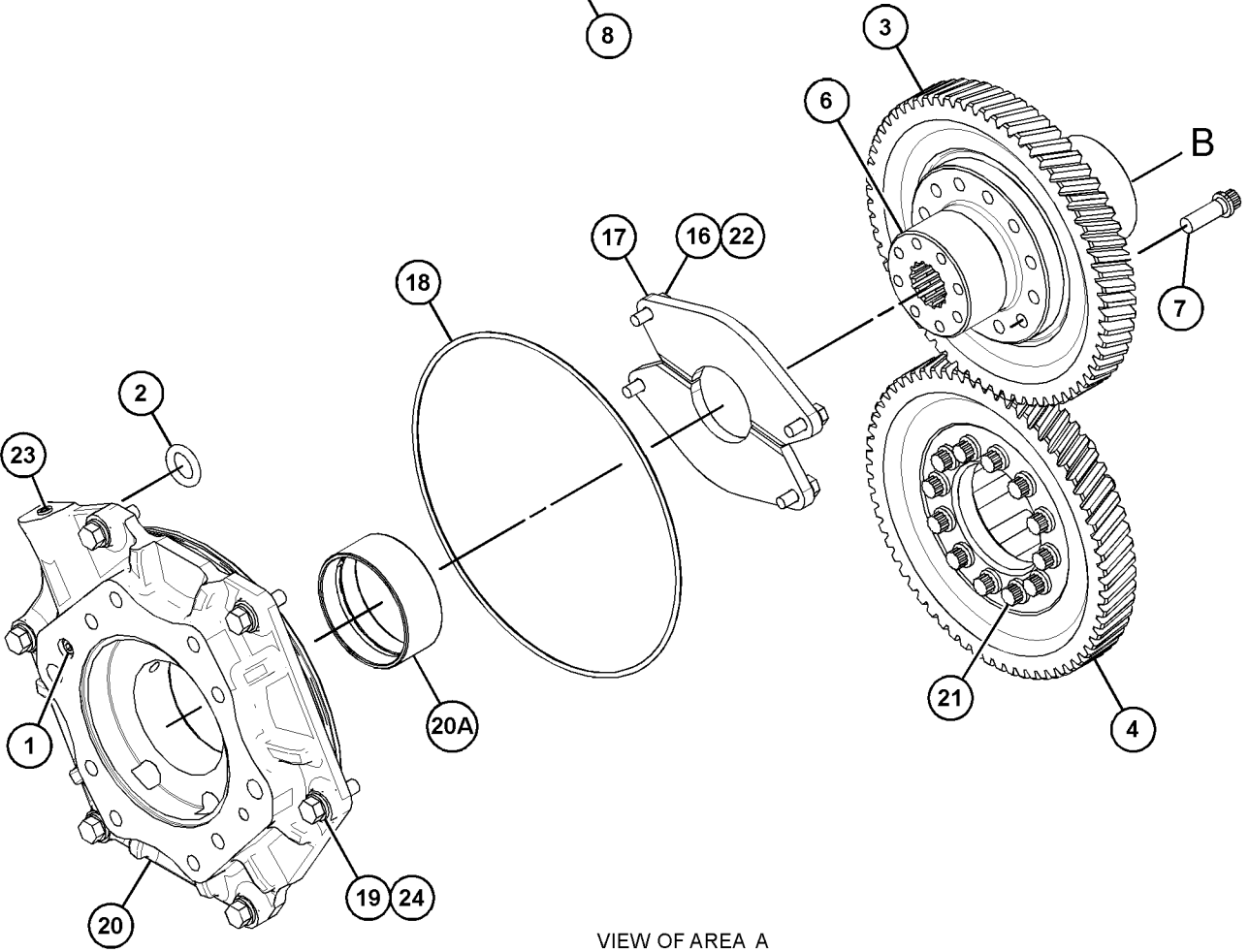
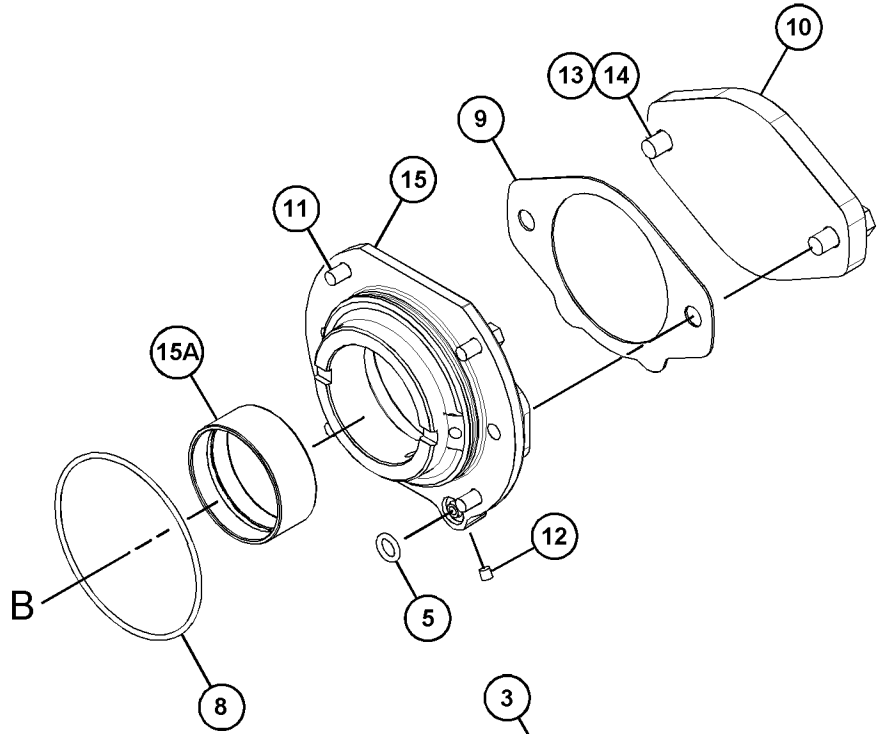
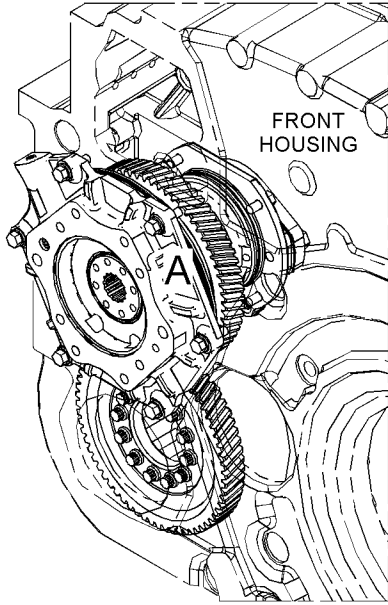
NOTE	REF NO	GRAPHIC REF	PART NUMBER	QTY	PART NAME						SEE PAGE
					1	2	3	4	5	6 (PRODUCT LEVEL)	
B	1	1	8T-6757	1	PLUG-PIPE						
	2	1	6V-3348	1	SEAL-O-RING						
	3	1	7N-5875	1	GEAR-AUXILIARY DRIVE (63-TEETH)						
	4	1	7N-5248	1	GEAR-AUXILIARY DRIVE (63-TEETH)						
	5	1	5P-0840	1	SEAL-O-RING						
	6	1	7N-5874	1	SHAFT-AUXILIARY DRIVE (14-TEETH)						
	7	1	5P-2546	12	BOLT-12 POINT HEAD (7/16-14X1.25-IN)						
	8	1	259-4598	1	SEAL-O-RING						
	9	1	7J-8114	1	GASKET						
C	10	1	8P-1438	1	COVER						
	11	1	0L-1351	4	BOLT (3/8-16X0.875-IN)						
	12	1	8T-6759	1	PLUG-PIPE						
C	13	1	0S-1595	2	BOLT (1/2-13X1.25-IN)						
	14	1	5P-8245	2	WASHER-HARD (13.5X25.5X3-MM THK)						
	15	1	7C-4165	1	ADAPTER AS						
	15A	1	127-5400	1	BUSHING						
	16	1	2B-2695	4	BOLT (5/16-18X0.875-IN)						
	17	1	7N-7539	2	WASHER-THRUST						
	18	1	235-3546	1	SEAL-O-RING						
	19	1	3B-1915	6	BOLT (3/8-16X1.375-IN)						
	20	1	7N-5279	1	ADAPTER AS						
	20A	1	127-5400	1	BUSHING						
	21	1	6K-3772	12	BOLT-12 POINT HEAD (7/16-14X2.25-IN)						
	22	1	9M-1974	4	WASHER-HARD (8.8X16X2-MM THK)						
23	1	8T-6757	1	PLUG-PIPE							
24	1	5M-2894	6	WASHER-HARD (10.2X18.5X2.5-MM THK)							

B - USE AS REQUIRED
C - CHANGE FROM PREVIOUS TYPE

BASIC ENGINE

7N-4871 DRIVE GP-ACCESSORY (contd.)

106680566



VIEW OF AREA A

<END>

GRAPHIC #1

g06079644

BASIC ENGINE

8N-9166 DRIVE GP-ACCESSORY-UPPER, LH STANDARD ROTATION AN ATTACHMENT

SMCS-1207

i06703070

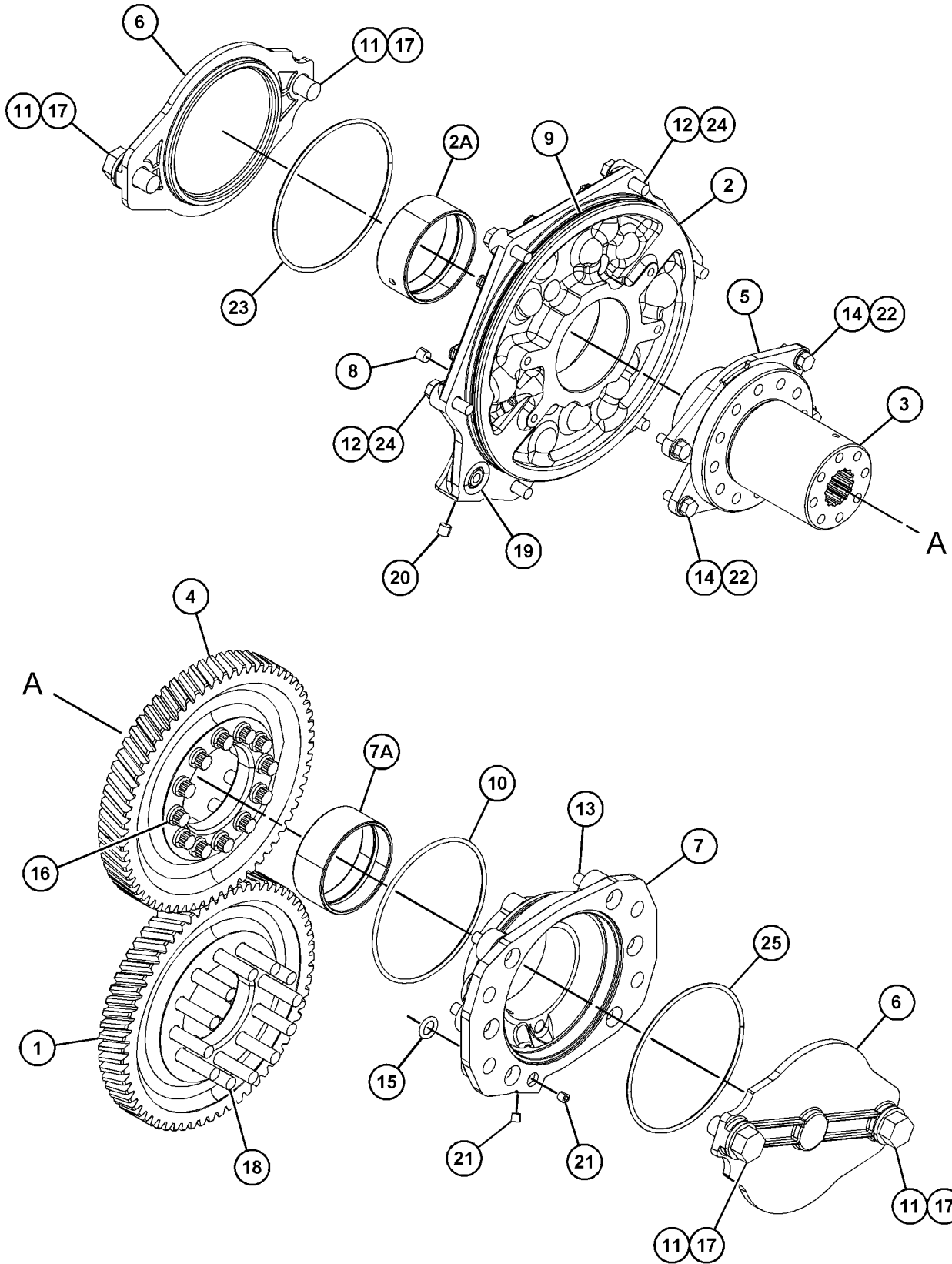
NOTE	REF NO	GRAPHIC REF	PART NUMBER	QTY	PART NAME						SEE PAGE
					1	2	3	4	5	6 (PRODUCT LEVEL)	
	1	1	7N-5248	1	GEAR-AUXILIARY DRIVE (63-TEETH)						
	2	1	7N-5279	1	ADAPTER AS						
	2A	1	127-5400	1	BUSHING						
	3	1	7N-5874	1	SHAFT-AUXILIARY DRIVE (14-TEETH)						
	4	1	7N-5875	1	GEAR-AUXILIARY DRIVE (63-TEETH)						
	5	1	7N-7539	2	WASHER-THRUST						
	6	1	7N-8374	2	COVER-PUMP						
	7	1	441-3369	1	ADAPTER AS						
	7A	1	127-5400	1	BUSHING						
B	8	1	8T-6757	1	PLUG-PIPE						
	9	1	235-3546	1	SEAL-O-RING						
	10	1	259-4598	1	SEAL-O-RING						
	11	1	0S-1592	4	BOLT (5/8-11X1.25-IN)						
	12	1	3B-1915	6	BOLT (3/8-16X1.375-IN)						
	13	1	1T-0765	6	BOLT (3/8-16X1-IN)						
	14	1	2B-2695	4	BOLT (5/16-18X0.875-IN)						
	15	1	5P-0840	1	SEAL-O-RING						
	16	1	5P-2546	12	BOLT-12 POINT HEAD (7/16-14X1.25-IN)						
	17	1	5P-8247	4	WASHER-HARD (17X32X3.5-MM THK)						
	18	1	6K-3772	12	BOLT-12 POINT HEAD (7/16-14X2.25-IN)						
	19	1	6V-3348	1	SEAL-O-RING						
	20	1	8T-6757	1	PLUG-PIPE						
	21	1	8T-6759	2	PLUG-PIPE						
	22	1	9M-1974	4	WASHER-HARD (8.8X16X2-MM THK)						
	23	1	9X-7371	1	SEAL-O-RING						
	24	1	5M-2894	6	WASHER-HARD (10.2X18.5X2.5-MM THK)						
	25	1	6V-8260	1	SEAL-O-RING						

B - USE AS REQUIRED

BASIC ENGINE

8N-9166 DRIVE GP-ACCESSORY (contd.)

i06703070



GRAPHIC #1

<END>

g06083682

BASIC ENGINE

8N-9167 DRIVE GP-ACCESSORY-LOWER, LH STANDARD ROTATION AN ATTACHMENT TYPE 1

SMCS-1207

i02293586

NOTE	REF NO	GRAPHIC REF	PART NUMBER	QTY	PART NAME						SEE PAGE
					1	2	3	4	5	6 (PRODUCT LEVEL)	
C	1	1	5R-7136	1	WASHER-SEALING						
C	2	1	5R-7137	2	WASHER-SEALING						
C	3	1	7C-3258	1	WASHER AS-THRUST						
	3A	1	7N-2047	1	DOWEL						
C	4	1	7C-3260	1	SHAFT						
	5	1	7E-0275	1	GEAR-WATER PUMP DRIVE (69-TEETH)						
	6	1	7N-5279	1	ADAPTER AS						
		1	7N-5278	1	ADAPTER						
	6A	1	127-5400	1	BUSHING						
	7	1	7N-5874	1	SHAFT-AUXILIARY DRIVE (14-TEETH)						
	8	1	7N-7539	2	WASHER-THRUST						
	9	1	7N-8374	2	COVER-PUMP						
	10	1	8N-8210	1	ADAPTER AS						
	10A	1	127-5400	1	BUSHING						
	11	1	7E-0274	1	GEAR AS-IDLER (53-TEETH)						
	11A	1	7N-5243	1	BUSHING						
	12	1	0S-1592	4	BOLT (5/8-11X1.25-IN)						
	13	1	0S-1594	6	BOLT (3/8-16X1-IN)						
C	14	1	0T-0055	1	BOLT (3/8-16X4.25-IN)						
	15	1	1T-0132	1	SEAL-O-RING						
	16	1	1T-0765	6	BOLT (3/8-16X1-IN)						
	17	1	2B-2695	4	BOLT (5/16-18X0.875-IN)						
	18	1	2M-4453	1	SEAL-O-RING						
	19	1	3B-8453	1	SEAL-O-RING						
	20	1	5F-3106	2	SEAL-O-RING						
C	21	1	5M-2894	1	WASHER-HARD (10.2X18.5X2.5-MM THK)						
C	22	1	5P-8245	2	WASHER-HARD (13.5X25.5X3-MM THK)						
	23	1	5P-8247	4	WASHER-HARD (17X32X3.5-MM THK)						
	24	1	8M-5255	2	SEAL-O-RING						
	25	1	9F-2247	2	PLUG-PIPE						
	26	1	4D-0514	2	PLUG-PIPE						
	27	1	9M-1974	4	WASHER-HARD (8.8X16X2-MM THK)						
C	28	1	9X-8879	2	BOLT (1/2-13X5.5-IN)						
B	29	1	6K-3771	12	BOLT-12 POINT HEAD (7/16-14X1.5-IN)						

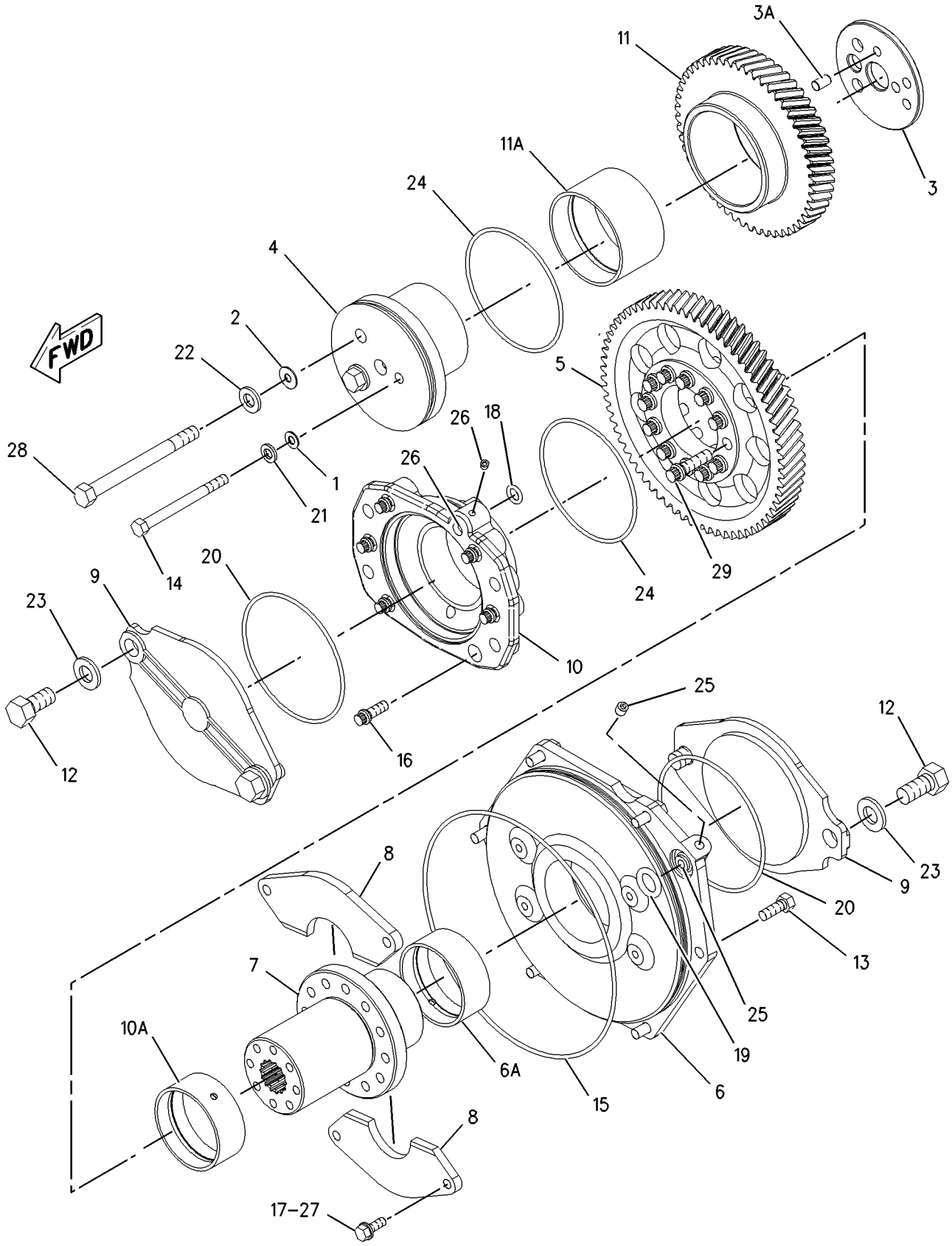
B - USE AS REQUIRED

C - CHANGE FROM PREVIOUS TYPE

BASIC ENGINE

8N-9167 DRIVE GP-ACCESSORY (contd.)

102293586



GRAPHIC #1

<END>

g00950842

BASIC ENGINE

8N-9167 DRIVE GP-ACCESSORY-LOWER, LH STANDARD ROTATION AN ATTACHMENT TYPE 2

SMCS-1207

i07053136

NOTE	REF NO	GRAPHIC REF	PART NUMBER	QTY	PART NAME						SEE PAGE
					1	2	3	4	5	6 (PRODUCT LEVEL)	
	1	1	5R-7136	1	WASHER-SEALING						
	2	1	5R-7137	2	WASHER-SEALING						
	3	1	7C-3258	1	WASHER AS-THRUST						
	3A	1	7N-2047	1	DOWEL						
	4	1	7C-3260	1	SHAFT						
	5	1	7E-0275	1	GEAR-WATER PUMP DRIVE (69-TEETH)						
	6	1	7N-5279	1	ADAPTER AS						
	6A	1	127-5400	1	BUSHING						
	7	1	7N-5874	1	SHAFT-AUXILIARY DRIVE (14-TEETH)						
	8	1	7N-7539	2	WASHER-THRUST						
	9	1	7N-8374	2	COVER-PUMP						
	10	1	441-3369	1	ADAPTER AS						
	10A	1	127-5400	1	BUSHING						
C	11	1	144-8263	1	GEAR AS-IDLER (53-TEETH)						
	11A	1	140-9597	1	BUSHING						
	12	1	0S-1592	4	BOLT (5/8-11X1.25-IN)						
	13	1	3B-1915	6	BOLT (3/8-16X1.375-IN)						
	14	1	0T-0055	1	BOLT (3/8-16X4.25-IN)						
	15	1	235-3546	1	SEAL-O-RING						
	16	1	1T-0765	6	BOLT (3/8-16X1-IN)						
	17	1	2B-2695	4	BOLT (5/16-18X0.875-IN)						
	18	1	5P-0840	1	SEAL-O-RING						
	19	1	6V-3348	1	SEAL-O-RING						
	20	1	6V-8260	2	SEAL-O-RING						
	21	1	5M-2894	7	WASHER-HARD (10.2X18.5X2.5-MM THK)						
	22	1	5P-8245	2	WASHER-HARD (13.5X25.5X3-MM THK)						
	23	1	5P-8247	4	WASHER-HARD (17X32X3.5-MM THK)						
	25	1	8T-6757	2	PLUG-PIPE						
C	26	1	8T-6759	2	PLUG-PIPE						
	27	1	9M-1974	4	WASHER-HARD (8.8X16X2-MM THK)						
	28	1	9X-8879	2	BOLT (1/2-13X5.5-IN)						
B	29	1	6K-3771	12	BOLT-12 POINT HEAD (7/16-14X1.5-IN)						
	30	1	259-4598	2	SEAL-O-RING						

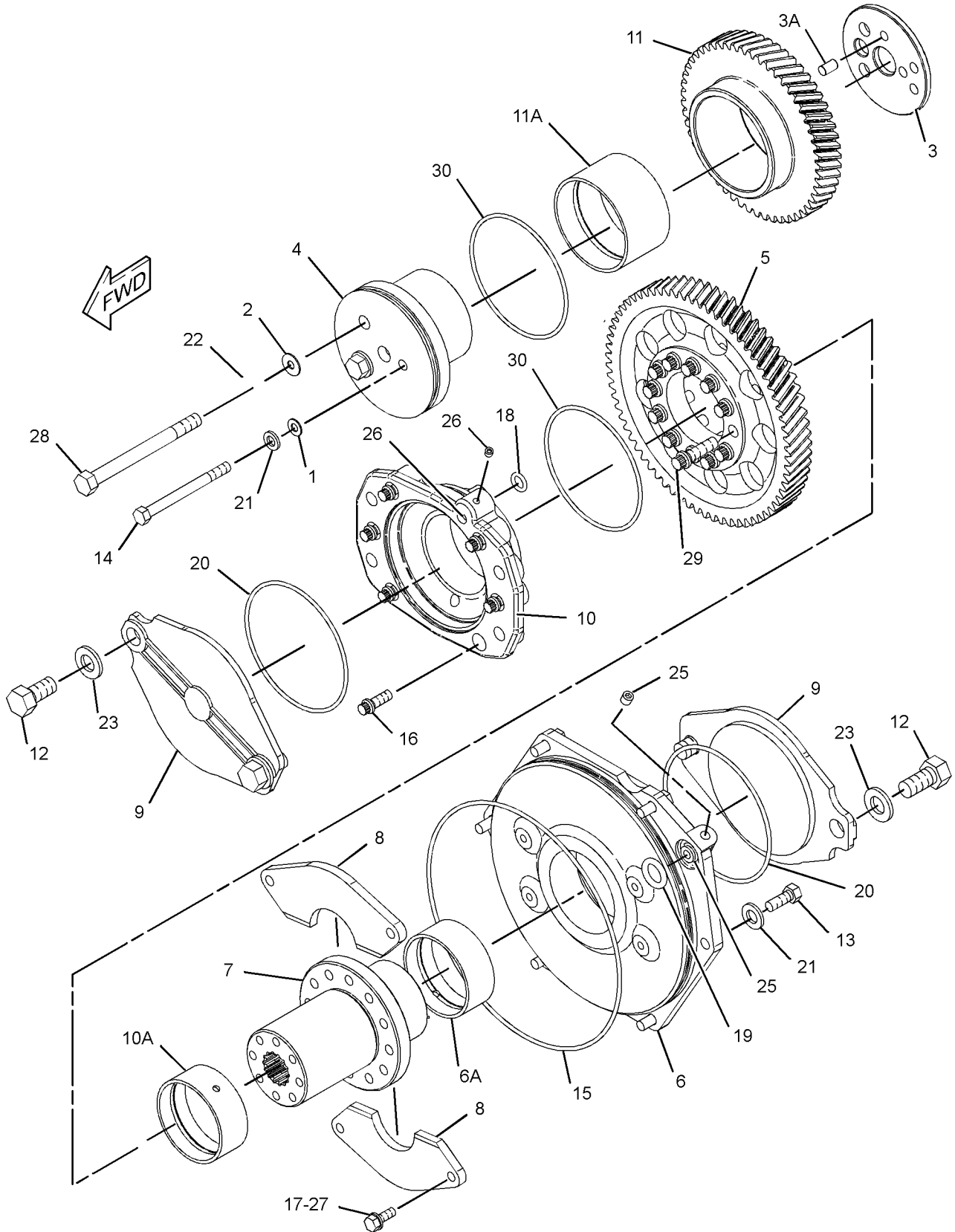
B - USE AS REQUIRED

C - CHANGE FROM PREVIOUS TYPE

BASIC ENGINE

8N-9167 DRIVE GP-ACCESSORY (contd.)

i07053136



GRAPHIC #1

<END>

g06214315

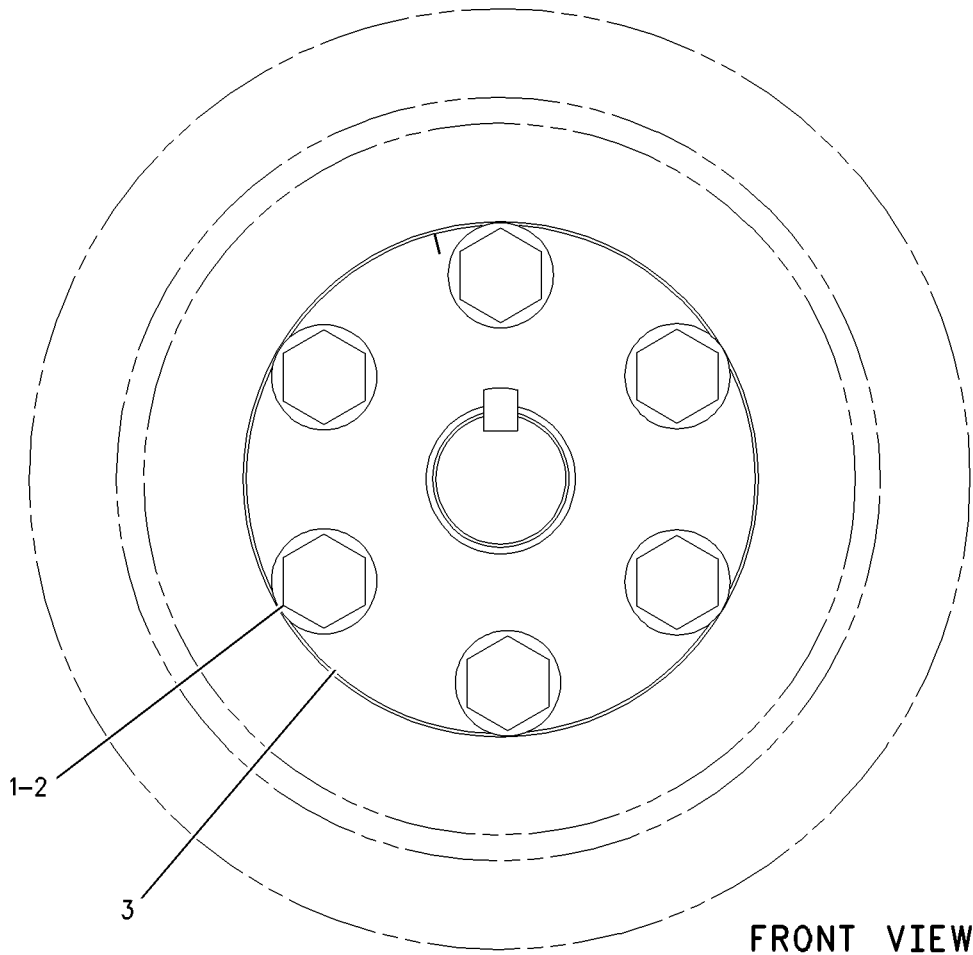
BASIC ENGINE

7N-7660 DRIVE GP-FAN LOW KILOWATT AN ATTACHMENT

SMCS-1359

i06691839

NOTE	REF NO	GRAPHIC REF	PART NUMBER	QTY	PART NAME						SEE PAGE
					1	2	3	4	5	6 (PRODUCT LEVEL)	
	1	1	5P-8250	6	WASHER (28X49X5-MM THK)						
	2	1	9F-8122	6	BOLT (1-14X9-IN)						
	3	1	7N-7057	1	SHAFT-STUB						



GRAPHIC #1

<END>

g00994930

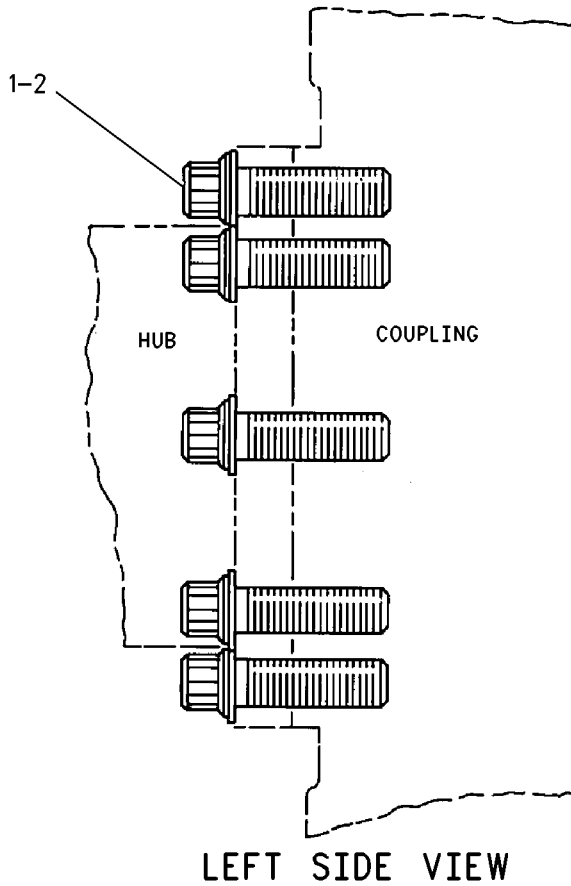
BASIC ENGINE

3N-8647 FASTENER GP-COUPLING AN ATTACHMENT

SMCS-3279, 4456

i04736989

NOTE	REF NO	GRAPHIC REF	PART NUMBER	QTY	PART NAME						SEE PAGE
					1	2	3	4	5	6 (PRODUCT LEVEL)	
	1	1	201-8899	8	BOLT-12 POINT HEAD (7/8-9X3-IN)						
	2	1	4M-6953	8	WASHER-HARD (24X38X3.5-MM THK)						



GRAPHIC #1

<END>

g00899192

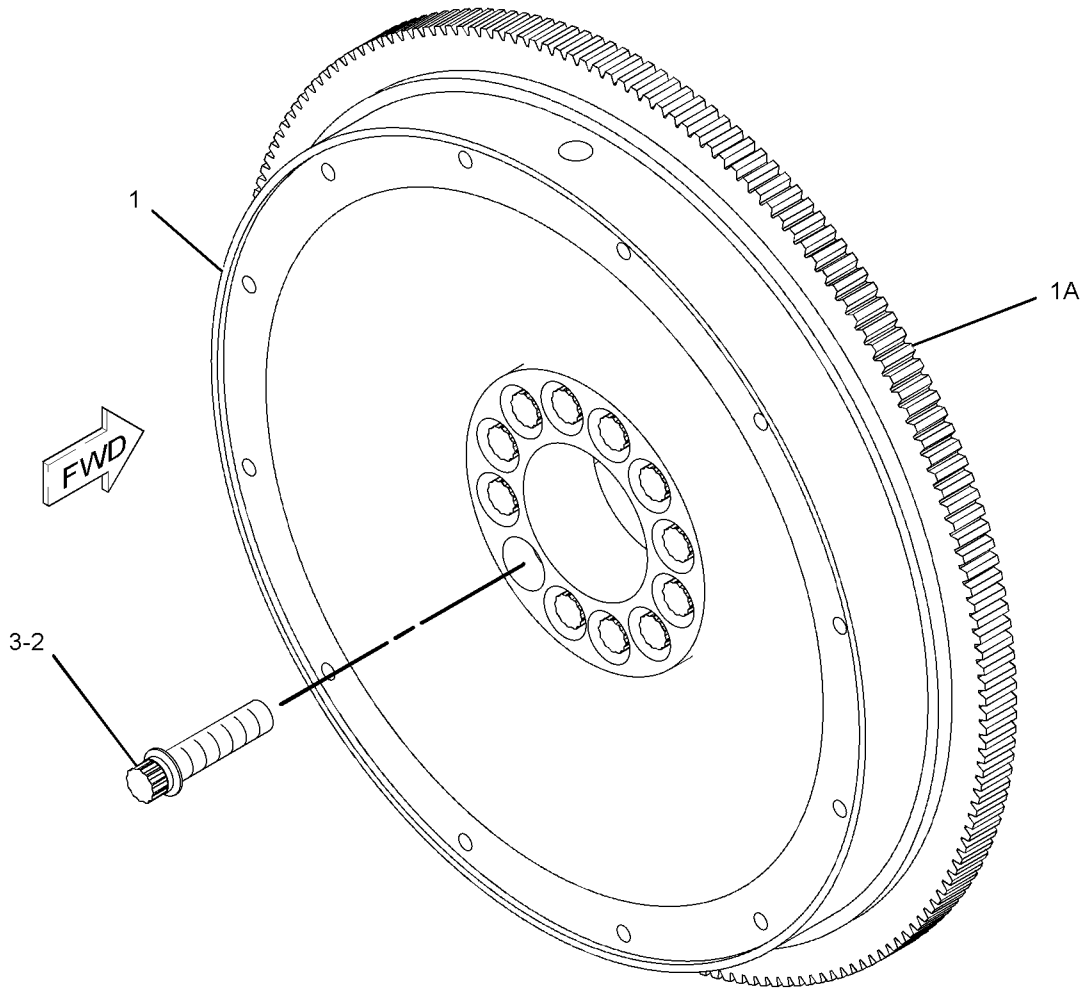
BASIC ENGINE

7N-4851 FLYWHEEL GP

SMCS - 1156

i02205213

NOTE	REF NO	GRAPHIC REF	PART NUMBER	QTY	PART NAME						SEE PAGE
					1	2	3	4	5	6 (PRODUCT LEVEL)	
	1	1	7N-5014	1	FLYWHEEL AS						
	1A	1	1N-5742	1	GEAR-STARTING MOTOR (183-TEETH)						
	2	1	9S-8893	12	BOLT-12 POINT HEAD (1-14X4-IN)						
	3	1	5P-8839	12	WASHER-HARD (28X42X4-MM THK)						



GRAPHIC #1

<END>

g01113668

BASIC ENGINE

8N-7174 GEAR GP-FRONT

S/N: 3XS404-UP

TYPE 1

SMCS-1151, 1162, 1206

i02293585

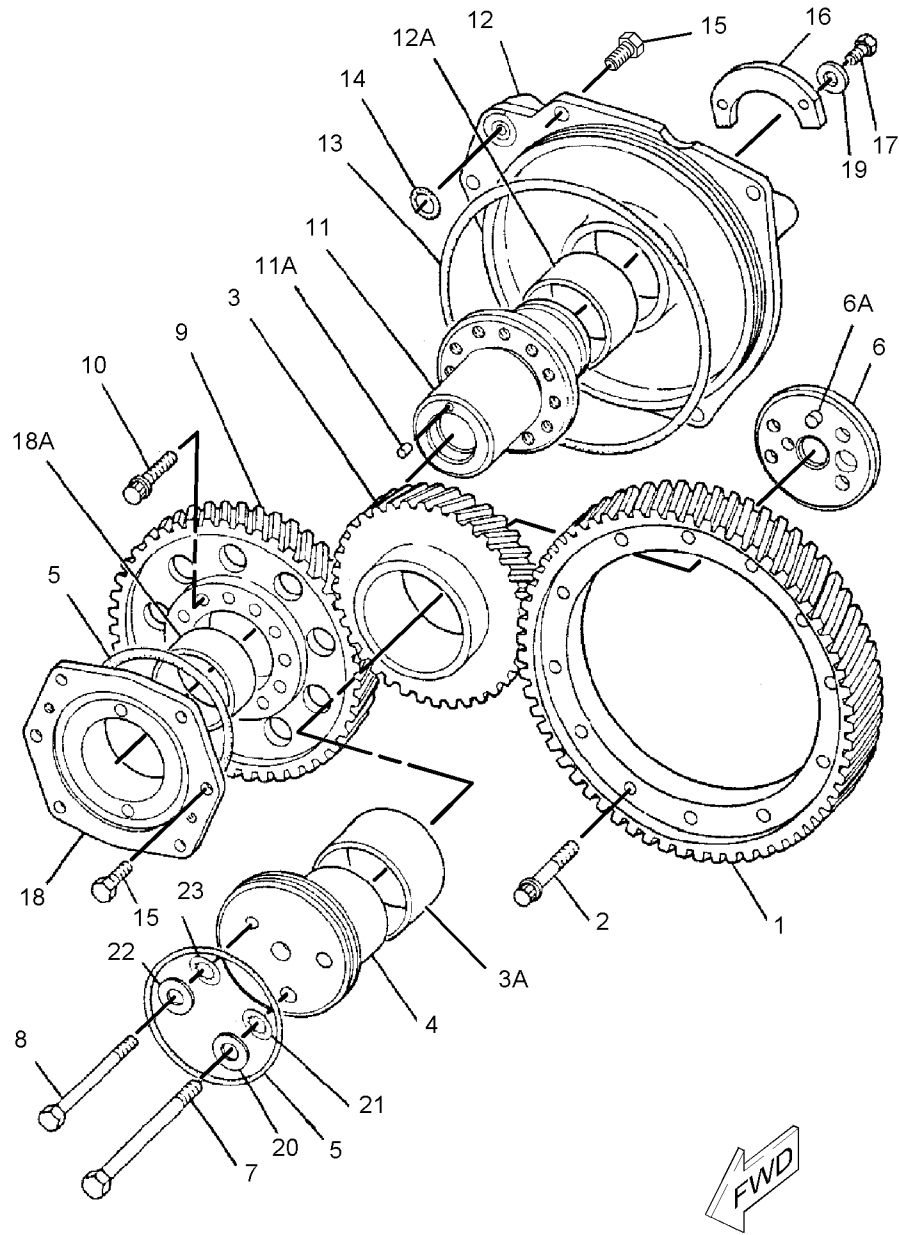
NOTE	REF NO	GRAPHIC REF	PART NUMBER	QTY	PART NAME						SEE PAGE
					1	2	3	4	5	6 (PRODUCT LEVEL)	
	1	1	2W-2895	1	GEAR-CRANKSHAFT (92-TEETH)						
	2	1	3S-1307	12	BOLT-12 POINT HEAD (3/8-16X2-IN)						
C	3	1	7E-0274	1	GEAR AS-IDLER (53-TEETH)						
	3A	1	7N-5243	1	BUSHING						
	4	1	7C-3260	1	SHAFT						
	5	1	8M-5255	2	SEAL-O-RING						
	6	1	7C-3258	1	WASHER AS-THRUST						
	6A	1	7N-2047	1	DOWEL						
	7	1	1D-4572	2	BOLT (1/2-13X5.5-IN)						
	8	1	0T-0055	1	BOLT (3/8-16X4.25-IN)						
	9	1	7E-0275	1	GEAR-WATER PUMP DRIVE (69-TEETH)						
BC	10	1	6K-3771	12	BOLT-12 POINT HEAD (7/16-14X1.5-IN)						
	11	1	7N-5239	1	SHAFT AS-PUMP DRIVE						
	11A	1	8T-2153	1	SETSCREW-SOCKET (1/4-28X0.31-IN)						
	12	1	7N-5263	1	ADAPTER AS-PUMP (OIL)						
	12A	1	127-5400	1	BUSHING						
	13	1	1T-0132	1	SEAL-O-RING						
	14	1	3B-8453	1	SEAL-O-RING						
	15	1	0S-1594	7	BOLT (3/8-16X1-IN)						
	16	1	7N-5246	2	WASHER-THRUST						
	17	1	4B-3388	4	BOLT (5/16-18X1.125-IN)						
	18	1	7N-5245	1	ADAPTER AS-PUMP (WATER)						
	18A	1	127-5400	1	BUSHING						
	19	1	9M-1974	4	WASHER-HARD (8.8X16X2-MM THK)						
	20	1	5P-8245	2	WASHER-HARD (13.5X25.5X3-MM THK)						
	21	1	5R-7137	2	WASHER-SEALING						
	22	1	5M-2894	1	WASHER-HARD (10.2X18.5X2.5-MM THK)						
	23	1	5R-7136	1	WASHER-SEALING						

B - USE AS REQUIRED
C - CHANGE FROM PREVIOUS TYPE

BASIC ENGINE

8N-7174 GEAR GP-FRONT (contd.)

102293585



GRAPHIC #1

<END>

g01149425

BASIC ENGINE

8N-7174 GEAR GP-FRONT

S/N: 3XS404-UP

TYPE 2

SMCS-1151, 1162, 1206

i04580771

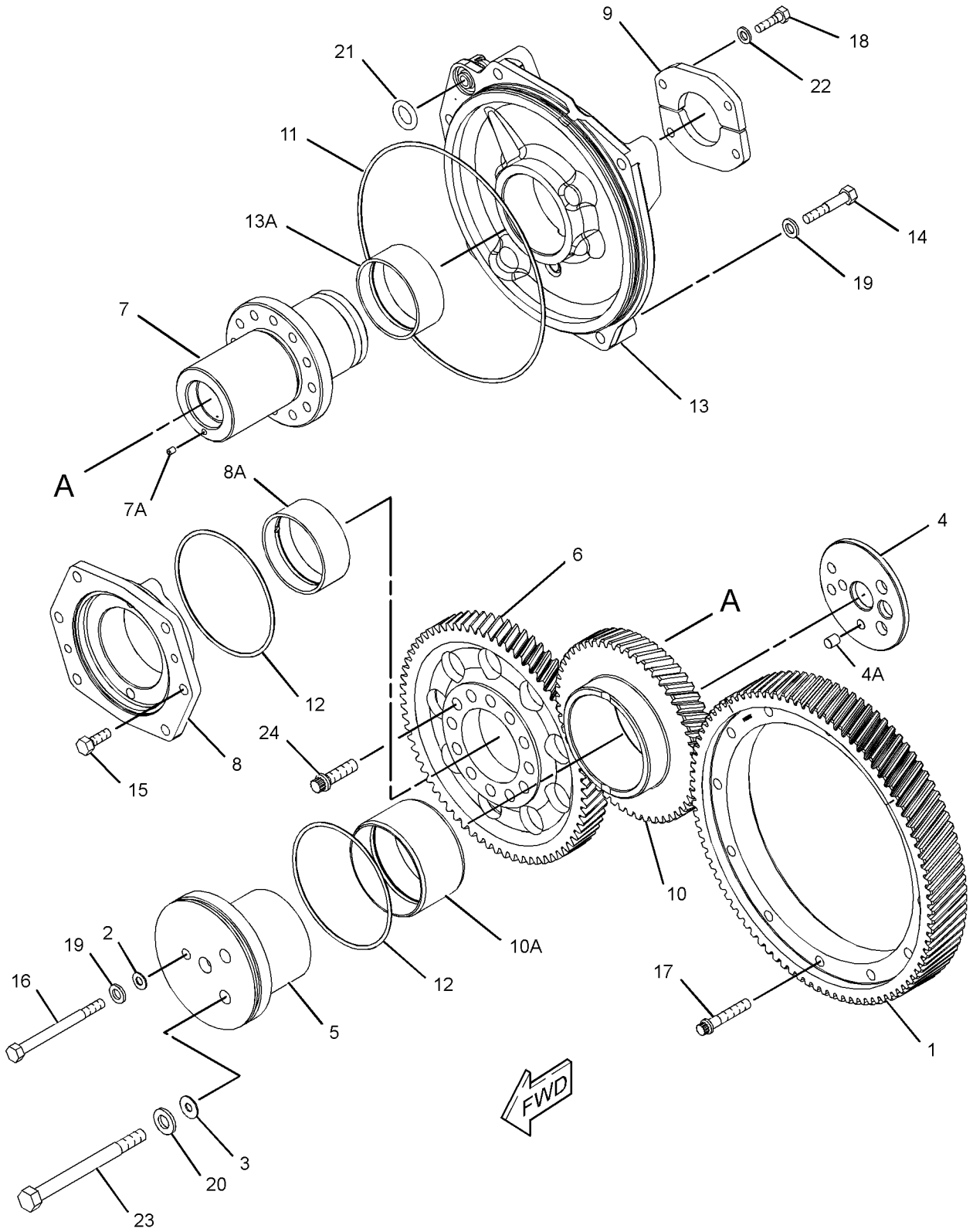
NOTE	REF NO	GRAPHIC REF	PART NUMBER	QTY	PART NAME						SEE PAGE
					1	2	3	4	5	6 (PRODUCT LEVEL)	
	1	1	2W-2895	1	GEAR-CRANKSHAFT (92-TEETH)						
	2	1	5R-7136	1	WASHER-SEALING						
	3	1	5R-7137	2	WASHER-SEALING						
	4	1	7C-3258	1	WASHER AS-THRUST						
	4A	1	7N-2047	1	DOWEL						
	5	1	7C-3260	1	SHAFT						
	6	1	7E-0275	1	GEAR-WATER PUMP DRIVE (69-TEETH)						
	7	1	7N-5239	1	SHAFT AS-PUMP DRIVE						
	7A	1	8T-2153	1	SETSCREW-SOCKET (1/4-28X0.31-IN)						
	8	1	7N-5245	1	ADAPTER AS-PUMP (WATER)						
	8A	1	127-5400	1	BUSHING						
	9	1	7N-5246	2	WASHER-THRUST						
C	10	1	144-8263	1	GEAR AS-IDLER (53-TEETH)						
	10A	1	140-9597	1	BUSHING						
	11	1	235-3546	1	SEAL-O-RING						
	12	1	259-4598	2	SEAL-O-RING						
	13	1	278-4287	1	ADAPTER AS-PUMP (OIL)						
	13A	1	127-5400	1	BUSHING						
	14	1	0S-1590	5	BOLT (3/8-16X2-IN)						
	15	1	0S-1594	2	BOLT (3/8-16X1-IN)						
	16	1	0T-0055	1	BOLT (3/8-16X4.25-IN)						
	17	1	3S-1307	12	BOLT-12 POINT HEAD (3/8-16X2-IN)						
	18	1	4B-3388	4	BOLT (5/16-18X1.125-IN)						
	19	1	5M-2894	6	WASHER-HARD (10.2X18.5X2.5-MM THK)						
	20	1	5P-8245	2	WASHER-HARD (13.5X25.5X3-MM THK)						
	21	1	6V-3348	1	SEAL-O-RING						
	22	1	9M-1974	4	WASHER-HARD (8.8X16X2-MM THK)						
	23	1	9X-8879	2	BOLT (1/2-13X5.5-IN)						
BC	24	1	6K-3771	12	BOLT-12 POINT HEAD (7/16-14X1.5-IN)						

B - USE AS REQUIRED
C - CHANGE FROM PREVIOUS TYPE

BASIC ENGINE

8N-7174 GEAR GP-FRONT (contd.)

i04580771



GRAPHIC #1

<END>

g02507378

BASIC ENGINE

112-5674 GEAR GP-REAR

S/N: 3XS404-UP

CAM DRIVE

SMCS-1204

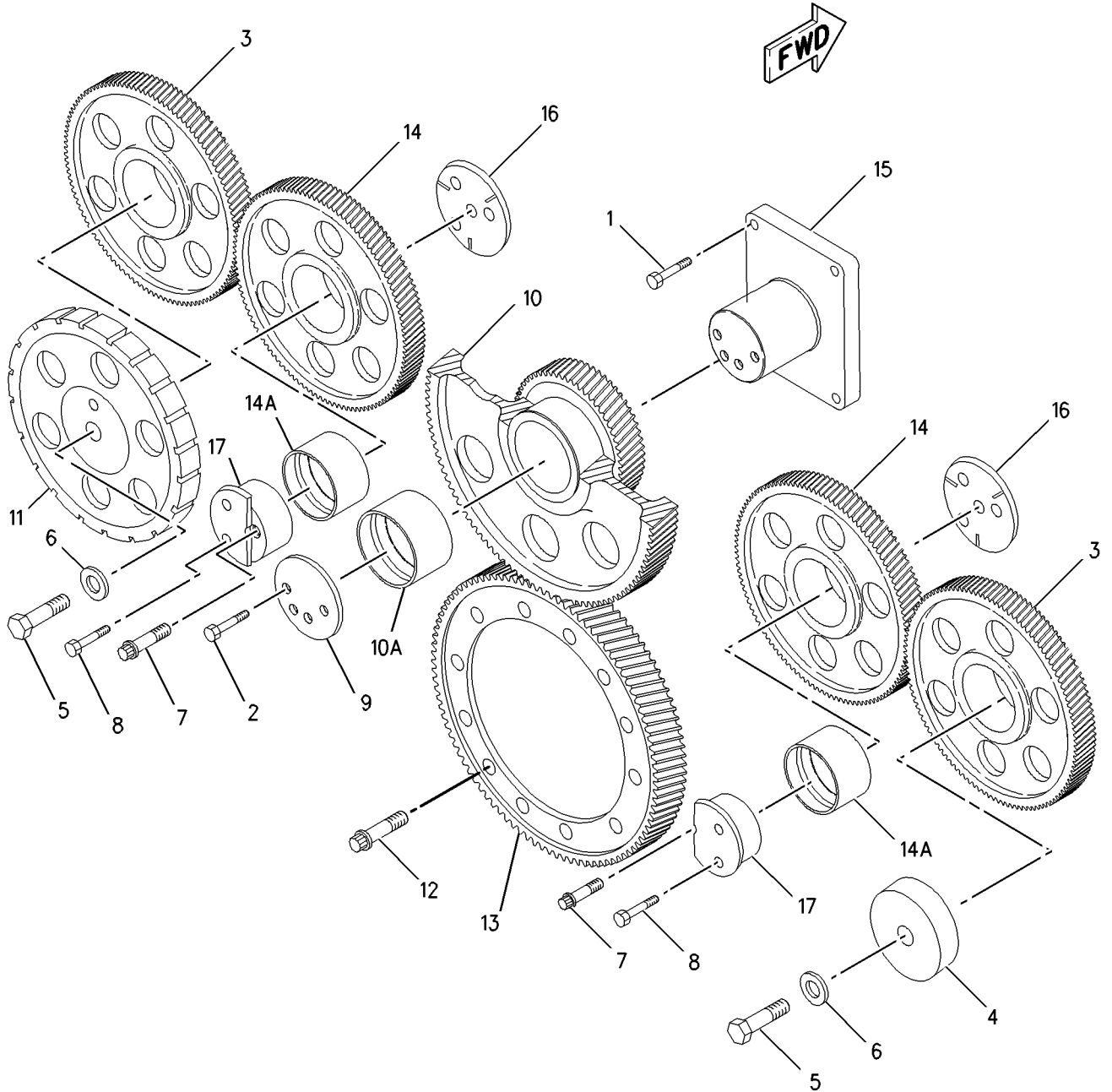
i02891668

NOTE	REF NO	GRAPHIC REF	PART NUMBER	QTY	PART NAME						SEE PAGE
					1	2	3	4	5	6 (PRODUCT LEVEL)	
	1	1	8M-2530	4	BOLT-12 POINT HEAD (1/2-13X1.25-IN)						
	2	1	0L-1351	4	BOLT (3/8-16X0.875-IN)						
	3	1	7E-3897	2	GEAR-CAMSHAFT DRIVE (88-TEETH)						
	4	1	4W-4586	1	PLATE						
	5	1	9X-8887	2	BOLT (3/4-10X3-IN)						
	6	1	5P-8248	2	WASHER-HARD (20X36.5X3.5-MM THK)						
	7	1	8S-2331	2	BOLT-12 POINT HEAD (5/8-11X2-IN)						
	8	1	1B-4367	4	BOLT (5/8-11X3-IN)						
	9	1	101-1365	1	PLATE-THRUST						
	10	1	107-2477	1	GEAR AS-IDLER (92/44-TEETH)						
	10A	1	4P-5438	1	BUSHING						
	11	1	7E-5324	1	RING						
	12	1	3S-1307	12	BOLT-12 POINT HEAD (3/8-16X2-IN)						
	13	1	2W-2895	1	GEAR-CRANKSHAFT (92-TEETH)						
	14	1	112-1554	2	GEAR AS-IDLER (88-TEETH)						
					(EACH INCLUDES)						
	14A	1	125-9751	1	BUSHING						
	15	1	4P-5437	1	SHAFT-GEAR (CLUSTER)						
	16	1	101-1368	2	WASHER-THRUST (19.5X106X1.9-MM THK)						
	17	1	112-1552	2	SHAFT-IDLER						

BASIC ENGINE

112-5674 GEAR GP-REAR (contd.)

102891668



GRAPHIC #1

<END>

g00650048

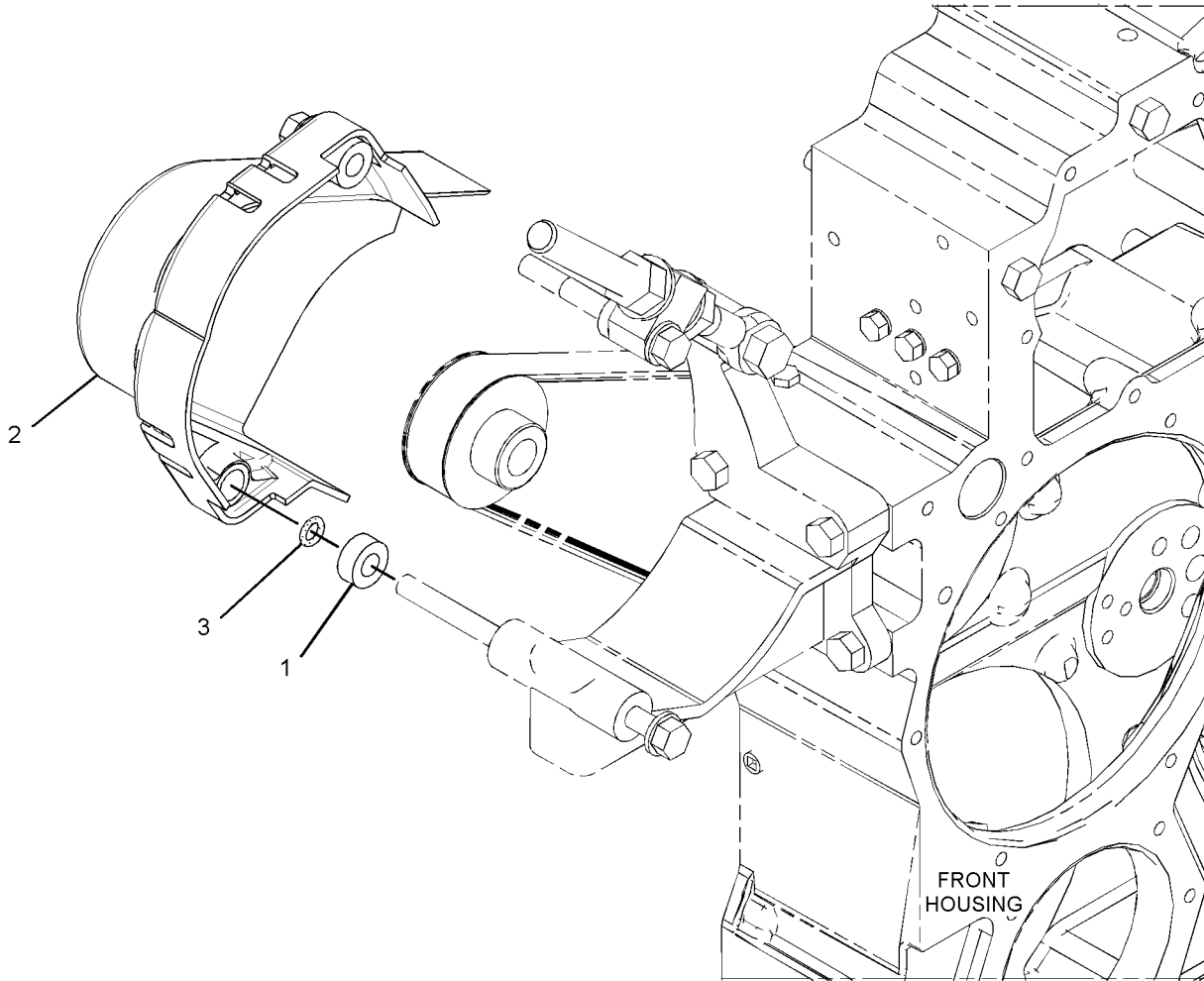
BASIC ENGINE

7W-5780 GUARD GP-BELT-ALTERNATOR AN ATTACHMENT TYPE 1

SMCS-7174

i03902260

NOTE	REF NO	GRAPHIC REF	PART NUMBER	QTY	PART NAME						SEE PAGE
					1	2	3	4	5	6 (PRODUCT LEVEL)	
1	1	1	9V-4924	2	SPACER (13.8X28X11.5-MM THK)						
2	1	1	288-6174	1	GUARD AS-ALTERNATOR						
3	1	1	119-9443	2	SEAL-O-RING						



GRAPHIC #1

<END>

g02146113

BASIC ENGINE

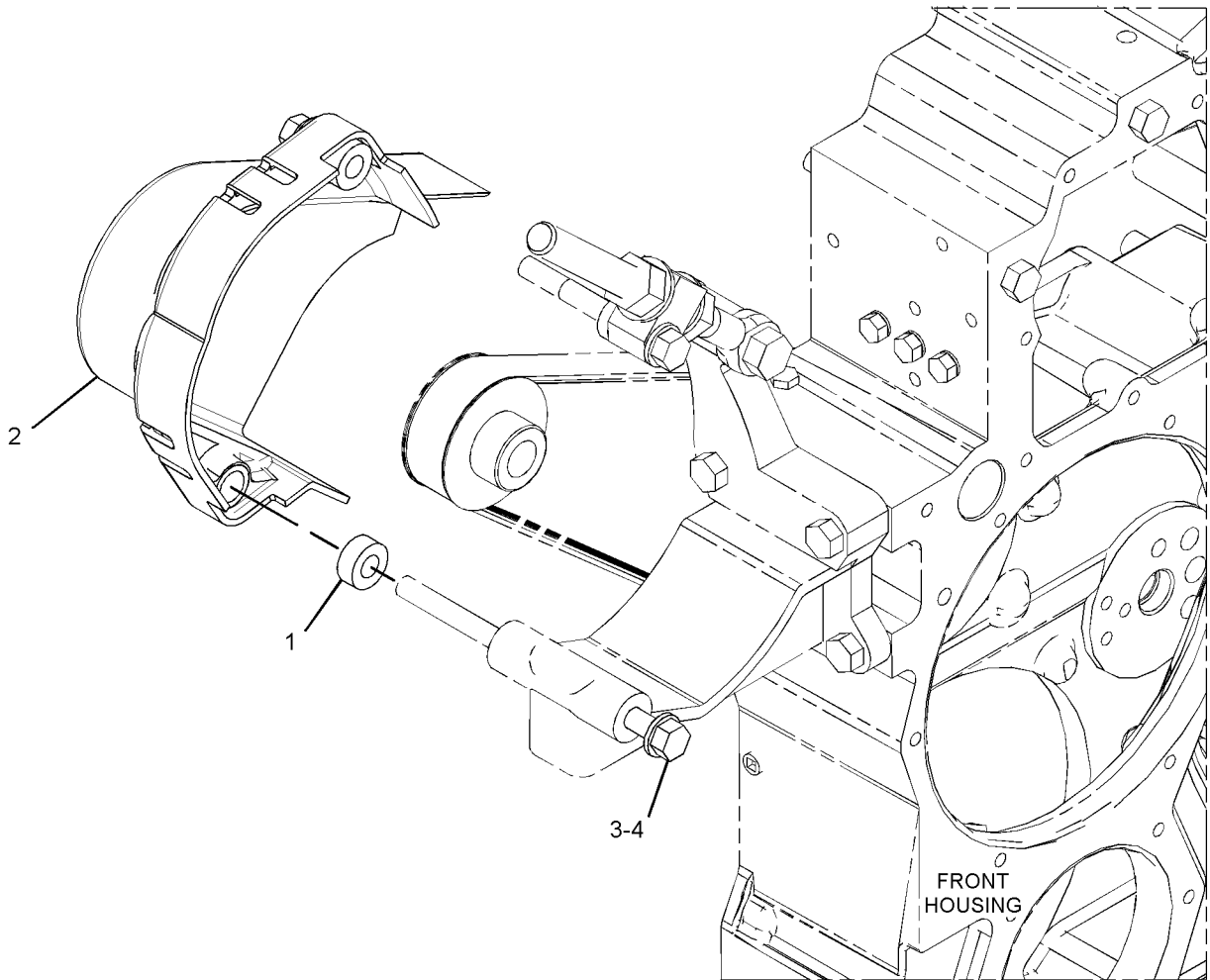
7W-5780 GUARD GP-BELT-ALTERNATOR AN ATTACHMENT TYPE 2

SMCS-7174

i06702958

NOTE	REF NO	GRAPHIC REF	PART NUMBER	QTY	PART NAME						SEE PAGE
					1	2	3	4	5	6 (PRODUCT LEVEL)	
	1	1	9V-4924	2	SPACER (13.8X28X11.5-MM THK)						
C	2	1	388-3410	1	GUARD AS-ALTERNATOR						
C	3	1	5P-8245	2	WASHER-HARD (13.5X25.5X3-MM THK)						
C	4	1	1F-7958	2	NUT-FULL (1/2-13-THD)						

C - CHANGE FROM PREVIOUS TYPE



GRAPHIC #1

<END>

g03349395

BASIC ENGINE

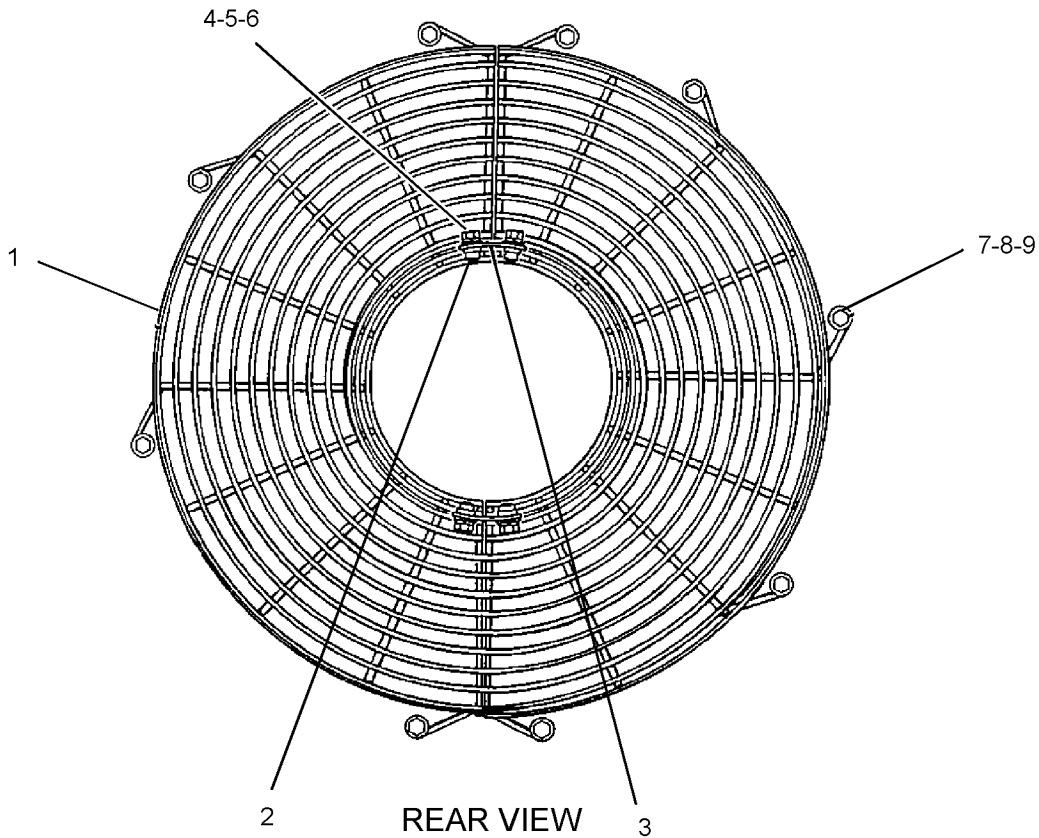
3N-5765 GUARD GP-COUPLING-FLYWHEEL AN ATTACHMENT TYPE 1

SMCS-3279

i02468312

NOTE	REF NO	GRAPHIC REF	PART NUMBER	QTY	PART NAME	SEE PAGE
C	1	1	5N-4817	1	GUARD AS-COUPLING	
	2	1	2N-3385	4	NUT-CLIP (3/8-16-THD)	
	3	1	1V-0623	2	PLATE	
C	4	1	3L-9689	4	WASHER (10.5X25.4X5-MM THK)	
	5	1	3B-4506	4	LOCKWASHER	
	6	1	0S-1594	4	BOLT (3/8-16X1-IN)	
	7	1	4B-4280	10	WASHER (13.5X27X2.5-MM THK)	
	8	1	3B-4508	10	LOCKWASHER	
C	9	1	0S-1621	10	BOLT (1/2-13X1-IN)	

C - CHANGE FROM PREVIOUS TYPE



GRAPHIC #1

<END>

g01230975

BASIC ENGINE

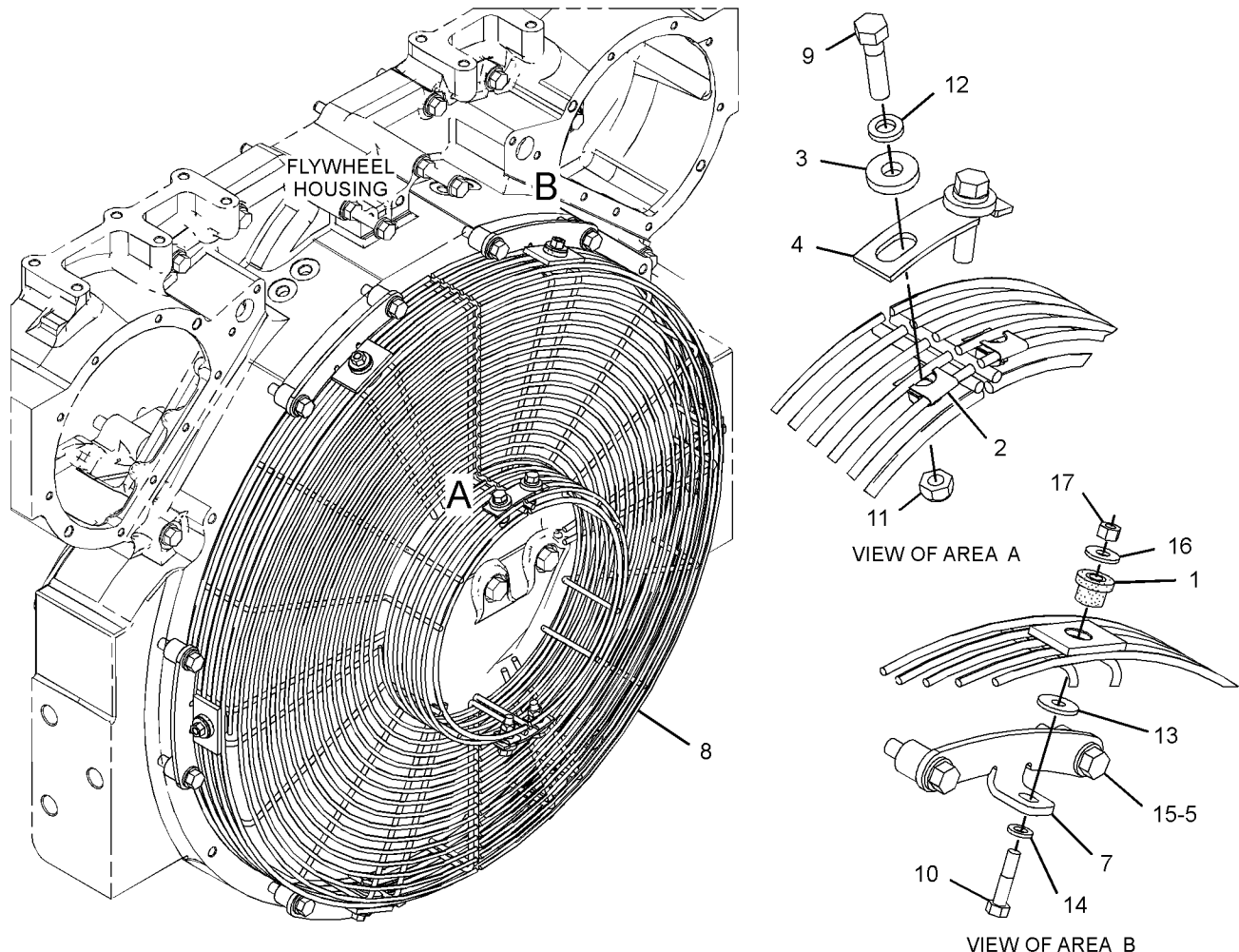
3N-5765 GUARD GP-COUPLING-FLYWHEEL AN ATTACHMENT TYPE 2

SMCS-3279

i06983742

NOTE	REF NO	GRAPHIC REF	PART NUMBER	QTY	PART NAME						SEE PAGE
					1	2	3	4	5	6 (PRODUCT LEVEL)	
C	1	1	1P-7115	6	GROMMET AS						
	2	1	2N-3385	4	NUT-CLIP (3/8-16-THD)						
	3	1	3L-9689	4	WASHER (10.5X25.4X5-MM THK)						
C	4	1	350-8624	2	PLATE						
C	5	1	351-2245	12	BOLT-SPECIAL (1/2-13X2-IN)						
C	7	1	355-4899	6	BRACKET						
C	8	1	356-5022	1	GUARD AS-COUPLING						
C	9	1	0S-1591	4	BOLT (3/8-16X1.5-IN)						
C	10	1	2A-4639	6	BOLT (3/8-16X1.625-IN)						
C	11	1	2K-4973	4	LOCKNUT (3/8-16-THD)						
	12	1	3B-4506	4	LOCKWASHER						
C	13	1	3F-1417	6	WASHER (10.3X30.2X3-MM THK)						
C	14	1	5M-2894	6	WASHER-HARD (10.2X18.5X2.5-MM THK)						
C	15	1	5P-8245	12	WASHER-HARD (13.5X25.5X3-MM THK)						
C	16	1	9L-9132	6	WASHER (10.2X25.5X2.5-MM THK)						
C	17	1	9S-8752	6	NUT-FULL (3/8-16-THD)						

C - CHANGE FROM PREVIOUS TYPE



GRAPHIC #1

<END>

g03390756

BASIC ENGINE

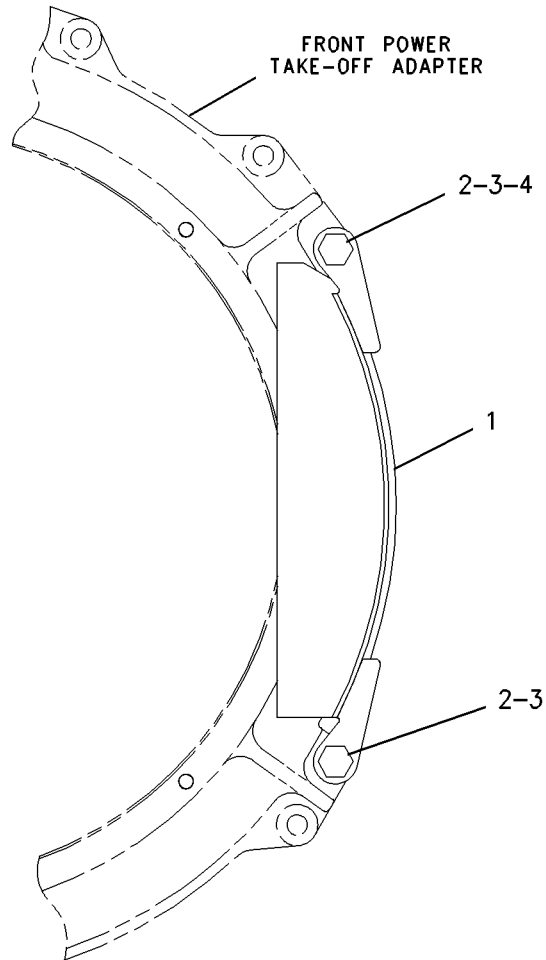
6I-3143 GUARD GP-DAMPER

FOR USE WITH SINGLE SIDED FRONT HOUSING AND FRONT POWER TAKE-OFF
AN ATTACHMENT

SMCS-1205

i01337552

NOTE	REF NO	GRAPHIC REF	PART NUMBER	QTY	PART NAME						SEE PAGE
					1	2	3	4	5	6 (PRODUCT LEVEL)	
	1	1	6I-3142	1	GUARD AS-DAMPER						
	2	1	0S-1587	2	BOLT (1/2-13X1.75-IN)						
	3	1	5P-8245	3	WASHER-HARD (13.5X25.5X3-MM THK)						
	4	1	1F-7958	1	NUT-FULL (1/2-13-THD)						



FRONT VIEW

GRAPHIC #1

<END>

g00707353

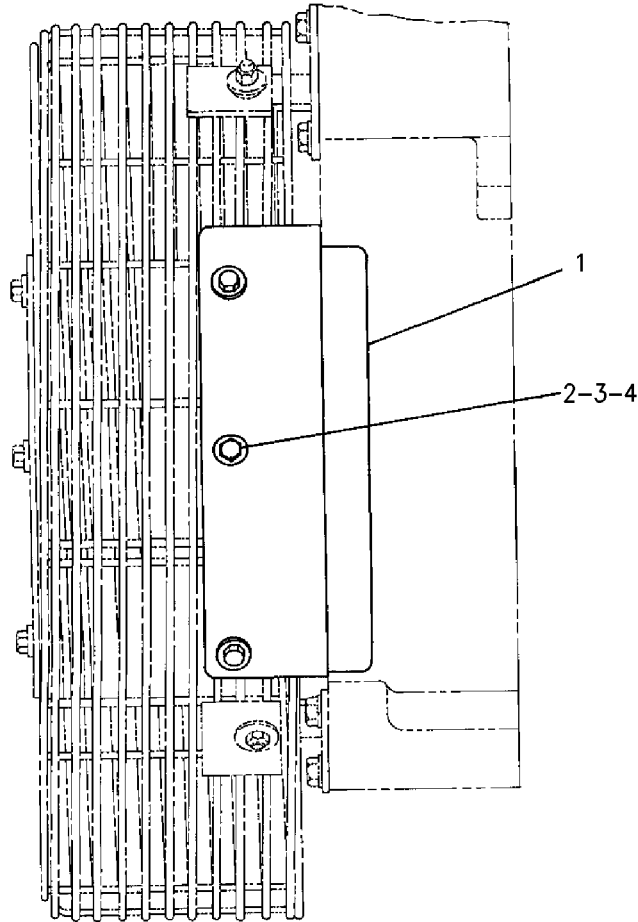
BASIC ENGINE

7W-6669 GUARD GP-DAMPER FOR USE WITH SINGLE SIDED FRONT HOUSING AN ATTACHMENT

SMCS-1205

i07073543

NOTE	REF NO	GRAPHIC REF	PART NUMBER	QTY	PART NAME						SEE PAGE
					1	2	3	4	5	6 (PRODUCT LEVEL)	
	1	1	523-5086	1	GUARD-DAMPER						
	2	1	0S-1616	3	BOLT (1/4-20X1-IN)						
	3	1	6V-7646	9	WASHER-HARD (7.2X25X2-MM THK)						
	4	1	2D-6235	3	LOCKNUT (1/4-20-THD)						



LEFT SIDE VIEW

GRAPHIC #1

<END>

g00899242

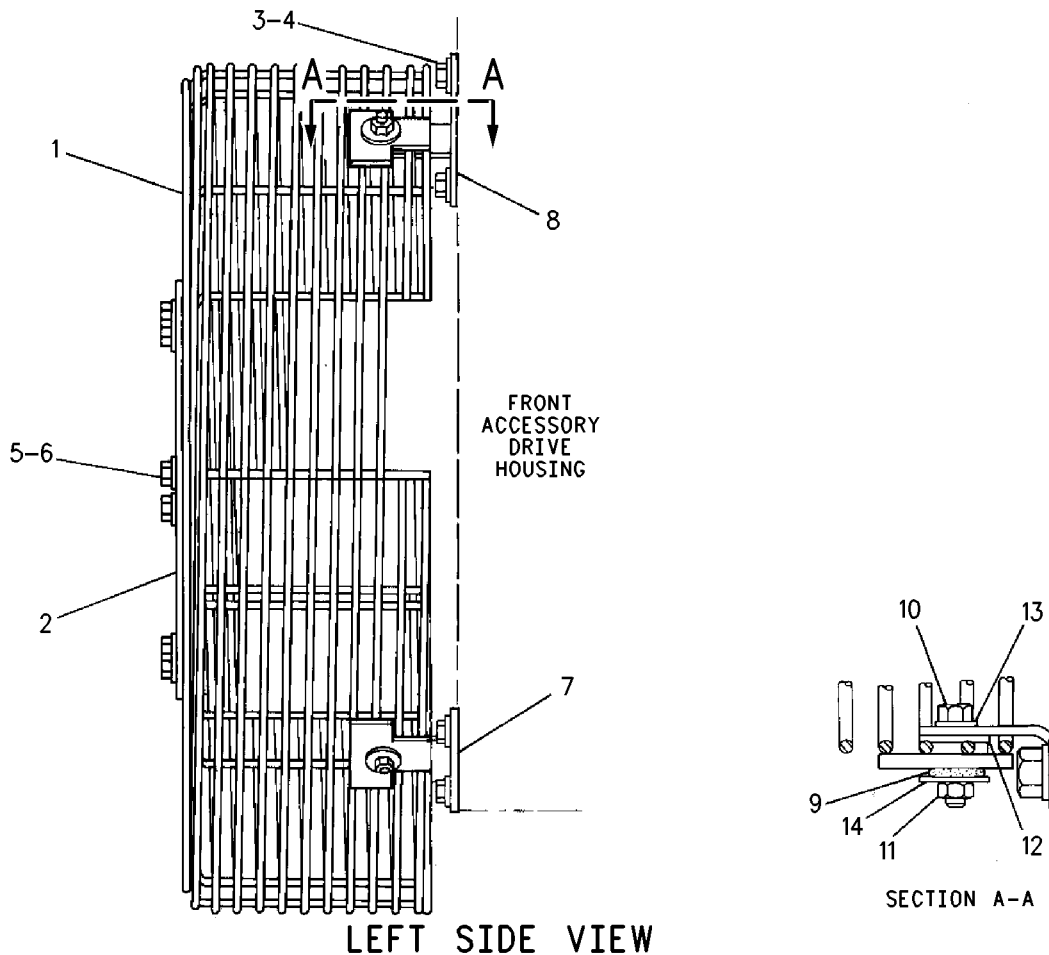
BASIC ENGINE

8N-9639 GUARD GP-DAMPER FOR USE WITH FRONT ACCESSORY DRIVE HOUSING AN ATTACHMENT

SMCS-1205

i04381469

NOTE	REF NO	GRAPHIC REF	PART NUMBER	QTY	PART NAME						SEE PAGE
					1	2	3	4	5	6	
	1	1	1W-4923	1	DAMPER & GUARD AS						
		1	1V-8638	6	NUT (3/8-16-THD)						
	2	1	8J-8919	1	COVER						
	3	1	0S-1621	8	BOLT (1/2-13X1-IN)						
	4	1	5P-8245	8	WASHER-HARD (13.5X25.5X3-MM THK)						
	5	1	030-8535	6	BOLT-LOCKING (3/8-16X0.875-IN)						
	6	1	5P-1075	6	WASHER-HARD (10.2X22.5X3-MM THK)						
	7	1	7W-3031	2	BRACKET						
	8	1	7W-3032	2	BRACKET						
	9	1	1P-7115	4	GROMMET AS						
	10	1	0S-1591	4	BOLT (3/8-16X1.5-IN)						
	11	1	9S-8752	4	NUT-FULL (3/8-16-THD)						
	12	1	3F-1417	4	WASHER (10.3X30.2X3-MM THK)						
	13	1	5M-2894	4	WASHER-HARD (10.2X18.5X2.5-MM THK)						
	14	1	9L-9132	4	WASHER (10.2X25.5X2.5-MM THK)						



GRAPHIC #1

<END>

g00908882

BASIC ENGINE

101-0836 HOUSING GP-FLYWHEEL

S/N: 3XS404-UP

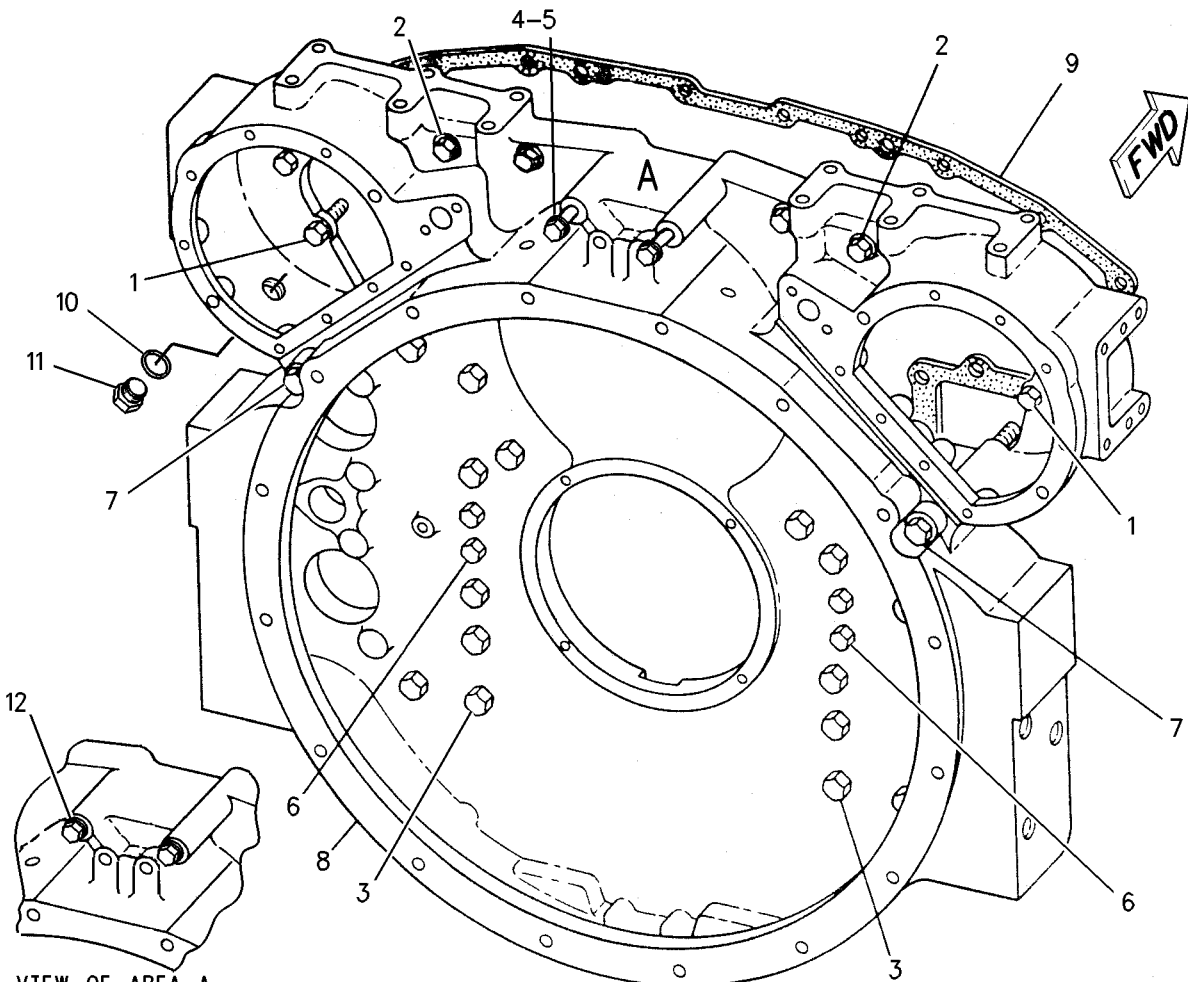
TYPE 1

SMCS-1157

i01729180

NOTE	REF NO	GRAPHIC REF	PART NUMBER	QTY	PART NAME						SEE PAGE
					1	2	3	4	5	6	
	1	1	0S-1595	6	BOLT (1/2-13X1.25-IN)						
	2	1	9X-8875	4	BOLT (1/2-13X3.5-IN)						
	3	1	1D-4590	16	BOLT (5/8-11X4.75-IN)						
	4	1	5P-8245	2	WASHER-HARD (13.5X25.5X3-MM THK)						
B	5	1	6M-9613	2	BOLT (1/2-13X9-IN)						
	6	1	8S-9089	4	BOLT (1/2-13X4.5-IN)						
	7	1	9S-1374	2	BOLT (1/2-13X8-IN)						
	8	1	101-1267	1	HOUSING-FLYWHEEL						
	9	1	7N-3049	1	GASKET						
B	10	1	3K-0360	1	SEAL-O-RING						
B	11	1	9S-4185	1	PLUG (3/4-16-THD)						
B	12	1	9M-7269	2	BOLT (1/2-13X6.75-IN)						

B - USE AS REQUIRED



VIEW OF AREA A
(ALTERNATE MOUNTING)

GRAPHIC #1

<END>

g00888046

BASIC ENGINE

101-0836 HOUSING GP-FLYWHEEL

S/N: 3XS404-UP

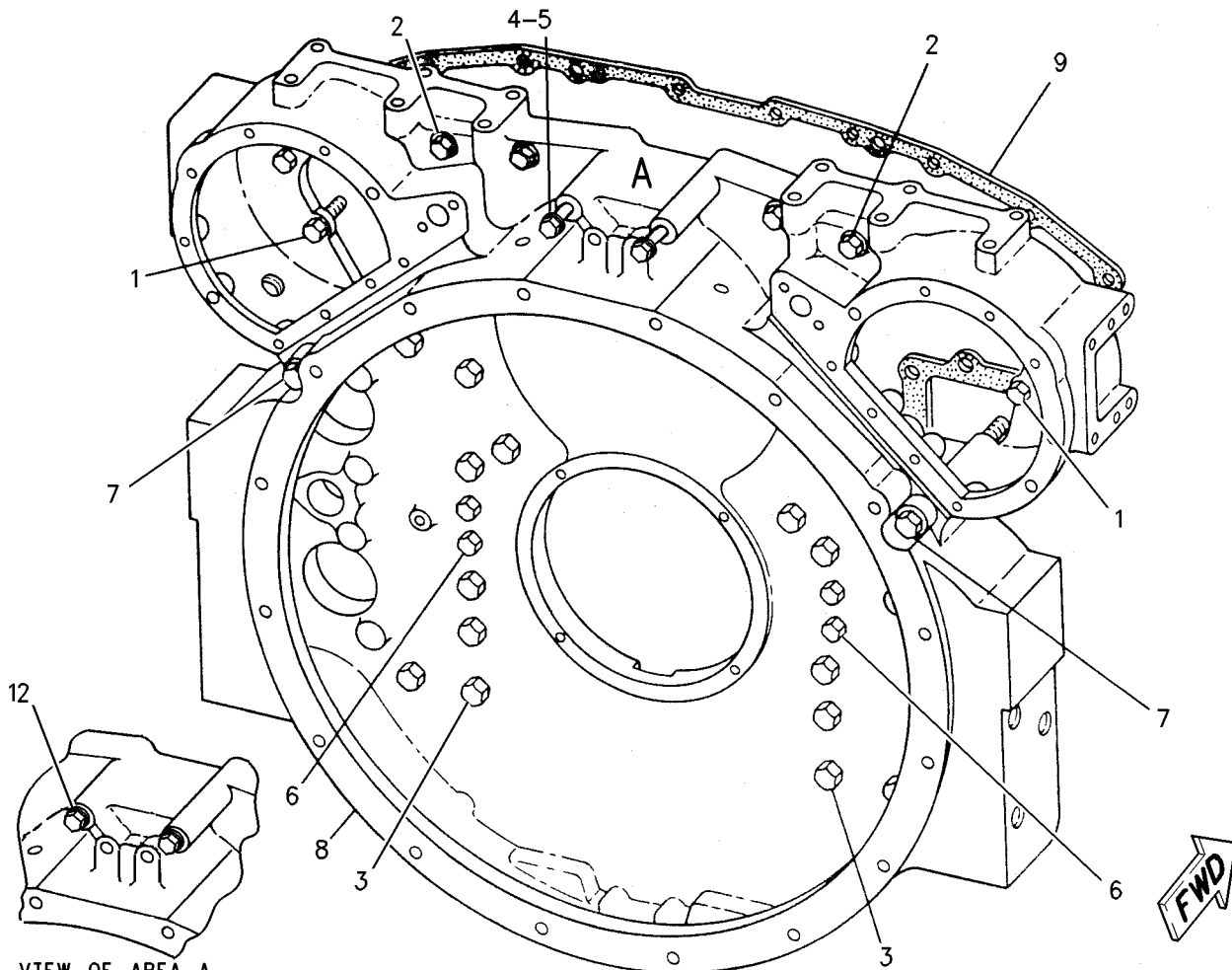
TYPE 2

SMCS-1157

i01729176

NOTE	REF NO	GRAPHIC REF	PART NUMBER	QTY	PART NAME						SEE PAGE
					1	2	3	4	5	6 (PRODUCT LEVEL)	
	1	1	0S-1595	6	BOLT (1/2-13X1.25-IN)						
	2	1	9X-8875	4	BOLT (1/2-13X3.5-IN)						
	3	1	1D-4590	16	BOLT (5/8-11X4.75-IN)						
	4	1	5P-8245	2	WASHER-HARD (13.5X25.5X3-MM THK)						
B	5	1	6M-9613	2	BOLT (1/2-13X9-IN)						
	6	1	8S-9089	4	BOLT (1/2-13X4.5-IN)						
	7	1	9S-1374	2	BOLT (1/2-13X8-IN)						
	8	1	101-1267	1	HOUSING-FLYWHEEL						
	9	1	7N-3049	1	GASKET						
B	12	1	9M-7269	2	BOLT (1/2-13X6.75-IN)						

B - USE AS REQUIRED



VIEW OF AREA A
(ALTERNATE MOUNTING)

GRAPHIC #1

<END>

g00888044

BASIC ENGINE

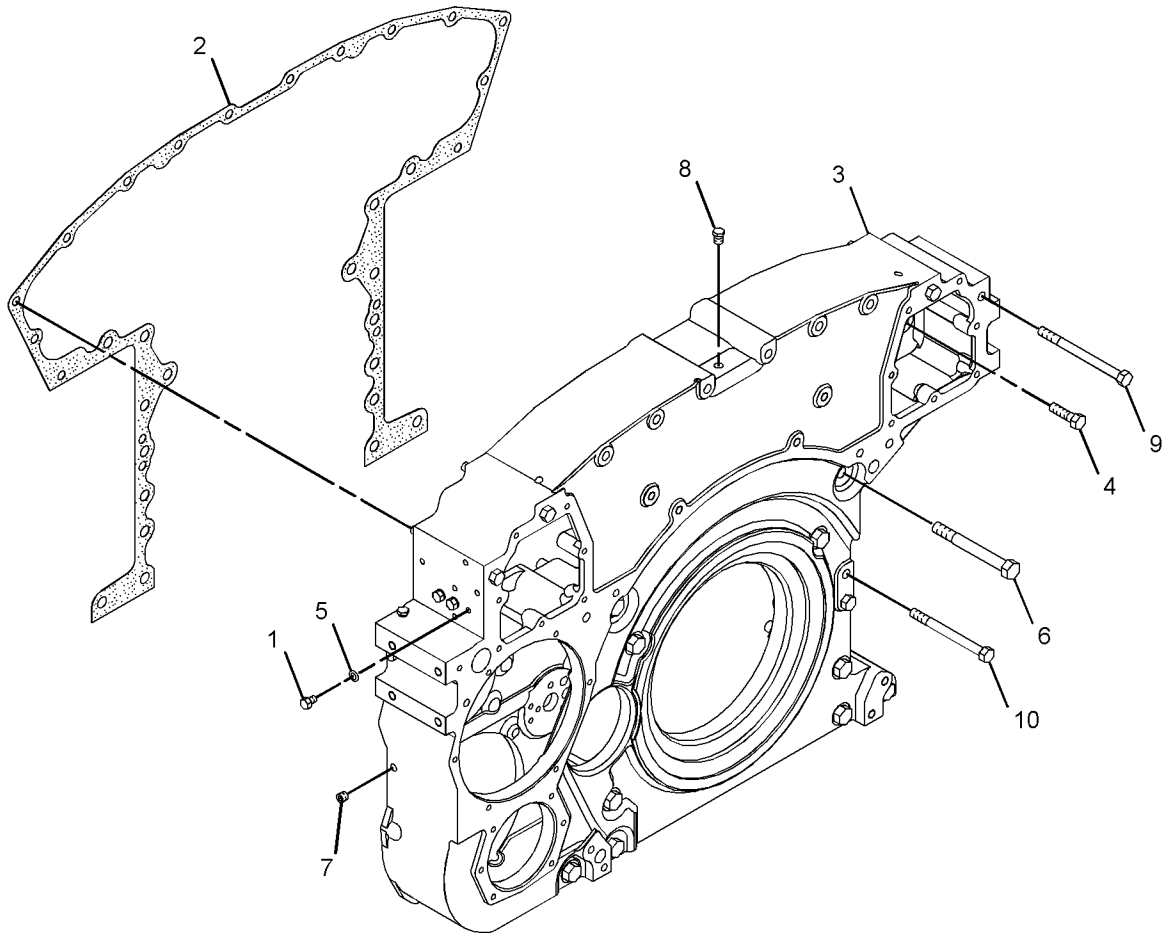
116-0054 HOUSING GP-FRONT

S/N: 3XS404-UP

SMCS-1151, 1162, 1206

i02763921

NOTE	REF NO	GRAPHIC REF	PART NUMBER	QTY	PART NAME						SEE PAGE
					1	2	3	4	5	6	
	1	1	2A-5220	3	PLUG (FRONT HOUSING)						
	2	1	7N-3049	1	GASKET						
	3	1	101-0832	1	HOUSING-FRONT DRIVE						
	4	1	0S-1587	4	BOLT (1/2-13X1.75-IN)						
	5	1	1B-4218	3	WASHER (0.39X0.625X0.064-IN THK)						
	6	1	1D-4593	10	BOLT (5/8-11X5.5-IN)						
	7	1	8T-6758	1	PLUG-PIPE (1/4-18-THD)						
	8	1	8T-6765	3	PLUG-PIPE (1/4-18-THD)						
	9	1	9H-8260	4	BOLT (1/2-13X6.25-IN)						
	10	1	9X-8879	2	BOLT (1/2-13X5.5-IN)						



GRAPHIC #1

<END>

g01276031

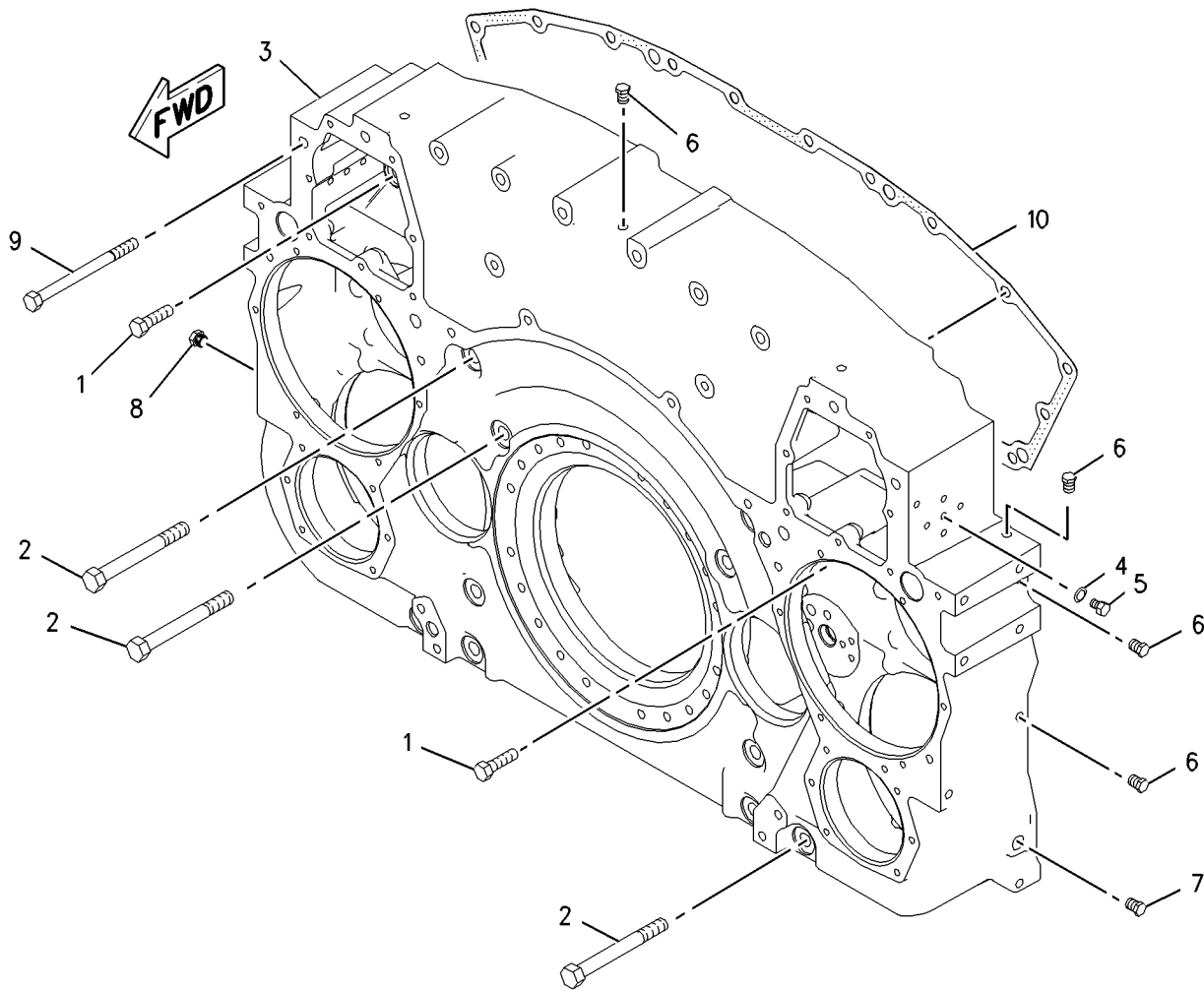
BASIC ENGINE

4P-5426 HOUSING GP-FRONT-ACCESSORY DRIVE AN ATTACHMENT

SMCS-1151, 1162, 1206

i06691784

NOTE	REF NO	GRAPHIC REF	PART NUMBER	QTY	PART NAME						SEE PAGE
					1	2	3	4	5	6	
	1	1	0S-1587	4	BOLT (1/2-13X1.75-IN)						
	2	1	1D-4593	10	BOLT (5/8-11X5.5-IN)						
	3	1	102-8634	1	HOUSING-ACCESSORY DRIVE						
	4	1	1B-4218	6	WASHER (0.39X0.625X0.064-IN THK)						
	5	1	2A-5220	6	PLUG						
	6	1	8T-6765	7	PLUG-PIPE (1/4-18-THD)						
	7	1	8T-6762	1	PLUG-PIPE (1/2-14-THD)						
	8	1	8T-6758	1	PLUG-PIPE (1/4-18-THD)						
	9	1	9H-8260	4	BOLT (1/2-13X6.25-IN)						
	10	1	7N-3049	1	GASKET						



GRAPHIC #1

<END>

g00995169

BASIC ENGINE

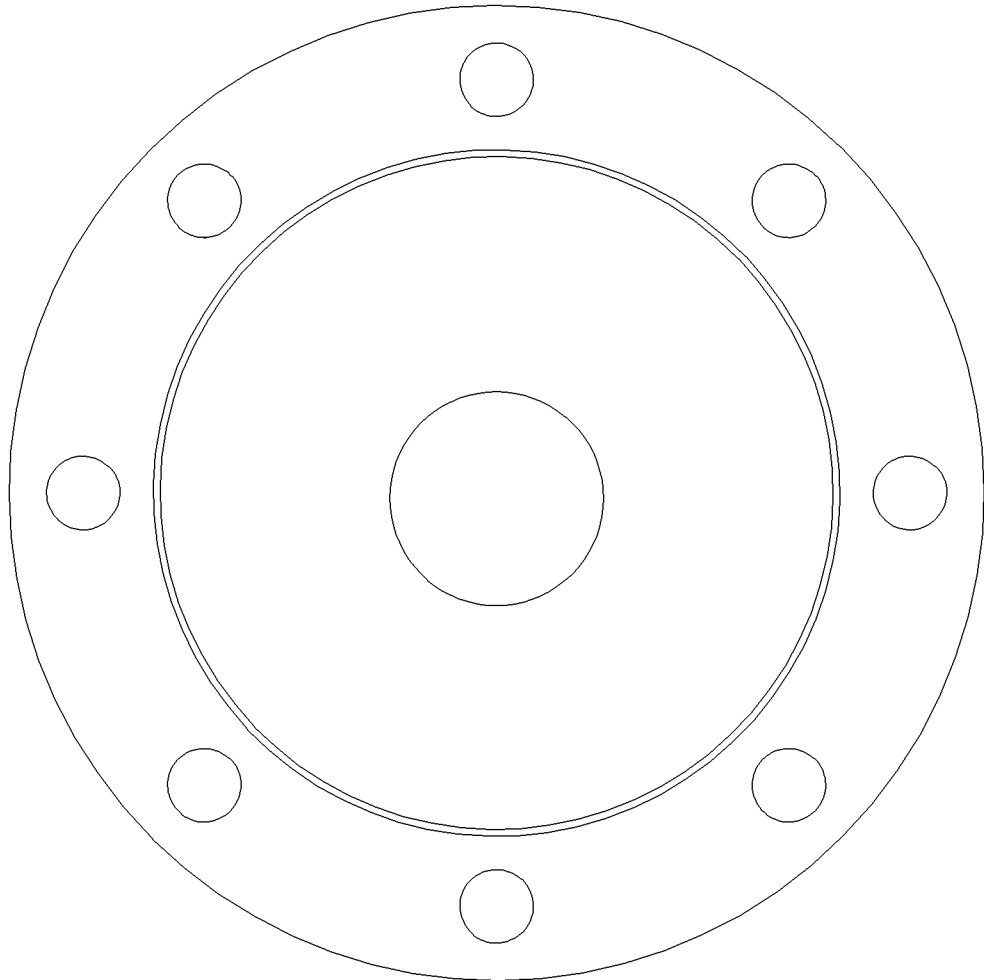
3N-5596 HUB-FLEXIBLE COUPLING
AN ATTACHMENT

SMCS-3252

i01212954

NOTE	REF NO	GRAPHIC REF	PART NUMBER	QTY	PART NAME	SEE PAGE
------	--------	-------------	-------------	-----	-----------	----------

(NO SERVICED PARTS)



GRAPHIC #1

<END>

g00648379

BASIC ENGINE

464-4073 KIT-ENGINE GASKET-TURBOCHARGER CONTAINS THE GASKETS & SEALS TO REINSTALL THE TURBO(S) & ATTACHING LINES FIELD INSTALLATION

SMCS-1000, 7555

i06102796

NOTE	PART NUMBER	QTY	PART NAME						SEE PAGE
			1	2	3	4	5	6 (PRODUCT LEVEL)	
	2N-2765	4	BOLT-HIGH TEMPERATURE (3/8-16X1.75-IN)						
	4P-4460	1	GASKET						
	7N-7559	1	GASKET						
	121-5736	1	GASKET (TURBOCHARGER)						
	341-9211	4	GASKET						
	453-7800	2	GASKET-EXHAUST						
	2N-2766	4	LOCKNUT (3/8-16-THD)						
	5P-9890	2	SEAL-O-RING						
	6V-3917	2	SEAL-O-RING						
	6V-4589	1	SEAL-O-RING						
	6V-6609	4	SEAL-O-RING						
	8L-2786	1	SEAL-O-RING						
	180-8424	1	SEAL-O-RING						
	5D-5957	1	SEAL-O-RING						
<END>									

BASIC ENGINE

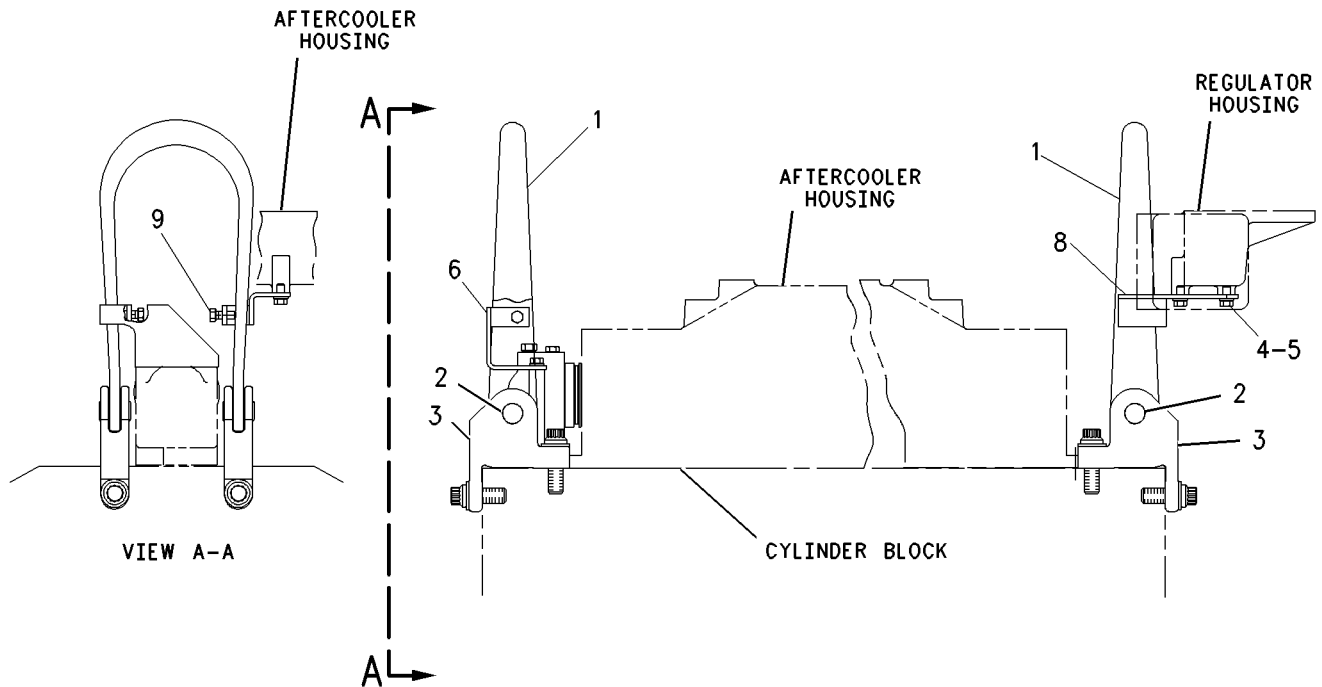
140-9593 LIFTING GP-ENGINE

S/N: 3XS404-UP

SMCS - 1122

i05565863

NOTE	REF NO	GRAPHIC REF	PART NUMBER	QTY	PART NAME						SEE PAGE
					1	2	3	4	5	6 (PRODUCT LEVEL)	
	1	1	7N-2326	2	EYE-LIFTING						
	2	1	7N-2328	4	DOWEL						
	3	1	155-0726	2	BRACKET AS						
	4	1	5M-2894	2	WASHER-HARD (10.2X18.5X2.5-MM THK)						
	5	1	0S-0509	2	BOLT (3/8-16X0.75-IN)						
	6	1	140-9602	1	BRACKET AS						
	8	1	140-9594	1	BRACKET AS						
	9	1	5P-4255	2	BOLT-LOCKING (3/8-16X1-IN)						



GRAPHIC #1

<END>

g00760130

BASIC ENGINE

7E-4836 MOUNTING GP-ALTERNATOR AN ATTACHMENT

SMCS-1154, 1405

i04315279

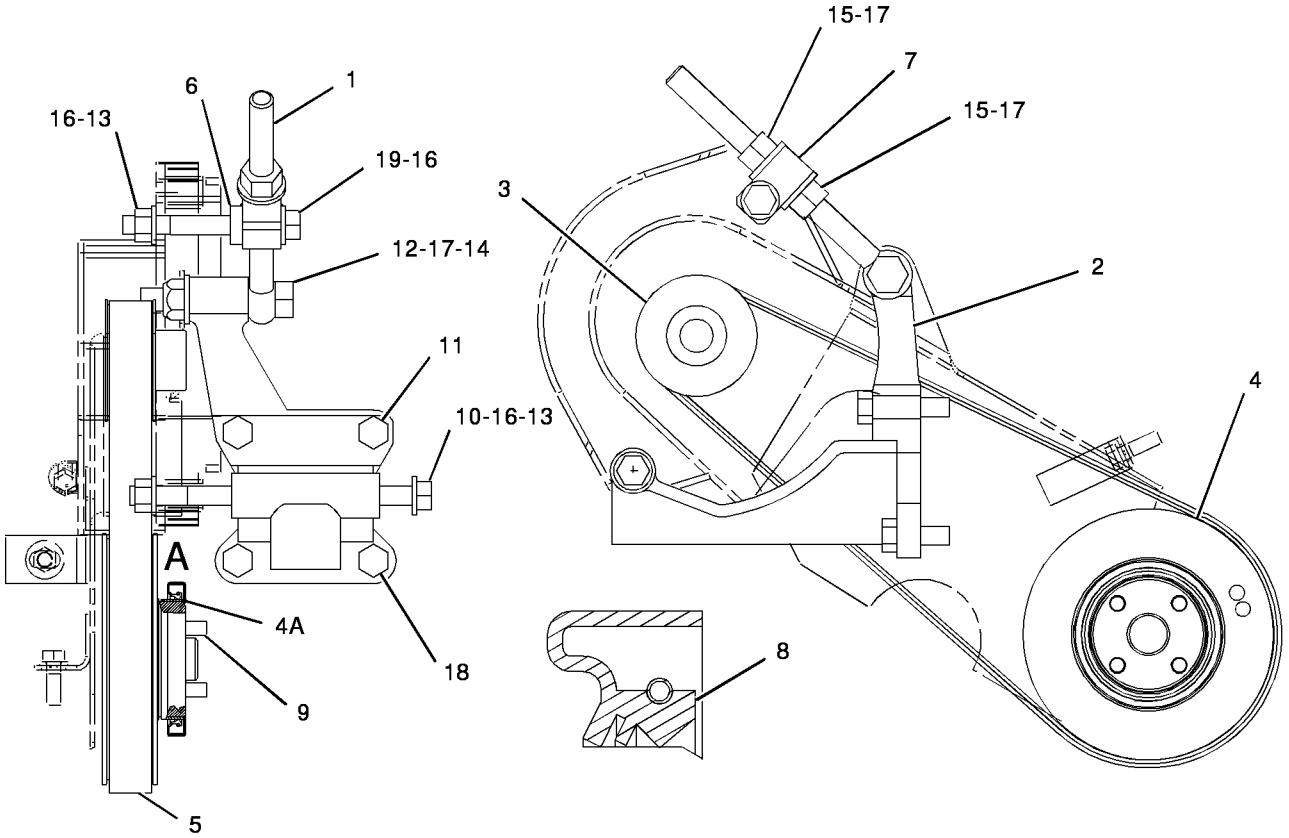
NOTE	REF NO	GRAPHIC REF	PART NUMBER	QTY	PART NAME						SEE PAGE
					1	2	3	4	5	6 (PRODUCT LEVEL)	
	1	1	1S-4589	1	ROD						
C	2	1	4P-5211	1	SUPPORT-ALTERNATOR						
	3	1	7E-4839	1	PULLEY (8-GROOVE)						
	4		7E-4840	1	PULLEY AS						
4A	1		053-5065	1	SLEEVE						
		1	7E-4838	1	PULLEY (8-GROOVE)						
	5	1	141-7116	1	BELT-SERPENTINE (ALTERNATOR)						
	6	1	7N-2597	1	SPACER (13.5X25.4X8.08-MM THK)						
	7	1	8S-5383	1	BLOCK						
	8	1	235-2484	1	SEAL-LIP TYPE						
	9	1	0S-1571	4	BOLT (3/8-16X1.75-IN)						
	10	1	1A-0168	1	BOLT (1/2-13X7.5-IN)						
	11	1	1A-1460	2	BOLT (1/2-13X2-IN)						
C	12	1	1D-4586	1	BOLT (5/8-11X3.5-IN)						
C	13	1	1F-7958	2	NUT-FULL (1/2-13-THD)						
C	14	1	3K-2889	1	LOCKNUT (5/8-11-THD)						
	15	1	4K-0367	2	NUT-FULL (5/8-11-THD)						
	16	1	5P-8245	4	WASHER-HARD (13.5X25.5X3-MM THK)						
C	17	1	5P-8247	3	WASHER-HARD (17X32X3.5-MM THK)						
	18	1	7B-3235	2	BOLT (1/2-13X1.375-IN)						
	19	1	7D-9766	1	BOLT (1/2-13X4.25-IN)						

C - CHANGE FROM PREVIOUS TYPE

BASIC ENGINE

7E-4836 MOUNTING GP-ALTERNATOR (contd.)

104315279



RIGHT SIDE VIEW

VIEW OF AREA A

FRONT VIEW

GRAPHIC #1

<END>

g01012504

BASIC ENGINE

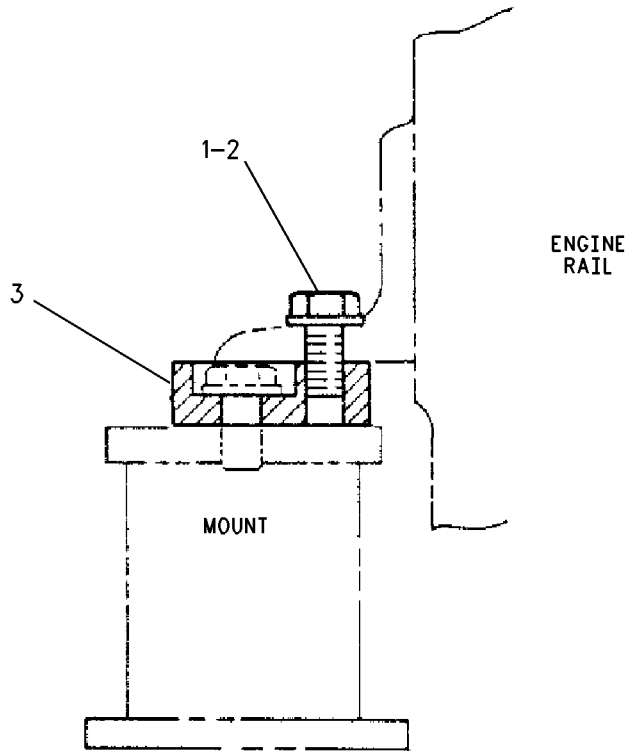
7W-7549 MOUNTING GP-ENGINE

FOR USE WITH DEEP ENGINE OIL PAN
AN ATTACHMENT

SMCS-1152, 1153, 1154

i02327566

NOTE	REF NO	GRAPHIC REF	PART NUMBER	QTY	PART NAME						SEE PAGE
					1	2	3	4	5	6 (PRODUCT LEVEL)	
	1	1	2H-3757	16	BOLT (7/8-9X1.75-IN)						
	2	1	5P-8249	16	WASHER-HARD (24X41.5X4-MM THK)						
	3	1	7W-7547	8	BLOCK						



GRAPHIC #1

<END>

g00759429

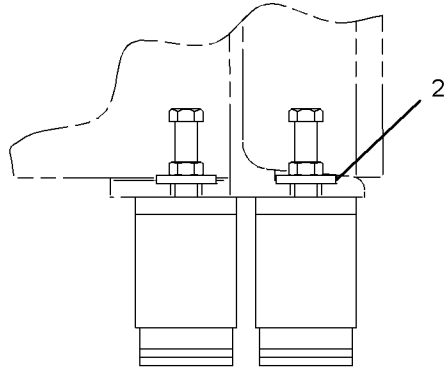
BASIC ENGINE

115-8491 MOUNTING GP-ENGINE & GENERATOR AN ATTACHMENT

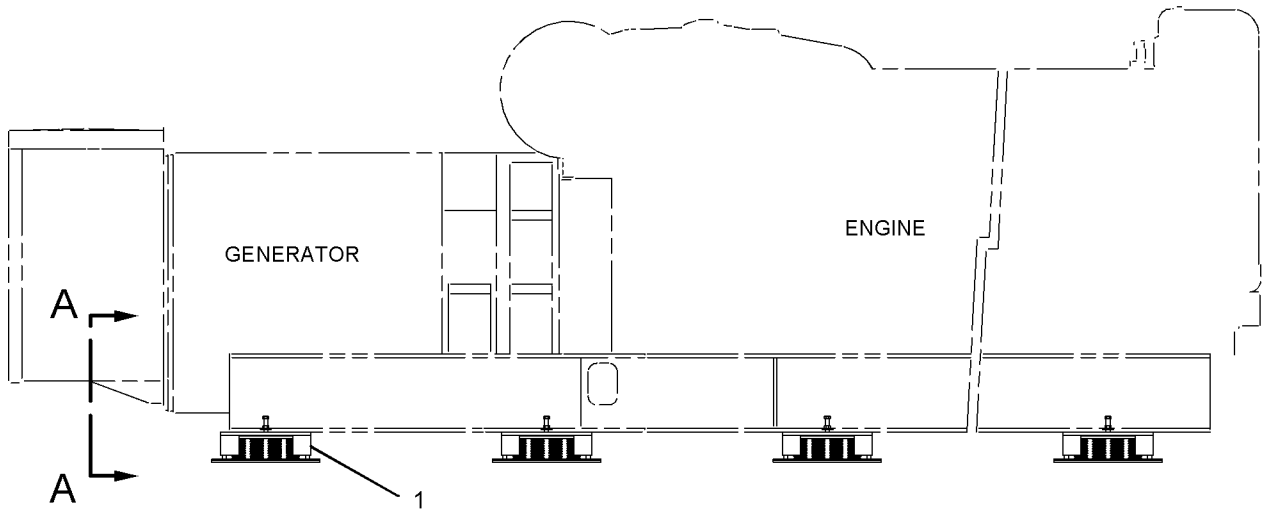
SMCS-1021, 1152

i06758550

NOTE	REF NO	GRAPHIC REF	PART NUMBER	QTY	PART NAME						SEE PAGE
					1	2	3	4	5	6 (PRODUCT LEVEL)	
1	1	1	178-5048	8	ISOLATOR AS						
2	1	1	8T-4994	8	WASHER-HARD (20X36.5X3.5-MM THK)						



VIEW A-A



RIGHT SIDE VIEW

GRAPHIC #1

<END>

g01078801

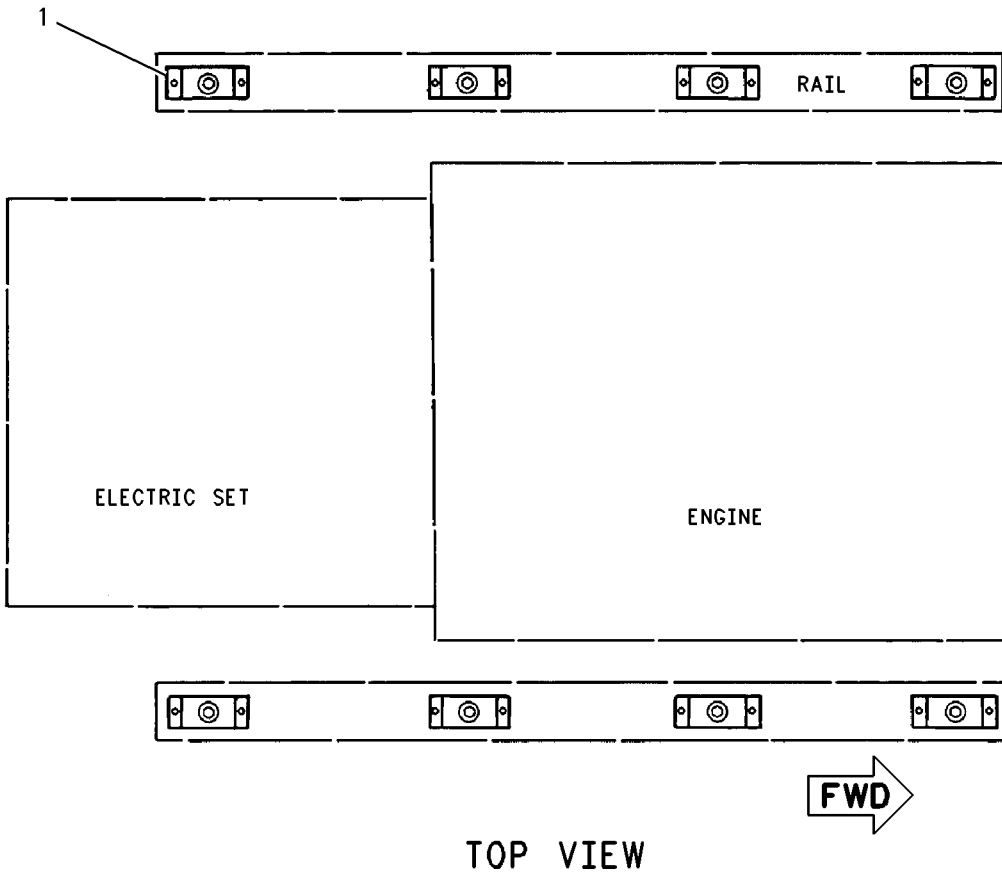
BASIC ENGINE

2W-1773 MOUNTING GP-ENGINE FLEXIBLE AN ATTACHMENT

SMCS-1152

i02327567

NOTE	REF NO	GRAPHIC REF	PART NUMBER	QTY	PART NAME						SEE PAGE
					1	2	3	4	5	6 (PRODUCT LEVEL)	
	1	1	2W-2180	8	MOUNT AS						
		1	2H-3757	16	BOLT (7/8-9X1.75-IN)						
		1	5P-8249	16	WASHER-HARD (24X41.5X4-MM THK)						



GRAPHIC #1

<END>

g00899256

BASIC ENGINE

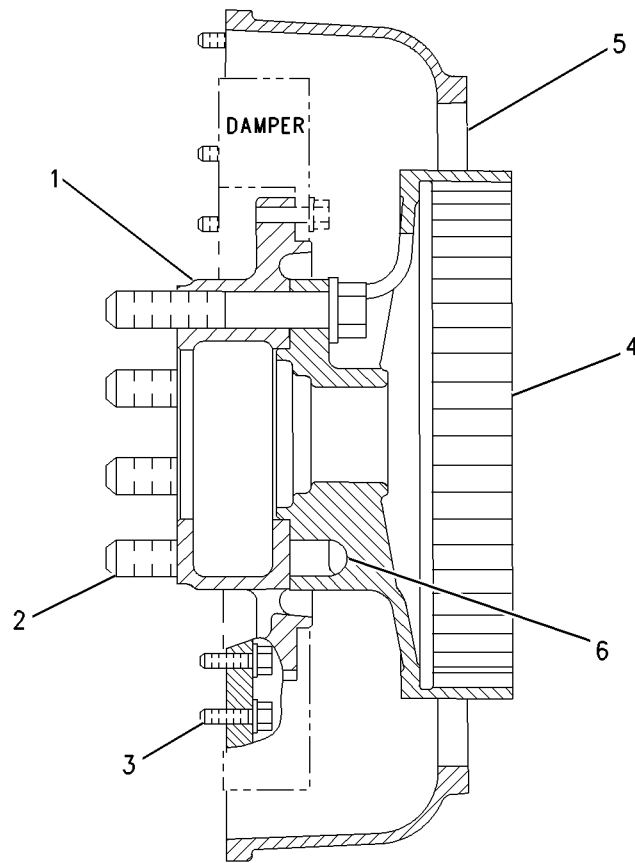
7W-0283 MOUNTING GP-HYD PUMP DRIVE

CANNOT BE USED WITH ATTACHMENT DAMPER GP
AN ATTACHMENT

SMCS-1207

i01758034

NOTE	REF NO	GRAPHIC REF	PART NUMBER	QTY	PART NAME						SEE PAGE
					1	2	3	4	5	6	
	1	1	7W-3415	1	ADAPTER-DAMPER						
	2	1	5F-6932	6	BOLT (1-14X7-IN)						
	3	1	5P-8250	6	WASHER (28X49X5-MM THK)						
	4	1	0S-1587	10	BOLT (1/2-13X1.75-IN)						
	5	1	5P-8245	10	WASHER-HARD (13.5X25.5X3-MM THK)						
	6	1	2W-8014	1	COUPLING-FRONT PTO						
	7	1	7W-0285	1	ADAPTER AS-FRONT						
	8	1	4N-0683	2	DOWEL						



RIGHT SIDE VIEW

GRAPHIC #1

<END>

g00899261

BASIC ENGINE

7W-0284 MOUNTING GP-HYD PUMP DRIVE

AN ATTACHMENT

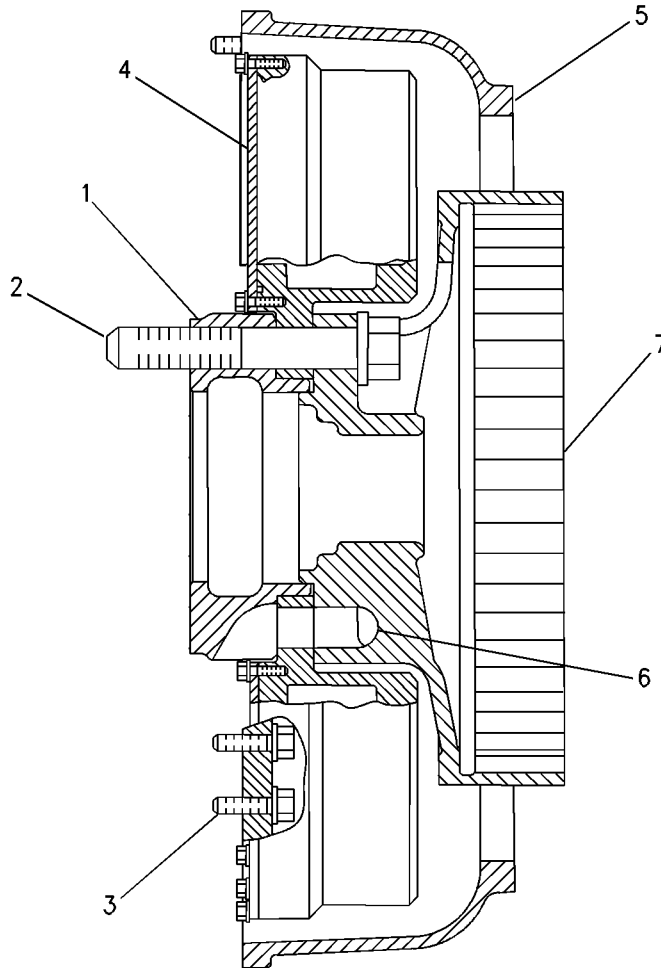
TYPE 1

SMCS-1207

i01758039

NOTE	REF NO	GRAPHIC REF	PART NUMBER	QTY	PART NAME						SEE PAGE
					1	2	3	4	5	6	
	1	1	7W-0287	1	ADAPTER-DAMPER						
	2	1	5F-6932	6	BOLT (1-14X7-IN)						
		1	5P-8250	6	WASHER (28X49X5-MM THK)						
	3	1	0S-1587	10	BOLT (1/2-13X1.75-IN)						
		1	5P-8245	10	WASHER-HARD (13.5X25.5X3-MM THK)						
CY	4	1	100-4325	1	DAMPER GP						60
	5	1	7W-0285	1	ADAPTER AS-FRONT						
	6	1	4N-0683	2	DOWEL						
	7	1	2W-8014	1	COUPLING-FRONT PTO						

C - CHANGE FROM PREVIOUS TYPE
Y - SEPARATE ILLUSTRATION



RIGHT SIDE VIEW

<END>

GRAPHIC #1

g00900722

BASIC ENGINE

7W-0284 MOUNTING GP-HYD PUMP DRIVE

AN ATTACHMENT

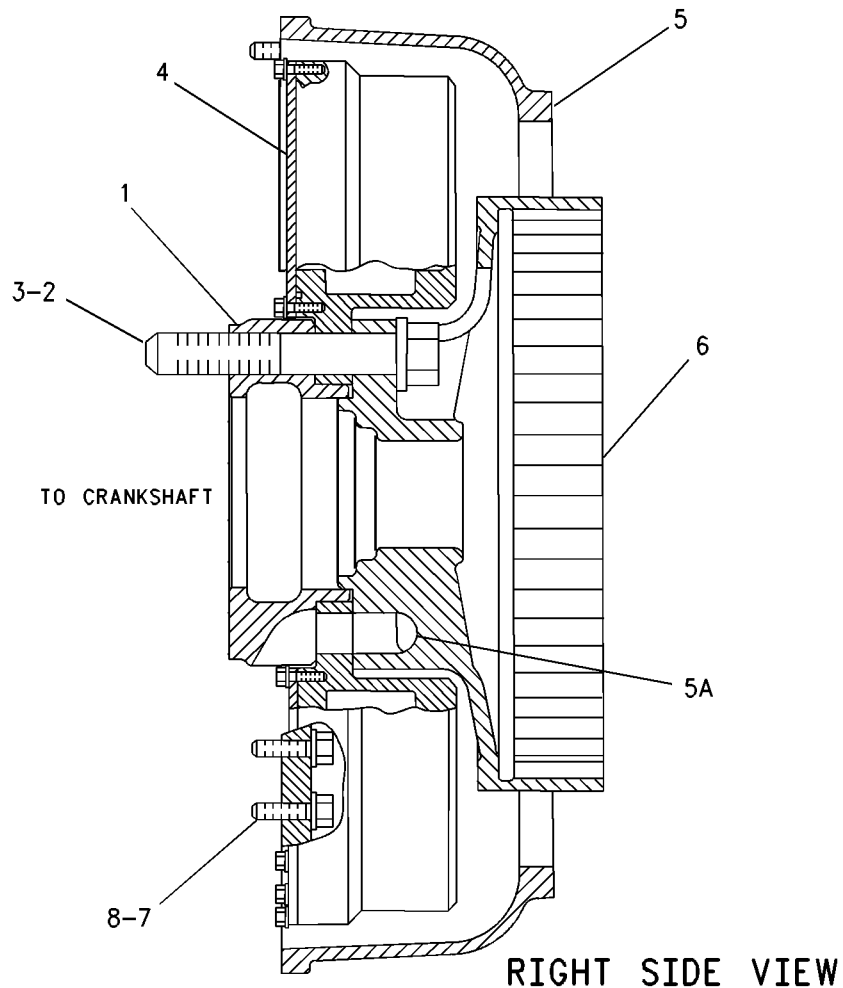
TYPE 2

SMCS-1207

i01758040

NOTE	REF NO	GRAPHIC REF	PART NUMBER	QTY	PART NAME						SEE PAGE
					1	2	3	4	5	6	
	1	1	7W-0287	1	ADAPTER-DAMPER						
	2	1	5F-6932	6	BOLT (1-14X7-IN)						
	3	1	5P-8250	6	WASHER (28X49X5-MM THK)						
CYR	4	1	171-4571	1	DAMPER GP						64
	5	1	7W-0285	1	ADAPTER AS-FRONT						
	5A	1	4N-0683	2	DOWEL						
	6	1	2W-8014	1	COUPLING-FRONT PTO						
	7	1	0S-1587	10	BOLT (1/2-13X1.75-IN)						
	8	1	5P-8245	10	WASHER-HARD (13.5X25.5X3-MM THK)						

C - CHANGE FROM PREVIOUS TYPE
 R - REMANUFACTURED PART MAY BE AVAILABLE
 Y - SEPARATE ILLUSTRATION



GRAPHIC #1

<END>

g00899264

BASIC ENGINE

7C-7178 PAN GP-OIL-DEEP SUMP

S/N: 3XS404-UP

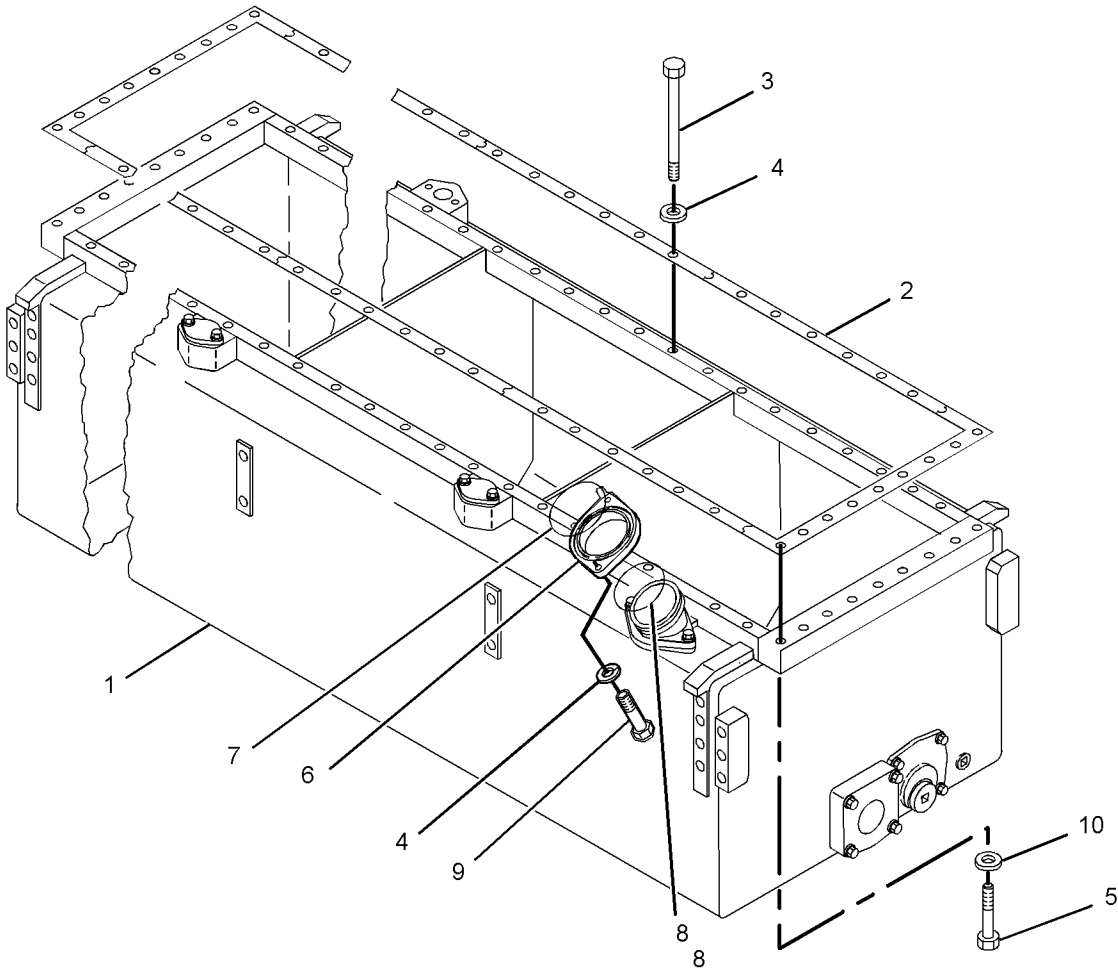
ALSO AN ATTACHMENT

SMCS-1302

i06120008

NOTE	REF NO	GRAPHIC REF	PART NUMBER	QTY	PART NAME						SEE PAGE
					1	2	3	4	5	6	
Y	1	1	9Y-3085	1	PAN GP-OIL (DEEP SUMP)						119
	2	1	7E-2632	1	GASKET-OIL PAN						
	3	1	0T-0065	50	BOLT (3/8-16X3.5-IN)						
	4	1	5M-2894	52	WASHER-HARD (10.2X18.5X2.5-MM THK)						
	5	1	0L-1143	18	BOLT (3/8-16X2.5-IN)						
	6	1	7W-0129	1	FLANGE						
	7	1	6V-5101	1	SEAL-O-RING						
	8	1	3P-0654	1	SEAL-O-RING						
	9	1	0S-1588	2	BOLT (3/8-16X1.25-IN)						
	10	1	8M-9124	18	WASHER (10X22.5X8-MM THK)						

Y - SEPARATE ILLUSTRATION



GRAPHIC #1

<END>

g03816535

BASIC ENGINE

9Y-3085 PAN GP-OIL-DEEP SUMP

S/N: 3XS404-UP

PART OF 7C-7178 PAN GP-OIL

ALSO AN ATTACHMENT

SMCS-1302

i04029980

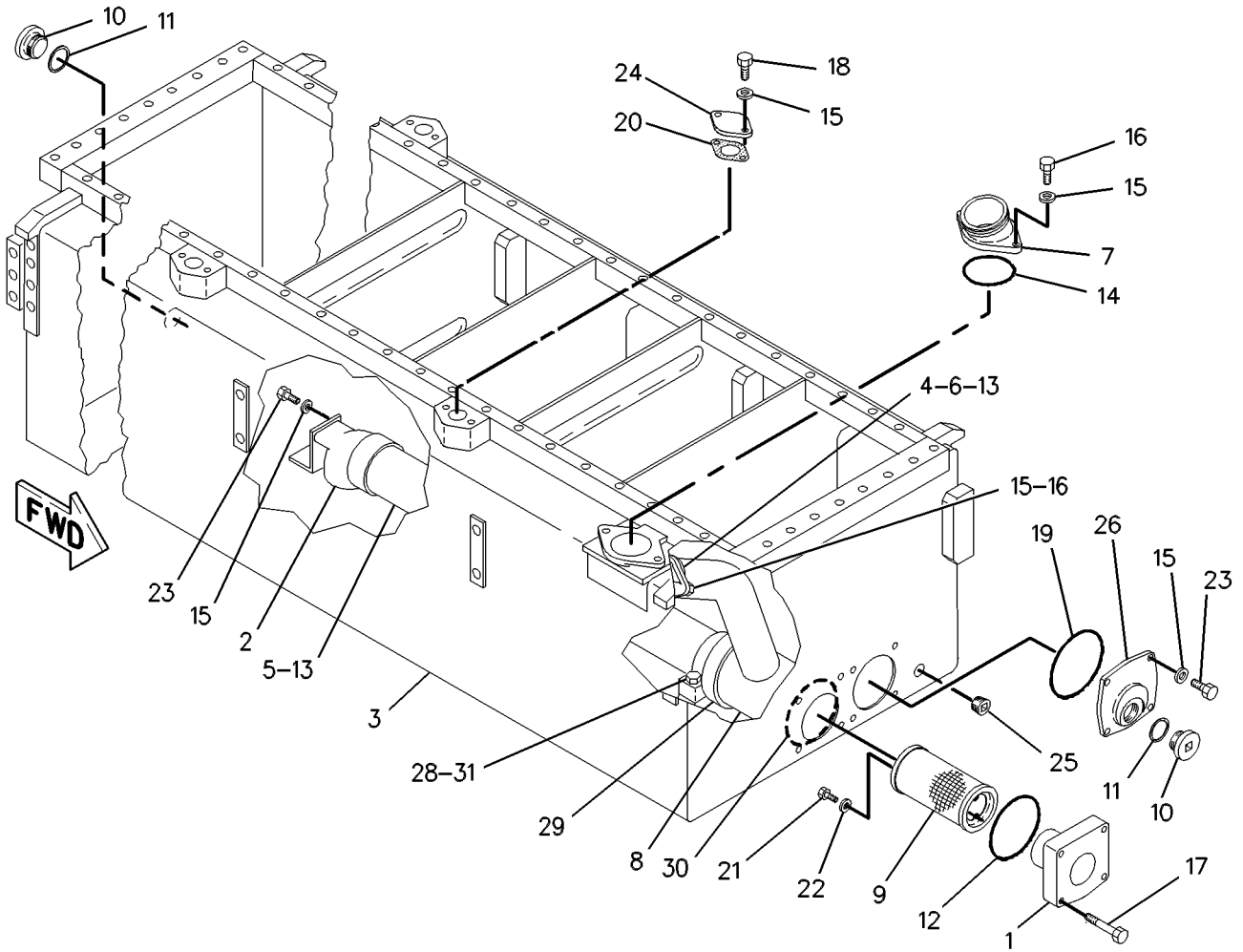
NOTE	REF NO	GRAPHIC REF	PART NUMBER	QTY	PART NAME						SEE PAGE
					1	2	3	4	5	6 (PRODUCT LEVEL)	
	1	1	116-3263	1	ADAPTER						
	2	1	111-3812	1	ELBOW						
C	3	1	176-8292	1	PAN AS-OIL						
	4	1	7W-0129	1	FLANGE						
	5	1	114-2412	1	TUBE-SUCTION						
	6	1	6V-5101	1	SEAL-O-RING						
	7	1	7C-4715	1	CONNECTOR						
	8	1	114-2413	1	TUBE AS						
	9	1	7C-4716	1	SCREEN AS-SUCTION (ENGINE OIL PAN)						
	10	1	4B-2363	2	PLUG-OIL DRAIN (ENGINE OIL PAN)						
	11	1	6F-4868	2	GASKET						
	12	1	5P-8872	1	SEAL-O-RING						
	13	1	3P-0654	3	SEAL-O-RING						
	14	1	5P-7818	1	SEAL-O-RING						
	15	1	5M-2894	12	WASHER-HARD (10.2X18.5X2.5-MM THK)						
	16	1	0S-1588	4	BOLT (3/8-16X1.25-IN)						
	17	1	0S-1571	4	BOLT (3/8-16X1.75-IN)						
	18	1	0S-1594	2	BOLT (3/8-16X1-IN)						
C	19	1	125-9794	1	SEAL-O-RING						
	20	1	9L-1480	1	GASKET						
	21	1	2A-0762	2	BOLT (1/4-20X0.625-IN)						
	22	1	5P-0537	2	WASHER-HARD (7.2X14.5X2-MM THK)						
	23	1	0L-1351	6	BOLT (3/8-16X0.875-IN)						
	24	1	4B-3140	1	COVER						
	25	1	8T-6762	1	PLUG-PIPE (1/2-14-THD)						
C	26	1	149-9298	1	COVER						
	28	1	0S-1590	2	BOLT (3/8-16X2-IN)						
	29	1	111-2081	1	HOUSING-OIL						
	30	1	7X-1547	2	SEAL-O-RING						
	31	1	8M-9024	2	WASHER-HARD (10.2X22.5X5-MM THK)						

C - CHANGE FROM PREVIOUS TYPE

BASIC ENGINE

9Y-3085 PAN GP-OIL (contd.)

i04029980



GRAPHIC #1

<END>

g00619020

BASIC ENGINE

6I-2861 PISTON & ROD GP

S/N: 3XS404-UP

SMCS - 1225

i04546962

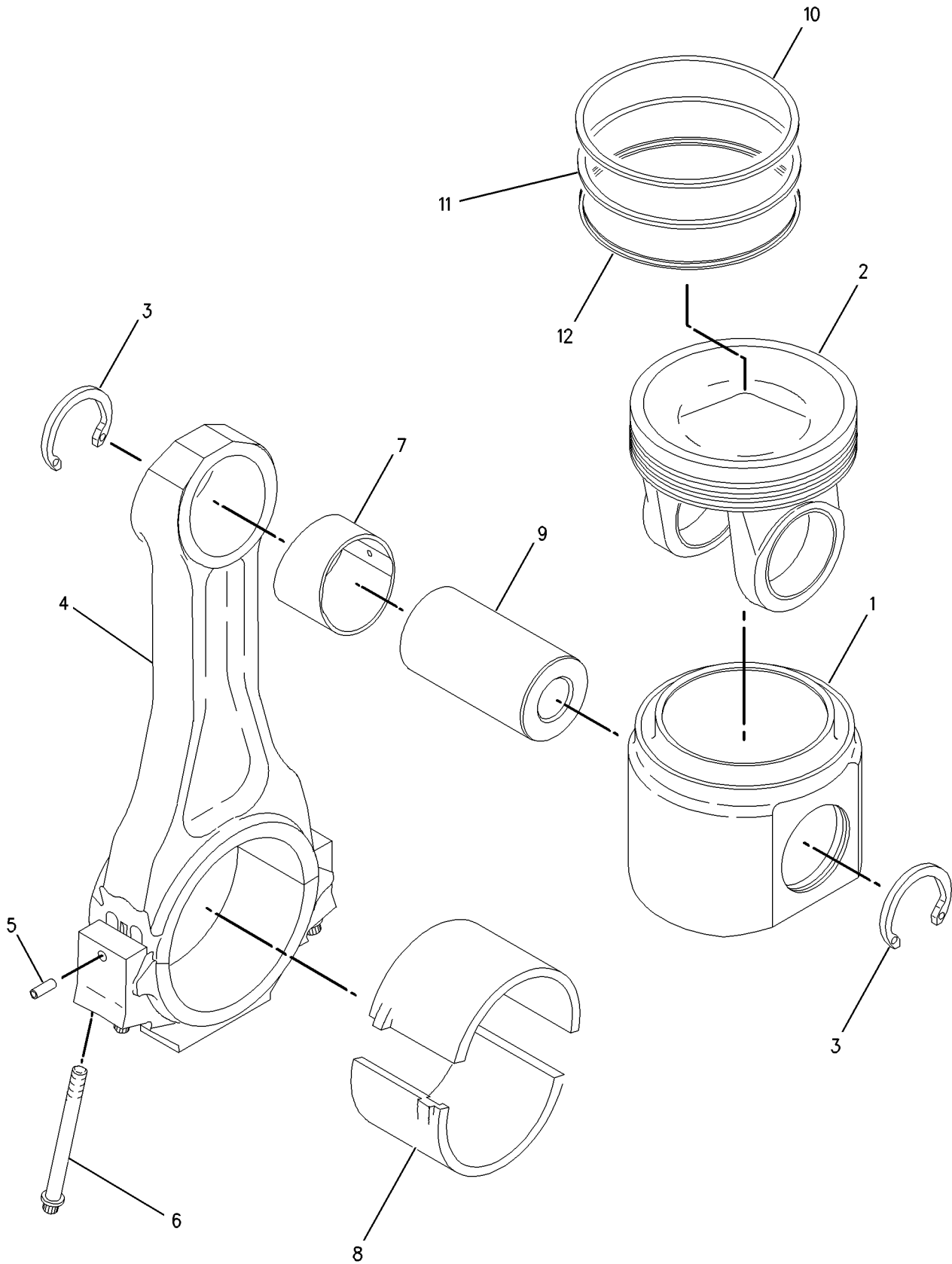
NOTE	REF NO	GRAPHIC REF	PART NUMBER	QTY	PART NAME						SEE PAGE
					1	2	3	4	5	6 (PRODUCT LEVEL)	
	1	1	125-2782	1	SKIRT-PISTON						
	2	1	133-8383	1	CROWN AS-PISTON						
	3	1	8N-7296	2	RETAINER-PIN						
R	4	1	144-0725	1	ROD AS-CONNECTING						
	5	1	7N-2043	1	DOWEL						
	6	1	7N-2405	4	BOLT-CONNECTING ROD						
	7	1	118-1655	1	BUSHING (CONNECTING ROD)						
	8	1	107-7330	1	BEARING-CONNECTING ROD (STANDARD)						
AB		1	107-7331		BEARING-CONNECTING ROD (0.63-MM US)						
AB		1	107-7332		BEARING-CONNECTING ROD (1.27-MM US)						
AB		1	107-7333		BEARING-CONNECTING ROD (0.25-MM OS)						
AB		1	107-7334		BEARING-CONNECTING ROD (0.25-MM OS, 0.63-MM US)						
AB		1	107-7335		BEARING-CONNECTING ROD (0.25-MM OS, 1.27-MM US)						
	9	1	138-8507	1	PIN-PISTON						
	10	1	229-1631	1	RING-PISTON (TOP)						
	11	1	144-5695	1	RING-PISTON (INTERMEDIATE)						
	12	1	123-4268	1	RING-PISTON (OIL)						

A - NOT PART OF THIS GROUP
 B - USE AS REQUIRED
 R - REMANUFACTURED PART MAY BE AVAILABLE

BASIC ENGINE

6I-2861 PISTON & ROD GP (contd.)

i04546962



GRAPHIC #1

<END>

g00775304

BASIC ENGINE

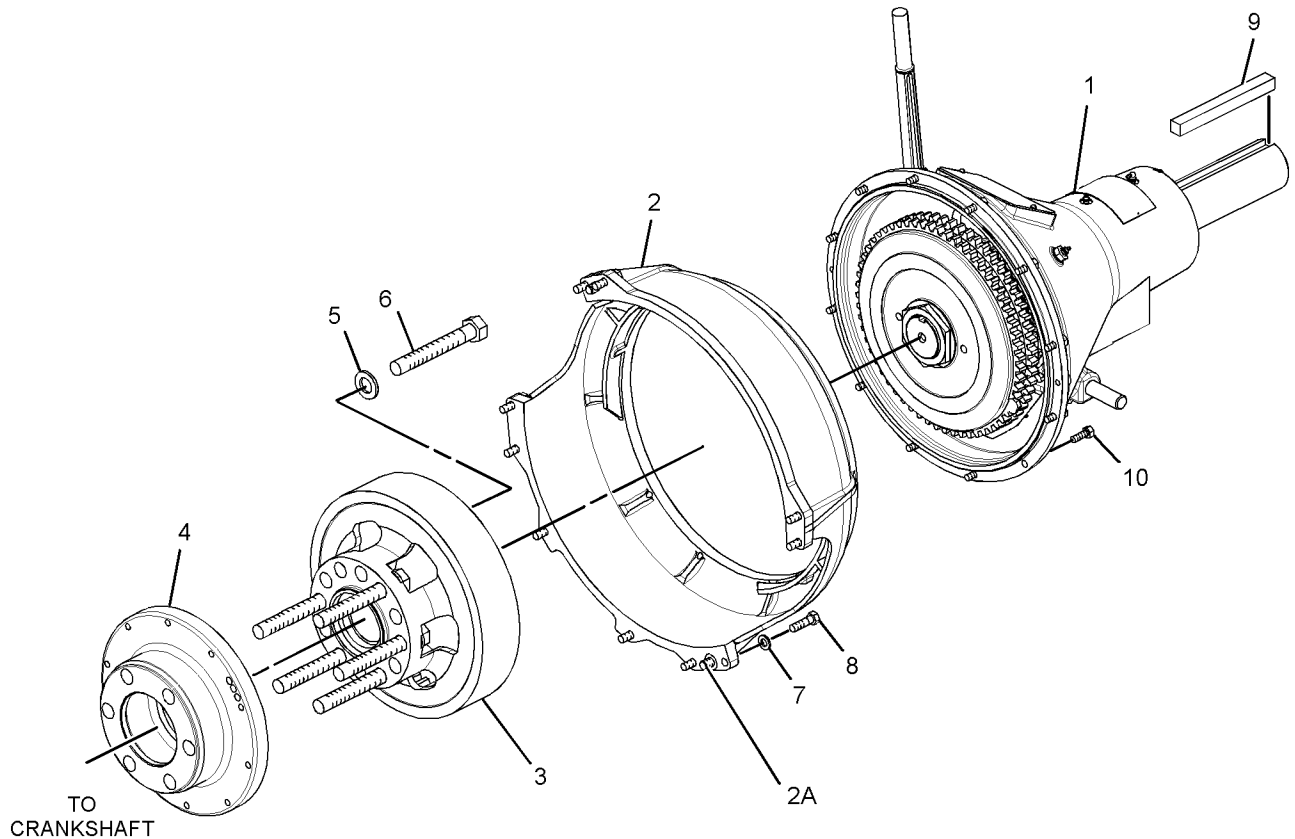
7W-0281 POWER TAKE-OFF GP CLUTCH CANNOT BE USED WITH ATTACHMENT DAMPER GP AN ATTACHMENT

SMCS-1165

i02657420

NOTE	REF NO	GRAPHIC REF	PART NUMBER	QTY	PART NAME						SEE PAGE
					1	2	3	4	5	6 (PRODUCT LEVEL)	
Y	1	1	3N-4130	1	CLUTCH GP (BASIC)						7
	2	1	7W-0285	1	ADAPTER AS-FRONT						
	2A	1	4N-0683	2	DOWEL						
	3	1	2W-8014	1	COUPLING-FRONT PTO						
	4	1	7W-3415	1	ADAPTER-DAMPER						
	5	1	5P-8250	6	WASHER (28X49X5-MM THK)						
	6	1	5F-6932	6	BOLT (1-14X7-IN)						
	7	1	5P-8245	10	WASHER-HARD (13.5X25.5X3-MM THK)						
	8	1	0S-1587	10	BOLT (1/2-13X1.75-IN)						
	9	1	7F-8896	1	KEY-SQUARE						
	10	1	0T-0320	12	BOLT (7/16-14X1.25-IN)						

Y - SEPARATE ILLUSTRATION



GRAPHIC #1

<END>

g01319970

BASIC ENGINE

7W-0282 POWER TAKE-OFF GP

CLUTCH

CANNOT BE USED WITH ATTACHMENT DAMPER GP, NON-CAT GENERATOR AND FRONT POWER TAKE-OFF AT RATED SPEEDS GREATER THAN 1650-RPM

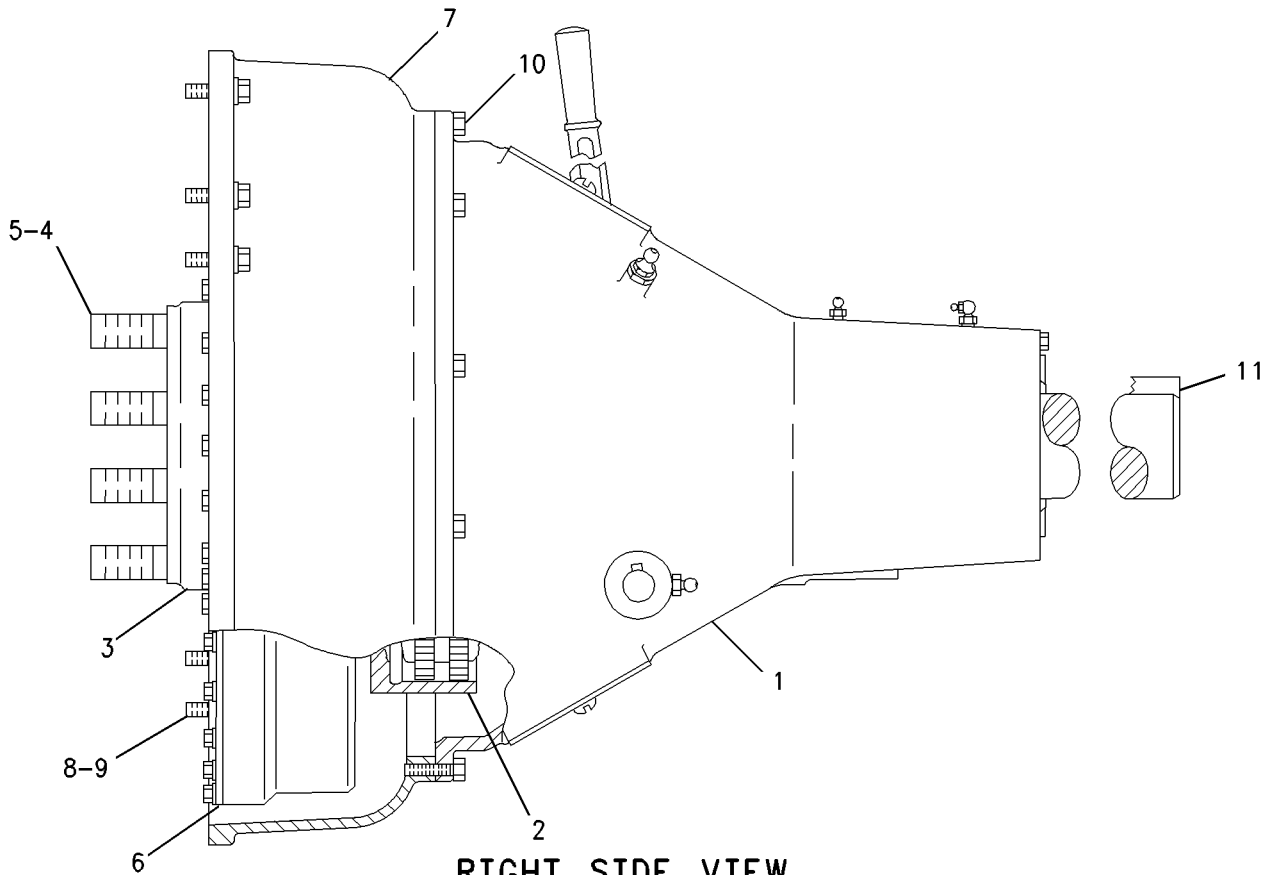
AN ATTACHMENT TYPE 1

SMCS-1165

i01758044

NOTE	REF NO	GRAPHIC REF	PART NUMBER	QTY	PART NAME						SEE PAGE
					1	2	3	4	5	6 (PRODUCT LEVEL)	
Y	1	1	3N-4130	1	CLUTCH GP (BASIC)						7
	2	1	2W-8014	1	COUPLING-FRONT PTO						
	3	1	7W-0287	1	ADAPTER-DAMPER						
	4	1	5F-6932	6	BOLT (1-14X7-IN)						
	5	1	5P-8250	6	WASHER (28X49X5-MM THK)						
CY	6	1	100-4325	1	DAMPER GP						60
	7	1	7W-0285	1	ADAPTER AS-FRONT						
		1	4N-0683	2	DOWEL						
	8	1	0S-1587	10	BOLT (1/2-13X1.75-IN)						
	9	1	5P-8245	10	WASHER-HARD (13.5X25.5X3-MM THK)						
	10	1	0T-0320	12	BOLT (7/16-14X1.25-IN)						
	11	1	7F-8896	1	KEY-SQUARE						

C - CHANGE FROM PREVIOUS TYPE
Y - SEPARATE ILLUSTRATION



GRAPHIC #1

<END>

g00899268

BASIC ENGINE

7W-0282 POWER TAKE-OFF GP

CLUTCH

**CANNOT BE USED WITH ATTACHMENT DAMPER GP, NON-CAT GENERATOR AND FRONT POWER TAKE-OFF AT RATED SPEEDS GREATER THAN 1650-RPM
AN ATTACHMENT**

TYPE 2

SMCS-1165

i04561126

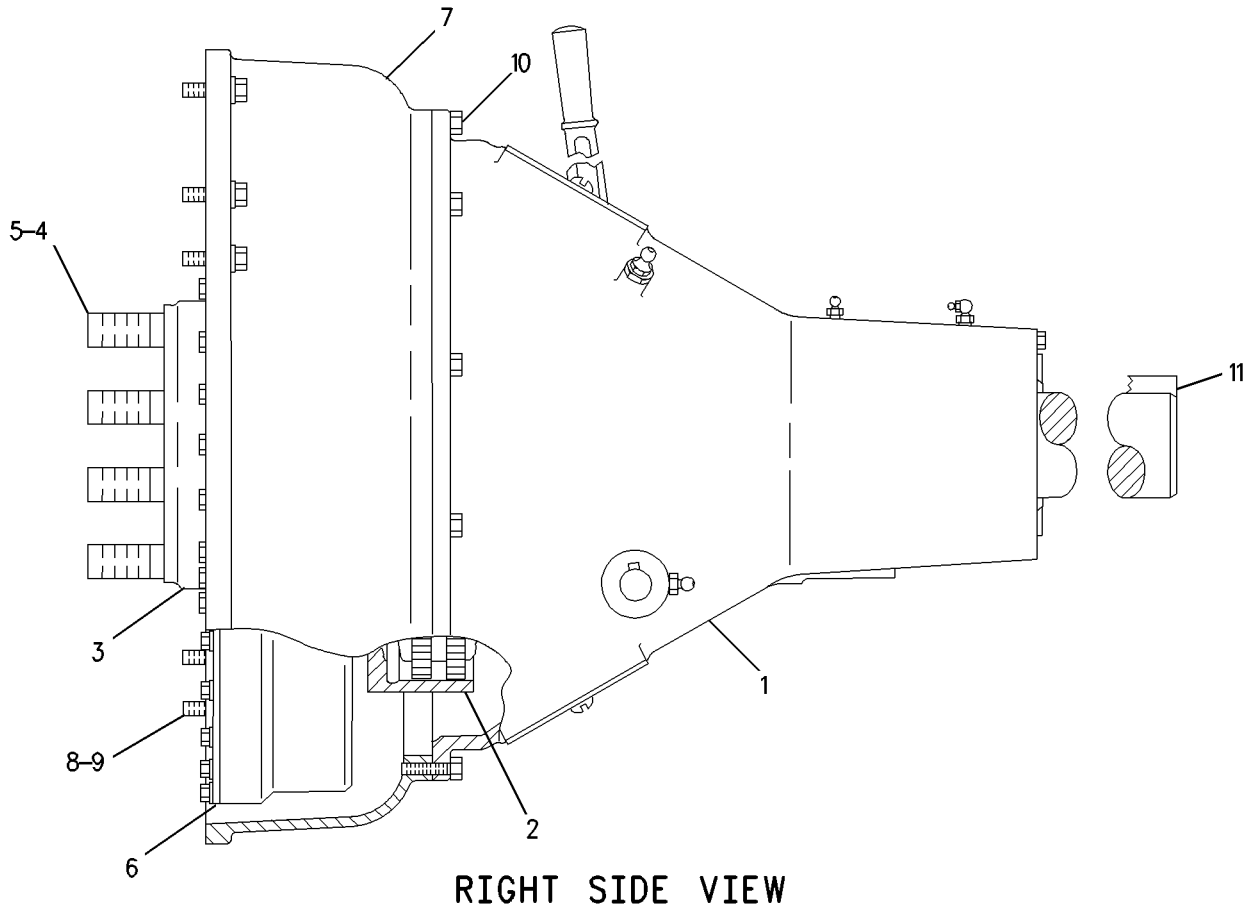
NOTE	REF NO	GRAPHIC REF	PART NUMBER	QTY	PART NAME						SEE PAGE
					1	2	3	4	5	6 (PRODUCT LEVEL)	
Y	1	1	3N-4130	1	CLUTCH GP (BASIC)						7
	2	1	2W-8014	1	COUPLING-FRONT PTO						
	3	1	7W-0287	1	ADAPTER-DAMPER						
	4	1	5F-6932	6	BOLT (1-14X7-IN)						
	5	1	5P-8250	6	WASHER (28X49X5-MM THK)						
CYR	6	1	171-4571	1	DAMPER GP						64
	7	1	7W-0285	1	ADAPTER AS-FRONT						
		1	4N-0683	2	DOWEL						
	8	1	0S-1587	10	BOLT (1/2-13X1.75-IN)						
	9	1	5P-8245	10	WASHER-HARD (13.5X25.5X3-MM THK)						
	10	1	0T-0320	12	BOLT (7/16-14X1.25-IN)						
	11	1	7F-8896	1	KEY-SQUARE						

C - CHANGE FROM PREVIOUS TYPE
R - REMANUFACTURED PART MAY BE AVAILABLE
Y - SEPARATE ILLUSTRATION

BASIC ENGINE

7W-0282 POWER TAKE-OFF GP (contd.)

i04561126



RIGHT SIDE VIEW

GRAPHIC #1

<END>

g00899269

BASIC ENGINE

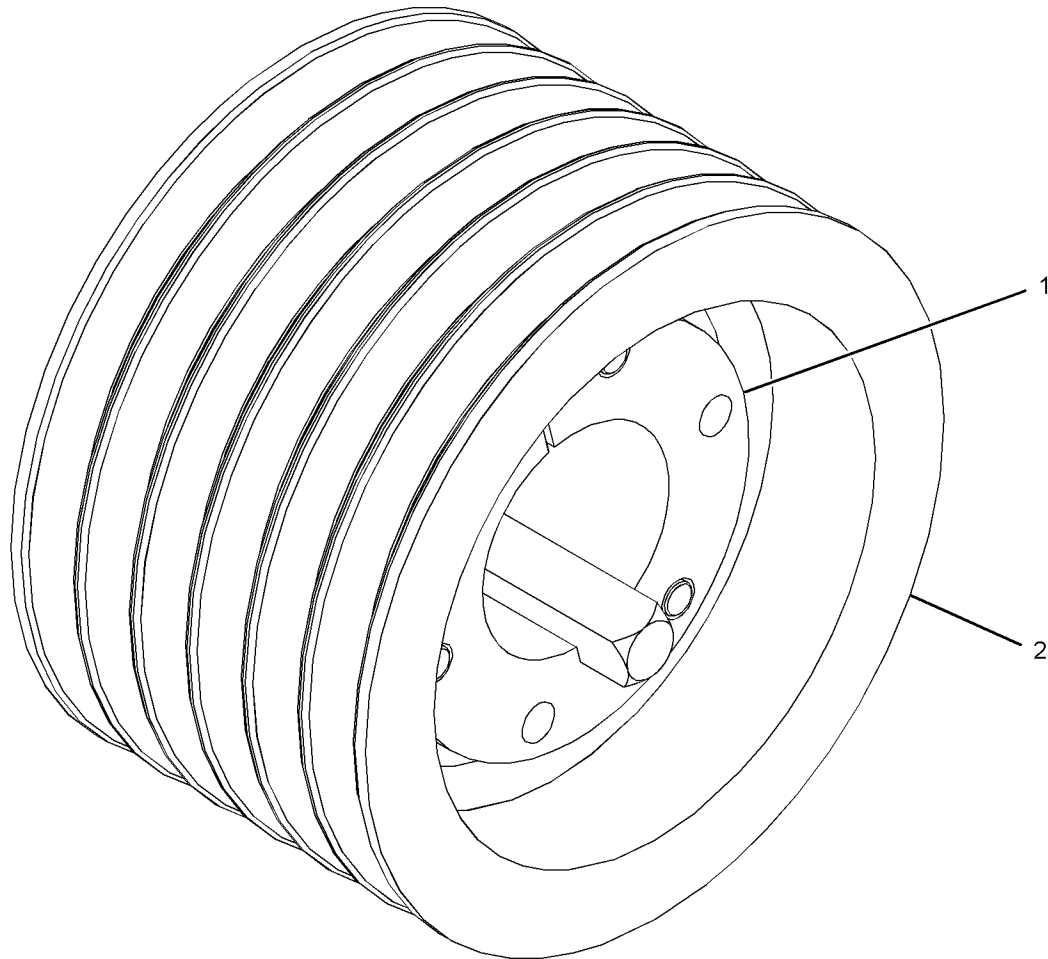
7N-4106 PULLEY AS-CRANKSHAFT

196.85-MM DIAMETER (7.75-IN)
FOR USE WITH LOW KW STUB SHAFT GP
AN ATTACHMENT

SMCS-1205

i04265651

NOTE	REF NO	GRAPHIC REF	PART NUMBER	QTY	PART NAME						SEE PAGE
					1	2	3	4	5	6	
	1	1	4W-0335	1	KIT-BUSHING (CRANKSHAFT PULLEY)						
					(INCLUDES BUSHING, BOLTS, LOCKWASHER, SET SCREW & KEY)						
	2	1	368-7808	1	PULLEY-CRANKSHAFT						



GRAPHIC #1

<END>

g02446399

BASIC ENGINE

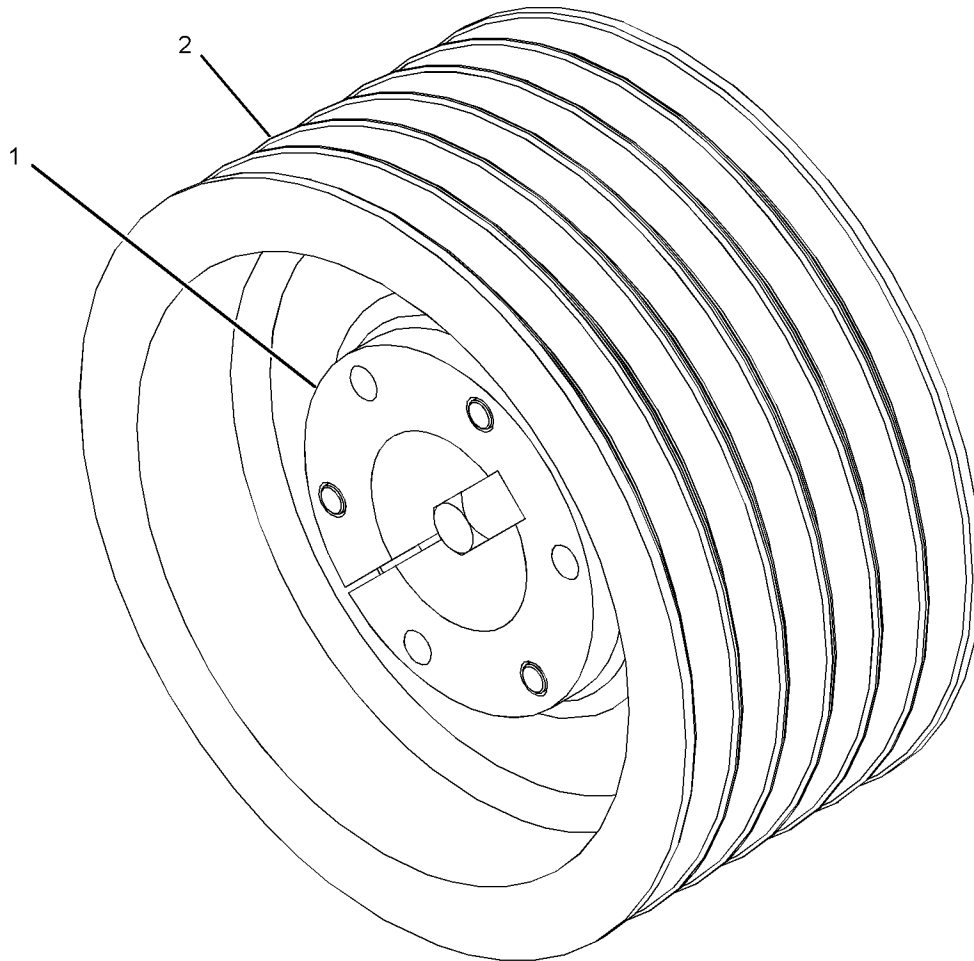
8N-6564 PULLEY AS-CRANKSHAFT

247.65-MM DIAMETER (9.75-IN)
FOR USE WITH LOW KW STUB SHAFT GP
AN ATTACHMENT

SMCS-1205

i04265654

NOTE	REF NO	GRAPHIC REF	PART NUMBER	QTY	PART NAME						SEE PAGE
					1	2	3	4	5	6	
	1	1	4W-0335	1	KIT-BUSHING (CRANKSHAFT PULLEY)						
					(INCLUDES BUSHING, BOLTS, LOCKWASHER, SET SCREW & KEY)						
	2	1	368-7801	1	PULLEY-CRANKSHAFT						



GRAPHIC #1

<END>

g02446460

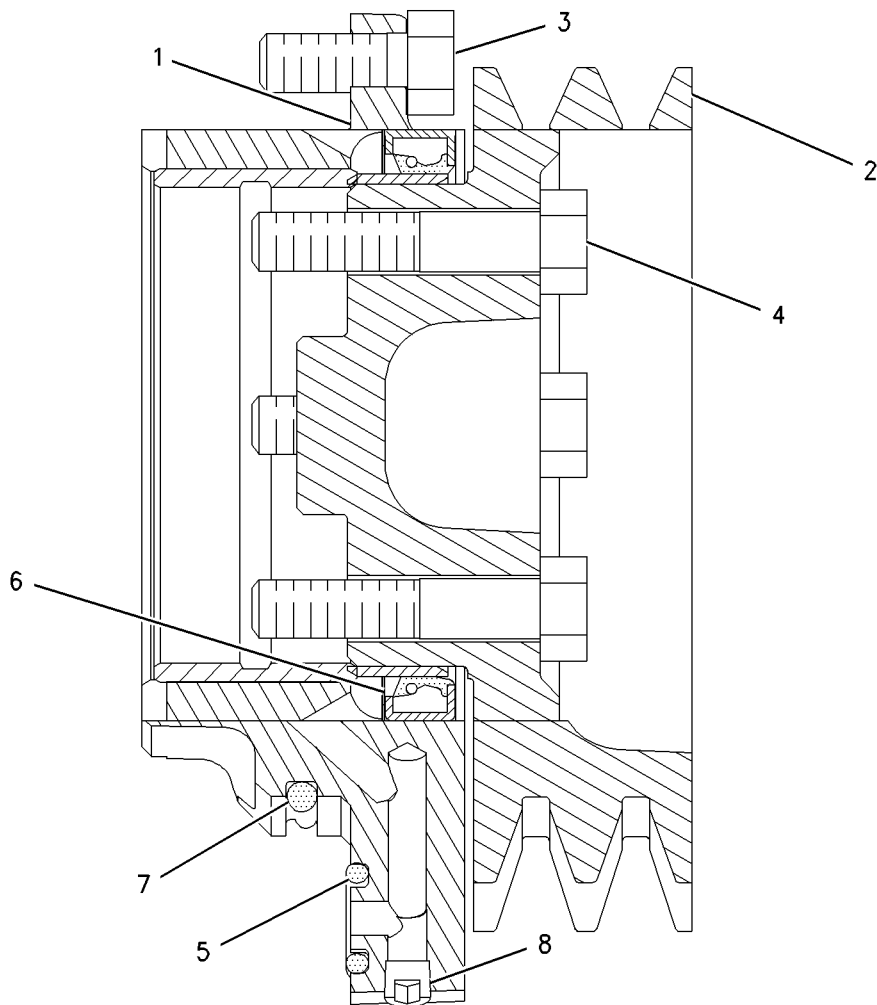
BASIC ENGINE

210-8602 PULLEY GP-AUXILIARY DRIVE-UPPER REAR, LH AN ATTACHMENT

SMCS-1205, 1207

i03919949

NOTE	REF NO	GRAPHIC REF	PART NUMBER	QTY	PART NAME						SEE PAGE
					1	2	3	4	5	6 (PRODUCT LEVEL)	
	1	1	7C-4165	1	ADAPTER AS						
		1	127-5400	1	BUSHING						
2		1	9Y-5286	1	PULLEY AS						
		1	053-5065	1	SLEEVE						
3		1	0L-1351	4	BOLT (3/8-16X0.875-IN)						
4		1	0S-1571	4	BOLT (3/8-16X1.75-IN)						
5		1	5P-0840	1	SEAL-O-RING						
6		1	235-2484	1	SEAL-LIP TYPE						
7		1	259-4598	1	SEAL-O-RING						
8		1	8T-6759	1	PLUG-PIPE						



GRAPHIC #1

<END>

g00855762

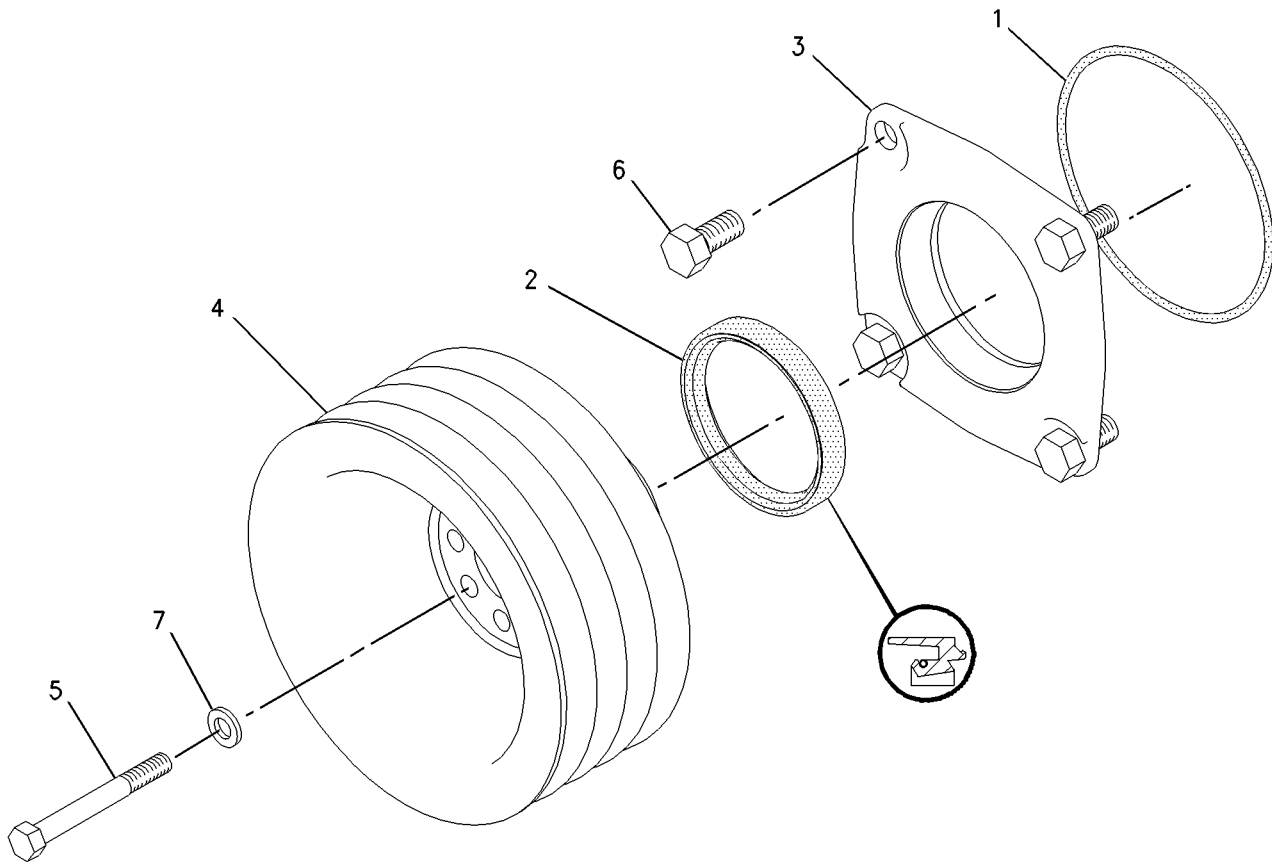
BASIC ENGINE

7N-8041 PULLEY GP-AUXILIARY DRIVE-UPPER FRONT, LH AN ATTACHMENT

SMCS-1205, 1207

i05442450

NOTE	REF NO	GRAPHIC REF	PART NUMBER	QTY	PART NAME						SEE PAGE
					1	2	3	4	5	6	
	1	1	9X-7371	1	SEAL-O-RING						
	2	1	7C-7808	1	SEAL-LIP TYPE						
	3	1	7N-7991	1	ADAPTER						
	4	1	7N-8011	1	PULLEY						
	5	1	0L-1352	8	BOLT (3/8-16X3.25-IN)						
	6	1	0S-1621	4	BOLT (1/2-13X1-IN)						
	7	1	5M-2894	8	WASHER-HARD (10.2X18.5X2.5-MM THK)						



GRAPHIC #1

<END>

g00856036

BASIC ENGINE

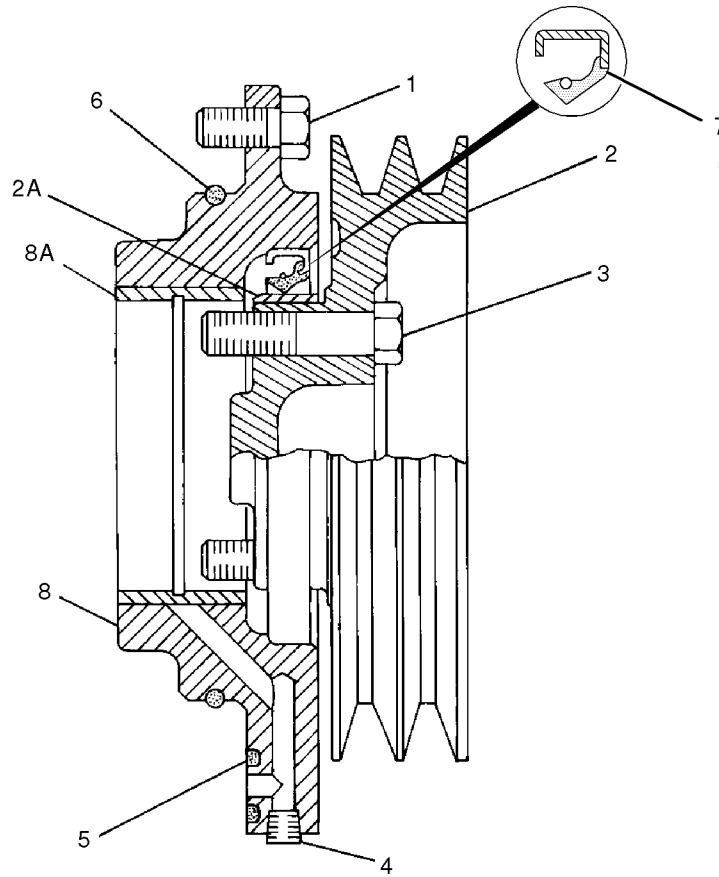
8N-8467 PULLEY GP-AUXILIARY DRIVE-LOWER FRONT, LH AN ATTACHMENT

SMCS-1205, 1207

i03862929

NOTE	REF NO	GRAPHIC REF	PART NUMBER	QTY	PART NAME						SEE PAGE
					1	2	3	4	5	6 (PRODUCT LEVEL)	
	1	1	0L-1351	4	BOLT (3/8-16X0.875-IN)						
C	2	1	9Y-5286	1	PULLEY AS						
	2A	1	053-5065	1	SLEEVE						
	3	1	0S-1571	4	BOLT (3/8-16X1.75-IN)						
	4	1	8T-6759	1	PLUG-PIPE						
	5	1	5P-0840	1	SEAL-O-RING						
	6	1	259-4598	1	SEAL-O-RING						
	7	1	235-2484	1	SEAL-LIP TYPE						
	8	1	7C-4165	1	ADAPTER AS						
	8A	1	127-5400	1	BUSHING						

C - CHANGE FROM PREVIOUS TYPE



GRAPHIC #1

<END>

g01014927

BASIC ENGINE

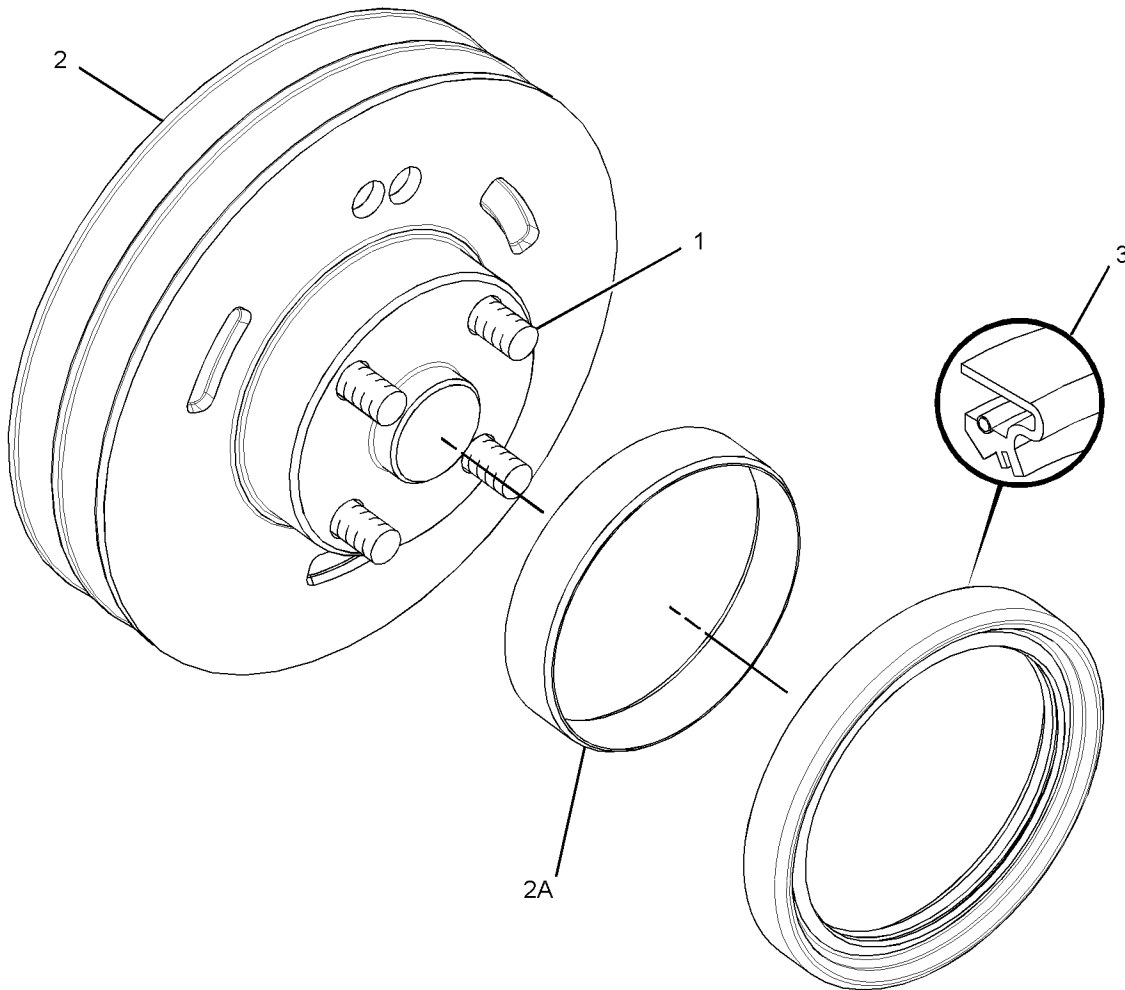
8N-8468 PULLEY GP-AUXILIARY DRIVE-UPPER REAR, RH AN ATTACHMENT

SMCS-1205, 1207

i06926463

NOTE	REF NO	GRAPHIC REF	PART NUMBER	QTY	PART NAME						SEE PAGE
					1	2	3	4	5	6 (PRODUCT LEVEL)	
	1	1	0S-1571	4	BOLT (3/8-16X1.75-IN)						
C	2	1	9Y-5286	1	PULLEY AS						
	2A	1	053-5065	1	SLEEVE						
	3	1	235-2484	1	SEAL-LIP TYPE						

C - CHANGE FROM PREVIOUS TYPE



GRAPHIC #1

<END>

g01790355

BASIC ENGINE

7W-3813 SEAL GP-CRANKSHAFT

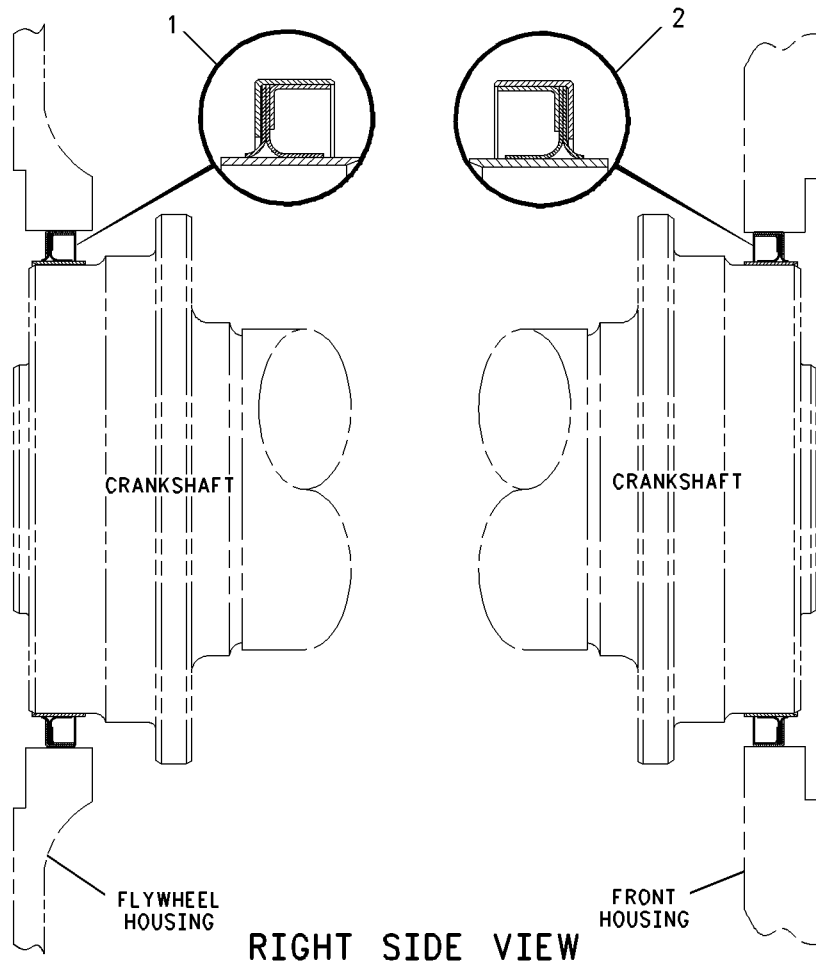
S/N: 3XS404-UP

SMCS-1160, 1161

i06739743

NOTE	REF NO	GRAPHIC REF	PART NUMBER	QTY	PART NAME						SEE PAGE
					1	2	3	4	5	6 (PRODUCT LEVEL)	
C	1	1	436-1479	1	SEAL -CRANKSHAFT (COUNTERCLOCKWISE ROTATION)						
(INSTALL IN FLYWHEEL HOUSING ON STANDARD ROTATION ENGINES & IN FRONT HOUSING ON REVERSE ROTATION ENGINES)											
C	2	1	436-1478	1	SEAL -CRANKSHAFT (CLOCKWISE ROTATION)						
(INSTALL IN FRONT HOUSING ON STANDARD ROTATION ENGINES & IN FLYWHEEL HOUSING ON REVERSE ROTATION ENGINES)											

C - CHANGE FROM PREVIOUS TYPE



GRAPHIC #1

<END>

g00899342

BASIC ENGINE

7N-8042 SHAFT GP-AUXILIARY DRIVE-LOWER FRONT, LH AN ATTACHMENT

SMCS-1207

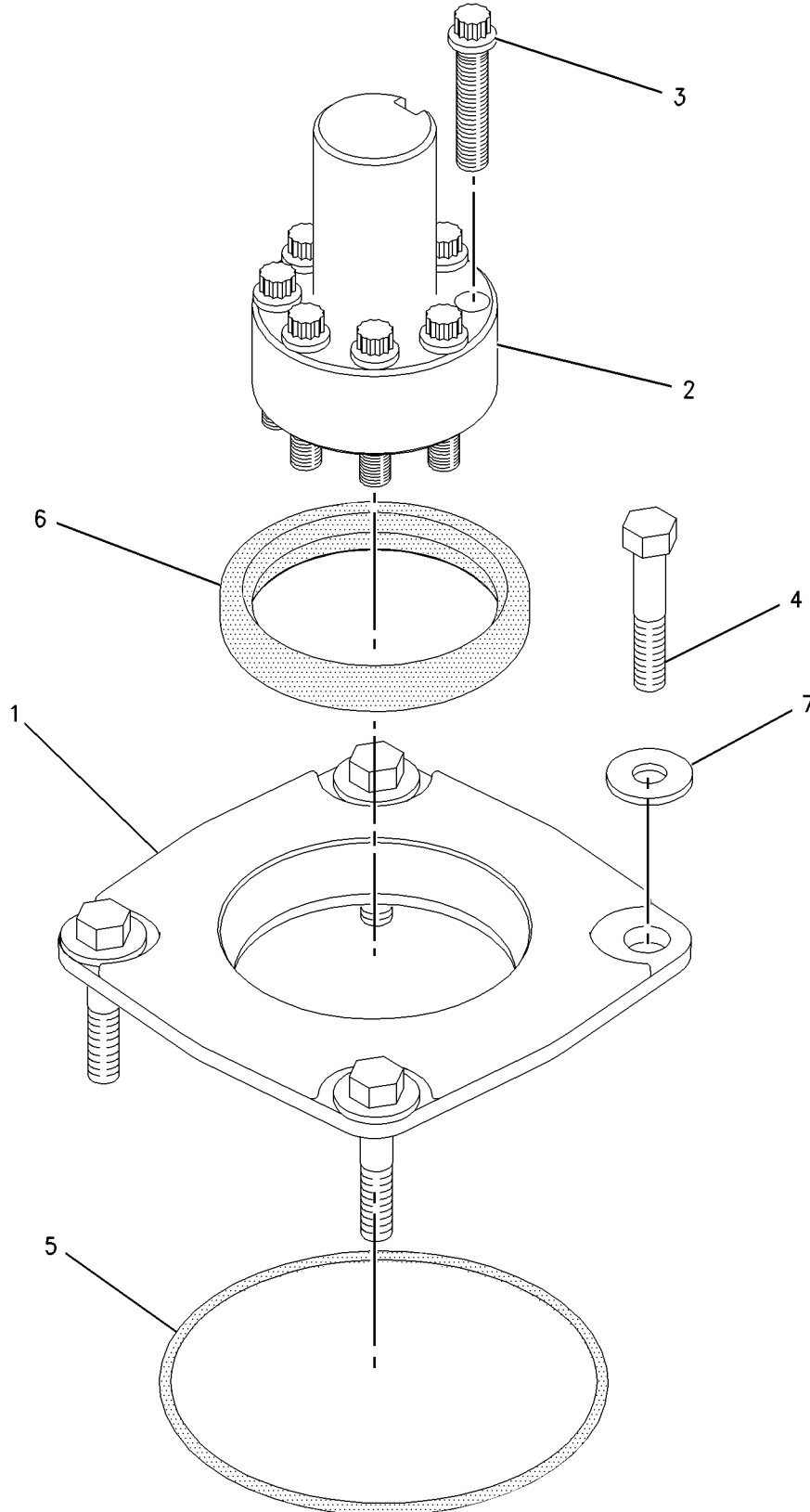
i02327559

NOTE	REF NO	GRAPHIC REF	PART NUMBER	QTY	PART NAME						SEE PAGE
					1	2	3	4	5	6	
	1	1	7N-7991	1	ADAPTER						
	2	1	9Y-4957	1	SHAFT-STUB						
	3	1	053-2294	8	BOLT-12 POINT HEAD (3/8-16X1.75-IN)						
	4	1	0S-1590	4	BOLT (3/8-16X2-IN)						
	5	1	9X-7371	1	SEAL-O-RING						
	6	1	7C-7808	1	SEAL-LIP TYPE						
	7	1	9L-9132	4	WASHER (10.2X25.5X2.5-MM THK)						

BASIC ENGINE

7N-8042 SHAFT GP-AUXILIARY DRIVE (contd.)

102327559



GRAPHIC #1

<END>

g00813860

BASIC ENGINE

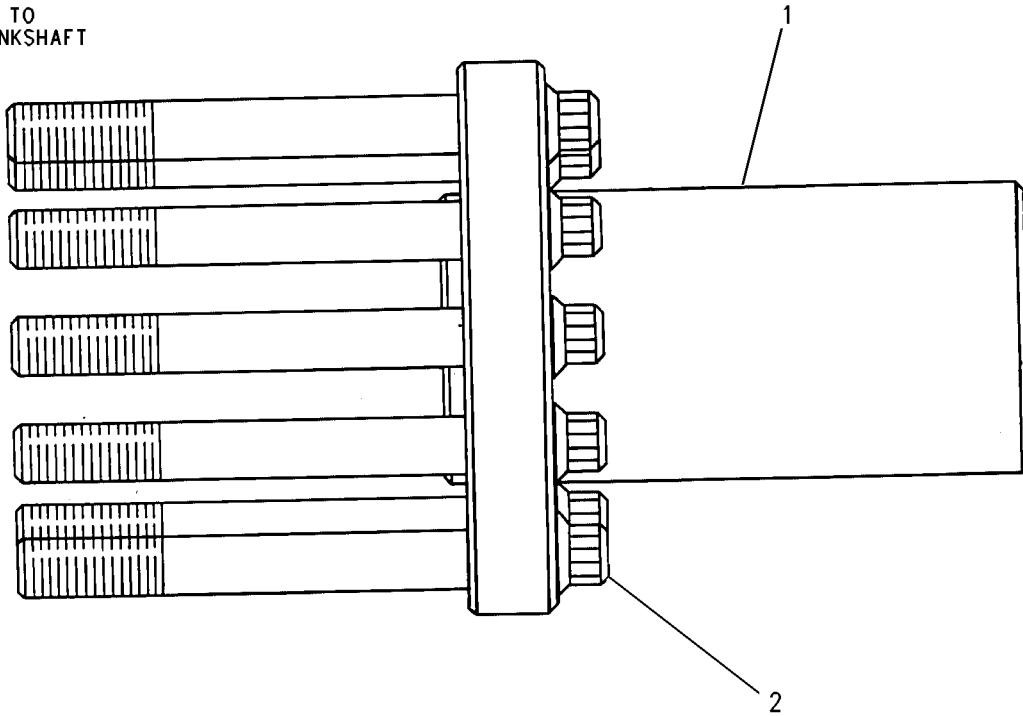
7W-3629 SHAFT GP-STUB-FRONT AN ATTACHMENT

SMCS-1237

i02327531

NOTE	REF NO	GRAPHIC REF	PART NUMBER	QTY	PART NAME						SEE PAGE
					1	2	3	4	5	6	
1	1	1	7W-3579	1	SHAFT-STUB						
2	1	1	5N-2317	12	BOLT-12 POINT HEAD (1-14X9.5-IN)						

TO
CRANKSHAFT



RIGHT SIDE VIEW

GRAPHIC #1

<END>

g00995115

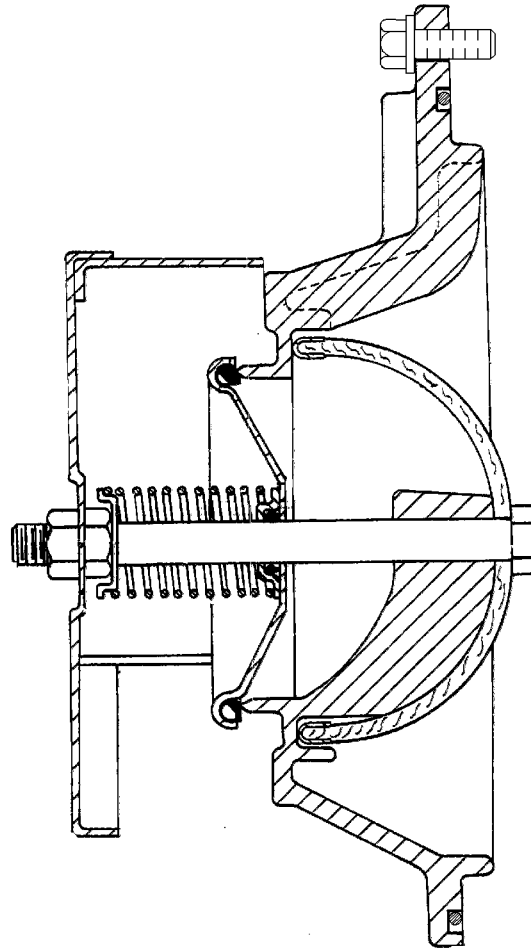
BASIC ENGINE

155-2567 VALVE GP-EXPLOSION RELIEF CRANKCASE, CHROME AN ATTACHMENT

SMCS-1233

i05333611

NOTE	REF NO	GRAPHIC REF	PART NUMBER	QTY	PART NAME 1 2 3 4 5 6 (PRODUCT LEVEL)	SEE PAGE
					AVAILABLE REPAIR KIT(S):	
			422-9537	1	KIT-REPAIR (EXPLOSION RELIEF) (INCLUDES VALVE PLATE & SPINDLE O-RINGS)	



GRAPHIC #1

<END>

g00537661

BASIC ENGINE

155-2586 VALVE GP-EXPLOSION RELIEF-CRANKCASE

CHROME PLATED
AN ATTACHMENT

SMCS-1233

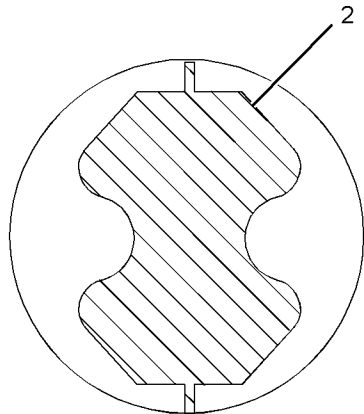
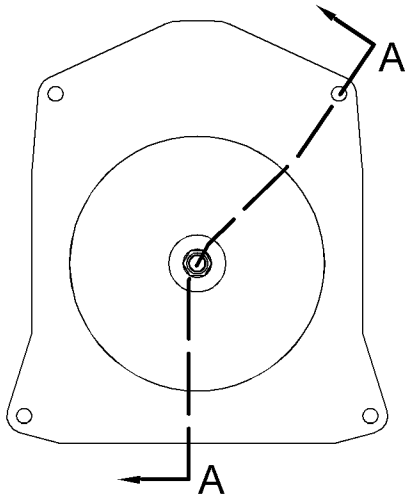
i02626007

NOTE	REF NO	GRAPHIC REF	PART NUMBER	QTY	PART NAME						SEE PAGE
					1	2	3	4	5	6 (PRODUCT LEVEL)	
J	1	1	155-2567	1	VALVE GP-EXPLOSION RELIEF (CRANKCASE)						
	2	1	272-0759	1	SEAL						
	3	1	133-6261	4	WASHER (10.2X18.5X2.5-MM THK)						
	4	1	133-6268	4	BOLT (3/8-16X1-IN)						

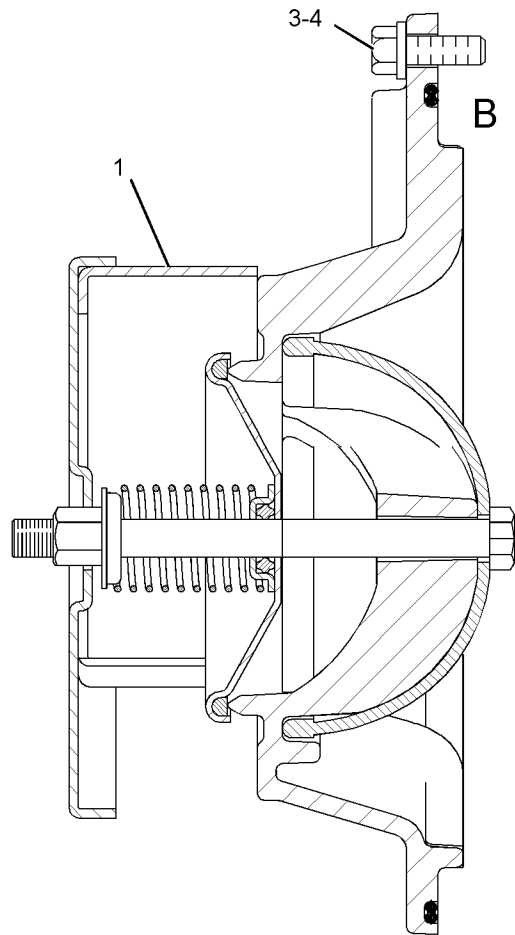
AVAILABLE REPAIR KIT(S):

J			2W-3584	1	KIT-REPAIR (EXPLOSION RELIEF)						
					(INCLUDES VALVE PLATE & SPINDLE O-RINGS)						

J - KIT MARKED J SERVICES PART(S) MARKED J



VIEW OF AREA B



SECTION A-A

GRAPHIC #1

<END>

g01319451

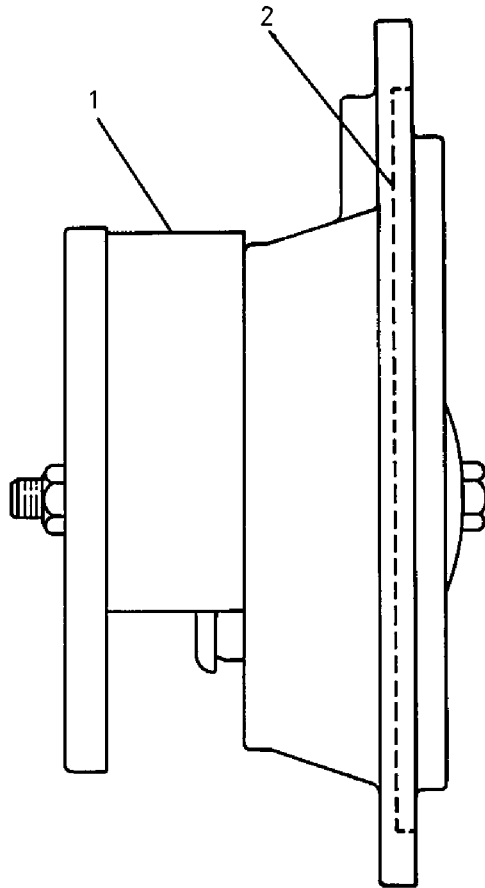
BASIC ENGINE

8N-8510 VALVE GP-EXPLOSION RELIEF-CRANKCASE AN ATTACHMENT

SMCS-1233

i06955022

NOTE	REF NO	GRAPHIC REF	PART NUMBER	QTY	PART NAME						SEE PAGE
					1	2	3	4	5	6 (PRODUCT LEVEL)	
J	1	1	8N-8509	2	VALVE GP-EXPLOSION RELIEF (CRANKCASE)						
	2	1	272-0759	2	SEAL						
					AVAILABLE REPAIR KIT(S):						
J			2W-3584	1	KIT-REPAIR (EXPLOSION RELIEF) (CRANKCASE)						
					(INCLUDES VALVE PLATE & SPINDLE O-RINGS)						
J - KIT MARKED J SERVICES PART(S) MARKED J											



GRAPHIC #1

<END>

g00637870

BASIC ENGINE

7E-5314 VALVE MECHANISM GP

S/N: 3XS404-UP

SMCS-1102, 1121, 1123, 1209

i01778504

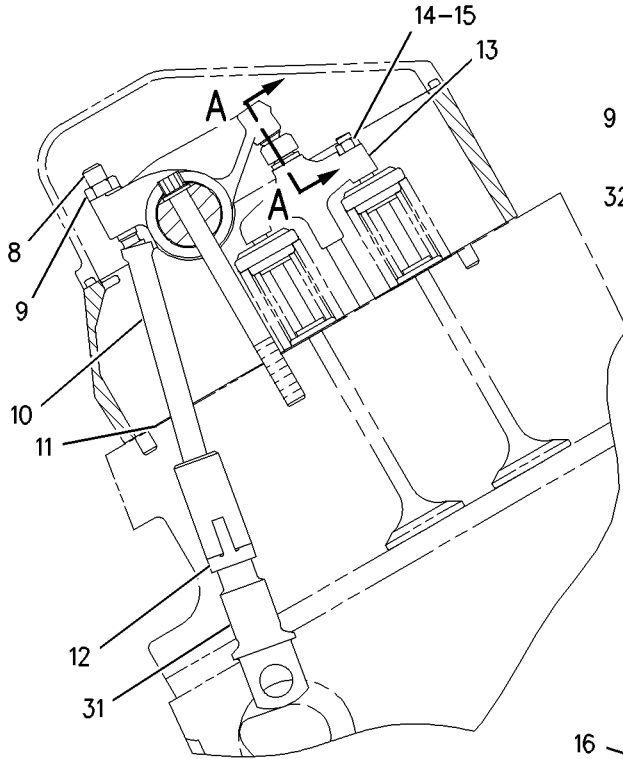
NOTE	REF NO	GRAPHIC REF	PART NUMBER	QTY	PART NAME						SEE PAGE
					1	2	3	4	5	6 (PRODUCT LEVEL)	
	1	1	7C-2377	1	SHAFT AS-ARM						
		1	154-1584	1	PIN-SPRING						
	2	1	121-2024	1	BASE AS						
		1	8N-4387	2	DOWEL-HOLLOW						
	3	1	0S-1590	4	BOLT (3/8-16X2-IN)						
	4	1	5M-2894	4	WASHER-HARD (10.2X18.5X2.5-MM THK)						
R	7	1	9Y-1741	2	ROCKER ARM AS						
					(EACH INCLUDES)						
	7A	1	8N-7197	1	SOCKET-ARM						
	7B	1	1W-4594	1	BUSHING						
	8	1	200-2003	3	SCREW-ADJUSTMENT (1/2-20X2-IN)						
	9	1	3J-9196	3	NUT-JAM (1/2-20-THD)						
	10	1	4W-6682	3	PUSHROD-VALVE						
	11	1	7E-3772	1	GASKET						
	12	1	7N-4782	3	SPRING-LIFTER GUIDE						
	13	1	129-4181	2	BRIDGE AS						
	14	1	2N-5842	2	SCREW (3/8-24X1-IN)						
	15	1	9L-7712	2	NUT (3/8-24-THD)						
	16	1	8T-7581	2	BOLT-12 POINT HEAD (1/2-13X6-IN)						
	17	1	2J-0157	2	SEAL-O-RING						
	18	1	1B-2714	1	BOLT (1/4-20X2.5-IN)						
	19	1	5P-0537	3	WASHER-HARD (7.2X14.5X2-MM THK)						
	20	1	8M-2771	1	CLIP						
	21	1	121-9840	1	SPACER (2-IN THK)						
	22	1	0S-1615	1	BOLT (1/4-20X0.75-IN)						
	23	1	9X-0352	1	RECEPTACLE AS-CONNECTOR (2-PIN)						
	24	1	6J-2245	1	SEAL-O-RING						
	25	1	132-6469	1	HARNES AS-WIRING (VALVE MECHANISM) (VALVE MECHANISM)						
	26	1	9F-7707	3	RING-RETAINING						
	27	1	8F-8858	3	VALVE (BUTTON)						
	28	1	4P-2478	1	PLATE						
	29	1	2A-0762	1	BOLT (1/4-20X0.625-IN)						
	30	1	7E-6508	1	CAP AS						
R	31	1	192-8745	3	LIFTER AS						
R	32	1	196-4795	1	ROCKER ARM AS						
	32A	1	8N-7197	1	SOCKET-ARM						
	32B	1	1W-4594	1	BUSHING						

R - REMANUFACTURED PART MAY BE AVAILABLE

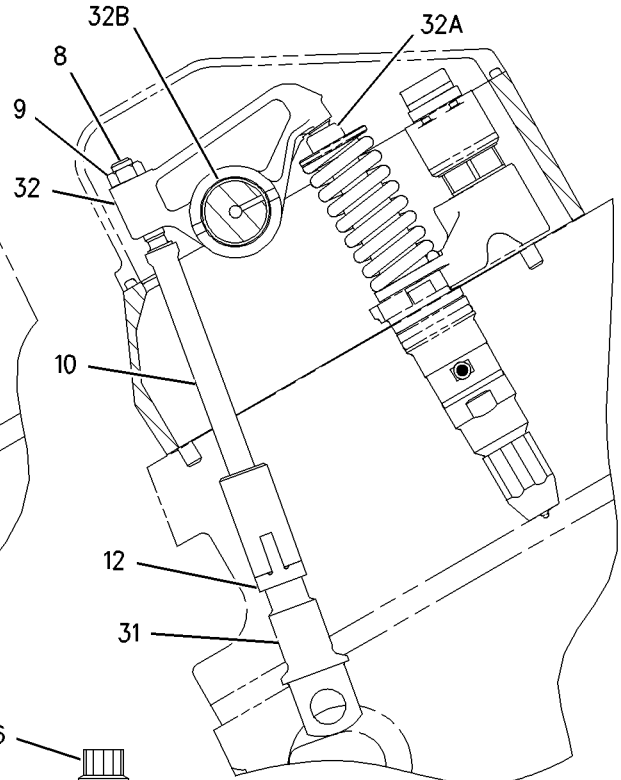
BASIC ENGINE

7E-5314 VALVE MECHANISM GP (contd.)

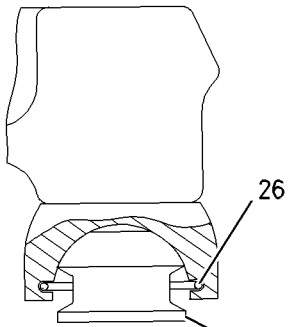
i01778504



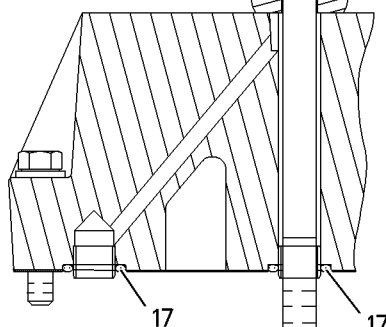
SECTION E-E



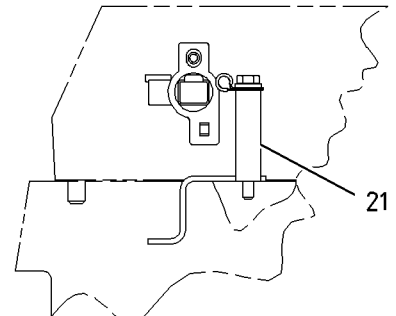
SECTION C-C



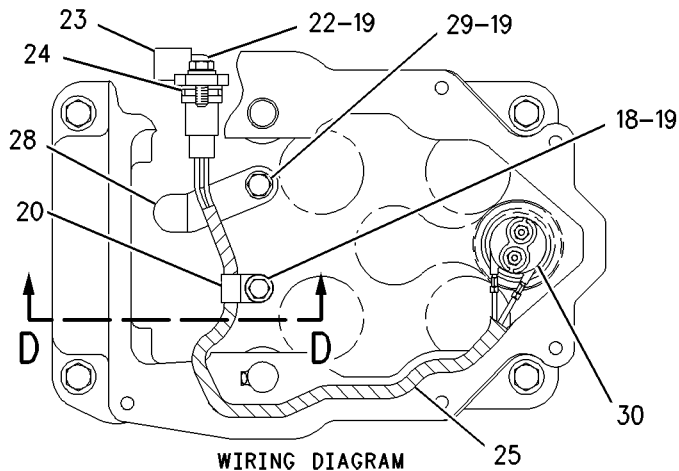
SECTION A-A



SECTION B-B

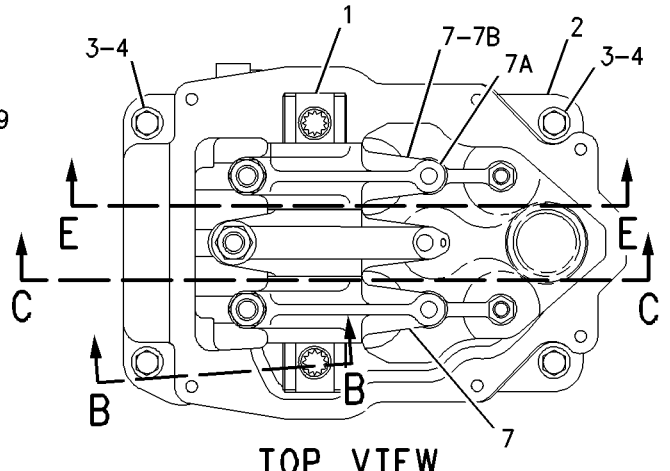


VIEW D-D



WIRING DIAGRAM

GRAPHIC #1



TOP VIEW

<END>

g00854842

LUBRICATION SYSTEM

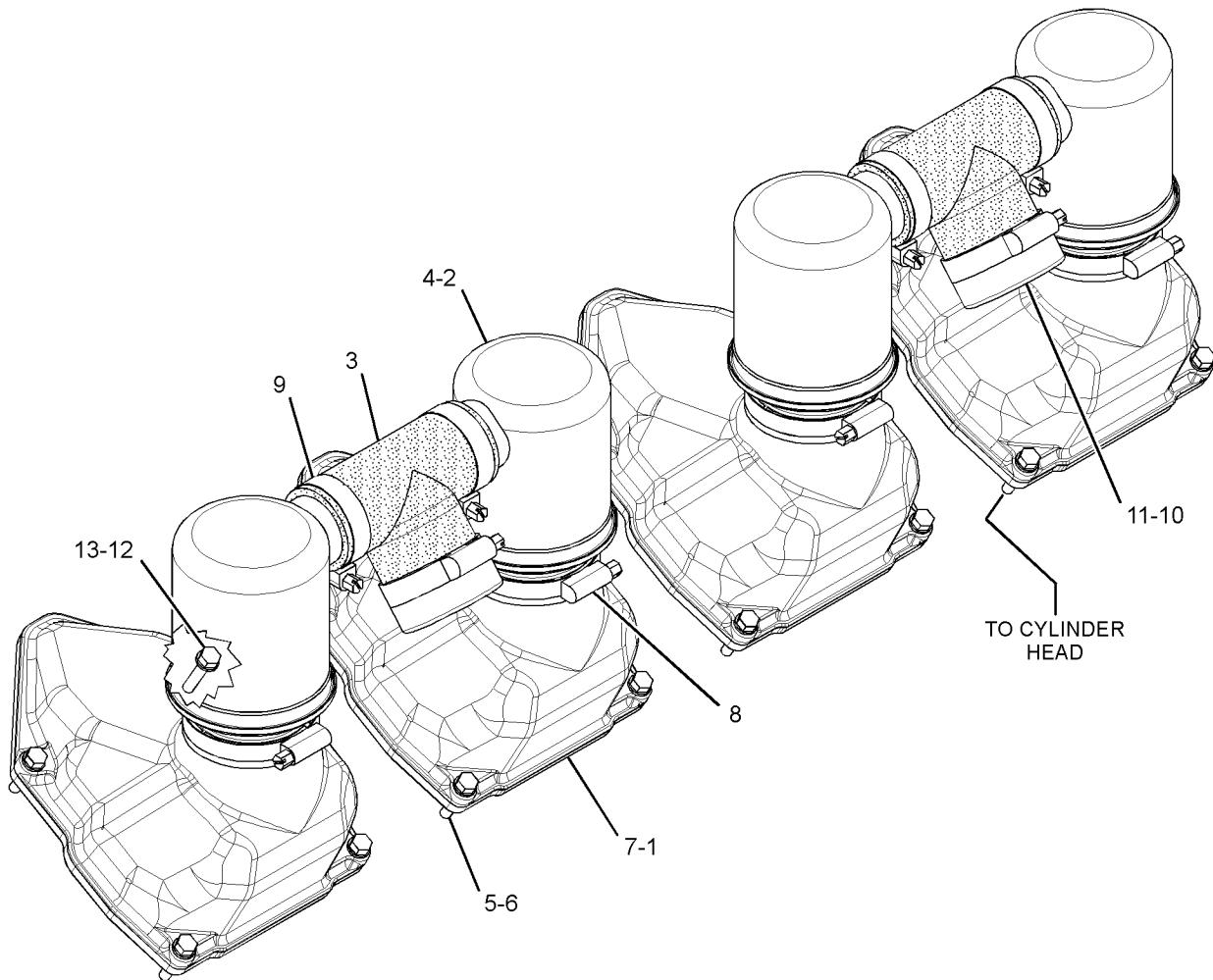
124-5513 BREATHER GP-CRANKCASE S/N: 3XS404-UP

SMCS-1317

i04916835

NOTE	REF NO	GRAPHIC REF	PART NUMBER	QTY	PART NAME						SEE PAGE
					1	2	3	4	5	6 (PRODUCT LEVEL)	
	1	1	272-0760	4	SEAL-VALVE COVER (BREATHER)						
	2	1	4W-3027	4	BREATHER AS (CRANKCASE)						
	3	1	217-6692	2	HOSE-TEE						
	4	1	033-6031	4	SEAL-O-RING						
	5	1	1A-9579	15	BOLT (5/16-18X1.5-IN)						
	6	1	9M-1974	15	WASHER-HARD (8.8X16X2-MM THK)						
	7	1	101-4199	4	COVER AS						
	8	1	4W-3034	4	CLAMP-HOSE						
	9	1	5P-0597	4	CLAMP-HOSE						
	10	1	5P-4868	2	CLAMP-HOSE						
B	11	1	7N-7820	2	BOOT						
B	12	1	1A-9579	1	BOLT (5/16-18X1.5-IN)						
B	13	1	9M-1974	1	WASHER-HARD (8.8X16X2-MM THK)						

B - USE AS REQUIRED



GRAPHIC #1

<END>

g02112487

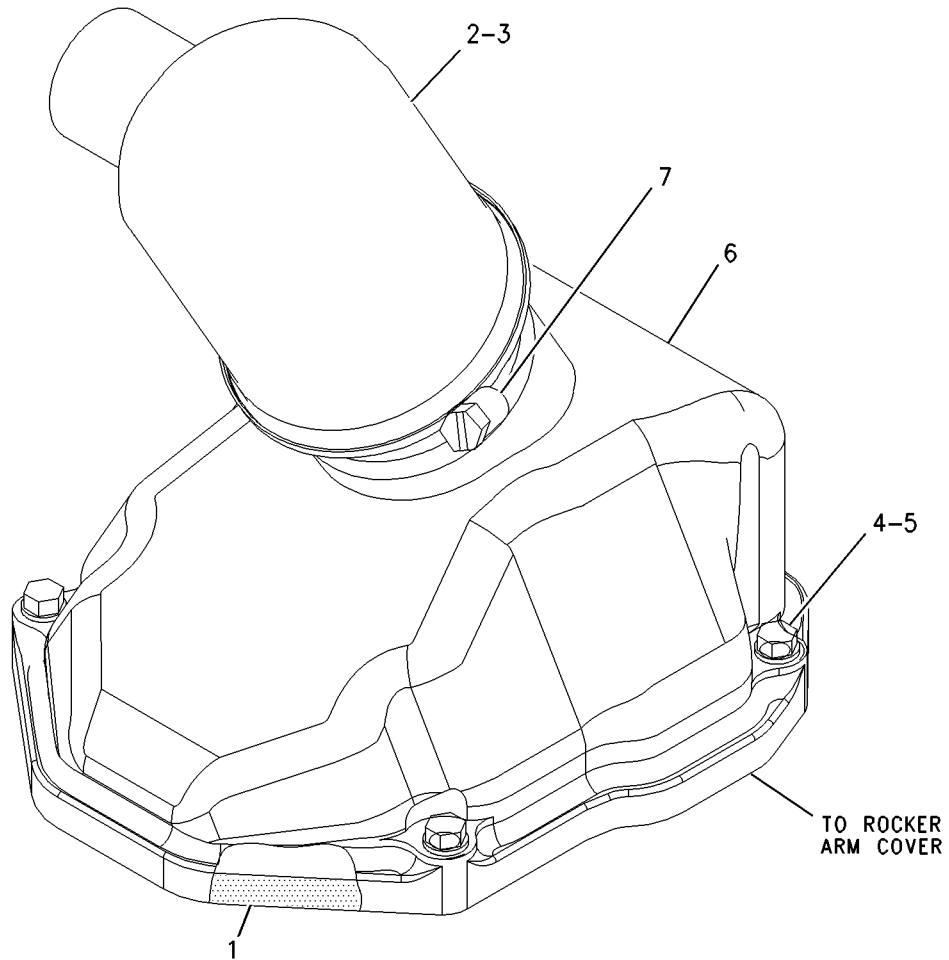
LUBRICATION SYSTEM

155-2584 BREATHER GP-CRANKCASE CHROME PLATED FOR USE WITH MUI ENGINE AN ATTACHMENT

SMCS-1317

i04561115

NOTE	REF NO	GRAPHIC REF	PART NUMBER	QTY	PART NAME						SEE PAGE
					1	2	3	4	5	6	
	1	1	272-0757	1	SEAL - VALVE COVER (BREATHER)						
	2	1	126-0577	1	BREATHER AS (CHROME) (CRANKCASE)						
	3	1	033-6031	1	SEAL - O-RING						
	4	1	133-6270	4	BOLT (5/16-18X1.5-IN)						
	5	1	133-6265	4	WASHER (8.8X16X2-MM THK)						
	6	1	155-2568	1	COVER AS						
	7	1	4W-3034	1	CLAMP - HOSE						



GRAPHIC #1

<END>

g00901977

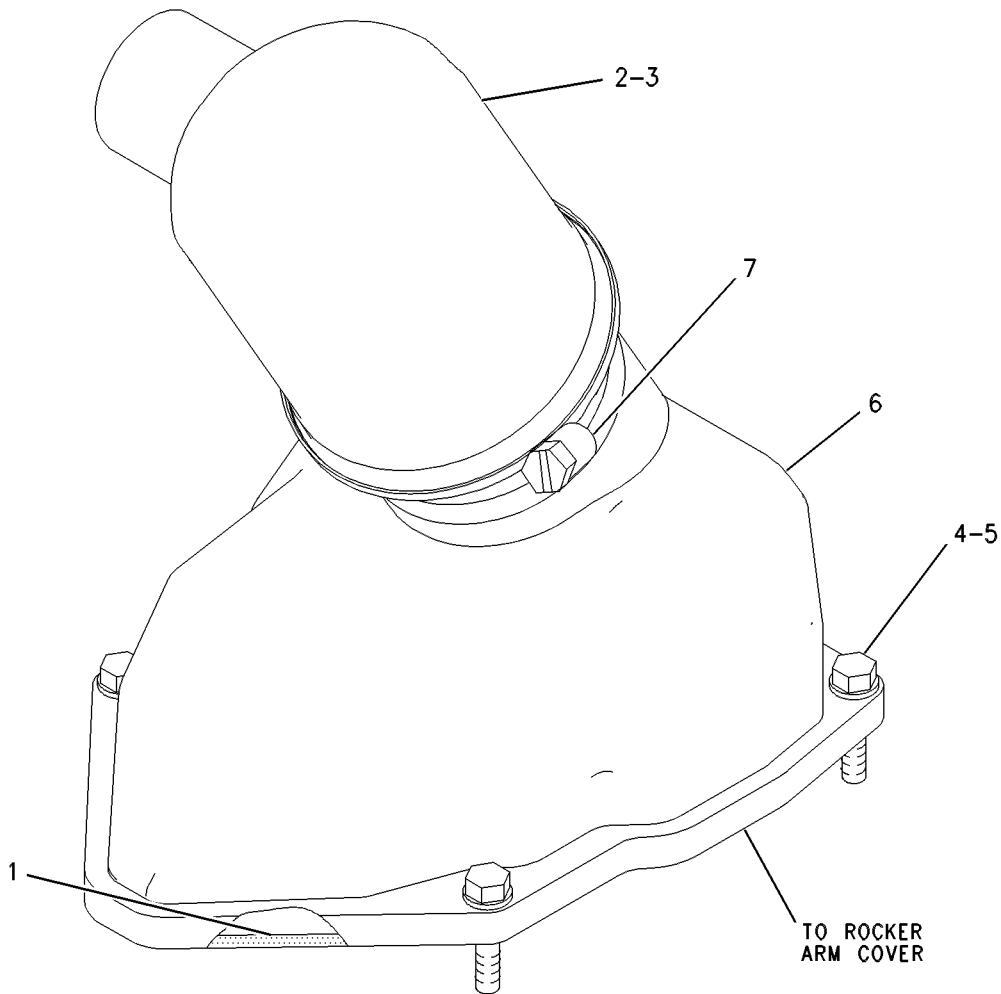
LUBRICATION SYSTEM

155-2585 BREATHER GP-CRANKCASE CHROME PLATED FOR USE WITH EUI ENGINE AN ATTACHMENT

SMCS-1317

i03533541

NOTE	REF NO	GRAPHIC REF	PART NUMBER	QTY	PART NAME						SEE PAGE
					1	2	3	4	5	6 (PRODUCT LEVEL)	
	1	1	272-0760	1	SEAL-VALVE COVER (BREATHER)						
	2	1	126-0577	1	BREATHER AS (CHROME) (CRANKCASE)						
	3	1	033-6031	1	SEAL-O-RING						
	4	1	133-6270	4	BOLT (5/16-18X1.5-IN)						
	5	1	133-6265	4	WASHER (8.8X16X2-MM THK)						
	6	1	155-2572	1	COVER AS						
	7	1	4W-3034	1	CLAMP-HOSE						



GRAPHIC #1

<END>

g00536789

LUBRICATION SYSTEM

9Y-4888 CONNECTION GP-OIL

FOR USE WITH 7C-7178-PAGE: 118

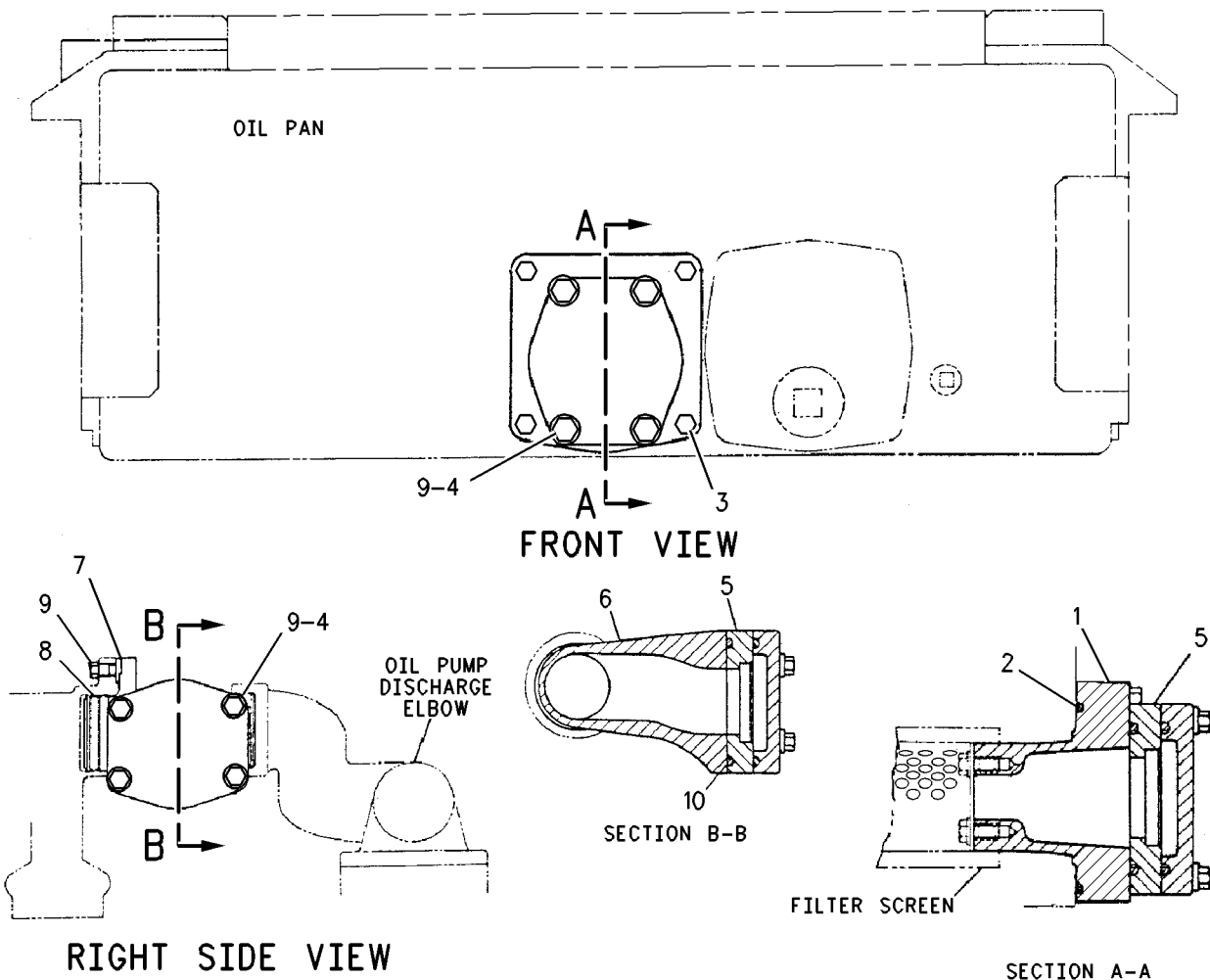
AN ATTACHMENT

TYPE 1

SMCS-1307

i01925187

NOTE	REF NO	GRAPHIC REF	PART NUMBER	QTY	PART NAME						SEE PAGE
					1	2	3	4	5	6 (PRODUCT LEVEL)	
	1	1	7C-4714	1	ADAPTER						
	2	1	5P-8872	1	SEAL-O-RING						
	3	1	0S-1571	4	BOLT (3/8-16X1.75-IN)						
	4	1	5M-2894	8	WASHER-HARD (10.2X18.5X2.5-MM THK)						
	5	1	7N-5798	2	FLANGE						
	6	1	7N-5796	1	ELBOW-CONNECTOR						
	7	1	7G-1239	1	SPACER (10.5X19X4.5-MM THK)						
	8	1	3P-0649	2	SEAL-O-RING						
	9	1	0S-1591	9	BOLT (3/8-16X1.5-IN)						
	10	1	6V-0973	2	SEAL-O-RING						



GRAPHIC #1

<END>

g00705481

LUBRICATION SYSTEM

153-7208 FILLER GP-ENGINE OIL AN ATTACHMENT

SMCS-1316

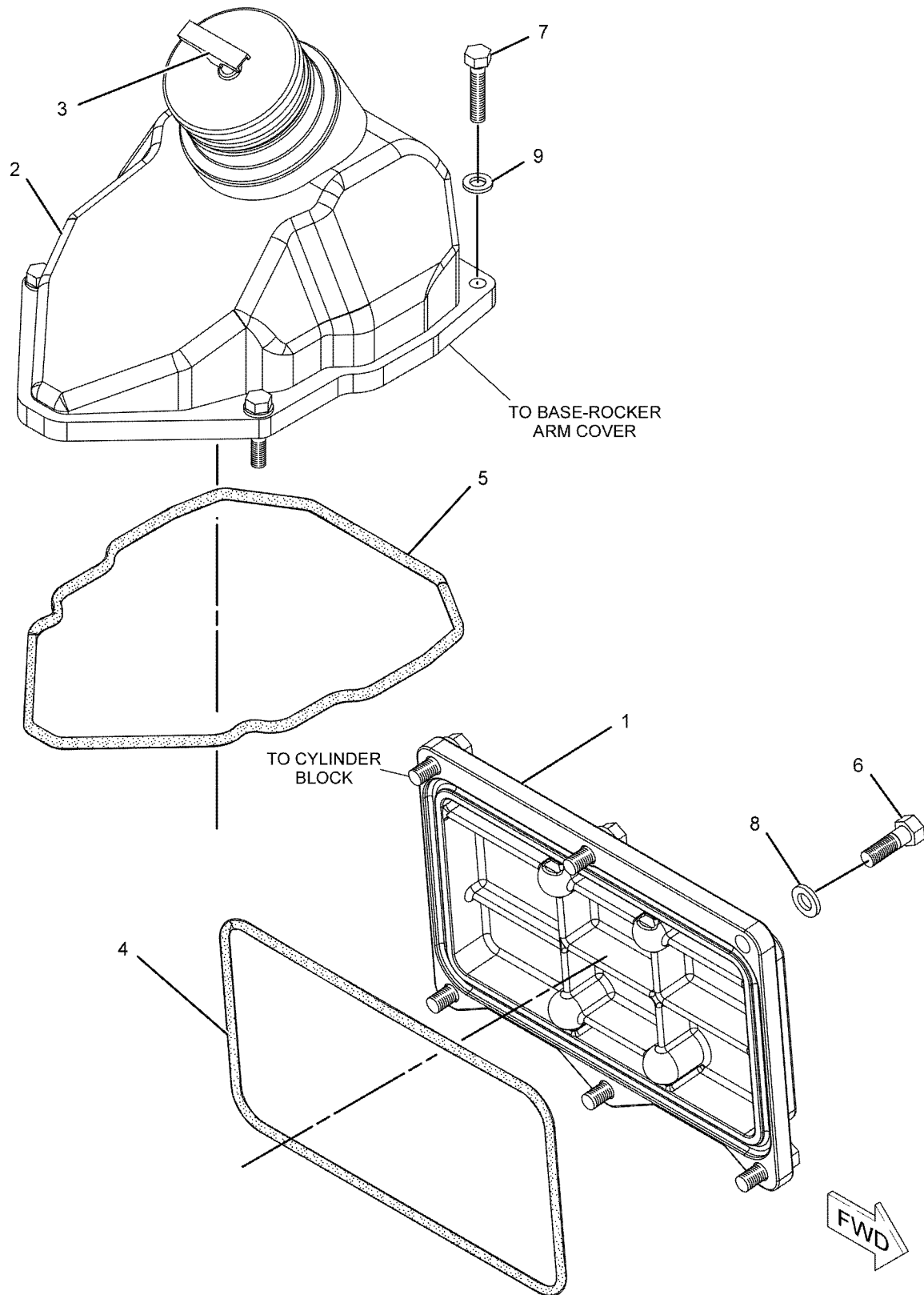
i03323427

NOTE	REF NO	GRAPHIC REF	PART NUMBER	QTY	PART NAME	SEE PAGE
					1 2 3 4 5 6 (PRODUCT LEVEL)	
	1	1	8N-9992	1	COVER-CAMSHAFT	
	2	1	101-4199	1	COVER AS	
	3	1	128-5988	1	CAP AS-ENGINE OIL FILLER	
	4	1	272-0758	1	SEAL	
	5	1	272-0760	1	SEAL-VALVE COVER (OIL FILLER)	
	6	1	1A-2029	6	BOLT (3/8-16X1.125-IN)	
	7	1	1A-9579	4	BOLT (5/16-18X1.5-IN)	
	8	1	5M-2894	6	WASHER-HARD (10.2X18.5X2.5-MM THK)	
	9	1	9M-1974	4	WASHER-HARD (8.8X16X2-MM THK)	

LUBRICATION SYSTEM

153-7208 FILLER GP-ENGINE OIL (contd.)

i03323427



GRAPHIC #1

<END>

g01124607

LUBRICATION SYSTEM

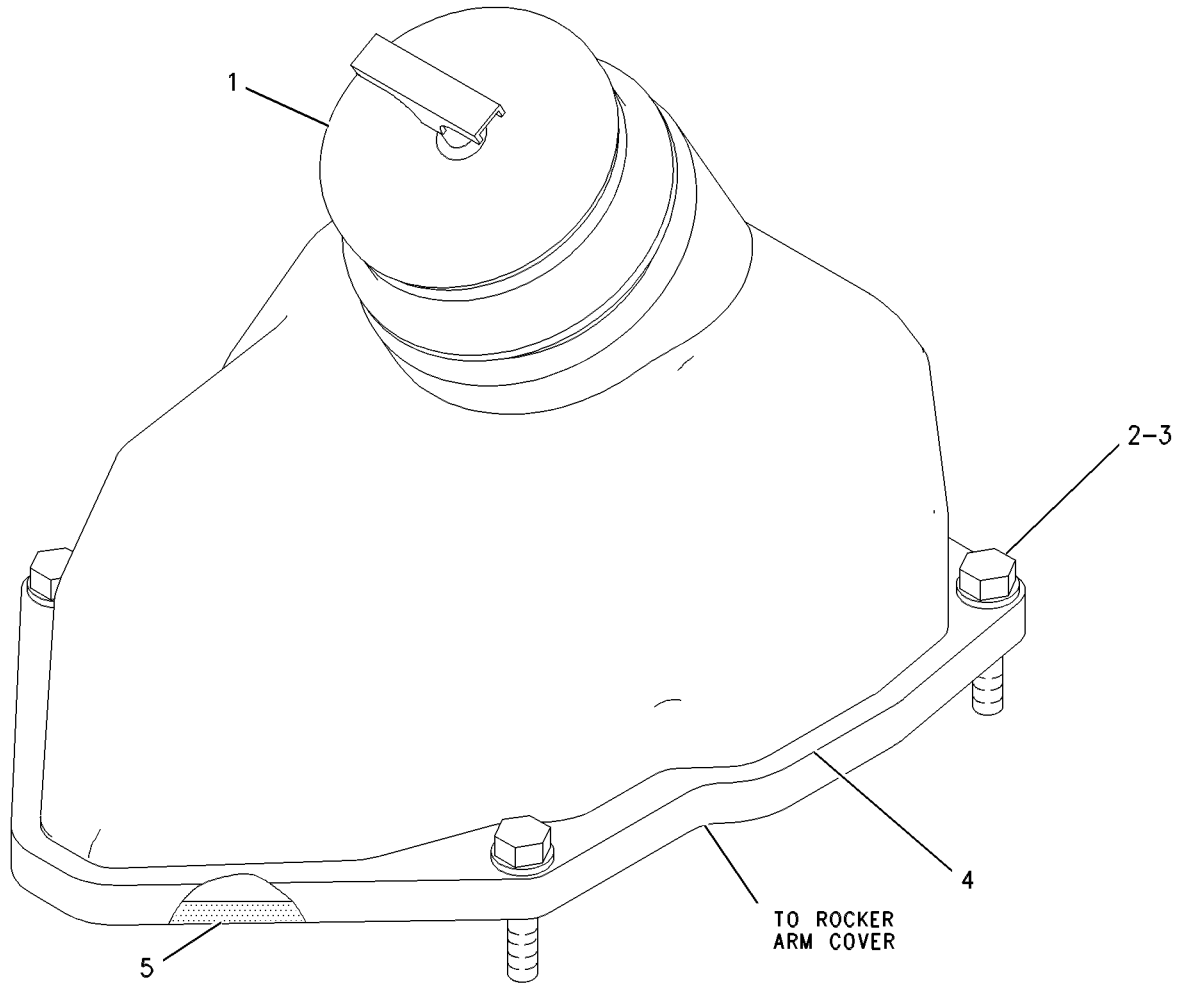
155-2594 FILLER GP-ENGINE OIL

**CHROME PLATED
AN ATTACHMENT**

SMCS-1316

i03513213

NOTE	REF NO	GRAPHIC REF	PART NUMBER	QTY	PART NAME						SEE PAGE
					1	2	3	4	5	6 (PRODUCT LEVEL)	
	1	1	128-5988	1	CAP AS-ENGINE OIL FILLER						
	2	1	133-6265	4	WASHER (8.8X16X2-MM THK)						
	3	1	133-6270	4	BOLT (5/16-18X1.5-IN)						
	4	1	155-2572	1	COVER AS						
	5	1	272-0760	1	SEAL-VALVE COVER (OIL FILLER)						



GRAPHIC #1

<END>

g00596067

LUBRICATION SYSTEM

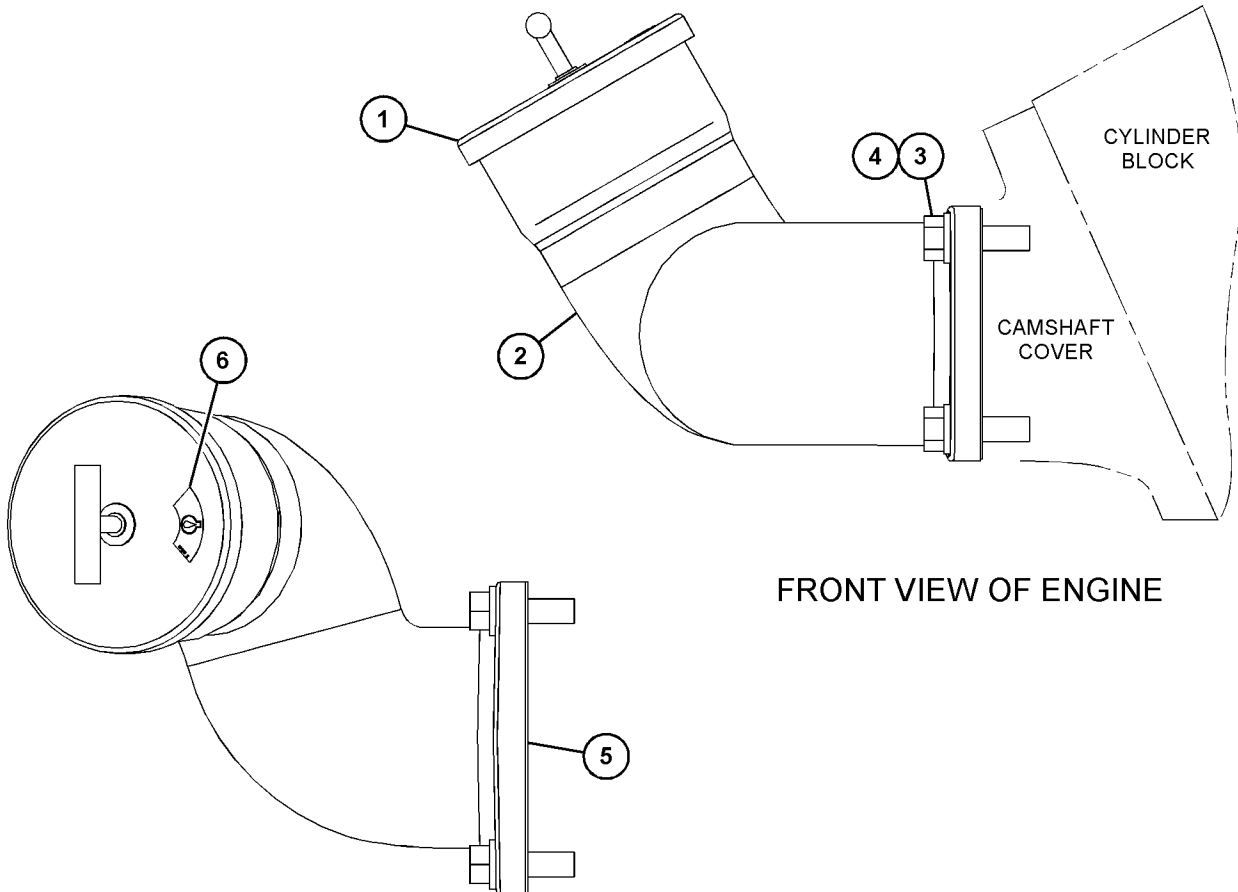
7N-1875 FILLER GP-ENGINE OIL

S/N: 3XS404-UP

SMCS-1316

i05884799

NOTE	REF NO	GRAPHIC REF	PART NUMBER	QTY	PART NAME						SEE PAGE
					1	2	3	4	5	6 (PRODUCT LEVEL)	
	1	1	7L-4447	1	CAP AS-ENGINE OIL FILLER						
	2	1	7N-5336	1	ELBOW-OIL FILLER						
	3	1	0S-1588	4	BOLT (3/8-16X1.25-IN)						
	4	1	5M-2894	4	WASHER-HARD (10.2X18.5X2.5-MM THK)						
	5	1	2W-0752	1	GASKET						
	6	1	5P-1175	1	FILM-IDENTIFICATION (ENGINE OIL FILL)						



FRONT VIEW OF ENGINE

TOP VIEW OF ENGINE

GRAPHIC #1

<END>

g03711892

LUBRICATION SYSTEM

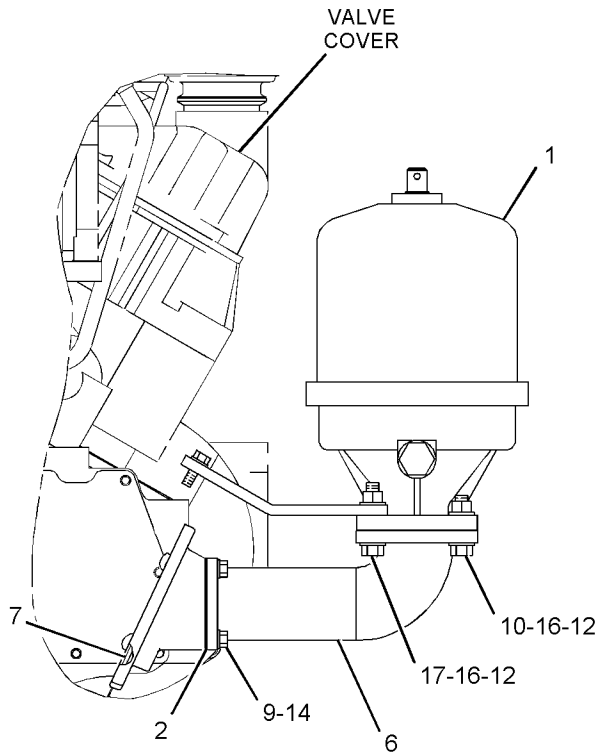
133-6461 FILTER GP-CENTRIFUGAL AN ATTACHMENT

SMCS-1328

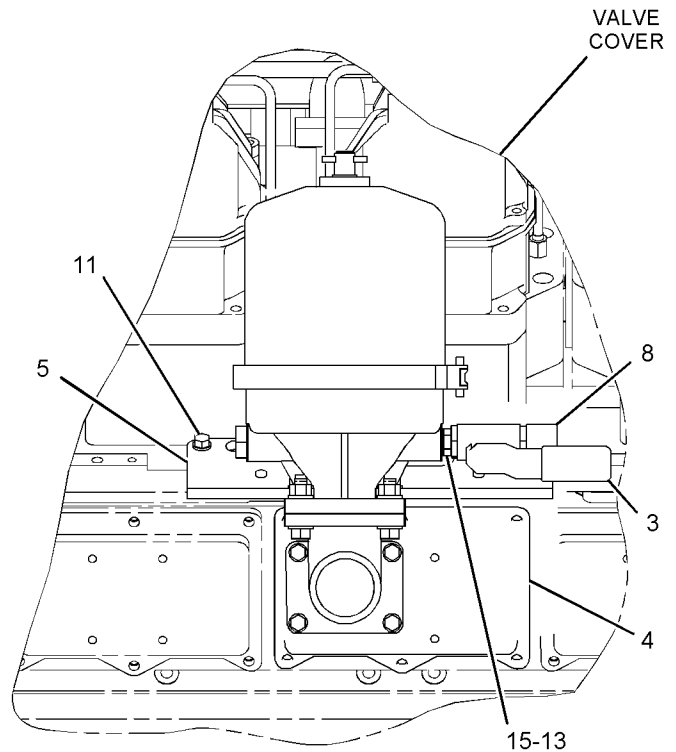
i02645543

NOTE	REF NO	GRAPHIC REF	PART NUMBER	QTY	PART NAME						SEE PAGE
					1	2	3	4	5	6 (PRODUCT LEVEL)	
Y	1	1	1W-4191	1	FILTER GP-CENTRIFUGAL						152
	2	1	2W-0752	1	GASKET						
	3	1	4R-8658	1	VALVE AS-MANUAL						
	4	1	8N-9993	1	COVER-CAMSHAFT						
	5	1	118-5542	1	SUPPORT						
	6	1	123-6868	1	ELBOW						
	7	1	272-0758	1	SEAL						
	8	1	032-1269	1	ELBOW						
	9	1	0S-1588	4	BOLT (3/8-16X1.25-IN)						
	10	1	1A-1460	2	BOLT (1/2-13X2-IN)						
	11	1	1A-2029	4	BOLT (3/8-16X1.125-IN)						
	12	1	1F-7958	4	NUT-FULL (1/2-13-THD)						
	13	1	2M-9780	1	SEAL-O-RING						
	14	1	5M-2894	8	WASHER-HARD (10.2X18.5X2.5-MM THK)						
	15	1	5P-5877	1	CONNECTOR						
	16	1	5P-8245	8	WASHER-HARD (13.5X25.5X3-MM THK)						
	17	1	9S-1366	2	BOLT (1/2-13X2.5-IN)						

Y - SEPARATE ILLUSTRATION



FRONT VIEW OF ENGINE



LEFT SIDE VIEW OF ENGINE

GRAPHIC #1

<END>

g01330095

LUBRICATION SYSTEM

1W-4191 FILTER GP-CENTRIFUGAL

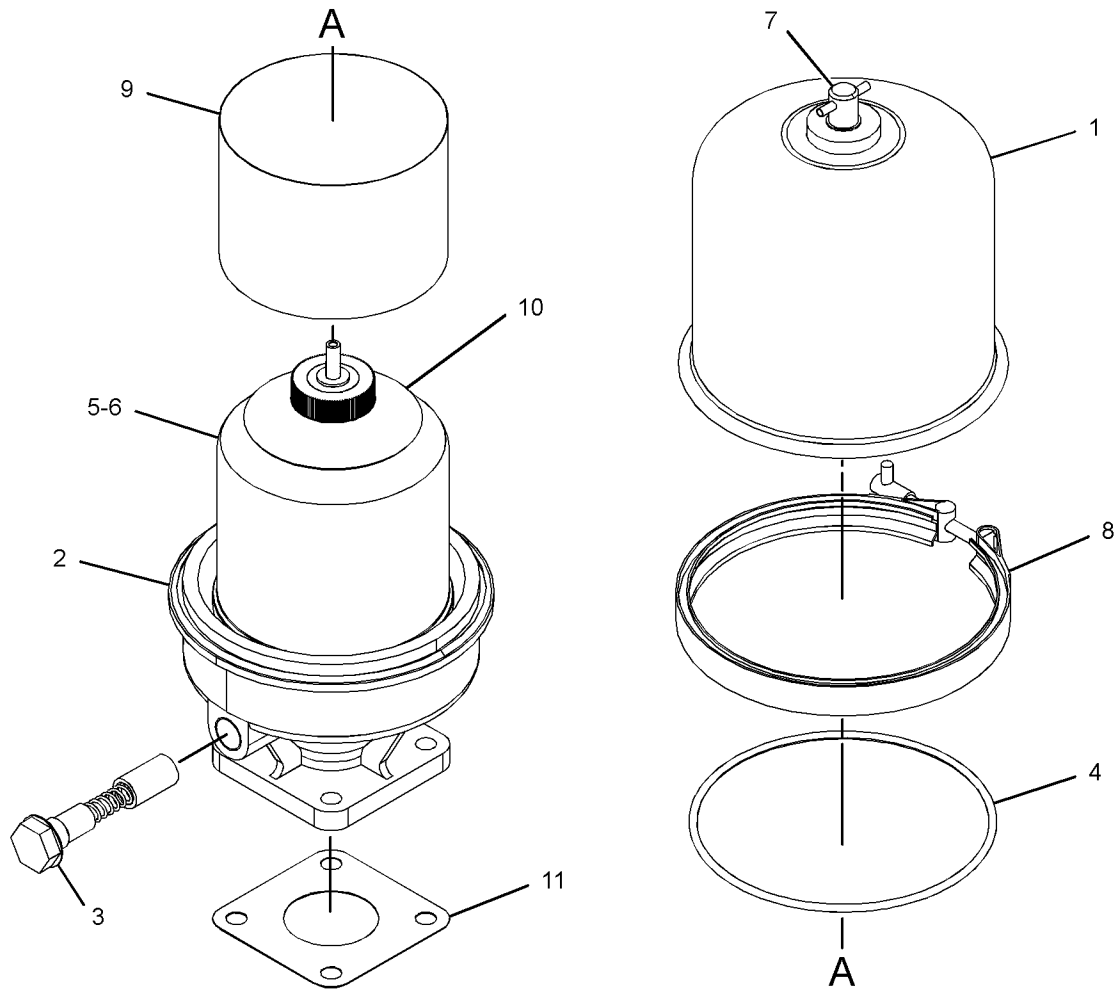
PART OF 133-6461 FILTER GP-CENTRIFUGAL

AN ATTACHMENT

SMCS-1328

i06226131

NOTE	REF NO	GRAPHIC REF	PART NUMBER	QTY	PART NAME						SEE PAGE
					1	2	3	4	5	6	
	1	1	7C-4415	1	COVER AS-FILTER						
	2	1	7C-4416	1	BODY-FILTER						
	3	1	7C-4417	1	KIT-VALVE CUTOFF (OIL FILTER)						
					(INCLUDES SHUTTLE, PLUG, SPRING & WASHER)						
	4	1	6V-3349	1	SEAL-O-RING						
	5	1	7C-4420	1	ROTOR AS						
	6	1	7C-4421	1	SEAL-O-RING						
	7	1	7C-4422	1	KIT-COVER-FILTER (OIL FILTER)						
					(INCLUDES COVER, PIN, SEAL & CLIP)						
	8	1	7C-4423	1	CLAMP						
	9	1	7C-8390	1	LINER-ROTOR (CENTRIFUGAL FILTER)						
	10	1	168-6357	1	PLATE-STIFFENER						
	11	1	7C-5485	1	GASKET-FLANGE (CENTRIFUGAL FILTER)						



GRAPHIC #1

<END>

g03384627

LUBRICATION SYSTEM

112-4921 FILTER GP-ENGINE OIL-RH

S/N: 3XS1-403

SMCS-1306, 1308

i04723571

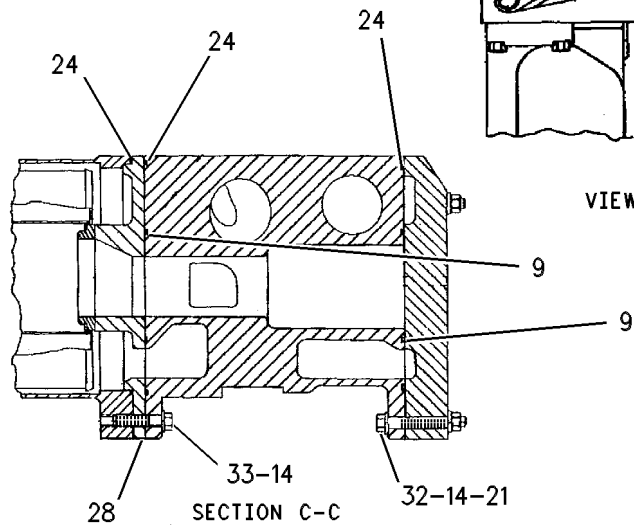
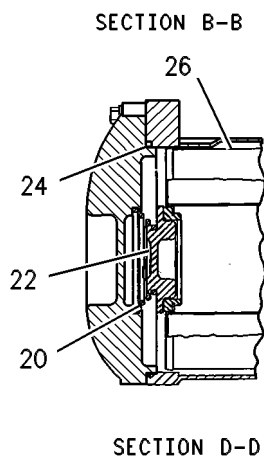
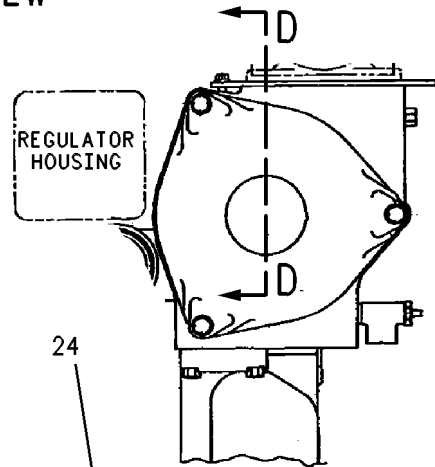
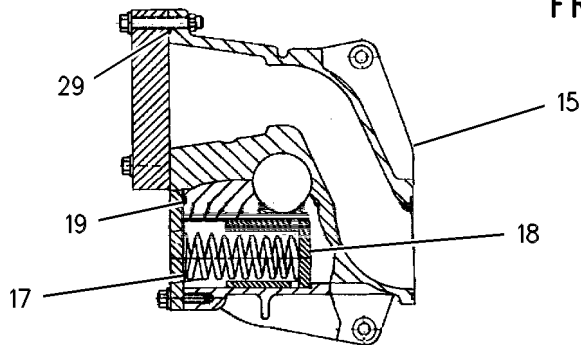
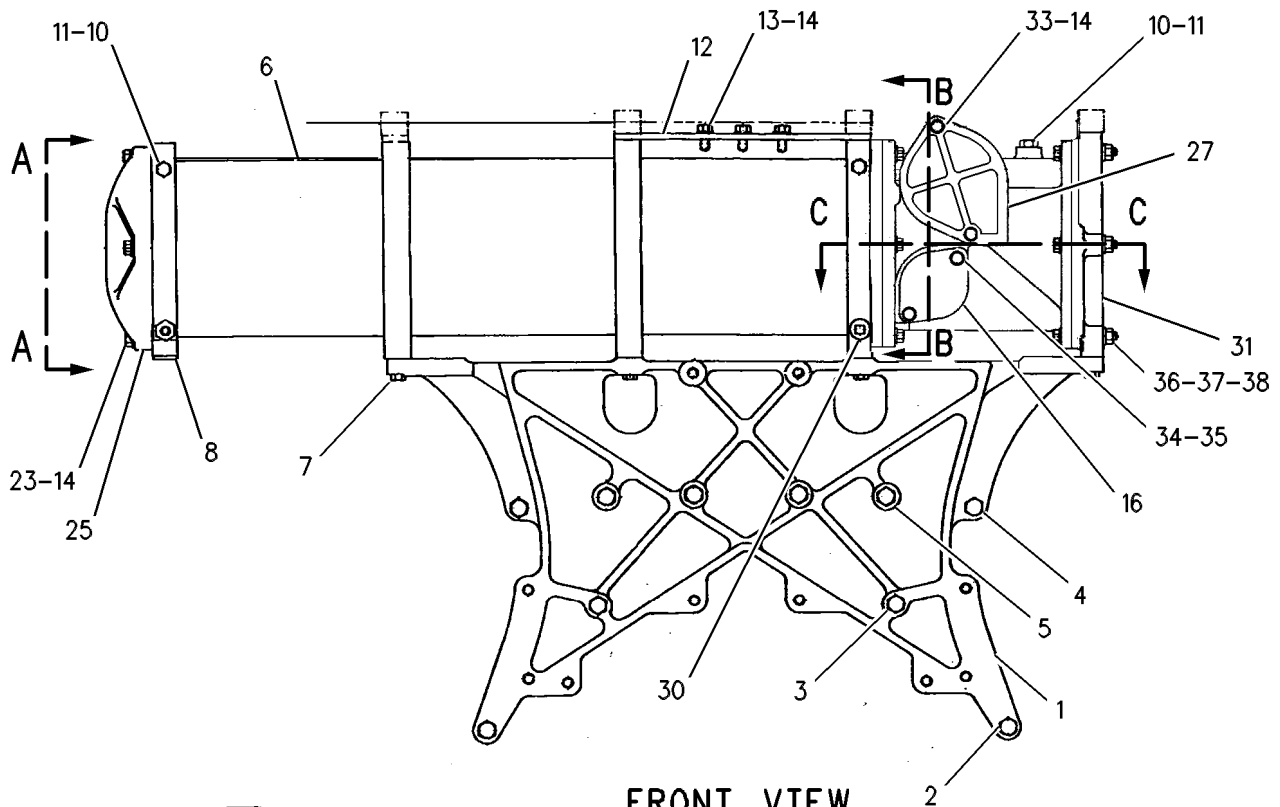
NOTE	REF NO	GRAPHIC REF	PART NUMBER	QTY	PART NAME						SEE PAGE
					1	2	3	4	5	6 (PRODUCT LEVEL)	
	1	1	8N-9482	1	SUPPORT-OIL FILTER						
	2	1	5P-4624	2	BOLT (3/4-10X11.5-IN)						
B	3	1	1D-4574	2	BOLT (1/2-13X6-IN)						
	4	1	4S-5882	2	BOLT (1/2-13X7.25-IN)						
B	5	1	5P-5421	4	BOLT (1/2-13X11.5-IN)						
	6	1	1W-2963	1	HOUSING AS-FILTER						
		1	2W-4243	2	PLATE-LUG						
		1	8N-9974	2	PLATE-END						
	7	1	0S-1588	8	BOLT (3/8-16X1.25-IN)						
	8	1	2S-5100	1	VALVE-MANUAL						
	9	1	6V-8002	2	SEAL-O-RING						
	10	1	9S-4182	4	PLUG (7/16-20-THD)						
	11	1	6V-5048	4	SEAL-O-RING						
	12	1	133-9313	1	PLATE						
	13	1	0L-1351	3	BOLT (3/8-16X0.875-IN)						
	14	1	5M-2894	15	WASHER-HARD (10.2X18.5X2.5-MM THK)						
	15	1	124-5505	1	HOUSING AS						
		1	7N-2043	3	DOWEL						
	16	1	121-5489	1	COVER						
	17	1	2W-1635	1	SPRING						
	18	1	124-4273	1	VALVE-BYPASS (OIL COOLER)						
	19	1	5P-4892	3	SEAL-O-RING						
	20	1	1N-2895	1	SPRING						
	21	1	9S-8752	2	NUT-FULL (3/8-16-THD)						
	22	1	113-4634	1	RETAINER-FILTER						
	23	1	7F-0192	3	BOLT (3/8-16X2-IN)						
	24	1	6V-3907	4	SEAL-O-RING						
	25	1	2W-9299	1	COVER-FILTER HOUSING						
	26	1	4P-2839	3	FILTER ELEMENT AS-OIL (ENGINE)						
					(EACH INCLUDES)						
		1	4W-3251	2	SEAL (OIL FILTER)						
	27	1	136-9636	1	COVER						
	28	1	121-5487	1	ADAPTER						
	29	1	5D-5957	1	SEAL-O-RING						
	30	1	8T-6762	1	PLUG-PIPE (1/2-14-THD)						
	31	1	4W-6960	1	SUPPORT-HOUSING						
	32	1	0L-1143	2	BOLT (3/8-16X2.5-IN)						
	33	1	0S-1571	5	BOLT (3/8-16X1.75-IN)						
	34	1	1M-0644	2	BOLT (3/8-16X2.25-IN)						
	35	1	8M-9024	2	WASHER-HARD (10.2X22.5X5-MM THK)						
B	36	1	9S-8752	1	NUT-FULL (3/8-16-THD)						
B	37	1	5M-2894	2	WASHER-HARD (10.2X18.5X2.5-MM THK)						
B	38	1	0L-1143	1	BOLT (3/8-16X2.5-IN)						

B - USE AS REQUIRED

LUBRICATION SYSTEM

112-4921 FILTER GP-ENGINE OIL (contd.)

i04723571



GRAPHIC #1

<END>

g00265191

LUBRICATION SYSTEM

112-4921 FILTER GP-ENGINE OIL-RH

S/N: 3XS404-UP

SMCS-1306, 1308

i07073548

NOTE	REF NO	GRAPHIC REF	PART NUMBER	QTY	PART NAME						SEE PAGE
					1	2	3	4	5	6 (PRODUCT LEVEL)	
	1	1	8N-9482	1	SUPPORT-OIL FILTER						
	2	1	5P-4624	2	BOLT (3/4-10X11.5-IN)						
	3	1	4S-5882	2	BOLT (1/2-13X7.25-IN)						
C	4	1	278-1082	1	HOUSING AS-FILTER (ENGINE OIL)						
		1	4V-7412	1	BOSS (3/8-16-THD)						
	5	1	0S-1588	8	BOLT (3/8-16X1.25-IN)						
	6	1	2S-5100	1	VALVE-MANUAL						
C	7	1	4W-5592	1	COVER						
C	8	1	339-5148	1	COVER						
C	9	1	4W-6387	1	HOUSING AS (BYPASS)						
		1	7N-2043	3	DOWEL						
	10	1	133-9313	1	PLATE						
	11	1	0L-1351	3	BOLT (3/8-16X0.875-IN)						
	12	1	5M-2894	15	WASHER-HARD (10.2X18.5X2.5-MM THK)						
C	13	1	2W-1969	1	VALVE-BYPASS (OIL COOLER)						
C	14	1	155-1690	1	ADAPTER AS						
		1	154-1581	1	RING-RETAINING						
	15	1	2W-1635	1	SPRING						
	16	1	1R-0726	3	FILTER ELEMENT AS-ENGINE OIL (STANDARD EFFICIENCY)						
C	17	1	5P-4892	4	SEAL-O-RING						
	18	1	165-3931	2	BOLT (3/8-16X1.75-IN)						
	19	1	9S-8752	2	NUT-FULL (3/8-16-THD)						
	20	1	6V-3907	4	SEAL-O-RING						
C	21	1	157-0443	1	COVER AS						
	22	1	7F-0192	3	BOLT (3/8-16X2-IN)						
	24	1	5D-5957	1	SEAL-O-RING						
	25	1	8T-6762	1	PLUG-PIPE (1/2-14-THD)						
	26	1	4W-6960	1	SUPPORT-HOUSING						
C	27	1	6V-5048	6	SEAL-O-RING						
C	28	1	9S-4182	6	PLUG (7/16-20-THD)						
C	29	1	1M-0644	3	BOLT (3/8-16X2.25-IN)						
C	30	1	0S-1619	2	BOLT (3/8-16X3-IN)						
C	31	1	6V-8001	1	SEAL-O-RING						
C	32	1	111-8639	1	COVER-BYPASS VALVE						
	33	1	0T-0573	2	BOLT (3/8-16X2.75-IN)						
B	34	1	0T-0573	1	BOLT (3/8-16X2.75-IN)						
B	35	1	1D-4574	2	BOLT (1/2-13X6-IN)						
B	36	1	5M-2894	2	WASHER-HARD (10.2X18.5X2.5-MM THK)						
B	37	1	5P-5421	4	BOLT (1/2-13X11.5-IN)						
B	38	1	9S-8752	1	NUT-FULL (3/8-16-THD)						
	39	1	165-3931	3	BOLT (3/8-16X1.75-IN)						
	40	1	0L-1143	1	BOLT (3/8-16X2.5-IN)						

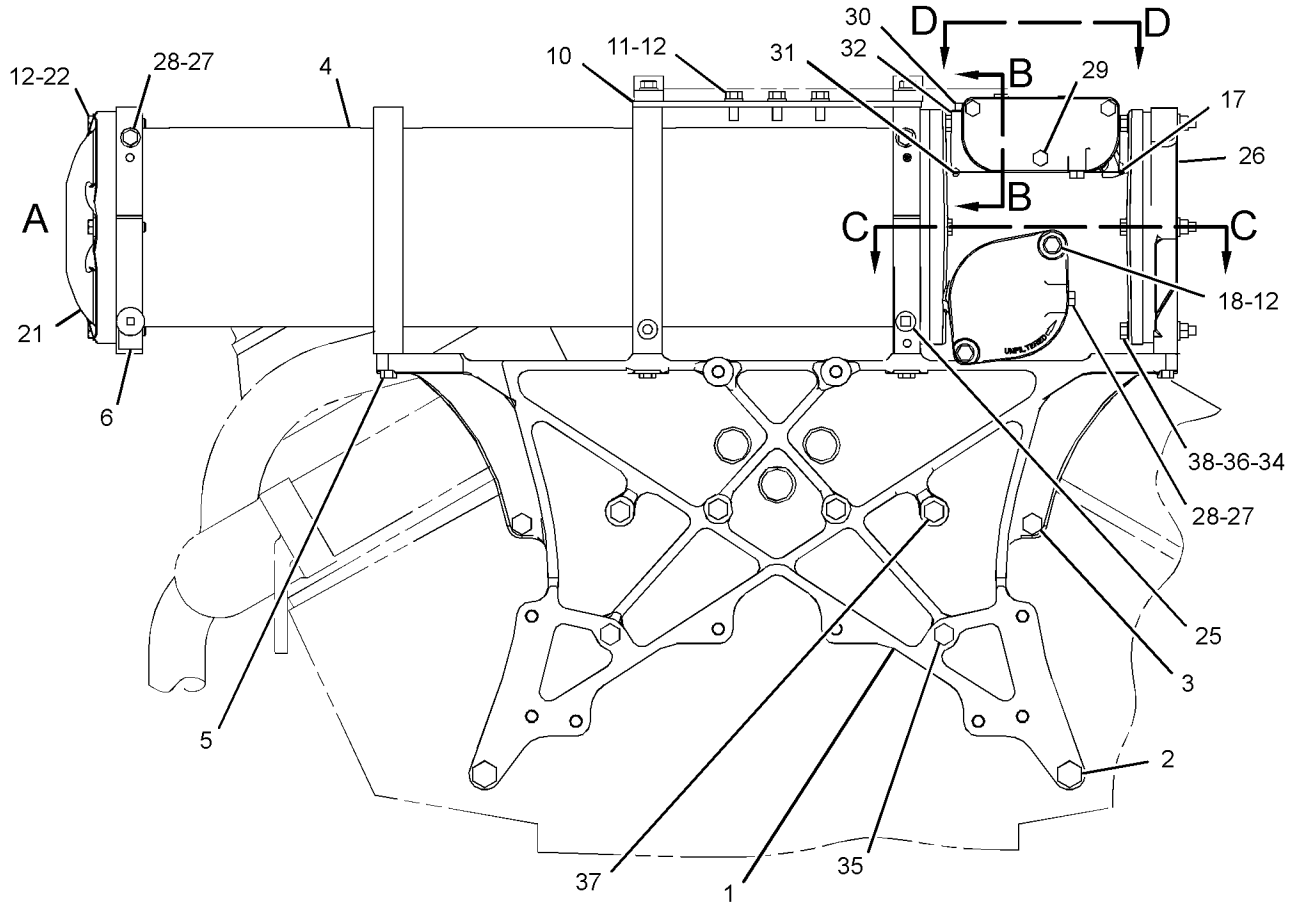
B - USE AS REQUIRED

C - CHANGE FROM PREVIOUS TYPE

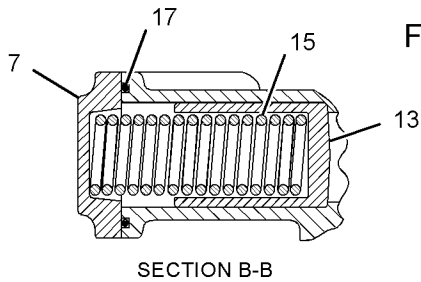
LUBRICATION SYSTEM

112-4921 FILTER GP-ENGINE OIL (contd.)

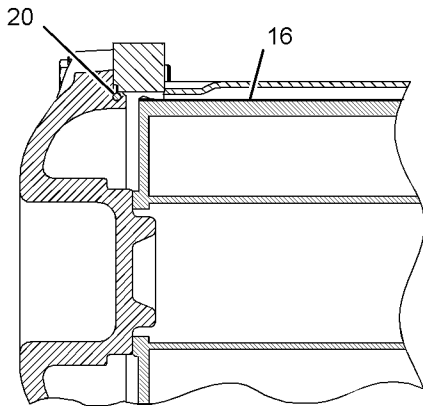
i07073548



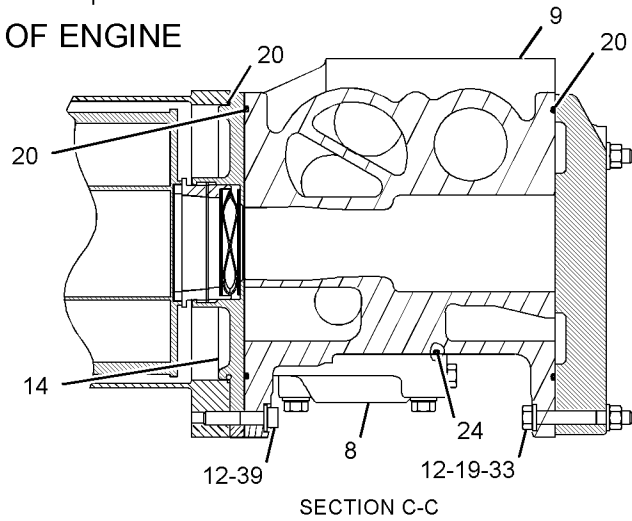
FRONT VIEW OF ENGINE



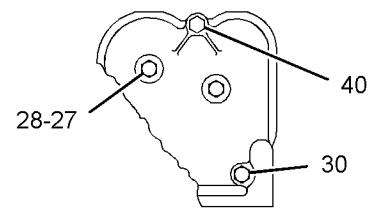
SECTION B-B



SECTION VIEW OF AREA A



SECTION C-C



VIEW D-D

GRAPHIC #1

<END>

g06215900

LUBRICATION SYSTEM

115-7841 FILTER GP-ENGINE OIL-LH

AN ATTACHMENT

SMCS-1306, 1308

i02763928

NOTE	REF NO	GRAPHIC REF	PART NUMBER	QTY	PART NAME						SEE PAGE
					1	2	3	4	5	6 (PRODUCT LEVEL)	
	1	1	8N-9482	1	SUPPORT-OIL FILTER						
	2	1	5P-4624	2	BOLT (3/4-10X11.5-IN)						
B	3	1	1D-4574	2	BOLT (1/2-13X6-IN)						
	4	1	4S-5882	2	BOLT (1/2-13X7.25-IN)						
	5	1	0S-1588	8	BOLT (3/8-16X1.25-IN)						
	6	1	4W-6491	1	SUPPORT-HOUSING						
	7	1	6V-3907	4	SEAL-O-RING						
	8	1	6V-8002	2	SEAL-O-RING						
	9	1	5P-4892	3	SEAL-O-RING						
	10	1	111-3820	2	RING-RETAINING						
	11	1	5M-2894	32	WASHER-HARD (10.2X18.5X2.5-MM THK)						
	12	1	109-2332	4	SEAL-O-RING						
B	13	1	5P-5421	4	BOLT (1/2-13X11.5-IN)						
	14	1	4P-2839	3	FILTER ELEMENT AS-OIL (ENGINE)						
					(EACH INCLUDES)						
		1	4W-3251	2	SEAL (OIL FILTER)						
	15	1	4W-8467	1	TUBE						
	16	1	4W-7192	1	TUBE						
	17	1	5D-5957	1	SEAL-O-RING						
	18	1	121-5489	1	COVER						
	19	1	0L-1351	3	BOLT (3/8-16X0.875-IN)						
	20	1	1W-2963	1	HOUSING AS-FILTER						
	21	1	1N-2895	1	SPRING						
	22	1	121-5487	1	ADAPTER						
	23	1	124-5505	1	HOUSING AS						
		1	7N-2043	3	DOWEL						
	24	1	100-8075	4	CLAMP AS						
	25	1	0T-0573	2	BOLT (3/8-16X2.75-IN)						
	26	1	2W-9299	1	COVER-FILTER HOUSING						
	27	1	136-9636	1	COVER						
	28	1	2W-1635	1	SPRING						
	29	1	124-4273	1	VALVE-BYPASS						
	30	1	0S-1571	9	BOLT (3/8-16X1.75-IN)						
	31	1	0L-1143	3	BOLT (3/8-16X2.5-IN)						
	32	1	0S-1594	7	BOLT (3/8-16X1-IN)						
	33	1	2S-5100	1	VALVE-MANUAL						
	34	1	8N-1992	2	RETAINER						
	35	1	8N-1991	1	RING-RETAINING						
	36	1	6V-0267	1	CLIP (TAB)						
	37	1	6V-0268	1	CLIP (SLOT)						
	38	1	3H-7131	1	LUG						
	39	1	3B-1915	1	BOLT (3/8-16X1.375-IN)						
	40	1	133-9313	1	PLATE						
	41	1	8T-6762	1	PLUG-PIPE (1/2-14-THD)						
	42	1	125-2785	1	ADAPTER						
	43	1	6V-5048	4	SEAL-O-RING						
	44	1	9S-4182	4	PLUG (7/16-20-THD)						
	45	1	9S-8752	7	NUT-FULL (3/8-16-THD)						

LUBRICATION SYSTEM

115-7841 FILTER GP-ENGINE OIL (contd.)

i02763928

NOTE	REF NO	GRAPHIC REF	PART NUMBER	QTY	PART NAME						SEE PAGE
					1	2	3	4	5	6 (PRODUCT LEVEL)	
	46	1	113-4634	1	RETAINER-FILTER						
	47	1	7F-0192	3	BOLT (3/8-16X2-IN)						
	48	1	1M-0644	2	BOLT (3/8-16X2.25-IN)						
	49	1	8M-9024	2	WASHER-HARD (10.2X22.5X5-MM THK)						

B - USE AS REQUIRED

LUBRICATION SYSTEM

120-4501 FILTER GP-ENGINE OIL-DUPLEX

**CANNOT BE USED WITH ENGINE MOUNTED FANS OR WHERE FAN IS MOUNTED IN CLOSE PROXIMITY
TO THE ENGINE
AN ATTACHMENT**

SMCS-1306, 1308

i04381339

NOTE	REF NO	GRAPHIC REF	PART NUMBER	QTY	PART NAME	SEE PAGE
					1 2 3 4 5 6 (PRODUCT LEVEL)	
	1	1	0L-1143	1	BOLT (3/8-16X2.5-IN)	
	2	1	0S-1619	4	BOLT (3/8-16X3-IN)	
	3	1	6V-3907	6	SEAL-O-RING	
	4	1	2W-8378	2	ADAPTER	
Y	5	1	7W-3816	1	VALVE GP-FLUID CONTROL (DUPLEX OIL)	181
	6	1	2W-9209	1	VALVE AS-CHECK (ENGINE OIL)	
	7	1	4P-2839	4	FILTER ELEMENT AS-OIL (ENGINE)	
					(EACH INCLUDES)	
		1	4W-3251	2	SEAL (OIL FILTER)	
	8	1	3J-9173	1	BOLT-SPECIAL	
	9	1	2W-9299	2	COVER-FILTER HOUSING	
	10	1	1N-2895	2	SPRING	
	11	1	113-4634	2	RETAINER-FILTER	
	12	1	0S-1571	6	BOLT (3/8-16X1.75-IN)	
	13	1	5M-2894	21	WASHER-HARD (10.2X18.5X2.5-MM THK)	
	14	1	9K-6540	1	WASHER-SPRING (0.63X1.25X0.04-IN THK)	
	15	1	2N-8613	1	WASHER (0.63X1.06X0.059-IN THK)	
	16	1	5P-8245	1	WASHER-HARD (13.5X25.5X3-MM THK)	
	17	1	4W-5592	1	COVER	
	18	1	2W-1635	1	SPRING	
	19	1	5P-4892	4	SEAL-O-RING	
	20	1	2W-1969	1	VALVE-BYPASS (OIL COOLER) (ENGINE OIL)	
	21	1	5P-4624	2	BOLT (3/4-10X11.5-IN)	
B	22	1	1D-4574	2	BOLT (1/2-13X6-IN)	
B	23	1	5P-5421	4	BOLT (1/2-13X11.5-IN)	
	24	1	4S-5882	2	BOLT (1/2-13X7.25-IN)	
	25	1	9S-4182	4	PLUG (7/16-20-THD)	
	26	1	6V-5048	4	SEAL-O-RING	
	27	1	4W-0288	1	TUBE AS	
	28	1	3L-5389	1	TIE ROD	
	29	1	5B-9079	2	NUT-JAM (3/8-24-THD)	
	30	1	1A-9252	2	END-ADJUSTMENT ROD	
	31	1	9H-6673	2	PIN	
	32	1	3B-4615	2	PIN-COTTER	
	33	1	4W-0290	1	VALVE AS (ENGINE OIL)	
	34	1	4W-0334	1	PLUNGER AS-BALL	
	35	1	2S-5100	2	VALVE-MANUAL (ENGINE OIL DRAIN)	
	36	1	4W-0090	1	BLOCK	
	37	1	002-6453	1	ELBOW	
	38	1	8N-9482	1	SUPPORT-OIL FILTER	
	39	1	6K-9194	1	ELBOW-FLARED	
	40	1	7F-0192	6	BOLT (3/8-16X2-IN)	
	41	1	4W-0096	1	LEVER	
	42	1	0S-1594	1	BOLT (3/8-16X1-IN)	
	43	1	4W-0289	1	TUBE AS	
	44	1	137-6857	1	HOUSING AS-OIL FILTER	

LUBRICATION SYSTEM

120-4501 **FILTER GP-ENGINE OIL** (contd.)

i04381339

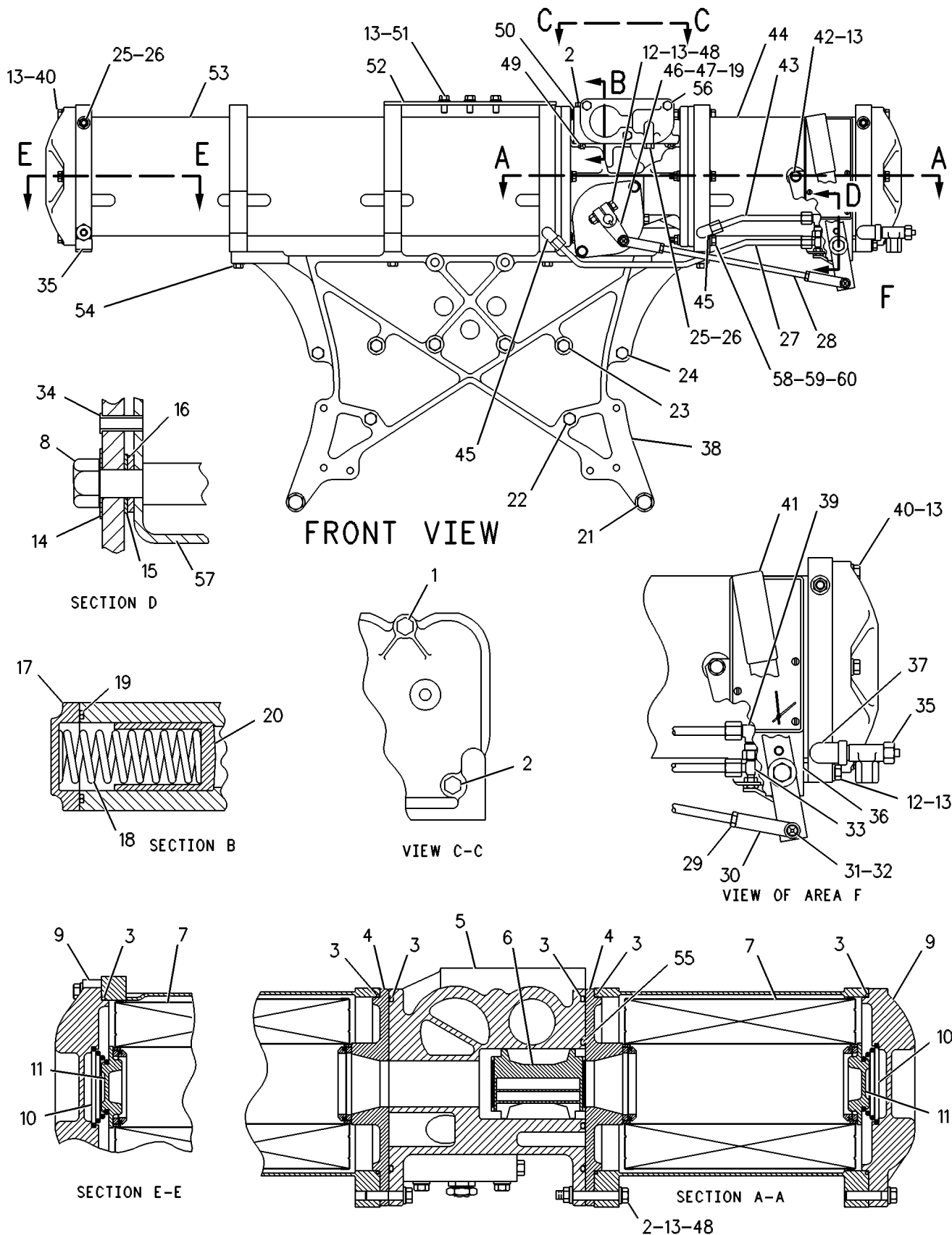
NOTE	REF NO	GRAPHIC REF	PART NUMBER	QTY	PART NAME						SEE PAGE
					1	2	3	4	5	6 (PRODUCT LEVEL)	
		1	8P-2813	1	BOSS (3/8-16-THD)						
	45	1	7D-8793	2	ELBOW-FLARED						
	46	1	3D-9777	1	LEVER						
	47	1	1B-8706	1	KEY-WOODRUFF						
	48	1	9S-8752	3	NUT-FULL (3/8-16-THD)						
	49	1	6V-8001	1	SEAL-O-RING						
	50	1	111-8639	1	COVER-BYPASS VALVE						
	51	1	0L-1351	3	BOLT (3/8-16X0.875-IN)						
	52	1	133-9313	1	PLATE						
	53	1	<i>1W-2963</i>	1	HOUSING AS-FILTER						
	54	1	0S-1588	8	BOLT (3/8-16X1.25-IN)						
	55	1	6V-8002	1	SEAL-O-RING						
	56	1	1M-0644	3	BOLT (3/8-16X2.25-IN)						
	57	1	4W-0343	1	BRACKET						
B	58	1	0S-1619	1	BOLT (3/8-16X3-IN)						
B	59	1	5M-2894	2	WASHER-HARD (10.2X18.5X2.5-MM THK)						
B	60	1	9S-8752	1	NUT-FULL (3/8-16-THD)						

B - USE AS REQUIRED
Y - SEPARATE ILLUSTRATION

LUBRICATION SYSTEM

120-4501 FILTER GP-ENGINE OIL (contd.)

i04381339



GRAPHIC #1

<END>

g00266427

LUBRICATION SYSTEM

7C-9784 GAUGE GP-OIL LEVEL (DIPSTICK)-DEEP SUMP

S/N: 3XS404-UP

ENGINE

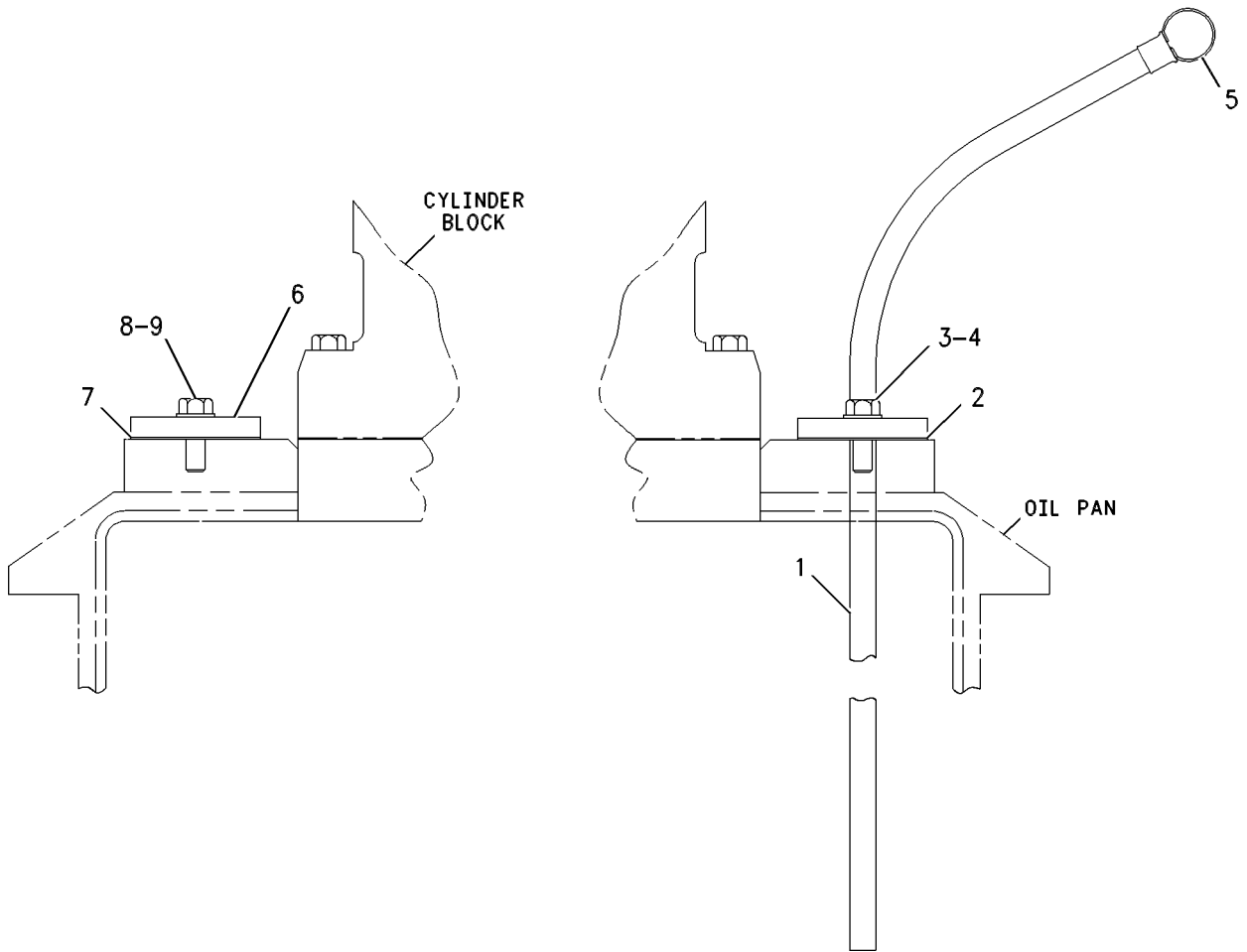
ALSO AN ATTACHMENT

SMCS-1326

i06702872

NOTE	REF NO	GRAPHIC REF	PART NUMBER	QTY	PART NAME						SEE PAGE
					1	2	3	4	5	6 (PRODUCT LEVEL)	
	1	1	7E-0467	1	TUBE AS-OIL GAUGE						
	2	1	9L-1480	1	GASKET						
	3	1	0S-1594	2	BOLT (3/8-16X1-IN)						
	4	1	5M-2894	2	WASHER-HARD (10.2X18.5X2.5-MM THK)						
	5	1	7C-9786	1	GAUGE AS-OIL LEVEL (DIPSTICK) (DEEP SUMP)						
B	6	1	4B-3140	1	COVER						
B	7	1	9L-1480	1	GASKET						
B	8	1	0S-1594	2	BOLT (3/8-16X1-IN)						
B	9	1	5M-2894	2	WASHER-HARD (10.2X18.5X2.5-MM THK)						

B - USE AS REQUIRED



FRONT VIEW

GRAPHIC #1

<END>

g00618660

LUBRICATION SYSTEM

3N-4868 HOSE AS*I

915-MM LENGTH

AN ATTACHMENT

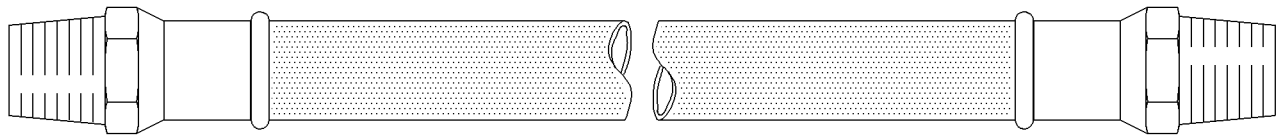
SMCS-1307

i01305109

NOTE	REF NO	GRAPHIC REF	PART NUMBER	QTY	PART NAME	SEE PAGE
------	--------	-------------	-------------	-----	-----------	----------

1 2 3 4 5 6 (PRODUCT LEVEL)

(NO SERVICED PARTS)



GRAPHIC #1

<END>

g00691548

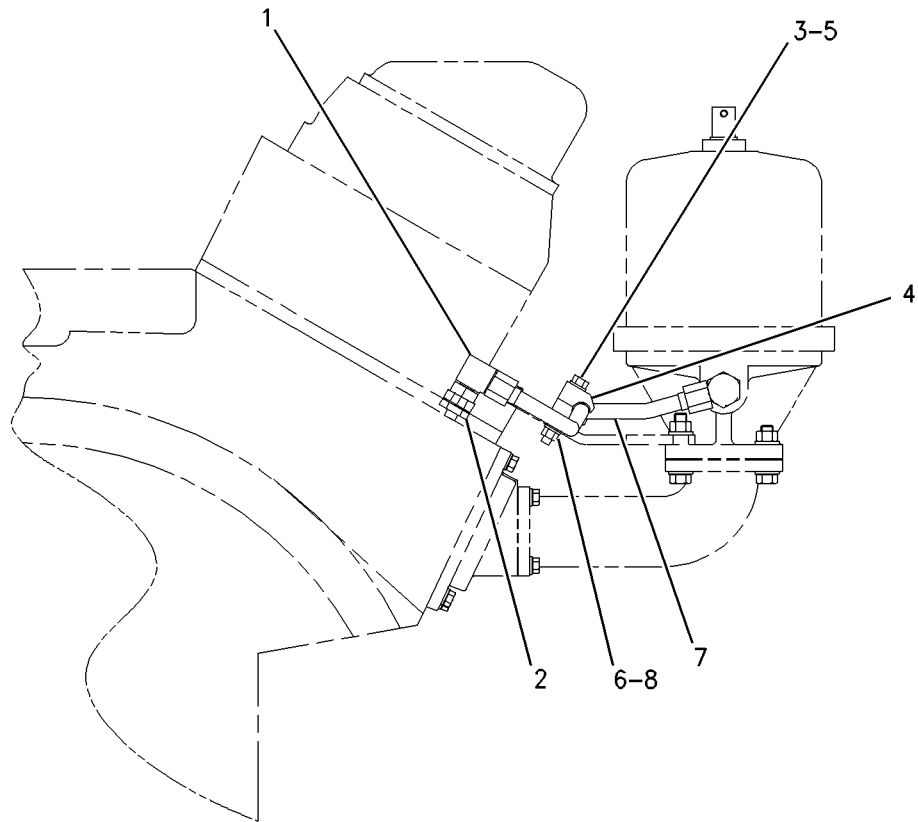
LUBRICATION SYSTEM

148-8007 LINES GP-CENTRIFUGAL FILTER AN ATTACHMENT

SMCS-1328

i01759535

NOTE	REF NO	GRAPHIC REF	PART NUMBER	QTY	PART NAME						SEE PAGE
					1	2	3	4	5	6 (PRODUCT LEVEL)	
	1	1	8K-2396	1	ELBOW-FLARED						
	2	1	061-9463	1	CONNECTOR (FLARED)						
	3	1	0T-0573	2	BOLT (3/8-16X2.75-IN)						
	4	1	4P-0692	4	CLAMP AS						
					(EACH INCLUDES)						
		1	108-1434	1	GROMMET						
	5	1	5M-2894	2	WASHER-HARD (10.2X18.5X2.5-MM THK)						
	6	1	9S-8752	2	NUT-FULL (3/8-16-THD)						
	7	1	150-4157	1	TUBE AS						
	8	1	9X-6458	2	WASHER-HARD (10.2X22.5X3-MM THK)						



FRONT VIEW

GRAPHIC #1

<END>

g00812862

LUBRICATION SYSTEM

115-7860 LINES GP-ENGINE OIL

S/N: 3XS404-UP

TYPE 1

SMCS-1307

i01902518

NOTE	REF NO	GRAPHIC REF	PART NUMBER	QTY	PART NAME						SEE PAGE
					1	2	3	4	5	6 (PRODUCT LEVEL)	
	1	1	7N-5416	1	ELBOW (OUTLET)						
	2	1	6V-3908	1	SEAL-O-RING						
	3	1	0S-1594	19	BOLT (3/8-16X1-IN)						
	4	1	1N-3333	1	TUBE						
	5	1	109-2332	6	SEAL-O-RING						
	6	1	7C-9217	1	ELBOW (OIL COOLER BYPASS)						
	7	1	5F-4899	1	BOLT (3/8-16X5.5-IN)						
	8	1	2W-1635	1	SPRING						
	9	1	2W-1969	1	VALVE-BYPASS (OIL COOLER) (ENGINE OIL)						
	10	1	4W-5596	1	COVER						
	11	1	5M-2894	16	WASHER-HARD (10.2X18.5X2.5-MM THK)						
	12	1	5P-5846	1	SEAL-O-RING						
	13	1	0T-0573	2	BOLT (3/8-16X2.75-IN)						
	14	1	4B-3140	1	COVER						
	15	1	7N-5413	1	ELBOW						
	16	1	3P-0655	3	SEAL-O-RING						
	17	1	8T-6765	1	PLUG-PIPE (1/4-18-THD)						
	18	1	4W-5597	1	COVER						
	19	1	0L-1143	4	BOLT (3/8-16X2.5-IN)						
B	20	1	5M-2894	1	WASHER-HARD (10.2X18.5X2.5-MM THK)						
	21	1	0S-1571	2	BOLT (3/8-16X1.75-IN)						
	22	1	9S-8752	2	NUT-FULL (3/8-16-THD)						
	23	1	4W-6066	1	TUBE						
B	24	1	6V-0267	1	CLIP (TAB)						
B	25	1	6V-0268	1	CLIP (SLOT)						
B	26	1	3H-7131	1	LUG						
B	27	1	3B-1915	1	BOLT (3/8-16X1.375-IN)						
	28	1	121-5486	1	ADAPTER						
	29	1	116-1352	1	ADAPTER						
	30	1	4W-4677	1	TUBE						
	31	1	0T-0065	4	BOLT (3/8-16X3.5-IN)						
	32	1	8T-6762	1	PLUG-PIPE (1/2-14-THD)						
	33	1	061-9456	4	SEAL-O-RING						
	34	1	5P-4892	3	SEAL-O-RING						
	35	1	7N-7697	2	PLUNGER AS						
					(EACH INCLUDES)						
		1	7M-1808	1	DOWEL						
	36	1	6B-9202	2	SPRING						
	37	1	8N-2929	2	COVER						
	38	1	0S-1588	6	BOLT (3/8-16X1.25-IN)						
	39	1	2W-7226	1	ADAPTER						
	40	1	0S-1591	2	BOLT (3/8-16X1.5-IN)						
	41	1	9S-4190	1	PLUG-O-RING (7/8-14-THD)						
	42	1	6V-5048	1	SEAL-O-RING						
	43	1	9S-4182	1	PLUG (7/16-20-THD)						
	44	1	5P-7817	1	SEAL-O-RING						
	45	1	8N-1992	2	RETAINER						
	46	1	2W-1053	1	PLUG						

LUBRICATION SYSTEM

115-7860 **LINES GP-ENGINE OIL** (contd.)

i01902518

NOTE	REF NO	GRAPHIC REF	PART NUMBER	QTY	PART NAME						SEE PAGE
					1	2	3	4	5	6 (PRODUCT LEVEL)	
	47	1	8N-1991	1	RING-RETAINING						
	48	1	6V-4589	1	SEAL-O-RING						
	49	1	100-8075	2	CLAMP AS						
	50	1	111-3820	2	RING-RETAINING						
B	51	1	9S-4190	1	PLUG-O-RING (7/8-14-THD)						
B	52	1	6V-4589	1	SEAL-O-RING						
B	53	1	9S-4190	1	PLUG-O-RING (7/8-14-THD)						
B	54	1	6V-4589	1	SEAL-O-RING						
B - USE AS REQUIRED											

LUBRICATION SYSTEM

115-7860 LINES GP-ENGINE OIL

S/N: 3XS404-UP

TYPE 2

SMCS-1307

i02179157

NOTE	REF NO	GRAPHIC REF	PART NUMBER	QTY	PART NAME						SEE PAGE
					1	2	3	4	5	6 (PRODUCT LEVEL)	
	1	1	1N-3333	1	TUBE						
	2	1	2W-1635	1	SPRING						
	3	1	2W-1969	1	VALVE-BYPASS (OIL COOLER) (ENGINE OIL)						
	4	1	2W-7226	1	ADAPTER						
C	5	1	4W-4313	1	ADAPTER						
	6	1	4W-4677	1	TUBE						
	7	1	4W-5597	1	COVER						
	8	1	4W-6066	1	TUBE						
	9	1	6B-9202	2	SPRING						
	10	1	7C-9217	1	ELBOW (OIL COOLER BYPASS)						
	11	1	7N-5413	1	ELBOW						
	12	1	7N-5416	1	ELBOW (OUTLET)						
	13	1	7N-7697	2	PLUNGER AS						
					(EACH INCLUDES)						
		1	7M-1808	1	DOWEL						
	14	1	8N-1991	1	RING-RETAINING						
	15	1	8N-1992	2	RETAINER						
	16	1	8N-2929	2	COVER						
	17	1	100-8075	2	CLAMP AS						
C	18	1	111-3820	1	RING-RETAINING						
	19	1	116-1352	1	ADAPTER						
	20	1	061-9456	4	SEAL-O-RING						
	21	1	0L-1143	4	BOLT (3/8-16X2.5-IN)						
C	22	1	0L-1352	1	BOLT (3/8-16X3.25-IN)						
	23	1	0S-1571	2	BOLT (3/8-16X1.75-IN)						
	24	1	0S-1588	6	BOLT (3/8-16X1.25-IN)						
C	25	1	0S-1590	2	BOLT (3/8-16X2-IN)						
	26	1	0S-1591	2	BOLT (3/8-16X1.5-IN)						
C	27	1	0S-1594	18	BOLT (3/8-16X1-IN)						
	28	1	0T-0065	4	BOLT (3/8-16X3.5-IN)						
	29	1	109-2332	6	SEAL-O-RING						
	30	1	3P-0655	3	SEAL-O-RING						
	31	1	4B-3140	1	COVER						
	32	1	4W-5596	1	COVER						
	33	1	5F-4899	1	BOLT (3/8-16X5.5-IN)						
	34	1	5M-2894	16	WASHER-HARD (10.2X18.5X2.5-MM THK)						
	35	1	5P-4892	3	SEAL-O-RING						
	36	1	5P-5846	1	SEAL-O-RING						
	37	1	5P-7817	1	SEAL-O-RING						
	38	1	6V-3908	1	SEAL-O-RING						
	39	1	6V-4589	1	SEAL-O-RING						
	40	1	6V-5048	1	SEAL-O-RING						
	41	1	8T-6765	1	PLUG-PIPE (1/4-18-THD)						
	42	1	9S-4182	1	PLUG (7/16-20-THD)						
	43	1	9S-4190	1	PLUG-O-RING (7/8-14-THD)						
	44	1	9S-8752	2	NUT-FULL (3/8-16-THD)						
B	45	1	2W-1053	1	PLUG						
B	47	1	3H-7131	1	LUG						

LUBRICATION SYSTEM

115-7860 **LINES GP-ENGINE OIL** (contd.)

i02179157

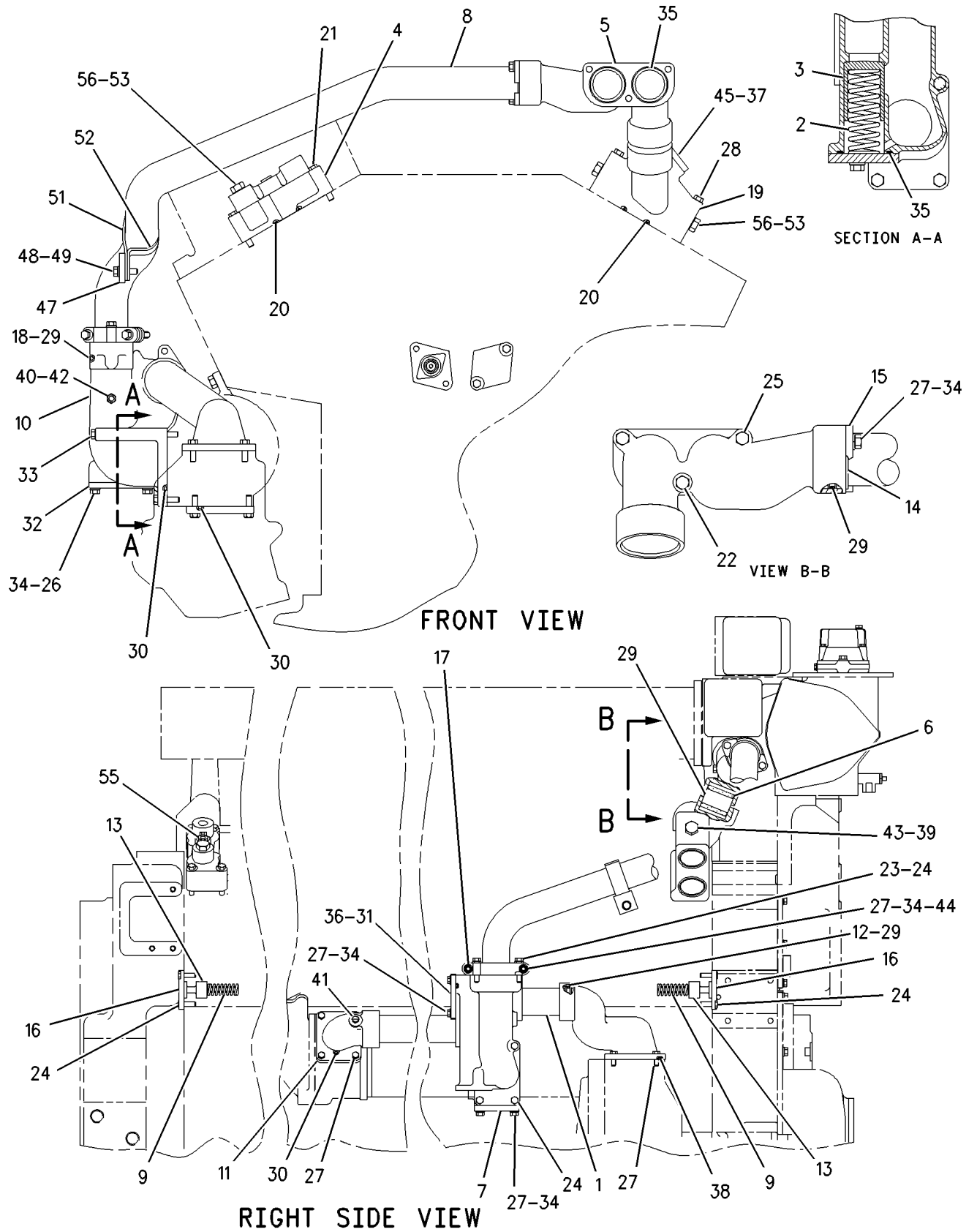
NOTE	REF NO	GRAPHIC REF	PART NUMBER	QTY	PART NAME						SEE PAGE
					1	2	3	4	5	6 (PRODUCT LEVEL)	
B	48	1	3B-1915	1	BOLT (3/8-16X1.375-IN)						
B	49	1	5M-2894	1	WASHER-HARD (10.2X18.5X2.5-MM THK)						
B	51	1	6V-0267	1	CLIP (TAB)						
B	52	1	6V-0268	1	CLIP (SLOT)						
B	53	1	6V-4589	2	SEAL-O-RING						
B	55	1	8T-6762	1	PLUG-PIPE (1/2-14-THD)						
B	56	1	9S-4190	2	PLUG-O-RING (7/8-14-THD)						

B - USE AS REQUIRED
 C - CHANGE FROM PREVIOUS TYPE

LUBRICATION SYSTEM

115-7860 LINES GP-ENGINE OIL (contd.)

i02179157



GRAPHIC #1

<END>

g00926341

LUBRICATION SYSTEM

162-5719 LINES GP-TURBOCHARGER OIL

S/N: 3XS404-416

SMCS-1052, 1307

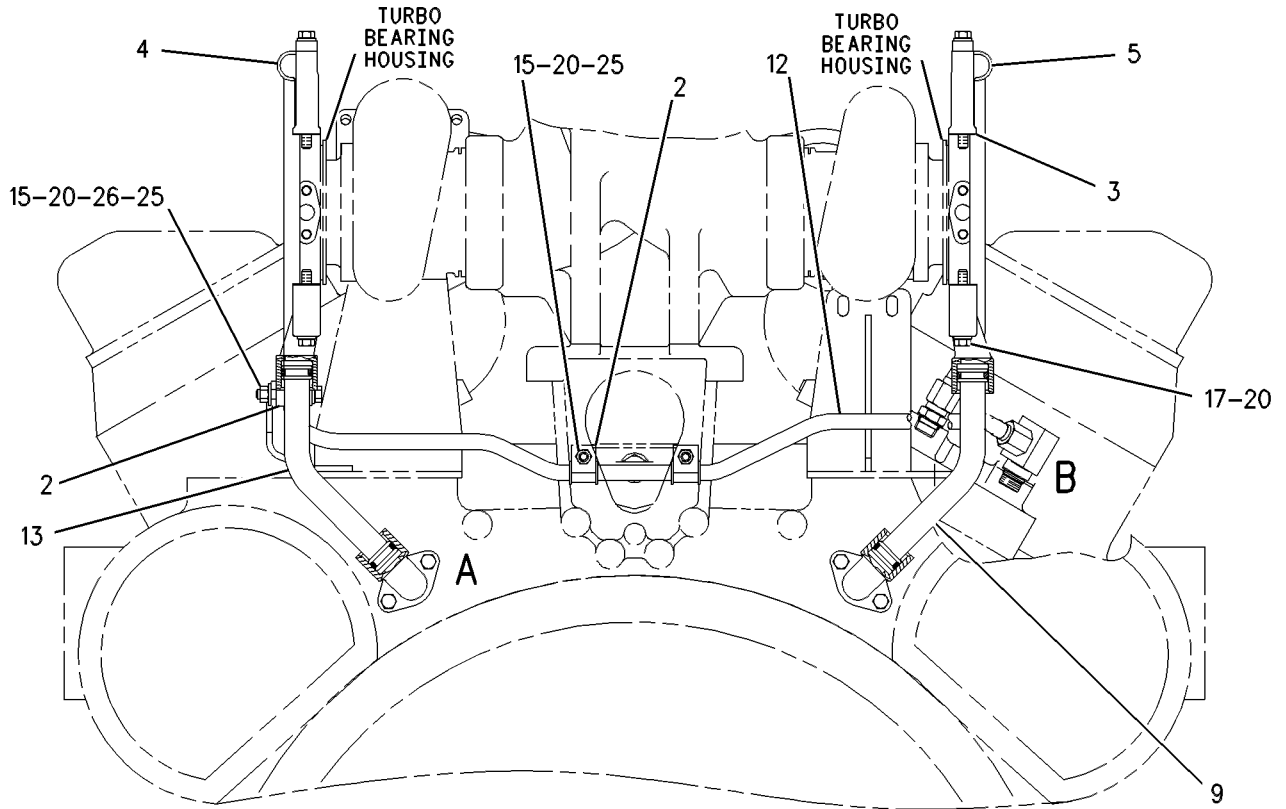
i01888776

NOTE	REF NO	GRAPHIC REF	PART NUMBER	QTY	PART NAME						SEE PAGE
					1	2	3	4	5	6 (PRODUCT LEVEL)	
1	1	1	1W-7214	2	ELBOW-DRAIN						
2	1	1	4P-0692	6	CLAMP AS						
					(EACH INCLUDES)						
		1	108-1434	1	GROMMET						
3	1	1	4P-4460	2	GASKET						
4	1	1	6I-0804	1	ADAPTER-TURBOCHARGER OIL						
5	1	1	6I-0805	1	ADAPTER-TURBOCHARGER OIL						
6	1	1	6L-1694	2	GASKET						
7	1	1	7N-7559	2	GASKET						
8	1	1	7W-6333	4	SPACER (10.5X20X10.7-MM THK)						
9	1	1	113-4646	1	TUBE AS						
10	1	1	113-4648	2	ELBOW						
11	1	1	130-2602	1	TUBE AS						
12	1	1	166-5932	1	TUBE AS						
13	1	1	166-5934	1	TUBE						
14	1	1	030-7949	1	ELBOW						
15	1	1	0L-1143	3	BOLT (3/8-16X2.5-IN)						
16	1	1	0S-1594	4	BOLT (3/8-16X1-IN)						
17	1	1	0T-0573	4	BOLT (3/8-16X2.75-IN)						
18	1	1	1A-5964	4	BOLT (3/8-16X4.5-IN)						
19	1	1	2P-7636	2	CONNECTOR (3/4-16 STR-THD)						
20	1	1	5M-2894	11	WASHER-HARD (10.2X18.5X2.5-MM THK)						
21	1	1	5P-9890	4	SEAL-O-RING						
22	1	1	6V-4589	2	SEAL-O-RING						
23	1	1	8L-2786	2	SEAL-O-RING						
24	1	1	9M-4584	1	CONNECTOR						
25	1	1	9S-8752	3	NUT-FULL (3/8-16-THD)						
26	1	1	9X-6458	1	WASHER-HARD (10.2X22.5X3-MM THK)						

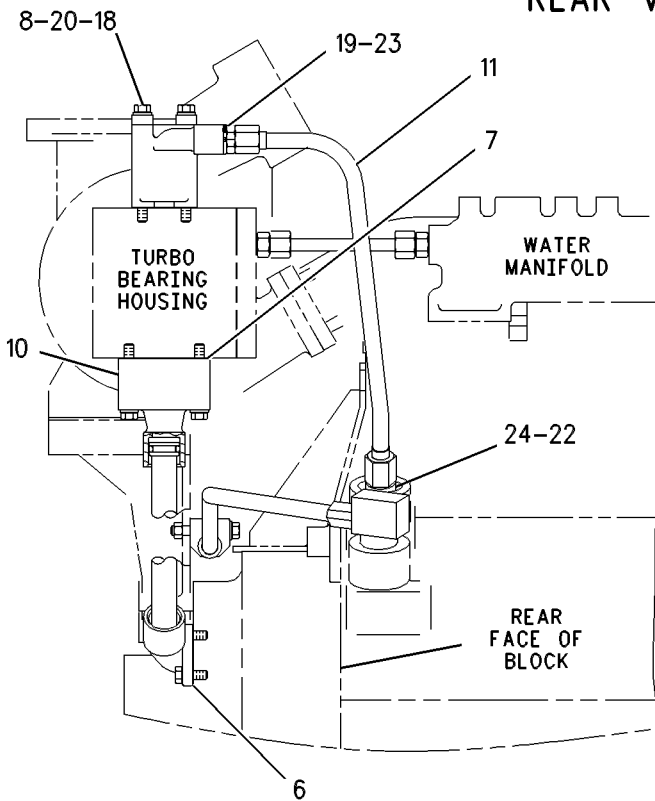
LUBRICATION SYSTEM

162-5719 LINES GP-TURBOCHARGER OIL (contd.)

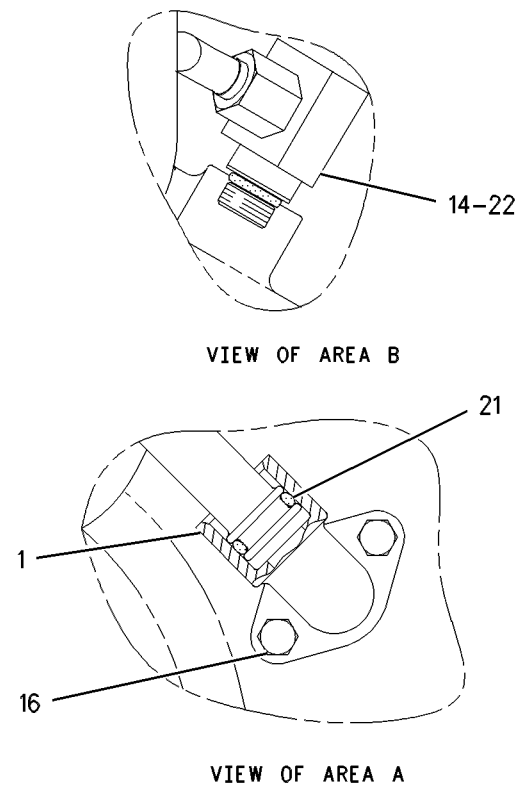
i01888776



REAR VIEW



RIGHT SIDE VIEW



GRAPHIC #1

<END>

g00559945

LUBRICATION SYSTEM

162-5719 LINES GP-TURBOCHARGER OIL

S/N: 3XS417-UP

SMCS-1052, 1307

i04243755

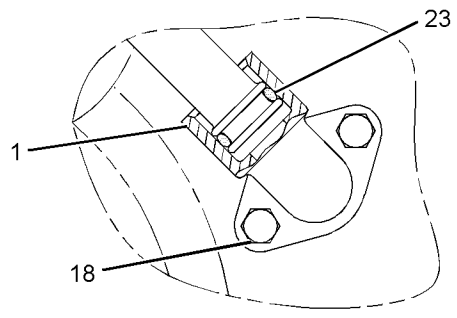
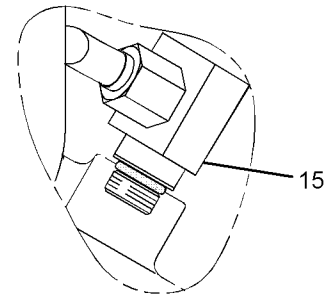
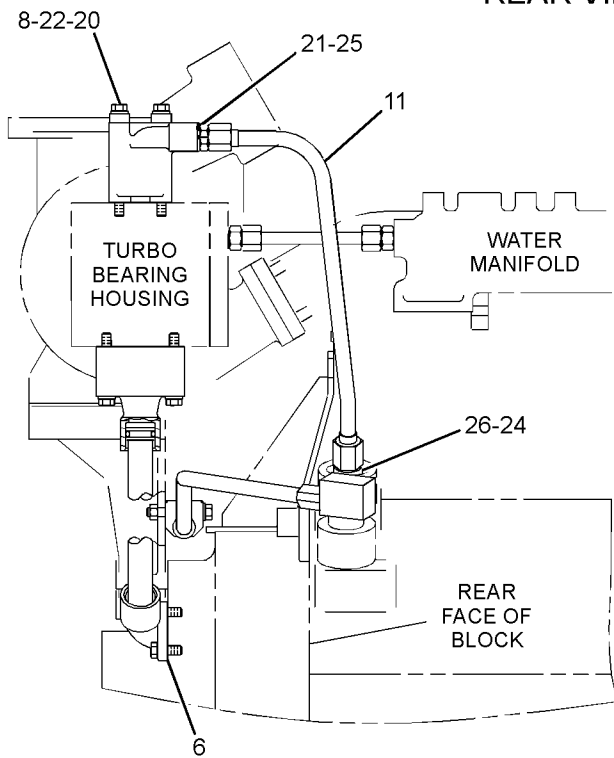
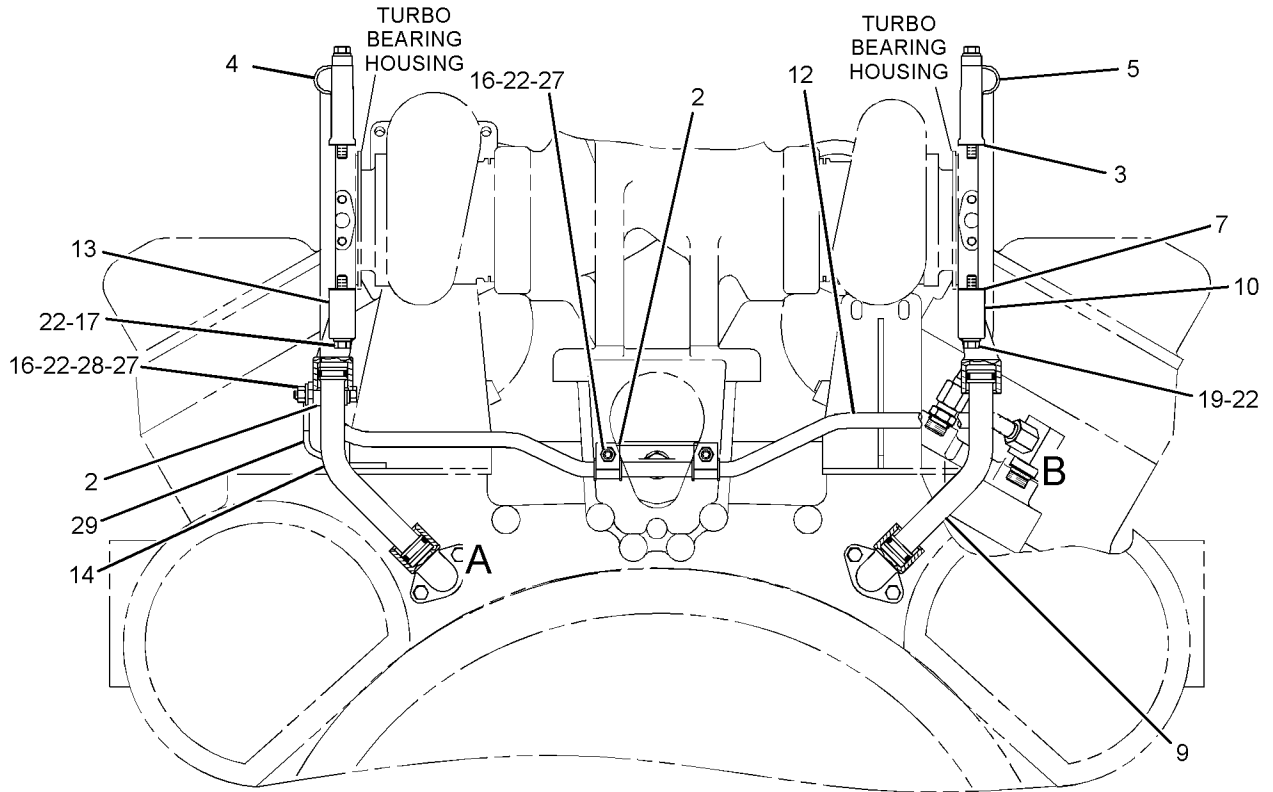
NOTE	REF NO	GRAPHIC REF	PART NUMBER	QTY	PART NAME						SEE PAGE
					1	2	3	4	5	6 (PRODUCT LEVEL)	
	1	1	1W-7214	2	ELBOW-DRAIN						
	2	1	4P-0692	6	CLAMP AS						
					(EACH INCLUDES)						
		1	108-1434	1	GROMMET						
	3	1	4P-4460	2	GASKET						
	4	1	6I-0804	1	ADAPTER-TURBOCHARGER OIL						
	5	1	6I-0805	1	ADAPTER-TURBOCHARGER OIL						
	6	1	252-8374	2	GASKET						
	7	1	7N-7559	2	GASKET						
	8	1	7W-6333	4	SPACER (10.5X20X10.7-MM THK)						
	9	1	113-4646	1	TUBE AS						
C	10	1	113-4648	1	ELBOW						
	11	1	130-2602	1	TUBE AS						
	12	1	166-5932	1	TUBE AS						
C	13	1	179-1508	1	ELBOW						
C	14	1	185-5855	1	TUBE						
	15	1	250-1498	1	ELBOW AS						
		1	6V-4589	1	SEAL-O-RING						
		1	250-1497	1	ELBOW						
	16	1	0L-1143	3	BOLT (3/8-16X2.5-IN)						
C	17	1	0S-1590	2	BOLT (3/8-16X2-IN)						
	18	1	0S-1594	4	BOLT (3/8-16X1-IN)						
C	19	1	0T-0573	2	BOLT (3/8-16X2.75-IN)						
	20	1	1A-5964	4	BOLT (3/8-16X4.5-IN)						
	21	1	2P-7636	2	CONNECTOR (3/4-16 STR-THD)						
	22	1	5M-2894	11	WASHER-HARD (10.2X18.5X2.5-MM THK)						
	23	1	5P-9890	4	SEAL-O-RING						
	24	1	6V-4589	1	SEAL-O-RING						
	25	1	8L-2786	2	SEAL-O-RING						
	26	1	9M-4584	1	CONNECTOR						
	27	1	9S-8752	3	NUT-FULL (3/8-16-THD)						
	28	1	9X-6458	1	WASHER-HARD (10.2X22.5X3-MM THK)						
	29	1	116-9863	1	BRACKET						

C - CHANGE FROM PREVIOUS TYPE

LUBRICATION SYSTEM

162-5719 LINES GP-TURBOCHARGER OIL (contd.)

i04243755



GRAPHIC #1

<END>

g01360438

LUBRICATION SYSTEM

106-9872 PUMP GP-ENGINE OIL-2-SECTION GEAR*R

S/N: 3XS404-UP

PART OF 106-9873 PUMP GP-ENGINE OIL

SMCS-1304, 1315

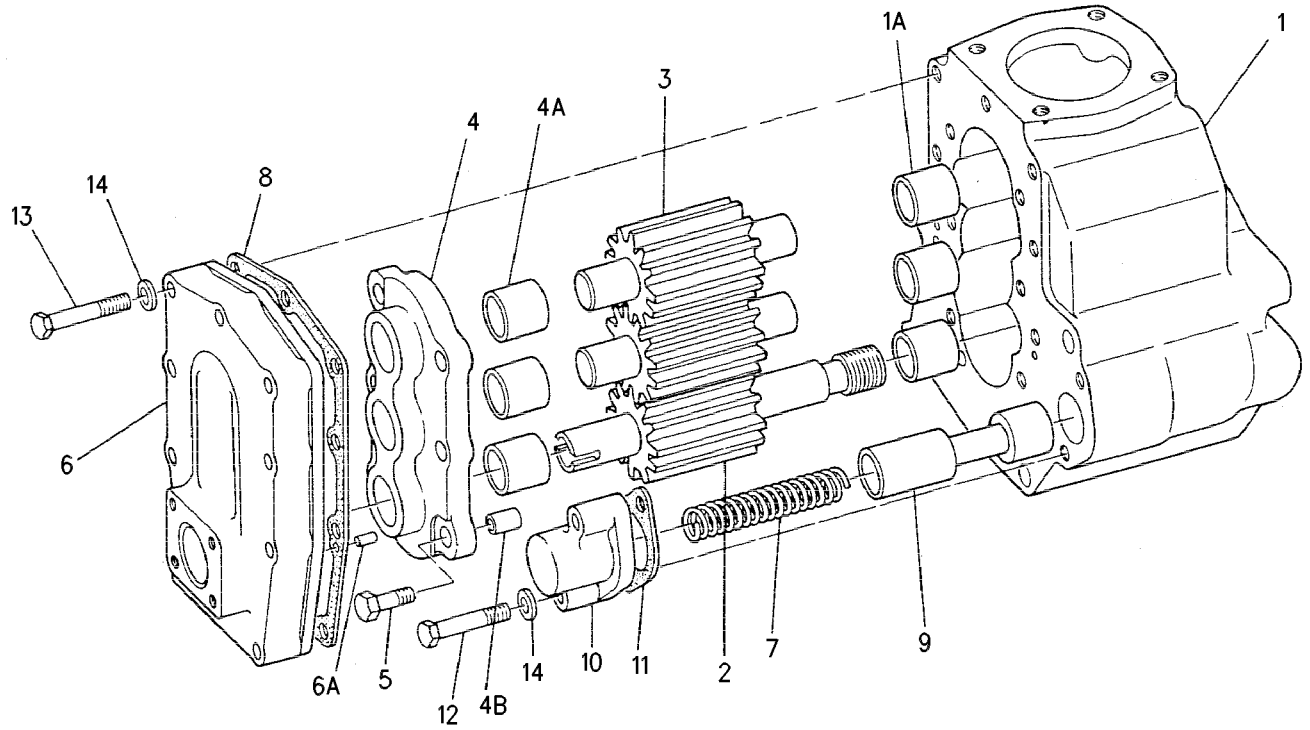
i02516779

NOTE	REF NO	GRAPHIC REF	PART NUMBER	QTY	PART NAME						SEE PAGE
					1	2	3	4	5	6 (PRODUCT LEVEL)	
	1	1	106-9871	1	BODY AS-OIL PUMP						
	1A	1	1W-6005	3	BUSHING						
	2	1	106-9869	1	SHAFT AS-OIL PUMP DRIVE (12-TEETH)						
	3	1	106-9867	2	SHAFT AS-IDLER (12-TEETH)						
	4	1	7W-0050	1	COVER AS-PUMP						
	4A	1	1W-6005	3	BUSHING						
	4B	1	4M-3248	2	DOWEL-HOLLOW						
	5	1	0S-1585	6	BOLT (1/2-13X1.5-IN)						
	6	1	1N-4637	1	COVER AS-PUMP						
	6A	1	7N-2043	2	DOWEL						
	7	1	107-7175	1	SPRING						
	8	1	7N-5057	1	GASKET						
	9	1	7N-5449	1	SPOOL-PRESSURE RELIEF						
	10	1	107-7326	1	COVER-RELIEF VALVE						
	11	1	111-1349	1	GASKET						
	12	1	7F-1866	2	BOLT (3/8-16X3-IN)						
	13	1	0S-1590	9	BOLT (3/8-16X2-IN)						
	14	1	5M-2894	11	WASHER-HARD (10.2X18.5X2.5-MM THK)						

LUBRICATION SYSTEM

106-9872 PUMP GP-ENGINE OIL (contd.)

102516779



GRAPHIC #1

<END>

g00475661

LUBRICATION SYSTEM

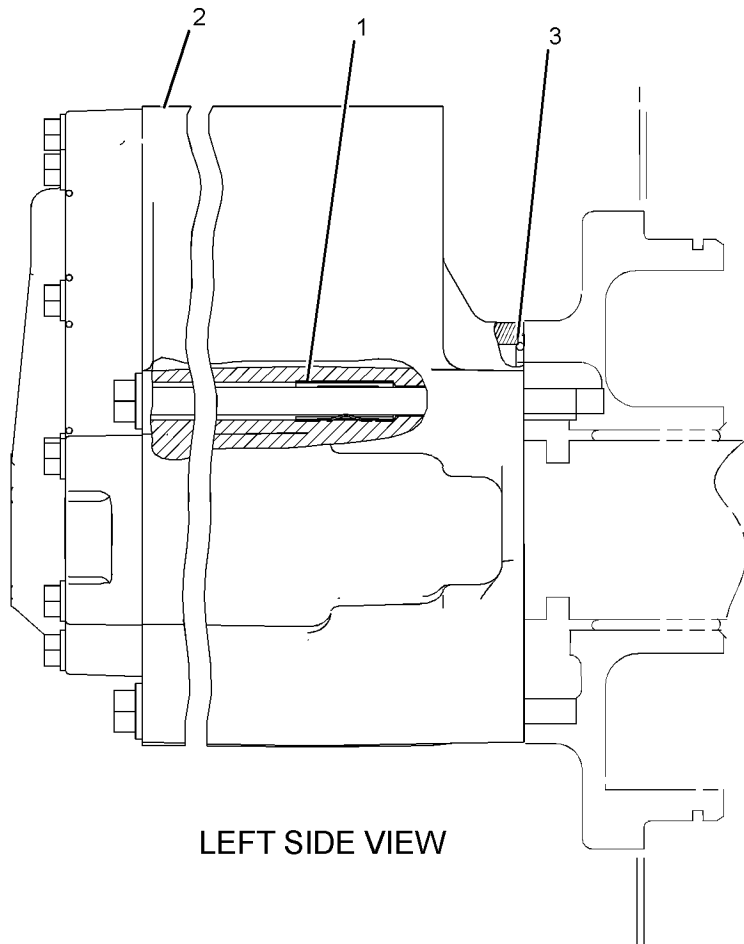
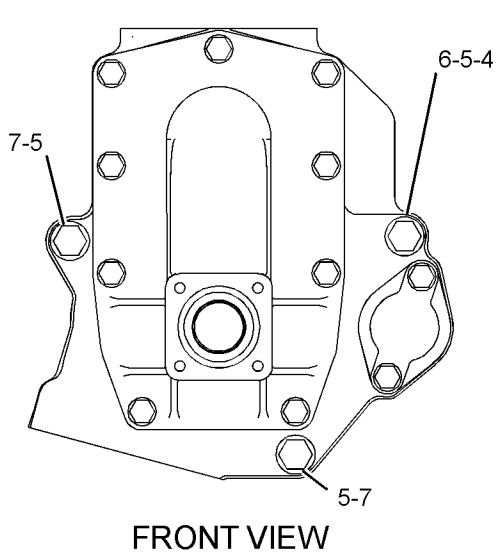
106-9873 PUMP GP-ENGINE OIL-2-SECTION GEAR S/N: 3XS404-UP

SMCS-1304, 1315

i05757112

NOTE	REF NO	GRAPHIC REF	PART NUMBER	QTY	PART NAME						SEE PAGE
					1	2	3	4	5	6 (PRODUCT LEVEL)	
	1	1	9M-4355	3	DAMPER-BOLT						
YR	2	1	106-9872	1	PUMP GP-ENGINE OIL (2-SECTION GEAR)						176
	3	1	298-6387	1	SEAL-O-RING						
B	4	1	1B-3573	1	BOLT (1/2-13X8.5-IN)						
	5	1	5P-8245	3	WASHER-HARD (13.5X25.5X3-MM THK)						
B	6	1	6M-9613	1	BOLT (1/2-13X9-IN)						
	7	1	1B-3573	2	BOLT (1/2-13X8.5-IN)						

B - USE AS REQUIRED
R - REMANUFACTURED PART MAY BE AVAILABLE
Y - SEPARATE ILLUSTRATION



GRAPHIC #1

<END>

g01338326

LUBRICATION SYSTEM

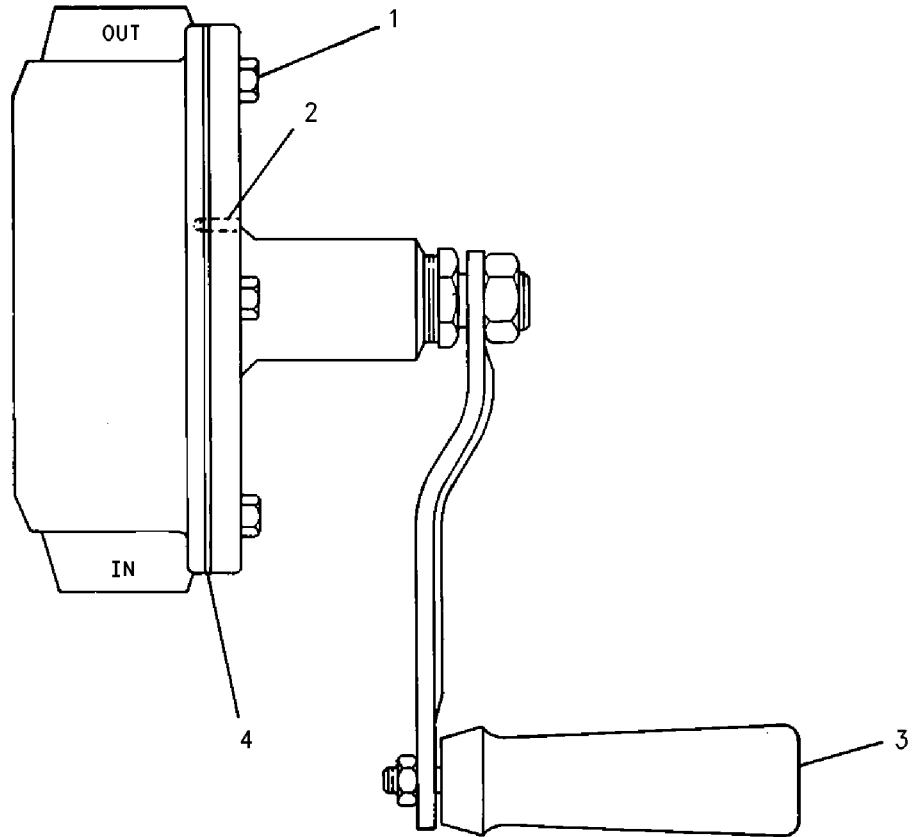
5N-6237 PUMP GP-ENGINE OIL-MANUAL LUBRICATION PART OF 7W-9703 PUMP GP-SUMP AN ATTACHMENT

SMCS-1304, 1315

i03645887

NOTE	REF NO	GRAPHIC REF	PART NUMBER	QTY	PART NAME						SEE PAGE
					1	2	3	4	5	6 (PRODUCT LEVEL)	
	1	1	2A-0762	2	BOLT (1/4-20X0.625-IN)						
	2	1	3N-3297	2	PIN-TAPERED						
	3	1	5N-6255	1	HANDLE AS						
B	4	1	3N-3299	1	GASKET SET (INCLUDES 4 GASKETS)						
					AVAILABLE REPAIR KIT(S):						
					3N-3300	1	KIT-PUMP (SUMP)				
					(INCLUDES VANE, SPRING, PACKING, NUT & GASKET)						

B - USE AS REQUIRED



GRAPHIC #1

<END>

g00621010

LUBRICATION SYSTEM

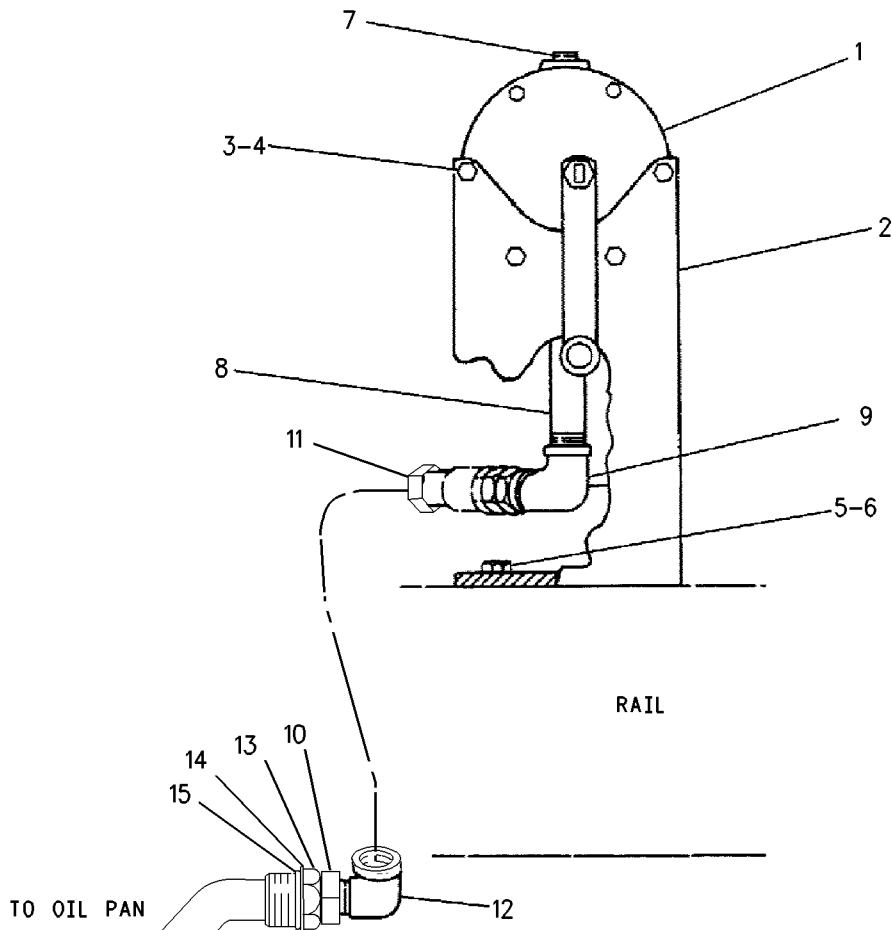
7W-9703 PUMP GP-SUMP AN ATTACHMENT

SMCS-1324

i03877213

NOTE	REF NO	GRAPHIC REF	PART NUMBER	QTY	PART NAME						SEE PAGE
					1	2	3	4	5	6	
Y	1	1	5N-6237	1	PUMP GP-ENGINE OIL (MANUAL LUBRICATION) (MANUAL LUBRICATION)						179
	2	1	5N-6236	1	BRACKET						
	3	1	7X-2501	4	BOLT (1/4-20X1.25-IN)						
	4	1	8T-4205	8	WASHER-HARD (7.2X14.5X2-MM THK)						
	5	1	8T-8917	2	BOLT (1/2-13X1.25-IN)						
	6	1	8T-4223	2	WASHER-HARD (13.5X25.5X3-MM THK)						
	7	1	7X-7731	1	PLUG-PIPE (3/4-14-THD)						
	8	1	3B-7265	1	NIPPLE-PIPE						
	9	1	1K-6937	1	ELBOW-PIPE						
	10	1	4P-5242	1	PICKUP AS-OIL						
	11	1	5F-6371	1	CONNECTOR						
	12	1	003-9163	1	ELBOW						
	13	1	0L-0701	1	NUT (1-1/2-12-THD)						
	14	1	1U-4738	1	WASHER (39.3X60X6-MM THK)						
	15	1	4J-0521	1	SEAL-O-RING						

Y - SEPARATE ILLUSTRATION



GRAPHIC #1

<END>

g00778854

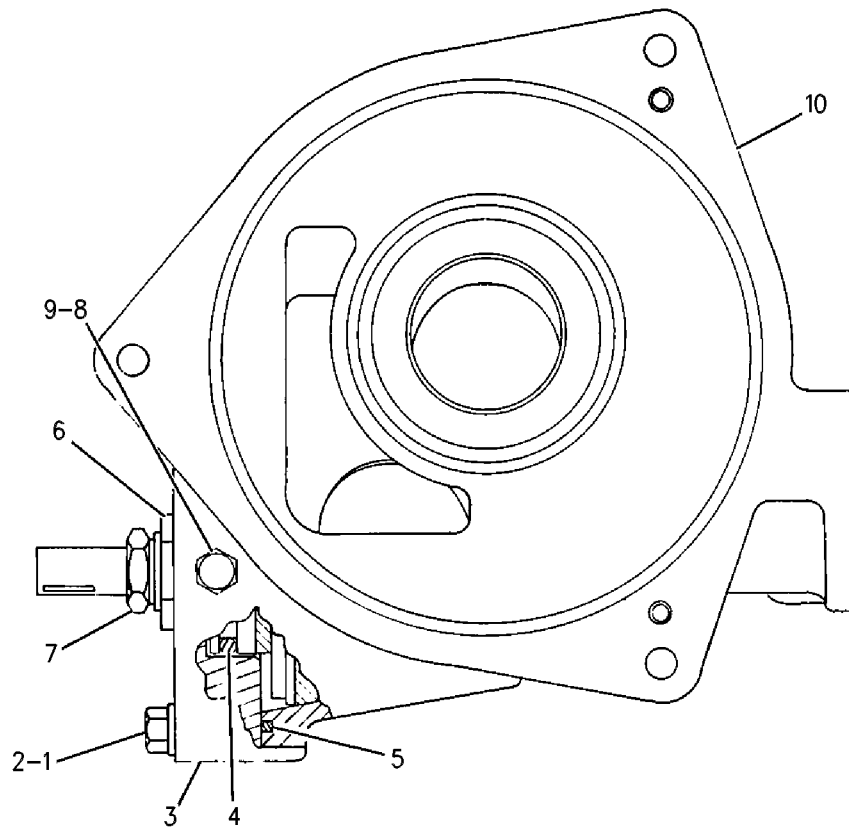
LUBRICATION SYSTEM

7W-3816 VALVE GP-FLUID CONTROL-DUPLEX OIL PART OF 120-4501 FILTER GP-ENGINE OIL AN ATTACHMENT

SMCS-7560

i06057158

NOTE	REF NO	GRAPHIC REF	PART NUMBER	QTY	PART NAME						SEE PAGE
					1	2	3	4	5	6 (PRODUCT LEVEL)	
	1	1	165-3931	2	BOLT (3/8-16X1.75-IN)						
	2	1	5M-2894	2	WASHER-HARD (10.2X18.5X2.5-MM THK)						
	3	1	354-2399	1	COVER AS						
		1	7S-2245	1	DOWEL						
		1	3H-2617	1	PIN-SPRING						
4		1	9M-2610	1	SEAL-O-RING						
5		1	5D-5957	1	SEAL-O-RING						
6		1	3B-7329	1	NUT (1-14-THD)						
7		1	5H-7225	1	NUT-RETAINER (1-11/16-THD)						
8		1	9S-4182	1	PLUG (7/16-20-THD)						
9		1	6V-5048	1	SEAL-O-RING						
10		1	2W-9210	1	VALVE AS (DUPLEX)						
		1	4H-6996	1	PIN-SPRING						
		1	7N-2043	3	DOWEL						



GRAPHIC #1

<END>

g00623922

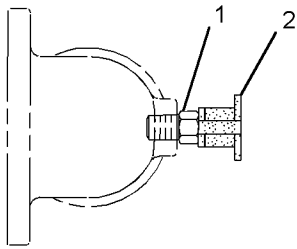
LUBRICATION SYSTEM

147-3738 VALVE GP-FLUID SAMPLING-OIL AN ATTACHMENT

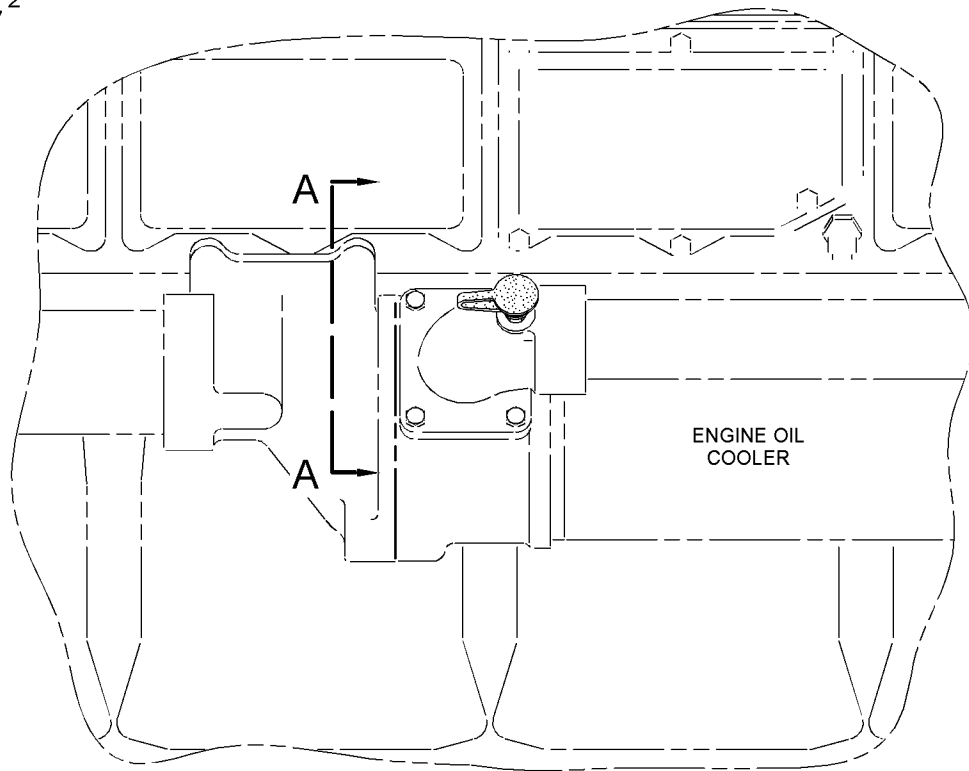
SMCS-7542

i07080309

NOTE	REF NO	GRAPHIC REF	PART NUMBER	QTY	PART NAME						SEE PAGE
					1	2	3	4	5	6 (PRODUCT LEVEL)	
	1	1	7X-3387	1	VALVE AS-FLUID SAMPLING (OIL COOLER)						
	2	1	8C-3445	1	CAP-DUST						



VIEW A-A



RIGHT SIDE VIEW OF ENGINE

GRAPHIC #1

<END>

g01284511

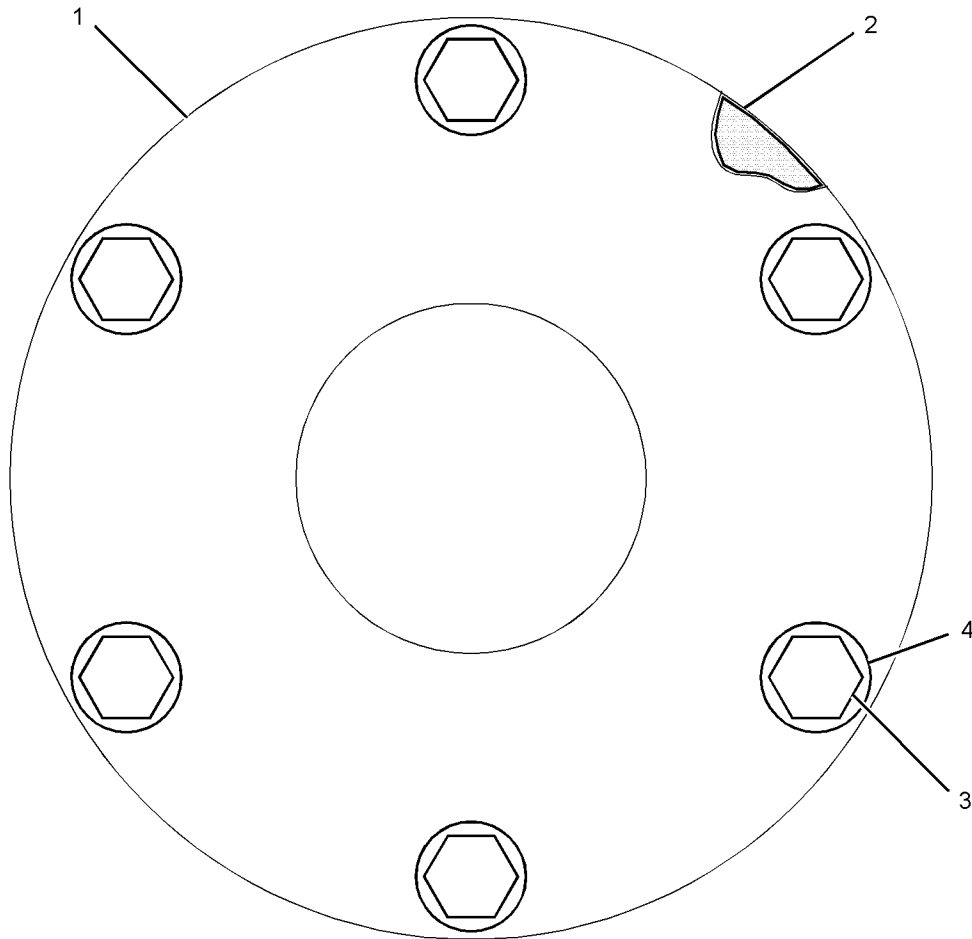
COOLING SYSTEM

3N-2652 CONNECTION GP-EXPANSION TANK-AUXILIARY AN ATTACHMENT

SMCS-1354

i02346068

NOTE	REF NO	GRAPHIC REF	PART NUMBER	QTY	PART NAME						SEE PAGE
					1	2	3	4	5	6	
	1	1	2N-7604	1	FLANGE						
	2	1	3H-5939	2	GASKET-HEAT EXCHANGER						
	3	1	0S-1594	6	BOLT (3/8-16X1-IN)						
	4	1	3V-3308	6	WASHER-HARD (10.2X20.5X2.5-MM THK)						



GRAPHIC #1

<END>

g01172854

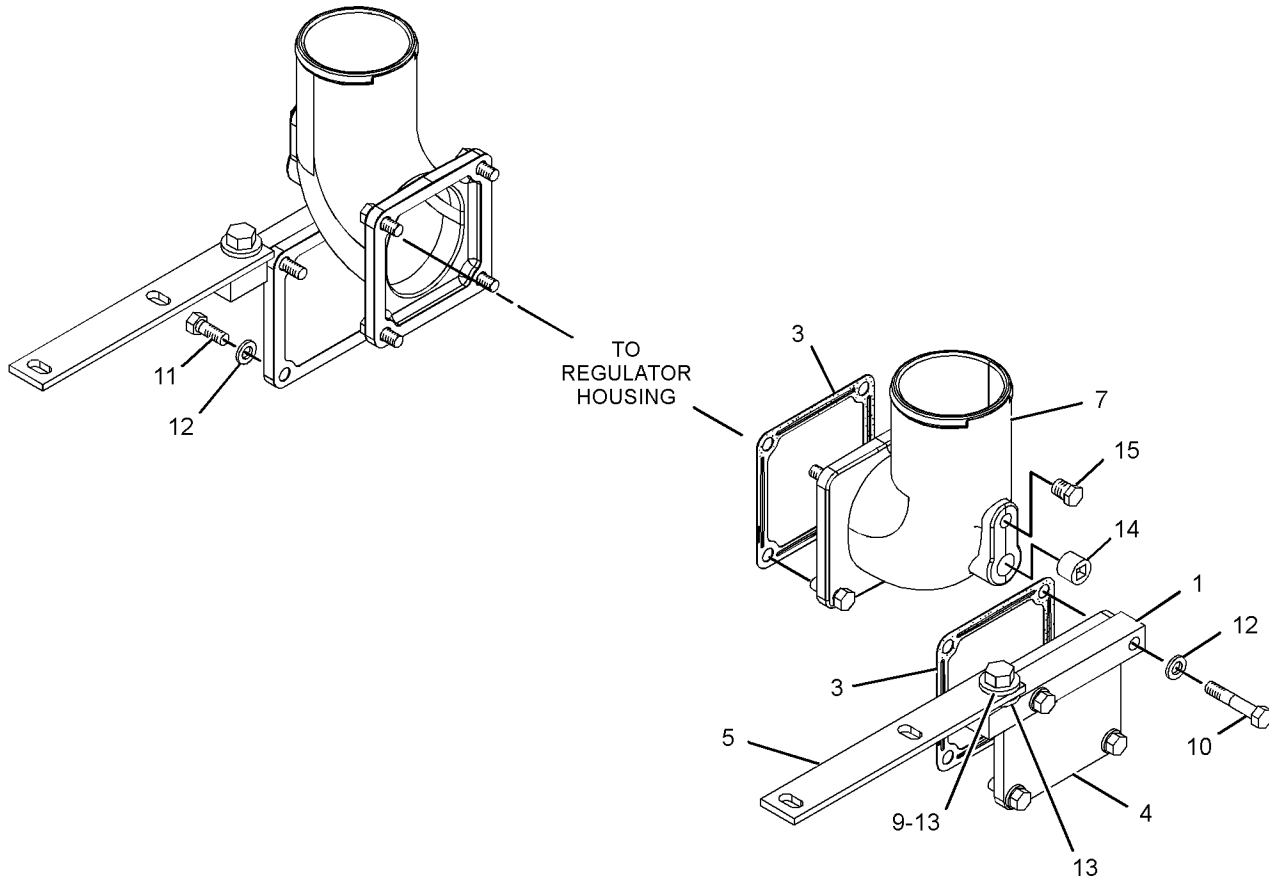
COOLING SYSTEM

284-1083 CONNECTION GP-WATER-OUTLET AN ATTACHMENT

SMCS-1380

i06159299

NOTE	REF NO	GRAPHIC REF	PART NUMBER	QTY	PART NAME						SEE PAGE
					1	2	3	4	5	6 (PRODUCT LEVEL)	
	1	1	2W-4334	2	BAR						
	3	1	7E-6016	4	GASKET						
	4	1	7E-6017	2	COVER						
	5	1	7E-6334	2	PLATE						
	7	1	7N-4930	2	ELBOW-OUTLET						
	9	1	0S-1585	2	BOLT (1/2-13X1.5-IN)						
	10	1	0S-1590	4	BOLT (3/8-16X2-IN)						
	11	1	0S-1594	12	BOLT (3/8-16X1-IN)						
	12	1	5M-2894	8	WASHER-HARD (10.2X18.5X2.5-MM THK)						
	13	1	5P-1076	4	WASHER-HARD (13.5X30X4-MM THK)						
	14	1	8T-6762	2	PLUG-PIPE (1/2-14-THD)						
	15	1	8T-6765	2	PLUG-PIPE (1/4-18-THD)						



GRAPHIC #1

<END>

g03838701

COOLING SYSTEM

7N-6965 CONNECTION GP-WATER-INLET

AN ATTACHMENT

SMCS - 1380

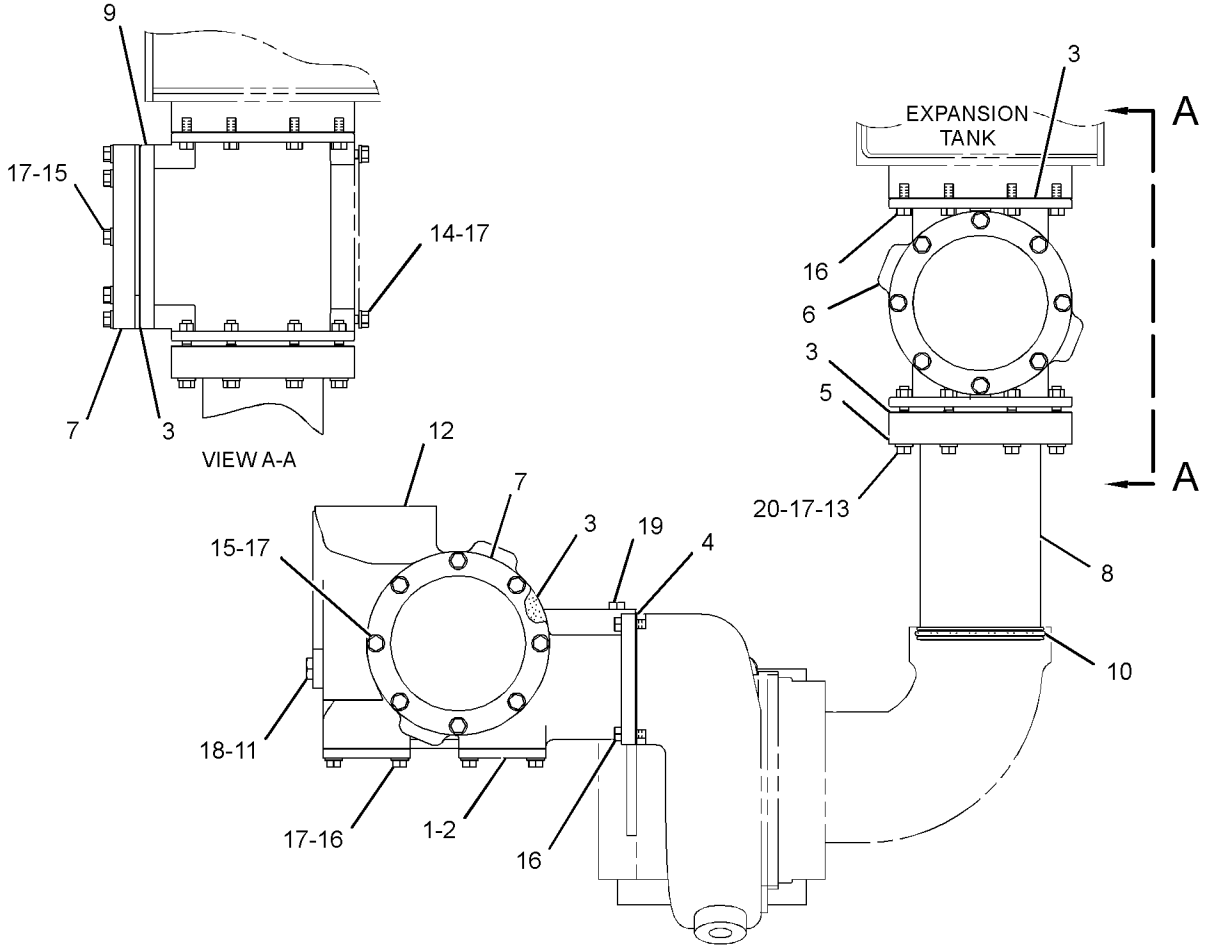
i02429378

NOTE	REF NO	GRAPHIC REF	PART NUMBER	QTY	PART NAME						SEE PAGE
					1	2	3	4	5	6 (PRODUCT LEVEL)	
	1	1	1N-4859	2	GASKET						
	2	1	1N-4860	2	COVER						
	3	1	1S-5772	4	GASKET						
	4	1	7N-4932	1	GASKET						
	5	1	7N-5120	1	FLANGE						
	6	1	7N-7008	2	PLATE						
	7	1	7N-7009	2	FLANGE						
	8	1	7N-7010	1	TUBE						
	9	1	7N-7012	1	HOUSING						
	10	1	8T-2903	2	SEAL -O-RING						
	11	1	9S-4185	1	PLUG (3/4-16-THD)						
	12	1	120-7420	1	ADAPTER						
	13	1	0L-1143	8	BOLT (3/8-16X2.5-IN)						
	14	1	0S-0509	2	BOLT (3/8-16X0.75-IN)						
	15	1	0S-1571	16	BOLT (3/8-16X1.75-IN)						
	16	1	0S-1594	20	BOLT (3/8-16X1-IN)						
	17	1	5M-2894	34	WASHER-HARD (10.2X18.5X2.5-MM THK)						
	18	1	6V-6609	1	SEAL-O-RING						
	19	1	8T-6765	1	PLUG-PIPE (1/4-18-THD)						
	20	1	9S-8752	8	NUT-FULL (3/8-16-THD)						

COOLING SYSTEM

7N-6965 CONNECTION GP-WATER (contd.)

i02429378



RIGHT SIDE VIEW OF ENGINE

GRAPHIC #1

<END>

g01280828

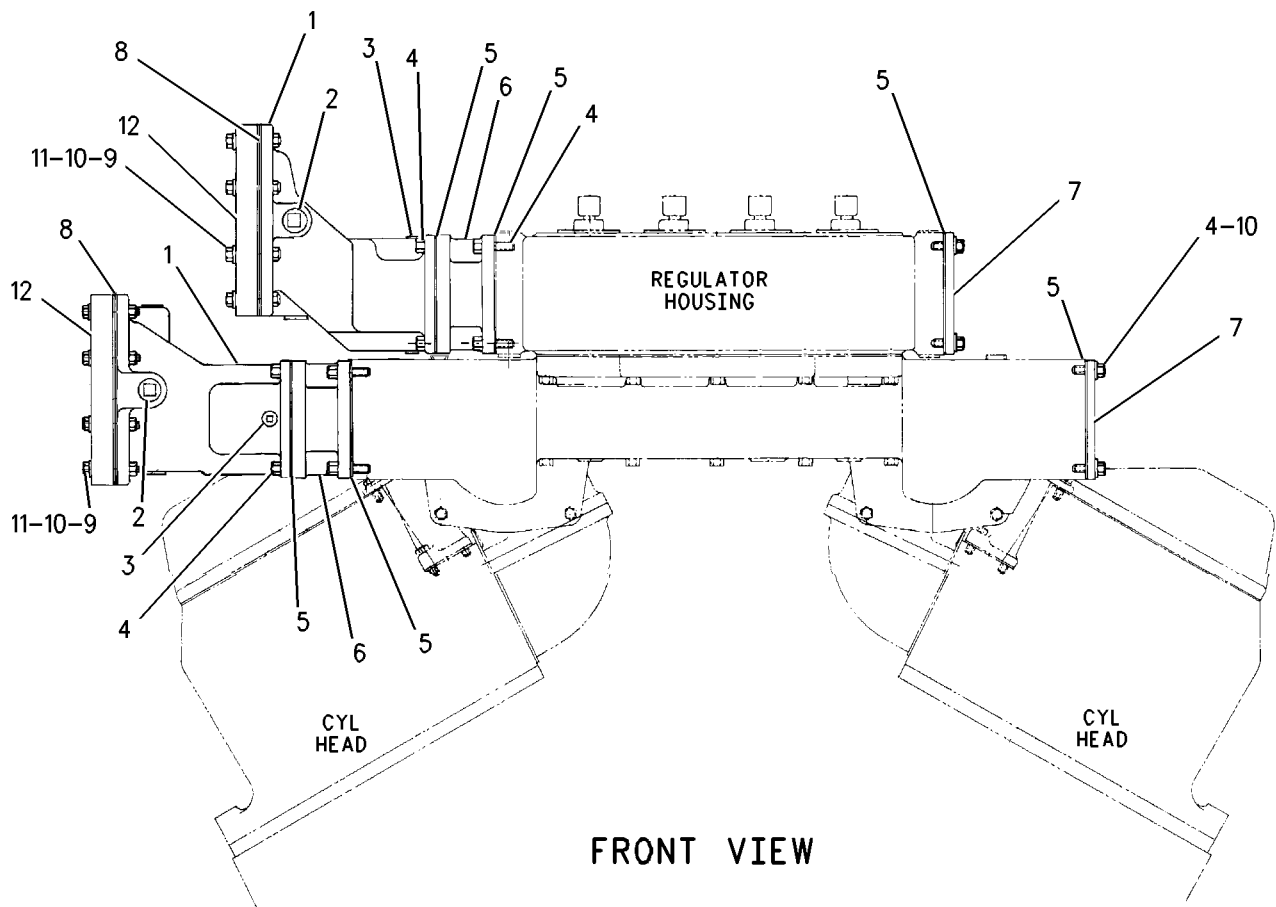
COOLING SYSTEM

7W-5848 CONNECTION GP-WATER-INLET, RH AN ATTACHMENT

SMCS-1380

i06925783

NOTE	REF NO	GRAPHIC REF	PART NUMBER	QTY	PART NAME						SEE PAGE
					1	2	3	4	5	6 (PRODUCT LEVEL)	
	1	1	1W-2639	2	ADAPTER-EXCHANGER						
	2	1	8T-6762	6	PLUG-PIPE (1/2-14-THD)						
	3	1	8T-6758	4	PLUG-PIPE (1/4-18-THD)						
	4	1	0S-1594	24	BOLT (3/8-16X1-IN)						
	5	1	7E-6016	6	GASKET						
	6	1	7W-5849	2	SPACER						
	7	1	7E-6017	2	COVER						
	8	1	1S-5772	2	GASKET						
	9	1	0S-1590	16	BOLT (3/8-16X2-IN)						
	10	1	5M-2894	24	WASHER-HARD (10.2X18.5X2.5-MM THK)						
	11	1	9S-8752	16	NUT-FULL (3/8-16-THD)						
	12	1	7N-7009	2	FLANGE						



GRAPHIC #1

<END>

g00705458

COOLING SYSTEM

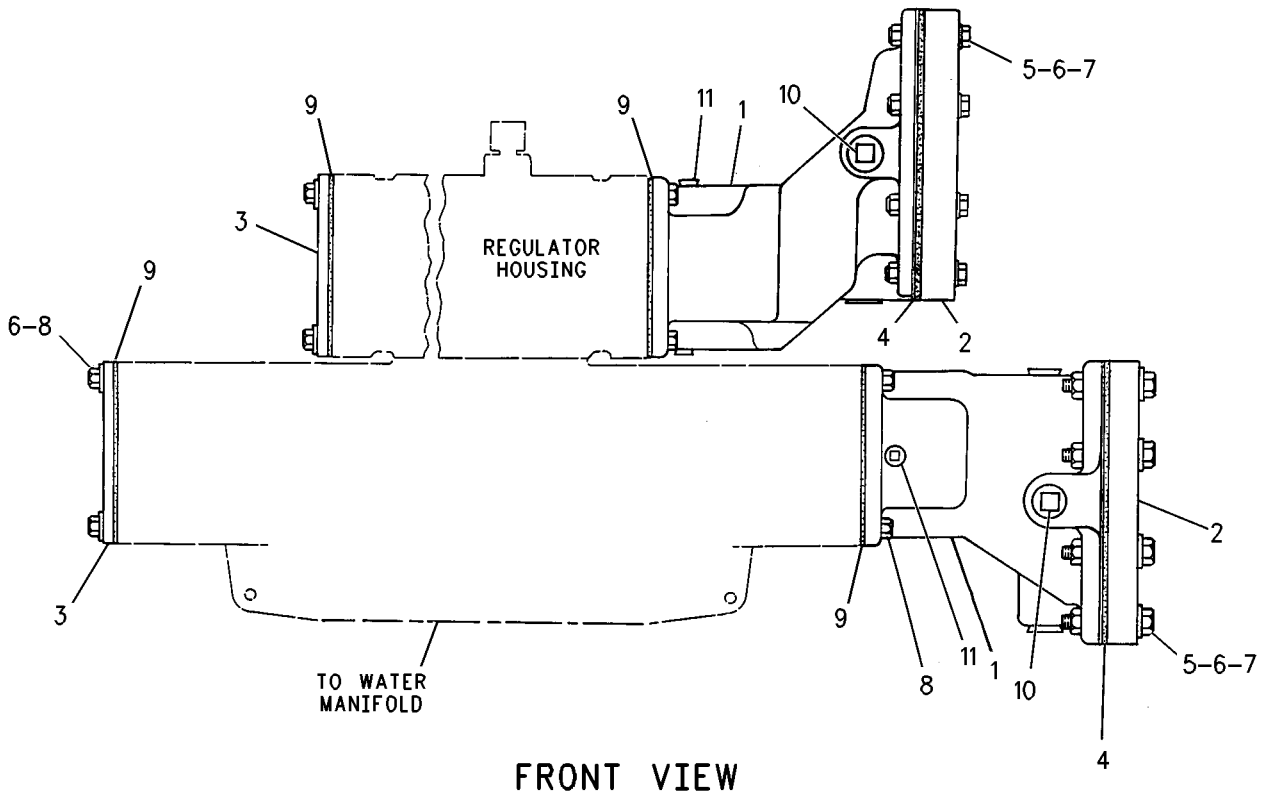
8N-8993 CONNECTION GP-WATER-INLET, LH

S/N: 3XS404-UP
ALSO AN ATTACHMENT

SMCS-1380

i02356688

NOTE	REF NO	GRAPHIC REF	PART NUMBER	QTY	PART NAME						SEE PAGE
					1	2	3	4	5	6	
	1	1	1W-2639	2	ADAPTER-EXCHANGER						
	2	1	7N-7009	2	FLANGE						
	3	1	7E-6017	2	COVER						
	4	1	1S-5772	2	GASKET						
	5	1	0S-1590	16	BOLT (3/8-16X2-IN)						
	6	1	5M-2894	24	WASHER-HARD (10.2X18.5X2.5-MM THK)						
	7	1	9S-8752	16	NUT-FULL (3/8-16-THD)						
	8	1	0S-1594	16	BOLT (3/8-16X1-IN)						
	9	1	7E-6016	4	GASKET						
	10	1	8T-6762	6	PLUG-PIPE (1/2-14-THD)						
	11	1	8T-6758	4	PLUG-PIPE (1/4-18-THD)						



GRAPHIC #1

<END>

g00863463

COOLING SYSTEM

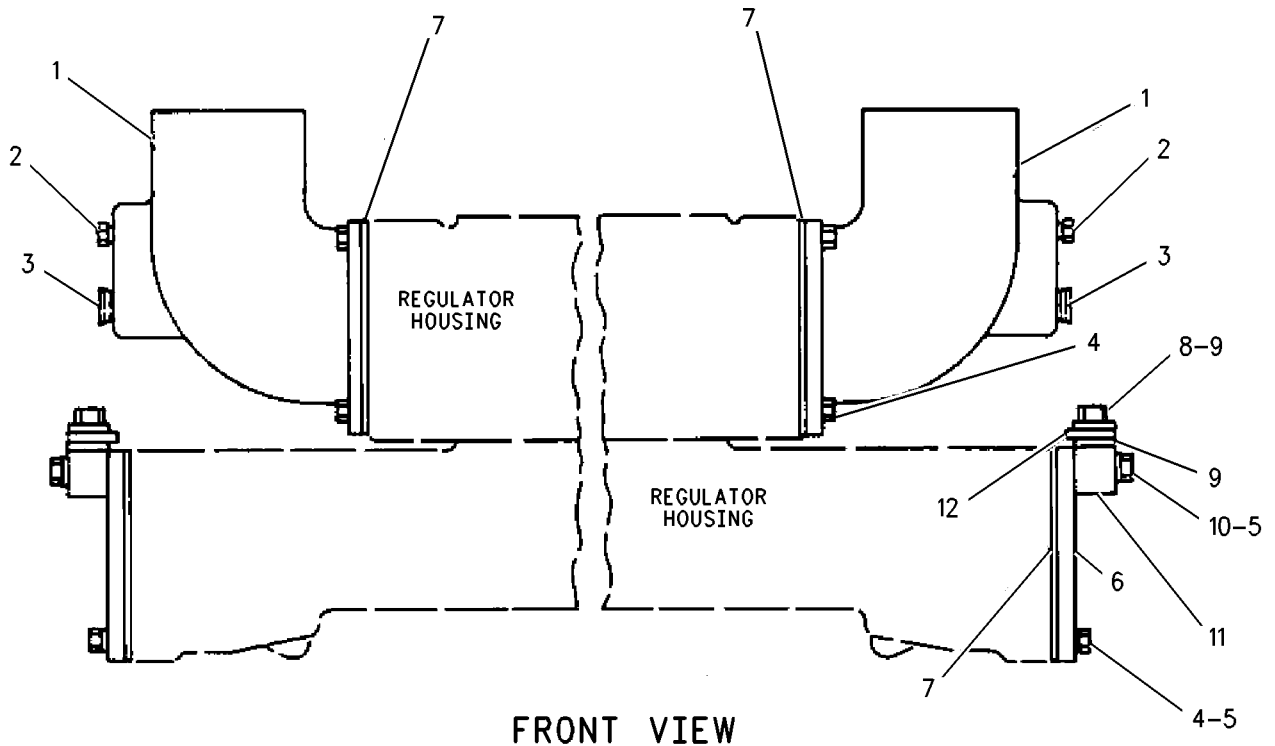
8N-9161 CONNECTION GP-WATER-OUTLET AN ATTACHMENT

SMCS-1380

i05868477

NOTE	REF NO	GRAPHIC REF	PART NUMBER	QTY	PART NAME						SEE PAGE
					1	2	3	4	5	6 (PRODUCT LEVEL)	
C	1	1	7N-4930	2	ELBOW-OUTLET						
	2	1	8T-6765	2	PLUG-PIPE (1/4-18-THD)						
	3	1	8T-6762	2	PLUG-PIPE (1/2-14-THD)						
	4	1	0S-1594	12	BOLT (3/8-16X1-IN)						
C	5	1	5M-2894	8	WASHER-HARD (10.2X18.5X2.5-MM THK)						
	6	1	7E-6017	2	COVER						
B	7	1	7E-6016	6	GASKET						
	8	1	0S-1585	2	BOLT (1/2-13X1.5-IN)						
	9	1	5P-1076	4	WASHER-HARD (13.5X30X4-MM THK)						
	10	1	0S-1590	4	BOLT (3/8-16X2-IN)						
	11	1	2W-4334	2	BAR						
	12	1	7E-6334	2	PLATE						

B - USE AS REQUIRED
C - CHANGE FROM PREVIOUS TYPE



GRAPHIC #1

<END>

g00865253

COOLING SYSTEM

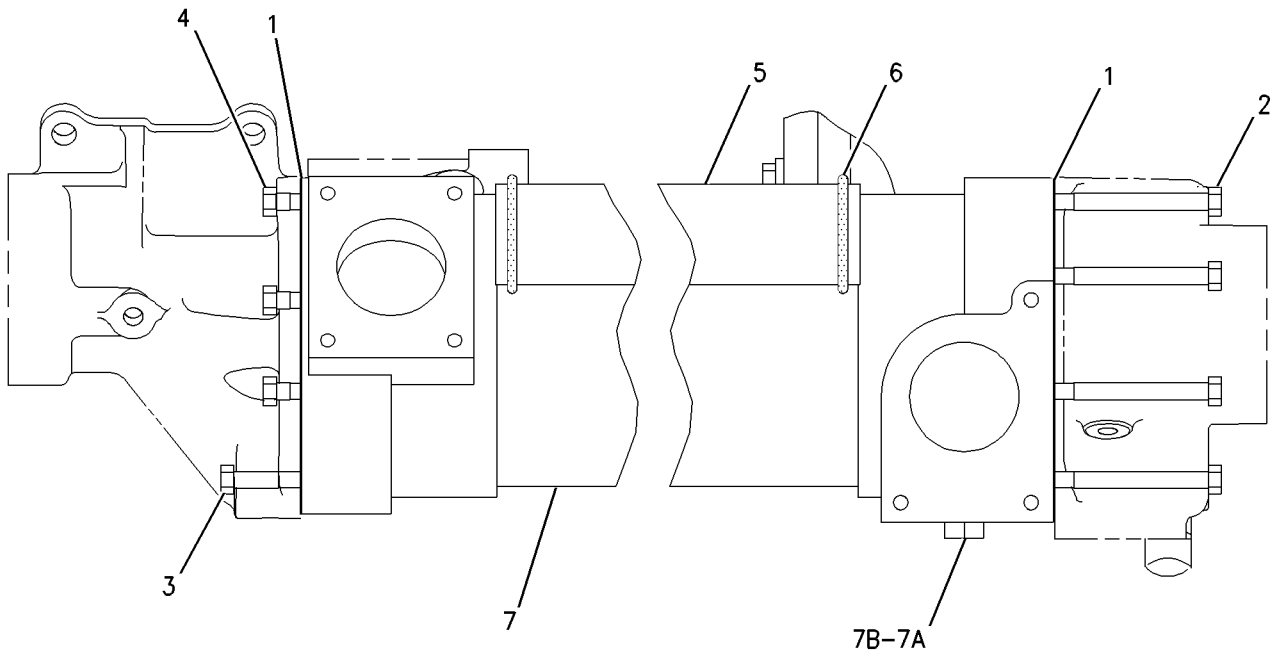
4W-5891 COOLER GP-ENGINE OIL S/N: 3XS404-UP

SMCS-1378

i06914595

NOTE	REF NO	GRAPHIC REF	PART NUMBER	QTY	PART NAME						SEE PAGE
					1	2	3	4	5	6 (PRODUCT LEVEL)	
	1	1	247-3796	2	GASKET						
	2	1	8S-9191	8	BOLT (3/8-16X4-IN)						
	3	1	0S-1590	2	BOLT (3/8-16X2-IN)						
	4	1	1A-2029	6	BOLT (3/8-16X1.125-IN)						
	5	1	7W-1930	1	TUBE						
	6	1	109-2332	2	SEAL-O-RING						
R	7	1	4W-5405	1	CORE GP-OIL COOLER						
	7A	1	9S-4185	1	PLUG (3/4-16-THD)						
	7B	1	8L-2786	1	SEAL-O-RING						

R - REMANUFACTURED PART MAY BE AVAILABLE



GRAPHIC #1

<END>

g00838163

COOLING SYSTEM

107-1728 HEAT EXCHANGER GP-SEA WATER

1016-MM DOUBLE PASS
CANNOT BE USED WITH A RADIATOR
AN ATTACHMENT

SMCS-1379

i02327534

NOTE	PART NUMBER	QTY	PART NAME						SEE PAGE
			1	2	3	4	5	6 (PRODUCT LEVEL)	
	8T-8924	16	BOLT (3/4-10X2.5-IN)						
	8T-6871	8	BOLT (5/8-11X2.5-IN)						
	101-8679	2	FLANGE (8-HOLE)						
	101-8678	2	FLANGE (4-HOLE)						
	107-1727	2	GASKET (4-HOLE)						
	8F-2347	2	GASKET (8-HOLE)						
Y	4W-4642	1	HEAT EXCHANGER GP-SEA WATER						207
	7X-0448	8	NUT (5/8-11-THD)						
	6V-8182	16	NUT (3/4-10-THD)						
	8T-4994	32	WASHER-HARD (20X36.5X3.5-MM THK)						
	8T-4122	16	WASHER-HARD (17X32X3.5-MM THK)						

Y - SEPARATE ILLUSTRATION

<END>

107-1729 HEAT EXCHANGER GP-SEA WATER

762-MM DOUBLE PASS
CANNOT BE USED WITH A RADIATOR
AN ATTACHMENT

SMCS-1379

i02327533

NOTE	PART NUMBER	QTY	PART NAME						SEE PAGE
			1	2	3	4	5	6 (PRODUCT LEVEL)	
	8T-8924	16	BOLT (3/4-10X2.5-IN)						
	8T-6871	8	BOLT (5/8-11X2.5-IN)						
	101-8679	2	FLANGE (8-HOLE)						
	101-8678	2	FLANGE (4-HOLE)						
	107-1727	2	GASKET (4-HOLE)						
	8F-2347	2	GASKET (8-HOLE)						
Y	4W-4632	1	HEAT EXCHANGER GP-SEA WATER						205
	7X-0448	8	NUT (5/8-11-THD)						
	6V-8182	16	NUT (3/4-10-THD)						
	8T-4994	32	WASHER-HARD (20X36.5X3.5-MM THK)						
	8T-4122	16	WASHER-HARD (17X32X3.5-MM THK)						

Y - SEPARATE ILLUSTRATION

<END>

COOLING SYSTEM

107-1730 HEAT EXCHANGER GP-SEA WATER

1270-MM DOUBLE PASS
CANNOT BE USED WITH A RADIATOR
AN ATTACHMENT

SMCS-1379

i02327529

NOTE	PART NUMBER	QTY	PART NAME						SEE PAGE
			1	2	3	4	5	6 (PRODUCT LEVEL)	
	8T-8924	16	BOLT (3/4-10X2.5-IN)						
	8T-6871	8	BOLT (5/8-11X2.5-IN)						
	101-8679	2	FLANGE (8-HOLE)						
	101-8678	2	FLANGE (4-HOLE)						
	107-1727	2	GASKET (4-HOLE)						
	8F-2347	2	GASKET (8-HOLE)						
Y	4W-4652	1	HEAT EXCHANGER GP-SEA WATER						209
	7X-0448	8	NUT (5/8-11-THD)						
	6V-8182	16	NUT (3/4-10-THD)						
	8T-4994	32	WASHER-HARD (20X36.5X3.5-MM THK)						
	8T-4122	16	WASHER-HARD (17X32X3.5-MM THK)						

Y - SEPARATE ILLUSTRATION

<END>

COOLING SYSTEM

134-3530 HEAT EXCHANGER GP-SEA WATER

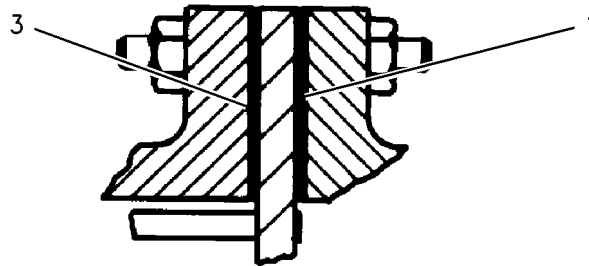
FIELD REPLACEMENT ORDER 4W-4652-PAGE: 209

PART OF 4W-4652 HEAT EXCHANGER GP-SEA WATER
AN ATTACHMENT

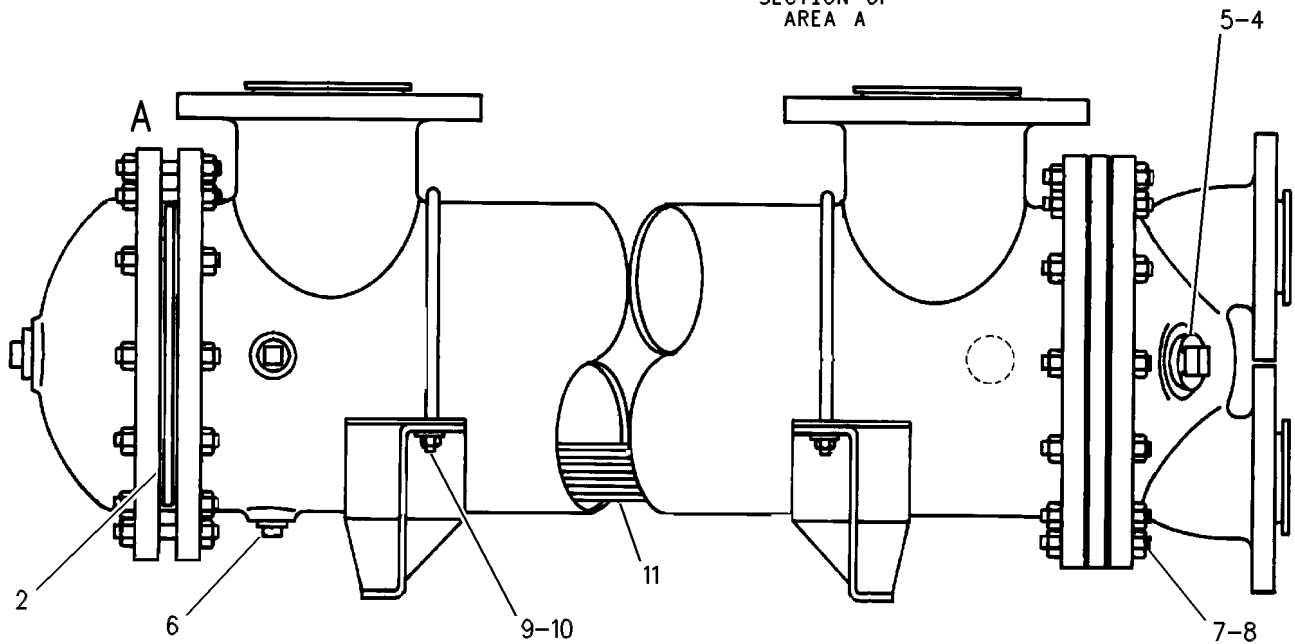
SMCS-1379

i02778855

NOTE	REF NO	GRAPHIC REF	PART NUMBER	QTY	PART NAME						SEE PAGE
					1	2	3	4	5	6 (PRODUCT LEVEL)	
	1	1	7W-8402	1	GASKET						
	2	1	8T-6690	2	SEAL-O-RING						
	3	1	7W-8401	1	GASKET						
	4	1	6L-2284	3	ROD-ZINC (HEAT EXCHANGER)						
	5	1	6L-2286	3	PLUG-PIPE						
	6	1	6L-1595	3	PLUG-PIPE						
	7	1	134-5573	24	STUD						
	8	1	4K-0367	48	NUT-FULL (5/8-11-THD)						
	9	1	5P-1075	4	WASHER-HARD (10.2X22.5X3-MM THK)						
	10	1	9S-8752	4	NUT-FULL (3/8-16-THD)						
	11	1	109-5916	1	CORE AS (HEAT EXCHANGER)						



SECTION OF
AREA A



GRAPHIC #1

<END>

g00261259

COOLING SYSTEM

134-3533 HEAT EXCHANGER GP-SEA WATER

PART OF 4W-4652 HEAT EXCHANGER GP-SEA WATER

AN ATTACHMENT

SMCS-1379

i02778856

NOTE	REF NO	GRAPHIC REF	PART NUMBER	QTY	PART NAME						SEE PAGE
					1	2	3	4	5	6 (PRODUCT LEVEL)	
	1	1	155-2589	1	CORE AS (HEAT EXCHANGER)						
	2	1	155-2591	1	GASKET						
	3	1	155-2590	1	GASKET						
	4	1	155-2592	1	SEAL						
	5	1	8T-4896	4	WASHER-HARD (10.2X18.5X2.5-MM THK)						
	6	1	6V-8801	4	NUT (3/8-16-THD)						
	7	1	9B-0887	3	PLUG-PIPE						
	8	1	8C-6857	8	BOLT (3/4-10X2.75-IN)						
	9	1	8T-4994	16	WASHER-HARD (20X36.5X3.5-MM THK)						
	10	1	6V-8182	16	NUT (3/4-10-THD)						
	11	1	7X-0370	8	BOLT (3/4-10X3.5-IN)						
J	12	1	6L-2284	3	ROD-ZINC (HEAT EXCHANGER)						
J	13	1	6L-2286	3	PLUG-PIPE						
	14	1	1H-1200	1	PIN-SPRING						
B	15	1	8L-9767	32	SHIM (0.015-IN THK)						
	16	1	3N-9606	2	U-BOLT						
	17	1	155-2596	2	BRACKET AS						

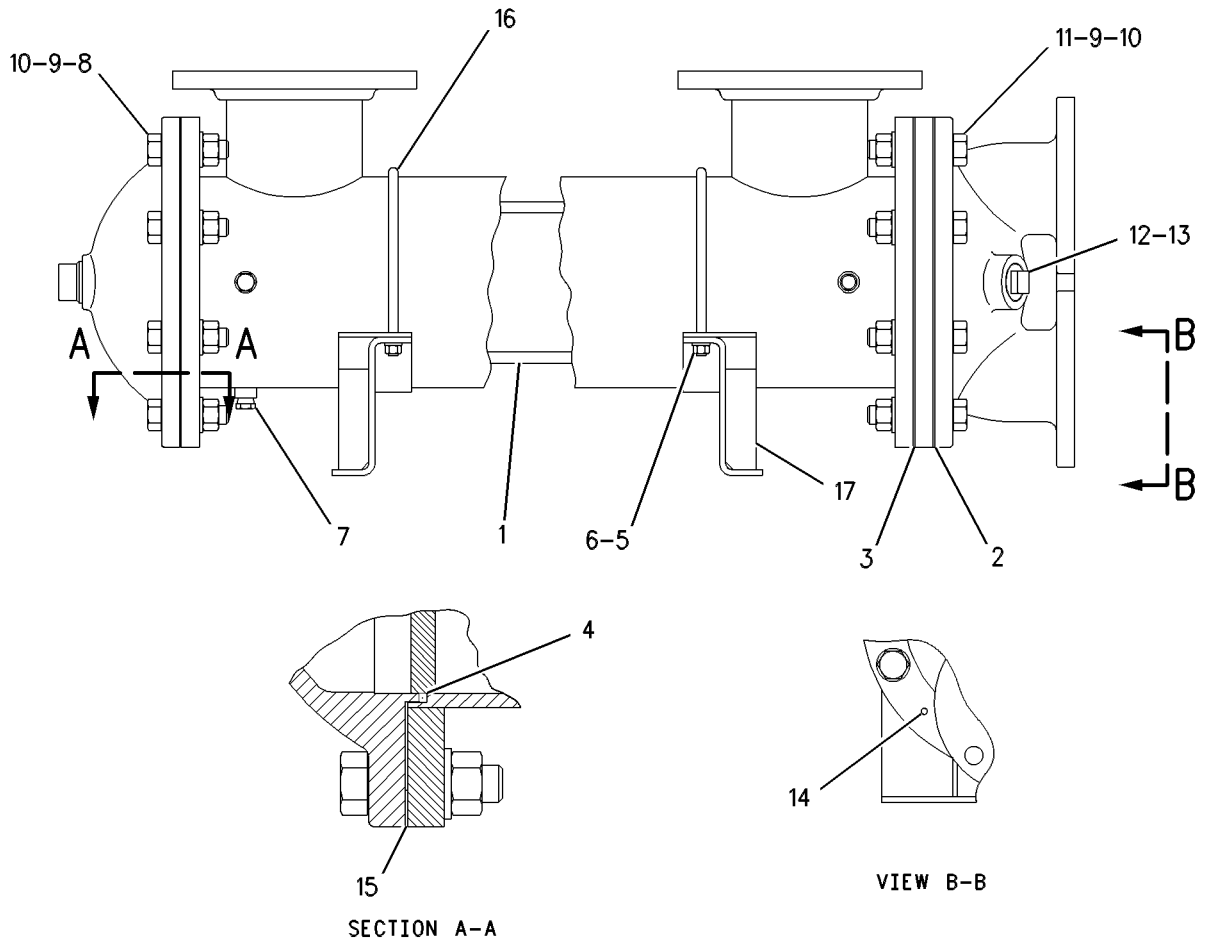
B - USE AS REQUIRED

J - SERVICE ROD & PLUG TOGETHER

COOLING SYSTEM

134-3533 HEAT EXCHANGER GP-SEA WATER (contd.)

102778856



GRAPHIC #1

<END>

g00399405

COOLING SYSTEM

3N-8888 HEAT EXCHANGER GP-SEA WATER

54-SQ FT COOLING AREA

PART OF 3N-8889 HEAT EXCHANGER GP-SEA WATER
AN ATTACHMENT

SMCS-1379

i06518800

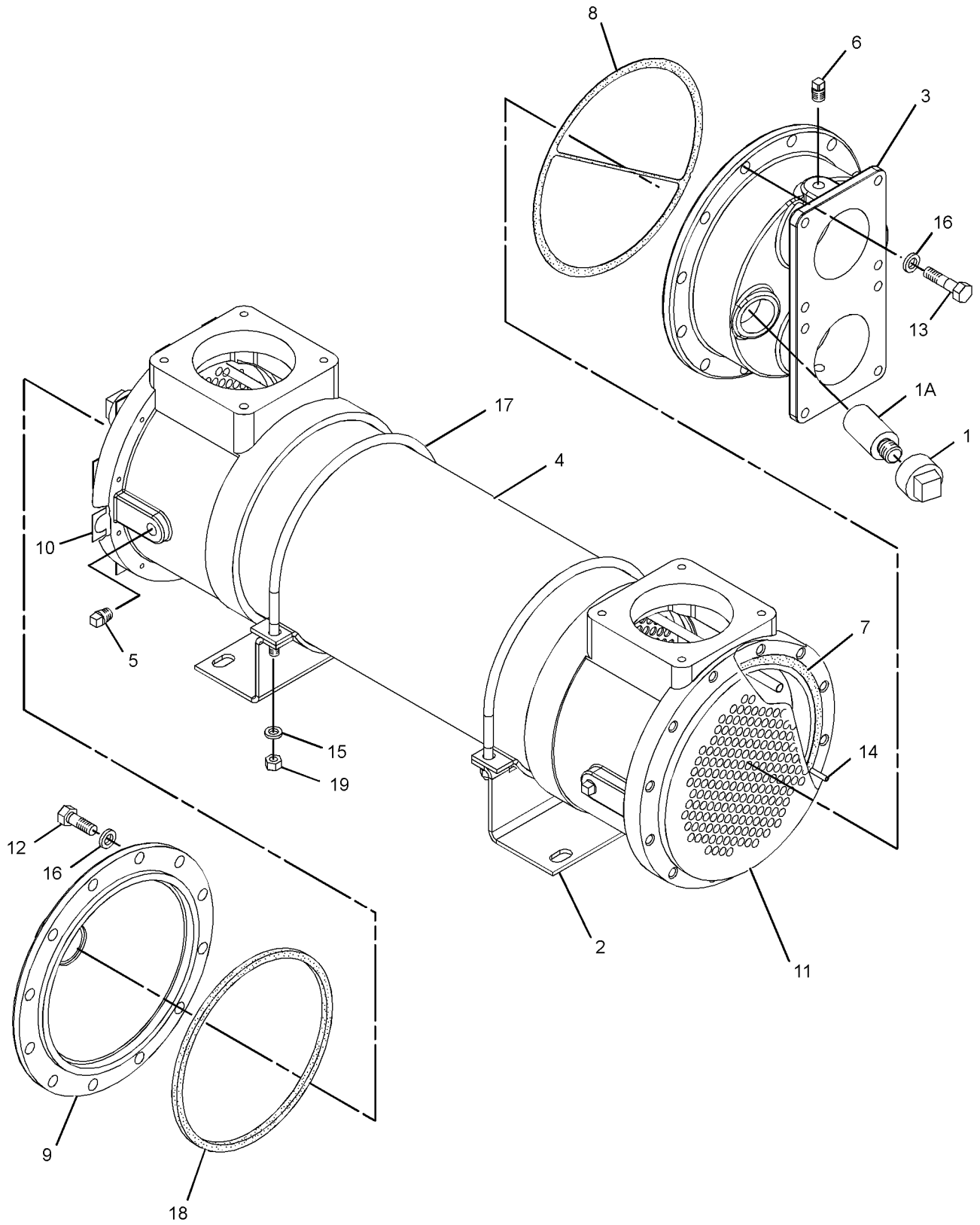
NOTE	REF NO	GRAPHIC REF	PART NUMBER	QTY	PART NAME						SEE PAGE
					1	2	3	4	5	6 (PRODUCT LEVEL)	
	1	1	6L-2286	3	PLUG-PIPE						
	1A	1	6L-2284	3	ROD-ZINC (HEAT EXCHANGER)						
	2	1	2W-4875	2	BRACKET AS						
	3	1	3N-9610	1	BONNET						
	4	1	3N-9626	1	SHELL AS						
	5	1	6L-2279	4	PLUG-PIPE						
	6	1	6L-2282	2	PLUG-PIPE						
	7	1	7L-0487	1	GASKET						
	8	1	8L-4952	1	GASKET						
	9	1	8L-4955	1	BONNET-RETURN						
B	10	1	8L-9767	48	SHIM (0.015-IN THK)						
	11	1	293-0007	1	CORE AS (HEAT EXCHANGER)						
	12	1	0T-0320	12	BOLT (7/16-14X1.25-IN)						
	13	1	0T-0768	12	BOLT (7/16-14X1.75-IN)						
	14	1	1H-1200	1	PIN-SPRING						
	15	1	3B-4506	4	LOCKWASHER						
	16	1	3B-4507	24	LOCKWASHER						
	17	1	3N-9606	2	U-BOLT						
	18	1	7L-0486	1	SEAL-RUBBER						
	19	1	9S-8752	4	NUT-FULL (3/8-16-THD)						

B - USE AS REQUIRED

COOLING SYSTEM

3N-8888 HEAT EXCHANGER GP-SEA WATER (contd.)

106518800



GRAPHIC #1

<END>

g01364512

COOLING SYSTEM

3N-8889 HEAT EXCHANGER GP-SEA WATER

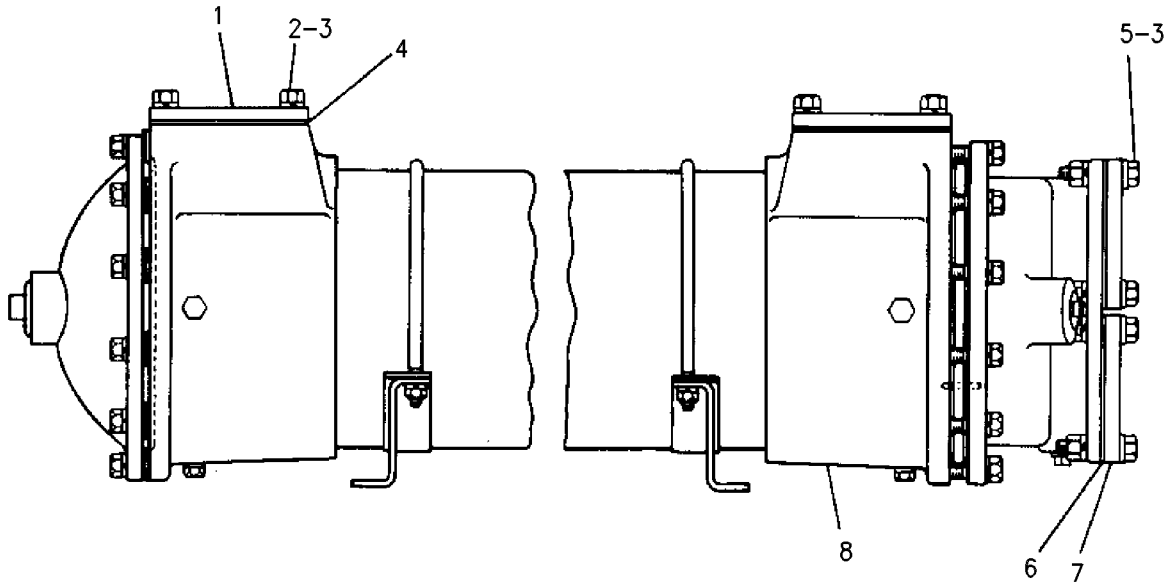
54-SQ FT COOLING AREA
AN ATTACHMENT

SMCS-1379

i05090118

NOTE	REF NO	GRAPHIC REF	PART NUMBER	QTY	PART NAME						SEE PAGE
					1	2	3	4	5	6 (PRODUCT LEVEL)	
	1	1	4N-9720	2	FLANGE						
	2	1	9B-7237	8	BOLT (3/8-16X1.25-IN)						
	3	1	8T-4896	24	WASHER-HARD (10.2X18.5X2.5-MM THK)						
	4	1	4L-3862	2	GASKET						
	5	1	5S-7383	8	BOLT (3/8-16X1.75-IN)						
		1	6V-8801	8	NUT (3/8-16-THD)						
	6	1	9M-1289	2	GASKET						
	7	1	2N-8263	2	FLANGE						
Y	8	1	3N-8888	1	HEAT EXCHANGER GP-SEA WATER						196

Y - SEPARATE ILLUSTRATION



GRAPHIC #1

<END>

g00619398

COOLING SYSTEM

3N-8890 HEAT EXCHANGER GP-SEA WATER

72-SQ FT COOLING AREA

PART OF 3N-8891 HEAT EXCHANGER GP-SEA WATER
AN ATTACHMENT

SMCS-1379

i05502152

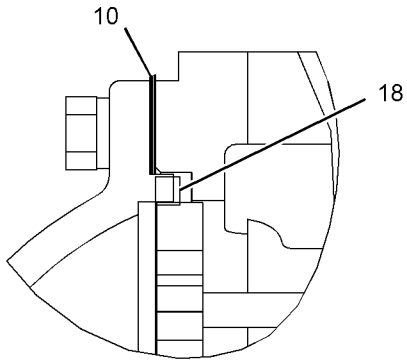
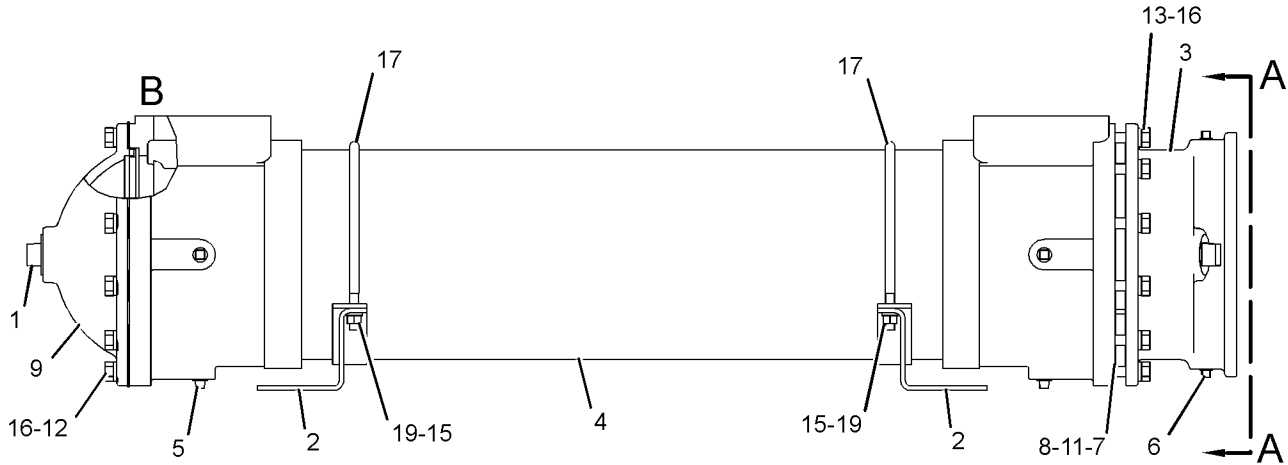
NOTE	REF NO	GRAPHIC REF	PART NUMBER	QTY	PART NAME						SEE PAGE
					1	2	3	4	5	6 (PRODUCT LEVEL)	
	1	1	5L-9128	3	ROD AS-ZINC						
					(EACH INCLUDES)						
		1	6L-2286	1	PLUG-PIPE						
		1	6L-2284	1	ROD-ZINC (HEAT EXCHANGER)						
	2	1	2W-4875	2	BRACKET AS						
	3	1	3N-9610	1	BONNET						
	4	1	3N-9629	1	SHELL AS						
	5	1	6L-2279	4	PLUG-PIPE						
	6	1	6L-2282	2	PLUG-PIPE						
	7	1	7L-0487	1	GASKET						
	8	1	8L-4952	1	GASKET						
	9	1	8L-4955	1	BONNET-RETURN						
B	10	1	8L-9767	48	SHIM (0.015-IN THK)						
	11	1	293-0008	1	CORE AS (HEAT EXCHANGER)						
	12	1	0T-0320	12	BOLT (7/16-14X1.25-IN)						
	13	1	0T-0768	12	BOLT (7/16-14X1.75-IN)						
	14	1	1H-1200	1	PIN-SPRING						
	15	1	3B-4506	4	LOCKWASHER						
	16	1	3B-4507	24	LOCKWASHER						
	17	1	3N-9606	2	U-BOLT						
	18	1	7L-0486	1	SEAL-RUBBER						
	19	1	9S-8752	4	NUT-FULL (3/8-16-THD)						

B - USE AS REQUIRED

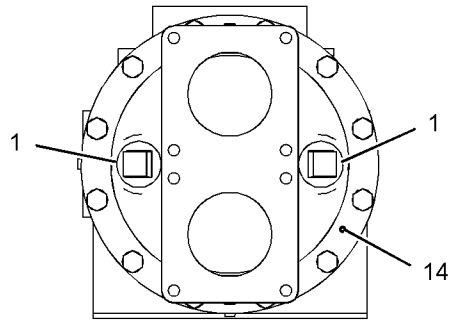
COOLING SYSTEM

3N-8890 HEAT EXCHANGER GP-SEA WATER (contd.)

i05502152



VIEW OF AREA B



VIEW A-A

GRAPHIC #1

<END>

g01368912

COOLING SYSTEM

3N-8891 HEAT EXCHANGER GP-SEA WATER

72-SQ FT COOLING AREA

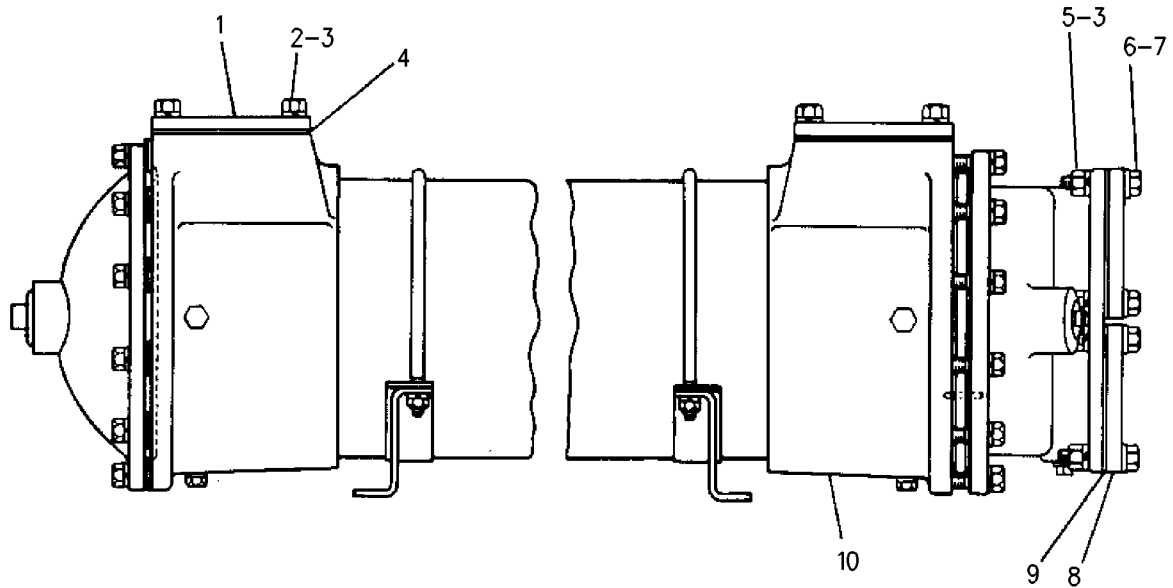
AN ATTACHMENT

SMCS-1379

i05091050

NOTE	REF NO	GRAPHIC REF	PART NUMBER	QTY	PART NAME						SEE PAGE
					1	2	3	4	5	6 (PRODUCT LEVEL)	
	1	1	4N-9720	2	FLANGE						
	2	1	9B-7237	8	BOLT (3/8-16X1.25-IN)						
	3	1	8T-4896	16	WASHER-HARD (10.2X18.5X2.5-MM THK)						
	4	1	4L-3862	2	GASKET						
	5	1	6V-8801	8	NUT (3/8-16-THD)						
	6	1	5S-7383	8	BOLT (3/8-16X1.75-IN)						
	7	1	8T-4223	16	WASHER-HARD (13.5X25.5X3-MM THK)						
	8	1	2N-8263	2	FLANGE						
	9	1	9M-1289	2	GASKET						
Y	10	1	3N-8890	1	HEAT EXCHANGER GP-SEA WATER						199

Y - SEPARATE ILLUSTRATION



GRAPHIC #1

<END>

g00714310

COOLING SYSTEM

3N-8892 HEAT EXCHANGER GP-SEA WATER

90-SQ FT COOLING AREA

PART OF 3N-8893 HEAT EXCHANGER GP-SEA WATER

AN ATTACHMENT

SMCS-1379

i06980330

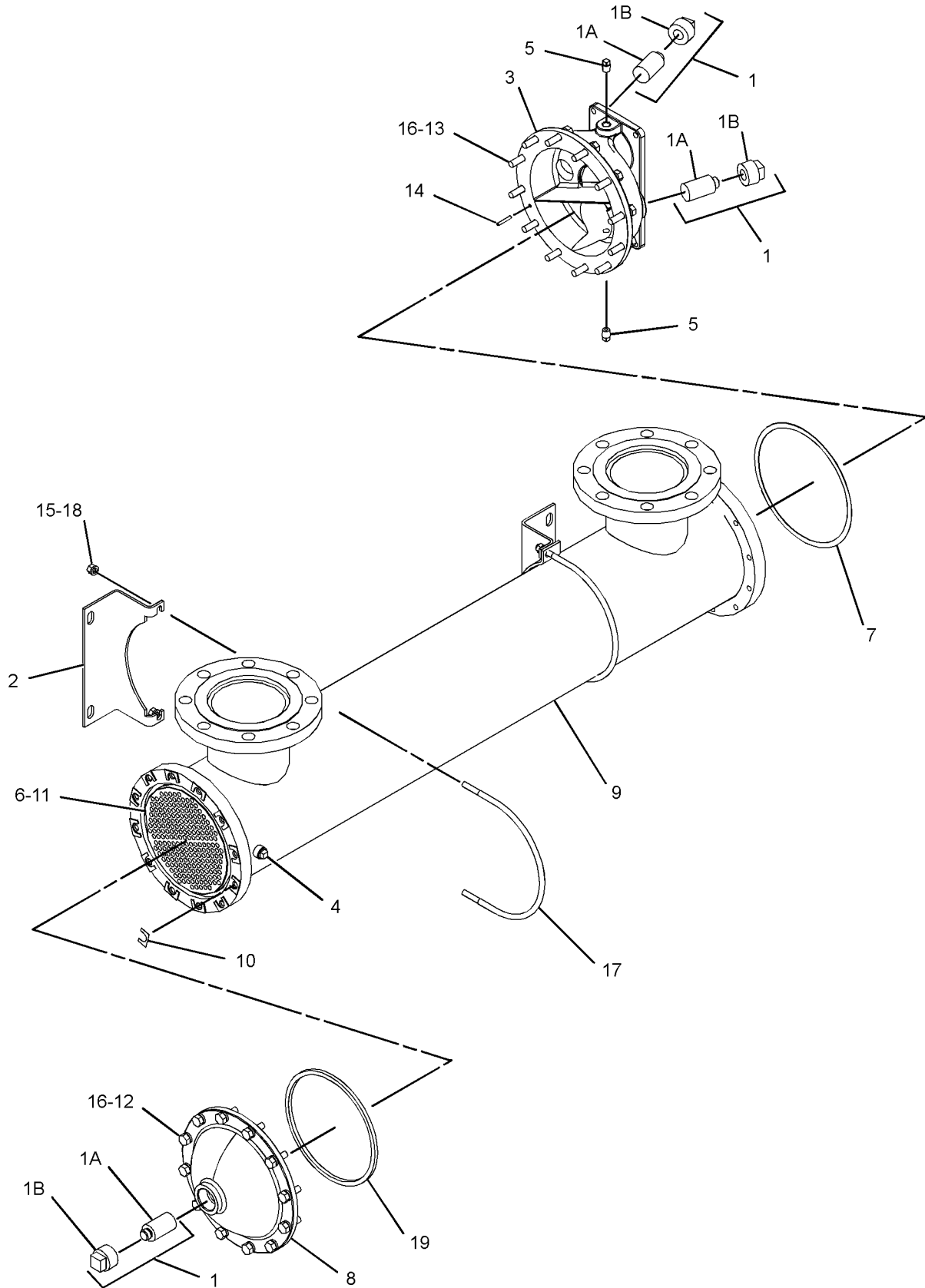
NOTE	REF NO	GRAPHIC REF	PART NUMBER	QTY	PART NAME						SEE PAGE
					1	2	3	4	5	6 (PRODUCT LEVEL)	
	1	1	5L-9128	3	ROD AS-ZINC						
					(EACH INCLUDES)						
	1A	1	6L-2284	1	ROD-ZINC (HEAT EXCHANGER)						
	1B	1	6L-2286	1	PLUG-PIPE						
	2	1	2W-4875	2	BRACKET AS						
	3	1	3N-9610	1	BONNET						
	4	1	6L-2279	3	PLUG-PIPE						
	5	1	6L-2282	2	PLUG-PIPE						
	6	1	7L-0487	1	GASKET						
	7	1	8L-4952	1	GASKET						
	8	1	8L-4955	1	BONNET-RETURN						
	9	1	8L-5066	1	SHELL AS						
B	10	1	8L-9767	48	SHIM (0.015-IN THK)						
	11	1	293-0009	1	CORE AS (HEAT EXCHANGER)						
	12	1	0T-0320	12	BOLT (7/16-14X1.25-IN)						
	13	1	0T-0768	12	BOLT (7/16-14X1.75-IN)						
	14	1	1H-1200	1	PIN-SPRING						
	15	1	3B-4506	4	LOCKWASHER						
	16	1	3B-4507	24	LOCKWASHER						
	17	1	3N-9606	2	U-BOLT						
	18	1	6V-8801	4	NUT (3/8-16-THD)						
	19	1	7L-0486	1	SEAL-RUBBER						

B - USE AS REQUIRED

COOLING SYSTEM

3N-8892 HEAT EXCHANGER GP-SEA WATER (contd.)

106980330



GRAPHIC #1

<END>

g03283337

COOLING SYSTEM

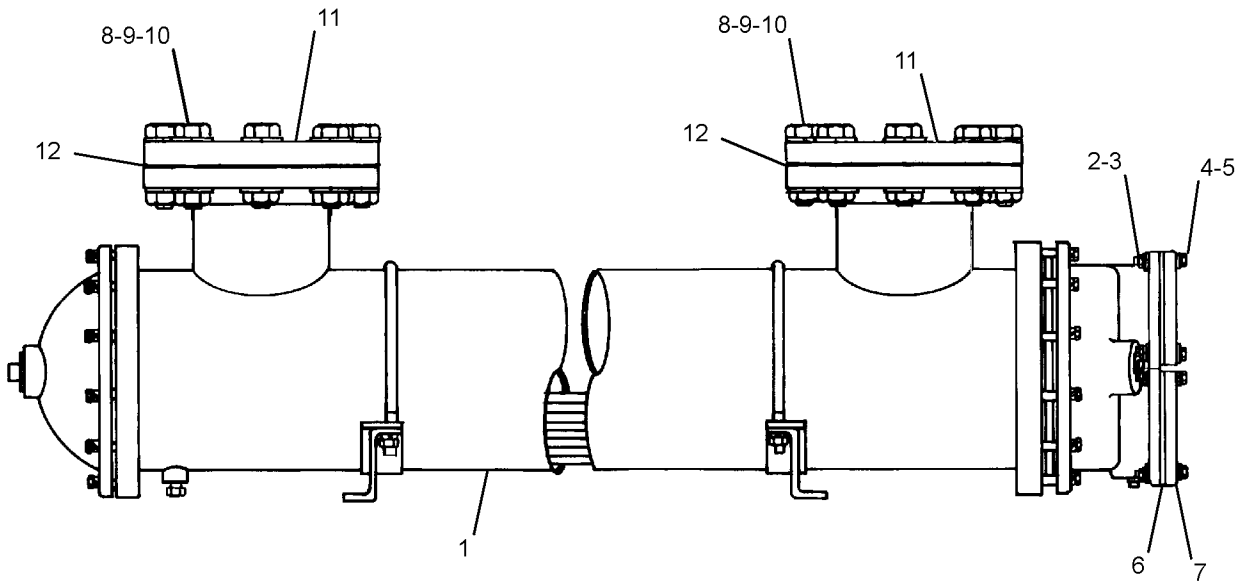
3N-8893 HEAT EXCHANGER GP-SEA WATER 90-SQ FT COOLING AREA AN ATTACHMENT

SMCS-1379

i05091291

NOTE	REF NO	GRAPHIC REF	PART NUMBER	QTY	PART NAME						SEE PAGE
					1	2	3	4	5	6 (PRODUCT LEVEL)	
Y	1	1	3N-8892	1	HEAT EXCHANGER GP-SEA WATER						202
	2	1	9S-8752	8	NUT-FULL (3/8-16-THD)						
	3	1	5M-2894	8	WASHER-HARD (10.2X18.5X2.5-MM THK)						
	4	1	0S-1571	8	BOLT (3/8-16X1.75-IN)						
	5	1	4B-4278	16	WASHER (10.2X20.5X1.6-MM THK)						
	6	1	9M-1289	2	GASKET						
	7	1	2N-8263	2	FLANGE						
	8	1	1A-8063	16	BOLT (3/4-10X2.5-IN)						
	9	1	5P-8248	32	WASHER-HARD (20X36.5X3.5-MM THK)						
	10	1	2J-3506	16	NUT-FULL (3/4-10-THD)						
	11	1	101-8679	2	FLANGE						
	12	1	8F-2347	2	GASKET						

Y - SEPARATE ILLUSTRATION



GRAPHIC #1

<END>

g02025617

COOLING SYSTEM

4W-4632 HEAT EXCHANGER GP-SEA WATER

762-MM DOUBLE PASS

PART OF 107-1729 HEAT EXCHANGER GP-SEA WATER

AN ATTACHMENT

SMCS-1379

i05585889

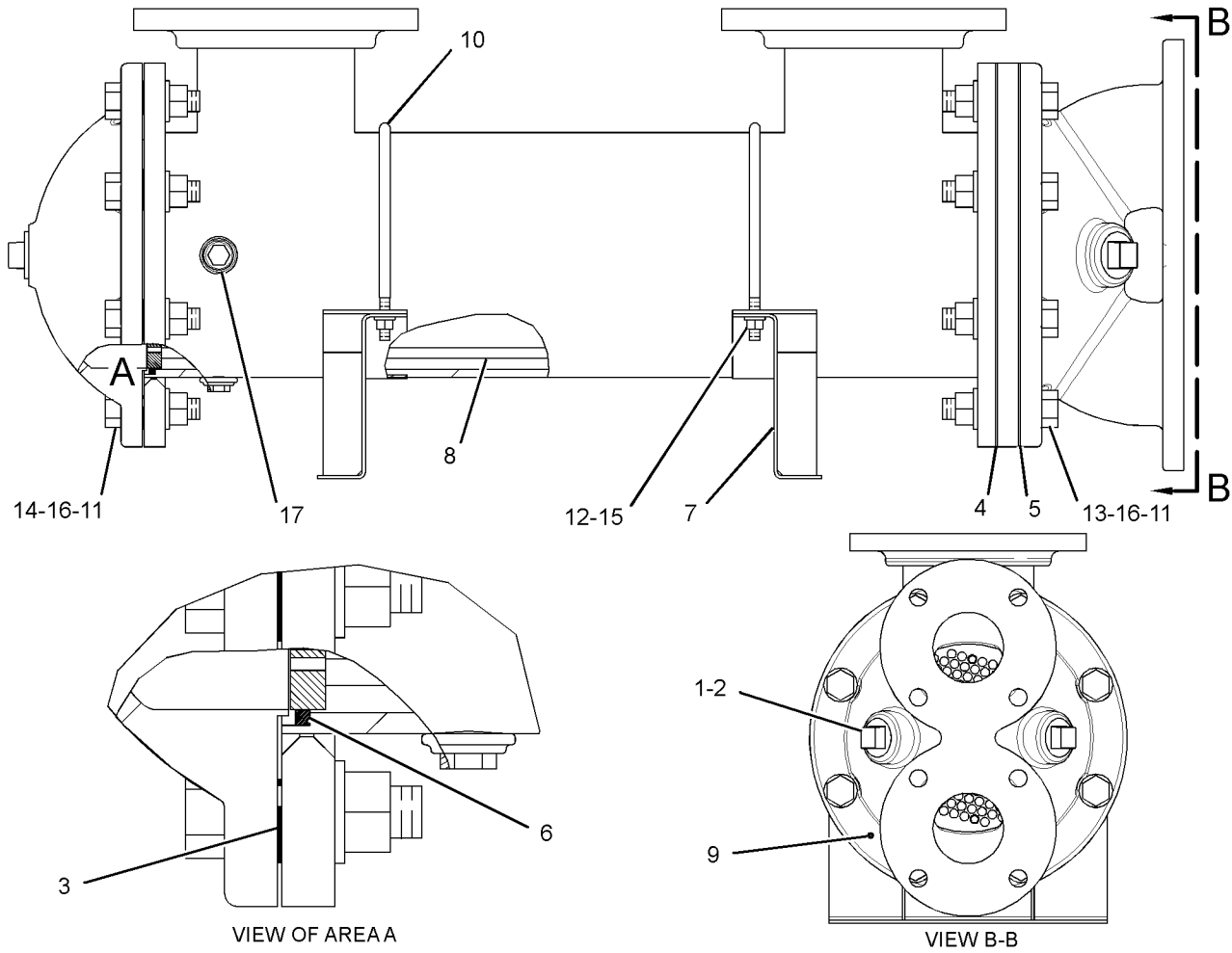
NOTE	REF NO	GRAPHIC REF	PART NUMBER	QTY	PART NAME						SEE PAGE
					1	2	3	4	5	6 (PRODUCT LEVEL)	
	1	1	6L-2284	3	ROD-ZINC (HEAT EXCHANGER)						
	2	1	6L-2286	3	PLUG-PIPE						
B	3	1	8L-9767	32	SHIM (0.015-IN THK)						
	4	1	155-2590	1	GASKET						
	5	1	155-2591	1	GASKET						
	6	1	155-2592	1	SEAL						
	7	1	155-2596	2	BRACKET AS						
	8	1	290-8205	1	CORE AS (HEAT EXCHANGER)						
	9	1	1H-1200	1	PIN-SPRING						
	10	1	3N-9606	2	U-BOLT						
	11	1	6V-8182	16	NUT (3/4-10-THD)						
	12	1	6V-8801	4	NUT (3/8-16-THD)						
	13	1	7X-0370	8	BOLT (3/4-10X3.5-IN)						
	14	1	8C-6857	8	BOLT (3/4-10X2.75-IN)						
	15	1	8T-4896	4	WASHER-HARD (10.2X18.5X2.5-MM THK)						
	16	1	8T-4994	16	WASHER-HARD (20X36.5X3.5-MM THK)						
	17	1	9B-0887	3	PLUG-PIPE						

B - USE AS REQUIRED

COOLING SYSTEM

4W-4632 HEAT EXCHANGER GP-SEA WATER (contd.)

i05585889



GRAPHIC #1

<END>

g01945793

COOLING SYSTEM

4W-4642 HEAT EXCHANGER GP-SEA WATER

1016-MM DOUBLE PASS

PART OF 107-1728 HEAT EXCHANGER GP-SEA WATER

AN ATTACHMENT

SMCS-1379

i02866454

NOTE	REF NO	GRAPHIC REF	PART NUMBER	QTY	PART NAME						SEE PAGE
					1	2	3	4	5	6 (PRODUCT LEVEL)	
J	1	1	6L-2284	3	ROD-ZINC (HEAT EXCHANGER)						
J	2	1	6L-2286	3	PLUG-PIPE						
B	3	1	8L-9767	32	SHIM (0.015-IN THK)						
	4	1	155-2590	1	GASKET						
	5	1	155-2591	1	GASKET						
	6	1	155-2592	1	SEAL						
	7	1	155-2596	2	BRACKET AS						
	8	1	290-8204	1	CORE AS (HEAT EXCHANGER)						
	9	1	1H-1200	1	PIN-SPRING						
	10	1	3N-9606	2	U-BOLT						
	11	1	6V-8182	16	NUT (3/4-10-THD)						
	12	1	6V-8801	4	NUT (3/8-16-THD)						
	13	1	7X-0370	8	BOLT (3/4-10X3.5-IN)						
	14	1	8C-6857	8	BOLT (3/4-10X2.75-IN)						
	15	1	8T-4896	4	WASHER-HARD (10.2X18.5X2.5-MM THK)						
	16	1	8T-4994	16	WASHER-HARD (20X36.5X3.5-MM THK)						
	17	1	9B-0887	4	PLUG-PIPE						

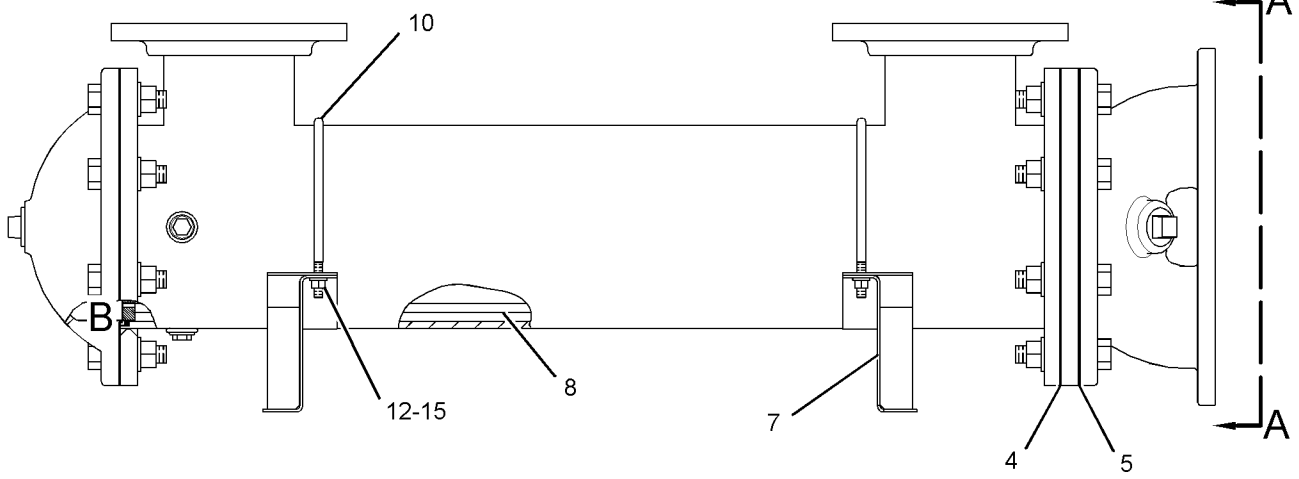
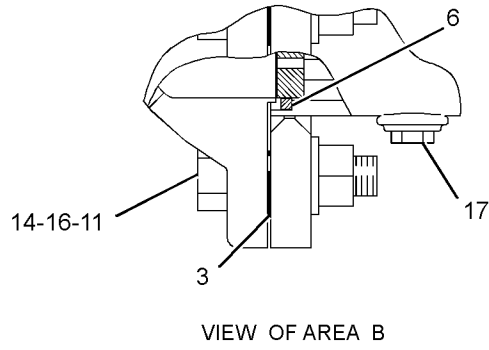
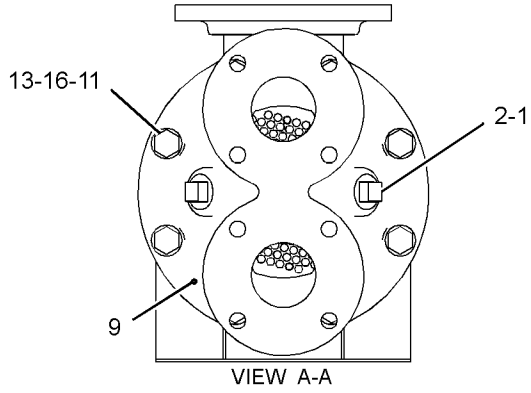
B - USE AS REQUIRED

J - ROD AND PLUG MUST BE SERVICED TOGETHER

COOLING SYSTEM

4W-4642 HEAT EXCHANGER GP-SEA WATER (contd.)

i02866454



GRAPHIC #1

<END>

g01364235

COOLING SYSTEM

4W-4652 HEAT EXCHANGER GP-SEA WATER

1270-MM DOUBLE PASS

FIELD REPLACEMENT FOR 134-3530—PAGE: 193
PART OF 107-1730 HEAT EXCHANGER GP-SEA WATER
AN ATTACHMENT

SMCS-1379

i01318872

NOTE	PART NUMBER	QTY	PART NAME	SEE PAGE
			1 2 3 4 5 6 (PRODUCT LEVEL)	
Y	134-3530	1	HEAT EXCHANGER GP-SEA WATER	193
			-OR-	
Y	134-3533	1	HEAT EXCHANGER GP-SEA WATER	194
Y - SEPARATE ILLUSTRATION				

<END>

COOLING SYSTEM

8N-7643 HOUSING & REGULATOR GP-INLET CONTROL

S/N: 3XS404-UP

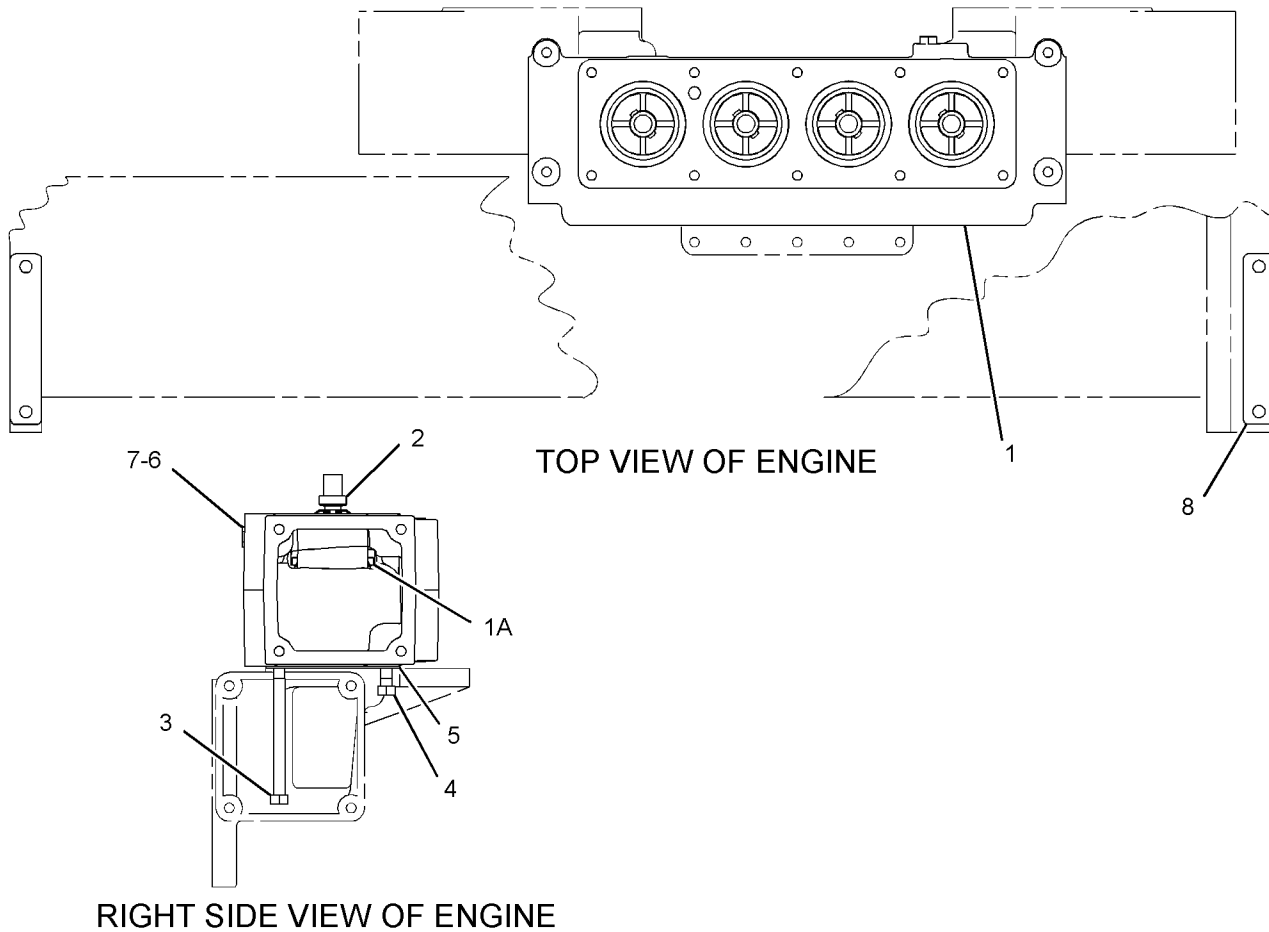
FOR USE WITH EXPANSION TANK AND STANDBY GENERATOR ENGINE

SMCS-1355, 1393

i04418408

NOTE	REF NO	GRAPHIC REF	PART NUMBER	QTY	PART NAME						SEE PAGE
					1	2	3	4	5	6 (PRODUCT LEVEL)	
	1	1	7E-6466	1	HOUSING AS-REGULATOR						
	1A	1	3S-9643	4	SEAL-LIP TYPE (WATER TEMPERATURE REGULATOR)						
	2	1	248-5513	4	REGULATOR-TEMPERATURE (92-DEG C) (WATER)						
	3	1	1A-5183	5	BOLT (3/8-16X4.75-IN)						
	4	1	0S-1588	5	BOLT (3/8-16X1.25-IN)						
	5	1	7N-4927	1	GASKET-HOUSING COVER						
C	6	1	9S-4182	1	PLUG (7/16-20-THD)						
C	7	1	6V-9027	1	SEAL-O-RING						
BC	8	1	106-3512	2	PLATE						

B - USE AS REQUIRED
C - CHANGE FROM PREVIOUS TYPE



GRAPHIC #1

<END>

g02021193

COOLING SYSTEM

8N-7716 LINES GP-AFTERCOOLER WATER

S/N: 3XS404-UP

SMCS-1380

i03129075

NOTE	REF NO	GRAPHIC REF	PART NUMBER	QTY	PART NAME						SEE PAGE
					1	2	3	4	5	6 (PRODUCT LEVEL)	
BC	1	1	5M-2894	2	WASHER-HARD (10.2X18.5X2.5-MM THK)						
	2	1	8N-9390	1	ELBOW						
	3	1	8N-1990	1	FLANGE						
C	4	1	2A-4639	2	BOLT (3/8-16X1.625-IN)						
BC	5	1	2A-4639	2	BOLT (3/8-16X1.625-IN)						
	6	1	8N-1989	1	TUBE						
	7	1	1N-4087	1	ELBOW						
	8	1	1A-2029	5	BOLT (3/8-16X1.125-IN)						
C	9	1	8N-0386	1	FLANGE						
	10	1	230-1072	1	GASKET						
	11	1	7F-3425	2	BOLT (3/8-16X5.75-IN)						
C	12	1	5M-2894	6	WASHER-HARD (10.2X18.5X2.5-MM THK)						
C	13	1	6V-9027	2	SEAL-O-RING						
C	14	1	6V-5066	2	SEAL-O-RING						
	15	1	6V-1454	2	SEAL-O-RING						
	16	1	1W-0513	1	ELBOW						
	17	1	8T-6765	1	PLUG-PIPE (1/4-18-THD)						
	18	1	4N-1320	2	GASKET (ADAPTER)						
BC	19	1	7X-7731	1	PLUG-PIPE (3/4-14-THD)						
	20	1	8T-6767	1	PLUG-PIPE (3/8-18-THD)						
	21	1	0S-1571	4	BOLT (3/8-16X1.75-IN)						
C	22	1	7C-5230	1	TUBE AS						
C	23	1	030-7946	2	ELBOW						
	24	1	7X-0575	2	WASHER-HARD (10.2X22.5X5-MM THK)						

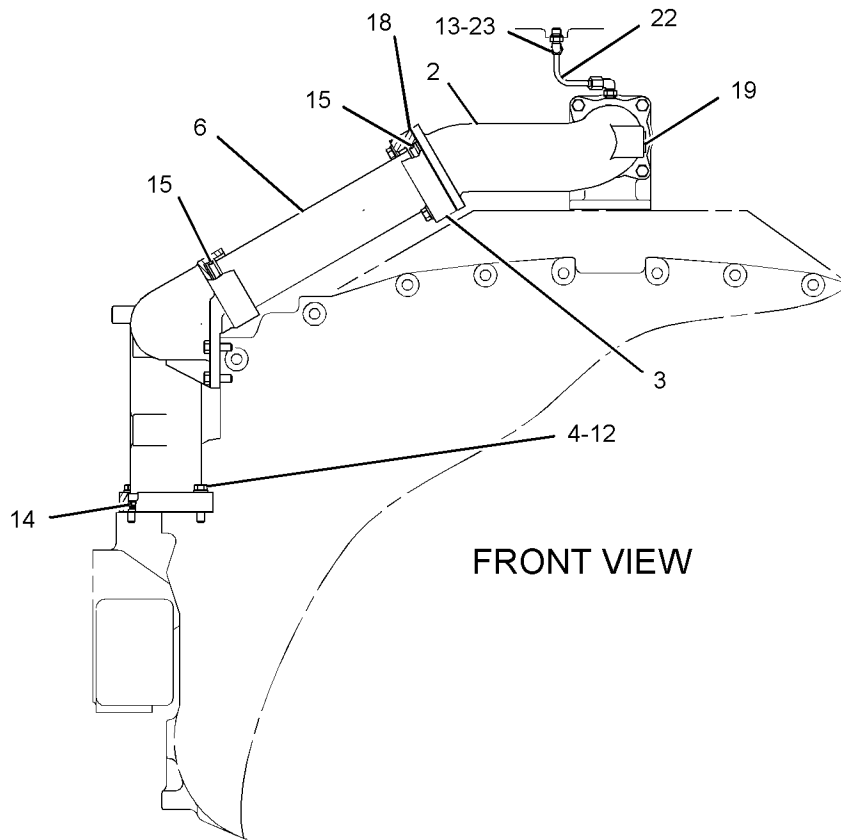
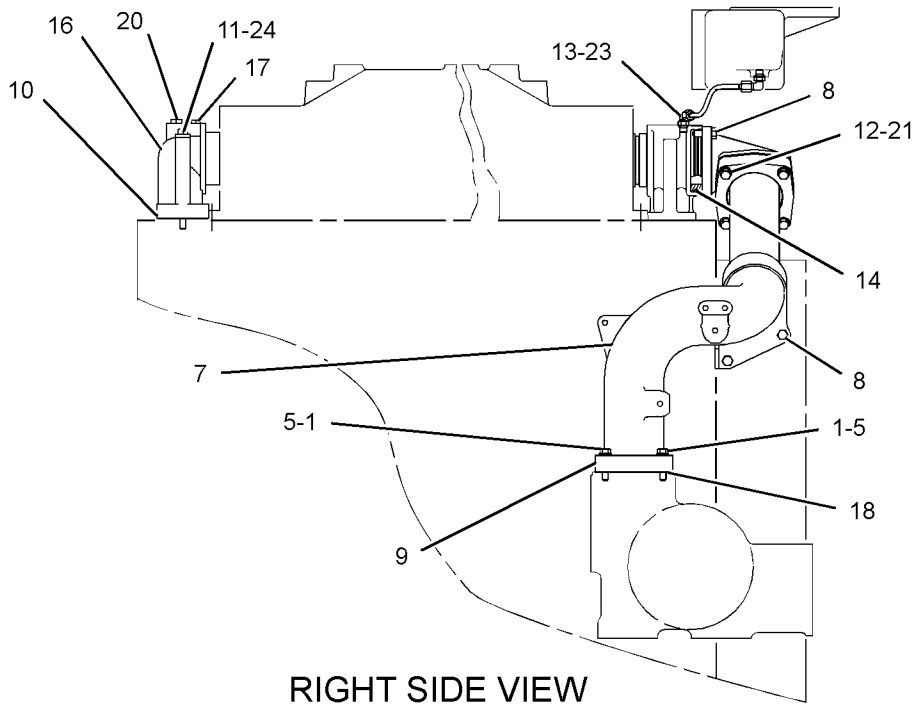
B - USE AS REQUIRED

C - CHANGE FROM PREVIOUS TYPE

COOLING SYSTEM

8N-7716 LINES GP-AFTERCOOLER WATER (contd.)

i03129075



GRAPHIC #1

<END>

g01164711

COOLING SYSTEM

161-4087 LINES GP-TURBOCHARGER WATER

S/N: 3XS404-407

SMCS-1052, 1380

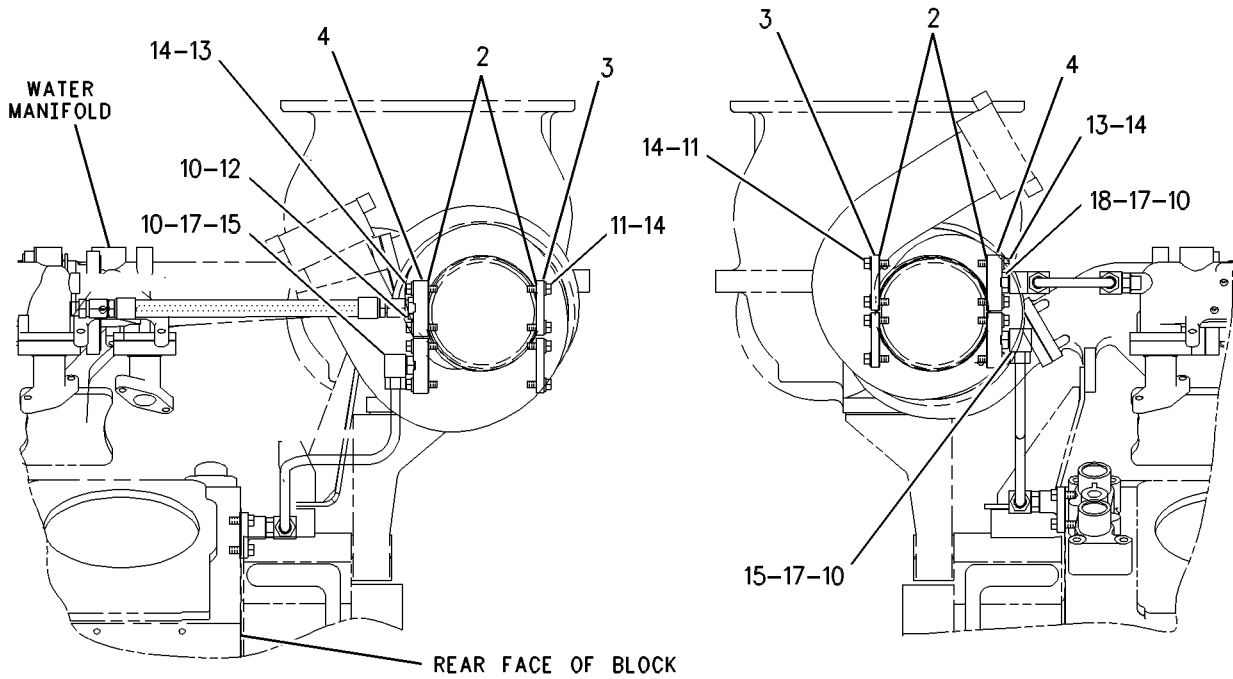
i01925349

NOTE	REF NO	GRAPHIC REF	PART NUMBER	QTY	PART NAME						SEE PAGE
					1	2	3	4	5	6 (PRODUCT LEVEL)	
	1	1	7N-3368	1	GASKET						
	2	1	7N-7628	8	GASKET						
	3	1	7N-7878	4	PLATE-COVER						
	4	1	107-0744	4	BLOCK						
	5	1	113-4645	1	TUBE AS						
	6	1	113-4647	1	ADAPTER						
	7	1	128-2856	1	TUBE AS						
	8	1	146-7639	1	HOSE AS						
	9	1	166-5935	1	TUBE AS						
	10	1	033-6033	8	SEAL-O-RING						
	11	1	0S-1594	11	BOLT (3/8-16X1-IN)						
	12	1	2P-7636	2	CONNECTOR (3/4-16 STR-THD)						
	13	1	3B-1915	8	BOLT (3/8-16X1.375-IN)						
	14	1	5M-2894	16	WASHER-HARD (10.2X18.5X2.5-MM THK)						
	15	1	6V-8625	3	ELBOW						
	16	1	6V-8775	1	TEE-FACE SEAL						
	17	1	8L-2786	5	SEAL-O-RING						
	18	1	8T-1686	1	ADAPTER-ELBOW						

COOLING SYSTEM

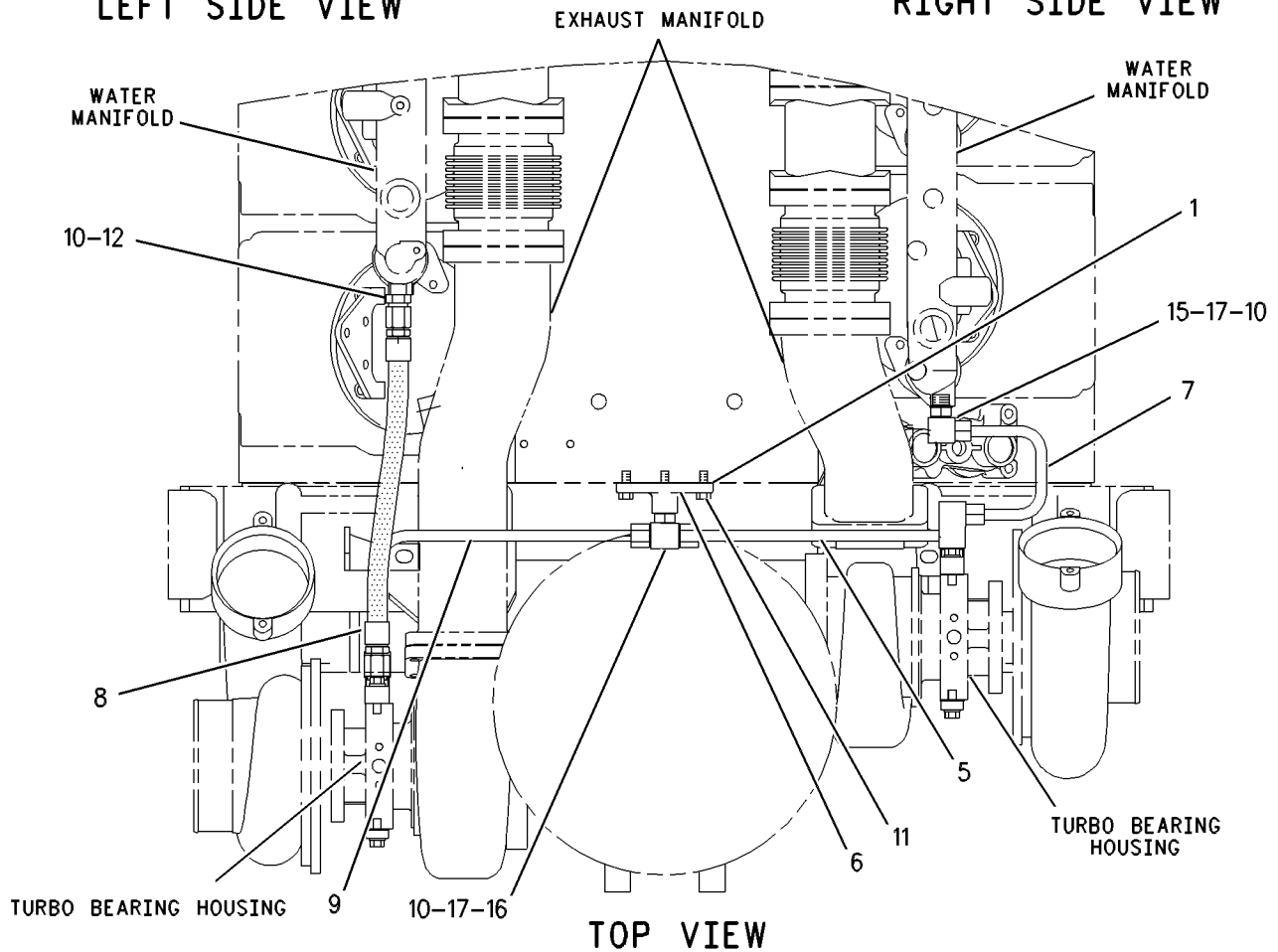
161-4087 LINES GP-TURBOCHARGER WATER (contd.)

i01925349



LEFT SIDE VIEW

RIGHT SIDE VIEW



TOP VIEW

GRAPHIC #1

<END>

g00575027

COOLING SYSTEM

161-4087 LINES GP-TURBOCHARGER WATER

S/N: 3XS408-UP

SMCS-1052, 1380

i05437876

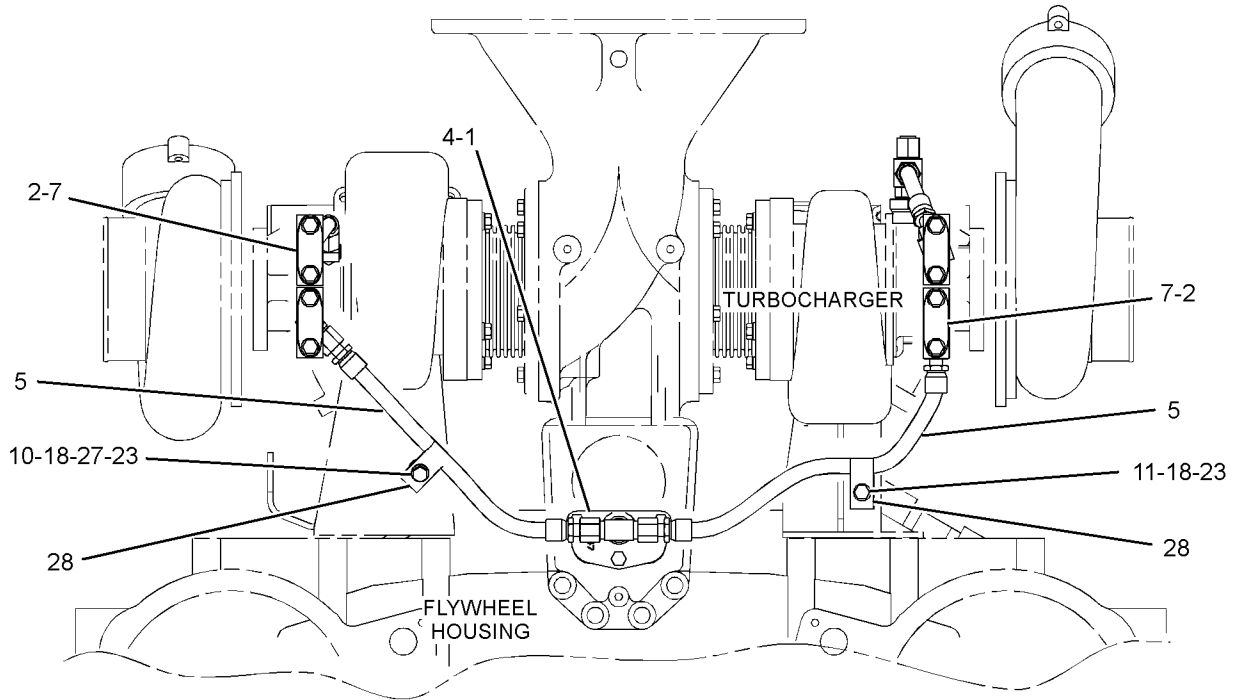
NOTE	REF NO	GRAPHIC REF	PART NUMBER	QTY	PART NAME						SEE PAGE
					1	2	3	4	5	6 (PRODUCT LEVEL)	
	1	1	7N-3368	1	GASKET						
	2	1	7N-7878	4	PLATE-COVER						
	3	1	107-0744	4	BLOCK						
	4	1	113-4647	1	ADAPTER						
	5	1	252-5658	2	HOSE AS						
I	6	1	341-8890	1	HOSE AS						
	7	1	341-9211	8	GASKET						
	8	1	383-6859	1	HOSE AS-WATER						
	9	2	030-7943	1	ELBOW						
	10	1	0S-1591	1	BOLT (3/8-16X1.5-IN)						
	11	1,2	0S-1594	4	BOLT (3/8-16X1-IN)						
	12	2	118-4728	2	ELBOW						
	13	2	180-8424	3	SEAL-O-RING						
	14	1	1L-5081	8	SPACER (0.41X0.75X0.56-IN THK)						
	15	1	2A-4639	8	BOLT (3/8-16X1.625-IN)						
	16	2	3B-1915	8	BOLT (3/8-16X1.375-IN)						
	17	1	4S-4869	1	TEE						
	18	1,2	5M-2894	20	WASHER-HARD (10.2X18.5X2.5-MM THK)						
	19	2	5P-5777	1	ADAPTER-O-RING						
	20	2	6V-5064	1	SEAL-O-RING						
	21	1,2	6V-6609	7	SEAL-O-RING						
	22	2	6V-8782	1	TEE						
	23	1	6V-8801	2	NUT (3/8-16-THD)						
	24	2	6V-9002	1	ELBOW						
	25	2	6V-9830	1	CAP						
	26	2	8M-0505	1	ADAPTER						
	27	1	9G-8140	1	SPACER (10.5X25X15-MM THK)						
	28	1	9X-8606	2	CLIP						

I - REFER TO HYDRAULIC INFORMATION SYSTEM

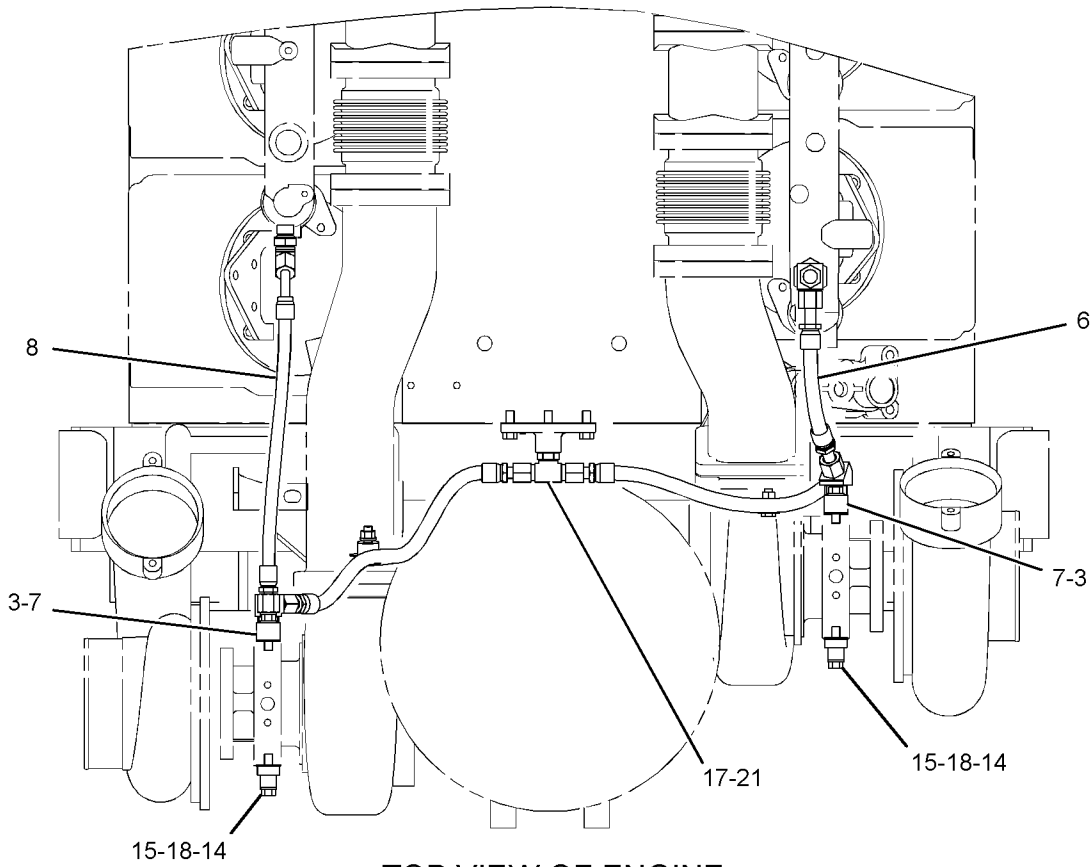
COOLING SYSTEM

161-4087 LINES GP-TURBOCHARGER WATER (contd.)

i05437876



REAR VIEW OF ENGINE



TOP VIEW OF ENGINE

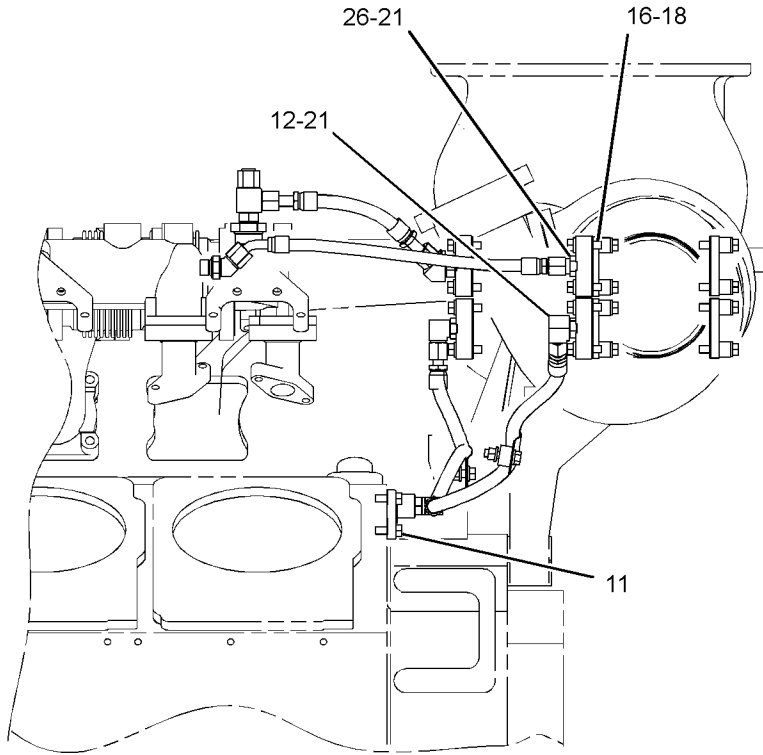
GRAPHIC #1

g03601142

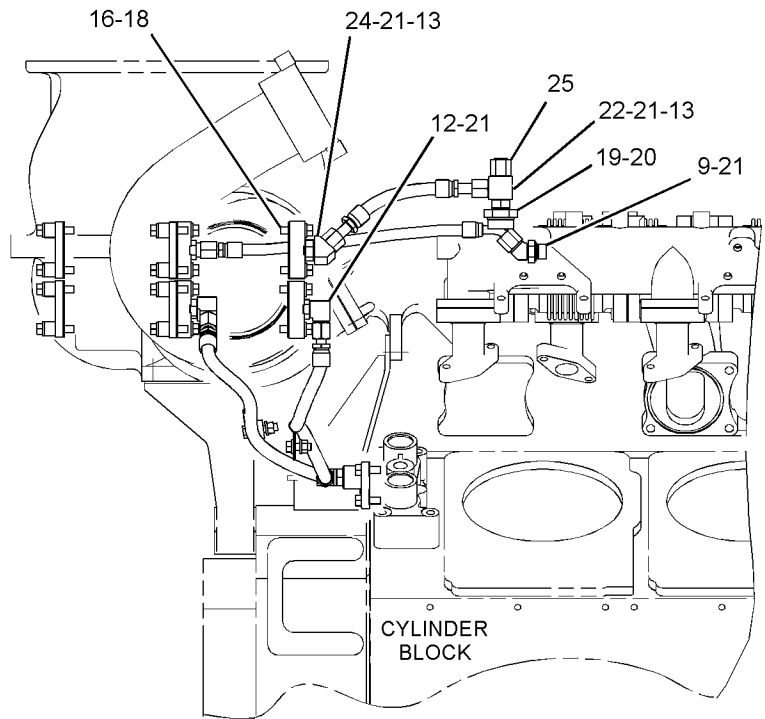
COOLING SYSTEM

161-4087 LINES GP-TURBOCHARGER WATER (contd.)

105437876



LEFT SIDE VIEW OF ENGINE



RIGHT SIDE VIEW OF ENGINE

GRAPHIC #2

<END>

g03601143

COOLING SYSTEM

130-2018 LINES GP-WATER-UPPER
S/N: 3XS404-UP

SMCS-1355, 1380, 1393

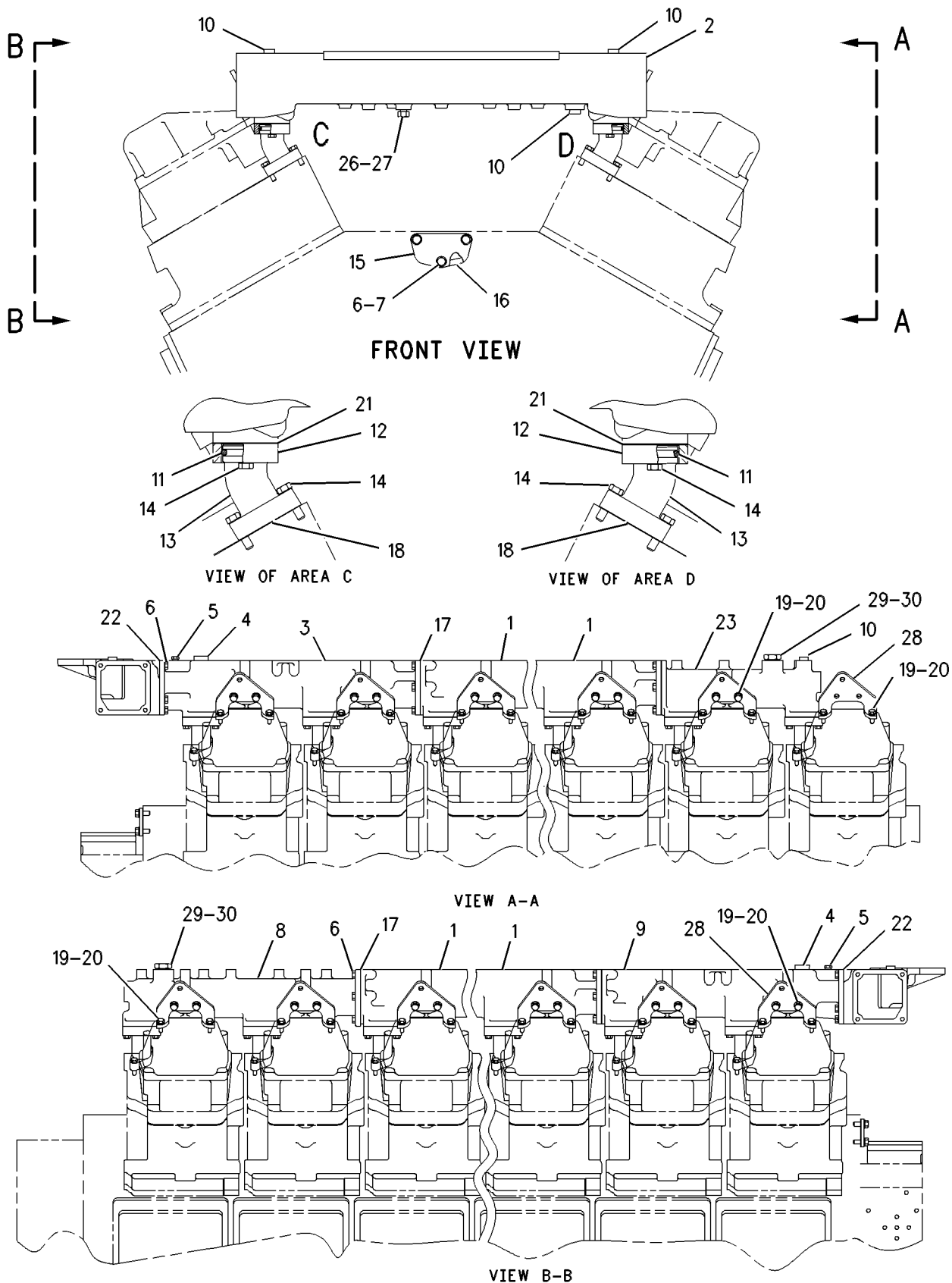
i02767097

NOTE	REF NO	GRAPHIC REF	PART NUMBER	QTY	PART NAME						SEE PAGE
					1	2	3	4	5	6 (PRODUCT LEVEL)	
	1	1	4P-3897	4	MANIFOLD (INTERMEDIATE)						
	2	1	111-9374	1	HOUSING-REGULATOR						
	3	1	154-1616	1	MANIFOLD (FRONT, LH)						
	4	1	8T-6761	2	PLUG-PIPE (1-11-1/2 NPT THD)						
	5	1	8T-6765	2	PLUG-PIPE (1/4-18-THD)						
	6	1	0S-1594	35	BOLT (3/8-16X1-IN)						
	7	1	5M-2894	3	WASHER-HARD (10.2X18.5X2.5-MM THK)						
	8	1	111-8277	1	MANIFOLD (REAR, RH)						
	9	1	154-1617	1	MANIFOLD (FRONT, RH)						
	10	1	8T-6762	4	PLUG-PIPE (1/2-14-THD)						
	11	1	6V-9769	16	SEAL-O-RING						
	12	1	2W-3146	16	FLANGE						
	13	1	8N-7639	16	ELBOW						
	14	1	1B-7182	64	BOLT (5/16-18X1.25-IN)						
	15	1	7N-3297	1	COVER						
	16	1	7N-3368	1	GASKET						
	17	1	243-2288	6	GASKET						
	18	1	127-2176	16	SEAL-INTEGRAL						
	19	1	0S-1618	62	BOLT (5/16-18X1-IN)						
	20	1	9M-1974	62	WASHER-HARD (8.8X16X2-MM THK)						
	21	1	241-5928	16	GASKET						
	22	1	122-8856	2	GASKET						
	23	1	111-8276	1	MANIFOLD (REAR, LH)						
	26	1	9S-4182	1	PLUG (7/16-20-THD)						
	27	1	6V-9027	1	SEAL-O-RING						
	28	1	133-8382	16	BRACKET						
	29	1	6V-5064	2	SEAL-O-RING						
	30	1	9S-4181	2	PLUG (1-5/16-12-THD)						

COOLING SYSTEM

130-2018 LINES GP-WATER (contd.)

i02767097



GRAPHIC #1

<END>

g00555956

COOLING SYSTEM

155-0718 LINES GP-WATER-UPPER AN ATTACHMENT

SMCS-1355, 1380, 1393

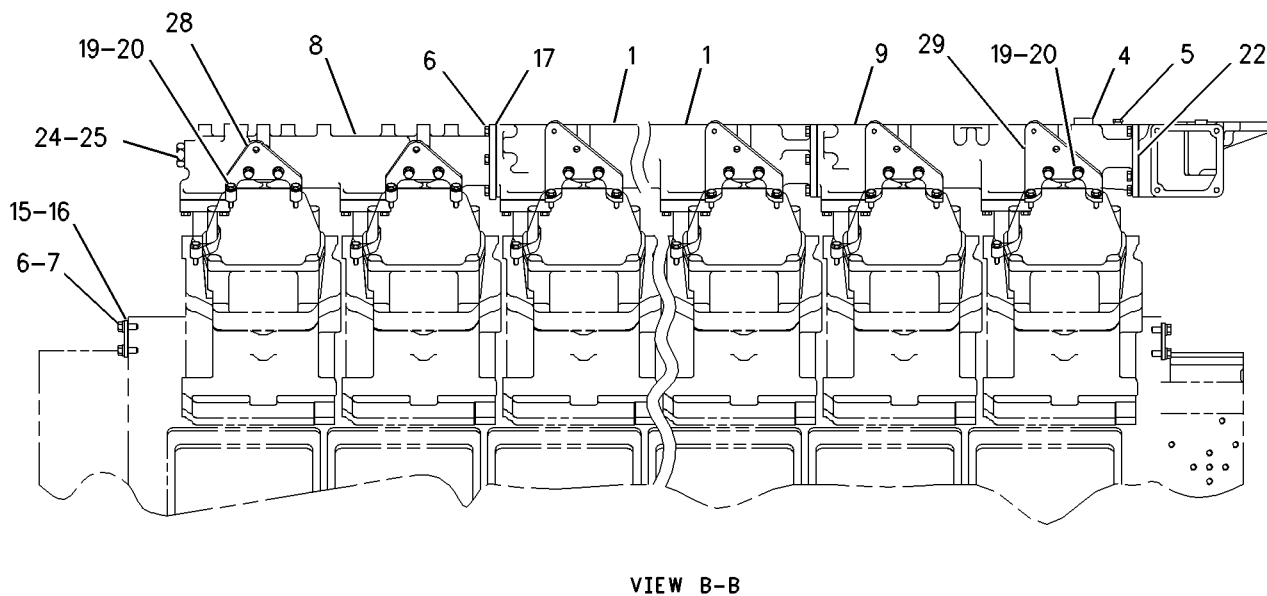
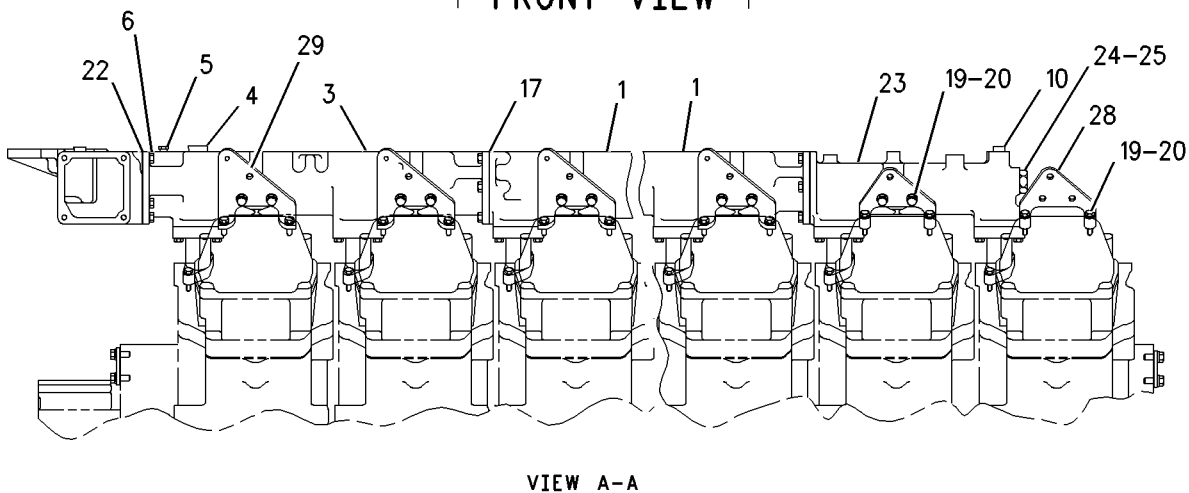
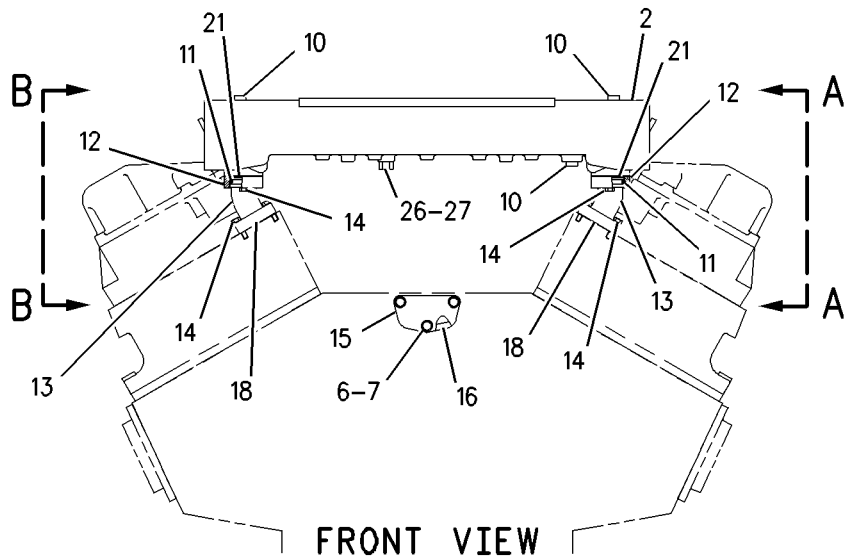
i03526520

NOTE	REF NO	GRAPHIC REF	PART NUMBER	QTY	PART NAME						SEE PAGE
					1	2	3	4	5	6 (PRODUCT LEVEL)	
	1	1	4P-3897	4	MANIFOLD (INTERMEDIATE)						
	2	1	111-9375	1	HOUSING (REGULATOR)						
	3	1	154-1616	1	MANIFOLD (FRONT, LH)						
	4	1	8T-6761	2	PLUG-PIPE (1-11-1/2 NPT THD)						
	5	1	8T-6765	2	PLUG-PIPE (1/4-18-THD)						
	6	1	0S-1594	38	BOLT (3/8-16X1-IN)						
	7	1	5M-2894	6	WASHER-HARD (10.2X18.5X2.5-MM THK)						
	8	1	111-8277	1	MANIFOLD (REAR, RH)						
	9	1	154-1617	1	MANIFOLD (FRONT, RH)						
	10	1	8T-6762	4	PLUG-PIPE (1/2-14-THD)						
	11	1	6V-9769	16	SEAL-O-RING						
	12	1	2W-3146	16	FLANGE						
	13	1	8N-7639	16	ELBOW						
	14	1	1B-7182	64	BOLT (5/16-18X1.25-IN)						
	15	1	7N-3297	2	COVER						
	16	1	7N-3368	2	GASKET						
	17	1	243-2288	6	GASKET						
	18	1	127-2176	16	SEAL-INTEGRAL						
	19	1	0S-1618	62	BOLT (5/16-18X1-IN)						
	20	1	9M-1974	62	WASHER-HARD (8.8X16X2-MM THK)						
	21	1	241-5928	16	GASKET						
	22	1	122-8856	2	GASKET						
	23	1	111-8276	1	MANIFOLD (REAR, LH)						
	24	1	6V-6609	2	SEAL-O-RING						
	25	1	9S-4185	2	PLUG (3/4-16-THD)						
	26	1	9S-4182	1	PLUG (7/16-20-THD)						
	27	1	6V-9027	1	SEAL-O-RING						
	28	1	133-8382	4	BRACKET						
	29	1	135-0175	12	BRACKET						

COOLING SYSTEM

155-0718 LINES GP-WATER (contd.)

i03526520



GRAPHIC #1

<END>

g00826123

COOLING SYSTEM

1N-4421 LINES GP-WATER-LOWER S/N: 3XS404-UP

SMCS-1355, 1380, 1393

i02232129

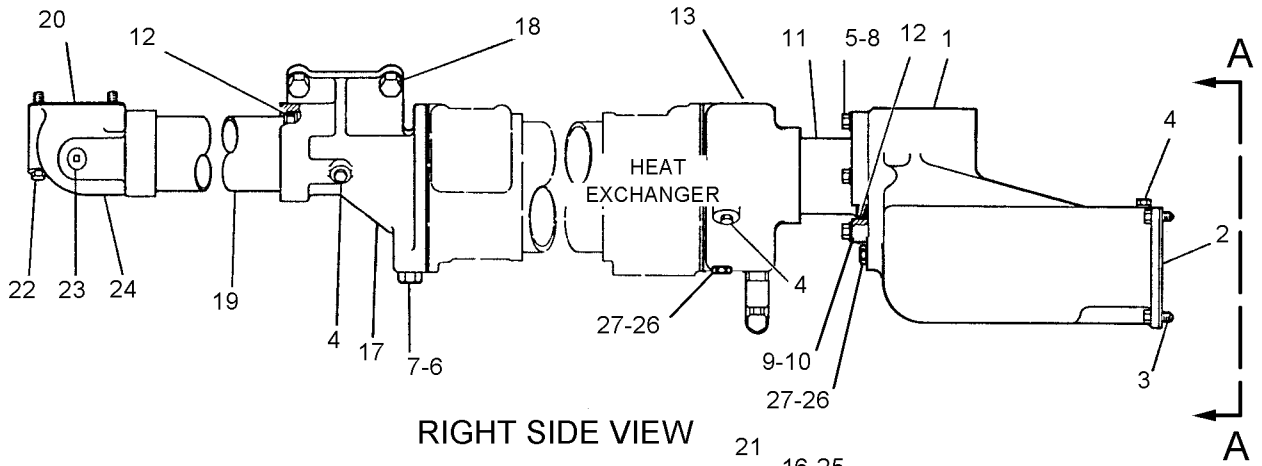
NOTE	REF NO	GRAPHIC REF	PART NUMBER	QTY	PART NAME						SEE PAGE
					1	2	3	4	5	6 (PRODUCT LEVEL)	
C	1	1	120-7421	1	ADAPTER						
	2	1	7N-4932	1	GASKET						
C	3	1	0S-1594	4	BOLT (3/8-16X1-IN)						
	4	1	8T-6765	3	PLUG-PIPE (1/4-18-THD)						
	5	1	2A-4639	4	BOLT (3/8-16X1.625-IN)						
	6	1	4B-8407	1	GASKET-COPPER						
	7	1	9M-4202	1	PLUG-DRAIN (WATER LINE, LOWER)						
	8	1	5M-2894	6	WASHER-HARD (10.2X18.5X2.5-MM THK)						
C	9	1	8N-0386	1	FLANGE						
	10	1	4N-1320	1	GASKET (ADAPTER)						
	11	1	8N-7641	1	TUBE						
	12	1	6V-5066	4	SEAL-O-RING						
	13	1	7N-4939	1	BONNET-OIL COOLER						
	14	1	7N-4940	1	BRACKET						
	15	1	0S-1571	2	BOLT (3/8-16X1.75-IN)						
	16	1	0S-1585	2	BOLT (1/2-13X1.5-IN)						
	17	1	7N-4941	1	BONNET-OIL COOLER						
	18	1	0S-1595	2	BOLT (1/2-13X1.25-IN)						
	19	1	7N-9045	1	TUBE						
C	20	1	7N-4945	1	GASKET						
	21	1	0S-1588	2	BOLT (3/8-16X1.25-IN)						
	22	1	0T-0065	2	BOLT (3/8-16X3.5-IN)						
	23	1	8T-6761	1	PLUG-PIPE (1-11-1/2 NPT THD)						
	24	1	7N-4944	1	ELBOW						
	25	1	5P-8245	2	WASHER-HARD (13.5X25.5X3-MM THK)						
	26	1	9S-4185	2	PLUG (3/4-16-THD)						
	27	1	6V-6609	2	SEAL-O-RING						

C - CHANGE FROM PREVIOUS TYPE

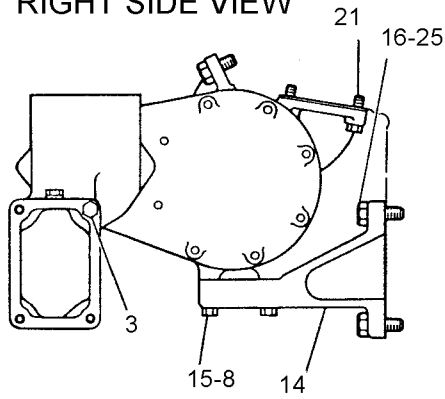
COOLING SYSTEM

1N-4421 LINES GP-WATER (contd.)

i02232129



RIGHT SIDE VIEW



VIEW A-A
<END>

GRAPHIC #1

g01101279

COOLING SYSTEM

7W-6515 LINES GP-WATER-CONNECTION

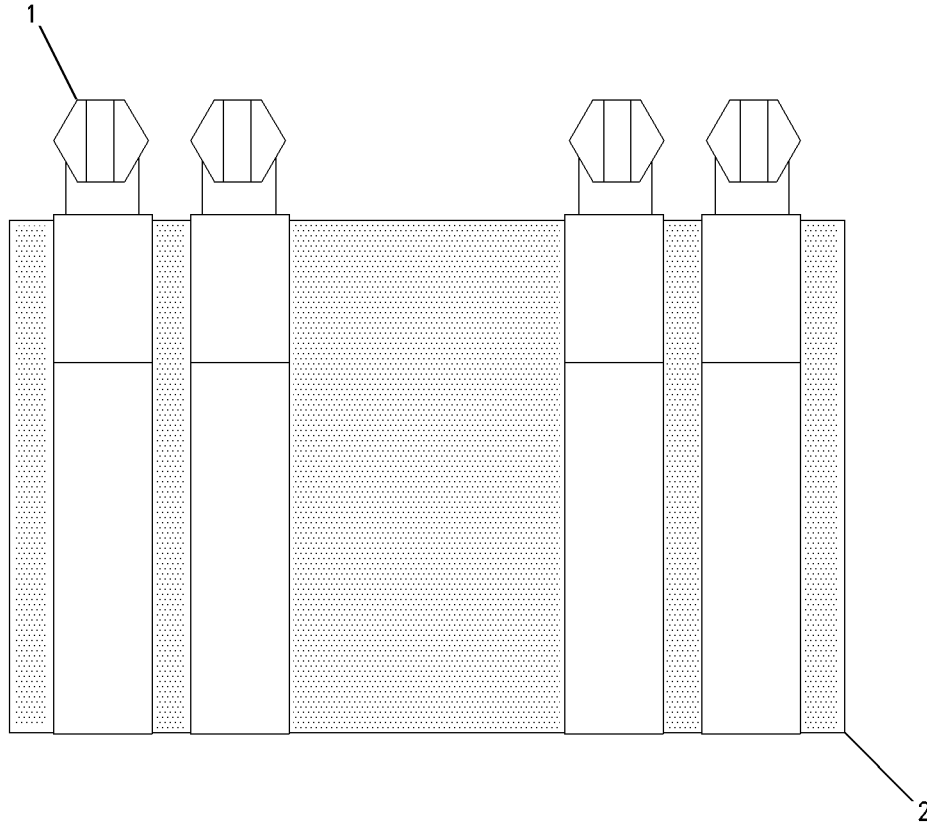
88.9-MM ID (3.5-IN)

FOR USE WITH 8N-9161-PAGE: 189
AN ATTACHMENT

SMCS-1355, 1380, 1393

i01488670

NOTE	REF NO	GRAPHIC REF	PART NUMBER	QTY	PART NAME						SEE PAGE
					1	2	3	4	5	6 (PRODUCT LEVEL)	
	1	1	5P-0598	4	CLAMP-HOSE						
	2	1	7W-6514	1	HOSE						



GRAPHIC #1

<END>

g00773701

COOLING SYSTEM

315-5137 PUMP GP-AUXILIARY SEA WATER*R PART OF 8N-8466 PUMP GP-AUXILIARY SEA WATER AN ATTACHMENT

SMCS-1371

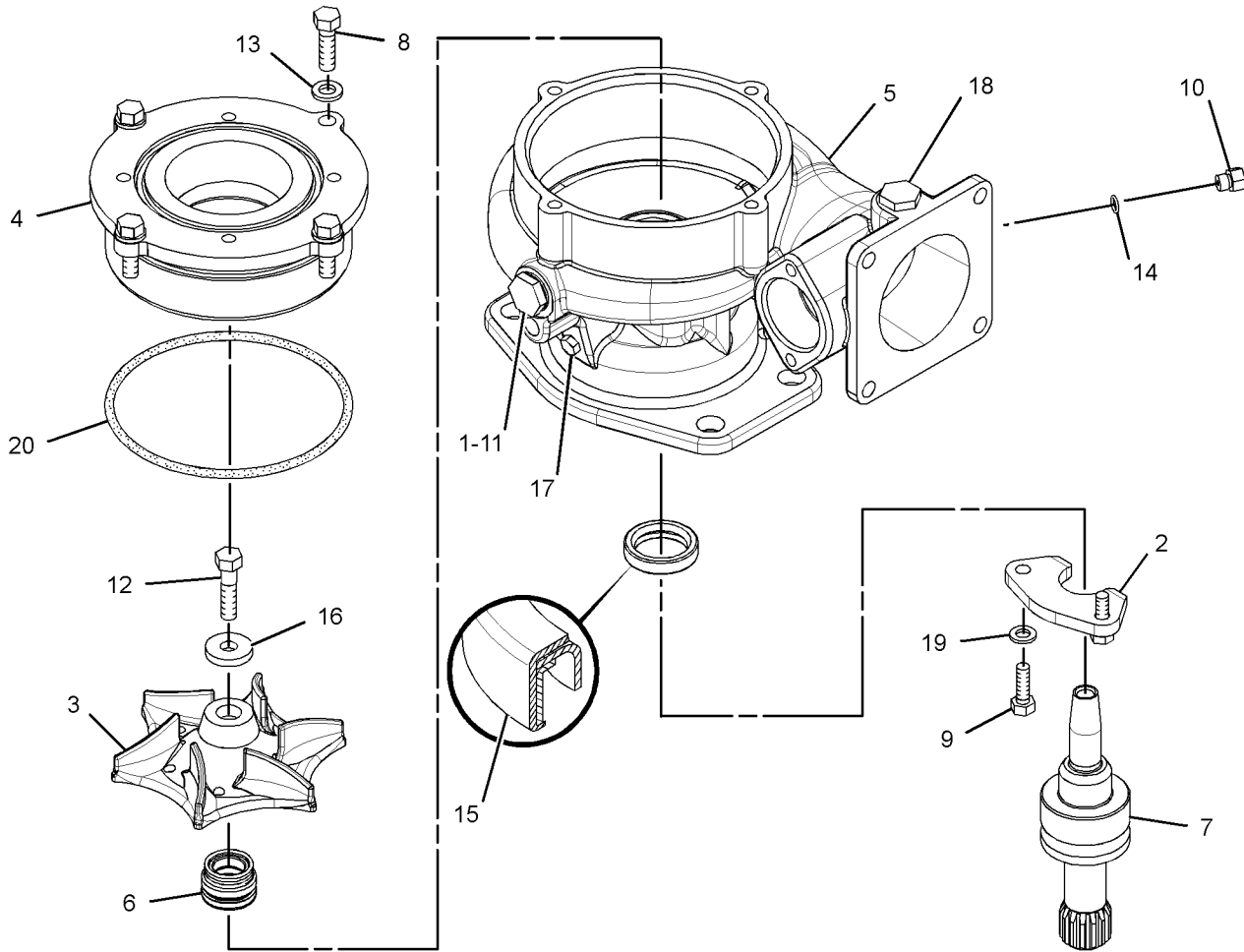
i03886489

NOTE	REF NO	GRAPHIC REF	PART NUMBER	QTY	PART NAME						SEE PAGE
					1	2	3	4	5	6 (PRODUCT LEVEL)	
	1	1	3F-1358	1	PLUG-DRAIN (AUXILIARY SEA WATER PUMP)						
	2	1	7N-4758	1	WASHER-THRUST						
	3	1	8N-8455	1	IMPELLER-PUMP						
	4	1	8N-8461	1	ADAPTER						
	5	1	8N-8464	1	HOUSING AS						
	6	1	262-4378	1	SEAL AS-WATER PUMP						
	7	1	315-5136	1	SHAFT AS						
	8	1	0S-1588	4	BOLT (3/8-16X1.25-IN)						
	9	1	0S-1618	2	BOLT (5/16-18X1-IN)						
	10	1	1N-5999	1	PLUG-O-RING						
	11	1	2A-1162	1	GASKET						
	12	1	3H-5844	1	BOLT (3/8-16X1.5-IN)						
	13	1	5M-2894	4	WASHER-HARD (10.2X18.5X2.5-MM THK)						
	14	1	7J-0204	1	SEAL-O-RING						
	15	1	8C-5236	1	SEAL-LIP TYPE						
	16	1	8N-8456	1	WASHER (10.2X28.5X5-MM THK)						
	17	1	8T-6764	1	PLUG-PIPE (1/8-27-THD)						
	18	1	8T-6766	1	PLUG-PIPE						
	19	1	9M-1974	2	WASHER-HARD (8.8X16X2-MM THK)						
	20	1	9M-3786	1	SEAL-O-RING						

COOLING SYSTEM

315-5137 PUMP GP-AUXILIARY SEA WATER (contd.)

i03886489



GRAPHIC #1

<END>

g01467007

COOLING SYSTEM

4W-6673 PUMP GP-AUXILIARY SEA WATER AN ATTACHMENT

SMCS-1371

i04093533

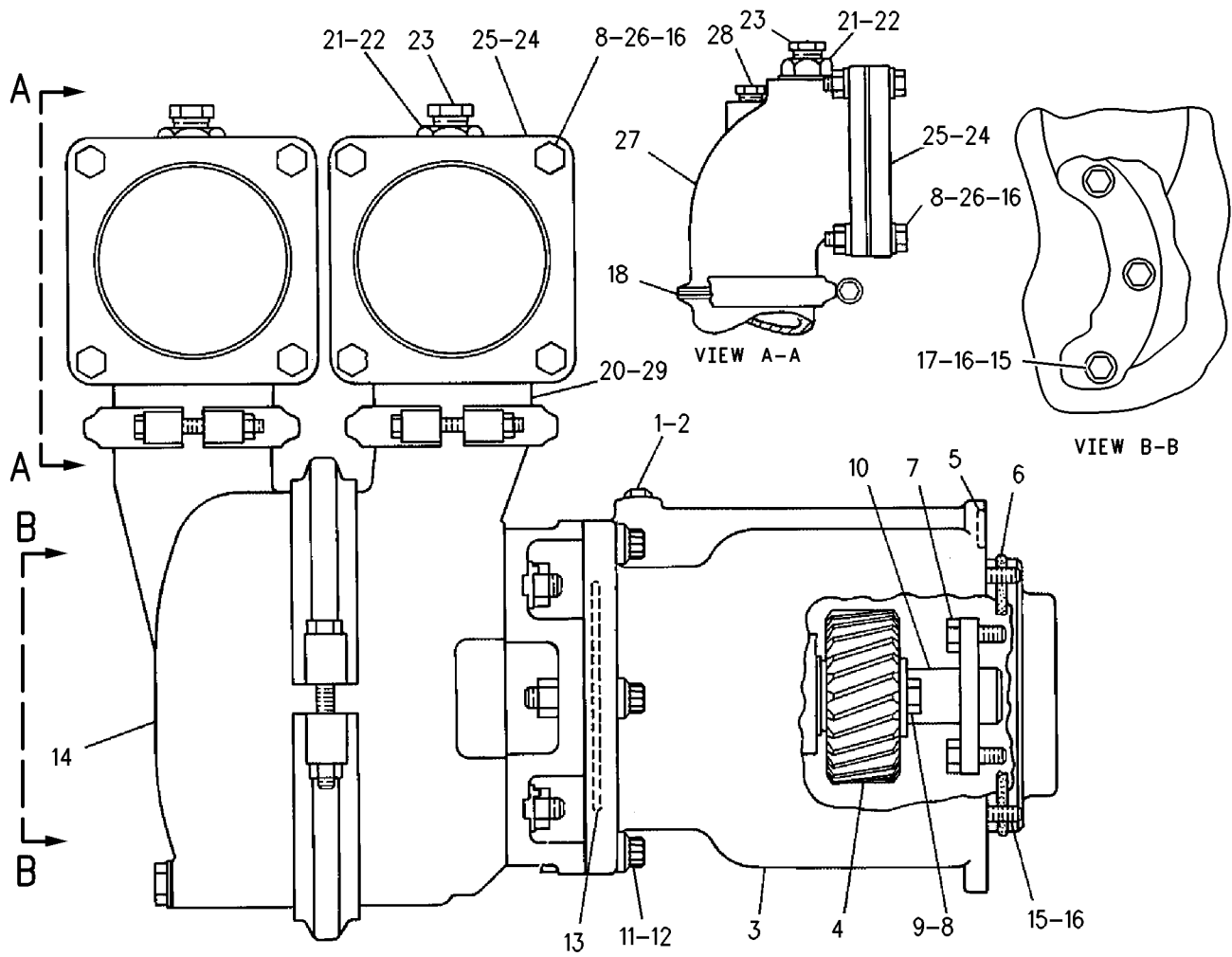
NOTE	REF NO	GRAPHIC REF	PART NUMBER	QTY	PART NAME						SEE PAGE
					1	2	3	4	5	6 (PRODUCT LEVEL)	
	1	1	9S-4180	1	PLUG						
	2	1	4J-7533	1	SEAL-O-RING						
	3	1	4W-6677	1	HOUSING AS						
		1	127-5400	1	BUSHING						
	4	1	5N-1755	1	GEAR (31-TEETH)						
	5	1	5P-0840	1	SEAL-O-RING						
	6	1	235-3548	1	SEAL-O-RING						
	7	1	0L-1351	4	BOLT (3/8-16X0.875-IN)						
	8	1	0S-1571	9	BOLT (3/8-16X1.75-IN)						
	9	1	9L-8781	1	WASHER (0.406X1.5X0.188-IN THK)						
	10	1	4W-6676	1	GEAR (22-TEETH)						
	11	1	5P-7972	4	BOLT-12 POINT HEAD (7/16-14X1.75-IN)						
	12	1	3S-1546	4	NUT-FULL (7/16-14-THD)						
	13	1	2H-3934	1	SEAL-O-RING						
YCR	14	1	7C-3614	1	PUMP GP-AUXILIARY SEA WATER						233
	15	1	0S-1594	6	BOLT (3/8-16X1-IN)						
	16	1	5M-2894	22	WASHER-HARD (10.2X18.5X2.5-MM THK)						
	17	1	8J-6775	3	SEAL-THREAD						
	18	1	8B-6283	2	GASKET						
	20	1	2W-7989	1	ELBOW-WATER PUMP						
	21	1	5L-5879	2	ADAPTER AS						
	22	1	5B-3265	2	GASKET						
	23	1	8T-6766	2	PLUG-PIPE						
	24	1	3P-6061	4	GASKET						
	25	1	5N-1845	2	FLANGE						
	26	1	9S-8752	8	NUT-FULL (3/8-16-THD)						
	27	1	2W-7990	1	ELBOW-WATER PUMP						
	28	1	9B-0887	1	PLUG-PIPE						
	29	1	6L-2280	1	ROD-ZINC (AUXILIARY SEA WATER PUMP)						
			6L-2279	1	PLUG-PIPE						

C - CHANGE FROM PREVIOUS TYPE
R - REMANUFACTURED PART MAY BE AVAILABLE
Y - SEPARATE ILLUSTRATION

COOLING SYSTEM

4W-6673 PUMP GP-AUXILIARY SEA WATER (contd.)

i04093533



GRAPHIC #1

<END>

g00774524

COOLING SYSTEM

4W-6674 PUMP GP-AUXILIARY SEA WATER AN ATTACHMENT

SMCS-1371

i04310969

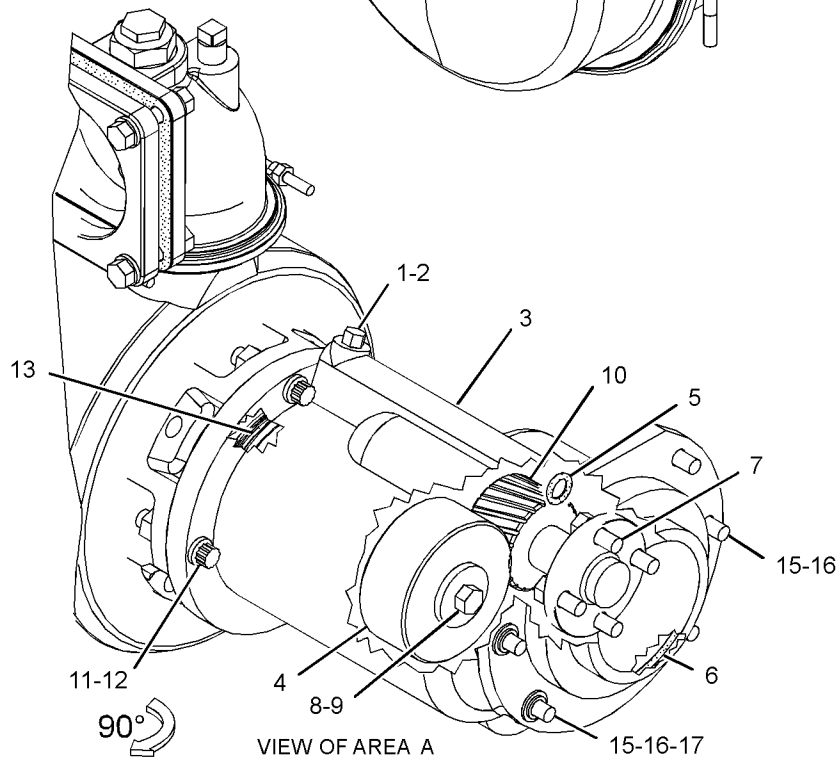
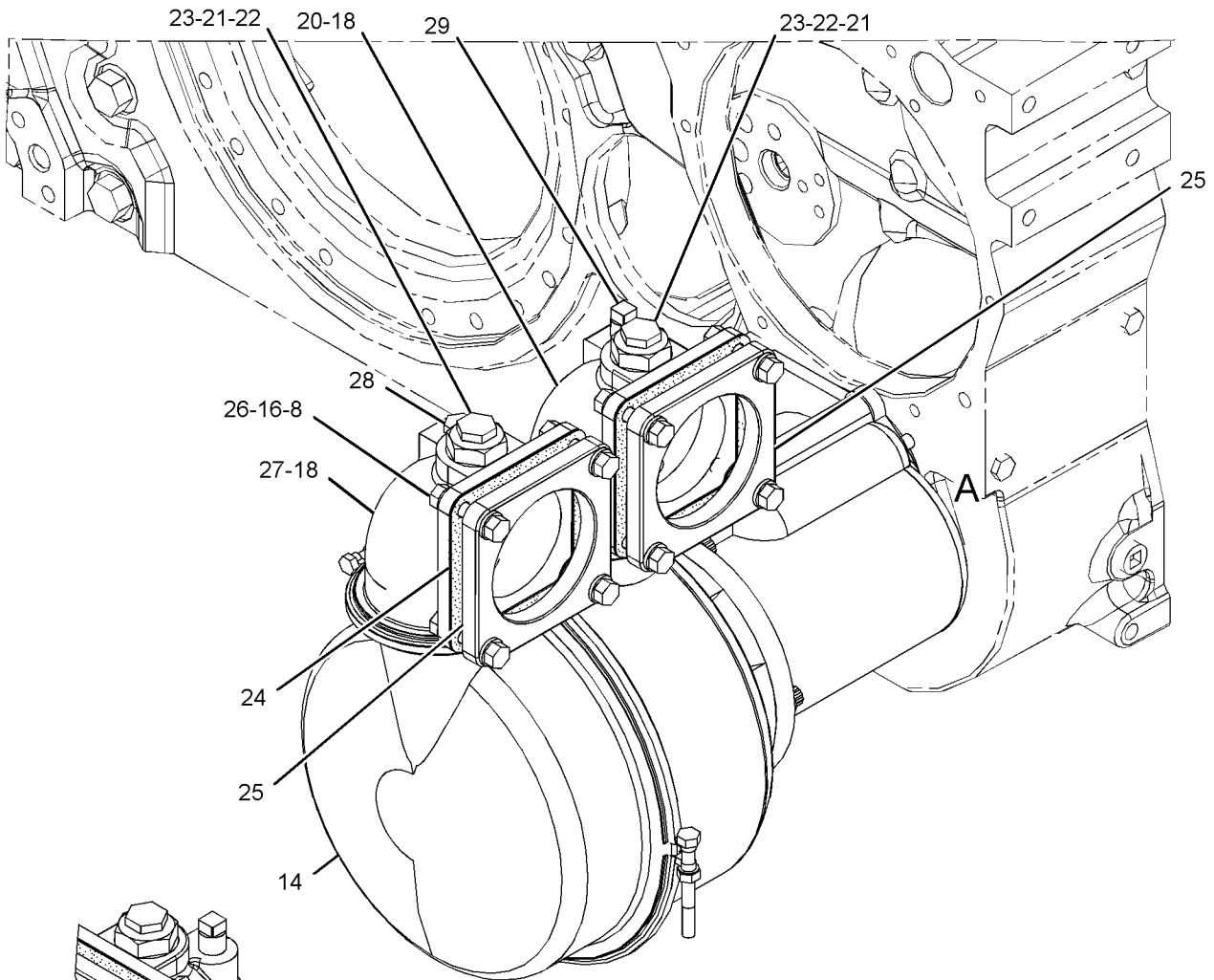
NOTE	REF NO	GRAPHIC REF	PART NUMBER	QTY	PART NAME						SEE PAGE
					1	2	3	4	5	6 (PRODUCT LEVEL)	
	1	1	9S-4180	1	PLUG						
	2	1	4J-7533	1	SEAL-O-RING						
	3	1	4W-6677	1	HOUSING AS						
		1	127-5400	1	BUSHING						
	4	1	8N-5839	1	GEAR-PUMP (31-TEETH)						
	5	1	5P-0840	1	SEAL-O-RING						
	6	1	259-4598	1	SEAL-O-RING						
	7	1	0L-1351	4	BOLT (3/8-16X0.875-IN)						
	8	1	0S-1571	9	BOLT (3/8-16X1.75-IN)						
	9	1	9L-8781	1	WASHER (0.406X1.5X0.188-IN THK)						
	10	1	4W-6675	1	GEAR-PUMP DRIVE (19-TEETH) (19 TEETH)						
	11	1	5P-7972	4	BOLT-12 POINT HEAD (7/16-14X1.75-IN)						
	12	1	3S-1546	4	NUT-FULL (7/16-14-THD)						
	13	1	2H-3934	1	SEAL-O-RING						
YR	14	1	5N-5757	1	PUMP GP-AUXILIARY SEA WATER						231
	15	1	0S-1594	6	BOLT (3/8-16X1-IN)						
	16	1	5M-2894	22	WASHER-HARD (10.2X18.5X2.5-MM THK)						
	17	1	8J-6775	3	SEAL-THREAD						
	18	1	5N-5977	2	GASKET						
	20	1	5N-5860	1	ELBOW-WATER PUMP						
	21	1	5L-5879	2	ADAPTER AS						
	22	1	5B-3265	2	GASKET						
	23	1	4J-4382	2	PLUG-PIPE						
	24	1	3P-6061	2	GASKET						
	25	1	5N-1845	2	FLANGE						
	26	1	9S-8752	8	NUT-FULL (3/8-16-THD)						
	27	1	5N-5886	1	ELBOW-WATER PUMP						
	28	1	9B-0887	1	PLUG-PIPE						
	29	1	233-8525	1	PLUG-PIPE						
			6L-2280	1	ROD-ZINC (AUXILIARY SEA WATER PUMP)						

R - REMANUFACTURED PART MAY BE AVAILABLE
Y - SEPARATE ILLUSTRATION

COOLING SYSTEM

4W-6674 PUMP GP-AUXILIARY SEA WATER (contd.)

i04310969



GRAPHIC #1

<END>

g02492361

COOLING SYSTEM

5N-5757 PUMP GP-AUXILIARY SEA WATER*R

PART OF 4W-6674 PUMP GP-AUXILIARY SEA WATER
AN ATTACHMENT

SMCS-1371

i01980226

NOTE	REF NO	GRAPHIC REF	PART NUMBER	QTY	PART NAME						SEE PAGE
					1	2	3	4	5	6 (PRODUCT LEVEL)	
	1	1	5N-9019	1	CLAMP AS						
		1	1D-4540	2	BOLT (5/16-18X2.75-IN)						
		1	1D-4716	2	NUT-FULL (5/16-18-THD)						
	2	1	5N-9023	1	BODY-DRIVE END						
	3	1	5N-9010	1	WASHER						
	4	1	3B-4507	4	LOCKWASHER						
	5	1	8T-0707	1	RING-RETAINING (INTERNAL)						
C	6	1	107-4910	4	BOLT-HIGH TEMPERATURE (7/16-14X1-IN)						
	7	1	5N-9020	1	SHAFT						
	8	1	8B-7614	1	NUT-BEARING						
	9	1	8B-7613	1	LOCKNUT						
	10	1	3N-8445	1	SPACER (40.041X47X12-MM THK)						
	11	1	3N-8463	1	BEARING-ROLLER						
	12	1	4M-6107	1	BEARING-INNER						
	13	1	8T-0209	1	RACE-ROLLER BEARING						
	14	1	5N-9006	1	SEAL GP						
B	15	1	5N-9015	2	SHIM (0.38-MM THK)						
B	16	1	5N-9016	2	SHIM (0.25-MM THK)						
	17	1	5N-9022	2	PLATE-PORT						
	18	1	5N-9017	1	RING						
	19	1	5N-9021	1	IMPELLER						
	20	1	5N-9009	1	KEY						
	21	1	5N-9014	1	WASHER (25.5X44X4.3-MM THK)						
C	22	1	104-1718	1	PLUG						
	23	1	5N-9012	1	PIN-COTTER						
	24	1	7X-3148	1	NUT-FULL						
	25	1	5N-9024	1	HOUSING (NON-DRIVE END)						
	26	1	5N-9013	1	SEAL-O-RING						
	27	1	5N-9018	2	CLAMP AS						
					(EACH INCLUDES)						
		1	1B-2713	2	BOLT (1/4-20X1.75-IN)						
		1	9S-8750	2	NUT-FULL (1/4-20-THD)						
	28	1	5N-2904	1	COLLAR-SEAL						
	29	1	5N-2902	1	SEAL-OIL						
	30	1	6I-2092	1	HOUSING-BEARING						
C	31	1	3E-4365	1	RING-RETAINING						

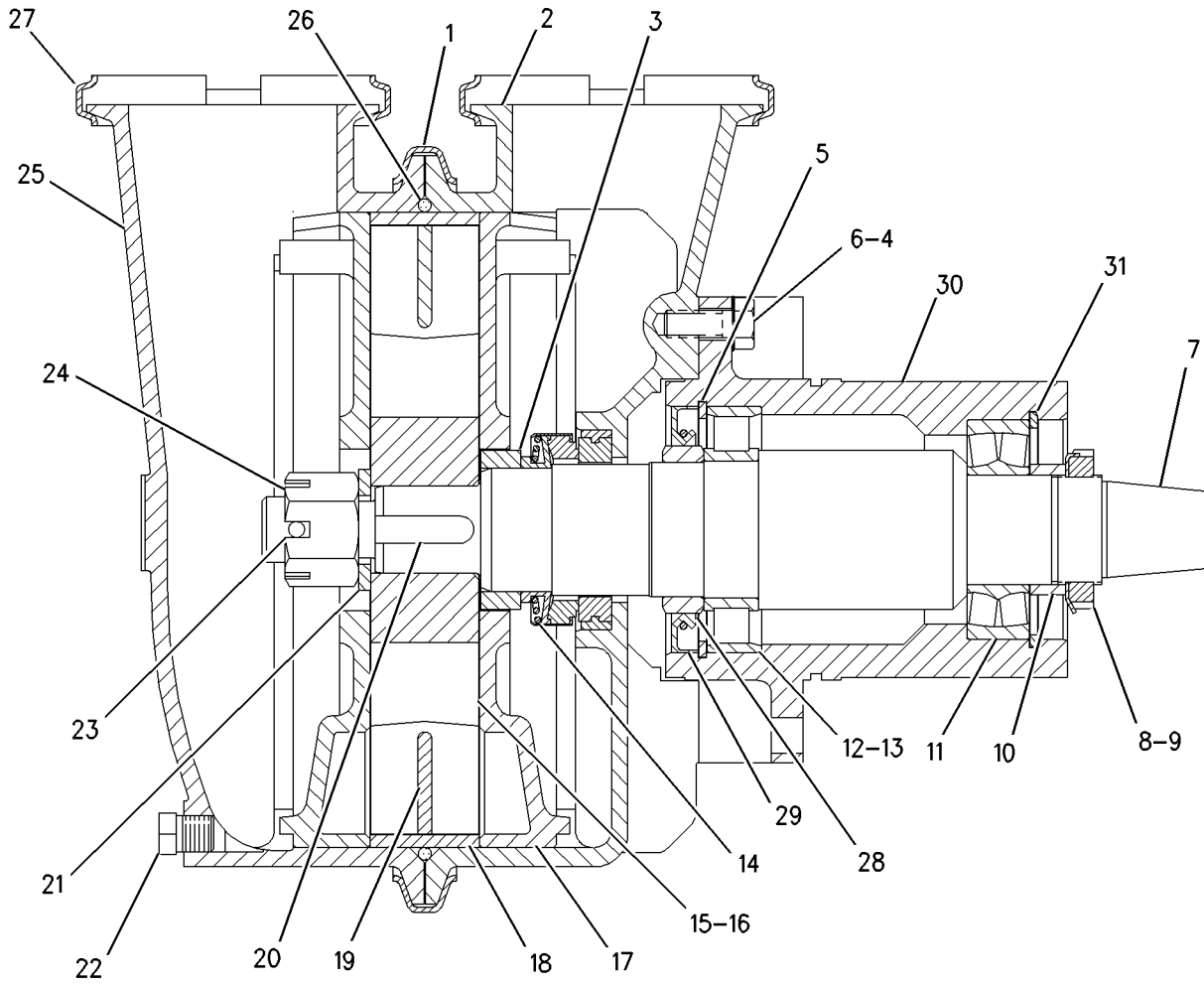
B - USE AS REQUIRED

C - CHANGE FROM PREVIOUS TYPE

COOLING SYSTEM

5N-5757 PUMP GP-AUXILIARY SEA WATER (contd.)

i01980226



GRAPHIC #1

<END>

g00942533

COOLING SYSTEM

7C-3614 PUMP GP-AUXILIARY SEA WATER*R

PART OF 4W-6673 PUMP GP-AUXILIARY SEA WATER
AN ATTACHMENT

SMCS-1371

i03671354

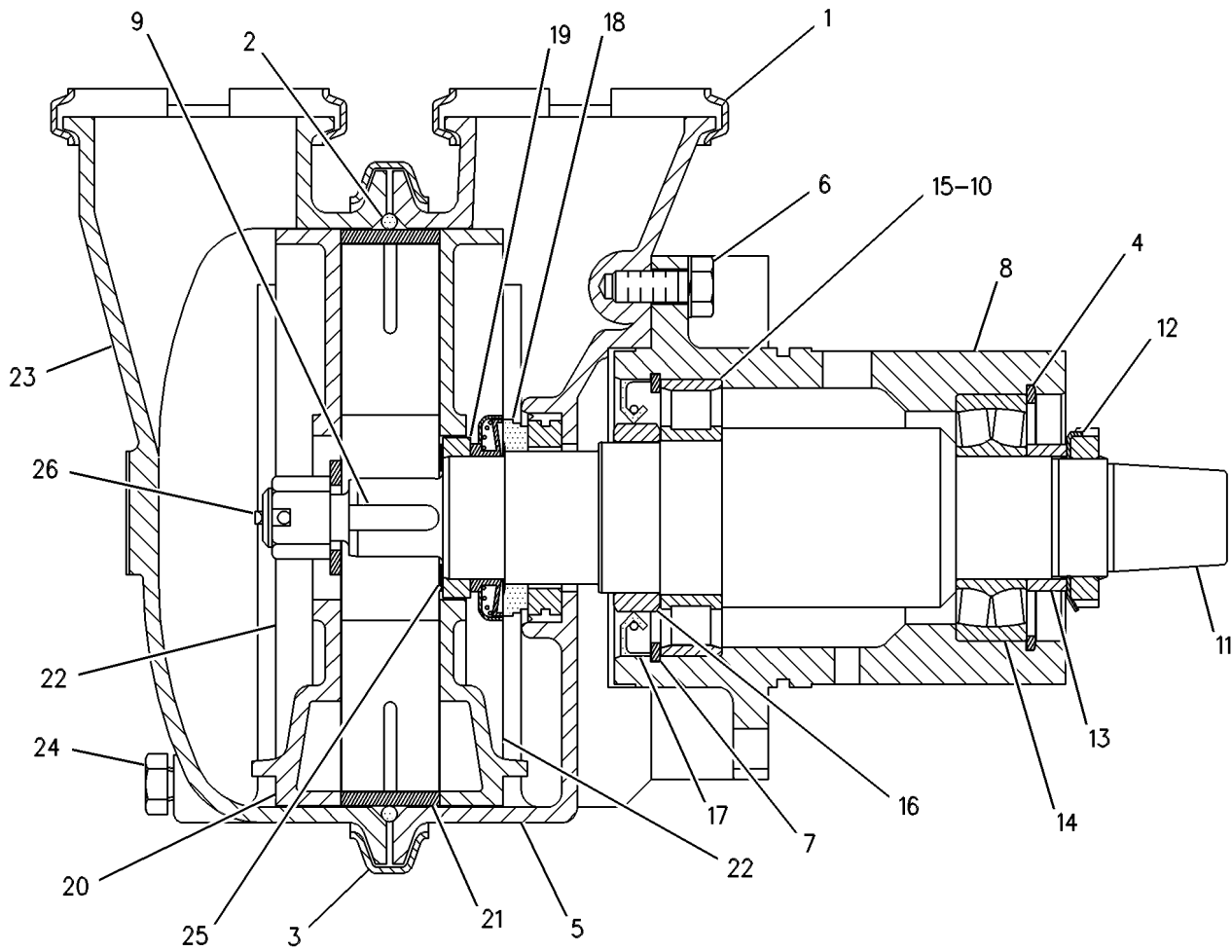
NOTE	REF NO	GRAPHIC REF	PART NUMBER	QTY	PART NAME						SEE PAGE
					1	2	3	4	5	6	
	1	1	3N-8468	2	CLAMP AS						
					(EACH INCLUDES)						
		1	1B-9575	2	BOLT (5/16-18X1.56-IN)						
		1	5S-0003	2	NUT (5/16-18-THD)						
	2	1	3N-8462	1	SEAL-O-RING						
	3	1	3N-8469	1	CLAMP AS						
		1	1D-4540	2	BOLT (5/16-18X2.75-IN)						
		1	1D-4716	2	NUT-FULL (5/16-18-THD)						
	4	1	107-5565	1	CLIP						
	5	1	3N-8447	1	BODY-DRIVE END						
	6	1	107-4910	4	BOLT-HIGH TEMPERATURE (7/16-14X1-IN)						
		1	3B-4507	4	LOCKWASHER						
	7	1	1J-6472	1	RING-RETAINING (INTERNAL)						
	8	1	6I-2092	1	HOUSING-BEARING						
	9	1	175-6716	1	KEY						
C	10	1	8T-0209	1	RACE-ROLLER BEARING						
	11	1	7C-3493	1	SHAFT						
	12	1	8B-7614	1	NUT-BEARING						
		1	8B-7613	1	LOCKNUT						
	13	1	3N-8445	1	SPACER (40.041X47X12-MM THK)						
	14	1	3N-8463	1	BEARING-ROLLER						
C	15	1	4M-6107	1	BEARING-INNER						
	16	1	5N-2904	1	COLLAR-SEAL						
	17	1	5N-2902	1	SEAL-OIL						
	18	1	5N-6055	1	SEAL GP						
	19	1	3N-8442	1	SPACER-SPECIAL						
	20	1	5N-2618	1	IMPELLER						
	21	1	3N-8452	1	RING						
	22	1	5N-4504	2	PLATE-PORT						
	23	1	3N-8448	1	BODY-DRIVE END						
	24	1	104-1718	1	PLUG						
B	25	1	3N-8441	2	SHIM (0.38-MM THK)						
B		1	3N-8455	2	SHIM (0.25-MM THK)						
B		1	130-2366	1	SHIM (0.3-MM THK)						
	26	1	8C-0503	1	NUT-HEX SLOTTED						
F		1	3N-8446	1	WASHER (21X37X3.3-MM THK)						
F		1	4P-9312	1	PIN-COTTER						

B - USE AS REQUIRED
C - CHANGE FROM PREVIOUS TYPE
F - NOT SHOWN

COOLING SYSTEM

7C-3614 PUMP GP-AUXILIARY SEA WATER (contd.)

i03671354



GRAPHIC #1

<END>

g00260605

COOLING SYSTEM

8N-8466 PUMP GP-AUXILIARY SEA WATER AN ATTACHMENT

SMCS-1371

i02945066

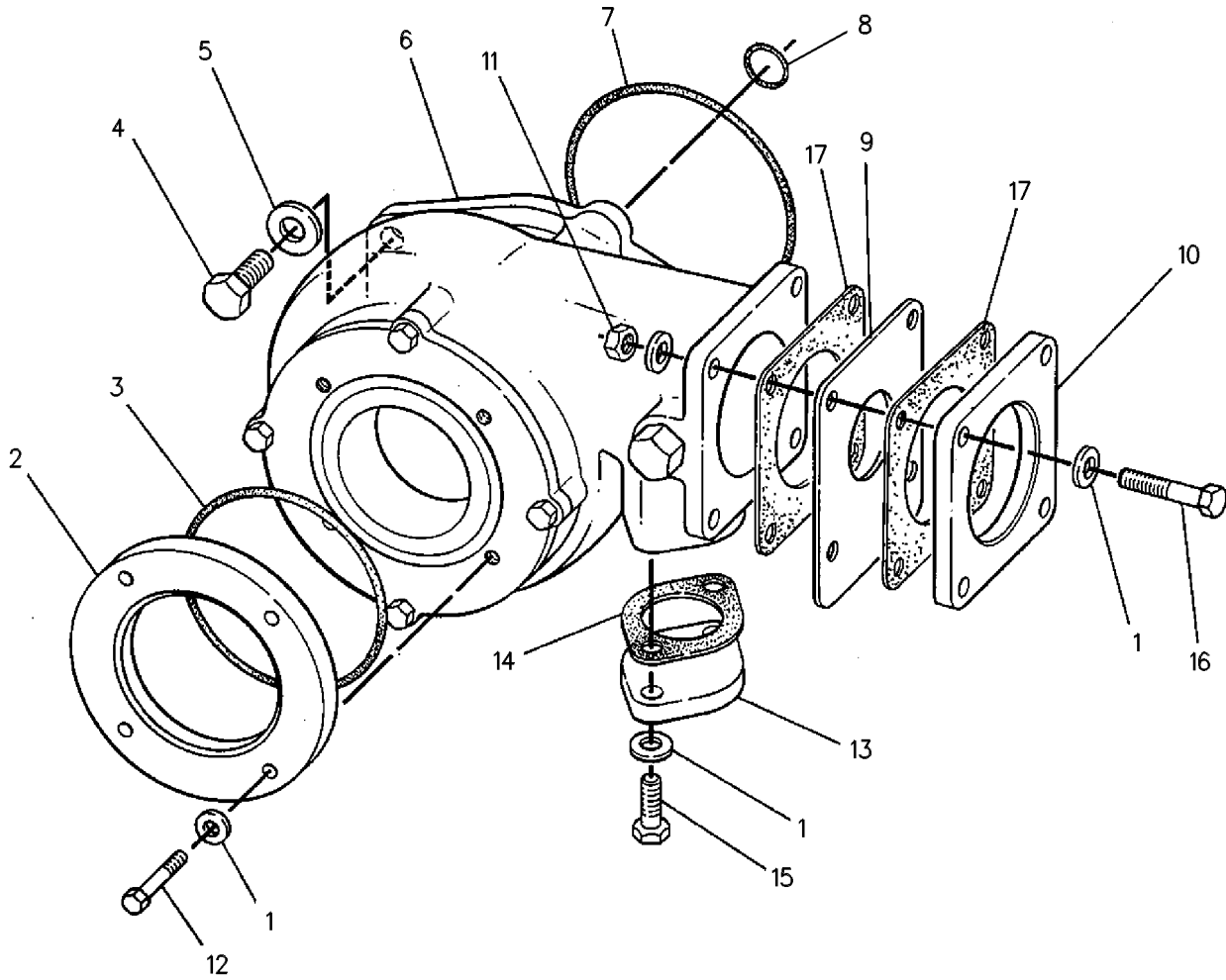
NOTE	REF NO	GRAPHIC REF	PART NUMBER	QTY	PART NAME						SEE PAGE
					1	2	3	4	5	6 (PRODUCT LEVEL)	
	1	1	5M-2894	14	WASHER-HARD (10.2X18.5X2.5-MM THK)						
	2	1	8N-8462	1	FLANGE						
	3	1	4F-7387	1	SEAL-O-RING						
	4	1	4B-4043	4	BOLT (5/8-11X1.375-IN)						
	5	1	5P-8247	4	WASHER-HARD (17X32X3.5-MM THK)						
YR	6	1	315-5137	1	PUMP GP-AUXILIARY SEA WATER						225
	7	1	5F-3106	1	SEAL-O-RING						
	8	1	2M-4453	1	SEAL-O-RING						
	9	1	5N-0408	1	PLATE-ORIFICE						
	10	1	5N-1845	1	FLANGE						
	11	1	9S-8752	4	NUT-FULL (3/8-16-THD)						
	12	1	0S-1588	4	BOLT (3/8-16X1.25-IN)						
	13	1	5N-1941	1	COVER						
	14	1	5N-1940	1	GASKET						
	15	1	0S-1594	2	BOLT (3/8-16X1-IN)						
	16	1	0S-1571	4	BOLT (3/8-16X1.75-IN)						
	17	1	3P-6061	2	GASKET						

R - REMANUFACTURED PART MAY BE AVAILABLE
Y - SEPARATE ILLUSTRATION

COOLING SYSTEM

8N-8466 PUMP GP-AUXILIARY SEA WATER (contd.)

i02945066



GRAPHIC #1

<END>

g00237826

COOLING SYSTEM

122-0500 PUMP GP-WATER*R

S/N: 3XS404-407

PART OF 2W-9729 PUMP GP-WATER

SMCS-1361

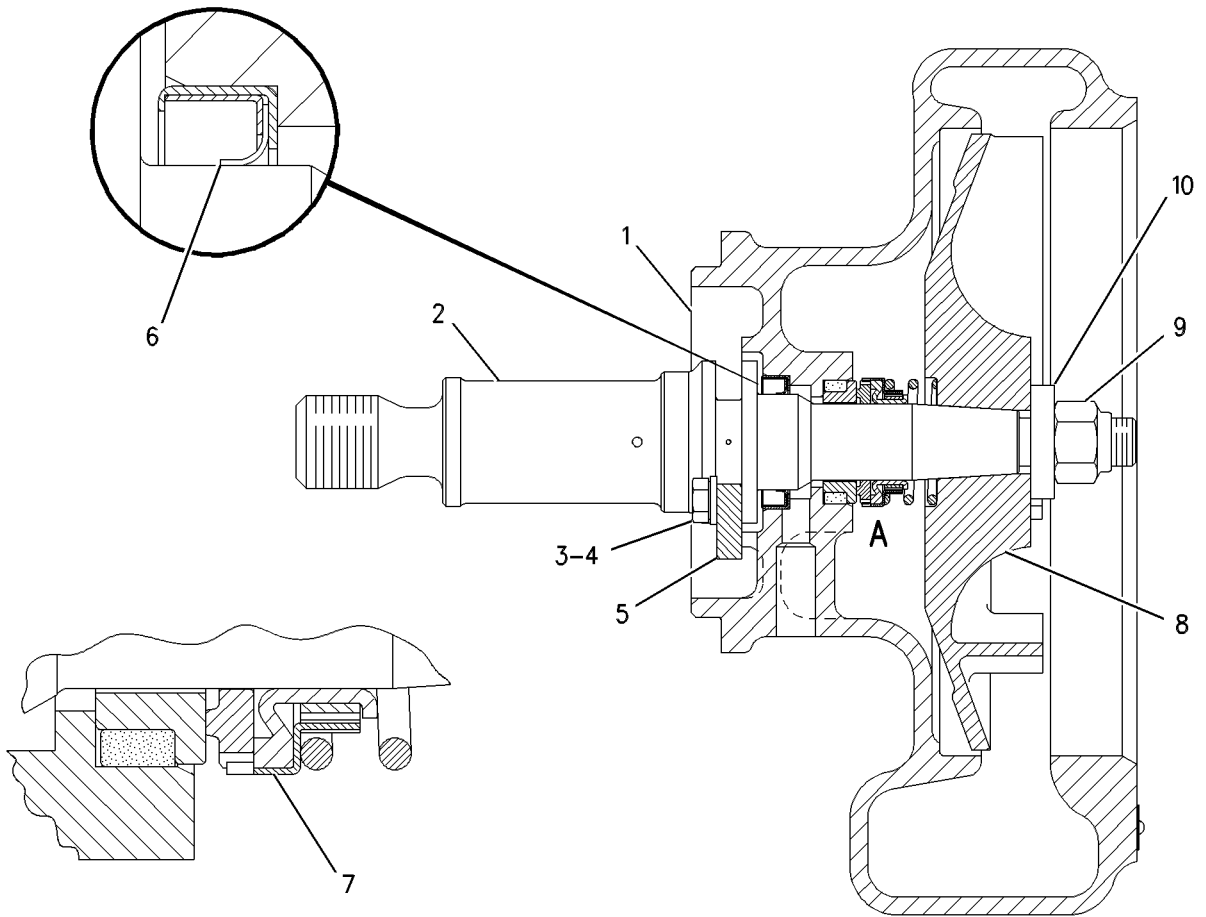
i04380503

NOTE	REF NO	GRAPHIC REF	PART NUMBER	QTY	PART NAME						SEE PAGE
					1	2	3	4	5	6 (PRODUCT LEVEL)	
	1	1	7N-4756	1	HOUSING AS-PUMP						
		1	7G-8478	1	ADAPTER						
J		1	3D-2824	1	SEAL-O-RING						
J		1	4N-5834	2	FILTER-FOAM (WATER PUMP HOUSING)						
		1	8T-6765	1	PLUG-PIPE (1/4-18-THD)						
J	2	1	2W-9723	1	SHAFT AS-PUMP DRIVE						
		1	6F-7172	1	DOWEL						
	3	1	0S-1618	2	BOLT (5/16-18X1-IN)						
J	4	1	9M-1974	2	WASHER-HARD (8.8X16X2-MM THK)						
J	5	1	7N-4758	1	WASHER-THRUST						
J	6	1	8C-5236	1	SEAL-LIP TYPE						
	7	1	120-7550	1	SEAL GP-FACE (WATER PUMP)						
	8	1	2W-9727	1	IMPELLER-PUMP						
J	9	1	6V-8287	1	LOCKNUT (5/8-18-THD)						
J	10	1	5S-0581	1	WASHER-HARD (17X38X8-MM THK)						
					AVAILABLE REPAIR KIT(S):						
J			190-8921		KIT-WATER PUMP						
J - (KIT MARKED J INCLUDES PARTS MARKED J)											

COOLING SYSTEM

122-0500 PUMP GP-WATER (contd.)

i04380503



VIEW OF AREA A

GRAPHIC #1

<END>

g00635829

COOLING SYSTEM

166-4378 PUMP GP-WATER*R

S/N: 3XS408-UP

PART OF 2W-9729 PUMP GP-WATER

SMCS-1361

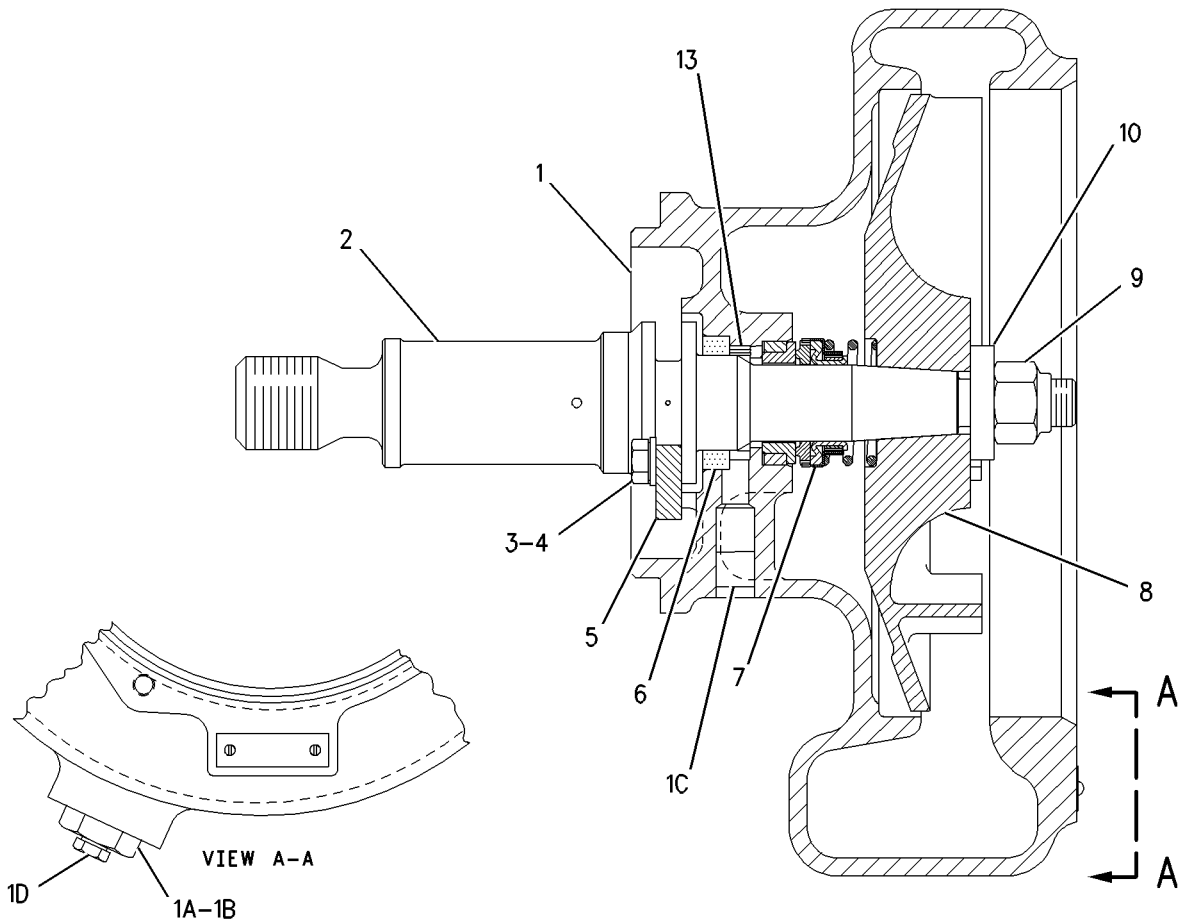
i04418567

NOTE	REF NO	GRAPHIC REF	PART NUMBER	QTY	PART NAME						SEE PAGE
					1	2	3	4	5	6 (PRODUCT LEVEL)	
	1	1	7N-4756	1	HOUSING AS-PUMP						
J	1A	1	3D-2824	1	SEAL-O-RING						
	1B	1	7G-8478	1	ADAPTER						
J	1C	1	4N-5834	2	FILTER-FOAM (WATER PUMP HOUSING)						
	1D	1	8T-6765	1	PLUG-PIPE (1/4-18-THD)						
	2	1	2W-9723	1	SHAFT AS-PUMP DRIVE						
		1	6F-7172	1	DOWEL						
J	3	1	0S-1618	2	BOLT (5/16-18X1-IN)						
J	4	1	9M-1974	2	WASHER-HARD (8.8X16X2-MM THK)						
J	5	1	7N-4758	1	WASHER-THRUST						
J	6	1	8C-5236	1	SEAL-LIP TYPE						
J	7	1	166-4376	1	SEAL GP (WATER PUMP)						
	8	1	2W-9727	1	IMPELLER-PUMP						
	9	1	6V-8287	1	LOCKNUT (5/8-18-THD)						
	10	1	5S-0581	1	WASHER-HARD (17X38X8-MM THK)						
J	13	1	166-4374	1	RING AS						
J		1	1L-5316	1	PIN-SPRING						
					AVAILABLE REPAIR KIT(S) :						
J			222-5152		KIT-WATER PUMP						
					(KIT ALSO INCLUDES STRAIGHT FIT SHAFT & IMPELLER)						
J - KIT MARKED J INCLUDES PART(S) MARKED J											

COOLING SYSTEM

166-4378 PUMP GP-WATER (contd.)

i04418567



GRAPHIC #1

<END>

g00650948

COOLING SYSTEM

2W-9729 PUMP GP-WATER

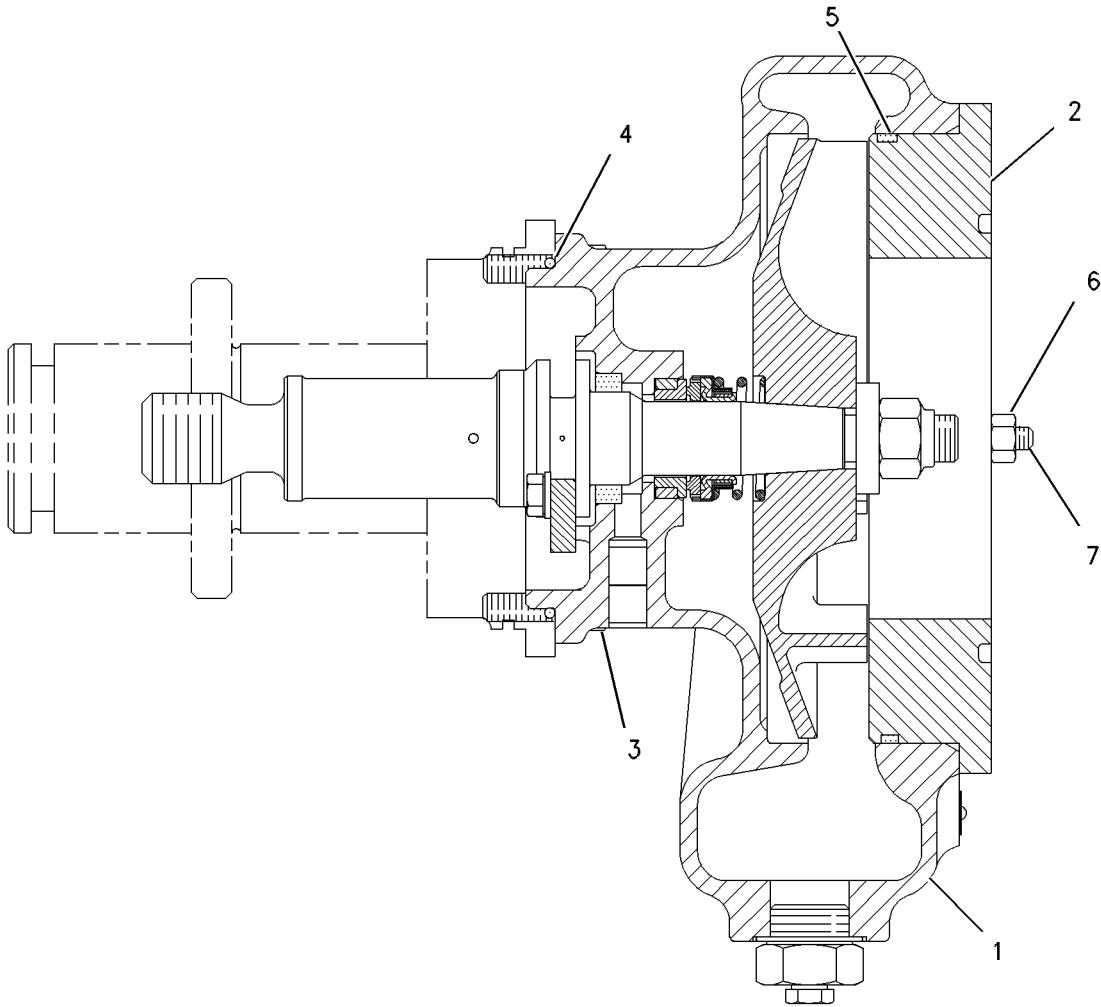
S/N: 3XS404-407

SMCS-1361

i01211773

NOTE	REF NO	GRAPHIC REF	PART NUMBER	QTY	PART NAME						SEE PAGE
					1	2	3	4	5	6	
CYR	1	1	122-0500	1	PUMP GP-WATER						237
	2	1	8N-6423	1	COVER (WATER INLET)						
	3	1	3B-1915	4	BOLT (3/8-16X1.375-IN)						
	4	1	5H-6734	1	SEAL-O-RING						
	5	1	1H-8278	1	SEAL-O-RING						
C	6	1	9S-8752	3	NUT-FULL (3/8-16-THD)						
	7	1	9M-2151	3	STUD-TAPERLOCK (3/8-16X1.378-IN)						

C - CHANGE FROM PREVIOUS TYPE
R - REMANUFACTURED PART MAY BE AVAILABLE
Y - SEPARATE ILLUSTRATION



GRAPHIC #1

<END>

g00647725

COOLING SYSTEM

2W-9729 PUMP GP-WATER

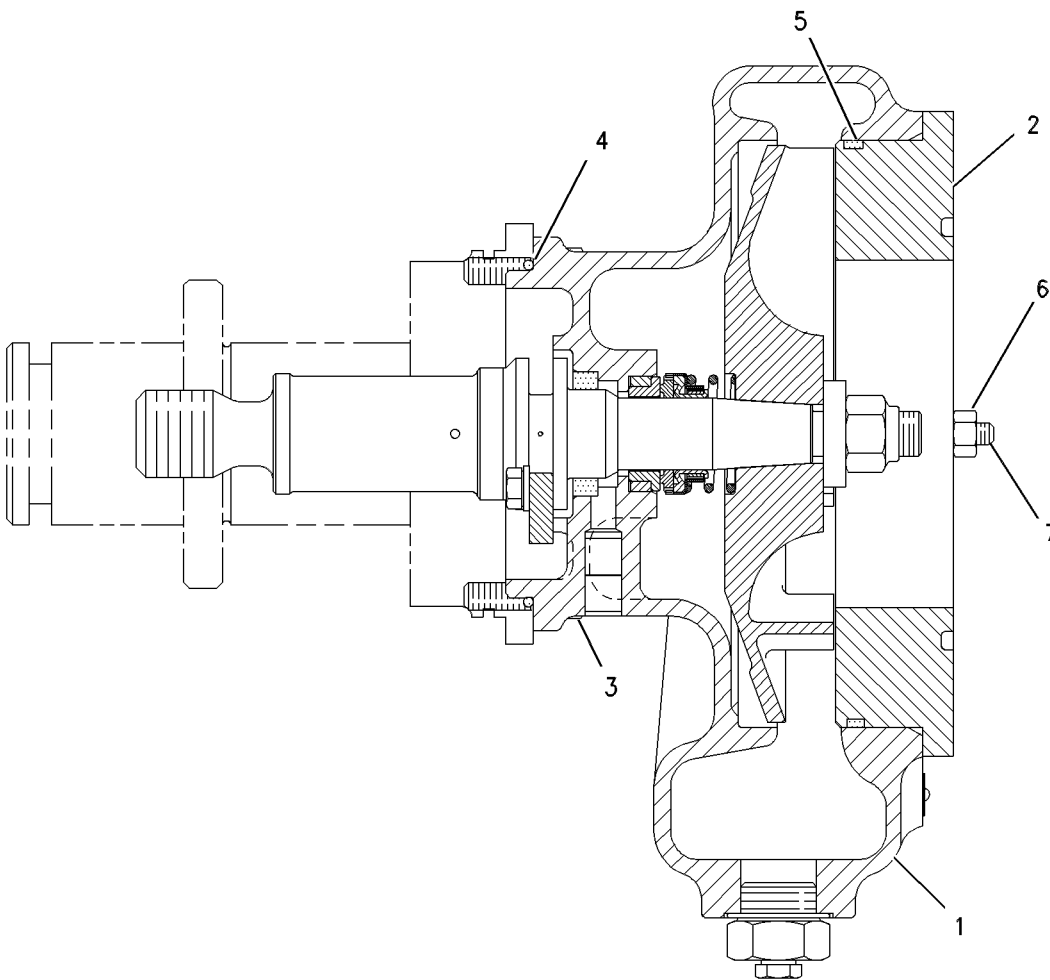
S/N: 3XS408-UP

SMCS-1361

i01728613

NOTE	REF NO	GRAPHIC REF	PART NUMBER	QTY	PART NAME						SEE PAGE
					1	2	3	4	5	6	
CYR	1	1	166-4378	1	PUMP GP-WATER						239
	2	1	8N-6423	1	COVER (WATER INLET)						
	3	1	3B-1915	4	BOLT (3/8-16X1.375-IN)						
	4	1	5H-6734	1	SEAL-O-RING						
	5	1	1H-8278	1	SEAL-O-RING						
	6	1	9S-8752	3	NUT-FULL (3/8-16-THD)						
	7	1	9M-2151	3	STUD-TAPERLOCK (3/8-16X1.378-IN)						

C - CHANGE FROM PREVIOUS TYPE
R - REMANUFACTURED PART MAY BE AVAILABLE
Y - SEPARATE ILLUSTRATION



GRAPHIC #1

<END>

g00646657

COOLING SYSTEM

7C-8124 REGULATOR GP-TEMPERATURE-OUTLET AN ATTACHMENT

SMCS-1355

i04401220

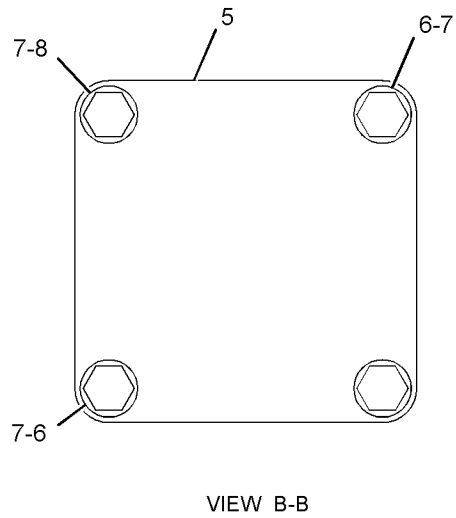
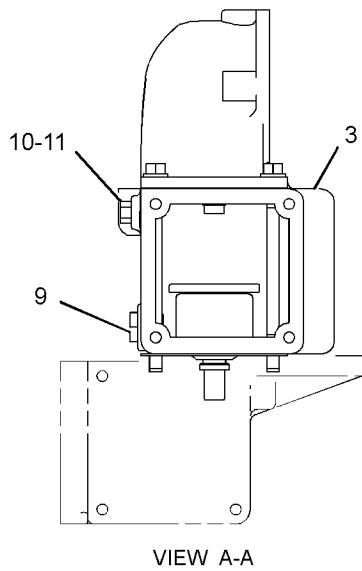
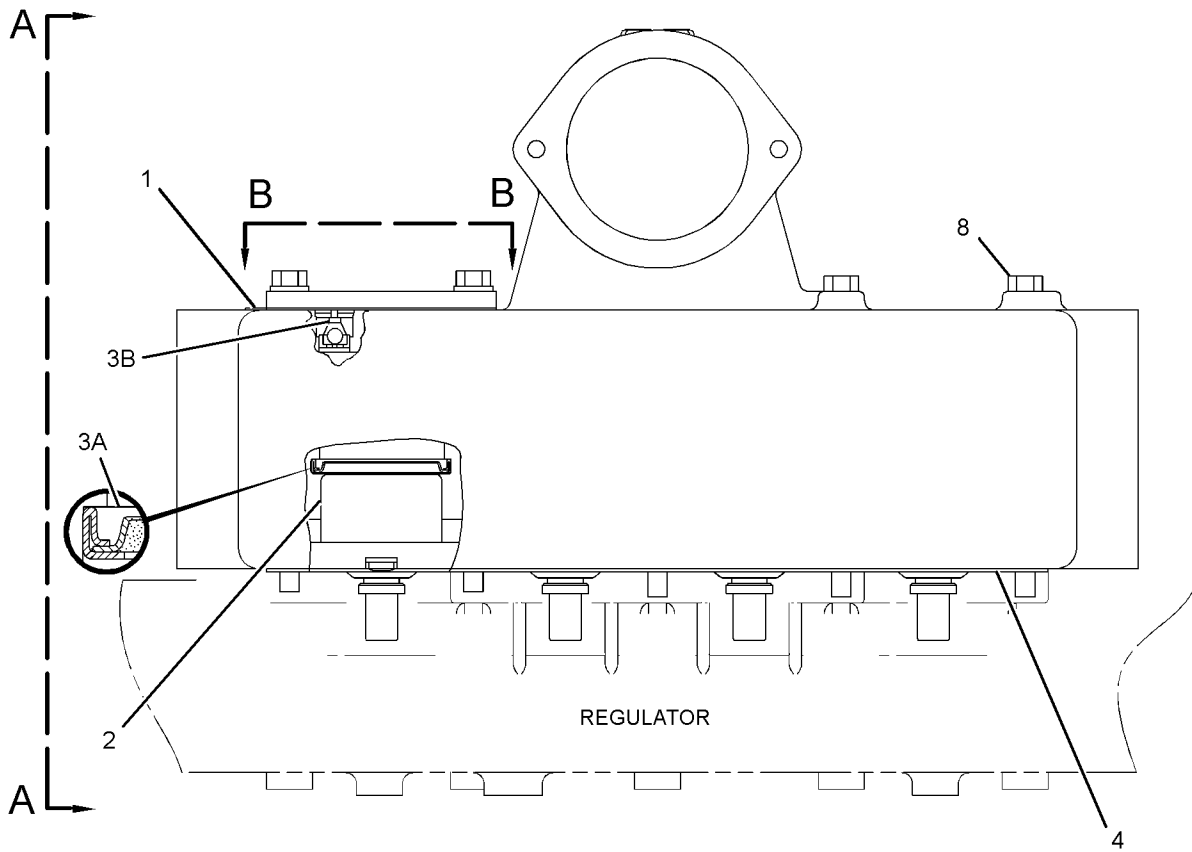
NOTE	REF NO	GRAPHIC REF	PART NUMBER	QTY	PART NAME						SEE PAGE
					1	2	3	4	5	6 (PRODUCT LEVEL)	
	1	1	4W-3100	1	GASKET						
	2	1	248-5513	4	REGULATOR-TEMPERATURE (92-DEG C) (WATER)						
	3	1	7C-8536	1	HOUSING AS-REGULATOR						
	3A	1	3S-9643	4	SEAL-LIP TYPE (WATER TEMPERATURE REGULATOR)						
	3B	1	111-4374	1	VALVE AS						
	4	1	7N-4927	1	GASKET-HOUSING COVER						
	5	1	7N-4928	1	COVER						
	6	1	0S-1594	2	BOLT (3/8-16X1-IN)						
	7	1	5M-2894	4	WASHER-HARD (10.2X18.5X2.5-MM THK)						
	8	1	7F-3425	5	BOLT (3/8-16X5.75-IN)						
	9	1	7W-6492	1	PLUG-PIPE (1/2-14-THD)						
B	10	1	6V-9027	1	SEAL-O-RING						
B	11	1	9S-4182	1	PLUG (7/16-20-THD)						

B - USE AS REQUIRED

COOLING SYSTEM

7C-8124 REGULATOR GP-TEMPERATURE (contd.)

i04401220



GRAPHIC #1

<END>

g01297702

COOLING SYSTEM

4P-5767 SEPARATOR GP-AIR FOR USE WITH HEAT EXCHANGER OR KEEL COOLER AN ATTACHMENT

SMCS-139S

i06732511

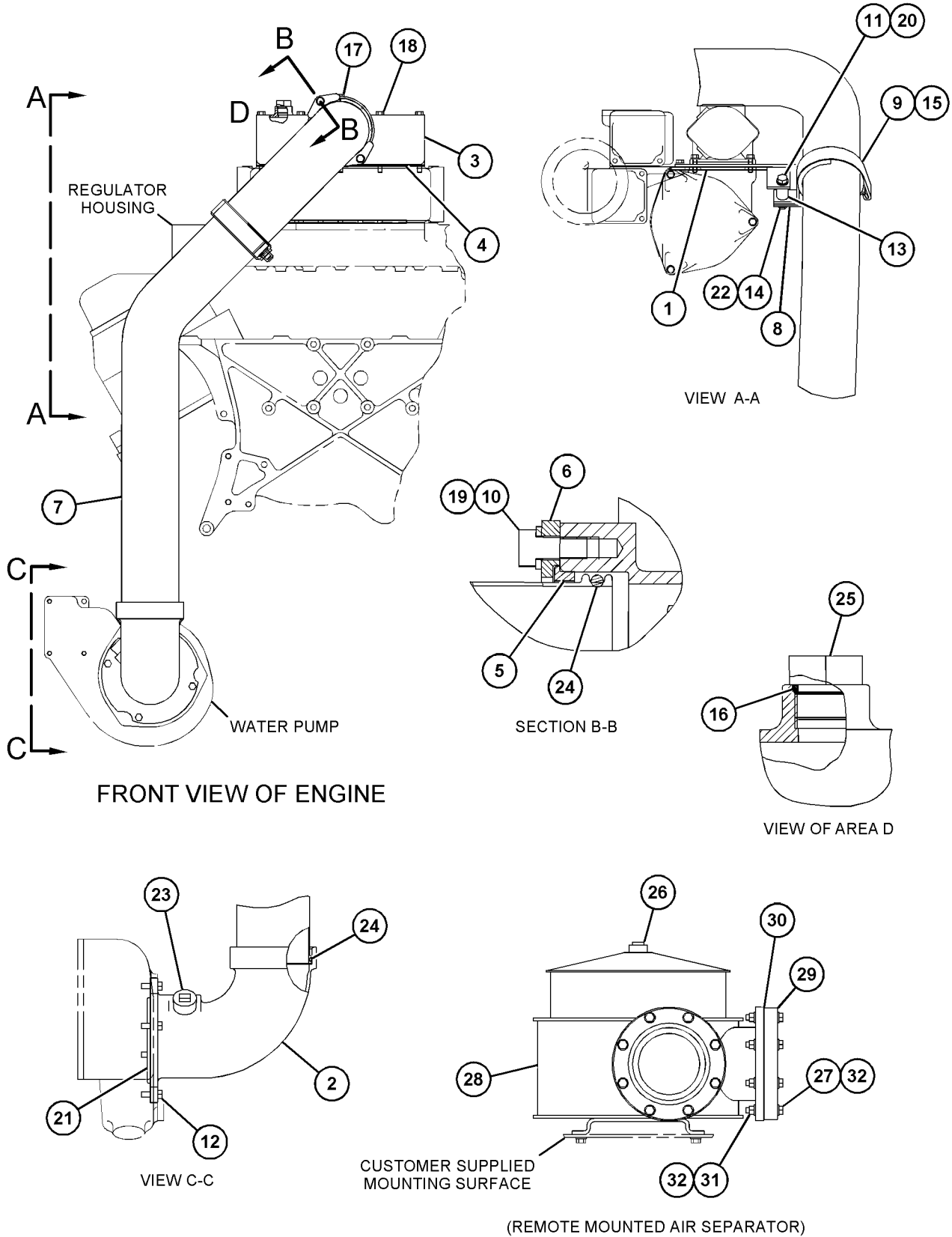
NOTE	REF NO	GRAPHIC REF	PART NUMBER	QTY	PART NAME						SEE PAGE
					1	2	3	4	5	6 (PRODUCT LEVEL)	
	1	1	6I-3136	1	PLATE						
	2	1	7E-4879	1	ELBOW						
	3	1	394-0505	1	HOUSING AS						
		1	7E-4650	1	HOUSING						
		1	111-4374	1	VALVE AS						
	4	1	7N-4927	1	GASKET-HOUSING COVER						
	5	1	8N-8570	1	RING-RETAINING						
	6	1	8N-8571	2	RETAINER						
	7	1	475-0731	1	TUBE						
	8	1	275-5735	1	CLIP-2 PIECE						
	9	1	275-5736	1	CLIP-2 PIECE						
	10	1	0L-1351	2	BOLT (3/8-16X0.875-IN)						
	11	1	0V-0375	1	BOLT (1/2-13X3.25-IN)						
	12	1	1A-2029	4	BOLT (3/8-16X1.125-IN)						
	13	1	1F-1609	1	SPACER (13.5X25.4X39.7-MM THK)						
	14	1	1F-7958	1	NUT-FULL (1/2-13-THD)						
	15	1	275-7901	1	GROMMET						
B	16	1	3D-2824	2	SEAL-O-RING						
	17	1	4F-0411	2	BOLT (3/8-16X6.5-IN)						
	18	1	5B-9603	8	BOLT (3/8-16X5-IN)						
	19	1	5M-2894	2	WASHER-HARD (10.2X18.5X2.5-MM THK)						
	20	1	5P-8245	1	WASHER-HARD (13.5X25.5X3-MM THK)						
	21	1	6V-6809	1	SEAL-O-RING						
	22	1	7D-1649	1	WASHER-HARD (13.5X32X5-MM THK)						
	23	1	7X-7730	1	PLUG-PIPE						
	24	1	8T-2903	2	SEAL-O-RING						
B	25	1	9S-4183	2	PLUG (1-1/16-12-THD)						
	26	1	8T-6762	1	PLUG-PIPE (1/2-14-THD)						
	27	1	8T-9377	16	BOLT (3/8-16X2.25-IN)						
	28	1	4P-5295	1	SEPARATOR AS-AIR						
	29	1	7N-7009	2	FLANGE						
	30	1	1S-5772	2	GASKET						
	31	1	6V-8801	16	NUT (3/8-16-THD)						
	32	1	8T-4896	32	WASHER-HARD (10.2X18.5X2.5-MM THK)						

B - USE AS REQUIRED

COOLING SYSTEM

4P-5767 SEPARATOR GP-AIR (contd.)

i06732511



GRAPHIC #1

<END>

g06118984

COOLING SYSTEM

7N-4885 SWITCH GP-COOLANT LEVEL

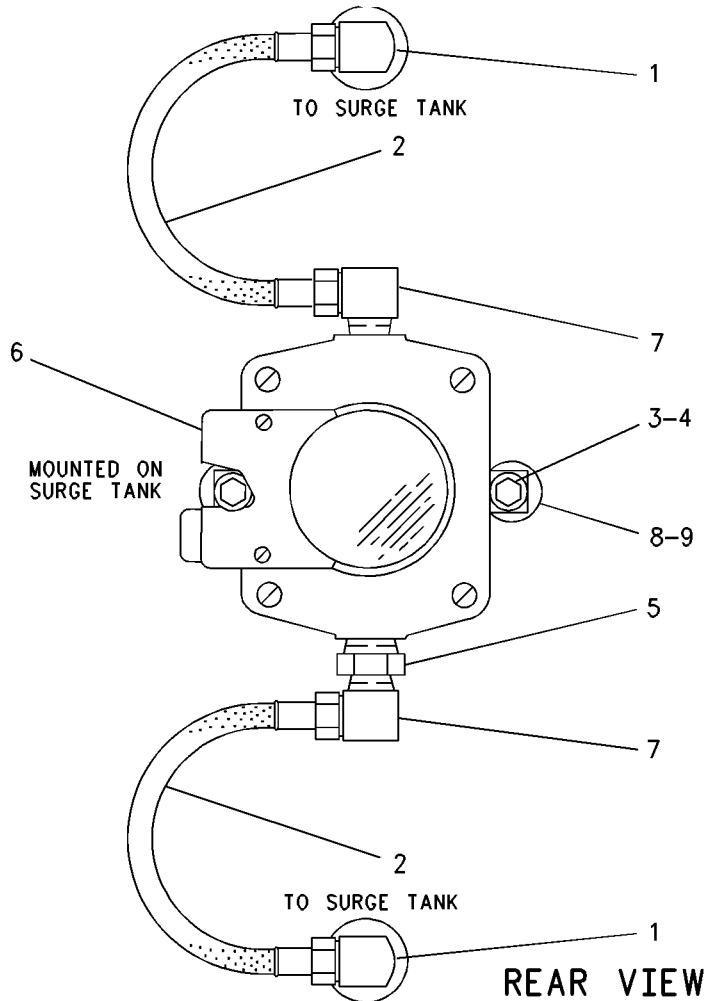
FOR USE WITH EXPANSION TANK
AN ATTACHMENT

SMCS-7470

i05934663

NOTE	REF NO	GRAPHIC REF	PART NUMBER	QTY	PART NAME						SEE PAGE
					1	2	3	4	5	6 (PRODUCT LEVEL)	
C	1	1	6V-4245	2	ELBOW						
CI	2	1	3N-4622	2	HOSE AS						
C	3	1	2A-0762	2	BOLT (1/4-20X0.625-IN)						
	4	1	5P-0537	2	WASHER-HARD (7.2X14.5X2-MM THK)						
	5	1	6B-5072	1	ADAPTER						
	6	1	2N-9768	1	SWITCH-LIQUID LEVEL (COOLANT)						
C	7	1	6K-1972	2	ELBOW-FLARED						
C	8	1	7E-7731	2	MOUNT						
	9	1	6V-7646	2	WASHER-HARD (7.2X25X2-MM THK)						

C - CHANGE FROM PREVIOUS TYPE
I - REFER TO HYDRAULIC INFORMATION SYSTEM



GRAPHIC #1

<END>

g00899609

COOLING SYSTEM

8N-7717 TANK GP-EXPANSION

S/N: 3XS404-UP

FOR USE WITH 8N-8993-PAGE: 188, 8N-7643-PAGE: 210

ALSO AN ATTACHMENT

SMCS-1354

i06229505

NOTE	REF NO	GRAPHIC REF	PART NUMBER	QTY	PART NAME						SEE PAGE
					1	2	3	4	5	6 (PRODUCT LEVEL)	
	1	1	1S-5772	1	GASKET						
	2	1	2N-0931	4	GASKET						
	3	1	3H-5939	1	GASKET-HEAT EXCHANGER						
	4	1	3N-1341	1	ADAPTER AS-NECK						
J	5	1	4N-3311	1	CAP-PRESSURE (7-PSI) (EXPANSION TANK)						
					-OR-						
L		1	127-8660	1	CAP-PRESSURE (14-PSI) (EXPANSION TANK)						
	6	1	5D-1026	1	CLAMP-BAND						
	7	1	7N-4927	1	GASKET-HOUSING COVER						
	8	1	7N-5120	1	FLANGE						
	9	1	7N-5123	1	TUBE						
	10	1	7N-5127	1	HOUSING AS						
		1	4W-3108	1	VALVE AS						
	11	1	8B-9725	4	BOSS						
E	12	1	5P-0721		HOSE (193-CM)						
	13	1	8N-9422	1	ELBOW						
	14	1	8N-9609	4	FLANGE						
	15	1	8N-9706	2	TUBE						
C	16	1	245-2876	1	TANK AS-EXPANSION						
C	17	1	0L-1351	6	BOLT (3/8-16X0.875-IN)						
C	18	1	0S-1585	4	BOLT (1/2-13X1.5-IN)						
	19	1	0S-1590	8	BOLT (3/8-16X2-IN)						
	20	1	0S-1595	1	BOLT (1/2-13X1.25-IN)						
	21	1	0S-1621	1	BOLT (1/2-13X1-IN)						
	22	1	1A-2029	4	BOLT (3/8-16X1.125-IN)						
	23	1	1C-2251	16	BOLT (3/8-16X1.87-IN)						
	24	1	2A-1531	2	BOLT (1/2-13X6.5-IN)						
	25	1	3S-8664	2	CLIP (LOOP)						
	26	1	4M-2442	4	BOLT (1/2-13X12.32-IN)						
	27	1	5B-9603	10	BOLT (3/8-16X5-IN)						
C	28	1	5M-2894	24	WASHER-HARD (10.2X18.5X2.5-MM THK)						
	29	1	6D-4636	1	CLIP (LOOP)						
C	30	1	5P-8245	12	WASHER-HARD (13.5X25.5X3-MM THK)						
	31	1	6V-1454	4	SEAL-O-RING						
	32	1	6V-6809	1	SEAL-O-RING						
	33	1	8T-2903	2	SEAL-O-RING						
	34	1	8T-6765	5	PLUG-PIPE (1/4-18-THD)						
	35	1	357-9544	1	CLIP						
	36	1	9X-6772	1	STRAP-CABLE						
					AVAILABLE REPAIR KIT(S):						
JL			225-4256	1	FILM-WARNING (HOT FLUID UNDER PRESSURE, U.S.)						
J			294-9052	1	KIT-COOLING SYSTEM PARTS (7-PSI) (EXPANSION TANK)						
					(INCLUDES RADIATOR CAP & WARNING FILM)						
L			295-5458	1	KIT-COOLING SYSTEM PARTS (14-PSI) (EXPANSION TANK)						
					(INCLUDES RADIATOR CAP & WARNING FILM)						

COOLING SYSTEM

8N-7717 TANK GP-EXPANSION (contd.)

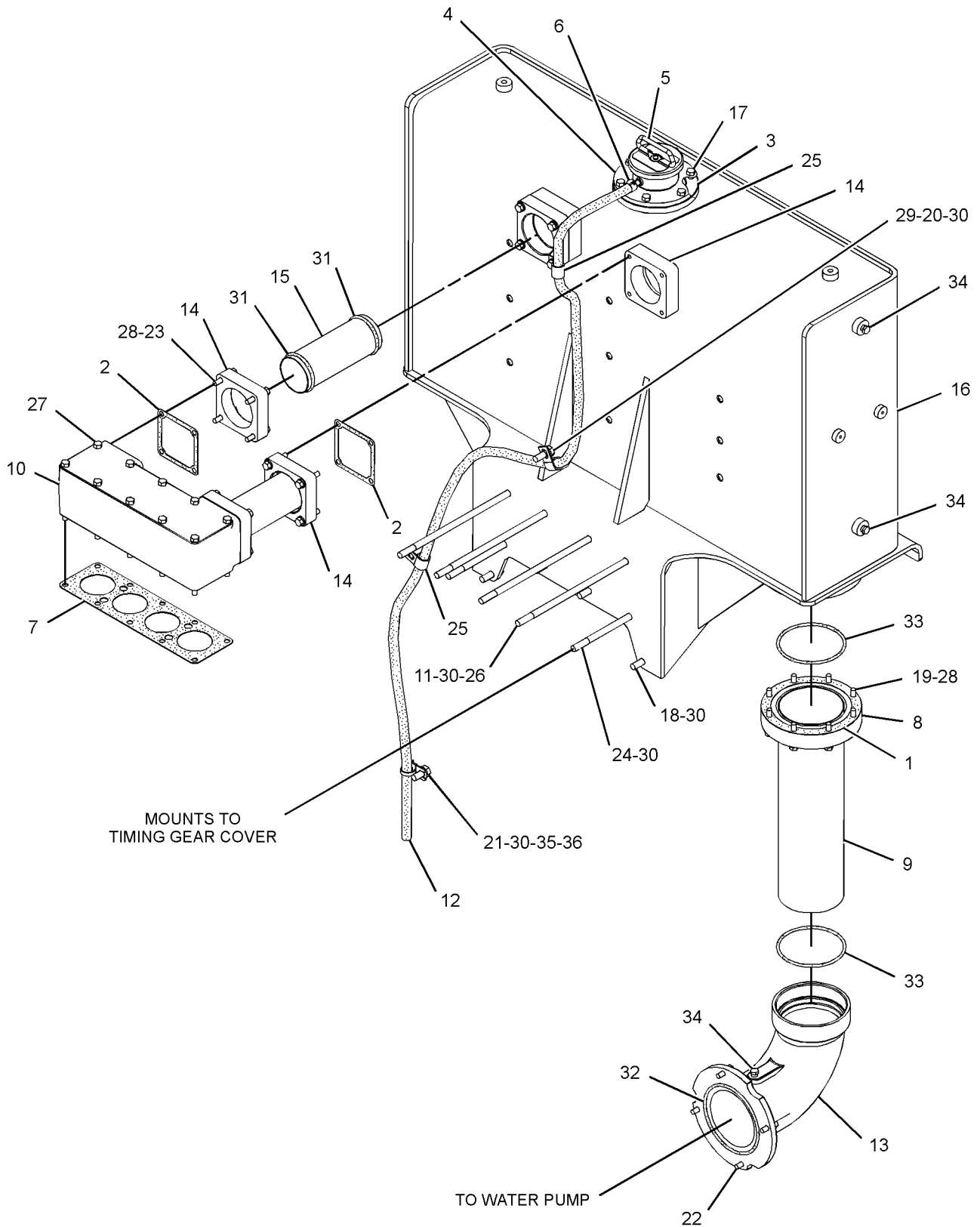
106229505

NOTE	REF	GRAPHIC	PART NUMBER	QTY	PART NAME						SEE PAGE
	NO	REF			1	2	3	4	5	6 (PRODUCT LEVEL)	
C - CHANGE FROM PREVIOUS TYPE											
E - ORDER BY THE CENTIMETER											
J - KIT MARKED J SERVICES PART(S) MARKED J											
L - KIT MARKED L SERVICES PART(S) MARKED L											

COOLING SYSTEM

8N-7717 TANK GP-EXPANSION (contd.)

i06229505



GRAPHIC #1

<END>

g02265455

AIR INLET AND EXHAUST SYSTEM

7W-9828 ADAPTER GP-AIR CLEANER

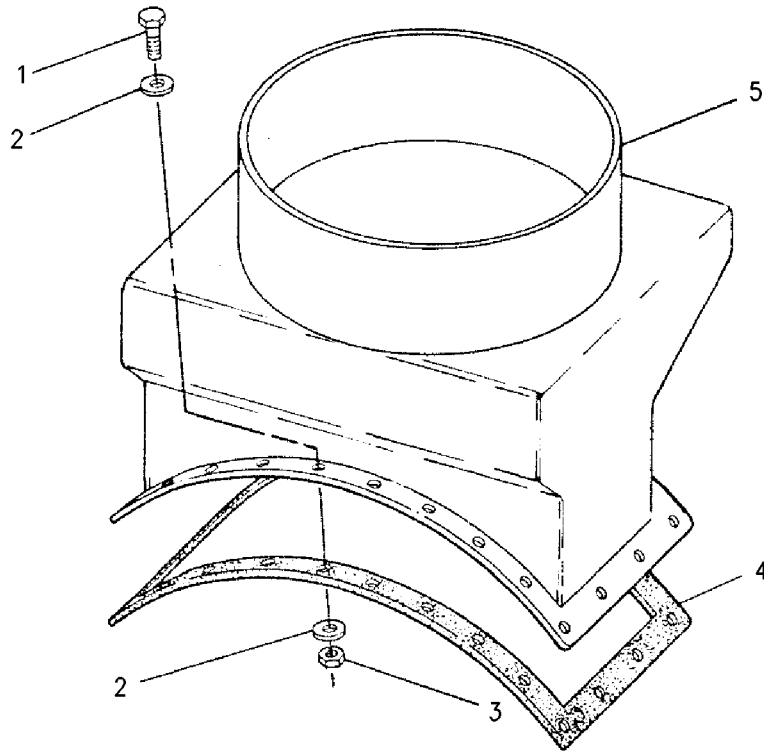
FOR USE WITH 12-INCH INNER DIAMETER DUCTING
AN ATTACHMENT

SMCS-1051

i05934676

NOTE	REF NO	GRAPHIC REF	PART NUMBER	QTY	PART NAME						SEE PAGE
					1	2	3	4	5	6 (PRODUCT LEVEL)	
	1	1	8T-9043	48	BOLT (5/16-18X0.875-IN)						
	2	1	8T-4224	96	WASHER-HARD (8.8X16X2-MM THK)						
	3	1	031-4155	48	LOCKNUT (5/16-18-THD)						
	4	1	5N-7830	2	GASKET						
	5	1	7W-9829	2	ADAPTER AS						

QUANTITIES SHOWN ARE THOSE REQUIRED FOR BOTH LH & RH SIDES



GRAPHIC #1

<END>

g00826427

AIR INLET AND EXHAUST SYSTEM

8N-0358 AFTERCOOLER GP-WATER

S/N: 3XS404-UP

FRESH AIR

SMCS-1063

i02429377

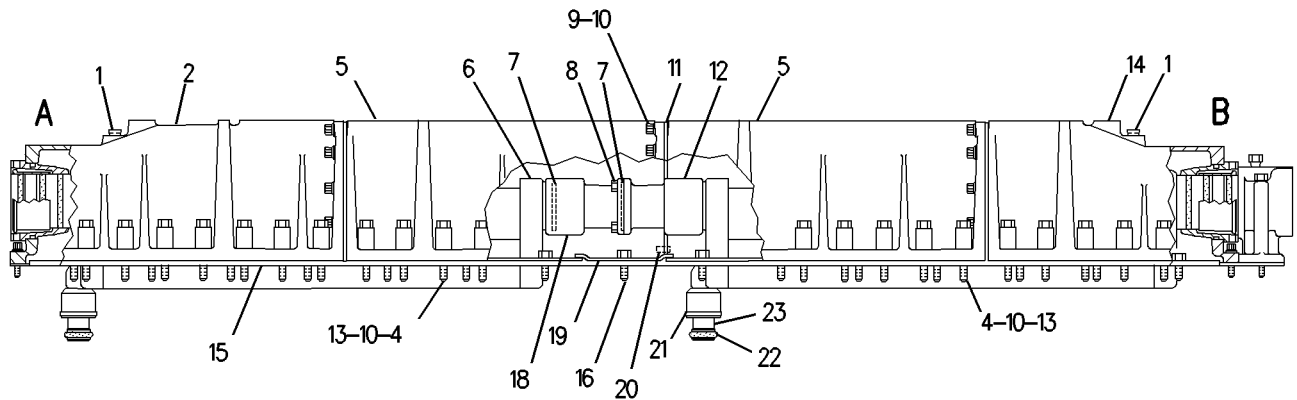
NOTE	REF NO	GRAPHIC REF	PART NUMBER	QTY	PART NAME						SEE PAGE
					1	2	3	4	5	6	
C	1	1	8T-6762	4	PLUG-PIPE (1/2-14-THD)						
C	2	1	107-8760	1	HOUSING-REAR						
	3	1	1W-5728	2	SLEEVE						
	4	1	0L-1143	60	BOLT (3/8-16X2.5-IN)						
C	5	1	107-8759	2	HOUSING-INTERMEDIATE						
C	6	1	7W-5456	2	CORE AS-AFTERCOOLER						
	7	1	6V-1454	11	SEAL-O-RING						
	8	1	0S-1594	4	BOLT (3/8-16X1-IN)						
	9	1	1T-0720	28	BOLT-12 POINT HEAD (3/8-16X1.25-IN)						
C	10	1	5M-2894	88	WASHER-HARD (10.2X18.5X2.5-MM THK)						
	11	1	1W-1253	3	GASKET						
	12	1	8N-1237	1	PIPE						
	13	1	1W-4955	60	SPACER (11.36X17.46X27-MM THK)						
C	14	1	107-8758	1	HOUSING-FRONT						
	15	1	8N-0392	1	GASKET						
C	16	1	031-4630	30	BOLT-LOCKING (5/16-18X0.75-IN)						
	17	1	230-1072	1	GASKET						
	18	1	8N-1238	1	PIPE						
	19	1	8N-1239	1	COVER						
	20	1	4N-0684	6	DOWEL						
	21	1	1M-7913	2	RING-RETAINING						
C	22	1	8C-5209	4	SEAL-O-RING						
	23	1	1W-5421	2	CONNECTOR						
	24	1	8N-2409	2	ADAPTER						
	25	1	7M-9909	2	SEAL-O-RING						
C	26	1	8T-6765	1	PLUG-PIPE (1/4-18-THD)						
	27	1	5F-4899	2	BOLT (3/8-16X5.5-IN)						
	28	1	8N-9654	1	ADAPTER						
ABF		1	8T-9014		SEALANT-SILICONE (CLEAR)						

A - NOT PART OF THIS GROUP
 B - USE AS REQUIRED
 C - CHANGE FROM PREVIOUS TYPE
 F - NOT SHOWN

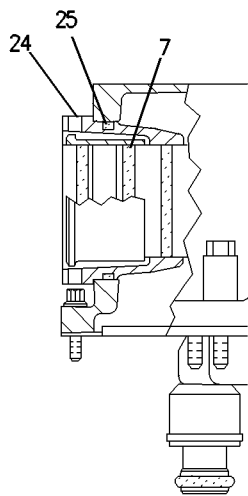
AIR INLET AND EXHAUST SYSTEM

8N-0358 AFTERCOOLER GP-WATER (contd.)

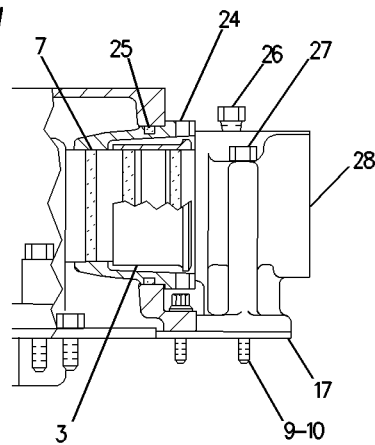
i02429377



RIGHT SIDE VIEW



VIEW OF AREA A



VIEW OF AREA B

GRAPHIC #1

<END>

g00899867

AIR INLET AND EXHAUST SYSTEM

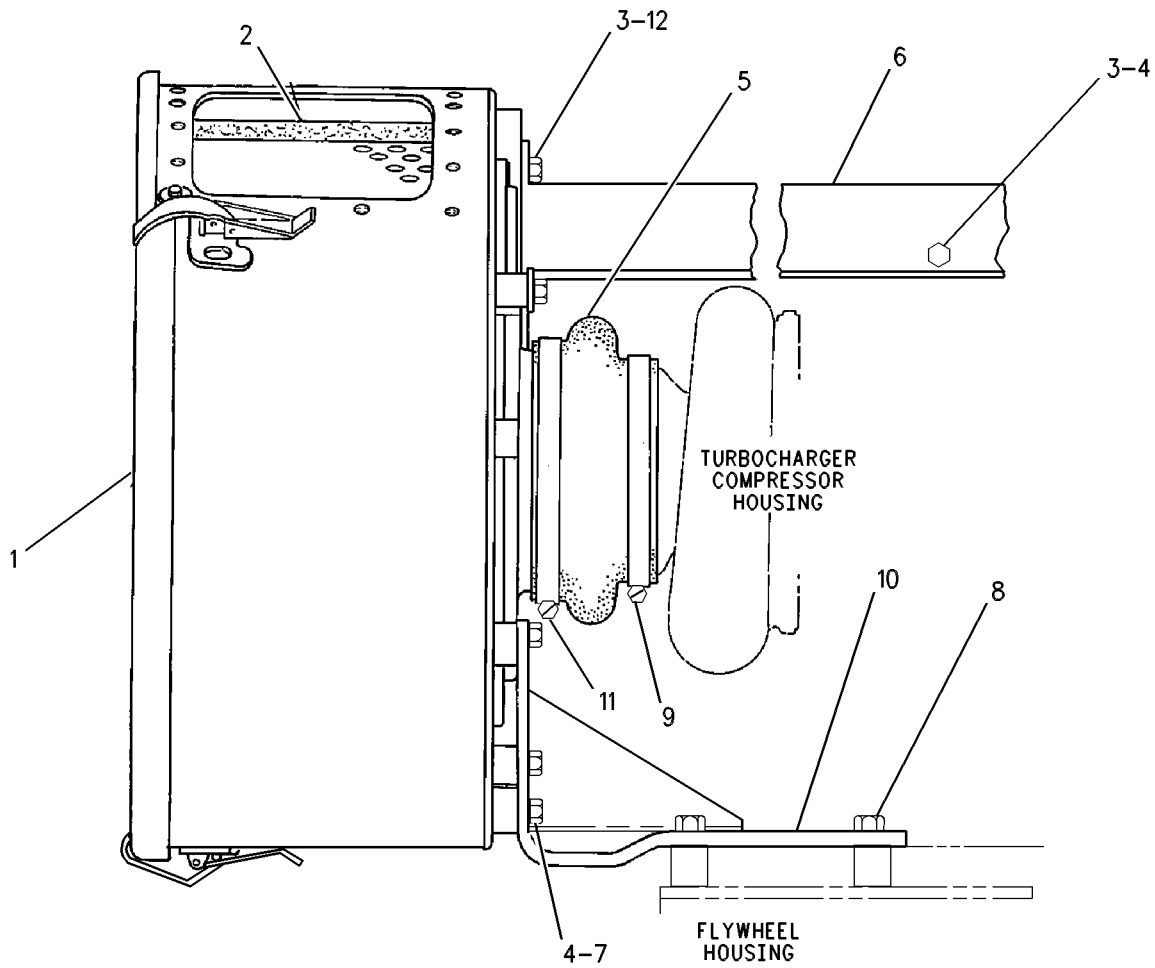
148-7981 AIR CLEANER GP AN ATTACHMENT

SMCS-1051, 1054

i01979148

NOTE	REF NO	GRAPHIC REF	PART NUMBER	QTY	PART NAME						SEE PAGE
					1	2	3	4	5	6 (PRODUCT LEVEL)	
Y	1	1	8N-3378	2	AIR CLEANER GP						258
	2	1	8N-2555	2	FILTER-SOOT (AIR CLEANER) (AIR CLEANER)						
	3	1	0L-1351	6	BOLT (3/8-16X0.875-IN)						
	4	1	5M-2894	8	WASHER-HARD (10.2X18.5X2.5-MM THK)						
	5	1	8N-5254	2	HOSE-REDUCER						
	6	1	148-7979	1	SUPPORT-AIR CLEANER						
	7	1	1A-2029	6	BOLT (3/8-16X1.125-IN)						
	8	1	6H-1717	6	BOLT (1/2-13X1.125-IN)						
		1	5P-8245	6	WASHER-HARD (13.5X25.5X3-MM THK)						
	9	1	5P-3860	2	CLAMP-HOSE						
	10	1	148-7978	1	BRACKET AS (LH)						
		1	148-7976	1	BRACKET AS (RH)						
	11	1	5P-4869	2	CLAMP-HOSE						
	12	1	3V-3308	4	WASHER-HARD (10.2X20.5X2.5-MM THK)						

Y - SEPARATE ILLUSTRATION



GRAPHIC #1

<END>

g00278585

AIR INLET AND EXHAUST SYSTEM

152-0470 AIR CLEANER GP

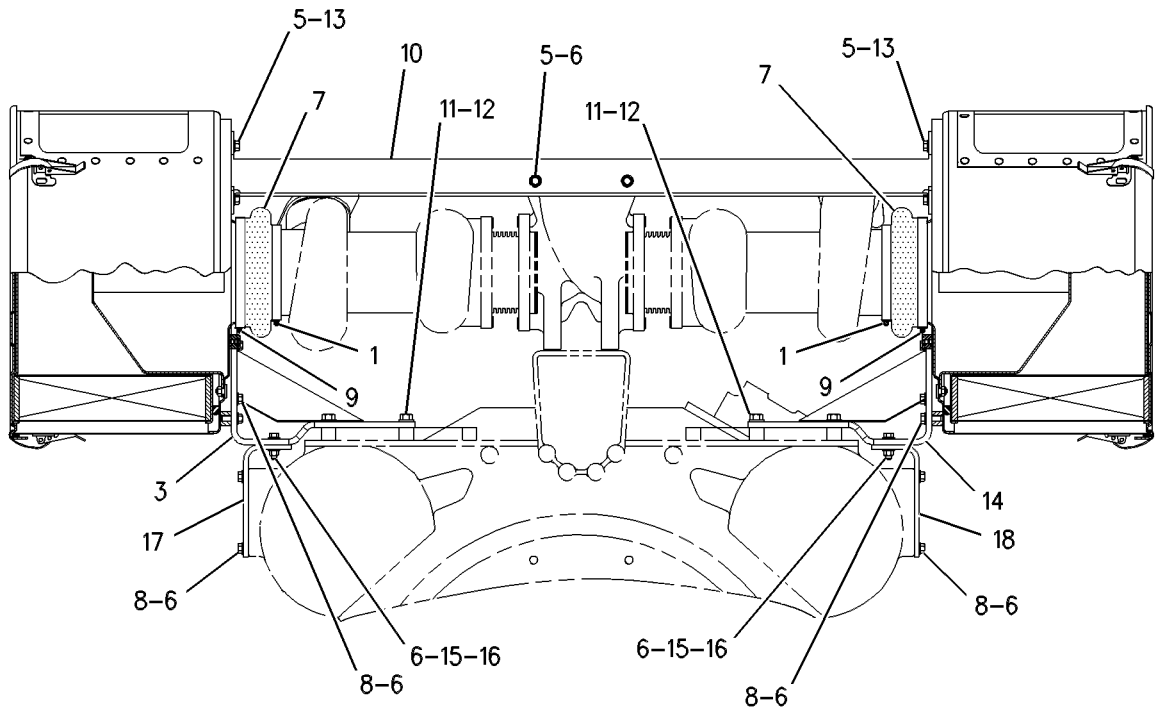
AN ATTACHMENT

TYPE 1

SMCS-1051, 1054

i01580235

NOTE	REF NO	GRAPHIC REF	PART NUMBER	QTY	PART NAME						SEE PAGE
					1	2	3	4	5	6 (PRODUCT LEVEL)	
	1	1	5P-3860	2	CLAMP-HOSE						
	3	1	152-0468	1	BRACKET AS						
	5	1	0L-1351	6	BOLT (3/8-16X0.875-IN)						
	6	1	5M-2894	24	WASHER-HARD (10.2X18.5X2.5-MM THK)						
	7	1	8N-5254	2	HOSE-REDUCER						
	8	1	1A-2029	14	BOLT (3/8-16X1.125-IN)						
	9	1	5P-4869	2	CLAMP-HOSE						
	10	1	148-7979	1	SUPPORT-AIR CLEANER						
	11	1	6H-1717	6	BOLT (1/2-13X1.125-IN)						
	12	1	5P-8245	6	WASHER-HARD (13.5X25.5X3-MM THK)						
	13	1	3V-3308	4	WASHER-HARD (10.2X20.5X2.5-MM THK)						
	14	1	152-0467	1	BRACKET AS						
	15	1	0S-1591	4	BOLT (3/8-16X1.5-IN)						
	16	1	9S-8752	4	NUT-FULL (3/8-16-THD)						
	17	1	152-0512	1	BRACKET						
	18	1	152-0469	1	BRACKET						



REAR VIEW

GRAPHIC #1

<END>

g00465583

AIR INLET AND EXHAUST SYSTEM

152-0470 AIR CLEANER GP

AN ATTACHMENT

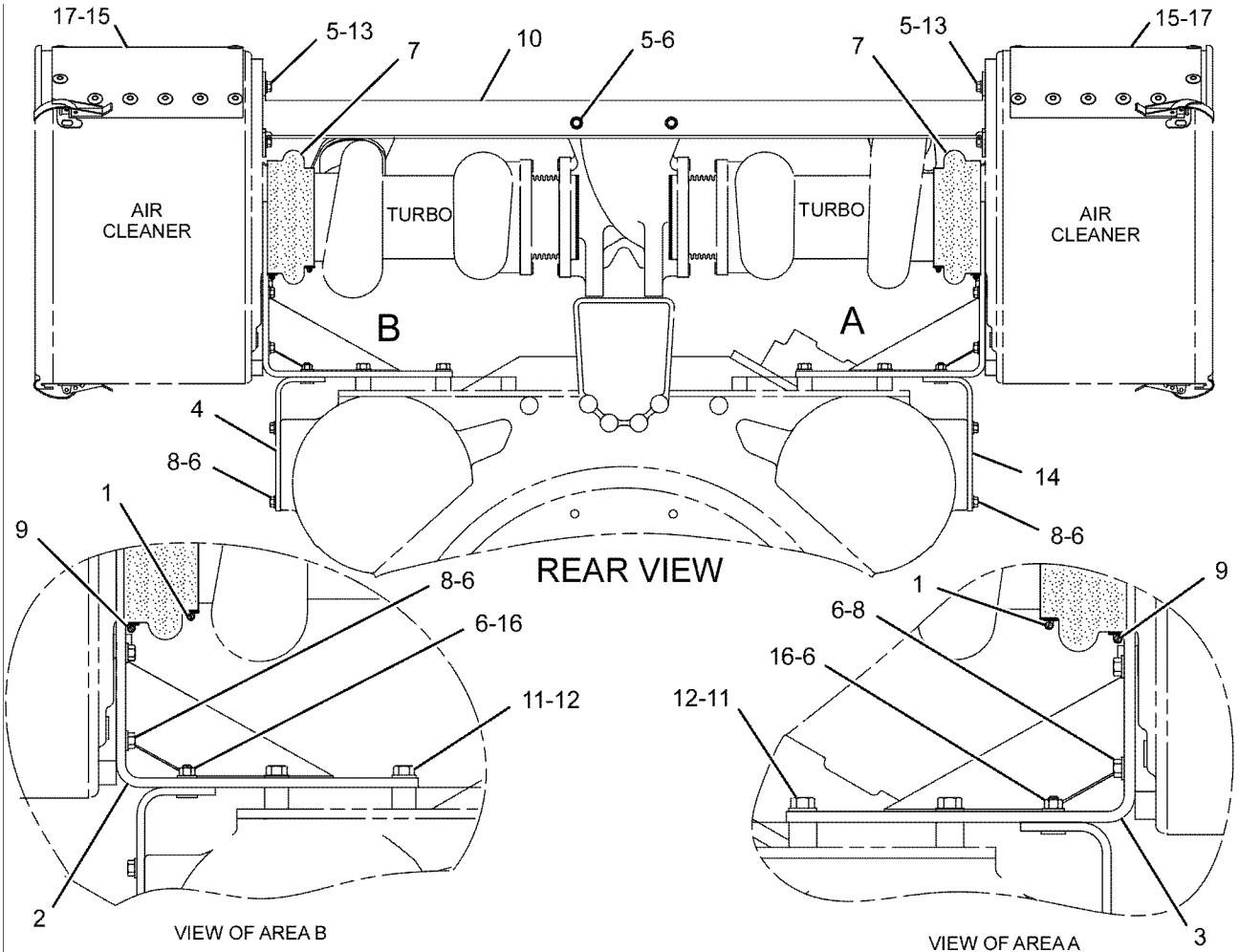
TYPE 2

SMCS-1051, 1054

i01998303

NOTE	REF NO	GRAPHIC REF	PART NUMBER	QTY	PART NAME						SEE PAGE
					1	2	3	4	5	6 (PRODUCT LEVEL)	
	1	1	5P-3860	2	CLAMP-HOSE						
C	2	1	195-9737	1	BRACKET AS (LH)						
C	3	1	195-9732	1	BRACKET AS (RH)						
C	4	1	195-9746	1	BRACKET AS (LH)						
	5	1	0L-1351	6	BOLT (3/8-16X0.875-IN)						
C	6	1	5M-2894	18	WASHER-HARD (10.2X18.5X2.5-MM THK)						
	7	1	8N-5254	2	HOSE-REDUCER						
C	8	1	1A-2029	12	BOLT (3/8-16X1.125-IN)						
	9	1	5P-4869	2	CLAMP-HOSE						
	10	1	148-7979	1	SUPPORT-AIR CLEANER						
	11	1	6H-1717	6	BOLT (1/2-13X1.125-IN)						
	12	1	5P-8245	6	WASHER-HARD (13.5X25.5X3-MM THK)						
	13	1	3V-3308	4	WASHER-HARD (10.2X20.5X2.5-MM THK)						
C	14	1	195-9745	1	BRACKET AS (RH)						
	15	1	4P-2017	2	COVER-AIR CLEANER						
	16	1	9S-8752	4	NUT-FULL (3/8-16-THD)						
	17	1	7W-5760	28	FASTENER						

C - CHANGE FROM PREVIOUS TYPE



GRAPHIC #1

<END>

g01034308

AIR INLET AND EXHAUST SYSTEM

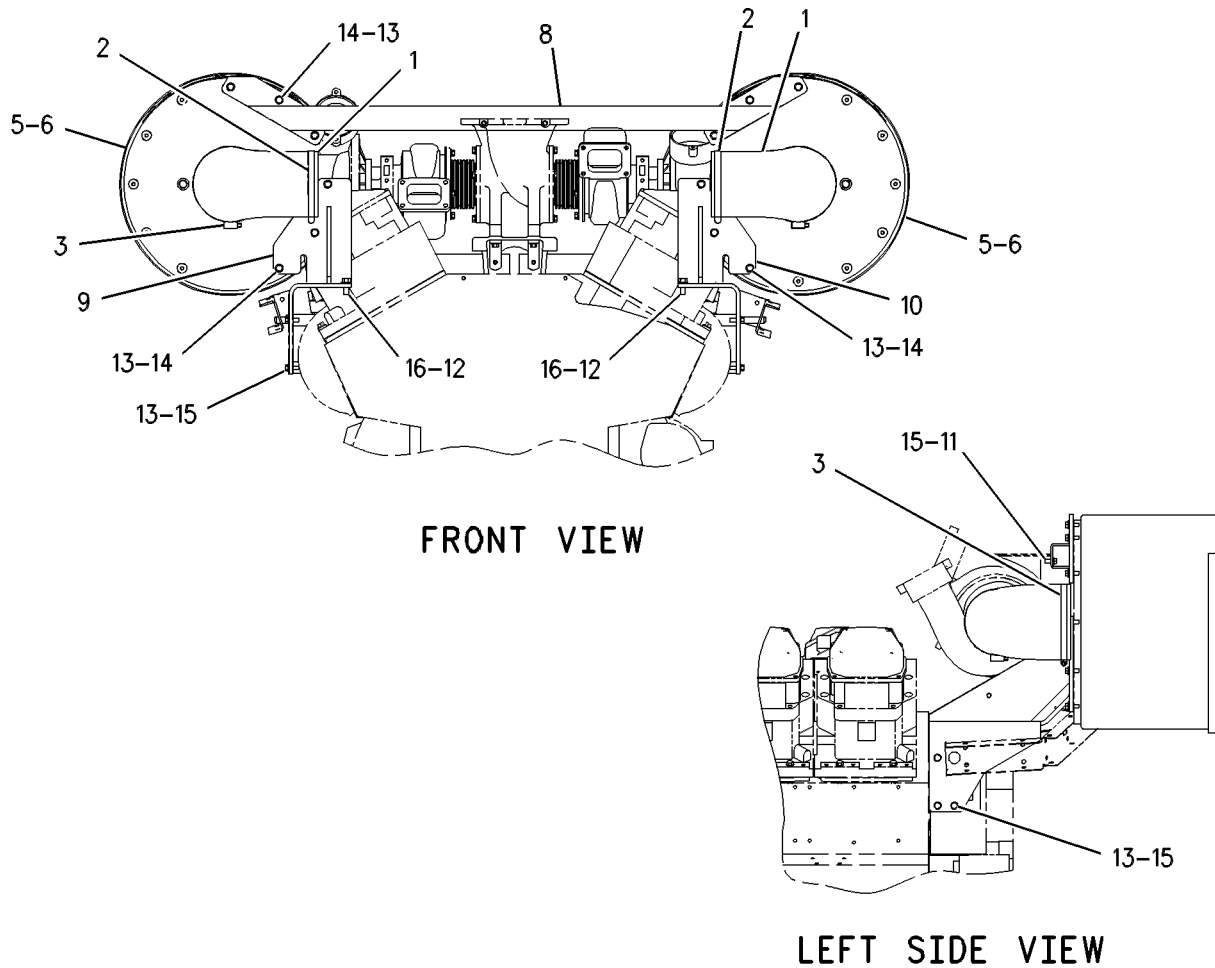
158-6232 AIR CLEANER GP AN ATTACHMENT

SMCS-1051, 1054

i00912940

NOTE	REF NO	GRAPHIC REF	PART NUMBER	QTY	PART NAME						SEE PAGE
					1	2	3	4	5	6 (PRODUCT LEVEL)	
	1	1	4P-5104	2	ELBOW						
	2	1	5P-3860	2	CLAMP-HOSE						
	3	1	5P-4869	2	CLAMP-HOSE						
	5	1	8N-2555	2	FILTER-SOOT (AIR CLEANER)						
Y	6	1	8N-3378	2	AIR CLEANER GP						258
	8	1	158-6229	1	BRACKET AS						
	9	1	158-6230	1	BRACKET AS						
	10	1	158-6231	1	BRACKET AS						
	11	1	0L-1351	2	BOLT (3/8-16X0.875-IN)						
	12	1	0S-1595	4	BOLT (1/2-13X1.25-IN)						
	13	1	1A-2029	18	BOLT (3/8-16X1.125-IN)						
	14	1	3V-3308	12	WASHER-HARD (10.2X20.5X2.5-MM THK)						
	15	1	5M-2894	8	WASHER-HARD (10.2X18.5X2.5-MM THK)						
	16	1	5P-8245	4	WASHER-HARD (13.5X25.5X3-MM THK)						

Y - SEPARATE ILLUSTRATION



GRAPHIC #1

<END>

g00488508

AIR INLET AND EXHAUST SYSTEM

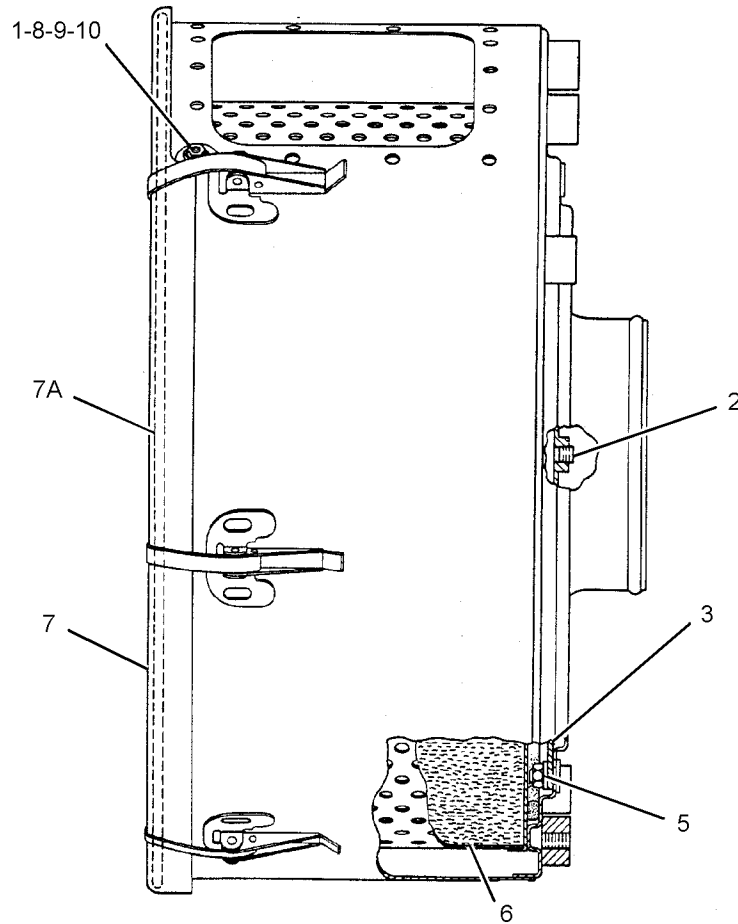
8N-3378 AIR CLEANER GP

PART OF 148-7981, 158-6232, 8N-9303, 9Y-0999 AIR CLEANER GP
AN ATTACHMENT

SMCS-1051, 1054

i03969949

NOTE	REF NO	GRAPHIC REF	PART NUMBER	QTY	PART NAME						SEE PAGE
					1	2	3	4	5	6 (PRODUCT LEVEL)	
	1	1	5S-0003	2	NUT (5/16-18-THD)						
	2	1	8T-6757	2	PLUG-PIPE						
	3	1	7W-0495	1	GUIDE AS						
	5	1	2K-4973	4	LOCKNUT (3/8-16-THD)						
	6	1	8N-6309	1	FILTER ELEMENT AS-AIR (PRIMARY)						
	7	1	8N-6534	1	COVER AS						
	7A	1	8N-2559	1	GASKET						
	8	1	1B-7182	2	BOLT (5/16-18X1.25-IN)						
	9	1	7K-3215	2	BOSS (0.413X1X0.630-IN THK)						
	10	1	9M-1974	2	WASHER-HARD (8.8X16X2-MM THK)						



GRAPHIC #1

<END>

g02162187

AIR INLET AND EXHAUST SYSTEM

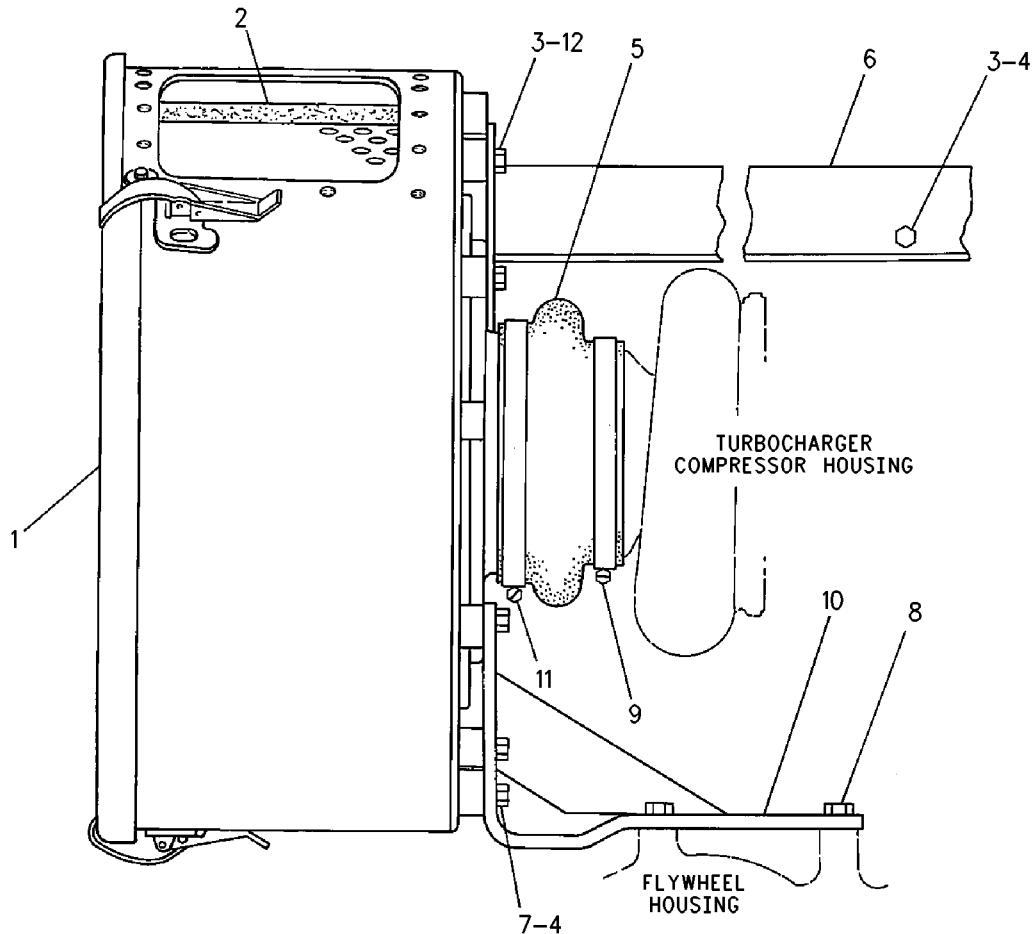
8N-9303 AIR CLEANER GP AN ATTACHMENT

SMCS-1051, 1054

i01977616

NOTE	REF NO	GRAPHIC REF	PART NUMBER	QTY	PART NAME						SEE PAGE
					1	2	3	4	5	6 (PRODUCT LEVEL)	
Y	1	1	8N-3378	2	AIR CLEANER GP						258
	2	1	8N-2555	2	FILTER-SOOT (AIR CLEANER) (AIR CLEANER)						
	3	1	0L-1351	6	BOLT (3/8-16X0.875-IN)						
	4	1	5M-2894	8	WASHER-HARD (10.2X18.5X2.5-MM THK)						
	5	1	8N-5254	2	HOSE-REDUCER						
	6	1	7W-5409	1	SUPPORT-AIR CLEANER						
	7	1	1A-2029	6	BOLT (3/8-16X1.125-IN)						
	8	1	6H-1717	6	BOLT (1/2-13X1.125-IN)						
		1	5P-8245	6	WASHER-HARD (13.5X25.5X3-MM THK)						
	9	1	5P-3860	2	CLAMP-HOSE						
	10	1	8N-8879	1	BRACKET AS (LH)						
		1	8N-8880	1	BRACKET AS (RH)						
	11	1	5P-4869	2	CLAMP-HOSE						
	12	1	3V-3308	4	WASHER-HARD (10.2X20.5X2.5-MM THK)						

Y - SEPARATE ILLUSTRATION



REAR VIEW

<END>

GRAPHIC #1

g00994987

AIR INLET AND EXHAUST SYSTEM

9Y-0999 AIR CLEANER GP

MARINE

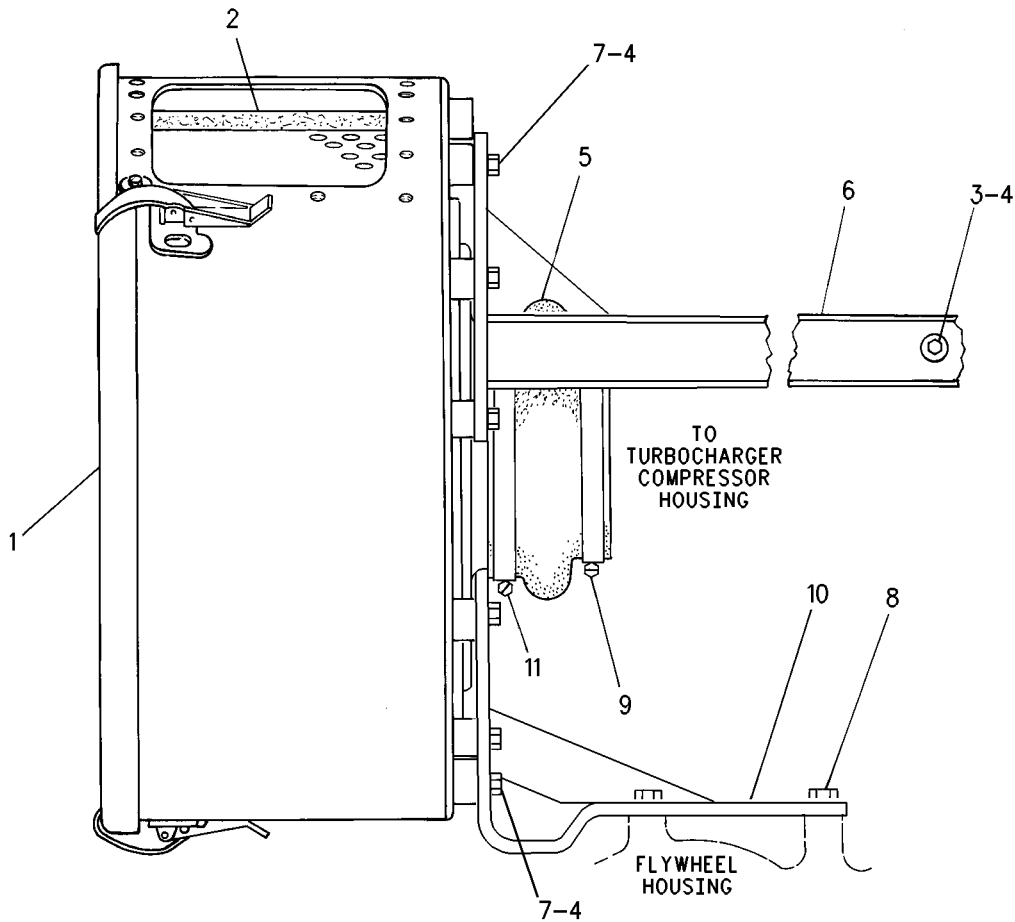
FOR USE WITH WATER-COOLED EXHAUST MANIFOLDS & REAR MOUNTED WATER-COOLED TURBOCHARGERS AN ATTACHMENT

SMCS-1051, 1054

i01758900

NOTE	REF NO	GRAPHIC REF	PART NUMBER	QTY	PART NAME						SEE PAGE
					1	2	3	4	5	6 (PRODUCT LEVEL)	
Y	1	1	8N-3378	2	AIR CLEANER GP						258
	2	1	8N-2555	2	FILTER-SOOT (AIR CLEANER) (AIR CLEANER)						
	3	1	0L-1351	2	BOLT (3/8-16X0.875-IN)						
	4	1	5M-2894	16	WASHER-HARD (10.2X18.5X2.5-MM THK)						
	5	1	8N-5254	2	HOSE-REDUCER						
	6	1	7E-3821	1	SUPPORT AS						
	7	1	1A-2029	14	BOLT (3/8-16X1.125-IN)						
	8	1	0S-1595	6	BOLT (1/2-13X1.25-IN)						
		1	5P-8245	6	WASHER-HARD (13.5X25.5X3-MM THK)						
	9	1	5P-4869	2	CLAMP-HOSE						
	10	1	7E-3823	1	BRACKET AS						
		1	7E-3825	1	BRACKET AS						
	11	1	5P-3860	2	CLAMP-HOSE						

Y - SEPARATE ILLUSTRATION



REAR VIEW

GRAPHIC #1

<END>

g00900697

AIR INLET AND EXHAUST SYSTEM

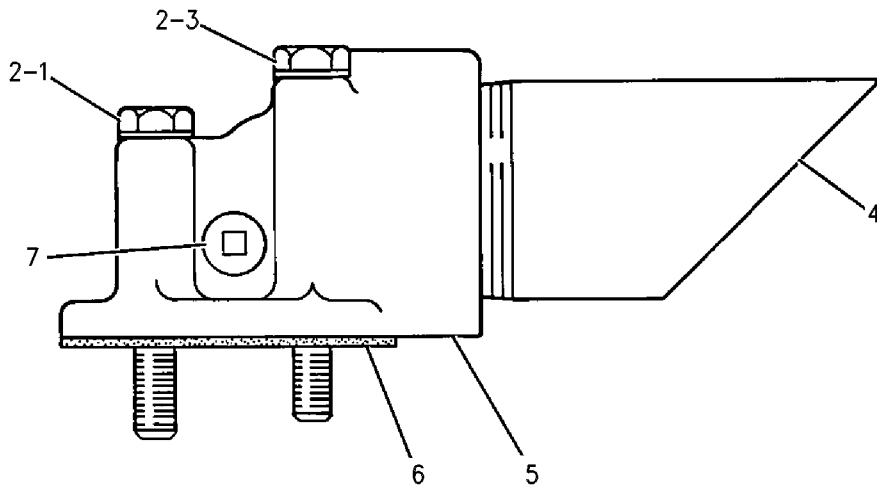
8N-8487 ELBOW GP-EXHAUST

FOR USE WITH AIR STARTING MOTOR
AN ATTACHMENT

SMCS-1061

i02220738

NOTE	REF NO	GRAPHIC REF	PART NUMBER	QTY	PART NAME						SEE PAGE
					1	2	3	4	5	6	
	1	1	1D-4566	2	BOLT (1/2-13X3.5-IN)						
	2	1	5P-8245	4	WASHER-HARD (13.5X25.5X3-MM THK)						
	3	1	1D-4569	2	BOLT (1/2-13X4.25-IN)						
	4	1	6N-4857	1	FITTING						
	5	1	8N-8447	1	ELBOW						
	6	1	8N-8452	1	GASKET						
	7	1	8T-6762	1	PLUG-PIPE (1/2-14-THD)						



GRAPHIC #1

<END>

g00625351

AIR INLET AND EXHAUST SYSTEM

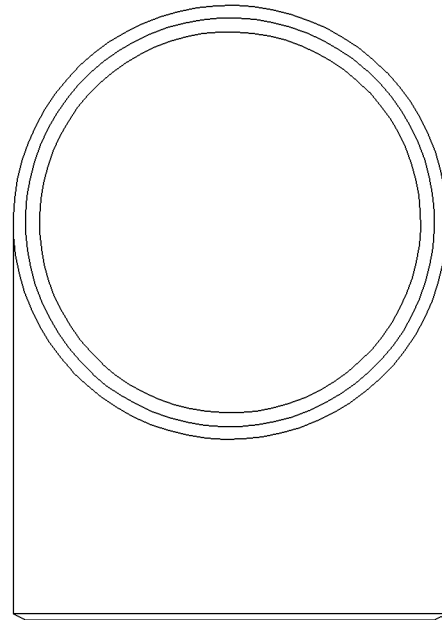
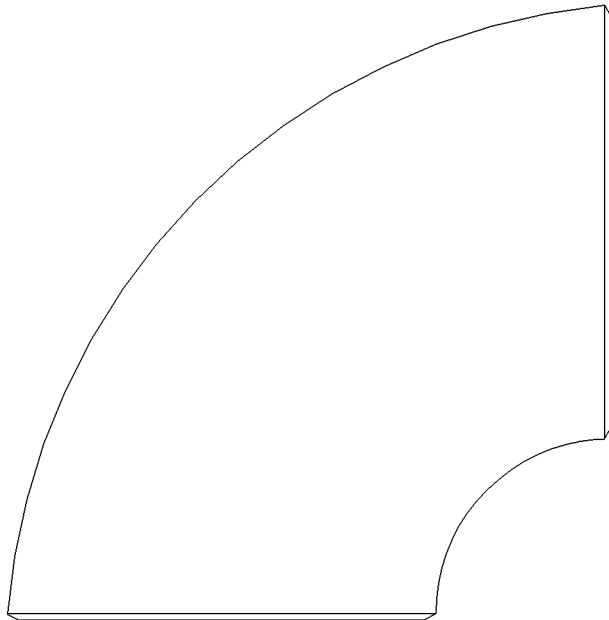
111-4986 ELBOW-EXHAUST

406.4-MM ID
AN ATTACHMENT

SMCS-1061

i01450748

NOTE	REF NO	GRAPHIC REF	PART NUMBER	QTY	PART NAME						SEE PAGE
					1	2	3	4	5	6 (PRODUCT LEVEL)	
(NO SERVICED PARTS)											



GRAPHIC #1

<END>

g00658604

AIR INLET AND EXHAUST SYSTEM

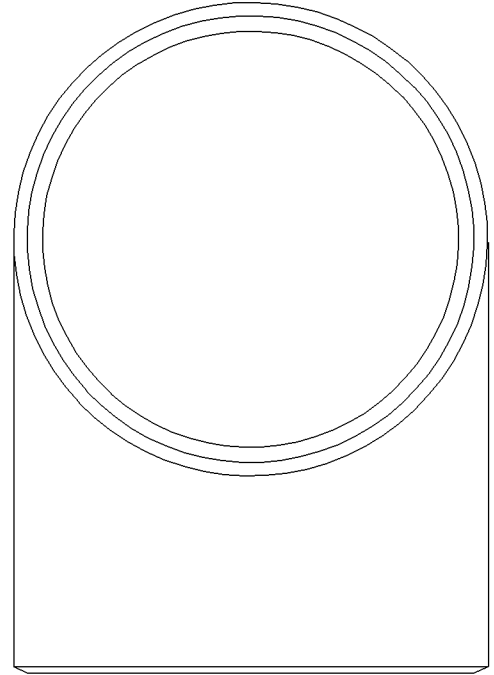
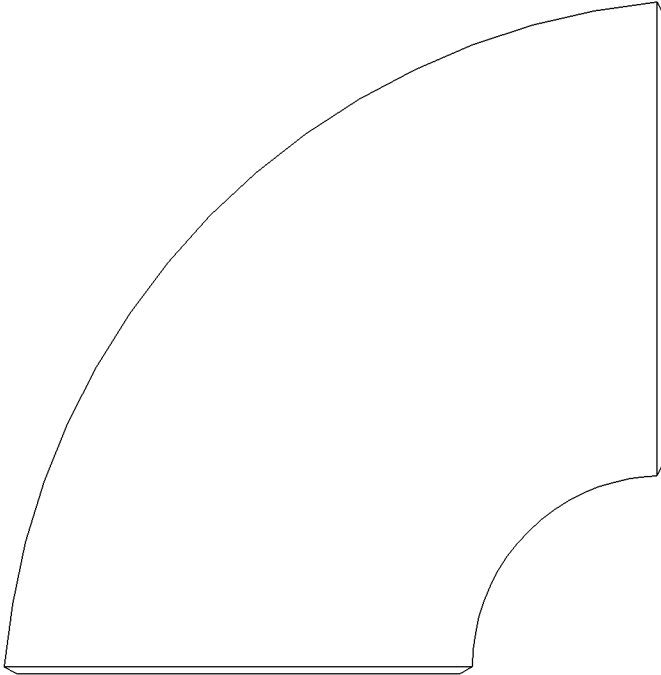
5L - 6954 ELBOW - EXHAUST

12-IN
AN ATTACHMENT

SMCS - 1061

i01213269

NOTE	REF NO	GRAPHIC REF	PART NUMBER	QTY	PART NAME						SEE PAGE
					1	2	3	4	5	6 (PRODUCT LEVEL)	
(NO SERVICED PARTS)											



GRAPHIC #1

<END>

g00648631

AIR INLET AND EXHAUST SYSTEM

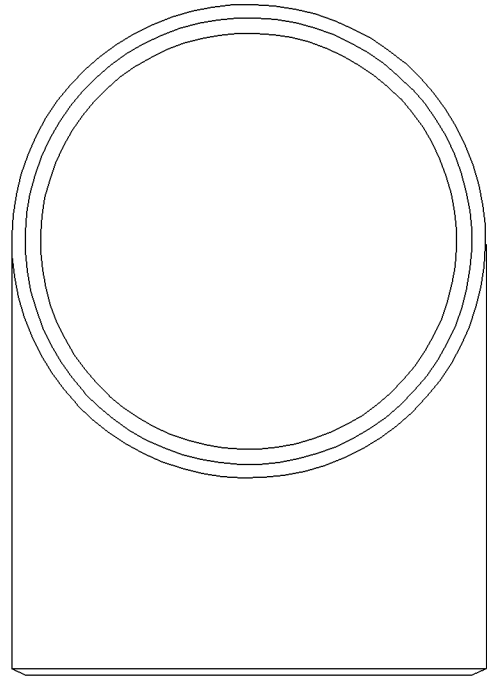
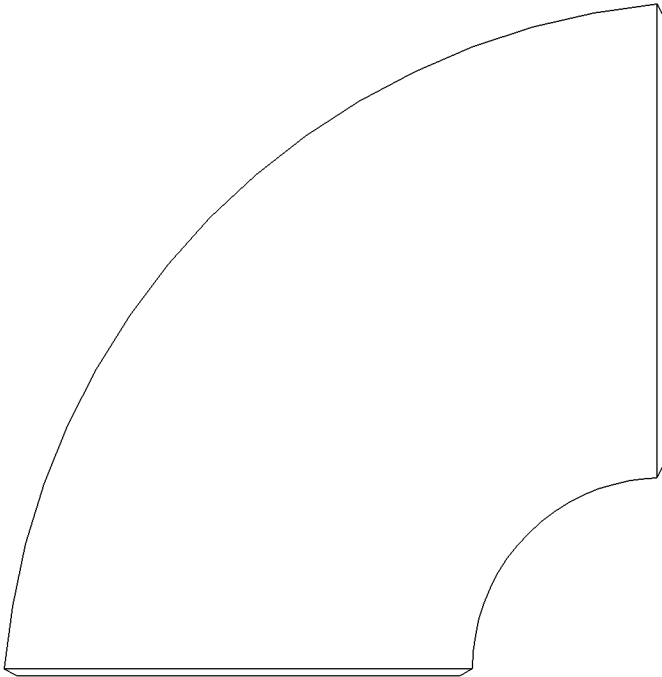
5L-7520 ELBOW-EXHAUST

8-IN
AN ATTACHMENT

SMCS-1061

i01450469

NOTE	REF NO	GRAPHIC REF	PART NUMBER	QTY	PART NAME						SEE PAGE
					1	2	3	4	5	6 (PRODUCT LEVEL)	
(NO SERVICED PARTS)											



GRAPHIC #1

<END>

g00648631

AIR INLET AND EXHAUST SYSTEM

5N-8529 ELBOW-EXHAUST

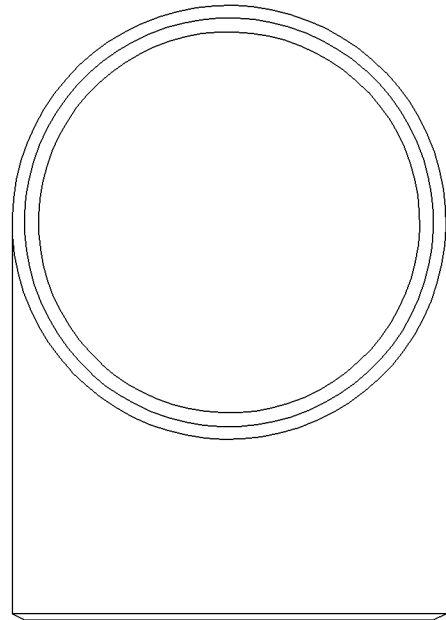
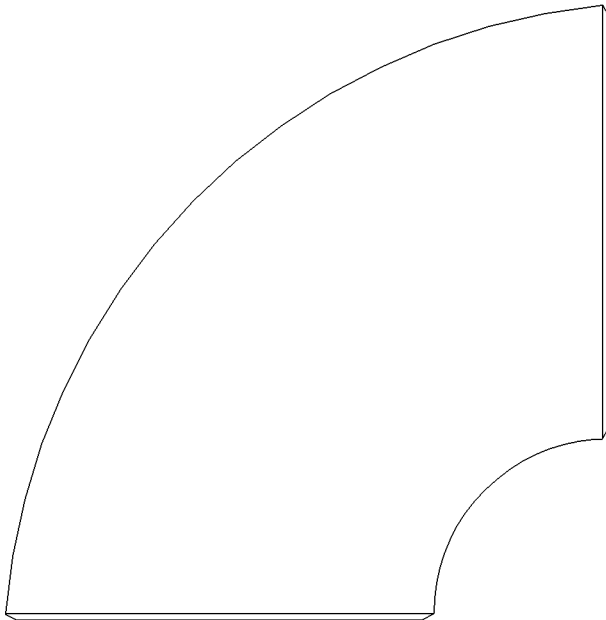
14-IN
AN ATTACHMENT

SMCS-1061

i01450754

NOTE	REF NO	GRAPHIC REF	PART NUMBER	QTY	PART NAME	SEE PAGE
------	--------	-------------	-------------	-----	-----------	----------

(NO SERVICED PARTS)



GRAPHIC #1

<END>

g00658604

AIR INLET AND EXHAUST SYSTEM

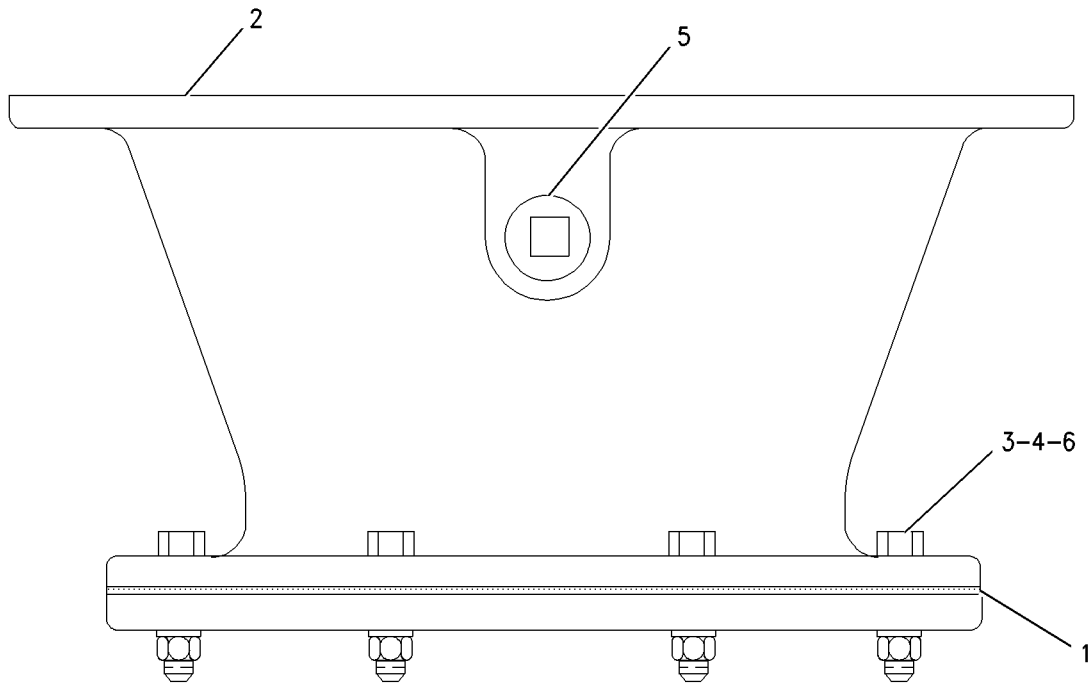
137-5555 FITTING GP-EXHAUST

355.6-MM
AN ATTACHMENT

SMCS-1061

i02179544

NOTE	REF NO	GRAPHIC REF	PART NUMBER	QTY	PART NAME						SEE PAGE
					1	2	3	4	5	6 (PRODUCT LEVEL)	
	1	1	5L-3773	1	GASKET-EXHAUST ELBOW						
	2	1	137-5556	1	ADAPTER						
	3	1	0S-1591	8	BOLT (3/8-16X1.5-IN)						
	4	1	3V-3308	8	WASHER-HARD (10.2X20.5X2.5-MM THK)						
	5	1	8T-6762	1	PLUG-PIPE (1/2-14-THD)						
	6	1	9S-8752	8	NUT-FULL (3/8-16-THD)						



GRAPHIC #1

<END>

g00757403

AIR INLET AND EXHAUST SYSTEM

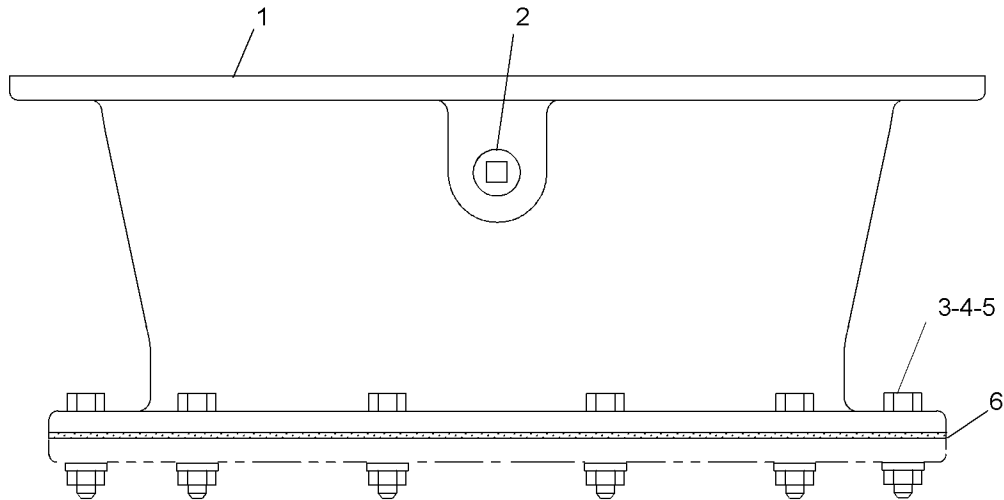
1W-9487 FITTING GP-EXHAUST

355.6-MM
AN ATTACHMENT

SMCS-1061

i02428050

NOTE	REF NO	GRAPHIC REF	PART NUMBER	QTY	PART NAME						SEE PAGE
					1	2	3	4	5	6 (PRODUCT LEVEL)	
	1	1	1W-7996	1	ADAPTER						
	2	1	8T-6762	1	PLUG-PIPE (1/2-14-THD)						
	3	1	0S-1591	12	BOLT (3/8-16X1.5-IN)						
	4	1	9S-8752	12	NUT-FULL (3/8-16-THD)						
	5	1	5M-2894	12	WASHER-HARD (10.2X18.5X2.5-MM THK)						
	6	1	1W-6356	1	GASKET						



GRAPHIC #1

<END>

g01215216

AIR INLET AND EXHAUST SYSTEM

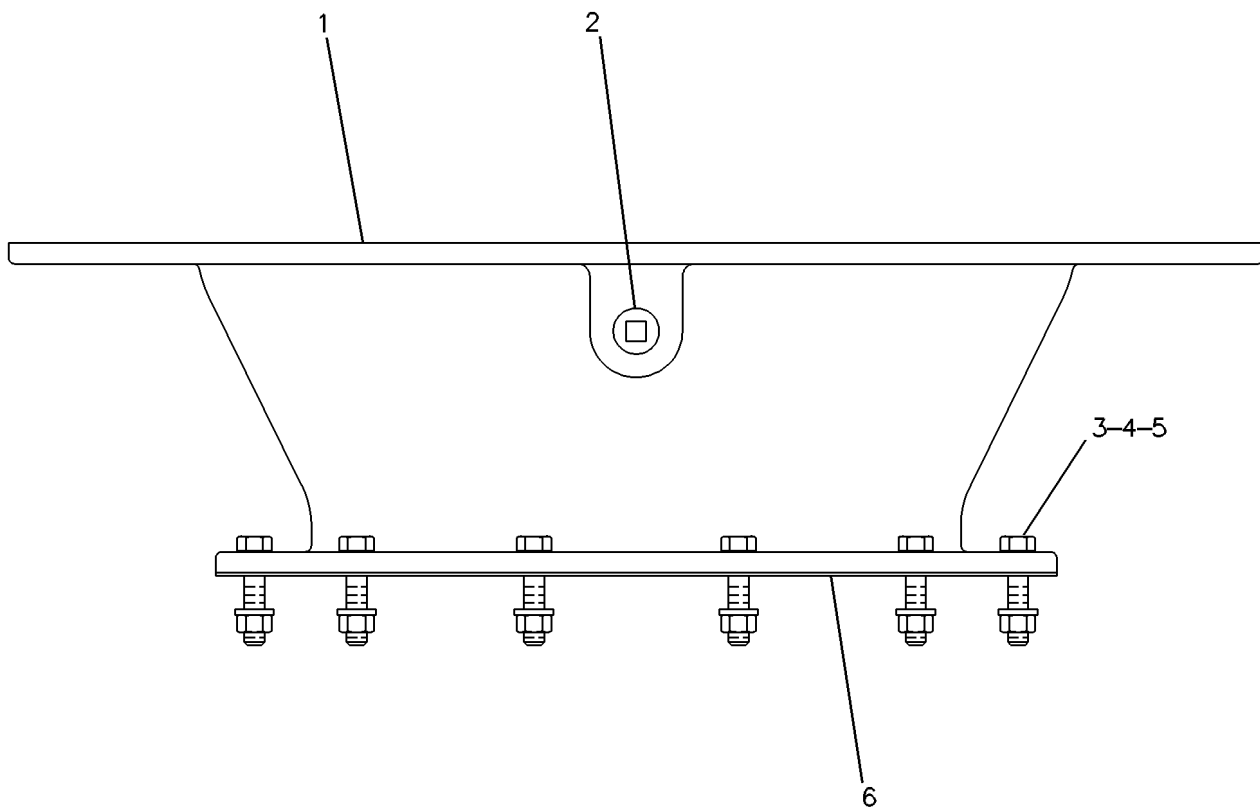
4P-3363 FITTING GP-EXHAUST

410.2-MM
AN ATTACHMENT

SMCS-1061

i02393284

NOTE	REF NO	GRAPHIC REF	PART NUMBER	QTY	PART NAME						SEE PAGE
					1	2	3	4	5	6 (PRODUCT LEVEL)	
	1	1	4P-3362	1	ADAPTER						
	2	1	8T-6762	1	PLUG-PIPE (1/2-14-THD)						
	3	1	0S-1571	12	BOLT (3/8-16X1.75-IN)						
	4	1	9S-8752	12	NUT-FULL (3/8-16-THD)						
	5	1	5M-2894	12	WASHER-HARD (10.2X18.5X2.5-MM THK)						
	6	1	1W-6356	1	GASKET						



GRAPHIC #1

<END>

g00212151

AIR INLET AND EXHAUST SYSTEM

5N-2457 FITTING GP-EXHAUST-FLEXIBLE

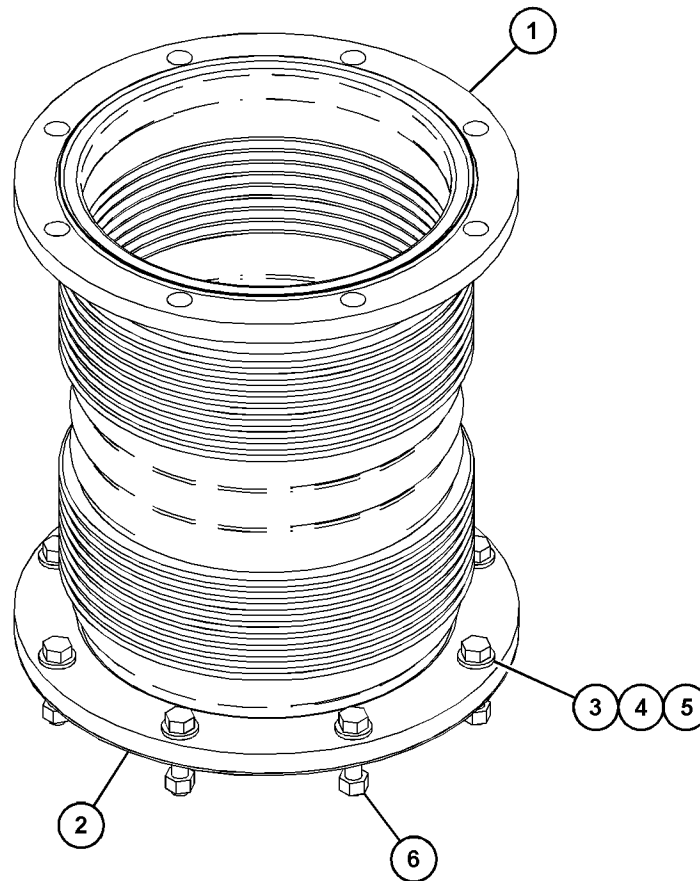
203.2-MM
AN ATTACHMENT

SMCS-1061

i06105509

NOTE	REF NO	GRAPHIC REF	PART NUMBER	QTY	PART NAME						SEE PAGE
					1	2	3	4	5	6 (PRODUCT LEVEL)	
	1	1	214-6045	1	BELLOWS AS						
	2	1	245-3512	1	GASKET (EXHAUST)						
	3	1	3V-3308	8	WASHER-HARD (10.2X20.5X2.5-MM THK)						
BL	4	1	0S-1588	8	BOLT (3/8-16X1.25-IN)						
BJ	5	1	0S-1571	8	BOLT (3/8-16X1.75-IN)						
BJ	6	1	9S-8752	8	NUT-FULL (3/8-16-THD)						

B - USE AS REQUIRED
 J - FOR USE WITH HOT EXHAUST
 L - FOR USE WITH WATER COOLED EXHAUST



GRAPHIC #1

<END>

g03811923

AIR INLET AND EXHAUST SYSTEM

5N-9527 FITTING GP-EXHAUST-FLEXIBLE

305-MM

FOR USE WITH WATERCOOLED, HOT EXHAUST STACKS
AN ATTACHMENT

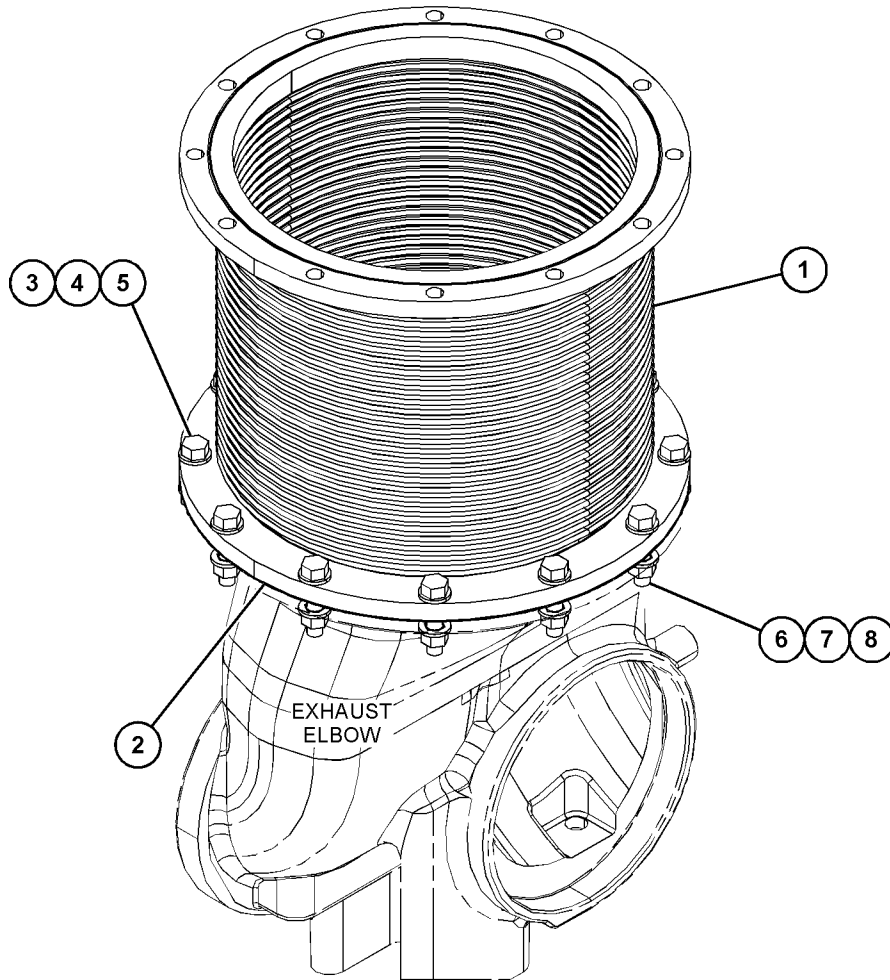
SMCS-1061

i06707486

NOTE	REF NO	GRAPHIC REF	PART NUMBER	QTY	PART NAME						SEE PAGE
					1	2	3	4	5	6 (PRODUCT LEVEL)	
	1	1	207-1332	1	BELLOWS AS						
	2	1	495-4092	1	GASKET-EXHAUST						
B	3	1	5L-4398	12	BOLT (1/2-13X2.25-IN)						
B	4	1	1F-7958	12	NUT-FULL (1/2-13-THD)						
B	5	1	5P-8245	24	WASHER-HARD (13.5X25.5X3-MM THK)						
BJ	6	1	165-3931	12	BOLT (3/8-16X1.75-IN)						
BJ	7	1	9S-8752	12	NUT-FULL (3/8-16-THD)						
BJ	8	1	5M-2894	12	WASHER-HARD (10.2X18.5X2.5-MM THK)						

B - USE AS REQUIRED

J - FOR USE WITH 1W5532 ELBOW OR 7N6959 ADAPTER



GRAPHIC #1

<END>

g06080794

AIR INLET AND EXHAUST SYSTEM

7N-6967 FITTING GP-EXHAUST-FLEXIBLE

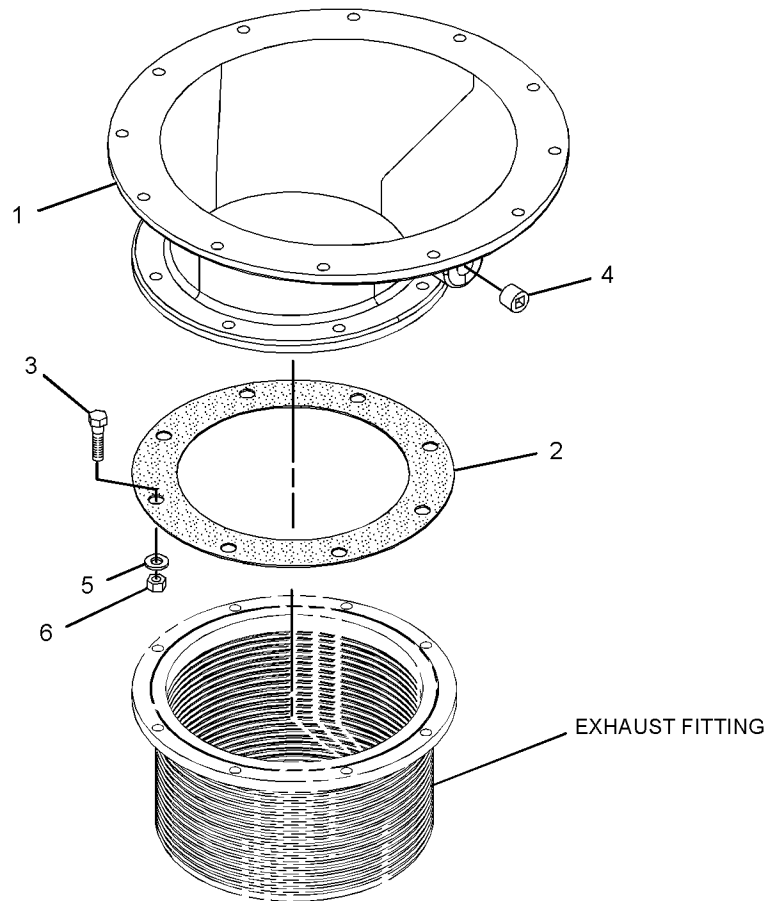
305-MM
AN ATTACHMENT

SMCS-1061

i06121684

NOTE	REF NO	GRAPHIC REF	PART NUMBER	QTY	PART NAME						SEE PAGE
					1	2	3	4	5	6 (PRODUCT LEVEL)	
	1	1	7N-6959	1	ADAPTER						
	2	1	245-3512	1	GASKET (EXHAUST)						
B	3	1	0S-1591	8	BOLT (3/8-16X1.5-IN)						
	4	1	2B-0858	1	PLUG-PIPE						
B	5	1	3V-3308	8	WASHER-HARD (10.2X20.5X2.5-MM THK)						
	6	1	9S-8752	8	NUT-FULL (3/8-16-THD)						

B - USE AS REQUIRED



GRAPHIC #1

<END>

g02846941

AIR INLET AND EXHAUST SYSTEM

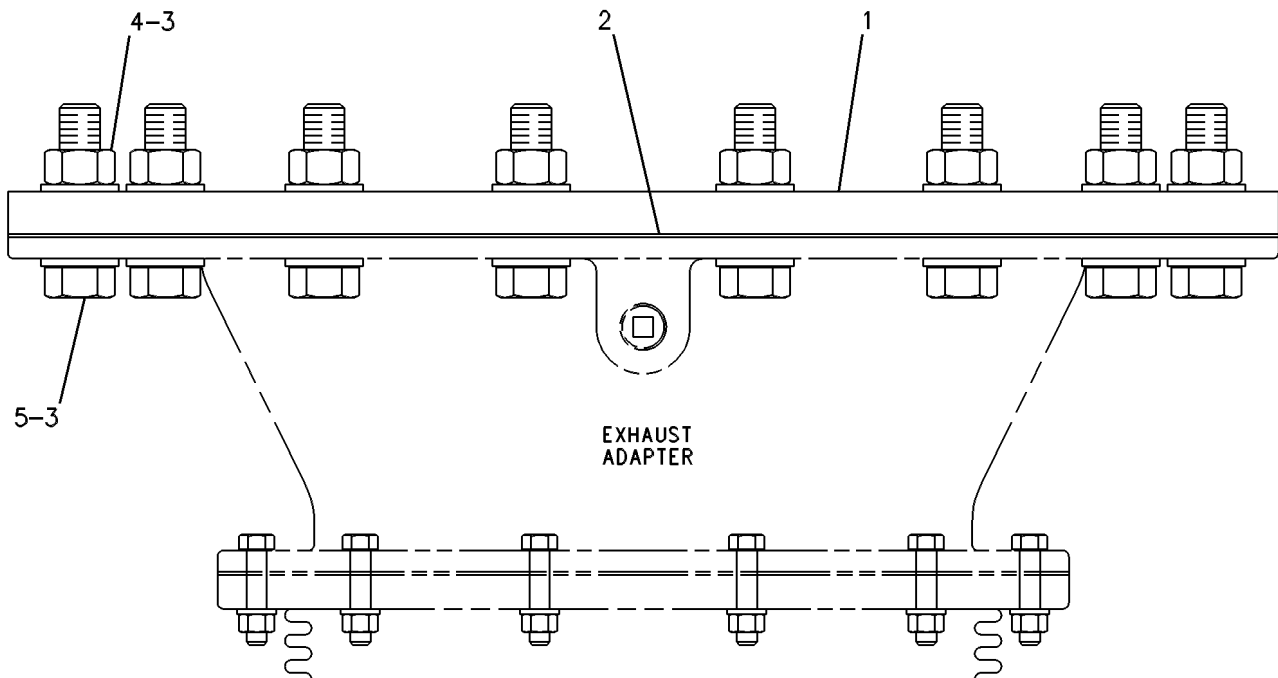
103-6668 FLANGE GP-EXHAUST

410.2-MM
AN ATTACHMENT

SMCS-1061

i02224074

NOTE	REF NO	GRAPHIC REF	PART NUMBER	QTY	PART NAME						SEE PAGE
					1	2	3	4	5	6 (PRODUCT LEVEL)	
	1	1	133-6479	1	FLANGE - EXHAUST						
	2	1	133-6480	1	GASKET						
	3	1	5P-8248	32	WASHER - HARD (20X36.5X3.5-MM THK)						
	4	1	2J-3506	16	NUT - FULL (3/4-10-THD)						
	5	1	9X-8887	16	BOLT (3/4-10X3-IN)						



GRAPHIC #1

<END>

g00248869

AIR INLET AND EXHAUST SYSTEM

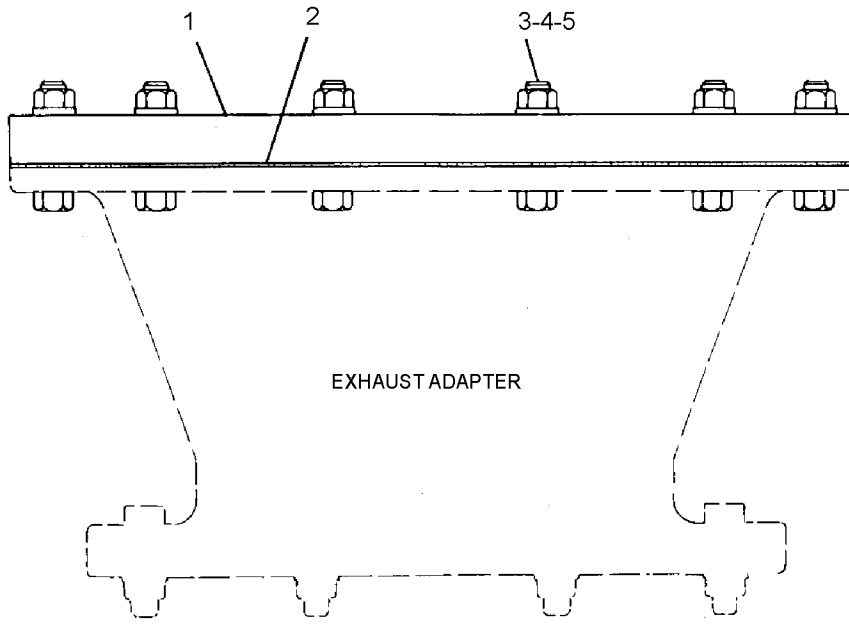
1W-9488 FLANGE GP-EXHAUST

355.6-MM
AN ATTACHMENT

SMCS-1061

i02617064

NOTE	REF NO	GRAPHIC REF	PART NUMBER	QTY	PART NAME						SEE PAGE
					1	2	3	4	5	6 (PRODUCT LEVEL)	
	1	1	1W-7579	1	FLANGE						
	2	1	1W-7580	1	GASKET						
	3	1	0S-1571	12	BOLT (3/8-16X1.75-IN)						
	4	1	9S-8752	12	NUT-FULL (3/8-16-THD)						
	5	1	5M-2894	12	WASHER-HARD (10.2X18.5X2.5-MM THK)						



GRAPHIC #1

<END>

g01301072

AIR INLET AND EXHAUST SYSTEM

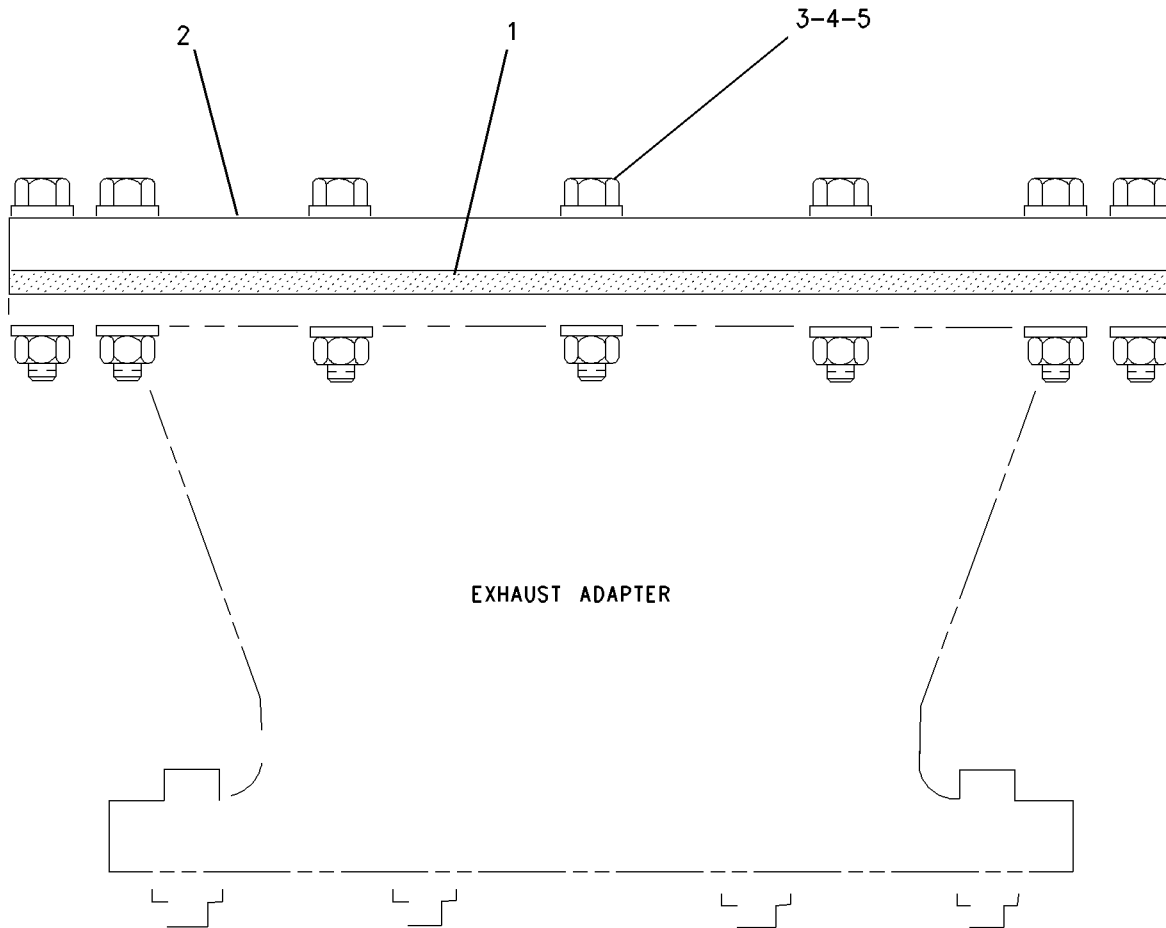
2W-7756 FLANGE GP-EXHAUST

355.61-MM
AN ATTACHMENT

SMCS-1061

i06986957

NOTE	REF NO	GRAPHIC REF	PART NUMBER	QTY	PART NAME						SEE PAGE
					1	2	3	4	5	6 (PRODUCT LEVEL)	
	1	1	111-5822	1	GASKET - EXHAUST						
	2	1	2W-7755	1	FLANGE - EXHAUST						
	3	1	9X-8873	12	BOLT (1/2-13X2.25-IN)						
	4	1	5P-8245	24	WASHER - HARD (13.5X25.5X3-MM THK)						
	5	1	1B-5357	12	NUT - FULL (1/2-13-THD)						



EXHAUST ADAPTER

GRAPHIC #1

<END>

g00788150

AIR INLET AND EXHAUST SYSTEM

2W-7871 FLANGE GP-EXHAUST

323.9-MM
AN ATTACHMENT

SMCS-1061

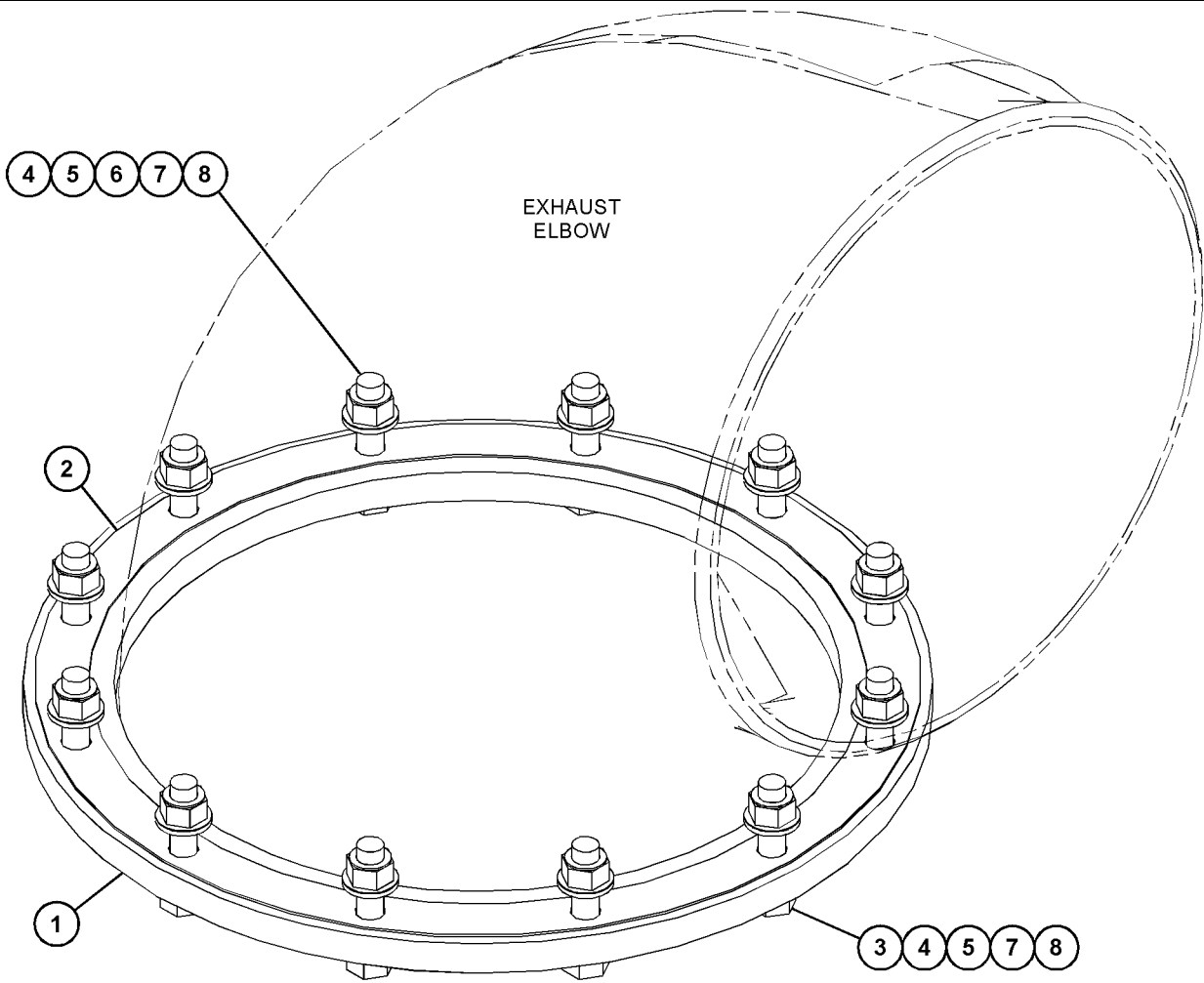
i06708030

NOTE	REF NO	GRAPHIC REF	PART NUMBER	QTY	PART NAME						SEE PAGE
					1	2	3	4	5	6 (PRODUCT LEVEL)	
	1	1	2W-7872	1	FLANGE-EXHAUST						
	2	1	495-4092	1	GASKET-EXHAUST						
BL	3	1	5L-4398	12	BOLT (1/2-13X2.25-IN)						
BL	4	1	1F-7958	12	NUT-FULL (1/2-13-THD)						
BL	5	1	5P-8245	24	WASHER-HARD (13.5X25.5X3-MM THK)						
BJ	6	1	165-3931	12	BOLT (3/8-16X1.75-IN)						
BJ	7	1	9S-8752	12	NUT-FULL (3/8-16-THD)						
BJ	8	1	9L-9132	24	WASHER (10.2X25.5X2.5-MM THK)						

B - USE AS REQUIRED

J - FOR USE WITH ENGINE EXHAUST ELBOW OR EXPANDER FITTING GP

L - FOR USE WITH FLEXIBLE FITTING GP OR MUFFLER GP



GRAPHIC #1

<END>

g06073014

AIR INLET AND EXHAUST SYSTEM

7N-6961 FLANGE GP-EXHAUST

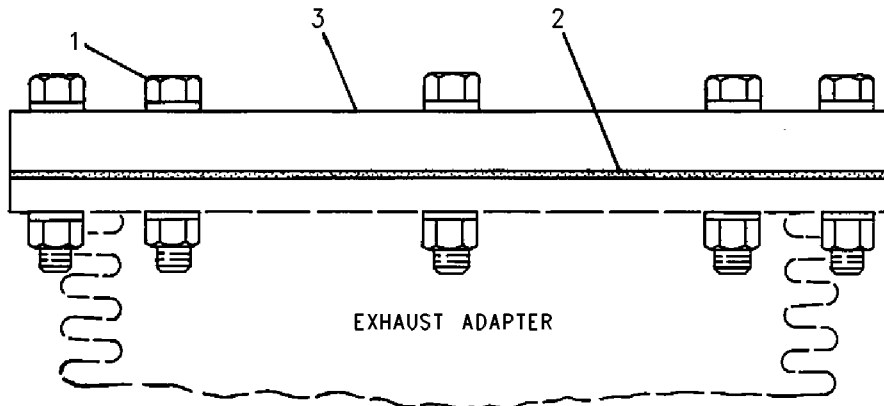
203-MM
AN ATTACHMENT

SMCS-1061

i02327546

NOTE	REF NO	GRAPHIC REF	PART NUMBER	QTY	PART NAME						SEE PAGE
					1	2	3	4	5	6 (PRODUCT LEVEL)	
B	1	1	0S-1590	8	BOLT (3/8-16X2-IN)						
		1	9S-8752	8	NUT-FULL (3/8-16-THD)						
BC		1	3V-3308	16	WASHER-HARD (10.2X20.5X2.5-MM THK)						
		2	5L-3773	1	GASKET-EXHAUST ELBOW						
		3	7N-6955	1	FLANGE						

B - USE AS REQUIRED
C - CHANGE FROM PREVIOUS TYPE



GRAPHIC #1

<END>

g00622100

AIR INLET AND EXHAUST SYSTEM

177-9768 LINES GP-AIR

S/N: 3XS404-UP
HORIZONTAL EXHAUST
AN ATTACHMENT

SMCS-1071

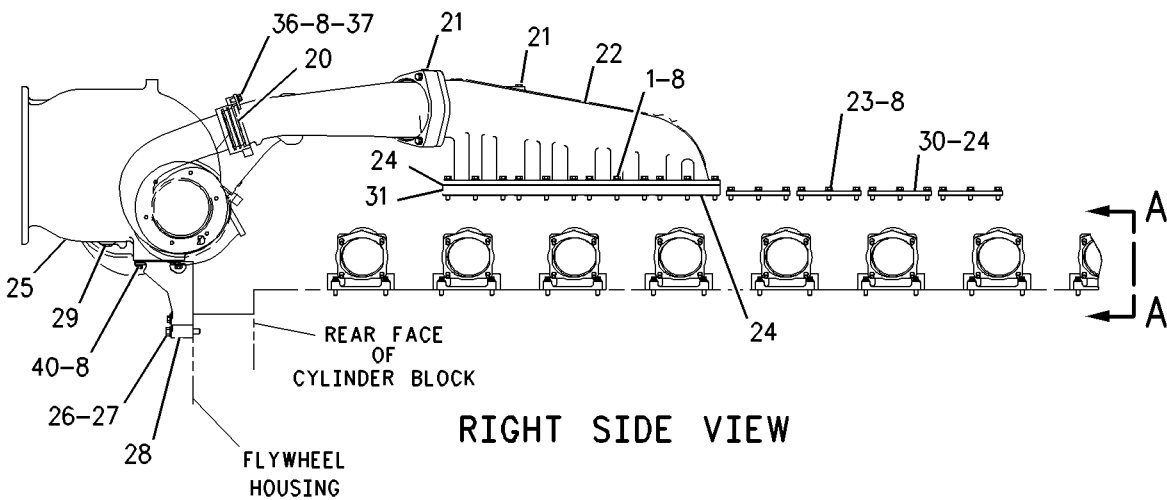
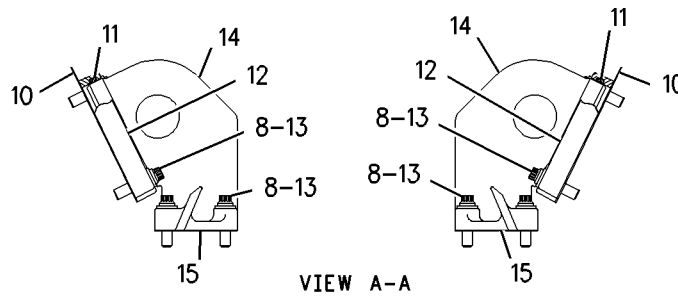
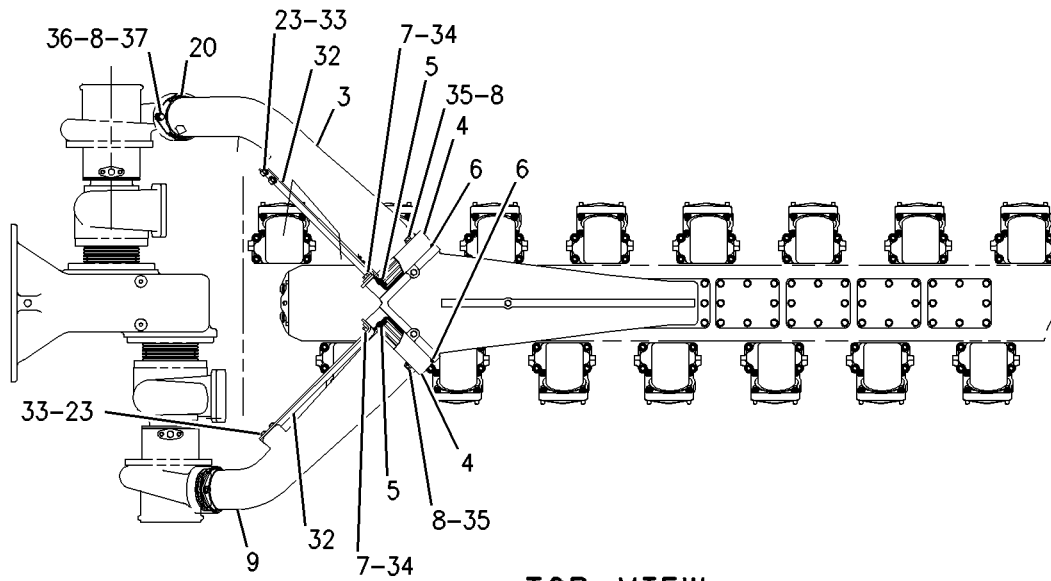
i01460221

NOTE	REF NO	GRAPHIC REF	PART NUMBER	QTY	PART NAME						SEE PAGE
					1	2	3	4	5	6 (PRODUCT LEVEL)	
	1	1	0L-2070	26	BOLT (3/8-16X2.25-IN)						
	3	1	164-0866	1	PIPE						
	4	1	7E-8550	2	FLANGE						
	5	1	6V-5167	4	SEAL-O-RING						
	6	1	6V-3319	2	SEAL-O-RING						
	7	1	0S-1619	2	BOLT (3/8-16X3-IN)						
	8	1	5M-2894	197	WASHER-HARD (10.2X18.5X2.5-MM THK)						
	9	1	149-0233	1	PIPE						
	10	1	7N-5080	16	GASKET-MANIFOLD						
	11	1	6V-5504	16	SEAL-O-RING						
	12	1	7N-5085	16	FLANGE						
	13	1	5P-0076	128	BOLT-12 POINT HEAD (3/8-16X1.5-IN)						
	14	1	7N-5079	16	ELBOW						
	15	1	7N-5089	16	GASKET						
	20	1	6V-3917	4	SEAL-O-RING						
	21	1	8T-6765	3	PLUG-PIPE (1/4-18-THD)						
	22	1	4W-0715	1	MANIFOLD-INLET						
	23	1	1A-2029	36	BOLT (3/8-16X1.125-IN)						
	24	1	1W-1251	12	GASKET						
	25	1	173-7665	1	ELBOW-TURBOCHARGER EXHAUST						
	26	1	9X-8874	2	BOLT (1/2-13X3-IN)						
	27	1	5P-8245	2	WASHER-HARD (13.5X25.5X3-MM THK)						
	28	1	140-6458	1	BRACKET						
	29	1	7W-6492	2	PLUG-PIPE (1/2-14-THD)						
	30	1	1W-1250	4	COVER						
	31	1	136-9629	1	PLATE						
	32	1	140-6463	2	BRACKET						
	33	1	3V-3308	4	WASHER-HARD (10.2X20.5X2.5-MM THK)						
	34	1	8M-7145	2	WASHER (10.2X28.5X5-MM THK)						
	35	1	0T-0573	4	BOLT (3/8-16X2.75-IN)						
	36	1	0L-1351	2	BOLT (3/8-16X0.875-IN)						
	37	1	7W-1944	2	RETAINER						
	40	1	0S-1594	5	BOLT (3/8-16X1-IN)						

AIR INLET AND EXHAUST SYSTEM

177-9768 LINES GP-AIR (contd.)

i01460221



GRAPHIC #1

<END>

g00669717

AIR INLET AND EXHAUST SYSTEM

164-0867 LINES GP-TURBOCHARGER AIR

SMCS-1052, 1071

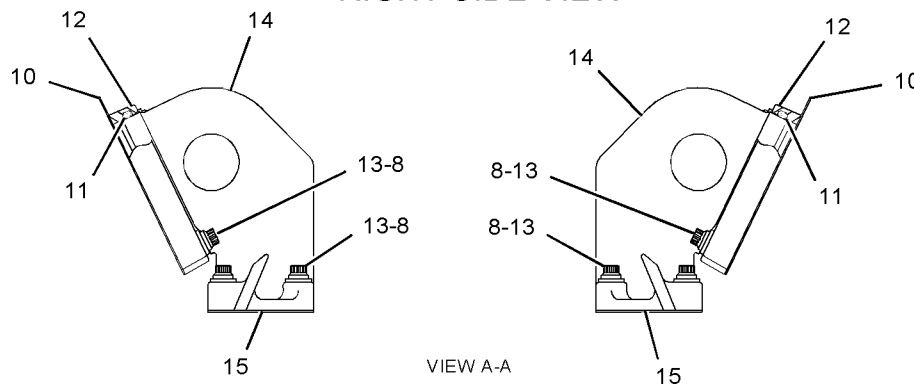
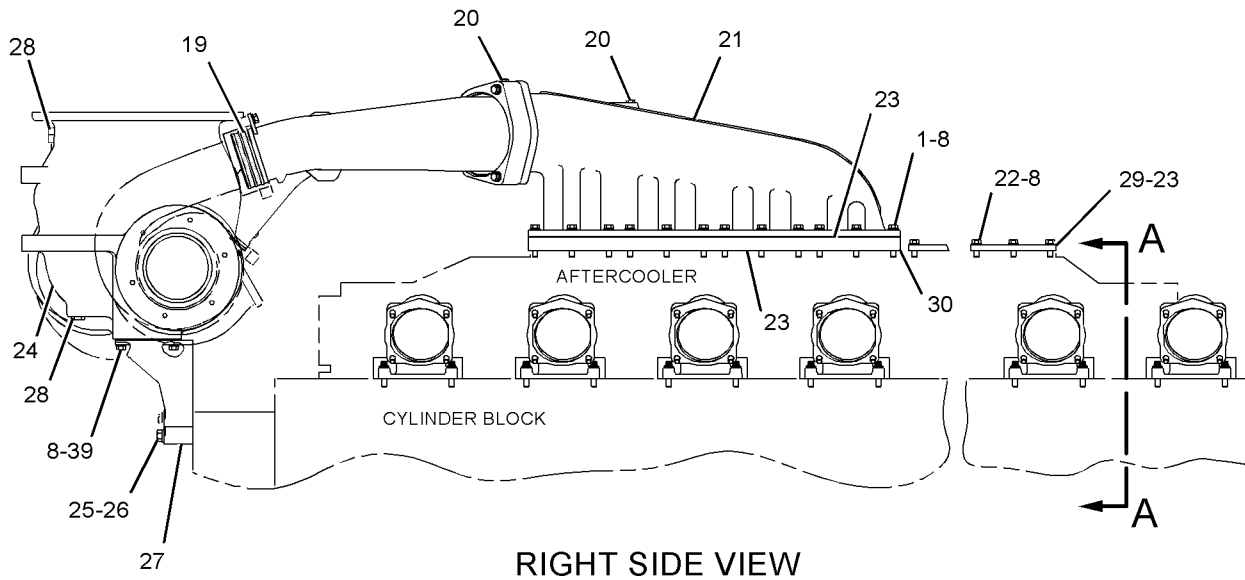
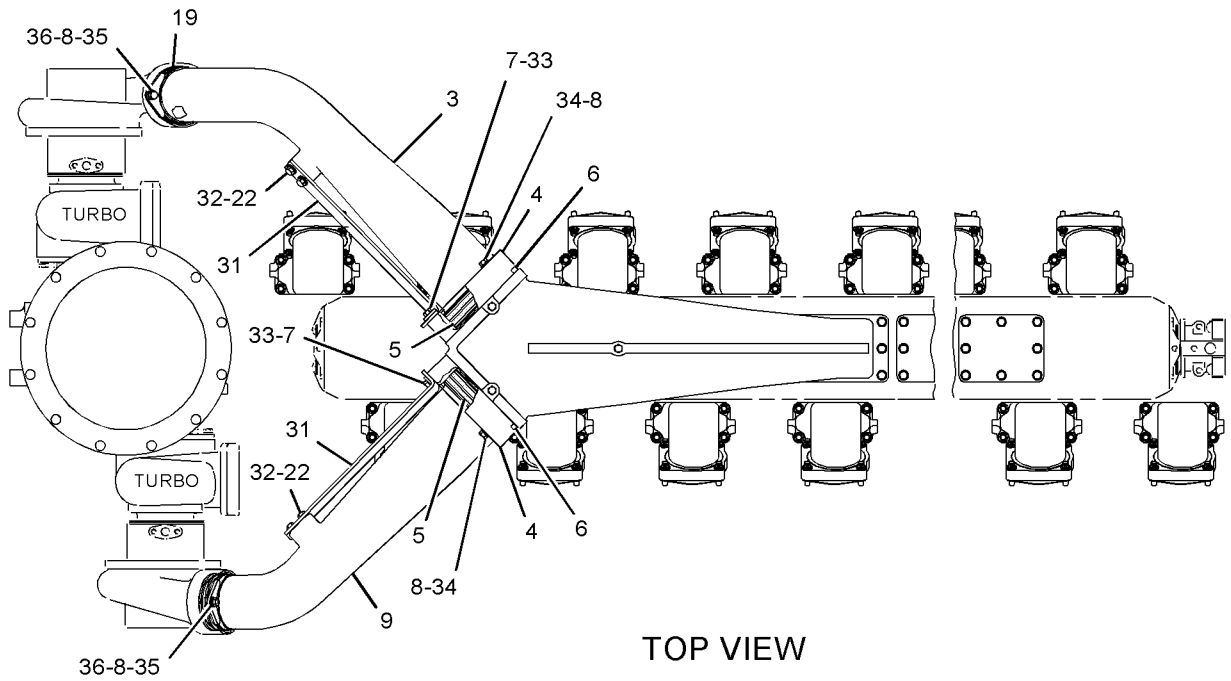
i02211758

NOTE	REF NO	GRAPHIC REF	PART NUMBER	QTY	PART NAME						SEE PAGE
					1	2	3	4	5	6 (PRODUCT LEVEL)	
	1	1	0L-2070	26	BOLT (3/8-16X2.25-IN)						
	3	1	164-0866	1	PIPE						
	4	1	7E-8550	2	FLANGE						
	5	1	6V-5167	4	SEAL-O-RING						
	6	1	6V-3319	2	SEAL-O-RING						
	7	1	0S-1619	2	BOLT (3/8-16X3-IN)						
	8	1	5M-2894	196	WASHER-HARD (10.2X18.5X2.5-MM THK)						
	9	1	149-0233	1	PIPE						
	10	1	7N-5080	16	GASKET-MANIFOLD						
	11	1	6V-5504	16	SEAL-O-RING						
	12	1	7N-5085	16	FLANGE						
	13	1	5P-0076	128	BOLT-12 POINT HEAD (3/8-16X1.5-IN)						
	14	1	7N-5079	16	ELBOW						
	15	1	7N-5089	16	GASKET						
	19	1	6V-3917	4	SEAL-O-RING						
	20	1	8T-6765	3	PLUG-PIPE (1/4-18-THD)						
	21	1	4W-0715	1	MANIFOLD-INLET						
	22	1	1A-2029	36	BOLT (3/8-16X1.125-IN)						
	23	1	1W-1251	12	GASKET						
	24	1	162-8864	1	ELBOW-TURBOCHARGER EXHAUST						
	25	1	9X-8874	2	BOLT (1/2-13X3-IN)						
	26	1	5P-8245	2	WASHER-HARD (13.5X25.5X3-MM THK)						
	27	1	140-6458	1	BRACKET						
	28	1	3J-5389	3	PLUG						
	29	1	1W-1250	4	COVER						
	30	1	136-9629	1	PLATE						
	31	1	140-6463	2	BRACKET						
	32	1	3V-3308	4	WASHER-HARD (10.2X20.5X2.5-MM THK)						
	33	1	8M-7145	2	WASHER (10.2X28.5X5-MM THK)						
	34	1	0T-0573	4	BOLT (3/8-16X2.75-IN)						
	35	1	0L-1351	2	BOLT (3/8-16X0.875-IN)						
	36	1	7W-1944	2	RETAINER						
	39	1	0S-1594	4	BOLT (3/8-16X1-IN)						

AIR INLET AND EXHAUST SYSTEM

164-0867 LINES GP-TURBOCHARGER AIR (contd.)

i02211758



GRAPHIC #1

<END>

g01135192

AIR INLET AND EXHAUST SYSTEM

167-1759 MANIFOLD GP-EXHAUST

S/N: 3XS404-407

SMCS - 1059

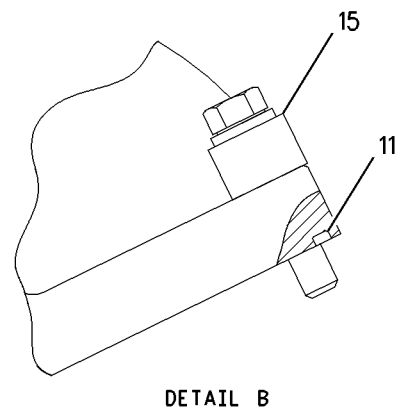
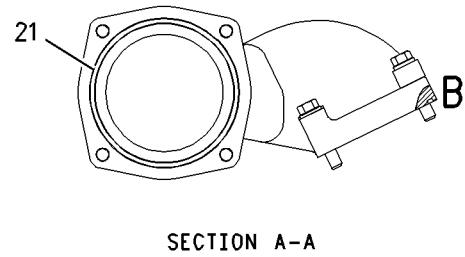
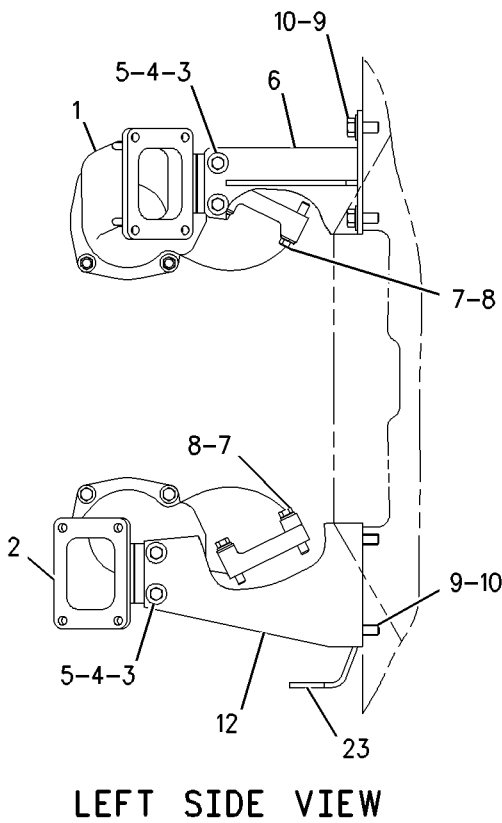
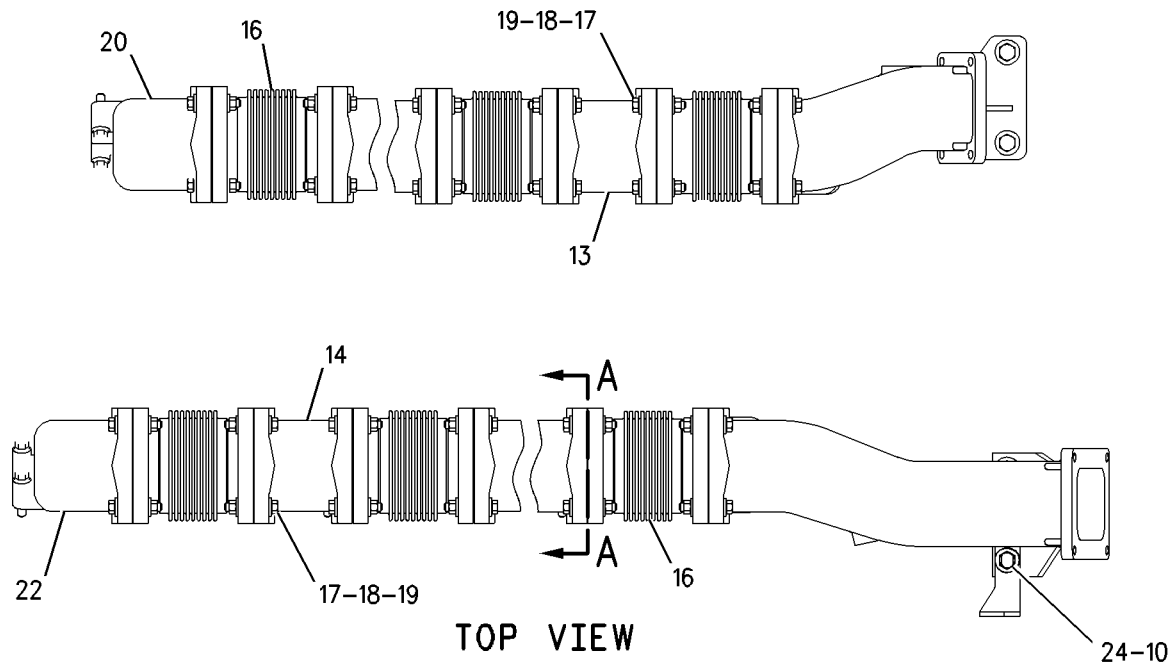
i02767102

NOTE	REF NO	GRAPHIC REF	PART NUMBER	QTY	PART NAME						SEE PAGE
					1	2	3	4	5	6 (PRODUCT LEVEL)	
	1	1	128-9508	1	MANIFOLD-EXHAUST (REAR, RH)						
	2	1	162-8865	1	MANIFOLD-EXHAUST (REAR, LH)						
	3	1	3B-1915	4	BOLT (3/8-16X1.375-IN)						
	4	1	9L-9132	4	WASHER (10.2X25.5X2.5-MM THK)						
	5	1	9S-8752	4	NUT-FULL (3/8-16-THD)						
	6	1	4P-6530	1	BRACKET AS (RH)						
	7	1	9L-7373	64	BOLT-HIGH TEMPERATURE (3/8-16X2-IN)						
	8	1	5M-2894	64	WASHER-HARD (10.2X18.5X2.5-MM THK)						
	9	1	6H-1717	3	BOLT (1/2-13X1.125-IN)						
	10	1	5P-1076	4	WASHER-HARD (13.5X30X4-MM THK)						
	11	1	167-9526	16	SEAL-EXHAUST						
	12	1	163-4270	1	BRACKET AS (LH)						
	13	1	100-3146	6	MANIFOLD-EXHAUST (INTERMEDIATE, RH)						
	14	1	100-3148	6	MANIFOLD-EXHAUST (INTERMEDIATE, LH)						
	15	1	4P-7680	16	SPACER (10.5X22.5X15-MM THK)						
	16	1	166-5942	14	BELLOWS AS						
	17	1	7L-6443	112	BOLT-HIGH TEMPERATURE (3/8-16X2.25-IN)						
	18	1	8C-8491	224	WASHER-HARD (10.2X22X3-MM THK)						
	19	1	3E-6916	112	NUT-FULL (3/8-16-THD)						
	20	1	100-3145	1	MANIFOLD-EXHAUST (FRONT, RH)						
	21	1	167-9527	28	SEAL						
	22	1	100-3147	1	MANIFOLD-EXHAUST (FRONT, LH)						
	23	1	116-9863	1	BRACKET						
	24	1	7B-3235	1	BOLT (1/2-13X1.375-IN)						

AIR INLET AND EXHAUST SYSTEM

167-1759 MANIFOLD GP-EXHAUST (contd.)

i02767102



GRAPHIC #1

<END>

g00704714

AIR INLET AND EXHAUST SYSTEM

167-1759 MANIFOLD GP-EXHAUST

S/N: 3XS408-UP

SMCS - 1059

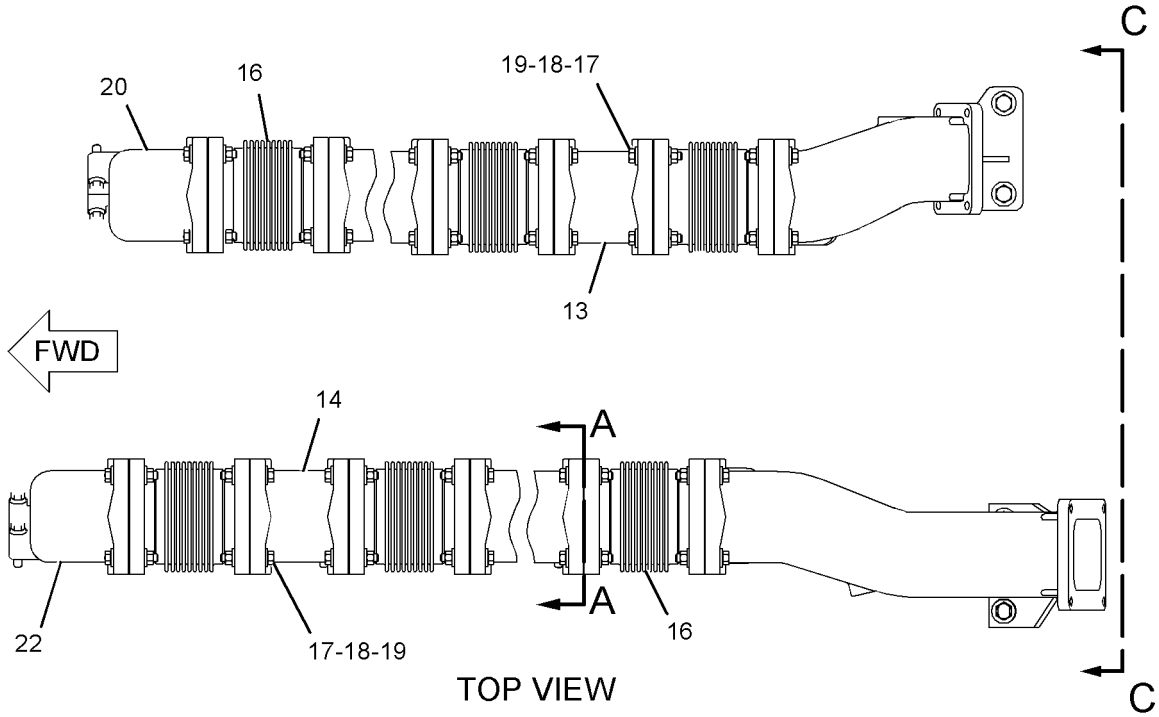
i06141161

NOTE	REF NO	GRAPHIC REF	PART NUMBER	QTY	PART NAME						SEE PAGE
					1	2	3	4	5	6 (PRODUCT LEVEL)	
	1	1	128-9508	1	MANIFOLD-EXHAUST (REAR, RH)						
	2	1	162-8865	1	MANIFOLD-EXHAUST (REAR, LH)						
	3	1	3B-1915	4	BOLT (3/8-16X1.375-IN)						
	4	1	9L-9132	4	WASHER (10.2X25.5X2.5-MM THK)						
	5	1	9S-8752	4	NUT-FULL (3/8-16-THD)						
	6	1	254-3261	1	BRACKET AS (RH) (RH)						
	7	1	9L-7373	64	BOLT-HIGH TEMPERATURE (3/8-16X2-IN)						
	8	1	5M-2894	64	WASHER-HARD (10.2X18.5X2.5-MM THK)						
	9	1	6H-1717	4	BOLT (1/2-13X1.125-IN)						
	10	1	5P-1076	4	WASHER-HARD (13.5X30X4-MM THK)						
	11	1	428-9129	16	GASKET						
	12	1	254-3262	1	BRACKET AS (LH) (LH)						
	13	1	100-3146	6	MANIFOLD-EXHAUST (INTERMEDIATE, RH)						
	14	1	100-3148	6	MANIFOLD-EXHAUST (INTERMEDIATE, LH)						
	15	1	4P-7680	16	SPACER (10.5X22.5X15-MM THK)						
	16	1	207-1364	14	BELLOWS AS						
	17	1	7L-6443	112	BOLT-HIGH TEMPERATURE (3/8-16X2.25-IN)						
	18	1	110-8314	224	WASHER (10.3X18.3X2.66-MM THK)						
	19	1	3E-6916	112	NUT-FULL (3/8-16-THD)						
	20	1	100-3145	1	MANIFOLD-EXHAUST (FRONT, RH)						
	21	1	428-9130	28	GASKET						
	22	1	100-3147	1	MANIFOLD-EXHAUST (FRONT, LH)						

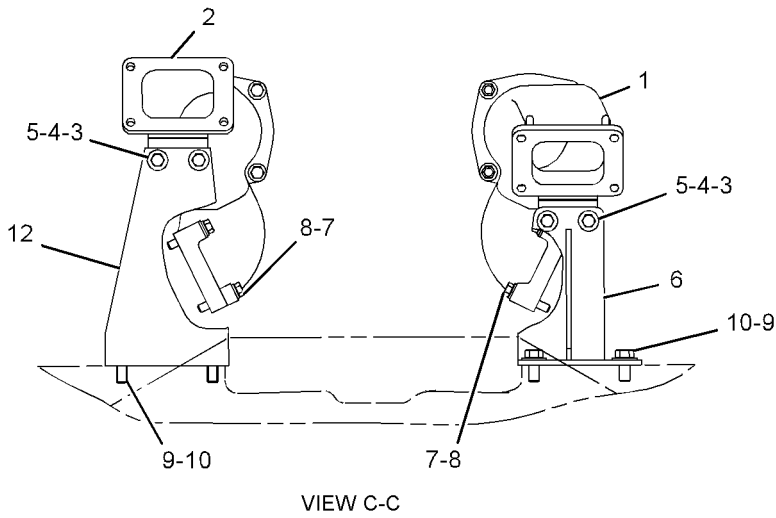
AIR INLET AND EXHAUST SYSTEM

167-1759 MANIFOLD GP-EXHAUST (contd.)

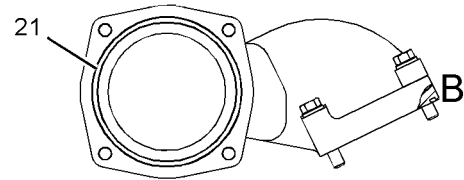
i06141161



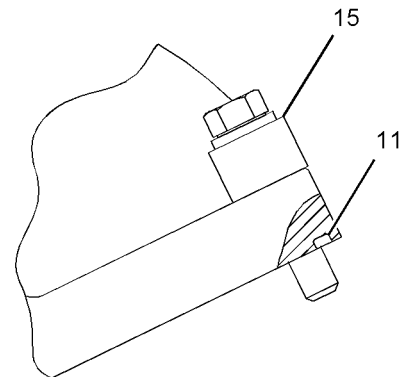
TOP VIEW



VIEW C-C



SECTION A-A



VIEW OF AREA B

GRAPHIC #1

<END>

g01104430

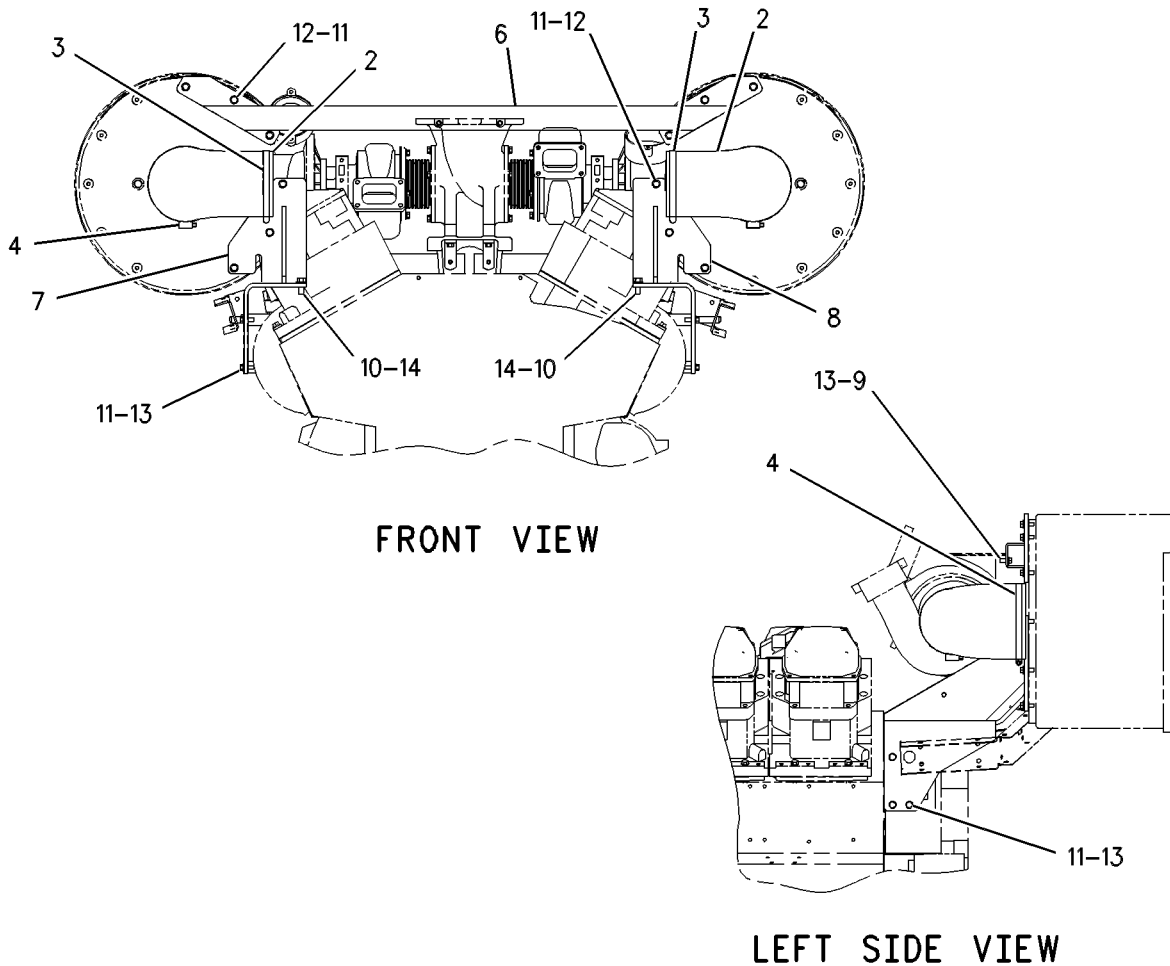
AIR INLET AND EXHAUST SYSTEM

158-6233 MOUNTING GP-AIR CLEANER AN ATTACHMENT

SMCS-1051

i00922630

NOTE	REF NO	GRAPHIC REF	PART NUMBER	QTY	PART NAME						SEE PAGE
					1	2	3	4	5	6 (PRODUCT LEVEL)	
	2	1	4P-5104	2	ELBOW						
	3	1	5P-3860	2	CLAMP-HOSE						
	4	1	5P-4869	2	CLAMP-HOSE						
	6	1	158-6229	1	BRACKET AS						
	7	1	158-6230	1	BRACKET AS						
	8	1	158-6231	1	BRACKET AS						
	9	1	0L-1351	2	BOLT (3/8-16X0.875-IN)						
	10	1	0S-1595	4	BOLT (1/2-13X1.25-IN)						
	11	1	1A-2029	18	BOLT (3/8-16X1.125-IN)						
	12	1	3V-3308	12	WASHER-HARD (10.2X20.5X2.5-MM THK)						
	13	1	5M-2894	8	WASHER-HARD (10.2X18.5X2.5-MM THK)						
	14	1	5P-8245	4	WASHER-HARD (13.5X25.5X3-MM THK)						



GRAPHIC #1

<END>

g00488429

AIR INLET AND EXHAUST SYSTEM

162-7687 MOUNTING GP-AIR CLEANER

AN ATTACHMENT

TYPE 1

SMCS-1051

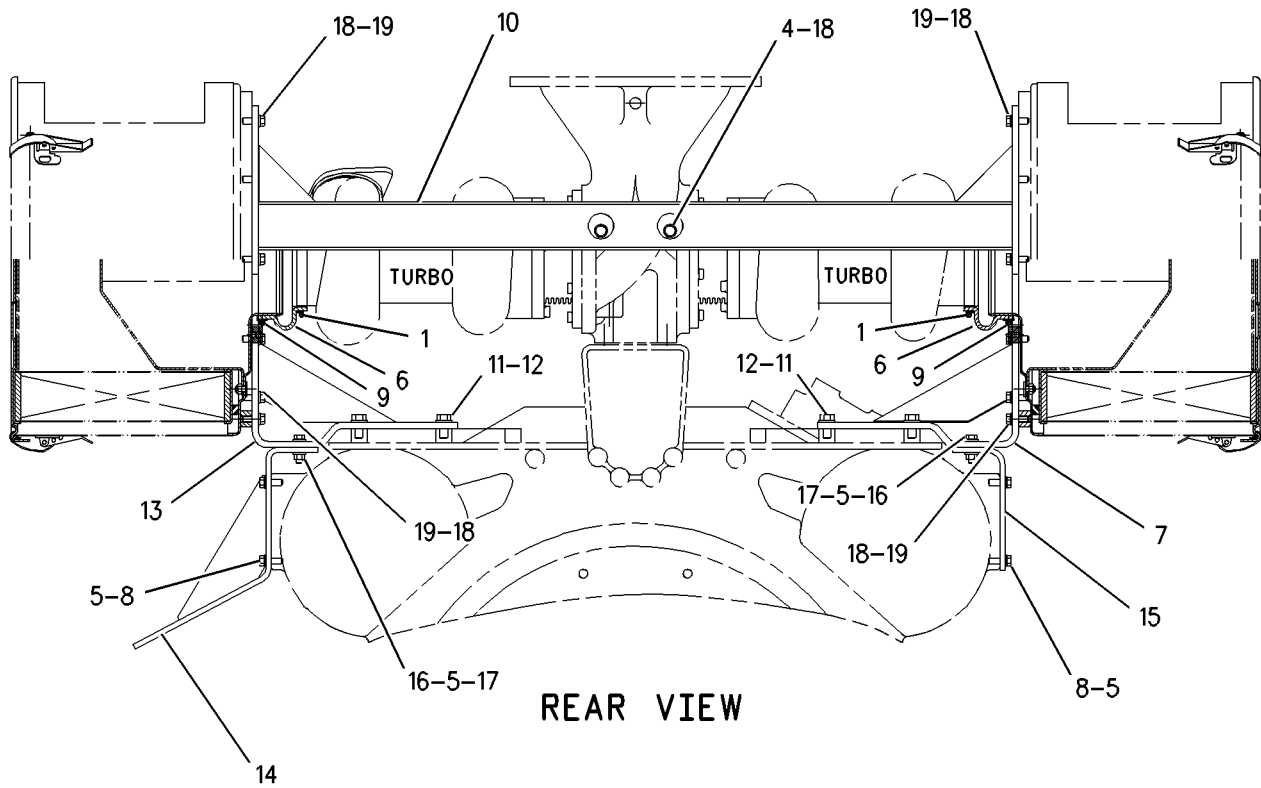
i01444946

NOTE	REF NO	GRAPHIC REF	PART NUMBER	QTY	PART NAME						SEE PAGE
					1	2	3	4	5	6	
	1	1	5P-3860	2	CLAMP-HOSE						
	4	1	0L-1351	2	BOLT (3/8-16X0.875-IN)						
	5	1	5M-2894	15	WASHER-HARD (10.2X18.5X2.5-MM THK)						
	6	1	8N-5254	2	HOSE-REDUCER						
	7	1	152-0467	1	BRACKET AS						
	8	1	1A-2029	7	BOLT (3/8-16X1.125-IN)						
	9	1	5P-4869	2	CLAMP-HOSE						
	10	1	162-7689	1	SUPPORT AS						
	11	1	6H-1717	6	BOLT (1/2-13X1.125-IN)						
	12	1	5P-8245	6	WASHER-HARD (13.5X25.5X3-MM THK)						
	13	1	162-7686	1	BRACKET AS						
	14	1	152-0472	1	BRACKET AS (LOWER LEFT)						
	15	1	152-0469	1	BRACKET (LOWER RIGHT)						
	16	1	0S-1591	4	BOLT (3/8-16X1.5-IN)						
	17	1	9S-8752	4	NUT-FULL (3/8-16-THD)						
	18	1	5M-2894	15	WASHER-HARD (10.2X18.5X2.5-MM THK)						
	19	1	1A-2029	13	BOLT (3/8-16X1.125-IN)						

AIR INLET AND EXHAUST SYSTEM

162-7687 MOUNTING GP-AIR CLEANER (contd.)

i01444946



GRAPHIC #1

<END>

g00757003

AIR INLET AND EXHAUST SYSTEM

162-7687 MOUNTING GP-AIR CLEANER

AN ATTACHMENT

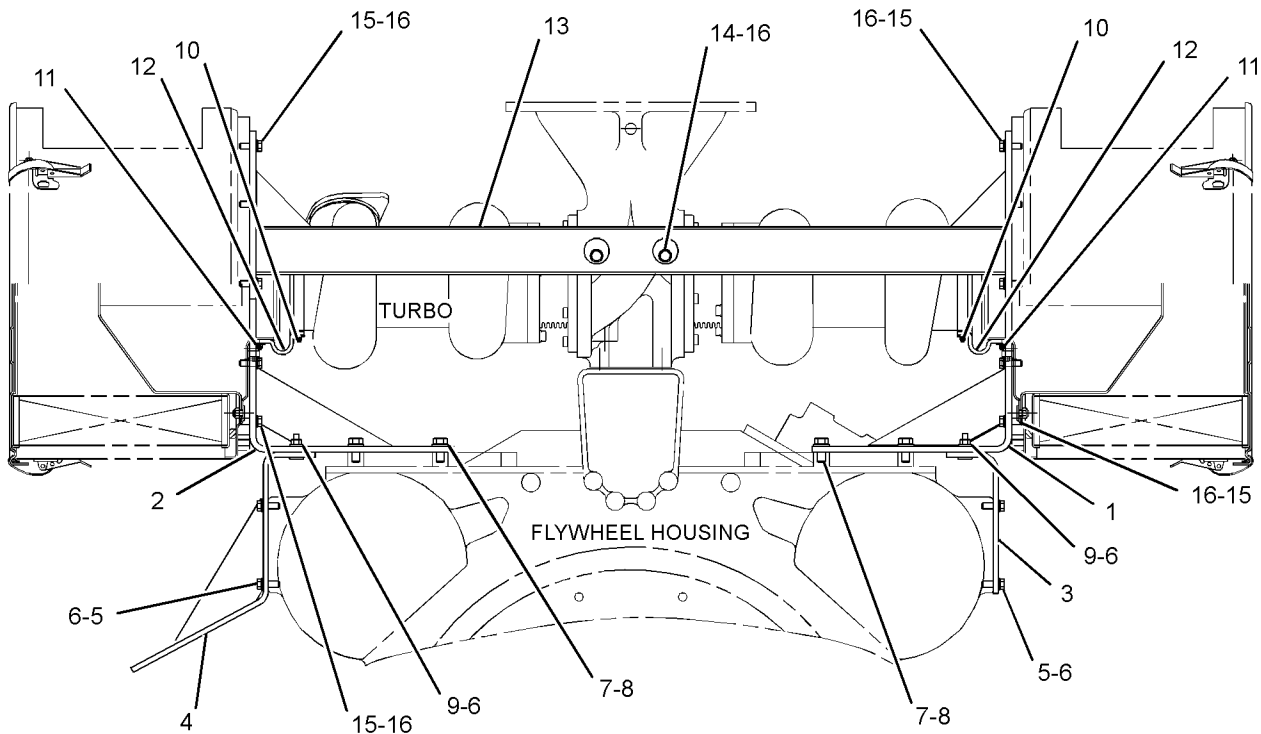
TYPE 2

SMCS-1051

i05667669

NOTE	REF NO	GRAPHIC REF	PART NUMBER	QTY	PART NAME						SEE PAGE
					1	2	3	4	5	6 (PRODUCT LEVEL)	
C	1	1	195-9732	1	BRACKET AS (RH)						
C	2	1	195-9738	1	BRACKET AS (LH)						
C	3	1	195-9745	1	BRACKET AS (RH)						
C	4	1	195-9748	1	BRACKET AS (LH) (LH)						
	5	1	1A-2029	6	BOLT (3/8-16X1.125-IN)						
C	6	1	5M-2894	10	WASHER-HARD (10.2X18.5X2.5-MM THK)						
	7	1	5P-8245	6	WASHER-HARD (13.5X25.5X3-MM THK)						
	8	1	6H-1717	6	BOLT (1/2-13X1.125-IN)						
	9	1	9S-8752	4	NUT-FULL (3/8-16-THD)						
	10	1	5P-3860	2	CLAMP-HOSE						
	11	1	5P-4869	2	CLAMP-HOSE						
	12	1	8N-5254	2	HOSE-REDUCER						
	13	1	162-7689	1	SUPPORT AS						
	14	1	0L-1351	2	BOLT (3/8-16X0.875-IN)						
C	15	1	1A-2029	12	BOLT (3/8-16X1.125-IN)						
C	16	1	5M-2894	14	WASHER-HARD (10.2X18.5X2.5-MM THK)						

C - CHANGE FROM PREVIOUS TYPE



REAR VIEW
OF ENGINE

GRAPHIC #1

<END>

g03594904

AIR INLET AND EXHAUST SYSTEM

178-1623 MOUNTING GP-AIR CLEANER

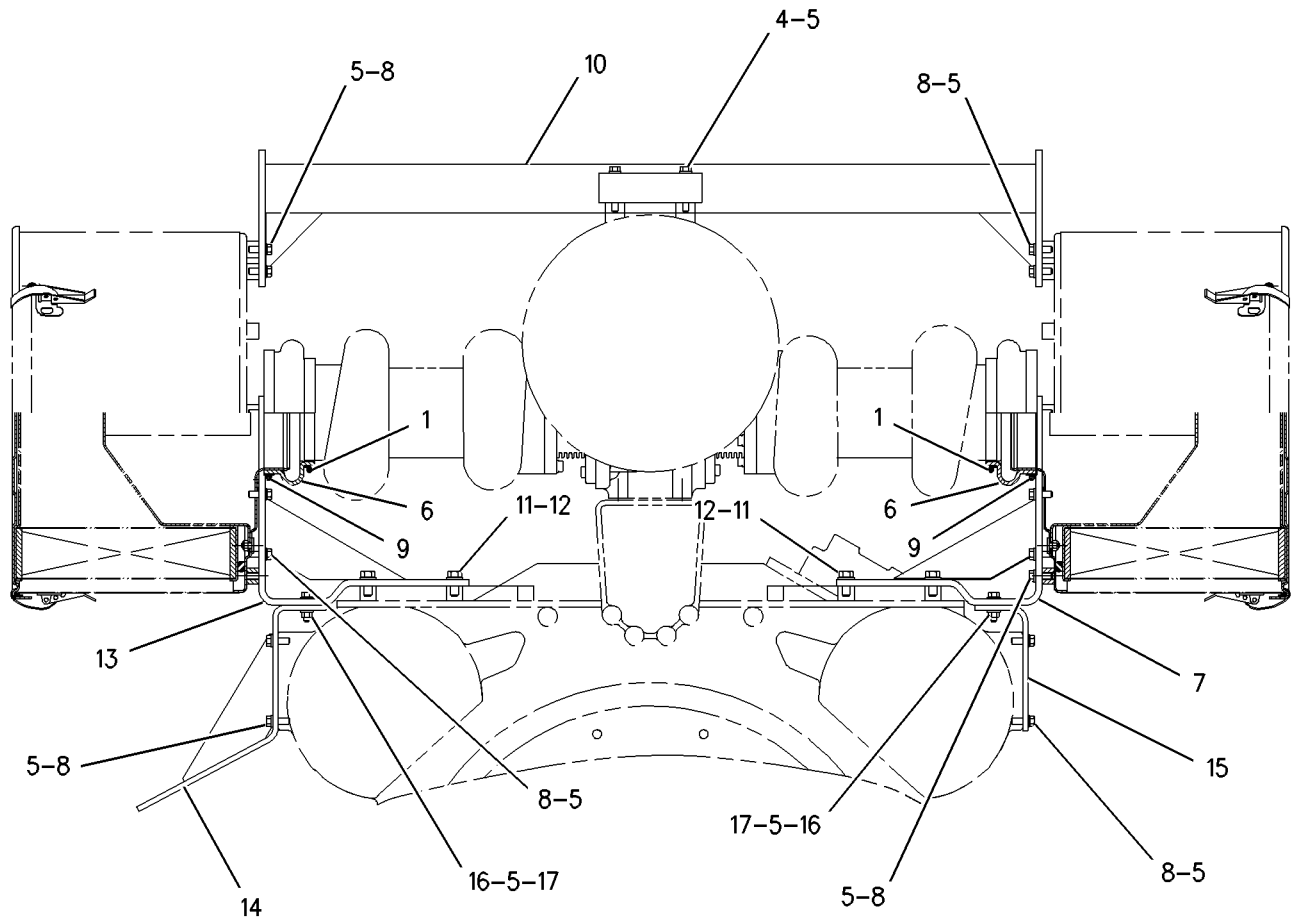
S/N: 3XS1-407

FOR USE WITH HORIZONTAL EXHAUST AND OFFSET TURBOS
AN ATTACHMENT

SMCS-1051

i01270575

NOTE	REF NO	GRAPHIC REF	PART NUMBER	QTY	PART NAME						SEE PAGE
					1	2	3	4	5	6 (PRODUCT LEVEL)	
	1	1	5P-3860	2	CLAMP-HOSE						
	4	1	0L-1143	2	BOLT (3/8-16X2.5-IN)						
	5	1	5M-2894	30	WASHER-HARD (10.2X18.5X2.5-MM THK)						
	6	1	8N-5254	2	HOSE-REDUCER						
	7	1	152-0467	1	BRACKET AS						
	8	1	1A-2029	20	BOLT (3/8-16X1.125-IN)						
	9	1	5P-4869	2	CLAMP-HOSE						
	10	1	178-1624	1	SUPPORT AS						
	11	1	6H-1717	6	BOLT (1/2-13X1.125-IN)						
	12	1	5P-8245	6	WASHER-HARD (13.5X25.5X3-MM THK)						
	13	1	162-7686	1	BRACKET AS						
	14	1	152-0472	1	BRACKET AS						
	15	1	152-0469	1	BRACKET						
	16	1	0S-1591	4	BOLT (3/8-16X1.5-IN)						
	17	1	9S-8752	4	NUT-FULL (3/8-16-THD)						



REAR VIEW

GRAPHIC #1

<END>

g00676359

AIR INLET AND EXHAUST SYSTEM

178-1623 MOUNTING GP-AIR CLEANER

S/N: 3XS408-UP

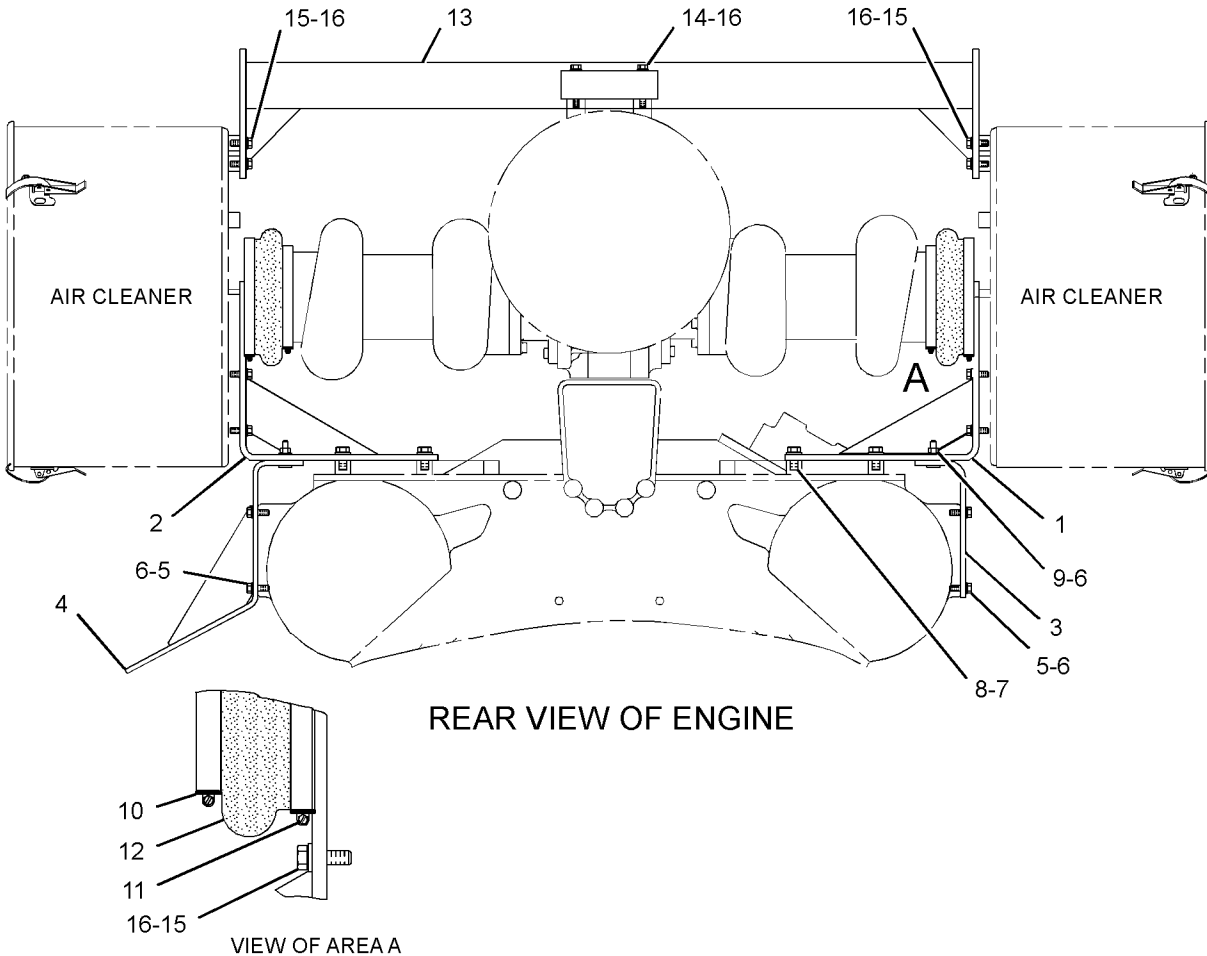
FOR USE WITH HORIZONTAL EXHAUST AND OFFSET TURBOS
AN ATTACHMENT

SMCS-1051

i02425871

NOTE	REF NO	GRAPHIC REF	PART NUMBER	QTY	PART NAME						SEE PAGE
					1	2	3	4	5	6 (PRODUCT LEVEL)	
C	1	1	195-9732	1	BRACKET AS (RH)						
C	2	1	195-9738	1	BRACKET AS (LH)						
C	3	1	195-9745	1	BRACKET AS (RH)						
C	4	1	195-9748	1	BRACKET AS (LH)						
C	5	1	1A-2029	6	BOLT (3/8-16X1.125-IN)						
C	6	1	5M-2894	10	WASHER-HARD (10.2X18.5X2.5-MM THK)						
	7	1	5P-8245	6	WASHER-HARD (13.5X25.5X3-MM THK)						
	8	1	6H-1717	6	BOLT (1/2-13X1.125-IN)						
	9	1	9S-8752	4	NUT-FULL (3/8-16-THD)						
	10	1	5P-3860	2	CLAMP-HOSE						
	11	1	5P-4869	2	CLAMP-HOSE						
	12	1	8N-5254	2	HOSE-REDUCER						
	13	1	178-1624	1	SUPPORT AS						
	14	1	0L-1143	2	BOLT (3/8-16X2.5-IN)						
C	15	1	1A-2029	12	BOLT (3/8-16X1.125-IN)						
C	16	1	5M-2894	14	WASHER-HARD (10.2X18.5X2.5-MM THK)						

C - CHANGE FROM PREVIOUS TYPE



GRAPHIC #1

<END>

g01244409

AIR INLET AND EXHAUST SYSTEM

2W-2680 MOUNTING GP-BELLOWS-FLEXIBLE

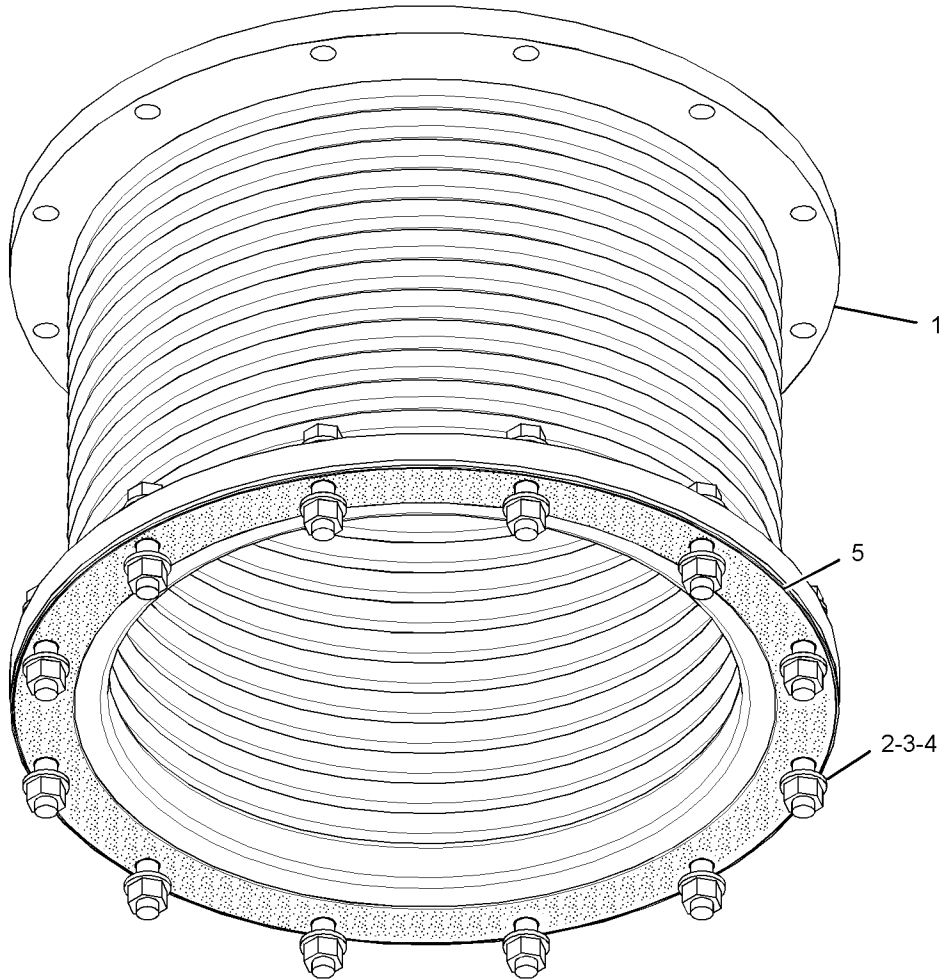
356-MM
AN ATTACHMENT

SMCS-1061

i06987743

NOTE	REF NO	GRAPHIC REF	PART NUMBER	QTY	PART NAME						SEE PAGE
					1	2	3	4	5	6 (PRODUCT LEVEL)	
C	1	1	207-1331	1	BELLOWS AS						
	2	1	9X-8873	12	BOLT (1/2-13X2.25-IN)						
	3	1	5P-8245	24	WASHER-HARD (13.5X25.5X3-MM THK)						
	4	1	1B-5357	12	NUT-FULL (1/2-13-THD)						
	5	1	111-5822	1	GASKET-EXHAUST						

C - CHANGE FROM PREVIOUS TYPE



GRAPHIC #1

<END>

g01800675

AIR INLET AND EXHAUST SYSTEM

110-8066 MUFFLER

406.4-MM ID, M21

AN ATTACHMENT

SMCS-1062

i01130476

NOTE	REF NO	GRAPHIC REF	PART NUMBER	QTY	PART NAME	SEE PAGE
					1 2 3 4 5 6 (PRODUCT LEVEL)	
(NO SERVICED PARTS)						



GRAPHIC #1

<END>

g00598057

AIR INLET AND EXHAUST SYSTEM

141-7048 MUFFLER

355.6-MM ID
AN ATTACHMENT

SMCS-1062

i01979307

NOTE	REF NO	GRAPHIC REF	PART NUMBER	QTY	PART NAME	SEE PAGE
					1 2 3 4 5 6 (PRODUCT LEVEL)	
(NO SERVICED PARTS)						



GRAPHIC #1

<END>

g00646649

AIR INLET AND EXHAUST SYSTEM

2W-4074 MUFFLER

355.6-MM ID
AN ATTACHMENT

SMCS-1062

i01094637

NOTE	REF NO	GRAPHIC REF	PART NUMBER	QTY	PART NAME	SEE PAGE
					1 2 3 4 5 6 (PRODUCT LEVEL)	
(NO SERVICED PARTS)						



GRAPHIC #1

<END>

g00575313

AIR INLET AND EXHAUST SYSTEM

148-6858 SHIELD GP-EXHAUST

AN ATTACHMENT

SMCS-1067

i00948510

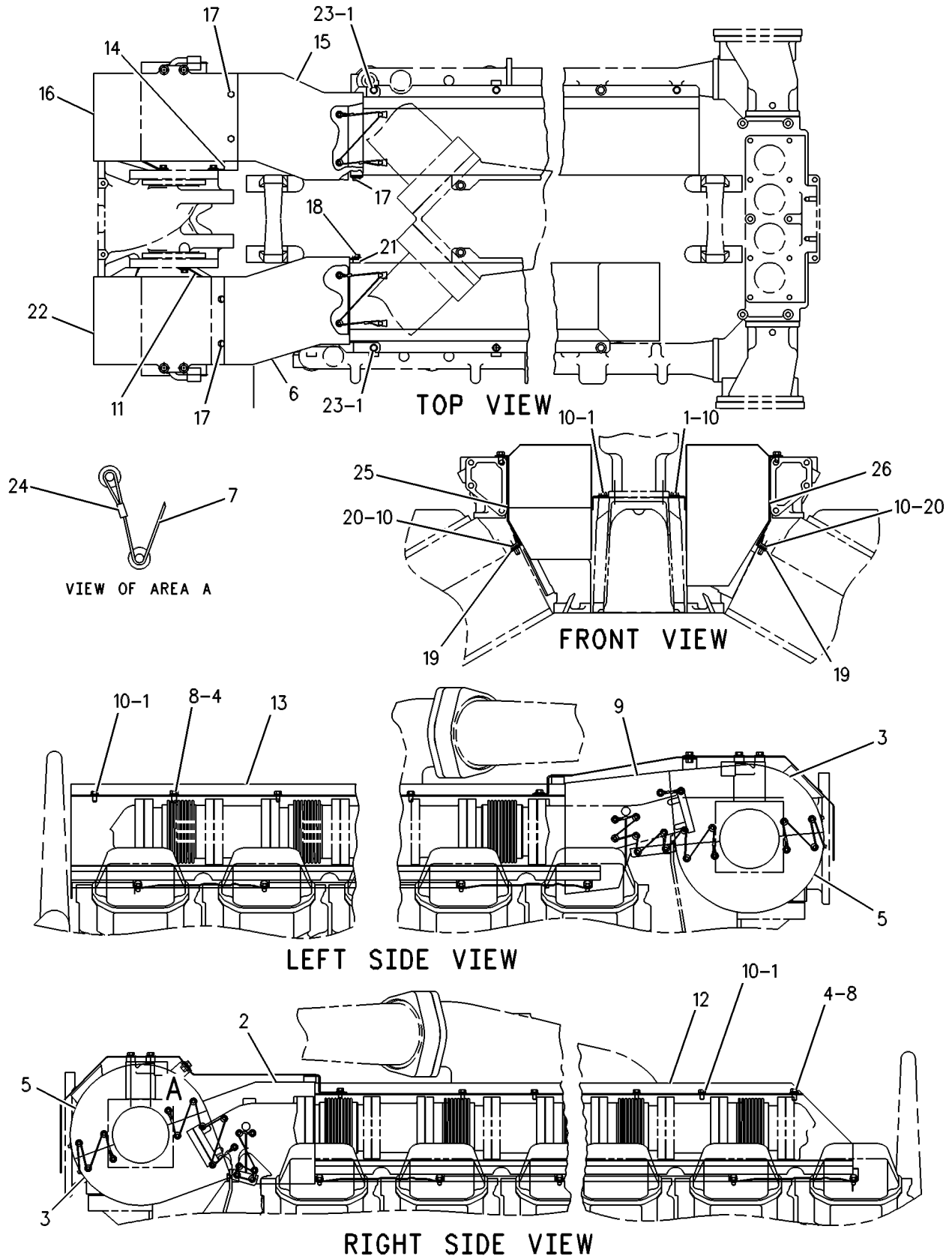
NOTE	REF NO	GRAPHIC REF	PART NUMBER	QTY	PART NAME						SEE PAGE
					1	2	3	4	5	6 (PRODUCT LEVEL)	
	1	1	5P-4116	28	WASHER-HARD (8.8X20.5X2-MM THK)						
	2	1	135-6900	1	SHIELD AS-HEAT (EXHAUST MANIFOLD)						
	3	1	135-6903	2	SHIELD AS-HEAT (TURBOCHARGER)						
	4	1	9X-6458	2	WASHER-HARD (10.2X22.5X3-MM THK)						
	5	1	135-6902	2	SHIELD AS-HEAT (TURBOCHARGER)						
	6	1	140-8938	1	SHIELD AS-HEAT (TURBOCHARGER)						
BE	7	1	140-9638		CABLE-WIRE ROPE						
	8	1	0S-0509	2	BOLT (3/8-16X0.75-IN)						
	9	1	135-6901	1	SHIELD AS-HEAT (EXHAUST MANIFOLD)						
	10	1	2H-3755	42	BOLT (5/16-18X0.43-IN)						
	11	1	149-6514	1	BRACKET AS						
	12	1	136-9631	1	SHIELD AS-MANIFOLD						
	13	1	136-9632	1	SHIELD AS-MANIFOLD						
	14	1	149-6513	1	BRACKET AS						
	15	1	140-8937	1	SHIELD AS-HEAT (TURBOCHARGER)						
	16	1	148-0842	1	SHIELD AS						
	17	1	5P-7924	5	SCREW-WASHER HEAD						
	18	1	3N-1645	1	SCREW-FORMING (5/16-18X1-IN)						
	19	1	7W-7336	8	GUIDE-SHIELD						
	20	1	9M-1974	16	WASHER-HARD (8.8X16X2-MM THK)						
	21	1	6T-5600	1	BOSS						
	22	1	148-0843	1	SHIELD AS						
	23	1	0S-1617	2	BOLT (5/16-18X0.75-IN)						
	24	1	140-8946	30	FERRULE-WIRE						
	25	1	136-9633	1	SHIELD AS-MANIFOLD (OUTER, RH)						
	26	1	136-9634	1	SHIELD AS-MANIFOLD (OUTER, LH)						

B - USE AS REQUIRED
E - ORDER BY THE CENTIMETER

AIR INLET AND EXHAUST SYSTEM

148-6858 SHIELD GP-EXHAUST (contd.)

i00948510



GRAPHIC #1

<END>

g00311654

AIR INLET AND EXHAUST SYSTEM

167-1760 SHIELD GP-EXHAUST

S/N: 3XS404-UP

SMCS-1067

i01223258

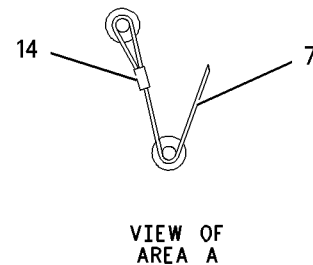
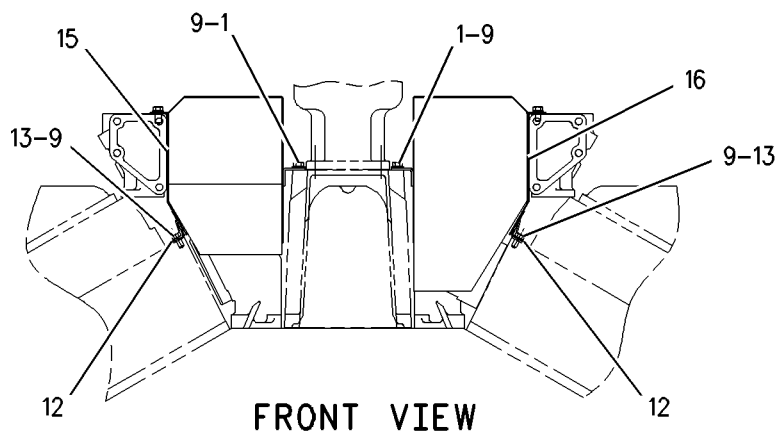
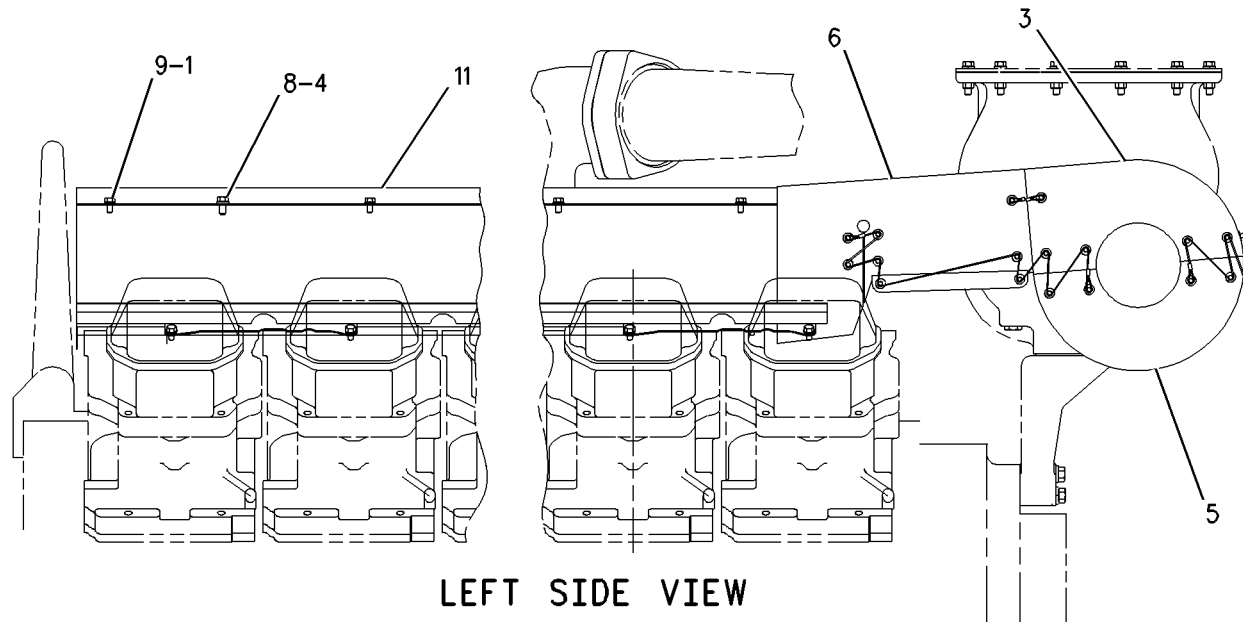
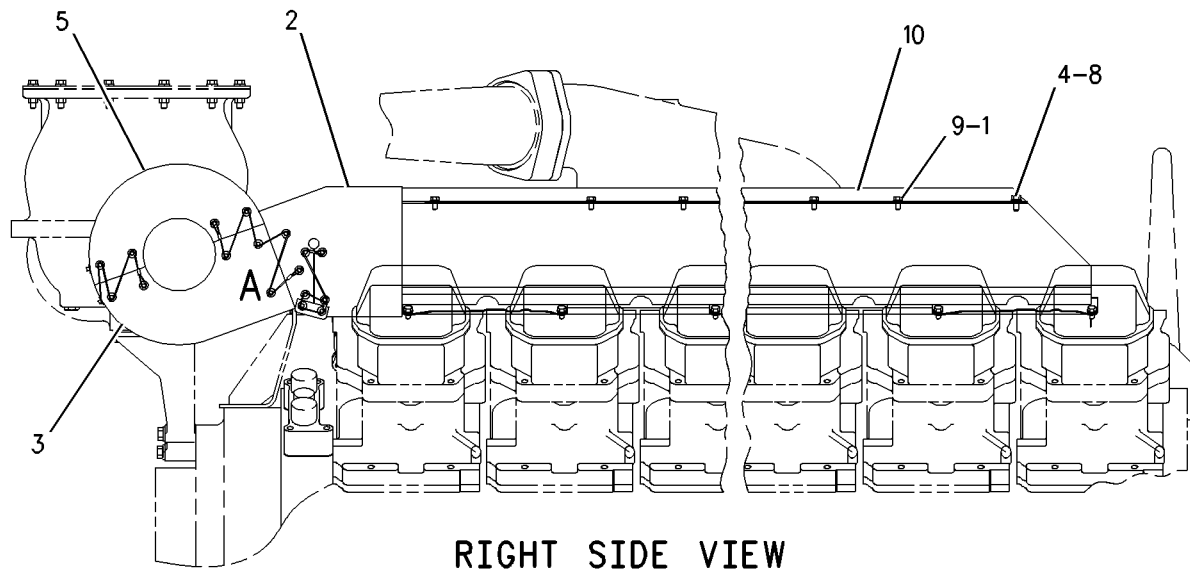
NOTE	REF NO	GRAPHIC REF	PART NUMBER	QTY	PART NAME						SEE PAGE
					1	2	3	4	5	6 (PRODUCT LEVEL)	
	1	1	5P-4116	28	WASHER-HARD (8.8X20.5X2-MM THK)						
	2	1	135-6900	1	SHIELD AS-HEAT (EXHAUST MANIFOLD)						
	3	1	135-6903	2	SHIELD AS-HEAT (TURBOCHARGER)						
	4	1	9X-6458	2	WASHER-HARD (10.2X22.5X3-MM THK)						
	5	1	135-6902	2	SHIELD AS-HEAT (TURBOCHARGER)						
	6	1	166-5938	1	SHIELD AS-MANIFOLD (REAR, LH)						
E	7	1	140-9638		CABLE-WIRE ROPE (550CM)						
	8	1	0S-0509	2	BOLT (3/8-16X0.75-IN)						
	9	1	2H-3755	44	BOLT (5/16-18X0.43-IN)						
	10	1	136-9631	1	SHIELD AS-MANIFOLD (RH)						
		1	6V-5044	1	NUT-WELD (5/16-18-THD)						
	11	1	136-9632	1	SHIELD AS-MANIFOLD (LH)						
		1	6V-5044	1	NUT-WELD (5/16-18-THD)						
	12	1	7W-7336	8	GUIDE-SHIELD						
	13	1	9M-1974	16	WASHER-HARD (8.8X16X2-MM THK)						
	14	1	140-8946	30	FERRULE-WIRE						
	15	1	136-9633	1	SHIELD AS-MANIFOLD (OUTER, RH) (RH)						
	16	1	136-9634	1	SHIELD AS-MANIFOLD (OUTER, LH) (LH)						

E - ORDER BY THE CENTIMETER

AIR INLET AND EXHAUST SYSTEM

167-1760 SHIELD GP-EXHAUST (contd.)

i01223258



GRAPHIC #1

<END>

g00657953

AIR INLET AND EXHAUST SYSTEM

140-7550 SHUTOFF GP-AIR

FOR USE WITH AIR LINES
AN ATTACHMENT

SMCS-1078

i00951366

NOTE	PART NUMBER	QTY	PART NAME						SEE PAGE
			1	2	3	4	5	6 (PRODUCT LEVEL)	
Y	140-7551	1	SHUTOFF GP-AIR						300
Y	7W-6957	1	SOLENOID GP-SHUTOFF						517
Y - SEPARATE ILLUSTRATION									
<END>									

AIR INLET AND EXHAUST SYSTEM

140-7551 SHUTOFF GP-AIR

PART OF 140-7550 SHUTOFF GP-AIR

AN ATTACHMENT

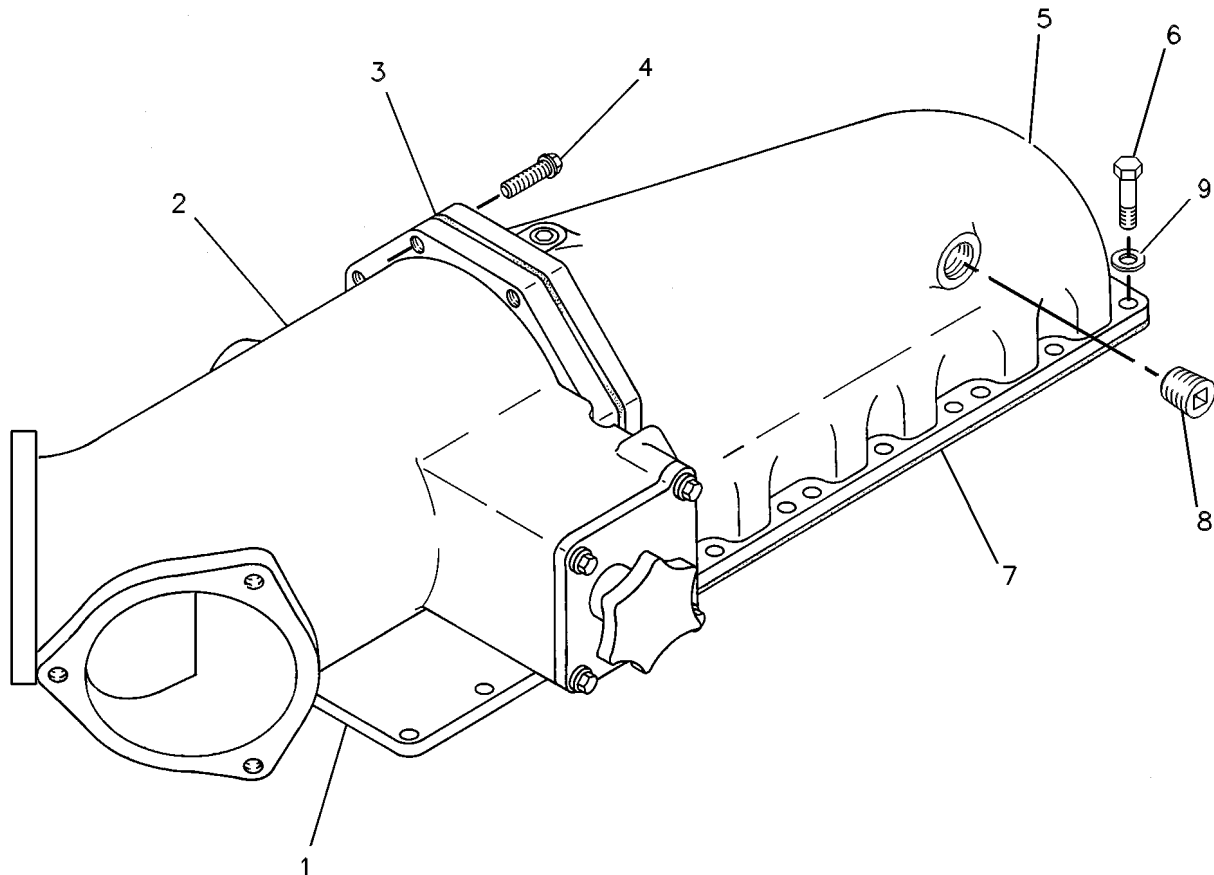
TYPE 1

SMCS-1078

i00946303

NOTE	REF NO	GRAPHIC REF	PART NUMBER	QTY	PART NAME						SEE PAGE
					1	2	3	4	5	6	
	1	1	1W-1250	1	COVER						
Y	2	1	2W-5216	1	SHUTOFF GP-AIR						304
	3	1	1W-7391	1	GASKET						
	4	1	0S-1591	8	BOLT (3/8-16X1.5-IN)						
	5	1	2W-5213	1	HOUSING						
	6	1	0L-2070	18	BOLT (3/8-16X2.25-IN)						
	7	1	1W-1251	4	GASKET						
	8	1	8T-6761	2	PLUG-PIPE (1-11-1/2 NPT THD)						
	9	1	5M-2894	18	WASHER-HARD (10.2X18.5X2.5-MM THK)						

Y - SEPARATE ILLUSTRATION



GRAPHIC #1

<END>

g00277530

AIR INLET AND EXHAUST SYSTEM

140-7551 SHUTOFF GP-AIR

PART OF 140-7550 SHUTOFF GP-AIR

AN ATTACHMENT

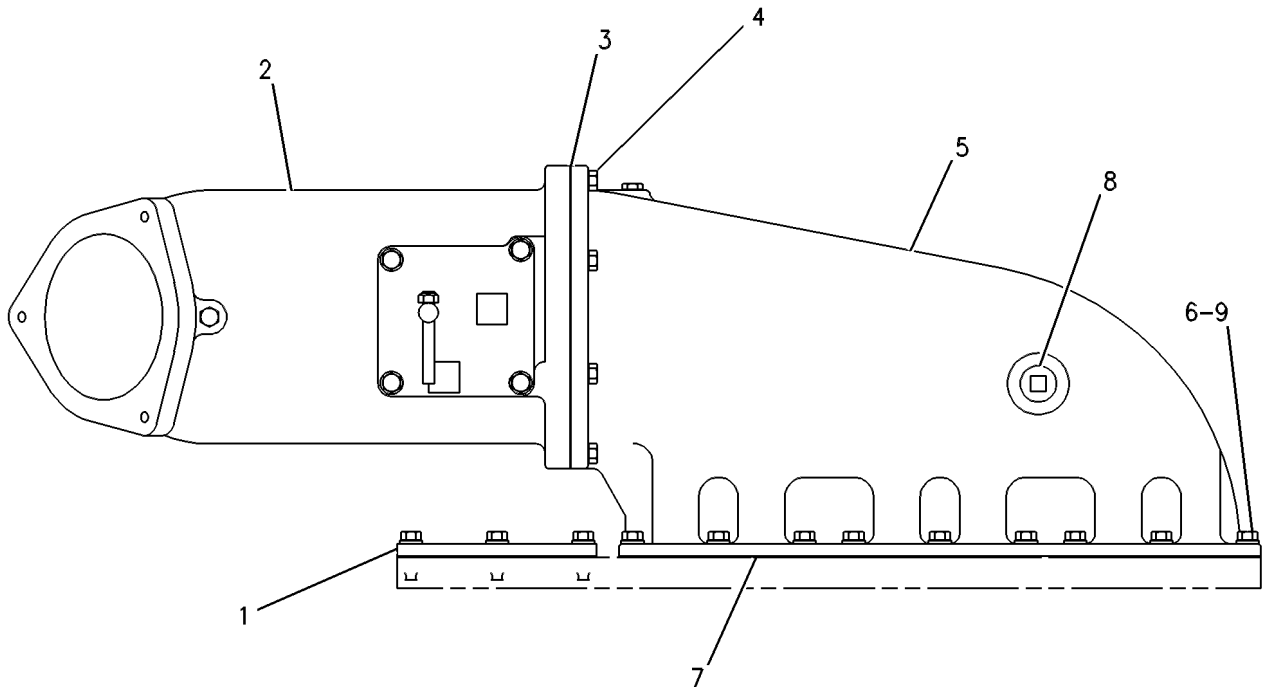
TYPE 2

SMCS-1078

i00951367

NOTE	REF NO	GRAPHIC REF	PART NUMBER	QTY	PART NAME						SEE PAGE
					1	2	3	4	5	6 (PRODUCT LEVEL)	
	1	1	1W-1250	1	COVER						
YC	2	1	144-8275	1	SHUTOFF GP-AIR						302
	3	1	1W-7391	1	GASKET						
	4	1	0S-1591	8	BOLT (3/8-16X1.5-IN)						
	5	1	2W-5213	1	HOUSING						
	6	1	0L-2070	18	BOLT (3/8-16X2.25-IN)						
	7	1	1W-1251	4	GASKET						
	8	1	8T-6761	2	PLUG-PIPE (1-11-1/2 NPT THD)						
	9	1	5M-2894	18	WASHER-HARD (10.2X18.5X2.5-MM THK)						

C - CHANGE FROM PREVIOUS TYPE
Y - SEPARATE ILLUSTRATION



GRAPHIC #1

<END>

g00335380

AIR INLET AND EXHAUST SYSTEM

144-8275 SHUTOFF GP-AIR

PART OF 140-7551 SHUTOFF GP-AIR

AN ATTACHMENT

SMCS-1078

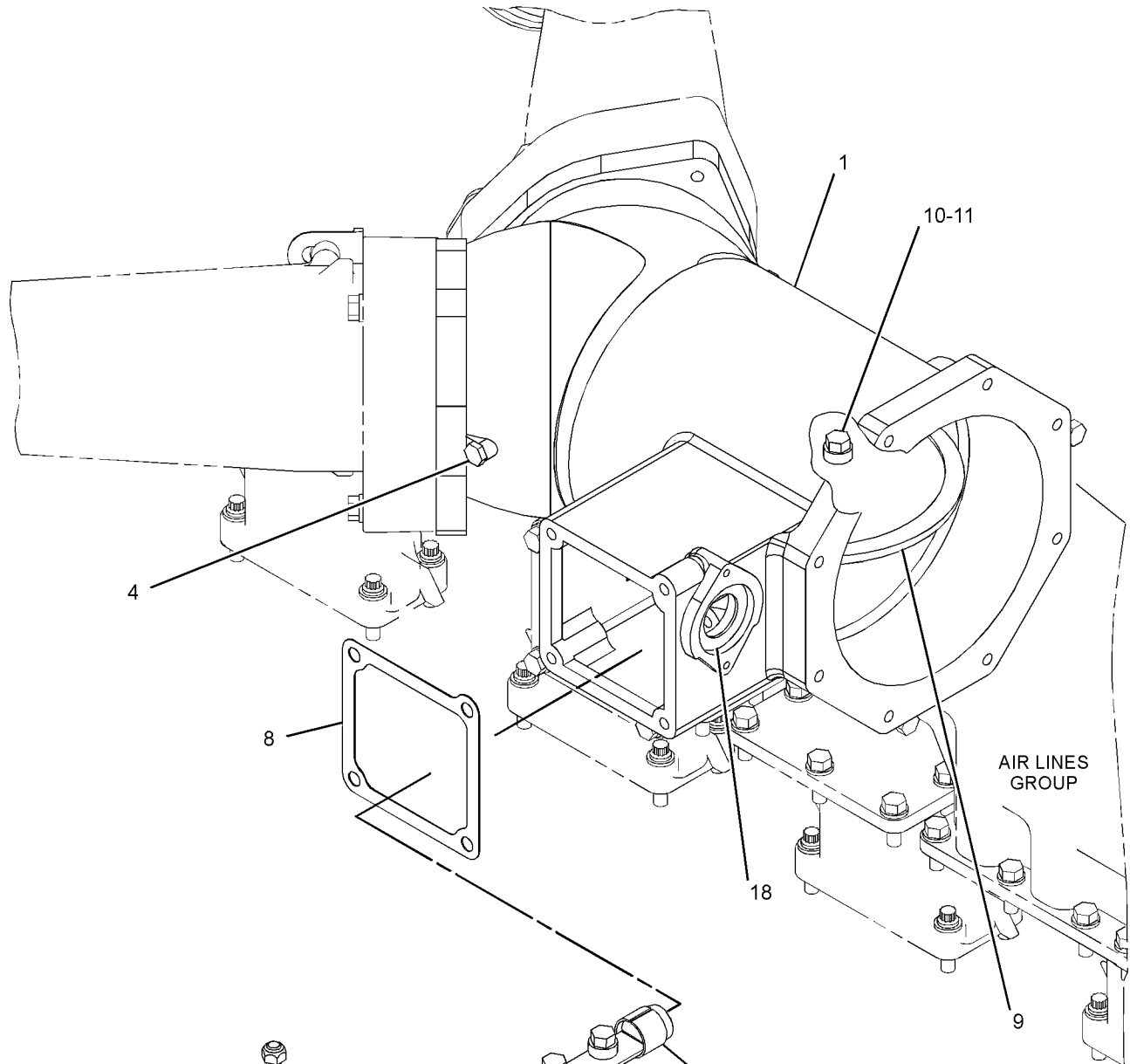
i06013251

NOTE	REF NO	GRAPHIC REF	PART NUMBER	QTY	PART NAME						SEE PAGE
					1	2	3	4	5	6 (PRODUCT LEVEL)	
	1	1	144-8274	1	HOUSING AS						
	1A	1	1W-8975	2	BUSHING-TERMINAL						
		1	3S-8313	1	PLUG-CUP						
		1	9H-0858	1	SEAL-LIP TYPE						
	2	1	4W-7959	1	SPRING						
	3	1	433-3496	1	LEVER AS						
	3A	1	1W-8974	2	BUSHING-TERMINAL						
	4	1	8T-6765	2	PLUG-PIPE (1/4-18-THD)						
	5	1	0S-1588	4	BOLT (3/8-16X1.25-IN)						
	6	1	5C-6819	1	ROD						
	7	1	133-9302	1	COVER AS						
	7A	1	5G-0400	1	BEARING						
		1	5P-6859	1	SEAL-LIP TYPE						
	8	1	1W-8393	1	GASKET						
	9	1	2W-4880	1	PLATE AS						
	10	1	0S-1594	4	BOLT (3/8-16X1-IN)						
	11	1	8D-5898	4	SPACER (0.406X0.75X0.312-IN THK)						
	12	1	5M-2894	4	WASHER-HARD (10.2X18.5X2.5-MM THK)						
	13	1	433-3495	1	SHAFT AS						
		1	1H-9726	1	WASHER (0.656X1.62X0.12-IN)						
		1	4W-1954	1	SPRING						
		1	6N-0265	1	DOWEL						
	14	1	1T-0689	2	WASHER (9.93X22.22X2.54-MM THK)						
	15	1	1W-8378	1	SLEEVE						
	16	1	3H-6624	1	BOLT (3/8-16X3-IN)						
	17	1	2K-4973	1	LOCKNUT (3/8-16-THD)						
	18	1	129-3021	1	RING						

AIR INLET AND EXHAUST SYSTEM

144-8275 SHUTOFF GP-AIR (contd.)

106013251



GRAPHIC #1

<END>

g03410848

AIR INLET AND EXHAUST SYSTEM

2W-5216 SHUTOFF GP-AIR

PART OF 140-7551 SHUTOFF GP-AIR

AN ATTACHMENT

SMCS-1078

i00653123

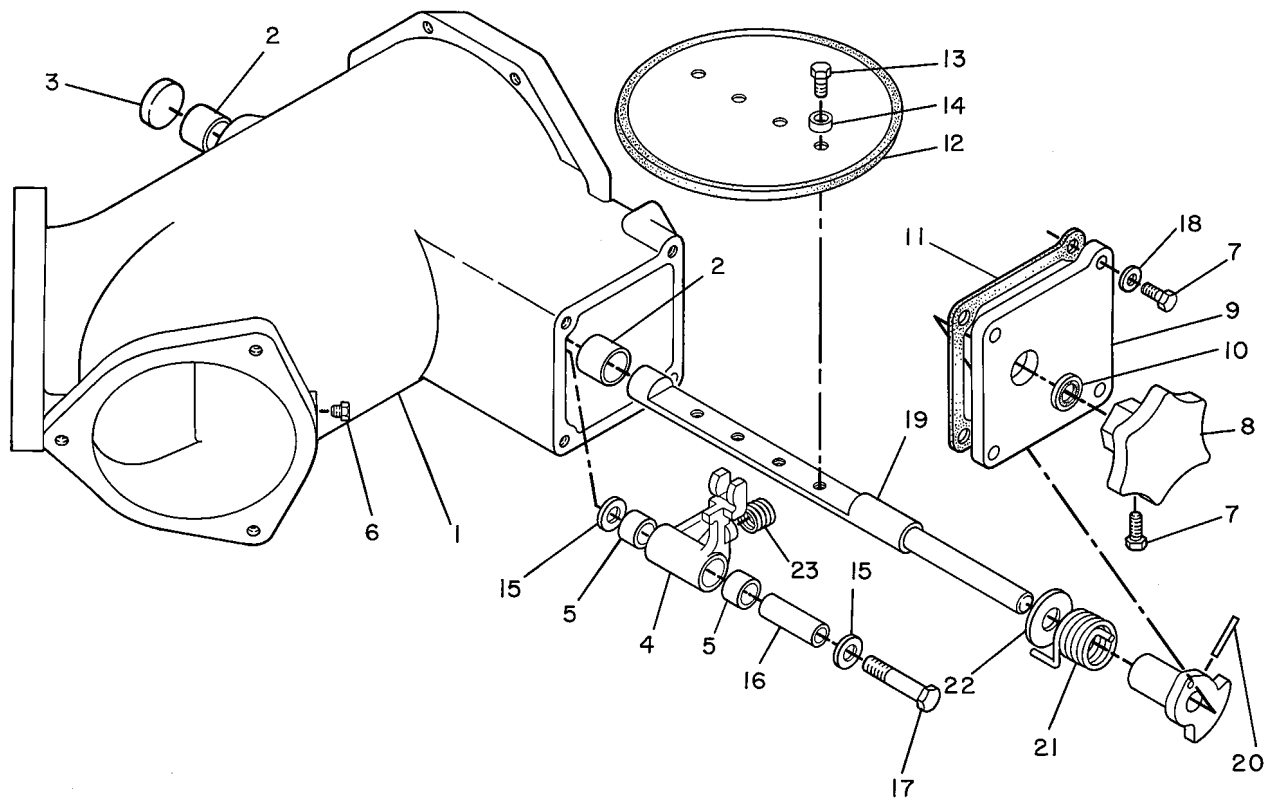
NOTE	REF NO	GRAPHIC REF	PART NUMBER	QTY	PART NAME						SEE PAGE
					1	2	3	4	5	6 (PRODUCT LEVEL)	
	1	1	2W-5215	1	HOUSING AS						
	2	1	1W-8975	2	BUSHING-TERMINAL						
	3	1	3S-8313	1	PLUG-CUP						
C	4	1	7E-2891	1	LEVER AS						
	5	1	1W-8974	2	BUSHING-TERMINAL						
	6	1	5M-6213	2	PLUG-PIPE						
	7	1	0S-1588	5	BOLT (3/8-16X1.25-IN)						
	8	1	2W-5652	1	KNOB						
	9	1	2W-5653	1	COVER AS						
	10	1	5P-6859	1	SEAL-LIP TYPE						
	11	1	1W-8393	1	GASKET						
	12	1	2W-4880	1	PLATE AS						
	13	1	0S-1594	4	BOLT (3/8-16X1-IN)						
	14	1	8D-5898	4	SPACER (0.406X0.75X0.312-IN THK)						
	15	1	1T-0689	2	WASHER (9.93X22.22X2.54-MM THK)						
	16	1	1W-8378	1	SLEEVE						
	17	1	3H-6624	1	BOLT (3/8-16X3-IN)						
	18	1	5M-2894	4	WASHER-HARD (10.2X18.5X2.5-MM THK)						
	19	1	7E-2889	1	SHAFT AS						
	20	1	6N-0265	1	DOWEL						
	21	1	4W-1954	1	SPRING						
	22	1	1H-9726	1	WASHER (0.656X1.62X0.12-IN)						
	23	1	4W-7959	1	SPRING						

C - CHANGE FROM PREVIOUS TYPE

AIR INLET AND EXHAUST SYSTEM

2W-5216 SHUTOFF GP-AIR (contd.)

i00653123



GRAPHIC #1

<END>

g00204083

AIR INLET AND EXHAUST SYSTEM

155-0732 TURBOCHARGER GP

S/N: 3XS1-407

PART OF 167-1762 TURBOCHARGER GP

SMCS-1052, 1053

i03790476

NOTE	PART NUMBER	QTY	PART NAME						SEE PAGE
			1	2	3	4	5	6 (PRODUCT LEVEL)	
	188-8617	8	BOLT-HIGH TEMPERATURE (3/8-16X0.75-IN)						
	125-5375	8	BOLT (3/8-16X1.75-IN)						
	154-1620	1	CARTRIDGE GP-TURBOCHARGER						
	188-8618	2	CLAMP (TURBINE)						
	159-6082	1	COVER-COMPRESSOR						
	155-0729	1	HOUSING (TURBINE)						
	125-5376	4	PLATE-CLAMP (COMPRESSOR)						
	287-7207	1	SEAL-O-RING						
<END>									

AIR INLET AND EXHAUST SYSTEM

167-1762 TURBOCHARGER GP

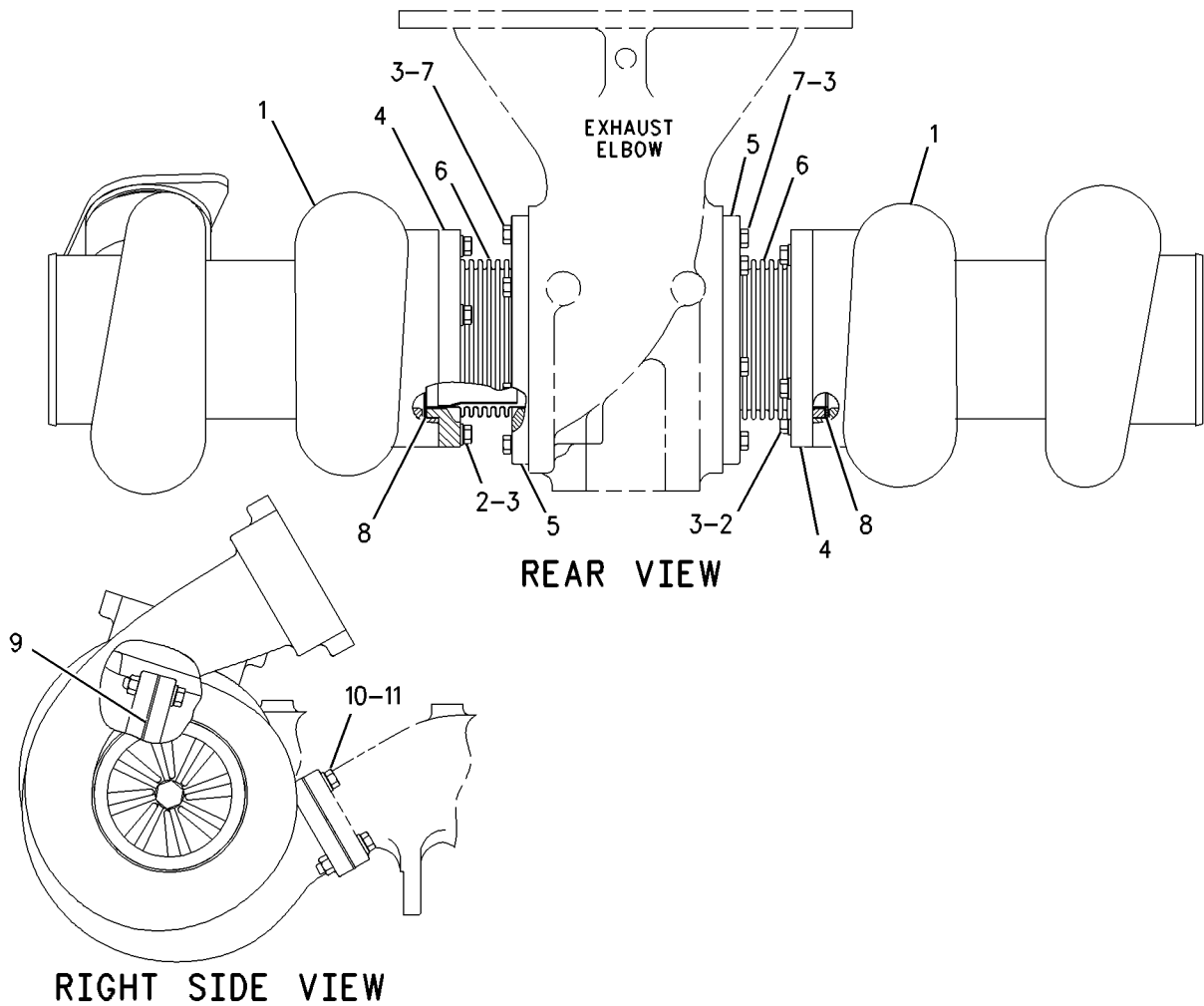
S/N: 3XS1-407

SMCS-1052, 1053

i01223265

NOTE	REF NO	GRAPHIC REF	PART NUMBER	QTY	PART NAME						SEE PAGE
					1	2	3	4	5	6 (PRODUCT LEVEL)	
Y	1	1	155-0732	2	TURBOCHARGER GP						306
	2	1	3B-1915	8	BOLT (3/8-16X1.375-IN)						
	3	1	5M-2894	20	WASHER-HARD (10.2X18.5X2.5-MM THK)						
	4	1	140-6462	4	FLANGE-HALF						
	5	1	162-5722	4	FLANGE-HALF						
	6	1	162-5721	2	BELLOWS AS						
	7	1	1A-2029	12	BOLT (3/8-16X1.125-IN)						
	8	1	140-6461	4	GASKET-EXHAUST						
	9	1	121-5736	2	GASKET (TURBOCHARGER)						
	10	1	2N-2765	8	BOLT-HIGH TEMPERATURE (3/8-16X1.75-IN)						
	11	1	168-7800	8	LOCKNUT (3/8-16-THD)						

Y - SEPARATE ILLUSTRATION



GRAPHIC #1

<END>

g00663935

AIR INLET AND EXHAUST SYSTEM

167-1762 TURBOCHARGER GP

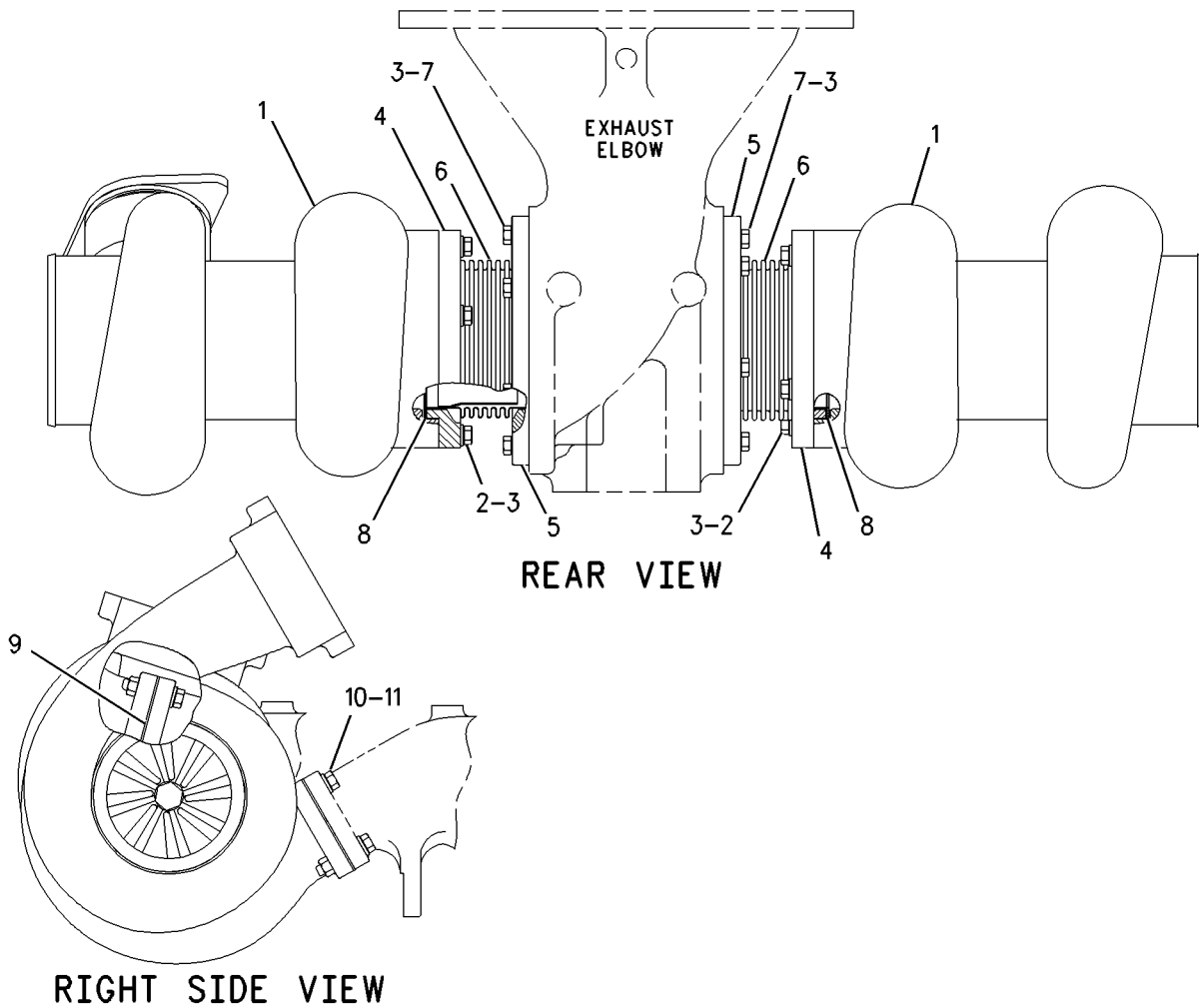
S/N: 3XS408-UP

SMCS-1052, 1053

i01765176

NOTE	REF NO	GRAPHIC REF	PART NUMBER	QTY	PART NAME						SEE PAGE
					1	2	3	4	5	6	
CY	1	1	188-4622	2	TURBOCHARGER GP						309
	2	1	6V-6753	8	BOLT-HIGH TEMPERATURE (3/8-16X1.375-IN)						
	3	1	5M-2894	20	WASHER-HARD (10.2X18.5X2.5-MM THK)						
	4	1	188-0471	4	FLANGE-HALF						
	5	1	188-0475	4	FLANGE-HALF						
	6	1	188-0469	2	BELLOWS AS						
	7	1	6V-1943	12	BOLT-HIGH TEMPERATURE (3/8-16X1.125-IN)						
	8	1	207-1382	4	GASKET-EXHAUST						
	9	1	121-5736	2	GASKET (TURBOCHARGER)						
	10	1	2N-2765	8	BOLT-HIGH TEMPERATURE (3/8-16X1.75-IN)						
	11	1	2N-2766	8	LOCKNUT (3/8-16-THD) (HIGH TEMPERATURE)						

C - CHANGE FROM PREVIOUS TYPE
Y - SEPARATE ILLUSTRATION



GRAPHIC #1

<END>

g00721066

AIR INLET AND EXHAUST SYSTEM

188-4622 TURBOCHARGER GP

S/N: 3XS408-UP

PART OF 167-1762 TURBOCHARGER GP

SMCS-1052, 1053

i03655160

NOTE	PART NUMBER	QTY	PART NAME 1 2 3 4 5 6 (PRODUCT LEVEL)	SEE PAGE
	125-5375	8	BOLT (3/8-16X1.75-IN)	
	188-8617	8	BOLT-HIGH TEMPERATURE (3/8-16X0.75-IN)	
R	180-3943	1	CARTRIDGE GP-TURBOCHARGER	
	188-8618	2	CLAMP (TURBINE)	
	180-3945	1	COVER-COMPRESSOR	
	155-0729	1	HOUSING (TURBINE)	
	125-5376	4	PLATE-CLAMP (COMPRESSOR)	
	287-7207	1	SEAL-O-RING	

R - REMANUFACTURED PART MAY BE AVAILABLE

<END>

AIR INLET AND EXHAUST SYSTEM

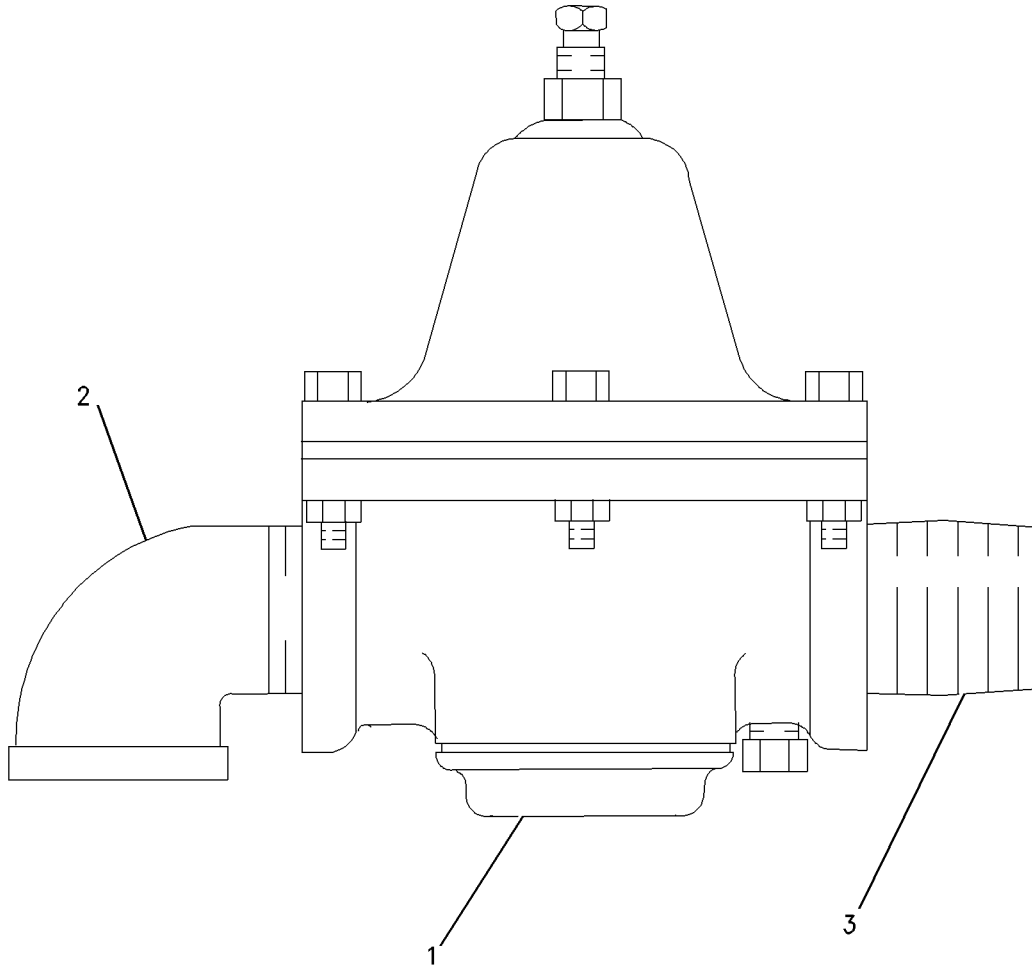
8N-8483 VALVE GP-AIR CONTROL-RH FOR USE WITH AIR START SYSTEM AN ATTACHMENT

SMCS-108A, 1462

i04723930

NOTE	REF NO	GRAPHIC REF	PART NUMBER	QTY	PART NAME						SEE PAGE
					1	2	3	4	5	6 (PRODUCT LEVEL)	
Y	1	1	1L-2073	1	VALVE GP-PRESSURE REDUCING (AIR STARTING)						584
	2	1	5B-7666	1	ELBOW						
	3	1	3L-8993	1	FITTING						

Y - SEPARATE ILLUSTRATION



GRAPHIC #1

<END>

g00637864

FUEL SYSTEM

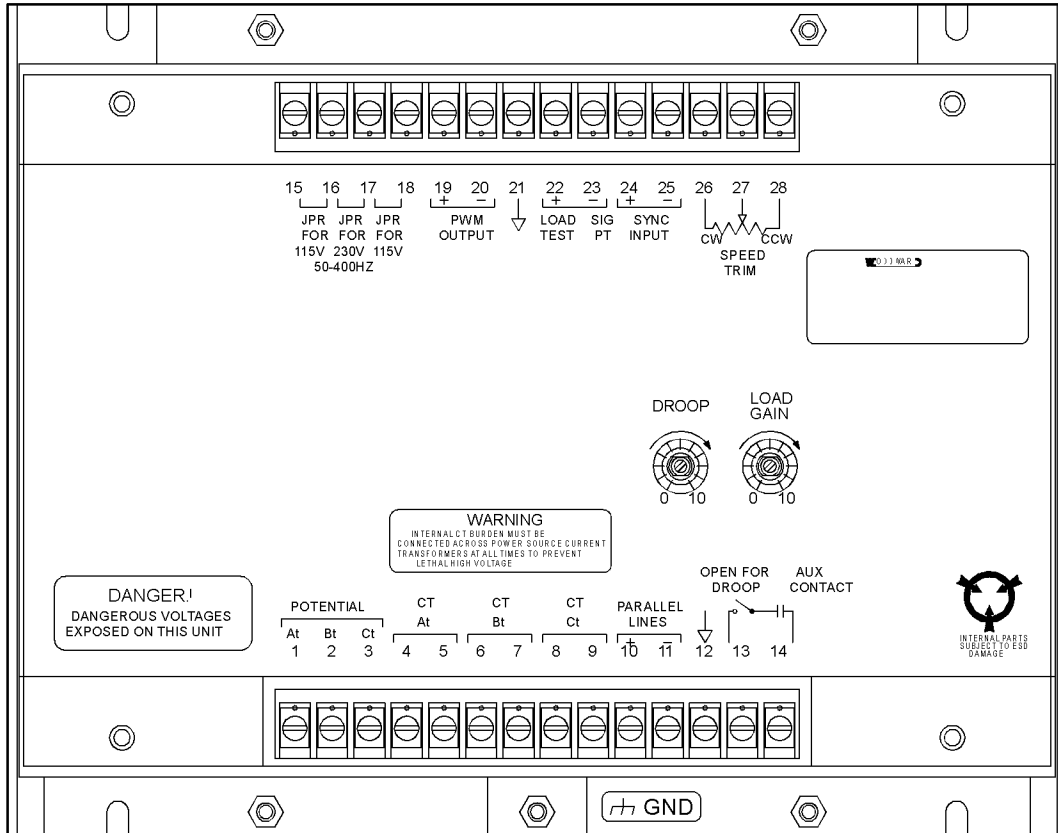
131-5459 CONTROL AS-GOVERNOR-LOAD SHARE AN ATTACHMENT

SMCS-1264

i02664046

NOTE	REF NO	GRAPHIC REF	PART NUMBER	QTY	PART NAME	SEE PAGE
					1 2 3 4 5 6 (PRODUCT LEVEL)	

(NO SERVICED PARTS)



GRAPHIC #1

<END>

g01338794

FUEL SYSTEM

112-4922 FILTER GP-FUEL-RH

S/N: 3XS404-UP

SMCS - 1261

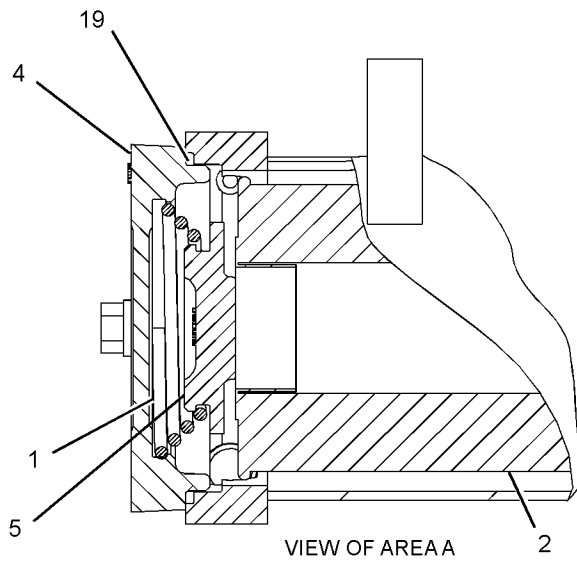
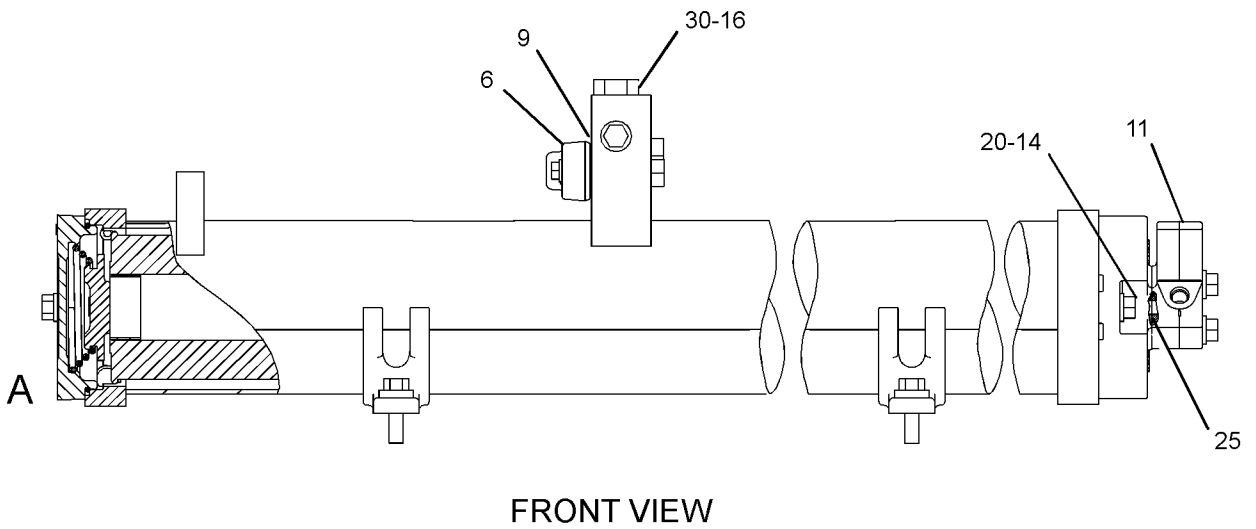
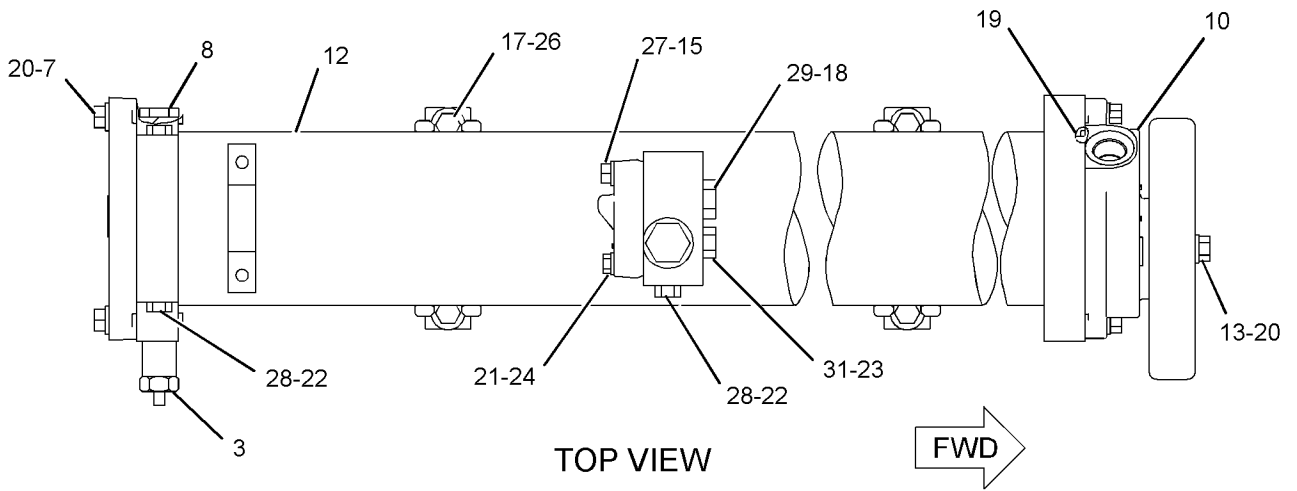
i04724269

NOTE	REF NO	GRAPHIC REF	PART NUMBER	QTY	PART NAME						SEE PAGE
					1	2	3	4	5	6 (PRODUCT LEVEL)	
	1	1	1N-2895	1	SPRING						
	2	1	1R-0756	5	FILTER ELEMENT-FUEL (ADVANCED EFFICIENCY)						
	3	1	2S-5100	1	VALVE-MANUAL						
	4	1	2W-9300	1	COVER-FILTER HOUSING						
	5	1	6I-3754	1	RETAINER-FILTER						
	6	1	6N-4414	1	COVER-FILTER BASE						
	7	1	7F-0192	2	BOLT (3/8-16X2-IN)						
	8	1	8T-6766	1	PLUG-PIPE						
	9	1	9Y-8389	1	GASKET (PRIMING PUMP/COVER)						
	10	1	267-9690	1	COVER-FUEL FILTER HOUSING						
	11	1	111-5055	1	BLOCK-SENSOR MOUNTING						
	12	1	278-1776	1	HOUSING AS-FUEL FILTER						
	13	1	0L-2070	2	BOLT (3/8-16X2.25-IN)						
	14	1	0S-1588	2	BOLT (3/8-16X1.25-IN)						
	15	1	1B-7182	1	BOLT (5/16-18X1.25-IN)						
	16	1	6V-4589	1	SEAL-O-RING						
	17	1	3B-1915	10	BOLT (3/8-16X1.375-IN)						
	18	1	8L-2786	1	SEAL-O-RING						
	19	1	5D-5957	2	SEAL-O-RING						
	20	1	5M-2894	6	WASHER-HARD (10.2X18.5X2.5-MM THK)						
	21	1	5P-0537	1	WASHER-HARD (7.2X14.5X2-MM THK)						
	22	1	6V-5048	3	SEAL-O-RING						
	23	1	6V-5049	1	SEAL-O-RING						
	24	1	7B-2742	1	BOLT (1/4-20X1.25-IN)						
	25	1	8L-2746	2	SEAL-O-RING						
	26	1	8M-9024	8	WASHER-HARD (10.2X22.5X5-MM THK)						
	27	1	9M-1974	1	WASHER-HARD (8.8X16X2-MM THK)						
	28	1	9S-4182	3	PLUG (7/16-20-THD)						
	29	1	9S-4185	1	PLUG (3/4-16-THD)						
	30	1	9S-4190	1	PLUG-O-RING (7/8-14-THD)						
	31	1	9S-4191	1	PLUG (9/16-18-THD)						

FUEL SYSTEM

112-4922 FILTER GP-FUEL (contd.)

i04724269



GRAPHIC #1

<END>

g01154875

FUEL SYSTEM

115-7842 FILTER GP-FUEL-LH AN ATTACHMENT

SMCS-1261

i04407197

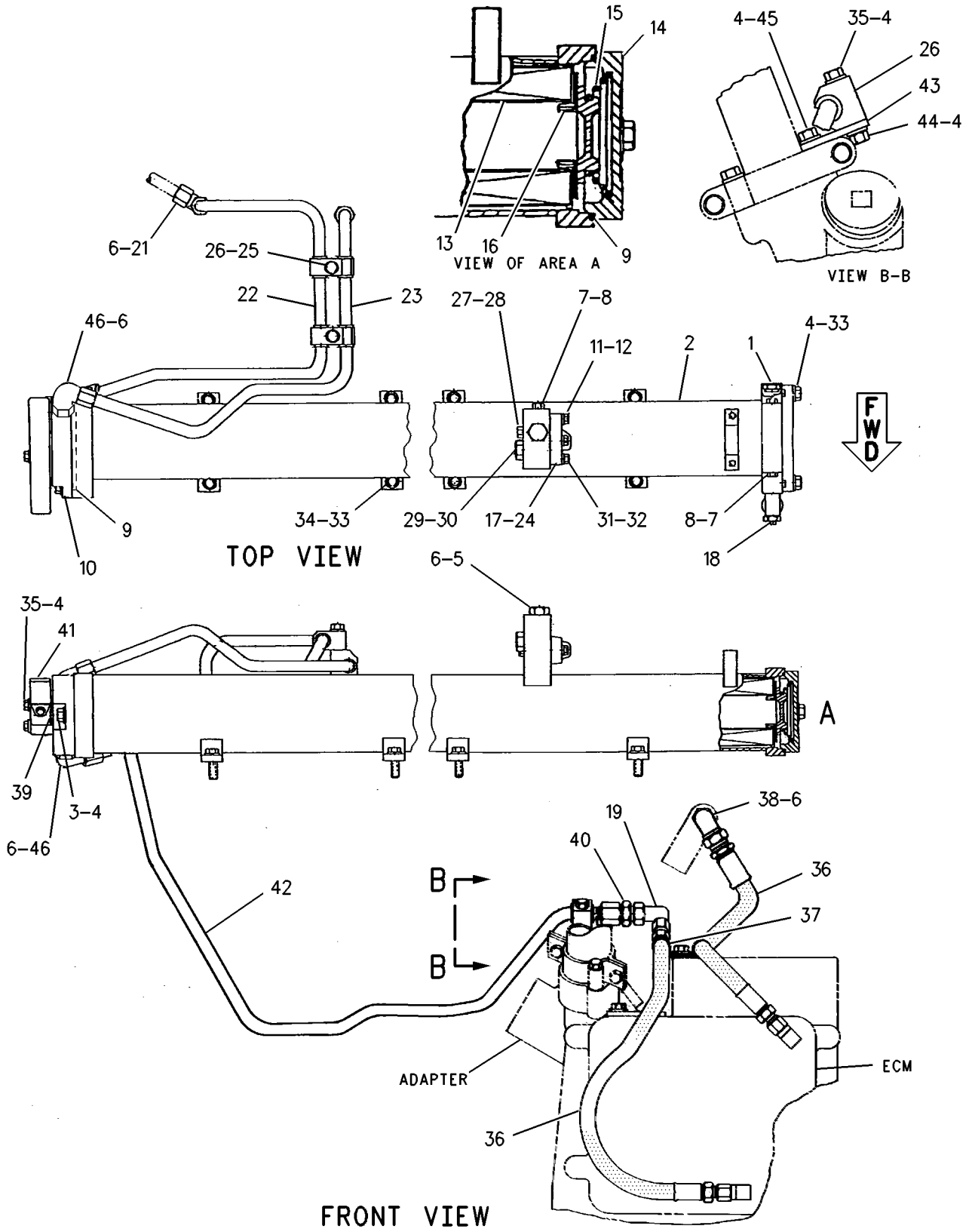
NOTE	REF NO	GRAPHIC REF	PART NUMBER	QTY	PART NAME						SEE PAGE
					1	2	3	4	5	6	
	1	1	8T-6766	1	PLUG-PIPE						
	2	1	169-8612	1	HOUSING AS						
	3	1	0S-1588	2	BOLT (3/8-16X1.25-IN)						
	4	1	5M-2894	7	WASHER-HARD (10.2X18.5X2.5-MM THK)						
	5	1	9S-4190	1	PLUG-O-RING (7/8-14-THD)						
	6	1	2M-9780	5	SEAL-O-RING						
	7	1	9S-4182	3	PLUG (7/16-20-THD)						
	8	1	6V-5048	3	SEAL-O-RING						
	9	1	5D-5957	2	SEAL-O-RING						
	10	1	111-5054	1	COVER-FUEL FILTER HOUSING						
	11	1	7B-2742	1	BOLT (1/4-20X1.25-IN)						
	12	1	5P-0537	1	WASHER-HARD (7.2X14.5X2-MM THK)						
	13	1	1R-0756	5	FILTER ELEMENT-FUEL (ADVANCED EFFICIENCY)						
	14	1	2W-9300	1	COVER-FILTER HOUSING						
	15	1	1N-2895	1	SPRING						
	16	1	6I-3754	1	RETAINER-FILTER						
	17	1	9Y-8389	1	GASKET (PRIMING PUMP/COVER)						
	18	1	2S-5100	1	VALVE-MANUAL						
	19	1	8M-0547	1	ELBOW-FLARED (SWIVEL)						
	21	1	031-4136	1	TEE-FLARED						
	22	1	1W-7548	1	TUBE AS						
	23	1	8N-6297	1	TUBE AS						
	24	1	6N-4414	1	COVER-FILTER BASE						
	25	1	0S-1608	2	BOLT (3/8-16X3.75-IN)						
	26	1	4P-0692	6	CLAMP AS						
					(EACH INCLUDES)						
		1	108-1434	1	GROMMET						
	27	1	9S-4191	1	PLUG (9/16-18-THD)						
	28	1	6V-5049	1	SEAL-O-RING						
	29	1	3K-0360	1	SEAL-O-RING						
	30	1	9S-4185	1	PLUG (3/4-16-THD)						
	31	1	1B-2790	1	BOLT (5/16-18X1.375-IN)						
	32	1	9M-1974	1	WASHER-HARD (8.8X16X2-MM THK)						
	33	1	3B-1915	10	BOLT (3/8-16X1.375-IN)						
	34	1	8M-9024	8	WASHER-HARD (10.2X22.5X5-MM THK)						
	35	1	0L-2070	3	BOLT (3/8-16X2.25-IN)						
I	36	1	2V-8571	2	HOSE AS						
	37	1	5P-4295	1	CLIP						
	38	1	005-4173	1	ELBOW						
	39	1	8L-2746	2	SEAL-O-RING						
	40	1	030-7982	1	UNION-FLARED						
	41	1	111-5055	1	BLOCK-SENSOR MOUNTING (FUEL PRESSURE)						
	42	1	112-5672	1	TUBE AS						
	43	1	120-4351	1	PLATE						
	44	1	9S-8752	1	NUT-FULL (3/8-16-THD)						
	45	1	1B-7182	1	BOLT (5/16-18X1.25-IN)						
	46	1	030-7949	2	ELBOW						

I - REFER TO HYDRAULIC INFORMATION SYSTEM

FUEL SYSTEM

115-7842 FILTER GP-FUEL (contd.)

i04407197



GRAPHIC #1

<END>

g00994918

FUEL SYSTEM

121-0470 FILTER GP-FUEL-DUPLEX

**CANNOT BE USED WITH ENGINE MOUNTED FANS OR WHEN FAN IS IN CLOSE PROXIMITY TO FUEL FILTER
AN ATTACHMENT**

SMCS-1261

i05354769

NOTE	REF NO	GRAPHIC REF	PART NUMBER	QTY	PART NAME						SEE PAGE
					1	2	3	4	5	6 (PRODUCT LEVEL)	
	1	1	1B-2790	2	BOLT (5/16-18X1.375-IN)						
	2	1	9M-1974	1	WASHER-HARD (8.8X16X2-MM THK)						
	3	1	6N-4414	1	COVER-FILTER BASE						
	4	1	0S-1590	4	BOLT (3/8-16X2-IN)						
	5	1	5M-2894	10	WASHER-HARD (10.2X18.5X2.5-MM THK)						
	6	1	9S-4182	7	PLUG (7/16-20-THD)						
	7	1	2W-9300	2	COVER-FILTER HOUSING						
	8	1	7B-2742	1	BOLT (1/4-20X1.25-IN)						
	9	1	5P-0537	1	WASHER-HARD (7.2X14.5X2-MM THK)						
	10	1	9S-4190	1	PLUG-O-RING (7/8-14-THD)						
	11	1	6V-4589	8	SEAL-O-RING						
	12	1	9Y-8389	1	GASKET (FUEL FILTER)						
	13	1	9S-4185	1	PLUG (3/4-16-THD)						
	14	1	3K-0360	1	SEAL-O-RING						
	15	1	9S-4191	1	PLUG (9/16-18-THD)						
	16	1	6V-5049	1	SEAL-O-RING						
	17	1	6V-5048	9	SEAL-O-RING						
	18	1	2W-6288	1	COVER-FILTER HOUSING						
	19	1	030-7949	3	ELBOW						
	20	1	121-0474	1	TUBE AS						
	21	1	005-4173	1	ELBOW						
	22	1	3B-1915	8	BOLT (3/8-16X1.375-IN)						
	23	1	8M-9024	8	WASHER-HARD (10.2X22.5X5-MM THK)						
	24	1	6I-3752	1	HOUSING AS-FUEL						
	25	1	0S-1588	4	BOLT (3/8-16X1.25-IN)						
	26	1	6M-7476	1	ELBOW						
	27	1	6I-3751	1	HOUSING AS-FUEL FILTER						
	28	1	0S-1591	2	BOLT (3/8-16X1.5-IN)						
	29	1	9S-8752	2	NUT-FULL (3/8-16-THD)						
	30	1	2W-6290	1	TUBE AS						
	31	1	0S-1594	2	BOLT (3/8-16X1-IN)						
	32	1	4W-4444	1	ADAPTER-VALVE						
	33	1	2W-6286	1	VALVE AS-CONTROL (DUPLEX FUEL FILTER)						
		1	6I-0325	1	HANDLE						
	34	1	061-8639	1	SEAL-O-RING						
	35	1	9S-7381	4	BOLT-SOCKET HEAD (5/16-18X2-IN)						
	36	1	2S-5100	2	VALVE-MANUAL (FUEL DRAIN)						
	37	1	7D-4903	2	ADAPTER						
	38	1	030-7946	1	ELBOW						
	39	1	121-0475	1	TUBE AS						
	40	1	8T-6766	1	PLUG-PIPE						
	41	1	1P-3861	1	CONNECTOR						
	42	1	2W-6672	1	VALVE AS						
	43	1	003-8581	1	TEE-UNION						
	44	1	2W-6667	1	TUBE AS						
	45	1	121-0476	1	TUBE AS						

FUEL SYSTEM

121-0470 **FILTER GP-FUEL** (contd.)

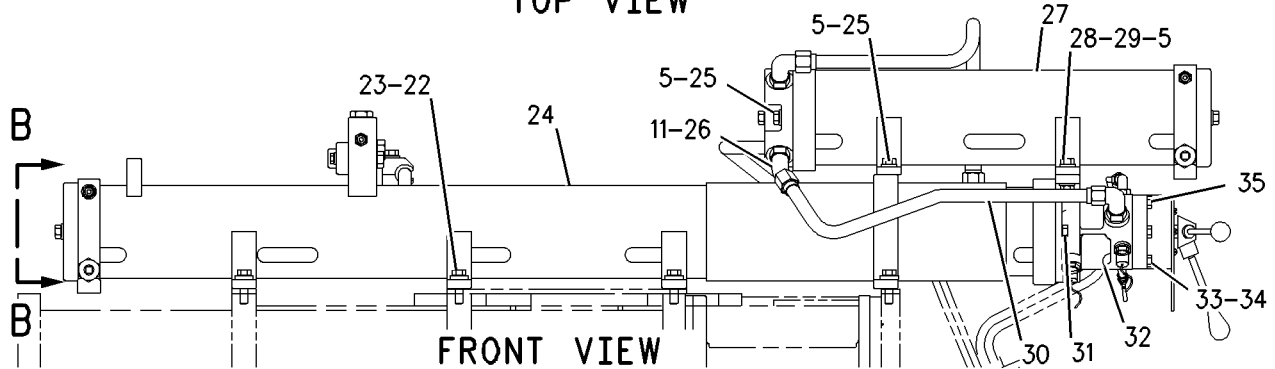
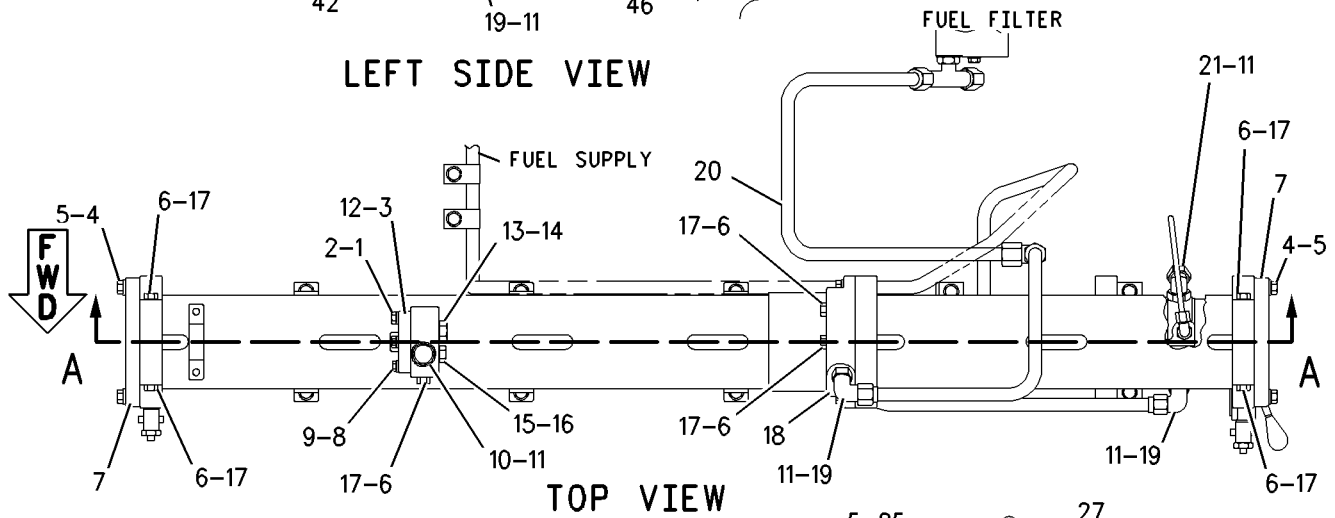
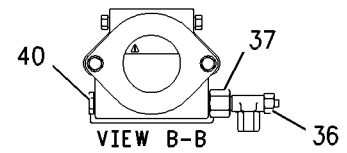
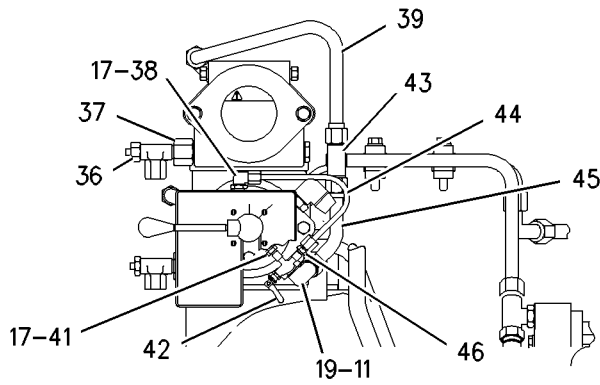
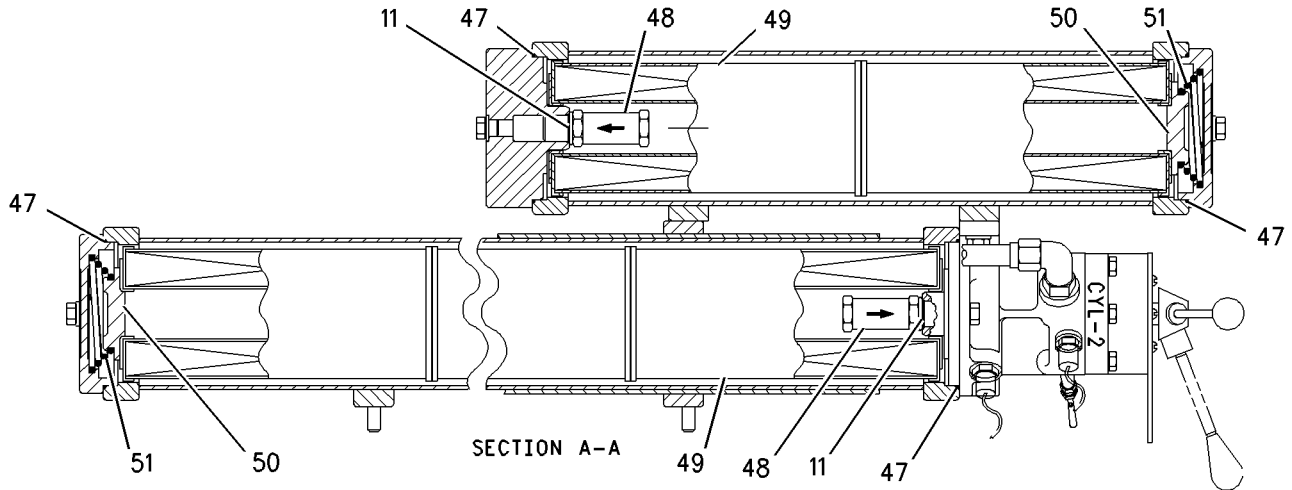
i05354769

NOTE	REF NO	GRAPHIC REF	PART NUMBER	QTY	PART NAME						SEE PAGE
					1	2	3	4	5	6 (PRODUCT LEVEL)	
	46	1	8L-6557	1	CONNECTOR						
	47	1	5D-5957	4	SEAL-O-RING						
	48	1	2W-6287	2	VALVE AS-CHECK						
	49	1	1R-0756	7	FILTER ELEMENT-FUEL (ADVANCED EFFICIENCY)						
	50	1	6I-3754	2	RETAINER-FILTER						
	51	1	1N-2895	2	SPRING						

FUEL SYSTEM

121-0470 FILTER GP-FUEL (contd.)

i05354769



GRAPHIC #1

<END>

g00995097

FUEL SYSTEM

121-0470 FILTER GP-FUEL-DUPLEX

S/N: 3XS1-407

CANNOT BE USED WITH ENGINE MOUNTED FANS OR WHEN FAN IS IN CLOSE PROXIMITY TO FUEL FILTER AN ATTACHMENT

SMCS-1261

i05354788

NOTE	REF NO	GRAPHIC REF	PART NUMBER	QTY	PART NAME						SEE PAGE
					1	2	3	4	5	6 (PRODUCT LEVEL)	
	1	1	1B-2790	2	BOLT (5/16-18X1.375-IN)						
	2	1	9M-1974	1	WASHER-HARD (8.8X16X2-MM THK)						
	3	1	6N-4414	1	COVER-FILTER BASE						
C	5	1	5M-2894	16	WASHER-HARD (10.2X18.5X2.5-MM THK)						
	6	1	9S-4182	7	PLUG (7/16-20-THD)						
	7	1	2W-9300	2	COVER-FILTER HOUSING						
	8	1	7B-2742	1	BOLT (1/4-20X1.25-IN)						
	9	1	5P-0537	1	WASHER-HARD (7.2X14.5X2-MM THK)						
	10	1	9S-4190	1	PLUG-O-RING (7/8-14-THD)						
	11	1	6V-4589	8	SEAL-O-RING						
	12	1	9Y-8389	1	GASKET (PRIMING PUMP/COVER)						
	13	1	9S-4185	1	PLUG (3/4-16-THD)						
	14	1	3K-0360	1	SEAL-O-RING						
	15	1	9S-4191	1	PLUG (9/16-18-THD)						
	16	1	6V-5049	1	SEAL-O-RING						
	17	1	6V-5048	9	SEAL-O-RING						
	18	1	2W-6288	1	COVER-FILTER HOUSING						
	19	1	030-7949	3	ELBOW						
	20	1	121-0474	1	TUBE AS						
	21	1	005-4173	1	ELBOW						
	22	1	3B-1915	12	BOLT (3/8-16X1.375-IN)						
	23	1	8M-9024	8	WASHER-HARD (10.2X22.5X5-MM THK)						
	24	1	169-8614	1	HOUSING AS						
C	25	1	0S-1588	5	BOLT (3/8-16X1.25-IN)						
	26	1	6M-7476	1	ELBOW						
	27	1	169-8613	1	HOUSING AS (AUXILIARY FUEL FILTER)						
C	28	1	0S-1591	1	BOLT (3/8-16X1.5-IN)						
C	29	1	9S-8752	4	NUT-FULL (3/8-16-THD)						
	30	1	2W-6290	1	TUBE AS						
	31	1	0S-1594	2	BOLT (3/8-16X1-IN)						
	32	1	4W-4444	1	ADAPTER-VALVE						
	33	1	2W-6286	1	VALVE AS-CONTROL (DUPLEX FUEL FILTER)						
		1	6I-0325	1	HANDLE						
	34	1	061-8639	1	SEAL-O-RING						
	35	1	9S-7381	4	BOLT-SOCKET HEAD (5/16-18X2-IN)						
	36	1	2S-5100	2	VALVE-MANUAL (FUEL DRAIN)						
	37	1	7D-4903	2	ADAPTER						
	38	1	030-7946	1	ELBOW						
	39	1	121-0475	1	TUBE AS						
	41	1	1P-3861	1	CONNECTOR						
	42	1	2W-6672	1	VALVE AS (FUEL)						
	43	1	003-8581	1	TEE-UNION						
	44	1	2W-6667	1	TUBE AS						
	45	1	121-0476	1	TUBE AS						
	46	1	8L-6557	1	CONNECTOR						
	47	1	5D-5957	4	SEAL-O-RING						

FUEL SYSTEM

121-0470 **FILTER GP-FUEL** (contd.)

i05354788

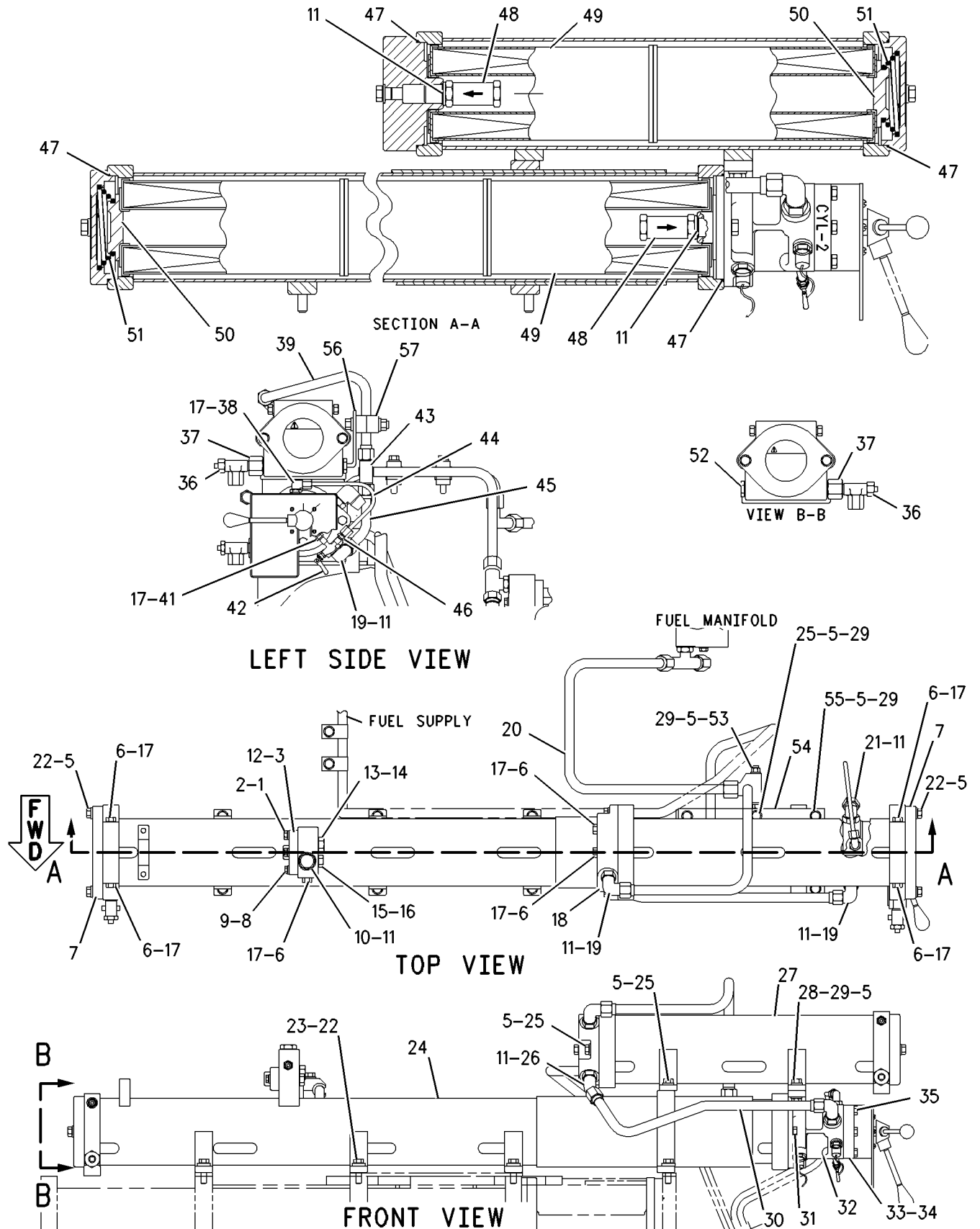
NOTE	REF	GRAPHIC	PART NUMBER	QTY	PART NAME						SEE PAGE
	NO	REF			1	2	3	4	5	6 (PRODUCT LEVEL)	
	48	1	2W-6287	2	VALVE AS-CHECK (FUEL)						
	49	1	1R-0756	7	FILTER ELEMENT-FUEL (ADVANCED EFFICIENCY)						
	50	1	6I-3754	2	RETAINER-FILTER						
	51	1	1N-2895	2	SPRING						
	52	1	8T-6766	2	PLUG-PIPE						
C	53	1	0L-1143	1	BOLT (3/8-16X2.5-IN)						
C	54	1	179-1517	1	BRACKET						
C	55	1	0S-1571	1	BOLT (3/8-16X1.75-IN)						
C	56	1	179-1516	1	BRACKET						
C	57	1	4P-0692	2	CLAMP AS						
					(EACH INCLUDES)						
		1	108-1434	1	GROMMET						

C - CHANGE FROM PREVIOUS TYPE

FUEL SYSTEM

121-0470 FILTER GP-FUEL (contd.)

i05354788



GRAPHIC #1

<END>

g00995124

FUEL SYSTEM

121-0470 FILTER GP-FUEL-DUPLEX

S/N: 3XS408-UP

CANNOT BE USED WITH ENGINE MOUNTED FANS OR WHEN FAN IS IN CLOSE PROXIMITY TO FUEL FILTER AN ATTACHMENT TYPE 1

SMCS-1261

i05354793

NOTE	REF NO	GRAPHIC REF	PART NUMBER	QTY	PART NAME						SEE PAGE
					1	2	3	4	5	6 (PRODUCT LEVEL)	
	1	1	1B-2790	2	BOLT (5/16-18X1.375-IN)						
	2	1	9M-1974	1	WASHER-HARD (8.8X16X2-MM THK)						
	3	1	6N-4414	1	COVER-FILTER BASE						
C	4	1	5P-8228	2	REDUCER-FLARED						
C	5	1	5M-2894	10	WASHER-HARD (10.2X18.5X2.5-MM THK)						
	6	1	9S-4182	7	PLUG (7/16-20-THD)						
	7	1	2W-9300	2	COVER-FILTER HOUSING						
	8	1	7B-2742	1	BOLT (1/4-20X1.25-IN)						
	9	1	5P-0537	1	WASHER-HARD (7.2X14.5X2-MM THK)						
	10	1	9S-4190	1	PLUG-O-RING (7/8-14-THD)						
	11	1	6V-4589	8	SEAL-O-RING						
	12	1	9Y-8389	1	GASKET (FUEL FILTER)						
	13	1	9S-4185	1	PLUG (3/4-16-THD)						
	14	1	3K-0360	1	SEAL-O-RING						
	15	1	9S-4191	1	PLUG (9/16-18-THD)						
	16	1	6V-5049	1	SEAL-O-RING						
	17	1	6V-5048	9	SEAL-O-RING						
	18	1	2W-6288	1	COVER-FILTER HOUSING						
	19	1	030-7949	3	ELBOW						
	20	1	121-0474	1	TUBE AS						
	21	1	005-4173	1	ELBOW						
	22	1	3B-1915	12	BOLT (3/8-16X1.375-IN)						
	23	1	8M-9024	8	WASHER-HARD (10.2X22.5X5-MM THK)						
	24	1	169-8614	1	HOUSING AS						
C	25	1	0S-1588	4	BOLT (3/8-16X1.25-IN)						
	26	1	6M-7476	1	ELBOW						
	27	1	169-8613	1	HOUSING AS (AUXILIARY FUEL FILTER)						
C	28	1	0S-1591	2	BOLT (3/8-16X1.5-IN)						
C	29	1	9S-8752	2	NUT-FULL (3/8-16-THD)						
	30	1	2W-6290	1	TUBE AS						
	31	1	0S-1594	2	BOLT (3/8-16X1-IN)						
	32	1	4W-4444	1	ADAPTER-VALVE						
	33	1	2W-6286	1	VALVE AS-CONTROL (DUPLEX FUEL FILTER)						
		1	6I-0325	1	HANDLE						
C	34	1	061-8639	4	SEAL-O-RING						
	35	1	9S-7381	4	BOLT-SOCKET HEAD (5/16-18X2-IN)						
	36	1	2S-5100	2	VALVE-MANUAL (FUEL DRAIN)						
	37	1	7D-4903	2	ADAPTER						
	38	1	030-7946	1	ELBOW						
	41	1	1P-3861	1	CONNECTOR						
	42	1	2W-6672	1	VALVE AS (FUEL)						
	43	1	003-8581	1	TEE-UNION						
	44	1	2W-6667	1	TUBE AS						
	45	1	121-0476	1	TUBE AS						
	46	1	8L-6557	1	CONNECTOR						

FUEL SYSTEM

121-0470 **FILTER GP-FUEL** (contd.)

i05354793

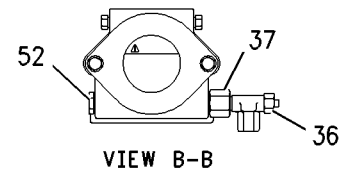
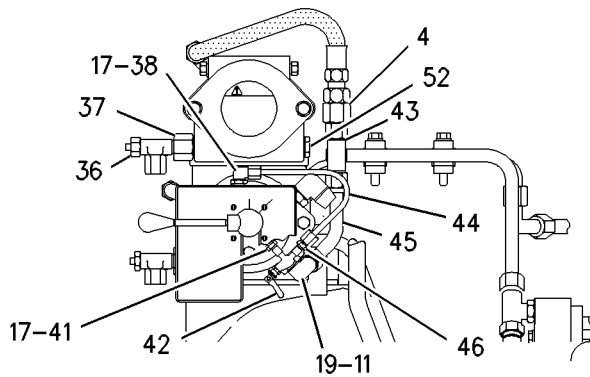
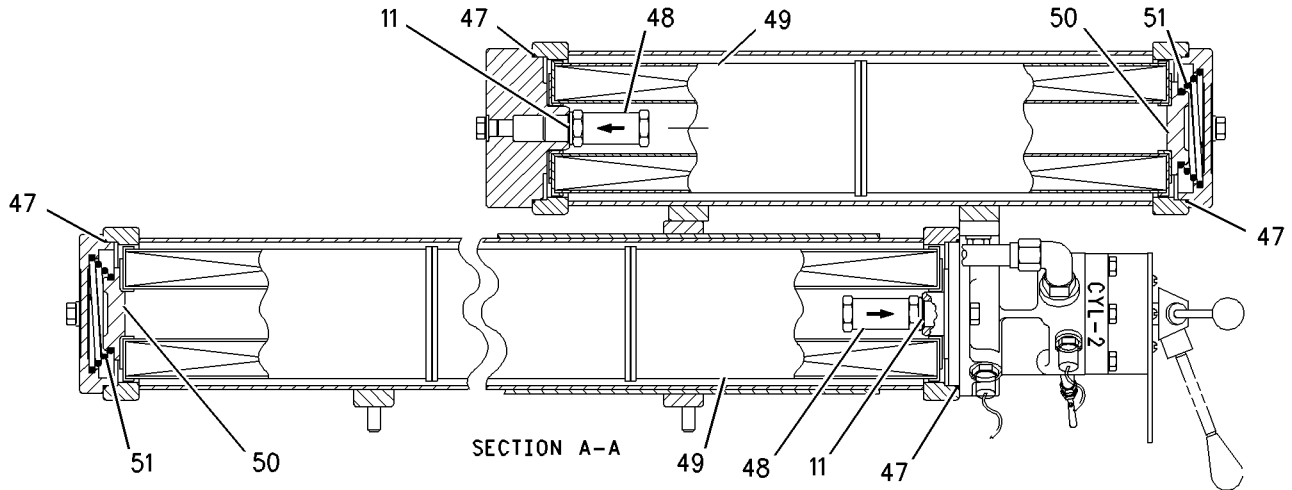
NOTE	REF NO	GRAPHIC REF	PART NUMBER	QTY	PART NAME						SEE PAGE
					1	2	3	4	5	6 (PRODUCT LEVEL)	
	47	1	5D-5957	4	SEAL-O-RING (FUEL FILTER)						
	48	1	2W-6287	2	VALVE AS-CHECK (FUEL)						
	49	1	1R-0756	7	FILTER ELEMENT-FUEL (ADVANCED EFFICIENCY)						
	50	1	6I-3754	2	RETAINER-FILTER						
	51	1	1N-2895	2	SPRING						
	52	1	8T-6766	2	PLUG-PIPE						
CI	53	1	9G-2653	1	HOSE AS						

C - CHANGE FROM PREVIOUS TYPE
 I - REFER TO HYDRAULIC INFORMATION SYSTEM

FUEL SYSTEM

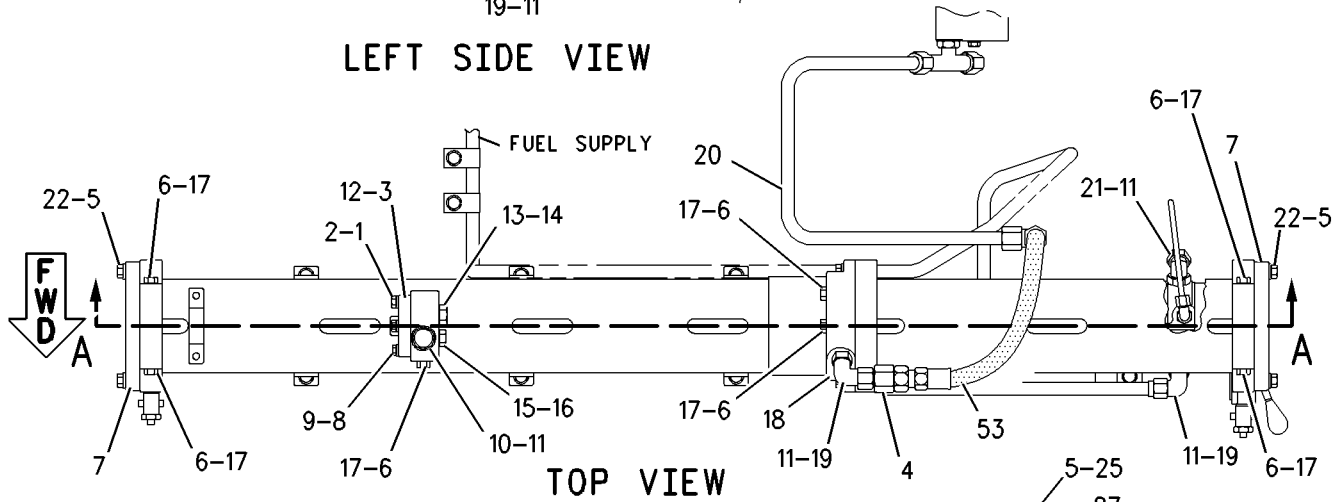
121-0470 FILTER GP-FUEL (contd.)

i05354793

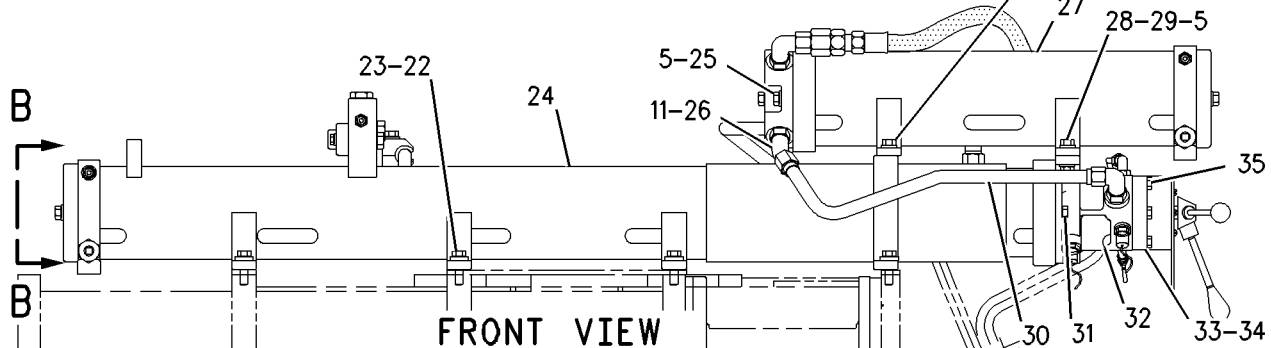


LEFT SIDE VIEW

FUEL MANIFOLD



TOP VIEW



FRONT VIEW

GRAPHIC #1

<END>

g00995161

FUEL SYSTEM

121-0470 FILTER GP-FUEL-DUPLEX

S/N: 3XS408-UP

CANNOT BE USED WITH ENGINE MOUNTED FANS OR WHEN FAN IS IN CLOSE PROXIMITY TO FUEL FILTER AN ATTACHMENT TYPE 2

SMCS-1261

i05354799

NOTE	REF NO	GRAPHIC REF	PART NUMBER	QTY	PART NAME						SEE PAGE
					1	2	3	4	5	6 (PRODUCT LEVEL)	
	1	1	1N-2895	2	SPRING						
	2	1	1R-0756	7	FILTER ELEMENT-FUEL (ADVANCED EFFICIENCY)						
	3	1	2W-6286	1	VALVE AS-CONTROL (DUPLEX FUEL FILTER)						
		1	266-2259	1	HANDLE AS						
	4	1	2W-6287	2	VALVE AS-CHECK						
	5	1	2W-6290	1	TUBE AS						
	6	1	2W-6667	1	TUBE AS						
	7	1	2W-6672	1	VALVE AS						
	8	1	2W-9300	2	COVER-FILTER HOUSING						
	9	1	4W-4444	1	ADAPTER-VALVE						
	10	1	6I-3754	2	RETAINER-FILTER						
	12	1	6N-4414	1	COVER-FILTER BASE						
	13	1	9Y-8389	1	GASKET (PRIMING PUMP/COVER)						
	14	1	121-0474	1	TUBE AS						
	15	1	121-0476	1	TUBE AS						
	16	1	<i>250-1498</i>	3	ELBOW AS						
					(EACH INCLUDES)						
		1	6V-4589	1	SEAL-O-RING						
		1	250-1497	1	ELBOW						
	17	1	267-9689	1	COVER-FILTER HOUSING						
	18	1	278-1774	1	HOUSING AS-FUEL FILTER						
	19	1	278-1775	1	HOUSING AS-FUEL FILTER (AUXILIARY)						
	20	1	379-0210	1	HOSE AS						
	21	1	003-8581	1	TEE-UNION						
	22	1	005-4173	1	ELBOW						
	23	1	030-7946	1	ELBOW						
	24	1	061-8639	4	SEAL-O-RING						
	25	1	0S-1588	4	BOLT (3/8-16X1.25-IN)						
C	26	1	0S-1590	2	BOLT (3/8-16X2-IN)						
	27	1	0S-1591	2	BOLT (3/8-16X1.5-IN)						
	28	1	0S-1594	2	BOLT (3/8-16X1-IN)						
C	29	1	1B-7182	1	BOLT (5/16-18X1.25-IN)						
	30	1	1P-3861	1	CONNECTOR						
	31	1	214-7568	1	SEAL-O-RING						
	32	1	2S-5100	2	VALVE-MANUAL						
C	33	1	3B-1915	10	BOLT (3/8-16X1.375-IN)						
	34	1	5D-5957	4	SEAL-O-RING						
	35	1	5M-2894	10	WASHER-HARD (10.2X18.5X2.5-MM THK)						
	36	1	5P-0537	1	WASHER-HARD (7.2X14.5X2-MM THK)						
	37	1	6M-7476	1	ELBOW						
	38	1	6V-4589	5	SEAL-O-RING						
	39	1	6V-5048	9	SEAL-O-RING						
	40	1	7B-2742	1	BOLT (1/4-20X1.25-IN)						
	41	1	7D-4903	2	ADAPTER						
	42	1	8L-2786	1	SEAL-O-RING						

FUEL SYSTEM

121-0470 **FILTER GP-FUEL** (contd.)

i05354799

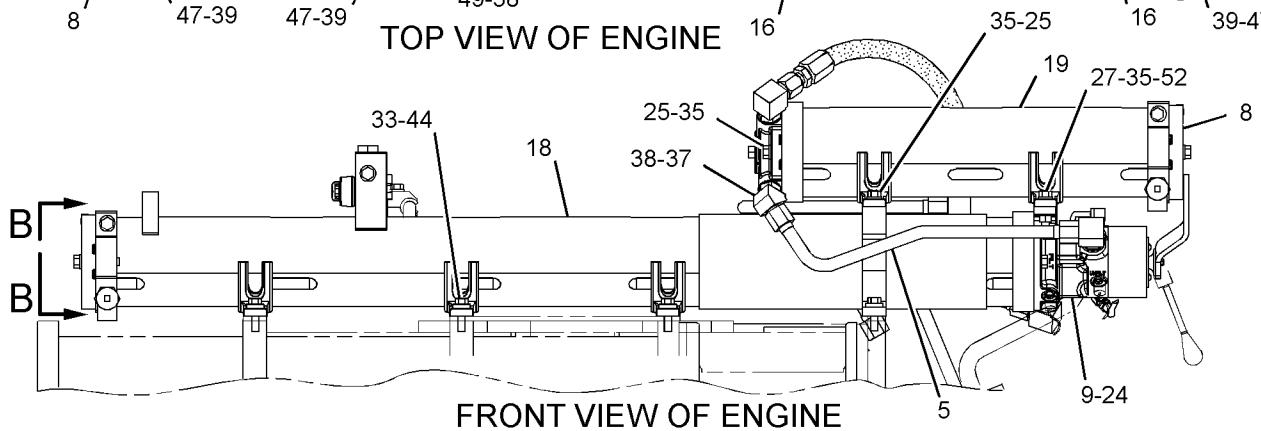
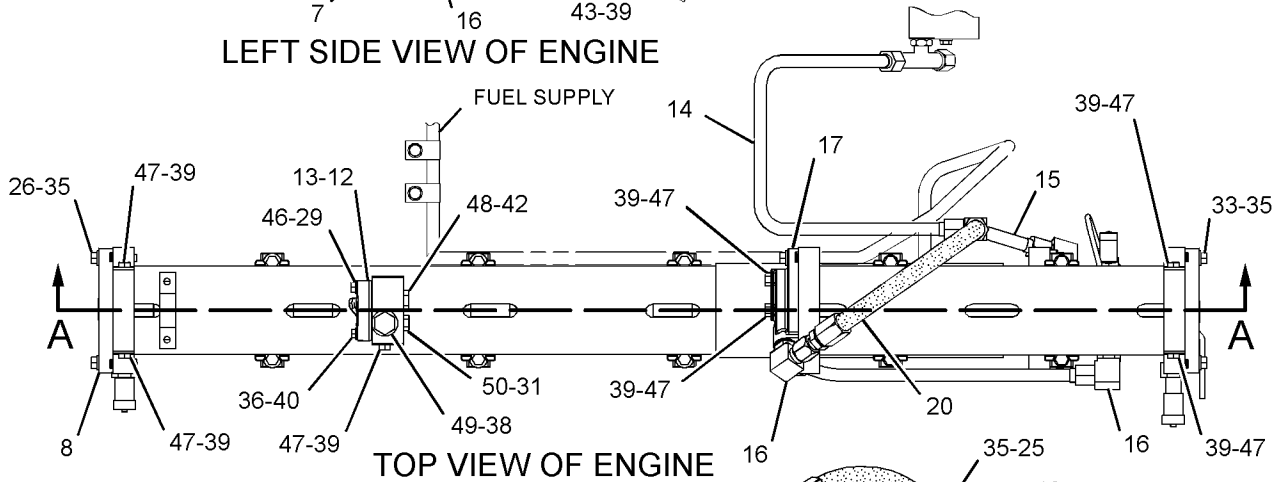
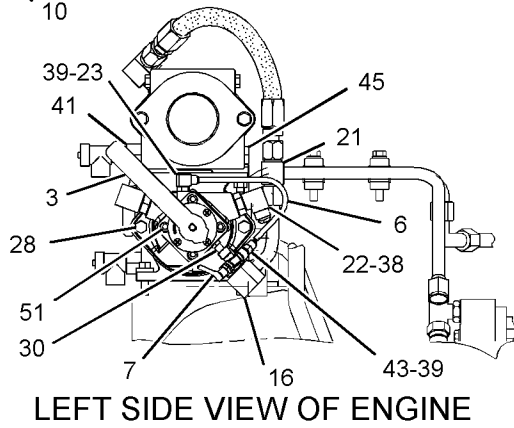
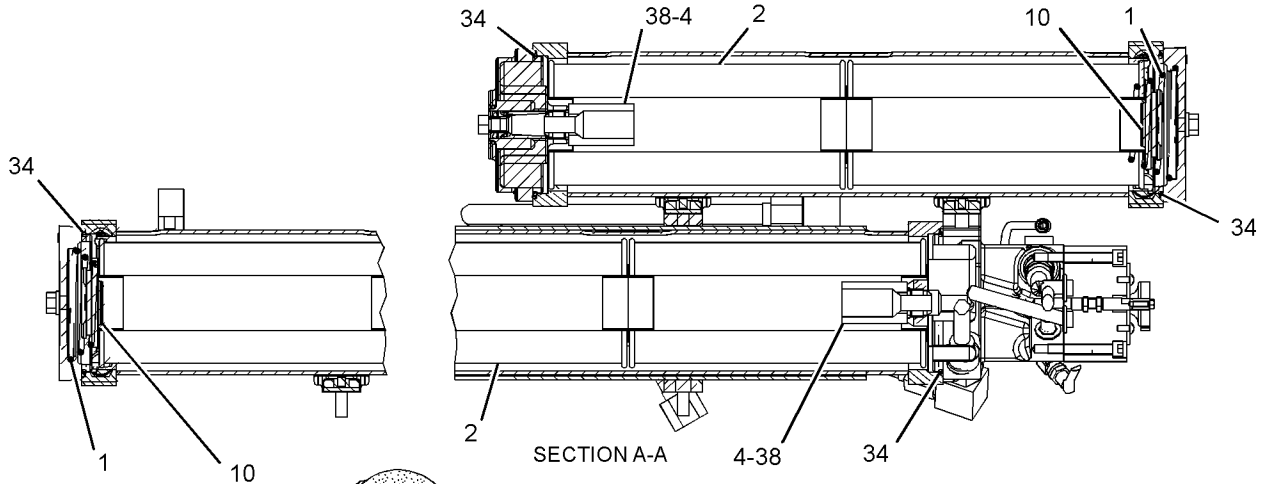
NOTE	REF NO	GRAPHIC REF	PART NUMBER	QTY	PART NAME						SEE PAGE
					1	2	3	4	5	6 (PRODUCT LEVEL)	
	43	1	8L-6557	1	CONNECTOR						
	44	1	8M-9024	8	WASHER-HARD (10.2X22.5X5-MM THK)						
	45	1	8T-6766	2	PLUG-PIPE						
	46	1	9M-1974	1	WASHER-HARD (8.8X16X2-MM THK)						
	47	1	9S-4182	7	PLUG (7/16-20-THD)						
	48	1	9S-4185	1	PLUG (3/4-16-THD)						
	49	1	9S-4190	1	PLUG-O-RING (7/8-14-THD)						
	50	1	9S-4191	1	PLUG (9/16-18-THD)						
	51	1	9S-7381	4	BOLT-SOCKET HEAD (5/16-18X2-IN)						
	52	1	9S-8752	2	NUT-FULL (3/8-16-THD)						

C - CHANGE FROM PREVIOUS TYPE

FUEL SYSTEM

121-0470 FILTER GP-FUEL (contd.)

105354799



GRAPHIC #1

<END>

g02674956

FUEL SYSTEM

175-5207 FILTER GP-FUEL

S/N: 3XS1-407

CANNOT BE USED WITH ENGINE MOUNTED FANS OR WHERE FAN IS IN CLOSE PROXIMITY OF FUEL FILTER, PREMIUM WIRING HARNESS AN ATTACHMENT

SMCS-1261

i04407228

NOTE	REF NO	GRAPHIC REF	PART NUMBER	QTY	PART NAME						SEE PAGE
					1	2	3	4	5	6 (PRODUCT LEVEL)	
	1	1	1B-2790	2	BOLT (5/16-18X1.375-IN)						
	2	1	9M-1974	1	WASHER-HARD (8.8X16X2-MM THK)						
	3	1	6N-4414	1	COVER-FILTER BASE						
	4	2	175-5206	1	HOSE AS						
	5	1,2	5M-2894	16	WASHER-HARD (10.2X18.5X2.5-MM THK)						
	6	1,2	9S-4182	7	PLUG (7/16-20-THD)						
	7	1,2	2W-9300	2	COVER-FILTER HOUSING						
	8	1	7B-2742	1	BOLT (1/4-20X1.25-IN)						
	9	1	5P-0537	1	WASHER-HARD (7.2X14.5X2-MM THK)						
	10	1	9S-4190	1	PLUG-O-RING (7/8-14-THD)						
	11	1	3K-0360	1	SEAL-O-RING						
	12	1	9Y-8389	1	GASKET (PRIMING PUMP/COVER)						
	13	1	9S-4185	1	PLUG (3/4-16-THD)						
	14	1,2	6V-4589	8	SEAL-O-RING						
	15	1	9S-4191	1	PLUG (9/16-18-THD)						
	16	1	6V-5049	1	SEAL-O-RING						
	17	1	061-8639	1	SEAL-O-RING						
	18	1	2W-6288	1	COVER-FILTER HOUSING						
	19	1,2	030-7949	3	ELBOW						
	20	1	121-0474	1	TUBE AS						
	21	1	005-4173	1	ELBOW						
	22	1,2	3B-1915	12	BOLT (3/8-16X1.375-IN)						
	23	1	8M-9024	8	WASHER-HARD (10.2X22.5X5-MM THK)						
	24	1	169-8614	1	HOUSING AS						
	25	1	0S-1588	5	BOLT (3/8-16X1.25-IN)						
	26	1	6M-7476	1	ELBOW						
	27	1	169-8613	1	HOUSING AS (AUXILIARY FUEL FILTER)						
	28	1	0S-1591	1	BOLT (3/8-16X1.5-IN)						
	29	1	9S-8752	4	NUT-FULL (3/8-16-THD)						
	30	1	2W-6290	1	TUBE AS						
	31	1	0S-1594	2	BOLT (3/8-16X1-IN)						
	32	1	4W-4444	1	ADAPTER-VALVE						
	33	1	2W-6286	1	VALVE AS-CONTROL (DUPLEX FUEL FILTER)						
		1	6I-0325	1	HANDLE						
	34	1,2	6V-5048	9	SEAL-O-RING						
	35	1	9S-7381	4	BOLT-SOCKET HEAD (5/16-18X2-IN)						
	36	2	2S-5100	2	VALVE-MANUAL (FUEL)						
	37	2	7D-4903	2	ADAPTER						
	38	2	030-7946	1	ELBOW						
	39	2	121-0475	1	TUBE AS						
	41	2	1P-3861	1	CONNECTOR						
	42	2	2W-6672	1	VALVE AS (FUEL)						
	43	2	003-8581	1	TEE-UNION						
	44	2	2W-6667	1	TUBE AS						
	45	2	121-0476	1	TUBE AS						
	46	2	8L-6557	1	CONNECTOR						

FUEL SYSTEM

175-5207 **FILTER GP-FUEL (contd.)**

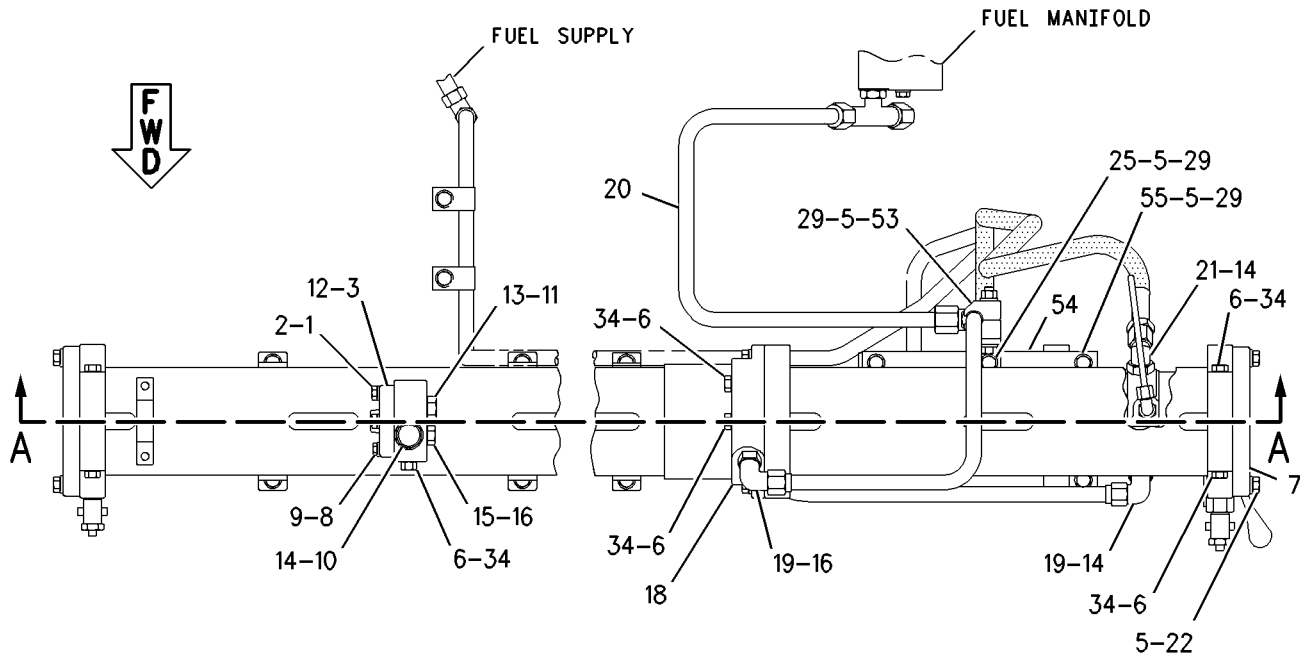
i04407228

NOTE	REF	GRAPHIC	PART NUMBER	QTY	PART NAME						SEE PAGE
	NO	REF			1	2	3	4	5	6 (PRODUCT LEVEL)	
	47	2	5D-5957	4	SEAL-O-RING						
	48	2	2W-6287	2	VALVE AS-CHECK						
	49	2	1R-0756	7	FILTER ELEMENT-FUEL (ADVANCED EFFICIENCY)						
	50	2	6I-3754	2	RETAINER-FILTER						
	51	2	1N-2895	2	SPRING						
	52	2	8T-6766	2	PLUG-PIPE						
	53	1	0L-1143	1	BOLT (3/8-16X2.5-IN)						
	54	1	179-1517	1	BRACKET						
	55	1	0S-1571	1	BOLT (3/8-16X1.75-IN)						
	56	2	179-1516	1	BRACKET						
	57	2	4P-0692	2	CLAMP AS						
					(EACH INCLUDES)						
		2	108-1434	1	GROMMET						

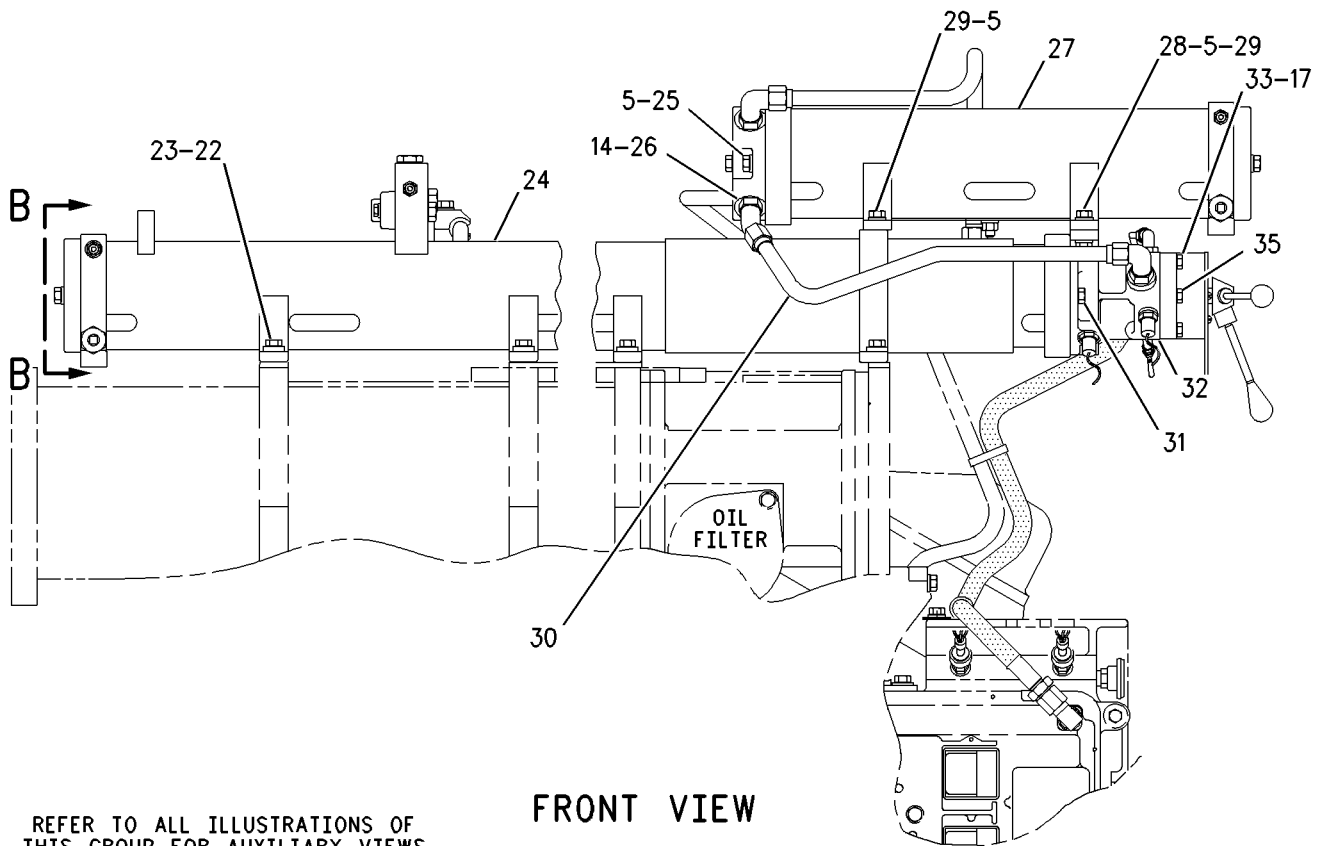
FUEL SYSTEM

175-5207 FILTER GP-FUEL (contd.)

i04407228



TOP VIEW



FRONT VIEW

REFER TO ALL ILLUSTRATIONS OF THIS GROUP FOR AUXILIARY VIEWS

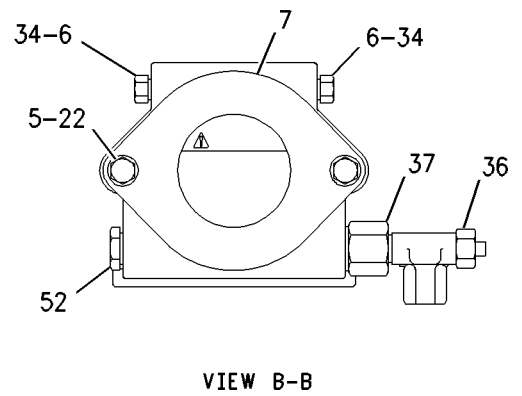
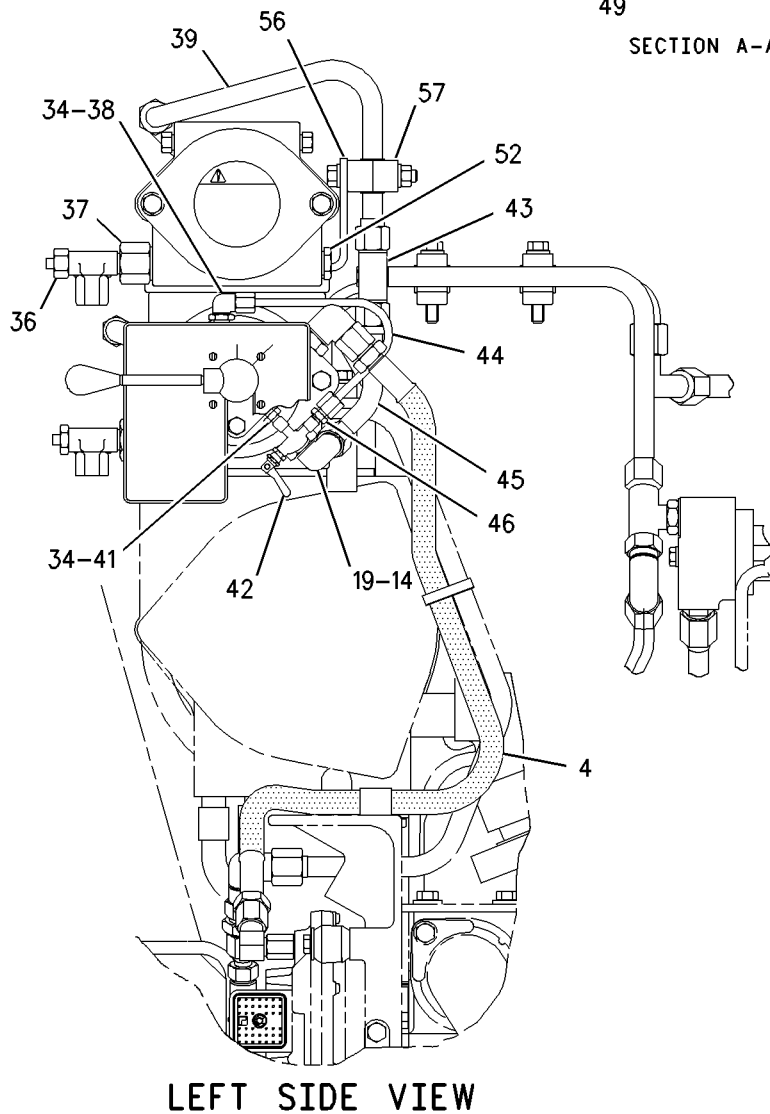
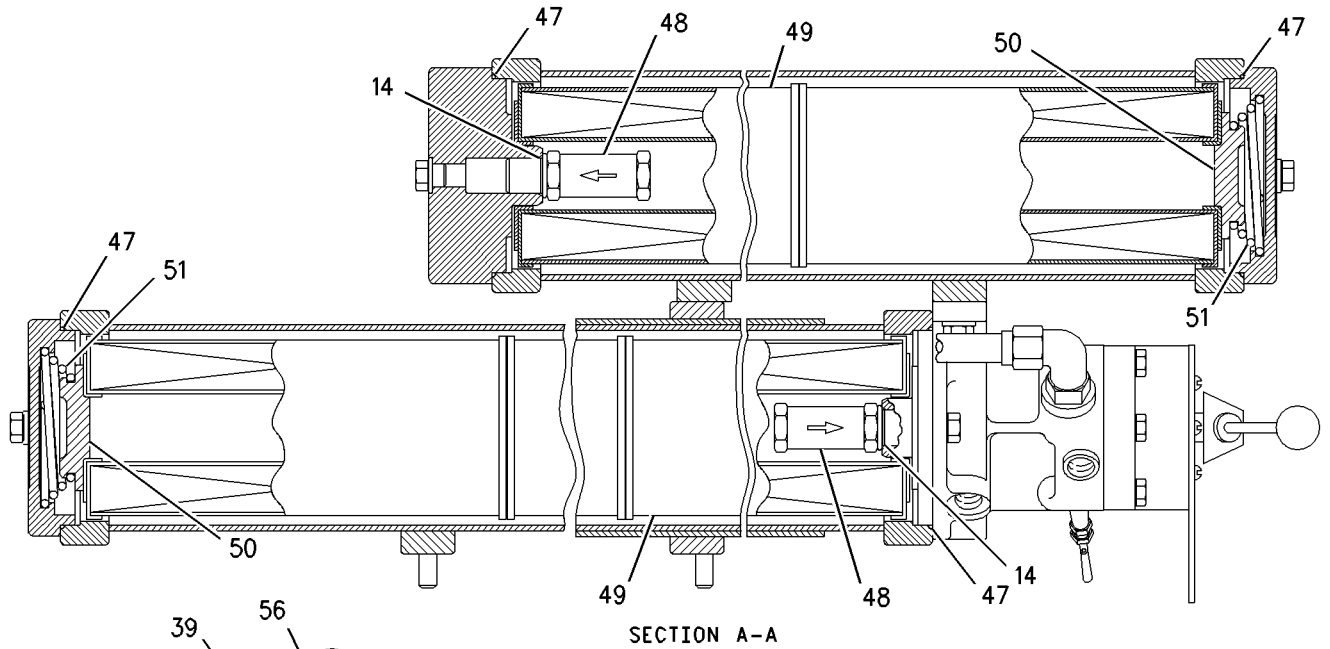
GRAPHIC #1

g00752365

FUEL SYSTEM

175-5207 FILTER GP-FUEL (contd.)

i04407228



GRAPHIC #2

<END>

g00752366

FUEL SYSTEM

175-5207 FILTER GP-FUEL

S/N: 3XS408-UP

CANNOT BE USED WITH ENGINE MOUNTED FANS OR WHERE FAN IS IN CLOSE PROXIMITY OF FUEL FILTER, PREMIUM WIRING HARNESS AN ATTACHMENT TYPE 1

SMCS-1261

i04407229

NOTE	REF NO	GRAPHIC REF	PART NUMBER	QTY	PART NAME						SEE PAGE
					1	2	3	4	5	6 (PRODUCT LEVEL)	
	1	1	1B-2790	1	BOLT (5/16-18X1.375-IN)						
	2	1	9M-1974	1	WASHER-HARD (8.8X16X2-MM THK)						
	3	1	6N-4414	1	COVER-FILTER BASE						
	4	2	175-5206	1	HOSE AS						
C	5	1	5M-2894	10	WASHER-HARD (10.2X18.5X2.5-MM THK)						
	6	1	9S-4182	7	PLUG (7/16-20-THD)						
	7	1	2W-9300	2	COVER-FILTER HOUSING						
	8	1	7B-2742	1	BOLT (1/4-20X1.25-IN)						
	9	1	5P-0537	1	WASHER-HARD (7.2X14.5X2-MM THK)						
	10	1	9S-4190	1	PLUG-O-RING (7/8-14-THD)						
	11	1	3K-0360	1	SEAL-O-RING						
	12	1	9Y-8389	1	GASKET (PRIMING PUMP/COVER)						
	13	1	9S-4185	1	PLUG (3/4-16-THD)						
	14	1,2	6V-4589	8	SEAL-O-RING						
	15	1	9S-4191	1	PLUG (9/16-18-THD)						
	16	1	6V-5049	1	SEAL-O-RING						
	17	1	061-8639	4	SEAL-O-RING						
	18	1	2W-6288	1	COVER-FILTER HOUSING						
	19	1,2	030-7949	3	ELBOW						
	20	1	121-0474	1	TUBE AS						
	21	1	005-4173	1	ELBOW						
	22	1	3B-1915	12	BOLT (3/8-16X1.375-IN)						
	23	1	8M-9024	8	WASHER-HARD (10.2X22.5X5-MM THK)						
	24	1	169-8614	1	HOUSING AS						
C	25	1	0S-1588	4	BOLT (3/8-16X1.25-IN)						
	26	1	6M-7476	1	ELBOW						
	27	1	169-8613	1	HOUSING AS (AUXILIARY FUEL FILTER)						
C	28	1	0S-1591	2	BOLT (3/8-16X1.5-IN)						
C	29	1	9S-8752	2	NUT-FULL (3/8-16-THD)						
	30	1	2W-6290	1	TUBE AS						
	31	1	0S-1594	2	BOLT (3/8-16X1-IN)						
	32	1	4W-4444	1	ADAPTER-VALVE						
	33	1	2W-6286	1	VALVE AS-CONTROL (DUPLEX FUEL FILTER)						
		1	6I-0325	1	HANDLE						
	34	1,2	6V-5048	9	SEAL-O-RING						
	35	1	9S-7381	4	BOLT-SOCKET HEAD (5/16-18X2-IN)						
	36	2	2S-5100	2	VALVE-MANUAL						
	37	2	7D-4903	2	ADAPTER						
	38	2	030-7946	1	ELBOW						
	41	2	1P-3861	1	CONNECTOR						
	42	2	2W-6672	1	VALVE AS (FUEL)						
	43	2	003-8581	1	TEE-UNION						
	44	2	2W-6667	1	TUBE AS						
	45	2	121-0476	1	TUBE AS						
	46	2	8L-6557	1	CONNECTOR						

FUEL SYSTEM

175-5207 **FILTER GP-FUEL** (contd.)

i04407229

NOTE	REF NO	GRAPHIC REF	PART NUMBER	QTY	PART NAME						SEE PAGE
					1	2	3	4	5	6 (PRODUCT LEVEL)	
	47	2	5D-5957	4	SEAL-O-RING						
	48	2	2W-6287	2	VALVE AS-CHECK (FUEL)						
	49	2	1R-0756	7	FILTER ELEMENT-FUEL (ADVANCED EFFICIENCY)						
	50	2	6I-3754	2	RETAINER-FILTER						
	51	2	1N-2895	2	SPRING						
	52	2	8T-6766	2	PLUG-PIPE						
C	53	1,2	5P-8228	2	REDUCER-FLARED						
CI	54	1	9G-2653	1	HOSE AS						

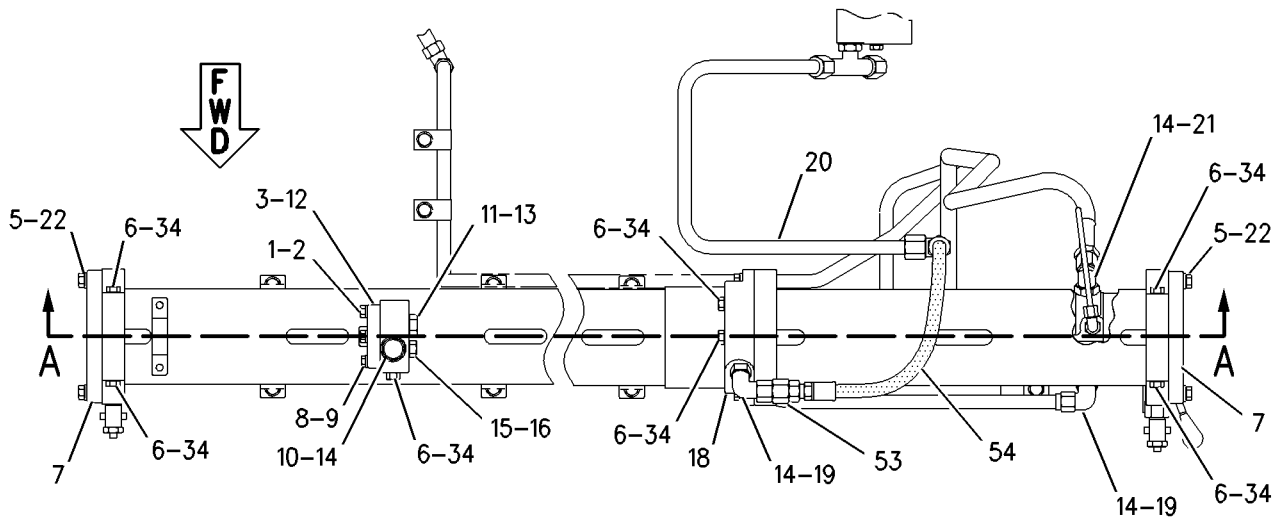
C - CHANGE FROM PREVIOUS TYPE

I - REFER TO HYDRAULIC INFORMATION SYSTEM

FUEL SYSTEM

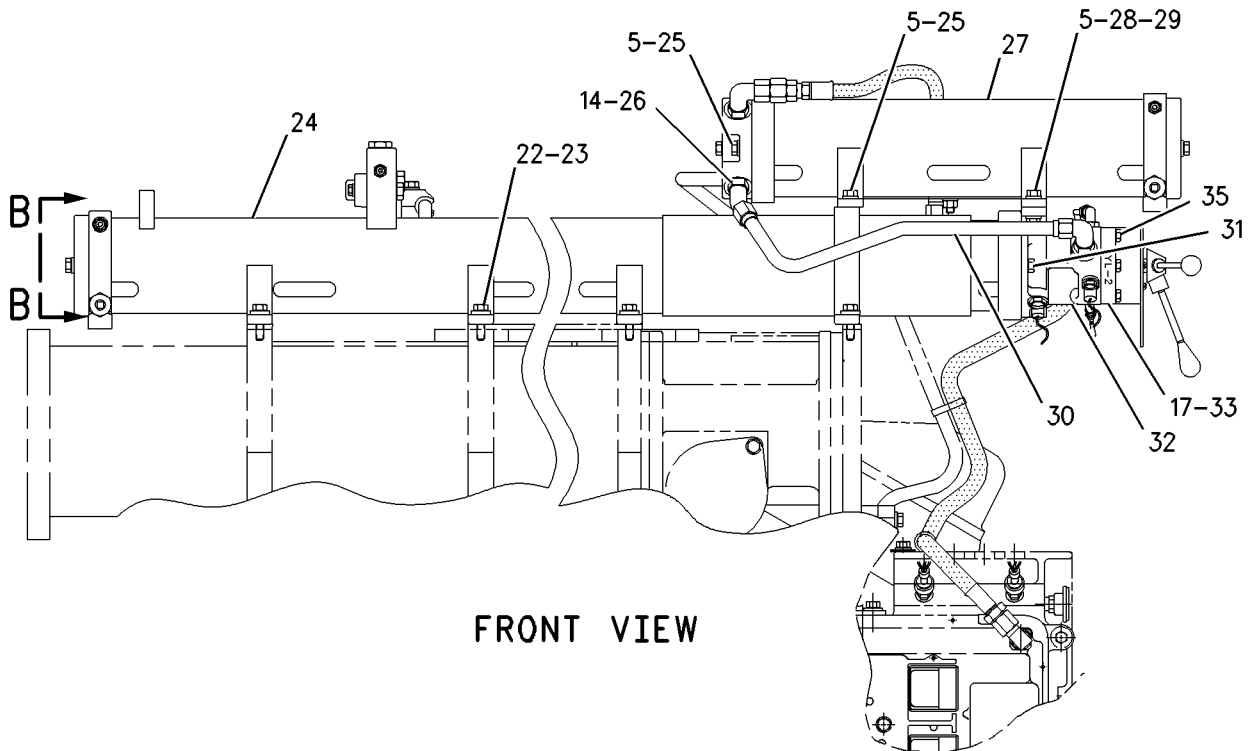
175-5207 FILTER GP-FUEL (contd.)

i04407229



TOP VIEW

REFER TO ALL ILLUSTRATIONS OF THIS GROUP FOR AUXILIARY VIEWS



FRONT VIEW

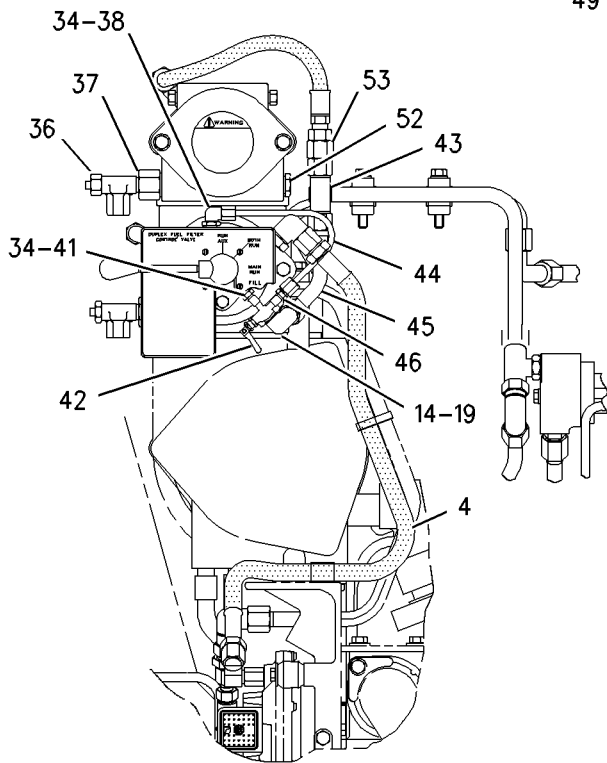
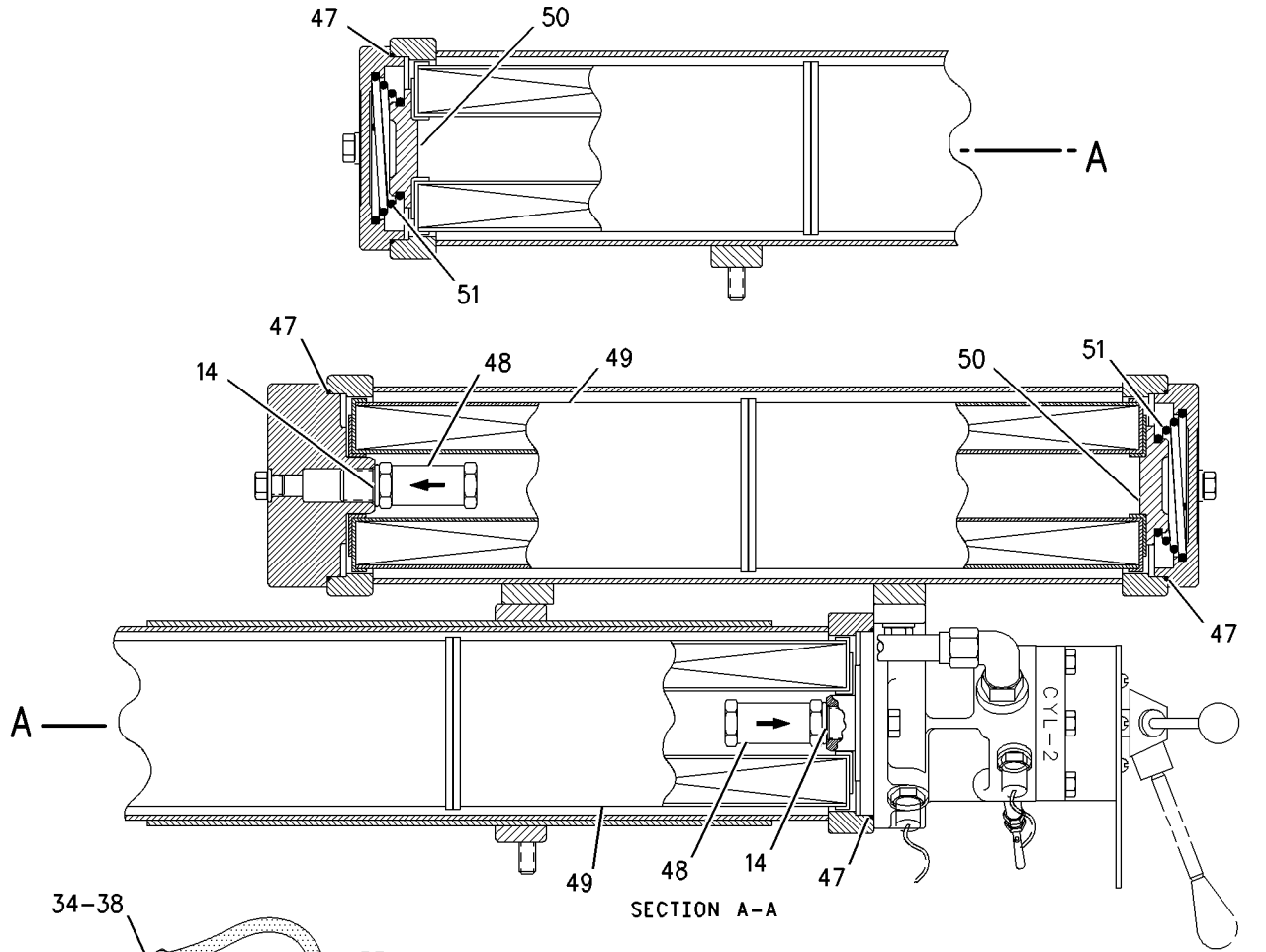
GRAPHIC #1

g00993278

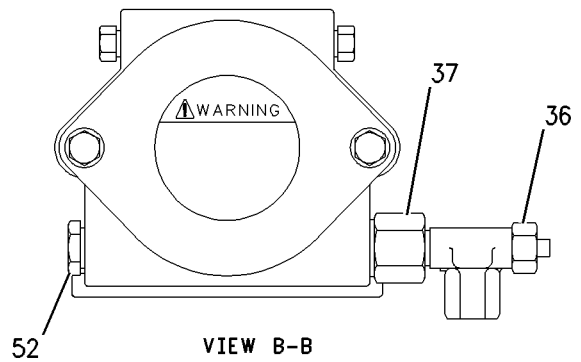
FUEL SYSTEM

175-5207 FILTER GP-FUEL (contd.)

i04407229



LEFT SIDE VIEW



VIEW B-B

GRAPHIC #2

<END>

g00888357

FUEL SYSTEM

175-5207 FILTER GP-FUEL

S/N: 3XS408-UP

**CANNOT BE USED WITH ENGINE MOUNTED FANS OR WHERE FAN IS IN CLOSE PROXIMITY OF FUEL
FILTER, PREMIUM WIRING HARNESS
AN ATTACHMENT
TYPE 2**

SMCS-1261

i04486674

NOTE	REF NO	GRAPHIC REF	PART NUMBER	QTY	PART NAME						SEE PAGE
					1	2	3	4	5	6 (PRODUCT LEVEL)	
	1	2	1N-2895	2	SPRING						
	2	2	1R-0756	7	FILTER ELEMENT-FUEL (ADVANCED EFFICIENCY)						
	3	2	2W-6286	1	VALVE AS-CONTROL (DUPLEX FUEL FILTER)						
		2	266-2259	1	HANDLE AS						
	4	2	2W-6287	2	VALVE AS-CHECK (FUEL)						
	5	1	2W-6290	1	TUBE AS						
	6	2	2W-6667	1	TUBE AS						
	7	2	2W-6672	1	VALVE AS (FUEL)						
	8	1	2W-9300	2	COVER-FILTER HOUSING						
	9	1	4W-4444	1	ADAPTER-VALVE						
	10	2	6I-3754	2	RETAINER-FILTER						
	12	1	6N-4414	1	COVER-FILTER BASE						
	13	1	9Y-8389	1	GASKET (PRIMING PUMP/COVER)						
	14	1	121-0474	1	TUBE AS						
	15	1	121-0476	1	TUBE AS						
	16	2	175-5206	1	HOSE AS						
	17	1,2	250-1498	3	ELBOW AS						
					(EACH INCLUDES)						
		1,2	6V-4589	1	SEAL-O-RING						
		1,2	250-1497	1	ELBOW						
	18	1	267-9689	1	COVER-FILTER HOUSING						
	19	1	278-1774	1	HOUSING AS-FUEL FILTER						
	20	1	278-1775	1	HOUSING AS-FUEL FILTER (AUXILIARY)						
	21	1	379-0210	1	HOSE AS						
	22	2	003-8581	1	TEE-UNION						
	23	2	005-4173	1	ELBOW						
	24	2	030-7946	1	ELBOW						
	25	1	061-8639	4	SEAL-O-RING						
	26	1	0S-1588	4	BOLT (3/8-16X1.25-IN)						
C	27	1	0S-1590	2	BOLT (3/8-16X2-IN)						
	28	1	0S-1591	2	BOLT (3/8-16X1.5-IN)						
	29	2	0S-1594	2	BOLT (3/8-16X1-IN)						
C	30	1	1B-7182	1	BOLT (5/16-18X1.25-IN)						
	31	2	1P-3861	1	CONNECTOR						
	32	1	214-7568	1	SEAL-O-RING						
	33	2	2S-5100	2	VALVE-MANUAL (FUEL)						
C	34	1	3B-1915	10	BOLT (3/8-16X1.375-IN)						
	35	2	5D-5957	4	SEAL-O-RING						
	36	1	5M-2894	10	WASHER-HARD (10.2X18.5X2.5-MM THK)						
	37	1	5P-0537	1	WASHER-HARD (7.2X14.5X2-MM THK)						
	38	1	6M-7476	1	ELBOW						
	39	1,2	6V-4589	5	SEAL-O-RING						
	40	1,2	6V-5048	9	SEAL-O-RING						
	41	1	7B-2742	1	BOLT (1/4-20X1.25-IN)						
	42	2	7D-4903	2	ADAPTER						

FUEL SYSTEM

175-5207 **FILTER GP-FUEL** (contd.)

i04486674

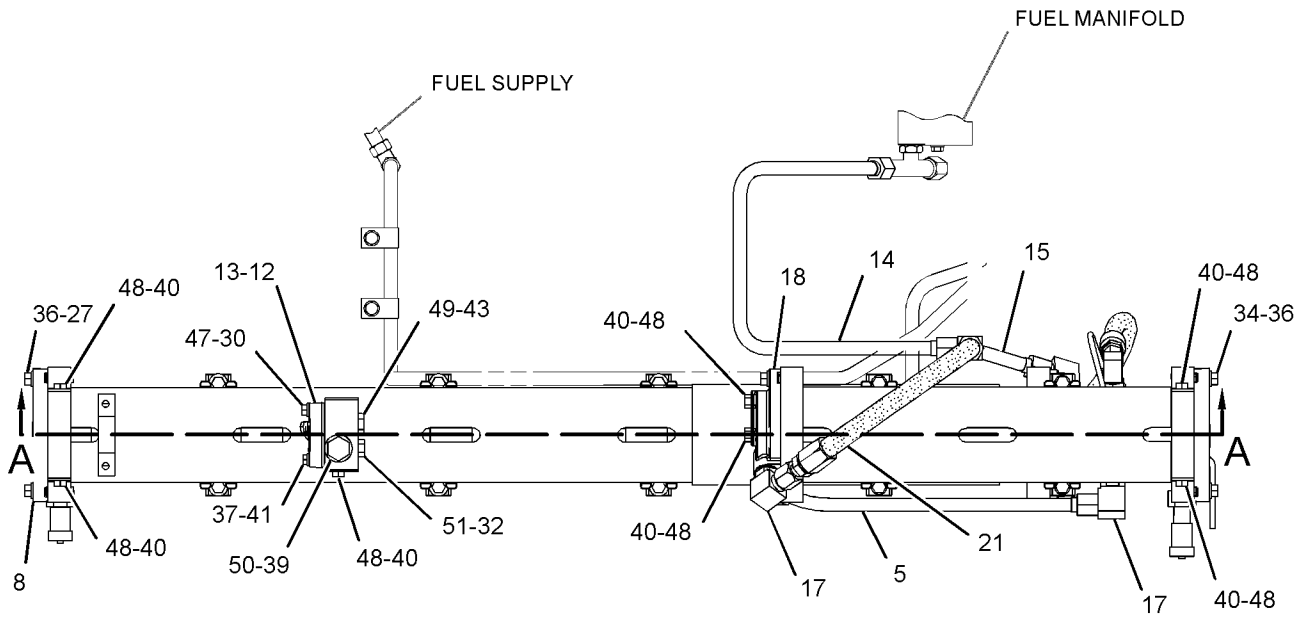
NOTE	REF NO	GRAPHIC REF	PART NUMBER	QTY	PART NAME						SEE PAGE
					1	2	3	4	5	6 (PRODUCT LEVEL)	
	43	1	8L-2786	1	SEAL-O-RING						
	44	2	8L-6557	1	CONNECTOR						
	45	1	8M-9024	8	WASHER-HARD (10.2X22.5X5-MM THK)						
	46	2	8T-6766	2	PLUG-PIPE						
	47	1	9M-1974	1	WASHER-HARD (8.8X16X2-MM THK)						
	48	1	9S-4182	7	PLUG (7/16-20-THD)						
	49	1	9S-4185	1	PLUG (3/4-16-THD)						
	50	1	9S-4190	1	PLUG-O-RING (7/8-14-THD)						
	51	1	9S-4191	1	PLUG (9/16-18-THD)						
	52	2	9S-7381	4	BOLT-SOCKET HEAD (5/16-18X2-IN)						
	53	1	9S-8752	2	NUT-FULL (3/8-16-THD)						

C - CHANGE FROM PREVIOUS TYPE

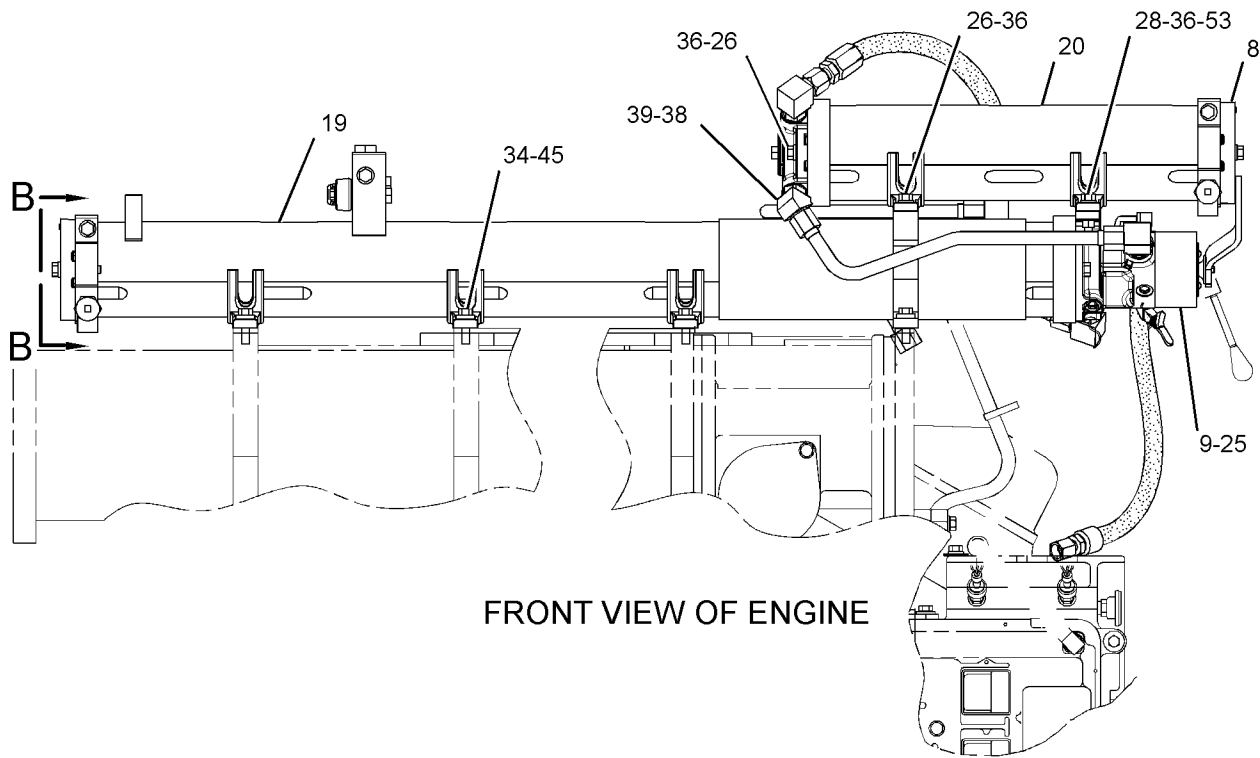
FUEL SYSTEM

175-5207 FILTER GP-FUEL (contd.)

i04486674



TOP VIEW OF ENGINE



FRONT VIEW OF ENGINE

REFER TO ALL ILLUSTRATIONS OF THIS GROUP FOR AUXILIARY VIEWS

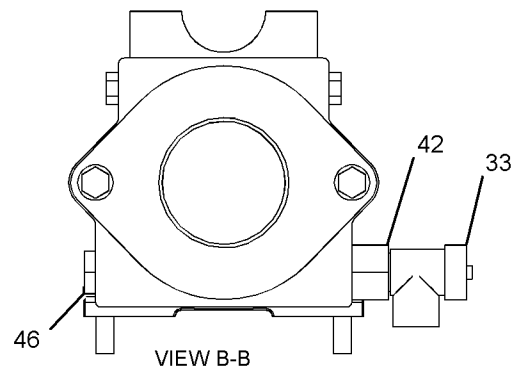
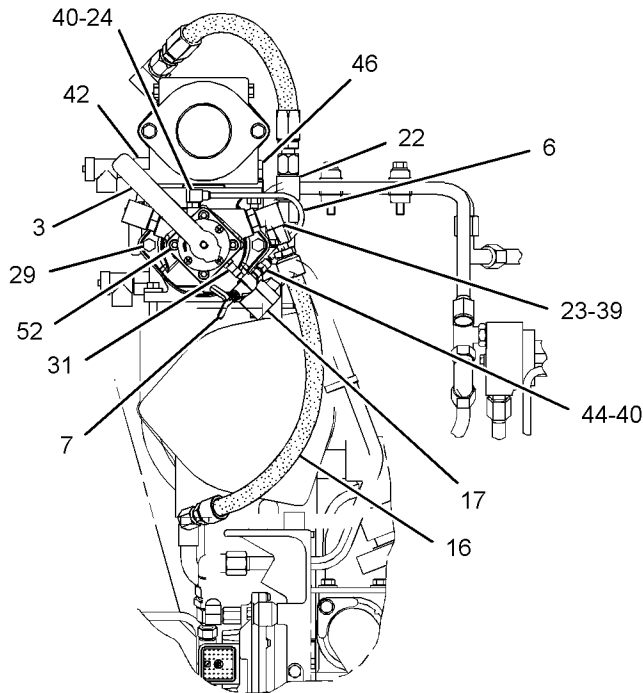
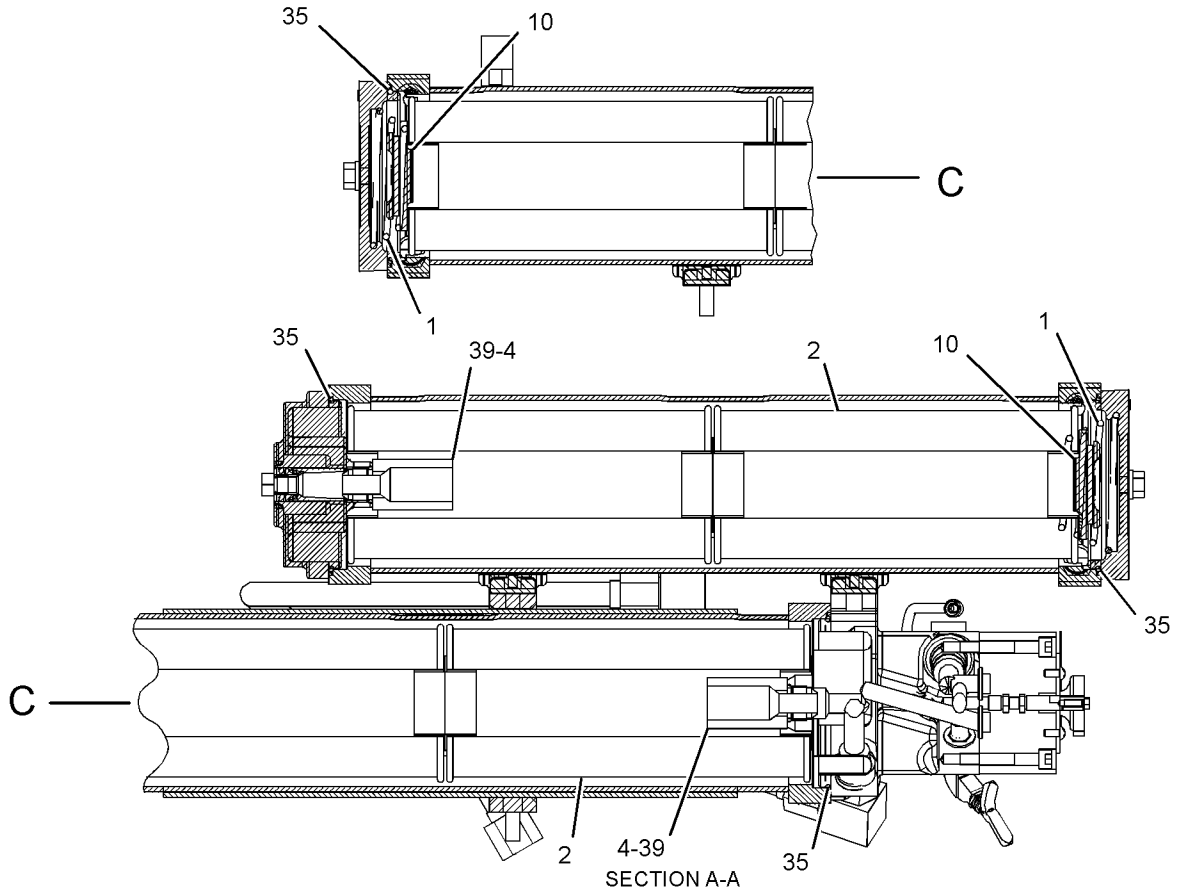
GRAPHIC #1

g02670020

FUEL SYSTEM

175-5207 FILTER GP-FUEL (contd.)

104486674



LEFT SIDE VIEW OF ENGINE

GRAPHIC #2

<END>

g02670021

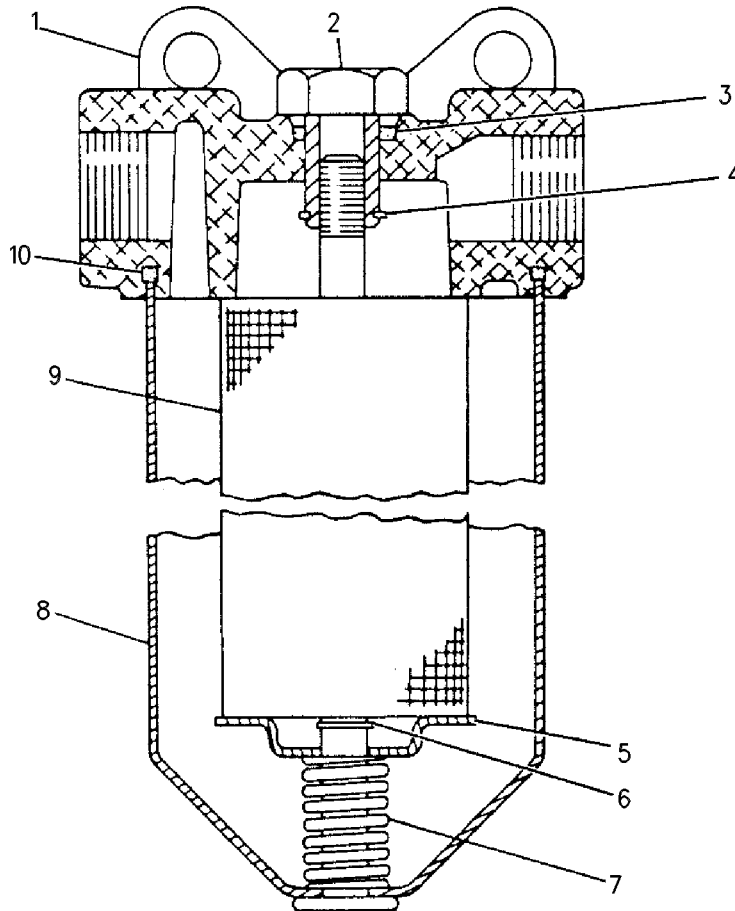
FUEL SYSTEM

8N-6435 FILTER GP-PRIMARY FUEL AN ATTACHMENT

SMCS-1260, 1261

i02205253

NOTE	REF NO	GRAPHIC REF	PART NUMBER	QTY	PART NAME						SEE PAGE
					1	2	3	4	5	6	
	1	1	1W-0531	1	BASE-PRIMARY FUEL FILTER						
	2	1	7N-1628	1	NUT (3/8-24-THD)						
	3	1	2J-0157	1	SEAL-O-RING						
	4	1	1L-3769	1	RING-RETAINING						
	5	1	7H-9678	1	RETAINER-ELEMENT						
	6	1	2H-3429	1	RING-RETAINING						
	7	1	7S-9323	1	SPRING						
	8	1	8H-7202	1	CASE AS-FUEL FILTER						
	9	1	9M-2342	1	FILTER ELEMENT-FUEL (PRIMARY)						
	10	1	8H-2778	1	SEAL-RING (FUEL FILTER)						



GRAPHIC #1

<END>

g00625270

FUEL SYSTEM

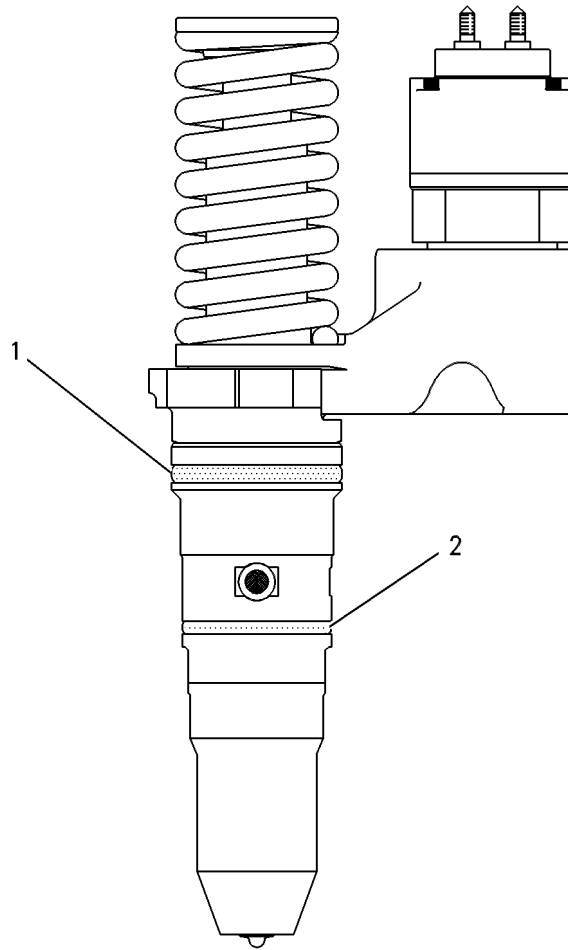
133-3345 INJECTOR GP-FUEL

PART OF 133-5994 PUMP GP-FUEL INJECTION
AN ATTACHMENT

SMCS-1251, 1254, 1290, 1713

i00944804

NOTE	REF NO	GRAPHIC REF	PART NUMBER	QTY	PART NAME						SEE PAGE
					1	2	3	4	5	6 (PRODUCT LEVEL)	
1	1	1	8J-8725	1	SEAL -O-RING						
2	1	1	9X-7735	1	SEAL -O-RING						



GRAPHIC #1

<END>

g00106326

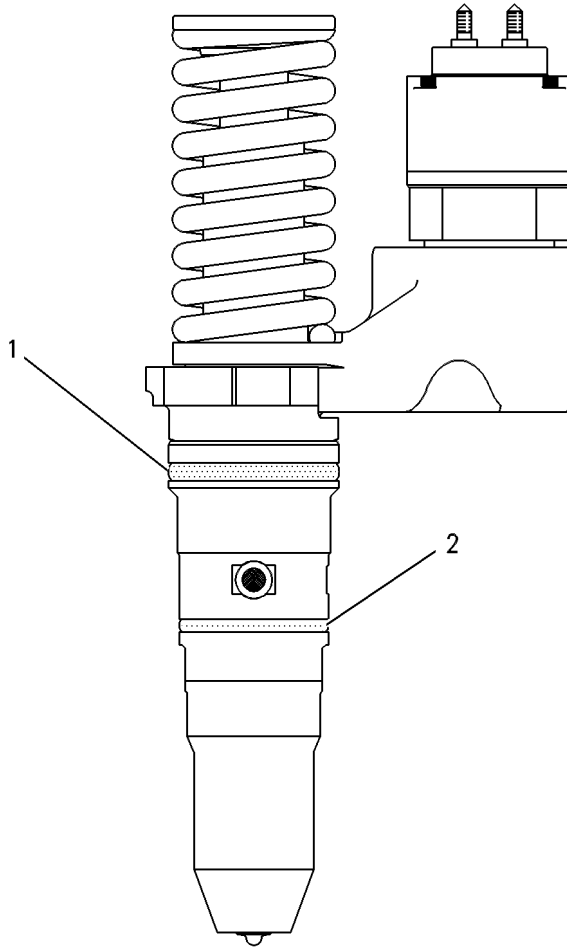
FUEL SYSTEM

134-2601 INJECTOR GP-FUEL PART OF 136-5929 PUMP GP-FUEL INJECTION

SMCS-1251, 1254, 1290, 1713

i00944874

NOTE	REF NO	GRAPHIC REF	PART NUMBER	QTY	PART NAME						SEE PAGE
					1	2	3	4	5	6 (PRODUCT LEVEL)	
	1	1	8J-8725	1	SEAL-O-RING						
	2	1	9X-7735	1	SEAL-O-RING						



GRAPHIC #1

<END>

g00106326

FUEL SYSTEM

172-4672 INJECTOR GP-FUEL*R

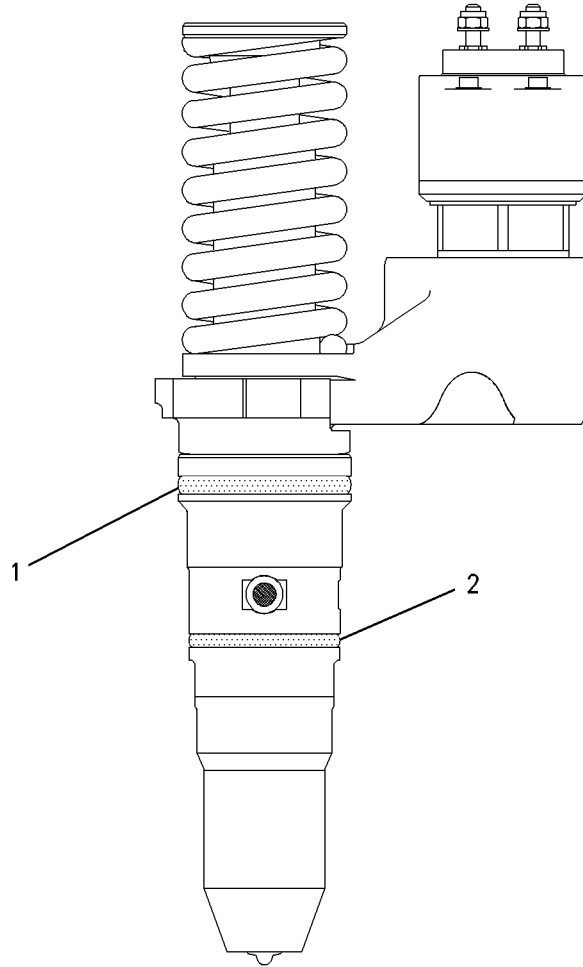
S/N: 3XS408-UP

PART OF 136-5929 PUMP GP-FUEL INJECTION

SMCS-1251, 1254, 1290, 1713

i01460730

NOTE	REF NO	GRAPHIC REF	PART NUMBER	QTY	PART NAME						SEE PAGE
					1	2	3	4	5	6 (PRODUCT LEVEL)	
1	1	1	194-9584	1	SEAL - O - RING						
2	1	1	9X-7735	1	SEAL - O - RING						



GRAPHIC #1

<END>

g00766170

FUEL SYSTEM

172-4675 INJECTOR GP-FUEL

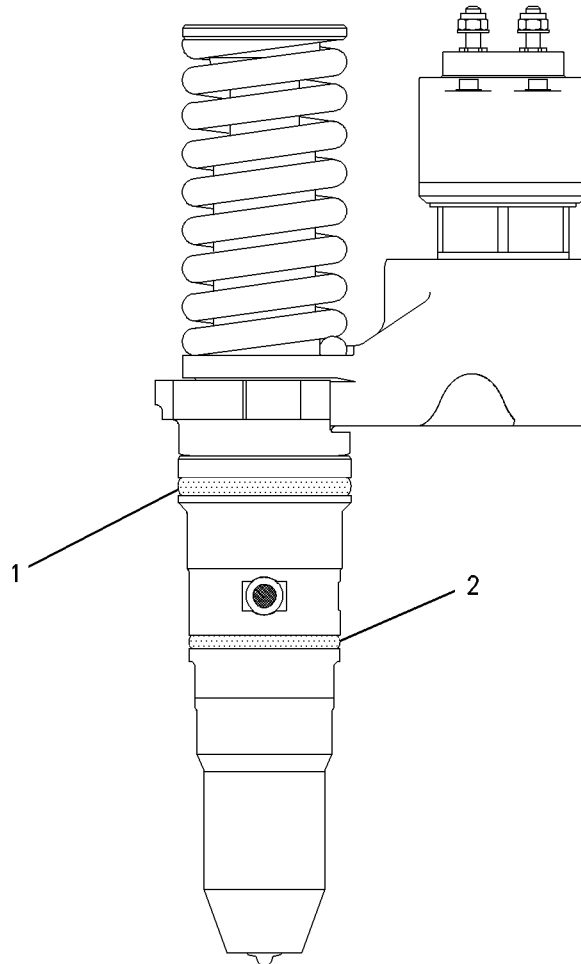
S/N: 3XS408-UP

PART OF 133-5994 PUMP GP-FUEL INJECTION
AN ATTACHMENT

SMCS-1251, 1254, 1290, 1713

i01460740

NOTE	REF NO	GRAPHIC REF	PART NUMBER	QTY	PART NAME						SEE PAGE
					1	2	3	4	5	6 (PRODUCT LEVEL)	
1	1	1	194-9584	1	SEAL-O-RING						
2	1	1	9X-7735	1	SEAL-O-RING						



GRAPHIC #1

<END>

g00766173

FUEL SYSTEM

5N-2438 LINES GP-FLEXIBLE FUEL AN ATTACHMENT

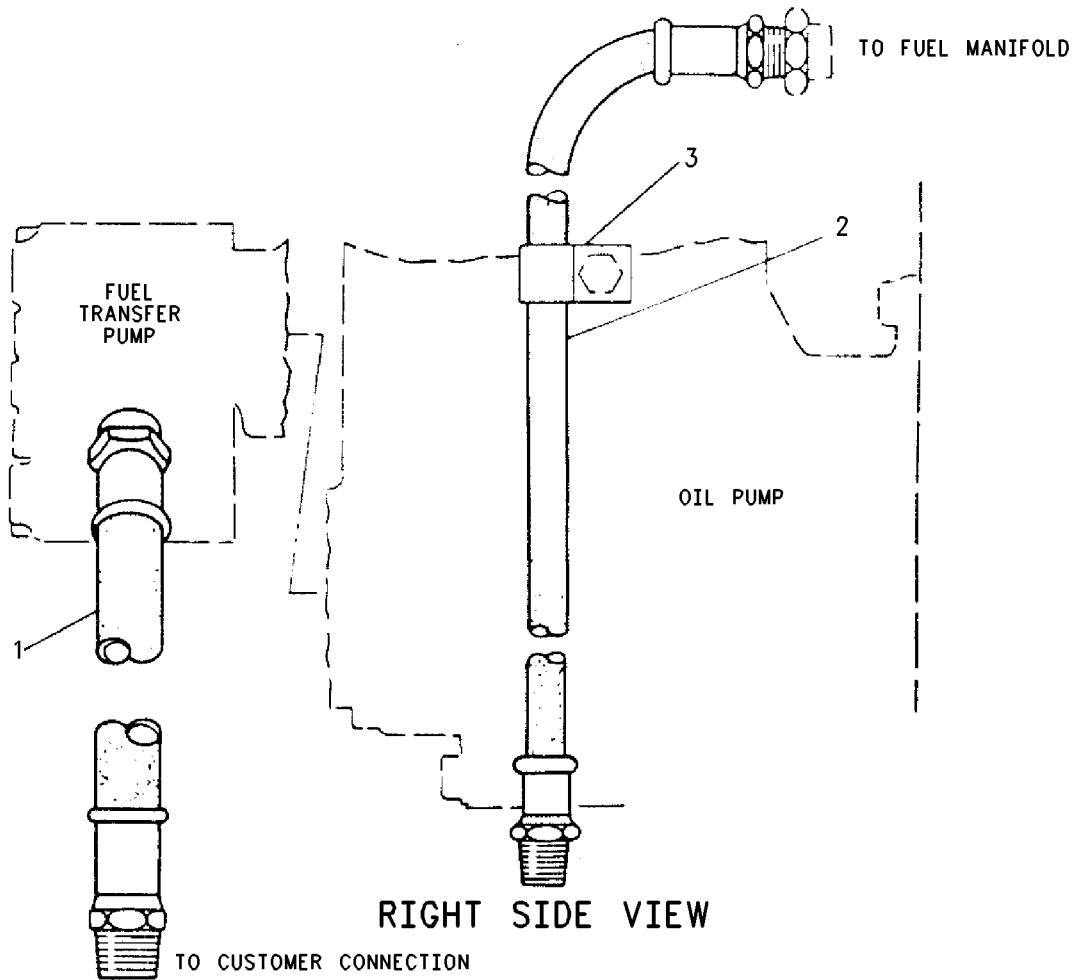
SMCS-1274

i01979418

NOTE	REF NO	GRAPHIC REF	PART NUMBER	QTY	PART NAME						SEE PAGE
					1	2	3	4	5	6 (PRODUCT LEVEL)	
I	1	1	3N-6504	1	HOSE AS						
I	2	1	8N-1186	1	HOSE AS						
B	3	1	5F-5990	2	CLIP						

B - USE AS REQUIRED

I - REFER TO HYDRAULIC INFORMATION SYSTEM



GRAPHIC #1

<END>

g00995187

FUEL SYSTEM

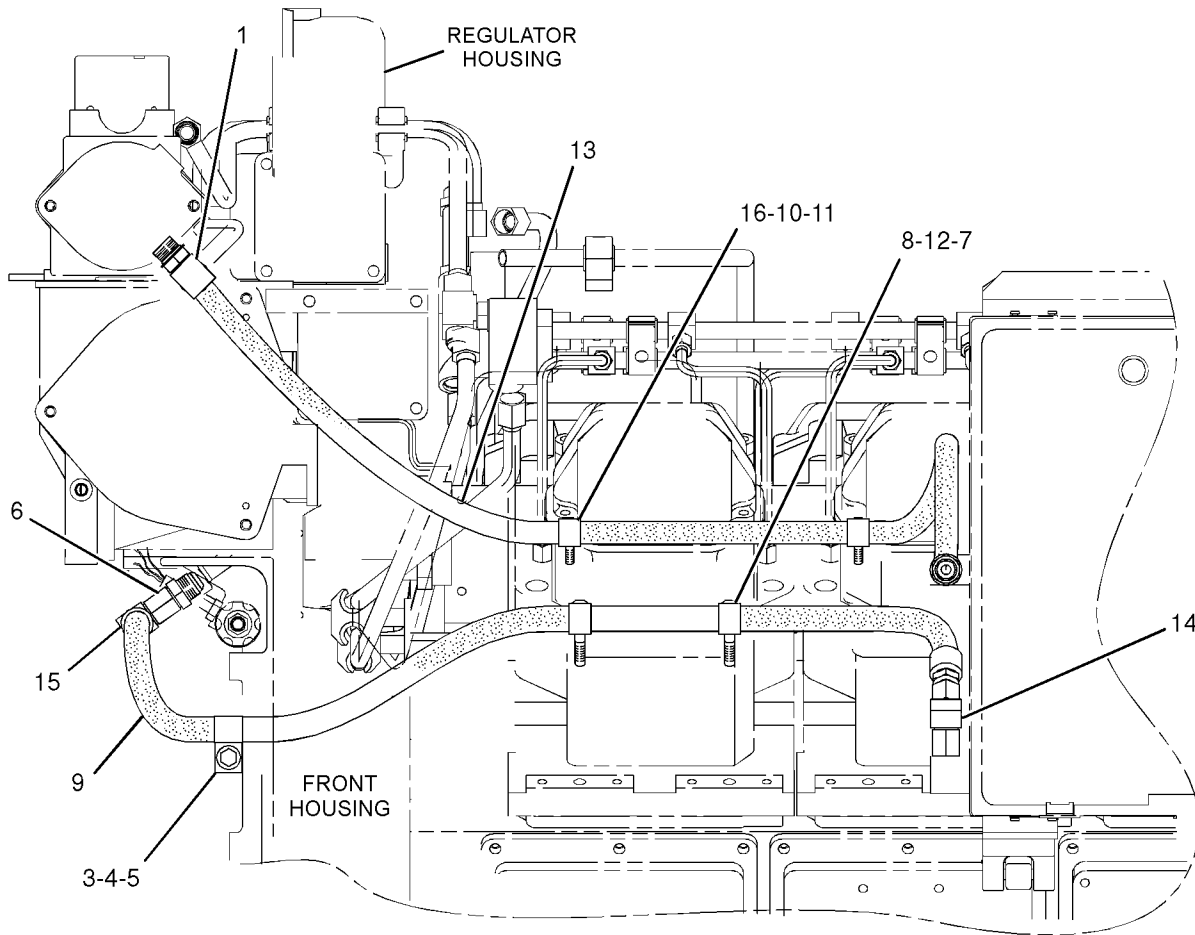
136-1695 LINES GP-FUEL-LH AN ATTACHMENT

SMCS-1274

i02640756

NOTE	REF NO	GRAPHIC REF	PART NUMBER	QTY	PART NAME						SEE PAGE
					1	2	3	4	5	6 (PRODUCT LEVEL)	
	1	1	250-1498	1	ELBOW AS						
		1	6V-4589	1	SEAL-O-RING						
		1	250-1497	1	ELBOW						
	3	1	5P-4295	1	CLIP						
	4	1	1A-2029	1	BOLT (3/8-16X1.125-IN)						
	5	1	9X-6458	2	WASHER-HARD (10.2X22.5X3-MM THK)						
	6	1	061-8248	1	UNION-FLARED						
	7	1	6D-4244	2	CLIP						
	8	1	5M-2894	2	WASHER-HARD (10.2X18.5X2.5-MM THK)						
I	9	1	7W-1839	1	HOSE AS						
	10	1	9M-1974	2	WASHER-HARD (8.8X16X2-MM THK)						
	11	1	1A-9579	2	BOLT (5/16-18X1.5-IN)						
	12	1	0L-2070	2	BOLT (3/8-16X2.25-IN)						
I	13	1	150-4213	1	HOSE AS						
	14	1	030-7964	1	ELBOW						
	15	1	030-7972	1	ELBOW						
	16	1	1S-0994	2	CLIP (LOOP)						

I - REFER TO HYDRAULIC INFORMATION SYSTEM



LEFT SIDE VIEW OF ENGINE

GRAPHIC #1

<END>

g01332849

FUEL SYSTEM

136-1696 LINES GP-FUEL

AN ATTACHMENT

SMCS-1274

i02502603

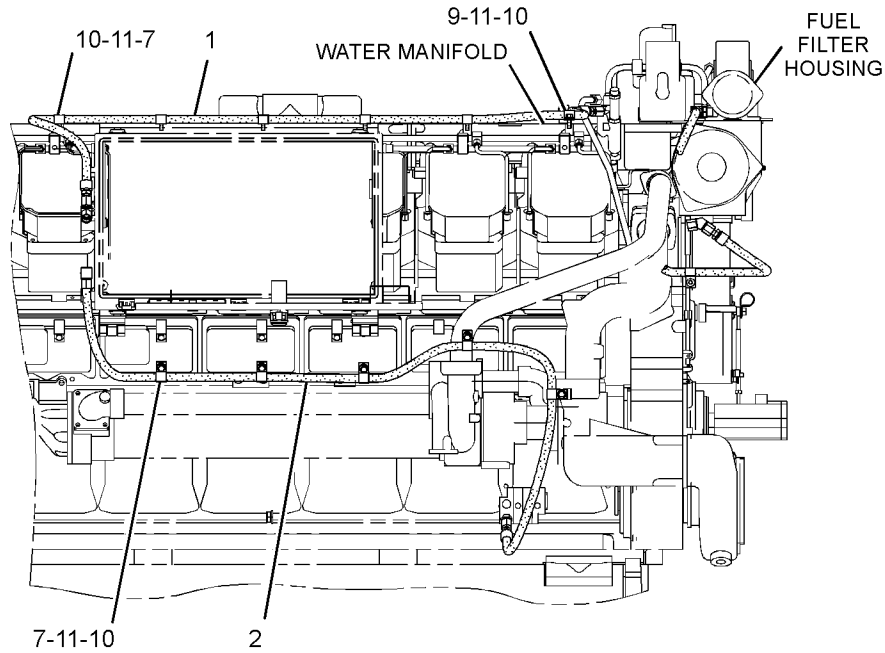
NOTE	REF NO	GRAPHIC REF	PART NUMBER	QTY	PART NAME						SEE PAGE
					1	2	3	4	5	6 (PRODUCT LEVEL)	
I	1	1	133-6491	1	HOSE AS						
I	2	1	133-6493	1	HOSE AS						
I	3	1	150-4213	1	HOSE AS						
	4	1	250-1498	1	ELBOW AS						
		1	6V-4589	1	SEAL-O-RING						
		1	250-1497	1	ELBOW						
	5	1	030-7964	2	ELBOW						
	6	1	030-7972	1	ELBOW						
	7	1	0L-1351	9	BOLT (3/8-16X0.875-IN)						
	8	1	0S-0509	1	BOLT (3/8-16X0.75-IN)						
	9	1	1A-2029	2	BOLT (3/8-16X1.125-IN)						
	10	1	5P-4295	12	CLIP						
	11	1	9X-6458	13	WASHER-HARD (10.2X22.5X3-MM THK)						

I - REFER TO HYDRAULIC INFORMATION SYSTEM

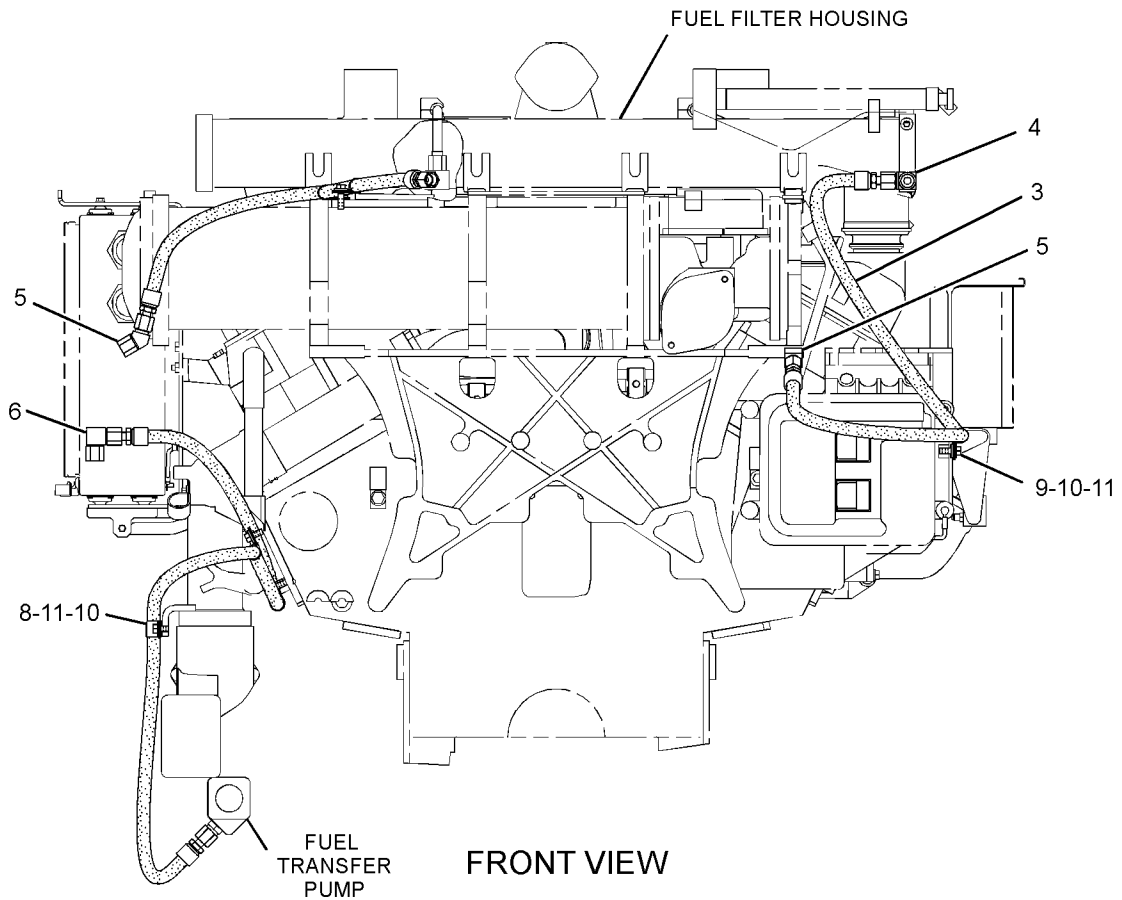
FUEL SYSTEM

136-1696 LINES GP-FUEL (contd.)

102502603



RIGHT SIDE VIEW



FRONT VIEW

GRAPHIC #1

<END>

g01266928

FUEL SYSTEM

101-1246 LINES GP-FUEL INJECTION

S/N: 3XS404-407

SMCS-1252, 1254

i01925199

NOTE	REF NO	GRAPHIC REF	PART NUMBER	QTY	PART NAME						SEE PAGE
					1	2	3	4	5	6 (PRODUCT LEVEL)	
	1	1	030-7949	2	ELBOW						
	2	1	2M-9780	7	SEAL-O-RING						
	3	1	5M-2894	11	WASHER-HARD (10.2X18.5X2.5-MM THK)						
	4	1	0L-2070	6	BOLT (3/8-16X2.25-IN)						
	5	1	4P-0692	16	CLAMP AS						
					(EACH INCLUDES)						
		1	108-1434	1	GROMMET						
	6	1	1A-2029	1	BOLT (3/8-16X1.125-IN)						
	7	1	5P-4318	1	ELBOW						
	8	1	111-3389	1	TUBE AS						
	9	1	9M-4584	2	CONNECTOR						
	10	1	111-3388	1	TUBE AS						
	11	1	2P-7636	1	CONNECTOR (3/4-16 STR-THD)						
	12	1	111-3819	1	TUBE AS						
	13	1	0S-1590	2	BOLT (3/8-16X2-IN)						
	14	1	9X-6772	1	STRAP-CABLE						
	15	1	3K-0360	1	SEAL-O-RING						
	16	1	7C-7682	1	ADAPTER-FUEL MANIFOLD (RH)						
	17	1	0T-0065	2	BOLT (3/8-16X3.5-IN)						
	18	1	9X-6458	2	WASHER-HARD (10.2X22.5X3-MM THK)						
	19	1	8N-6327	1	TUBE AS						
	20	1	030-7972	1	ELBOW						
	21	1	5P-4295	1	CLIP						
I	22	1	2V-8571	1	HOSE AS						
	23	1	7K-3377	2	PIPE						
	24	1	030-7982	1	UNION-FLARED						
	25	1	7E-3921	1	VALVE-CHECK						
	26	1	030-7977	1	ELBOW						
	27	1	8N-6211	1	PLATE-LINE SUPPORT						
I	28	1	9G-2653	1	HOSE AS						
	29	1	5P-4900	1	ELBOW-FLARED						
	30	1	0S-1594	1	BOLT (3/8-16X1-IN)						
	31	2	153-1246	1	TUBE AS						
	32	2	2M-9780	1	SEAL-O-RING						
	33	2	5M-2894	1	WASHER-HARD (10.2X18.5X2.5-MM THK)						
	34	2	7N-6806	2	SEAL-RECTANGULAR						
	35	2	8N-6210	1	BRACKET-LINE SUPPORT						
	36	2	2B-2694	8	BOLT (5/16-18X2-IN)						
	37	2	9S-4191	1	PLUG (9/16-18-THD)						
	38	2	9M-1974	1	WASHER-HARD (8.8X16X2-MM THK)						
	39	2	6B-6205	1	SPACER (0.438X0.875X1.281-IN THK)						
	40	2	6V-4363	1	ELBOW						
	41	2	4P-5496	1	MANIFOLD AS-FUEL						
		2	9Y-0047	16	CLAMP						
		2	100-3237	16	GROMMET						
		2	101-4135	8	PIN-SPRING						
	42	2	9S-4182	1	PLUG (7/16-20-THD)						
	43	2	7W-2122	16	CONNECTOR-PORT						

FUEL SYSTEM

101-1246 **LINES GP-FUEL INJECTION** (contd.)

i01925199

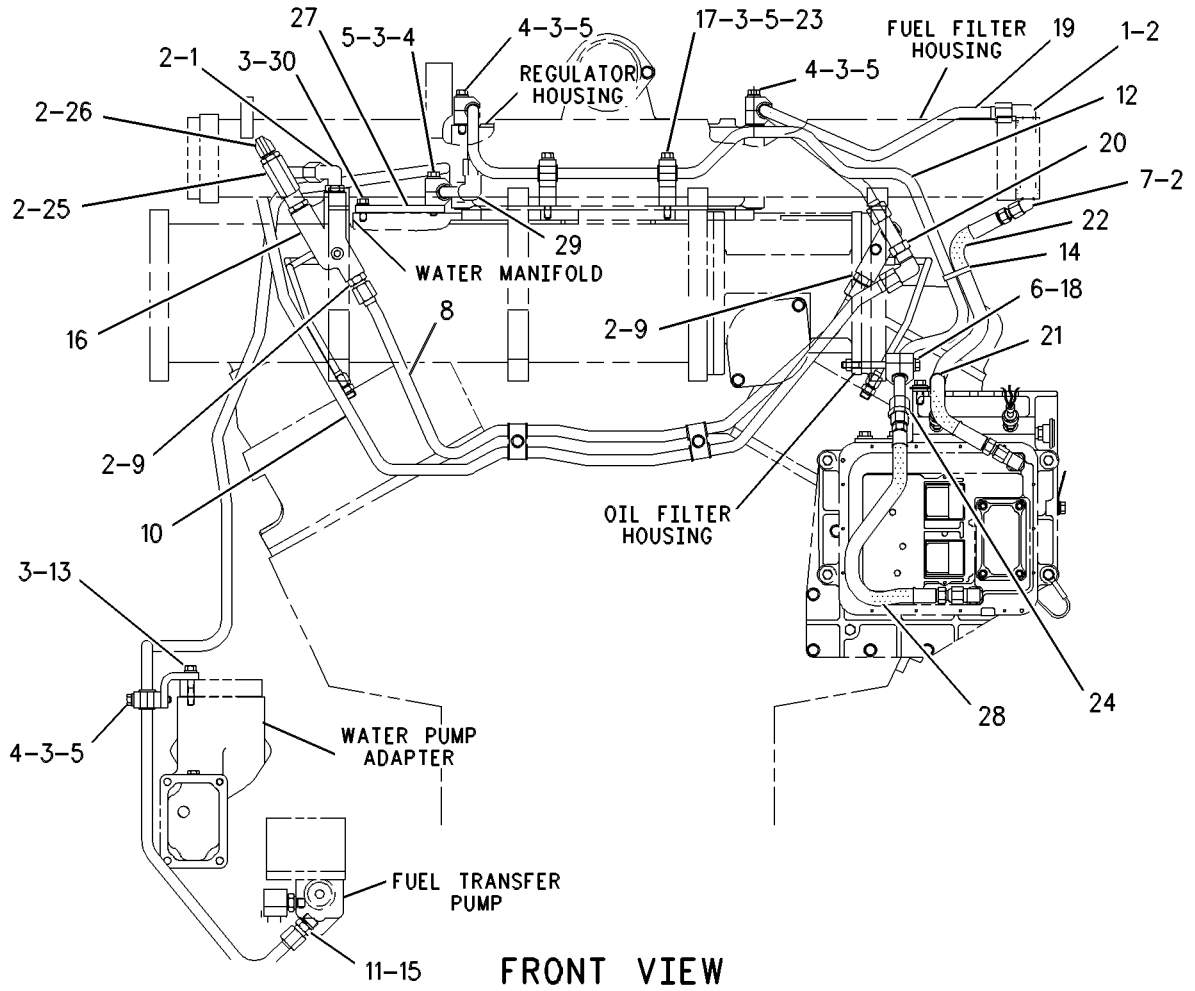
NOTE	REF	GRAPHIC	PART NUMBER	QTY	PART NAME						SEE PAGE
	NO	REF			1	2	3	4	5	6 (PRODUCT LEVEL)	
	44	2	1F-4111	1	BOLT (5/16-18X3.5-IN)						
	45	2	3J-7354	1	SEAL-O-RING						
	46	2	9N-4053	1	SPRING						
	47	2	0T-0065	1	BOLT (3/8-16X3.5-IN)						
	48	2	4P-0693	2	CLAMP AS						
					(EACH INCLUDES)						
		2	108-1434	2	GROMMET						
	49	2	7C-7677	8	TUBE AS						
	50	2	114-5477	1	PLUNGER-VALVE						
	51	2	3J-1907	17	SEAL-O-RING						
	52	2	9N-0869	8	WASHER-HARD (8.8X25.5X2-MM THK)						
	53	2	7C-7678	8	TUBE AS						
	54	3	9S-8752	1	NUT-FULL (3/8-16-THD)						
	55	3	2M-9780	1	SEAL-O-RING						
	56	3	5M-2894	3	WASHER-HARD (10.2X18.5X2.5-MM THK)						
	57	3	0T-0055	1	BOLT (3/8-16X4.25-IN)						
	58	3	4P-0692	2	CLAMP AS						
					(EACH INCLUDES)						
		3	108-1434	2	GROMMET						
	59	3	2B-2694	8	BOLT (5/16-18X2-IN)						
	60	3	4P-5497	1	MANIFOLD AS-FUEL						
		3	9Y-0047	16	CLAMP						
		3	100-3237	16	GROMMET						
		3	101-4135	8	PIN-SPRING						
	61	3	2P-1296	1	TEE						
	62	3	9N-0869	8	WASHER-HARD (8.8X25.5X2-MM THK)						
	63	3	7N-6806	2	SEAL-RECTANGULAR						
	64	3	9M-1974	1	WASHER-HARD (8.8X16X2-MM THK)						
	65	3	1D-4539	1	BOLT (5/16-18X2.5-IN)						
	66	3	6B-6205	1	SPACER (0.438X0.875X1.281-IN THK)						
	67	3	7W-2122	16	CONNECTOR-PORT						
	68	3	7C-7683	1	ADAPTER-FUEL MANIFOLD (LH)						
	69	3	7C-7678	8	TUBE AS						
	70	3	0T-0065	1	BOLT (3/8-16X3.5-IN)						
	71	3	4P-0693	2	CLAMP AS						
					(EACH INCLUDES)						
		3	108-1434	2	GROMMET						
	72	3	7C-7677	8	TUBE AS						
	73	3	3J-1907	16	SEAL-O-RING						

I - REFER TO HYDRAULIC INFORMATION SYSTEM

FUEL SYSTEM

101-1246 LINES GP-FUEL INJECTION (contd.)

i01925199



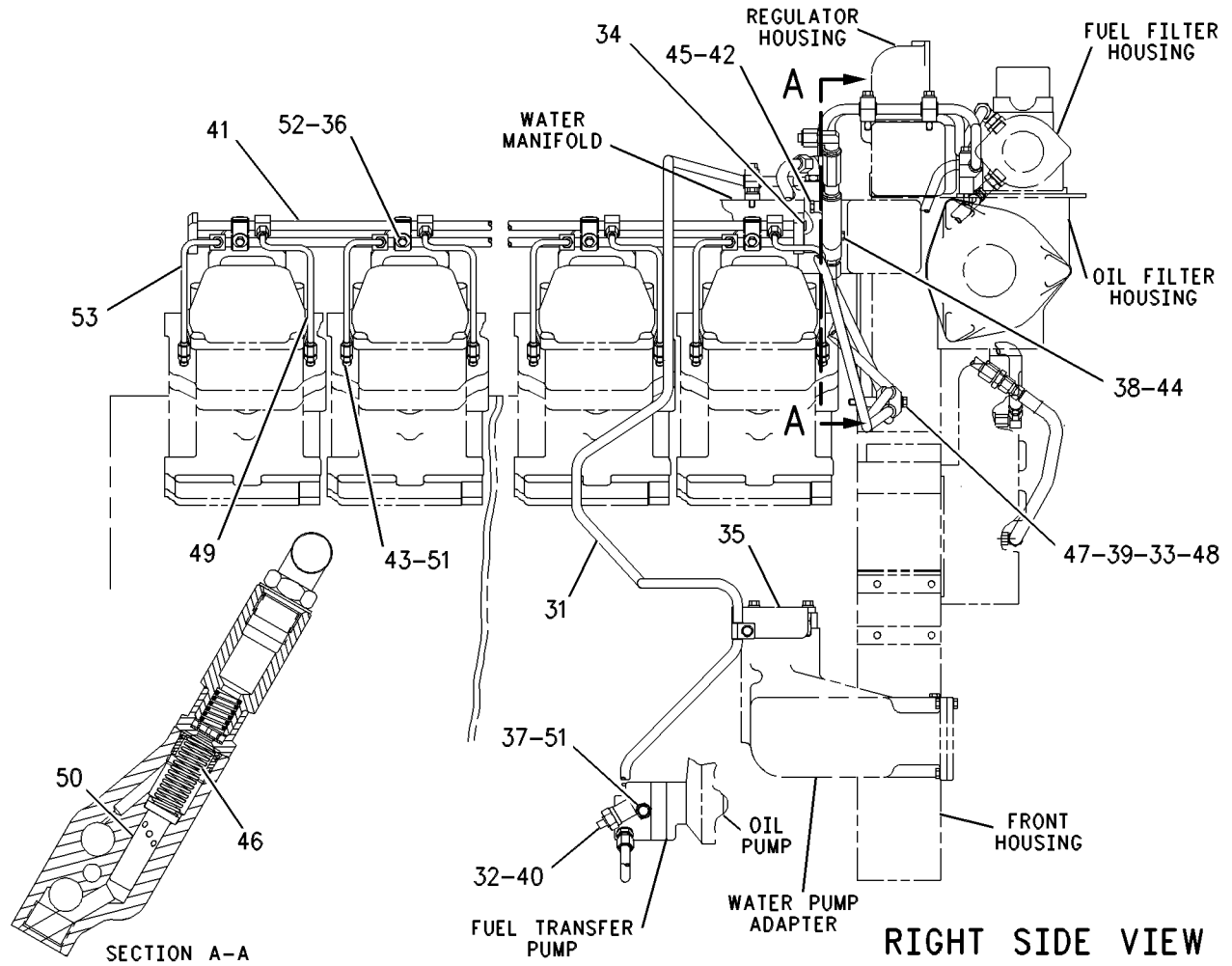
GRAPHIC #1

g00463273

FUEL SYSTEM

101-1246 LINES GP-FUEL INJECTION (contd.)

i01925199



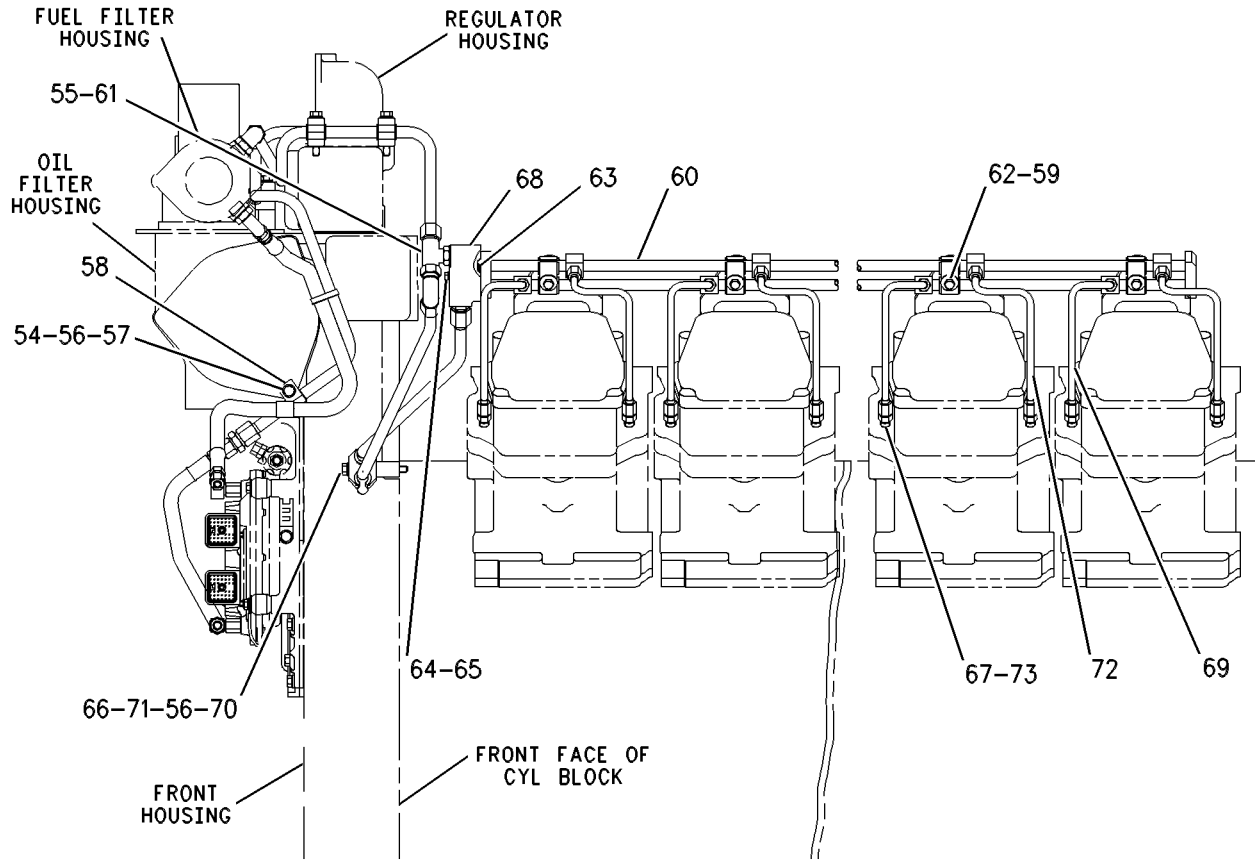
GRAPHIC #2

g00463274

FUEL SYSTEM

101-1246 LINES GP-FUEL INJECTION (contd.)

101925199



LEFT SIDE VIEW

GRAPHIC #3

<END>

g00463275

FUEL SYSTEM

101-1246 LINES GP-FUEL INJECTION

S/N: 3XS408-UP

SMCS-1252, 1254

i06259674

NOTE	REF NO	GRAPHIC REF	PART NUMBER	QTY	PART NAME						SEE PAGE
					1	2	3	4	5	6 (PRODUCT LEVEL)	
	1	1	4P-0692	18	CLAMP AS						
					(EACH INCLUDES)						
		1	108-1434	1	GROMMET						
	2	1	4P-0693	4	CLAMP AS						
					(EACH INCLUDES)						
		1	108-1434	2	GROMMET						
	3	1	6V-4363	1	ELBOW						
	4	1	7C-7677	16	TUBE AS						
	5	1	7C-7678	16	TUBE AS						
	6	1	7C-7682	1	ADAPTER-FUEL MANIFOLD (RH)						
	7	1	7C-7683	1	ADAPTER-FUEL MANIFOLD (LH)						
	8	1	7E-3921	1	VALVE-CHECK						
	9	1	7W-2122	32	CONNECTOR-PORT						
	10	1	8N-6210	1	BRACKET-LINE SUPPORT						
	11	1	8N-6211	1	PLATE-LINE SUPPORT						
	12	1	8N-6327	1	TUBE AS						
	13	1	9N-4053	1	SPRING						
	14	1	030-7977	1	ELBOW						
	15	1	111-3388	1	TUBE AS						
	16	1	111-3389	1	TUBE AS						
	17	1	114-5477	1	PLUNGER-VALVE						
	18	1	115-8082	1	BRACKET AS						
		1	1F-0750	1	NUT-WELD (3/8-16-THD)						
CY	19	1	156-9755	1	MANIFOLD GP-FUEL (RH)						357
CY	20	1	156-9756	1	MANIFOLD GP-FUEL (LH)						358
	21	1	237-2712	1	TUBE AS						
	22	1	237-2717	1	TUBE AS						
	23	1	250-1496	1	ELBOW						
	24	1	250-1499	1	TEE						
	25	1	365-0576	2	CONNECTOR AS						
					(EACH INCLUDES)						
		1	9M-4584	1	CONNECTOR						
		1	238-5081	1	SEAL-O-RING						
	26	1	386-6229	2	ELBOW AS						
					(EACH INCLUDES)						
		1	238-5081	1	SEAL-O-RING						
		1	250-1497	1	ELBOW						
I	27	1	478-0107	1	HOSE AS						
I	28	1	478-0108	1	HOSE AS						
	29	1	030-7972	1	ELBOW						
	30	1	030-7982	1	UNION-FLARED						
	31	1	0L-2070	5	BOLT (3/8-16X2.25-IN)						
	32	1	0S-1590	1	BOLT (3/8-16X2-IN)						
	33	1	0S-1594	2	BOLT (3/8-16X1-IN)						
	34	1	0T-0065	3	BOLT (3/8-16X3.5-IN)						
	35	1	1D-4539	1	BOLT (5/16-18X2.5-IN)						
	36	1	1D-4541	1	BOLT (5/16-18X3-IN)						
	37	1	214-7568	33	SEAL-O-RING						
	38	1	238-5081	5	SEAL-O-RING						

FUEL SYSTEM

101-1246 **LINES GP-FUEL INJECTION** (contd.)

i06259674

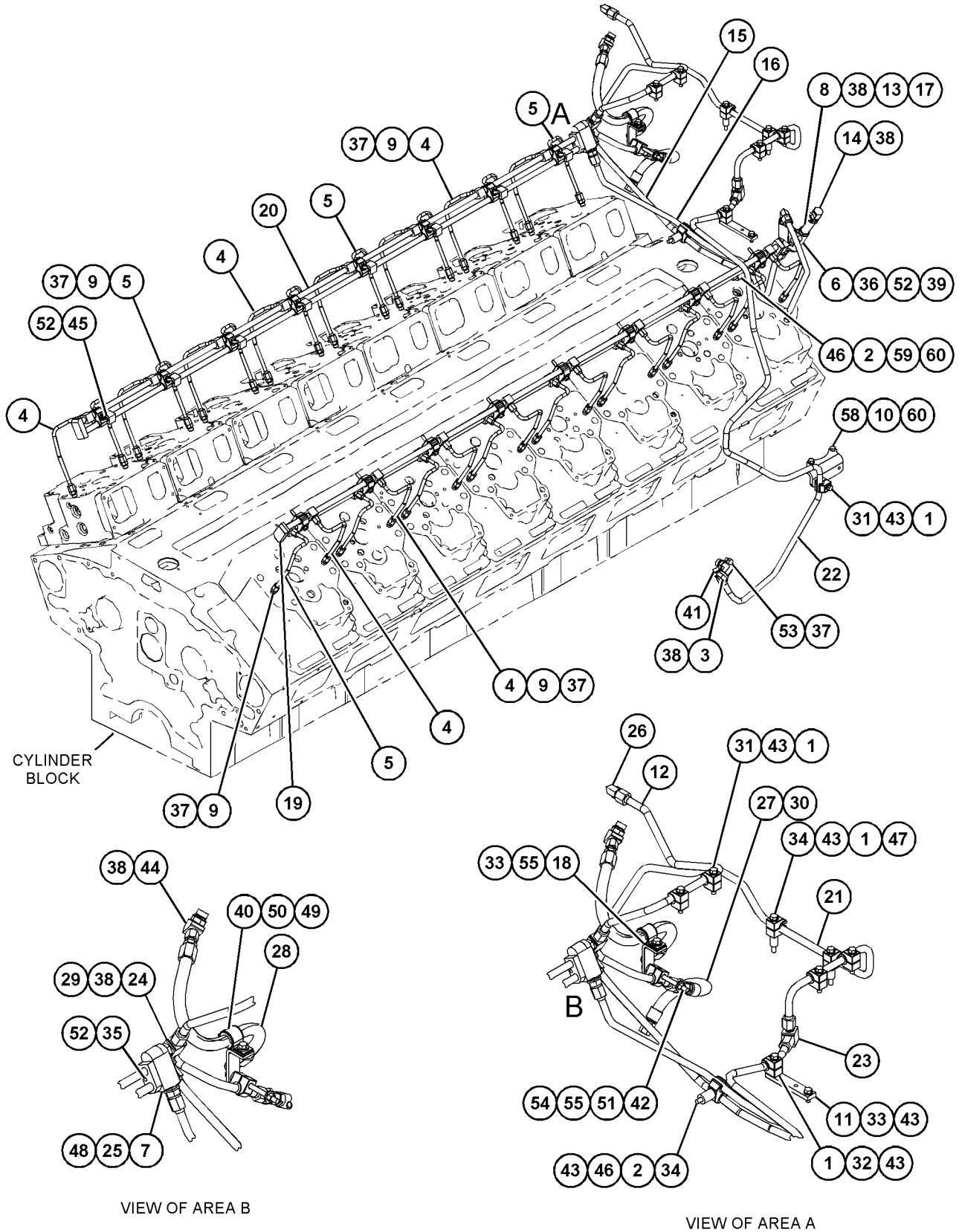
NOTE	REF NO	GRAPHIC REF	PART NUMBER	QTY	PART NAME						SEE PAGE
					1	2	3	4	5	6 (PRODUCT LEVEL)	
	39	1	309-5130	1	PLUG AS						
		1	9S-4182	1	PLUG (7/16-20-THD)						
		1	214-7566	1	SEAL-O-RING						
	40	1	353-7952	1	GROMMET						
	41	1	365-0578	1	CONNECTOR AS						
		1	2P-7636	1	CONNECTOR (3/4-16 STR-THD)						
		1	238-5080	1	SEAL-O-RING						
	42	1	5B-9603	1	BOLT (3/8-16X5-IN)						
	43	1	5M-2894	10	WASHER-HARD (10.2X18.5X2.5-MM THK)						
	44	1	5P-4318	1	ELBOW						
C	45	1	5S-0003	1	NUT (5/16-18-THD)						
	46	1	6B-6205	2	SPACER (0.438X0.875X1.281-IN THK)						
	47	1	7K-3377	2	PIPE						
	48	1	7N-6806	4	SEAL-RECTANGULAR						
	49	1	8T-1897	1	CLIP (SLOT)						
	50	1	8T-1898	1	CLIP (TAB)						
	51	1	8T-7934	1	WASHER-HARD (11X21X5-MM THK)						
C	52	1	9M-1974	3	WASHER-HARD (8.8X16X2-MM THK)						
	53	1	9S-4191	1	PLUG (9/16-18-THD)						
	54	1	9S-8752	1	NUT-FULL (3/8-16-THD)						
	55	1	9X-6458	3	WASHER-HARD (10.2X22.5X3-MM THK)						
B	58	1	0S-1590	2	BOLT (3/8-16X2-IN)						
B	59	1	0T-0065	1	BOLT (3/8-16X3.5-IN)						
B	60	1	5M-2894	3	WASHER-HARD (10.2X18.5X2.5-MM THK)						

B - USE AS REQUIRED
 C - CHANGE FROM PREVIOUS TYPE
 I - REFER TO HYDRAULIC INFORMATION SYSTEM
 Y - SEPARATE ILLUSTRATION

FUEL SYSTEM

101-1246 LINES GP-FUEL INJECTION (contd.)

i06259674



GRAPHIC #1

<END>

g06059919

FUEL SYSTEM

156-9755 MANIFOLD GP-FUEL-RH

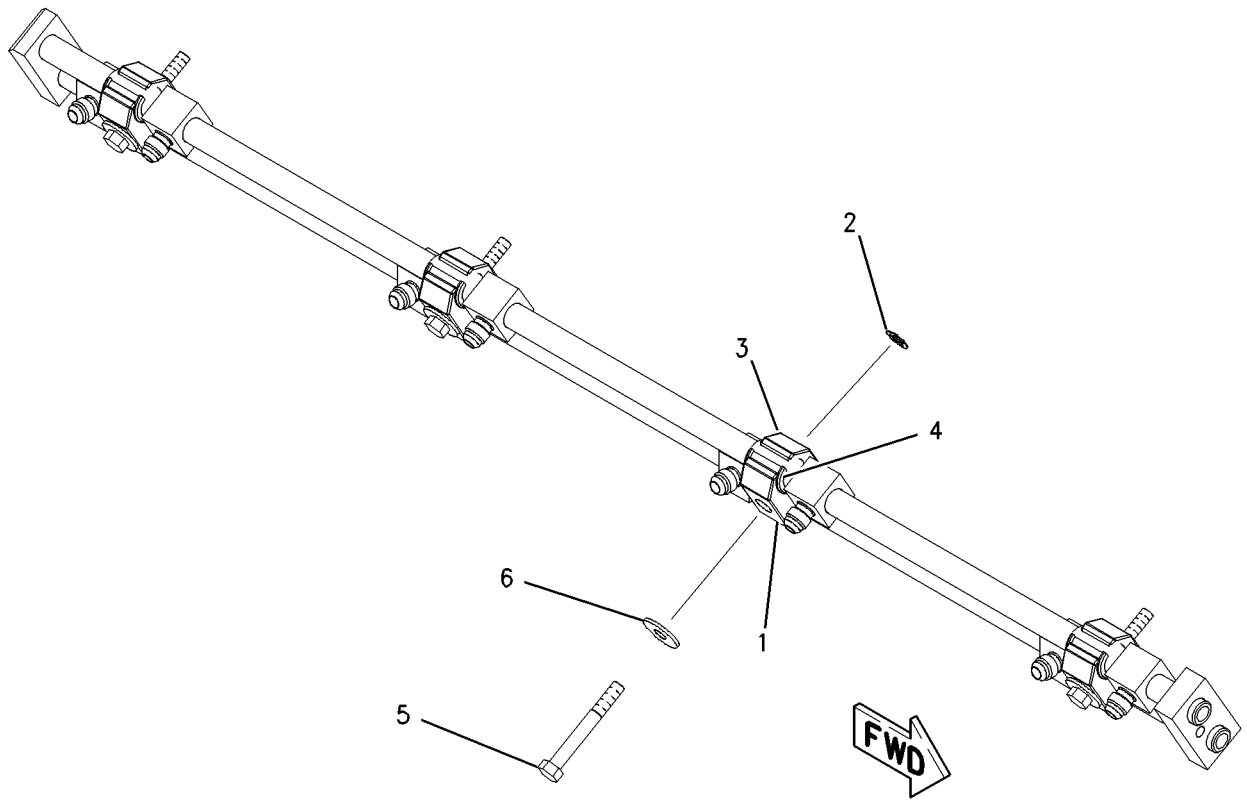
S/N: 3XS408-UP

PART OF 101-1246 LINES GP-FUEL INJECTION

SMCS-1274, 1380, 1702

i02327540

NOTE	REF NO	GRAPHIC REF	PART NUMBER	QTY	PART NAME						SEE PAGE
					1	2	3	4	5	6	
	1	1	9Y-0047	8	CLAMP						
	2	1	147-3745	8	WASHER - RETAINING						
	3	1	156-9748	8	CLAMP						
	4	1	100-3237	16	GROMMET						
	5	1	1D-4539	8	BOLT (5/16-18X2.5-IN)						
	6	1	9N-0869	8	WASHER - HARD (8.8X25.5X2-MM THK)						



GRAPHIC #1

<END>

g00901869

FUEL SYSTEM

156-9756 MANIFOLD GP-FUEL-LH

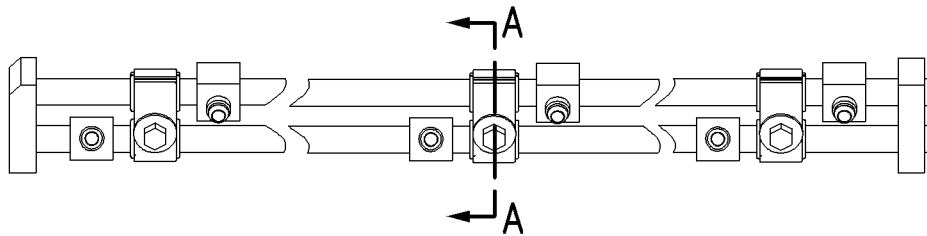
S/N: 3XS408-UP

PART OF 101-1246 LINES GP-FUEL INJECTION

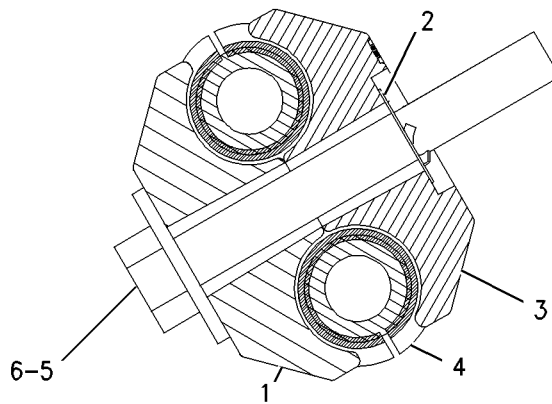
SMCS-1274, 1380, 1702

i02327539

NOTE	REF NO	GRAPHIC REF	PART NUMBER	QTY	PART NAME						SEE PAGE
					1	2	3	4	5	6 (PRODUCT LEVEL)	
	1	1	9Y-0047	8	CLAMP						
	2	1	147-3745	8	WASHER-RETAINING						
	3	1	156-9748	8	CLAMP						
	4	1	100-3237	16	GROMMET						
	5	1	1D-4539	8	BOLT (5/16-18X2.5-IN)						
	6	1	9N-0869	8	WASHER-HARD (8.8X25.5X2-MM THK)						



LEFT SIDE VIEW



SECTION A-A

GRAPHIC #1

<END>

g00901870

FUEL SYSTEM

133-5994 PUMP GP-FUEL INJECTION

S/N: 3XS1-407

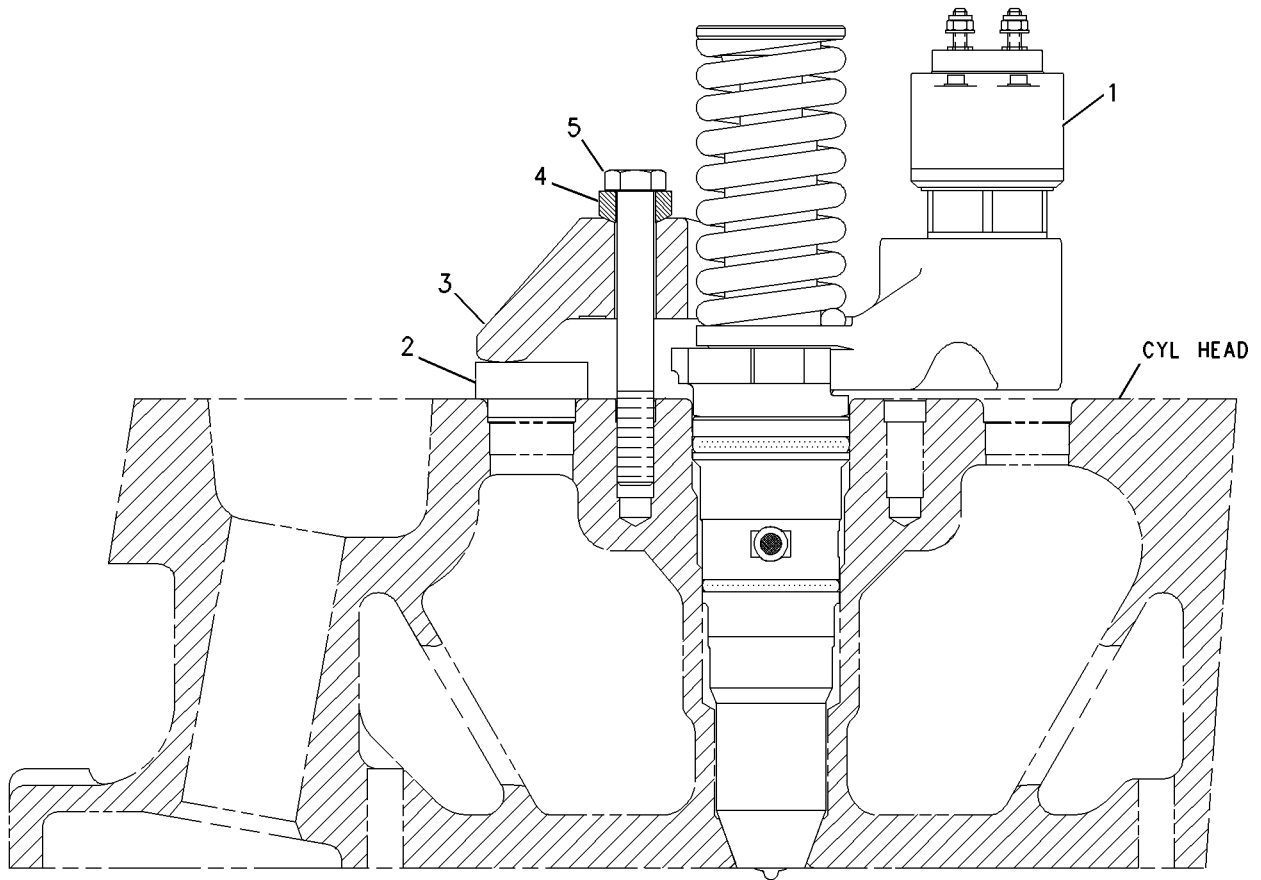
AN ATTACHMENT

SMCS-1251, 1290

i01292264

NOTE	REF NO	GRAPHIC REF	PART NUMBER	QTY	PART NAME						SEE PAGE
					1	2	3	4	5	6 (PRODUCT LEVEL)	
Y	1	1	133-3345	1	INJECTOR GP-FUEL						341
	2	1	7C-2615	1	PLUG						
	3	1	7E-2580	1	CLAMP-INJECTOR						
	4	1	7N-5487	1	WASHER (12X22X9.5-MM THK)						
	5	1	7F-8698	1	BOLT (7/16-14X3.5-IN)						

Y - SEPARATE ILLUSTRATION



GRAPHIC #1

<END>

g00684679

FUEL SYSTEM

133-5994 PUMP GP-FUEL INJECTION

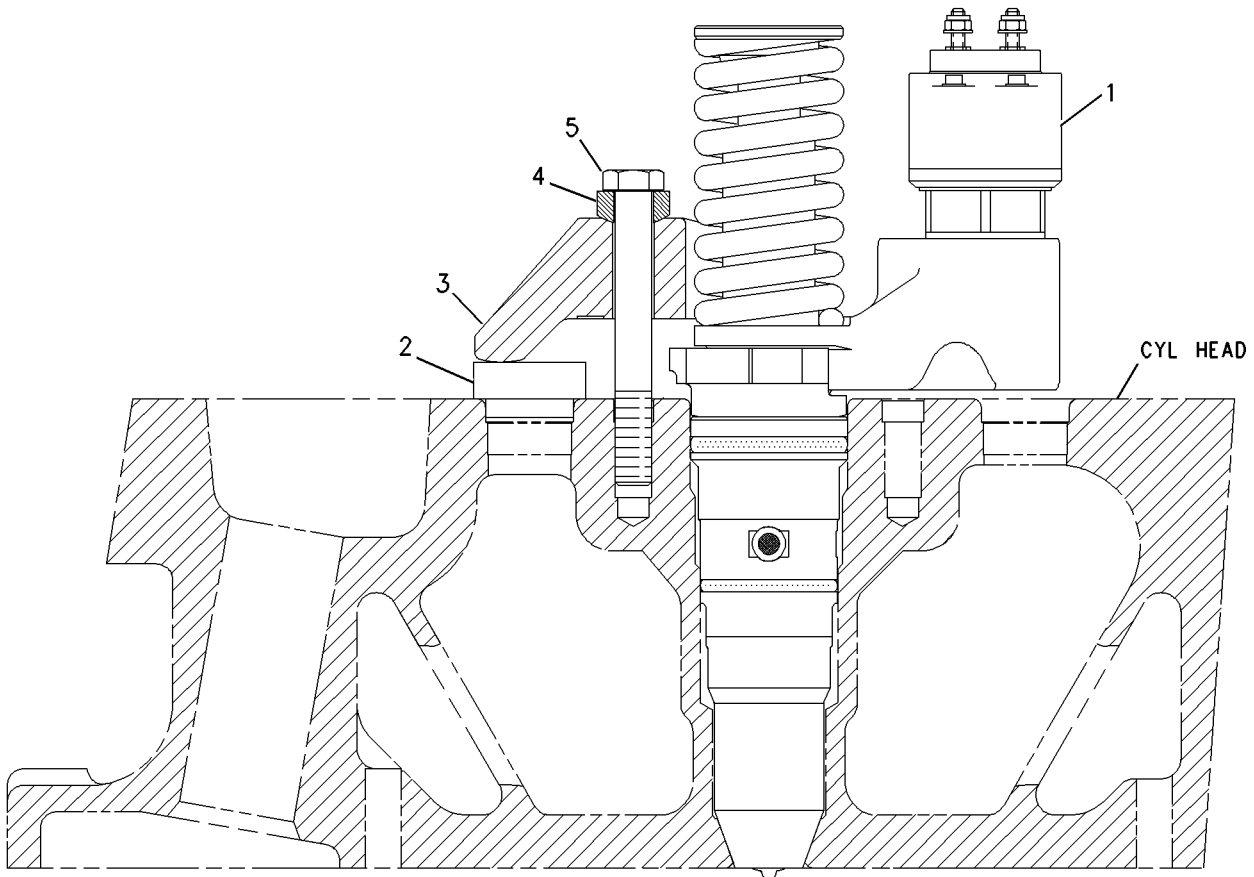
S/N: 3XS408-UP
AN ATTACHMENT

SMCS-1251, 1290

i01292291

NOTE	REF NO	GRAPHIC REF	PART NUMBER	QTY	PART NAME						SEE PAGE
					1	2	3	4	5	6 (PRODUCT LEVEL)	
CY	1	1	172-4675	1	INJECTOR GP-FUEL						344
	2	1	7C-2615	1	PLUG						
	3	1	7E-2580	1	CLAMP-INJECTOR						
	4	1	7N-5487	1	WASHER (12X22X9.5-MM THK)						
	5	1	7F-8698	1	BOLT (7/16-14X3.5-IN)						

C - CHANGE FROM PREVIOUS TYPE
Y - SEPARATE ILLUSTRATION



GRAPHIC #1

<END>

g00684679

FUEL SYSTEM

136-5929 PUMP GP-FUEL INJECTION

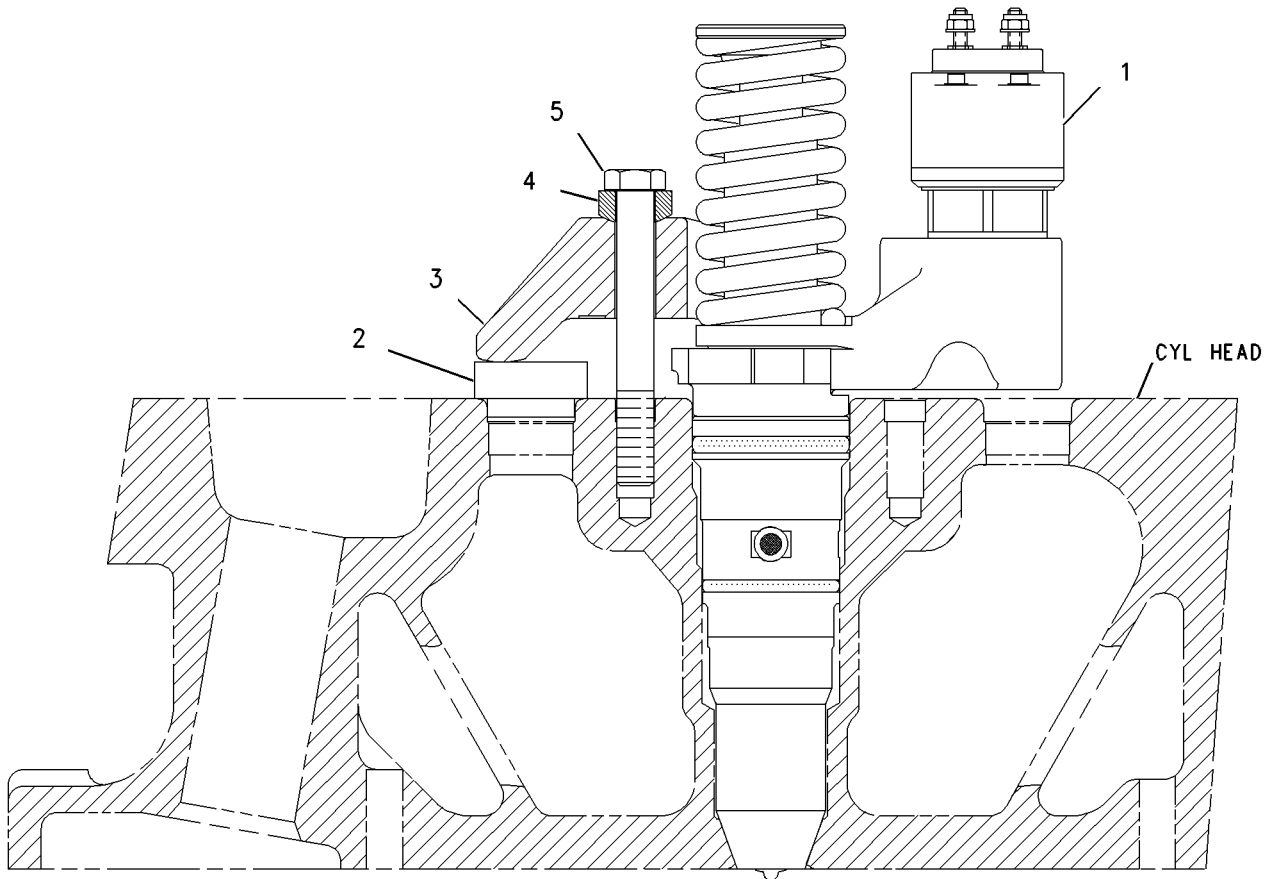
S/N: 3XS404-407

SMCS-1251, 1290

i01292234

NOTE	REF NO	GRAPHIC REF	PART NUMBER	QTY	PART NAME						SEE PAGE
					1	2	3	4	5	6 (PRODUCT LEVEL)	
Y	1	1	134-2601	1	INJECTOR GP-FUEL						342
	2	1	7C-2615	1	PLUG						
	3	1	7E-2580	1	CLAMP-INJECTOR						
	4	1	7N-5487	1	WASHER (12X22X9.5-MM THK)						
	5	1	7F-8698	1	BOLT (7/16-14X3.5-IN)						

Y - SEPARATE ILLUSTRATION



GRAPHIC #1

<END>

g00684668

FUEL SYSTEM

136-5929 PUMP GP-FUEL INJECTION

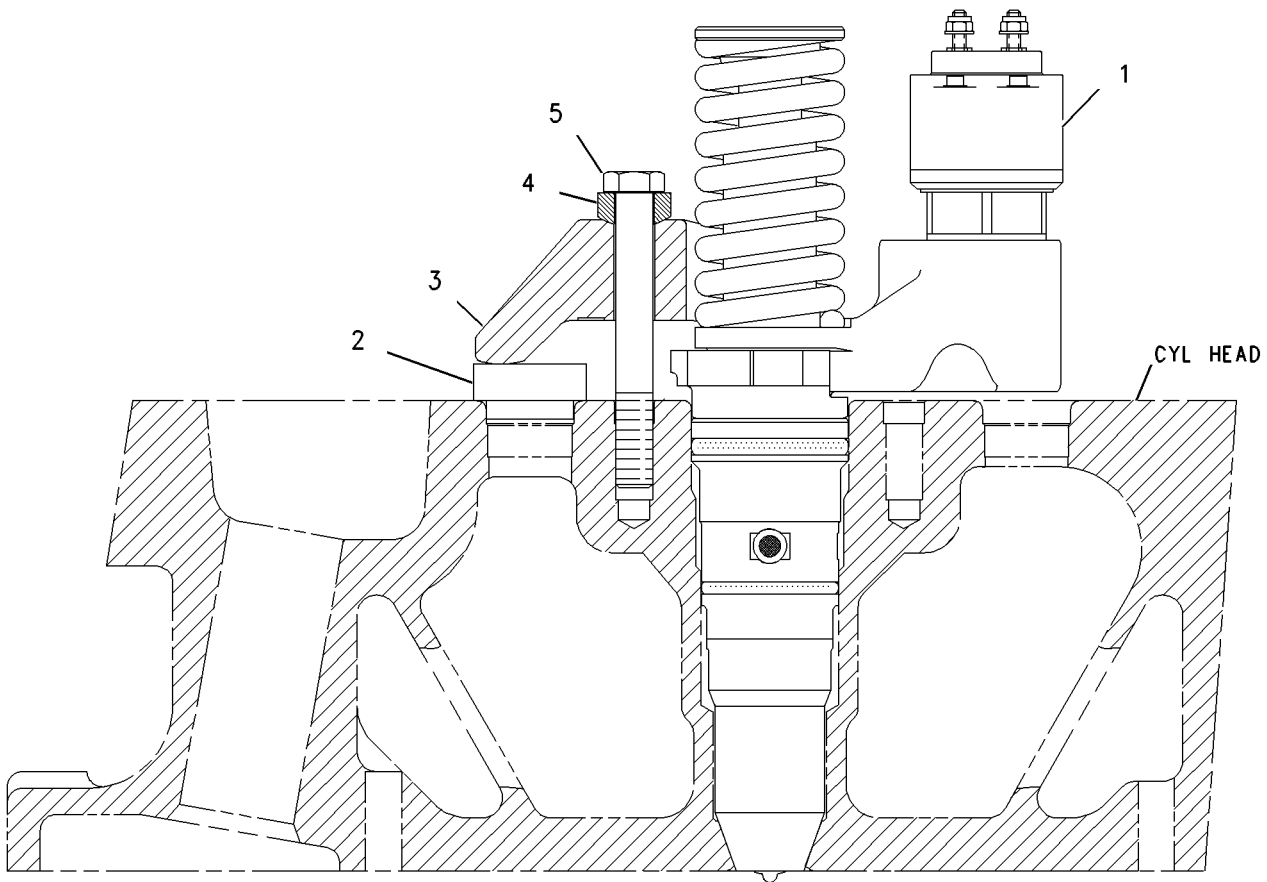
S/N: 3XS408-UP

SMCS-1251, 1290

i01292313

NOTE	REF NO	GRAPHIC REF	PART NUMBER	QTY	PART NAME						SEE PAGE
					1	2	3	4	5	6	
CYR	1	1	172-4672	1	INJECTOR GP-FUEL						343
	2	1	7C-2615	1	PLUG						
	3	1	7E-2580	1	CLAMP-INJECTOR						
	4	1	7N-5487	1	WASHER (12X22X9.5-MM THK)						
	5	1	7F-8698	1	BOLT (7/16-14X3.5-IN)						

C - CHANGE FROM PREVIOUS TYPE
 R - REMANUFACTURED PART MAY BE AVAILABLE
 Y - SEPARATE ILLUSTRATION



GRAPHIC #1

<END>

g00684668

FUEL SYSTEM

115-1063 PUMP GP-FUEL PRIMING-RH AN ATTACHMENT

SMCS-1258

i02636184

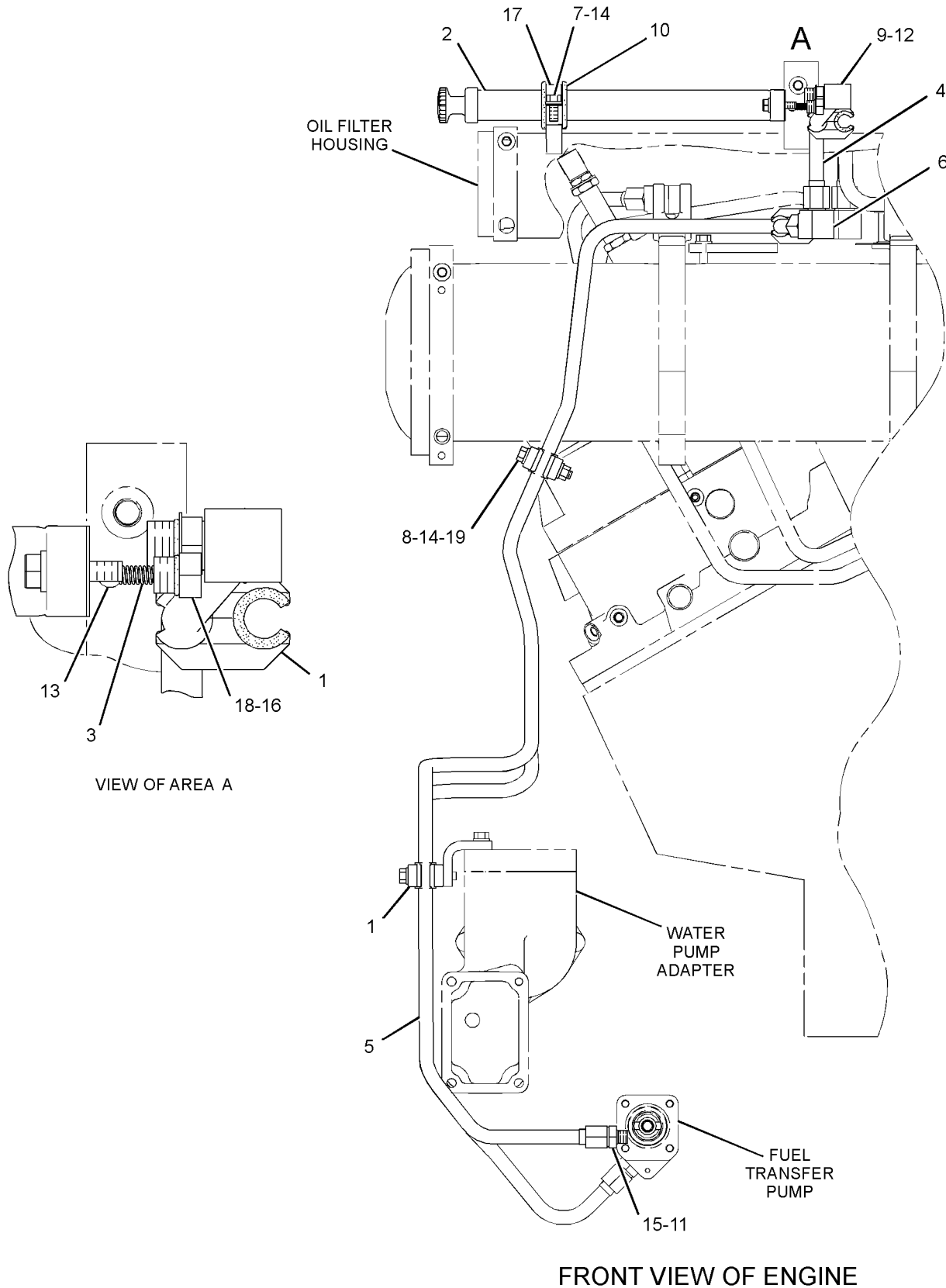
NOTE	REF NO	GRAPHIC REF	PART NUMBER	QTY	PART NAME						SEE PAGE
					1	2	3	4	5	6 (PRODUCT LEVEL)	
	1	1	4P-0693	10	CLAMP AS						
					(EACH INCLUDES)						
		1	108-1434	2	GROMMET						
Y	2	1	7N-8599	1	PUMP GP-FUEL PRIMING						367
	3	1	9N-1752	1	SPRING						
	4	1	237-2715	1	TUBE AS						
	5	1	237-2716	1	TUBE AS						
	6	1	250-1496	1	ELBOW						
	7	1	0L-1351	2	BOLT (3/8-16X0.875-IN)						
	8	1	0L-2070	1	BOLT (3/8-16X2.25-IN)						
	9	1	1P-7625	1	ELBOW						
	10	1	2H-9523	1	GROMMET						
	11	1	3J-1907	1	SEAL-O-RING						
	12	1	3K-0360	1	SEAL-O-RING						
	13	1	4B-9782	1	BALL						
	14	1	5M-2894	4	WASHER-HARD (10.2X18.5X2.5-MM THK)						
	15	1	6V-4362	1	CONNECTOR						
	16	1	6V-5049	1	SEAL-O-RING						
	17	1	8N-3480	1	CLIP						
	18	1	9S-4191	1	PLUG (9/16-18-THD)						
	19	1	9S-8752	1	NUT-FULL (3/8-16-THD)						

Y - SEPARATE ILLUSTRATION

FUEL SYSTEM

115-1063 PUMP GP-FUEL PRIMING (contd.)

102636184



GRAPHIC #1

<END>

g01364268

FUEL SYSTEM

115-1065 PUMP GP-FUEL PRIMING-LH AN ATTACHMENT

SMCS-1258

i02927424

NOTE	REF NO	GRAPHIC REF	PART NUMBER	QTY	PART NAME	SEE PAGE
					1 2 3 4 5 6 (PRODUCT LEVEL)	
	1	1	4P-0692	4	CLAMP AS	
					(EACH INCLUDES)	
		1	108-1434	1	GROMMET	
	2	1	4P-0693	10	CLAMP AS	
					(EACH INCLUDES)	
		1	108-1434	2	GROMMET	
Y	3	1	<i>7N-8599</i>	1	PUMP GP-FUEL PRIMING (BASIC)	367
	4	1	9N-1752	1	SPRING	
	5	1	237-2716	1	TUBE AS	
	6	1	237-2718	1	TUBE AS	
	7	1	250-1496	1	ELBOW	
	8	1	0L-1351	2	BOLT (3/8-16X0.875-IN)	
	9	1	0L-2070	1	BOLT (3/8-16X2.25-IN)	
	10	1	0T-0065	2	BOLT (3/8-16X3.5-IN)	
	11	1	1P-7625	1	ELBOW	
	12	1	2H-9523	1	GROMMET	
	13	1	3J-1907	1	SEAL-O-RING	
	14	1	3K-0360	1	SEAL-O-RING	
	15	1	4B-9782	1	BALL	
	16	1	5M-2894	6	WASHER-HARD (10.2X18.5X2.5-MM THK)	
	17	1	6V-4362	1	CONNECTOR	
	18	1	6V-5049	1	SEAL-O-RING	
	19	1	7K-3377	2	PIPE	
	20	1	8N-3480	1	CLIP	
	21	1	9S-4191	1	PLUG (9/16-18-THD)	
	22	1	9S-8752	1	NUT-FULL (3/8-16-THD)	

Y - SEPARATE ILLUSTRATION

FUEL SYSTEM

7N-8599 PUMP GP-FUEL PRIMING

S/N: 3XS1-403

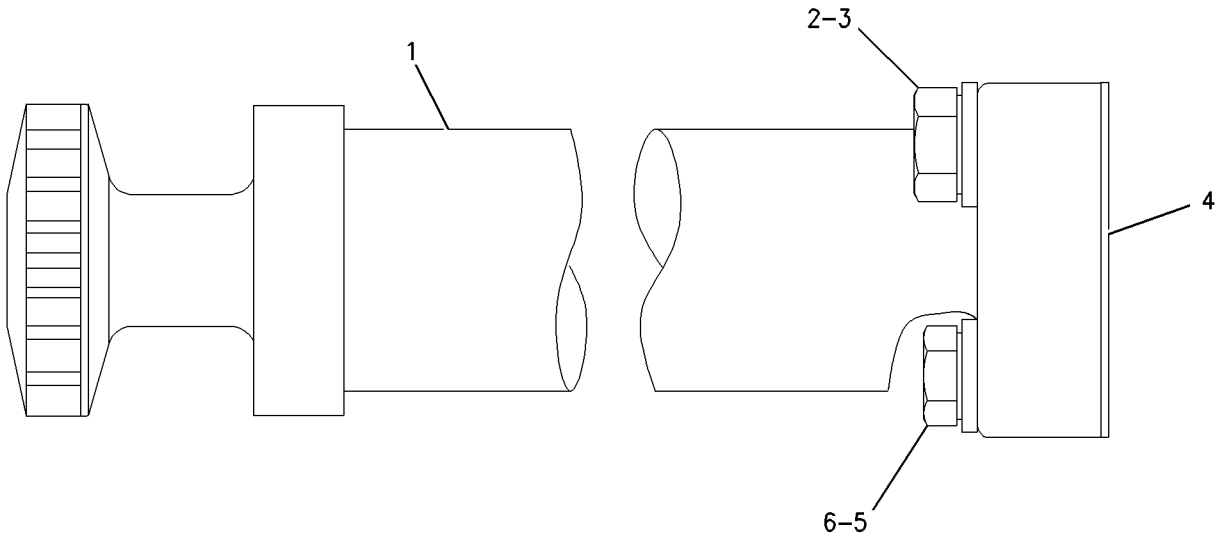
PART OF 115-1063, 115-1065 PUMP GP-FUEL PRIMING
AN ATTACHMENT

SMCS-1258

i03129061

NOTE	REF NO	GRAPHIC REF	PART NUMBER	QTY	PART NAME						SEE PAGE
					1	2	3	4	5	6 (PRODUCT LEVEL)	
C	1	1	2W-2606	1	PUMP AS-FUEL PRIMING						
	2	1	7B-2742	1	BOLT (1/4-20X1.25-IN)						
	3	1	5P-0537	1	WASHER-HARD (7.2X14.5X2-MM THK)						
	4	1	9Y-8389	1	GASKET (FUEL PRIMING PUMP)						
	5	1	9M-1974	1	WASHER-HARD (8.8X16X2-MM THK)						
	6	1	1B-7182	1	BOLT (5/16-18X1.25-IN)						

C - CHANGE FROM PREVIOUS TYPE



GRAPHIC #1

<END>

g00698268

FUEL SYSTEM

169-8615 PUMP GP-FUEL TRANSFER*R

S/N: 3XS408-UP

ONE SECTION GEAR

PART OF 8N-6151 PUMP GP-FUEL TRANSFER

SMCS - 1256

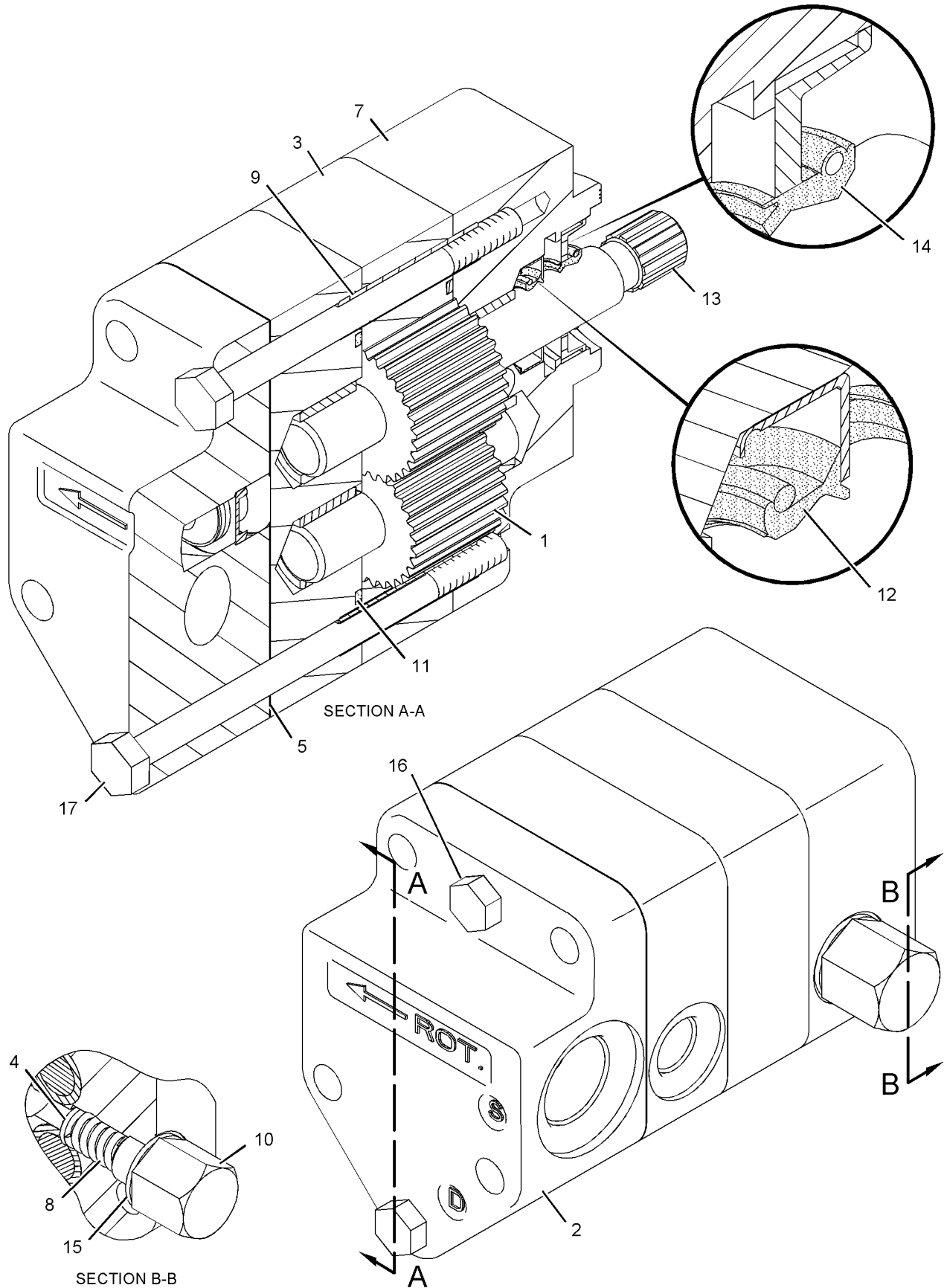
i03536840

NOTE	REF NO	GRAPHIC REF	PART NUMBER	QTY	PART NAME						SEE PAGE
					1	2	3	4	5	6 (PRODUCT LEVEL)	
	1	1	1W-4003	1	GEAR AS- IDLER						
	2	1	1W-4005	1	HEAD AS						
		1	1W-4009	1	VALVE AS (FUEL)						
	3	1	1W-4006	1	CASING						
	4	1	1W-4007	1	POPPET-VALVE (RELIEF)						
	5	1	1W-4008	1	GASKET						
	6	1	1W-4010	1	PLATE AS						
		1	7C-2870	2	BUSHING-TERMINAL						
	7	1	1W-4121	1	BRACKET AS						
		1	7C-2870	2	BUSHING-TERMINAL						
	8	1	1W-4655	1	SPRING-RELIEF VALVE						
	9	1	1W-6935	2	SLEEVE						
	10	1	1W-6936	1	CAP						
	11	1	6V-0895	2	SEAL-O-RING						
	12	1	112-3597	1	SEAL-LIP TYPE						
	13	1	124-9437	1	SHAFT AS-DRIVE						
	14	1	169-8617	1	SEAL-LIP TYPE						
	15	1	7W-3556	1	WASHER (14.27X20.57X1.5-MM THK)						
	16	1	8F-8178	1	BOLT (1/4-20X3.25-IN)						
	17	1	8S-4710	1	BOLT (1/4-20X4-IN)						

FUEL SYSTEM

169-8615 PUMP GP-FUEL TRANSFER (contd.)

103536840



GRAPHIC #1

<END>

g01036070

FUEL SYSTEM

1N-4478 PUMP GP-FUEL TRANSFER*R

S/N: 3XS404-407

ONE SECTION GEAR

PART OF 8N-6151 PUMP GP-FUEL TRANSFER

SMCS-1256

i03531907

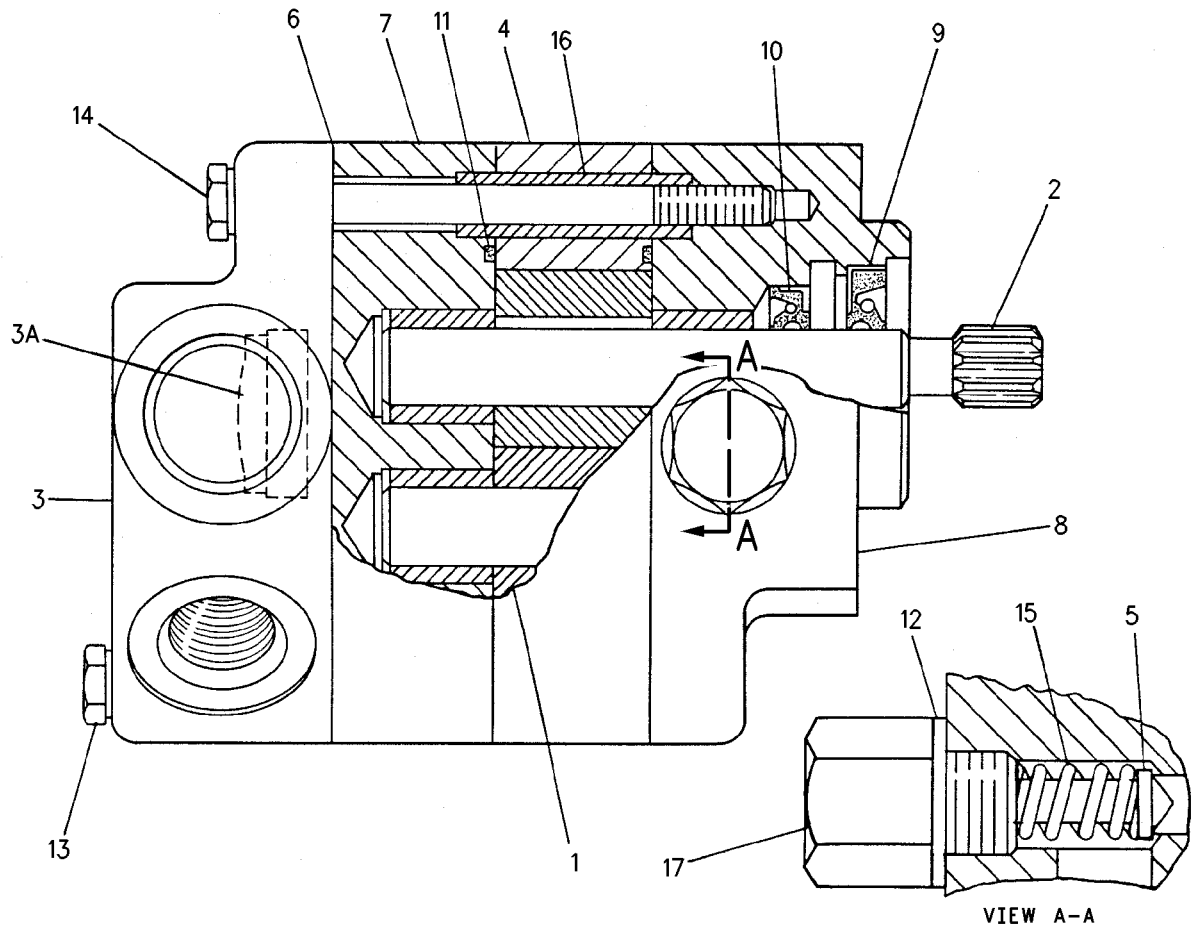
NOTE	REF NO	GRAPHIC REF	PART NUMBER	QTY	PART NAME						SEE PAGE
					1	2	3	4	5	6 (PRODUCT LEVEL)	
	1	1	1W-4003	1	GEAR AS-IDLER						
	2	1	124-9437	1	SHAFT AS-DRIVE						
	3	1	1W-4005	1	HEAD AS						
	3A	1	1W-4009	1	VALVE AS (FUEL)						
	4	1	1W-4006	1	CASING						
	5	1	1W-4007	1	POPPET-VALVE (RELIEF)						
	6	1	1W-4008	1	GASKET						
C	7	1	1W-4010	1	PLATE AS						
		1	7C-2870	2	BUSHING-TERMINAL						
C	8	1	1W-4121	1	BRACKET AS						
		1	7C-2870	2	BUSHING-TERMINAL						
	9	1	112-3596	1	SEAL-LIP TYPE						
	10	1	112-3597	1	SEAL-LIP TYPE						
	11	1	6V-0895	2	SEAL-O-RING						
C	12	1	7W-3556	1	WASHER (14.27X20.57X1.5-MM THK)						
	13	1	8S-4710	1	BOLT (1/4-20X4-IN)						
	14	1	8F-8178	1	BOLT (1/4-20X3.25-IN)						
	15	1	1W-4655	1	SPRING-RELIEF VALVE						
	16	1	1W-6935	2	SLEEVE						
	17	1	1W-6936	1	CAP						

C - CHANGE FROM PREVIOUS TYPE

FUEL SYSTEM

1N-4478 PUMP GP-FUEL TRANSFER (contd.)

103531907



GRAPHIC #1

<END>

g00717276

FUEL SYSTEM

8N-6151 PUMP GP-FUEL TRANSFER-1-SECTION GEAR

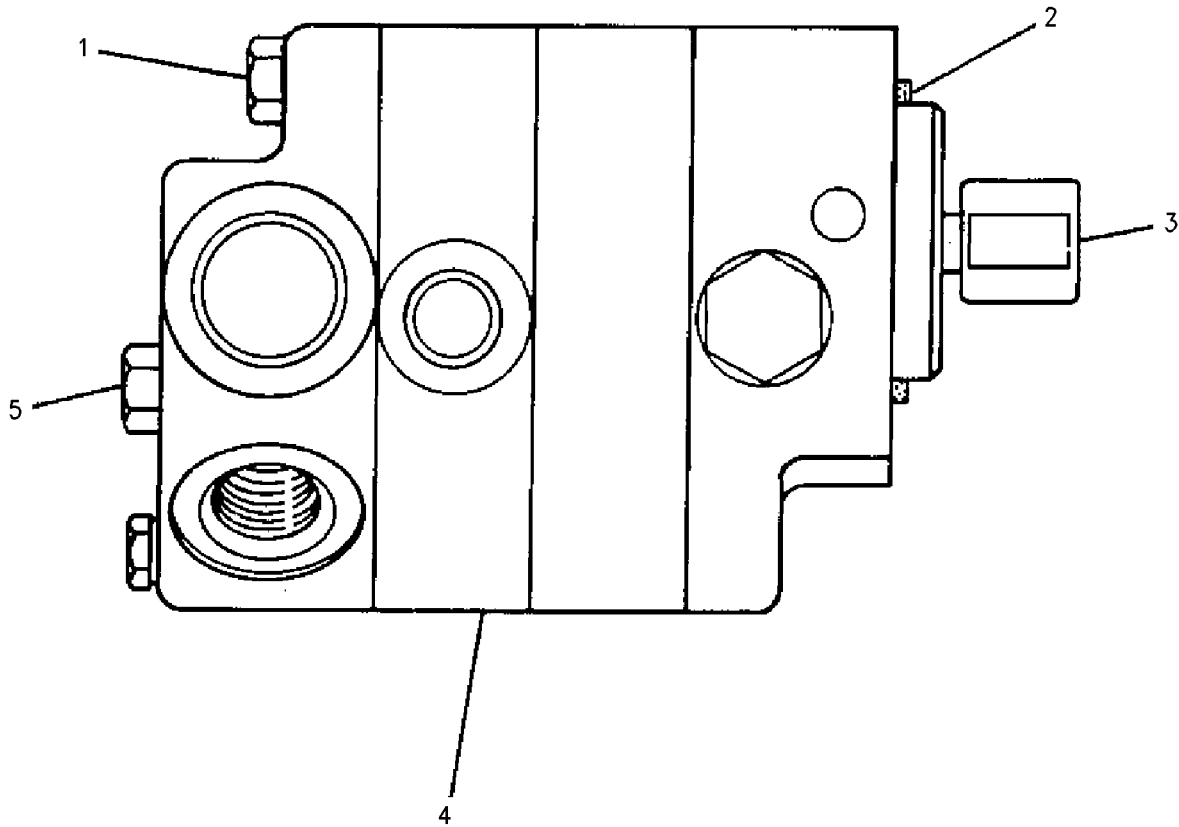
S/N: 3XS404-407

SMCS - 1256

i03531910

NOTE	REF NO	GRAPHIC REF	PART NUMBER	QTY	PART NAME						SEE PAGE
					1	2	3	4	5	6 (PRODUCT LEVEL)	
	1	1	3H-3243	2	BOLT (5/16-18X4.75-IN)						
	2	1	1H-9696	1	SEAL-O-RING						
	3	1	1N-4636	1	COUPLING-DRIVE						
YR	4	1	<i>1N-4478</i>	1	PUMP GP-FUEL TRANSFER (1-SECTION GEAR)						370
	5	1	5L-1761	2	BOLT (5/16-18X5.5-IN)						

R - REMANUFACTURED PART MAY BE AVAILABLE
 Y - SEPARATE ILLUSTRATION



GRAPHIC #1

<END>

g00773824

FUEL SYSTEM

8N-6151 PUMP GP-FUEL TRANSFER-1-SECTION GEAR

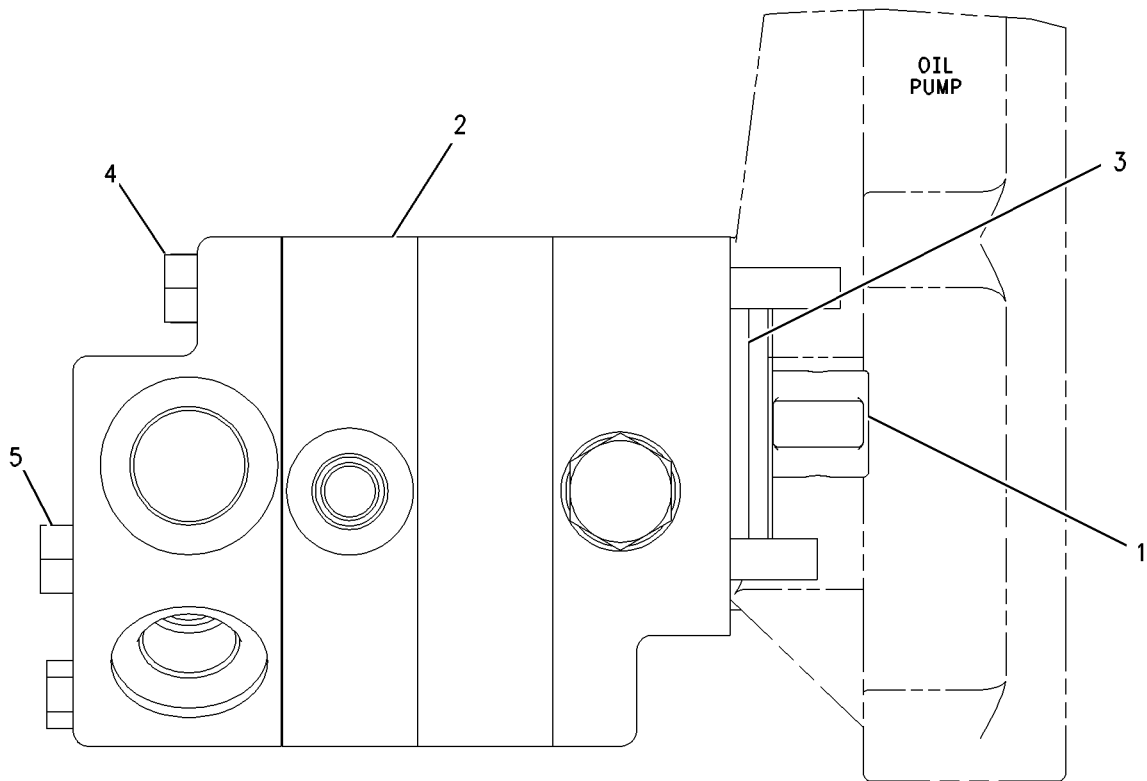
S/N: 3XS408-UP

SMCS-1256

i03531913

NOTE	REF NO	GRAPHIC REF	PART NUMBER	QTY	PART NAME						SEE PAGE
					1	2	3	4	5	6 (PRODUCT LEVEL)	
	1	1	1N-4636	1	COUPLING-DRIVE						
CYR	2	1	169-8615	1	PUMP GP-FUEL TRANSFER (1-SECTION GEAR)						368
	3	1	1H-9696	1	SEAL-O-RING						
	4	1	3H-3243	2	BOLT (5/16-18X4.75-IN)						
	5	1	5L-1761	2	BOLT (5/16-18X5.5-IN)						

C - CHANGE FROM PREVIOUS TYPE
 R - REMANUFACTURED PART MAY BE AVAILABLE
 Y - SEPARATE ILLUSTRATION



GRAPHIC #1

<END>

g00773828

ELECTRICAL AND STARTING SYSTEM

331-5717 ALTERNATOR GP-CHARGING*R

24-VOLT, 105-AMPERE
FIELD INSTALLATION

SMCS-1405

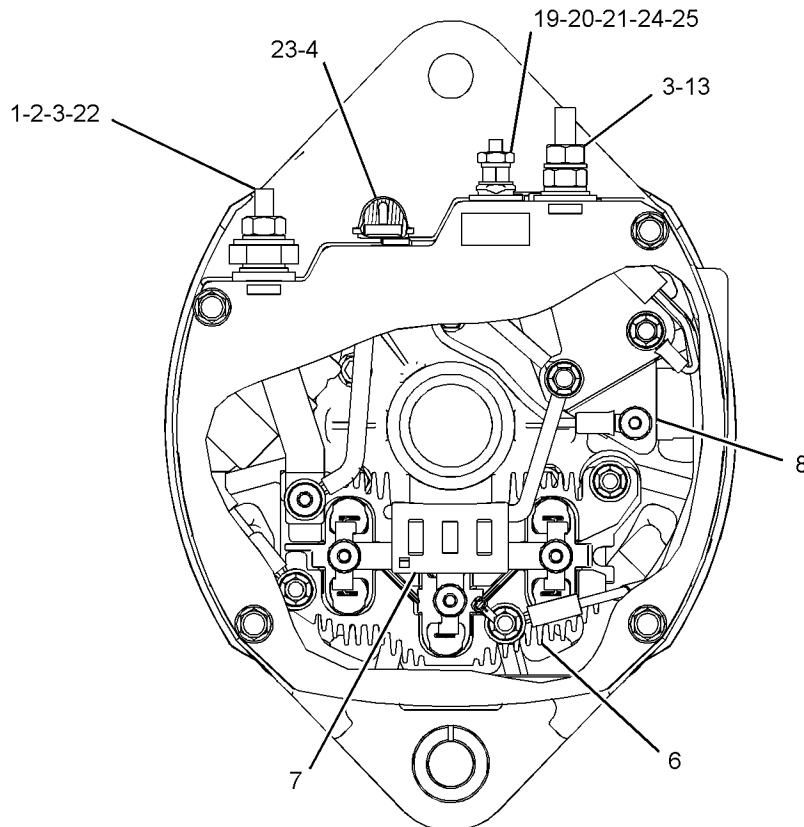
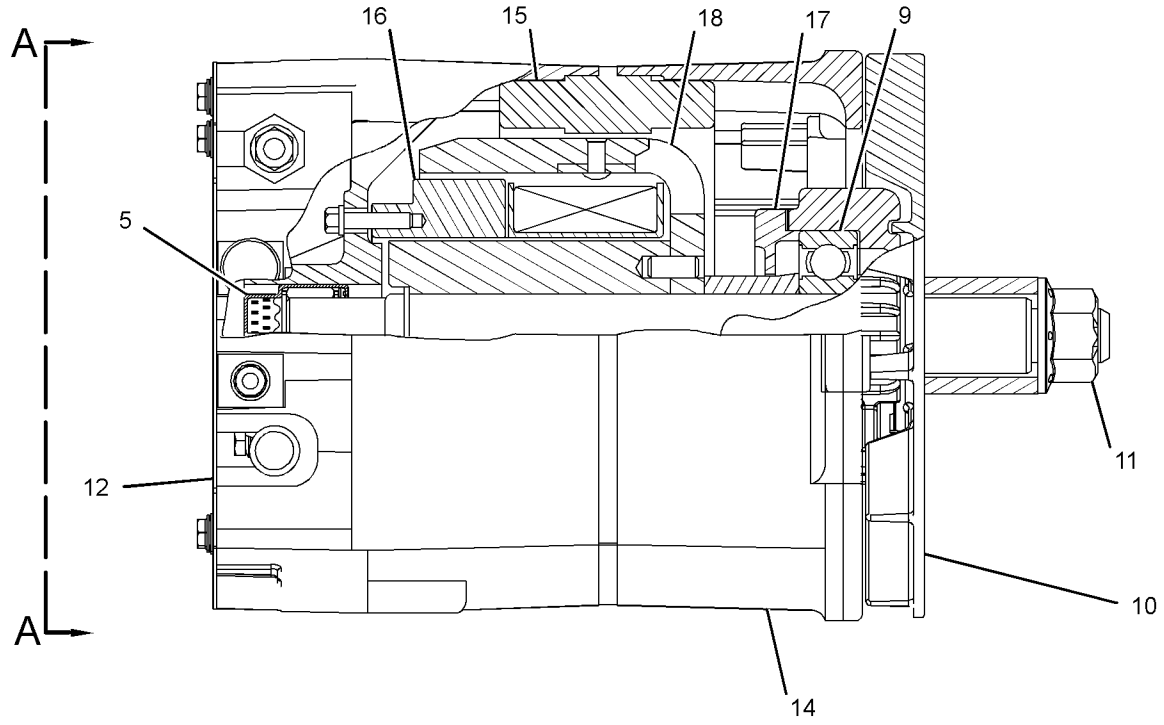
i04302165

NOTE	REF NO	GRAPHIC REF	PART NUMBER	QTY	PART NAME						SEE PAGE
					1	2	3	4	5	6 (PRODUCT LEVEL)	
	1	1	8T-4205	1	WASHER-HARD (7.2X14.5X2-MM THK)						
	2	1	1H-3244	1	LOCKWASHER						
	3	1	6V-8187	2	NUT (1/4-28-THD)						
	4	1	9L-6770	1	CAP-DUST						
	5	1	231-6133	1	KIT-BEARING (ALTERNATOR)						
		1	5P-3419	1	RACE-BEARING INNER						
		1	229-9407	1	BEARING AS						
	6	1	308-1362	1	RECTIFIER AS						
	7	1	202-2708	1	DIODE AS (ALTERNATOR)						
	8	1	3T-6354	1	REGULATOR AS-VOLTAGE (24-VOLT) (ALTERNATOR)						
	9	1	202-9897	1	BEARING-SPECIAL BALL						
	10	1	100-6531	1	FAN-ALTERNATOR (11-BLADE)						
	11	1	187-2034	1	NUT-FLANGE (5/8-18-THD)						
	12	1	202-2783	1	PLATE						
	13	1	292-3815	1	KIT-TERMINAL						
	14	1	202-2700	1	FRAME (ALTERNATOR)						
	15	1	308-1365	1	STATOR AS (ALTERNATOR)						
	16	1	308-1366	1	COIL AS (ALTERNATOR)						
	17	1	9S-2390	1	RETAINER						
	18	1	299-1761	1	ROTOR AS						
	19	1	4B-2047	1	NUT (10-24-THD)						
	20	1	8T-0328	1	WASHER-HARD (5.5X10X1-MM THK)						
	21	1	8F-1434	1	LOCKWASHER						
	22	1	202-2784	1	KIT-ALTERNATOR TERMINAL						
					(INCLUDES NUT, LOCKWASHERS, WASHERS, INSULATORS, SCREW, CONNECTORS, & ADAPTER)						
	23	1	202-2785	1	KIT-ALTERNATOR TERMINAL						
					(INCLUDES STUD, BUSHINGS, WASHERS, CONNECTOR, AND NUT)						
	24	1	202-2787	1	KIT-HARDWARE (ALTERNATOR)						
					(INCLUDES NUT AS, SCREW AS, SCREW, PLUG, LOCKWASHER, NUT, CONNECTOR, BOLT, COLLAR & BOOT)						
	25	1	328-8410	1	KIT-TERMINAL						

ELECTRICAL AND STARTING SYSTEM

331-5717 ALTERNATOR GP-CHARGING (contd.)

i04302165



VIEW A-A

<END>

GRAPHIC #1

g02141298

ELECTRICAL AND STARTING SYSTEM

333-1184 ALTERNATOR GP-CHARGING*R

24-VOLT, 60-AMPERE

PART OF 7E-2858 ALTERNATOR GP-CHARGING
AN ATTACHMENT

SMCS-1405

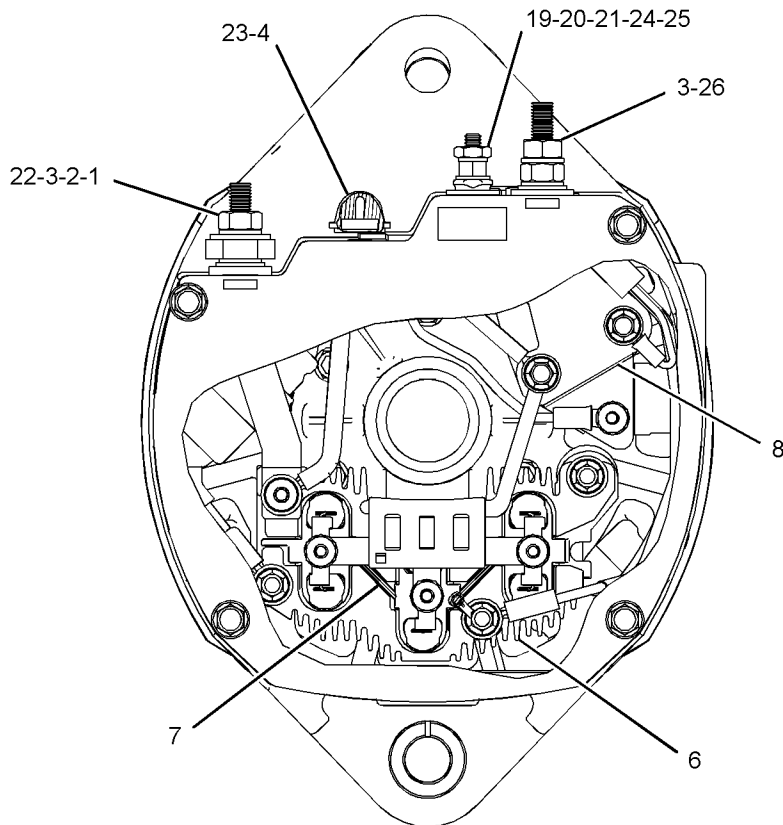
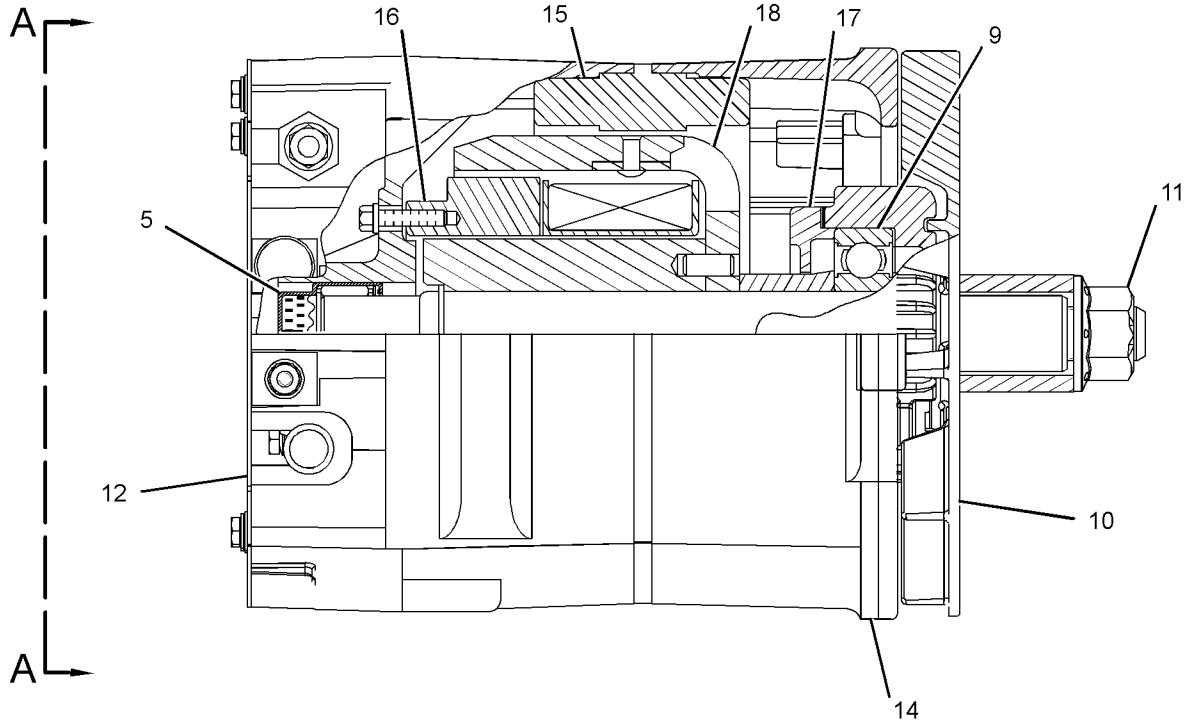
i04580616

NOTE	REF NO	GRAPHIC REF	PART NUMBER	QTY	PART NAME						SEE PAGE
					1	2	3	4	5	6 (PRODUCT LEVEL)	
	1	1	8T-4205	1	WASHER-HARD (7.2X14.5X2-MM THK)						
	2	1	1H-3244	1	LOCKWASHER						
	3	1	6V-8187	2	NUT (1/4-28-THD)						
	4	1	9L-6770	1	CAP-DUST						
	5	1	231-6133	1	KIT-BEARING (INCLUDES BEARING AS & RACE-BEARING INNER)						
	6	1	308-1362	1	RECTIFIER AS						
	7	1	202-2708	1	DIODE AS						
	8	1	3T-6354	1	REGULATOR AS-VOLTAGE (24-VOLT) (ALTERNATOR AIR)						
	9	1	202-9897	1	BEARING-SPECIAL BALL						
	10	1	100-6531	1	FAN-ALTERNATOR (11-BLADE)						
	11	1	187-2034	1	NUT-FLANGE (5/8-18-THD)						
	12	1	202-2783	1	PLATE						
	14	1	202-2700	1	FRAME						
	15	1	308-1365	1	STATOR AS						
	16	1	308-1366	1	COIL AS						
	17	1	9S-2390	1	RETAINER						
	18	1	299-1761	1	ROTOR AS						
	19	1	4B-2047	1	NUT (10-24-THD)						
	20	1	8T-0328	1	WASHER-HARD (5.5X10X1-MM THK)						
	21	1	8F-1434	1	LOCKWASHER						
	22	1	202-2784	1	KIT-ALTERNATOR TERMINAL (OUTPUT) (INCLUDES NUT, LOCKWASHERS, WASHERS, INSULATORS, SCREW, CONNECTORS, & ADAPTER)						
	23	1	202-2785	1	KIT-ALTERNATOR TERMINAL (RELAY) (INCLUDES STUD, BUSHINGS, WASHERS, CONNECTOR, & NUT)						
	24	1	202-2787	1	KIT-HARDWARE (ALTERNATOR AIR) (INCLUDES NUT AS, SCREW AS, SCREW, PLUG, LOCKWASHER, NUT, CONNECTOR, BOLT, COLLAR & BOOT)						
	25	1	328-8410	1	KIT-TERMINAL						
	26	1	292-3815	1	KIT-TERMINAL						

ELECTRICAL AND STARTING SYSTEM

333-1184 ALTERNATOR GP-CHARGING (contd.)

i04580616



VIEW A-A

<END>

GRAPHIC #1

g02109864

ELECTRICAL AND STARTING SYSTEM

7E-2858 ALTERNATOR GP-CHARGING

**24-VOLT, 60-AMPERE
AN ATTACHMENT**

SMCS-1405

i05413035

NOTE	PART NUMBER	QTY	PART NAME 1 2 3 4 5 6 (PRODUCT LEVEL)	SEE PAGE
YR	333-1184	1	ALTERNATOR GP-CHARGING (24-VOLT, 60-AMPERE)	376

R - REMANUFACTURED PART MAY BE AVAILABLE

Y - SEPARATE ILLUSTRATION

<END>

ELECTRICAL AND STARTING SYSTEM

7W-0408 BATTERY CHARGER

24-VOLT

FOR USE WITH LEAD ACID OR NICAD BATTERY
AN ATTACHMENT

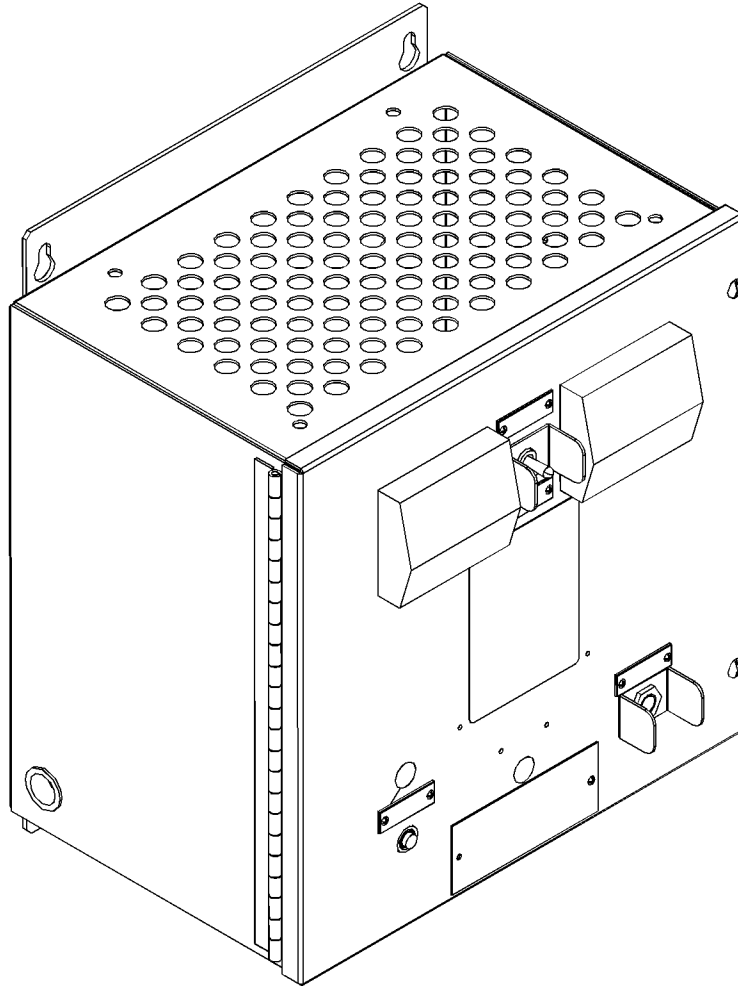
SMCS-1401, 1406

i05898832

NOTE	REF NO	GRAPHIC REF	PART NUMBER	QTY	PART NAME	SEE PAGE
------	--------	-------------	-------------	-----	-----------	----------

1 2 3 4 5 6 (PRODUCT LEVEL)

(NO SERVICED PARTS)



GRAPHIC #1

<END>

g02717432

ELECTRICAL AND STARTING SYSTEM

7L-7871 BATTERY GP

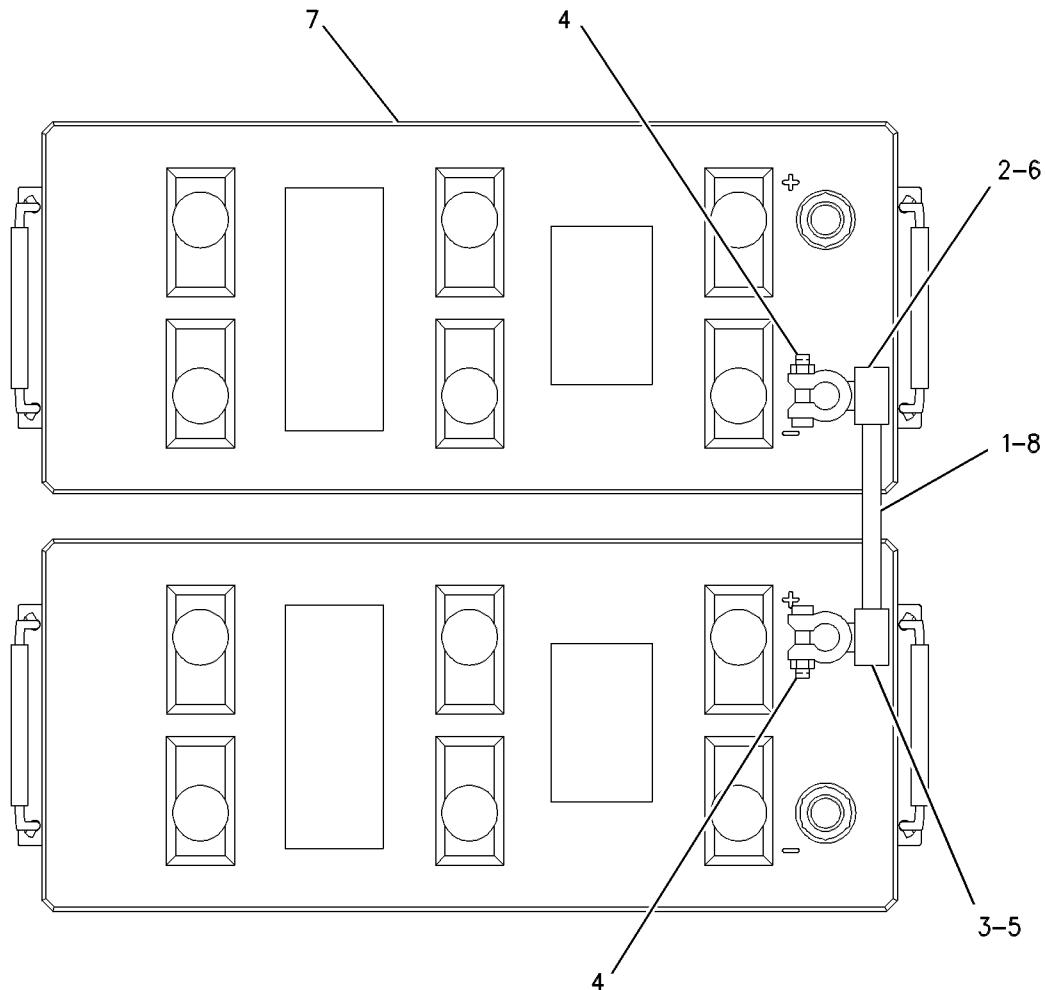
**24-VOLT, 1000-COLD CRANKING AMPERE, 140-AMPERE HOUR
AN ATTACHMENT**

SMCS-1401

i05326833

NOTE	REF NO	GRAPHIC REF	PART NUMBER	QTY	PART NAME						SEE PAGE
					1	2	3	4	5	6 (PRODUCT LEVEL)	
	1	1	2V-7397	1	CABLE AS						
E		1	5P-0747		CABLE (00-GA, BLACK) (20-CM)						
	2	1	8T-9757	1	TERMINAL AS-BATTERY (NEGATIVE)						
	3	1	8C-5917	1	TERMINAL AS-BATTERY (POSITIVE)						
	4	1	1M-6119	2	BOLT (5/16-18X1.375-IN)						
		1	1M-6120	2	NUT (5/16-18-THD)						
	5	1	9G-0004	1	COVER AS-TERMINAL (RED)						
	6	1	9G-0003	1	COVER AS-TERMINAL (BLACK)						
C	7	1	9X-9720	2	BATTERY (12-VOLT) (DRY)						
					(EACH INCLUDES)						
		1	7N-0060	6	VENT AS (BATTERY)						
	8	1	8L-8413	2	STRAP-CABLE (WHITE)						

C - CHANGE FROM PREVIOUS TYPE
E - ORDER BY THE CENTIMETER



GRAPHIC #1

<END>

g00621897

ELECTRICAL AND STARTING SYSTEM

7L-7872 BATTERY GP

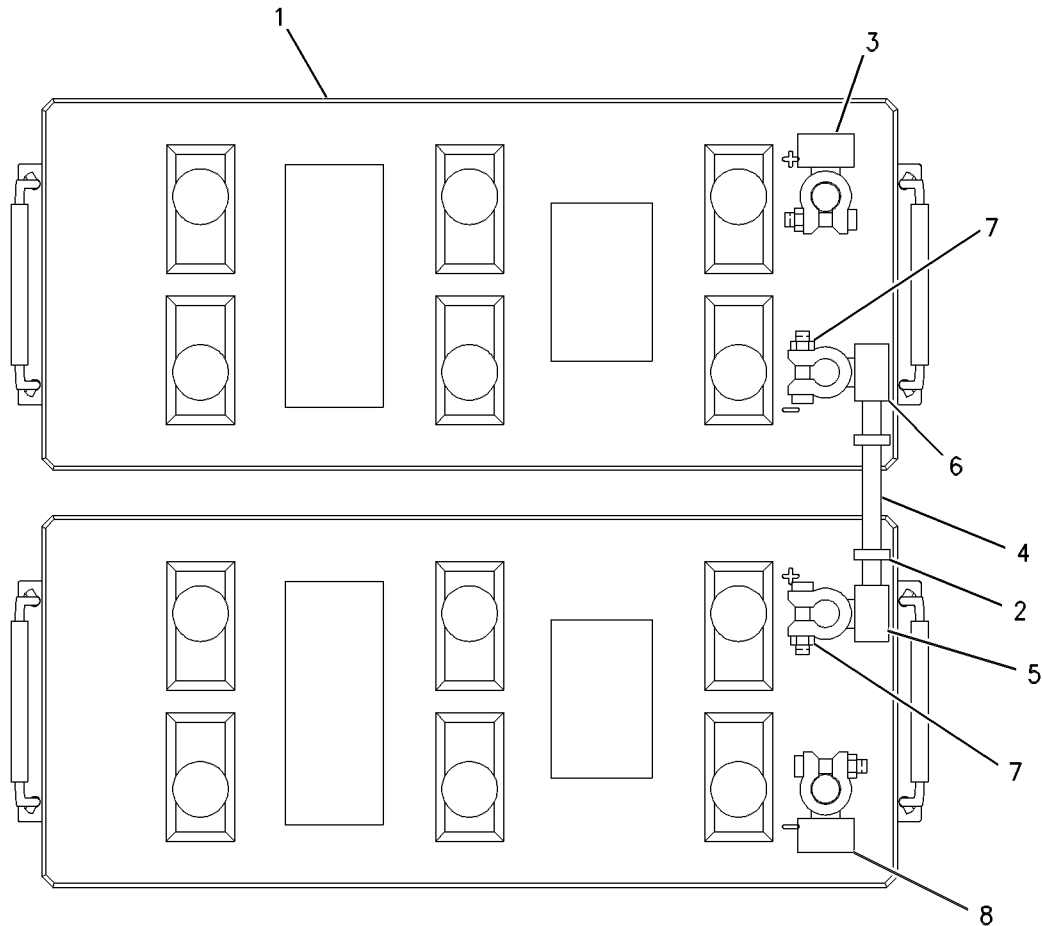
**24-VOLT. 1300-COLD CRANKING AMPERE. 190-AMPERE HOUR
AN ATTACHMENT**

SMCS-1401

i03760525

NOTE	REF NO	GRAPHIC REF	PART NUMBER	QTY	PART NAME						SEE PAGE
					1	2	3	4	5	6	
CY	1	1	9X-9730	2	BATTERY GP (12-VOLT) (DRY)						382
C	2	1	8L-8413	2	STRAP-CABLE (WHITE)						
C	3	1	9G-0004	1	COVER AS-TERMINAL (RED)						
C	4	1	2V-7397	1	CABLE AS						
E		1	5P-0747		CABLE (00-GA, BLACK) (20-CM)						
		1	1M-6120	2	NUT (5/16-18-THD)						
	5	1	8C-5917	1	TERMINAL AS-BATTERY (POSITIVE)						
	6	1	8T-9757	1	TERMINAL AS-BATTERY (NEGATIVE)						
	7	1	1M-6119	2	BOLT (5/16-18X1.375-IN)						
C	8	1	9G-0003	1	COVER AS-TERMINAL (BLACK)						

C - CHANGE FROM PREVIOUS TYPE
E - ORDER BY THE CENTIMETER
Y - SEPARATE ILLUSTRATION



GRAPHIC #1

<END>

g00622754

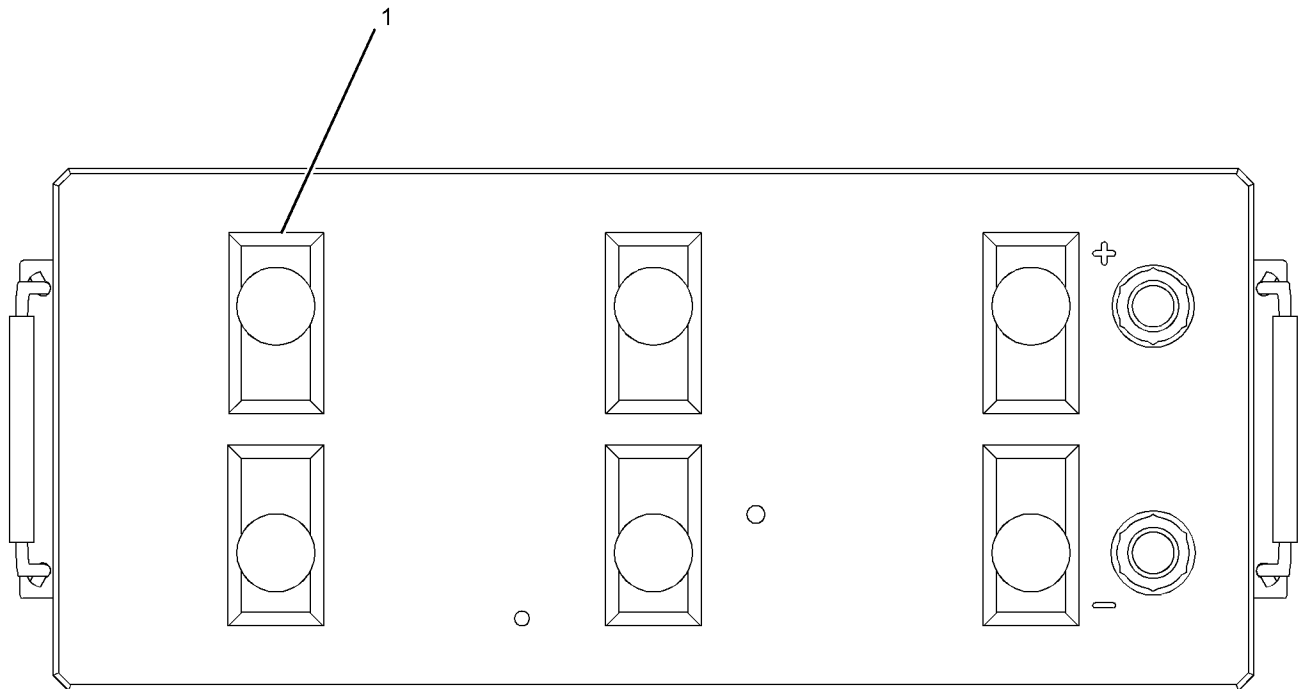
ELECTRICAL AND STARTING SYSTEM

9X-9730 BATTERY GP-DRY 12-VOLT PART OF 7L-7872 BATTERY GP AN ATTACHMENT

SMCS-1401

i02482336

NOTE	REF NO	GRAPHIC REF	PART NUMBER	QTY	PART NAME						SEE PAGE
					1	2	3	4	5	6 (PRODUCT LEVEL)	
	1	1	7N-0060	6	VENT AS						



GRAPHIC #1

<END>

g01239900

ELECTRICAL AND STARTING SYSTEM

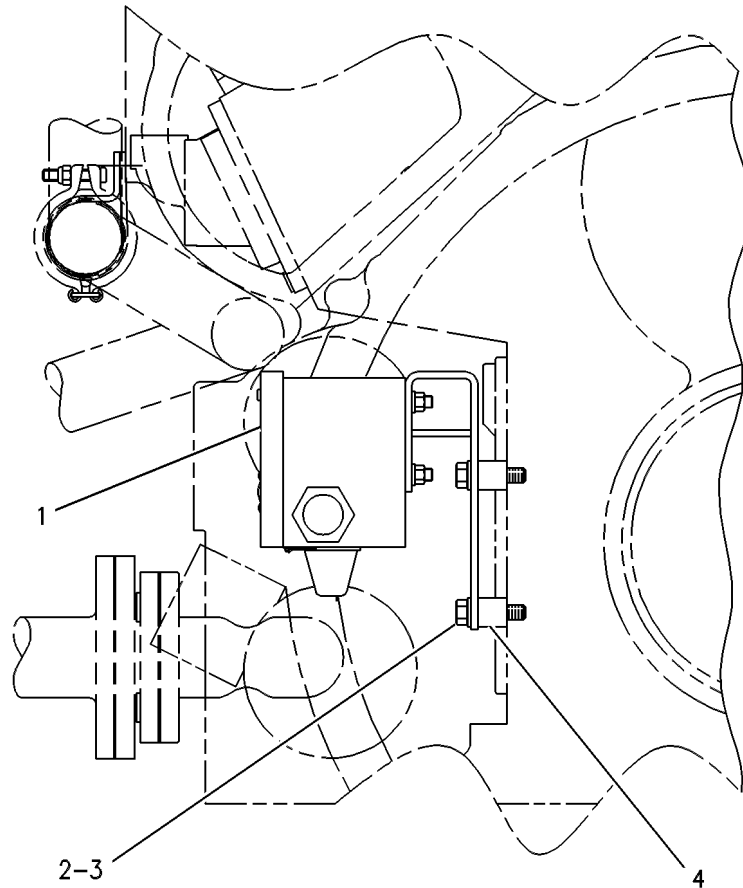
115-5164 BOX & MOUNTING GP-POWER DISTRIBUTION CANNOT BE USED WITH ELECTRIC STARTERS AN ATTACHMENT

SMCS-4460, 7426

i02175327

NOTE	REF NO	GRAPHIC REF	PART NUMBER	QTY	PART NAME						SEE PAGE
					1	2	3	4	5	6 (PRODUCT LEVEL)	
Y	1	1	115-5163	1	ENCLOSURE GP-WIRING						421
	2	1	5P-8245	4	WASHER-HARD (13.5X25.5X3-MM THK)						
	3	1	9X-8874	4	BOLT (1/2-13X3-IN)						
	4	1	1V-7753	4	SPACER (0.546X0.841X1.75-IN THK)						

Y - SEPARATE ILLUSTRATION



REAR VIEW

GRAPHIC #1

<END>

g00248710

ELECTRICAL AND STARTING SYSTEM

133-6463 BOX & MOUNTING GP

FOR USE WITH PREMIUM HARNESS
AN ATTACHMENT

SMCS-4460, 7426

i01674080

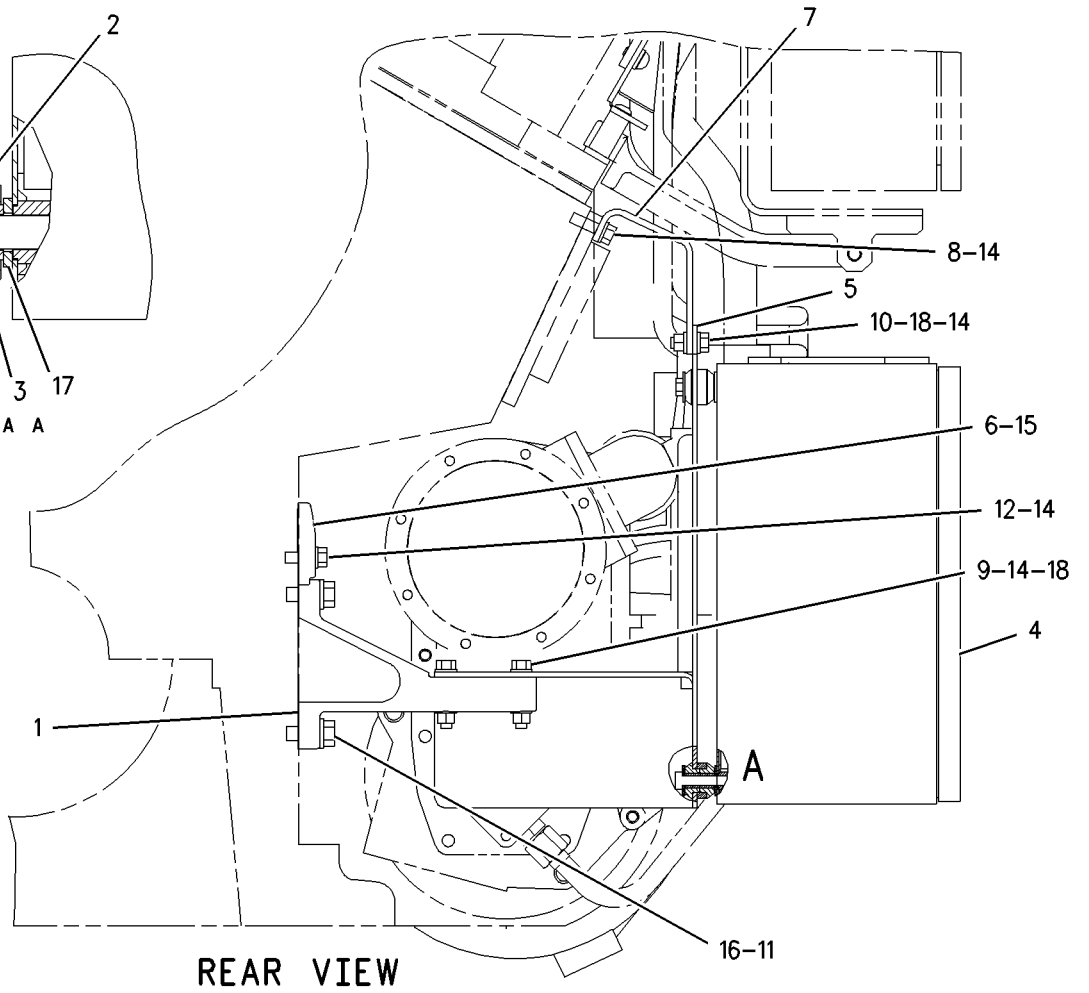
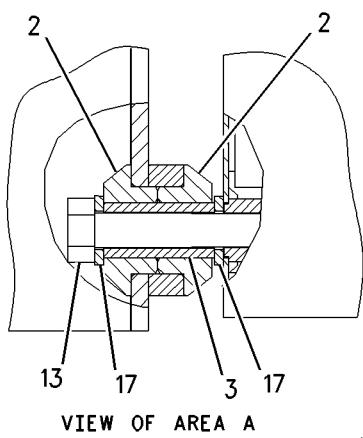
NOTE	REF NO	GRAPHIC REF	PART NUMBER	QTY	PART NAME						SEE PAGE
					1	2	3	4	5	6 (PRODUCT LEVEL)	
	1	1	7N-4940	2	BRACKET						
	2	1	8T-9655	16	MOUNT-ISOLATION						
	3	1	8T-9658	8	SPACER (8.2X12.7X25.4-MM THK)						
Y	4	1	<i>131-9099</i>	1	BOX GP-JUNCTION						386
	5	1	133-6458	1	BRACKET AS						
	6	1	133-6484	1	COVER-BOX						
	7	1	134-6275	3	BRACKET						
	8	1	0S-1588	3	BOLT (3/8-16X1.25-IN)						
	9	1	0S-1590	4	BOLT (3/8-16X2-IN)						
	10	1	0S-1594	3	BOLT (3/8-16X1-IN)						
	11	1	0S-1595	4	BOLT (1/2-13X1.25-IN)						
	12	1	1A-2029	1	BOLT (3/8-16X1.125-IN)						
	13	1	1B-9575	8	BOLT (5/16-18X1.56-IN)						
	14	1	5M-2894	18	WASHER-HARD (10.2X18.5X2.5-MM THK)						
	15	1	5P-8210	1	SEAL-O-RING						
	16	1	5P-8245	4	WASHER-HARD (13.5X25.5X3-MM THK)						
	17	1	9N-0869	16	WASHER-HARD (8.8X25.5X2-MM THK)						
	18	1	9S-8752	7	NUT-FULL (3/8-16-THD)						

Y - SEPARATE ILLUSTRATION

ELECTRICAL AND STARTING SYSTEM

133-6463 BOX & MOUNTING GP (contd.)

i01674080



GRAPHIC #1

<END>

g00864780

ELECTRICAL AND STARTING SYSTEM

131-9099 BOX GP-JUNCTION

PART OF 133-6463 BOX & MOUNTING GP

AN ATTACHMENT

TYPE 1

SMCS-7426

i04574679

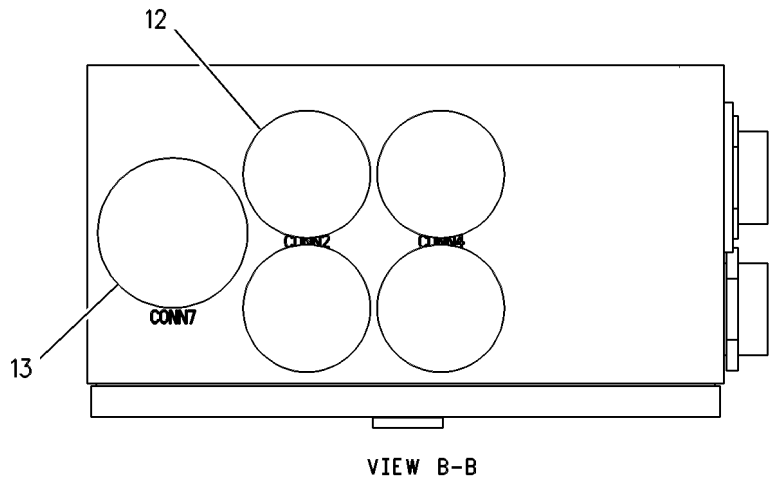
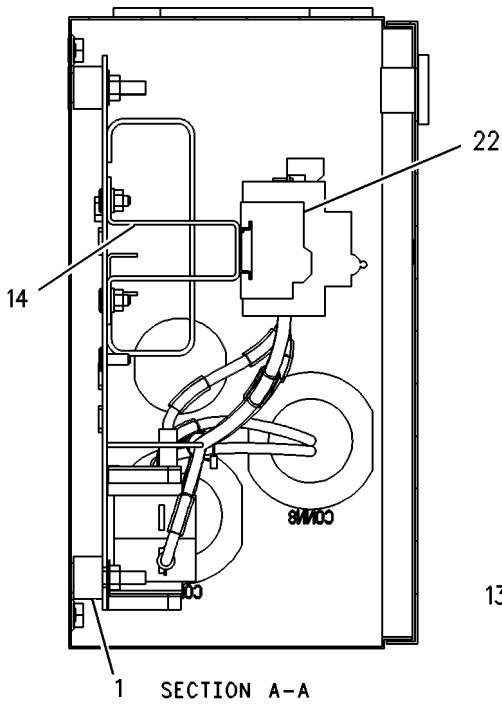
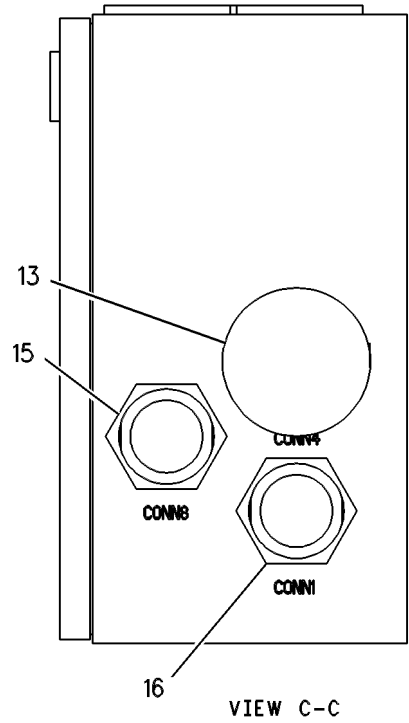
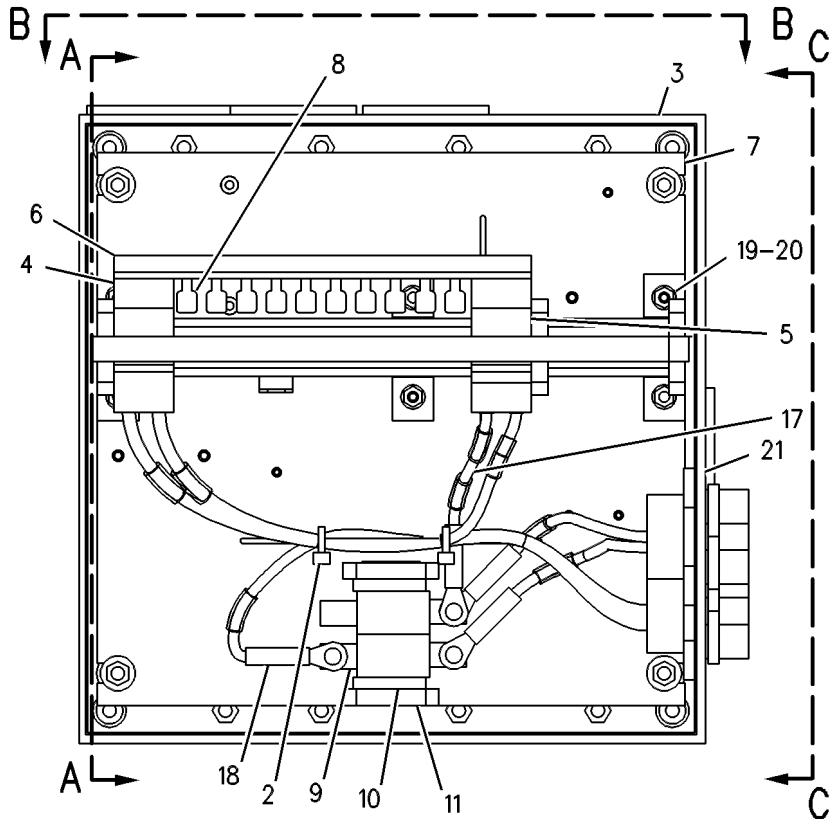
NOTE	REF NO	GRAPHIC REF	PART NUMBER	QTY	PART NAME						SEE PAGE
					1	2	3	4	5	6 (PRODUCT LEVEL)	
	1	1	1P-2841	4	SPACER (0.531X1X0.69-IN THK)						
	2	1	3S-2093	2	STRAP-CABLE						
	3	1	131-9121	1	BOX AS						
	4	1	131-9122	1	CIRCUIT BREAKER AS (63-AMPERE)						
	5	1	131-9123	1	CIRCUIT BREAKER AS (40-AMPERE)						
	6	1	131-9124	1	BUS-DOUBLE POLE						
	7	1	131-9125	1	PLATE AS						
	8	1	131-9126	10	CAP-TOOTH						
	9	1	131-9127	2	TERMINAL						
	10	1	131-9129	2	END						
	11	1	131-9130	2	END-BRACKET						
	12	1	131-9131	4	SEAL-CONNECTOR (76-MM ID)						
	13	1	131-9132	2	SEAL-CONNECTOR (89.5-MM ID)						
	14	1	133-6498	1	BRACKET AS						
	15	1	139-0580	1	HARNESS AS-PANEL (TERMINAL STRIP)						
	16	1	139-8532	1	HARNESS AS-PANEL (CIRCUIT BREAKER)						
	17	1	139-8533	1	WIRE AS						
	18	1	141-6999	1	WIRE AS						
	19	1	9S-8750	6	NUT-FULL (1/4-20-THD)						
	20	1	5P-0537	6	WASHER-HARD (7.2X14.5X2-MM THK)						
	21	1	9D-2734	2	GASKET						
B	22	1	9X-9675	2	BRACKET-END						

B - USE AS REQUIRED

ELECTRICAL AND STARTING SYSTEM

131-9099 BOX GP-JUNCTION (contd.)

i04574679



GRAPHIC #1

<END>

g00301598

ELECTRICAL AND STARTING SYSTEM

131-9099 BOX GP-JUNCTION

PART OF 133-6463 BOX & MOUNTING GP

AN ATTACHMENT

TYPE 2

SMCS-7426

i02240498

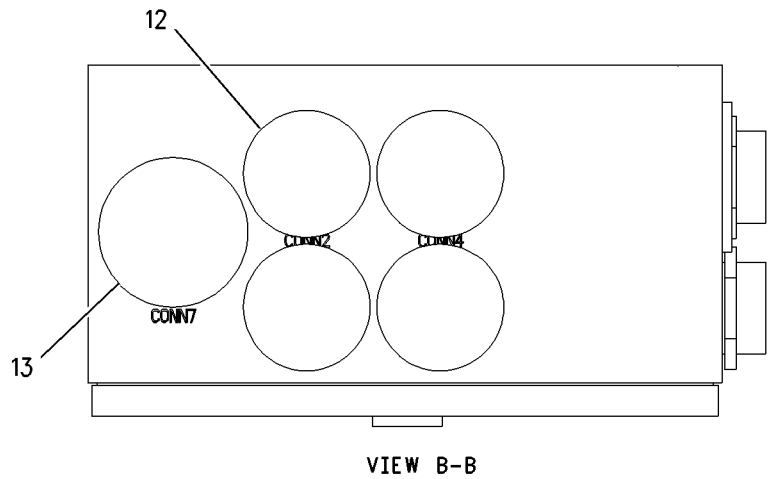
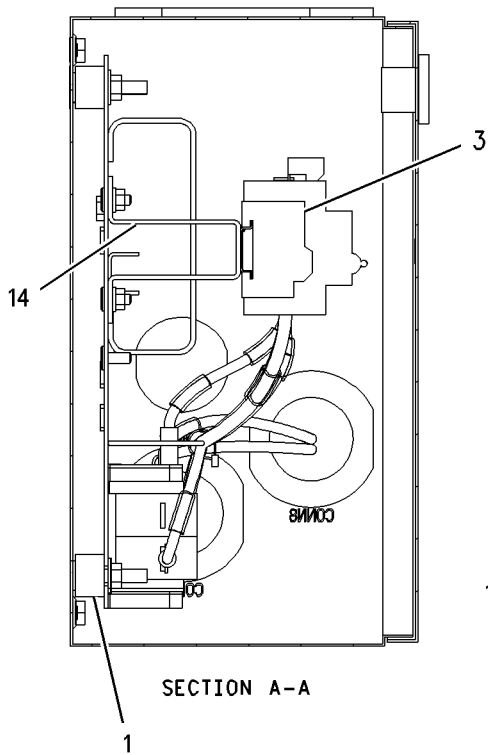
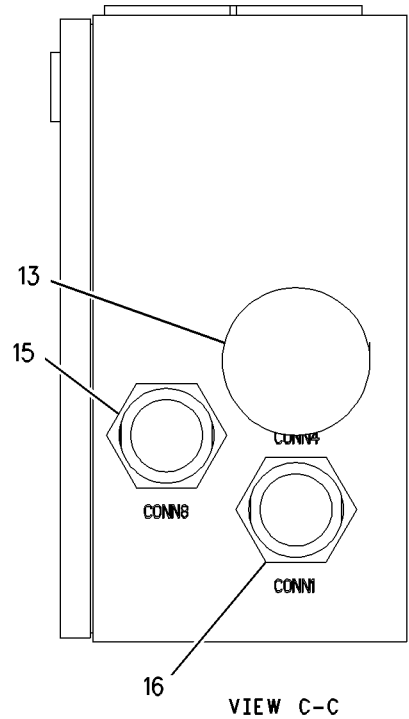
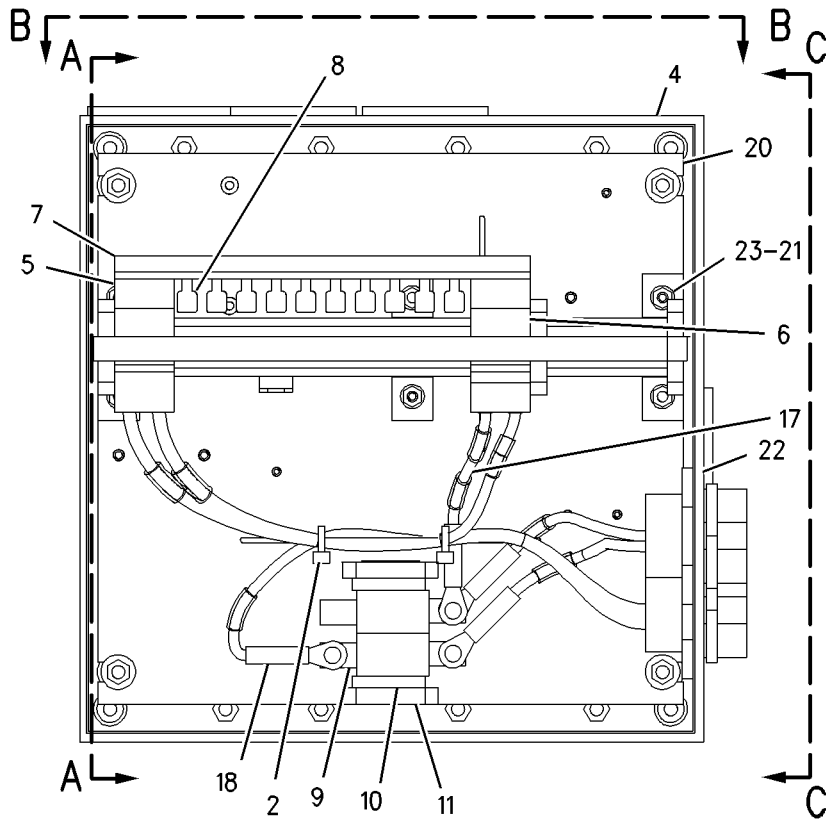
NOTE	REF NO	GRAPHIC REF	PART NUMBER	QTY	PART NAME						SEE PAGE
					1	2	3	4	5	6 (PRODUCT LEVEL)	
	1	1	1P-2841	4	SPACER (0.531X1X0.69-IN THK)						
	2	1	3S-2093	2	STRAP-CABLE						
B	3	1	9X-9675	2	BRACKET-END						
	4	1	131-9121	1	BOX AS						
	5	1	131-9122	1	CIRCUIT BREAKER AS (63-AMPERE)						
	6	1	131-9123	1	CIRCUIT BREAKER AS (40-AMPERE)						
	7	1	131-9124	1	BUS-DOUBLE POLE						
	8	1	131-9126	10	CAP-TOOTH						
	9	1	131-9127	2	TERMINAL						
	10	1	131-9129	2	END						
	11	1	131-9130	2	END-BRACKET						
	12	1	131-9131	4	SEAL-CONNECTOR (76-MM ID)						
	13	1	131-9132	2	SEAL-CONNECTOR (89.5-MM ID)						
	14	1	133-6498	1	BRACKET AS						
	15	1	139-0580	1	HARNESS AS-PANEL (TERMINAL STRIP)						
	16	1	139-8532	1	HARNESS AS-PANEL (CIRCUIT BREAKER)						
	17	1	139-8533	1	WIRE AS						
	18	1	141-6999	1	WIRE AS						
C	20	1	195-9739	1	PLATE AS						
		1	3H-5366	12	STUD-WELD (1/4-20X0.625-IN)						
		1	9F-6445	2	NUT-WELD (1/4-20-THD)						
		1	9G-9153	1	CLIP						
	21	1	5P-0537	6	WASHER-HARD (7.2X14.5X2-MM THK)						
	22	1	9D-2734	2	GASKET						
	23	1	9S-8750	6	NUT-FULL (1/4-20-THD)						

B - USE AS REQUIRED
C - CHANGE FROM PREVIOUS TYPE

ELECTRICAL AND STARTING SYSTEM

131-9099 BOX GP-JUNCTION (contd.)

i02240498



GRAPHIC #1

<END>

g00788135

ELECTRICAL AND STARTING SYSTEM

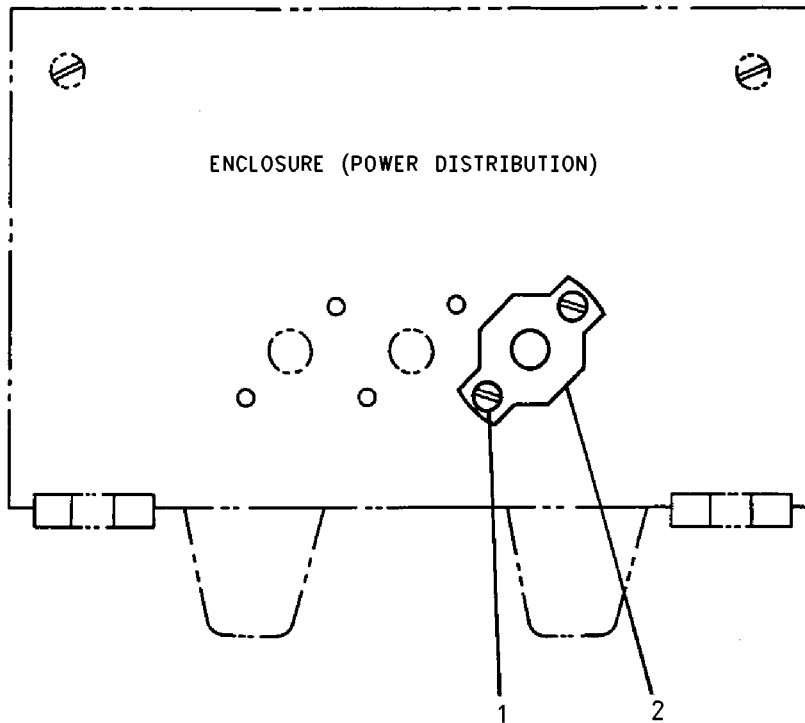
7W-9612 CIRCUIT BREAKER GP

20-AMPERE HMSO STARTER
FOR USE WITH ENCLOSURE GP
AN ATTACHMENT

SMCS-1420, 4461

i02641907

NOTE	REF NO	GRAPHIC REF	PART NUMBER	QTY	PART NAME						SEE PAGE
					1	2	3	4	5	6 (PRODUCT LEVEL)	
	1	1	3K-8106	2	SCREW-MACHINE (8-32X1-IN)						
		1	4B-4863	2	WASHER (4.7X11X1.2-MM THK)						
	2	1	6T-3644	1	CIRCUIT BREAKER AS (20-AMPERE)						
		1	6V-8376	2	SCREW-MACHINE (8-32X0.25-IN)						
		1	9B-7233	2	LOCKWASHER						



GRAPHIC #1

<END>

g00762970

ELECTRICAL AND STARTING SYSTEM

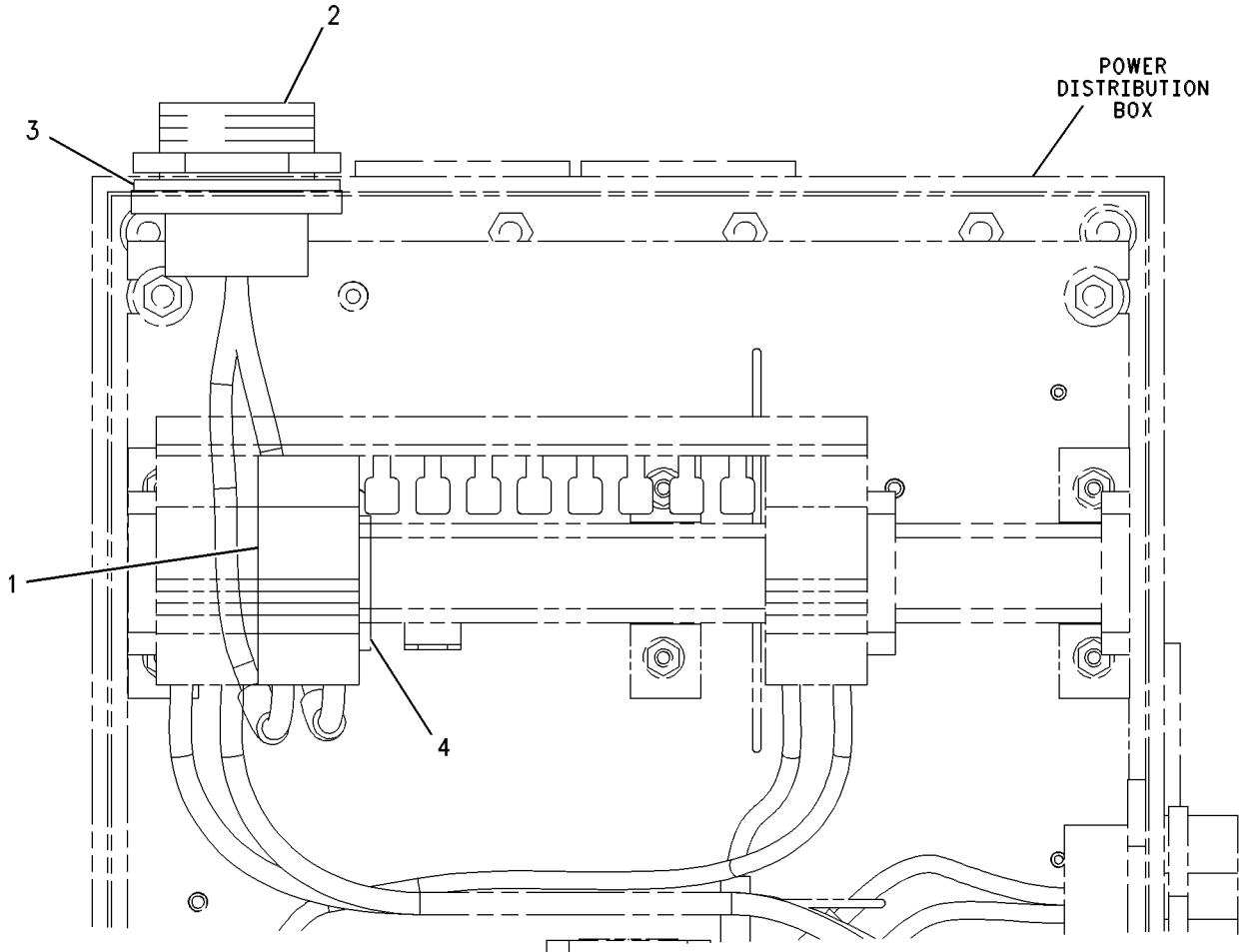
131-9133 CONNECTION GP-ELECTRICAL-ALTERNATOR AN ATTACHMENT

SMCS-1408

i04582435

NOTE	REF NO	GRAPHIC REF	PART NUMBER	QTY	PART NAME						SEE PAGE
					1	2	3	4	5	6 (PRODUCT LEVEL)	
	1	1	131-9134	1	CIRCUIT BREAKER AS (63-AMPERE)						
	2	1	139-8517	1	HARNESS AS-BOX						
	3	1	9D-2734	1	GASKET						
B	4	1	9X-9675	1	BRACKET-END						

B - USE AS REQUIRED



GRAPHIC #1

<END>

g00303990

ELECTRICAL AND STARTING SYSTEM

131-9135 CONNECTION GP-ELECTRICAL-AIR START

S/N: 3XS1-407

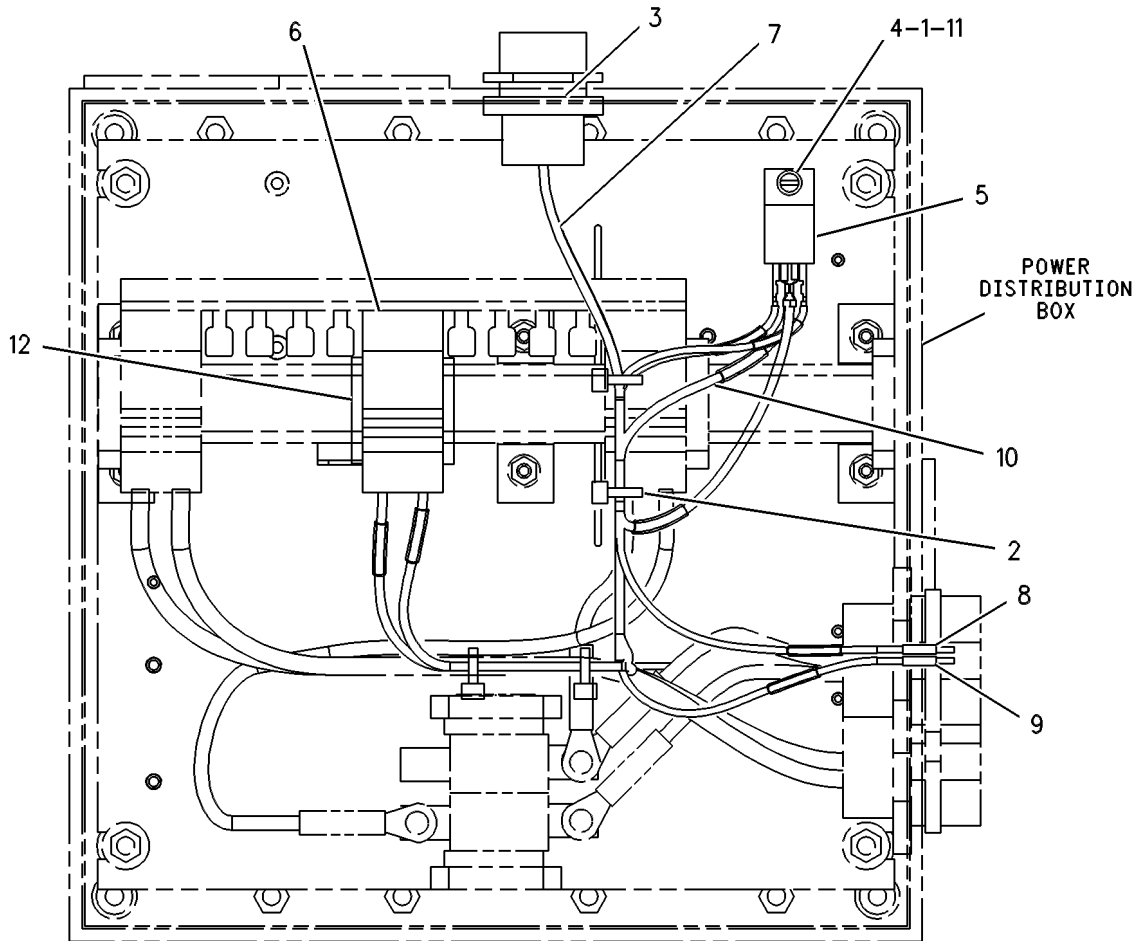
AN ATTACHMENT

SMCS-1408

i04575013

NOTE	REF NO	GRAPHIC REF	PART NUMBER	QTY	PART NAME						SEE PAGE
					1	2	3	4	5	6 (PRODUCT LEVEL)	
	1	1	3B-4501	1	LOCKWASHER						
	2	1	3S-2093	4	STRAP-CABLE						
	3	1	6V-2694	1	WASHER (42X51X2-MM THK)						
	4	1	7S-1197	1	SCREW-MACHINE (8-32X0.5-IN)						
	5	1	9Y-2921	1	RELAY (24-VOLT) (AIR START)						
	6	1	131-9136	1	CIRCUIT BREAKER AS (6-AMPERE)						
	7	1	139-8515	1	HARNESS AS-BOX						
	8	1	141-7008	1	HARNESS AS-BOX						
	9	1	141-7009	1	HARNESS AS-BOX						
	10	1	141-7010	1	HARNESS AS-BOX						
	11	1	4B-4863	1	WASHER (4.7X11X1.2-MM THK)						
B	12	1	9X-9675	2	BRACKET-END						

B - USE AS REQUIRED



GRAPHIC #1

<END>

g00301599

ELECTRICAL AND STARTING SYSTEM

131-9135 CONNECTION GP-ELECTRICAL-AIR START

S/N: 3XS408-UP

AN ATTACHMENT

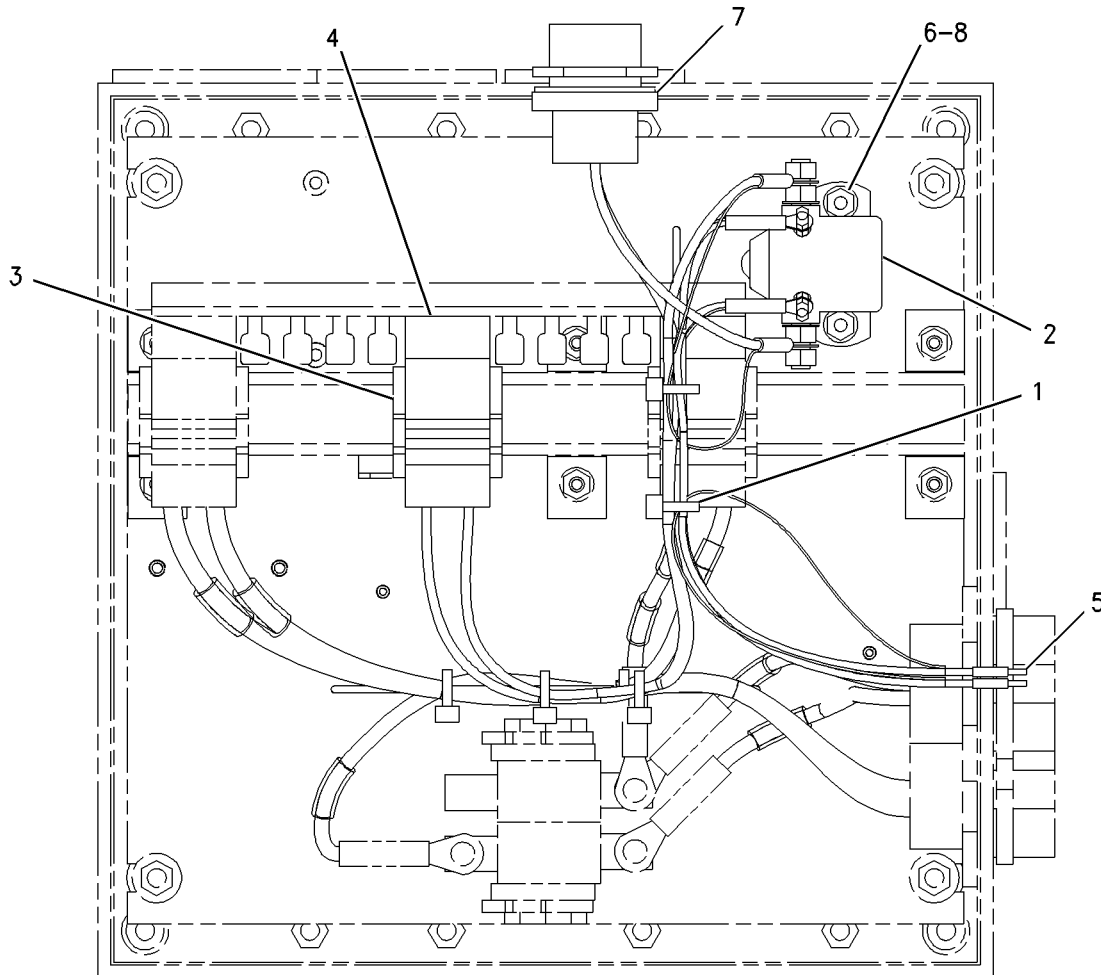
SMCS-1408

i02241455

NOTE	REF NO	GRAPHIC REF	PART NUMBER	QTY	PART NAME						SEE PAGE
					1	2	3	4	5	6	
	1	1	3S-2093	4	STRAP-CABLE						
C	2	1	9F-3099	1	SWITCH GP-MAGNETIC (24-VOLT) (AIR START)						
		1	3B-4501	2	LOCKWASHER (#8)						
		1	3F-9556	2	LOCKWASHER (5/16)						
		1	6V-8186	2	NUT-FULL (5/16-24-THD)						
		1	6V-8377	2	NUT (8-32-THD)						
B	3	1	9X-9675	2	BRACKET-END						
	4	1	131-9136	1	CIRCUIT BREAKER AS (6-AMPERE)						
C	5	1	195-9728	1	HARNESS AS-PANEL (AIR START)						
C	6	1	5P-0537	2	WASHER-HARD (7.2X14.5X2-MM THK)						
	7	1	6V-2694	1	WASHER (42X51X2-MM THK)						
C	8	1	9S-8750	2	NUT-FULL (1/4-20-THD)						

B - USE AS REQUIRED

C - CHANGE FROM PREVIOUS TYPE



GRAPHIC #1

<END>

g00788645

ELECTRICAL AND STARTING SYSTEM

131-9138 CONNECTION GP-ELECTRICAL-DUAL ELECTRIC START AN ATTACHMENT TYPE 1

SMCS-1408

i02665022

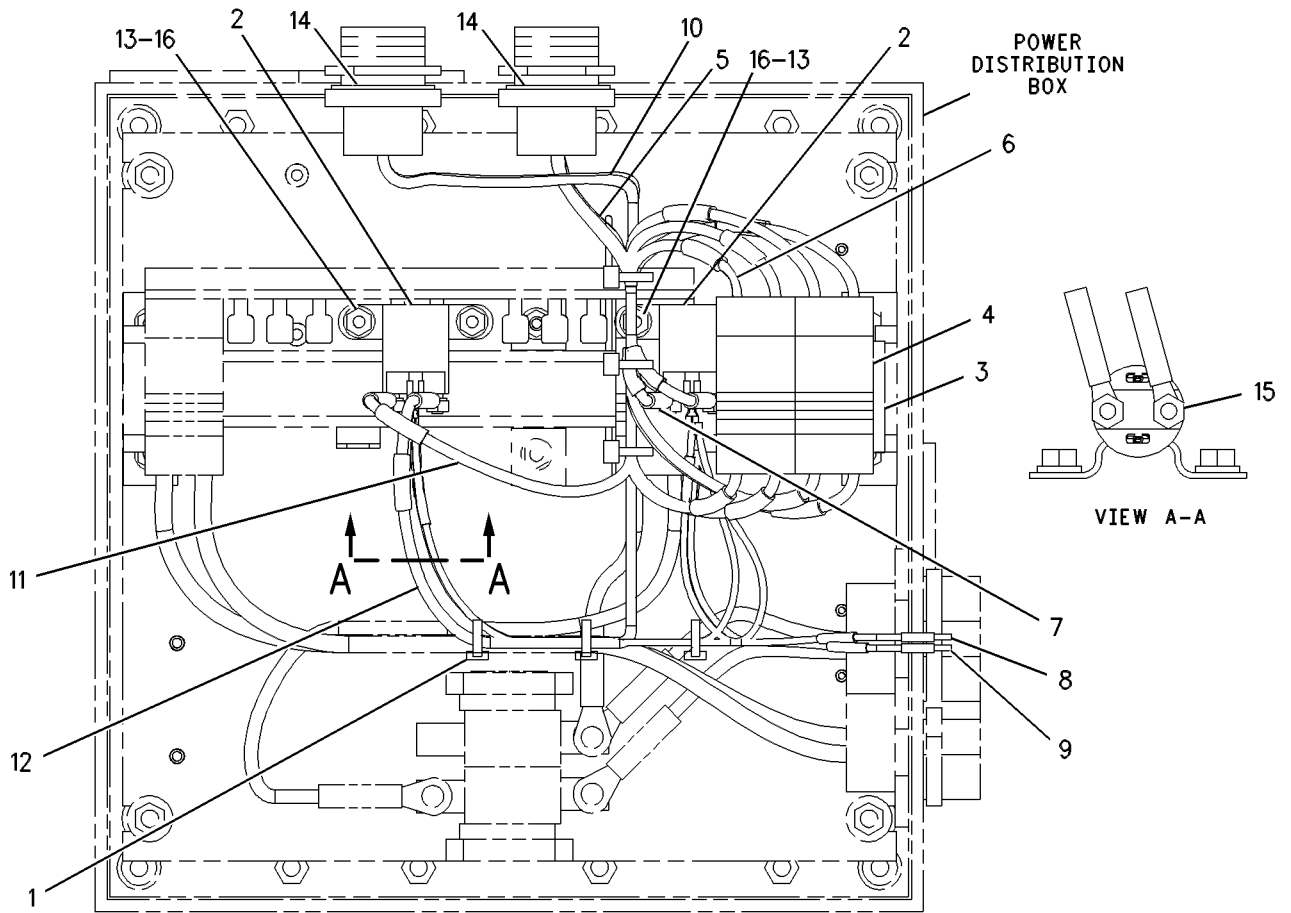
NOTE	REF NO	GRAPHIC REF	PART NUMBER	QTY	PART NAME						SEE PAGE
					1	2	3	4	5	6 (PRODUCT LEVEL)	
	1	1	3S-2093	6	STRAP-CABLE						
	2	1	9X-8124	2	SWITCH AS-MAGNETIC (24-VOLT) (STARTER RELAY)						
					(EACH INCLUDES)						
M		1	8T-4134	2	NUT (M6X1-THD)						
B	3	1	9X-9675	1	BRACKET-END						
	4	1	131-9122	2	CIRCUIT BREAKER AS (63-AMPERE)						
	5	1	139-8521	1	HARNESS AS-PANEL (MAGNETIC SWITCH)						
	6	1	141-7000	1	WIRE AS						
	7	1	141-7001	1	WIRE AS						
	8	1	141-7002	1	HARNESS AS-WIRING (MAGNETIC SWITCH)						
	9	1	141-7003	1	HARNESS AS-WIRING (MAGNETIC SWITCH)						
	10	1	141-7004	1	HARNESS AS-PANEL (MAGNETIC SWITCH)						
	11	1	141-7005	1	WIRE AS						
	12	1	141-7006	1	WIRE AS						
	13	1	5P-0537	4	WASHER-HARD (7.2X14.5X2-MM THK)						
	14	1	6V-2694	2	WASHER (42X51X2-MM THK)						
M	15	1	6V-8225	4	NUT (M6X1-THD)						
	16	1	9S-8750	4	NUT-FULL (1/4-20-THD)						

B - USE AS REQUIRED
M - METRIC PART

ELECTRICAL AND STARTING SYSTEM

131-9138 CONNECTION GP-ELECTRICAL (contd.)

i02665022



GRAPHIC #1

<END>

g00527260

ELECTRICAL AND STARTING SYSTEM

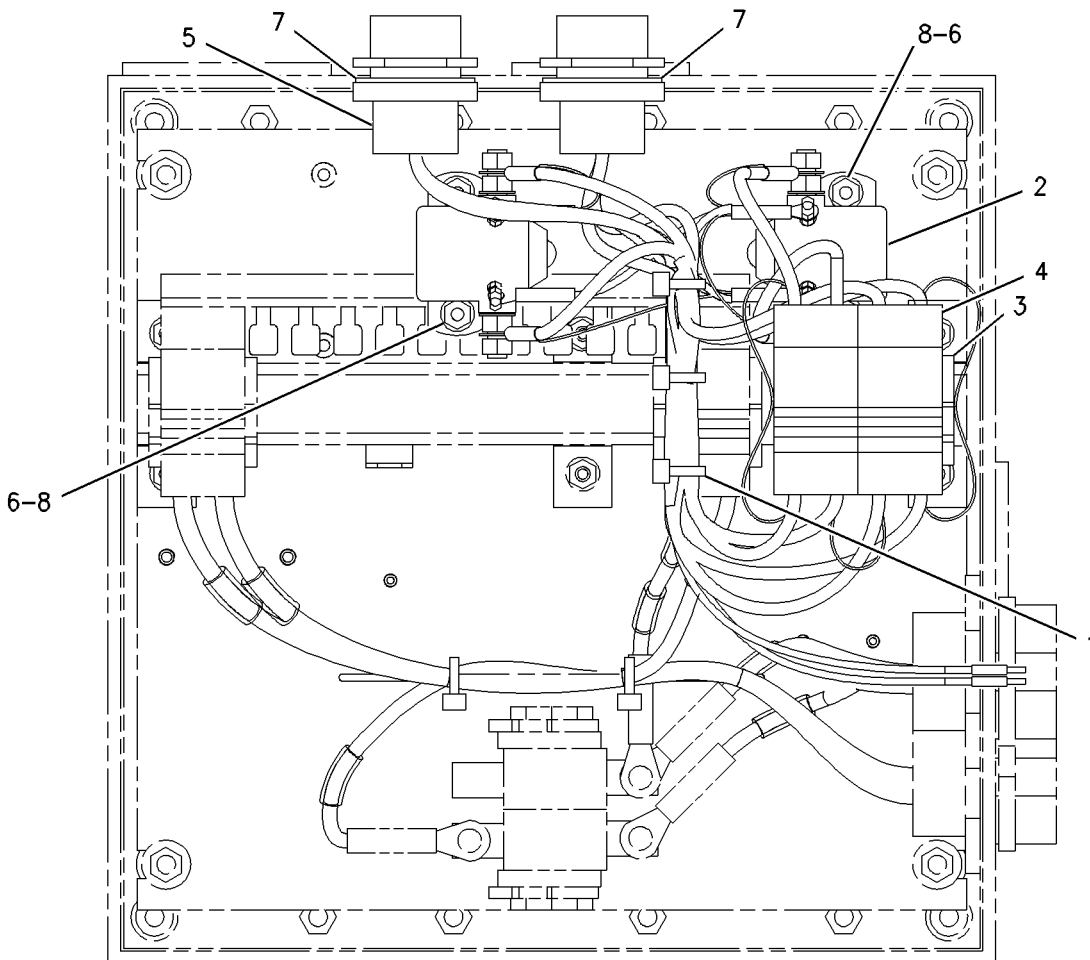
131-9138 CONNECTION GP-ELECTRICAL-DUAL ELECTRIC START AN ATTACHMENT TYPE 2

SMCS-1408

i04575014

NOTE	REF NO	GRAPHIC REF	PART NUMBER	QTY	PART NAME						SEE PAGE
					1	2	3	4	5	6 (PRODUCT LEVEL)	
C	1	1	3S-2093	3	STRAP-CABLE						
C	2	1	9F-3099	2	SWITCH GP-MAGNETIC (24-VOLT) (STARTER RELAY)						
					(EACH INCLUDES)						
		1	3B-4501	2	LOCKWASHER (#8)						
		1	3F-9556	2	LOCKWASHER (5/16)						
		1	6V-8186	2	NUT-FULL (5/16-24-THD)						
		1	6V-8377	2	NUT (8-32-THD)						
B	3	1	9X-9675	6	BRACKET-END						
C	4	1	134-6296	2	CIRCUIT BREAKER AS (32-AMPERE)						
C	5	1	195-9727	1	HARNESS AS-BOX (DUAL ELECTRIC START)						
	6	1	5P-0537	4	WASHER-HARD (7.2X14.5X2-MM THK)						
	7	1	6V-2694	2	WASHER (42X51X2-MM THK)						
	8	1	9S-8750	4	NUT-FULL (1/4-20-THD)						

B - USE AS REQUIRED
C - CHANGE FROM PREVIOUS TYPE



GRAPHIC #1

<END>

g00789529

ELECTRICAL AND STARTING SYSTEM

131-9139 CONNECTION GP-ELECTRICAL-PRELUBRICATION AN ATTACHMENT

SMCS-1408

i02665030

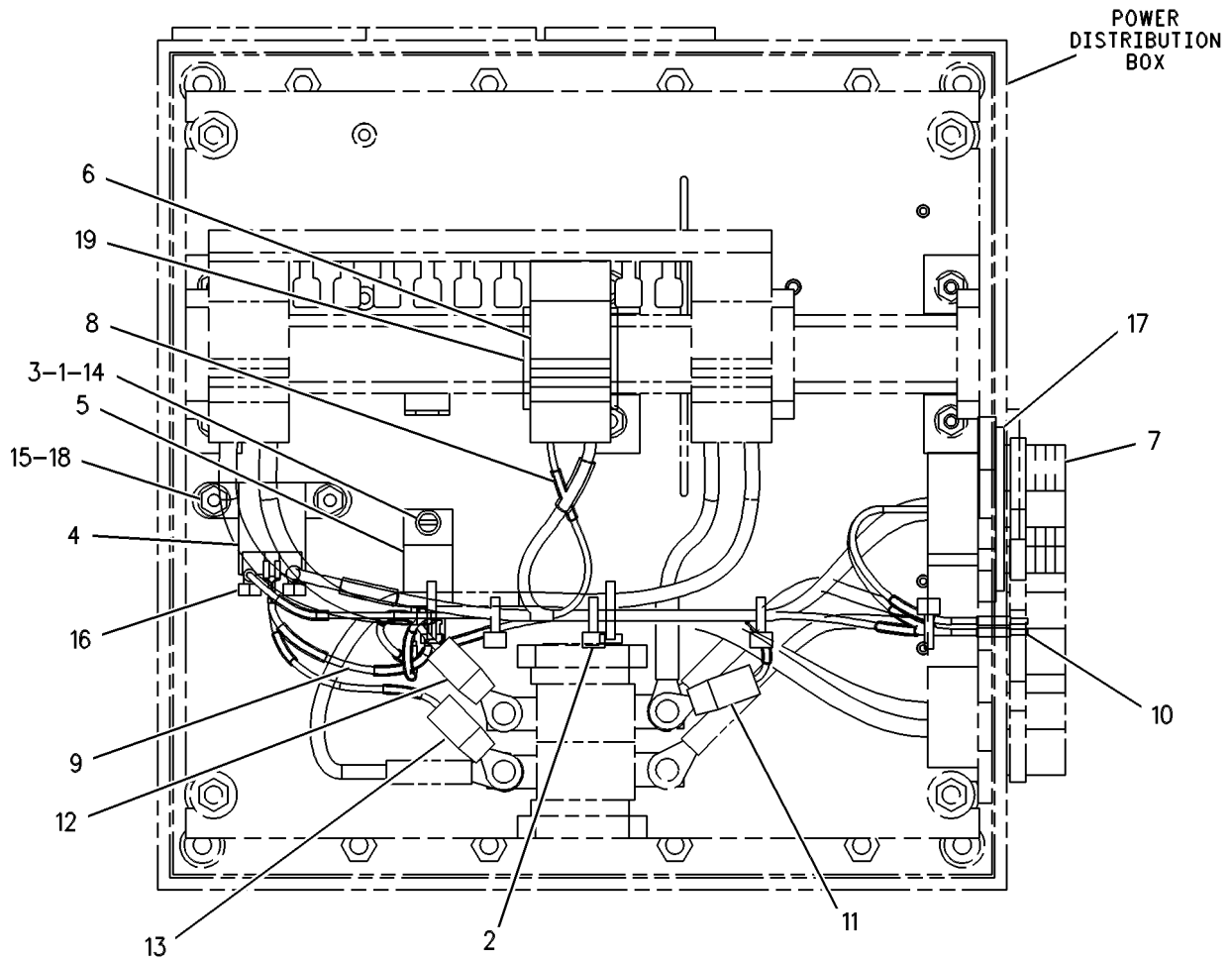
NOTE	REF NO	GRAPHIC REF	PART NUMBER	QTY	PART NAME						SEE PAGE
					1	2	3	4	5	6 (PRODUCT LEVEL)	
	1	1	3B-4501	1	LOCKWASHER						
	2	1	3S-2093	4	STRAP-CABLE						
	3	1	7S-1197	1	SCREW-MACHINE (8-32X0.5-IN)						
	4	1	9X-8124	1	SWITCH AS-MAGNETIC (24-VOLT) (PRELUBRICATION)						
	5	1	9Y-2921	1	RELAY (24-VOLT) (PRELUBRICATION)						
	6	1	131-9140	1	CIRCUIT BREAKER AS (40-AMPERE)						
	7	1	139-8518	1	HARNESS AS-PANEL (PRELUBRICATION)						
	8	1	141-7011	1	WIRE AS						
	9	1	141-7012	1	WIRE AS						
	10	1	141-7013	1	WIRE AS						
	11	1	141-7014	1	WIRE AS						
	12	1	141-7015	1	HARNESS AS-WIRING						
	13	1	141-7016	1	WIRE AS						
	14	1	4B-4863	1	WASHER (4.7X11X1.2-MM THK)						
	15	1	5P-0537	2	WASHER-HARD (7.2X14.5X2-MM THK)						
M	16	1	8T-4134	2	NUT (M6X1-THD)						
	17	1	9D-2734	1	GASKET						
	18	1	9S-8750	2	NUT-FULL (1/4-20-THD)						
B	19	1	9X-9675	2	BRACKET-END						

B - USE AS REQUIRED
M - METRIC PART

ELECTRICAL AND STARTING SYSTEM

131-9139 CONNECTION GP-ELECTRICAL (contd.)

i02665030



GRAPHIC #1

<END>

g00303989

ELECTRICAL AND STARTING SYSTEM

133-6453 CONNECTION GP-ELECTRICAL-AIR SHUTOFF AN ATTACHMENT

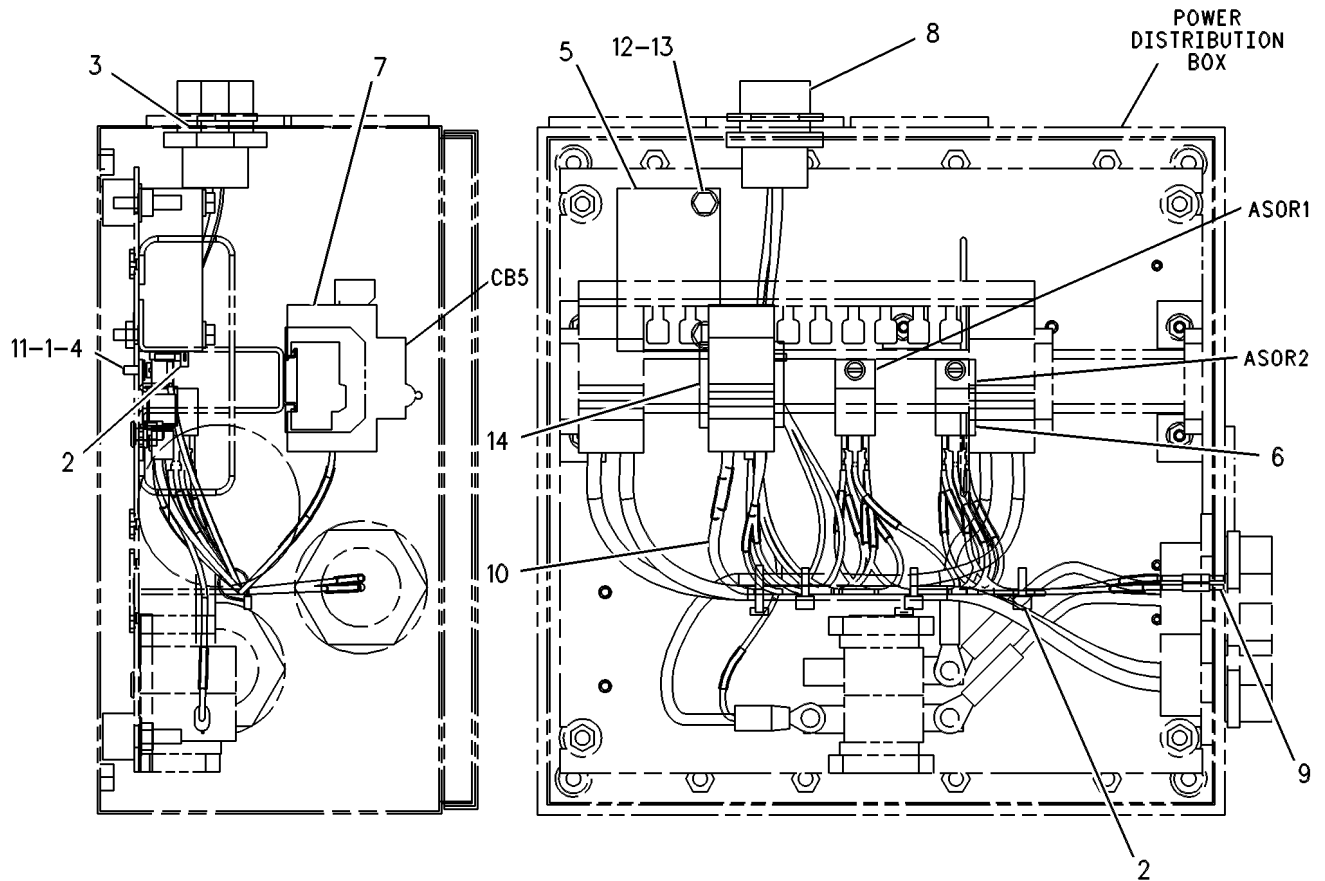
SMCS-1408

i02665040

NOTE	REF NO	GRAPHIC REF	PART NUMBER	QTY	PART NAME						SEE PAGE
					1	2	3	4	5	6 (PRODUCT LEVEL)	
	1	1	3B-4501	2	LOCKWASHER						
	2	1	3S-2093	4	STRAP-CABLE						
	3	1	6V-2694	1	WASHER (42X51X2-MM THK)						
	4	1	7S-1197	2	SCREW-MACHINE (8-32X0.5-IN)						
Y	5	1	9X-3207	1	TIMER GP (AIR SHUTOFF)						738
	6	1	9Y-2921	2	RELAY (24-VOLT) (AIR SHUTOFF)						
	7	1	133-6454	1	CIRCUIT BREAKER AS (32-AMPERE)						
	8	1	139-8516	1	HARNESS AS-PANEL (AIR SHUTOFF)						
	9	1	141-7017	1	HARNESS AS-WIRING (RELAY)						
	10	1	141-7018	1	HARNESS AS-WIRING (RELAY)						
	11	1	4B-4863	2	WASHER (4.7X11X1.2-MM THK)						
	12	1	5P-0537	2	WASHER-HARD (7.2X14.5X2-MM THK)						
	13	1	8B-2377	2	BOLT (1/4-20X2-IN)						
B	14	1	9X-9675	2	BRACKET-END						

B - USE AS REQUIRED

Y - SEPARATE ILLUSTRATION



GRAPHIC #1

<END>

g00301600

ELECTRICAL AND STARTING SYSTEM

4W-2767 CONTACTOR GP

**ALARM
AN ATTACHMENT**

SMCS-1400, 7400

i05882761

NOTE	PART NUMBER	QTY	PART NAME						SEE PAGE
			1	2	3	4	5	6 (PRODUCT LEVEL)	
Y	4W-2642	1	CONTACTOR-PRESSURE (ENGINE OIL)						401
Y	4W-2637	1	CONTACTOR-TEMPERATURE (COOLANT)						402

Y - SEPARATE ILLUSTRATION

<END>

4W-2768 CONTACTOR GP

**SHUTOFF
AN ATTACHMENT**

SMCS-1400, 7400

i06849249

NOTE	PART NUMBER	QTY	PART NAME						SEE PAGE
			1	2	3	4	5	6 (PRODUCT LEVEL)	
Y	4W-2640	1	CONTACTOR-TEMPERATURE (COOLANT)						403
	4W-2641	1	CONTACTOR-PRESSURE (ENGINE OIL)						

Y - SEPARATE ILLUSTRATION

<END>

ELECTRICAL AND STARTING SYSTEM

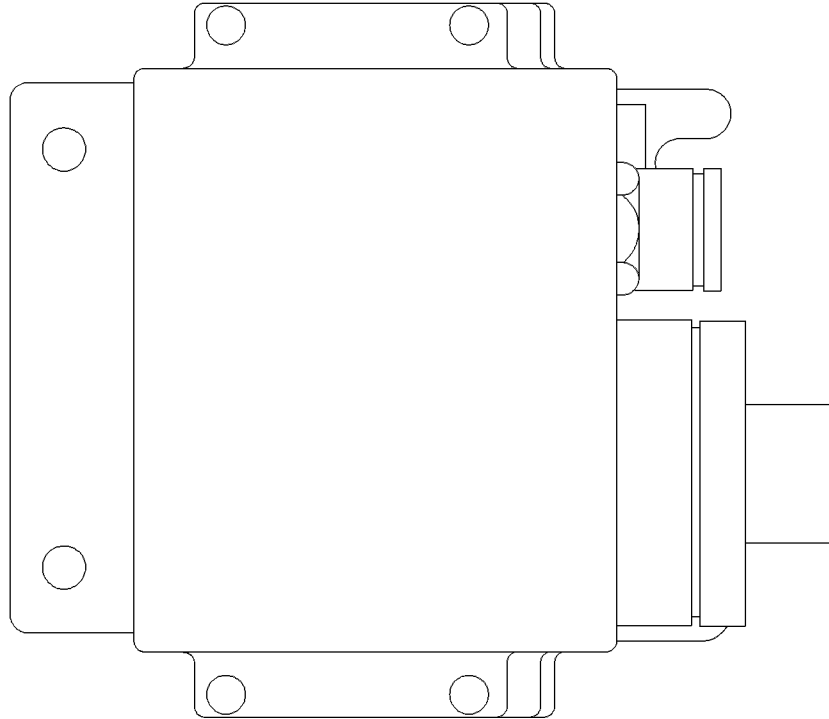
4W-2642 CONTACTOR-PRESSURE

PART OF 4W-2767 CONTACTOR GP
AN ATTACHMENT

SMCS-7454, 7455, 7456, 7461, 7465, 7485

i01450670

NOTE	REF NO	GRAPHIC REF	PART NUMBER	QTY	PART NAME						SEE PAGE
					1	2	3	4	5	6 (PRODUCT LEVEL)	
(NO SERVICED PARTS)											



GRAPHIC #1

<END>

g00580022

ELECTRICAL AND STARTING SYSTEM

4W-2637 CONTACTOR-TEMPERATURE

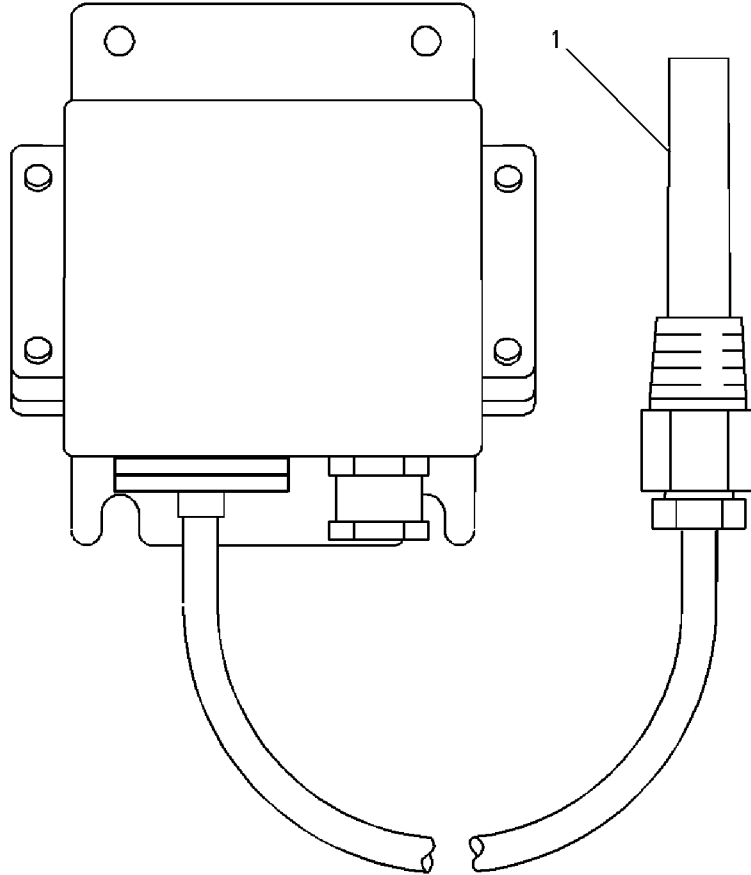
PART OF 4W-2767 CONTACTOR GP
AN ATTACHMENT

SMCS-7400, 7403, 7453, 7484

i05882763

NOTE	REF NO	GRAPHIC REF	PART NUMBER	QTY	PART NAME						SEE PAGE
					1	2	3	4	5	6 (PRODUCT LEVEL)	
Y	1	1	7E-3127	1	KIT-SENSOR POCKET (TEMPERATURE CONTROL)						436

Y - SEPARATE ILLUSTRATION



GRAPHIC #1

<END>

g00620113

ELECTRICAL AND STARTING SYSTEM

4W-2640 CONTACTOR-TEMPERATURE

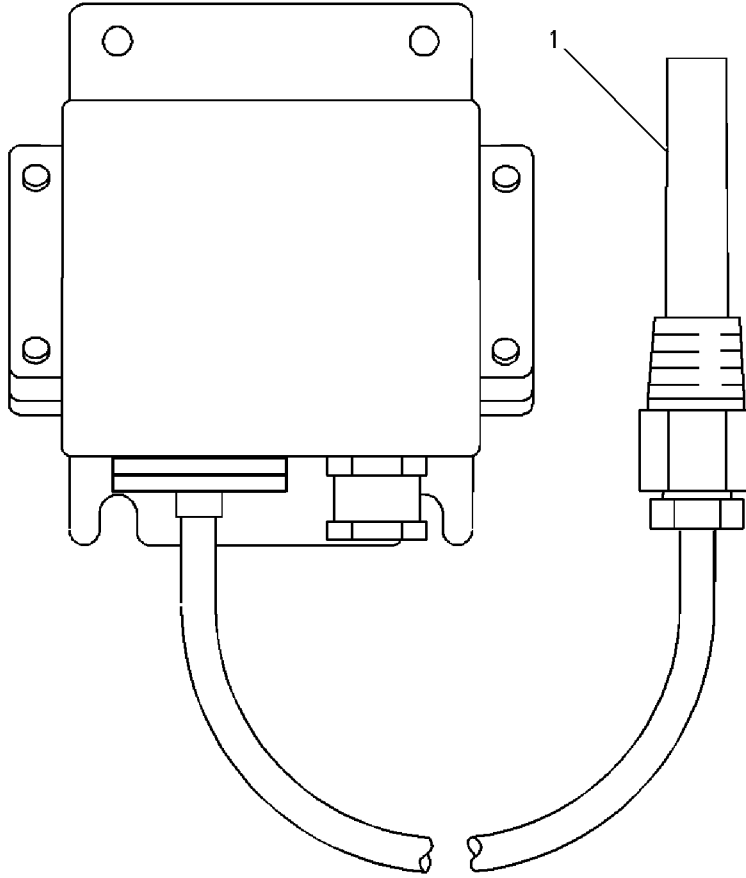
PART OF 4W-2768 CONTACTOR GP
AN ATTACHMENT

SMCS-7400, 7403, 7453, 7484

i05882764

NOTE	REF NO	GRAPHIC REF	PART NUMBER	QTY	PART NAME						SEE PAGE
					1	2	3	4	5	6 (PRODUCT LEVEL)	
Y	1	1	7E-3127	1	KIT-SENSOR POCKET (TEMPERATURE CONTROL)						436

Y - SEPARATE ILLUSTRATION



GRAPHIC #1

<END>

g00620121

ELECTRICAL AND STARTING SYSTEM

101-1172 CONTROL & MTG GP-ENGINE ELEK-PRIMARY

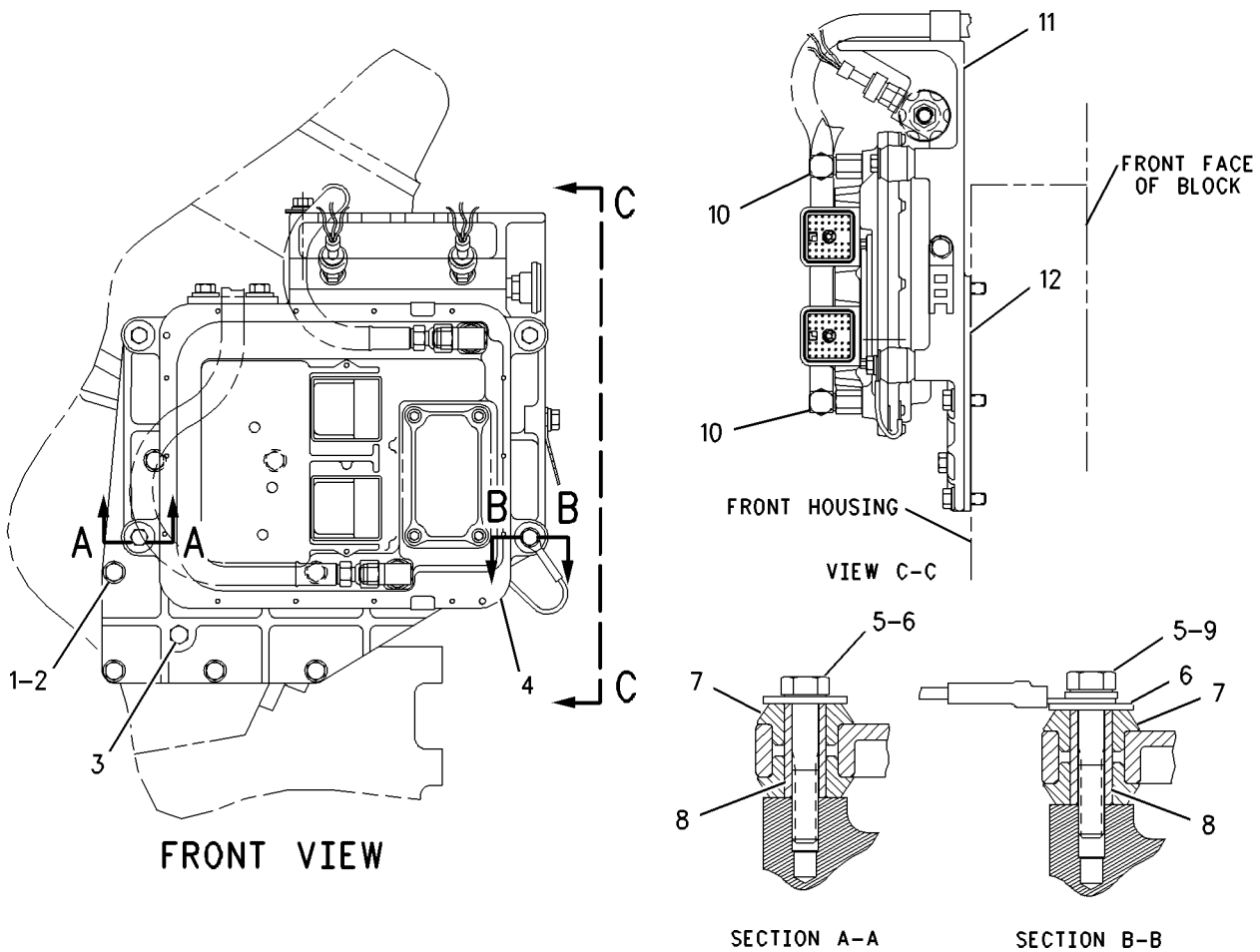
S/N: 3XS404-UP

SMCS-1900, 1901

i01729476

NOTE	REF NO	GRAPHIC REF	PART NUMBER	QTY	PART NAME						SEE PAGE
					1	2	3	4	5	6 (PRODUCT LEVEL)	
	1	1	1A-2029	7	BOLT (3/8-16X1.125-IN)						
	2	1	5M-2894	7	WASHER-HARD (10.2X18.5X2.5-MM THK)						
	3	1	8T-6765	1	PLUG-PIPE (1/4-18-THD)						
CY	4	1	132-8900	1	CONTROL GP-ENGINE ELECTRONIC						415
	5	1	1B-9575	4	BOLT (5/16-18X1.56-IN)						
	6	1	9N-0869	4	WASHER-HARD (8.8X25.5X2-MM THK)						
	7	1	8T-9655	8	MOUNT-ISOLATION						
	8	1	6I-1418	4	SPACER (8.2X12.7X28.7-MM THK)						
	9	1	9M-1974	1	WASHER-HARD (8.8X16X2-MM THK)						
	10	1	112-4387	2	ELBOW						
	11	1	111-0349	1	BRACKET-MODULE						
	12	1	8N-9885	1	GASKET-COVER						

C - CHANGE FROM PREVIOUS TYPE
Y - SEPARATE ILLUSTRATION



GRAPHIC #1

<END>

g00888171

ELECTRICAL AND STARTING SYSTEM

5N-8166 CONTROL GP-AIR STARTING

24-VOLT TO 32-VOLT

**FOR USE WITH HYDROMECHANICAL SYSTEM AND AIR START OR ELECTRIC ASSISTED AIR START
CANNOT BE USED WITH MANUAL AIR START CONTROL OR MANUAL CONTROL WITH OVERRIDE
AN ATTACHMENT**

SMCS-1462

i06279644

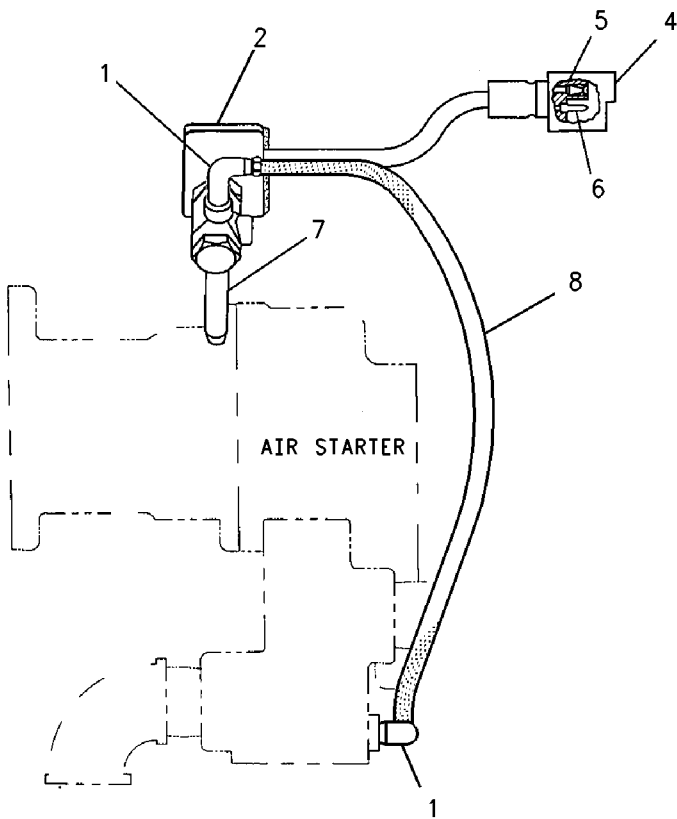
NOTE	REF NO	GRAPHIC REF	PART NUMBER	QTY	PART NAME	SEE PAGE
					1 2 3 4 5 6 (PRODUCT LEVEL)	
C	1	1	6K-1972	2	ELBOW-FLARED	
Y	2	1	5N-8980	1	VALVE AS-SOLENOID (AIR START)	583
Y	3	1	454-7489	1	SWITCH AS-PUSH BUTTON (ENGINE START)	570
	4	1	0S-1591	2	BOLT (3/8-16X1.5-IN)	
		1	9S-8752	2	NUT-FULL (3/8-16-THD)	
		1	5M-2894	2	WASHER-HARD (10.2X18.5X2.5-MM THK)	
		1	5P-1075	2	WASHER-HARD (10.2X22.5X3-MM THK)	
	5	1	454-4749	1	PLATE	
	6	1	7D-5473	4	BOLT-SOCKET HEAD (8-32X0.75-IN)	
		1	4B-2043	4	NUT (8-32-THD)	
		1	3B-4501	4	LOCKWASHER	
	7	1	5H-7598	1	NIPPLE-PIPE	
I	8	1	2V-5956	1	HOSE AS	

C - CHANGE FROM PREVIOUS TYPE
I - REFER TO HYDRAULIC INFORMATION SYSTEM
Y - SEPARATE ILLUSTRATION

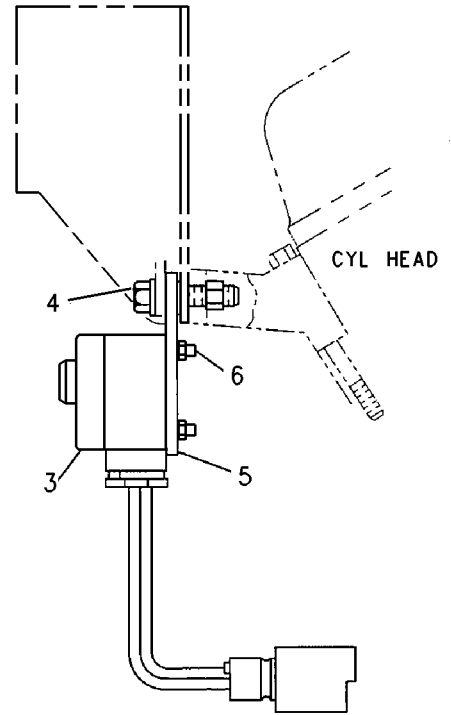
ELECTRICAL AND STARTING SYSTEM

5N-8166 CONTROL GP-AIR STARTING (contd.)

i06279644



RIGHT SIDE VIEW



FRONT VIEW

GRAPHIC #1

<END>

g00906489

ELECTRICAL AND STARTING SYSTEM

7C-0330 CONTROL GP-AIR STARTING

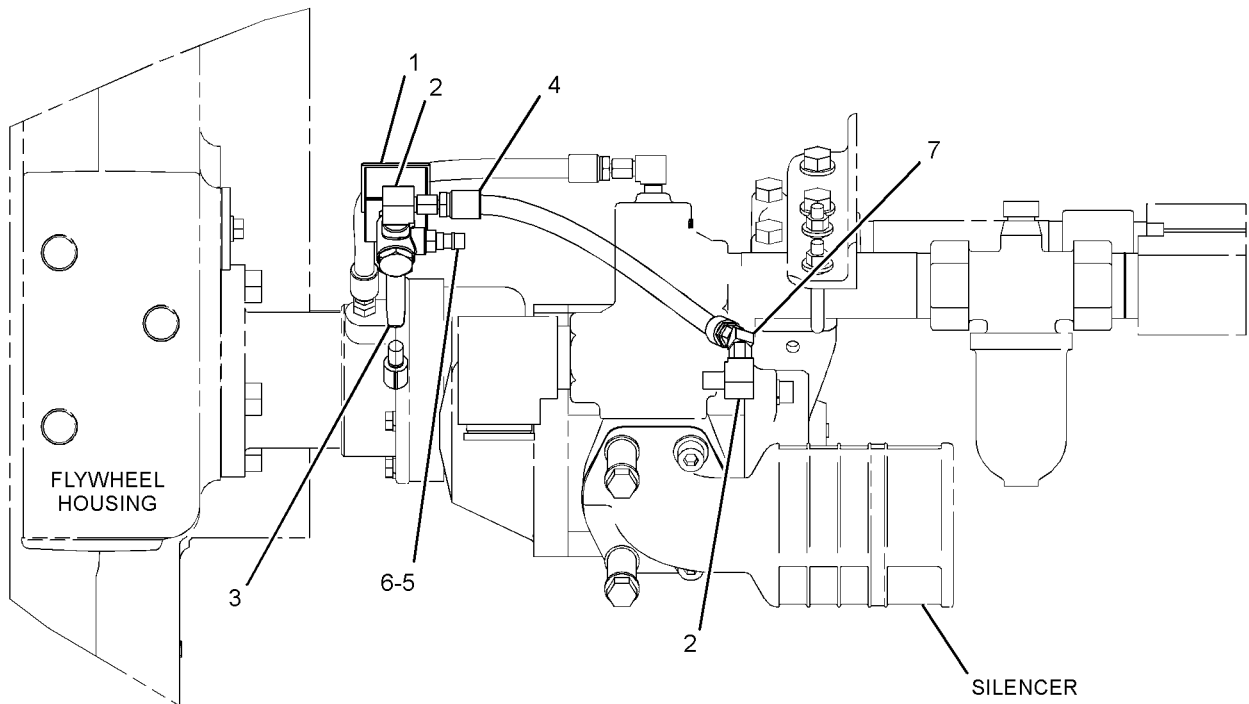
24/32-VOLT
AN ATTACHMENT

SMCS-1462

i06680229

NOTE	REF NO	GRAPHIC REF	PART NUMBER	QTY	PART NAME						SEE PAGE
					1	2	3	4	5	6 (PRODUCT LEVEL)	
Y	1	1	5N-8980	1	VALVE AS-SOLENOID (AIR START)						583
C	2	1	6K-1972	2	ELBOW-FLARED						
	3	1	5H-7598	1	NIPPLE-PIPE						
CI	4	1	2V-5956	1	HOSE AS						
	5	1	4M-5317	1	BUSHING-REDUCER						
	6	1	5F-5434	1	VALVE AS-VENT						
	7	1	030-7961	1	ELBOW						

C - CHANGE FROM PREVIOUS TYPE
I - REFER TO HYDRAULIC INFORMATION SYSTEM
Y - SEPARATE ILLUSTRATION



RIGHT SIDE VIEW OF ENGINE

GRAPHIC #1

<END>

g06075499

ELECTRICAL AND STARTING SYSTEM

8N-8490 CONTROL GP-AIR STARTING

115-VOLT AC

**FOR USE WITH AIR START OR ELECTRIC ASSISTED AIR START
CANNOT BE USED WITH MANUAL AIR START CONTROL, MANUAL CONTROL WITH OVERRIDE OR
HYDRO-MECHANICAL SYSTEM
AN ATTACHMENT**

SMCS-1462

i07021233

NOTE	REF NO	GRAPHIC REF	PART NUMBER	QTY	PART NAME						SEE PAGE
					1	2	3	4	5	6 (PRODUCT LEVEL)	
	1	1	6I-1966	1	PLATE-CONTROL MOUNTING						
I	2	1	2V-5956	1	HOSE AS						
	3	1	3F-2065	1	LOCKNUT (1/2-14-THD)						
	4	1	4F-8184	1	BUSHING-TERMINAL						
	5	1	5N-2746	1	VALVE-SOLENOID						
	6	1	5P-5610	2	CONNECTOR						
	7	1	6I-1997	1	SWITCH (AIR STARTING)						
	8	1	6N-9587	2	CONNECTOR						
	9	1	165-3929	2	BOLT (3/8-16X1.5-IN)						
	10	1	3B-4501	4	LOCKWASHER						
	11	1	4B-2043	4	NUT (8-32-THD)						
	12	1	5H-7598	1	NIPPLE-PIPE						
C	13	1	5L-2579	1	GROMMET						
	14	1	5M-2894	2	WASHER-HARD (10.2X18.5X2.5-MM THK)						
	15	1	5P-1075	2	WASHER-HARD (10.2X22.5X3-MM THK)						
C	16	1	6K-1972	2	ELBOW-FLARED						
	17	1	7D-5473	4	BOLT-SOCKET HEAD (8-32X0.75-IN)						
	18	1	7J-8611	1	ELBOW-PIPE						
	19	1	9S-8752	2	NUT-FULL (3/8-16-THD)						

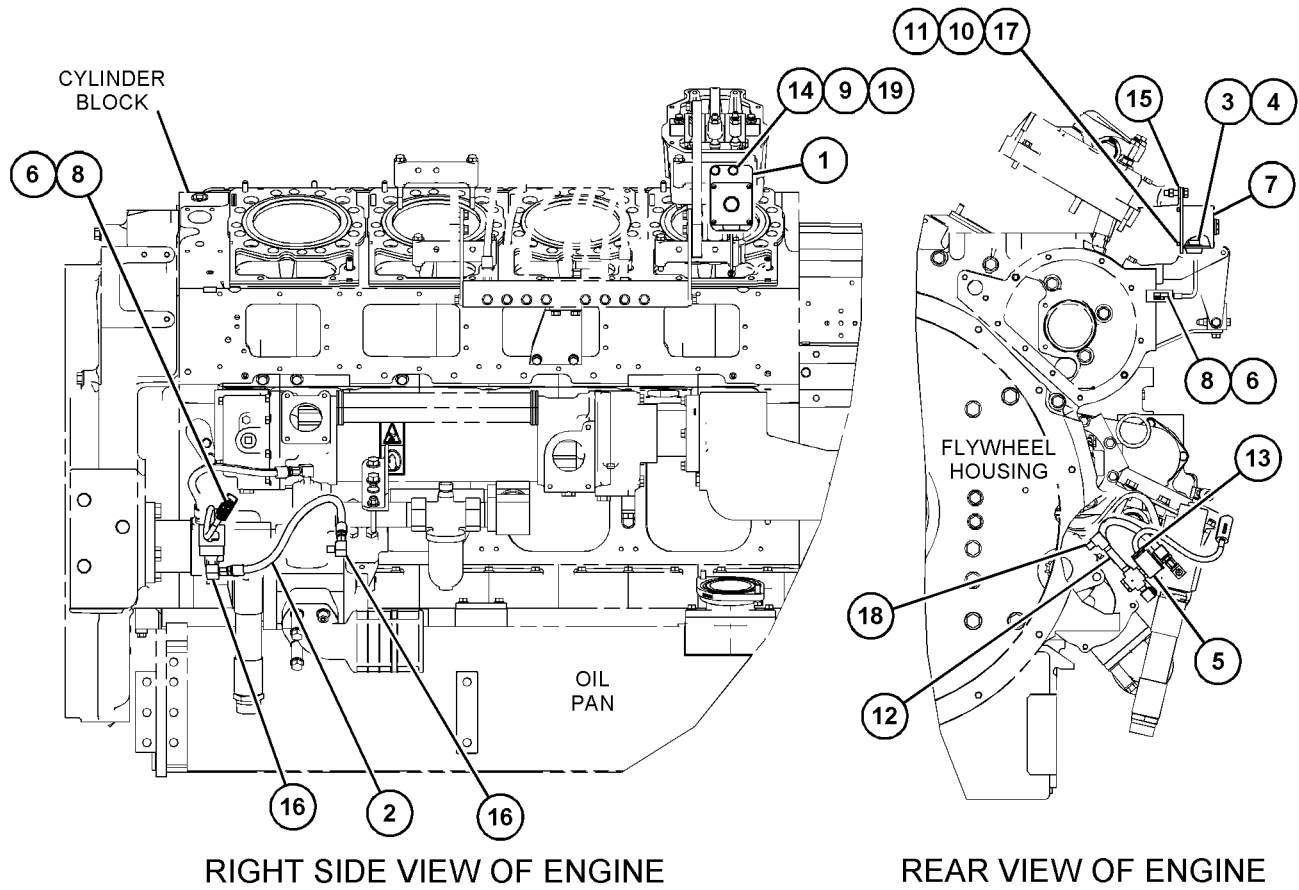
C - CHANGE FROM PREVIOUS TYPE

I - REFER TO HYDRAULIC INFORMATION SYSTEM

ELECTRICAL AND STARTING SYSTEM

8N-8490 CONTROL GP-AIR STARTING (contd.)

i07021233



GRAPHIC #1

<END>

g06214724

ELECTRICAL AND STARTING SYSTEM

8N-8491 CONTROL GP-AIR STARTING

24-VOLT TO 32-VOLT DC

FOR USE WITH AIR START OR ELECTRIC ASSISTED AIR START
 CANNOT BE USED WITH MANUAL AIR START CONTROL, MANUAL CONTROL WITH OVERRIDE OR
 HYDROMECHANICAL SYSTEM
 AN ATTACHMENT

SMCS-1462

i03171060

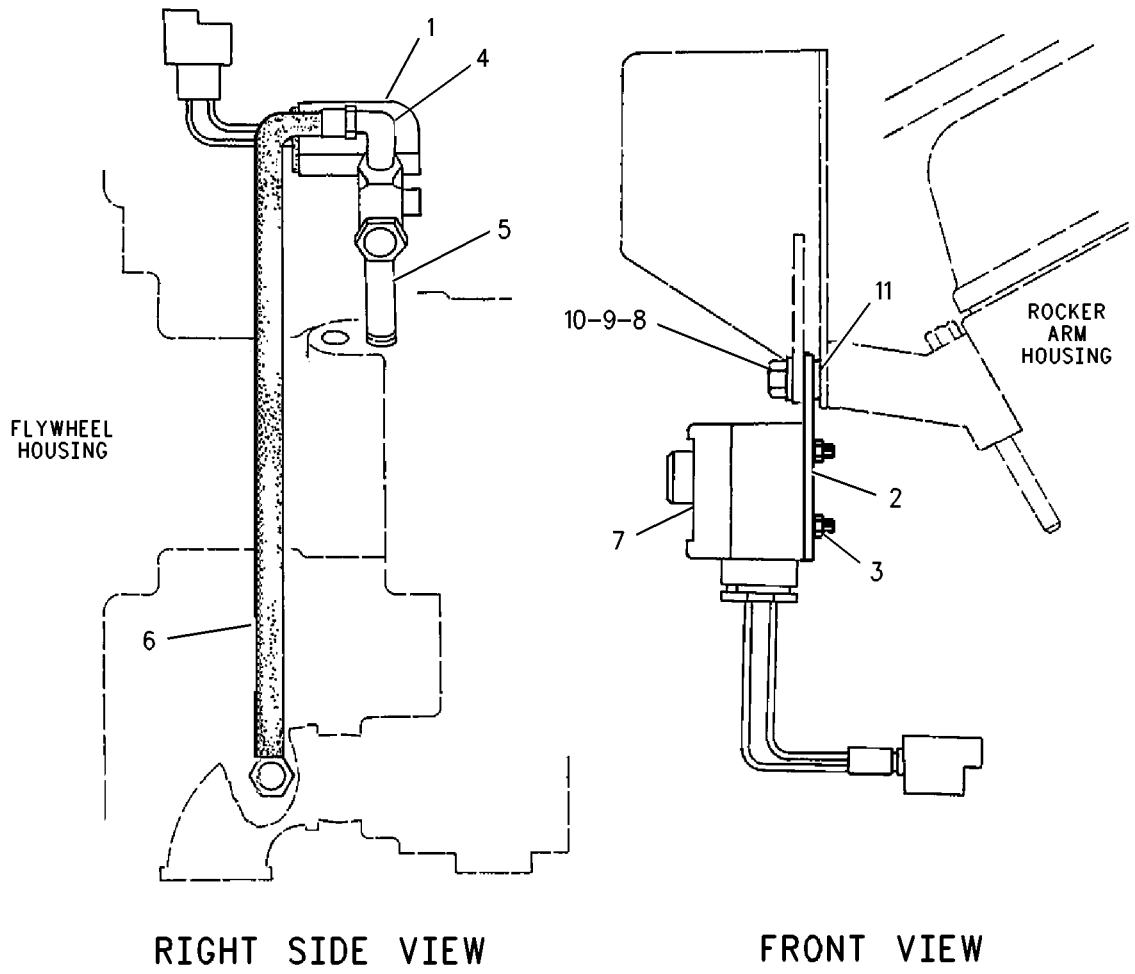
NOTE	REF NO	GRAPHIC REF	PART NUMBER	QTY	PART NAME	SEE PAGE
					1 2 3 4 5 6 (PRODUCT LEVEL)	
Y	1	1	5N-8980	1	VALVE AS-SOLENOID (AIR START)	583
C	2	1	6I-1966	1	PLATE-CONTROL MOUNTING	
C	3	1	7D-5473	4	BOLT-SOCKET HEAD (8-32X0.75-IN)	
C		1	4B-2043	4	NUT (8-32-THD)	
C		1	3B-4501	4	LOCKWASHER	
	4	1	6K-1972	1	ELBOW-FLARED	
C	5	1	5H-7598	1	NIPPLE-PIPE	
CI	6	1	6N-3170	1	HOSE AS	
YC	7	1	6I-1998	1	SWITCH AS-PUSH BUTTON (ENGINE START)	571
	8	1	0S-1591	2	BOLT (3/8-16X1.5-IN)	
C	9	1	9S-8752	2	NUT-FULL (3/8-16-THD)	
	10	1	5M-2894	2	WASHER-HARD (10.2X18.5X2.5-MM THK)	
	11	1	5P-1075	2	WASHER-HARD (10.2X22.5X3-MM THK)	

C - CHANGE FROM PREVIOUS TYPE
 I - REFER TO HYDRAULIC INFORMATION SYSTEM
 Y - SEPARATE ILLUSTRATION

ELECTRICAL AND STARTING SYSTEM

8N-8491 CONTROL GP-AIR STARTING (contd.)

i03171060



GRAPHIC #1

<END>

g00903507

ELECTRICAL AND STARTING SYSTEM

172-6716 CONTROL GP-ENG RATINGS ELEK

S/N: 3XS404-UP

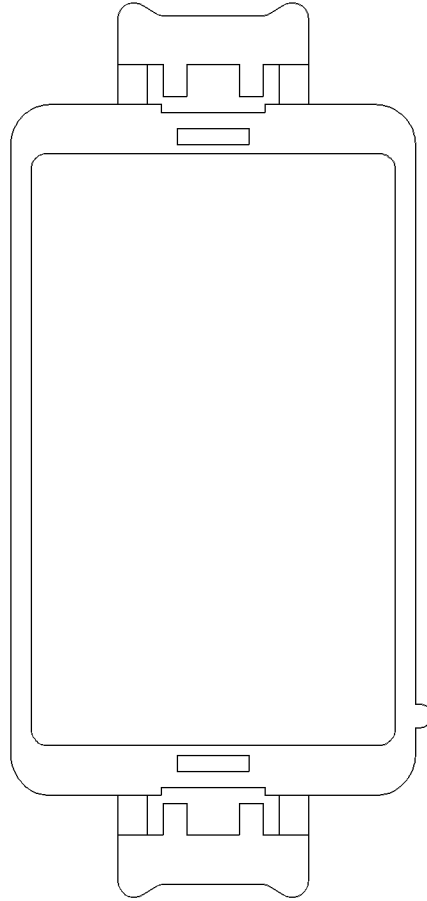
FOR USE WITH 3516 WITH EUI 1800RPM LOW BRAKE SPECIFIC FUEL CONSUMPTION GENERATOR SET.

FIELD INSTALLATION

SMCS-1902

i01183993

NOTE	REF NO	GRAPHIC REF	PART NUMBER	QTY	PART NAME						SEE PAGE
					1	2	3	4	5	6 (PRODUCT LEVEL)	
(NO SERVICED PARTS)											



GRAPHIC #1

<END>

g00555576

ELECTRICAL AND STARTING SYSTEM

184-3097 CONTROL GP-ENG RATINGS ELEK

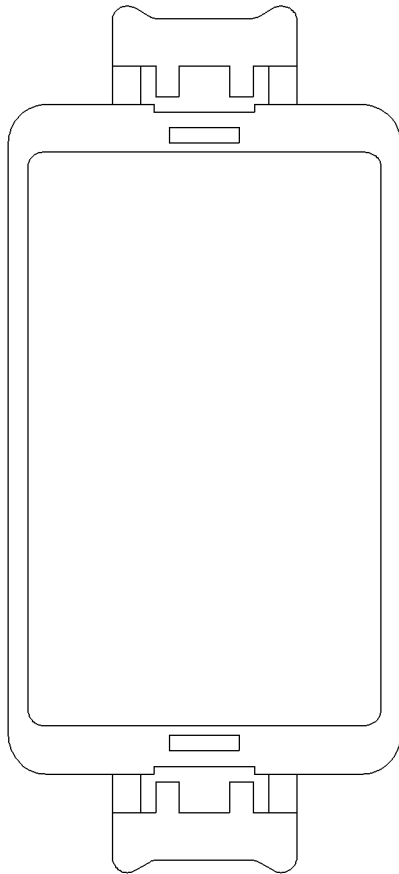
S/N: 3XS408-UP
FIELD INSTALLATION

SMCS-1902

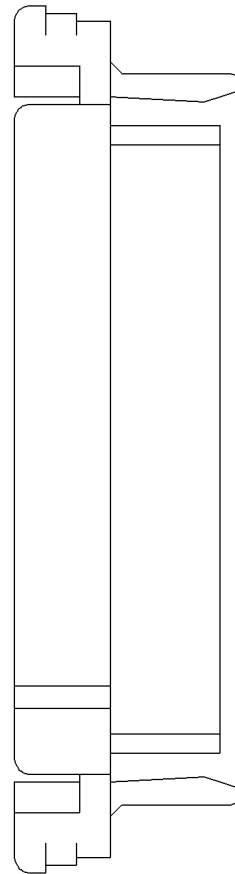
i01398129

NOTE	REF NO	GRAPHIC REF	PART NUMBER	QTY	PART NAME						SEE PAGE
					1	2	3	4	5	6 (PRODUCT LEVEL)	

(NO SERVICED PARTS)



GRAPHIC #1



<END>

g00700529

ELECTRICAL AND STARTING SYSTEM

130-7481 CONTROL GP-ENGINE ELECTRONIC

S/N: 3XS404-407

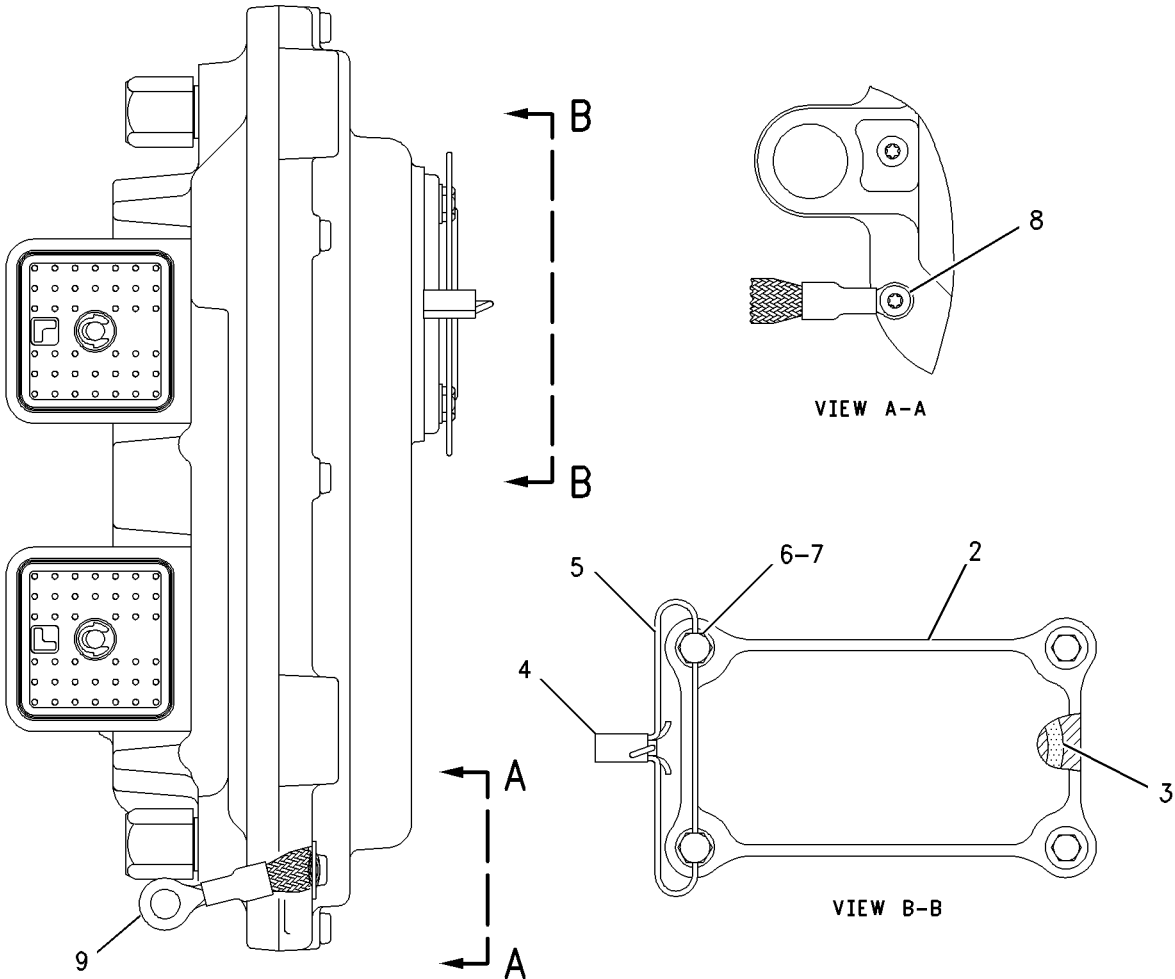
PART OF 132-8900 CONTROL GP-ENGINE ELECTRONIC

SMCS-1901

i02768401

NOTE	REF NO	GRAPHIC REF	PART NUMBER	QTY	PART NAME						SEE PAGE
					1	2	3	4	5	6	
	2	1	111-8411	1	COVER						
	3	1	6V-1179	1	SEAL-O-RING						
	4	1	8S-8158	1	SEAL-WIRE						
D	5	1	8C-8418		LOCKWIRE (.2M)						
M	6	1	102-4087	4	BOLT (M5X0.8X12-MM)						
	7	1	2H-2615	4	WASHER (0.219X0.41X0.031-IN THK)						
	8	1	126-7574	1	SCREW-PAN HEAD (8-32X9.52-MM)						
	9	1	7X-6315	1	STRAP AS-GROUND						
					AVAILABLE REPAIR KIT(S):						
M			6V-6703	2	KIT-RETAINING BOLT						
					(EACH INCLUDES BOLT, RING & SEALS)						

D - ORDER BY THE METER
M - METRIC PART



GRAPHIC #1

<END>

g00872924

ELECTRICAL AND STARTING SYSTEM

132-8900 CONTROL GP-ENGINE ELECTRONIC

S/N: 3XS404-407

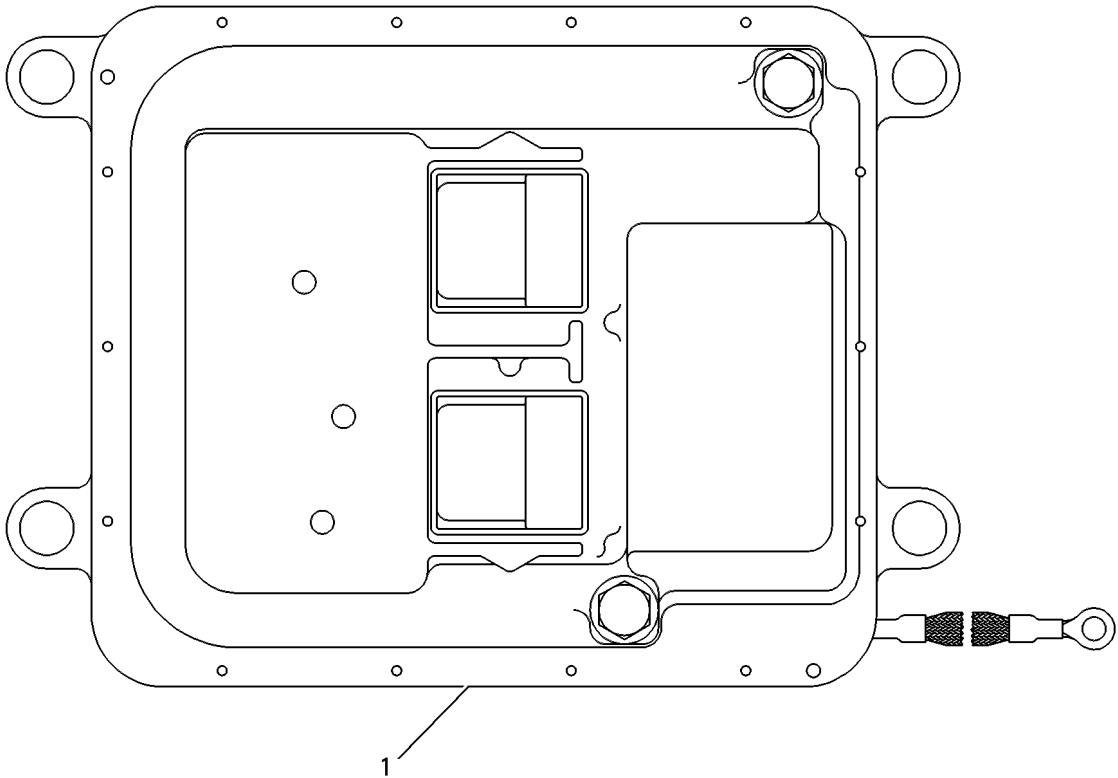
PART OF 101-1172 CONTROL & MTG GP-ENGINE ELEK

SMCS-1901

i01591084

NOTE	REF NO	GRAPHIC REF	PART NUMBER	QTY	PART NAME						SEE PAGE
					1	2	3	4	5	6 (PRODUCT LEVEL)	
Y	1	1	130-7481	1	CONTROL GP-ENGINE ELECTRONIC (PERSONALITY MODULE)						414

Y - SEPARATE ILLUSTRATION



GRAPHIC #1

<END>

g00260096

ELECTRICAL AND STARTING SYSTEM

132-8900 CONTROL GP-ENGINE ELECTRONIC

S/N: 3XS408-UP

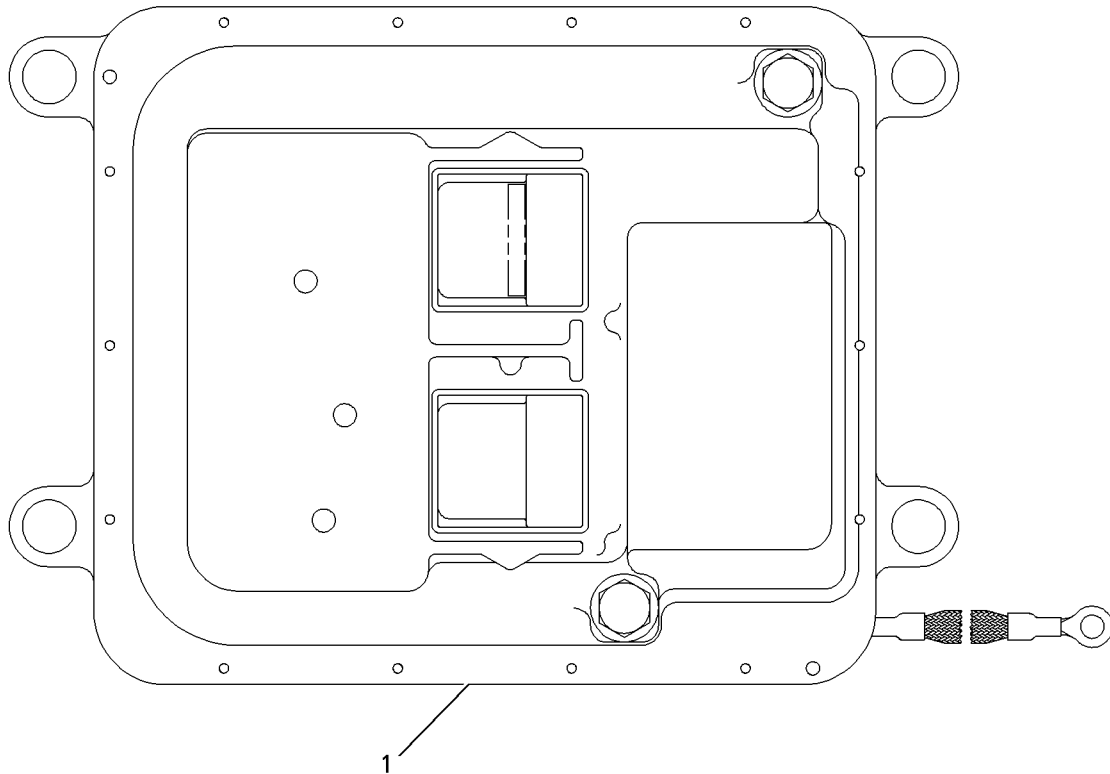
PART OF 101-1172 CONTROL & MTG GP-ENGINE ELEK

SMCS-1901

i01683039

NOTE	REF NO	GRAPHIC REF	PART NUMBER	QTY	PART NAME						SEE PAGE
					1	2	3	4	5	6 (PRODUCT LEVEL)	
CYR	1	1	176-7503	1	CONTROL GP-ENGINE ELECTRONIC						418

C - CHANGE FROM PREVIOUS TYPE
R - REMANUFACTURED PART MAY BE AVAILABLE
Y - SEPARATE ILLUSTRATION



GRAPHIC #1

<END>

g00673713

ELECTRICAL AND STARTING SYSTEM

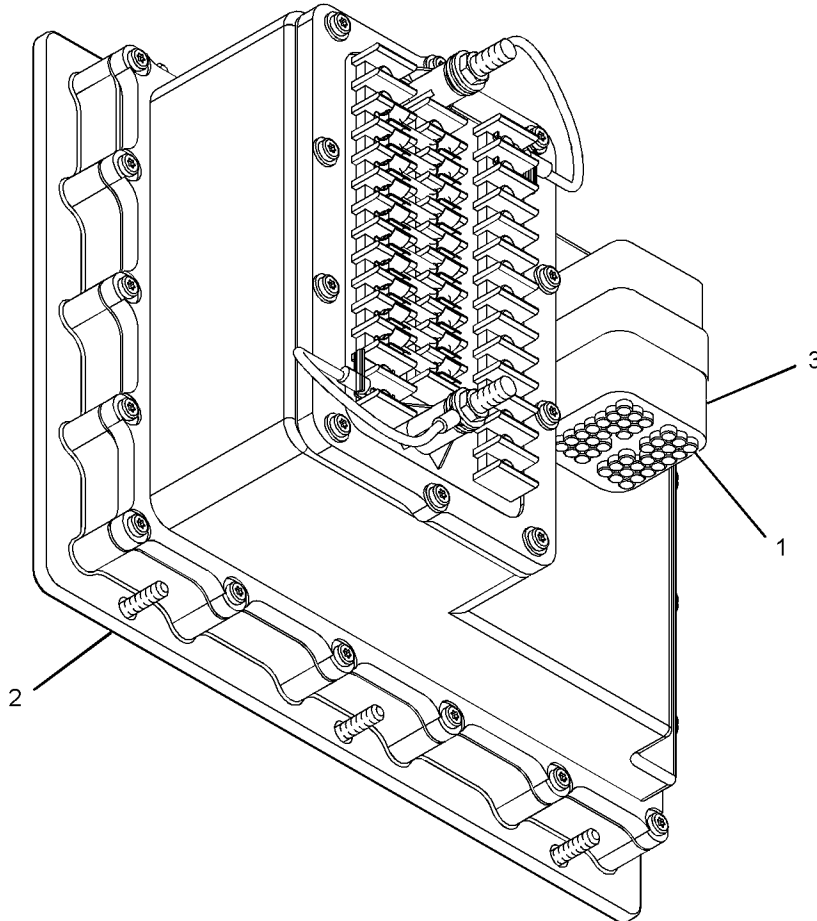
133-9300 CONTROL GP-ENGINE ELECTRONIC-RELAY AN ATTACHMENT

SMCS-1901

i03869192

NOTE	REF NO	GRAPHIC REF	PART NUMBER	QTY	PART NAME						SEE PAGE
					1	2	3	4	5	6 (PRODUCT LEVEL)	
	1	1	8T-8737	40	PLUG-SEAL						
CY	2	1	144-1624	1	CONTROL GP-ENGINE MONITORING (PROGRAMMABLE RELAY CONTROL MOD)						722
	3	1	110-6845	1	PLUG AS-CONNECTOR (40-PIN)						

C - CHANGE FROM PREVIOUS TYPE
Y - SEPARATE ILLUSTRATION



GRAPHIC #1

<END>

g01277079

ELECTRICAL AND STARTING SYSTEM

176-7503 CONTROL GP-ENGINE ELECTRONIC*R

S/N: 3XS408-UP

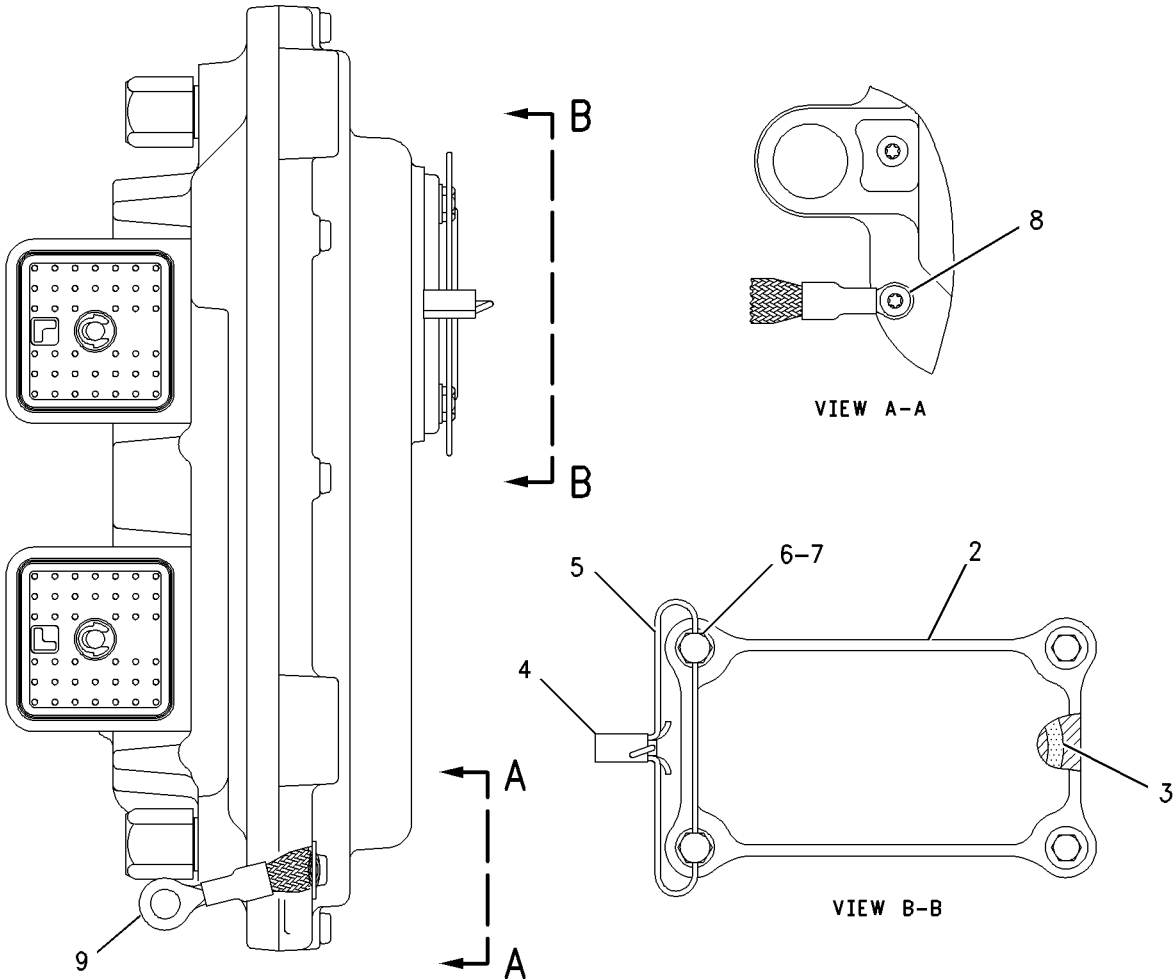
PART OF 132-8900 CONTROL GP-ENGINE ELECTRONIC

SMCS-1901

i03659925

NOTE	REF NO	GRAPHIC REF	PART NUMBER	QTY	PART NAME						SEE PAGE
					1	2	3	4	5	6	
	2	1	111-8411	1	COVER						
	3	1	6V-1179	1	SEAL-O-RING						
	4	1	8S-8158	1	SEAL-WIRE						
D	5	1	8C-8418		LOCKWIRE (0.2-M)						
M	6	1	102-4087	4	BOLT (M5X0.8X12-MM)						
	7	1	2H-2615	4	WASHER (0.219X0.41X0.031-IN THK)						
	8	1	126-7574	1	SCREW-PAN HEAD (8-32X9.52-MM)						
	9	1	7X-6315	1	STRAP AS-GROUND						
AVAILABLE REPAIR KIT(S):											
M			6V-6703	2	KIT-RETAINING BOLT (ENGINE ELECTRONIC CONTROL)						
(EACH INCLUDES BOLT, SEALS & RINGS)											

D - ORDER BY THE METER
M - METRIC PART



GRAPHIC #1

<END>

g00872924

ELECTRICAL AND STARTING SYSTEM

110-9211 CONTROL GP-VOLTAGE

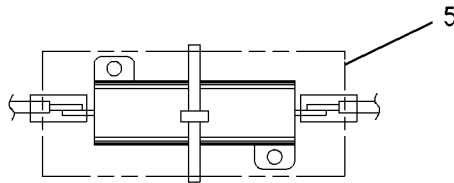
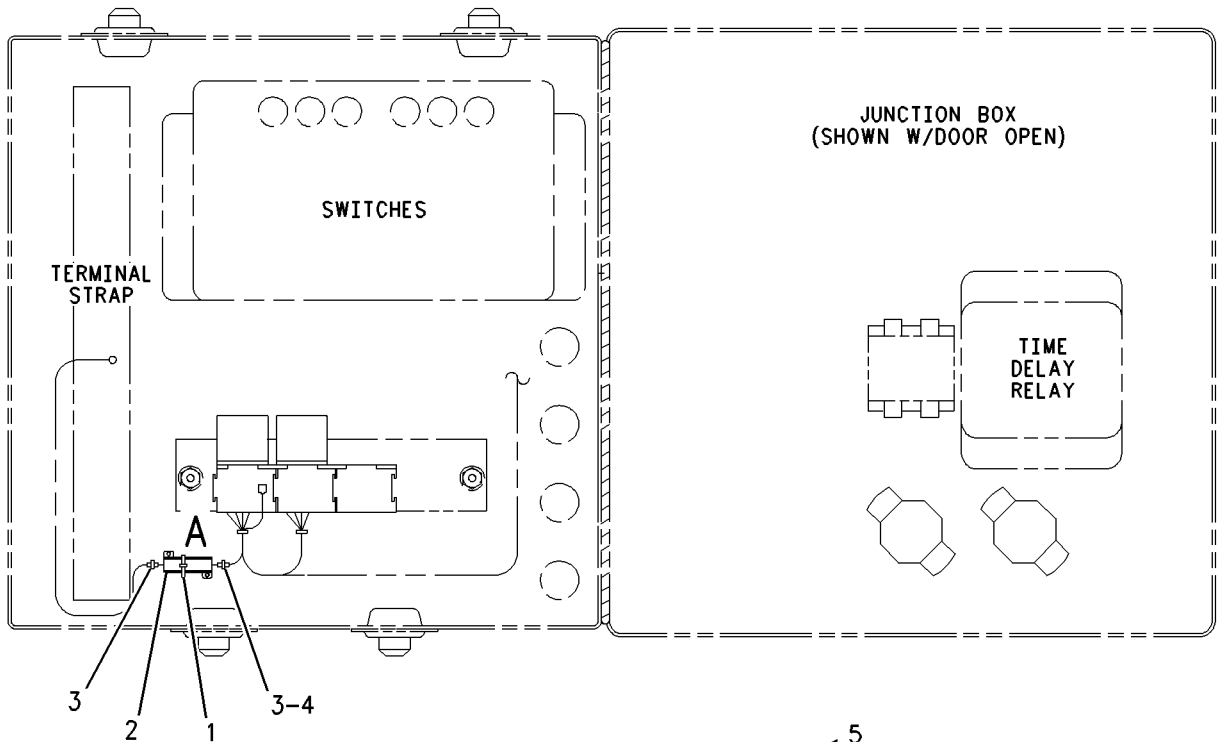
**32-VOLT DC RELAY
AN ATTACHMENT**

SMCS-4467

i06925829

NOTE	REF NO	GRAPHIC REF	PART NUMBER	QTY	PART NAME						SEE PAGE
					1	2	3	4	5	6 (PRODUCT LEVEL)	
	1	1	8L-8413	1	STRAP-CABLE (WHITE)						
	2	1	3T-1415	1	RESISTOR						
D	3	1	5P-6009		TUBE-HEAT SHRINK (9.52-MM DIA) (0.1-M)						
B	4	1	1S-9593	8	STRAP-CABLE						
D	5	1	6V-2722		TUBE-HEAT SHRINK (25.4-MM DIA) (0.1-M)						

B - USE AS REQUIRED
D - ORDER BY THE METER



VIEW OF AREA A

GRAPHIC #1

<END>

g00744429

ELECTRICAL AND STARTING SYSTEM

9X-9591 CONVERTER GP-ELECTRICAL*R

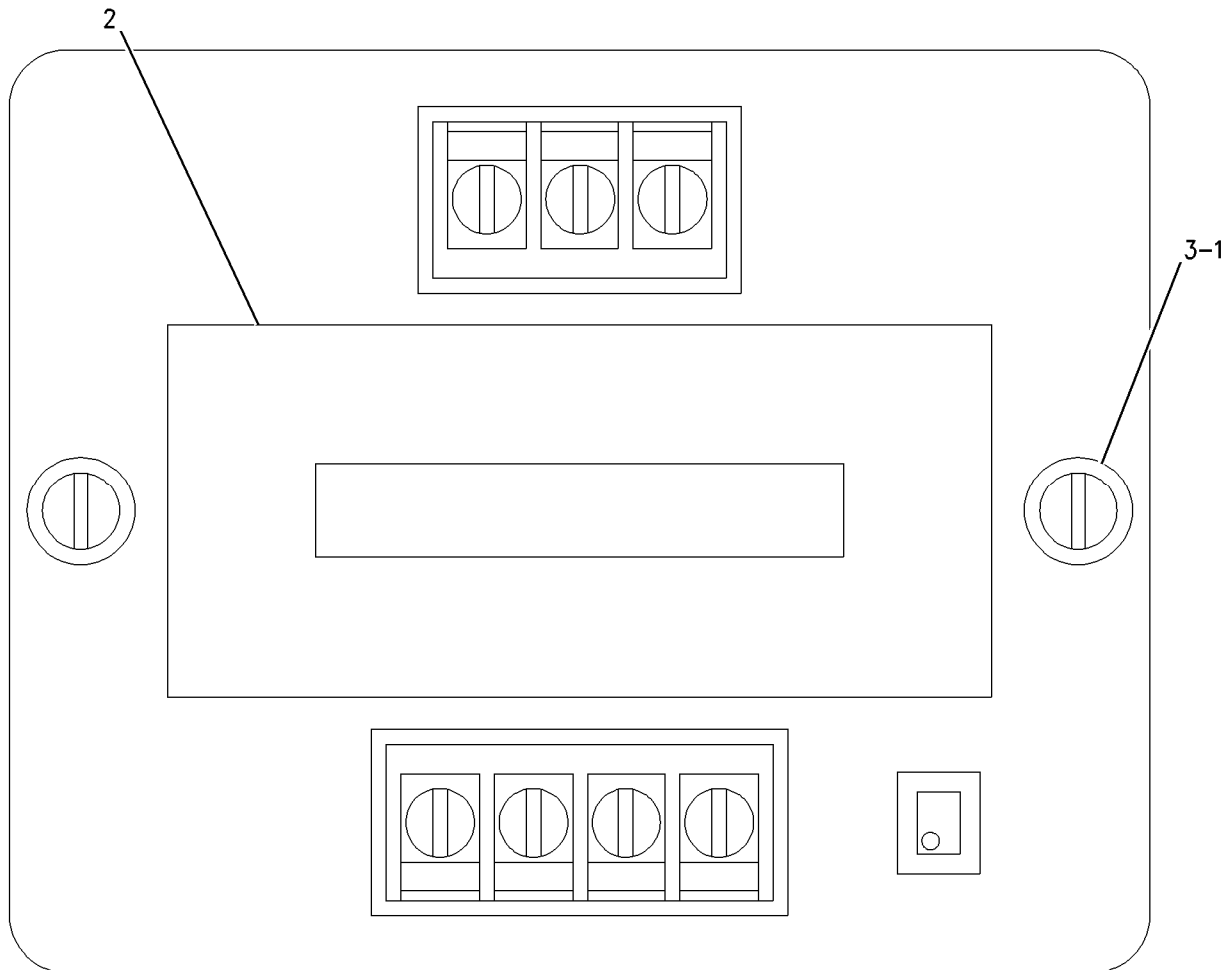
PULSE WIDTH MODULATED

PART OF 120-4489 HARNESS GP-WIRING, 134-6323 WIRING GP-PANEL
AN ATTACHMENT

SMCS-1421

i03686440

NOTE	REF NO	GRAPHIC REF	PART NUMBER	QTY	PART NAME						SEE PAGE
					1	2	3	4	5	6 (PRODUCT LEVEL)	
1	1	1	4B-4863	2	WASHER (4.7X11X1.2-MM THK)						
2	1	1	9X-9857	1	FILM-IDENTIFICATION (CATERPILLAR)						
3	1	1	3K-8106	2	SCREW-MACHINE (8-32X1-IN)						



GRAPHIC #1

<END>

g00774430

ELECTRICAL AND STARTING SYSTEM

115-5163 ENCLOSURE GP-WIRING

PART OF 115-5164 BOX & MOUNTING GP

AN ATTACHMENT

TYPE 1

SMCS-1408

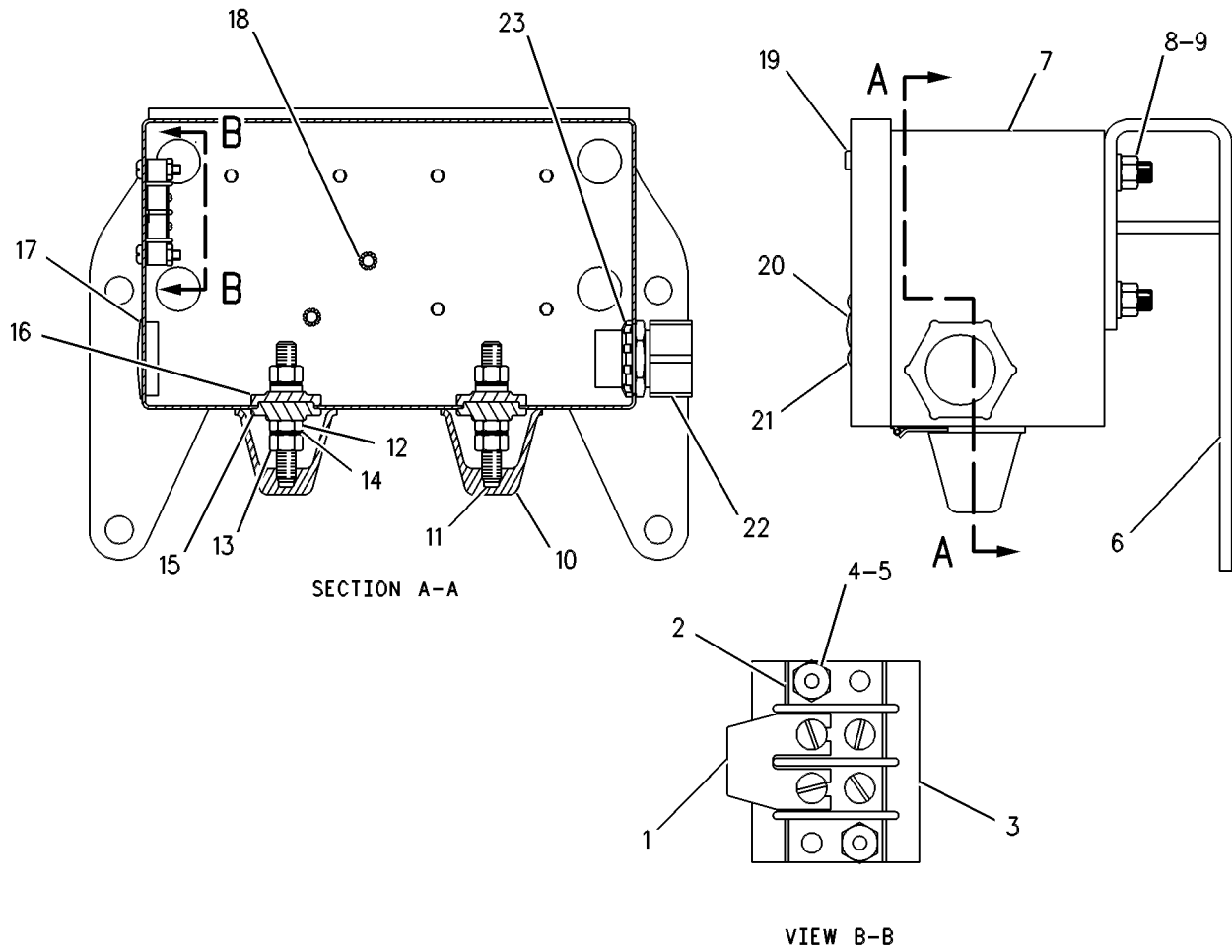
i01925299

NOTE	REF NO	GRAPHIC REF	PART NUMBER	QTY	PART NAME						SEE PAGE
					1	2	3	4	5	6 (PRODUCT LEVEL)	
	1	1	6L-8150	1	JUMPER-STRIP (TERMINAL)						
	2	1	6L-5855	1	STRIP-TERMINAL						
	3	1	5N-0367	1	FILM-IDENTIFICATION (TERMINAL MARKER)						
	4	1	4B-2047	2	NUT (10-24-THD)						
	5	1	2N-3480	2	SCREW-MACHINE (10-24X0.75-IN)						
	6	1	115-5161	1	BRACKET AS						
	7	1	4W-7599	1	ENCLOSURE AS						
	8	1	5M-2894	4	WASHER-HARD (10.2X18.5X2.5-MM THK)						
	9	1	9S-8752	4	NUT-FULL (3/8-16-THD)						
	10	1	5N-8998	2	BOOT						
	11	1	5N-7510	2	STUD (3/8-16, 3/8-16X2.76-IN)						
	12	1	6H-5431	2	NUT-BRASS JAM (3/8-16-THD)						
	13	1	5P-7751	4	NUT-BRONZE (3/8-16-THD)						
	14	1	3L-7314	8	WASHER (0.406X0.62X0.032-IN THK)						
	15	1	7W-2709	2	INSULATOR						
	16	1	7W-2710	2	INSULATOR						
	17	1	4F-8711	1	PLUG-BUTTON						
	18	1	5N-3174	2	PLUG-BUTTON						
	19	1	9M-5520	2	SCREW-TAPPING (10-24X0.5-IN)						
	20	1	3L-4566	3	PLUG-BUTTON						
	21	1	6K-9591	6	PLUG-BUTTON						
	22	1	4P-6748	1	BUSHING-TERMINAL						
	23	1	062-5388	1	LOCKNUT (1-11-1/2-THD)						

ELECTRICAL AND STARTING SYSTEM

115-5163 ENCLOSURE GP-WIRING (contd.)

i01925299



GRAPHIC #1

<END>

g00248709

ELECTRICAL AND STARTING SYSTEM

115-5163 ENCLOSURE GP-WIRING

PART OF 115-5164 BOX & MOUNTING GP

AN ATTACHMENT

TYPE 2

SMCS-1408

i06721751

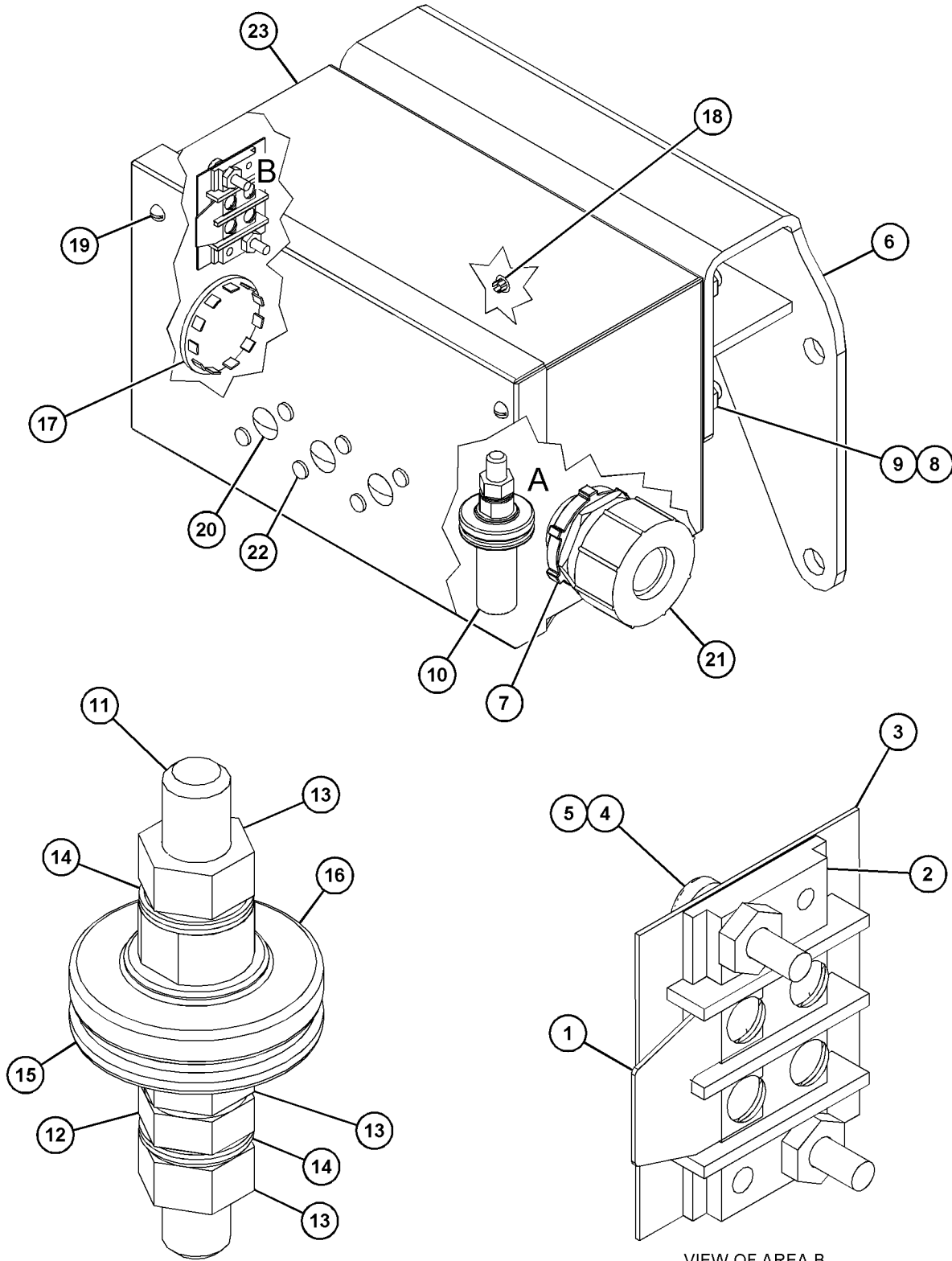
NOTE	REF NO	GRAPHIC REF	PART NUMBER	QTY	PART NAME						SEE PAGE
					1	2	3	4	5	6 (PRODUCT LEVEL)	
	1	1	6L-8150	1	JUMPER-STRIP (TERMINAL)						
	2	1	6L-5855	1	STRIP-TERMINAL						
	3	1	5N-0367	1	FILM-IDENTIFICATION (TERMINAL MARKER)						
	4	1	4B-2047	2	NUT (10-24-THD)						
	5	1	2N-3480	2	SCREW-MACHINE (10-24X0.75-IN)						
	6	1	115-5161	1	BRACKET AS						
C	7	1	104-3649	1	LOCKNUT (1-1/4-11-1/2-THD)						
	8	1	5M-2894	4	WASHER-HARD (10.2X18.5X2.5-MM THK)						
	9	1	9S-8752	4	NUT-FULL (3/8-16-THD)						
	10	1	443-6357	2	BOOT						
	11	1	5N-7510	2	STUD (3/8-16, 3/8-16X2.76-IN)						
	12	1	6H-5431	2	NUT-BRASS JAM (3/8-16-THD)						
	13	1	5P-7751	6	NUT-BRONZE (3/8-16-THD)						
	14	1	3L-7314	8	WASHER (0.406X0.62X0.032-IN THK)						
	15	1	7W-2709	2	INSULATOR						
	16	1	7W-2710	2	INSULATOR						
C	17	1	1V-9020	1	PLUG						
	18	1	5N-3174	2	PLUG-BUTTON						
	19	1	9M-5520	2	SCREW-TAPPING (10-24X0.5-IN)						
	20	1	3L-4566	3	PLUG-BUTTON						
C	21	1	190-9372	1	CONNECTOR						
	22	1	6K-9591	6	PLUG-BUTTON						
C	23	1	191-8394	1	ENCLOSURE AS						

C - CHANGE FROM PREVIOUS TYPE

ELECTRICAL AND STARTING SYSTEM

115-5163 ENCLOSURE GP-WIRING (contd.)

i06721751



VIEW OF AREA A
(BOOT REMOVED FOR CLARITY)

VIEW OF AREA B

GRAPHIC #1

<END>

g06161541

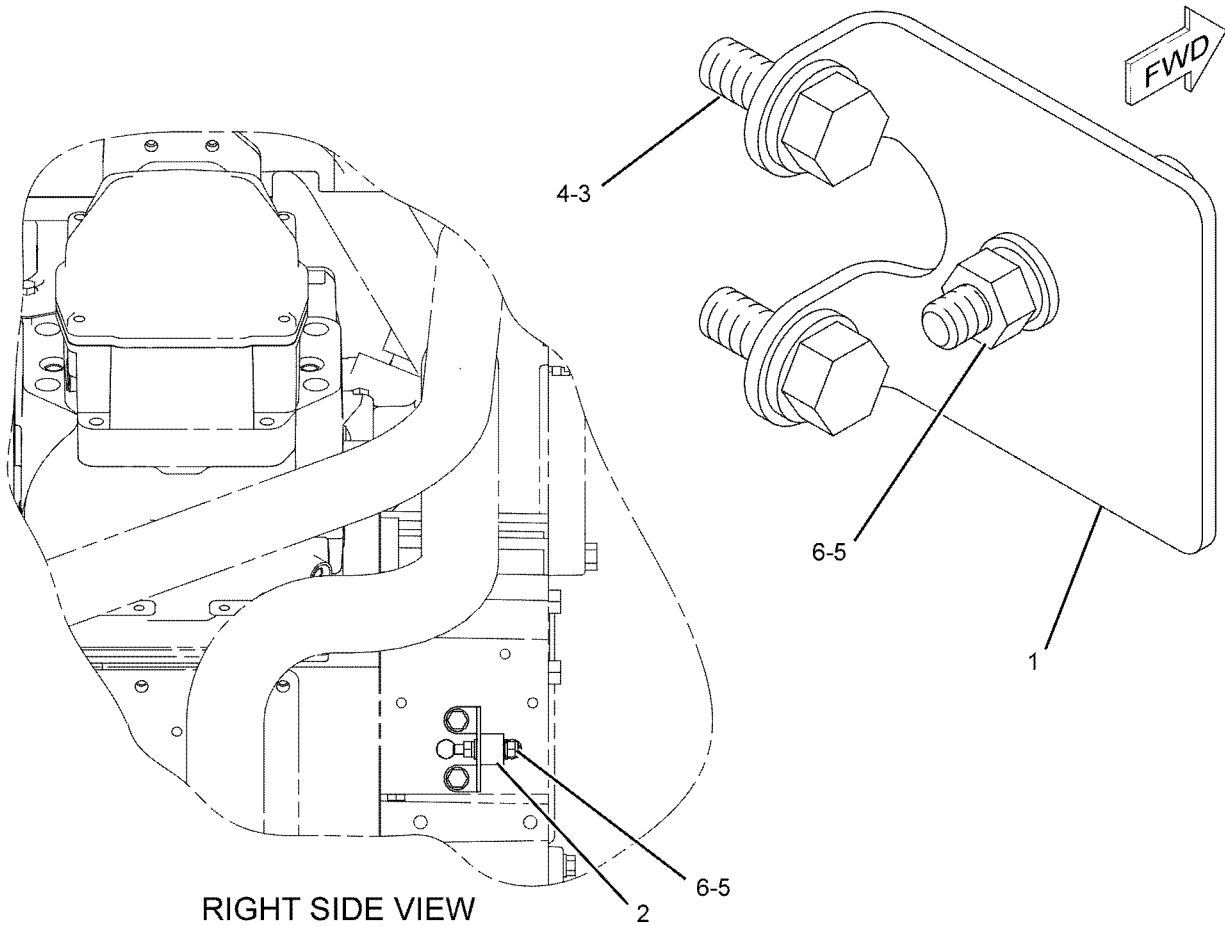
ELECTRICAL AND STARTING SYSTEM

126-9191 GROUND GP-ELECTRICAL-ALTERNATOR AN ATTACHMENT

SMCS-1405

i06039919

NOTE	REF NO	GRAPHIC REF	PART NUMBER	QTY	PART NAME						SEE PAGE
					1	2	3	4	5	6 (PRODUCT LEVEL)	
	1	1	126-9188	1	BRACKET						
	2	1	7E-3222	1	MOUNT-FLEXIBLE						
	3	1	5M-2894	2	WASHER-HARD (10.2X18.5X2.5-MM THK)						
	4	1	0L-1351	2	BOLT (3/8-16X0.875-IN)						
	5	1	5P-4115	2	WASHER-HARD (7.2X19X2-MM THK)						
	6	1	3E-9865	2	LOCKNUT (1/4-20-THD)						



GRAPHIC #1

<END>

g01132300

ELECTRICAL AND STARTING SYSTEM

**121-4111 HARNESS AS-PANEL-PYROMETER INTERCONNECT
50-FT EXTENSION
AN ATTACHMENT**

SMCS-1408

i01304821

NOTE	PART NUMBER	QTY	PART NAME 1 2 3 4 5 6 (PRODUCT LEVEL)	SEE PAGE
(NO SERVICED PARTS)				
<END>				

**121-4112 HARNESS AS-PANEL-PYROMETER INTERCONNECT
25-FT EXTENSION
AN ATTACHMENT**

SMCS-1408

i01304825

NOTE	PART NUMBER	QTY	PART NAME 1 2 3 4 5 6 (PRODUCT LEVEL)	SEE PAGE
(NO SERVICED PARTS)				
<END>				

**139-8529 HARNESS AS-PANEL-INTERCONNECT
3.5-METER LENGTH
FOR USE WITH REMOTE INSTRUMENT PANEL
AN ATTACHMENT**

SMCS-1408

i01304831

NOTE	PART NUMBER	QTY	PART NAME 1 2 3 4 5 6 (PRODUCT LEVEL)	SEE PAGE
(NO SERVICED PARTS)				
<END>				

**141-0716 HARNESS AS-PANEL-INTERCONNECT
10-FT LENGTH
FOR USE WITH SWITCHGEAR CONVERSION
AN ATTACHMENT**

SMCS-1408

i01304842

NOTE	PART NUMBER	QTY	PART NAME 1 2 3 4 5 6 (PRODUCT LEVEL)	SEE PAGE
(NO SERVICED PARTS)				
<END>				

**141-0717 HARNESS AS-PANEL-INTERCONNECT
25-FT LENGTH
FOR USE WITH SWITCHGEAR CONVERSION
AN ATTACHMENT**

SMCS-1408

i01304840

NOTE	PART NUMBER	QTY	PART NAME 1 2 3 4 5 6 (PRODUCT LEVEL)	SEE PAGE
(NO SERVICED PARTS)				
<END>				

ELECTRICAL AND STARTING SYSTEM

141-0719 HARNESS AS-PANEL-INTERCONNECT 50-FT EXTENSION FOR USE WITH SWITCHGEAR CONVERSION AN ATTACHMENT

SMCS-1408

i01304838

NOTE	PART NUMBER	QTY	PART NAME 1 2 3 4 5 6 (PRODUCT LEVEL)	SEE PAGE
			(NO SERVICED PARTS)	
			<END>	

141-0720 HARNESS AS-PANEL-INTERCONNECT 100-FT EXTENSION FOR USE WITH SWITCHGEAR CONVERSION AN ATTACHMENT

SMCS-1408

i01304837

NOTE	PART NUMBER	QTY	PART NAME 1 2 3 4 5 6 (PRODUCT LEVEL)	SEE PAGE
			(NO SERVICED PARTS)	
			<END>	

143-5176 HARNESS AS-PANEL-INTERCONNECT PART OF 126-7156, 126-7157 BOX GP-INSTRUMENT PANEL AN ATTACHMENT

SMCS-1408

i02764028

NOTE	PART NUMBER	QTY	PART NAME 1 2 3 4 5 6 (PRODUCT LEVEL)	SEE PAGE
	102-8811	1	KIT-CONNECTING PLUG (8-PIN)	
	102-8816	1	SEAL	
	3E-3386	1	WEDGE-PLUG LOCK	
			<END>	

150-4149 HARNESS AS-PANEL-INTERCONNECT 8-METER LENGTH FOR USE WITH REMOTE INSTRUMENT PANEL AN ATTACHMENT

SMCS-1408

i01446556

NOTE	PART NUMBER	QTY	PART NAME 1 2 3 4 5 6 (PRODUCT LEVEL)	SEE PAGE
			(NO SERVICED PARTS)	
			<END>	

150-4150 HARNESS AS-PANEL-INTERCONNECT 16-METER LENGTH FOR USE WITH REMOTE INSTRUMENT PANEL AN ATTACHMENT

SMCS-1408

i01206176

NOTE	PART NUMBER	QTY	PART NAME 1 2 3 4 5 6 (PRODUCT LEVEL)	SEE PAGE
			(NO SERVICED PARTS)	
			<END>	

ELECTRICAL AND STARTING SYSTEM

174-1436 HARNESS AS-PANEL-INSTRUMENT

S/N: 3XS404-UP

PART OF 126-7156, 126-7157 BOX GP-INSTRUMENT PANEL
AN ATTACHMENT

SMCS-1408

i06760080

NOTE	PART NUMBER	QTY	PART NAME						SEE PAGE
			1	2	3	4	5	6 (PRODUCT LEVEL)	
	109-3038	49	END-WIRE (16-GA)						
	112-7497	10	END-WIRE (14-GA)						
	120-4510	15	END-WIRE (14-GA)						
	126-2211	6	END-WIRE (4-GA)						
	155-2265	1	KIT-CONNECTING PLUG (8-PIN)						
			(INCLUDES PLUG AS & WEDGE)						
	9X-6856	6	PIN-CONNECTOR (16-GA TO 18-GA)						
	8N-1540	1	PIN-CONNECTOR (12-GA TO 14-GA)						
	186-3735	37	PIN-CONNECTOR (16-GA TO 18-GA)						
	9W-0852	5	PIN-CONNECTOR (14-GA TO 16-GA)						
	8T-9834	1	PLUG AS-CONNECTOR (40-PIN)						
	3E-4367	1	RING-RETAINING						
M	3E-8557	1	BOLT (M5X0.8X39.37-MM)						
	9X-3132	2	SEAL-CONNECTOR (40-PIN)						
	8N-1517	1	RECEPTACLE AS-CONNECTOR (25-PIN)						
	8N-1522	1	NUT (2-1/4-16-THD)						
	3T-3043	1	RECEPTACLE AS-CONNECTOR (25-PIN)						
	8N-1522	1	NUT (2-1/4-16-THD)						
	9X-0145	1	RECEPTACLE AS-CONNECTOR (24-PIN)						
	9X-1343	1	RECEPTACLE AS-CONNECTOR (40-PIN)						
	9W-1951	1	RECEPTACLE-CONNECTOR (9-PIN)						
	8N-1541	4	SOCKET-CONNECTOR (12-GA TO 14-GA)						
	8N-1543	3	SOCKET-CONNECTOR (10-GA)						
	8N-1547	2	SOCKET-CONNECTOR (6-GA)						
	9X-6857	12	SOCKET-CONNECTOR (16-GA TO 18-GA)						
	186-3736	30	SOCKET-CONNECTOR (16-GA TO 18-GA)						
	8L-8413	46	STRAP-CABLE (WHITE)						
	9W-0073	1	SWITCH AS-PUSH BUTTON (ALARM SILENCE)						
	7E-8866	18	TERMINAL-BLADE (14-GA TO 16-GA)						
	5P-5618	11	TERMINAL-BLADE (10-GA TO 12-GA)						
	5P-2321	7	TERMINAL-FORK (14-GA TO 16-GA, NO. 6 SCREW)						
	2L-8067	4	TERMINAL-RING (10-GA TO 12-GA, 1/4-IN SCREW)						
	2L-8075	54	TERMINAL-RING (14-GA TO 16-GA, NO. 8 SCREW)						
D	6V-2689		TUBE-HEAT SHRINK (6.35-MM DIA) (0.1-M)						
	1H-3244	1	LOCKWASHER						
	8C-6123	1	NUT (1/4-40-THD)						

D - ORDER BY THE METER
M - METRIC PART

<END>

ELECTRICAL AND STARTING SYSTEM

249-5293 HARNESS AS-SENSOR

S/N: 3XS408-UP

SMCS-1408

i04925914

NOTE	PART NUMBER	QTY	PART NAME 1 2 3 4 5 6 (PRODUCT LEVEL)	SEE PAGE
	155-2260	1	KIT-CONNECTING PLUG (3-PIN) (INCLUDES PLUG AS, WEDGE & INTERFACE SEAL)	
	230-4013	1	PLUG AS-CONNECTOR (3-PIN)	
	264-7030	1	SEAL-CONNECTOR	
E	9X-1813		SLEEVE (45-CM)	
	194-5226	6	WIRE AS (16-GA)	
			-OR-	
	194-5227	6	WIRE AS (14-GA)	
E - ORDER BY THE CENTIMETER				
<END>				

143-5163 HARNESS AS-WIRING-JUMPER

AN ATTACHMENT

SMCS-1408

i00947090

NOTE	PART NUMBER	QTY	PART NAME 1 2 3 4 5 6 (PRODUCT LEVEL)	SEE PAGE
			(INDIVIDUAL PARTS ARE NOT SERVICED SEPARATELY)	
<END>				

ELECTRICAL AND STARTING SYSTEM

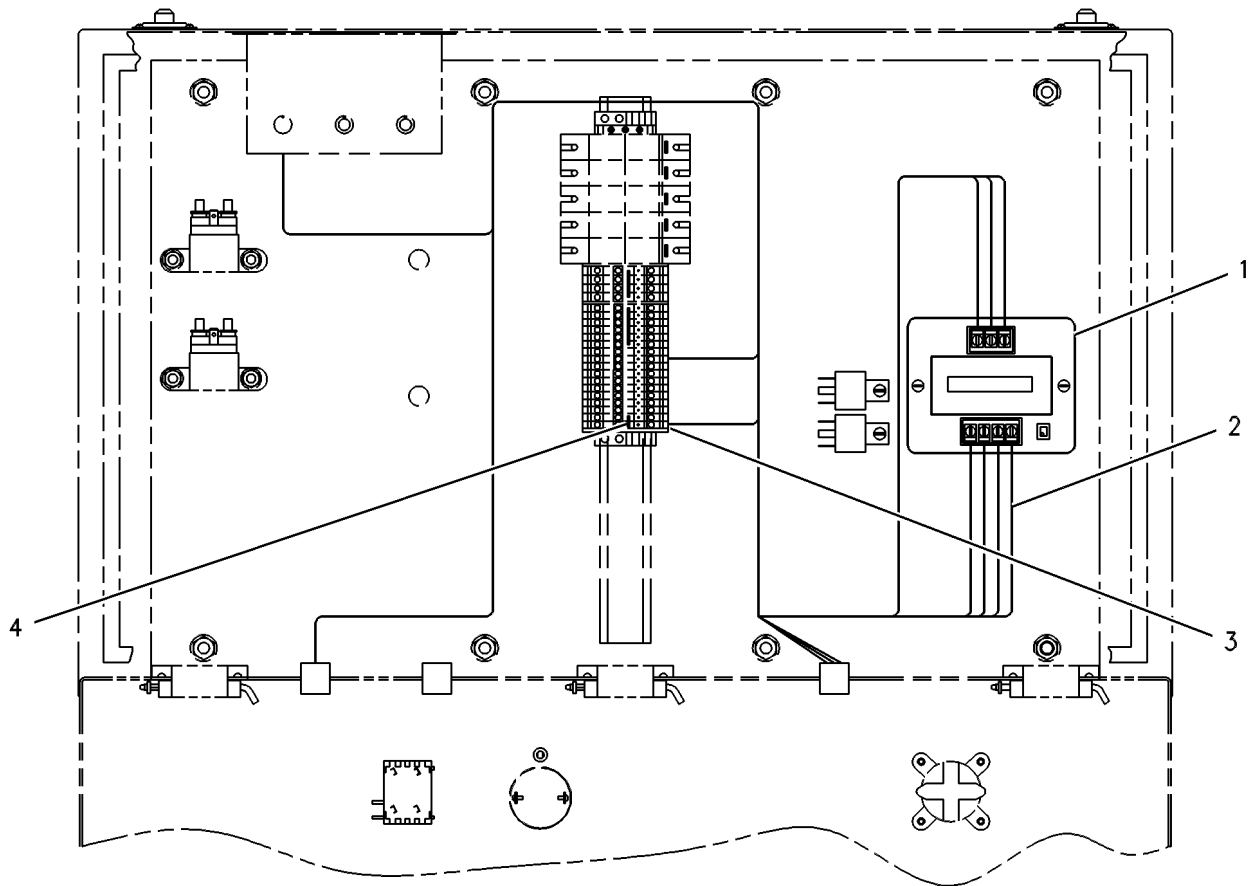
120-4489 HARNESS GP-WIRING-SPEED CONTROL AN ATTACHMENT

SMCS-1408

i02665170

NOTE	REF NO	GRAPHIC REF	PART NUMBER	QTY	PART NAME						SEE PAGE
					1	2	3	4	5	6 (PRODUCT LEVEL)	
YR	1	1	9X-9591	1	CONVERTER GP-ELECTRICAL (PULSE WIDTH MODULATED)						420
	2	1	120-4505	1	HARNESS AS-WIRING (SPEED CONTROL)						
	3	1	115-1322	1	TERMINAL (DOUBLE)						
	4	1	3E-5503	1	BAR-FIXED BRIDGE						

R - REMANUFACTURED PART MAY BE AVAILABLE
Y - SEPARATE ILLUSTRATION



GRAPHIC #1

<END>

g00266459

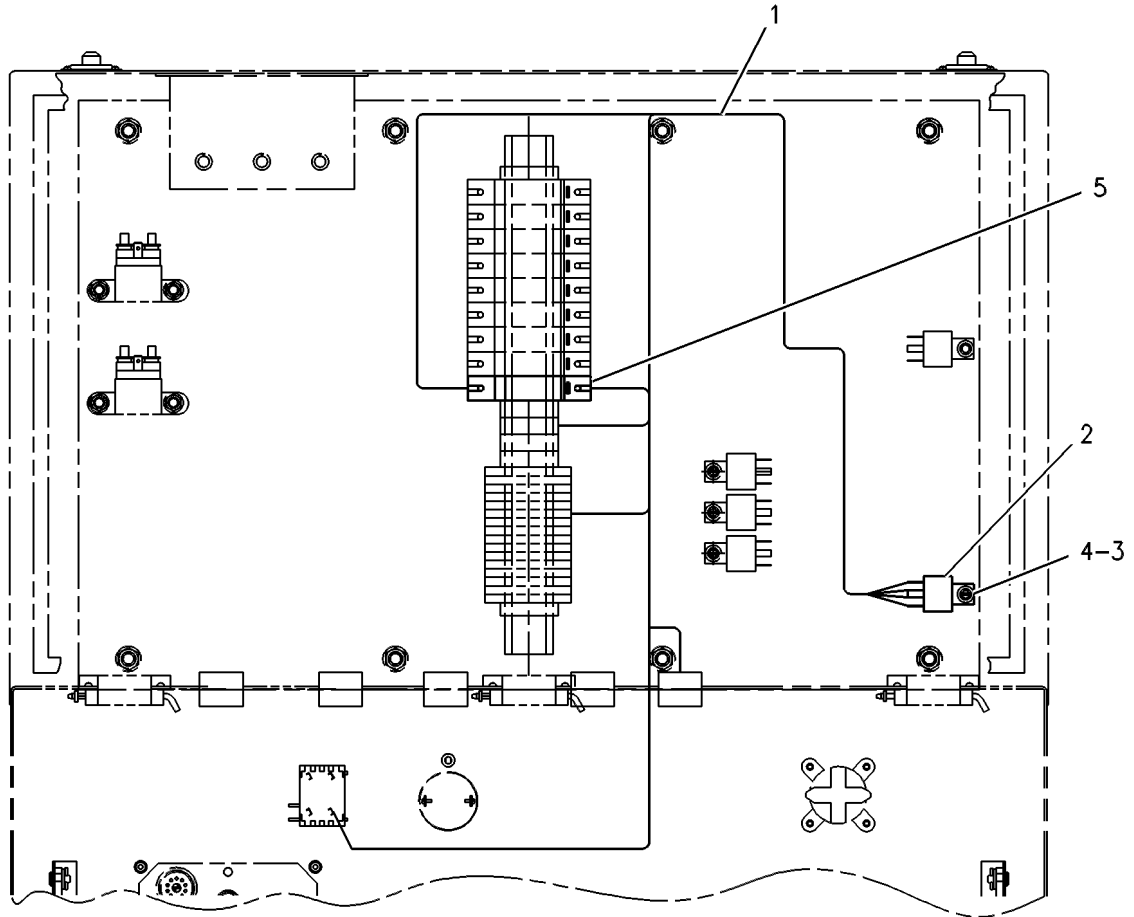
ELECTRICAL AND STARTING SYSTEM

134-6321 HARNESS GP-WIRING-DENOX AFTERTREATMENT AN ATTACHMENT

SMCS-1408

i02646570

NOTE	REF NO	GRAPHIC REF	PART NUMBER	QTY	PART NAME						SEE PAGE
					1	2	3	4	5	6	
	1	1	134-6322	1	HARNESS AS-WIRING (DENOX)						
	2	1	9Y-2921	1	RELAY (24-VOLT) (DENOX)						
	3	1	7S-1197	2	SCREW-MACHINE (8-32X0.5-IN)						
	4	1	4B-4863	2	WASHER (4.7X11X1.2-MM THK)						
	5	1	114-1142	1	CIRCUIT BREAKER AS (10-AMPERE)						



GRAPHIC #1

<END>

g00268714

ELECTRICAL AND STARTING SYSTEM

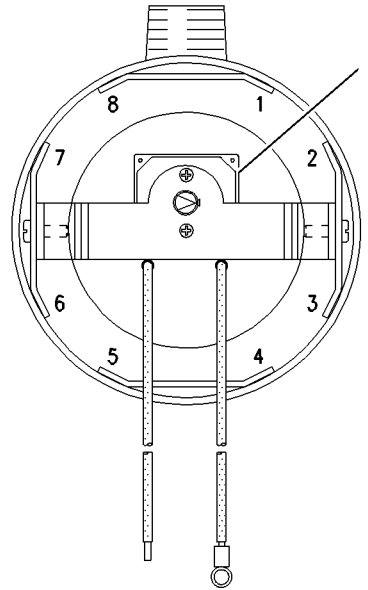
200-6504 HEATER GP-JACKET WATER

240-VOLT TO 480-VOLT AC, 6-KILOWATT
 FIELD REPLACEMENT FOR 7E-6248-PAGE: 434
 AN ATTACHMENT

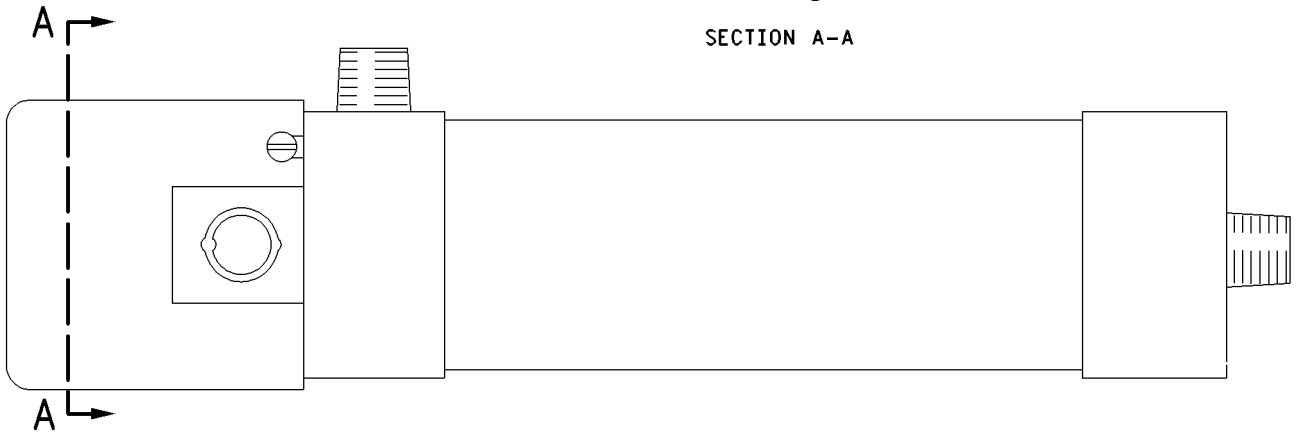
SMCS-1383

i03021477

NOTE	REF NO	GRAPHIC REF	PART NUMBER	QTY	PART NAME 1 2 3 4 5 6 (PRODUCT LEVEL)	SEE PAGE
	1	1	127-6260	1	THERMOSTAT AS (20-DEG C TO 80-DEG C) (JACKET WATER HEATER)	



SECTION A-A



GRAPHIC #1

<END>

g01000471

ELECTRICAL AND STARTING SYSTEM

7E-6247 HEATER GP-JACKET WATER

120-VOLT TO 240-VOLT. 3-KILOWATT

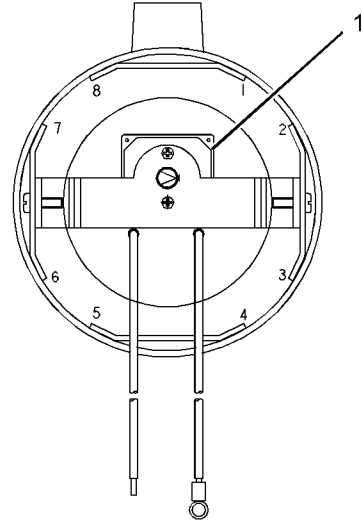
AN ATTACHMENT

SMCS-1383

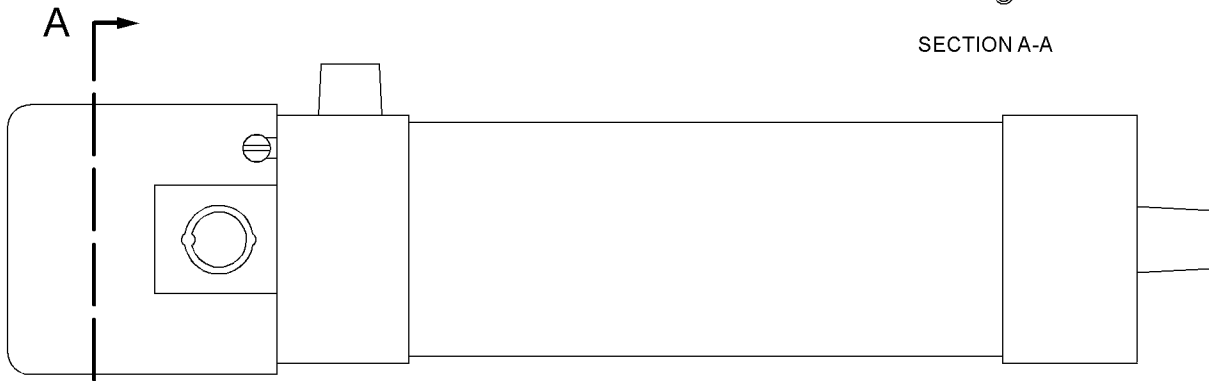
i03021944

NOTE	REF NO	GRAPHIC REF	PART NUMBER	QTY	PART NAME						SEE PAGE
					1	2	3	4	5	6 (PRODUCT LEVEL)	
C	1	1	127-6260	1	THERMOSTAT AS (20-DEG C TO 80-DEG C) (JACKET WATER HEATER)						

C - CHANGE FROM PREVIOUS TYPE



SECTION A-A



GRAPHIC #1

<END>

g01397474

ELECTRICAL AND STARTING SYSTEM

7E-6248 HEATER GP-JACKET WATER

240-VOLT TO 480-VOLT. 6-KILOWATT

FIELD REPLACEMENT ORDER 200-6504-PAGE: 432

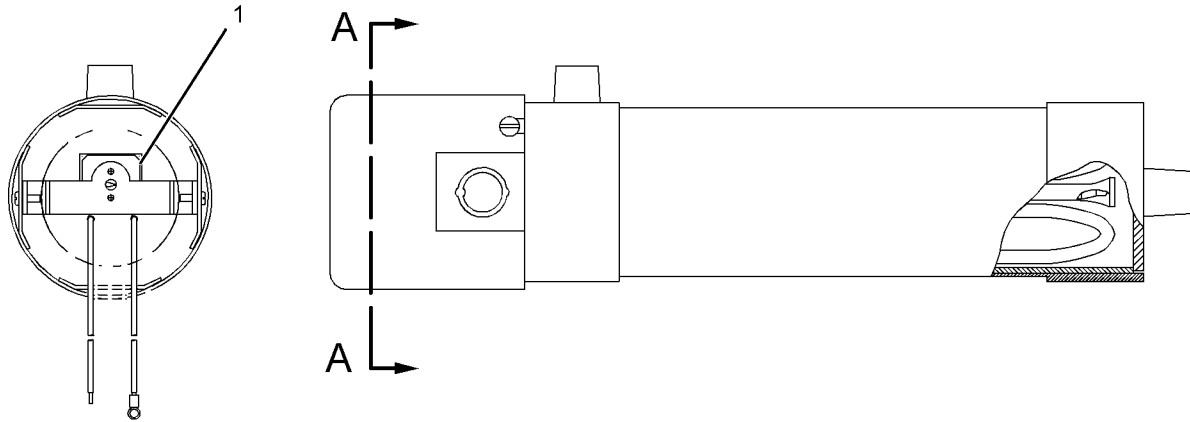
AN ATTACHMENT

TYPE 1

SMCS-1383

i03294321

NOTE	REF NO	GRAPHIC REF	PART NUMBER	QTY	PART NAME 1 2 3 4 5 6 (PRODUCT LEVEL)	SEE PAGE
	1	1	127-6260	1	THERMOSTAT AS (20-DEG C TO 80-DEG C) (JACKET WATER HEATER)	



SECTION A-A

GRAPHIC #1

<END>

g01127706

ELECTRICAL AND STARTING SYSTEM

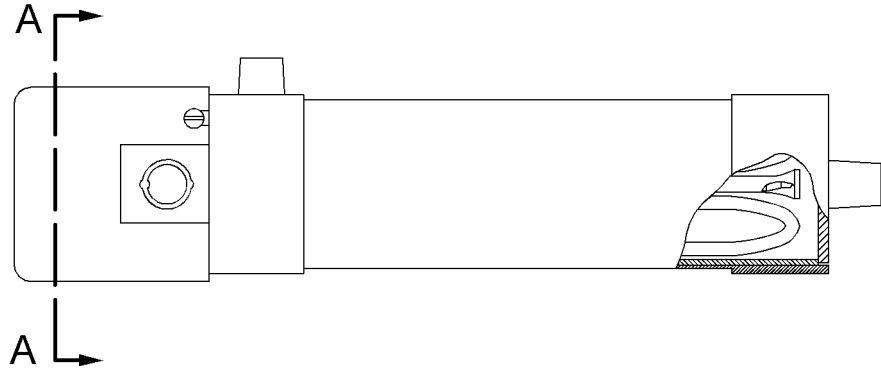
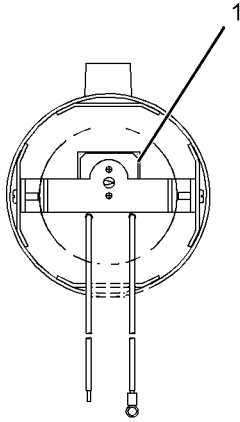
7E-6248 HEATER GP-JACKET WATER

240-VOLT TO 480-VOLT. 6-KILOWATT
 FIELD REPLACEMENT ORDER 200-6504-PAGE: 432
 AN ATTACHMENT
 TYPE 2

SMCS-1383

i03324024

NOTE	REF NO	GRAPHIC REF	PART NUMBER	QTY	PART NAME	SEE PAGE
	1	1	109-8932	1	THERMOSTAT (60 DEG F TO 160 DEG F) (JACKET WATER HEATER)	



SECTION A-A
 GRAPHIC #1

<END>

g01127706

ELECTRICAL AND STARTING SYSTEM

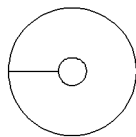
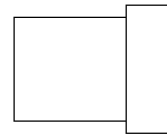
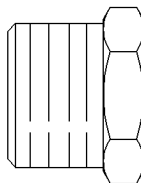
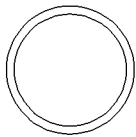
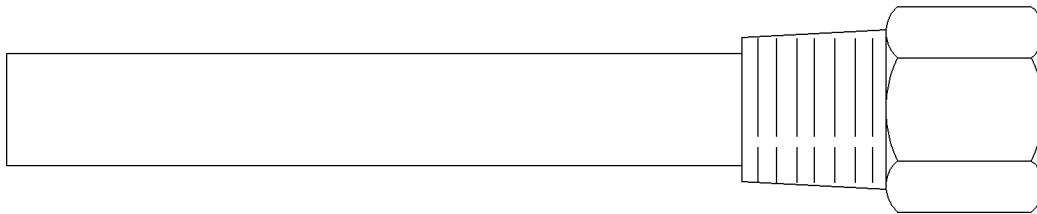
7E-3127 KIT-SENSOR POCKET-TEMPERATURE CONTACTOR PART OF 4W-2637, 4W-2640 CONTACTOR-TEMPERATURE AN ATTACHMENT

SMCS-1900, 7400

i06893019

NOTE	REF NO	GRAPHIC REF	PART NUMBER	QTY	PART NAME	SEE PAGE
------	--------	-------------	-------------	-----	-----------	----------

(INCLUDES POCKET-SENSOR, RETAINERS, RING-ADAPTER, STRIP GAUGE & WASHERS)



GRAPHIC #1

<END>

g00768771

ELECTRICAL AND STARTING SYSTEM

7W-9269 LINES GP-AIR STARTING-RH FOR USE WITH MANUAL AND ELECTRIC AIR START AN ATTACHMENT

SMCS-1451

i02765752

NOTE	REF NO	GRAPHIC REF	PART NUMBER	QTY	PART NAME						SEE PAGE
					1	2	3	4	5	6 (PRODUCT LEVEL)	
	1	1	4M-5317	1	BUSHING-REDUCER						
I	2	1	4W-4536	1	HOSE AS						
	3	1	6K-1972	2	ELBOW-FLARED						
J	4	1	4N-3411	1	VALVE GP-RELAY (AIR STARTING)						
	5	1	5P-1075	2	WASHER-HARD (10.2X22.5X3-MM THK)						
	6	1	9S-8752	2	NUT-FULL (3/8-16-THD)						
	7	1	5L-2534	1	U-BOLT						
	8	1	7C-2946	1	BRACKET						
	9	1	7X-0332	2	BOLT (1/2-13X4.5-IN)						
	10	1	8T-4223	2	WASHER-HARD (13.5X25.5X3-MM THK)						
	11	1	9S-9238	2	SPACER (13.49X23.88X16.13-MM THK)						
	12	1	5B-7666	3	ELBOW						
C	13	1	2L-2811	2	FITTING						
	14	1	3J-7355	2	UNION-FLARED						
C	15	1	3L-8993	1	FITTING						
	16	1	030-7961	1	ELBOW						
C	18	1	3B-6492	1	COUPLING-PIPE (1-1/2-11-1/2 NPT THD)						
CY	19	1	119-6284	1	LUBRICATOR GP-AIR MOTOR						445
I	20	1	3N-4622	1	HOSE AS						
I	21	1	2V-5956	1	HOSE AS						
I	22	1	6F-5985	1	HOSE AS						

AVAILABLE REPAIR KIT(S):

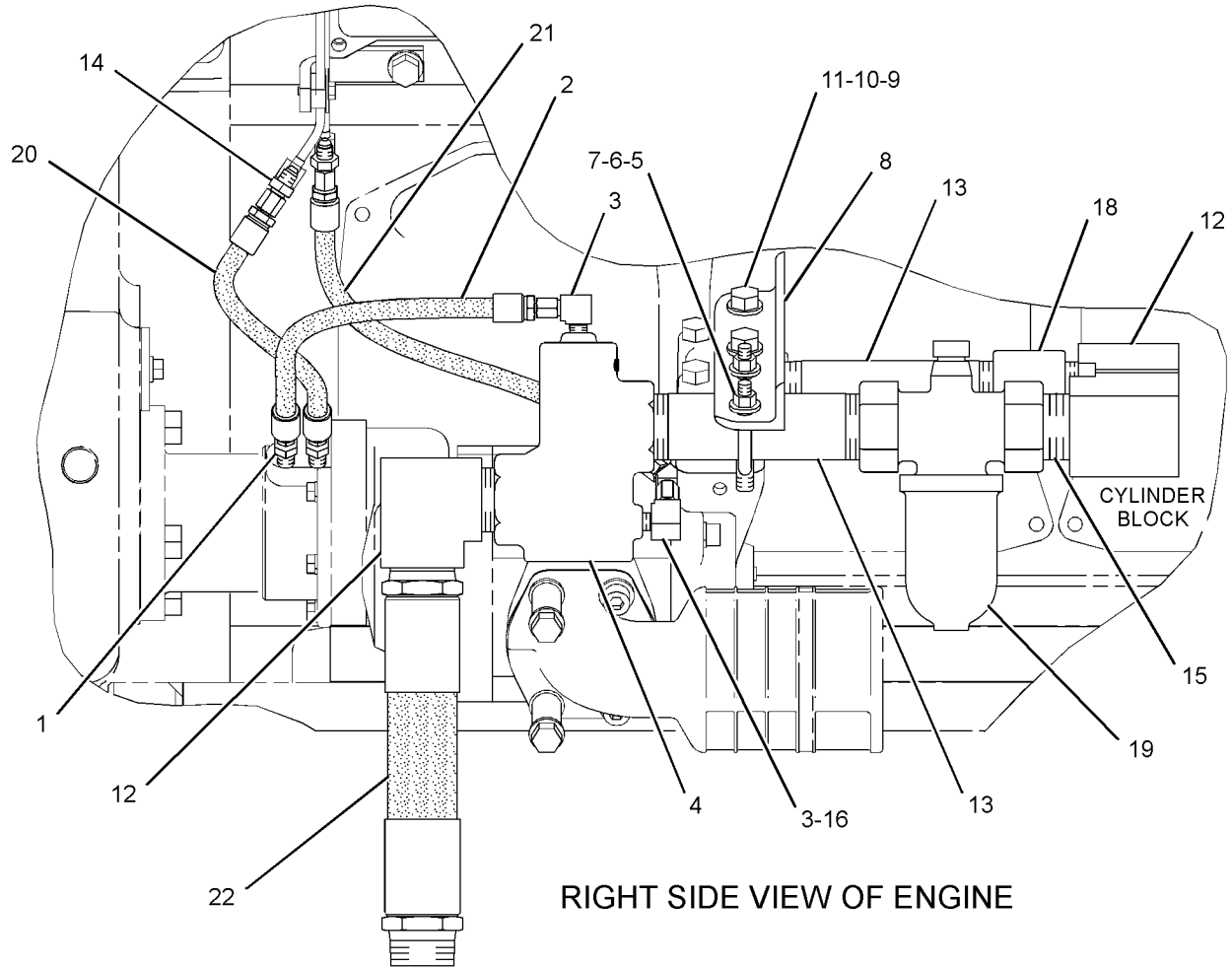
J	7C-5105	KIT-VALVE SEAL (AIR STARTING) (INCLUDES SEALS, BUMPER & RETAINER)
---	----------------	--

C - CHANGE FROM PREVIOUS TYPE
 I - REFER TO HYDRAULIC INFORMATION SYSTEM
 J - KIT MARKED J SERVICES PART(S) MARKED J
 Y - SEPARATE ILLUSTRATION

ELECTRICAL AND STARTING SYSTEM

7W-9269 LINES GP-AIR STARTING (contd.)

i02765752



RIGHT SIDE VIEW OF ENGINE

GRAPHIC #1

<END>

g01288249

ELECTRICAL AND STARTING SYSTEM

8N-8481 LINES GP-AIR STARTING

FOR USE WITH AIR START OR AIR START WITH ELECTRIC PRELUBRICATION
 CANNOT BE USED WITH NATURAL GAS WITH GREATER THAN 0.1 PERCENT HYDROGEN SULFIDE
 AN ATTACHMENT
 TYPE 1

SMCS-1451

i03122142

NOTE	REF NO	GRAPHIC REF	PART NUMBER	QTY	PART NAME	SEE PAGE
					1 2 3 4 5 6 (PRODUCT LEVEL)	
	1	1	3B-6492	1	COUPLING-PIPE (1-1/2-11-1/2 NPT THD)	
C	2	1	5B-7666	3	ELBOW	
J	3	1	4N-3411	1	VALVE GP-RELAY (AIR STARTING)	
YC	4	1	119-6284	1	LUBRICATOR GP-AIR MOTOR	445
	5	1	1B-2886	2	BOLT (1/2-13X3.75-IN)	
	6	1	5P-1075	2	WASHER-HARD (10.2X22.5X3-MM THK)	
	7	1	5B-7643	2	NIPPLE-PIPE	
	8	1	9S-8752	2	NUT-FULL (3/8-16-THD)	
I	9	1	6F-5985	1	HOSE AS	
	10	1	4M-5317	2	BUSHING-REDUCER	
C	11	1	3J-7355	1	UNION-FLARED	
CI	12	1	3N-4622	2	HOSE AS	
	13	1	5L-2534	1	U-BOLT	
	14	1	8N-8449	1	BRACKET	
C	15	1	2L-2811	1	FITTING	
	16	1	6K-1972	1	ELBOW-FLARED	

AVAILABLE REPAIR KIT(S):

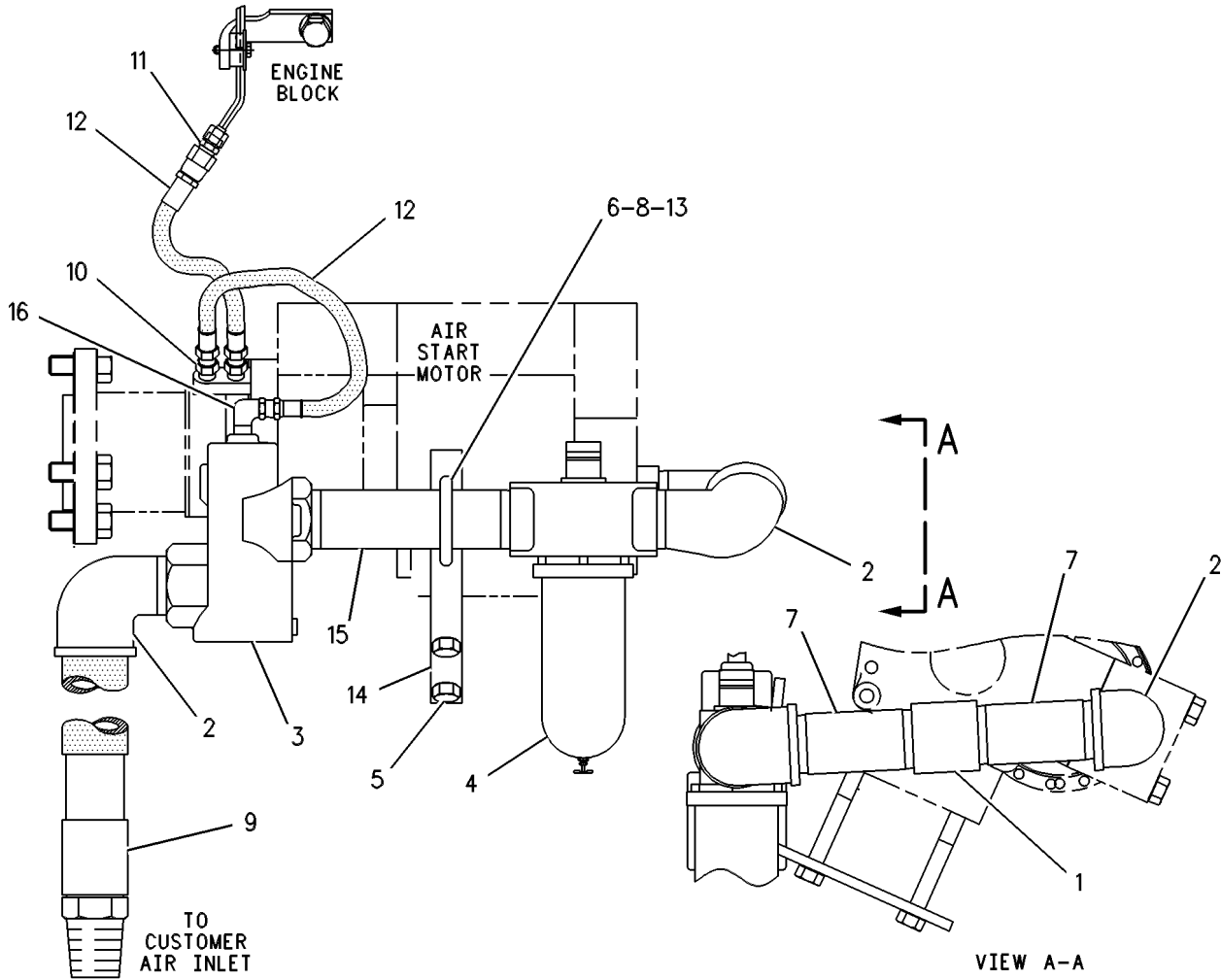
BJ	7C-5105	KIT-VALVE SEAL (AIR STARTING) (KIT INCLUDES SEALS, BUMPER & RETAINER)
----	----------------	--

- B - USE AS REQUIRED
- C - CHANGE FROM PREVIOUS TYPE
- I - REFER TO HYDRAULIC INFORMATION SYSTEM
- J - KIT MARKED J AVAILABLE FOR PART MARKED J
- Y - SEPARATE ILLUSTRATION

ELECTRICAL AND STARTING SYSTEM

8N-8481 LINES GP-AIR STARTING (contd.)

i03122142



GRAPHIC #1

<END>

g00252962

ELECTRICAL AND STARTING SYSTEM

8N-8481 LINES GP-AIR STARTING

FOR USE WITH AIR START OR AIR START WITH ELECTRIC PRELUBRICATION
 CANNOT BE USED WITH NATURAL GAS WITH GREATER THAN 0.1 PERCENT HYDROGEN SULFIDE
 AN ATTACHMENT
 TYPE 2

SMCS-1451

i05916762

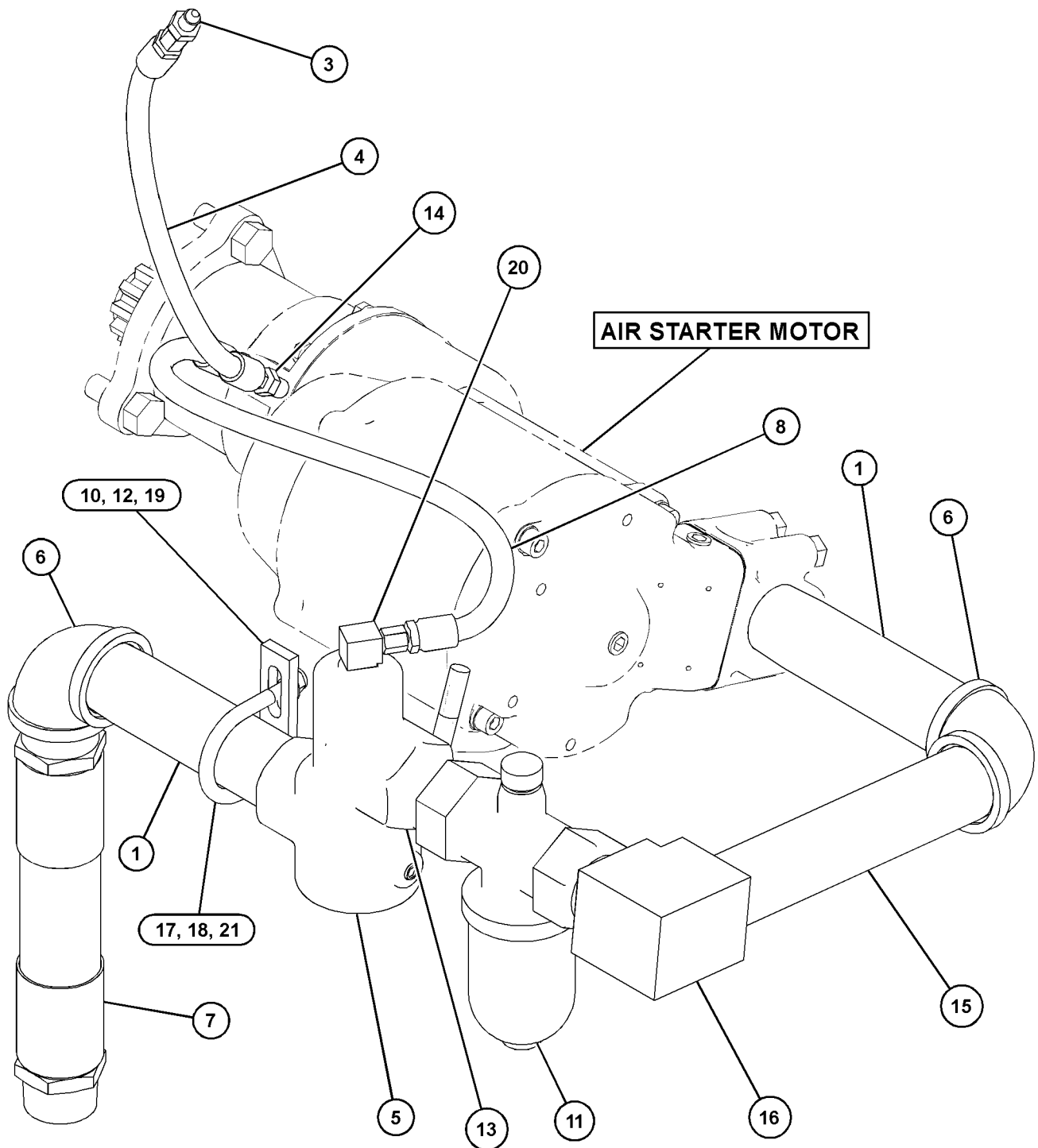
NOTE	REF NO	GRAPHIC REF	PART NUMBER	QTY	PART NAME						SEE PAGE
					1	2	3	4	5	6 (PRODUCT LEVEL)	
C	1	1	2L-2811	2	FITTING						
	3	1	3J-7355	1	UNION-FLARED						
CI	4	1	3N-4622	1	HOSE AS						
J	5	1	4N-3411	1	VALVE GP-RELAY (AIR STARTING)						
C	6	1	6B-3685	2	ELBOW						
I	7	1	6F-5985	1	HOSE AS						
CI	8	1	6N-3170	1	HOSE AS						
	10	1	8N-8449	1	BRACKET						
Y	11	1	119-6284	1	LUBRICATOR GP-AIR MOTOR						445
	12	1	1B-2886	2	BOLT (1/2-13X3.75-IN)						
C	13	1	3L-8993	1	FITTING						
	14	1	4M-5317	2	BUSHING-REDUCER						
	15	1	204-0241	1	FITTING						
C	16	1	5B-7666	1	ELBOW						
	17	1	5L-2534	1	U-BOLT						
	18	1	5P-1075	2	WASHER-HARD (10.2X22.5X3-MM THK)						
C	19	1	5P-8245	2	WASHER-HARD (13.5X25.5X3-MM THK)						
	20	1	6K-1972	1	ELBOW-FLARED						
	21	1	3K-6060	2	LOCKNUT (3/8-16-THD)						
					AVAILABLE REPAIR KIT(S) :						
BJ			7C-5105	KIT-VALVE SEAL (AIR STARTING)							
					(INCLUDES SEALS, BUMPER & RETAINER)						

B - USE AS REQUIRED
 C - CHANGE FROM PREVIOUS TYPE
 I - REFER TO HYDRAULIC INFORMATION SYSTEM
 J - KIT MARKED J AVAILABLE FOR PART MARKED J
 Y - SEPARATE ILLUSTRATION

ELECTRICAL AND STARTING SYSTEM

8N-8481 LINES GP-AIR STARTING (contd.)

i05916762



GRAPHIC #1

<END>

g03818863

ELECTRICAL AND STARTING SYSTEM

119-6282 LUBRICATOR GP-AIR MOTOR

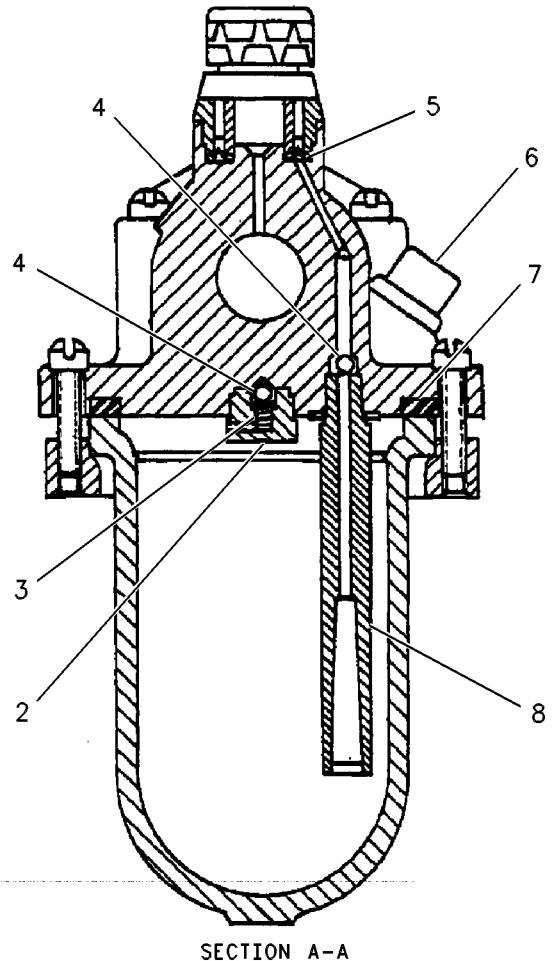
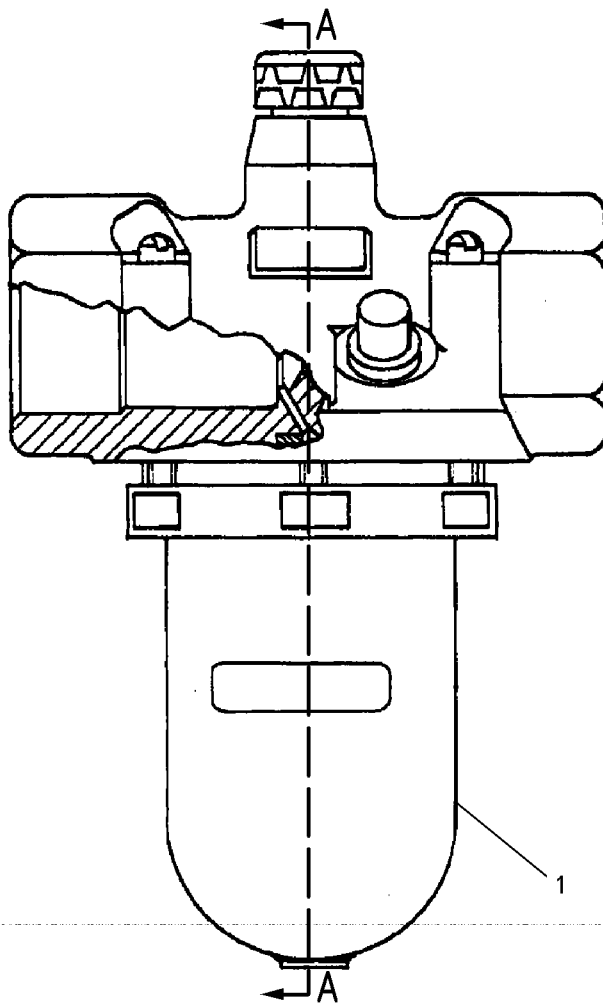
FIELD REPLACEMENT ORDER 119-6284-PAGE: 445

PART OF 119-6284 LUBRICATOR GP-AIR MOTOR
AN ATTACHMENT

SMCS-1451

i01889307

NOTE	REF NO	GRAPHIC REF	PART NUMBER	QTY	PART NAME						SEE PAGE
					1	2	3	4	5	6	
	1	1	6N-2192	1	BOWL						
	2	1	6N-2191	1	SEAT						
	3	1	6N-2190	1	SPRING						
	4	1	6N-2188	2	BALL						
	5	1	7C-4429	1	SEAL						
	6	1	6N-2185	2	PLUG-FILLER						
	7	1	6N-2184	1	GASKET						
	8	1	6N-2193	1	TUBE-SIPHON						



GRAPHIC #1

<END>

g00103878

ELECTRICAL AND STARTING SYSTEM

119-6283 LUBRICATOR GP-AIR MOTOR

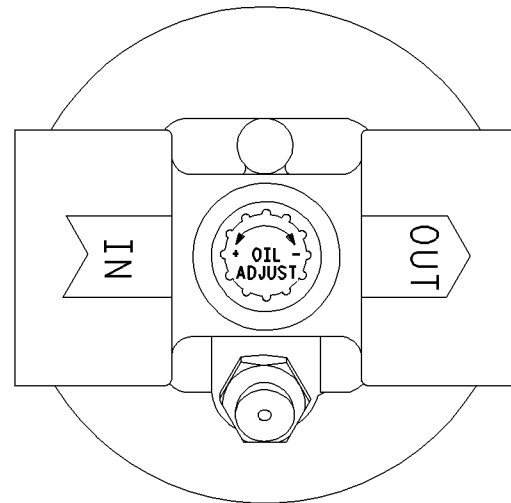
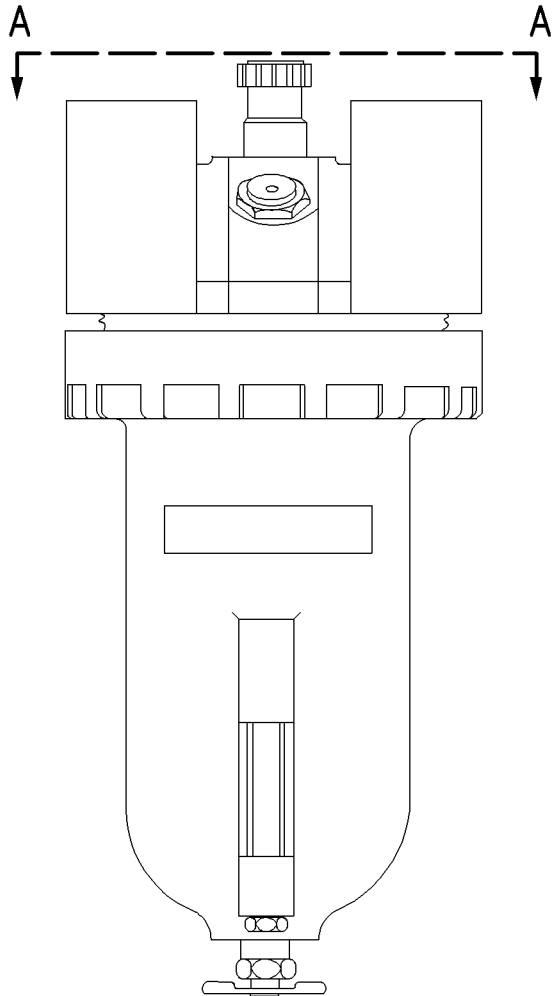
FIELD REPLACEMENT ORDER 119-6284-PAGE: 445

PART OF 119-6284 LUBRICATOR GP-AIR MOTOR
AN ATTACHMENT

SMCS-1451

i01491135

NOTE	REF NO	GRAPHIC REF	PART NUMBER	QTY	PART NAME	SEE PAGE
					1 2 3 4 5 6 (PRODUCT LEVEL)	
(NO SERVICED PARTS)						



VIEW A-A

GRAPHIC #1

<END>

g00774411

ELECTRICAL AND STARTING SYSTEM

119-6284 LUBRICATOR GP-AIR MOTOR

FIELD REPLACEMENT FOR 119-6282-PAGE: 443: FOR 119-6283-PAGE: 444
PART OF 7W-9269, 8N-8481 LINES GP-AIR STARTING, 143-5174 STARTING MOTOR GP-AIR
AN ATTACHMENT AND FIELD INSTALLATION

SMCS-1451

i01168549

NOTE	PART NUMBER	QTY	PART NAME						SEE PAGE
			1	2	3	4	5	6 (PRODUCT LEVEL)	
Y	119-6282	1	LUBRICATOR GP-AIR MOTOR						443
			-OR-						
Y	119-6283	1	LUBRICATOR GP-AIR MOTOR						444
Y - SEPARATE ILLUSTRATION									
<END>									

ELECTRICAL AND STARTING SYSTEM

127-8124 MOUNTING GP-CONTACTOR-ALARM OR SHUTOFF FOR USE WITH MANUAL AIR START CONTROL AN ATTACHMENT

SMCS-7400

i02278371

NOTE	REF NO	GRAPHIC REF	PART NUMBER	QTY	PART NAME						SEE PAGE
					1	2	3	4	5	6 (PRODUCT LEVEL)	
	1	1	1W-8129	1	SUPPORT						
	2	1	0T-0055	2	BOLT (3/8-16X4.25-IN)						
	3	1	7W-7431	1	BRACKET						
	4	1	3N-1968	8	MOUNT-FLEXIBLE						
	5	1	9S-8750	16	NUT-FULL (1/4-20-THD)						
	6	1	0S-1571	2	BOLT (3/8-16X1.75-IN)						
	7	1	5M-2894	9	WASHER-HARD (10.2X18.5X2.5-MM THK)						
	8	1	9S-8752	2	NUT-FULL (3/8-16-THD)						
	9	1	9M-4594	2	SPACER (0.406X0.875X0.75-IN THK)						
	10	1	4W-2648	1	ADAPTER AS						
	11	1	7K-9197	1	ELBOW						
I	12	1	5T-4373	1	HOSE AS						
	13	1	4B-0418	1	CLIP						
	14	1	0S-0509	1	BOLT (3/8-16X0.75-IN)						
	15	1	030-7941	1	ELBOW						
	16	1	6V-5048	1	SEAL-O-RING						
	17	1	5P-9617	1	ADAPTER						
	18	1	153-4906	1	SEAL-O-RING						
	19	1	0S-1594	6	BOLT (3/8-16X1-IN)						
B	20	1	9X-6772	6	STRAP-CABLE						
B	21	1	5P-8937		COMPOUND-JOINT (THERMAL)						
B	22	1	5P-9085	6	CLIP						

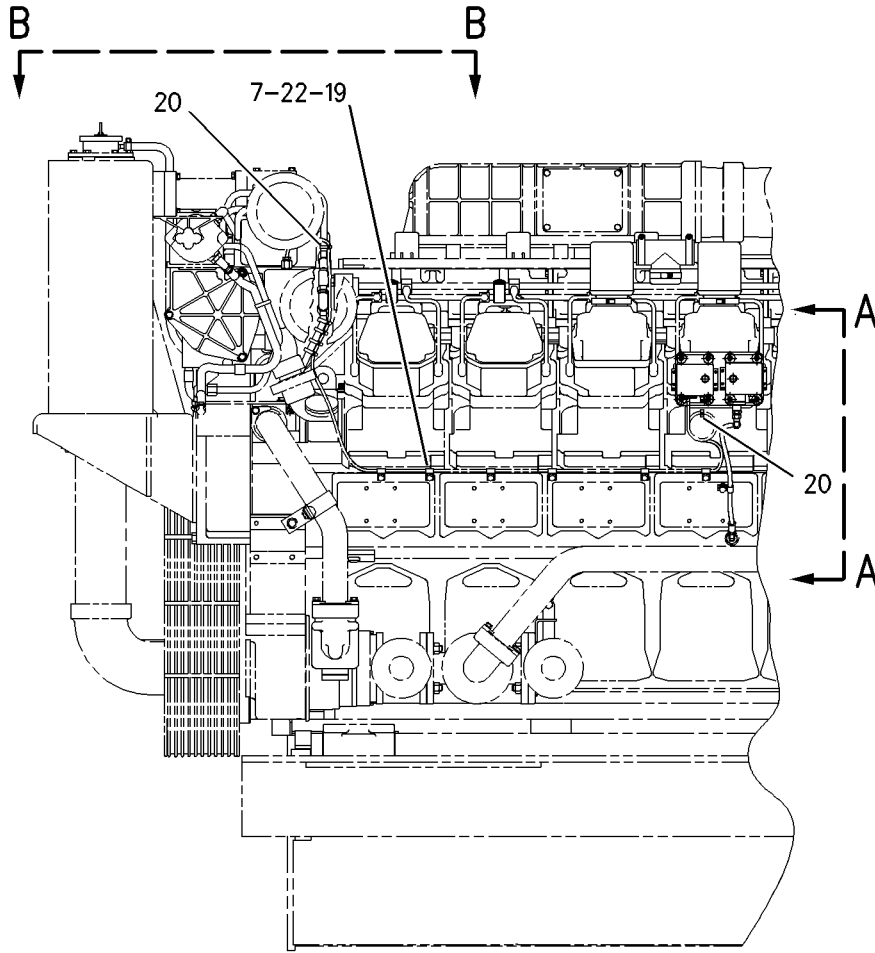
B - USE AS REQUIRED

I - REFER TO HYDRAULIC INFORMATION SYSTEM

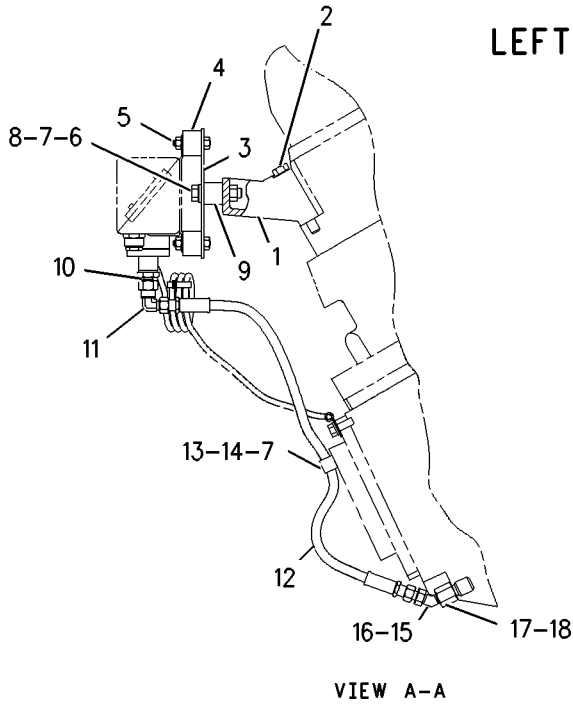
ELECTRICAL AND STARTING SYSTEM

127-8124 MOUNTING GP-CONTACTOR (contd.)

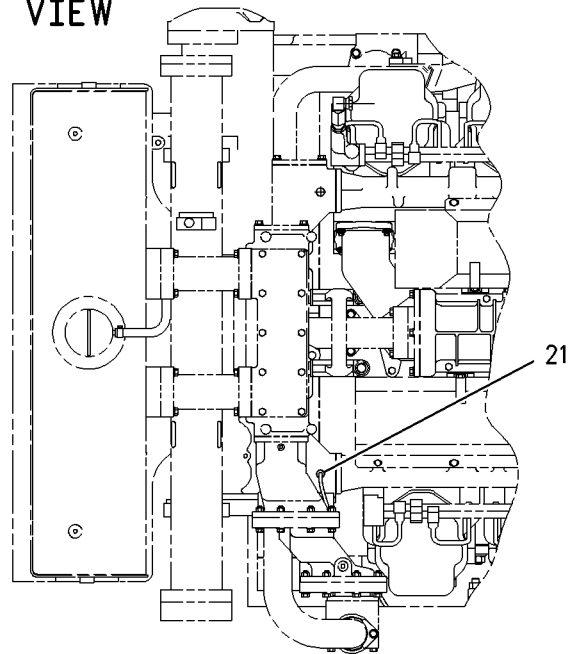
i02278371



LEFT SIDE VIEW



VIEW A-A



VIEW B-B

GRAPHIC #1

<END>

g00901061

ELECTRICAL AND STARTING SYSTEM

133-6477 MOUNTING GP-CONTACTOR-ALARM FOR USE WITH PREMIUM WIRING HARNESS AN ATTACHMENT

SMCS-7400

i01851198

NOTE	REF NO	GRAPHIC REF	PART NUMBER	QTY	PART NAME						SEE PAGE
					1	2	3	4	5	6 (PRODUCT LEVEL)	
B	1	1	5P-8937		COMPOUND-JOINT (THERMAL)						
	2	1	3N-1968	8	MOUNT-FLEXIBLE						
I	3	1	5T-5760	1	HOSE AS						
	4	1	6W-6672	2	SPACER (10.5X20X38-MM THK)						
	5	1	030-7946	1	ELBOW						
	6	1	033-6042	1	SEAL-O-RING						
	7	1	0L-1143	2	BOLT (3/8-16X2.5-IN)						
	8	1	0S-0509	3	BOLT (3/8-16X0.75-IN)						
	9	1	1A-2029	2	BOLT (3/8-16X1.125-IN)						
	10	1	4B-0418	4	CLIP						
	11	1	4W-2648	1	ADAPTER AS						
	12	1	5B-9603	3	BOLT (3/8-16X5-IN)						
	13	1	5M-2894	10	WASHER-HARD (10.2X18.5X2.5-MM THK)						
	14	1	5P-9085	7	CLIP						
	15	1	5P-9617	1	ADAPTER						
	16	1	6V-5048	1	SEAL-O-RING						
17	1	7K-9197	1	ELBOW							
18	1	9S-8750	16	NUT-FULL (1/4-20-THD)							

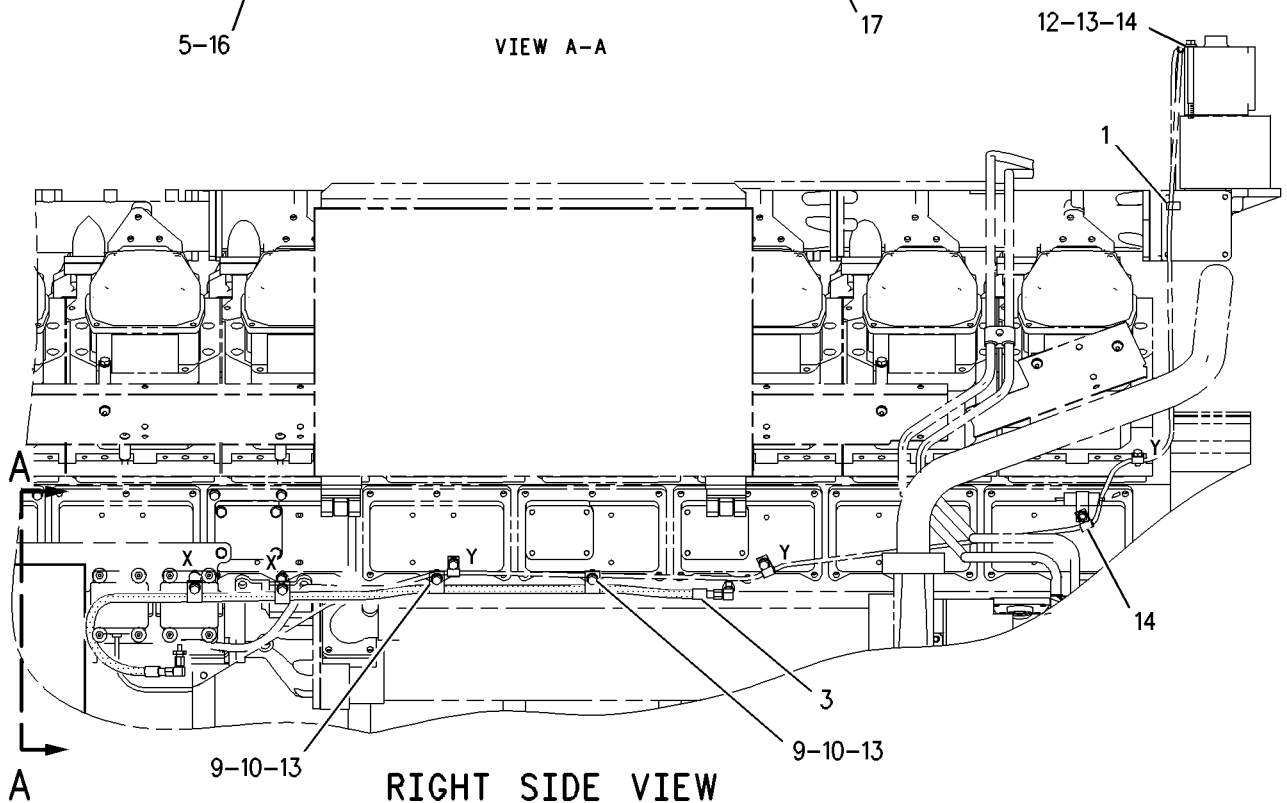
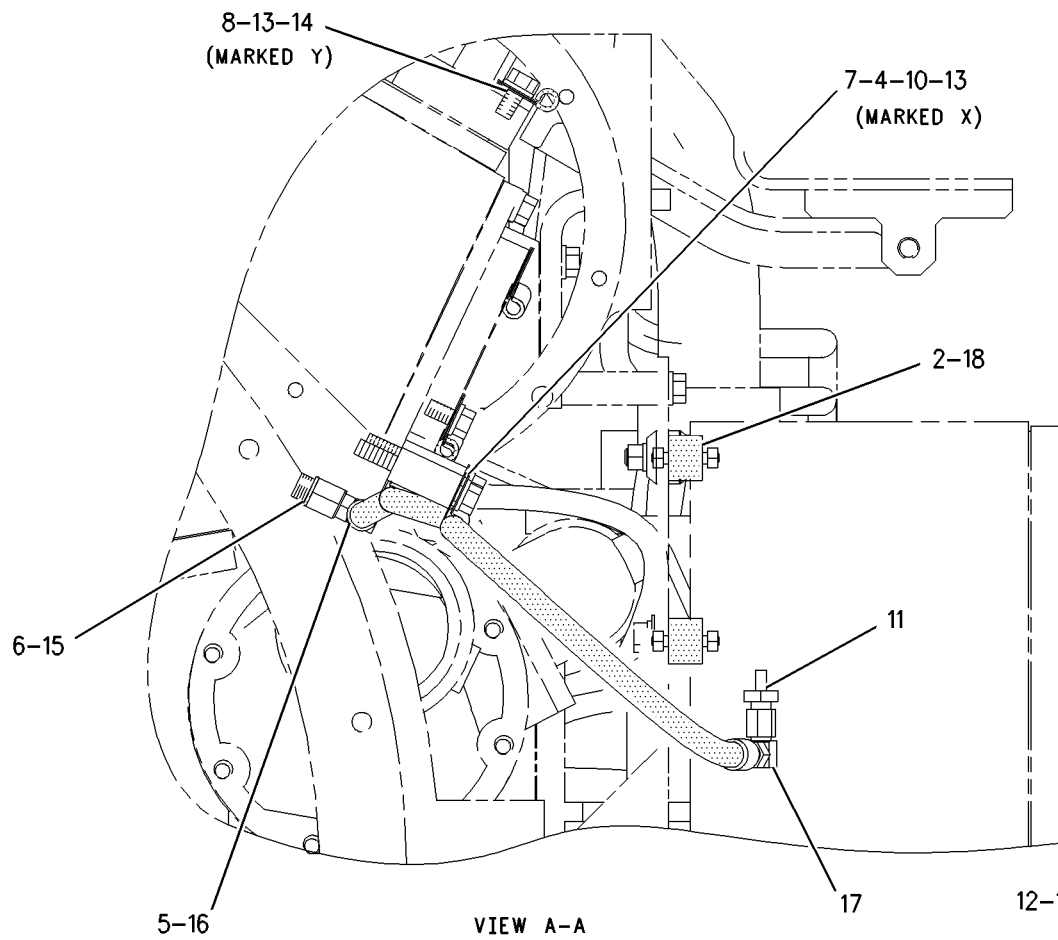
B - USE AS REQUIRED

I - REFER TO HYDRAULIC INFORMATION SYSTEM

ELECTRICAL AND STARTING SYSTEM

133-6477 MOUNTING GP-CONTACTOR (contd.)

i01851198



GRAPHIC #1

<END>

g00943018

ELECTRICAL AND STARTING SYSTEM

7E-6469 MOUNTING GP-CONTACTOR-ALARM OR SHUTOFF AN ATTACHMENT

SMCS-7400

i02549070

NOTE	REF NO	GRAPHIC REF	PART NUMBER	QTY	PART NAME						SEE PAGE
					1	2	3	4	5	6 (PRODUCT LEVEL)	
	1	1	1W-8129	1	SUPPORT						
	2	1	0T-0573	2	BOLT (3/8-16X2.75-IN)						
	3	1	7W-7431	1	BRACKET						
	4	1	3N-1968	8	MOUNT-FLEXIBLE						
	5	1	9S-8750	16	NUT-FULL (1/4-20-THD)						
	6	1	0S-1571	2	BOLT (3/8-16X1.75-IN)						
	7	1	9S-8752	2	NUT-FULL (3/8-16-THD)						
	8	1	5M-2894	14	WASHER-HARD (10.2X18.5X2.5-MM THK)						
	9	1	4W-2648	1	ADAPTER AS						
	10	1	7K-9197	1	ELBOW						
	11	1	0S-0509	7	BOLT (3/8-16X0.75-IN)						
	12	1	6S-5992	1	CLIP						
I	13	1	3V-6153	1	HOSE AS						
	14	1	5P-9617	1	ADAPTER						
	15	1	5P-9085	11	CLIP						
B	16	1	5P-8937	1	COMPOUND-JOINT (THERMAL)						
	17	1	9M-4594	2	SPACER (0.406X0.875X0.75-IN THK)						
	18	1	153-4906	1	SEAL-O-RING						
	19	1	6V-5048	1	SEAL-O-RING						
	20	1	030-7941	1	ELBOW						

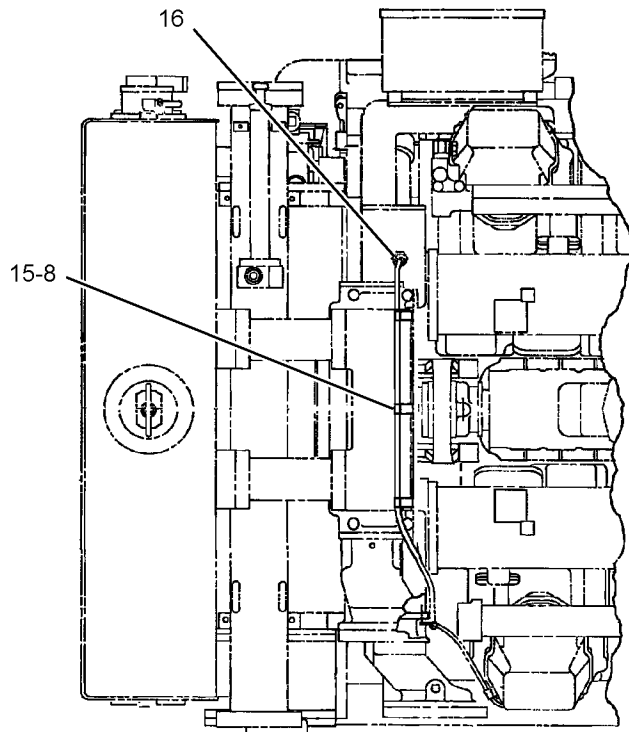
B - USE AS REQUIRED

I - REFER TO HYDRAULIC INFORMATION SYSTEM

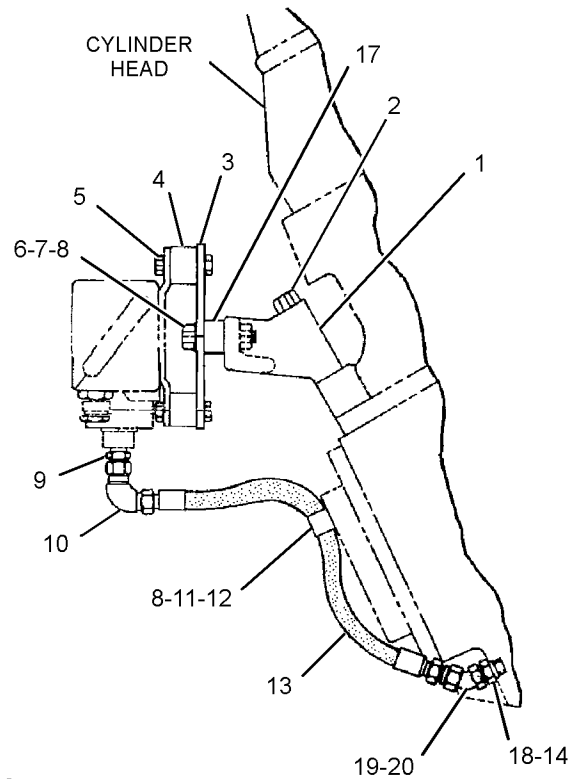
ELECTRICAL AND STARTING SYSTEM

7E-6469 MOUNTING GP-CONTACTOR (contd.)

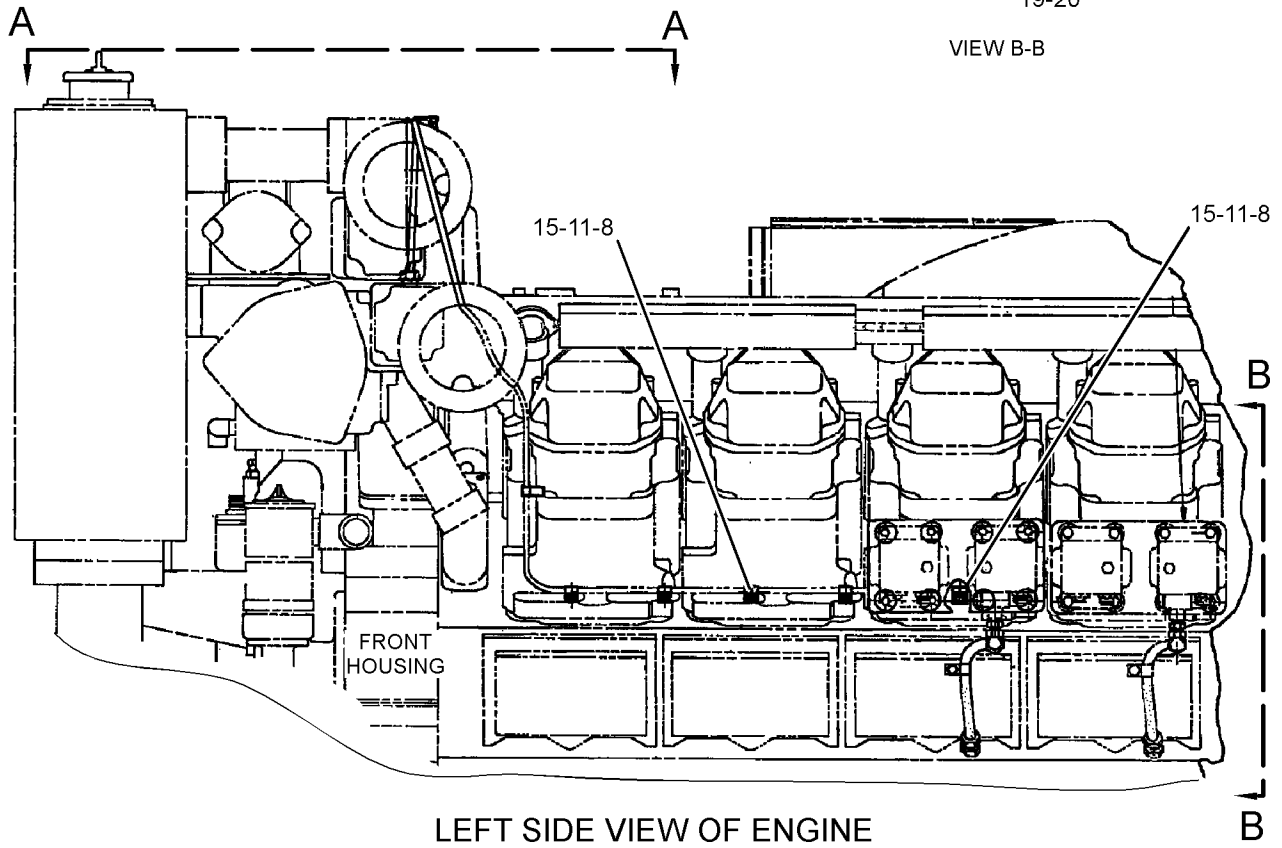
i02549070



VIEW A-A



VIEW B-B



LEFT SIDE VIEW OF ENGINE

GRAPHIC #1

<END>

g01314784

ELECTRICAL AND STARTING SYSTEM

120-4500 MOUNTING GP-JACKET WTR HEATER

CANNOT BE USED WITH RH SUMP PUMP OR PRELUBE CONVERSION
AN ATTACHMENT

SMCS-1383

i02425385

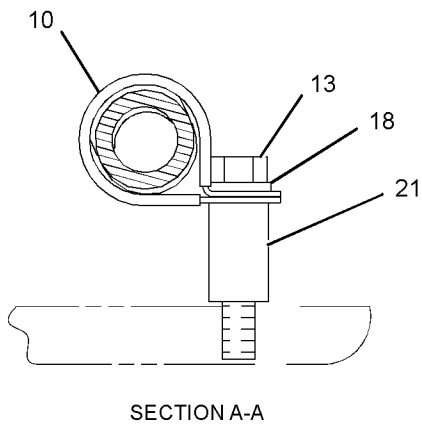
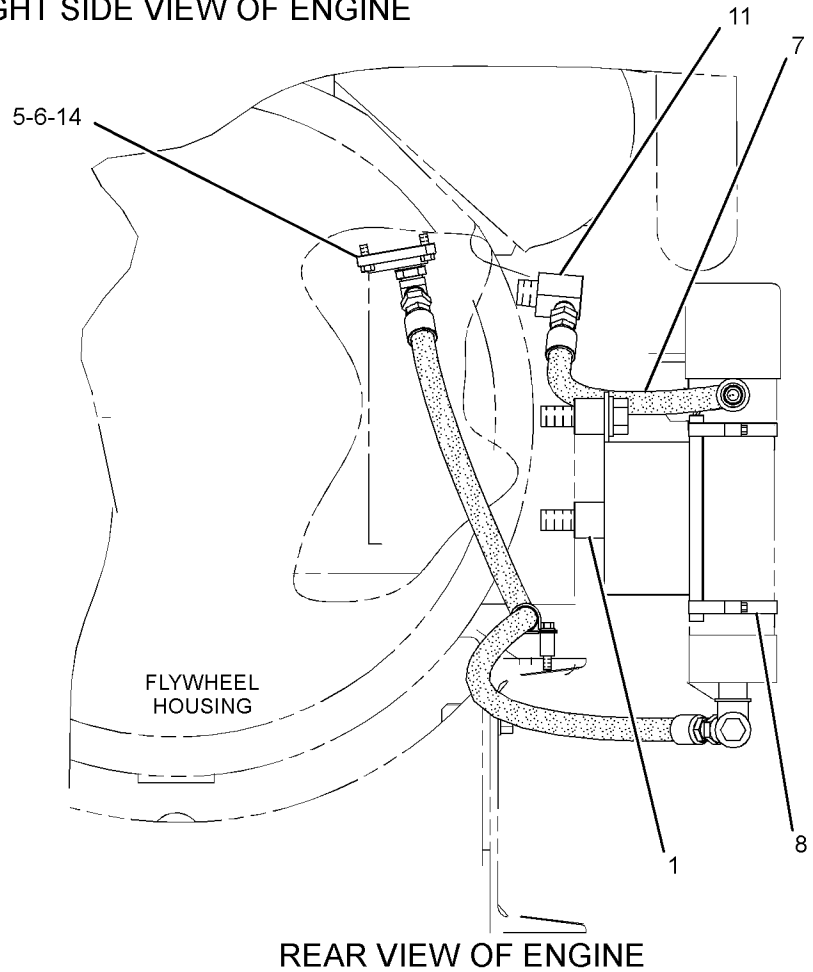
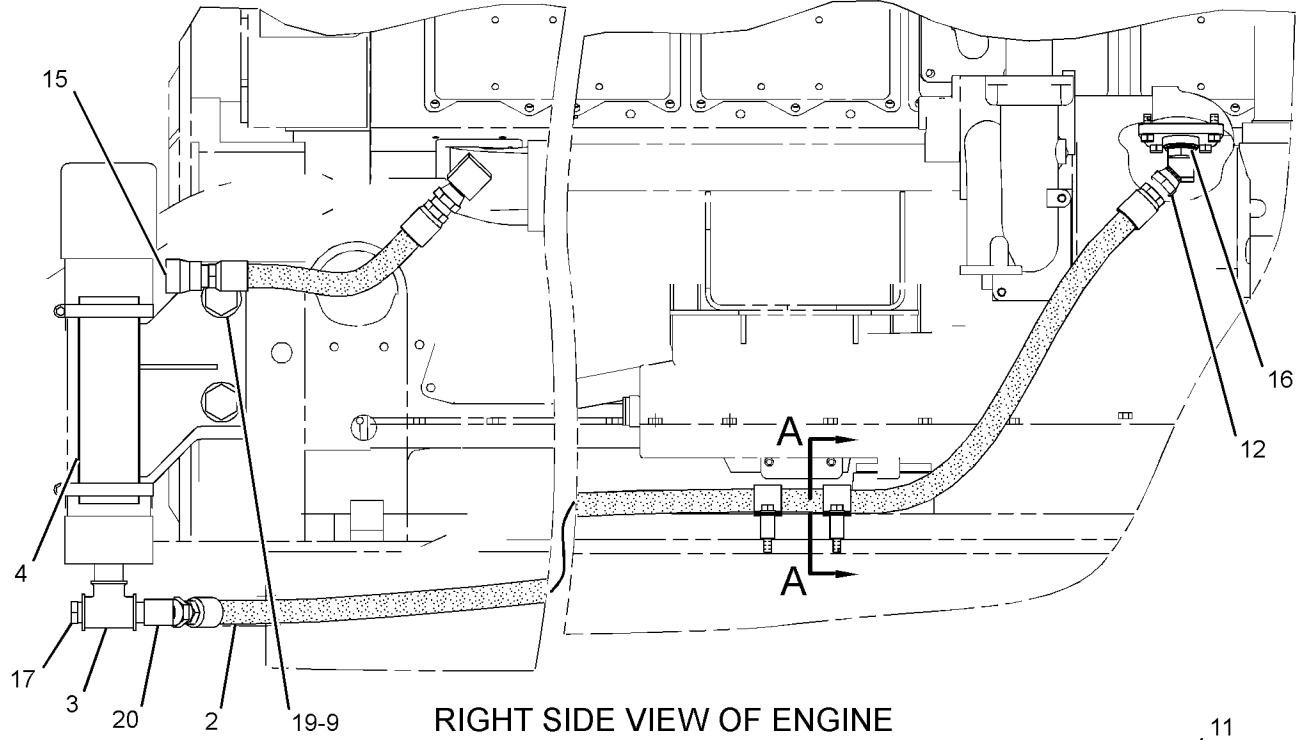
NOTE	REF NO	GRAPHIC REF	PART NUMBER	QTY	PART NAME						SEE PAGE
					1	2	3	4	5	6 (PRODUCT LEVEL)	
	1	1	1S-2303	2	SPACER (1.062X1.75X1.44-IN THK)						
I	2	1	3N-4911	1	HOSE AS						
	3	1	6F-0496	1	TEE-PIPE						
	4	1	7C-1707	1	BRACKET AS						
	5	1	7E-9437	1	COVER						
	6	1	7N-4945	1	GASKET						
I	7	1	8N-0855	1	HOSE AS						
	8	1	8T-6726	2	CLAMP-HOSE						
	9	1	9S-1368	2	BOLT (1-14X3.5-IN)						
	10	1	034-0728	2	CLIP						
	11	1	004-3935	1	ELBOW						
	12	1	030-7976	1	ELBOW						
	13	1	0S-1590	2	BOLT (3/8-16X2-IN)						
	14	1	0S-1594	4	BOLT (3/8-16X1-IN)						
	15	1	2R-7712	1	COUPLING (REDUCING)						
	16	1	3D-2824	1	SEAL-O-RING						
	17	1	3E-7430	1	PLUG-PIPE						
	18	1	5M-2894	2	WASHER-HARD (10.2X18.5X2.5-MM THK)						
	19	1	5P-8250	2	WASHER (28X49X5-MM THK)						
	20	1	6H-8297	1	ELBOW						
	21	1	7K-3377	2	PIPE						

I - REFER TO HYDRAULIC INFORMATION SYSTEM

ELECTRICAL AND STARTING SYSTEM

120-4500 MOUNTING GP-JACKET WTR HEATER (contd.)

i02425385



GRAPHIC #1

<END>

g01328462

ELECTRICAL AND STARTING SYSTEM

134-3159 MOUNTING GP-JACKET WTR HEATER-RH

S/N: 3XS1-407

**CANNOT BE USED WITH HEAVY DUTY AIR CLEANER, RH SUMP PUMP OR RH PRELUBRICATION
CONVERSION
AN ATTACHMENT**

SMCS-1383

i04388891

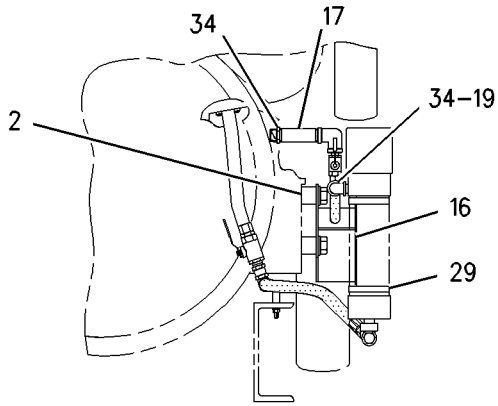
NOTE	REF NO	GRAPHIC REF	PART NUMBER	QTY	PART NAME						SEE PAGE
					1	2	3	4	5	6 (PRODUCT LEVEL)	
	1	1	134-3098	1	TUBE AS						
	2	1	1S-2303	2	SPACER (1.062X1.75X1.44-IN THK)						
	3	1	9S-8752	4	NUT-FULL (3/8-16-THD)						
	4	1	5M-2894	10	WASHER-HARD (10.2X18.5X2.5-MM THK)						
	5	1	5P-8250	2	WASHER (28X49X5-MM THK)						
	6	1	0S-1619	4	BOLT (3/8-16X3-IN)						
	7	1	6H-8297	2	ELBOW						
	8	1	034-0728	4	CLIP						
	9	1	7K-3377	4	PIPE						
I	10	1	134-3161	1	HOSE AS						
	11	1	6F-0496	1	TEE-PIPE						
	12	1	3E-7430	1	PLUG-PIPE						
	13	1	8B-0544	1	SPACER (1-IN THK)						
I	14	1	144-2159	1	HOSE AS						
	15	1	9S-1368	2	BOLT (1-14X3.5-IN)						
	16	1	7C-1707	1	BRACKET AS						
	17	1	3P-2021	1	NIPPLE-PIPE						
	18	1	8C-1358	2	VALVE-BALL						
	19	1	3B-6498	1	ELBOW						
	20	1	4W-2110	1	RING-RETAINING						
	21	1	134-3100	1	FLANGE						
	22	1	4W-2109	2	RETAINER						
	23	1	030-8307	1	CONNECTOR						
	24	1	3B-7728	1	ELBOW						
	25	1	004-7270	1	FITTING-PIPE						
	26	1	0S-1594	4	BOLT (3/8-16X1-IN)						
	27	1	0S-1588	2	BOLT (3/8-16X1.25-IN)						
	28	1	9M-4849	1	SEAL-O-RING						
	29	1	3E-7404	2	CLAMP-HOSE						
	30	1	0L-1352	1	BOLT (3/8-16X3.25-IN)						
	31	1	5P-1075	1	WASHER-HARD (10.2X22.5X3-MM THK)						
	32	1	7C-4354	1	CLIP						
	33	1	7N-4945	1	GASKET						
	34	1	6B-9081	2	BUSHING-REDUCER						
	35	1	3B-7745	1	NIPPLE-PIPE						
	36	1	1K-6937	1	ELBOW-PIPE						

I - REFER TO HYDRAULIC INFORMATION SYSTEM

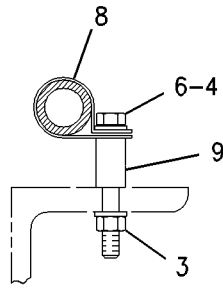
ELECTRICAL AND STARTING SYSTEM

134-3159 MOUNTING GP-JACKET WTR HEATER (contd.)

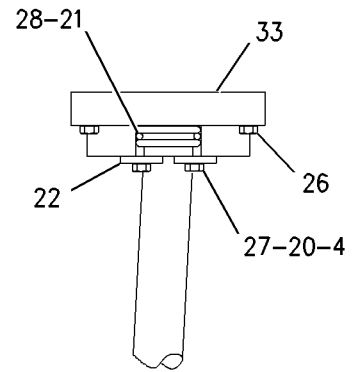
104388891



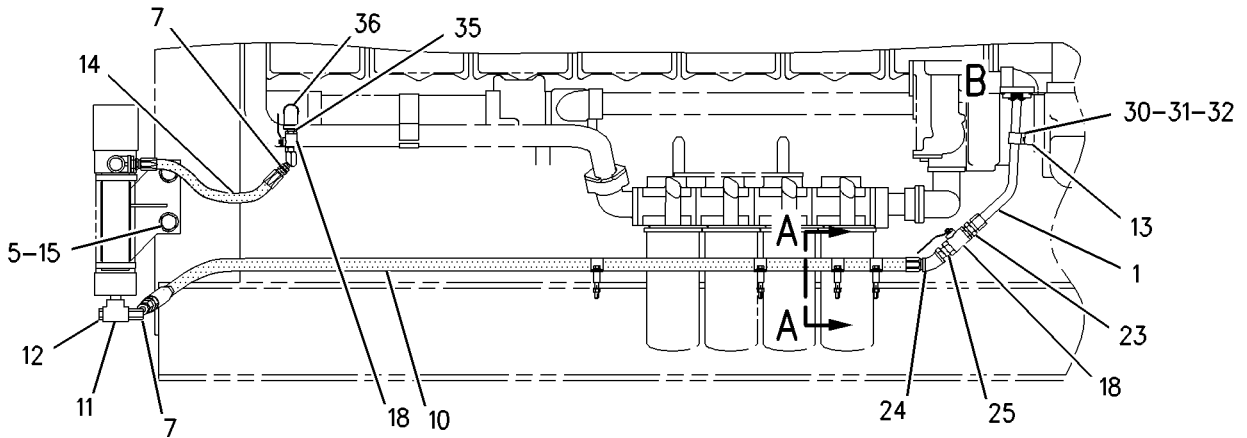
REAR VIEW



SECTION A-A



VIEW OF AREA B



RIGHT SIDE VIEW

GRAPHIC #1

<END>

g00758867

ELECTRICAL AND STARTING SYSTEM

134-3159 MOUNTING GP-JACKET WTR HEATER-RH

S/N: 3XS408-UP

**CANNOT BE USED WITH HEAVY DUTY AIR CLEANER, RH SUMP PUMP OR RH PRELUBRICATION
CONVERSION
AN ATTACHMENT**

SMCS-1383

i03538003

NOTE	REF NO	GRAPHIC REF	PART NUMBER	QTY	PART NAME						SEE PAGE
					1	2	3	4	5	6 (PRODUCT LEVEL)	
	1	1	134-3098	1	TUBE AS						
	2	1	1S-2303	2	SPACER (1.062X1.75X1.44-IN THK)						
	3	1	9S-8752	4	NUT-FULL (3/8-16-THD)						
	4	1	5M-2894	10	WASHER-HARD (10.2X18.5X2.5-MM THK)						
	5	1	5P-8250	2	WASHER (28X49X5-MM THK)						
	6	1	0S-1619	4	BOLT (3/8-16X3-IN)						
	8	1	034-0728	4	CLIP						
	9	1	7K-3377	4	PIPE						
I	10	1	134-3161	1	HOSE AS						
	11	1	6F-0496	1	TEE-PIPE						
	12	1	3E-7430	1	PLUG-PIPE						
	13	1	8B-0544	1	SPACER (1-IN THK)						
I	14	1	144-2159	1	HOSE AS						
	15	1	9S-1368	2	BOLT (1-14X3.5-IN)						
	16	1	7C-1707	1	BRACKET AS						
	17	1	3P-2021	1	NIPPLE-PIPE						
	18	1	8C-1358	2	VALVE-BALL (ISOLATOR)						
	19	1	3B-6498	1	ELBOW						
	20	1	4W-2110	1	RING-RETAINING						
	21	1	134-3100	1	FLANGE						
	22	1	4W-2109	2	RETAINER						
	23	1	030-8307	1	CONNECTOR						
	24	1	3B-7728	1	ELBOW						
	25	1	004-7270	1	FITTING-PIPE						
	26	1	0S-1594	6	BOLT (3/8-16X1-IN)						
	28	1	9M-4849	1	SEAL-O-RING						
C	29	1	5P-0598	2	CLAMP-HOSE						
	30	1	0L-1352	1	BOLT (3/8-16X3.25-IN)						
	31	1	5P-1075	1	WASHER-HARD (10.2X22.5X3-MM THK)						
	32	1	7C-4354	1	CLIP						
	33	1	7N-4945	1	GASKET						
	34	1	6B-9081	2	BUSHING-REDUCER						
	35	1	3B-7745	1	NIPPLE-PIPE						
	36	1	1K-6937	1	ELBOW-PIPE						
C	37	1	5F-6371	2	CONNECTOR						

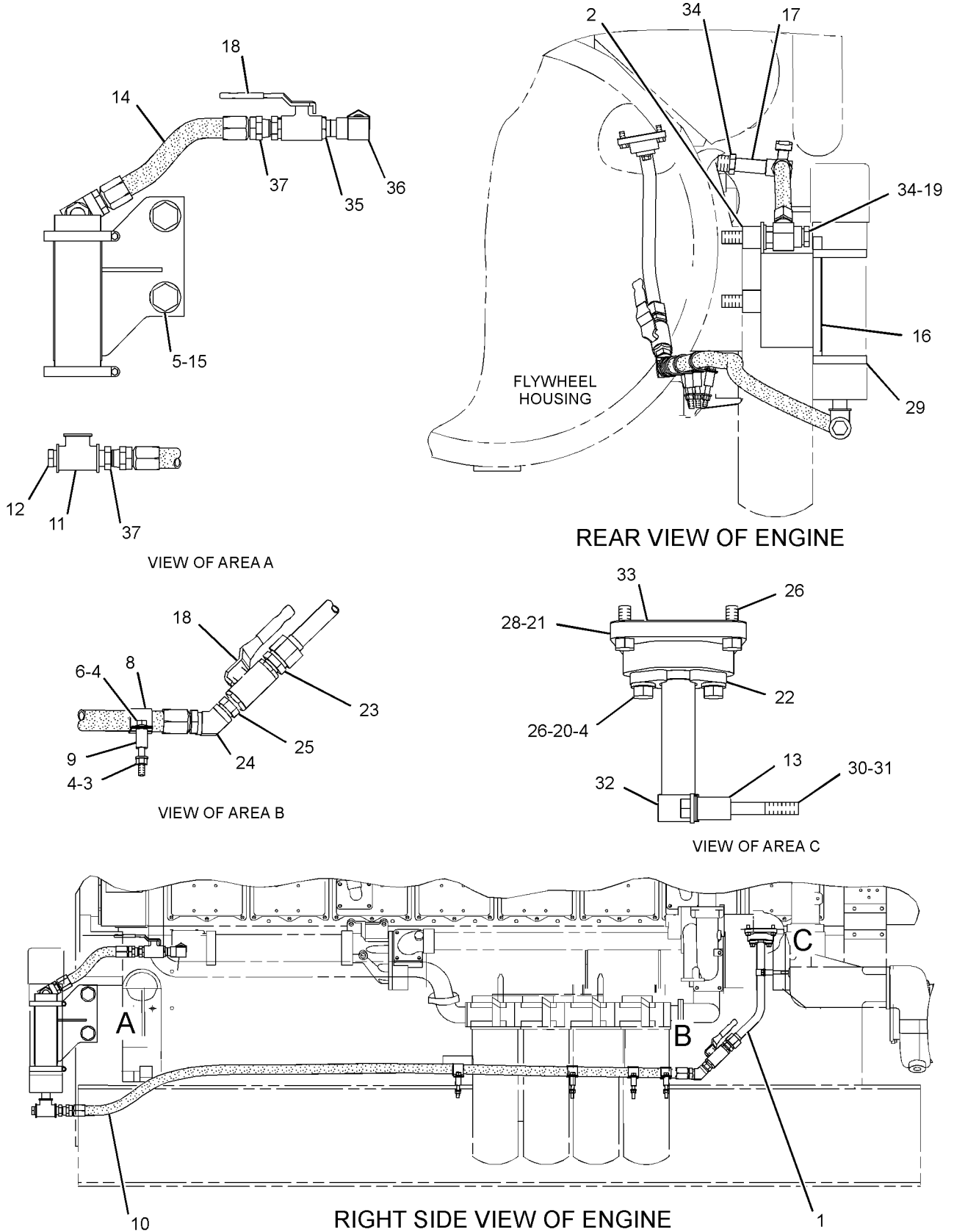
C - CHANGE FROM PREVIOUS TYPE

I - REFER TO HYDRAULIC INFORMATION SYSTEM

ELECTRICAL AND STARTING SYSTEM

134-3159 MOUNTING GP-JACKET WTR HEATER (contd.)

103538003



GRAPHIC #1

<END>

g01871233

ELECTRICAL AND STARTING SYSTEM

134-3160 MOUNTING GP-JACKET WTR HEATER-LH CANNOT BE USED WITH HEAVY DUTY AIR CLEANER, RH SUMP PUMP OR RH PRELUBRICATION CONVERSION AN ATTACHMENT TYPE 1

SMCS-1383

i01729532

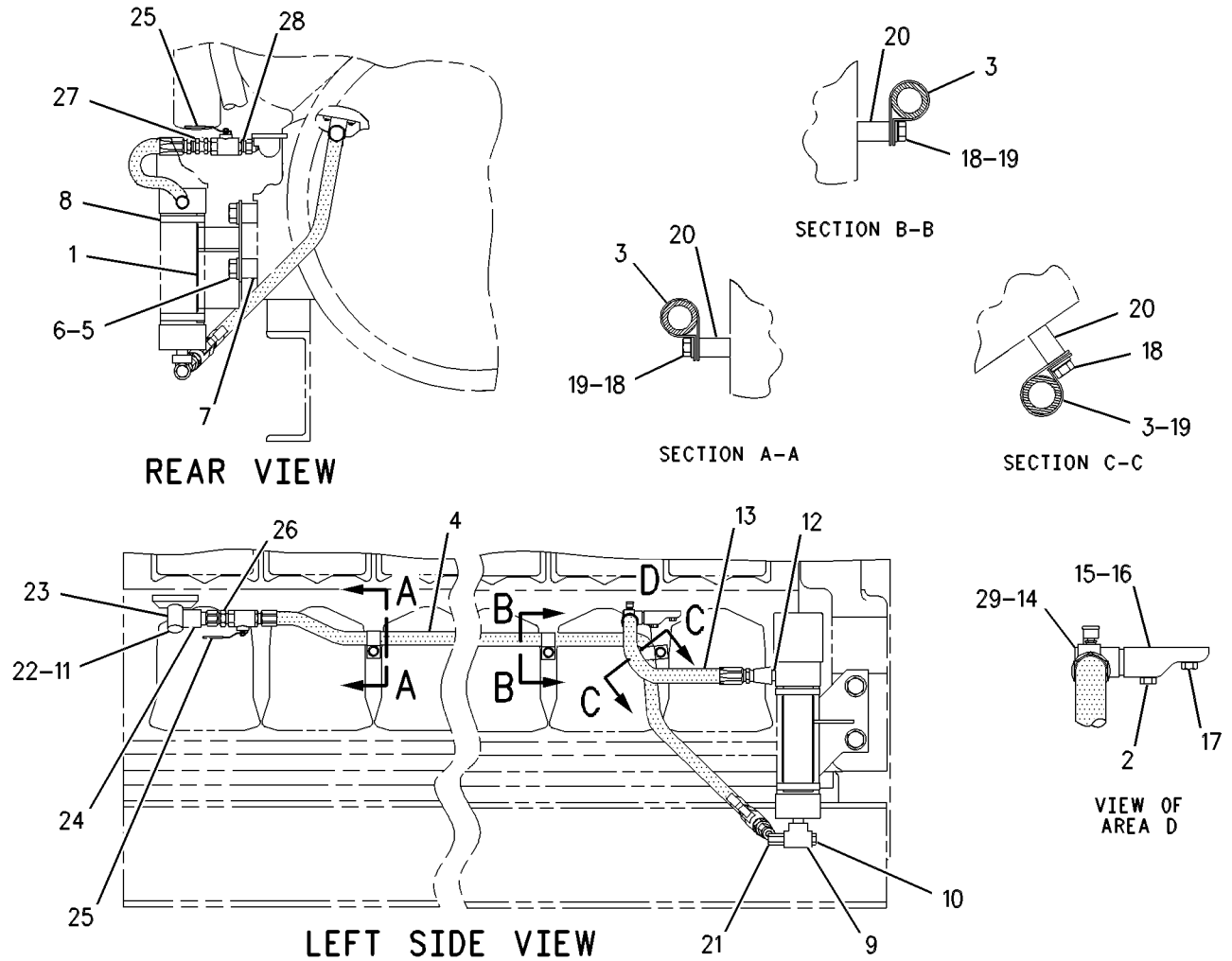
NOTE	REF NO	GRAPHIC REF	PART NUMBER	QTY	PART NAME						SEE PAGE
					1	2	3	4	5	6 (PRODUCT LEVEL)	
	1	1	7C-1707	1	BRACKET AS						
	2	1	0S-1571	1	BOLT (3/8-16X1.75-IN)						
	3	1	1L-8181	6	CLIP						
I	4	1	<i>134-3162</i>	1	HOSE AS						
	5	1	5P-8250	2	WASHER (28X49X5-MM THK)						
	6	1	9S-1368	2	BOLT (1-14X3.5-IN)						
	7	1	1S-2303	2	SPACER (1.062X1.75X1.44-IN THK)						
	8	1	5P-0598	2	CLAMP-HOSE						
	9	1	6F-0496	1	TEE-PIPE						
	10	1	3E-7430	1	PLUG-PIPE						
	11	1	8T-6762	1	PLUG-PIPE (1/2-14-THD)						
	12	1	2R-7712	1	COUPLING (REDUCING)						
I	13	1	4P-8463	1	HOSE AS						
	14	1	004-3935	1	ELBOW						
	15	1	8N-8550	1	ELBOW						
	16	1	7N-4945	1	GASKET						
	17	1	0S-1594	3	BOLT (3/8-16X1-IN)						
	18	1	9X-8874	6	BOLT (1/2-13X3-IN)						
	19	1	5P-8245	6	WASHER-HARD (13.5X25.5X3-MM THK)						
	20	1	8S-5107	6	SPACER (0.622X0.84X2-IN THK)						
	21	1	6H-8297	1	ELBOW						
	22	1	5B-4855	1	BUSHING-REDUCER						
	23	1	1L-4031	1	TEE-SERVICE						
	24	1	6B-9081	1	BUSHING-REDUCER						
	25	1	8C-1358	2	VALVE-BALL (ISOLATION)						
	26	1	004-7270	1	FITTING-PIPE						
	27	1	5F-6371	1	CONNECTOR						
	28	1	3B-7270	1	NIPPLE-PIPE						
	29	1	6B-8128	1	NIPPLE-PIPE						

I - REFER TO HYDRAULIC INFORMATION SYSTEM

ELECTRICAL AND STARTING SYSTEM

134-3160 MOUNTING GP-JACKET WTR HEATER (contd.)

101729532



GRAPHIC #1

<END>

g00371523

ELECTRICAL AND STARTING SYSTEM

134-3160 MOUNTING GP-JACKET WTR HEATER-LH CANNOT BE USED WITH HEAVY DUTY AIR CLEANER, RH SUMP PUMP OR RH PRELUBRICATION CONVERSION AN ATTACHMENT TYPE 2

SMCS-1383

i03754848

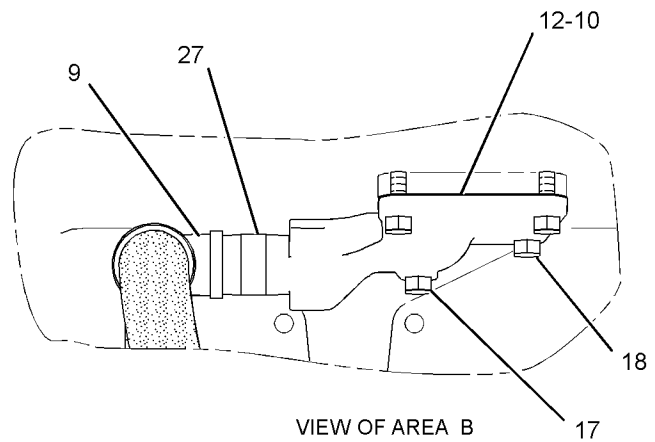
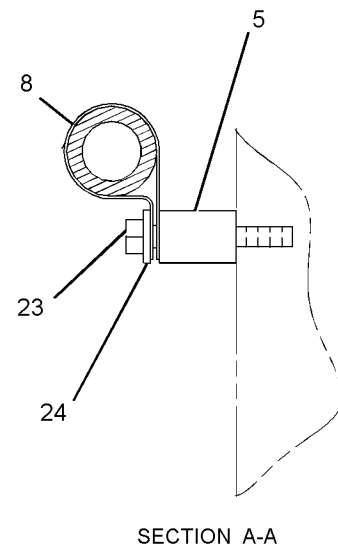
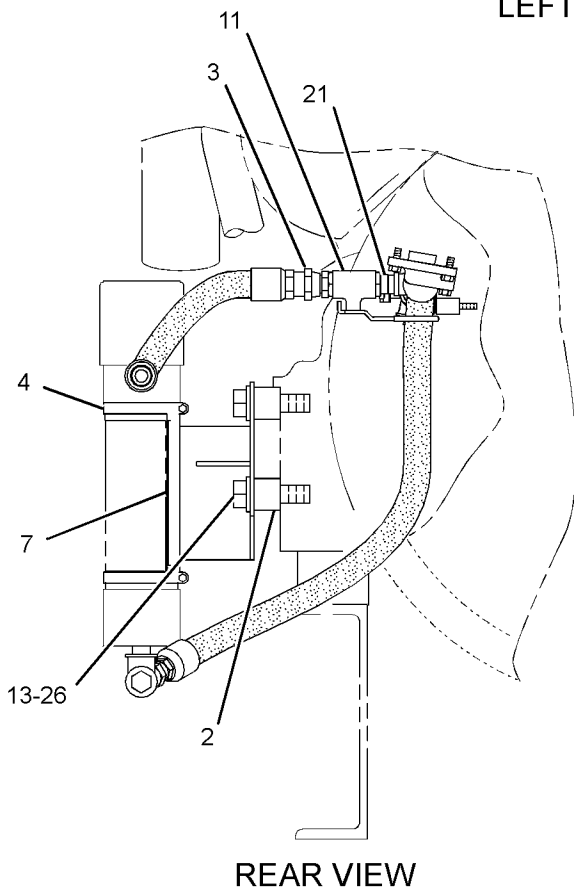
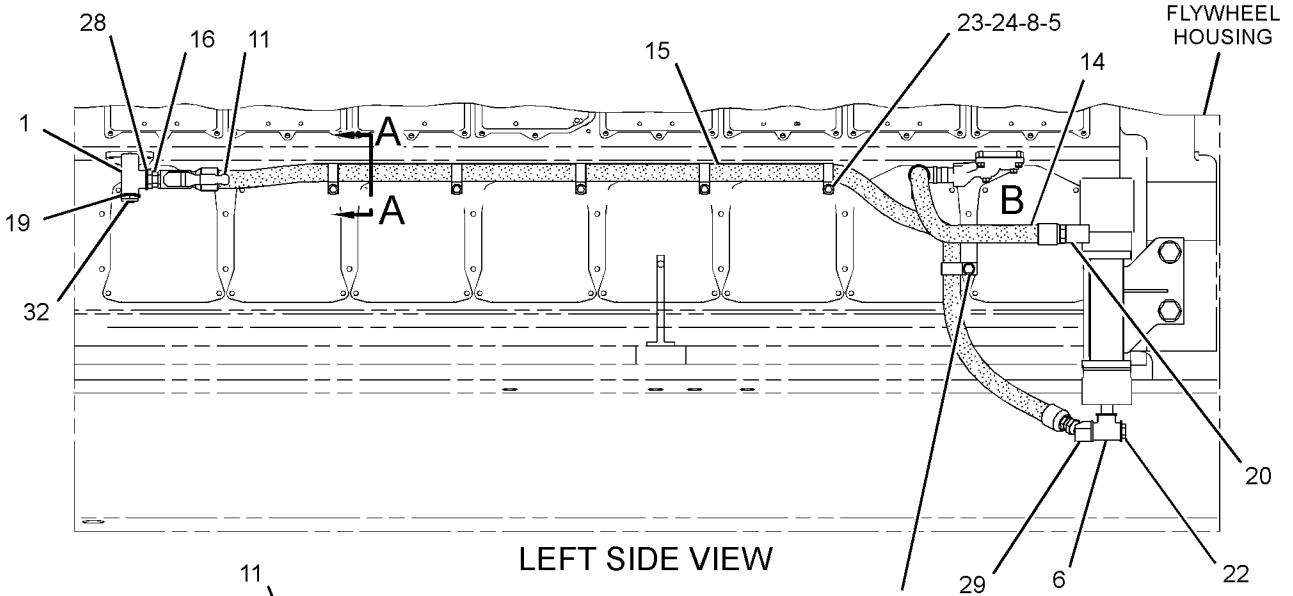
NOTE	REF NO	GRAPHIC REF	PART NUMBER	QTY	PART NAME						SEE PAGE
					1	2	3	4	5	6 (PRODUCT LEVEL)	
	1	1	1L-4031	1	TEE-SERVICE						
	2	1	1S-2303	2	SPACER (1.062X1.75X1.44-IN THK)						
	3	1	2N-7308	1	CONNECTOR-PIPE						
	4	1	8T-6726	2	CLAMP-HOSE						
	5	1	6B-6205	5	SPACER (0.438X0.875X1.281-IN THK)						
	6	1	6F-0496	1	TEE-PIPE						
	7	1	7C-1707	1	BRACKET AS						
		1	5P-2251	1	GUSSET						
	8	1	7D-7233	5	CLIP						
C	9	1	7L-8074	1	ELBOW-REDUCING						
	10	1	7N-4945	1	GASKET						
	11	1	8C-1358	2	VALVE-BALL (ISOLATION)						
	12	1	8N-8550	1	ELBOW						
	13	1	9S-1368	2	BOLT (1-14X3.5-IN)						
CI	14	1	177-9116	1	HOSE AS						
CI	15	1	183-5973	1	HOSE AS						
	16	1	004-7270	1	FITTING-PIPE						
	17	1	0S-1571	1	BOLT (3/8-16X1.75-IN)						
	18	1	0S-1594	3	BOLT (3/8-16X1-IN)						
C	19	1	118-1656	1	BUSHING-REDUCER						
	20	1	3B-6491	1	COUPLING-PIPE						
	21	1	3B-7270	1	NIPPLE-PIPE						
	22	1	3E-7430	1	PLUG-PIPE						
	23	1	4L-6459	5	BOLT (3/8-16X2.5-IN)						
	24	1	5P-1075	5	WASHER-HARD (10.2X22.5X3-MM THK)						
C	25	1	5P-8245	1	WASHER-HARD (13.5X25.5X3-MM THK)						
	26	1	5P-8250	2	WASHER (28X49X5-MM THK)						
	27	1	6B-8128	1	NIPPLE-PIPE						
	28	1	6B-9081	1	BUSHING-REDUCER						
	29	1	6H-8297	1	ELBOW						
C	30	1	7D-4092	1	CLIP						
C	31	1	8S-5107	1	SPACER (0.622X0.84X2-IN THK)						
	32	1	8T-6762	1	PLUG-PIPE (1/2-14-THD)						
C	33	1	9X-8874	1	BOLT (1/2-13X3-IN)						

C - CHANGE FROM PREVIOUS TYPE
I - REFER TO HYDRAULIC INFORMATION SYSTEM

ELECTRICAL AND STARTING SYSTEM

134-3160 MOUNTING GP-JACKET WTR HEATER (contd.)

103754848



GRAPHIC #1

<END>

g01230189

ELECTRICAL AND STARTING SYSTEM

150-4222 MOUNTING GP-JACKET WTR HEATER-LH AN ATTACHMENT TYPE 1

SMCS-1383

i01333434

NOTE	REF NO	GRAPHIC REF	PART NUMBER	QTY	PART NAME						SEE PAGE
					1	2	3	4	5	6 (PRODUCT LEVEL)	
	1	1	7C-1707	1	BRACKET AS						
	2	1	5P-0598	2	CLAMP-HOSE						
	3	1	1S-2303	2	SPACER (1.062X1.75X1.44-IN THK)						
	4	1	9S-1368	1	BOLT (1-14X3.5-IN)						
	5	1	5P-8250	4	WASHER (28X49X5-MM THK)						
	6	1	3J-7498	1	BOLT (1-14X4.25-IN)						
	7	1	151-9204	1	PLATE						
	8	1	5B-9385	1	BOLT (1-14X2.5-IN)						
	9	1	2K-7471	1	LOCKNUT (1-14-THD)						
	10	1	9M-8538	2	RETAINER						
	11	1	1L-4031	1	TEE-SERVICE						
	12	1	118-1656	1	BUSHING-REDUCER						
	13	1	8T-6762	1	PLUG-PIPE (1/2-14-THD)						
	14	1	6B-9081	1	BUSHING-REDUCER						
I	15	1	155-2551	1	HOSE AS						
	16	1	1L-8181	6	CLIP						
	17	1	9X-8874	6	BOLT (1/2-13X3-IN)						
	18	1	5P-8245	6	WASHER-HARD (13.5X25.5X3-MM THK)						
	19	1	004-3935	1	ELBOW						
	20	1	8N-8550	1	ELBOW						
	21	1	7N-4945	1	GASKET						
I	22	1	3N-7361	1	HOSE AS						
	23	1	6H-8297	2	ELBOW						
	24	1	2R-7712	1	COUPLING (REDUCING)						
	25	1	3E-7430	1	PLUG-PIPE						
	26	1	6F-0496	1	TEE-PIPE						
B	27	1	8S-5107	1	SPACER (0.622X0.84X2-IN THK)						
	28	1	0S-1571	1	BOLT (3/8-16X1.75-IN)						
	29	1	0S-1594	3	BOLT (3/8-16X1-IN)						
	30	1	8S-5107	5	SPACER (0.622X0.84X2-IN THK)						

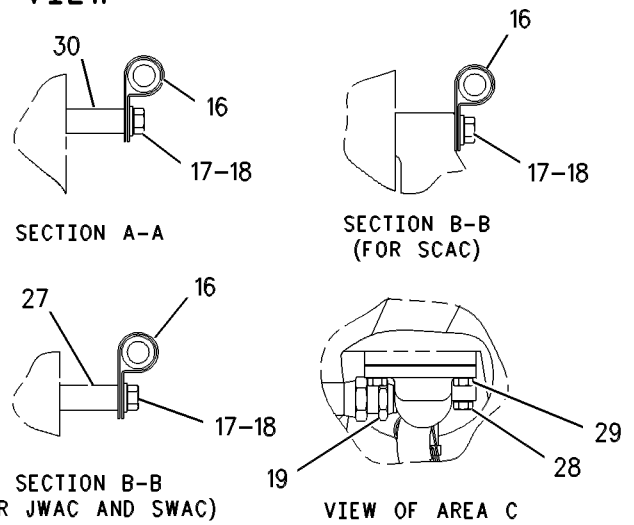
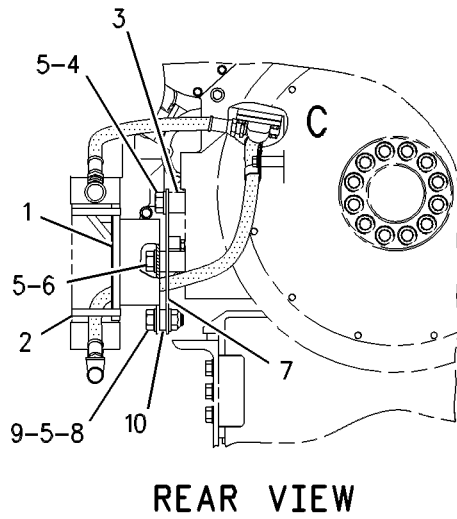
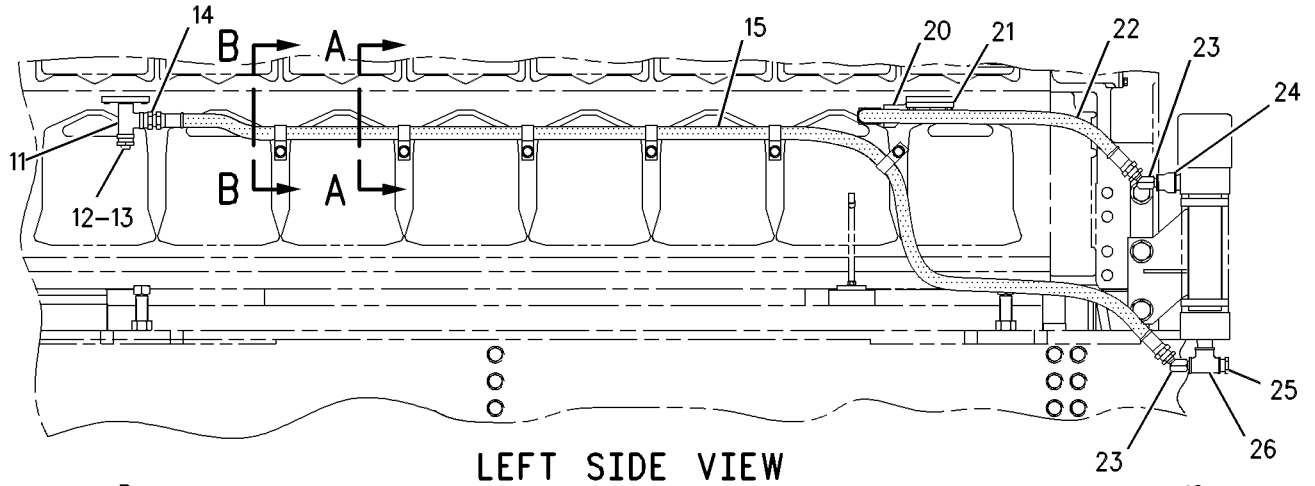
B - USE AS REQUIRED

I - REFER TO HYDRAULIC INFORMATION SYSTEM

ELECTRICAL AND STARTING SYSTEM

150-4222 MOUNTING GP-JACKET WTR HEATER (contd.)

i01333434



GRAPHIC #1

<END>

g00461734

ELECTRICAL AND STARTING SYSTEM

150-4222 MOUNTING GP-JACKET WTR HEATER-LH

AN ATTACHMENT

TYPE 2

SMCS-1383

i02425869

NOTE	REF NO	GRAPHIC REF	PART NUMBER	QTY	PART NAME						SEE PAGE
					1	2	3	4	5	6 (PRODUCT LEVEL)	
	1	1	1L-4031	1	TEE-SERVICE						
	2	1	1L-8181	6	CLIP						
	3	1	1S-2303	2	SPACER (1.062X1.75X1.44-IN THK)						
	4	1	2K-7471	1	LOCKNUT (1-14-THD)						
	5	1	3J-7498	1	BOLT (1-14X4.25-IN)						
CI	6	1	3N-4905	1	HOSE AS						
	7	1	6F-0496	1	TEE-PIPE						
	8	1	7C-1707	1	BRACKET AS						
	9	1	7N-4945	1	GASKET						
	10	1	8N-8550	1	ELBOW						
	11	1	8T-6726	2	CLAMP-HOSE						
	12	1	9M-8538	2	RETAINER						
	13	1	9S-1368	1	BOLT (1-14X3.5-IN)						
I	14	1	155-2551	1	HOSE AS						
	15	1	004-3935	1	ELBOW						
	16	1	0S-1571	1	BOLT (3/8-16X1.75-IN)						
	17	1	0S-1594	3	BOLT (3/8-16X1-IN)						
	18	1	118-1656	1	BUSHING-REDUCER						
	19	1	151-9204	1	PLATE						
	20	1	2R-7712	1	COUPLING (REDUCING)						
	21	1	3E-7430	1	PLUG-PIPE						
	22	1	5B-9385	1	BOLT (1-14X2.5-IN)						
C	23	1	5F-6371	1	CONNECTOR						
	24	1	5P-8245	6	WASHER-HARD (13.5X25.5X3-MM THK)						
	25	1	5P-8250	4	WASHER (28X49X5-MM THK)						
	26	1	6B-9081	1	BUSHING-REDUCER						
	27	1	6H-8297	2	ELBOW						
	28	1	8S-5107	5	SPACER (0.622X0.84X2-IN THK)						
	29	1	8T-6762	1	PLUG-PIPE (1/2-14-THD)						
	30	1	9X-8874	6	BOLT (1/2-13X3-IN)						
B	31	1	8S-5107	1	SPACER (0.622X0.84X2-IN THK)						

B - USE AS REQUIRED

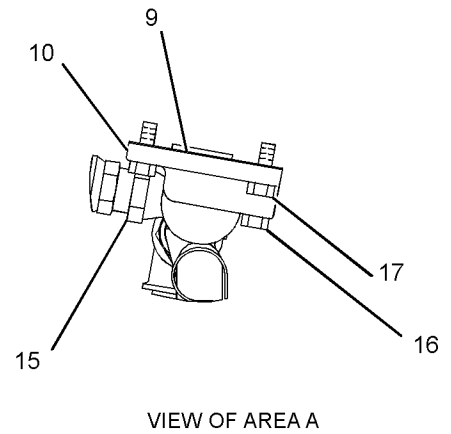
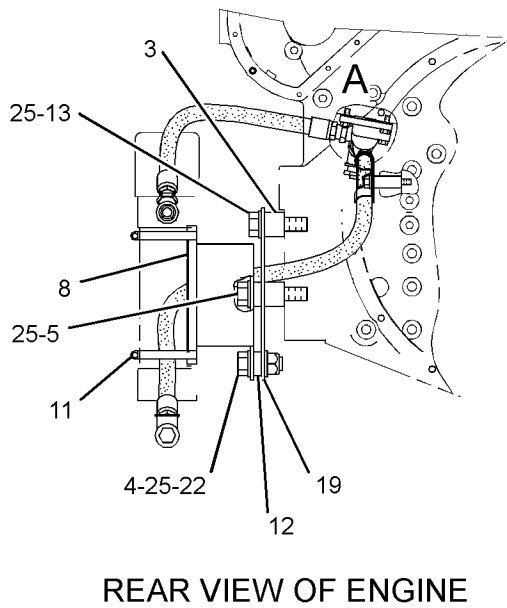
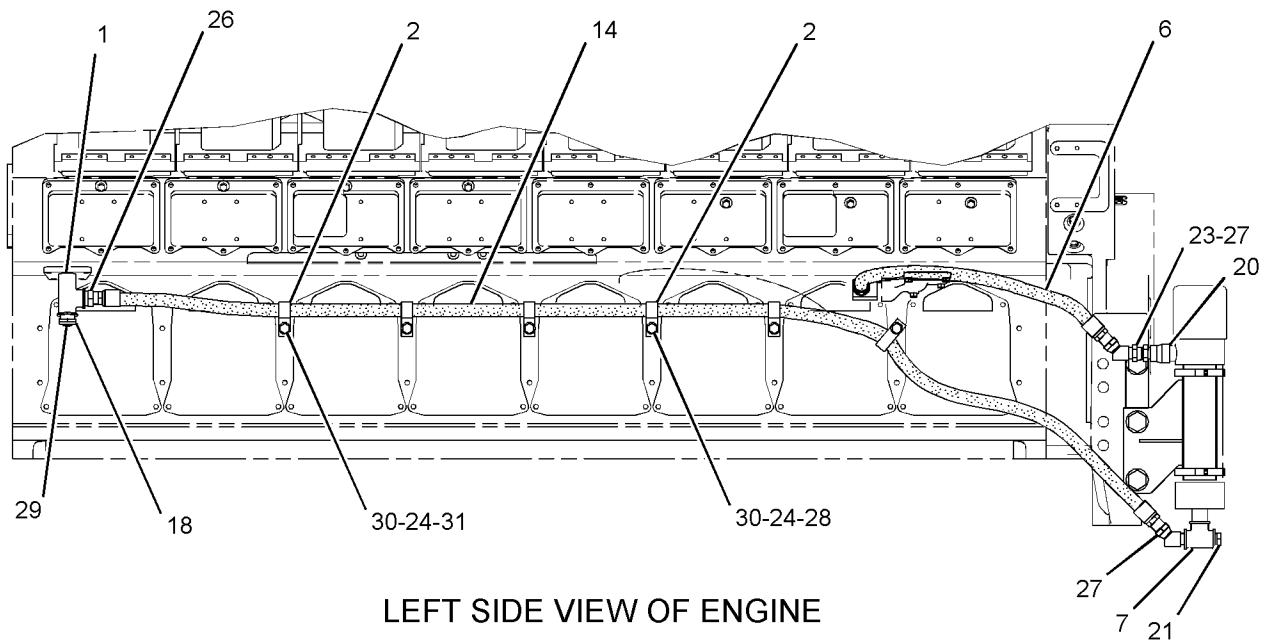
C - CHANGE FROM PREVIOUS TYPE

I - REFER TO HYDRAULIC INFORMATION SYSTEM

ELECTRICAL AND STARTING SYSTEM

150-4222 MOUNTING GP-JACKET WTR HEATER (contd.)

i02425869



GRAPHIC #1

<END>

g01246526

ELECTRICAL AND STARTING SYSTEM

150-4223 MOUNTING GP-JACKET WTR HEATER-RH AN ATTACHMENT

SMCS-1383

i02475336

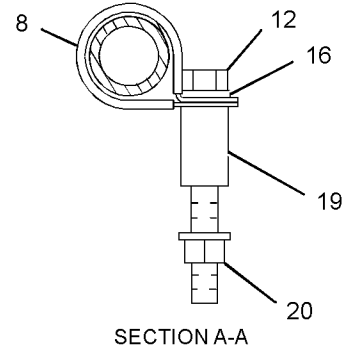
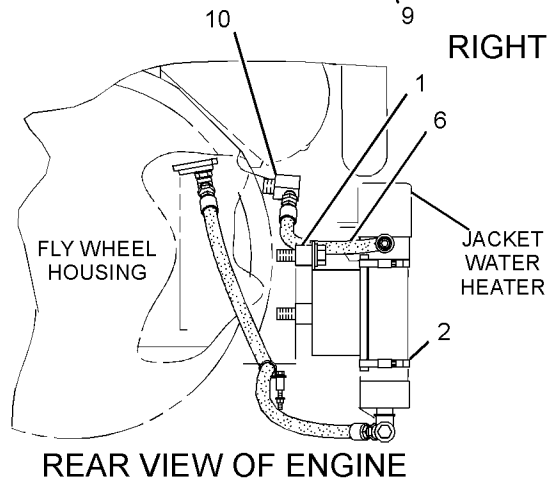
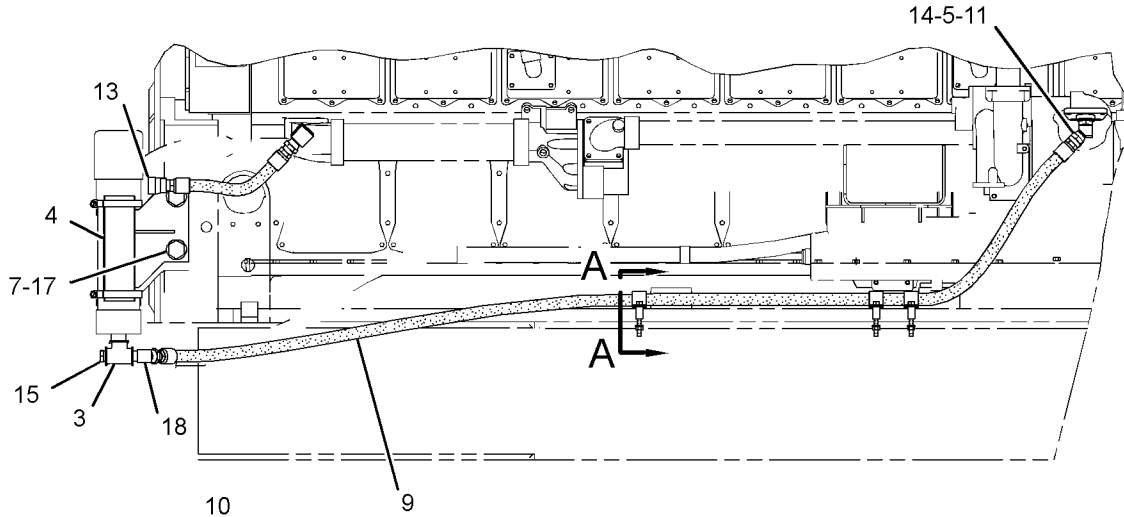
NOTE	REF NO	GRAPHIC REF	PART NUMBER	QTY	PART NAME						SEE PAGE
					1	2	3	4	5	6 (PRODUCT LEVEL)	
	1	1	1S-2303	2	SPACER (1.062X1.75X1.44-IN THK)						
	2	1	5P-0598	2	CLAMP-HOSE						
	3	1	6F-0496	1	TEE-PIPE						
	4	1	7C-1707	1	BRACKET AS						
	5	1	7E-9437	1	COVER						
I	6	1	8N-0855	1	HOSE AS						
	7	1	9S-1368	2	BOLT (1-14X3.5-IN)						
	8	1	034-0728	3	CLIP						
	9	1	155-2552	1	HOSE AS						
	10	1	004-3935	1	ELBOW						
	11	1	030-7976	1	ELBOW						
	12	1	0S-1619	3	BOLT (3/8-16X3-IN)						
	13	1	2R-7712	1	COUPLING (REDUCING)						
	14	1	3D-2824	1	SEAL-O-RING						
	15	1	3E-7430	1	PLUG-PIPE						
	16	1	5M-2894	6	WASHER-HARD (10.2X18.5X2.5-MM THK)						
	17	1	5P-8250	2	WASHER (28X49X5-MM THK)						
	18	1	6H-8297	1	ELBOW						
	19	1	7K-3377	3	PIPE						
	20	1	9S-8752	3	NUT-FULL (3/8-16-THD)						

I - REFER TO HYDRAULIC INFORMATION SYSTEM

ELECTRICAL AND STARTING SYSTEM

150-4223 MOUNTING GP-JACKET WTR HEATER (contd.)

102475336



GRAPHIC #1

<END>

g01277073

ELECTRICAL AND STARTING SYSTEM

166-6652 MOUNTING GP-JACKET WTR HEATER-RH

S/N: 3XS1-407

**CANNOT BE USED WITH HEAVY DUTY AIR CLEANER, RH SUMP PUMP, OR RH PRELUBRICATION
CONVERSION
AN ATTACHMENT**

SMCS-1383

i01763791

NOTE	REF NO	GRAPHIC REF	PART NUMBER	QTY	PART NAME						SEE PAGE
					1	2	3	4	5	6 (PRODUCT LEVEL)	
B	1	1	003-9163	1	ELBOW						
B	2	1	6B-9081	1	BUSHING-REDUCER						
B	3	1	3P-2021	1	NIPPLE-PIPE						
	4	1	7C-1707	1	BRACKET AS						
	5	1	3E-7404	2	CLAMP-HOSE						
	6	1	1S-2303	2	SPACER (1.062X1.75X1.44-IN THK)						
	7	1	8C-1358	2	VALVE-BALL (ISOLATION)						
I	8	1	166-8067	1	HOSE AS						
	9	1	149-5211	1	ELBOW						
	10	1	9S-1368	2	BOLT (1-14X3.5-IN)						
	11	1	5P-8250	2	WASHER (28X49X5-MM THK)						
	12	1	3E-7430	1	PLUG-PIPE						
	13	1	6F-0496	1	TEE-PIPE						
	14	1	6H-8297	1	ELBOW						
I	15	1	166-6519	1	HOSE AS						
	16	1	030-8307	1	CONNECTOR						
	17	1	187-4017	1	TUBE AS						
	18	1	7D-7233	2	CLIP						
	19	1	0S-1594	5	BOLT (3/8-16X1-IN)						
	20	1	5M-2894	8	WASHER-HARD (10.2X18.5X2.5-MM THK)						
	21	1	7N-4945	1	GASKET						
	22	1	134-3100	1	FLANGE						
	24	1	9S-8752	1	NUT-FULL (3/8-16-THD)						
	25	1	9M-4849	1	SEAL-O-RING						
	26	1	4W-2110	1	RING-RETAINING						
	27	1	187-4019	1	BRACKET						
	28	1	4W-2109	2	RETAINER						
	29	1	0S-1588	2	BOLT (3/8-16X1.25-IN)						
	30	1	7C-4354	1	CLIP						
B	31	1	004-3935	1	ELBOW						
B	32	1	004-7270	1	FITTING-PIPE						

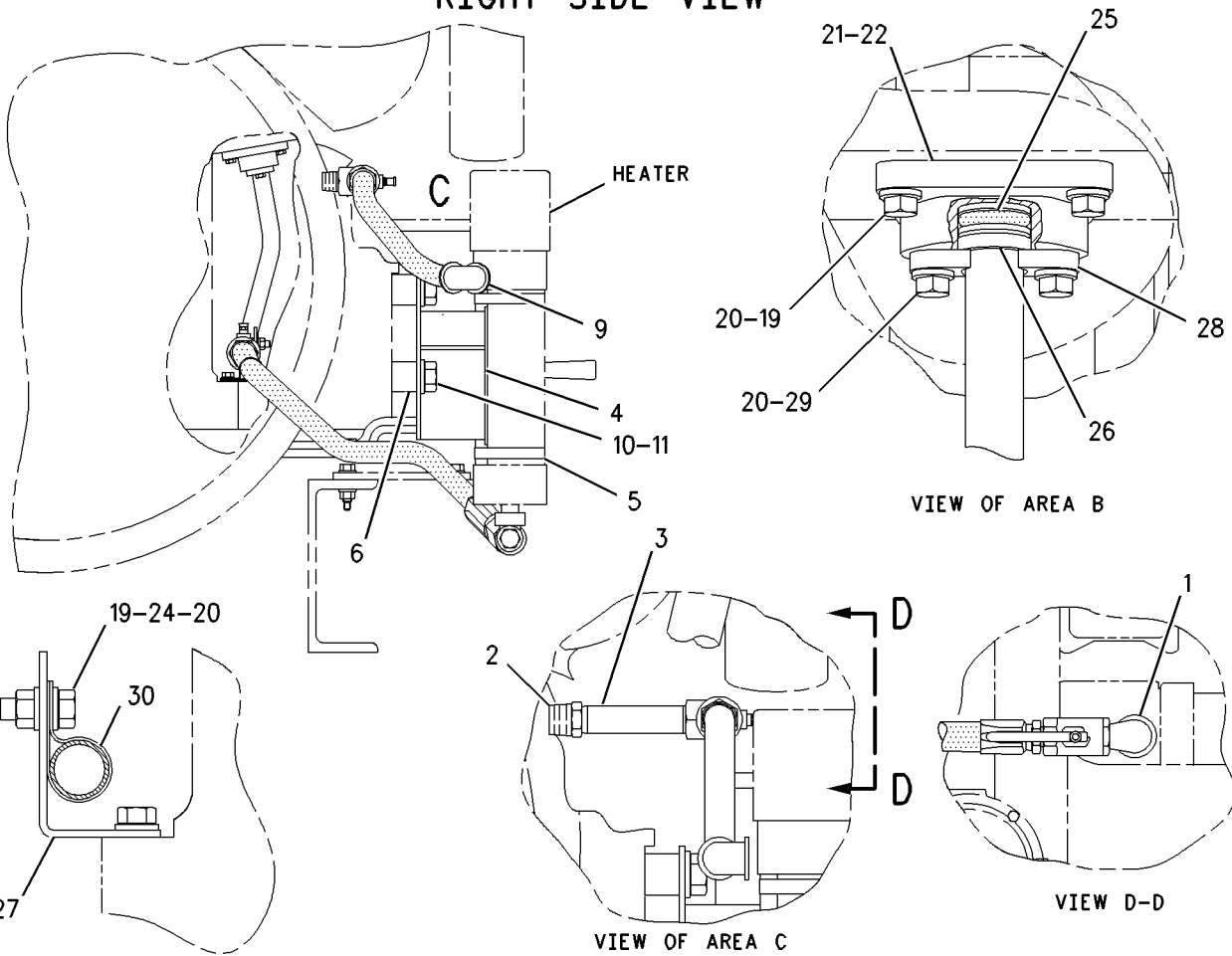
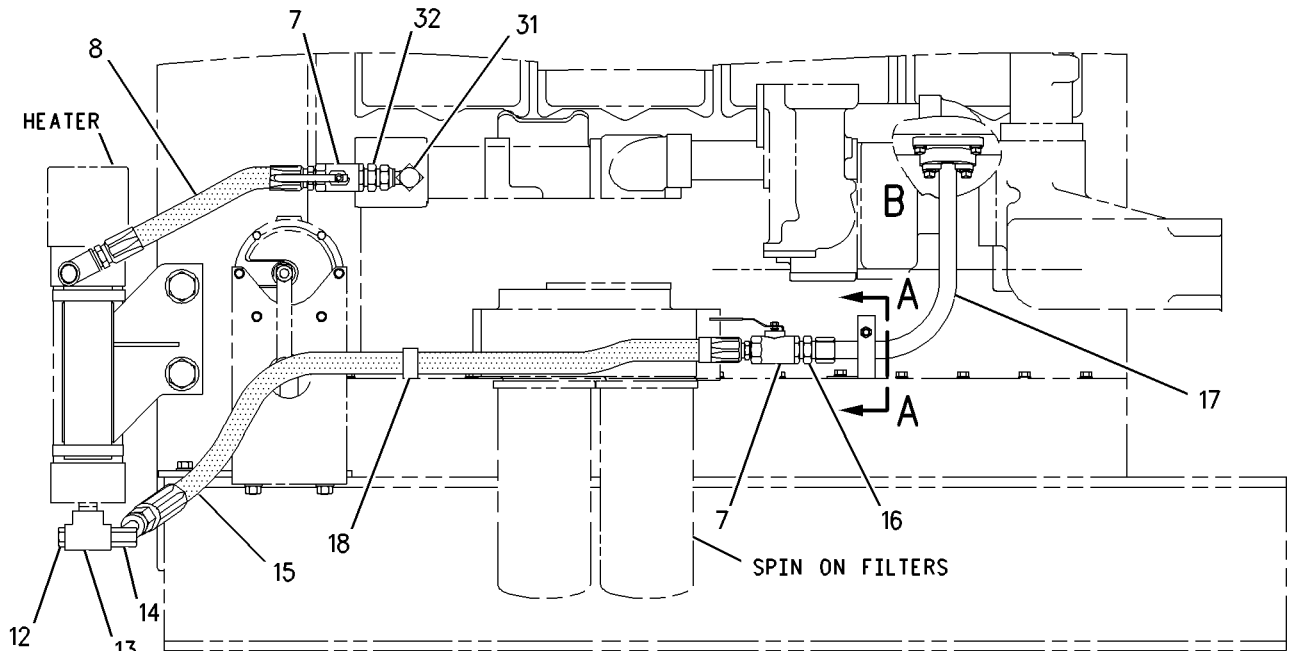
B - USE AS REQUIRED

I - REFER TO HYDRAULIC INFORMATION SYSTEM

ELECTRICAL AND STARTING SYSTEM

166-6652 MOUNTING GP-JACKET WTR HEATER (contd.)

101763791



OPTIONAL INSTALLATION FOR USE WITH STAND-BY ENGINES

GRAPHIC #1

<END>

g00902373

ELECTRICAL AND STARTING SYSTEM

166-6652 MOUNTING GP-JACKET WTR HEATER-RH

S/N: 3XS408-UP

**CANNOT BE USED WITH HEAVY DUTY AIR CLEANER, RH SUMP PUMP, OR RH PRELUBRICATION
CONVERSION
AN ATTACHMENT**

SMCS-1383

i01729536

NOTE	REF NO	GRAPHIC REF	PART NUMBER	QTY	PART NAME						SEE PAGE
					1	2	3	4	5	6 (PRODUCT LEVEL)	
C	1	1	6B-9081	1	BUSHING-REDUCER						
C	2	1	003-9163	1	ELBOW						
B	3	1	3P-2021	1	NIPPLE-PIPE						
	4	1	7C-1707	1	BRACKET AS						
	5	1	5P-0598	2	CLAMP-HOSE						
	6	1	1S-2303	2	SPACER (1.062X1.75X1.44-IN THK)						
	7	1	8C-1358	2	VALVE-BALL (ISOLATION)						
I	8	1	166-8067	1	HOSE AS						
C	9	1	3B-6498	1	ELBOW						
	10	1	9S-1368	2	BOLT (1-14X3.5-IN)						
	11	1	5P-8250	2	WASHER (28X49X5-MM THK)						
	12	1	3E-7430	1	PLUG-PIPE						
	13	1	6F-0496	1	TEE-PIPE						
I	14	1	166-6519	1	HOSE AS						
	15	1	030-8307	1	CONNECTOR						
	16	1	187-4017	1	TUBE AS						
	17	1	7D-7233	2	CLIP						
C	18	1	0S-1594	7	BOLT (3/8-16X1-IN)						
C	19	1	5M-2894	4	WASHER-HARD (10.2X18.5X2.5-MM THK)						
	20	1	7N-4945	1	GASKET						
	21	1	134-3100	1	FLANGE						
	22	1	9S-8752	1	NUT-FULL (3/8-16-THD)						
	23	1	9M-4849	1	SEAL-O-RING						
	24	1	4W-2110	1	RING-RETAINING						
	25	1	187-4019	1	BRACKET						
	26	1	4W-2109	2	RETAINER						
	27	1	7C-4354	1	CLIP						
C	28	1	3B-7745	1	NIPPLE-PIPE						
C	29	1	2N-7308	1	CONNECTOR-PIPE						
C	30	1	5F-6371	1	CONNECTOR						

B - USE AS REQUIRED

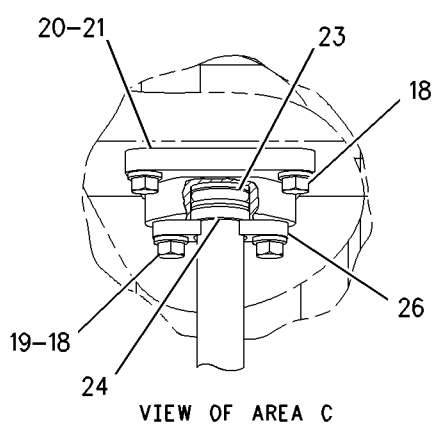
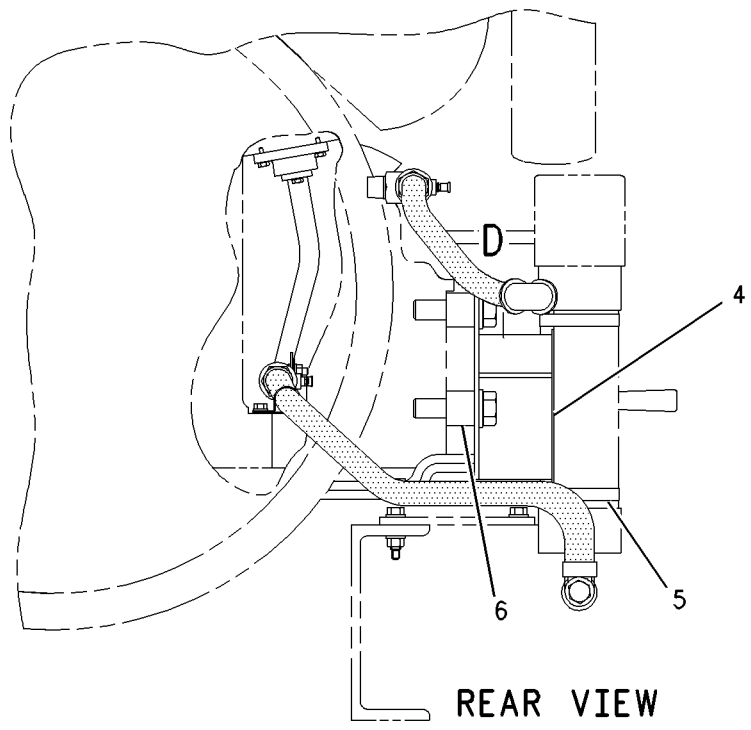
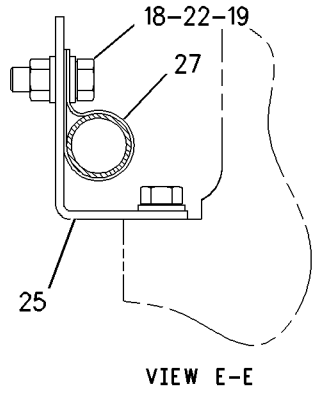
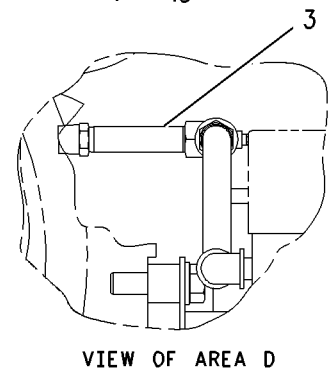
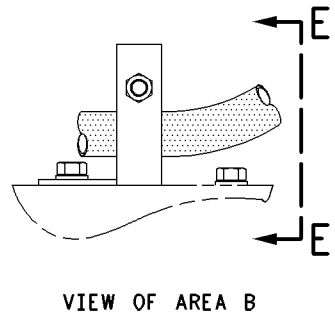
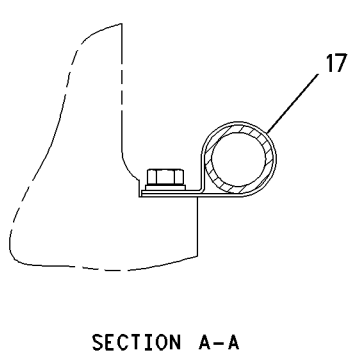
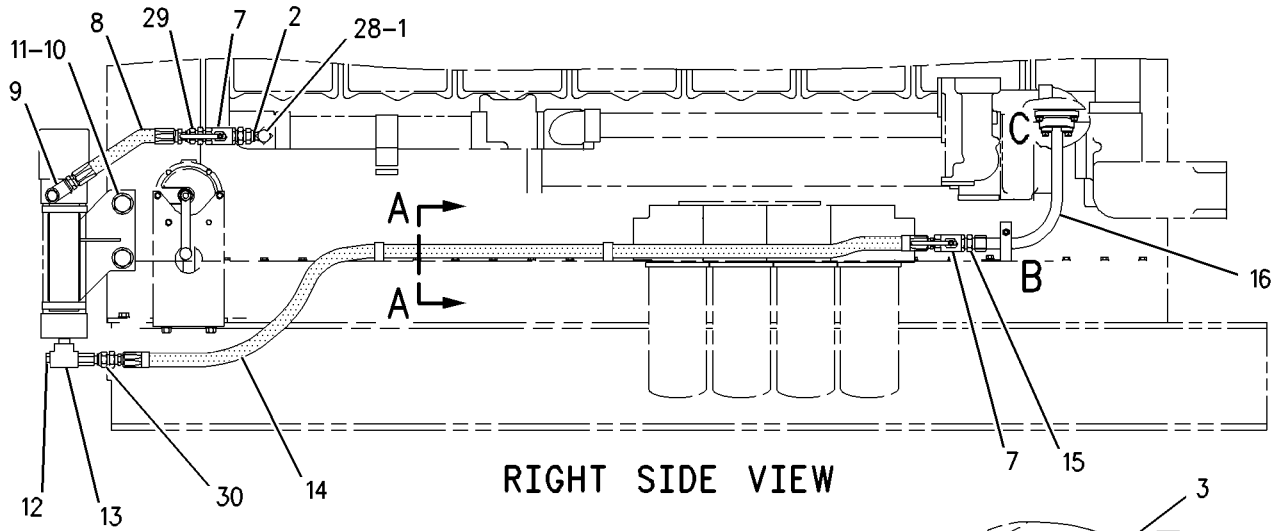
C - CHANGE FROM PREVIOUS TYPE

I - REFER TO HYDRAULIC INFORMATION SYSTEM

ELECTRICAL AND STARTING SYSTEM

166-6652 MOUNTING GP-JACKET WTR HEATER (contd.)

101729536



GRAPHIC #1

<END>

g00773704

ELECTRICAL AND STARTING SYSTEM

6I-1043 MOUNTING GP-JACKET WTR HEATER-LH

**CANNOT BE USED WITH HEAVY DUTY AIR CLEANERS WITH PRECLEANERS, LH AIR COMPRESSOR
AN ATTACHMENT**

SMCS-1383

i01794425

NOTE	REF NO	GRAPHIC REF	PART NUMBER	QTY	PART NAME						SEE PAGE
					1	2	3	4	5	6 (PRODUCT LEVEL)	
	1	1	7C-1707	1	BRACKET AS						
	2	1	0S-1571	1	BOLT (3/8-16X1.75-IN)						
	3	1	1L-8181	6	CLIP						
I	4	1	4P-8462	1	HOSE AS						
	5	1	5P-8250	2	WASHER (28X49X5-MM THK)						
	6	1	9S-1368	2	BOLT (1-14X3.5-IN)						
	7	1	1S-2303	2	SPACER (1.062X1.75X1.44-IN THK)						
	8	1	004-3935	1	ELBOW						
	9	1	6F-0496	1	TEE-PIPE						
	10	1	3E-7430	1	PLUG-PIPE						
	11	1	8T-6762	1	PLUG-PIPE (1/2-14-THD)						
	12	1	2R-7712	1	COUPLING (REDUCING)						
I	13	1	4P-8463	1	HOSE AS						
	14	1	5P-0598	2	CLAMP-HOSE						
	15	1	8N-8550	1	ELBOW						
	16	1	7N-4945	1	GASKET						
	17	1	0S-1594	3	BOLT (3/8-16X1-IN)						
	18	1	9X-8874	4	BOLT (1/2-13X3-IN)						
	19	1	5P-8245	4	WASHER-HARD (13.5X25.5X3-MM THK)						
	20	1	8S-5107	4	SPACER (0.622X0.84X2-IN THK)						
	21	1	6H-8297	1	ELBOW						
	22	1	118-1656	1	BUSHING-REDUCER						
	23	1	1L-4031	1	TEE-SERVICE						
	24	1	6B-9081	1	BUSHING-REDUCER						
B	25	1	8S-5107	2	SPACER (0.622X0.84X2-IN THK)						
B	26	1	9X-8874	2	BOLT (1/2-13X3-IN)						
B	27	1	5P-8245	2	WASHER-HARD (13.5X25.5X3-MM THK)						
B	28	1	6B-9081	1	BUSHING-REDUCER						

B - USE AS REQUIRED

I - REFER TO HYDRAULIC INFORMATION SYSTEM

ELECTRICAL AND STARTING SYSTEM

6I-1044 MOUNTING GP-JACKET WTR HEATER-RH

FOR USE WITH LH SUMP PUMP, LH PRELUBE

CANNOT BE USED WITH HEAVY DUTY AIR CLEANERS WITH PRECLEANERS, LEDGE TYPE RAILS, RH
SUMP PUMP, RH PRELUBE

AN ATTACHMENT

TYPE 1

SMCS-1383

i02233193

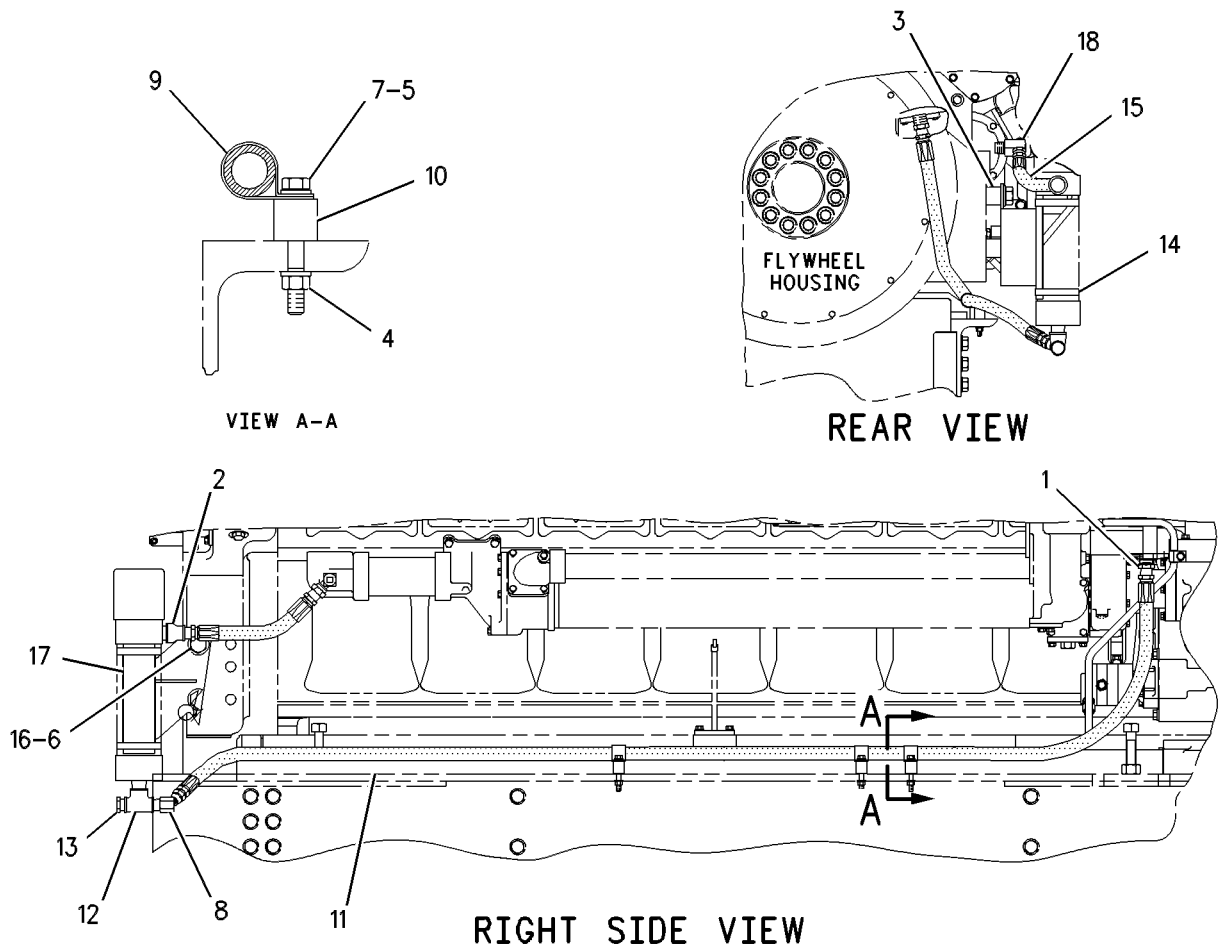
NOTE	REF NO	GRAPHIC REF	PART NUMBER	QTY	PART NAME						SEE PAGE
					1	2	3	4	5	6 (PRODUCT LEVEL)	
	1	1	6B-9081	1	BUSHING-REDUCER						
	2	1	2R-7712	1	COUPLING (REDUCING)						
	3	1	1S-2303	2	SPACER (1.062X1.75X1.44-IN THK)						
	4	1	9S-8752	3	NUT-FULL (3/8-16-THD)						
	5	1	5M-2894	6	WASHER-HARD (10.2X18.5X2.5-MM THK)						
	6	1	5P-8250	2	WASHER (28X49X5-MM THK)						
	7	1	0S-1619	3	BOLT (3/8-16X3-IN)						
	8	1	6H-8297	1	ELBOW						
	9	1	034-0728	3	CLIP						
	10	1	7K-3377	3	PIPE						
I	11	1	110-2451	1	HOSE AS						
	12	1	6F-0496	1	TEE-PIPE						
	13	1	3E-7430	1	PLUG-PIPE						
	14	1	5P-0598	2	CLAMP-HOSE						
I	15	1	8N-0855	1	HOSE AS						
	16	1	9S-1368	2	BOLT (1-14X3.5-IN)						
	17	1	7C-1707	1	BRACKET AS						
		1	5P-2251	1	GUSSET						
	18	1	004-3935	1	ELBOW						

I - REFER TO HYDRAULIC INFORMATION SYSTEM

ELECTRICAL AND STARTING SYSTEM

6I-1044 MOUNTING GP-JACKET WTR HEATER (contd.)

102233193



GRAPHIC #1

<END>

g00290813

ELECTRICAL AND STARTING SYSTEM

6I-1044 MOUNTING GP-JACKET WTR HEATER-RH

FOR USE WITH LH SUMP PUMP, LH PRELUBE

CANNOT BE USED WITH HEAVY DUTY AIR CLEANERS WITH PRECLEANERS, LEDGE TYPE RAILS, RH
SUMP PUMP, RH PRELUBE

AN ATTACHMENT

TYPE 2

SMCS-1383

i01728767

NOTE	REF NO	GRAPHIC REF	PART NUMBER	QTY	PART NAME						SEE PAGE
					1	2	3	4	5	6 (PRODUCT LEVEL)	
	1	1	3P-2021	1	NIPPLE-PIPE						
I	2	1	4P-8463	1	HOSE AS						
	3	1	1S-2303	2	SPACER (1.062X1.75X1.44-IN THK)						
	4	1	5M-2894	6	WASHER-HARD (10.2X18.5X2.5-MM THK)						
	5	1	5P-8250	2	WASHER (28X49X5-MM THK)						
	6	1	0S-1619	3	BOLT (3/8-16X3-IN)						
	7	1	6H-8297	1	ELBOW						
	8	1	034-0728	3	CLIP						
	9	1	7K-3377	3	PIPE						
	10	1	6B-9081	2	BUSHING-REDUCER						
	11	1	6F-0496	1	TEE-PIPE						
	12	1	3E-7430	1	PLUG-PIPE						
	13	1	5P-0598	2	CLAMP-HOSE						
B	14	1	1K-6937	1	ELBOW-PIPE						
	15	1	9S-1368	2	BOLT (1-14X3.5-IN)						
	16	1	7C-1707	1	BRACKET AS						
I	17	1	110-2451	1	HOSE AS						
	18	1	9S-8752	3	NUT-FULL (3/8-16-THD)						
	19	1	7L-8074	1	ELBOW-REDUCING						
B	20	1	5F-6371	1	CONNECTOR						

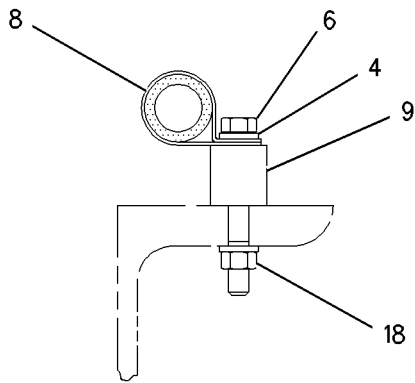
B - USE AS REQUIRED

I - REFER TO HYDRAULIC INFORMATION SYSTEM

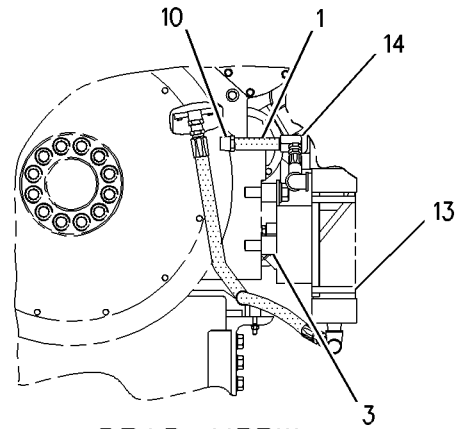
ELECTRICAL AND STARTING SYSTEM

6I-1044 MOUNTING GP-JACKET WTR HEATER (contd.)

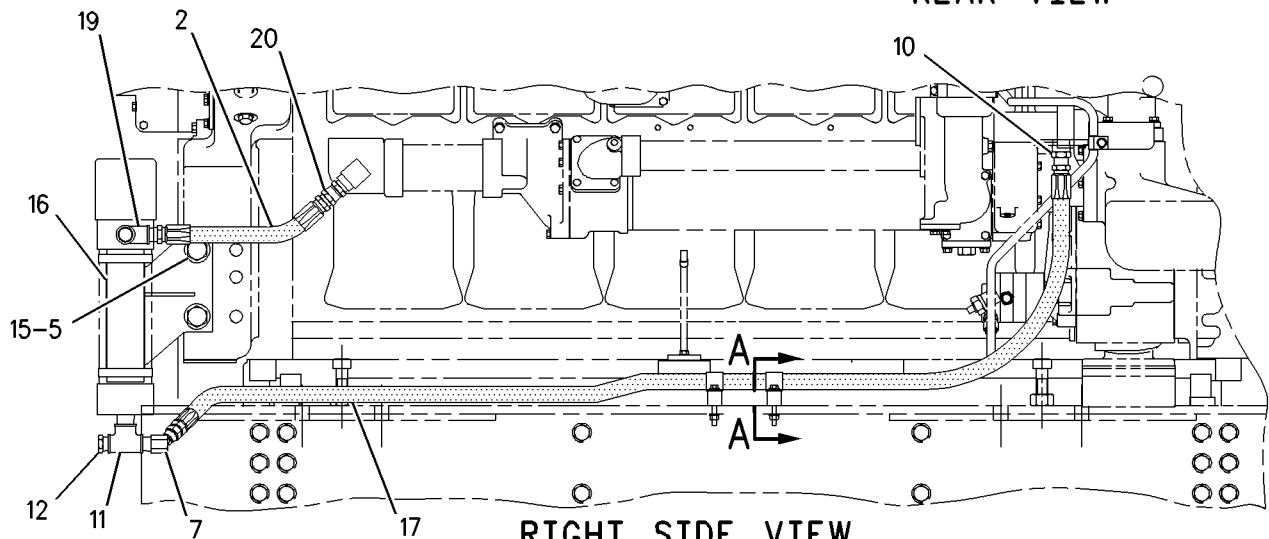
i01728767



SECTION A-A



REAR VIEW



RIGHT SIDE VIEW

GRAPHIC #1

<END>

g00692725

ELECTRICAL AND STARTING SYSTEM

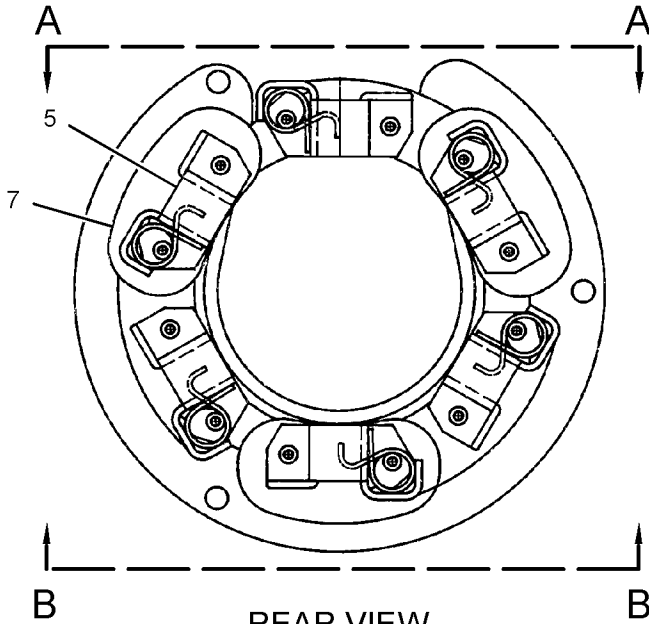
3T-9525 PLATE AS-BRUSH

PART OF 338-3454, 6V-0927 STARTING MOTOR GP-ELECTRIC
AN ATTACHMENT

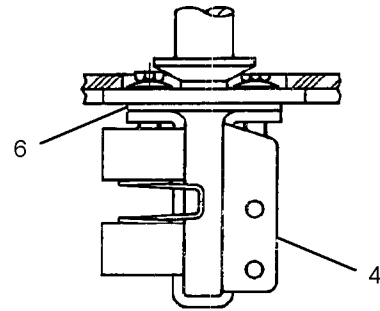
SMCS-4463

i04083269

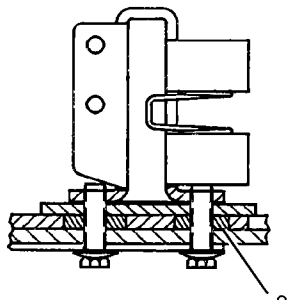
NOTE	REF NO	GRAPHIC REF	PART NUMBER	QTY	PART NAME						SEE PAGE
					1	2	3	4	5	6 (PRODUCT LEVEL)	
	1	1	6T-0372	1	PLATE						
	2	1	6T-0371	1	INSULATOR						
	3	1	9F-5599	12	LOCKWASHER						
	4	1	6T-0363	6	HOLDER AS-BRUSH						
					(EACH INCLUDES)						
		1	3T-9494	1	SPRING						
	5	1	3T-4709	3	PLATE						
	6	1	3T-4710	3	PLATE						
	7	1	2L-6679	3	PLATE-INSULATOR						
	8	1	7F-3525	6	WASHER-SPECIAL (0.207X0.39X0.09-IN THK)						
	9	1	5P-6298	12	SCREW-MACHINE (10-32X0.5-IN)						



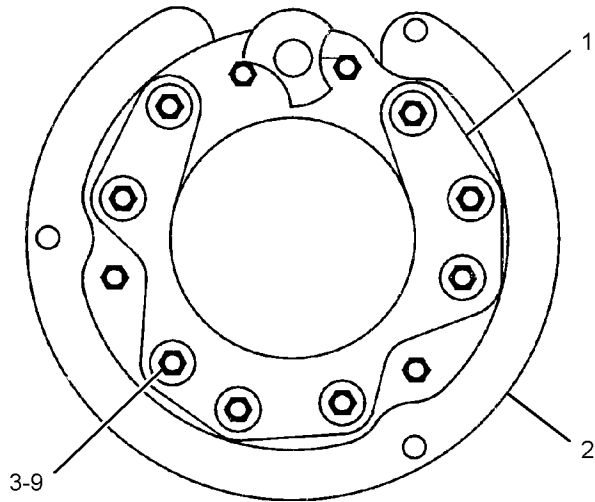
REAR VIEW



VIEW A-A



VIEW B-B



FRONT VIEW

GRAPHIC #1

<END>

g02294074

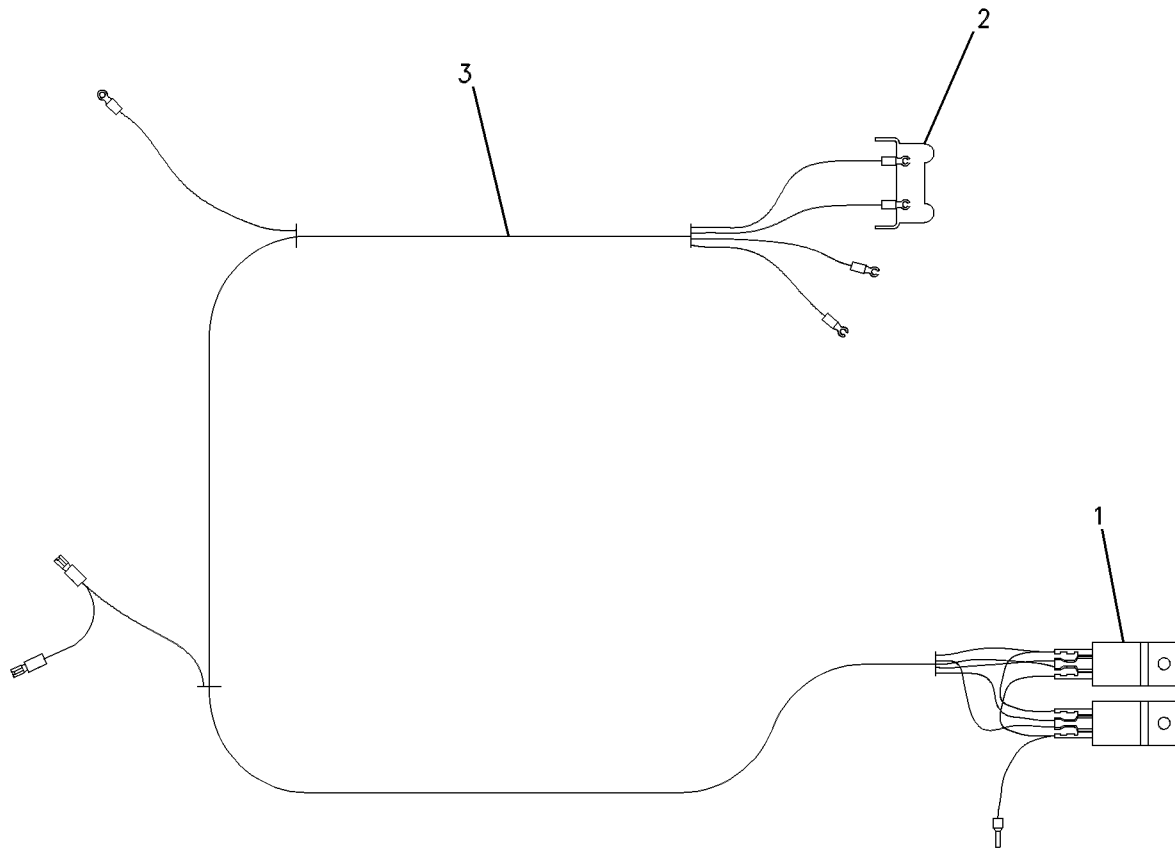
ELECTRICAL AND STARTING SYSTEM

174-1439 RELAY GP-EMERGENCY STOP FIELD INSTALLATION

SMCS-1422, 4493

i04550388

NOTE	REF NO	GRAPHIC REF	PART NUMBER	QTY	PART NAME						SEE PAGE
					1	2	3	4	5	6 (PRODUCT LEVEL)	
	1	1	9Y-2921	2	RELAY (24-VOLT) (EMERGENCY STOP)						
	2	1	111-1323	1	BLOCK-CONTACT (1-POLE)						
	3	1	174-1438	1	HARNESS AS-WIRING (RELAY)						



GRAPHIC #1

<END>

g00642752

ELECTRICAL AND STARTING SYSTEM

175-5042 RELAY GP-EMERGENCY STOP FOR USE WITH PREMIUM HARNESS FIELD INSTALLATION

SMCS-1422, 4493

i04550390

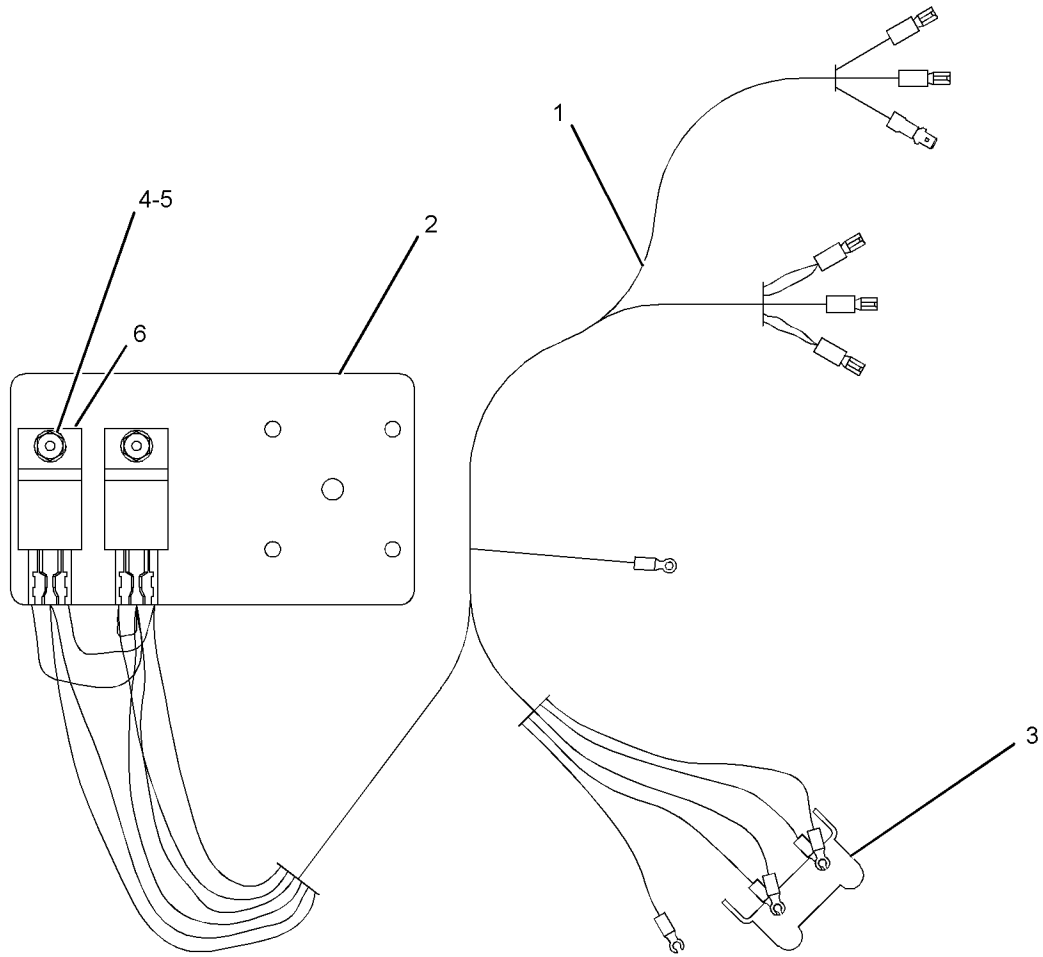
NOTE	REF NO	GRAPHIC REF	PART NUMBER	QTY	PART NAME						SEE PAGE
					1	2	3	4	5	6 (PRODUCT LEVEL)	
	1	1	175-5041	1	HARNESS AS-WIRING (RELAY)						
		1	6T-1780	1	TERMINAL						
		1	8L-8413	15	STRAP-CABLE (WHITE)						
		1	<i>128-4183</i>	1	TERMINAL AS						
		1	2L-8075	1	TERMINAL-RING (14-GA TO 16-GA, NO. 8 SCREW)						
D		1	6V-2689		TUBE-HEAT SHRINK (6.35-MM DIA) (0.1-M)						
		1	<i>128-4189</i>	5	TERMINAL AS-RING (18-GA TO 22-GA) (EACH INCLUDES)						
		1	5P-2766	1	TERMINAL-RING (18-GA TO 22-GA, NO. 6 SCREW)						
D		1	6V-2689		TUBE-HEAT SHRINK (6.35-MM DIA)						
		1	<i>130-6789</i>	13	TERMINAL AS-BLADE (EACH INCLUDES)						
		1	5P-4571	1	TERMINAL-BLADE (14-GA TO 16-GA)						
D		1	6V-2689		TUBE-HEAT SHRINK (6.35-MM DIA) (0.1-M)						
	2	1	175-5043	1	PLATE AS						
	3	1	111-1323	1	BLOCK-CONTACT (1-POLE)						
	4	1	6D-5801	2	LOCKNUT (8-32-THD)						
	5	1	4B-4863	2	WASHER (4.7X11X1.2-MM THK)						
	6	1	9Y-2921	2	RELAY (24-VOLT) (EMERGENCY STOP)						

D - ORDER BY THE METER

ELECTRICAL AND STARTING SYSTEM

175-5042 RELAY GP (contd.)

i04550390



GRAPHIC #1

<END>

g02587978

ELECTRICAL AND STARTING SYSTEM

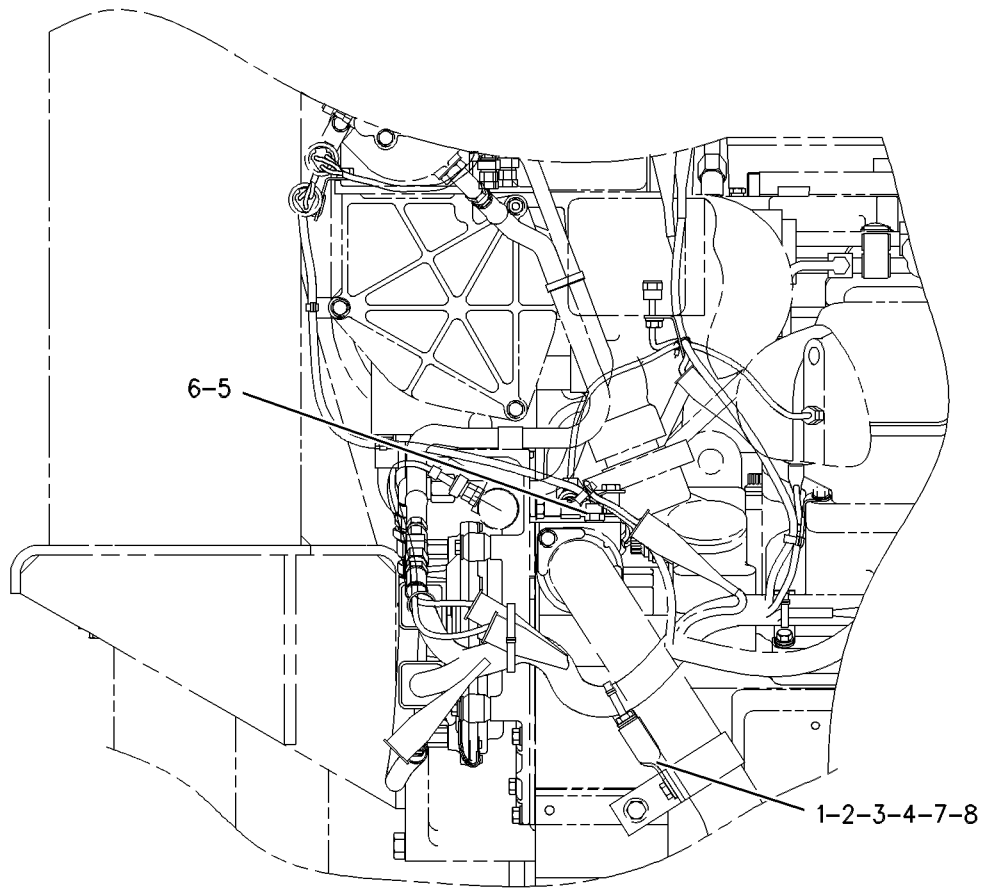
163-1462 SENSOR & MTG GP-ELECTRIC-ENGINE COOLANT FOR USE WITH SEPARATE CIRCUIT AFTERCOOLER AN ATTACHMENT

SMCS-1408, 7400

i04434929

NOTE	REF NO	GRAPHIC REF	PART NUMBER	QTY	PART NAME						SEE PAGE
					1	2	3	4	5	6 (PRODUCT LEVEL)	
	1	1	9X-6772	1	STRAP-CABLE						
	2	1	5M-2894	2	WASHER-HARD (10.2X18.5X2.5-MM THK)						
	3	1	0S-1588	1	BOLT (3/8-16X1.25-IN)						
	4	1	4P-8134	1	CLIP (LADDER)						
Y	5	1	102-2240	1	SENSOR GP-TEMPERATURE (ENGINE COOLANT)						511
	6	1	3K-0360	1	SEAL-O-RING						
	7	1	4P-7068	1	BRACKET						
	8	1	9S-8752	1	NUT-FULL (3/8-16-THD)						

Y - SEPARATE ILLUSTRATION



LEFT SIDE VIEW

GRAPHIC #1

<END>

g00536931

ELECTRICAL AND STARTING SYSTEM

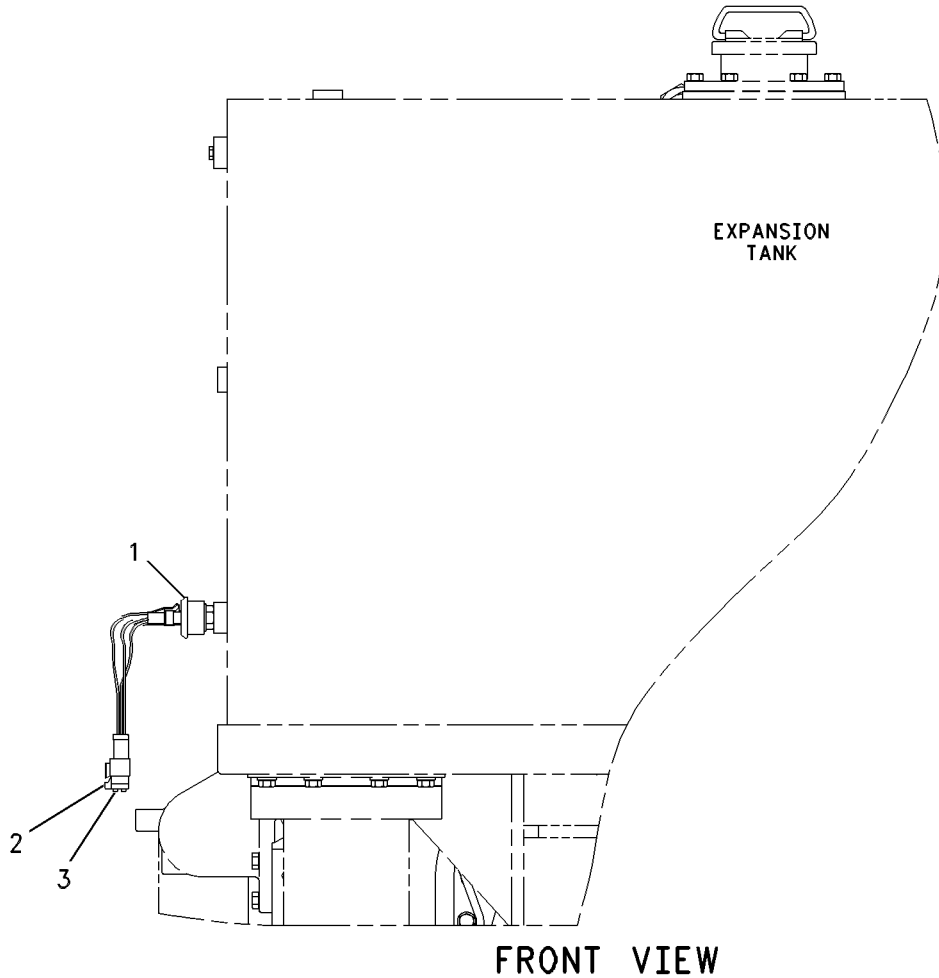
124-0121 SENSOR & MTG GP-EXPANSION TANK-COOLANT LEVEL AN ATTACHMENT

SMCS-1354, 7400

i04418540

NOTE	REF NO	GRAPHIC REF	PART NUMBER	QTY	PART NAME						SEE PAGE
					1	2	3	4	5	6 (PRODUCT LEVEL)	
Y	1	1	111-3794	1	SENSOR GP-COOLANT LEVEL						484
	2	1	102-8808	1	KIT-CONNECTING PLUG (3-PIN) (INCLUDES PLUG AS, WEDGE, & INTERFACE SEAL)						
	3	1	8T-8737	3	PLUG-SEAL						

Y - SEPARATE ILLUSTRATION



GRAPHIC #1

<END>

g00626754

ELECTRICAL AND STARTING SYSTEM

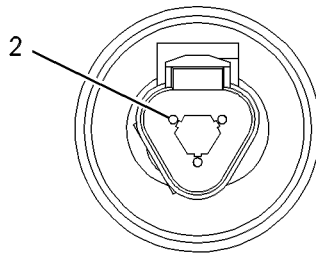
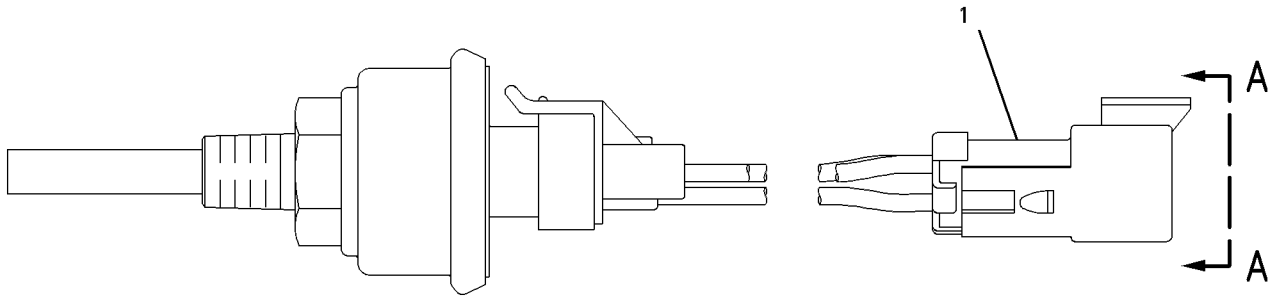
111-3794 SENSOR GP-COOLANT LEVEL

FIELD REPLACEMENT ORDER 165-6634-PAGE: 485, 239-9957-PAGE: 492
 PART OF 124-0121 SENSOR & MTG GP-EXPANSION TANK
 AN ATTACHMENT

SMCS-7422

i05379081

NOTE	REF NO	GRAPHIC REF	PART NUMBER	QTY	PART NAME						SEE PAGE
					1	2	3	4	5	6 (PRODUCT LEVEL)	
	1	1	102-8803	1	KIT-RECEPTACLE (3-PIN)						
					(INCLUDES RECEPTACLE AS & WEDGE)						
	2	1	8T-8729	3	PIN-CONNECTOR (16-GA TO 18-GA)						



VIEW A-A

GRAPHIC #1

<END>

g00625744

ELECTRICAL AND STARTING SYSTEM

165-6634 SENSOR GP-COOLANT LEVEL

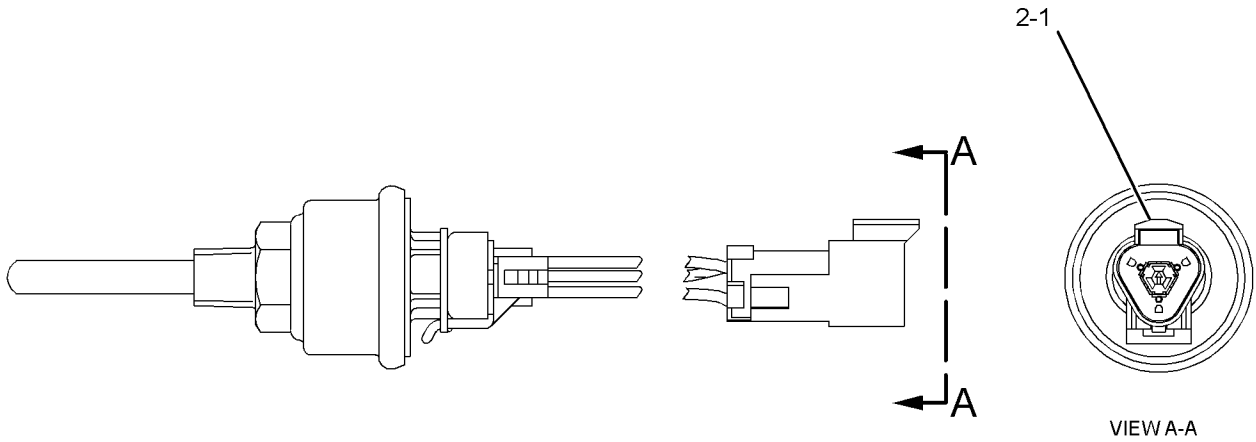
FIELD REPLACEMENT ORDER 239-9957-PAGE: 492

FIELD REPLACEMENT FOR 111-3794-PAGE: 484

SMCS-7422

i06894117

NOTE	REF NO	GRAPHIC REF	PART NUMBER	QTY	PART NAME 1 2 3 4 5 6 (PRODUCT LEVEL)	SEE PAGE
	1	1	102-8803	1	KIT-RECEPTACLE (3-PIN) (INCLUDES RECEPTACLE AS & WEDGE)	
	2	1	8T-8729	3	PIN-CONNECTOR (16-GA TO 18-GA)	



GRAPHIC #1

<END>

g01278073

ELECTRICAL AND STARTING SYSTEM

430-9449 SENSOR GP-COOLANT LEVEL

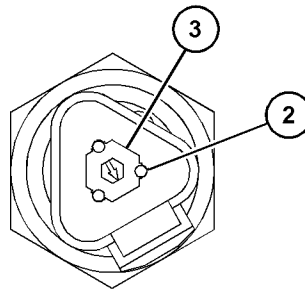
FIELD REPLACEMENT FOR 239-9957-PAGE: 492

PART OF 239-9957 SENSOR GP-LIQUID LEVEL

SMCS-7422

i07051197

NOTE	REF NO	GRAPHIC REF	PART NUMBER	QTY	PART NAME						SEE PAGE
					1	2	3	4	5	6 (PRODUCT LEVEL)	
	1	1	171-0596	1	RECEPTACLE AS-CONNECTOR (3-PIN)						
	2	1	8T-8729	3	PIN-CONNECTOR (16-GA TO 18-GA)						
	3	1	3E-3371	1	WEDGE-RECEPTACLE LOCK (3-PIN)						



VIEW A-A

GRAPHIC #1

<END>

g03842849

ELECTRICAL AND STARTING SYSTEM

109-4367 SENSOR GP-EXHAUST TEMPERATURE

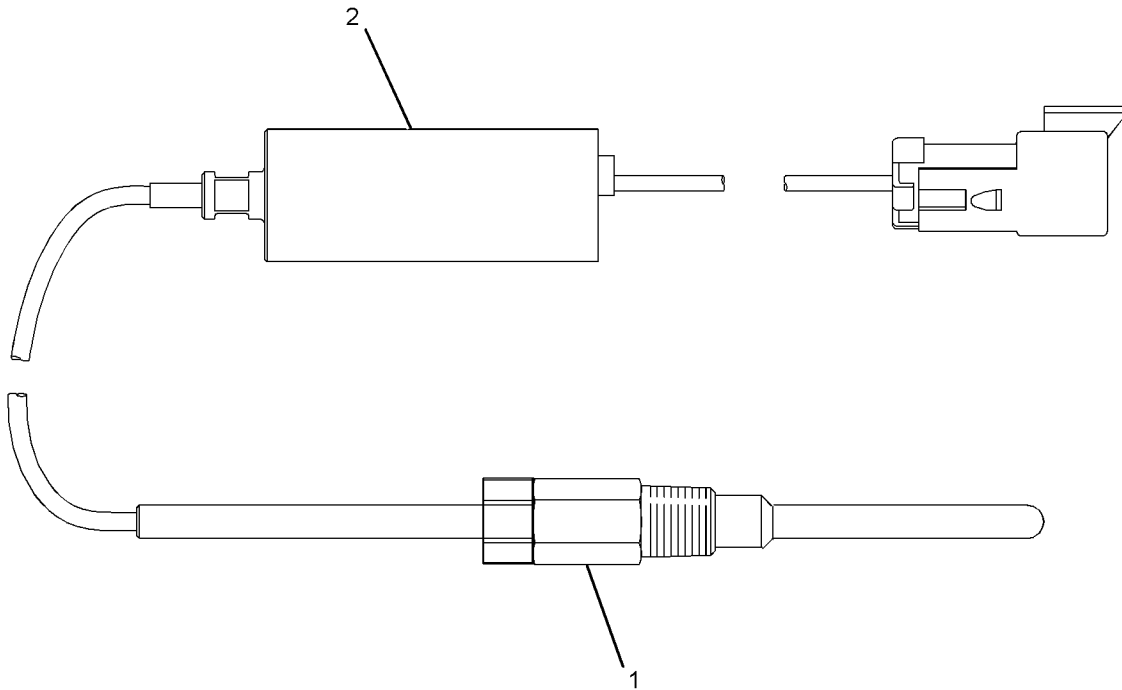
S/N: 3XS1-407

PART OF 132-6465, 132-6468 WIRING GP-ENGINE
AN ATTACHMENT

SMCS-1919

i06861506

NOTE	REF NO	GRAPHIC REF	PART NUMBER	QTY	PART NAME						SEE PAGE
					1	2	3	4	5	6 (PRODUCT LEVEL)	
	1	1	261-6847	1	ADAPTER						
	2	1	415-2432	1	SENSOR GP-TEMPERATURE (EXHAUST)						



GRAPHIC #1

<END>

g03725210

ELECTRICAL AND STARTING SYSTEM

163-7882 SENSOR GP-EXHAUST TEMPERATURE

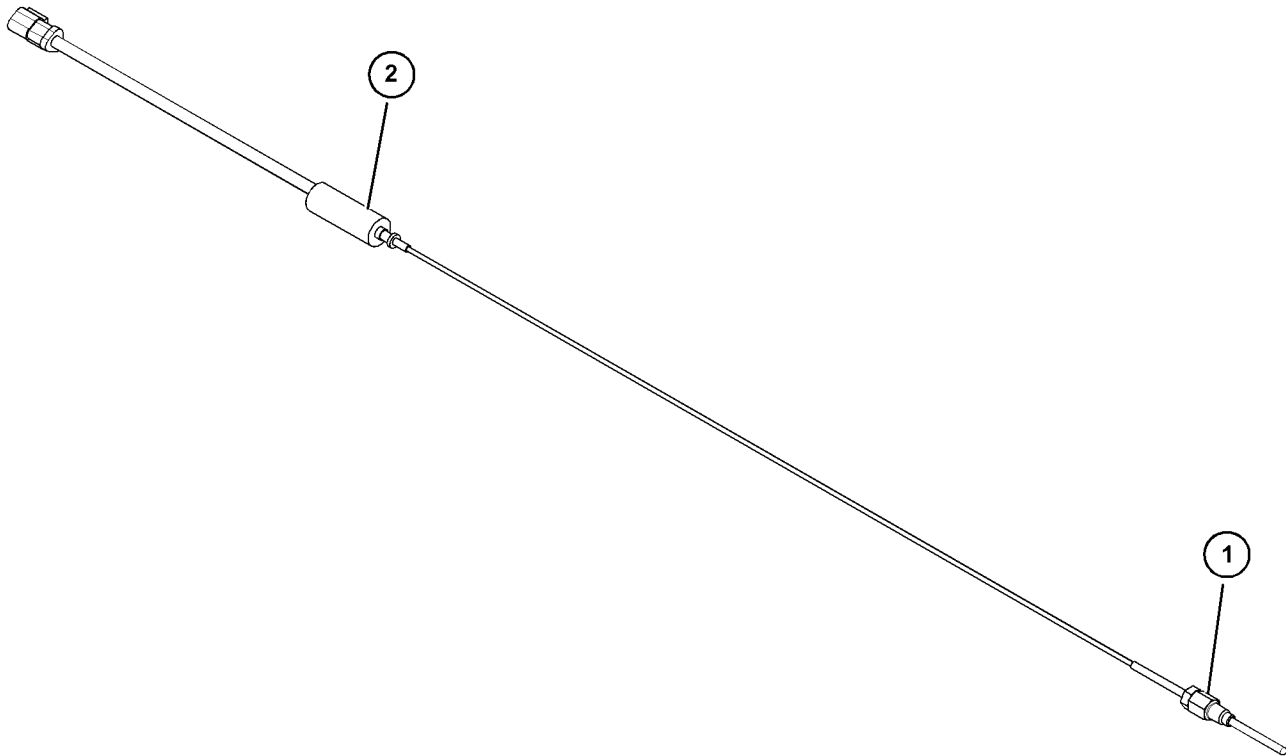
S/N: 3XS408-UP

FOR USE WITH 3-PIN PWM EXHAUST
PART OF 132-6468 WIRING GP-ENGINE
AN ATTACHMENT

SMCS-1919

i05709029

NOTE	REF NO	GRAPHIC REF	PART NUMBER	QTY	PART NAME						SEE PAGE
					1	2	3	4	5	6	
	1	1	261-6847	1	ADAPTER						
	2	1	415-2432	1	SENSOR GP-TEMPERATURE (EXHAUST) (EXHAUST)						
		1	102-8803	1	KIT-RECEPTACLE (3-PIN)						
					(INCLUDES RECEPTACLE AS & WEDGE)						
		1	9X-3401	3	PIN-CONNECTOR (16-GA TO 18-GA)						
					-OR-						
		1	126-1767	3	PIN-CONNECTOR (14-GA TO 16-GA)						



GRAPHIC #1

<END>

g03638309

ELECTRICAL AND STARTING SYSTEM

164-2441 SENSOR GP-EXHAUST TEMPERATURE

S/N: 3XS408-UP

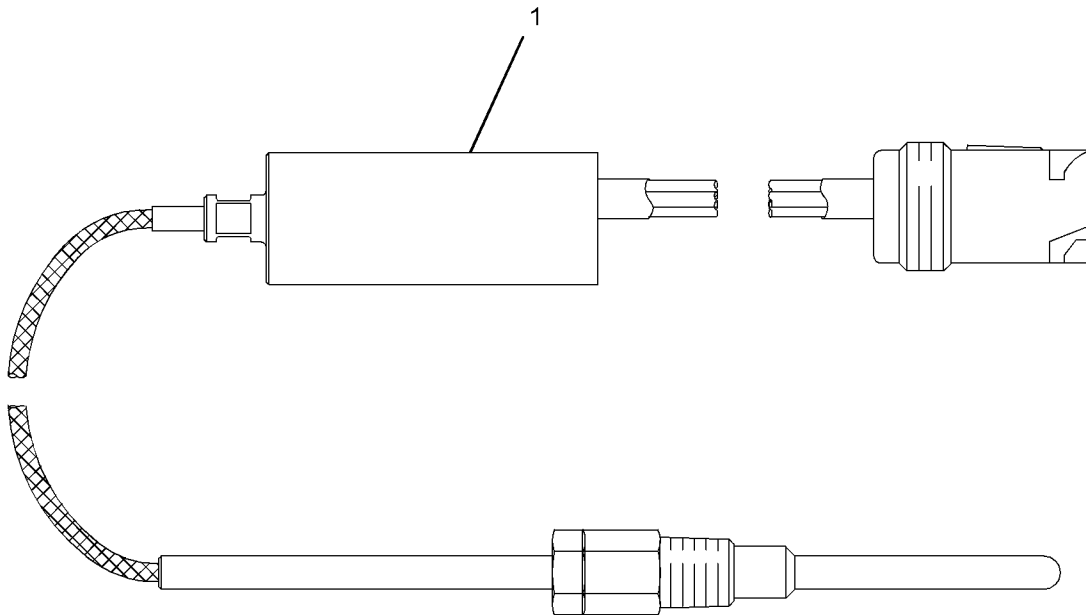
PART OF 152-0507 WIRING GP-ENGINE
AN ATTACHMENT

SMCS-1919

i06050674

NOTE	REF NO	GRAPHIC REF	PART NUMBER	QTY	PART NAME						SEE PAGE
					1	2	3	4	5	6 (PRODUCT LEVEL)	
Y	1	1	415-2429	1	SENSOR GP-EXHAUST TEMPERATURE						491

Y - SEPARATE ILLUSTRATION



GRAPHIC #1

<END>

g03675848

ELECTRICAL AND STARTING SYSTEM

3E-7826 SENSOR GP-EXHAUST TEMPERATURE

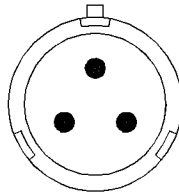
PART OF 152-0486, 152-0487, 152-0507 WIRING GP-ENGINE
AN ATTACHMENT

SMCS-1919

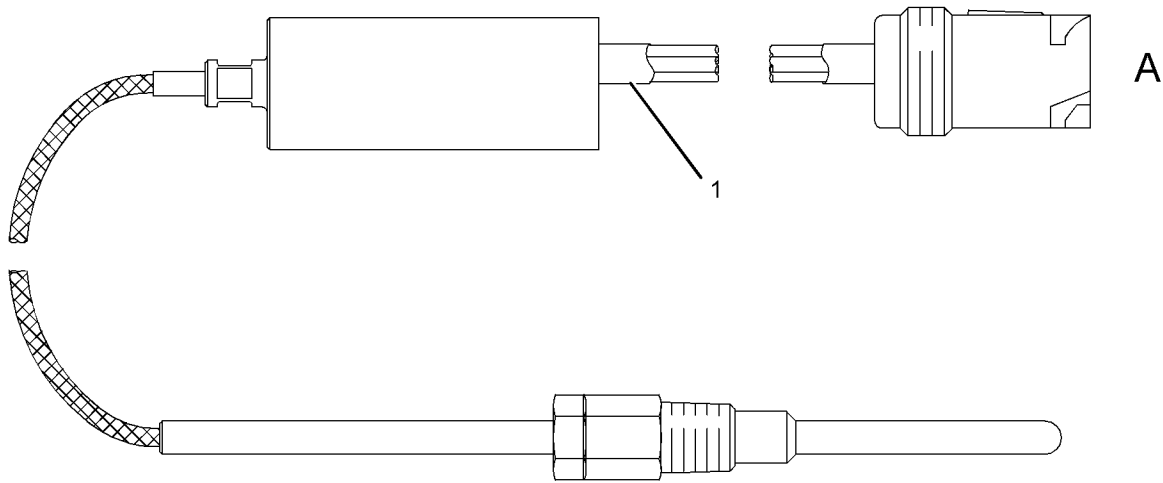
i05885966

NOTE	REF NO	GRAPHIC REF	PART NUMBER	QTY	PART NAME						SEE PAGE
					1	2	3	4	5	6 (PRODUCT LEVEL)	
Y	1	1	415-2429	1	SENSOR GP-EXHAUST TEMPERATURE						491

Y - SEPARATE ILLUSTRATION



VIEW OF AREA A



GRAPHIC #1

<END>

g03743891

ELECTRICAL AND STARTING SYSTEM

415-2429 SENSOR GP-EXHAUST TEMPERATURE

FIELD REPLACEMENT ORDER 1-261-6847 ADAPTER, 1-415-2433 SENSOR GP-TEMPERATURE
PART OF 164-2441, 3E-7826 SENSOR GP-EXHAUST TEMPERATURE
AN ATTACHMENT

SMCS-1919

i06972693

NOTE	PART NUMBER	QTY	PART NAME						SEE PAGE
			1	2	3	4	5	6 (PRODUCT LEVEL)	
	261-6847	1	ADAPTER						
	415-2433	1	SENSOR GP-TEMPERATURE						
<END>									

ELECTRICAL AND STARTING SYSTEM

239-9957 SENSOR GP-LIQUID LEVEL

COOLANT LOSS

FIELD REPLACEMENT ORDER 430-9449-PAGE: 486

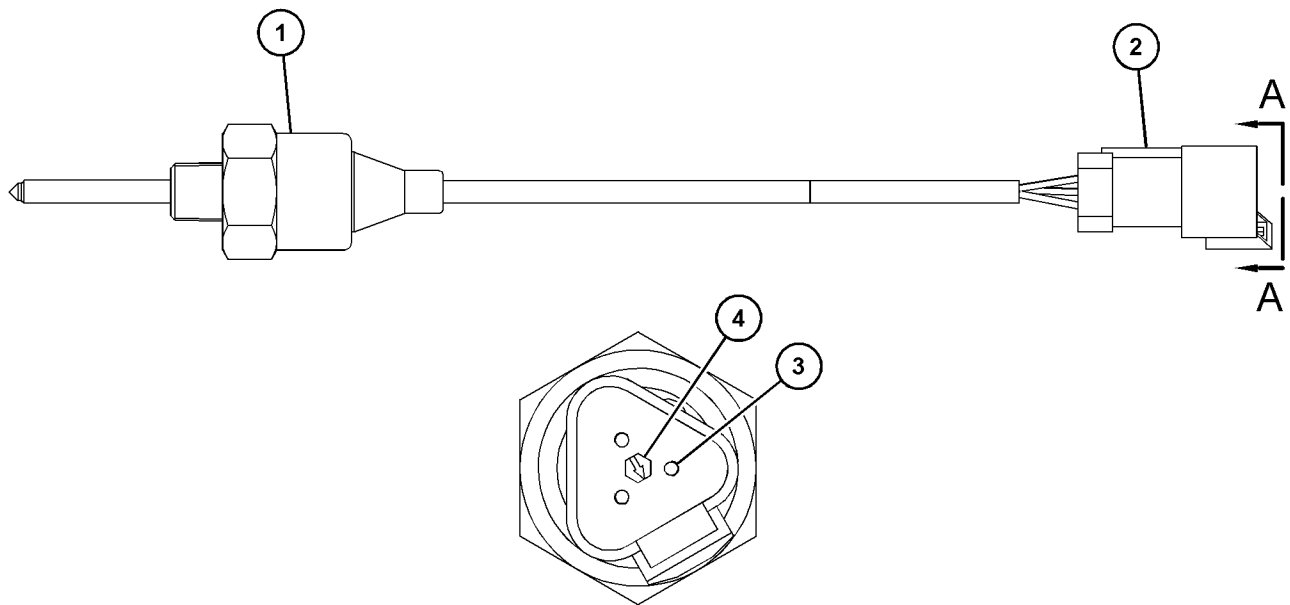
FIELD REPLACEMENT FOR 165-6634-PAGE: 485: FOR 111-3794-PAGE: 484

SMCS-7422

i06192519

NOTE	REF NO	GRAPHIC REF	PART NUMBER	QTY	PART NAME						SEE PAGE
					1	2	3	4	5	6 (PRODUCT LEVEL)	
Y	1	1	430-9449	1	SENSOR GP-COOLANT LEVEL						486
	2	1	171-0596	1	RECEPTACLE AS-CONNECTOR (3-PIN)						
	3	1	8T-8729	3	PIN-CONNECTOR (16-GA TO 18-GA)						
	4	1	3E-3371	1	WEDGE-RECEPTACLE LOCK (3-PIN)						

Y - SEPARATE ILLUSTRATION



VIEW A-A

GRAPHIC #1

<END>

g03845657

ELECTRICAL AND STARTING SYSTEM

111-8800 SENSOR GP-PRESSURE

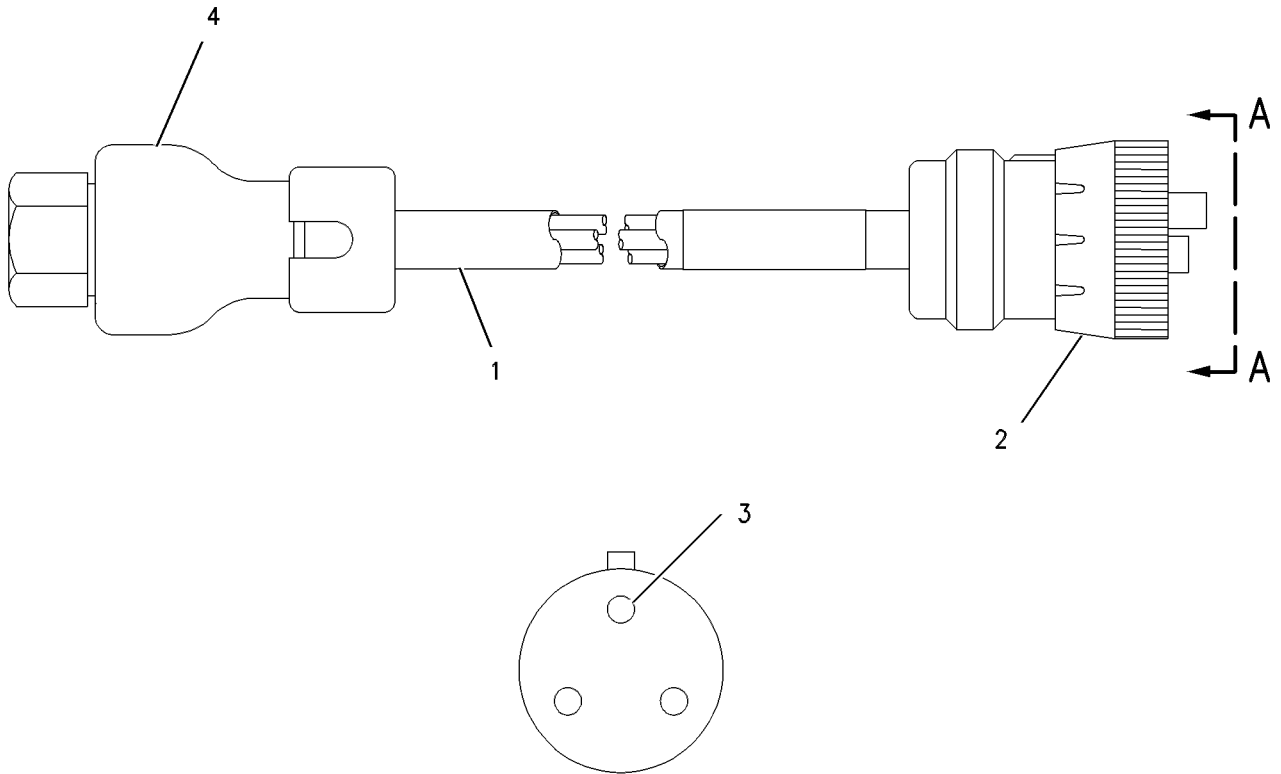
FIELD REPLACEMENT ORDER 163-8492-PAGE: 502
 PART OF 152-0486, 152-0487, 152-0507 WIRING GP-ENGINE
 AN ATTACHMENT

SMCS-1718, 1916, 1917, 1923, 1924, 1925

i01171733

NOTE	REF NO	GRAPHIC REF	PART NUMBER	QTY	PART NAME						SEE PAGE
					1	2	3	4	5	6 (PRODUCT LEVEL)	
E	1	1	9X-1813		SLEEVE (34CM)						
	2	1	8T-8731	1	PLUG-CONNECTOR (3-PIN)						
	3	1	8T-8730	3	SOCKET-CONNECTOR (16-GA TO 18-GA)						
E	4	1	150-7989		TUBE (3CM)						

E - ORDER BY THE CENTIMETER



VIEW A-A

GRAPHIC #1

<END>

g00625757

ELECTRICAL AND STARTING SYSTEM

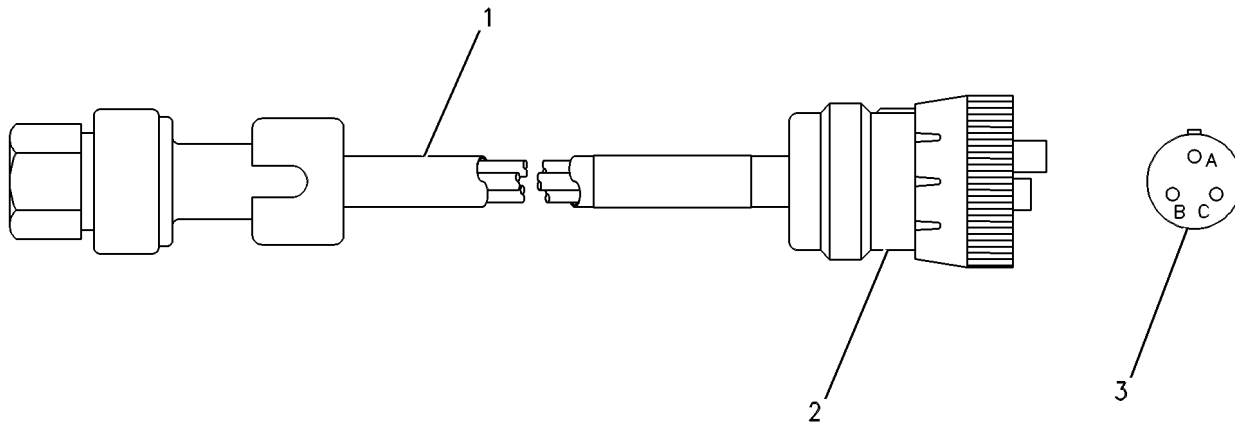
128-5415 SENSOR GP-PRESSURE PART OF 152-0486, 152-0487, 152-0507 WIRING GP-ENGINE AN ATTACHMENT

SMCS-1718, 1916, 1917, 1923, 1924, 1925

i00922300

NOTE	REF NO	GRAPHIC REF	PART NUMBER	QTY	PART NAME						SEE PAGE
					1	2	3	4	5	6 (PRODUCT LEVEL)	
E	1	1	9X-1813		SLEEVE (34CM)						
	2	1	8T-8731	1	PLUG-CONNECTOR (3-PIN)						
	3	1	8T-8730	3	SOCKET-CONNECTOR (16-GA TO 18-GA)						

E - ORDER BY THE CENTIMETER



GRAPHIC #1

<END>

g00284419

ELECTRICAL AND STARTING SYSTEM

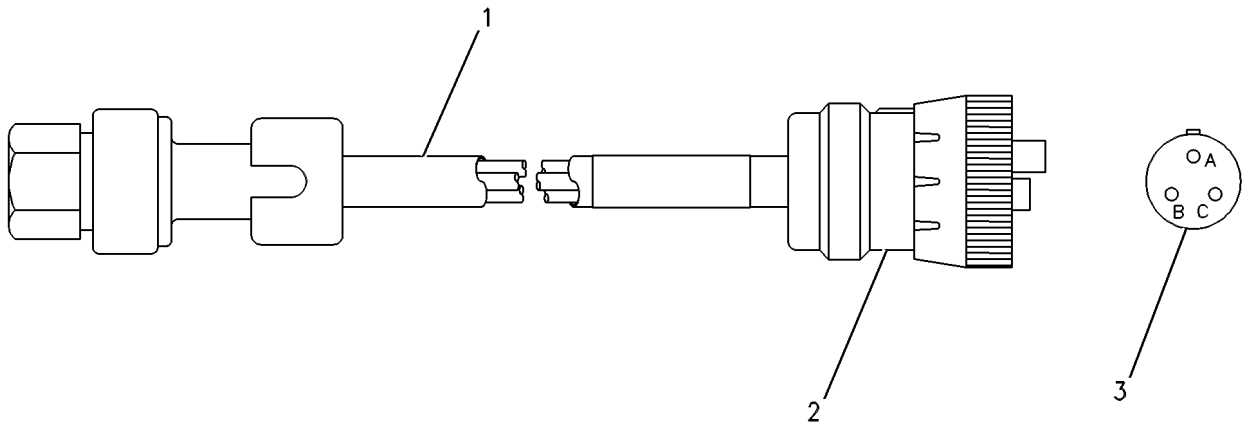
128-5416 SENSOR GP-PRESSURE PART OF 152-0486, 152-0487, 152-0507 WIRING GP-ENGINE AN ATTACHMENT

SMCS-1718, 1916, 1917, 1923, 1924, 1925

i00922307

NOTE	REF NO	GRAPHIC REF	PART NUMBER	QTY	PART NAME						SEE PAGE
					1	2	3	4	5	6 (PRODUCT LEVEL)	
E	1	1	9X-1813		SLEEVE (34CM)						
	2	1	8T-8731	1	PLUG-CONNECTOR (3-PIN)						
	3	1	8T-8730	3	SOCKET-CONNECTOR (16-GA TO 18-GA)						

E - ORDER BY THE CENTIMETER



GRAPHIC #1

<END>

g00284419

ELECTRICAL AND STARTING SYSTEM

143-9694 SENSOR GP-PRESSURE

S/N: 3XS1-407

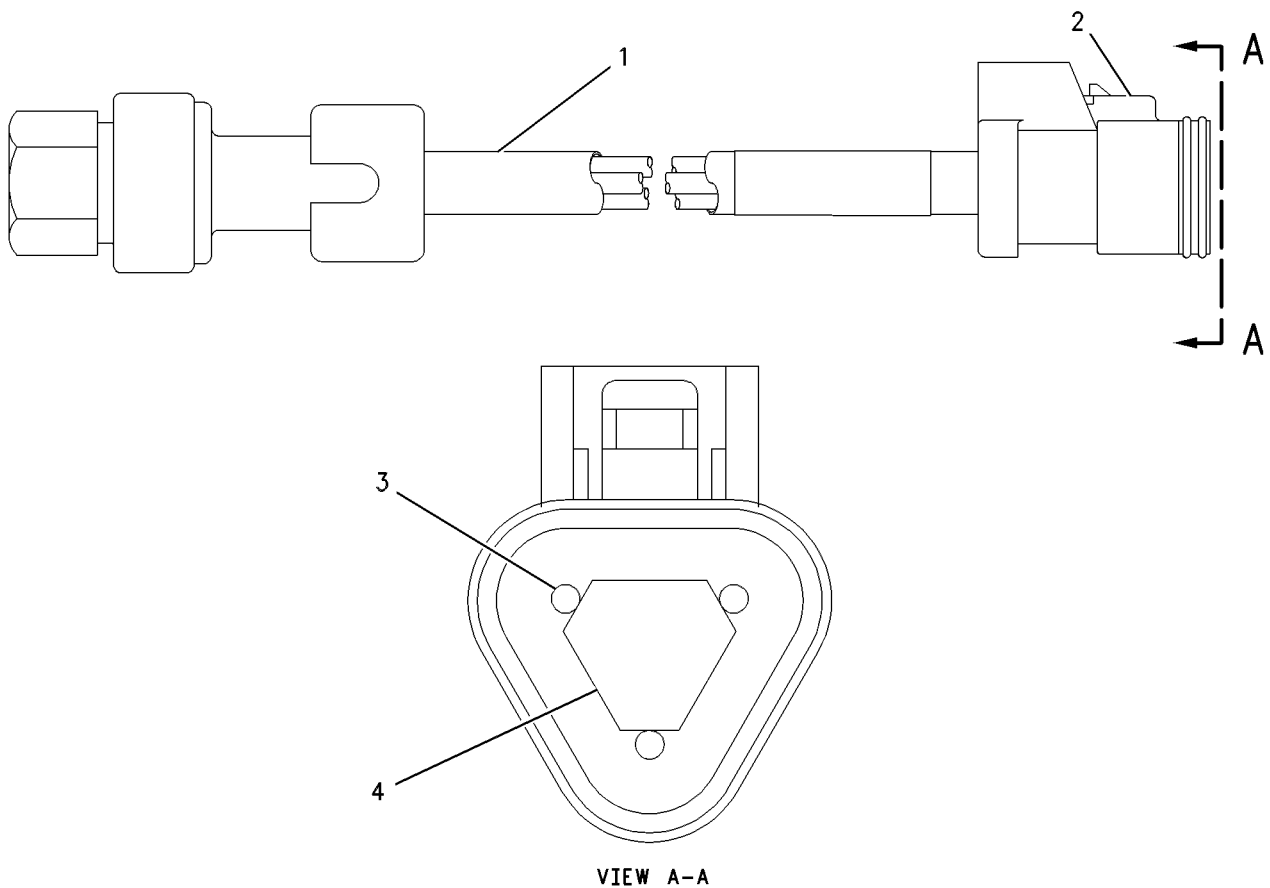
PART OF 132-6465, 132-6468 WIRING GP-ENGINE
AN ATTACHMENT

SMCS-1718, 1916, 1917, 1923, 1924, 1925

i02274327

NOTE	REF NO	GRAPHIC REF	PART NUMBER	QTY	PART NAME						SEE PAGE
					1	2	3	4	5	6 (PRODUCT LEVEL)	
E	1	1	9X-1813		SLEEVE (34-CM)						
	2	1	155-2260	1	KIT-CONNECTING PLUG (3-PIN) (INCLUDES PLUG AS & WEDGE)						
	3	1	8T-8730	3	SOCKET-CONNECTOR (16-GA TO 18-GA)						
	4	1	3E-3368	1	WEDGE-PLUG LOCK (3-PIN)						

E - ORDER BY THE CENTIMETER



GRAPHIC #1

<END>

g00286885

ELECTRICAL AND STARTING SYSTEM

143-9695 SENSOR GP-PRESSURE

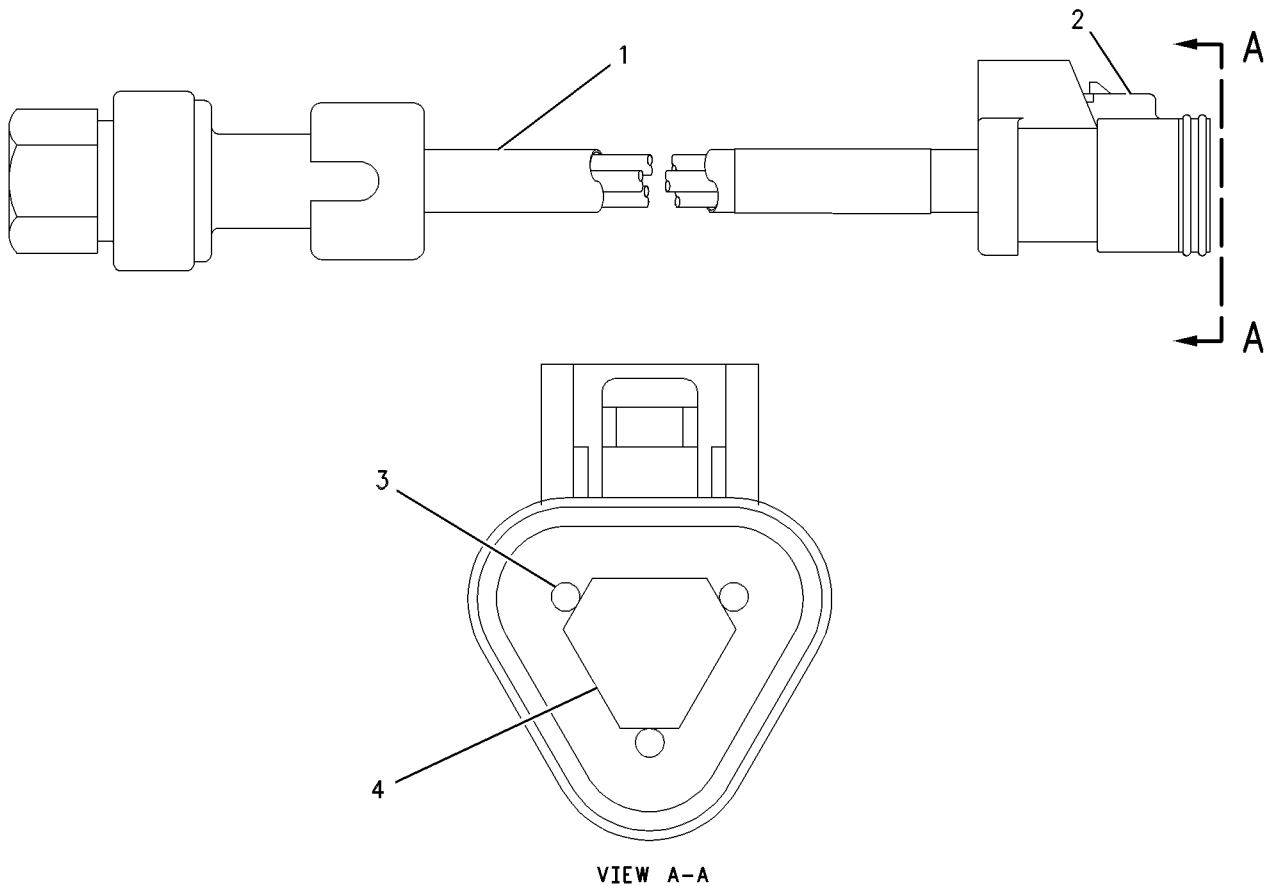
S/N: 3XS1-407

PART OF 132-6465, 132-6468 WIRING GP-ENGINE
AN ATTACHMENT

SMCS-1718, 1916, 1917, 1923, 1924, 1925

i02274326

NOTE	REF NO	GRAPHIC REF	PART NUMBER	QTY	PART NAME						SEE PAGE
					1	2	3	4	5	6 (PRODUCT LEVEL)	
E	1	1	9X-1813		SLEEVE (34-CM)						
	2	1	155-2260	1	KIT-CONNECTING PLUG (3-PIN) (INCLUDES PLUG AS & WEDGE)						
	3	1	8T-8730	3	SOCKET-CONNECTOR (16-GA TO 18-GA)						
	4	1	3E-3368	1	WEDGE-PLUG LOCK (3-PIN)						
	E - ORDER BY THE CENTIMETER										



GRAPHIC #1

<END>

g00286885

ELECTRICAL AND STARTING SYSTEM

143-9696 SENSOR GP-PRESSURE

S/N: 3XS1-407

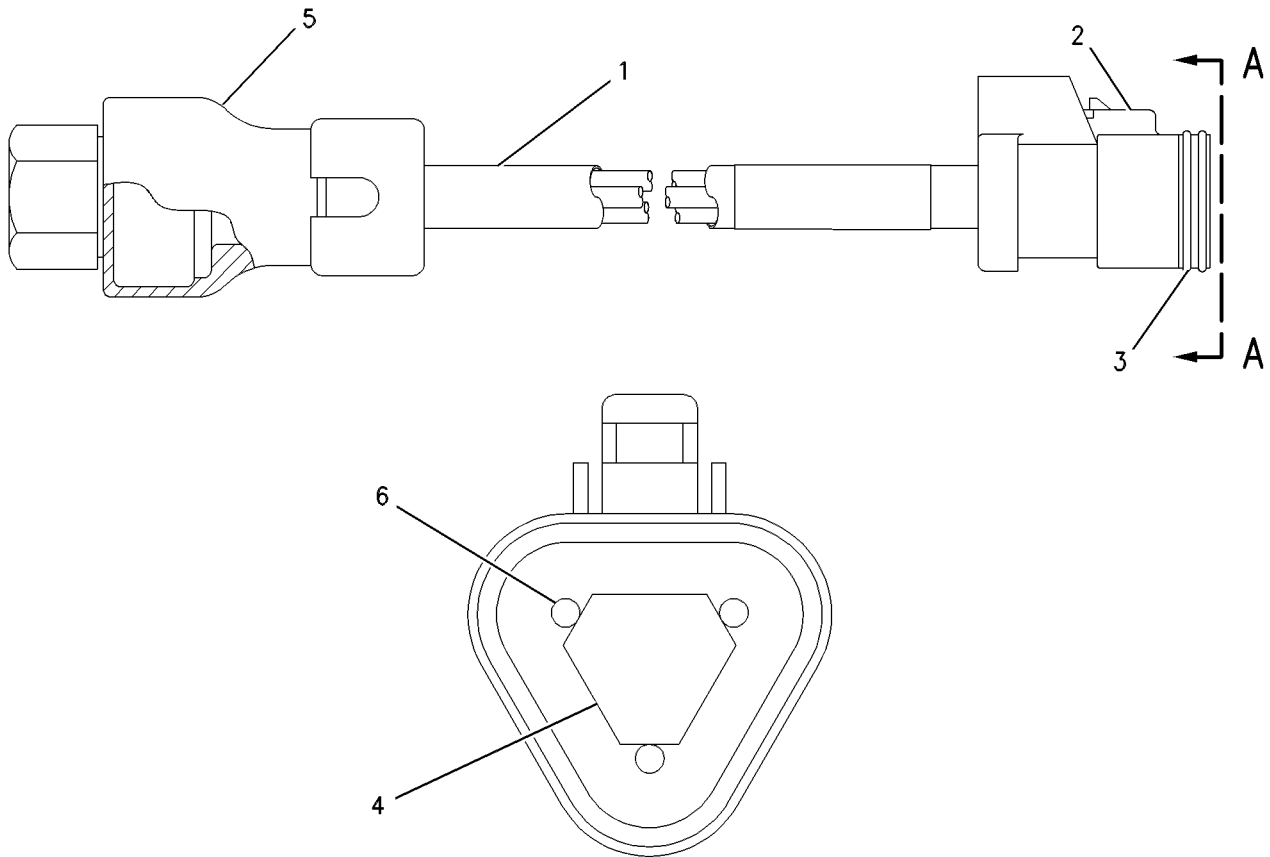
PART OF 132-6465, 132-6468 WIRING GP-ENGINE
AN ATTACHMENT

SMCS-1718, 1916, 1917, 1923, 1924, 1925

i02274331

NOTE	REF NO	GRAPHIC REF	PART NUMBER	QTY	PART NAME						SEE PAGE
					1	2	3	4	5	6 (PRODUCT LEVEL)	
E	1	1	9X-1813		SLEEVE (34-CM)						
	2	1	155-2260	1	KIT-CONNECTING PLUG (3-PIN) (INCLUDES PLUG AS & WEDGE)						
	3	1	102-8813	1	SEAL						
	4	1	3E-3368	1	WEDGE-PLUG LOCK (3-PIN)						
BE	5	1	150-7989		TUBE						
	6	1	8T-8730	3	SOCKET-CONNECTOR (16-GA TO 18-GA)						

B - USE AS REQUIRED
E - ORDER BY THE CENTIMETER



VIEW A-A

GRAPHIC #1

<END>

g00636435

ELECTRICAL AND STARTING SYSTEM

161-9926 SENSOR GP-PRESSURE

S/N: 3XS408-UP

OPTIONAL FIELD REPLACEMENT ORDER 350-0664 SENSOR GP-PRESSURE, 249-5293 HARNESS AS-SENSOR

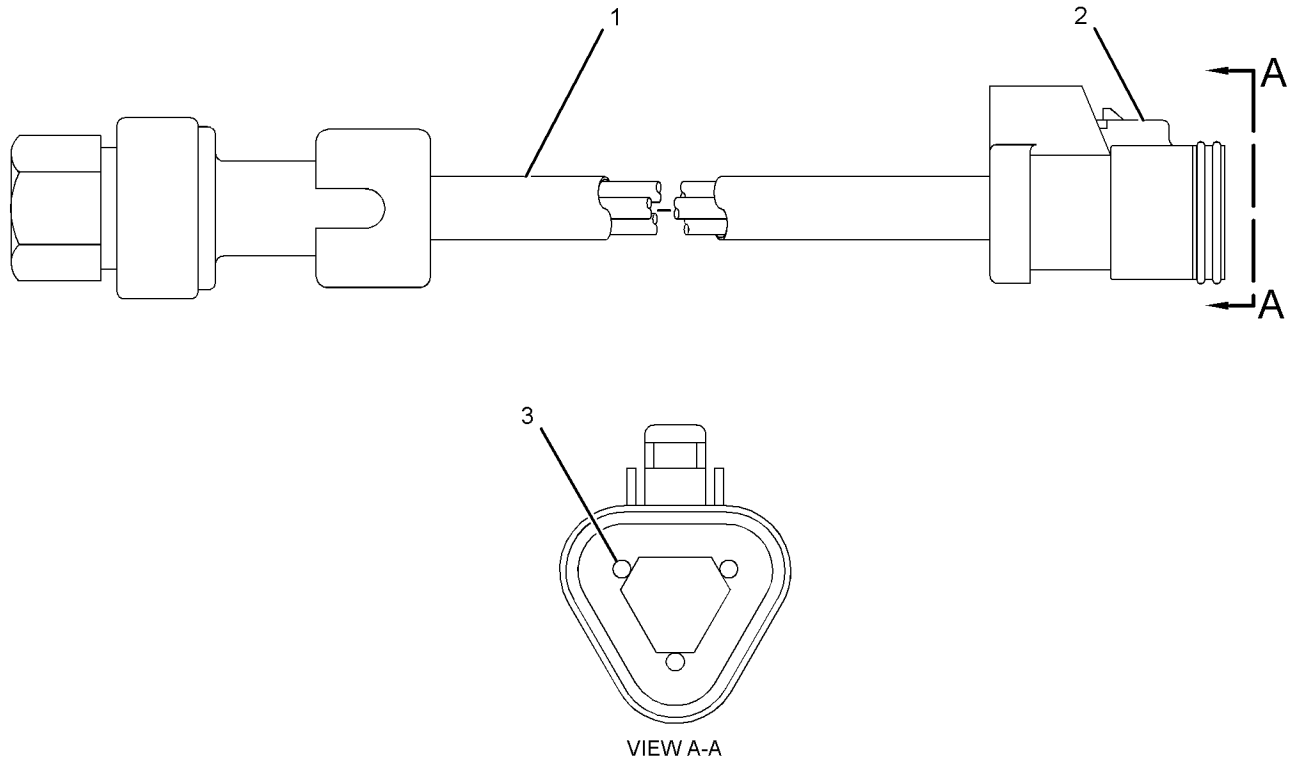
PART OF 132-6465, 132-6468 WIRING GP-ENGINE
AN ATTACHMENT

SMCS-1718, 1916, 1917, 1923, 1924, 1925

i05943990

NOTE	REF NO	GRAPHIC REF	PART NUMBER	QTY	PART NAME						SEE PAGE
					1	2	3	4	5	6 (PRODUCT LEVEL)	
E	1	1	9X-1813		SLEEVE (34-CM)						
	2	1	155-2260	1	KIT-CONNECTING PLUG (3-PIN) (INCLUDES PLUG AS, WEDGES & INTERFACE SEAL)						
	3	1	194-5226	3	WIRE AS (16-GA)						
					-OR-						
		1	194-5227	3	WIRE AS (14-GA)						

E - ORDER BY THE CENTIMETER



GRAPHIC #1

<END>

g02244736

ELECTRICAL AND STARTING SYSTEM

161-9929 SENSOR GP-PRESSURE

S/N: 3XS408-UP

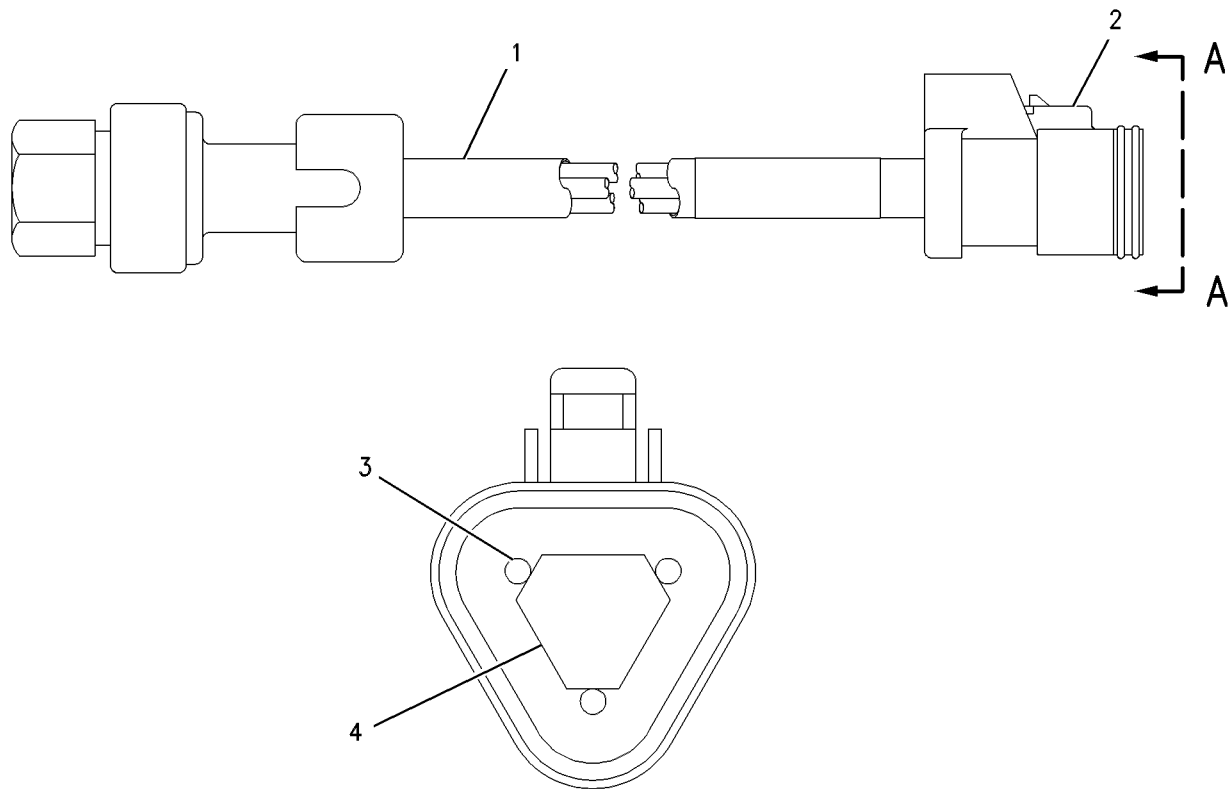
PART OF 132-6465, 132-6468 WIRING GP-ENGINE
AN ATTACHMENT

SMCS-1718, 1916, 1917, 1923, 1924, 1925

i02274433

NOTE	REF NO	GRAPHIC REF	PART NUMBER	QTY	PART NAME						SEE PAGE
					1	2	3	4	5	6 (PRODUCT LEVEL)	
E	1	1	138-3094		SLEEVE (34-CM)						
	2	1	155-2260	1	KIT-CONNECTING PLUG (3-PIN) (INCLUDES PLUG AS & WEDGE)						
	3	1	186-3736	3	SOCKET-CONNECTOR (16-GA TO 18-GA)						
	4	1	3E-3368	1	WEDGE-PLUG LOCK (3-PIN)						

E - ORDER BY THE CENTIMETER



VIEW A-A

GRAPHIC #1

<END>

g00468388

ELECTRICAL AND STARTING SYSTEM

161-9931 SENSOR GP-PRESSURE

S/N: 3XS408-UP

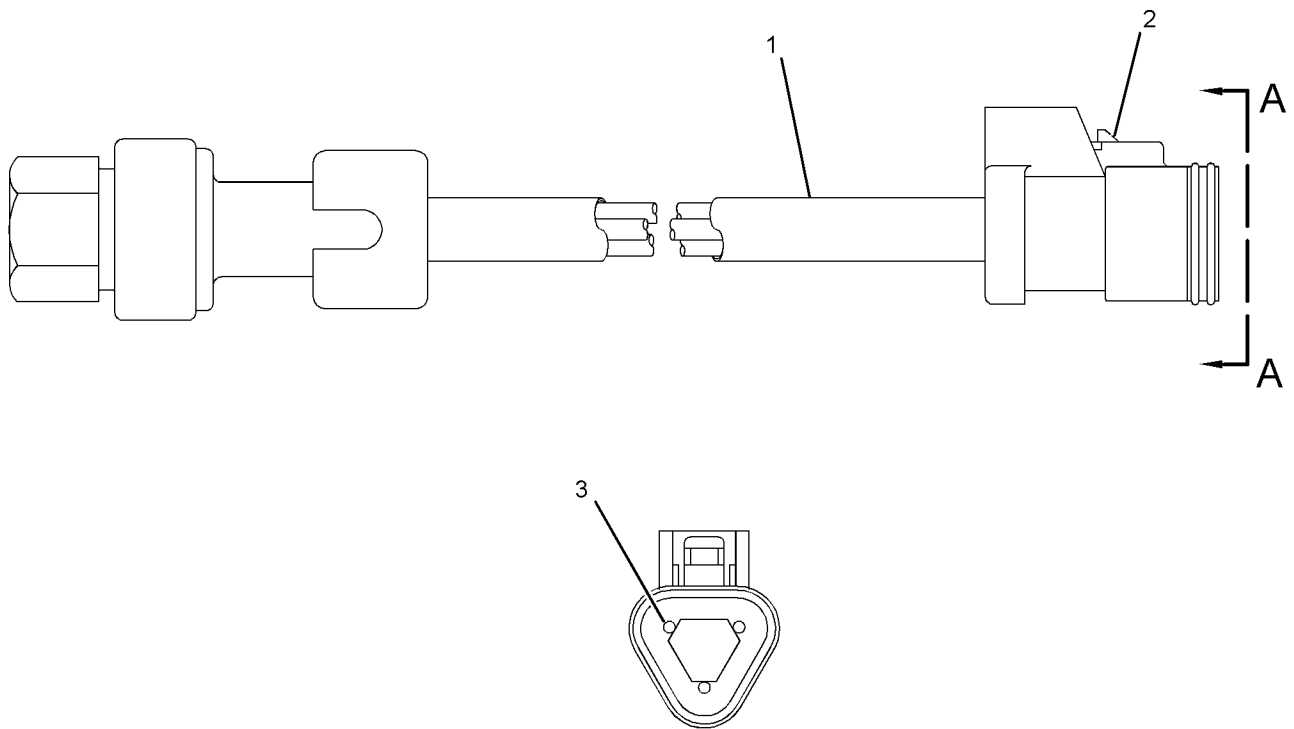
PART OF 132-6465, 132-6468 WIRING GP-ENGINE
AN ATTACHMENT

SMCS-1718, 1916, 1917, 1923, 1924, 1925

i03260221

NOTE	REF NO	GRAPHIC REF	PART NUMBER	QTY	PART NAME						SEE PAGE
					1	2	3	4	5	6 (PRODUCT LEVEL)	
E	1	1	9X-1813		SLEEVE (34-CM)						
	2	1	155-2260	1	KIT-CONNECTING PLUG (3-PIN) (INCLUDES PLUG AS, WEDGE & INTERFACE SEAL)						
	3	1	186-3736	3	SOCKET-CONNECTOR (16-GA TO 18-GA)						

E - ORDER BY THE CENTIMETER



VIEW A-A

GRAPHIC #1

<END>

g01662030

ELECTRICAL AND STARTING SYSTEM

163-8492 SENSOR GP-PRESSURE

S/N: 3XS408-UP

FIELD REPLACEMENT FOR 111-8800-PAGE: 493

PART OF 152-0507 WIRING GP-ENGINE

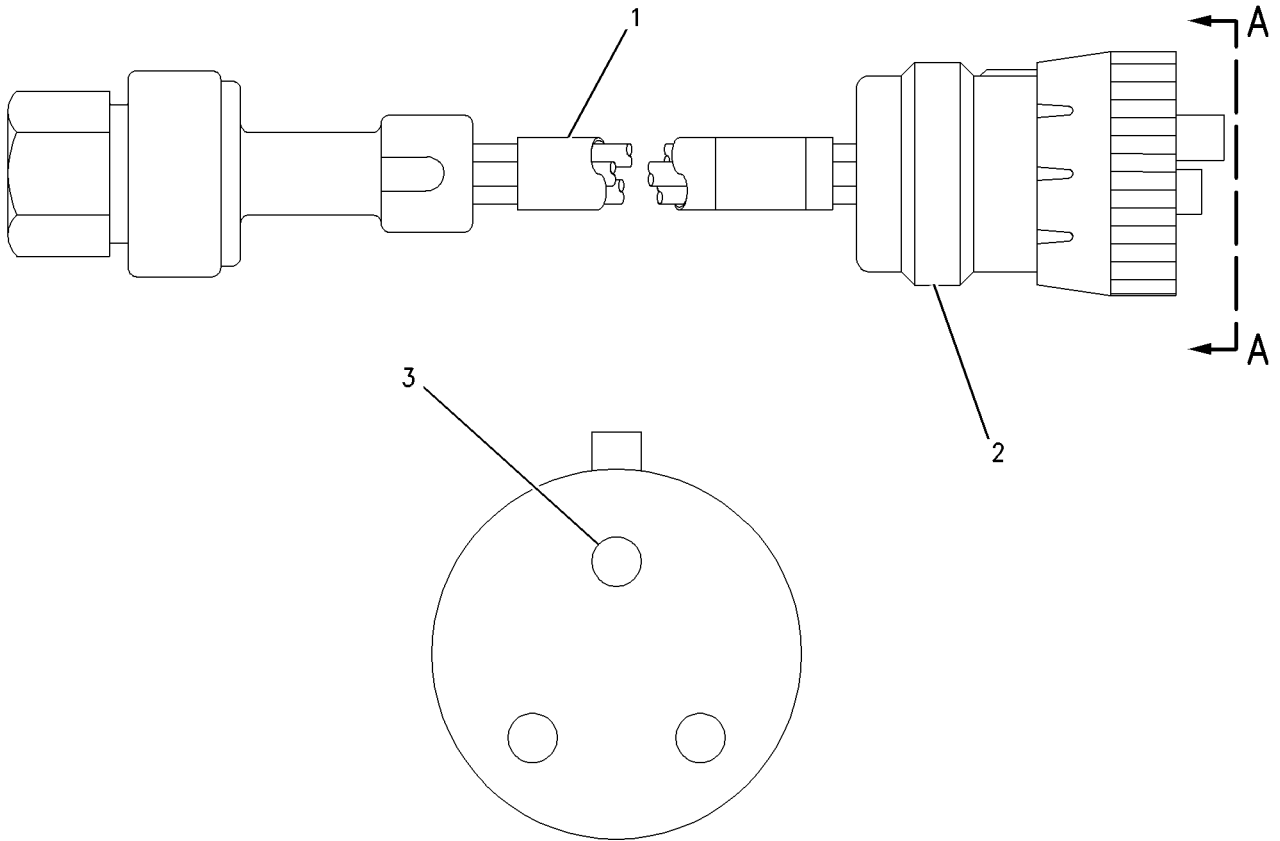
AN ATTACHMENT

SMCS-1718, 1916, 1917, 1923, 1924, 1925

i03442067

NOTE	REF NO	GRAPHIC REF	PART NUMBER	QTY	PART NAME						SEE PAGE
					1	2	3	4	5	6 (PRODUCT LEVEL)	
E	1	1	9X-1813		SLEEVE (34-CM)						
	2	1	8T-8731	1	PLUG-CONNECTOR (3-PIN)						
	3	1	180-9340	3	SOCKET-CONNECTOR (14-GA TO 18-GA) (14-GA TO 18-GA)						

E - ORDER BY THE CENTIMETER



VIEW A-A

GRAPHIC #1

<END>

g00745655

ELECTRICAL AND STARTING SYSTEM

194-6724 SENSOR GP-PRESSURE

S/N: 3XS408-UP

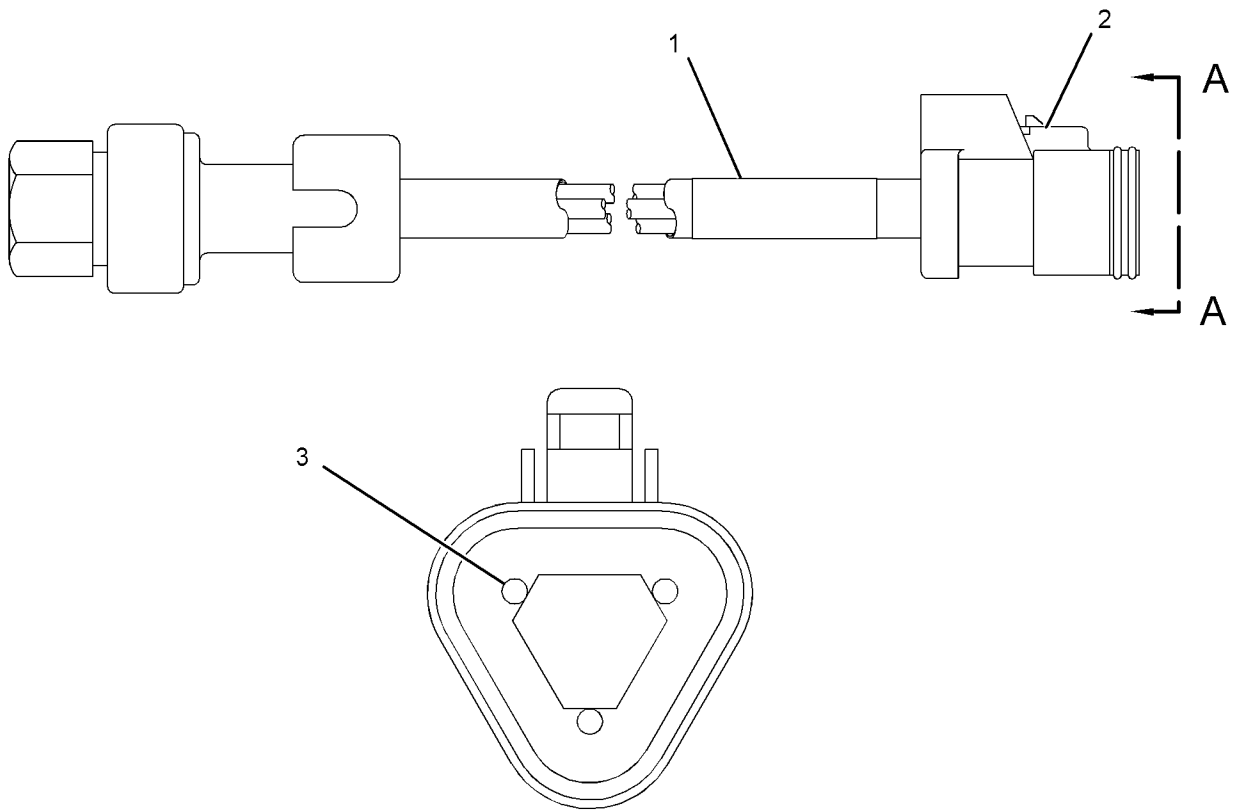
OPTIONAL FIELD REPLACEMENT ORDER 249-5293-PAGE: 429, 276-6793 SENSOR GP-PRESSURE
 FIELD REPLACEMENT FOR 161-9929-PAGE: 500
 PART OF 132-6468 WIRING GP-ENGINE
 AN ATTACHMENT

SMCS-1718, 1916, 1917, 1923, 1924, 1925

i04925948

NOTE	REF NO	GRAPHIC REF	PART NUMBER	QTY	PART NAME						SEE PAGE
					1	2	3	4	5	6 (PRODUCT LEVEL)	
E	1	1	9X-1813		SLEEVE (34-CM)						
	2	1	155-2260	1	KIT-CONNECTING PLUG (3-PIN) (INCLUDES PLUG AS, WEDGE & INTERFACE SEAL)						
	3	1	194-5226	3	WIRE AS (16-GA)						

E - ORDER BY THE CENTIMETER



VIEW A-A

GRAPHIC #1

<END>

g01662018

ELECTRICAL AND STARTING SYSTEM

194-6725 SENSOR GP-PRESSURE

S/N: 3XS408-UP

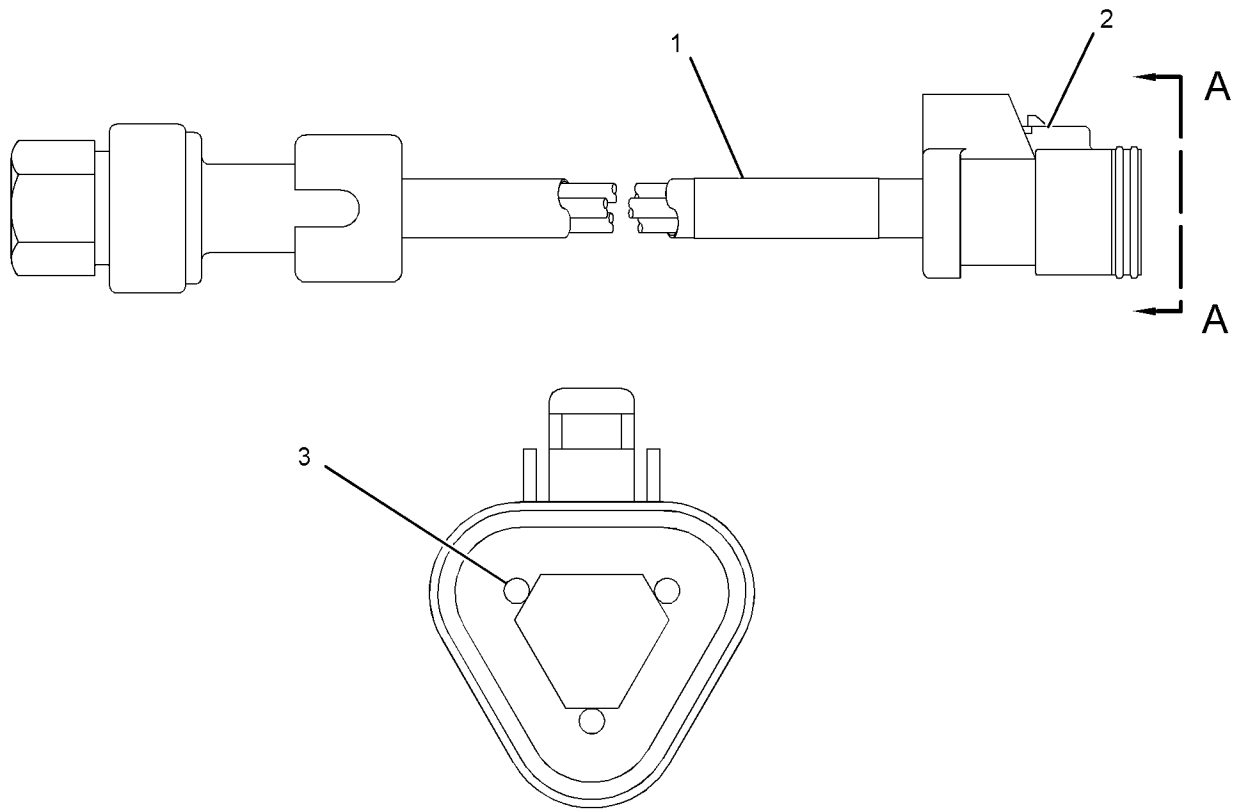
PART OF 132-6468 WIRING GP-ENGINE
AN ATTACHMENT

SMCS-1718, 1916, 1917, 1923, 1924, 1925

i05951693

NOTE	REF NO	GRAPHIC REF	PART NUMBER	QTY	PART NAME						SEE PAGE
					1	2	3	4	5	6 (PRODUCT LEVEL)	
E	1	1	9X-1813		SLEEVE (34-CM)						
	2	1	155-2260	1	KIT-CONNECTING PLUG (3-PIN)						
					(INCLUDES PLUG AS, WEDGE & INTERFACE SEAL)						
	3	1	194-5226	3	WIRE AS (16-GA)						
					-OR-						
		1	194-5227	3	WIRE AS (14-GA)						

E - ORDER BY THE CENTIMETER



VIEW A-A

GRAPHIC #1

<END>

g01662003

ELECTRICAL AND STARTING SYSTEM

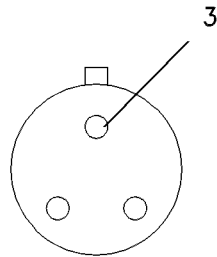
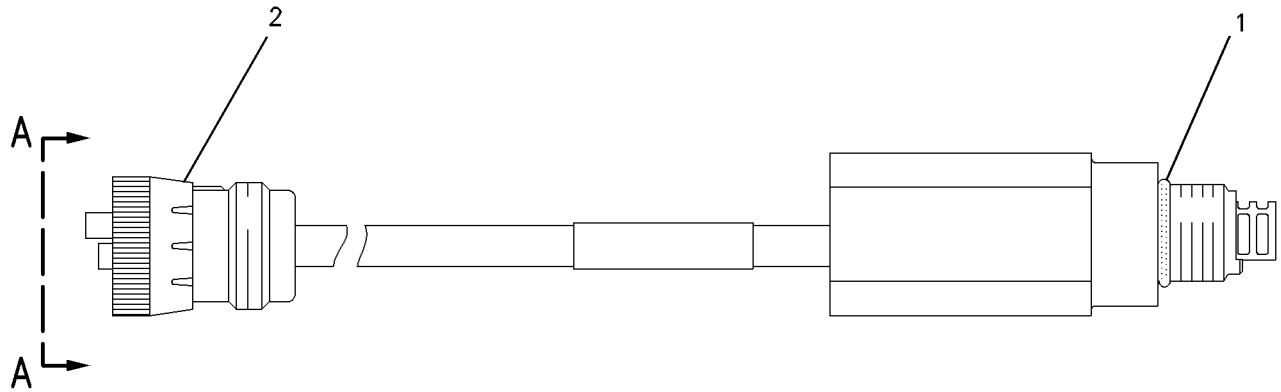
102-9029 SENSOR GP-SPEED

FIELD REPLACEMENT ORDER 265-9034-PAGE: 508
 PART OF 152-0486, 152-0487, 152-0507 WIRING GP-ENGINE
 AN ATTACHMENT

SMCS-1907

i02602010

NOTE	REF NO	GRAPHIC REF	PART NUMBER	QTY	PART NAME						SEE PAGE
					1	2	3	4	5	6 (PRODUCT LEVEL)	
	1	1	8L-2786	1	SEAL-O-RING						
	2	1	8T-8731	1	PLUG-CONNECTOR (3-PIN)						
	3	1	186-3736	3	SOCKET-CONNECTOR (16-GA TO 18-GA)						



VIEW A-A

GRAPHIC #1

<END>

g00625678

ELECTRICAL AND STARTING SYSTEM

129-6628 SENSOR GP-SPEED

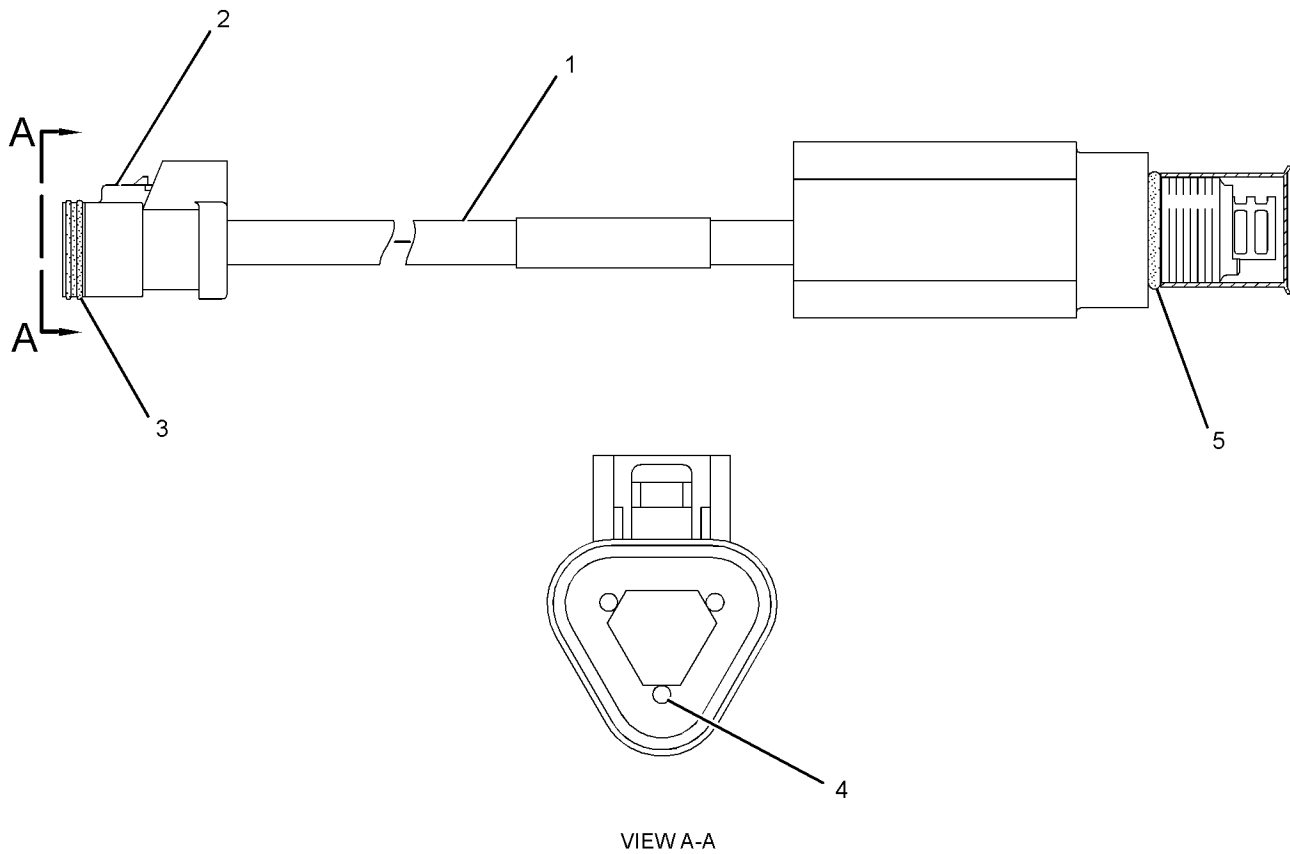
FIELD REPLACEMENT ORDER 273-5041-PAGE: 509
 PART OF 132-6465, 132-6468 WIRING GP-ENGINE
 AN ATTACHMENT

SMCS-1907

i03480400

NOTE	REF NO	GRAPHIC REF	PART NUMBER	QTY	PART NAME						SEE PAGE
					1	2	3	4	5	6 (PRODUCT LEVEL)	
BE	1	1	9X-1813		SLEEVE (31-CM)						
	2	1	155-2260	1	KIT-CONNECTING PLUG (3-PIN) (INCLUDES PLUG AS & WEDGE)						
	3	1	102-8813	1	SEAL						
	4	1	186-3736	3	SOCKET-CONNECTOR (16-GA TO 18-GA)						
	5	1	8L-2786	1	SEAL-O-RING						

B - USE AS REQUIRED
 E - ORDER BY THE CENTIMETER



GRAPHIC #1

<END>

g01820882

ELECTRICAL AND STARTING SYSTEM

189-5746 SENSOR GP-SPEED

S/N: 3XS408-UP

FIELD REPLACEMENT ORDER 318-1181-PAGE: 510

PART OF 132-6468 WIRING GP-ENGINE

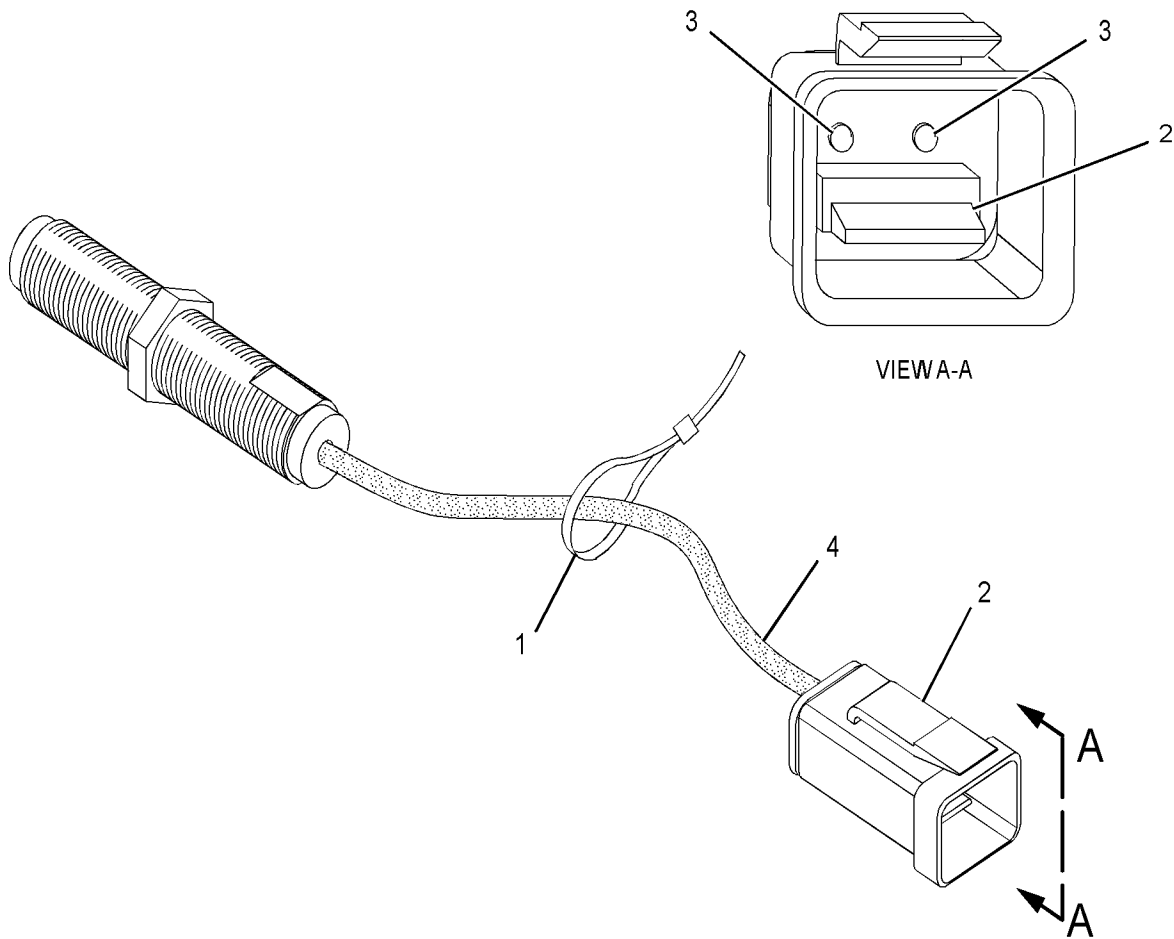
AN ATTACHMENT

SMCS-1907

i06128272

NOTE	REF NO	GRAPHIC REF	PART NUMBER	QTY	PART NAME						SEE PAGE
					1	2	3	4	5	6 (PRODUCT LEVEL)	
	1	1	171-5349	1	STRAP-MARKER						
	2	1	102-8802	1	KIT-RECEPTACLE (2-PIN)						
					(INCLUDES RECEPTACLE AS & WEDGE)						
	3	1	126-1767	2	PIN-CONNECTOR (14-GA TO 16-GA)						
					-OR-						
		1	9X-3401	2	PIN-CONNECTOR (16-GA TO 18-GA)						
E	4	1	9X-1386		SLEEVE (14-CM)						

E - ORDER BY THE CENTIMETER



GRAPHIC #1

<END>

g01353977

ELECTRICAL AND STARTING SYSTEM

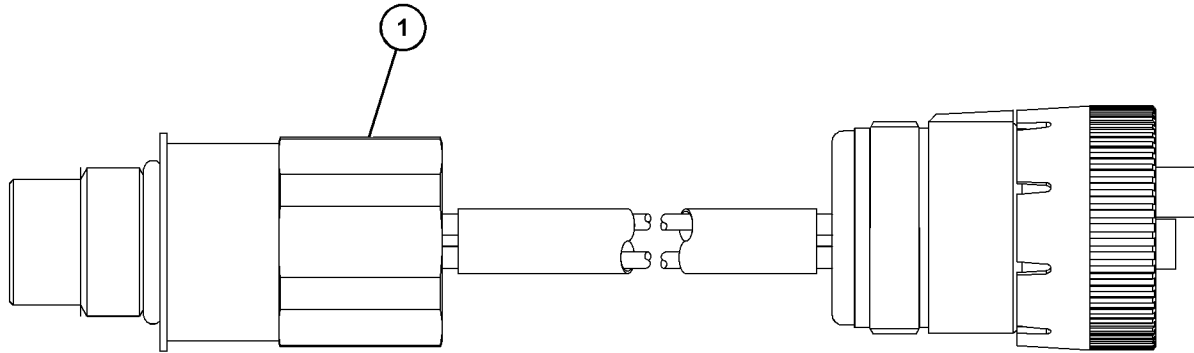
265-9034 SENSOR GP-SPEED

FIELD REPLACEMENT FOR 102-9029-PAGE: 505

SMCS-1907

i06937440

NOTE	REF NO	GRAPHIC REF	PART NUMBER	QTY	PART NAME						SEE PAGE
					1	2	3	4	5	6 (PRODUCT LEVEL)	
	1	1	522-1642	1	SENSOR AS-SPEED						
		1	8T-8731	1	PLUG-CONNECTOR (3-PIN)						
		1	117-8766	1	SEAL-O-RING						
		1	133-1207	1	WASHER (21.1X28.1X0.9-MM THK)						
		1	194-5226	3	WIRE AS (16-GA)						
					-OR-						
		1	194-5227	3	WIRE AS (14-GA)						



GRAPHIC #1

<END>

g06175268

ELECTRICAL AND STARTING SYSTEM

273-5041 SENSOR GP-SPEED

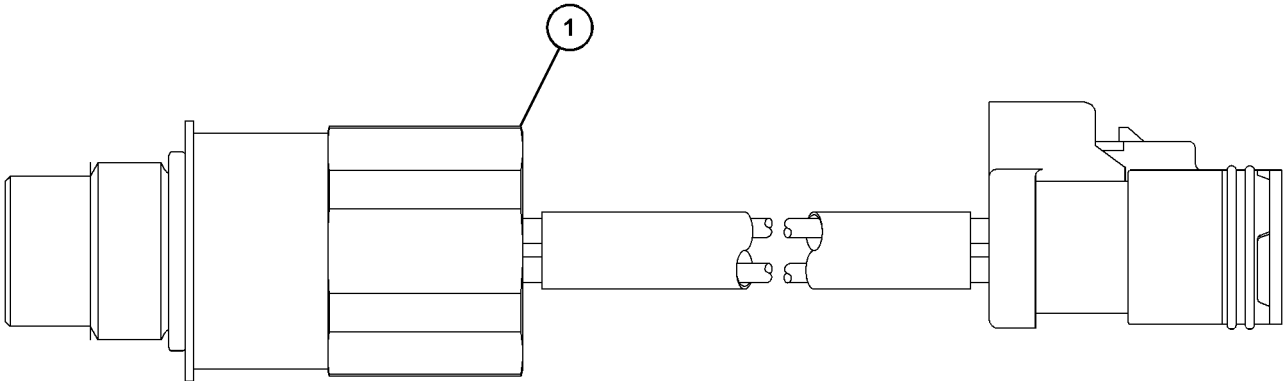
FIELD REPLACEMENT FOR 129-6628—PAGE: 506

FOR USE WITH FIELD REPLACEMENT OF 129-6628 ON THE FOLLOWING ENGINES ONLY, 3508,
3512, 3508B, 3512B, 3516B, & 3524B

SMCS-1907

i06921602

NOTE	REF NO	GRAPHIC REF	PART NUMBER	QTY	PART NAME						SEE PAGE
					1	2	3	4	5	6 (PRODUCT LEVEL)	
	1	1	522-1643	1	SENSOR GP-SPEED						
		1	155-2260	1	KIT-CONNECTING PLUG (3-PIN)						
					(INCLUDES PLUG AS, WEDGE & INTERFACE SEAL)						
		1	194-5226	3	WIRE AS (16-GA)						
					-OR-						
		1	194-5227	3	WIRE AS (14-GA)						
		1	117-8766	1	SEAL-O-RING						
		1	133-1207	1	WASHER (21.1X28.1X0.9-MM THK)						



GRAPHIC #1

<END>

g06138254

ELECTRICAL AND STARTING SYSTEM

318-1181 SENSOR GP-SPEED

MAGNETIC, LOW OUTPUT

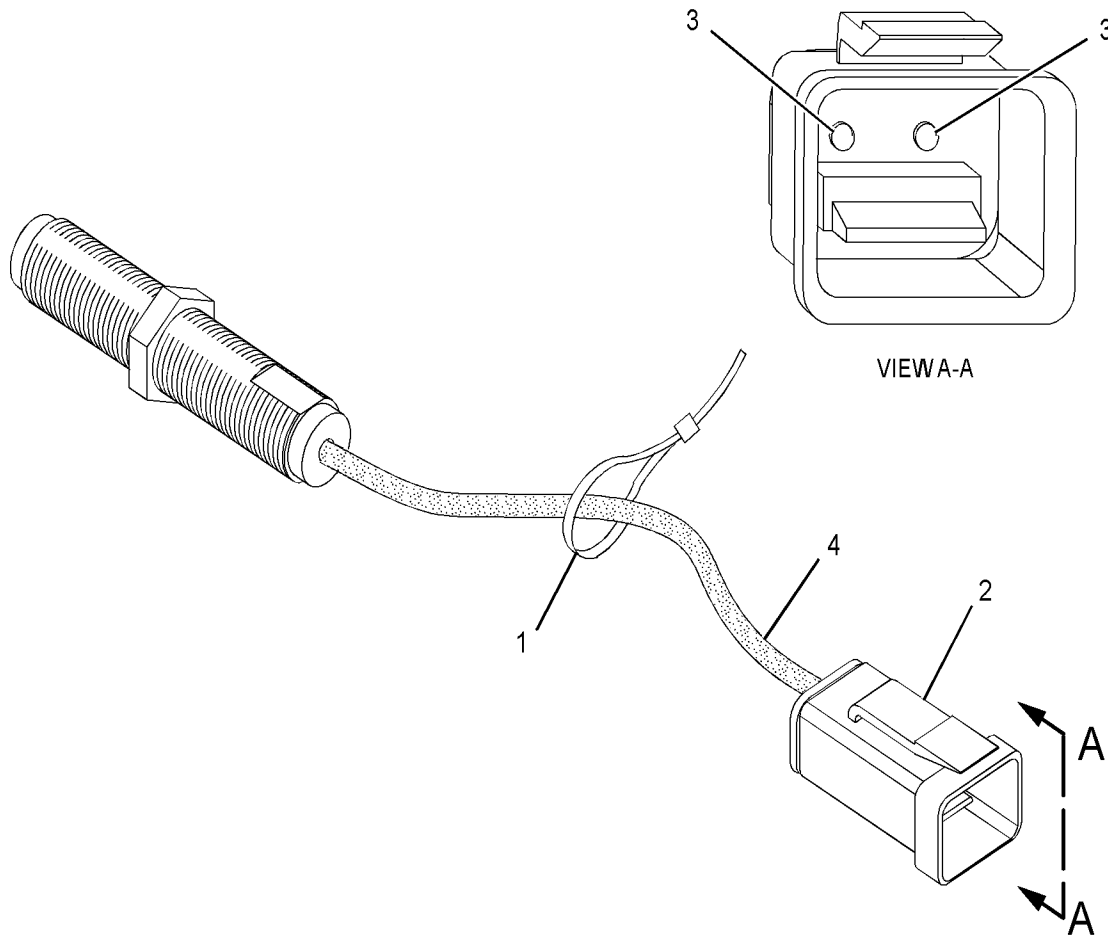
FIELD REPLACEMENT FOR 189-5746-PAGE: 507: FOR 3E-7886

SMCS-1907

i06972738

NOTE	REF NO	GRAPHIC REF	PART NUMBER	QTY	PART NAME						SEE PAGE
					1	2	3	4	5	6 (PRODUCT LEVEL)	
	1	1	171-5349	1	STRAP-MARKER						
	2	1	102-8802	1	KIT-RECEPTACLE (2-PIN)						
					(INCLUDES RECEPTACLE AS & WEDGE)						
	3	1	9X-3401	2	PIN-CONNECTOR (16-GA TO 18-GA)						
					-OR-						
		1	126-1767	2	PIN-CONNECTOR (14-GA TO 16-GA)						
E	4	1	9X-1386		SLEEVE (14-CM)						

E - ORDER BY THE CENTIMETER



GRAPHIC #1

<END>

g03381476

ELECTRICAL AND STARTING SYSTEM

102-2240 SENSOR GP-TEMPERATURE

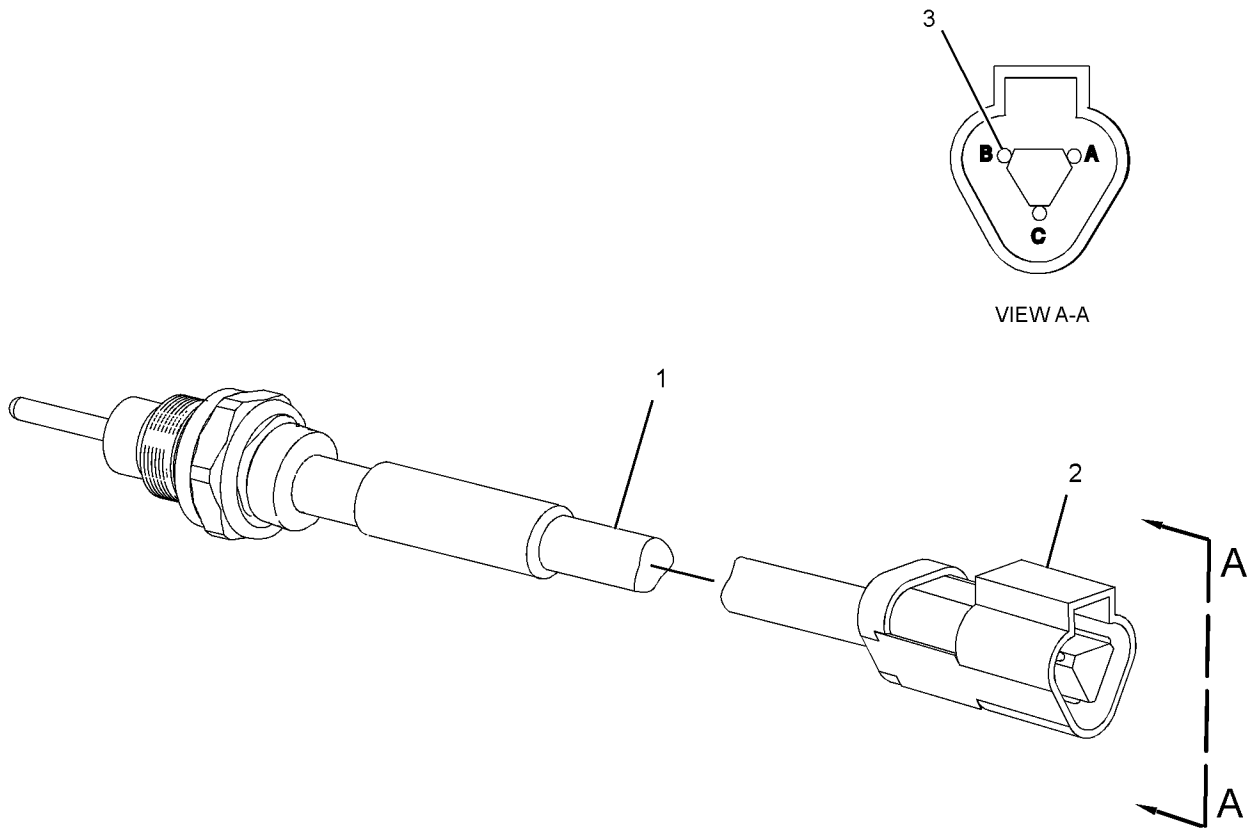
PART OF 163-1462 SENSOR & MTG GP-ELECTRIC
AN ATTACHMENT

SMCS-1906, 1919, 1921, 1922, 1928, 1929

i06679781

NOTE	REF NO	GRAPHIC REF	PART NUMBER	QTY	PART NAME						SEE PAGE
					1	2	3	4	5	6 (PRODUCT LEVEL)	
E	1	1	9X-1813		SLEEVE (34-CM)						
	2	1	102-8803	1	KIT-RECEPTACLE (3-PIN)						
						(INCLUDES RECEPTACLE AS & WEDGE)					
	3	1	8T-8729	3	PIN-CONNECTOR (16-GA TO 18-GA)						

E - ORDER BY THE CENTIMETER



GRAPHIC #1

<END>

g01965958

ELECTRICAL AND STARTING SYSTEM

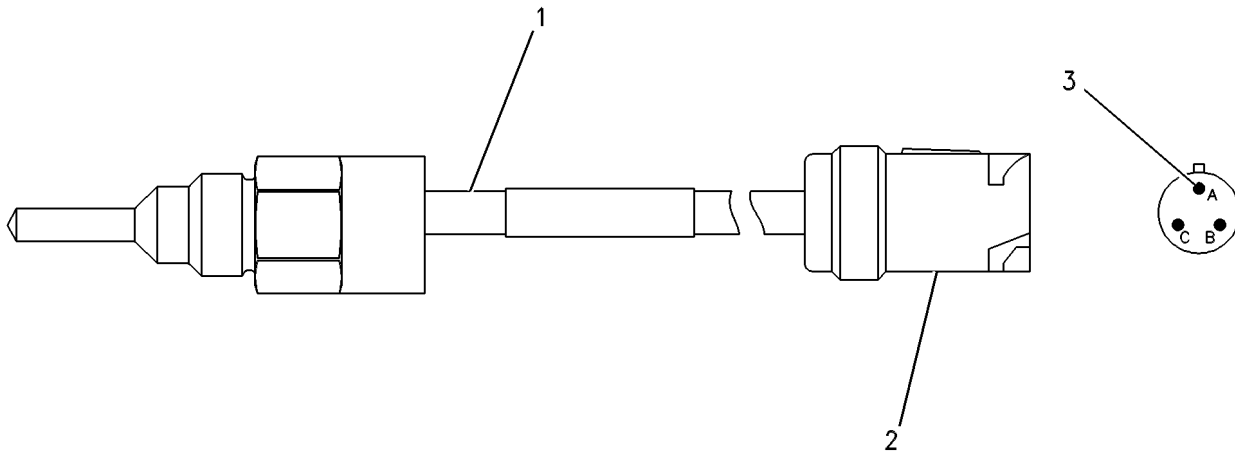
128-4347 SENSOR GP-TEMPERATURE PART OF 152-0486, 152-0487, 152-0507 WIRING GP-ENGINE AN ATTACHMENT

SMCS-1906, 1919, 1921, 1922, 1928, 1929

i04183480

NOTE	REF NO	GRAPHIC REF	PART NUMBER	QTY	PART NAME						SEE PAGE
					1	2	3	4	5	6 (PRODUCT LEVEL)	
E	1	1	9X-1813		SLEEVE (34-CM)						
	2	1	8T-8732	1	RECEPTACLE-CONNECTOR (3-PIN)						
	3	1	8T-8729	3	PIN-CONNECTOR (16-GA TO 18-GA)						

E - ORDER BY THE CENTIMETER



GRAPHIC #1

<END>

g00284420

ELECTRICAL AND STARTING SYSTEM

195-2150 SENSOR GP-TEMPERATURE

PART OF 132-9436, 132-9437 WIRING GP-ENGINE

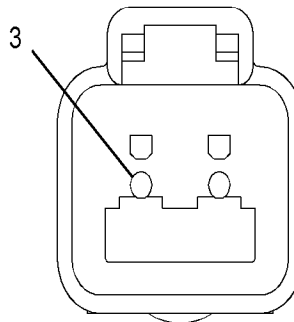
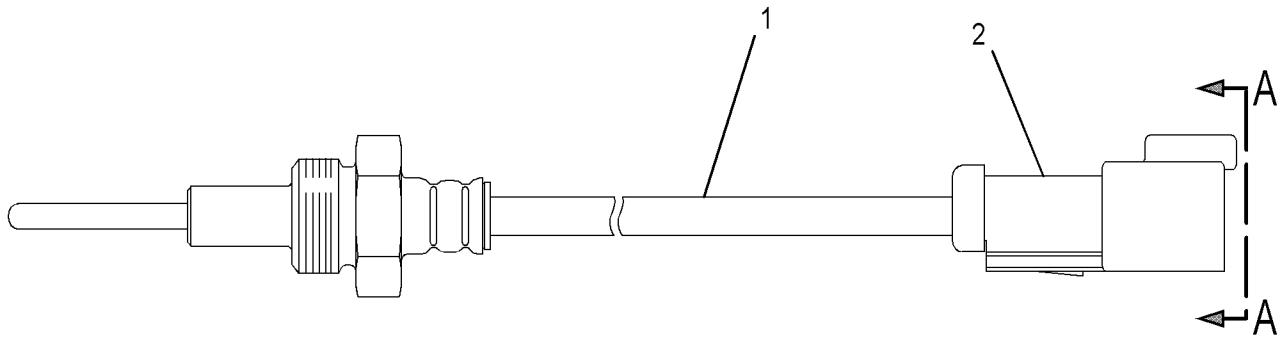
AN ATTACHMENT

SMCS-1906, 1919, 1921, 1922, 1928, 1929

i05343527

NOTE	REF NO	GRAPHIC REF	PART NUMBER	QTY	PART NAME						SEE PAGE
					1	2	3	4	5	6 (PRODUCT LEVEL)	
H	1	1	153-5043		SLEEVE (4-DM)						
	2	1	102-8802	1	KIT-RECEPTACLE (2-PIN)						
	(INCLUDES RECEPTACLE AS & WEDGE)										
	3	1	186-3735	2	PIN-CONNECTOR (16-GA TO 18-GA)						

H - ORDER BY THE DECIMETER



VIEW A-A

GRAPHIC #1

<END>

g01880504

ELECTRICAL AND STARTING SYSTEM

243-5752 SENSOR GP-TEMPERATURE

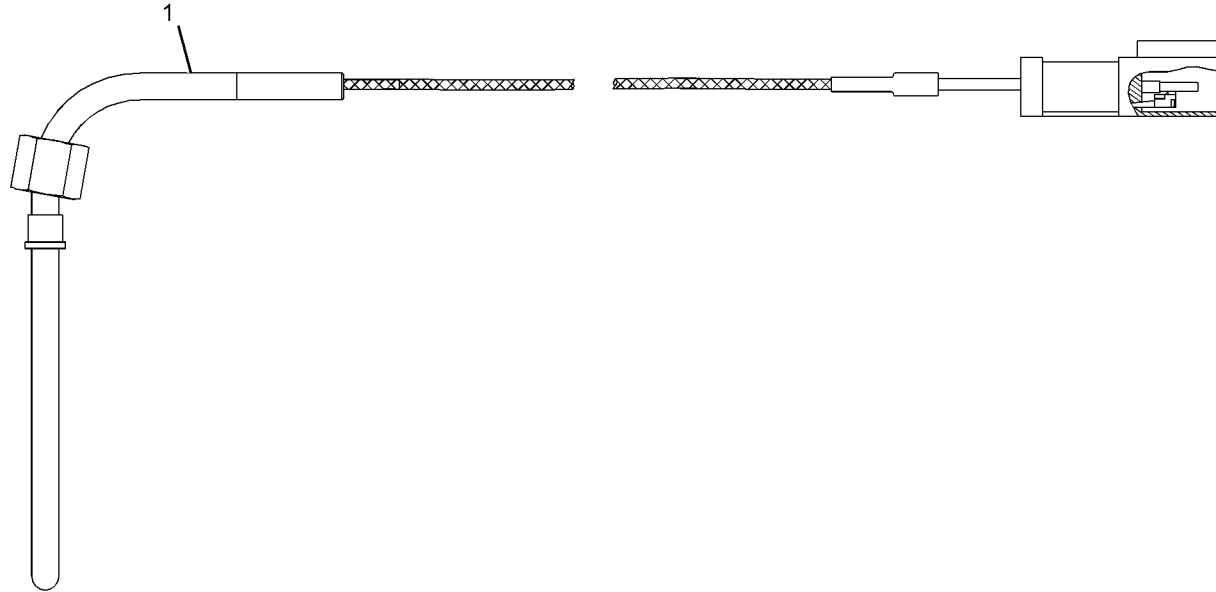
PART OF 120-4498 THERMOCOUPLE GP

AN ATTACHMENT

SMCS-1906, 1919, 1921, 1922, 1928, 1929

i06790101

NOTE	REF NO	GRAPHIC REF	PART NUMBER	QTY	PART NAME						SEE PAGE
					1	2	3	4	5	6 (PRODUCT LEVEL)	
	1	1	383-2990	1	SENSOR GP-TEMPERATURE (THERMOCOUPLE)						



GRAPHIC #1

<END>

g03147037

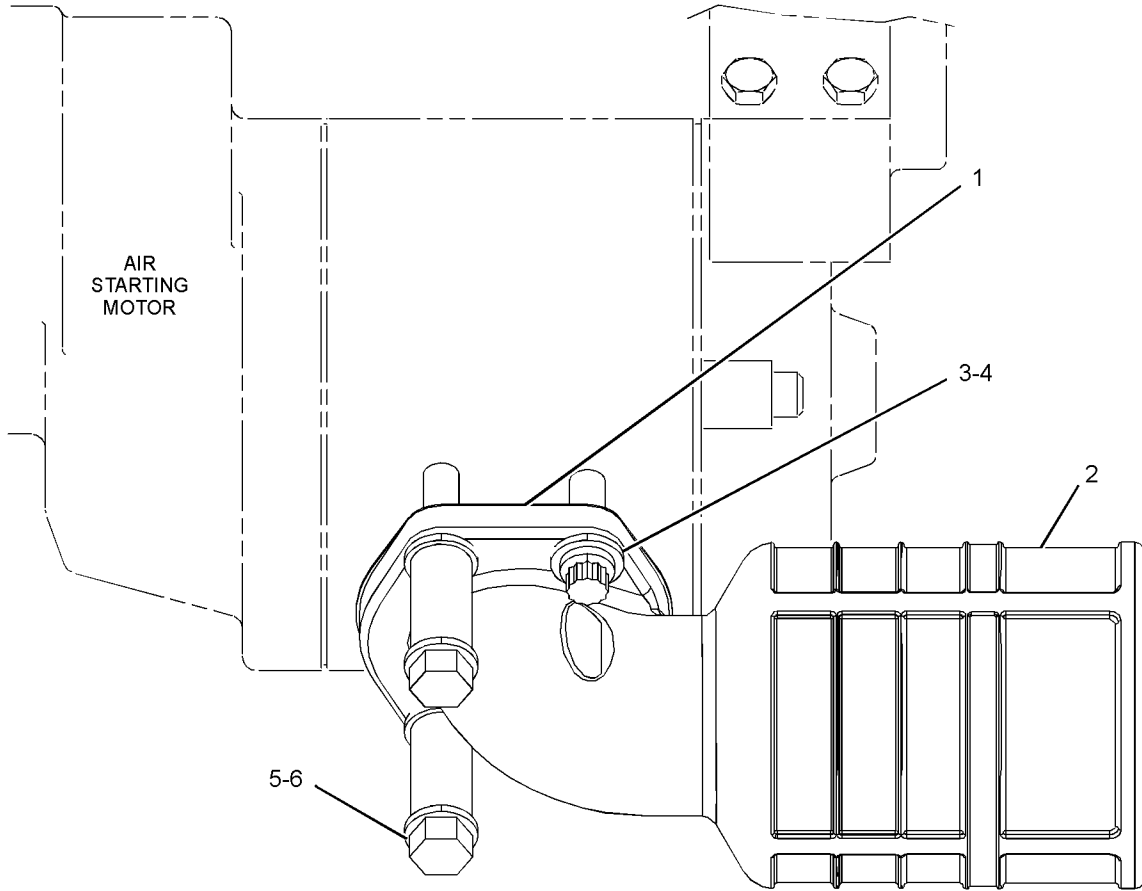
ELECTRICAL AND STARTING SYSTEM

112-6597 SILENCER GP-AIR STARTING AN ATTACHMENT

SMCS-1468

i05766815

NOTE	REF NO	GRAPHIC REF	PART NUMBER	QTY	PART NAME						SEE PAGE
					1	2	3	4	5	6 (PRODUCT LEVEL)	
	1	1	8N-8452	1	GASKET						
	2	1	107-8769	1	SILENCER-AIR STARTING						
	3	1	5P-8245	6	WASHER-HARD (13.5X25.5X3-MM THK)						
	4	1	4K-5175	2	BOLT-12 POINT HEAD (1/2-13X1.5-IN)						
	5	1	1D-4566	2	BOLT (1/2-13X3.5-IN)						
	6	1	1V-7753	2	SPACER (0.546X0.841X1.75-IN THK)						



GRAPHIC #1

<END>

g03662957

ELECTRICAL AND STARTING SYSTEM

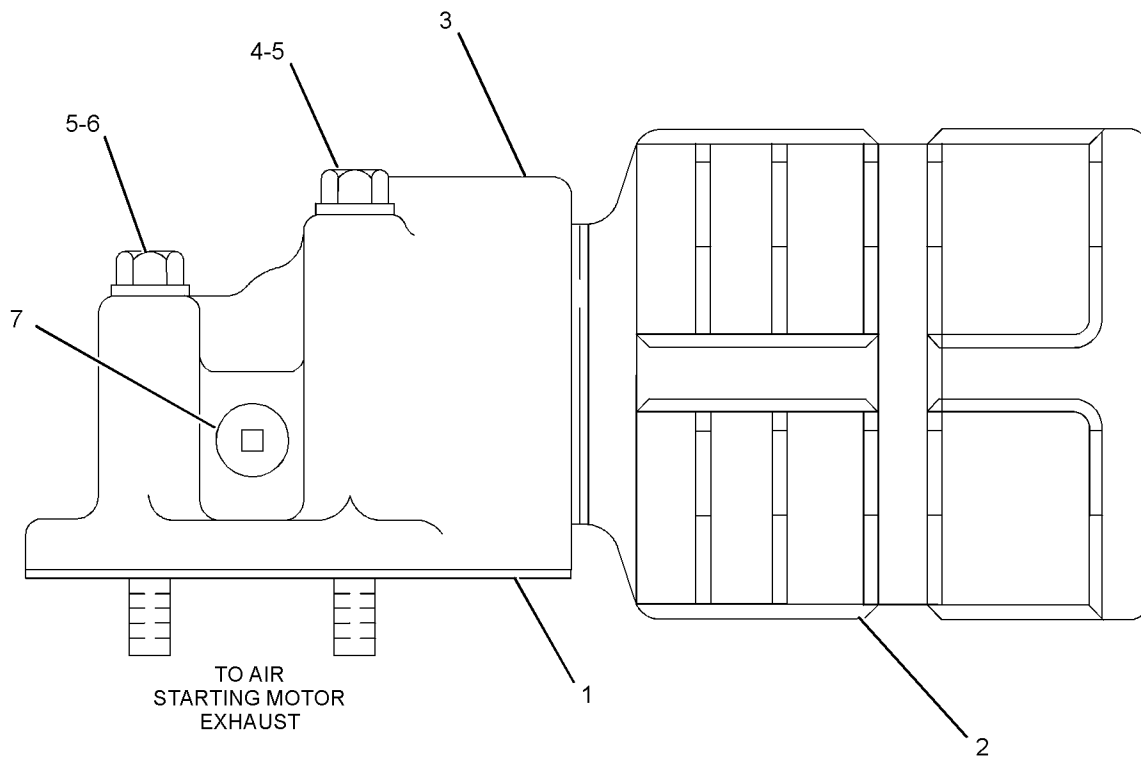
8N-8486 SILENCER GP-AIR STARTING

FOR USE WITH AIR PRELUBRICATION
AN ATTACHMENT

SMCS-1468

i05408997

NOTE	REF NO	GRAPHIC REF	PART NUMBER	QTY	PART NAME						SEE PAGE
					1	2	3	4	5	6 (PRODUCT LEVEL)	
	1	1	8N-8452	1	GASKET						
	2	1	8N-8488	1	SILENCER-AIR STARTING						
	3	1	8N-8447	1	ELBOW						
	4	1	1D-4569	2	BOLT (1/2-13X4.25-IN)						
	5	1	5P-8245	4	WASHER-HARD (13.5X25.5X3-MM THK)						
	6	1	1D-4566	2	BOLT (1/2-13X3.5-IN)						
	7	1	8T-6762	1	PLUG-PIPE (1/2-14-THD)						



GRAPHIC #1

<END>

g01397487

ELECTRICAL AND STARTING SYSTEM

7W-6957 SOLENOID GP-SHUTOFF-AIR

24-VOLT TO 32-VOLT DC

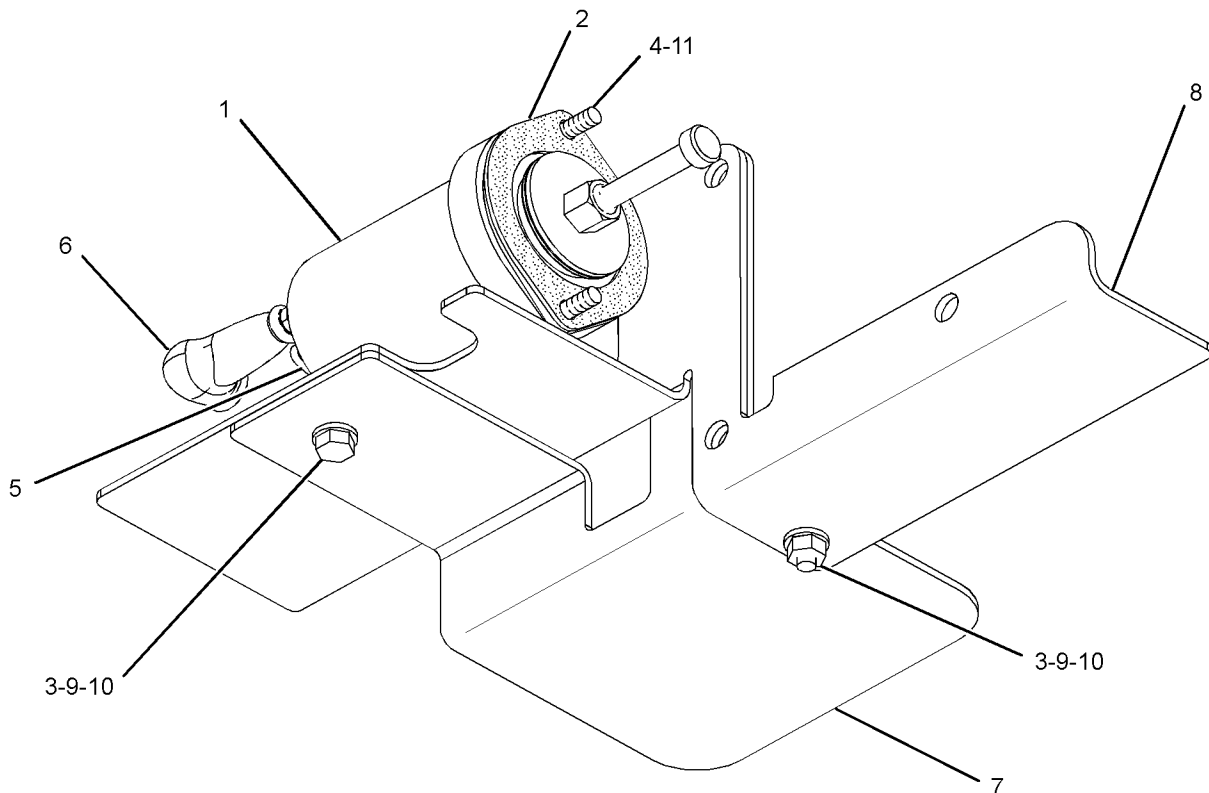
PART OF 140-7550 SHUTOFF GP-AIR
AN ATTACHMENT

SMCS-1259

i03473922

NOTE	REF NO	GRAPHIC REF	PART NUMBER	QTY	PART NAME						SEE PAGE
					1	2	3	4	5	6	
C	1	1	139-1568	1	SOLENOID AS (SHUTOFF)						
C		1	6V-8377	1	NUT (8-32-THD)						
C		1	9B-7233	2	LOCKWASHER						
C		1	2W-6382	1	SHAFT-SOLENOID						
	2	1	8L-3873	1	GASKET						
C	3	1	0S-1615	2	BOLT (1/4-20X0.75-IN)						
	4	1	1A-8912	2	WASHER (6.7X12.7X1.6-MM THK)						
	5	1	1W-9070	1	DIODE AS						
	6	1	1H-4560	2	BOOT-SPARK PLUG						
	7	1	7W-6958	1	SHIELD						
	8	1	2W-6507	1	SHIELD						
	9	1	5P-0537	4	WASHER-HARD (7.2X14.5X2-MM THK)						
	10	1	9S-8750	2	NUT-FULL (1/4-20-THD)						
C	11	1	7B-2742	2	BOLT (1/4-20X1.25-IN)						

C - CHANGE FROM PREVIOUS TYPE



GRAPHIC #1

<END>

g01674394

ELECTRICAL AND STARTING SYSTEM

129-7563 STARTING MOTOR GP-AIR AN ATTACHMENT

SMCS-1451

i04574932

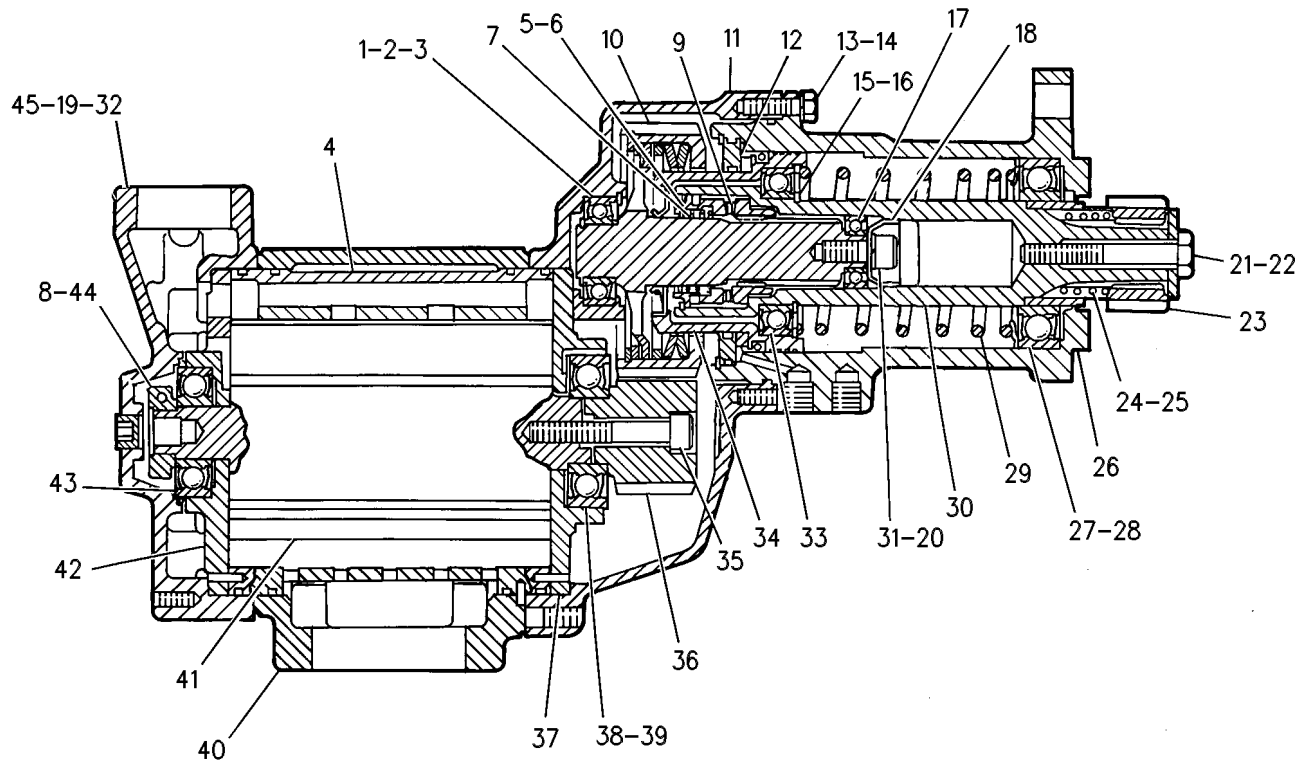
NOTE	REF NO	GRAPHIC REF	PART NUMBER	QTY	PART NAME						SEE PAGE
					1	2	3	4	5	6 (PRODUCT LEVEL)	
	1	1	6V-3916	1	BALL BEARING						
	2	1	1L-8497	1	RING-SNAP						
	3	1	6J-7855	1	RING-RETAINING						
	4	1	5N-8383	1	CYLINDER						
	5	1	5N-8375	1	CUP-SPRING						
	6	1	6V-3935	1	RING-RETAINING						
	7	1	5N-8381	1	SPRING-CLUTCH						
M	8	1	096-4833	1	BOLT-SOCKET HEAD (M5X0.8X20-MM)						
	9	1	5N-9575	1	JAW AS-CLUTCH						
	10	1	2W-6081	1	GEAR AS-DRIVE (37-TEETH)						
	11	1	5N-8387	1	CASE-GEAR						
	12	1	5N-8424	1	BULKHEAD						
M	13	1	6V-3940	8	BOLT (M8X1.25X25-MM)						
	14	1	3B-4505	8	LOCKWASHER						
	15	1	3J-7719	1	RING-RETAINING (INNER)						
	16	1	6V-3971	1	RING-RETAINING						
	17	1	7F-8671	1	BALL BEARING						
	18	1	5N-8428	1	WASHER-GEAR (10.1X34X15.5-MM THK)						
M	19	1	5N-8427	4	BOLT-MOTOR (M10X1.5X180-MM)						
	20	1	6V-3959	1	LOCKWASHER						
M	21	1	6V-3941	1	BOLT (M12X1.25X70-MM)						
	22	1	5N-8425	1	WASHER (12.2X41.5X4.5-MM THK)						
	23	1	2W-6079	1	PINION-DRIVE (12-TEETH)						
	24	1	5N-8374	1	SLEEVE-SPRING						
	25	1	5N-8389	1	SPRING-PINION						
	26	1	2W-6082	1	KIT-DRIVE (AIR STARTING MOTOR)						
	27	1	8B-7624	1	BALL BEARING						
	28	1	5N-8379	1	SEAT-SPRING						
	29	1	5N-8372	1	SPRING-RETURN						
	30	1	5N-8385	1	SHAFT-DRIVE						
M	31	1	6V-3938	1	BOLT (M10X1.5X20-MM)						
	32	1	5N-8363	1	COVER AS						
		1	4D-3118	3	PLUG-PIPE						
	33	1	5N-8377	1	BEARING-DRIVE SHAFT						
	34	1	5N-8373	1	PISTON						
M	35	1	095-0673	1	BOLT-SOCKET HEAD (M12X1.75X60-MM)						
	36	1	5N-8368	1	PINION-ROTOR (17-TEETH)						
	37	1	5N-8365	1	PLATE-FRONT END						
	38	1	6V-1394	1	BALL BEARING						
	39	1	039-4317	2	WASHER-SPRING						
	40	1	111-4399	1	HOUSING-MOTOR						
	41	1	5N-8388	1	ROTOR						
	42	1	5N-8366	1	PLATE-REAR END						
	43	1	5P-9514	1	BALL BEARING						
	44	1	5N-8378	1	NUT-ROTOR CLAMP (M5X0.8-THD)						
	45	1	9X-2027	4	WASHER (11X18X2-MM THK)						
					AVAILABLE REPAIR KIT(S):						
			5N-8390	1	KIT-SEAL & VANE (AIR STARTING MOTOR)						

M - METRIC PART

ELECTRICAL AND STARTING SYSTEM

129-7563 STARTING MOTOR GP-AIR (contd.)

i04574932



GRAPHIC #1

<END>

g00266394

ELECTRICAL AND STARTING SYSTEM

143-5168 STARTING MOTOR GP-AIR

PART OF 143-5174 STARTING MOTOR GP-AIR
AN ATTACHMENT

SMCS-1451

i06614284

NOTE	REF NO	GRAPHIC REF	PART NUMBER	QTY	PART NAME 1 2 3 4 5 6 (PRODUCT LEVEL)	SEE PAGE
M	1	1	096-4833	1	BOLT-SOCKET HEAD (M5X0.8X20-MM)	
		1	5N-8378	1	NUT-ROTOR CLAMP (M5X0.8-THD)	
	2	1	5N-8363	1	COVER AS	
	3	1	4D-3118	3	PLUG-PIPE	
	4	1	5N-8383	1	CYLINDER	
	5	1	6V-3916	1	BALL BEARING	
		1	1L-8497	1	RING-SNAP (SMALL)	
		1	6J-7855	1	RING-RETAINING (LARGE)	
	6	1	5N-8375	1	CUP-SPRING	
		1	6V-3935	1	RING-RETAINING	
	7	1	5N-8381	1	SPRING-CLUTCH	
	8	1	2W-6081	1	GEAR AS-DRIVE (37-TEETH)	
	9	1	5N-9574	1	JAW AS-CLUTCH	
	10	1	5N-8387	1	CASE-GEAR	
	11	1	5N-8424	1	BULKHEAD	
M	12	1	6V-3940	8	BOLT (M8X1.25X25-MM)	
		1	3B-4505	8	LOCKWASHER	
	13	1	3J-7719	1	RING-RETAINING (INNER)	
		1	6V-3971	1	RING-RETAINING (OUTER)	
	14	1	7F-8671	1	BALL BEARING	
	15	1	5N-8428	1	WASHER-GEAR (10.1X34X15.5-MM THK)	
M	16	1	5N-8427	4	BOLT-MOTOR (M10X1.5X180-MM)	
	17	1	6V-3959	5	LOCKWASHER	
M	18	1	5N-8403	1	SCREW-PINION (M12X1.25X70-MM)	
		1	5N-8425	1	WASHER (12.2X41.5X4.5-MM THK)	
	19	1	2W-6078	1	PINION-DRIVE (12-TEETH)	
	20	1	5N-8380	1	SPRING-PINION	
		1	5N-8374	1	SLEEVE-SPRING	
	21	1	2W-6082	1	KIT-DRIVE (AIR STARTING MOTOR)	
					(INCLUDES O-RING, HOUSING, BEARING, SEAL & VENT)	
	22	1	8B-7624	1	BALL BEARING	
	23	1	5N-8379	1	SEAT-SPRING	
	24	1	5N-8372	1	SPRING-RETURN	
	25	1	5N-8384	1	SHAFT-DRIVE	
M	26	1	6V-3938	1	BOLT (M10X1.5X20-MM)	
	27	1	5P-9514	1	BALL BEARING	
	28	1	5N-8377	1	BEARING-DRIVE SHAFT	
	29	1	5N-8373	1	PISTON	
M	30	1	6V-3939	1	BOLT (M12X1.75X60-MM)	
	31	1	5N-8368	1	PINION-ROTOR (17-TEETH)	
	32	1	6V-1394	1	BALL BEARING	
		1	039-4317	2	WASHER-SPRING	
	33	1	5N-8365	1	PLATE-FRONT END	
	34	1	111-4399	1	HOUSING-MOTOR	
	35	1	5N-8388	1	ROTOR	
	36	1	5N-8367	1	PLATE-REAR END	

AVAILABLE REPAIR KIT(S) :

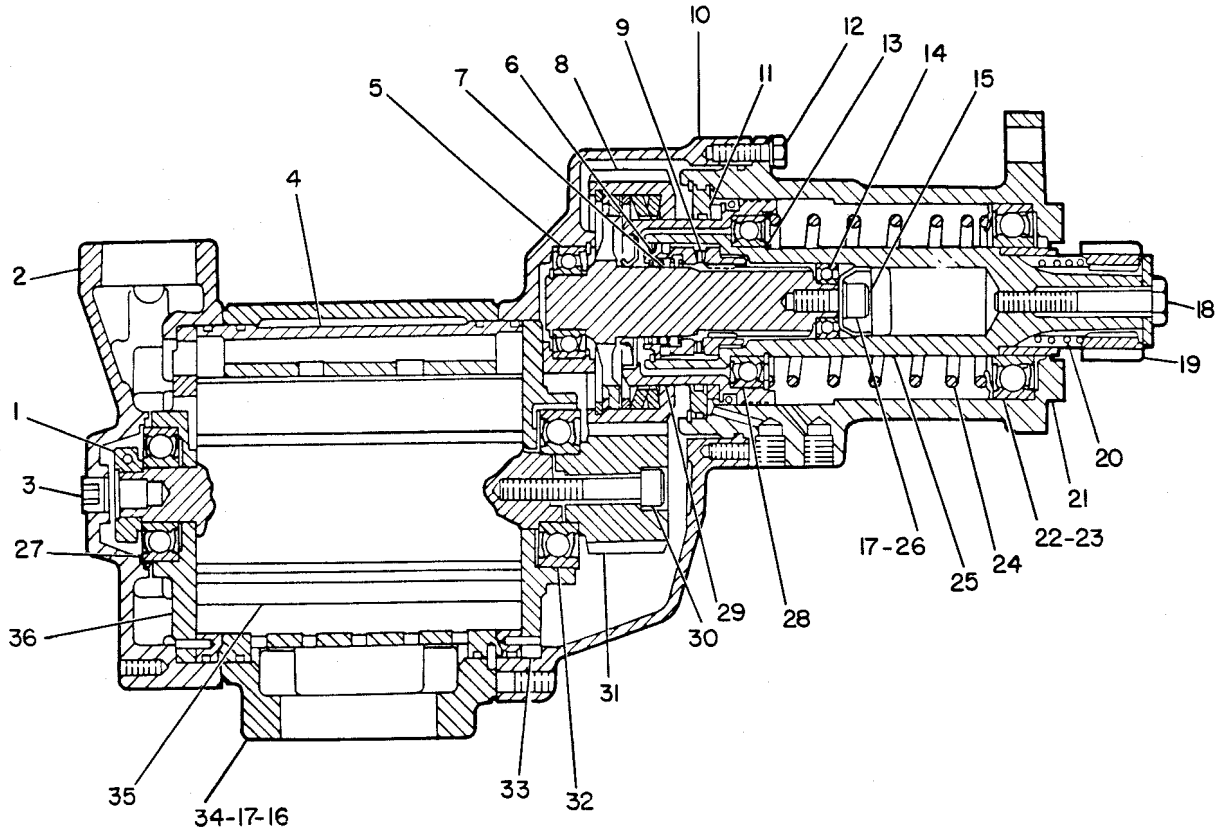
ELECTRICAL AND STARTING SYSTEM

143-5168 **STARTING MOTOR GP-AIR (contd.)**

106614284

NOTE	REF NO	GRAPHIC REF	PART NUMBER	QTY	PART NAME	SEE PAGE
			5N-8390	1	KIT-SEAL & VANE (AIR STARTING MOTOR)	
(INCLUDES PINS, RINGS, SEALS, VANES & RETAINER)						

M - METRIC PART



GRAPHIC #1

<END>

g00081746

ELECTRICAL AND STARTING SYSTEM

143-5174 STARTING MOTOR GP-AIR-MOUNTED, LH AN ATTACHMENT

SMCS-1451

i02853504

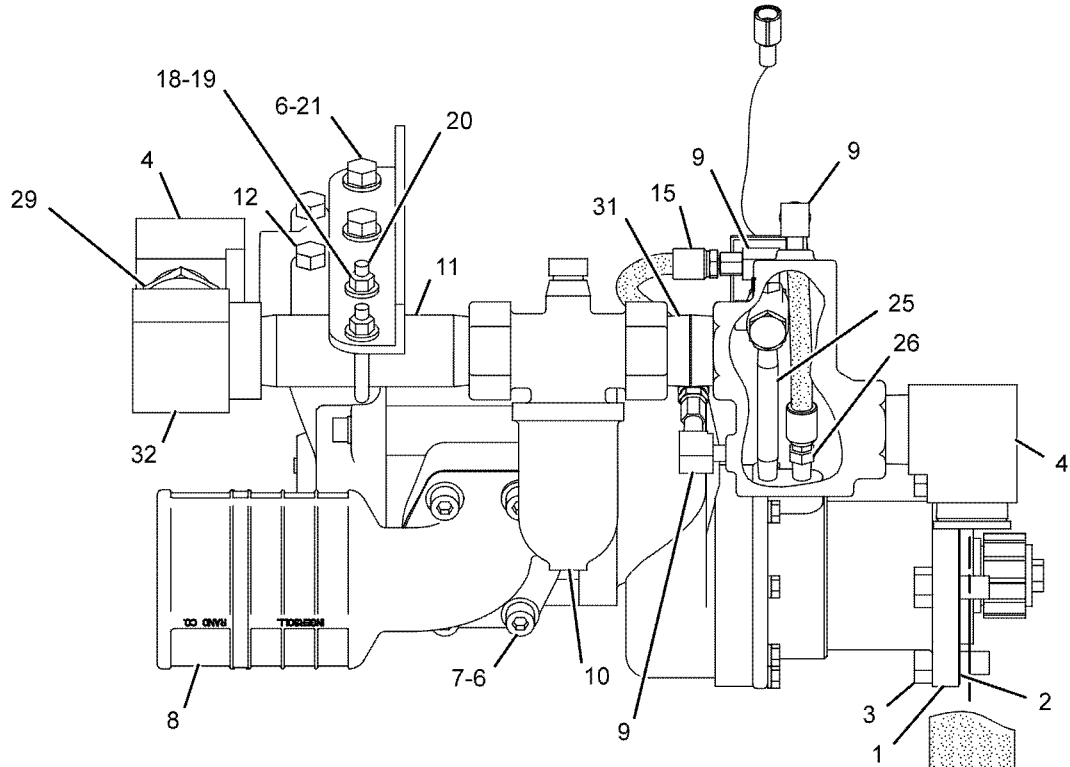
NOTE	REF NO	GRAPHIC REF	PART NUMBER	QTY	PART NAME	SEE PAGE
					1 2 3 4 5 6 (PRODUCT LEVEL)	
Y	1	1	143-5168	1	STARTING MOTOR GP-AIR	520
	2	1	4H-7869	1	GASKET	
	3	1	0S-1566	3	BOLT (5/8-11X1.5-IN)	
	4	1	5B-7666	2	ELBOW	
	6	1	5P-8245	6	WASHER-HARD (13.5X25.5X3-MM THK)	
	7	1	141-8596	4	BOLT-SOCKET HEAD (1/2-13X1.25-IN)	
	8	1	107-8769	1	SILENCER-AIR STARTING	
	9	1	6K-1972	3	ELBOW-FLARED	
Y	10	1	119-6284	1	LUBRICATOR GP-AIR MOTOR	445
	11	1	143-5177	1	NIPPLE-PIPE	
	12	1	1D-4566	2	BOLT (1/2-13X3.5-IN)	
	13	1	4N-3411	1	VALVE GP-RELAY (AIR STARTING MOTOR)	
I	14	1	3N-4622	1	HOSE AS	
I	15	1	3T-3848	1	HOSE AS	
YC	16	1	5N-8980	1	VALVE AS-SOLENOID (AIR START)	583
	18	1	9S-8752	2	NUT-FULL (3/8-16-THD)	
	19	1	5P-1075	2	WASHER-HARD (10.2X22.5X3-MM THK)	
	20	1	5L-2534	1	U-BOLT	
	21	1	8S-9089	2	BOLT (1/2-13X4.5-IN)	
	22	1	143-5178	1	BRACKET	
	23	1	9S-9238	2	SPACER (13.49X23.88X16.13-MM THK)	
	24	1	8N-8446	1	ELBOW	
	25	1	3B-7273	1	NIPPLE-PIPE	
	26	1	4M-5317	1	BUSHING-REDUCER	
	27	1	8N-8451	1	GASKET	
	28	1	8N-8452	1	GASKET	
	29	1	109-5605	1	ADAPTER-PIPE	
I	30	1	6F-5985	1	HOSE AS	
	31	1	3L-8993	1	FITTING	
	32	1	6F-8856	1	ELBOW	

C - CHANGE FROM PREVIOUS TYPE
 I - REFER TO HYDRAULIC INFORMATION SYSTEM
 Y - SEPARATE ILLUSTRATION

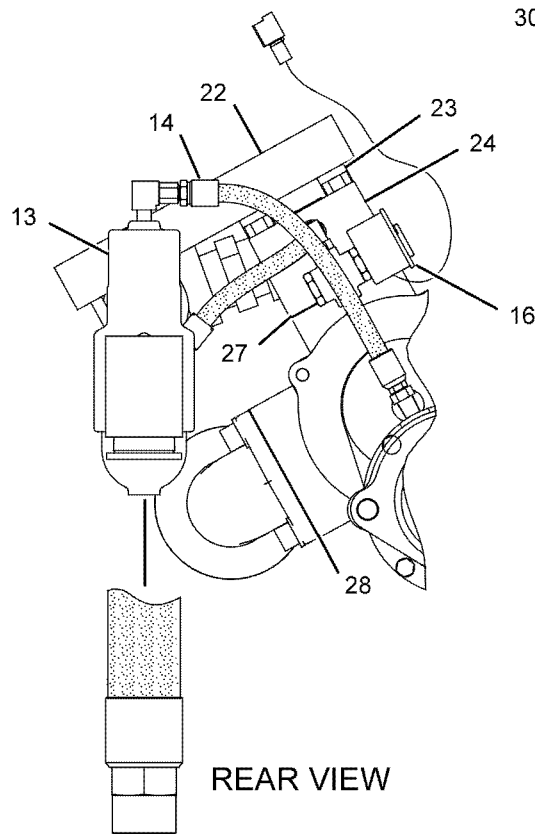
ELECTRICAL AND STARTING SYSTEM

143-5174 STARTING MOTOR GP-AIR (contd.)

102853504



LEFT SIDE VIEW



REAR VIEW

GRAPHIC #1

<END>

g01071050

ELECTRICAL AND STARTING SYSTEM

4W-5107 STARTING MOTOR GP-AIR

FIELD REPLACEMENT ORDER 7C-3372-PAGE: 526

PART OF 8N-8477 STARTING MOTOR GP-AIR

AN ATTACHMENT

SMCS-1451

i06580835

NOTE	REF NO	GRAPHIC REF	PART NUMBER	QTY	PART NAME						SEE PAGE
					1	2	3	4	5	6 (PRODUCT LEVEL)	
	1	1	2W-6078	1	PINION-DRIVE (12-TEETH)						
	2	1	2W-6082	1	KIT-DRIVE (AIR STARTING MOTOR)						
					(INCLUDES O-RING, HOUSING, BEARING, SEAL & VENT)						
	3	1	3B-4505	8	LOCKWASHER						
	4	1	5N-8363	1	COVER AS						
		1	4D-3118	3	PLUG-PIPE						
	5	1	5N-8364	1	HOUSING-MOTOR						
	6	1	5N-8384	1	SHAFT-DRIVE						
	7	1	5N-8387	1	CASE-GEAR						
M	8	1	5N-8403	1	SCREW-PINION (M12X1.25X70-MM)						
	9	1	5N-8425	1	WASHER (12.2X41.5X4.5-MM THK)						
	10	1	6V-3959	5	LOCKWASHER						
M	11	1	5N-8427	4	BOLT-MOTOR (M10X1.5X180-MM)						
M	12	1	6V-3940	8	BOLT (M8X1.25X25-MM)						
	13	1	1L-8497	1	RING-SNAP (SMALL)						
	14	1	2W-6081	1	GEAR AS-DRIVE (37-TEETH)						
	15	1	3J-7719	1	RING-RETAINING (INNER)						
	16	1	5N-8365	1	PLATE-FRONT END						
	17	1	5N-8367	1	PLATE-REAR END						
	18	1	5N-8368	1	PINION-ROTOR (17-TEETH)						
	19	1	5N-8372	1	SPRING-RETURN						
	20	1	5N-8373	1	PISTON						
	21	1	5N-8374	1	SLEEVE-SPRING						
	22	1	5N-8375	1	CUP-SPRING						
	23	1	5N-8377	1	BEARING-DRIVE SHAFT						
	24	1	5N-8378	1	NUT-ROTOR CLAMP (M5X0.8-THD)						
	25	1	5N-8379	1	SEAT-SPRING						
	26	1	5N-8380	1	SPRING-PINION						
	27	1	5N-8381	1	SPRING-CLUTCH						
	28	1	5N-8383	1	CYLINDER						
	29	1	5N-8388	1	ROTOR						
	30	1	5N-8424	1	BULKHEAD						
	31	1	5N-8428	1	WASHER-GEAR (10.1X34X15.5-MM THK)						
	32	1	5N-9574	1	JAW AS-CLUTCH						
	33	1	5P-9514	1	BALL BEARING						
	34	1	6J-7855	1	RING-RETAINING (LARGE)						
	35	1	6V-1394	1	BALL BEARING						
	36	1	6V-3916	1	BALL BEARING						
	37	1	6V-3935	1	RING-RETAINING						
M	38	1	096-4833	1	BOLT-SOCKET HEAD (M5X0.8X20-MM)						
M	39	1	6V-3938	1	BOLT (M10X1.5X20-MM)						
M	40	1	6V-3939	1	BOLT (M12X1.75X60-MM)						
	41	1	6V-3971	1	RING-RETAINING (OUTER)						
	42	1	7F-8671	1	BALL BEARING						
	43	1	8B-7624	1	BALL BEARING						
	44	1	039-4317	2	WASHER-SPRING						

ELECTRICAL AND STARTING SYSTEM

4W-5107 **STARTING MOTOR GP-AIR** (contd.)

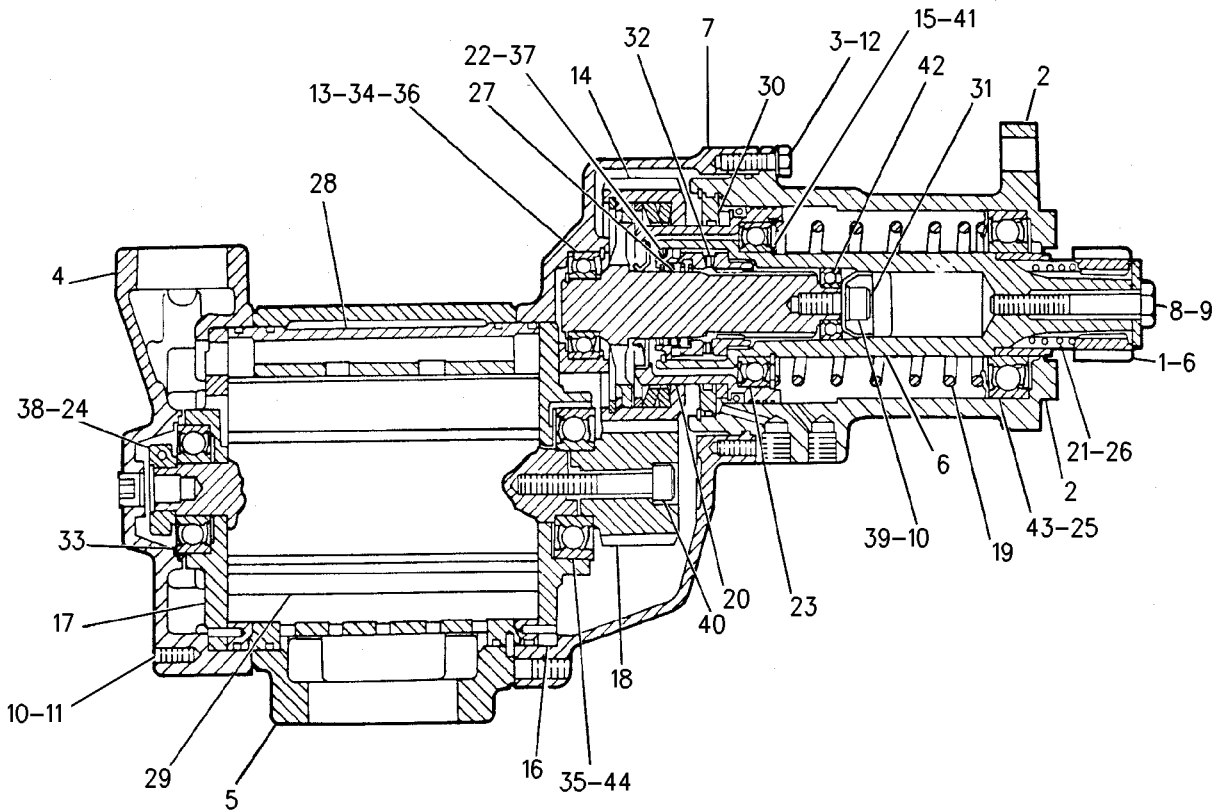
106580835

NOTE	REF NO	GRAPHIC REF	PART NUMBER	QTY	PART NAME	1	2	3	4	5	6	(PRODUCT LEVEL)	SEE PAGE
------	--------	-------------	-------------	-----	-----------	---	---	---	---	---	---	-----------------	----------

AVAILABLE REPAIR KIT(S) :

5N-8390	1	KIT-SEAL & VANE (AIR STARTING MOTOR) (INCLUDES PINS, RINGS, SEALS & VANE)										
----------------	---	--	--	--	--	--	--	--	--	--	--	--

M - METRIC PART



GRAPHIC #1

<END>

g00827191

ELECTRICAL AND STARTING SYSTEM

7C-3372 STARTING MOTOR GP-AIR*R

FIELD REPLACEMENT FOR 4W-5107-PAGE: 524

SMCS-1451

i05814031

NOTE	REF NO	GRAPHIC REF	PART NUMBER	QTY	PART NAME						SEE PAGE
					1	2	3	4	5	6 (PRODUCT LEVEL)	
M	1	1	096-4833	1	BOLT-SOCKET HEAD (M5X0.8X20-MM)						
	2	1	5N-8363	1	COVER AS						
	2A	1	4D-3118	3	PLUG-PIPE						
	3	1	039-4317	2	WASHER-SPRING						
	4	1	5N-8383	1	CYLINDER						
	5	1	6V-3916	1	BALL BEARING						
	6	1	5N-8375	1	CUP-SPRING						
	7	1	5N-8381	1	SPRING-CLUTCH						
	8	1	2W-6081	1	GEAR AS-DRIVE (37-TEETH)						
	9	1	5N-9574	1	JAW AS-CLUTCH						
	10	1	5N-8387	1	CASE-GEAR						
	11	1	5N-8424	1	BULKHEAD						
M	12	1	6V-3940	8	BOLT (M8X1.25X25-MM)						
	13	1	3J-7719	1	RING-RETAINING (INNER)						
	14	1	7F-8671	1	BALL BEARING						
	15	1	5N-8428	1	WASHER-GEAR (10.1X34X15.5-MM THK)						
M	16	1	5N-8427	4	BOLT-MOTOR (M10X1.5X180-MM)						
	17	1	7X-0796	5	LOCKWASHER						
M	18	1	5N-8403	1	SCREW-PINION (M12X1.25X70-MM)						
	19	1	2W-6078	1	PINION-DRIVE (12-TEETH)						
	20	1	5N-8380	1	SPRING-PINION						
	21	1	2W-6082	1	KIT-DRIVE (AIR STARTING MOTOR)						
					(INCLUDES O-RING, HOUSING, BEARING, SEAL & VENT)						
	22	1	8B-7624	1	BALL BEARING						
	23	1	5N-8379	1	SEAT-SPRING						
	24	1	5N-8372	1	SPRING-RETURN						
	25	1	5N-8384	1	SHAFT-DRIVE						
M	26	1	6V-3938	1	BOLT (M10X1.5X20-MM)						
	27	1	5P-9514	1	BALL BEARING						
	28	1	5N-8377	1	BEARING-DRIVE SHAFT						
	29	1	5N-8373	1	PISTON						
M	30	1	6V-3939	1	BOLT (M12X1.75X60-MM)						
	31	1	5N-8368	1	PINION-ROTOR (17-TEETH)						
	32	1	6V-1394	1	BALL BEARING						
	33	1	5N-8365	1	PLATE-FRONT END						
	34	1	111-4399	1	HOUSING-MOTOR						
	35	1	5N-8388	1	ROTOR						
	36	1	5N-8367	1	PLATE-REAR END						
	37	1	5N-8378	1	NUT-ROTOR CLAMP (M5X0.8-THD)						
	38	1	1L-8497	1	RING-SNAP						
	39	1	6J-7855	1	RING-RETAINING						
	40	1	6V-3935	1	RING-RETAINING						
	41	1	3B-4505	8	LOCKWASHER						
	42	1	5N-8425	1	WASHER (12.2X41.5X4.5-MM THK)						
	43	1	6V-3971	1	RING-RETAINING (OUTER)						
	44	1	5N-8374	1	SLEEVE-SPRING						

AVAILABLE REPAIR KIT(S):

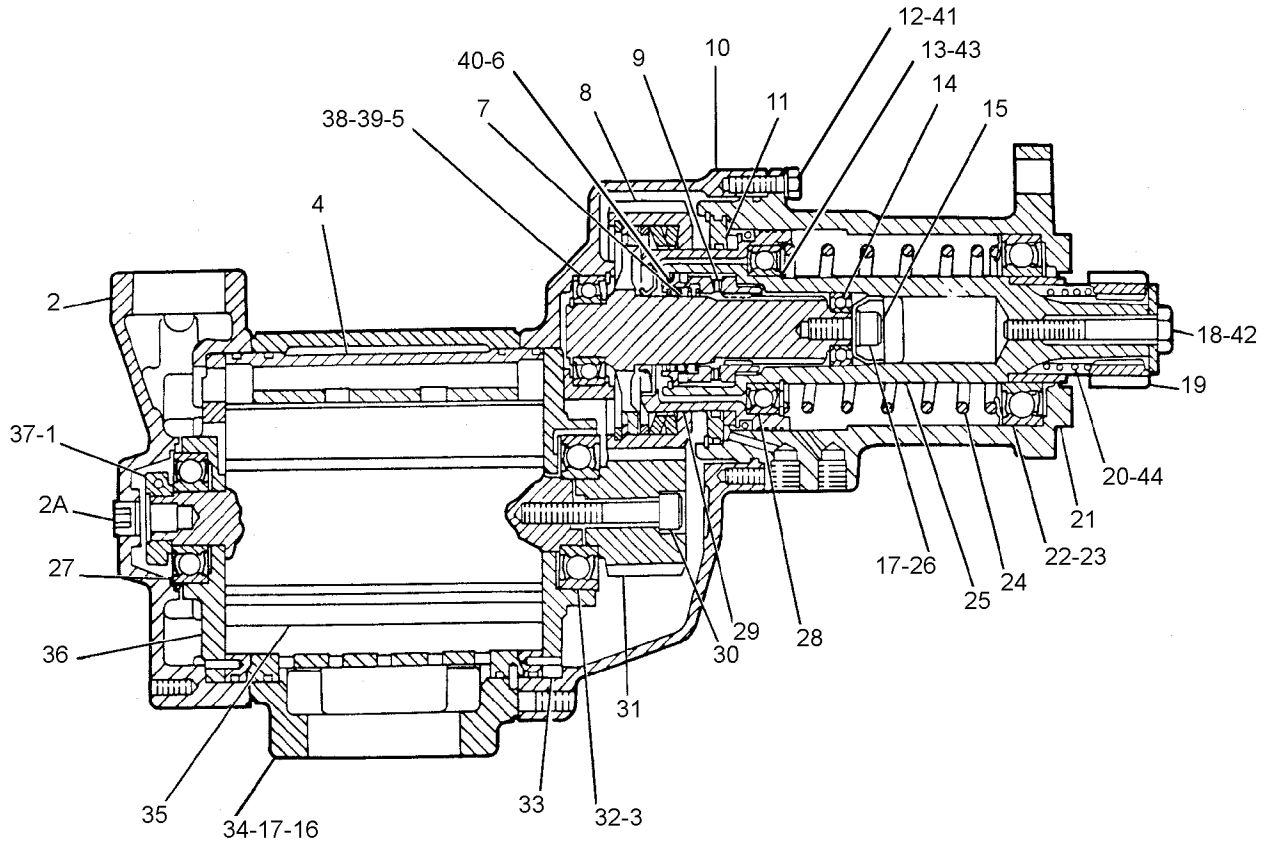
ELECTRICAL AND STARTING SYSTEM

7C-3372 **STARTING MOTOR GP-AIR** (contd.)

i05814031

NOTE	REF NO	GRAPHIC REF	PART NUMBER	QTY	PART NAME	SEE PAGE
			5N-8390	1	KIT-SEAL & VANE (AIR STARTING MOTOR)	
(INCLUDES PINS, O-RINGS, SEALS, VANE, RETAINER & PISTON BUMPERS)						

M - METRIC PART



GRAPHIC #1

<END>

g01454609

ELECTRICAL AND STARTING SYSTEM

7C-3373 STARTING MOTOR GP-AIR

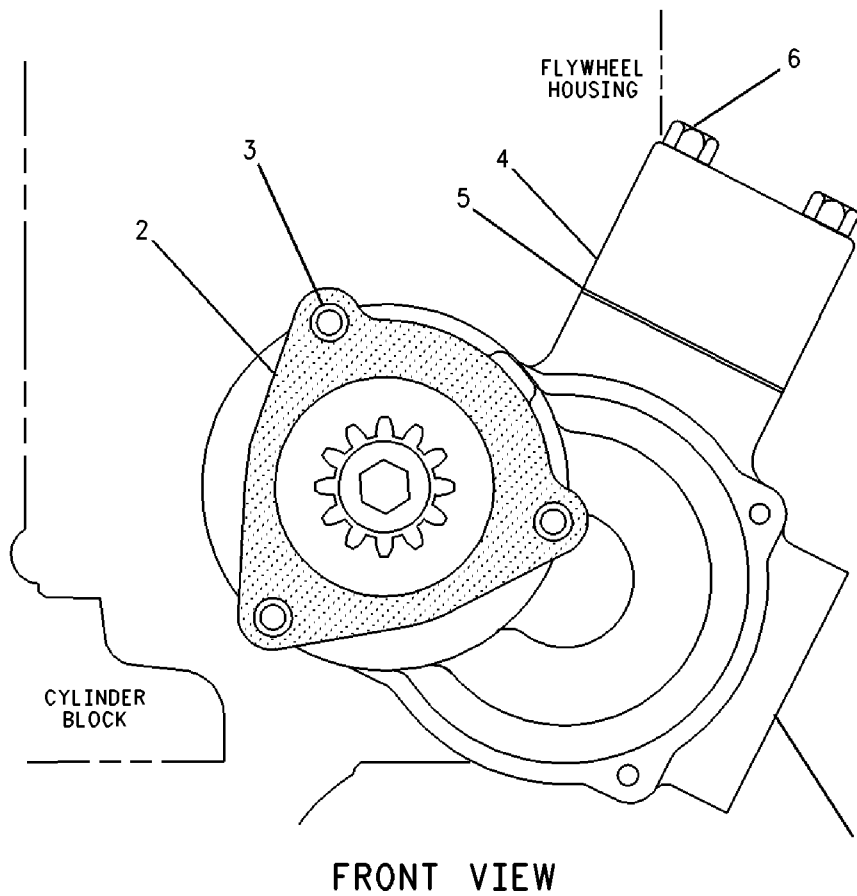
OPPOSITE STANDARD ENGINE ROTATION-RH MOUNTED
FOR USE WITH SAE "00" FLYWHEEL HOUSING
AN ATTACHMENT

SMCS-1451

i03114053

NOTE	REF NO	GRAPHIC REF	PART NUMBER	QTY	PART NAME						SEE PAGE
					1	2	3	4	5	6	
YR	1	1	7C-3374	1	STARTING MOTOR GP-AIR						529
	2	1	9Y-6089	1	GASKET						
	3	1	0S-1566	3	BOLT (5/8-11X1.5-IN)						
	4	1	8N-8446	1	ELBOW						
	5	1	8N-8451	1	GASKET						
	6	1	1D-4566	4	BOLT (1/2-13X3.5-IN)						

R - REMANUFACTURED PART MAY BE AVAILABLE
Y - SEPARATE ILLUSTRATION



GRAPHIC #1

<END>

g00643850

ELECTRICAL AND STARTING SYSTEM

7C-3374 STARTING MOTOR GP-AIR*R

PART OF 7C-3373 STARTING MOTOR GP-AIR
AN ATTACHMENT

SMCS-1451

i04418403

NOTE	REF NO	GRAPHIC REF	PART NUMBER	QTY	PART NAME						SEE PAGE
					1	2	3	4	5	6 (PRODUCT LEVEL)	
M	1	1	6V-3937	1	BOLT (M5X0.8X20-MM)						
		1	5N-8378	1	NUT-ROTOR CLAMP (M5X0.8-THD)						
	2	1	5N-8363	1	COVER AS						
		1	4D-3118	3	PLUG-PIPE						
	3	1	5P-9514	1	BALL BEARING						
	4	1	5N-8383	1	CYLINDER						
	5	1	6V-3916	1	BALL BEARING						
		1	1L-8497	1	RING-SNAP (SMALL)						
		1	6J-7855	1	RING-RETAINING (LARGE)						
	6	1	5N-8375	1	CUP-SPRING						
		1	6V-3935	1	RING-RETAINING						
	7	1	5N-8381	1	SPRING-CLUTCH						
	8	1	2W-6081	1	GEAR AS-DRIVE (37-TEETH)						
	9	1	5N-9575	1	JAW AS-CLUTCH						
	10	1	5N-8387	1	CASE-GEAR						
	11	1	5N-8424	1	BULKHEAD						
M	12	1	6V-3940	8	BOLT (M8X1.25X25-MM)						
		1	3B-4505	8	LOCKWASHER						
	13	1	3J-7719	1	RING-RETAINING (INNER) (INNER)						
		1	6V-3971	1	RING-RETAINING (OUTER)						
	14	1	7F-8671	1	BALL BEARING						
	15	1	5N-8428	1	WASHER-GEAR (10.1X34X15.5-MM THK)						
M	16	1	5N-8427	4	BOLT-MOTOR (M10X1.5X180-MM)						
	17	1	6V-3959	5	LOCKWASHER						
M	18	1	6V-3941	1	BOLT (M12X1.25X70-MM)						
		1	5N-8425	1	WASHER (12.2X41.5X4.5-MM THK)						
	19	1	2W-6079	1	PINION-DRIVE (12-TEETH) (12 TEETH)						
	20	1	5N-8389	1	SPRING-PINION						
		1	5N-8374	1	SLEEVE-SPRING						
	21	1	2W-6082	1	KIT-DRIVE (AIR STARTING MOTOR)						
					(INCLUDES O-RING, HOUSING, BEARING, SEAL, & VENT)						
	22	1	8B-7624	1	BALL BEARING						
	23	1	5N-8379	1	SEAT-SPRING						
	24	1	5N-8372	1	SPRING-RETURN						
	25	1	5N-8385	1	SHAFT-DRIVE						
M	26	1	6V-3938	1	BOLT (M10X1.5X20-MM)						
	27	1	5N-8366	1	PLATE-REAR END						
	28	1	5N-8377	1	BEARING-DRIVE SHAFT						
	29	1	5N-8373	1	PISTON						
M	30	1	6V-3939	1	BOLT (M12X1.75X60-MM)						
	31	1	5N-8368	1	PINION-ROTOR (17-TEETH)						
	32	1	6V-1394	1	BALL BEARING						
		1	039-4317	2	WASHER-SPRING						
	33	1	5N-8365	1	PLATE-FRONT END						
	34	1	111-4399	1	HOUSING-MOTOR						
	35	1	5N-8388	1	ROTOR						

AVAILABLE REPAIR KIT(S) :

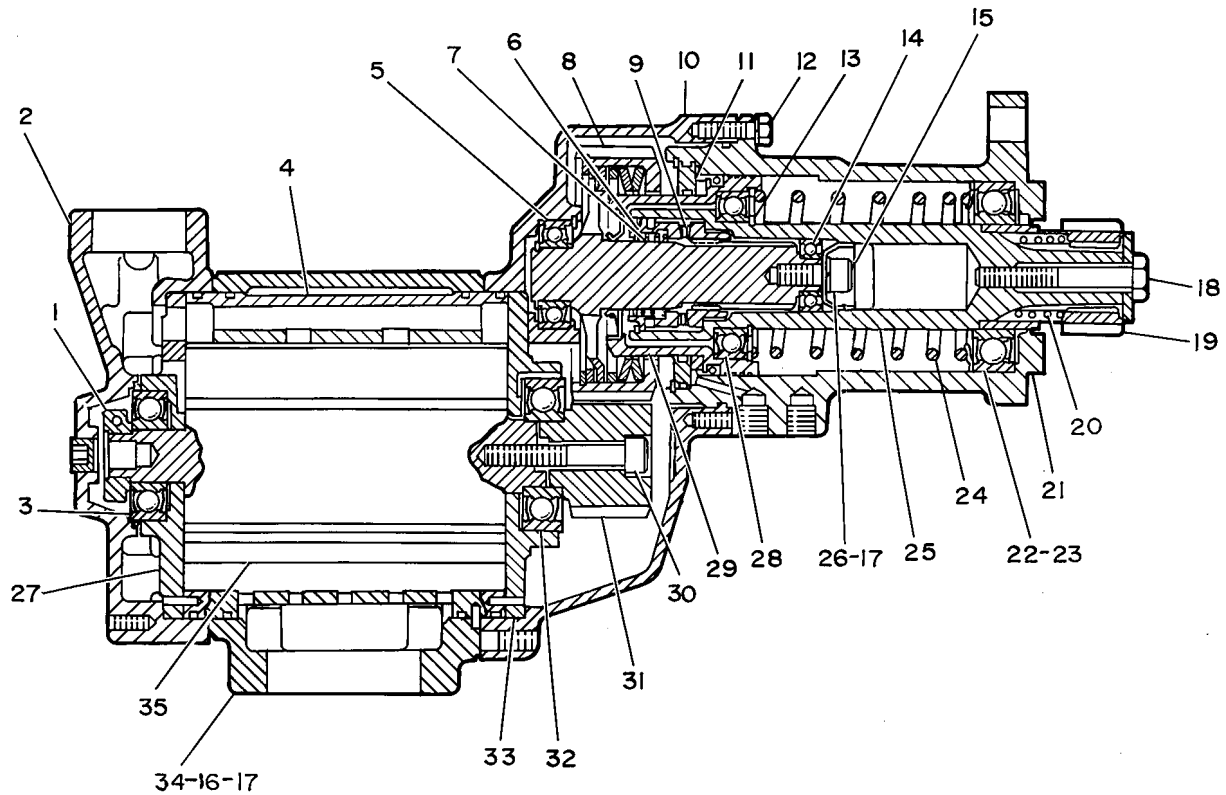
ELECTRICAL AND STARTING SYSTEM

7C-3374 **STARTING MOTOR GP-AIR** (contd.)

i04418403

NOTE	REF NO	GRAPHIC REF	PART NUMBER	QTY	PART NAME	SEE PAGE
			5N-8390	1	KIT-SEAL & VANE (AIR STARTING MOTOR)	
(INCLUDES PINS, RINGS, SEALS, VANE, ETC)						

M - METRIC PART



GRAPHIC #1

<END>

g00167331

ELECTRICAL AND STARTING SYSTEM

8N-8477 STARTING MOTOR GP-AIR-RH

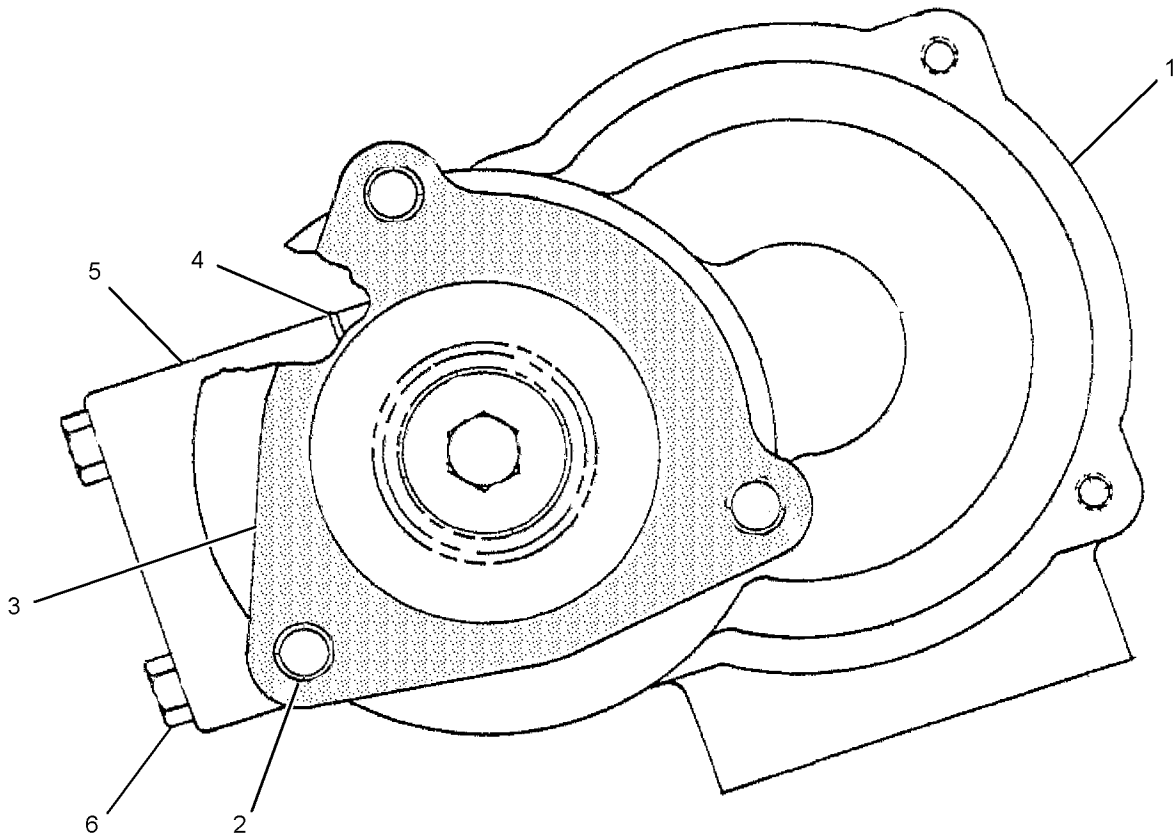
STANDARD ENGINE ROTATION
FOR USE WITH SAE NO. 00 FLYWHEEL HOUSING
AN ATTACHMENT

SMCS-1451

i05926720

NOTE	REF NO	GRAPHIC REF	PART NUMBER	QTY	PART NAME						SEE PAGE
					1	2	3	4	5	6 (PRODUCT LEVEL)	
Y	1	1	4W-5107	1	STARTING MOTOR GP-AIR						524
	2	1	0S-1566	3	BOLT (5/8-11X1.5-IN)						
	3	1	4H-7869	1	GASKET						
	4	1	8N-8451	1	GASKET						
	5	1	8N-8446	1	ELBOW						
	6	1	1D-4566	4	BOLT (1/2-13X3.5-IN)						

Y - SEPARATE ILLUSTRATION



GRAPHIC #1

<END>

g01273606

ELECTRICAL AND STARTING SYSTEM

106-8551 STARTING MOTOR GP-ELECTRIC

24-VOLT

FIELD REPLACEMENT ORDER 6V-5539-PAGE: 561

PART OF 6V-4246 STARTING MOTOR GP-ELECTRIC

AN ATTACHMENT

SMCS-1453

i02730872

NOTE	REF NO	GRAPHIC REF	PART NUMBER	QTY	PART NAME						SEE PAGE
					1	2	3	4	5	6 (PRODUCT LEVEL)	
	1	1	8F-1434	2	LOCKWASHER						
	2	1	6V-8188	4	NUT (1/2-13-THD)						
	3	1	8T-8566	1	TERMINAL AS						
	4	1	7X-0562	4	WASHER-HARD (13.5X19X0.8-MM THK)						
	5	1	3T-3422	1	WIRE AS						
	6	1	7T-3278	1	HOLDER AS-BRUSH						
	7	1	5S-7349	4	BOLT (1/4-20X0.5-IN)						
	8	1	8T-4205	4	WASHER-HARD (7.2X14.5X2-MM THK)						
	9	1	7T-3276	2	ARMATURE AS (24-VOLT)						
	10	1	4M-1831	1	PLUG-LEVER HOUSING						
	11	1	7L-2894	1	GASKET						
	12	1	9X-9511	1	SOLENOID AS (24-VOLT) (STARTING MOTOR)						
	13	1	036-9821	1	WASHER						
	14	1	7T-3269	1	BOOT						
	15	1	4M-1828	1	RETAINER-SPRING						
	16	1	9M-7609	1	SPRING (SHIFT LEVER)						
	17	1	4M-1827	1	RETAINER-SPRING						
	18	1	2H-3429	1	RING-RETAINING						
	19	1	4B-2049	3	NUT (10-32-THD)						
	20	1	6N-3826	1	DRIVE AS-MOTOR						
	21	1	9X-4824	1	COVER-STARTING MOTOR						
	22	1	8T-0328	3	WASHER-HARD (5.5X10X1-MM THK)						
	23	1	7T-3277	1	COIL AS-FIELD						
	24	1	7T-3454	1	INSULATOR						
	25	1	8H-1141	4	SHOE-POLE						
	26	1	3F-0379	8	SCREW-POLE SHOE (3/8-24-THD)						
	27	1	7T-3271	1	CONNECTOR						
	28	1	8T-8569	1	INSULATOR-TERMINAL						
	29	1	7T-3451	1	KIT-INSULATOR (STARTING MOTOR)						
	30	1	3E-7775	1	HOUSING AS						
	31	1	036-9823	5	BOLT (1/4-28X1-IN)						
	32	1	7T-3974	1	HOUSING AS-DRIVE						
	33	1	3T-3434	6	PLUG						
	34	1	7X-3373	6	BOLT (5/16-18X0.88-IN)						
	35	1	7T-3270	1	PLUNGER AS						
	36	1	7T-3279	1	HOUSING AS						
					AVAILABLE REPAIR KIT(S):						
			8C-3655	1	KIT-BRUSH (STARTING MOTOR) (KIT INCLUDES SPRINGS, BRUSHES, SEAL, SCREW ASSEMBLIES & SCREWS)						
			7T-3267	1	KIT-BUSHING (STARTING MOTOR) (KIT INCLUDES BUSHINGS, WICKS, CUPS, SEALS, GASKET, SCREW ASSEMBLIES, WASHERS, SPACER & NUT)						
			7T-3268	1	KIT-LEVER (STARTING MOTOR) (KIT INCLUDES GASKET, RETAINER, LEVER ASSEMBLIES, NUT & SEALS)						

ELECTRICAL AND STARTING SYSTEM

106-8551 **STARTING MOTOR GP-ELECTRIC (contd.)**

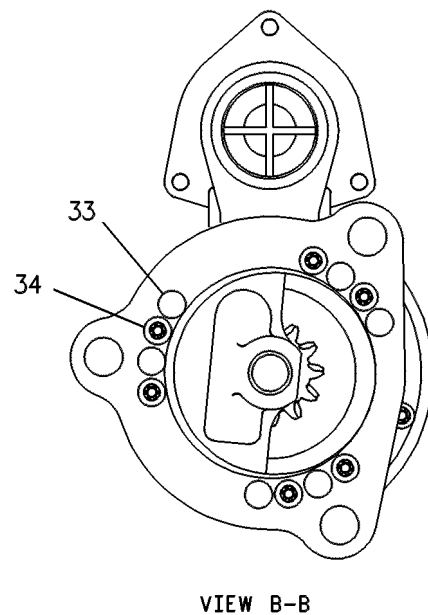
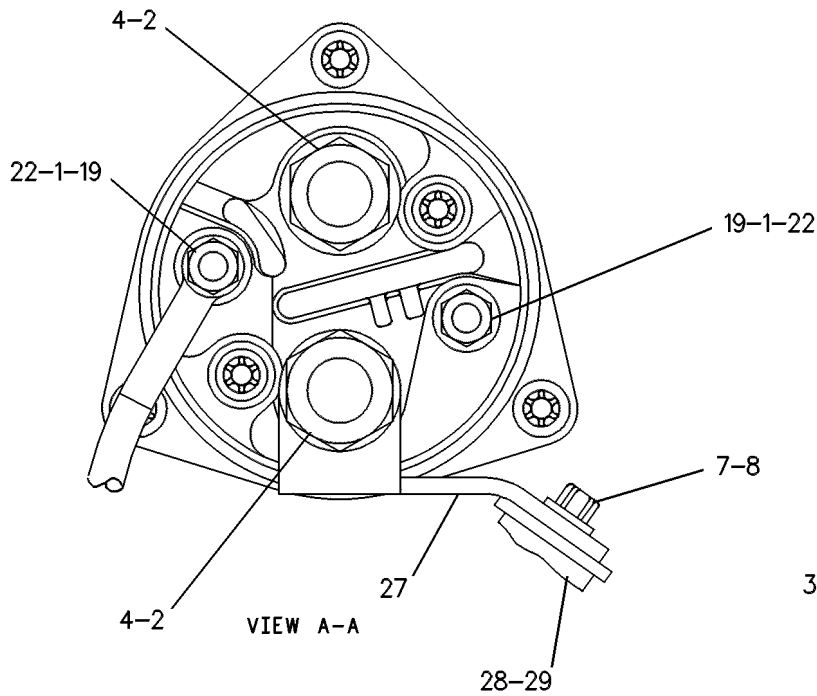
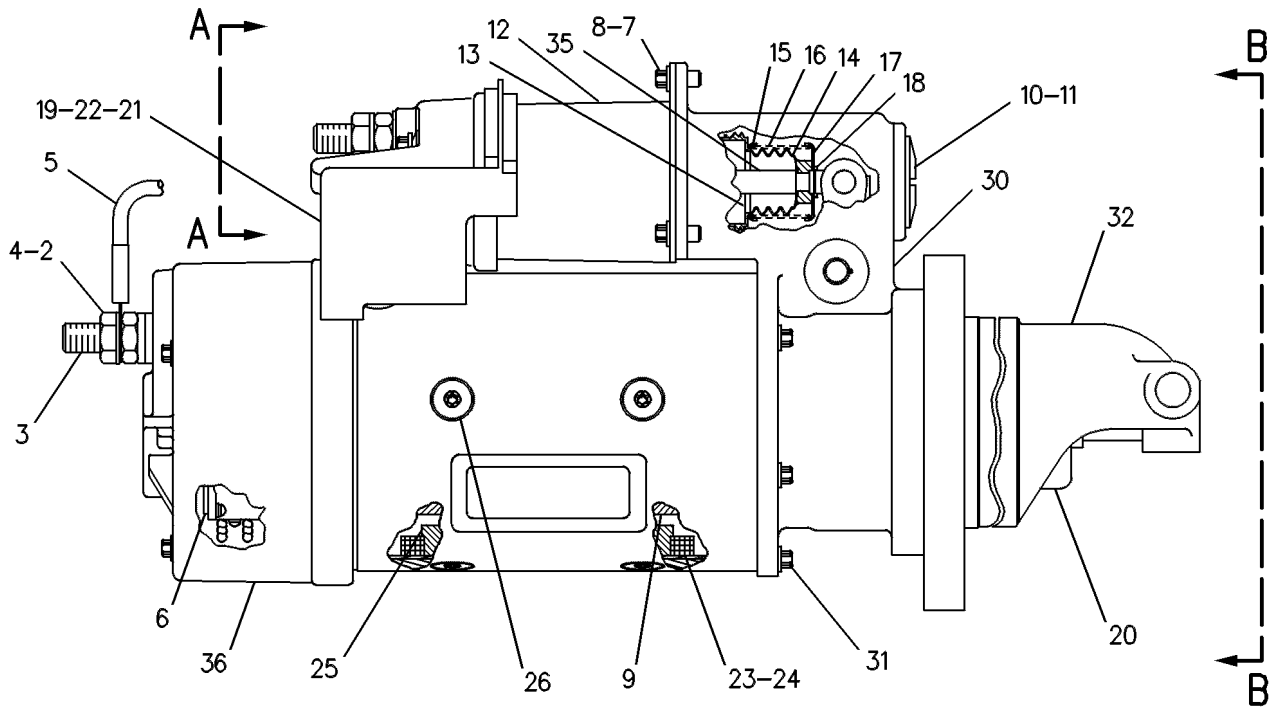
i02730872

NOTE	REF	GRAPHIC	PART NUMBER	QTY	PART NAME						SEE PAGE
	NO	REF			1	2	3	4	5	6 (PRODUCT LEVEL)	
			8T-9884	1	KIT-INSULATOR (STARTING MOTOR)						
					(KIT INCLUDES BUSHING & INSULATORS)						

ELECTRICAL AND STARTING SYSTEM

106-8551 STARTING MOTOR GP-ELECTRIC (contd.)

i02730872



GRAPHIC #1

<END>

g00084518

ELECTRICAL AND STARTING SYSTEM

106-8554 STARTING MOTOR GP-ELECTRIC*R

24-VOLT

PART OF 6V-5539 STARTING MOTOR GP-ELECTRIC

SMCS-1453

i03812410

NOTE	REF NO	GRAPHIC REF	PART NUMBER	QTY	PART NAME						SEE PAGE
					1	2	3	4	5	6 (PRODUCT LEVEL)	
	1	1	8F-1434	2	LOCKWASHER						
	2	1	6V-8188	4	NUT (1/2-13-THD)						
	3	1	8T-8566	1	TERMINAL AS						
	4	1	7X-0562	4	WASHER-HARD (13.5X19X0.8-MM THK)						
	5	1	3T-3422	1	WIRE AS						
	6	1	7T-3278	1	HOLDER AS-BRUSH						
	7	1	5S-7349	4	BOLT (1/4-20X0.5-IN)						
	8	1	8T-4205	4	WASHER-HARD (7.2X14.5X2-MM THK)						
	9	1	7T-3276	1	ARMATURE AS (24-VOLT)						
	10	1	4M-1831	1	PLUG-LEVER HOUSING						
	11	1	7L-2894	1	GASKET						
	12	1	250-8279	1	KIT-SOLENOID (24-VOLT) (STARTING MOTOR)						
					(INCLUDES BOLT, COVER, CONNECTORS, NUTS & SOLENOID AS)						
	13	1	036-9821	1	WASHER						
	14	1	306-3997	1	BOOT						
	15	1	4M-1828	1	RETAINER-SPRING						
	16	1	9M-7609	1	SPRING (SHIFT LEVER)						
	17	1	4M-1827	1	RETAINER-SPRING						
	18	1	2H-3429	1	RING-RETAINING						
	19	1	4B-2049	3	NUT (10-32-THD)						
	20	1	6N-3826	1	DRIVE AS-MOTOR						
	21	1	9X-4824	1	COVER-STARTING MOTOR						
	22	1	8T-0328	3	WASHER-HARD (5.5X10X1-MM THK)						
	23	1	7T-3277	1	COIL AS-FIELD						
	24	1	7T-3454	1	INSULATOR						
	25	1	8H-1141	4	SHOE-POLE						
	26	1	3R-8797	8	SCREW & WASHER AS (3/8-24X0.72-IN)						
	27	1	283-1107	1	KIT-CONNECTOR (STARTING MOTOR)						
					(INCLUDES CONNECTORS, BOLT & TERMINAL-STARTER)						
	28	1	8T-8569	1	INSULATOR-TERMINAL						
	29	1	7T-3451	1	KIT-INSULATOR (STARTING MOTOR)						
	30	1	3E-7775	1	HOUSING AS						
	31	1	0S-1597	5	BOLT (1/4-28X1-IN)						
	32	1	7T-3974	1	HOUSING AS-DRIVE						
	33	1	3T-3434	6	PLUG						
	34	1	7X-3373	6	BOLT (5/16-18X0.88-IN)						
	35	1	7T-3270	1	PLUNGER AS						
	36	1	7T-3279	1	HOUSING AS						
					AVAILABLE REPAIR KIT(S):						
			8C-3655	1	KIT-BRUSH (STARTING MOTOR)						
					(INCLUDES SPRINGS, BRUSH ASSEMBLIES & SCREWS)						
			7T-3267	1	KIT-BUSHING (STARTING MOTOR)						
					(INCLUDES NUT, SPACER, GASKET, BUSHINGS, WICKS, CUPS, SEALS & SCREW ASSEMBLIES)						
			7T-3268	1	KIT-LEVER (STARTING MOTOR)						
					(INCLUDES RETAINER, LEVER ASSEMBLIES, NUT & SEALS)						

ELECTRICAL AND STARTING SYSTEM

106-8554 **STARTING MOTOR GP-ELECTRIC (contd.)**

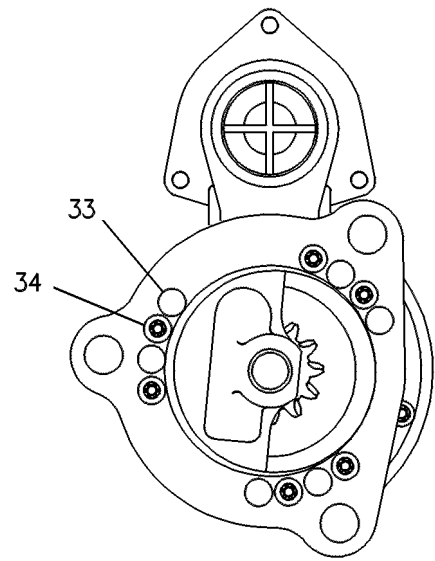
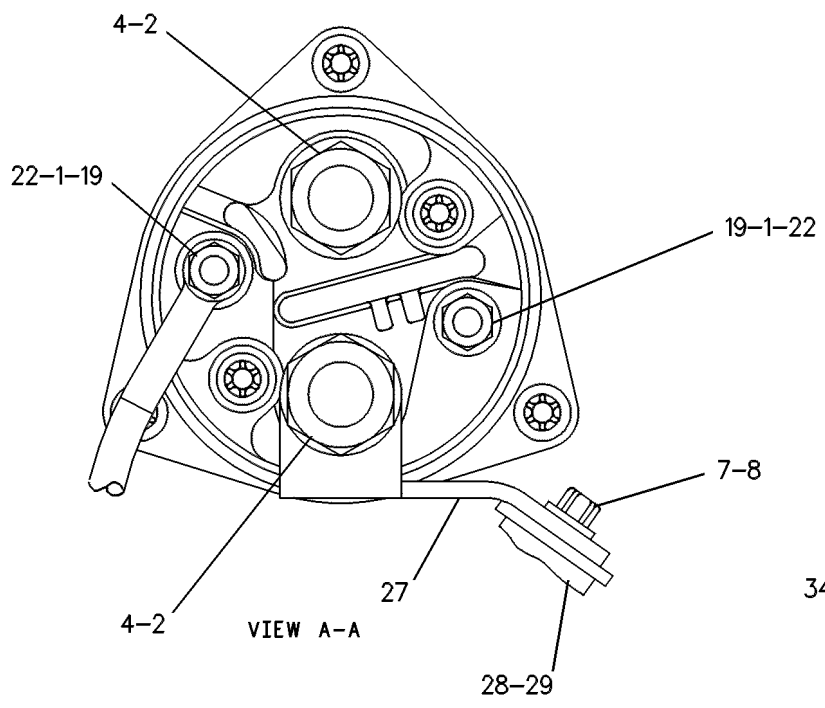
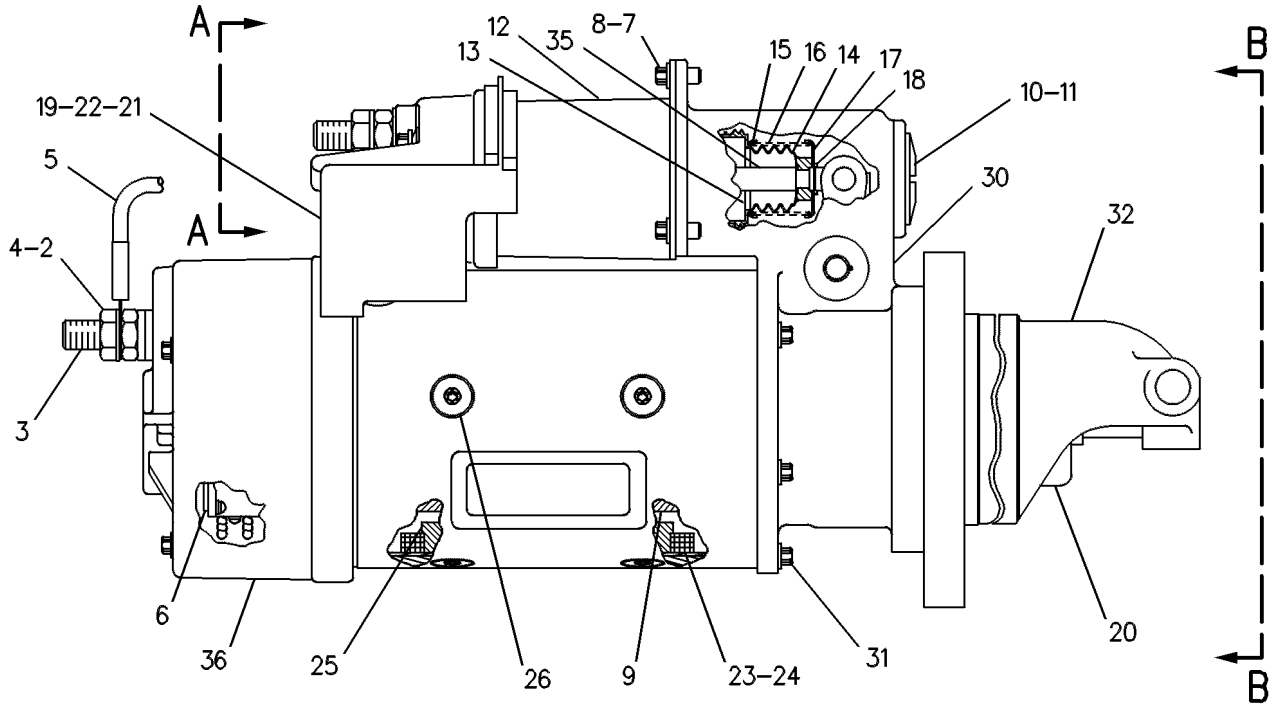
i03812410

NOTE	REF	GRAPHIC	PART NUMBER	QTY	PART NAME						SEE PAGE
	NO	REF			1	2	3	4	5	6 (PRODUCT LEVEL)	
			8T-9884	1	KIT-INSULATOR (STARTING MOTOR)						
					(INCLUDES BUSHING & INSULATORS)						

ELECTRICAL AND STARTING SYSTEM

106-8554 STARTING MOTOR GP-ELECTRIC (contd.)

i03812410



GRAPHIC #1

<END>

g00084518

ELECTRICAL AND STARTING SYSTEM

237-1962 STARTING MOTOR GP-ELECTRIC*R

24-VOLT

FIELD REPLACEMENT ORDER 338-3454-PAGE: 541

FIELD REPLACEMENT FOR 6V-0890-PAGE: 553: FOR 6V-0927-PAGE: 556

SMCS-1453

i04093549

NOTE	REF NO	GRAPHIC REF	PART NUMBER	QTY	PART NAME						SEE PAGE
					1	2	3	4	5	6 (PRODUCT LEVEL)	
	1	1	7M-0326	1	CONNECTOR						
	2	1	9H-3757	2	WASHER (0.516X1X0.094-IN THK)						
	3	1	1S-7446	3	SCREW-MACHINE (8-32X0.437-IN)						
	4	1	8C-9660	3	WASHER (4.6X7.9X0.8-MM THK)						
	5	1	9S-2544	9	SCREW-HEX HEAD (8-32X11.13-MM)						
	6	1	7M-0327	1	WASHER-THRUST (17.4X25.4X1.6-MM THK)						
	7	1	3T-3418	1	FRAME AS-END						
		1	3T-3423	1	CUP						
		1	3T-3424	1	PLUG-FELT						
		1	9G-4101	1	BUSHING-END						
	8	1	3T-9525	1	PLATE AS-BRUSH (STARTING MOTOR)						
	8A	1	6T-0371	1	INSULATOR						
	8B	1	5P-6298	12	SCREW-MACHINE (10-32X0.5-IN)						
		1	9F-5599	12	LOCKWASHER						
	8C	1	7F-3525	6	WASHER-SPECIAL (0.207X0.39X0.09-IN THK)						
	8D	1	6T-0372	1	PLATE						
	8E	1	3T-4709	3	PLATE						
	8F	1	2L-6679	3	PLATE-INSULATOR						
	8G	1	3T-4710	3	PLATE						
	8H	1	6T-0363	6	HOLDER AS-BRUSH (STARTING MOTOR)						
					(EACH INCLUDES)						
	8J	1	3T-9494	1	SPRING						
	9	1	1T-0808	2	WASHER (0.516X0.812X0.09-IN THK)						
	10	1	3T-3422	1	WIRE AS (STARTING MOTOR)						
	11	1	2J-8163	2	SEAL-O-RING						
	12	1	7X-3373	1	BOLT (5/16-18X0.88-IN)						
	13	1	3T-3434	6	PLUG						
	14	1	5J-5314	5	BOLT (5/16-18X1.5-IN)						
	15	1	3L-3380	1	BUSHING-TERMINAL						
	16	1	036-9821	1	WASHER						
	17	1	4M-1828	1	RETAINER-SPRING						
	18	1	306-3998	1	BOOT-RUBBER						
	19	1	9M-7609	1	SPRING (SHIFT LEVER)						
	20	1	4M-1827	1	RETAINER-SPRING						
	21	1	8C-3089	1	SEAL-O-RING						
	22	1	4M-1853	1	LEVER AS-SHIFT						
	23	1	5M-3034	1	LOCKNUT (5/16-24-THD)						
	24	1	7L-2894	4	GASKET						
	25	1	4M-1831	4	PLUG-LEVER HOUSING						
	26	1	4M-1854	1	SHAFT-LEVER						
	27	1	1H-1023	1	SEAL-O-RING						
	28	1	2D-6392	1	SEAL-O-RING						
	29	1	7T-3974	1	HOUSING AS-DRIVE						
	30	1	6N-3826	1	DRIVE AS-MOTOR						
	31	1	2H-3429	2	RING-RETAINING						
	32	1	6V-1322	4	BOLT (1/4-20X0.375-IN)						
	33	1	8T-4205	4	WASHER-HARD (7.2X14.5X2-MM THK)						

ELECTRICAL AND STARTING SYSTEM

237-1962 **STARTING MOTOR GP-ELECTRIC (contd.)**

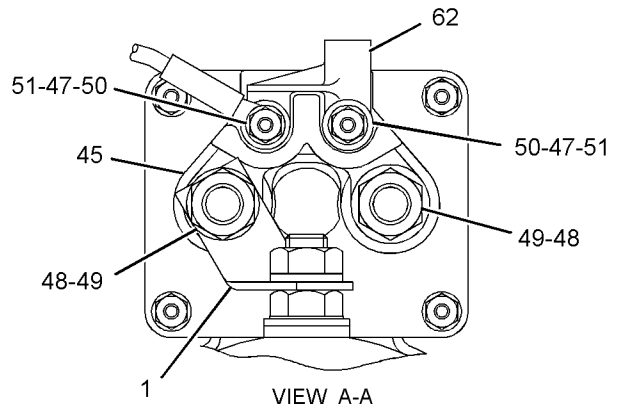
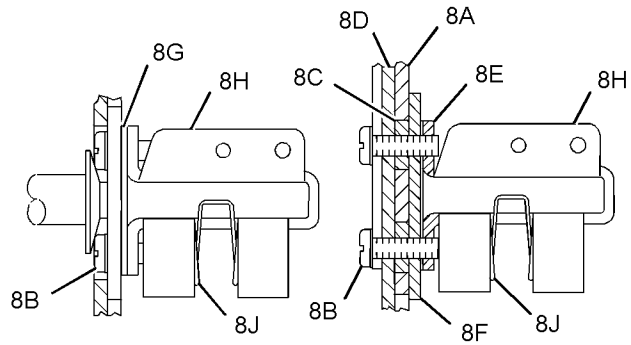
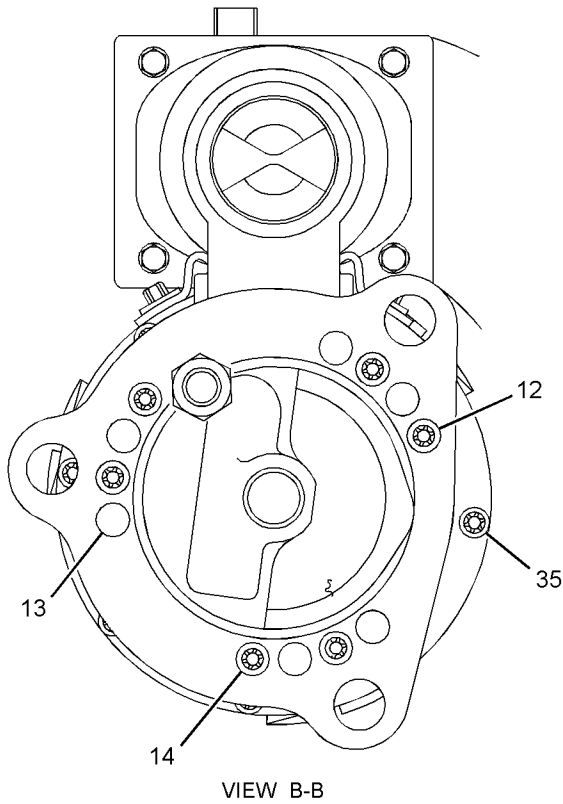
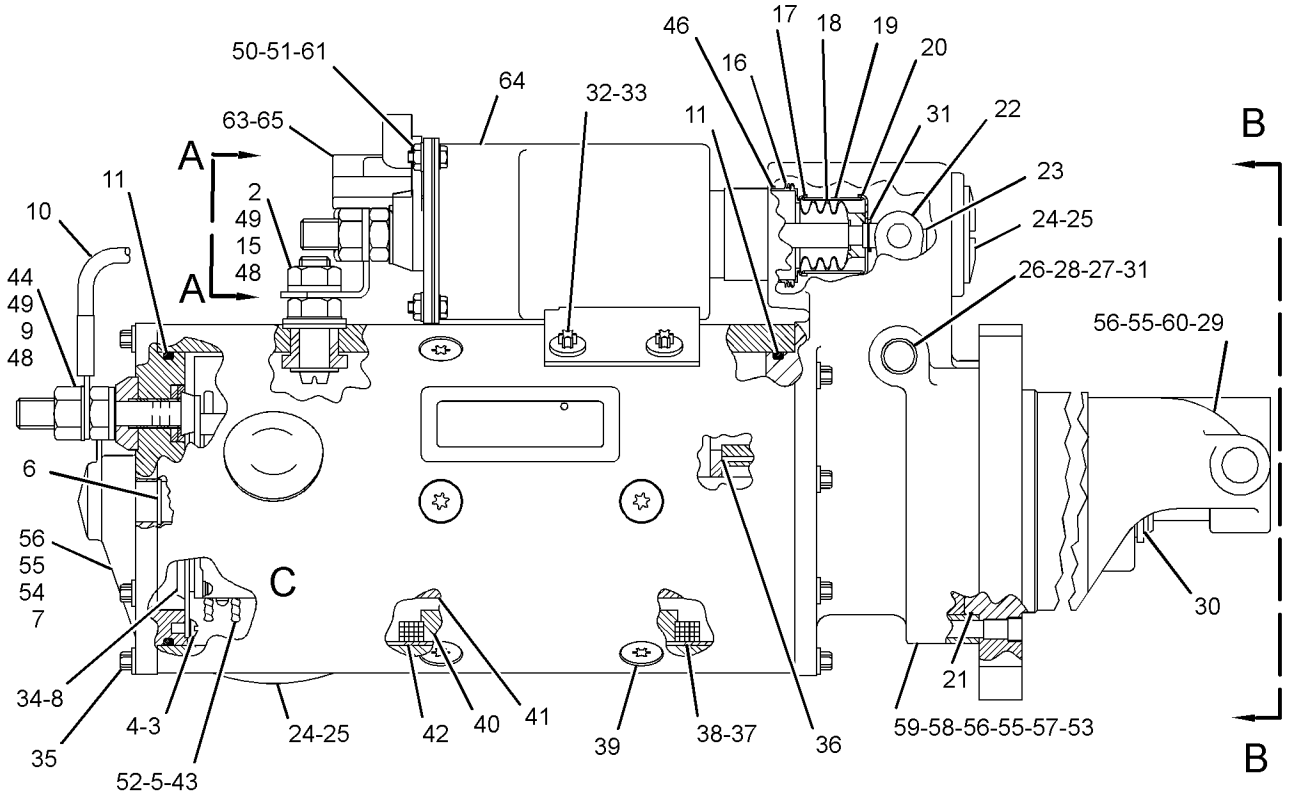
i04093549

NOTE	REF NO	GRAPHIC REF	PART NUMBER	QTY	PART NAME						SEE PAGE
					1	2	3	4	5	6 (PRODUCT LEVEL)	
	34	1	6N-3279	1	INSULATOR						
	35	1	0S-1597	13	BOLT (1/4-28X1-IN)						
	36	1	1M-9971	1	SPACER (0.835X1.72X0.188-IN THK)						
	37	1	1H-2629	3	STRIP-INSULATION						
	38	1	7M-0324	1	COIL AS-FIELD						
	39	1	3R-8797	12	SCREW & WASHER AS (3/8-24X0.72-IN)						
	40	1	7F-3488	6	SHOE-POLE						
	41	1	7M-8651	1	ARMATURE AS						
	42	1	7M-0325	1	INSULATOR						
	43	1	3T-9524	6	BRUSH AS						
	44	1	3N-3763	1	KIT-TERMINAL (STARTING MOTOR) (INCLUDES BUSHINGS & WASHERS)						
	45	1	125-6537	1	INSULATOR						
	46	1	3R-8801	1	CLAMP						
	47	1	8F-1434	2	LOCKWASHER						
	48	1	6V-8188	6	NUT (1/2-13-THD)						
	49	1	7X-0562	6	WASHER-HARD (13.5X19X0.8-MM THK)						
	50	1	4B-2049	6	NUT (10-32-THD)						
	51	1	8T-0328	10	WASHER-HARD (5.5X10X1-MM THK)						
	52	1	3T-9494	6	SPRING (STARTING MOTOR)						
	53	1	3E-7771	1	HOUSING AS (STARTING MOTOR)						
	54	1	9G-4101	1	BUSHING-END						
	55	1	3T-3424	3	PLUG-FELT						
	56	1	3T-3423	3	CUP						
	57	1	1M-9968	1	BUSHING						
	58	1	2F-6678	1	SEAL-LIP TYPE						
	59	1	4L-2729	1	WASHER (0.844X1.9X0.188-IN THK)						
	60	1	4M-1896	1	BUSHING-TERMINAL						
	61	1	045-4065	4	SCREW-MACHINE (10-32X0.75-IN)						
	62	1	125-6535	1	COVER-STARTING MOTOR						
	63	1	7T-9123	1	GASKET-PLATE						
	64	1	318-2082	1	SOLENOID AS-STARTING MOTOR (24-VOLT)						
		1	3R-8801	1	CLAMP						
	65	1	125-6536	1	TERMINAL AS						

ELECTRICAL AND STARTING SYSTEM

237-1962 **STARTING MOTOR GP-ELECTRIC** (contd.)

i04093549



GRAPHIC #1

<END>

g01453239

ELECTRICAL AND STARTING SYSTEM

338-3454 STARTING MOTOR GP-ELECTRIC*R

24-VOLT

FIELD REPLACEMENT FOR 237-1962-PAGE: 538: FOR 6V-0927-PAGE: 556

SMCS-1453

i06909430

NOTE	REF NO	GRAPHIC REF	PART NUMBER	QTY	PART NAME						SEE PAGE
					1	2	3	4	5	6 (PRODUCT LEVEL)	
	1	1	7M-0326	1	CONNECTOR						
	2	1	9H-3757	2	WASHER (0.516X1X0.094-IN THK)						
	3	1	1S-7446	3	SCREW-MACHINE (8-32X0.437-IN)						
	4	1	8C-9660	3	WASHER (4.6X7.9X0.8-MM THK)						
	5	1	9S-2544	9	SCREW-HEX HEAD (8-32X11.13-MM)						
	6	1	7M-0327	1	WASHER-THRUST (17.4X25.4X1.6-MM THK)						
	7	1	3T-3418	1	FRAME AS-END						
		1	3T-3423	1	CUP						
		1	3T-3424	1	PLUG-FELT						
		1	9G-4101	1	BUSHING-END						
Y	8	1	3T-9525	1	PLATE AS-BRUSH (STARTING MOTOR)						478
	9	1	1T-0808	2	WASHER (0.516X0.812X0.09-IN THK)						
	10	1	3T-3422	1	WIRE AS						
	11	1	2J-8163	2	SEAL-O-RING						
	12	1	7X-3373	1	BOLT (5/16-18X0.88-IN)						
	13	1	125-6535	1	COVER-STARTING MOTOR						
	14	1	5J-5314	5	BOLT (5/16-18X1.5-IN)						
	15	1	3L-3380	1	BUSHING-TERMINAL						
	16	1	8C-3089	1	SEAL-O-RING						
	17	1	4M-1853	1	LEVER AS-SHIFT						
	18	1	5M-3034	1	LOCKNUT (5/16-24-THD)						
	19	1	7L-2894	4	GASKET						
	20	1	4M-1831	4	PLUG-LEVER HOUSING						
	21	1	4M-1854	1	SHAFT-LEVER						
	22	1	1H-1023	1	SEAL-O-RING						
	23	1	2D-6392	1	SEAL-O-RING						
	24	1	494-6475	1	HOUSING AS-DRIVE						
	25	1	6N-3826	1	DRIVE AS-MOTOR						
	26	1	2H-3429	1	RING-RETAINING						
	27	1	6V-1322	4	BOLT (1/4-20X0.375-IN)						
	28	1	8T-4205	4	WASHER-HARD (7.2X14.5X2-MM THK)						
	29	1	6N-3279	1	INSULATOR						
	30	1	0S-1597	13	BOLT (1/4-28X1-IN)						
	31	1	1M-9971	1	SPACER (0.835X1.72X0.188-IN THK)						
	32	1	1H-2629	3	STRIP-INSULATION						
	33	1	7M-0324	1	COIL AS-FIELD						
	34	1	3R-8797	12	SCREW & WASHER AS (3/8-24X0.72-IN)						
	35	1	7F-3488	6	SHOE-POLE						
	36	1	7M-8651	1	ARMATURE AS						
	37	1	7M-0325	1	INSULATOR						
	38	1	3T-9524	6	BRUSH AS						
	39	1	3N-3763	1	KIT-TERMINAL (STARTING MOTOR)						
					(INCLUDES BUSHINGS & WASHERS)						
	40	1	338-3453	1	SOLENOID AS-STARTING MOTOR (24-VOLT)						
	40A	1	3R-8801	1	CLAMP						
	42	1	8F-1434	2	LOCKWASHER						
	43	1	6V-8188	6	NUT (1/2-13-THD)						
	44	1	7X-0562	6	WASHER-HARD (13.5X19X0.8-MM THK)						

ELECTRICAL AND STARTING SYSTEM

338-3454 STARTING MOTOR GP-ELECTRIC (contd.)

i06909430

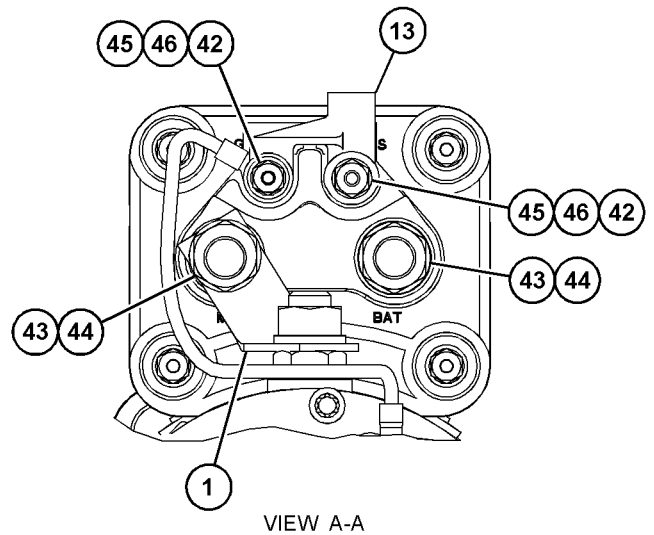
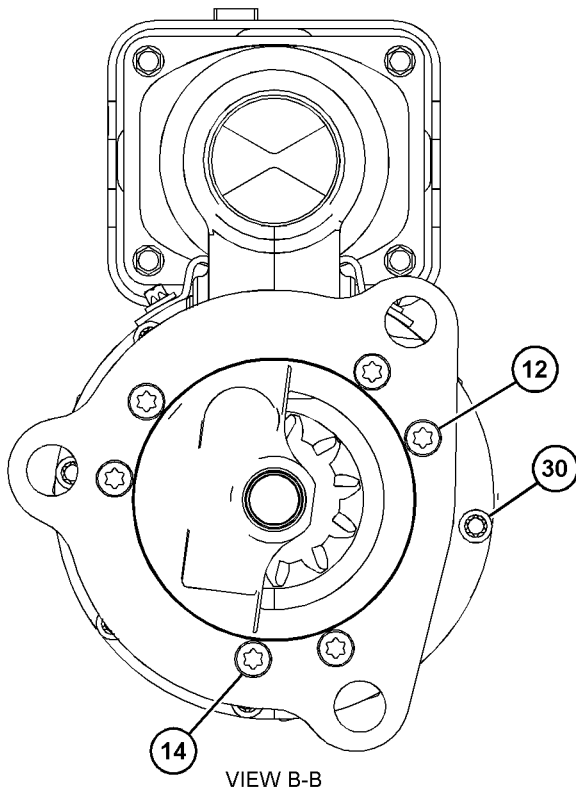
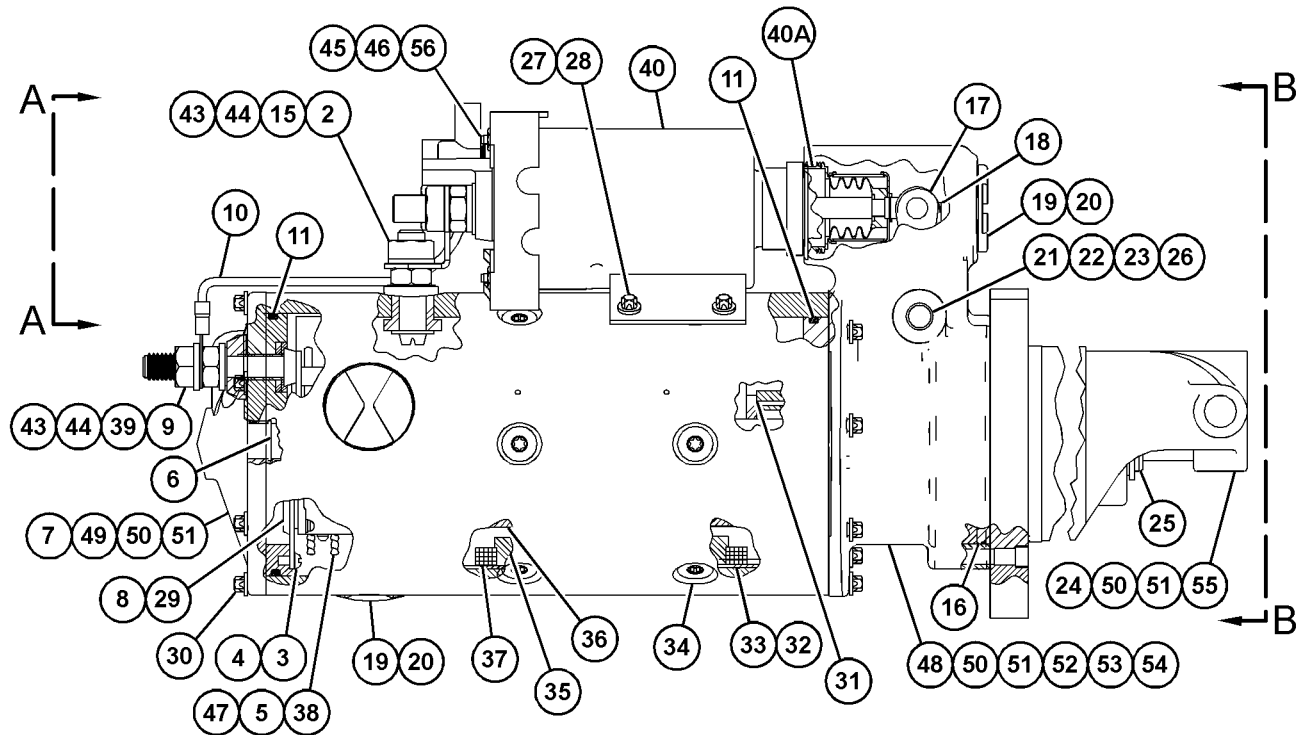
NOTE	REF NO	GRAPHIC REF	PART NUMBER	QTY	PART NAME						SEE PAGE
					1	2	3	4	5	6 (PRODUCT LEVEL)	
	45	1	4B-2049	6	NUT (10-32-THD)						
	46	1	8T-0328	10	WASHER-HARD (5.5X10X1-MM THK)						
	47	1	3T-9494	6	SPRING						
	48	1	3E-7771	1	HOUSING AS (STARTING MOTOR)						
	49	1	9G-4101	1	BUSHING-END						
	50	1	3T-3424	3	PLUG-FELT						
	51	1	3T-3423	3	CUP						
	52	1	1M-9968	1	BUSHING						
	53	1	2F-6678	1	SEAL-LIP TYPE						
	54	1	4L-2729	1	WASHER (0.844X1.9X0.188-IN THK)						
	55	1	4M-1896	1	BUSHING-TERMINAL						
	56	1	045-4065	4	SCREW-MACHINE (10-32X0.75-IN)						

Y - SEPARATE ILLUSTRATION

ELECTRICAL AND STARTING SYSTEM

338-3454 STARTING MOTOR GP-ELECTRIC (contd.)

i06909430



GRAPHIC #1

<END>

g06168289

ELECTRICAL AND STARTING SYSTEM

6V-0501 STARTING MOTOR GP-ELECTRIC*R

32-VOLT

FIELD REPLACEMENT FOR 6V-0508-PAGE: 547

FIELD INSTALLATION

SMCS-1453

i02658799

NOTE	REF NO	GRAPHIC REF	PART NUMBER	QTY	PART NAME						SEE PAGE
					1	2	3	4	5	6 (PRODUCT LEVEL)	
	1	1	7M-0326	1	CONNECTOR						
	2	1	9H-3757	2	WASHER (0.516X1X0.094-IN THK)						
	3	1	1S-7446	3	SCREW-MACHINE (8-32X0.437-IN)						
	4	1	8C-9660	3	WASHER (4.6X7.9X0.8-MM THK)						
	5	1	9S-2544	6	SCREW-HEX HEAD (8-32X11.13-MM)						
	6	1	7M-0327	1	WASHER-THRUST (17.4X25.4X1.6-MM THK)						
	7	1	3T-3418	1	FRAME AS-END						
	7A	1	3T-3424	1	PLUG-FELT						
	7B	1	3T-3423	1	CUP						
	7C	1	9G-4101	1	BUSHING-END						
	8	1	3T-9525	1	PLATE AS-BRUSH (STARTING MOTOR)						
	8A	1	9F-5599	12	LOCKWASHER						
	8B	1	6T-0371	1	INSULATOR						
	8C	1	6T-0363	6	HOLDER AS-BRUSH (EACH INCLUDES)						
	8D	1	3T-9494	1	SPRING						
	8E	1	3T-4709	3	PLATE						
	8F	1	3T-4710	3	PLATE						
	8G	1	2L-6679	3	PLATE-INSULATOR						
	8H	1	7F-3525	6	WASHER-SPECIAL (0.207X0.39X0.09-IN THK)						
	8J	1	6T-0372	1	PLATE						
	8K	1	5P-6298	12	SCREW-MACHINE (10-32X0.5-IN)						
	9	1	7F-3491	2	WASHER (0.516X1X0.094-IN THK)						
	10	1	3T-3422	1	WIRE AS						
	11	1	2J-8163	2	SEAL-O-RING						
	12	1	7X-3373	1	BOLT (5/16-18X0.88-IN)						
B	13	1	3T-3434	6	PLUG						
	14	1	5J-5314	5	BOLT (5/16-18X1.5-IN)						
	15	1	3L-3380	1	BUSHING-TERMINAL						
	16	1	036-9821	1	WASHER						
	17	1	4M-1828	1	RETAINER-SPRING (EXTERNAL)						
	18	1	4M-1829	1	BOOT-RUBBER						
	19	1	4M-1827	1	RETAINER-SPRING						
	20	1	9M-7609	1	SPRING (SHIFT LEVER)						
	21	1	8C-3089	1	SEAL-O-RING						
	22	1	4M-1853	1	LEVER AS-SHIFT						
	23	1	5M-3034	1	LOCKNUT (5/16-24-THD)						
	24	1	7L-2894	4	GASKET						
	25	1	4M-1831	4	PLUG-LEVER HOUSING						
	26	1	4M-1854	1	SHAFT-LEVER						
	27	1	1H-1023	1	SEAL-O-RING						
	28	1	2D-6392	1	SEAL-O-RING						
	29	1	7T-3974	1	HOUSING AS-DRIVE						
	30	1	6N-3826	1	DRIVE AS-MOTOR						
	31	1,1	2H-3429	2	RING-RETAINING						
	32	1	6V-1322	4	BOLT (1/4-20X0.375-IN)						
	33	1	8T-4205	4	WASHER-HARD (7.2X14.5X2-MM THK)						

ELECTRICAL AND STARTING SYSTEM

6V-0501 STARTING MOTOR GP-ELECTRIC (contd.)

i02658799

NOTE	REF NO	GRAPHIC REF	PART NUMBER	QTY	PART NAME						SEE PAGE
					1	2	3	4	5	6 (PRODUCT LEVEL)	
	34	1	6N-3279	1	INSULATOR						
	35	1	036-9823	13	BOLT (1/4-28X1-IN)						
	36	1	1M-9971	1	SPACER (0.835X1.72X0.188-IN THK)						
	37	1	1H-2629	3	STRIP-INSULATION						
	38	1	7M-0324	1	COIL AS-FIELD						
	39	1	3F-0379	12	SCREW-POLE SHOE (3/8-24-THD)						
	40	1	7F-3488	6	SHOE-POLE						
	41	1	7M-8651	1	ARMATURE AS						
	42	1	7M-0325	1	INSULATOR						
	43	1	3T-9524	6	BRUSH AS (STARTING MOTOR)						
J	44	1	3N-3763	1	KIT-TERMINAL (STARTING MOTOR)						
JZ	44A	1		1	BUSHING						
JZ	44B	1		1	BUSHING						
JZ	44C	1		1	WASHER						
	45	1	242-7983	1	SOLENOID AS (STARTING MOTOR)						
	46	1	3R-8801	1	CLAMP						
	47	1	8F-1434	2	LOCKWASHER						
	48	1	6V-8188	6	NUT (1/2-13-THD)						
	49	1	7X-0562	6	WASHER-HARD (13.5X19X0.8-MM THK)						
	50	1	4B-2049	6	NUT (10-32-THD)						
	51	1	8T-0328	10	WASHER-HARD (5.5X10X1-MM THK)						
	52	1	3T-9494	6	SPRING						
	53	1	3E-7771	1	HOUSING AS (STARTING MOTOR)						
	55	1	3T-3424	2	PLUG-FELT						
	56	1	3T-3423	2	CUP						
	57	1	1M-9968	1	BUSHING						
	58	1	2F-6678	1	SEAL-LIP TYPE						
	59	1	4L-2729	1	WASHER (0.844X1.9X0.188-IN THK)						
	60	1	4M-1896	1	BUSHING-TERMINAL						
	61	1	045-4065	4	SCREW-MACHINE (10-32X0.75-IN)						
	62	1	6T-1124	1	TERMINAL AS						
	63	1	7T-9123	1	GASKET-PLATE						
	64	1	6T-0362	1	INSULATOR						

B - USE AS REQUIRED

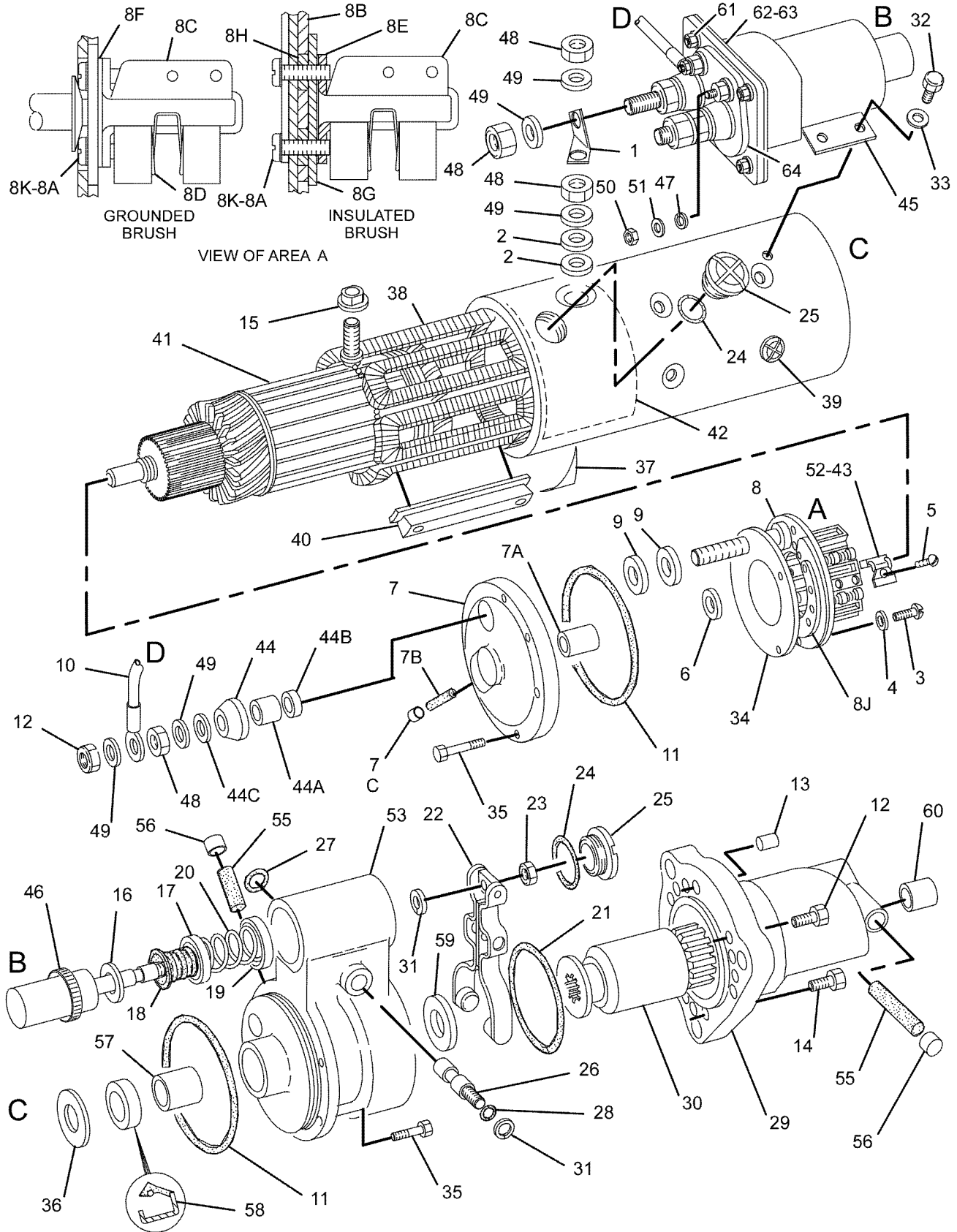
J - KIT MARKED J INCLUDES PART(S) MARKED J

Z - NOT SERVICED SEPARATELY

ELECTRICAL AND STARTING SYSTEM

6V-0501 STARTING MOTOR GP-ELECTRIC (contd.)

102658799



GRAPHIC #1

<END>

g01072959

ELECTRICAL AND STARTING SYSTEM

6V-0508 STARTING MOTOR GP-ELECTRIC

FIELD REPLACEMENT ORDER 6V-0501-PAGE: 544

PART OF 8N-3897 STARTING MOTOR GP-ELECTRIC
AN ATTACHMENT

SMCS-1453

i02851389

NOTE	REF NO	GRAPHIC REF	PART NUMBER	QTY	PART NAME						SEE PAGE
					1	2	3	4	5	6 (PRODUCT LEVEL)	
	1	1	7M-0326	1	CONNECTOR						
	2	1	9H-3757	2	WASHER (0.516X1X0.094-IN THK)						
	3	1	1S-7446	3	SCREW-MACHINE (8-32X0.437-IN)						
	4	1	8C-9660	3	WASHER (4.6X7.9X0.8-MM THK)						
	5	1	9S-2544	6	SCREW-HEX HEAD (8-32X11.13-MM)						
	6	1	7M-0327	1	WASHER-THRUST (17.4X25.4X1.6-MM THK)						
	7	1	3T-3418	1	FRAME AS-END						
	7A	1	3T-3424	1	PLUG-FELT						
	7B	1	3T-3423	1	CUP						
	7C	1	9G-4101	1	BUSHING-END						
	8	1	3T-9525	1	PLATE AS-BRUSH (STARTING MOTOR)						
	8A	1	9F-5599	12	LOCKWASHER						
	8B	1	6T-0371	1	INSULATOR						
	8C	1	6T-0363	6	HOLDER AS-BRUSH (EACH INCLUDES)						
	8D	1	3T-9494	1	SPRING						
	8E	1	3T-4709	3	PLATE						
	8F	1	3T-4710	3	PLATE						
	8G	1	2L-6679	3	PLATE-INSULATOR						
	8H	1	7F-3525	6	WASHER-SPECIAL (0.207X0.39X0.09-IN THK)						
	8J	1	6T-0372	1	PLATE						
	8K	1	5P-6298	12	SCREW-MACHINE (10-32X0.5-IN)						
	9	1	7F-3491	2	WASHER (0.516X1X0.094-IN THK)						
	10	1	3T-3422	1	WIRE AS						
	11	1	2J-8163	2	SEAL-O-RING						
	12	1	7X-3373	1	BOLT (5/16-18X0.88-IN)						
B	13	1	3T-3434	6	PLUG						
	14	1	5J-5314	5	BOLT (5/16-18X1.5-IN)						
	15	1	3L-3380	1	BUSHING-TERMINAL						
	16	1	036-9821	1	WASHER						
	17	1	4M-1828	1	RETAINER-SPRING						
	18	1	306-3998	1	BOOT-RUBBER						
	19	1	9M-7609	1	SPRING (SHIFT LEVER)						
	20	1	4M-1827	1	RETAINER-SPRING						
	21	1	8C-3089	1	SEAL-O-RING						
	22	1	4M-1853	1	LEVER AS-SHIFT						
	23	1	5M-3034	1	LOCKNUT (5/16-24-THD)						
	24	1	7L-2894	4	GASKET						
	25	1	4M-1831	4	PLUG-LEVER HOUSING						
	26	1	4M-1854	1	SHAFT-LEVER						
	27	1	1H-1023	1	SEAL-O-RING						
	28	1	2D-6392	1	SEAL-O-RING						
	29	1	7T-3974	1	HOUSING AS-DRIVE						
	30	1	6N-3826	1	DRIVE AS-MOTOR						
	31	1,1	2H-3429	2	RING-RETAINING						
	32	1	6V-1322	4	BOLT (1/4-20X0.375-IN)						
	33	1	8T-4205	4	WASHER-HARD (7.2X14.5X2-MM THK)						

ELECTRICAL AND STARTING SYSTEM

6V-0508 STARTING MOTOR GP-ELECTRIC (contd.)

i02851389

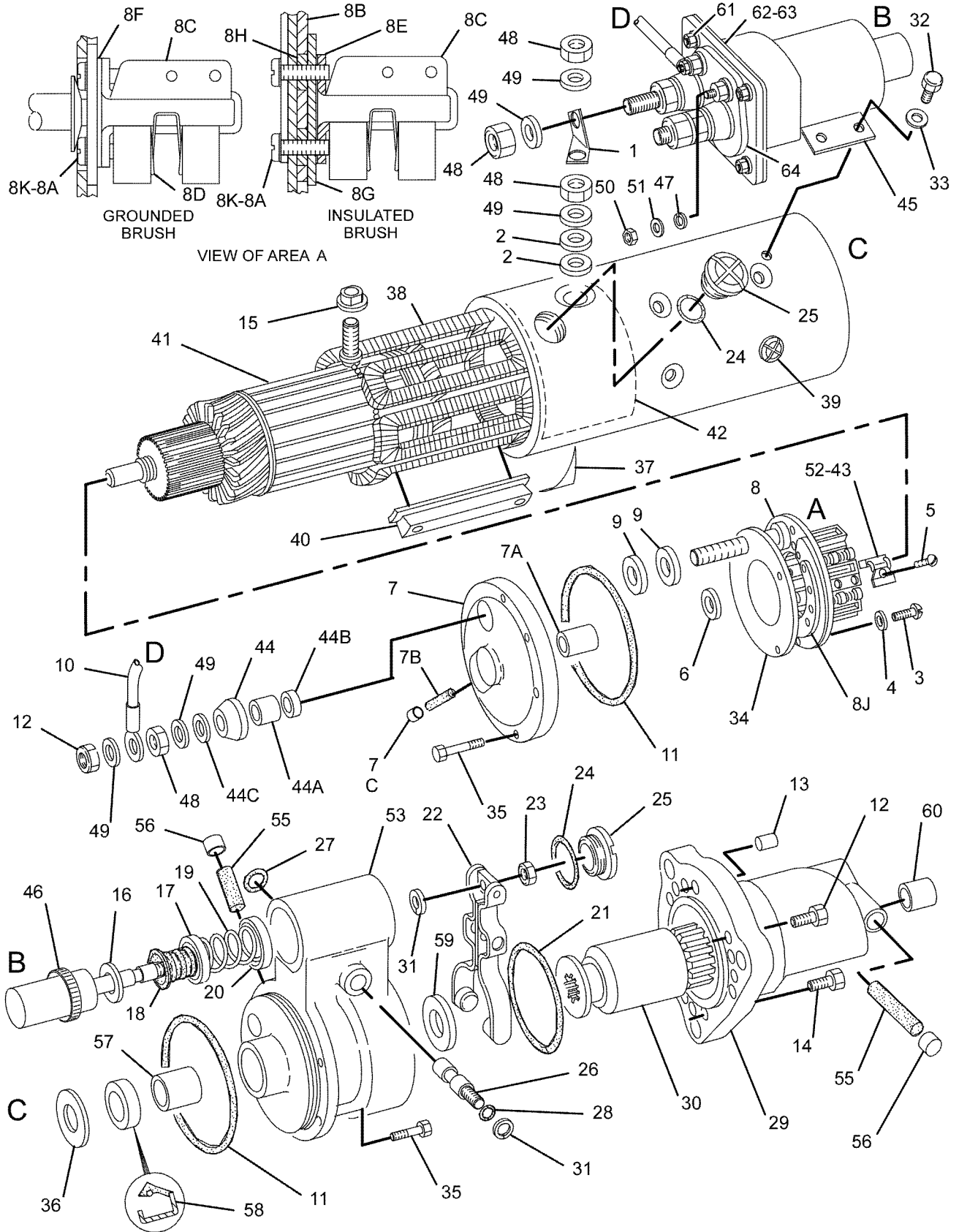
NOTE	REF NO	GRAPHIC REF	PART NUMBER	QTY	PART NAME						SEE PAGE
					1	2	3	4	5	6 (PRODUCT LEVEL)	
	34	1	6N-3279	1	INSULATOR						
	35	1	036-9823	13	BOLT (1/4-28X1-IN)						
	36	1	1M-9971	1	SPACER (0.835X1.72X0.188-IN THK)						
	37	1	1H-2629	3	STRIP-INSULATION						
	38	1	7M-0324	1	COIL AS-FIELD						
	39	1	3R-8797	12	SCREW & WASHER AS (3/8-24X0.72-IN)						
	40	1	7F-3488	6	SHOE-POLE						
	41	1	7M-8651	1	ARMATURE AS						
	42	1	7M-0325	1	INSULATOR						
	43	1	3T-9524	6	BRUSH AS						
J	44	1	3N-3763	1	KIT-TERMINAL (STARTING MOTOR)						
JZ	44A	1		1	BUSHING						
JZ	44B	1		1	BUSHING						
JZ	44C	1		1	WASHER						
	45	1	242-7983	1	SOLENOID AS (STARTING MOTOR)						
	46	1	3R-8801	1	CLAMP						
	47	1	8F-1434	2	LOCKWASHER						
	48	1	6V-8188	6	NUT (1/2-13-THD)						
	49	1	7X-0562	6	WASHER-HARD (13.5X19X0.8-MM THK)						
	50	1	4B-2049	6	NUT (10-32-THD)						
	51	1	8T-0328	10	WASHER-HARD (5.5X10X1-MM THK)						
	52	1	3T-9494	6	SPRING						
	53	1	3E-7771	1	HOUSING AS (STARTING MOTOR)						
	55	1	3T-3424	2	PLUG-FELT						
	56	1	3T-3423	2	CUP						
	57	1	1M-9968	1	BUSHING						
	58	1	2F-6678	1	SEAL-LIP TYPE						
	59	1	4L-2729	1	WASHER (0.844X1.9X0.188-IN THK)						
	60	1	4M-1896	1	BUSHING-TERMINAL						
	61	1	045-4065	4	SCREW-MACHINE (10-32X0.75-IN)						
	62	1	6T-1124	1	TERMINAL AS						
	63	1	7T-9123	1	GASKET-PLATE						
	64	1	6T-0362	1	INSULATOR						

B - USE AS REQUIRED
 J - KIT MARKED J INCLUDES PART(S) MARKED J
 Z - NOT SERVICED SEPARATELY

ELECTRICAL AND STARTING SYSTEM

6V-0508 STARTING MOTOR GP-ELECTRIC (contd.)

102851389



GRAPHIC #1

<END>

g01073049

ELECTRICAL AND STARTING SYSTEM

6V-0511 STARTING MOTOR GP-ELECTRIC

24-VOLT

PART OF 8N-3898 STARTING MOTOR GP-ELECTRIC
AN ATTACHMENT

SMCS-1453

i02400529

NOTE	REF NO	GRAPHIC REF	PART NUMBER	QTY	PART NAME						SEE PAGE
					1	2	3	4	5	6 (PRODUCT LEVEL)	
	1	1	7M-0326	1	CONNECTOR						
	2	1	9H-3757	2	WASHER (0.516X1X0.094-IN THK)						
	3	1	1S-7446	3	SCREW-MACHINE (8-32X0.437-IN)						
	4	1	8C-9660	3	WASHER (4.6X7.9X0.8-MM THK)						
	5	1	9S-2544	9	SCREW-HEX HEAD (8-32X11.13-MM)						
	6	1	7M-0327	1	WASHER-THRUST (17.4X25.4X1.6-MM THK)						
	7	1	5L-6425	1	COIL AS-FIELD						
	8	1	3T-9525	1	PLATE AS-BRUSH (STARTING MOTOR)						
	8A	1	6T-0372	1	PLATE						
	8B	1	6T-0371	1	INSULATOR						
	8C	1	6T-0363	6	HOLDER AS-BRUSH (STARTING MOTOR)						
					(EACH INCLUDES)						
		1	3T-9494	1	SPRING						
	8D	1	3T-4709	3	PLATE						
	8E	1	3T-4710	3	PLATE						
	8F	1	2L-6679	3	PLATE-INSULATOR						
	8G	1	7F-3525	6	WASHER-SPECIAL (0.207X0.39X0.09-IN THK)						
	8H	1	5P-6298	12	SCREW-MACHINE (10-32X0.5-IN)						
	8J	1	9F-5599	12	LOCKWASHER						
	9	1	7F-3491	2	WASHER (0.516X1X0.094-IN THK)						
	10	1	3T-3422	1	WIRE AS						
	11	1	2J-8163	2	SEAL-O-RING						
	12	1	7X-3373	1	BOLT (5/16-18X0.88-IN)						
B	13	1	3T-3434	6	PLUG						
	14	1	5J-5314	5	BOLT (5/16-18X1.5-IN)						
	15	1	3L-3380	1	BUSHING-TERMINAL						
	16	1	036-9821	1	WASHER						
	17	1	4M-1828	1	RETAINER-SPRING						
	18	1	4M-1829	1	BOOT-RUBBER						
	19	1	9M-7606	1	PLUNGER AS						
	20	1	9M-7609	1	SPRING (SHIFT LEVER)						
	21	1	4M-1827	1	RETAINER-SPRING						
	22	1	8C-3089	1	SEAL-O-RING						
	23	1	4M-1853	1	LEVER AS-SHIFT						
	24	1	5M-3034	1	LOCKNUT (5/16-24-THD)						
	25	1	7L-2894	4	GASKET						
	26	1	4M-1831	4	PLUG-LEVER HOUSING						
	27	1	4M-1854	1	SHAFT-LEVER						
	28	1	1H-1023	1	SEAL-O-RING						
	29	1	2D-6392	1	SEAL-O-RING						
	30	1	7T-3974	1	HOUSING AS-DRIVE						
	31	1	3T-5440	1	FRAME AS-END						
	31A	1	3T-3423	1	CUP						
	31B	1	3T-3424	1	PLUG-FELT						
	31C	1	9G-4101	1	BUSHING-END						
	32	1	2H-3429	2	RING-RETAINING						
	33	1	6V-1322	4	BOLT (1/4-20X0.375-IN)						

ELECTRICAL AND STARTING SYSTEM

6V-0511 STARTING MOTOR GP-ELECTRIC (contd.)

i02400529

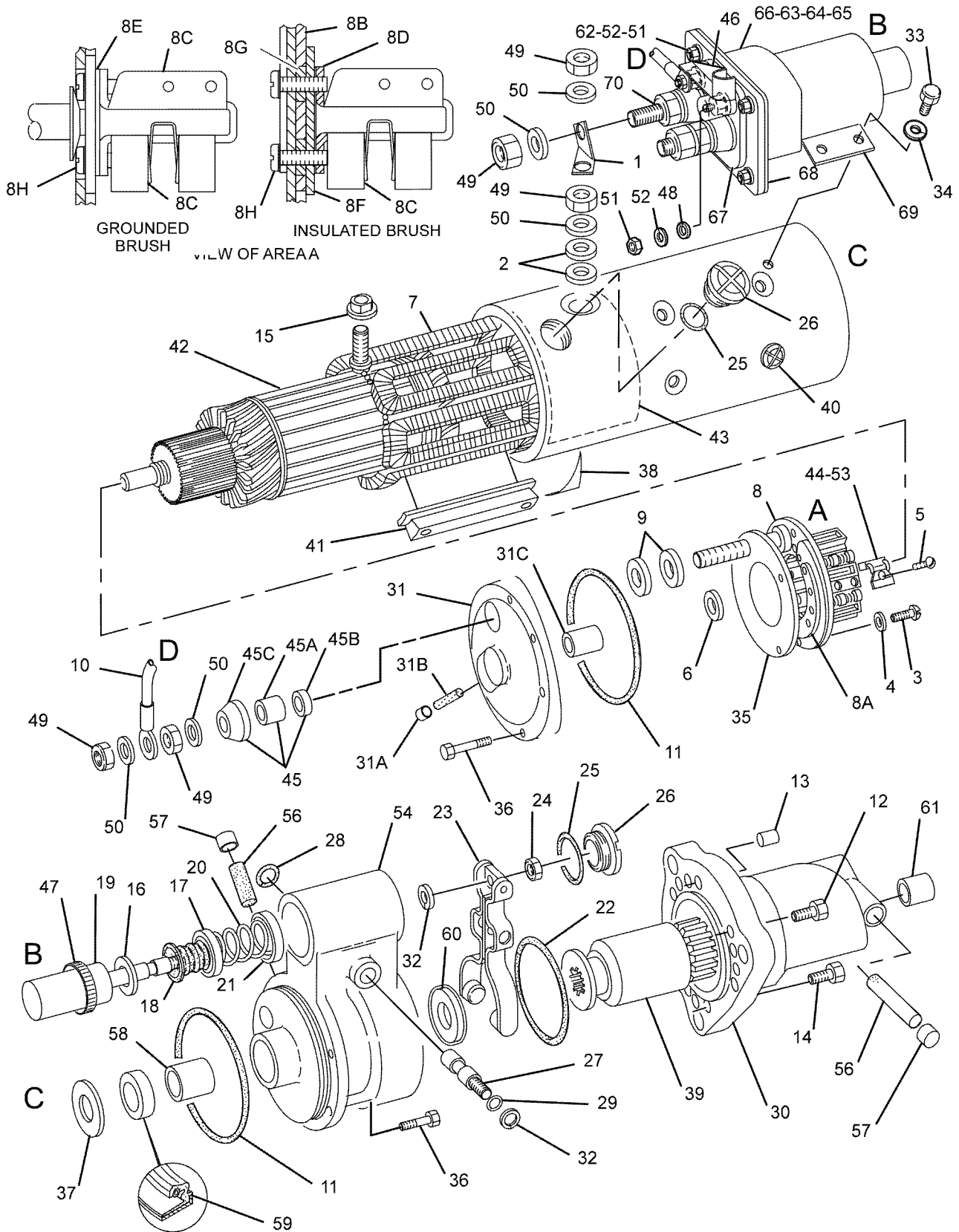
NOTE	REF NO	GRAPHIC REF	PART NUMBER	QTY	PART NAME						SEE PAGE
					1	2	3	4	5	6 (PRODUCT LEVEL)	
	34	1	8T-4205	4	WASHER-HARD (7.2X14.5X2-MM THK)						
	35	1	6N-3279	1	INSULATOR						
	36	1	036-9823	13	BOLT (1/4-28X1-IN)						
	37	1	1M-9971	1	SPACER (0.835X1.72X0.188-IN THK)						
	38	1	1H-2629	3	STRIP-INSULATION						
	39	1	3T-5343	1	DRIVE AS-MOTOR						
	40	1	3F-0379	12	SCREW-POLE SHOE (3/8-24-THD)						
	41	1	7F-3488	6	SHOE-POLE						
	42	1	7M-8651	1	ARMATURE AS						
	43	1	7M-0325	1	INSULATOR						
	44	1	3T-9524	6	BRUSH AS (STARTING MOTOR)						
J	45	1	3N-3763	1	KIT-TERMINAL (STARTING MOTOR)						
JZ	45A	1			BUSHING						
JZ	45B	1			BUSHING						
JZ	45C	1			WASHER (INSULATED)						
	46	1	125-6535	1	COVER-STARTING MOTOR						
	47	1	3R-8801	1	CLAMP						
	48	1	8F-1434	2	LOCKWASHER						
	49	1	6V-8188	6	NUT (1/2-13-THD)						
	50	1	7X-0562	6	WASHER-HARD (13.5X19X0.8-MM THK)						
	51	1	4B-2049	6	NUT (10-32-THD)						
	52	1	8T-0328	10	WASHER-HARD (5.5X10X1-MM THK)						
	53	1	3T-9494	6	SPRING (STARTING MOTOR BRUSH)						
	54	1	3E-7771	1	HOUSING AS (STARTING MOTOR)						
	56	1	3T-3424	3	PLUG-FELT						
	57	1	3T-3423	3	CUP						
	58	1	1M-9968	1	BUSHING						
	59	1	2F-6678	1	SEAL-LIP TYPE						
	60	1	4L-2729	1	WASHER (0.844X1.9X0.188-IN THK)						
	61	1	4M-1896	1	BUSHING-TERMINAL						
	62	1	045-4065	4	SCREW-MACHINE (10-32X0.75-IN)						
	63	1	6V-8373	3	SCREW-MACHINE (6-32X0.187-IN)						
	64	1	9G-6770	1	CONTACT AS						
	65	1	6T-1120	1	BUSHING-TERMINAL						
	66	1	4M-1815	1	SPRING-CONTACT						
	67	1	125-6537	1	INSULATOR						
	68	1	7T-9123	1	GASKET-PLATE						
	69	1	125-6533	1	SOLENOID AS-STARTING MOTOR (24-VOLT) (24-VOLT)						
		1	3R-8801	1	CLAMP						
	70	1	125-6536	1	TERMINAL AS						

B - USE AS REQUIRED
 J - KIT MARKED J INCLUDES PART(S) MARKED J
 Z - NOT SERVICED SEPARATELY

ELECTRICAL AND STARTING SYSTEM

6V-0511 STARTING MOTOR GP-ELECTRIC (contd.)

i02400529



GRAPHIC #1

<END>

g01024372

ELECTRICAL AND STARTING SYSTEM

6V-0890 STARTING MOTOR GP-ELECTRIC*R

24-VOLT

FIELD REPLACEMENT ORDER 237-1962-PAGE: 538

FIELD REPLACEMENT FOR 6V-0927-PAGE: 556

FIELD INSTALLATION

SMCS-1453

i03628927

NOTE	REF NO	GRAPHIC REF	PART NUMBER	QTY	PART NAME						SEE PAGE
					1	2	3	4	5	6 (PRODUCT LEVEL)	
	1	1	7M-0326	1	CONNECTOR						
	2	1	9H-3757	2	WASHER (0.516X1X0.094-IN THK)						
	3	1	1S-7446	3	SCREW-MACHINE (8-32X0.437-IN)						
	4	1	8C-9660	3	WASHER (4.6X7.9X0.8-MM THK)						
	5	1	9S-2544	9	SCREW-HEX HEAD (8-32X11.13-MM)						
	6	1	7M-0327	1	WASHER-THRUST (17.4X25.4X1.6-MM THK)						
	7	1	3T-3418	1	FRAME AS-END						
		1	3T-3423	1	CUP						
		1	9G-4101	1	BUSHING-END						
		1	3T-3424	1	PLUG-FELT						
	8	1	3T-9525	1	PLATE AS-BRUSH (STARTING MOTOR)						
	8A	1	6T-0371	1	INSULATOR						
	8B	1	5P-6298	12	SCREW-MACHINE (10-32X0.5-IN)						
		1	9F-5599	12	LOCKWASHER						
	8C	1	7F-3525	6	WASHER-SPECIAL (0.207X0.39X0.09-IN THK)						
	8D	1	6T-0372	1	PLATE						
	8E	1	3T-4709	3	PLATE						
	8F	1	2L-6679	3	PLATE-INSULATOR						
	8G	1	3T-4710	3	PLATE						
	8H	1	6T-0363	6	HOLDER AS-BRUSH						
					(EACH INCLUDES)						
	8J	1	3T-9494	1	SPRING (STARTING MOTOR)						
	9	1	7F-3491	2	WASHER (0.516X1X0.094-IN THK)						
	10	1	3T-3422	1	WIRE AS						
	11	1	2J-8163	2	SEAL-O-RING						
	12	1	7X-3373	1	BOLT (5/16-18X0.88-IN)						
B	13	1	3T-3434	6	PLUG						
	14	1	5J-5314	5	BOLT (5/16-18X1.5-IN)						
	15	1	3L-3380	1	BUSHING-TERMINAL						
	16	1	036-9821	1	WASHER						
	17	1	4M-1828	1	RETAINER-SPRING						
	18	1	4M-1829	1	BOOT-RUBBER						
	19	1	9M-7606	1	PLUNGER AS						
	20	1	9M-7609	1	SPRING (SHIFT LEVER)						
	21	1	4M-1827	1	RETAINER-SPRING						
	22	1	8C-3089	1	SEAL-O-RING						
	23	1	4M-1853	1	LEVER AS-SHIFT						
	24	1	5M-3034	1	LOCKNUT (5/16-24-THD)						
	25	1	7L-2894	4	GASKET						
	26	1	4M-1831	4	PLUG-LEVER HOUSING						
	27	1	4M-1854	1	SHAFT-LEVER						
	28	1	1H-1023	1	SEAL-O-RING						
	29	1	2D-6392	1	SEAL-O-RING						
	30	1	7T-3974	1	HOUSING AS-DRIVE						
	31	1	6N-3826	1	DRIVE AS-MOTOR						
	32	1	2H-3429	2	RING-RETAINING (EXTERNAL)						

ELECTRICAL AND STARTING SYSTEM

6V-0890 STARTING MOTOR GP-ELECTRIC (contd.)

i03628927

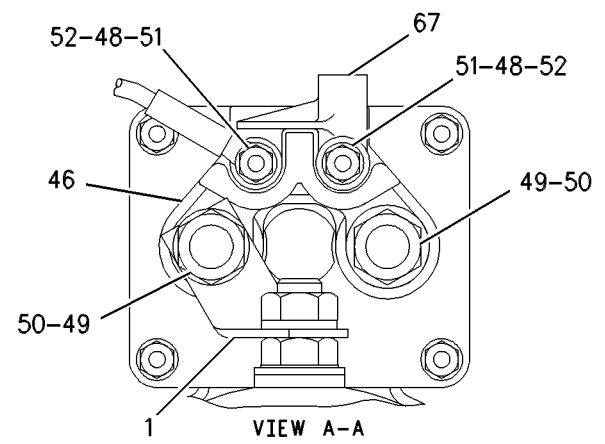
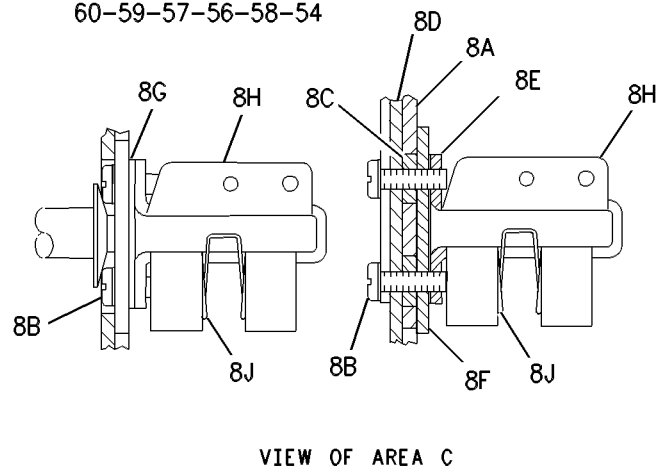
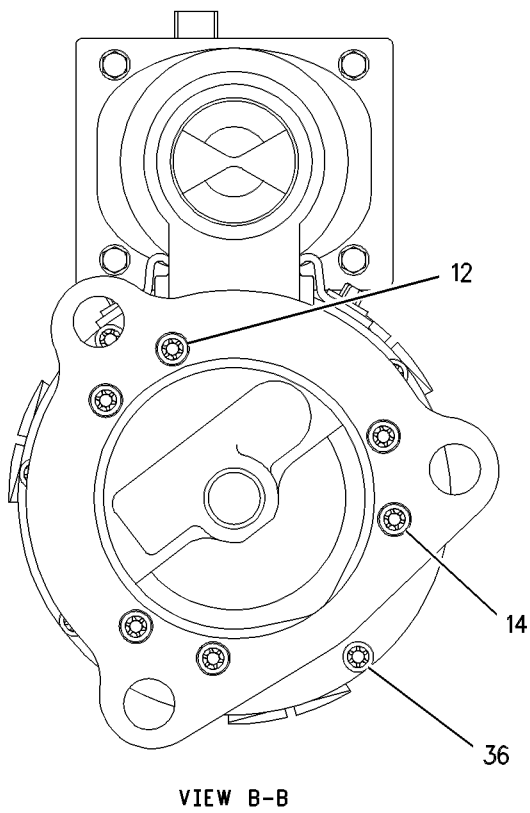
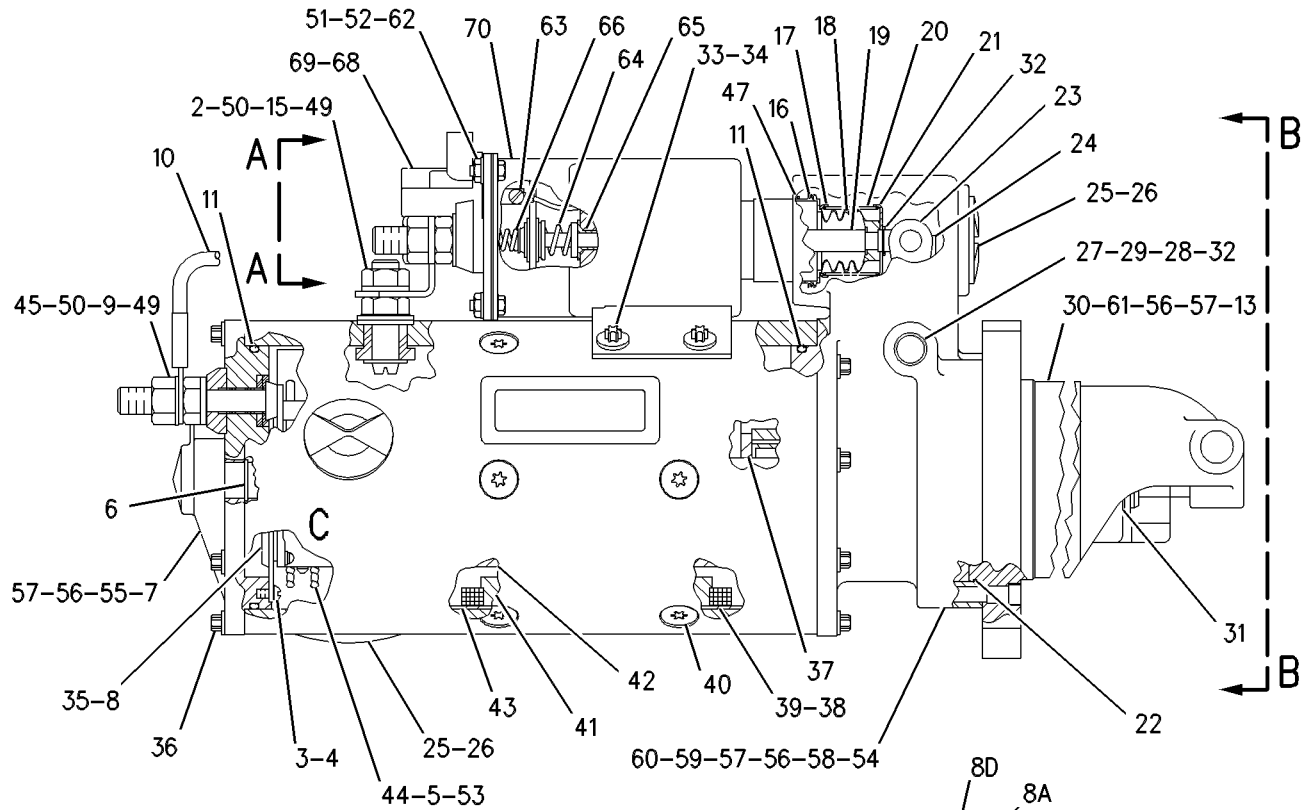
NOTE	REF NO	GRAPHIC REF	PART NUMBER	QTY	PART NAME						SEE PAGE
					1	2	3	4	5	6 (PRODUCT LEVEL)	
	33	1	6V-1322	4	BOLT (1/4-20X0.375-IN)						
	34	1	8T-4205	4	WASHER-HARD (7.2X14.5X2-MM THK)						
	35	1	6N-3279	1	INSULATOR						
	36	1	036-9823	13	BOLT (1/4-28X1-IN)						
	37	1	1M-9971	1	SPACER (0.835X1.72X0.188-IN THK)						
	38	1	1H-2629	3	STRIP-INSULATION						
	39	1	7M-0324	1	COIL AS-FIELD						
	40	1	3F-0379	12	SCREW-POLE SHOE (3/8-24-THD)						
	41	1	7F-3488	6	SHOE-POLE						
	42	1	7M-8651	1	ARMATURE AS						
	43	1	7M-0325	1	INSULATOR						
	44	1	3T-9524	6	BRUSH AS						
	45	1	3N-3763	1	KIT-TERMINAL (STARTING MOTOR)						
					(INCLUDES INSULATOR, BUSHINGS & WASHER)						
	46	1	125-6537	1	INSULATOR						
	47	1	3R-8801	1	CLAMP						
	48	1	8F-1434	2	LOCKWASHER						
	49	1	6V-8188	6	NUT (1/2-13-THD)						
	50	1	7X-0562	6	WASHER-HARD (13.5X19X0.8-MM THK)						
	51	1	4B-2049	6	NUT (10-32-THD)						
	52	1	8T-0328	10	WASHER-HARD (5.5X10X1-MM THK)						
	53	1	3T-9494	6	SPRING (STARTING MOTOR)						
	54	1	3E-7771	1	HOUSING AS (STARTING MOTOR)						
	55	1	9G-4101	1	BUSHING-END						
	56	1	3T-3424	3	PLUG-FELT						
	57	1	3T-3423	3	CUP						
	58	1	1M-9968	1	BUSHING						
	59	1	2F-6678	1	SEAL-LIP TYPE						
	60	1	4L-2729	1	WASHER (0.844X1.9X0.188-IN THK)						
	61	1	4M-1896	1	BUSHING-TERMINAL						
	62	1	045-4065	4	SCREW-MACHINE (10-32X0.75-IN)						
	63	1	6V-8373	3	SCREW-MACHINE (6-32X0.187-IN)						
	64	1	9G-6770	1	CONTACT AS						
	65	1	6T-1120	1	BUSHING-TERMINAL						
	66	1	4M-1815	1	SPRING-CONTACT						
	67	1	125-6535	1	COVER-STARTING MOTOR						
	68	1	7T-9123	1	GASKET-PLATE						
	69	1	125-6536	1	TERMINAL AS						
	70	1	125-6533	1	SOLENOID AS-STARTING MOTOR (24-VOLT)						
		1	3R-8801	1	CLAMP						

B - USE AS REQUIRED

ELECTRICAL AND STARTING SYSTEM

6V-0890 STARTING MOTOR GP-ELECTRIC (contd.)

103628927



GRAPHIC #1

<END>

g00597432

ELECTRICAL AND STARTING SYSTEM

6V-0927 STARTING MOTOR GP-ELECTRIC

24-VOLT

FIELD REPLACEMENT ORDER 338-3454-PAGE: 541, 237-1962-PAGE: 538

PART OF 8N-3896 STARTING MOTOR GP-ELECTRIC

AN ATTACHMENT

SMCS-1453

i04998896

NOTE	REF NO	GRAPHIC REF	PART NUMBER	QTY	PART NAME						SEE PAGE
					1	2	3	4	5	6 (PRODUCT LEVEL)	
	1	1	7M-0326	1	CONNECTOR						
	2	1	9H-3757	2	WASHER (0.516X1X0.094-IN THK)						
	3	1	1S-7446	3	SCREW-MACHINE (8-32X0.437-IN)						
	4	1	8C-9660	3	WASHER (4.6X7.9X0.8-MM THK)						
	5	1	9S-2544	9	SCREW-HEX HEAD (8-32X11.13-MM)						
	6	1	7M-0327	1	WASHER-THRUST (17.4X25.4X1.6-MM THK)						
	7	1	3T-3418	1	FRAME AS-END						
		1	3T-3423	1	CUP						
		1	9G-4101	1	BUSHING-END						
		1	3T-3424	1	PLUG-FELT						
Y	8	1	3T-9525	1	PLATE AS-BRUSH (STARTING MOTOR)						478
	9	1	1T-0808	2	WASHER (0.516X0.812X0.09-IN THK)						
	10	1	3T-3422	1	WIRE AS						
	11	1	2J-8163	2	SEAL-O-RING						
	12	1	7X-3373	1	BOLT (5/16-18X0.88-IN)						
B	13	1	3T-3434	6	PLUG						
	14	1	5J-5314	5	BOLT (5/16-18X1.5-IN)						
	15	1	3L-3380	1	BUSHING-TERMINAL						
	16	1	036-9821	1	WASHER						
	17	1	4M-1828	1	RETAINER-SPRING						
	18	1	306-3998	1	BOOT-RUBBER						
	19	1	4M-1827	1	RETAINER-SPRING						
	20	1	9M-7609	1	SPRING (SHIFT LEVER)						
	21	1	8C-3089	1	SEAL-O-RING						
	22	1	4M-1853	1	LEVER AS-SHIFT						
	23	1	5M-3034	1	LOCKNUT (5/16-24-THD)						
	24	1	7L-2894	4	GASKET						
	25	1	4M-1831	4	PLUG-LEVER HOUSING						
	26	1	4M-1854	1	SHAFT-LEVER						
	27	1	1H-1023	1	SEAL-O-RING						
	28	1	2D-6392	1	SEAL-O-RING						
	29	1	7T-3974	1	HOUSING AS-DRIVE						
	30	1	6N-3826	1	DRIVE AS-MOTOR						
	31	1	2H-3429	2	RING-RETAINING (EXTERNAL)						
	32	1	6V-1322	4	BOLT (1/4-20X0.375-IN)						
	33	1	8T-4205	4	WASHER-HARD (7.2X14.5X2-MM THK)						
	34	1	6N-3279	1	INSULATOR						
	35	1	0S-1597	13	BOLT (1/4-28X1-IN)						
	36	1	1M-9971	1	SPACER (0.835X1.72X0.188-IN THK)						
	37	1	1H-2629	3	STRIP-INSULATION						
	38	1	7M-0324	1	COIL AS-FIELD						
	39	1	3R-8797	12	SCREW & WASHER AS (3/8-24X0.72-IN)						
	40	1	7F-3488	6	SHOE-POLE						
	41	1	7M-8651	1	ARMATURE AS						
	42	1	7M-0325	1	INSULATOR						
	43	1	3T-9524	6	BRUSH AS (STARTING MOTOR)						

ELECTRICAL AND STARTING SYSTEM

6V-0927 **STARTING MOTOR GP-ELECTRIC** (contd.)

i04998896

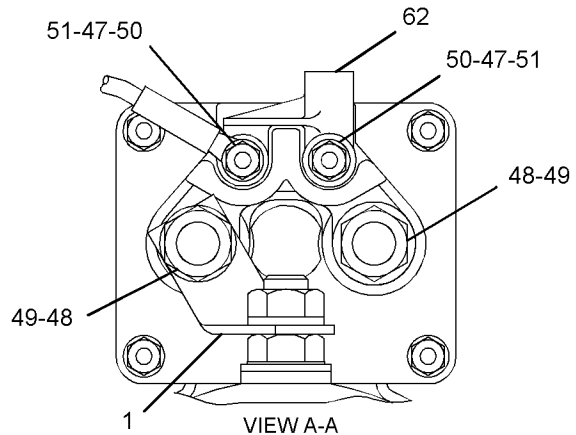
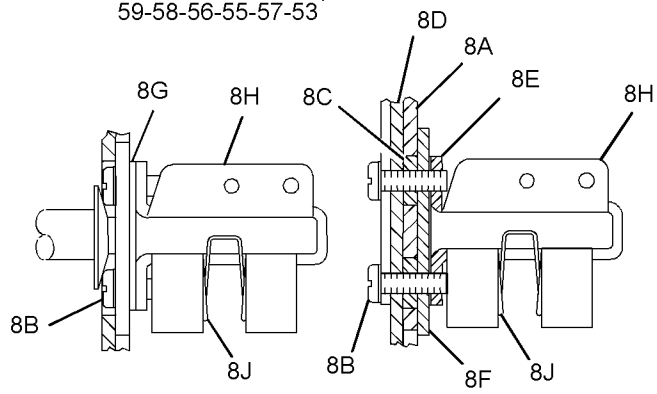
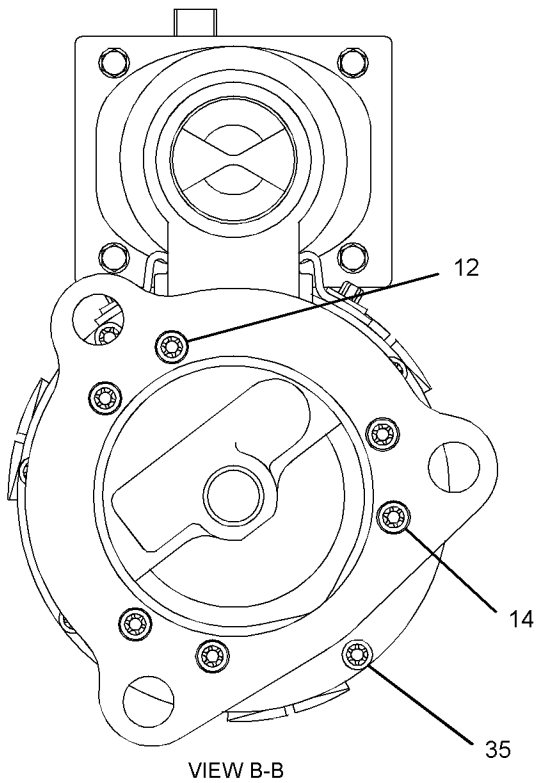
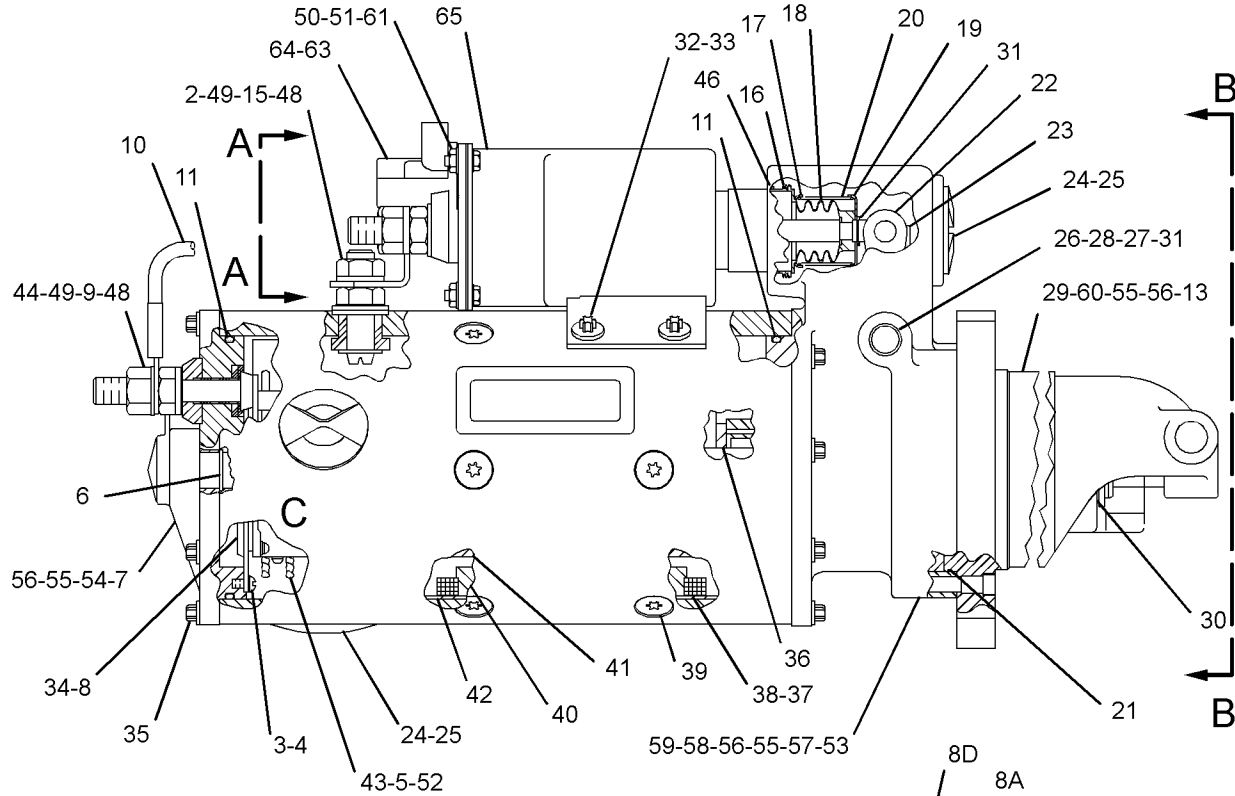
NOTE	REF NO	GRAPHIC REF	PART NUMBER	QTY	PART NAME						SEE PAGE
					1	2	3	4	5	6 (PRODUCT LEVEL)	
	44	1	3N-3763	1	KIT-TERMINAL (STARTING MOTOR)						
					(INCLUDES BUSHINGS & WASHERS)						
	46	1	3R-8801	1	CLAMP						
	47	1	8F-1434	2	LOCKWASHER						
	48	1	6V-8188	6	NUT (1/2-13-THD)						
	49	1	7X-0562	6	WASHER-HARD (13.5X19X0.8-MM THK)						
	50	1	4B-2049	6	NUT (10-32-THD)						
	51	1	8T-0328	10	WASHER-HARD (5.5X10X1-MM THK)						
	52	1	3T-9494	6	SPRING (STARTING MOTOR BRUSH)						
	53	1	3E-7771	1	HOUSING AS (STARTING MOTOR)						
	54	1	9G-4101	1	BUSHING-END						
	55	1	3T-3424	3	PLUG-FELT						
	56	1	3T-3423	3	CUP						
	57	1	1M-9968	1	BUSHING						
	58	1	2F-6678	1	SEAL-LIP TYPE						
	59	1	4L-2729	1	WASHER (0.844X1.9X0.188-IN THK)						
	60	1	4M-1896	1	BUSHING-TERMINAL						
	61	1	045-4065	4	SCREW-MACHINE (10-32X0.75-IN)						
	62	1	125-6535	1	COVER-STARTING MOTOR						
	63	1	7T-9123	1	GASKET-PLATE						
	64	1	125-6536	1	TERMINAL AS						
	65	1	338-3453	1	SOLENOID AS-STARTING MOTOR (24-VOLT)						
		1	3R-8801	1	CLAMP						

B - USE AS REQUIRED
Y - SEPARATE ILLUSTRATION

ELECTRICAL AND STARTING SYSTEM

6V-0927 **STARTING MOTOR GP-ELECTRIC** (contd.)

i04998896



GRAPHIC #1

<END>

g03175958

ELECTRICAL AND STARTING SYSTEM

6V-4246 STARTING MOTOR GP-ELECTRIC

S/N: 3XS1-407

FIELD REPLACEMENT ORDER 6V-5539-PAGE: 561

PART OF 7C-0527 STARTING MOTOR GP-ELECTRIC

AN ATTACHMENT

SMCS-1453

i00980443

NOTE	PART NUMBER	QTY	PART NAME						SEE PAGE
			1	2	3	4	5	6 (PRODUCT LEVEL)	
Y	6V-4320	1	STARTING MOTOR GP-ELECTRIC						560
			-OR-						
Y	106-8551	1	STARTING MOTOR GP-ELECTRIC						532
Y - SEPARATE ILLUSTRATION									

<END>

ELECTRICAL AND STARTING SYSTEM

6V-4320 STARTING MOTOR GP-ELECTRIC

FIELD REPLACEMENT ORDER 6V-5539-PAGE: 561

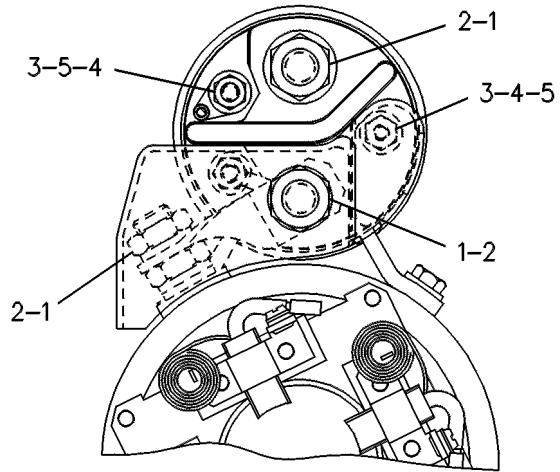
PART OF 6V-4246 STARTING MOTOR GP-ELECTRIC
AN ATTACHMENT

SMCS-1453

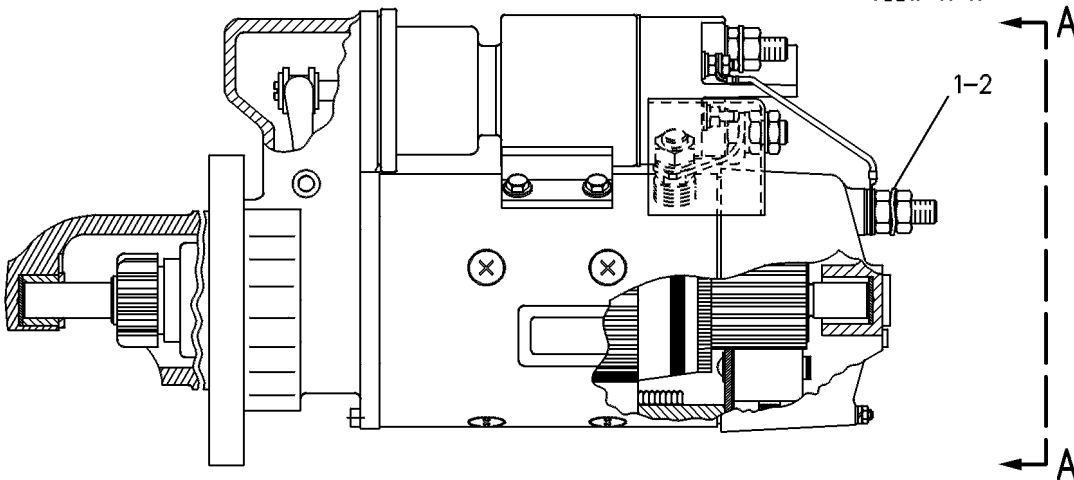
i00649534

NOTE	REF NO	GRAPHIC REF	PART NUMBER	QTY	PART NAME						SEE PAGE
					1	2	3	4	5	6 (PRODUCT LEVEL)	
	1	1	7X-0562	5	WASHER-HARD (13.5X19X0.8-MM THK)						
M	2	1	8T-4244	5	NUT (M12X1.75-THD)						
M	3	1	5C-2874	2	NUT (M5X0.8-THD)						
	4	1	8F-1434	2	LOCKWASHER						
	5	1	8T-0328	2	WASHER-HARD (5.5X10X1-MM THK)						

M - METRIC PART



VIEW A-A



GRAPHIC #1

<END>

g00084514

ELECTRICAL AND STARTING SYSTEM

6V-5539 STARTING MOTOR GP-ELECTRIC

24-VOLT

FIELD REPLACEMENT FOR 6V-4246-PAGE: 559: FOR 6V-4320-PAGE: 560: FOR 106-8551-PAGE:
532: FOR 6V-5540-PAGE: 562

SMCS-1453

i03720350

NOTE	PART NUMBER	QTY	PART NAME	SEE PAGE
			1 2 3 4 5 6 (PRODUCT LEVEL)	
Y	6V-5582	1	STARTING MOTOR GP-ELECTRIC (24-VOLT)	563
			-OR-	
YR	106-8554	1	STARTING MOTOR GP-ELECTRIC (24-VOLT)	535
			-OR-	
Y	6V-5540	1	STARTING MOTOR GP-ELECTRIC (24-VOLT)	562

R - REMANUFACTURED PART MAY BE AVAILABLE
Y - SEPARATE ILLUSTRATION

<END>

ELECTRICAL AND STARTING SYSTEM

6V-5540 STARTING MOTOR GP-ELECTRIC

24-VOLT

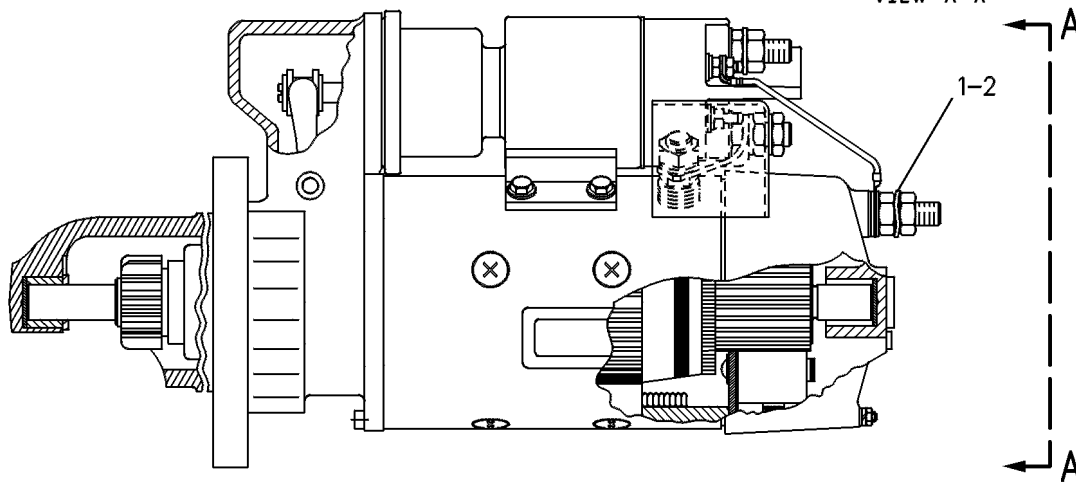
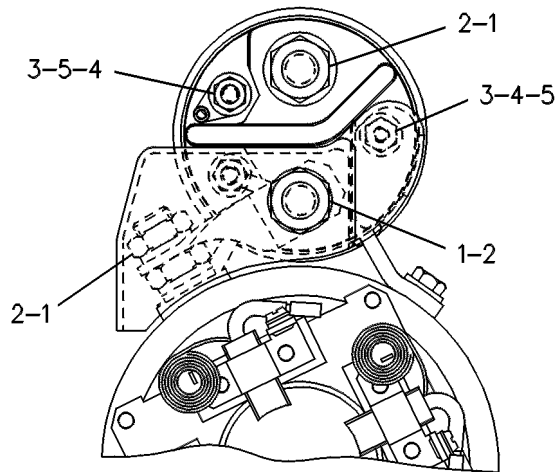
FIELD REPLACEMENT ORDER 6V-5539-PAGE: 561
PART OF 6V-5539 STARTING MOTOR GP-ELECTRIC

SMCS-1453

i00112093

NOTE	REF NO	GRAPHIC REF	PART NUMBER	QTY	PART NAME						SEE PAGE
					1	2	3	4	5	6 (PRODUCT LEVEL)	
	1	1	7X-0562	5	WASHER-HARD (13.5X19X0.8-MM THK)						
M	2	1	8T-4244	5	NUT (M12X1.75-THD)						
M	3	1	5C-2874	2	NUT (M5X0.8-THD)						
	4	1	8F-1434	2	LOCKWASHER						
	5	1	8T-0328	2	WASHER-HARD (5.5X10X1-MM THK)						

M - METRIC PART



GRAPHIC #1

<END>

g00084514

ELECTRICAL AND STARTING SYSTEM

6V-5582 STARTING MOTOR GP-ELECTRIC

24-VOLT

PART OF 6V-5539 STARTING MOTOR GP-ELECTRIC

SMCS-1453

i02656360

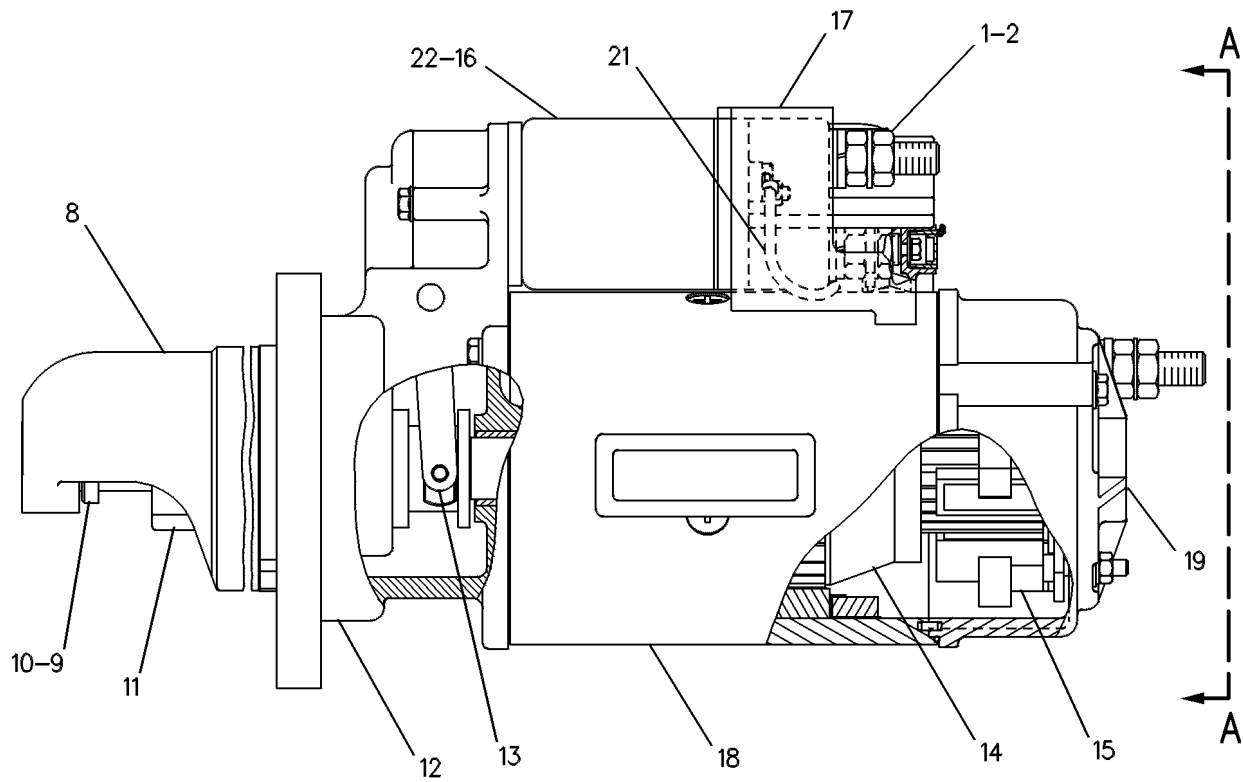
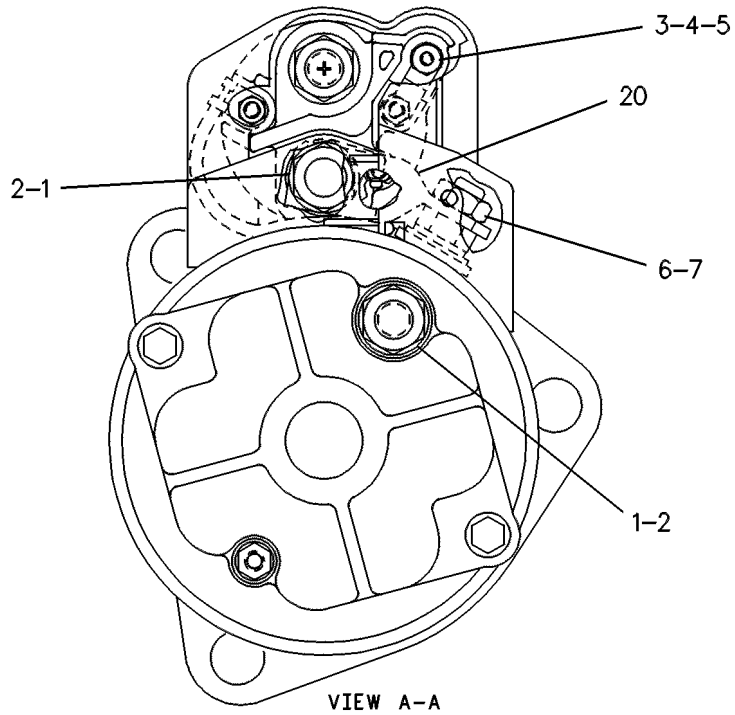
NOTE	REF NO	GRAPHIC REF	PART NUMBER	QTY	PART NAME						SEE PAGE
					1	2	3	4	5	6 (PRODUCT LEVEL)	
	1	1	6V-8188	3	NUT (1/2-13-THD)						
	2	1	7X-0562	3	WASHER-HARD (13.5X19X0.8-MM THK)						
	3	1	4B-2049	1	NUT (10-32-THD)						
	4	1	8F-1434	1	LOCKWASHER						
	5	1	8T-0328	1	WASHER-HARD (5.5X10X1-MM THK)						
M	6	1	8T-4133	1	NUT (M10X1.5-THD)						
	7	1	8T-4121	1	WASHER-HARD (11X21X2.5-MM THK)						
	8	1	3E-0142	1	HOUSING AS						
	9	1	3E-0141	1	STOP-STARTING MOTOR						
	10	1	4N-7521	1	RING-LOCK						
	11	1	3E-0146	1	DRIVE AS-STARTING MOTOR						
	12	1	3E-0144	1	HOUSING AS						
	13	1	3E-0140	1	LEVER AS-STARTING MOTOR						
	14	1	3E-0138	1	ARMATURE AS (24-VOLT)						
	15	1	3E-0137	1	HOLDER AS-BRUSH (STARTING MOTOR)						
	16	1	3E-0135	1	SOLENOID AS (24-VOLT) (STARTING MOTOR)						
	17	1	3E-0125	1	COVER AS-STARTING MOTOR						
	18	1	3E-0139	1	HOUSING AS						
	19	1	3E-0136	1	HOUSING AS						
	20	1	3E-0132	1	CONNECTOR						
	21	1	3E-0133	1	WIRE AS-STARTING MOTOR						
	22	1	3E-0134	1	COVER-PLUNGER						
					AVAILABLE REPAIR KIT(S):						
			3E-0127	1	KIT-BEARING (INCLUDES BEARINGS, SEAL & BUSHING)						
			3E-0128	1	KIT-BRUSH (24-VOLT) (INCLUDES O-RINGS, SCREW, SPRING & BRUSH)						
			3E-0129	1	KIT-HARDWARE (24-VOLT) (INCLUDES WASHERS, BOLTS, LOCKWASHERS, NUTS, BUSHINGS & PLATE)						
			3E-0145	1	KIT-STARTING MOTOR PIN (24-VOLT) (INCLUDES O-RINGS, SHAFT & RING)						
			3E-0130	1	KIT-STARTING MOTOR SEAL (24-VOLT) (INCLUDES SEAL & O-RINGS)						
			3E-0131	1	KIT-WASHER (24-VOLT) (INCLUDES WASHERS)						

M - METRIC PART

ELECTRICAL AND STARTING SYSTEM

6V-5582 STARTING MOTOR GP-ELECTRIC (contd.)

102656360



GRAPHIC #1

<END>

g00084516

ELECTRICAL AND STARTING SYSTEM

7C-0527 STARTING MOTOR GP-ELECTRIC-DUAL

S/N: 3XS1-407

24-VOLT

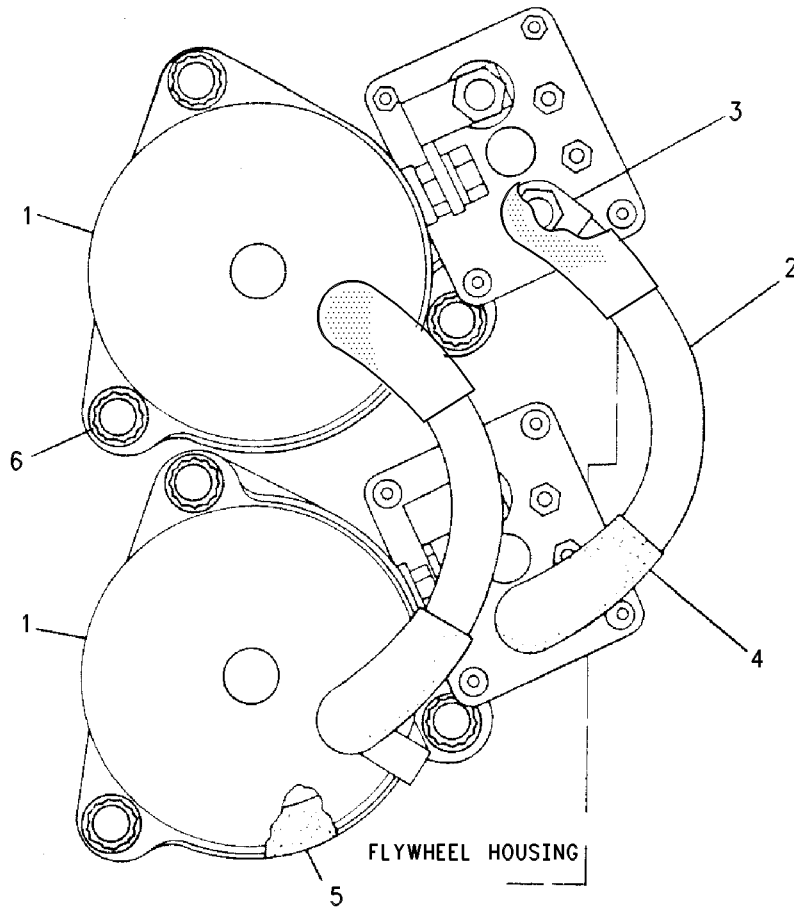
AN ATTACHMENT

SMCS-1453

i04380997

NOTE	REF NO	GRAPHIC REF	PART NUMBER	QTY	PART NAME						SEE PAGE
					1	2	3	4	5	6 (PRODUCT LEVEL)	
Y	1	1	6V-4246	2	STARTING MOTOR GP-ELECTRIC						559
	2	1	7L-5887	2	CABLE AS (0000-GA)						
					(EACH INCLUDES)						
BE		1	5P-0745		CABLE (0000-GA)						
	3	1	3L-7634	2	TERMINAL-RING (0000-GA, 1/2-IN SCREW)						
	4	1	3L-7604	4	SHIELD-TERMINAL						
	5	1	4H-7869	2	GASKET						
	6	1	7J-8902	6	BOLT-12 POINT HEAD (5/8-11X1.5-IN)						

B - USE AS REQUIRED
 E - ORDER BY THE CENTIMETER
 Y - SEPARATE ILLUSTRATION



FRONT VIEW

GRAPHIC #1

<END>

g00647750

ELECTRICAL AND STARTING SYSTEM

8N-3896 STARTING MOTOR GP-ELECTRIC-DUAL

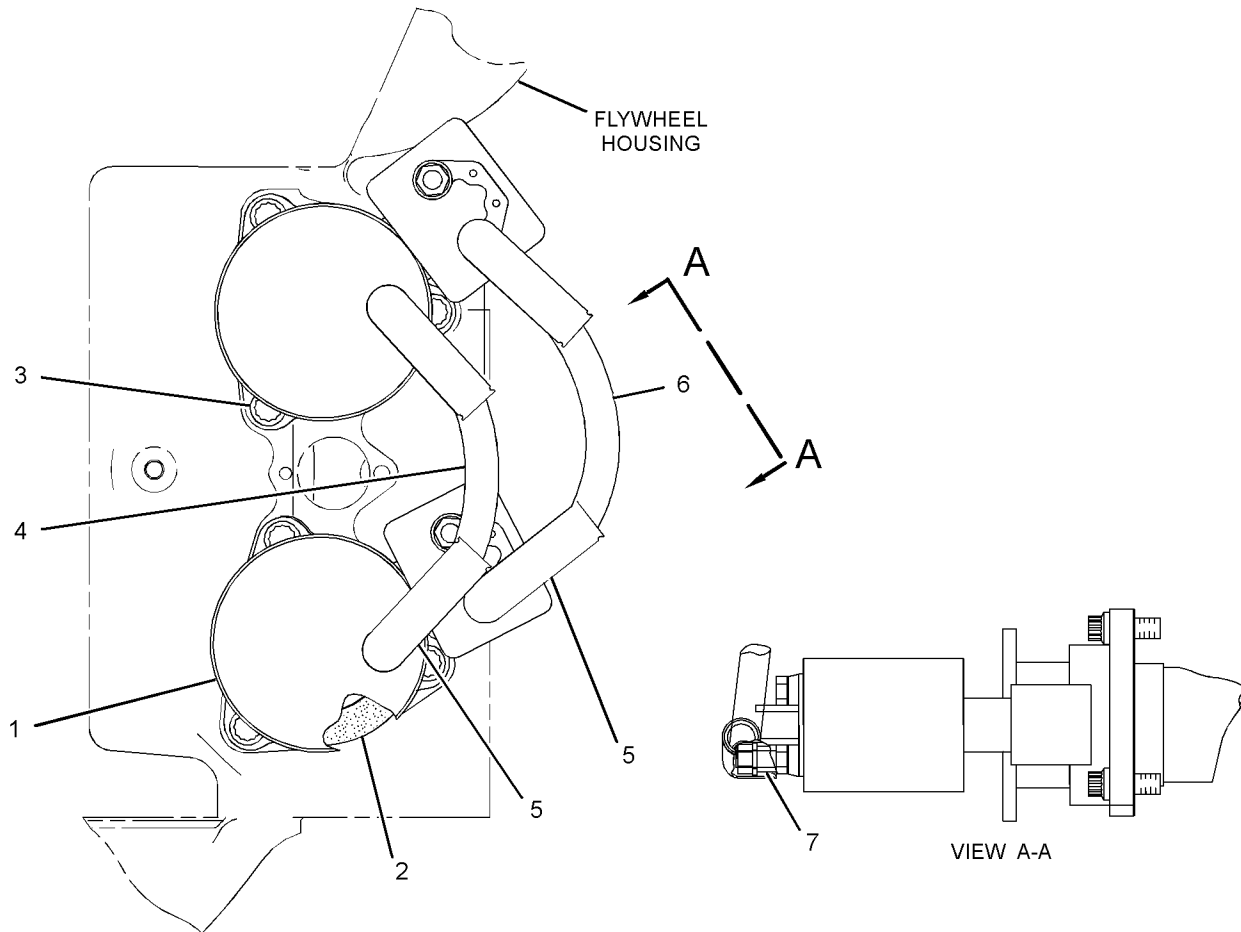
24-VOLT
AN ATTACHMENT

SMCS-1453

i04832849

NOTE	REF NO	GRAPHIC REF	PART NUMBER	QTY	PART NAME						SEE PAGE
					1	2	3	4	5	6	
Y	1	1	6V-0927	2	STARTING MOTOR GP-ELECTRIC						556
C	2	1	9Y-6089	2	GASKET						
	3	1	7J-8902	6	BOLT-12 POINT HEAD (5/8-11X1.5-IN)						
	4	1	7L-5887	1	CABLE AS (0000-GA)						
		1	5P-0745		CABLE (0000-GA)						
BE		1	3L-7634	2	TERMINAL-RING (0000-GA, 1/2-IN SCREW)						
	5	1	3L-7604	4	SHIELD-TERMINAL						
	6	1	4L-6155	1	CABLE AS (0000-GA)						
BE		1	5P-0745		CABLE (0000-GA)						
		1	3L-7634	2	TERMINAL-RING (0000-GA, 1/2-IN SCREW)						
	7	1	3L-6836	1	SPACER (0.5X0.75X0.56-IN THK)						

B - USE AS REQUIRED
 C - CHANGE FROM PREVIOUS TYPE
 E - ORDER BY THE CENTIMETER
 Y - SEPARATE ILLUSTRATION



FRONT VIEW OF ENGINE

GRAPHIC #1

<END>

g01539094

ELECTRICAL AND STARTING SYSTEM

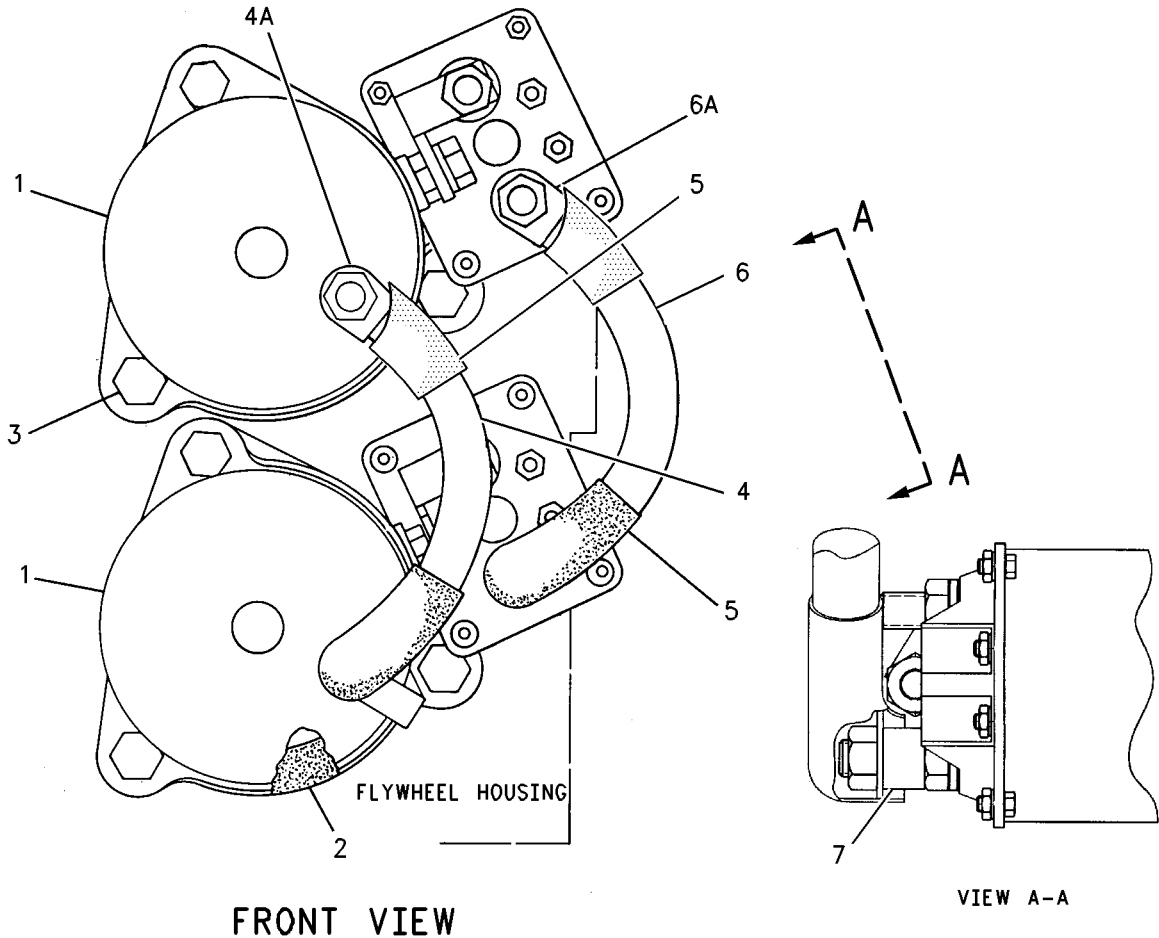
8N-3897 STARTING MOTOR GP-ELECTRIC-DUAL 32-VOLT. DC-STANDARD ROTATION AN ATTACHMENT

SMCS-1453

i03114051

NOTE	REF NO	GRAPHIC REF	PART NUMBER	QTY	PART NAME						SEE PAGE
					1	2	3	4	5	6	
Y	1	1	6V-0508	2	STARTING MOTOR GP-ELECTRIC						547
	2	1	9Y-6089	2	GASKET						
	3	1	7J-8902	6	BOLT-12 POINT HEAD (5/8-11X1.5-IN)						
	4	1	7L-5887	1	CABLE AS (0000-GA)						
	4A	1	3L-7634	2	TERMINAL-RING (0000-GA, 1/2-IN SCREW)						
	5	1	3L-7604	4	SHIELD-TERMINAL						
	6	1	4L-6155	1	CABLE AS (0000-GA)						
	6A	1	3L-7634	2	TERMINAL-RING (0000-GA, 1/2-IN SCREW)						
	7	1	3L-6836	1	SPACER (0.5X0.75X0.56-IN THK)						

Y - SEPARATE ILLUSTRATION



GRAPHIC #1

<END>

g00712235

ELECTRICAL AND STARTING SYSTEM

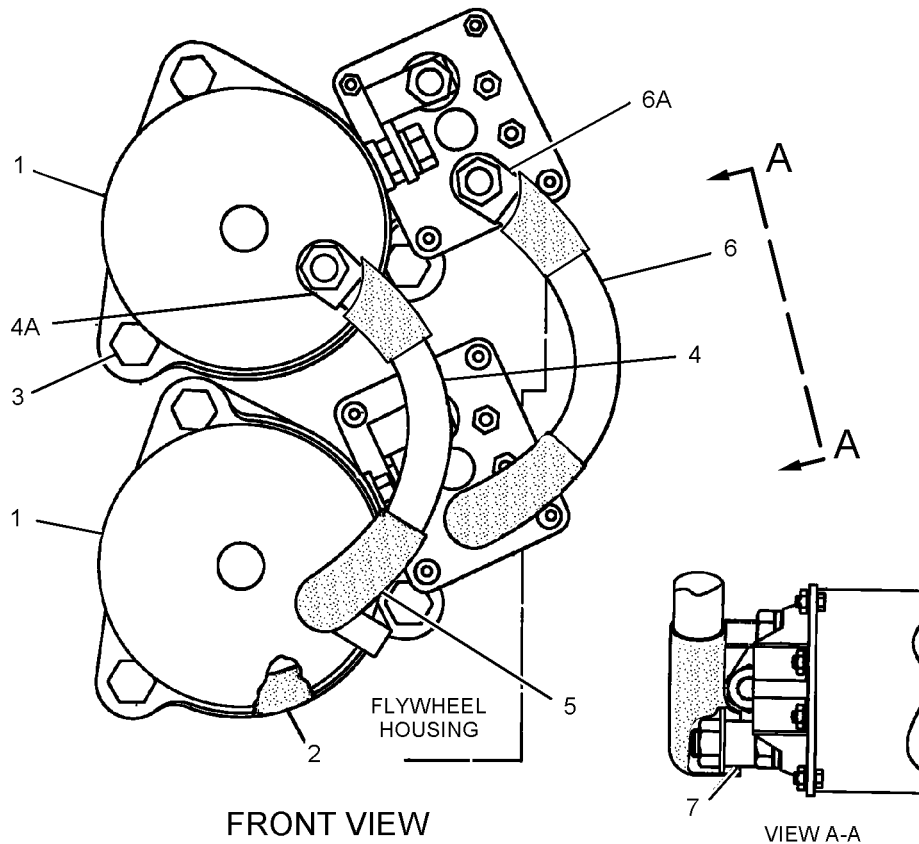
8N-3898 STARTING MOTOR GP-ELECTRIC-DUAL 24-VOLT. REVERSE ROTATION AN ATTACHMENT

SMCS-1453

i03114050

NOTE	REF NO	GRAPHIC REF	PART NUMBER	QTY	PART NAME						SEE PAGE
					1	2	3	4	5	6	
Y	1	1	6V-0511	2	STARTING MOTOR GP-ELECTRIC						550
	2	1	9Y-6089	2	GASKET						
	3	1	7J-8902	6	BOLT-12 POINT HEAD (5/8-11X1.5-IN)						
	4	1	7L-5887	1	CABLE AS (0000-GA)						
	4A	1	3L-7634	2	TERMINAL-RING (0000-GA, 1/2-IN SCREW)						
	5	1	3L-7604	4	SHIELD-TERMINAL						
	6	1	4L-6155	1	CABLE AS (0000-GA)						
	6A	1	3L-7634	2	TERMINAL-RING (0000-GA, 1/2-IN SCREW)						
	7	1	3L-6836	1	SPACER (0.5X0.75X0.56-IN THK)						

Y - SEPARATE ILLUSTRATION



GRAPHIC #1

<END>

g01118891

ELECTRICAL AND STARTING SYSTEM

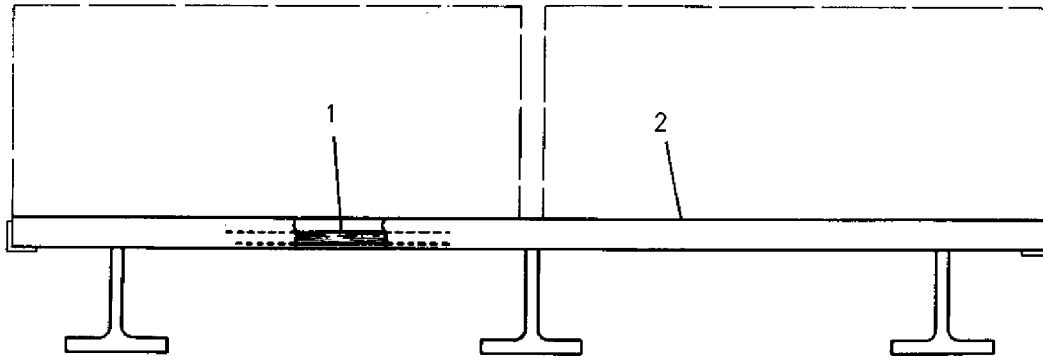
3N-7056 SUPPORT GP-BATTERY

FLOOR TYPE, 2-BATTERY
AN ATTACHMENT

SMCS-7257

i07039968

NOTE	REF NO	GRAPHIC REF	PART NUMBER	QTY	PART NAME						SEE PAGE
					1	2	3	4	5	6 (PRODUCT LEVEL)	
	1	1	3N-7055	1	BOARD						
	2	1	3N-7054	1	SUPPORT AS-BATTERY						



GRAPHIC #1

<END>

g00729953

ELECTRICAL AND STARTING SYSTEM

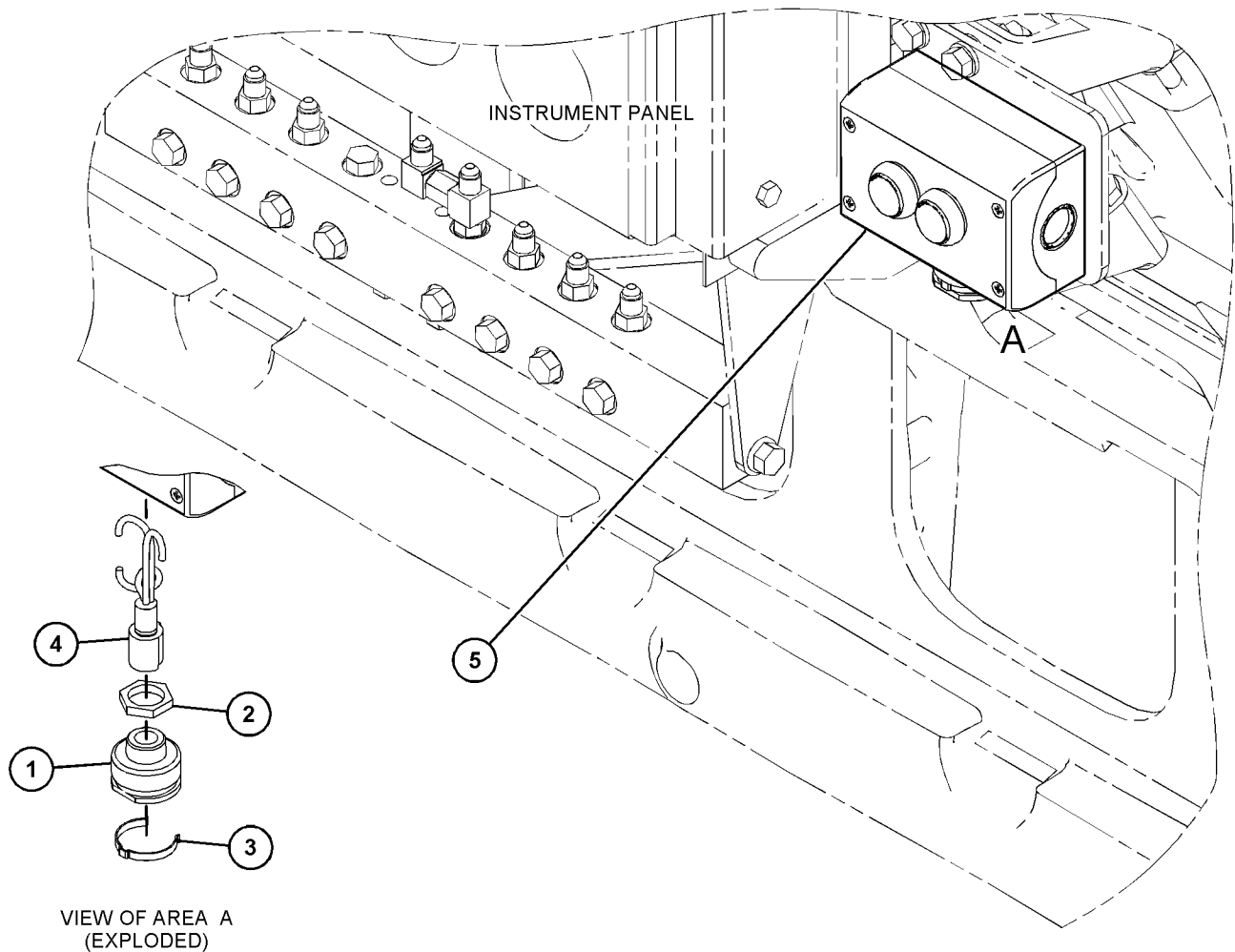
454-7489 SWITCH AS-PUSH BUTTON

PART OF 5N-8166 CONTROL GP-AIR STARTING, 5N-8167 SWITCH GP-ENGINE START
AN ATTACHMENT

SMCS-1416, 7332

i05868669

NOTE	REF NO	GRAPHIC REF	PART NUMBER	QTY	PART NAME						SEE PAGE
					1	2	3	4	5	6 (PRODUCT LEVEL)	
	1	1	5N-8943	1	ADAPTER						
	2	1	3F-2065	1	LOCKNUT (1/2-14-THD)						
	3	1	5N-9073	1	CLIP						
	4	1	454-6822	1	HARNESS AS-SWITCH (START)						
		1	7N-7779	1	SOCKET-CONNECTOR (14-GA TO 18-GA)						
		1	7N-7780	2	PIN-CONNECTOR (14-GA TO 18-GA)						
		1	7N-7781	1	HOUSING-RECEPTACLE (14-GA TO 18-GA)						
5	1	1	454-7477	1	SWITCH AS-PUSH BUTTON (START)						



VIEW OF AREA A
(EXPLODED)

GRAPHIC #1

<END>

g03708207

ELECTRICAL AND STARTING SYSTEM

6I-1998 SWITCH AS-PUSH BUTTON-START

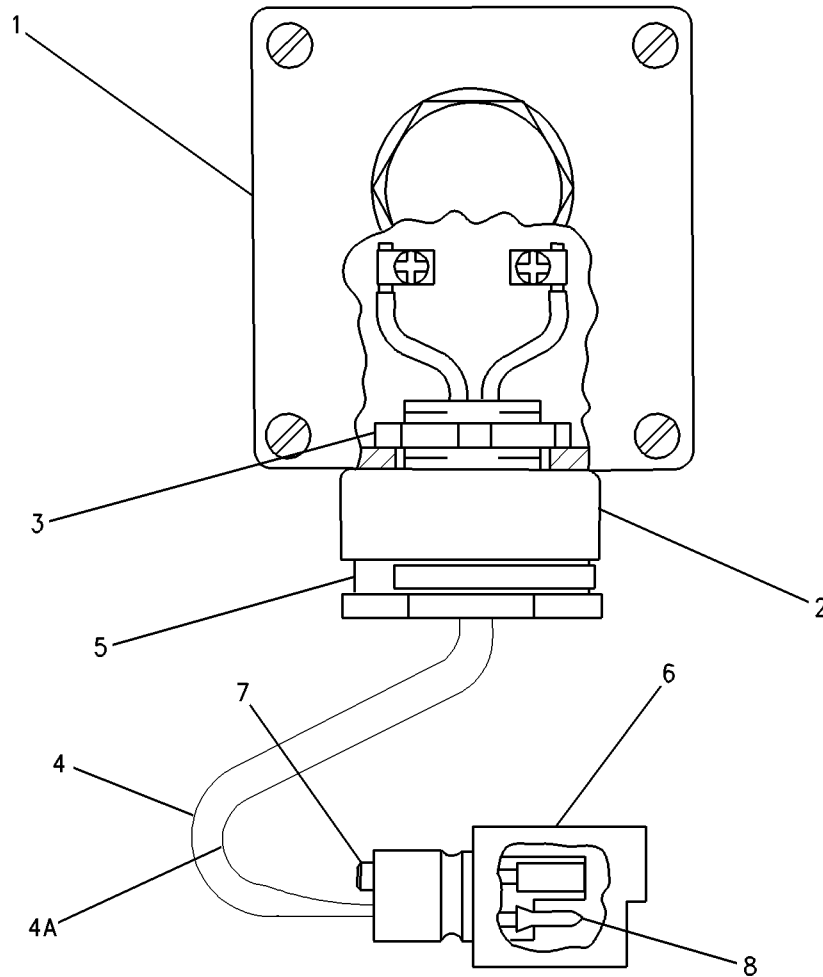
PART OF 8N-8491 CONTROL GP-AIR STARTING, 8N-2941 SWITCH GP-ENGINE START
AN ATTACHMENT

SMCS-1416, 7332

i04574955

NOTE	REF NO	GRAPHIC REF	PART NUMBER	QTY	PART NAME						SEE PAGE
					1	2	3	4	5	6 (PRODUCT LEVEL)	
	1	1	6I-1997	1	SWITCH (ENGINE START)						
	2	1	5N-8943	1	ADAPTER						
	3	1	3F-2065	1	LOCKNUT (1/2-14-THD)						
D	4	1	5P-5624		WIRE (14-GA, BLACK) (0.1-M)						
D	4A	1	5P-5624		WIRE (14-GA, BLACK) (0.1-M)						
	5	1	5N-9073	1	CLIP						
	6	1	7N-7781	1	HOUSING-RECEPTACLE (14-GA TO 18-GA)						
	7	1	9G-3695	1	PLUG-SEAL						
	8	1	7N-7780	2	PIN-CONNECTOR (14-GA TO 18-GA)						

D - ORDER BY THE METER



GRAPHIC #1

<END>

g00740718

ELECTRICAL AND STARTING SYSTEM

379-3359 SWITCH AS-SPEED

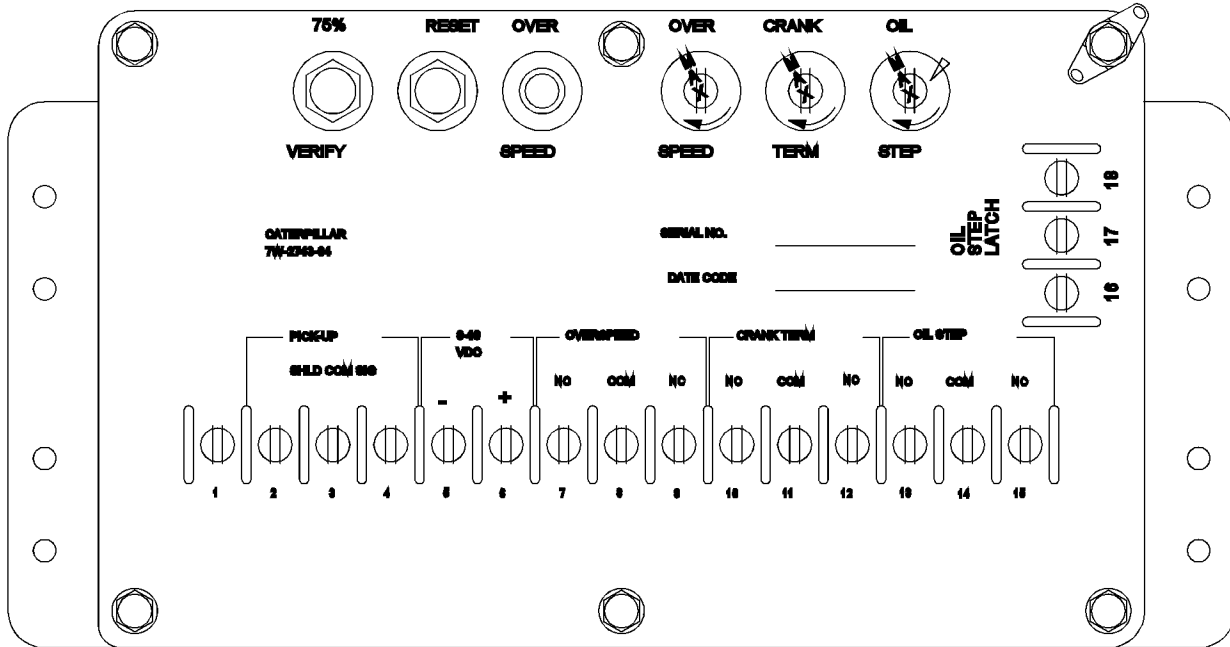
S/N: 3XS404-UP

PART OF 126-7157 BOX GP-INSTRUMENT PANEL
AN ATTACHMENT

SMCS-1915

i05957219

NOTE	REF NO	GRAPHIC REF	PART NUMBER	QTY	PART NAME	SEE PAGE
					1 2 3 4 5 6 (PRODUCT LEVEL)	
(NO SERVICED PARTS)						



GRAPHIC #1

<END>

g01173126

ELECTRICAL AND STARTING SYSTEM

5N-8167 SWITCH GP-ENGINE START

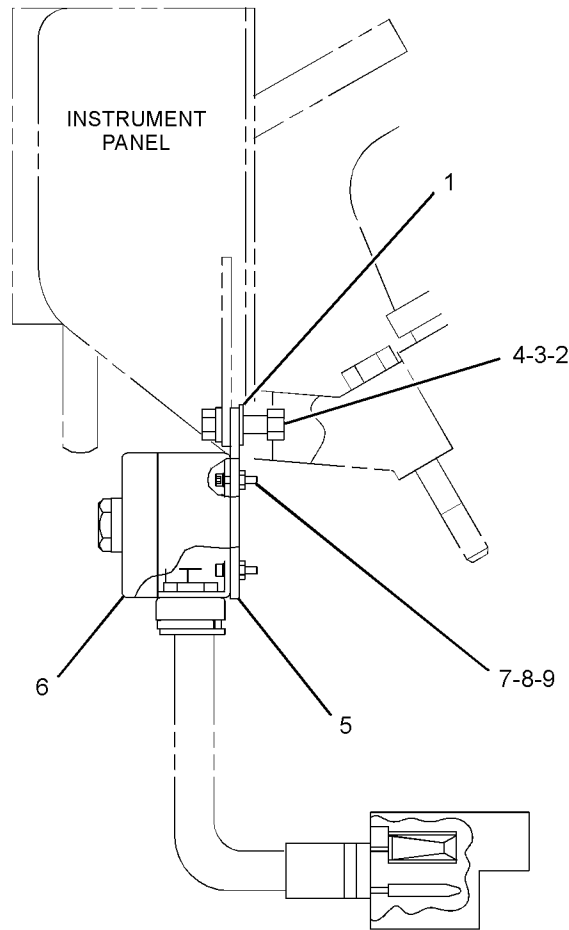
FOR USE WITH HYDRO-MECHANICAL SYSTEM, ELECTRIC STARTING MOTORS & ELECTRIC AIR START CONTROLS (DUAL)
AN ATTACHMENT

SMCS-1416

i05868646

NOTE	REF NO	GRAPHIC REF	PART NUMBER	QTY	PART NAME						SEE PAGE
					1	2	3	4	5	6 (PRODUCT LEVEL)	
	1	1	5P-1075	2	WASHER-HARD (10.2X22.5X3-MM THK)						
	2	1	0S-1591	2	BOLT (3/8-16X1.5-IN)						
	3	1	5M-2894	2	WASHER-HARD (10.2X18.5X2.5-MM THK)						
	4	1	9S-8752	2	NUT-FULL (3/8-16-THD)						
	5	1	454-4749	1	PLATE						
Y	6	1	454-7489	1	SWITCH AS-PUSH BUTTON (ENGINE START)						570
	7	1	7D-5473	4	BOLT-SOCKET HEAD (8-32X0.75-IN)						
	8	1	3B-4501	4	LOCKWASHER						
	9	1	4B-2043	4	NUT (8-32-THD)						

Y - SEPARATE ILLUSTRATION



RIGHT SIDE VIEW OF ENGINE

GRAPHIC #1

<END>

g01885593

ELECTRICAL AND STARTING SYSTEM

8N-2941 SWITCH GP-ENGINE START

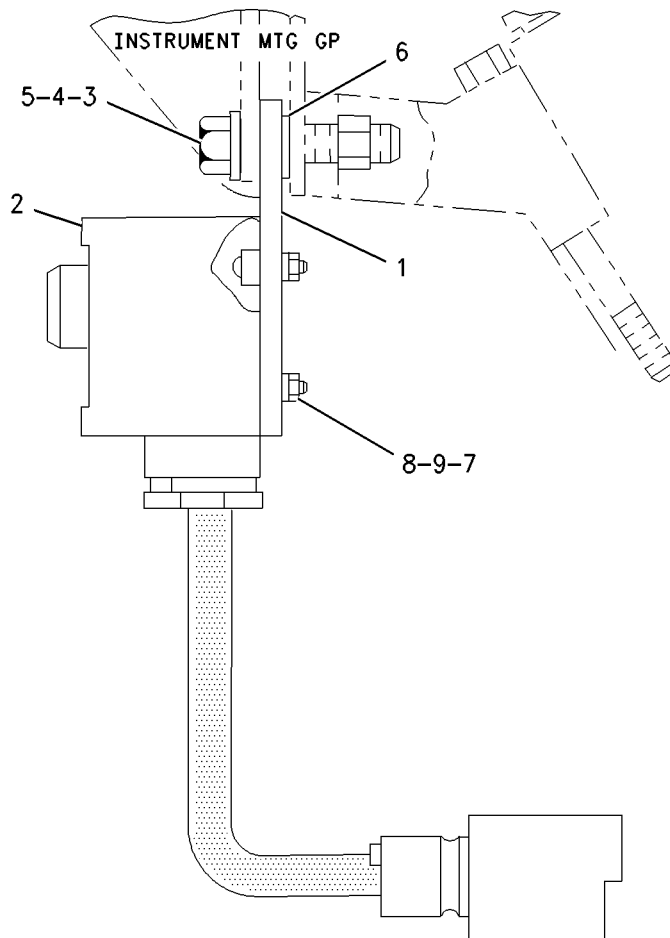
FOR USE WITH ELECTRIC STARTING MOTORS & ELECTRIC AIR START CONTROLS
CANNOT BE USED WITH HYDRO-MECHANICAL SYSTEM
AN ATTACHMENT

SMCS-1416

i01770669

NOTE	REF NO	GRAPHIC REF	PART NUMBER	QTY	PART NAME						SEE PAGE
					1	2	3	4	5	6 (PRODUCT LEVEL)	
C	1	1	6I-1966	1	PLATE-CONTROL MOUNTING						
YC	2	1	6I-1998	1	SWITCH AS-PUSH BUTTON (ENGINE START)						571
	3	1	0S-1591	2	BOLT (3/8-16X1.5-IN)						
	4	1	5M-2894	2	WASHER-HARD (10.2X18.5X2.5-MM THK)						
C	5	1	9S-8752	2	NUT-FULL (3/8-16-THD)						
	6	1	5P-1075	2	WASHER-HARD (10.2X22.5X3-MM THK)						
C	7	1	3B-4501	4	LOCKWASHER						
C	8	1	7D-5473	4	BOLT-SOCKET HEAD (8-32X0.75-IN)						
C	9	1	4B-2043	4	NUT (8-32-THD)						

C - CHANGE FROM PREVIOUS TYPE
Y - SEPARATE ILLUSTRATION



GRAPHIC #1

<END>

g00902744

ELECTRICAL AND STARTING SYSTEM

123-2993 SWITCH GP-LIQUID LEVEL

FIELD REPLACEMENT ORDER 172-8660-PAGE: 576

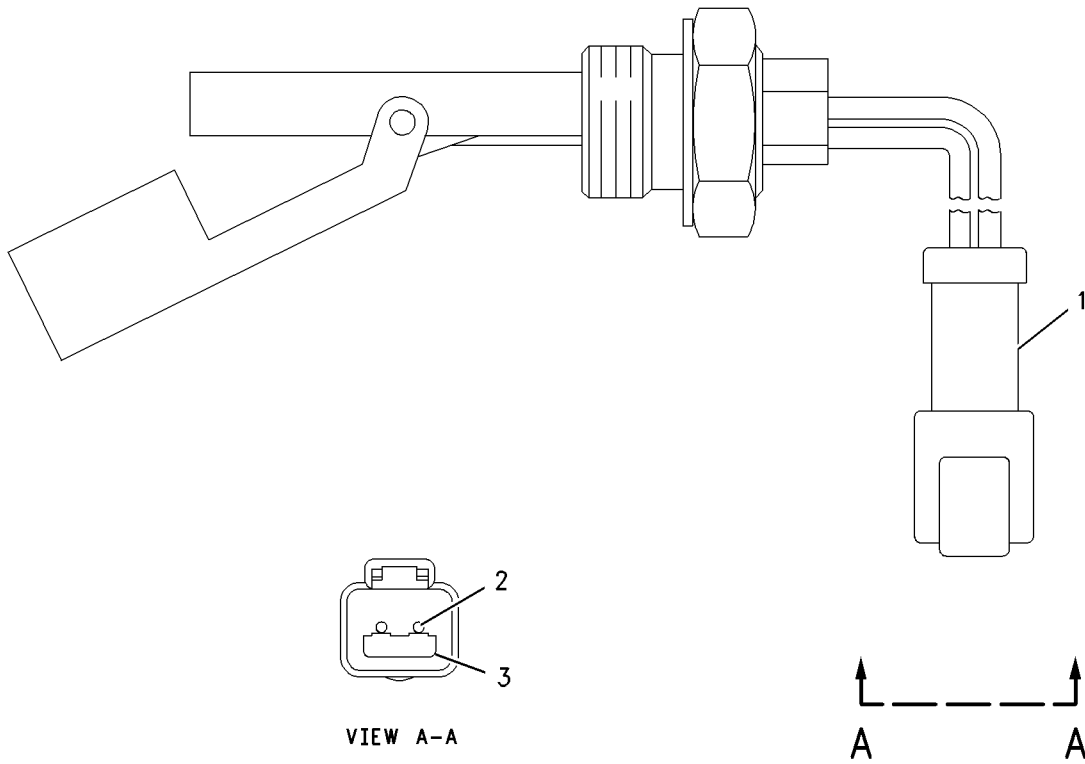
FOR USE WITH DRY CIRCUIT APPLICATIONS

AN ATTACHMENT

SMCS-7422

i06970441

NOTE	REF NO	GRAPHIC REF	PART NUMBER	QTY	PART NAME						SEE PAGE
					1	2	3	4	5	6 (PRODUCT LEVEL)	
	1	1	102-8802	1	KIT-RECEPTACLE (2-PIN)						
					(INCLUDES RECEPTACLE AS & WEDGE)						
	2	1	186-3735	2	PIN-CONNECTOR (16-GA TO 18-GA)						
	3	1	3E-3365	1	WEDGE-RECEPTACLE LOCK (2-PIN)						



GRAPHIC #1

<END>

g00677314

ELECTRICAL AND STARTING SYSTEM

172-8660 SWITCH GP-LIQUID LEVEL

FIELD REPLACEMENT FOR 123-2993-PAGE: 575

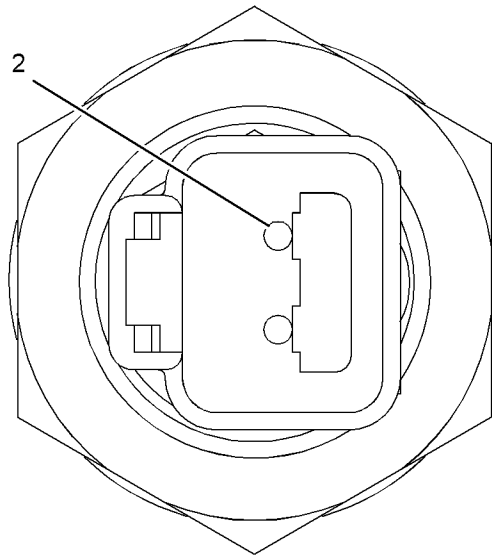
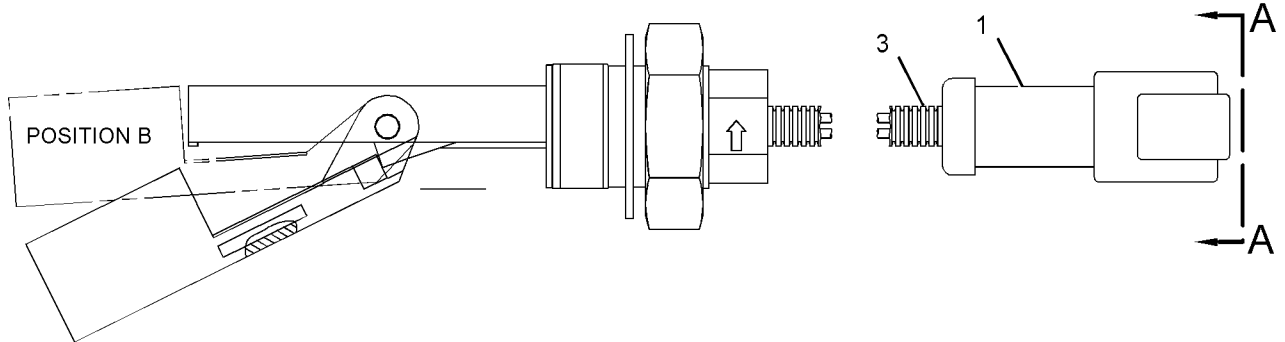
FOR USE WITH DRY CIRCUIT APPLICATIONS ONLY

SMCS-7422

i06837582

NOTE	REF NO	GRAPHIC REF	PART NUMBER	QTY	PART NAME						SEE PAGE
					1	2	3	4	5	6 (PRODUCT LEVEL)	
	1	1	102-8802	1	KIT-RECEPTACLE (2-PIN)						
					(INCLUDES RECEPTACLE AS & WEDGE)						
	2	1	9X-3401	2	PIN-CONNECTOR (16-GA TO 18-GA)						
E	3	1	9X-1386		SLEEVE (30-CM)						

E - ORDER BY THE CENTIMETER



VIEW A-A

GRAPHIC #1

<END>

g02352659

ELECTRICAL AND STARTING SYSTEM

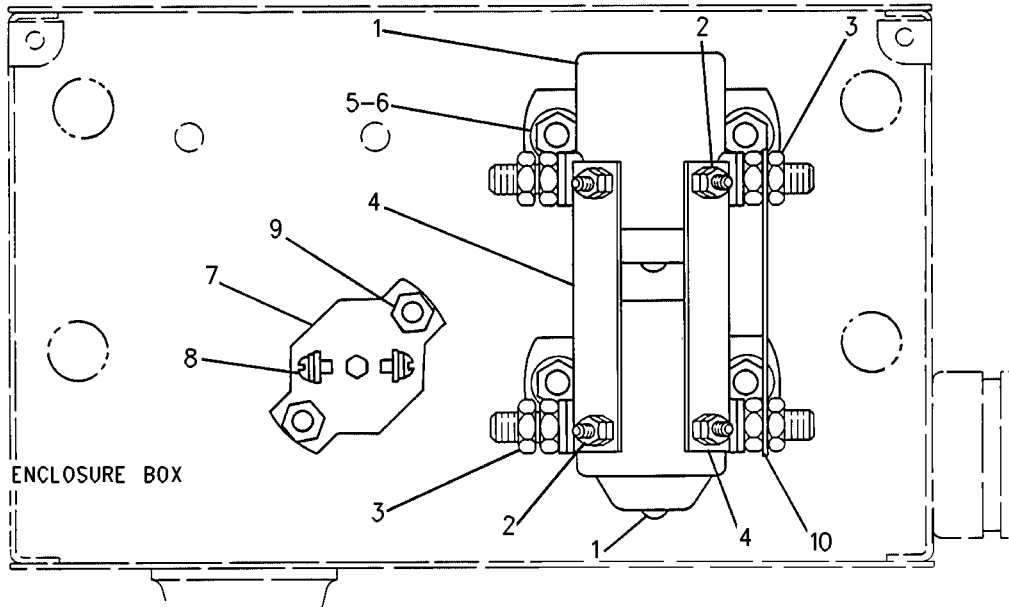
4W-4754 SWITCH GP-MAGNETIC FOR USE WITH DUAL 32-VOLT ELECTRIC STARTING MOTOR AN ATTACHMENT

SMCS-7499

i01764475

NOTE	REF NO	GRAPHIC REF	PART NUMBER	QTY	PART NAME						SEE PAGE
					1	2	3	4	5	6	
	1	1	9F-3099	2	SWITCH GP-MAGNETIC (24-VOLT) (STARTING MOTOR)						
					(EACH INCLUDES)						
	2	1	6V-8377	2	NUT (8-32-THD)						
C		1	3B-4501	2	LOCKWASHER						
	3	1	6V-8186	2	NUT-FULL (5/16-24-THD)						
		1	3F-9556	2	LOCKWASHER						
	4	1	9F-9203	2	CONNECTOR						
	5	1	9S-8750	4	NUT-FULL (1/4-20-THD)						
C	6	1	5P-0537	4	WASHER-HARD (7.2X14.5X2-MM THK)						
	7	1	9M-9085	1	CIRCUIT BREAKER AS (15-AMPERE)						
	8	1	6V-8376	2	SCREW-MACHINE (8-32X0.25-IN)						
		1	9B-7233	2	LOCKWASHER						
	9	1	8H-5429	2	SCREW-MACHINE (10-24X1-IN)						
		1	4B-2047	2	NUT (10-24-THD)						
		1	4B-4274	2	WASHER (5.5X13X1.2-MM THK)						
	10	1	5N-7759	1	CONNECTOR						

C - CHANGE FROM PREVIOUS TYPE



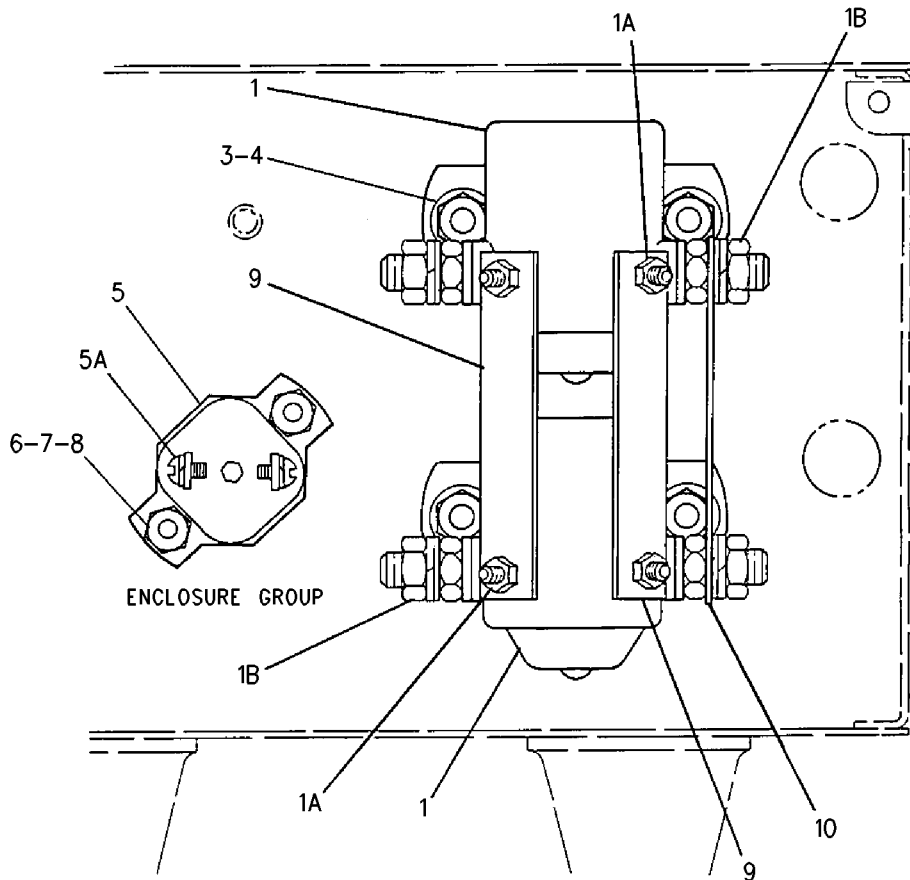
ELECTRICAL AND STARTING SYSTEM

4W-4755 SWITCH GP-MAGNETIC FOR USE WITH DUAL 24-VOLT ELECTRIC STARTING MOTOR AN ATTACHMENT

SMCS-7499

i02233087

NOTE	REF NO	GRAPHIC REF	PART NUMBER	QTY	PART NAME						SEE PAGE
					1	2	3	4	5	6 (PRODUCT LEVEL)	
	1	1	9F-3099	2	SWITCH GP-MAGNETIC (24-VOLT) (STARTING MOTOR)						
					(EACH INCLUDES)						
	1A	1	6V-8377	2	NUT (8-32-THD)						
		1	3B-4501	2	LOCKWASHER						
	1B	1	6V-8186	2	NUT-FULL (5/16-24-THD)						
		1	3F-9556	2	LOCKWASHER						
	3	1	8T-4205	4	WASHER-HARD (7.2X14.5X2-MM THK)						
	4	1	6V-8185	4	NUT (1/4-20-THD)						
	5	1	9H-1958	1	CIRCUIT BREAKER GP (20-AMPERE)						
	5A	1	6V-8376	2	SCREW-MACHINE (8-32X0.25-IN)						
		1	9B-7233	2	LOCKWASHER						
	6	1	8H-5429	2	SCREW-MACHINE (10-24X1-IN)						
	7	1	4B-4274	2	WASHER (5.5X13X1.2-MM THK)						
	8	1	4B-2047	2	NUT (10-24-THD)						
	9	1	9F-9203	2	CONNECTOR						
	10	1	5N-7759	1	CONNECTOR						



GRAPHIC #1

<END>

g00690803

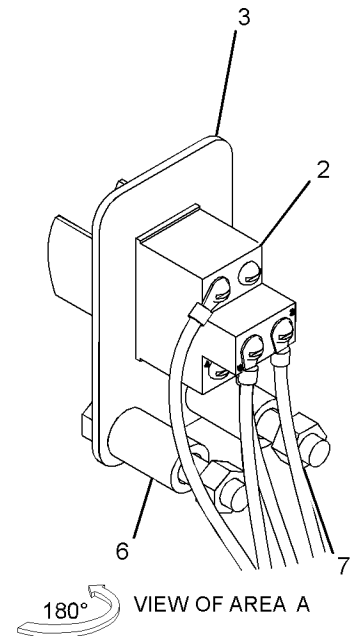
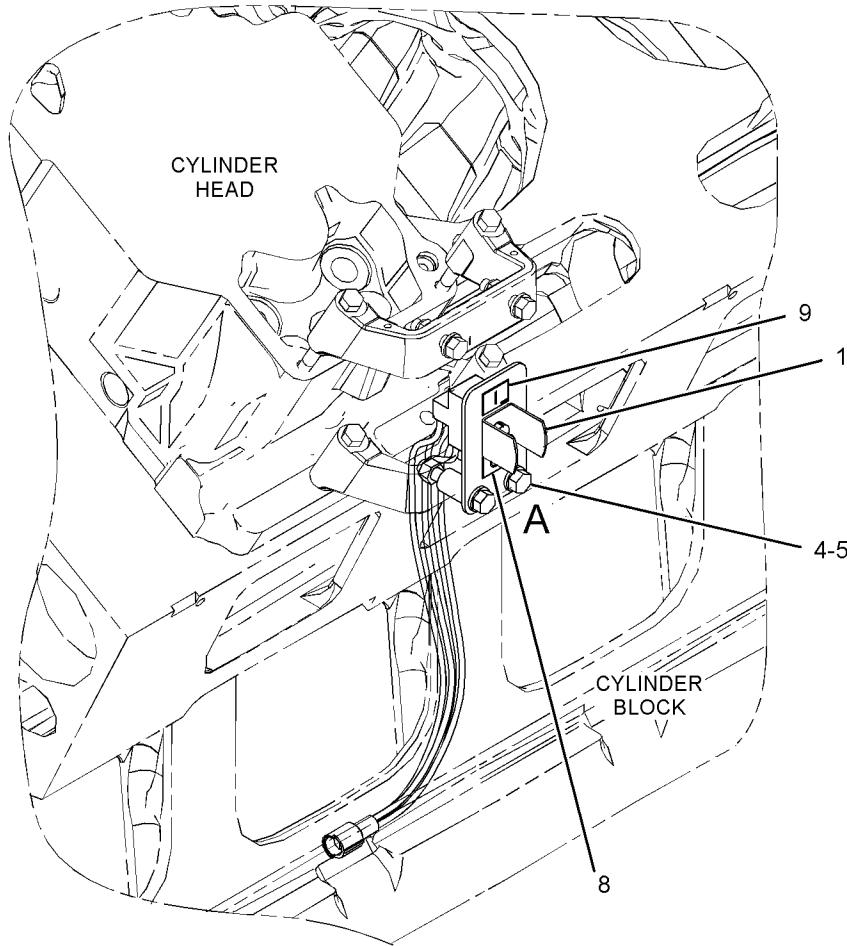
ELECTRICAL AND STARTING SYSTEM

7C-0331 SWITCH GP-START/STOP AN ATTACHMENT

SMCS-1416

i05468729

NOTE	REF NO	GRAPHIC REF	PART NUMBER	QTY	PART NAME						SEE PAGE
					1	2	3	4	5	6 (PRODUCT LEVEL)	
	1	1	5N-0361	1	GUARD						
	2	1	7C-0332	1	SWITCH AS (START-STOP)						
		1	2L-8074	4	TERMINAL-RING (14-GA TO 16-GA, NO. 6 SCREW)						
		1	5N-0364	1	SWITCH AS-TOGGLE (START/STOP)						
		1	7N-7779	2	SOCKET-CONNECTOR (14-GA TO 18-GA)						
		1	7N-7780	2	PIN-CONNECTOR (14-GA TO 18-GA)						
		1	7N-8204	1	HOUSING-RECEPTACLE (14-GA TO 18-GA)						
3		1	7C-0333	1	PLATE						
4		1	0L-2070	2	BOLT (3/8-16X2.25-IN)						
5		1	5M-2894	2	WASHER-HARD (10.2X18.5X2.5-MM THK)						
6		1	7K-3377	2	PIPE						
7		1	9S-8752	2	NUT-FULL (3/8-16-THD)						
8		1	4W-6401	1	FILM-IDENTIFICATION (ENGINE STOP)						
9		1	4W-6402	1	FILM-IDENTIFICATION (ENGINE START)						



GRAPHIC #1

<END>

g03462176

ELECTRICAL AND STARTING SYSTEM

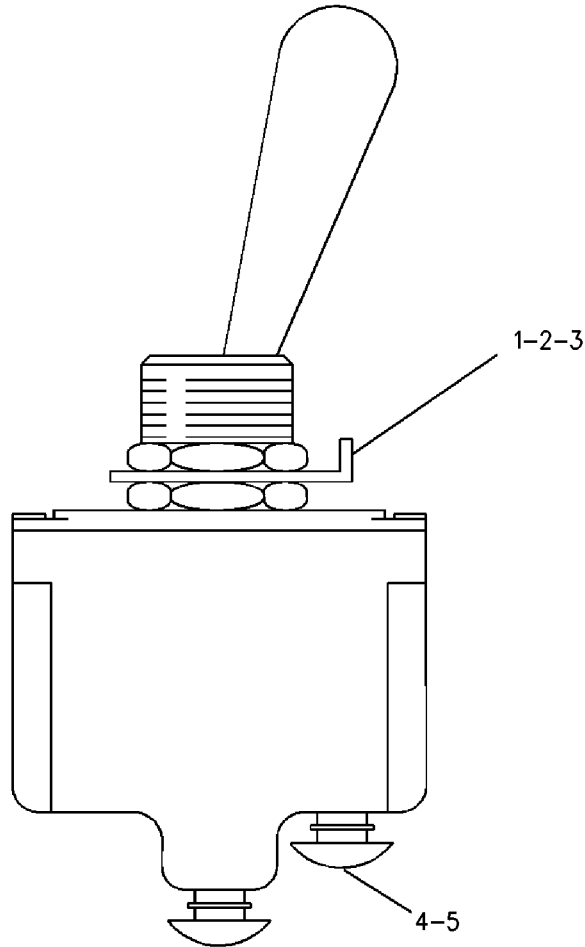
7N-8001 SWITCH GP-TOGGLE

PART OF 126-7156, 126-7157 BOX GP-INSTRUMENT PANEL
AN ATTACHMENT

SMCS-7332

i01982658

NOTE	REF NO	GRAPHIC REF	PART NUMBER	QTY	PART NAME						SEE PAGE
					1	2	3	4	5	6 (PRODUCT LEVEL)	
	1	1	6T-3631	2	NUT-HEX (15/32-32-THD)						
	2	1	6T-3632	1	LOCKWASHER						
	3	1	6T-3633	1	RING-LOCKING						
	4	1	6V-8374	2	SCREW-MACHINE (6-32X0.25-IN)						
	5	1	3L-8187	2	LOCKWASHER						



GRAPHIC #1

<END>

g00637350

ELECTRICAL AND STARTING SYSTEM

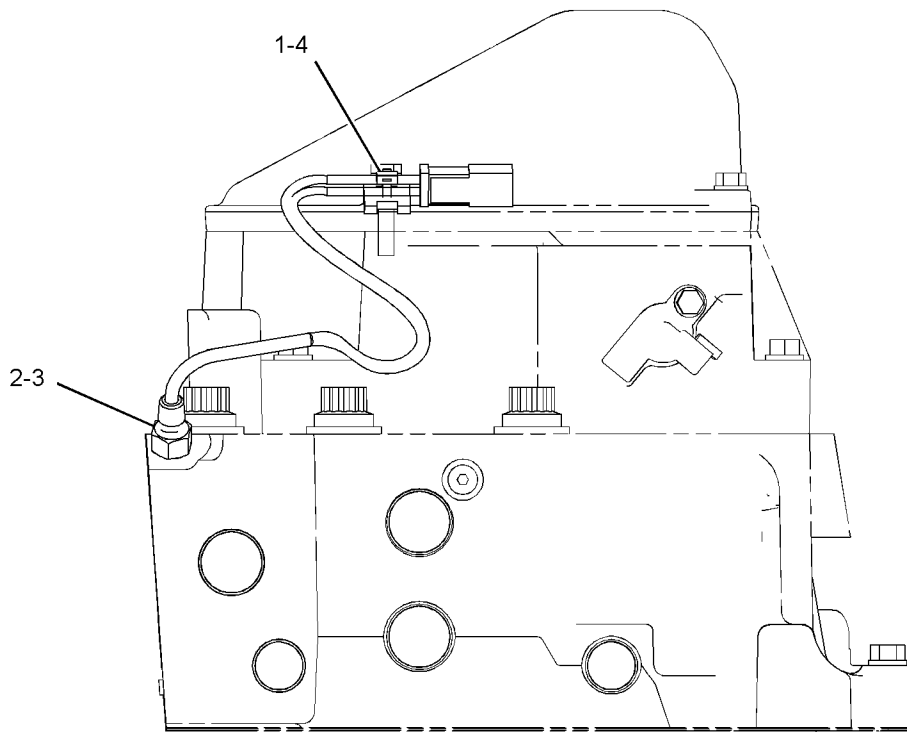
120-4498 THERMOCOUPLE GP FOR USE WITH MONITORING SYSTEM PANEL AND PYROMETER GROUP AN ATTACHMENT

SMCS-7498

i04956711

NOTE	REF NO	GRAPHIC REF	PART NUMBER	QTY	PART NAME						SEE PAGE
					1	2	3	4	5	6 (PRODUCT LEVEL)	
	1	1	3S-2093	1	STRAP-CABLE						
	2	1	5N-2126	1	CONNECTOR (THERMOCOUPLE)						
Y	3	1	243-5752	1	SENSOR GP-TEMPERATURE (CYLINDER EXHAUST)						514
	4	1	4P-7581	1	CLIP (LADDER)						

Y - SEPARATE ILLUSTRATION



FRONT VIEW

GRAPHIC #1

<END>

g01277880

ELECTRICAL AND STARTING SYSTEM

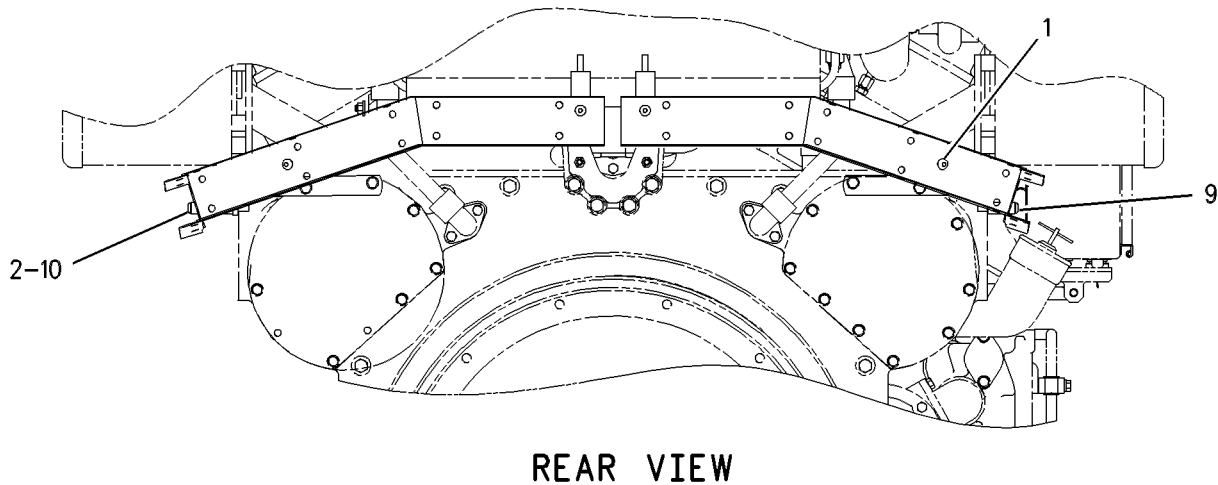
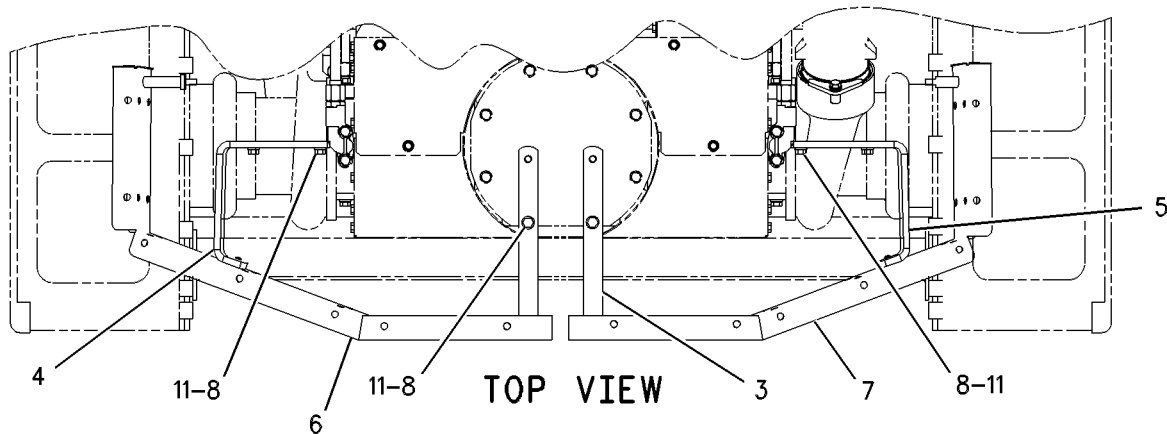
152-0478 TRAY GP-CABLE

AN ATTACHMENT

SMCS-1408

i00950799

NOTE	REF NO	GRAPHIC REF	PART NUMBER	QTY	PART NAME						SEE PAGE
					1	2	3	4	5	6 (PRODUCT LEVEL)	
	1	1	6V-1193	4	SCREW-HEX SOCKET (3/8-16X0.625-IN)						
	2	1	8M-9124	1	WASHER (10X22.5X8-MM THK)						
	3	1	143-1891	2	BRACKET						
	4	1	143-1893	1	BRACKET						
	5	1	143-1896	1	BRACKET						
	6	1	143-5148	1	TRAY AS						
	7	1	143-5149	1	TRAY AS						
	8	1	0S-1591	8	BOLT (3/8-16X1.5-IN)						
	9	1	124-9022	1	SCREW-BUTTON HEAD (3/8-16X2.25-IN)						
	10	1	152-3774	1	SCREW-BUTTON HEAD (3/8-16X3.5-IN)						
	11	1	5M-2894	8	WASHER-HARD (10.2X18.5X2.5-MM THK)						



GRAPHIC #1

<END>

g00365921

ELECTRICAL AND STARTING SYSTEM

5N-8980 VALVE AS-SOLENOID-AIR START

24/32-VOLT

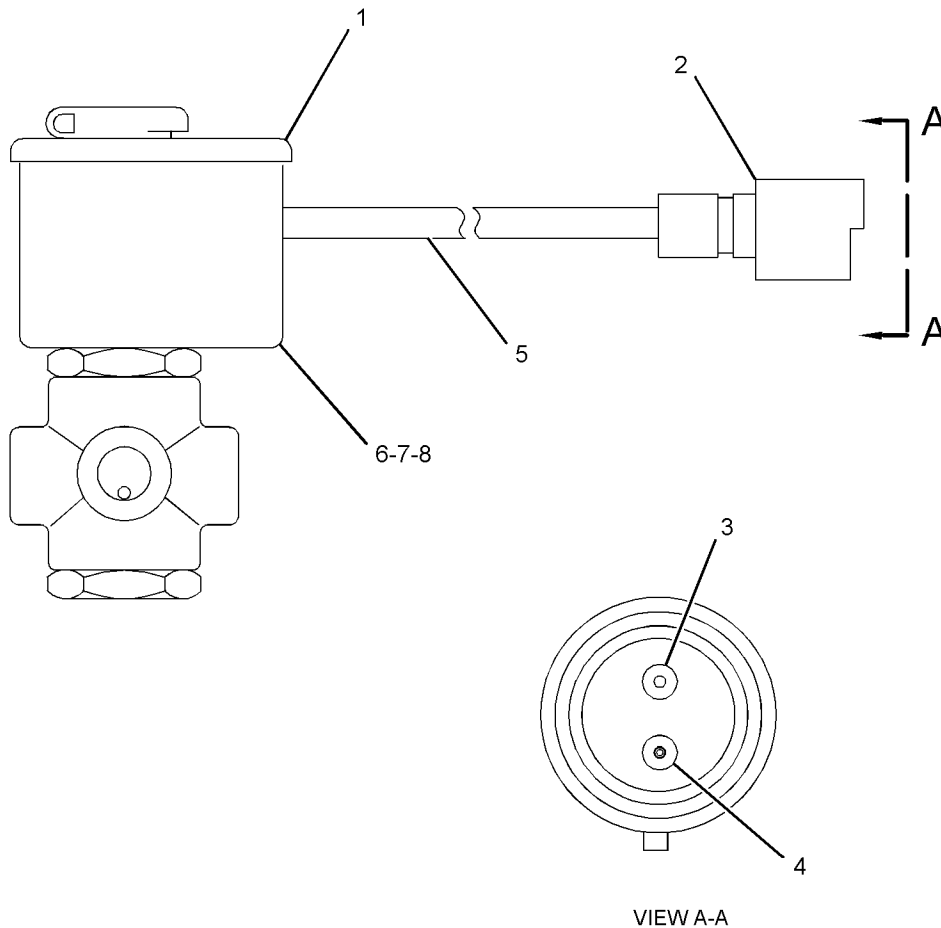
PART OF 5N-8166, 7C-0330, 8N-8491 CONTROL GP-AIR STARTING, 143-5174 STARTING MOTOR
GP-AIR
AN ATTACHMENT

SMCS-5479

i02871444

NOTE	REF NO	GRAPHIC REF	PART NUMBER	QTY	PART NAME						SEE PAGE
					1	2	3	4	5	6	
	1	1	7G-8765	1	VALVE-SOLENOID						
	2	1	7N-9738	1	HOUSING-RECEPTACLE (14-GA TO 18-GA)						
	3	1	7N-7779	1	SOCKET-CONNECTOR (14-GA TO 18-GA)						
	4	1	7N-7780	1	PIN-CONNECTOR (14-GA TO 18-GA)						
E	5	1	9X-1813		SLEEVE (21-CM)						
	6	1	5N-9073	1	CLIP						
	7	1	3F-2065	1	LOCKNUT (1/2-14-THD)						
	8	1	5N-8943	1	ADAPTER						

E - ORDER BY THE CENTIMETER



GRAPHIC #1

<END>

g01441571

ELECTRICAL AND STARTING SYSTEM

1L-2073 VALVE GP-PRESSURE REDUCING-RH

AIR CONTROL

PART OF 8N-8483 VALVE GP-AIR CONTROL

AN ATTACHMENT

SMCS-1462

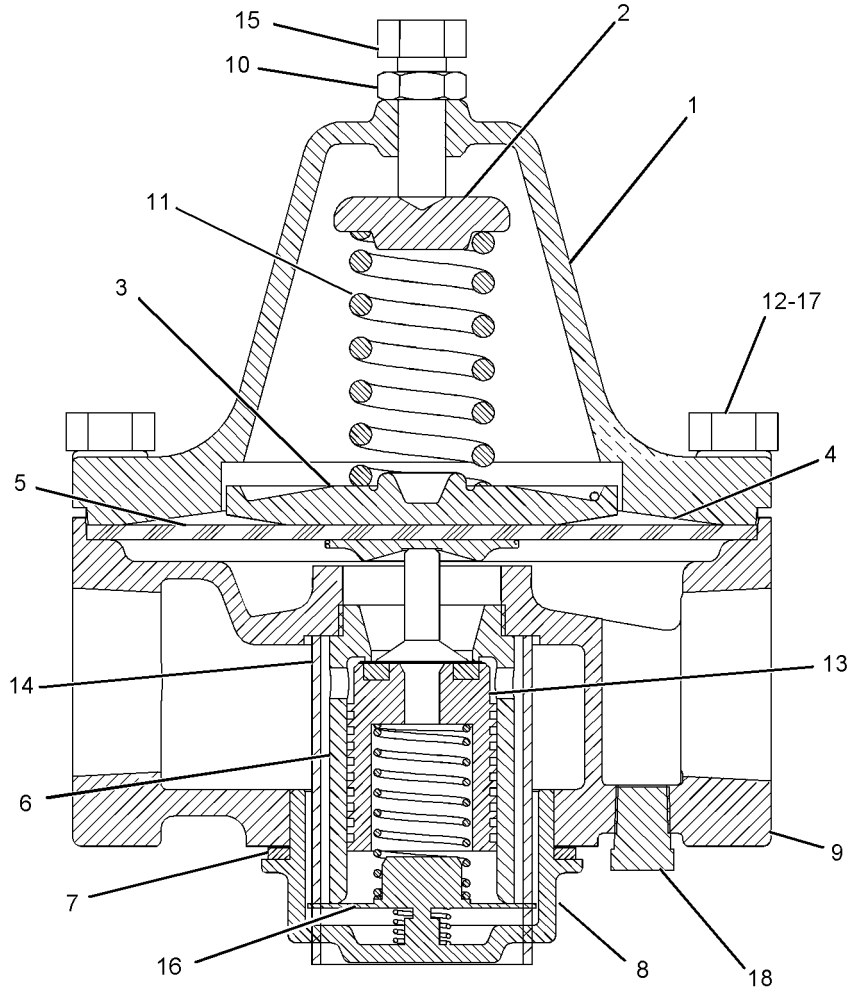
i05308086

NOTE	REF NO	GRAPHIC REF	PART NUMBER	QTY	PART NAME						SEE PAGE
					1	2	3	4	5	6 (PRODUCT LEVEL)	
	1	1	1H-9570	1	CHAMBER						
	2	1	1H-9569	1	BUTTON-SPRING						
	3	1	1H-9572	1	PLATE-PRESSURE						
	4	1	1H-9573	1	DIAPHRAGM						
	5	1	1H-9574	1	BUTTON						
	6	1	1H-9575	1	CYLINDER						
	7	1	1H-9580	1	GASKET-PLUG						
	8	1	1H-9581	1	PLUG AS						
	9	1	1L-2072	1	BODY-VALVE						
	10	1	1L-9048	1	NUT-PLATED JAM (7/16-14-THD)						
	11	1	1L-9049	1	SPRING-PRESSURE						
	12	1	1L-9079	6	NUT-PLATED FULL (7/16-20-THD)						
	13	1	5N-6942	1	PISTON AS						
	14	1	252-9298	1	SCREEN-STRAINER (PRESSURE REDUCING VALVE)						
	15	1	0T-0320	1	BOLT (7/16-14X1.25-IN)						
	16	1	1H-9578	1	SPRING-PISTON						
	17	1	1L-9080	6	BOLT (7/16-20X1.5-IN)						
	18	1	5B-7890	1	PLUG-PIPE						

ELECTRICAL AND STARTING SYSTEM

1L-2073 VALVE GP-PRESSURE REDUCING (contd.)

i05308086



GRAPHIC #1

<END>

g01069160

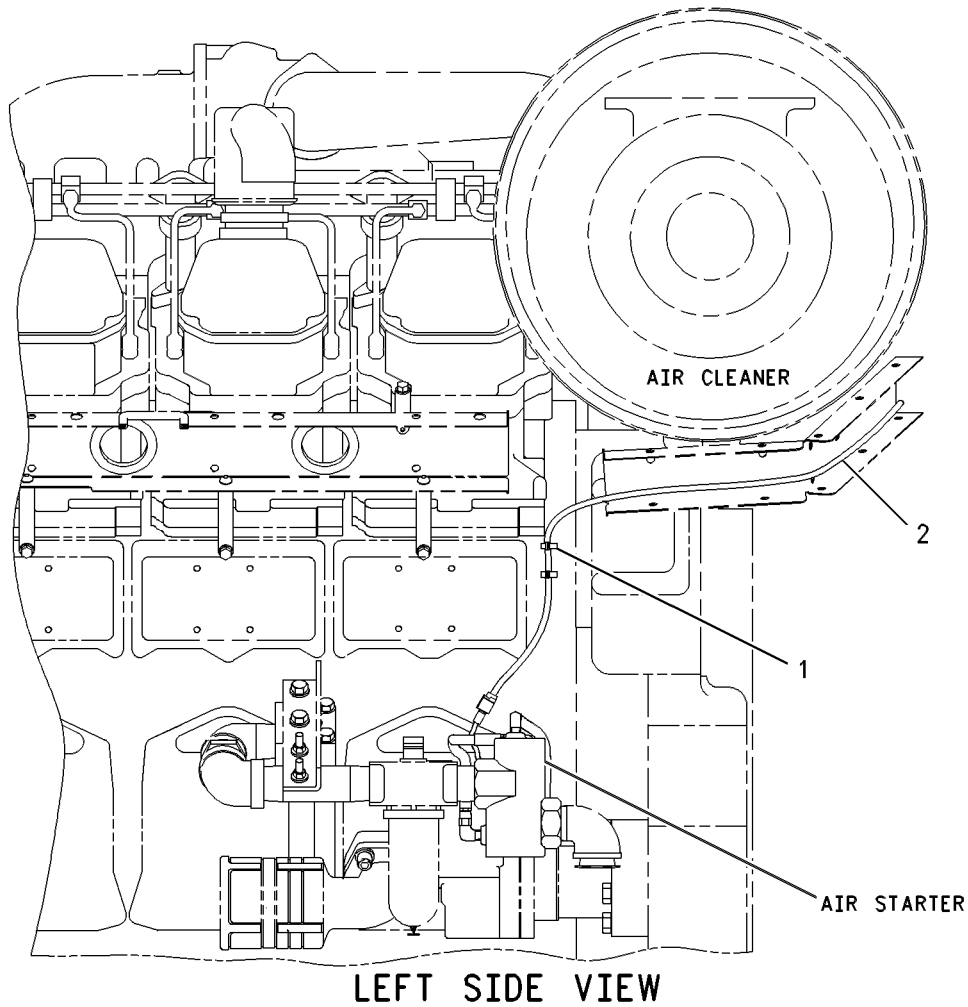
ELECTRICAL AND STARTING SYSTEM

150-4199 WIRING GP-AIR STARTING AN ATTACHMENT

SMCS-1408, 1451

i02240534

NOTE	REF NO	GRAPHIC REF	PART NUMBER	QTY	PART NAME						SEE PAGE
					1	2	3	4	5	6 (PRODUCT LEVEL)	
1	1	1	108-9656	2	STRAP-CABLE						
2	1	1	150-4202	1	HARNESS AS-SOLENOID (AIR STARTING)						



GRAPHIC #1

<END>

g00676842

ELECTRICAL AND STARTING SYSTEM

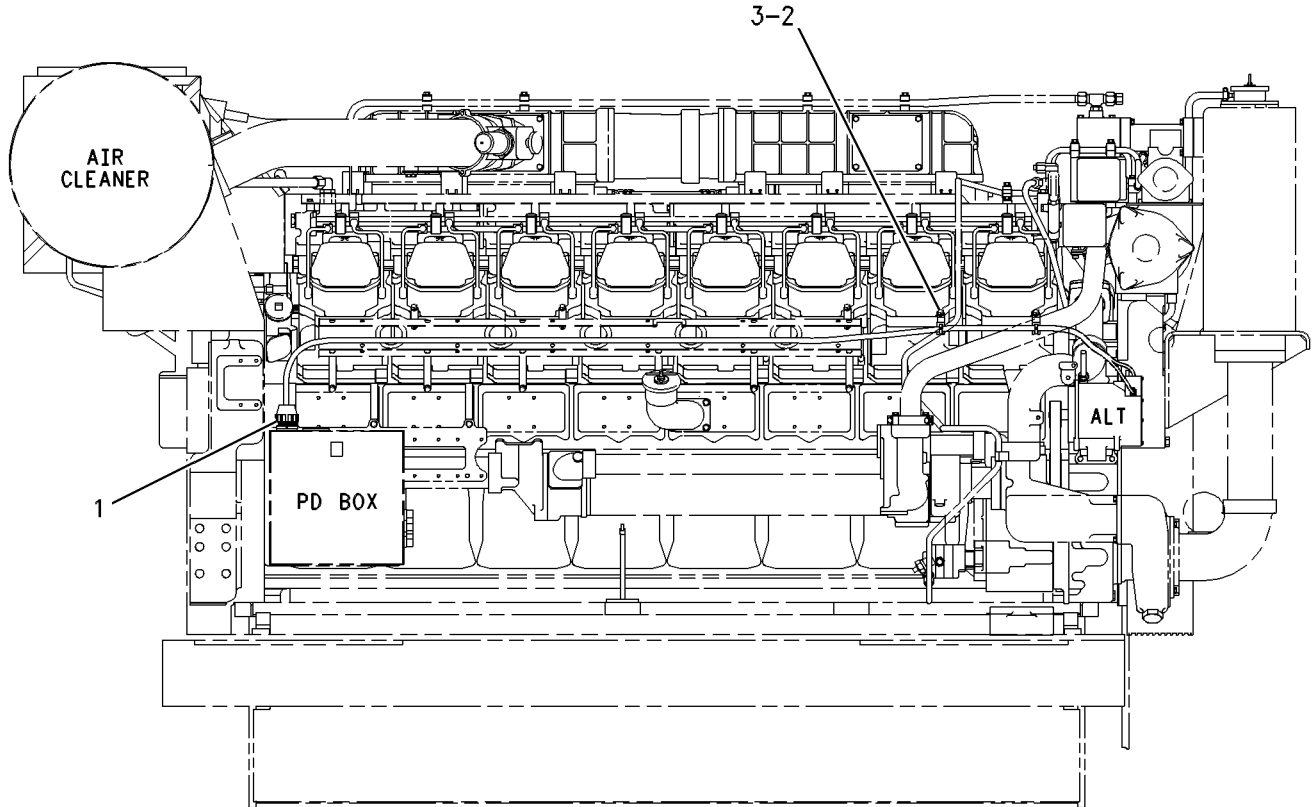
143-1919 WIRING GP-ALTERNATOR AN ATTACHMENT

SMCS-1405, 1408

i02767577

NOTE	REF NO	GRAPHIC REF	PART NUMBER	QTY	PART NAME						SEE PAGE
					1	2	3	4	5	6 (PRODUCT LEVEL)	
	1	1	139-8527	1	HARNES AS-POWER						
B	2	1	4P-8134	2	CLIP (LADDER)						
B	3	1	108-9656	2	STRAP-CABLE						

B - USE AS REQUIRED



RIGHT SIDE VIEW

GRAPHIC #1

<END>

g00676779

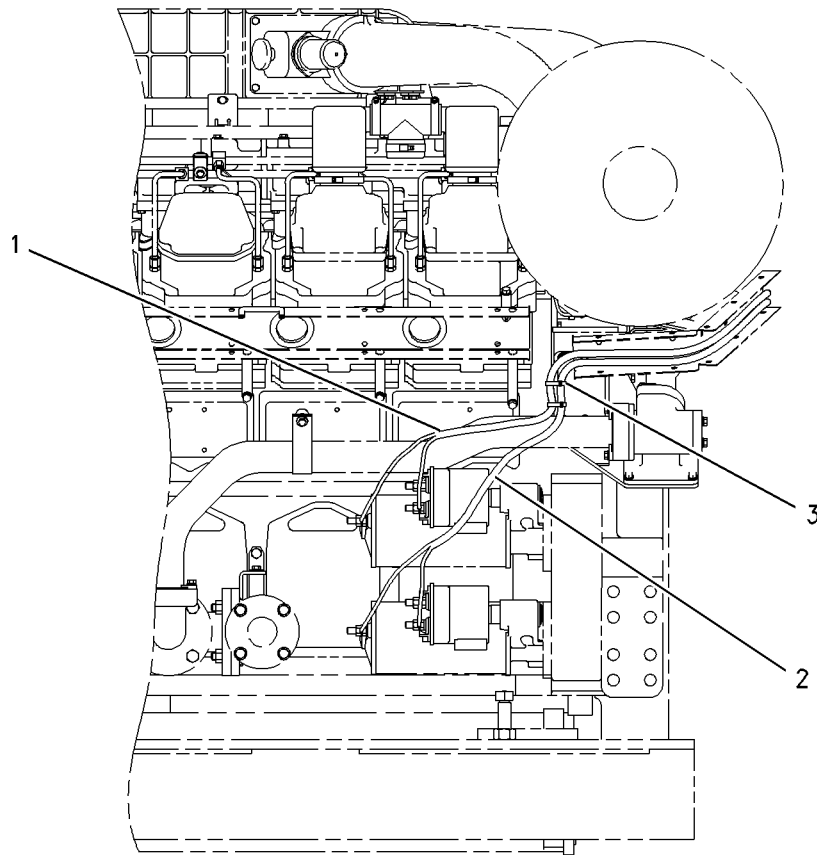
ELECTRICAL AND STARTING SYSTEM

150-4197 WIRING GP-ELECTRIC STARTING-DUAL ELECTRIC PREMIUM HARNESS AN ATTACHMENT

SMCS-1408, 1453

i02667490

NOTE	REF NO	GRAPHIC REF	PART NUMBER	QTY	PART NAME						SEE PAGE
					1	2	3	4	5	6 (PRODUCT LEVEL)	
	1	1	150-4203	1	HARNESS AS-MOTOR (STARTING)						
	2	1	150-4204	1	HARNESS AS-MOTOR (STARTING)						
	3	1	108-9656	2	STRAP-CABLE						



LEFT SIDE VIEW

GRAPHIC #1

<END>

g00676371

ELECTRICAL AND STARTING SYSTEM

132-6465 WIRING GP-ENGINE

S/N: 3XS1-407
AN ATTACHMENT

SMCS-1000, 1408

i01040474

NOTE	REF NO	GRAPHIC REF	PART NUMBER	QTY	PART NAME						SEE PAGE
					1	2	3	4	5	6 (PRODUCT LEVEL)	
	1	1	159-1194	1	HARNES AS-WIRING						
B	2	1,2	4P-8134	40	CLIP (LADDER) (FLAT)						
B	3	1,2	9X-6772	53	STRAP-CABLE						
Y	4	1	109-4367	1	SENSOR GP-EXHAUST TEMPERATURE (AIR TURBO LH)						487
Y	4A	1	109-4367	1	SENSOR GP-EXHAUST TEMPERATURE (AIR TURBO RH)						487
B	5	1	124-0289	2	CLIP						
B	6	1,2	4P-7581	20	CLIP (LADDER)						
B	7	1,2	5M-2894	31	WASHER-HARD (10.2X18.5X2.5-MM THK)						
Y	8	1	129-6628	1	SENSOR GP-SPEED (TIMING)						506
	9	1	8L-2786	1	SEAL-O-RING						
B	10	1	0S-1590	1	BOLT (3/8-16X2-IN)						
	11	1	6W-6672	1	SPACER (10.5X20X38-MM THK)						
YC	12	2	143-9694	1	SENSOR GP-PRESSURE (AIR)						496
B	13	1,2	0S-1594	8	BOLT (3/8-16X1-IN)						
YC	14	1	143-9695	1	SENSOR GP-PRESSURE (UNFILTERED FUEL)						497
CY	14A	1	143-9695	1	SENSOR GP-PRESSURE (FILTERED FUEL)						497
CY	14B	1	143-9695	1	SENSOR GP-PRESSURE (FILTERED OIL)						497
CY	14C	1	143-9695	1	SENSOR GP-PRESSURE (UNFILTERED OIL)						497
	15	1,2	9X-0262	6	ADAPTER						
	16	1,2	6V-5048	17	SEAL-O-RING						
	17	1	102-2240	1	SENSOR GP-TEMPERATURE (COOLANT)						
		1	102-8803	1	KIT-RECEPTACLE (3-PIN)						
		1	3E-3371	1	WEDGE-RECEPTACLE LOCK (3-PIN)						
		1	8T-8729	3	PIN-CONNECTOR (16-GA TO 18-GA)						
E		1	9X-1813		SLEEVE (31CM)						
	18	1	3K-0360	1	SEAL-O-RING						
	19	1	001-9440	1	CONNECTOR						
B	20	1,2	0S-0509	19	BOLT (3/8-16X0.75-IN)						
	21	1	9M-4594	3	SPACER (0.406X0.875X0.75-IN THK)						
	22	1	5P-3426	1	ELBOW						
	23	1	0S-1591	2	BOLT (3/8-16X1.5-IN)						
	24	1	6V-2455	1	SENSOR GP-SPEED (TIMING CALIBRATION)						
		1	102-8802	1	KIT-RECEPTACLE (2-PIN)						
		1	3E-3365	1	WEDGE-RECEPTACLE LOCK (2-PIN)						
		1	8T-8729	2	PIN-CONNECTOR (16-GA TO 18-GA)						
E		1	9X-1386		SLEEVE (14CM)						
	24A	2	6V-2455	1	SENSOR GP-SPEED (RPM)						
		2	102-8802	1	KIT-RECEPTACLE (2-PIN)						
		2	3E-3365	1	WEDGE-RECEPTACLE LOCK (2-PIN)						
		2	8T-8729	2	PIN-CONNECTOR (16-GA TO 18-GA)						
E		2	9X-1386		SLEEVE (14CM)						
B	25	1	7K-1181	15	STRAP-CABLE						
	26	1	111-3684	1	HOSE AS						
	27	1	117-0067	1	ELBOW						
CY	28	1	143-9696	1	SENSOR GP-PRESSURE (CRANKCASE)						498
CY	28A	2	143-9696	1	SENSOR GP-PRESSURE (ATMOSPHERIC)						498
CY	28B	2	143-9696	1	SENSOR GP-PRESSURE (AIR CLEANER LH)						498
CY	28C	2	143-9696	1	SENSOR GP-PRESSURE (AIR CLEANER RH)						498

ELECTRICAL AND STARTING SYSTEM

132-6465 **WIRING GP-ENGINE** (contd.)

i01040474

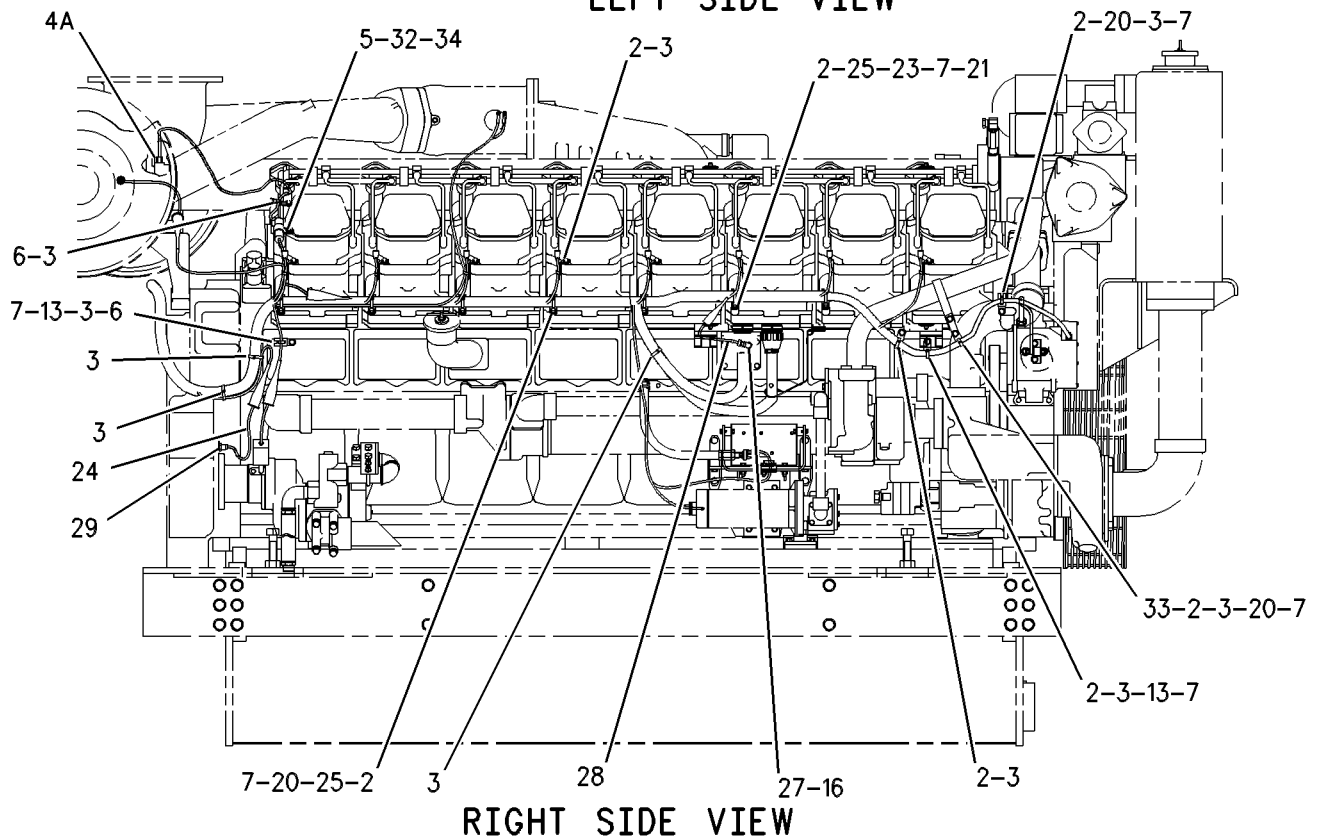
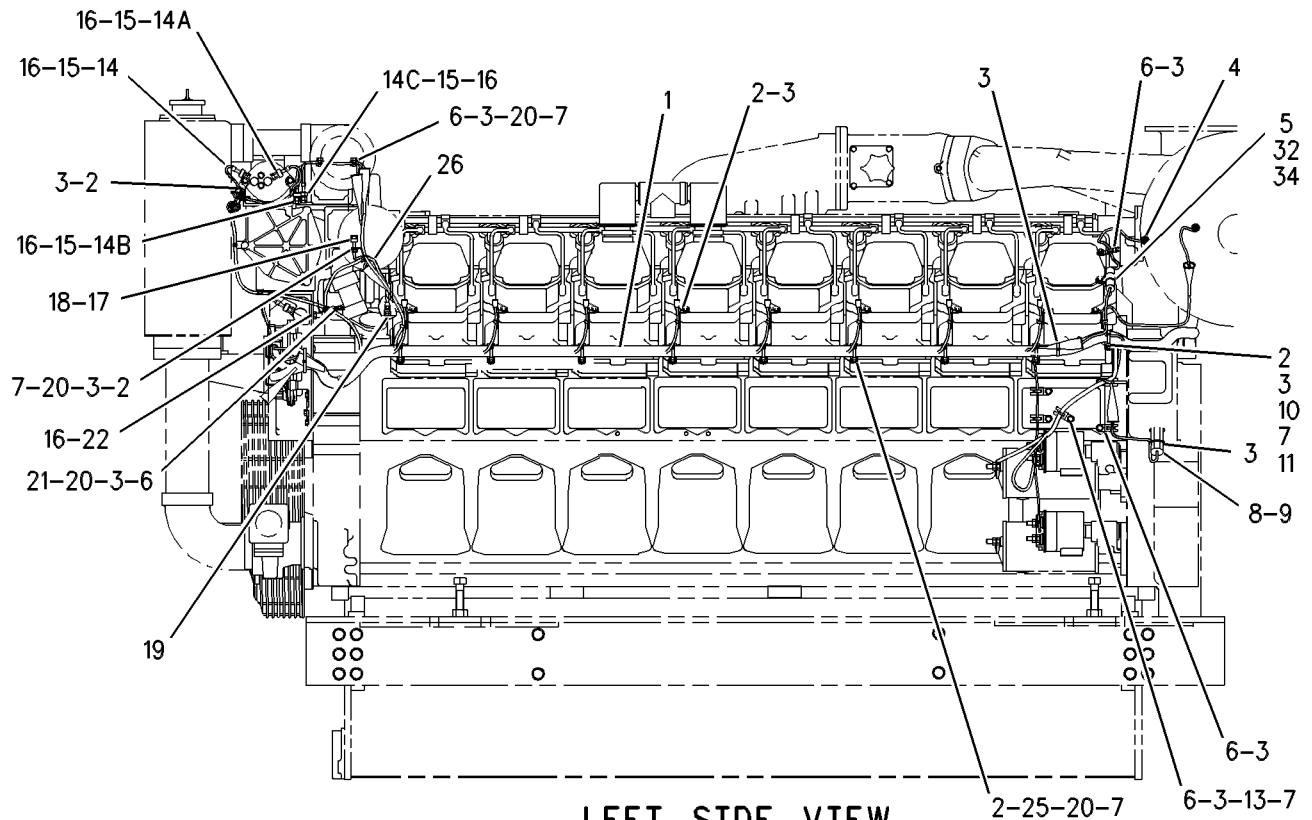
NOTE	REF NO	GRAPHIC REF	PART NUMBER	QTY	PART NAME						SEE PAGE
					1	2	3	4	5	6 (PRODUCT LEVEL)	
	29	1	4B-4281	1	WASHER (16.8X33X2.5-MM THK)						
	30	2	9G-5127	1	BREATHER AS (PRESSURE RELIEF)						
	31	2	9X-0263	2	ADAPTER						
BC	32	1	3E-4352	2	WASHER-HARD (8.8X20.5X2.5-MM THK)						
	33	1	1W-2635	1	PLATE						
BC	34	1	1B-9575	2	BOLT (5/16-18X1.56-IN)						
B	35	2	3B-1915	2	BOLT (3/8-16X1.375-IN)						

B - USE AS REQUIRED
 C - CHANGE FROM PREVIOUS TYPE
 E - ORDER BY THE CENTIMETER
 Y - SEPARATE ILLUSTRATION

ELECTRICAL AND STARTING SYSTEM

132-6465 WIRING GP-ENGINE (contd.)

i01040474



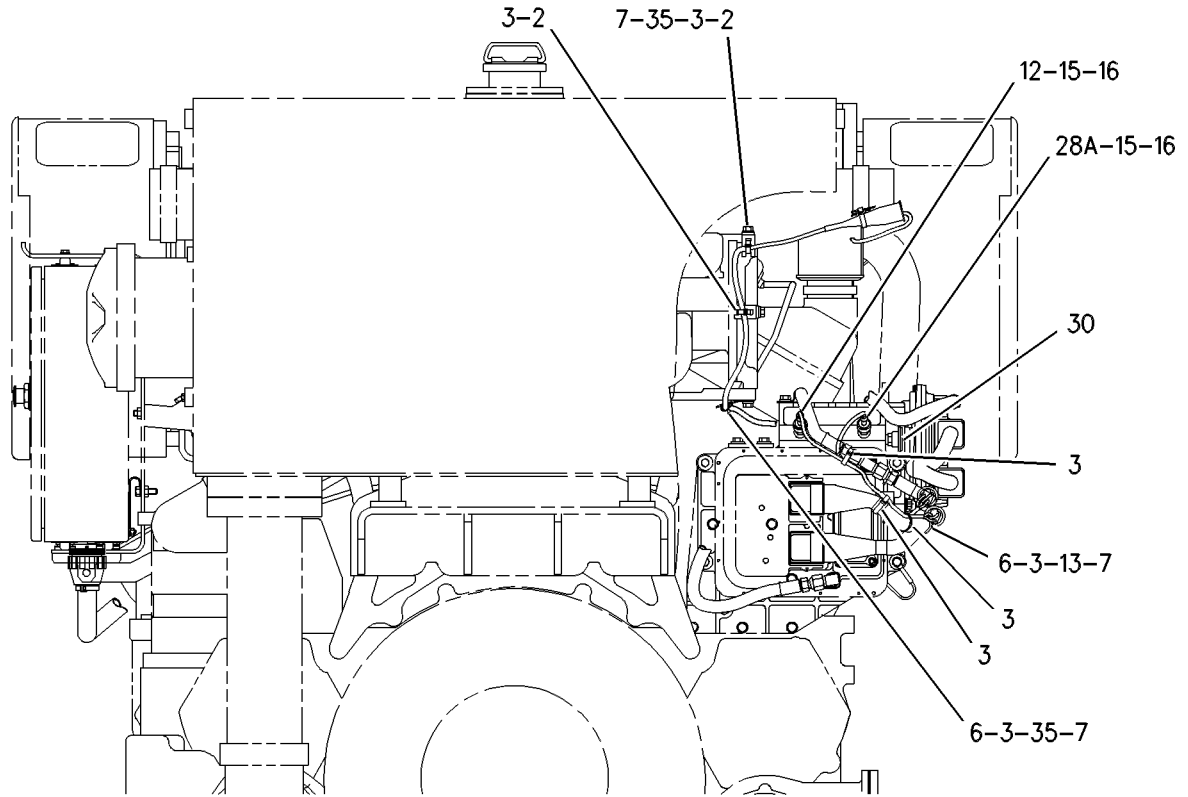
GRAPHIC #1

g00538750

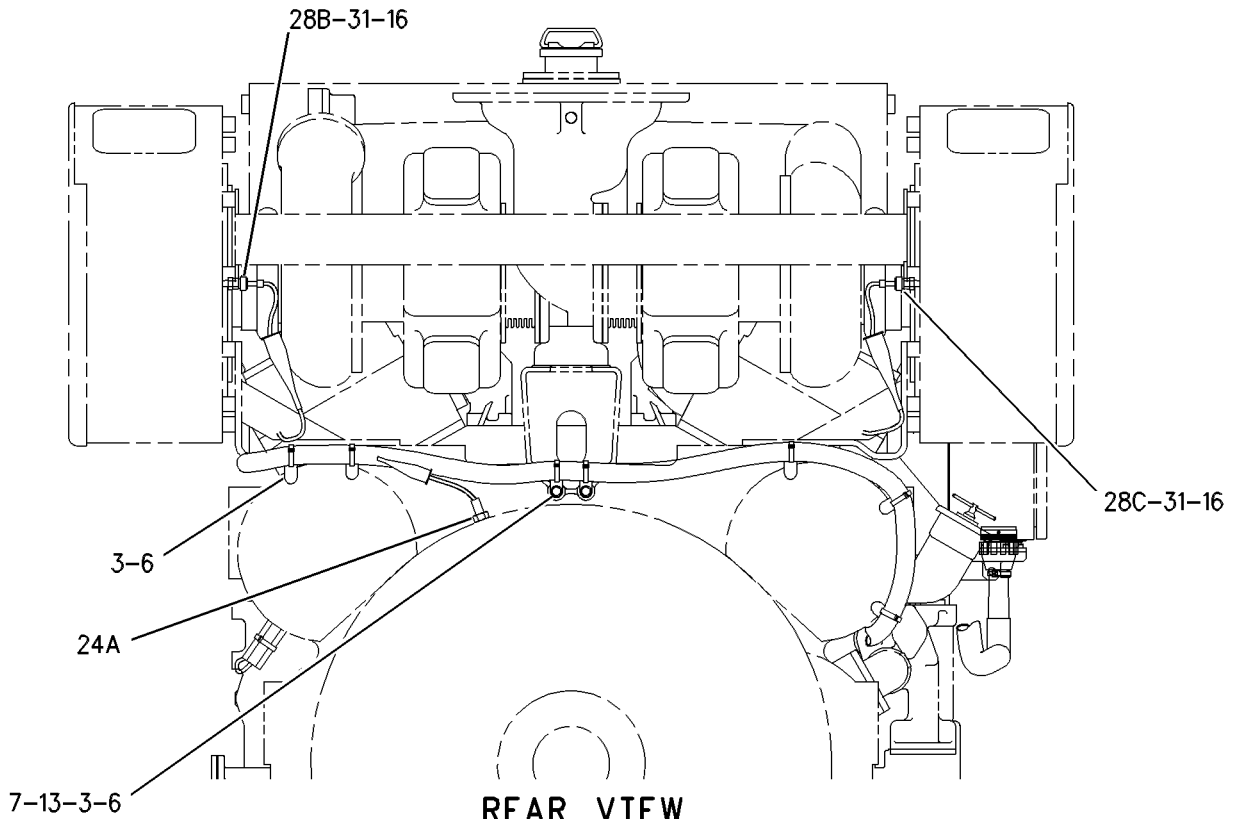
ELECTRICAL AND STARTING SYSTEM

132-6465 WIRING GP-ENGINE (contd.)

i01040474



FRONT VIEW



REAR VIEW

GRAPHIC #2

<END>

g00537146

ELECTRICAL AND STARTING SYSTEM

132-6465 WIRING GP-ENGINE

S/N: 3XS408-UP

AN ATTACHMENT

TYPE 1

SMCS-1000, 1408

i01158766

NOTE	REF NO	GRAPHIC REF	PART NUMBER	QTY	PART NAME						SEE PAGE
					1	2	3	4	5	6 (PRODUCT LEVEL)	
	1	1	159-1194	1	HARNES AS-WIRING						
B	2	1,2	4P-8134	40	CLIP (LADDER) (FLAT)						
BC	3	1,2	9X-6772	54	STRAP-CABLE						
C	4	1	163-7882	1	SENSOR GP-EXHAUST TEMPERATURE (AIR TURBO LH)						
		1	3E-3371	1	WEDGE-RECEPTACLE LOCK (3-PIN)						
		1	8T-8729	3	PIN-CONNECTOR (16-GA TO 18-GA)						
		1	9X-1813		SLEEVE (31CM)						
		1	102-8803	1	KIT-RECEPTACLE (3-PIN)						
					(INCLUDES RECEPTACLE AS & WEDGE)						
C	4A	1	163-7882	1	SENSOR GP-EXHAUST TEMPERATURE (AIR TURBO RH)						
		1	3E-3371	1	WEDGE-RECEPTACLE LOCK (3-PIN)						
		1	8T-8729	3	PIN-CONNECTOR (16-GA TO 18-GA)						
		1	9X-1813		SLEEVE (31CM)						
		1	102-8803	1	KIT-RECEPTACLE (3-PIN)						
					(INCLUDES RECEPTACLE AS & WEDGE)						
B	5	1	124-0289	2	CLIP						
BC	6	1,2	4P-7581	21	CLIP (LADDER)						
BC	7	1,2	5M-2894	33	WASHER-HARD (10.2X18.5X2.5-MM THK)						
Y	8	1	129-6628	1	SENSOR GP-SPEED (TIMING)						506
	9	1	8L-2786	1	SEAL-O-RING						
B	10	1	0S-1590	1	BOLT (3/8-16X2-IN)						
	11	1	6W-6672	1	SPACER (10.5X20X38-MM THK)						
CY	12	2	161-9929	1	SENSOR GP-PRESSURE (BOOST)						500
BC	13	1,2	0S-1594	10	BOLT (3/8-16X1-IN)						
CY	14	1	161-9931	1	SENSOR GP-PRESSURE (UNFILTERED FUEL)						501
CY	14A	1	161-9931	1	SENSOR GP-PRESSURE (FILTERED FUEL)						501
CY	14B	1	161-9931	1	SENSOR GP-PRESSURE (FILTERED OIL)						501
CY	14C	2	161-9931	1	SENSOR GP-PRESSURE (UNFILTERED OIL)						501
	15	1,2	9X-0262	6	ADAPTER						
	16	1,2	6V-5048	17	SEAL-O-RING						
	17	1	102-2240	1	SENSOR GP-TEMPERATURE (COOLANT)						
		1	3E-3371	1	WEDGE-RECEPTACLE LOCK (3-PIN)						
		1	8T-8729	3	PIN-CONNECTOR (16-GA TO 18-GA)						
		1	9X-1813		SLEEVE (31CM)						
		1	102-8803	1	KIT-RECEPTACLE (3-PIN)						
					(INCLUDES RECEPTACLE AS & WEDGE)						
	18	1	3K-0360	1	SEAL-O-RING						
	19	1	001-9440	1	CONNECTOR						
B	20	1	0S-0509	19	BOLT (3/8-16X0.75-IN)						
	21	1	9M-4594	3	SPACER (0.406X0.875X0.75-IN THK)						
	22	1	5P-3426	1	ELBOW						
	23	1	0S-1591	2	BOLT (3/8-16X1.5-IN)						
	24	1	6V-2455	1	SENSOR GP-SPEED (TIMING CALIBRATION)						
		1	3E-3365	1	WEDGE-RECEPTACLE LOCK (2-PIN)						
		1	8T-8729	2	PIN-CONNECTOR (16-GA TO 18-GA)						
		1	9X-1386		SLEEVE (14CM)						
		1	102-8802	1	KIT-RECEPTACLE (2-PIN)						

ELECTRICAL AND STARTING SYSTEM

132-6465 **WIRING GP-ENGINE (contd.)**

i01158766

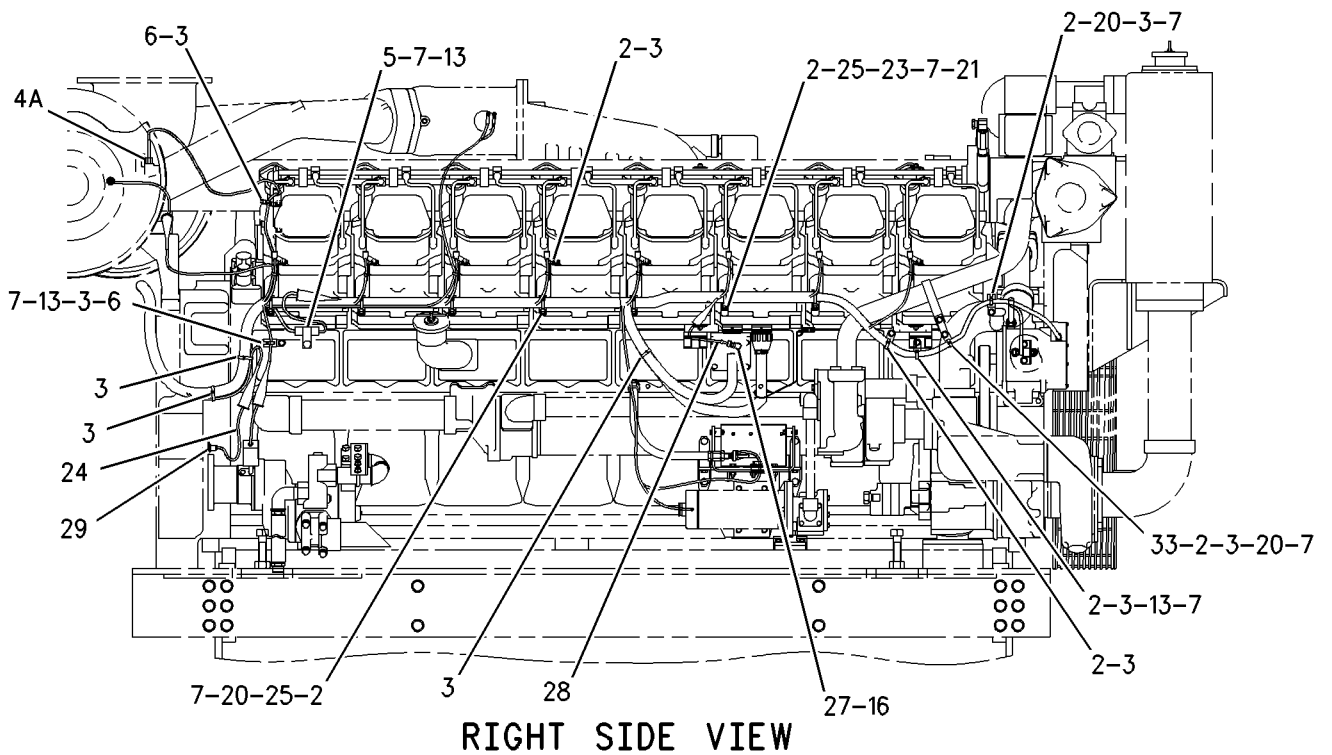
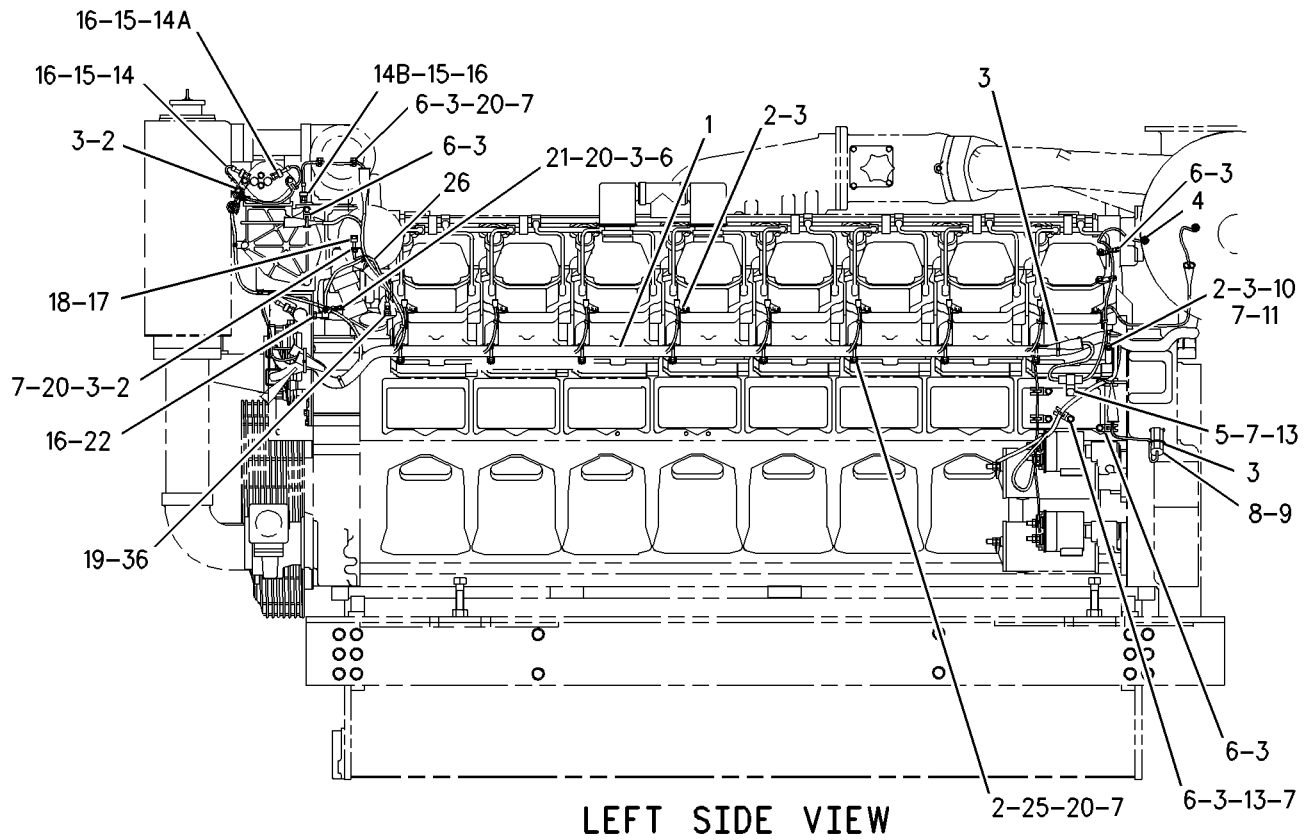
NOTE	REF	GRAPHIC	PART NUMBER	QTY	PART NAME						SEE PAGE
	NO	REF			1	2	3	4	5	6 (PRODUCT LEVEL)	
					(INCLUDES RECEPTACLE AS & WEDGE)						
	24A	2	6V-2455	1	SENSOR GP-SPEED (RPM)						
		2	3E-3365	1	WEDGE-RECEPTACLE LOCK (2-PIN)						
		2	8T-8729	2	PIN-CONNECTOR (16-GA TO 18-GA)						
		2	9X-1386		SLEEVE (14CM)						
		2	102-8802	1	KIT-RECEPTACLE (2-PIN)						
					(INCLUDES RECEPTACLE AS & WEDGE)						
B	25	1	7K-1181	15	STRAP-CABLE						
	26	1	111-3684	1	HOSE AS						
	27	1	117-0067	1	ELBOW						
CY	28	1	161-9926	1	SENSOR GP-PRESSURE (CRANKCASE)						499
CY	28A	2	161-9926	1	SENSOR GP-PRESSURE (ATMOSPHERIC)						499
CY	28B	2	161-9926	1	SENSOR GP-PRESSURE (AIR CLEANER LH)						499
CY	28C	2	161-9926	1	SENSOR GP-PRESSURE (AIR CLEANER RH)						499
	29	1	4B-4281	1	WASHER (16.8X33X2.5-MM THK)						
	30	2	9G-5127	1	BREATHER AS (PRESSURE RELIEF)						
	31	2	9X-0263	2	ADAPTER						
	33	1	1W-2635	1	PLATE						
B	35	2	3B-1915	2	BOLT (3/8-16X1.375-IN)						
C	36	1	7K-9197	1	ELBOW						

B - USE AS REQUIRED
 C - CHANGE FROM PREVIOUS TYPE
 Y - SEPARATE ILLUSTRATION

ELECTRICAL AND STARTING SYSTEM

132-6465 WIRING GP-ENGINE (contd.)

101158766



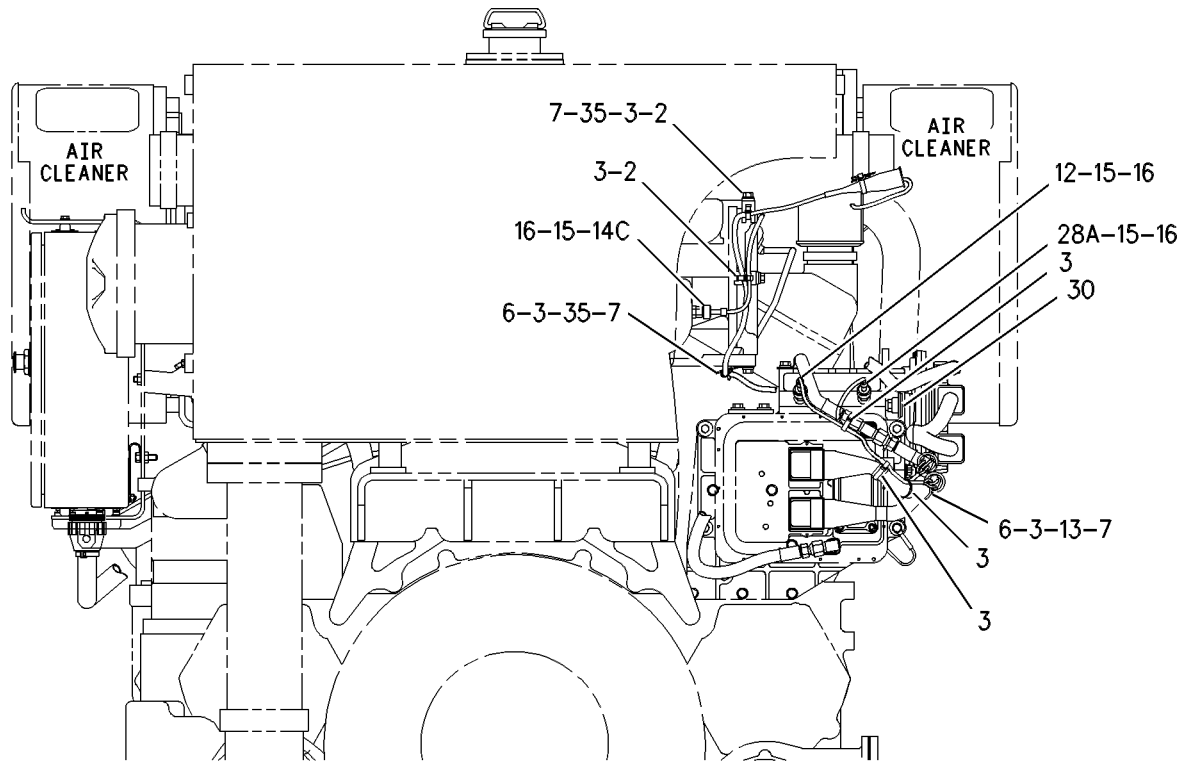
GRAPHIC #1

g00626111

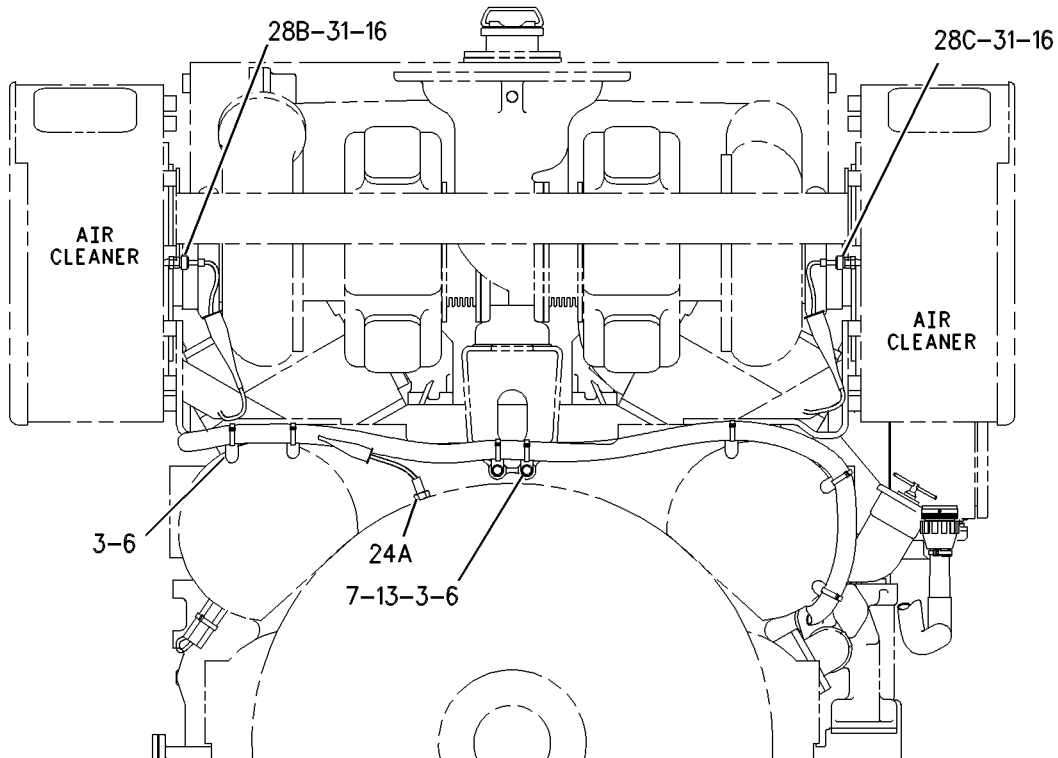
ELECTRICAL AND STARTING SYSTEM

132-6465 WIRING GP-ENGINE (contd.)

101158766



FRONT VIEW



REAR VIEW

GRAPHIC #2

<END>

g00626112

ELECTRICAL AND STARTING SYSTEM

132-6465 WIRING GP-ENGINE

S/N: 3XS408-UP

AN ATTACHMENT

TYPE 2

SMCS-1000, 1408

i01300295

NOTE	REF NO	GRAPHIC REF	PART NUMBER	QTY	PART NAME						SEE PAGE
					1	2	3	4	5	6 (PRODUCT LEVEL)	
	1	1	159-1194	1	HARNESS AS-WIRING						
B	2	1,2	4P-8134	40	CLIP (LADDER) (FLAT)						
B	3	1,2	9X-6772	54	STRAP-CABLE						
	4	1	163-7882	1	SENSOR GP-EXHAUST TEMPERATURE (LH TURBO)						
	4A	1	163-7882	1	SENSOR GP-EXHAUST TEMPERATURE (RH TURBO)						
B	5	1	124-0289	2	CLIP						
B	6	1,2	4P-7581	21	CLIP (LADDER)						
B	7	1,2	5M-2894	33	WASHER-HARD (10.2X18.5X2.5-MM THK)						
Y	8	1	129-6628	1	SENSOR GP-SPEED (TIMING)						506
	9	1	8L-2786	1	SEAL-O-RING						
B	10	1	0S-1590	1	BOLT (3/8-16X2-IN)						
	11	1	6W-6672	1	SPACER (10.5X20X38-MM THK)						
Y	12	2	161-9929	1	SENSOR GP-PRESSURE (BOOST)						500
B	13	1,2	0S-1594	10	BOLT (3/8-16X1-IN)						
Y	14	1	161-9931	1	SENSOR GP-PRESSURE (UNFILTERED FUEL)						501
Y	14A	1	161-9931	1	SENSOR GP-PRESSURE (FILTERED FUEL)						501
Y	14B	1	161-9931	1	SENSOR GP-PRESSURE (FILTERED OIL)						501
Y	14C	2	161-9931	1	SENSOR GP-PRESSURE (UNFILTERED OIL)						501
	15	1,2	9X-0262	6	ADAPTER						
	16	1,2	6V-5048	17	SEAL-O-RING						
	17	1	102-2240	1	SENSOR GP-TEMPERATURE (COOLANT)						
		1	3E-3371	1	WEDGE-RECEPTACLE LOCK (3-PIN)						
		1	8T-8729	3	PIN-CONNECTOR (16-GA TO 18-GA)						
E		1	9X-1813		SLEEVE (31CM)						
		1	102-8803	1	KIT-RECEPTACLE (3-PIN)						
					(INCLUDES RECEPTACLE AS. & WEDGE.)						
	18	1	3K-0360	1	SEAL-O-RING						
	19	1	001-9440	1	CONNECTOR						
B	20	1	0S-0509	19	BOLT (3/8-16X0.75-IN)						
	21	1	9M-4594	3	SPACER (0.406X0.875X0.75-IN THK)						
	22	1	5P-3426	1	ELBOW						
	23	1	0S-1591	2	BOLT (3/8-16X1.5-IN)						
	24	2	6V-2455	1	SENSOR GP-SPEED (RPM)						
		2	3E-3365	1	WEDGE-RECEPTACLE LOCK (2-PIN)						
		2	8T-8729	2	PIN-CONNECTOR (16-GA TO 18-GA)						
E		2	9X-1386		SLEEVE (14CM)						
		2	102-8802	1	KIT-RECEPTACLE (2-PIN)						
					(INCLUDES RECEPTACLE AS. & WEDGE.)						
B	25	1	7K-1181	15	STRAP-CABLE						
	26	1	111-3684	1	HOSE AS						
	27	1	117-0067	1	ELBOW						
Y	28	1	161-9926	1	SENSOR GP-PRESSURE (CRANKCASE)						499
Y	28A	2	161-9926	1	SENSOR GP-PRESSURE (ATMOSPHERIC)						499
Y	28B	2	161-9926	1	SENSOR GP-PRESSURE (LH AIR CLEANER)						499
Y	28C	2	161-9926	1	SENSOR GP-PRESSURE (RH AIR CLEANER)						499
	29	2	9G-5127	1	BREATHER AS						
	30	2	9X-0263	2	ADAPTER						

ELECTRICAL AND STARTING SYSTEM

132-6465 **WIRING GP-ENGINE** (contd.)

i01300295

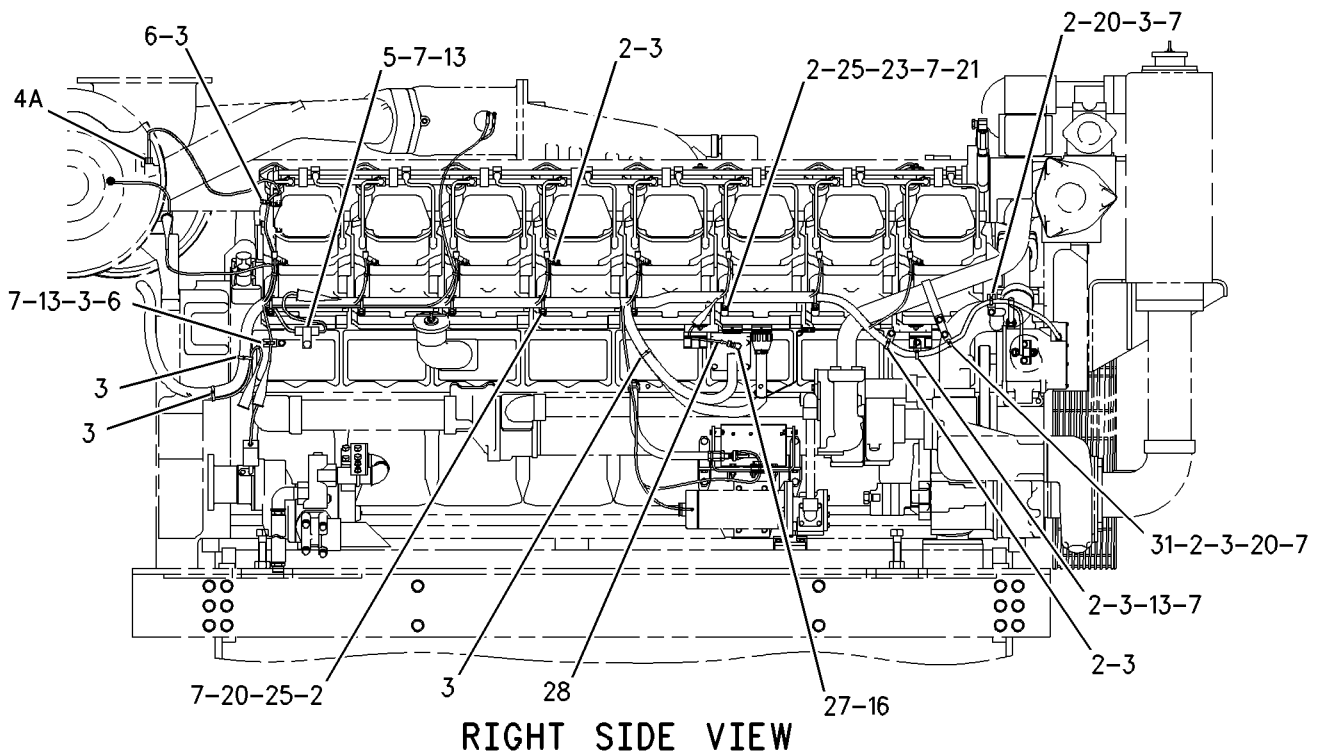
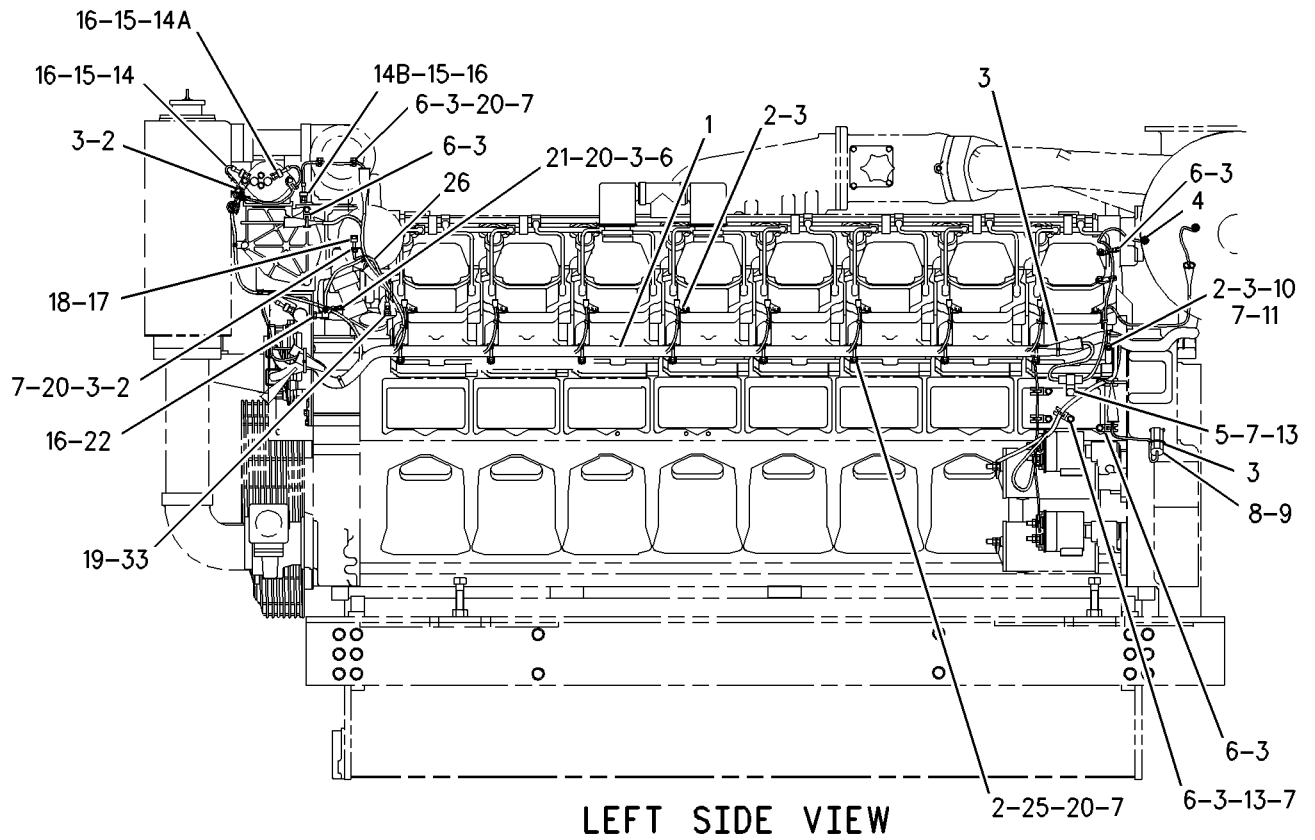
NOTE	REF NO	GRAPHIC REF	PART NUMBER	QTY	PART NAME						SEE PAGE
					1	2	3	4	5	6 (PRODUCT LEVEL)	
	31	1	1W-2635	1	PLATE						
B	32	2	3B-1915	2	BOLT (3/8-16X1.375-IN)						
	33	1	7K-9197	1	ELBOW						

B - USE AS REQUIRED
 E - ORDER BY THE CENTIMETER
 Y - SEPARATE ILLUSTRATION

ELECTRICAL AND STARTING SYSTEM

132-6465 WIRING GP-ENGINE (contd.)

101300295



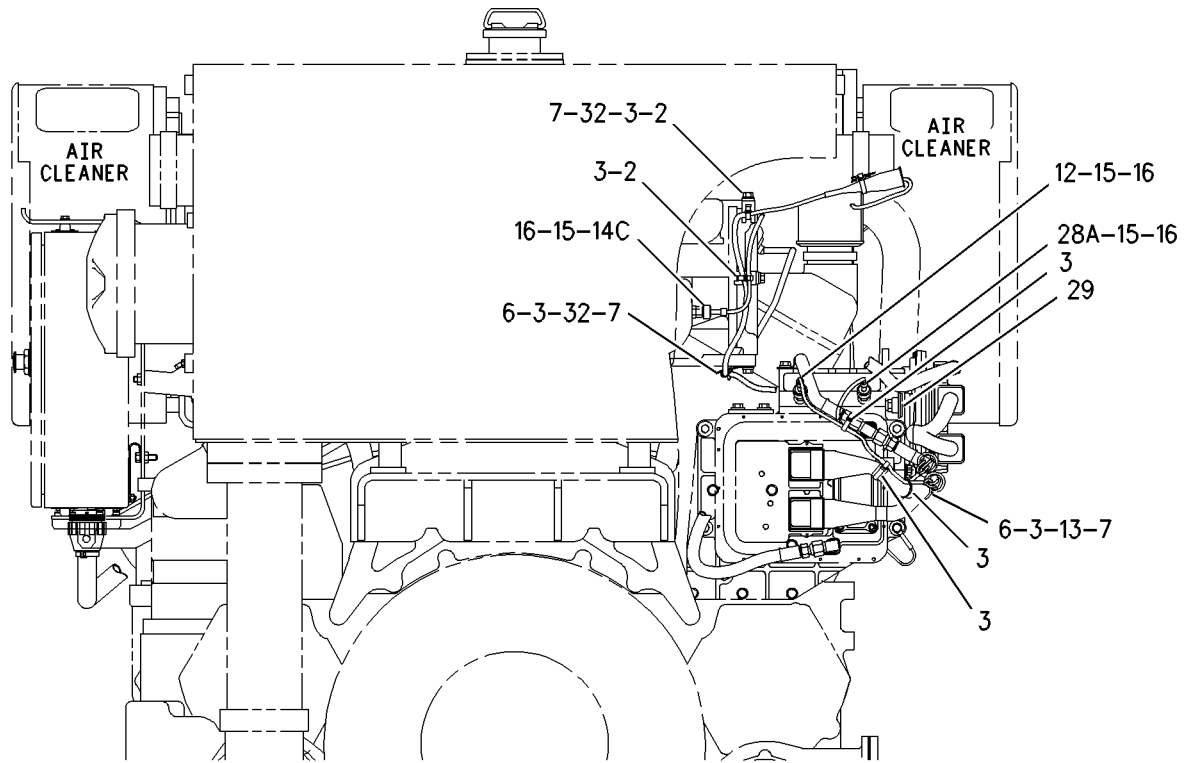
GRAPHIC #1

g00690570

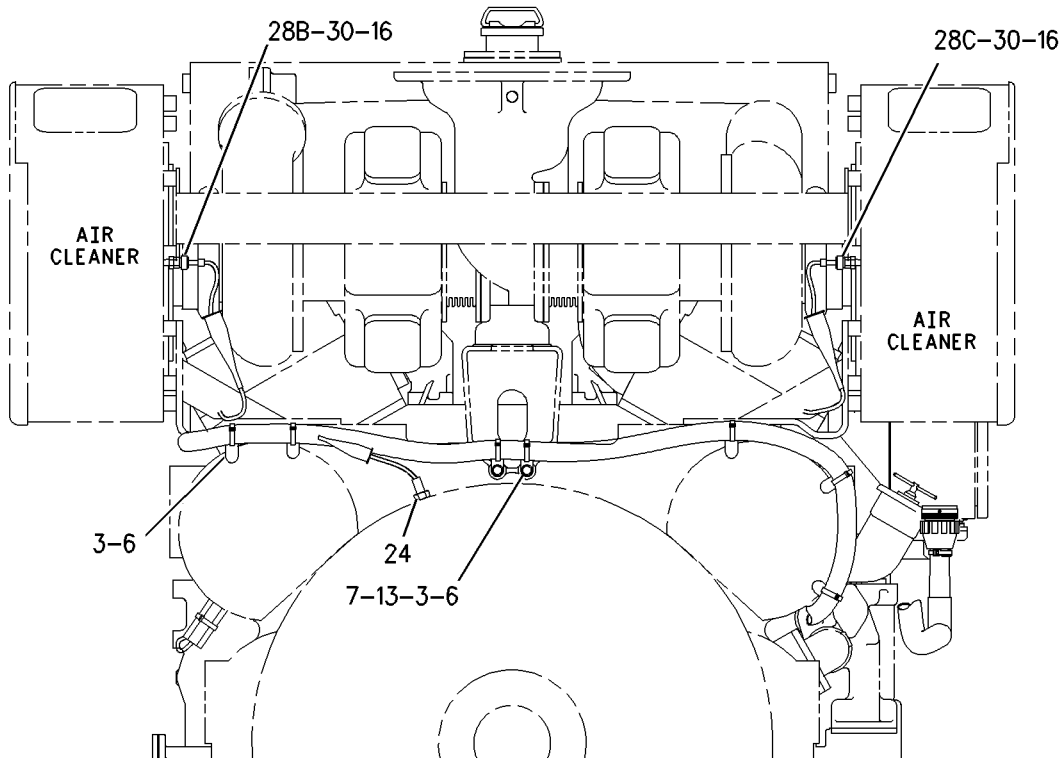
ELECTRICAL AND STARTING SYSTEM

132-6465 WIRING GP-ENGINE (contd.)

i01300295



FRONT VIEW



REAR VIEW

GRAPHIC #2

<END>

g00690594

ELECTRICAL AND STARTING SYSTEM

132-6468 WIRING GP-ENGINE-LH

S/N: 3XS1-407

AN ATTACHMENT

SMCS-1000, 1408

i01044285

NOTE	REF NO	GRAPHIC REF	PART NUMBER	QTY	PART NAME						SEE PAGE
					1	2	3	4	5	6 (PRODUCT LEVEL)	
CY	1	1	143-9695	1	SENSOR GP-PRESSURE (FILTERED FUEL)						497
CY	1A	1	143-9695	1	SENSOR GP-PRESSURE (UNFILTERED FUEL)						497
CY	1B	1	143-9695	1	SENSOR GP-PRESSURE (UNFILTERED OIL)						497
CY	1C	1	143-9695	1	SENSOR GP-PRESSURE (FILTERED OIL)						497
	2	1,2	4P-8134	39	CLIP (LADDER) (FLAT)						
	3	1,2	9X-6772	52	STRAP-CABLE						
Y	4	1	109-4367	1	SENSOR GP-EXHAUST TEMPERATURE (AIR TURBO LH)						487
Y	4A	1	109-4367	1	SENSOR GP-EXHAUST TEMPERATURE (AIR TURBO RH)						487
	5	1	124-0289	2	CLIP						
	6	1,2	4P-7581	22	CLIP (LADDER)						
	7	1	0S-1590	1	BOLT (3/8-16X2-IN)						
	8	1,2	5M-2894	30	WASHER-HARD (10.2X18.5X2.5-MM THK)						
	9	1	6W-6672	1	SPACER (10.5X20X38-MM THK)						
Y	10	1	129-6628	1	SENSOR GP-SPEED (TIMING)						506
	11	1	8L-2786	1	SEAL-O-RING						
	12	1,2	0S-1594	7	BOLT (3/8-16X1-IN)						
	13	1	7K-1181	16	STRAP-CABLE						
	14	1	0S-1591	3	BOLT (3/8-16X1.5-IN)						
	15	1	9M-4594	3	SPACER (0.406X0.875X0.75-IN THK)						
	16	1,2	0S-0509	17	BOLT (3/8-16X0.75-IN)						
	17	1	3K-0360	1	SEAL-O-RING						
C	18	1	3E-4352	2	WASHER-HARD (8.8X20.5X2.5-MM THK)						
C	19	1	1B-9575	2	BOLT (5/16-18X1.56-IN)						
	20	1	5P-3426	1	ELBOW						
	21	1,2	6V-5048	17	SEAL-O-RING						
	22	1	102-2240	1	SENSOR GP-TEMPERATURE (COOLANT)						
		1	102-8803	1	KIT-RECEPTACLE (3-PIN)						
		1	3E-3371	1	WEDGE-RECEPTACLE LOCK (3-PIN)						
		1	8T-8729	3	PIN-CONNECTOR (16-GA TO 18-GA)						
E		1	9X-1813		SLEEVE (31CM)						
	23	1,2	9X-0262	6	ADAPTER						
	24	1	117-0067	1	ELBOW						
CY	25	1	143-9696	1	SENSOR GP-PRESSURE (CRANKCASE)						498
CY	25A	2	143-9696	1	SENSOR GP-PRESSURE (ATMOSPHERIC)						498
CY	25B	2	143-9696	1	SENSOR GP-PRESSURE (AIR CLEANER LH)						498
CY	25C	2	143-9696	1	SENSOR GP-PRESSURE (AIR CLEANER RH)						498
	26	1	4B-4281	1	WASHER (16.8X33X2.5-MM THK)						
	27	1	6V-2455	1	SENSOR GP-SPEED (SPEED TIMING CALIBRATION)						
		1	102-8802	1	KIT-RECEPTACLE (2-PIN)						
		1	3E-3365	1	WEDGE-RECEPTACLE LOCK (2-PIN)						
		1	8T-8729	2	PIN-CONNECTOR (16-GA TO 18-GA)						
E		1	9X-1386		SLEEVE (14CM)						
	27A	2	6V-2455	1	SENSOR GP-SPEED (RPM)						
		2	102-8802	1	KIT-RECEPTACLE (2-PIN)						
		2	3E-3365	1	WEDGE-RECEPTACLE LOCK (2-PIN)						
		2	8T-8729	2	PIN-CONNECTOR (16-GA TO 18-GA)						
E		2	9X-1386		SLEEVE (14CM)						
CY	28	2	143-9694	1	SENSOR GP-PRESSURE (BOOST)						496

ELECTRICAL AND STARTING SYSTEM

132-6468 **WIRING GP-ENGINE** (contd.)

i01044285

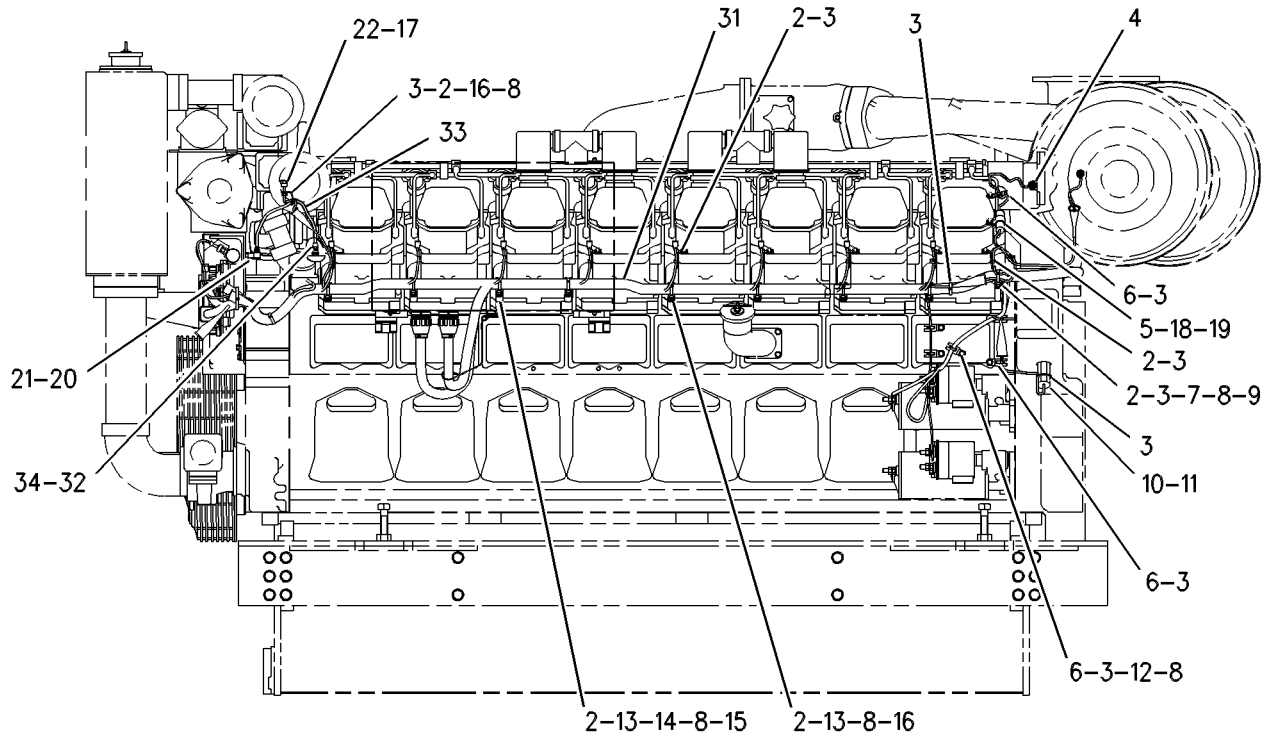
NOTE	REF NO	GRAPHIC REF	PART NUMBER	QTY	PART NAME						SEE PAGE
					1	2	3	4	5	6 (PRODUCT LEVEL)	
	29	2	9G-5127	1	BREATHER AS (PRESSURE RELIEF)						
	30	2	9X-0263	2	ADAPTER						
	31	1	159-1195	1	HARNESS AS-ENGINE						
	32	1	001-9440	1	CONNECTOR						
	33	1	111-3684	1	HOSE AS						
B	34	1	7K-9197	1	ELBOW						
	35	2	3B-1915	2	BOLT (3/8-16X1.375-IN)						

B - USE AS REQUIRED
 C - CHANGE FROM PREVIOUS TYPE
 E - ORDER BY THE CENTIMETER
 Y - SEPARATE ILLUSTRATION

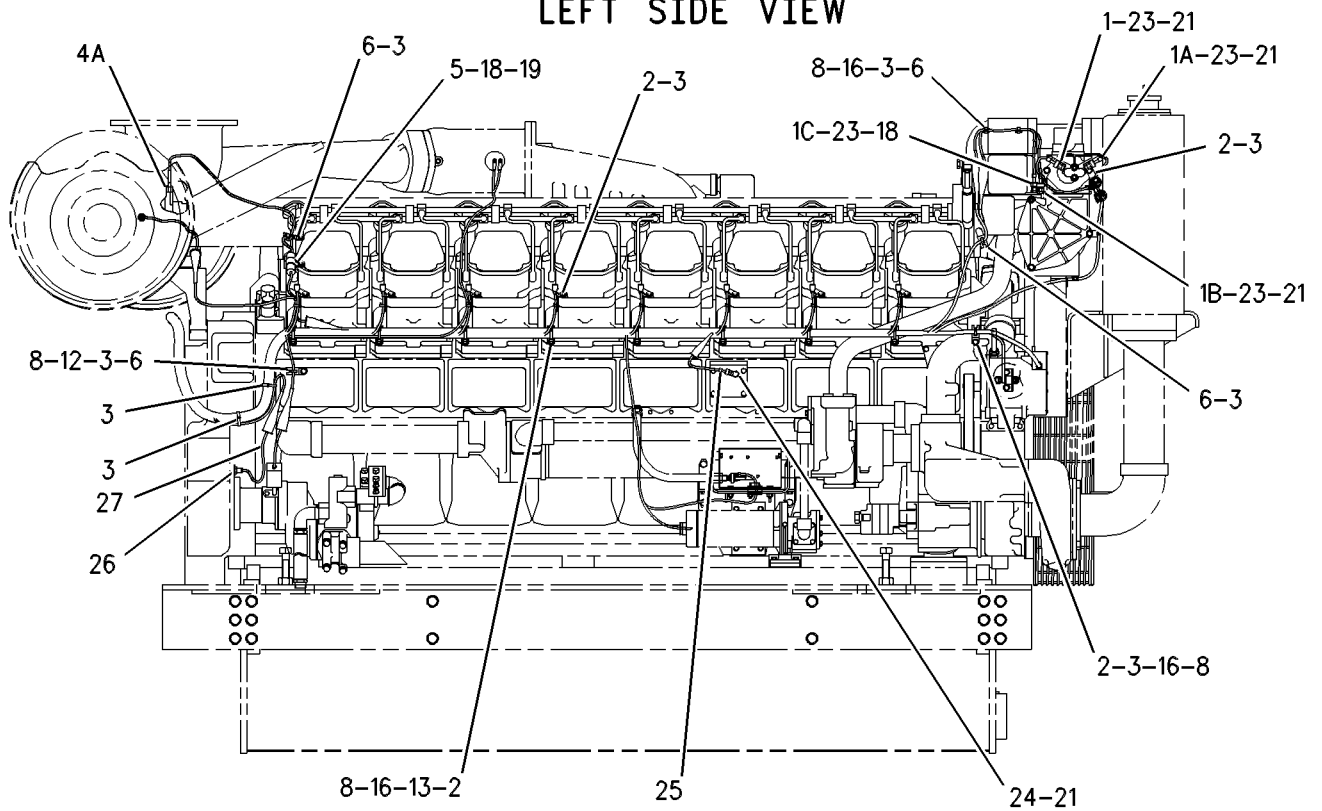
ELECTRICAL AND STARTING SYSTEM

132-6468 WIRING GP-ENGINE (contd.)

101044285



LEFT SIDE VIEW



RIGHT SIDE VIEW

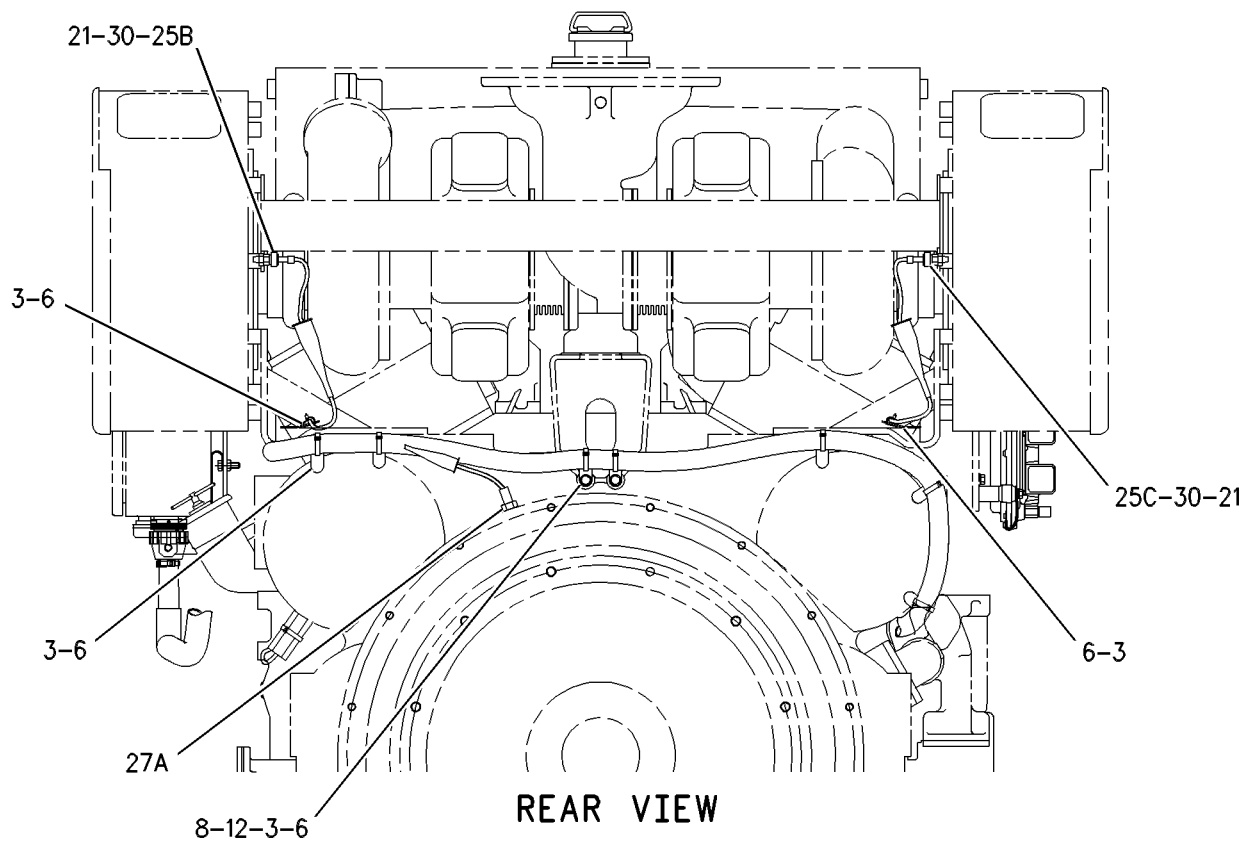
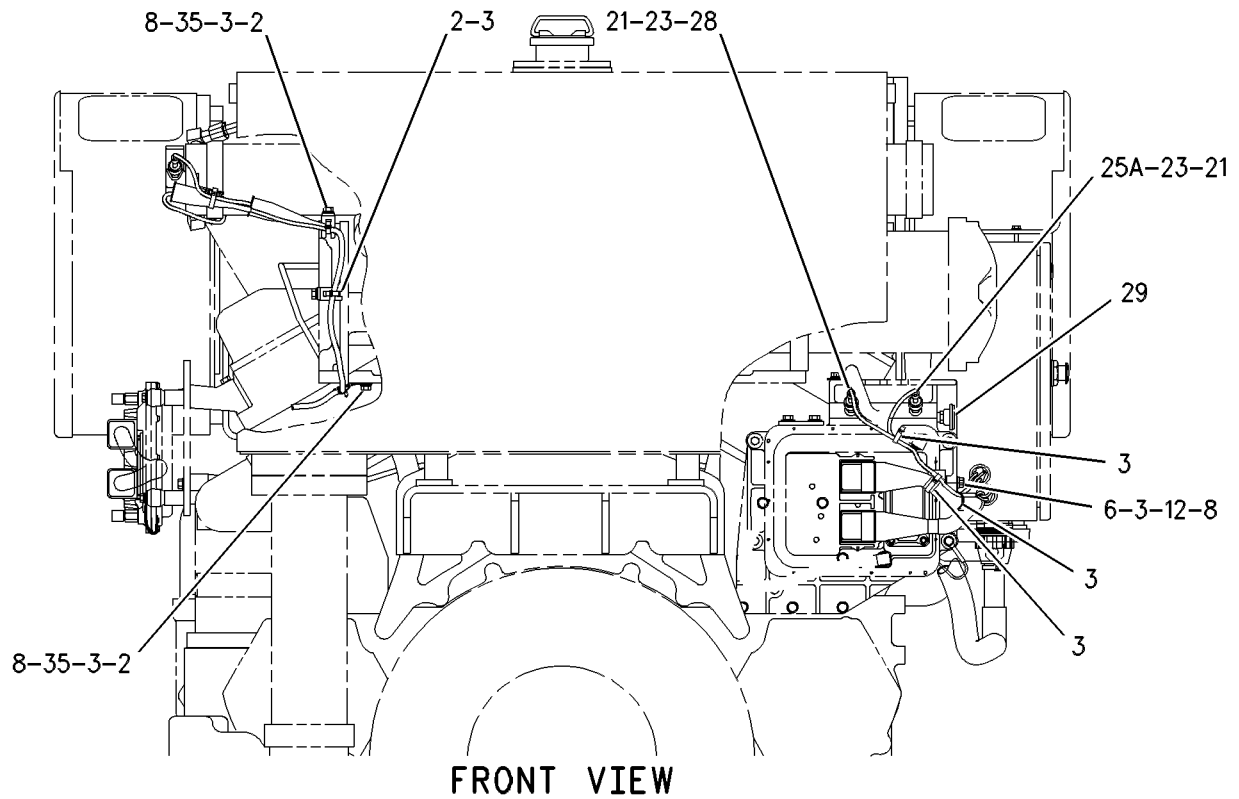
GRAPHIC #1

g00540136

ELECTRICAL AND STARTING SYSTEM

132-6468 WIRING GP-ENGINE (contd.)

i01044285



GRAPHIC #2

<END>

g00540199

ELECTRICAL AND STARTING SYSTEM

132-6468 WIRING GP-ENGINE-LH

S/N: 3XS408-UP

AN ATTACHMENT

TYPE 1

SMCS-1000, 1408

i01158774

NOTE	REF NO	GRAPHIC REF	PART NUMBER	QTY	PART NAME						SEE PAGE
					1	2	3	4	5	6 (PRODUCT LEVEL)	
CY	1	1	161-9931	1	SENSOR GP-PRESSURE (FILTERED FUEL)						501
CY	1A	1	161-9931	1	SENSOR GP-PRESSURE (UNFILTERED FUEL)						501
CY	1B	1	161-9931	1	SENSOR GP-PRESSURE (UNFILTERED OIL)						501
CY	1C	1	161-9931	1	SENSOR GP-PRESSURE (FILTERED OIL)						501
	2	1,2	4P-8134	39	CLIP (LADDER) (FLAT)						
C	3	1,2	9X-6772	53	STRAP-CABLE						
C	4	1	163-7882	1	SENSOR GP-EXHAUST TEMPERATURE (AIR TURBO LH)						
		1	102-8803	1	KIT-RECEPTACLE (3-PIN)						
					(INCLUDES RECEPTACLE AS & WEDGE)						
		1	3E-3371	1	WEDGE-RECEPTACLE LOCK (3-PIN)						
		1	8T-8729	3	PIN-CONNECTOR (16-GA TO 18-GA)						
E		1	9X-1813		SLEEVE (31CM)						
C	4A	1	163-7882	1	SENSOR GP-EXHAUST TEMPERATURE (AIR TURBO RH)						
		1	102-8803	1	KIT-RECEPTACLE (3-PIN)						
					(INCLUDES RECEPTACLE AS & WEDGE)						
		1	3E-3371	1	WEDGE-RECEPTACLE LOCK (3-PIN)						
		1	8T-8729	3	PIN-CONNECTOR (16-GA TO 18-GA)						
E		1	9X-1813		SLEEVE (31CM)						
	5	1	124-0289	2	CLIP						
C	6	1,2	4P-7581	23	CLIP (LADDER)						
	7	1	0S-1590	1	BOLT (3/8-16X2-IN)						
C	8	1,2	5M-2894	32	WASHER-HARD (10.2X18.5X2.5-MM THK)						
	9	1	6W-6672	1	SPACER (10.5X20X38-MM THK)						
Y	10	1	129-6628	1	SENSOR GP-SPEED (TIMING)						506
	11	1	8L-2786	1	SEAL-O-RING						
C	12	1,2	0S-1594	9	BOLT (3/8-16X1-IN)						
	13	1	7K-1181	16	STRAP-CABLE						
	14	1	0S-1591	3	BOLT (3/8-16X1.5-IN)						
	15	1	9M-4594	3	SPACER (0.406X0.875X0.75-IN THK)						
	16	1	0S-0509	17	BOLT (3/8-16X0.75-IN)						
	17	1	3K-0360	1	SEAL-O-RING						
	20	1	5P-3426	1	ELBOW						
	21	1,2	6V-5048	17	SEAL-O-RING						
	22	1	102-2240	1	SENSOR GP-TEMPERATURE (COOLANT)						
		1	102-8803	1	KIT-RECEPTACLE (3-PIN)						
		1	3E-3371	1	WEDGE-RECEPTACLE LOCK (3-PIN)						
		1	8T-8729	3	PIN-CONNECTOR (16-GA TO 18-GA)						
E		1	9X-1813		SLEEVE (31CM)						
	23	1,2	9X-0262	6	ADAPTER						
	24	1	117-0067	1	ELBOW						
CY	25	1	161-9926	1	SENSOR GP-PRESSURE (CRANKCASE)						499
CY	25A	2	161-9926	1	SENSOR GP-PRESSURE (ATMOSPHERIC)						499
CY	25B	2	161-9926	1	SENSOR GP-PRESSURE (AIR CLEANER LH)						499
CY	25C	2	161-9926	1	SENSOR GP-PRESSURE (AIR CLEANER RH)						499
	26	1	4B-4281	1	WASHER (16.8X33X2.5-MM THK)						
	27	1	6V-2455	1	SENSOR GP-SPEED (SPEED TIMING CALIBRATION)						
		1	102-8802	1	KIT-RECEPTACLE (2-PIN)						

ELECTRICAL AND STARTING SYSTEM

132-6468 **WIRING GP-ENGINE** (contd.)

i01158774

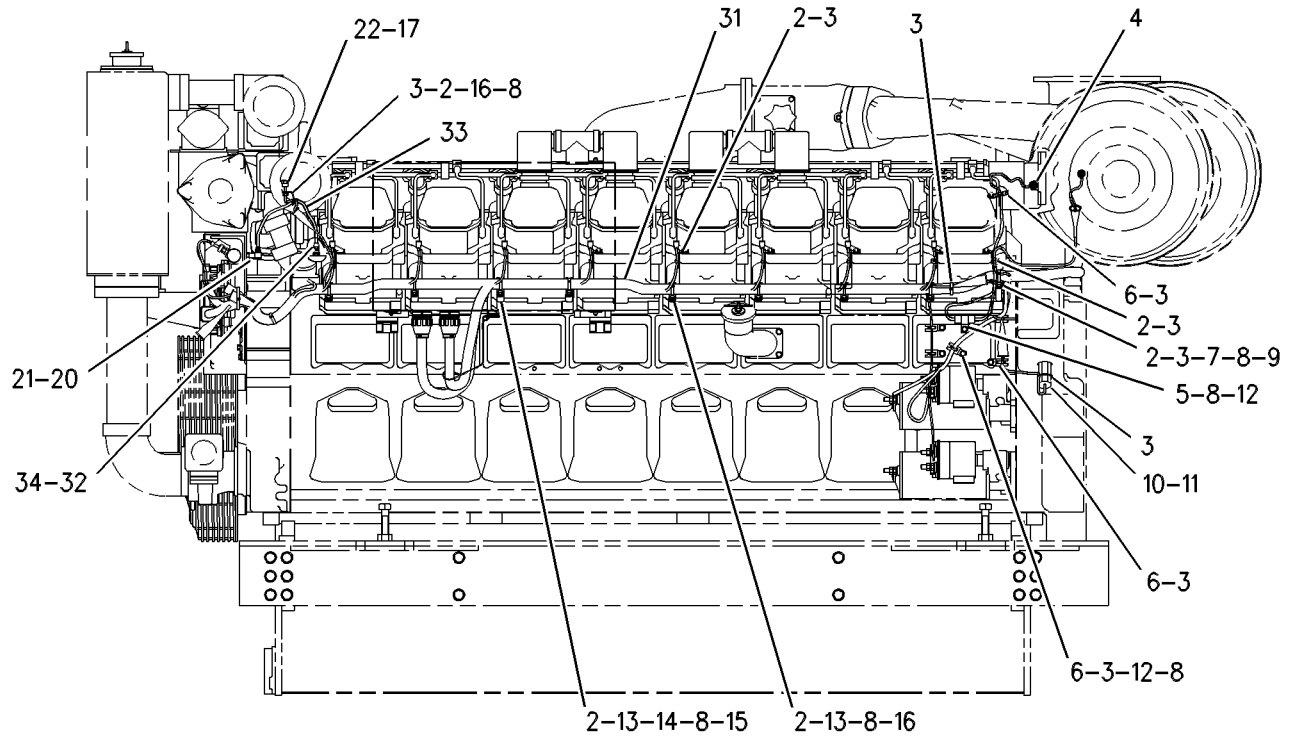
NOTE	REF NO	GRAPHIC REF	PART NUMBER	QTY	PART NAME						SEE PAGE
					1	2	3	4	5	6 (PRODUCT LEVEL)	
		1	3E-3365	1	WEDGE-RECEPTACLE LOCK (2-PIN)						
		1	8T-8729	2	PIN-CONNECTOR (16-GA TO 18-GA)						
E		1	9X-1386		SLEEVE (14CM)						
	27A	2	6V-2455	1	SENSOR GP-SPEED (RPM)						
		2	102-8802	1	KIT-RECEPTACLE (2-PIN)						
		2	3E-3365	1	WEDGE-RECEPTACLE LOCK (2-PIN)						
		2	8T-8729	2	PIN-CONNECTOR (16-GA TO 18-GA)						
E		2	9X-1386		SLEEVE (14CM)						
CY	28	2	161-9929	1	SENSOR GP-PRESSURE (BOOST)						500
	29	2	9G-5127	1	BREATHER AS (PRESSURE RELIEF)						
	30	2	9X-0263	2	ADAPTER						
	31	1	159-1195	1	HARNESS AS-ENGINE						
	32	1	001-9440	1	CONNECTOR						
	33	1	111-3684	1	HOSE AS						
B	34	1	7K-9197	1	ELBOW						
	35	2	3B-1915	2	BOLT (3/8-16X1.375-IN)						

B - USE AS REQUIRED
 C - CHANGE FROM PREVIOUS TYPE
 E - ORDER BY THE CENTIMETER
 Y - SEPARATE ILLUSTRATION

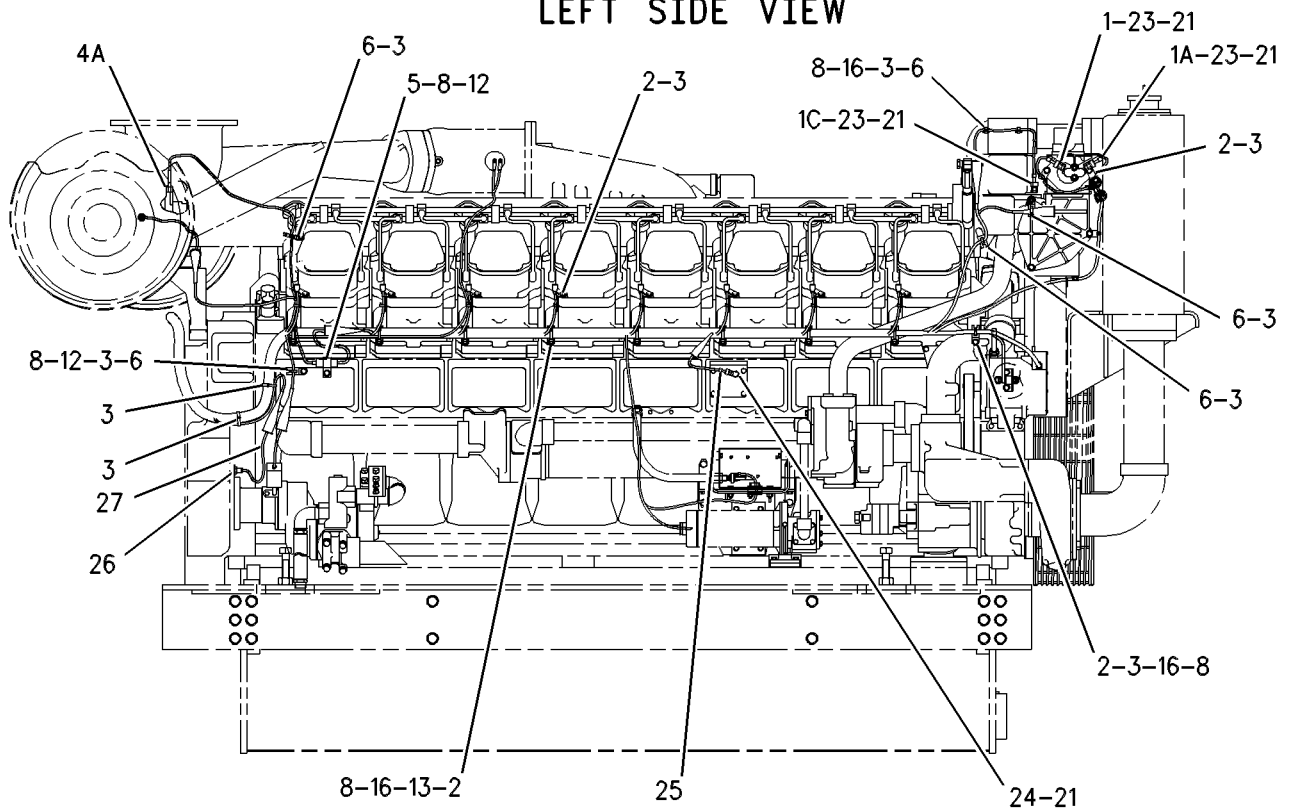
ELECTRICAL AND STARTING SYSTEM

132-6468 WIRING GP-ENGINE (contd.)

101158774



LEFT SIDE VIEW



RIGHT SIDE VIEW

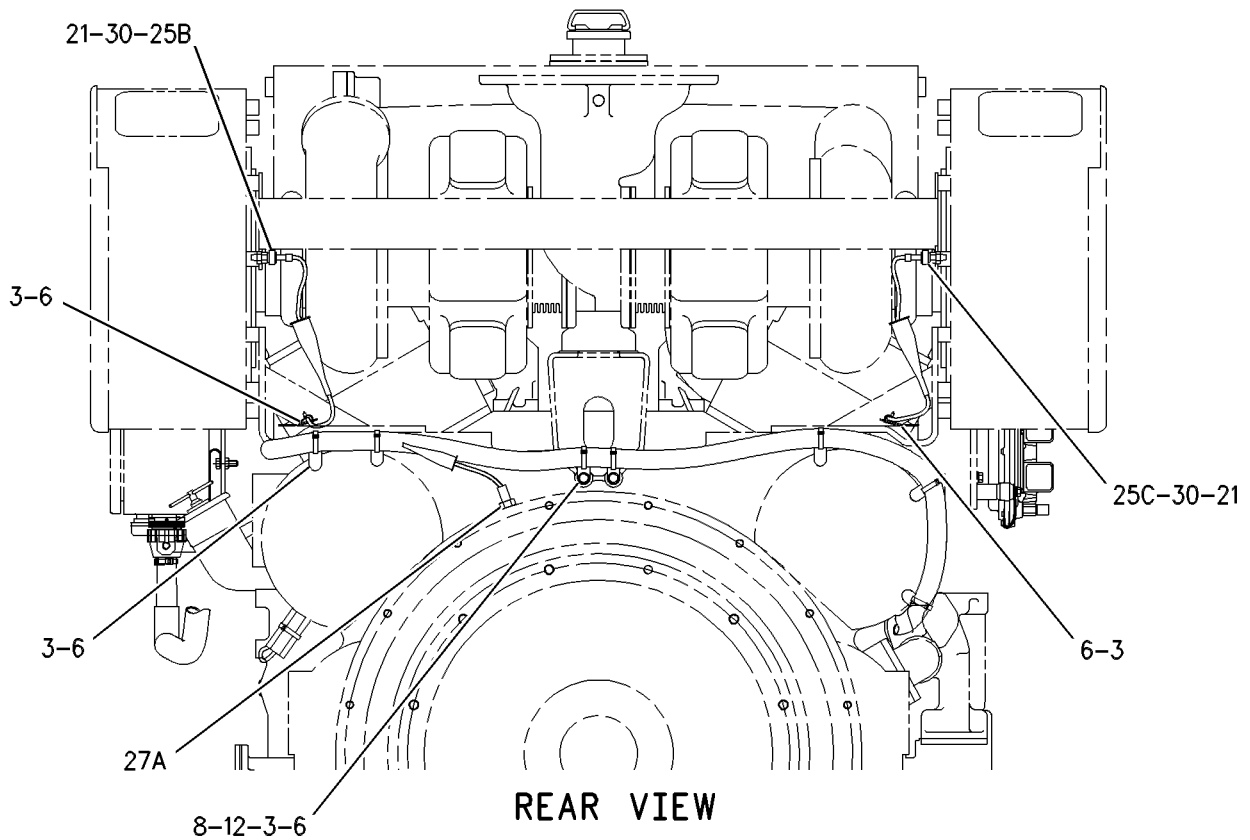
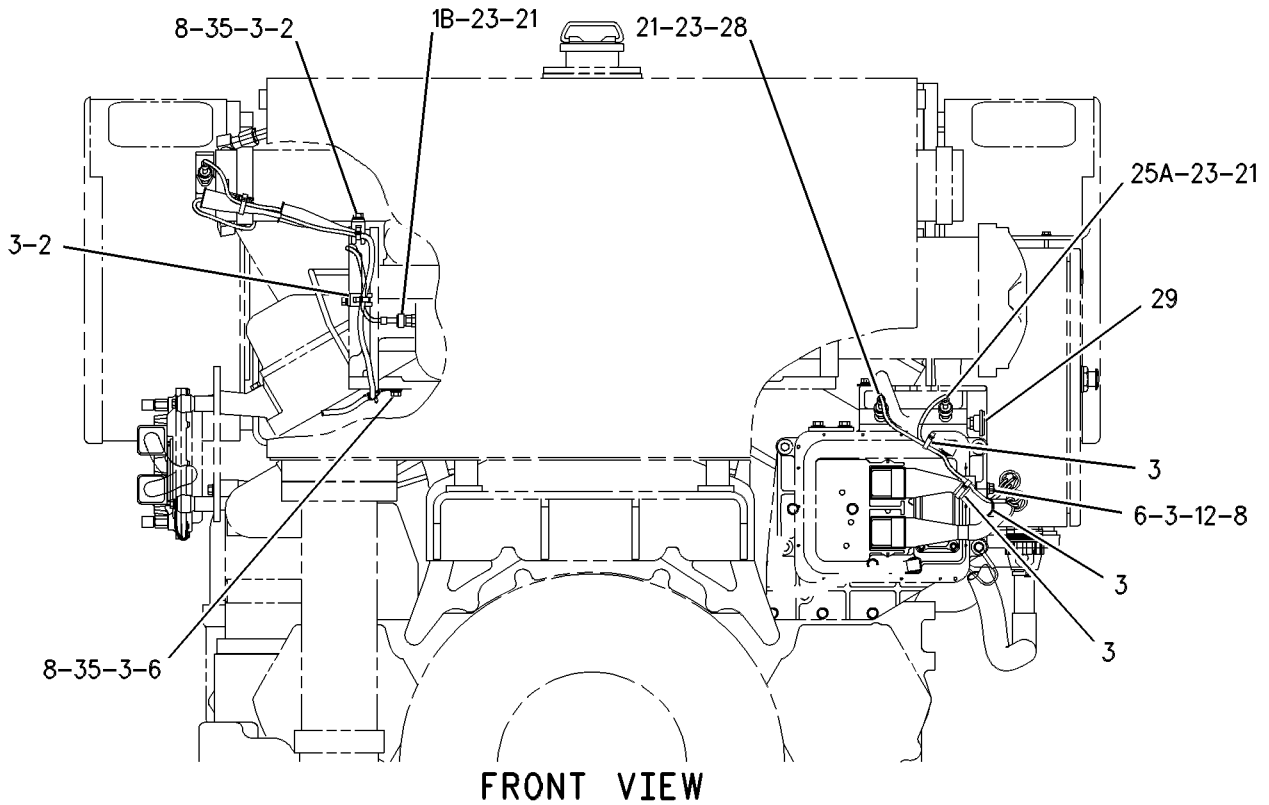
GRAPHIC #1

g00617704

ELECTRICAL AND STARTING SYSTEM

132-6468 WIRING GP-ENGINE (contd.)

i01158774



GRAPHIC #2

<END>

g00617706

ELECTRICAL AND STARTING SYSTEM

132-6468 WIRING GP-ENGINE-LH

S/N: 3XS408-UP

AN ATTACHMENT

TYPE 2

SMCS-1000, 1408

i02767762

NOTE	REF NO	GRAPHIC REF	PART NUMBER	QTY	PART NAME						SEE PAGE
					1	2	3	4	5	6 (PRODUCT LEVEL)	
Y	1	1	161-9931	1	SENSOR GP-PRESSURE (FILTERED FUEL)						501
Y	1A	1	161-9931	1	SENSOR GP-PRESSURE (UNFILTERED FUEL)						501
Y	1B	2	161-9931	1	SENSOR GP-PRESSURE (UNFILTERED OIL)						501
Y	1C	1	161-9931	1	SENSOR GP-PRESSURE (FILTERED OIL)						501
	2	1,2	4P-8134	39	CLIP (LADDER) (FLAT)						
	3	1,2	9X-6772	53	STRAP-CABLE						
	4	1	163-7882	1	SENSOR GP-EXHAUST TEMPERATURE (TURBOCHARGER, LH)						
		1	102-8803	1	KIT-RECEPTACLE (3-PIN)						
					(INCLUDES RECEPTACLE AS & WEDGE)						
		1	3E-3371	1	WEDGE-RECEPTACLE LOCK (3-PIN)						
		1	8T-8729	3	PIN-CONNECTOR (16-GA TO 18-GA)						
E		1	9X-1813		SLEEVE (31CM)						
	4A	1	163-7882	1	SENSOR GP-EXHAUST TEMPERATURE (TURBOCHARGER, RH)						
		1	102-8803	1	KIT-RECEPTACLE (3-PIN)						
					(INCLUDES RECEPTACLE AS & WEDGE)						
		1	3E-3371	1	WEDGE-RECEPTACLE LOCK (3-PIN)						
		1	8T-8729	3	PIN-CONNECTOR (16-GA TO 18-GA)						
E		1	9X-1813		SLEEVE (31CM)						
	5	1	124-0289	2	CLIP						
	6	1,2	4P-7581	23	CLIP (LADDER)						
	7	1	0S-1590	1	BOLT (3/8-16X2-IN)						
	8	1,2	5M-2894	32	WASHER-HARD (10.2X18.5X2.5-MM THK)						
	9	1	6W-6672	1	SPACER (10.5X20X38-MM THK)						
Y	10	1	129-6628	1	SENSOR GP-SPEED (TIMING, CAMSHAFT)						506
	11	1	8L-2786	1	SEAL-O-RING						
	12	1,2	0S-1594	9	BOLT (3/8-16X1-IN)						
	13	1	7K-1181	16	STRAP-CABLE						
	14	1	0S-1591	3	BOLT (3/8-16X1.5-IN)						
	15	1	9M-4594	3	SPACER (0.406X0.875X0.75-IN THK)						
	16	1	0S-0509	17	BOLT (3/8-16X0.75-IN)						
	17	1	3K-0360	1	SEAL-O-RING						
	18	1	5P-3426	1	ELBOW						
	19	1,2	6V-5048	17	SEAL-O-RING						
	20	1	102-2240	1	SENSOR GP-TEMPERATURE (ENGINE COOLANT)						
		1	102-8803	1	KIT-RECEPTACLE (3-PIN)						
					(INCLUDES RECEPTACLE AS & WEDGE)						
		1	3E-3371	1	WEDGE-RECEPTACLE LOCK (3-PIN)						
		1	8T-8729	3	PIN-CONNECTOR (16-GA TO 18-GA)						
E		1	9X-1813		SLEEVE (31CM)						
	21	1,2	9X-0262	6	ADAPTER						
	22	1	117-0067	1	ELBOW						
Y	23	1	161-9926	1	SENSOR GP-PRESSURE (CRANKCASE)						499
Y	23A	2	161-9926	1	SENSOR GP-PRESSURE (ATMOSPHERIC)						499
Y	23B	2	161-9926	1	SENSOR GP-PRESSURE (TURBOCHARGER INLET, LH)						499
Y	23C	2	161-9926	1	SENSOR GP-PRESSURE (TURBOCHARGER INLET, RH)						499
	24	2	6V-2455	1	SENSOR GP-SPEED (ENGINE)						

ELECTRICAL AND STARTING SYSTEM

132-6468 **WIRING GP-ENGINE** (contd.)

i02767762

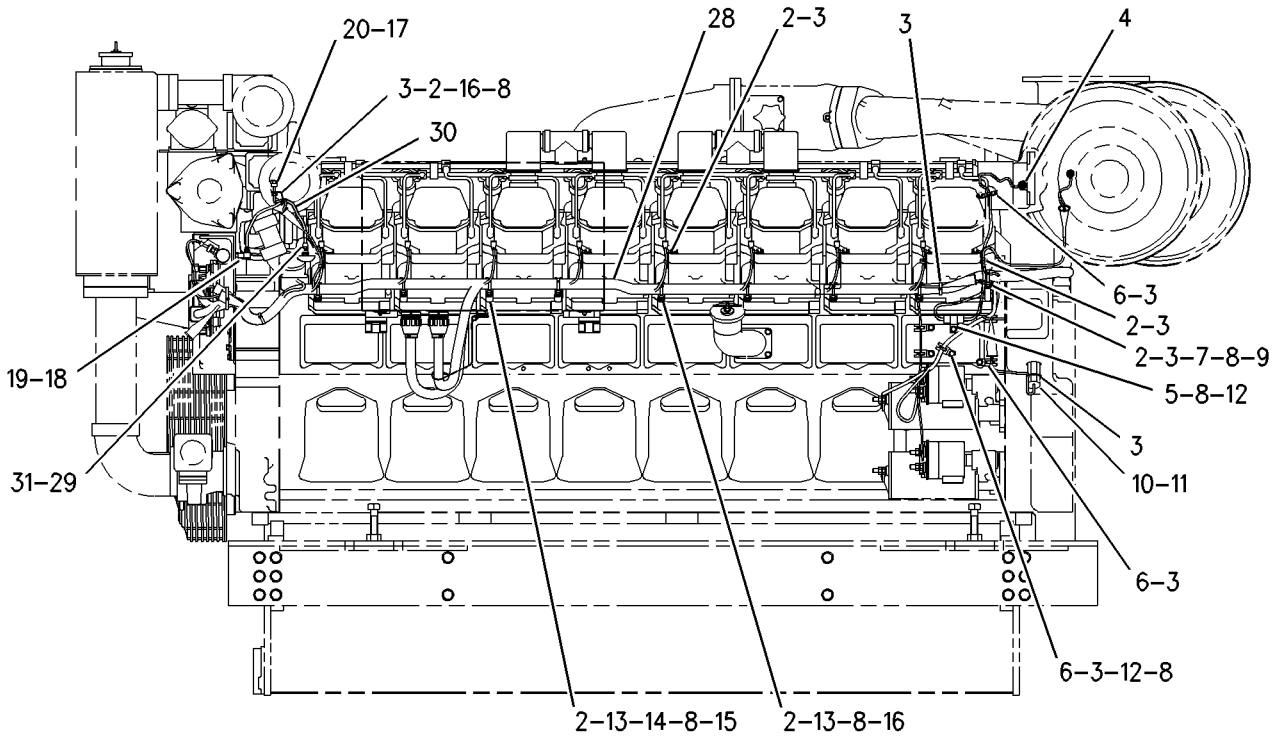
NOTE	REF NO	GRAPHIC REF	PART NUMBER	QTY	PART NAME						SEE PAGE
					1	2	3	4	5	6 (PRODUCT LEVEL)	
		2	102-8802	1	KIT-RECEPTACLE (2-PIN)						
					(INCLUDES RECEPTACLE AS & WEDGE)						
		2	3E-3365	1	WEDGE-RECEPTACLE LOCK (2-PIN)						
		2	8T-8729	2	PIN-CONNECTOR (16-GA TO 18-GA)						
E		2	9X-1386		SLEEVE (14CM)						
Y	25	2	161-9929	1	SENSOR GP-PRESSURE (TURBOCHARGER OUTLET)						500
	26	2	9G-5127	1	BREATHER AS (ATMOSPHERIC AIR)						
	27	2	9X-0263	2	ADAPTER						
	28	1	159-1195	1	HARNESS AS-ENGINE						
	29	1	001-9440	1	CONNECTOR						
	30	1	111-3684	1	HOSE AS						
B	31	1	7K-9197	1	ELBOW						
	32	2	3B-1915	2	BOLT (3/8-16X1.375-IN)						

B - USE AS REQUIRED
 E - ORDER BY THE CENTIMETER
 Y - SEPARATE ILLUSTRATION

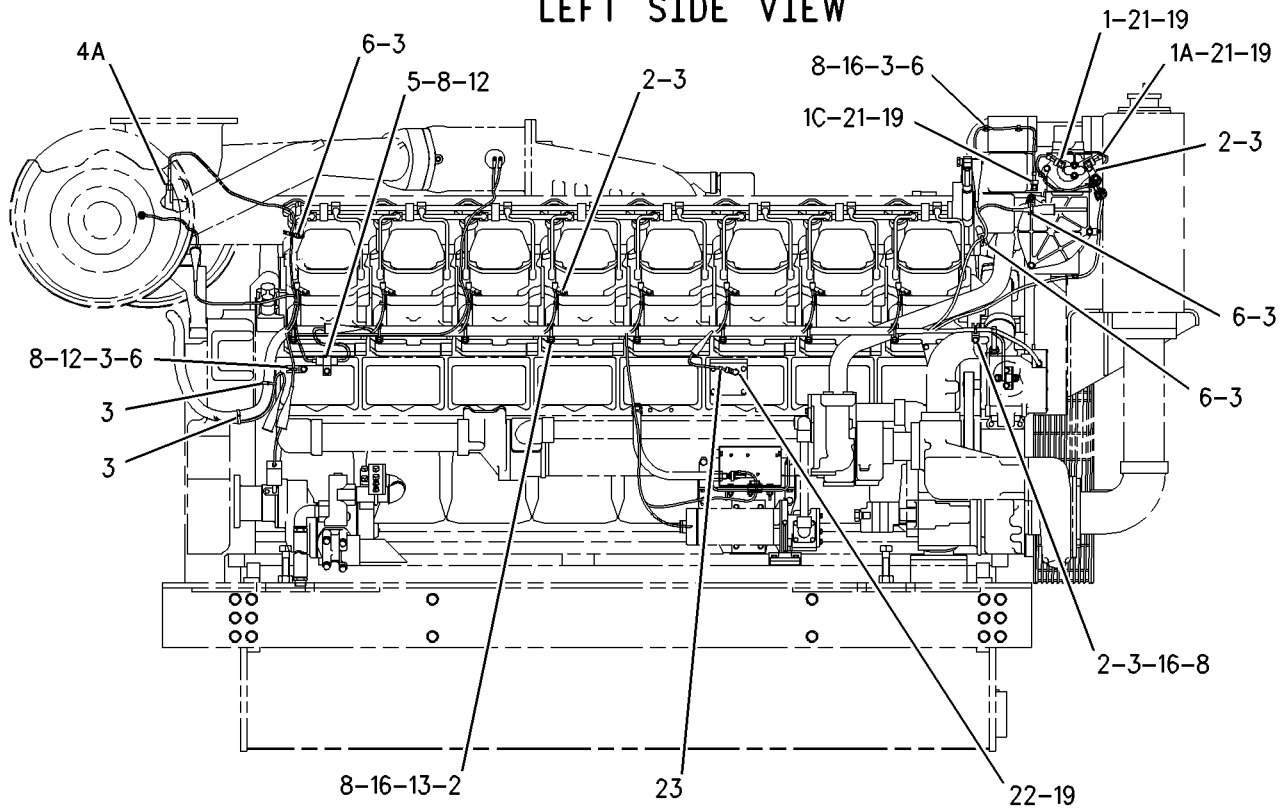
ELECTRICAL AND STARTING SYSTEM

132-6468 WIRING GP-ENGINE (contd.)

102767762



LEFT SIDE VIEW



RIGHT SIDE VIEW

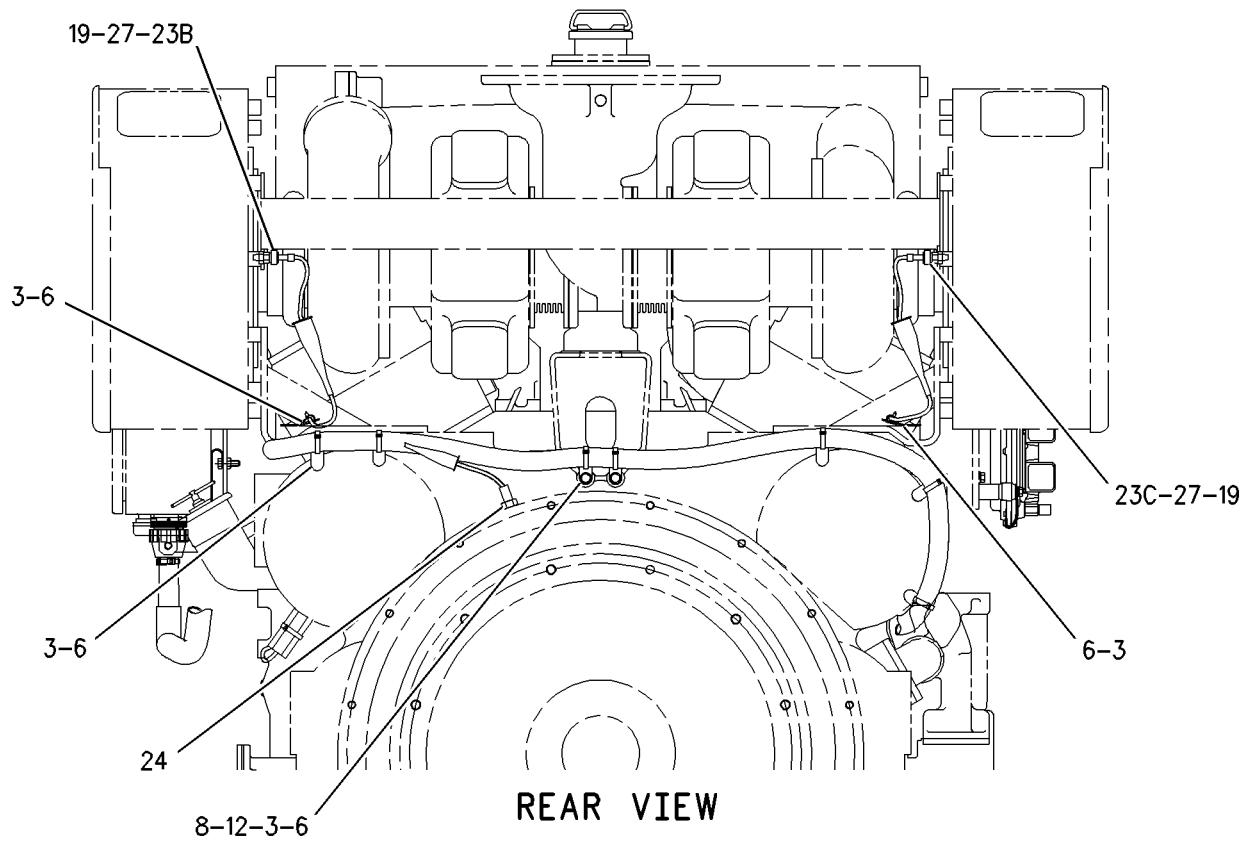
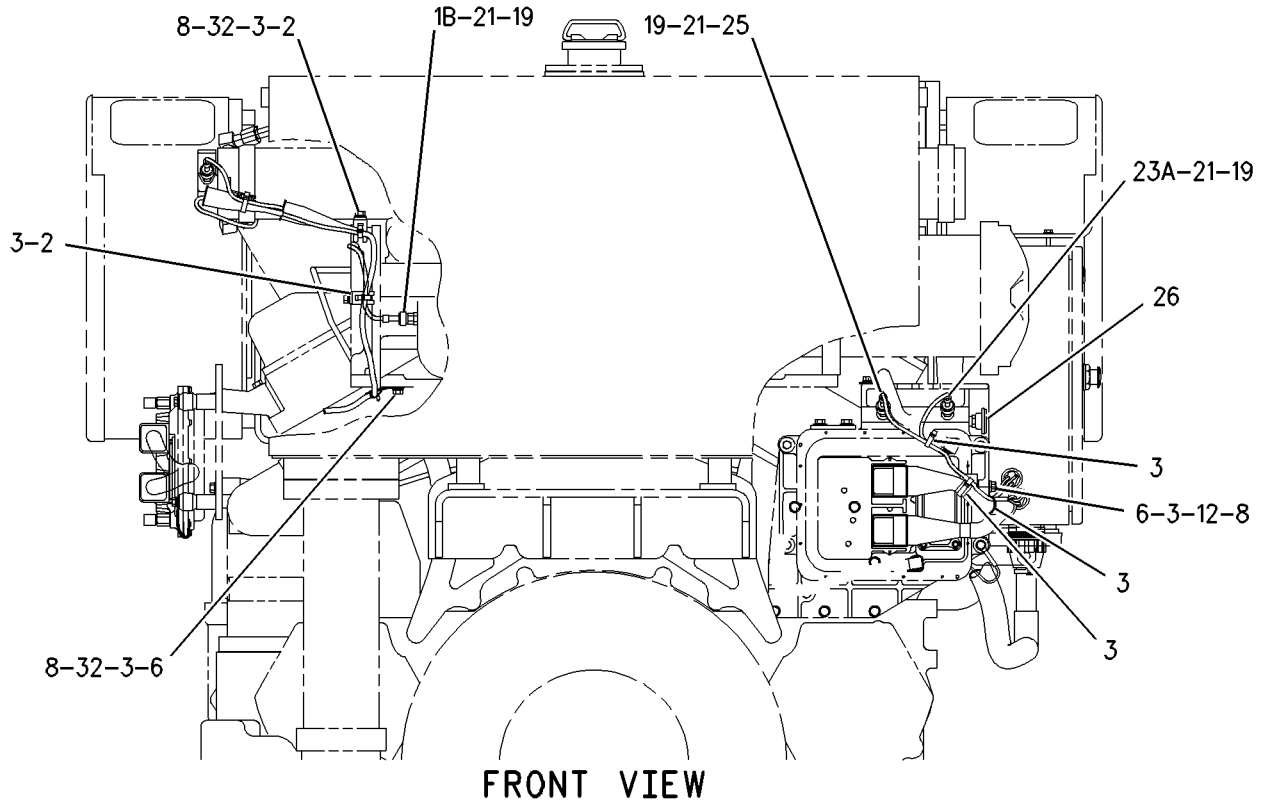
GRAPHIC #1

g00690073

ELECTRICAL AND STARTING SYSTEM

132-6468 WIRING GP-ENGINE (contd.)

i02767762



GRAPHIC #2

<END>

g00690077

ELECTRICAL AND STARTING SYSTEM

132-6468 WIRING GP-ENGINE-LH

S/N: 3XS408-UP

AN ATTACHMENT

TYPE 3

SMCS-1000, 1408

i02767832

NOTE	REF NO	GRAPHIC REF	PART NUMBER	QTY	PART NAME						SEE PAGE
					1	2	3	4	5	6 (PRODUCT LEVEL)	
CY	1	1	194-6725	1	SENSOR GP-PRESSURE (FILTERED FUEL)						504
CY	1A	1	194-6725	1	SENSOR GP-PRESSURE (UNFILTERED FUEL)						504
CY	1B	2	194-6725	1	SENSOR GP-PRESSURE (UNFILTERED OIL)						504
CY	1C	1	194-6725	1	SENSOR GP-PRESSURE (FILTERED OIL)						504
	2	1,2	4P-8134	39	CLIP (LADDER)						
B	3	1,2	9X-6772	53	STRAP-CABLE						
Y	4	1	163-7882	1	SENSOR GP-EXHAUST TEMPERATURE (TURBOCHARGER, LH)						488
Y	4A	1	163-7882	1	SENSOR GP-EXHAUST TEMPERATURE (TURBOCHARGER, RH)						488
C	5	1	3A-3692	2	CLIP						
	6	1,2	4P-7581	23	CLIP (LADDER)						
	7	1	0S-1590	1	BOLT (3/8-16X2-IN)						
	8	1,2	5M-2894	32	WASHER-HARD (10.2X18.5X2.5-MM THK)						
	9	1	6W-6672	1	SPACER (10.5X20X38-MM THK)						
Y	10	1	129-6628	1	SENSOR GP-SPEED (TIMING, CAMSHAFT)						506
	11	1	8L-2786	1	SEAL-O-RING						
	12	1,2	0S-1594	9	BOLT (3/8-16X1-IN)						
	13	1	7K-1181	16	STRAP-CABLE						
	14	1	0S-1591	3	BOLT (3/8-16X1.5-IN)						
	15	1	9M-4594	3	SPACER (0.406X0.875X0.75-IN THK)						
	16	1	0S-0509	17	BOLT (3/8-16X0.75-IN)						
	17	1	3K-0360	1	SEAL-O-RING						
	18	1	5P-3426	1	ELBOW						
	19	1,2	6V-5048	17	SEAL-O-RING						
	20	1	102-2240	1	SENSOR GP-TEMPERATURE (ENGINE COOLANT)						
		1	3E-3371	1	WEDGE-RECEPTACLE LOCK (3-PIN)						
		1	186-3735	3	PIN-CONNECTOR (16-GA TO 18-GA)						
E		1	9X-1813		SLEEVE (31-CM)						
		1	102-8803	1	KIT-RECEPTACLE (3-PIN)						
					(INCLUDES RECEPTACLE AS & WEDGE)						
	21	1,2	9X-0262	6	ADAPTER						
	22	1	117-0067	1	ELBOW						
Y	23	1	161-9926	1	SENSOR GP-PRESSURE (CRANKCASE)						499
Y	23A	2	161-9926	1	SENSOR GP-PRESSURE (ATMOSPHERIC)						499
Y	23B	2	161-9926	1	SENSOR GP-PRESSURE (TURBOCHARGER INLET, LH)						499
Y	23C	2	161-9926	1	SENSOR GP-PRESSURE (TURBOCHARGER INLET, RH)						499
CY	24	2	189-5746	1	SENSOR GP-SPEED (ENGINE)						507
CY	25	2	194-6724	1	SENSOR GP-PRESSURE (TURBOCHARGER OUTLET)						503
	26	2	9G-5127	1	BREATHER AS (ATMOSPHERIC AIR)						
	27	2	9X-0263	2	ADAPTER						
	28	1	159-1195	1	HARNESS AS-ENGINE						
		1	8N-1521	2	BELL AS-END						
		1	037-5197	4	BOOT						
		1	8T-8827	1	BOOT (RED)						
		1	112-3587	2	BOOT (40-PIN)						
		1	8C-6354	1	CAP-RECEPTACLE (ET CONNECTOR)						

ELECTRICAL AND STARTING SYSTEM

132-6468 WIRING GP-ENGINE (contd.)

i02767832

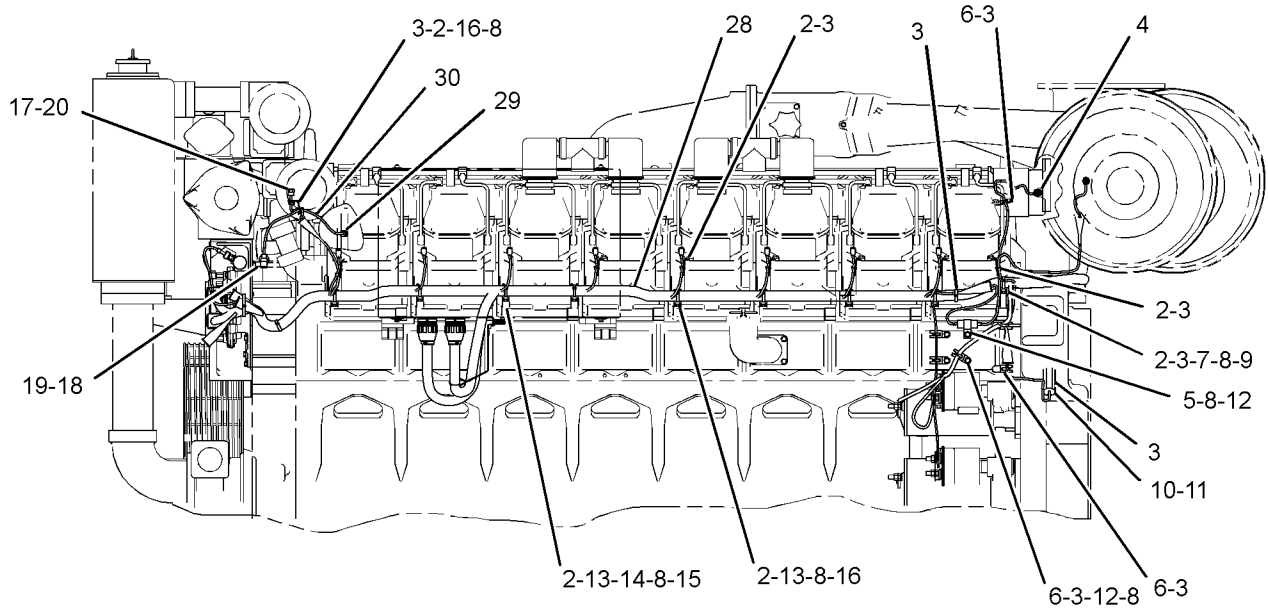
NOTE	REF NO	GRAPHIC REF	PART NUMBER	QTY	PART NAME						SEE PAGE
					1	2	3	4	5	6 (PRODUCT LEVEL)	
		1	3T-3048	1	CLIP AS						
		1	9G-8909	1	COVER-TERMINAL (BLACK)						
		1	3B-3638	6	BOOT						
		1	7N-9737	1	HOUSING-RECEPTACLE (14-GA TO 18-GA)						
		1	7N-9738	1	HOUSING-RECEPTACLE (14-GA TO 18-GA)						
		1	155-2270	18	KIT-CONNECTING PLUG (2-PIN)						
		1	155-2260	4	KIT-CONNECTING PLUG (3-PIN)						
					(EACH PLUG KIT INCLUDES PLUG AS & WEDGE)						
		1	102-8802	3	KIT-RECEPTACLE (2-PIN)						
		1	102-8803	11	KIT-RECEPTACLE (3-PIN)						
					(EACH RECEPTACLE KIT INCLUDES RECEPTACLE AS & WEDGE)						
		1	8N-1542	3	PIN-CONNECTOR (10-GA)						
		1	8N-1546	2	PIN-CONNECTOR (6-GA)						
		1	186-3735	34	PIN-CONNECTOR (16-GA TO 18-GA)						
		1	9X-6856	16	PIN-CONNECTOR (16-GA TO 18-GA)						
		1	8N-1540	4	PIN-CONNECTOR (12-GA TO 14-GA)						
		1	7N-7780	1	PIN-CONNECTOR (14-GA TO 18-GA)						
		1	9G-3695	13	PLUG-SEAL						
		1	110-6848	1	PLUG AS-CONNECTOR (40-PIN)						
		1	110-6847	1	PLUG AS-CONNECTOR (40-PIN)						
		1	8N-1518	1	PLUG AS-CONNECTOR (25-PIN)						
		1	3T-3044	1	PLUG AS-CONNECTOR (25-PIN)						
		1	220-6141	2	PLUG AS-CONNECTOR						
		1	7G-7917	5	PLUG-SEAL						
		1	7G-7918	1	PLUG-SEAL						
		1	7G-7919	2	PLUG-SEAL						
		1	7G-7920	2	PLUG-SEAL						
		1	186-3736	117	SOCKET-CONNECTOR (16-GA TO 18-GA)						
		1	9W-0844	5	SOCKET-CONNECTOR (14-GA TO 16-GA)						
		1	8N-1541	3	SOCKET-CONNECTOR (12-GA TO 14-GA)						
		1	8N-1543	1	SOCKET-CONNECTOR (10-GA)						
		1	7N-7779	1	SOCKET-CONNECTOR (14-GA TO 18-GA)						
		1	9X-6857	11	SOCKET-CONNECTOR (16-GA TO 18-GA)						
		1	9X-6772	2	STRAP-CABLE						
D		1	5P-6009		TUBE-HEAT SHRINK (9.52-MM DIA) (1-M)						
E		1	8T-6342		TUBE-HEAT SHRINK (3.2-MM DIA) (10-CM)						
	29	1	001-9440	1	CONNECTOR						
	30	1	111-3684	1	HOSE AS						
	32	2	3B-1915	2	BOLT (3/8-16X1.375-IN)						

B - USE AS REQUIRED
 C - CHANGE FROM PREVIOUS TYPE
 D - ORDER BY THE METER
 E - ORDER BY THE CENTIMETER
 Y - SEPARATE ILLUSTRATION

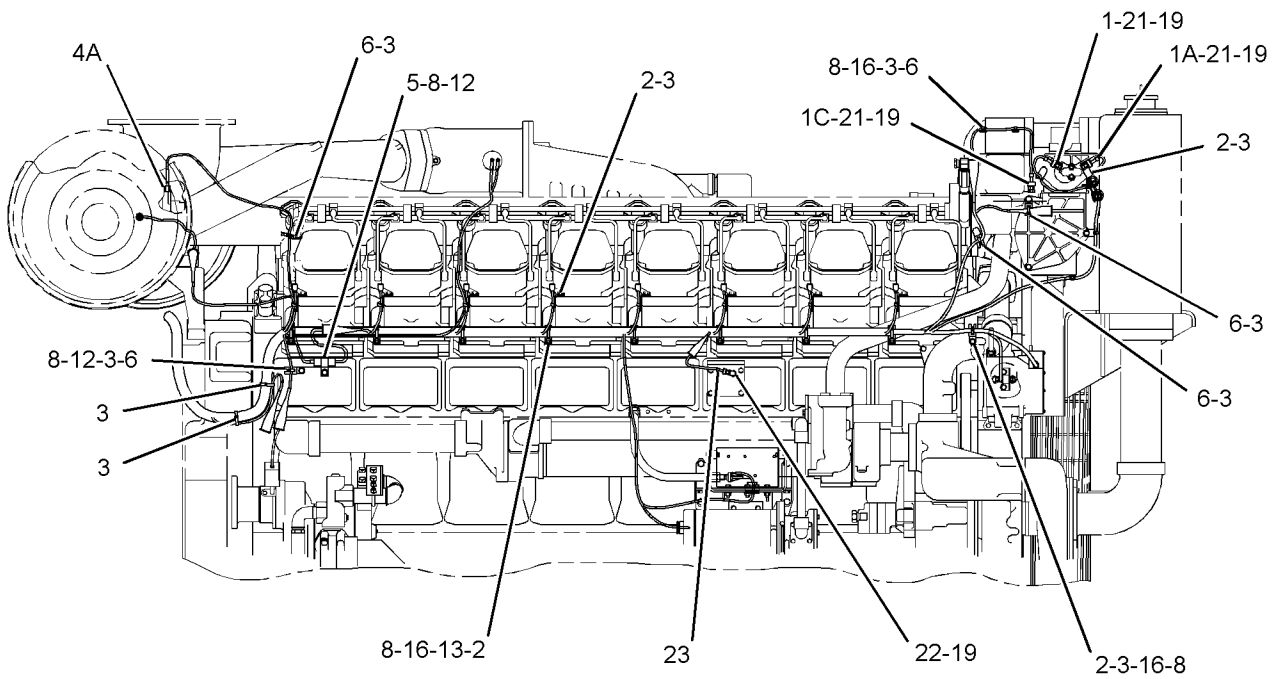
ELECTRICAL AND STARTING SYSTEM

132-6468 WIRING GP-ENGINE (contd.)

i02767832



LEFT SIDE VIEW



RIGHT SIDE VIEW

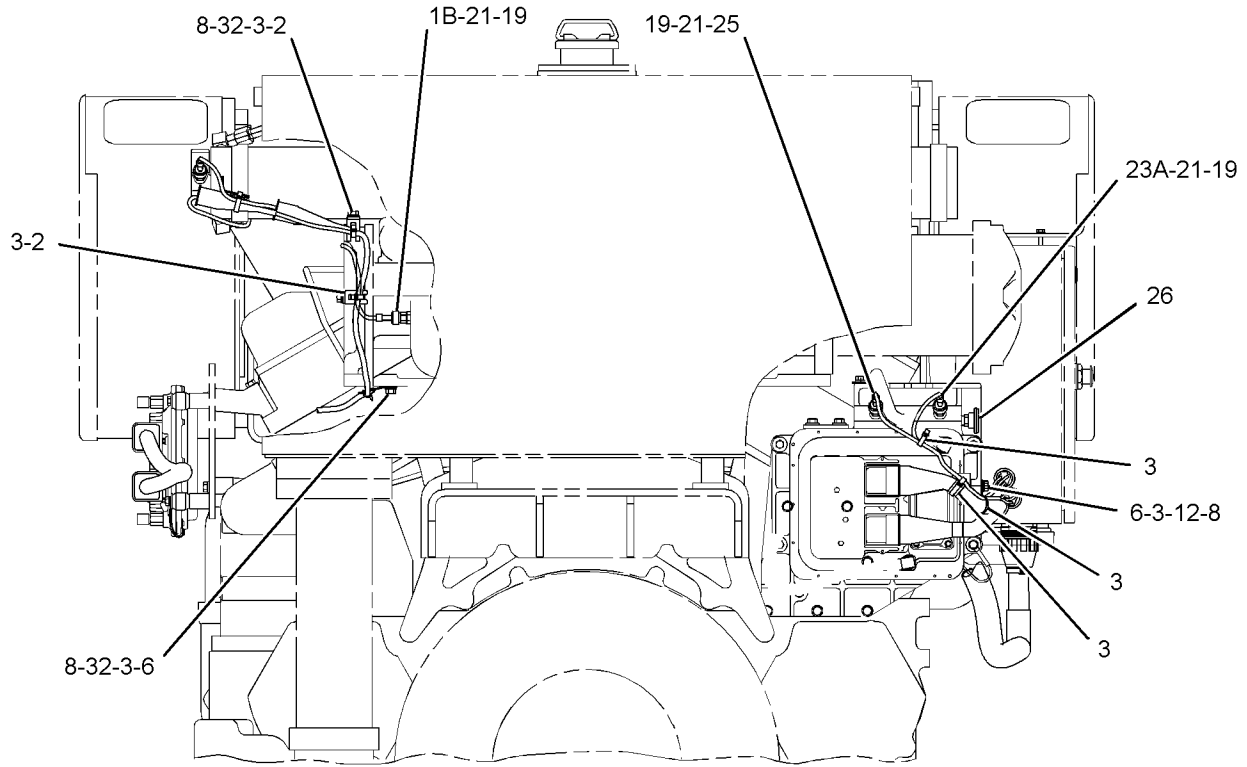
GRAPHIC #1

g01243243

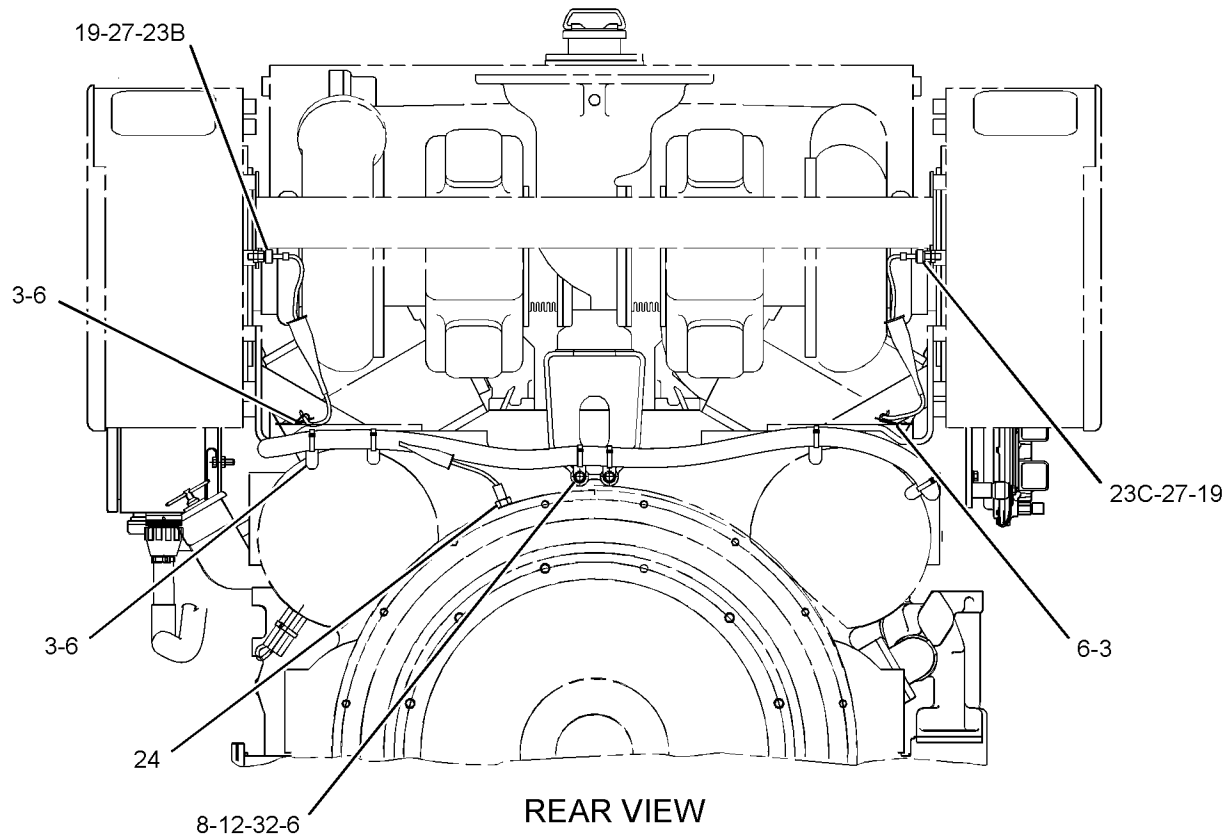
ELECTRICAL AND STARTING SYSTEM

132-6468 WIRING GP-ENGINE (contd.)

102767832



FRONT VIEW



REAR VIEW

GRAPHIC #2

<END>

g01243244

ELECTRICAL AND STARTING SYSTEM

132-9436 WIRING GP-ENGINE-RH AN ATTACHMENT TYPE 1

SMCS-1000, 1408

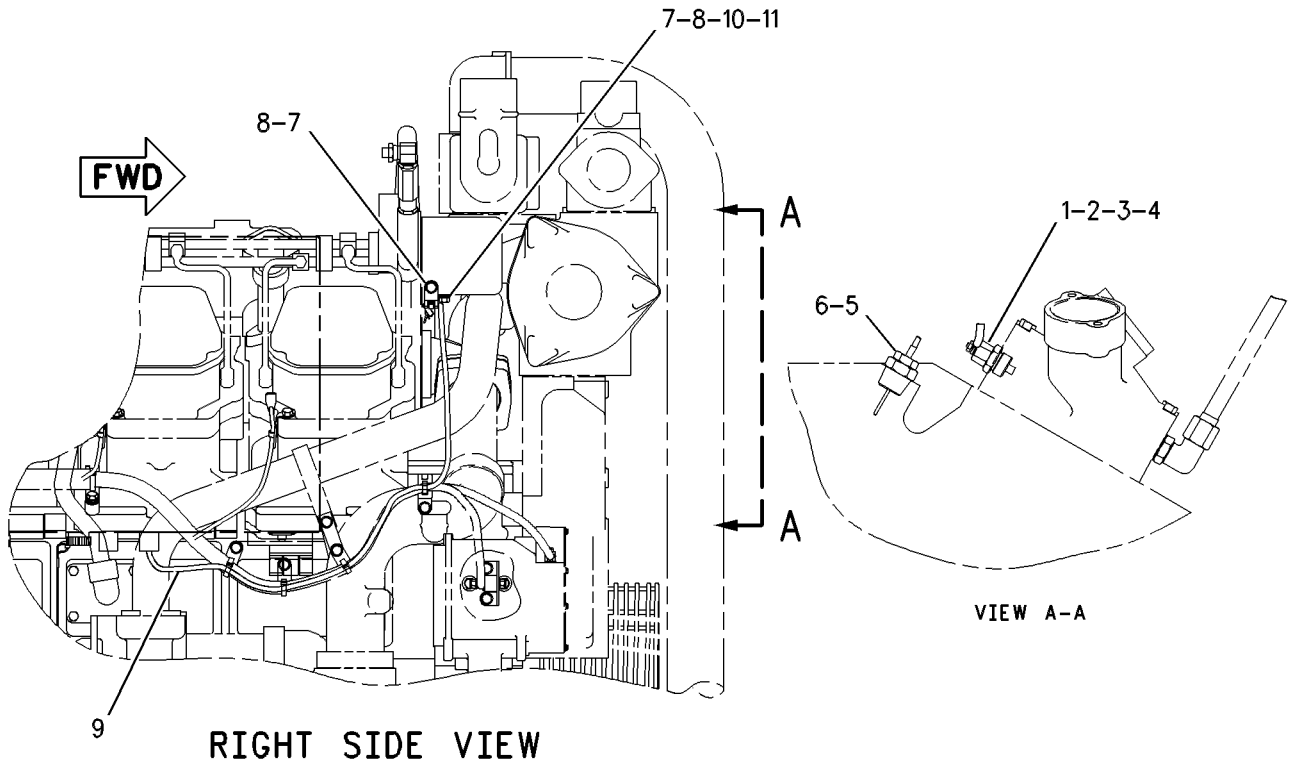
i01848993

NOTE	REF NO	GRAPHIC REF	PART NUMBER	QTY	PART NAME						SEE PAGE
					1	2	3	4	5	6 (PRODUCT LEVEL)	
	1	1	4W-9972	1	SENDER AS-TEMPERATURE (12-VOLT) (OIL)						
		1	4B-2049	1	NUT (10-32-THD)						
		1	8F-1434	1	LOCKWASHER						
		1	8T-0328	1	WASHER-HARD (5.5X10X1-MM THK)						
	2	1	3J-1907	1	SEAL-O-RING						
	3	1	5P-1404	1	ADAPTER						
	4	1	6V-4589	1	SEAL-O-RING						
	5	1	129-9191	1	SENSOR GP-TEMPERATURE (AIR)						
		1	102-8802	1	KIT-RECEPTACLE (2-PIN)						
					(INCLUDES RECEPTACLE ASSEMBLY & WEDGE)						
	6	1	8B-2664	1	BUSHING-REDUCER						
	7	1	9X-6772	2	STRAP-CABLE						
	8	1	4P-8134	2	CLIP (LADDER)						
	9	1	132-9434	1	HARNESS AS-SENSOR (AIR/OIL SENSOR)						
		1	102-8807	2	KIT-CONNECTING PLUG (2-PIN)						
					(INCLUDES PLUG ASSEMBLY & WEDGE)						
	10	1	0S-1594	1	BOLT (3/8-16X1-IN)						
	11	1	5M-2894	1	WASHER-HARD (10.2X18.5X2.5-MM THK)						

ELECTRICAL AND STARTING SYSTEM

132-9436 WIRING GP-ENGINE (contd.)

i01848993



GRAPHIC #1

<END>

g00471674

ELECTRICAL AND STARTING SYSTEM

132-9436 WIRING GP-ENGINE-RH AN ATTACHMENT TYPE 2

SMCS-1000, 1408

i01851046

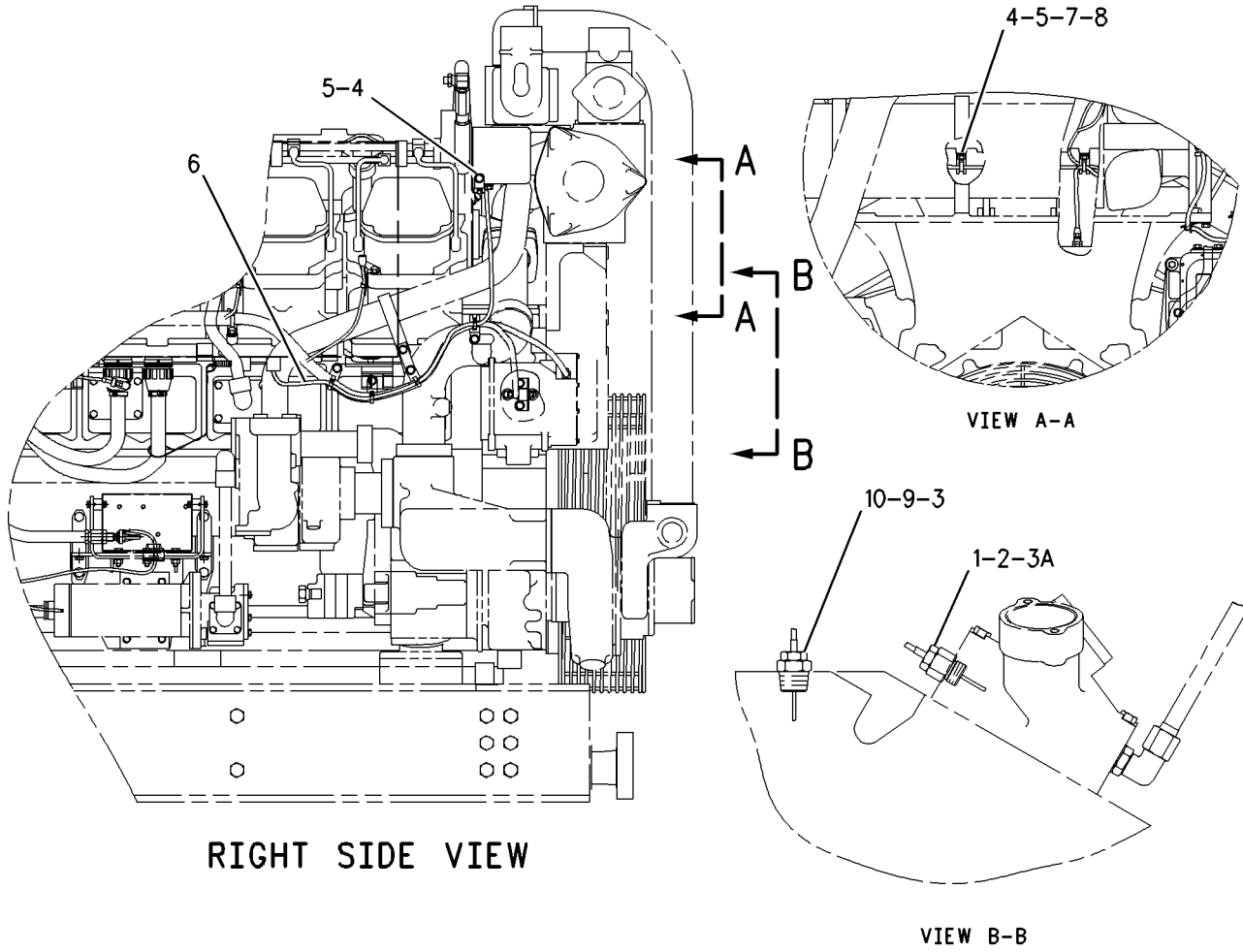
NOTE	REF NO	GRAPHIC REF	PART NUMBER	QTY	PART NAME						SEE PAGE
					1	2	3	4	5	6 (PRODUCT LEVEL)	
C	1	1	5P-4481	1	ADAPTER-O-RING						
	2	1	6V-4589	1	SEAL-O-RING						
C	3	1	129-9191	1	SENSOR GP-TEMPERATURE (AIR)						
		1	3E-3365	1	WEDGE-RECEPTACLE LOCK (2-PIN)						
E	1	1	8T-6342		TUBE-HEAT SHRINK (3.2-MM DIA) (6CM)						
		1	186-3735	2	PIN-CONNECTOR (16-GA TO 18-GA)						
		1	102-8802	1	KIT-RECEPTACLE (2-PIN)						
(INCLUDES RECEPTACLE ASSEMBLY & WEDGE)											
C	3A	1	129-9191	1	SENSOR GP-TEMPERATURE (OIL)						
		1	3E-3365	1	WEDGE-RECEPTACLE LOCK (2-PIN)						
E	1	1	8T-6342		TUBE-HEAT SHRINK (3.2-MM DIA) (6CM)						
		1	186-3735	2	PIN-CONNECTOR (16-GA TO 18-GA)						
		1	102-8802	1	KIT-RECEPTACLE (2-PIN)						
(INCLUDES RECEPTACLE ASSEMBLY & WEDGE)											
	4	1	9X-6772	2	STRAP-CABLE						
	5	1	4P-8134	2	CLIP (LADDER)						
	6	1	132-9434	1	HARNESS AS-SENSOR (AIR/OIL SENSOR)						
		1	102-8807	2	KIT-CONNECTING PLUG (2-PIN)						
(INCLUDES PLUG ASSEMBLY & WEDGE)											
	7	1	0S-1594	1	BOLT (3/8-16X1-IN)						
	8	1	5M-2894	1	WASHER-HARD (10.2X18.5X2.5-MM THK)						
C	9	1	9X-3271	1	ADAPTER (1/2-14-THD)						
C	10	1	6V-5049	1	SEAL-O-RING						

C - CHANGE FROM PREVIOUS TYPE
E - ORDER BY THE CENTIMETER

ELECTRICAL AND STARTING SYSTEM

132-9436 WIRING GP-ENGINE (contd.)

i01851046



RIGHT SIDE VIEW

VIEW A-A

VIEW B-B

GRAPHIC #1

<END>

g00942892

ELECTRICAL AND STARTING SYSTEM

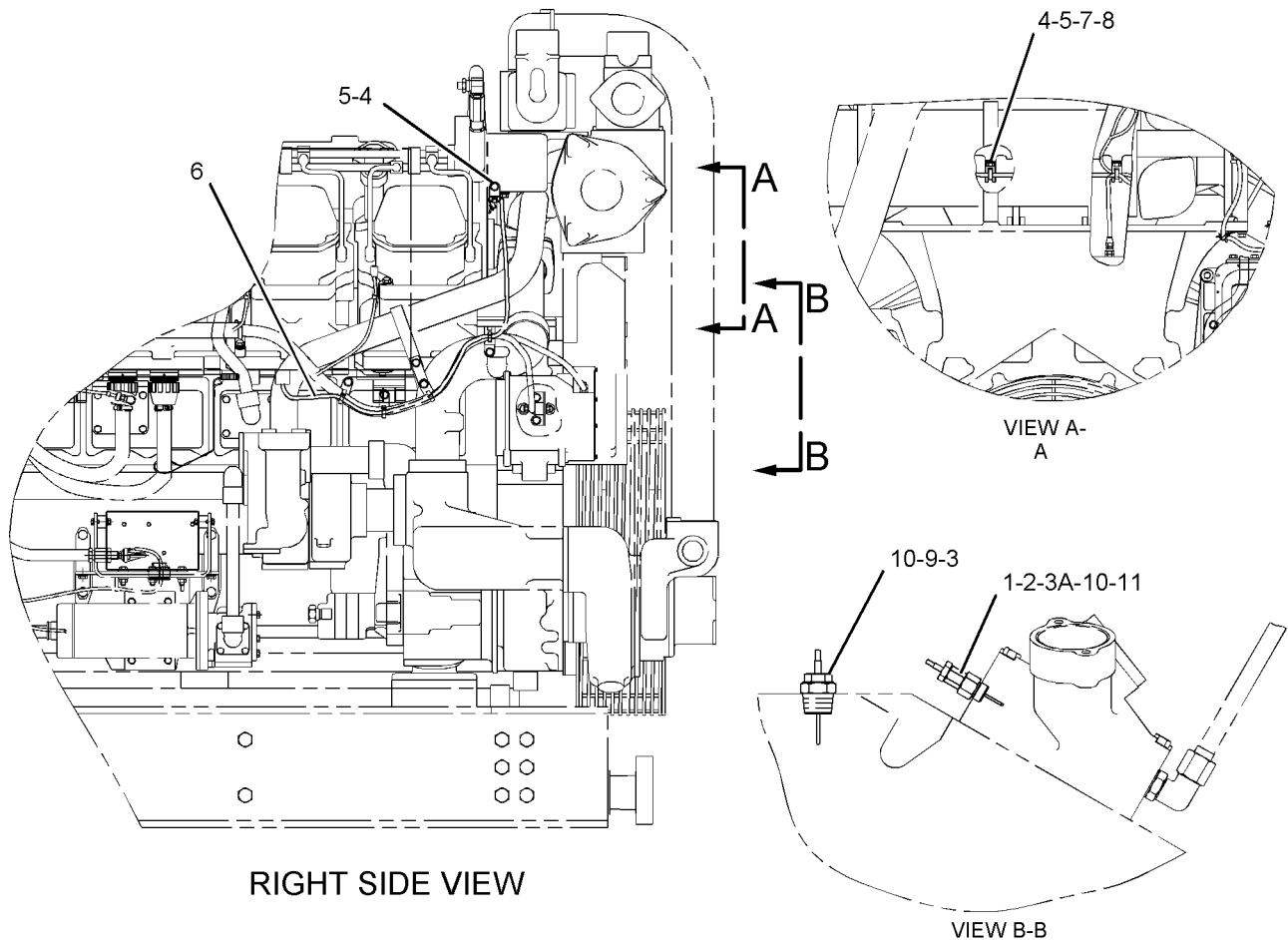
132-9436 WIRING GP-ENGINE-RH AN ATTACHMENT TYPE 3

SMCS-1000, 1408

i02062922

NOTE	REF NO	GRAPHIC REF	PART NUMBER	QTY	PART NAME						SEE PAGE
					1	2	3	4	5	6 (PRODUCT LEVEL)	
	1	1	5P-1404	1	ADAPTER						
	2	1	6V-4589	1	SEAL-O-RING						
CY	3	1	195-2150	1	SENSOR GP-TEMPERATURE (AIR) (B-SERIES LOCATION)						513
CY	3A	1	195-2150	1	SENSOR GP-TEMPERATURE (OIL) (EIU LOCATION)						513
	4	1	9X-6772	2	STRAP-CABLE						
	5	1	4P-8134	2	CLIP (LADDER)						
	6	1	132-9434	1	HARNESS AS-SENSOR						
		1	102-8807	2	KIT-CONNECTING PLUG (2-PIN) (EACH INCLUDES PLUG AS & WEDGE)						
	7	1	0S-1594	1	BOLT (3/8-16X1-IN)						
	8	1	5M-2894	1	WASHER-HARD (10.2X18.5X2.5-MM THK)						
C	9	1	9X-3271	1	ADAPTER (1/2-14-THD)						
C	10	1	6V-5049	3	SEAL-O-RING						
	11	1	8T-0151	1	ADAPTER						

C - CHANGE FROM PREVIOUS TYPE
Y - SEPARATE ILLUSTRATION



GRAPHIC #1

g01066993

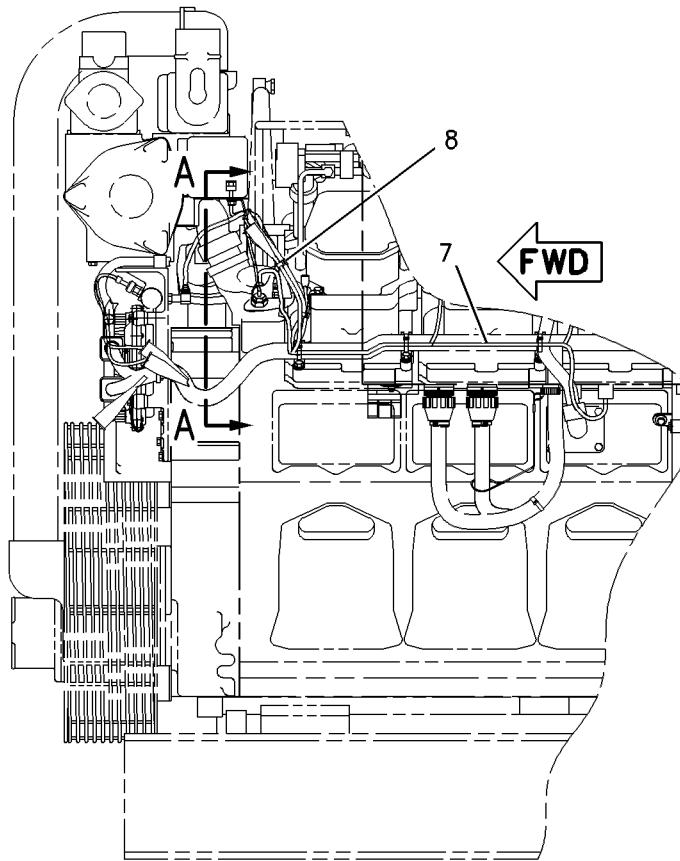
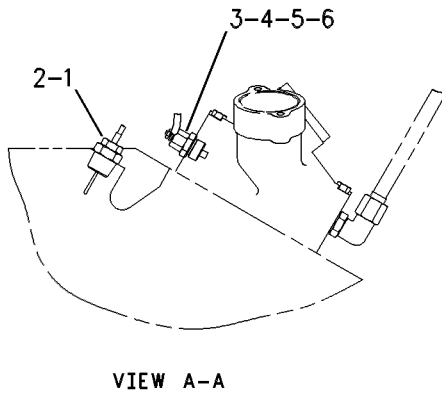
ELECTRICAL AND STARTING SYSTEM

132-9437 WIRING GP-ENGINE-LH AN ATTACHMENT TYPE 1

SMCS-1000, 1408

i01851029

NOTE	REF NO	GRAPHIC REF	PART NUMBER	QTY	PART NAME						SEE PAGE
					1	2	3	4	5	6 (PRODUCT LEVEL)	
	1	1	129-9191	1	SENSOR GP-TEMPERATURE (AIR)						
		1	102-8802	1	KIT-RECEPTACLE (2-PIN)						
					(INCLUDES WEDGE & RECEPTACLE AS)						
	2	1	8B-2664	1	BUSHING-REDUCER						
	3	1	4W-9972	1	SENDER AS-TEMPERATURE (12-VOLT) (OIL)						
		1	4B-2049	1	NUT (10-32-THD)						
		1	8F-1434	1	LOCKWASHER						
		1	8T-0328	1	WASHER-HARD (5.5X10X1-MM THK)						
	4	1	3J-1907	1	SEAL-O-RING						
	5	1	5P-1404	1	ADAPTER						
	6	1	6V-4589	1	SEAL-O-RING						
	7	1	132-9434	1	HARNESS AS-SENSOR (AIR/OIL SENSOR)						
		1	102-8807	2	KIT-CONNECTING PLUG (2-PIN)						
					(INCLUDES WEDGE & PLUG AS)						
	8	1	9X-6772	1	STRAP-CABLE						



GRAPHIC #1

<END>

g00471637

ELECTRICAL AND STARTING SYSTEM

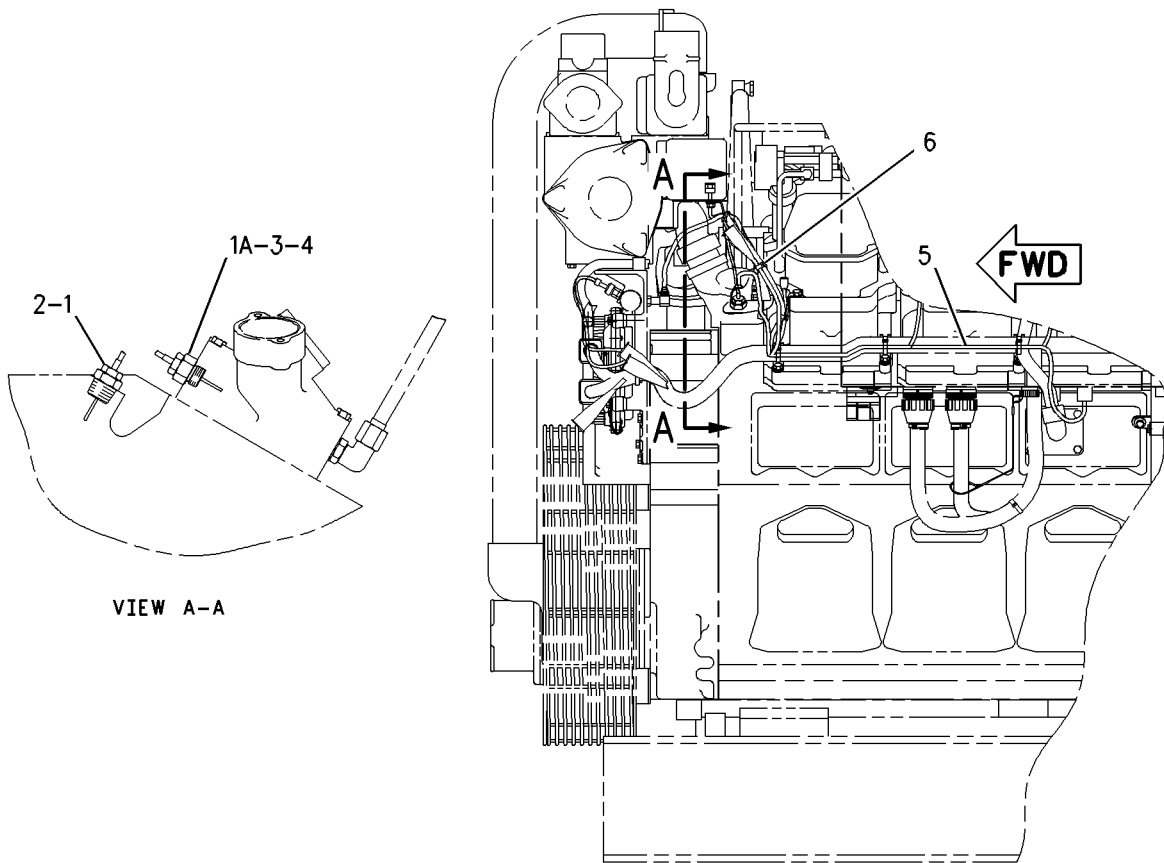
132-9437 WIRING GP-ENGINE-LH AN ATTACHMENT TYPE 2

SMCS-1000, 1408

i01851041

NOTE	REF NO	GRAPHIC REF	PART NUMBER	QTY	PART NAME						SEE PAGE
					1	2	3	4	5	6 (PRODUCT LEVEL)	
C	1	1	129-9191	1	SENSOR GP-TEMPERATURE (AIR)						
		1	102-8802	1	KIT-RECEPTACLE (2-PIN) (INCLUDES WEDGE & RECEPTACLE AS)						
C	1A	1	129-9191	1	SENSOR GP-TEMPERATURE (OIL)						
		1	102-8802	1	KIT-RECEPTACLE (2-PIN) (INCLUDES WEDGE & RECEPTACLE AS)						
	2	1	8B-2664	1	BUSHING-REDUCER						
C	3	1	5P-4481	1	ADAPTER-O-RING						
	4	1	6V-4589	1	SEAL-O-RING						
	5	1	132-9434	1	HARNESS AS-SENSOR (AIR/OIL SENSOR)						
		1	102-8807	2	KIT-CONNECTING PLUG (2-PIN) (INCLUDES PLUG ASSEMBLY & WEDGE)						
	6	1	9X-6772	1	STRAP-CABLE						

C - CHANGE FROM PREVIOUS TYPE



LEFT SIDE VIEW

GRAPHIC #1

<END>

g00942885

ELECTRICAL AND STARTING SYSTEM

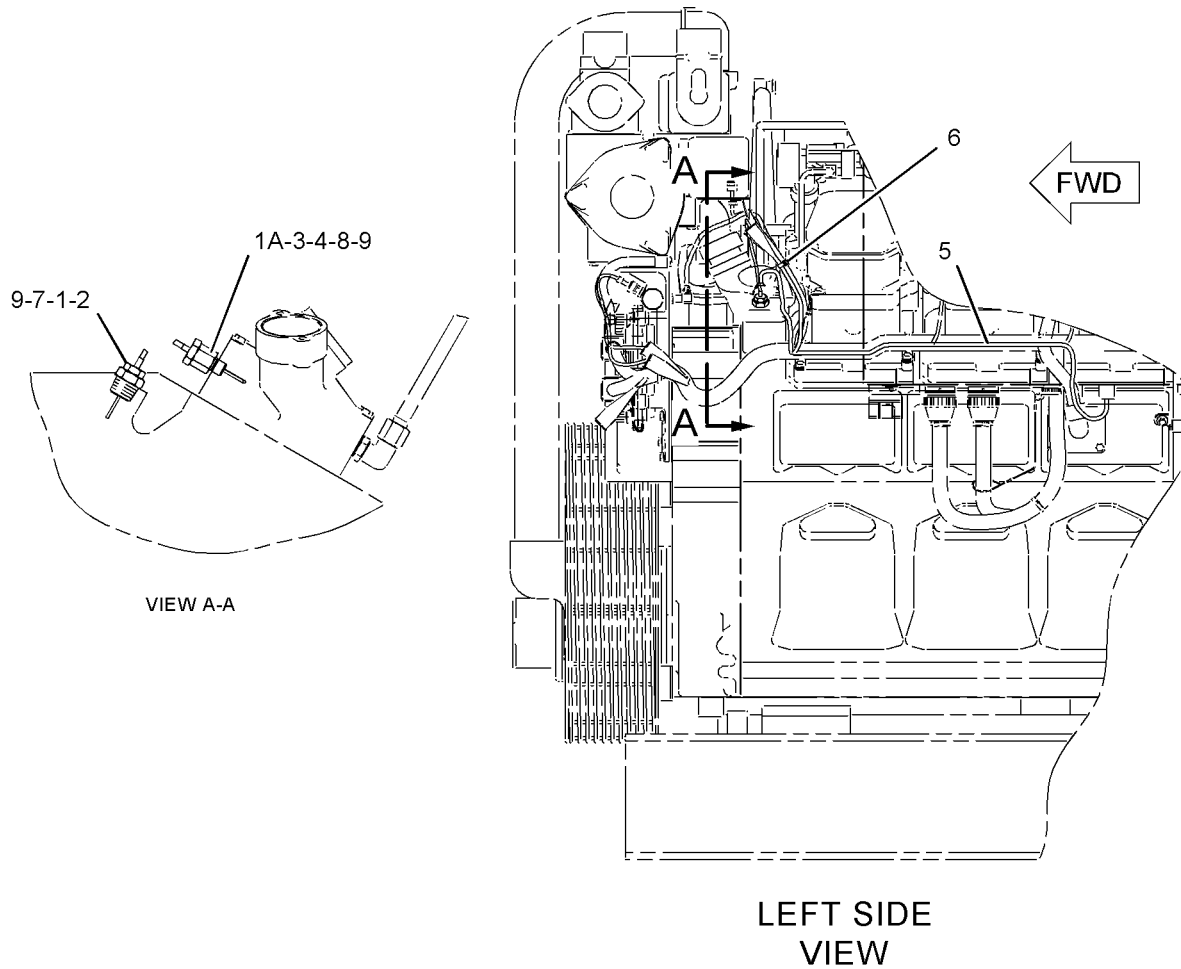
132-9437 WIRING GP-ENGINE-LH AN ATTACHMENT TYPE 3

SMCS-1000, 1408

i02049397

NOTE	REF NO	GRAPHIC REF	PART NUMBER	QTY	PART NAME						SEE PAGE
					1	2	3	4	5	6 (PRODUCT LEVEL)	
CY	1	1	195-2150	1	SENSOR GP-TEMPERATURE (AIR INLET)						513
CY	1A	1	195-2150	1	SENSOR GP-TEMPERATURE (ENGINE OIL)						513
	2	1	8B-2664	1	BUSHING-REDUCER						
	3	1	5P-1404	1	ADAPTER						
	4	1	6V-4589	1	SEAL-O-RING						
	5	1	132-9434	1	HARNESS AS-SENSOR (AIR INLET/OIL TEMPERATURE)						
		1	102-8807	2	KIT-CONNECTING PLUG (2-PIN) (INCLUDES WEDGE & PLUG AS)						
	6	1	9X-6772	1	STRAP-CABLE						
C	7	1	9X-3271	1	ADAPTER (1/2-14-THD)						
	8	1	8T-0151	1	ADAPTER						
C	9	1	6V-5049	3	SEAL-O-RING						

C - CHANGE FROM PREVIOUS TYPE
Y - SEPARATE ILLUSTRATION



GRAPHIC #1

<END>

g01051269

ELECTRICAL AND STARTING SYSTEM

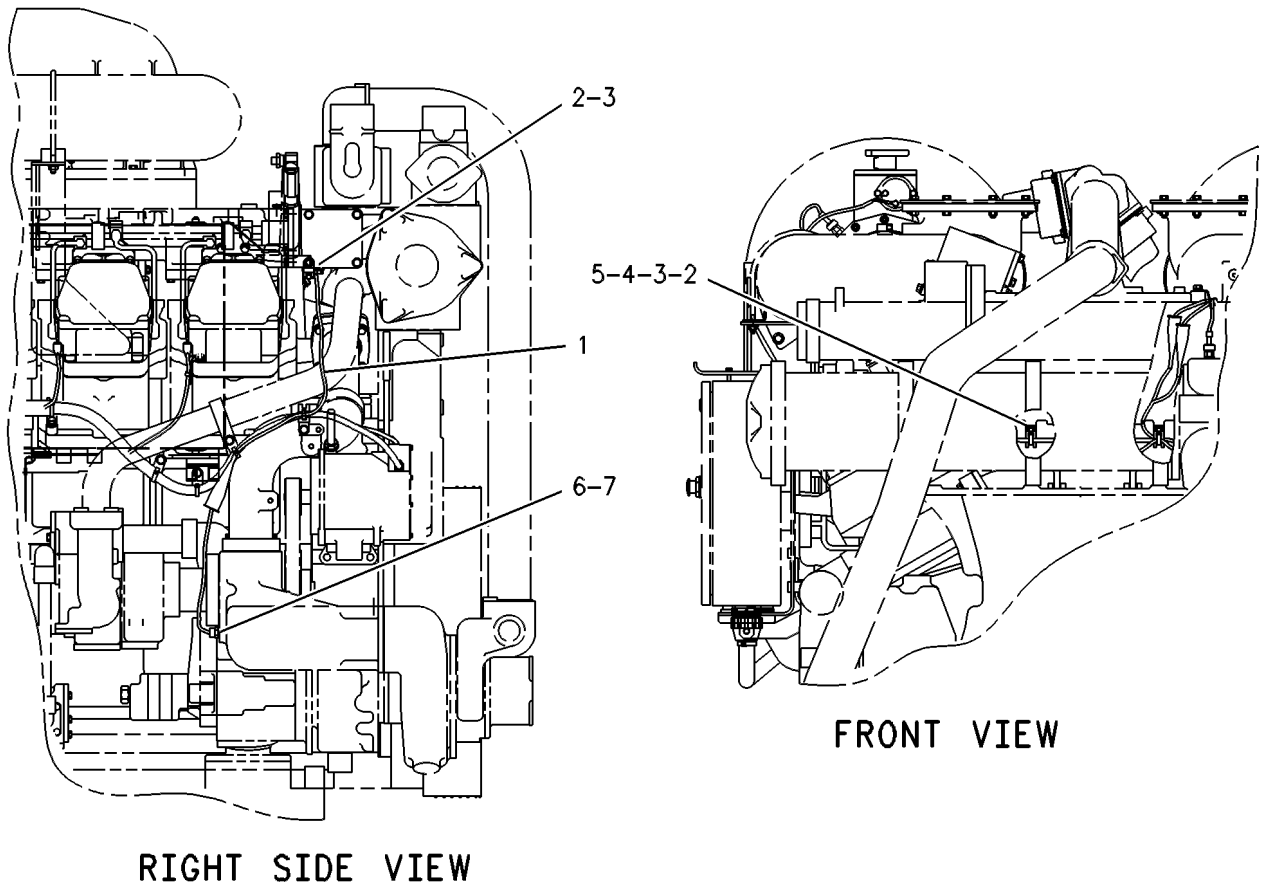
133-9305 WIRING GP-ENGINE AN ATTACHMENT

SMCS-1000, 1408

i00941388

NOTE	REF NO	GRAPHIC REF	PART NUMBER	QTY	PART NAME						SEE PAGE
					1	2	3	4	5	6 (PRODUCT LEVEL)	
	1	1	128-2848	1	HARNES AS-WIRING						
	2	1	9X-6772	2	STRAP-CABLE						
	3	1	4P-8134	2	CLIP (LADDER) (FLAT)						
	4	1	0S-1594	1	BOLT (3/8-16X1-IN)						
	5	1	5M-2894	1	WASHER-HARD (10.2X18.5X2.5-MM THK)						
	6	1	102-2240	1	SENSOR GP-TEMPERATURE (COOLANT)						
		1	102-8803	1	KIT-RECEPTACLE (3-PIN)						
		1	3E-3371	1	WEDGE-RECEPTACLE LOCK (3-PIN)						
E		1	9X-1813		SLEEVE (31CM)						
		1	8T-8729	3	PIN-CONNECTOR (16-GA TO 18-GA)						
	7	1	3K-0360	1	SEAL-O-RING						

E - ORDER BY THE CENTIMETER



GRAPHIC #1

<END>

g00264326

ELECTRICAL AND STARTING SYSTEM

136-5924 WIRING GP-ENGINE

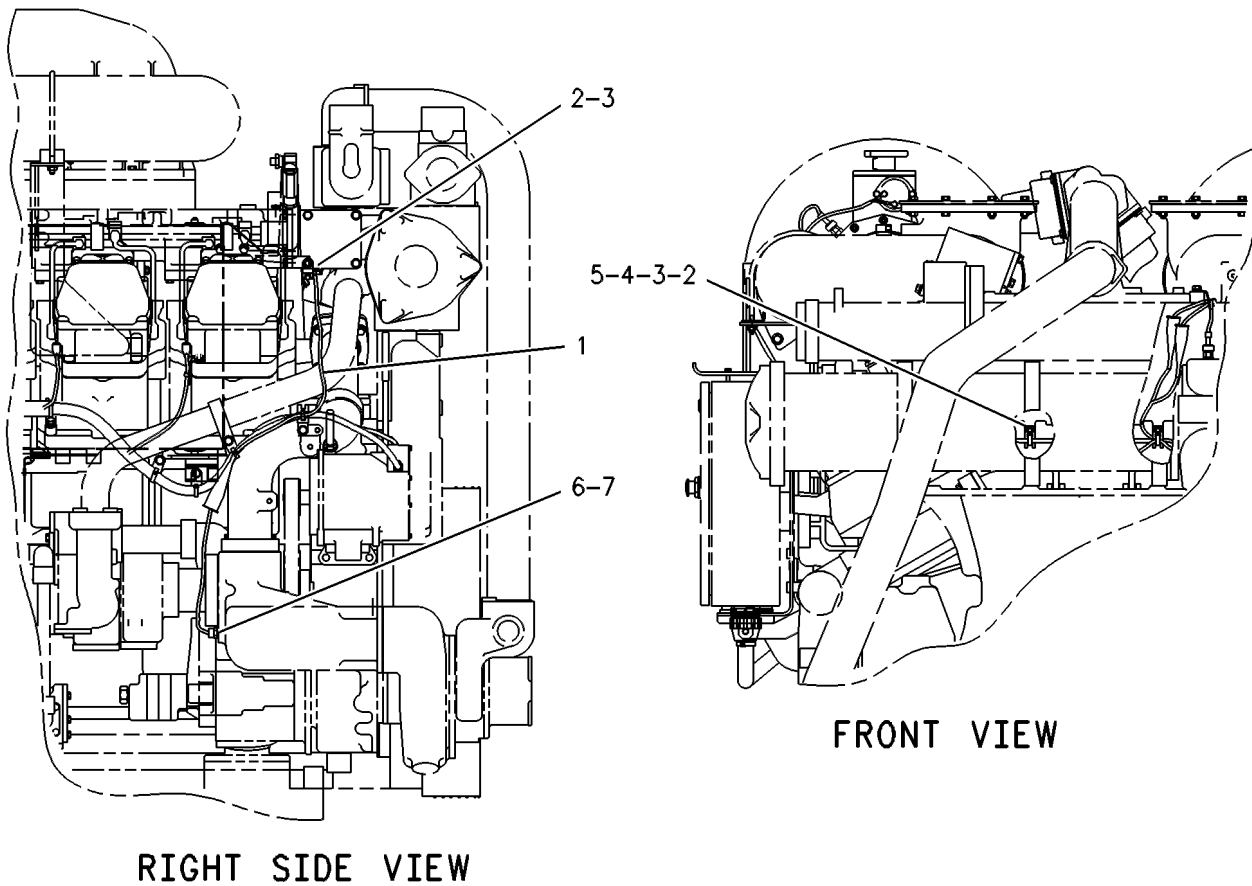
FOR USE WITH JWAC
AN ATTACHMENT

SMCS-1000, 1408

i02764764

NOTE	REF NO	GRAPHIC REF	PART NUMBER	QTY	PART NAME						SEE PAGE
					1	2	3	4	5	6 (PRODUCT LEVEL)	
	1	1	128-2848	1	HARNESS AS-WIRING						
	2	1	9X-6772	2	STRAP-CABLE						
	3	1	4P-8134	2	CLIP (LADDER) (FLAT)						
	4	1	0S-1594	1	BOLT (3/8-16X1-IN)						
	5	1	5M-2894	1	WASHER-HARD (10.2X18.5X2.5-MM THK)						
	6	1	102-2240	1	SENSOR GP-TEMPERATURE (COOLANT)						
		1	102-8803	1	KIT-RECEPTACLE (3-PIN)						
		1	3E-3371	1	WEDGE-RECEPTACLE LOCK (3-PIN)						
E		1	9X-1813		SLEEVE (31CM)						
		1	8T-8729	3	PIN-CONNECTOR (16-GA TO 18-GA)						
	7	1	3K-0360	1	SEAL-O-RING						

E - ORDER BY THE CENTIMETER



GRAPHIC #1

<END>

g00264326

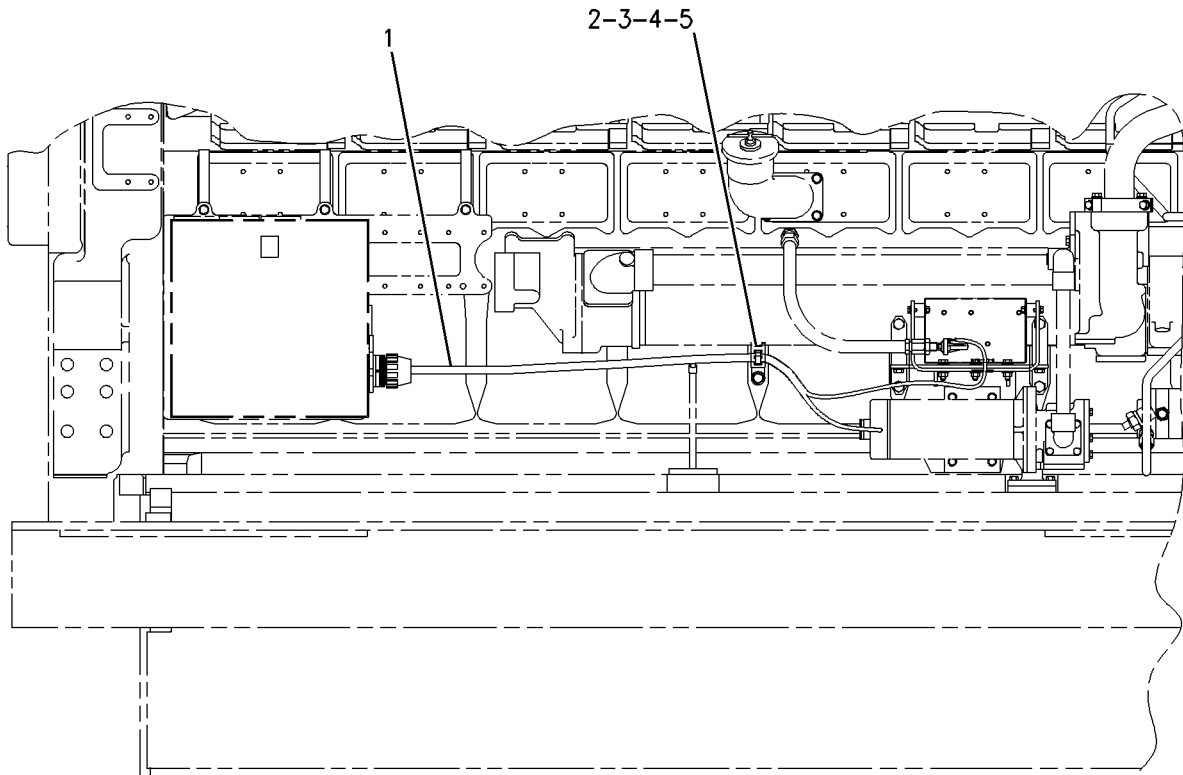
ELECTRICAL AND STARTING SYSTEM

143-1927 WIRING GP-ENGINE-PRELUBRICATION FOR USE WITH PREMIUM HARNESS AN ATTACHMENT

SMCS-1000, 1408

i04582629

NOTE	REF NO	GRAPHIC REF	PART NUMBER	QTY	PART NAME						SEE PAGE
					1	2	3	4	5	6 (PRODUCT LEVEL)	
	1	1	139-8523	1	HARNESS AS-ENGINE						
	2	1	4P-7582	1	CLIP						
	3	1	5P-8245	1	WASHER-HARD (13.5X25.5X3-MM THK)						
	4	1	2H-3855	1	BOLT (1/2-13X0.875-IN)						
	5	1	108-9656	1	STRAP-CABLE						



RIGHT SIDE VIEW

GRAPHIC #1

<END>

g00676421

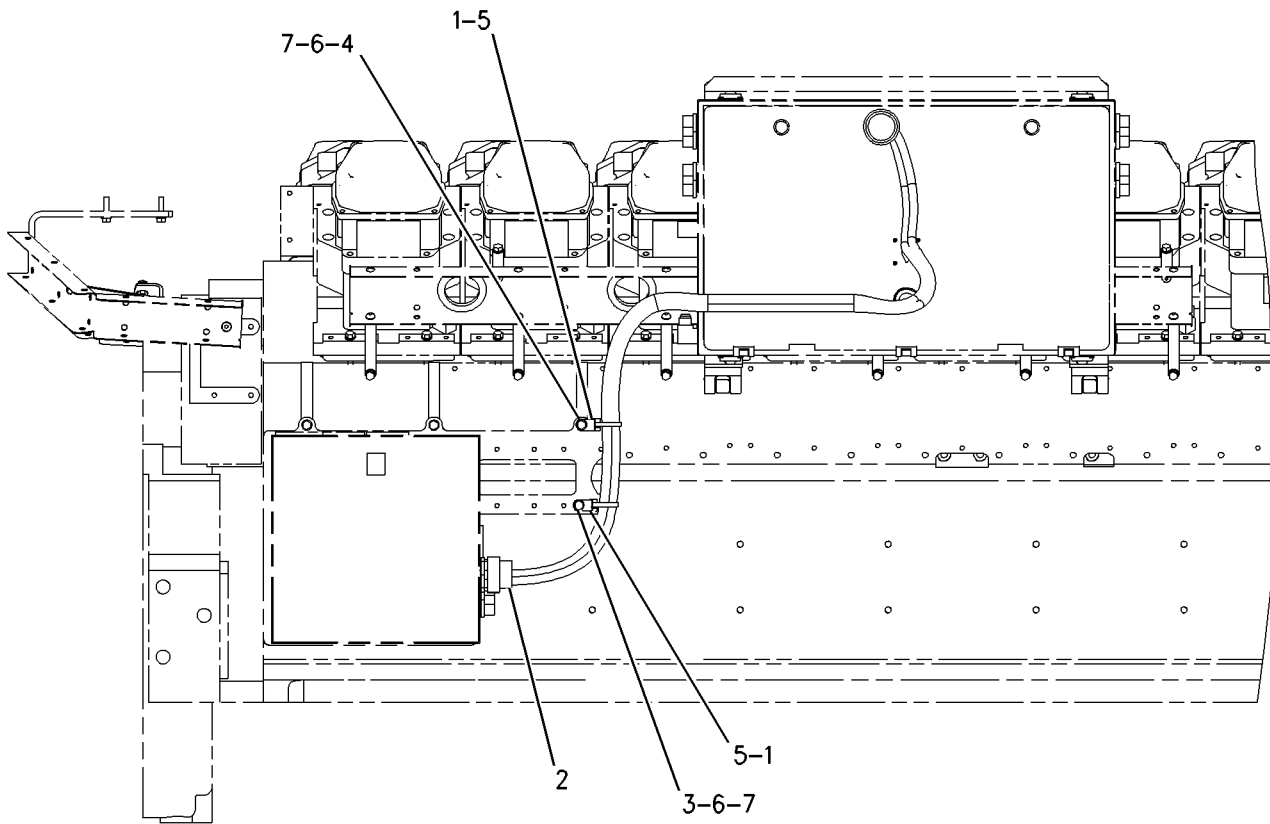
ELECTRICAL AND STARTING SYSTEM

143-1931 WIRING GP-ENGINE-POWER DISTRIBUTION FOR USE WITH PREMIUM HARNESS AN ATTACHMENT

SMCS-1000, 1408

i04582650

NOTE	REF NO	GRAPHIC REF	PART NUMBER	QTY	PART NAME						SEE PAGE
					1	2	3	4	5	6 (PRODUCT LEVEL)	
	1	1	108-9656	2	STRAP-CABLE						
	2	1	139-8528	1	HARNESS AS-ENGINE						
	3	1	0S-1594	1	BOLT (3/8-16X1-IN)						
	4	1	1A-2029	1	BOLT (3/8-16X1.125-IN)						
	5	1	4P-8134	2	CLIP (LADDER)						
	6	1	5M-2894	4	WASHER-HARD (10.2X18.5X2.5-MM THK)						
	7	1	9S-8752	2	NUT-FULL (3/8-16-THD)						



RIGHT SIDE VIEW

GRAPHIC #1

<END>

g00747731

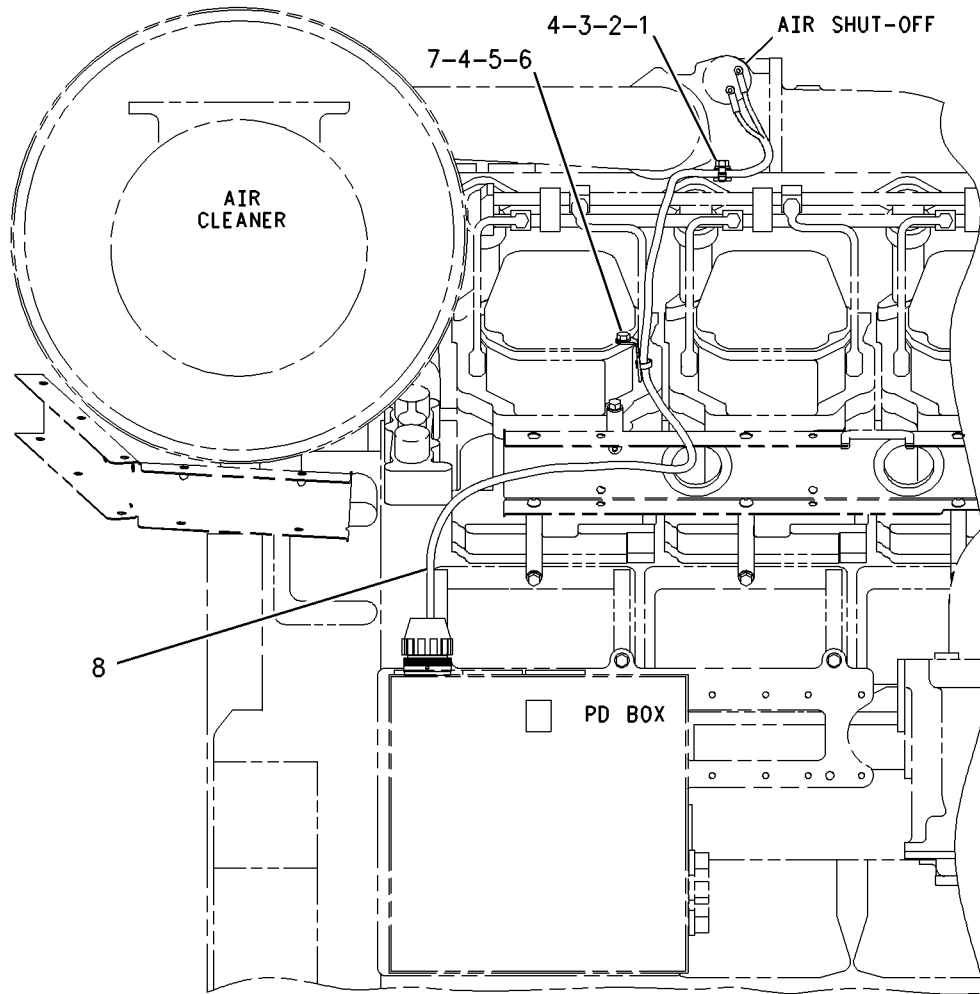
ELECTRICAL AND STARTING SYSTEM

150-4228 WIRING GP-ENGINE AN ATTACHMENT

SMCS-1000, 1408

i01330404

NOTE	REF NO	GRAPHIC REF	PART NUMBER	QTY	PART NAME						SEE PAGE
					1	2	3	4	5	6 (PRODUCT LEVEL)	
	1	1	0S-0509	1	BOLT (3/8-16X0.75-IN)						
	2	1	5M-2894	1	WASHER-HARD (10.2X18.5X2.5-MM THK)						
	3	1	4P-7581	1	CLIP (LADDER)						
	4	1	108-9656	2	STRAP-CABLE						
	5	1	1A-9579	1	BOLT (5/16-18X1.5-IN)						
	6	1	9M-1974	1	WASHER-HARD (8.8X16X2-MM THK)						
	7	1	4P-8134	1	CLIP (LADDER)						
	8	1	150-4227	1	HARNESS AS						



RIGHT SIDE VIEW

GRAPHIC #1

<END>

g00704646

ELECTRICAL AND STARTING SYSTEM

152-0486 WIRING GP-ENGINE

AN ATTACHMENT

SMCS-1000, 1408

i01045410

NOTE	REF NO	GRAPHIC REF	PART NUMBER	QTY	PART NAME						SEE PAGE
					1	2	3	4	5	6 (PRODUCT LEVEL)	
	1	1	108-9656	3	STRAP-CABLE						
	2	1	4P-7581	3	CLIP (LADDER)						
	3	2	108-9656	1	STRAP-CABLE						
	4	2	0S-1594	1	BOLT (3/8-16X1-IN)						
	5	2	4P-8134	1	CLIP (LADDER)						
	6	2	5M-2894	1	WASHER-HARD (10.2X18.5X2.5-MM THK)						
	7	1,2	131-1578	2	STRAP-CABLE						
	8	1,2	0S-1594	2	BOLT (3/8-16X1-IN)						
	9	1,2	4P-8134	2	CLIP (LADDER)						
	10	1,2	5M-2894	4	WASHER-HARD (10.2X18.5X2.5-MM THK)						
	11	1,2	9S-8752	2	NUT-FULL (3/8-16-THD)						
	12	1	131-1578	29	STRAP-CABLE						
Y	13	1	3E-7826	2	SENSOR GP-EXHAUST TEMPERATURE (RH)						490
Y	13A	2	3E-7826	2	SENSOR GP-EXHAUST TEMPERATURE (LH)						490
	14	2	6W-2928	1	BOSS						
	15	2	9G-5127	1	BREATHER AS						
	16	1,2	9X-0262	6	ADAPTER						
	17	1,2	9X-0263	2	ADAPTER						
	18	1	9X-5392	1	SENSOR GP-SPEED (SPEED)						
		1	8T-8729	2	PIN-CONNECTOR (16-GA TO 18-GA)						
		1	8T-8732	1	RECEPTACLE-CONNECTOR (3-PIN)						
		1	8T-8737	1	PLUG-SEAL						
E		1	9X-1386		SLEEVE (14CM)						
	19	1	102-7532	1	SENSOR GP-TEMPERATURE (COOLANT)						
		1	8T-8729	3	PIN-CONNECTOR (16-GA TO 18-GA)						
		1	8T-8732	1	RECEPTACLE-CONNECTOR (3-PIN)						
E		1	9X-1813		SLEEVE (31CM)						
Y	20	2	102-9029	1	SENSOR GP-SPEED						505
	21	1,2	108-9656	38	STRAP-CABLE						
	22	2	111-3684	1	HOSE AS						
Y	23	1	111-8800	2	SENSOR GP-PRESSURE (TURBO INLET RH)						493
Y	23A	2	111-8800	1	SENSOR GP-PRESSURE (AMBIENT)						493
Y	23B	2	111-8800	1	SENSOR GP-PRESSURE (CRANKCASE)						493
Y	23C	2	111-8800	1	SENSOR GP-PRESSURE (TURBO INLET LH)						493
	24	2	117-0067	1	ELBOW						
Y	25	1	128-4347	1	SENSOR GP-TEMPERATURE (AFTERCOOLER)						512
Y	26	1	128-5416	1	SENSOR GP-PRESSURE (FILTERED FUEL)						495
Y	26A	1	128-5416	1	SENSOR GP-PRESSURE (UNFILTERED FUEL)						495
Y	26B	1	128-5416	1	SENSOR GP-PRESSURE (FILTERED OIL)						495
Y	26C	1	128-5416	1	SENSOR GP-PRESSURE (UNFILTERED OIL)						495
	27	2	152-0488	1	HARNESS AS-ENGINE						
	28	2	152-0489	1	HARNESS AS-ENGINE						
	29	2	152-0490	1	HARNESS AS-SENSOR						
	30	2	152-0495	1	HARNESS AS-SENSOR (TURBOCHARGER)						
	31	2	001-9440	1	CONNECTOR						
	32	2	0S-1588	1	BOLT (3/8-16X1.25-IN)						
	33	1,2	0S-1591	2	BOLT (3/8-16X1.5-IN)						
	34	1	0T-0573	1	BOLT (3/8-16X2.75-IN)						

ELECTRICAL AND STARTING SYSTEM

152-0486 WIRING GP-ENGINE (contd.)

i01045410

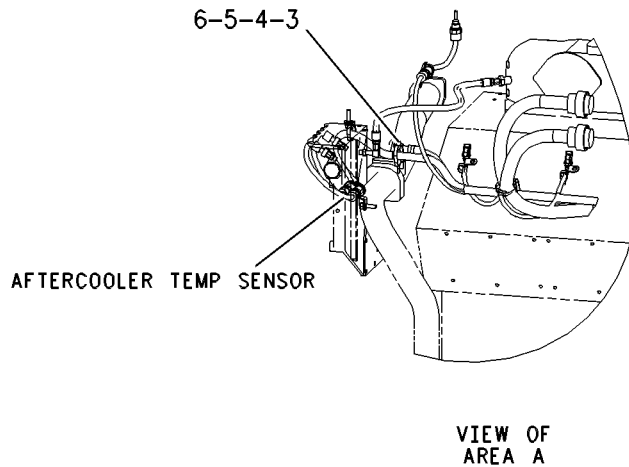
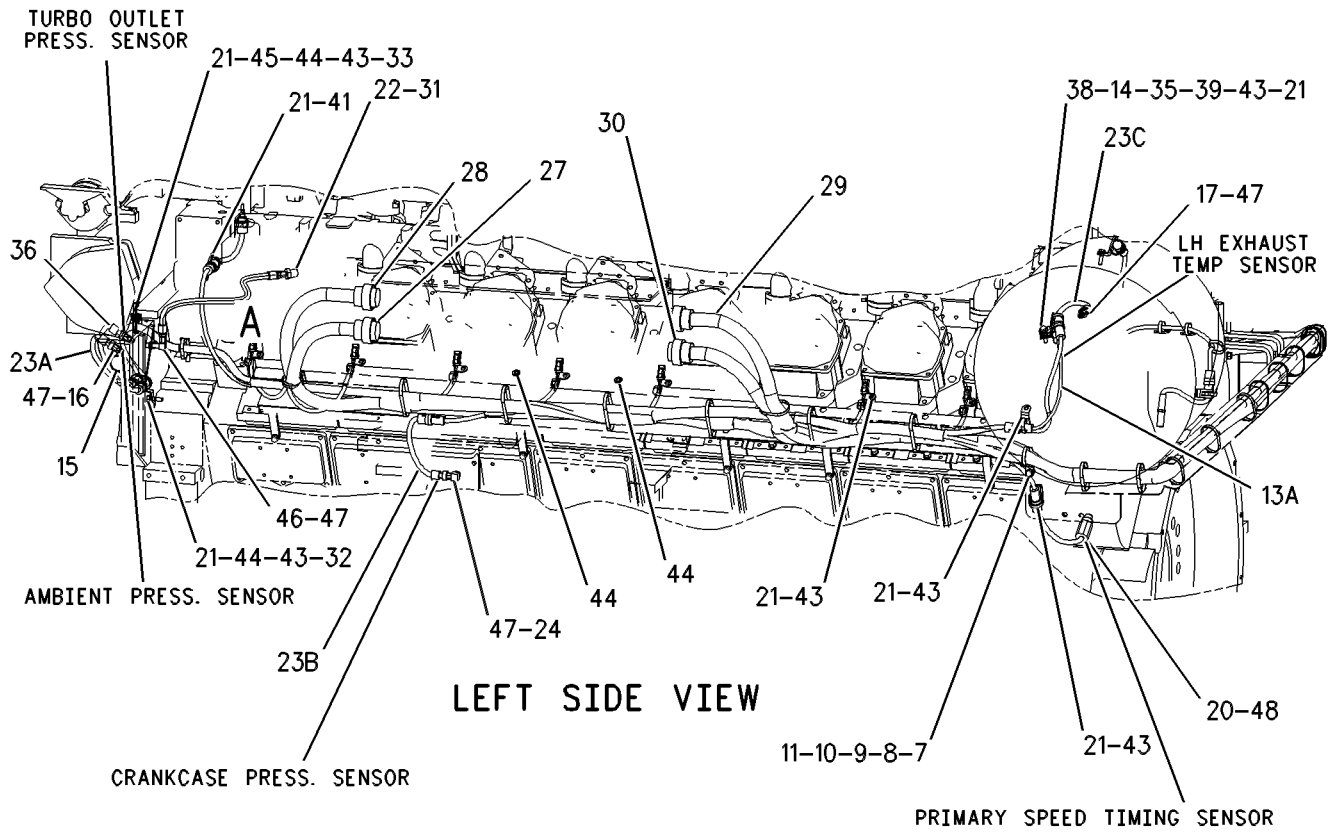
NOTE	REF NO	GRAPHIC REF	PART NUMBER	QTY	PART NAME						SEE PAGE
					1	2	3	4	5	6 (PRODUCT LEVEL)	
	35	1,2	124-0289	2	CLIP						
Y	36	2	128-5415	1	SENSOR GP-PRESSURE (TURBO OUTLET)						494
	37	1	1B-7182	2	BOLT (5/16-18X1.25-IN)						
	38	2	1B-9575	1	BOLT (5/16-18X1.56-IN)						
	39	1,2	3E-4352	3	WASHER-HARD (8.8X20.5X2.5-MM THK)						
	40	1	3K-0360	2	SEAL-O-RING						
	41	1,2	4P-7581	3	CLIP (LADDER)						
	42	1	4P-7582	2	CLIP						
	43	1,2	4P-8134	32	CLIP (LADDER)						
	44	1,2	5M-2894	8	WASHER-HARD (10.2X18.5X2.5-MM THK)						
	45	2	5P-1075	1	WASHER-HARD (10.2X22.5X3-MM THK)						
	46	2	5P-3426	1	ELBOW						
	47	1,2	6V-5048	17	SEAL-O-RING						
	48	2	8L-2786	1	SEAL-O-RING						
	49	1	9S-8752	1	NUT-FULL (3/8-16-THD)						

E - ORDER BY THE CENTIMETER
 Y - SEPARATE ILLUSTRATION

ELECTRICAL AND STARTING SYSTEM

152-0486 WIRING GP-ENGINE (contd.)

i01045410



GRAPHIC #2

<END>

g00543166

ELECTRICAL AND STARTING SYSTEM

152-0487 WIRING GP-ENGINE

S/N: 3XS1-407

AN ATTACHMENT

SMCS-1000, 1408

i01045444

NOTE	REF NO	GRAPHIC REF	PART NUMBER	QTY	PART NAME						SEE PAGE
					1	2	3	4	5	6 (PRODUCT LEVEL)	
B	1	1	108-9656	3	STRAP-CABLE						
B	2	1	4P-7581	3	CLIP (LADDER)						
B	3	2	108-9656	1	STRAP-CABLE						
B	4	2	0S-1594	1	BOLT (3/8-16X1-IN)						
B	5	2	4P-8134	1	CLIP (LADDER)						
B	6	2	5M-2894	1	WASHER-HARD (10.2X18.5X2.5-MM THK)						
	7	2	108-9656	1	STRAP-CABLE (FOR USE WITH DUPLEX FILTERS)						
	8	2	4P-7581	1	CLIP (LADDER) (FOR USE WITH DUPLEX FILTERS)						
	9	2	108-9656	2	STRAP-CABLE (FOR USE WITH STANDARD FILTERS)						
	10	2	0T-0573	1	BOLT (3/8-16X2.75-IN) (FOR USE WITH STANDARD FILTERS)						
	11	2	4P-8134	2	CLIP (LADDER) (FOR USE WITH STANDARD FILTERS)						
	12	2	5M-2894	2	WASHER-HARD (10.2X18.5X2.5-MM THK) (FOR USE WITH STANDARD FILTERS)						
	13	2	9S-8752	1	NUT-FULL (3/8-16-THD) (FOR USE WITH STANDARD FILTERS)						
B	14	1	131-1578	29	STRAP-CABLE						
B	15	1,2	131-1578	2	STRAP-CABLE						
B	16	1,2	0S-1594	2	BOLT (3/8-16X1-IN)						
B	17	1,2	4P-8134	2	CLIP (LADDER)						
B	18	1,2	5M-2894	4	WASHER-HARD (10.2X18.5X2.5-MM THK)						
B	19	1,2	9S-8752	2	NUT-FULL (3/8-16-THD)						
Y	20	1,2	3E-7826	1	SENSOR GP-EXHAUST TEMPERATURE (RH)						490
Y	20A	2	3E-7826	1	SENSOR GP-EXHAUST TEMPERATURE (LH)						490
	21	1	6W-2928	1	BOSS						
	22	2	9G-5127	1	BREATHER AS						
	23	1,2	9X-0262	6	ADAPTER						
	24	1,2	9X-0263	2	ADAPTER						
	25	1	9X-5392	1	SENSOR GP-SPEED (ELECTRONIC SPEED CALIBRATION)						
		1	8T-8729	2	PIN-CONNECTOR (16-GA TO 18-GA)						
		1	8T-8732	1	RECEPTACLE-CONNECTOR (3-PIN)						
		1	8T-8737	1	PLUG-SEAL						
E		1	9X-1386		SLEEVE (14CM)						
	26	1	102-7532	1	SENSOR GP-TEMPERATURE (COOLANT)						
		1	8T-8729	3	PIN-CONNECTOR (16-GA TO 18-GA)						
		1	8T-8732	1	RECEPTACLE-CONNECTOR (3-PIN)						
E		1	9X-1813		SLEEVE (31CM)						
Y	27	2	102-9029	1	SENSOR GP-SPEED (PRIMARY SPEED TIMING)						505
	28	1,2	108-9656	32	STRAP-CABLE						
	29	2	111-3684	1	HOSE AS						
Y	30	1,2	111-8800	1	SENSOR GP-PRESSURE (RH TURBO INLET)						493
Y	30A	2	111-8800	1	SENSOR GP-PRESSURE (AMBIENT)						493
Y	30B	2	111-8800	1	SENSOR GP-PRESSURE (CRANKCASE)						493
Y	30C	2	111-8800	1	SENSOR GP-PRESSURE (LH TURBO INLET)						493
	31	1	117-0067	1	ELBOW						
Y	32	1	128-4347	1	SENSOR GP-TEMPERATURE (AFTERCOOLER)						512
Y	33	1	128-5416	1	SENSOR GP-PRESSURE (FILTERED OIL)						495
Y	33A	2	128-5416	1	SENSOR GP-PRESSURE (UNFILTERED OIL)						495
Y	33B	2	128-5416	1	SENSOR GP-PRESSURE (FILTERED FUEL)						495

ELECTRICAL AND STARTING SYSTEM

152-0487 WIRING GP-ENGINE (contd.)

i01045444

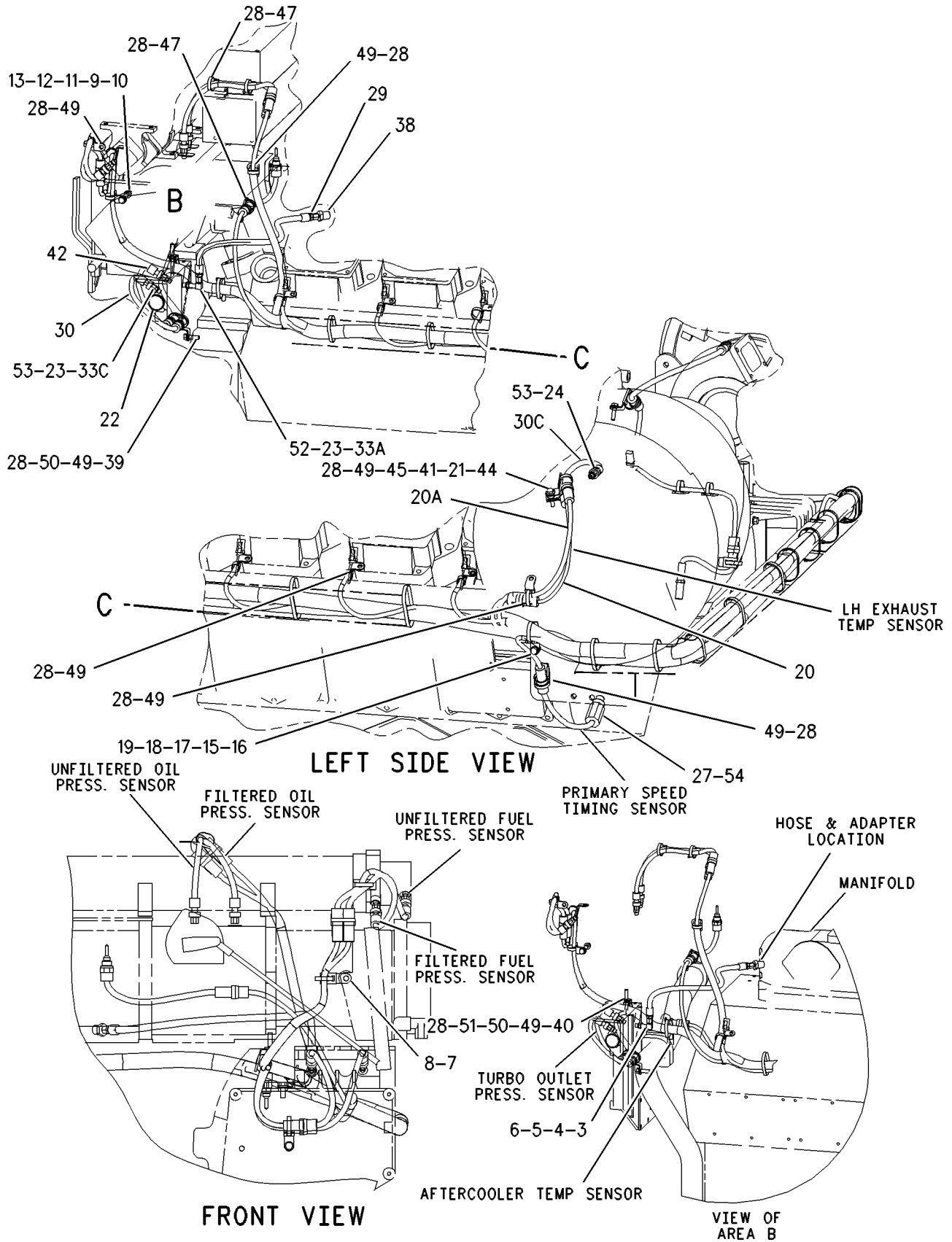
NOTE	REF NO	GRAPHIC REF	PART NUMBER	QTY	PART NAME						SEE PAGE
					1	2	3	4	5	6 (PRODUCT LEVEL)	
Y	33C	2	128-5416	1	SENSOR GP-PRESSURE (UNFILTERED FUEL)						495
	34	1	152-0492	1	HARNESS AS-ENGINE						
	35	1	152-0493	1	HARNESS AS-ENGINE						
	36	1	152-0496	1	HARNESS AS						
	37	1	152-0498	1	HARNESS AS-SENSOR						
	38	2	001-9440	1	CONNECTOR						
	39	2	0S-1588	1	BOLT (3/8-16X1.25-IN)						
	40	1	0S-1591	1	BOLT (3/8-16X1.5-IN)						
	41	1	124-0289	2	CLIP						
Y	42	2	128-5415	1	SENSOR GP-PRESSURE (TURBO OUTLET)						494
	43	1	1B-7182	2	BOLT (5/16-18X1.25-IN)						
	44	1	1B-9575	3	BOLT (5/16-18X1.56-IN)						
	45	1	3E-4352	3	WASHER-HARD (8.8X20.5X2.5-MM THK)						
	46	1	3K-0360	2	SEAL-O-RING						
	47	2	4P-7581	3	CLIP (LADDER)						
	48	1	4P-7582	2	CLIP						
	49	1,2	4P-8134	27	CLIP (LADDER)						
	50	1,2	5M-2894	5	WASHER-HARD (10.2X18.5X2.5-MM THK)						
	51	1	5P-1075	1	WASHER-HARD (10.2X22.5X3-MM THK)						
	52	1,2	5P-3426	1	ELBOW						
	53	2	6V-5048	17	SEAL-O-RING						
	54	1,2	8L-2786	1	SEAL-O-RING						

B - USE AS REQUIRED
 E - ORDER BY THE CENTIMETER
 Y - SEPARATE ILLUSTRATION

ELECTRICAL AND STARTING SYSTEM

152-0487 WIRING GP-ENGINE (contd.)

i01045444



GRAPHIC #2

<END>

g00585697

ELECTRICAL AND STARTING SYSTEM

152-0507 WIRING GP-ENGINE-LH

S/N: 3XS1-407

PREMIUM

AN ATTACHMENT

SMCS-1000, 1408

i01043761

NOTE	REF NO	GRAPHIC REF	PART NUMBER	QTY	PART NAME						SEE PAGE
					1	2	3	4	5	6 (PRODUCT LEVEL)	
B	1	1	108-9656	3	STRAP-CABLE						
B	2	1	4P-7581	3	CLIP (LADDER)						
B	3	2	108-9656	1	STRAP-CABLE						
B	4	2	0S-1594	1	BOLT (3/8-16X1-IN)						
B	5	2	4P-8134	1	CLIP (LADDER)						
B	6	2	5M-2894	1	WASHER-HARD (10.2X18.5X2.5-MM THK)						
B	7	1,2	131-1578	2	STRAP-CABLE						
B	8	1,2	0S-1594	2	BOLT (3/8-16X1-IN)						
B	9	1,2	4P-8134	2	CLIP (LADDER)						
B	10	1,2	5M-2894	4	WASHER-HARD (10.2X18.5X2.5-MM THK)						
B	11	1,2	9S-8752	2	NUT-FULL (3/8-16-THD)						
B	12	1	131-1578	29	STRAP-CABLE						
Y	13	1	3E-7826	1	SENSOR GP-EXHAUST TEMPERATURE (RH)						490
Y	13A	2	3E-7826	1	SENSOR GP-EXHAUST TEMPERATURE (LH)						490
	14	2	6W-2928	1	BOSS						
	15	2	9G-5127	1	BREATHER AS						
	16	1,2	9X-0262	6	ADAPTER						
	17	1,2	9X-0263	2	ADAPTER						
	18	1	9X-5392	1	SENSOR GP-SPEED (SPEED)						
		1	8T-8729	2	PIN-CONNECTOR (16-GA TO 18-GA)						
		1	8T-8732	1	RECEPTACLE-CONNECTOR (3-PIN)						
		1	8T-8737	1	PLUG-SEAL						
E		1	9X-1386		SLEEVE (14CM)						
	19	1	102-7532	1	SENSOR GP-TEMPERATURE (COOLANT)						
		1	8T-8729	3	PIN-CONNECTOR (16-GA TO 18-GA)						
		1	8T-8732	1	RECEPTACLE-CONNECTOR (3-PIN)						
E		1	9X-1813		SLEEVE (31CM)						
Y	20	2	102-9029	1	SENSOR GP-SPEED						505
	21	1,2	108-9656	33	STRAP-CABLE						
	22	2	111-3684	1	HOSE AS						
Y	23	2	111-8800	1	SENSOR GP-PRESSURE (LH TURBO INLET)						493
Y	23A	2	111-8800	1	SENSOR GP-PRESSURE (AMBIENT)						493
Y	23B	2	111-8800	1	SENSOR GP-PRESSURE (CRANKCASE)						493
Y	23C	2	111-8800	1	SENSOR GP-PRESSURE (RH TURBO INLET)						493
	24	2	117-0067	1	ELBOW						
Y	25	1	128-4347	1	SENSOR GP-TEMPERATURE (AFTERCOOLER)						512
Y	26	1	128-5416	1	SENSOR GP-PRESSURE (UNFILTERED FUEL)						495
Y	26A	1	128-5416	1	SENSOR GP-PRESSURE (FILTERED OIL)						495
Y	26B	1	128-5416	1	SENSOR GP-PRESSURE (FILTERED FUEL)						495
Y	26C	1	128-5416	1	SENSOR GP-PRESSURE (UNFILTERED OIL)						495
	27	2	152-0488	1	HARNESS AS-ENGINE						
	28	2	152-0489	1	HARNESS AS-ENGINE						
	29	2	152-0495	1	HARNESS AS-SENSOR (TURBOCHARGER)						
	30	2	152-0506	1	HARNESS AS-SENSOR						
	31	2	001-9440	1	CONNECTOR						
	32	2	0S-1588	1	BOLT (3/8-16X1.25-IN)						

ELECTRICAL AND STARTING SYSTEM

152-0507 **WIRING GP-ENGINE** (contd.)

i01043761

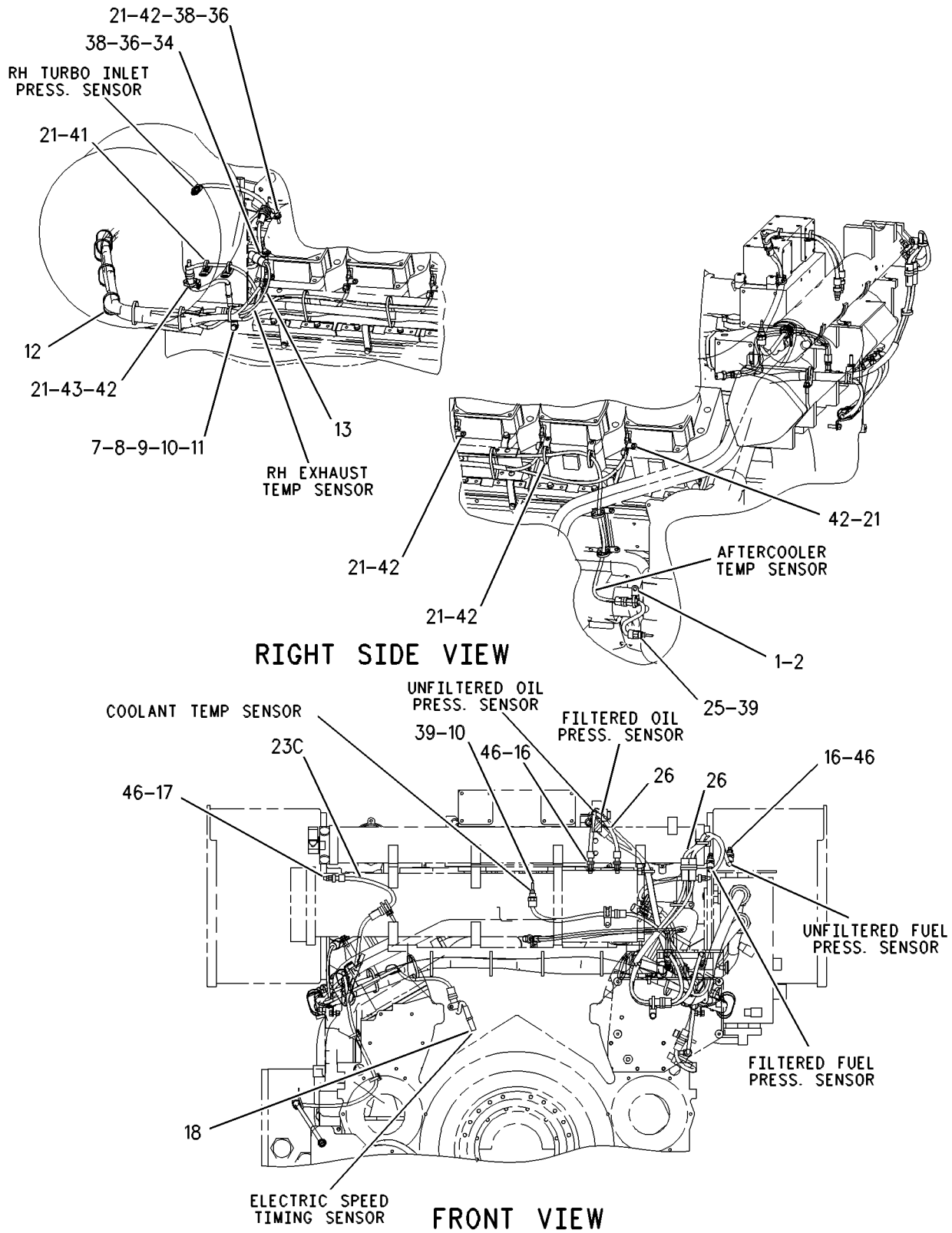
NOTE	REF NO	GRAPHIC REF	PART NUMBER	QTY	PART NAME						SEE PAGE
					1	2	3	4	5	6 (PRODUCT LEVEL)	
	33	2	0S-1591	1	BOLT (3/8-16X1.5-IN)						
	34	2	124-0289	2	CLIP						
Y	35	2	128-5415	1	SENSOR GP-PRESSURE (TURBO OUTLET)						494
	36	1	1B-7182	2	BOLT (5/16-18X1.25-IN)						
	37	2	1B-9575	1	BOLT (5/16-18X1.56-IN)						
	38	1,2	3E-4352	3	WASHER-HARD (8.8X20.5X2.5-MM THK)						
	39	1	3K-0360	2	SEAL-O-RING						
	40	2	4P-7581	4	CLIP (LADDER)						
	41	1	4P-7582	2	CLIP						
	42	1,2	4P-8134	27	CLIP (LADDER)						
	43	1,2	5M-2894	5	WASHER-HARD (10.2X18.5X2.5-MM THK)						
	44	2	5P-1075	1	WASHER-HARD (10.2X22.5X3-MM THK)						
	45	2	5P-3426	1	ELBOW						
	46	1,2	6V-5048	17	SEAL-O-RING						
	47	2	8L-2786	1	SEAL-O-RING						

B - USE AS REQUIRED
 E - ORDER BY THE CENTIMETER
 Y - SEPARATE ILLUSTRATION

ELECTRICAL AND STARTING SYSTEM

152-0507 WIRING GP-ENGINE (contd.)

i01043761



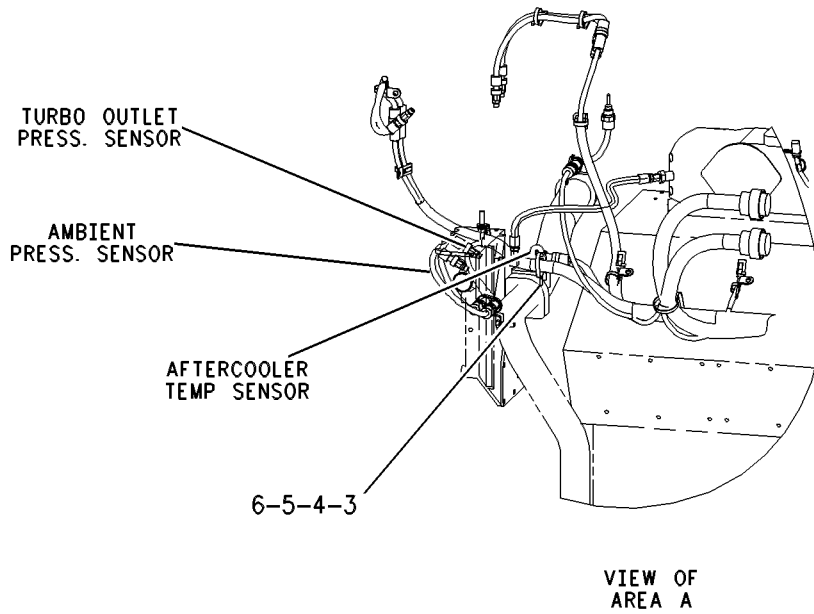
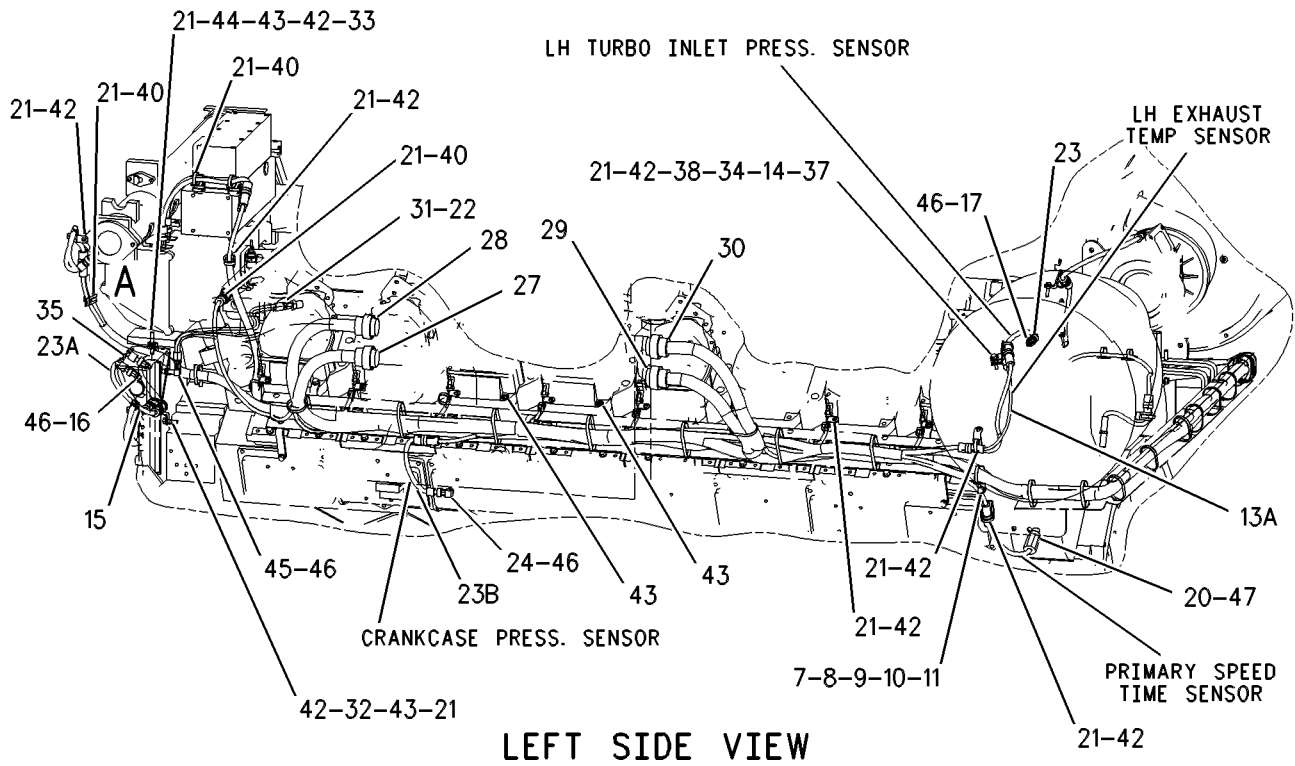
GRAPHIC #1

g00543668

ELECTRICAL AND STARTING SYSTEM

152-0507 WIRING GP-ENGINE (contd.)

i01043761



GRAPHIC #2

<END>

g00544115

ELECTRICAL AND STARTING SYSTEM

152-0507 WIRING GP-ENGINE-LH

S/N: 3XS408-UP

PREMIUM

AN ATTACHMENT

SMCS-1000, 1408

i02767939

NOTE	REF NO	GRAPHIC REF	PART NUMBER	QTY	PART NAME						SEE PAGE
					1	2	3	4	5	6 (PRODUCT LEVEL)	
B	1	1	108-9656	3	STRAP-CABLE						
B	2	1	4P-7581	3	CLIP (LADDER)						
B	3	2	108-9656	1	STRAP-CABLE						
B	4	2	0S-1594	1	BOLT (3/8-16X1-IN)						
B	5	2	4P-8134	1	CLIP (LADDER)						
B	6	2	5M-2894	1	WASHER-HARD (10.2X18.5X2.5-MM THK)						
B	7	1,2	131-1578	2	STRAP-CABLE						
B	8	1,2	0S-1594	2	BOLT (3/8-16X1-IN)						
B	9	1,2	4P-8134	2	CLIP (LADDER)						
B	10	1,2	5M-2894	4	WASHER-HARD (10.2X18.5X2.5-MM THK)						
B	11	1,2	9S-8752	2	NUT-FULL (3/8-16-THD)						
B	12	1	131-1578	29	STRAP-CABLE						
	13	2	9G-5127	1	BREATHER AS (ATMOSPHERIC AIR)						
C	14	1	9M-4594	2	SPACER (0.406X0.875X0.75-IN THK)						
	15	1,2	9X-0262	6	ADAPTER						
	16	1,2	9X-0263	2	ADAPTER						
	17	1	9X-5392	1	SENSOR GP-SPEED (ENGINE)						
		1	8T-8729	2	PIN-CONNECTOR (16-GA TO 18-GA)						
		1	8T-8732	1	RECEPTACLE-CONNECTOR (3-PIN)						
		1	8T-8737	1	PLUG-SEAL						
E		1	9X-1386		SLEEVE (14CM)						
	18	1	102-7532	1	SENSOR GP-TEMPERATURE (ENGINE COOLANT)						
Y	19	2	102-9029	1	SENSOR GP-SPEED (TIMING, CAMSHAFT)						505
C	20	1,2	108-9656	37	STRAP-CABLE						
	21	2	111-3684	1	HOSE AS						
	22	2	117-0067	1	ELBOW						
Y	23	1	128-4347	1	SENSOR GP-TEMPERATURE (AFTERCOOLER)						512
	24	2	152-0488	1	HARNESS AS-ENGINE						
	25	2	152-0489	1	HARNESS AS-ENGINE						
	26	2	152-0495	1	HARNESS AS-SENSOR (TURBOCHARGER)						
	27	2	152-0506	1	HARNESS AS-SENSOR						
CY	28	2	163-8492	1	SENSOR GP-PRESSURE (TURBOCHARGER INLET, LH)						502
CY	28A	2	163-8492	1	SENSOR GP-PRESSURE (ATMOSPHERIC)						502
CY	28B	2	163-8492	1	SENSOR GP-PRESSURE (CRANKCASE)						502
CY	28C	1	163-8492	1	SENSOR GP-PRESSURE (TURBOCHARGER INLET, RH)						502
C	29	2	163-8522	1	SENSOR GP-PRESSURE (TURBOCHARGER OUTLET)						
C	30	1	163-8523	1	SENSOR GP-PRESSURE (UNFILTERED FUEL)						
C	30A	1	163-8523	1	SENSOR GP-PRESSURE (FILTERED OIL)						
C	30B	1	163-8523	1	SENSOR GP-PRESSURE (FILTERED FUEL)						
C	30C	1	163-8523	1	SENSOR GP-PRESSURE (UNFILTERED OIL)						
CY	31	1	164-2441	1	SENSOR GP-EXHAUST TEMPERATURE (TURBOCHARGER, RH)						489
CY	31A	2	164-2441	1	SENSOR GP-EXHAUST TEMPERATURE (TURBOCHARGER, LH)						489
	32	2	001-9440	1	CONNECTOR						
C	33	1	0S-1571	2	BOLT (3/8-16X1.75-IN)						
	34	2	0S-1588	1	BOLT (3/8-16X1.25-IN)						

ELECTRICAL AND STARTING SYSTEM

152-0507 **WIRING GP-ENGINE** (contd.)

i02767939

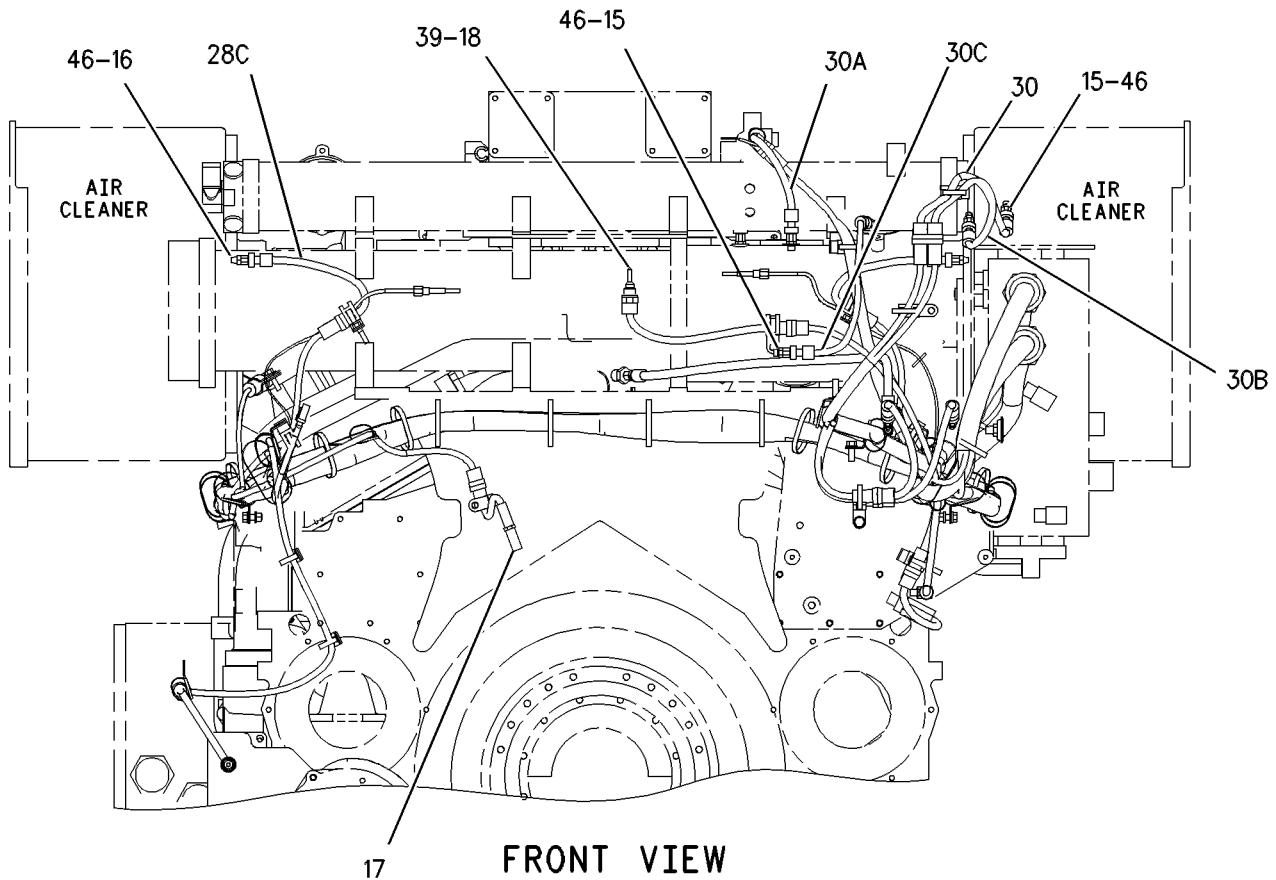
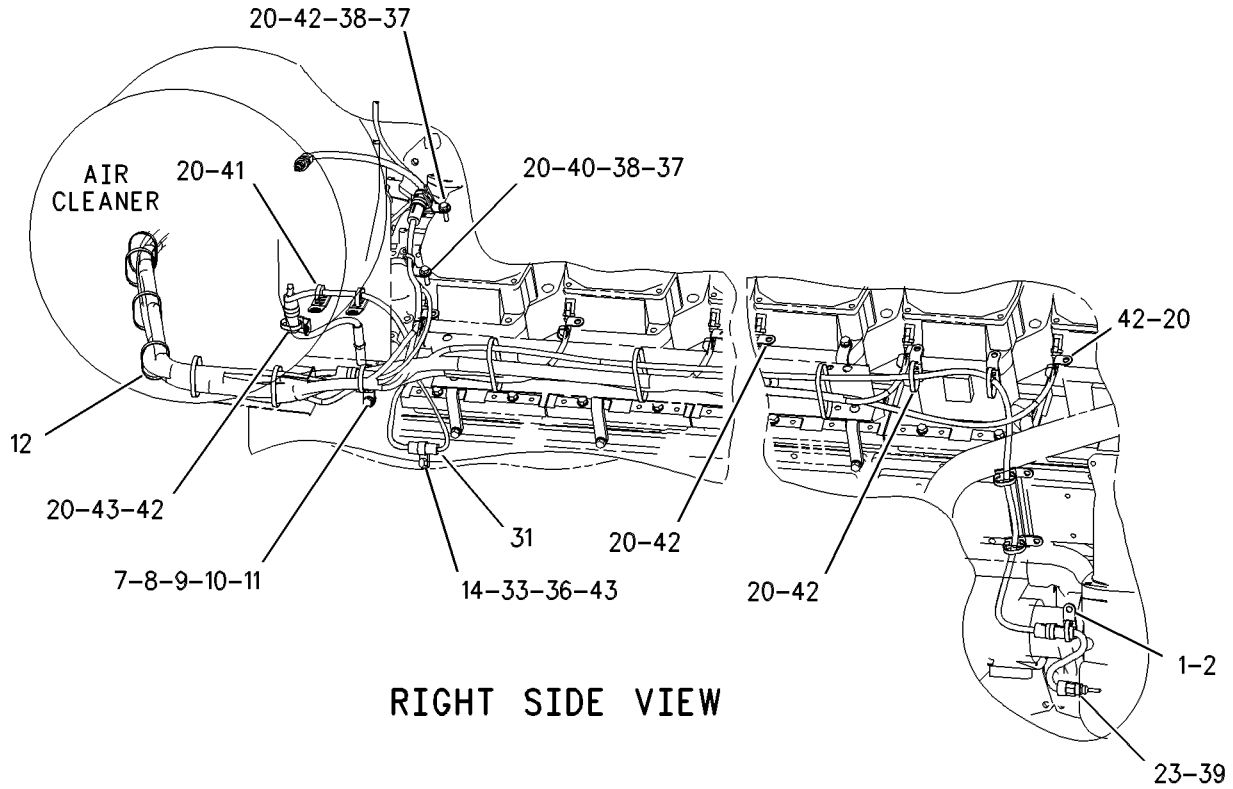
NOTE	REF NO	GRAPHIC REF	PART NUMBER	QTY	PART NAME						SEE PAGE
					1	2	3	4	5	6 (PRODUCT LEVEL)	
	35	2	0S-1591	1	BOLT (3/8-16X1.5-IN)						
	36	1,2	124-0289	2	CLIP						
C	37	1,2	1B-7182	4	BOLT (5/16-18X1.25-IN)						
C	38	1,2	3E-4352	4	WASHER-HARD (8.8X20.5X2.5-MM THK)						
	39	1	3K-0360	2	SEAL-O-RING						
	40	2	4P-7581	7	CLIP (LADDER)						
	41	1	4P-7582	2	CLIP						
	42	1,2	4P-8134	28	CLIP (LADDER)						
	43	1,2	5M-2894	7	WASHER-HARD (10.2X18.5X2.5-MM THK)						
	44	2	5P-1075	1	WASHER-HARD (10.2X22.5X3-MM THK)						
	45	2	5P-3426	1	ELBOW						
	46	1,2	6V-5048	17	SEAL-O-RING						
	47	2	8L-2786	1	SEAL-O-RING						

B - USE AS REQUIRED
 C - CHANGE FROM PREVIOUS TYPE
 E - ORDER BY THE CENTIMETER
 Y - SEPARATE ILLUSTRATION

ELECTRICAL AND STARTING SYSTEM

152-0507 WIRING GP-ENGINE (contd.)

i02767939



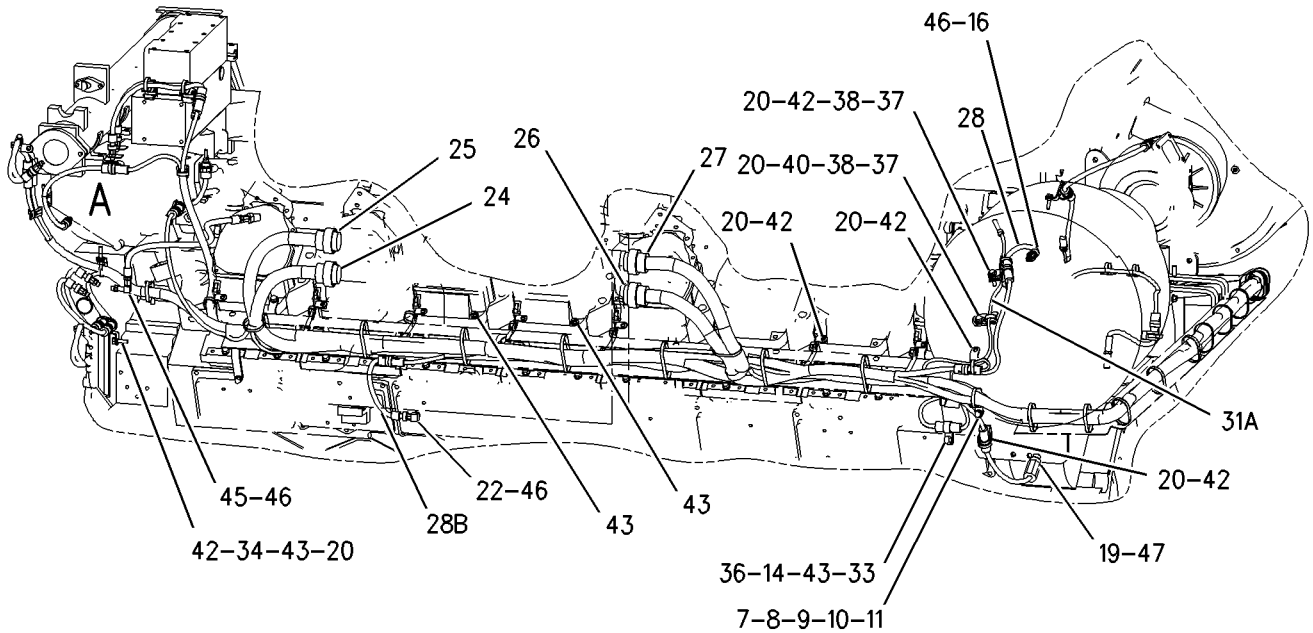
GRAPHIC #1

g00654716

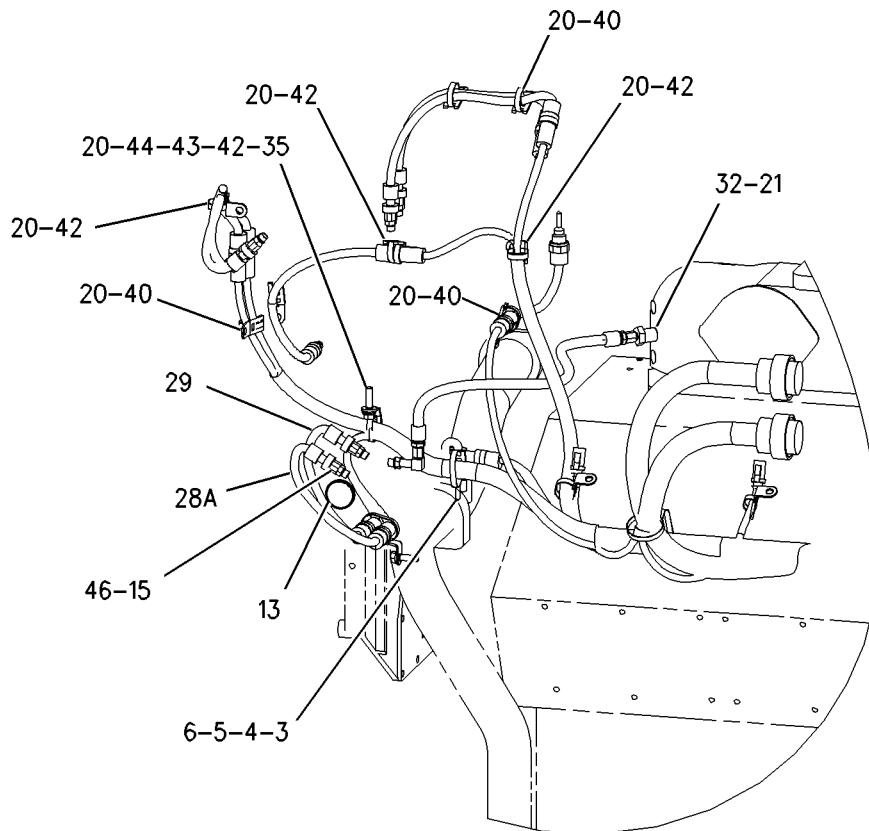
ELECTRICAL AND STARTING SYSTEM

152-0507 WIRING GP-ENGINE (contd.)

102767939



LEFT SIDE VIEW



VIEW OF AREA A

GRAPHIC #2

<END>

g00654718

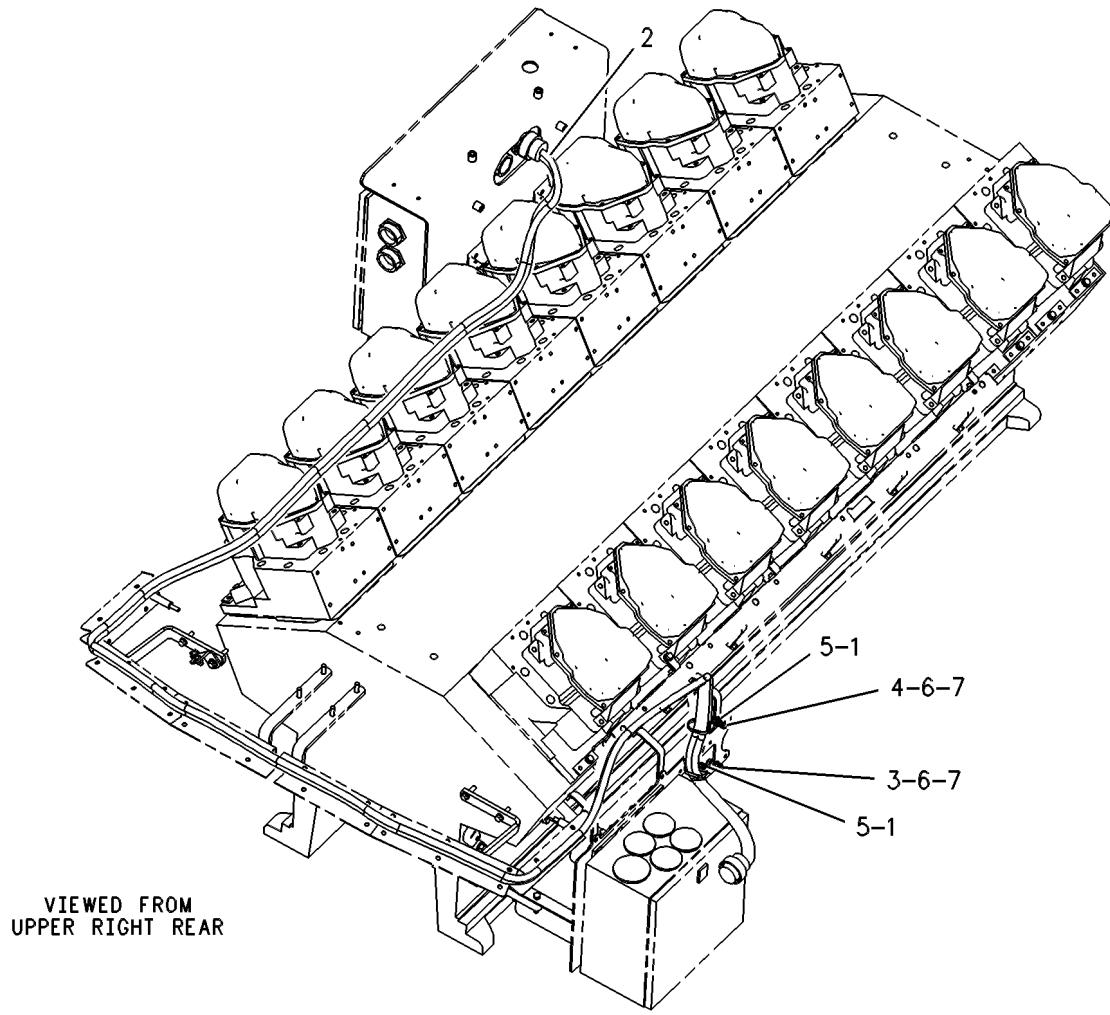
ELECTRICAL AND STARTING SYSTEM

153-7192 WIRING GP-ENGINE-LH AN ATTACHMENT

SMCS-1000, 1408

i02240544

NOTE	REF NO	GRAPHIC REF	PART NUMBER	QTY	PART NAME						SEE PAGE
					1	2	3	4	5	6 (PRODUCT LEVEL)	
	1	1	108-9656	2	STRAP-CABLE						
	2	1	153-7193	1	HARNESS AS-PANEL (INTERCONNECT)						
	3	1	0S-1594	1	BOLT (3/8-16X1-IN)						
	4	1	1A-2029	1	BOLT (3/8-16X1.125-IN)						
	5	1	4P-8134	2	CLIP (LADDER)						
	6	1	5M-2894	4	WASHER-HARD (10.2X18.5X2.5-MM THK)						
	7	1	9S-8752	2	NUT-FULL (3/8-16-THD)						



GRAPHIC #1

<END>

g00482401

ELECTRICAL AND STARTING SYSTEM

120-4486 WIRING GP-PANEL-AIR SHUTOFF AN ATTACHMENT

SMCS-4459

i04550247

NOTE	REF NO	GRAPHIC REF	PART NUMBER	QTY	PART NAME						SEE PAGE
					1	2	3	4	5	6 (PRODUCT LEVEL)	
Y	1	1	9X-3207	1	TIMER GP (AIR SHUTOFF)						738
	2	1	120-4506	1	HARNESS AS-PANEL						
		1	2L-8075	3	TERMINAL-RING (14-GA TO 16-GA, NO. 8 SCREW)						
		1	5P-5618	3	TERMINAL-BLADE (10-GA TO 12-GA)						
		1	7E-8866	5	TERMINAL-BLADE (14-GA TO 16-GA)						
		1	7N-7779	2	SOCKET-CONNECTOR (14-GA TO 18-GA)						
		1	7N-7780	1	PIN-CONNECTOR (14-GA TO 18-GA)						
		1	7N-7782	1	HOUSING-PLUG (14-GA TO 18-GA)						
B		1	8L-8413	23	STRAP-CABLE (WHITE)						
		1	8N-1541	2	SOCKET-CONNECTOR (12-GA TO 14-GA)						
		1	9X-6857	1	SOCKET-CONNECTOR (16-GA TO 18-GA)						
		1	109-3038	2	END-WIRE (16-GA)						
		1	110-5194	2	END-WIRE (14-GA)						
		1	120-4510	2	END-WIRE (14-GA)						
	3	1	107-5857	1	CIRCUIT BREAKER AS (32-AMPERE)						
	4	1	4B-4863	2	WASHER (4.7X11X1.2-MM THK)						
	5	1	7S-1197	2	SCREW-MACHINE (8-32X0.5-IN)						
	6	1	9Y-2921	2	RELAY (24-VOLT)						
	7	1	5P-0537	2	WASHER-HARD (7.2X14.5X2-MM THK)						
	8	1	8B-2377	2	BOLT (1/4-20X2-IN)						

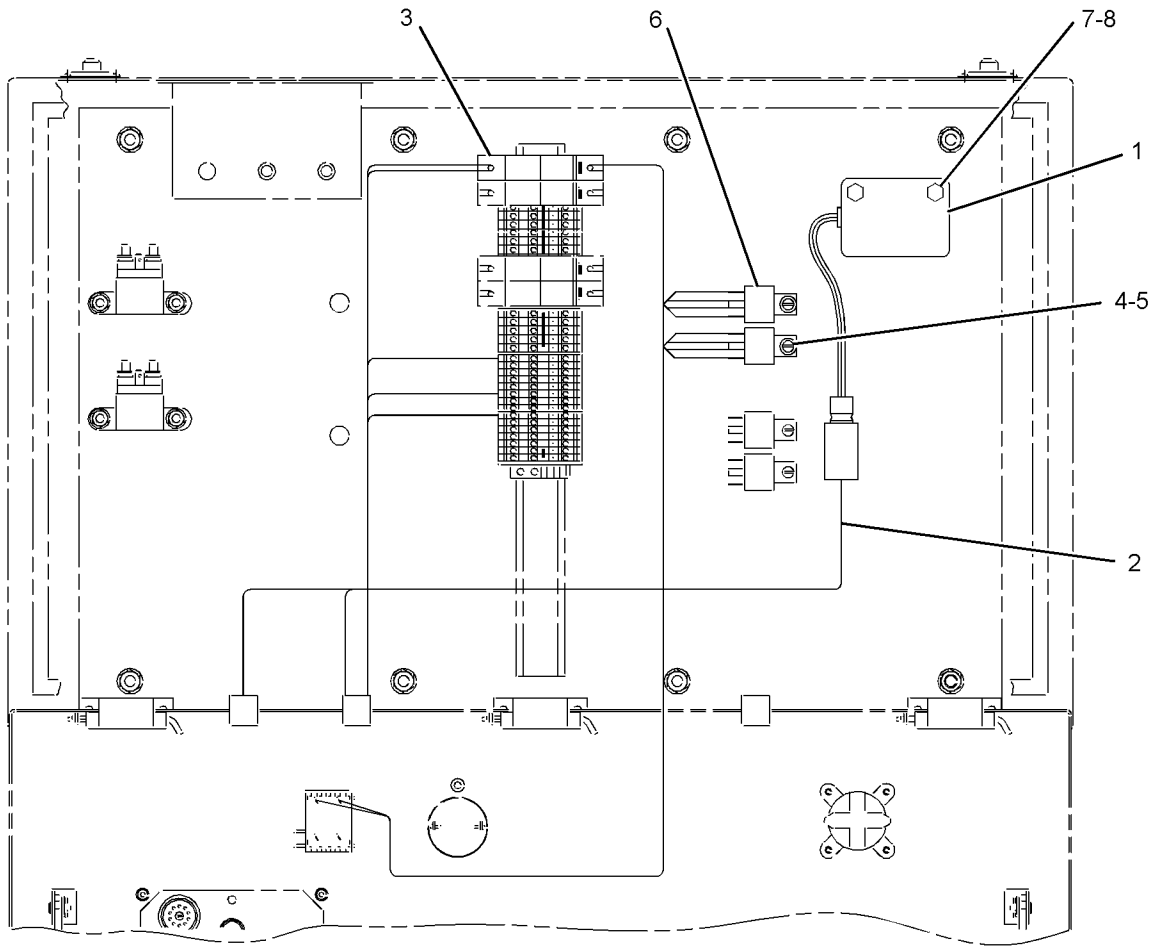
B - USE AS REQUIRED

Y - SEPARATE ILLUSTRATION

ELECTRICAL AND STARTING SYSTEM

120-4486 WIRING GP-PANEL (contd.)

i04550247



GRAPHIC #1

<END>

g02722216

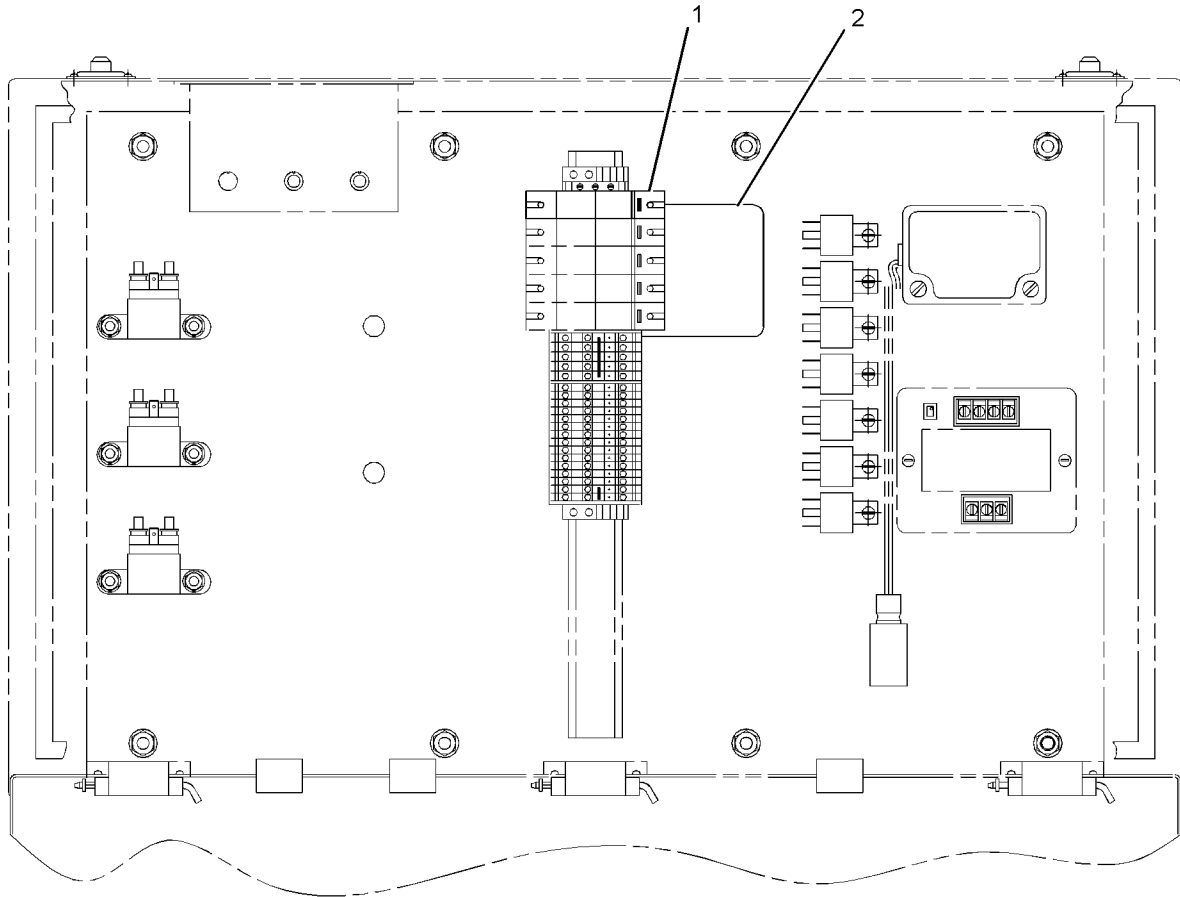
ELECTRICAL AND STARTING SYSTEM

120-4487 WIRING GP-PANEL-ALTERNATOR CIRCUIT BREAKER AN ATTACHMENT

SMCS-4459

i04550294

NOTE	REF NO	GRAPHIC REF	PART NUMBER	QTY	PART NAME						SEE PAGE
					1	2	3	4	5	6 (PRODUCT LEVEL)	
	1	1	107-5856	1	CIRCUIT BREAKER AS (63-AMPERE)						
	2	1	120-4509	1	HARNESS AS-PANEL						
		1	126-2211	2	END-WIRE						



GRAPHIC #1

<END>

g02722210

ELECTRICAL AND STARTING SYSTEM

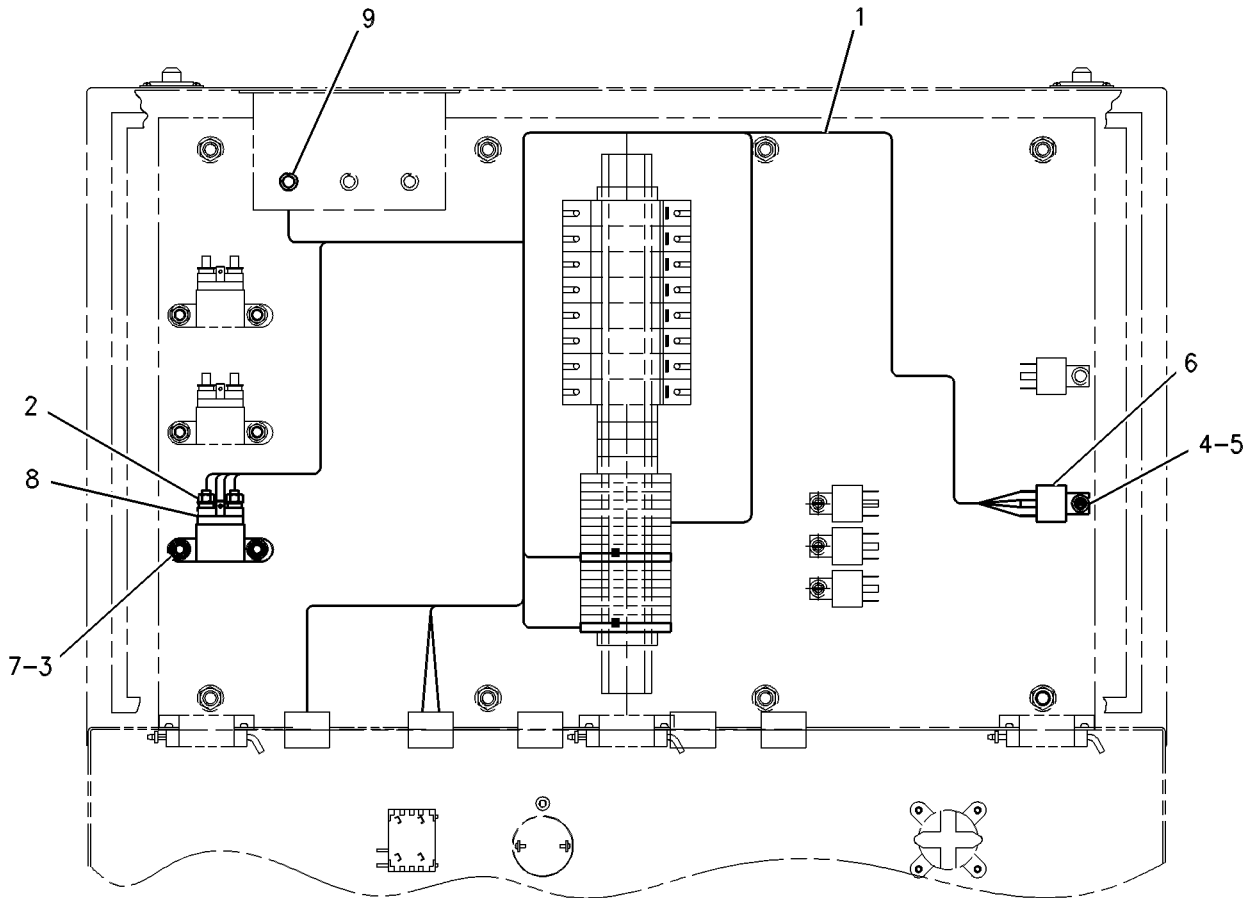
134-6313 WIRING GP-PANEL-PRELUBRICATION AN ATTACHMENT

SMCS-4459

i06860878

NOTE	REF NO	GRAPHIC REF	PART NUMBER	QTY	PART NAME						SEE PAGE
					1	2	3	4	5	6 (PRODUCT LEVEL)	
	1	1	134-6314	1	HARNESS AS-WIRING (PRELUBRICATION)						
M	2	1	8T-4134	2	NUT (M6X1-THD)						
	3	1	9S-8750	2	NUT-FULL (1/4-20-THD)						
	4	1	4B-4863	1	WASHER (4.7X11X1.2-MM THK)						
	5	1	7S-1197	1	SCREW-MACHINE (8-32X0.5-IN)						
	6	1	9Y-2921	1	RELAY (24-VOLT) (PRELUBRICATION)						
	7	1	5P-0537	2	WASHER-HARD (7.2X14.5X2-MM THK)						
	8	1	9X-8124	1	SWITCH AS-MAGNETIC (24-VOLT) (PRELUBRICATION OVERRIDE)						
	9	1	4D-1836	1	SWITCH-TOGGLE (PRELUBRICATION OVERRIDE)						

M - METRIC PART



GRAPHIC #1

<END>

g00494609

ELECTRICAL AND STARTING SYSTEM

134-6315 WIRING GP-PANEL-AIR SHUTOFF AN ATTACHMENT

SMCS-4459

i06760088

NOTE	REF NO	GRAPHIC REF	PART NUMBER	QTY	PART NAME						SEE PAGE
					1	2	3	4	5	6 (PRODUCT LEVEL)	
Y	1	1	9X-3207	1	TIMER GP (AIR SHUTOFF)						738
	2	1	134-6316	1	HARNES AS-WIRING (AIR SHUTOFF)						
		1	123-0316	1	DIODE AS						
		1	110-5194	2	END-WIRE (14-GA)						
		1	7N-7782	1	HOUSING-PLUG (14-GA TO 18-GA)						
		1	7N-7780	1	PIN-CONNECTOR (14-GA TO 18-GA)						
		1	8N-1540	2	PIN-CONNECTOR (12-GA TO 14-GA)						
		1	155-2271	1	KIT-CONNECTING PLUG (4-PIN)						
					(INCLUDES PLUG AS, WEDGE, & INTERFACE SEAL)						
		1	7N-7779	2	SOCKET-CONNECTOR (14-GA TO 18-GA)						
		1	8T-8730	2	SOCKET-CONNECTOR (16-GA TO 18-GA)						
		1	9X-6857	1	SOCKET-CONNECTOR (16-GA TO 18-GA)						
B		1	8L-8413	25	STRAP-CABLE (WHITE)						
		1	5P-2321	4	TERMINAL-FORK (14-GA TO 16-GA, NO. 6 SCREW)						
		1	7E-8866	7	TERMINAL-BLADE (14-GA TO 16-GA)						
		1	5P-5618	2	TERMINAL-BLADE (10-GA TO 12-GA)						
		1	109-3038	2	END-WIRE (16-GA)						
	3	1	8B-2377	2	BOLT (1/4-20X2-IN)						
	4	1	4B-4863	2	WASHER (4.7X11X1.2-MM THK)						
	5	1	178-3339	2	SCREW (8-32X0.5-IN)						
	6	1	9Y-2921	2	RELAY (24-VOLT) (AIR SHUTOFF)						
	7	1	5P-0537	2	WASHER-HARD (7.2X14.5X2-MM THK)						
	8	1	111-1323	1	BLOCK-CONTACT (1-POLE)						
	9	1	9G-9151	1	CLIP						

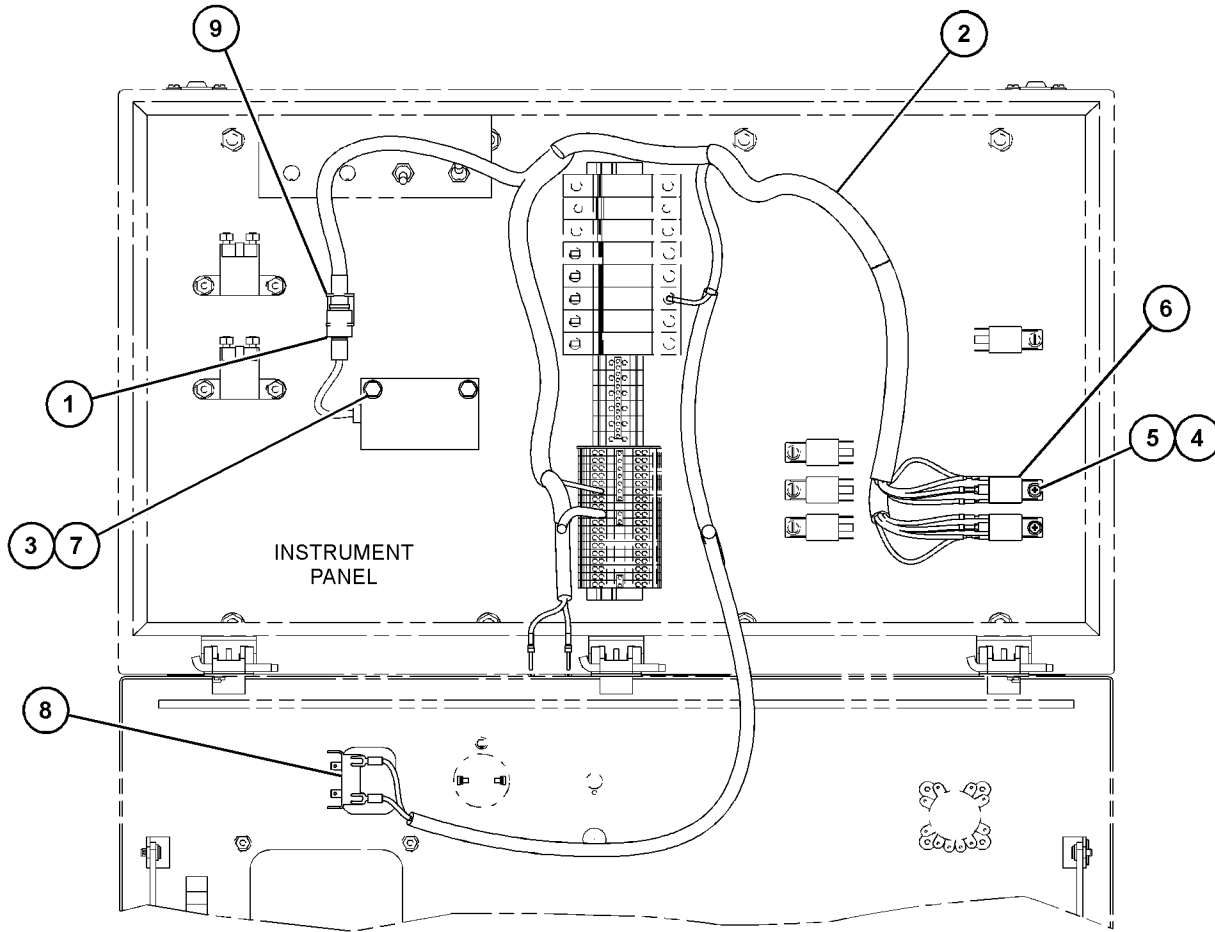
B - USE AS REQUIRED

Y - SEPARATE ILLUSTRATION

ELECTRICAL AND STARTING SYSTEM

134-6315 WIRING GP-PANEL (contd.)

i06760088



GRAPHIC #1

<END>

g06143026

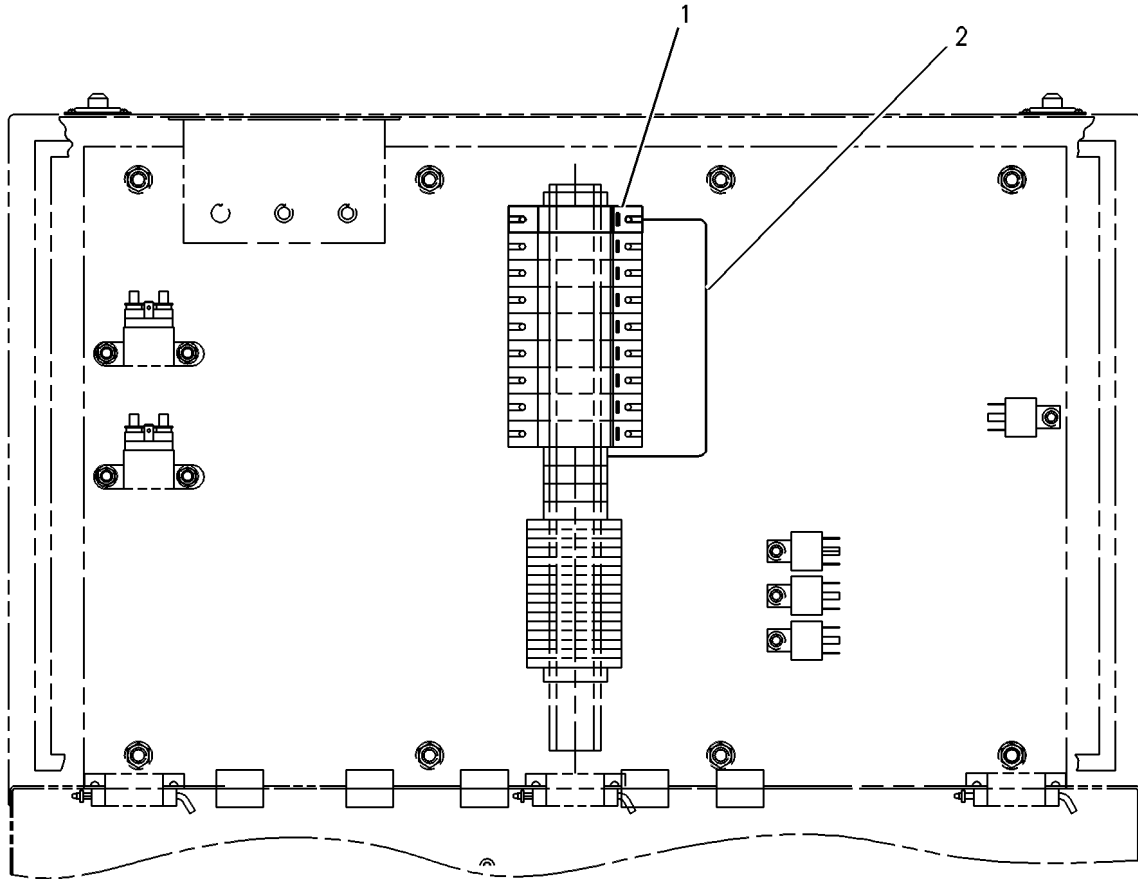
ELECTRICAL AND STARTING SYSTEM

134-6317 WIRING GP-PANEL-ALTERNATOR AN ATTACHMENT

SMCS-4459

i02205312

NOTE	REF NO	GRAPHIC REF	PART NUMBER	QTY	PART NAME						SEE PAGE
					1	2	3	4	5	6 (PRODUCT LEVEL)	
	1	1	125-7096	1	CIRCUIT BREAKER AS (63-AMPERE)						
	2	1	134-6318	1	HARNESS AS-WIRING (ALTERNATOR)						



GRAPHIC #1

<END>

g00269435

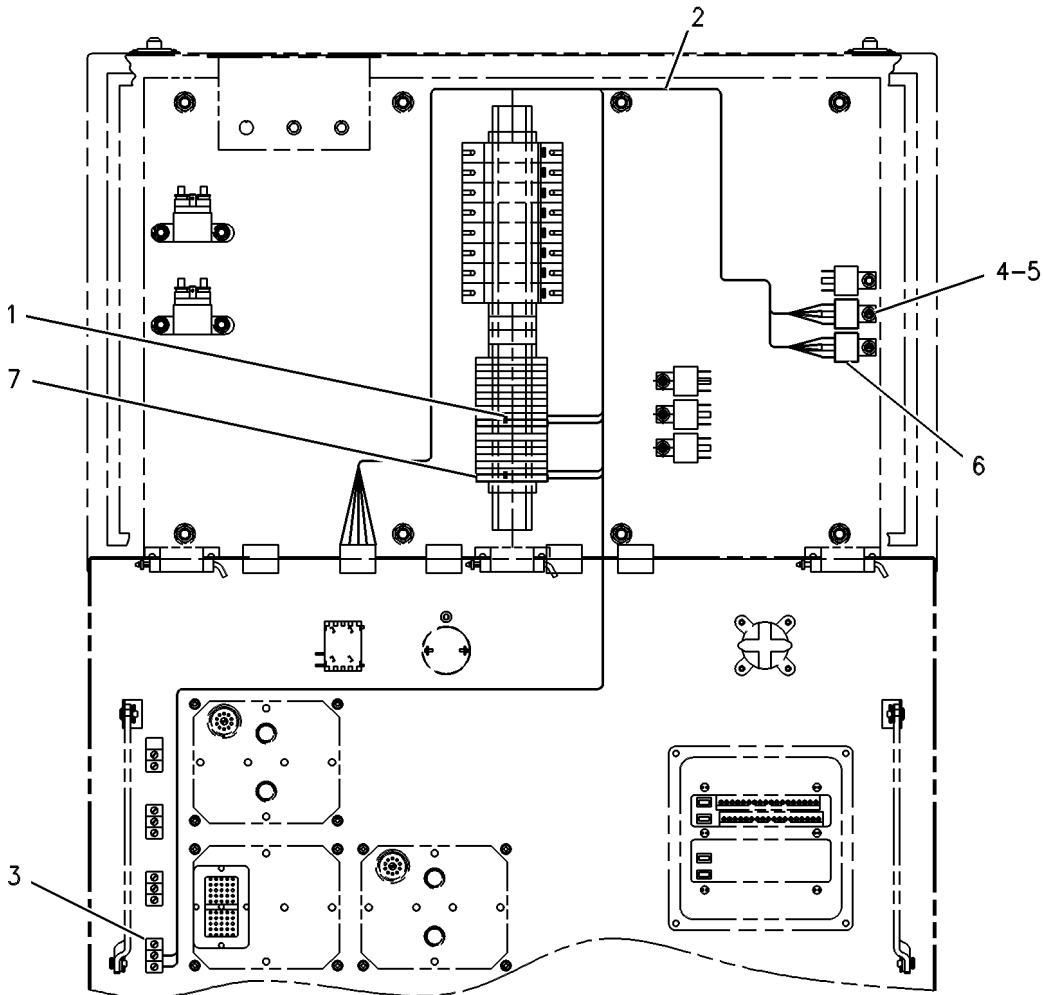
ELECTRICAL AND STARTING SYSTEM

134-6319 WIRING GP-PANEL-STARTING AID AN ATTACHMENT

SMCS-4459

i04418556

NOTE	REF NO	GRAPHIC REF	PART NUMBER	QTY	PART NAME						SEE PAGE
					1	2	3	4	5	6	
	1	1	3E-5503	1	BAR-FIXED BRIDGE						
	2	1	134-6320	1	HARNESS AS-WIRING (STARTING AID)						
	3	1	8N-0694	1	SWITCH AS-TOGGLE (SINGLE POLE) (STARTING AID)						
		1	3L-8187	3	LOCKWASHER						
		1	6T-3631	2	NUT-HEX (15/32-32-THD)						
		1	6T-3632	1	LOCKWASHER						
		1	6T-3633	1	RING-LOCKING						
		1	6V-8374	3	SCREW-MACHINE (6-32X0.25-IN)						
4	1		4B-4863	2	WASHER (4.7X11X1.2-MM THK)						
5	1		7S-1197	2	SCREW-MACHINE (8-32X0.5-IN)						
6	1		9Y-2921	2	RELAY (24-VOLT)						
7	1		115-1322	2	TERMINAL (DOUBLE)						



GRAPHIC #1

<END>

g00268713

ELECTRICAL AND STARTING SYSTEM

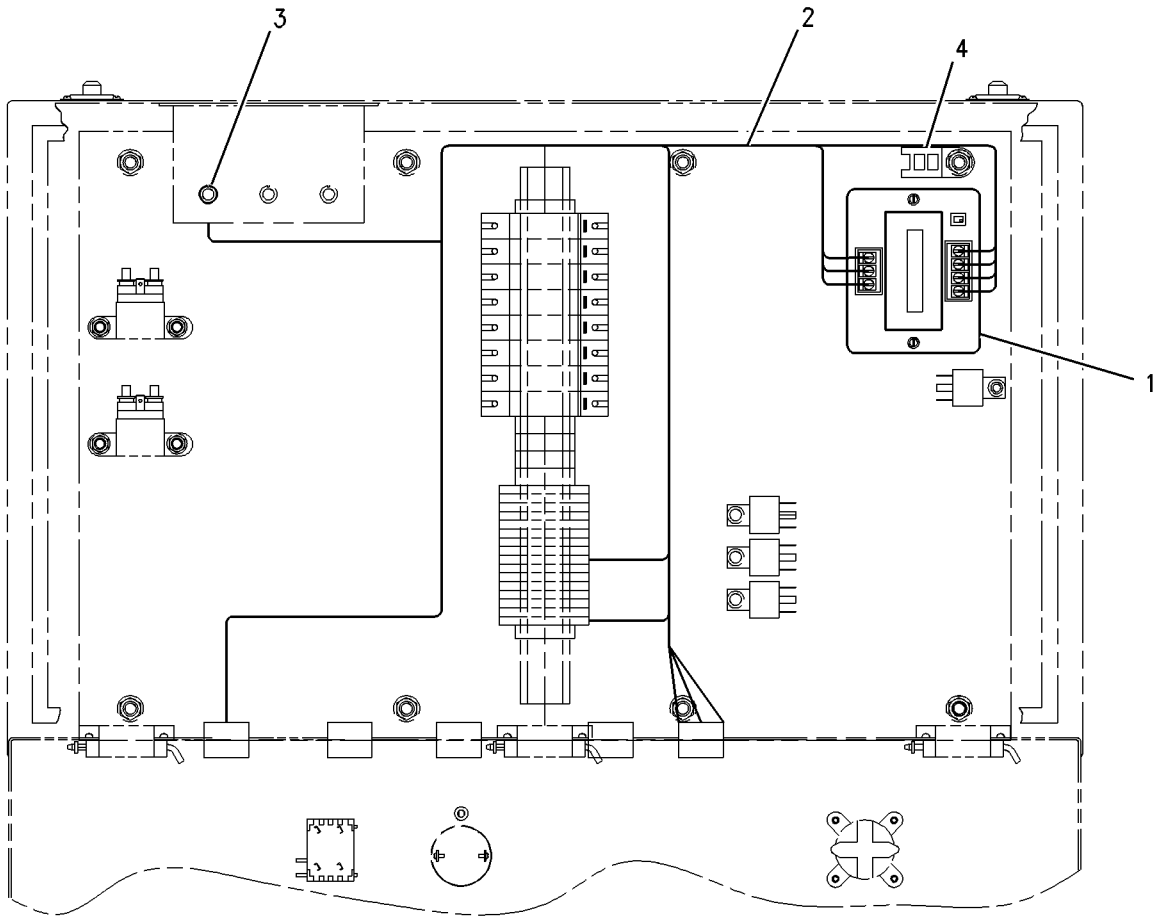
134-6323 WIRING GP-PANEL-SPEED CONTROL AN ATTACHMENT

SMCS-4459

i02235141

NOTE	REF NO	GRAPHIC REF	PART NUMBER	QTY	PART NAME						SEE PAGE
					1	2	3	4	5	6 (PRODUCT LEVEL)	
YR	1	1	9X-9591	1	CONVERTER GP-ELECTRICAL (PULSE WIDTH MODULATED)						420
	2	1	134-6324	1	HARNESS AS-WIRING (SPEED CONTROL)						
	3	1	4D-1836	1	SWITCH-TOGGLE (LOW IDLE)						
	4	1	4P-7581	1	CLIP (LADDER)						

R - REMANUFACTURED PART MAY BE AVAILABLE
Y - SEPARATE ILLUSTRATION



GRAPHIC #1

<END>

g00894047

ELECTRICAL AND STARTING SYSTEM

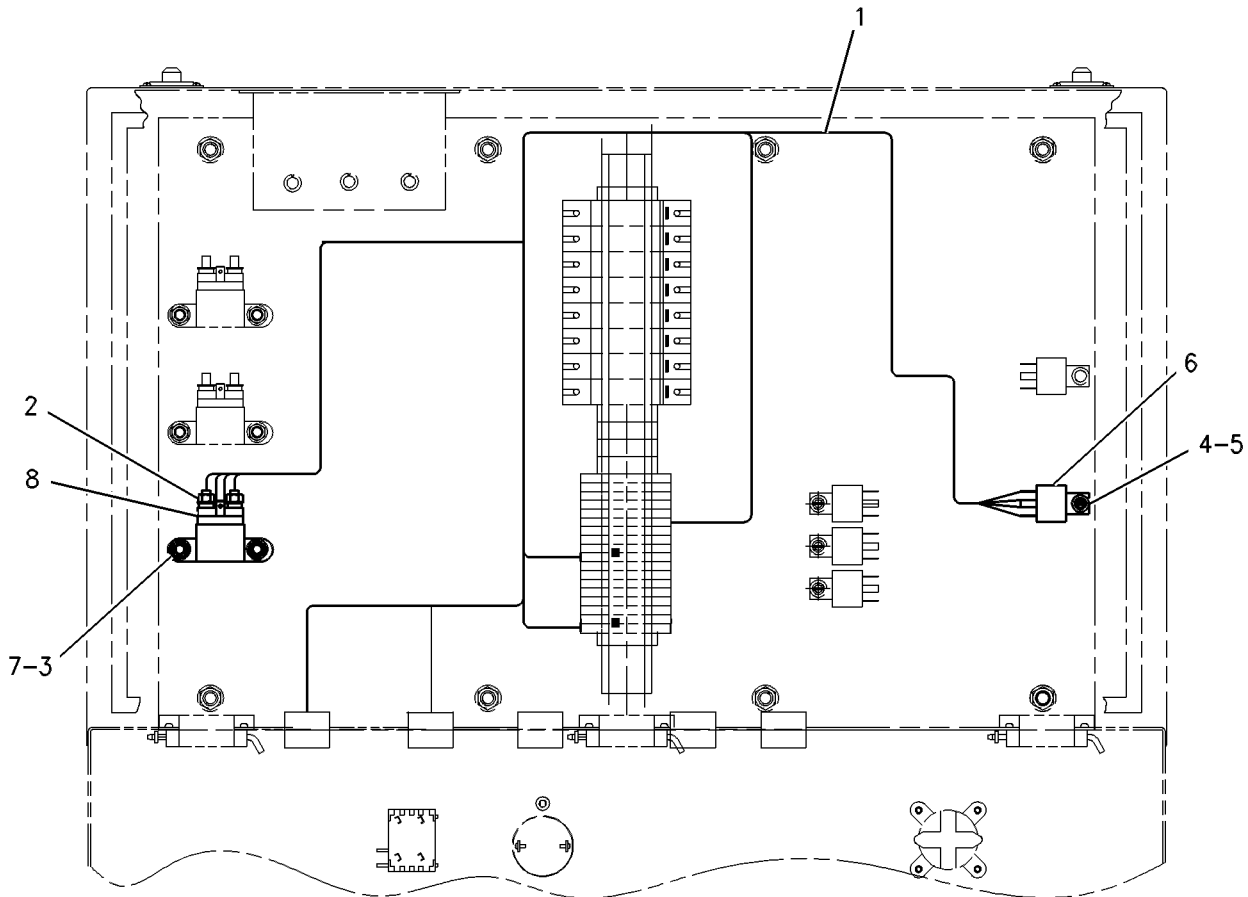
161-0790 WIRING GP-PANEL-PRELUBRICATION AN ATTACHMENT

SMCS-4459

i05771839

NOTE	REF NO	GRAPHIC REF	PART NUMBER	QTY	PART NAME						SEE PAGE
					1	2	3	4	5	6	
	1	1	161-0791	1	HARNESS AS-WIRING (PRELUBRICATION)						
		1	2L-8067	2	TERMINAL-RING (10-GA TO 12-GA, 1/4-IN SCREW)						
		1	7E-8866	5	TERMINAL-BLADE (14-GA TO 16-GA)						
		1	8L-8413	25	STRAP-CABLE (WHITE)						
		1	8N-1542	1	PIN-CONNECTOR (10-GA)						
		1	9X-6857	1	SOCKET-CONNECTOR (16-GA TO 18-GA)						
		1	109-3038	2	END-WIRE (16-GA)						
		1	120-4510	1	END-WIRE (14-GA)						
		1	5P-5618	1	TERMINAL-BLADE (10-GA TO 12-GA)						
M	2	1	5C-2890	2	NUT (M6X1-THD)						
	3	1	9S-8750	2	NUT-FULL (1/4-20-THD)						
	4	1	4B-4863	1	WASHER (4.7X11X1.2-MM THK)						
	5	1	178-3339	1	SCREW (8-32X0.5-IN)						
	6	1	9Y-2921	1	RELAY (24-VOLT) (PRELUBRICATION)						
	7	1	5P-0537	2	WASHER-HARD (7.2X14.5X2-MM THK)						
	8	1	9X-8124	1	SWITCH AS-MAGNETIC (24-VOLT) (PRELUBRICATION)						

M - METRIC PART



GRAPHIC #1

<END>

g00492035

ELECTRICAL AND STARTING SYSTEM

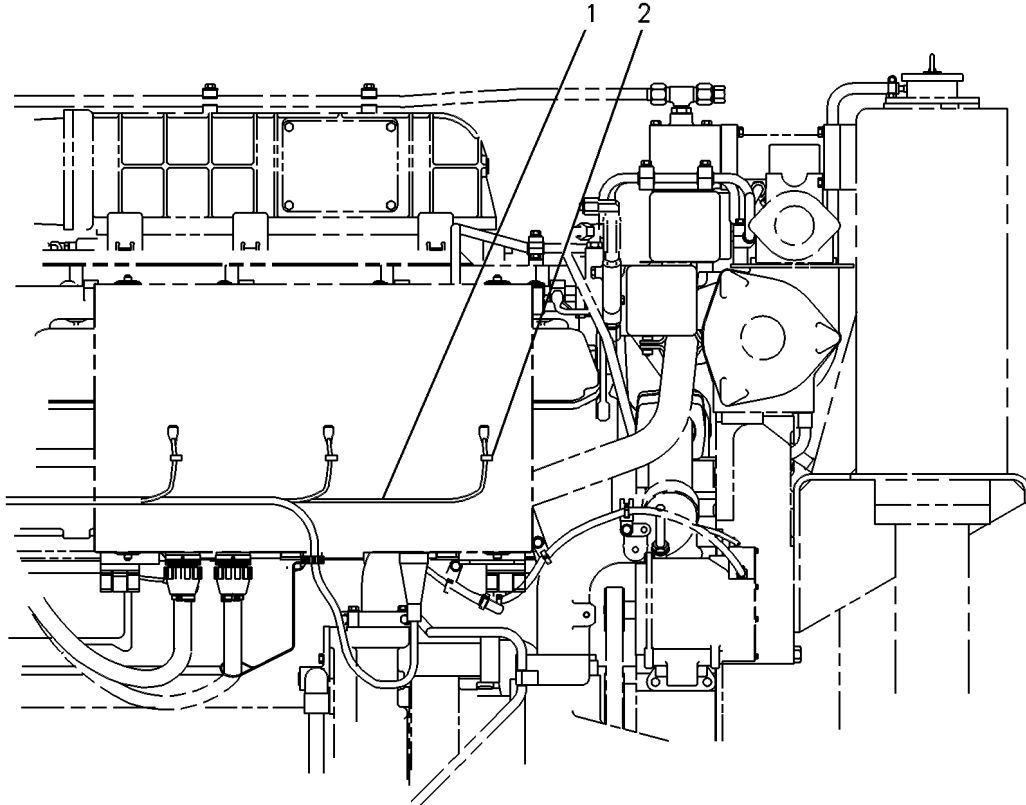
120-4492 WIRING GP-PYROMETER AN ATTACHMENT

SMCS-1408, 7466

i02231128

NOTE	REF NO	GRAPHIC REF	PART NUMBER	QTY	PART NAME						SEE PAGE
					1	2	3	4	5	6 (PRODUCT LEVEL)	
	1	1	120-0567	1	HARNESS AS-WIRING (PYROMETER)						
B	2	1	3S-2093	16	STRAP-CABLE						

B - USE AS REQUIRED



GRAPHIC #1

<END>

g00249226

ELECTRICAL AND STARTING SYSTEM

158-6227 WIRING GP-PYROMETER FOR USE WITH PREMIUM WIRING HARNESS AN ATTACHMENT

SMCS-1408, 7466

i02240546

NOTE	PART NUMBER	QTY	PART NAME						SEE PAGE
			1	2	3	4	5	6 (PRODUCT LEVEL)	
	4P-8134	2	CLIP (LADDER)						
	155-2626	1	HARNESS AS-SENSOR (THERMOCOUPLE)						
B	3S-2093	44	STRAP-CABLE						
	9X-6772	2	STRAP-CABLE						
B - USE AS REQUIRED									
<END>									

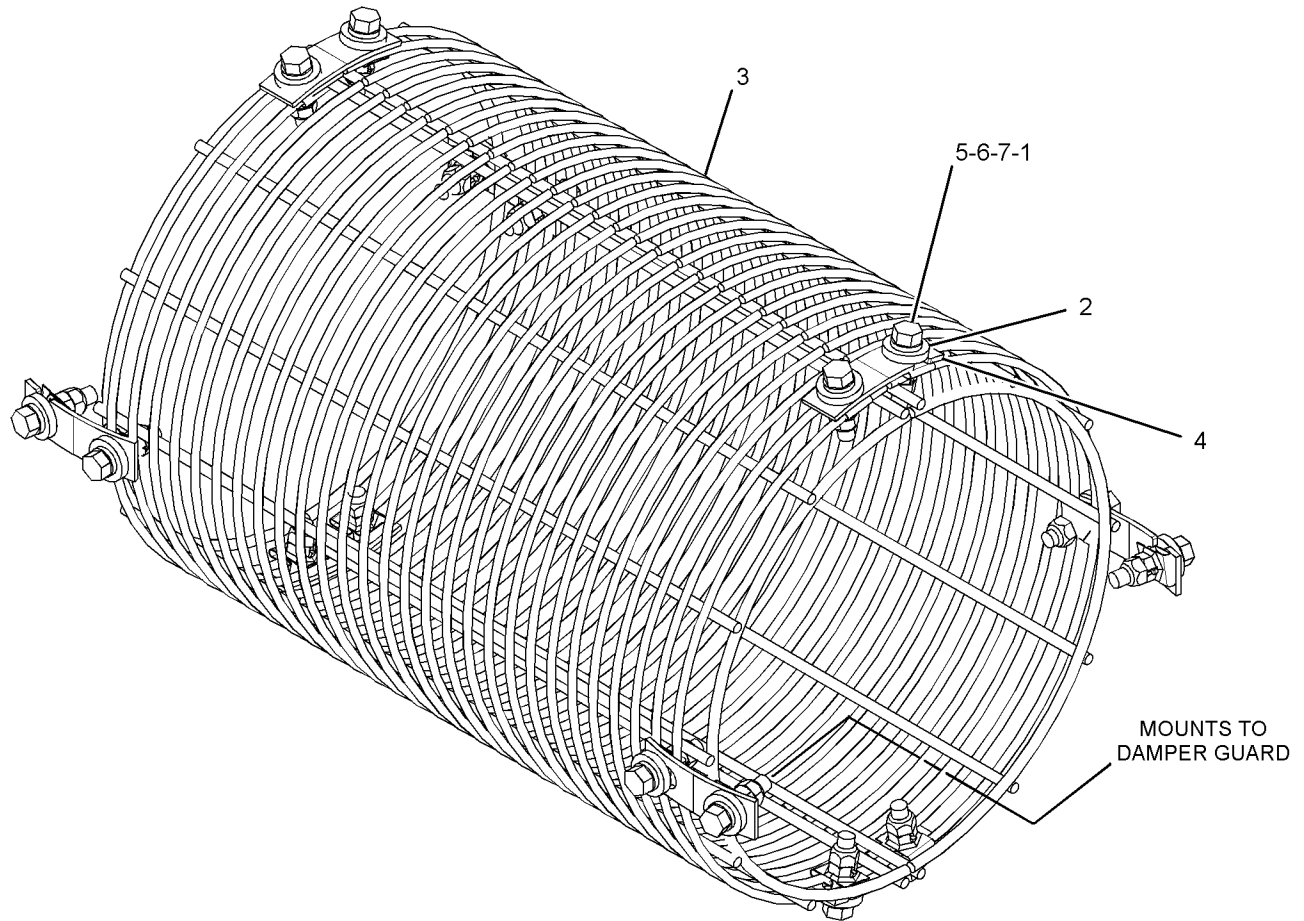
ENCLOSURES, GUARDS AND BASES

3N-5764 GUARD GP-EXTENSION AN ATTACHMENT

SMCS-7154

i03896603

NOTE	REF NO	GRAPHIC REF	PART NUMBER	QTY	PART NAME						SEE PAGE
					1	2	3	4	5	6 (PRODUCT LEVEL)	
	1	1	2N-3385	16	NUT-CLIP (3/8-16-THD)						
	2	1	3L-9689	16	WASHER (10.5X25.4X5-MM THK)						
	3	1	3N-5708	1	GUARD AS-EXTENSION						
	4	1	350-8624	8	PLATE						
	5	1	2A-4639	16	BOLT (3/8-16X1.625-IN)						
	6	1	2K-4973	16	LOCKNUT (3/8-16-THD)						
	7	1	3B-4506	16	LOCKWASHER						



GRAPHIC #1

<END>

g02141630

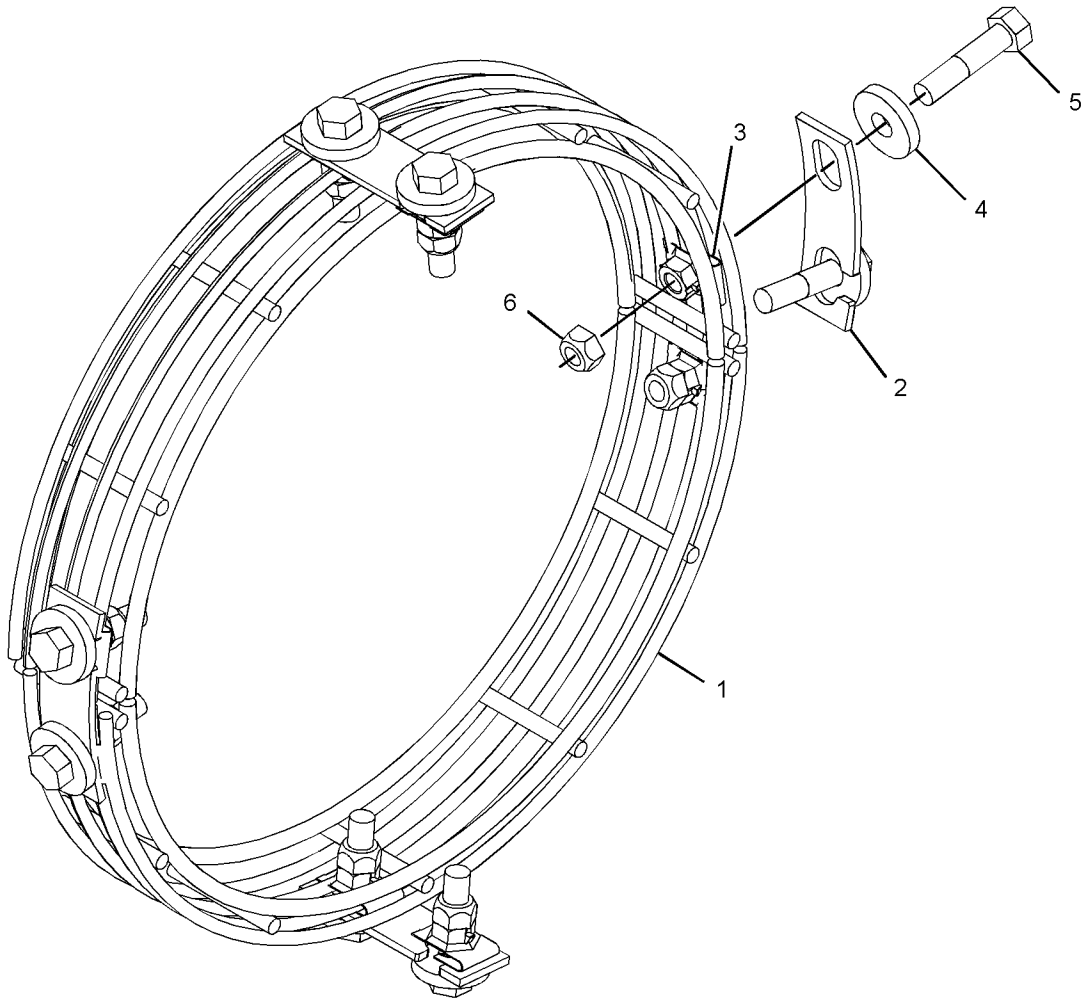
ENCLOSURES, GUARDS AND BASES

4P-9064 GUARD GP-EXTENSION AN ATTACHMENT

SMCS-7154

i05915338

NOTE	REF NO	GRAPHIC REF	PART NUMBER	QTY	PART NAME						SEE PAGE
					1	2	3	4	5	6 (PRODUCT LEVEL)	
	1	1	4P-9063	1	GUARD AS-EXTENSION						
	2	1	350-8624	4	PLATE						
	3	1	2N-3385	8	NUT-CLIP (3/8-16-THD)						
	4	1	4V-8198	8	SPACER (10.2X28.5X5-MM THK)						
	5	1	2A-4639	8	BOLT (3/8-16X1.625-IN)						
	6	1	2K-4973	8	LOCKNUT (3/8-16-THD)						



GRAPHIC #1

<END>

g02146034

ENCLOSURES, GUARDS AND BASES

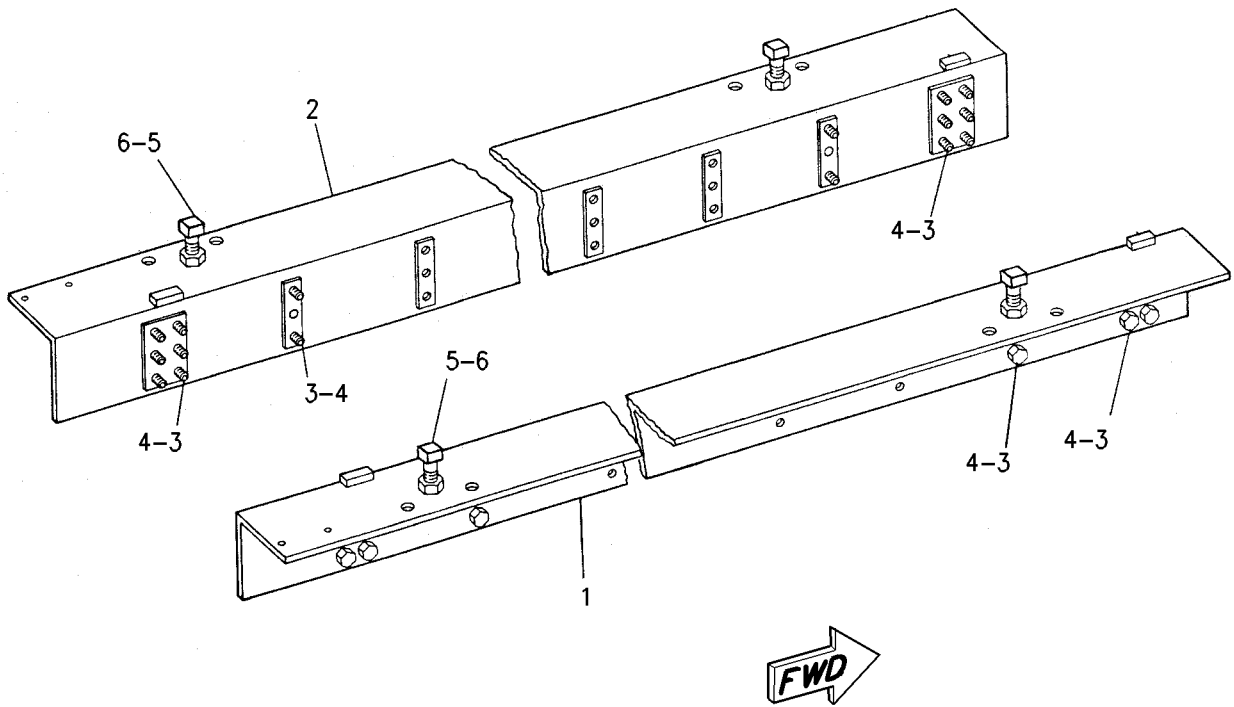
7N-8650 RAIL GP-ENGINE SUPPORT

MARINE LEDGE AN ATTACHMENT

SMCS-7060

i01754845

NOTE	REF NO	GRAPHIC REF	PART NUMBER	QTY	PART NAME						SEE PAGE
					1	2	3	4	5	6 (PRODUCT LEVEL)	
	1	1	7N-8651	1	SUPPORT AS (RH)						
	2	1	7N-8652	1	SUPPORT AS (LH)						
	3	1	8T-9399	32	BOLT (3/4-10X2.25-IN)						
	4	1	8T-4994	32	WASHER-HARD (20X36.5X3.5-MM THK)						
	5	1	4L-6665	4	SETSCREW (1-14X3.88-IN)						
	6	1	1B-4209	4	NUT-FULL (1-14-THD)						



GRAPHIC #1

<END>

g00931411

ENCLOSURES, GUARDS AND BASES

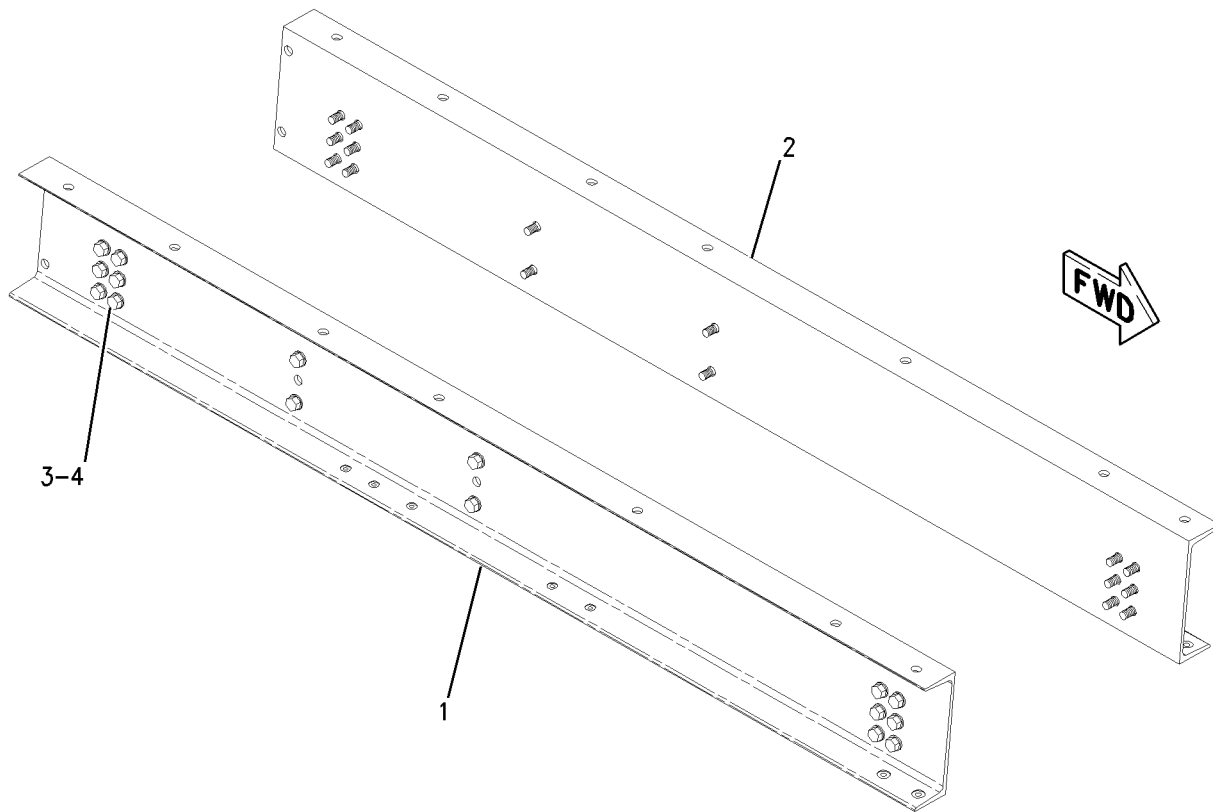
7W-3735 RAIL GP-ENGINE SUPPORT

FOR USE WITH FOLDED CORE RADIATORS
AN ATTACHMENT

SMCS-7060

i01754855

NOTE	REF NO	GRAPHIC REF	PART NUMBER	QTY	PART NAME						SEE PAGE
					1	2	3	4	5	6 (PRODUCT LEVEL)	
	1	1	7W-3737	1	SUPPORT-ENGINE & RADIATOR (RH)						
	2	1	7W-3739	1	SUPPORT-ENGINE & RADIATOR (LH)						
	3	1	8T-4994	32	WASHER-HARD (20X36.5X3.5-MM THK)						
	4	1	8T-9398	32	BOLT (3/4-10X1.75-IN)						



GRAPHIC #1

<END>

g00910115

ENCLOSURES, GUARDS AND BASES

7W-3759 RAIL GP-ENGINE SUPPORT

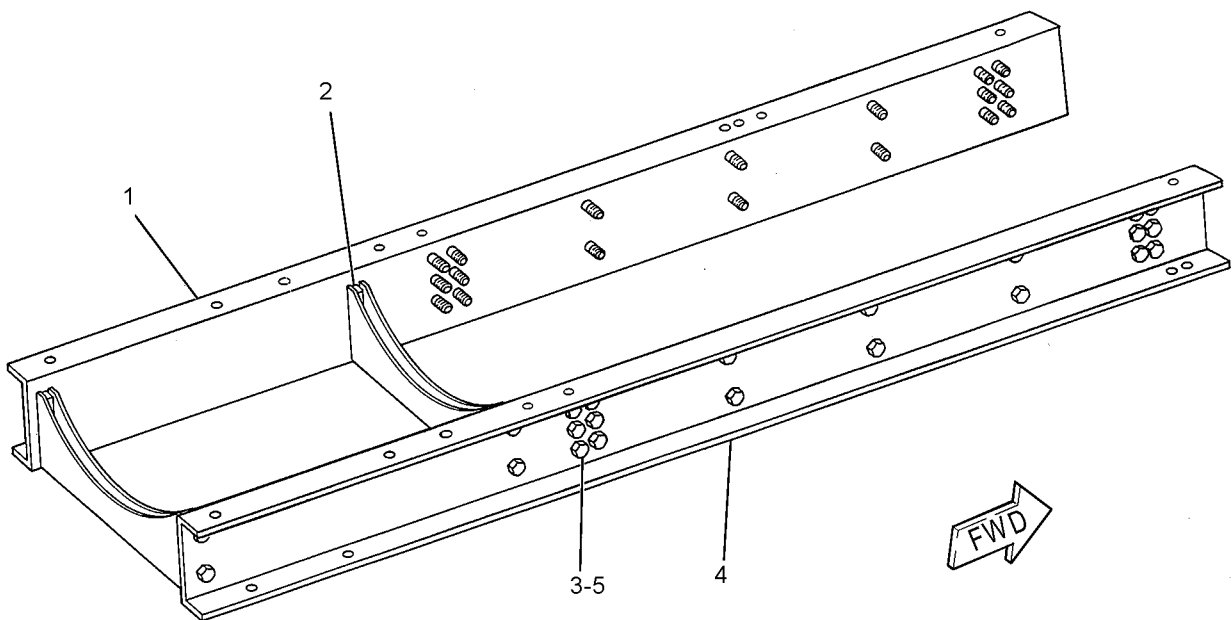
FOR USE WITH FOLDED CORE RADIATORS
AN ATTACHMENT

SMCS-7060

i02166964

NOTE	REF NO	GRAPHIC REF	PART NUMBER	QTY	PART NAME						SEE PAGE
					1	2	3	4	5	6 (PRODUCT LEVEL)	
C	1	1	7W-3763	1	SUPPORT-GENERATOR & RADIATOR (LH)						
C	2	1	7W-7961	2	BRACE-ENGINE SUPPORT						
C	3	1	1A-0458	44	BOLT (3/4-10X1.75-IN)						
C	4	1	7W-3761	1	SUPPORT-GENERATOR & RADIATOR (RH)						
C	5	1	5P-8248	44	WASHER-HARD (20X36.5X3.5-MM THK)						

C - CHANGE FROM PREVIOUS TYPE



GRAPHIC #1

<END>

g01098433

ENCLOSURES, GUARDS AND BASES

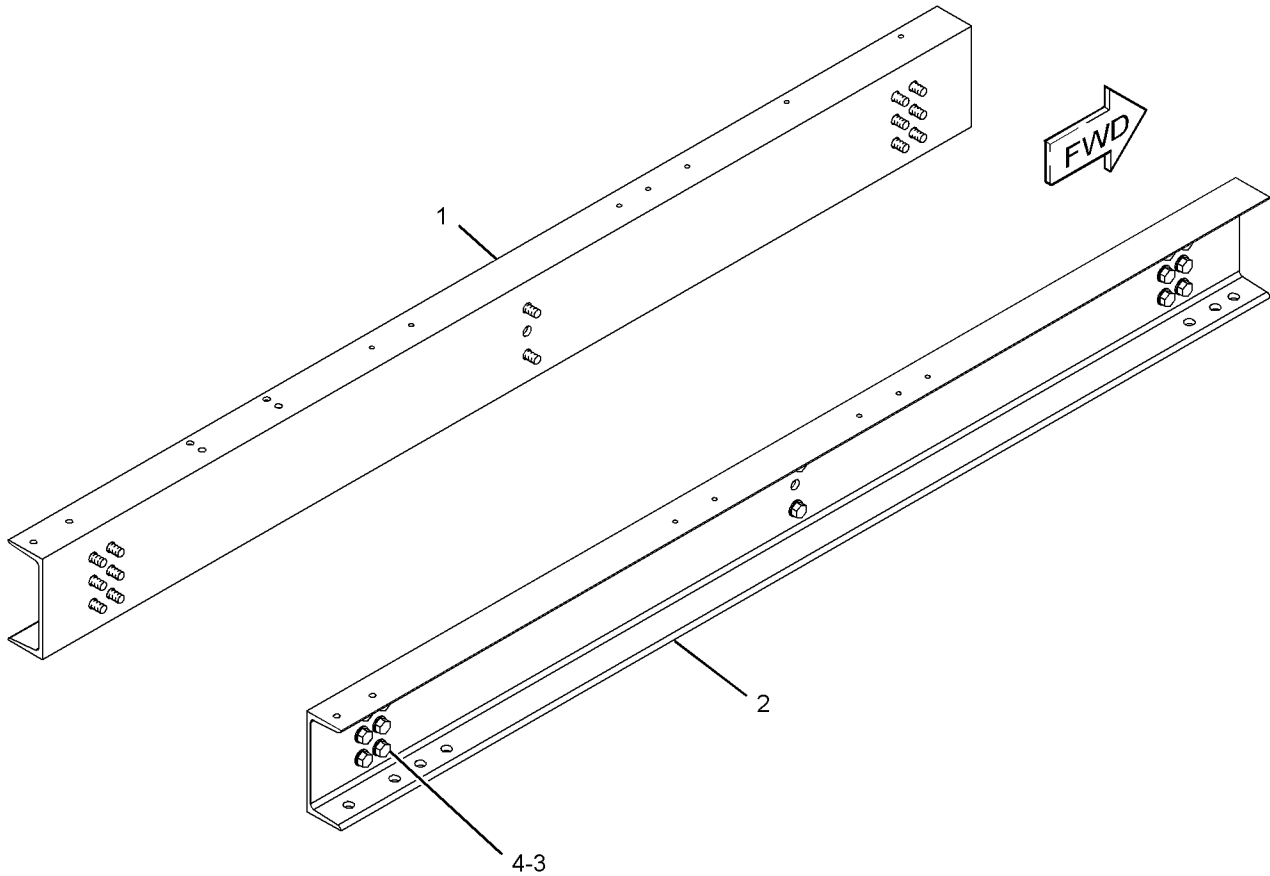
9Y-0851 RAIL GP-ENGINE SUPPORT

CANNOT BE USED WITH ENGINE MOUNTED RADIATOR
AN ATTACHMENT

SMCS-7060

i03465508

NOTE	REF NO	GRAPHIC REF	PART NUMBER	QTY	PART NAME						SEE PAGE
					1	2	3	4	5	6 (PRODUCT LEVEL)	
	1	1	333-7412	1	SUPPORT-ENGINE (LH)						
	2	1	9Y-0852	1	SUPPORT-ENGINE (RH)						
	3	1	8T-9398	28	BOLT (3/4-10X1.75-IN)						
	4	1	8T-4994	28	WASHER-HARD (20X36.5X3.5-MM THK)						



GRAPHIC #1

<END>

g01801433

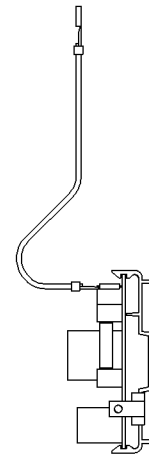
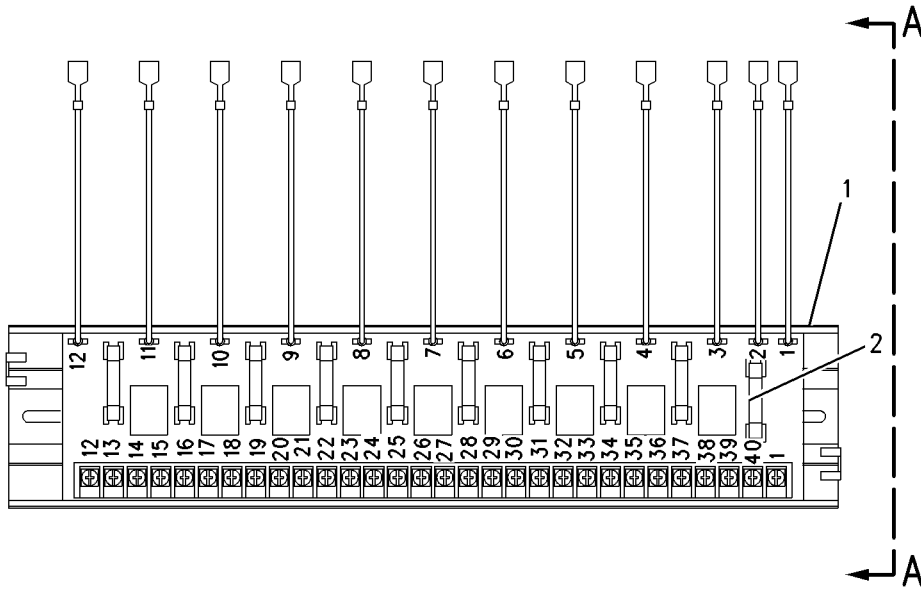
OPERATOR STATION

9Y-6497 BOARD AS-RELAY AN ATTACHMENT

SMCS-4490, 7451

i02400531

NOTE	REF NO	GRAPHIC REF	PART NUMBER	QTY	PART NAME						SEE PAGE
					1	2	3	4	5	6 (PRODUCT LEVEL)	
1	1	1	6V-1075	34	TRACK-MOUNTING						
2	1	1	8K-4644	10	FUSE (1-AMPERE)						



VIEW A-A

GRAPHIC #1

<END>

g00679816

OPERATOR STATION

126-7156 BOX GP-INSTRUMENT PANEL

S/N: 3XS1-403

AN ATTACHMENT

TYPE 1

SMCS-7451, 7490

i02667669

NOTE	REF NO	GRAPHIC REF	PART NUMBER	QTY	PART NAME						SEE PAGE
					1	2	3	4	5	6 (PRODUCT LEVEL)	
	1	1	132-9429	1	BOX AS-INSTRUMENT						
M		1	2W-9513	4	BOLT (M6X1X10-MM)						
		1	3B-4605	4	PIN-COTTER						
		1	3H-5366	1	STUD-WELD (1/4-20X0.625-IN)						
		1	4M-0200	8	STUD-WELD (3/8-16X1.5-IN) (3/8-16X38MM)						
		1	9P-6895	4	PIN						
		1	9X-6381	4	WASHER (6.5X12.5X1.6-MM THK)						
E		1	<i>126-8472</i>		SEAL (230-CM)						
		1	128-2507	2	HINGE AS						
		1	128-3147	2	GASKET						
	2	1	109-6507	1	SWITCH AS-PUSH BUTTON (EMERGENCY STOP)						
	3	1	110-8909	8	MOUNT-FLEXIBLE						
Y	4	1	118-8582	1	MODULE GP-QUAD GAUGE						727
	5	1	4B-4863	12	WASHER (4.7X11X1.2-MM THK)						
	6	1	133-9308	1	PLATE AS						
		1	9F-6445	2	NUT-WELD (1/4-20-THD)						
	7	1	9Y-2921	4	RELAY (24-VOLT)						
	8	1	127-2331	1	SWITCH AS-ROTARY (ENGINE CONTROL)						
	9	1	3B-4501	36	LOCKWASHER						
	10	1	6D-5801	32	LOCKNUT (8-32-THD)						
	11	1	9S-8750	5	NUT-FULL (1/4-20-THD)						
	12	1	7S-1197	36	SCREW-MACHINE (8-32X0.5-IN)						
	13	1	5P-0537	5	WASHER-HARD (7.2X14.5X2-MM THK)						
	14	1	7N-8008	1	SWITCH AS-TOGGLE (CLEAR, MODE)						
		1	3L-8187	6	LOCKWASHER						
		1	6T-3631	2	NUT-HEX (15/32-32-THD)						
		1	6T-3632	1	LOCKWASHER						
		1	6T-3633	1	RING-LOCKING						
		1	6V-8374	1	SCREW-MACHINE (6-32X0.25-IN)						
	15	1	115-2538	1	COVER-END						
	16	1	115-1322	15	TERMINAL (DOUBLE)						
Y	17	1	<i>115-4636</i>	1	CONTROL GP-ENGINE MONITORING						720
Y	18	1	112-2974	1	MODULE GP-QUAD GAUGE						725
Y	19	1	112-2975	1	MODULE GP-QUAD GAUGE						726
	20	1	133-8381	1	DOOR AS						
		1	7E-0717	2	LATCH AS-DOOR						
		1	030-8967	2	STUD-WELD (3/8-16X0.75-IN OAL)						
		1	069-2338	4	SCREW						
	21	1	9W-0073	1	SWITCH AS-PUSH BUTTON (ALARM SILENCE)						
	22	1	2W-4480	1	BOOT-SWITCH						
	23	1	8C-6123	1	NUT (1/4-40-THD)						
	24	1	8N-0694	1	SWITCH AS-TOGGLE (SINGLE POLE) (STARTING AID)						
		1	3L-8187	3	LOCKWASHER						
		1	6T-3631	2	NUT-HEX (15/32-32-THD)						
		1	6T-3632	1	LOCKWASHER						
		1	6T-3633	1	RING-LOCKING						

OPERATOR STATION

126-7156 **BOX GP-INSTRUMENT PANEL (contd.)**

102667669

NOTE	REF NO	GRAPHIC REF	PART NUMBER	QTY	PART NAME						SEE PAGE
					1	2	3	4	5	6 (PRODUCT LEVEL)	
		1	6V-8374	3	SCREW-MACHINE (6-32X0.25-IN)						
	25	1	122-3203	1	HARNESS AS-PANEL (QUAD GAUGE MODULE)						
	26	1	8D-2676	1	SWITCH AS-TOGGLE (SINGLE POLE) (ENGINE PARAMETER, RH, LH)						
		1	3L-8187	2	LOCKWASHER						
		1	6T-3631	2	NUT-HEX (15/32-32-THD)						
		1	6T-3632	1	LOCKWASHER						
		1	6T-3633	1	RING-LOCKING						
		1	6V-8374	2	SCREW-MACHINE (6-32X0.25-IN)						
	27	1	9X-9675	2	BRACKET-END						
	28	1	113-7884	1	FILM-IDENTIFICATION (ENGINE MONITORING)						
	29	1	4P-7581	7	CLIP (LADDER)						
	30	1	105-7542	1	STRIP-CONTACT						
Y	31	1	7N-8001	1	SWITCH GP-TOGGLE (OVERSPEED VERIFY)						580
	32	1	107-5856	1	CIRCUIT BREAKER AS (63-AMPERE)						
	33	1	9X-8124	2	SWITCH AS-MAGNETIC (24-VOLT) (START RELAY)						
					(EACH INCLUDES)						
M		1	8T-4134	2	NUT (M6X1-THD)						
	34	1	100-5566	4	BEZEL						
	35	1	7U-4891	16	SCREW (10-32X1-IN)						
	36	1	9S-8752	18	NUT-FULL (3/8-16-THD)						
	37	1	4B-4274	16	WASHER (5.5X13X1.2-MM THK)						
	38	1	6V-8378	16	NUT (10-32-THD)						
	39	1	107-2482	8	GASKET						
	40	1	121-3328	1	KIT-MARKER (TERMINAL)						
	41	1	5M-2894	18	WASHER-HARD (10.2X18.5X2.5-MM THK)						
	42	1	114-1142	4	CIRCUIT BREAKER AS (10-AMPERE)						
	43	1	114-1143	1	CIRCUIT BREAKER AS (16-AMPERE)						
	44	1	106-9819	4	TERMINAL						
	45	1	8T-9637	1	SWITCH AS-TOGGLE (MANUAL START)						
		1	3L-8187	4	LOCKWASHER						
		1	6T-3631	2	NUT-HEX (15/32-32-THD)						
		1	6T-3632	1	LOCKWASHER						
		1	6T-3633	1	RING-LOCKING						
		1	6V-8374	4	SCREW-MACHINE (6-32X0.25-IN)						
M	46	1	8T-4134	4	NUT (M6X1-THD)						
	47	1	111-1324	2	BLOCK-CONTACT (1-POLE)						
	48	1	123-9694	1	HORN						
	49	1	8C-6024	2	SEAL-CONNECTOR						
	50	1	124-3176	1	COVER						
	51	1	126-2210	1	HARNESS AS-PANEL (CUSTOMER CONNECTION)						
	52	1	134-0070	1	HARNESS AS-BOX						
	53	1	123-3395	1	FILM-IDENTIFICATION (WIRE)						
	54	1	122-3202	1	HARNESS AS-PANEL (QUAD GAUGE MODULE)						
	55	1	2N-3476	8	SCREW-MACHINE (6-32X0.75-IN)						
	56	1	4B-2041	12	NUT (6-32-THD)						
	57	1	5S-4245	4	SCREW-MACHINE (4-40X0.5-IN)						
	58	1	6B-4542	4	LOCKWASHER						
	59	1	6B-4540	4	NUT (4-40-THD)						
	60	1	7C-4910	1	SEAL						
	61	1	9X-6772	7	STRAP-CABLE						

OPERATOR STATION

126-7156 **BOX GP-INSTRUMENT PANEL (contd.)**

i02667669

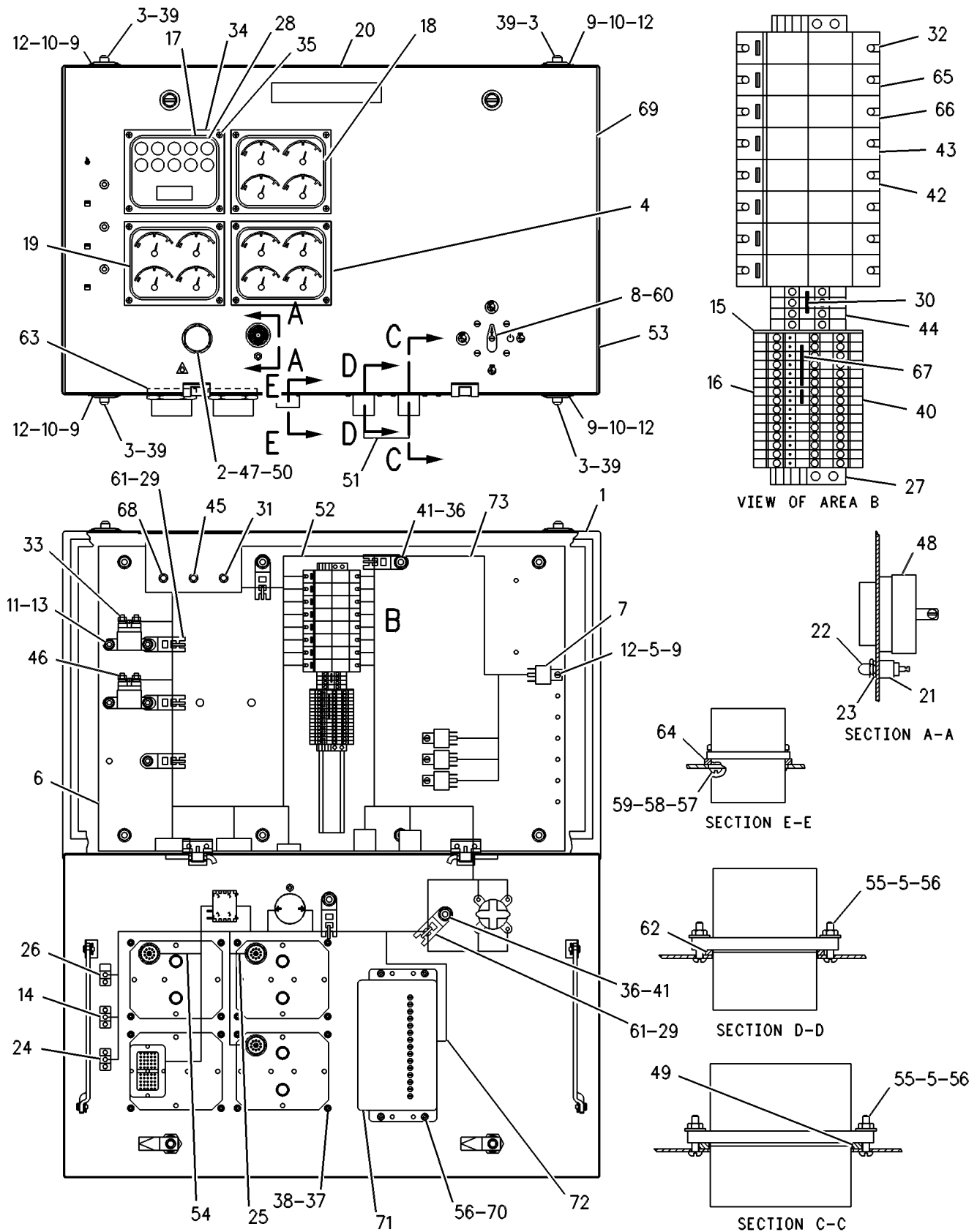
NOTE	REF NO	GRAPHIC REF	PART NUMBER	QTY	PART NAME						SEE PAGE
					1	2	3	4	5	6 (PRODUCT LEVEL)	
	62	1	9X-1365	1	SEAL-CONNECTOR						
	63	1	9D-2734	2	GASKET						
	64	1	6T-0453	1	GASKET						
	65	1	116-7655	1	CIRCUIT BREAKER AS (50-AMPERE)						
	66	1	107-5857	1	CIRCUIT BREAKER AS (32-AMPERE)						
	67	1	3E-5503	1	BAR-FIXED BRIDGE						
	68	1	4D-1836	1	SWITCH-TOGGLE (PRELUBE OVERRIDE)						
	69	1	107-7289	1	FILM-INSTRUMENT PANEL (TERMINAL BOX)						
	70	1	4B-5324	4	WASHER (3.9X9.6X1.2-MM THK)						
	71	1	4W-9733	1	CONTROL AS-GOVERNOR						
		1	1P-7326	6	WASHER (4.32X9.52X1.52-MM THK)						
		1	6V-6790	6	SCREW-WASHER HEAD (6-19X0.625-IN)						
	72	1	126-7158	1	HARNESS AS-WIRING						
B	73	1	6K-0806	20	STRAP-CABLE						

B - USE AS REQUIRED
 E - ORDER BY THE CENTIMETER
 M - METRIC PART
 Y - SEPARATE ILLUSTRATION

OPERATOR STATION

126-7156 BOX GP-INSTRUMENT PANEL (contd.)

102667669



GRAPHIC #1

<END>

g00267664

OPERATOR STATION

126-7156 BOX GP-INSTRUMENT PANEL

S/N: 3XS1-403

AN ATTACHMENT

TYPE 2

SMCS-7451, 7490

i02667670

NOTE	REF NO	GRAPHIC REF	PART NUMBER	QTY	PART NAME						SEE PAGE
					1	2	3	4	5	6 (PRODUCT LEVEL)	
	1	1	132-9429	1	BOX AS-INSTRUMENT						
M		1	2W-9513	4	BOLT (M6X1X10-MM)						
		1	3B-4605	4	PIN-COTTER						
		1	3H-5366	1	STUD-WELD (1/4-20X0.625-IN)						
		1	4M-0200	8	STUD-WELD (3/8-16X1.5-IN) (3/8-16X38MM)						
		1	9P-6895	4	PIN						
		1	9X-6381	4	WASHER (6.5X12.5X1.6-MM THK)						
E		1	126-8472		SEAL (230-CM)						
		1	128-2507	2	HINGE AS						
		1	128-3147	2	GASKET						
	2	1	109-6507	1	SWITCH AS-PUSH BUTTON (EMERGENCY STOP)						
	3	1	110-8909	8	MOUNT-FLEXIBLE						
Y	4	1	118-8582	1	MODULE GP-QUAD GAUGE						727
	5	1	4B-4863	12	WASHER (4.7X11X1.2-MM THK)						
	6	1	133-9308	1	PLATE AS						
		1	9F-6445	2	NUT-WELD (1/4-20-THD)						
	7	1	9Y-2921	4	RELAY (24-VOLT)						
	8	1	127-2331	1	SWITCH AS-ROTARY (ENGINE CONTROL)						
	9	1	3B-4501	36	LOCKWASHER						
	10	1	6D-5801	32	LOCKNUT (8-32-THD)						
	11	1	9S-8750	5	NUT-FULL (1/4-20-THD)						
	12	1	7S-1197	36	SCREW-MACHINE (8-32X0.5-IN)						
	13	1	5P-0537	5	WASHER-HARD (7.2X14.5X2-MM THK)						
	14	1	7N-8008	1	SWITCH AS-TOGGLE (CLEAR, MODE)						
		1	3L-8187	6	LOCKWASHER (3.7MM ID)						
		1	6T-3631	2	NUT-HEX (15/32-32-THD)						
		1	6T-3632	1	LOCKWASHER						
		1	6T-3633	1	RING-LOCKING						
		1	6V-8374	1	SCREW-MACHINE (6-32X0.25-IN)						
	15	1	115-2538	1	COVER-END						
	16	1	115-1322	15	TERMINAL (DOUBLE)						
Y	17	1	<i>115-4636</i>	1	CONTROL GP-ENGINE MONITORING						720
Y	18	1	112-2974	1	MODULE GP-QUAD GAUGE						725
Y	19	1	112-2975	1	MODULE GP-QUAD GAUGE						726
	20	1	133-8381	1	DOOR AS						
		1	7E-0717	2	LATCH AS-DOOR						
		1	030-8967	2	STUD-WELD (3/8-16X0.75-IN OAL)						
		1	069-2338	4	SCREW						
	21	1	9W-0073	1	SWITCH AS-PUSH BUTTON (ALARM SILENCE)						
	22	1	2W-4480	1	BOOT-SWITCH						
	23	1	8C-6123	1	NUT (1/4-40-THD)						
	24	1	8N-0694	1	SWITCH AS-TOGGLE (SINGLE POLE) (STARTING AID)						
		1	3L-8187	3	LOCKWASHER (3.7-MM ID)						
		1	6T-3631	2	NUT-HEX (15/32-32-THD)						
		1	6T-3632	1	LOCKWASHER						
		1	6T-3633	1	RING-LOCKING						

OPERATOR STATION

126-7156 **BOX GP-INSTRUMENT PANEL (contd.)**

102667670

NOTE	REF NO	GRAPHIC REF	PART NUMBER	QTY	PART NAME						SEE PAGE
					1	2	3	4	5	6 (PRODUCT LEVEL)	
		1	6V-8374	3	SCREW-MACHINE (6-32X0.25-IN)						
	25	1	122-3203	1	HARNESS AS-PANEL (QUAD GAUGE MODULE)						
	26	1	8D-2676	1	SWITCH AS-TOGGLE (SINGLE POLE) (ENGINE PARAMETER, RH, LH)						
		1	3L-8187	2	LOCKWASHER (3.7MM ID)						
		1	6T-3631	2	NUT-HEX (15/32-32-THD)						
		1	6T-3632	1	LOCKWASHER						
		1	6T-3633	1	RING-LOCKING						
		1	6V-8374	2	SCREW-MACHINE (6-32X0.25-IN)						
	27	1	9X-9675	2	BRACKET-END						
	28	1	113-7884	1	FILM-IDENTIFICATION (ENGINE MONITORING)						
	29	1	4P-7581	7	CLIP (LADDER)						
	30	1	105-7542	1	STRIP-CONTACT						
Y	31	1	7N-8001	1	SWITCH GP-TOGGLE (OVERSPEED VERIFY)						580
	32	1	107-5856	1	CIRCUIT BREAKER AS (63-AMPERE)						
	33	1	9X-8124	2	SWITCH AS-MAGNETIC (24-VOLT) (START RELAY)						
					(EACH INCLUDES)						
M		1	8T-4134	2	NUT (M6X1-THD)						
	34	1	100-5566	4	BEZEL						
	35	1	7U-4891	16	SCREW (10-32X1-IN) (10)						
	36	1	9S-8752	18	NUT-FULL (3/8-16-THD)						
	37	1	4B-4274	16	WASHER (5.5X13X1.2-MM THK)						
	38	1	6V-8378	16	NUT (10-32-THD)						
	39	1	107-2482	8	GASKET						
	40	1	121-3328	1	KIT-MARKER (TERMINAL)						
	41	1	5M-2894	18	WASHER-HARD (10.2X18.5X2.5-MM THK)						
	42	1	114-1142	4	CIRCUIT BREAKER AS (10-AMPERE)						
	43	1	114-1143	1	CIRCUIT BREAKER AS (16-AMPERE)						
	44	1	106-9819	4	TERMINAL						
	45	1	8T-9637	1	SWITCH AS-TOGGLE (MANUAL START)						
		1	3L-8187	4	LOCKWASHER (3.7MM ID)						
		1	6T-3631	2	NUT-HEX (15/32-32-THD)						
		1	6T-3632	1	LOCKWASHER						
		1	6T-3633	1	RING-LOCKING						
		1	6V-8374	4	SCREW-MACHINE (6-32X0.25-IN)						
M	46	1	8T-4134	4	NUT (M6X1-THD)						
	47	1	111-1324	2	BLOCK-CONTACT (1-POLE)						
	48	1	123-9694	1	HORN						
	49	1	8C-6024	2	SEAL-CONNECTOR						
	50	1	124-3176	1	COVER						
	51	1	126-2210	1	HARNESS AS-PANEL (CUSTOMER CONNECTION)						
CY	52	1	143-5176	1	HARNESS AS-PANEL						427
	53	1	123-3395	1	FILM-IDENTIFICATION (WIRE)						
	54	1	122-3202	1	HARNESS AS-PANEL (QUAD GAUGE MODULE)						
	55	1	2N-3476	8	SCREW-MACHINE (6-32X0.75-IN)						
	56	1	4B-2041	12	NUT (6-32-THD)						
	57	1	5S-4245	4	SCREW-MACHINE (4-40X0.5-IN)						
	58	1	6B-4542	4	LOCKWASHER						
	59	1	6B-4540	4	NUT (4-40-THD)						
	60	1	7C-4910	1	SEAL						
	61	1	9X-6772	7	STRAP-CABLE						

OPERATOR STATION

126-7156 **BOX GP-INSTRUMENT PANEL (contd.)**

i02667670

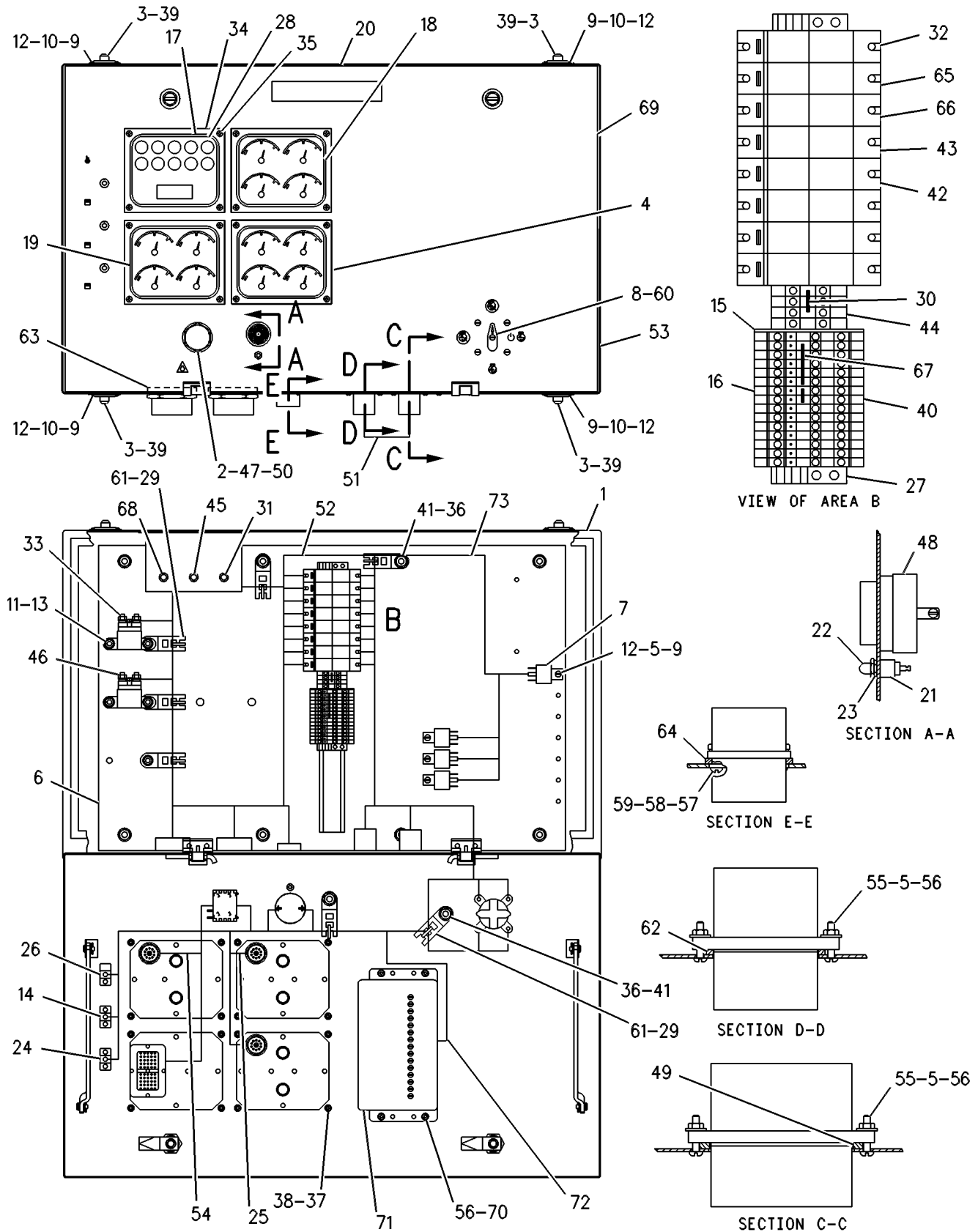
NOTE	REF NO	GRAPHIC REF	PART NUMBER	QTY	PART NAME						SEE PAGE
					1	2	3	4	5	6 (PRODUCT LEVEL)	
	62	1	9X-1365	1	SEAL-CONNECTOR						
	63	1	9D-2734	2	GASKET						
	64	1	6T-0453	1	GASKET						
	65	1	116-7655	1	CIRCUIT BREAKER AS (50-AMPERE)						
	66	1	107-5857	1	CIRCUIT BREAKER AS (32-AMPERE)						
	67	1	3E-5503	1	BAR-FIXED BRIDGE						
	68	1	4D-1836	1	SWITCH-TOGGLE (PRELUBE OVERRIDE)						
	69	1	108-1259	1	FILM-IDENTIFICATION (INSTRUMENT PANEL)						
	70	1	4B-5324	4	WASHER (3.9X9.6X1.2-MM THK)						
	71	1	4W-9733	1	CONTROL AS-GOVERNOR						
		1	1P-7326	6	WASHER (4.32X9.52X1.52-MM THK)						
		1	6V-6790	6	SCREW-WASHER HEAD (6-19X0.625-IN)						
	72	1	126-7158	1	HARNESS AS-WIRING						
B	73	1	6K-0806	20	STRAP-CABLE						

B - USE AS REQUIRED
 C - CHANGE FROM PREVIOUS TYPE
 E - ORDER BY THE CENTIMETER
 M - METRIC PART
 Y - SEPARATE ILLUSTRATION

OPERATOR STATION

126-7156 BOX GP-INSTRUMENT PANEL (contd.)

102667670



GRAPHIC #1

<END>

g00267664

OPERATOR STATION

126-7156 BOX GP-INSTRUMENT PANEL

S/N: 3XS404-UP

AN ATTACHMENT

TYPE 1

SMCS-7451, 7490

i02667671

NOTE	REF NO	GRAPHIC REF	PART NUMBER	QTY	PART NAME	SEE PAGE
					1 2 3 4 5 6 (PRODUCT LEVEL)	
Y	1	1	162-7662	1	BOX GP-INSTRUMENT PANEL	719
	2	1	109-6507	1	SWITCH AS-PUSH BUTTON (EMERGENCY STOP)	
	3	1	110-8909	8	MOUNT-FLEXIBLE	
Y	4	1	118-8582	1	MODULE GP-QUAD GAUGE	727
	5	1	4B-4863	12	WASHER (4.7X11X1.2-MM THK)	
	6	1	133-9308	1	PLATE AS	
		1	9F-6445	2	NUT-WELD (1/4-20-THD)	
	7	1	9Y-2921	4	RELAY (24-VOLT)	
	8	1	127-2331	1	SWITCH AS-ROTARY (ENGINE CONTROL)	
	9	1	3B-4501	36	LOCKWASHER	
	10	1	6D-5801	32	LOCKNUT (8-32-THD)	
	11	1	9S-8750	5	NUT-FULL (1/4-20-THD)	
	12	1	7S-1197	36	SCREW-MACHINE (8-32X0.5-IN)	
	13	1	5P-0537	5	WASHER-HARD (7.2X14.5X2-MM THK)	
	14	1	7N-8008	1	SWITCH AS-TOGGLE (CLEAR, MODE)	
		1	3L-8187	6	LOCKWASHER (3.7-MM ID)	
		1	6T-3631	2	NUT-HEX (15/32-32-THD)	
		1	6T-3632	1	LOCKWASHER	
		1	6T-3633	1	RING-LOCKING	
		1	6V-8374	6	SCREW-MACHINE (6-32X0.25-IN)	
	15	1	115-2538	1	COVER-END	
C	16	1	115-1322	18	TERMINAL (DOUBLE)	
CY	17	1	<i>158-6255</i>	1	CONTROL GP-ENGINE MONITORING (LINE)	723
Y	18	1	112-2974	1	MODULE GP-QUAD GAUGE	725
Y	19	1	112-2975	1	MODULE GP-QUAD GAUGE	726
	20	1	133-8381	1	DOOR AS	
	21	1	9W-0073	1	SWITCH AS-PUSH BUTTON (ALARM SILENCE)	
	22	1	2W-4480	1	BOOT-SWITCH	
	23	1	8C-6123	1	NUT (1/4-40-THD)	
	24	1	8N-0694	1	SWITCH AS-TOGGLE (SINGLE POLE) (STARTING AID)	
		1	3L-8187	3	LOCKWASHER (3.7-MM ID)	
		1	6T-3631	2	NUT-HEX (15/32-32-THD)	
		1	6T-3632	1	LOCKWASHER	
		1	6T-3633	1	RING-LOCKING	
		1	6V-8374	3	SCREW-MACHINE (6-32X0.25-IN)	
	25	1	122-3203	1	HARNES AS-PANEL (QUAD GAUGE MODULE)	
	26	1	8D-2676	1	SWITCH AS-TOGGLE (SINGLE POLE) (ENGINE PARAMETER, RH, LH)	
		1	3L-8187	2	LOCKWASHER (3.7-MM ID)	
		1	6T-3631	2	NUT-HEX (15/32-32-THD)	
		1	6T-3632	1	LOCKWASHER	
		1	6T-3633	1	RING-LOCKING	
		1	6V-8374	2	SCREW-MACHINE (6-32X0.25-IN)	
	27	1	9X-9675	2	BRACKET-END	
	28	1	113-7884	1	FILM-IDENTIFICATION (ENGINE MONITORING)	
	29	1	4P-7581	7	CLIP (LADDER)	
	30	1	105-7542	1	STRIP-CONTACT	

OPERATOR STATION

126-7156 **BOX GP-INSTRUMENT PANEL (contd.)**

i02667671

NOTE	REF NO	GRAPHIC REF	PART NUMBER	QTY	PART NAME						SEE PAGE
					1	2	3	4	5	6 (PRODUCT LEVEL)	
Y	31	1	7N-8001	1	SWITCH GP-TOGGLE (OVERSPEED VERIFY)						580
	32	1	107-5856	1	CIRCUIT BREAKER AS (63-AMPERE)						
	33	1	9X-8124	2	SWITCH AS-MAGNETIC (24-VOLT) (START RELAY)						
					(EACH INCLUDES)						
M		1	8T-4134	2	NUT (M6X1-THD)						
	34	1	100-5566	4	BEZEL						
	35	1	7U-4891	16	SCREW (10-32X1-IN)						
	36	1	9S-8752	18	NUT-FULL (3/8-16-THD)						
	37	1	4B-4274	16	WASHER (5.5X13X1.2-MM THK)						
	38	1	6V-8378	16	NUT (10-32-THD)						
	39	1	107-2482	8	GASKET						
	40	1	121-3328	1	KIT-MARKER (TERMINAL)						
	41	1	5M-2894	18	WASHER-HARD (10.2X18.5X2.5-MM THK)						
	42	1	114-1142	4	CIRCUIT BREAKER AS (10-AMPERE)						
	43	1	114-1143	1	CIRCUIT BREAKER AS (16-AMPERE)						
	44	1	106-9819	4	TERMINAL						
	45	1	8T-9637	1	SWITCH AS-TOGGLE (MANUAL START)						
		1	3L-8187	4	LOCKWASHER (3.7-MM ID)						
		1	6T-3631	2	NUT-HEX (15/32-32-THD)						
		1	6T-3632	1	LOCKWASHER						
		1	6T-3633	1	RING-LOCKING						
		1	6V-8374	4	SCREW-MACHINE (6-32X0.25-IN)						
M	46	1	8T-4134	4	NUT (M6X1-THD)						
	47	1	111-1324	2	BLOCK-CONTACT (1-POLE)						
	48	1	123-9694	1	HORN						
	49	1	8C-6024	1	SEAL-CONNECTOR						
	50	1	124-3176	1	COVER						
	51	1	126-2210	1	HARNESS AS-PANEL (CUSTOMER CONNECTION)						
Y	52	1	143-5176	1	HARNESS AS-PANEL						427
	53	1	123-3395	1	FILM-IDENTIFICATION (WIRE)						
	54	1	122-3202	1	HARNESS AS-PANEL (QUAD GAUGE MODULE)						
	55	1	2N-3476	8	SCREW-MACHINE (6-32X0.75-IN)						
	56	1	4B-2041	12	NUT (6-32-THD)						
	57	1	5S-4245	4	SCREW-MACHINE (4-40X0.5-IN)						
	58	1	6B-4542	4	LOCKWASHER						
	59	1	6B-4540	4	NUT (4-40-THD)						
	60	1	7C-4910	1	SEAL						
	61	1	9X-6772	7	STRAP-CABLE						
	62	1	9X-1365	1	SEAL-CONNECTOR						
	63	1	9D-2734	2	GASKET						
	64	1	6T-0453	1	GASKET						
	65	1	116-7655	1	CIRCUIT BREAKER AS (50-AMPERE)						
	66	1	107-5857	1	CIRCUIT BREAKER AS (32-AMPERE)						
C	67	1	3E-5503	2	BAR-FIXED BRIDGE						
	68	1	4D-1836	1	SWITCH-TOGGLE (PRELUBRICATION OVERRIDE)						
	69	1	108-1259	1	FILM-IDENTIFICATION (INSTRUMENT PANEL)						
	70	1	4B-5324	4	WASHER (3.9X9.6X1.2-MM THK)						
	71	1	4W-9733	1	CONTROL AS-GOVERNOR (ELECTRONIC SPEED SWITCH)						
		1	1P-7326	6	WASHER (4.32X9.52X1.52-MM THK)						
		1	6V-6790	6	SCREW-WASHER HEAD (6-19X0.625-IN)						

OPERATOR STATION

126-7156 **BOX GP-INSTRUMENT PANEL (contd.)**

i02667671

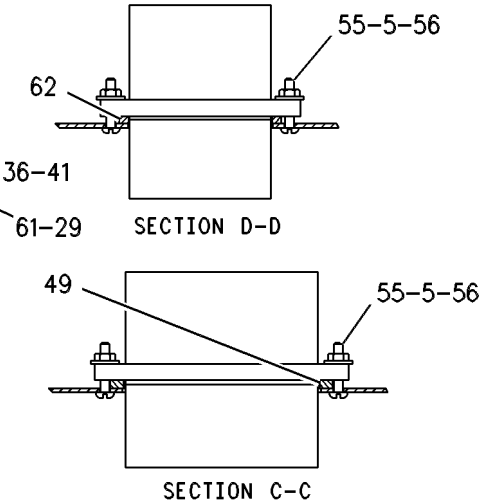
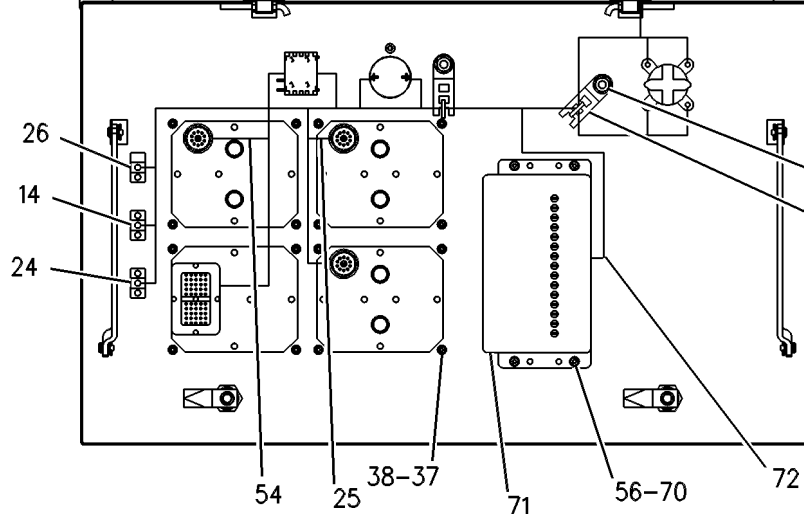
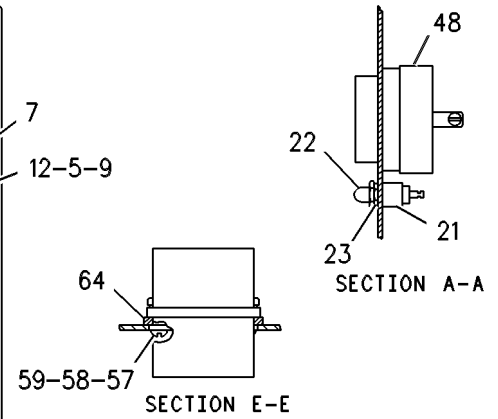
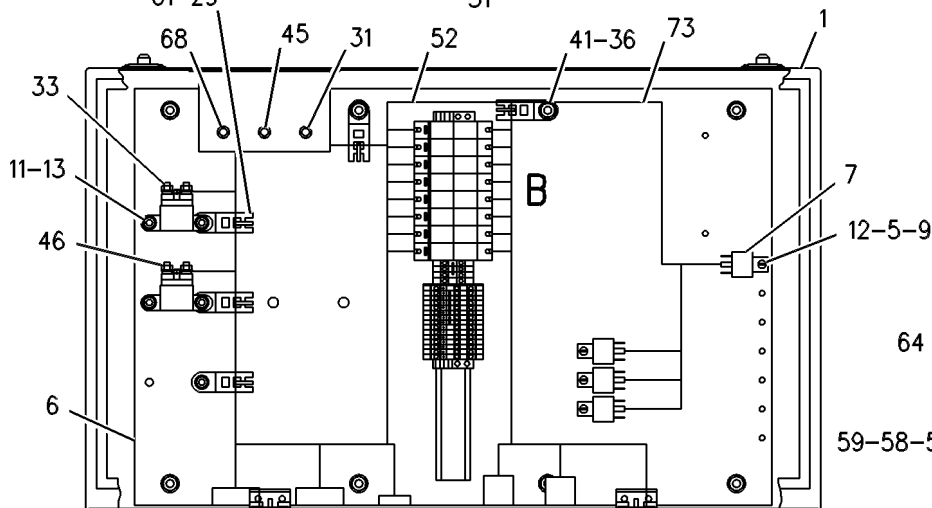
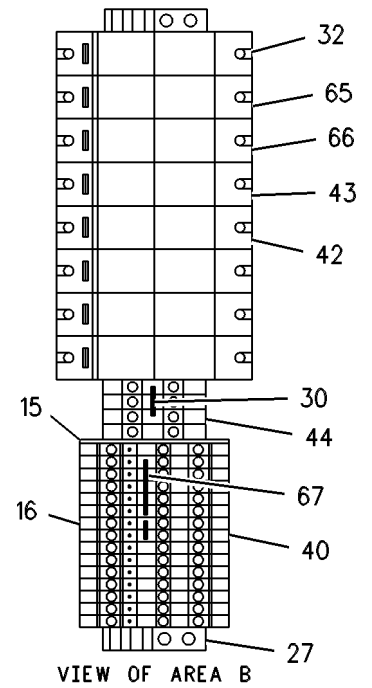
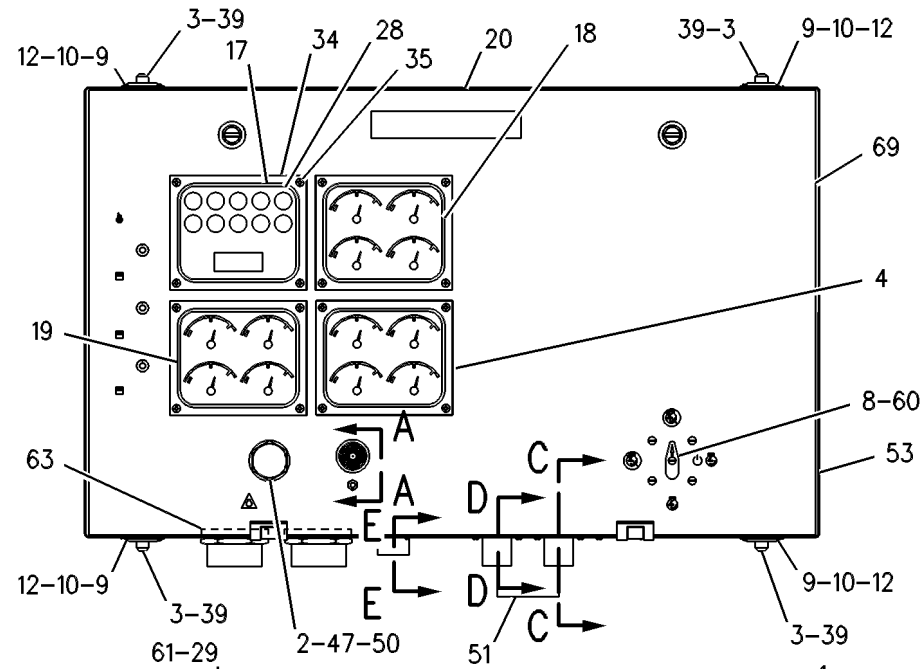
NOTE	REF	GRAPHIC	PART NUMBER	QTY	PART NAME						SEE PAGE
	NO	REF			1	2	3	4	5	6 (PRODUCT LEVEL)	
	72	1	126-7158	1	HARNES AS-WIRING						
B	73	1	6K-0806	20	STRAP-CABLE						

B - USE AS REQUIRED
 C - CHANGE FROM PREVIOUS TYPE
 M - METRIC PART
 Y - SEPARATE ILLUSTRATION

OPERATOR STATION

126-7156 BOX GP-INSTRUMENT PANEL (contd.)

i02667671



GRAPHIC #1

<END>

g00267664

OPERATOR STATION

126-7156 BOX GP-INSTRUMENT PANEL

S/N: 3XS404-UP
AN ATTACHMENT
TYPE 2

SMCS-7451, 7490

i02667667

NOTE	REF NO	GRAPHIC REF	PART NUMBER	QTY	PART NAME	SEE PAGE
					1 2 3 4 5 6 (PRODUCT LEVEL)	
Y	1	1	162-7662	1	BOX GP-INSTRUMENT PANEL	719
	2	1	109-6507	1	SWITCH AS-PUSH BUTTON (EMERGENCY STOP)	
	3	1	110-8909	8	MOUNT-FLEXIBLE	
Y	4	1	118-8582	1	MODULE GP-QUAD GAUGE	727
C	5	1	4B-4863	14	WASHER (4.7X11X1.2-MM THK)	
	6	1	133-9308	1	PLATE AS	
		1	9F-6445	2	NUT-WELD (1/4-20-THD)	
C	7	1	9Y-2921	6	RELAY (24-VOLT)	
	8	1	127-2331	1	SWITCH AS-ROTARY (ENGINE CONTROL)	
C	9	1	3B-4501	38	LOCKWASHER	
	10	1	6D-5801	32	LOCKNUT (8-32-THD)	
	11	1	9S-8750	5	NUT-FULL (1/4-20-THD)	
C	12	1	7S-1197	38	SCREW-MACHINE (8-32X0.5-IN)	
	13	1	5P-0537	5	WASHER-HARD (7.2X14.5X2-MM THK)	
	14	1	7N-8008	1	SWITCH AS-TOGGLE (CLEAR, MODE)	
		1	3L-8187	6	LOCKWASHER (3.7MM ID)	
		1	6T-3631	2	NUT-HEX (15/32-32-THD)	
		1	6T-3632	1	LOCKWASHER	
		1	6T-3633	1	RING-LOCKING	
		1	6V-8374	6	SCREW-MACHINE (6-32X0.25-IN)	
	15	1	115-2538	1	COVER-END	
	16	1	115-1322	18	TERMINAL (DOUBLE)	
Y	17	1	<i>158-6255</i>	1	CONTROL GP-ENGINE MONITORING (LINE)	723
CY	18	1	153-8056	1	MODULE GP-QUAD GAUGE	728
Y	19	1	112-2975	1	MODULE GP-QUAD GAUGE	726
	20	1	133-8381	1	DOOR AS	
	21	1	9W-0073	1	SWITCH AS-PUSH BUTTON (ALARM SILENCE)	
	22	1	2W-4480	1	BOOT-SWITCH	
	23	1	8C-6123	1	NUT (1/4-40-THD)	
	24	1	8N-0694	1	SWITCH AS-TOGGLE (SINGLE POLE) (STARTING AID)	
		1	3L-8187	3	LOCKWASHER (3.7-MM ID)	
		1	6T-3631	2	NUT-HEX (15/32-32-THD)	
		1	6T-3632	1	LOCKWASHER	
		1	6T-3633	1	RING-LOCKING	
		1	6V-8374	3	SCREW-MACHINE (6-32X0.25-IN)	
	25	1	122-3203	1	HARNESS AS-PANEL (QUAD GAUGE MODULE)	
	26	1	8D-2676	1	SWITCH AS-TOGGLE (SINGLE POLE) (ENGINE PARAMETER, RH, LH)	
		1	3L-8187	2	LOCKWASHER (3.7-MM ID)	
		1	6T-3631	2	NUT-HEX (15/32-32-THD)	
		1	6T-3632	1	LOCKWASHER	
		1	6T-3633	1	RING-LOCKING	
		1	6V-8374	2	SCREW-MACHINE (6-32X0.25-IN)	
	27	1	9X-9675	2	BRACKET-END	
	28	1	113-7884	1	FILM-IDENTIFICATION (ENGINE MONITORING)	
	29	1	4P-7581	7	CLIP (LADDER)	
	30	1	105-7542	1	STRIP-CONTACT	

OPERATOR STATION

126-7156 **BOX GP-INSTRUMENT PANEL (contd.)**

i02667667

NOTE	REF NO	GRAPHIC REF	PART NUMBER	QTY	PART NAME						SEE PAGE
					1	2	3	4	5	6 (PRODUCT LEVEL)	
Y	31	1	7N-8001	1	SWITCH GP-TOGGLE (OVERSPEED VERIFY)						580
	32	1	107-5856	1	CIRCUIT BREAKER AS (63-AMPERE)						
	33	1	9X-8124	2	SWITCH AS-MAGNETIC (24-VOLT) (START RELAY)						
					(EACH INCLUDES)						
M		1	8T-4134	2	NUT (M6X1-THD)						
	34	1	100-5566	4	BEZEL						
	35	1	7U-4891	16	SCREW (10-32X1-IN)						
	36	1	9S-8752	18	NUT-FULL (3/8-16-THD)						
	37	1	4B-4274	16	WASHER (5.5X13X1.2-MM THK)						
	38	1	6V-8378	16	NUT (10-32-THD)						
	39	1	107-2482	8	GASKET						
	40	1	121-3328	1	KIT-MARKER (TERMINAL)						
	41	1	5M-2894	18	WASHER-HARD (10.2X18.5X2.5-MM THK)						
	42	1	114-1142	4	CIRCUIT BREAKER AS (10-AMPERE)						
	43	1	114-1143	1	CIRCUIT BREAKER AS (16-AMPERE)						
	44	1	106-9819	4	TERMINAL						
	45	1	8T-9637	1	SWITCH AS-TOGGLE (MANUAL START)						
		1	3L-8187	4	LOCKWASHER (3.7-MM ID)						
		1	6T-3631	2	NUT-HEX (15/32-32-THD)						
		1	6T-3632	1	LOCKWASHER						
		1	6T-3633	1	RING-LOCKING						
		1	6V-8374	4	SCREW-MACHINE (6-32X0.25-IN)						
M	46	1	8T-4134	4	NUT (M6X1-THD)						
	47	1	111-1324	2	BLOCK-CONTACT (1-POLE)						
	48	1	123-9694	1	HORN						
	49	1	8C-6024	1	SEAL-CONNECTOR						
	50	1	124-3176	1	COVER						
	51	1	126-2210	1	HARNESS AS-PANEL (CUSTOMER CONNECTION)						
CY	52	1	174-1436	1	HARNESS AS-PANEL (INSTRUMENT)						428
	53	1	123-3395	1	FILM-IDENTIFICATION (WIRE)						
	54	1	122-3202	1	HARNESS AS-PANEL (QUAD GAUGE MODULE)						
	55	1	2N-3476	8	SCREW-MACHINE (6-32X0.75-IN)						
	56	1	4B-2041	12	NUT (6-32-THD)						
	57	1	5S-4245	4	SCREW-MACHINE (4-40X0.5-IN)						
	58	1	6B-4542	4	LOCKWASHER						
	59	1	6B-4540	4	NUT (4-40-THD)						
	60	1	7C-4910	1	SEAL						
	61	1	9X-6772	7	STRAP-CABLE						
	62	1	9X-1365	1	SEAL-CONNECTOR						
	63	1	9D-2734	2	GASKET						
	64	1	6T-0453	1	GASKET						
	65	1	116-7655	1	CIRCUIT BREAKER AS (50-AMPERE)						
	66	1	107-5857	1	CIRCUIT BREAKER AS (32-AMPERE)						
	67	1	3E-5503	2	BAR-FIXED BRIDGE						
	68	1	4D-1836	1	SWITCH-TOGGLE (PRELUBRICATION OVERRIDE)						
	69	1	108-1259	1	FILM-IDENTIFICATION (INSTRUMENT PANEL) (TERMINAL)						
	70	1	4B-5324	4	WASHER (3.9X9.6X1.2-MM THK)						
	71	1	4W-9733	1	CONTROL AS-GOVERNOR (ELECTRONIC SPEED SWITCH)						
		1	1P-7326	6	WASHER (4.32X9.52X1.52-MM THK)						
		1	6V-6790	6	SCREW-WASHER HEAD (6-19X0.625-IN)						

OPERATOR STATION

126-7156 **BOX GP-INSTRUMENT PANEL (contd.)**

i02667667

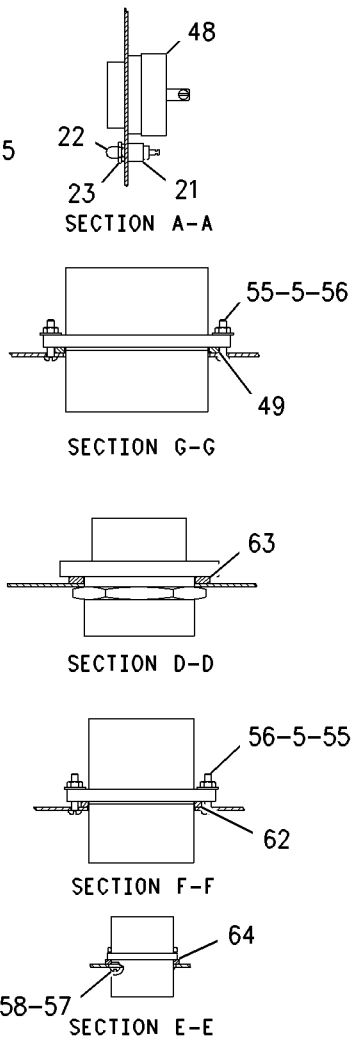
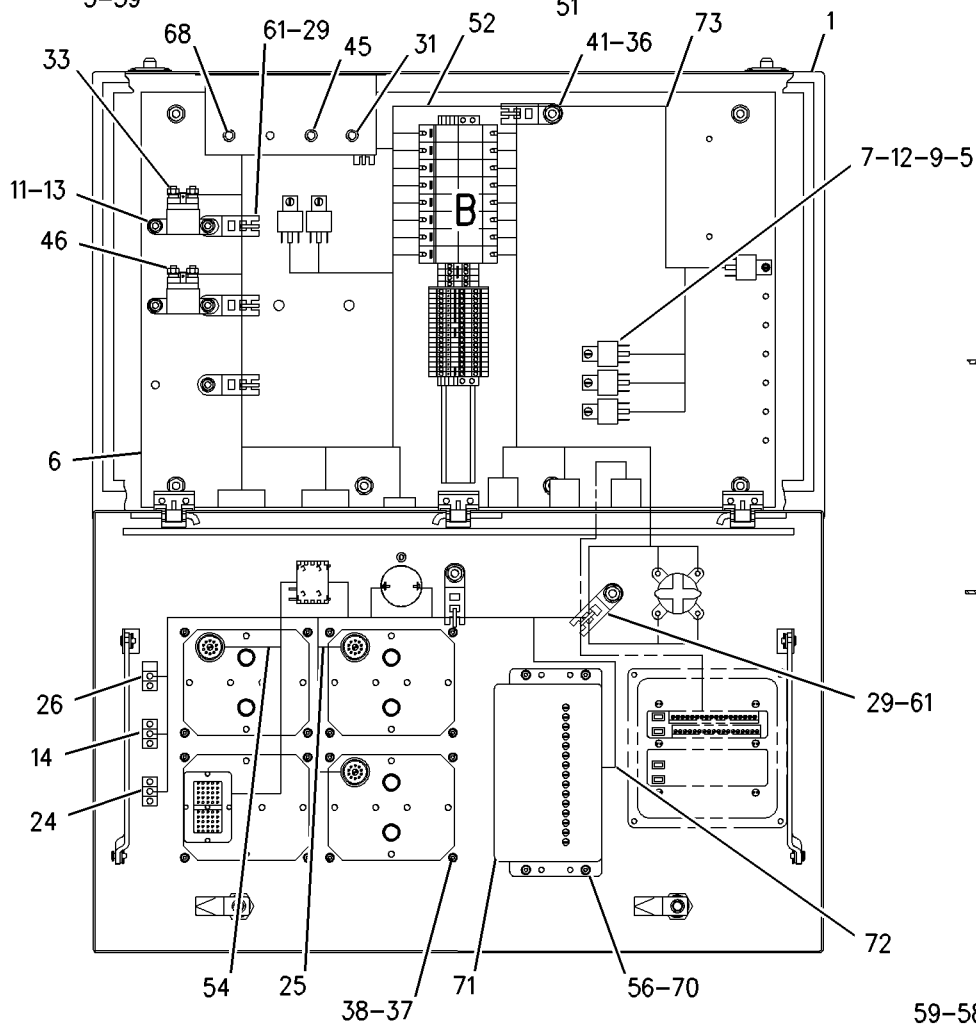
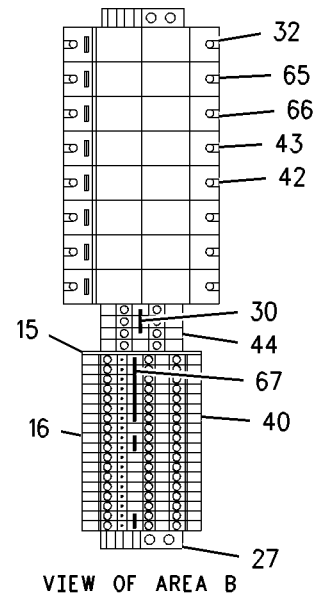
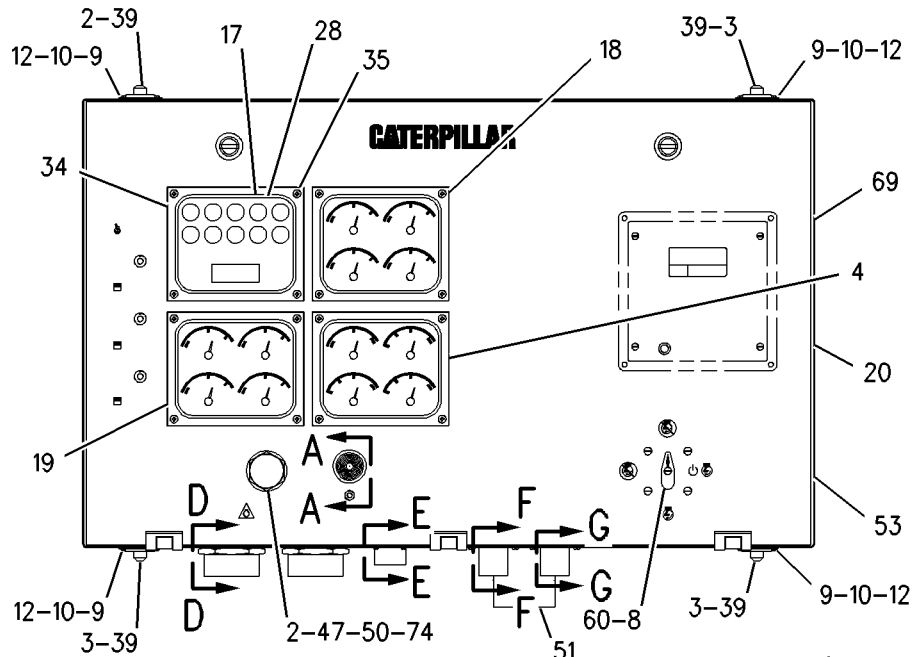
NOTE	REF NO	GRAPHIC REF	PART NUMBER	QTY	PART NAME						SEE PAGE
					1	2	3	4	5	6 (PRODUCT LEVEL)	
	72	1	126-7158	1	HARNESS AS-WIRING						
B	73	1	6K-0806	20	STRAP-CABLE						
C	74	1	111-1323	1	BLOCK-CONTACT (1-POLE)						

B - USE AS REQUIRED
 C - CHANGE FROM PREVIOUS TYPE
 M - METRIC PART
 Y - SEPARATE ILLUSTRATION

OPERATOR STATION

126-7156 BOX GP-INSTRUMENT PANEL (contd.)

102667667



GRAPHIC #1

<END>

g00657383

OPERATOR STATION

126-7156 BOX GP-INSTRUMENT PANEL

S/N: 3XS404-UP
AN ATTACHMENT
TYPE 3

SMCS-7451, 7490

i05762646

NOTE	REF NO	GRAPHIC REF	PART NUMBER	QTY	PART NAME						SEE PAGE
					1	2	3	4	5	6 (PRODUCT LEVEL)	
Y	1	1	162-7662	1	BOX GP-INSTRUMENT PANEL						719
	2	1	109-6507	1	SWITCH AS-PUSH BUTTON (EMERGENCY STOP)						
	3	1	110-8909	8	MOUNT-FLEXIBLE						
CY	4	1	166-6937	1	MODULE GP-QUAD GAUGE (CATERPILLAR MONITORING SYSTEM)						731
	5	1	4B-4863	14	WASHER (4.7X11X1.2-MM THK)						
	6	1	133-9308	1	PLATE AS						
	7	1	9Y-2921	6	RELAY (24-VOLT) (INSTRUMENT PANEL)						
	8	1	127-2331	1	SWITCH AS-ROTARY (ENGINE CONTROL)						
	9	1	3B-4501	38	LOCKWASHER						
	10	1	6D-5801	32	LOCKNUT (8-32-THD)						
	11	1	9S-8750	5	NUT-FULL (1/4-20-THD)						
	12	1	7S-1197	38	SCREW-MACHINE (8-32X0.5-IN)						
	13	1	5P-0537	5	WASHER-HARD (7.2X14.5X2-MM THK)						
	14	1	7N-8008	1	SWITCH AS-TOGGLE (CLEAR, MODE)						
		1	3L-8187	6	LOCKWASHER						
		1	6T-3631	2	NUT-HEX (15/32-32-THD)						
		1	6T-3632	1	LOCKWASHER						
		1	6T-3633	1	RING-LOCKING						
		1	6V-8374	6	SCREW-MACHINE (6-32X0.25-IN)						
	15	1	115-2538	1	COVER-END						
	16	1	115-1322	20	TERMINAL (DOUBLE)						
Y	17	1	158-6255	1	CONTROL GP-ENGINE MONITORING						723
CY	18	1	166-6936	1	MODULE GP-QUAD GAUGE						730
Y	19	1	166-6929	1	MODULE GP-QUAD GAUGE						729
	20	1	133-8381	1	DOOR AS						
		1	128-8545	2	LATCH AS						
		1	030-8967	2	STUD-WELD (3/8-16X0.75-IN OAL)						
	22	1	2W-4480	1	BOOT-SWITCH						
	23	1	8C-6123	1	NUT (1/4-40-THD)						
	24	1	8N-0694	1	SWITCH AS-TOGGLE (SINGLE POLE) (STARTING AID)						
		1	3L-8187	3	LOCKWASHER						
		1	6T-3631	2	NUT-HEX (15/32-32-THD)						
		1	6T-3632	1	LOCKWASHER						
		1	6T-3633	1	RING-LOCKING						
		1	6V-8374	3	SCREW-MACHINE (6-32X0.25-IN)						
	25	1	122-3203	1	HARNES AS-PANEL (QUAD GAUGE MODULE)						
		1	155-2265	2	KIT-CONNECTING PLUG (8-PIN) (EACH PLUG KIT INCLUDES PLUG AS & WEDGE)						
		1	8L-8413	10	STRAP-CABLE (WHITE)						
		1	186-3736	6	SOCKET-CONNECTOR (16-GA TO 18-GA)						
		1	109-3038	6	END-WIRE (16-GA)						
	26	1	8D-2676	1	SWITCH AS-TOGGLE (SINGLE POLE) (ENGINE PARAMETER, RH, LH)						
		1	3L-8187	2	LOCKWASHER						
		1	6T-3631	2	NUT-HEX (15/32-32-THD)						
		1	6T-3632	1	LOCKWASHER						

OPERATOR STATION

126-7156 **BOX GP-INSTRUMENT PANEL (contd.)**

i05762646

NOTE	REF NO	GRAPHIC REF	PART NUMBER	QTY	PART NAME						SEE PAGE
					1	2	3	4	5	6 (PRODUCT LEVEL)	
		1	6T-3633	1	RING-LOCKING						
		1	6V-8374	2	SCREW-MACHINE (6-32X0.25-IN)						
	27	1	9X-9675	2	BRACKET-END						
	28	1	113-7884	1	FILM-IDENTIFICATION (ENGINE MONITORING)						
	29	1	4P-7581	6	CLIP (LADDER)						
	30	1	105-7542	1	STRIP-CONTACT						
Y	31	1	7N-8001	1	SWITCH GP-TOGGLE (OVERSPEED VERIFY)						580
	32	1	107-5856	1	CIRCUIT BREAKER AS (63-AMPERE)						
	33	1	9X-8124	2	SWITCH AS-MAGNETIC (24-VOLT) (STARTING MOTOR)						
	34	1	100-5566	4	BEZEL						
	35	1	7U-4891	16	SCREW (10-32X1-IN)						
	36	1	9S-8752	18	NUT-FULL (3/8-16-THD)						
	37	1	4B-4274	16	WASHER (5.5X13X1.2-MM THK)						
	38	1	6V-8378	16	NUT (10-32-THD)						
	39	1	107-2482	8	GASKET						
	40	1	121-3328	1	KIT-MARKER (TERMINAL) (INSTRUMENT PANEL)						
	41	1	5M-2894	18	WASHER-HARD (10.2X18.5X2.5-MM THK)						
	42	1	114-1142	4	CIRCUIT BREAKER AS (10-AMPERE)						
	43	1	114-1143	1	CIRCUIT BREAKER AS (16-AMPERE)						
	44	1	106-9819	4	TERMINAL						
	45	1	8T-9637	1	SWITCH AS-TOGGLE (MANUAL START)						
		1	3L-8187	4	LOCKWASHER						
		1	6T-3631	2	NUT-HEX (15/32-32-THD)						
		1	6T-3632	1	LOCKWASHER						
		1	6T-3633	1	RING-LOCKING						
		1	6V-8374	4	SCREW-MACHINE (6-32X0.25-IN)						
M	46	1	5C-2890	4	NUT (M6X1-THD)						
	47	1	111-1324	2	BLOCK-CONTACT (1-POLE)						
	48	1	123-9694	1	HORN						
	49	1	8C-6024	1	SEAL-CONNECTOR						
	50	1	124-3176	1	COVER						
	51	1	126-2210	1	HARNESS AS-PANEL (CUSTOMER CONNECTION)						
		1	186-3736	12	SOCKET-CONNECTOR (16-GA TO 18-GA)						
		1	8T-8737	52	PLUG-SEAL						
		1	7X-6222	1	PLUG AS-CONNECTOR (24-PIN)						
		1	8T-9834	1	PLUG AS-CONNECTOR (40-PIN)						
Y	52	1	174-1436	1	HARNESS AS-PANEL (INSTRUMENT)						428
	53	1	123-3395	1	FILM-IDENTIFICATION (WIRE)						
	54	1	122-3202	1	HARNESS AS-PANEL (QUAD GAUGE MODULE)						
		1	186-3736	6	SOCKET-CONNECTOR (16-GA TO 18-GA)						
		1	155-2265	2	KIT-CONNECTING PLUG (8-PIN) (INCLUDES PLUG AS & WEDGE)						
		1	109-3038	6	END-WIRE (16-GA)						
		1	8L-8413	10	STRAP-CABLE (WHITE)						
	55	1	214-3522	8	SCREW-MACHINE (8-32X0.75-IN)						
	56	1	4B-2041	12	NUT (6-32-THD)						
	57	1	5S-4245	4	SCREW-MACHINE (4-40X0.5-IN)						
	58	1	6B-4542	4	LOCKWASHER						
	59	1	6B-4540	4	NUT (4-40-THD)						
	60	1	7C-4910	1	SEAL						
	61	1	9X-6772	7	STRAP-CABLE						

OPERATOR STATION

126-7156 **BOX GP-INSTRUMENT PANEL (contd.)**

i05762646

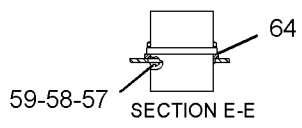
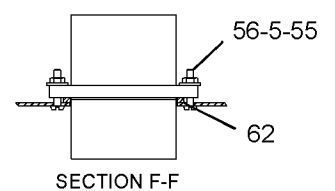
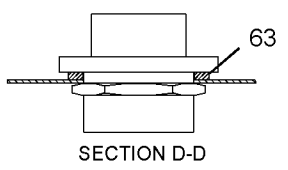
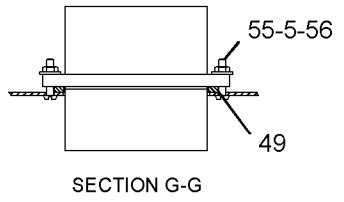
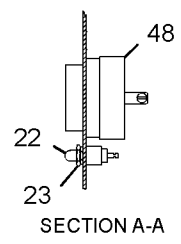
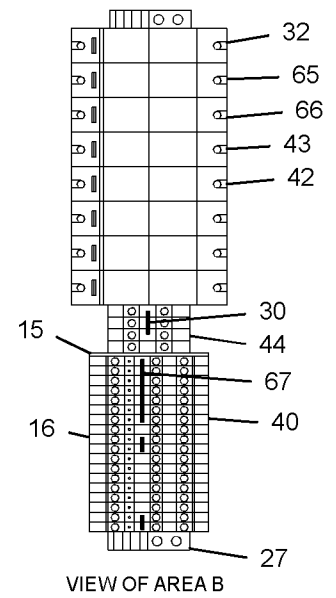
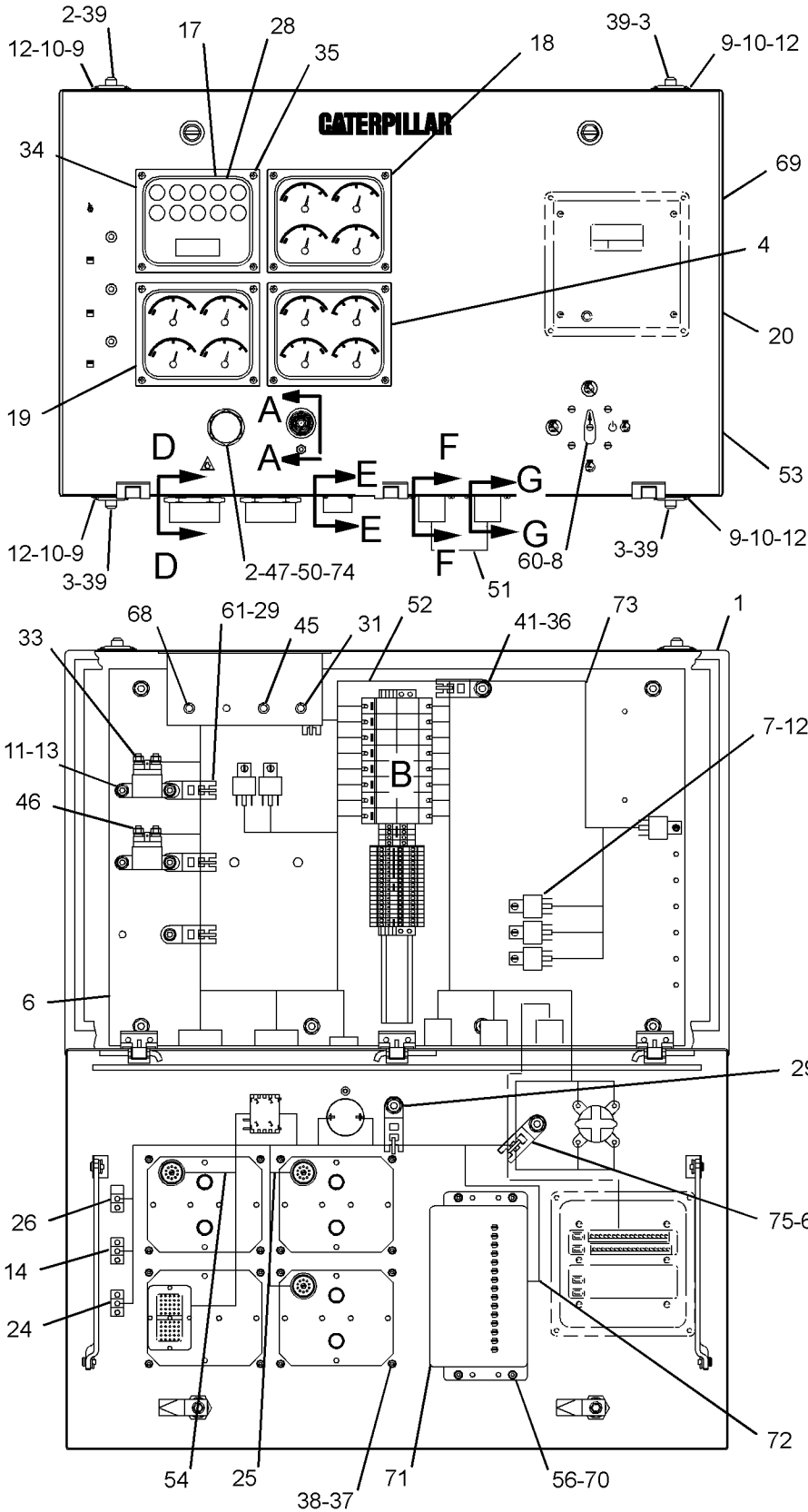
NOTE	REF NO	GRAPHIC REF	PART NUMBER	QTY	PART NAME						SEE PAGE
					1	2	3	4	5	6 (PRODUCT LEVEL)	
	62	1	9X-1365	1	SEAL-CONNECTOR						
	63	1	9D-2734	2	GASKET						
	64	1	6T-0453	1	GASKET						
	65	1	116-7655	1	CIRCUIT BREAKER AS (50-AMPERE)						
	66	1	107-5857	1	CIRCUIT BREAKER AS (32-AMPERE)						
	67	1	3E-5503	2	BAR-FIXED BRIDGE						
	68	1	4D-1836	1	SWITCH-TOGGLE (PRELUBRICATION OVERRIDE)						
	69	1	283-3428	1	FILM-IDENTIFICATION (INSTRUMENT PANEL)						
	70	1	4B-5324	4	WASHER (3.9X9.6X1.2-MM THK)						
	71	1	379-3359	1	SWITCH AS-SPEED (SPEED SWITCH)						
	72	1	223-1197	1	HARNESS AS-PANEL (ELECTRONIC GOVERNOR)						
		1	2L-8064	1	TERMINAL-RING (10-GA TO 12-GA, NO. 6 SCREW)						
		1	2L-8074	9	TERMINAL-RING (14-GA TO 16-GA, NO. 6 SCREW)						
		1	7E-8866	1	TERMINAL-BLADE (14-GA TO 16-GA)						
		1	8L-8413	27	STRAP-CABLE (WHITE)						
		1	109-3038	2	END-WIRE (16-GA)						
		1	5P-2321	1	TERMINAL-FORK (14-GA TO 16-GA, NO. 6 SCREW)						
		1	5P-5618	2	TERMINAL-BLADE (10-GA TO 12-GA)						
		1	9X-6856	3	PIN-CONNECTOR (16-GA TO 18-GA)						
B	73	1	6K-0806	20	STRAP-CABLE						
	74	1	111-1323	1	BLOCK-CONTACT (1-POLE)						
	75	1	4P-8134	1	CLIP (LADDER)						

B - USE AS REQUIRED
 C - CHANGE FROM PREVIOUS TYPE
 M - METRIC PART
 Y - SEPARATE ILLUSTRATION

OPERATOR STATION

126-7156 BOX GP-INSTRUMENT PANEL (contd.)

105762646



GRAPHIC #1

<END>

g01330861

OPERATOR STATION

126-7157 BOX GP-INSTRUMENT PANEL

S/N: 3XS1-403

AN ATTACHMENT

TYPE 1

SMCS-7451, 7490

i02667674

NOTE	REF NO	GRAPHIC REF	PART NUMBER	QTY	PART NAME						SEE PAGE
					1	2	3	4	5	6 (PRODUCT LEVEL)	
	1	1	132-9429	1	BOX AS-INSTRUMENT						
M		1	2W-9513	4	BOLT (M6X1X10-MM)						
		1	3B-4605	4	PIN-COTTER						
		1	3H-5366	1	STUD-WELD (1/4-20X0.625-IN)						
		1	4M-0200	8	STUD-WELD (3/8-16X1.5-IN) (3/8-16X38-MM)						
		1	9P-6895	4	PIN						
		1	9X-6381	4	WASHER (6.5X12.5X1.6-MM THK)						
E		1	<i>126-8472</i>		SEAL (230-CM)						
		1	128-2507	2	HINGE AS						
		1	128-3147	2	GASKET						
	2	1	109-6507	1	SWITCH AS-PUSH BUTTON (EMERGENCY STOP)						
	3	1	110-8909	8	MOUNT-FLEXIBLE						
	4	1	107-7289	1	FILM-INSTRUMENT PANEL (TERMINAL BOX)						
	5	1	4B-4863	16	WASHER (4.7X11X1.2-MM THK)						
	6	1	133-9308	1	PLATE AS						
		1	9F-6445	2	NUT-WELD (1/4-20-THD)						
	7	1	9Y-2921	4	RELAY (24-VOLT) (INSTRUMENT PANEL)						
	8	1	127-2331	1	SWITCH AS-ROTARY (ENGINE CONTROL)						
	9	1	3B-4501	36	LOCKWASHER						
	10	1	6D-5801	32	LOCKNUT (8-32-THD)						
	11	1	9S-8750	5	NUT-FULL (1/4-20-THD)						
	12	1	7S-1197	36	SCREW-MACHINE (8-32X0.5-IN)						
	13	1	5P-0537	5	WASHER-HARD (7.2X14.5X2-MM THK)						
	14	1	7N-8008	1	SWITCH AS-TOGGLE (CLEAR, MODE)						
		1	3L-8187	6	LOCKWASHER						
		1	6T-3631	2	NUT-HEX (15/32-32-THD)						
		1	6T-3632	1	LOCKWASHER						
		1	6T-3633	1	RING-LOCKING						
		1	6V-8374	1	SCREW-MACHINE (6-32X0.25-IN)						
	15	1	115-2538	1	COVER-END						
	16	1	115-1322	15	TERMINAL (DOUBLE)						
Y	17	1	<i>115-4636</i>	1	CONTROL GP-ENGINE MONITORING						720
Y	18	1	112-2974	1	MODULE GP-QUAD GAUGE						725
Y	19	1	112-2975	1	MODULE GP-QUAD GAUGE						726
	20	1	112-3588	1	PLATE						
	21	1	9W-0073	1	SWITCH AS-PUSH BUTTON (ALARM SILENCE)						
	22	1	2W-4480	1	BOOT-SWITCH						
	23	1	8C-6123	1	NUT (1/4-40-THD)						
	24	1	8N-0694	1	SWITCH AS-TOGGLE (SINGLE POLE) (STARTING AID)						
		1	3L-8187	3	LOCKWASHER						
		1	6T-3631	2	NUT-HEX (15/32-32-THD)						
		1	6T-3632	1	LOCKWASHER						
		1	6T-3633	1	RING-LOCKING						
		1	6V-8374	3	SCREW-MACHINE (6-32X0.25-IN)						
	25	1	133-8380	1	DOOR AS						
		1	7E-0717	2	LATCH AS-DOOR						

OPERATOR STATION

126-7157 **BOX GP-INSTRUMENT PANEL (contd.)**

102667674

NOTE	REF NO	GRAPHIC REF	PART NUMBER	QTY	PART NAME						SEE PAGE
					1	2	3	4	5	6 (PRODUCT LEVEL)	
		1	030-8967	2	STUD-WELD (3/8-16X0.75-IN OAL)						
		1	069-2338	4	SCREW						
	26	1	8D-2676	1	SWITCH AS-TOGGLE (SINGLE POLE) (ENGINE PARAMETER, RH, LH)						
		1	3L-8187	2	LOCKWASHER						
		1	6T-3631	2	NUT-HEX (15/32-32-THD)						
		1	6T-3632	1	LOCKWASHER						
		1	6T-3633	1	RING-LOCKING						
		1	6V-8374	2	SCREW-MACHINE (6-32X0.25-IN)						
	27	1	9X-9675	2	BRACKET-END						
	28	1	113-7884	1	FILM-IDENTIFICATION (ENGINE MONITORING)						
	29	1	4P-7581	7	CLIP (LADDER)						
	30	1	105-7542	1	STRIP-CONTACT						
Y	31	1	7N-8001	1	SWITCH GP-TOGGLE (OVERSPEED VERIFY)						580
	32	1	107-5856	1	CIRCUIT BREAKER AS (63-AMPERE)						
	33	1	9X-8124	2	SWITCH AS-MAGNETIC (24-VOLT) (STARTING MOTOR)						
					(EACH INCLUDES)						
M		1	8T-4134	2	NUT (M6X1-THD)						
	34	1	100-5566	3	BEZEL						
	35	1	7U-4891	12	SCREW (10-32X1-IN)						
	36	1	9S-8752	18	NUT-FULL (3/8-16-THD)						
	37	1	4B-4274	12	WASHER (5.5X13X1.2-MM THK)						
	38	1	6V-8378	12	NUT (10-32-THD)						
	39	1	107-2482	8	GASKET						
	40	1	121-3328	1	KIT-MARKER (TERMINAL)						
	41	1	5M-2894	18	WASHER-HARD (10.2X18.5X2.5-MM THK)						
	42	1	114-1142	4	CIRCUIT BREAKER AS (10-AMPERE)						
	43	1	114-1143	2	CIRCUIT BREAKER AS (16-AMPERE)						
	44	1	106-9819	4	TERMINAL						
	45	1	8T-9637	1	SWITCH AS-TOGGLE (MANUAL START)						
		1	3L-8187	4	LOCKWASHER						
		1	6T-3631	2	NUT-HEX (15/32-32-THD)						
		1	6T-3632	1	LOCKWASHER						
		1	6T-3633	1	RING-LOCKING						
		1	6V-8374	4	SCREW-MACHINE (6-32X0.25-IN)						
M	46	1	8T-4134	4	NUT (M6X1-THD)						
	47	1	111-1324	2	BLOCK-CONTACT (1-POLE)						
	48	1	123-9694	1	HORN						
	49	1	8C-6024	2	SEAL-CONNECTOR						
	50	1	124-3176	1	COVER						
	51	1	126-2210	1	HARNESS AS-PANEL (CUSTOMER CONNECTION)						
	52	1	134-0070	1	HARNESS AS-BOX						
	53	1	123-3395	1	FILM-IDENTIFICATION (WIRE)						
	54	1	122-3202	1	HARNESS AS-PANEL (QUAD GAUGE MODULE)						
	55	1	2N-3476	12	SCREW-MACHINE (6-32X0.75-IN)						
	56	1	4B-2041	16	NUT (6-32-THD)						
	57	1	5S-4245	4	SCREW-MACHINE (4-40X0.5-IN)						
	58	1	6B-4542	4	LOCKWASHER						
	59	1	6B-4540	4	NUT (4-40-THD)						
	60	1	7C-4910	1	SEAL						
	61	1	9X-6772	7	STRAP-CABLE						

OPERATOR STATION

126-7157 **BOX GP-INSTRUMENT PANEL (contd.)**

i02667674

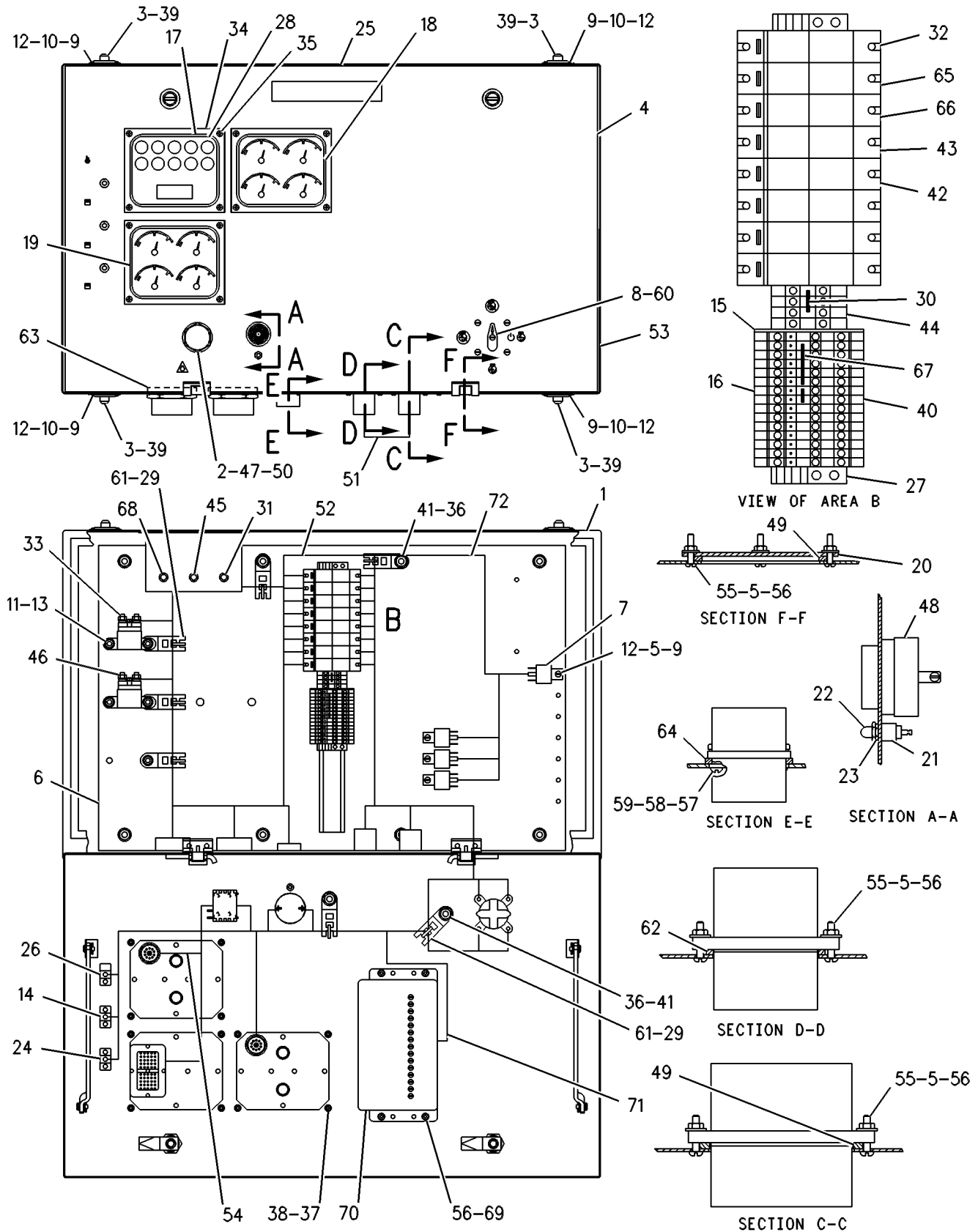
NOTE	REF NO	GRAPHIC REF	PART NUMBER	QTY	PART NAME						SEE PAGE
					1	2	3	4	5	6 (PRODUCT LEVEL)	
	62	1	9X-1365	1	SEAL-CONNECTOR						
	63	1	9D-2734	2	GASKET						
	64	1	6T-0453	1	GASKET						
	65	1	116-7655	1	CIRCUIT BREAKER AS (50-AMPERE)						
	66	1	107-5857	1	CIRCUIT BREAKER AS (32-AMPERE)						
	67	1	3E-5503	1	BAR-FIXED BRIDGE						
	68	1	4D-1836	1	SWITCH-TOGGLE (PRELUBRICATION OVERRIDE)						
	69	1	4B-5324	4	WASHER (3.9X9.6X1.2-MM THK)						
	70	1	4W-9733	1	CONTROL AS-GOVERNOR						
	71	1	126-7158	1	HARNESS AS-WIRING (ELECTRONIC SPEED SWITCH)						
B	72	1	6K-0806	20	STRAP-CABLE						

B - USE AS REQUIRED
 E - ORDER BY THE CENTIMETER
 M - METRIC PART
 Y - SEPARATE ILLUSTRATION

OPERATOR STATION

126-7157 BOX GP-INSTRUMENT PANEL (contd.)

102667674



GRAPHIC #1

<END>

g00267665

OPERATOR STATION

126-7157 BOX GP-INSTRUMENT PANEL

S/N: 3XS1-403
AN ATTACHMENT
TYPE 2

SMCS-7451, 7490

i02667675

NOTE	REF NO	GRAPHIC REF	PART NUMBER	QTY	PART NAME						SEE PAGE
					1	2	3	4	5	6 (PRODUCT LEVEL)	
	1	1	132-9429	1	BOX AS-INSTRUMENT						
M		1	2W-9513	4	BOLT (M6X1X10-MM)						
		1	3B-4605	4	PIN-COTTER						
		1	3H-5366	1	STUD-WELD (1/4-20X0.625-IN)						
		1	4M-0200	8	STUD-WELD (3/8-16X1.5-IN) (3/8-16X38-MM)						
		1	9P-6895	4	PIN						
		1	9X-6381	4	WASHER (6.5X12.5X1.6-MM THK)						
E		1	126-8472		SEAL (230-CM)						
		1	128-2507	2	HINGE AS						
		1	128-3147	2	GASKET						
	2	1	109-6507	1	SWITCH AS-PUSH BUTTON (EMERGENCY STOP)						
	3	1	110-8909	8	MOUNT-FLEXIBLE						
	4	1	108-1259	1	FILM-IDENTIFICATION (INSTRUMENT PANEL)						
	5	1	4B-4863	16	WASHER (4.7X11X1.2-MM THK)						
	6	1	133-9308	1	PLATE AS						
		1	9F-6445	2	NUT-WELD (1/4-20-THD)						
	7	1	9Y-2921	4	RELAY (24-VOLT) (INSTRUMENT PANEL)						
	8	1	127-2331	1	SWITCH AS-ROTARY (ENGINE CONTROL)						
	9	1	3B-4501	36	LOCKWASHER						
	10	1	6D-5801	32	LOCKNUT (8-32-THD)						
	11	1	9S-8750	5	NUT-FULL (1/4-20-THD)						
	12	1	7S-1197	36	SCREW-MACHINE (8-32X0.5-IN)						
	13	1	5P-0537	5	WASHER-HARD (7.2X14.5X2-MM THK)						
	14	1	7N-8008	1	SWITCH AS-TOGGLE (CLEAR, MODE)						
		1	3L-8187	6	LOCKWASHER						
		1	6T-3631	2	NUT-HEX (15/32-32-THD)						
		1	6T-3632	1	LOCKWASHER						
		1	6T-3633	1	RING-LOCKING						
		1	6V-8374	1	SCREW-MACHINE (6-32X0.25-IN)						
	15	1	115-2538	1	COVER-END						
	16	1	115-1322	15	TERMINAL (DOUBLE)						
Y	17	1	<i>115-4636</i>	1	CONTROL GP-ENGINE MONITORING						720
Y	18	1	112-2974	1	MODULE GP-QUAD GAUGE						725
Y	19	1	112-2975	1	MODULE GP-QUAD GAUGE						726
	20	1	112-3588	1	PLATE						
	21	1	9W-0073	1	SWITCH AS-PUSH BUTTON (ALARM SILENCE)						
	22	1	2W-4480	1	BOOT-SWITCH						
	23	1	8C-6123	1	NUT (1/4-40-THD)						
	24	1	8N-0694	1	SWITCH AS-TOGGLE (SINGLE POLE) (STARTING AID)						
		1	3L-8187	3	LOCKWASHER						
		1	6T-3631	2	NUT-HEX (15/32-32-THD)						
		1	6T-3632	1	LOCKWASHER						
		1	6T-3633	1	RING-LOCKING						
		1	6V-8374	3	SCREW-MACHINE (6-32X0.25-IN)						
	25	1	133-8380	1	DOOR AS						
		1	7E-0717	2	LATCH AS-DOOR						

OPERATOR STATION

126-7157 **BOX GP-INSTRUMENT PANEL (contd.)**

102667675

NOTE	REF NO	GRAPHIC REF	PART NUMBER	QTY	PART NAME						SEE PAGE
					1	2	3	4	5	6 (PRODUCT LEVEL)	
		1	030-8967	2	STUD-WELD (3/8-16X0.75-IN OAL)						
		1	069-2338	4	SCREW						
	26	1	8D-2676	1	SWITCH AS-TOGGLE (SINGLE POLE) (ENGINE PARAMETER, RH, LH)						
		1	3L-8187	2	LOCKWASHER						
		1	6T-3631	2	NUT-HEX (15/32-32-THD)						
		1	6T-3632	1	LOCKWASHER						
		1	6T-3633	1	RING-LOCKING						
		1	6V-8374	2	SCREW-MACHINE (6-32X0.25-IN)						
	27	1	9X-9675	2	BRACKET-END						
	28	1	113-7884	1	FILM-IDENTIFICATION (ENGINE MONITORING)						
	29	1	4P-7581	7	CLIP (LADDER)						
	30	1	105-7542	1	STRIP-CONTACT						
Y	31	1	7N-8001	1	SWITCH GP-TOGGLE (OVERSPEED VERIFY)						580
	32	1	107-5856	1	CIRCUIT BREAKER AS (63-AMPERE)						
	33	1	9X-8124	2	SWITCH AS-MAGNETIC (24-VOLT) (START RELAY)						
					(EACH INCLUDES)						
M		1	8T-4134	2	NUT (M6X1-THD)						
	34	1	100-5566	3	BEZEL						
	35	1	7U-4891	12	SCREW (10-32X1-IN)						
	36	1	9S-8752	18	NUT-FULL (3/8-16-THD)						
	37	1	4B-4274	12	WASHER (5.5X13X1.2-MM THK)						
	38	1	6V-8378	12	NUT (10-32-THD)						
	39	1	107-2482	8	GASKET						
	40	1	121-3328	1	KIT-MARKER (TERMINAL)						
	41	1	5M-2894	18	WASHER-HARD (10.2X18.5X2.5-MM THK)						
	42	1	114-1142	4	CIRCUIT BREAKER AS (10-AMPERE)						
	43	1	114-1143	2	CIRCUIT BREAKER AS (16-AMPERE)						
	44	1	106-9819	4	TERMINAL						
	45	1	8T-9637	1	SWITCH AS-TOGGLE (MANUAL START)						
		1	3L-8187	4	LOCKWASHER						
		1	6T-3631	2	NUT-HEX (15/32-32-THD)						
		1	6T-3632	1	LOCKWASHER						
		1	6T-3633	1	RING-LOCKING						
		1	6V-8374	4	SCREW-MACHINE (6-32X0.25-IN)						
M	46	1	8T-4134	4	NUT (M6X1-THD)						
	47	1	111-1324	2	BLOCK-CONTACT (1-POLE)						
	48	1	123-9694	1	HORN						
	49	1	8C-6024	2	SEAL-CONNECTOR						
	50	1	124-3176	1	COVER						
	51	1	126-2210	1	HARNESS AS-PANEL (CUSTOMER CONNECTION)						
C	52	1	143-5176	1	HARNESS AS-PANEL (GENERATOR INSTRUMENT)						
	53	1	123-3395	1	FILM-IDENTIFICATION (WIRE)						
	54	1	122-3202	1	HARNESS AS-PANEL (QUAD GAUGE MODULE)						
	55	1	2N-3476	12	SCREW-MACHINE (6-32X0.75-IN)						
	56	1	4B-2041	16	NUT (6-32-THD)						
	57	1	5S-4245	4	SCREW-MACHINE (4-40X0.5-IN)						
	58	1	6B-4542	4	LOCKWASHER						
	59	1	6B-4540	4	NUT (4-40-THD)						
	60	1	7C-4910	1	SEAL						
	61	1	9X-6772	7	STRAP-CABLE						

OPERATOR STATION

126-7157 **BOX GP-INSTRUMENT PANEL (contd.)**

i02667675

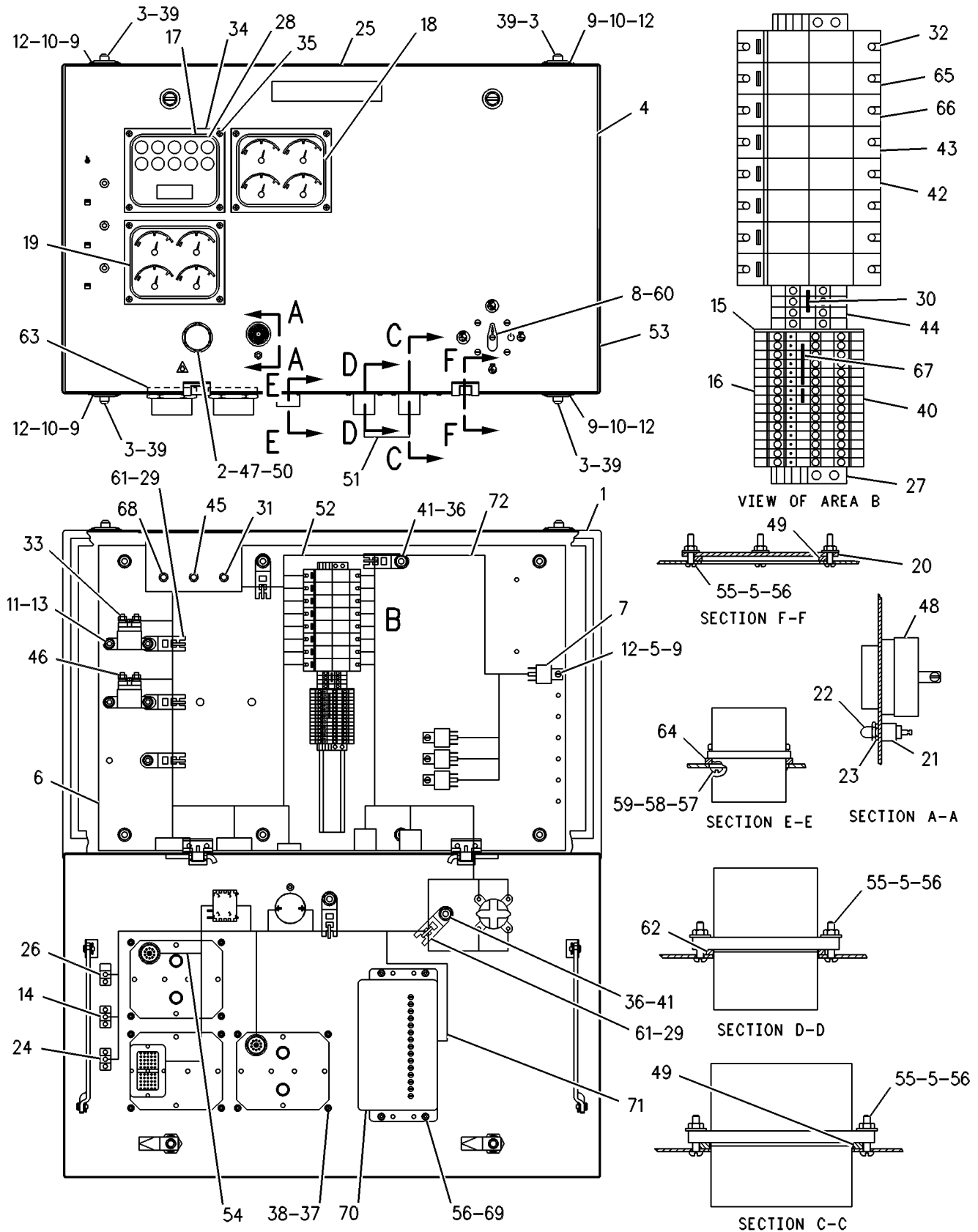
NOTE	REF NO	GRAPHIC REF	PART NUMBER	QTY	PART NAME						SEE PAGE
					1	2	3	4	5	6 (PRODUCT LEVEL)	
	62	1	9X-1365	1	SEAL-CONNECTOR						
	63	1	9D-2734	2	GASKET						
	64	1	6T-0453	1	GASKET						
	65	1	116-7655	1	CIRCUIT BREAKER AS (50-AMPERE)						
	66	1	107-5857	1	CIRCUIT BREAKER AS (32-AMPERE)						
	67	1	3E-5503	1	BAR-FIXED BRIDGE						
	68	1	4D-1836	1	SWITCH-TOGGLE (PRELUBRICATION OVERRIDE)						
	69	1	4B-5324	4	WASHER (3.9X9.6X1.2-MM THK)						
	70	1	4W-9733	1	CONTROL AS-GOVERNOR (ELECTRONIC SPEED SWITCH)						
	71	1	126-7158	1	HARNESS AS-WIRING (ELECTRONIC SPEED SWITCH)						
B	72	1	6K-0806	20	STRAP-CABLE						

B - USE AS REQUIRED
 C - CHANGE FROM PREVIOUS TYPE
 E - ORDER BY THE CENTIMETER
 M - METRIC PART
 Y - SEPARATE ILLUSTRATION

OPERATOR STATION

126-7157 BOX GP-INSTRUMENT PANEL (contd.)

102667675



GRAPHIC #1

<END>

g00267665

OPERATOR STATION

126-7157 BOX GP-INSTRUMENT PANEL

S/N: 3XS404-UP

AN ATTACHMENT

TYPE 1

SMCS-7451, 7490

i02667676

NOTE	REF NO	GRAPHIC REF	PART NUMBER	QTY	PART NAME 1 2 3 4 5 6 (PRODUCT LEVEL)	SEE PAGE
Y	1	1	162-7662	1	BOX GP-INSTRUMENT PANEL	719
	2	1	109-6507	1	SWITCH AS-PUSH BUTTON (EMERGENCY STOP)	
	3	1	110-8909	8	MOUNT-FLEXIBLE	
	4	1	108-1259	1	FILM-IDENTIFICATION (INSTRUMENT PANEL)	
	5	1	4B-4863	16	WASHER (4.7X11X1.2-MM THK)	
	6	1	133-9308	1	PLATE AS	
		1	9F-6445	2	NUT-WELD (1/4-20-THD)	
	7	1	9Y-2921	4	RELAY (24-VOLT) (INSTRUMENT PANEL)	
	8	1	127-2331	1	SWITCH AS-ROTARY (ENGINE CONTROL)	
	9	1	3B-4501	36	LOCKWASHER	
	10	1	6D-5801	32	LOCKNUT (8-32-THD)	
	11	1	9S-8750	5	NUT-FULL (1/4-20-THD)	
	12	1	7S-1197	36	SCREW-MACHINE (8-32X0.5-IN)	
	13	1	5P-0537	5	WASHER-HARD (7.2X14.5X2-MM THK)	
	14	1	7N-8008	1	SWITCH AS-TOGGLE (CLEAR, MODE)	
		1	3L-8187	6	LOCKWASHER	
		1	6T-3631	2	NUT-HEX (15/32-32-THD)	
		1	6T-3632	1	LOCKWASHER	
		1	6T-3633	1	RING-LOCKING	
		1	6V-8374	6	SCREW-MACHINE (6-32X0.25-IN)	
	15	1	115-2538	1	COVER-END	
C	16	1	115-1322	18	TERMINAL (DOUBLE)	
CY	17	1	<i>158-6255</i>	1	CONTROL GP-ENGINE MONITORING	723
Y	18	1	112-2974	1	MODULE GP-QUAD GAUGE	725
Y	19	1	112-2975	1	MODULE GP-QUAD GAUGE	726
	20	1	112-3588	1	PLATE	
	21	1	9W-0073	1	SWITCH AS-PUSH BUTTON (ALARM SILENCE)	
	22	1	2W-4480	1	BOOT-SWITCH	
	23	1	8C-6123	1	NUT (1/4-40-THD) (1/4-40UNS THD)	
	24	1	8N-0694	1	SWITCH AS-TOGGLE (SINGLE POLE) (STARTING AID)	
		1	3L-8187	3	LOCKWASHER	
		1	6T-3631	2	NUT-HEX (15/32-32-THD)	
		1	6T-3632	1	LOCKWASHER	
		1	6T-3633	1	RING-LOCKING	
		1	6V-8374	3	SCREW-MACHINE (6-32X0.25-IN)	
	25	1	133-8380	1	DOOR AS	
		1	030-8967	2	STUD-WELD (3/8-16X0.75-IN OAL)	
	26	1	8D-2676	1	SWITCH AS-TOGGLE (SINGLE POLE) (ENGINE PARAMETER, RH, LH)	
		1	3L-8187	2	LOCKWASHER	
		1	6T-3631	2	NUT-HEX (15/32-32-THD)	
		1	6T-3632	1	LOCKWASHER	
		1	6T-3633	1	RING-LOCKING	
		1	6V-8374	2	SCREW-MACHINE (6-32X0.25-IN)	
	27	1	9X-9675	2	BRACKET-END	
	28	1	113-7884	1	FILM-IDENTIFICATION (ENGINE MONITORING)	
	29	1	4P-7581	7	CLIP (LADDER)	

OPERATOR STATION

126-7157 **BOX GP-INSTRUMENT PANEL (contd.)**

102667676

NOTE	REF NO	GRAPHIC REF	PART NUMBER	QTY	PART NAME						SEE PAGE
					1	2	3	4	5	6 (PRODUCT LEVEL)	
	30	1	105-7542	1	STRIP-CONTACT						
Y	31	1	7N-8001	1	SWITCH GP-TOGGLE (OVERSPEED VERIFY)						580
	32	1	107-5856	1	CIRCUIT BREAKER AS (63-AMPERE)						
	33	1	9X-8124	2	SWITCH AS-MAGNETIC (24-VOLT) (STARTING MOTOR)						
					(EACH INCLUDES)						
M		1	8T-4134	2	NUT (M6X1-THD)						
	34	1	100-5566	3	BEZEL						
	35	1	7U-4891	12	SCREW (10-32X1-IN)						
	36	1	9S-8752	18	NUT-FULL (3/8-16-THD)						
	37	1	4B-4274	12	WASHER (5.5X13X1.2-MM THK)						
	38	1	6V-8378	12	NUT (10-32-THD)						
	39	1	107-2482	8	GASKET						
	40	1	121-3328	1	KIT-MARKER (TERMINAL)						
	41	1	5M-2894	18	WASHER-HARD (10.2X18.5X2.5-MM THK)						
	42	1	114-1142	4	CIRCUIT BREAKER AS (10-AMPERE)						
	43	1	114-1143	2	CIRCUIT BREAKER AS (16-AMPERE)						
	44	1	106-9819	4	TERMINAL						
	45	1	8T-9637	1	SWITCH AS-TOGGLE (MANUAL START)						
		1	3L-8187	4	LOCKWASHER						
		1	6T-3631	2	NUT-HEX (15/32-32-THD)						
		1	6T-3632	1	LOCKWASHER						
		1	6T-3633	1	RING-LOCKING						
		1	6V-8374	4	SCREW-MACHINE (6-32X0.25-IN)						
M	46	1	8T-4134	4	NUT (M6X1-THD)						
	47	1	111-1324	2	BLOCK-CONTACT (1-POLE)						
	48	1	123-9694	1	HORN						
	49	1	8C-6024	2	SEAL-CONNECTOR						
	50	1	124-3176	1	COVER						
	51	1	126-2210	1	HARNESS AS-PANEL (CUSTOMER CONNECTION)						
Y	52	1	143-5176	1	HARNESS AS-PANEL						427
	53	1	123-3395	1	FILM-IDENTIFICATION (WIRE)						
	54	1	122-3202	1	HARNESS AS-PANEL (QUAD GAUGE MODULE)						
	55	1	2N-3476	12	SCREW-MACHINE (6-32X0.75-IN)						
	56	1	4B-2041	16	NUT (6-32-THD)						
	57	1	5S-4245	4	SCREW-MACHINE (4-40X0.5-IN)						
	58	1	6B-4542	4	LOCKWASHER						
	59	1	6B-4540	4	NUT (4-40-THD)						
	60	1	7C-4910	1	SEAL						
	61	1	9X-6772	7	STRAP-CABLE						
	62	1	9X-1365	1	SEAL-CONNECTOR						
	63	1	9D-2734	2	GASKET						
	64	1	6T-0453	1	GASKET						
	65	1	116-7655	1	CIRCUIT BREAKER AS (50-AMPERE)						
	66	1	107-5857	1	CIRCUIT BREAKER AS (32-AMPERE)						
C	67	1	3E-5503	2	BAR-FIXED BRIDGE						
	68	1	4D-1836	1	SWITCH-TOGGLE (PRELUBRICATION OVERRIDE)						
	69	1	4B-5324	4	WASHER (3.9X9.6X1.2-MM THK)						
	70	1	4W-9733	1	CONTROL AS-GOVERNOR (ELECTRONIC SPEED SWITCH)						
		1	1P-7326	6	WASHER (4.32X9.52X1.52-MM THK)						
		1	6V-6790	6	SCREW-WASHER HEAD (6-19X0.625-IN)						

OPERATOR STATION

126-7157 **BOX GP-INSTRUMENT PANEL (contd.)**

i02667676

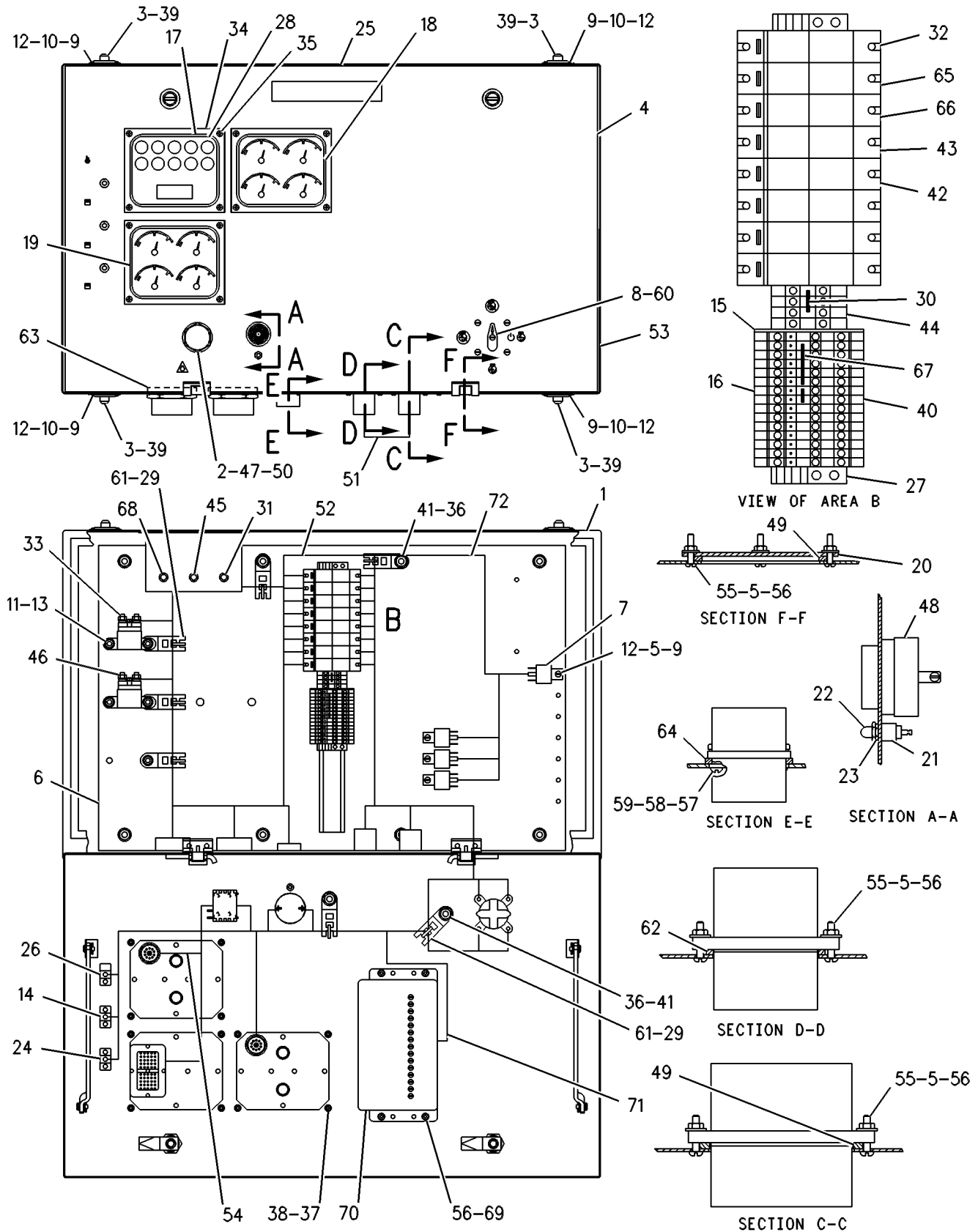
NOTE	REF	GRAPHIC	PART NUMBER	QTY	PART NAME						SEE PAGE
	NO	REF			1	2	3	4	5	6 (PRODUCT LEVEL)	
	71	1	126-7158	1	HARNESS AS-WIRING (ELECTRONIC SPEED SWITCH)						
B	72	1	6K-0806	20	STRAP-CABLE						

B - USE AS REQUIRED
 C - CHANGE FROM PREVIOUS TYPE
 M - METRIC PART
 Y - SEPARATE ILLUSTRATION

OPERATOR STATION

126-7157 BOX GP-INSTRUMENT PANEL (contd.)

102667676



GRAPHIC #1

<END>

g00267665

OPERATOR STATION

126-7157 BOX GP-INSTRUMENT PANEL

S/N: 3XS404-UP
AN ATTACHMENT
TYPE 2

SMCS-7451, 7490

i02667672

NOTE	REF NO	GRAPHIC REF	PART NUMBER	QTY	PART NAME 1 2 3 4 5 6 (PRODUCT LEVEL)	SEE PAGE
Y	1	1	162-7662	1	BOX GP-INSTRUMENT PANEL	719
	2	1	109-6507	1	SWITCH AS-PUSH BUTTON (EMERGENCY STOP)	
	3	1	110-8909	8	MOUNT-FLEXIBLE	
	4	1	108-1259	1	FILM-IDENTIFICATION (INSTRUMENT PANEL)	
C	5	1	4B-4863	18	WASHER (4.7X11X1.2-MM THK)	
	6	1	133-9308	1	PLATE AS	
		1	9F-6445	2	NUT-WELD (1/4-20-THD)	
C	7	1	9Y-2921	6	RELAY (24-VOLT) (INSTRUMENT PANEL)	
	8	1	127-2331	1	SWITCH AS-ROTARY (ENGINE CONTROL)	
C	9	1	3B-4501	38	LOCKWASHER	
	10	1	6D-5801	32	LOCKNUT (8-32-THD)	
	11	1	9S-8750	5	NUT-FULL (1/4-20-THD)	
C	12	1	7S-1197	38	SCREW-MACHINE (8-32X0.5-IN)	
	13	1	5P-0537	5	WASHER-HARD (7.2X14.5X2-MM THK)	
	14	1	7N-8008	1	SWITCH AS-TOGGLE (CLEAR, MODE)	
		1	3L-8187	6	LOCKWASHER	
		1	6T-3631	2	NUT-HEX (15/32-32-THD)	
		1	6T-3632	1	LOCKWASHER	
		1	6T-3633	1	RING-LOCKING	
		1	6V-8374	6	SCREW-MACHINE (6-32X0.25-IN)	
	15	1	115-2538	1	COVER-END	
	16	1	115-1322	18	TERMINAL (DOUBLE)	
Y	17	1	<i>158-6255</i>	1	CONTROL GP-ENGINE MONITORING	723
CY	18	1	153-8056	1	MODULE GP-QUAD GAUGE	728
Y	19	1	112-2975	1	MODULE GP-QUAD GAUGE	726
	20	1	112-3588	1	PLATE	
	21	1	9W-0073	1	SWITCH AS-PUSH BUTTON (ALARM SILENCE)	
	22	1	2W-4480	1	BOOT-SWITCH	
	23	1	8C-6123	1	NUT (1/4-40-THD)	
	24	1	8N-0694	1	SWITCH AS-TOGGLE (SINGLE POLE) (STARTING AID)	
		1	3L-8187	3	LOCKWASHER	
		1	6T-3631	2	NUT-HEX (15/32-32-THD)	
		1	6T-3632	1	LOCKWASHER	
		1	6T-3633	1	RING-LOCKING	
		1	6V-8374	3	SCREW-MACHINE (6-32X0.25-IN)	
	25	1	133-8380	1	DOOR AS	
		1	030-8967	2	STUD-WELD (3/8-16X0.75-IN OAL)	
	26	1	8D-2676	1	SWITCH AS-TOGGLE (SINGLE POLE) (ENGINE PARAMETER, RH, LH)	
		1	3L-8187	2	LOCKWASHER	
		1	6T-3631	2	NUT-HEX (15/32-32-THD)	
		1	6T-3632	1	LOCKWASHER	
		1	6T-3633	1	RING-LOCKING	
		1	6V-8374	2	SCREW-MACHINE (6-32X0.25-IN)	
	27	1	9X-9675	2	BRACKET-END	
	28	1	113-7884	1	FILM-IDENTIFICATION (ENGINE MONITORING)	
	29	1	4P-7581	7	CLIP (LADDER)	

OPERATOR STATION

126-7157 **BOX GP-INSTRUMENT PANEL (contd.)**

102667672

NOTE	REF NO	GRAPHIC REF	PART NUMBER	QTY	PART NAME						SEE PAGE
					1	2	3	4	5	6 (PRODUCT LEVEL)	
	30	1	105-7542	1	STRIP-CONTACT						
Y	31	1	7N-8001	1	SWITCH GP-TOGGLE (OVERSPEED VERIFY)						580
	32	1	107-5856	1	CIRCUIT BREAKER AS (63-AMPERE)						
	33	1	9X-8124	2	SWITCH AS-MAGNETIC (24-VOLT) (STARTING MOTOR)						
					(EACH INCLUDES)						
M		1	8T-4134	2	NUT (M6X1-THD)						
	34	1	100-5566	3	BEZEL						
	35	1	7U-4891	12	SCREW (10-32X1-IN)						
	36	1	9S-8752	18	NUT-FULL (3/8-16-THD)						
	37	1	4B-4274	12	WASHER (5.5X13X1.2-MM THK)						
	38	1	6V-8378	12	NUT (10-32-THD)						
	39	1	107-2482	8	GASKET						
	40	1	121-3328	1	KIT-MARKER (TERMINAL)						
	41	1	5M-2894	18	WASHER-HARD (10.2X18.5X2.5-MM THK)						
	42	1	114-1142	4	CIRCUIT BREAKER AS (10-AMPERE)						
	43	1	114-1143	2	CIRCUIT BREAKER AS (16-AMPERE)						
	44	1	106-9819	4	TERMINAL						
	45	1	8T-9637	1	SWITCH AS-TOGGLE (MANUAL START)						
		1	3L-8187	4	LOCKWASHER						
		1	6T-3631	2	NUT-HEX (15/32-32-THD)						
		1	6T-3632	1	LOCKWASHER						
		1	6T-3633	1	RING-LOCKING						
		1	6V-8374	4	SCREW-MACHINE (6-32X0.25-IN)						
M	46	1	8T-4134	4	NUT (M6X1-THD)						
	47	1	111-1324	2	BLOCK-CONTACT (1-POLE)						
	48	1	123-9694	1	HORN						
	49	1	8C-6024	2	SEAL-CONNECTOR						
	50	1	124-3176	1	COVER						
	51	1	126-2210	1	HARNESS AS-PANEL (CUSTOMER CONNECTION)						
C	52	1	174-1436	1	HARNESS AS-PANEL (INSTRUMENT)						
	53	1	123-3395	1	FILM-IDENTIFICATION (WIRE)						
	54	1	122-3202	1	HARNESS AS-PANEL (QUAD GAUGE MODULE)						
	55	1	2N-3476	12	SCREW-MACHINE (6-32X0.75-IN)						
	56	1	4B-2041	16	NUT (6-32-THD)						
	57	1	5S-4245	4	SCREW-MACHINE (4-40X0.5-IN)						
	58	1	6B-4542	4	LOCKWASHER						
	59	1	6B-4540	4	NUT (4-40-THD)						
	60	1	7C-4910	1	SEAL						
	61	1	9X-6772	7	STRAP-CABLE						
	62	1	9X-1365	1	SEAL-CONNECTOR						
	63	1	9D-2734	2	GASKET						
	64	1	6T-0453	1	GASKET						
	65	1	116-7655	1	CIRCUIT BREAKER AS (50-AMPERE)						
	66	1	107-5857	1	CIRCUIT BREAKER AS (32-AMPERE)						
	67	1	3E-5503	2	BAR-FIXED BRIDGE						
	68	1	4D-1836	1	SWITCH-TOGGLE (PRELUBRICATION OVERRIDE)						
	69	1	4B-5324	4	WASHER (3.9X9.6X1.2-MM THK)						
	70	1	4W-9733	1	CONTROL AS-GOVERNOR (ELECTRONIC SPEED SWITCH)						
		1	1P-7326	6	WASHER (4.32X9.52X1.52-MM THK)						
		1	6V-6790	6	SCREW-WASHER HEAD (6-19X0.625-IN)						
	71	1	126-7158	1	HARNESS AS-WIRING (ELECTRONIC SPEED SWITCH)						

OPERATOR STATION

126-7157 **BOX GP-INSTRUMENT PANEL (contd.)**

i02667672

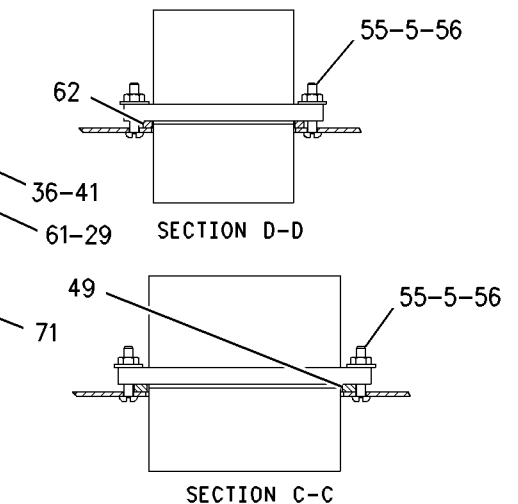
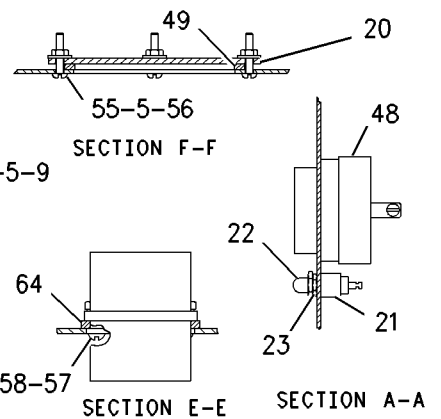
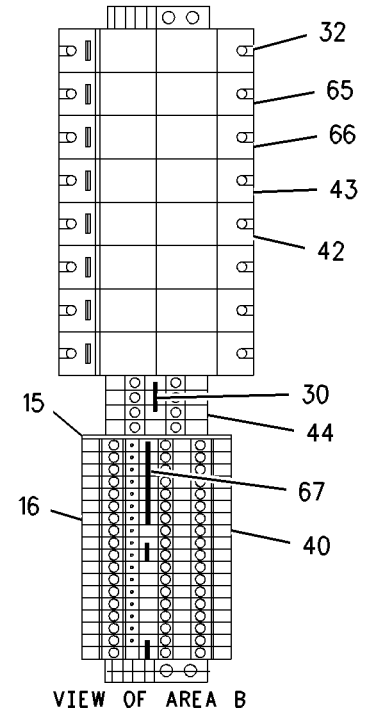
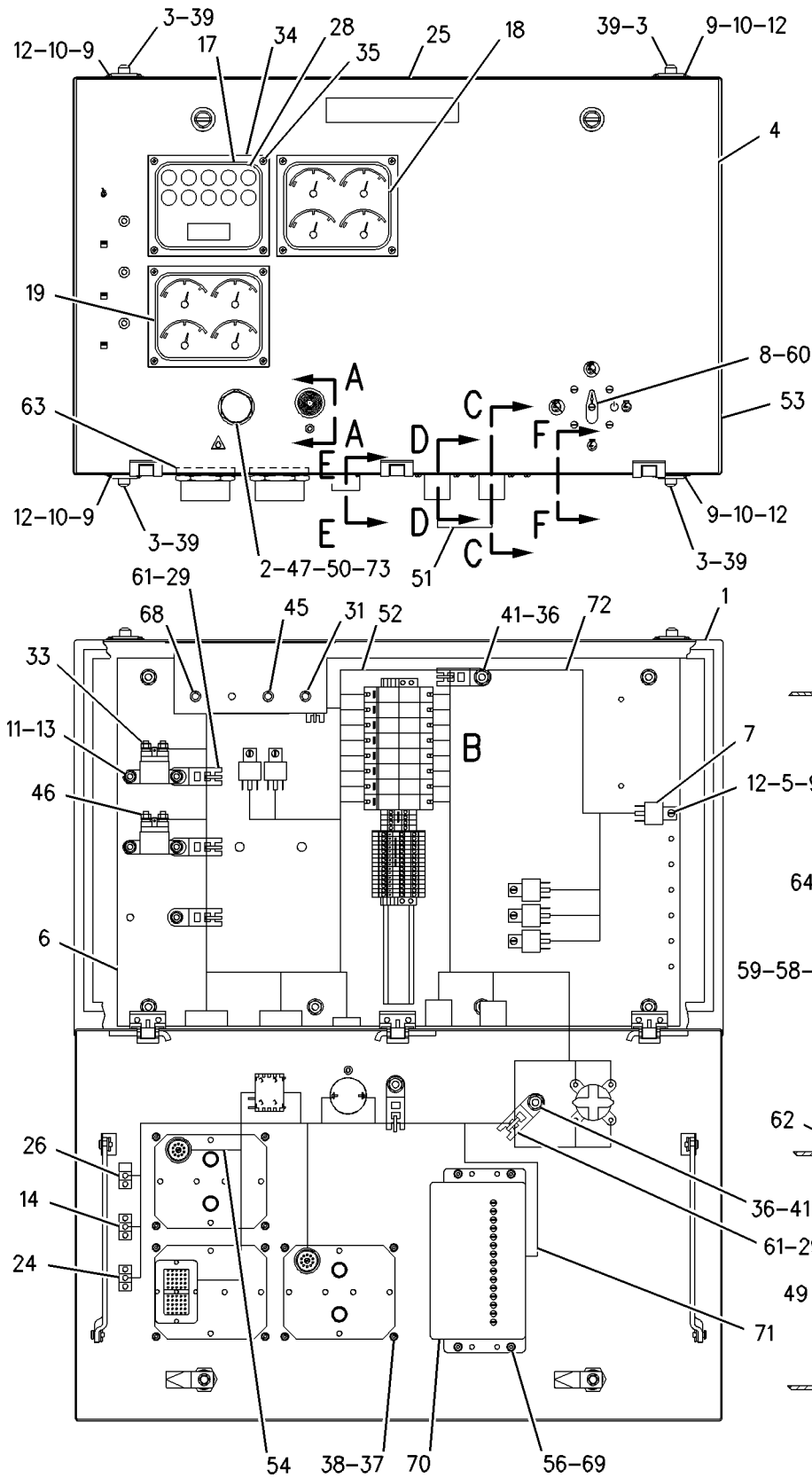
NOTE	REF NO	GRAPHIC REF	PART NUMBER	QTY	PART NAME						SEE PAGE
					1	2	3	4	5	6 (PRODUCT LEVEL)	
B	72	1	6K-0806	20	STRAP-CABLE						
C	73	1	111-1323	1	BLOCK-CONTACT (1-POLE)						

B - USE AS REQUIRED
 C - CHANGE FROM PREVIOUS TYPE
 M - METRIC PART
 Y - SEPARATE ILLUSTRATION

OPERATOR STATION

126-7157 BOX GP-INSTRUMENT PANEL (contd.)

102667672



GRAPHIC #1

<END>

g00657502

OPERATOR STATION

126-7157 BOX GP-INSTRUMENT PANEL

S/N: 3XS404-UP

AN ATTACHMENT

TYPE 3

SMCS-7451, 7490

i05917501

NOTE	REF NO	GRAPHIC REF	PART NUMBER	QTY	PART NAME						SEE PAGE
					1	2	3	4	5	6 (PRODUCT LEVEL)	
Y	1	1	162-7662	1	BOX GP-INSTRUMENT PANEL						719
	2	2	109-6507	1	SWITCH AS-PUSH BUTTON (EMERGENCY STOP)						
	3	2	110-8909	8	MOUNT-FLEXIBLE						
	4	2	283-3428	1	FILM-IDENTIFICATION (INSTRUMENT PANEL)						
	5	1,2	4B-4863	18	WASHER (4.7X11X1.2-MM THK)						
	6	1	133-9308	1	PLATE AS						
	7	1	9Y-2921	6	RELAY (24-VOLT) (INSTRUMENT PANEL)						
	8	2	127-2331	1	SWITCH AS-ROTARY (ENGINE CONTROL)						
	9	1,2	3B-4501	38	LOCKWASHER						
	10	2	6D-5801	32	LOCKNUT (8-32-THD)						
	11	1	9S-8750	5	NUT-FULL (1/4-20-THD)						
	12	1,2	7S-1197	38	SCREW-MACHINE (8-32X0.5-IN)						
	13	1	5P-0537	5	WASHER-HARD (7.2X14.5X2-MM THK)						
	14	1	7N-8008	1	SWITCH AS-TOGGLE (CLEAR, MODE)						
		1	3L-8187	6	LOCKWASHER						
		1	6T-3631	2	NUT-HEX (15/32-32-THD)						
		1	6T-3632	1	LOCKWASHER						
		1	6T-3633	1	RING-LOCKING						
		1	6V-8374	6	SCREW-MACHINE (6-32X0.25-IN)						
	15	2	115-2538	1	COVER-END						
	16	2	115-1322	20	TERMINAL (DOUBLE)						
Y	17	2	<i>158-6255</i>	1	CONTROL GP-ENGINE MONITORING						723
CY	18	2	166-6936	1	MODULE GP-QUAD GAUGE						730
CY	19	2	166-6929	1	MODULE GP-QUAD GAUGE						729
	20	2	112-3588	1	PLATE						
	22	2	2W-4480	1	BOOT-SWITCH						
	23	2	8C-6123	1	NUT (1/4-40-THD)						
	24	1	8N-0694	1	SWITCH AS-TOGGLE (SINGLE POLE) (CONTROL SELECT)						
		1	3L-8187	3	LOCKWASHER						
		1	6T-3631	2	NUT-HEX (15/32-32-THD)						
		1	6T-3632	1	LOCKWASHER						
		1	6T-3633	1	RING-LOCKING						
		1	6V-8374	3	SCREW-MACHINE (6-32X0.25-IN)						
	25	2	133-8380	1	DOOR AS						
		2	030-8967	2	STUD-WELD (3/8-16X0.75-IN OAL)						
		2	128-8545	2	LATCH AS						
	26	1	8D-2676	1	SWITCH AS-TOGGLE (SINGLE POLE) (ENGINE PARAMETER, RH, LH)						
		1	3L-8187	2	LOCKWASHER						
		1	6T-3631	2	NUT-HEX (15/32-32-THD)						
		1	6T-3632	1	LOCKWASHER						
		1	6T-3633	1	RING-LOCKING						
		1	6V-8374	2	SCREW-MACHINE (6-32X0.25-IN)						
	27	2	9X-9675	2	BRACKET-END						
	28	2	113-7884	1	FILM-IDENTIFICATION (ENGINE MONITORING)						
	29	1	4P-7581	6	CLIP (LADDER)						

OPERATOR STATION

126-7157 **BOX GP-INSTRUMENT PANEL (contd.)**

i05917501

NOTE	REF NO	GRAPHIC REF	PART NUMBER	QTY	PART NAME						SEE PAGE
					1	2	3	4	5	6 (PRODUCT LEVEL)	
	30	2	105-7542	1	STRIP-CONTACT						
Y	31	1	7N-8001	1	SWITCH GP-TOGGLE (OVERSPEED VERIFY)						580
	32	2	107-5856	1	CIRCUIT BREAKER AS (63-AMPERE)						
	33	1	9X-8124	2	SWITCH AS-MAGNETIC (24-VOLT) (STARTING MOTOR)						
	34	2	100-5566	3	BEZEL						
	35	2	7U-4891	12	SCREW (10-32X1-IN)						
	36	1	9S-8752	18	NUT-FULL (3/8-16-THD)						
	37	1	4B-4274	12	WASHER (5.5X13X1.2-MM THK)						
	38	1	6V-8378	12	NUT (10-32-THD)						
	39	2	107-2482	8	GASKET						
	40	2	121-3328	1	KIT-MARKER (TERMINAL) (INSTRUMENT PANEL)						
	41	1	5M-2894	18	WASHER-HARD (10.2X18.5X2.5-MM THK)						
	42	2	114-1142	4	CIRCUIT BREAKER AS (10-AMPERE)						
	43	2	114-1143	1	CIRCUIT BREAKER AS (16-AMPERE)						
	44	2	106-9819	4	TERMINAL						
	45	1	8T-9637	1	SWITCH AS-TOGGLE (MANUAL START)						
		1	3L-8187	4	LOCKWASHER						
		1	6T-3631	2	NUT-HEX (15/32-32-THD)						
		1	6T-3632	1	LOCKWASHER						
		1	6T-3633	1	RING-LOCKING						
		1	6V-8374	4	SCREW-MACHINE (6-32X0.25-IN)						
M	46	1	5C-2890	4	NUT (M6X1-THD)						
	47	2	111-1324	2	BLOCK-CONTACT (1-POLE)						
	48	2	123-9694	1	HORN						
	49	2	8C-6024	2	SEAL-CONNECTOR						
	50	2	124-3176	1	COVER						
	51	2	126-2210	1	HARNESS AS-PANEL (CUSTOMER CONNECTION)						
		2	7X-6222	1	PLUG AS-CONNECTOR (24-PIN)						
		2	8T-9834	1	PLUG AS-CONNECTOR (40-PIN)						
Y	52	1	174-1436	1	HARNESS AS-PANEL (INSTRUMENT)						428
	53	2	123-3395	1	FILM-IDENTIFICATION (WIRE)						
	54	1	122-3202	1	HARNESS AS-PANEL (QUAD GAUGE MODULE)						
		1	109-3038	6	END-WIRE (16-GA)						
		1	8L-8413	10	STRAP-CABLE (WHITE)						
		1	155-2265	1	KIT-CONNECTING PLUG (8-PIN)						
					(INCLUDES PLUG AS, WEDGE & INTERFACE SEAL)						
	55	2	214-3522	12	SCREW-MACHINE (8-32X0.75-IN)						
	56	1,2	4B-2041	16	NUT (6-32-THD)						
	57	2	5S-4245	4	SCREW-MACHINE (4-40X0.5-IN)						
	58	2	6B-4542	4	LOCKWASHER						
	59	2	6B-4540	4	NUT (4-40-THD)						
	60	2	7C-4910	1	SEAL						
	61	1	9X-6772	7	STRAP-CABLE						
	62	2	9X-1365	1	SEAL-CONNECTOR						
	63	2	9D-2734	2	GASKET						
	64	2	6T-0453	1	GASKET						
	65	2	116-7655	1	CIRCUIT BREAKER AS (50-AMPERE)						
	66	2	107-5857	1	CIRCUIT BREAKER AS (32-AMPERE)						
	67	2	3E-5503	2	BAR-FIXED BRIDGE						
	68	1	4D-1836	1	SWITCH-TOGGLE (PRELUBRICATION OVERRIDE)						
	69	1	4B-5324	4	WASHER (3.9X9.6X1.2-MM THK)						

OPERATOR STATION

126-7157 **BOX GP-INSTRUMENT PANEL (contd.)**

i05917501

NOTE	REF NO	GRAPHIC REF	PART NUMBER	QTY	PART NAME						SEE PAGE
					1	2	3	4	5	6 (PRODUCT LEVEL)	
Y	70	1	379-3359	1	SWITCH AS-SPEED (SPEED SWITCH)						572
	71	1	223-1197	1	HARNESS AS-PANEL (ELECTRONIC GOVERNOR)						
		1	109-3038	2	END-WIRE (16-GA)						
		1	8L-8413	27	STRAP-CABLE (WHITE)						
B	72	1	6K-0806	20	STRAP-CABLE						
	73	2	111-1323	1	BLOCK-CONTACT (1-POLE)						
	74	1	4P-8134	1	CLIP (LADDER)						

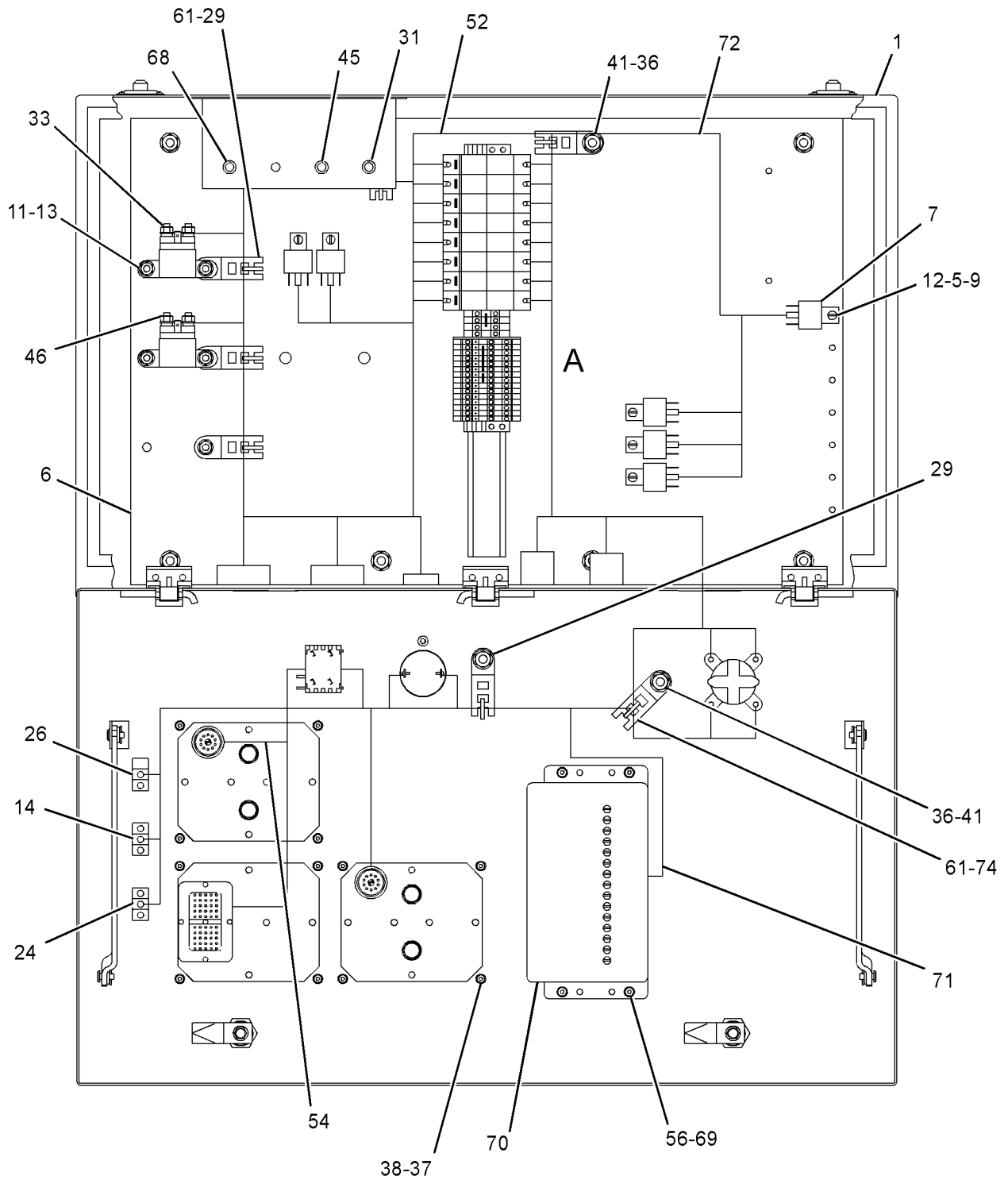
B - USE AS REQUIRED
 C - CHANGE FROM PREVIOUS TYPE
 M - METRIC PART
 Y - SEPARATE ILLUSTRATION

OPERATOR STATION

126-7157 BOX GP-INSTRUMENT PANEL (contd.)

105917501

REFER TO ALL ILLUSTRATIONS OF THIS GROUP FOR AUXILIARY VIEWS.



FRONT VIEW
(PANEL OPEN)

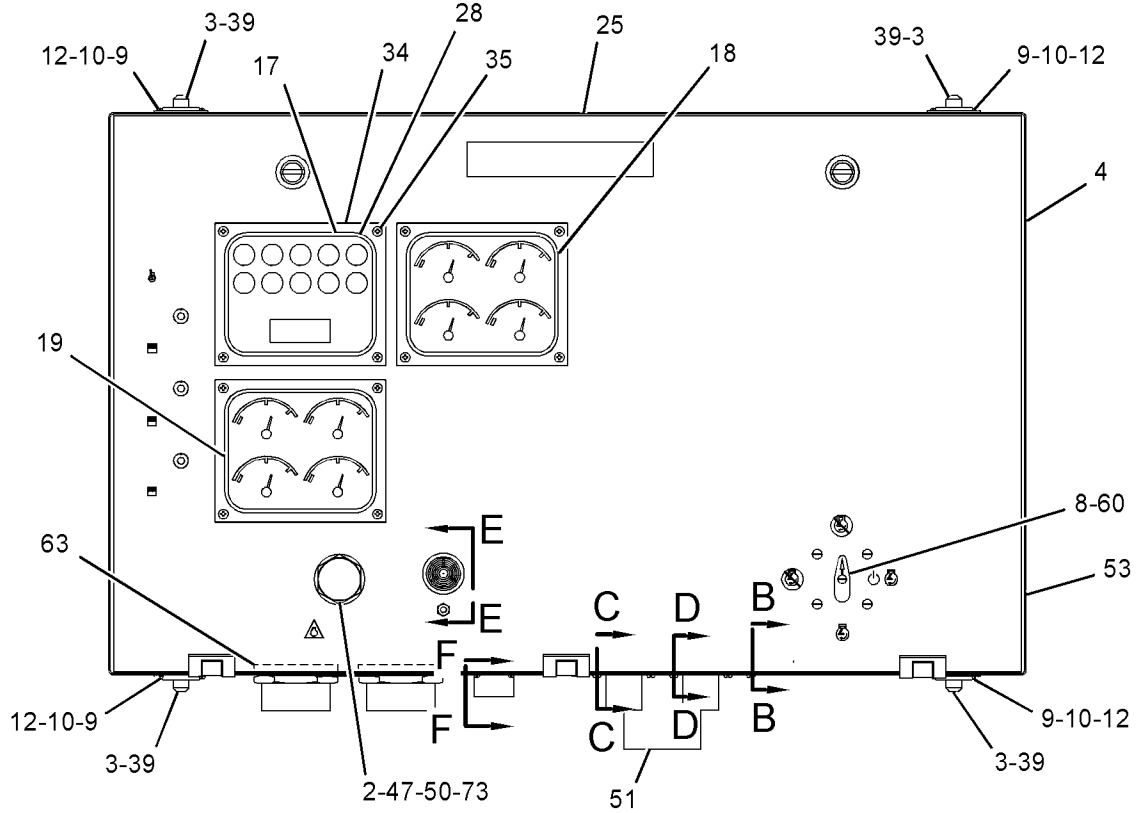
GRAPHIC #1

g01373733

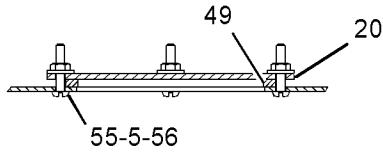
OPERATOR STATION

126-7157 **BOX GP-INSTRUMENT PANEL (contd.)**

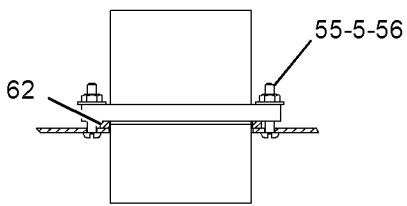
i05917501



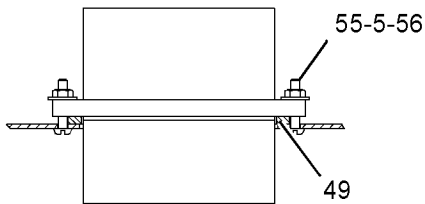
FRONT VIEW
(PANEL CLOSED)



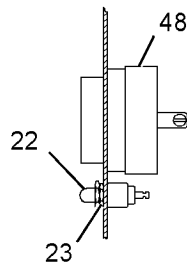
SECTION B-B



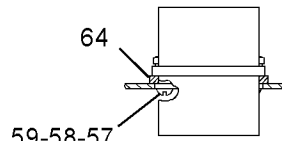
SECTION C-C



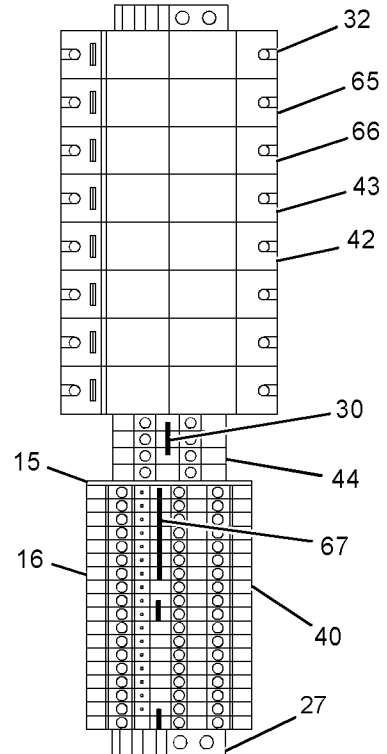
SECTION D-D



VIEW E-E



SECTION F-F



VIEW OF AREA A

GRAPHIC #2

<END>

g01373735

OPERATOR STATION

134-6301 BOX GP-INSTRUMENT PANEL

S/N: 3XS1-403
AN ATTACHMENT

SMCS-7451, 7490

i02667679

NOTE	REF NO	GRAPHIC REF	PART NUMBER	QTY	PART NAME						SEE PAGE
					1	2	3	4	5	6 (PRODUCT LEVEL)	
B	1	1	3S-2093	4	STRAP-CABLE						
	2	2	2W-4480	1	BOOT-SWITCH						
	3	1	3S-2093	5	STRAP-CABLE						
	4	1,2	4B-2041	12	NUT (6-32-THD)						
	5	1	6L-7008	4	STRAP-CABLE						
	6	1	6V-8378	21	NUT (10-32-THD)						
	7	1	7U-4891	20	SCREW (10-32X1-IN)						
	8	1,2	8C-6024	2	SEAL-CONNECTOR						
	9	2	8C-6123	1	NUT (1/4-40-THD)						
	10	2	9W-0073	1	SWITCH AS-PUSH BUTTON (ALARM SILENCE)						
	11	2	9X-1365	1	SEAL-CONNECTOR						
	12	2	100-5566	4	BEZEL						
	13	2	109-3182	6	PLATE-SEPARATOR						
Y	14	1	112-2974	1	MODULE GP-QUAD GAUGE						725
Y	15	1	112-2975	1	MODULE GP-QUAD GAUGE						726
	16	1	112-3588	1	PLATE						
	17	2	113-7884	1	FILM-IDENTIFICATION (ENGINE MONITORING)						
Y	18	1	<i>115-4636</i>	1	CONTROL GP-ENGINE MONITORING						720
Y	19	1	118-8582	1	MODULE GP-QUAD GAUGE						727
	20	2	123-9049	1	PLATE						
	21	2	123-9694	1	HORN						
	22	1	126-2210	1	HARNESS AS-PANEL (CUSTOMER CONNECTION)						
	23	2	131-9130	2	END-BRACKET						
	24	2	134-6289	1	GASKET						
	25	1	134-6302	1	BOX AS						
	26	1	134-6305	1	HARNESS AS-PANEL						
	27	2	137-5558	1	FILM-CONTROL PANEL						
	28	2	148-8012	23	TERMINAL						
	29	2	148-8015	7	STRIP-CONTACT						
	30	2	148-8016	4	COVER-FLANGE						
	31	2	148-8017	1	STRIP-CONTACT						
	32	2	150-4155	1	KIT-MARKER						
	33	1	150-4536	1	FILM-CONTROL PANEL						
	34	1,2	2N-3476	12	SCREW-MACHINE (6-32X0.75-IN)						
	35	1	4B-4274	20	WASHER (5.5X13X1.2-MM THK)						
	36	1,2	4B-4863	12	WASHER (4.7X11X1.2-MM THK)						
	37	1	4P-7581	3	CLIP (LADDER) (10.5-MM ID)						
	38	1	5M-2894	3	WASHER-HARD (10.2X18.5X2.5-MM THK)						
	39	2	7N-8008	1	SWITCH AS-TOGGLE (CLEAR, MODE)						
		2	3L-8187	6	LOCKWASHER (3.7-MM ID)						
		2	6T-3631	2	NUT-HEX (15/32-32-THD)						
		2	6T-3632	1	LOCKWASHER						
		2	6T-3633	1	RING-LOCKING						
		2	6V-8374	6	SCREW-MACHINE (6-32X0.25-IN)						
40	2	2	8D-2676	1	SWITCH AS-TOGGLE (SINGLE POLE) (ENGINE PARAMETER, RH, LH)						
		2	3L-8187	2	LOCKWASHER (3.7-MM ID)						
		2	6T-3631	2	NUT-HEX (15/32-32-THD)						

OPERATOR STATION

134-6301 **BOX GP-INSTRUMENT PANEL (contd.)**

i02667679

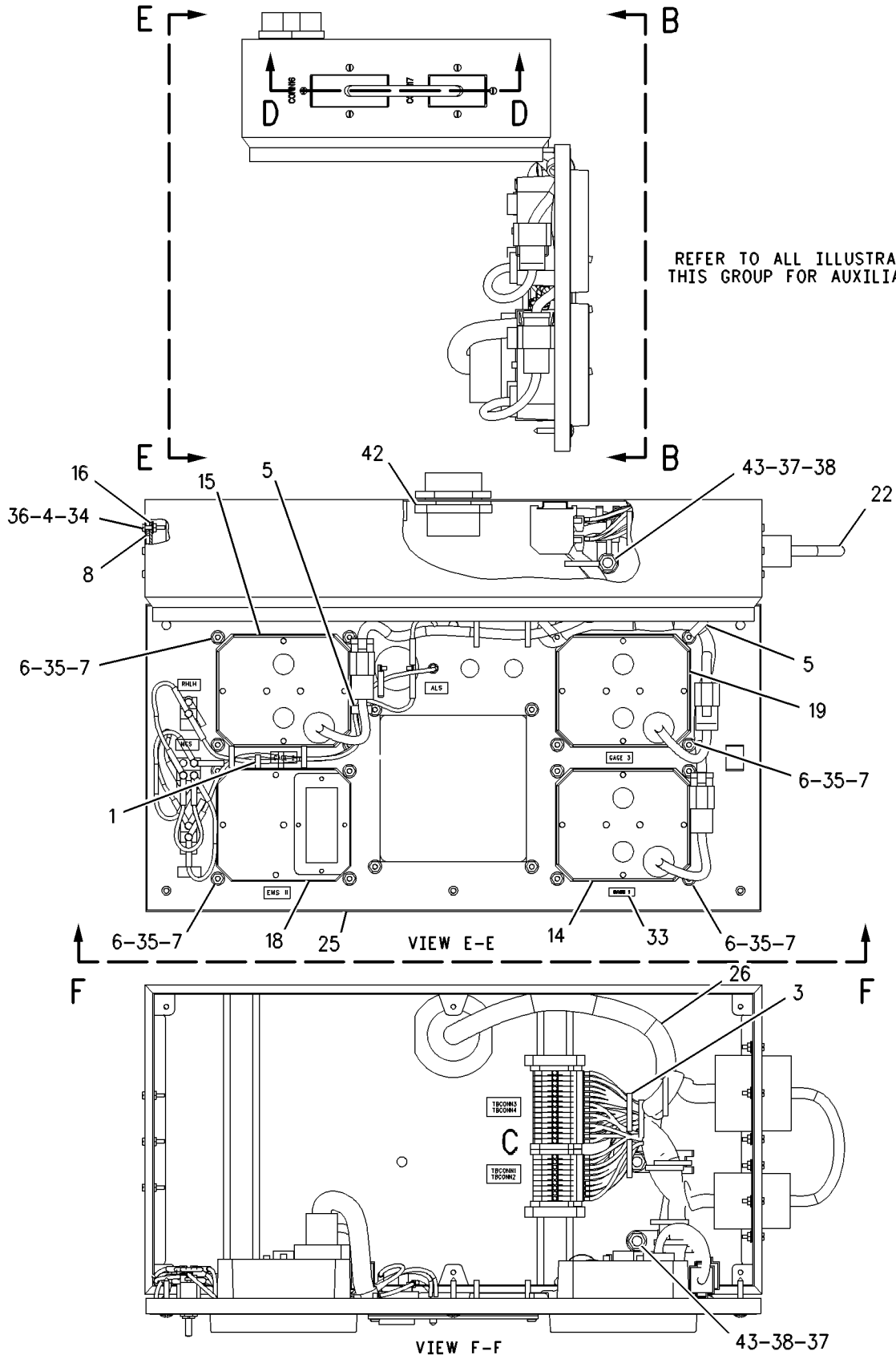
NOTE	REF NO	GRAPHIC REF	PART NUMBER	QTY	PART NAME						SEE PAGE
					1	2	3	4	5	6 (PRODUCT LEVEL)	
		2	6T-3632	1	LOCKWASHER						
		2	6T-3633	1	RING-LOCKING						
		2	6V-8374	2	SCREW-MACHINE (6-32X0.25-IN)						
41		2	8N-0694	1	SWITCH AS-TOGGLE (SINGLE POLE) (SCROLL)						
		2	3L-8187	3	LOCKWASHER (3.7-MM ID)						
		2	6T-3631	2	NUT-HEX (15/32-32-THD)						
		2	6T-3632	1	LOCKWASHER						
		2	6T-3633	1	RING-LOCKING						
		2	6V-8374	3	SCREW-MACHINE (6-32X0.25-IN)						
42		1	9D-2734	1	GASKET						
43		1	9S-8752	3	NUT-FULL (3/8-16-THD)						

B - USE AS REQUIRED
Y - SEPARATE ILLUSTRATION

OPERATOR STATION

134-6301 BOX GP-INSTRUMENT PANEL (contd.)

102667679



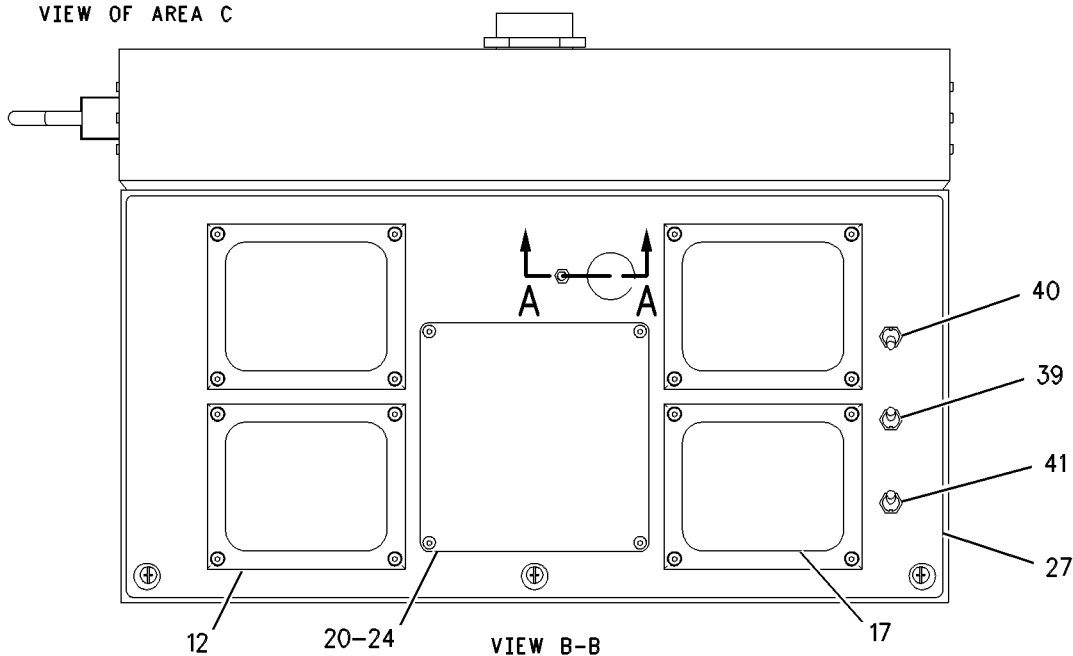
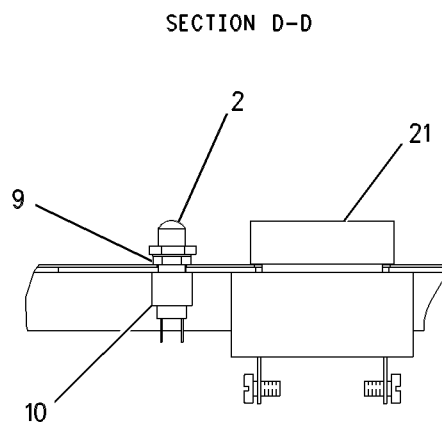
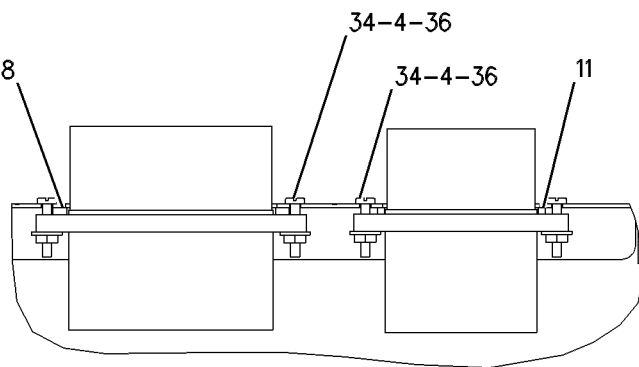
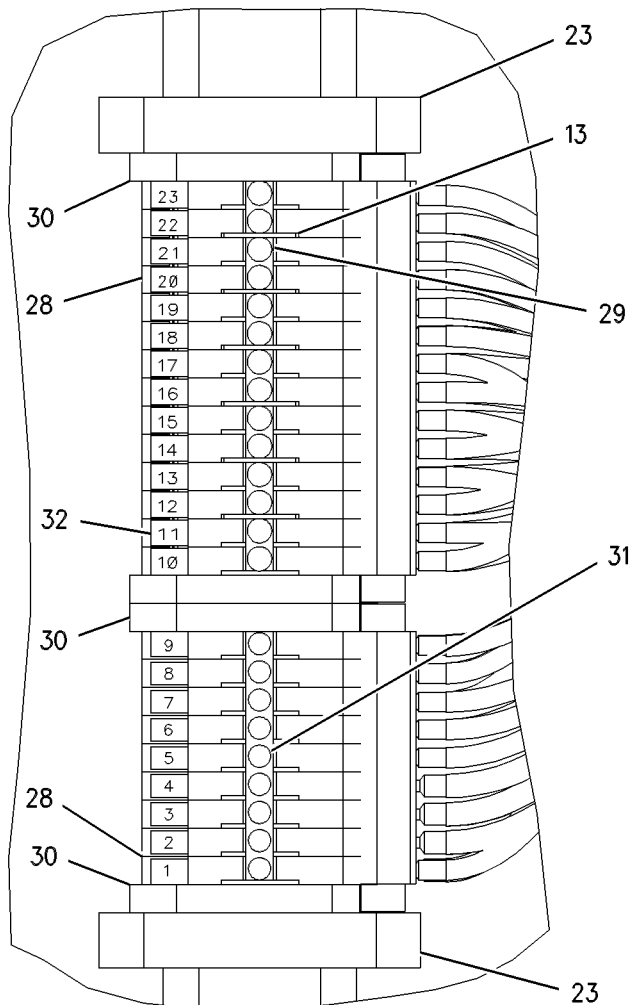
GRAPHIC #1

g00492558

OPERATOR STATION

134-6301 BOX GP-INSTRUMENT PANEL (contd.)

i02667679



GRAPHIC #2

<END>

g00468008

OPERATOR STATION

134-6301 BOX GP-INSTRUMENT PANEL

S/N: 3XS404-UP

AN ATTACHMENT

TYPE 1

SMCS-7451, 7490

i02667680

NOTE	REF NO	GRAPHIC REF	PART NUMBER	QTY	PART NAME 1 2 3 4 5 6 (PRODUCT LEVEL)	SEE PAGE
B	1	1	3S-2093	9	STRAP-CABLE	
	2	2	2W-4480	1	BOOT-SWITCH	
BE	3	1	121-0200		WRAP-SPIRAL (3/4-IN OD)	
	4	1,2	4B-2041	12	NUT (6-32-THD)	
	5	1	6L-7008	4	STRAP-CABLE	
	6	1	6V-8378	21	NUT (10-32-THD)	
	7	1	7U-4891	20	SCREW (10-32X1-IN)	
	8	1,2	8C-6024	2	SEAL-CONNECTOR	
	9	2	8C-6123	1	NUT (1/4-40-THD)	
	10	2	9W-0073	1	SWITCH AS-PUSH BUTTON (ALARM SILENCE)	
	11	2	9X-1365	1	SEAL-CONNECTOR	
	12	2	100-5566	4	BEZEL	
	13	2	109-3182	6	PLATE-SEPARATOR	
Y	14	1	112-2974	1	MODULE GP-QUAD GAUGE	725
Y	15	1	112-2975	1	MODULE GP-QUAD GAUGE	726
	16	1	112-3588	1	PLATE	
	17	2	113-7884	1	FILM-IDENTIFICATION (ENGINE MONITORING)	
Y	18	1	158-6255	1	CONTROL GP-ENGINE MONITORING	723
Y	19	1	118-8582	1	MODULE GP-QUAD GAUGE	727
	20	2	123-9049	1	PLATE	
	21	2	123-9694	1	HORN	
	22	1	126-2210	1	HARNESS AS-PANEL (CUSTOMER CONNECTION)	
	23	2	131-9130	2	END-BRACKET	
	24	2	134-6289	1	GASKET	
	25	1	134-6302	1	BOX AS	
	26	1	134-6305	1	HARNESS AS-PANEL	
	27	2	137-5558	1	FILM-CONTROL PANEL	
	28	2	148-8012	23	TERMINAL	
	29	2	148-8015	7	STRIP-CONTACT	
	30	2	148-8016	4	COVER-FLANGE	
	31	2	148-8017	1	STRIP-CONTACT	
	32	2	150-4155	1	KIT-MARKER	
	33	1	150-4536	1	FILM-CONTROL PANEL (IDENTIFICATION)	
	34	1,2	2N-3476	12	SCREW-MACHINE (6-32X0.75-IN)	
	35	1	4B-4274	20	WASHER (5.5X13X1.2-MM THK)	
	36	1,2	4B-4863	12	WASHER (4.7X11X1.2-MM THK)	
	37	1	4P-7581	3	CLIP (LADDER) (10.5-MM ID)	
	38	1	5M-2894	3	WASHER-HARD (10.2X18.5X2.5-MM THK)	
	39	2	7N-8008	1	SWITCH AS-TOGGLE (CLEAR, MODE)	
		2	3L-8187	6	LOCKWASHER (3.7-MM ID)	
		2	6T-3631	2	NUT-HEX (15/32-32-THD)	
		2	6T-3632	1	LOCKWASHER	
		2	6T-3633	1	RING-LOCKING	
		2	6V-8374	6	SCREW-MACHINE (6-32X0.25-IN)	
40	2		8D-2676	1	SWITCH AS-TOGGLE (SINGLE POLE) (CONTROL SELECT)	
		2	3L-8187	2	LOCKWASHER (3.7-MM ID)	

OPERATOR STATION

134-6301 **BOX GP-INSTRUMENT PANEL (contd.)**

i02667680

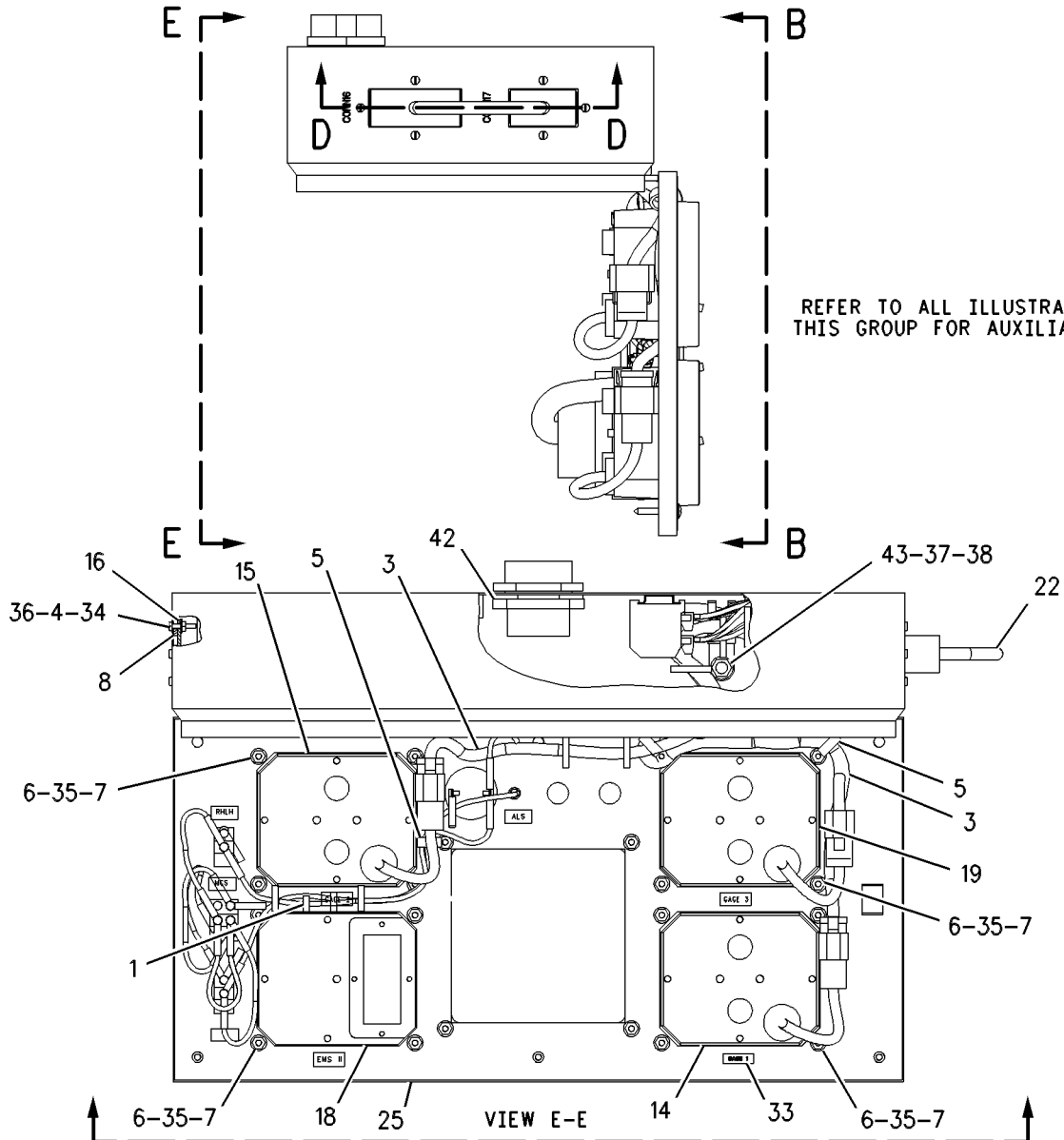
NOTE	REF NO	GRAPHIC REF	PART NUMBER	QTY	PART NAME						SEE PAGE
					1	2	3	4	5	6 (PRODUCT LEVEL)	
		2	6T-3631	2	NUT-HEX (15/32-32-THD)						
		2	6T-3632	1	LOCKWASHER						
		2	6T-3633	1	RING-LOCKING						
		2	6V-8374	2	SCREW-MACHINE (6-32X0.25-IN)						
41	2		8N-0694	1	SWITCH AS-TOGGLE (SINGLE POLE) (SCROLL)						
		2	3L-8187	3	LOCKWASHER (3.7-MM ID)						
		2	6T-3631	2	NUT-HEX (15/32-32-THD)						
		2	6T-3632	1	LOCKWASHER						
		2	6T-3633	1	RING-LOCKING						
		2	6V-8374	3	SCREW-MACHINE (6-32X0.25-IN)						
42	1		9D-2734	1	GASKET						
43	1		9S-8752	3	NUT-FULL (3/8-16-THD)						

B - USE AS REQUIRED
 E - ORDER BY THE CENTIMETER
 Y - SEPARATE ILLUSTRATION

OPERATOR STATION

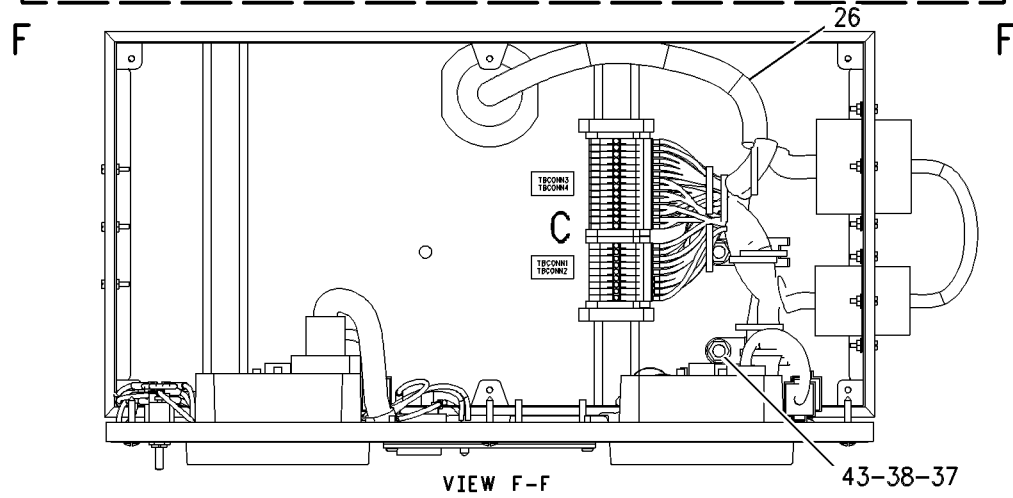
134-6301 BOX GP-INSTRUMENT PANEL (contd.)

102667680



REFER TO ALL ILLUSTRATIONS OF THIS GROUP FOR AUXILIARY VIEWS

VIEW E-E



VIEW F-F

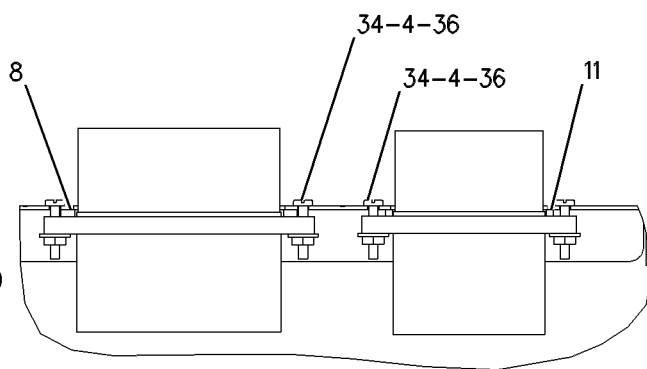
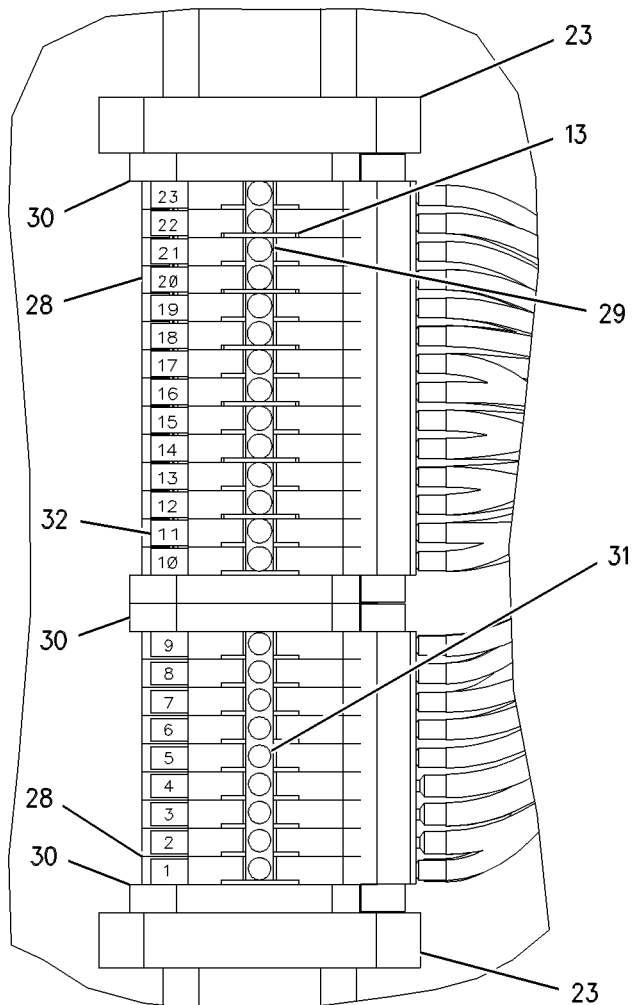
GRAPHIC #1

g00535306

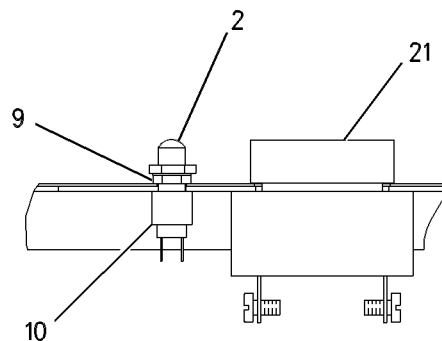
OPERATOR STATION

134-6301 BOX GP-INSTRUMENT PANEL (contd.)

i02667680

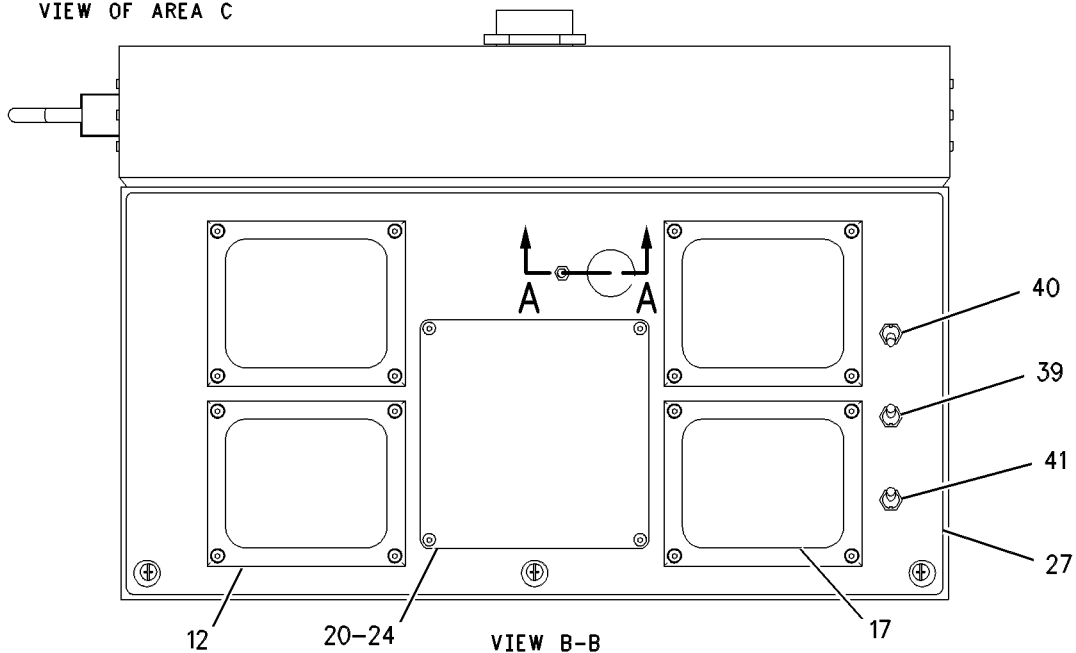


SECTION D-D



SECTION A-A

VIEW OF AREA C



VIEW B-B

GRAPHIC #2

<END>

g00535307

OPERATOR STATION

134-6301 BOX GP-INSTRUMENT PANEL

S/N: 3XS404-UP

AN ATTACHMENT

TYPE 2

SMCS-7451, 7490

i02768005

NOTE	REF NO	GRAPHIC REF	PART NUMBER	QTY	PART NAME						SEE PAGE
					1	2	3	4	5	6 (PRODUCT LEVEL)	
B	1	1	3S-2093	9	STRAP-CABLE						
E	2	1	121-0200		WRAP-SPIRAL (3/4-IN OD) (36-CM)						
	3	2	2W-4480	1	BOOT-SWITCH						
	4	1,2	4B-2041	12	NUT (6-32-THD)						
	5	1	6L-7008	4	STRAP-CABLE						
	6	1	6V-8378	21	NUT (10-32-THD)						
	7	1	7U-4891	20	SCREW (10-32X1-IN)						
	8	1,2	8C-6024	2	SEAL-CONNECTOR						
	9	2	8C-6123	1	NUT (1/4-40-THD)						
	10	2	9W-0073	1	SWITCH AS-PUSH BUTTON (ALARM SILENCE)						
	11	2	9X-1365	1	SEAL-CONNECTOR						
	12	2	100-5566	4	BEZEL						
	13	2	109-3182	6	PLATE-SEPARATOR						
	14	1	112-3588	1	PLATE						
	15	2	113-7884	1	FILM-IDENTIFICATION (ENGINE MONITORING)						
	16	2	123-9049	1	PLATE						
	17	2	123-9694	1	HORN						
	18	1	126-2210	1	HARNESS AS-PANEL (CUSTOMER CONNECTION)						
	19	2	131-9130	2	END-BRACKET						
	20	2	134-6289	1	GASKET						
	21	1	134-6302	1	BOX AS						
	22	1	134-6305	1	HARNESS AS-PANEL						
	23	2	137-5558	1	FILM-CONTROL PANEL						
	24	2	148-8012	23	TERMINAL						
	25	2	148-8015	7	STRIP-CONTACT						
	26	2	148-8016	4	COVER-FLANGE						
	27	2	148-8017	1	STRIP-CONTACT						
	28	2	150-4155	1	KIT-MARKER						
	29	1	150-4536	1	FILM-CONTROL PANEL (IDENTIFICATION)						
Y	30	1	158-6255	1	CONTROL GP-ENGINE MONITORING						723
CY	31	1	166-6929	1	MODULE GP-QUAD GAUGE						729
CY	32	1	166-6936	1	MODULE GP-QUAD GAUGE						730
CY	33	1	166-6937	1	MODULE GP-QUAD GAUGE						731
	34	1,2	2N-3476	12	SCREW-MACHINE (6-32X0.75-IN)						
	35	1	4B-4274	20	WASHER (5.5X13X1.2-MM THK)						
	36	1,2	4B-4863	12	WASHER (4.7X11X1.2-MM THK)						
	37	1	4P-7581	3	CLIP (LADDER) (10.5-MM ID)						
	38	1	5M-2894	3	WASHER-HARD (10.2X18.5X2.5-MM THK)						
	39	2	7N-8008	1	SWITCH AS-TOGGLE (CLEAR, MODE)						
		2	3L-8187	6	LOCKWASHER						
		2	6T-3631	2	NUT-HEX (15/32-32-THD)						
		2	6T-3632	1	LOCKWASHER						
		2	6T-3633	1	RING-LOCKING						
		2	6V-8374	6	SCREW-MACHINE (6-32X0.25-IN)						
	40	2	8D-2676	1	SWITCH AS-TOGGLE (SINGLE POLE) (ENGINE PARAMETER, RH, LH)						
		2	3L-8187	2	LOCKWASHER						

OPERATOR STATION

134-6301 **BOX GP-INSTRUMENT PANEL (contd.)**

i02768005

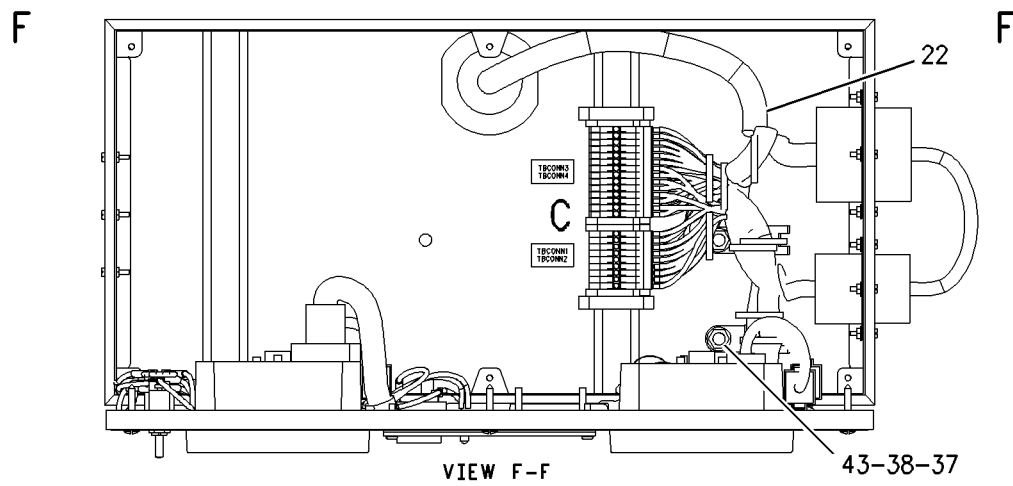
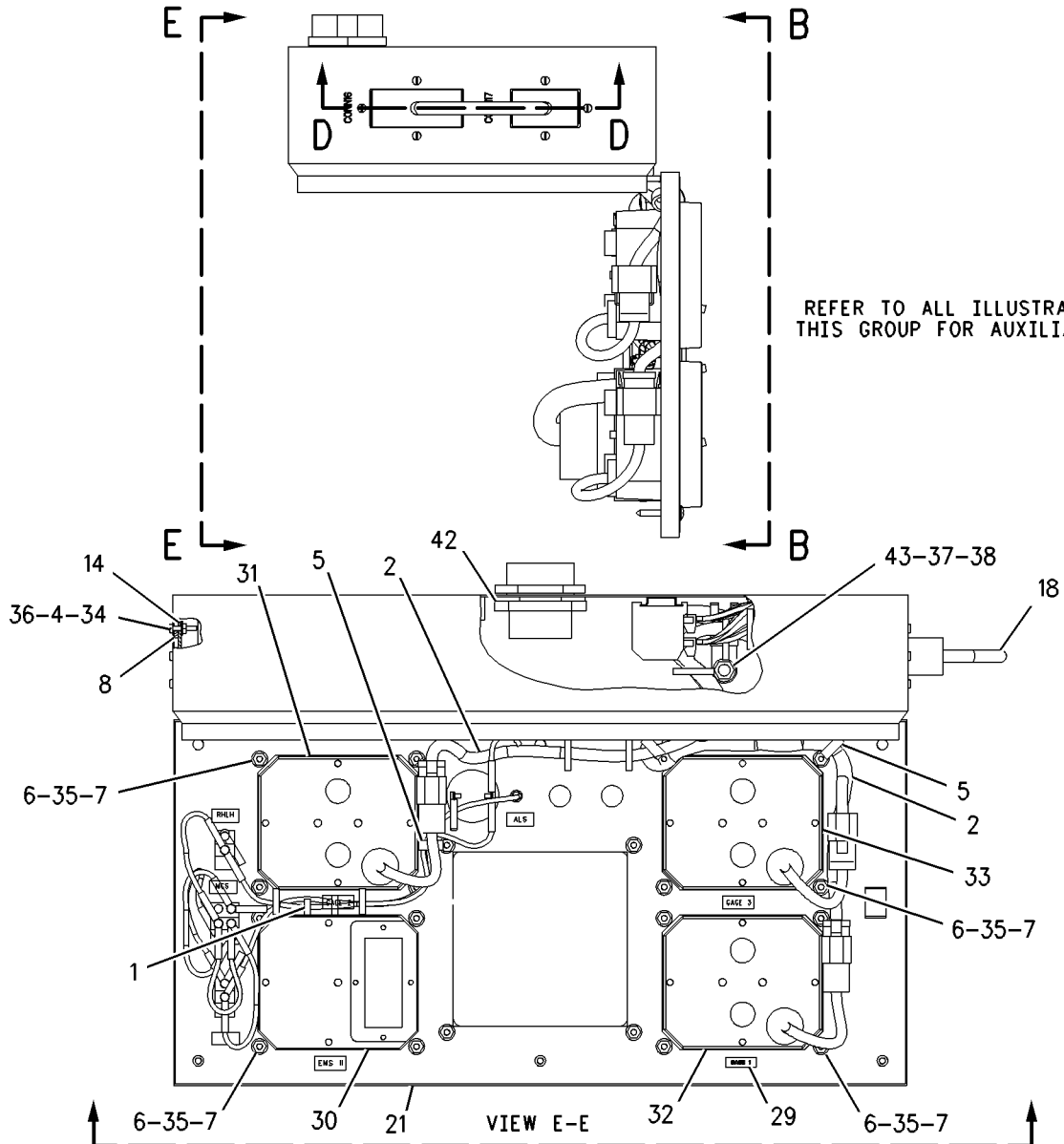
NOTE	REF NO	GRAPHIC REF	PART NUMBER	QTY	PART NAME						SEE PAGE
					1	2	3	4	5	6 (PRODUCT LEVEL)	
		2	6T-3631	2	NUT-HEX (15/32-32-THD)						
		2	6T-3632	1	LOCKWASHER						
		2	6T-3633	1	RING-LOCKING						
		2	6V-8374	2	SCREW-MACHINE (6-32X0.25-IN)						
41	2		8N-0694	1	SWITCH AS-TOGGLE (SINGLE POLE) (SCROLL)						
		2	3L-8187	3	LOCKWASHER						
		2	6T-3631	2	NUT-HEX (15/32-32-THD)						
		2	6T-3632	1	LOCKWASHER						
		2	6T-3633	1	RING-LOCKING						
		2	6V-8374	3	SCREW-MACHINE (6-32X0.25-IN)						
42	1		9D-2734	1	GASKET						
43	1		9S-8752	3	NUT-FULL (3/8-16-THD)						

B - USE AS REQUIRED
 C - CHANGE FROM PREVIOUS TYPE
 E - ORDER BY THE CENTIMETER
 Y - SEPARATE ILLUSTRATION

OPERATOR STATION

134-6301 BOX GP-INSTRUMENT PANEL (contd.)

102768005



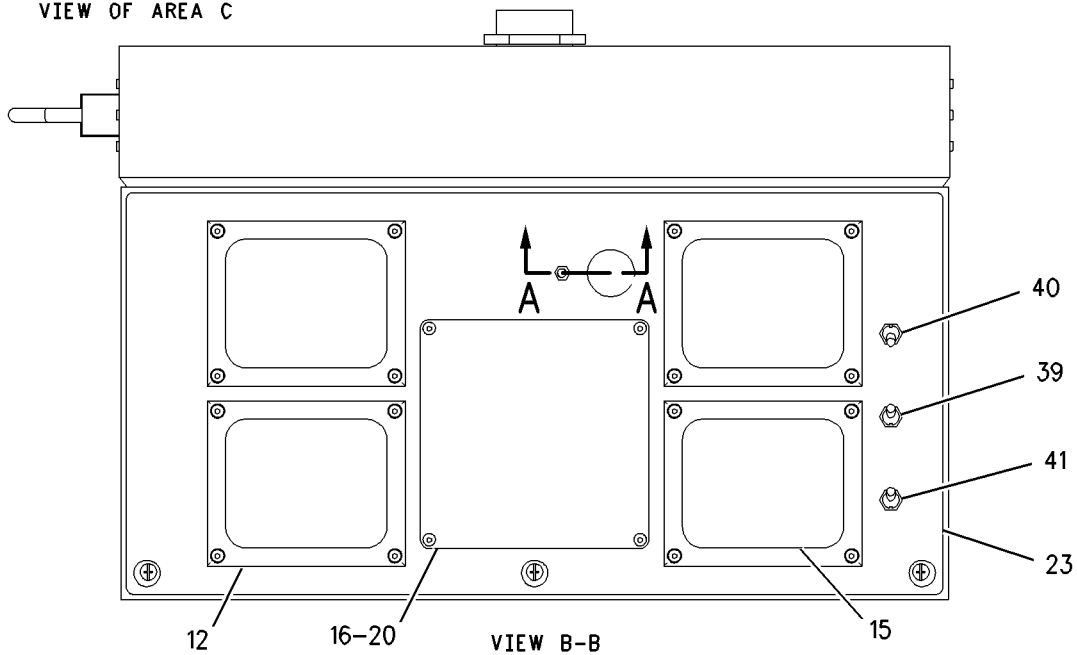
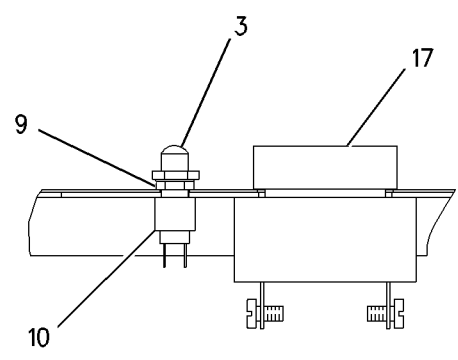
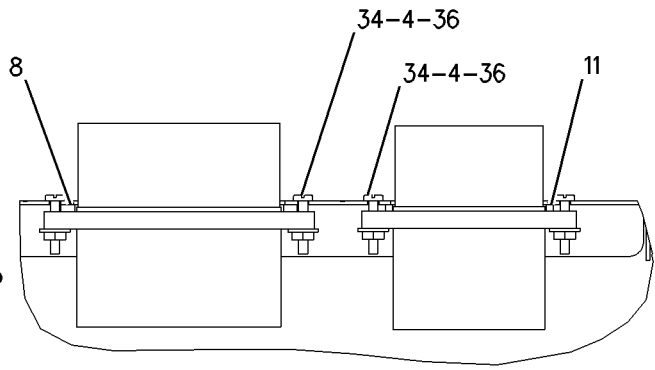
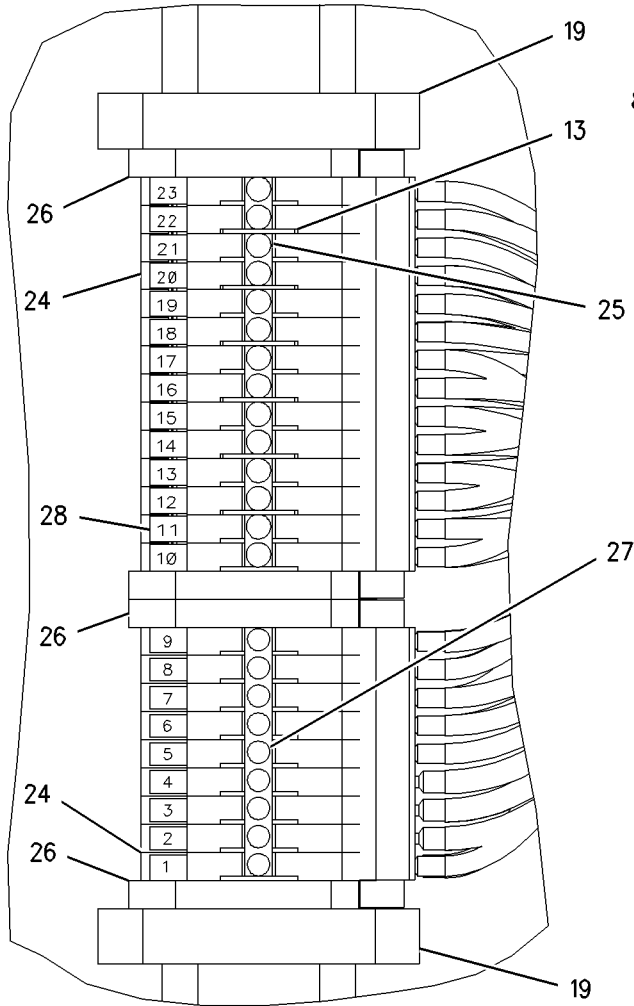
GRAPHIC #1

g00758827

OPERATOR STATION

134-6301 BOX GP-INSTRUMENT PANEL (contd.)

i02768005



GRAPHIC #2

<END>

g00758851

OPERATOR STATION

162-7662 BOX GP-INSTRUMENT PANEL

PART OF 126-7156, 126-7157 BOX GP-INSTRUMENT PANEL

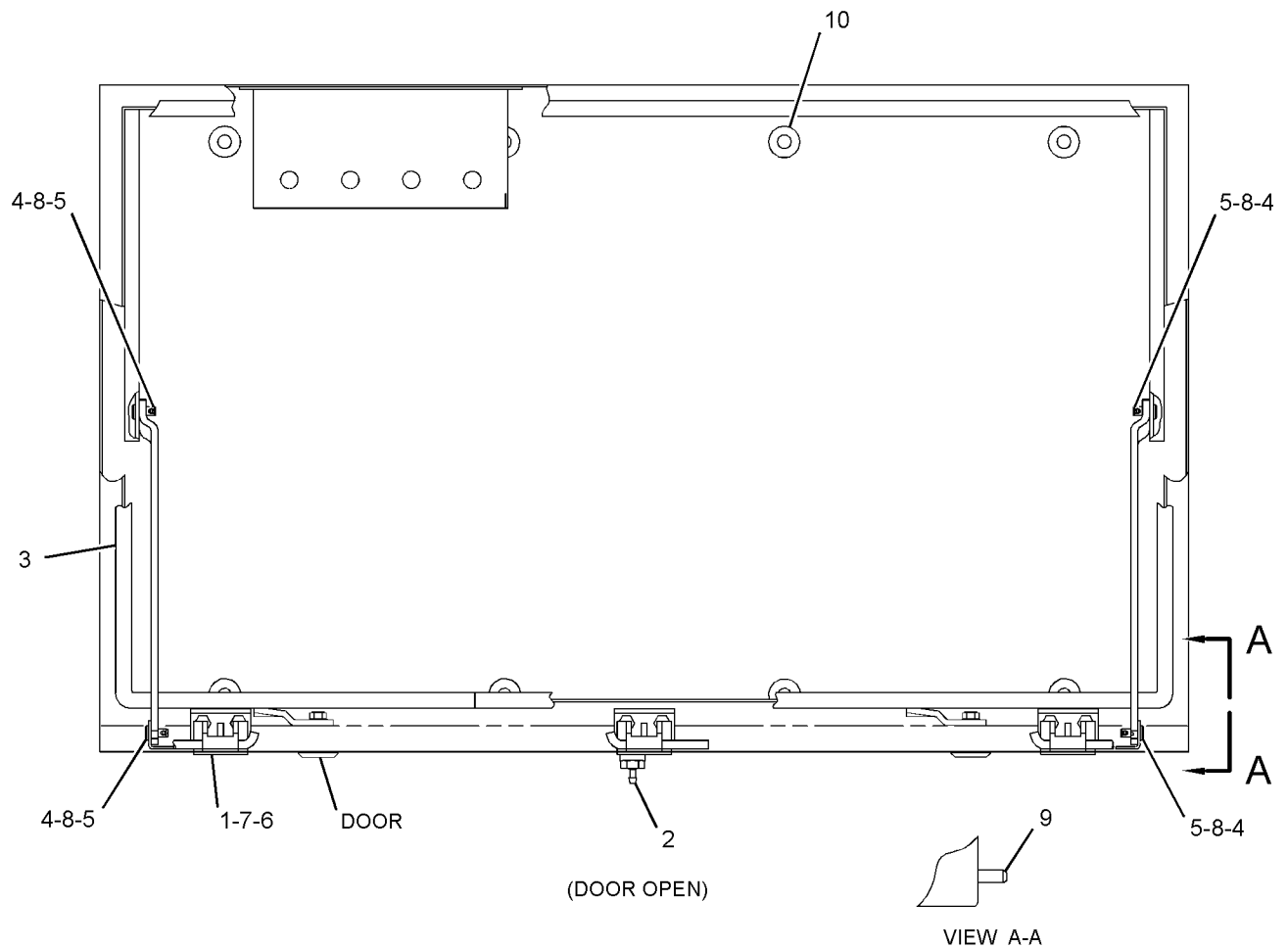
AN ATTACHMENT

SMCS-7451, 7490

i05073351

NOTE	REF NO	GRAPHIC REF	PART NUMBER	QTY	PART NAME						SEE PAGE
					1	2	3	4	5	6 (PRODUCT LEVEL)	
	1	1	128-2507	3	HINGE AS						
	2	1	370-7337	1	CONNECTOR AS						
		1	7J-0204	1	SEAL-O-RING						
		1	370-7095	1	FITTING						
E	3	1	126-8472		SEAL (230-CM)						
	4	1	9X-6381	4	WASHER (6.5X12.5X1.6-MM THK)						
	5	1	9P-6895	4	PIN						
M	6	1	2W-9513	6	BOLT (M6X1X10-MM)						
	7	1	128-3147	3	GASKET						
	8	1	3B-4605	4	PIN-COTTER						
	9	1	3H-5366	1	STUD-WELD (1/4-20X0.625-IN)						
	10	1	4M-0200	8	STUD-WELD (3/8-16X1.5-IN)						

E - ORDER BY THE CENTIMETER
M - METRIC PART



GRAPHIC #1

<END>

g03257636

OPERATOR STATION

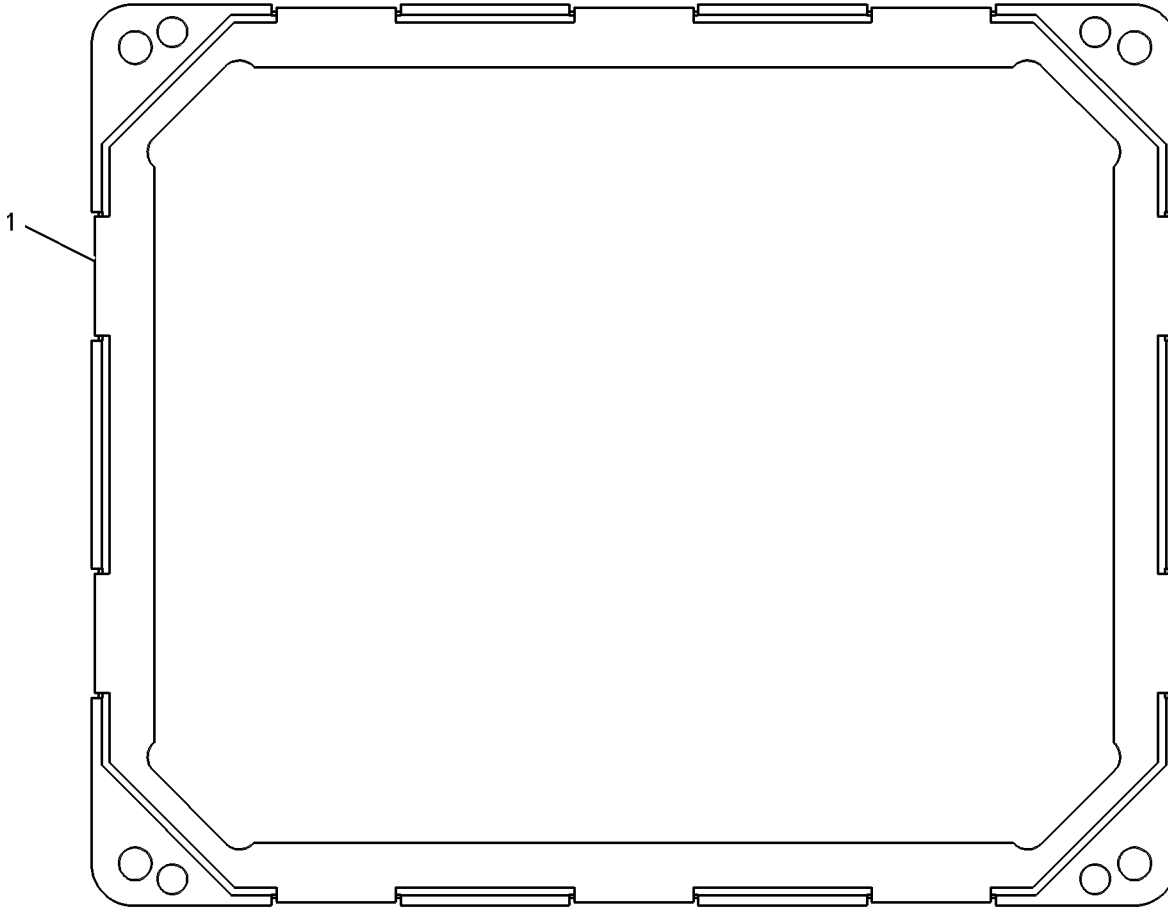
115-4636 CONTROL GP-ENGINE MONITORING

PART OF 126-7156, 126-7157, 134-6301 BOX GP-INSTRUMENT PANEL
AN ATTACHMENT

SMCS-1901, 7490

i01143726

NOTE	REF NO	GRAPHIC REF	PART NUMBER	QTY	PART NAME						SEE PAGE
					1	2	3	4	5	6 (PRODUCT LEVEL)	
	1	1	155-8653	1	CONTROL GP-ENGINE MONITORING						



GRAPHIC #1

<END>

g00606474

OPERATOR STATION

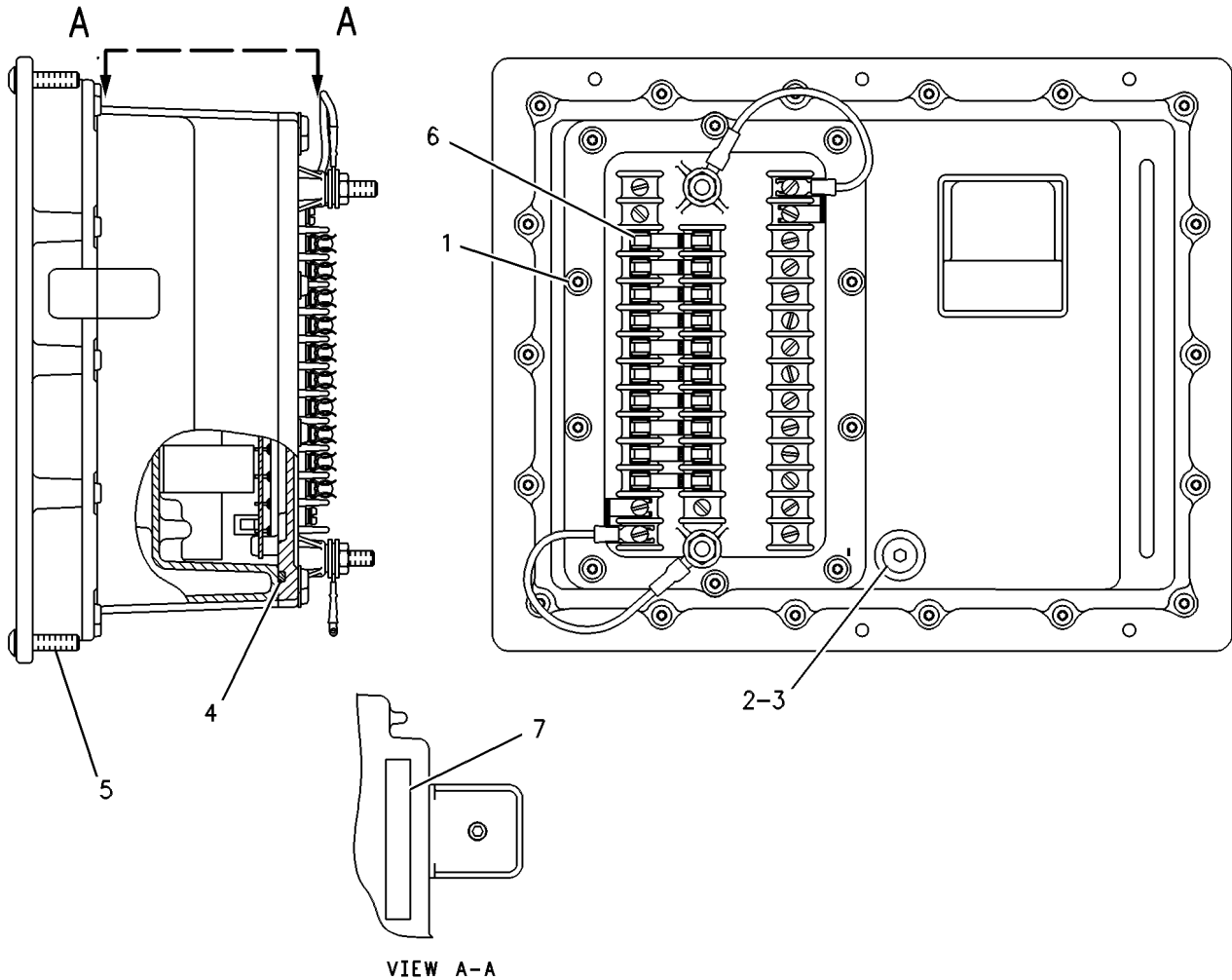
144-1623 CONTROL GP-ENGINE MONITORING-PROGRAMMABLE RELAY*R

PART OF 144-1624 CONTROL GP-ENGINE MONITORING
AN ATTACHMENT

SMCS-1901, 7490

i02400706

NOTE	REF NO	GRAPHIC REF	PART NUMBER	QTY	PART NAME						SEE PAGE
					1	2	3	4	5	6 (PRODUCT LEVEL)	
	1	1	4B-4863	10	WASHER (4.7X11X1.2-MM THK)						
	2	1	9S-8002	1	PLUG (7/16-20-THD)						
	3	1	3J-7354	1	SEAL-O-RING						
	4	1	1S-4974	1	SEAL-O-RING						
	5	1	9W-1464	6	SCREW (1/4-20X1-IN)						
	6	1	3K-8782	10	FUSE (10-AMPERE)						
	7	1	9Y-9782	1	FILM-IDENTIFICATION (10-AMPERE FUSE)						



GRAPHIC #1

<END>

g00275386

OPERATOR STATION

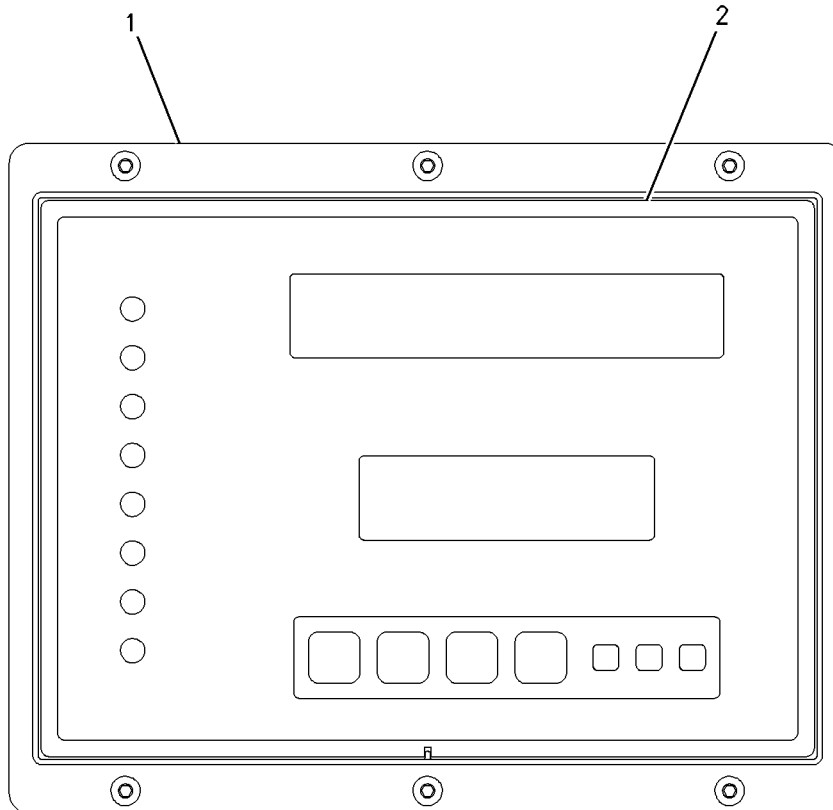
144-1624 CONTROL GP-ENGINE MONITORING-PROGRAMMABLE RELAY CONTROL MODULE PART OF 133-9300 CONTROL GP-ENGINE ELECTRONIC AN ATTACHMENT

SMCS-1901, 7490

i01905810

NOTE	REF NO	GRAPHIC REF	PART NUMBER	QTY	PART NAME	SEE PAGE
					1 2 3 4 5 6 (PRODUCT LEVEL)	
YR	1	1	144-1623	1	CONTROL GP-ENGINE MONITORING (PROGRAMMABLE RELAY CONTROL MOD)	721
	2	1	123-3932	1	FILM-CONTROL PANEL (EMCP II, PRCM)	
F			126-9246	1	FILM-INFORMATION (EMCP II, PRCM)	

F - NOT SHOWN
R - REMANUFACTURED PART MAY BE AVAILABLE
Y - SEPARATE ILLUSTRATION



GRAPHIC #1

<END>

g00763036

OPERATOR STATION

158-6255 CONTROL GP-ENGINE MONITORING

S/N: 3XS404-UP

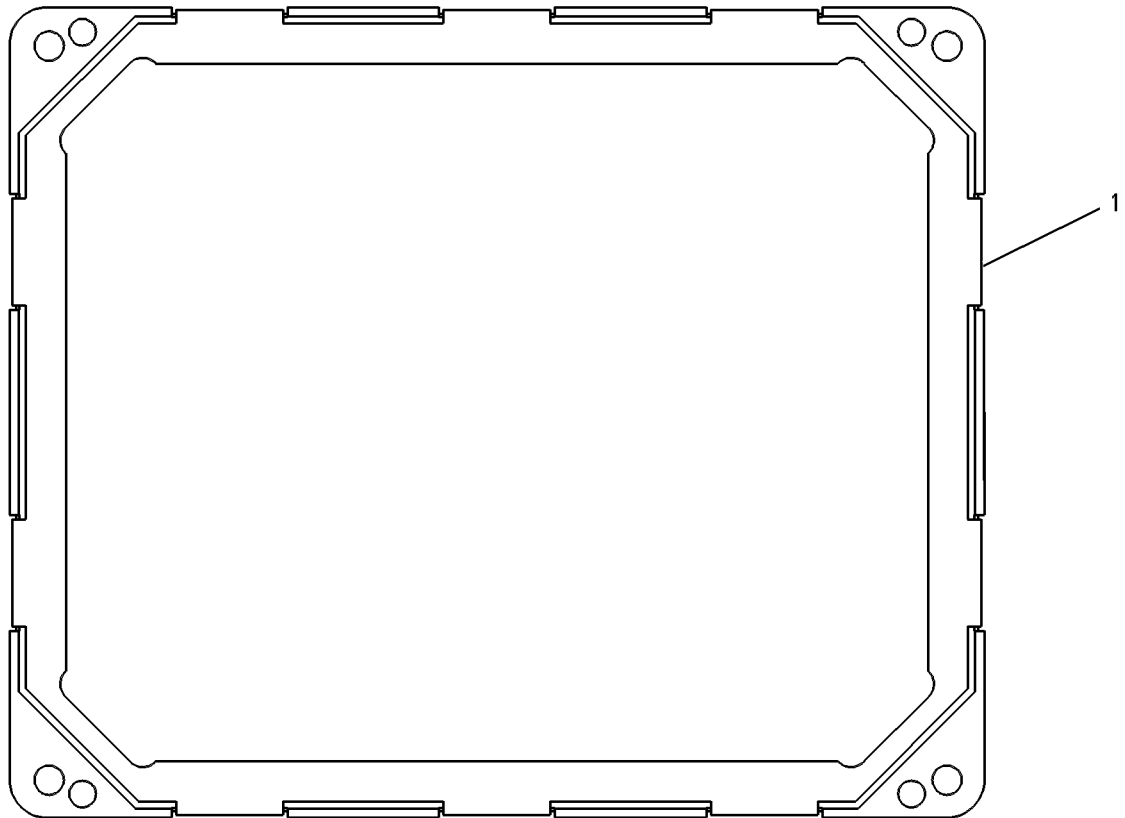
EMSII

PART OF 126-7156, 126-7157, 134-6301 BOX GP-INSTRUMENT PANEL
AN ATTACHMENT

SMCS-1901, 7490

i05435042

NOTE	REF NO	GRAPHIC REF	PART NUMBER	QTY	PART NAME						SEE PAGE
					1	2	3	4	5	6 (PRODUCT LEVEL)	
	1	1	386-6022	1	CONTROL GP-UNPRGMED MONITOR (CATERPILLAR MONITORING SYSTEM)						



GRAPHIC #1

<END>

g00623268

OPERATOR STATION

143-5179 CONTROL GP-LOAD SHARE MODULE
AN ATTACHMENT

SMCS-4490

i05905121

NOTE	PART NUMBER	QTY	PART NAME						SEE PAGE
			1	2	3	4	5	6 (PRODUCT LEVEL)	
	131-5459	1	CONTROL AS-GOVERNOR (LOAD SHARE MODULE)						
<END>									

OPERATOR STATION

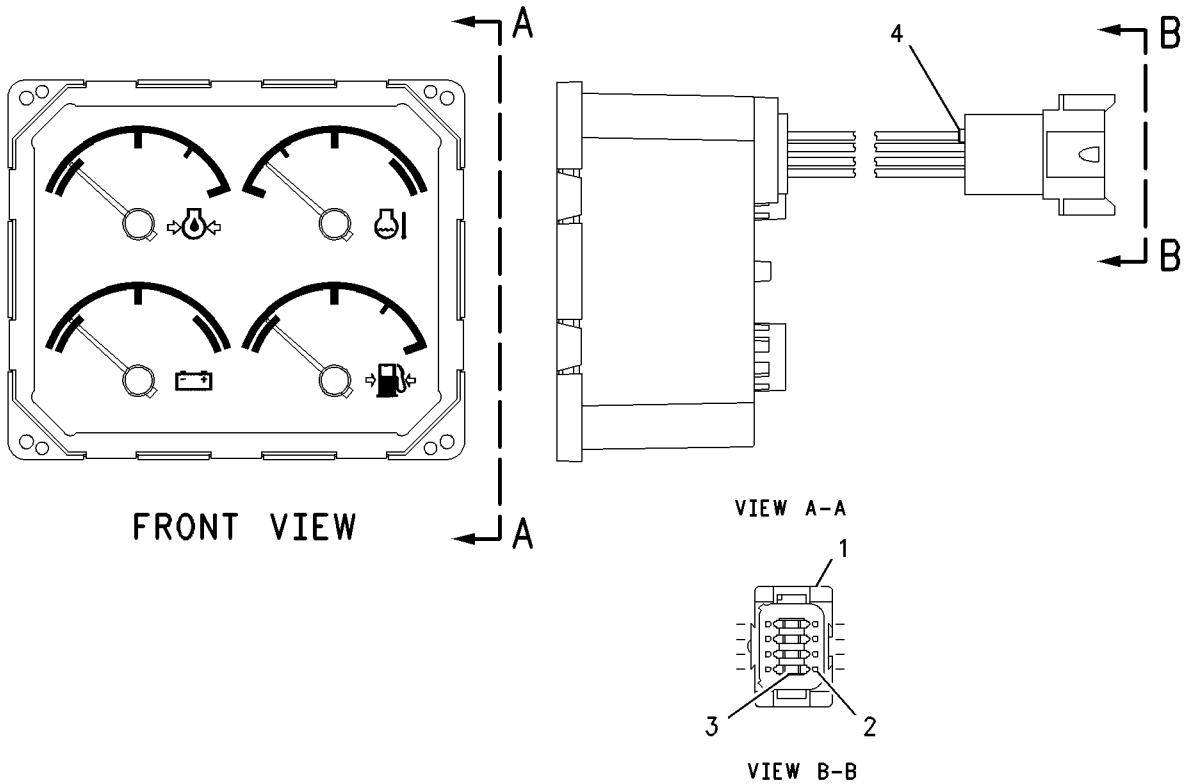
112-2974 MODULE GP-QUAD GAUGE

FIELD REPLACEMENT FOR 153-8056-PAGE: 728
 PART OF 126-7156, 126-7157, 134-6301 BOX GP-INSTRUMENT PANEL
 AN ATTACHMENT

SMCS-7450, 7451, 7490

i01863092

NOTE	REF NO	GRAPHIC REF	PART NUMBER	QTY	PART NAME						SEE PAGE
					1	2	3	4	5	6 (PRODUCT LEVEL)	
	1	1	102-8806	1	KIT-RECEPTACLE (8-PIN)						
(INCLUDES RECEPTACLE ASSEMBLY & WEDGE)											
	2	1	186-3735	7	PIN-CONNECTOR (16-GA TO 18-GA)						
	3	1	3E-3389	1	WEDGE-RECEPTACLE LOCK (8-PIN)						
	4	1	8T-8737	1	PLUG-SEAL						



GRAPHIC #1

<END>

g00814003

OPERATOR STATION

112-2975 MODULE GP-QUAD GAUGE

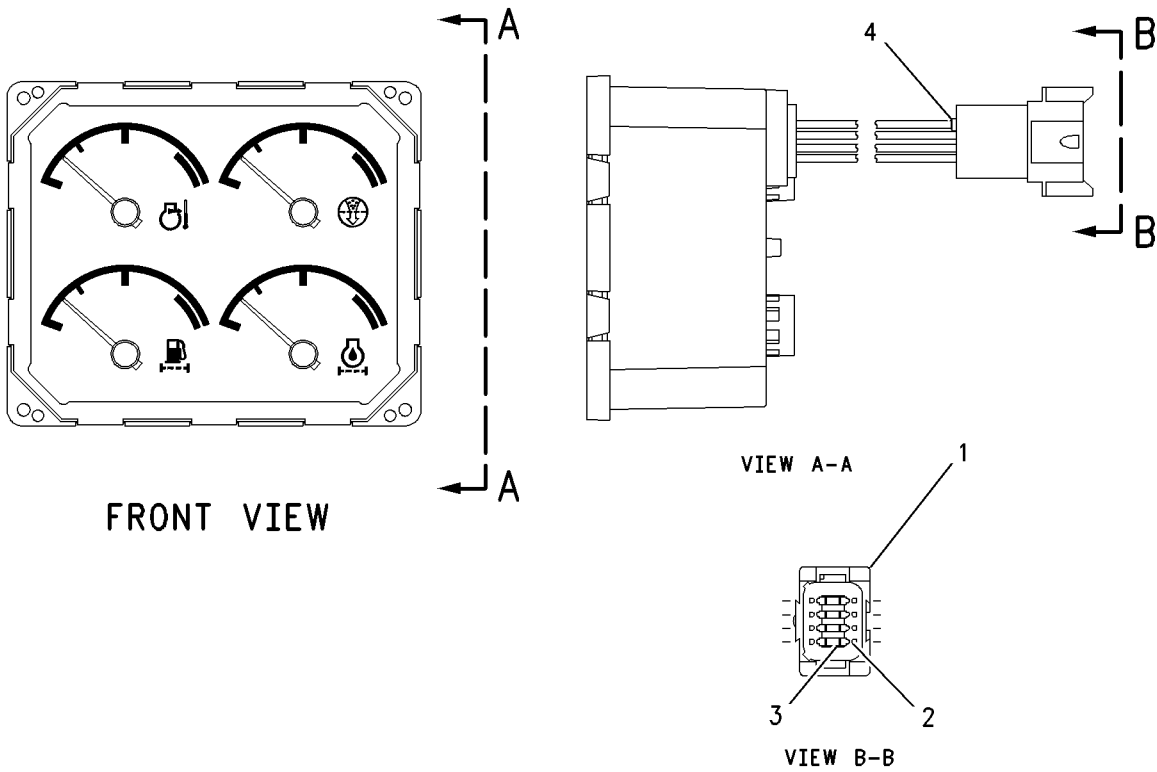
FIELD REPLACEMENT ORDER 166-6929-PAGE: 729

PART OF 126-7156, 126-7157, 134-6301 BOX GP-INSTRUMENT PANEL
AN ATTACHMENT

SMCS-7450, 7451, 7490

i01863093

NOTE	REF NO	GRAPHIC REF	PART NUMBER	QTY	PART NAME						SEE PAGE
					1	2	3	4	5	6 (PRODUCT LEVEL)	
	1	1	102-8806	1	KIT-RECEPTACLE (8-PIN)						
(INCLUDES RECEPTACLE ASSEMBLY & WEDGE)											
	2	1	186-3735	7	PIN-CONNECTOR (16-GA TO 18-GA)						
	3	1	3E-3389	1	WEDGE-RECEPTACLE LOCK (8-PIN)						
	4	1	8T-8737	1	PLUG-SEAL						



GRAPHIC #1

<END>

g00949731

OPERATOR STATION

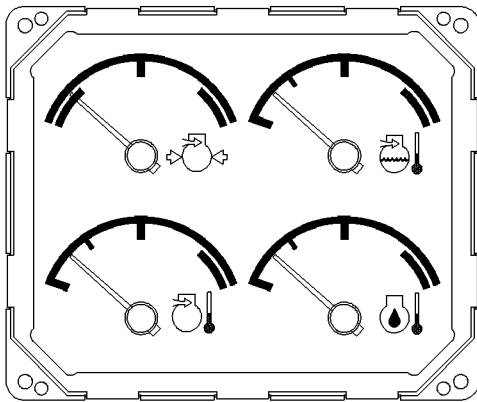
118-8582 MODULE GP-QUAD GAUGE

FIELD REPLACEMENT ORDER 166-6937-PAGE: 731
PART OF 126-7156, 134-6301 BOX GP-INSTRUMENT PANEL
AN ATTACHMENT

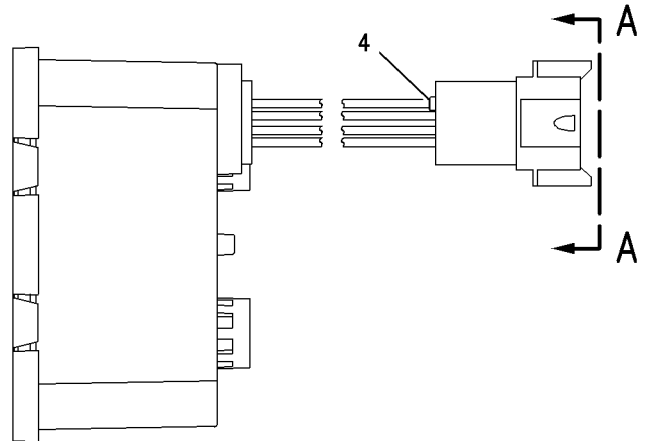
SMCS-7450, 7451, 7490

i01205468

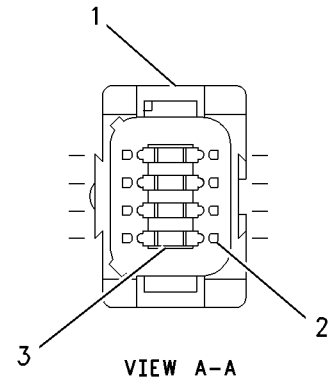
NOTE	REF NO	GRAPHIC REF	PART NUMBER	QTY	PART NAME						SEE PAGE
					1	2	3	4	5	6 (PRODUCT LEVEL)	
1	1	1	102-8806	1	KIT-RECEPTACLE (8-PIN)						
2	1	1	8T-8729	7	PIN-CONNECTOR (16-GA TO 18-GA)						
3	1	1	3E-3389	1	WEDGE-RECEPTACLE LOCK (8-PIN)						
4	1	1	8T-8737	1	PLUG-SEAL						



FRONT VIEW



LEFT SIDE VIEW



VIEW A-A

GRAPHIC #1

<END>

g00644750

OPERATOR STATION

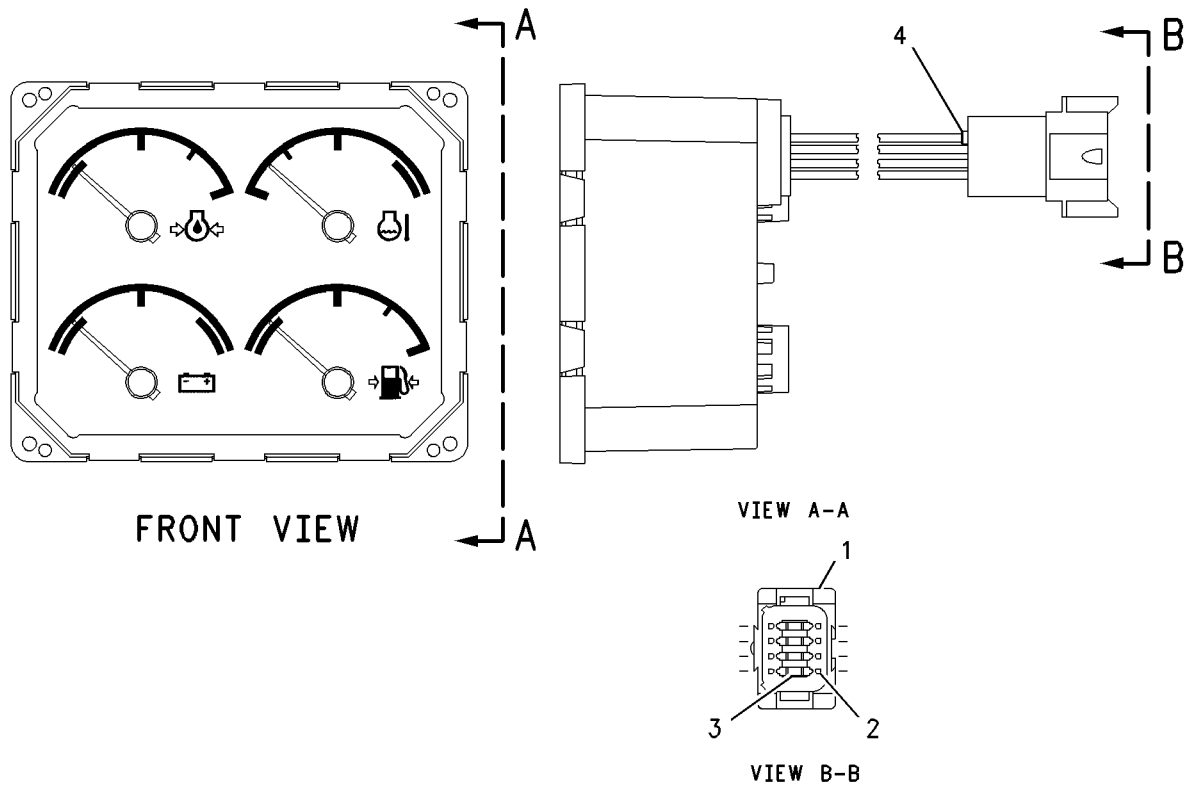
153-8056 MODULE GP-QUAD GAUGE

FIELD REPLACEMENT ORDER 166-6936-PAGE: 730
 PART OF 126-7156, 126-7157 BOX GP-INSTRUMENT PANEL
 AN ATTACHMENT

SMCS-7450, 7451, 7490

i01863095

NOTE	REF NO	GRAPHIC REF	PART NUMBER	QTY	PART NAME 1 2 3 4 5 6 (PRODUCT LEVEL)	SEE PAGE
1	1	1	102-8806	1	KIT-RECEPTACLE (8-PIN) (INCLUDES RECEPTACLE ASSEMBLY & WEDGE)	
2	1	1	186-3735	7	PIN-CONNECTOR (16-GA TO 18-GA)	
3	1	1	3E-3389	1	WEDGE-RECEPTACLE LOCK (8-PIN)	
4	1	1	8T-8737	1	PLUG-SEAL	



GRAPHIC #1

<END>

g00814003

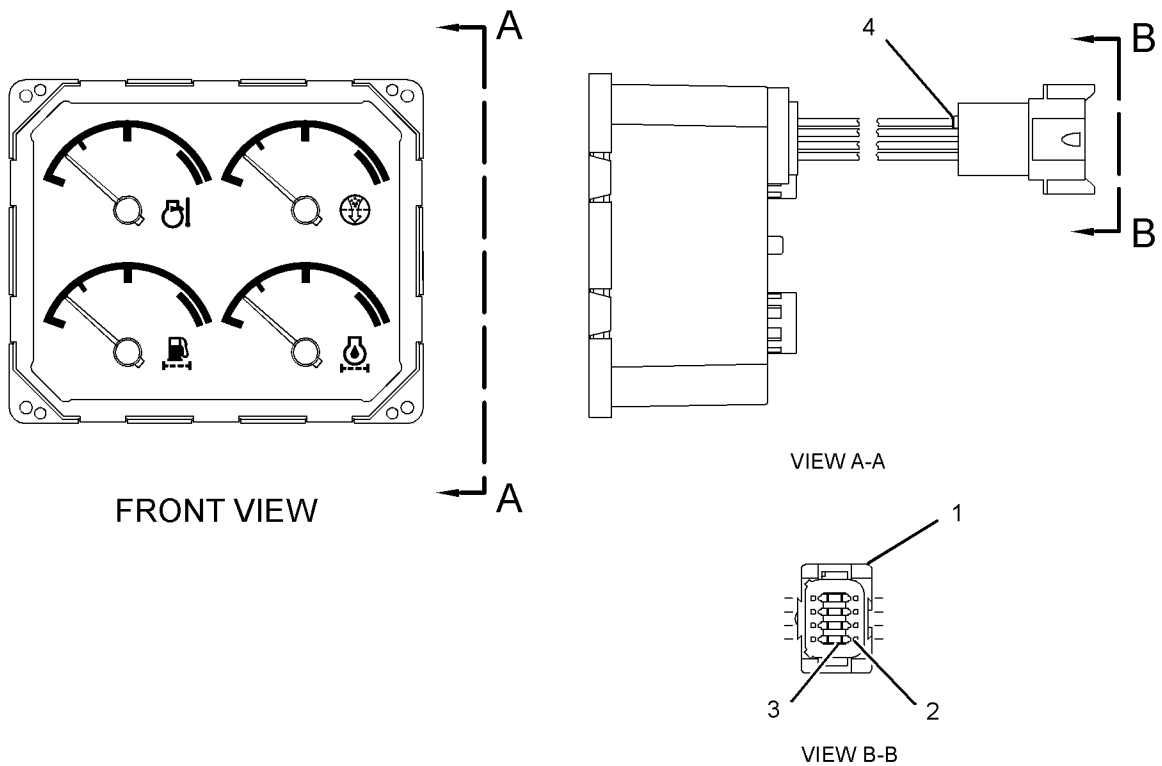
OPERATOR STATION

166-6929 MODULE GP-QUAD GAUGE EXHAUST TEMPERATURE, AIR FILTER, FUEL FILTER, ENGINE OIL FILTER FIELD REPLACEMENT FOR 112-2975-PAGE: 726 PART OF 126-7156, 126-7157, 134-6301 BOX GP-INSTRUMENT PANEL AN ATTACHMENT

SMCS-7450, 7451, 7490

i05651613

NOTE	REF NO	GRAPHIC REF	PART NUMBER	QTY	PART NAME						SEE PAGE
					1	2	3	4	5	6 (PRODUCT LEVEL)	
	1	1	102-8806	1	KIT-RECEPTACLE (8-PIN)						
					(INCLUDES RECEPTACLE AS & WEDGE)						
	2	1	186-3735	7	PIN-CONNECTOR (16-GA TO 18-GA)						
	3	1	3E-3389	1	WEDGE-RECEPTACLE LOCK (8-PIN)						
	4	1	8T-8737	1	PLUG-SEAL						



GRAPHIC #1

<END>

g01173371

OPERATOR STATION

166-6936 MODULE GP-QUAD GAUGE

ENGINE OIL PRESSURE, COOLANT TEMPERATURE, BATTERY, FUEL PRESSURE

FIELD REPLACEMENT FOR 153-8056-PAGE: 728

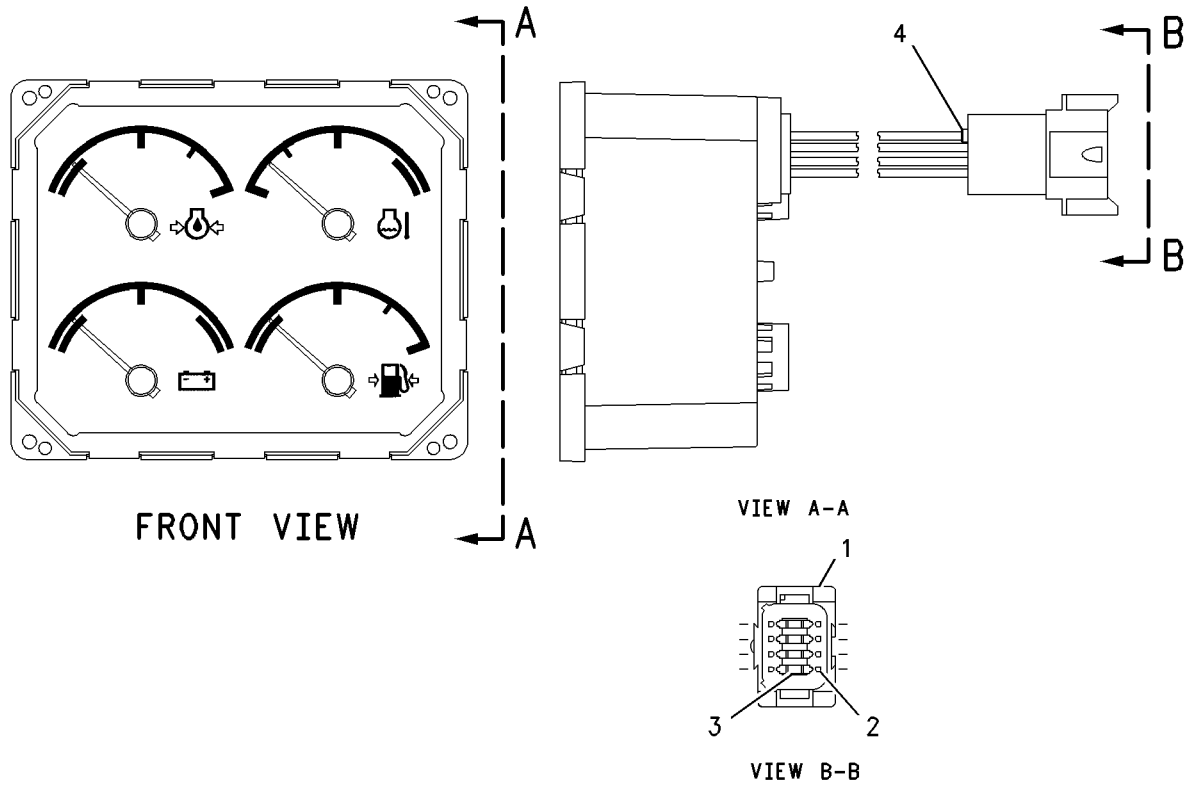
PART OF 126-7156, 126-7157, 134-6301 BOX GP-INSTRUMENT PANEL

AN ATTACHMENT

SMCS-7450, 7451, 7490

i07034491

NOTE	REF NO	GRAPHIC REF	PART NUMBER	QTY	PART NAME						SEE PAGE
					1	2	3	4	5	6 (PRODUCT LEVEL)	
	1	1	102-8806	1	KIT-RECEPTACLE (8-PIN)						
(INCLUDES RECEPTACLE ASSEMBLY & WEDGE)											
	2	1	186-3735	7	PIN-CONNECTOR (16-GA TO 18-GA)						
	3	1	3E-3389	1	WEDGE-RECEPTACLE LOCK (8-PIN)						
	4	1	8T-8737	1	PLUG-SEAL						



GRAPHIC #1

<END>

g00814003

OPERATOR STATION

166-6937 MODULE GP-QUAD GAUGE

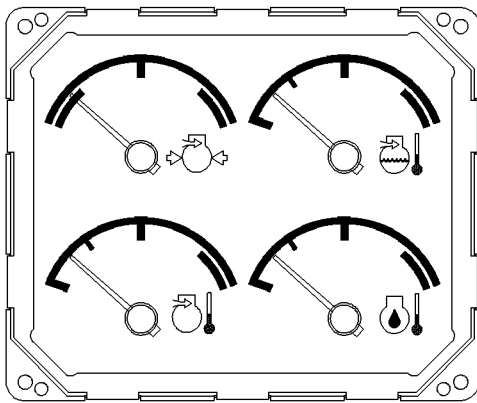
BOOST PRESSURE, AFTERCOOLER TEMPERATURE, INTAKE AIR TEMPERATURE, ENGINE OIL PRESSURE

**FIELD REPLACEMENT FOR 118-8582—PAGE: 727
PART OF 126-7156, 134-6301 BOX GP-INSTRUMENT PANEL
AN ATTACHMENT**

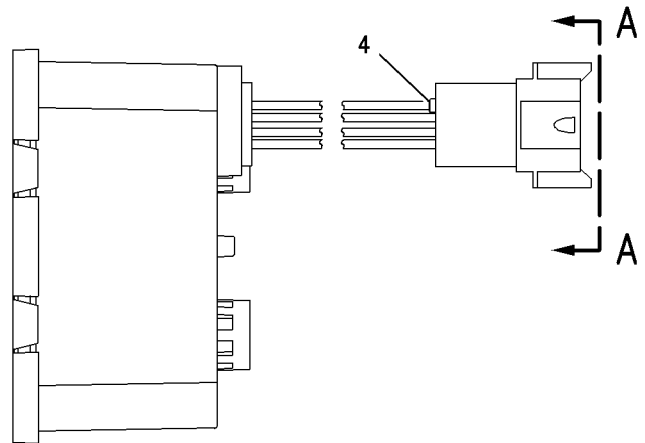
SMCS-7450, 7451, 7490

i06737449

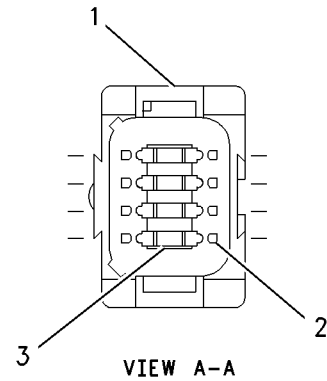
NOTE	REF NO	GRAPHIC REF	PART NUMBER	QTY	PART NAME						SEE PAGE
					1	2	3	4	5	6 (PRODUCT LEVEL)	
	1	1	102-8806	1	KIT-RECEPTACLE (8-PIN)						
(INCLUDES RECEPTACLE ASSEMBLY & WEDGE)											
	2	1	186-3735	7	PIN-CONNECTOR (16-GA TO 18-GA)						
	3	1	3E-3389	1	WEDGE-RECEPTACLE LOCK (8-PIN)						
	4	1	8T-8737	1	PLUG-SEAL						



FRONT VIEW



LEFT SIDE VIEW



VIEW A-A

GRAPHIC #1

<END>

g00644750

OPERATOR STATION

107-2855 MOUNTING GP-INSTRUMENT PANEL-LH AN ATTACHMENT

SMCS-7451

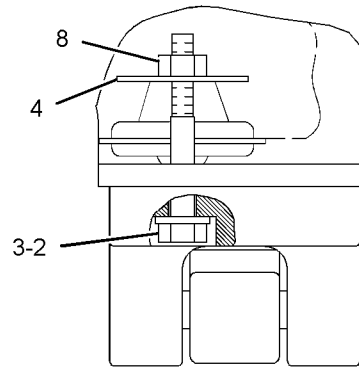
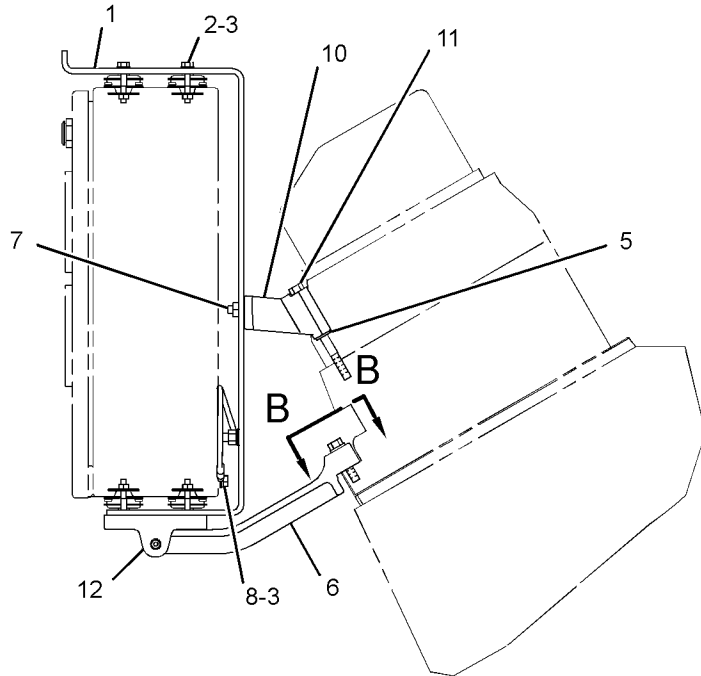
i05387719

NOTE	REF NO	GRAPHIC REF	PART NUMBER	QTY	PART NAME						SEE PAGE
					1	2	3	4	5	6 (PRODUCT LEVEL)	
	1	1	107-2853	1	BRACKET AS						
		1	1F-0750	4	NUT-WELD (3/8-16-THD)						
		1	030-8967	1	STUD-WELD (3/8-16X0.75-IN OAL)						
2		1	7B-8167	8	BOLT (1/4-20X1.625-IN)						
3		1	5P-0537	9	WASHER-HARD (7.2X14.5X2-MM THK)						
4		1	2W-8604	8	WASHER (6.5X35X1.5-MM THK)						
5		1	5M-2894	7	WASHER-HARD (10.2X18.5X2.5-MM THK)						
6		1	119-5659	2	BRACKET						
7		1	1A-2029	4	BOLT (3/8-16X1.125-IN)						
8		1	9S-8750	9	NUT-FULL (1/4-20-THD)						
9		1	1H-6936	1	WIRE AS						
10		1	1W-8129	2	SUPPORT						
11		1	1A-5964	4	BOLT (3/8-16X4.5-IN)						
12		1	136-5923	2	HINGE AS						
13		1	9S-8752	1	NUT-FULL (3/8-16-THD)						
14		1	0S-1571	4	BOLT (3/8-16X1.75-IN)						

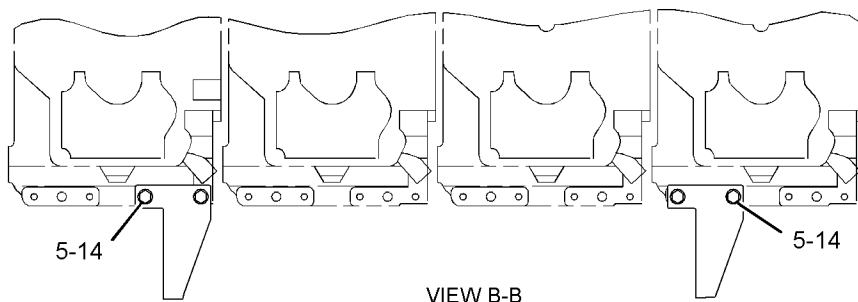
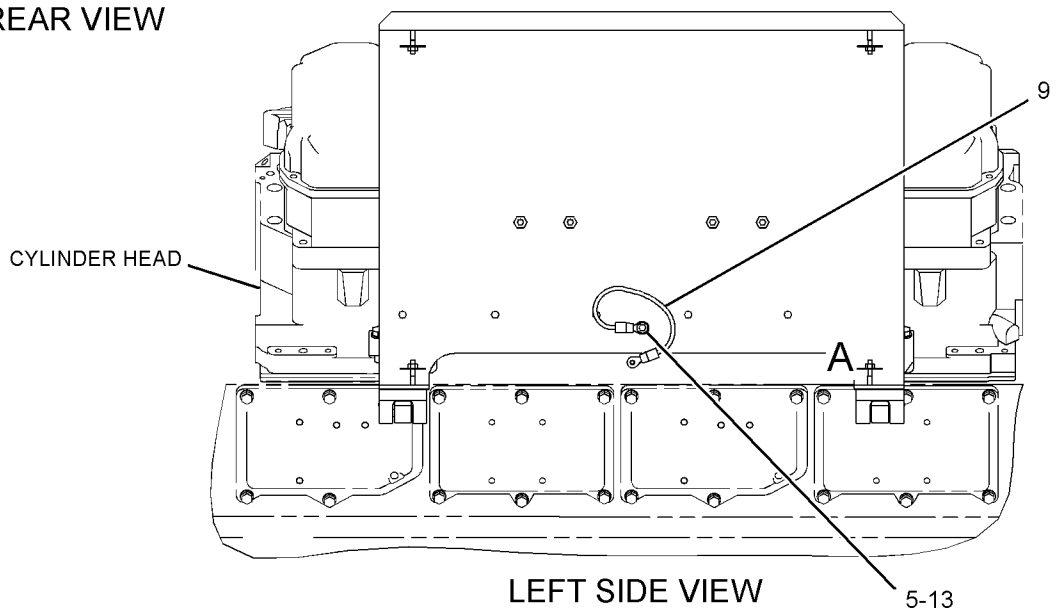
OPERATOR STATION

107-2855 MOUNTING GP-INSTRUMENT PANEL (contd.)

i05387719



REAR VIEW



GRAPHIC #1

<END>

g03652209

OPERATOR STATION

134-6299 MOUNTING GP-INSTRUMENT PANEL

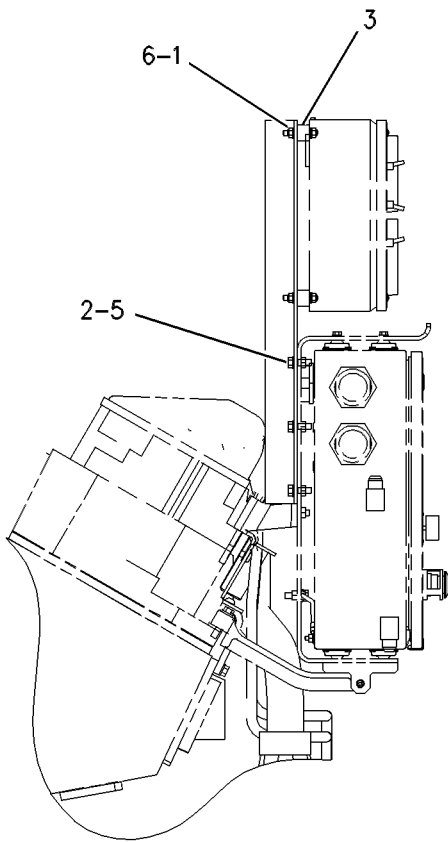
S/N: 3XS1-407

FOR USE WITH PREMIUM WIRING HARNESS
AN ATTACHMENT

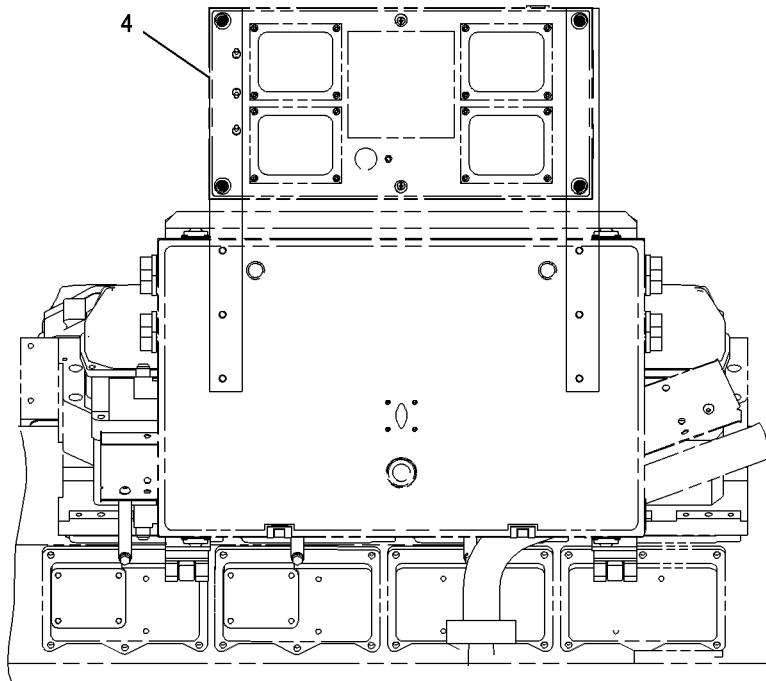
SMCS-7451

i00937085

NOTE	REF NO	GRAPHIC REF	PART NUMBER	QTY	PART NAME						SEE PAGE
					1	2	3	4	5	6 (PRODUCT LEVEL)	
	1	1	3E-9860	8	LOCKNUT (5/16-18-THD)						
	2	1	5M-2894	6	WASHER-HARD (10.2X18.5X2.5-MM THK)						
	3	1	126-9187	4	MOUNT-FLEXIBLE						
	4	1	134-6298	2	BRACKET						
	5	1	1A-2029	6	BOLT (3/8-16X1.125-IN)						
	6	1	9M-1974	8	WASHER-HARD (8.8X16X2-MM THK)						



END VIEW



SIDE VIEW

GRAPHIC #1

<END>

g00340416

OPERATOR STATION

134-6299 MOUNTING GP-INSTRUMENT PANEL

S/N: 3XS408-UP

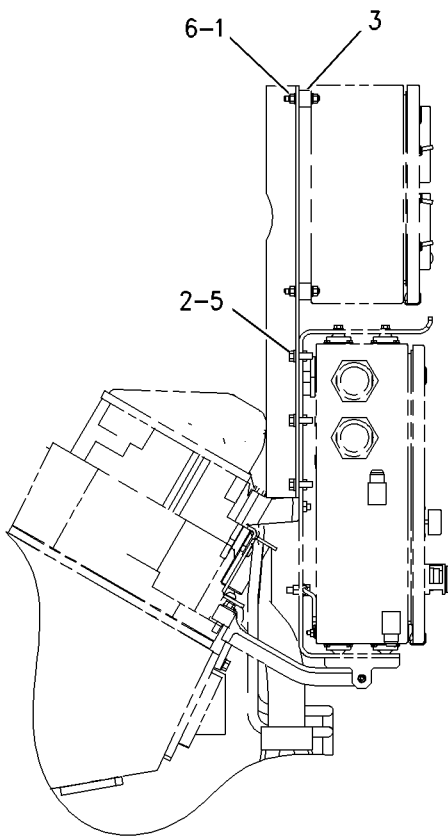
FOR USE WITH PREMIUM WIRING HARNESS
AN ATTACHMENT

SMCS-7451

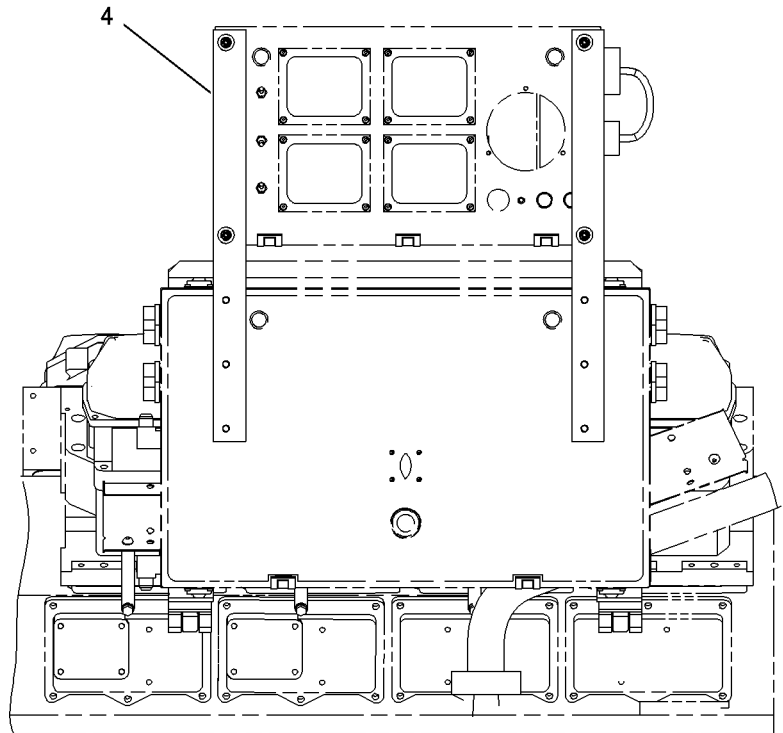
i01510366

NOTE	REF NO	GRAPHIC REF	PART NUMBER	QTY	PART NAME						SEE PAGE
					1	2	3	4	5	6 (PRODUCT LEVEL)	
	1	1	3E-9860	8	LOCKNUT (5/16-18-THD)						
	2	1	5M-2894	6	WASHER-HARD (10.2X18.5X2.5-MM THK)						
	3	1	126-9187	4	MOUNT-FLEXIBLE						
C	4	1	195-9599	2	BRACKET						
	5	1	1A-2029	6	BOLT (3/8-16X1.125-IN)						
	6	1	9M-1974	8	WASHER-HARD (8.8X16X2-MM THK)						

C - CHANGE FROM PREVIOUS TYPE



REAR VIEW



RIGHT SIDE VIEW

GRAPHIC #1

<END>

g00784224

OPERATOR STATION

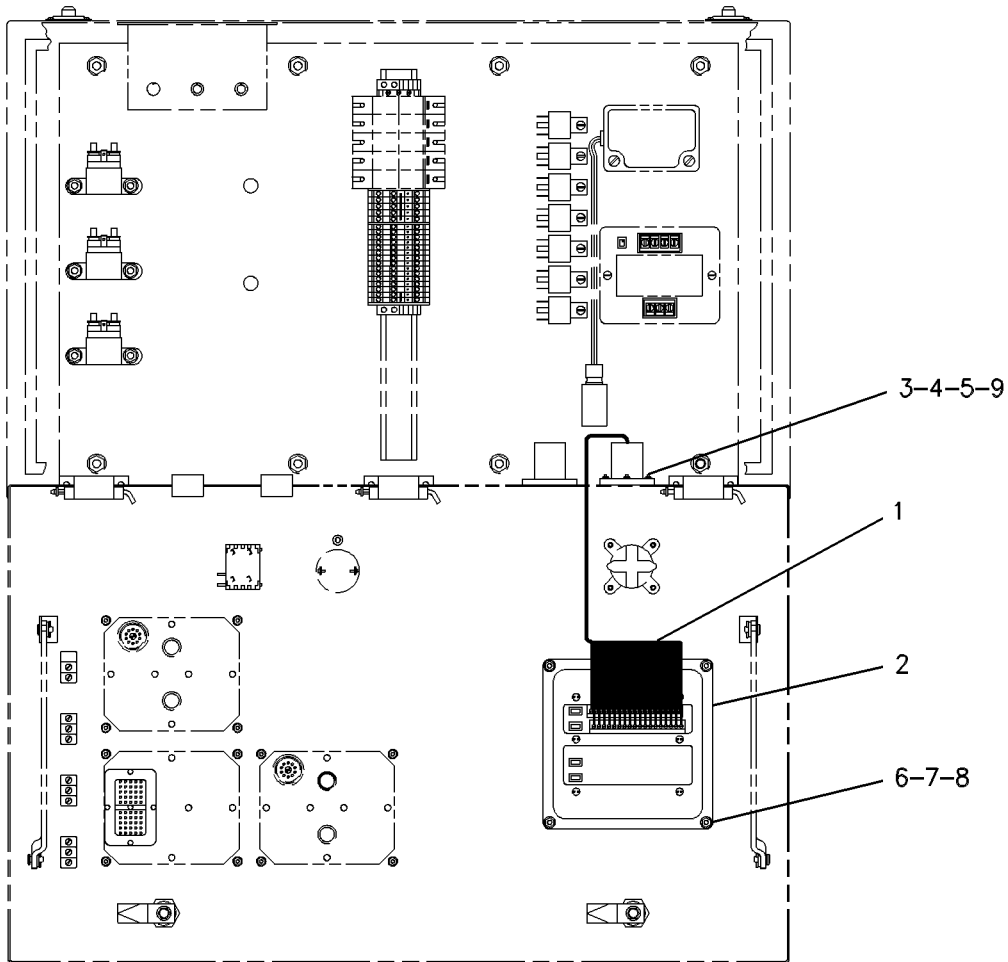
120-4503 PYROMETER GP-PANEL, RH AN ATTACHMENT

SMCS-7466

i02235360

NOTE	REF NO	GRAPHIC REF	PART NUMBER	QTY	PART NAME						SEE PAGE
					1	2	3	4	5	6 (PRODUCT LEVEL)	
	1	1	121-4101	1	HARNESS AS-PANEL (PYROMETER) (RH)						
	2	1	114-2410	1	PYROMETER GP (RH)						
	3	1	2N-3476	4	SCREW-MACHINE (6-32X0.75-IN)						
	4	1	4B-4863	4	WASHER (4.7X11X1.2-MM THK)						
	5	1	4B-2041	4	NUT (6-32-THD)						
M	6	1	7Y-7389	4	SCREW (M5X0.8X16-MM)						
M	7	1	5C-2874	4	NUT (M5X0.8-THD)						
	8	1	3B-4504	4	LOCKWASHER						
	9	1	8C-6024	1	SEAL-CONNECTOR						

M - METRIC PART



GRAPHIC #1

<END>

g00596117

OPERATOR STATION

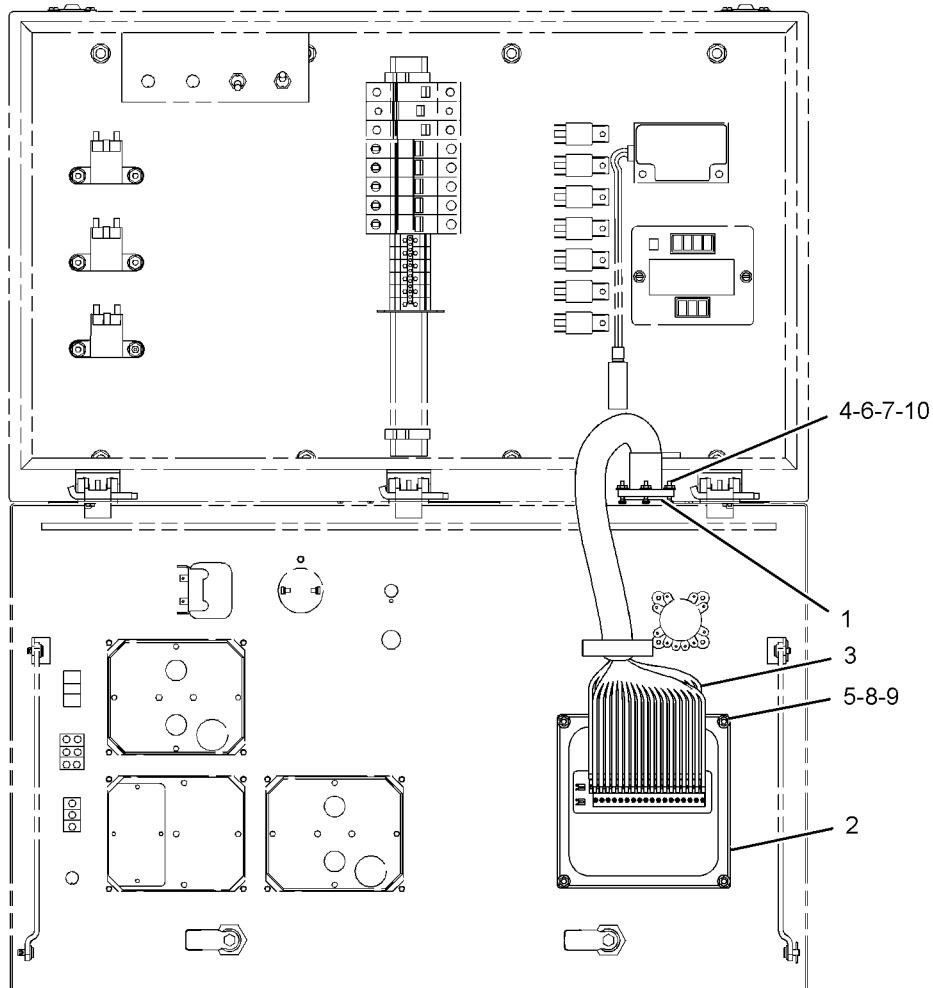
120-4504 PYROMETER GP-PANEL, LH AN ATTACHMENT

SMCS-7466

i06650913

NOTE	REF NO	GRAPHIC REF	PART NUMBER	QTY	PART NAME						SEE PAGE
					1	2	3	4	5	6	
	1	1	8C-6024	1	SEAL-CONNECTOR						
	2	1	114-2410	1	PYROMETER GP (LH)						
	3	1	121-4102	1	HARNESS AS-PANEL (PYROMETER) (LH)						
		1	8L-8413	4	STRAP-CABLE (WHITE)						
		1	8T-8729	36	PIN-CONNECTOR (16-GA TO 18-GA)						
		1	9X-1343	1	RECEPTACLE AS-CONNECTOR (40-PIN)						
		1	110-8714	36	END-WIRE (18-GA)						
	4	1	214-3522	4	SCREW-MACHINE (8-32X0.75-IN)						
	5	1	3B-4503	4	LOCKWASHER						
	6	1	4B-2041	4	NUT (6-32-THD)						
	7	1	4B-5324	4	WASHER (3.9X9.6X1.2-MM THK)						
M	8	1	5C-2874	4	NUT (M5X0.8-THD)						
M	9	1	7Y-7389	4	SCREW (M5X0.8X16-MM)						
	10	1	3B-4501	4	LOCKWASHER						

M - METRIC PART



GRAPHIC #1

<END>

g06059905

OPERATOR STATION

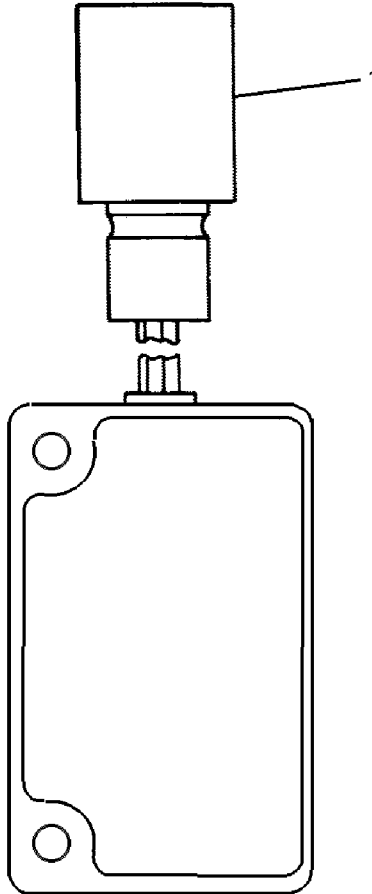
9X-3207 TIMER GP

PART OF 133-6453 CONNECTION GP-ELECTRICAL, 120-4486, 134-6315 WIRING GP-PANEL
AN ATTACHMENT

SMCS-7418

i04550338

NOTE	REF NO	GRAPHIC REF	PART NUMBER	QTY	PART NAME	SEE PAGE
					1 2 3 4 5 6 (PRODUCT LEVEL)	
	1	1	7N-7781	1	HOUSING-RECEPTACLE (14-GA TO 18-GA)	
		1	7N-7779	1	SOCKET-CONNECTOR (14-GA TO 18-GA)	
		1	7N-7780	2	PIN-CONNECTOR (14-GA TO 18-GA)	



GRAPHIC #1

<END>

g00638308

SERVICE EQUIPMENT AND SUPPLIES

6L-4502 CHART-PLATE & FILM

SMCS-7557

i00694638

NOTE	PART NUMBER	QTY	PART NAME 1 2 3 4 5 6 (PRODUCT LEVEL)	SEE PAGE
	8L-9765	1	FILM-FUEL RETURN (EXCESS) (INSTALL ON FUEL FILTER HOUSING)	
	106-7408	1	FILM-INFORMATION (ENGINE OIL) (INSTALL ON OIL FILLER CAP)	
	2W-9228	1	FILM-ROTATION (STANDARD ROTATION) (INSTALL ONE RH OR LH REAR ACCESSORY DRIVE COVER.)	
	1H-4950	1	FILM-WARNING (CRANKCASE) (INSTALL ONE ON RH & LH CRANKCASE COVER IN VISIBLE LOCATION.)	
	9Y-4294	5	FILM-WARNING (ELEC SHOCK HAZARD, UNIT INJ) (INSTALL ONE ON CYLINDER #3, #4, #13, #14, & ON FRONT OF ELECTRONIC CONTROL MODULE.)	
	7E-2681	2	PLATE-IDENTIFICATION (CATERPILLAR) (INSTALL EACH ONE ON A VISIBLE CAMSHAFT COVER ON LH & RH SIDES OF ENGINE.)	
	9L-6531	1	PLATE-INFORMATION (ENGINE RATING) (INSTALL ON RH TOP SURFACE OF CYLINDER BLOCK BEHIND REAR CYLINDER HEAD OR ON LH TOP SURFACE OF CYLINDER BLOCK IN FRONT OF FRONT CYLINDER HEAD.)	
	3N-3790	1	PLATE-SERIAL NUMBER (ENGINE) (USA) (INSTALL ON LH SIDE OF BLOCK NEAR REAR FACE ON CAMSHAFT COMPARTMENT USING 4B4158 DRIVE SCREWS.)	
	4B-4158	2	SCREW-DRIVE (NO 4X0.25-IN) (INSTALL ENGINE SERIAL NUMBER PLATE.)	
	8L-8413	1	STRAP-CABLE (WHITE) (INSTALL PRESTART TAG)	
	3N-3469	1	TAG-INSTRUCTION (ENGINE PRESTART) (INSTALL ON RH OR LH SIDE ENGINE IN A VISIBLE LOCATION. DO NOT INSTALL ON FRONT OR REAR OF ENGINE OR COMPONENT.)	
<END>				

SERVICE EQUIPMENT AND SUPPLIES

8F-9866 GREASE GUN GP

PART OF 9S-7977 TOOL GP-HAND

AN ATTACHMENT

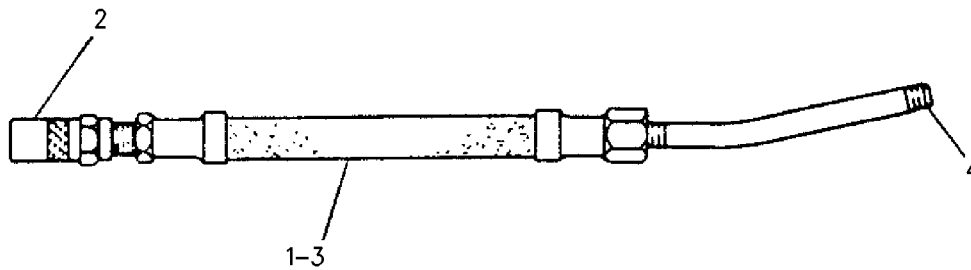
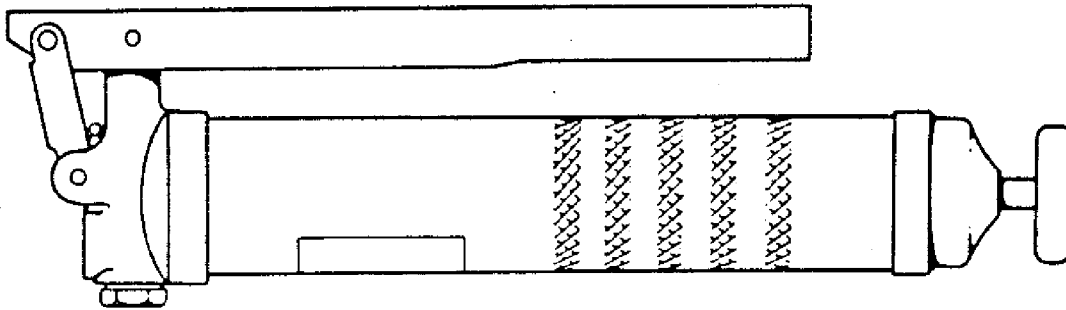
TYPE 1

SMCS-0646

i01863014

NOTE	REF NO	GRAPHIC REF	PART NUMBER	QTY	PART NAME						SEE PAGE
					1	2	3	4	5	6 (PRODUCT LEVEL)	
	1	1	9F-2636	1	NOZZLE AS						
	2	1	190-1670	1	COUPLER AS-HYDRAULIC						
I	3	1	9F-2638	1	HOSE AS						
	4	1	9F-2637	1	FITTING (GREASE GUN)						

I - REFER TO HYDRAULIC INFORMATION SYSTEM



GRAPHIC #1

<END>

g00923806

SERVICE EQUIPMENT AND SUPPLIES

8F-9866 GREASE GUN GP

PART OF 9S-7977 TOOL GP-HAND

AN ATTACHMENT

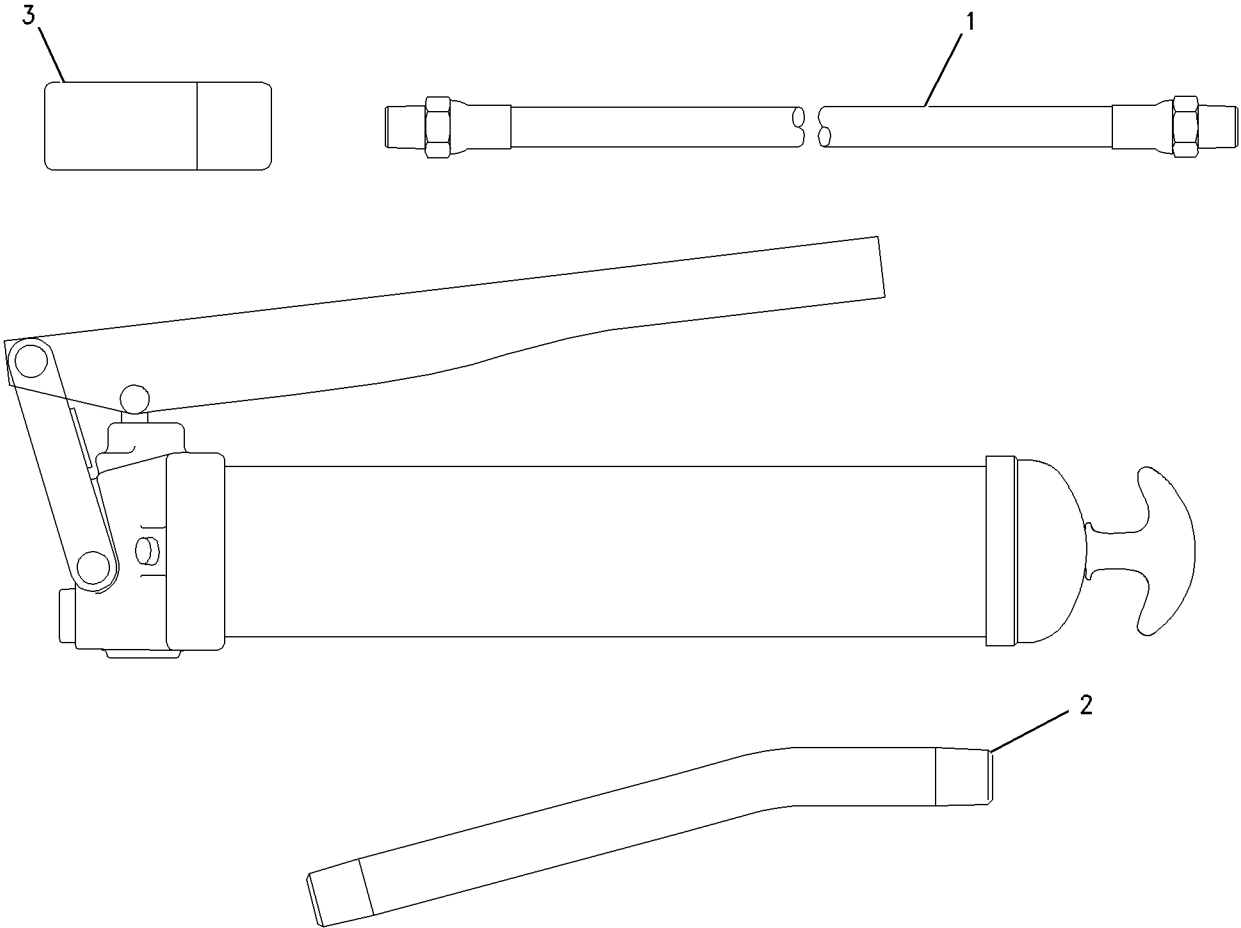
TYPE 2

SMCS-0646

i01863025

NOTE	REF NO	GRAPHIC REF	PART NUMBER	QTY	PART NAME						SEE PAGE
					1	2	3	4	5	6 (PRODUCT LEVEL)	
C	1	1	190-1669	1	HOSE AS						
	2	1	9F-2637	1	FITTING (GREASE GUN)						
C	3	1	190-1668	1	COUPLER-GREASE						

C - CHANGE FROM PREVIOUS TYPE



GRAPHIC #1

<END>

g00752624

SERVICE EQUIPMENT AND SUPPLIES

109-5381 KIT-GASKET-AUXILIARY WATER PUMP KIT CONTAINS GASKETS AND SEALS TO REINSTALL WATER PUMP AND ATTACHING LINES FIELD INSTALLATION

SMCS-7555

i07039996

NOTE	PART NUMBER	QTY	PART NAME 1 2 3 4 5 6 (PRODUCT LEVEL)	SEE PAGE
	3P-6061	2	GASKET	
	5N-1940	1	GASKET	
	5G-1442	2	GASKET	
	131-3815	1	SEAL GP	
	9X-4594	1	SEAL-LIP TYPE	
	3J-1907	2	SEAL-O-RING	
	235-3546	1	SEAL-O-RING	
	6V-3348	1	SEAL-O-RING	
	4F-7387	1	SEAL-O-RING	
	9M-3786	1	SEAL-O-RING	
FOR A LIST OF RELATED PART THAT MAY BE REQUIRED FOR THE ENGINE REBUILD TO THE KIT CONSIST, PLEASE VISIT				
HTTP://DEALER.CAT.COM/RELATED				
<END>				

221-6976 KIT-GASKET MANIFOLD FIELD INSTALLATION

SMCS-7555

i06991462

NOTE	PART NUMBER	QTY	PART NAME 1 2 3 4 5 6 (PRODUCT LEVEL)	SEE PAGE
	121-5736	3	GASKET (TURBOCHARGER)	
	428-9130	30	GASKET	
	229-5332	16	SEAL	
	7C-3920	5	SEAL-EXHAUST	
FOR A LIST OF RELATED PARTS THAT MAY BE REQUIRED FOR THE ENGINE REBUILD TO THE KIT CONSIST, PLEASE VISIT				
HTTP://DEALER.CAT.COM/RELATED				
<END>				

SERVICE EQUIPMENT AND SUPPLIES

331-2506 KIT-GASKET-REAR STRUCTURE

KIT CONTAINS GASKETS, SEALS, AND BENDABLE LOCKS TO REINSTALL THE REAR COVER. KIT DOES NOT INCLUDE THE OIL PAN GASKET FIELD INSTALLATION

SMCS-7555

i07047536

NOTE	PART NUMBER	QTY	PART NAME 1 2 3 4 5 6 (PRODUCT LEVEL)	SEE PAGE
	2S-1251	1	GASKET	
	4H-7869	3	GASKET	
	7N-3368	1	GASKET	
	7N-4320	2	GASKET	
	252-8374	2	GASKET	
	4B-8407	7	GASKET-COPPER	
	1S-4810	2	GASKET-OIL DRAIN	
	1S-6595	2	GASKET-OIL SUPPLY	
	4W-2110	2	RING-RETAINING	
	436-1479	1	SEAL-CRANKSHAFT (COUNTERCLOCKWISE ROTATION)	
	234-8937	2	SEAL-INTEGRAL	
	3K-0360	2	SEAL-O-RING	
	5F-9657	2	SEAL-O-RING	
	112-3540	2	SEAL-O-RING	
	6V-3348	4	SEAL-O-RING	
	136-7227	1	SEAL-O-RING	
	7X-4805	3	SEAL-O-RING	

FOR A LIST OF RELATED PARTS THAT MAY BE
REQUIRED FOR THE ENGINE REBUILD TO THE KIT
CONSIST, PLEASE VISIT

[HTTP://DEALER.CAT.COM/RELATED](http://dealer.cat.com/related)

<END>

SERVICE EQUIPMENT AND SUPPLIES

9S-7977 TOOL GP-HAND

AN ATTACHMENT

SMCS-0600

i02900472

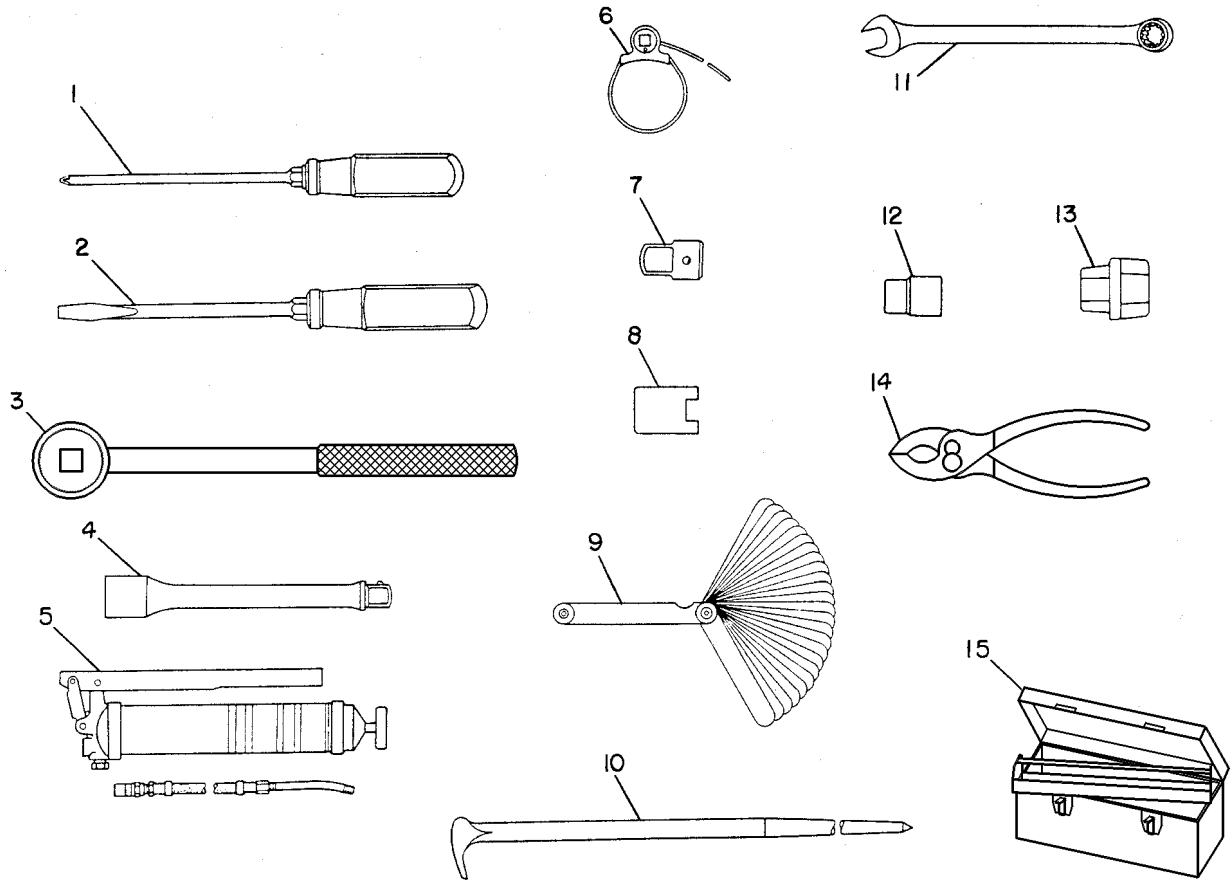
NOTE	REF NO	GRAPHIC REF	PART NUMBER	QTY	PART NAME	SEE PAGE
					1 2 3 4 5 6 (PRODUCT LEVEL)	
	1	1	1U-7267	1	SCREWDRIVER (NO. 2 PHILLIPS)	
	2	1	1U-7264	1	SCREWDRIVER	
	3	1	1U-7115	1	RATCHET-REVERSE	
	4	1	1U-7118	1	EXTENSION (SOCKET-10 IN LG)	
		1	1U-7119	1	EXTENSION (SOCKET-5 IN LG)	
Y	5	1	8F-9866	1	GREASE GUN GP (LEVER)	740
	6	1	185-3630	1	WRENCH AS-STRAP	
	7	1	5S-9568	1	SOCKET-DRAIN PLUG	
	8	1	5P-1763	1	SOCKET-VALVE	
	9	1	1U-7234	1	GAUGE GP-FEELER	
	10	1	5F-4764	1	BAR-PRY (16 INCH)	
	11	1	4C-9605	1	WRENCH (5/16-IN)	
		1	4C-9592	1	WRENCH-COMBINATION (3/8-IN)	
		1	4C-9594	1	WRENCH (1/2-IN)	
		1	4C-9595	1	WRENCH (9/16-IN)	
		1	4C-9596	1	WRENCH-COMBINATION (5/8-IN)	
		1	4C-9598	1	WRENCH (3/4-IN)	
		1	4C-9601	1	WRENCH (7/8-IN)	
		1	4C-9603	1	WRENCH (1-IN)	
	12	1	1U-7099	1	SOCKET (1/2 OPENING)	
		1	1U-7102	1	SOCKET (9/16-IN)	
		1	1U-7107	1	SOCKET (7/8-IN)	
		1	1U-7108	1	SOCKET (15/16 INCH)	
		1	1U-7109	1	SOCKET (1-IN)	
		1	1U-7111	1	SOCKET (1-1/8 OPENING)	
	13	1	5S-9569	1	SOCKET (DRAIN PLUG)	
	14	1	9U-7509	1	PLIERS	
	15	1	9U-6219	1	TOOL BOX	

Y - SEPARATE ILLUSTRATION

SERVICE EQUIPMENT AND SUPPLIES

9S-7977 TOOL GP-HAND (contd.)

i02900472



GRAPHIC #1

<END>

g00237896

PART NUMBER INDEX

Part	Page	Part	Page	Part	Page	Part	Page
0							
			347		157		316
			446		161		319
OL-0639	5		448		166		322
OL-0701	180		450		169		325
OL-1143	118		589		210		328
	153		593		222		332
	155		597		225		336
	157		601		235		405
	160		605		269		410
	166		609		302		573
	169		613		304		574
	172		629		312		582
	174	OS-1566	522		314		589
	185		528		316		593
	252		531		319		597
	289	OS-1571	65		322		601
	290		66		325		605
	320		110		328		609
	329		119		332		613
	448		129		336		630
OL-1351	24		131		384		635
	76		132		454		639
	77		145		468		643
	79		146		482	OS-1592	77
	94		153		630		81
	119		157		635		83
	129		160		638		85
	131		166		642	OS-1594	7
	153		169	OS-1589	9		12
	155		185	OS-1590	92		13
	157		204		119		16
	161		211		134		83
	227		222		140		90
	229		227		169		92
	245		229		174		98
	248		235		176		119
	254		268		184		157
	255		269		187		160
	256		273		188		163
	257		320		189		166
	259		329		190		169
	260		446		248		172
	277		450		276		174
	279		458		316		183
	285		460		325		184
	286		462		336		185
	288		464		349		187
	347		472		354		188
	363		642		355		189
	365		732		384		213
	425	OS-1585	176		452		215
OL-1352	16		184		589		218
	130		189		593		220
	169		222		597		222
	454		248		601		227
	456	OS-1587	7		605		229
OL-2070	277		100		609		235
	279		105		613		243
	300		106	OS-1591	7		252
	301		115		99		277
	312		116		102		279
	314		117		145		302
	346		123		146		304
	349		124		166		316
	354		125		169		319
	363	OS-1588	12		215		322
	365		13		255		325
	579		25		266		328
OS-0509	3		118		267		332
	4		119		271		336
	109		150		286		349
	185		151		289		354
	295		153		300		384
	297		155		301		446

PART NUMBER INDEX

Part	Page	Part	Page	Part	Page	Part	Page
	452		92		259	1C-2251	19
	454		350		260		21
	456		446		277		22
	458	OT-0065	118		279		248
	460		166		285	1D-4539	350
	462		169		286		354
	464		222		288		357
	468		349		289		358
	470		350		290	1D-4540	231
	472		354		307		233
	589		355		346	1D-4541	354
	593		365		347	1D-4566	261
	597	OT-0102	34		349		515
	601		36		384		516
	605	OT-0320	123		404		522
	609		124		448		528
	613		125		628		531
	617		196		646	1D-4569	261
	619		199		732		516
	621		202		734	1D-4572	90
	625		584		735	1D-4574	153
	626	OT-0573	155	1A-5183	210		155
	628		157	1A-5964	172		157
	630		165		174		160
	634		166		732	1D-4586	110
	638		172	1A-8063	204	1D-4590	103
	642		174	1A-8537	9		104
	646		277	1A-8912	517	1D-4593	105
OS-1595	12		279	1A-9252	160		106
	13		450	1A-9579	26	1D-4716	231
	34		630		142		233
	36		634		147	1F-0750	354
	77	OT-0768	196		346		732
	79		199		629	1F-1609	245
	103		202	1B-2713	231	1F-4111	350
	104	OV-0375	245	1B-2714	140	1F-6660	75
	222			1B-2790	34	1F-7958	97
	248				36		100
	257				314		110
	260				316		151
	285				319		245
	384	1A-0168	110		322		270
OS-1597	535	1A-0458	663		328		275
	539	1A-1460	110		332	1H-1023	538
	541		151	1B-2886	439		541
	556	1A-2029	3		441		544
OS-1608	314		4	1B-3573	178		547
OS-1614	146		12	1B-4209	661		550
OS-1615	140		13	1B-4218	105		553
	517		18		106		556
OS-1616	101		19	1B-4367	94	1H-1200	194
OS-1617	295		21	1B-5357	274		196
OS-1618	218		22		291		199
	220		34	1B-7182	218		202
	225		36		220		205
	237		61		258		207
	239		62		312	1H-2629	539
OS-1619	155		64		314		541
	160		67		325		545
	161		68		336		548
	277		69		367		551
	279		70		631		554
	454		71		635		556
	456		72		639	1H-3244	374
	466		147		643		376
	474		151	1B-8706	161		428
	476		190	1B-9575	233	1H-4560	517
OS-1621	98		211		384	1H-4950	739
	102		245		404	1H-6936	732
	130		248		590	1H-8278	241
	248		254		601		242
OT-0055	83		255		631	1H-9569	584
	85		256		635	1H-9570	584
	90		257		639	1H-9572	584

1

PART NUMBER INDEX

Part	Page	Part	Page	Part	Page	Part	Page
1H-9573	584		333	1S-7446	538	1W-4594	140
1H-9574	584		336		541	1W-4655	368
1H-9575	584	1N-2914	12		544		370
1H-9578	584		13		547	1W-4923	102
1H-9580	584	1N-3333	166		550	1W-4955	252
1H-9581	584		169		553	1W-5421	252
1H-9696	372	1N-3482	65		556	1W-5728	252
	373		66	1S-9593	419	1W-6005	176
1H-9726	302		73	1T-0132	83	1W-6356	267
	304		74		90		268
1J-6472	233	1N-4087	211	1T-0689	302	1W-6935	368
1K-6937	180	1N-4421	1		304		370
	454		▶222	1T-0720	252	1W-6936	368
	456	1N-4478	▶370	1T-0765	81		370
	476		372		83	1W-7214	172
1L-2072	584	1N-4636	372		85		174
1L-2073	310		373	1T-0808	538	1W-7391	300
	▶584	1N-4637	176		541		301
1L-3769	340	1N-4859	185		556	1W-7548	314
1L-4031	458	1N-4860	185	1U-4738	180	1W-7579	273
	460	1N-5742	89	1U-7099	744	1W-7580	273
	462	1N-5999	225	1U-7102	744	1W-7996	267
	464	1P-2841	386	1U-7107	744	1W-8129	446
	472		388	1U-7108	744		450
1L-4863	5	1P-3861	316	1U-7109	744		732
1L-5081	215		319	1U-7111	744	1W-8378	302
1L-5316	239		322	1U-7115	744		304
1L-6931	7		325	1U-7118	744	1W-8393	302
1L-8181	458		328	1U-7119	744		304
	462		332	1U-7234	744	1W-8974	302
	464		336	1U-7264	744		304
	472	1P-7115	99	1U-7267	744	1W-8975	302
1L-8497	518		102	1V-0623	98		304
	520	1P-7326	668	1V-7753	383	1W-9070	517
	524		672		515	1W-9487	▶267
	526		675	1V-8638	102	1W-9488	▶273
	529		679	1V-9020	423		
1L-9048	584		695	1W-0513	211		
1L-9049	584		699	1W-0531	340		
1L-9079	584	1P-7625	363	1W-1250	277		
1L-9080	584		365		279		
1M-0644	153	1R-0726	155		300	2A-0762	119
	155	1R-0756	312		301		140
	158		314	1W-1251	277		179
	161		317		279		247
1M-6119	380		320		279		247
	381		323		300	2A-1162	225
1M-6120	380		325		301	2A-1531	248
	381		329	1W-1253	252	2A-4429	46
1M-7913	252		333	1W-2635	590		47
1M-9968	539		336		594		50
	542	1S-0994	346		598		56
	545	1S-2303	452	1W-2639	187		58
	548		454		188	2A-4639	99
	551		456	1W-2963	153		211
	554		458		157		215
	557		460		161		222
1M-9971	539		462	1W-4003	368		659
	541		464		370		660
	545		466	1W-4005	368	2A-5220	105
	548		468		370		106
	551		470	1W-4006	368	2B-0858	271
	554		472		370	2B-2694	349
	556		474	1W-4007	368		350
1N-2895	153		476		370	2B-2695	77
	157	1S-4589	110	1W-4008	368		79
	160	1S-4810	743		370		81
	312	1S-4974	721	1W-4009	368		83
	314	1S-5772	185		370		85
	317		187	1W-4010	368	2D-6235	101
	320		188		370	2D-6392	538
	323		245	1W-4121	368		541
	325		248		370		544
	329	1S-6595	743	1W-4191	151		547
					▶152		550

PART NUMBER INDEX

Part	Page	Part	Page	Part	Page	Part	Page
	553	2N-2765	108	2W-1053	166		524
	556		307		169		526
2F-6678	539		308	2W-1635	153		529
	542	2N-2766	108		155	2W-6082	518
	545		308		157		520
	548	2N-3385	98		160		524
	551		99		166		526
	554		659		169		529
	557		660	2W-1773	▶114	2W-6286	316
2H-2615	414	2N-3476	667	2W-1969	155		319
	418		671		160		322
2H-3429	340		675		166		325
	532		679		169		328
	535		687	2W-2180	114		332
	538		691	2W-2288	29		336
	541		695		30	2W-6287	317
	544		699	2W-2606	367		320
	547		707	2W-2662	46		323
	550		711		50		325
	553		715		56		329
	556		736		58		333
2H-3755	295	2N-3480	421	2W-2680	▶291		336
	297		423	2W-2895	90	2W-6288	316
2H-3757	112	2N-5842	140		92		319
	114	2N-7308	460		94		322
2H-3855	627		470	2W-2940	34		328
2H-3934	227	2N-7604	183		36		332
	229	2N-8263	198		38	2W-6290	316
2H-9523	363		201	2W-3146	218		319
	365		204		220		322
2J-0157	140	2N-8613	160	2W-3584	138		325
	340	2N-9768	247		139		328
2J-3506	204	2P-1296	350	2W-4074	▶294		332
	272	2P-2772	16	2W-4243	153		336
2J-8163	538	2P-7636	172	2W-4334	184	2W-6382	517
	541		174		189	2W-6507	517
	544		213	2W-4480	666	2W-6667	316
	547		349		670		319
	550		355		674		322
	553	2R-7712	452		678		325
	556		458		682		328
2K-4973	99		462		686		332
	258		464		690		336
	302		466		694	2W-6672	316
	659		472		698		319
	660		474		702		322
2K-7471	462	2S-1251	743		707		325
	464	2S-5100	153		711		328
2L-2811	437		155		715		332
	439		157	2W-4875	196		336
	441		160		199	2W-7226	166
2L-6267	5		312		202		169
2L-6679	478		314	2W-4880	302	2W-7755	274
	538		316		304	2W-7756	▶274
	544		319	2W-5213	300	2W-7871	▶275
	547		322		301	2W-7872	275
	550		325	2W-5215	304	2W-7989	227
	553		328	2W-5216	300	2W-7990	227
2L-8064	684		332		▶304	2W-8014	115
2L-8067	428		336	2W-5285	18		116
	656	2S-7056	76		19		117
2L-8074	579	2V-5956	405		21		123
	684		407		22		124
2L-8075	428		408	2W-5616	▶24		125
	480		437		▶25	2W-8378	160
	647	2V-7397	380	2W-5652	304	2W-8604	732
2M-4453	83		381	2W-5653	304	2W-9209	160
	235	2V-8571	314	2W-6078	520	2W-9210	181
2M-9780	151		349		524	2W-9228	739
	314	2W-0752	11		526	2W-9299	153
	349		12	2W-6079	518		157
	350		13		529		160
2N-0931	248		150	2W-6081	518	2W-9300	312
2N-1287	7		151		520		314

PART NUMBER INDEX

Part	Page	Part	Page	Part	Page	Part	Page
	316		666	3E-0137	563		470
	319		670	3E-0138	563		472
	322		674	3E-0139	563		474
	325		678	3E-0140	563		476
	328		682	3E-0141	563	3E-7771	539
	332		686	3E-0142	563		542
	336		690	3E-0144	563		545
2W-9513	666		694	3E-0145	563		548
	670		698	3E-0146	563		551
	686		702	3E-3365	575		554
	690		737		589		557
	719	3B-4503	737		593	3E-7775	532
2W-9723	237	3B-4504	736		594		535
	239	3B-4505	518		597	3E-7826	▶ 490
2W-9727	237		520		601		630
	239		524		606		634
2W-9729	1		526		610		638
	▶ 241		529		619	3E-8557	428
	▶ 242	3B-4506	7	3E-3368	496	3E-9860	734
			98		497		735
			99		498	3E-9865	425
			196		500	3F-0379	532
			199	3E-3371	486		545
			202		492		551
3A-3692	613		659		589		554
3B-0623	39	3B-4507	196		593	3F-1358	225
	44		199		597	3F-1417	99
	49		202		601		102
3B-0645	39		231		605	3F-2065	408
	44		233		609		570
	49	3B-4508	98		613		571
3B-1915	77	3B-4605	666		625		583
	79		670		626	3F-9556	393
	81		686	3E-3386	427		396
	85		690	3E-3389	725		577
	157		719		726		578
	166	3B-4615	160		727	3H-2617	181
	170	3B-6491	460		728	3H-3243	372
	213	3B-6492	437		729		373
	215		439		730	3H-5366	388
	241	3B-6498	454		731		666
	242		456	3E-4352	590		670
	281		470		601		686
	283	3B-7265	180		631		690
	307	3B-7270	458		635		719
	312		460		639	3H-5844	225
	314	3B-7273	522		643	3H-5939	183
	316	3B-7329	181	3E-4365	231		248
	319	3B-7728	454	3E-4367	428	3H-6591	7
	322		456	3E-5503	430	3H-6624	302
	325	3B-7745	454		654		304
	328		456		668	3H-7131	157
	332		470		672		166
	336	3B-8453	83		675		169
	590		90		679	3H-9571	5
	594	3B-8488	7		684	3H-9572	5
	598	3B-8489	7		688	3H-9574	5
	602	3D-2824	237		692	3J-1907	350
	606		239		695		363
	610		245		699		365
	614		452	3E-6916	281		617
3B-3638	614		466		283		622
3B-4501	392	3D-9777	161	3E-7404	454	3J-5389	279
	393	3E-0125	563		468	3J-7354	39
	396	3E-0127	563	3E-7430	452		44
	397	3E-0128	563		454		350
	399	3E-0129	563		456		721
	405	3E-0130	563		458	3J-7355	437
	408	3E-0131	563		460		439
	410	3E-0132	563		462		441
	573	3E-0133	563		464	3J-7498	462
	574	3E-0134	563		466		464
	577	3E-0135	563		468	3J-7719	518
	578	3E-0136	563				

3

PART NUMBER INDEX

Part	Page	Part	Page	Part	Page	Part	Page
	520		690	3N-8452	233		707
	524		691	3N-8455	233		711
	526		694	3N-8462	233		715
	529		695	3N-8463	231	3S-8313	302
3J-9173	160		698		233		304
3J-9196	140		699	3N-8468	233	3S-8664	248
3K-0360	16		702	3N-8469	233	3S-9643	210
	103		703	3N-8647	▶88		243
	314		707	3N-8888	▶196	3T-1415	419
	316		708		198	3T-3043	428
	319		711	3N-8889	▶198	3T-3044	614
	322		712	3N-8890	▶199	3T-3048	614
	328		715		201	3T-3418	538
	332		716	3N-8891	▶201		541
	349	3L-8993	310	3N-8892	▶202		544
	363		437		204		547
	365		441	3N-8893	▶204		553
	482		522	3N-9606	194		556
	589	3L-9689	98		196	3T-3422	532
	593		99		199		535
	597		659		202		538
	601	3N-1341	248		205		541
	605	3N-1645	295		207		544
	609	3N-1968	446	3N-9610	196		547
	613		448		199		550
	625		450		202		553
	626	3N-2652	▶183	3N-9626	196		556
	631	3N-3297	179	3N-9629	199	3T-3423	538
	635	3N-3299	179	3P-0649	145		539
	639	3N-3300	179	3P-0654	118		541
	643	3N-3469	739		119		542
	743	3N-3763	539	3P-0655	166		544
3K-2889	110		541		169		545
3K-6060	441		545	3P-1896	18		547
3K-8106	390		548		19		548
	420		551		21		550
3K-8782	721		554		22		551
3L-3380	538		557	3P-2021	454		553
	541	3N-3790	739		456		554
	544	3N-4128	▶5		468		556
	547		7		470		557
	550	3N-4130	▶7		476	3T-3424	538
	553		123	3P-6061	227		539
	556		124		229		541
3L-4566	421		125		235		542
	423	3N-4622	247		742		544
3L-5389	160		437	3R-8797	535		545
3L-6836	566		439		539		547
	567		441		541		548
	568		522		548		550
3L-7314	421	3N-4868	▶164		556		551
	423	3N-4905	464	3R-8801	539		553
3L-7604	565	3N-4911	452		541		554
	566	3N-5596	▶107		545		556
	567	3N-5708	659		548		557
	568	3N-5764	▶659		551	3T-3434	532
3L-7634	565	3N-5765	▶98		554		535
	566		▶99		557		538
	567	3N-6504	345	3S-1307	90		544
	568	3N-6666	9		92		547
3L-8187	580	3N-7054	569		94		550
	654	3N-7055	569	3S-1546	227		553
	666	3N-7056	▶569		229		556
	667	3N-7361	462	3S-2093	386	3T-3848	522
	670	3N-8123	5		388	3T-4709	478
	671	3N-8124	5		392		538
	674	3N-8125	5		393		544
	675	3N-8441	233		394		547
	678	3N-8442	233		396		550
	679	3N-8445	231		397		553
	682		233		399	3T-4710	478
	683	3N-8446	233		581		538
	686	3N-8447	233		657		544
	687	3N-8448	233		658		547

PART NUMBER INDEX

Part	Page	Part	Page	Part	Page	Part	Page
	550		687		420		524
	553		691		431		526
3T-5343	551		695		480		529
3T-5440	550		699		647	4D-3704	9
3T-6354	374		703		650	4F-0411	245
	376		707		651	4F-7387	235
3T-9494	478		711		654		742
	538		715		656	4F-8184	408
	539		736		666	4F-8711	421
	542		737		670	4H-0002	5
	544	4B-2043	405		674	4H-0019	7
	545		408		678	4H-6996	181
	547		410		682	4H-7869	2
	548		573		686		16
	550		574		690		522
	551	4B-2047	374		694		531
	553		376		698		565
	554		421		702		743
	557		423		707	4J-0521	180
3T-9524	539		577		711	4J-4382	229
	541		578		715	4J-7533	227
	545	4B-2049	532		721		229
	548		535		736	4K-0367	110
	551		539		668		193
	554		542	4B-5324	672	4K-5175	515
	556		545		675	4L-2729	539
3T-9525	478		548		679		542
	538		551		684		545
	541		554		688		548
	544		557		692		551
	547		563		695		554
	550		617		699		557
	553		622		703	4L-3527	5
	556	4B-2363	119		737	4L-3862	198
3V-2431	61	4B-3140	119	4B-7270	7		201
	62		163	4B-8407	16	4L-6155	566
	64		166		222		567
	65		169		743		568
	66	4B-3388	90	4B-9782	363	4L-6459	460
	67		92		365	4L-6665	661
	68	4B-4043	16	4C-9592	744	4M-0200	666
	69		235	4C-9594	744		670
	70	4B-4158	739	4C-9595	744		686
	71	4B-4274	577	4C-9596	744		690
	72		578	4C-9598	744		719
3V-3308	183		667	4C-9601	744	4M-1815	551
	254		671	4C-9603	744		554
	255		675	4C-9605	744	4M-1827	532
	256		679	4D-0449	61		535
	257		683		62		538
	259		687		64		544
	266		691		67		547
	269		695		68		550
	271		699		69		553
	276		703		70		556
	277		707		71	4M-1828	532
	279		711		72		535
	285		715	4D-0514	40		538
3V-6153	450	4B-4278	204		45		544
		4B-4280	98		83		547
		4B-4281	590	4D-1836	650		550
			594		655		553
			601		668		556
			605		672	4M-1829	544
4B-0418	446	4B-4716	5		675		550
	448	4B-4721	5		679		553
4B-1284	62	4B-4754	7		684	4M-1831	532
	68	4B-4758	5		688		535
	71	4B-4792	7		692		538
4B-2041	667	4B-4810	7		695		541
	671	4B-4863	390		699		544
	675		392		703		547
	679		397	4D-3118	518		550
	683		399		520		553

4

PART NUMBER INDEX

Part	Page	Part	Page	Part	Page	Part	Page
4M-1853	556		157		625		▶66
	538		160		626	4W-3251	153
	541	4P-3362	268		628		157
	544	4P-3363	▶268		629		160
	547	4P-3897	218		630	4W-4313	169
	550		220		631	4W-4444	316
	553	4P-4460	108		634		319
	556		172		635		322
4M-1854	538		174		638		325
	541	4P-5104	257		639		328
	544		285		642		332
	547	4P-5211	110		643		336
	550	4P-5242	180		646	4W-4536	437
	553	4P-5295	245		658	4W-4586	94
	556	4P-5426	▶106		684	4W-4632	191
4M-1896	539	4P-5437	94		704		▶205
	542	4P-5438	94	4P-8462	472	4W-4642	191
	545	4P-5496	349	4P-8463	458		▶207
	548	4P-5497	350		472	4W-4652	192
	551	4P-5767	▶245		476		▶209
	554	4P-6530	281	4P-9063	660	4W-4677	166
	557	4P-6748	421	4P-9064	▶660		169
4M-2442	248	4P-7068	482	4P-9312	233	4W-4754	▶577
4M-3248	176	4P-7581	581	4R-8658	151	4W-4755	▶578
4M-5317	407		589	4S-4869	215	4W-4813	32
	437		593	4S-5882	153		33
	439		597		155	4W-4814	34
	441		601		157		36
	522		605		160	4W-5015	12
4M-6107	231		609	4V-7412	155		13
	233		613	4V-8198	660	4W-5107	▶524
4M-6953	88		629	4W-0090	160		531
4N-0683	34		630	4W-0096	160	4W-5405	190
	36		631	4W-0288	160	4W-5592	155
	115		634	4W-0289	160		160
	116		635	4W-0290	160	4W-5596	166
	117		638	4W-0334	160		169
	123		639	4W-0335	127	4W-5597	166
	124		642		128		169
	125		643	4W-0343	161	4W-5891	1
4N-0684	252		655	4W-0715	277		▶190
4N-1114	16		667		279	4W-6066	166
4N-1320	211		671	4W-1529	1		169
	222		674		▶16	4W-6387	155
4N-1650	3		678	4W-1954	302	4W-6401	579
	4		683		304	4W-6402	579
4N-3311	248		687	4W-2109	454	4W-6491	157
4N-3411	437		691		456	4W-6664	3
	439		694		468		4
	441		698		470	4W-6673	▶227
	522		702	4W-2110	454	4W-6674	▶229
4N-5834	237		707		456	4W-6675	229
	239		711		468	4W-6676	227
4N-7521	563		715		470	4W-6677	227
4N-9720	198	4P-7582	627		743		229
	201		631	4W-2637	400	4W-6682	140
4P-0692	165		635		▶402	4W-6960	153
	172		639	4W-2640	400		155
	174		643		▶403	4W-7192	157
	314	4P-7680	281	4W-2641	400	4W-7599	421
	320		283	4W-2642	400	4W-7959	302
	329	4P-7850	13		▶401		304
	349	4P-8134	482	4W-2648	446	4W-8403	7
	350		587		448	4W-8404	7
	354		589		450	4W-8467	157
	365		593	4W-2767	▶400	4W-9733	668
4P-0693	350		597	4W-2768	▶400		672
	354		601	4W-3027	142		675
	363		605	4W-3034	142		679
	365		609		143		688
4P-2017	256		613		144		692
4P-2478	140		617	4W-3100	243		695
4P-2521	56		619	4W-3108	248		699
4P-2839	153		621	4W-3113	▶65	4W-9972	617

PART NUMBER INDEX

Part	Page	Part	Page	Part	Page	Part	Page
	622		123		145		349
			124		146		350
			125		147		355
		5F-9657	34		150		363
			36		151		365
			38		153		384
5B-0213	52		743		155		404
	53	5G-0400	302		157		405
	54	5G-1442	742		160		408
5B-2407	7	5H-6734	241		161		410
5B-3265	227		242		163		421
	229	5H-7225	181		165		423
5B-4855	458	5H-7598	405		166		425
5B-5821	3		407		169		446
	4		408		170		448
5B-7643	439		410		172		450
5B-7666	310	5J-5314	538		174		452
	437		541		176		454
	439		544		181		456
	441		547		184		466
	522		550		185		468
5B-7890	46		553		187		470
	52		556		188		474
	53	5L-1761	372		189		476
	54		373		204		482
	584	5L-2534	437		211		573
5B-9079	160		439		213		574
5B-9385	462		441		215		579
	464		522		218		582
5B-9603	245	5L-2579	408		220		589
	248	5L-3773	266		222		593
	355		276		225		597
	448	5L-4398	270		227		601
5C-2874	560		275		229		605
	562	5L-5879	227		235		609
	736		229		243		613
	737	5L-6425	550		245		617
5C-2890	656	5L-6954	▶263		248		619
	683	5L-7520	▶264		252		621
	703	5L-9128	199		254		625
5C-6819	302		202		255		626
5D-1026	248	5L-9652	5		256		628
5D-5957	108	5L-9653	7		257		629
	153	5L-9654	7		259		630
	155	5L-9655	7		260		631
	157	5M-2894	3		267		634
	181		4		268		635
	312		12		270		638
	314		13		273		639
	317		16		277		642
	319		18		279		643
	323		19		281		646
	325		21		283		667
	329		22		285		671
	333		24		286		675
	336		34		288		679
5F-0304	16		36		289		683
5F-3106	83		52		290		687
	235		53		300		691
5F-4764	744		54		301		695
5F-4899	166		77		302		699
	169		79		304		703
	252		81		307		707
5F-5434	407		83		308		711
5F-5990	345		85		312		715
5F-6371	180		90		314		732
	456		92		316		734
	458		99		319		735
	464		102		322	5M-3034	538
	470		109		325		541
	476		118		328		544
5F-6932	115		119		332		547
	116		130		336		550
	117		140		346		553

PART NUMBER INDEX

Part	Page	Part	Page	Part	Page	Part	Page
	556		520		524		388
5M-6213	304		524		526		393
5N-0361	579		526		529		394
5N-0364	579		529	5N-8425	518		396
5N-0367	421	5N-8373	518		520		397
	423		520		524		399
5N-0408	235		524		526		517
5N-1755	227		526		529		577
5N-1845	227		529	5N-8427	518		647
	229	5N-8374	518		520		650
	235		520		524		651
5N-1940	235		524		526		656
	742		526		529		666
5N-1941	235		529	5N-8428	518		670
5N-2126	581	5N-8375	518		520		674
5N-2317	136		520		524		678
5N-2438	▶345		524		526		682
5N-2457	▶269		526		529		686
5N-2618	233		529	5N-8529	▶265		690
5N-2746	408	5N-8377	518	5N-8644	7		694
5N-2902	231		520	5N-8645	7		698
	233		524	5N-8943	570		702
5N-2904	231		526		571		732
	233		529		583		142
5N-3174	421	5N-8378	518	5N-8980	405	5P-0597	142
	423		520		407	5P-0598	224
5N-3272	9		524		410		456
5N-3274	9		526		522		458
5N-3284	9		529		▶583		462
5N-3765	▶9	5N-8379	518	5N-8998	421		466
5N-4504	233		520	5N-9006	231		470
5N-4817	98		524	5N-9009	231		472
5N-5561	9		526	5N-9010	231		474
5N-5757	229		529	5N-9012	231		476
	▶231	5N-8380	520	5N-9013	231	5P-0721	248
5N-5860	229		524	5N-9014	231	5P-0745	565
5N-5886	229		526	5N-9015	231		566
5N-5977	229	5N-8381	518	5N-9016	231	5P-0747	380
5N-6055	233		520	5N-9017	231		381
5N-6236	180		524	5N-9018	231	5P-0840	18
5N-6237	▶179		526	5N-9019	231		19
	180		529	5N-9020	231		21
5N-6255	179	5N-8383	518	5N-9021	231		22
5N-6942	584		520	5N-9022	231		34
5N-7510	421		524	5N-9023	231		36
	423		526	5N-9024	231		76
5N-7743	7		529	5N-9073	570		77
5N-7759	577	5N-8384	520		571		79
	578		524		583		81
5N-7830	251		526	5N-9527	▶270		85
5N-8166	▶405	5N-8385	518	5N-9574	520		129
5N-8167	▶573		529		524		131
5N-8363	518	5N-8387	518		526		227
	520		520		526		229
	524		524	5N-9575	518	5P-1075	102
	526		526		529		193
	529		529	5P-0076	3		405
5N-8364	524	5N-8388	518		4		408
5N-8365	518		520		277		410
	520		524		279		437
	524		526	5P-0537	119		439
	526		526		140		441
	529		529		146		454
5N-8366	518	5N-8389	518		247		456
	529		529		312		460
5N-8367	520	5N-8390	518		314		522
	524		521		316		573
	526		525		319		574
	529		527		322		631
5N-8368	518		530		325		635
	520	5N-8403	520		328		639
	524		524		332		643
	526		526		336	5P-1076	184
	529	5N-8424	518		367		189
5N-8372	518		520		386		281

PART NUMBER INDEX

Part	Page	Part	Page	Part	Page	Part	Page
	283	5P-4900	349		256		448
5P-1175	150	5P-5421	153		257		450
5P-1404	617		155		259	5P-9085	446
	621		157		260		448
	622		160		261		450
	624	5P-5610	408		270	5P-9514	518
5P-1763	744	5P-5618	428		274		520
5P-2251	460		647		275		524
	474		651		277		526
5P-2321	428		656		279		529
	651		684		285	5P-9617	446
	684	5P-5624	571		286		448
5P-2546	77	5P-5777	215		288		450
	79	5P-5846	166		289	5P-9890	108
	81		169		290		172
5P-2766	480	5P-5877	151		291		174
5P-3419	374	5P-6009	419		383	5R-7136	19
5P-3426	589		614		384		21
	593	5P-6298	478		441		22
	597		538		458		83
	601		544		460		85
	605		547		462		90
	609		550		464		92
	613		553		472	5R-7137	19
	631	5P-6859	302		515		21
	635		304		516		22
	639	5P-7592	7		522		83
	643	5P-7751	421		627		85
5P-3860	254		423	5P-8247	16		90
	255	5P-7817	166		77		92
	256		169		81	5R-7425	► 2
	257	5P-7818	119		83	5S-0003	233
	259	5P-7924	295		85		258
	260	5P-7972	227		110		355
	285		229		235	5S-0581	237
	286	5P-8210	34	5P-8248	52		239
	288		36		53	5S-4245	667
	289		384		94		671
	290	5P-8228	322		204		675
5P-4115	425		333		272		679
5P-4116	295	5P-8245	12		663		683
	297		13	5P-8249	32		687
5P-4255	109		19		33		691
5P-4295	314		21		112		695
	346		22		114		699
	347		34	5P-8250	65		703
	349		36		66	5S-7349	532
5P-4318	349		77		73		535
	355		79		74	5S-7383	198
5P-4481	619		83		87		201
	623		85		115	5S-9568	744
5P-4571	480		90		116	5S-9569	744
5P-4624	153		92		117	5T-4373	446
	155		97		123	5T-5760	448
	157		99		124		
	160		100		125		
5P-4868	142		102		452		
5P-4869	254		103		454		
	255		104		456		
	256		110		458	6B-3223	7
	257		115		460	6B-3685	441
	259		116		462	6B-4540	667
	260		117		464		671
	285		123		466		675
	286		124		468		679
	288		125		470		683
	289		151		472		687
	290		160		474		691
5P-4892	153		178		476		695
	155		222	5P-8839	89		699
	157		245	5P-8872	119		703
	160		248		145	6B-4542	667
	166		254		146		671
	169		255	5P-8937	446		675

6

PART NUMBER INDEX

Part	Page	Part	Page	Part	Page	Part	Page
	679		423		700	6N-2190	443
	683	6H-8297	452		704	6N-2191	443
	687		454	6K-1972	247	6N-2192	443
	691		458		405	6N-2193	443
	695		460		407	6N-3170	410
	699		462		408		441
	703		464		410	6N-3279	539
6B-5072	247		466		437		541
6B-6205	349		468		439		545
	350		472		441		548
	355		474		522		551
	460		476	6K-3771	83		554
6B-8128	458	6I-0325	316		85		556
	460		319		90	6N-3826	532
6B-9081	454		322		92		535
	456		328	6K-3772	77		538
	458		332		79		541
	460	6I-0804	172		81		544
	462		174	6K-9194	160		547
	464	6I-0805	172	6K-9591	421		553
	468		174		423		556
	470	6I-1043	▶472	6L-1595	193	6N-4414	312
	472	6I-1044	▶474	6L-1694	172		314
	474		▶476	6L-2279	196		316
	476	6I-1356	52		199		319
6B-9202	166	6I-1357	52		202		322
	169	6I-1418	404		227		325
6D-4244	346	6I-1966	408	6L-2280	227		328
6D-4636	248		410		229		332
6D-5801	480		574	6L-2282	196		336
	666	6I-1997	408		199	6N-4857	261
	670		571		202	6N-9587	408
	674	6I-1998	410	6L-2284	193	6S-5992	450
	678		▶571		194	6T-0362	545
	682		574		196		548
	686	6I-2092	231		199	6T-0363	478
	690		233		202		538
	694	6I-2861	1		205		544
	698		▶121		207		547
	702	6I-3136	245	6L-2286	193		550
6F-0253	7	6I-3142	100		194		553
6F-0496	452	6I-3143	▶100		196	6T-0371	478
	454	6I-3697	60		199		538
	456		▶67		202		544
	458	6I-3698	60		205		547
	460		▶68		207		550
	462	6I-3699	60	6L-3961	5		553
	464		▶69	6L-3964	5	6T-0372	478
	466	6I-3751	316	6L-3967	5		538
	468	6I-3752	316	6L-3972	5		544
	470	6I-3754	312	6L-4502	▶739		547
	472		314	6L-5151	7		550
	474		317	6L-5855	421		553
	476		320		423	6T-0453	668
6F-4868	75		323	6L-7008	707		672
	119		325		711		675
6F-5985	437		329		715		679
	439		333	6L-8150	421		684
	441		336		423		688
	522	6I-4488	69	6M-7476	316		692
6F-7172	237	6J-2245	140		319		695
	239	6J-7855	518		322		699
6F-8856	522		520		325		703
6H-1717	254		524		328	6T-1120	551
	255		526		332		554
	256		529		336	6T-1124	545
	259	6K-0806	668	6M-9613	103		548
	281		672		104	6T-1780	480
	283		676		178	6T-3631	580
	286		680	6N-0265	302		654
	288		684		304		666
	289		688	6N-2184	443		667
	290		692	6N-2185	443		670
6H-5431	421		696	6N-2188	443		671

PART NUMBER INDEX

Part	Page	Part	Page	Part	Page	Part	Page
	674		711		92		346
	675		712		742		347
	678		715		743		617
	679		716	6V-3349	152		619
	682	6T-3644	390	6V-3537	36		621
	683	6T-5600	295	6V-3907	153		622
	686	6V-0267	157		155		623
	687		166		157		624
	690		170		160	6V-5044	297
	691	6V-0268	157	6V-3908	166	6V-5048	153
	694		166		169		155
	695		170	6V-3916	518		157
	698	6V-0501	▶544		520		160
	699	6V-0508	▶547		524		166
	702		567		526		169
	703	6V-0511	▶550		529		181
	707		568	6V-3917	108		312
	708	6V-0890	▶553		277		314
	711	6V-0895	368		279		316
	712		370	6V-3935	518		319
	715	6V-0927	▶556		520		322
	716		566		524		325
6T-3632	580	6V-0973	145		526		328
	654		146		529		332
	666	6V-1075	665	6V-3937	529		336
	667	6V-1179	414	6V-3938	518		446
	670		418		520		448
	671	6V-1193	582		524		450
	674	6V-1322	538		526		589
	675		541		529		593
	678		544	6V-3939	520		597
	679		547		524		601
	682		550		526		605
	683		554		529		609
	686		556	6V-3940	518		613
	687	6V-1394	518		520		631
	690		520		524		635
	691		524		526		639
	694		526		529		643
	695		529	6V-3941	518	6V-5049	312
	698	6V-1454	211		529		314
	699		248	6V-3959	518		316
	702		252		520		319
	703	6V-1943	308		524		322
	707	6V-2455	589		529		328
	708		593	6V-3971	518		332
	711		594		520		363
	712		597		524		365
	715		601		526		619
	716		605		529		621
6T-3633	580		606	6V-4245	247		624
	654		609	6V-4246	▶559	6V-5064	215
	666	6V-2689	428		565		218
	667		480	6V-4314	24	6V-5066	211
	670	6V-2694	392	6V-4320	559		222
	671		393		▶560	6V-5101	118
	674		394	6V-4362	363		119
	675		396		365	6V-5167	277
	678		399	6V-4363	349		279
	679	6V-2722	419		354	6V-5504	277
	682	6V-3319	277	6V-4589	108		279
	683		279		167	6V-5539	▶561
	686	6V-3348	18		169	6V-5540	561
	687		19		170		▶562
	690		21		172	6V-5582	561
	691		22		174		▶563
	694		34		312	6V-6609	108
	695		36		316		185
	698		38		319		215
	699		76		322		220
	702		77		325		222
	703		79		328	6V-6703	414
	707		81		332		418
	708		85		336	6V-6753	308

PART NUMBER INDEX

Part	Page	Part	Page	Part	Page	Part	Page
6V-6790	668		702		367		683
	672		703		517		687
	675		707	7B-3235	110		691
	679		708		281		695
	695		711	7B-8167	732		699
	699		712	7C-0330	▶407		703
6V-6809	245		715	7C-0331	▶579	7C-5105	437
	248		716	7C-0332	579		439
6V-7351	25	6V-8376	390	7C-0333	579		441
6V-7646	101		577	7C-0527	▶565	7C-5230	211
	247		578	7C-1707	452	7C-5485	152
6V-7991	61	6V-8377	393		454	7C-6209	30
	62		396		456		31
	64		517		458	7C-7178	1
	67		577		460		▶118
	68		578		462	7C-7677	350
	69	6V-8378	667		464		354
	70		671		466	7C-7678	350
	71		675		468		354
	72		679		470	7C-7682	349
6V-8001	155		683		472		354
	161		687		474	7C-7683	350
6V-8002	153		691		476		354
	157		695	7C-2377	140	7C-7808	130
	161		699	7C-2615	359		134
6V-8182	191		703		360	7C-8124	▶243
	192		707		361	7C-8390	152
	194		711		362	7C-8536	243
	205		715	7C-2870	368	7C-9217	166
	207	6V-8625	213		370		169
6V-8185	578	6V-8775	213	7C-2946	437	7C-9639	60
6V-8186	393	6V-8782	215	7C-3258	83		▶70
	396	6V-8801	194		85	7C-9640	60
	577		198		90		▶71
	578		201		92	7C-9641	60
6V-8187	374		202	7C-3260	83		▶72
	376		205		85	7C-9688	67
6V-8188	532		207		90		68
	535		215		92		69
	539		245	7C-3372	▶526		70
	541	6V-9002	215	7C-3373	▶528		71
	545	6V-9027	210	7C-3374	528		72
	548		211		▶529	7C-9689	67
	551		218	7C-3493	233		68
	554		220	7C-3614	227		69
	557		243		▶233		70
	563	6V-9769	218	7C-3722	34		71
6V-8225	394		220		36		72
6V-8260	81	6V-9830	215	7C-3920	742	7C-9784	1
	85	6W-2928	630	7C-4165	76		▶163
6V-8287	237		634		77	7C-9786	163
	239		638		79	7D-1649	245
6V-8373	551	6W-6672	448		129	7D-4092	460
	554		589		131	7D-4903	316
6V-8374	580		593	7C-4354	454		319
	654		597		456		322
	666		601		468		325
	667		605		470		328
	670		609	7C-4415	152		332
	671		613	7C-4416	152		336
	674			7C-4417	152	7D-5473	405
	675			7C-4420	152		408
	678			7C-4421	152		410
	679			7C-4422	152		573
	682			7C-4423	152		574
	683	7B-2742	312	7C-4429	443	7D-7233	460
	686		314	7C-4714	145		468
	687		316	7C-4715	119		470
	687		319	7C-4716	119	7D-8793	161
	690		322		146	7D-9766	110
	691		325	7C-4910	667	7E-0274	83
	694		328		671		90
	695		332		675	7E-0275	83
	698		336		679		85
	699						

7

PART NUMBER INDEX

Part	Page	Part	Page	Part	Page	Part	Page
	90		► 56		605		556
	92		► 58		609	7M-1808	166
7E-0467	163	7E-8760	► 44		613		169
7E-0717	666		45	7K-3215	258	7M-8651	539
	670		56	7K-3377	349		541
	686	7E-8762	► 45		355		545
	690	7E-8866	428		365		548
7E-2580	359		647		452		551
	360		651		454		554
	361		656		456		556
	362		684		466	7M-9909	252
7E-2632	118	7E-9437	452		474	7N-0060	380
7E-2681	739		466		476		382
7E-2858	► 378	7F-0192	153		579	7N-1628	340
7E-2889	304		155	7K-9197	446	7N-1819	45
7E-2891	304		158		448	7N-1875	1
7E-3127	402		160		450		► 150
	403		312		594	7N-1902	40
	► 436	7F-1866	176		598		41
7E-3222	425	7F-3425	211		602		42
7E-3772	140		243		606		45
7E-3821	260	7F-3488	539		610		46
7E-3823	260		541	7L-0486	196		47
7E-3825	260		545		199		50
7E-3897	94		548		202		56
7E-3921	349		551	7L-0487	196		58
	354		554		199	7N-1903	46
7E-4609	46		556		202		47
	47	7F-3491	544	7L-2894	532		50
	56		547		535		56
	58		550		538		58
7E-4650	245		553		541	7N-1904	46
7E-4836	► 110	7F-3525	478		544		47
7E-4838	110		538		547		50
7E-4839	110		544		550		56
7E-4840	110		547		553		58
7E-4879	245		550		556	7N-1961	52
7E-5314	1		553	7L-4447	150		53
	► 140	7F-8671	518	7L-5887	565		54
7E-5324	94		520		566	7N-2003	29
7E-5538	1		524		567		30
	► 3		526		568	7N-2043	65
	► 4		529	7L-6443	281		66
7E-5539	3	7F-8698	359		283		70
	4		360	7L-7871	► 380		71
7E-5862	44		361	7L-7872	► 381		72
7E-6016	184		362	7L-8074	460		121
	187	7F-8896	123		476		153
	188		124	7M-0324	539		155
	189		125		541		157
7E-6017	184	7F-8897	7		545		176
	187	7G-1239	145		548		181
	188		146		554	7N-2044	34
	189	7G-7917	614		556		36
7E-6247	► 433	7G-7918	614	7M-0325	539	7N-2046	32
7E-6248	► 434	7G-7919	614		541	7N-2047	34
	► 435	7G-7920	614		545		36
7E-6334	184	7G-8478	237		548		83
	189		239		551		85
7E-6466	210	7G-8765	583		554		90
7E-6469	► 450	7H-9678	340		556		92
7E-6508	140	7J-0204	225	7M-0326	538	7N-2049	34
7E-6822	3		719		541	7N-2326	109
	4	7J-8114	77		544	7N-2328	109
7E-6824	3		79		547	7N-2405	121
	4	7J-8611	408		550	7N-2597	110
7E-7731	247	7J-8902	565		553	7N-3049	103
7E-8550	277		566		556		104
	279		567	7M-0327	538		105
7E-8758	1		568		541		106
	► 52	7K-1181	589		544	7N-3216	3
	53		594		547		4
	54		597		550	7N-3218	4
7E-8759	52		601		553	7N-3297	218

PART NUMBER INDEX

Part	Page	Part	Page	Part	Page	Part	Page
	220		90		651		686
7N-3298	12	7N-5245	90		738		690
	13		92	7N-7780	570		694
7N-3368	213	7N-5246	90		571		698
	215		92		579		702
	218	7N-5248	77		583	7S-2245	181
	220		79		614	7S-9323	340
	743		81		647	7T-3267	532
7N-4106	▶127	7N-5263	90		651		535
7N-4319	16	7N-5278	83		738	7T-3268	532
7N-4320	16	7N-5279	77	7N-7781	570		535
	743		79		571	7T-3269	532
7N-4756	237		81		738	7T-3270	532
	239		83	7N-7782	647		535
7N-4758	225		85		651	7T-3271	532
	237	7N-5336	150	7N-7820	142	7T-3276	532
	239	7N-5413	166	7N-7878	213		535
7N-4782	140		169		215	7T-3277	532
7N-4851	1	7N-5416	166	7N-7991	130		535
	▶89		169		134	7T-3278	532
7N-4871	▶79	7N-5449	176	7N-8001	▶580		535
7N-4885	▶247	7N-5487	359		667	7T-3279	532
7N-4927	210		360		671		535
	243		361		675	7T-3451	532
	245		362		679		535
	248	7N-5641	34		683	7T-3454	532
7N-4928	243		36		687		535
7N-4930	184		38		691	7T-3974	532
	189	7N-5796	145		695		535
7N-4932	185		146		699		538
	222	7N-5798	145		703		544
7N-4939	222		146	7N-8008	666		547
7N-4940	222	7N-5874	77		670		550
	384		79		674		553
7N-4941	222		81		678		556
7N-4944	222		83		682	7T-9123	539
7N-4945	12		85		686		545
	13	7N-5875	77		690		548
	222		79		694		551
	452		81		698		554
	454	7N-6511	75		702		557
	456	7N-6806	349		707	7U-4891	667
	458		350		711		671
	460		355		715		675
	462	7N-6955	276	7N-8011	130		679
	464	7N-6959	271	7N-8041	▶130		683
	468	7N-6961	▶276	7N-8042	▶134		687
	470	7N-6965	▶185	7N-8204	579		691
	472	7N-6967	▶271	7N-8374	77		695
7N-4951	18	7N-7008	185		81		699
	19	7N-7009	185		83		703
	21		187		85		707
	22		188	7N-8599	363		711
7N-4952	18		245		365		715
	19	7N-7010	185		▶367	7W-0050	176
	21	7N-7012	185	7N-8650	▶661	7W-0129	118
	22	7N-7057	87	7N-8651	661		119
7N-5014	89	7N-7539	77	7N-8652	661	7W-0281	▶123
7N-5057	176		79	7N-9045	222	7W-0282	▶124
7N-5079	277		81	7N-9737	614		▶125
	279		83	7N-9738	583	7W-0283	▶115
7N-5080	277		85		614	7W-0284	▶116
	279	7N-7559	108	7S-1197	392		▶117
7N-5085	277		172		397	7W-0285	115
	279		174		399		116
7N-5089	277	7N-7628	213		431		117
	279	7N-7660	▶87		647		123
7N-5120	185	7N-7697	166		650		124
	248		169		654		125
7N-5123	248	7N-7779	570		666	7W-0287	116
7N-5127	248		579		670		117
7N-5239	90		583		674		124
	92		614		678		125
7N-5243	83		647		682	7W-0408	▶379

PART NUMBER INDEX

Part	Page	Part	Page	Part	Page	Part	Page
7W-0495	258		545	8C-3089	538	8F-1434	374
7W-1839	346		548		541		376
7W-1930	190		551		544		532
7W-1944	277		554		547		535
	279		557		550		539
7W-2122	349		560		553		541
	350		562		556		545
	354		563	8C-3445	182		548
7W-2709	421	7X-0575	211	8C-3655	532		551
	423	7X-0796	526		535		554
7W-2710	421	7X-1547	119	8C-5209	252		557
	423	7X-2501	180	8C-5236	225		560
7W-3031	102	7X-3148	231		237		562
7W-3032	102	7X-3373	532		239		563
7W-3193	65		535	8C-5917	380		617
	66		538		381		622
7W-3415	115		541	8C-6024	667	8F-2347	191
	123		544		671		192
7W-3556	368		547		675		204
	370		550		679	8F-8178	368
7W-3579	136		553		683		370
7W-3629	▶136		556		687	8F-8858	140
7W-3735	▶662	7X-3387	182		691	8F-9866	▶740
7W-3737	662	7X-4805	34		695		▶741
7W-3739	662		36		699		744
7W-3759	▶663		743		703	8H-1141	532
7W-3761	663	7X-6222	683		707		535
7W-3763	663		703		711	8H-2778	340
7W-3813	1	7X-6315	414		715	8H-5429	577
	▶133		418		736		578
7W-3816	160	7X-7730	245		737	8H-7202	340
	▶181	7X-7731	34	8C-6123	428	8J-6775	227
	72		36		666		229
7W-4422	72		38		670	8J-8725	341
7W-5409	259		38		674		342
7W-5456	252		75		678	8J-8919	102
7W-5760	256		180		682	8K-2396	165
7W-5780	▶96		211		686	8K-4644	665
	▶97	7X-7925	32		690	8L-2746	312
7W-5848	▶187		33		694		314
7W-5849	187	7Y-7389	736		698	8L-2786	108
7W-6333	172		737		702		172
	174				707		174
7W-6492	243				711		190
	277				715		213
7W-6514	224				715		312
7W-6515	▶224			8C-6354	613		325
7W-6669	▶101	8B-0544	454	8C-6857	194		337
7W-6957	299		456		205		505
	▶517	8B-2377	399		207		506
7W-6958	517		647	8C-8418	414		589
7W-7336	295		651		418		593
	297	8B-2664	617	8C-8491	281		597
7W-7431	446		622	8C-9660	538		601
	450		623		541		605
7W-7547	112		624		544		609
7W-7549	▶112	8B-6283	227		547		613
7W-7961	663	8B-7613	231		550		631
7W-8401	193		233		553		635
7W-8402	193	8B-7614	231		556		639
7W-9269	▶437		233	8D-2676	667		643
7W-9612	▶390	8B-7624	518		671		517
7W-9703	▶180		520		674	8L-3873	196
7W-9828	▶251		524		678		199
7W-9829	251		526		682		202
7X-0332	437		529		687		196
7X-0370	194	8B-7987	5		691	8L-4955	199
	205	8B-9725	248		694		202
	207	8C-0503	233		698		202
7X-0448	191	8C-1358	454		702	8L-5066	317
	192		456		707		319
7X-0562	532		458		711		322
	535		460		715		326
	539		468	8D-5898	302		328
	541		470		304		

8

PART NUMBER INDEX

Part	Page	Part	Page	Part	Page	Part	Page
	332		466	8N-6435	▶340		160
	337		474	8N-6534	▶258	8N-9609	▶248
8L-8413	380	8N-1186	345	8N-6564	▶128	8N-9639	▶102
	381	8N-1237	252	8N-7174	▶1	8N-9642	▶22
	419	8N-1238	252		▶90	8N-9654	252
	428	8N-1239	252		▶92	8N-9658	19
	480	8N-1517	428	8N-7197	▶140		21
	647	8N-1518	614	8N-7296	▶121		22
	651	8N-1521	613	8N-7639	▶218	8N-9706	248
	656	8N-1522	428		▶220	8N-9885	18
	682	8N-1540	428	8N-7641	▶222		19
	683		614	8N-7643	▶1		21
	684		651		▶210		22
	703	8N-1541	428	8N-7716	▶1		404
	704		614		▶211	8N-9974	153
	737		647	8N-7717	▶1	8N-9992	12
	739	8N-1542	614		▶248		13
8L-9765	739		656	8N-8056	▶34		147
8L-9767	194	8N-1543	428		▶36	8N-9993	12
	196		614	8N-8210	▶83		13
	199	8N-1546	614	8N-8446	▶522		151
	202	8N-1547	428		▶528	8P-1438	77
	205	8N-1989	211		▶531		79
	207	8N-1990	211	8N-8447	▶261	8P-2813	161
8M-0505	215	8N-1991	157		▶516	8S-2331	94
8M-0547	314		167	8N-8449	▶439	8S-4710	368
8M-2530	94		169		▶441		370
8M-2771	140	8N-1992	157	8N-8451	▶522	8S-4757	65
8M-5255	83		166		▶528		66
	90		169	8N-8452	▶261		74
8M-7145	277	8N-2409	252		▶515	8S-5107	458
	279	8N-2555	254		▶516		460
8M-9024	4		257		▶522		462
	25		259	8N-8455	▶225		464
	119		260		▶225		472
	153	8N-2559	258	8N-8456	▶225	8S-5383	110
	158	8N-2929	166	8N-8461	▶225	8S-8158	414
	312		169	8N-8462	▶235		418
	314	8N-2941	▶574	8N-8464	▶225	8S-9089	103
	316	8N-3378	254	8N-8466	▶235		104
	319		257	8N-8467	▶131		522
	322		▶258	8N-8468	▶132	8S-9191	190
	326		259	8N-8477	▶531	8T-0099	34
	328		260	8N-8481	▶439		36
	332	8N-3480	363		▶441		621
	337		365	8N-8483	▶310	8T-0151	624
8M-9124	118	8N-3896	▶566	8N-8486	▶516		231
	582	8N-3897	▶567	8N-8487	▶261	8T-0209	233
8N-0337	1	8N-3898	▶568	8N-8488	▶516	8T-0328	374
	▶30	8N-4387	140	8N-8490	▶408		376
	▶31	8N-4707	32	8N-8491	▶410		532
8N-0339	1	8N-5254	254	8N-8509	▶139		535
	▶73		255	8N-8510	▶139		539
	▶74		256	8N-8550	▶458		542
8N-0358	1		259		▶460		545
	▶252		260		▶462		548
8N-0386	211		286		▶464		551
	222		288		▶472		554
8N-0392	252		289	8N-8570	▶245		557
8N-0694	654		290	8N-8571	▶245		560
	666	8N-5839	229	8N-8879	▶259		562
	670	8N-6151	▶1	8N-8880	▶259		563
	674		▶372	8N-8993	▶1		617
	678		▶373		▶188		622
	682	8N-6210	349	8N-9161	▶189	8T-0707	231
	686		354	8N-9166	▶81	8T-1686	213
	690	8N-6211	349	8N-9167	▶83	8T-1897	355
	694		354		▶85	8T-1898	355
	698	8N-6297	314	8N-9303	▶259	8T-2153	90
	702	8N-6309	258		▶211		92
	708	8N-6327	349	8N-9422	▶248	8T-2903	185
	712		354	8N-9482	▶153		245
	716	8N-6423	241		▶155		248
8N-0855	452		242		▶157		

PART NUMBER INDEX

Part	Page	Part	Page	Part	Page	Part	Page
8T-2928	32		42	8T-6766	225		731
	33		43		227	8T-8827	613
	34		46		312	8T-8917	180
	36		47		314	8T-8924	191
8T-2929	32		50		316		192
	33		56		320	8T-9014	252
	34		58		323	8T-9043	251
	36		76		326	8T-9377	245
8T-4121	563		77		329	8T-9398	662
8T-4122	191		79		333		664
	192		81		337	8T-9399	661
8T-4133	563		85	8T-6767	211	8T-9637	667
8T-4134	394		129	8T-6871	191		671
	397		131		192		675
	650	8T-6761	12	8T-7581	140		679
	667		13	8T-7934	355		683
	671		16	8T-8566	532		687
	675		218		535		691
	679		220	8T-8569	532		695
	687		222		535		699
	691		300	8T-8729	484		703
	695		301		485	8T-9655	384
	699	8T-6762	34		486		404
8T-4205	180		36		492	8T-9658	384
	374		38		511	8T-9757	380
	376		106		512		381
	532		119		589	8T-9834	428
	535		153		593		683
	538		155		594		703
	541		157		597	8T-9884	533
	544		166		601		536
	547		170		605		
	551		184		606		
	554		187		609		
	556		188		610		
	578		189		625		
8T-4223	180		218		626	9B-0887	194
	201		220		630		205
	437		245		634		207
8T-4224	251		252		638		227
8T-4244	560		261		642		229
	562		266		727	9B-4202	75
8T-4896	194		267		737	9B-7233	390
	198		268	8T-8730	493		517
	201		458		494		577
	205		460		495		578
	207		462		496	9B-7237	198
	245		464		497		201
8T-4994	113		472		498	9D-2734	386
	191		516		498		388
	192	8T-6763	34	8T-8731	493		391
	194		36		494		397
	205		38		495		668
	207	8T-6764	225		502		672
	661	8T-6765	16		505		675
	662		105		508		679
	664		106	8T-8732	512		684
8T-6342	614		166		630		688
	619		169		634		692
8T-6690	193		184		638		695
8T-6726	452		185		642		699
	460		189	8T-8737	417		703
	464		211		483		708
8T-6757	76		218		630		712
	77		220		634		716
	79		222		638	9F-2247	70
	81		237		642		71
	85		239		683		72
	258		248		725		83
8T-6758	105		252		726	9F-2636	740
	106		277		727	9F-2637	740
	187		279		728		741
	188		302		729	9F-2638	740
8T-6759	41		404		730	9F-3099	393

PART NUMBER INDEX

Part	Page	Part	Page	Part	Page	Part	Page
	396		163		593		160
	577	9L-6531	739		597		166
	578	9L-6770	374		601		169
9F-5599	478		376		605		181
	538	9L-7373	281		609		210
	544		283		613		218
	547	9L-7712	140		642		220
	550	9L-8781	227	9M-4849	454		243
	553		229		456		312
9F-6445	388	9L-9132	99		468		314
	666		102		470		316
	670		134	9M-5520	421		319
	674		275		423		322
	678		281	9M-7269	103		326
	686		283		104		328
	690	9M-0387	70	9M-7606	550		332
	694		71		553		337
	698		72	9M-7609	532		349
9F-7707	140	9M-1289	198		535		355
9F-8122	87		201		538	9S-4183	245
9F-9203	577		204		544	9S-4185	16
	578	9M-1974	26		547		103
9G-0003	380		34		550		185
	381		36		553		190
9G-0004	380		77		556		220
	381		79	9M-8538	462		222
9G-2653	323		81		464		312
	333		83	9M-9085	577		314
	349		85	9N-0869	350		316
9G-3695	571		90		357		319
	614		92		358		322
9G-4101	538		142		384		326
	539		147		404		328
	541		218	9N-1752	363		332
	542		220		365		337
	544		225	9N-4053	350	9S-4190	166
	547		237		354		167
	550		239	9P-6895	666		169
	553		258		670		170
	554		295		686		312
	556		297		690		314
	557		312		719		316
9G-5127	590		314	9S-1354	7		319
	594		316	9S-1366	151		322
	597		319	9S-1368	452		326
	602		322		454		328
	606		326		456		332
	610		328		458		337
	613		332		460	9S-4191	34
	630		337		462		36
	634		346		464		38
	638		349		466		312
	642		350		468		314
9G-6770	551		355		470		316
	554		367		472		319
9G-8140	215		404		474		322
9G-8909	614		629		476		326
9G-9151	651		734	9S-1374	103		328
9G-9153	388		735		104		332
9H-0846	9	9M-2151	241	9S-2390	374		337
9H-0858	302		242		376		349
9H-1958	578	9M-2342	340	9S-2544	538		355
9H-3757	538	9M-2610	181		541		363
	541	9M-3786	225		544		365
	544		742		547	9S-7381	316
	547	9M-4202	222		550		319
	550	9M-4355	178		553		322
	553	9M-4584	172		556		326
	556		174	9S-4180	227		328
9H-6673	160		349		229		332
9H-8260	105		354	9S-4181	218		337
	106	9M-4594	446	9S-4182	153	9S-7977	744
9K-6540	160		450		155	9S-8002	39
9L-1480	119		589		157		44

PART NUMBER INDEX

Part	Page	Part	Page	Part	Page	Part	Page
	49		337	9X-0262	589		613
	721		350		593		625
9S-8750	231		355		597		626
	386		363		601		630
	388		365		605		634
	393		384		609		638
	394		405		613	9X-2027	518
	396		408		630	9X-3132	428
	397		410		634	9X-3207	399
	446		421		638		647
	448		423		642		651
	450		437	9X-0263	590		▶ 738
	517		439		594	9X-3271	619
	577		446		597		621
	650		450		602		624
	656		454		606	9X-3401	488
	666		456		610		507
	670		466		613		510
	674		468		630		576
	678		470		634	9X-4594	742
	682		474		638	9X-4824	532
	686		476		642		535
	690		482	9X-0352	140	9X-5392	630
	694		522	9X-1343	428		634
	698		573		737		638
	702		574	9X-1365	668		642
	732		579		672	9X-6138	24
9S-8752	99		628		675		25
	102		630		679	9X-6260	70
	153		631		684		71
	155		634		688		72
	157		638		692	9X-6381	666
	161		642		695		670
	165		646		699		686
	166		667		703		690
	169		671		707		719
	172		675		711	9X-6458	165
	174		679		715		172
	185		683	9X-1386	507		174
	187		687		510		295
	188		691		576		297
	193		695		589		346
	196		699		593		347
	199		703		594		349
	204		708		597		355
	227		712		601	9X-6772	248
	229		716		606		349
	235		732		610		446
	241	9S-8893	89		630		482
	242	9S-9238	437		634		589
	255		522		638		593
	256	9U-6219	744		642		597
	266	9U-7509	744	9X-1813	429		601
	267	9V-4924	96		493		605
	268		97		494		609
	269	9W-0073	428		495		613
	270		666		496		614
	271		670		497		617
	273		674		498		619
	275		678		499		621
	276		686		501		622
	281		690		502		623
	283		694		503		624
	286		698		504		625
	288		707		506		626
	289		711		511		658
	290		715		512		667
	314	9W-0844	614		583		671
	316	9W-0852	428		589		675
	319	9W-1464	721		593		679
	322	9W-1951	428		597		683
	326	9W-7783	67		601		687
	328		69		605		691
	332	9X-0145	428		609		695

PART NUMBER INDEX

Part	Page	Part	Page	Part	Page	Part	Page
	699		674				466
	703		678			030-7977	349
9X-6856	428		683	001-9440	589	030-7982	354
	614		687		593		314
	684		691		597		349
9X-6857	428		694		602		354
	614		698		606	030-8307	454
	647		702		610		456
	651	9X-9720	380		614		468
	656	9X-9730	381		630		470
9X-7258	70		▶382		635	030-8535	102
	71	9X-9857	420		638	030-8967	666
	72	9Y-0047	349		642		670
9X-7371	77		350	002-6453	160		682
	81		357	003-8581	316		687
	130		358		319		691
	134	9Y-0635	52		322		694
9X-7735	341		53		325		698
	342		54		328		702
	343	9Y-0851	▶664		332		732
	344	9Y-0852	▶664		336	031-4136	314
9X-8124	394	9Y-0999	▶260	003-9163	180	031-4155	251
	397	9Y-1741	140		468	031-4630	252
	650	9Y-2921	392		470	032-1269	151
	656		397	004-3935	452	033-6031	142
	667		399		458		143
	671		431		462		144
	675		479		464	033-6033	213
	679		480		466	033-6042	34
	683		647		468		36
	687		650		472		38
	691		651		474		448
	695		654	004-7270	454	034-0728	452
	699		656		456		454
	703		666		458		456
9X-8606	215		670		460		466
9X-8872	12		674		468		474
	13		678	005-4173	314		476
9X-8873	274		682		316	036-9821	532
	291		686		319		535
9X-8874	19		690		322		538
	21		694		325		544
	22		698		328		547
	277		702		332		550
	279	9Y-3085	118		336		553
	383		▶119	030-7941	446		556
	458	9Y-4294	739		450	036-9823	532
	460	9Y-4888	▶145	030-7943	215		545
	462		▶146	030-7946	211		548
	464	9Y-4893	24		316		551
	472	9Y-4957	134		319		554
9X-8875	103	9Y-5286	129		322	037-5197	613
	104		131		325	039-4317	518
9X-8879	83		132		328		520
	85	9Y-6089	528		332		524
	92		566		336		526
	105		567		448		529
9X-8887	94		568	030-7949	172	045-4065	539
	272	9Y-6497	▶665		314		542
9X-9511	532	9Y-7876	▶75		316		545
9X-9591	▶420	9Y-8389	312		319		548
	430		314		322		551
	655		316		328		554
9X-9675	386		319		332		557
	388		322		349	053-2294	134
	391		325	030-7961	407	053-5065	110
	392		328		437		129
	393		332	030-7964	346		131
	394		336		347		132
	396		367	030-7972	346	061-8248	346
	397	9Y-9782	721		347	061-8639	316
	399				349		319
	667				354		322
	671			030-7976	452		325

PART NUMBER INDEX

Part	Page	Part	Page	Part	Page	Part	Page
	328	101-1365	94		624		703
	332	101-1368	94	102-8808	483	107-2853	732
	336	101-4135	349	102-8811	427	107-2855	▶732
061-9456	166		350	102-8813	498	107-4910	231
	169	101-4197	26		506		233
061-9463	165	101-4199	142	102-8816	427	107-5565	233
062-5388	421		147	102-9029	▶505	107-5856	649
069-2338	666	101-8678	191		630		667
	670		192		634		671
	687	101-8679	191		638		675
	691		192		642		679
095-0673	518		204	103-6668	▶272		683
096-4833	518	102-2240	482	104-1718	231		687
	520		▶511		233		691
	524		589	104-3649	423		695
	526		593	104-4767	16		699
			597	105-0253	30		703
			601	105-0254	30	107-5857	647
			605	105-0255	30		668
			609	105-0256	30		672
			613	105-0257	30		675
			625	105-7542	667		679
			626		671		684
100-3145	281	102-4087	414		674		688
	283		418		678		692
100-3146	281	102-7532	630		683		695
	283		634		687		699
100-3147	281		638		691		703
	283		642		695	107-7175	176
100-3148	281	102-8634	106		699	107-7289	668
	283	102-8802	507		703		686
100-3237	349		510	106-2780	▶33	107-7326	176
	350		513		38	107-7330	121
	357		575	106-3512	210	107-7331	121
	358		576	106-7408	739	107-7332	121
100-4323	▶60		589	106-8551	▶532	107-7333	121
	65		593		559	107-7334	121
100-4324	▶60		594	106-8554	▶535	107-7335	121
	73		597		561	107-7361	▶76
100-4325	▶60		601	106-9819	667	107-7362	76
	116		605		671	107-8758	252
	124		606		675	107-8759	252
100-5566	667		610		679	107-8760	252
	671	102-8803	614		683	107-8769	515
	675		617		687		522
	679		619		691	108-1259	672
	683		622		695		675
	687		623		699		679
	691		484		703		690
	695		485	106-9867	176		694
	699		488	106-9869	176		698
	703		511	106-9871	176	108-1434	165
	707		589	106-9872	▶176		172
	711		593		178		174
	715		597	106-9873	1		314
100-6531	374		601		▶178		320
	376		605	107-0466	76		329
100-8075	157		609	107-0744	213		349
	167		613		215		350
	169		614	107-1727	191		354
101-0831	1		625		192		363
	▶26		626	107-1728	▶191		365
101-0832	105	102-8806	725	107-1729	▶191	108-3561	7
101-0836	1		726	107-1730	▶192	108-9656	586
	▶103		727	107-2477	94		587
	▶104		728	107-2482	667		588
101-1172	1		729		671		627
	▶404		730		675		628
101-1173	▶32		731		679		629
	34		617	102-8807	683		630
	36		619		687		634
101-1246	1		621		691		638
	▶349		622		695		642
	▶354		623		699		646
101-1267	103						
	104						

1

PART NUMBER INDEX

Part	Page	Part	Page	Part	Page	Part	Page
109-2332	146		687		694	114-2410	736
	157		691		698		737
	166		695		707	114-2412	119
	169		699		711	114-2413	119
	190		703		▶726	114-5477	350
109-3038	428	111-1349	176	112-3540	743		354
	647	111-2081	119	112-3587	613	115-1063	▶363
	651	111-3388	349	112-3588	686	115-1065	▶365
	656		354		690	115-1322	430
	682	111-3389	349		694		654
	683		354		698		666
	684	111-3684	589		702		670
	703		594		707		674
	704		597		711		678
109-3182	707		602		715		682
	711		606	112-3596	370		686
	715		610	112-3597	368		690
109-4367	▶487		614		370		694
	589		630	112-4387	404		698
	601		634	112-4921	1		702
109-5381	▶742		638		▶153	115-2538	666
109-5605	522		642		▶155		670
109-5916	193	111-3794	483	112-4922	1		674
109-6507	666		▶484		▶312		678
	670	111-3812	119	112-5672	314		682
	674	111-3819	349	112-5674	1		686
	678	111-3820	157		▶94		690
	682		167	112-6597	▶515		694
	686		169	112-7497	428		698
	690	111-4374	243	112-8106	▶19		702
	694		245	113-4634	153	115-4636	666
	698	111-4399	518		158		670
	702		520		160		686
109-8932	435		526	113-4645	213		690
110-2451	474		529	113-4646	172		707
	476	111-4986	▶262		174		▶720
110-5194	647	111-5054	314	113-4647	213	115-5156	1
	651	111-5055	312		215		▶34
			314	113-4648	172		▶36
110-6606	7	111-5822	274		174	115-5160	▶38
110-6845	417		291	113-7884	667	115-5161	421
110-6847	614	111-8276	218		671		423
110-6848	614		220		674	115-5163	383
110-6991	52	111-8277	218		678		▶421
	53		220		683		▶423
	54	111-8411	414		687	115-5164	▶383
110-6994	34		418		691	115-7841	▶157
	36	111-8639	155		694	115-7842	▶314
110-8066	▶292		161		698	115-7860	1
110-8314	283	111-8800	▶493		702		▶166
110-8714	737		630		707		▶169
110-8909	666		634		711	115-8082	354
	670		638		715	115-8491	▶113
	674	111-9374	218	114-1142	431	116-0054	1
	678	111-9375	220		667		▶105
	682	112-1552	94		671	116-1352	166
	686	112-1554	94		675		169
	690	112-2664	1		679	116-1359	34
	694		▶18		683		36
	698	112-2974	666		687	116-3253	34
	702		670		691		36
110-9211	▶419		674		695	116-3263	119
111-0349	404		686		699	116-7655	668
111-1323	479		690		703		672
	480		694	114-1143	667		675
	651		707		671		679
	680		711		675		684
	684		▶725		679		688
	700	112-2975	666		683		692
	704		670		687		695
111-1324	667		674		691		699
	671		678		695		703
	675		686		699	116-9863	174
	679		690		703		281
	683						

PART NUMBER INDEX

Part	Page	Part	Page	Part	Page	Part	Page
117-0066	12	121-0475	316	123-6868	151	126-1113	53
117-0067	589		319	123-9049	707	126-1767	488
	594		328		711		507
	597	121-0476	316		715		510
	601		319	123-9694	667	126-2210	667
	605		322		671		671
	609		325		675		675
	613		328		679		679
	630		332		683		683
	634		336		687		687
	638	121-2024	140		691		691
	642	121-3328	667		695		695
117-8766	508		671		699		699
	509		675		703		703
117-9308	3		679		707		707
118-1655	121		683		711		711
118-1656	460		687		715		715
	462		691	124-0121	▶483	126-2211	428
	464		695	124-0289	589		649
	472		699		593	126-7156	▶666
118-4728	215		703		597		▶670
118-5542	151	121-3552	1		601		▶674
118-8582	666		▶12		605		▶678
	670	121-4101	736		609		▶682
	674	121-4102	737		631	126-7157	▶686
	678	121-4111	▶426		635		▶690
	707	121-4112	▶426		639		▶694
	711	121-5486	166		643		▶698
	▶727	121-5487	153	124-3176	667		▶702
118-9491	44		157		671	126-7158	668
119-5659	732	121-5489	153		675		672
119-6282	▶443		157		679		676
	445	121-5736	108		683		680
119-6283	▶444		307		687		688
	445		308		691		692
119-6284	437		742		695		696
	439	121-9839	46		699		699
	441		47		703	126-7574	414
	▶445		56	124-4273	153		418
	522		58		157	126-8472	666
119-9443	96	121-9840	140	124-5505	153		670
120-0567	657	122-0500	▶237		157		686
120-4351	314		241	124-5513	1		690
120-4486	▶647	122-3202	667		▶142		719
120-4487	▶649		671	124-9022	582	126-9187	734
120-4489	▶430		675	124-9437	368		735
120-4492	▶657		679		370	126-9188	425
120-4498	▶581		683	125-2782	121	126-9191	▶425
120-4500	▶452		687	125-2785	157	126-9246	722
120-4501	▶160		691	125-5375	306	127-2176	218
120-4503	▶736		695		309		220
120-4504	▶737		699	125-5376	306	127-2331	666
120-4505	430		703		309		670
120-4506	647	122-3203	667	125-6533	551		674
120-4509	649		671		554		678
120-4510	428		674	125-6535	539		682
	647		678		541		686
	656		682		551		690
120-7420	185	122-8856	218		554		694
120-7421	222		220		557		698
120-7550	237	123-0316	651	125-6536	539		702
121-0200	711	123-2993	▶575		551	127-5400	76
	715	123-3395	667		554		77
121-0470	▶316		671		557		79
	▶319		675	125-6537	539		81
	▶322		679		551		83
	▶325		683		554		85
121-0474	316		687	125-7094	▶46		90
	319		691	125-7096	653		92
	322		695	125-9751	94		129
	325		699	125-9794	119		131
	328		703	126-0577	143		227
	332	123-3932	722		144		229
	336	123-4268	121	126-1112	53	127-6260	432

PART NUMBER INDEX

Part	Page	Part	Page	Part	Page	Part	Page
	433		40	132-9436	▶617		674
	434		41		▶619		678
127-8124	▶446		46		▶621		682
127-8660	248		47	132-9437	▶622		686
128-2507	666		58		623		690
	670	131-0420	54		624		694
	686	131-0421	54	133-1207	508		698
	690	131-1578	630		509		702
	719		634	133-3345	▶341	133-9313	153
128-2848	625		638		359		155
	626		642	133-3814	46		157
128-2856	213	131-3815	742		47		161
128-3147	666	131-4339	▶40		58	134-0070	667
	670	131-5459	▶311	133-4213	3		687
	686		724		4	134-2601	▶342
	690	131-9099	384	133-5994	▶359		361
	719		▶386		▶360	134-3098	454
128-4183	480		▶388	133-6261	10		456
128-4189	480	131-9121	386		11	134-3100	454
128-4347	▶512		388		15		456
	630	131-9122	386		138		468
	634		388	133-6265	27		470
	638		394		28	134-3159	▶454
	642	131-9123	386		143		▶456
128-4845	29		388		144	134-3160	▶458
	30	131-9124	386		149		▶460
128-5415	▶494		388	133-6268	15	134-3161	454
	631	131-9125	386		138		456
	635	131-9126	386	133-6269	10	134-3162	458
	639		388		11	134-3530	▶193
128-5416	▶495	131-9127	386	133-6270	27		209
	630		388		28	134-3533	▶194
	634	131-9129	386		143		209
	635		388		144	134-5573	193
	638	131-9130	386		149	134-6275	384
128-5988	147		388	133-6453	▶399	134-6289	707
	149		707	133-6454	399		711
128-5994	3		711	133-6458	384		715
128-6788	30		715	133-6461	▶151	134-6296	396
128-8545	682	131-9131	386	133-6463	▶384	134-6298	734
	702		388	133-6477	▶448	134-6299	▶734
128-9508	281	131-9132	386	133-6479	272		▶735
	283		388	133-6480	272	134-6301	▶707
129-3021	302	131-9133	▶391	133-6484	384		▶711
129-4181	140	131-9134	391	133-6491	347		▶715
129-5497	▶1	131-9135	▶392	133-6493	347	134-6302	707
129-6628	▶506		▶393	133-6498	386		711
	589	131-9136	392		388		715
	593		393	133-8380	686	134-6305	707
	597	131-9138	▶394		690		711
	601		▶396		694		715
	605	131-9139	▶397		698	134-6313	▶650
	609	131-9140	397		702	134-6314	650
	613	132-6465	▶589	133-8381	666	134-6315	▶651
129-7563	▶518		▶593		670	134-6316	651
129-9191	617		▶597		674	134-6317	▶653
	619	132-6468	▶601		678	134-6318	653
	622		▶605		682	134-6319	▶654
	623		▶609	133-8382	218	134-6320	654
130-2018	1		▶613		220	134-6321	▶431
	▶218	132-6469	140	133-8383	121	134-6322	431
130-2366	233	132-8900	404	133-8938	▶121	134-6323	▶655
130-2602	172		▶415	133-9300	▶417	134-6324	655
	174		▶416	133-9302	302	135-0175	220
130-2607	39	132-9429	666	133-9305	▶625	135-6900	295
	49		670	133-9306	41		297
130-2608	39		686		42	135-6901	295
	49		690		43	135-6902	295
130-2613	40	132-9434	617		47		297
	46		619		50	135-6903	295
130-6789	480		621		56		297
130-7481	▶414		622		58	136-1695	▶346
	415		623	133-9308	666	136-1696	▶347
131-0411	▶39		624		670	136-5923	732

PART NUMBER INDEX

Part	Page	Part	Page	Part	Page	Part	Page
136-5924	▶626	141-7003	394		255	152-0469	255
136-5929	1	141-7004	394		256		286
	▶361	141-7005	394	148-7981	▶254		289
	▶362	141-7006	394	148-8007	▶165	152-0470	▶255
136-7227	743	141-7008	392	148-8012	707		▶256
136-9629	277	141-7009	392		711	152-0472	286
	279	141-7010	392		715		289
136-9631	295	141-7011	397	148-8015	707	152-0478	▶582
	297	141-7012	397		711	152-0486	▶630
136-9632	295	141-7013	397		715	152-0487	▶634
	297	141-7014	397	148-8016	707	152-0488	630
136-9633	295	141-7015	397		711		638
	297	141-7016	397		715		642
136-9634	295	141-7017	399	148-8017	707	152-0489	630
	297	141-7018	399		711		638
136-9636	153	141-7048	▶293		715		642
	157	141-7116	110	149-0233	277	152-0490	630
137-5555	▶266	141-8596	522		279	152-0492	635
137-5556	266	143-1891	582	149-0245	44	152-0493	635
137-5558	707	143-1893	582	149-0246	44	152-0495	630
	711	143-1896	582	149-1981	39		638
	715	143-1919	▶587		49		642
137-6856	47	143-1927	▶627	149-1982	40	152-0496	635
	50	143-1931	▶628		41	152-0498	635
137-6857	160	143-5148	582		42	152-0506	638
138-3094	500	143-5149	582		43		642
138-8507	121	143-5163	▶429		45	152-0507	▶638
139-0580	386	143-5168	▶520		47		▶642
	388		522		50	152-0512	255
139-1568	517	143-5174	▶522		56	152-3774	582
139-8515	392	143-5176	▶427	149-5211	468	153-1246	349
139-8516	399		671	149-6031	31	153-4906	446
139-8517	391		675		31		450
139-8518	397		691	149-6032	31	153-5043	513
139-8521	394		695	149-6033	31	153-7192	▶646
139-8523	627	143-5177	522	149-6034	31	153-7193	646
139-8527	587	143-5178	522	149-6035	31	153-7206	▶13
139-8528	628	143-5179	▶724	149-6513	295	153-7208	▶147
139-8529	▶426	143-9694	▶496	149-6514	295	153-8056	678
139-8532	386		589	149-9297	146		698
	388		601	149-9298	119		▶728
139-8533	386	143-9695	▶497	150-4149	▶427	154-1581	155
	388		589	150-4150	▶427	154-1584	140
140-6458	277		601	150-4155	707	154-1616	218
	279	143-9696	▶498		711		220
140-6461	307		589		715	154-1617	218
140-6462	307		601	150-4157	165		220
140-6463	277	144-0725	121	150-4197	▶588	154-1620	306
	279	144-1623	▶721	150-4199	▶586	155-0718	▶220
140-7550	▶299		722	150-4202	586	155-0726	109
140-7551	299	144-1624	417	150-4203	588	155-0729	306
	▶300		▶722	150-4204	588		309
	▶301	144-2159	454	150-4213	346	155-0732	▶306
140-8937	295		456		347		307
140-8938	295	144-5692	34	150-4222	▶462	155-1690	155
140-8946	295		36		▶464	155-2260	429
	297	144-5695	121	150-4223	▶466		496
140-9593	1	144-8263	85	150-4227	629		497
	▶109		92	150-4228	▶629		498
140-9594	109	144-8274	302	150-4536	707		499
140-9597	85	144-8275	301		711		500
	92		▶302		715		501
140-9602	109	146-3740	▶61	150-7989	493		503
140-9638	295		74		498		504
	297	146-7639	213	151-9204	462		506
141-0716	▶426	147-3738	▶182		464		509
141-0717	▶426	147-3745	357	151-9263	61		614
141-0719	▶427		358		62	155-2265	428
141-0720	▶427	148-0842	295		64		682
141-6999	386	148-0843	295	151-9264	25		683
	388	148-6858	▶295	152-0467	255		703
141-7000	394	148-7976	254		286	155-2270	614
141-7001	394	148-7978	254		289	155-2271	651
141-7002	394	148-7979	254	152-0468	255	155-2551	462

PART NUMBER INDEX

Part	Page	Part	Page	Part	Page	Part	Page
	464	161-4087	1	166-5938	297		703
155-2552	466		▶213	166-5942	281	174-1438	479
155-2563	▶15		▶215	166-5944	40	174-1439	▶479
155-2564	▶10	161-9926	▶499		45	175-5041	480
155-2565	▶27		594	166-5945	39	175-5042	▶480
155-2566	▶28		597		49	175-5043	480
155-2567	▶137		605	166-6519	468	175-5206	328
	138		609		470		332
155-2568	143		613	166-6652	▶468		336
155-2569	27	161-9929	▶500		▶470	175-5207	▶328
155-2571	28		593	166-6929	682		▶332
155-2572	144		597		702		▶336
	149		606		715	175-6716	233
155-2573	10		610		▶729	176-7503	416
155-2574	11	161-9931	▶501	166-6936	682		▶418
155-2575	15		593		702	176-8292	119
155-2583	▶11		597		715	177-9116	460
155-2584	▶143		605		▶730	177-9768	▶277
155-2585	▶144		609	166-6937	682	178-1623	▶289
155-2586	▶138	162-5719	1		715		▶290
155-2589	194		▶172		▶731	178-1624	289
155-2590	194		▶174	166-8067	468		290
	205	162-5721	307		470	178-3339	651
	207	162-5722	307	167-1759	1		656
155-2591	194	162-7662	674		▶281	178-5048	113
	205		678		▶283	179-1508	174
	207		682	167-1760	1	179-1516	320
155-2592	194		694		▶297		329
	205		698	167-1762	1	179-1517	320
	207		702		▶307		329
155-2594	▶149		▶719		▶308	180-3943	309
155-2596	194	162-7686	286	167-9526	281	180-3945	309
	205		289	167-9527	281	180-8424	108
	207	162-7687	▶286	168-6357	152		215
155-2626	658		▶288	168-7800	307	180-9340	502
155-8653	720	162-7689	286	169-8612	314	183-5973	460
156-9137	▶47		288	169-8613	319	184-3097	▶413
	53	162-8864	279		322	185-3630	744
156-9138	▶41	162-8865	281		328	185-5855	174
156-9748	357		283		332	186-3735	428
	358	163-1462	▶482	169-8614	319		513
156-9755	354	163-4270	281		322		575
	▶357	163-7882	▶488		328		613
156-9756	354		593		332		614
	▶358		597	169-8615	▶368		619
157-0443	155		605		373		725
158-6227	▶658		609	169-8617	368		726
158-6229	257		613	171-0596	486		728
	285	163-8492	▶502		492		729
158-6230	257		642	171-4570	▶62		730
	285	163-8522	642		66		731
158-6231	257	163-8523	642	171-4571	▶64	186-3736	428
	285	164-0866	277		117		500
158-6232	▶257		279		125		501
158-6233	▶285	164-0867	1	171-5349	507		505
158-6255	674		▶279		510		506
	678	164-2441	▶489	172-0836	42		614
	682		642		43		682
	694	165-3929	16		▶49		683
	698		408		50	187-2034	374
	702	165-3931	155	172-0837	▶50		376
	711		181		54	187-4017	468
	715		270	172-0838	▶42		470
	▶723		275	172-4672	▶343	187-4019	468
159-1194	589	165-6634	▶485		362		470
	593	166-4357	▶77	172-4675	▶344	187-7738	54
	597	166-4374	239		360	188-0469	308
159-1195	602	166-4376	239	172-6716	▶412	188-0471	308
	606	166-4378	▶239	172-8660	▶576	188-0475	308
	610		242	173-7665	277	188-0477	29
	613	166-5932	172	174-1436	▶428	188-4622	308
159-6082	306		174		679		▶309
161-0790	▶656	166-5934	172		683	188-8617	306
161-0791	656	166-5935	213		699		309

PART NUMBER INDEX

Part	Page	Part	Page	Part	Page	Part	Page
188-8618	306	204-0241	441		548		144
	309	204-5426	54	243-2288	218		147
189-5746	▶507	204-5427	54		220		149
	613	207-1331	291	243-5752	▶514	273-3553	41
190-1668	741	207-1332	270		581		42
190-1669	741	207-1364	283	245-2876	248		43
190-1670	740	207-1382	308	245-3512	269		47
190-8921	237	210-2529	50		271		50
190-9372	423	210-2542	50	247-3796	190		56
191-8394	423	210-8602	▶129	248-5513	210		58
192-8745	140	211-7826	32		243	273-3554	41
194-5226	429	214-3522	683	249-5293	▶429		42
	499		703	250-1496	354		43
	503		737		363		47
	504	214-6045	269		365		50
	508	214-7566	49	250-1497	174		56
	509		355		325		58
194-5227	429	214-7568	325		336	273-5041	▶509
	499		336		346	275-5735	245
	504		354		347	275-5736	245
	508	217-6692	142		354	275-7901	245
	509	220-6141	614	250-1498	174	276-3875	43
194-6724	▶503	221-6976	▶742		325	276-3876	43
	613	222-4059	11		336	278-1082	155
194-6725	▶504	222-5152	239		346	278-1774	325
	613	223-1197	684		347		336
194-9584	343		704	250-1499	354	278-1775	325
	344	223-1696	32	250-8279	535		336
195-2150	▶513		33	252-5658	215	278-1776	312
	621	225-4256	248	252-8374	174	278-4287	92
	624	227-3801	61		743	283-1107	535
195-9599	735		62	252-9298	584	283-3428	684
195-9727	396		64	254-3261	283		702
195-9728	393	229-1631	121	254-3262	283	284-1083	▶184
195-9732	256	229-5332	742	259-4598	18	287-7207	306
	288	229-9407	374		19		309
	290	230-1072	211		21	288-6174	96
195-9737	256		252		22	290-8204	207
195-9738	288	230-4013	429		76	290-8205	205
	290	231-6133	374		77	292-3815	374
195-9739	388		376		79		376
195-9745	256	233-8525	229		81	293-0007	196
	288	234-8937	16		85	293-0008	199
	290		743		92	293-0009	202
195-9746	256	235-2484	110		129	294-9052	248
195-9748	288		129		131	295-5458	248
	290		131		229	298-6387	178
196-4795	140		132	261-6847	487	299-1761	374
196-9531	31	235-3546	18		488		376
197-6995	43		19		491		
197-6999	50		21	262-4378	225		
197-7008	36		22	264-7030	429		
			76	265-9034	▶508		
			77	266-2259	325		
			79		336	301-9248	41
			81	267-9689	325		42
			85		336		43
			92	267-9690	312		47
			742	272-0757	27		50
200-2003	140				143		56
200-6504	▶432	235-3548	227	272-0758	10		58
201-8899	88	237-1962	▶538		11	306-3997	535
202-2700	374	237-2712	354		12	306-3998	538
	376	237-2715	363		13		547
202-2708	374	237-2716	363		147		556
	376		365		151	308-1362	374
202-2783	374	237-2717	354		12		376
	376	237-2718	365	272-0759	13	308-1365	374
202-2784	374	238-5080	355		15		376
	376	238-5081	354		138	308-1366	374
202-2785	374	239-9957	▶492		139		376
	376	241-5928	218		139	309-5130	355
202-2787	374		220	272-0760	26		355
	376	242-5326	▶43		28	315-5136	225
202-9897	374	242-7983	545		142	315-5137	▶225
	376						

2

3

PART NUMBER INDEX

Part	Page	Part	Page	Part	Page	Part	Page
	235		62				
318-1181	▶ 510		64				
318-2082	. 539	441-3369	. 81				
320-7710	. 43		85				
320-7711	. 43	441-4878	. 61				
328-8410	. 374		62				
	376		64				
331-2506	▶ 743	443-6357	. 423				
331-5717	▶ 374	448-5087	. 2				
333-1184	▶ 376	448-8940	▶ 29				
	378		31				
333-7412	. 664	448-8941	. 29				
338-3453	. 541	450-3711	. 2				
	557	453-7800	. 108				
338-3454	▶ 541	454-4749	. 405				
339-5148	. 155		573				
341-8890	. 215	454-6822	. 570				
341-9211	. 108	454-7477	. 570				
	215	454-7489	. 405				
350-8624	. 99		▶ 570				
	659		573				
	660	464-4073	▶ 108				
351-2245	. 99	475-0731	. 245				
353-7952	. 355	478-0107	. 354				
354-2399	. 181	478-0108	. 354				
355-4899	. 99	494-6475	. 541				
356-5022	. 99	495-4092	. 270				
357-9544	. 248		275				
365-0576	. 354						
365-0578	. 355						
368-7801	. 128						
368-7808	. 127						
370-7095	. 719						
370-7337	. 719	522-1642	. 508				
379-0210	. 325	522-1643	. 509				
	336	523-5086	. 101				
379-3359	▶ 572						
	684						
	704						
383-2990	. 514						
383-6859	. 215						
386-6022	. 723						
386-6229	. 354						
388-3410	. 97						
394-0505	. 245						

5

4

415-2429	. 489
	490
	▶ 491
415-2432	. 487
	488
415-2433	. 491
420-8779	. 62
420-8780	. 61
	64
420-8781	. 61
	62
	64
422-9537	. 137
428-9129	. 283
428-9130	. 283
	742
430-9449	▶ 486
	492
433-3495	. 302
433-3496	. 302
436-1478	. 133
436-1479	. 133
	743
437-9760	. 61

MEMORANDA



SEBP2654-75

3516 Engine

3XS1-UP