

# Parts Manual



See "General Information"  
for New Parts Manual  
Features.

---

## **3516B Generator Set**

---

G1W1-Up (Generator)  
G1Y1-Up (Generator)  
G2B1-Up (Generator)  
G2E1-Up (Generator)  
G2F1-Up (Generator)  
G2G1-Up (Generator)  
G2S1-Up (Generator)  
G2W1-Up (Generator)  
G3C1-Up (Generator)  
G3G1-Up (Generator)  
G6R1-Up (Generator)  
G7F1-Up (Generator)  
G7G1-Up (Generator)  
G7H1-Up (Generator)  
G7J1-Up (Generator)  
YAT1-Up (Generator Set)

This Parts Manual is also available in .PDF Format on Compact Disc  
(CD-ROM) - Caterpillar Form No. SERP5405



# Product and Dealer Information

Note: For product identification plate locations, see the section "Product Identification Information" in the Operation and Maintenance Manual.

Delivery Date: \_\_\_\_\_

## Product Information

Model: \_\_\_\_\_

Product Identification Number: \_\_\_\_\_

Engine Serial Number: \_\_\_\_\_

Transmission Serial Number: \_\_\_\_\_

Generator Serial Number: \_\_\_\_\_

Attachment Serial Numbers: \_\_\_\_\_

Attachment Information: \_\_\_\_\_

Customer Equipment Number: \_\_\_\_\_

Dealer Equipment Number: \_\_\_\_\_

## Dealer Information

Name: \_\_\_\_\_ Branch: \_\_\_\_\_

Address: \_\_\_\_\_

\_\_\_\_\_

\_\_\_\_\_

Dealer Contact

Phone Number

Hours

Sales: \_\_\_\_\_

Parts: \_\_\_\_\_

Service: \_\_\_\_\_

# MEMORANDA



# TABLE OF CONTENTS

Name	Page	Name	Page
<b>GENERAL INFORMATION</b> .....	A4	VALVE MECHANISM GP .....	98
<b>REPAIR ALTERNATIVES</b> .....	A7	<b>LUBRICATION SYSTEM</b> .....	100
<b>SUPPLEMENTAL COOLANT ADDITIVES</b> .....	A8	BREATHER GP .....	100
<b>MAINTENANCE PARTS</b> .....	A9	DRAIN GP-OIL .....	101
<b>INDEX</b> .....	A13	FILLER GP-ENGINE OIL .....	103
<b>ENGINE ARRANGEMENT</b> .....	1	FILTER GP-ENGINE OIL .....	104
CONVERSION AR-COOLING CIRCUIT .....	1	FUMES DISPOSAL GP .....	111
CONVERSION AR-ENGINE .....	2	GAUGE GP-OIL LEVEL (DIPSTICK) .....	113
ENGINE AR-GENSET .....	3	LINES GP-ENGINE OIL .....	115
ENGINE AR .....	6	LINES GP-TURBOCHARGER OIL .....	121
INSTALLATION AR .....	7	PUMP & LINES GP-PRELUBRICATION .....	124
<b>BASIC ENGINE</b> .....	8	PUMP GP-ENGINE OIL .....	131
BARRING GP .....	8	PUMP GP-PRELUBRICATION .....	133
BASE GP-VALVE COVER .....	9	PUMP GP-SUMP .....	140
CAMSHAFT GP .....	10	REGULATOR GP-OIL LEVEL .....	141
COUPLING GP-FLEXIBLE .....	12	VALVE GP-FLUID CONTROL .....	143
COUPLING GP-GENERATOR .....	13	VALVE GP-FLUID SAMPLING .....	144
COVER GP-ACCESSORY DRIVE .....	14	<b>COOLING SYSTEM</b> .....	145
COVER GP-CYLINDER BLOCK .....	15	CONNECTION GP-WATER .....	145
COVER GP-ENGINE LIFTING EYE .....	16	COOLER GP-ENGINE OIL .....	150
COVER GP-FLYWHEEL HOUSING .....	17	FAN GP-BLOWER .....	151
COVER GP-FRONT HOUSING .....	19	FLANGE GP-RADIATOR .....	155
COVER GP-VALVE MECHANISM .....	20	GAUGE GP-COOLANT LEVEL .....	156
CRANKSHAFT GP .....	21	GUARD GP-FAN .....	158
CYLINDER BLOCK AS .....	22	GUARD GP-RADIATOR .....	160
CYLINDER BLOCK GP .....	24	HEAT EXCHANGER GP-SEA WATER .....	164
CYLINDER HEAD AS .....	27	HOUSING & REGULATOR GP .....	173
CYLINDER HEAD GP .....	30	LINES GP-COOLANT .....	177
DAMPER GP .....	33	LINES GP-WATER .....	186
DRAIN GP-ENGINE OIL .....	37	MOUNTING GP-RADIATOR .....	205
DRIVE GP-ACCESSORY .....	39	PUMP GP-AUXILIARY WATER .....	208
DRIVE GP-FAN .....	42	PUMP GP-WATER .....	211
FLYWHEEL GP .....	46	RADIATOR & FAN GP .....	213
GEAR GP-FRONT .....	47	RADIATOR GP .....	232
GEAR GP-REAR .....	49	SUPPORT GP-FAN .....	272
GUARD GP-BELT .....	51	SWITCH GP-COOLANT LEVEL .....	274
GUARD GP-DAMPER .....	57	TANK GP-EXPANSION .....	279
GUARD GP-PULLEY .....	59	<b>AIR INLET AND EXHAUST SYSTEM</b> .....	281
HOUSING GP-FLYWHEEL .....	60	ADAPTER GP-AIR CLEANER .....	281
HOUSING GP-FRONT .....	61	AFTERCOOLER GP-TREATED	
LIFTING GP-ENGINE .....	62	WATER .....	284
MOUNTING GP-ALTERNATOR .....	63	AFTERCOOLER GP-WATER .....	285
MOUNTING GP-ENGINE FLEXIBLE .....	65	AIR CLEANER GP .....	286
PAN GP-OIL .....	66	ELBOW-EXHAUST .....	292
PISTON & ROD GP .....	72	FITTING GP-EXHAUST .....	296
PULLEY GP-FAN DRIVE .....	74	FLANGE GP-EXHAUST .....	300
SEAL GP-CRANKSHAFT .....	94	INDICATOR GP-AIR FILTER CHANGE .....	307
SUPPORT GP-FAN DRIVE .....	95	LINES GP-AIR .....	309
VALVE GP-EXPLOSION RELIEF .....	97	LINES GP-TURBOCHARGER AIR .....	312
		MANIFOLD GP-EXHAUST .....	314
		MOUNTING GP-AIR CLEANER .....	315
		MOUNTING GP-BELLOWS .....	321

# TABLE OF CONTENTS

Name	Page	Name	Page
MUFFLER .....	322	GROUND GP-ELECTRICAL .....	607
PRECLEANER GP .....	324	HARNESS AS-CONTROL .....	610
SHIELD AS-HEAT .....	325	HARNESS AS-ENGINE .....	611
SHUTOFF GP-AIR .....	326	HARNESS AS-PANEL .....	612
TURBOCHARGER GP .....	331	HARNESS AS-SWITCH .....	614
VALVE GP-AIR CONTROL .....	335	HARNESS AS-WIRING .....	614
		HEATER GP-JACKET WATER .....	615
<b>FUEL SYSTEM</b> .....	<b>336</b>	LIGHTING GP-GENERATOR .....	622
CONTROL GP-FUEL INJECTION .....	336	LINES GP-AIR STARTING .....	623
COOLER GP-FUEL .....	340	LUBRICATOR GP-AIR MOTOR .....	625
FILTER GP-FUEL .....	344	MOUNTING GP-BOX .....	628
FILTER GP-PRIMARY FUEL .....	349	MOUNTING GP-ELECTRONIC	
LINES GP-FLEXIBLE FUEL .....	350	CONTROL .....	630
LINES GP-FUEL INJECTION .....	351	MOUNTING GP-JACKET WTR	
MANIFOLD GP-FUEL .....	354	HEATER .....	631
PUMP GP-FUEL INJECTION .....	356	MOUNTING GP-PANEL .....	639
PUMP GP-FUEL PRIMING .....	357	MOUNTING GP-TERMINAL STRIP .....	641
PUMP GP-FUEL TRANSFER .....	360	MOUNTING GP-TRANSFORMER .....	642
PUMP GP-UNIT INJECTION .....	362	PANEL GP-CIRCUIT BREAKER .....	645
SEPARATOR GP-WATER .....	363	PLUG GP-BOX .....	653
		PLUG GP-CONNECTOR .....	655
<b>ELECTRICAL AND STARTING SYSTEM</b> .....	<b>364</b>	SENSOR & MTG GP-RADIATOR .....	656
ADAPTER GP-COMMUNICATION .....	364	SENSOR GP-COOLANT LEVEL .....	659
ALTERNATOR GP-CHARGING .....	366	SENSOR GP-SPEED .....	660
BATTERY CHARGER .....	369	SENSOR GP-TEMPERATURE .....	662
BATTERY GP .....	371	SILENCER GP-AIR STARTING .....	667
BLOCK AS-TERMINAL .....	373	SOLENOID GP-SHUTOFF .....	668
BOARD AS-CIRCUIT .....	376	STARTING AID GP .....	669
BOX AS-EXTENSION .....	377	STARTING AID GP-ETHER .....	670
BOX GP-CONTROL .....	380	STARTING MOTOR GP-AIR .....	672
BOX GP-ELECTRONIC .....	381	STARTING MOTOR GP-ELECTRIC .....	675
BOX GP-EXTENSION TERMINAL .....	394	STRIP GP-TERMINAL .....	703
BOX GP-JUNCTION .....	397	SUPPORT GP-BATTERY .....	712
BRACKET GP-TERMINAL .....	398	SUPPORT GP-CABLE .....	713
BUS BAR AS .....	399	SWITCH GP-DISCONNECT .....	715
BUS BAR GP-BOX .....	416	SWITCH GP-PUSH BUTTON .....	717
BUS BAR GP-CIRCUIT BREAKER .....	423	SWITCH GP-STARTING AID .....	718
BUS BAR GP-GENERATOR .....	437	THERMOCOUPLE GP .....	719
CABLE AS .....	451	TRANSFORMER AS-CURRENT .....	720
CABLE GP-BATTERY .....	452	TRANSFORMER GP-CURRENT .....	726
CIRCUIT BREAKER AS .....	453	TRANSFORMER GP-POTENTIAL .....	727
CONDUIT GP-ELECTRICAL .....	569	VALVE AS-SOLENOID .....	728
CONNECTOR AS .....	575	VALVE GP-ETHER STARTING .....	729
CONTROL & MTG GP-ENGINE ELEK .....	576	VALVE GP-PRESSURE REDUCING .....	730
CONTROL GP-AIR STARTING .....	577	WIRE AS-GROUND .....	731
CONTROL GP-ELECTRONIC .....	578	WIRING GP-ALTERNATOR .....	732
CONTROL GP-ENGINE ELECTRONIC .....	581	WIRING GP-ELECTRIC STARTING .....	733
CONTROL GP-VOLTAGE .....	582	WIRING GP-ELECTRONIC CONTROL .....	735
CONVERTER GP-ELECTRICAL .....	585	WIRING GP-ENGINE .....	736
COVER GP-CIRCUIT BREAKER .....	586	WIRING GP-ENGINE ELECTRONIC .....	743
COVER GP-EXTENSION BOX .....	588	WIRING GP-GENERATOR .....	744
COVER GP-MODULE CONNECTOR .....	600	WIRING GP-JACKET WATER HEATER .....	759
ELEMENT GP-JACKET WATER		WIRING GP-PANEL .....	770
HEATER .....	601	WIRING GP-PYROMETER .....	780
FASTENER GP-WIRING HARNESS .....	605	WIRING GP-SENSOR .....	781

# TABLE OF CONTENTS

Name	Page	Name	Page
WIRING GP-SHUTOFF .....	784	FILM GP .....	1443
		SHIM PACK .....	1446
<b>OPERATOR STATION</b> .....	<b>787</b>	<b>PART NUMBER INDEX</b> .....	<b>B1</b>
ALARM GP .....	787		
BOX GP-CONTROL PANEL .....	793		
CONTROL GP-EMCP ELECTRONIC .....	794		
CONTROL GP-ENGINE MONITORING .....	796		
CONTROL GP-GENERATOR SET .....	799		
CONTROL GP-LOAD SHARE MODULE .....	810		
COVER GP-ACCESS .....	818		
COVER GP-CONTROL PANEL .....	819		
DOOR GP-ACCESS .....	821		
MODULE GP-ALARM .....	823		
MOUNTING GP-CONTROL PANEL .....	824		
PANEL AR-CONTROL .....	825		
PANEL GP-CONTROL .....	827		
PANEL GP-INSTRUMENT .....	840		
PLATE GP-COVER .....	841		
PYROMETER GP .....	842		
<b>ENCLOSURES, GUARDS AND BASES</b> .....	<b>843</b>		
COVER GP-ENCLOSURE .....	843		
COVER GP-GENERATOR .....	845		
MOUNTING GP-RAIL .....	854		
MOUNTING GP-VIBRATION ISOLATOR .....	856		
RAIL GP-ENGINE & GEN SUPPORT .....	857		
<b>GENERATORS</b> .....	<b>860</b>		
ADAPTER GP-GENERATOR COUPLING .....	860		
BEARING GP-GENERATOR .....	862		
BRACKET GP-MOUNTING .....	863		
CABLE GP-GENERATOR GROUND .....	869		
CONNECTION GP-GENERATOR LEADS .....	870		
CONNECTION GP-TERMINAL STRIP .....	1133		
CONVERSION GP-GENERATOR .....	1140		
EXCITER GP .....	1141		
GENERATOR AR .....	1146		
GENERATOR GP .....	1246		
HEATER AS-SPACE .....	1348		
HEATER GP-SPACE .....	1349		
INSTALLATION AR-GENERATOR .....	1351		
KIT-GENERATOR REPAIR .....	1352		
RECTIFIER GP-REVOLVING .....	1353		
REGULATOR AS-VOLTAGE .....	1355		
ROTOR GP-GENERATOR .....	1356		
SCREEN GP-AIR .....	1375		
STATOR GP .....	1381		
STATOR GP-MAIN .....	1383		
<b>SERVICE EQUIPMENT AND SUPPLIES</b> .....	<b>1442</b>		
CHART-PLATE & FILM .....	1442		

# GENERAL INFORMATION

## 1. ENGINE IDENTIFICATION

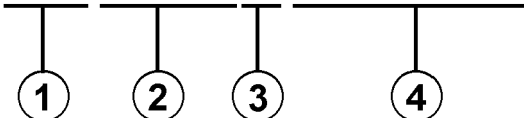
Caterpillar engines are identified with Serial Numbers and Arrangement Numbers. In some cases, Modification Numbers are also used. The serial number plate which shows these numbers is mounted on the engine.

Caterpillar dealers need this information to determine which components were included on the engine when it was assembled at the factory. This permits accurate identification of replacement part numbers.

### **New Feature**

Effective First Quarter 2001 the Caterpillar Product Identification Number (PIN) changed from 8 to 17 characters. In an effort to provide uniform equipment identification, Caterpillar and other construction equipment manufacturers are moving to comply with the latest version of the product identification numbering standard. Non-road machine PINs are defined by ISO 10261. The new PIN format will apply to all Caterpillar machines and generator sets. The PIN plates and frame marking will display the 17 character PIN. The new format will look like the following:

\* C A T 0 7 8 9 B G 6 S L 1 2 3 4 5 \*



The diagram shows the 17-character PIN format: \* C A T 0 7 8 9 B G 6 S L 1 2 3 4 5 \*. Below the first four characters (C, A, T, 0), there are four circles containing the numbers 1, 2, 3, and 4 respectively. Vertical lines connect each character to its corresponding numbered circle.

Where:

1. Caterpillar's World Manufacturing Code (characters 1-3)
2. Machine Descriptor (characters 4-8)
3. Check Character (character 9)
4. Machine Indicator Section (MIS) or Product Sequence Number (characters 10-17). These were previously referred to as the Serial Number.

Machines and generator sets produced before First Quarter 2001 will maintain their 8 character PIN format.

Components such as engines, transmissions, axles, etc. and work tools will continue to use an 8 character Serial Number (S/N).

## 2. ORDERING PARTS

### **WARNING**

**When replacement parts are required for this product Caterpillar recommends using Caterpillar replacement parts or parts with equivalent specifications including, but not limited to, physical dimensions, type, strength and material.**

**Failure to heed this warning can lead to premature failures, product damage, personal injury or death.**

Quality Caterpillar replacement parts are available from Caterpillar dealers throughout the world. Their parts inventories are up to date and include all parts normally required to protect your investment in Caterpillar machines. Dealers may offer repair kits or remanufactured parts to allow selection of the most effective repair alternative for a particular situation. When ordering parts, your order should specify the quantity, part number, part name, and the serial number/product identification number of the engine for which the parts are needed.

## 3. PARTS MANUAL ORGANIZATION

Product information in this manual is presented as "information elements" that represent all of the components for the specific model. Engine Arrangement and Seat Group are examples of information elements. The information elements are organized alphabetically by part name and secondarily by part number within each major section of the manual.

## 4. TABLE OF CONTENTS

A table of contents (TOC) is found at the beginning of the manual. The TOC lists each section of the manual with a complete list of all information elements organized as they appear in the manual. Page numbers are provided for quick reference to detailed parts identification illustrations and serviceable consist lists.

## 5. MAINTENANCE PARTS INDEX

The Maintenance Parts Index, located near the beginning of the manual, references most frequently used maintenance part numbers, providing description, quantity, usage and page number. This information is organized alphabetically by part description.

# GENERAL INFORMATION

## 6. INDEX

The index located near the front of the manual is an alphabetical listing of all information elements included in the manual. Page numbers are provided for quick reference to detailed parts identification illustrations and serviceable consist lists.

## 7. PART NUMBER INDEX

A numerical index listing all part numbers and the corresponding page number(s) appears at the back of the manual.

## 8. CAPTIONS

Captions located at the beginning of each information element identify the part number and part name along with additional descriptive information. S/N information found in each caption should be used to select correct information for a specific engine. Field replacement options, identification of optional attachment components, and where used ("part of") information is also provided.

The first line of a caption is shown in larger type font to indicate the beginning of an information element. Captions for additional pages that may be required to illustrate an information element will be shown in standard type font and will include the term (*contd.*) .

## 9. NON-SERVICED PARTS

In some instances it is necessary to display non-serviced parts that are a link to lower level serviceable consist lists. These non-serviced part numbers are shown in *italic* type indicating that they are not available. All consist lists have not been converted to reflect this enhancement.

## 10. PARTS LIST REFERENCE NUMBERS

Numbers shown in the Ref No column correspond to numbers used in the associated graphic(s). An alphabetic suffix may be added to a reference number to identify lower level consist items. Numbers shown in the Graphic Ref column refer to the graphic number identifier displayed in the lower left corner of each illustration. The Graphic Ref number may be used in combination with the item Ref No to determine the correct part number. There may be intentional omission of a Ref No in a consist list as information is updated to reflect the latest serviceable part numbers.

## 11. INDENTED PART NAMES

When a part name is indented in a parts list, it is part of (included in) the group or assembly under which it is indented.

## 12. ILLUSTRATION REFERENCE LETTERS

When necessary, illustrations contain reference letters (A, B, C etc.) that are intended to track lines and harnesses from one point to another. They are also used to show where to reconnect illustrations that have been separated.

## 13. ABBREVIATIONS AND SYMBOLS

**O.D.** – Outside Diameter  
**I.D.** – Inside Diameter  
**A** – Not Part Of This Group  
**B** – Use As Required  
**C** – Change From Previous Type  
**D** – Order By The Meter  
**E** – Order By The Centimeter  
**F** – Not Shown  
**G** – Order By The Inch  
**I** – Refer To Hydraulic Information System  
**M** – Metric Part  
**R** – Remfg Part May Be Available  
**Y** – Separate Illustration  
**Z** – Not Serviced Separately

## 14. REPLACEMENT PARTS FOR GENERATORS

Only those generators which are sold and serviced exclusively by "Caterpillar" Dealers are illustrated on the following pages. Externally-regulated "Caterpillar" Diesel Electric Sets are equipped with generators made by other manufacturers. Parts for these generators are NOT serviced by Caterpillar Inc. Parts lists and parts should be ordered from the manufacturer whose name is shown on the Generator Name Plate, always giving the generator rating and serial number shown.

 **New Feature**

## 15. DESCRIPTION OF TYPE CHANGES

Type - A type is defined as any configuration change that requires an additional Information Element for an Arrangement, Group, or Assembly. If serial number breaks for types are not available, a type # ( Type 1, Type 2, etc.) will be displayed in the caption. These "type" changes are identified with a "C" note (change from previous type) in the Parts List. Only the "types" that apply to this Parts Manual will be included. Additional types may exist causing "C" notes to appear on an Information Element when no other types are shown.

# GENERAL INFORMATION

## 16. <END>

This symbol indicates the end of an information element.

### NOTE:

Continuing improvement and advancement of product design may cause changes to your machine which may not be included in this publication. Whenever a question arises regarding your Caterpillar product or this publication, please consult your Caterpillar dealer for the latest available information.

# REPAIR ALTERNATIVES

## REMANUFACTURED COMPONENTS

As an option when making repairs consider Caterpillar Remanufactured Components. Components that are available through the Caterpillar Remanufactured Program are identified three ways in the parts book:

- with the letter R in the note field of the parts list
- with an R\* at the beginning of the first line of the caption
- with an \*R at the end of the first line of the caption

Typical components included in the Remanufacturing Program include:

ALTERNATORS  
CONNECTING RODS  
CRANKSHAFTS - UNDERSIZE  
CRANKSHAFTS - UPGRADE TO NEW  
CYLINDER HEADS  
ELECTRONIC CONTROL MODULES (ECM)  
ELECTRONIC SENSORS  
FUEL INJECTORS  
FUEL NOZZLES  
FUEL PUMPS  
GOVERNORS  
OIL PUMPS  
PISTONS  
SHORT BLOCKS  
STARTERS  
TURBOCHARGERS - COMPLETE  
TURBOCHARGER CARTRIDGES  
WATER PUMPS

Caterpillar Remanufactured engines for many engine arrangements are also available.

# SUPPLEMENTAL COOLANT ADDITIVES

**CUSTOMER BENEFITS:**

Protects against cavitation, foam, erosion, corrosion, and scale buildup in cooling systems.

- Provides measured coolant conditioner.

**DESCRIPTION:**

Additives deplete from the coolant with normal operation. For this reason, Supplemental Coolant Additives (SCA) must be added to all heavy duty coolants at regular intervals. In addition, when not using a fully formulated, pre-charged antifreeze, like Caterpillar's DEAC, an initial charge of SCA must be added to the cooling system. The amount of SCA added to the system is dependent on the capacity of the system.

The SCA for initial fill is provided as a liquid. SCA's for maintenance intervals are available in liquid form and as a spin-on element. (No Spin-on available for 3600 Family of Engines)

**NOTE:**

The amount of SCA added at initial fill is not the same as the amount added at maintenance intervals.

The coolant additive elements can be used with any ethylene or propylene glycol type antifreeze which meets ASTM D4985 or ASTM D5345 Specifications.

**NOTE:**

For use with standard heavy duty coolant only, not for use with Extended Life Coolant.

**PARTS NEEDED:**

Cooling System Capacity		Liquid SCA at Initial Fill	Liquid SCA at Maintenance*	Spin-on SCA Maintenance Element*
Liters	Gallons			
22-30	(6-8)	3P-2044 (1)	6V-3542 (1)	111-2370 (1)
30-38	(8-10)	3P-2044 (1) 6V-3542 (1)	111-2372 (1)	111-2369 (1)
38-49	(10-13)	3P-2044 (1) 8T-1589 (1)	111-2372 (1)	111-2369 (1)
49-64	(13-17)	3P-2044 (2)	8T-1589 (1)	9N-3368 (1)
64-83	(17-22)	3P-2044 (2) 8T-1589 (1)	111-2372 (1) 6V-3542 (1)	111-2371 (1)
83-114	(22-30)	3P-2044 (3) 8T-1589 (1)	3P-2044 (1)	9N-3718 (1)
114-163	(30-43)	3P-2044 (5)	3P-2044 (1) 6V-3542 (1)	111-2371 (2)
163-242	(43-64)	3P-2044 (8)	3P-2044 (2)	9N-3718 (2)

\* Normal maintenance period is 250 hrs. See your Operation and Maintenance Manual for complete coolant maintenance instructions.

( ) Indicates quantity required.



# MAINTENANCE PARTS

DESCRIPTION	PART NUMBER	QTY	WHERE USED	PAGE
<b>AIR INLET AND EXHAUST SYSTEM</b>				
FILTER ELEMENT AS-AIR (PRIMARY)	113-1578	1	AIR CLEANER GP	286
		1	AIR CLEANER GP	287
	208-9065	1	AIR CLEANER GP	288
		1	AIR CLEANER GP	289
		1	AIR CLEANER GP	290
		1	AIR CLEANER GP	291
FILTER ELEMENT AS-AIR (SECONDARY)	113-1579	1	AIR CLEANER GP	286
		1	AIR CLEANER GP	287
	208-9066	1	AIR CLEANER GP	289
		1	AIR CLEANER GP	291
		1	AIR CLEANER GP	287
		1	AIR CLEANER GP	291
<b>BASIC ENGINE</b>				
BELT-SERPENTINE	141-7116	1	MOUNTING GP-ALTERNATOR	63
PLUG-OIL DRAIN (OIL PAN)	4B-2363	2	PAN GP-OIL	68
		2	PAN GP-OIL	70
SCREEN AS-SUCTION (OIL PAN)	1W-1564	1	PAN GP-OIL	68
		1	PAN GP-OIL	70
SEAL-VALVE COVER	272-0760	1	COVER GP-VALVE MECHANISM	20
V-BELT SET (INCLUDES 4-BELTS) (FAN DRIVE)	7N-4148	1	PULLEY GP-FAN DRIVE	81
	7W-5258	1	PULLEY GP-FAN DRIVE	82
V-BELT SET (INCLUDES 6-BELTS) (FAN DRIVE)	254-3526	1	PULLEY GP-FAN DRIVE	88
	254-3861	1	PULLEY GP-FAN DRIVE	87
	256-3246	1	PULLEY GP-FAN DRIVE	89
	270-2639	1	PULLEY GP-FAN DRIVE	92
	298-5544	1	PULLEY GP-FAN DRIVE	90
	301-7510	1	PULLEY GP-FAN DRIVE	93
	7W-5228	1	PULLEY GP-FAN DRIVE	75
		1	PULLEY GP-FAN DRIVE	83
	7W-5229	1	PULLEY GP-FAN DRIVE	79
		1	PULLEY GP-FAN DRIVE	80
	7W-8135	1	PULLEY GP-FAN DRIVE	85
	7W-8137	1	PULLEY GP-FAN DRIVE	86
	8N-6700	1	PULLEY GP-FAN DRIVE	74
		1	PULLEY GP-FAN DRIVE	91
	8N-6702	1	PULLEY GP-FAN DRIVE	84
	8N-6705	1	PULLEY GP-FAN DRIVE	76
	8N-6711	1	PULLEY GP-FAN DRIVE	77
		1	PULLEY GP-FAN DRIVE	78

# MAINTENANCE PARTS

DESCRIPTION	PART NUMBER	QTY	WHERE USED	PAGE
<b>COOLING SYSTEM</b>				
CAP AS-RADIATOR	153 - 1403	1	RADIATOR & FAN GP	213
CAP-PRESSURE (14-PSI) (EXPANSION TANK)	127 - 8660	1	TANK GP-EXPANSION	279
CAP-PRESSURE (14-PSI) (RADIATOR)	127 - 8660	1	RADIATOR GP	241
		1	RADIATOR GP	243
CAP-PRESSURE (7-PSI) (EXPANSION TANK)	4N - 3311	1	TANK GP-EXPANSION	279
CAP-PRESSURE (7-PSI) (RADIATOR)	4N - 3311	1	RADIATOR GP	243
	6L - 8617	1	RADIATOR & FAN GP	225
KIT-RADIATOR CAP	294 - 9052	1	RADIATOR GP	243
		1	RADIATOR GP	249
		1	RADIATOR GP	252
		1	RADIATOR GP	265
		1	RADIATOR GP	268
		1	TANK GP-EXPANSION	279
	295 - 5458	1	RADIATOR GP	243
		1	TANK GP-EXPANSION	279
REGULATOR-WATER TEMPERATURE (30-DEG C)	219 - 3240	2	HOUSING & REGULATOR GP	176
REGULATOR-WATER TEMPERATURE (92-DEG C)	6I - 4950	4	HOUSING & REGULATOR GP	173
		4	HOUSING & REGULATOR GP	174
		4	HOUSING & REGULATOR GP	175
ROD-ZINC (HEAT EXCHANGER)	6L - 2284	9	HEAT EXCHANGER GP-SEA WATER	164
		1	HEAT EXCHANGER GP-SEA WATER	167
		3	HEAT EXCHANGER GP-SEA WATER	170
SEAL-LIP TYPE (WATER TEMPERATURE REGULATOR)	3S - 9643	4	HOUSING & REGULATOR GP	173
		4	HOUSING & REGULATOR GP	174
		4	HOUSING & REGULATOR GP	175
		2	HOUSING & REGULATOR GP	176
V-BELT SET (INCLUDES 5-BELTS) (FAN DRIVE)	124 - 0150	1	RADIATOR & FAN GP	221
	126 - 8915	1	RADIATOR & FAN GP	217
V-BELT SET (INCLUDES 6-BELTS) (RADIATOR FAN DRIVE)	244 - 1252	1	RADIATOR & FAN GP	213

# MAINTENANCE PARTS

DESCRIPTION	PART NUMBER	QTY	WHERE USED	PAGE		
<b>ELECTRICAL AND STARTING SYSTEM</b>						
BATTERY (12-VOLT)	9X-9720	2	BATTERY GP	371		
BATTERY GP (12-VOLT)	9X-9730	2	BATTERY GP	372		
BOLT-FLANGE HEAD (M6X1X16-MM)	235-4451	15	BOX AS-EXTENSION	377		
		15	BOX AS-EXTENSION	378		
		29	BOX GP-EXTENSION TERMINAL	394		
		26	BOX GP-EXTENSION TERMINAL	395		
		4	COVER GP-EXTENSION BOX	592		
		16	COVER GP-EXTENSION BOX	594		
		16	COVER GP-EXTENSION BOX	595		
		18	COVER GP-EXTENSION BOX	596		
		18	COVER GP-EXTENSION BOX	597		
		18	COVER GP-EXTENSION BOX	598		
		13	SUPPORT GP-CABLE	713		
		CIRCUIT BREAKER (10-AMPERE)	307-2056	1	STRIP GP-TERMINAL	703
		CIRCUIT BREAKER (50-AMPERE)	194-4449	1	WIRING GP-JACKET WATER HEATER	759
1	WIRING GP-JACKET WATER HEATER			761		
1	WIRING GP-JACKET WATER HEATER			762		
286-4751	1			WIRING GP-JACKET WATER HEATER	759	
1	WIRING GP-JACKET WATER HEATER			761		
1	WIRING GP-JACKET WATER HEATER			762		
CIRCUIT BREAKER AS (10-AMPERE)	128-8065	1	STRIP GP-TERMINAL	703		
CIRCUIT BREAKER AS (20-AMPERE)	203-8989	2	PANEL GP-CIRCUIT BREAKER	645		
CIRCUIT BREAKER AS (40-AMPERE)	203-8987	1	WIRING GP-ELECTRIC STARTING	733		
		1	WIRING GP-PANEL	770		
		1	WIRING GP-PANEL	771		
CIRCUIT BREAKER AS (70-AMPERE) (ALTERNATOR)	203-8986	1	WIRING GP-ALTERNATOR	732		
COVER AS (REAR)	252-7465	1	COVER GP-EXTENSION BOX	594		
FUSE (0.5-AMPERE)	272-5835	3	STRIP GP-TERMINAL	703		
FUSE (10-AMPERE)	155-8755	3	STRIP GP-TERMINAL	703		
FUSE (2-AMPERE)	7W-0482	3	BOX GP-ELECTRONIC	393		
		8D-8724	1	STRIP GP-TERMINAL	705	
		1	STRIP GP-TERMINAL	710		
KEY (BATTERY DISCONNECT)	8H-5306	1	SWITCH GP-DISCONNECT	715		
LAMP (24-VOLT, 5.6-WATT) (CLEAR)	7N-5876	1	CONTROL GP-ELECTRONIC	579		
LAMP (24-VOLT, 5.6-WATT) (PANEL)	7N-5876	2	LIGHTING GP-GENERATOR	622		
SCREEN-STRAINER (PRESSURE REDUCING VALVE)	252-9298	1	VALVE GP-PRESSURE REDUCING	730		
<b>ENCLOSURES, GUARDS AND BASES</b>						
BOLT-FLANGE HEAD (M6X1X16-MM)	235-4451	10	COVER GP-ENCLOSURE	844		
		29	COVER GP-GENERATOR	845		
		29	COVER GP-GENERATOR	847		
		18	COVER GP-GENERATOR	849		
		16	COVER GP-GENERATOR	850		

# MAINTENANCE PARTS

DESCRIPTION	PART NUMBER	QTY	WHERE USED	PAGE
<b>FUEL SYSTEM</b>				
BOLT-FLANGE HEAD (M6X1X16-MM)	235 - 4451	10	CONTROL GP-FUEL INJECTION	336
FILTER ELEMENT AS-FUEL (WATER SEPARATOR)	134 - 6307	2	SEPARATOR GP-WATER	363
FILTER ELEMENT-FUEL (ADVANCED EFFICIENCY)	1R - 0756	5	FILTER GP-FUEL	344
		7	FILTER GP-FUEL	346
FILTER ELEMENT-FUEL (PRIMARY)	9M - 2342	1	FILTER GP-PRIMARY FUEL	349
GASKET (FUEL PRIMING PUMP)	9Y - 8389	1	PUMP GP-FUEL PRIMING	357
<b>LUBRICATION SYSTEM</b>				
BREATHER AS (CRANKCASE)	4W - 3027	4	BREATHER GP	100
CAP AS-ENGINE OIL FILLER	7L - 4447	1	FILLER GP-ENGINE OIL	103
FILTER ELEMENT AS-ENGINE OIL	1R - 0726	3	FILTER GP-ENGINE OIL	104
		4	FILTER GP-ENGINE OIL	106
SEAL-VALVE COVER (BREATHER)	272 - 0760	4	BREATHER GP	100
STRAINER AS (PRELUBRICATION PUMP)	2G - 6304	1	PUMP & LINES GP-PRELUBRICATION	126
		1	PUMP & LINES GP-PRELUBRICATION	129
		1	PUMP GP-PRELUBRICATION	133
		1	PUMP GP-PRELUBRICATION	136
<b>OPERATOR STATION</b>				
BOLT-FLANGE HEAD (M6X1X16-MM)	235 - 4451	12	BOX GP-CONTROL PANEL	793
		10	CONTROL GP-LOAD SHARE MODULE	810
		16	COVER GP-ACCESS	818
		10	COVER GP-CONTROL PANEL	819
FUSE (0.25-AMPERE)	233 - 7657	2	PANEL GP-CONTROL	827
FUSE (60-AMPERE)	233 - 7661	2	PANEL GP-CONTROL	827
LAMP (24-VOLT, 5.6-WATT)	7N - 5876	1	ALARM GP	790

# INDEX

Name	Page	Name	Page
<b>A</b>			596
ADAPTER GP-AIR CLEANER .....	281		597
	282		598
	283		713
ADAPTER GP-COMMUNICATION .....	365		793
ADAPTER GP-COMMUNICATION-MODBUS ...	364		810
ADAPTER GP-GENERATOR COUPLING .....	860		818
	861		819
AFTERCOOLER GP-TREATED WATER .....	284		844
AFTERCOOLER GP-WATER .....	285		845
AIR CLEANER GP .....	288		847
AIR CLEANER GP-DUAL ELEMENT .....	289		849
	291		850
AIR CLEANER GP-HEAVY-DUTY .....	286	BOX AS-EXTENSION-REAR SHROUD .....	377
	287	BOX AS-EXTENSION-SIDE SHROUD .....	378
AIR CLEANER GP-SINGLE ELEMENT .....	290	BOX GP-CONTROL-	
ALARM GP .....	787	JACKET WATER HEATER .....	380
	789	BOX GP-CONTROL PANEL .....	793
	790	BOX GP-ELECTRONIC .....	381
ALTERNATOR GP-CHARGING .....	366		384
			388
			620
<b>B</b>		BOX GP-ELECTRONIC-JACKET WATER .....	393
BAR-BUS .....	437	BOX GP-EXTENSION TERMINAL-OPTIONAL ...	396
	439	BOX GP-EXTENSION TERMINAL-REAR .....	394
	441	BOX GP-EXTENSION TERMINAL-SIDE .....	395
	442	BOX GP-JUNCTION .....	397
	449	BRACKET GP-MOUNTING-DRIVE END .....	865
	450		867
BAR-BUS (CUSTOMER CONNECTION) .....	448		868
BARRING GP-LH .....	8	BRACKET GP-MOUNTING-	
BASE GP-VALVE COVER .....	9	OPPOSITE DRIVE END .....	863
BATTERY (12-VOLT) .....	371		864
BATTERY CHARGER .....	369		866
	370	BRACKET GP-TERMINAL .....	398
BATTERY GP .....	371	BREATHING AS (CRANKCASE) .....	100
	372	BREATHING GP-CRANKCASE .....	100
BATTERY GP (12-VOLT) .....	372	BUS BAR AS .....	399
BEARING GP-GENERATOR .....	862		400
BELT-SERPENTINE .....	63		401
BLOCK AS-TERMINAL-ANNUNCIATOR .....	375		402
BLOCK AS-TERMINAL-			403
DISCRETE INPUT/OUTPUT .....	373		404
BLOCK AS-TERMINAL-LOAD SHARE .....	374		405
BOARD AS-CIRCUIT-			406
ELECTRO MAGNETIC INTERFERENCE .....	376		407
BOLT-FLANGE HEAD (M6X1X16-MM) .....	336		408
	377		409
	378		410
	394		411
	395		412
	592		414
	594		415
	595		456
			457



# INDEX

Name	Page	Name	Page
	463		469
	466		481
	473		483
	476		494
	479		507
	487		511
	491		553
	498	CIRCUIT BREAKER AS-UL, MCCB, LSI-P . . . . .	557
	501		558
CIRCUIT BREAKER AS-IEC, MCCB, LSI . . . . .	504		559
	455		560
	460		561
	464		562
	467		563
	474	CIRCUIT BREAKER AS-UL, MCCB, LSI . . . . .	454
	477		458
	480		470
	488		484
	492		489
	499		495
	502		508
	505		554
CIRCUIT BREAKER AS-IEC, MCCB, LSI-P . . .	512	CIRCUIT BREAKER AS-UL, MCCB, LSI-H . . . .	471
	461		485
	465		496
	468		509
	475		551
	478		555
	482	CIRCUIT BREAKER AS-UL, MCCB, LSI-P . . . .	462
	490		472
	493		486
	500		497
	503		510
CIRCUIT BREAKER AS-UL, ICCB, LSI . . . . .	506		552
	513		556
	521	CONDUIT GP-ELECTRICAL-	
	530	JACKET WATER HEATER . . . . .	569
	539		570
	548		571
CIRCUIT BREAKER AS-UL, ICCB, LSI-P . . . . .	564		572
	565		573
	566		574
	567	CONNECTION GP-GENERATOR LEADS-	
	568	EXTENSION BOX, LH . . . . .	884
CIRCUIT BREAKER AS-UL, ICCB, LSI . . . . .	522		886
	531		888
	540		890
	549		892
CIRCUIT BREAKER AS-UL, ICCB, LSI-P . . . . .	514		894
	523		896
	532		898
	541		900
	550		902
CIRCUIT BREAKER AS-UL, MCCB, LSI . . . . .	453		904
	456		906

# INDEX

Name	Page	Name	Page
	908		1071
	910		1073
	912		1075
	914		1079
	916		1081
	918		1083
	920		1086
	922		1090
	924		1094
	926		1098
	928		1104
	931		1106
	933		1108
	935		1110
	937		1112
	939		1114
	941		1116
	943		1118
	945		1120
	947		1122
	949		1124
	1014		1126
	1016		1130
CONNECTION GP-GENERATOR LEADS- EXTENSION BOX, LH, RH, REAR .....	870	CONNECTION GP-GENERATOR LEADS- EXTENSION BOX, RH .....	951
CONNECTION GP-GENERATOR LEADS- EXTENSION BOX, REAR .....	873		952
	875		954
	876		956
	878		958
	880		960
	882		962
	1022		964
	1024		966
	1026		970
	1028		972
	1030		976
	1032		978
	1034		980
	1036		982
	1038		984
	1040		986
	1042		988
	1044		990
	1046		992
	1050		994
	1052		996
	1054		998
	1056		1000
	1058		1002
	1060		1004
	1063		1006
	1065		1008
	1067		1010
	1069		1012
			1018



# INDEX

Name	Page	Name	Page
	1020	CONVERTER GP-ELECTRICAL .....	585
CONNECTION GP-GENERATOR LEADS- EXTENSION, RH .....	968	COOLER GP-ENGINE OIL .....	150
	974	COOLER GP-FUEL .....	340
CONNECTION GP-GENERATOR LEADS- REAR EXTENSION .....	1102		341
CONNECTION GP-TERMINAL STRIP .....	1133		342
	1134	CORE AS-AFTERCOOLER .....	284
	1135		285
	1137	CORE AS-RADIATOR .....	217
CONNECTION GP-WATER .....	149		221
CONNECTION GP-WATER-INLET, LH .....	146		225
CONNECTION GP-WATER-LH .....	148		241
CONNECTION GP-WATER-OUTLET .....	147		243
CONNECTION GP-WATER-OUTLET, LH .....	145		249
CONNECTOR AS-			252
RESISTIVE TEMPERATURE DEVICE .....	575		257
CONTROL & MTG GP-ENGINE ELEK-			265
PRIMARY .....	576		268
CONTROL GP-AIR STARTING .....	577	CORE GP-OIL COOLER .....	150
CONTROL GP-ELECTRONIC-		COUPLING GP-FLEXIBLE-GENERATOR .....	12
ANNUNCIATOR .....	579	COUPLING GP-GENERATOR .....	13
CONTROL GP-ELECTRONIC-GOVERNOR .....	578	COVER (REGULATOR HOUSING) .....	1
CONTROL GP-EMCP ELECTRONIC-		COVER AS (REAR) .....	594
EMCP 3.2 EUI .....	794	COVER GP-ACCESS .....	818
CONTROL GP-ENGINE ELECTRONIC .....	581	COVER GP-ACCESSORY DRIVE-	
CONTROL GP-ENGINE MONITORING		UPPER, RH .....	14
(RESISTIVE TEMPERATURE DEVICE) .....	796	COVER GP-CIRCUIT BREAKER .....	586
CONTROL GP-ENGINE MONITORING-			587
INPUT/OUTPUT .....	797	COVER GP-CONTROL PANEL-	
	798	ANNUNCIATOR .....	820
CONTROL GP-ENGINE MONITORING-		COVER GP-CONTROL PANEL-FRONT .....	819
RESISTIVE TEMPERATURE DEVICE .....	796	COVER GP-CYLINDER BLOCK .....	15
CONTROL GP-FUEL INJECTION .....	336	COVER GP-ENCLOSURE-	
CONTROL GP-GENERATOR SET-		EXTENSION, MAIN .....	844
ANNUNCIATOR .....	799	COVER GP-ENCLOSURE-TOP .....	843
CONTROL GP-GENERATOR SET-		COVER GP-ENGINE LIFTING EYE .....	16
DIGITAL VOLTAGE REGULATOR .....	806	COVER GP-EXTENSION BOX-BOTTOM .....	591
CONTROL GP-GENERATOR SET-EMCP 3.1 . . .	803		592
	807	COVER GP-EXTENSION BOX-REAR .....	594
CONTROL GP-GENERATOR SET-EMCP 3.2 . . .	801		595
	804	COVER GP-EXTENSION BOX-	
	808	REAR SHROUD .....	590
CONTROL GP-GENERATOR SET-EMCP 3.3 . . .	802	COVER GP-EXTENSION BOX-SIDE .....	593
	805		596
	809		597
CONTROL GP-GENERATOR SET-			598
REGULATOR .....	800	COVER GP-EXTENSION BOX-	
CONTROL GP-LOAD SHARE MODULE .....	810	SIDE SHROUD .....	599
	813	COVER GP-EXTENSION BOX-TOP .....	588
	815		589
CONTROL GP-VOLTAGE .....	582	COVER GP-FLYWHEEL HOUSING-	
CONVERSION AR-COOLING CIRCUIT .....	1	REAR STRUCTURE .....	17
CONVERSION AR-ENGINE .....	2	COVER GP-FRONT HOUSING .....	19
CONVERSION GP-GENERATOR-EXCITER . . . .	1140	COVER GP-GENERATOR .....	845
			847

# INDEX

Name	Page	Name	Page
	851	EXCITER GP-PERMANENT MAGNET . . . . .	1142
	852		1144
	853		1145
COVER GP-GENERATOR-REAR . . . . .	850	EXCITER GP-POWER . . . . .	1141
COVER GP-GENERATOR-SIDE . . . . .	849		1143
COVER GP-MODULE CONNECTOR . . . . .	600		1145
COVER GP-VALVE MECHANISM . . . . .	20		
CRANKSHAFT GP . . . . .	21		
CYLINDER BLOCK AS . . . . .	22		
	23		
CYLINDER BLOCK GP . . . . .	24		
	25		
CYLINDER HEAD AS . . . . .	27		
	28		
	29		
CYLINDER HEAD GP . . . . .	30		
	31		
		<b>F</b>	
		FAN AS (12-BLADE) . . . . .	213
		FAN GP-BLOWER . . . . .	151
			152
			153
		FASTENER GP-WIRING HARNESS- LOW VOLTAGE . . . . .	605
		FASTENER GP-WIRING HARNESS- MEDIUM VOLTAGE . . . . .	606
		FILLER GP-ENGINE OIL-CYLINDER BLOCK . . .	103
		FILM (EMCP 3 ANNUNCIATOR) . . . . .	789
			799
		FILM (FUSE BLOCK) . . . . .	703
		FILM (TERMINAL STRIP) . . . . .	416
			418
			420
			448
			449
			450
			875
			876
			878
			880
			882
			884
			886
			888
			890
			892
			894
			896
			898
			900
			902
			904
			906
			908
			910
			912
			914
			916
			922
			924
			926
			931
			939
			941

## D

## E

# INDEX

Name	Page	Name	Page
	943		1112
	945		1114
	947		1116
	949		1118
	956		1120
	960		1122
	962		1124
	968		1126
	970		1130
	972		1135
	982		1137
	992	FILM (TERMINAL STRIP)	
	998	(CIRCUIT BREAKER) .....	873
	1000		918
	1002		920
	1004		928
	1006		933
	1008		935
	1010		937
	1012		951
	1014		952
	1016		954
	1018		958
	1032		964
	1034		966
	1036		974
	1038		976
	1040		978
	1042		980
	1044		984
	1046		986
	1050		988
	1052		990
	1054		994
	1056		996
	1058		1020
	1060		1022
	1063		1024
	1065		1026
	1067		1028
	1069		1030
	1071		1102
	1073	FILM (WIRE) .....	612
	1075		613
	1079		787
	1081	FILM (WIRE) (LABEL) .....	610
	1083	FILM GP-CUSTOM ANNUNCIATOR .....	1446
	1086	FILM GP-PRODUCT IDENTIFICATION .....	1443
	1090	FILM-CERTIFICATION .....	789
	1094	FILM-CERTIFICATION (EMCP 3) .....	807
	1098		808
	1104		809
	1106	FILM-CIRCUIT BREAKER .....	645
	1108	FILM-CONTROL PANEL	
	1110	(ENGINE STOP, STARTING AID) .....	833

# INDEX

Name	Page	Name	Page
	838		1224
FILM-CONTROL PANEL		FILM-IDENTIFICATION (CATERPILLAR) . . . . .	579
(STOP, STARTING AID, SPEED) . . . . .	794		790
	830		794
	835		802
FILM-DANGER			830
(SHOCK, ELECTROCUTION HAZARD) . . . . .	806		833
	1355		835
FILM-GROUND (EARTH) . . . . .	1149		838
	1150		1173
	1151	FILM-IDENTIFICATION	
	1152	(ELECTRICAL CONVERTER) . . . . .	585
	1153	FILM-IDENTIFICATION (EMCP 3.1) . . . . .	835
	1155	FILM-IDENTIFICATION (EMCP 3.2) . . . . .	794
	1156		838
	1169	FILM-IDENTIFICATION (EMCP 3.3) . . . . .	802
	1170		830
	1172		833
	1174	FILM-IDENTIFICATION	
	1185	(SERVICE CONNECTOR) . . . . .	381
	1186		384
	1200		388
	1201	FILM-INFORMATION (DO NOT LIFT) . . . . .	1146
	1202		1147
	1203		1148
	1231		1157
	1232		1158
	1235		1159
	1236		1160
	1239		1161
	1240		1162
	1241		1163
	1242		1164
	1245		1165
FILM-IDENTIFICATION (CAT STRIPE) . . . . .	1173		1166
FILM-IDENTIFICATION (CAT) . . . . .	1149		1167
	1150		1168
	1151		1172
	1152		1175
	1153		1176
	1154		1177
	1155		1178
	1156		1179
	1169		1180
	1170		1181
	1171		1182
	1174		1183
	1184		1188
	1185		1189
	1186		1190
	1187		1191
	1200		1192
	1201		1193
	1202		1194
	1203		1195

# INDEX

Name	Page	Name	Page
	1196		1188
	1197		1189
	1198		1190
	1199		1191
	1204		1192
	1205		1193
	1206		1194
	1207		1195
	1208		1196
	1209		1197
	1210		1198
	1211		1199
	1212		1204
	1213		1205
	1214		1206
	1215		1207
	1216		1208
	1217		1209
	1218		1210
	1219		1211
	1220		1212
	1221		1213
	1222		1214
	1223		1215
	1226		1216
	1227		1217
	1228		1218
	1229		1219
FILM-STRIPE (CAT, ELECTRIC POWER) . . . . .	827		1220
FILM-WARNING			1221
(AUTOMATIC ENGINE START) . . . . .	1146		1222
	1147		1223
	1148		1226
	1157		1227
	1158		1228
	1159		1229
	1160		1230
	1161		1237
	1162		1238
	1163		1244
	1164	FILM-WARNING	
	1165	(DO NOT OPERATE, READ OMM) . . . . .	1146
	1166		1147
	1167		1148
	1168		1157
	1172		1158
	1175		1159
	1176		1160
	1177		1161
	1178		1162
	1179		1163
	1180		1164
	1181		1165
	1182		1166
	1183		1167

# INDEX

Name	Page	Name	Page
	1168		1162
	1172		1163
	1175		1164
	1176		1165
	1177		1166
	1178		1167
	1179		1168
	1180		1172
	1181		1175
	1182		1176
	1183		1177
	1188		1178
	1189		1179
	1190		1180
	1191		1181
	1192		1182
	1193		1183
	1194		1188
	1195		1189
	1196		1190
	1197		1191
	1198		1192
	1199		1193
	1204		1194
	1205		1195
	1206		1196
	1207		1197
	1208		1198
	1209		1199
	1210		1204
	1211		1205
	1212		1206
	1213		1207
	1214		1208
	1215		1209
	1216		1210
	1217		1211
	1218		1212
	1219		1213
	1220		1214
	1221		1215
	1222		1216
	1223		1217
	1226		1218
	1227		1219
	1228		1220
	1229		1221
FILM-WARNING (FALLING OBJECT) .....	1146		1222
	1147		1223
	1148		1226
	1157		1227
	1158		1228
	1159		1229
	1160	FILM-WARNING	
	1161	(HOT FLUID UNDER PRESSURE, U.S.) .....	243

# INDEX

Name	Page	Name	Page
	279		1221
FILM-WARNING (SHOCK HAZARD) .....	1146		1222
	1147		1223
	1148		1226
	1157		1227
	1158		1228
	1159		1229
	1160	FILM-WARNING	
	1161	(SHOCK HAZARD, READ OMM) .....	1146
	1162		1147
	1163		1148
	1164		1157
	1165		1158
	1166		1159
	1167		1160
	1168		1161
	1172		1162
	1175		1163
	1176		1164
	1177		1165
	1178		1166
	1179		1167
	1180		1168
	1181		1172
	1182		1173
	1183		1175
	1188		1176
	1189		1177
	1190		1178
	1191		1179
	1192		1180
	1193		1181
	1194		1182
	1195		1183
	1196		1188
	1197		1189
	1198		1190
	1199		1191
	1204		1192
	1205		1193
	1206		1194
	1207		1195
	1208		1196
	1209		1197
	1210		1198
	1211		1199
	1212		1204
	1213		1205
	1214		1206
	1215		1207
	1216		1208
	1217		1209
	1218		1210
	1219		1211
	1220		1212

# INDEX

Name	Page	Name	Page
	1213		304
	1214		305
	1215		306
	1216	FLANGE GP-RADIATOR-DUCT .....	155
	1217	FLYWHEEL GP .....	46
	1218	FUMES DISPOSAL GP .....	111
	1219		112
	1220	FUSE (0.25-AMPERE) .....	827
	1221	FUSE (0.5-AMPERE) .....	703
	1222	FUSE (10-AMPERE) .....	703
	1223	FUSE (2-AMPERE) .....	393
	1226		705
	1227		710
	1228	FUSE (60-AMPERE) .....	827
	1229		
	1230		
	1235		
	1236		
	1237		
	1238		
	1240		
	1241		
	1244		
	1245		
FILTER ELEMENT AS-AIR (PRIMARY) .....	286		
	287		
	288		
	289		
	290		
	291		
FILTER ELEMENT AS-AIR (SECONDARY) .....	286		
	287		
	289		
	291		
FILTER ELEMENT AS-ENGINE OIL .....	104		
	106		
FILTER ELEMENT AS-FUEL (WATER SEPARATOR) .....	363		
FILTER ELEMENT-FUEL (ADVANCED EFFICIENCY) .....	344		
	346		
FILTER ELEMENT-FUEL (PRIMARY) .....	349		
FILTER GP-ENGINE OIL-DUPLEX .....	106		
FILTER GP-ENGINE OIL-RH .....	104		
FILTER GP-FUEL .....	346		
FILTER GP-FUEL-RH .....	344		
FILTER GP-PRIMARY FUEL .....	349		
FITTING GP-EXHAUST .....	299		
FITTING GP-EXHAUST-FLEXIBLE .....	296		
	297		
	298		
FLANGE GP-EXHAUST .....	300		
	301		
	302		
	303		
			1147
			1148
			1149
			1150
			1151
			1152
			1153
			1154
			1155
			1156
			1157
			1158
			1159
			1160
			1161
			1162
			1163
			1164

## G

GASKET (FUEL PRIMING PUMP) .....	357
GAUGE AS-OIL LEVEL (DIPSTICK) .....	113
GAUGE AS-OIL LEVEL (DIPSTICK) (DEEP SUMP) .....	114
GAUGE AS-SIGHT (RADIATOR) (COOLANT LEVEL) .....	232
	249
	252
GAUGE GP-COOLANT LEVEL .....	156
	157
GAUGE GP-OIL LEVEL (DIPSTICK) .....	113
GAUGE GP-OIL LEVEL (DIPSTICK)- DEEP SUMP .....	114
GAUGE GP-SIGHT (COOLANT LEVEL) .....	225
GAUGE-SIGHT (ENGINE COOLANT) .....	238
	265
	268
GEAR GP-FRONT-STANDARD ROTATION .....	47
GEAR GP-REAR .....	49
GENERATOR AR .....	1146



# INDEX

Name	Page	Name	Page
	1165		1221
	1166		1222
	1167		1223
	1168		1224
	1169		1225
	1170		1226
	1171		1227
	1172		1228
	1174		1229
	1175		1230
	1176		1232
	1177		1233
	1178		1234
	1179		1236
	1180		1237
	1181		1238
	1182		1240
	1183		1241
	1184		1242
	1185		1244
	1186	GENERATOR GP .....	1246
	1187		1247
	1188		1248
	1189		1249
	1190		1250
	1191		1251
	1192		1252
	1193		1253
	1194		1254
	1195		1255
	1196		1256
	1197		1257
	1198		1258
	1199		1259
	1200		1260
	1201		1261
	1202		1262
	1203		1263
	1204		1264
	1205		1265
	1206		1266
	1207		1267
	1208		1268
	1209		1269
	1210		1270
	1211		1271
	1212		1272
	1213		1273
	1214		1274
	1215		1275
	1216		1276
	1217		1277
	1218		1278
	1219		1279
	1220		1280

# INDEX

Name	Page	Name	Page
	1281		1337
	1282		1339
	1283		1340
	1284		1341
	1285		1342
	1286		1343
	1287		1344
	1288		1345
	1289		1346
	1290		1347
	1291	GROUND GP-ELECTRICAL .....	608
	1292	GROUND GP-ELECTRICAL-ALTERNATOR . . . .	607
	1293	GUARD GP-BELT .....	54
	1294		56
	1295	GUARD GP-BELT-ALTERNATOR .....	53
	1296		55
	1297	GUARD GP-BELT-FAN .....	51
	1298	GUARD GP-DAMPER .....	57
	1299		58
	1300	GUARD GP-FAN .....	158
	1301		159
	1302	GUARD GP-PULLEY .....	59
	1303	GUARD GP-RADIATOR .....	160
	1304		161
	1305		162
	1306		163
	1307		
	1308		
	1309	<b>H</b>	
	1310	HARNESS AS-ALARM .....	579
	1311		778
	1312		787
	1313		790
	1314	HARNESS AS-BOX .....	776
	1315		777
	1316	HARNESS AS-CONTROL .....	610
	1317		835
	1318	HARNESS AS-CONTROL	
	1319	(DISCRETE I/O, RTD) .....	775
	1320	HARNESS AS-CONTROL	
	1321	(LOAD SHARE MODULE) .....	810
	1322		813
	1323	HARNESS AS-CONTROL (LOAD SHARE) .....	336
	1324		815
	1325	HARNESS AS-CONTROL (POINTGUARD) .....	630
	1326	HARNESS AS-ENGINE .....	611
	1328		740
	1329		742
	1330	HARNESS AS-LIGHTING .....	622
	1331	HARNESS AS-MONITOR	
	1332	(DISCRETE INPUT/OUTPUT) .....	773
	1333	HARNESS AS-MOTOR (STARTING) .....	733
	1334	HARNESS AS-PANEL .....	711
	1335	HARNESS AS-PANEL (AC, DC INTERFACE) . . . .	381
	1336		384

# INDEX

Name	Page	Name	Page
	388		481
HARNESS AS-PANEL (CIRCUIT BREAKER) . . . .	735		482
HARNESS AS-PANEL (DATA LINK) . . . . .	381		483
	384		484
HARNESS AS-PANEL (EMCP 3) . . . . .	833		485
HARNESS AS-PANEL (EMCP 3, MUI) . . . . .	838		486
HARNESS AS-PANEL (HEATER) . . . . .	381		487
	384		488
	388		489
HARNESS AS-PANEL (INTERFACE) . . . . .	794		490
HARNESS AS-PANEL (INTERFACE) (EMCP 3, EUI) . . . . .	830		492
HARNESS AS-PANEL (PYROMETER) (LH) . . . .	842		493
HARNESS AS-PANEL-INTERFACE . . . . .	612		494
	613		495
HARNESS AS-PANEL- PYROMETER INTERCONNECT . . . . .	612		496
HARNESS AS-POWER (ALTERNATOR) . . . . .	732		497
HARNESS AS-POWER (GOVERNOR) . . . . .	578		498
HARNESS AS-SENSOR . . . . .	657		499
HARNESS AS-SENSOR (COOLANT LEVEL) . . . .	656		500
	658		501
	781		502
HARNESS AS-SENSOR (ENGINE OIL TEMPERATURE) . . . . .	781		503
HARNESS AS-SENSOR (SPEED TIMING) . . . .	736		504
HARNESS AS-SENSOR (THERMOCOUPLE) . . .	782		505
HARNESS AS-SWITCH (EMERGENCY STOP) . . . . .	717		506
	784		507
	785		508
HARNESS AS-SWITCH (STARTING AID) . . . . .	779		509
HARNESS AS-SWITCH (VOLTAGE ADJUST) . . .	749		510
HARNESS AS-SWITCH-EMERGENCY STOP . . .	614		511
HARNESS AS-WIRING . . . . .	1350		512
HARNESS AS-WIRING (ANNUNCIATOR) . . . .	748		513
HARNESS AS-WIRING (CIRCUIT BREAKER) (4-PIN) . . . . .	456		514
	458		515
	459		516
	460		517
	461		518
	462		519
	463		520
	464		521
	465		522
	469	HARNESS AS-WIRING (CIRCUIT BREAKER) (8-PIN) . . . . .	453
	470		454
	471		455
	472		456
	473		457
	474		458
	475		459
	479		460
	480		461

# INDEX

Name	Page	Name	Page
	462	HARNESS AS-WIRING (TERMINAL STRIP) . . . . .	813
	463		815
	464	HARNESS AS-WIRING (VALVE MECHANISM) . . .	98
	465	HARNESS AS-WIRING	
	466	(VOLTAGE REGULATOR) . . . . .	745
	467		758
	468	HARNESS AS-WIRING (VOLTAGE SENSING) . . .	336
	473		582
	474		752
	475		754
	476		756
	477		758
	478		810
	481	HARNESS AS-WIRING-GENERATOR . . . . .	614
	489	HEAT EXCHANGER GP-SEA WATER . . . . .	164
	557		166
HARNESS AS-WIRING			167
(CURRENT SENSING) . . . . .	582		169
HARNESS AS-WIRING			170
(CURRENT TRANSFORMER) . . . . .	336		172
	747	HEATER AS-SPACE . . . . .	1348
	751	HEATER GP-JACKET WATER . . . . .	615
	754		616
	810		617
	813		618
	815		619
HARNESS AS-WIRING (EMCP 3) . . . . .	745		620
	752	HEATER GP-SPACE . . . . .	1349
HARNESS AS-WIRING (GROUND) . . . . .	608		1350
HARNESS AS-WIRING		HOUSING & REGULATOR GP-	
(JACKET WATER HEATER) . . . . .	569	AFTERCOOLER . . . . .	176
	570	HOUSING & REGULATOR GP-	
	571	INLET CONTROL . . . . .	174
	572	HOUSING & REGULATOR GP-OUTLET . . . . .	173
	573	HOUSING & REGULATOR GP-	
	574	OUTLET CONTROL . . . . .	175
	759	HOUSING GP-FLYWHEEL . . . . .	60
	762	HOUSING GP-FRONT-ACCESSORY DRIVE . . .	61
	764		
	766		
	768		
HARNESS AS-WIRING			
(JACKET WATER HEATER) (JUMPER) . . . . .	761	INDICATOR GP-AIR FILTER CHANGE . . . . .	307
HARNESS AS-WIRING (JUMPER) . . . . .	388		308
HARNESS AS-WIRING (MAIN) . . . . .	744	INDICATOR-AIR FILTER SERVICE . . . . .	307
HARNESS AS-WIRING			308
(PERMANENT MAGNET) . . . . .	582	INJECTOR GP-FUEL . . . . .	356
	754		362
HARNESS AS-WIRING		INSTALLATION AR-GENERATOR . . . . .	7
(POTENTIAL TRANSFORMER) . . . . .	642	INSTALLATION AR-GENERATOR . . . . .	1351
HARNESS AS-WIRING (PYROMETER) . . . . .	780		
HARNESS AS-WIRING (RECTIFIER) . . . . .	1354		
HARNESS AS-WIRING (SPACE HEATER) . . . . .	1348		
	1349		
HARNESS AS-WIRING (TERMINAL BLOCK) . . . . .	703		

## I

## K





# INDEX

Name	Page	Name	Page
RELAY (24-VOLT) (CONTROL PANEL) . . . . .	827	SENSOR AS-PRESSURE	
RELAY (24-VOLT) (ECM ENERGIZE) . . . . .	645	(UNFILTERED FUEL) . . . . .	736
RELAY (240-VOLT) (CONTROL PANEL) . . . . .	827	SENSOR GP-COOLANT LEVEL . . . . .	656
ROD-ZINC (HEAT EXCHANGER) . . . . .	164		657
	167		658
	170		659
ROTOR GP-GENERATOR . . . . .	1356	SENSOR GP-EXHAUST TEMPERATURE	
	1357	(TURBOCHARGER INLET, LH) . . . . .	736
	1358	SENSOR GP-EXHAUST TEMPERATURE	
	1359	(TURBOCHARGER INLET, RH) . . . . .	736
	1360	SENSOR GP-PRESSURE	
	1361	(ATMOSPHERIC AIR) . . . . .	736
	1362	SENSOR GP-PRESSURE (CRANKCASE) . . . . .	736
	1363	SENSOR GP-PRESSURE	
	1364	(TURBOCHARGER INLET, LH) . . . . .	736
	1365	SENSOR GP-PRESSURE	
	1366	(TURBOCHARGER INLET, RH) . . . . .	736
	1367	SENSOR GP-PRESSURE	
	1368	(TURBOCHARGER OUTLET) . . . . .	736
	1369	SENSOR GP-SPEED . . . . .	660
	1370		661
	1371	SENSOR GP-SPEED (ENGINE TIMING) . . . . .	736
	1372	SENSOR GP-SPEED (ENGINE) . . . . .	736
	1373	SENSOR GP-TEMPERATURE . . . . .	662
	1374	SENSOR GP-TEMPERATURE	
		(AFTERCOOLER) . . . . .	736
		SENSOR GP-TEMPERATURE	
		(CYLINDER EXHAUST) . . . . .	719
		SENSOR GP-TEMPERATURE	
		(ENGINE COOLANT) . . . . .	736
		SENSOR GP-TEMPERATURE (ENGINE OIL) . . . . .	663
		SENSOR GP-TEMPERATURE-ENGINE OIL . . . . .	663
		SENSOR GP-TEMPERATURE-	
		GENERATOR BEARING . . . . .	664
			665
			666
		SENSOR-TEMPERATURE (BEARING) . . . . .	665
			666
		SENSOR-TEMPERATURE	
		(GENERATOR BEARING) . . . . .	664
		SEPARATOR GP-WATER-	
		PRIMARY FUEL FILTER . . . . .	363
		SHIELD AS-HEAT . . . . .	325
		SHIM PACK . . . . .	1446
		SHUTOFF GP-AIR . . . . .	326
			327
			329
		SILENCER GP-AIR STARTING . . . . .	667
		SOLENOID AS (24-VOLT)	
		(STARTING MOTOR) . . . . .	680
			687
			690
			694
			696
		SOLENOID AS (SHUTOFF) . . . . .	668

## S

SCREEN AS-SUCTION (OIL PAN) . . . . .	68
	70
SCREEN GP-AIR . . . . .	1375
	1376
	1377
	1378
	1379
	1380
SCREEN-STRAINER	
(PRESSURE REDUCING VALVE) . . . . .	730
SEAL GP-CRANKSHAFT . . . . .	94
SEAL-LIP TYPE	
(WATER TEMPERATURE REGULATOR) . . . . .	173
	174
	175
	176
SEAL-VALVE COVER . . . . .	20
SEAL-VALVE COVER (BREATHER) . . . . .	100
SENSOR & MTG GP-RADIATOR . . . . .	656
	657
	658
SENSOR AS-PRESSURE	
(FILTERED ENGINE OIL) . . . . .	736
SENSOR AS-PRESSURE (FILTERED FUEL) . . . . .	736
SENSOR AS-PRESSURE	
(UNFILTERED ENGINE OIL) . . . . .	736

# INDEX

Name	Page	Name	Page
SOLENOID AS-STARTING MOTOR .....	675		1411
SOLENOID AS-STARTING MOTOR (24-VOLT) ...	677		1412
	701		1413
SOLENOID GP-SHUTOFF-AIR .....	668		1414
STARTING AID GP-RELAY, SWITCH .....	669		1415
STARTING AID GP-ETHER .....	670		1416
STARTING MOTOR GP-AIR .....	673		1417
STARTING MOTOR GP-AIR-SINGLE .....	672		1418
STARTING MOTOR GP-ELECTRIC .....	675		1419
	676		1420
	679		1421
	680		1422
	683		1423
	685		1424
	687		1425
	690		1426
	694		1427
	696		1428
	698		1429
	700		1430
STARTING MOTOR GP-ELECTRIC-DUAL .....	682		1431
	693		1432
STATOR GP-MAIN .....	1381		1433
	1382		1434
STATOR GP-MAIN .....	1343		1435
	1346		1436
	1347		1437
	1383		1438
	1384		1439
	1385		1440
	1386		1441
	1387	STRAINER AS (PRELUBRICATION PUMP) .....	126
	1388		129
	1389		133
	1390		136
	1391	STRIP GP-TERMINAL .....	711
	1392	STRIP GP-TERMINAL-AC .....	703
	1393	STRIP GP-TERMINAL-DC .....	705
	1394		710
	1395	STRIP GP-TERMINAL-	
	1396	DISCRETE INPUT/OUTPUT .....	707
	1397	STRIP GP-TERMINAL-LOAD SHARE .....	708
	1398	STRIP GP-TERMINAL-SWITCHGEAR .....	706
	1399		709
	1400	SUPPORT GP-BATTERY .....	712
	1401	SUPPORT GP-CABLE .....	713
	1402	SUPPORT GP-FAN .....	272
	1403	SUPPORT GP-FAN DRIVE .....	95
	1404	SUPPORT GP-RADIATOR (TOP) .....	232
	1405	SWITCH AS-MAGNETIC (24-VOLT)	
	1406	(AIR SHUTOFF) .....	771
	1407	SWITCH AS-MAGNETIC (24-VOLT)	
	1408	(PRELUBRICATION PUMP) .....	770
	1409	SWITCH AS-MAGNETIC (24-VOLT)	
	1410	(STARTING MOTOR) .....	733



# INDEX

Name	Page	Name	Page
	734		478
SWITCH AS-PRESSURE			479
(PRELUBRICATION) .....	397		480
SWITCH AS-PRESSURE (STARTING OIL) .....	126		481
	129		482
SWITCH AS-PUSH BUTTON			483
(EMERGENCY STOP) .....	717		484
	784		485
	785		486
SWITCH AS-TOGGLE (ALARM) .....	579		487
SWITCH AS-TOGGLE (MOMENTARY)			488
(VOLTAGE ADJUSTMENT) .....	749		489
SWITCH AS-TOGGLE (PANEL LIGHT) .....	622		490
	790		491
SWITCH GP-COOLANT LEVEL .....	274		492
	275		493
	276		494
	277		495
	278		496
SWITCH GP-DISCONNECT-BATTERY .....	715		497
	716		498
SWITCH GP-PUSH BUTTON			499
(EMERGENCY STOP) .....	833		500
	838		501
SWITCH GP-PUSH BUTTON-			502
EMERGENCY STOP .....	717		503
SWITCH GP-ROTARY			504
(GENERATOR SET START) .....	827		505
SWITCH GP-STARTING AID .....	718		506
SWITCH-AUXILIARY			507
(SINGLE POLE, DUAL THROW) .....	453		508
	454		509
	455		510
	456		511
	457		512
	458		513
	459		514
	460		515
	461		516
	462		517
	463		518
	464		519
	465		520
	466		521
	467		522
	468		523
	469		524
	470		525
	471		526
	472		527
	473		528
	474		529
	475		530
	476		531
	477		532

# INDEX

Name	Page	Name	Page
	533		724
	534		725
	535	TRANSFORMER AS-CURRENT-	
	536	NEUTRAL SENSING .....	720
	537		721
	538	TRANSFORMER GP-CURRENT-	
	539	MEDIUM VOLTAGE .....	726
	540	TRANSFORMER GP-POTENTIAL .....	727
	541	TURBOCHARGER GP .....	331
	542		332
	543		333
	544		334
	545		
	546	<b>V</b>	
	547		
	548	V-BELT SET (INCLUDES 4-BELTS)	
	549	(FAN DRIVE) .....	81
	550		82
	551	V-BELT SET (INCLUDES 5-BELTS)	
	552	(FAN DRIVE) .....	217
	553		221
	554	V-BELT SET (INCLUDES 6-BELTS)	
	555	(FAN DRIVE) .....	74
	556		75
	557		76
	558		77
	559		78
	560		79
	561		80
	562		83
	563		84
	564		85
	565		86
	566		87
	567		88
	568		89
SWITCH-LIQUID LEVEL (COOLANT) .....	156		90
	157		91
	274		92
	275		93
	276	V-BELT SET (INCLUDES 6-BELTS)	
	277	(RADIATOR FAN DRIVE) .....	213
	278	VALVE AS-SOLENOID-AIR START .....	728
SWITCH-TEMPERATURE (HEAT SINK) .....	827	VALVE GP-AIR CONTROL-RH .....	335
SWITCH-TOGGLE (ETHER STARTING AID) ....	669	VALVE GP-ETHER STARTING .....	729
SWITCH-TOGGLE (STARTING AID) .....	718	VALVE GP-EXPLOSION RELIEF .....	97
	779	VALVE GP-FLUID CONTROL-DUPLEX OIL ....	143
		VALVE GP-FLUID SAMPLING-OIL .....	144
		VALVE GP-PRESSURE REDUCING-RH .....	730
		VALVE GP-RELAY (AIR STARTING) .....	623
		VALVE MECHANISM GP .....	98
<b>T</b>		<b>W</b>	
TANK GP-EXPANSION .....	279		
THERMOCOUPLE GP .....	719		
	782		
TRANSFORMER AS-CURRENT .....	722		
	723	WIRE AS-GROUND .....	731

# INDEX

Name	Page	Name	Page
WIRING GP-ALTERNATOR .....	732		
WIRING GP-ELECTRIC STARTING .....	733		
WIRING GP-ELECTRIC STARTING– DUAL STARTING MOTOR .....	734		
WIRING GP-ELECTRONIC CONTROL– CIRCUIT BREAKERS .....	735		
WIRING GP-ENGINE .....	736		
	740		
WIRING GP-ENGINE ELECTRONIC– SPEED ADJUST .....	743		
WIRING GP-ENGINE– ENGINE INTERCONNECT .....	742		
WIRING GP-GENERATOR– ANNUNCIATOR HARNESS .....	748		
WIRING GP-GENERATOR– CURRENT TRANSFORMER .....	747		
	751		
WIRING GP-GENERATOR–MAIN .....	744		
WIRING GP-GENERATOR– VOLTAGE ADJUST SWITCH .....	749		
WIRING GP-GENERATOR– VOLTAGE REGULATOR .....	754		
WIRING GP-GENERATOR– VOLTAGE SENSING .....	745		
	752		
	756		
	758		
WIRING GP-JACKET WATER HEATER .....	759		
	761		
	762		
	764		
	766		
	768		
WIRING GP-PANEL–AIR SHUTOFF .....	771		
WIRING GP-PANEL–CIRCUIT BREAKER .....	776		
	777		
WIRING GP-PANEL–DISCRETE I/O, RTD .....	775		
WIRING GP-PANEL– DISCRETE INPUT/OUTPUT MODULE .....	773		
WIRING GP-PANEL–INPUT/OUTPUT .....	778		
WIRING GP-PANEL–PRELUBRICATION .....	770		
WIRING GP-PANEL–RTD MODULE .....	772		
WIRING GP-PANEL–STARTING AID .....	779		
WIRING GP-PYROMETER .....	780		
WIRING GP-SENSOR– COOLANT LEVEL, OIL TEMPERATURE .....	781		
WIRING GP-SENSOR–THERMOCOUPLE .....	782		
WIRING GP-SHUTOFF–EMERGENCY STOP .....	784		
	785		

# MEMORANDA

# ENGINE ARRANGEMENT

## 251-3091 CONVERSION AR-COOLING CIRCUIT

S/N: YAT1-UP

FOR USE WITH SERPENTINE CORE RADIATOR  
AN ATTACHMENT

SMCS-1350

i02094449

NOTE	PART NUMBER	QTY	PART NAME						SEE PAGE
			1	2	3	4	5	6 (PRODUCT LEVEL)	
	7E-6017	1	COVER (REGULATOR HOUSING)						
			INSTALL ON LEFT HAND SIDE OF REGULATOR HOUSING.						
	7N-5801	1	ELBOW-OUTLET (ENGINE WATER)						
			INSTALL ON RIGHT HAND SIDE OF REGULATOR HOUSING.						

# ENGINE ARRANGEMENT

## 250-9694 CONVERSION AR-ENGINE

S/N: YAT1-UP

JACKET WATER RETURN ELBOWS

CANNOT BE USED WITH FOLDED CORE RADIATORS  
AN ATTACHMENT

SMCS-1000

i02232876

NOTE	PART NUMBER	QTY	PART NAME						SEE PAGE
			1	2	3	4	5	6 (PRODUCT LEVEL)	
	7N-5801	2	ELBOW-OUTLET (WATER)						

# ENGINE ARRANGEMENT

## 325-9342 ENGINE AR-GENSET

S/N: YAT1-UP

RATED SPEED 1500-RPM

SMCS-1000

i03130455

NOTE	PART NUMBER	QTY	PART NAME						SEE PAGE
			1	2	3	4	5	6 (PRODUCT LEVEL)	
Y	107-7197	1	AFTERCOOLER GP-TREATED WATER						284
Y	124-5513	1	BREATHER GP (CRANKCASE)						100
Y	106-4595	1	CAMSHAFT GP						10
Y	8N-9161	1	CONNECTION GP-WATER (OUTLET)						147
Y	220-2677	1	CONTROL & MTG GP-ENGINE ELEK (PRIMARY)						576
Y	4W-5891	1	COOLER GP-ENGINE OIL						150
Y	6I-1392	1	COVER GP-ACCESSORY DRIVE (UPPER, RH)						14
Y	121-3551	1	COVER GP-CYLINDER BLOCK (CENTRAL STRUCTURE)						15
Y	7E-6432	1	COVER GP-FLYWHEEL HOUSING						17
Y	147-3182	1	COVER GP-FRONT HOUSING						19
Y	101-0831	12	COVER GP-VALVE MECHANISM						20
Y	8N-0337	1	CRANKSHAFT GP						21
Y	240-6653	1	CYLINDER BLOCK GP						25
Y	101-0830	16	CYLINDER HEAD GP						30
Y	8N-0339	1	DAMPER GP						33
Y	7E-7647	1	DRIVE GP-ACCESSORY (LOWER, LH)						39
Y	7N-1875	1	FILLER GP-ENGINE OIL (CYLINDER BLOCK)						103
Y	112-4921	1	FILTER GP-ENGINE OIL (RH)						104
Y	7W-9741	1	FILTER GP-FUEL (RH)						344
Y	7N-4851	1	FLYWHEEL GP						46
Y	7C-6366	1	GAUGE GP-OIL LEVEL (DIPSTICK) (ENGINE)						113
Y	8N-7174	1	GEAR GP-FRONT						47
Y	101-0835	1	GEAR GP-REAR						49
Y	9Y-9171	1	HOUSING & REGULATOR GP (OUTLET CONTROL)						175
Y	297-7000	1	HOUSING GP-FLYWHEEL						60
Y	4P-5426	1	HOUSING GP-FRONT (ACCESSORY DRIVE)						61
Y	7E-6872	1	LIFTING GP-ENGINE						62
Y	314-6062	1	LINES GP-ENGINE OIL						118
Y	262-6761	1	LINES GP-FUEL INJECTION						351
Y	198-9918	1	LINES GP-TURBOCHARGER AIR						312
Y	111-3424	1	LINES GP-TURBOCHARGER OIL						121
Y	7C-8122	1	LINES GP-WATER (BYPASS)						186
Y	102-3516	1	LINES GP-WATER (UPPER)						187
Y	115-7850	1	LINES GP-WATER (LOWER)						189
Y	208-0822	1	LINES GP-WATER (AFTERCOOLER)						199
Y	111-6786	1	MANIFOLD GP-EXHAUST						314
Y	7C-4711	1	PAN GP-OIL						66
Y	281-6139	16	PISTON & ROD GP						72
Y	9Y-8175	1	PUMP GP-AUXILIARY WATER						208
Y	106-9873	1	PUMP GP-ENGINE OIL (2-SECTION GEAR)						132
Y	8N-6151	1	PUMP GP-FUEL TRANSFER (1-SECTION GEAR)						360
Y	116-7010	16	PUMP GP-UNIT INJECTION						362
Y	2W-9729	1	PUMP GP-WATER						211
Y	7W-3813	1	SEAL GP-CRANKSHAFT						94
Y	<b>237-0598</b>	2	SHIELD AS-HEAT (AFTERCOOLER SEAL)						325
Y	118-5464	1	TURBOCHARGER GP						333
Y	224-9869	16	VALVE MECHANISM GP						98
Y	237-9016	1	WIRING GP-ENGINE						736
Y	246-9375	1	WIRING GP-SENSOR (COOLANT LEVEL, OIL TEMPERATURE)						781

PLEASE USE THE GASKET KIT LINK IN SIS OR  
CONTACT YOUR LOCAL DEALER FOR THE LATEST  
GASKET KIT INFORMATION

Y- SEPARATE ILLUSTRATION

# ENGINE ARRANGEMENT

## 325-9343 ENGINE AR-GENSET

S/N: YAT1-UP

RATED SPEED 1800-RPM

SMCS-1000

i03130456

NOTE	PART NUMBER	QTY	PART NAME						SEE PAGE
			1	2	3	4	5	6 (PRODUCT LEVEL)	
Y	107-7197	1	AFTERCOOLER GP-TREATED WATER						284
Y	124-5513	1	BREATHER GP (CRANKCASE)						100
Y	106-4595	1	CAMSHAFT GP						10
Y	8N-9161	1	CONNECTION GP-WATER (OUTLET)						147
Y	220-2677	1	CONTROL & MTG GP-ENGINE ELEK (PRIMARY)						576
Y	4W-5891	1	COOLER GP-ENGINE OIL						150
Y	6I-1392	1	COVER GP-ACCESSORY DRIVE (UPPER, RH)						14
Y	121-3551	1	COVER GP-CYLINDER BLOCK (CENTRAL STRUCTURE)						15
Y	7E-6432	1	COVER GP-FLYWHEEL HOUSING						17
Y	147-3182	1	COVER GP-FRONT HOUSING						19
Y	101-0831	12	COVER GP-VALVE MECHANISM						20
Y	8N-0337	1	CRANKSHAFT GP						21
Y	240-6653	1	CYLINDER BLOCK GP						25
Y	101-0830	16	CYLINDER HEAD GP						30
Y	8N-0339	1	DAMPER GP						33
Y	7E-7647	1	DRIVE GP-ACCESSORY (LOWER, LH)						39
Y	7N-1875	1	FILLER GP-ENGINE OIL (CYLINDER BLOCK)						103
Y	112-4921	1	FILTER GP-ENGINE OIL (RH)						104
Y	7W-9741	1	FILTER GP-FUEL (RH)						344
Y	7N-4851	1	FLYWHEEL GP						46
Y	7C-6366	1	GAUGE GP-OIL LEVEL (DIPSTICK) (ENGINE)						113
Y	8N-7174	1	GEAR GP-FRONT						47
Y	101-0835	1	GEAR GP-REAR						49
Y	9Y-9171	1	HOUSING & REGULATOR GP (OUTLET CONTROL)						175
Y	297-7000	1	HOUSING GP-FLYWHEEL						60
Y	4P-5426	1	HOUSING GP-FRONT (ACCESSORY DRIVE)						61
Y	7E-6872	1	LIFTING GP-ENGINE						62
Y	314-6062	1	LINES GP-ENGINE OIL						118
Y	262-6761	1	LINES GP-FUEL INJECTION						351
Y	198-9918	1	LINES GP-TURBOCHARGER AIR						312
Y	111-3424	1	LINES GP-TURBOCHARGER OIL						121
Y	7C-8122	1	LINES GP-WATER (BYPASS)						186
Y	102-3516	1	LINES GP-WATER (UPPER)						187
Y	115-7850	1	LINES GP-WATER (LOWER)						189
Y	208-0822	1	LINES GP-WATER (AFTERCOOLER)						199
Y	111-6786	1	MANIFOLD GP-EXHAUST						314
Y	7C-4711	1	PAN GP-OIL						66
Y	281-6139	16	PISTON & ROD GP						72
Y	9Y-8175	1	PUMP GP-AUXILIARY WATER						208
Y	106-9873	1	PUMP GP-ENGINE OIL (2-SECTION GEAR)						132
Y	256-3663	16	PUMP GP-FUEL INJECTION						356
Y	8N-6151	1	PUMP GP-FUEL TRANSFER (1-SECTION GEAR)						360
Y	2W-9729	1	PUMP GP-WATER						211
Y	7W-3813	1	SEAL GP-CRANKSHAFT						94
Y	<b>237-0598</b>	2	SHIELD AS-HEAT (AFTERCOOLER SEAL)						325
Y	118-5463	1	TURBOCHARGER GP						332
Y	224-9869	16	VALVE MECHANISM GP						98
Y	237-9016	1	WIRING GP-ENGINE						736
Y	246-9375	1	WIRING GP-SENSOR (COOLANT LEVEL, OIL TEMPERATURE)						781

PLEASE USE THE GASKET KIT LINK IN SIS OR  
CONTACT YOUR LOCAL DEALER FOR THE LATEST  
GASKET KIT INFORMATION

Y- SEPARATE ILLUSTRATION



# ENGINE ARRANGEMENT

## 325-9344 ENGINE AR-GENSET

S/N: YAT1-UP

RATED SPEED 1800-RPM

SMCS-1000

i03130457

NOTE	PART NUMBER	QTY	PART NAME						SEE PAGE
			1	2	3	4	5	6 (PRODUCT LEVEL)	
Y	147-6620	1	AFTERCOOLER GP-WATER						285
Y	124-5513	1	BREATHER GP (CRANKCASE)						100
Y	231-9123	1	CAMSHAFT GP						11
Y	8N-9161	1	CONNECTION GP-WATER (OUTLET)						147
Y	220-2677	1	CONTROL & MTG GP-ENGINE ELEK (PRIMARY)						576
Y	4W-5891	1	COOLER GP-ENGINE OIL						150
Y	6I-1392	1	COVER GP-ACCESSORY DRIVE						14
Y	121-3551	1	COVER GP-CYLINDER BLOCK (CENTRAL STRUCTURE)						15
Y	7E-6432	1	COVER GP-FLYWHEEL HOUSING						17
Y	147-3182	1	COVER GP-FRONT HOUSING						19
Y	101-0831	12	COVER GP-VALVE MECHANISM						20
Y	8N-0337	1	CRANKSHAFT GP						21
Y	240-6653	1	CYLINDER BLOCK GP						25
Y	101-0830	16	CYLINDER HEAD GP						30
Y	248-0197	1	DAMPER GP						36
Y	7E-7647	1	DRIVE GP-ACCESSORY (LOWER, LH)						39
Y	7N-1875	1	FILLER GP-ENGINE OIL (CYLINDER BLOCK)						103
Y	112-4921	1	FILTER GP-ENGINE OIL (RH)						104
Y	7W-9741	1	FILTER GP-FUEL (RH)						344
Y	7N-4851	1	FLYWHEEL GP						46
Y	7C-6366	1	GAUGE GP-OIL LEVEL (DIPSTICK) (ENGINE)						113
Y	8N-7174	1	GEAR GP-FRONT						47
Y	101-0835	1	GEAR GP-REAR						49
Y	9Y-9171	1	HOUSING & REGULATOR GP (OUTLET CONTROL)						175
Y	297-7000	1	HOUSING GP-FLYWHEEL						60
Y	4P-5426	1	HOUSING GP-FRONT (ACCESSORY DRIVE)						61
Y	7E-6872	1	LIFTING GP-ENGINE						62
Y	147-6619	1	LINES GP-AIR						309
Y	115-7860	1	LINES GP-ENGINE OIL						115
Y	262-6761	1	LINES GP-FUEL INJECTION						351
Y	111-3424	1	LINES GP-TURBOCHARGER OIL						121
Y	7C-8122	1	LINES GP-WATER (BYPASS)						186
Y	102-3516	1	LINES GP-WATER (UPPER)						187
Y	115-7850	1	LINES GP-WATER (LOWER)						189
Y	208-0822	1	LINES GP-WATER (AFTERCOOLER)						199
Y	111-6786	1	MANIFOLD GP-EXHAUST						314
Y	7C-4711	1	PAN GP-OIL						66
Y	281-6139	16	PISTON & ROD GP						72
Y	9Y-8175	1	PUMP GP-AUXILIARY WATER						208
Y	106-9873	1	PUMP GP-ENGINE OIL (2-SECTION GEAR)						132
Y	256-3663	16	PUMP GP-FUEL INJECTION						356
Y	8N-6151	1	PUMP GP-FUEL TRANSFER (1-SECTION GEAR)						360
Y	2W-9729	1	PUMP GP-WATER						211
Y	7W-3813	1	SEAL GP-CRANKSHAFT						94
Y	<b>237-0598</b>	2	SHIELD AS-HEAT (AFTERCOOLER SEAL)						325
Y	118-5463	1	TURBOCHARGER GP						332
Y	224-9869	16	VALVE MECHANISM GP						98
Y	237-9016	1	WIRING GP-ENGINE						736
Y	246-9376	1	WIRING GP-SENSOR (COOLANT LEVEL, OIL TEMPERATURE)						781

PLEASE USE THE GASKET KIT LINK IN SIS OR CONTACT YOUR LOCAL DEALER FOR THE LATEST GASKET KIT INFORMATION

Y- SEPARATE ILLUSTRATION

# ENGINE ARRANGEMENT

## 328-2059 ENGINE AR

S/N: YAT1-UP

RATED SPEED 1800-RPM

SMCS-1000

i03399260

NOTE	PART NUMBER	QTY	PART NAME						SEE PAGE
			1	2	3	4	5	6 (PRODUCT LEVEL)	
Y	147-6620	1	AFTERCOOLER GP-WATER						285
Y	124-5513	1	BREATHER GP (CRANKCASE)						100
Y	231-9123	1	CAMSHAFT GP						11
Y	8N-9161	1	CONNECTION GP-WATER						147
Y	220-2677	1	CONTROL & MTG GP-ENGINE ELEK (PRIMARY)						576
Y	4W-5891	1	COOLER GP-ENGINE OIL						150
Y	<b>6I-1392</b>	1	COVER GP-ACCESSORY DRIVE						14
Y	121-3551	1	COVER GP-CYLINDER BLOCK (CENTRAL STRUCTURE)						15
Y	7E-6432	1	COVER GP-FLYWHEEL HOUSING						17
Y	147-3182	1	COVER GP-FRONT HOUSING						19
Y	101-0831	12	COVER GP-VALVE MECHANISM						20
Y	8N-0337	1	CRANKSHAFT GP						21
Y	240-6653	1	CYLINDER BLOCK GP						25
Y	101-0830	16	CYLINDER HEAD GP						30
Y	248-0197	1	DAMPER GP						36
Y	7E-7647	1	DRIVE GP-ACCESSORY (LOWER, LH)						39
Y	7N-1875	1	FILLER GP-ENGINE OIL						103
Y	112-4921	1	FILTER GP-ENGINE OIL (RH)						104
Y	7W-9741	1	FILTER GP-FUEL (RH)						344
Y	7N-4851	1	FLYWHEEL GP						46
Y	7C-6366	1	GAUGE GP-OIL LEVEL (DIPSTICK)						113
Y	8N-7174	1	GEAR GP-FRONT						47
Y	101-0835	1	GEAR GP-REAR						49
Y	9Y-9171	1	HOUSING & REGULATOR GP (OUTLET CONTROL)						175
Y	297-7000	1	HOUSING GP-FLYWHEEL						60
Y	4P-5426	1	HOUSING GP-FRONT (ACCESSORY DRIVE)						61
Y	7E-6872	1	LIFTING GP-ENGINE						62
Y	147-6619	1	LINES GP-AIR						309
Y	314-6062	1	LINES GP-ENGINE OIL						118
Y	262-6761	1	LINES GP-FUEL INJECTION						351
Y	111-3424	1	LINES GP-TURBOCHARGER OIL						121
Y	7C-8122	1	LINES GP-WATER (BYPASS)						186
Y	102-3516	1	LINES GP-WATER (UPPER)						187
Y	115-7850	1	LINES GP-WATER (LOWER)						189
Y	208-0822	1	LINES GP-WATER (AFTERCOOLER)						199
Y	111-6786	1	MANIFOLD GP-EXHAUST						314
Y	7C-4711	1	PAN GP-OIL						66
Y	281-6139	16	PISTON & ROD GP						72
Y	9Y-8175	1	PUMP GP-AUXILIARY WATER						208
Y	106-9873	1	PUMP GP-ENGINE OIL (2-SECTION GEAR)						132
Y	256-3663	16	PUMP GP-FUEL INJECTION						356
Y	8N-6151	1	PUMP GP-FUEL TRANSFER (1-SECTION GEAR)						360
Y	2W-9729	1	PUMP GP-WATER						211
Y	7W-3813	1	SEAL GP-CRANKSHAFT						94
Y	<b>237-0598</b>	2	SHIELD AS-HEAT						325
Y	118-5463	1	TURBOCHARGER GP						332
Y	224-9869	16	VALVE MECHANISM GP						98
Y	237-9016	1	WIRING GP-ENGINE						736
Y	246-9376	1	WIRING GP-SENSOR (COOLANT LEVEL, OIL TEMPERATURE)						781

PLEASE USE THE GASKET KIT LINK IN SIS OR  
CONTACT YOUR LOCAL DEALER FOR THE LATEST  
GASKET KIT INFORMATION

Y-SEPARATE ILLUSTRATION

# ENGINE ARRANGEMENT

## 256-9606 INSTALLATION AR-GENERATOR

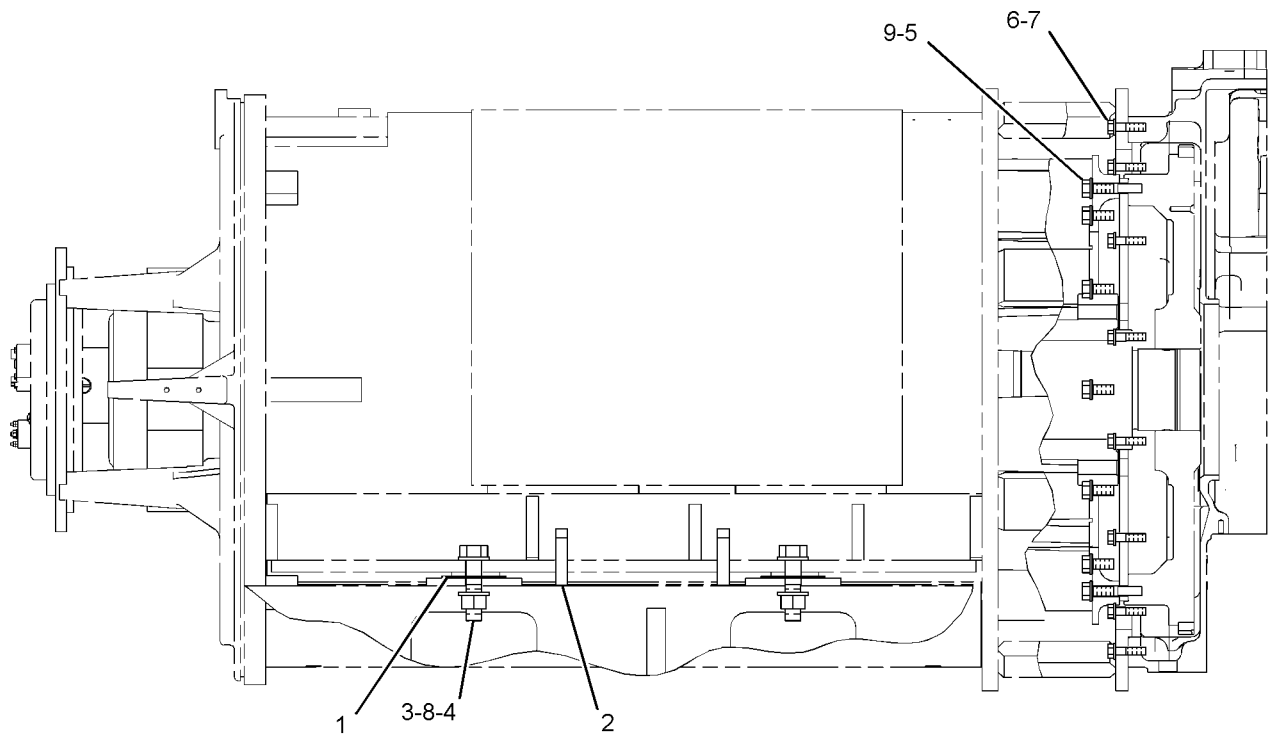
S/N: YAT1-UP  
AN ATTACHMENT

SMCS - 1000

i03167541

NOTE	REF NO	GRAPHIC REF	PART NUMBER	QTY	PART NAME						SEE PAGE
					1	2	3	4	5	6 (PRODUCT LEVEL)	
BY	1	1	137-8533	4	SHIM PACK (INCLUDES 13-SHIMS)						1446
	2	1	260-0217	4	SETSCREW (M24X2-THD)						
	3	1	6V-8190	4	NUT (1-8-THD)						
	4	1	7X-0410	4	BOLT (1-8X4-IN)						
	5	1	8T-4122	12	WASHER-HARD (17X32X3.5-MM THK)						
	6	1	8T-4223	16	WASHER-HARD (13.5X25.5X3-MM THK)						
	7	1	8T-4835	16	BOLT (1/2-13X2-IN)						
	8	1	8T-5361	8	WASHER-HARD (28X49X5-MM THK)						
	9	1	8T-9393	12	BOLT (5/8-11X1.5-IN)						

B-USE AS REQUIRED  
Y-SEPARATE ILLUSTRATION



RIGHT SIDE VIEW

GRAPHIC #1

<END>

g01212049

# BASIC ENGINE

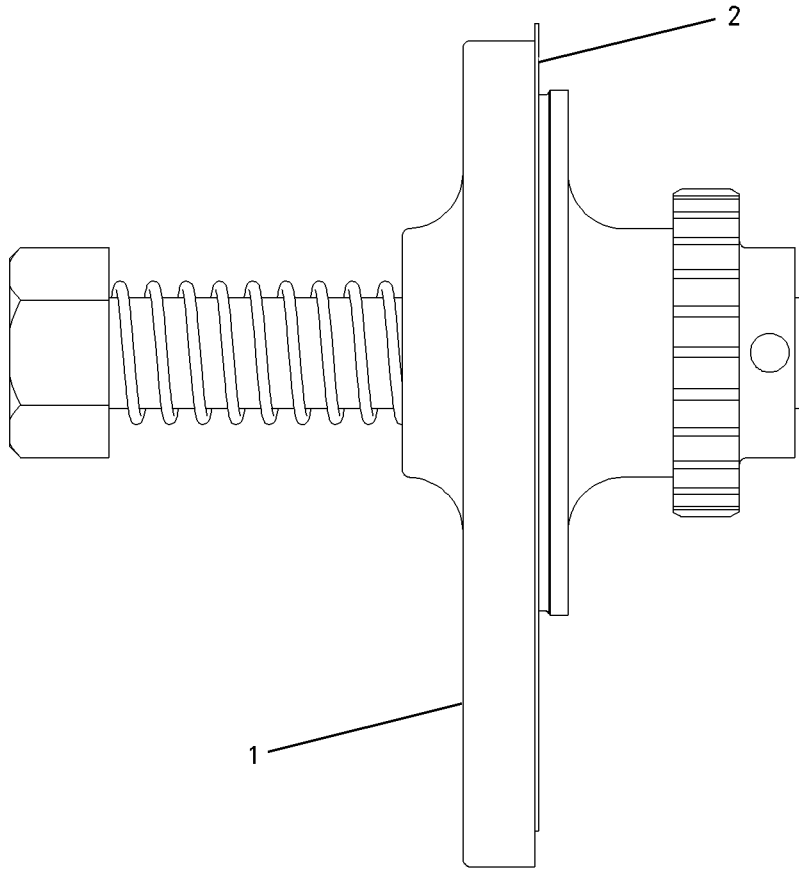
## 5R-7425 BARRING GP-LH

S/N: YAT1-UP  
AN ATTACHMENT

SMCS-1235

i01581694

NOTE	REF NO	GRAPHIC REF	PART NUMBER	QTY	PART NAME						SEE PAGE
					1	2	3	4	5	6 (PRODUCT LEVEL)	
	1	1	3R-1937	1	TOOL - BARRING						
	2	1	4H-7869	1	GASKET						



GRAPHIC #1

<END>

g00824462

# BASIC ENGINE

## 247-8341 BASE GP-VALVE COVER

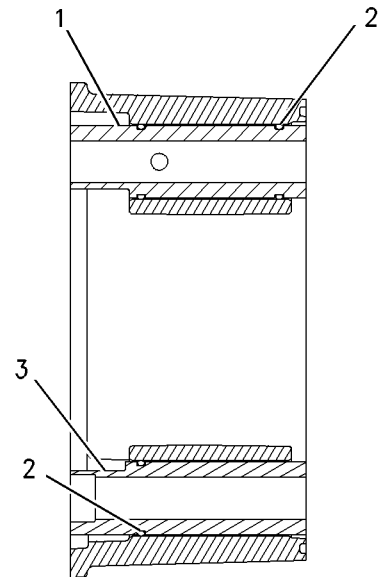
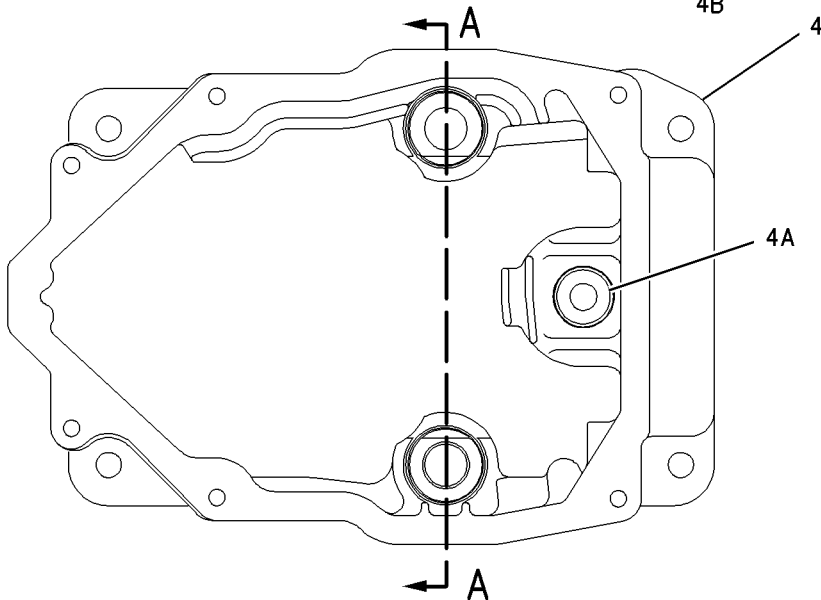
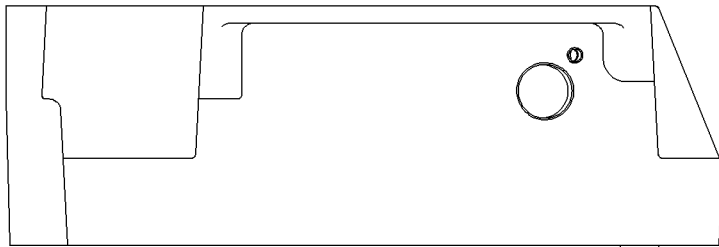
S/N: YAT1-UP

PART OF 224-9869 VALVE MECHANISM GP

SMCS-1120

i02685870

NOTE	REF NO	GRAPHIC REF	PART NUMBER	QTY	PART NAME						SEE PAGE
					1	2	3	4	5	6 (PRODUCT LEVEL)	
	1	1	119-0839	1	SPACER (17.5X30.94X98-MM)						
	2	1	6V-6228	3	SEAL-O-RING						
	3	1	119-0838	1	SPACER (17.5X30.94X98-MM)						
	4	1	247-8340	1	BASE AS						
	4A	1	120-4339	1	WASHER-SPRING						
	4B	1	261-0195	1	DOWEL-HOLLOW						



SECTION A-A

GRAPHIC #1

<END>

g00842340

# BASIC ENGINE

## 106-4595 CAMSHAFT GP

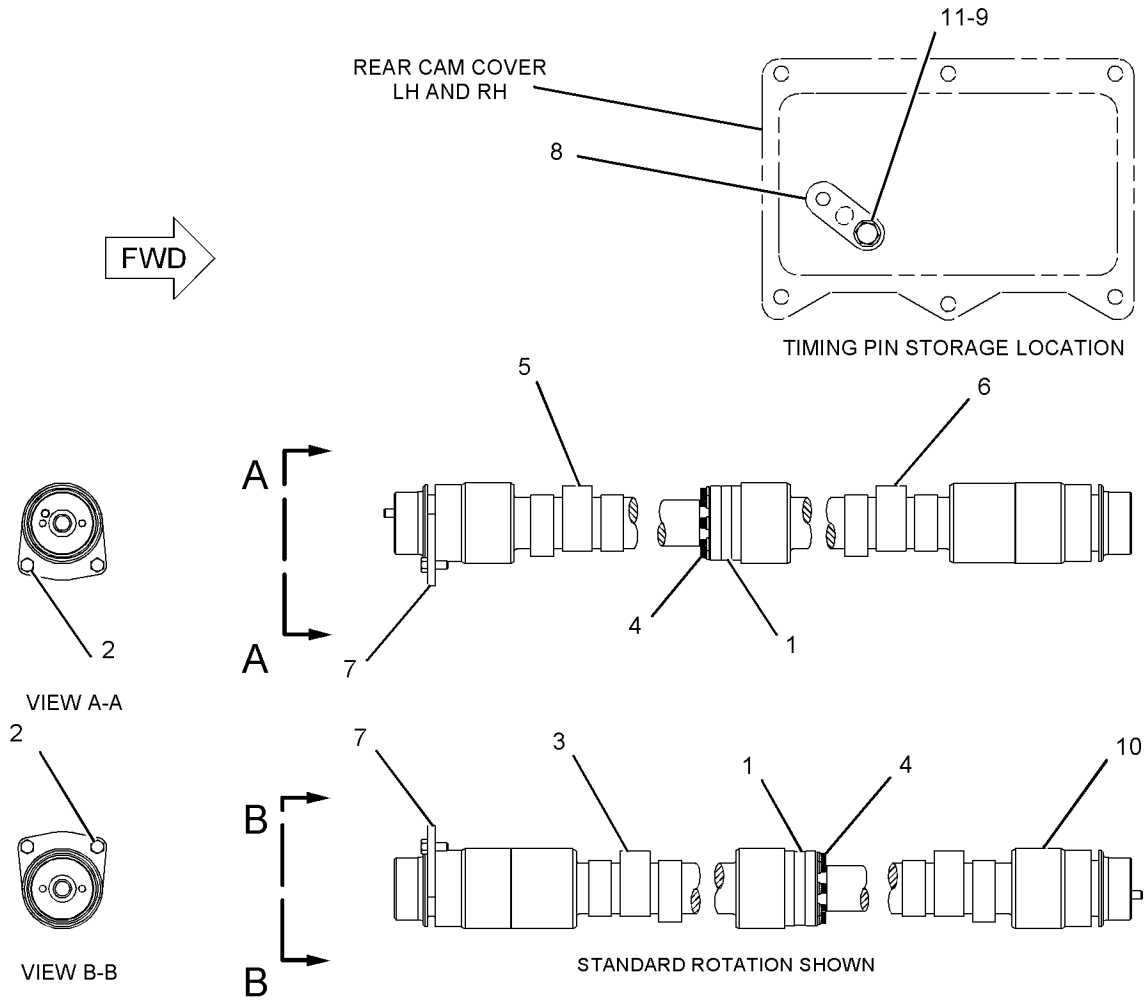
S/N: YAT1-UP

SMCS-1210

i02177042

NOTE	REF NO	GRAPHIC REF	PART NUMBER	QTY	PART NAME						SEE PAGE
					1	2	3	4	5	6 (PRODUCT LEVEL)	
	1	1	7N-3216	2	SPACER (35.035X84X12-MM THK)						
C	2	1	0L-1351	4	BOLT (3/8-16X0.875-IN)						
R	3	1	127-8260	1	CAMSHAFT AS						
		1	4N-1650	1	DOWEL						
	4	1	5P-0076	16	BOLT-12 POINT HEAD (3/8-16X1.5-IN)						
R	5	1	127-8261	1	CAMSHAFT AS						
		1	5B-5821	1	DOWEL						
R	6	1	127-8262	1	CAMSHAFT AS						
		1	4N-1650	1	DOWEL						
C	7	1	7N-3218	2	WASHER-THRUST						
	8	1	4W-6664	2	PLATE AS-TIMING						
	9	1	5M-2894	2	WASHER-HARD (10.2X18.5X2.5-MM THK)						
R	10	1	133-4081	1	CAMSHAFT AS						
		1	5B-5821	1	DOWEL						
	11	1	0S-0509	2	BOLT (3/8-16X0.75-IN)						

C-CHANGE FROM PREVIOUS TYPE  
R-REMFG PART MAY BE AVAILABLE



GRAPHIC #1

<END>

g01102333

# BASIC ENGINE

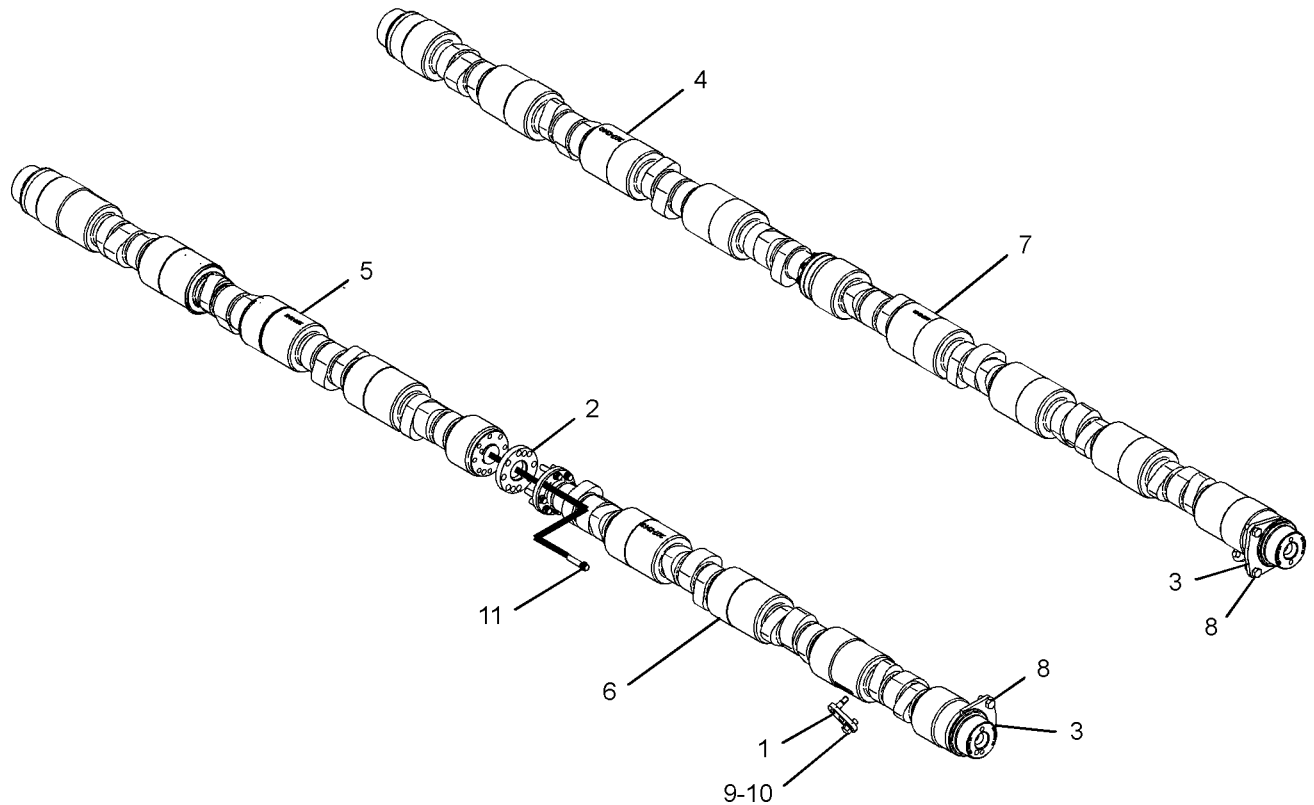
## 231-9123 CAMSHAFT GP

S/N: YAT1-UP

SMCS-1210

i02362912

NOTE	REF NO	GRAPHIC REF	PART NUMBER	QTY	PART NAME						SEE PAGE
					1	2	3	4	5	6 (PRODUCT LEVEL)	
	1	1	4W-6664	2	PLATE AS-TIMING						
	2	1	7N-3216	2	SPACER (35.035X84X12-MM THK) (CAMSHAFT)						
	3	1	7N-3218	2	WASHER-THRUST						
	4	1	231-9124	1	CAMSHAFT AS						
		1	5B-5821	1	DOWEL						
	5	1	231-9125	1	CAMSHAFT AS						
		1	4N-1650	1	DOWEL						
	6	1	231-9126	1	CAMSHAFT AS						
		1	5B-5821	1	DOWEL						
	7	1	231-9127	1	CAMSHAFT AS						
		1	4N-1650	1	DOWEL						
	8	1	0L-1351	4	BOLT (3/8-16X0.875-IN)						
	9	1	0S-0509	2	BOLT (3/8-16X0.75-IN)						
	10	1	5M-2894	2	WASHER-HARD (10.2X18.5X2.5-MM THK)						
	11	1	5P-0076	16	BOLT-12 POINT HEAD (3/8-16X1.5-IN)						



GRAPHIC #1

<END>

g01180154

# BASIC ENGINE

## 243-1520 COUPLING GP-FLEXIBLE-GENERATOR

S/N: YAT1-UP

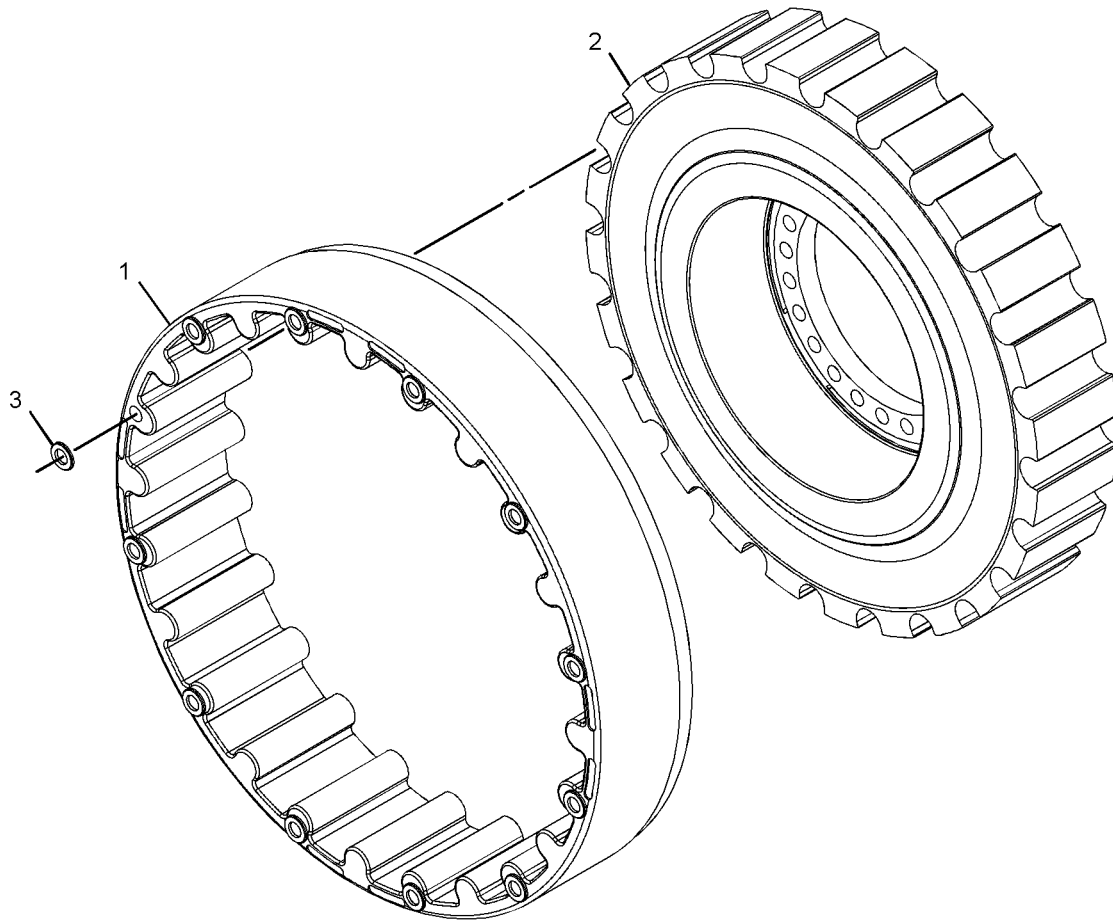
72-SHORE HARDNESS. 18000 SERIES

PART OF 278-4462 INSTALLATION AR-GENERATOR  
AN ATTACHMENT

SMCS-3252

i03167551

NOTE	REF NO	GRAPHIC REF	PART NUMBER	QTY	PART NAME						SEE PAGE
					1	2	3	4	5	6 (PRODUCT LEVEL)	
	1	1	244-7191	1	COUPLING-OUTER						
	2	1	243-1513	1	COUPLING-INNER						
	3	1	248-2432	12	WASHER (17X30X3-MM THK)						



GRAPHIC #1

<END>

g01139449



# BASIC ENGINE

## 278-7628 COUPLING GP-GENERATOR

S/N: G2B1-UP; G3C1-UP; G2S1-UP; G1W1-UP; G2W1-UP; G1Y1-UP

PART OF 252-3843, 252-3845, 252-3847, 252-3849, 252-3859, 252-3861,  
252-3863, 252-3865, 252-3875, 252-3877, 252-3879, 252-3881, 252-3935,  
252-3939, 252-3965, 252-4049, 252-4051, 252-4053, 252-4055, 252-4057,  
252-4059, 252-4061, 252-4063, 252-4153, 252-4155, 252-4157, 252-4159,  
252-4161, 252-4163, 252-4165, 252-4167, 252-4169, 252-4171, 252-4173,

252-4175 GENERATOR GP

ALSO AN ATTACHMENT

SMCS-4456

i02625219

NOTE	PART NUMBER	QTY	PART NAME						SEE PAGE
			1	2	3	4	5	6 (PRODUCT LEVEL)	
M	7X-2577	12	BOLT (M24X3X90-MM)						
	278-7649	6	PLATE AS						
	8T-4167	12	WASHER-HARD (26X44X4-MM THK)						

M-METRIC PART

<END>

# BASIC ENGINE

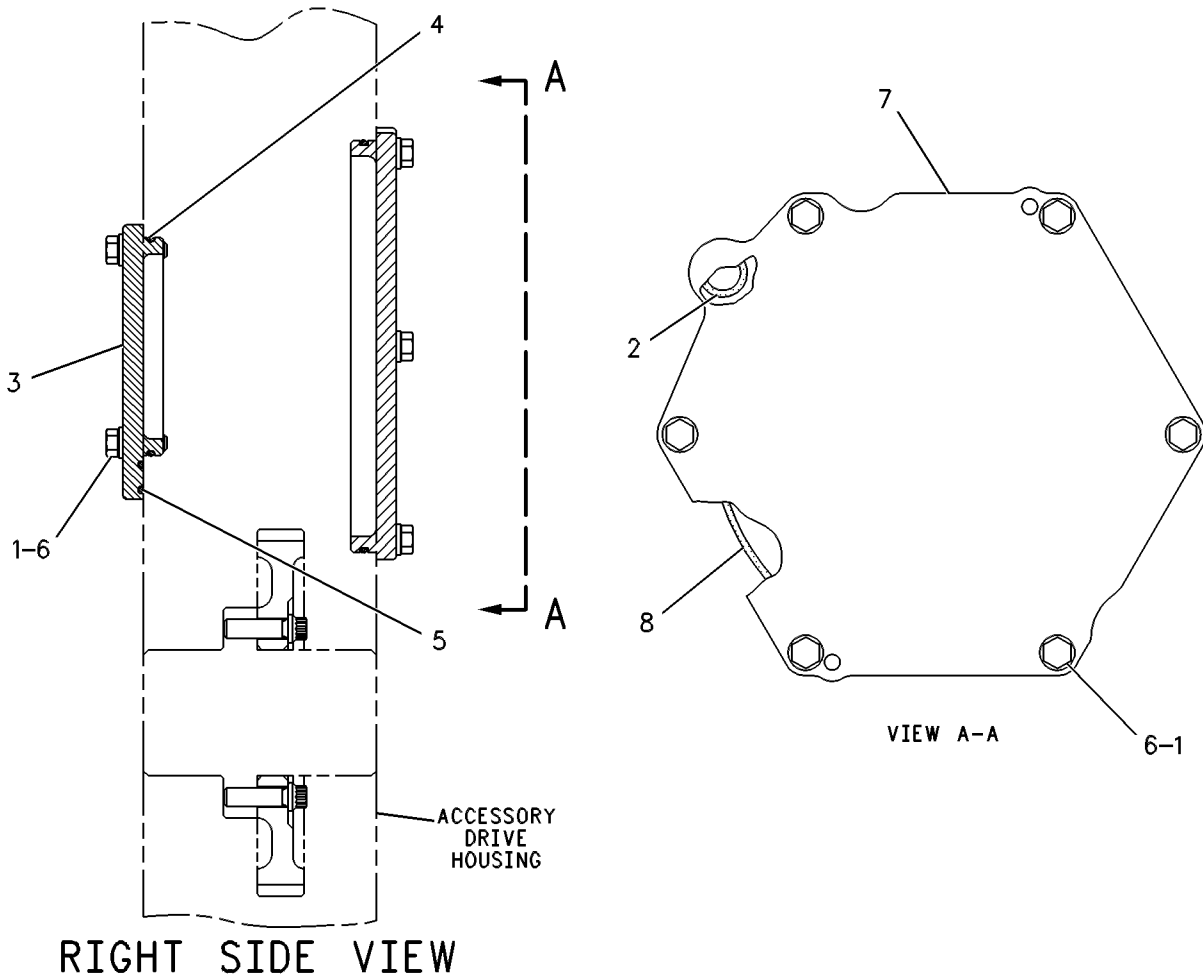
## 6I-1392 COVER GP-ACCESSORY DRIVE-UPPER, RH

S/N: YAT1-UP

SMCS-1207

i02224060

NOTE	REF NO	GRAPHIC REF	PART NUMBER	QTY	PART NAME						SEE PAGE
					1	2	3	4	5	6 (PRODUCT LEVEL)	
	1	1	5M-2894	10	WASHER-HARD (10.2X18.5X2.5-MM THK)						
	2	1	6V-3348	1	SEAL-O-RING						
	3	1	7N-4952	1	COVER						
	4	1	235-3548	1	SEAL-O-RING						
	5	1	5P-0840	1	SEAL-O-RING						
	6	1	1A-2029	10	BOLT (3/8-16X1.125-IN)						
	7	1	7N-4951	1	COVER						
	8	1	235-3546	1	SEAL-O-RING						



GRAPHIC #1

<END>

g00086078

# BASIC ENGINE

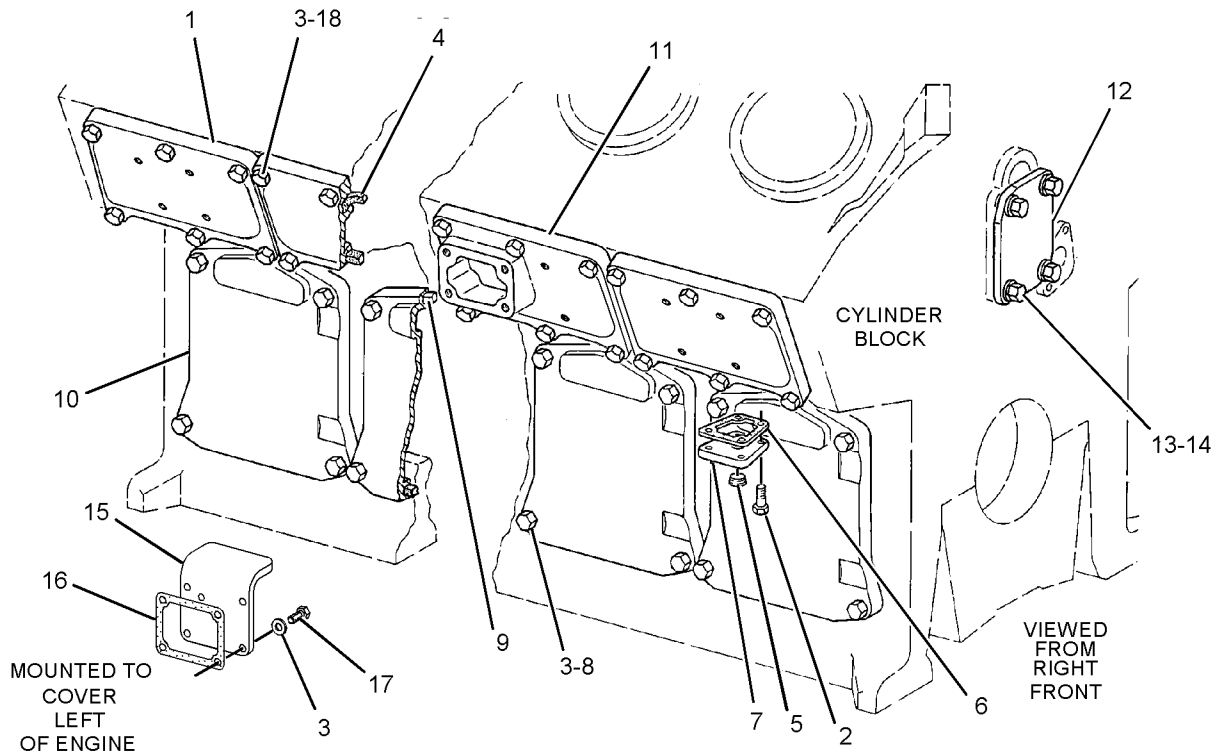
## 121-3551 COVER GP-CYLINDER BLOCK

S/N: YAT1-UP

SMCS-1201

i02615642

NOTE	REF NO	GRAPHIC REF	PART NUMBER	QTY	PART NAME						SEE PAGE
					1	2	3	4	5	6 (PRODUCT LEVEL)	
	1	1	8N-9992	10	COVER-CAMSHAFT						
	2	1	0S-1594	12	BOLT (3/8-16X1-IN)						
	3	1	5M-2894	164	WASHER-HARD (10.2X18.5X2.5-MM THK)						
	4	1	272-0758	16	SEAL						
	5	1	8T-6761	3	PLUG-PIPE						
	6	1	7N-4945	3	GASKET						
	7	1	7N-3298	3	COVER-BLOCK						
	8	1	9X-8872	64	BOLT-LOCKING (3/8-16X0.875-IN)						
	9	1	272-0759	16	SEAL						
	10	1	1N-2914	16	COVER-CYLINDER BLOCK SIDE						
	11	1	8N-9993	6	COVER-CAMSHAFT						
	12	1	4W-5015	1	COVER						
	13	1	0S-1595	4	BOLT (1/2-13X1.25-IN)						
	14	1	5P-8245	4	WASHER-HARD (13.5X25.5X3-MM THK)						
	15	1	117-0066	1	BRACKET-MOUNTING						
	16	1	2W-0752	1	GASKET						
	17	1	0S-1588	4	BOLT (3/8-16X1.25-IN)						
	18	1	1A-2029	96	BOLT (3/8-16X1.125-IN)						



GRAPHIC #1

<END>

g01058602

# BASIC ENGINE

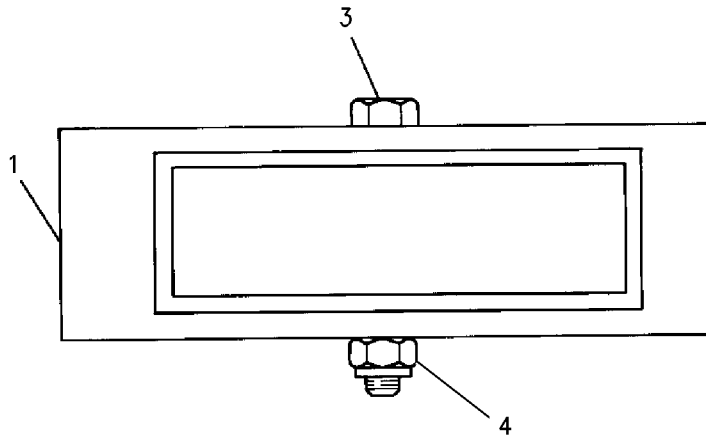
## 3N-8594 COVER GP-ENGINE LIFTING EYE

S/N: YAT1-UP  
AN ATTACHMENT

SMCS-1122

i02459381

NOTE	REF NO	GRAPHIC REF	PART NUMBER	QTY	PART NAME						SEE PAGE
					1	2	3	4	5	6 (PRODUCT LEVEL)	
	1	1	3N-8593	1	COVER-EYE						
	3	1	8T-9368	1	BOLT (1/4-20X2.25-IN)						
	4	1	3E-9865	1	LOCKNUT (1/4-20-THD)						



GRAPHIC #1

<END>

g00720602

# BASIC ENGINE

## 7E-6432 COVER GP-FLYWHEEL HOUSING-REAR STRUCTURE

S/N: YAT1-UP

SMCS-1157

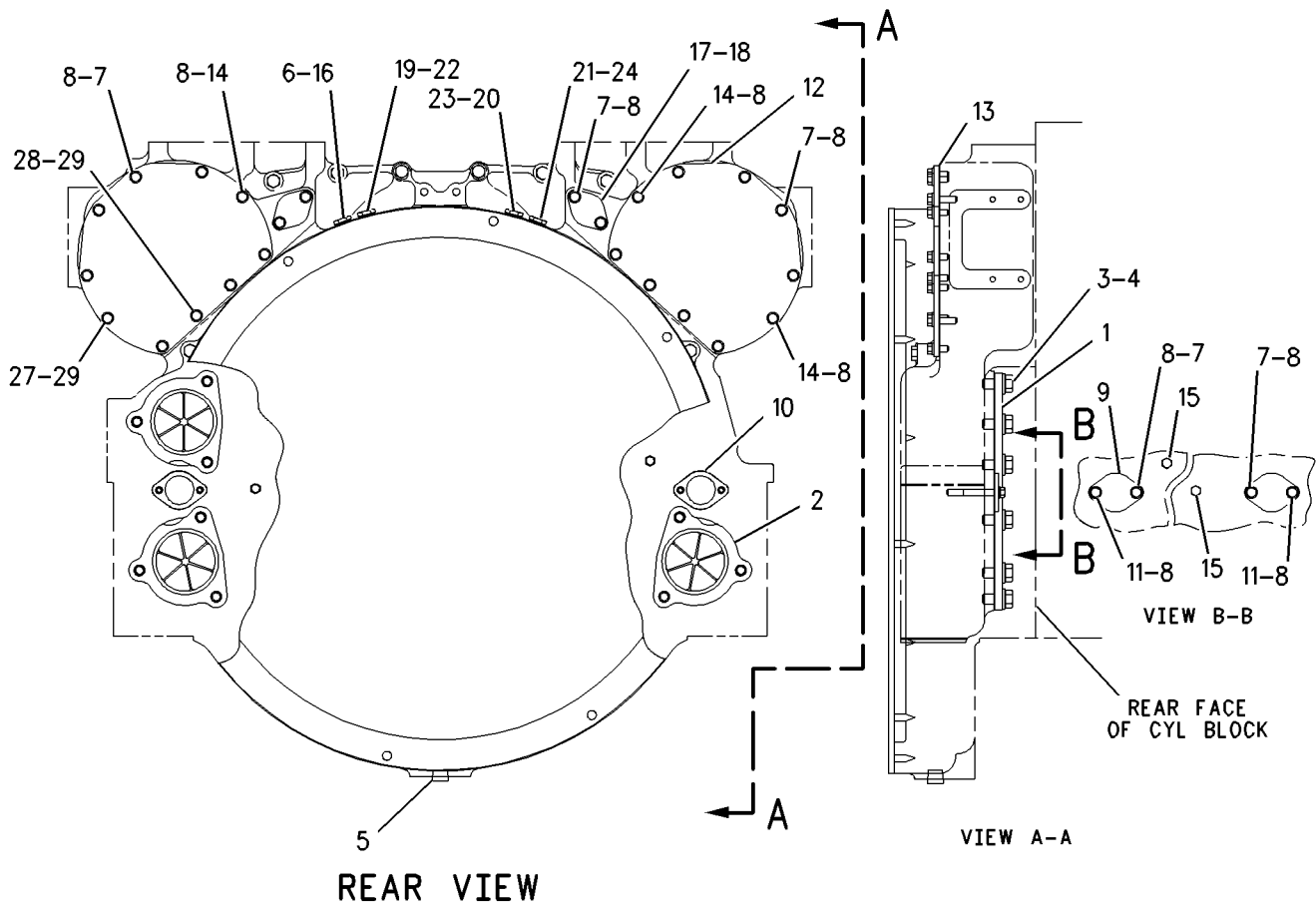
i02493852

NOTE	REF NO	GRAPHIC REF	PART NUMBER	QTY	PART NAME						SEE PAGE
					1	2	3	4	5	6 (PRODUCT LEVEL)	
	1	1	4N-1114	3	COVER						
	2	1	4H-7869	3	GASKET						
	3	1	4B-4043	9	BOLT (5/8-11X1.375-IN)						
	4	1	5P-8247	9	WASHER-HARD (17X32X3.5-MM THK)						
	5	1	8T-6761	1	PLUG-PIPE						
	6	1	4B-8407	1	GASKET-COPPER						
	7	1	0S-1594	21	BOLT (3/8-16X1-IN)						
	8	1	5M-2894	26	WASHER-HARD (10.2X18.5X2.5-MM THK)						
	9	1	2P-2772	2	COVER						
	10	1	234-8937	2	SEAL-INTEGRAL						
	11	1	0L-1352	2	BOLT (3/8-16X3.25-IN)						
	12	1	7N-4319	2	COVER						
	13	1	7N-4320	2	GASKET						
	14	1	0S-1591	3	BOLT (3/8-16X1.5-IN)						
	15	1	8T-6765	2	PLUG-PIPE						
	16	1	5F-0304	1	PLUG						
	17	1	4W-9890	2	COVER						
	18	1	252-8374	2	GASKET						
B	19	1	4B-8407	1	GASKET-COPPER						
B	20	1	4B-8407	1	GASKET-COPPER						
B	21	1	4B-8407	1	GASKET-COPPER						
B	22	1	5F-0304	1	PLUG						
B	23	1	5F-0304	1	PLUG						
B	24	1	5F-0304	1	PLUG						
B	27	1	0S-1591	1	BOLT (3/8-16X1.5-IN)						
B	28	1	0S-1594	1	BOLT (3/8-16X1-IN)						
B	29	1	5M-2894	2	WASHER-HARD (10.2X18.5X2.5-MM THK)						
B-USE AS REQUIRED											

# BASIC ENGINE

7E-6432 COVER GP-FLYWHEEL HOUSING (contd.)

i02493852



GRAPHIC #1

<END>

g00828895

# BASIC ENGINE

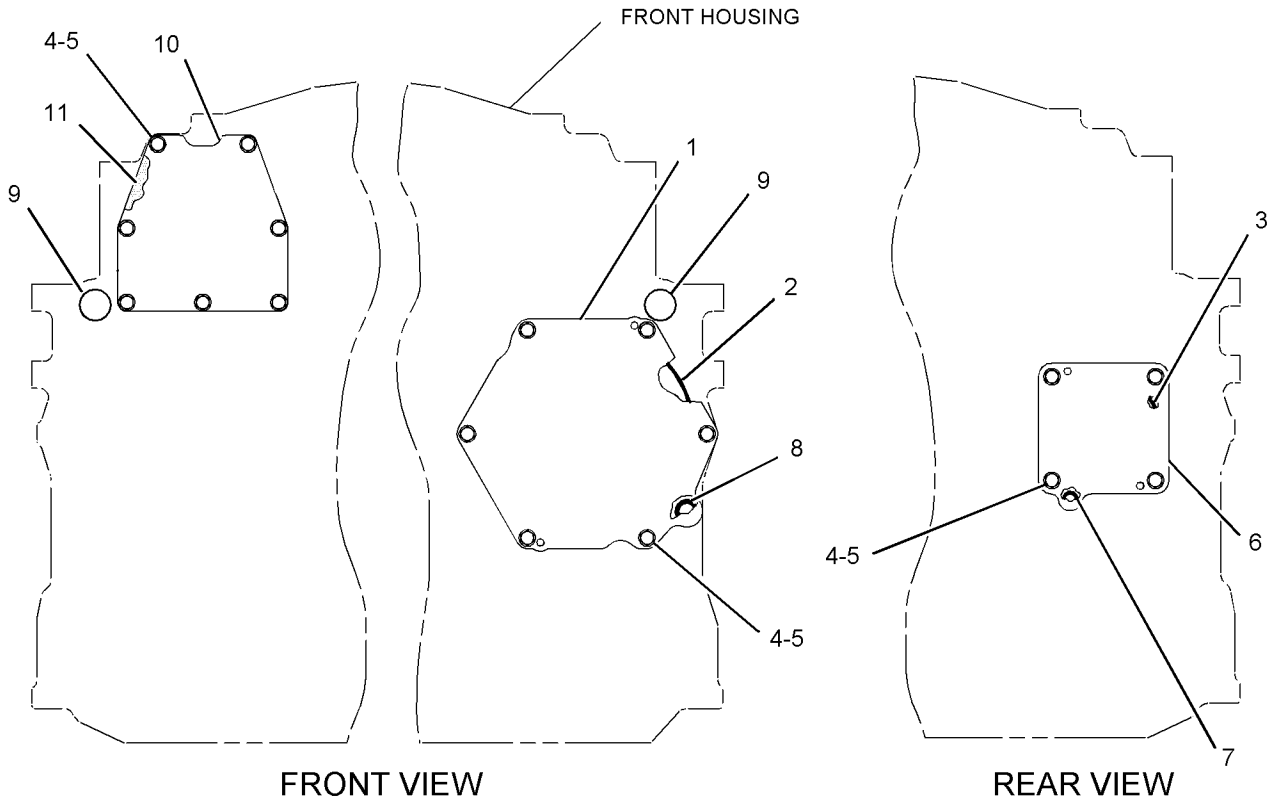
## 147-3182 COVER GP-FRONT HOUSING

S/N: YAT1-UP

SMCS-1151, 1166

i02038197

NOTE	REF NO	GRAPHIC REF	PART NUMBER	QTY	PART NAME						SEE PAGE
					1	2	3	4	5	6 (PRODUCT LEVEL)	
	1	1	7N-4951	1	COVER						
	2	1	235-3546	1	SEAL-O-RING						
	3	1	235-3548	1	SEAL-O-RING						
	4	1	1A-2029	17	BOLT (3/8-16X1.125-IN)						
	5	1	5M-2894	17	WASHER-HARD (10.2X18.5X2.5-MM THK)						
	6	1	7N-4952	1	COVER						
	7	1	5P-0840	1	SEAL-O-RING						
	8	1	6V-3348	1	SEAL-O-RING						
	9	1	3P-1896	2	PLUG-CUP						
	10	1	2W-5285	1	COVER						
	11	1	8N-9885	1	GASKET-COVER						



GRAPHIC #1

<END>

g01048208

# BASIC ENGINE

## 101-0831 COVER GP-VALVE MECHANISM

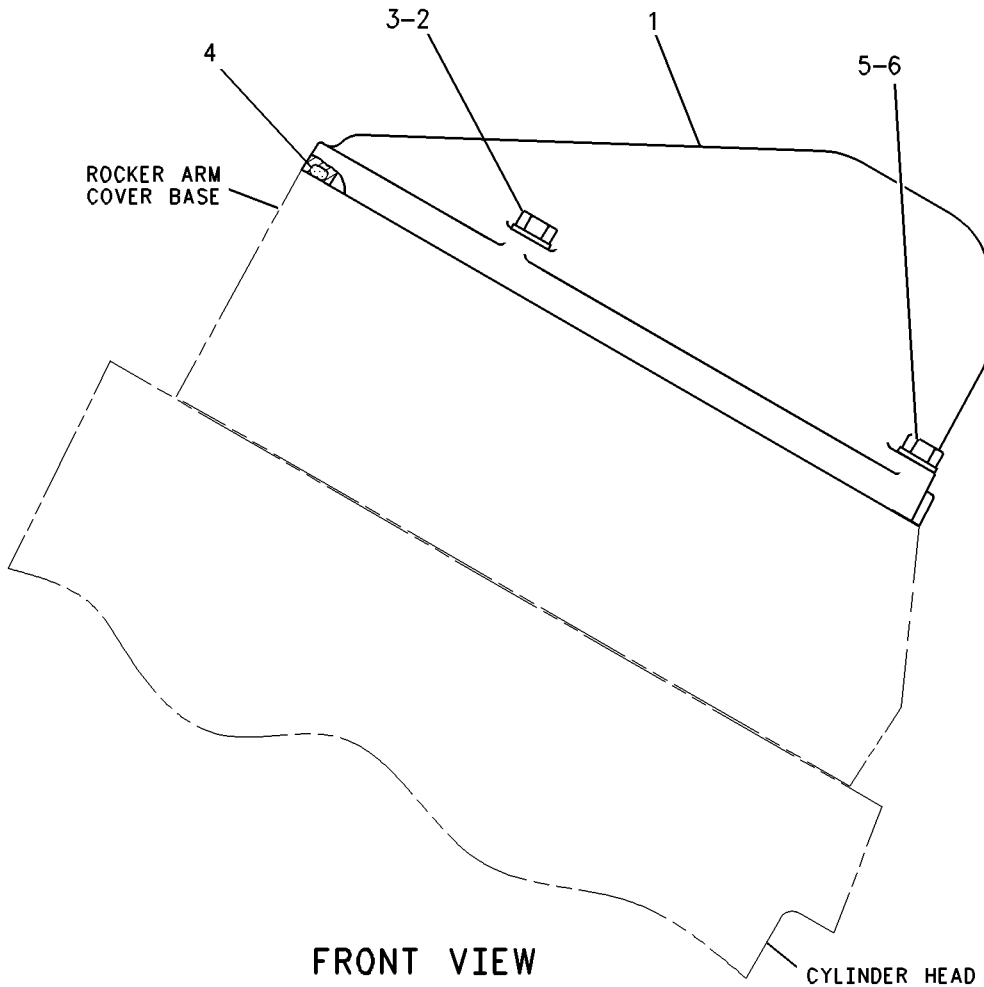
S/N: YAT1-UP

SMCS-1107

i02668025

NOTE	REF NO	GRAPHIC REF	PART NUMBER	QTY	PART NAME						SEE PAGE
					1	2	3	4	5	6 (PRODUCT LEVEL)	
	1	1	101-4197	1	COVER						
	2	1	1A-9579	3	BOLT (5/16-18X1.5-IN)						
	3	1	9M-1974	3	WASHER-HARD (8.8X16X2-MM THK)						
	4	1	272-0760	1	SEAL-VALVE COVER						
B	5	1	1A-9579	1	BOLT (5/16-18X1.5-IN)						
B	6	1	9M-1974	1	WASHER-HARD (8.8X16X2-MM THK)						

B-USE AS REQUIRED



GRAPHIC #1

<END>

g00773092



# BASIC ENGINE

## 8N-0337 CRANKSHAFT GP

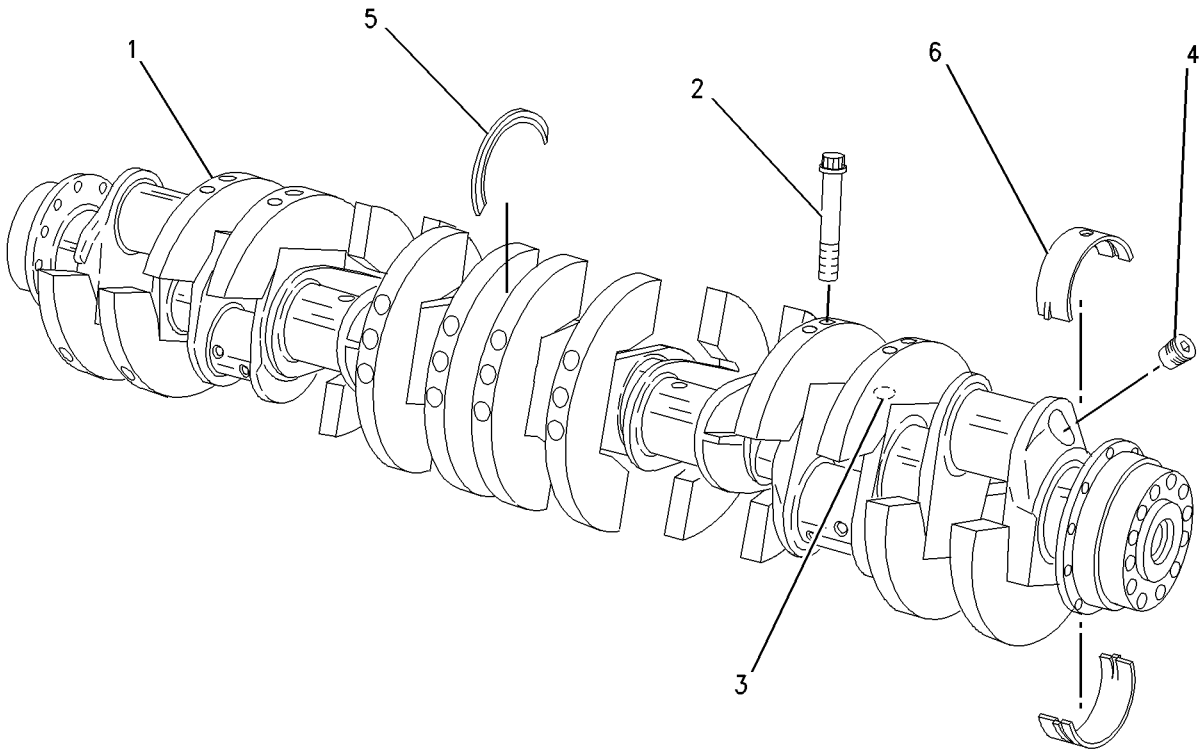
S/N: YAT1-UP

SMCS-1202

i02781451

NOTE	REF NO	GRAPHIC REF	PART NUMBER	QTY	PART NAME	1 2 3 4 5 6 (PRODUCT LEVEL)						SEE PAGE
R	1	1	<b>128-6788</b>	1	CRANKSHAFT AS							
	2	1	<b>128-4845</b>	48	BOLT AS (COUNTERWEIGHT)							
	3	1	<b>7N-2003</b>	32	DOWEL							
	4	1	<b>2W-2288</b>	8	PLUG							
J	5	1	<b>7C-6209</b>	2	PLATE-THRUST							
CJ	6	1	<b>149-6031</b>	9	BEARING AS-MAIN (STANDARD)							
ABC		1	<b>149-6032</b>		BEARING-MAIN (0.63-MM US ID)							
ABC		1	<b>149-6033</b>		BEARING-MAIN (1.27-MM US ID)							
ABC		1	<b>149-6034</b>		BEARING-MAIN (0.63-MM OS OD)							
ABC		1	<b>149-6035</b>		BEARING-MAIN (0.63-MM US ID - 0.63-MM OS OD)							
AVAILABLE REPAIR KIT(S):												
J			<b>196-9531</b>		KIT-BASIC ENGINE REPAIR (MAIN BEARING)							
						(INCLUDES THRUST PLATES AND MAIN BEARINGS)						

A-NOT PART OF THIS GROUP  
 B-USE AS REQUIRED  
 C-CHANGE FROM PREVIOUS TYPE  
 J-KIT MARKED J INCLUDES PARTS MARKED J  
 R-REMFG PART MAY BE AVAILABLE



GRAPHIC #1

<END>

g00710757

# BASIC ENGINE

## 101-1173 CYLINDER BLOCK AS

S/N: YAT1-UP

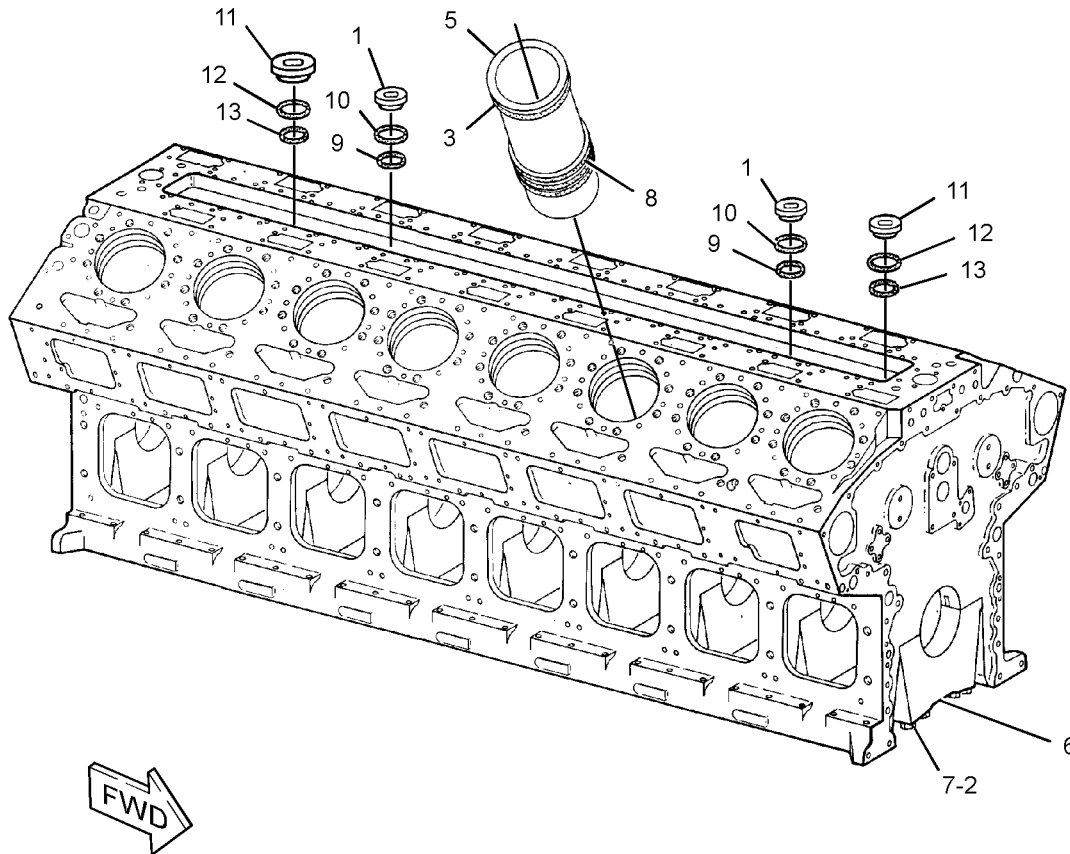
PART OF 240-6653 CYLINDER BLOCK GP  
FIELD REPLACEMENT ORDER 115-5160-PAGE 24

SMCS-1201

i02629910

NOTE	REF NO	GRAPHIC REF	PART NUMBER	QTY	PART NAME						SEE PAGE
					1	2	3	4	5	6 (PRODUCT LEVEL)	
	1	1	4W-4813	2	PLUG						
	2	1	7X-7925	36	BOLT (7/8-14X11-IN)						
	3	1	8N-4707	16	BAND-FILLER						
	5	1	211-7826	16	LINER-CYLINDER						
	6	1	223-1696	9	CAP-CRANKSHAFT BEARING						
	7	1	5P-8249	36	WASHER-HARD (24X41.5X4-MM THK)						
	8	1	7N-2046	48	SEAL-O-RING						
	9	1	8T-2928	2	SEAL-O-RING						
	10	1	8T-2929	2	SEAL-O-RING						
B	11	1	4W-4813	2	PLUG						
B	12	1	8T-2928	2	SEAL-O-RING						
B	13	1	8T-2929	2	SEAL-O-RING						

B-USE AS REQUIRED



GRAPHIC #1

<END>

g01318852

# BASIC ENGINE

## 106-2780 CYLINDER BLOCK AS

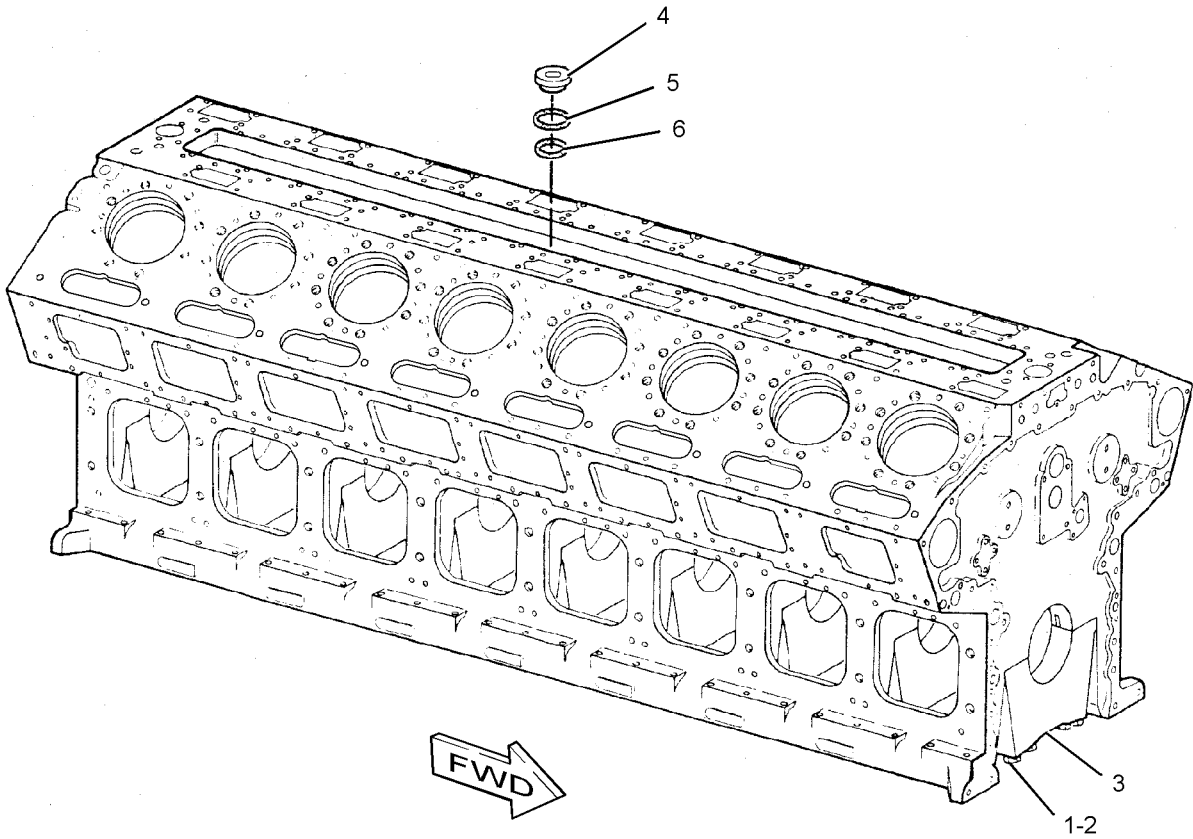
S/N: YAT1-UP

PART OF 115-5160 CYLINDER BLOCK GP

SMCS-1201

i02768067

NOTE	REF NO	GRAPHIC REF	PART NUMBER	QTY	PART NAME						SEE PAGE
					1	2	3	4	5	6 (PRODUCT LEVEL)	
	1	1	5P-8249	36	WASHER-HARD (24X41.5X4-MM THK)						
	2	1	7X-7925	36	BOLT (7/8-14X11-IN)						
	3	1	223-1696	9	CAP-CRANKSHAFT BEARING						
	4	1	4W-4813	4	PLUG						
	5	1	8T-2929	4	SEAL-O-RING						
	6	1	8T-2928	4	SEAL-O-RING						



GRAPHIC #1

<END>

g01384705

# BASIC ENGINE

## 115-5160 CYLINDER BLOCK GP

S/N: YAT1-UP

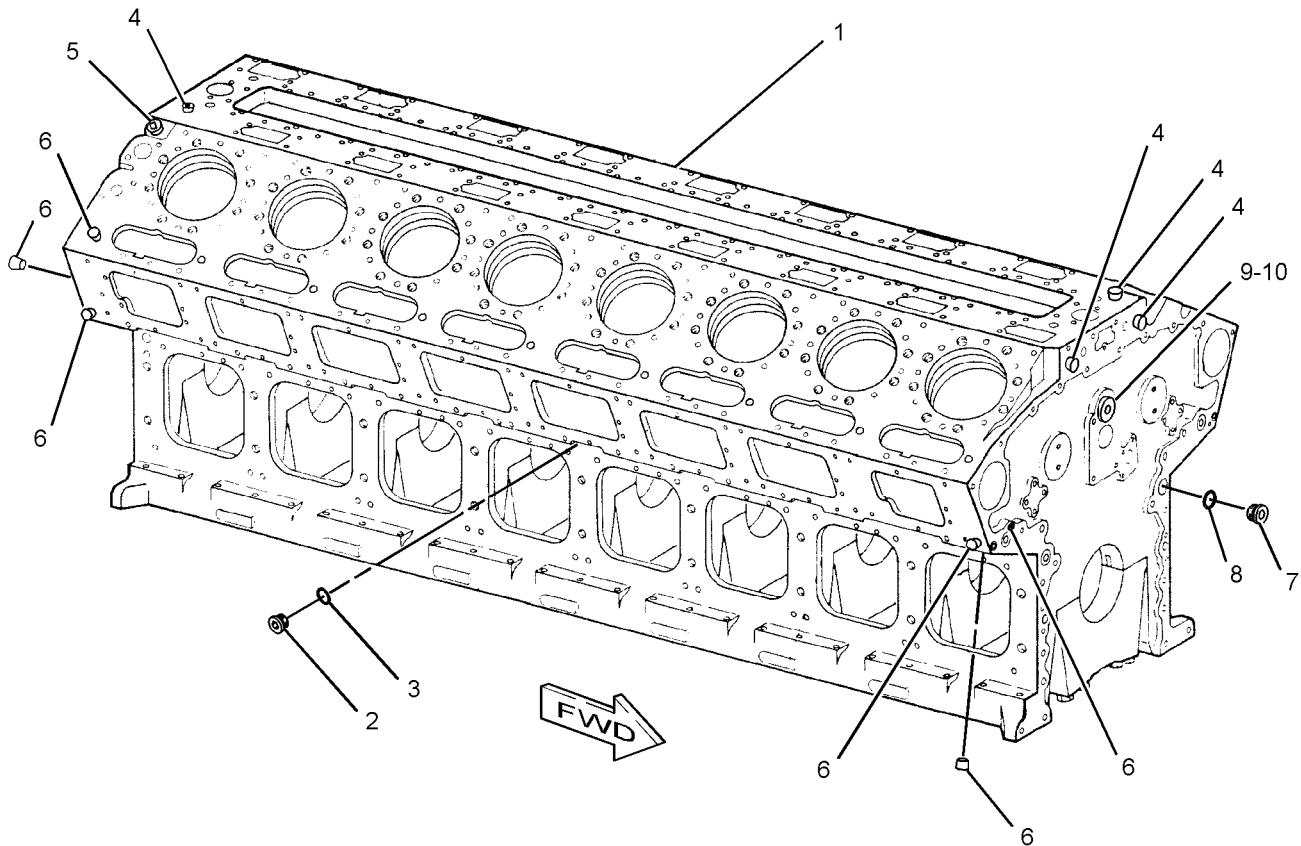
FIELD REPLACEMENT FOR 101-1173-PAGE 22

SMCS-1201

i03357180

NOTE	REF NO	GRAPHIC REF	PART NUMBER	QTY	PART NAME						SEE PAGE
					1	2	3	4	5	6 (PRODUCT LEVEL)	
Y	1	1	106-2780	1	CYLINDER BLOCK AS						23
	2	1	9S-4191	6	PLUG-O-RING						
	3	1	033-6042	6	SEAL-O-RING						
	4	1	8T-6762	4	PLUG-PIPE						
	5	1	7X-7731	2	PLUG-PIPE						
	6	1	8T-6763	26	PLUG-PIPE						
	7	1	2W-2940	8	PLUG						
	8	1	6V-3348	8	SEAL-O-RING						
	9	1	7N-5641	2	PLUG-MANIFOLD						
	10	1	5F-9657	4	SEAL-O-RING						

Y-SEPARATE ILLUSTRATION



GRAPHIC #1

<END>

g01384720

# BASIC ENGINE

## 240-6653 CYLINDER BLOCK GP

S/N: YAT1-UP

SMCS-1201

i03357281

NOTE	REF NO	GRAPHIC REF	PART NUMBER	QTY	PART NAME						SEE PAGE
					1	2	3	4	5	6 (PRODUCT LEVEL)	
	1	1	<b>2W-2940</b>	8	PLUG						
	2	1	<b>7N-2047</b>	3	DOWEL						
	3	1	<b>7N-5641</b>	2	PLUG-MANIFOLD						
	4	1	<b>8N-8056</b>	2	COVER						
Y	5	1	<i>101-1173</i>	1	CYLINDER BLOCK AS						22
	6	1	<b>101-1198</b>	18	BEARING-CAMSHAFT						
	7	1	<b>110-6994</b>	16	PLATE-SPACER						
	8	1	<b>144-5692</b>	16	GASKET-PLATE						
	9	1	<b>197-7008</b>	16	DOWEL						
	10	1	<b>0S-1595</b>	2	BOLT (1/2-13X1.25-IN)						
	11	1	<b>153-4906</b>	6	SEAL-O-RING						
	12	1	<b>1A-2029</b>	2	BOLT (3/8-16X1.125-IN)						
	13	1	<b>4N-0683</b>	2	DOWEL						
	14	1	<b>5F-9657</b>	4	SEAL-O-RING						
	15	1	<b>5M-2894</b>	2	WASHER-HARD (10.2X18.5X2.5-MM THK)						
	16	1	<b>5P-0840</b>	32	SEAL-O-RING						
	17	1	<b>5P-8210</b>	2	SEAL-O-RING						
	18	1	<b>5P-8245</b>	2	WASHER-HARD (13.5X25.5X3-MM THK)						
	19	1	<b>6V-3348</b>	8	SEAL-O-RING						
	20	1	<b>7N-2044</b>	2	DOWEL						
	21	1	<b>7X-4805</b>	3	SEAL-O-RING						
	22	1	<b>7X-7731</b>	1	PLUG-PIPE						
	23	1	<b>8T-0099</b>	32	DOWEL						
	24	1	<b>8T-6762</b>	4	PLUG-PIPE						
	25	1	<b>8T-6763</b>	26	PLUG-PIPE						
	26	1	<b>9S-4191</b>	6	PLUG-O-RING						
B	27	1	<b>7X-7731</b>	1	PLUG-PIPE						

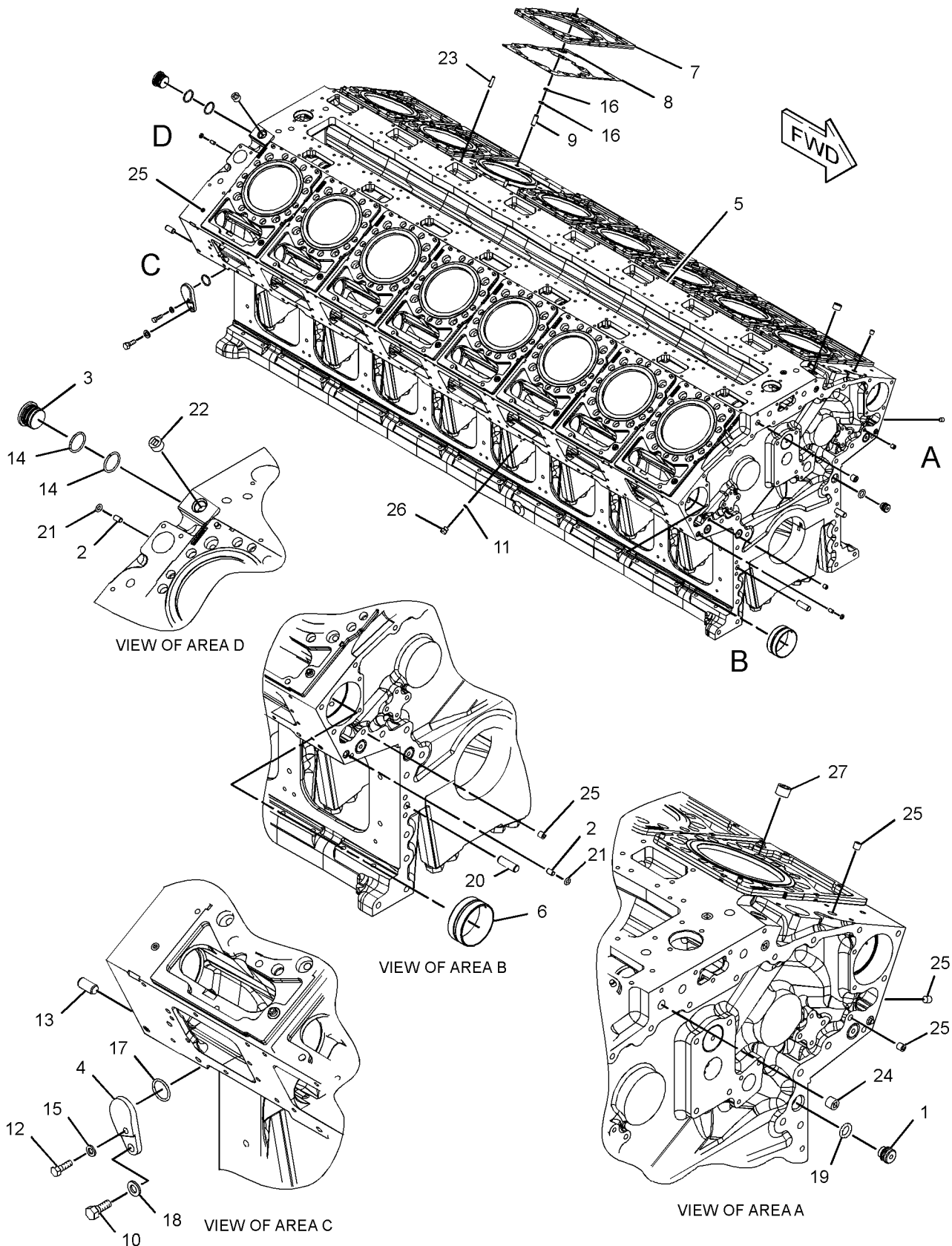
B-USE AS REQUIRED

Y-SEPARATE ILLUSTRATION

# BASIC ENGINE

240-6653 CYLINDER BLOCK GP (contd.)

i03357281



GRAPHIC #1

<END>

g01229064

# BASIC ENGINE

## 154-1612 CYLINDER HEAD AS

S/N: YAT1-UP

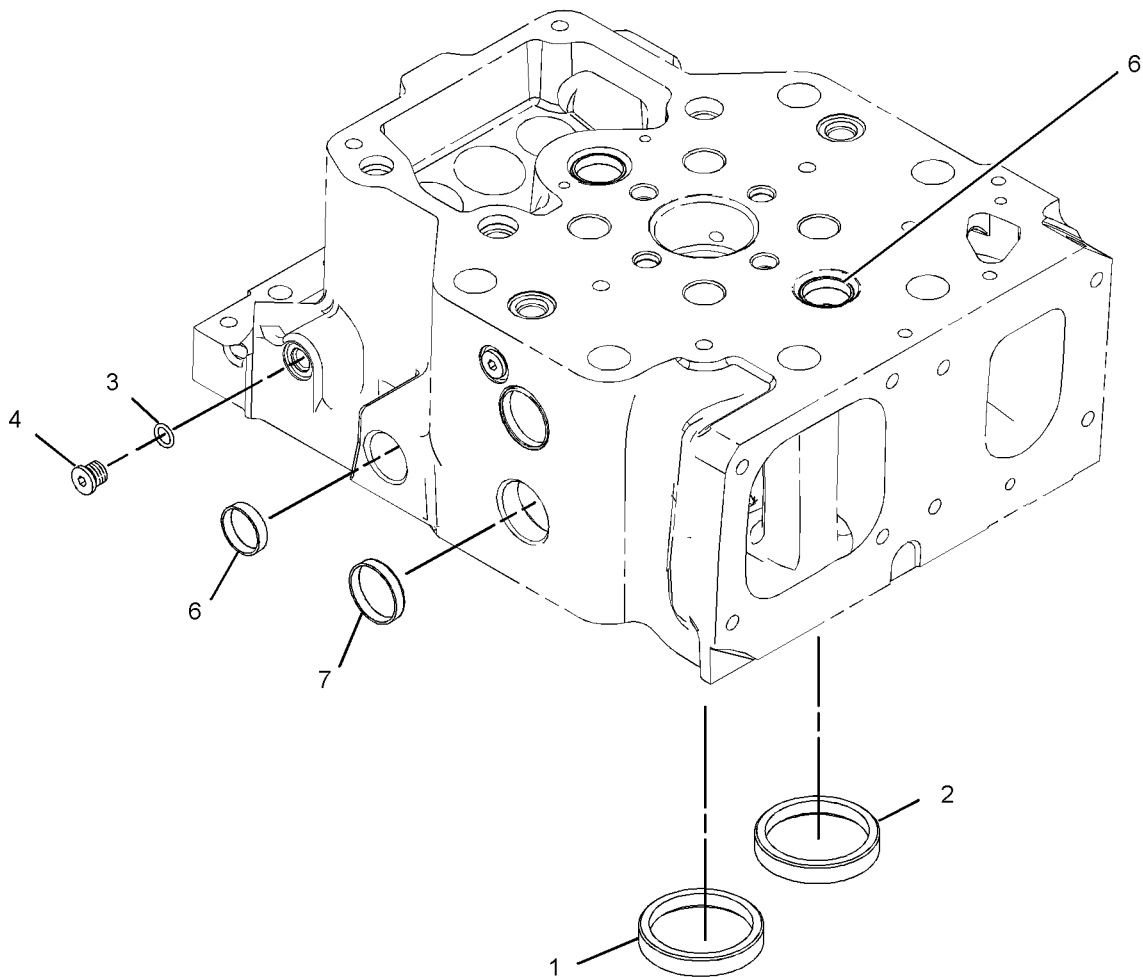
PART OF 161-2508 CYLINDER HEAD AS, 201-4257 CYLINDER HEAD GP  
FIELD REPLACEMENT ORDER 161-2508-PAGE 28, 242-5328-PAGE 29

SMCS-1100, 1101

i02405927

NOTE	REF NO	GRAPHIC REF	PART NUMBER	QTY	PART NAME						SEE PAGE
					1	2	3	4	5	6 (PRODUCT LEVEL)	
	1	1	130-2607	2	INSERT-VALVE SEAT (STANDARD) (INTAKE)						
AB			149-1981		INSERT-VALVE SEAT (0.51-MM OS OD) (INTAKE)						
R	2	1	130-2608	2	INSERT-VALVE SEAT (STANDARD) (EXHAUST)						
AB			166-5945		INSERT-VALVE SEAT (0.508-MM OS OD) (EXHAUST)						
	3	1	3J-7354	4	SEAL-O-RING						
	4	1	9S-8002	4	PLUG-O-RING						
	6	1	3B-0623	5	PLUG-CUP						
	7	1	3B-0645	5	PLUG-CUP						

A-NOT PART OF THIS GROUP  
B-USE AS REQUIRED  
R-REMFG PART MAY BE AVAILABLE



GRAPHIC #1

<END>

g01205314

# BASIC ENGINE

## 161-2508 CYLINDER HEAD AS\*R

S/N: YAT1-UP

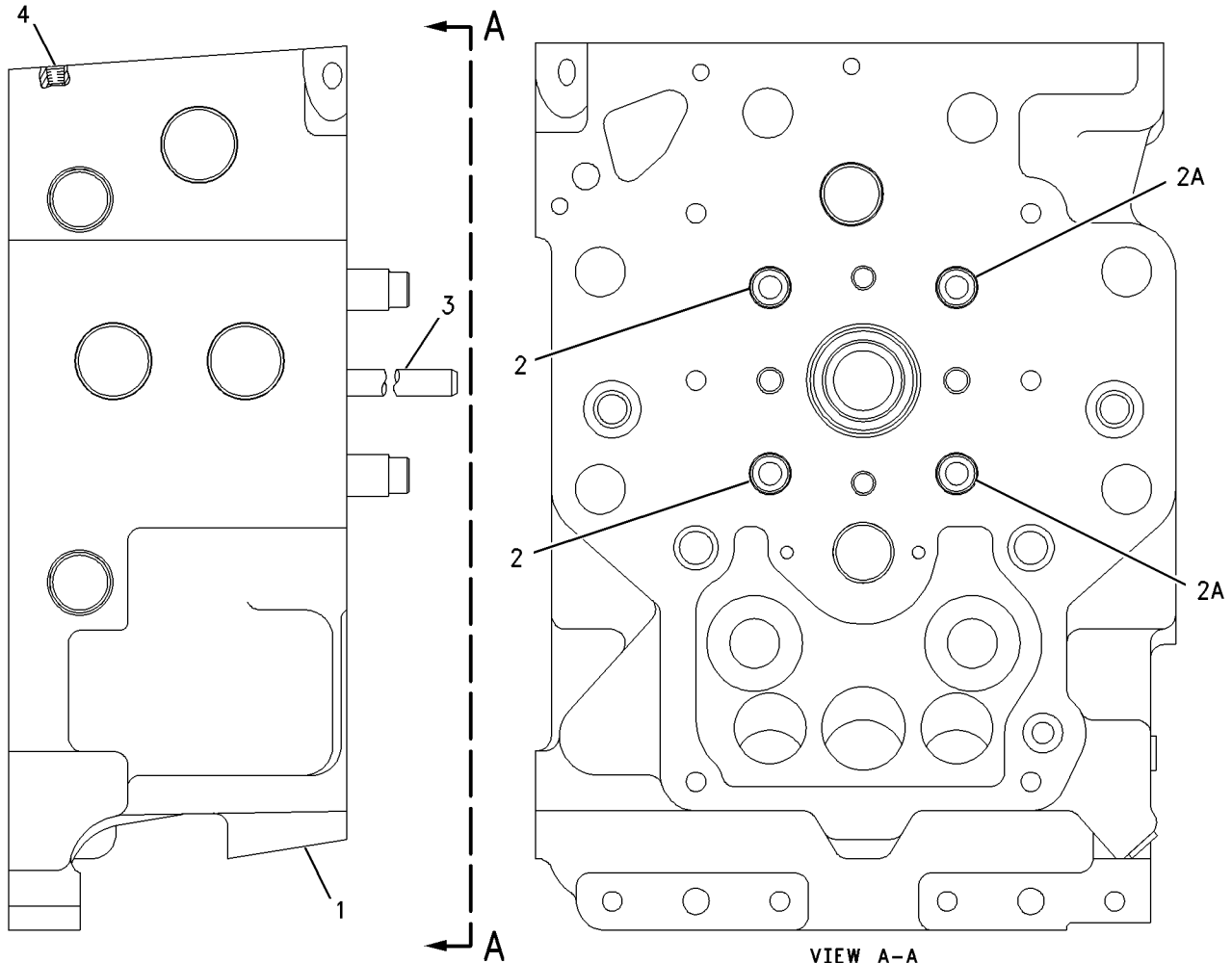
FIELD REPLACEMENT FOR 154-1612 CYLINDER HEAD AS

SMCS-1100, 1101

i02102225

NOTE	REF NO	GRAPHIC REF	PART NUMBER	QTY	PART NAME						SEE PAGE
					1	2	3	4	5	6 (PRODUCT LEVEL)	
Y	1	1	154-1612	1	CYLINDER HEAD AS						27
	2	1	133-9306	2	GUIDE-VALVE (STANDARD) (EXHAUST)						
AB		1	149-1982		GUIDE-VALVE (0.508-MM OS OD) (EXHAUST)						
AB		1	166-5944		GUIDE-VALVE (0.127-MM OS OD) (EXHAUST)						
	2A	1	133-9306	2	GUIDE-VALVE (STANDARD) (INLET)						
AB		1	149-1982		GUIDE-VALVE (0.508-MM OS OD) (INLET)						
AB		1	166-5944		GUIDE-VALVE (0.127-MM OS OD) (INLET)						
	3	1	7N-1902	2	DOWEL						
	4	1	8T-6759	1	PLUG-PIPE						

A-NOT PART OF THIS GROUP  
 B-USE AS REQUIRED  
 Y-SEPARATE ILLUSTRATION



GRAPHIC #1

<END>

g00787167



# BASIC ENGINE

## 242-5328 CYLINDER HEAD AS

S/N: YAT1-UP

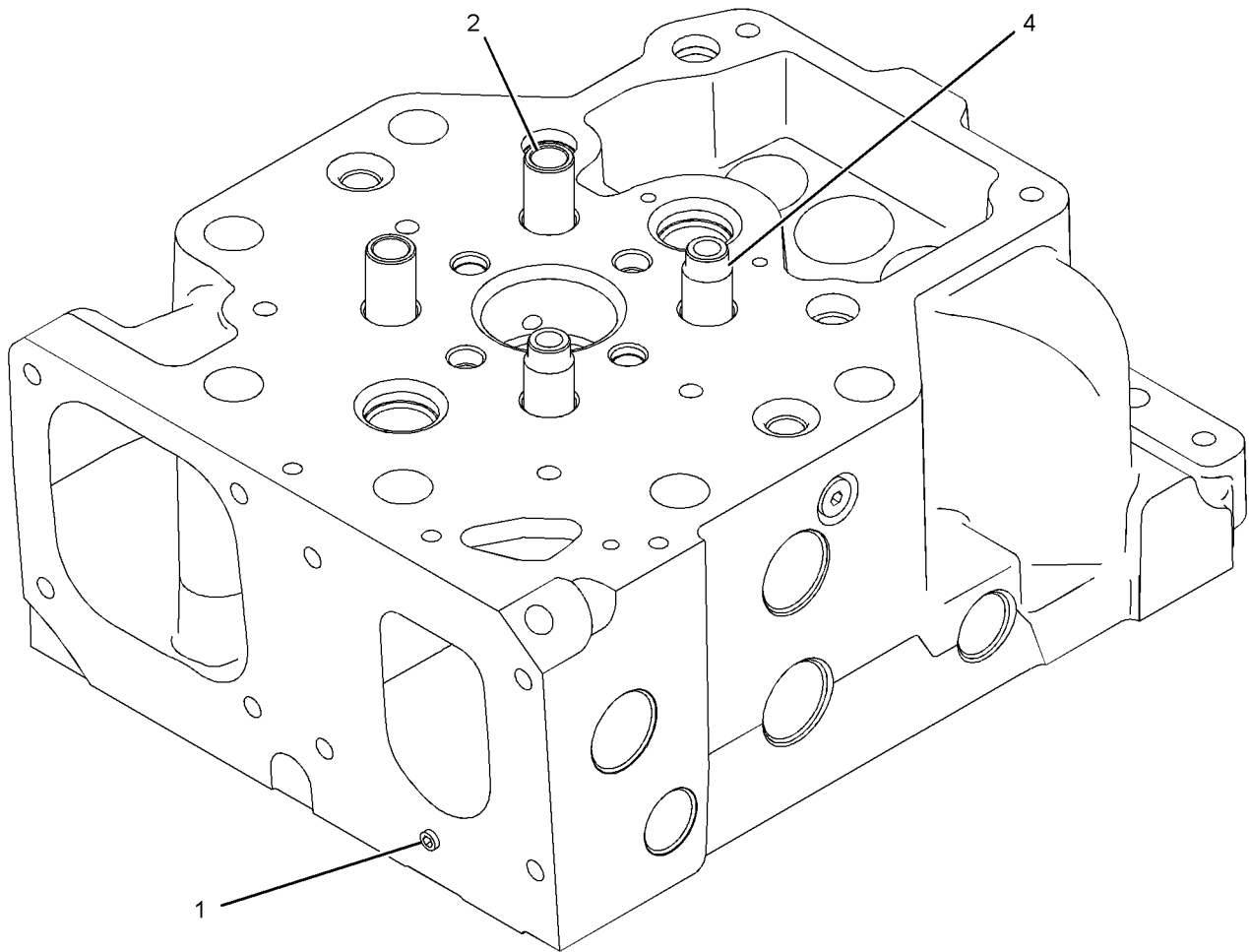
FIELD REPLACEMENT FOR 154-1612 CYLINDER HEAD AS

SMCS-1100, 1101

i02780745

NOTE	REF NO	GRAPHIC REF	PART NUMBER	QTY	PART NAME						SEE PAGE
					1	2	3	4	5	6 (PRODUCT LEVEL)	
	1	1	<b>8T-6757</b>	1	PLUG-PIPE						
R	2	1	<b>133-9306</b>	2	GUIDE-VALVE (STANDARD) (INLET)						
AB		1	<b>273-3553</b>		GUIDE-VALVE (0.127-MM OS OD) (INLET)						
AB		1	<b>273-3554</b>		GUIDE-VALVE (0.254-MM OS OD) (INLET)						
AB		1	<b>301-9248</b>		GUIDE-VALVE (0.381-MM OS OD) (INLET)						
AB		1	<b>149-1982</b>		GUIDE-VALVE (0.508-MM OS OD) (INLET)						
R	4	1	<b>197-6995</b>	2	GUIDE-VALVE (STANDARD) (EXHAUST)						
AB			<b>276-3875</b>		GUIDE-VALVE (0.127-MM OS OD) (EXHAUST)						
AB			<b>276-3876</b>		GUIDE-VALVE (0.254-MM OS OD) (EXHAUST)						

A-NOT PART OF THIS GROUP  
 B-USE AS REQUIRED  
 R-REMFG PART MAY BE AVAILABLE



GRAPHIC #1

<END>

g01219513

# BASIC ENGINE

## 101-0830 CYLINDER HEAD GP

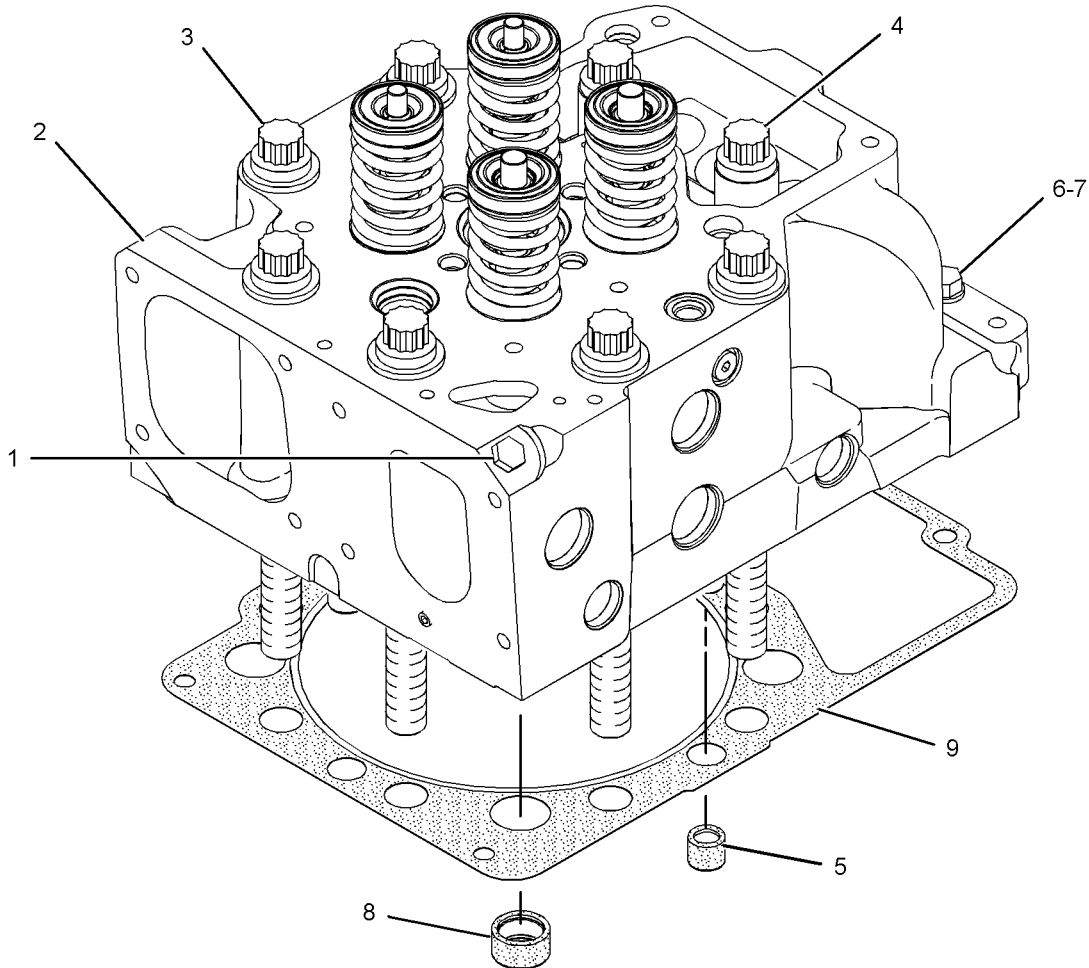
S/N: YAT1-UP

SMCS-1100

i02979811

NOTE	REF NO	GRAPHIC REF	PART NUMBER	QTY	PART NAME						SEE PAGE
					1	2	3	4	5	6 (PRODUCT LEVEL)	
B	1	1	5B-7890	1	PLUG-PIPE						
CYR	2	1	201-4257	1	CYLINDER HEAD GP						31
	3	1	131-0420	6	FASTENER GP-CYLINDER HEAD (EACH INCLUDES)						
		1	7N-1961	1	BOLT-12 POINT HEAD (3/4-16X8.5-IN)						
		1	187-7738	1	WASHER-HARD (21X36.5X3.5-MM THK)						
	4	1	131-0421	2	FASTENER GP-CYLINDER HEAD (EACH INCLUDES)						
		1	7N-1961	1	BOLT-12 POINT HEAD (3/4-16X8.5-IN)						
		1	9Y-0635	1	SPACER (19.35X30.18X45-MM THK)						
		1	187-7738	1	WASHER-HARD (21X36.5X3.5-MM THK)						
	5	1	204-5426	4	SEAL (WATER)						
	6	1	5B-0213	2	BOLT (3/8-16X2.375-IN)						
	7	1	5M-2894	2	WASHER-HARD (10.2X18.5X2.5-MM THK)						
	8	1	204-5427	4	SEAL (WATER)						
	9	1	110-6991	1	GASKET-CYLINDER HEAD						

B-USE AS REQUIRED  
 C-CHANGE FROM PREVIOUS TYPE  
 R-REMG PART MAY BE AVAILABLE  
 Y-SEPARATE ILLUSTRATION



GRAPHIC #1

<END>

g01248586

# BASIC ENGINE

## 201-4257 CYLINDER HEAD GP\*R

S/N: YAT1-UP

PART OF 101-0830 CYLINDER HEAD GP

SMCS-1100

i02780805

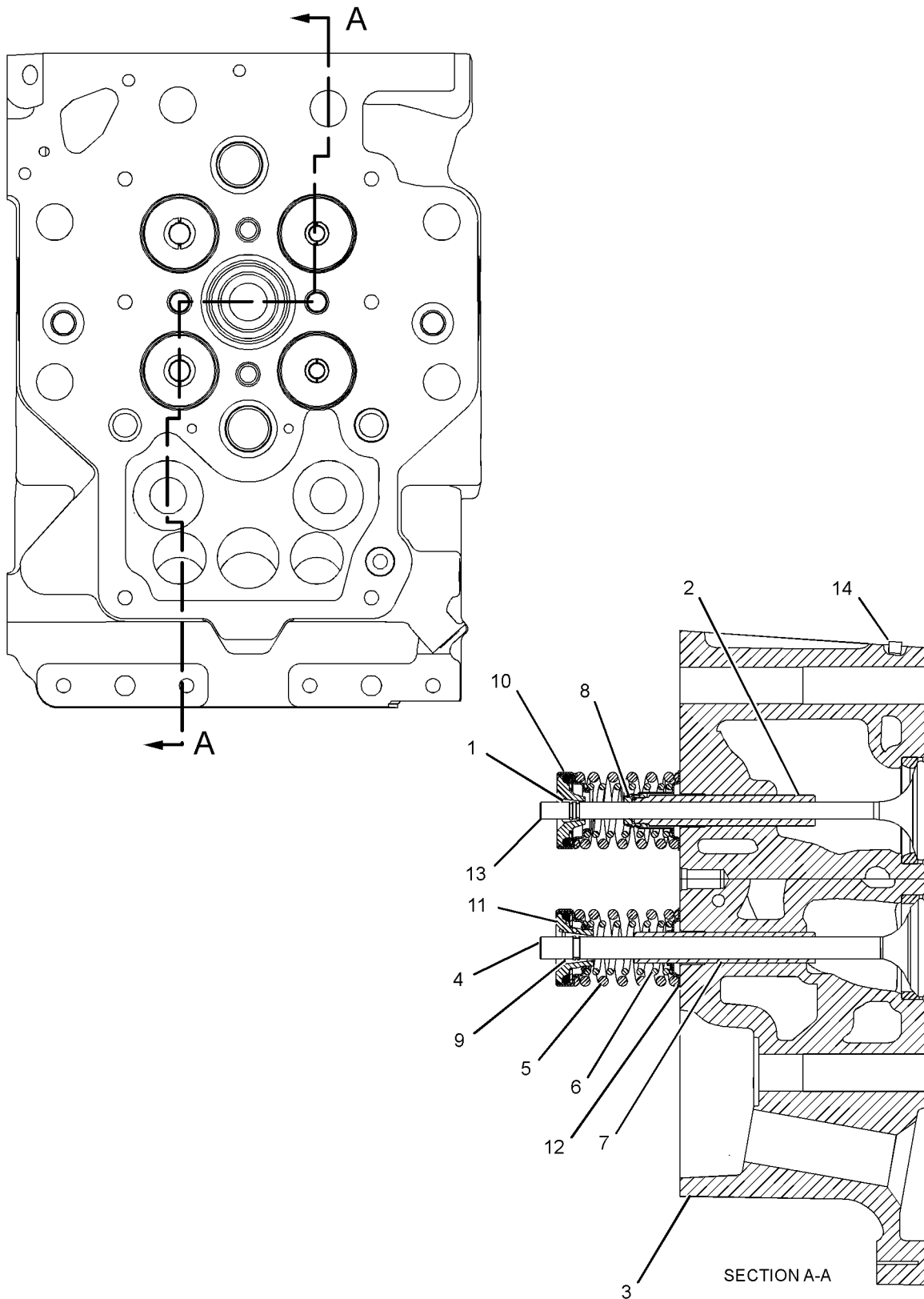
NOTE	REF NO	GRAPHIC REF	PART NUMBER	QTY	PART NAME						SEE PAGE
					1	2	3	4	5	6 (PRODUCT LEVEL)	
	1	1	2A-4429	4	LOCK-RETAINER (INLET)						
R	2	1	133-9306	2	GUIDE-VALVE (STANDARD) (INLET)						
AB		1	273-3553		GUIDE-VALVE (0.127-MM OS OD) (INLET)						
AB		1	273-3554		GUIDE-VALVE (0.254-MM OS OD) (INLET)						
AB		1	301-9248		GUIDE-VALVE (0.381-MM OS OD) (INLET)						
AB		1	149-1982		GUIDE-VALVE (0.508-MM OS OD) (INLET)						
Y	3	1	154-1612	1	CYLINDER HEAD AS						27
	4	1	194-4897	2	VALVE-EXHAUST						
	5	1	281-6157	4	SPRING (OUTER)						
	6	1	194-4902	4	SPRING-VALVE (INNER)						
R	7	1	197-6995	2	GUIDE-VALVE (STANDARD) (EXHAUST)						
AB		1	276-3875	1	GUIDE-VALVE (0.127-MM OS OD) (EXHAUST)						
AB		1	276-3876	1	GUIDE-VALVE (0.254-MM OS OD) (EXHAUST)						
	8	1	197-7006	2	SEAL-VALVE STEM (INLET)						
	9	1	197-7055	4	LOCK-RETAINER (EXHAUST)						
	10	1	197-7062	2	ROTOCOIL AS (INLET)						
	11	1	197-7063	2	ROTOCOIL AS (EXHAUST)						
	12	1	209-0962	2	WASHER (17.8X45X7.29-MM THK)						
	13	1	210-2542	2	VALVE-INLET						
	14	1	8T-6759	1	PLUG-PIPE						

A-NOT PART OF THIS GROUP  
 B-USE AS REQUIRED  
 R-REMG PART MAY BE AVAILABLE  
 Y-SEPARATE ILLUSTRATION

# BASIC ENGINE

201-4257 CYLINDER HEAD GP (contd.)

i02780805



GRAPHIC #1

<END>

g01202855

# BASIC ENGINE

## 8N-0339 DAMPER GP

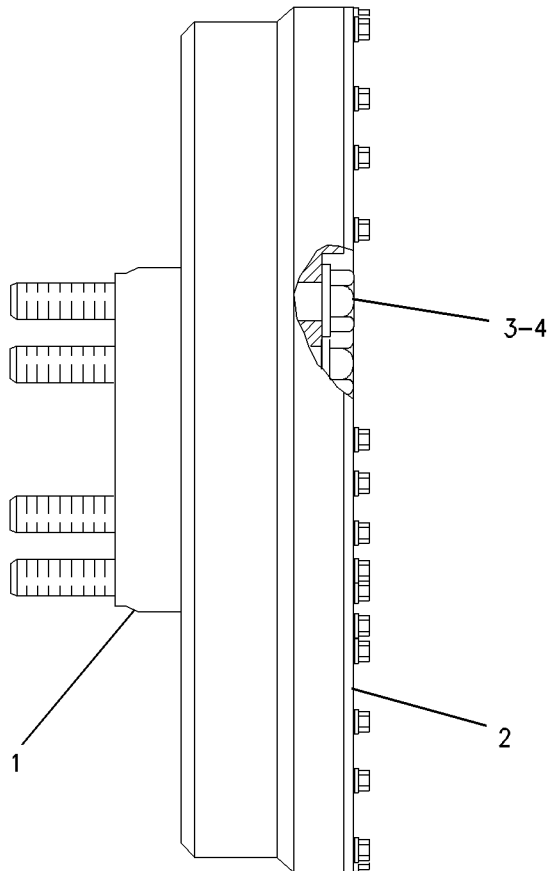
S/N: YAT1-UP

SMCS - 1205

i02327580

NOTE	REF NO	GRAPHIC REF	PART NUMBER	QTY	PART NAME						SEE PAGE
					1	2	3	4	5	6 (PRODUCT LEVEL)	
	1	1	<b>1N-3482</b>	1	ADAPTER						
CYR	2	1	<b>146-3740</b>	1	DAMPER GP						34
	3	1	<b>8S-4757</b>	6	BOLT (1-14X8-IN)						
	4	1	<b>5P-8250</b>	6	WASHER (28X49X5-MM THK)						

C-CHANGE FROM PREVIOUS TYPE  
 R-REMG PART MAY BE AVAILABLE  
 Y-SEPARATE ILLUSTRATION



RIGHT SIDE VIEW

GRAPHIC #1

<END>

g00995293

# BASIC ENGINE

## 146-3740 DAMPER GP\*R

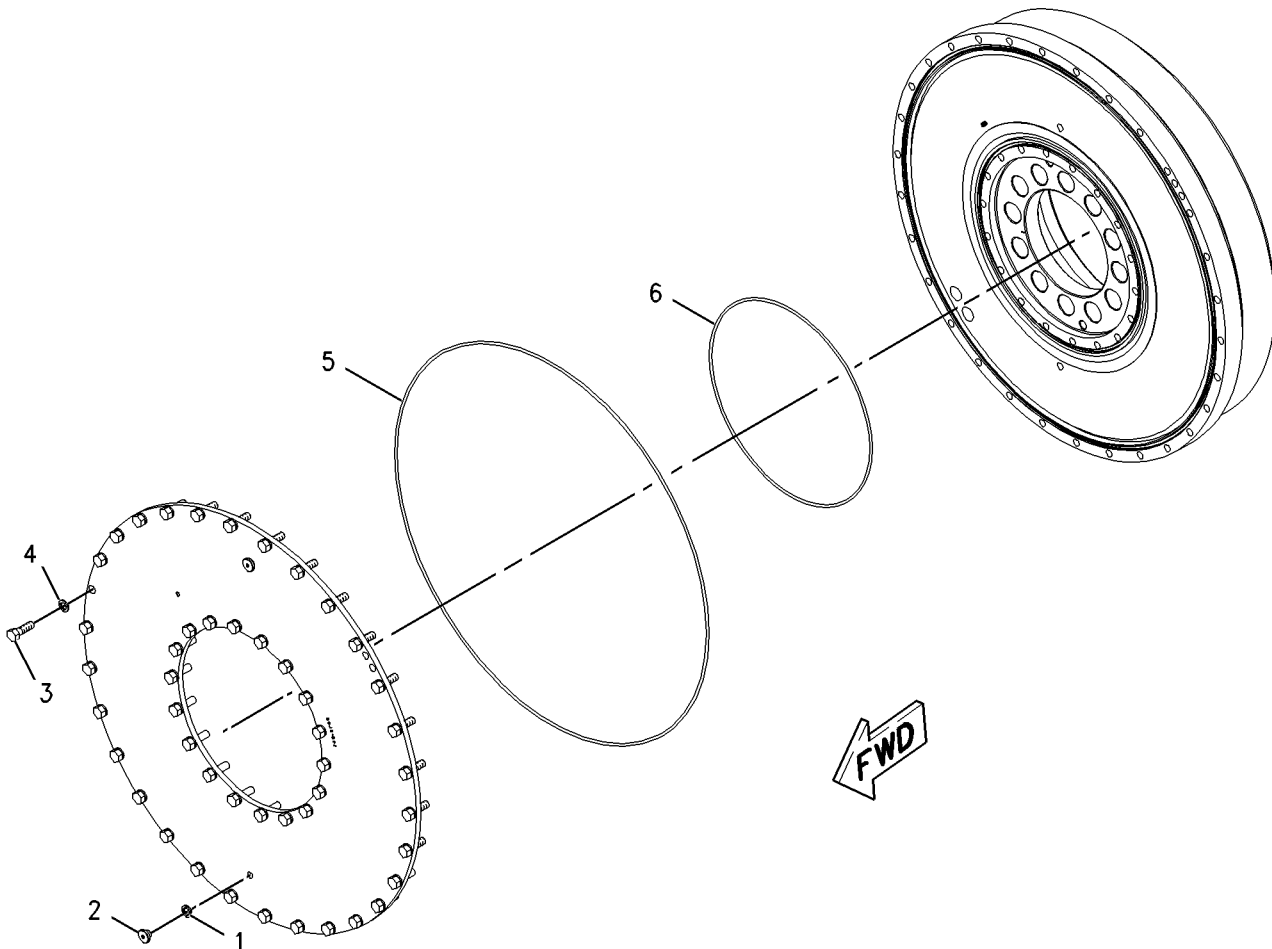
S/N: YAT1-UP

PART OF 8N-0339 DAMPER GP

SMCS-1205

i02327548

NOTE	REF NO	GRAPHIC REF	PART NUMBER	QTY	PART NAME						SEE PAGE
					1	2	3	4	5	6 (PRODUCT LEVEL)	
	1	1	151-9263	2	WASHER (10.35X16X2-MM THK)						
	2	1	227-3801	2	PLUG						
	3	1	1A-2029	48	BOLT (3/8-16X1.125-IN)						
	4	1	3V-2431	48	WASHER (10.2X16X2-MM THK)						
	5	1	4D-0449	1	SEAL-O-RING						
	6	1	6V-7991	1	SEAL-O-RING						



GRAPHIC #1

<END>

g00995286

# BASIC ENGINE

## 247-0845 DAMPER GP

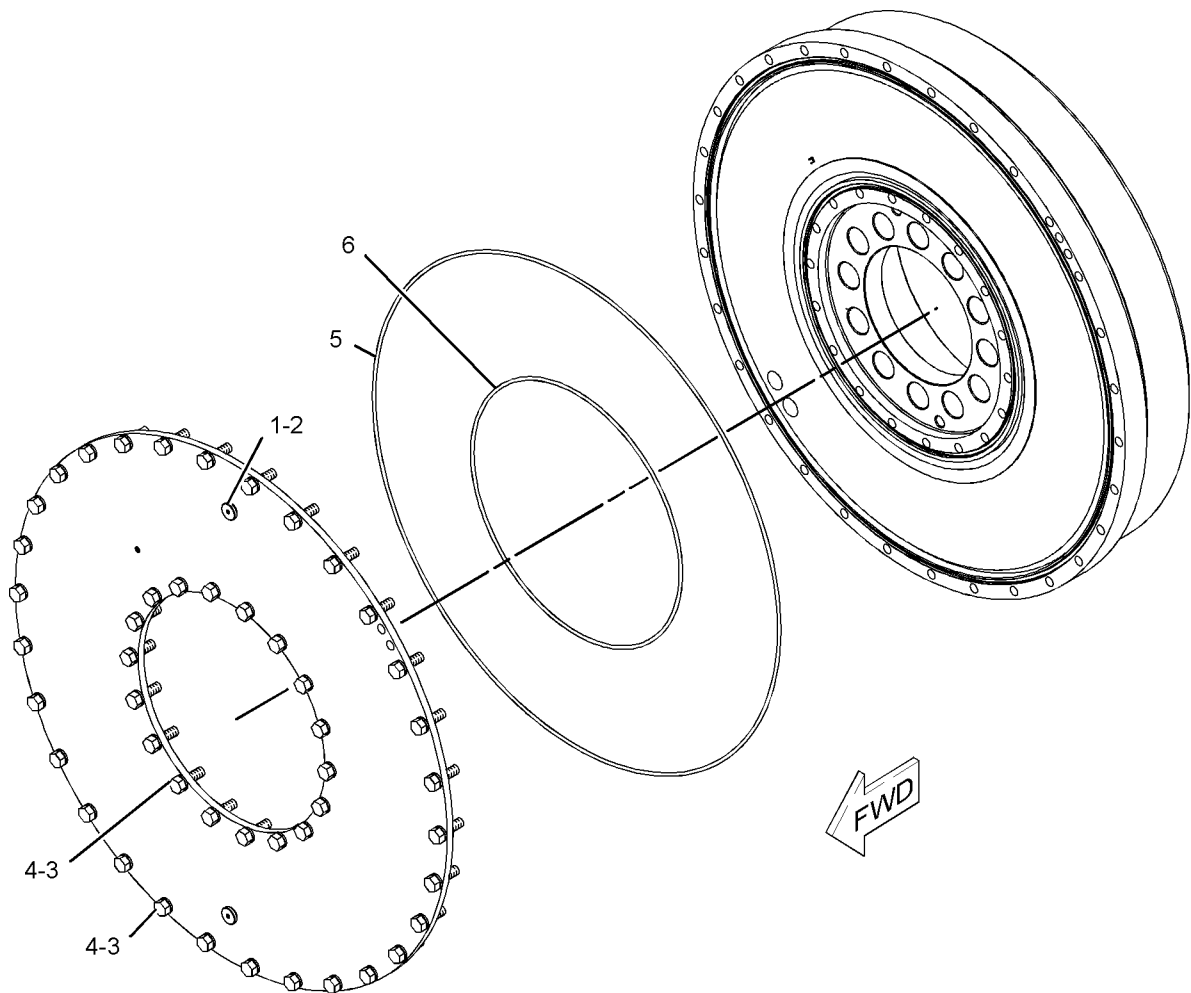
S/N: YAT1-UP

PART OF 248-0197 DAMPER GP

SMCS - 1205

i02094264

NOTE	REF NO	GRAPHIC REF	PART NUMBER	QTY	PART NAME						SEE PAGE
					1	2	3	4	5	6 (PRODUCT LEVEL)	
	1	1	151-9263	2	WASHER (10.35X16X2-MM THK)						
	2	1	227-3801	2	PLUG						
	3	1	1A-2029	48	BOLT (3/8-16X1.125-IN)						
	4	1	3V-2431	48	WASHER (10.2X16X2-MM THK)						
	5	1	4D-0449	1	SEAL-O-RING						
	6	1	6V-7991	1	SEAL-O-RING						



GRAPHIC #1

<END>

g01070264

# BASIC ENGINE

## 248-0197 DAMPER GP

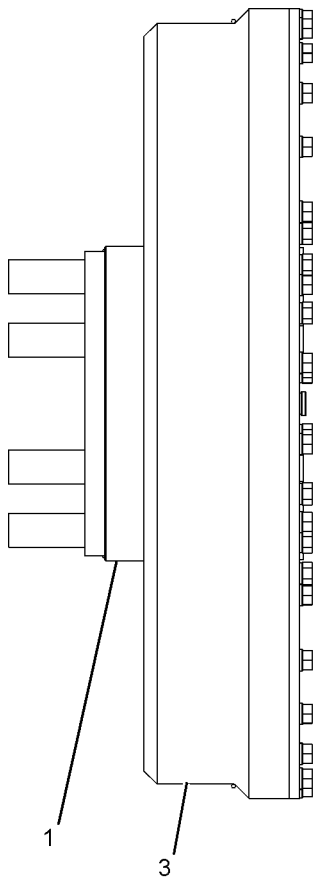
S/N: YAT1-UP

SMCS - 1205

i02094263

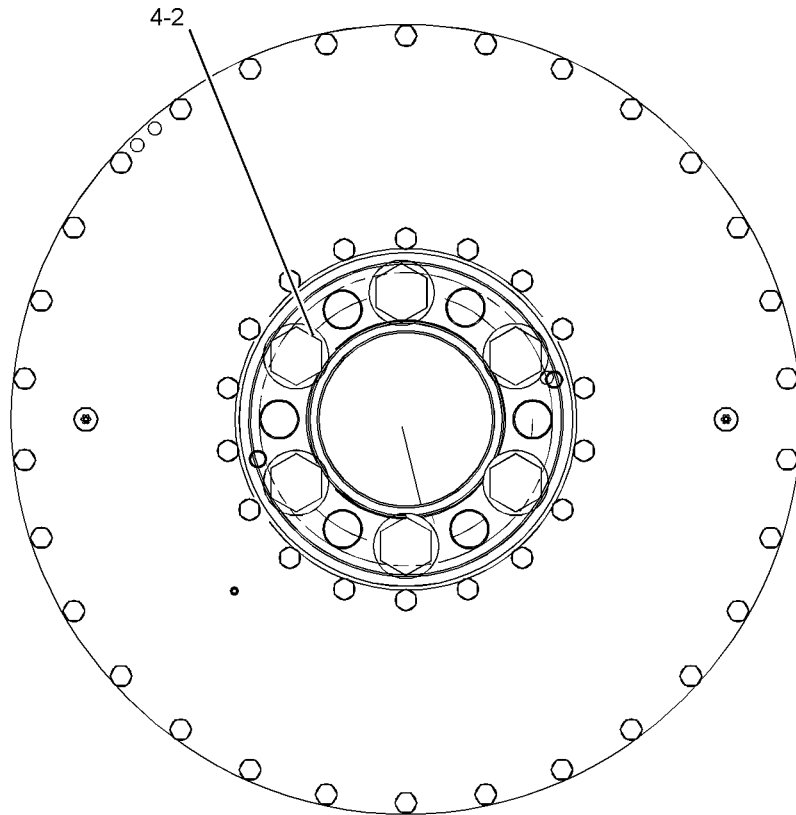
NOTE	REF NO	GRAPHIC REF	PART NUMBER	QTY	PART NAME						SEE PAGE
					1	2	3	4	5	6 (PRODUCT LEVEL)	
	1	1	<b>1N-3482</b>	1	ADAPTER						
	2	1	<b>8S-4757</b>	6	BOLT (1-14X8-IN)						
Y	3	1	<b>247-0845</b>	1	DAMPER GP						35
	4	1	<b>5P-8250</b>	6	WASHER (28X49X5-MM THK)						

Y - SEPARATE ILLUSTRATION



RIGHT SIDE VIEW

GRAPHIC #1



FRONT VIEW

<END>

g01069674



# BASIC ENGINE

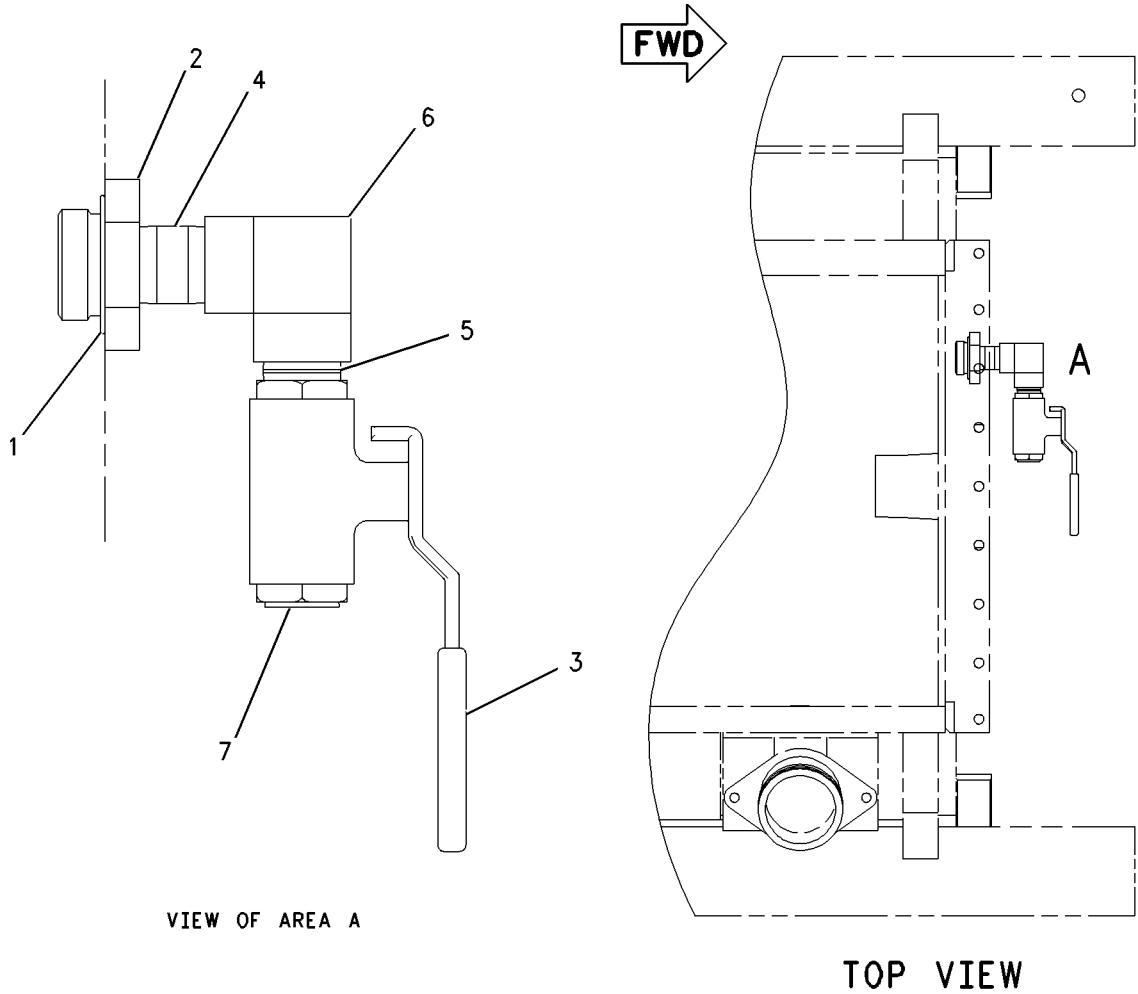
## 201-0549 DRAIN GP-ENGINE OIL-FRONT

S/N: YAT1-UP  
AN ATTACHMENT

SMCS - 1302

i02297678

NOTE	REF NO	GRAPHIC REF	PART NUMBER	QTY	PART NAME						SEE PAGE
					1	2	3	4	5	6 (PRODUCT LEVEL)	
	1	1	6F-4868	1	GASKET						
	2	1	7N-6511	1	ADAPTER						
	3	1	8C-1358	1	VALVE-BALL						
	4	1	3B-7270	1	NIPPLE-PIPE						
	5	1	3B-7745	1	NIPPLE-PIPE						
	6	1	4B-5984	1	ELBOW						
	7	1	7X-7731	1	PLUG-PIPE						



VIEW OF AREA A

TOP VIEW

GRAPHIC #1

<END>

g00813920

# BASIC ENGINE

## 268-4442 DRAIN GP-ENGINE OIL

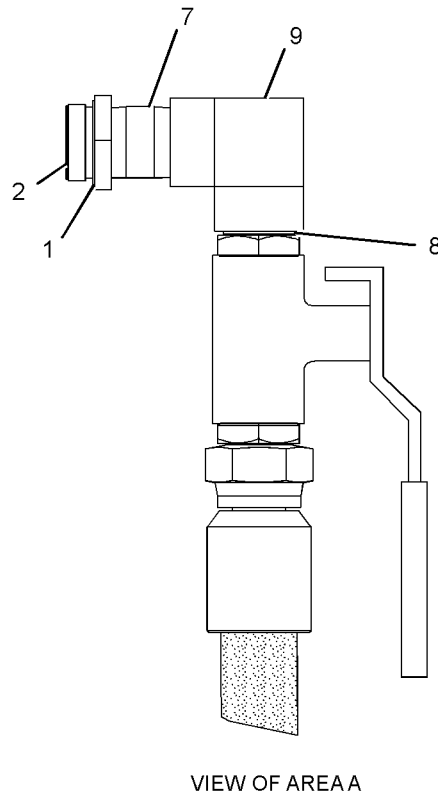
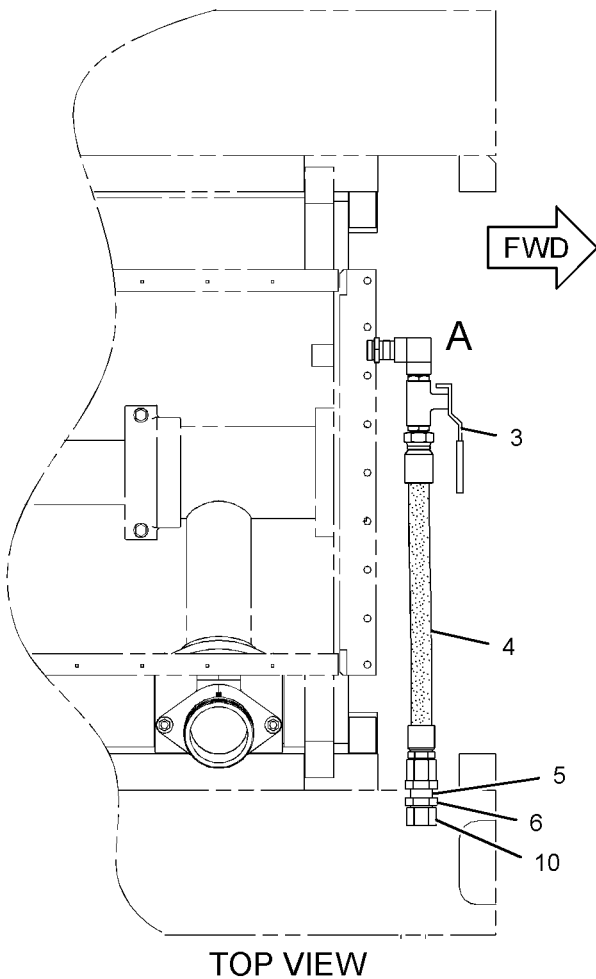
S/N: YAT1-UP  
FOR USE WITH WIDE RAILS  
AN ATTACHMENT

SMCS-1302

i02459827

NOTE	REF NO	GRAPHIC REF	PART NUMBER	QTY	PART NAME						SEE PAGE
					1	2	3	4	5	6 (PRODUCT LEVEL)	
	1	1	6F-4868	1	GASKET						
	2	1	7N-6511	1	ADAPTER						
	3	1	8C-1358	1	VALVE-BALL						
I	4	1	281-6350	1	HOSE AS						
	5	1	2P-1284	1	UNION						
	6	1	2P-1293	1	LOCKNUT (1-3/16-12-THD)						
	7	1	3B-7270	1	NIPPLE-PIPE						
	8	1	3B-7745	1	NIPPLE-PIPE						
	9	1	4B-5984	1	ELBOW						
	10	1	8L-9137	1	CAP-FLARED						

I-REFER TO HYDRAULIC INFORMATION SYSTEM



GRAPHIC #1

<END>

g01161638

# BASIC ENGINE

## 7E-7647 DRIVE GP-ACCESSORY-LOWER, LH

S/N: YAT1-UP

STANDARD ROTATION

SMCS-1207

i02292418

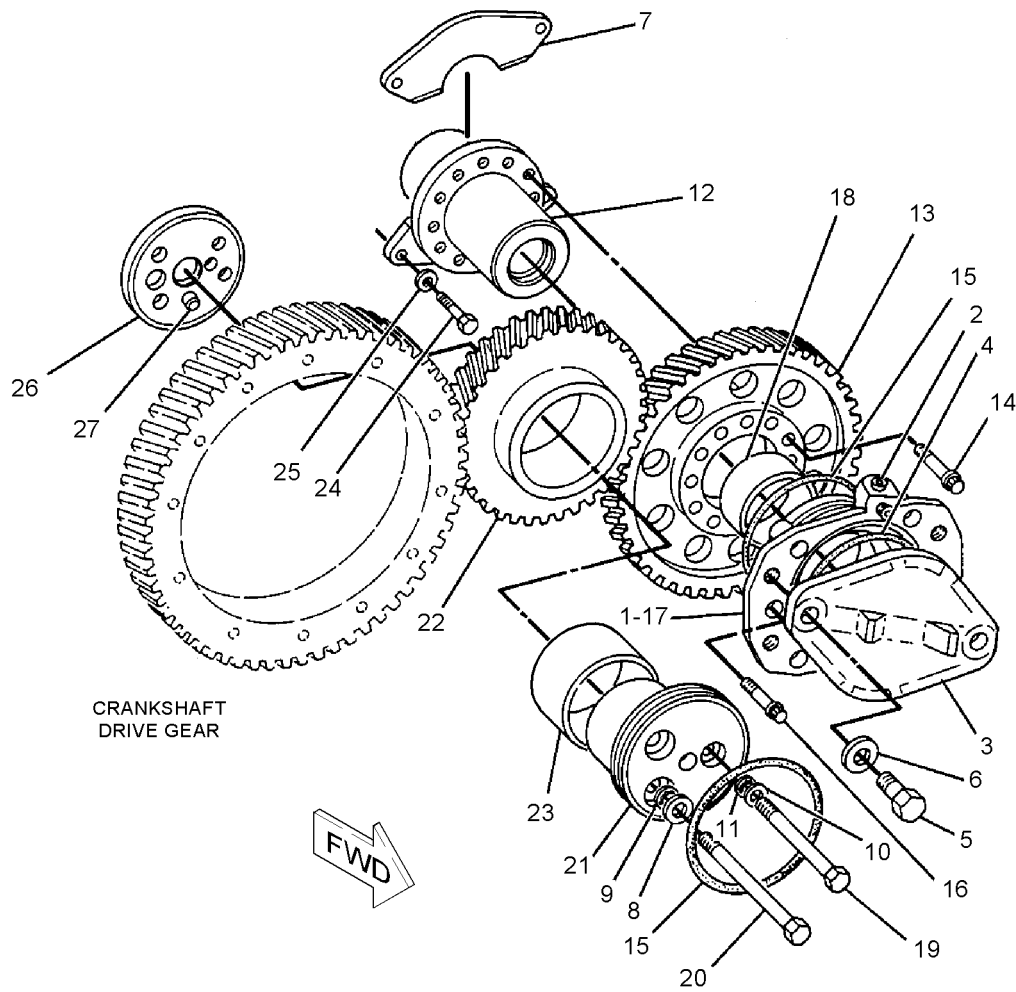
NOTE	REF NO	GRAPHIC REF	PART NUMBER	QTY	PART NAME						SEE PAGE
					1	2	3	4	5	6 (PRODUCT LEVEL)	
	1	1	5P-0840	1	SEAL-O-RING						
C	2	1	8T-6759	2	PLUG-PIPE						
	3	1	7N-8374	1	COVER-PUMP						
	4	1	9X-7371	1	SEAL-O-RING						
	5	1	0S-1592	2	BOLT (5/8-11X1.25-IN)						
	6	1	5P-8247	2	WASHER-HARD (17X32X3.5-MM THK)						
	7	1	7N-7539	2	WASHER-THRUST						
	8	1	5P-8245	2	WASHER-HARD (13.5X25.5X3-MM THK)						
	9	1	5R-7137	2	WASHER-SEALING						
	10	1	5M-2894	1	WASHER-HARD (10.2X18.5X2.5-MM THK)						
	11	1	5R-7136	1	WASHER-SEALING						
	12	1	7N-5874	1	SHAFT-AUXILIARY DRIVE						
	13	1	7E-0275	1	GEAR-WATER PUMP DRIVE (69-TEETH)						
	14	1	6K-3771	12	BOLT-12 POINT HEAD (7/16-14X1.5-IN)						
	15	1	235-3548	2	SEAL-O-RING						
	16	1	1T-0765	6	BOLT (3/8-16X1-IN)						
	17	1	8N-8210	1	ADAPTER AS						
	18	1	127-5400	1	BEARING-SLEEVE						
	19	1	0T-0055	1	BOLT (3/8-16X4.25-IN)						
	20	1	9X-8879	2	BOLT (1/2-13X5.5-IN)						
	21	1	7C-3260	1	SHAFT						
C	22	1	144-8263	1	GEAR AS-IDLER (53-TEETH)						
	23	1	140-9597	1	BEARING-SLEEVE						
	24	1	2B-2695	4	BOLT (5/16-18X0.875-IN)						
	25	1	9M-1974	4	WASHER-HARD (8.8X16X2-MM THK)						
	26	1	7C-3258	1	WASHER AS-THRUST						
	27	1	7N-2047	1	DOWEL						

C-CHANGE FROM PREVIOUS TYPE

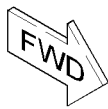
# BASIC ENGINE

7E-7647 DRIVE GP-ACCESSORY (contd.)

i02292418



CRANKSHAFT  
DRIVE GEAR



<END>

GRAPHIC #1

g01148334

# BASIC ENGINE

## 107-7361 DRIVE GP-ACCESSORY-UPPER, RH

S/N: YAT1-UP

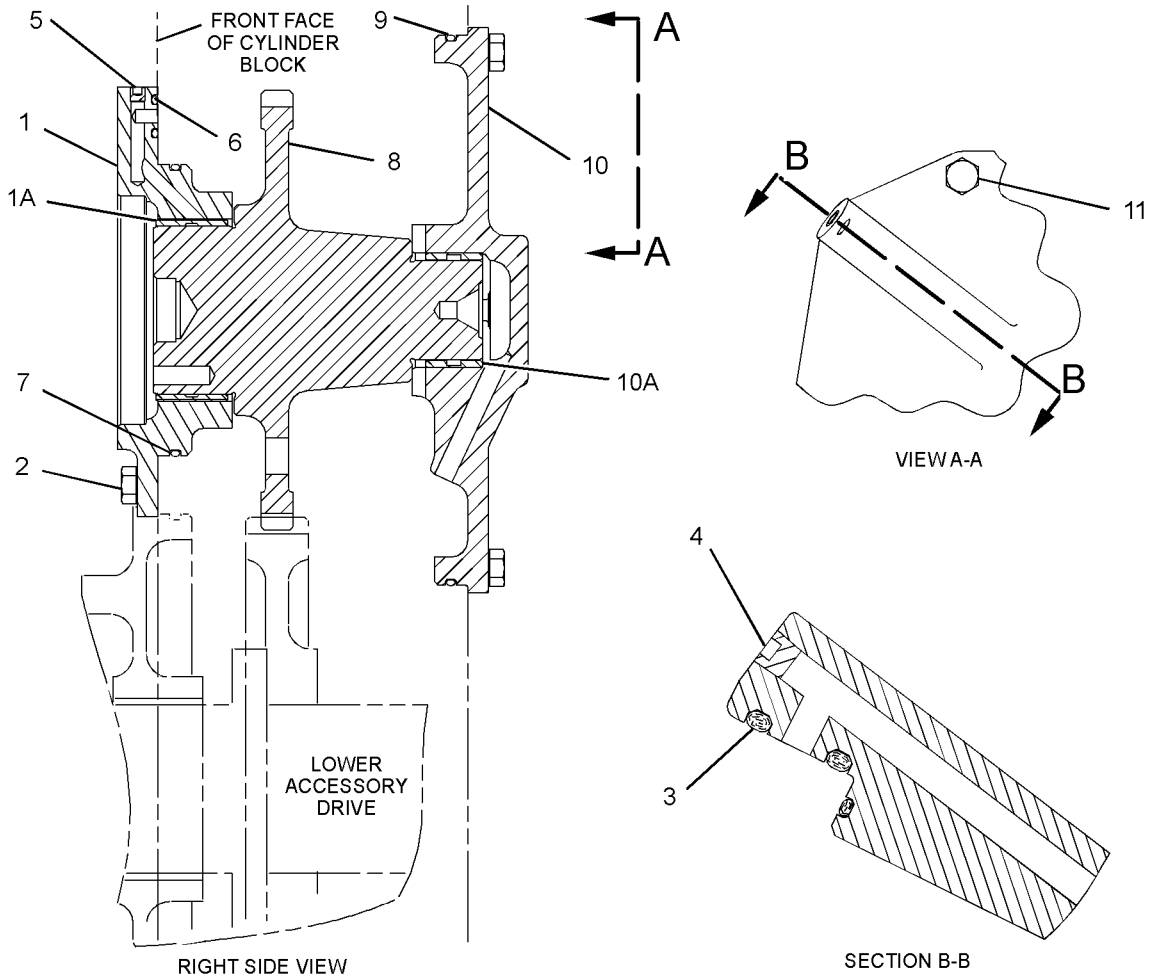
STANDARD ROTATION

CANNOT BE USED WITH MECHANICAL GOVERNOR  
AN ATTACHMENT

SMCS-1207

i02686118

NOTE	REF NO	GRAPHIC REF	PART NUMBER	QTY	PART NAME						SEE PAGE
					1	2	3	4	5	6 (PRODUCT LEVEL)	
	1	1	7C-4165	1	ADAPTER AS						
	1A	1	7N-5244	1	BEARING-SLEEVE						
	2	1	0L-1351	4	BOLT (3/8-16X0.875-IN)						
	3	1	6V-3348	1	SEAL-O-RING						
	4	1	8T-6757	1	PLUG-PIPE						
	5	1	8T-6759	1	PLUG-PIPE						
	6	1	5P-0840	1	SEAL-O-RING						
	7	1	235-3548	1	SEAL-O-RING						
	8	1	107-0466	1	GEAR-ACCESSORY DRIVE (55-TEETH)						
	9	1	235-3546	1	SEAL-O-RING						
	10	1	107-7362	1	COVER AS						
	10A	1	2S-7056	1	BEARING-SLEEVE						
	11	1	0S-1594	6	BOLT (3/8-16X1-IN)						



GRAPHIC #1

<END>

g01351431

# BASIC ENGINE

## 7N-7660 DRIVE GP-FAN

S/N: YAT1-UP

LOW KILOWATT

PART OF 254-2203, 254-2204, 7W-5223, 7W-5224, 7W-5225, 7W-5226, 7W-5227,  
7W-5232, 7W-5252, 7W-5253, 7W-8138, 7W-8141, 7W-8143, 7W-8144 PULLEY GP-FAN

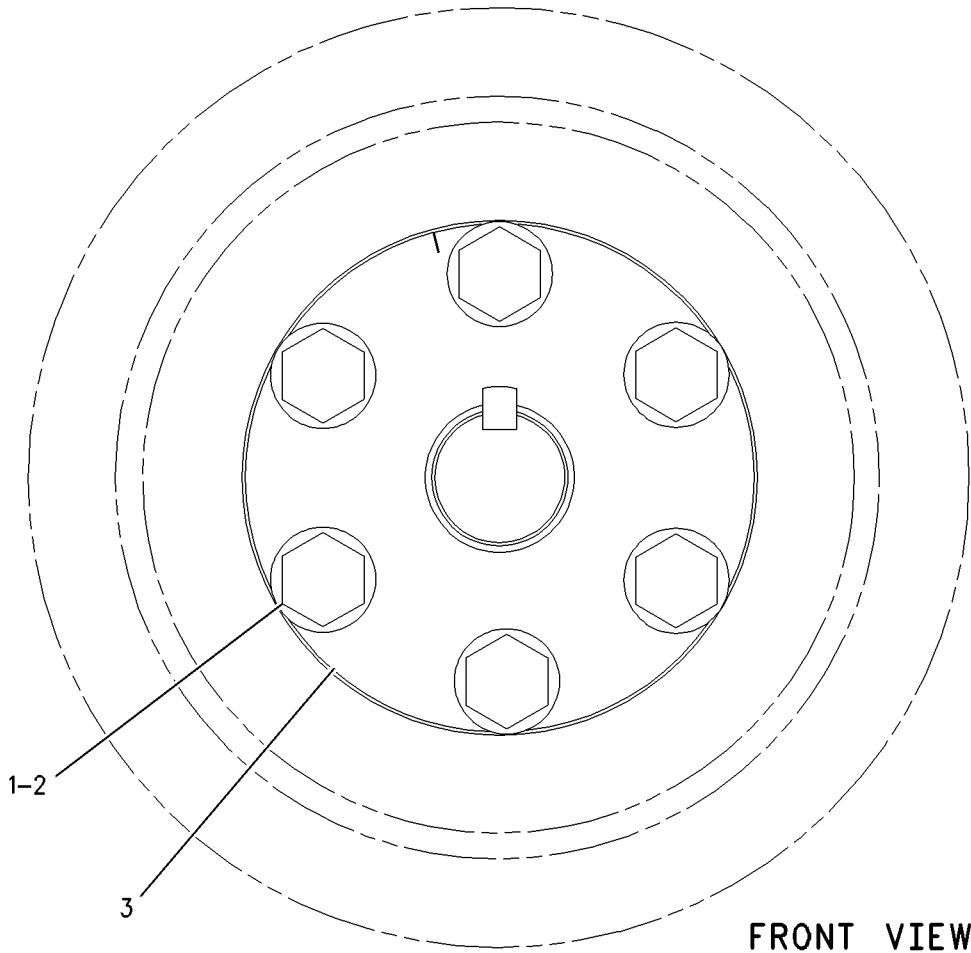
DRIVE

AN ATTACHMENT

SMCS-1359

i02220725

NOTE	REF NO	GRAPHIC REF	PART NUMBER	QTY	PART NAME						SEE PAGE
					1	2	3	4	5	6 (PRODUCT LEVEL)	
	1	1	5P-8250	6	WASHER (28X49X5-MM THK)						
	2	1	9F-8122	6	BOLT (1-14X9-IN)						
	3	1	7N-7057	1	SHAFT-STUB						



FRONT VIEW

GRAPHIC #1

<END>

g00994930

# BASIC ENGINE

## 7W-3953 DRIVE GP-FAN-SUCTION

S/N: YAT1-UP

FOR USE WITH ENGINE MOUNTED FAN  
AN ATTACHMENT

SMCS-1359

i02975857

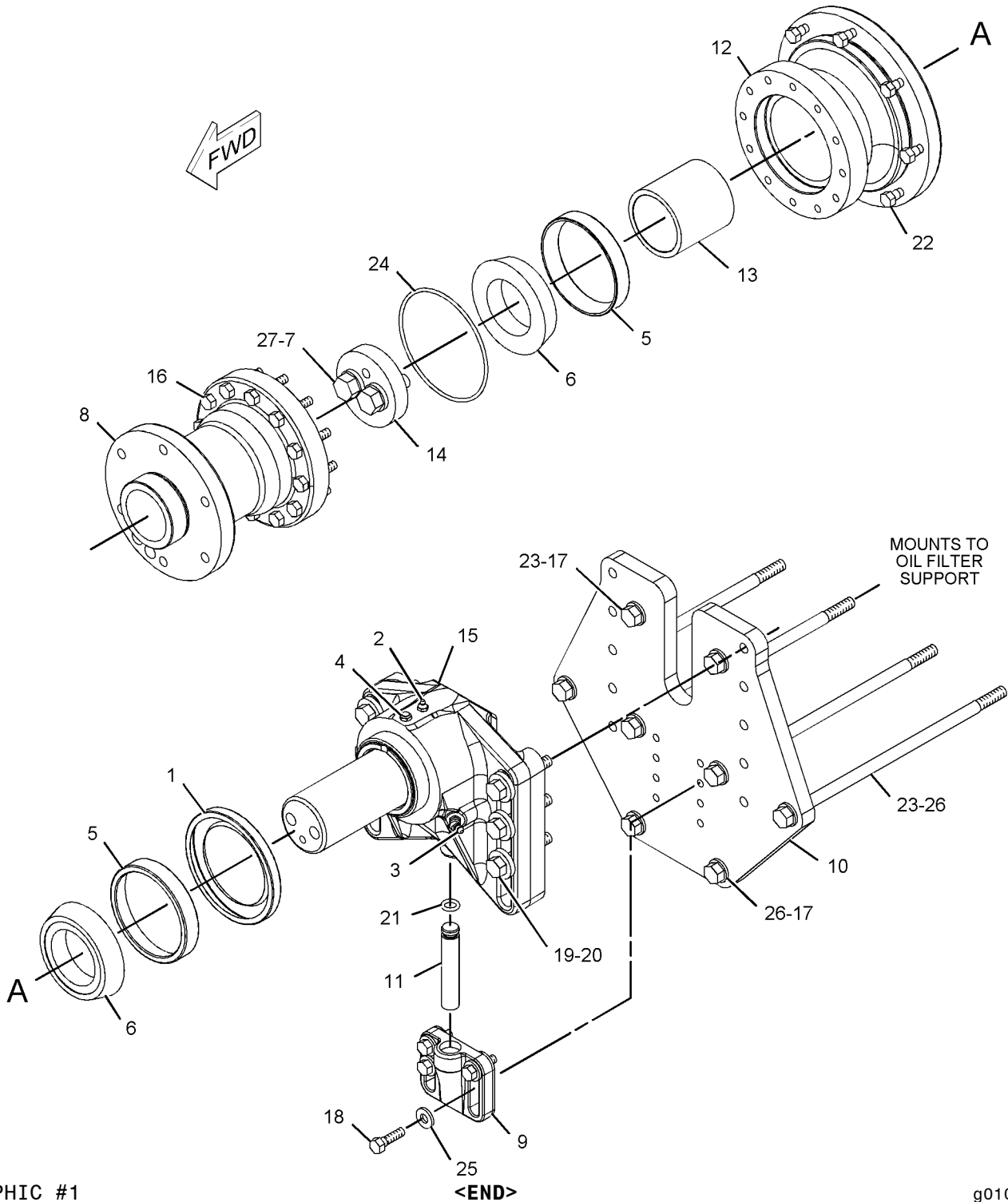
NOTE	REF NO	GRAPHIC REF	PART NUMBER	QTY	PART NAME						SEE PAGE
					1	2	3	4	5	6 (PRODUCT LEVEL)	
	1	1	1J-4034	1	SEAL-LIP TYPE						
	2	1	3B-8489	1	FITTING-GREASE						
	3	1	3B-8686	1	FITTING-GREASE						
	4	1	4B-4550	1	FITTING-PRESSURE RELIEF						
	5	1	6B-3224	2	CUP-BEARING						
	6	1	6Y-7651	2	CONE-BEARING						
	7	1	7E-4202	2	WASHER-HARD (16.2X30X5-MM THK)						
	8	1	7W-3464	1	ADAPTER-FAN						
	9	1	7W-6110	1	BRACKET						
	10	1	7W-6370	1	BASE-FAN DRIVE						
	11	1	7W-6755	1	SHAFT						
	12	1	9Y-2647	1	HUB-FAN PULLEY						
	13	1	209-5296	1	SPACER (63.6X76.2X76.2-MM THK)						
	14	1	217-6916	1	WASHER (85X18-MM THK)						
	15	1	251-7648	1	BRACKET AS						
		1	3B-2968	1	BOLT (3/4-10X3.5-IN)						
		1	251-7645	1	SHAFT						
B		1	7W-7590		SLEEVE						
		1	5P-8248	1	WASHER-HARD (20X36.5X3.5-MM THK)						
	16	1	0S-1571	12	BOLT (3/8-16X1.75-IN)						
	17	1	0S-1585	4	BOLT (1/2-13X1.5-IN)						
	18	1	0S-1588	4	BOLT (3/8-16X1.25-IN)						
	19	1	1A-5822	6	BOLT (1/2-13X2.75-IN)						
	20	1	1F-7960	6	WASHER (13.5X32X6-MM THK)						
	21	1	2M-4453	1	SEAL-O-RING						
	22	1	3B-1915	8	BOLT (3/8-16X1.375-IN)						
	23	1	4M-2442	4	BOLT (1/2-13X12.32-IN)						
	24	1	5F-3144	1	SEAL-O-RING						
	25	1	5P-1075	4	WASHER-HARD (10.2X22.5X3-MM THK)						
	26	1	5P-8245	8	WASHER-HARD (13.5X25.5X3-MM THK)						
	27	1	7K-4370	2	BOLT (5/8-11X1.75-IN)						

B-USE AS REQUIRED

# BASIC ENGINE

7W-3953 DRIVE GP-FAN (contd.)

i02975857



GRAPHIC #1

g01086780



# BASIC ENGINE

## 212-4694 DRIVE GP-FAN

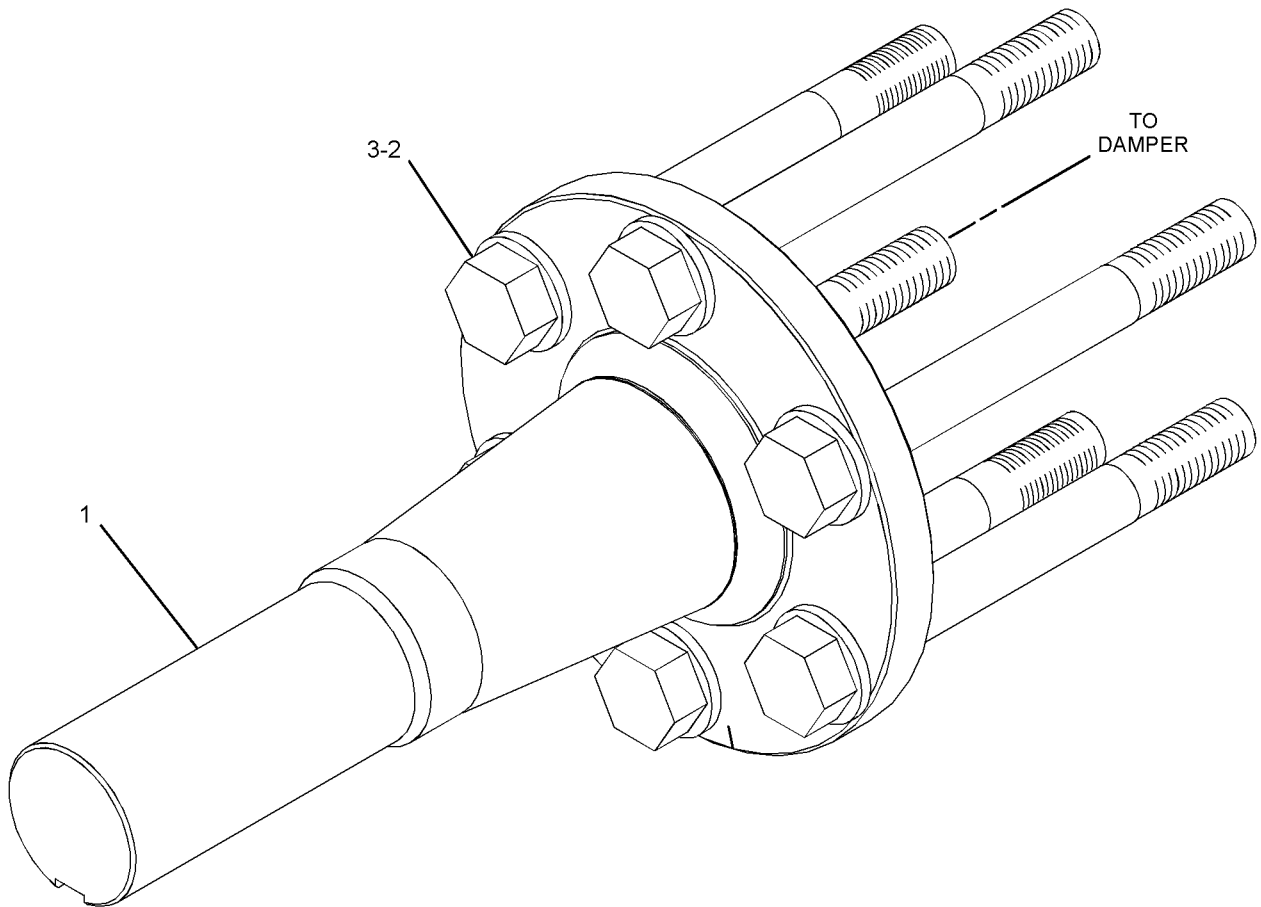
S/N: YAT1-UP

FOR USE WITH RADIATOR MOUNTED FAN  
AN ATTACHMENT

SMCS-1359

i02664816

NOTE	REF NO	GRAPHIC REF	PART NUMBER	QTY	PART NAME						SEE PAGE
					1	2	3	4	5	6 (PRODUCT LEVEL)	
	1	1	129-2288	1	SHAFT (STUB)						
	2	1	5P-8250	6	WASHER (28X49X5-MM THK)						
	3	1	9F-8122	6	BOLT (1-14X9-IN)						



GRAPHIC #1

<END>

g01347347

# BASIC ENGINE

## 7N-4851 FLYWHEEL GP

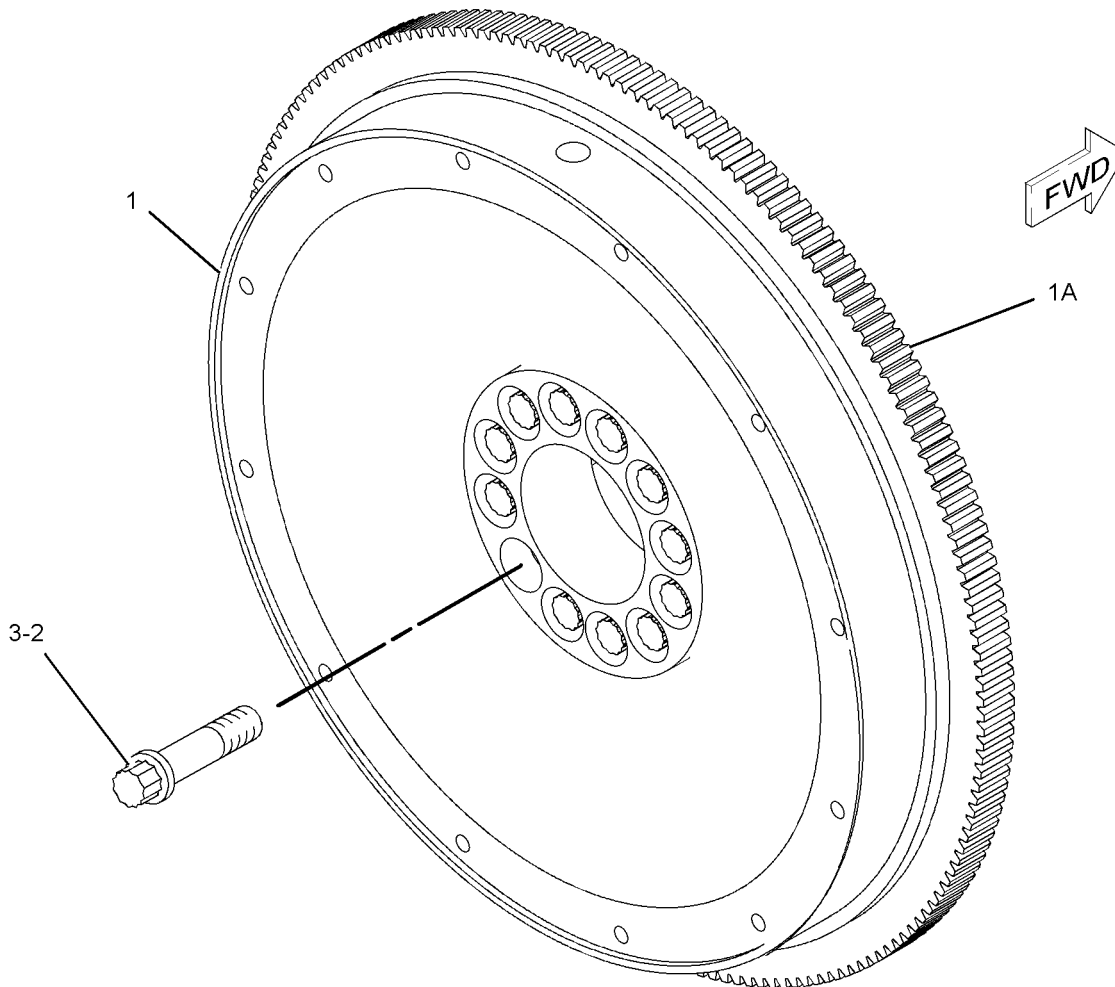
S/N: YAT1-UP

SMCS-1156

i02189120

NOTE	REF NO	GRAPHIC REF	PART NUMBER	QTY	PART NAME						SEE PAGE
					1	2	3	4	5	6 (PRODUCT LEVEL)	
C	1	1	<b>243-3216</b>	1	FLYWHEEL AS						
	1A	1	<b>233-0643</b>	1	GEAR-FLYWHEEL (183-TEETH)						
	2	1	<b>9S-8893</b>	12	BOLT-12 POINT HEAD (1-14X101.6-MM)						
	3	1	<b>5P-8839</b>	12	WASHER-HARD (28X42X4-MM THK)						

C-CHANGE FROM PREVIOUS TYPE



GRAPHIC #1

<END>

g01109106

# BASIC ENGINE

## 8N-7174 GEAR GP-FRONT-STANDARD ROTATION

S/N: YAT1-UP

SMCS-1151, 1162, 1206

i02405456

NOTE	REF NO	GRAPHIC REF	PART NUMBER	QTY	PART NAME						SEE PAGE
					1	2	3	4	5	6 (PRODUCT LEVEL)	
	1	1	<b>2W-2895</b>	1	GEAR-CRANKSHAFT (92-TEETH)						
	2	1	<b>5R-7136</b>	1	WASHER-SEALING						
	3	1	<b>5R-7137</b>	2	WASHER-SEALING						
	4	1	<b>7C-3258</b>	1	WASHER AS-THRUST						
	4A	1	<b>7N-2047</b>	1	DOWEL						
	5	1	<b>7C-3260</b>	1	SHAFT						
	6	1	<b>7E-0275</b>	1	GEAR-WATER PUMP DRIVE (69-TEETH)						
	7	1	<b>7N-5239</b>	1	SHAFT AS-PUMP DRIVE						
	7A	1	<b>8T-2153</b>	1	SETSCREW-SOCKET (1/4-28X0.31-IN)						
	8	1	<b>7N-5245</b>	1	ADAPTER AS-PUMP (WATER)						
	8A	1	<b>127-5400</b>	1	BEARING-SLEEVE						
	9	1	<b>7N-5246</b>	2	WASHER-THRUST						
C	10	1	<b>144-8263</b>	1	GEAR AS-IDLER (53-TEETH)						
	10A	1	<b>140-9597</b>	1	BEARING-SLEEVE						
	11	1	<b>235-3546</b>	1	SEAL-O-RING						
	12	1	<b>235-3548</b>	2	SEAL-O-RING						
	13	1	<b>278-4287</b>	1	ADAPTER AS-PUMP (OIL)						
	13A	1	<b>127-5400</b>	1	BEARING-SLEEVE						
	14	1	<b>0S-1590</b>	5	BOLT (3/8-16X2-IN)						
	15	1	<b>0S-1594</b>	2	BOLT (3/8-16X1-IN)						
	16	1	<b>0T-0055</b>	1	BOLT (3/8-16X4.25-IN)						
	17	1	<b>3S-1307</b>	12	BOLT-12 POINT HEAD (3/8-16X2-IN)						
	18	1	<b>4B-3388</b>	4	BOLT (5/16-18X1.125-IN)						
	19	1	<b>5M-2894</b>	6	WASHER-HARD (10.2X18.5X2.5-MM THK)						
	20	1	<b>5P-8245</b>	2	WASHER-HARD (13.5X25.5X3-MM THK)						
	21	1	<b>6V-3348</b>	1	SEAL-O-RING						
	22	1	<b>9M-1974</b>	4	WASHER-HARD (8.8X16X2-MM THK)						
	23	1	<b>9X-8879</b>	2	BOLT (1/2-13X5.5-IN)						
BC	24	1	<b>6K-3771</b>	12	BOLT-12 POINT HEAD (7/16-14X1.5-IN)						

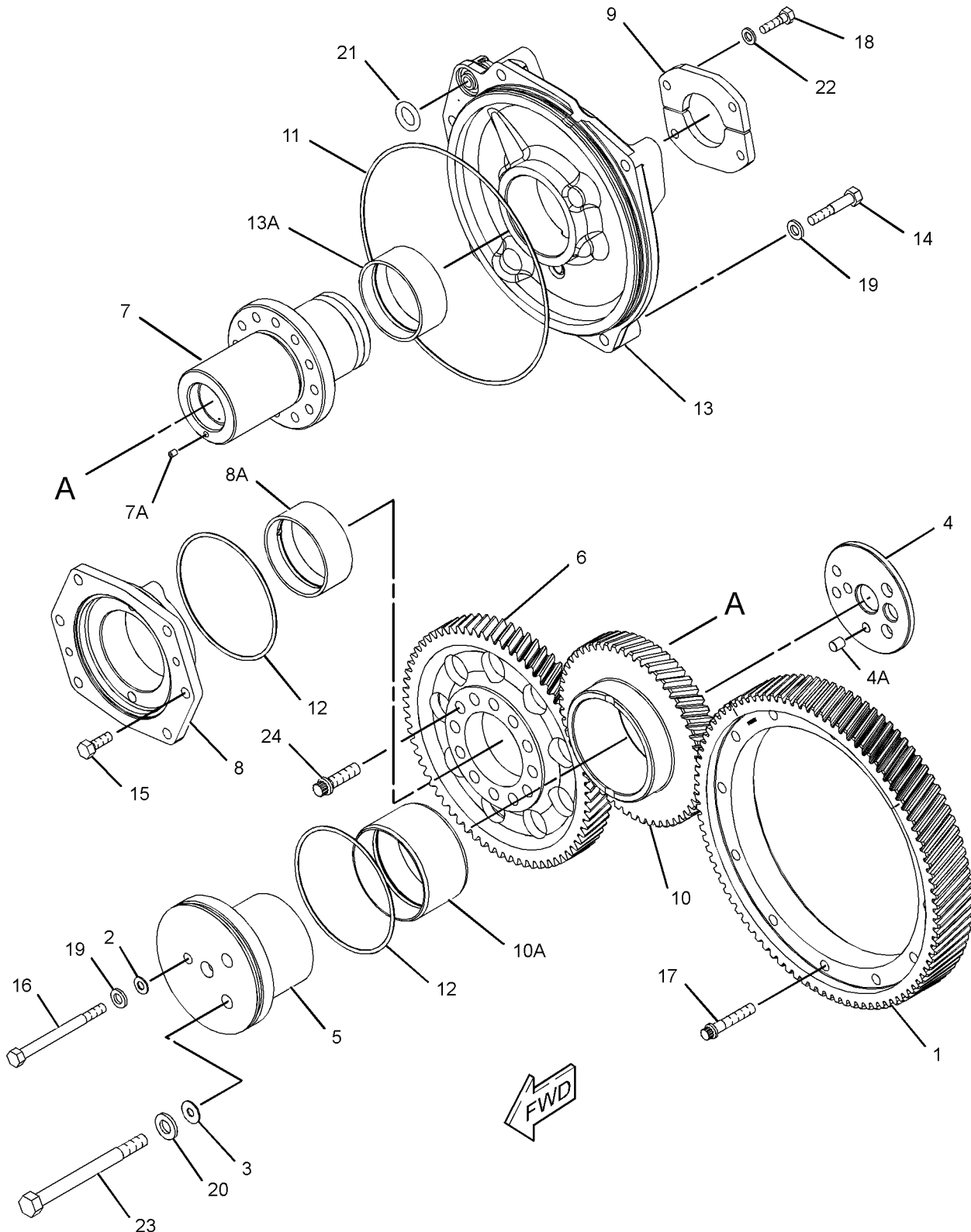
B- USE AS REQUIRED

C- CHANGE FROM PREVIOUS TYPE

# BASIC ENGINE

8N-7174 GEAR GP-FRONT (contd.)

i02405456



GRAPHIC #1

<END>

g01202529

# BASIC ENGINE

## 101-0835 GEAR GP-REAR

S/N: YAT1-UP

SMCS-1204

i02327550

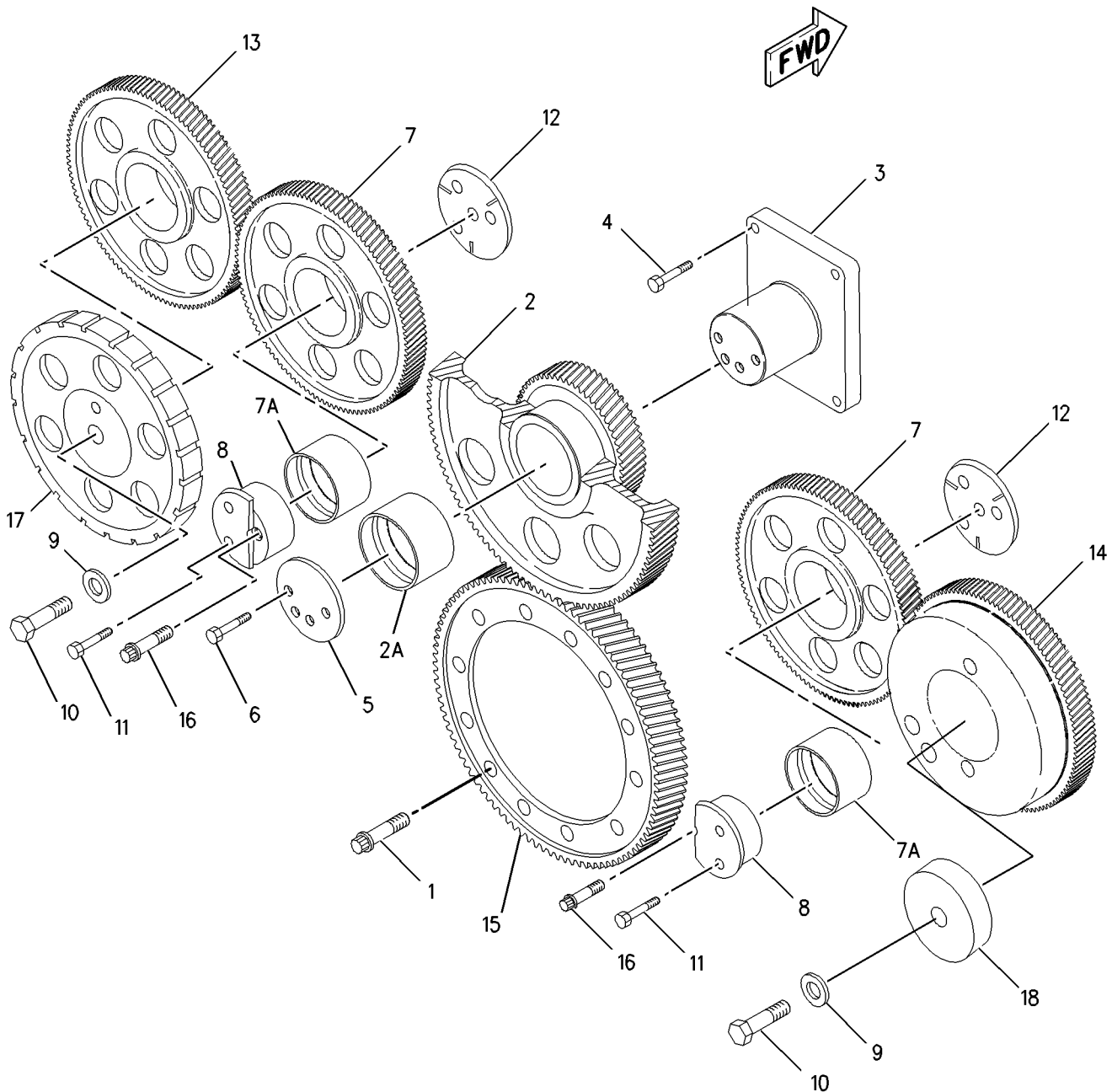
NOTE	REF NO	GRAPHIC REF	PART NUMBER	QTY	PART NAME						SEE PAGE
					1	2	3	4	5	6 (PRODUCT LEVEL)	
	1	1	<b>3S-1307</b>	12	BOLT-12 POINT HEAD (3/8-16X2-IN)						
	2	1	<b>114-3372</b>	1	GEAR AS-CLUSTER (92, 35-TEETH)						
	2A	1	<b>101-1372</b>	1	BEARING-SLEEVE						
	3	1	<b>101-1366</b>	1	SHAFT-GEAR (CLUSTER)						
	4	1	<b>8M-2530</b>	4	BOLT-12 POINT HEAD (1/2-13X1.25-IN)						
	5	1	<b>101-1365</b>	1	PLATE-THRUST						
	6	1	<b>0L-1351</b>	4	BOLT (3/8-16X0.875-IN)						
	7	1	<b>101-1364</b>	2	GEAR AS-IDLER (69-TEETH) (CAMSHAFT)						
					(EACH INCLUDES)						
	7A	1	<b>125-9751</b>	1	BEARING-SLEEVE						
	8	1	<b>101-1367</b>	2	SHAFT-IDLER						
	9	1	<b>5P-8248</b>	2	WASHER-HARD (20X36.5X3.5-MM THK)						
	10	1	<b>9X-8887</b>	2	BOLT (3/4-10X3-IN)						
	11	1	<b>1B-4367</b>	4	BOLT (5/8-11X3-IN)						
	12	1	<b>101-1368</b>	2	WASHER-THRUST (19.5X106X1.9-MM THK)						
	13	1	<b>101-1369</b>	1	GEAR-CAMSHAFT DRIVE (70-TEETH)						
C	14	1	<b>101-0242</b>	1	GEAR-CAMSHAFT DRIVE (70-TEETH)						
	15	1	<b>101-1370</b>	1	GEAR-CRANKSHAFT (92-TEETH)						
	16	1	<b>8S-2331</b>	2	BOLT-12 POINT HEAD (5/8-11X2-IN)						
	17	1	<b>7E-5324</b>	1	RING						
C	18	1	<b>4W-4586</b>	1	PLATE						

C-CHANGE FROM PREVIOUS TYPE

# BASIC ENGINE

101-0835 GEAR GP-REAR (contd.)

i02327550



GRAPHIC #1

<END>

g00661240

# BASIC ENGINE

## 7W-7214 GUARD GP-BELT-FAN

S/N: YAT1-UP  
AN ATTACHMENT

SMCS-7174

i02139070

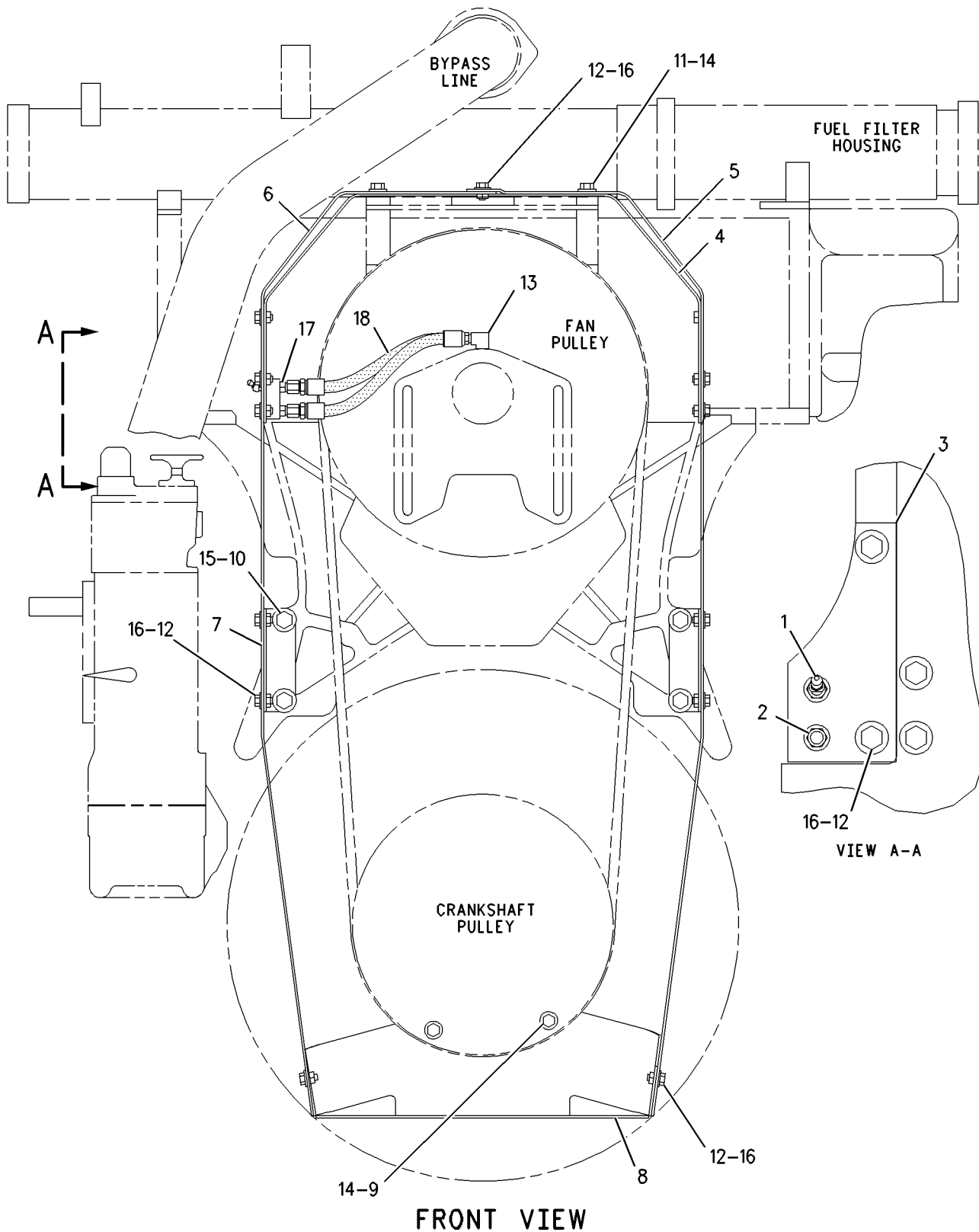
NOTE	REF NO	GRAPHIC REF	PART NUMBER	QTY	PART NAME						SEE PAGE
					1	2	3	4	5	6 (PRODUCT LEVEL)	
	1	1	<b>3B-8686</b>	1	FITTING-GREASE						
	2	1	<b>4B-4550</b>	1	FITTING-PRESSURE RELIEF						
C	3	1	<b>7C-0551</b>	1	PLATE AS						
C	4	1	<b>7C-1461</b>	1	GUARD AS						
		1	<b>4K-9097</b>	8	NUT-WELD (5/16-18-THD)						
C	5	1	<b>7C-1464</b>	1	GUARD (LH)						
C	6	1	<b>7C-1465</b>	1	GUARD AS (RH)						
		1	<b>4K-9097</b>	1	NUT-WELD (5/16-18-THD)						
	7	1	<b>7W-7216</b>	2	BRACKET AS						
					(EACH INCLUDES)						
		1	<b>4K-9097</b>	2	NUT-WELD (5/16-18-THD)						
	8	1	<b>7W-7218</b>	1	BRACKET AS						
		1	<b>4K-9097</b>	4	NUT-WELD (5/16-18-THD)						
	9	1	<b>0S-0509</b>	2	BOLT (3/8-16X0.75-IN)						
	10	1	<b>0S-1621</b>	4	BOLT (1/2-13X1-IN)						
C	11	1	<b>2A-4639</b>	2	BOLT (3/8-16X1.625-IN)						
C	12	1	<b>2H-3755</b>	15	BOLT (5/16-18X0.43-IN)						
	13	1	<b>3B-8822</b>	2	ELBOW						
C	14	1	<b>5P-1075</b>	4	WASHER-HARD (10.2X22.5X3-MM THK)						
	15	1	<b>5P-1076</b>	4	WASHER-HARD (13.5X30X4-MM THK)						
C	16	1	<b>5P-4116</b>	15	WASHER-HARD (8.8X20.5X2-MM THK)						
C	17	1	<b>8L-6557</b>	2	CONNECTOR						
CI	18	1	<b>3N-4622</b>	2	HOSE AS						

C-CHANGE FROM PREVIOUS TYPE  
I-REFER TO HYDRAULIC INFORMATION SYSTEM

# BASIC ENGINE

7W-7214 GUARD GP-BELT (contd.)

i02139070



FRONT VIEW

GRAPHIC #1

<END>

g00894236



# BASIC ENGINE

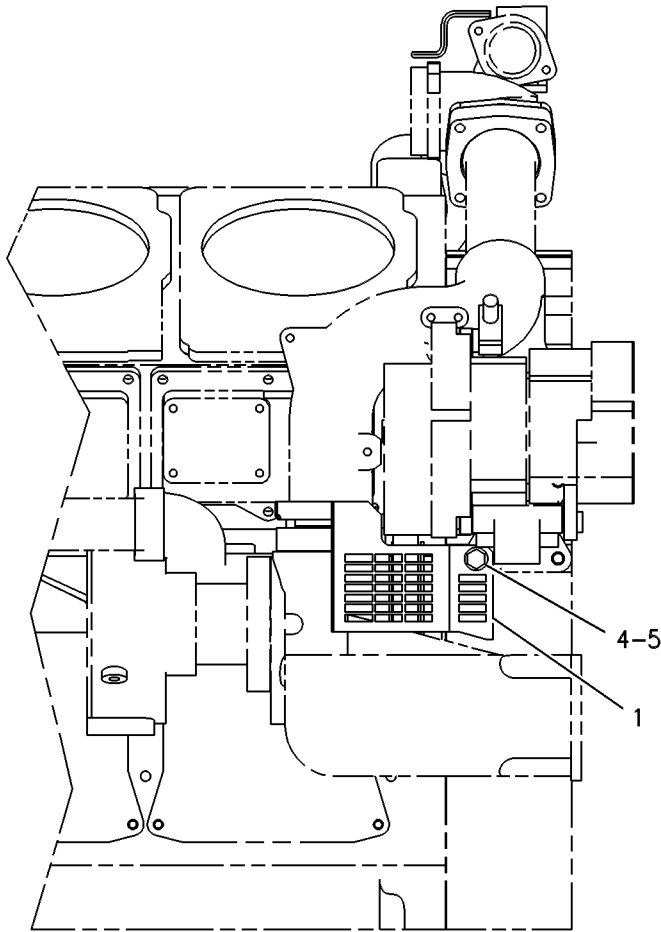
## 151-9228 GUARD GP-BELT-ALTERNATOR

S/N: YAT1-UP  
AN ATTACHMENT

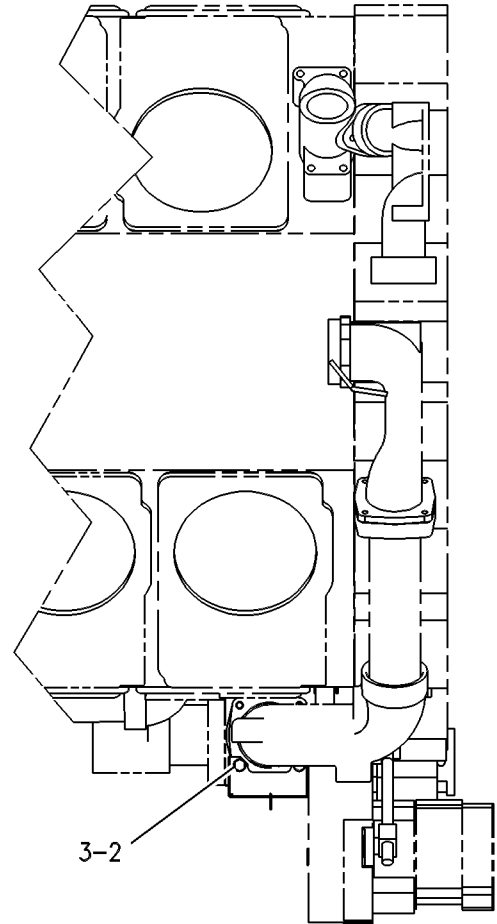
SMCS-7174

i01442458

NOTE	REF NO	GRAPHIC REF	PART NUMBER	QTY	PART NAME						SEE PAGE
					1	2	3	4	5	6 (PRODUCT LEVEL)	
	1	1	171-1359	1	GUARD AS-BELT						
	2	1	8T-2501	2	BOLT (3/8-16X2-IN)						
	3	1	8T-4896	2	WASHER-HARD (10.2X18.5X2.5-MM THK)						
	4	1	5P-2566	1	BOLT (1/2-13X1.5-IN)						
	5	1	8T-4223	1	WASHER-HARD (13.5X25.5X3-MM THK)						



RIGHT SIDE VIEW



TOP VIEW

GRAPHIC #1

<END>

g00333482

# BASIC ENGINE

## 254-3335 GUARD GP-BELT

S/N: YAT1-UP

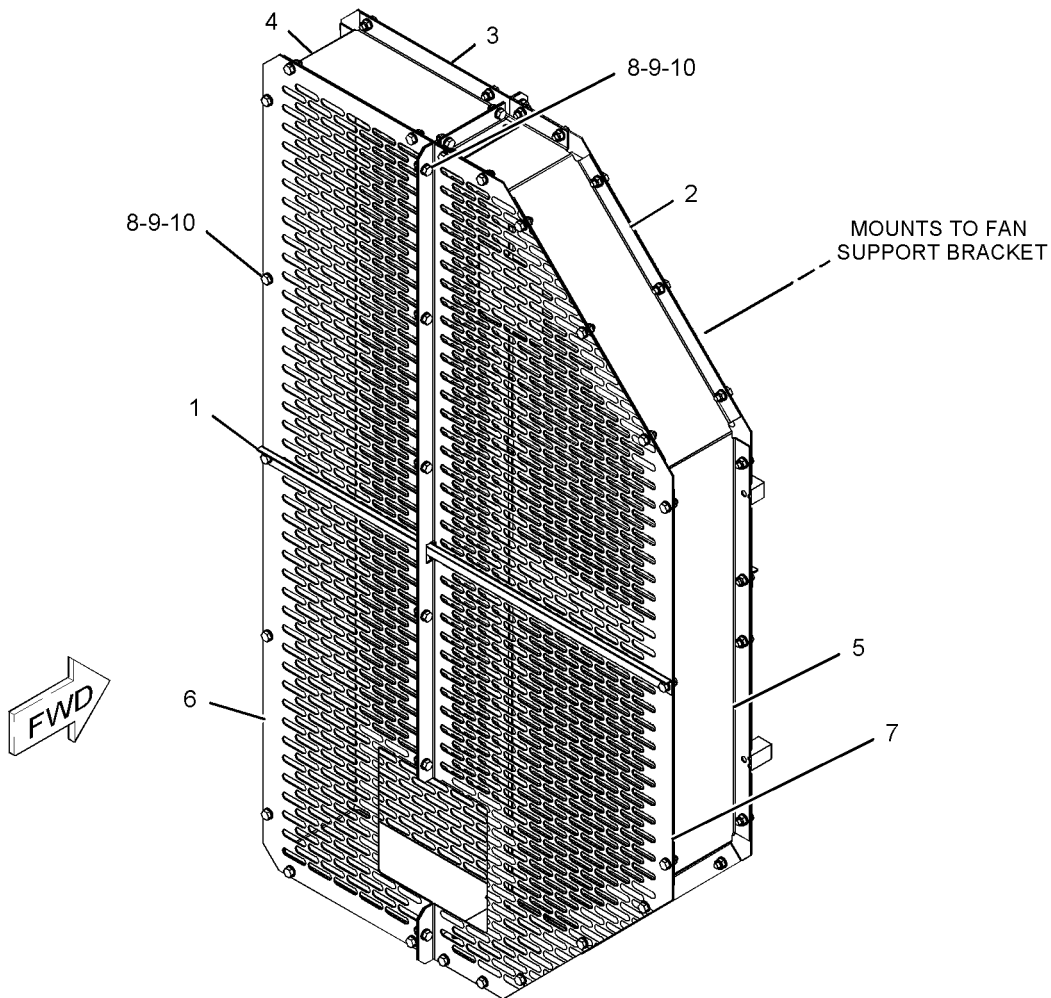
PART OF 252-9877 RADIATOR GP  
AN ATTACHMENT

SMCS-7174

i02225682

NOTE	REF NO	GRAPHIC REF	PART NUMBER	QTY	PART NAME						SEE PAGE
					1	2	3	4	5	6 (PRODUCT LEVEL)	
	1	1	254-0028	2	GUARD						
	2	1	254-0047	1	PANEL-REAR (RIGHT)						
	3	1	254-0048	1	PANEL-REAR (LEFT)						
	4	1	254-3336	1	GUARD-FRAME						
	5	1	254-3337	1	GUARD-FRAME						
	6	1	254-3338	1	PANEL-FRONT (LEFT)						
	7	1	254-3339	1	PANEL-FRONT (RIGHT)						
M	8	1	131-3540	62	LOCKNUT (M8X1.25-THD)						
M	9	1	8T-4189	62	BOLT (M8X1.25X20-MM)						
	10	1	8T-4224	124	WASHER-HARD (8.8X16X2-MM THK)						

M-METRIC PART



GRAPHIC #1

g01123513

# BASIC ENGINE

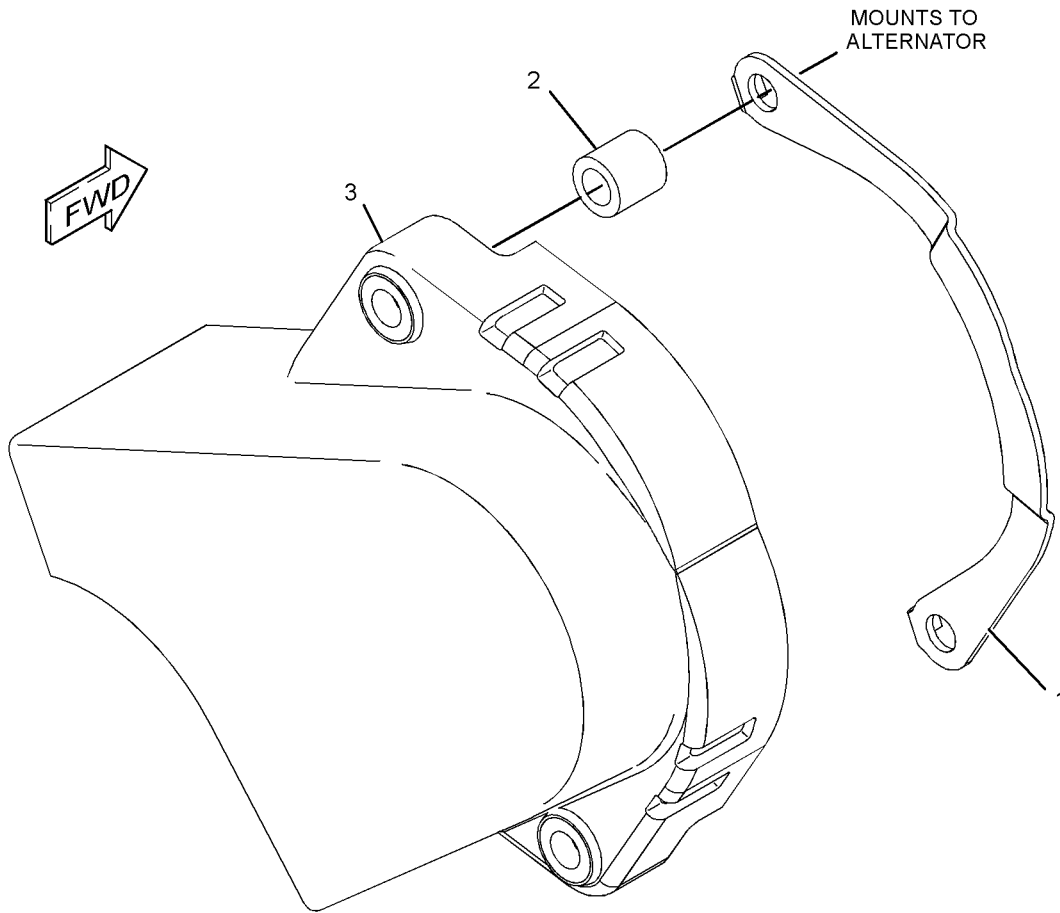
## 271-9270 GUARD GP-BELT-ALTERNATOR

S/N: YAT1-UP  
AN ATTACHMENT

SMCS-7174

i02711909

NOTE	REF NO	GRAPHIC REF	PART NUMBER	QTY	PART NAME						SEE PAGE
					1	2	3	4	5	6 (PRODUCT LEVEL)	
	1	1	268-5727	1	PLATE AS						
	2	1	211-5941	2	SPACER (13.9X21.3X8-MM THK)						
	3	1	288-6174	1	GUARD AS-ALTERNATOR						



GRAPHIC #1

<END>

g01278666

# BASIC ENGINE

## 303-6365 GUARD GP-BELT

S/N: YAT1-UP

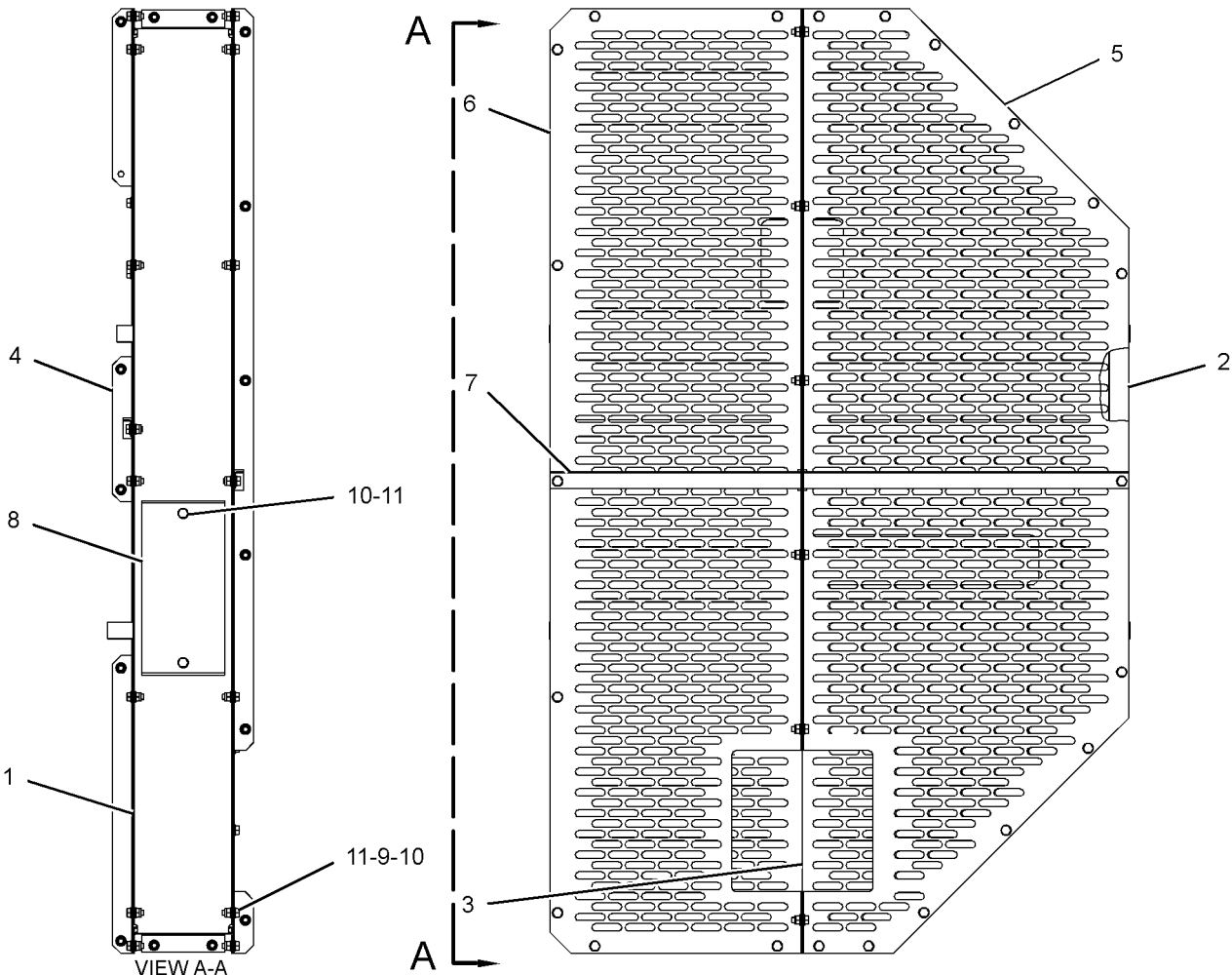
PART OF 273-3811 RADIATOR GP  
AN ATTACHMENT

SMCS-7174

i02674514

NOTE	REF NO	GRAPHIC REF	PART NUMBER	QTY	PART NAME						SEE PAGE
					1	2	3	4	5	6 (PRODUCT LEVEL)	
	1	1	304-4636	1	GUARD-FRAME (RH)						
	2	1	304-4637	1	GUARD-FRAME (LH)						
	3	1	304-4640	1	PANEL-REAR (RH)						
	4	1	304-4641	1	PANEL-REAR (LH)						
	5	1	304-4642	1	PANEL-FRONT (RH)						
	6	1	304-4643	1	PANEL-FRONT (LH)						
	7	1	304-4644	2	BRACKET						
	8	1	304-4645	1	PANEL-ACCESS						
M	9	1	131-3540	61	LOCKNUT (M8X1.25-THD)						
M	10	1	8T-4189	63	BOLT (M8X1.25X20-MM)						
	11	1	8T-4224	124	WASHER-HARD (8.8X16X2-MM THK)						

M-METRIC PART



GRAPHIC #1

<END>

g01344918

# BASIC ENGINE

## 173-4491 GUARD GP-DAMPER

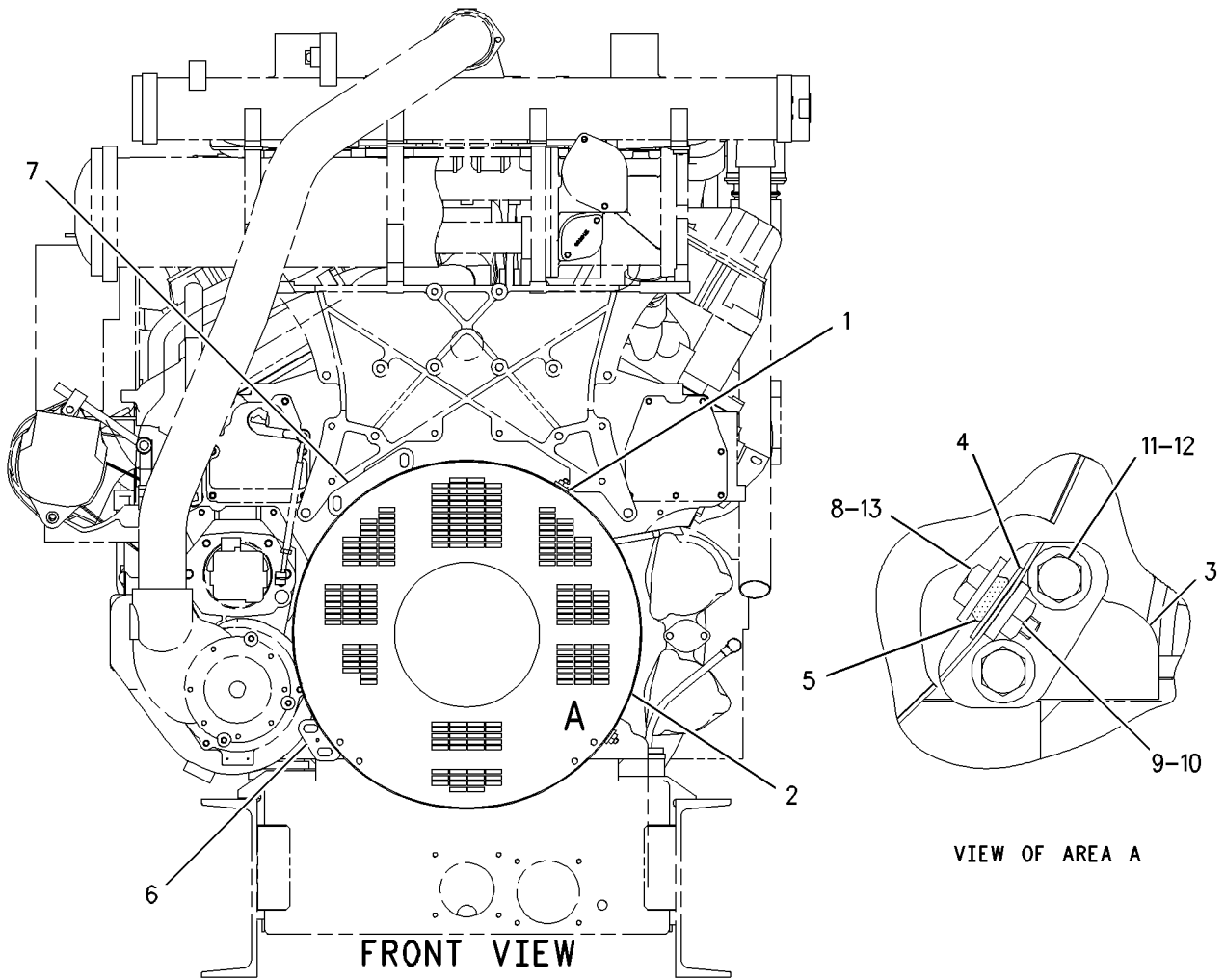
S/N: YAT1-UP

PART OF 312-5105 RADIATOR & FAN GP  
AN ATTACHMENT

SMCS-1205

i03421323

NOTE	REF NO	GRAPHIC REF	PART NUMBER	QTY	PART NAME						SEE PAGE
					1	2	3	4	5	6 (PRODUCT LEVEL)	
	1	1	173-4492	1	BRACKET						
	2	1	173-4493	1	GUARD						
	3	1	173-4494	1	BRACKET						
	4	1	173-4495	4	SPACER (19X32X2-MM THK)						
	5	1	173-7618	4	MOUNT AS-PULLEY						
	6	1	173-4497	1	BRACKET						
	7	1	173-4499	1	BRACKET						
	8	1	4L-9337	4	BOLT (3/8-16X1.5-IN)						
	9	1	6V-8801	4	NUT (3/8-16-THD)						
	10	1	7X-0772	4	WASHER-HARD (10.2X25.5X2.5-MM THK)						
	11	1	8T-4223	8	WASHER-HARD (13.5X25.5X3-MM THK)						
	12	1	5P-2228	8	BOLT (1/2-13X1-IN)						
	13	1	8T-4896	4	WASHER-HARD (10.2X18.5X2.5-MM THK)						



GRAPHIC #1

<END>

g00656741

# BASIC ENGINE

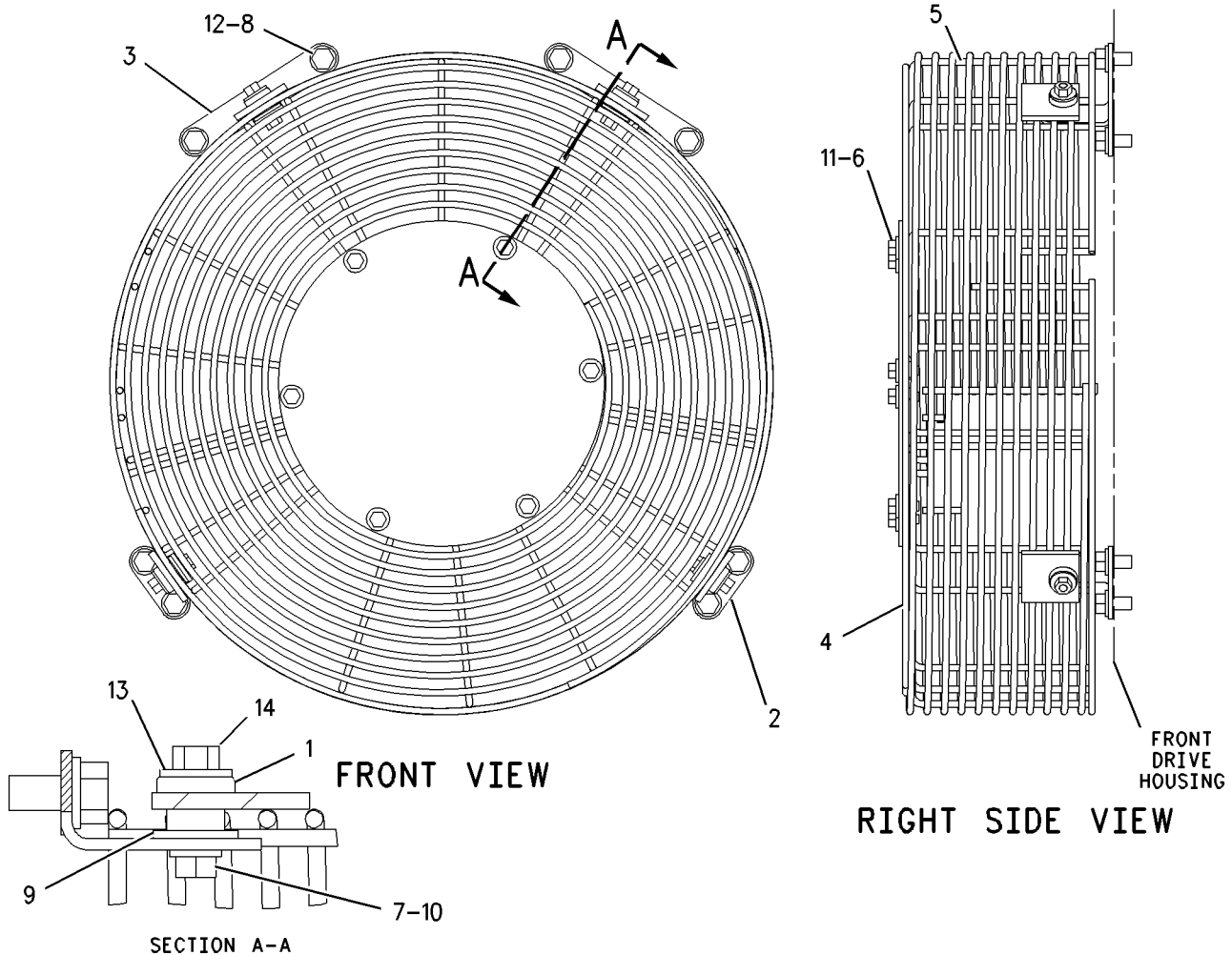
## 197-9052 GUARD GP-DAMPER

S/N: YAT1-UP  
AN ATTACHMENT

SMCS-1205

i01729175

NOTE	REF NO	GRAPHIC REF	PART NUMBER	QTY	PART NAME						SEE PAGE
					1	2	3	4	5	6 (PRODUCT LEVEL)	
	1	1	1P-7115	4	GROMMET AS						
	2	1	7W-3031	2	BRACKET						
	3	1	7W-3032	2	BRACKET						
	4	1	8J-8919	1	COVER						
	5	1	197-9051	1	GUARD AS-DAMPER						
		1	1V-8638		NUT (3/8-16 THD)						
	6	1	030-8535	6	BOLT-LOCKING (3/8-16X0.875-IN)						
	7	1	0S-1591	4	BOLT (3/8-16X1.5-IN)						
	8	1	0S-1621	8	BOLT (1/2-13X1-IN)						
	9	1	3F-1417	4	WASHER (10.3X30.2X3-MM THK)						
	10	1	5M-2894	4	WASHER-HARD (10.2X18.5X2.5-MM THK)						
	11	1	5P-1075	6	WASHER-HARD (10.2X22.5X3-MM THK)						
	12	1	5P-8245	8	WASHER-HARD (13.5X25.5X3-MM THK)						
	13	1	9L-9132	4	WASHER (10.2X25.5X2.5-MM THK)						
	14	1	9S-8752	4	NUT-FULL (3/8-16-THD)						



GRAPHIC #1

<END>

g00888034

# BASIC ENGINE

## 173-7067 GUARD GP-PULLEY

S/N: YAT1-UP

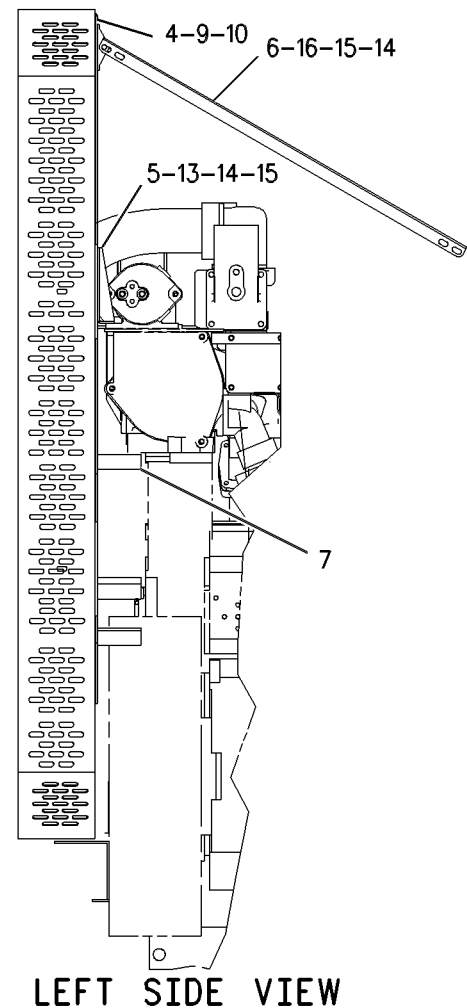
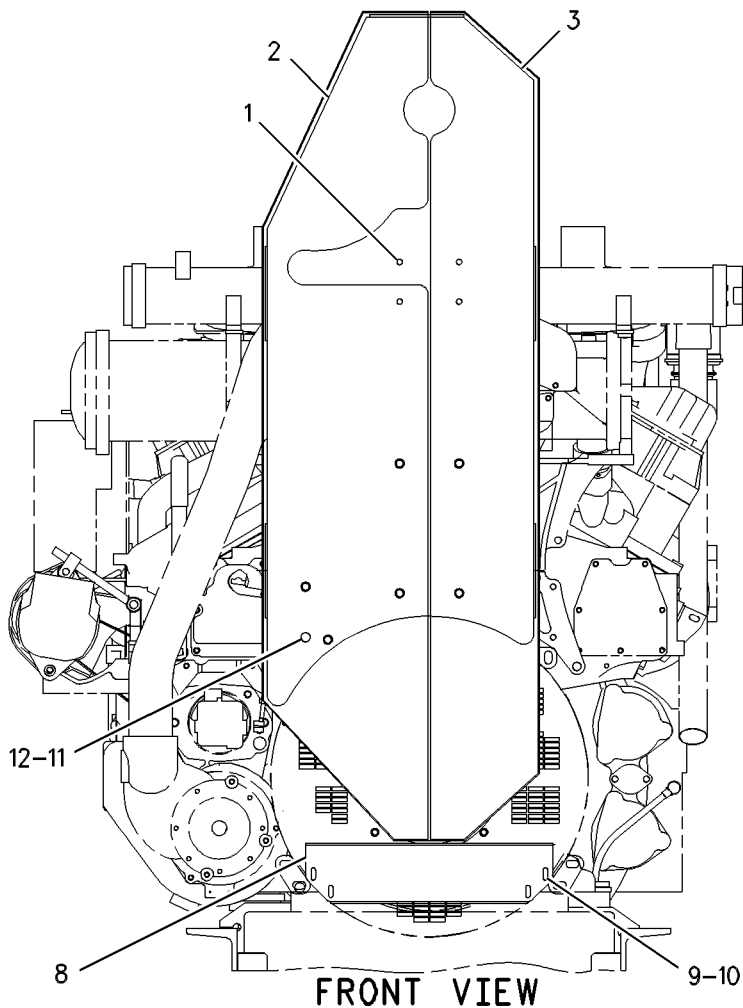
PART OF 312-5105 RADIATOR & FAN GP  
AN ATTACHMENT

SMCS-1359

i03421322

NOTE	REF NO	GRAPHIC REF	PART NUMBER	QTY	PART NAME						SEE PAGE
					1	2	3	4	5	6 (PRODUCT LEVEL)	
	1	1	179-6858	1	BRACKET						
	2	1	173-7069	1	GUARD						
	3	1	173-7070	1	GUARD-PULLEY						
	4	1	173-7619	6	MOUNT AS						
	5	1	179-6855	1	BRACKET						
	6	1	179-6856	1	BRACE						
	7	1	179-6857	7	SPACER						
	8	1	173-3617	1	BRACKET						
M	9	1	8T-4908	10	BOLT (M8X1.25X25-MM)						
	10	1	8T-4224	10	WASHER-HARD (8.8X16X2-MM THK)						
	11	1	6V-4432	7	BOLT (1/2-13X4-IN)						
	12	1	8T-4223	7	WASHER-HARD (13.5X25.5X3-MM THK)						
M	13	1	8T-4200	4	BOLT (M8X1.25X16-MM)						
	14	1	8T-4896	8	WASHER-HARD (10.2X18.5X2.5-MM THK)						
	15	1	9B-7237	6	BOLT (3/8-16X1.25-IN)						
	16	1	6V-8801	2	NUT (3/8-16-THD)						

M-METRIC PART



GRAPHIC #1

<END>

g00635317

# BASIC ENGINE

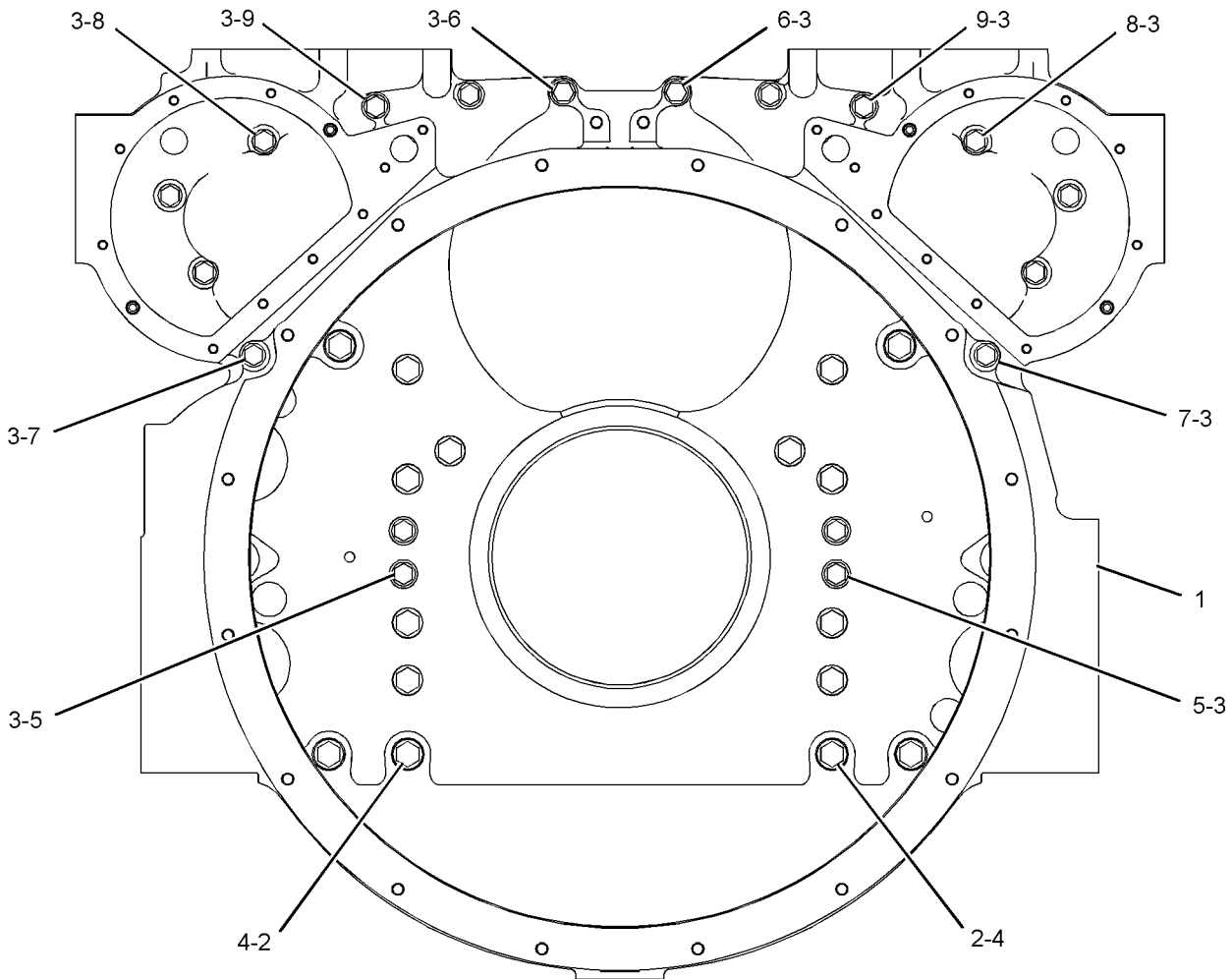
## 297-7000 HOUSING GP-FLYWHEEL

S/N: YAT1-UP

SMCS-1157

i02655247

NOTE	REF NO	GRAPHIC REF	PART NUMBER	QTY	PART NAME						SEE PAGE
					1	2	3	4	5	6 (PRODUCT LEVEL)	
	1	1	<b>222-9920</b>	1	HOUSING-FLYWHEEL						
	2	1	<b>1D-4590</b>	16	BOLT (5/8-11X4.75-IN)						
	3	1	<b>5P-8245</b>	18	WASHER-HARD (13.5X25.5X3-MM THK)						
	4	1	<b>5P-8247</b>	16	WASHER-HARD (17X32X3.5-MM THK)						
	5	1	<b>8S-9089</b>	4	BOLT (1/2-13X4.5-IN)						
	6	1	<b>9M-7269</b>	2	BOLT (1/2-13X6.75-IN)						
	7	1	<b>9S-1374</b>	2	BOLT (1/2-13X8-IN)						
	8	1	<b>9X-8873</b>	6	BOLT (1/2-13X2.25-IN)						
	9	1	<b>9X-8875</b>	4	BOLT (1/2-13X3.5-IN)						



GRAPHIC #1

<END>

g01353633



# BASIC ENGINE

## 4P-5426 HOUSING GP-FRONT-ACCESSORY DRIVE

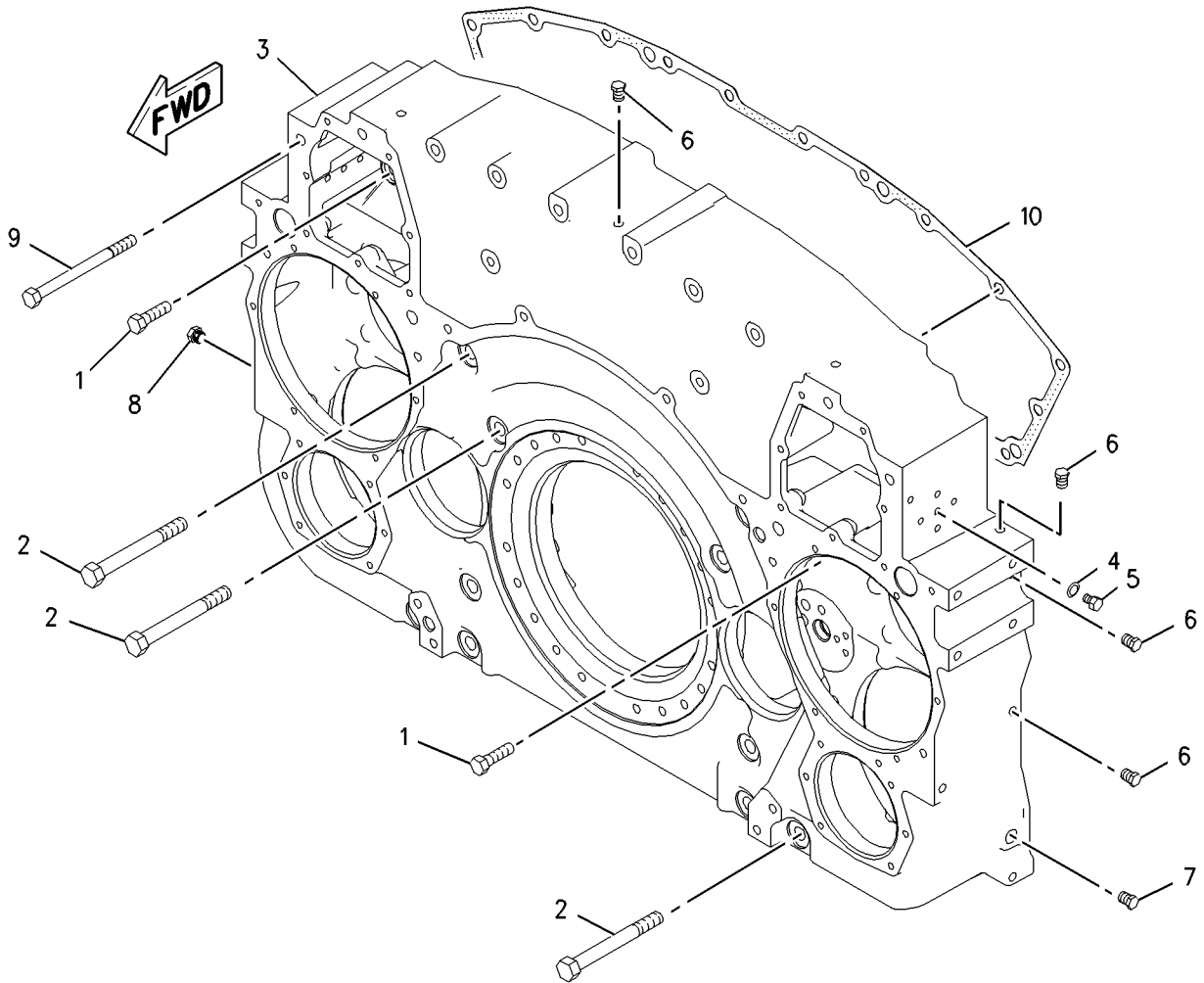
S/N: YAT1-UP

SMCS-1151, 1162, 1206

i02809441

NOTE	REF NO	GRAPHIC REF	PART NUMBER	QTY	PART NAME						SEE PAGE
					1	2	3	4	5	6 (PRODUCT LEVEL)	
	1	1	0S-1587	4	BOLT (1/2-13X1.75-IN)						
	2	1	1D-4593	10	BOLT (5/8-11X5.5-IN)						
	3	1	102-8634	1	HOUSING-ACCESSORY DRIVE						
	4	1	1B-4218	6	WASHER (0.39X0.625X0.064-IN THK)						
	5	1	2A-5220	6	PLUG						
B	6	1	8T-6765	7	PLUG-PIPE						
	7	1	8T-6762	1	PLUG-PIPE						
	8	1	8T-6758	1	PLUG-PIPE						
	9	1	9H-8260	4	BOLT (1/2-13X6.25-IN)						
	10	1	7N-3049	1	GASKET						

B-USE AS REQUIRED



GRAPHIC #1

<END>

g00995169

# BASIC ENGINE

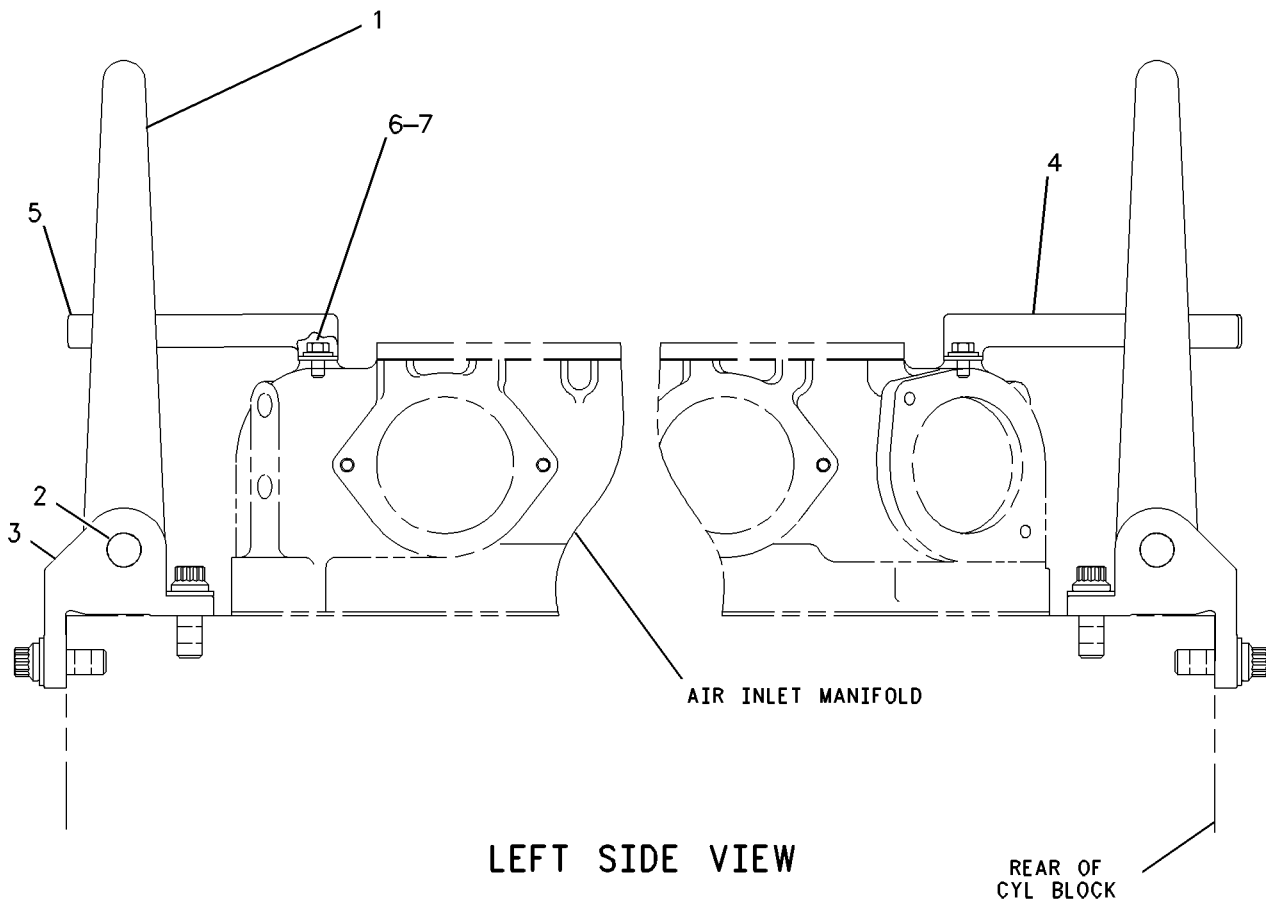
## 7E-6872 LIFTING GP-ENGINE

S/N: YAT1-UP

SMCS-1122

i02900513

NOTE	REF NO	GRAPHIC REF	PART NUMBER	QTY	PART NAME						SEE PAGE
					1	2	3	4	5	6 (PRODUCT LEVEL)	
	1	1	7N-2326	2	EYE-LIFTING						
	2	1	7N-2328	4	DOWEL						
	3	1	155-0726	2	BRACKET AS						
					(EACH INCLUDES)						
		1	5P-8248	4	WASHER-HARD (20X36.5X3.5-MM THK)						
		1	5P-8291	2	BOLT (3/4-16X2-IN)						
		1	6V-9995	2	BOLT-12 POINT HEAD (3/4-16X2.5-IN)						
	4	1	193-3286	1	RETAINER-EYE (REAR)						
	5	1	4P-4642	1	RETAINER-EYE (FRONT)						
	6	1	0S-0509	4	BOLT (3/8-16X0.75-IN)						
	7	1	5P-1075	4	WASHER-HARD (10.2X22.5X3-MM THK)						



GRAPHIC #1

<END>

g00799817

# BASIC ENGINE

## 7E-4836 MOUNTING GP-ALTERNATOR

S/N: YAT1-UP  
AN ATTACHMENT

SMCS-1154, 1405

i03432046

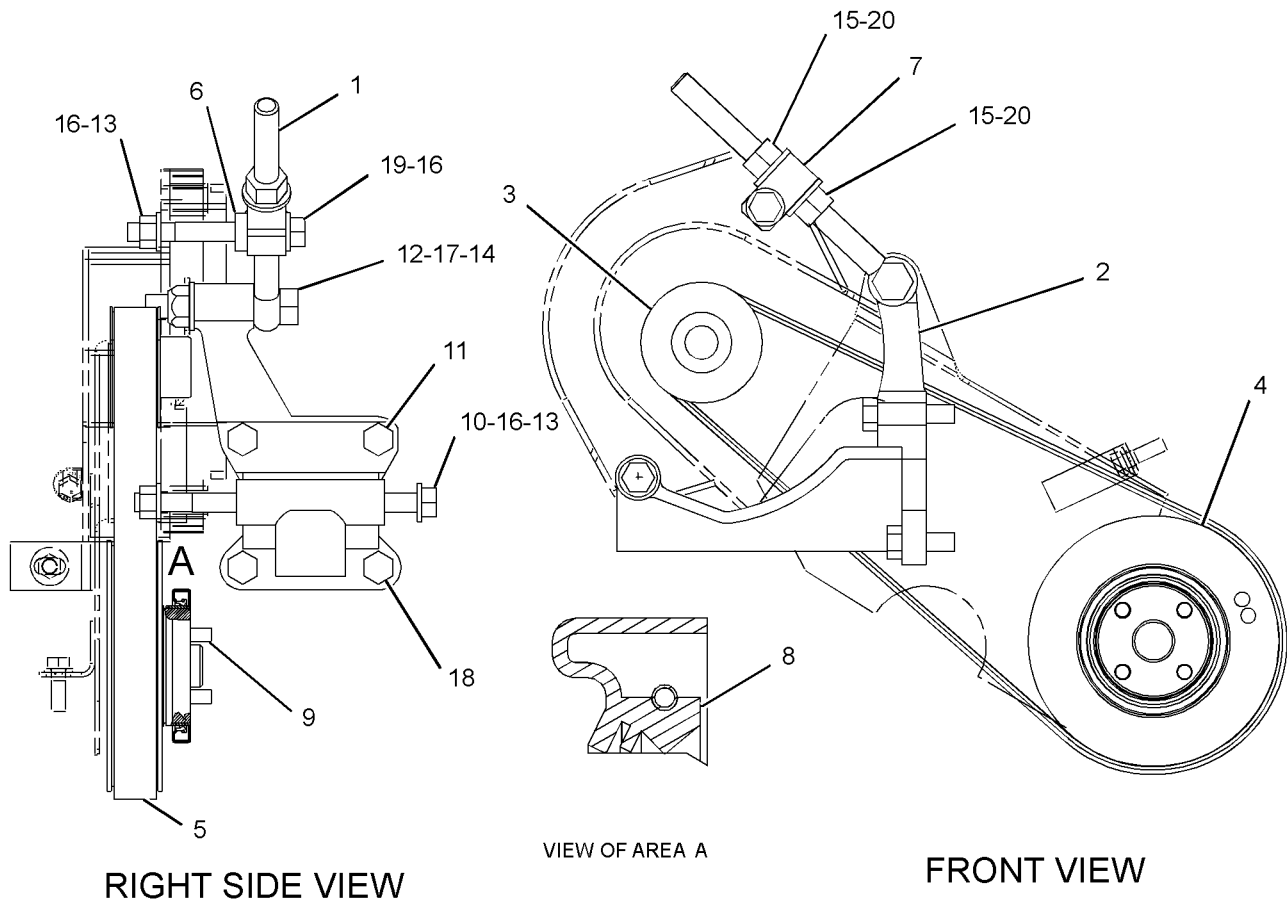
NOTE	REF NO	GRAPHIC REF	PART NUMBER	QTY	PART NAME						SEE PAGE
					1	2	3	4	5	6 (PRODUCT LEVEL)	
	1	1	252-6498	1	ROD						
	2	1	4P-5211	1	SUPPORT-ALTERNATOR						
	3	1	7E-4839	1	PULLEY (8-GROOVE)						
C	4	1	300-8570	1	PULLEY AS						
		1	300-8567	1	SLEEVE						
		1	300-8569	1	PULLEY (8-GROOVE)						
	5	1	141-7116	1	BELT-SERPENTINE						
	6	1	7N-2597	1	SPACER (13.5X25.4X8.08-MM THK)						
	7	1	252-6464	1	BLOCK						
	8	1	235-2484	1	SEAL-LIP TYPE						
	9	1	0S-1590	4	BOLT (3/8-16X2-IN)						
	10	1	1A-0168	1	BOLT (1/2-13X7.5-IN)						
	11	1	1A-1460	2	BOLT (1/2-13X2-IN)						
	12	1	1D-4586	1	BOLT (5/8-11X3.5-IN)						
	13	1	1F-7958	2	NUT-FULL (1/2-13-THD)						
	14	1	3K-2889	1	LOCKNUT (5/8-11-THD)						
	15	1	2J-3506	2	NUT-FULL (3/4-10-THD)						
	16	1	5P-8245	4	WASHER-HARD (13.5X25.5X3-MM THK)						
	17	1	5P-8247	1	WASHER-HARD (17X32X3.5-MM THK)						
	18	1	7B-3235	2	BOLT (1/2-13X1.375-IN)						
	19	1	7D-9766	1	BOLT (1/2-13X4.25-IN)						
	20	1	5P-8248	2	WASHER-HARD (20X36.5X3.5-MM THK)						

C-CHANGE FROM PREVIOUS TYPE

# BASIC ENGINE

7E-4836 MOUNTING GP-ALTERNATOR (contd.)

i03432046



RIGHT SIDE VIEW

VIEW OF AREA A

FRONT VIEW

# BASIC ENGINE

## 256-3168 MOUNTING GP-ENGINE FLEXIBLE

S/N: YAT1-UP

RUBBER ISOLATOR

CANNOT BE USED WITH SPRING ISOLATORS  
AN ATTACHMENT

SMCS-1152

i02223375

NOTE	PART NUMBER	QTY	PART NAME						SEE PAGE
			1	2	3	4	5	6 (PRODUCT LEVEL)	
Y	259-2503	10	MOUNTING GP-VIBRATION ISOLATOR						856
Y-SEPARATE ILLUSTRATION									

<END>

## 276-0002 MOUNTING GP-ENGINE FLEXIBLE

S/N: YAT1-UP

SPRING ISOLATOR

AN ATTACHMENT

SMCS-1152

i02398672

NOTE	PART NUMBER	QTY	PART NAME						SEE PAGE
			1	2	3	4	5	6 (PRODUCT LEVEL)	
	153-3864	10	MOUNT AS						
	5P-7197	10	WASHER (17X45X6-MM THK)						

<END>

# BASIC ENGINE

## 7C-4711 PAN GP-OIL

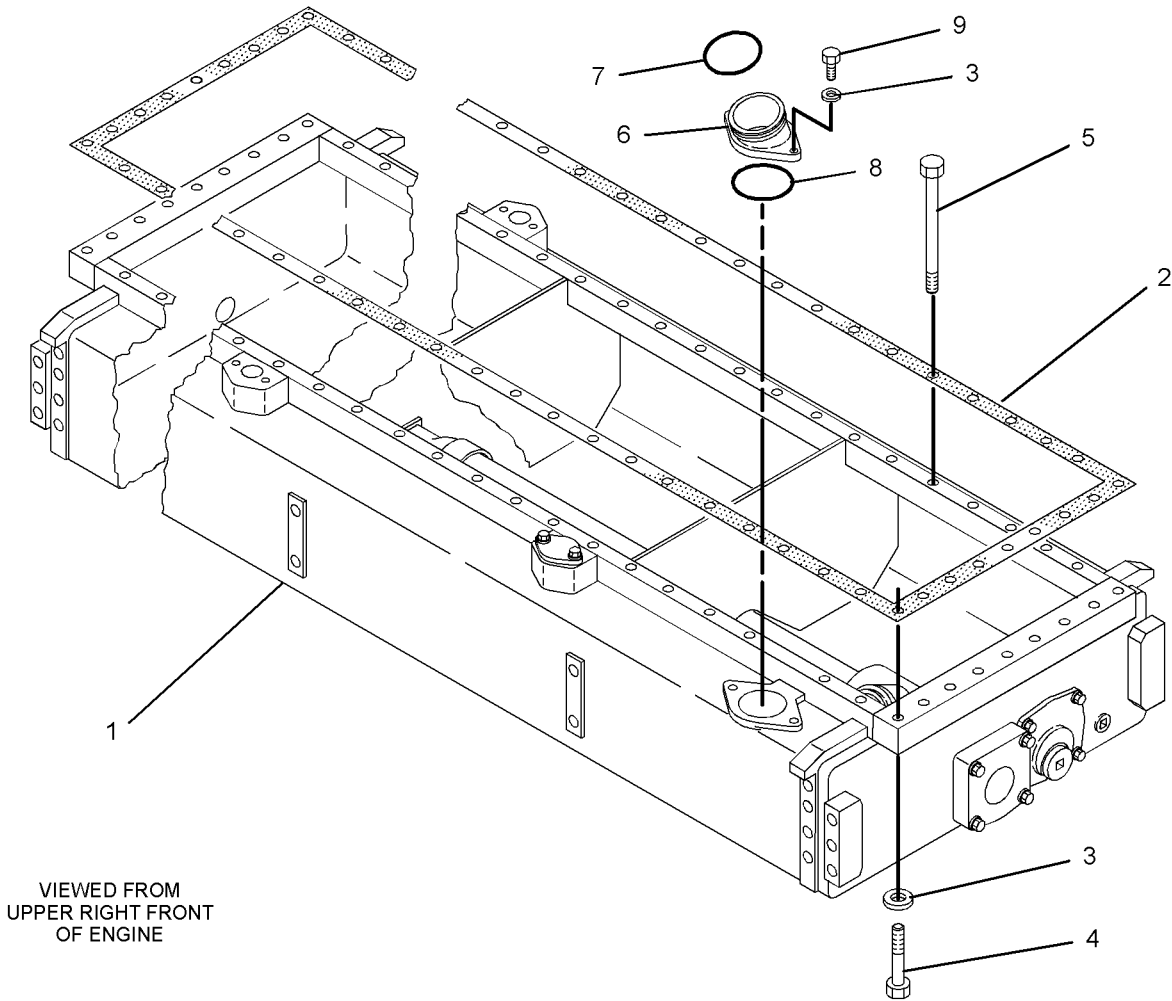
S/N: YAT1-UP

SMCS-1302

i02327570

NOTE	REF NO	GRAPHIC REF	PART NUMBER	QTY	PART NAME						SEE PAGE
					1	2	3	4	5	6 (PRODUCT LEVEL)	
Y	1	1	9Y-3082	1	PAN GP-OIL						68
	2	1	7E-2632	1	GASKET-OIL PAN						
	3	1	5M-2894	20	WASHER-HARD (10.2X18.5X2.5-MM THK)						
	4	1	0L-2070	18	BOLT (3/8-16X2.25-IN)						
	5	1	0T-0065	50	BOLT (3/8-16X3.5-IN)						
	6	1	7W-0129	1	FLANGE						
	7	1	6V-5101	1	SEAL-O-RING						
	8	1	3P-0654	1	SEAL-O-RING						
	9	1	0S-1588	2	BOLT (3/8-16X1.25-IN)						

Y-SEPARATE ILLUSTRATION



VIEWED FROM  
UPPER RIGHT FRONT  
OF ENGINE

GRAPHIC #1

<END>

g01162640

# BASIC ENGINE

## 7C-7178 PAN GP-OIL-DEEP SUMP

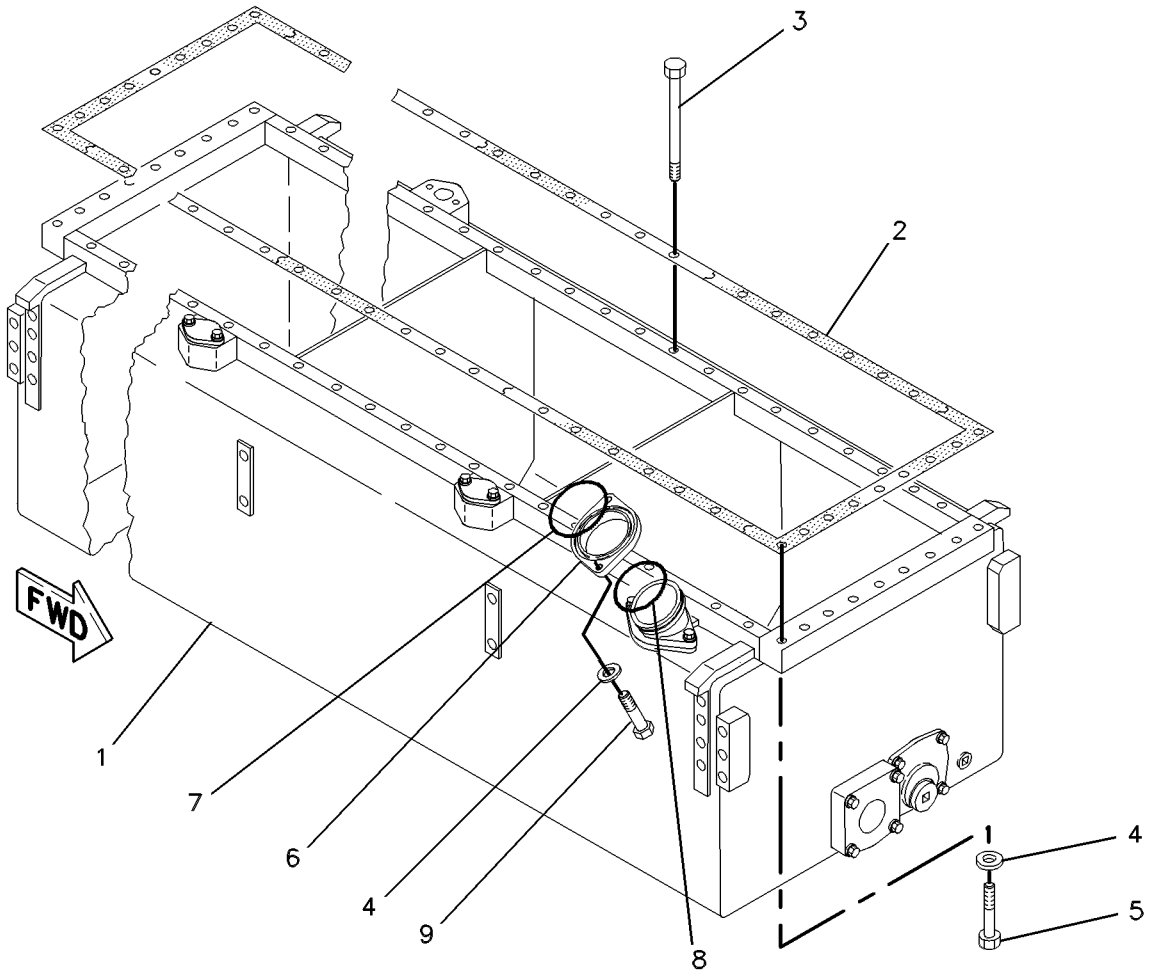
S/N: YAT1-UP  
AN ATTACHMENT

SMCS - 1302

i02357235

NOTE	REF NO	GRAPHIC REF	PART NUMBER	QTY	PART NAME						SEE PAGE
					1	2	3	4	5	6 (PRODUCT LEVEL)	
Y	1	1	9Y-3085	1	PAN GP-OIL (DEEP SUMP)						70
	2	1	7E-2632	1	GASKET-OIL PAN						
	3	1	0T-0065	50	BOLT (3/8-16X3.5-IN)						
	4	1	5M-2894	20	WASHER-HARD (10.2X18.5X2.5-MM THK)						
	5	1	0L-2070	18	BOLT (3/8-16X2.25-IN)						
	6	1	7W-0129	1	FLANGE						
	7	1	6V-5101	1	SEAL-O-RING						
	8	1	3P-0654	1	SEAL-O-RING						
	9	1	0S-1588	2	BOLT (3/8-16X1.25-IN)						

Y-SEPARATE ILLUSTRATION



GRAPHIC #1

<END>

g00618459

# BASIC ENGINE

## 9Y-3082 PAN GP-OIL

S/N: YAT1-UP

PART OF 7C-4711 PAN GP-OIL

SMCS-1302

i02833477

NOTE	REF NO	GRAPHIC REF	PART NUMBER	QTY	PART NAME						SEE PAGE
					1	2	3	4	5	6 (PRODUCT LEVEL)	
C	1	1	1W-1564	1	SCREEN AS-SUCTION (OIL PAN)						
	2	1	4B-2363	2	PLUG-OIL DRAIN (OIL PAN)						
	3	1	6F-4868	2	GASKET						
	4	1	7C-4715	1	CONNECTOR						
	5	1	7W-0129	1	FLANGE						
	6	1	111-2081	1	HOUSING-OIL						
	7	1	114-2414	1	TUBE AS						
	8	1	149-9298	1	COVER						
C	9	1	228-8925	1	TUBE-SUCTION						
C	10	1	228-8926	1	ADAPTER						
C	11	1	228-8928	1	PAN AS-OIL						
C	12	1	231-5867	4	CLAMP						
C	13	1	0L-1351	5	BOLT (3/8-16X0.875-IN)						
C	14	1	0S-1585	4	BOLT (1/2-13X1.5-IN)						
	15	1	0S-1588	4	BOLT (3/8-16X1.25-IN)						
	16	1	0S-1590	2	BOLT (3/8-16X2-IN)						
	17	1	0S-1594	2	BOLT (3/8-16X1-IN)						
	18	1	125-9794	1	SEAL-O-RING						
C	19	1	1A-2029	4	BOLT (3/8-16X1.125-IN)						
C	20	1	1K-6872	4	LOCKNUT (1/2-13-THD)						
C	21	1	3P-0654	2	SEAL-O-RING						
	22	1	4B-3140	1	COVER						
C	23	1	5M-2894	11	WASHER-HARD (10.2X18.5X2.5-MM THK)						
	24	1	5P-7818	1	SEAL-O-RING						
C	25	1	5P-8245	8	WASHER-HARD (13.5X25.5X3-MM THK)						
	26	1	5P-8872	1	SEAL-O-RING						
	27	1	6V-5101	1	SEAL-O-RING						
	28	1	7X-1547	2	SEAL-O-RING						
	29	1	8M-9024	2	WASHER-HARD (10.2X22.5X5-MM THK)						
	30	1	8T-6762	1	PLUG-PIPE						
	31	1	9L-1480	1	GASKET						

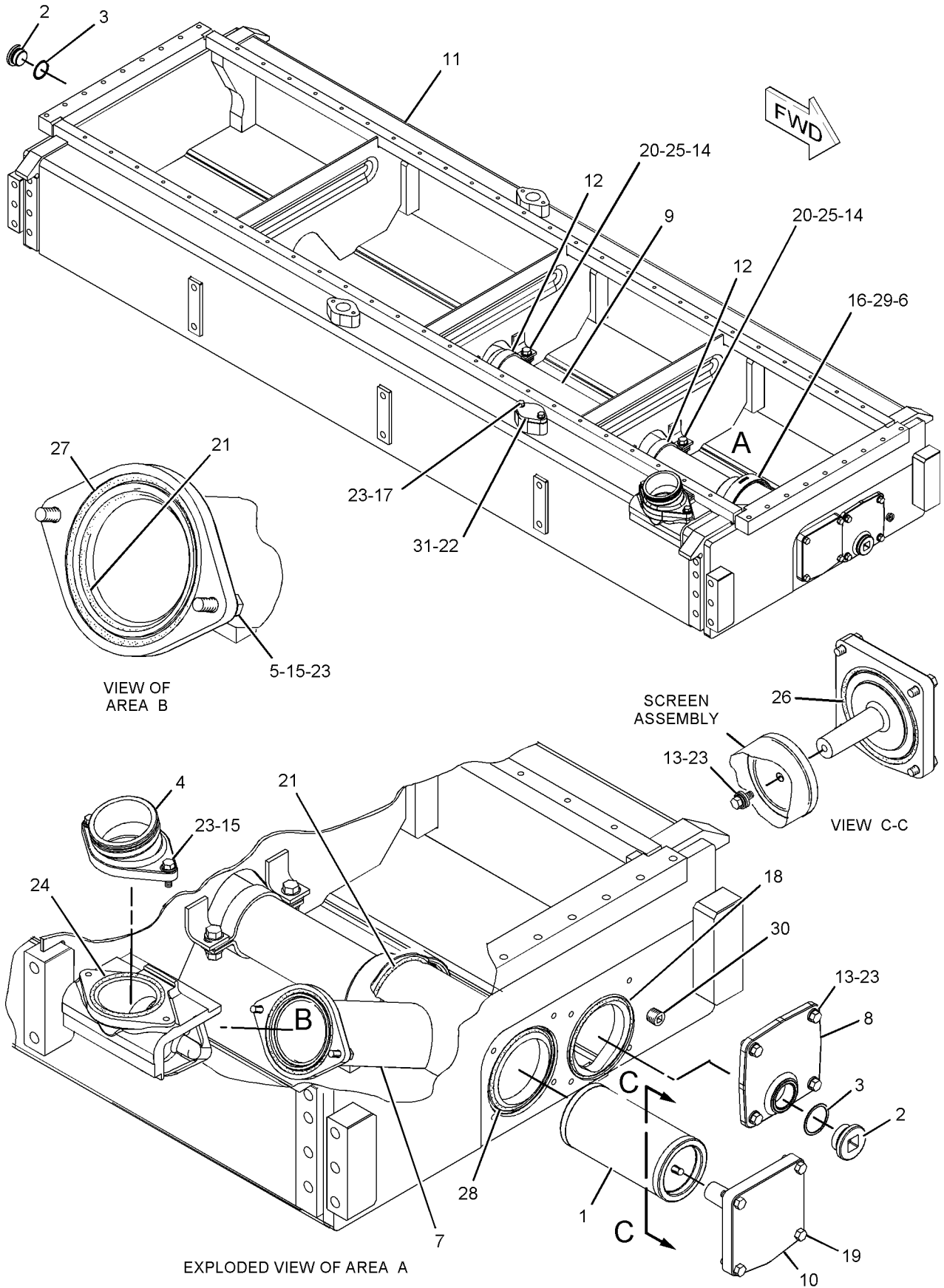
C-CHANGE FROM PREVIOUS TYPE



# BASIC ENGINE

9Y-3082 PAN GP-OIL (contd.)

i02833477



GRAPHIC #1

<END>

g01040755

# BASIC ENGINE

## 9Y-3085 PAN GP-OIL-DEEP SUMP

S/N: YAT1-UP

PART OF 7C-7178 PAN GP-OIL  
AN ATTACHMENT

SMCS-1302

i03167555

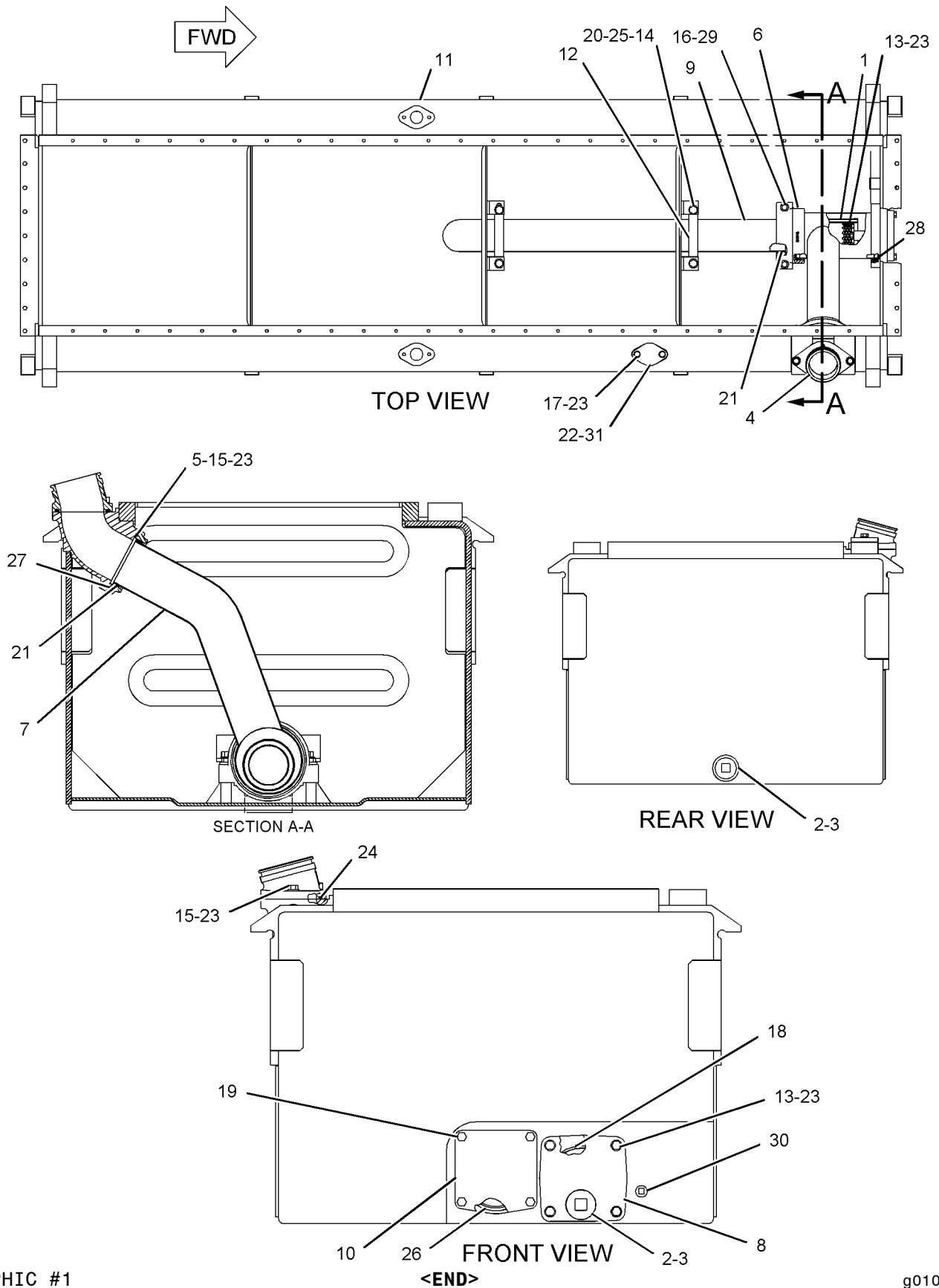
NOTE	REF NO	GRAPHIC REF	PART NUMBER	QTY	PART NAME						SEE PAGE
					1	2	3	4	5	6 (PRODUCT LEVEL)	
C	1	1	1W-1564	1	SCREEN AS-SUCTION (OIL PAN)						
	2	1	4B-2363	2	PLUG-OIL DRAIN (OIL PAN)						
	3	1	6F-4868	2	GASKET						
	4	1	7C-4715	1	CONNECTOR						
	5	1	7W-0129	1	FLANGE						
	6	1	111-2081	1	HOUSING-OIL						
	7	1	114-2413	1	TUBE AS						
	8	1	149-9298	1	COVER						
C	9	1	228-8925	1	TUBE-SUCTION						
C	10	1	228-8926	1	ADAPTER						
C	11	1	229-8391	1	PAN AS-OIL						
C	12	1	231-5867	4	CLAMP						
C	13	1	0L-1351	5	BOLT (3/8-16X0.875-IN)						
C	14	1	0S-1585	4	BOLT (1/2-13X1.5-IN)						
	15	1	0S-1588	4	BOLT (3/8-16X1.25-IN)						
	16	1	0S-1590	2	BOLT (3/8-16X2-IN)						
	17	1	0S-1594	2	BOLT (3/8-16X1-IN)						
	18	1	125-9794	1	SEAL-O-RING						
C	19	1	1A-2029	4	BOLT (3/8-16X1.125-IN)						
C	20	1	1K-6872	4	LOCKNUT (1/2-13-THD)						
C	21	1	3P-0654	2	SEAL-O-RING						
	22	1	4B-3140	1	COVER						
C	23	1	5M-2894	11	WASHER-HARD (10.2X18.5X2.5-MM THK)						
	24	1	5P-7818	1	SEAL-O-RING						
C	25	1	5P-8245	8	WASHER-HARD (13.5X25.5X3-MM THK)						
	26	1	5P-8872	1	SEAL-O-RING						
	27	1	6V-5101	1	SEAL-O-RING						
	28	1	7X-1547	2	SEAL-O-RING						
	29	1	8M-9024	2	WASHER-HARD (10.2X22.5X5-MM THK)						
	30	1	8T-6762	1	PLUG-PIPE						
	31	1	9L-1480	1	GASKET						

C-CHANGE FROM PREVIOUS TYPE

# BASIC ENGINE

9Y-3085 PAN GP-OIL (contd.)

i03167555



GRAPHIC #1

<END>

g01025140

# BASIC ENGINE

## 281-6139 PISTON & ROD GP

S/N: YAT1-UP

SMCS-1225

i02971601

NOTE	REF NO	GRAPHIC REF	PART NUMBER	QTY	PART NAME						SEE PAGE
					1	2	3	4	5	6 (PRODUCT LEVEL)	
R	1	1	144-0725	1	ROD AS						
		1	7N-2043	1	DOWEL						
	1A	1	7N-2405	4	BOLT-CONNECTING ROD						
	1B	1	118-1655	1	BEARING-SLEEVE						
	2	1	107-7330	1	BEARING-CONNECTING ROD (STANDARD)						
AB		1	107-7331		BEARING-CONNECTING ROD (0.63-MM US ID)						
AB		1	107-7332		BEARING-CONNECTING ROD (1.27-MM US ID)						
AB		1	107-7333		BEARING-CONNECTING ROD (0.25-MM OS OD)						
AB		1	107-7334		BEARING-CONNECTING ROD (0.63-MM US ID, 0.25-MM OS OD)						
AB		1	107-7335		BEARING-CONNECTING ROD (1.27-MM US ID, 0.25-MM OS OD)						
	3	1	144-5695	1	RING-PISTON (INTERMEDIATE)						
	4	1	193-3282	1	RETAINER AS						
		1	6V-3537	1	DOWEL						
	5	1	204-5447	1	JET AS-PISTON COOLING						
	6	1	214-6066	1	RING-PISTON (TOP)						
	7	1	223-6361	1	RING-PISTON (OIL)						
	8	1	253-1238	2	RETAINER-PIN						
	9	1	263-8955	1	PIN-PISTON						
	10	1	299-5204	1	PISTON AS						
	11	1	0T-0102	1	BOLT (3/8-16X0.625-IN)						
	12	1	1B-2790	1	BOLT (5/16-18X1.375-IN)						
	13	1	5M-2894	1	WASHER-HARD (10.2X18.5X2.5-MM THK)						
	14	1	9M-1974	1	WASHER-HARD (8.8X16X2-MM THK)						

A-NOT PART OF THIS GROUP

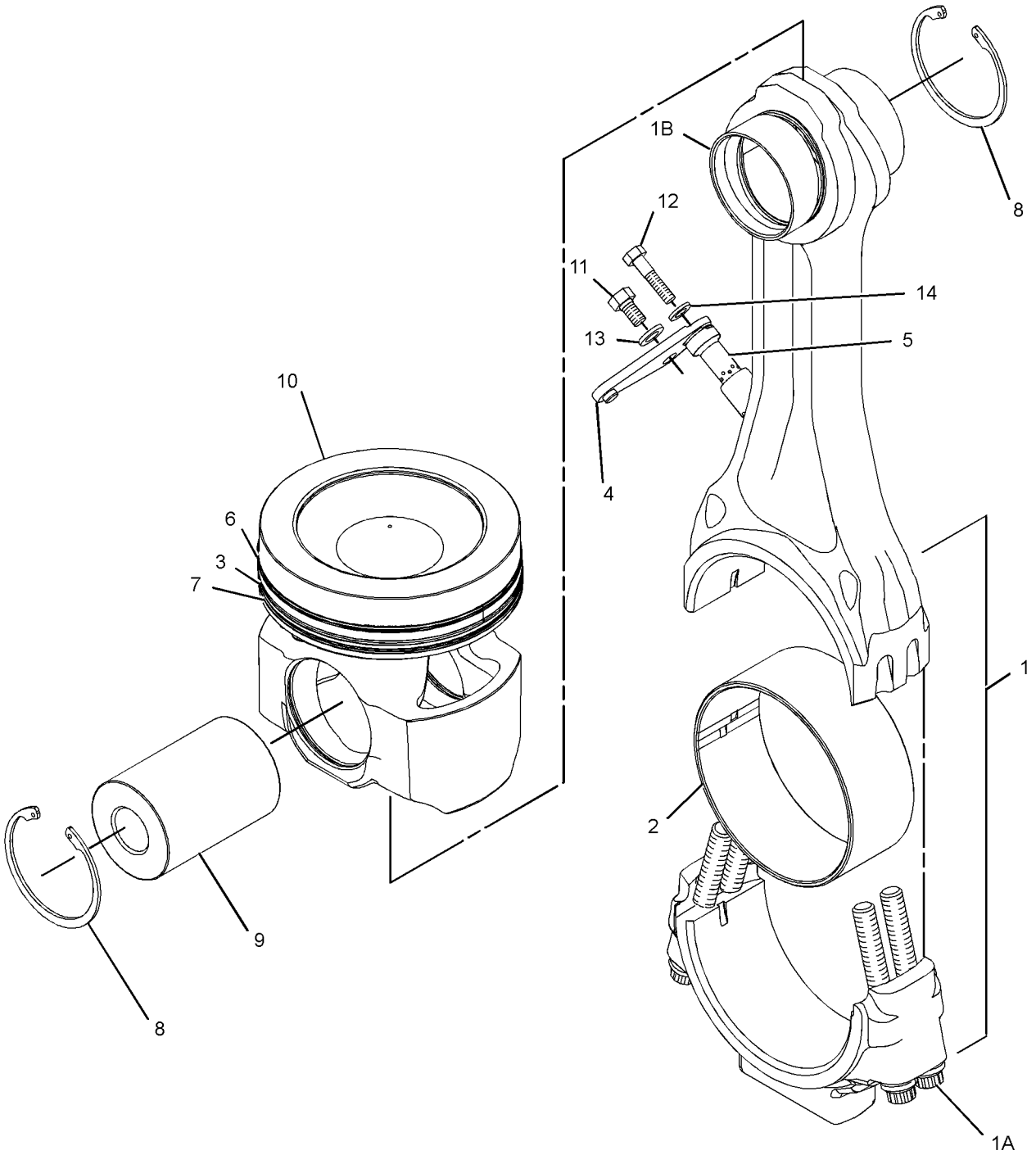
B-USE AS REQUIRED

R-REMG PART MAY BE AVAILABLE

# BASIC ENGINE

281-6139 PISTON & ROD GP (contd.)

i02971601



GRAPHIC #1

<END>

g01217603

# BASIC ENGINE

## 7W-5223 PULLEY GP-FAN DRIVE

S/N: YAT1-UP

0.520 RATIO

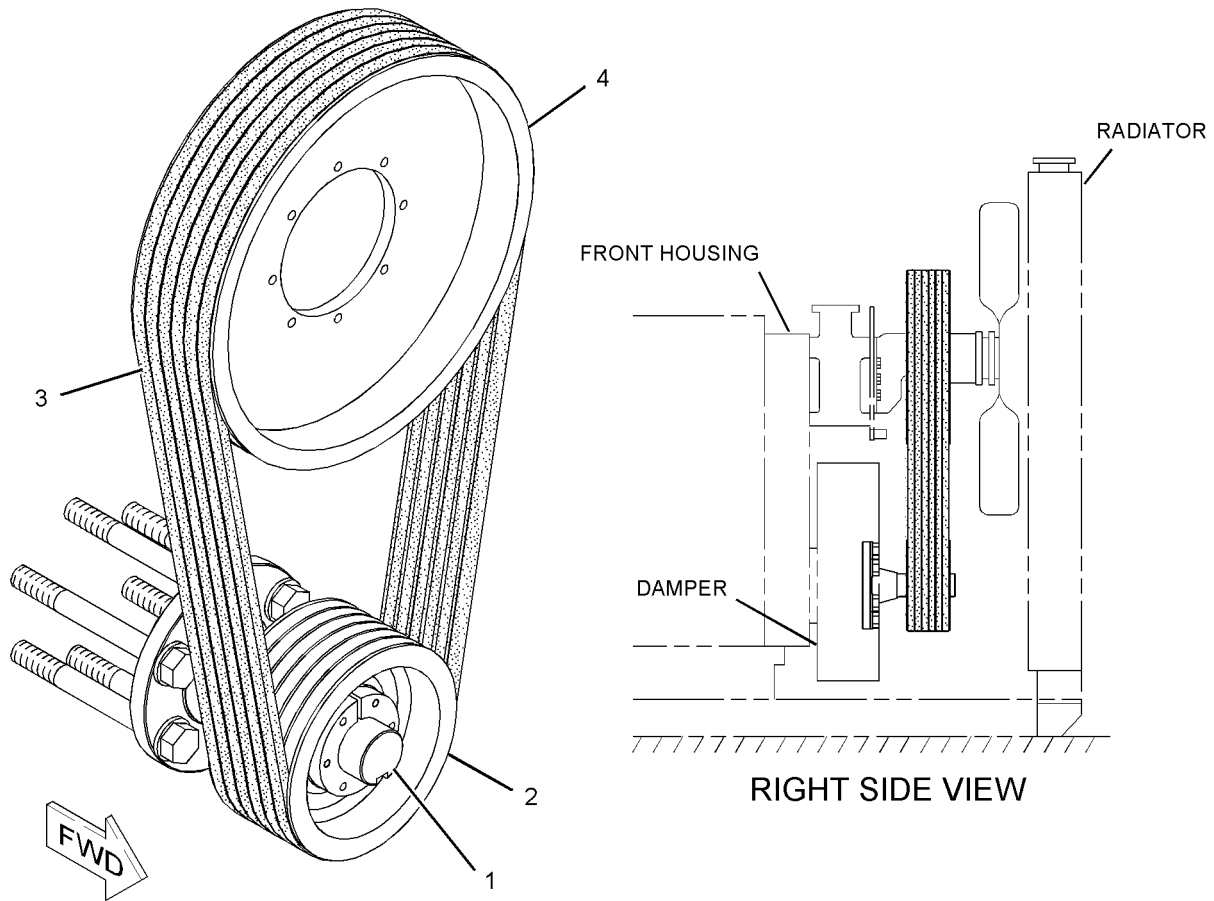
FOR USE WITH ENGINE MOUNTED FAN  
AN ATTACHMENT

SMCS - 1359

i02765893

NOTE	REF NO	GRAPHIC REF	PART NUMBER	QTY	PART NAME						SEE PAGE
					1	2	3	4	5	6 (PRODUCT LEVEL)	
Y	1	1	7N-7660	1	DRIVE GP-FAN						42
J	2	1	8N-6564	1	PULLEY AS-CRANKSHAFT						
	3	1	8N-6700	1	V-BELT SET (INCLUDES 6-BELTS) (FAN DRIVE)						
	4	1	7W-5109	1	PULLEY-FAN DRIVE						
AVAILABLE REPAIR KIT(S):											
J			4W-0335	1	KIT-BUSHING (CRANKSHAFT PULLEY) (INCLUDES BUSHING, BOLTS, LOCKWASHERS, SET SCREW AND KEY)						

J-KIT MARKED J AVAILABLE FOR PART MARKED J  
Y-SEPARATE ILLUSTRATION



GRAPHIC #1

<END>

g01120203

# BASIC ENGINE

## 7W-5224 PULLEY GP-FAN DRIVE

S/N: YAT1-UP

0.428 RATIO

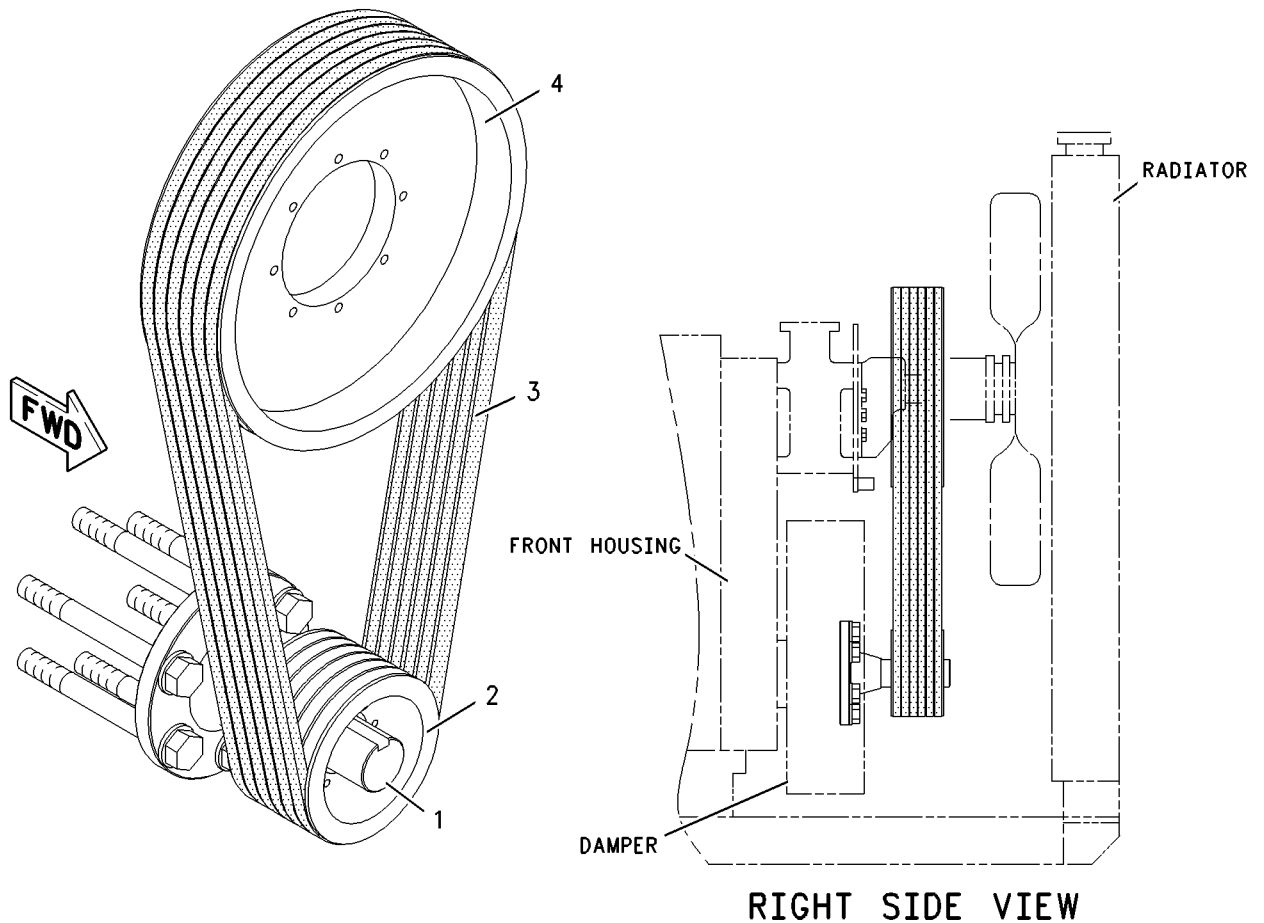
FOR USE WITH ENGINE MOUNTED FAN  
AN ATTACHMENT

SMCS-1359

i02765945

NOTE	REF NO	GRAPHIC REF	PART NUMBER	QTY	PART NAME						SEE PAGE
					1	2	3	4	5	6 (PRODUCT LEVEL)	
Y	1	1	7N-7660	1	DRIVE GP-FAN						42
J	2	1	7N-4106	1	PULLEY AS-CRANKSHAFT						
	3	1	7W-5228	1	V-BELT SET (INCLUDES 6-BELTS) (FAN DRIVE)						
	4	1	7W-6470	1	PULLEY-FAN DRIVE						
AVAILABLE REPAIR KIT(S):											
J			4W-0335		KIT-BUSHING (CRANKSHAFT PULLEY)						
(INCLUDES BUSHING, BOLTS, LOCKWASHER, SET SCREW AND KEY)											

J-KIT MARKED J AVAILABLE FOR PART MARKED J  
Y-SEPARATE ILLUSTRATION



GRAPHIC #1

<END>

g01007239

# BASIC ENGINE

## 7W-5225 PULLEY GP-FAN DRIVE

S/N: YAT1-UP

0.627 RATIO

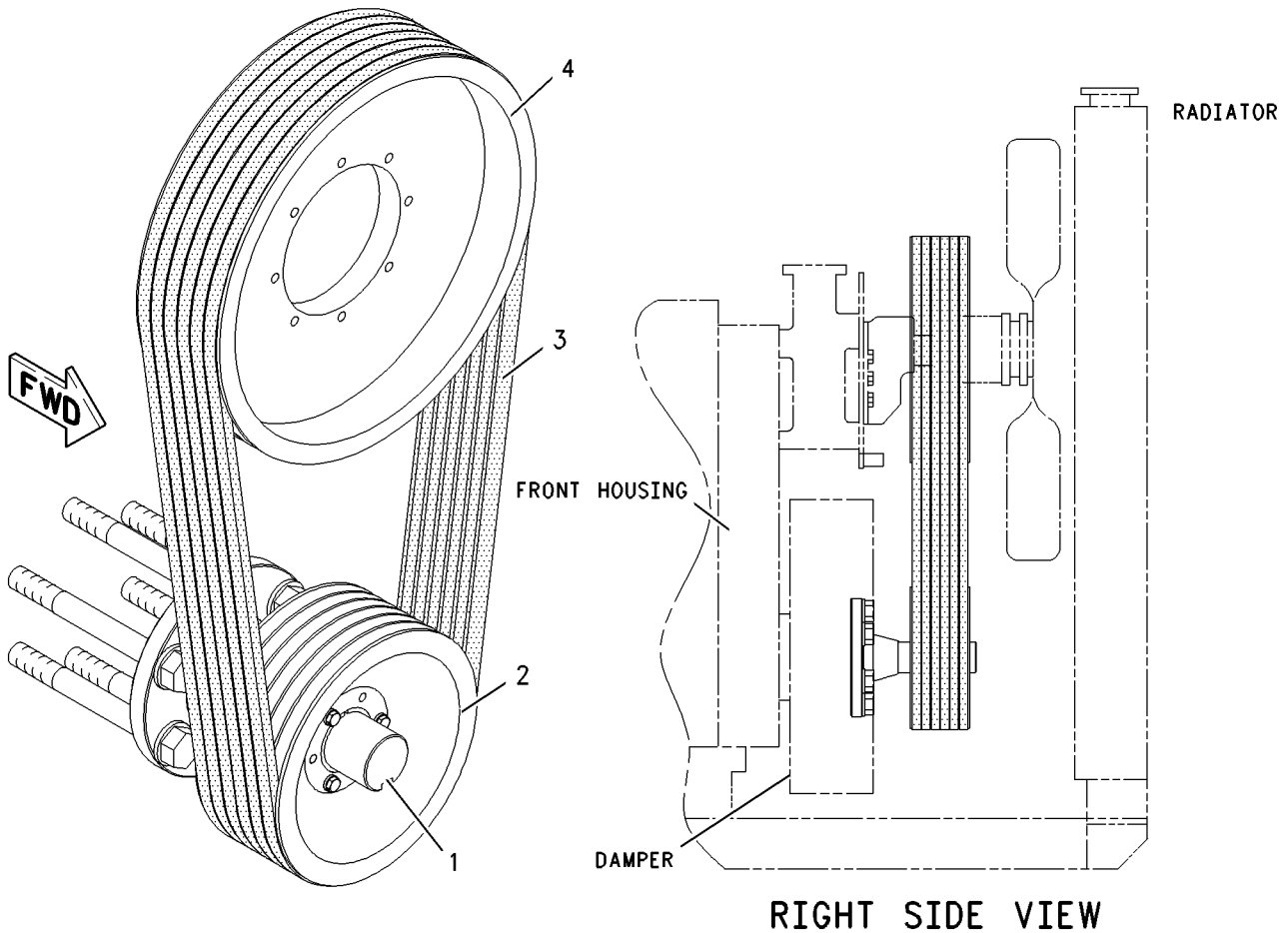
FOR USE WITH ENGINE MOUNTED FAN  
AN ATTACHMENT

SMCS-1359

i02765947

NOTE	REF NO	GRAPHIC REF	PART NUMBER	QTY	PART NAME						SEE PAGE
					1	2	3	4	5	6 (PRODUCT LEVEL)	
Y	1	1	7N-7660	1	DRIVE GP-FAN						42
J	2	1	8N-6567	1	PULLEY AS-CRANKSHAFT						
	3	1	8N-6705	1	V-BELT SET (INCLUDES 6-BELTS) (FAN DRIVE)						
	4	1	7W-6470	1	PULLEY-FAN DRIVE						
AVAILABLE REPAIR KIT(S):											
J			4W-0335	1	KIT-BUSHING (CRANKSHAFT PULLEY) (INCLUDES BUSHING, BOLTS, LOCKWASHERS, SET SCREW AND KEY)						

J-KIT MARKED J SERVICES PART MARKED J  
Y-SEPARATE ILLUSTRATION



GRAPHIC #1

<END>

g01007255



# BASIC ENGINE

## 7W-5226 PULLEY GP-FAN DRIVE

S/N: YAT1-UP

0.704 RATIO

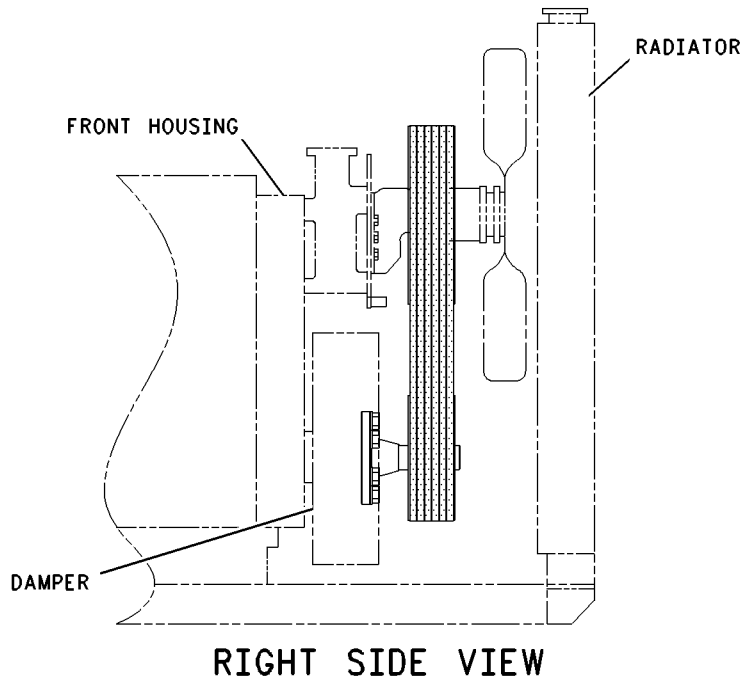
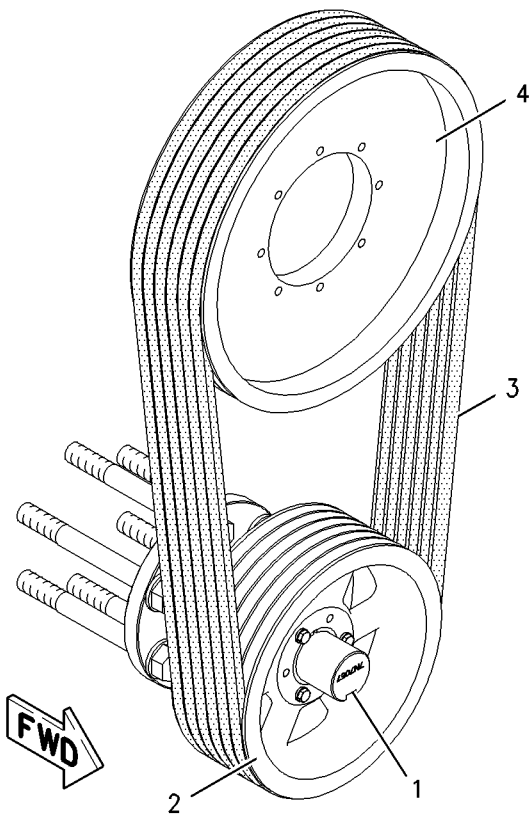
FOR USE WITH ENGINE MOUNTED FAN  
AN ATTACHMENT

SMCS-1359

i02765948

NOTE	REF NO	GRAPHIC REF	PART NUMBER	QTY	PART NAME						SEE PAGE
					1	2	3	4	5	6 (PRODUCT LEVEL)	
Y	1	1	7N-7660	1	DRIVE GP-FAN						42
J	2	1	8N-6571	1	PULLEY AS-CRANKSHAFT						
	3	1	8N-6711	1	V-BELT SET (INCLUDES 6-BELTS) (FAN DRIVE)						
	4	1	7W-6470	1	PULLEY-FAN DRIVE						
AVAILABLE REPAIR KIT(S):											
J			4W-0335	1	KIT-BUSHING (CRANKSHAFT PULLEY) (INCLUDES BUSHING, BOLTS, LOCKWASHERS, SET SCREW AND KEY)						

J-KIT MARKED J SERVICES PART MARKED J  
Y-SEPARATE ILLUSTRATION



GRAPHIC #1

<END>

g01007227

# BASIC ENGINE

## 7W-5227 PULLEY GP-FAN DRIVE

S/N: YAT1-UP

0.605 RATIO

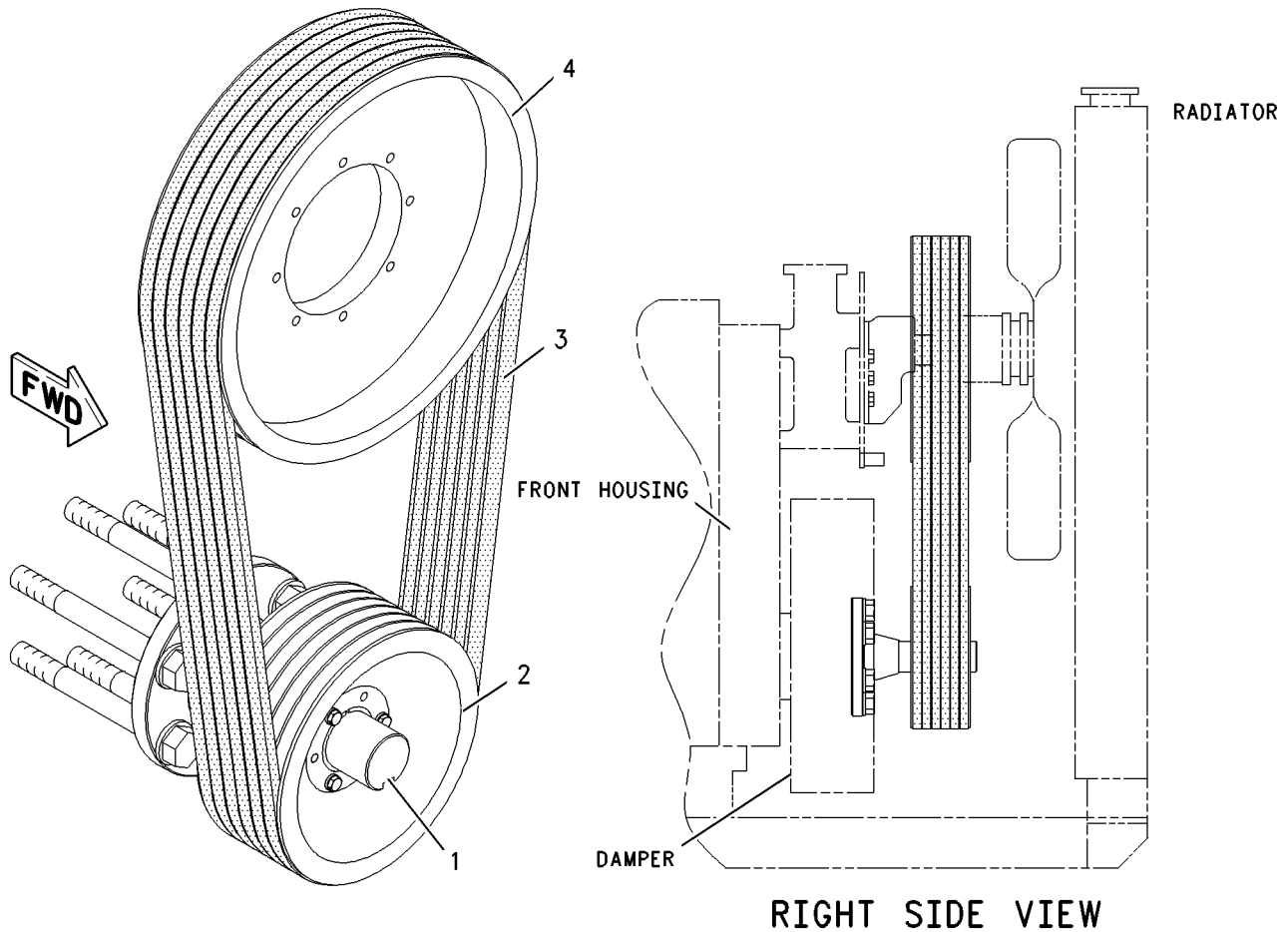
FOR USE WITH ENGINE MOUNTED FAN  
AN ATTACHMENT

SMCS-1359

i02765949

NOTE	REF NO	GRAPHIC REF	PART NUMBER	QTY	PART NAME						SEE PAGE
					1	2	3	4	5	6 (PRODUCT LEVEL)	
Y	1	1	7N-7660	1	DRIVE GP-FAN						42
J	2	1	8N-6567	1	PULLEY AS-CRANKSHAFT						
	3	1	8N-6711	1	V-BELT SET (INCLUDES 6-BELTS) (FAN DRIVE)						
	4	1	7W-5109	1	PULLEY-FAN DRIVE						
AVAILABLE REPAIR KIT(S):											
J			4W-0335	1	KIT-BUSHING (CRANKSHAFT PULLEY) (INCLUDES BUSHING, BOLTS, LOCKWASHERS, SET SCREW AND KEY)						

J-KIT MARKED J SERVICES PART MARKED J  
Y-SEPARATE ILLUSTRATION



GRAPHIC #1

<END>

g01007316

# BASIC ENGINE

## 7W-5230 PULLEY GP-FAN DRIVE

S/N: YAT1-UP

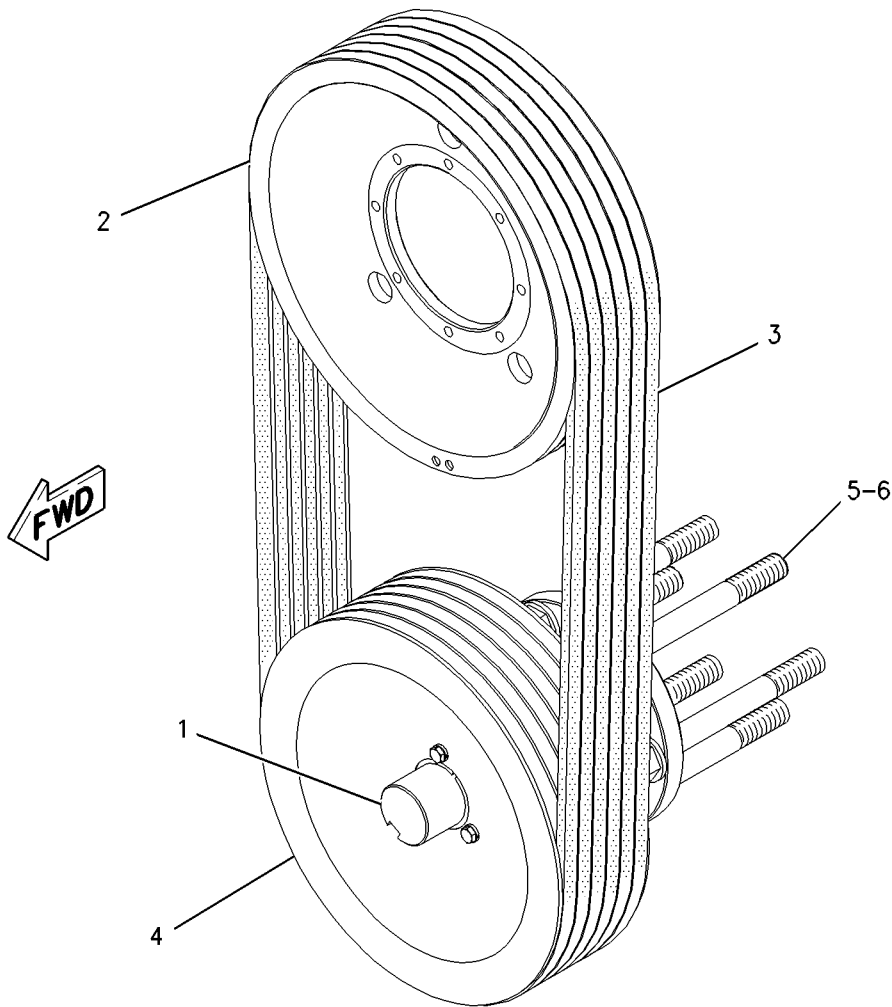
0.923 RATIO

FOR USE WITH ENGINE MOUNTED FAN  
AN ATTACHMENT

SMCS-1359

i03405004

NOTE	REF NO	GRAPHIC REF	PART NUMBER	QTY	PART NAME						SEE PAGE
					1	2	3	4	5	6 (PRODUCT LEVEL)	
	1	1	7N-7057	1	SHAFT-STUB						
	2	1	7W-5108	1	PULLEY-FAN DRIVE						
	3	1	7W-5229	1	V-BELT SET (INCLUDES 6-BELTS) (FAN DRIVE)						
J	4	1	7W-6472	1	PULLEY-CRANKSHAFT						
	5	1	5P-8250	6	WASHER (28X49X5-MM THK)						
	6	1	9F-8122	6	BOLT (1-14X9-IN)						
AVAILABLE REPAIR KIT(S):											
J			4W-0335	1	KIT-BUSHING (CRANKSHAFT PULLEY)						
(INCLUDES BUSHING, BOLTS, LOCKWASHERS, SET SCREW AND KEY)											
J-KIT MARKED J SERVICES PART MARKED J											



GRAPHIC #1

<END>

g00856943

# BASIC ENGINE

## 7W-5232 PULLEY GP-FAN DRIVE

S/N: YAT1-UP

0.770 RATIO

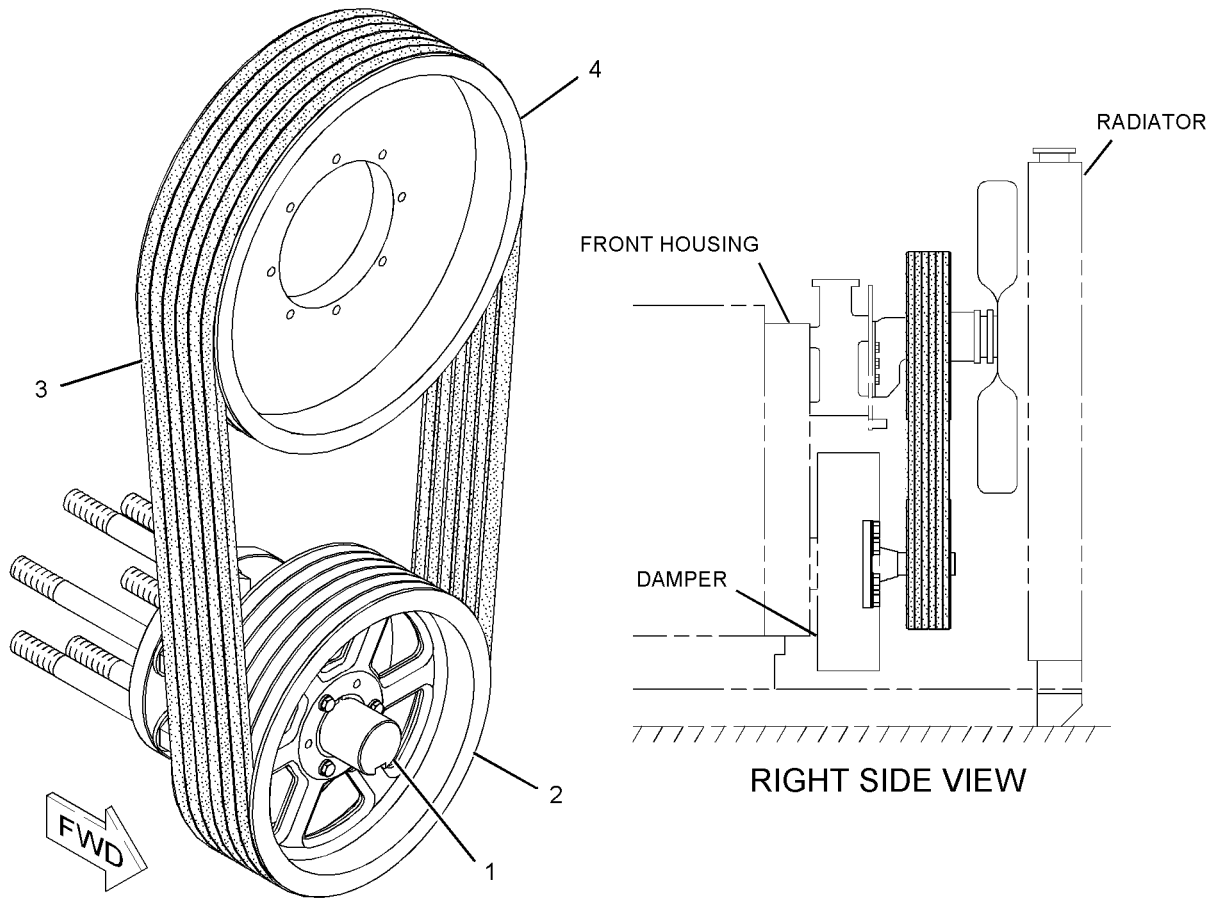
FOR USE WITH ENGINE MOUNTED FAN  
AN ATTACHMENT

SMCS - 1359

i02765957

NOTE	REF NO	GRAPHIC REF	PART NUMBER	QTY	PART NAME						SEE PAGE
					1	2	3	4	5	6 (PRODUCT LEVEL)	
Y	1	1	7N-7660	1	DRIVE GP-FAN						42
J	2	1	8N-6569	1	PULLEY-CRANKSHAFT						
	3	1	7W-5229	1	V-BELT SET (INCLUDES 6-BELTS) (FAN DRIVE)						
	4	1	7W-6470	1	PULLEY-FAN DRIVE						
AVAILABLE REPAIR KIT(S):											
J			4W-0335	1	KIT-BUSHING (CRANKSHAFT PULLEY) (INCLUDES BUSHING, BOLTS, LOCKWASHERS, SET SCREW AND KEY)						

J-KIT MARKED J SERVICES PART MARKED J  
Y-SEPARATE ILLUSTRATION



GRAPHIC #1

<END>

g01120202

# BASIC ENGINE

## 7W-5252 PULLEY GP-FAN DRIVE

S/N: YAT1-UP

0.630 RATIO

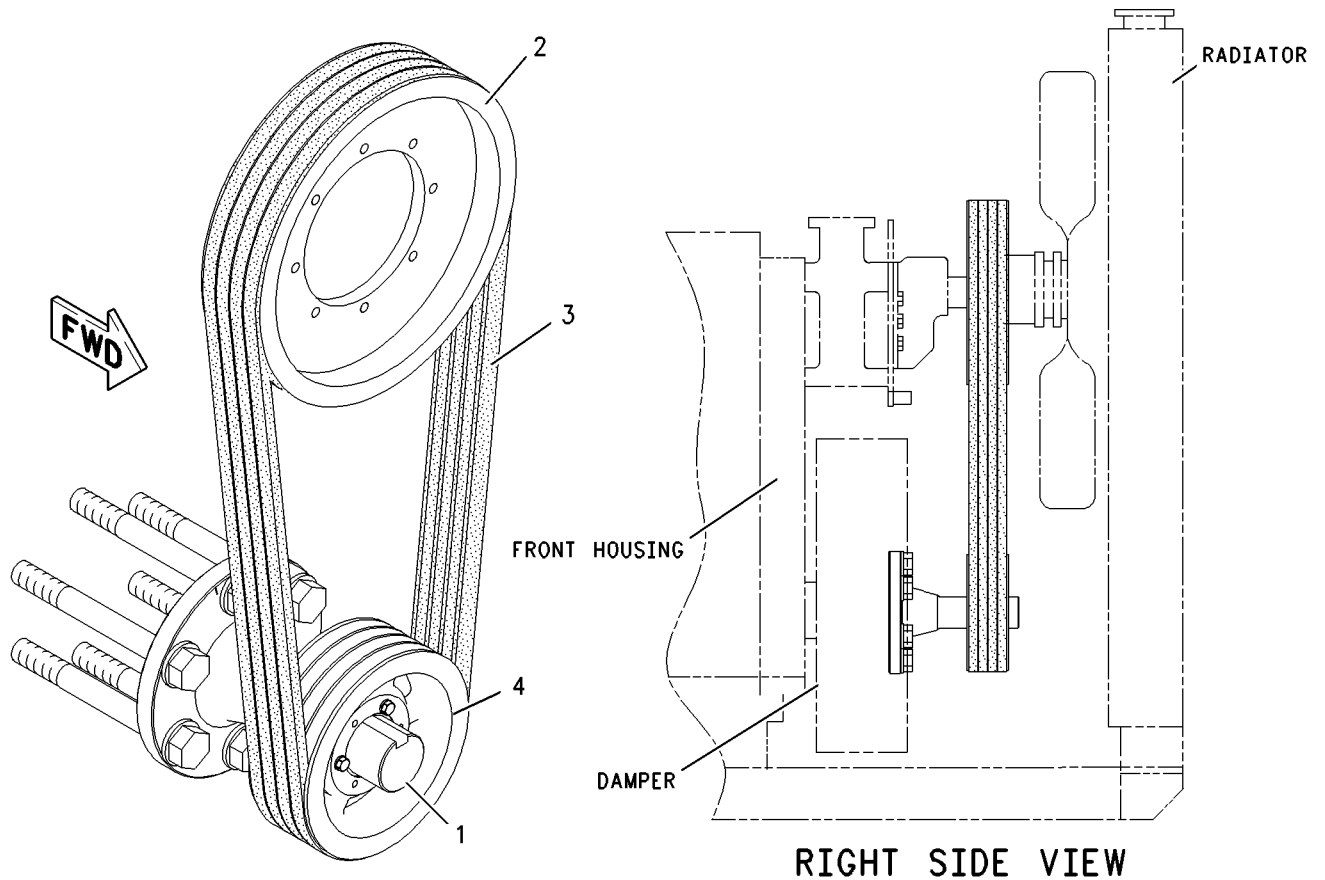
FOR USE WITH ENGINE MOUNTED FAN  
AN ATTACHMENT

SMCS-1359

i02765958

NOTE	REF NO	GRAPHIC REF	PART NUMBER	QTY	PART NAME						SEE PAGE
					1	2	3	4	5	6 (PRODUCT LEVEL)	
Y	1	1	7N-7660	1	DRIVE GP-FAN						42
	2	1	7W-6866	1	PULLEY-FAN DRIVE						
	3	1	7N-4148	1	V-BELT SET (INCLUDES 4-BELTS) (FAN DRIVE)						
J	4	1	4W-8505	1	PULLEY-CRANKSHAFT						
AVAILABLE REPAIR KIT(S):											
J			7W-1449	1	KIT-BUSHING (CRANKSHAFT PULLEY) (INCLUDES BUSHING, BOLTS, LOCKWASHERS, SET SCREW AND KEY)						

J-KIT MARKED J SERVICES PART MARKED J  
Y-SEPARATE ILLUSTRATION



GRAPHIC #1

<END>

g01007355

# BASIC ENGINE

## 7W-5253 PULLEY GP-FAN DRIVE

S/N: YAT1-UP

0.751 RATIO

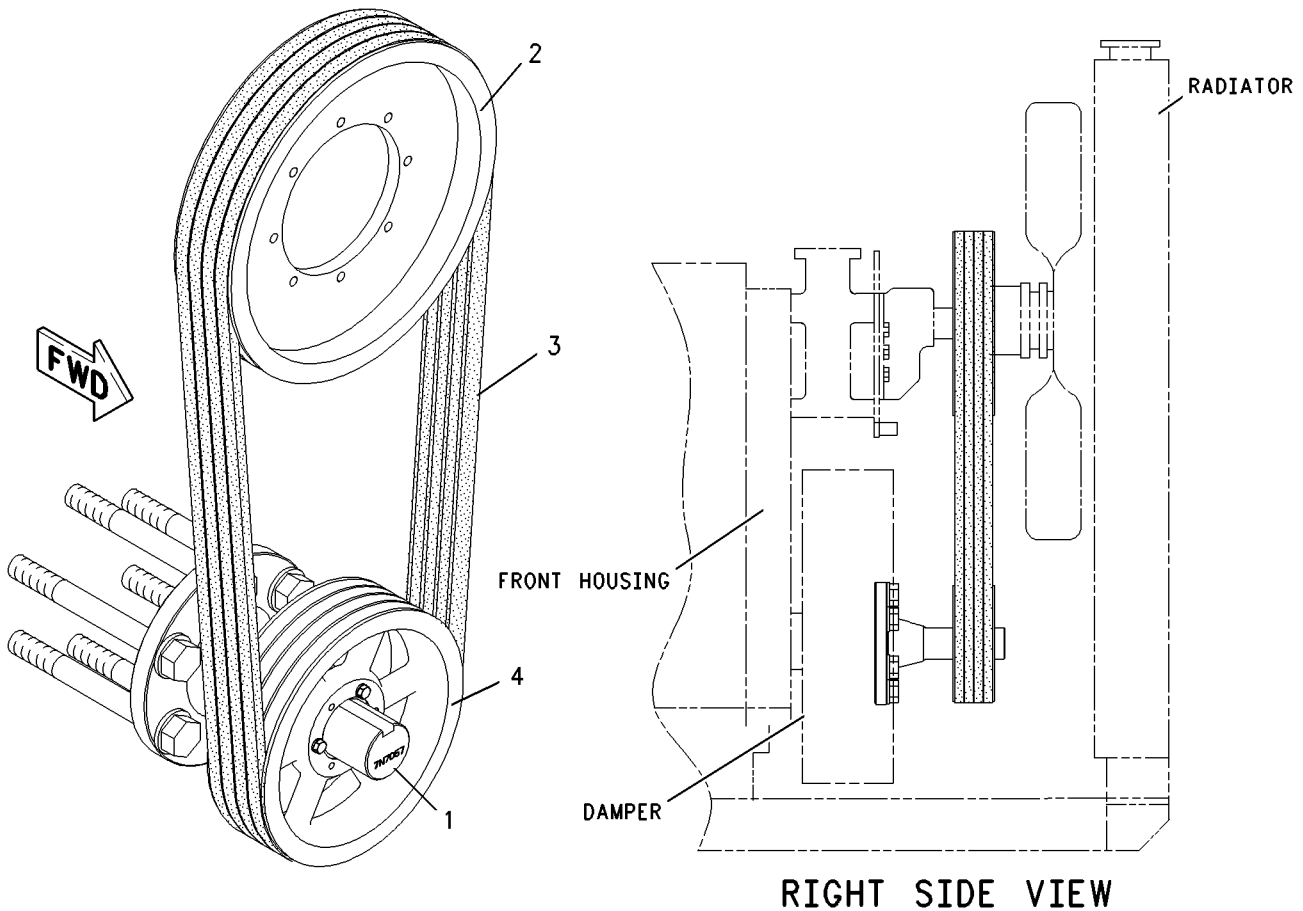
FOR USE WITH ENGINE MOUNTED FAN  
AN ATTACHMENT

SMCS-1359

i02765959

NOTE	REF NO	GRAPHIC REF	PART NUMBER	QTY	PART NAME						SEE PAGE
					1	2	3	4	5	6 (PRODUCT LEVEL)	
Y	1	1	7N-7660	1	DRIVE GP-FAN						42
	2	1	7W-6867	1	PULLEY-FAN DRIVE						
	3	1	7W-5258	1	V-BELT SET (INCLUDES 4-BELTS) (FAN DRIVE)						
J	4	1	4W-8507	1	PULLEY-CRANKSHAFT						
AVAILABLE REPAIR KIT(S):											
J			7W-1449	1	KIT-BUSHING (CRANKSHAFT PULLEY) (INCLUDES BUSHING, BOLTS, LOCKWASHERS, SET SCREW AND KEY)						

J-KIT MARKED J SERVICES PART MARKED J  
Y-SEPARATE ILLUSTRATION



GRAPHIC #1

<END>

g01007366

# BASIC ENGINE

## 7W-8138 PULLEY GP-FAN DRIVE

S/N: YAT1-UP

0.339 RATIO

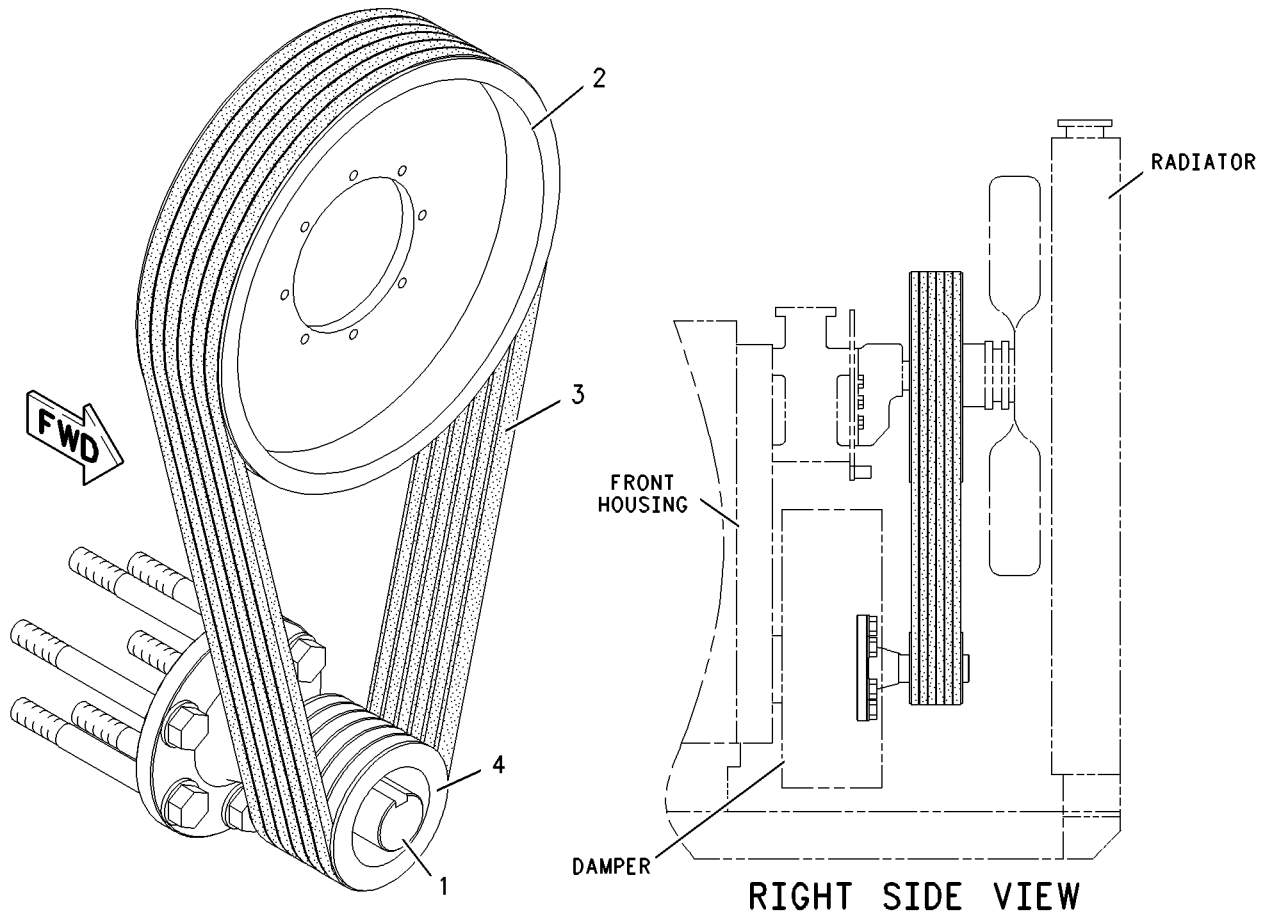
FOR USE WITH ENGINE MOUNTED FAN  
AN ATTACHMENT

SMCS-1359

i02765966

NOTE	REF NO	GRAPHIC REF	PART NUMBER	QTY	PART NAME						SEE PAGE
					1	2	3	4	5	6 (PRODUCT LEVEL)	
Y	1	1	7N-7660	1	DRIVE GP-FAN						42
	2	1	7W-5109	1	PULLEY-FAN DRIVE						
	3	1	7W-5228	1	V-BELT SET (INCLUDES 6-BELTS) (FAN DRIVE)						
J	4	1	7W-0703	1	PULLEY AS-CRANKSHAFT						
AVAILABLE REPAIR KIT(S):											
J			7W-1449	1	KIT-BUSHING (CRANKSHAFT PULLEY) (INCLUDES BUSHING, BOLTS, LOCKWASHERS, SET SCREW AND KEY)						

J-KIT MARKED J SERVICES PART MARKED J  
Y-SEPARATE ILLUSTRATION



GRAPHIC #1

<END>

g01007495

# BASIC ENGINE

## 7W-8141 PULLEY GP-FAN DRIVE

S/N: YAT1-UP

0.372 RATIO

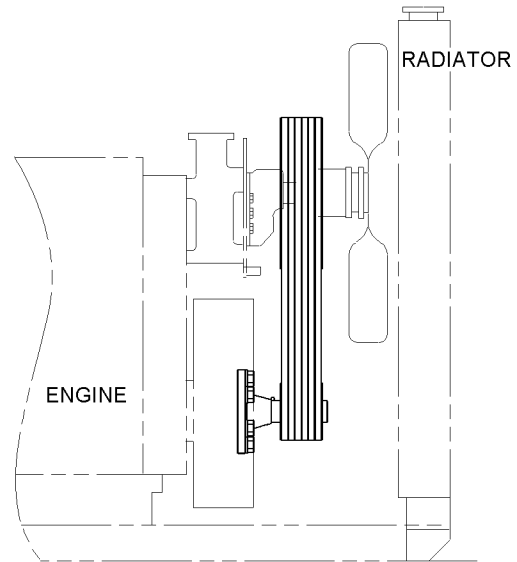
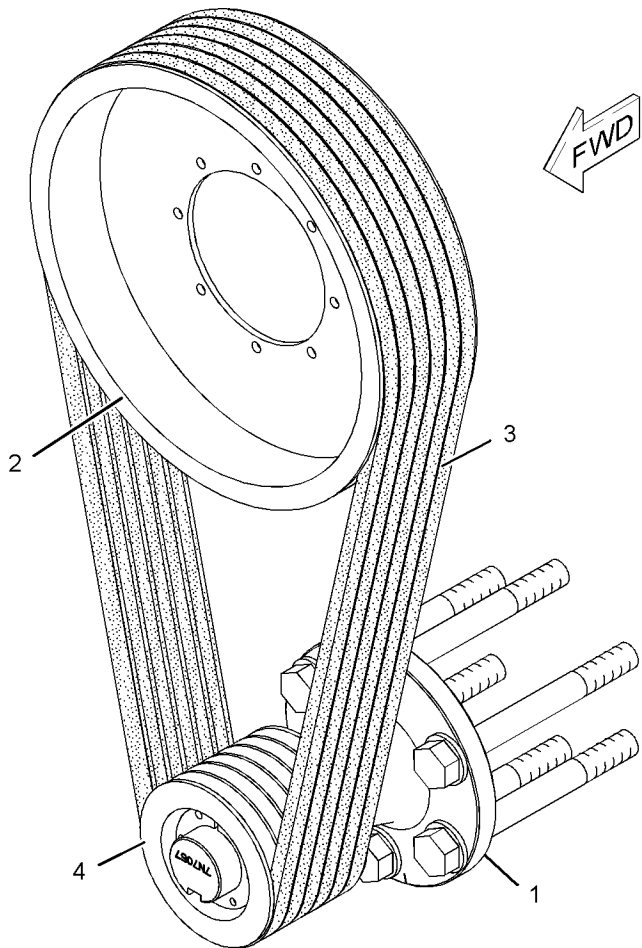
FOR USE WITH ENGINE MOUNTED FAN  
AN ATTACHMENT

SMCS-1359

i02765967

NOTE	REF NO	GRAPHIC REF	PART NUMBER	QTY	PART NAME						SEE PAGE
					1	2	3	4	5	6 (PRODUCT LEVEL)	
Y	1	1	7N-7660	1	DRIVE GP-FAN						42
	2	1	7W-5108	1	PULLEY-FAN DRIVE						
	3	1	8N-6702	1	V-BELT SET (INCLUDES 6-BELTS) (FAN DRIVE)						
J	4	1	7W-0703	1	PULLEY AS-CRANKSHAFT						
AVAILABLE REPAIR KIT(S):											
J			7W-1449	1	KIT-BUSHING (CRANKSHAFT PULLEY)						
(INCLUDES BUSHING, BOLTS, LOCKWASHERS, SET SCREW AND KEY)											

J-KIT MARKED J SERVICES PART MARKED J  
Y-SEPARATE ILLUSTRATION



RIGHT SIDE VIEW

GRAPHIC #1

<END>

g01023808



# BASIC ENGINE

## 7W-8143 PULLEY GP-FAN DRIVE

S/N: YAT1-UP

0.556 RATIO

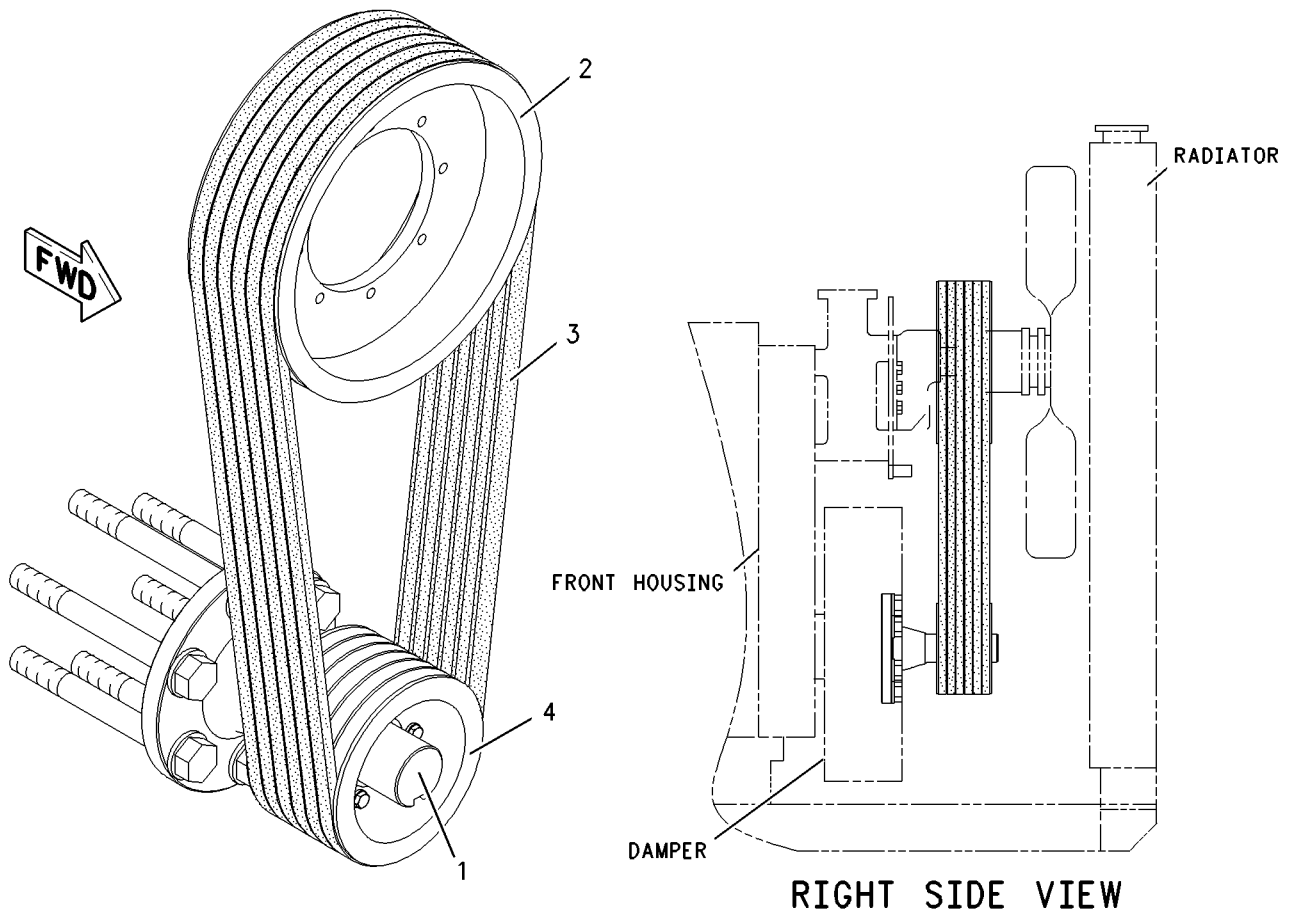
FOR USE WITH ENGINE MOUNTED FAN  
AN ATTACHMENT

SMCS-1359

i02765968

NOTE	REF NO	GRAPHIC REF	PART NUMBER	QTY	PART NAME						SEE PAGE
					1	2	3	4	5	6 (PRODUCT LEVEL)	
Y	1	1	7N-7660	1	DRIVE GP-FAN						42
	2	1	7W-8140	1	PULLEY-FAN DRIVE						
	3	1	7W-8135	1	V-BELT SET (INCLUDES 6-BELTS) (FAN DRIVE)						
J	4	1	7N-4106	1	PULLEY AS-CRANKSHAFT						
AVAILABLE REPAIR KIT(S):											
J			4W-0335		KIT-BUSHING (CRANKSHAFT PULLEY)						
(INCLUDES BUSHING, BOLTS, LOCKWASHER, SET SCREW AND KEY)											

J-KIT MARKED J AVAILABLE FOR PART MARKED J  
Y-SEPARATE ILLUSTRATION



GRAPHIC #1

<END>

g01007504

# BASIC ENGINE

## 7W-8144 PULLEY GP-FAN DRIVE

S/N: YAT1-UP

0.455 RATIO

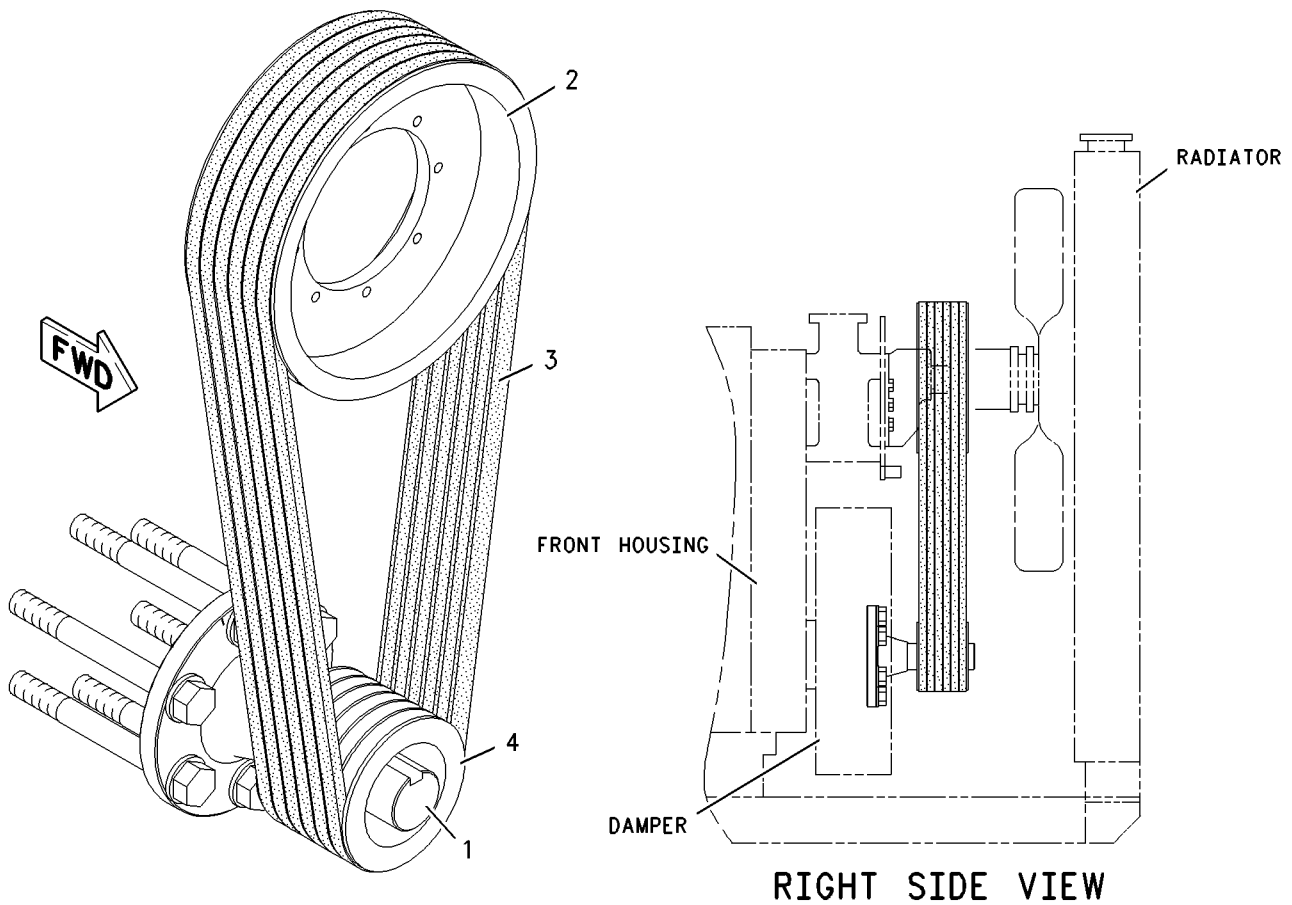
FOR USE WITH ENGINE MOUNTED FAN  
AN ATTACHMENT

SMCS-1359

i02765969

NOTE	REF NO	GRAPHIC REF	PART NUMBER	QTY	PART NAME						SEE PAGE
					1	2	3	4	5	6 (PRODUCT LEVEL)	
Y	1	1	7N-7660	1	DRIVE GP-FAN						42
	2	1	7W-8140	1	PULLEY-FAN DRIVE						
	3	1	7W-8137	1	V-BELT SET (INCLUDES 6-BELTS) (FAN DRIVE)						
J	4	1	7W-0703	1	PULLEY AS-CRANKSHAFT						
AVAILABLE REPAIR KIT(S):											
J			7W-1449	1	KIT-BUSHING (CRANKSHAFT PULLEY) (INCLUDES BUSHING, BOLTS, LOCKWASHERS, SET SCREW AND KEY)						

J-KIT MARKED J SERVICES PART MARKED J  
Y-SEPARATE ILLUSTRATION



GRAPHIC #1

<END>

g01007499

# BASIC ENGINE

## 254-2203 PULLEY GP-FAN DRIVE

S/N: YAT1-UP

0.455 RATIO

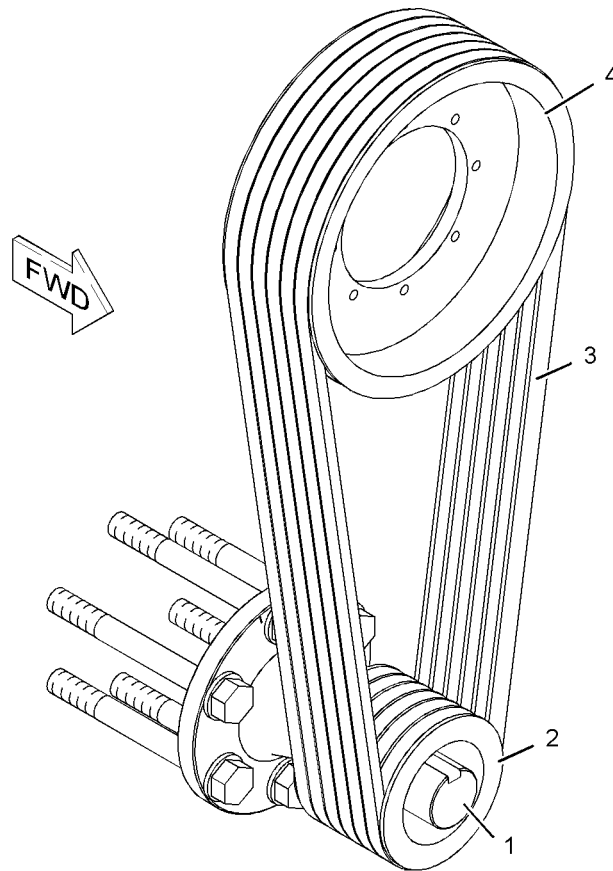
FOR USE WITH ENGINE MOUNTED FAN  
AN ATTACHMENT

SMCS-1359

i02175062

NOTE	REF NO	GRAPHIC REF	PART NUMBER	QTY	PART NAME						SEE PAGE
					1	2	3	4	5	6 (PRODUCT LEVEL)	
Y	1	1	7N-7660	1	DRIVE GP-FAN						42
	2	1	7W-0703	1	PULLEY AS-CRANKSHAFT						
		1	7W-1449	1	KIT-BUSHING (CRANKSHAFT PULLEY)						
	(INCLUDES BUSHING, BOLTS, LOCKWASHERS, SET SCREW & KEY)										
	3	1	254-3861	1	V-BELT SET (INCLUDES 6-BELTS) (FAN DRIVE)						
	4	1	7W-8140	1	PULLEY-FAN DRIVE						

Y-SEPARATE ILLUSTRATION



GRAPHIC #1

<END>

g01079891

# BASIC ENGINE

## 254-2204 PULLEY GP-FAN DRIVE

S/N: YAT1-UP

0.520 RATIO

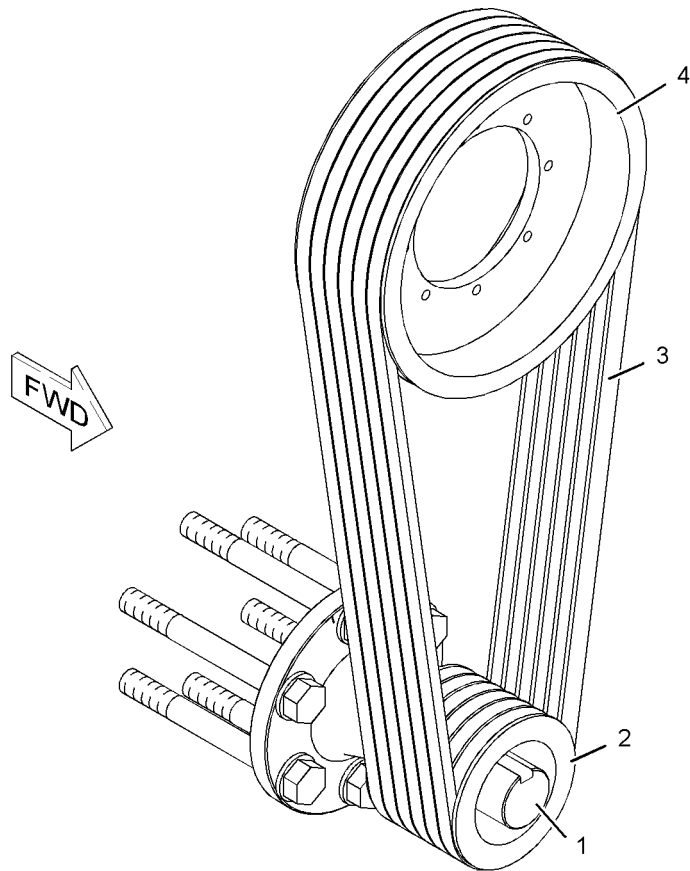
FOR USE WITH ENGINE MOUNTED FAN  
AN ATTACHMENT

SMCS-1359

i03405003

NOTE	REF NO	GRAPHIC REF	PART NUMBER	QTY	PART NAME						SEE PAGE
					1	2	3	4	5	6 (PRODUCT LEVEL)	
Y	1	1	7N-7660	1	DRIVE GP-FAN						42
	2	1	8N-6564	1	PULLEY AS-CRANKSHAFT						
		1	4W-0335	1	KIT-BUSHING (CRANKSHAFT PULLEY)						
					(INCLUDES BUSHING, BOLTS, LOCKWASHERS, SET SCREW & KEY)						
	3	1	254-3526	1	V-BELT SET (INCLUDES 6-BELTS) (FAN DRIVE)						
	4	1	7W-5109	1	PULLEY-FAN DRIVE						

Y-SEPARATE ILLUSTRATION



GRAPHIC #1

<END>

g01079915

# BASIC ENGINE

## 256-0625 PULLEY GP-FAN DRIVE

S/N: YAT1-UP

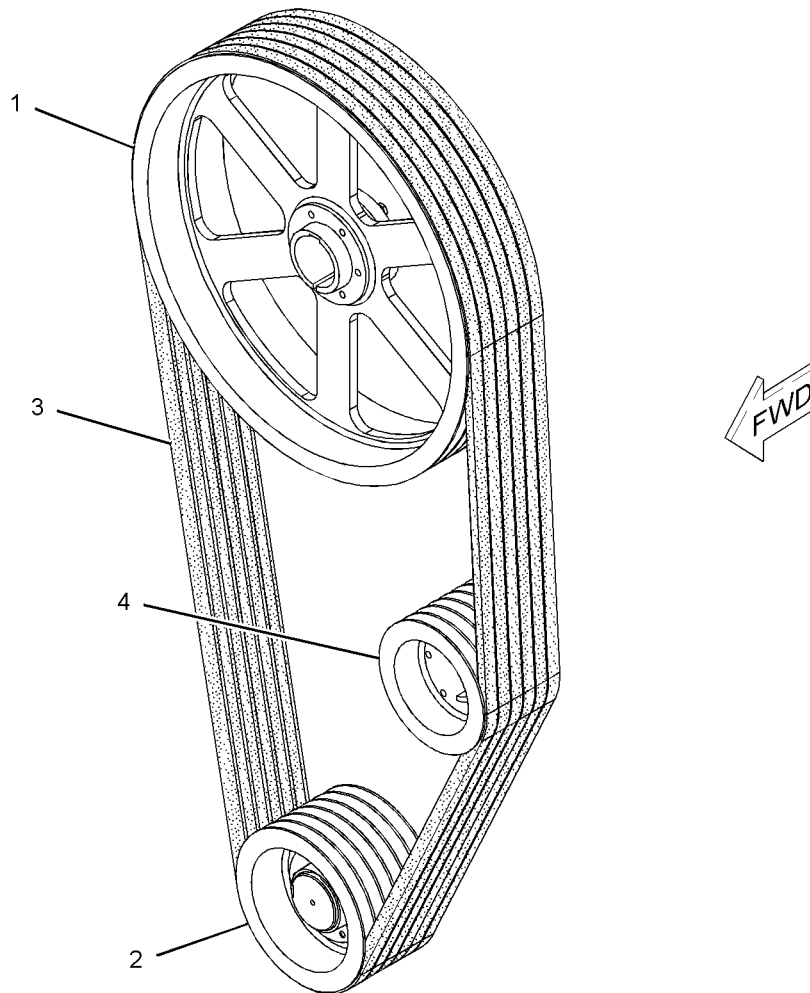
0.370 RATIO

FOR USE WITH RADIATOR MOUNTED FAN  
AN ATTACHMENT

SMCS-1359

i02219764

NOTE	REF NO	GRAPHIC REF	PART NUMBER	QTY	PART NAME						SEE PAGE
					1	2	3	4	5	6 (PRODUCT LEVEL)	
	1	1	<b>256-2705</b>	1	PULLEY-FAN						
		1	<b>256-3243</b>	1	KIT-BUSHING (FAN PULLEY) (INCLUDES BUSHING, KEY, SETSCREW AND FASTENERS)						
	2	1	<b>256-2707</b>	1	PULLEY-CRANKSHAFT						
		1	<b>256-3610</b>	1	KIT-BUSHING (CRANKSHAFT PULLEY) (INCLUDES BUSHING, KEY, SETSCREW AND FASTENERS)						
	3	1	<b>256-3246</b>	1	V-BELT SET (INCLUDES 6-BELTS) (FAN DRIVE)						
	4	1	<b>256-3247</b>	1	PULLEY-IDLER						
		1	<b>256-3248</b>	1	KIT-BUSHING (IDLER PULLEY) (INCLUDES BUSHING, KEY, SETSCREW AND FASTENERS)						



GRAPHIC #1

<END>

g01120770

# BASIC ENGINE

## 256-0628 PULLEY GP-FAN DRIVE

S/N: YAT1-UP

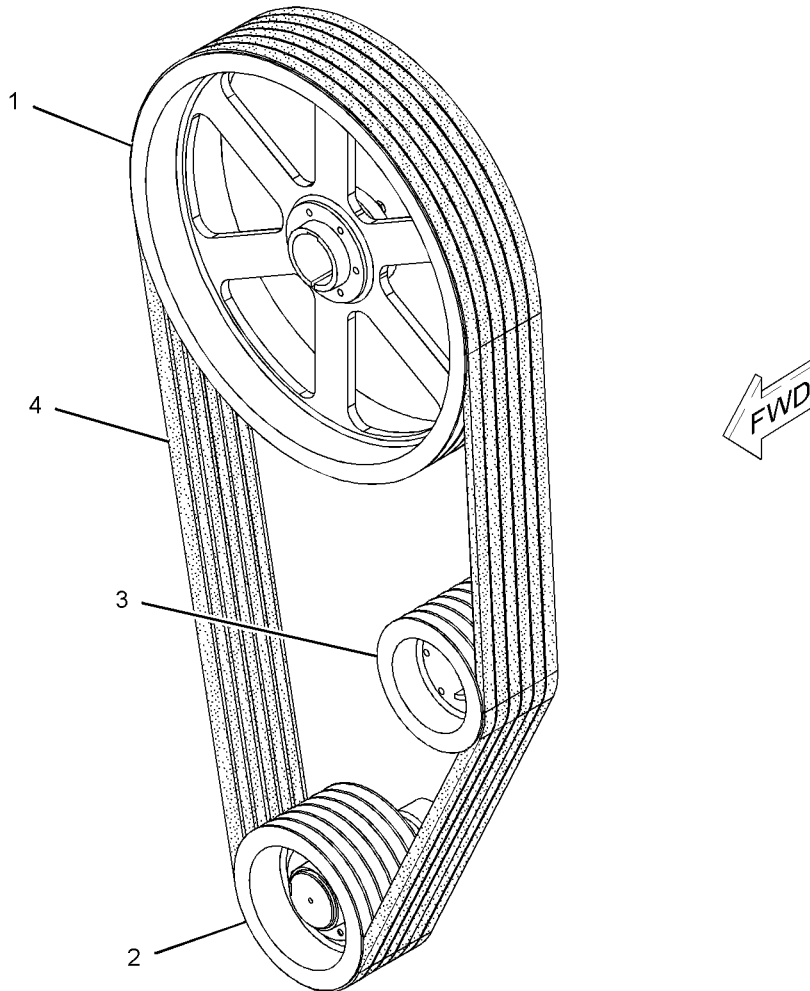
0.450 RATIO

FOR USE WITH RADIATOR MOUNTED FAN  
AN ATTACHMENT

SMCS-1359

i03405002

NOTE	REF NO	GRAPHIC REF	PART NUMBER	QTY	PART NAME						SEE PAGE
					1	2	3	4	5	6 (PRODUCT LEVEL)	
	1	1	<b>256-2705</b>	1	PULLEY-FAN						
		1	<b>256-3243</b>	1	KIT-BUSHING (FAN PULLEY) (INCLUDES BUSHING, KEY, SETSCREW, AND FASTENERS)						
	2	1	<b>256-2710</b>	1	PULLEY-CRANKSHAFT						
		1	<b>256-3610</b>	1	KIT-BUSHING (CRANKSHAFT PULLEY) (INCLUDES BUSHING, KEY, SETSCREW, AND FASTENERS)						
	3	1	<b>256-3247</b>	1	PULLEY-IDLER						
		1	<b>256-3248</b>	1	KIT-BUSHING (IDLER PULLEY) (INCLUDES BUSHING, KEY, SETSCREW, AND FASTENERS)						
	4	1	<b>298-5544</b>	1	V-BELT SET (INCLUDES 6-BELTS) (FAN DRIVE)						



GRAPHIC #1

<END>

g01116056

# BASIC ENGINE

## 269-7201 PULLEY GP-FAN DRIVE

S/N: YAT1-UP

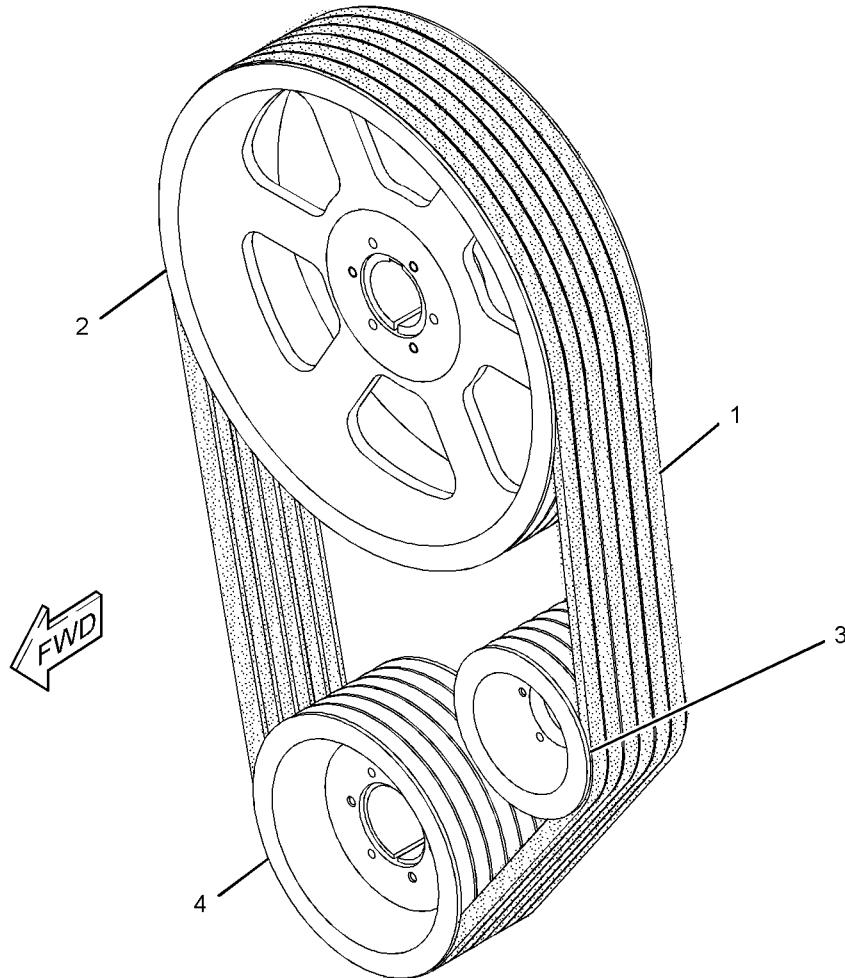
0.598-RATIO

FOR USE WITH RADIATOR MOUNTED FAN  
AN ATTACHMENT

SMCS-1359

i03202471

NOTE	REF NO	GRAPHIC REF	PART NUMBER	QTY	PART NAME						SEE PAGE
					1	2	3	4	5	6 (PRODUCT LEVEL)	
	1	1	<b>8N-6700</b>	1	V-BELT SET (INCLUDES 6-BELTS) (FAN DRIVE)						
	2	1	<b>256-2704</b>	1	PULLEY-FAN						
		1	<b>269-7042</b>	1	KIT-BUSHING (FAN PULLEY) (INCLUDES BUSHING, KEY, SETSCREW AND FASTENERS)						
	3	1	<b>256-3247</b>	1	PULLEY-IDLER						
		1	<b>256-3248</b>	1	KIT-BUSHING (IDLER PULLEY) (INCLUDES BUSHING, KEY, SETSCREW AND FASTENERS)						
	4	1	<b>269-7040</b>	1	PULLEY-CRANKSHAFT						
		1	<b>269-7043</b>	1	KIT-BUSHING (CRANKSHAFT PULLEY) (INCLUDES BUSHING, KEY, SETSCREW AND FASTENERS)						



GRAPHIC #1

<END>

g01159638

# BASIC ENGINE

## 269-7202 PULLEY GP-FAN DRIVE

S/N: YAT1-UP

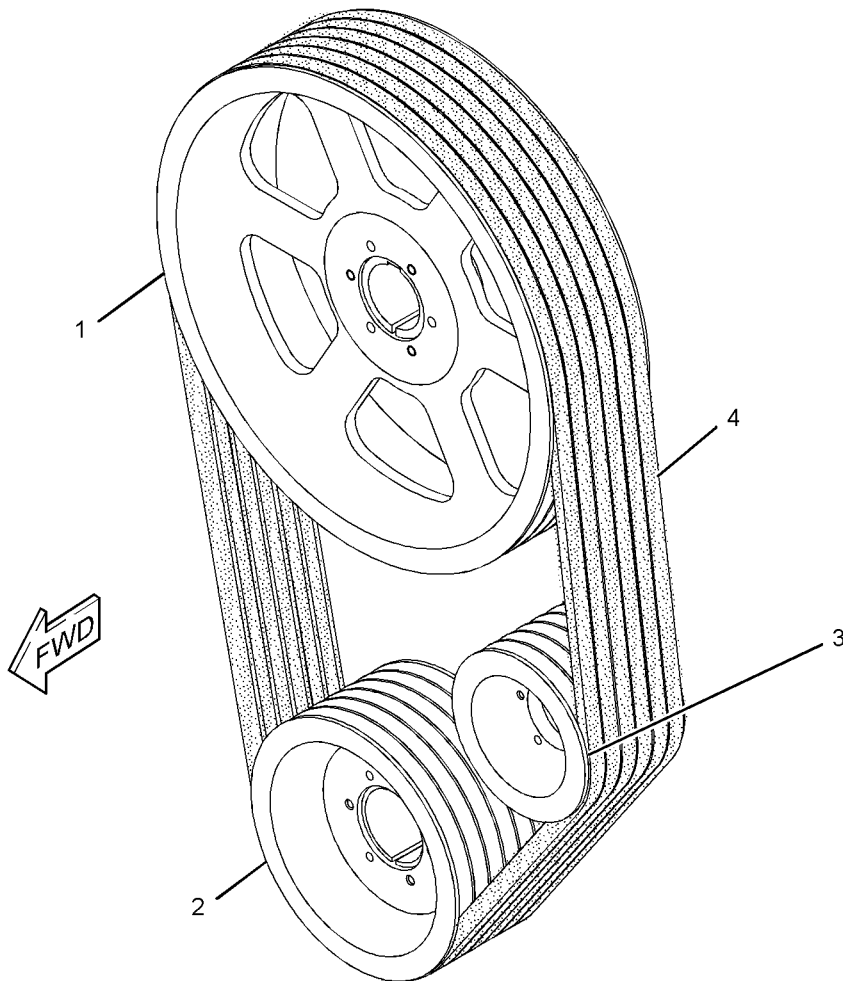
0.500-RATIO

FOR USE WITH RADIATOR MOUNTED FAN  
AN ATTACHMENT

SMCS - 1359

i02419076

NOTE	REF NO	GRAPHIC REF	PART NUMBER	QTY	PART NAME						SEE PAGE
					1	2	3	4	5	6 (PRODUCT LEVEL)	
	1	1	<b>256-2703</b>	1	PULLEY-FAN						
		1	<b>269-7042</b>	1	KIT-BUSHING (FAN PULLEY) (INCLUDES BUSHING, KEY, SETSCREW AND FASTENERS)						
	2	1	<b>256-2708</b>	1	PULLEY-CRANKSHAFT						
		1	<b>269-7043</b>	1	KIT-BUSHING (CRANKSHAFT PULLEY) (INCLUDES BUSHING, KEY, SETSCREW AND FASTENERS)						
	3	1	<b>256-3247</b>	1	PULLEY-IDLER						
		1	<b>256-3248</b>	1	KIT-BUSHING (IDLER PULLEY) (INCLUDES BUSHING, KEY, SETSCREW AND FASTENERS)						
	4	1	<b>270-2639</b>	1	V-BELT SET (INCLUDES 6-BELTS) (FAN DRIVE)						



GRAPHIC #1

<END>

g01159639



# BASIC ENGINE

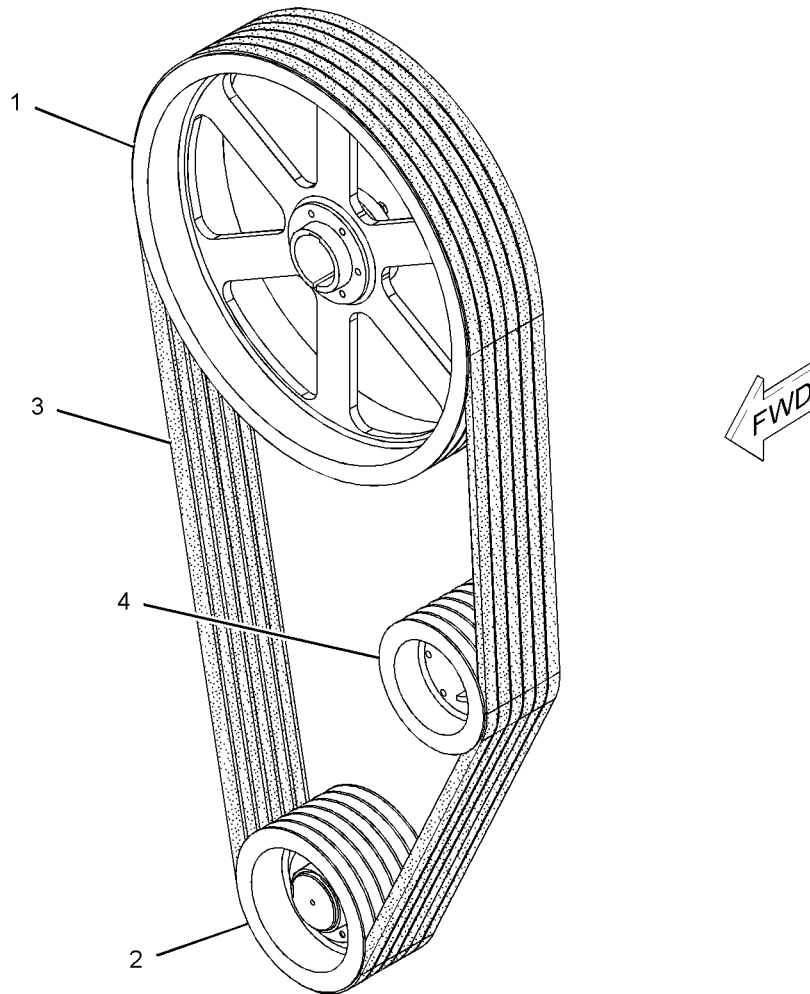
## 301-7503 PULLEY GP-FAN DRIVE

S/N: YAT1-UP  
AN ATTACHMENT

SMCS-1359

i03401063

NOTE	REF NO	GRAPHIC REF	PART NUMBER	QTY	PART NAME						SEE PAGE
					1	2	3	4	5	6 (PRODUCT LEVEL)	
	1	1	<b>301-7504</b>	1	PULLEY-FAN						
		1	<b>287-8583</b>	1	KIT-BUSHING (FAN DRIVE)						
	2	1	<b>301-7505</b>	1	PULLEY-CRANKSHAFT						
		1	<b>256-3610</b>	1	KIT-BUSHING (CRANKSHAFT PULLEY)						
					(INCLUDES BUSHING, KEY, SETSCREW AND FASTENERS)						
	3	1	<b>301-7510</b>	1	V-BELT SET (INCLUDES 6-BELTS) (FAN DRIVE)						
	4	1	<b>301-7506</b>	1	PULLEY-IDLER						
		1	<b>287-8587</b>	1	KIT-BUSHING (IDLER PULLEY)						



GRAPHIC #1

<END>

g01120770

# BASIC ENGINE

## 7W-3813 SEAL GP-CRANKSHAFT

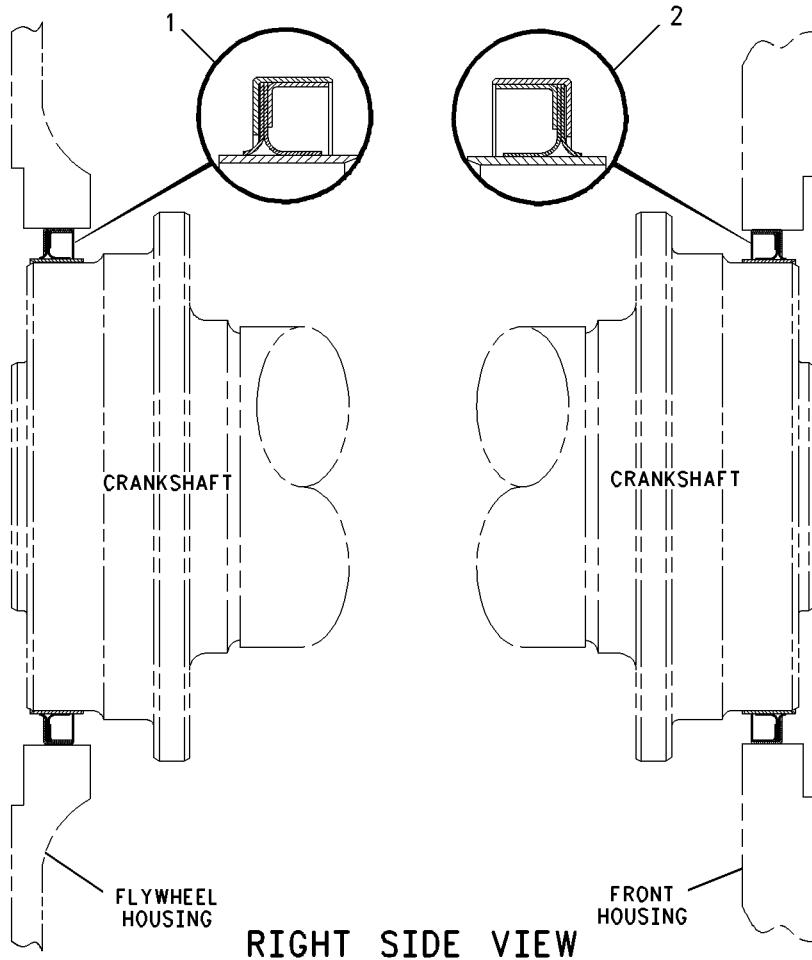
S/N: YAT1-UP

SMCS-1160, 1161

i02390835

NOTE	REF NO	GRAPHIC REF	PART NUMBER	QTY	PART NAME						SEE PAGE
					1	2	3	4	5	6 (PRODUCT LEVEL)	
C	1	1	113-8433	1	SEAL GP-CRANKSHAFT (CCW ROTATION)						
(INSTALL IN FLYWHEEL HOUSING ON STANDARD ROTATION ENGINES & IN FRONT HOUSING ON REVERSE ROTATION ENGINES)											
C	2	1	113-8432	1	SEAL GP-CRANKSHAFT (CW ROTATION)						
(INSTALL IN FRONT HOUSING ON STANDARD ROTATION ENGINES & IN FLYWHEEL HOUSING ON REVERSE ROTATION ENGINES)											

C-CHANGE FROM PREVIOUS TYPE



GRAPHIC #1

<END>

g00899342

# BASIC ENGINE

## 274-9361 SUPPORT GP-FAN DRIVE

S/N: YAT1-UP

PART OF 273-3811 RADIATOR GP  
FOR USE WITH STACK 60-RADIATOR  
AN ATTACHMENT

SMCS-1359

i02402726

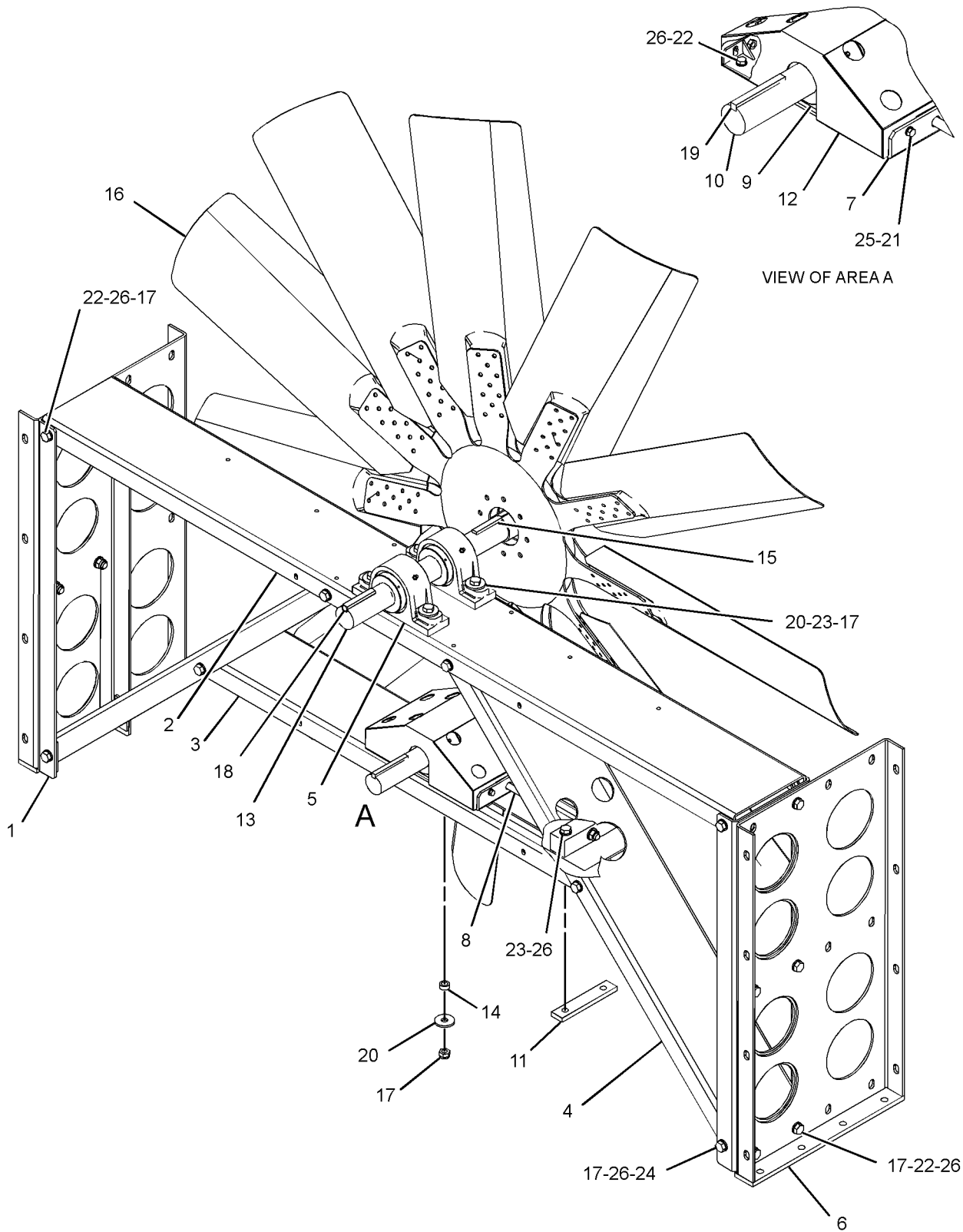
NOTE	REF NO	GRAPHIC REF	PART NUMBER	QTY	PART NAME						SEE PAGE
					1	2	3	4	5	6 (PRODUCT LEVEL)	
	1	1	254-0012	2	CHANNEL AS						
	2	1	254-0016	1	CHANNEL						
	3	1	254-0018	1	CHANNEL						
	4	1	254-0023	2	SUPPORT						
	5	1	254-0024	2	BEARING-PILLOW						
	6	1	254-0026	2	CHANNEL AS						
	7	1	254-0029	1	BASE AS						
	8	1	254-0040	1	ROD AS						
	9	1	254-0044	2	BEARING-PILLOW						
	10	1	254-0046	1	SHAFT-IDLER						
	11	1	254-3333	3	BLOCK						
	12	1	256-6893	1	GUARD-IDLER						
	13	1	274-9362	1	SHAFT-FAN DRIVE						
	14	1	274-9363	4	RING						
	15	1	274-9364	1	KEY-WOODRUFF						
	16	1	274-9365	1	FAN AS						
M	17	1	176-5311	36	LOCKNUT (M16X2-THD)						
	18	1	1D-2328	1	KEY						
	19	1	2Y-7975	1	KEY-WOODRUFF						
	20	1	3V-9244	16	WASHER (16.5X50X5-MM THK)						
	21	1	4M-0061	4	BOLT (5/16-18X0.75-IN)						
M	22	1	7X-2553	24	BOLT (M16X2X40-MM)						
M	23	1	7X-2555	10	BOLT (M16X2X80-MM)						
M	24	1	8T-4193	8	BOLT (M16X2X50-MM)						
	25	1	8T-4224	4	WASHER-HARD (8.8X16X2-MM THK)						
	26	1	9X-8257	62	WASHER (17.5X30X3.5-MM THK)						

M-METRIC PART

# BASIC ENGINE

274-9361 SUPPORT GP-FAN DRIVE (contd.)

i02402726



GRAPHIC #1

<END>

g01241908

# BASIC ENGINE

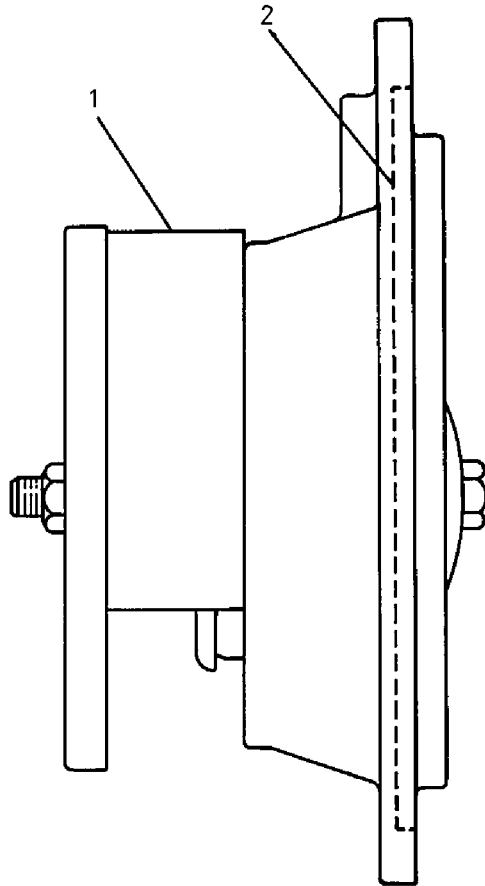
## 8N-8510 VALVE GP-EXPLOSION RELIEF

S/N: YAT1-UP  
AN ATTACHMENT

SMCS-1233

i02656760

NOTE	REF NO	GRAPHIC REF	PART NUMBER	QTY	PART NAME						SEE PAGE
					1	2	3	4	5	6 (PRODUCT LEVEL)	
J	1	1	<b>8N-8509</b>	2	VALVE GP-EXPLOSION RELIEF (CRANKCASE)						
	2	1	<b>272-0759</b>	2	SEAL						
AVAILABLE REPAIR KIT(S):											
J			<b>2W-3584</b>	1	KIT-REPAIR (EXPLOSION RELIEF) (CRANKCASE) (INCLUDES VALVE PLATE AND SPINDLE O-RINGS)						
J-KIT MARKED J SERVICES PART MARKED J											



GRAPHIC #1

<END>

g00637870

# BASIC ENGINE

## 224-9869 VALVE MECHANISM GP

S/N: YAT1-UP

SMCS-1102, 1121, 1123, 1209

i03017103

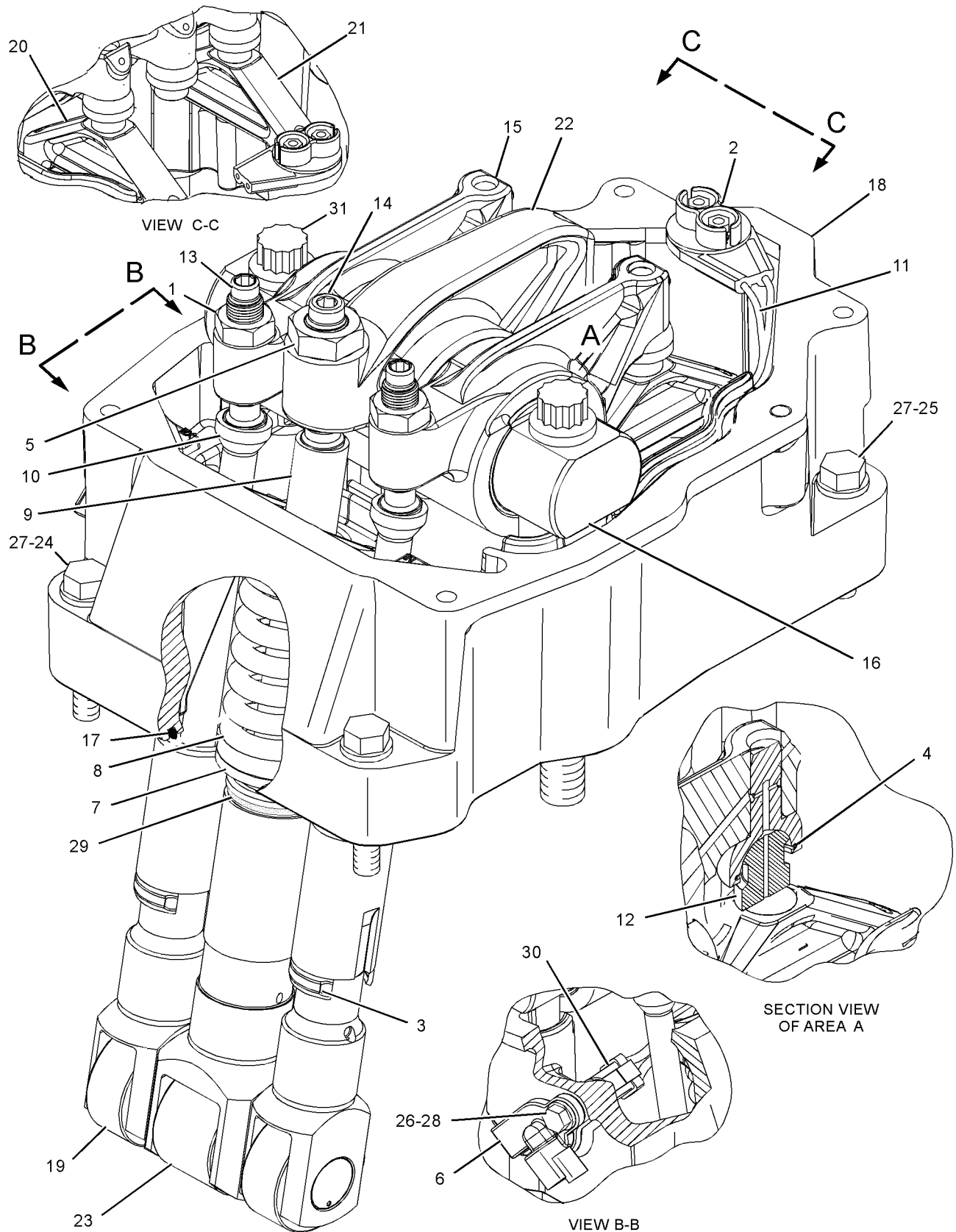
NOTE	REF NO	GRAPHIC REF	PART NUMBER	QTY	PART NAME						SEE PAGE
					1	2	3	4	5	6 (PRODUCT LEVEL)	
	1	1	3J-9196	2	NUT-JAM (1/2-20-THD)						
	2	1	7E-6508	1	CAP AS						
	3	1	7N-4782	2	SPRING-LIFTER GUIDE						
	4	1	9F-7707	3	RING-RETAINING						
	5	1	317-1121	1	NUT-JAM						
	6	1	9X-0352	1	RECEPTACLE AS						
	7	1	100-3877	1	RETAINER-SPRING						
	8	1	100-3878	1	SPRING-INJECTOR						
	9	1	100-3879	1	PUSHROD-INJECTOR						
	10	1	100-3880	2	PUSHROD-VALVE						
	11	1	132-6469	1	HARNES AS-WIRING (VALVE MECHANISM)						
		1	155-2270	1	KIT-CONNECTING PLUG (2-PIN) (INCLUDES PLUG AS AND WEDGE)						
		1	7E-6513	1	CONNECTOR AS						
		1	186-3736	2	SOCKET-CONNECTOR (16-GA TO 18-GA)						
E		1	124-0284		TUBE-HEAT SHRINK (3.2-MM DIA) (6-CM)						
	12	1	154-6389	3	BUTTON						
	13	1	200-2003	2	SCREW-ADJUSTMENT (1/2-20X2-IN)						
	14	1	230-2619	1	SCREW-ADJUSTMENT						
R	15	1	230-2621	2	ROCKER ARM AS (EACH INCLUDES)						
		1	8N-7197	1	SOCKET-ARM						
		1	230-2620	1	BEARING-SLEEVE						
	16	1	230-2633	1	SHAFT AS (ROCKER ARM)						
		1	155-4094	1	PIN-SPRING						
C	17	1	240-7032	1	SEAL						
CY	18	1	247-8341	1	BASE GP-VALVE COVER						9
R	19	1	263-6674	2	LIFTER AS-VALVE						
	20	1	265-7537	1	BRIDGE (INLET)						
	21	1	265-7538	1	BRIDGE (EXHAUST)						
R	22	1	281-6159	1	ROCKER ARM AS (EACH INCLUDES)						
		1	8N-7197	1	SOCKET-ARM						
		1	230-2620	1	BEARING-SLEEVE						
R	23	1	282-7944	1	LIFTER AS-INJECTOR						
	24	1	0L-2070	2	BOLT (3/8-16X2.25-IN)						
	25	1	0S-1590	2	BOLT (3/8-16X2-IN)						
	26	1	0S-1615	1	BOLT (1/4-20X0.75-IN)						
	27	1	5M-2894	4	WASHER-HARD (10.2X18.5X2.5-MM THK)						
	28	1	5P-0537	1	WASHER-HARD (7.2X14.5X2-MM THK)						
	29	1	5P-7530	1	SEAL-O-RING						
	30	1	6J-2245	1	SEAL-O-RING						
	31	1	8D-7942	2	BOLT-12 POINT HEAD (5/8-11X6.5-IN)						

C-CHANGE FROM PREVIOUS TYPE  
 E-ORDER BY THE CENTIMETER  
 R-REMG PART MAY BE AVAILABLE  
 Y-SEPARATE ILLUSTRATION

# BASIC ENGINE

224-9869 VALVE MECHANISM GP (contd.)

i03017103



GRAPHIC #1

<END>

g01260702

# LUBRICATION SYSTEM

## 124-5513 BREATHER GP-CRANKCASE

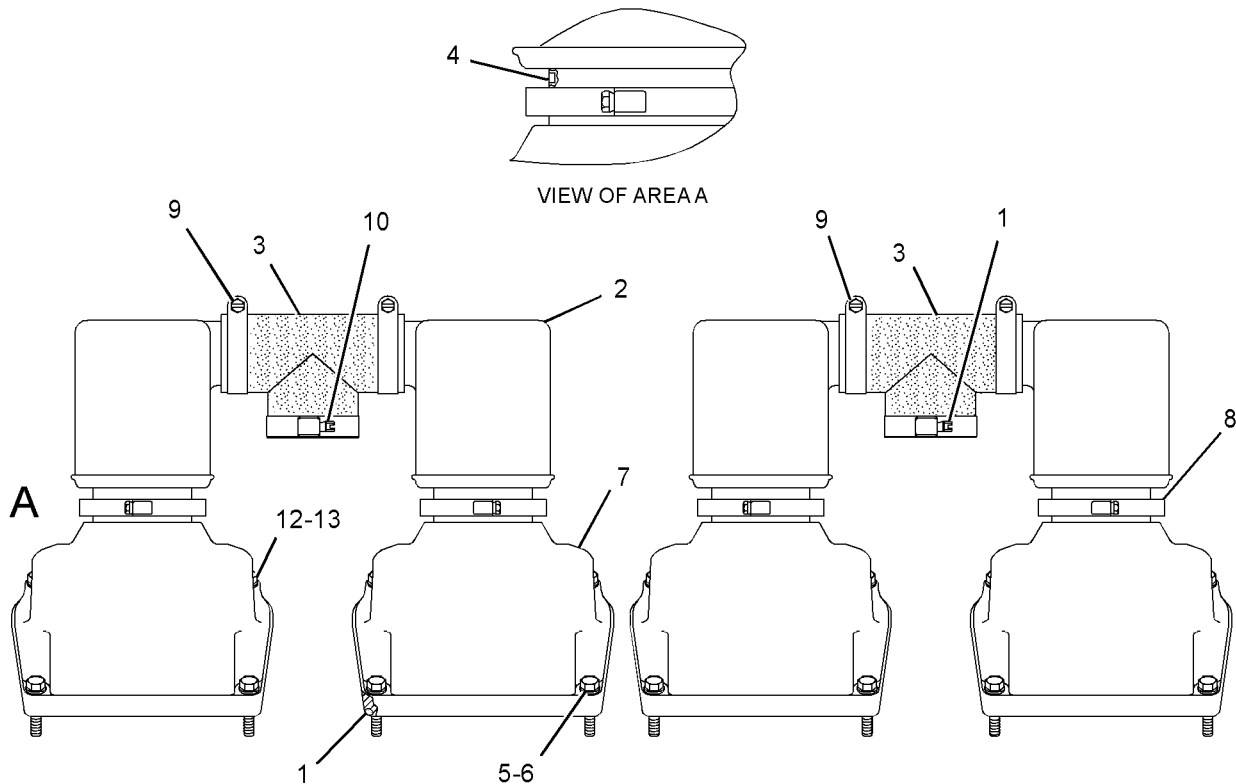
S/N: YAT1-UP

SMCS-1317

i03401066

NOTE	REF NO	GRAPHIC REF	PART NUMBER	QTY	PART NAME						SEE PAGE
					1	2	3	4	5	6 (PRODUCT LEVEL)	
	1	1	272-0760	4	SEAL-VALVE COVER (BREATHER)						
	2	1	4W-3027	4	BREATHER AS (CRANKCASE)						
	3	1	217-6692	2	HOSE-TEE						
	4	1	033-6031	4	SEAL-O-RING						
	5	1	1A-9579	15	BOLT (5/16-18X1.5-IN)						
	6	1	9M-1974	15	WASHER-HARD (8.8X16X2-MM THK)						
	7	1	101-4199	4	COVER AS						
	8	1	4W-3034	4	CLAMP-HOSE						
	9	1	5P-0597	4	CLAMP-HOSE						
	10	1	180-3007	2	CLAMP-HOSE						
B	12	1	1A-9579	1	BOLT (5/16-18X1.5-IN)						
B	13	1	9M-1974	1	WASHER-HARD (8.8X16X2-MM THK)						

B-USE AS REQUIRED



LEFT SIDE VIEW OF ENGINE

GRAPHIC #1

<END>

g01327324



# LUBRICATION SYSTEM

## 325-6244 DRAIN GP-OIL

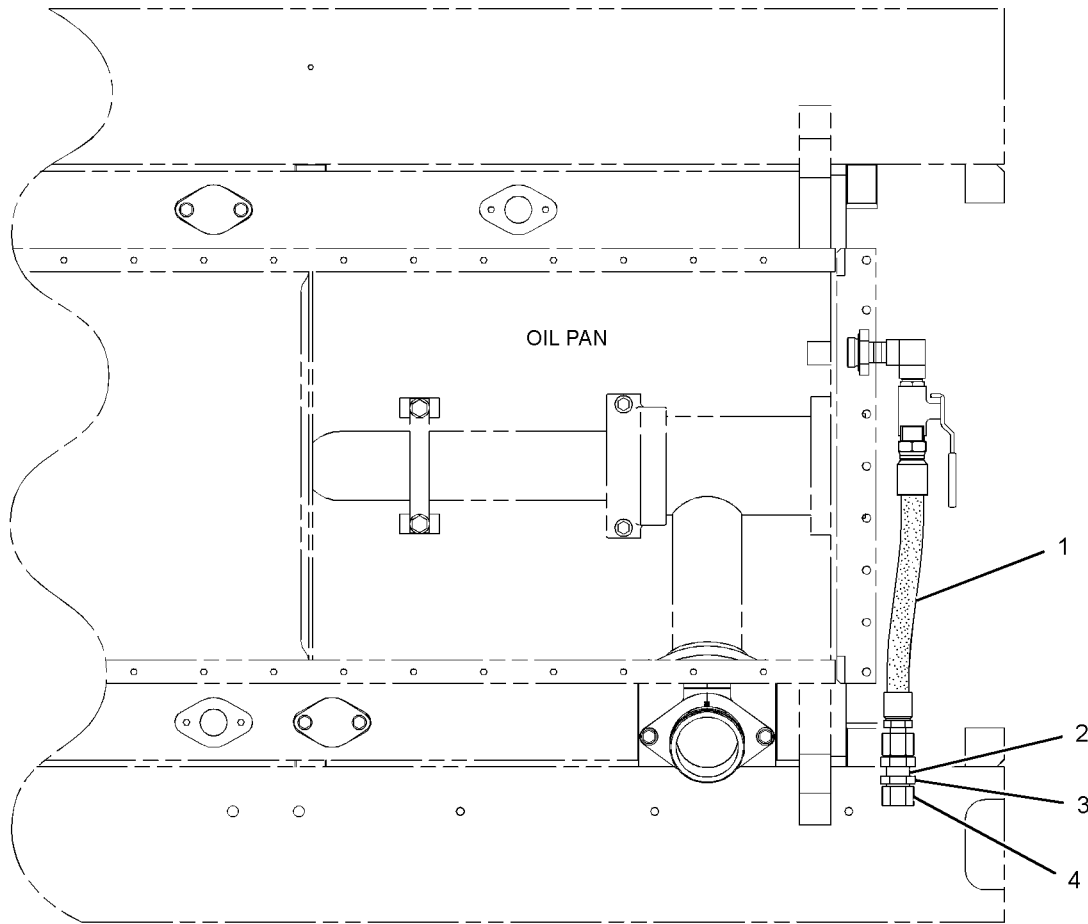
S/N: YAT1-UP  
AN ATTACHMENT

SMCS-1372

i03402369

NOTE	REF NO	GRAPHIC REF	PART NUMBER	QTY	PART NAME						SEE PAGE
					1	2	3	4	5	6 (PRODUCT LEVEL)	
I	1	1	<b>281-6349</b>	1	HOSE AS						
	2	1	<b>2P-1284</b>	1	UNION						
	3	1	<b>2P-1293</b>	1	LOCKNUT (1-3/16-12-THD)						
	4	1	<b>8L-9137</b>	1	CAP-FLARED						

I-REFER TO HYDRAULIC INFORMATION SYSTEM



TOP VIEW  
<END>

GRAPHIC #1

g01766713

# LUBRICATION SYSTEM

## 325-6245 DRAIN GP-OIL

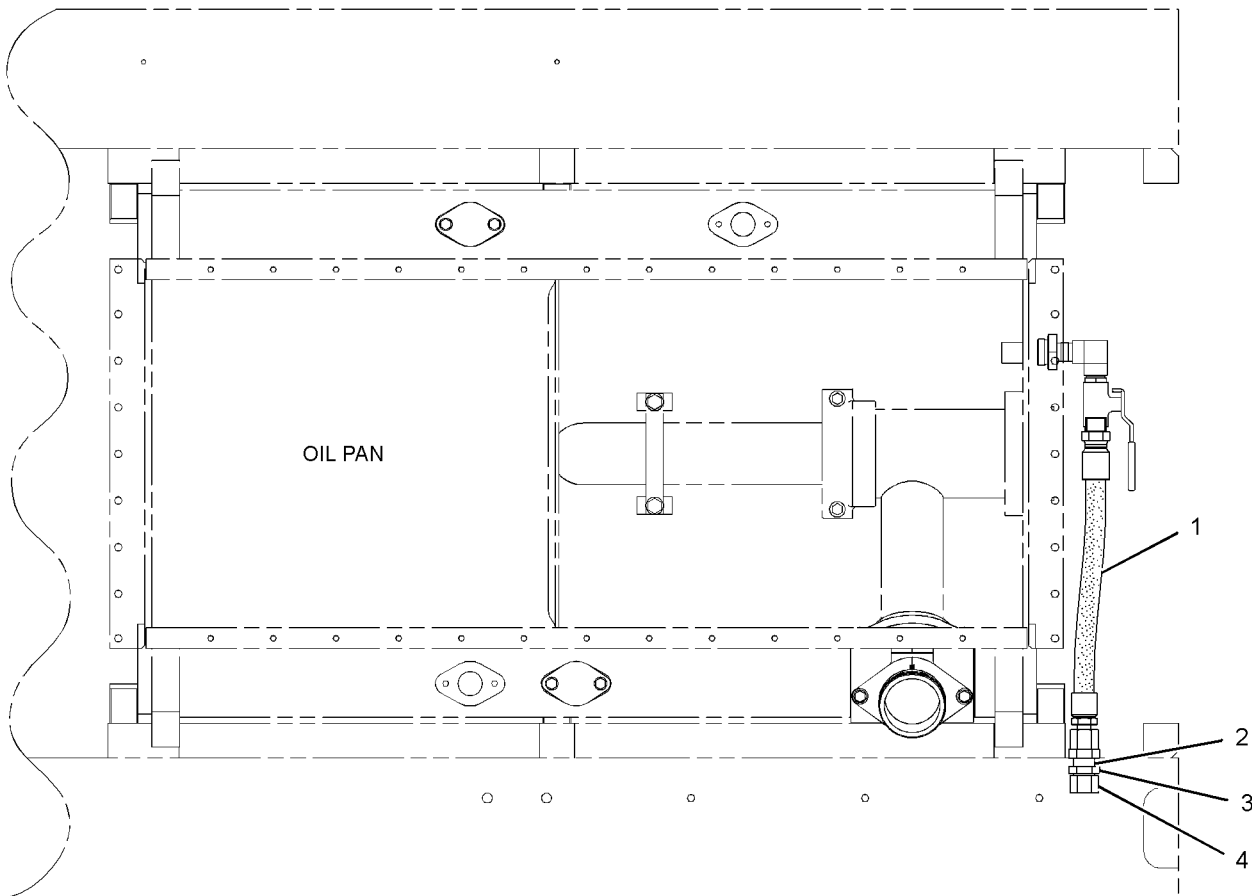
S/N: YAT1-UP  
AN ATTACHMENT

SMCS-1372

i03402382

NOTE	REF NO	GRAPHIC REF	PART NUMBER	QTY	PART NAME						SEE PAGE
					1	2	3	4	5	6 (PRODUCT LEVEL)	
I	1	1	<b>281-6350</b>	1	HOSE AS						
	2	1	<b>2P-1284</b>	1	UNION						
	3	1	<b>2P-1293</b>	1	LOCKNUT (1-3/16-12-THD)						
	4	1	<b>8L-9137</b>	1	CAP-FLARED						

I-REFER TO HYDRAULIC INFORMATION SYSTEM



TOP VIEW

GRAPHIC #1

<END>

g01767773

# LUBRICATION SYSTEM

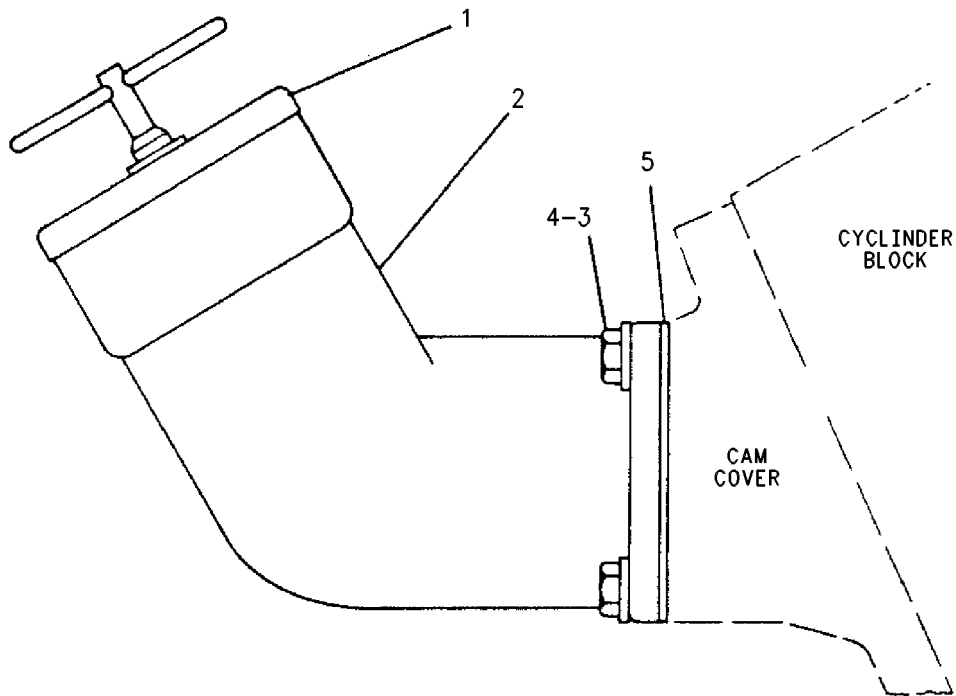
## 7N-1875 FILLER GP-ENGINE OIL-CYLINDER BLOCK

S/N: YAT1-UP

SMCS-1316

i02220721

NOTE	REF NO	GRAPHIC REF	PART NUMBER	QTY	PART NAME						SEE PAGE
					1	2	3	4	5	6 (PRODUCT LEVEL)	
	1	1	7L-4447	1	CAP AS-ENGINE OIL FILLER						
	2	1	7N-5336	1	ELBOW-OIL FILLER						
	3	1	0S-1588	4	BOLT (3/8-16X1.25-IN)						
	4	1	5M-2894	4	WASHER-HARD (10.2X18.5X2.5-MM THK)						
	5	1	2W-0752	1	GASKET						



GRAPHIC #1

<END>

g00621988

# LUBRICATION SYSTEM

## 112-4921 FILTER GP-ENGINE OIL-RH

S/N: YAT1-UP

SMCS-1306, 1308

i02496796

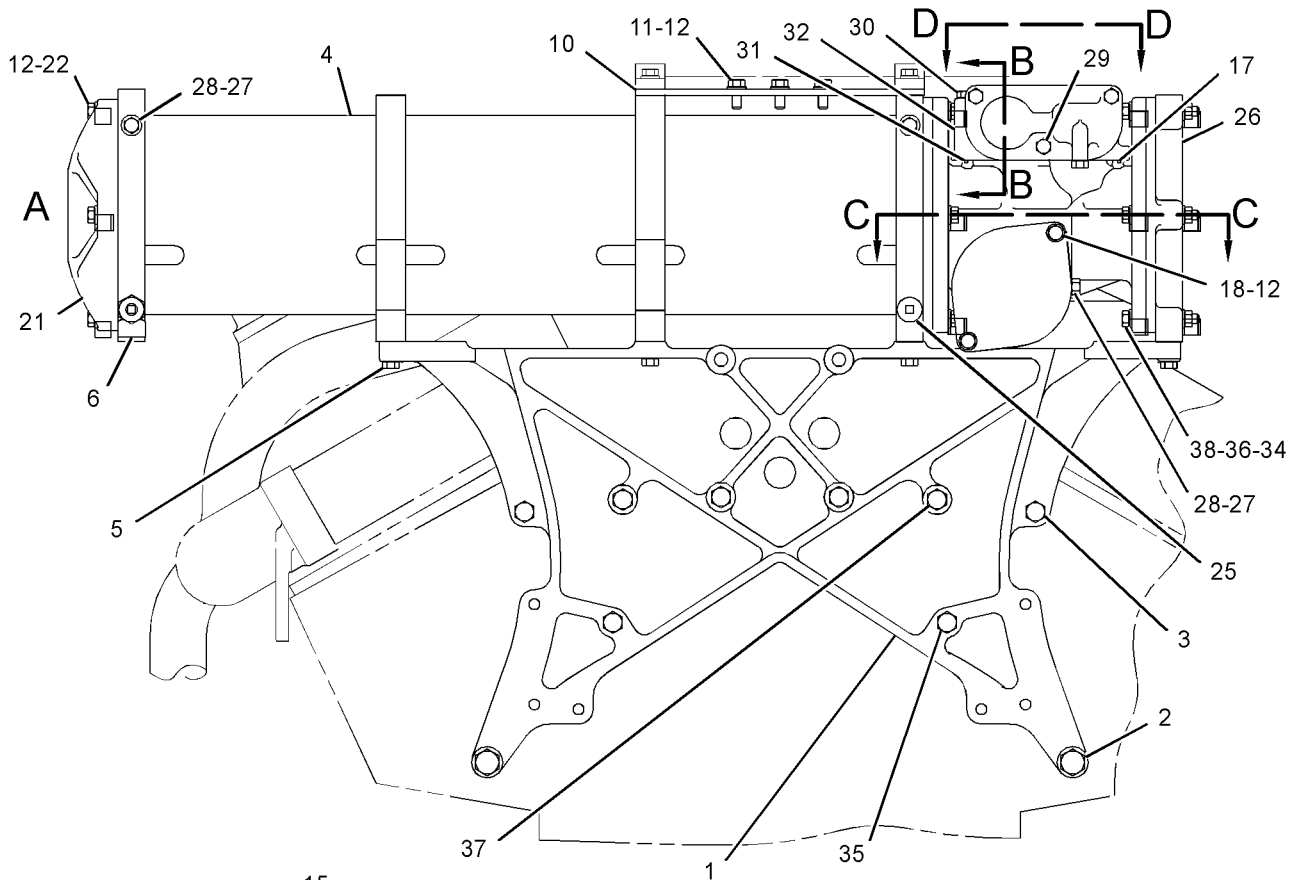
NOTE	REF NO	GRAPHIC REF	PART NUMBER	QTY	PART NAME						SEE PAGE
					1	2	3	4	5	6 (PRODUCT LEVEL)	
	1	1	8N-9482	1	SUPPORT-OIL FILTER						
	2	1	5P-4624	2	BOLT (3/4-10X11.5-IN)						
	3	1	4S-5882	2	BOLT (1/2-13X7.25-IN)						
	4	1	278-1082	1	HOUSING AS-FILTER (ENGINE OIL)						
		1	4V-7412	1	BOSS (3/8-16-THD)						
	5	1	0S-1588	8	BOLT (3/8-16X1.25-IN)						
	6	1	2S-5100	1	VALVE AS-MANUAL (ENGINE OIL DRAIN)						
C	7	1	4W-5592	1	COVER						
	8	1	4W-8459	1	COVER						
C	9	1	4W-6387	1	HOUSING AS (BYPASS)						
		1	7N-2043	3	DOWEL						
	10	1	133-9313	1	PLATE						
	11	1	0L-1351	3	BOLT (3/8-16X0.875-IN)						
	12	1	5M-2894	15	WASHER-HARD (10.2X18.5X2.5-MM THK)						
C	13	1	2W-1969	1	VALVE-BYPASS (ENGINE OIL)						
C	14	1	155-1690	1	ADAPTER AS						
		1	154-1581	1	RING-RETAINING						
	15	1	2W-1635	1	SPRING						
	16	1	1R-0726	3	FILTER ELEMENT AS-ENGINE OIL						
C	17	1	5P-4892	4	SEAL-O-RING						
	18	1	0S-1571	2	BOLT (3/8-16X1.75-IN)						
	19	1	9S-8752	2	NUT-FULL (3/8-16-THD)						
	20	1	6V-3907	4	SEAL-O-RING						
	21	1	157-0443	1	COVER AS						
		1	7N-2043	1	DOWEL						
	22	1	7F-0192	3	BOLT (3/8-16X2-IN)						
	24	1	5D-5957	1	SEAL-O-RING						
	25	1	8T-6762	1	PLUG-PIPE						
	26	1	4W-6960	1	SUPPORT-HOUSING						
C	27	1	6V-5048	6	SEAL-O-RING						
C	28	1	9S-4182	6	PLUG-O-RING						
C	29	1	1M-0644	3	BOLT (3/8-16X2.25-IN)						
C	30	1	0S-1619	2	BOLT (3/8-16X3-IN)						
C	31	1	6V-8001	1	SEAL-O-RING						
C	32	1	111-8639	1	COVER-BYPASS VALVE						
	33	1	0T-0573	3	BOLT (3/8-16X2.75-IN)						
B	34	1	0T-0573	1	BOLT (3/8-16X2.75-IN)						
B	35	1	1D-4574	2	BOLT (1/2-13X6-IN)						
B	36	1	5M-2894	2	WASHER-HARD (10.2X18.5X2.5-MM THK)						
B	37	1	5P-5421	4	BOLT (1/2-13X11.5-IN)						
B	38	1	9S-8752	1	NUT-FULL (3/8-16-THD)						
	39	1	165-3931	3	BOLT (3/8-16X1.75-IN)						

B-USE AS REQUIRED  
C-CHANGE FROM PREVIOUS TYPE

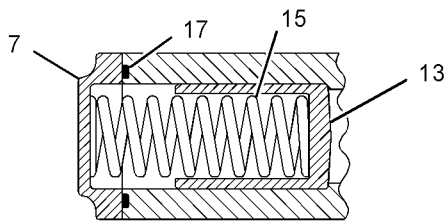
# LUBRICATION SYSTEM

112-4921 FILTER GP-ENGINE OIL (contd.)

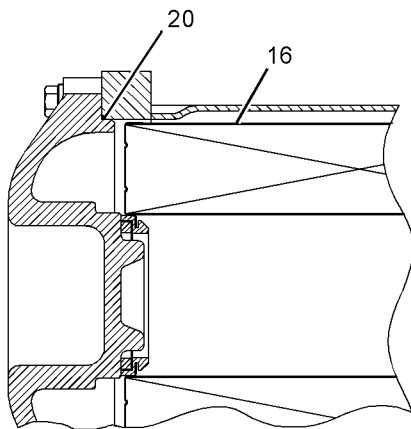
i02496796



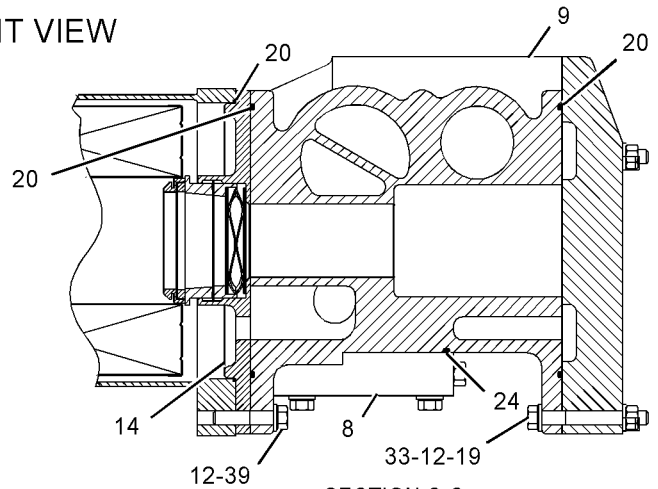
FRONT VIEW



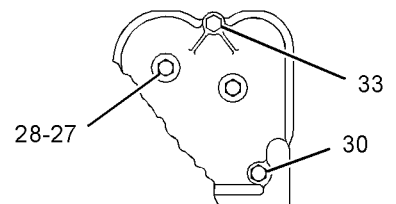
SECTION B-B



SECTION VIEW OF AREA A



SECTION C-C



VIEW D-D

GRAPHIC #1

<END>

g01277752

# LUBRICATION SYSTEM

## 120-4501 FILTER GP-ENGINE OIL-DUPLEX

S/N: YAT1-UP

CANNOT BE USED WITH ENGINE MOUNTED FANS OR WHERE FAN IS MOUNTED IN CLOSE  
PROXIMITY TO THE ENGINE  
AN ATTACHMENT

SMCS-1306, 1308

i02724745

NOTE	REF NO	GRAPHIC REF	PART NUMBER	QTY	PART NAME						SEE PAGE
					1	2	3	4	5	6 (PRODUCT LEVEL)	
	1	3	1R-0726	4	FILTER ELEMENT AS-ENGINE OIL						
	2	1,2	2S-5100	2	VALVE AS-MANUAL						
	3	2	2W-1635	1	SPRING						
	4	2	2W-1969	1	VALVE-BYPASS						
	5	3	2W-9209	1	VALVE AS-CHECK						
	6	1	3D-9777	1	LEVER						
	7	3	3J-9173	1	BOLT-SHOULDER (1/2-13X1.25-IN)						
	8	1	3L-5389	1	TIE ROD						
	9	2	4W-0090	1	BLOCK						
	10	2	4W-0096	1	LEVER						
	11	1	4W-0288	1	TUBE AS						
	12	1	4W-0289	1	TUBE AS						
	13	2	4W-0290	1	VALVE AS-TOGGLE						
	14	2	4W-0334	1	PLUNGER AS-BALL						
	15	2	4W-0343	1	BRACKET						
	16	2	4W-5592	1	COVER						
	17	2	5B-9079	2	NUT-JAM (3/8-24-THD)						
	18	1,2	7F-0192	6	BOLT (3/8-16X2-IN)						
Y	19	3	7W-3816	1	VALVE GP-FLUID CONTROL						143
	20	1	8N-9482	1	SUPPORT-OIL FILTER						
	21	3	9K-6540	1	WASHER-SPRING (0.63X1.25X0.04-IN THK)						
	22	1	111-8639	1	COVER-BYPASS VALVE						
	23	1	133-9313	1	PLATE						
C	24	3	155-1690	2	ADAPTER AS						
					(EACH INCLUDES)						
		3	154-1581	1	RING-RETAINING						
C	25	3	157-0443	2	COVER AS						
					(EACH INCLUDES)						
		3	7N-2043	1	DOWEL						
	26	1	278-1082	1	HOUSING AS-FILTER (ENGINE OIL)						
		1	4V-7412	1	BOSS (3/8-16-THD)						
C	27	1	278-1083	1	HOUSING AS-FILTER (AUXILIARY)						
	28	2	002-6453	1	ELBOW						
	29	3	165-3931	3	BOLT (3/8-16X1.75-IN)						
	30	2	0L-1143	1	BOLT (3/8-16X2.5-IN)						
	31	1	0L-1351	3	BOLT (3/8-16X0.875-IN)						
	32	1,2	0S-1571	3	BOLT (3/8-16X1.75-IN)						
	33	1	0S-1588	8	BOLT (3/8-16X1.25-IN)						
	34	1	0S-1594	1	BOLT (3/8-16X1-IN)						
C	35	1,2	0S-1619	2	BOLT (3/8-16X3-IN)						
C	36	3	0T-0573	2	BOLT (3/8-16X2.75-IN)						
	37	2	1A-9252	2	END-ADJUSTMENT ROD						
	38	1	1B-8706	1	KEY-WOODRUFF						
	39	1	1D-4574	2	BOLT (1/2-13X6-IN)						
	40	1	1M-0644	3	BOLT (3/8-16X2.25-IN)						
	41	2	3B-4615	2	PIN-COTTER						
	42	1	4S-5882	2	BOLT (1/2-13X7.25-IN)						
	43	1,2,3	5M-2894	21	WASHER-HARD (10.2X18.5X2.5-MM THK)						
	44	1	5P-4624	2	BOLT (3/4-10X11.5-IN)						
	45	1,2	5P-4892	4	SEAL-O-RING						
	46	1	5P-5421	4	BOLT (1/2-13X11.5-IN)						
	47	3	5P-8245	1	WASHER-HARD (13.5X25.5X3-MM THK)						
	48	2	6K-9194	1	ELBOW-FLARED						
	49	3	6V-3907	6	SEAL-O-RING (FUEL FILTER)						

# LUBRICATION SYSTEM

*120-4501 FILTER GP-ENGINE OIL (contd.)*

i02724745

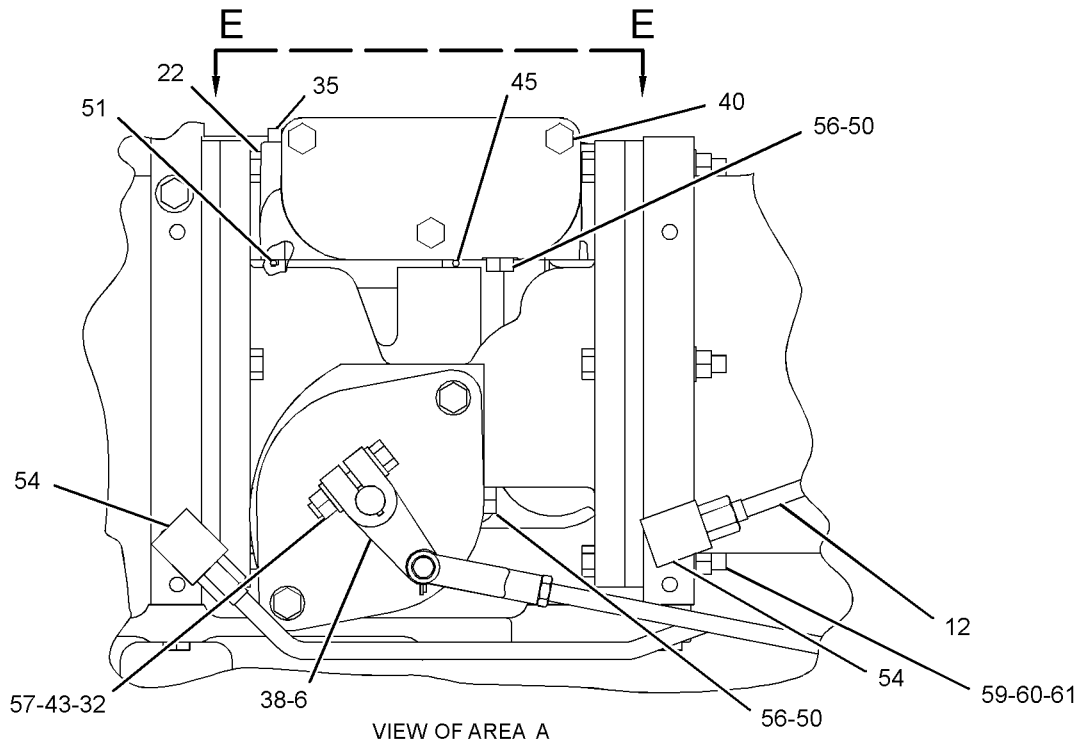
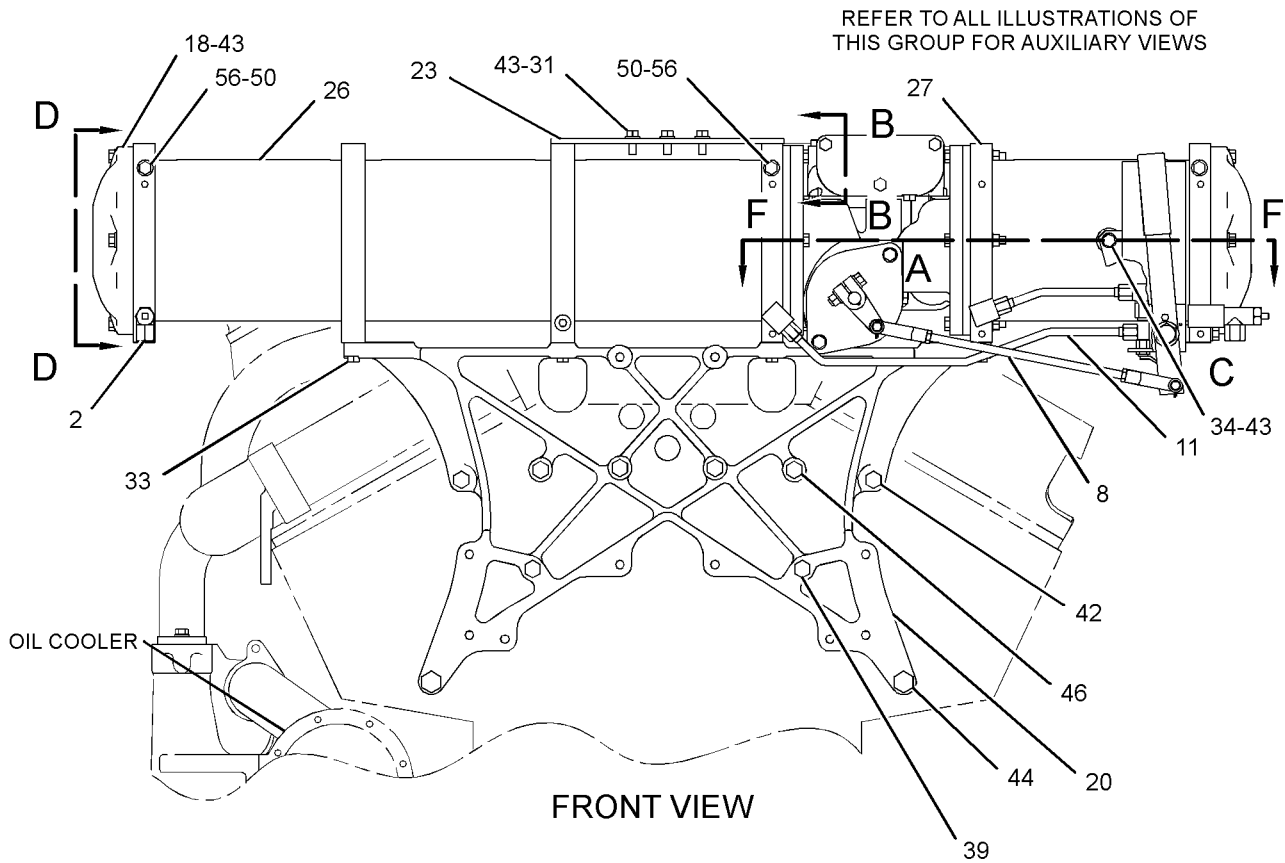
NOTE	REF NO	GRAPHIC REF	PART NUMBER	QTY	PART NAME						SEE PAGE
					1	2	3	4	5	6 (PRODUCT LEVEL)	
	50	1,2	<b>6V-5048</b>	5	SEAL-O-RING						
	51	1	<b>6V-8001</b>	1	SEAL-O-RING						
	52	3	<b>6V-8002</b>	1	SEAL-O-RING						
	53	3	<b>6V-8823</b>	1	WASHER-HARD (19.25X27X2-MM THK)						
	54	1	<b>7D-8793</b>	2	ELBOW-FLARED						
	55	2	<b>9H-6673</b>	2	PIN						
	56	1,2	<b>9S-4182</b>	5	PLUG-O-RING						
	57	1,3	<b>9S-8752</b>	3	NUT-FULL (3/8-16-THD)						
BC	59	1	<b>0T-0573</b>	1	BOLT (3/8-16X2.75-IN)						
B	60	1	<b>5M-2894</b>	2	WASHER-HARD (10.2X18.5X2.5-MM THK)						
B	61	1	<b>9S-8752</b>	1	NUT-FULL (3/8-16-THD)						

B-USE AS REQUIRED  
 C-CHANGE FROM PREVIOUS TYPE  
 Y-SEPARATE ILLUSTRATION

# LUBRICATION SYSTEM

120-4501 FILTER GP-ENGINE OIL (contd.)

i02724745



GRAPHIC #1

g01276325

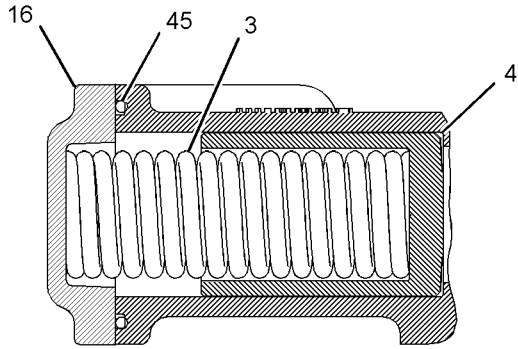


# LUBRICATION SYSTEM

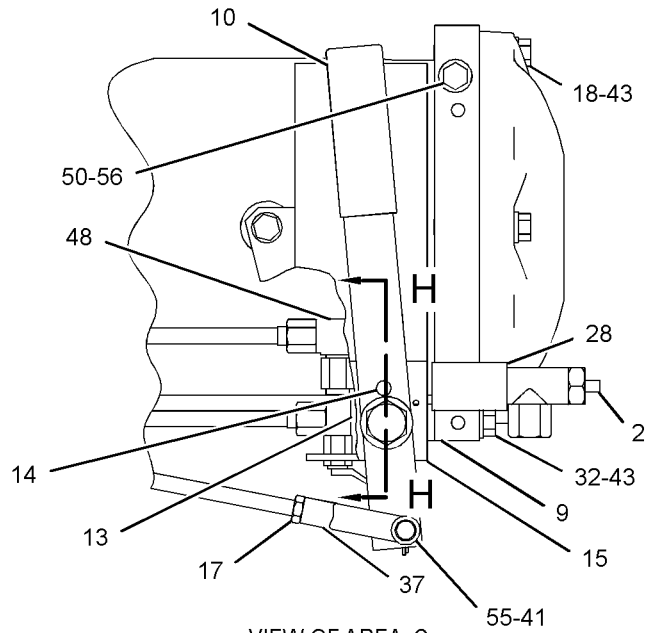
120-4501 FILTER GP-ENGINE OIL (contd.)

i02724745

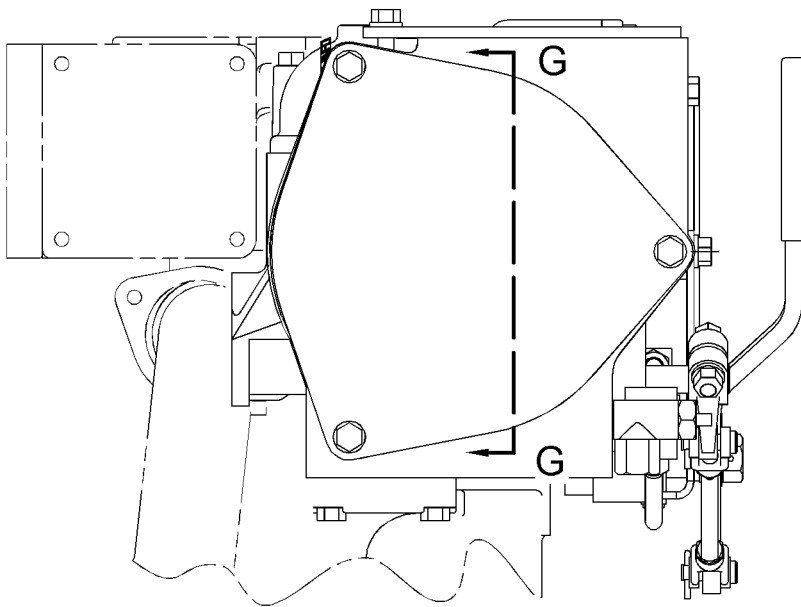
REFER TO ALL ILLUSTRATIONS OF THIS GROUP FOR AUXILIARY VIEWS



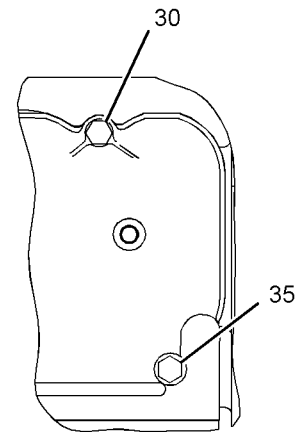
SECTION B-B



VIEW OF AREA C



VIEW D-D



VIEW E-E

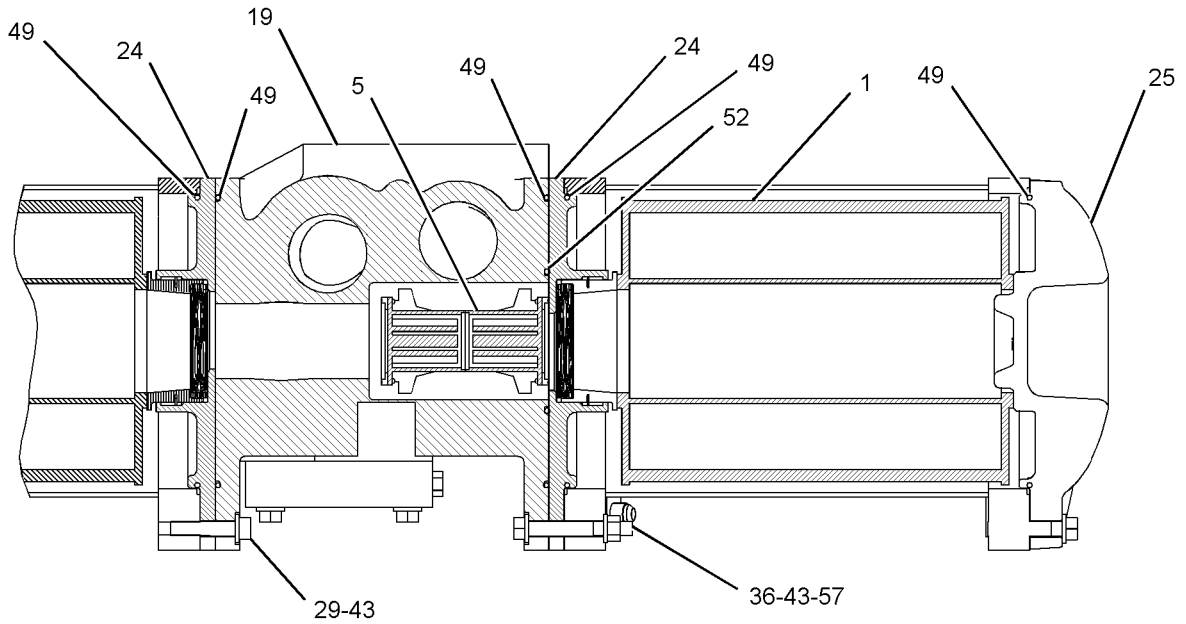
GRAPHIC #2

g01276326

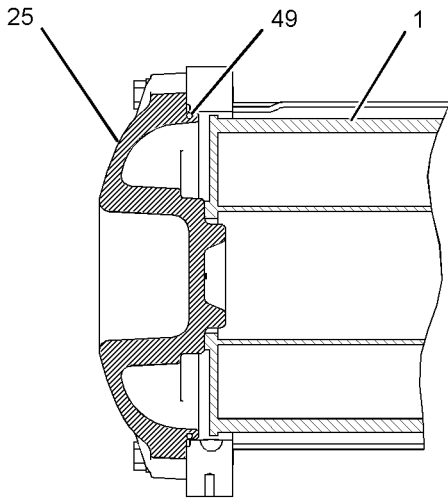
# LUBRICATION SYSTEM

120-4501 FILTER GP-ENGINE OIL (contd.)

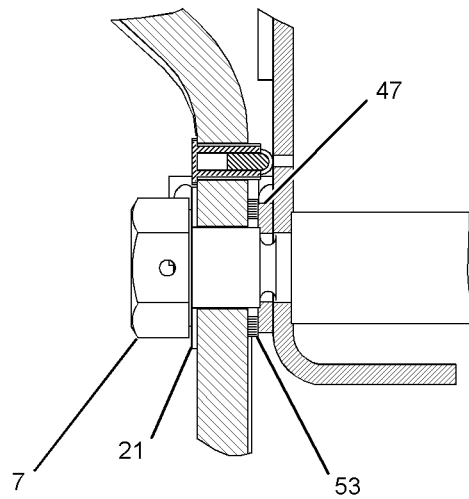
i02724745



SECTION F-F



SECTION G-G



SECTION H-H

GRAPHIC #3

<END>

g01276327

# LUBRICATION SYSTEM

## 9Y-5563 FUMES DISPOSAL GP

S/N: YAT1-UP

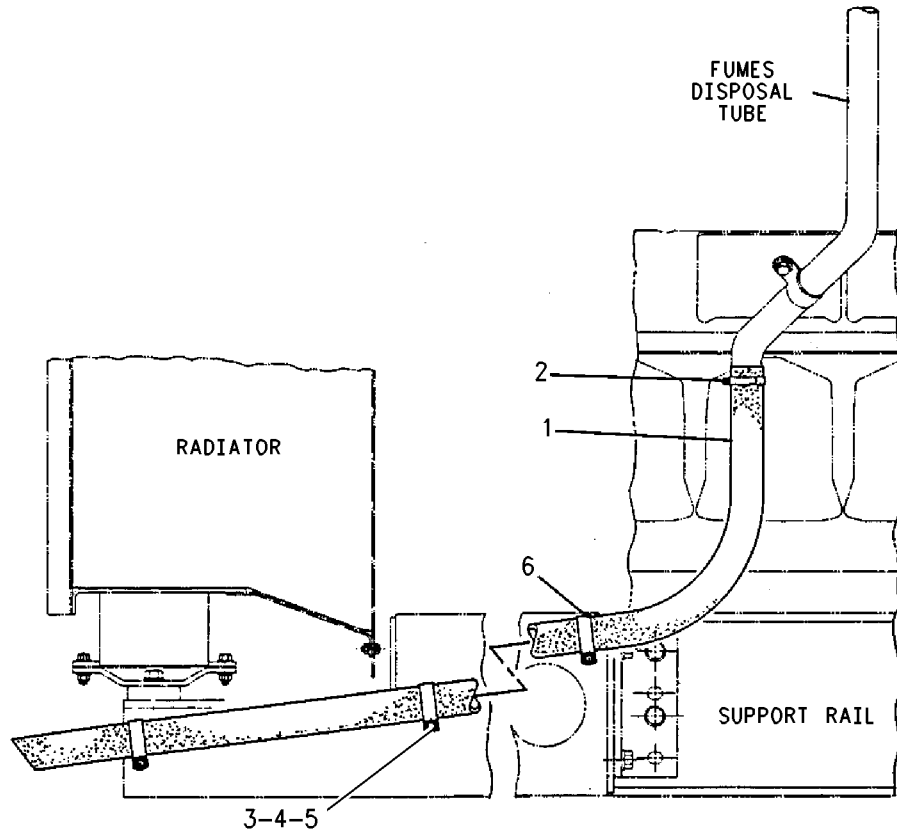
FOR USE WITH ENGINE-MOUNTED FOLDED CORE RADIATOR WITH BLOWER FAN. CANNOT BE  
USED WITH SUCTION FAN  
AN ATTACHMENT

SMCS-1317

i02157454

NOTE	REF NO	GRAPHIC REF	PART NUMBER	QTY	PART NAME						SEE PAGE
					1	2	3	4	5	6 (PRODUCT LEVEL)	
E	1	1	5P-1472		HOSE (290-CM)						
	2	1	5P-0597	1	CLAMP-HOSE						
	3	1	9B-7237	4	BOLT (3/8-16X1.25-IN)						
	4	1	8T-4896	8	WASHER-HARD (10.2X18.5X2.5-MM THK)						
	5	1	6V-8801	4	NUT (3/8-16-THD)						
	6	1	2N-8928	4	CLIP						

E-ORDER BY THE CENTIMETER



GRAPHIC #1

<END>

g00688723

# LUBRICATION SYSTEM

## 120-9818 FUMES DISPOSAL GP

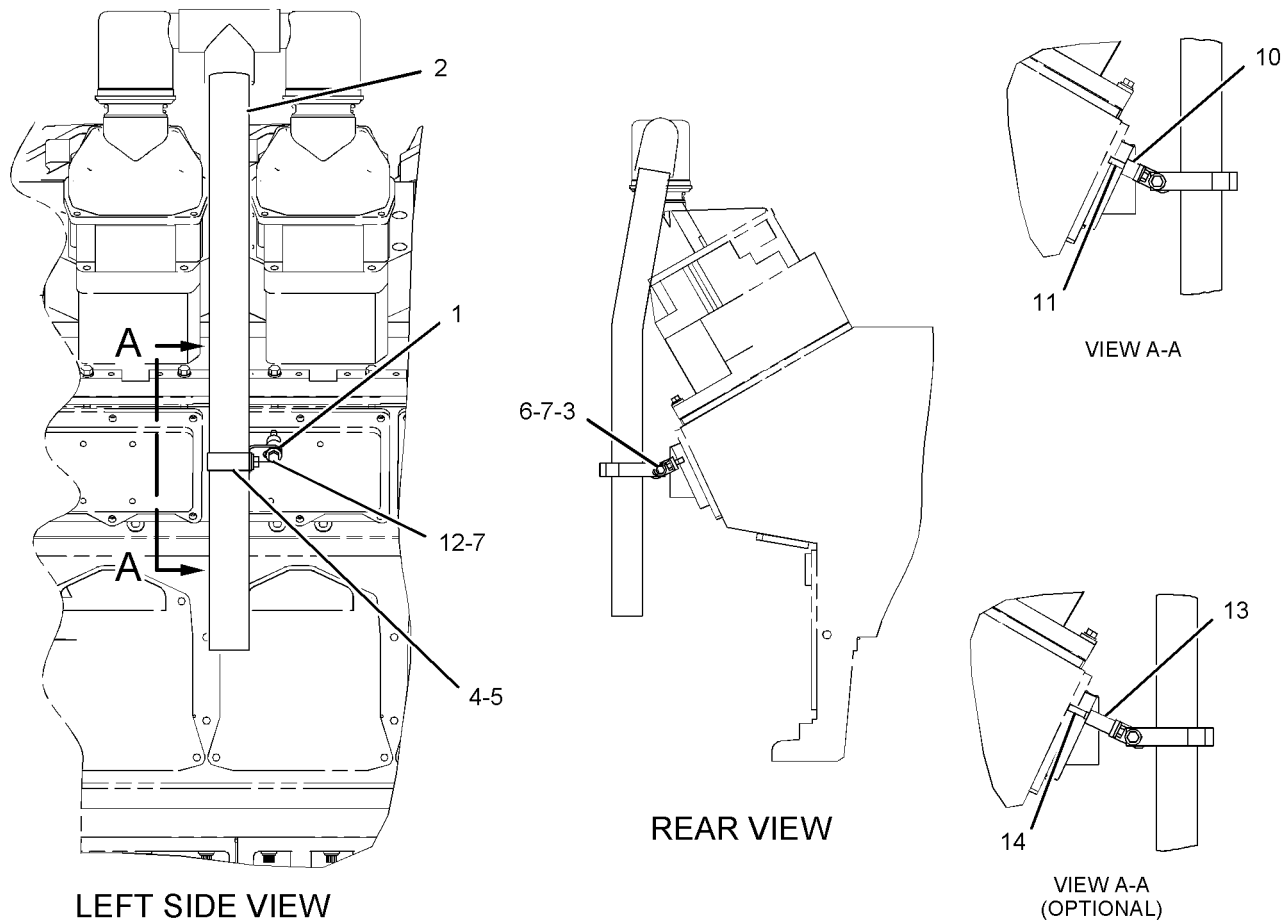
S/N: YAT1-UP  
AN ATTACHMENT

SMCS-1317

i02219564

NOTE	REF NO	GRAPHIC REF	PART NUMBER	QTY	PART NAME						SEE PAGE
					1	2	3	4	5	6 (PRODUCT LEVEL)	
	1	1	4P-8097	1	BRACKET						
	2	1	118-4614	1	TUBE (FUMES DISPOSAL)						
	3	1	1A-2029	1	BOLT (3/8-16X1.125-IN)						
	4	1	6V-0267	1	CLIP (TAB)						
	5	1	6V-0268	1	CLIP (SLOT)						
	6	1	9S-8752	1	NUT-FULL (3/8-16-THD)						
	7	1	9X-6458	3	WASHER-HARD (10.2X22.5X3-MM THK)						
B	10	1	9M-4594	1	SPACER (0.406X0.875X0.75-IN THK)						
B	11	1	OS-1590	1	BOLT (3/8-16X2-IN)						
B	12	1	OS-1594	1	BOLT (3/8-16X1-IN)						
B	13	1	6W-6672	1	SPACER (10.5X20X38-MM THK)						
B	14	1	OS-1619	1	BOLT (3/8-16X3-IN)						

B-USE AS REQUIRED



GRAPHIC #1

<END>

g01120983

# LUBRICATION SYSTEM

## 7C-6366 GAUGE GP-OIL LEVEL (DIPSTICK)

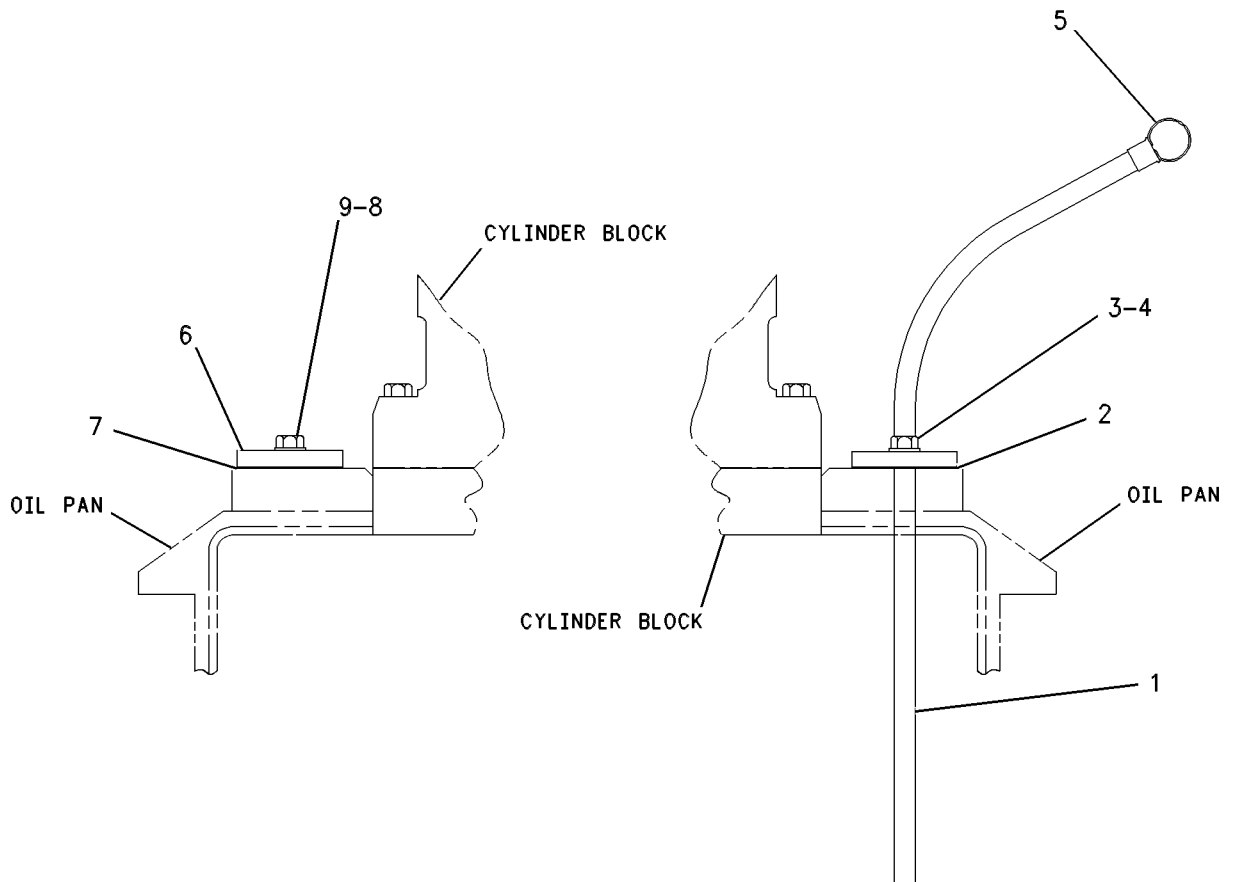
S/N: YAT1-UP

SMCS-1326

i02449728

NOTE	REF NO	GRAPHIC REF	PART NUMBER	QTY	PART NAME						SEE PAGE
					1	2	3	4	5	6 (PRODUCT LEVEL)	
	1	1	<b>7E-0467</b>	1	TUBE AS-OIL LEVEL						
	2	1	<b>9L-1480</b>	1	GASKET						
	3	1	<b>0S-1594</b>	2	BOLT (3/8-16X1-IN)						
	4	1	<b>5M-2894</b>	2	WASHER-HARD (10.2X18.5X2.5-MM THK)						
	5	1	<b>4P-3784</b>	1	GAUGE AS-OIL LEVEL (DIPSTICK)						
B	6	1	<b>4B-3140</b>	1	COVER						
B	7	1	<b>9L-1480</b>	1	GASKET						
B	8	1	<b>0S-1594</b>	2	BOLT (3/8-16X1-IN)						
B	9	1	<b>5M-2894</b>	2	WASHER-HARD (10.2X18.5X2.5-MM THK)						

B-USE AS REQUIRED



GRAPHIC #1

<END>

g00614582

# LUBRICATION SYSTEM

## 7C-9784 GAUGE GP-OIL LEVEL (DIPSTICK)-DEEP SUMP

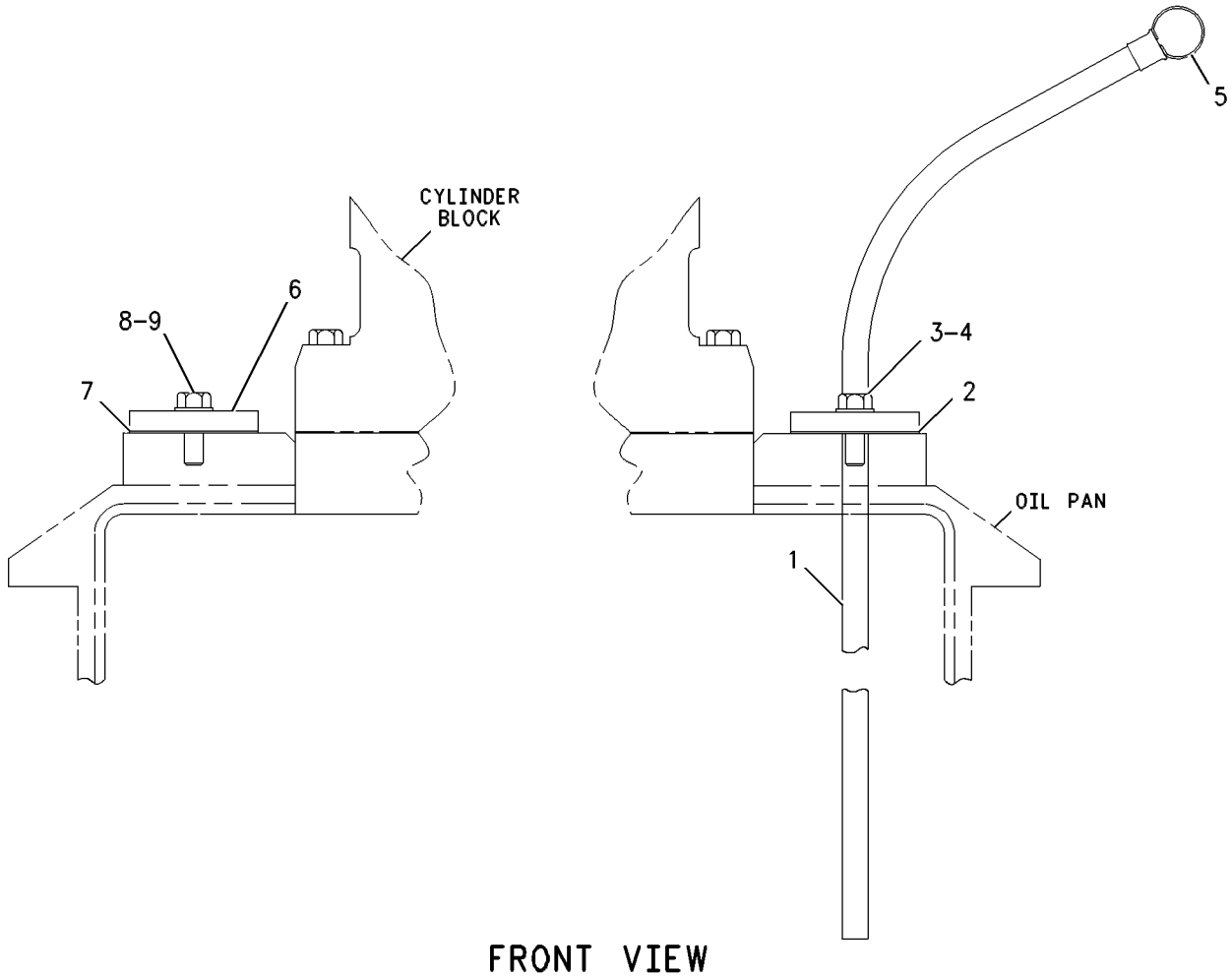
S/N: YAT1-UP  
AN ATTACHMENT

SMCS-1326

i02458978

NOTE	REF NO	GRAPHIC REF	PART NUMBER	QTY	PART NAME						SEE PAGE
					1	2	3	4	5	6 (PRODUCT LEVEL)	
	1	1	7E-0467	1	TUBE AS-OIL LEVEL						
	2	1	9L-1480	1	GASKET						
	3	1	0S-1594	2	BOLT (3/8-16X1-IN)						
	4	1	5M-2894	2	WASHER-HARD (10.2X18.5X2.5-MM THK)						
	5	1	7C-9786	1	GAUGE AS-OIL LEVEL (DIPSTICK) (DEEP SUMP)						
B	6	1	4B-3140	1	COVER						
B	7	1	9L-1480	1	GASKET						
B	8	1	0S-1594	2	BOLT (3/8-16X1-IN)						
B	9	1	5M-2894	2	WASHER-HARD (10.2X18.5X2.5-MM THK)						

B-USE AS REQUIRED



GRAPHIC #1

<END>

g00618660

# LUBRICATION SYSTEM

## 115-7860 LINES GP-ENGINE OIL-COOLER

S/N: YAT1-UP

SMCS-1307

i02911558

NOTE	REF NO	GRAPHIC REF	PART NUMBER	QTY	PART NAME						SEE PAGE
					1	2	3	4	5	6 (PRODUCT LEVEL)	
	1	1	1N-3333	1	TUBE						
	2	1	2W-1635	1	SPRING						
	3	1	2W-1969	1	VALVE-BYPASS						
	4	1	2W-7226	1	ADAPTER						
	5	1	4W-4313	1	ADAPTER						
	6	1	4W-4677	1	TUBE						
	7	1	4W-5597	1	COVER						
C	8	1	253-4775	1	TUBE AS						
	9	1	6B-9202	2	SPRING						
	10	1	7C-9217	1	ELBOW						
	11	1	7N-5413	1	ELBOW						
	12	1	7N-5416	1	ELBOW						
	13	1	7N-7697	2	PLUNGER AS						
					(EACH INCLUDES)						
		1	7M-1808	1	DOWEL						
	14	1	8N-1991	1	RING-RETAINING						
	15	1	8N-1992	2	RETAINER						
	16	1	8N-2929	2	COVER						
	17	1	100-8075	1	CLAMP AS						
	18	1	111-3820	1	RING-RETAINING						
	19	1	116-1352	1	ADAPTER						
	20	1	061-9456	4	SEAL-O-RING						
	21	1	0L-1143	4	BOLT (3/8-16X2.5-IN)						
	22	1	0L-1352	1	BOLT (3/8-16X3.25-IN)						
	23	1	0S-1571	2	BOLT (3/8-16X1.75-IN)						
	24	1	0S-1588	10	BOLT (3/8-16X1.25-IN)						
	25	1	0S-1590	2	BOLT (3/8-16X2-IN)						
	26	1	0S-1591	2	BOLT (3/8-16X1.5-IN)						
	27	1	0S-1594	14	BOLT (3/8-16X1-IN)						
	28	1	0T-0065	4	BOLT (3/8-16X3.5-IN)						
	29	1	109-2332	6	SEAL-O-RING						
	30	1	3P-0655	3	SEAL-O-RING						
	31	1	4B-3140	1	COVER						
	32	1	4W-5596	1	COVER						
	33	1	5F-4899	1	BOLT (3/8-16X5.5-IN)						
	34	1	5M-2894	14	WASHER-HARD (10.2X18.5X2.5-MM THK)						
	35	1	5P-4892	3	SEAL-O-RING						
	36	1	5P-5846	1	SEAL-O-RING						
	37	1	5P-7817	1	SEAL-O-RING						
	38	1	6V-3908	1	SEAL-O-RING						
	39	1	6V-4589	1	SEAL-O-RING						
	40	1	6V-5048	2	SEAL-O-RING						
	41	1	8T-6765	1	PLUG-PIPE						
	42	1	9S-4182	1	PLUG-O-RING						
	43	1	9S-4190	1	PLUG-O-RING						
B	45	1	2W-1053	1	PLUG						
B	47	1	3H-7131	1	LUG						
B	48	1	3B-1915	1	BOLT (3/8-16X1.375-IN)						
B	49	1	5M-2894	1	WASHER-HARD (10.2X18.5X2.5-MM THK)						
B	51	1	6V-0267	1	CLIP (TAB)						
B	52	1	6V-0268	1	CLIP (SLOT)						
B	53	1	6V-4589	2	SEAL-O-RING						
B	55	1	8T-6762	1	PLUG-PIPE						
B	56	1	9S-4190	2	PLUG-O-RING						
C	57	1	8C-3445	1	CAP-DUST						
C	59	1	8C-3446	1	VALVE-FLUID SAMPLING						
	60	1	264-0450	1	CLAMP AS						

# LUBRICATION SYSTEM

115-7860 LINES GP-ENGINE OIL (contd.)

i02911558

NOTE	REF NO	GRAPHIC REF	PART NUMBER	QTY	PART NAME						SEE PAGE
					1	2	3	4	5	6 (PRODUCT LEVEL)	
	61	1	6B-0933	4	SPACER (10.31X19.05X6.35-MM THK)						

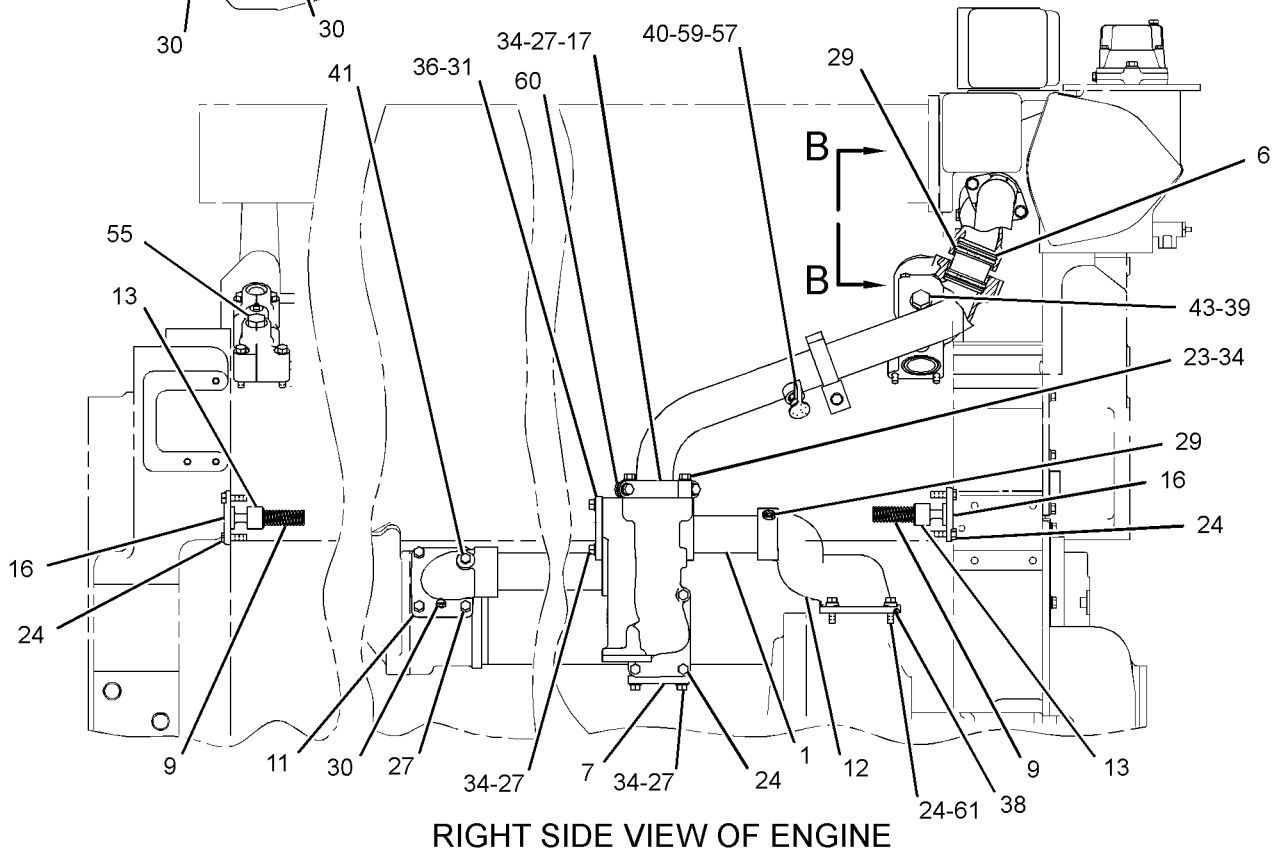
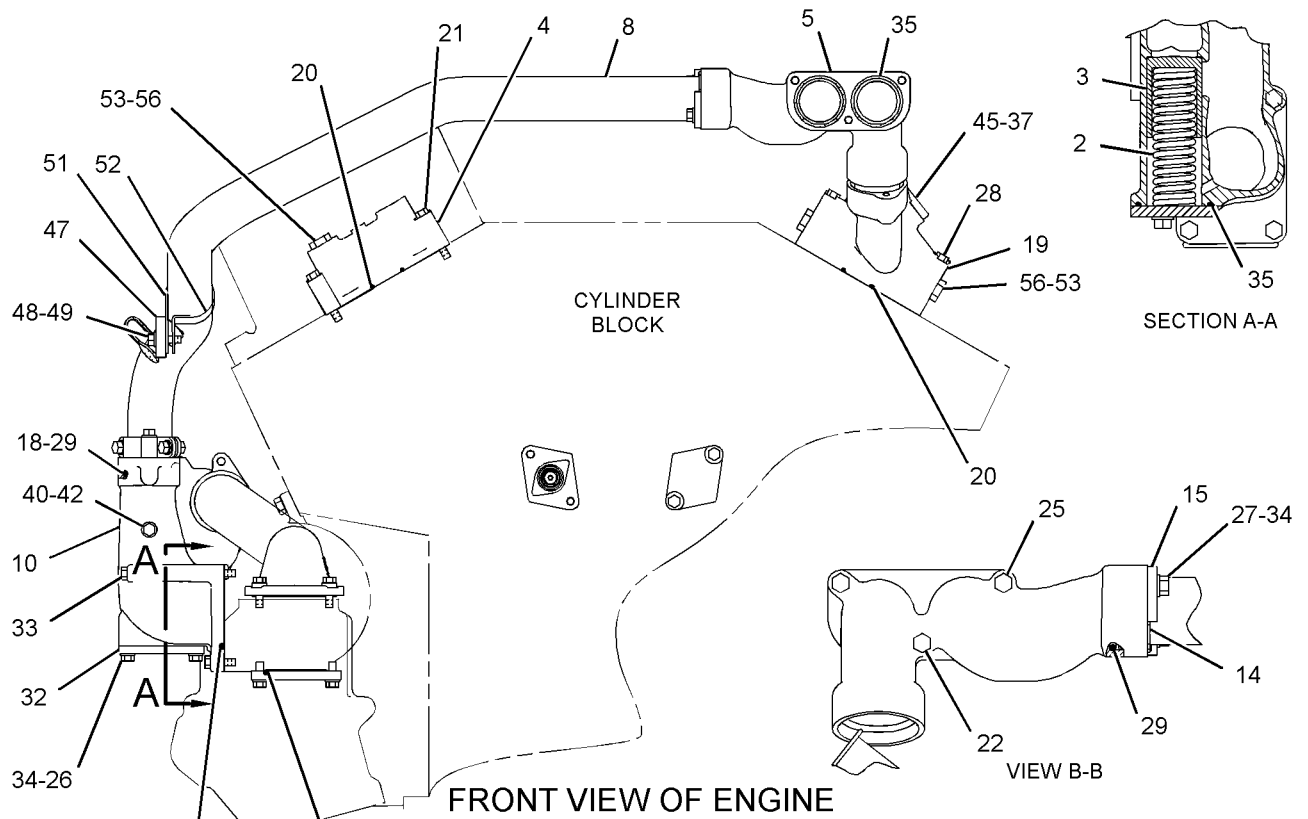
B-USE AS REQUIRED  
C-CHANGE FROM PREVIOUS TYPE



# LUBRICATION SYSTEM

115-7860 LINES GP-ENGINE OIL (contd.)

i02911558



GRAPHIC #1

<END>

g01451357

# LUBRICATION SYSTEM

## 314-6062 LINES GP-ENGINE OIL

S/N: YAT1-UP

SMCS - 1307

i02867775

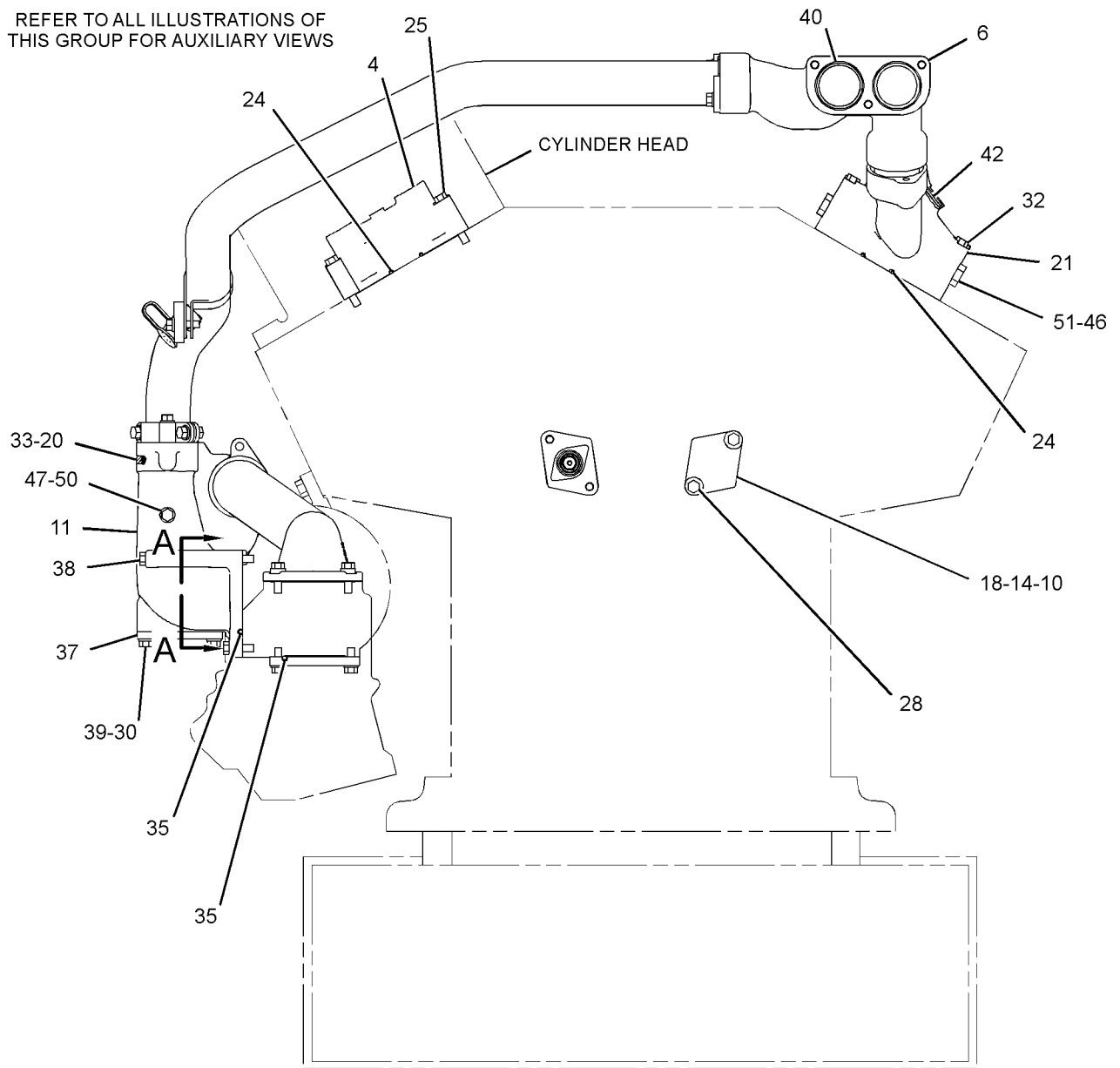
NOTE	REF NO	GRAPHIC REF	PART NUMBER	QTY	PART NAME						SEE PAGE
					1	2	3	4	5	6 (PRODUCT LEVEL)	
	1	2	1N-3333	1	TUBE						
	2	1	2W-1635	1	SPRING						
	3	1	2W-1969	1	VALVE-BYPASS						
	4	1	2W-7226	1	ADAPTER						
	5	2	3H-7131	1	LUG						
	6	1	4W-4313	1	ADAPTER						
	7	2	4W-4677	1	TUBE						
	8	2	4W-5597	1	COVER						
	9	2	6B-0933	4	SPACER (10.31X19.05X6.35-MM THK)						
	10	1,2	6B-9202	2	SPRING						
	11	1	7C-9217	1	ELBOW						
	12	2	7N-5413	1	ELBOW						
	13	2	7N-5416	1	ELBOW						
	14	1,2	7N-7697	2	PLUNGER AS						
					(EACH INCLUDES)						
		1,2	7M-1808	1	DOWEL						
	15	2	8C-3445	1	CAP-DUST						
	16	1	8N-1991	1	RING-RETAINING						
	17	1	8N-1992	2	RETAINER						
	18	1,2	8N-2929	2	COVER						
	19	2	100-8075	1	CLAMP AS						
	20	1	111-3820	1	RING-RETAINING						
	21	1	116-1352	1	ADAPTER						
	22	2	253-4775	1	TUBE AS						
	23	2	264-0450	1	CLAMP AS						
	24	1	061-9456	4	SEAL-O-RING						
	25	1	0L-1143	4	BOLT (3/8-16X2.5-IN)						
	26	1	0L-1352	1	BOLT (3/8-16X3.25-IN)						
	27	2	0S-1571	2	BOLT (3/8-16X1.75-IN)						
	28	1,2	0S-1588	10	BOLT (3/8-16X1.25-IN)						
	29	1	0S-1590	2	BOLT (3/8-16X2-IN)						
	30	1	0S-1591	2	BOLT (3/8-16X1.5-IN)						
	31	1,2	0S-1594	14	BOLT (3/8-16X1-IN)						
	32	1	0T-0065	4	BOLT (3/8-16X3.5-IN)						
	33	1,2	109-2332	6	SEAL-O-RING						
	34	2	3B-1915	1	BOLT (3/8-16X1.375-IN)						
	35	1,2	3P-0655	3	SEAL-O-RING						
	36	2	4B-3140	1	COVER						
	37	1	4W-5596	1	COVER						
	38	1	5F-4899	1	BOLT (3/8-16X5.5-IN)						
	39	1,2	5M-2894	15	WASHER-HARD (10.2X18.5X2.5-MM THK)						
	40	1	5P-4892	3	SEAL-O-RING						
	41	2	5P-5846	1	SEAL-O-RING						
	42	1	5P-7817	1	SEAL-O-RING						
	43	2	6V-0267	1	CLIP (TAB)						
	44	2	6V-0268	1	CLIP (SLOT)						
	45	2	6V-3908	1	SEAL-O-RING						
	46	1,2	6V-4589	2	SEAL-O-RING						
	47	1,2	6V-5048	2	SEAL-O-RING						
	48	2	8C-3446	1	VALVE-FLUID SAMPLING						
	49	2	8T-6765	1	PLUG-PIPE						
	50	1	9S-4182	1	PLUG-O-RING						
	51	1,2	9S-4190	2	PLUG-O-RING						

# LUBRICATION SYSTEM

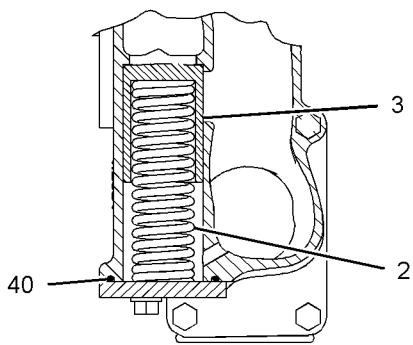
314-6062 LINES GP-ENGINE OIL (contd.)

i02867775

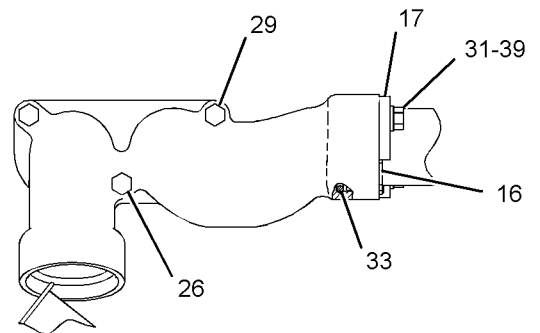
REFER TO ALL ILLUSTRATIONS OF THIS GROUP FOR AUXILIARY VIEWS



FRONT VIEW OF ENGINE



SECTION A-A



VIEW B-B

GRAPHIC #1

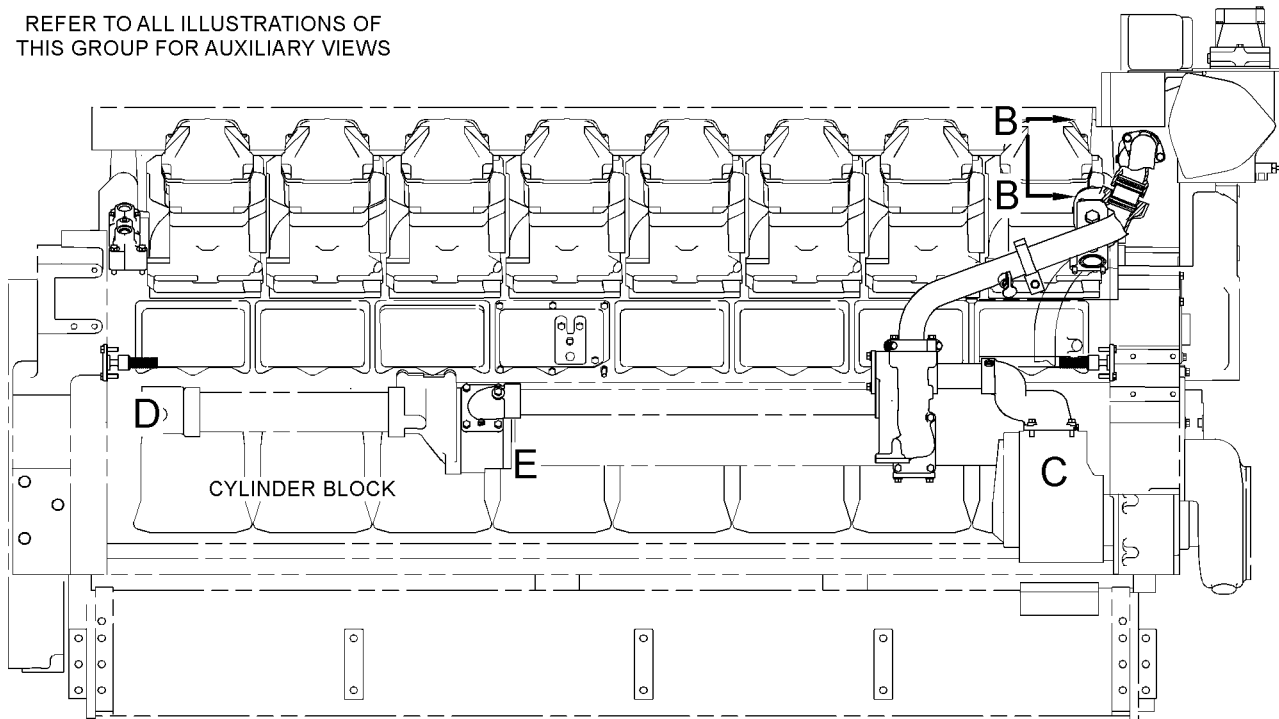
g01435761

# LUBRICATION SYSTEM

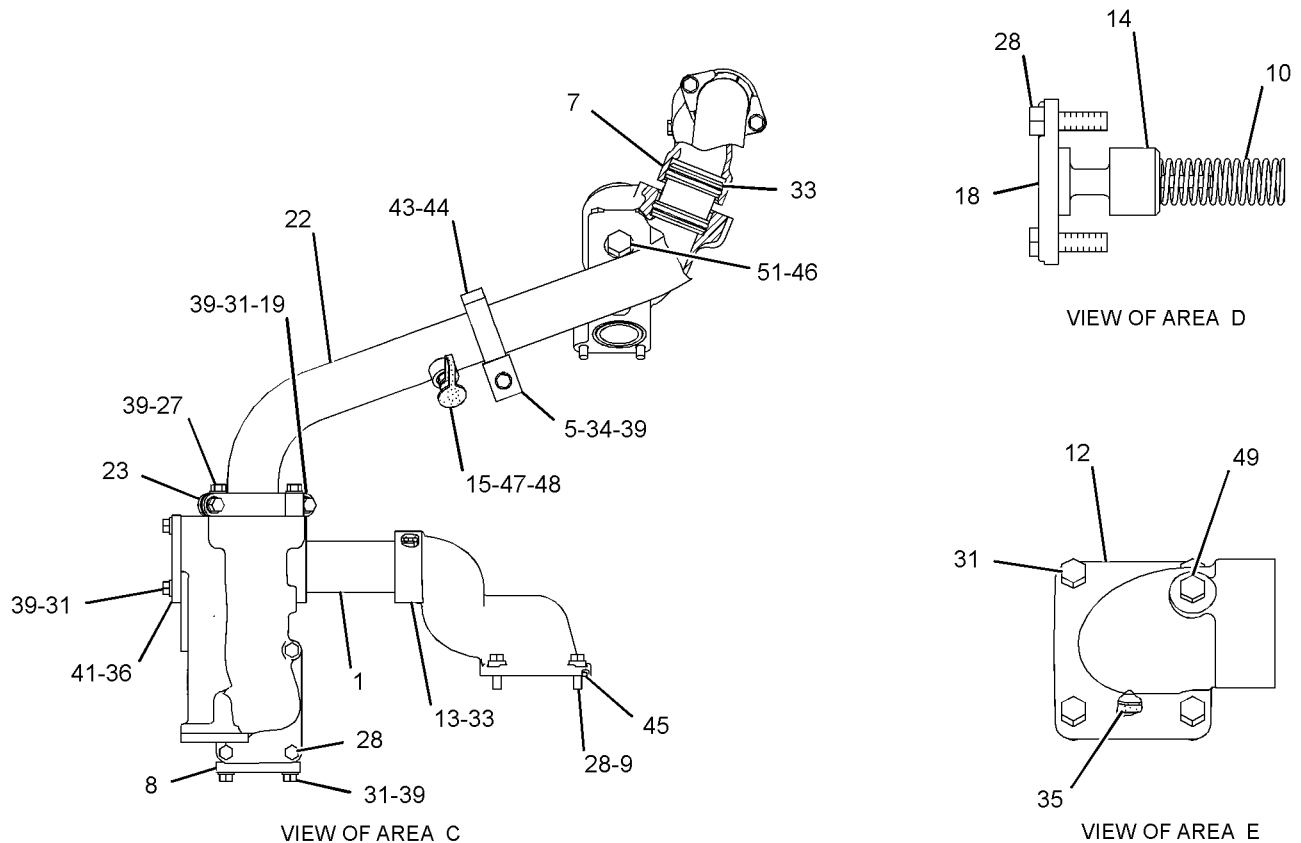
314-6062 LINES GP-ENGINE OIL (contd.)

i02867775

REFER TO ALL ILLUSTRATIONS OF THIS GROUP FOR AUXILIARY VIEWS



RIGHT SIDE VIEW OF ENGINE



GRAPHIC #2

<END>

g01435839

# LUBRICATION SYSTEM

## 111-3424 LINES GP-TURBOCHARGER OIL

S/N: YAT1-UP

SMCS-1052, 1307

i02684355

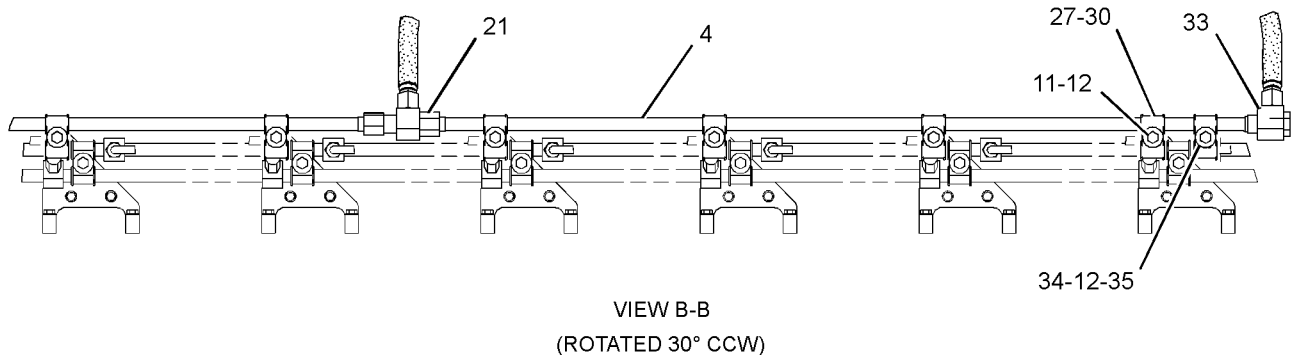
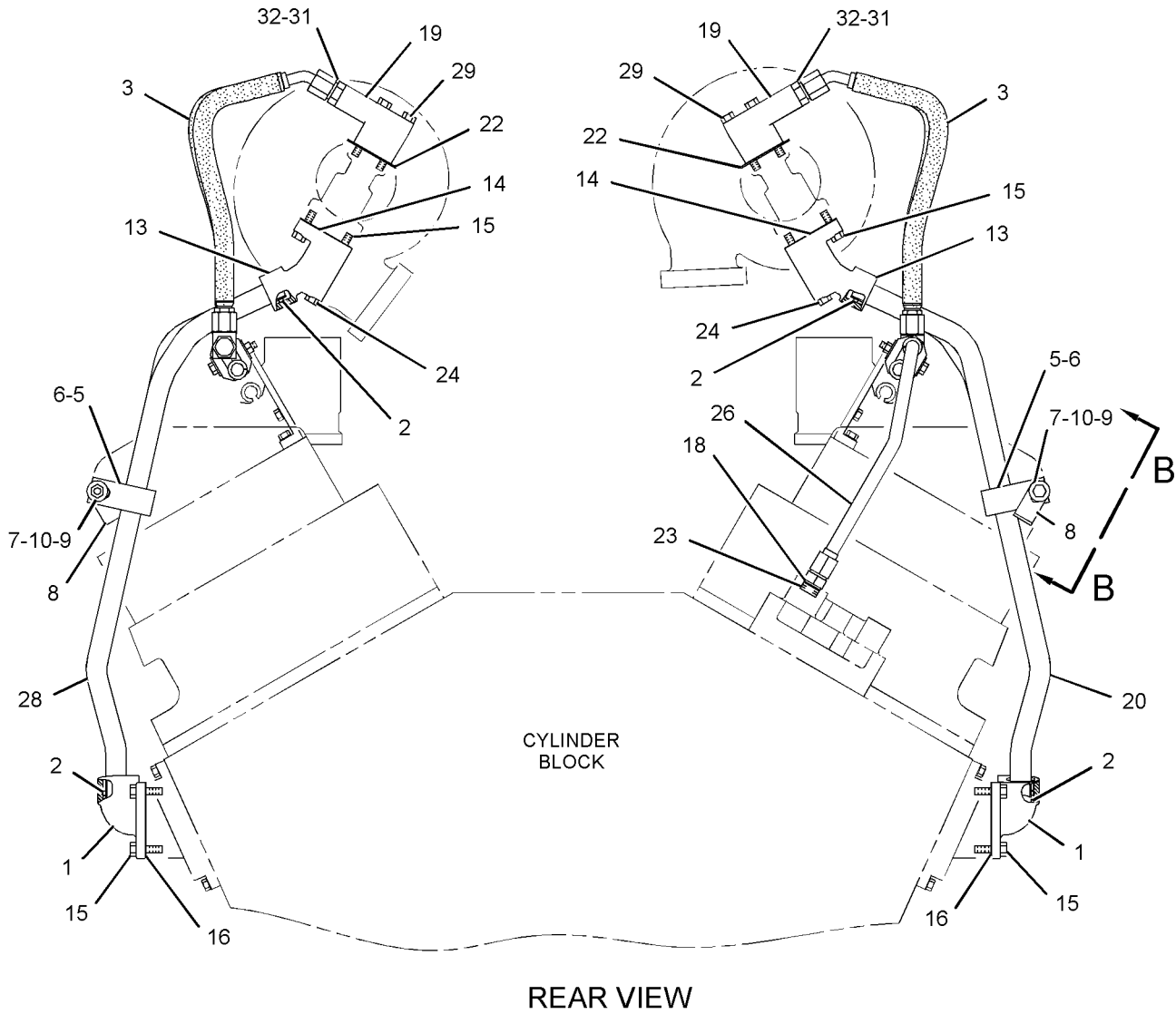
NOTE	REF NO	GRAPHIC REF	PART NUMBER	QTY	PART NAME						SEE PAGE
					1	2	3	4	5	6 (PRODUCT LEVEL)	
	1	2,1	7N-5094	4	ELBOW-DRAIN						
	2	2,1	5P-9890	8	SEAL-O-RING						
	3	2,1	184-3229	4	HOSE AS						
	4	2,1	225-8574	2	TUBE AS						
	5	2,1	6K-5535	4	CLIP (SLOT)						
	6	2,1	6K-5536	4	CLIP (TAB)						
	7	2,1	0S-1594	4	BOLT (3/8-16X1-IN)						
	8	2,1	116-3266	4	BRACKET						
	9	2,1	9S-8752	4	NUT-FULL (3/8-16-THD)						
	10	2,1	9L-9132	8	WASHER (10.2X25.5X2.5-MM THK)						
	11	2,1	2B-2694	12	BOLT (5/16-18X2-IN)						
C	12	2,1	9N-0869	16	WASHER-HARD (8.8X25.5X2-MM THK)						
	13	2,1	115-3499	4	ELBOW						
	14	2,1	1S-4810	4	GASKET-OIL DRAIN						
	15	2,1	0S-1588	20	BOLT (3/8-16X1.25-IN)						
	16	2,1	2W-0752	4	GASKET						
	17	1	250-1498	1	ELBOW AS						
	18	2	6V-4589	1	SEAL-O-RING						
	19	2,1	111-8906	4	ADAPTER-TURBOCHARGER OIL						
	20	2,1	284-1054	2	TUBE-TURBOCHARGER DRAIN						
	21	2,1	003-8581	2	TEE-UNION						
	22	2,1	8H-9788	4	GASKET						
	23	2	9M-4584	1	CONNECTOR						
	24	2,1	0T-0065	4	BOLT (3/8-16X3.5-IN)						
	25	1	111-8916	1	TUBE AS						
	26	2	111-8909	1	TUBE AS						
C	27	2,1	9Y-0047	28	CLAMP						
C	28	2,1	284-1056	2	TUBE-TURBOCHARGER DRAIN						
	29	2,1	0T-0573	8	BOLT (3/8-16X2.75-IN)						
C	30	2,1	100-3237	28	GROMMET						
	31	2,1	8L-2786	4	SEAL-O-RING						
	32	2,1	2P-7636	4	CONNECTOR						
	33	2,1	250-1496	2	ELBOW						
C	34	2,1	1D-4538	2	BOLT (5/16-18X2.25-IN)						
C	35	2,1	5S-0003	2	NUT (5/16-18-THD)						

C-CHANGE FROM PREVIOUS TYPE

# LUBRICATION SYSTEM

111-3424 LINES GP-TURBOCHARGER OIL (contd.)

i02684355



GRAPHIC #1

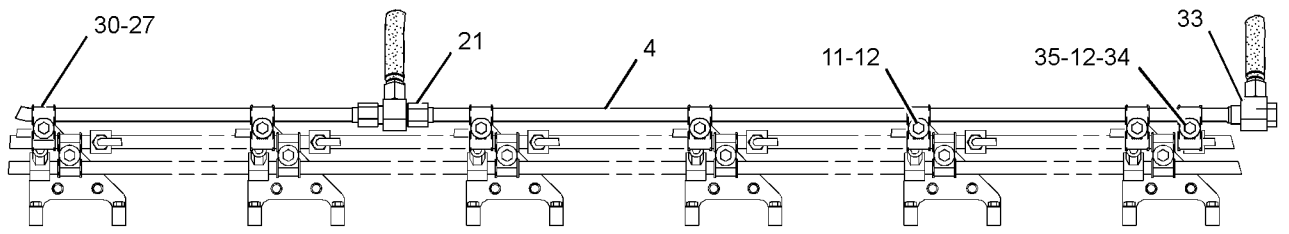
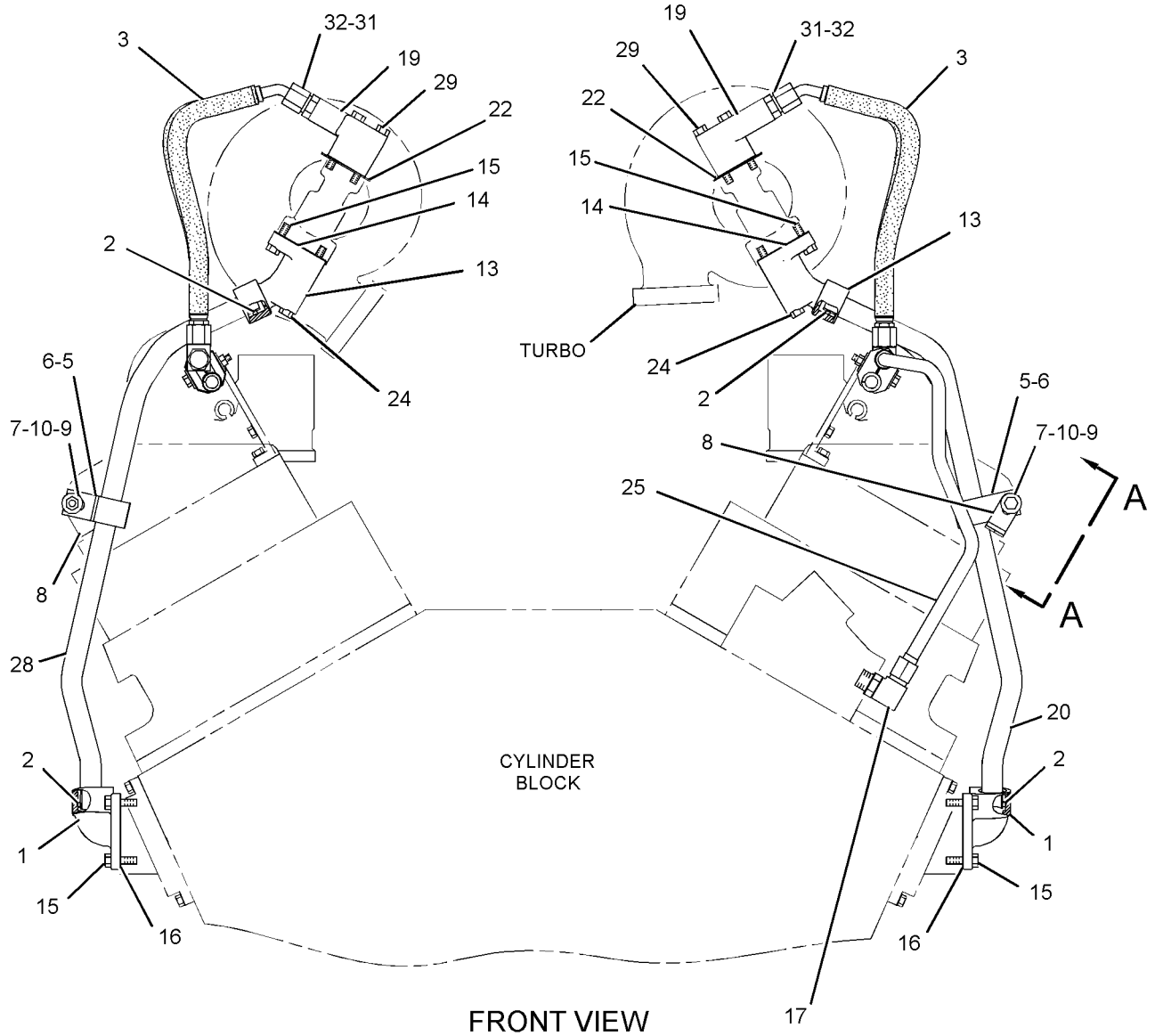
g01229918

# LUBRICATION SYSTEM

111-3424 LINES GP-TURBOCHARGER OIL (contd.)

i02684355

REFER TO ALL ILLUSTRATIONS OF THIS GROUP FOR AUXILIARY VIEWS



VIEW A-A  
(ROTATED 30° CCW)

GRAPHIC #2

<END>

g01360020

# LUBRICATION SYSTEM

## 197-7082 PUMP & LINES GP-PRELUBRICATION

S/N: YAT1-UP

FOR USE WITH MANUAL PRELUBRICATION PUMP  
AN ATTACHMENT

SMCS-1319

i02450681

NOTE	REF NO	GRAPHIC REF	PART NUMBER	QTY	PART NAME						SEE PAGE
					1	2	3	4	5	6 (PRODUCT LEVEL)	
	1	1	1L-8444	1	TEE						
	3	1	2B-0941	3	SPACER (10.5X19X19-MM THK)						
Y	5	1	5N-6237	1	PUMP GP-SUMP						140
	6	1	7N-6570	1	ADAPTER AS						
	6A	1	1P-5274	1	PIN-VALVE SPRING						
	6B	1	3H-3433	1	PIN-SPRING						
	6C	1	9H-2367	1	SPRING-VALVE						
	6D	1	9L-0672	1	VALVE-CHECK						
	7	1	8C-1358	2	VALVE-BALL						
	10	1	200-8272	1	BRACKET AS						
	11	1	201-0578	1	FITTING						
I	12	1	201-0966	1	HOSE AS						
I	13	1	201-1163	1	HOSE AS						
	14	1	001-6301	2	ELBOW						
	15	1	004-7270	1	FITTING-PIPE						
	16	1	7X-7731	1	PLUG-PIPE						
	17	1	3B-7728	1	ELBOW						
	18	1	3B-7745	2	NIPPLE-PIPE						
	19	1	4L-6454	2	BOLT (3/8-16X1-IN)						
	20	1	4S-6678	2	CONNECTOR						
	21	1	5P-2566	2	BOLT (1/2-13X1.5-IN)						
	22	1	5P-5846	1	SEAL-O-RING						
	23	1	5P-7854	3	CLIP						
	24	1	6V-8188	2	NUT (1/2-13-THD)						
	25	1	6V-8801	3	NUT (3/8-16-THD)						
	26	1	7X-2501	4	BOLT (1/4-20X1.25-IN)						
	27	1	8T-2501	3	BOLT (3/8-16X2-IN)						
	28	1	8T-4205	8	WASHER-HARD (7.2X14.5X2-MM THK)						
	29	1	8T-4223	4	WASHER-HARD (13.5X25.5X3-MM THK)						
	30	1	8T-4896	6	WASHER-HARD (10.2X18.5X2.5-MM THK)						

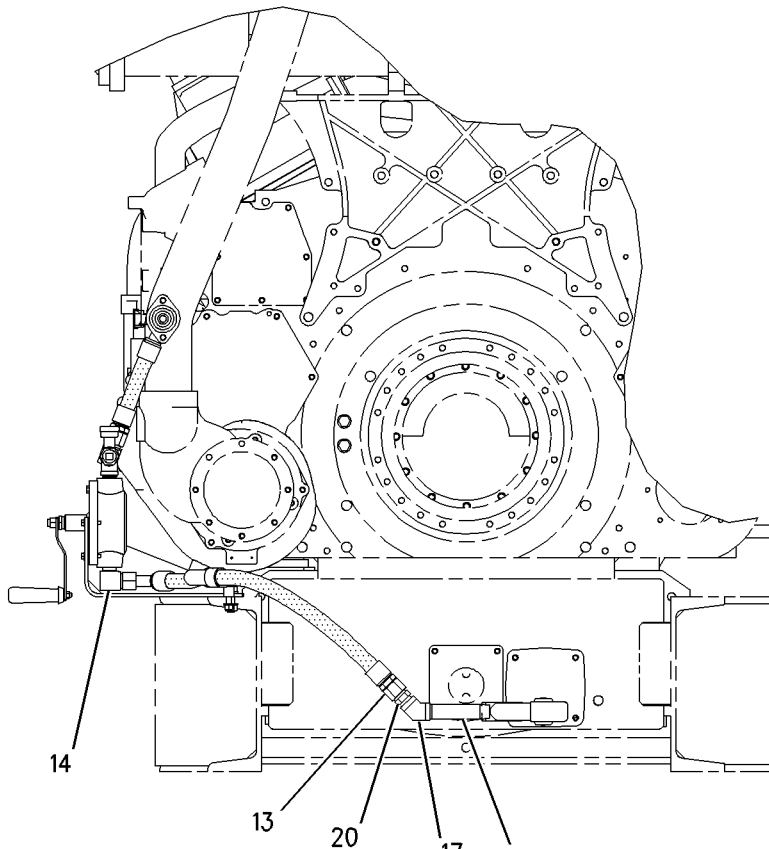
I-REFER TO HYDRAULIC INFORMATION SYSTEM  
Y-SEPARATE ILLUSTRATION



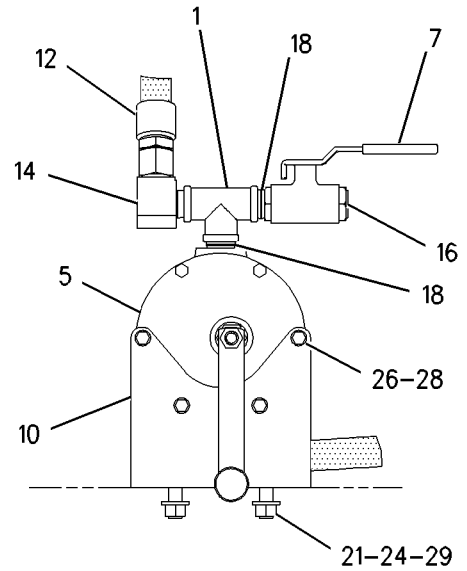
# LUBRICATION SYSTEM

197-7082 PUMP & LINES GP-PRELUBRICATION (contd.)

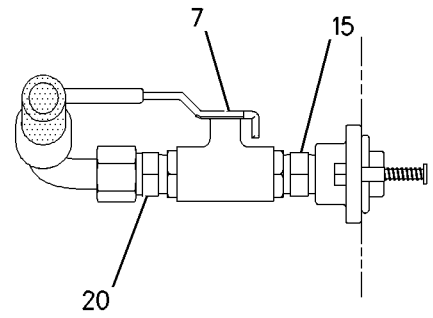
i02450681



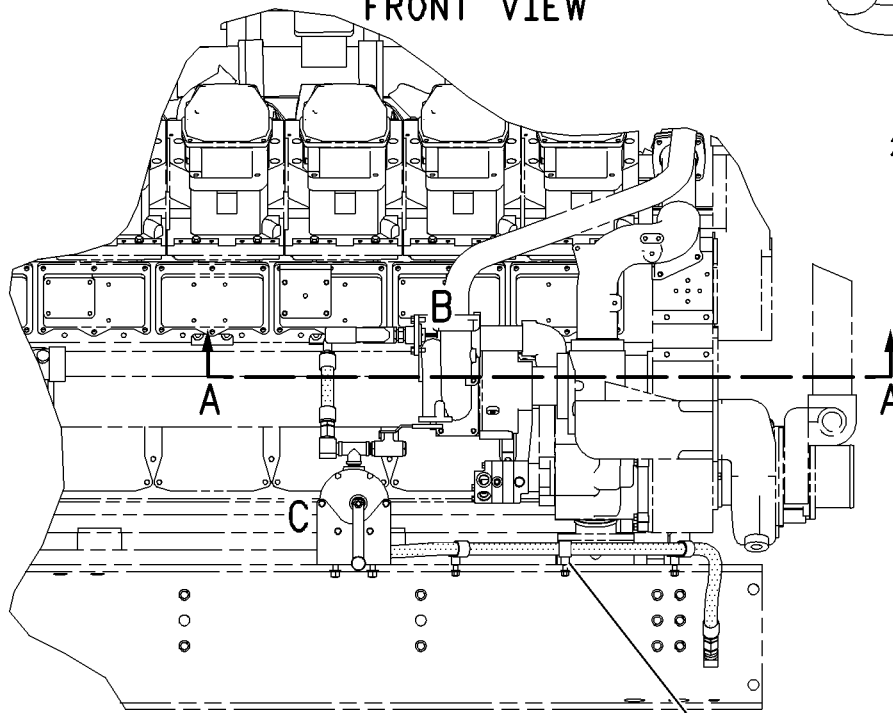
FRONT VIEW



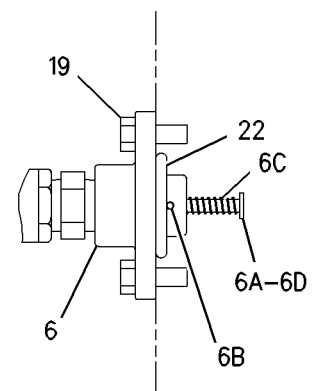
VIEW OF AREA C



SECTION A-A



RIGHT SIDE VIEW



VIEW OF AREA B

GRAPHIC #1

<END>

g00769935

# LUBRICATION SYSTEM

## 244-1535 PUMP & LINES GP-PRELUBRICATION

S/N: YAT1-UP  
AN ATTACHMENT

SMCS-1319

i02718406

NOTE	REF NO	GRAPHIC REF	PART NUMBER	QTY	PART NAME						SEE PAGE
					1	2	3	4	5	6 (PRODUCT LEVEL)	
	1	1	1M-3381	4	SPACER (0.438X0.75X1-IN THK)						
	2	1	1N-3872	2	SUPPORT						
	3	1	1W-3942	1	ELBOW (INLET)						
	4	1	1W-3943	1	COUPLING						
	5	1	1W-3944	1	FLANGE						
	6	1	1W-4257	1	BRACKET AS						
		1	4K-9097	2	NUT-WELD (5/16-18-THD)						
	7	1	1W-8188	1	ELBOW						
	8	1	2G-6303	1	SEAL						
	9	1	2G-6304	1	STRAINER AS (PRELUBRICATION PUMP)						
	10	1	2R-6806	1	CONNECTOR-O-RING						
	11	1	2W-0694	1	ELBOW AS-VALVE						
		1	1P-5274	1	PIN-VALVE SPRING						
		1	7L-0811	1	DOWEL						
		1	9B-0701	2	SPRING						
		1	9H-2367	1	SPRING-VALVE						
		1	9L-0672	1	VALVE-CHECK						
	12	1	3F-2065	1	LOCKNUT (1/2-14-NPTF-THD)						
I	13	1	4P-4927	1	HOSE AS						
	14	1	5N-8943	1	ADAPTER						
	15	1	5N-9073	1	CLIP						
	16	1	7K-1181	1	STRAP-CABLE						
	17	1	7N-6460	1	TUBE						
	18	1	9M-7357	1	COUPLING AS						
	19	1	032-1267	1	CONNECTOR						
	20	1	150-1240	1	SWITCH AS-PRESSURE (STARTING OIL)						
		1	186-3735	2	PIN-CONNECTOR (16-GA TO 18-GA)						
E		1	9X-1813		SLEEVE (15-CM)						
		1	102-8802	1	KIT-RECEPTACLE (2-PIN) (INCLUDES RECEPTACLE AS AND WEDGE)						
	21	1	244-1546	1	BRACKET						
	22	1	251-9436	1	BRACKET AS						
CY	23	1	302-8729	1	PUMP GP-PRELUBRICATION (24-VDC)						139
	24	1	0L-1351	2	BOLT (3/8-16X0.875-IN)						
	25	1	0S-1588	3	BOLT (3/8-16X1.25-IN)						
	26	1	0S-1591	2	BOLT (3/8-16X1.5-IN)						
	27	1	0S-1594	4	BOLT (3/8-16X1-IN)						
	28	1	0S-1617	8	BOLT (5/16-18X0.75-IN)						
	29	1	0T-0065	2	BOLT (3/8-16X3.5-IN)						
	30	1	153-4906	1	SEAL-O-RING						
	31	1	1A-5822	4	BOLT (1/2-13X2.75-IN)						
	32	1	1W-4821	1	HOSE AS						
	33	1	2B-2694	4	BOLT (5/16-18X2-IN)						
	34	1	2B-2695	2	BOLT (5/16-18X0.875-IN)						
	35	1	4P-7581	1	CLIP						
	36	1	5M-2894	12	WASHER-HARD (10.2X18.5X2.5-MM THK)						
	37	1	5P-5846	2	SEAL-O-RING						
	38	1	5P-9890	4	SEAL-O-RING						
	39	1	6V-5100	2	SEAL-O-RING						
	40	1	7X-7731	1	PLUG-PIPE						
	41	1	9M-1974	6	WASHER-HARD (8.8X16X2-MM THK)						
	42	1	9S-8752	3	NUT-FULL (3/8-16-THD)						

# LUBRICATION SYSTEM

244-1535 PUMP & LINES GP-PRELUBRICATION (contd.)

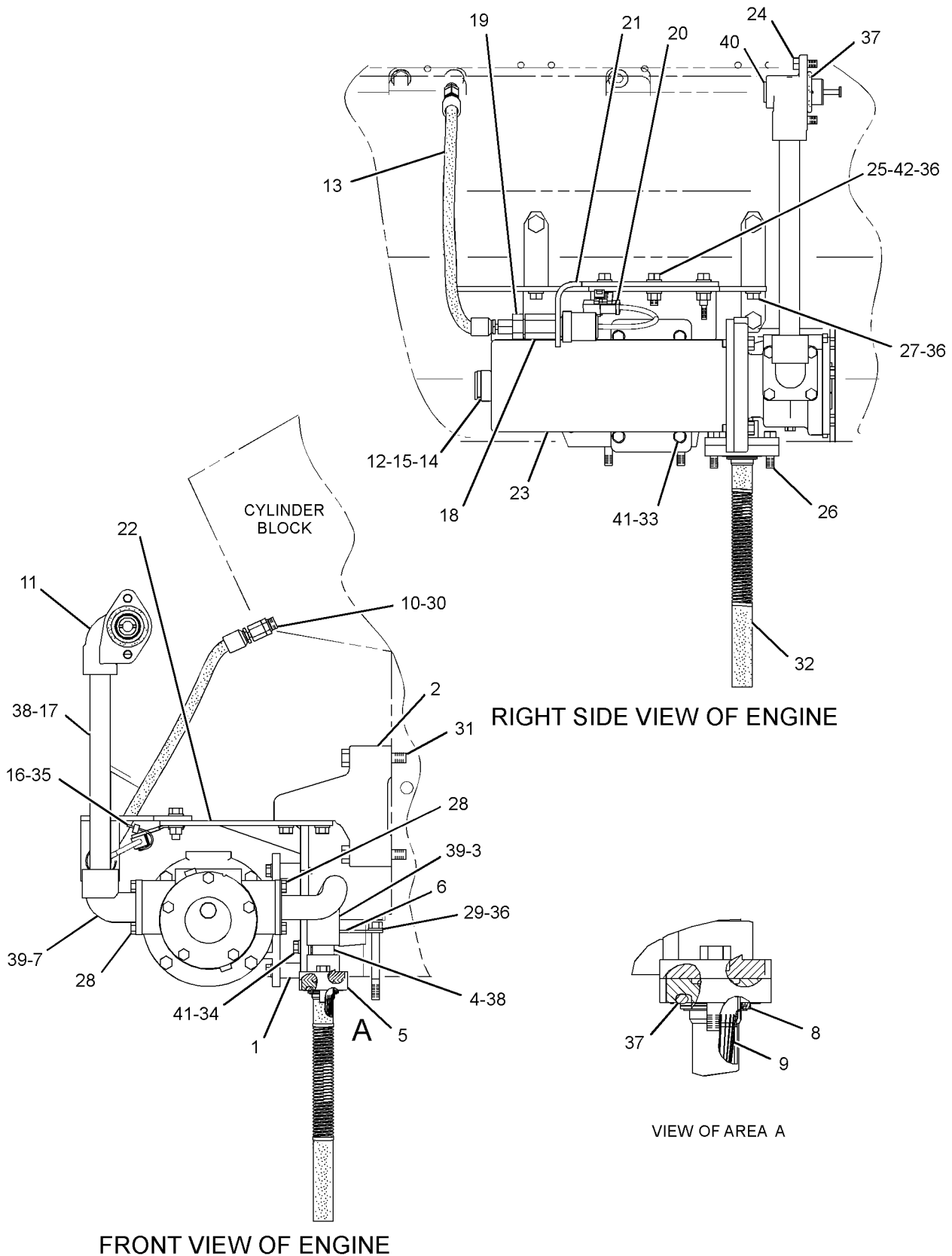
i02718406

C-CHANGE FROM PREVIOUS TYPE  
E-ORDER BY THE CENTIMETER  
I-REFER TO HYDRAULIC INFORMATION SYSTEM  
Y-SEPARATE ILLUSTRATION

# LUBRICATION SYSTEM

244-1535 PUMP & LINES GP-PRELUBRICATION (contd.)

i02718406



GRAPHIC #1

<END>

g01365445

# LUBRICATION SYSTEM

## 249-5262 PUMP & LINES GP-PRELUBRICATION-DEEP PAN

S/N: YAT1-UP  
AN ATTACHMENT

SMCS-1319

i02718395

NOTE	REF NO	GRAPHIC REF	PART NUMBER	QTY	PART NAME						SEE PAGE
					1	2	3	4	5	6 (PRODUCT LEVEL)	
	1	1	1M-3381	4	SPACER (0.438X0.75X1-IN THK)						
	2	1	1N-3872	2	SUPPORT						
	3	1	1W-3942	1	ELBOW						
	4	1	1W-3943	1	COUPLING						
	5	1	1W-3944	1	FLANGE						
	6	1	1W-4257	1	BRACKET AS						
		1	4K-9097	2	NUT-WELD (5/16-18-THD)						
	7	1	1W-4820	1	HOSE AS						
	8	1	1W-8188	1	ELBOW						
	9	1	2G-6303	1	SEAL						
	10	1	2G-6304	1	STRAINER AS (PRELUBRICATION PUMP)						
	11	1	2R-6806	1	CONNECTOR-O-RING						
	12	1	2W-0694	1	ELBOW AS-VALVE						
		1	1P-5274	1	PIN-VALVE SPRING						
		1	7L-0811	1	DOWEL						
		1	9B-0701	2	SPRING						
		1	9H-2367	1	SPRING-VALVE						
		1	9L-0672	1	VALVE-CHECK						
	13	1	3F-2065	1	LOCKNUT (1/2-14-NPTF-THD)						
CY	14	1	302-8729	1	PUMP GP-PRELUBRICATION (24-VDC)						139
I	15	1	4P-4927	1	HOSE AS						
	16	1	5N-8943	1	ADAPTER						
	17	1	5N-9073	1	CLIP						
	18	1	251-9436	1	BRACKET AS						
	19	1	7K-1181	1	STRAP-CABLE						
	20	1	7N-6460	1	TUBE						
	21	1	9M-7357	1	COUPLING AS						
	22	1	032-1267	1	CONNECTOR						
	23	1	150-1240	1	SWITCH AS-PRESSURE (STARTING OIL)						
		1	186-3735	2	PIN-CONNECTOR (16-GA TO 18-GA)						
E		1	9X-1813		SLEEVE (15-CM)						
		1	102-8802	2	KIT-RECEPTACLE (2-PIN) (EACH INCLUDES RECEPTACLE AS AND WEDGE)						
	24	1	244-1546	1	BRACKET						
	25	1	153-4906	1	SEAL-O-RING						
	26	1	0L-1351	2	BOLT (3/8-16X0.875-IN)						
	27	1	0S-1588	3	BOLT (3/8-16X1.25-IN)						
	28	1	0S-1591	2	BOLT (3/8-16X1.5-IN)						
	29	1	0S-1594	4	BOLT (3/8-16X1-IN)						
	30	1	0S-1617	8	BOLT (5/16-18X0.75-IN)						
	31	1	0T-0065	2	BOLT (3/8-16X3.5-IN)						
	32	1	1A-5822	4	BOLT (1/2-13X2.75-IN)						
	33	1	2B-2694	4	BOLT (5/16-18X2-IN)						
	34	1	2B-2695	2	BOLT (5/16-18X0.875-IN)						
	35	1	4P-7581	1	CLIP						
	36	1	5M-2894	12	WASHER-HARD (10.2X18.5X2.5-MM THK)						
	37	1	5P-5846	2	SEAL-O-RING						
	38	1	5P-9890	4	SEAL-O-RING						
	39	1	6V-5100	2	SEAL-O-RING						
	40	1	7X-7731	1	PLUG-PIPE						
	41	1	9M-1974	6	WASHER-HARD (8.8X16X2-MM THK)						
	42	1	9S-8752	3	NUT-FULL (3/8-16-THD)						

C-CHANGE FROM PREVIOUS TYPE  
E-ORDER BY THE CENTIMETER  
I-REFER TO HYDRAULIC INFORMATION SYSTEM  
Y-SEPARATE ILLUSTRATION



# LUBRICATION SYSTEM

## 106-9872 PUMP GP-ENGINE OIL-2-SECTION GEAR\*R

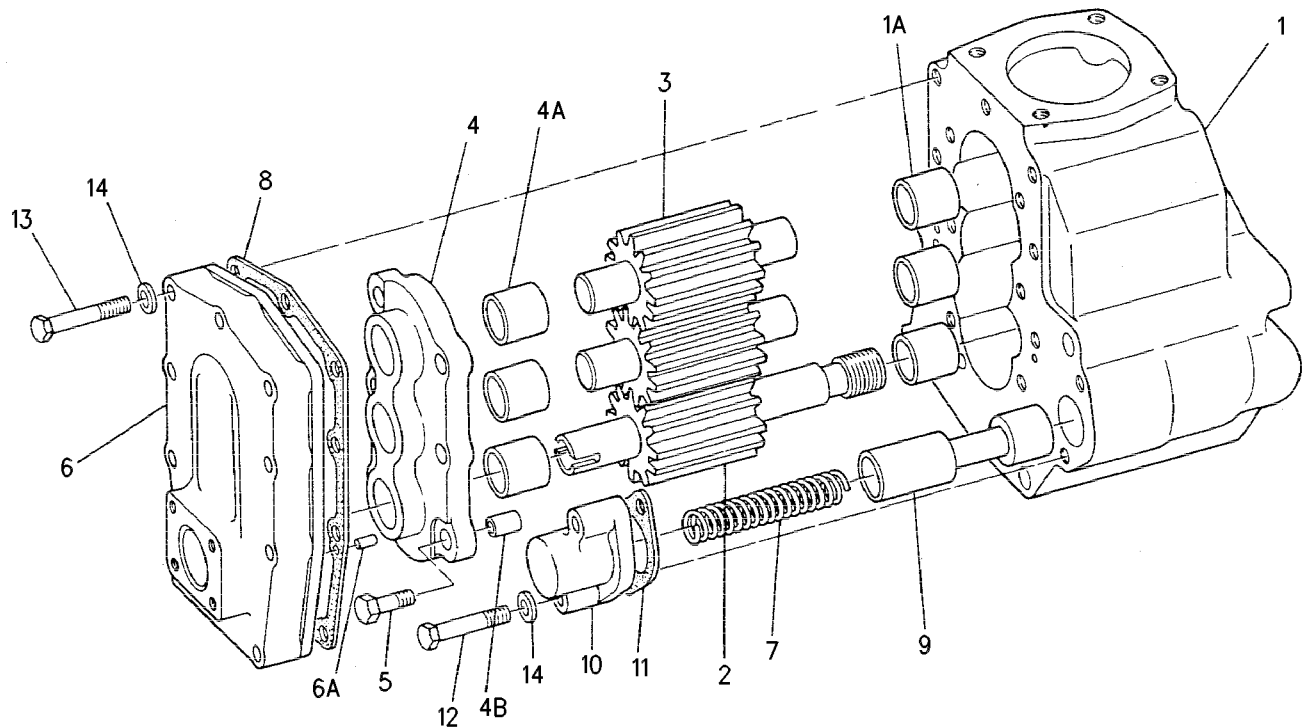
S/N: YAT1-UP

PART OF 106-9873 PUMP GP-ENGINE OIL

SMCS-1304, 1315

i02516779

NOTE	REF NO	GRAPHIC REF	PART NUMBER	QTY	PART NAME						SEE PAGE
					1	2	3	4	5	6 (PRODUCT LEVEL)	
	1	1	106-9871	1	BODY AS-OIL PUMP						
	1A	1	1W-6005	3	BEARING-SLEEVE						
	2	1	106-9869	1	SHAFT AS-OIL PUMP DRIVE (12-TEETH)						
	3	1	106-9867	2	SHAFT AS-IDLER (12-TEETH)						
	4	1	7W-0050	1	COVER AS-PUMP						
	4A	1	1W-6005	3	BEARING-SLEEVE						
	4B	1	4M-3248	2	DOWEL-HOLLOW						
	5	1	OS-1585	6	BOLT (1/2-13X1.5-IN)						
	6	1	1N-4637	1	COVER AS-PUMP						
	6A	1	7N-2043	2	DOWEL						
	7	1	107-7175	1	SPRING						
	8	1	7N-5057	1	GASKET						
	9	1	7N-5449	1	SPOOL-PRESSURE RELIEF						
	10	1	107-7326	1	COVER-RELIEF VALVE						
	11	1	111-1349	1	GASKET						
	12	1	7F-1866	2	BOLT (3/8-16X3-IN)						
	13	1	OS-1590	9	BOLT (3/8-16X2-IN)						
	14	1	5M-2894	11	WASHER-HARD (10.2X18.5X2.5-MM THK)						



GRAPHIC #1

<END>

g00475661

# LUBRICATION SYSTEM

## 106-9873 PUMP GP-ENGINE OIL-2-SECTION GEAR

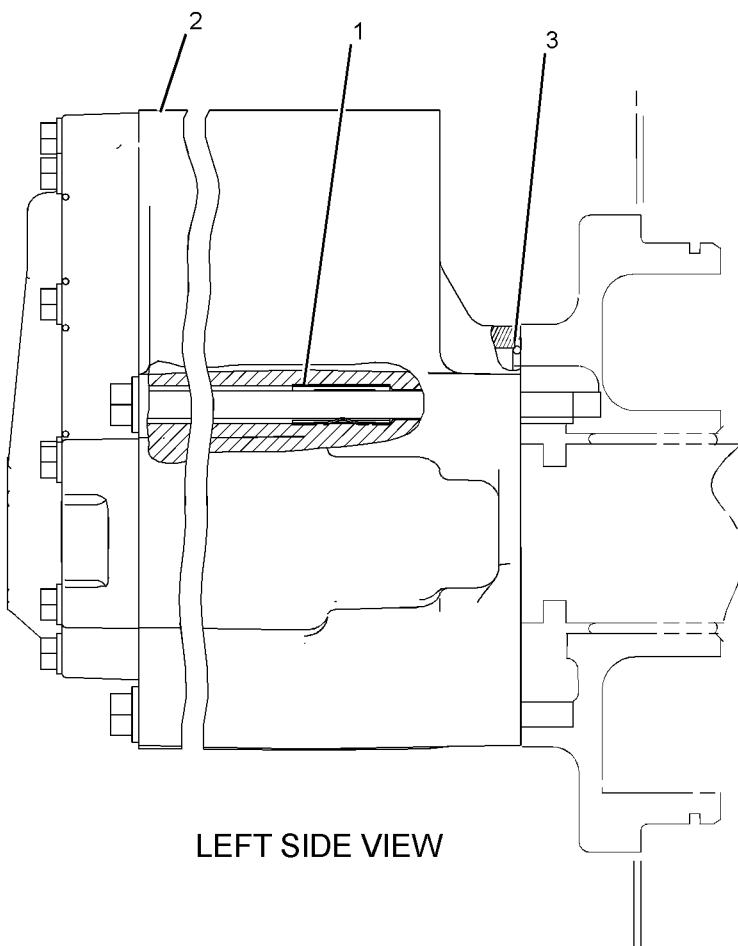
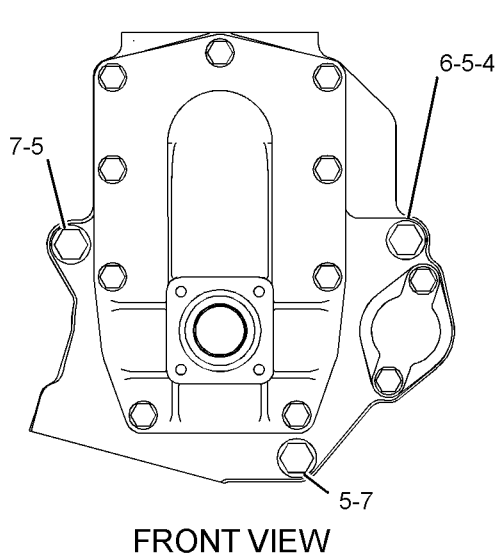
S/N: YAT1-UP

SMCS-1304, 1315

i02645537

NOTE	REF NO	GRAPHIC REF	PART NUMBER	QTY	PART NAME						SEE PAGE
					1	2	3	4	5	6 (PRODUCT LEVEL)	
	1	1	<b>9M-4355</b>	3	DAMPER-BOLT						
YR	2	1	<b>106-9872</b>	1	PUMP GP-ENGINE OIL (2-SECTION GEAR)						131
	3	1	<b>298-6387</b>	1	SEAL-O-RING						
B	4	1	<b>1B-3573</b>	1	BOLT (1/2-13X8.5-IN)						
	5	1	<b>5P-8245</b>	3	WASHER-HARD (13.5X25.5X3-MM THK)						
B	6	1	<b>6M-9613</b>	1	BOLT (1/2-13X9-IN)						
	7	1	<b>1B-3573</b>	2	BOLT (1/2-13X8.5-IN)						

B-USE AS REQUIRED  
R-REMG PART MAY BE AVAILABLE  
Y-SEPARATE ILLUSTRATION



GRAPHIC #1

<END>

g01338326



# LUBRICATION SYSTEM

## 261-6795 PUMP GP-PRELUBRICATION-DEEP SUMP

S/N: YAT1-UP  
AN ATTACHMENT

SMCS-1319

i03096366

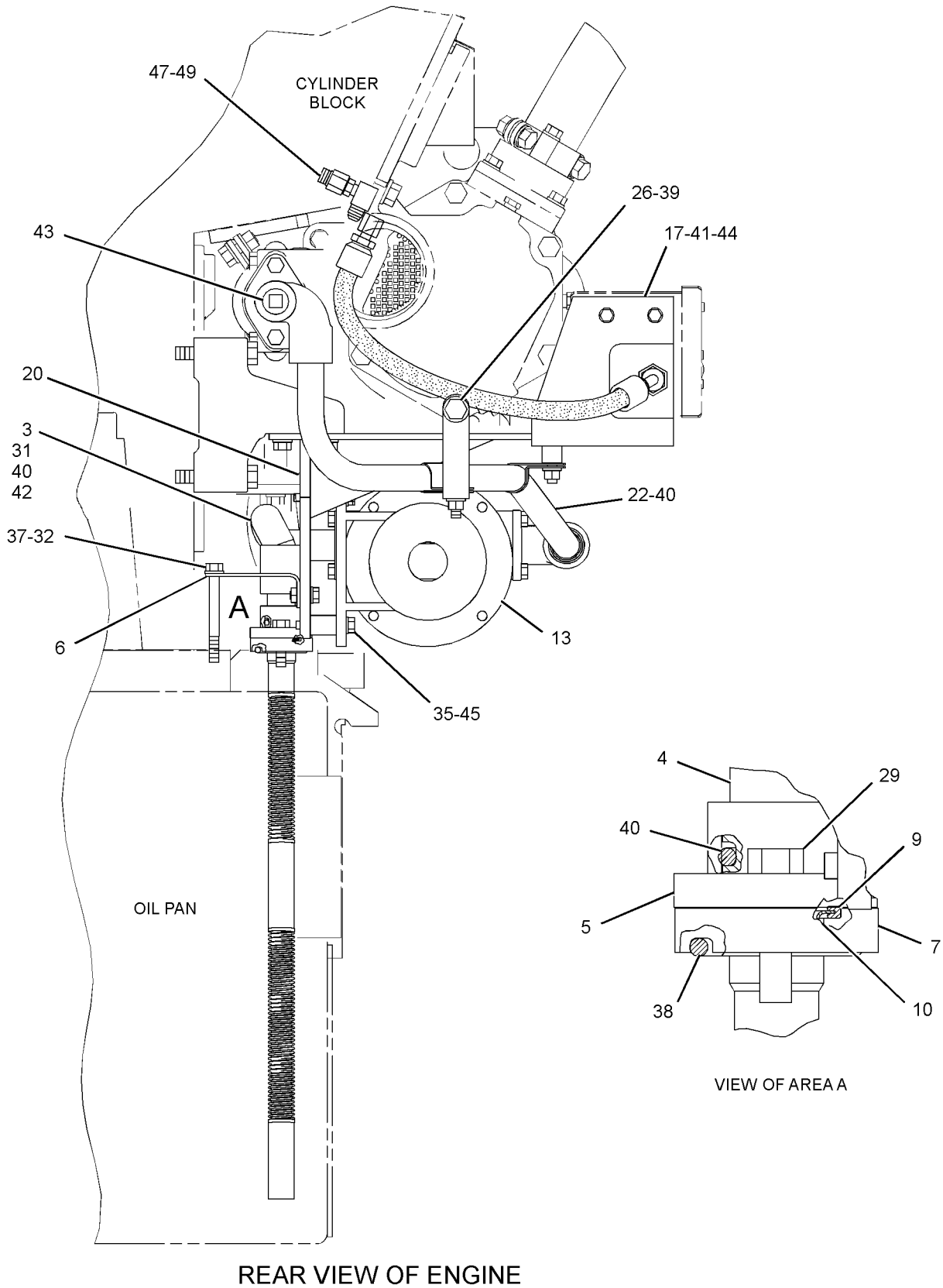
NOTE	REF NO	GRAPHIC REF	PART NUMBER	QTY	PART NAME						SEE PAGE
					1	2	3	4	5	6 (PRODUCT LEVEL)	
	1	2	1M-3381	4	SPACER (0.438X0.75X1-IN THK)						
	2	2	1N-3872	2	SUPPORT						
	3	1	1W-3942	1	ELBOW						
	4	1	1W-3943	1	COUPLING						
	5	1	1W-3944	1	FLANGE						
	6	1	1W-4257	1	BRACKET AS						
		1	4K-9097	2	NUT-WELD (5/16-18-THD)						
	7	1	1W-4820	1	HOSE AS						
	8	2	1W-8188	1	ELBOW						
	9	1	2G-6303	1	SEAL						
	10	1	2G-6304	1	STRAINER AS (PRELUBRICATION PUMP)						
	11	2	2W-0694	1	ELBOW AS-VALVE						
		2	1P-5274	1	PIN-VALVE SPRING						
		2	7L-0811	1	DOWEL						
		2	9B-0701	2	SPRING						
		2	9H-2367	1	SPRING-VALVE						
		2	9L-0672	1	VALVE-CHECK						
	12	2	3F-2065	1	LOCKNUT (1/2-14-NPTF-THD)						
Y	13	1	302-8729	1	PUMP GP-PRELUBRICATION (24-VDC)						139
	14	2	4W-9149	1	SPACER (10.5X19X16.75-MM THK)						
	15	2	5N-8943	1	ADAPTER						
	16	2	5N-9073	1	CLIP						
	17	1	6I-0744	1	BRACKET						
	18	2	032-1267	1	CONNECTOR						
	19	2	258-6653	1	HOSE AS						
	20	1	258-7997	1	BRACKET AS						
	21	2	261-1854	1	BRACKET						
	22	1	261-6796	1	TUBE						
	25	2	0L-1351	2	BOLT (3/8-16X0.875-IN)						
	26	1	0S-1585	1	BOLT (1/2-13X1.5-IN)						
	27	2	0S-1588	3	BOLT (3/8-16X1.25-IN)						
	28	2	0S-1590	1	BOLT (3/8-16X2-IN)						
	29	1	0S-1591	2	BOLT (3/8-16X1.5-IN)						
	30	2	0S-1594	4	BOLT (3/8-16X1-IN)						
	31	1,2	0S-1617	8	BOLT (5/16-18X0.75-IN)						
	32	1	0T-0065	2	BOLT (3/8-16X3.5-IN)						
	33	2	1A-5822	4	BOLT (1/2-13X2.75-IN)						
	34	2	2B-2694	4	BOLT (5/16-18X2-IN)						
	35	1	2B-2695	2	BOLT (5/16-18X0.875-IN)						
	36	2	2L-9653	2	CLIP						
	37	1,2	5M-2894	14	WASHER-HARD (10.2X18.5X2.5-MM THK)						
	38	1,2	5P-5846	2	SEAL-O-RING						
	39	1	5P-8245	1	WASHER-HARD (13.5X25.5X3-MM THK)						
	40	1	5P-9890	4	SEAL-O-RING						
	41	1	5S-7349	4	BOLT (1/4-20X0.5-IN)						
	42	1,2	6V-5100	2	SEAL-O-RING						
	43	1	7X-7731	1	PLUG-PIPE						
	44	1	8T-4205	4	WASHER-HARD (7.2X14.5X2-MM THK)						
	45	1,2	9M-1974	6	WASHER-HARD (8.8X16X2-MM THK)						
	46	2	9S-8752	4	NUT-FULL (3/8-16-THD)						
	47	1	153-4906	1	SEAL-O-RING						
	48	2	5P-2645	1	ELBOW						
	49	1	5P-9617	1	ADAPTER						
	50	2	6V-5048	1	SEAL-O-RING						

Y- SEPARATE ILLUSTRATION

# LUBRICATION SYSTEM

261-6795 PUMP GP-PRELUBRICATION (contd.)

i03096366



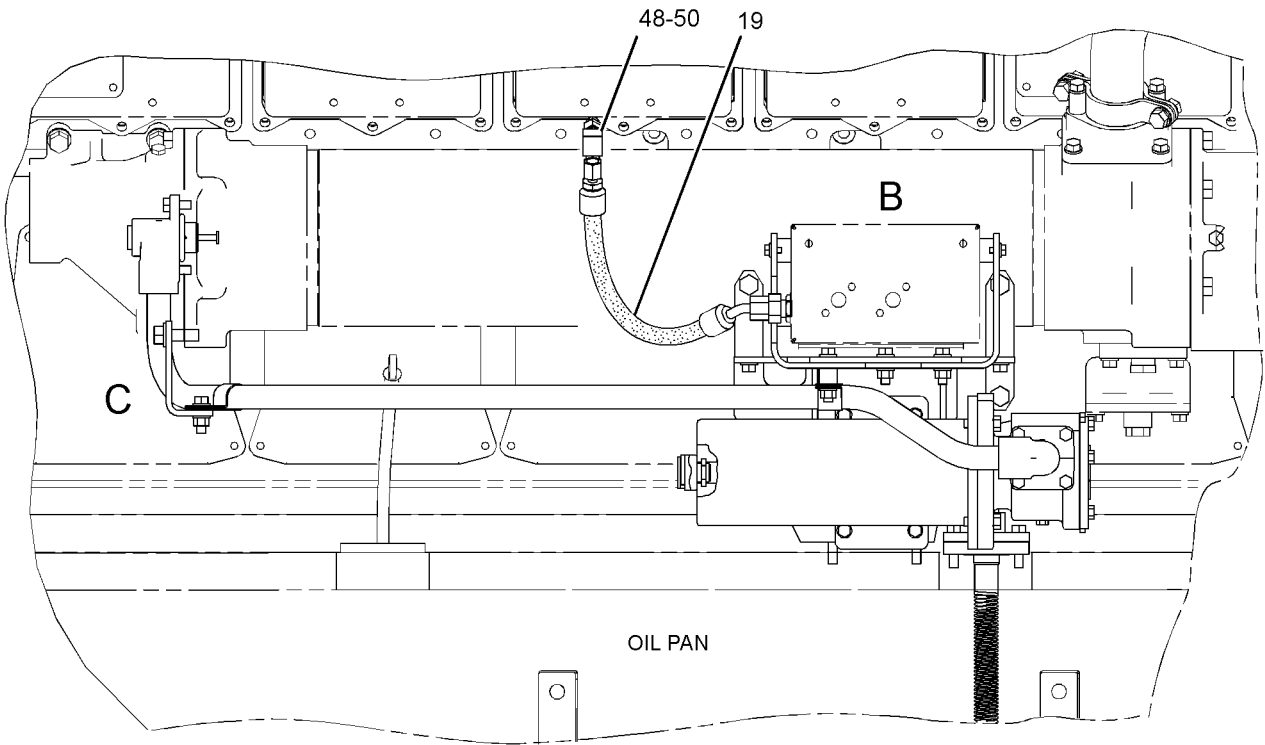
GRAPHIC #1

g01441568

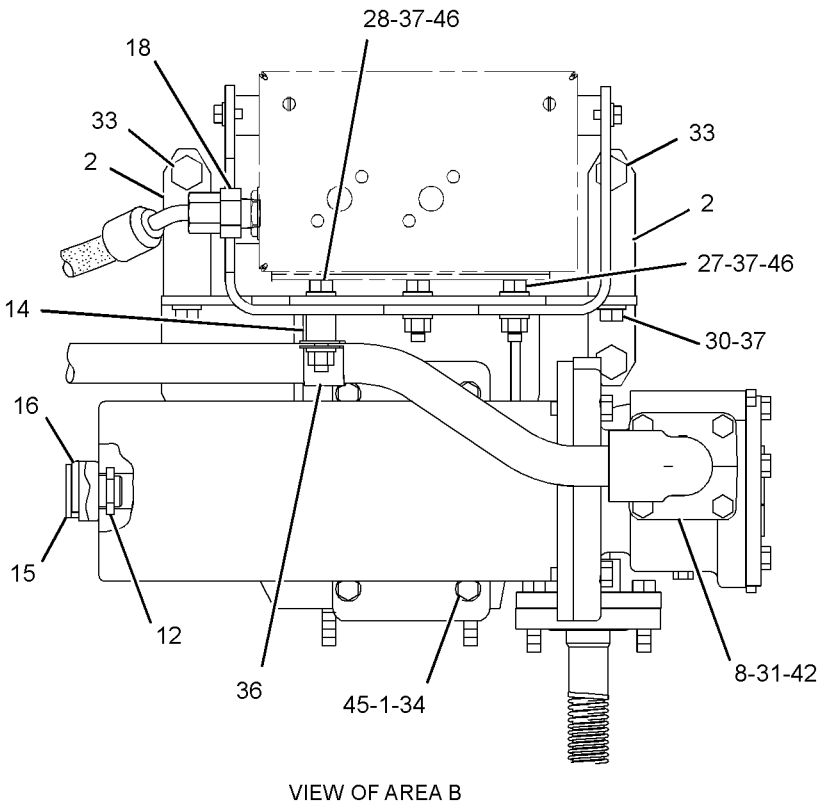
# LUBRICATION SYSTEM

261-6795 PUMP GP-PRELUBRICATION (contd.)

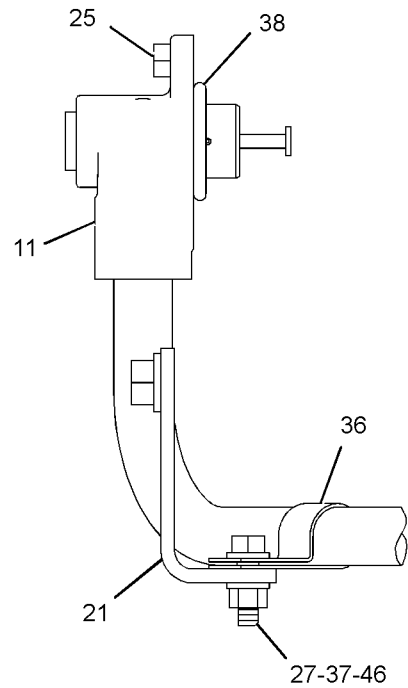
i03096366



RIGHT SIDE VIEW OF ENGINE



VIEW OF AREA B



VIEW OF AREA C

GRAPHIC #2

<END>

g01441569

# LUBRICATION SYSTEM

## 280-4108 PUMP GP-PRELUBRICATION

S/N: YAT1-UP

FOR USE WITH 7-INCH OIL COOLER AND SHALLOW OIL PAN  
AN ATTACHMENT

SMCS-1319

i03246399

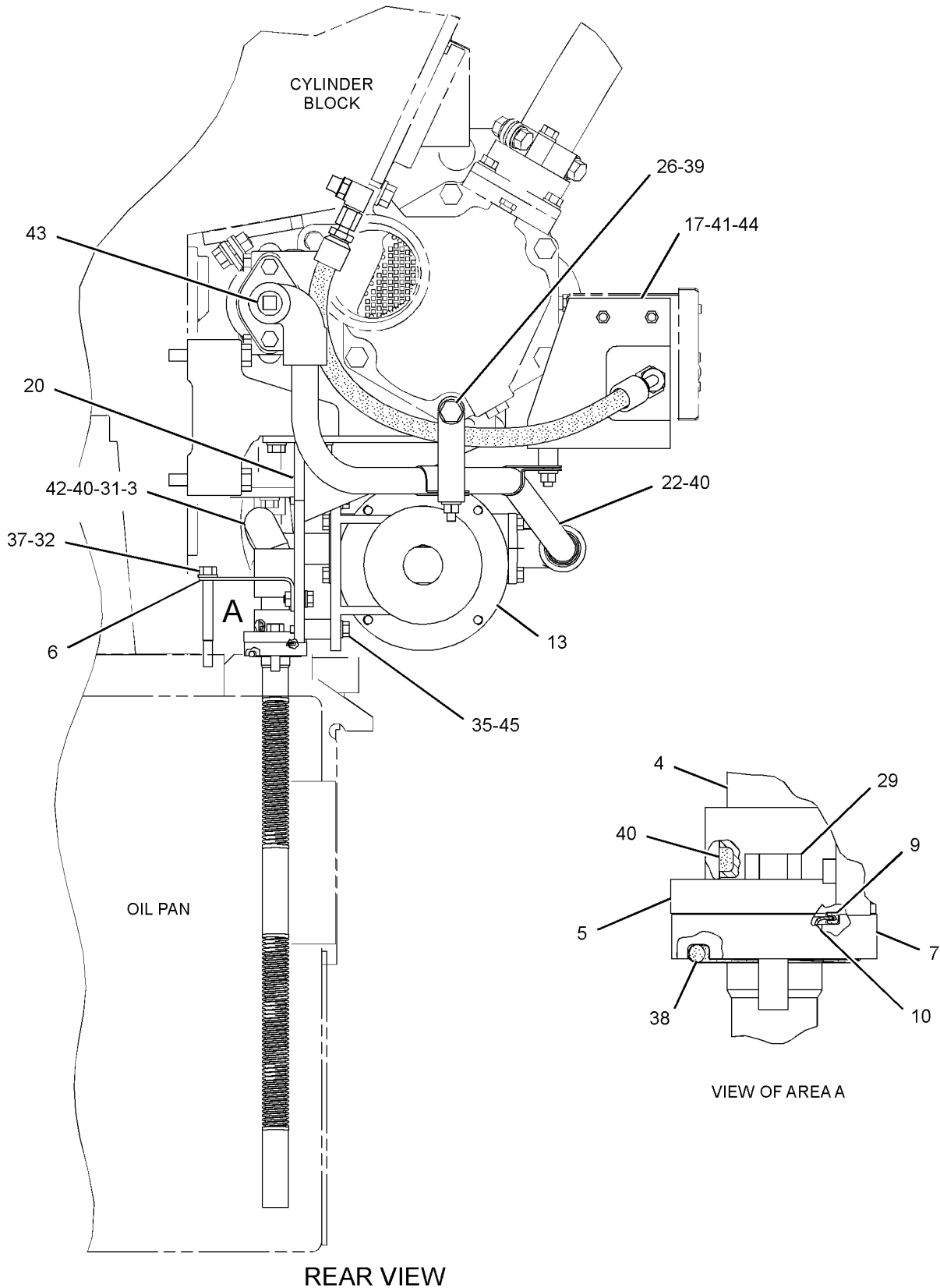
NOTE	REF NO	GRAPHIC REF	PART NUMBER	QTY	PART NAME						SEE PAGE
					1	2	3	4	5	6 (PRODUCT LEVEL)	
	1	2	1M-3381	4	SPACER (0.438X0.75X1-IN THK)						
	2	2	1N-3872	2	SUPPORT						
	3	1	1W-3942	1	ELBOW						
	4	1	1W-3943	1	COUPLING						
	5	1	1W-3944	1	FLANGE						
	6	1	1W-4257	1	BRACKET AS						
		1	4K-9097	2	NUT-WELD (5/16-18-THD)						
	7	1	1W-4821	1	HOSE AS						
	8	2	1W-8188	1	ELBOW						
	9	1	2G-6303	1	SEAL						
	10	1	2G-6304	1	STRAINER AS (PRELUBRICATION PUMP)						
	11	2	2W-0694	1	ELBOW AS-VALVE						
		2	1P-5274	1	PIN-VALVE SPRING						
		2	7L-0811	1	DOWEL						
		2	9B-0701	2	SPRING						
		2	9H-2367	1	SPRING-VALVE						
		2	9L-0672	1	VALVE-CHECK						
	12	2	3F-2065	1	LOCKNUT (1/2-14-NPTF-THD)						
Y	13	1	302-8729	1	PUMP GP-PRELUBRICATION (24-VDC)						139
	14	2	4W-9149	1	SPACER (10.5X19X16.75-MM THK)						
	15	2	5N-8943	1	ADAPTER						
	16	2	5N-9073	1	CLIP						
	17	1	6I-0744	1	BRACKET						
	18	2	032-1267	1	CONNECTOR						
	19	2	258-6653	1	HOSE AS						
	20	1	258-7997	1	BRACKET AS						
	21	2	261-1854	1	BRACKET						
	22	1	261-6796	1	TUBE						
	23	2	5P-2645	1	ELBOW						
	24	2	033-6042	1	SEAL-O-RING						
	25	2	0L-1351	2	BOLT (3/8-16X0.875-IN)						
	26	1	0S-1585	1	BOLT (1/2-13X1.5-IN)						
	27	2	0S-1588	3	BOLT (3/8-16X1.25-IN)						
	28	2	0S-1590	1	BOLT (3/8-16X2-IN)						
	29	1	0S-1591	2	BOLT (3/8-16X1.5-IN)						
	30	2	0S-1594	4	BOLT (3/8-16X1-IN)						
	31	1,2	0S-1617	8	BOLT (5/16-18X0.75-IN)						
	32	1	0T-0065	2	BOLT (3/8-16X3.5-IN)						
	33	2	1A-5822	4	BOLT (1/2-13X2.75-IN)						
	34	2	2B-2694	4	BOLT (5/16-18X2-IN)						
	35	1	2B-2695	2	BOLT (5/16-18X0.875-IN)						
	36	2	2L-9653	2	CLIP						
	37	1,2	5M-2894	14	WASHER-HARD (10.2X18.5X2.5-MM THK)						
	38	1,2	5P-5846	2	SEAL-O-RING						
	39	1	5P-8245	1	WASHER-HARD (13.5X25.5X3-MM THK)						
	40	1	5P-9890	4	SEAL-O-RING						
	41	1	5S-7349	4	BOLT (1/4-20X0.5-IN)						
	42	1,2	6V-5100	2	SEAL-O-RING						
	43	1	7X-7731	1	PLUG-PIPE						
	44	1	8T-4205	4	WASHER-HARD (7.2X14.5X2-MM THK)						
	45	1,2	9M-1974	6	WASHER-HARD (8.8X16X2-MM THK)						
	46	2	9S-8752	4	NUT-FULL (3/8-16-THD)						
	47	2	5P-9617	1	ADAPTER						
	48	2	6V-5048	1	SEAL-O-RING						

Y- SEPARATE ILLUSTRATION

# LUBRICATION SYSTEM

280-4108 PUMP GP-PRELUBRICATION (contd.)

i03246399



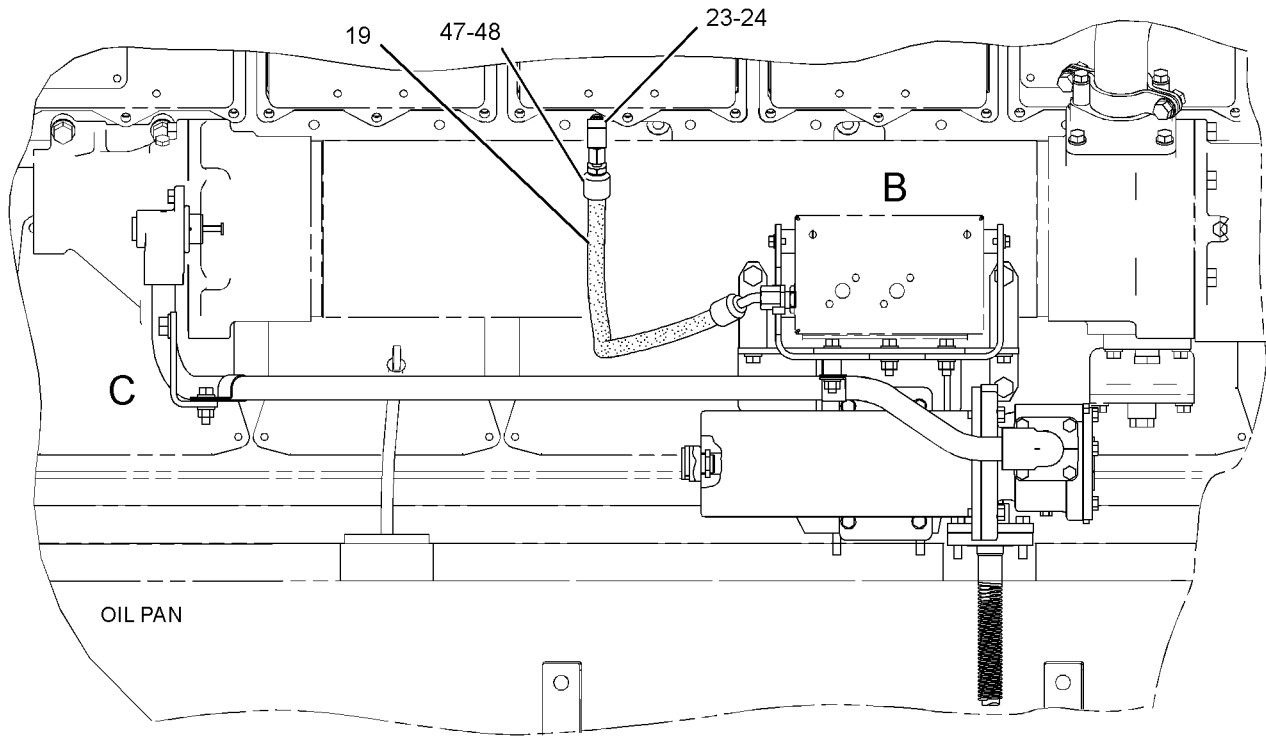
GRAPHIC #1

g01158738

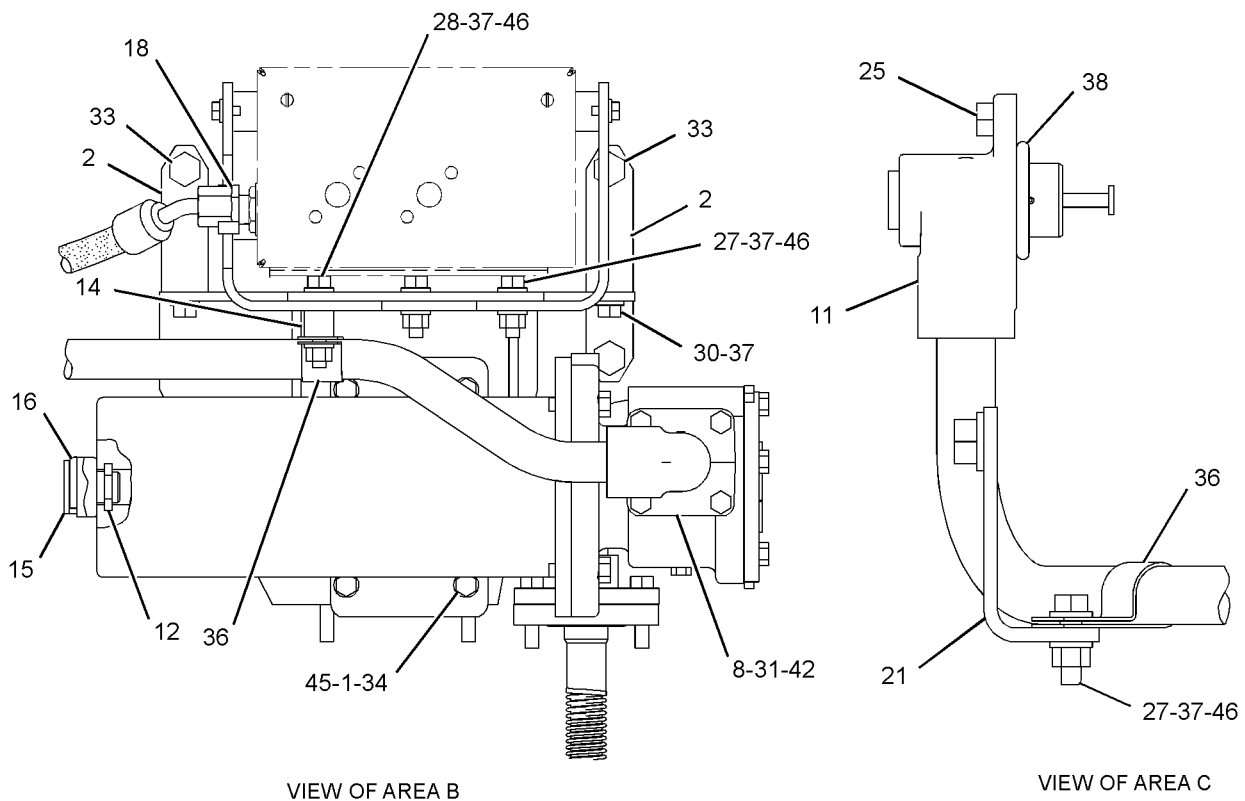
# LUBRICATION SYSTEM

280-4108 PUMP GP-PRELUBRICATION (contd.)

i03246399



RIGHT SIDE VIEW



VIEW OF AREA B

VIEW OF AREA C

GRAPHIC #2

<END>

g01385752

# LUBRICATION SYSTEM

## 302-8729 PUMP GP-PRELUBRICATION

S/N: YAT1-UP

24-VOLT

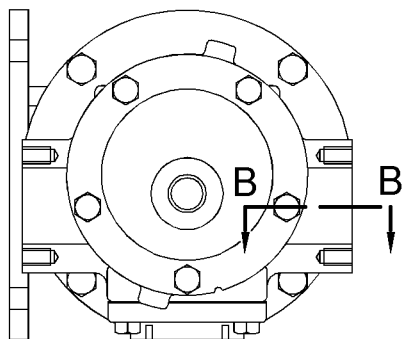
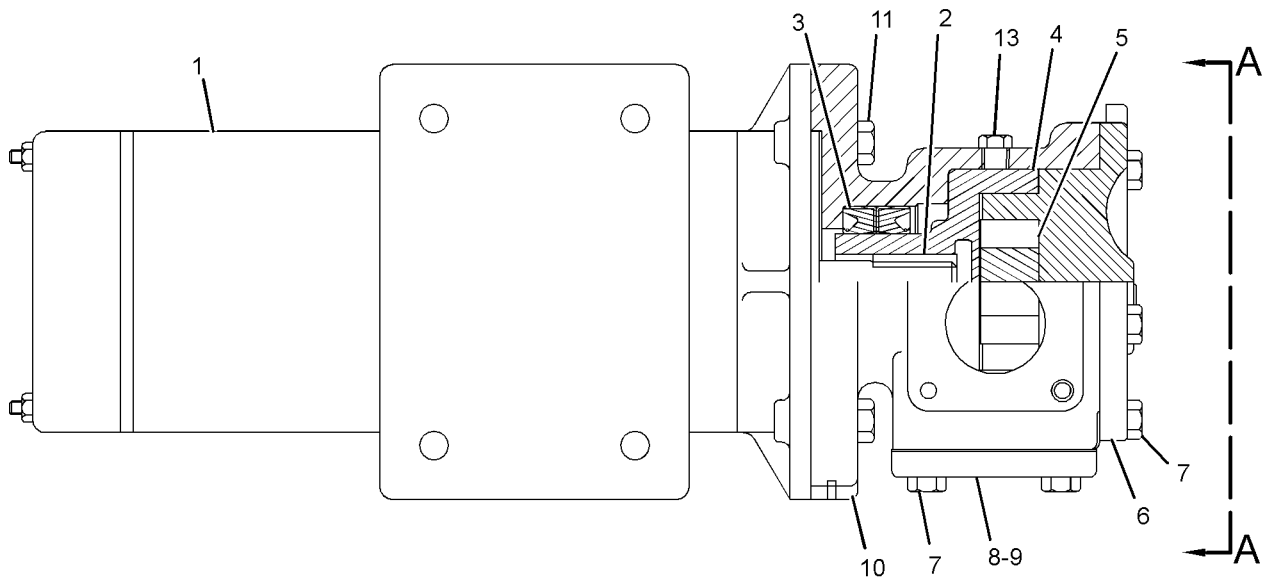
PART OF 244-1535, 249-5262 PUMP & LINES GP-PRELUBRICATION, 261-6795,  
280-4108 PUMP GP-PRELUBRICATION

AN ATTACHMENT

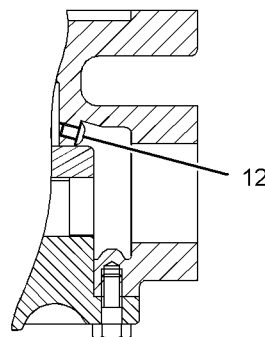
SMCS-1319

i02715916

NOTE	REF NO	GRAPHIC REF	PART NUMBER	QTY	PART NAME						SEE PAGE
					1	2	3	4	5	6 (PRODUCT LEVEL)	
	1	1	302-8728	1	MOTOR AS-PRELUBRICATION						
	2	1	008-8694	1	KEY						
	3	1	1H-5959	2	SEAL-LIP TYPE						
	4	1	6N-5595	1	ROTOR						
	5	1	2N-7523	1	IDLER AS (7-TEETH)						
	6	1	2N-7524	1	HEAD AS						
	7	1	0S-1617	9	BOLT (5/16-18X0.75-IN)						
	8	1	2N-7521	1	COVER						
	9	1	2N-7520	1	GASKET						
	10	1	5N-6668	1	HOUSING						
	11	1	0S-1588	4	BOLT (3/8-16X1.25-IN)						
	12	1	6D-3910	1	SCREW-BUTTON HEAD (10-32X0.25-IN)						
	13	1	5M-6214	2	PLUG-PIPE						



VIEW A-A



SECTION B-B

GRAPHIC #1

<END>

g01364349

# LUBRICATION SYSTEM

## 5N-6237 PUMP GP-SUMP

S/N: YAT1-UP

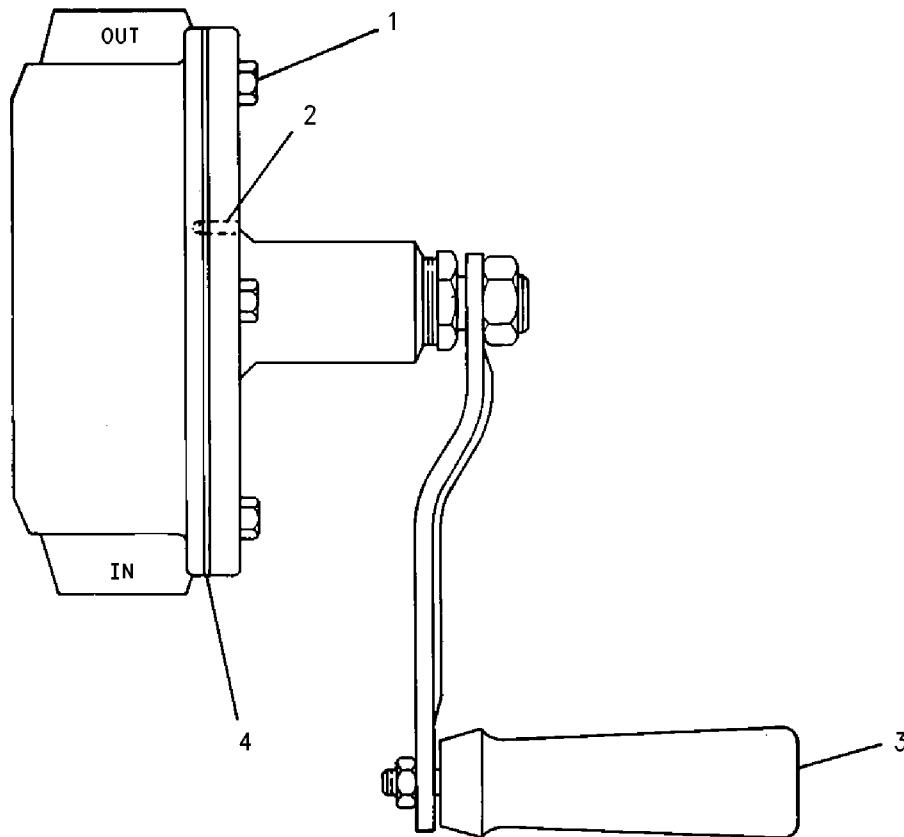
PART OF 197-7082 PUMP & LINES GP-PRELUBRICATION  
AN ATTACHMENT

SMCS-1324

i02656698

NOTE	REF NO	GRAPHIC REF	PART NUMBER	QTY	PART NAME						SEE PAGE
					1	2	3	4	5	6 (PRODUCT LEVEL)	
	1	1	2A-0762	6	BOLT (1/4-20X0.625-IN)						
	2	1	3N-3297	2	PIN-TAPERED						
	3	1	5N-6255	1	HANDLE AS						
B	4	1	3N-3299	1	GASKET SET (INCLUDES 4 GASKETS)						
AVAILABLE REPAIR KIT(S):											
			3N-3300	1	KIT-PUMP (SUMP)						
(INCLUDES VANE, SPRING, PACKING, NUT & GASKET)											

B-USE AS REQUIRED



GRAPHIC #1

<END>

g00621010



# LUBRICATION SYSTEM

## 5N-4659 REGULATOR GP-OIL LEVEL

S/N: YAT1-UP  
AN ATTACHMENT

SMCS-1334

i03167556

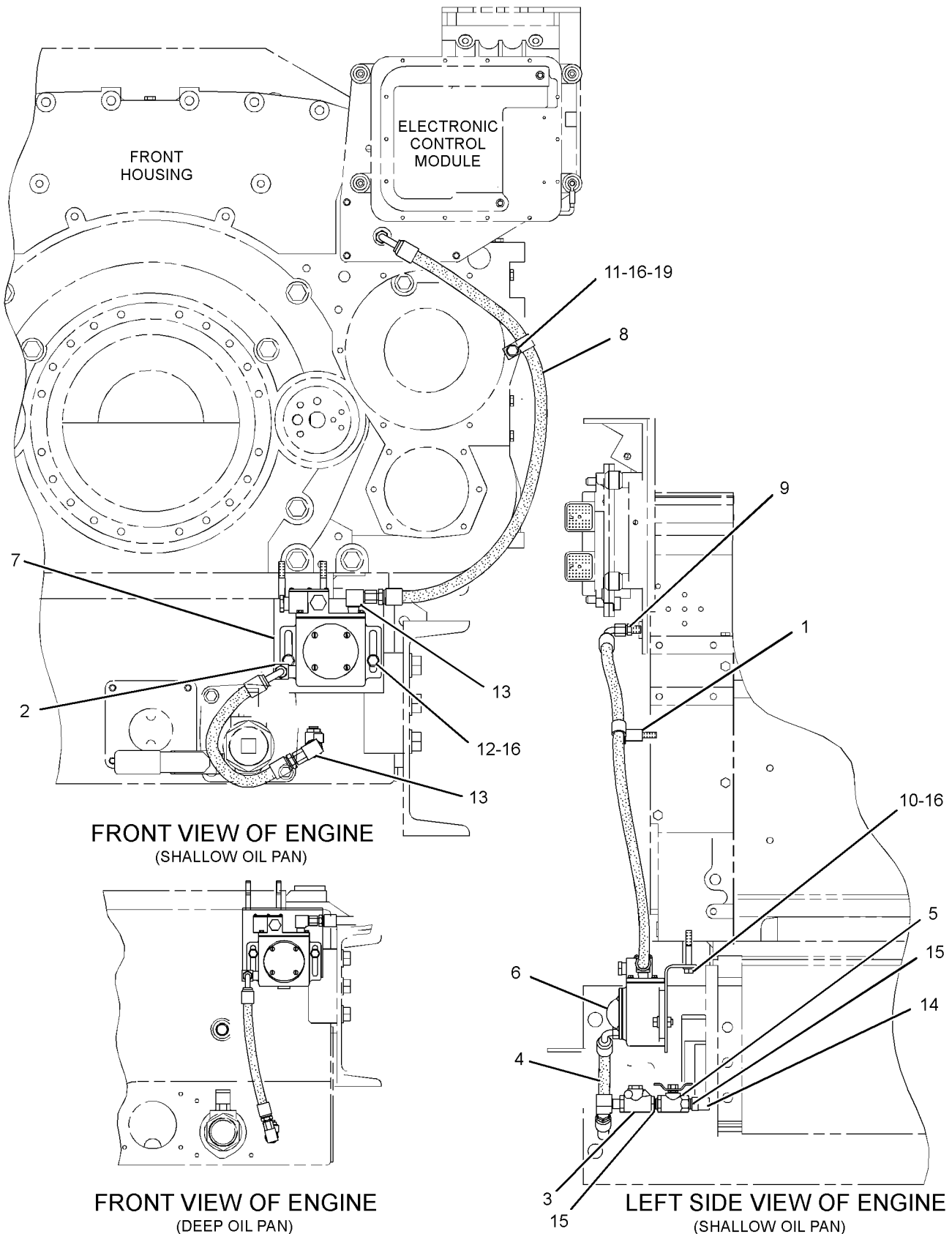
NOTE	REF NO	GRAPHIC REF	PART NUMBER	QTY	PART NAME	SEE PAGE
					1 2 3 4 5 6 (PRODUCT LEVEL)	
	1	1	<b>3L-6008</b>	1	SPACER (10.5X19X28.6-MM THK)	
	2	1	<b>7D-8793</b>	1	ELBOW-FLARED	
	3	1	<b>7W-4979</b>	1	VALVE-CHECK	
I	4	1	<b>113-9001</b>	1	HOSE AS	
	5	1	<b>169-7326</b>	1	VALVE-BALL (SHUTOFF, OIL)	
	6	1	<b>213-6133</b>	1	REGULATOR AS (ENGINE OIL LEVEL)	
	7	1	<b>214-3091</b>	1	BRACKET AS	
		1	<b>1F-0750</b>	2	NUT-WELD (3/8-16-THD)	
I	8	1	<b>216-8359</b>	1	HOSE AS	
	9	1	<b>032-1267</b>	1	CONNECTOR	
	10	1	<b>0L-1143</b>	2	BOLT (3/8-16X2.5-IN)	
	11	1	<b>0L-2070</b>	1	BOLT (3/8-16X2.25-IN)	
	12	1	<b>0S-1594</b>	2	BOLT (3/8-16X1-IN)	
C	13	1	<b>2N-8037</b>	2	ELBOW	
	14	1	<b>3B-7255</b>	1	BUSHING-REDUCING	
	15	1	<b>3B-7741</b>	2	FITTING	
	16	1	<b>5M-2894</b>	5	WASHER-HARD (10.2X18.5X2.5-MM THK)	
	19	1	<b>8M-2773</b>	1	CLIP	

C-CHANGE FROM PREVIOUS TYPE  
I-REFER TO HYDRAULIC INFORMATION SYSTEM

# LUBRICATION SYSTEM

5N-4659 REGULATOR GP-OIL LEVEL (contd.)

i03167556



GRAPHIC #1

<END>

g01435283

# LUBRICATION SYSTEM

## 7W-3816 VALVE GP-FLUID CONTROL-DUPLEX OIL

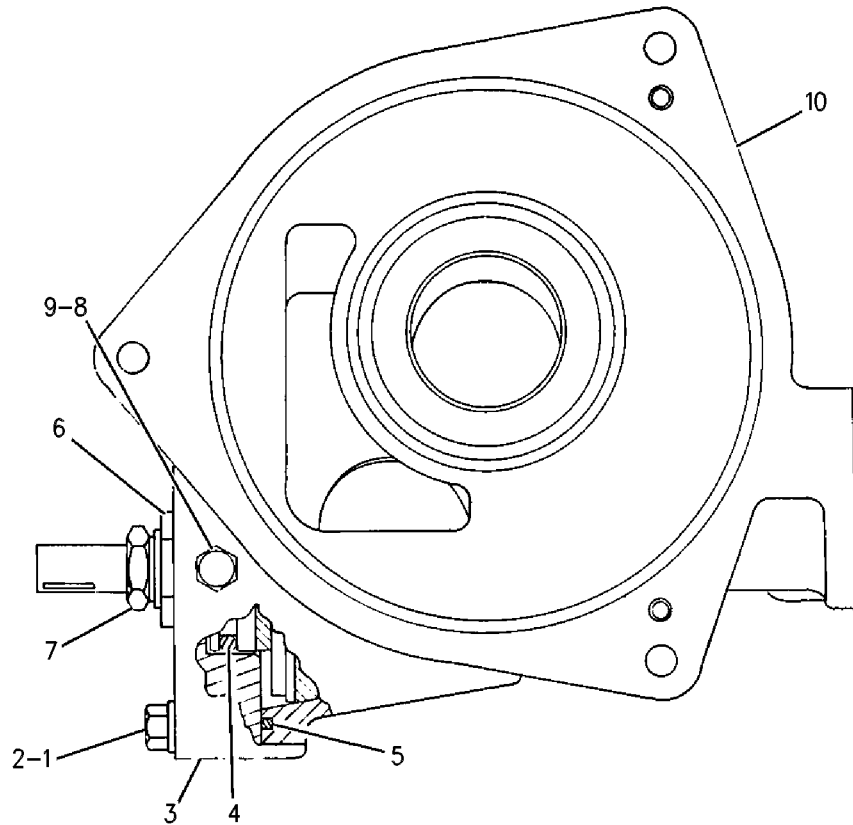
S/N: YAT1-UP

PART OF 120-4501 FILTER GP-ENGINE OIL  
AN ATTACHMENT

SMCS-7560

i02640558

NOTE	REF NO	GRAPHIC REF	PART NUMBER	QTY	PART NAME						SEE PAGE
					1	2	3	4	5	6 (PRODUCT LEVEL)	
	1	1	0S-1571	2	BOLT (3/8-16X1.75-IN)						
	2	1	5M-2894	2	WASHER-HARD (10.2X18.5X2.5-MM THK)						
	3	1	2W-0013	1	COVER AS						
		1	7S-2245	1	DOWEL						
		1	3H-2617	1	PIN-SPRING						
	4	1	9M-2610	1	SEAL-O-RING						
	5	1	5D-5957	1	SEAL-O-RING						
	6	1	3B-7329	1	NUT (1-14-THD)						
	7	1	5H-7225	1	NUT-RETAINER (1-11/16-THD)						
	8	1	9S-4182	1	PLUG-O RING						
	9	1	6V-5048	1	SEAL-O-RING						
	10	1	2W-9210	1	VALVE AS-OIL (DUPLEX)						
		1	4H-6996	1	PIN-SPRING						
		1	7N-2043	3	DOWEL						



GRAPHIC #1

<END>

g00623922

# LUBRICATION SYSTEM

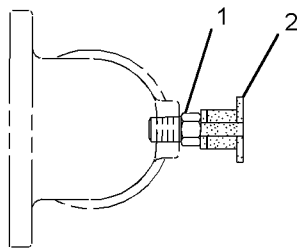
## 147-3738 VALVE GP-FLUID SAMPLING-OIL

S/N: YAT1-UP  
AN ATTACHMENT

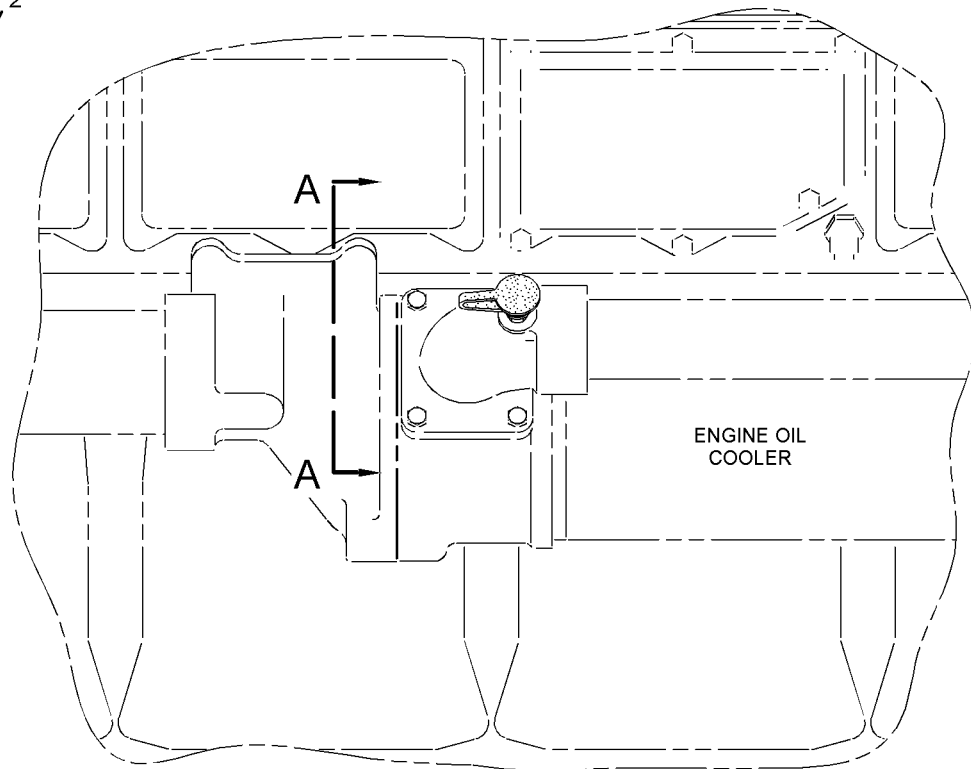
SMCS-7542

i02537914

NOTE	REF NO	GRAPHIC REF	PART NUMBER	QTY	PART NAME						SEE PAGE
					1	2	3	4	5	6 (PRODUCT LEVEL)	
	1	1	7X-3387	1	VALVE AS-FLUID SAMPLING (OIL COOLER)						
	2	1	8C-3445	1	CAP-DUST						



VIEW A-A



RIGHT SIDE VIEW OF ENGINE

GRAPHIC #1

<END>

g01284511

# COOLING SYSTEM

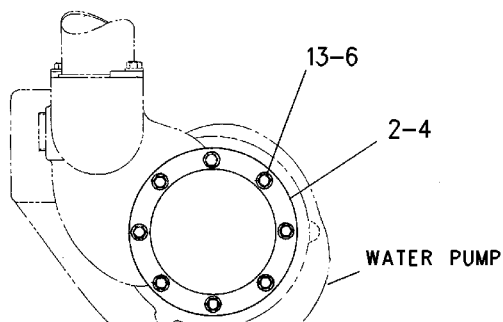
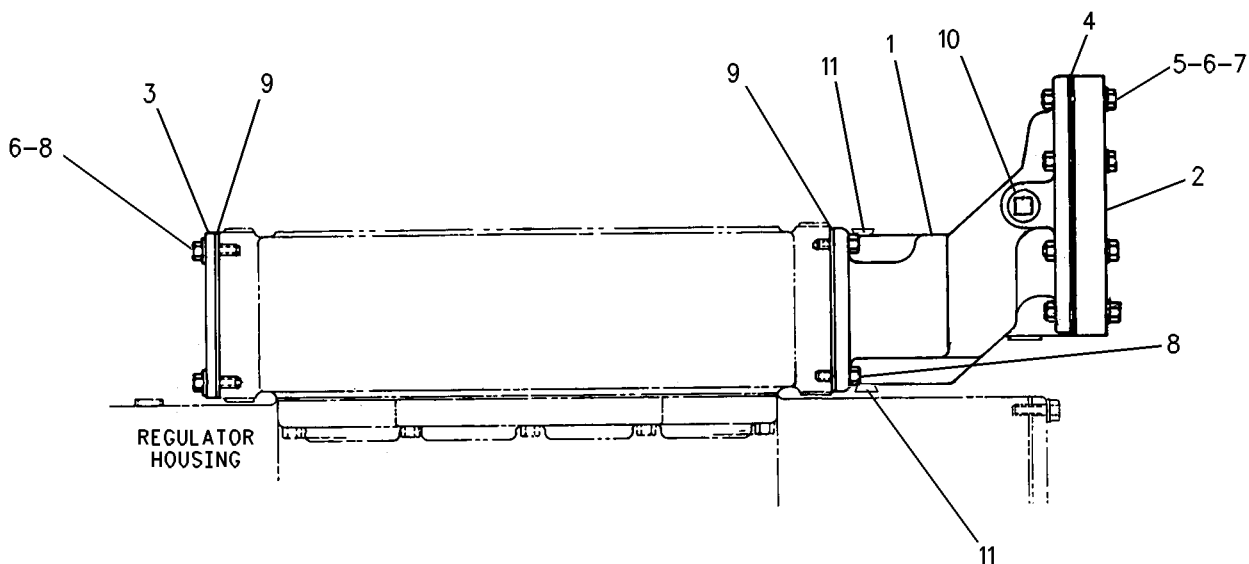
## 4P-7072 CONNECTION GP-WATER-OUTLET, LH

S/N: YAT1-UP  
AN ATTACHMENT

SMCS-1380

i02155557

NOTE	REF NO	GRAPHIC REF	PART NUMBER	QTY	PART NAME						SEE PAGE
					1	2	3	4	5	6 (PRODUCT LEVEL)	
	1	1	1W-2639	1	ADAPTER-EXCHANGER						
	2	1	7N-7009	2	FLANGE						
	3	1	7E-6017	1	COVER						
	4	1	1S-5772	2	GASKET						
	5	1	0S-1590	8	BOLT (3/8-16X2-IN)						
	6	1	5M-2894	20	WASHER-HARD (10.2X18.5X2.5-MM THK)						
	7	1	9S-8752	8	NUT-FULL (3/8-16-THD)						
	8	1	0S-1594	8	BOLT (3/8-16X1-IN)						
	9	1	7E-6016	2	GASKET						
	10	1	8T-6762	3	PLUG-PIPE						
	11	1	8T-6758	2	PLUG-PIPE						
	13	1	0S-1591	8	BOLT (3/8-16X1.5-IN)						



FRONT VIEW

GRAPHIC #1

<END>

g00988218

# COOLING SYSTEM

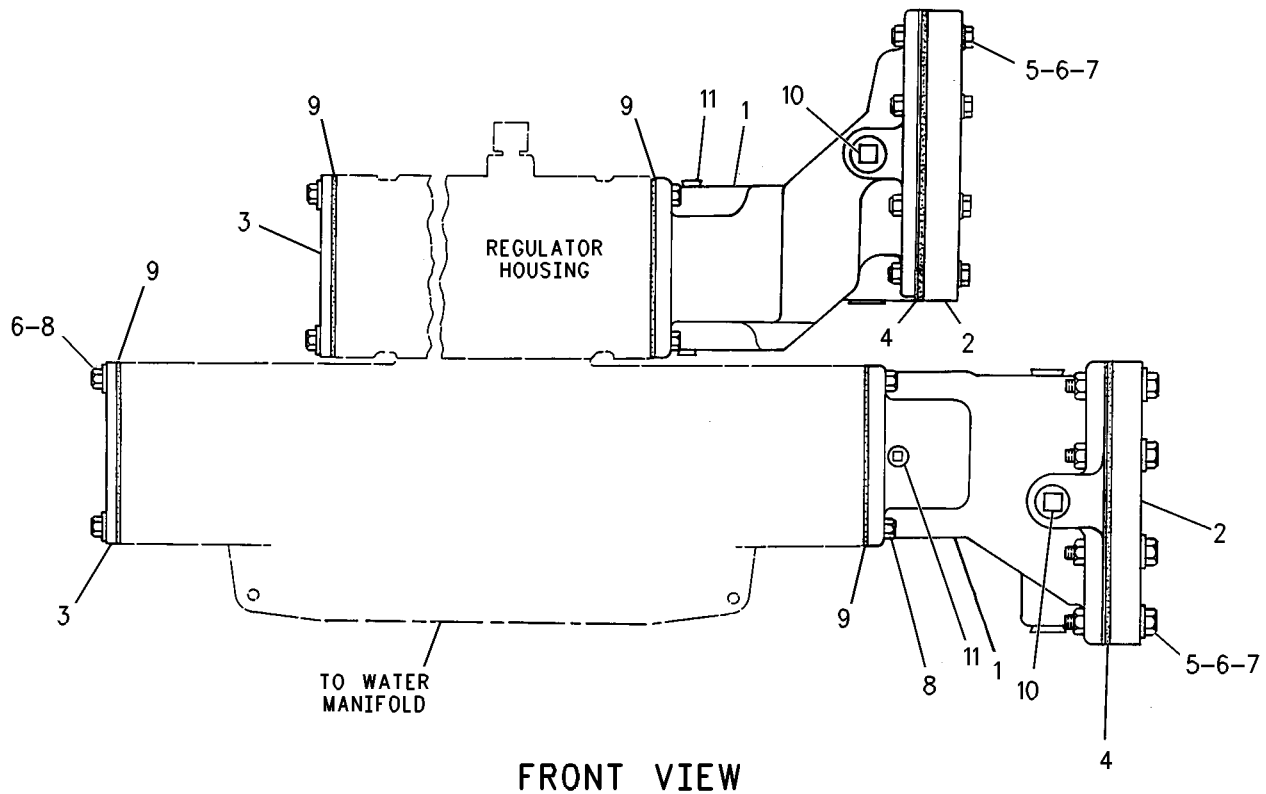
## 8N-8993 CONNECTION GP-WATER-INLET, LH

S/N: YAT1-UP  
AN ATTACHMENT

SMCS-1380

i02356688

NOTE	REF NO	GRAPHIC REF	PART NUMBER	QTY	PART NAME						SEE PAGE
					1	2	3	4	5	6 (PRODUCT LEVEL)	
	1	1	1W-2639	2	ADAPTER-EXCHANGER						
	2	1	7N-7009	2	FLANGE						
	3	1	7E-6017	2	COVER						
	4	1	1S-5772	2	GASKET						
	5	1	0S-1590	16	BOLT (3/8-16X2-IN)						
	6	1	5M-2894	24	WASHER-HARD (10.2X18.5X2.5-MM THK)						
	7	1	9S-8752	16	NUT-FULL (3/8-16-THD)						
	8	1	0S-1594	16	BOLT (3/8-16X1-IN)						
	9	1	7E-6016	4	GASKET						
	10	1	8T-6762	6	PLUG-PIPE						
	11	1	8T-6758	4	PLUG-PIPE						



GRAPHIC #1

<END>

g00863463

# COOLING SYSTEM

## 8N-9161 CONNECTION GP-WATER-OUTLET

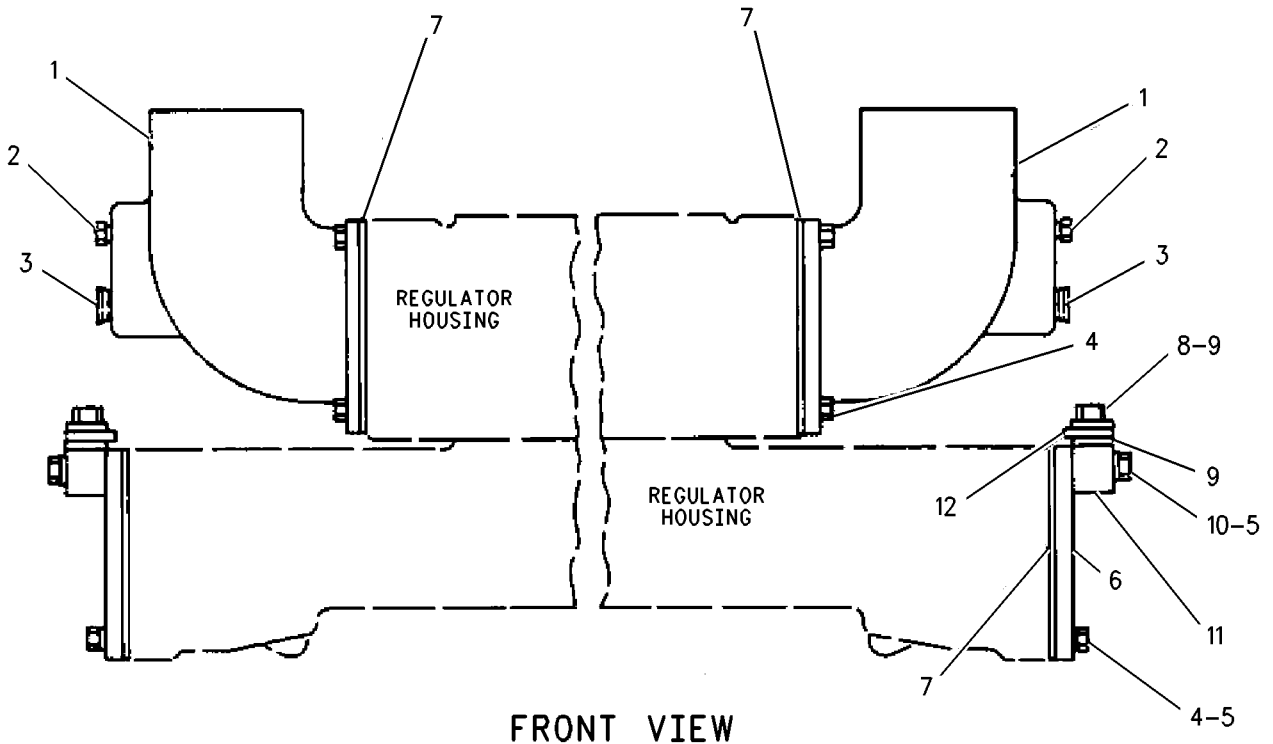
S/N: YAT1-UP

SMCS-1380

i02160305

NOTE	REF NO	GRAPHIC REF	PART NUMBER	QTY	PART NAME						SEE PAGE
					1	2	3	4	5	6 (PRODUCT LEVEL)	
C	1	1	7N-4930	2	ELBOW-OUTLET						
	2	1	8T-6765	2	PLUG-PIPE						
	3	1	8T-6762	2	PLUG-PIPE						
	4	1	0S-1594	12	BOLT (3/8-16X1-IN)						
C	5	1	5M-2894	8	WASHER-HARD (10.2X18.5X2.5-MM THK)						
	6	1	7E-6017	2	COVER						
	7	1	7E-6016	4	GASKET						
	8	1	0S-1585	2	BOLT (1/2-13X1.5-IN)						
	9	1	5P-1076	4	WASHER-HARD (13.5X30X4-MM THK)						
	10	1	0S-1590	4	BOLT (3/8-16X2-IN)						
	11	1	2W-4334	2	BAR						
	12	1	7E-6334	2	PLATE						

C-CHANGE FROM PREVIOUS TYPE



GRAPHIC #1

<END>

g00865253

# COOLING SYSTEM

## 236-8821 CONNECTION GP-WATER-LH

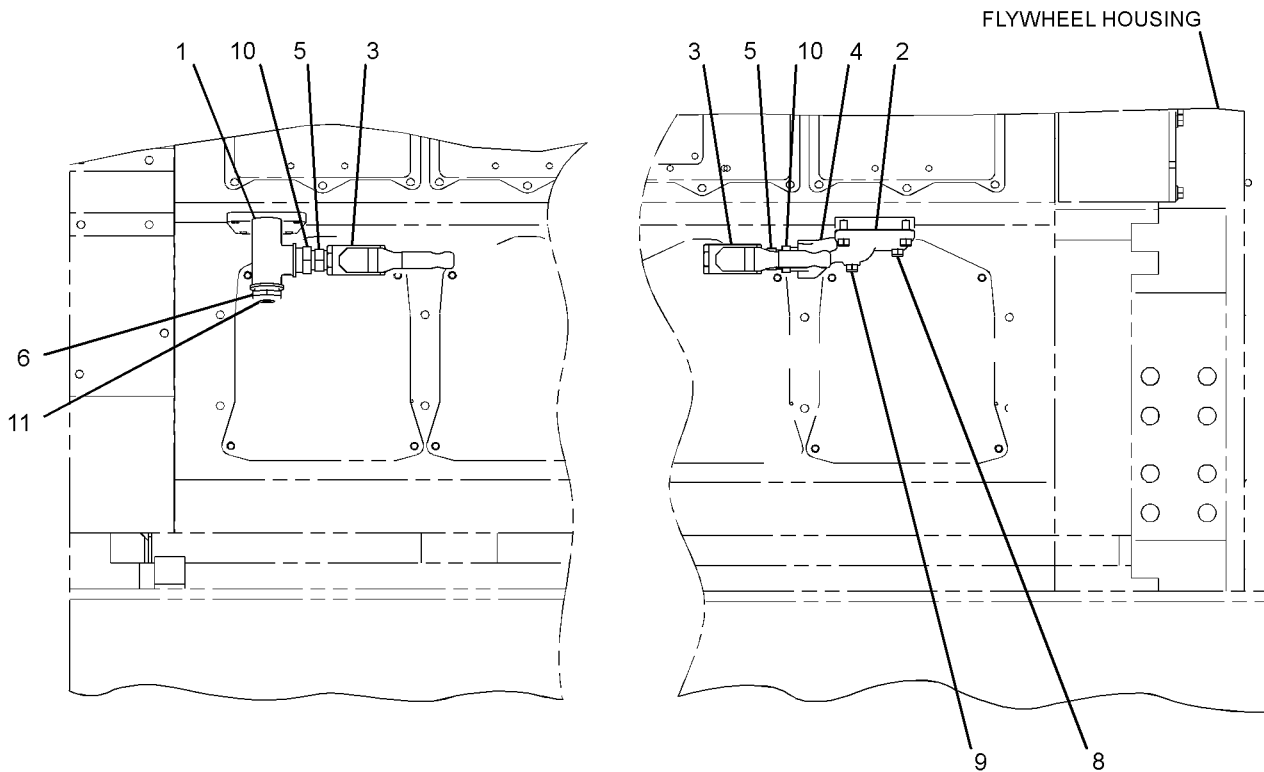
S/N: YAT1-UP

FOR USE WITH JACKET WATER HEATER WITH CIRCULATION PUMP  
AN ATTACHMENT

SMCS-1380

i02684174

NOTE	REF NO	GRAPHIC REF	PART NUMBER	QTY	PART NAME						SEE PAGE
					1	2	3	4	5	6 (PRODUCT LEVEL)	
	1	1	1L-4031	1	TEE-SERVICE						
	2	1	7N-4945	1	GASKET						
	3	1	8C-1358	2	VALVE-BALL						
	4	1	8N-8550	1	ELBOW						
	5	1	004-7270	2	FITTING-PIPE						
	6	1	118-1656	1	BUSHING-REDUCER						
	8	1	4L-6454	3	BOLT (3/8-16X1-IN)						
	9	1	5S-7383	1	BOLT (3/8-16X1.75-IN)						
	10	1	6B-9081	2	BUSHING-REDUCING						
	11	1	8T-6762	1	PLUG-PIPE						



LEFT SIDE VIEW

GRAPHIC #1

<END>

g01350330



# COOLING SYSTEM

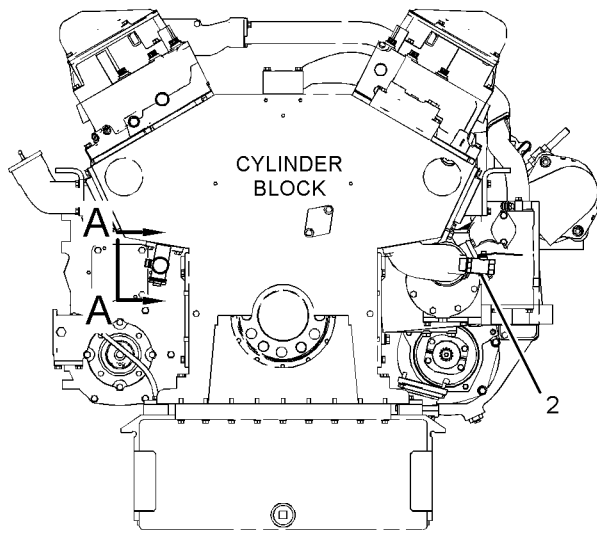
## 313-5252 CONNECTION GP-WATER

S/N: YAT1-UP  
AN ATTACHMENT

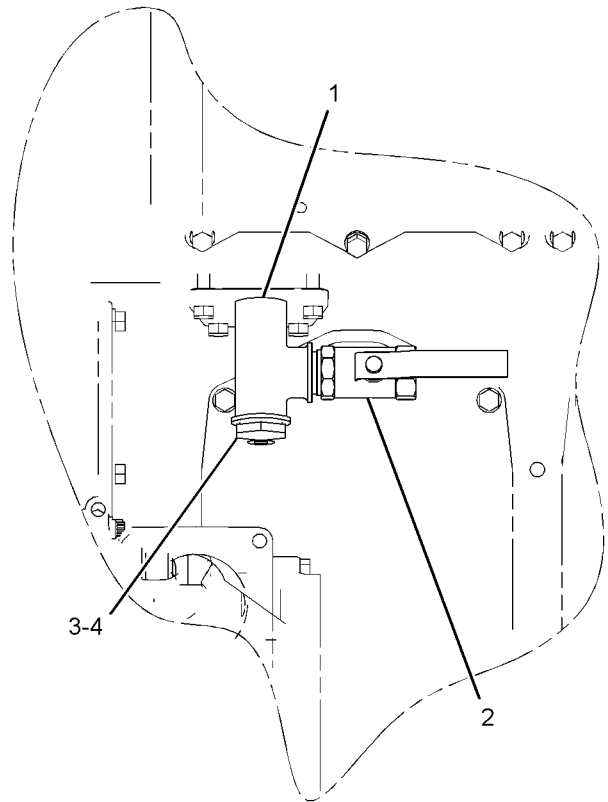
SMCS - 1380

i03346980

NOTE	REF NO	GRAPHIC REF	PART NUMBER	QTY	PART NAME						SEE PAGE
					1	2	3	4	5	6 (PRODUCT LEVEL)	
	1	1	1L-4031	1	TEE-SERVICE						
	2	1	196-9420	2	VALVE-BALL						
	3	1	118-1656	1	BUSHING-REDUCER						
	4	1	8T-6762	1	PLUG-PIPE						



REAR VIEW OF ENGINE



VIEW A-A

GRAPHIC #1

<END>

g01759974

# COOLING SYSTEM

## 4W-5891 COOLER GP-ENGINE OIL

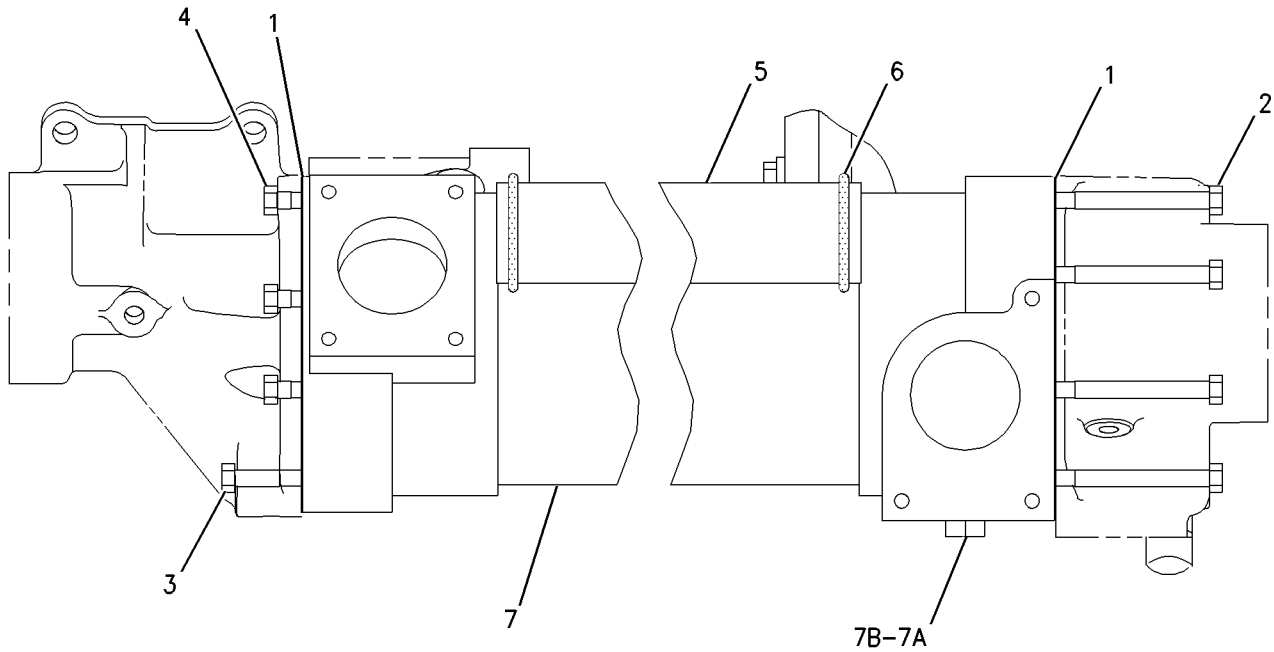
S/N: YAT1-UP

SMCS-1378

i02046622

NOTE	REF NO	GRAPHIC REF	PART NUMBER	QTY	PART NAME						SEE PAGE
					1	2	3	4	5	6 (PRODUCT LEVEL)	
	1	1	247-3796	2	GASKET						
	2	1	8S-9191	8	BOLT (3/8-16X4-IN)						
	3	1	0S-1590	2	BOLT (3/8-16X2-IN)						
	4	1	1A-2029	6	BOLT (3/8-16X1.125-IN)						
	5	1	7W-1930	1	TUBE						
	6	1	109-2332	2	SEAL-O-RING						
R	7	1	4W-5405	1	CORE GP-OIL COOLER						
	7A	1	9S-4185	1	PLUG-O RING						
	7B	1	8L-2786	1	SEAL-O-RING						

R-REMFG PART MAY BE AVAILABLE



GRAPHIC #1

<END>

g00838163

# COOLING SYSTEM

## 7W-5639 FAN GP-BLOWER

S/N: YAT1-UP

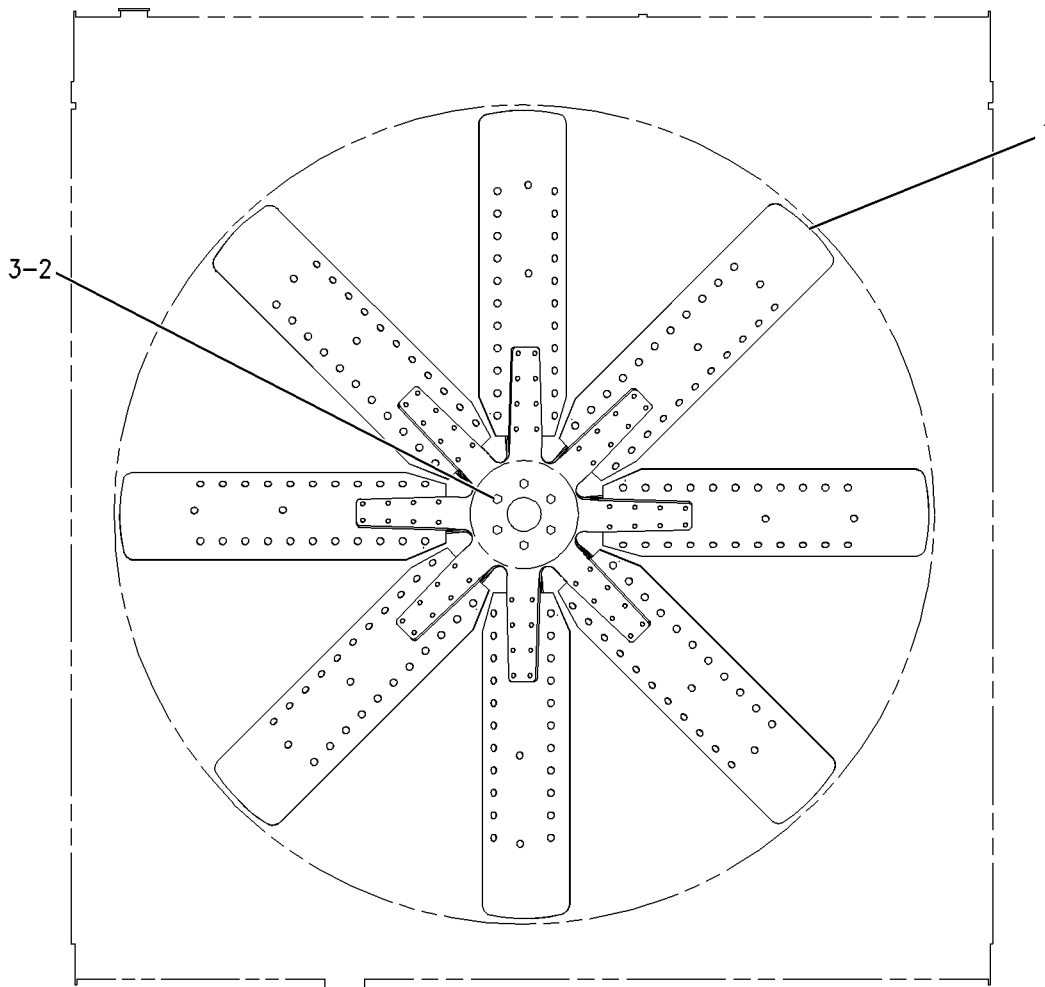
1829-MM DIAMETER. STANDARD ROTATION

FOR USE WITH ENGINE MOUNTED FAN DRIVE AND FOLDED CORE RADIATOR  
AN ATTACHMENT

SMCS-1356, 1360

i02233252

NOTE	REF NO	GRAPHIC REF	PART NUMBER	QTY	PART NAME						SEE PAGE
					1	2	3	4	5	6 (PRODUCT LEVEL)	
	1	1	115-1783	1	SPIDER AS-FAN (8-BLADE)						
	2	1	8T-4835	6	BOLT (1/2-13X2-IN)						
	3	1	8T-4223	6	WASHER-HARD (13.5X25.5X3-MM THK)						



GRAPHIC #1

<END>

g00651053

# COOLING SYSTEM

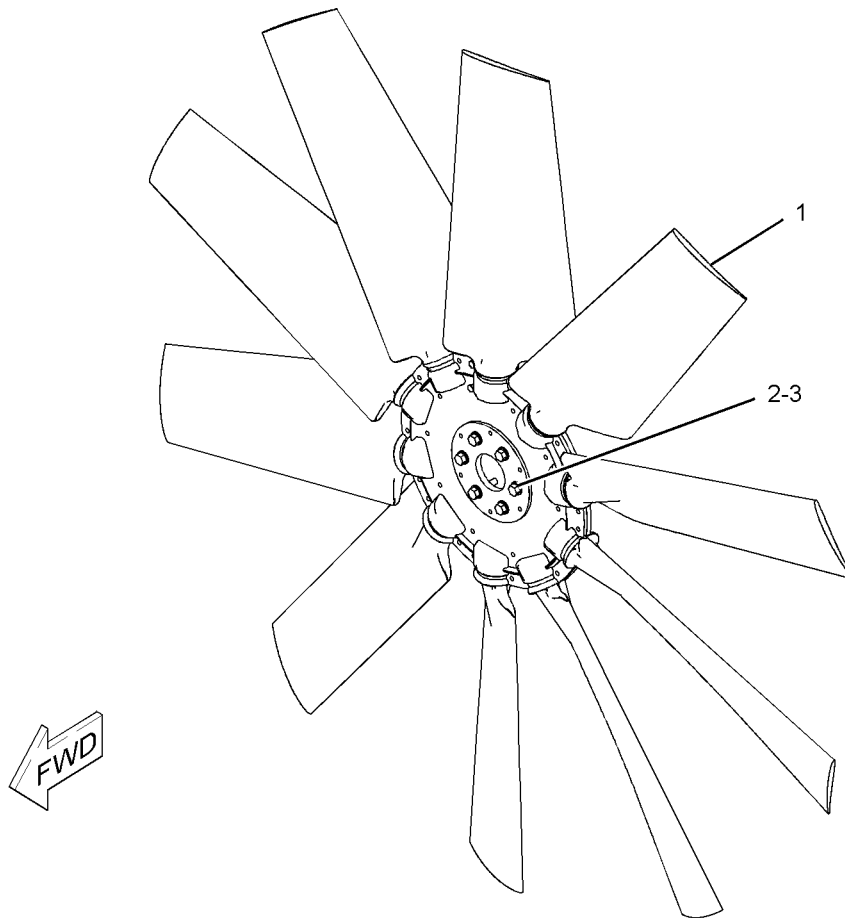
## 235-2324 FAN GP-BLOWER

S/N: YAT1-UP  
AN ATTACHMENT

SMCS-1356, 1360

i02179264

NOTE	REF NO	GRAPHIC REF	PART NUMBER	QTY	PART NAME						SEE PAGE
					1	2	3	4	5	6 (PRODUCT LEVEL)	
	1	1	242-4251	1	FAN AS (10-BLADE)						
	2	1	8T-4223	6	WASHER-HARD (13.5X25.5X3-MM THK)						
	3	1	8T-4835	6	BOLT (1/2-13X2-IN)						



GRAPHIC #1

<END>

g01084947

# COOLING SYSTEM

## 254-0038 FAN GP-BLOWER

S/N: YAT1-UP

PART OF 252-9877 RADIATOR GP  
AN ATTACHMENT

SMCS-1356, 1360

i03202477

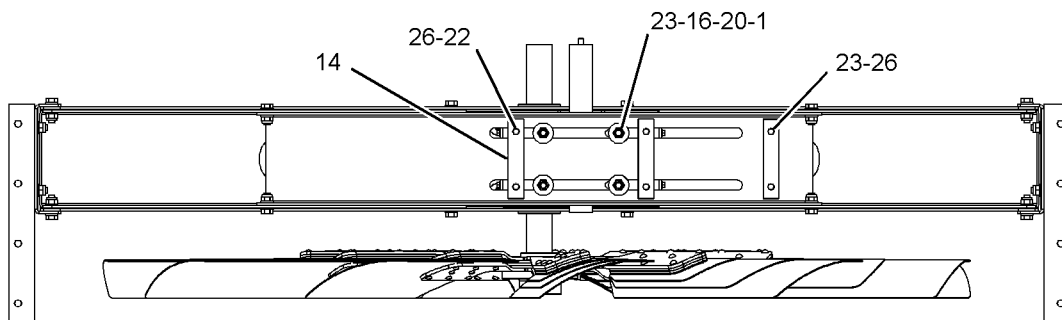
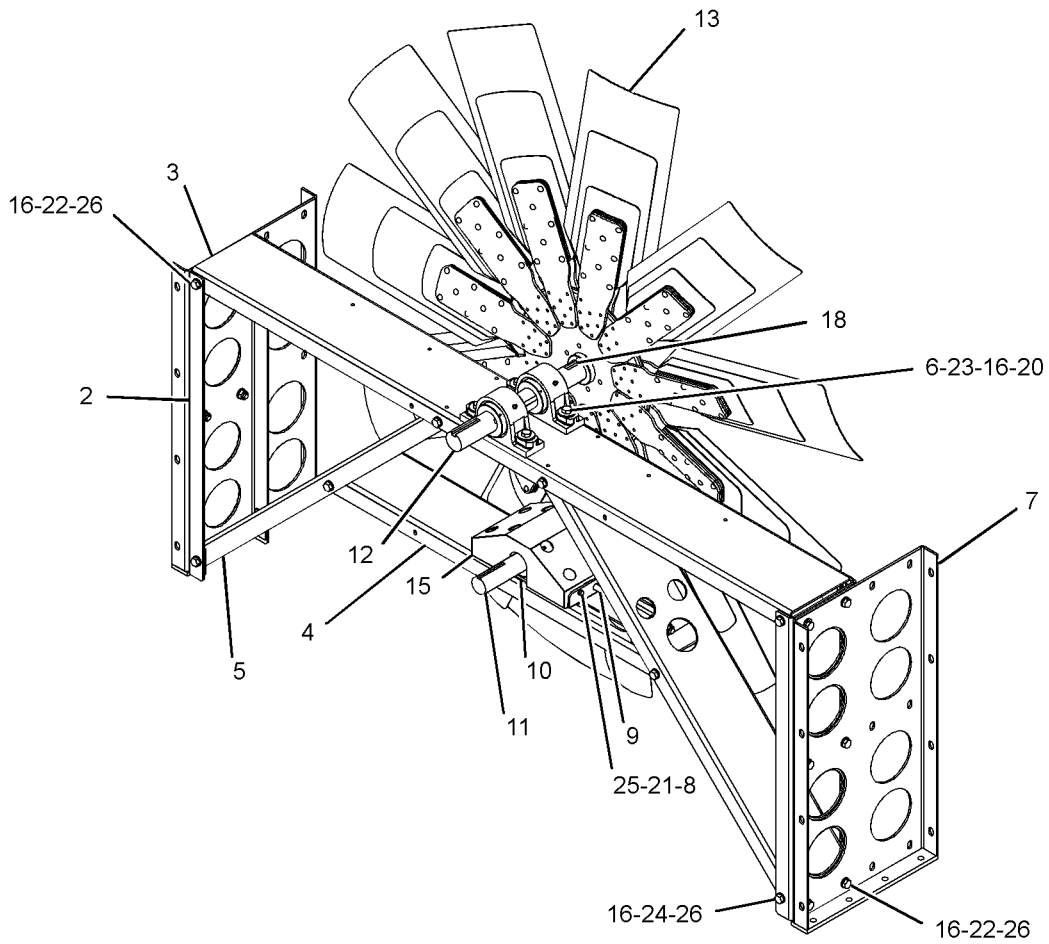
NOTE	REF NO	GRAPHIC REF	PART NUMBER	QTY	PART NAME						SEE PAGE
					1	2	3	4	5	6 (PRODUCT LEVEL)	
	1	1	1P-6313	4	BUSHING-TERMINAL						
	2	1	254-0012	2	CHANNEL AS						
	3	1	254-0016	1	CHANNEL						
	4	1	254-0018	1	CHANNEL (IDLER)						
	5	1	254-0023	2	SUPPORT						
	6	1	254-0024	2	BEARING-PILLOW						
	7	1	254-0026	2	CHANNEL AS						
	8	1	254-0029	1	BASE AS (IDLER)						
	9	1	254-0040	1	ROD AS						
	10	1	254-0044	2	BEARING-PILLOW						
	11	1	254-0046	1	SHAFT-IDLER						
	12	1	254-0050	1	SHAFT-FAN						
	13	1	254-0051	1	FAN AS (11-BLADE)						
	14	1	254-3333	3	BLOCK						
	15	1	254-3334	1	GUARD AS (IDLER)						
M	16	1	176-5311	36	LOCKNUT (M16X2-THD)						
	18	1	1K-3341	1	KEY						
	20	1	3V-9244	16	WASHER (16.5X50X5-MM THK)						
	21	1	4M-0061	4	BOLT (5/16-18X0.75-IN)						
M	22	1	7X-2553	28	BOLT (M16X2X40-MM)						
M	23	1	7X-2555	10	BOLT (M16X2X80-MM)						
M	24	1	8T-4193	4	BOLT (M16X2X50-MM)						
	25	1	8T-4224	4	WASHER-HARD (8.8X16X2-MM THK)						
	26	1	9X-8257	62	WASHER (17.5X30X3.5-MM THK)						

M-METRIC PART

# COOLING SYSTEM

254-0038 FAN GP-BLOWER (contd.)

i03202477



BOTTOM VIEW

GRAPHIC #1

<END>

g01753174

# COOLING SYSTEM

## 9Y-7822 FLANGE GP-RADIATOR-DUCT

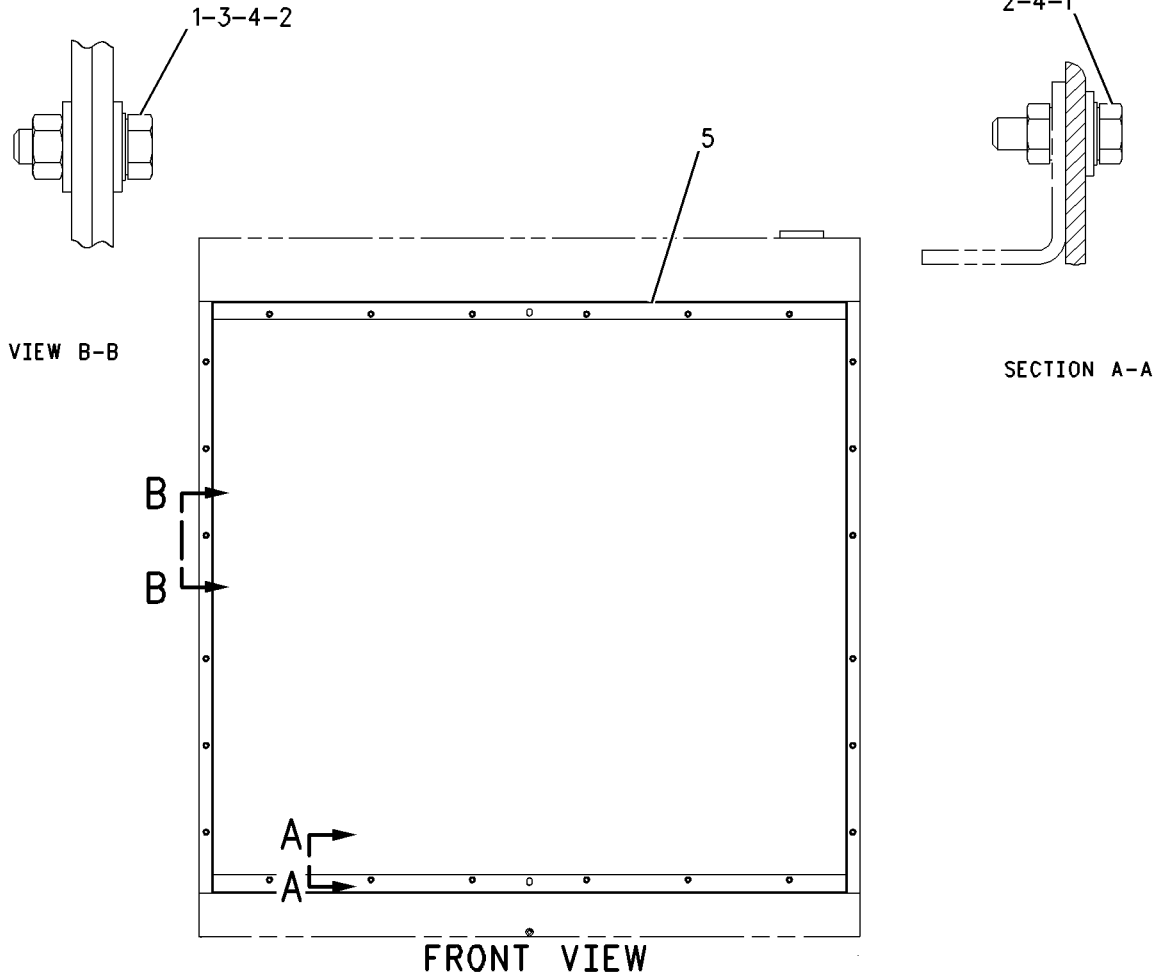
S/N: YAT1-UP

FOR USE WITH 46-SQ FOOT CONVENTIONAL RADIATOR  
AN ATTACHMENT

SMCS-1353

i02288781

NOTE	REF NO	GRAPHIC REF	PART NUMBER	QTY	PART NAME						SEE PAGE
					1	2	3	4	5	6 (PRODUCT LEVEL)	
	1	1	<b>8C-6561</b>	24	BOLT (5/16-18X1.375-IN)						
	2	1	<b>5P-4116</b>	36	WASHER-HARD (8.8X20.5X2-MM THK)						
	3	1	<b>6V-8189</b>	12	NUT (5/16-18-THD)						
	4	1	<b>7H-3937</b>	24	LOCKWASHER						
	5	1	<b>9Y-7823</b>	1	FLANGE AS-RADIATOR						



GRAPHIC #1

<END>

g00671150

# COOLING SYSTEM

## 252-8801 GAUGE GP-COOLANT LEVEL

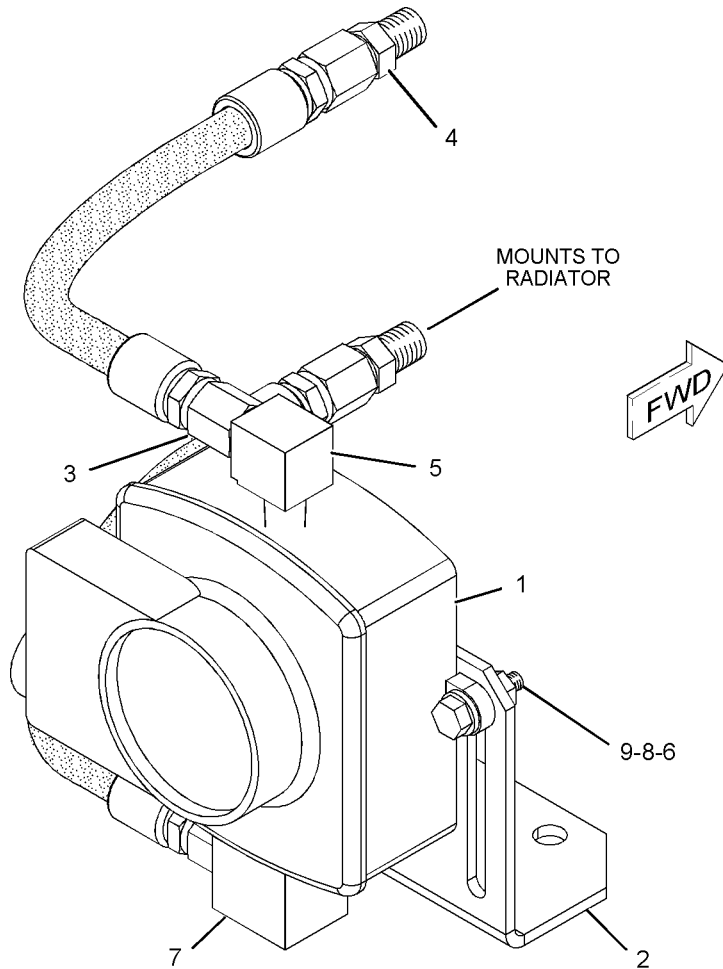
S/N: YAT1-UP

FOR USE WITH SINGLE CIRCUIT CORE RADIATOR  
AN ATTACHMENT

SMCS-7470

i02071175

NOTE	REF NO	GRAPHIC REF	PART NUMBER	QTY	PART NAME						SEE PAGE
					1	2	3	4	5	6 (PRODUCT LEVEL)	
	1	1	2N-9768	1	SWITCH-LIQUID LEVEL (COOLANT)						
	2	1	252-8803	1	BRACKET						
	3	1	252-8842	2	HOSE AS						
	4	1	032-1267	2	CONNECTOR						
	5	1	032-1268	1	ELBOW-FLARED						
	6	1	6V-8185	2	NUT (1/4-20-THD)						
	7	1	7D-8793	1	ELBOW-FLARED						
	8	1	8T-4205	4	WASHER-HARD (7.2X14.5X2-MM THK)						
	9	1	8T-8908	2	BOLT (1/4-20X1-IN)						



GRAPHIC #1

<END>

g01085717



# COOLING SYSTEM

## 252-8802 GAUGE GP-COOLANT LEVEL

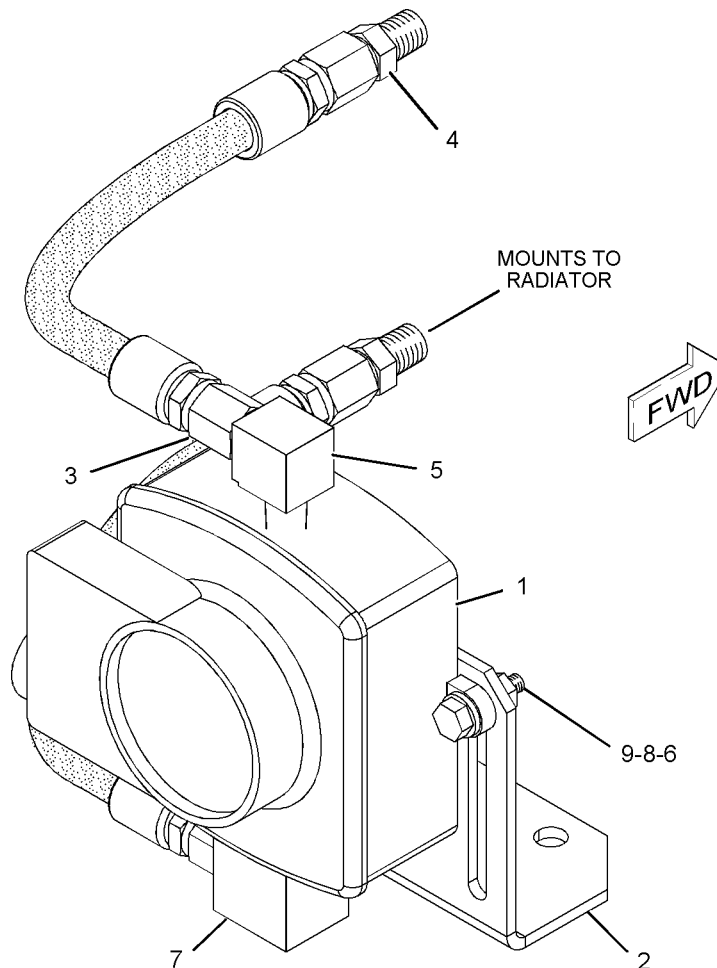
S/N: YAT1-UP

FOR USE WITH DUAL CIRCUIT CORE RADIATOR  
AN ATTACHMENT

SMCS-7470

i02086985

NOTE	REF NO	GRAPHIC REF	PART NUMBER	QTY	PART NAME						SEE PAGE
					1	2	3	4	5	6 (PRODUCT LEVEL)	
	1	1	2N-9768	2	SWITCH-LIQUID LEVEL (COOLANT)						
	2	1	252-8803	2	BRACKET						
	3	1	252-8842	4	HOSE AS						
	4	1	032-1267	4	CONNECTOR						
	5	1	032-1268	2	ELBOW-FLARED						
	6	1	6V-8185	4	NUT (1/4-20-THD)						
	7	1	7D-8793	2	ELBOW-FLARED						
	8	1	8T-4205	8	WASHER-HARD (7.2X14.5X2-MM THK)						
	9	1	8T-8908	4	BOLT (1/4-20X1-IN)						



GRAPHIC #1

<END>

g01085717

# COOLING SYSTEM

## 235-2325 GUARD GP-FAN

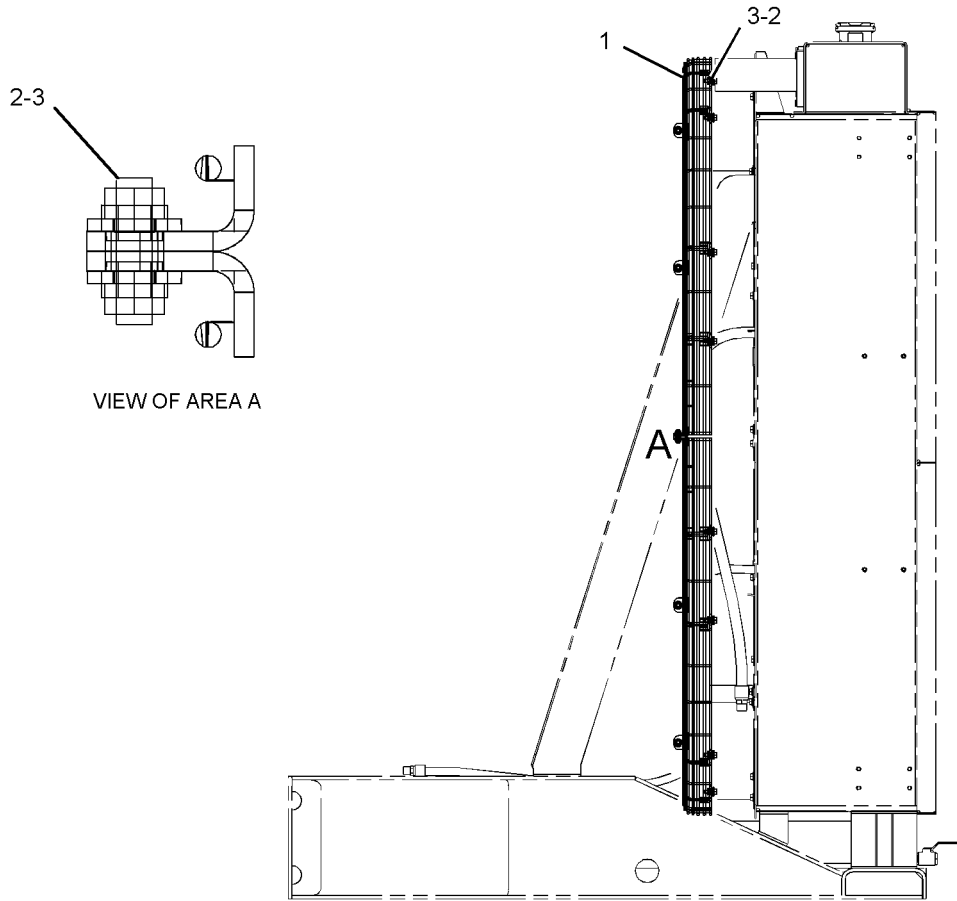
S/N: YAT1-UP

PART OF 249-0301 RADIATOR GP  
AN ATTACHMENT

SMCS-1360

i02179270

NOTE	REF NO	GRAPHIC REF	PART NUMBER	QTY	PART NAME						SEE PAGE
					1	2	3	4	5	6 (PRODUCT LEVEL)	
	1	1	224-8476	4	GUARD AS-FAN						
					(EACH INCLUDES)						
		1	1F-0750	6	NUT-WELD (3/8-16-THD)						
		1	6N-8599	2	CLIP						
	2	1	4L-6454	24	BOLT (3/8-16X1-IN)						
	3	1	5P-1075	24	WASHER-HARD (10.2X22.5X3-MM THK)						



RIGHT SIDE VIEW

<END>

GRAPHIC #1

g01103015

# COOLING SYSTEM

## 257-1738 GUARD GP-FAN

S/N: YAT1-UP

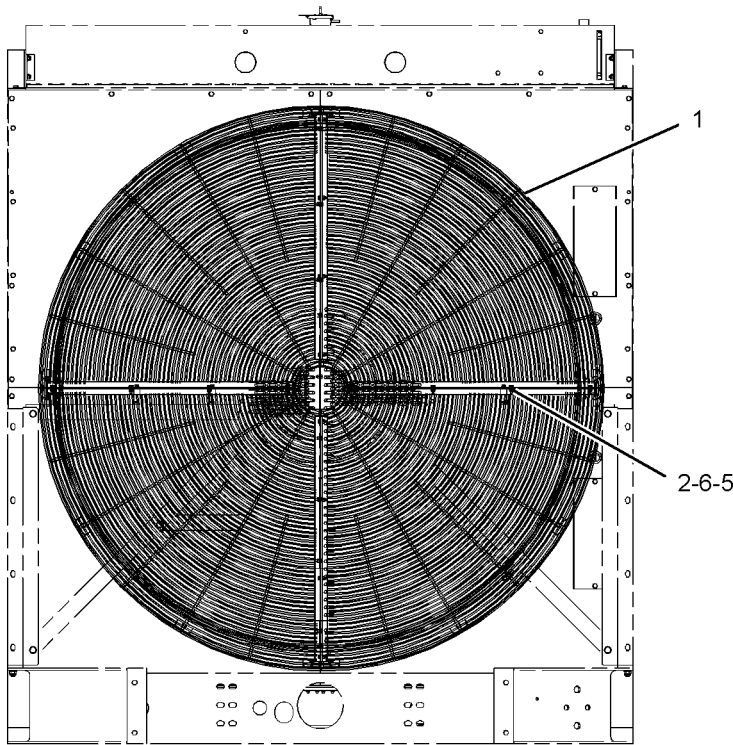
PART OF 252-9877 RADIATOR GP  
AN ATTACHMENT

SMCS-1360

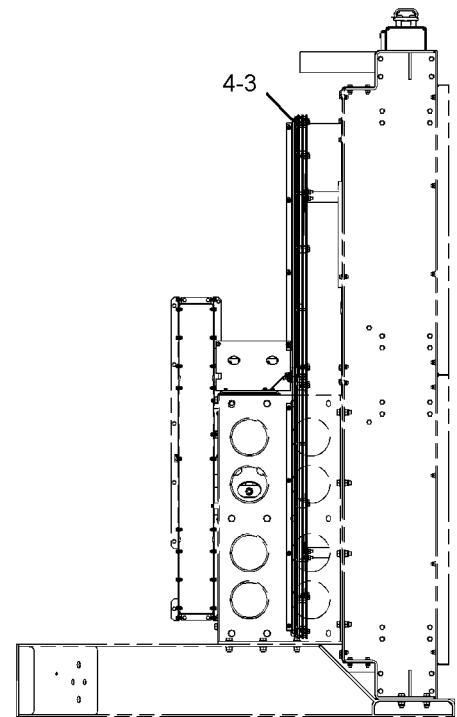
i02219253

NOTE	REF NO	GRAPHIC REF	PART NUMBER	QTY	PART NAME						SEE PAGE
					1	2	3	4	5	6 (PRODUCT LEVEL)	
	1	1	<b>254-0043</b>	4	GUARD AS-FAN						
M	2	1	<b>131-3540</b>	16	LOCKNUT (M8X1.25 THD)						
	3	1	<b>8T-4121</b>	16	WASHER-HARD (11X21X2.5-MM THK)						
M	4	1	<b>8T-4195</b>	16	BOLT (M10X1.5X30-MM)						
	5	1	<b>8T-4224</b>	32	WASHER-HARD (8.8X16X2-MM THK)						
M	6	1	<b>8T-4908</b>	16	BOLT (M8X1.25X25-MM)						

M-METRIC PART



REAR VIEW



RIGHT SIDE VIEW

GRAPHIC #1

<END>

g01123533

# COOLING SYSTEM

## 247-7108 GUARD GP-RADIATOR

S/N: YAT1-UP

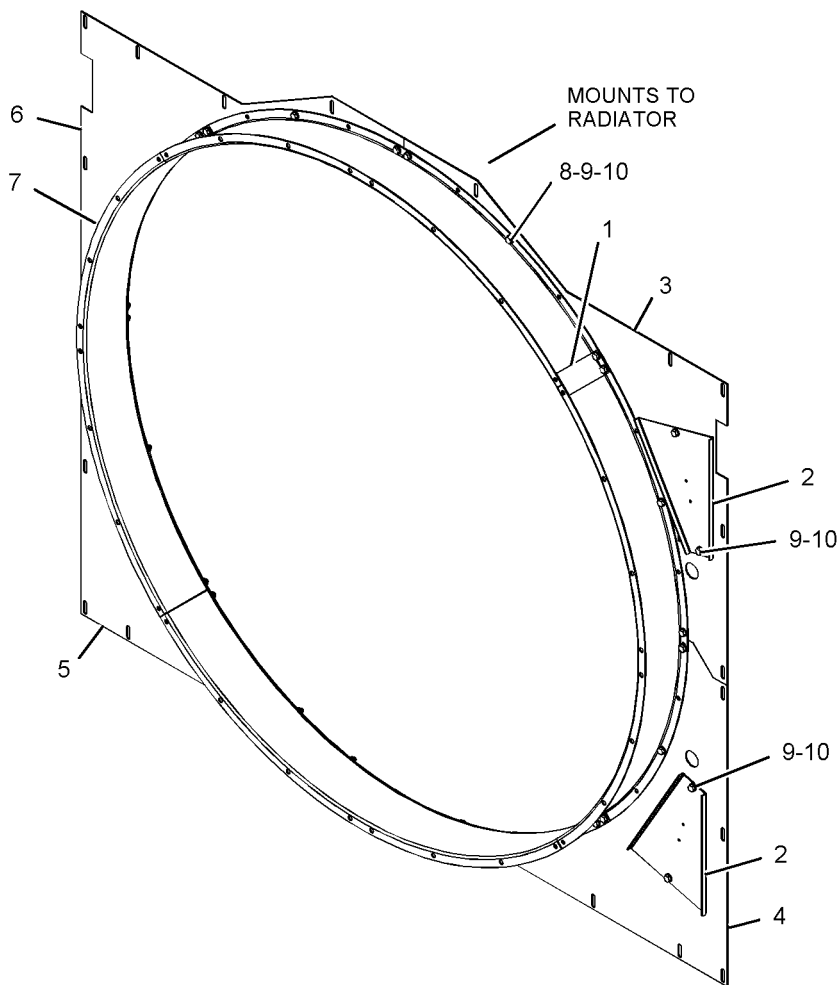
PART OF 235-2315 RADIATOR GP  
AN ATTACHMENT

SMCS-7155

i02108533

NOTE	REF NO	GRAPHIC REF	PART NUMBER	QTY	PART NAME						SEE PAGE
					1	2	3	4	5	6 (PRODUCT LEVEL)	
	1	1	246-8674	4	RING						
	2	1	246-8675	2	PLATE AS						
	3	1	247-7109	1	SHROUD						
	4	1	247-7110	1	SHROUD						
	5	1	247-7111	1	SHROUD						
	6	1	247-7112	1	SHROUD						
	7	1	247-7113	4	RING-SHROUD						
M	8	1	8T-0389	24	LOCKNUT (M10X1.5-THD)						
	9	1	8T-4121	28	WASHER-HARD (11X21X2.5-MM THK)						
M	10	1	8T-4136	28	BOLT (M10X1.5X25-MM)						

M-METRIC PART



GRAPHIC #1

<END>

g01073978

# COOLING SYSTEM

## 254-0033 GUARD GP-RADIATOR

S/N: YAT1-UP

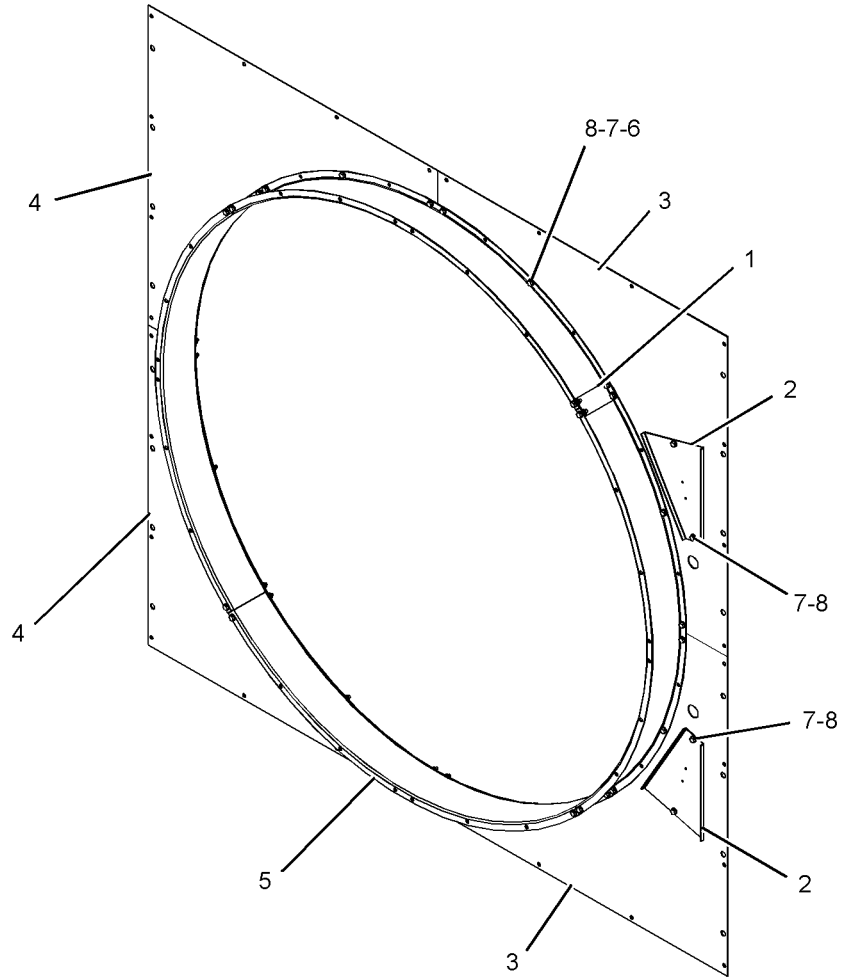
PART OF 252-9877 RADIATOR GP  
AN ATTACHMENT

SMCS-7155

i02225672

NOTE	REF NO	GRAPHIC REF	PART NUMBER	QTY	PART NAME						SEE PAGE
					1	2	3	4	5	6 (PRODUCT LEVEL)	
	1	1	246-8674	4	RING						
	2	1	246-8675	2	PLATE AS						
	3	1	254-0034	2	SHROUD						
	4	1	254-0035	2	SHROUD						
	5	1	254-0036	4	RING						
M	6	1	8T-0389	32	LOCKNUT (M10X1.5-THD)						
	7	1	8T-4121	68	WASHER-HARD (11X21X2.5-MM THK)						
M	8	1	8T-4195	36	BOLT (M10X1.5X30-MM)						

M-METRIC PART



GRAPHIC #1

<END>

g01123526

# COOLING SYSTEM

## 256-6897 GUARD GP-RADIATOR

S/N: YAT1-UP

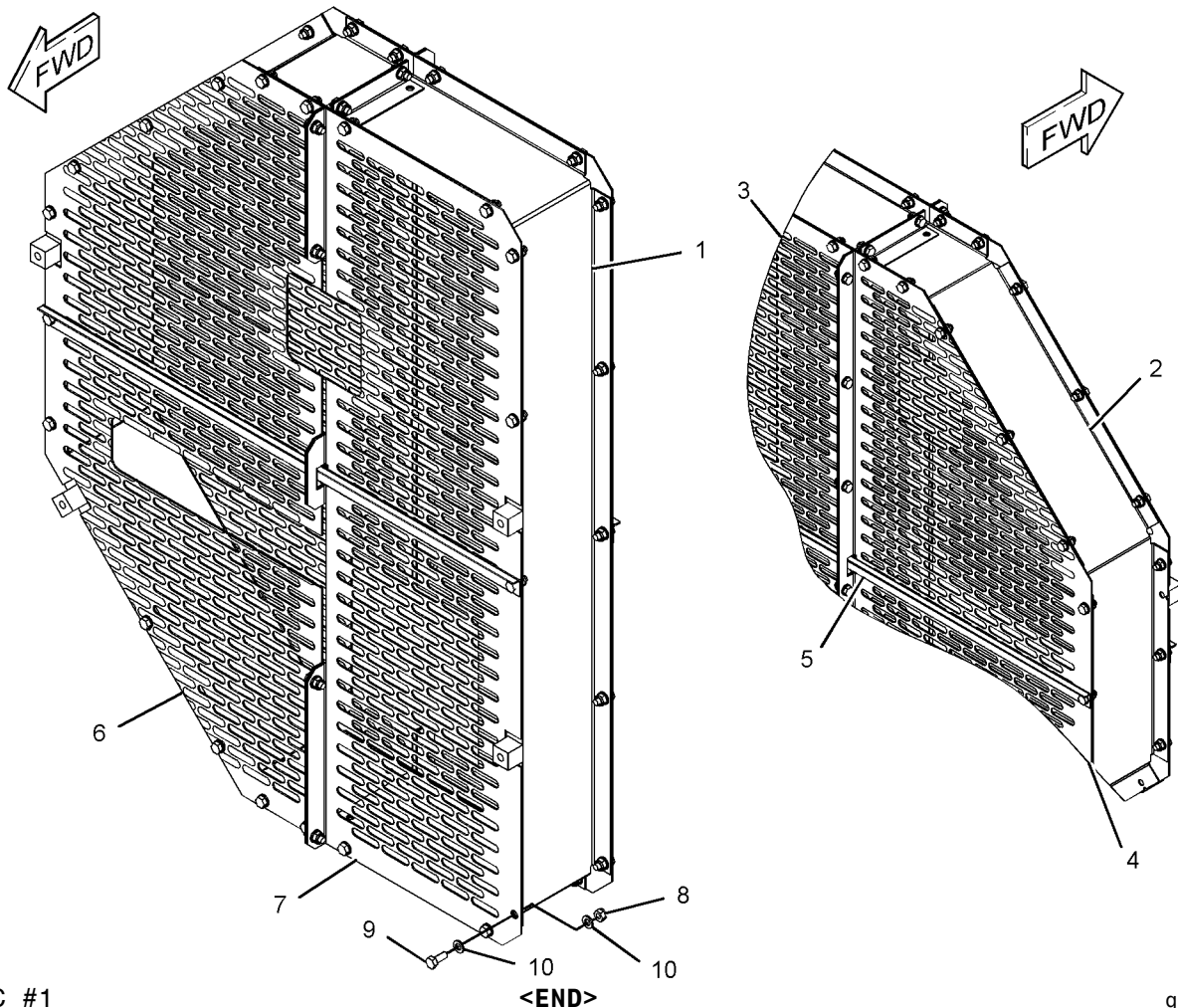
PART OF 256-6852 RADIATOR GP  
AN ATTACHMENT

SMCS-7155

i02321689

NOTE	REF NO	GRAPHIC REF	PART NUMBER	QTY	PART NAME						SEE PAGE
					1	2	3	4	5	6 (PRODUCT LEVEL)	
	1	1	256-6898	1	GUARD AS (SHEAVE)						
	2	1	256-6899	1	GUARD AS (SHEAVE)						
	3	1	256-6902	1	GUARD						
	4	1	256-6903	1	GUARD						
	5	1	256-6905	2	SUPPORT - GUARD						
	6	1	256-6906	1	GUARD						
	7	1	256-6907	1	GUARD						
M	8	1	131-3540	56	LOCKNUT (M8X1.25-THD)						
M	9	1	8T-4189	56	BOLT (M8X1.25X20-MM)						
	10	1	8T-4224	112	WASHER-HARD (8.8X16X2-MM THK)						

M-METRIC PART



GRAPHIC #1

<END>

g01160957

# COOLING SYSTEM

## 274-9356 GUARD GP-RADIATOR

S/N: YAT1-UP

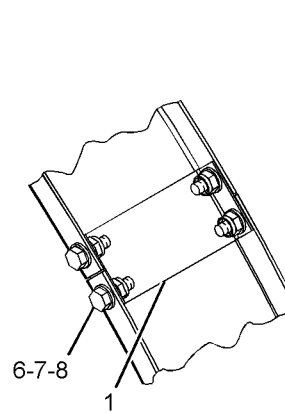
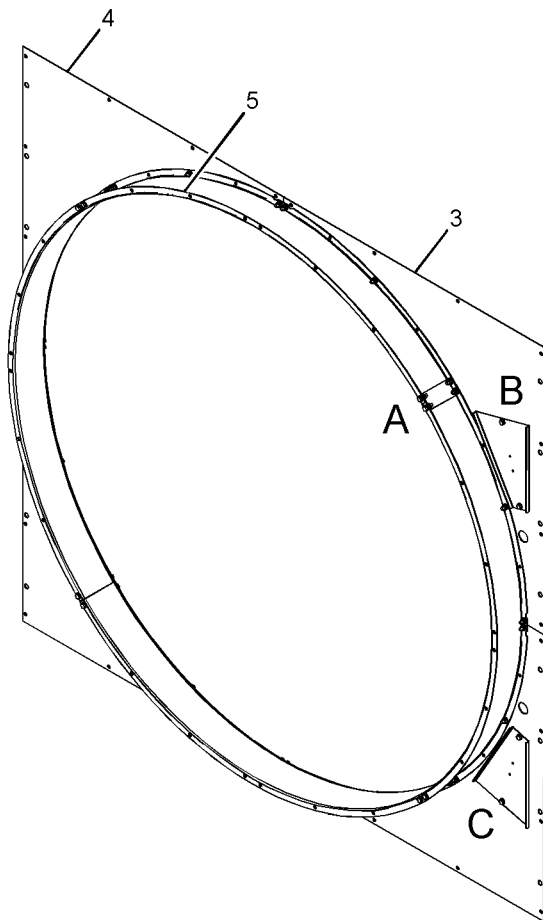
PART OF 273-3811 RADIATOR GP  
FOR USE WITH STACK 60-RADIATOR  
AN ATTACHMENT

SMCS-7155

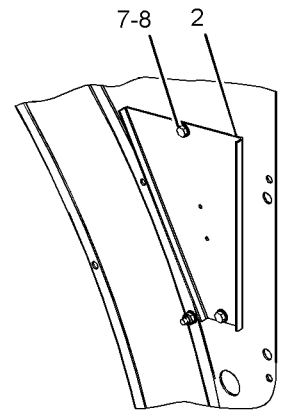
i02402731

NOTE	REF NO	GRAPHIC REF	PART NUMBER	QTY	PART NAME						SEE PAGE
					1	2	3	4	5	6 (PRODUCT LEVEL)	
	1	1	246-8674	4	RING						
	2	1	246-8675	2	PLATE AS						
	3	1	274-9357	2	SHROUD						
	4	1	274-9358	2	SHROUD						
	5	1	274-9359	4	RING						
M	6	1	8T-0389	32	LOCKNUT (M10X1.15-THD)						
	7	1	8T-4121	68	WASHER-HARD (11X21X2.5-MM THK)						
M	8	1	8T-4195	36	BOLT (M10X1.5X30-MM)						

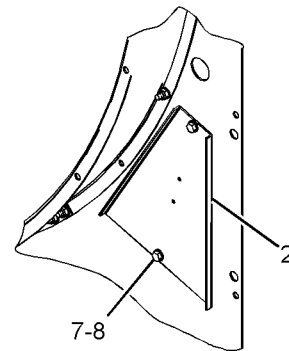
M-METRIC PART



VIEW OF AREA A



VIEW OF AREA B



VIEW OF AREA C

GRAPHIC #1

<END>

g01240962

# COOLING SYSTEM

## 3N-8888 HEAT EXCHANGER GP-SEA WATER

S/N: YAT1-UP

54-SQ FT COOLING AREA

PART OF 3N-8889 HEAT EXCHANGER GP-SEA WATER

AN ATTACHMENT

SMCS-1379

i02712653

NOTE	REF NO	GRAPHIC REF	PART NUMBER	QTY	PART NAME						SEE PAGE
					1	2	3	4	5	6 (PRODUCT LEVEL)	
	1	1	6L-2286	9	PLUG-PIPE						
	1A	1	6L-2284	9	ROD-ZINC (HEAT EXCHANGER)						
	2	1	2W-4875	2	BRACKET AS						
	3	1	3N-9610	1	BONNET						
	4	1	3N-9626	1	SHELL AS						
	5	1	6L-2279	4	PLUG-PIPE						
C	6	1	6L-2282	2	PLUG-PIPE						
	7	1	7L-0487	1	GASKET						
	8	1	8L-4952	1	GASKET						
	9	1	8L-4955	1	BONNET-RETURN						
B	10	1	8L-9767	48	SHIM (0.015-IN THK)						
	11	1	293-0007	1	CORE AS (HEAT EXCHANGER)						
	12	1	0T-0320	12	BOLT (7/16-14X1.25-IN)						
	13	1	0T-0768	12	BOLT (7/16-14X1.75-IN)						
	14	1	1H-1200	1	PIN-SPRING						
	15	1	3B-4506	4	LOCKWASHER						
	16	1	3B-4507	24	LOCKWASHER						
	17	1	3N-9606	2	U-BOLT						
	18	1	7L-0486	1	SEAL-RUBBER						
	19	1	9S-8752	4	NUT-FULL (3/8-16-THD)						

B-USE AS REQUIRED

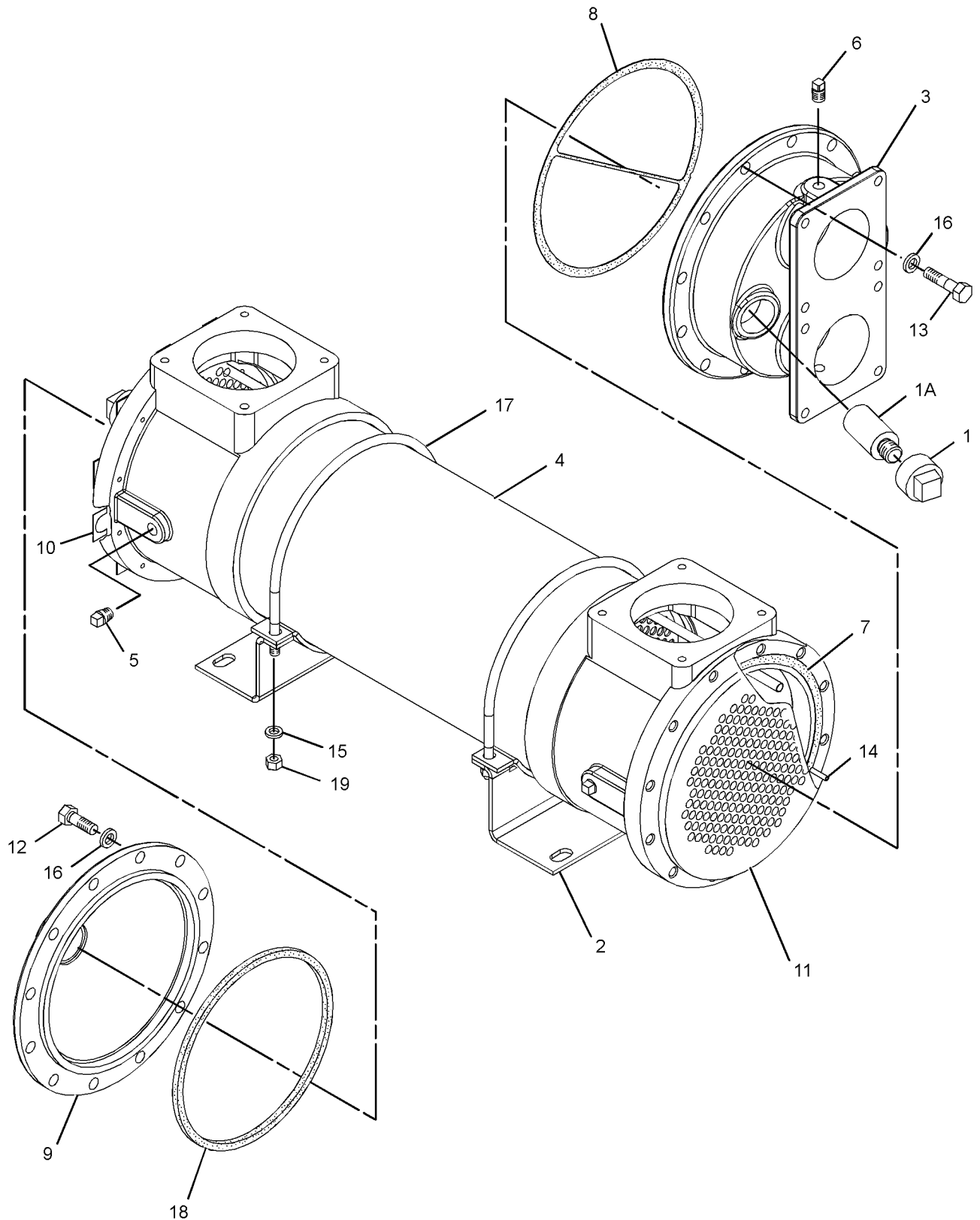
C-CHANGE FROM PREVIOUS TYPE



# COOLING SYSTEM

3N-8888 HEAT EXCHANGER GP-SEA WATER (contd.)

i02712653



GRAPHIC #1

<END>

g01364512

# COOLING SYSTEM

## 3N-8889 HEAT EXCHANGER GP-SEA WATER

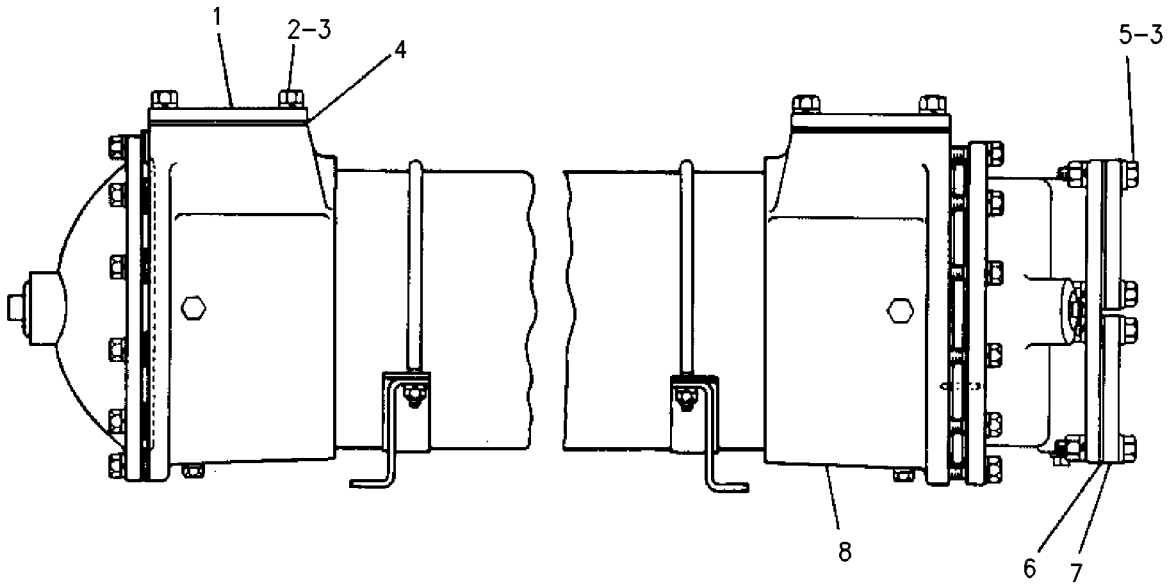
S/N: YAT1-UP  
54-SQ FT COOLING AREA  
AN ATTACHMENT

SMCS-1379

i02327530

NOTE	REF NO	GRAPHIC REF	PART NUMBER	QTY	PART NAME						SEE PAGE
					1	2	3	4	5	6 (PRODUCT LEVEL)	
	1	1	4N-9720	2	FLANGE						
	2	1	9B-7237	8	BOLT (3/8-16X1.25-IN)						
	3	1	8T-4896	24	WASHER-HARD (10.2X18.5X2.5-MM THK)						
	4	1	4L-3862	2	GASKET						
	5	1	5S-7383	8	BOLT (3/8-16X1.75-IN)						
		1	6V-8801	8	NUT (3/8-16 THD)						
	6	1	9M-1289	2	GASKET						
	7	1	2N-8263	2	FLANGE						
Y	8	1	3N-8888	1	HEAT EXCHANGER GP-SEA WATER						164

Y-SEPARATE ILLUSTRATION



GRAPHIC #1

<END>

g00619398

# COOLING SYSTEM

## 3N-8890 HEAT EXCHANGER GP-SEA WATER

S/N: YAT1-UP

72-SQ FT COOLING AREA

PART OF 3N-8891 HEAT EXCHANGER GP-SEA WATER

AN ATTACHMENT

SMCS-1379

i03022398

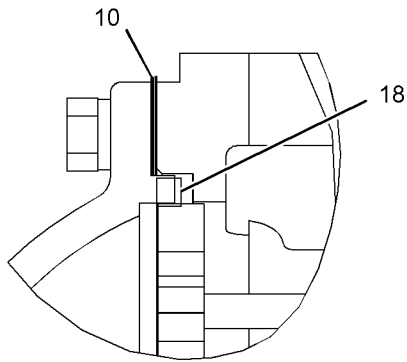
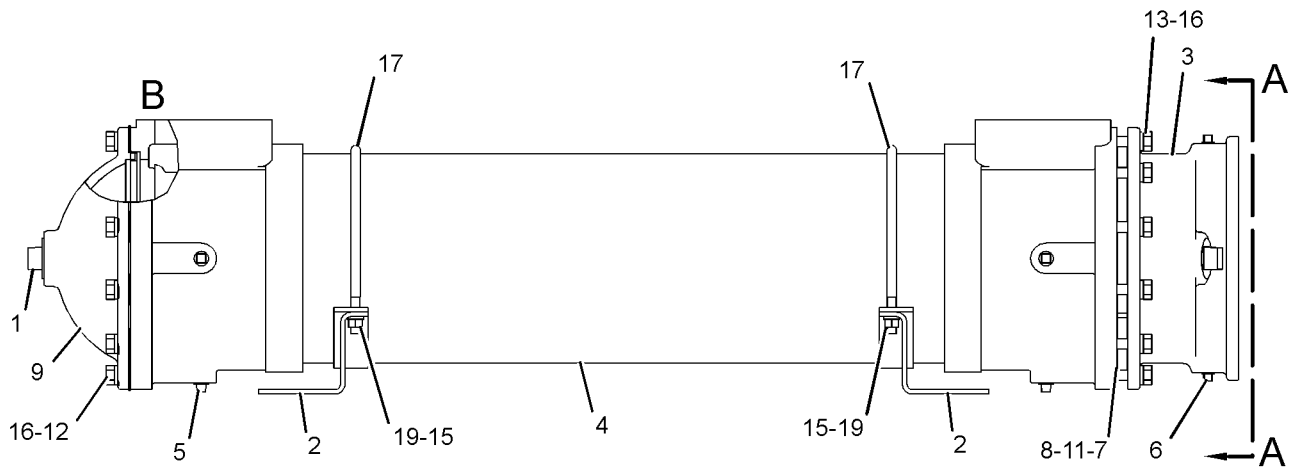
NOTE	REF NO	GRAPHIC REF	PART NUMBER	QTY	PART NAME						SEE PAGE
					1	2	3	4	5	6 (PRODUCT LEVEL)	
	1	1	5L-9128	3	ROD AS-ZINC						
					(EACH INCLUDES)						
		1	6L-2286	1	PLUG-PIPE						
		1	6L-2284	1	ROD-ZINC (HEAT EXCHANGER)						
	2	1	2W-4875	2	BRACKET AS						
	3	1	3N-9610	1	BONNET						
	4	1	3N-9629	1	SHELL AS						
	5	1	6L-2279	4	PLUG-PIPE						
	6	1	6L-2282	2	PLUG-PIPE						
	7	1	7L-0487	1	GASKET						
	8	1	8L-4952	1	GASKET						
	9	1	8L-4955	1	BONNET-RETURN						
B	10	1	8L-9767	48	SHIM (0.015-IN THK)						
	11	1	293-0008	1	CORE AS (HEAT EXCHANGER)						
	12	1	0T-0320	12	BOLT (7/16-14X1.25-IN)						
	13	1	0T-0768	12	BOLT (7/16-14X1.75-IN)						
	14	1	1H-1200	1	PIN-SPRING						
	15	1	3B-4506	4	LOCKWASHER						
	16	1	3B-4507	24	LOCKWASHER						
	17	1	3N-9606	2	U-BOLT						
	18	1	7L-0486	1	SEAL-RUBBER						
	19	1	9S-8752	4	NUT-FULL (3/8-16-THD)						

B-USE AS REQUIRED

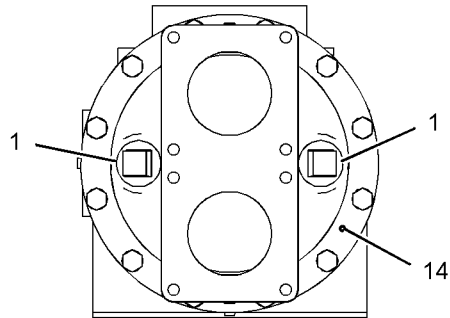
# COOLING SYSTEM

3N-8890 HEAT EXCHANGER GP-SEA WATER (contd.)

i03022398



VIEW OF AREA B



VIEW A-A

GRAPHIC #1

<END>

g01368912

# COOLING SYSTEM

## 3N-8891 HEAT EXCHANGER GP-SEA WATER

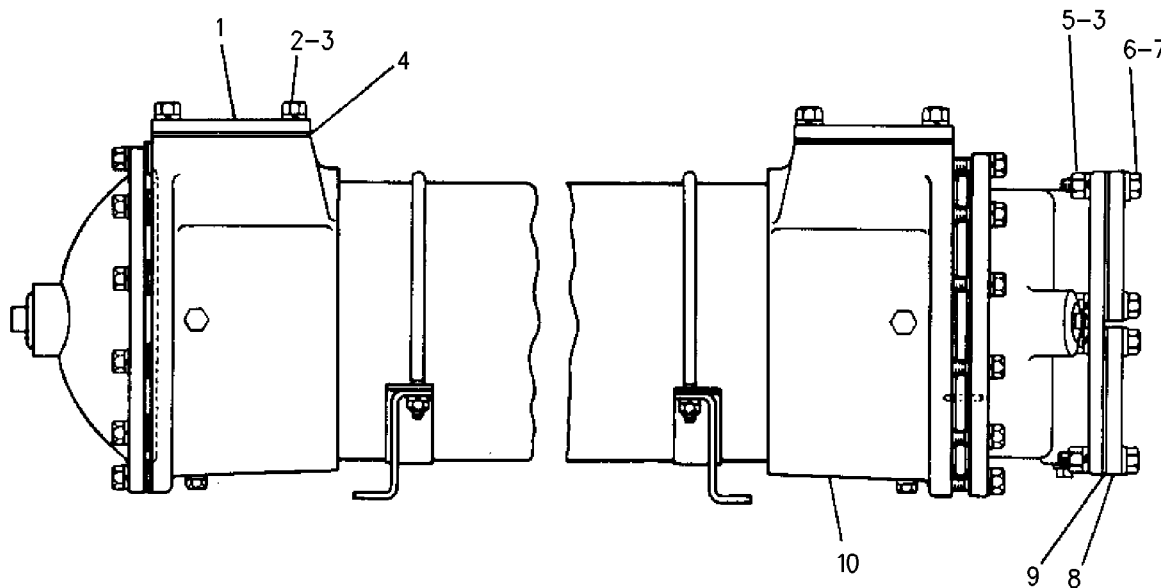
S/N: YAT1-UP  
72-SQ FT COOLING AREA  
AN ATTACHMENT

SMCS-1379

i01944892

NOTE	REF NO	GRAPHIC REF	PART NUMBER	QTY	PART NAME						SEE PAGE
					1	2	3	4	5	6 (PRODUCT LEVEL)	
	1	1	4N-9720	2	FLANGE						
	2	1	9B-7237	8	BOLT (3/8-16X1.25-IN)						
	3	1	8T-4896	16	WASHER-HARD (10.2X18.5X2.5-MM THK)						
	4	1	4L-3862	2	GASKET						
	5	1	6V-8801	8	NUT (3/8-16-THD)						
	6	1	5S-7383	8	BOLT (3/8-16X1.75-IN)						
	7	1	8T-4223	16	WASHER-HARD (13.5X25.5X3-MM THK)						
	8	1	2N-8263	2	FLANGE						
	9	1	9M-1289	2	GASKET						
Y	10	1	3N-8890	1	HEAT EXCHANGER GP-SEA WATER						167

Y-SEPARATE ILLUSTRATION



GRAPHIC #1

<END>

g00714310

# COOLING SYSTEM

## 3N-8892 HEAT EXCHANGER GP-SEA WATER

S/N: YAT1-UP

90-SQ FT COOLING AREA

PART OF 3N-8893 HEAT EXCHANGER GP-SEA WATER

AN ATTACHMENT

SMCS-1379

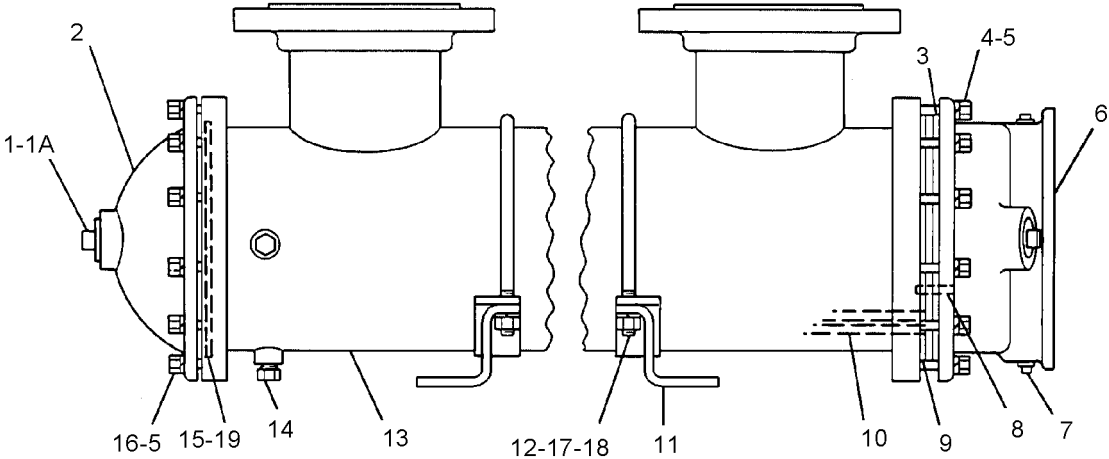
i02760869

NOTE	REF NO	GRAPHIC REF	PART NUMBER	QTY	PART NAME						SEE PAGE
					1	2	3	4	5	6 (PRODUCT LEVEL)	
	1	1	6L-2284	3	ROD-ZINC (HEAT EXCHANGER)						
	1A	1	6L-2286	3	PLUG-PIPE						
	2	1	8L-4955	1	BONNET-RETURN						
	3	1	8L-4952	1	GASKET						
	4	1	0T-0768	12	BOLT (7/16-14X1.75-IN)						
	5	1	3B-4507	24	LOCKWASHER						
	6	1	3N-9610	1	BONNET						
	7	1	6L-2282	2	PLUG-PIPE						
	8	1	1H-1200	1	PIN-SPRING						
	9	1	7L-0487	1	GASKET						
	10	1	293-0009	1	CORE AS (HEAT EXCHANGER)						
	11	1	2W-4875	2	BRACKET AS						
	12	1	3N-9606	2	U-BOLT						
	13	1	8L-5066	1	SHELL AS						
	14	1	6L-2279	3	PLUG-PIPE						
	15	1	7L-0486	1	SEAL-RUBBER						
	16	1	0T-0320	12	BOLT (7/16-14X1.25-IN)						
	17	1	6V-8801	4	NUT (3/8-16-THD)						
	18	1	3B-4506	4	LOCKWASHER						
B	19	1	8L-9767	48	SHIM (0.015-IN THK)						
B-USE AS REQUIRED											

# COOLING SYSTEM

3N-8892 HEAT EXCHANGER GP-SEA WATER (contd.)

i02760869



GRAPHIC #1

<END>

g01096596

# COOLING SYSTEM

## 3N-8893 HEAT EXCHANGER GP-SEA WATER

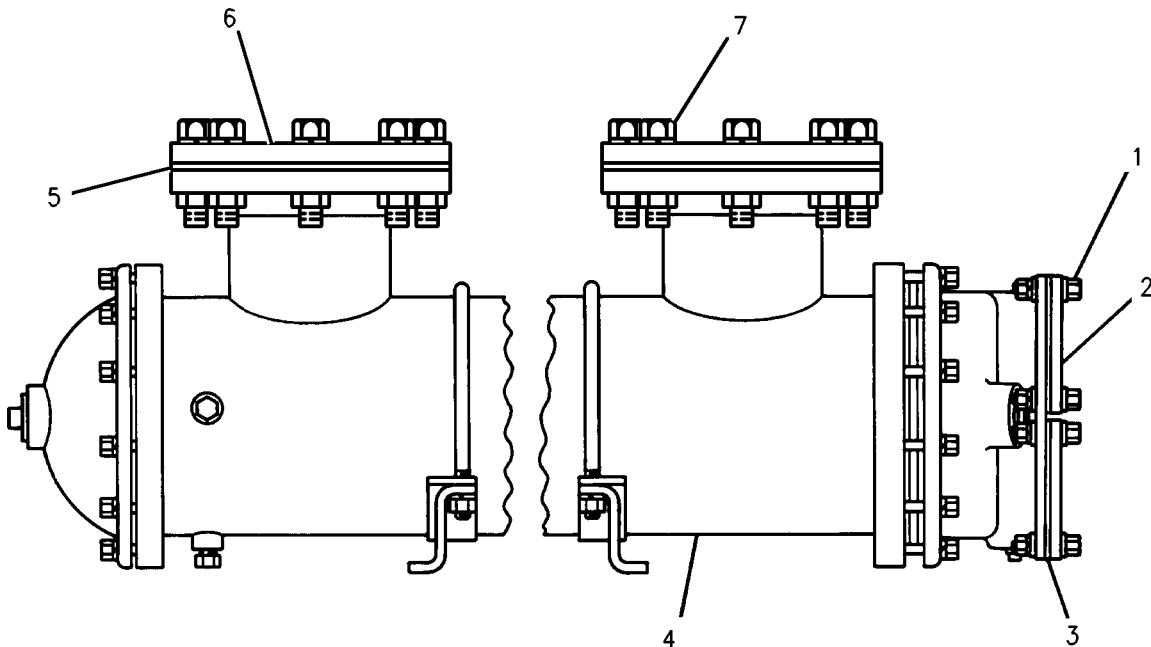
S/N: YAT1-UP  
90-SQ FT COOLING AREA  
AN ATTACHMENT

SMCS-1379

i02327532

NOTE	REF NO	GRAPHIC REF	PART NUMBER	QTY	PART NAME						SEE PAGE
					1	2	3	4	5	6 (PRODUCT LEVEL)	
	1	1	0S-1571	8	BOLT (3/8-16X1.75-IN)						
		1	9S-8752	8	NUT-FULL (3/8-16-THD)						
		1	5M-2894	8	WASHER-HARD (10.2X18.5X2.5-MM THK)						
		1	4B-4278	16	WASHER (10.2X20.5X1.6-MM THK)						
	2	1	2N-8263	2	FLANGE						
	3	1	9M-1289	2	GASKET						
Y	4	1	3N-8892	1	HEAT EXCHANGER GP-SEA WATER						170
	5	1	8F-2347	2	GASKET						
	6	1	101-8679	2	FLANGE						
	7	1	1A-8063	16	BOLT (3/4-10X2.5-IN)						
		1	2J-3506	16	NUT-FULL (3/4-10-THD)						
		1	5P-8248	32	WASHER-HARD (20X36.5X3.5-MM THK)						

Y-SEPARATE ILLUSTRATION



GRAPHIC #1

<END>

g00782678



# COOLING SYSTEM

## 7C-8124 HOUSING & REGULATOR GP-OUTLET

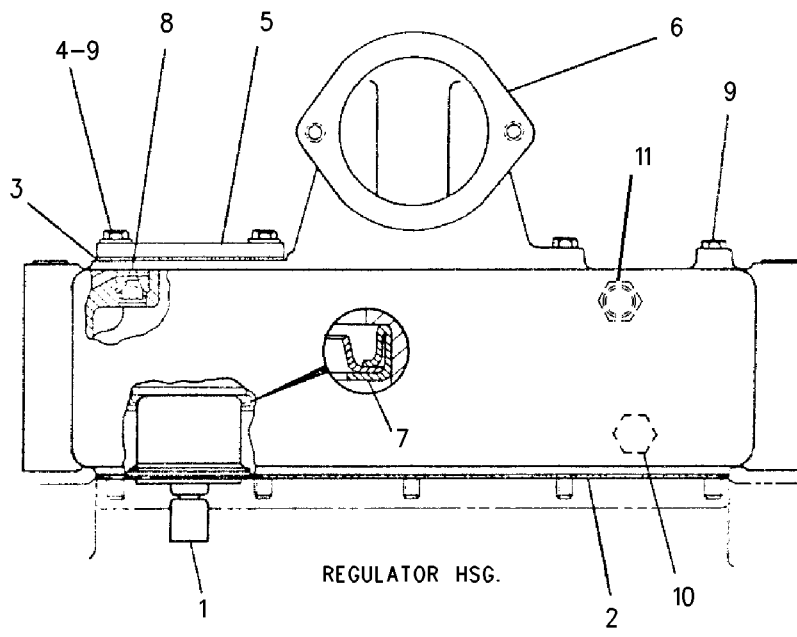
S/N: YAT1-UP  
AN ATTACHMENT

SMCS-1355, 1393

i02775743

NOTE	REF NO	GRAPHIC REF	PART NUMBER	QTY	PART NAME						SEE PAGE
					1	2	3	4	5	6 (PRODUCT LEVEL)	
	1	1	6I-4950	4	REGULATOR-WATER TEMPERATURE (92-DEG C)						
	2	1	7N-4927	1	GASKET-HOUSING COVER						
	3	1	4W-3100	1	GASKET						
	4	1	0S-1594	2	BOLT (3/8-16X1-IN)						
			5M-2894	4	WASHER-HARD (10.2X18.5X2.5-MM THK)						
	5	1	7N-4928	1	COVER						
	6	1	7C-8536	1	HOUSING AS-REGULATOR						
	7	1	3S-9643	4	SEAL-LIP TYPE (WATER TEMPERATURE REGULATOR)						
	8	1	4W-3108	1	VALVE AS-VENT LINE						
	9	1	7F-3425	5	BOLT (3/8-16X5.75-IN)						
	10	1	7W-6492	1	PLUG-PIPE						
B	11	1	9S-4182	1	PLUG-O-RING						
B		1	6V-9027	1	SEAL-O-RING						

B-USE AS REQUIRED



FRONT VIEW

GRAPHIC #1

<END>

g00649387

# COOLING SYSTEM

## 9Y-6064 HOUSING & REGULATOR GP-INLET CONTROL

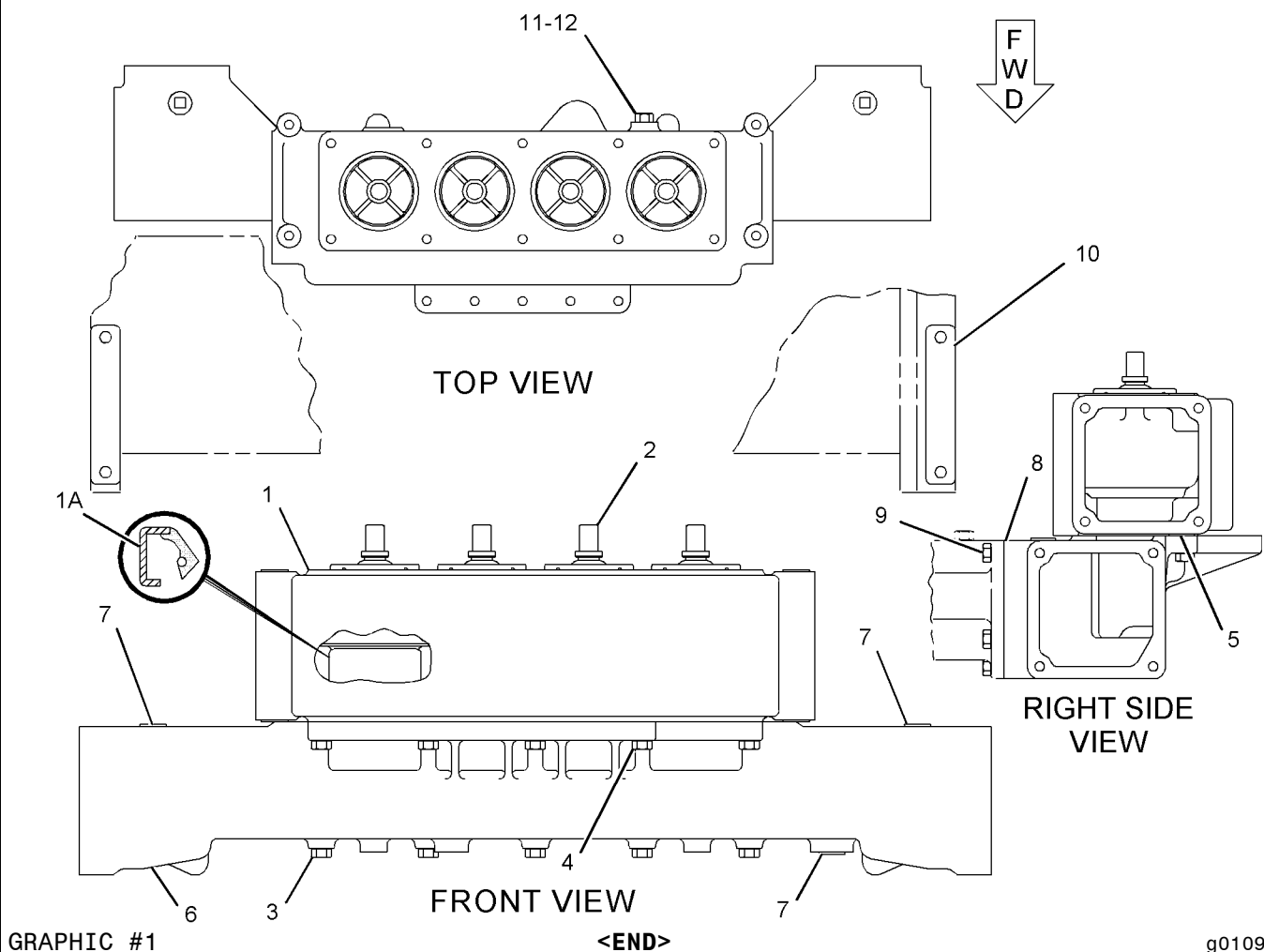
S/N: YAT1-UP  
AN ATTACHMENT

SMCS-1355, 1393

i02786330

NOTE	REF NO	GRAPHIC REF	PART NUMBER	QTY	PART NAME						SEE PAGE
					1	2	3	4	5	6 (PRODUCT LEVEL)	
C	1	1	7E-6466	1	HOUSING AS-REGULATOR						
	1A	1	3S-9643	4	SEAL-LIP TYPE (WATER TEMPERATURE REGULATOR)						
C	2	1	6I-4950	4	REGULATOR-WATER TEMPERATURE (92-DEG C)						
	3	1	1A-5183	5	BOLT (3/8-16X4.75-IN)						
	4	1	0S-1588	5	BOLT (3/8-16X1.25-IN)						
	5	1	7N-4927	1	GASKET-HOUSING COVER						
	6	1	8N-9624	1	HOUSING-REGULATOR						
C	7	1	8T-6762	3	PLUG-PIPE						
	8	1	122-8856	2	GASKET						
	9	1	0S-1594	8	BOLT (3/8-16X1-IN)						
C	10	1	106-3512	2	PLATE						
C	11	1	6V-9027	1	SEAL-O-RING						
C	12	1	9S-4182	1	PLUG-O-RING						

C-CHANGE FROM PREVIOUS TYPE



g01095950

# COOLING SYSTEM

## 9Y-9171 HOUSING & REGULATOR GP-OUTLET CONTROL

S/N: YAT1-UP

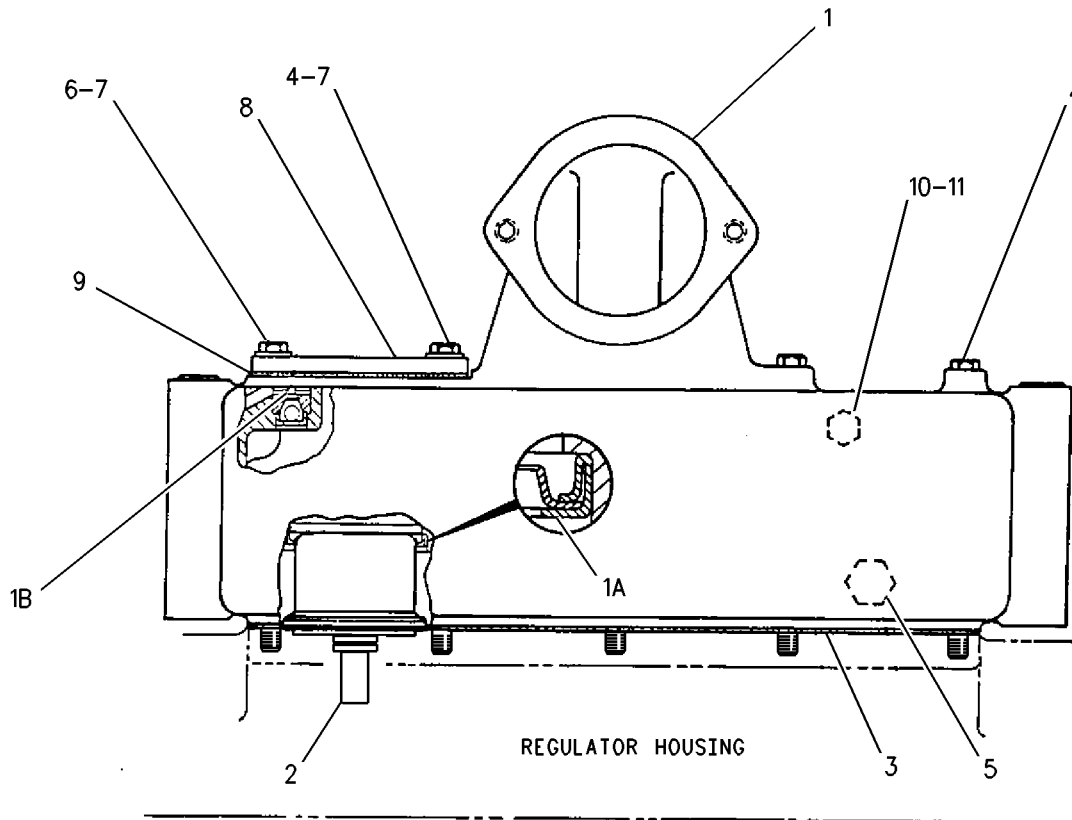
SMCS-1355, 1393

i02786406

NOTE	REF NO	GRAPHIC REF	PART NUMBER	QTY	PART NAME						SEE PAGE
					1	2	3	4	5	6 (PRODUCT LEVEL)	
C	1	1	7E-2748	1	HOUSING AS						
	1A	1	3S-9643	4	SEAL-LIP TYPE (WATER TEMPERATURE REGULATOR)						
	1B	1	111-4374	1	VALVE AS-VENT LINE						
	2	1	6I-4950	4	REGULATOR-WATER TEMPERATURE (92-DEG C)						
	3	1	7N-4927	1	GASKET-HOUSING COVER						
	4	1	7F-3425	5	BOLT (3/8-16X5.75-IN)						
	5	1	7W-6492	1	PLUG-PIPE						
	6	1	0S-1594	2	BOLT (3/8-16X1-IN)						
	7	1	5M-2894	4	WASHER-HARD (10.2X18.5X2.5-MM THK)						
	8	1	7N-4928	1	COVER						
	9	1	4W-3100	1	GASKET						
B	10	1	9S-4182	1	PLUG-O-RING						
B	11	1	6V-9027	1	SEAL-O-RING						

B-USE AS REQUIRED

C-CHANGE FROM PREVIOUS TYPE



FRONT VIEW

GRAPHIC #1

<END>

g00715825

# COOLING SYSTEM

## 216-6217 HOUSING & REGULATOR GP-AFTERCOOLER

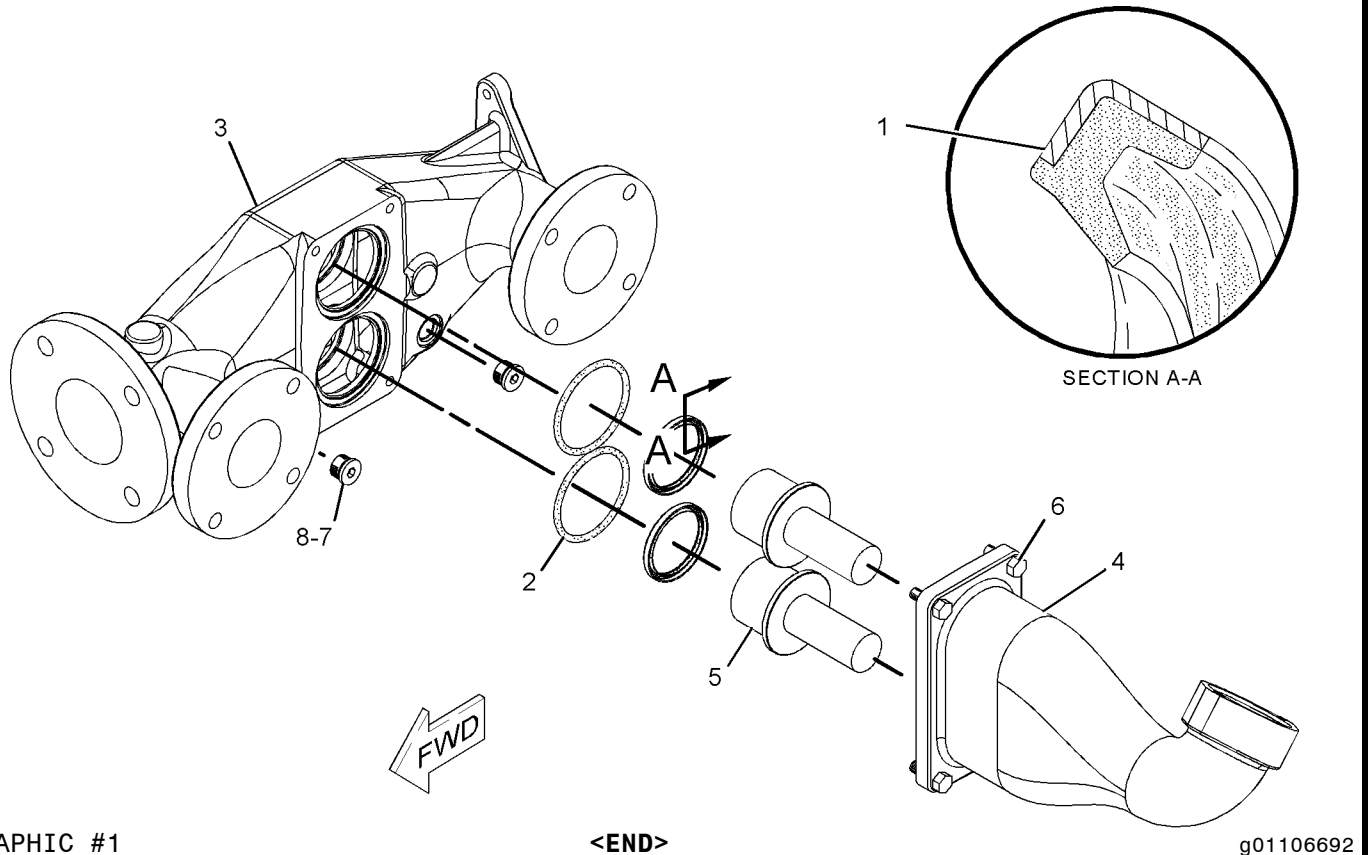
S/N: YAT1-UP

PART OF 197-9064, 208-0822 LINES GP-WATER  
ALSO AN ATTACHMENT

SMCS-1355, 1393

i02822478

NOTE	REF NO	GRAPHIC REF	PART NUMBER	QTY	PART NAME						SEE PAGE
					1	2	3	4	5	6 (PRODUCT LEVEL)	
	1	1	3S-9643	2	SEAL-LIP TYPE (WATER TEMPERATURE REGULATOR)						
	2	1	6V-1454	2	SEAL-O-RING						
	3	1	214-0728	1	HOUSING						
	4	1	214-0729	1	ADAPTER						
	5	1	219-3240	2	REGULATOR-WATER TEMPERATURE (30-DEG C)						
	6	1	1A-2029	4	BOLT (3/8-16X1.125-IN)						
	7	1	3K-0360	2	SEAL-O-RING						
	8	1	9S-8005	2	PLUG-O-RING						



GRAPHIC #1

# COOLING SYSTEM

## 249-0310 LINES GP-COOLANT

S/N: YAT1-UP

PART OF 249-0309 RADIATOR GP  
AN ATTACHMENT

SMCS-1380

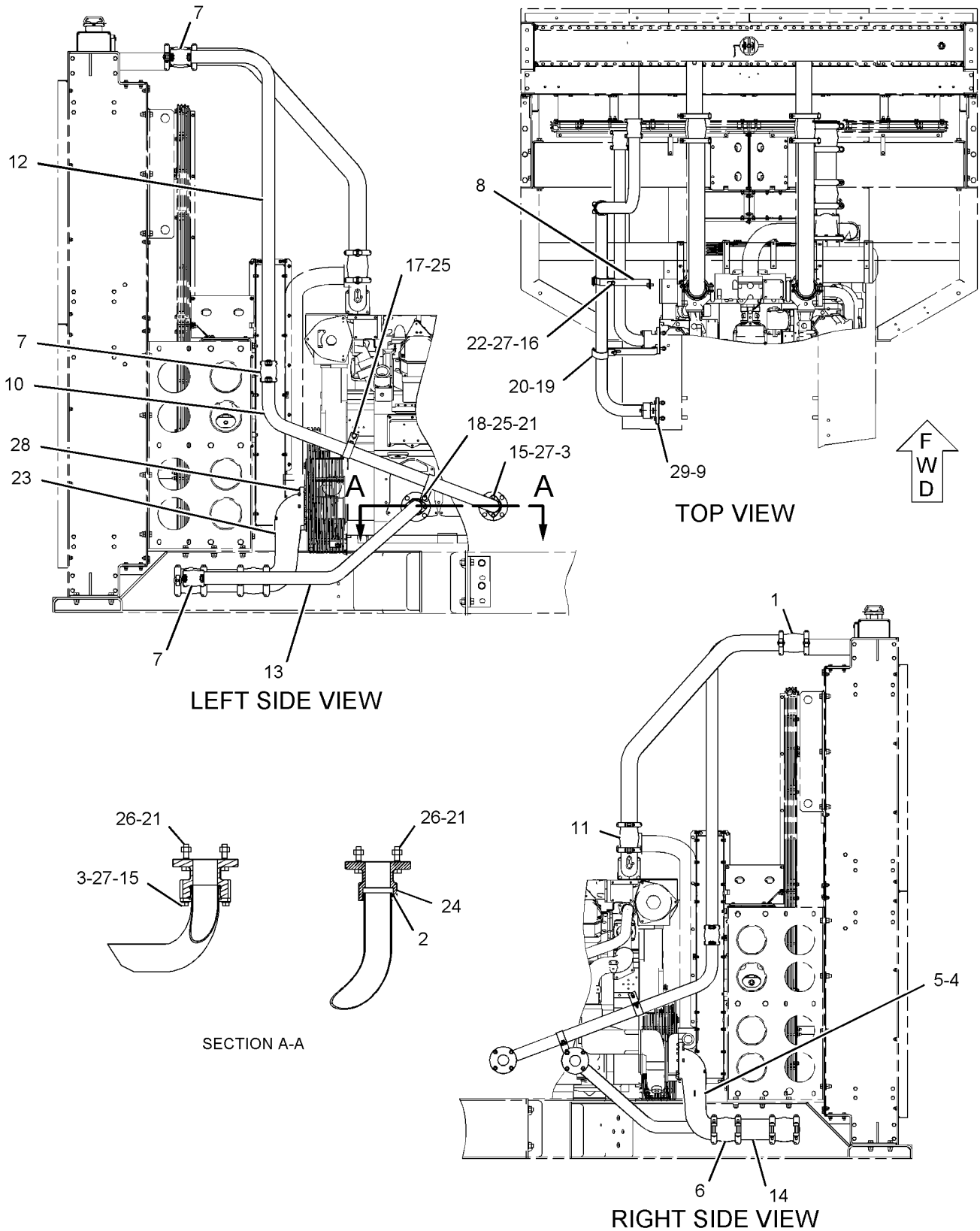
i02550607

NOTE	REF NO	GRAPHIC REF	PART NUMBER	QTY	PART NAME						SEE PAGE
					1	2	3	4	5	6 (PRODUCT LEVEL)	
	1	1	3N-2451	4	JOINT AS-TUBE						
					(EACH INCLUDES)						
		1	9X-7537	2	SEAL						
	2	1	4W-0530	2	RING-RETAINING						
	3	1	4W-0531	4	RETAINER						
	4	1	6V-3835	1	SEAL-O-RING						
	5	1	7W-1506	1	ELBOW						
	6	1	8T-9001	2	JOINT AS-TUBE						
					(EACH INCLUDES)						
		1	9X-7539	2	SEAL						
	7	1	120-9678	2	BRACKET						
	8	1	126-5613	2	FLANGE						
	9	1	126-7311	1	TUBE						
	10	1	216-2285	3	JOINT AS-TUBE						
					(EACH INCLUDES)						
		1	127-4230	1	SEAL						
	11	1	253-4089	2	TUBE AS						
	12	1	253-4090	1	TUBE						
	13	1	253-4091	1	TUBE						
	14	1	255-7915	1	TUBE						
	15	1	4L-6454	4	BOLT (3/8-16X1-IN)						
	16	1	4L-9337	2	BOLT (3/8-16X1.5-IN)						
	17	1	5P-2228	1	BOLT (1/2-13X1-IN)						
	18	1	5P-2424	1	BOLT (1/2-13X2.25-IN)						
	19	1	6V-1581	2	CLIP (SLOT)						
	20	1	6V-1582	2	CLIP (TAB)						
	21	1	6V-8188	8	NUT (1/2-13-THD)						
	22	1	6V-8801	2	NUT (3/8-16-THD)						
	23	1	8C-7323	2	BOLT (3/8-16X6-IN)						
	24	1	8T-1919	2	SEAL-O-RING						
	25	1	8T-4223	2	WASHER-HARD (13.5X25.5X3-MM THK)						
	26	1	8T-4835	7	BOLT (1/2-13X2-IN)						
	27	1	8T-4896	8	WASHER-HARD (10.2X18.5X2.5-MM THK)						
	28	1	9B-7237	5	BOLT (3/8-16X1.25-IN)						
	29	1	9Y-6893	2	GASKET						

# COOLING SYSTEM

249-0310 LINES GP-COOLANT (contd.)

i02550607



GRAPHIC #1

<END>

g01122193

# COOLING SYSTEM

## 254-6207 LINES GP-COOLANT

S/N: YAT1-UP

PART OF 249-0301 RADIATOR GP  
AN ATTACHMENT

SMCS-1380

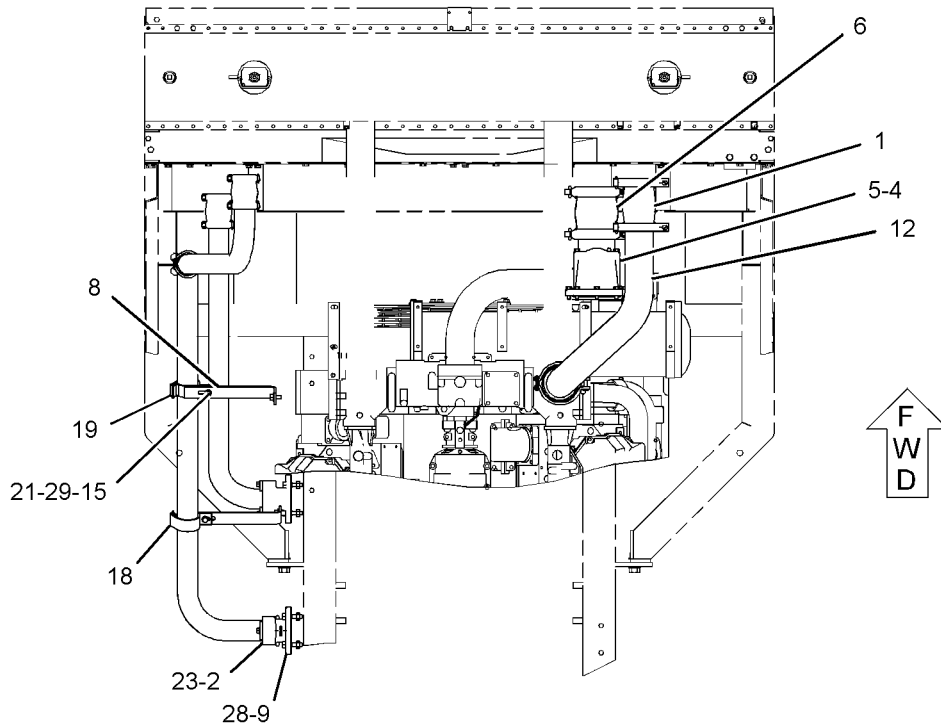
i03414521

NOTE	REF NO	GRAPHIC REF	PART NUMBER	QTY	PART NAME						SEE PAGE
					1	2	3	4	5	6 (PRODUCT LEVEL)	
	1	1	5P-0054	2	JOINT AS						
					(EACH INCLUDES)						
		1	9X-7340	2	SEAL						
	2	1	4W-0530	2	RING-RETAINING						
	3	1	4W-0531	4	RETAINER						
	4	1	6V-3835	1	SEAL-O-RING						
	5	1	7W-1506	1	ELBOW (INLET)						
	6	1	319-5890	1	JOINT AS						
		1	319-5889	2	SEAL						
	7	1	216-2285	3	JOINT AS-TUBE						
					(EACH INCLUDES)						
		1	127-4230	2	SEAL						
	8	1	120-9678	2	BRACKET						
	9	1	126-5613	2	FLANGE						
	10	1	126-7305	1	TUBE						
	11	1	235-2320	1	TUBE AS						
	12	1	248-0382	1	TUBE AS						
	13	1	254-6883	1	TUBE						
	14	1	4L-6454	4	BOLT (3/8-16X1-IN)						
	15	1	4L-9337	2	BOLT (3/8-16X1.5-IN)						
	16	1	5P-2228	1	BOLT (1/2-13X1-IN)						
	17	1	5P-2424	1	BOLT (1/2-13X2.25-IN)						
	18	1	6V-1581	2	CLIP (SLOT)						
	19	1	6V-1582	2	CLIP (TAB)						
	20	1	6V-8188	8	NUT (1/2-13-THD)						
	21	1	6V-8801	2	NUT (3/8-16-THD)						
	22	1	8C-7323	2	BOLT (3/8-16X6-IN)						
	23	1	8T-1919	2	SEAL-O-RING						
	24	1	5P-1076	2	WASHER-HARD (13.5X30X4-MM THK)						
	25	1	8T-4835	7	BOLT (1/2-13X2-IN)						
	26	1	8T-4896	4	WASHER-HARD (10.2X18.5X2.5-MM THK)						
	27	1	9B-7237	5	BOLT (3/8-16X1.25-IN)						
	28	1	9Y-6893	2	GASKET						
	29	1	5P-1075	4	WASHER-HARD (10.2X22.5X3-MM THK)						

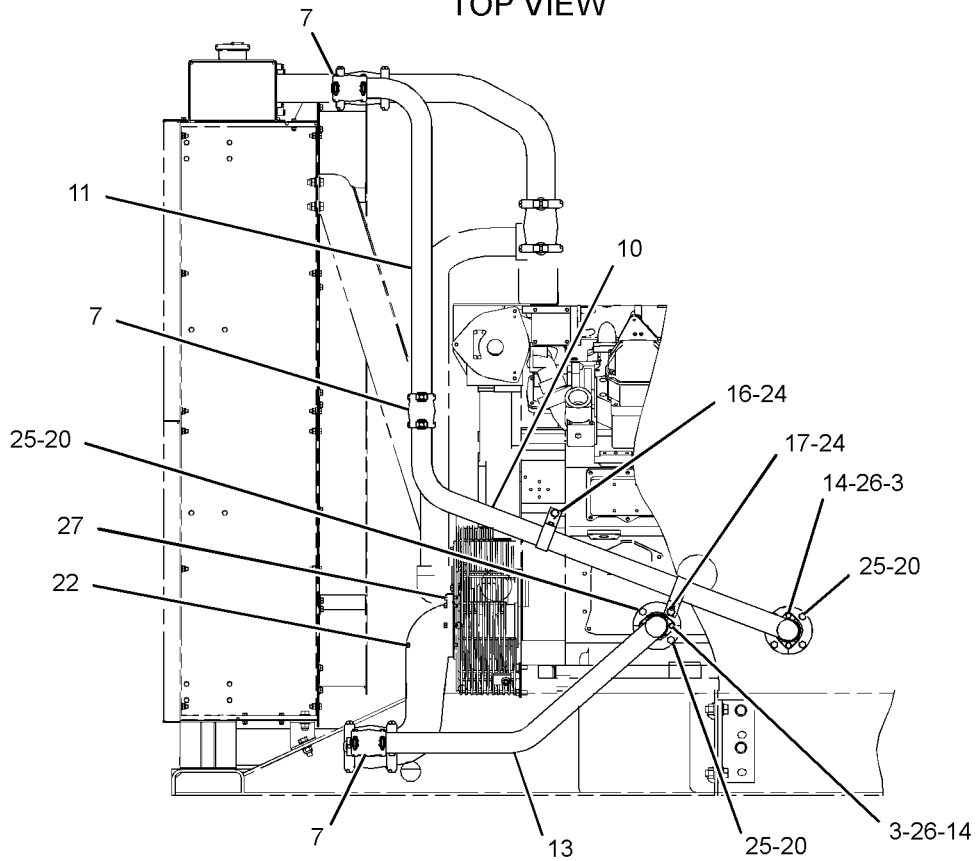
# COOLING SYSTEM

254-6207 LINES GP-COOLANT (contd.)

i03414521



TOP VIEW



LEFT SIDE VIEW

GRAPHIC #1

<END>

g01349368



# COOLING SYSTEM

## 257-8765 LINES GP-COOLANT

S/N: YAT1-UP

PART OF 257-8762 RADIATOR GP  
AN ATTACHMENT

SMCS-1380

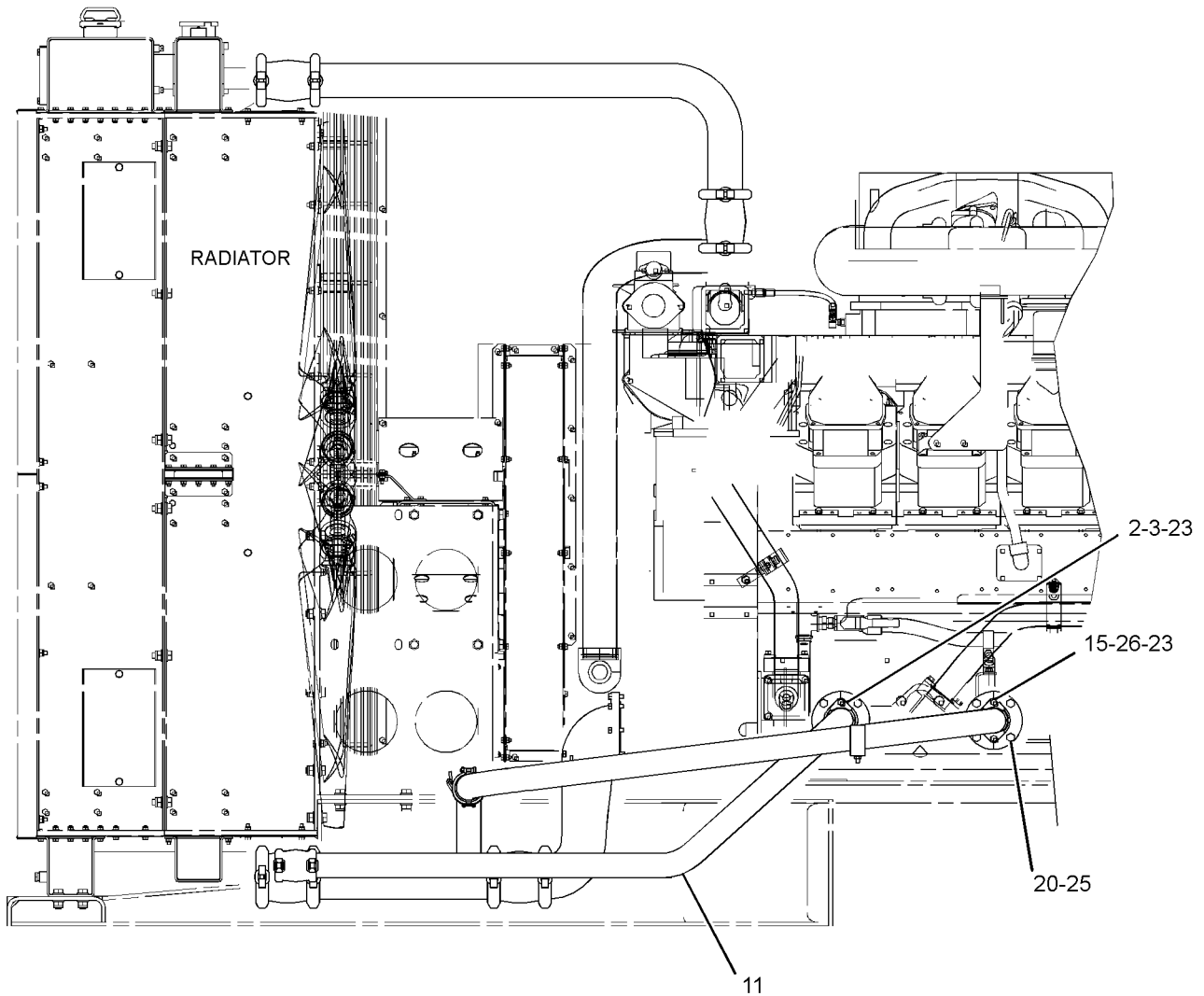
i02570538

NOTE	REF NO	GRAPHIC REF	PART NUMBER	QTY	PART NAME						SEE PAGE
					1	2	3	4	5	6 (PRODUCT LEVEL)	
	1	2	3N-2451	4	JOINT AS-TUBE						
					(EACH INCLUDES)						
		2	9X-7537	2	SEAL						
	2	1	4W-0530	2	RING-RETAINING						
	3	1	4W-0531	4	RETAINER						
	4	2	6V-3835	1	SEAL-O-RING						
	5	2	7W-1506	1	ELBOW						
	6	2	8T-9001	2	JOINT AS-TUBE						
					(EACH INCLUDES)						
		2	9X-7539	2	SEAL						
	7	2	9S-9635	3	JOINT AS-TUBE						
					(EACH INCLUDES)						
		2	9X-7523	2	SEAL						
	8	2	120-9678	2	BRACKET						
	9	2	126-5613	2	FLANGE						
	10	2	261-8693	2	TUBE AS						
	11	1	261-8694	1	TUBE AS						
	12	2	261-8695	1	TUBE AS						
	13	2	261-8696	1	TUBE AS						
	14	2	261-8697	1	TUBE AS						
	15	1	4L-6454	4	BOLT (3/8-16X1-IN)						
	16	2	4L-9337	3	BOLT (3/8-16X1.5-IN)						
	17	2	5P-2424	1	BOLT (1/2-13X2.25-IN)						
	18	2	6V-1581	2	CLIP (SLOT)						
	19	2	6V-1582	2	CLIP (TAB)						
	20	1	6V-8188	8	NUT (1/2-13-THD)						
	21	2	6V-8801	3	NUT (3/8-16-THD)						
	22	2	8C-7323	2	BOLT (3/8-16X6-IN)						
	23	1	8T-1919	2	SEAL-O-RING						
	24	2	8T-4223	1	WASHER-HARD (13.5X25.5X3-MM THK)						
	25	1	8T-4835	8	BOLT (1/2-13X2-IN)						
	26	1,2	8T-4896	10	WASHER-HARD (10.2X18.5X2.5-MM THK)						
	27	2	9B-7237	5	BOLT (3/8-16X1.25-IN)						
	28	2	9Y-6893	2	GASKET						

# COOLING SYSTEM

257-8765 LINES GP-COOLANT (contd.)

i02570538



LEFT SIDE VIEW OF ENGINE

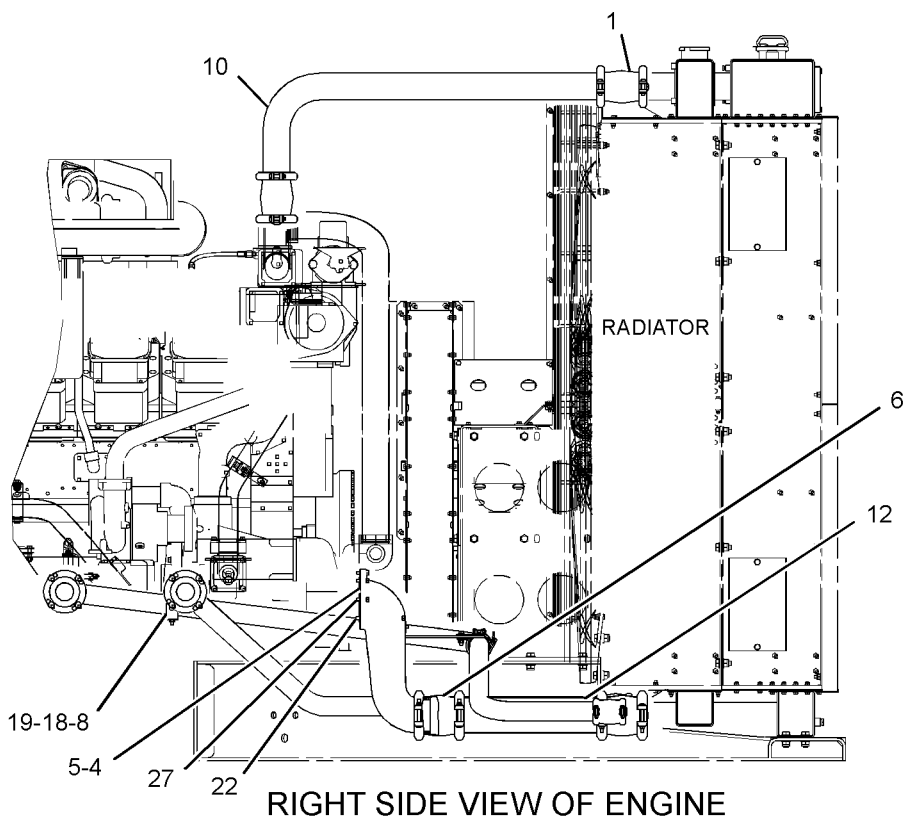
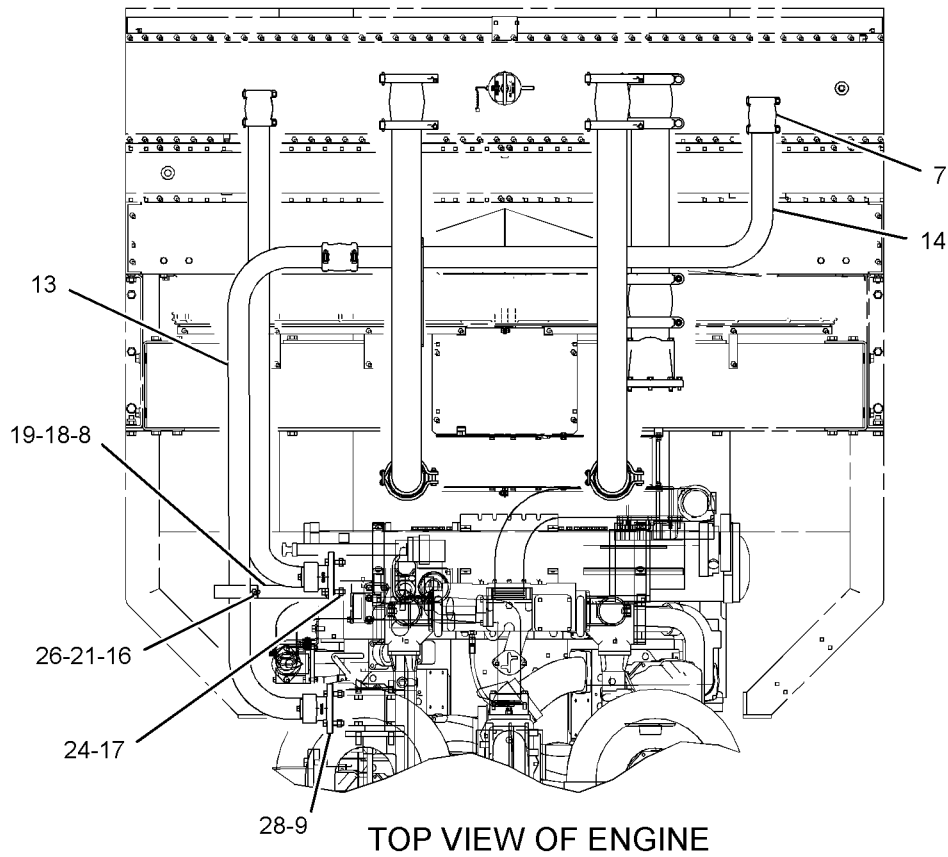
GRAPHIC #1

g01291205

# COOLING SYSTEM

257-8765 LINES GP-COOLANT (contd.)

i02570538



RIGHT SIDE VIEW OF ENGINE

<END>

GRAPHIC #2

g01296477

# COOLING SYSTEM

## 311-2920 LINES GP-COOLANT

S/N: YAT1-UP

PART OF 273-3812 RADIATOR GP  
AN ATTACHMENT

SMCS-1380

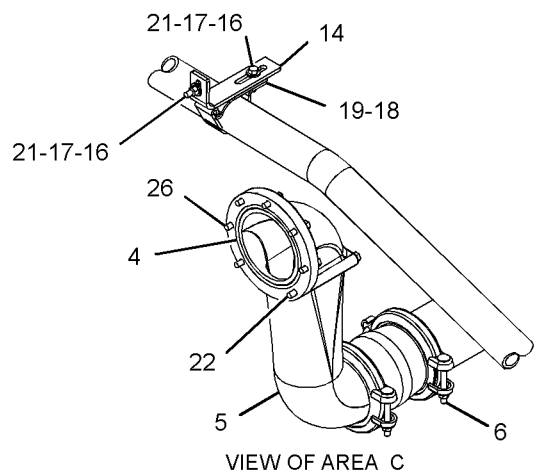
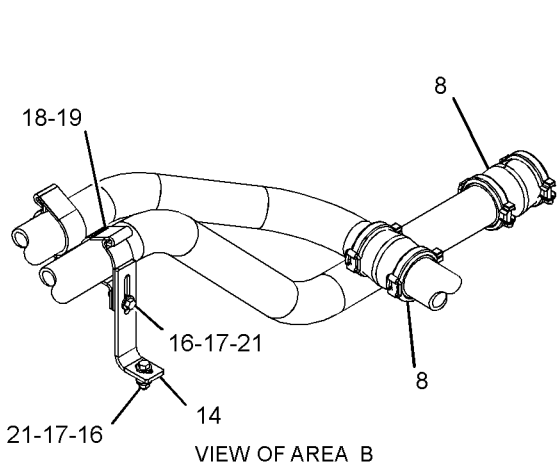
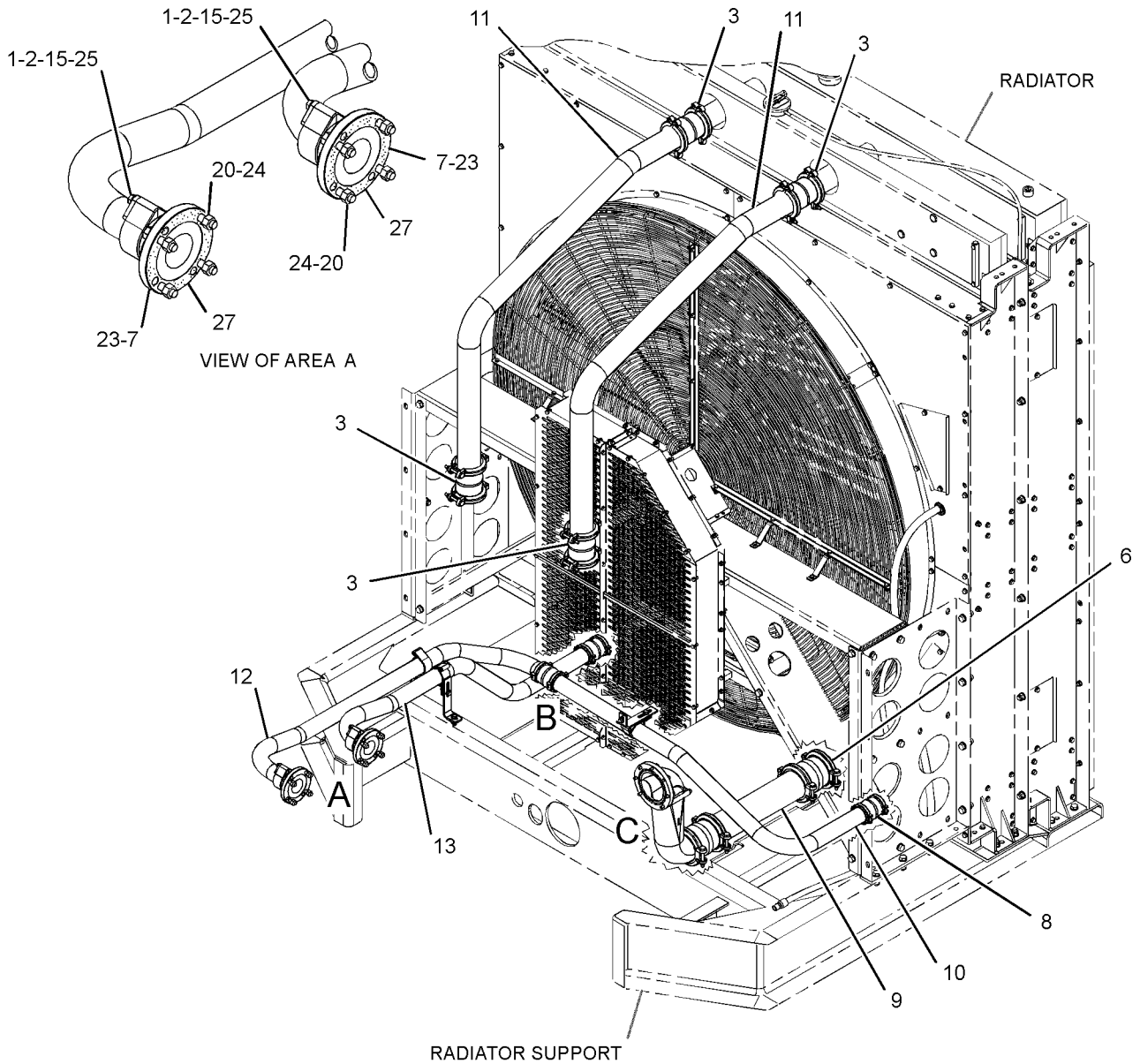
i03206434

NOTE	REF NO	GRAPHIC REF	PART NUMBER	QTY	PART NAME						SEE PAGE
					1	2	3	4	5	6 (PRODUCT LEVEL)	
	1	1	4W-0530	2	RING-RETAINING						
	2	1	4W-0531	4	RETAINER						
	3	1	5P-0054	4	JOINT AS						
					(EACH INCLUDES)						
		1	9X-7340	2	SEAL						
	4	1	6V-3835	1	SEAL-O-RING						
	5	1	7W-1506	1	ELBOW						
	6	1	8C-6790	2	JOINT AS-PIPE						
					(EACH INCLUDES)						
		1	9X-7539	2	SEAL						
	7	1	126-5613	2	FLANGE						
	8	1	216-2285	3	JOINT AS-TUBE						
					(EACH INCLUDES)						
		1	127-4230	2	SEAL						
	9	1	261-8695	1	TUBE AS						
	10	1	261-8697	1	TUBE AS						
	11	1	264-6607	2	TUBE AS						
	12	1	265-5623	1	TUBE AS						
	13	1	311-2919	1	TUBE AS						
	14	1	311-4615	3	BRACKET						
	15	1	4L-6454	4	BOLT (3/8-16X1-IN)						
	16	1	4L-9337	6	BOLT (3/8-16X1.5-IN)						
	17	1	5P-1075	12	WASHER-HARD (10.2X22.5X3-MM THK)						
	18	1	6V-1581	3	CLIP (SLOT)						
	19	1	6V-1582	3	CLIP (TAB)						
	20	1	6V-8188	8	NUT (1/2-13-THD)						
	21	1	6V-8801	6	NUT (3/8-16-THD)						
	22	1	8C-7323	2	BOLT (3/8-16X6-IN)						
	23	1	8T-1919	2	SEAL-O-RING						
	24	1	8T-4835	8	BOLT (1/2-13X2-IN)						
	25	1	8T-4896	4	WASHER-HARD (10.2X18.5X2.5-MM THK)						
	26	1	9B-7237	5	BOLT (3/8-16X1.25-IN)						
	27	1	9Y-6893	2	GASKET						

# COOLING SYSTEM

311-2920 LINES GP-COOLANT (contd.)

i03206434



GRAPHIC #1

<END>

g01753254

# COOLING SYSTEM

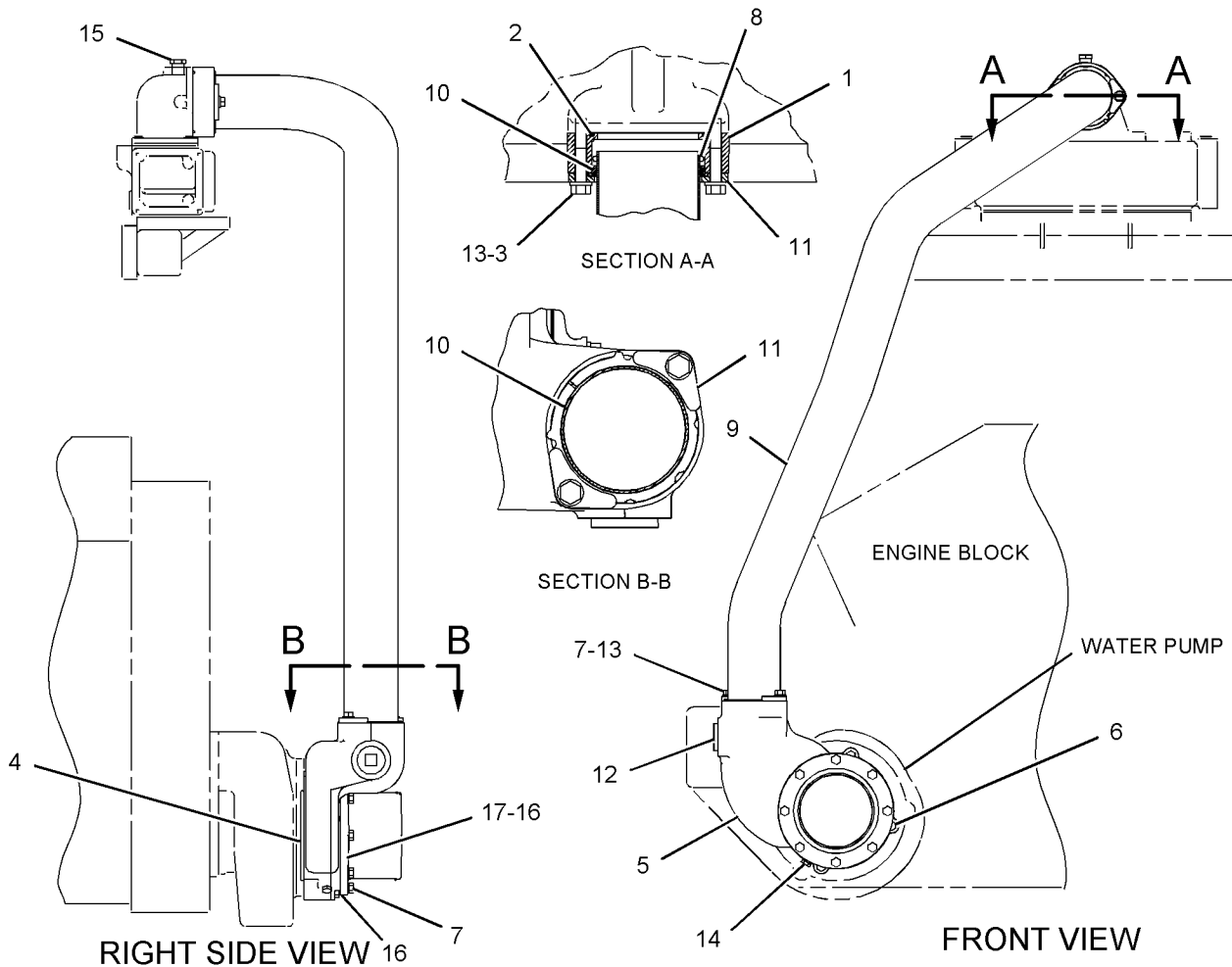
## 7C-8122 LINES GP-WATER-BYPASS

S/N: YAT1-UP

SMCS-1355, 1380, 1393

i02096444

NOTE	REF NO	GRAPHIC REF	PART NUMBER	QTY	PART NAME						SEE PAGE
					1	2	3	4	5	6 (PRODUCT LEVEL)	
	1	1	7C-8535	1	FLANGE						
	2	1	5P-6302	1	SEAL-O-RING						
	3	1	0L-2070	2	BOLT (3/8-16X2.25-IN)						
	4	1	6V-6809	1	SEAL-O-RING						
	5	1	8N-8380	1	ELBOW						
	6	1	0L-1143	3	BOLT (3/8-16X2.5-IN)						
	7	1	0S-1594	10	BOLT (3/8-16X1-IN)						
	8	1	6V-5066	2	SEAL-O-RING						
	9	1	8N-6406	1	TUBE						
	10	1	8N-3640	2	RING-RETAINING						
	11	1	8N-3639	4	RETAINER						
	12	1	8T-6760	1	PLUG-PIPE						
	13	1	5M-2894	4	WASHER-HARD (10.2X18.5X2.5-MM THK)						
	14	1	8T-6765	1	PLUG-PIPE						
	15	1	7W-6492	1	PLUG-PIPE						
	16	1	1S-5772	1	GASKET						
	17	1	8N-6432	1	ADAPTER						



GRAPHIC #1

<END>

g01068810

# COOLING SYSTEM

## 102-3516 LINES GP-WATER-UPPER

S/N: YAT1-UP

SMCS-1355, 1380, 1393

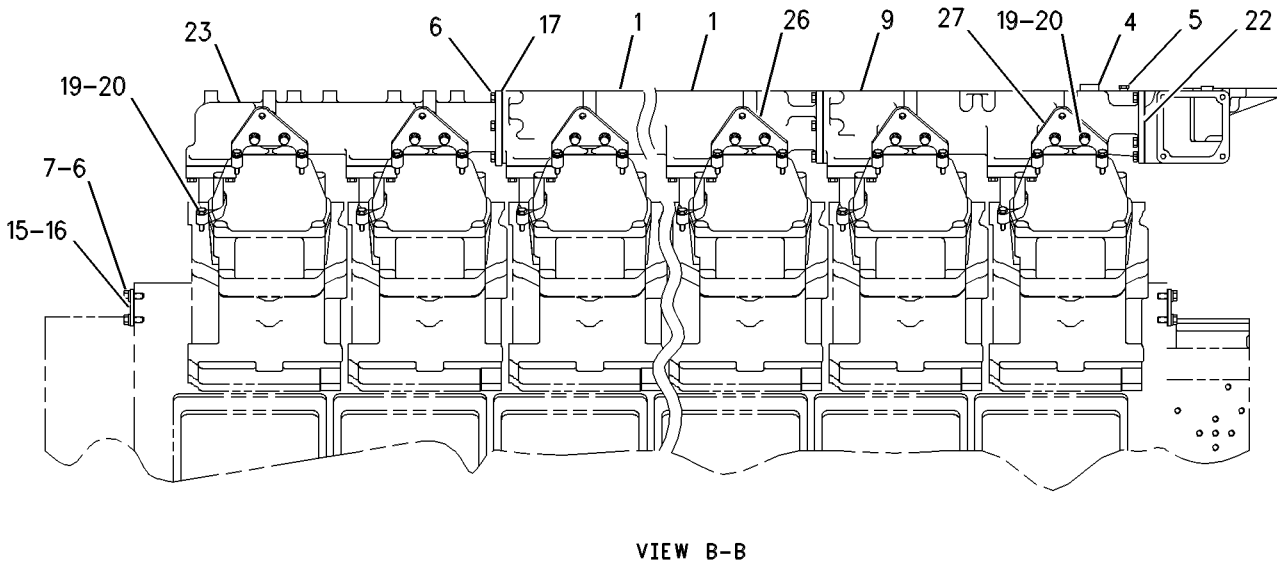
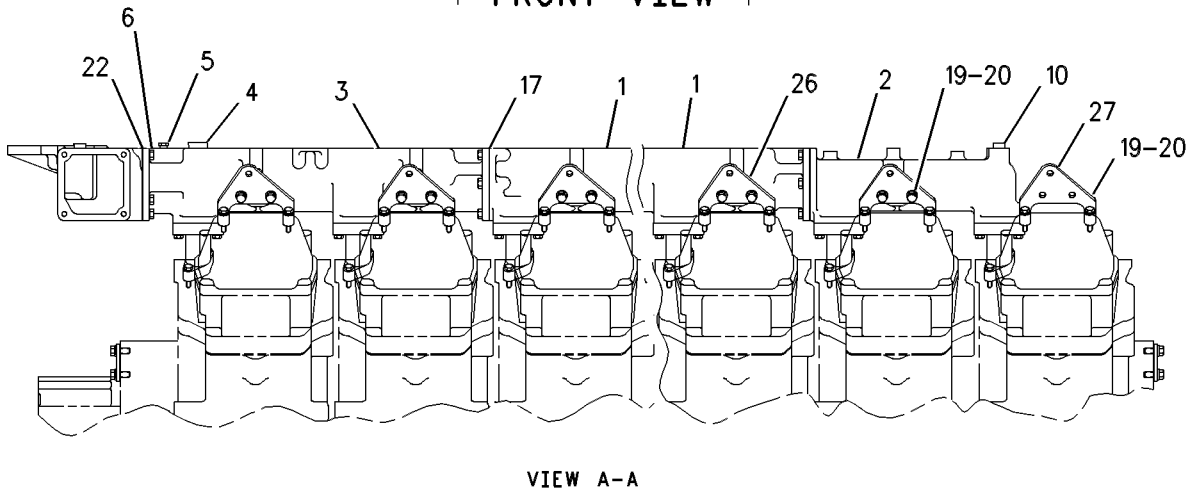
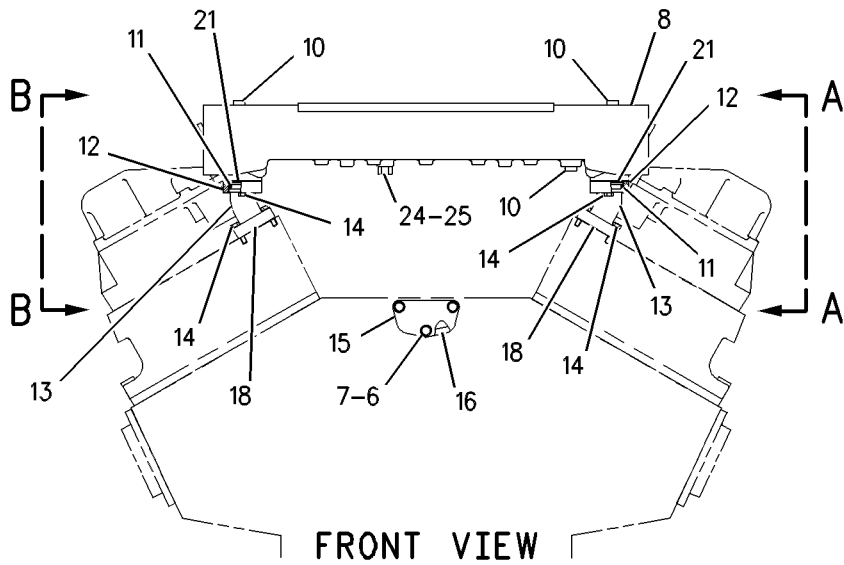
i03401068

NOTE	REF NO	GRAPHIC REF	PART NUMBER	QTY	PART NAME						SEE PAGE
					1	2	3	4	5	6 (PRODUCT LEVEL)	
	1	1	4P-3897	4	MANIFOLD (INTERMEDIATE)						
	2	1	7C-2277	1	MANIFOLD (REAR) (LH)						
	3	1	154-1616	1	MANIFOLD (FRONT, LH)						
	4	1	8T-6761	2	PLUG-PIPE						
	5	1	8T-6765	2	PLUG-PIPE						
	6	1	0S-1594	38	BOLT (3/8-16X1-IN)						
	7	1	5M-2894	6	WASHER-HARD (10.2X18.5X2.5-MM THK)						
	8	1	111-9375	1	HOUSING (REGULATOR)						
	9	1	154-1617	1	MANIFOLD (FRONT, RH)						
	10	1	8T-6762	4	PLUG-PIPE						
	11	1	6V-9769	16	SEAL-O-RING						
	12	1	2W-3146	16	FLANGE						
	13	1	8N-7639	16	ELBOW						
	14	1	1B-7182	64	BOLT (5/16-18X1.25-IN)						
	15	1	7N-3297	2	COVER						
	16	1	7N-3368	2	GASKET						
	17	1	243-2288	6	GASKET						
	18	1	127-2176	16	SEAL-INTEGRAL						
	19	1	0S-1618	62	BOLT (5/16-18X1-IN)						
	20	1	9M-1974	62	WASHER-HARD (8.8X16X2-MM THK)						
	21	1	241-5928	16	GASKET						
	22	1	122-8856	2	GASKET						
	23	1	4P-3896	1	MANIFOLD-REAR (RH)						
B	24	1	9S-4182	1	PLUG-O-RING						
B	25	1	6V-9027	1	SEAL-O-RING						
	26	1	135-0175	12	BRACKET						
	27	1	133-8382	4	BRACKET						
B-USE AS REQUIRED											

# COOLING SYSTEM

102-3516 LINES GP-WATER (contd.)

i03401068



GRAPHIC #1

<END>

g00545305



# COOLING SYSTEM

## 115-7850 LINES GP-WATER-LOWER

S/N: YAT1-UP

SMCS-1355, 1380, 1393

i03401069

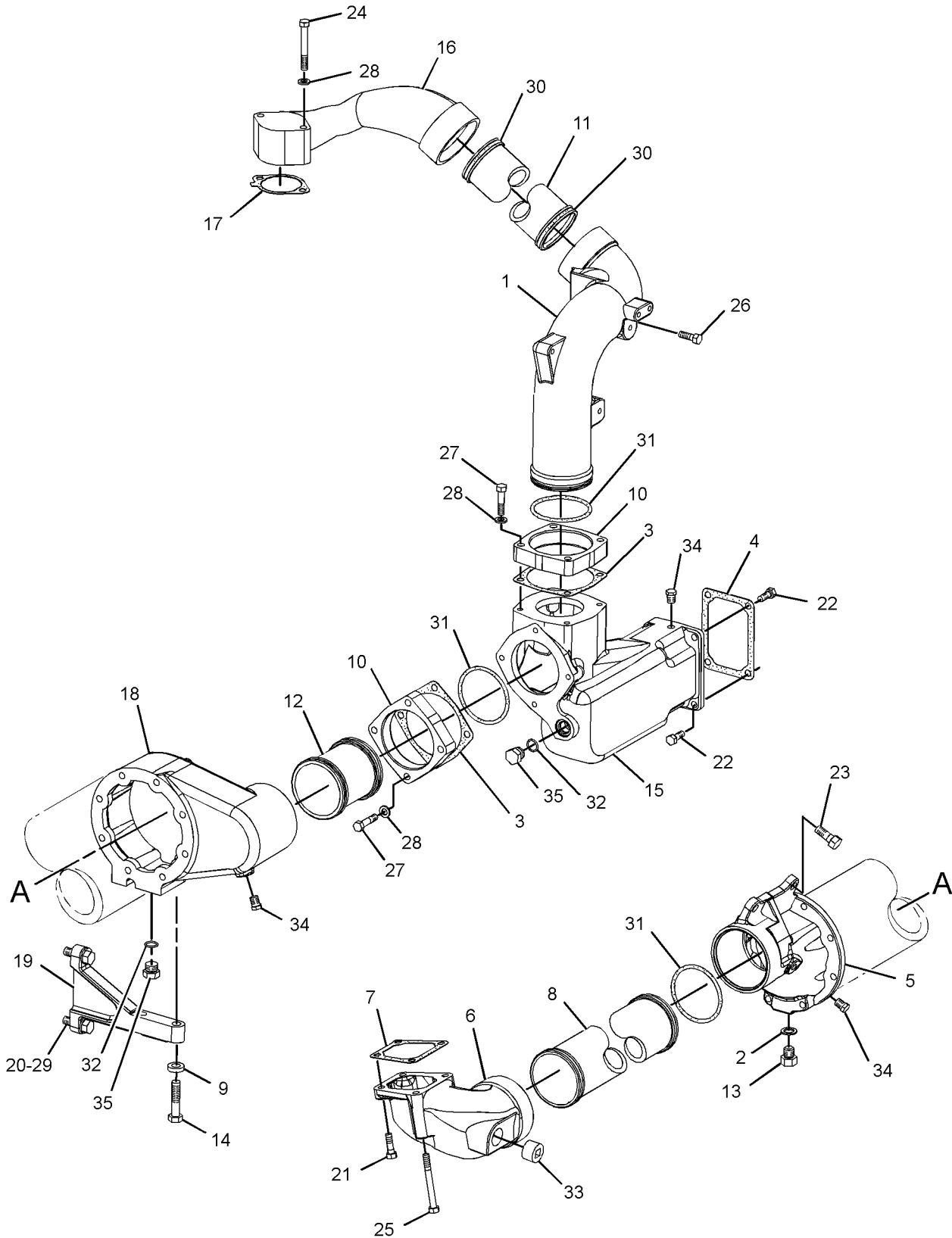
NOTE	REF NO	GRAPHIC REF	PART NUMBER	QTY	PART NAME						SEE PAGE
					1	2	3	4	5	6 (PRODUCT LEVEL)	
	1	1	1N-4087	1	ELBOW						
	2	1	4B-8407	1	GASKET-COPPER						
	3	1	4N-1320	2	GASKET						
	4	1	7N-4932	1	GASKET						
	5	1	7N-4941	1	BONNET-OIL COOLER						
	6	1	7N-4944	1	ELBOW						
	7	1	7N-4945	1	GASKET						
	8	1	7N-9045	1	TUBE						
C	9	1	8B-9725	2	BOSS						
	10	1	8N-0386	2	FLANGE						
	11	1	8N-1989	1	TUBE						
	12	1	8N-7641	1	TUBE						
	13	1	9M-4202	1	PLUG-DRAIN (OIL COOLER)						
C	14	1	9X-8873	2	BOLT (1/2-13X2.25-IN)						
	15	1	120-7421	1	ADAPTER						
	16	1	141-9285	1	ELBOW						
	17	1	230-1072	1	GASKET						
C	18	1	278-0539	1	HOUSING-OIL COOLER						
C	19	1	278-0540	1	BRACKET						
	20	1	0S-1585	2	BOLT (1/2-13X1.5-IN)						
	21	1	0S-1588	2	BOLT (3/8-16X1.25-IN)						
	22	1	0S-1594	4	BOLT (3/8-16X1-IN)						
	23	1	0S-1595	2	BOLT (1/2-13X1.25-IN)						
	24	1	0S-1619	2	BOLT (3/8-16X3-IN)						
	25	1	0T-0065	2	BOLT (3/8-16X3.5-IN)						
	26	1	1A-2029	2	BOLT (3/8-16X1.125-IN)						
	27	1	2A-4639	6	BOLT (3/8-16X1.625-IN)						
C	28	1	5M-2894	8	WASHER-HARD (10.2X18.5X2.5-MM THK)						
	29	1	5P-8245	2	WASHER-HARD (13.5X25.5X3-MM THK)						
	30	1	6V-1454	2	SEAL-O-RING						
	31	1	6V-5066	5	SEAL-O-RING						
	32	1	6V-6609	2	SEAL-O-RING						
	33	1	8T-6761	1	PLUG-PIPE						
	34	1	8T-6765	3	PLUG-PIPE						
	35	1	9S-4185	2	PLUG-O-RING						

C-CHANGE FROM PREVIOUS TYPE

# COOLING SYSTEM

115-7850 LINES GP-WATER (contd.)

i03401069



GRAPHIC #1

<END>

g01761153

# COOLING SYSTEM

## 155-5145 LINES GP-WATER-SEPARATE CIRCUIT AFTERCOOLER

S/N: YAT1-UP

PART OF 312-5105 RADIATOR & FAN GP  
AN ATTACHMENT

SMCS-1355, 1380, 1393

i03421320

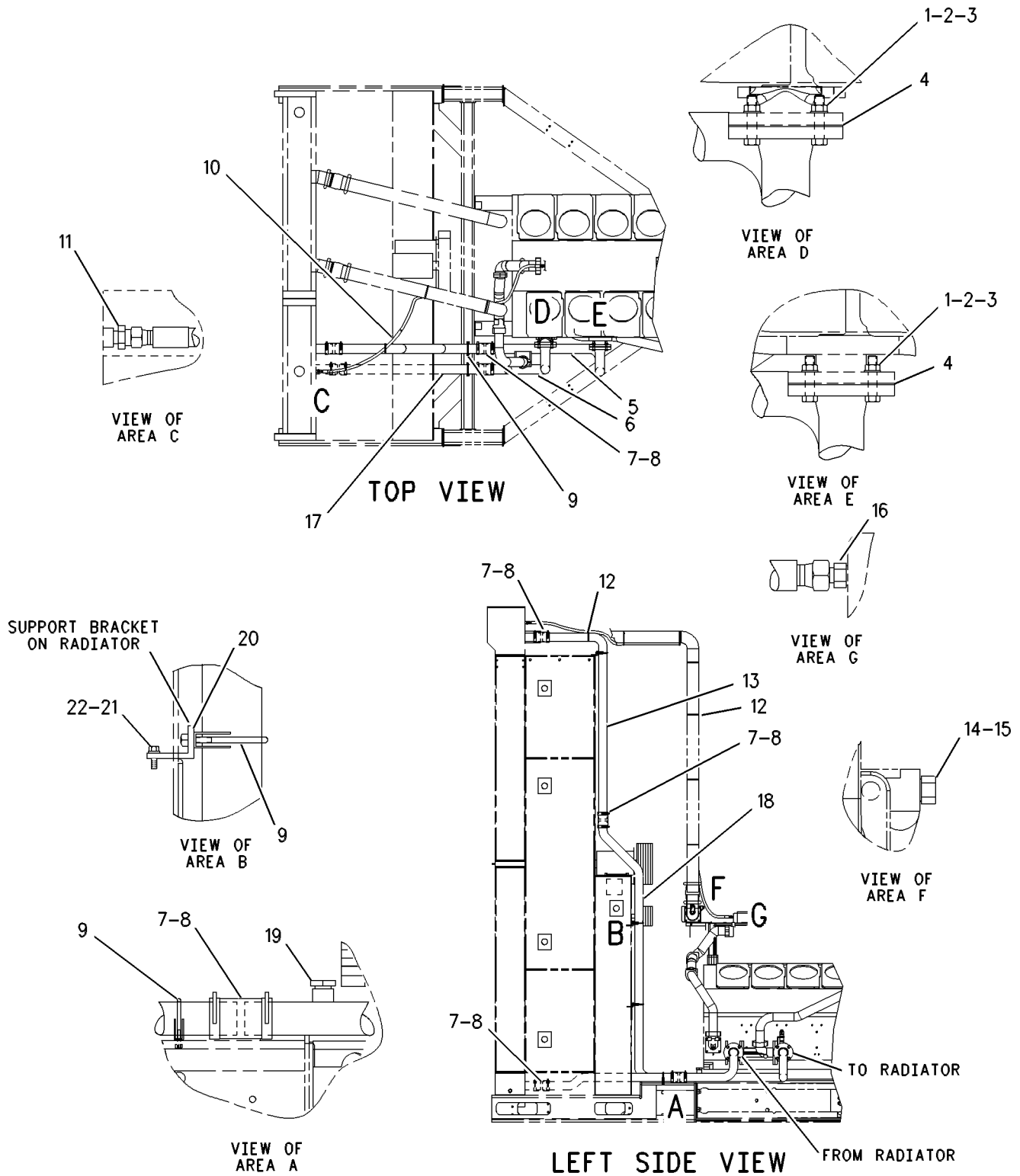
NOTE	REF NO	GRAPHIC REF	PART NUMBER	QTY	PART NAME						SEE PAGE
					1	2	3	4	5	6 (PRODUCT LEVEL)	
	1	1	5P-2424	8	BOLT (1/2-13X2.25-IN)						
	2	1	6V-8188	8	NUT (1/2-13-THD)						
	3	1	8T-4223	8	WASHER-HARD (13.5X25.5X3-MM THK)						
	4	1	9Y-6893	2	GASKET						
	5	1	153-1394	1	TUBE AS						
	6	1	153-1392	1	TUBE AS						
	7	1	7C-4342	5	HOSE						
	8	1	5P-4868	10	CLAMP-HOSE						
	9	1	089-7889	5	CLAMP-EXHAUST PIPE						
	10	1	155-5149	1	HOSE AS						
	11	1	155-5135	1	ADAPTER						
	12	1	155-5130	7	STRAP-CABLE						
	13	1	155-5148	1	TUBE						
	14	1	9S-4182	1	PLUG-O-RING						
	15	1	6V-9027	1	SEAL-O-RING						
	16	1	155-5136	1	ADAPTER						
	17	1	155-5146	1	TUBE						
	18	1	155-5147	1	TUBE						
	19	1	143-0856	1	PLUG						
	20	1	160-0092	2	BRACKET						
M	21	1	8T-4908	4	BOLT (M8X1.25X25-MM)						
	22	1	8T-4224	4	WASHER-HARD (8.8X16X2-MM THK)						

M-METRIC PART

# COOLING SYSTEM

155-5145 LINES GP-WATER (contd.)

i03421320



GRAPHIC #1

<END>

g00547743

# COOLING SYSTEM

## 197-9064 LINES GP-WATER-AFTERCOOLER

S/N: YAT1-UP  
AN ATTACHMENT

SMCS-1355, 1380, 1393

i02786420

NOTE	REF NO	GRAPHIC REF	PART NUMBER	QTY	PART NAME						SEE PAGE
					1	2	3	4	5	6 (PRODUCT LEVEL)	
	1	4	1N-3872	1	SUPPORT						
	2	4	2V-4387	3	SPACER (10.312X25.4X23.11-MM THK)						
	3	2	2W-5225	2	FLANGE						
	4	1	3P-6061	1	GASKET						
	5	1,2,3,4	4W-0531	12	RETAINER						
	6	2,3	7C-9597	4	FLANGE						
	8	3,4	9S-9635	2	JOINT AS-TUBE (EACH INCLUDES)						
		3,4	9X-7523	2	SEAL						
	9	1	110-6995	1	PLATE						
	10	2	110-9538	1	TUBE						
	11	2	111-5052	1	BRACKET						
	12	1	111-5056	1	CONNECTOR						
	13	1	114-2040	1	ELBOW						
	14	3	115-7854	1	TUBE						
	15	3	116-3255	1	TUBE						
	16	4	116-3259	2	BRACKET						
	17	2	116-7003	1	TUBE						
	18	4	125-2781	1	TUBE						
	19	2	129-3082	1	ELBOW						
	20	3	187-4607	1	HOSE AS						
	21	1	187-4608	1	HOSE AS						
C	22	4	214-0731	1	BRACKET						
CY	23	2	216-6217	1	HOUSING & REGULATOR GP (AFTERCOOLER)						176
	24	4	230-1072	1	GASKET						
	25	2,3	030-3978	1	CONNECTOR						
C	26	1,4	0L-1351	8	BOLT (3/8-16X0.875-IN)						
	27	4	0L-2070	6	BOLT (3/8-16X2.25-IN)						
	28	4	0S-1585	2	BOLT (1/2-13X1.5-IN)						
	29	3	0S-1590	3	BOLT (3/8-16X2-IN)						
	30	1,4	0S-1591	3	BOLT (3/8-16X1.5-IN)						
	31	2,4	0S-1594	8	BOLT (3/8-16X1-IN)						
	32	2	0T-0065	2	BOLT (3/8-16X3.5-IN)						
	33	2,3,4	196-5052	7	CLIP (SLOT)						
	34	2,3,4	196-5053	7	CLIP (TAB)						
	35	2	1A-2029	2	BOLT (3/8-16X1.125-IN)						
	36	4	1A-5822	2	BOLT (1/2-13X2.75-IN)						
	37	1	1C-2251	2	BOLT (3/8-16X1.87-IN)						
	38	2,4	1F-7958	10	NUT-FULL (1/2-13-THD)						
	39	2,4	2M-0849	5	WASHER-HARD (13.5X25.5X5-MM THK)						
	40	2,4	3B-1915	3	BOLT (3/8-16X1.375-IN)						
	41	1,2	3J-7354	2	SEAL-O-RING						
C	42	4	3V-3308	2	WASHER-HARD (10.2X20.5X2.5-MM THK)						
	43	2	4F-7387	1	SEAL-O-RING						
	44	1,2,3,4	4W-0530	6	RING-RETAINING						
	45	2	5B-0841	4	BOLT (5/8-18X1.75-IN)						
	46	1	5B-2638	2	BOLT (3/8-16X5.25-IN)						
	47	2	5B-4399	1	SEAL-O-RING						
	48	2,3,4	5M-2894	14	WASHER-HARD (10.2X18.5X2.5-MM THK)						
	49	1,3	5P-2645	3	ELBOW						
	50	2	5P-8245	8	WASHER-HARD (13.5X25.5X3-MM THK)						
	51	2	6H-1717	1	BOLT (1/2-13X1.125-IN)						
	52	4	6H-6698	1	COVER						
	53	1,2,3	6J-2680	5	SEAL-O-RING						

# COOLING SYSTEM

197-9064 LINES GP-WATER (contd.)

i02786420

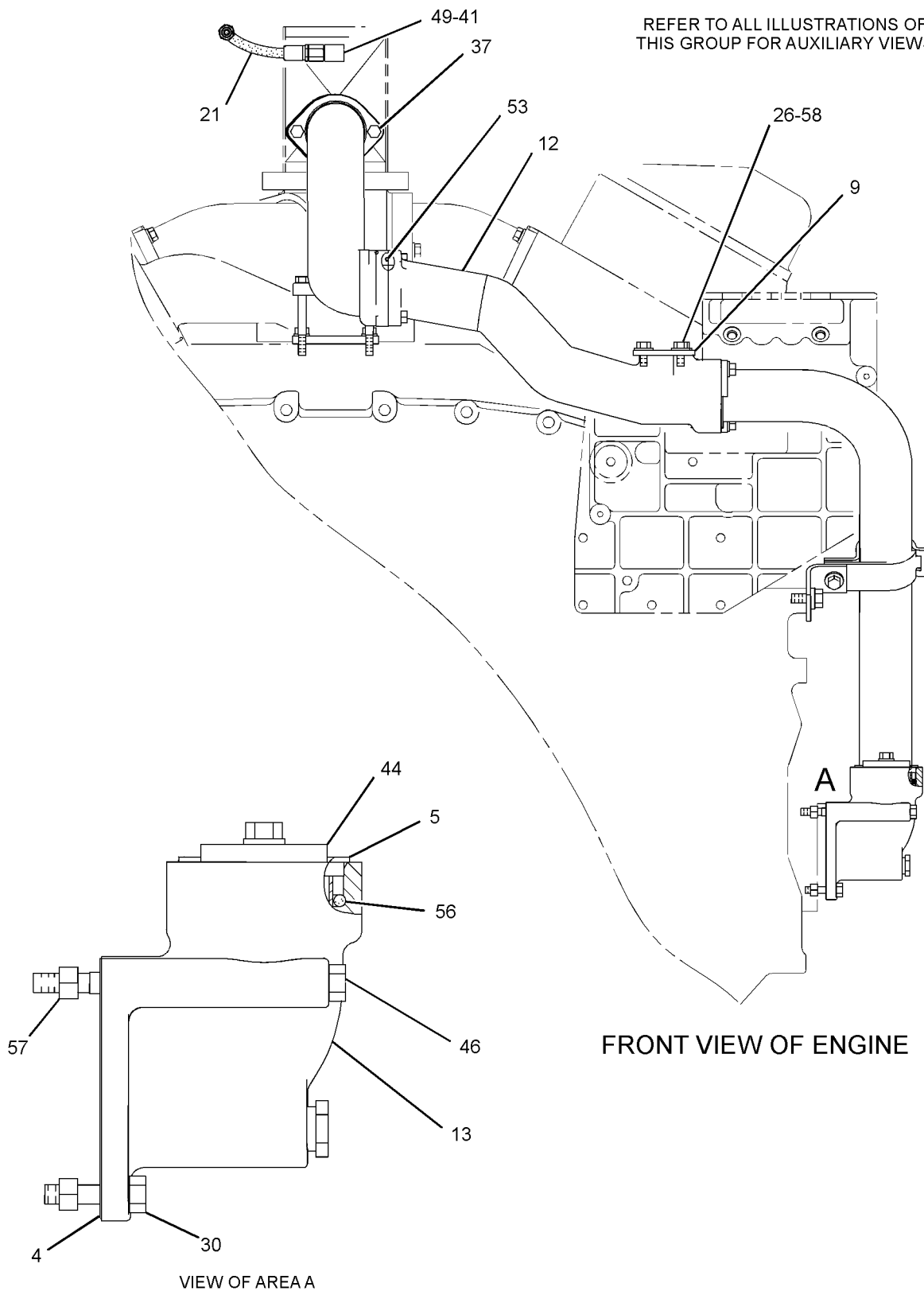
NOTE	REF NO	GRAPHIC REF	PART NUMBER	QTY	PART NAME						SEE PAGE
					1	2	3	4	5	6 (PRODUCT LEVEL)	
	54	3	<b>6V-9027</b>	2	SEAL-O-RING						
	55	2	<b>7W-6492</b>	1	PLUG-PIPE						
	56	1,2,3, 4	<b>8T-1919</b>	6	SEAL-O-RING						
	57	1,2,4	<b>9S-8752</b>	8	NUT-FULL (3/8-16-THD)						
	58	1,2,3, 4	<b>9X-6458</b>	17	WASHER-HARD (10.2X22.5X3-MM THK)						
	59	2	<b>9X-8873</b>	8	BOLT (1/2-13X2.25-IN)						
	60	4	<b>9Y-6893</b>	2	GASKET						

C-CHANGE FROM PREVIOUS TYPE  
Y-SEPARATE ILLUSTRATION

# COOLING SYSTEM

197-9064 LINES GP-WATER (contd.)

i02786420



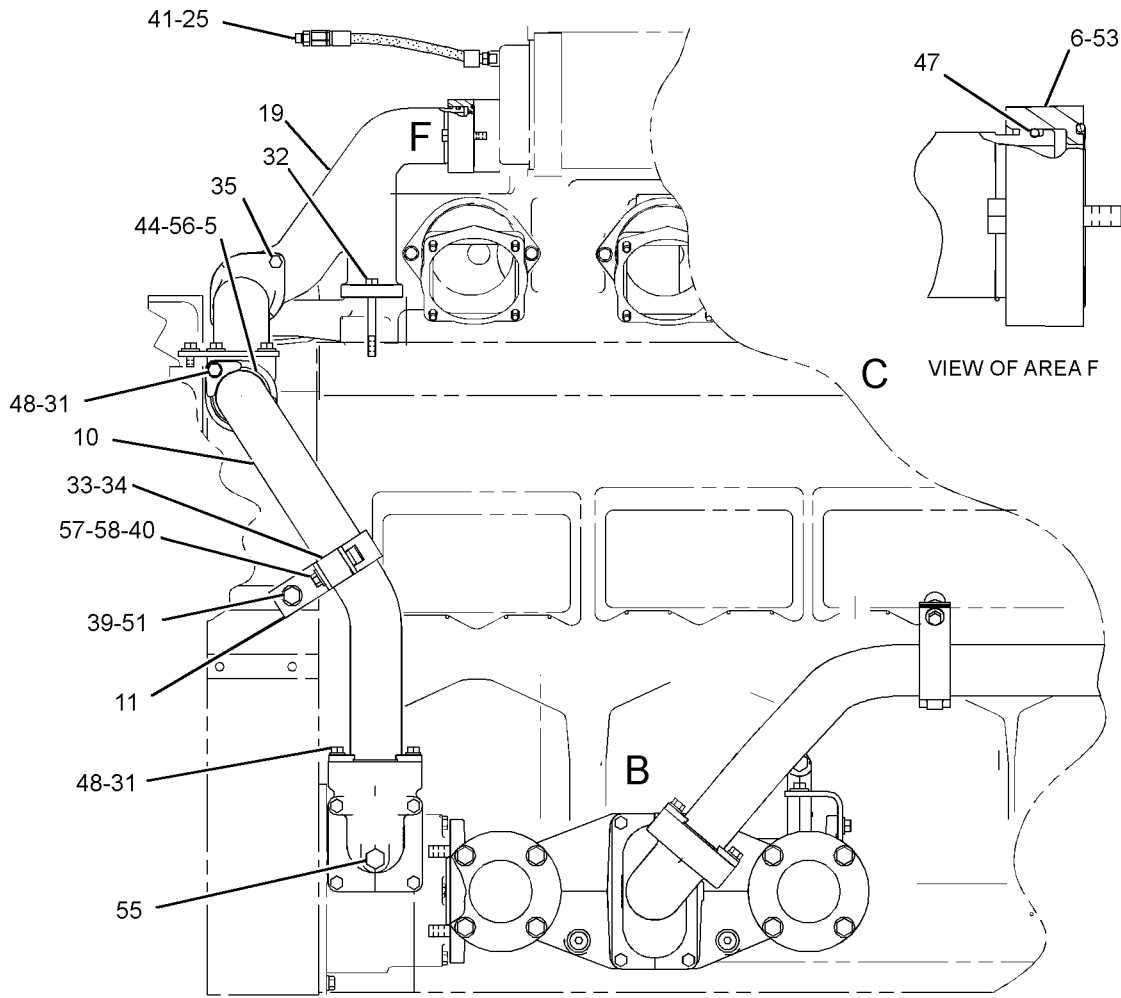
GRAPHIC #1

g01242742

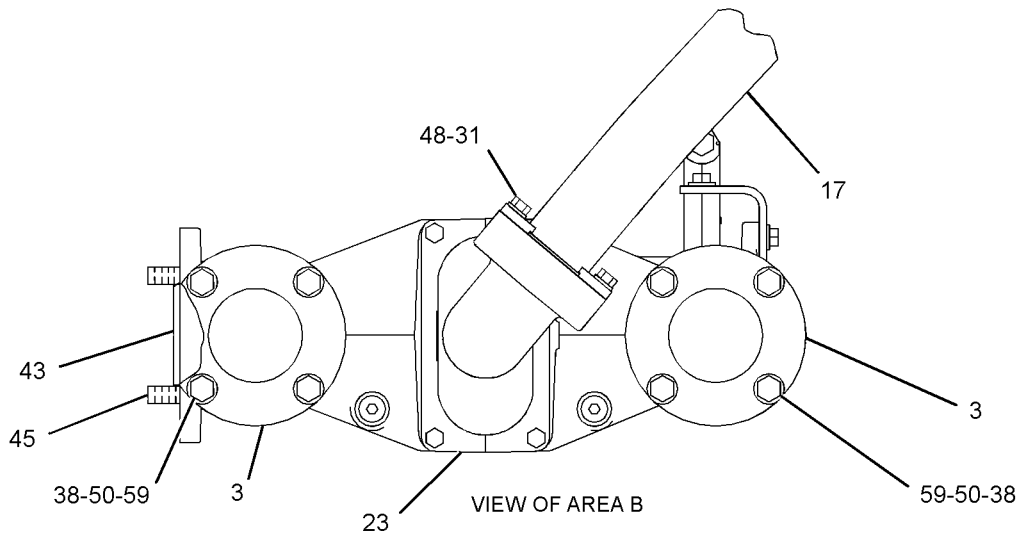
# COOLING SYSTEM

197-9064 LINES GP-WATER (contd.)

i02786420



LEFT SIDE VIEW OF ENGINE



VIEW OF AREA B

GRAPHIC #2

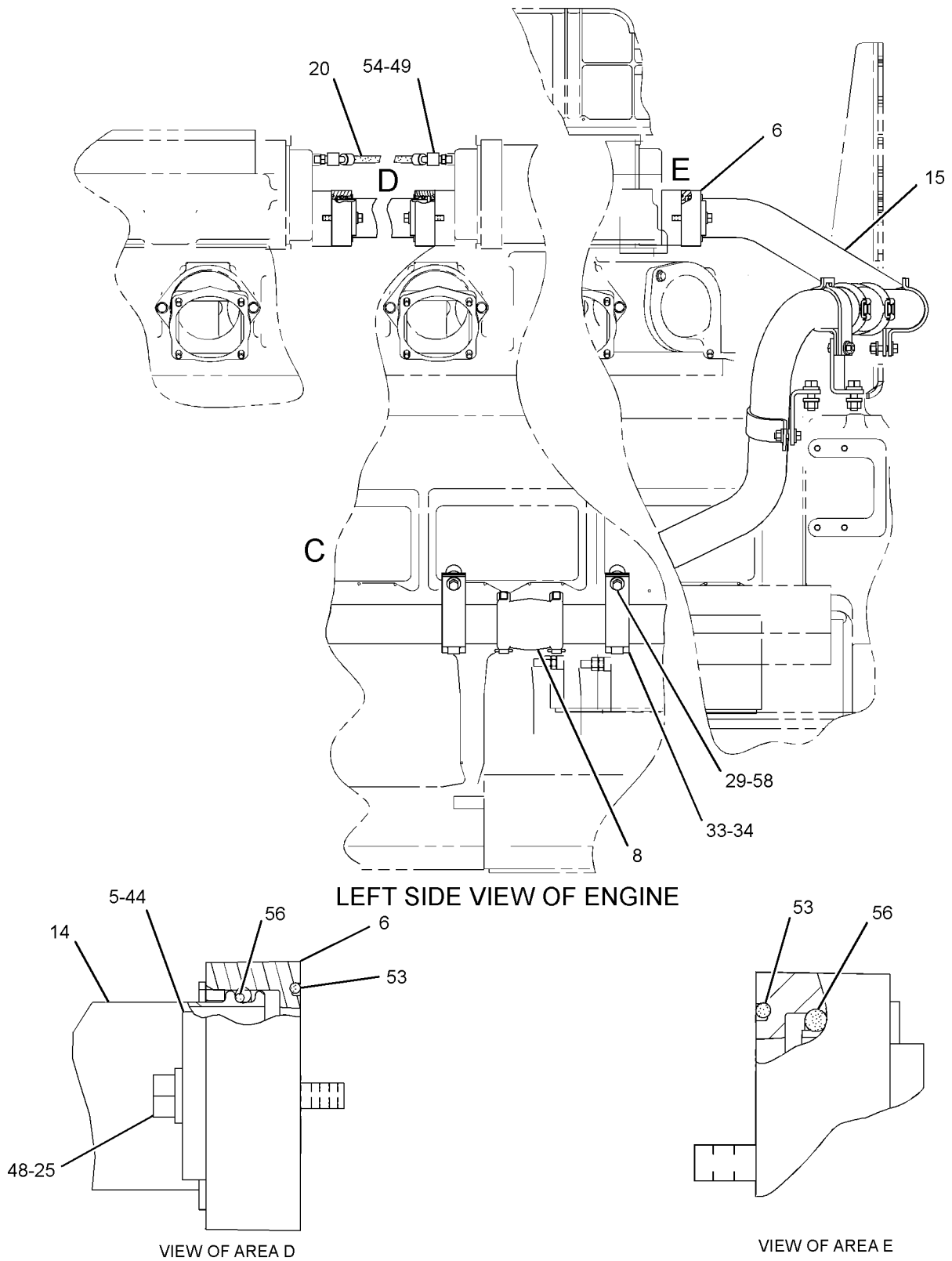
g01242758



# COOLING SYSTEM

197-9064 LINES GP-WATER (contd.)

i02786420



LEFT SIDE VIEW OF ENGINE

VIEW OF AREA D

VIEW OF AREA E

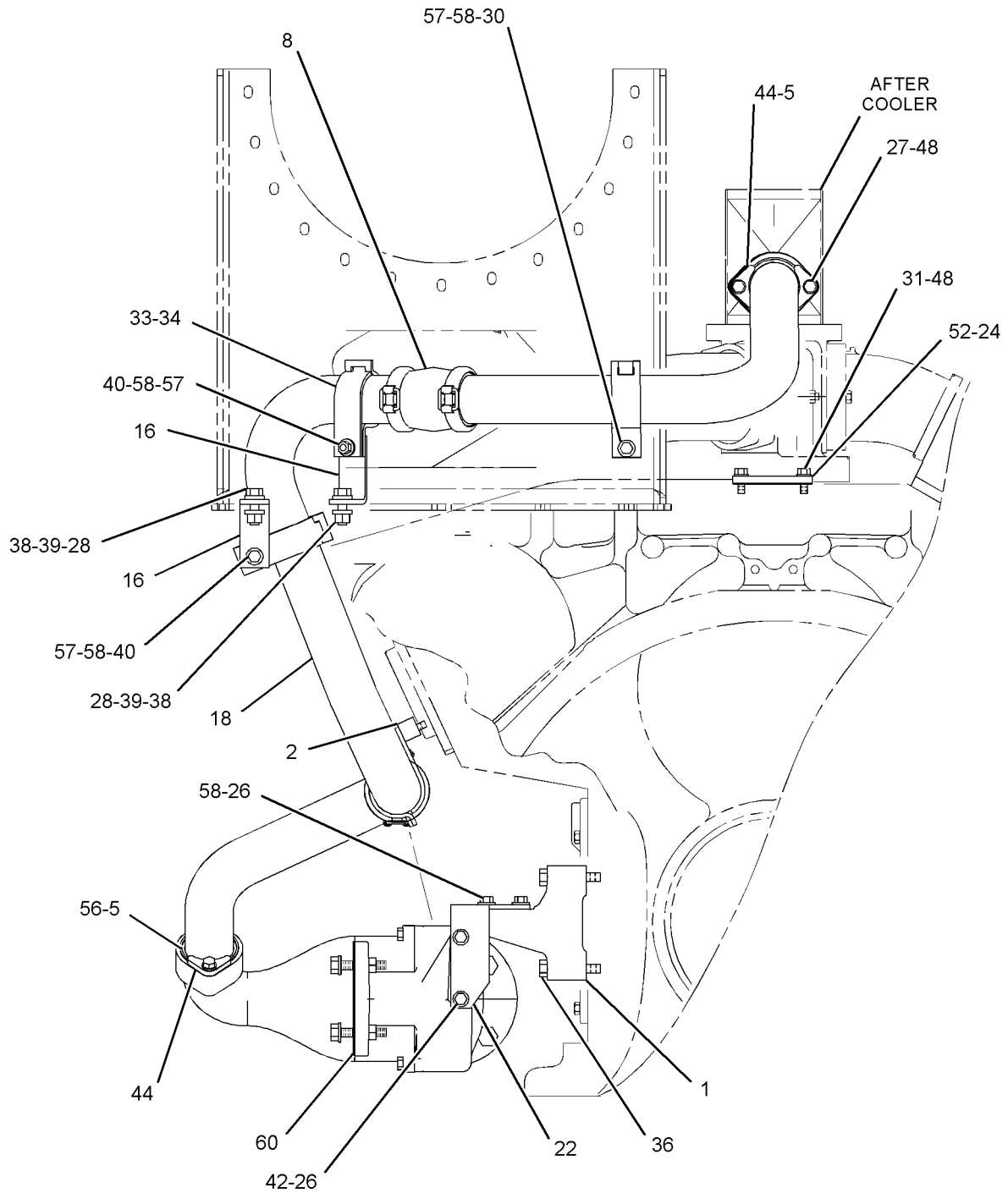
GRAPHIC #3

g01242744

# COOLING SYSTEM

197-9064 LINES GP-WATER (contd.)

i02786420



REAR VIEW OF ENGINE

GRAPHIC #4

<END>

g01299746

# COOLING SYSTEM

## 208-0822 LINES GP-WATER-AFTERCOOLER

S/N: YAT1-UP

SMCS-1355, 1380, 1393

i02413321

NOTE	REF NO	GRAPHIC REF	PART NUMBER	QTY	PART NAME						SEE PAGE
					1	2	3	4	5	6 (PRODUCT LEVEL)	
	1	1	1N-3872	1	SUPPORT						
	2	1	2V-4387	3	SPACER (10.312X25.4X23.11-MM THK)						
	3	3	2W-5225	2	FLANGE						
	4	3	3P-6061	1	GASKET						
	5	2	7C-9597	4	FLANGE						
	6	1,2	9S-9635	2	JOINT AS-TUBE (EACH INCLUDES)						
		1,2	9X-7523	2	SEAL						
	7	3	110-6995	1	PLATE						
	8	2	110-9538	1	TUBE						
	9	2	111-5052	1	BRACKET						
	10	3	111-5056	1	CONNECTOR						
	11	3	114-2040	1	ELBOW						
	12	2	115-7854	1	TUBE						
	13	3	116-7003	1	TUBE						
	14	2	129-3082	1	ELBOW						
	15	2	187-4607	1	HOSE AS						
	16	2	187-4608	1	HOSE AS						
	17	1,2	196-5052	7	CLIP (SLOT)						
	18	1,2	196-5053	7	CLIP (TAB)						
	19	1	208-0824	2	BRACKET						
	20	1	208-0825	1	BRACKET						
	21	2	208-0826	1	TUBE						
	22	1	209-4449	1	TUBE						
	23	1	214-0731	1	BRACKET						
Y	24	1	216-6217	1	HOUSING & REGULATOR GP						176
	25	2	030-3978	1	CONNECTOR						
	26	1,3	0L-1351	8	BOLT (3/8-16X0.875-IN)						
	27	1,2	0L-2070	6	BOLT (3/8-16X2.25-IN)						
	28	1	0S-0509	1	BOLT (3/8-16X0.75-IN)						
	29	2	0S-1588	1	BOLT (3/8-16X1.25-IN)						
	30	2	0S-1590	3	BOLT (3/8-16X2-IN)						
	31	1,2,3	0S-1594	8	BOLT (3/8-16X1-IN)						
	32	1	0S-1621	2	BOLT (1/2-13X1-IN)						
	33	2	0T-0065	2	BOLT (3/8-16X3.5-IN)						
	34	2	1A-2029	2	BOLT (3/8-16X1.125-IN)						
	35	1	1A-5822	2	BOLT (1/2-13X2.75-IN)						
	36	1	230-1072	1	GASKET						
	37	3	1C-2251	2	BOLT (3/8-16X1.87-IN)						
	38	3	1F-7958	8	NUT-FULL (1/2-13-THD)						
	39	1,2	2M-0849	3	WASHER-HARD (13.5X25.5X5-MM THK)						
	40	1,2	3B-1915	2	BOLT (3/8-16X1.375-IN)						
	41	2	3J-7354	2	SEAL-O-RING						
	42	1	3V-3308	2	WASHER-HARD (10.2X20.5X2.5-MM THK)						
	43	3	4F-7387	1	SEAL-O-RING						
	44	1,2,3	4W-0530	6	RING-RETAINING						
	45	1,2,3	4W-0531	12	RETAINER						
	46	3	5B-0841	4	BOLT (5/8-18X1.75-IN)						
	47	2	5B-4399	1	SEAL-O-RING						
	48	3	5B-2638	2	BOLT (3/8-16X5.25-IN)						
	49	1,2,3	5M-2894	14	WASHER-HARD (10.2X18.5X2.5-MM THK)						
	50	2	5P-2645	3	ELBOW						
	51	3	5P-8245	8	WASHER-HARD (13.5X25.5X3-MM THK)						
	52	2	6H-1717	1	BOLT (1/2-13X1.125-IN)						
	53	1	6H-6698	1	COVER						
	54	2,3	6J-2680	5	SEAL-O-RING						
	55	2	6V-9027	2	SEAL-O-RING						

# COOLING SYSTEM

208-0822 LINES GP-WATER (contd.)

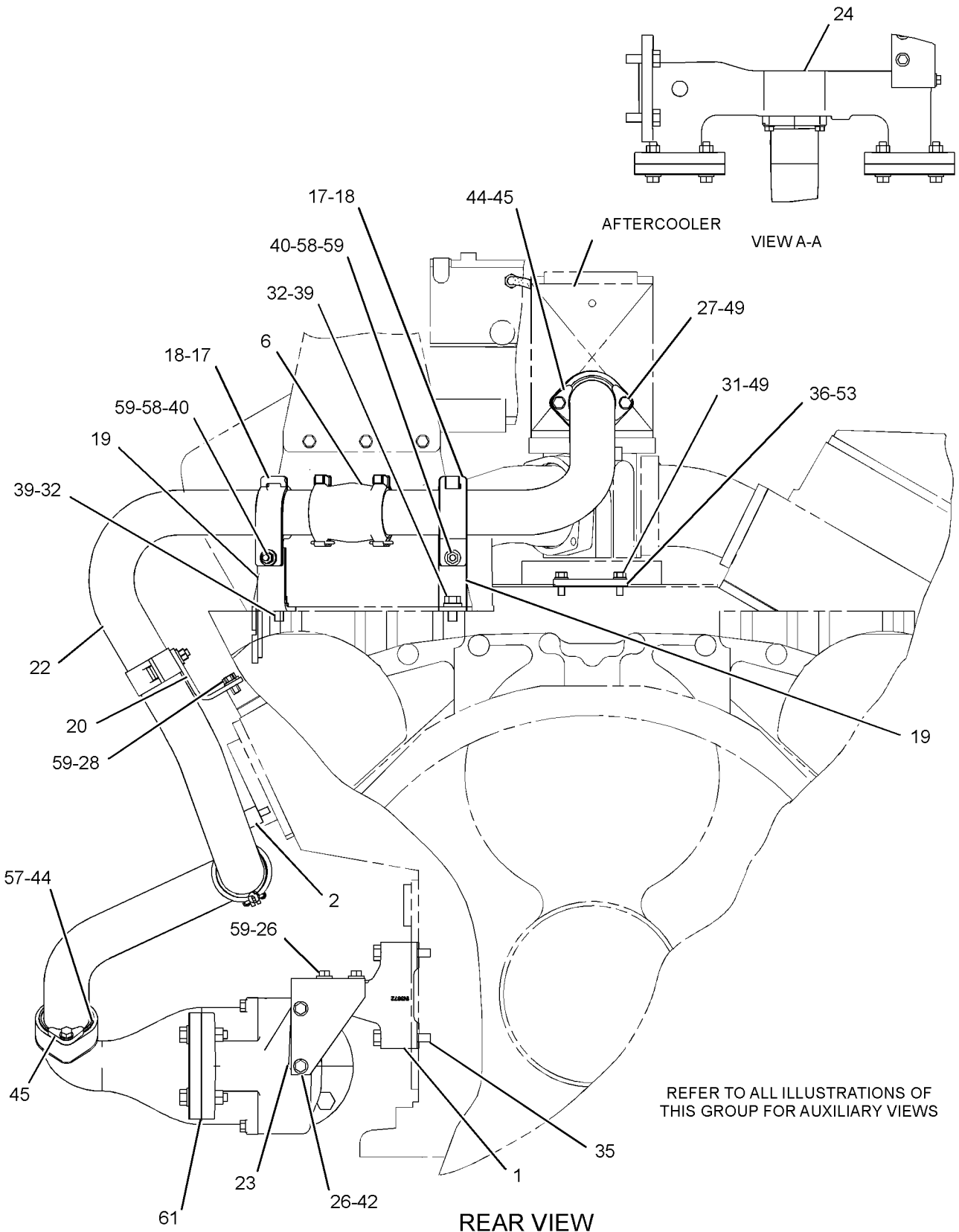
i02413321

NOTE	REF NO	GRAPHIC REF	PART NUMBER	QTY	PART NAME	SEE PAGE
					1 2 3 4 5 6 (PRODUCT LEVEL)	
	56	3	<b>7W-6492</b>	1	PLUG-PIPE	
	57	1, 2, 3	<b>8T-1919</b>	6	SEAL-O-RING	
	58	1, 2, 3	<b>9S-8752</b>	8	NUT-FULL (3/8-16-THD)	
	59	1, 2, 3	<b>9X-6458</b>	18	WASHER-HARD (10.2X22.5X3-MM THK)	
	60	3	<b>9X-8873</b>	8	BOLT (1/2-13X2.25-IN)	
	61	1	<b>9Y-6893</b>	2	GASKET	
	62	3	<b>0S-1591</b>	2	BOLT (3/8-16X1.5-IN)	
Y-SEPARATE ILLUSTRATION						

# COOLING SYSTEM

208-0822 LINES GP-WATER (contd.)

i02413321



GRAPHIC #1

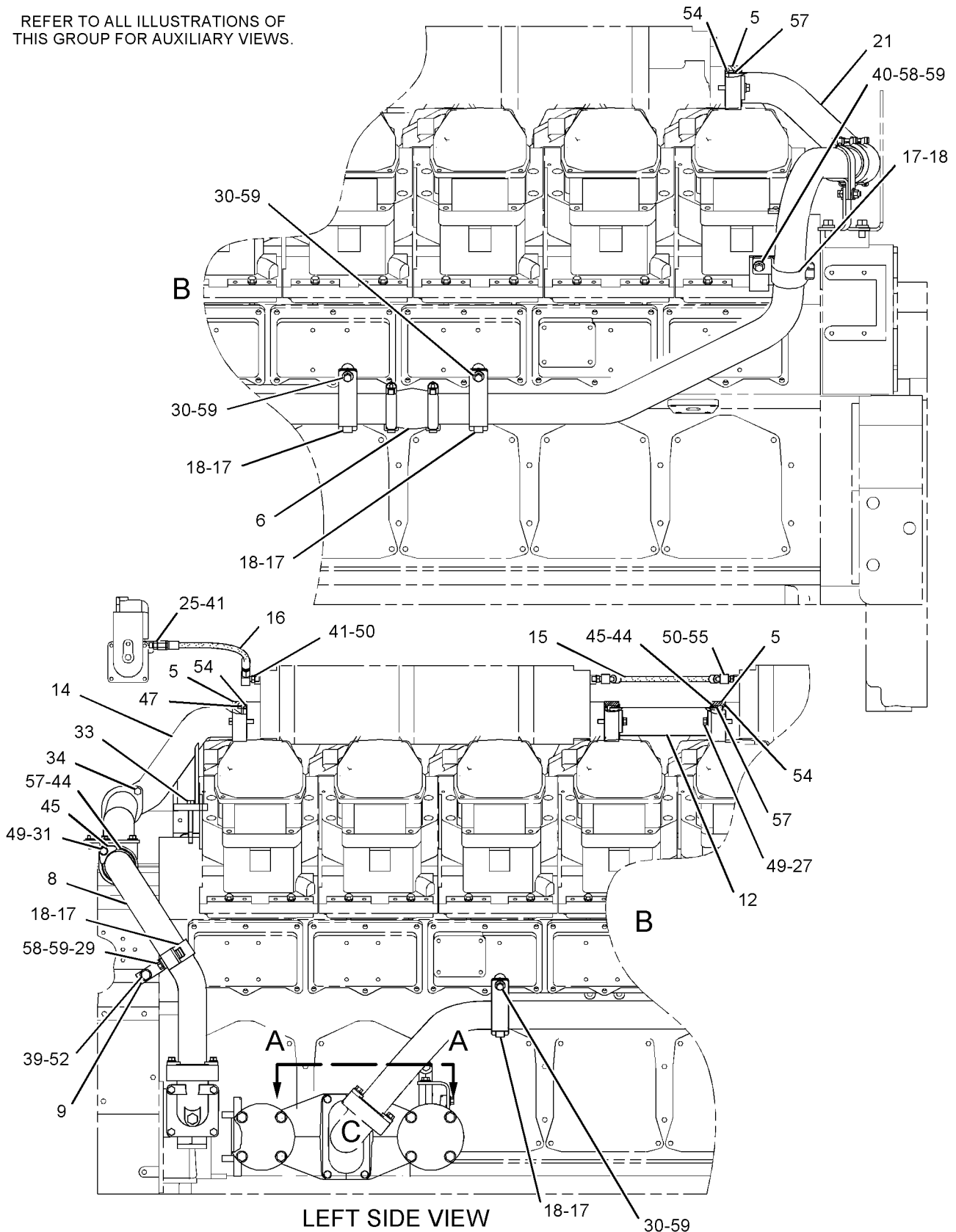
g01212257

# COOLING SYSTEM

208-0822 LINES GP-WATER (contd.)

i02413321

REFER TO ALL ILLUSTRATIONS OF THIS GROUP FOR AUXILIARY VIEWS.



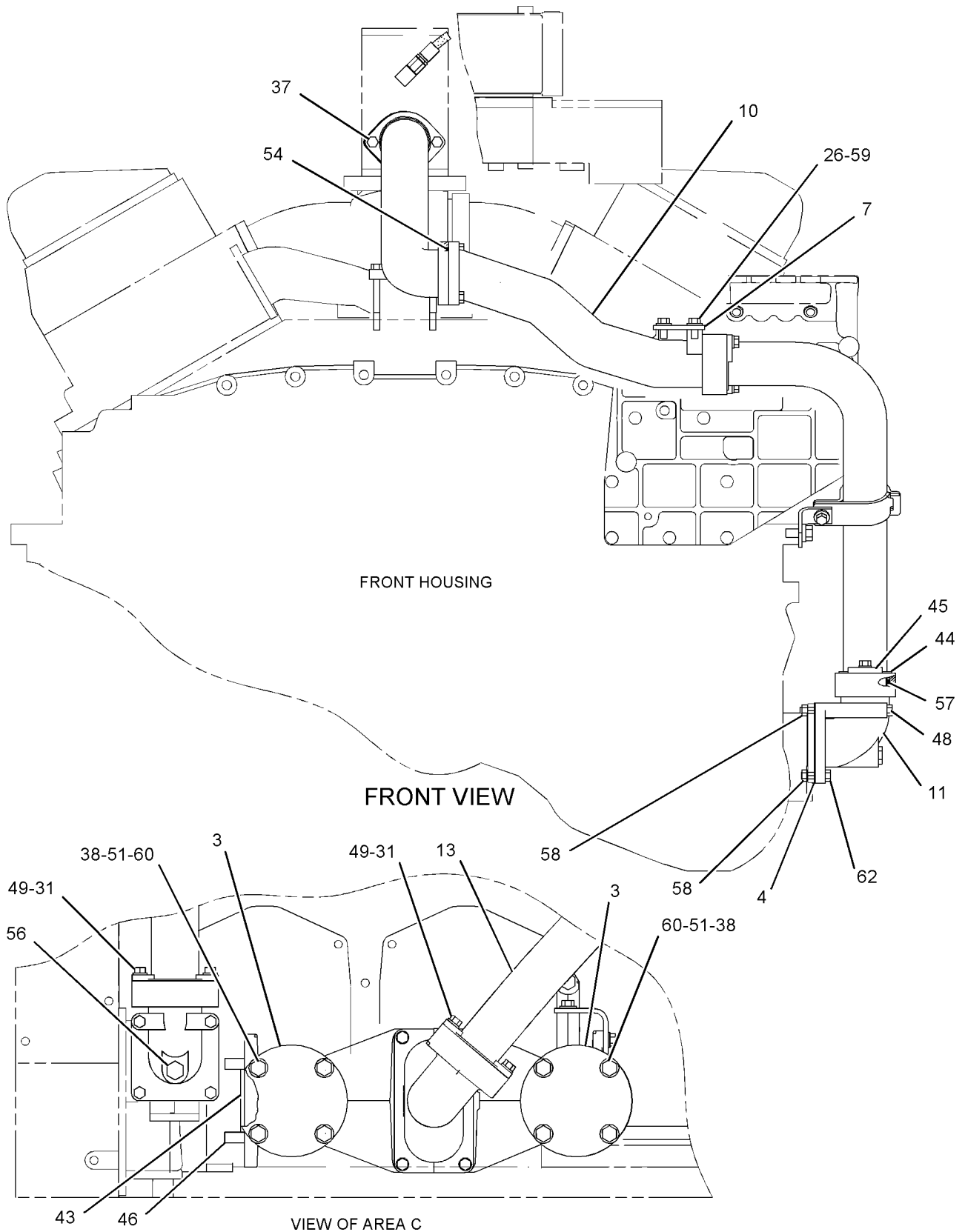
GRAPHIC #2

g01101416

# COOLING SYSTEM

208-0822 LINES GP-WATER (contd.)

i02413321



GRAPHIC #3

<END>

g01120520

# COOLING SYSTEM

## 337-6517 LINES GP-WATER-AFTERCooler VENT

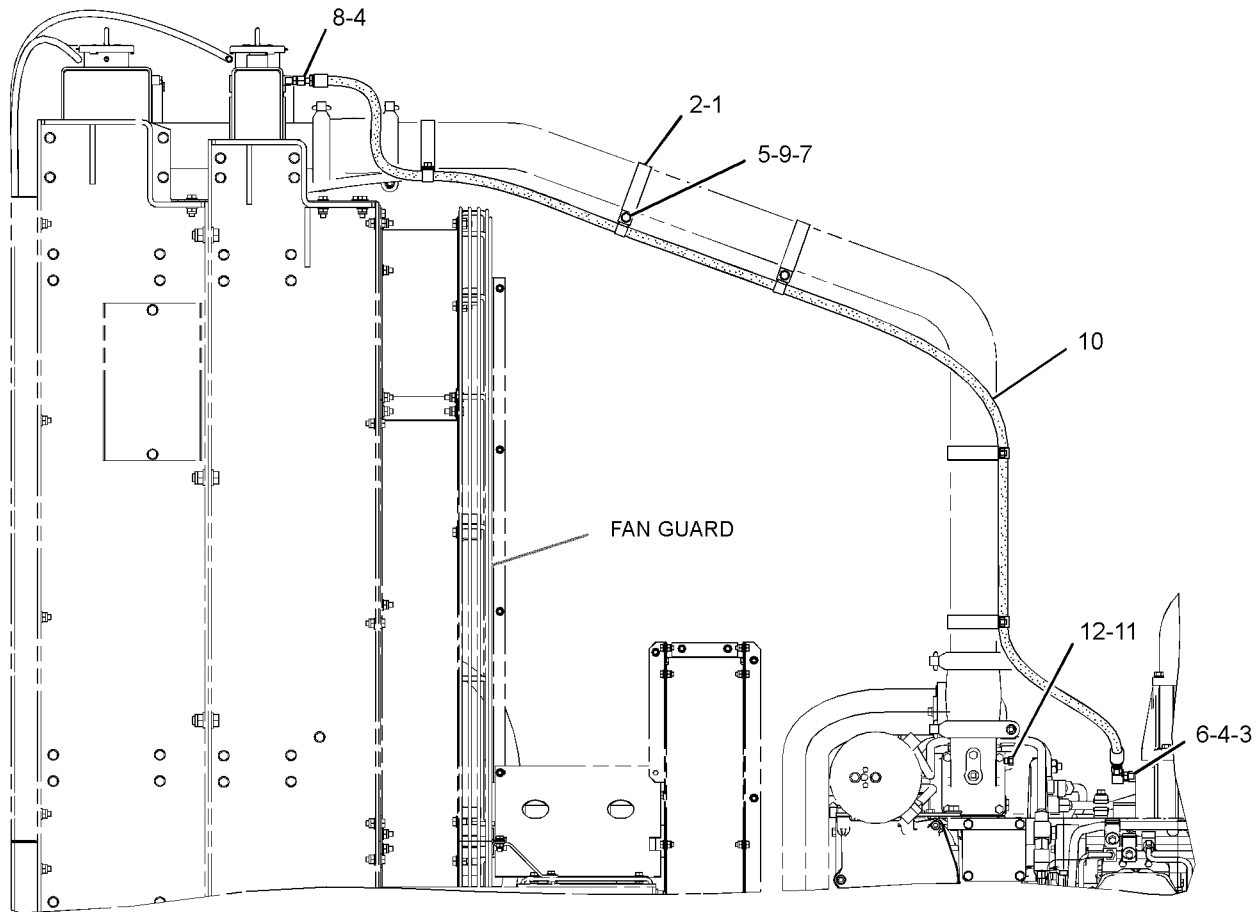
S/N: YAT1-UP  
AN ATTACHMENT

SMCS-1355, 1380, 1393

i03418084

NOTE	REF NO	GRAPHIC REF	PART NUMBER	QTY	PART NAME						SEE PAGE
					1	2	3	4	5	6 (PRODUCT LEVEL)	
	1	1	067-2551	5	CLIP						
	2	1	120-5867	5	CLIP						
	3	1	3J-7354	1	SEAL-O-RING						
	4	1	4J-5477	2	SEAL-O-RING						
	5	1	4L-6454	5	BOLT (3/8-16X1-IN)						
	6	1	6V-8628	1	ELBOW						
	7	1	6V-8801	5	NUT (3/8-16-THD)						
	8	1	8C-6866	1	CONNECTOR						
	9	1	8T-4896	10	WASHER-HARD (10.2X18.5X2.5-MM THK)						
I	10	1	247-9970	1	HOSE AS						
	11	1	6V-9027	1	SEAL-O-RING						
	12	1	9S-4182	1	PLUG-O-RING						

I-REFER TO HYDRAULIC INFORMATION SYSTEM



LEFT SIDE VIEW OF ENGINE

<END>

GRAPHIC #1

g01780233



# COOLING SYSTEM

## 249-0029 MOUNTING GP-RADIATOR

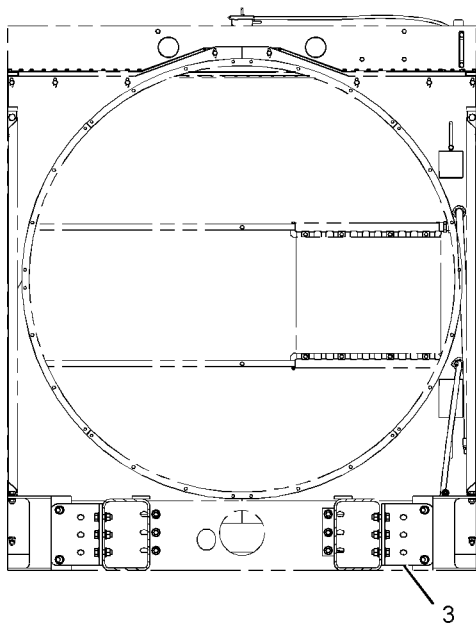
S/N: YAT1-UP

PART OF 263-8040, 263-8042, 263-8044 RADIATOR & FAN GP, 249-0301, 249-0309,  
257-8762, 263-8038 RADIATOR GP  
AN ATTACHMENT

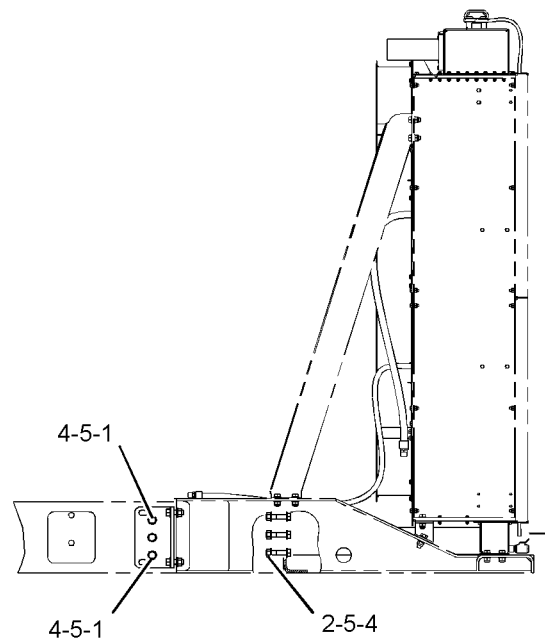
SMCS-1353

i02901513

NOTE	REF NO	GRAPHIC REF	PART NUMBER	QTY	PART NAME						SEE PAGE
					1	2	3	4	5	6 (PRODUCT LEVEL)	
	1	1	201-2184	10	BOLT (3/4-10X2.25-IN)						
	2	1	251-5715	6	BOLT (3/4-10X4.25-IN)						
	3	1	249-0030	2	PLATE						
	4	1	6V-8182	16	NUT (3/4-10-THD)						
	5	1	8T-4994	32	WASHER-HARD (20X36.5X3.5-MM THK)						



REAR VIEW



RIGHT SIDE VIEW

GRAPHIC #1

<END>

g01089697

# COOLING SYSTEM

## 256-3170 MOUNTING GP-RADIATOR

S/N: YAT1-UP

FOR USE WITH PACKAGE MOUNTED RADIATORS AND RUBBER PACKAGE ISOLATOR GROUPS.  
CANNOT BE USED WITH SPRING ISOLATORS  
AN ATTACHMENT

SMCS-1353

i02270454

NOTE	PART NUMBER	QTY	PART NAME						SEE PAGE
			1	2	3	4	5	6 (PRODUCT LEVEL)	
Y	259-2503	2	MOUNTING GP-VIBRATION ISOLATOR						856
Y-SEPARATE ILLUSTRATION									

<END>

## 256-3172 MOUNTING GP-RADIATOR

S/N: YAT1-UP

RUBBER ISOLATOR  
CANNOT BE USED WITH SPRING ISOLATOR  
AN ATTACHMENT

SMCS-1353

i02270457

NOTE	PART NUMBER	QTY	PART NAME						SEE PAGE
			1	2	3	4	5	6 (PRODUCT LEVEL)	
Y	259-2503	4	MOUNTING GP-VIBRATION ISOLATOR						856
Y-SEPARATE ILLUSTRATION									

<END>

## 276-0003 MOUNTING GP-RADIATOR

S/N: YAT1-UP

SPRING ISOLATOR  
AN ATTACHMENT

SMCS-1353

i02353022

NOTE	PART NUMBER	QTY	PART NAME						SEE PAGE
			1	2	3	4	5	6 (PRODUCT LEVEL)	
	153-3865	2	MOUNT AS						
	5P-7197	2	WASHER (17X45X6-MM THK)						

<END>

## 276-0004 MOUNTING GP-RADIATOR

S/N: YAT1-UP

SPRING ISOLATOR  
AN ATTACHMENT

SMCS-1353

i02353030

NOTE	PART NUMBER	QTY	PART NAME						SEE PAGE
			1	2	3	4	5	6 (PRODUCT LEVEL)	
	153-3865	4	MOUNT AS						
	5P-7197	4	WASHER (17X45X6-MM THK)						

<END>

# COOLING SYSTEM

## 286-2444 MOUNTING GP-RADIATOR

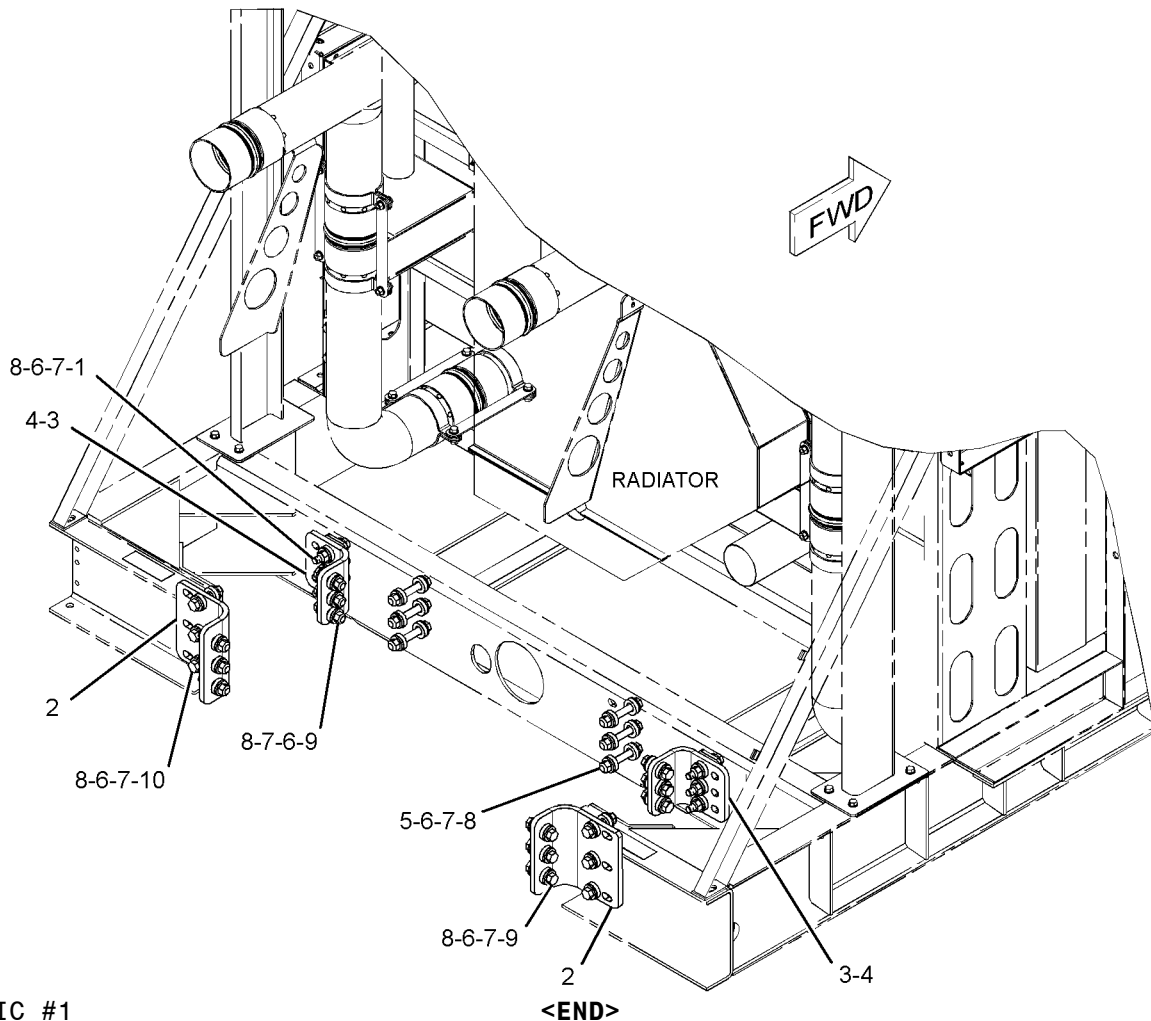
S/N: YAT1-UP

PART OF 273-3812 RADIATOR GP  
AN ATTACHMENT

SMCS-1353

i02548225

NOTE	REF NO	GRAPHIC REF	PART NUMBER	QTY	PART NAME						SEE PAGE
					1	2	3	4	5	6 (PRODUCT LEVEL)	
	1	1	251-5715	6	BOLT (3/4-10X4.25-IN)						
	2	1	286-2445	2	PLATE						
	3	1	289-0222	2	PLATE						
	4	1	289-0223	2	PLATE						
	5	1	289-0272	6	BOLT (3/4-10X5-IN)						
	6	1	198-4782	60	WASHER-HARD (26X47X12-MM THK)						
	7	1	7X-0582	60	WASHER-HARD (20X44.5X6-MM THK)						
	8	1	6V-8182	30	NUT (3/4-10-THD)						
	9	1	7X-0369	12	BOLT (3/4-10X3.25-IN)						
	10	1	7X-0371	6	BOLT (3/4-10X3.75-IN)						



GRAPHIC #1

g01291811

# COOLING SYSTEM

## 9Y-8175 PUMP GP-AUXILIARY WATER

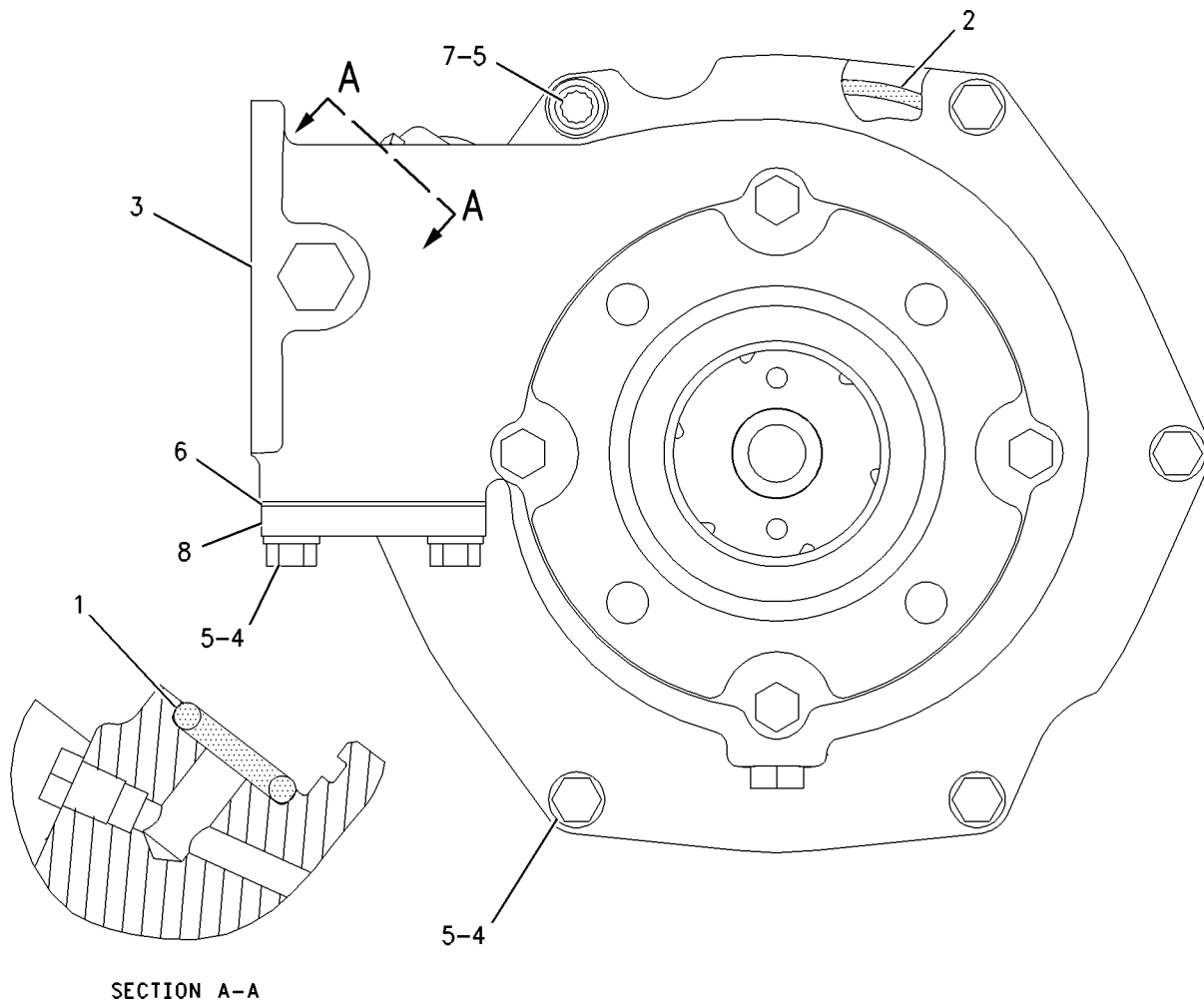
S/N: YAT1-UP

SMCS-1371

i02640413

NOTE	REF NO	GRAPHIC REF	PART NUMBER	QTY	PART NAME						SEE PAGE
					1	2	3	4	5	6 (PRODUCT LEVEL)	
	1	1	<b>3B-8453</b>	1	SEAL-O-RING						
	2	1	<b>235-3546</b>	1	SEAL-O-RING						
CYR	3	1	<b>291-4311</b>	1	PUMP GP-AUXILIARY WATER						209
	4	1	<b>0S-1594</b>	7	BOLT (3/8-16X1-IN)						
	5	1	<b>5M-2894</b>	8	WASHER-HARD (10.2X18.5X2.5-MM THK)						
	6	1	<b>5N-1940</b>	1	GASKET						
	7	1	<b>1T-0765</b>	1	BOLT (3/8-16X1-IN)						
	8	1	<b>5N-1939</b>	1	COVER						

C-CHANGE FROM PREVIOUS TYPE  
R-REMG PART MAY BE AVAILABLE  
Y-SEPARATE ILLUSTRATION



GRAPHIC #1

<END>

g00912687

# COOLING SYSTEM

## 291-4311 PUMP GP-AUXILIARY WATER\*R

S/N: YAT1-UP

PART OF 9Y-8175 PUMP GP-AUXILIARY WATER

SMCS-1371

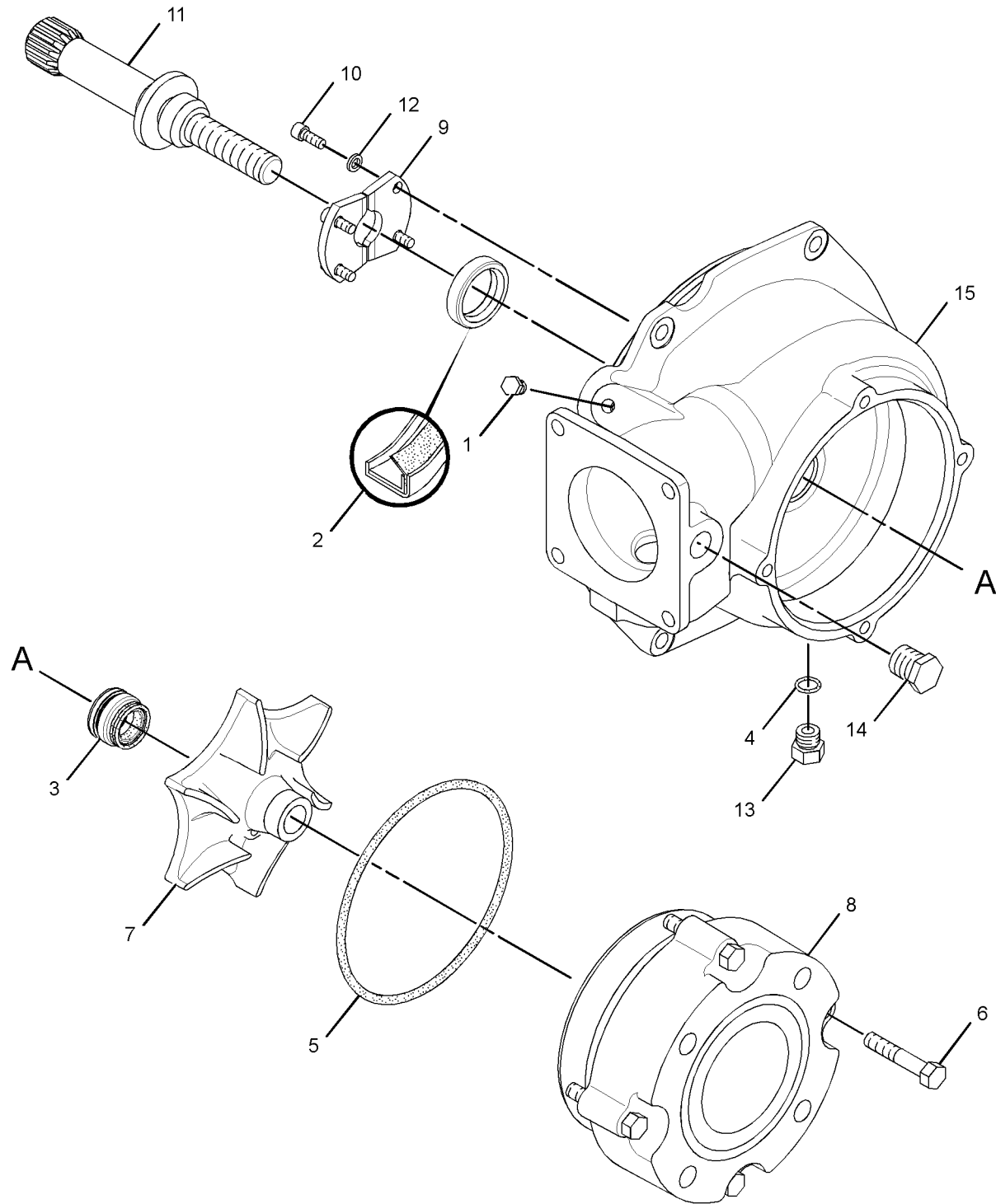
i02567068

NOTE	REF NO	GRAPHIC REF	PART NUMBER	QTY	PART NAME						SEE PAGE
					1	2	3	4	5	6 (PRODUCT LEVEL)	
	1	1	8T-6764	1	PLUG-PIPE						
	2	1	9X-4594	1	SEAL-LIP TYPE						
	3	1	262-4378	1	SEAL AS-WATER PUMP						
	4	1	3J-1907	1	SEAL-O-RING						
	5	1	9M-3786	1	SEAL-O-RING						
	6	1	0S-1590	4	BOLT (3/8-16X2-IN)						
	7	1	212-8183	1	IMPELLER						
	8	1	9Y-8067	1	ADAPTER						
	9	1	5N-4383	2	WASHER-THRUST						
	10	1	8H-3128	4	BOLT-SOCKET HEAD (1/4-20X0.625-IN)						
	11	1	212-8179	1	SHAFT (14-TEETH)						
	12	1	8M-2933	4	SHIM-CARRIER (0.078-IN THK)						
	13	1	9S-4191	1	PLUG-O-RING						
	14	1	7W-6492	1	PLUG-PIPE						
	15	1	291-4309	1	HOUSING AS						
		1	8T-6759	1	PLUG-PIPE						
		1	127-5400	1	BEARING-SLEEVE						

# COOLING SYSTEM

291-4311 PUMP GP-AUXILIARY WATER (contd.)

i02567068



GRAPHIC #1

<END>

g01286255

# COOLING SYSTEM

## 2W-9729 PUMP GP-WATER

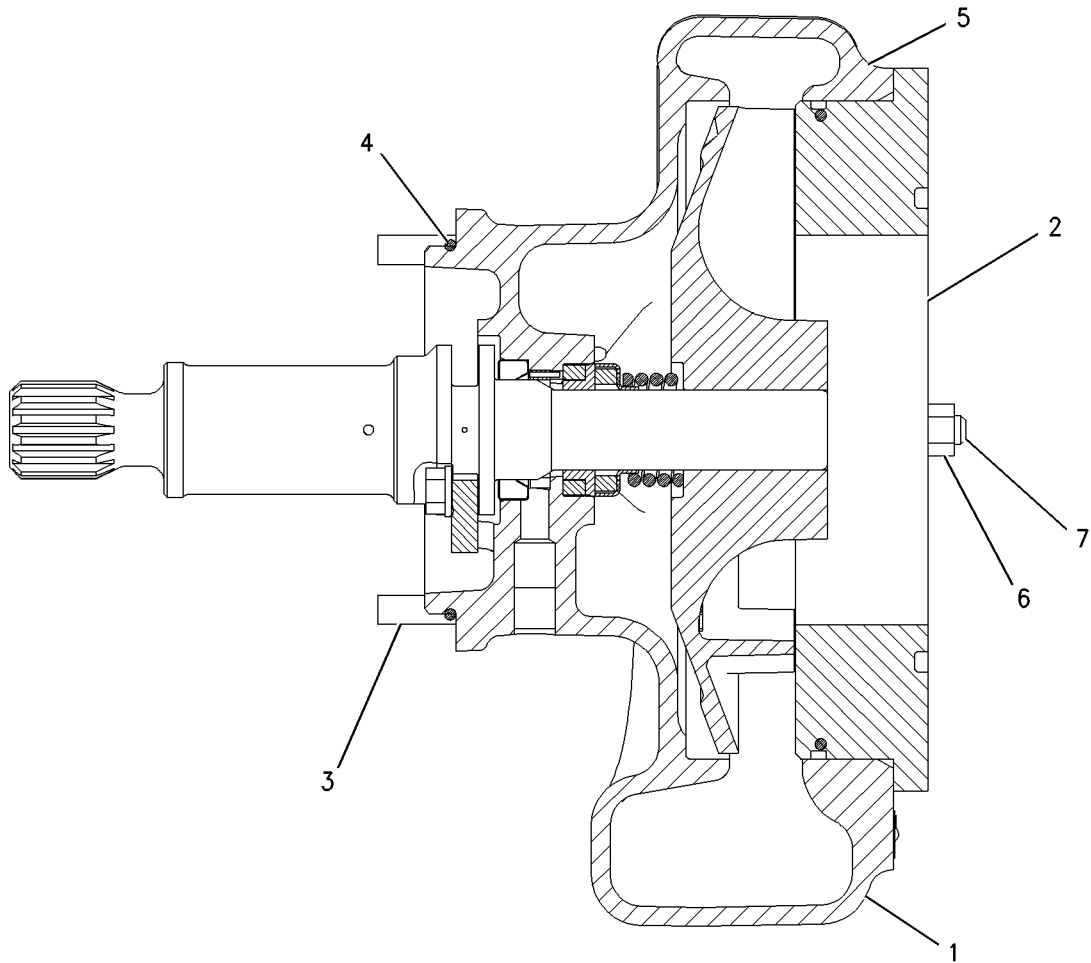
S/N: YAT1-UP

SMCS-1361

i02220677

NOTE	REF NO	GRAPHIC REF	PART NUMBER	QTY	PART NAME						SEE PAGE
					1	2	3	4	5	6 (PRODUCT LEVEL)	
CYR	1	1	212-8177	1	PUMP GP-WATER						212
	2	1	8N-6423	1	COVER (WATER INLET)						
	3	1	3B-1915	4	BOLT (3/8-16X1.375-IN)						
	4	1	5H-6734	1	SEAL-O-RING						
	5	1	149-5462	1	SEAL-O-RING						
	6	1	9S-8752	3	NUT-FULL (3/8-16-THD)						
	7	1	9M-2151	3	STUD-TAPERLOCK (3/8-16X1.378-IN)						

C-CHANGE FROM PREVIOUS TYPE  
R-REMG PART MAY BE AVAILABLE  
Y-SEPARATE ILLUSTRATION



GRAPHIC #1

<END>

g00898448

# COOLING SYSTEM

## 212-8177 PUMP GP-WATER\*R

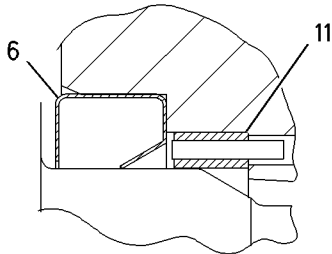
S/N: YAT1-UP

PART OF 2W-9729 PUMP GP-WATER

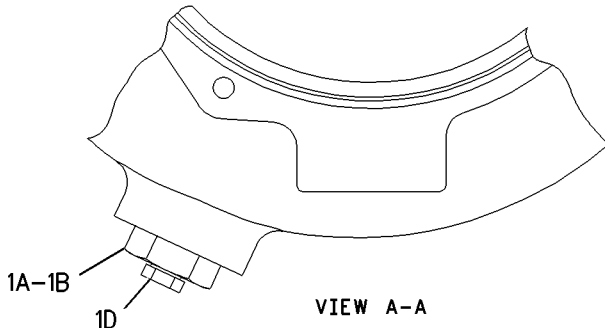
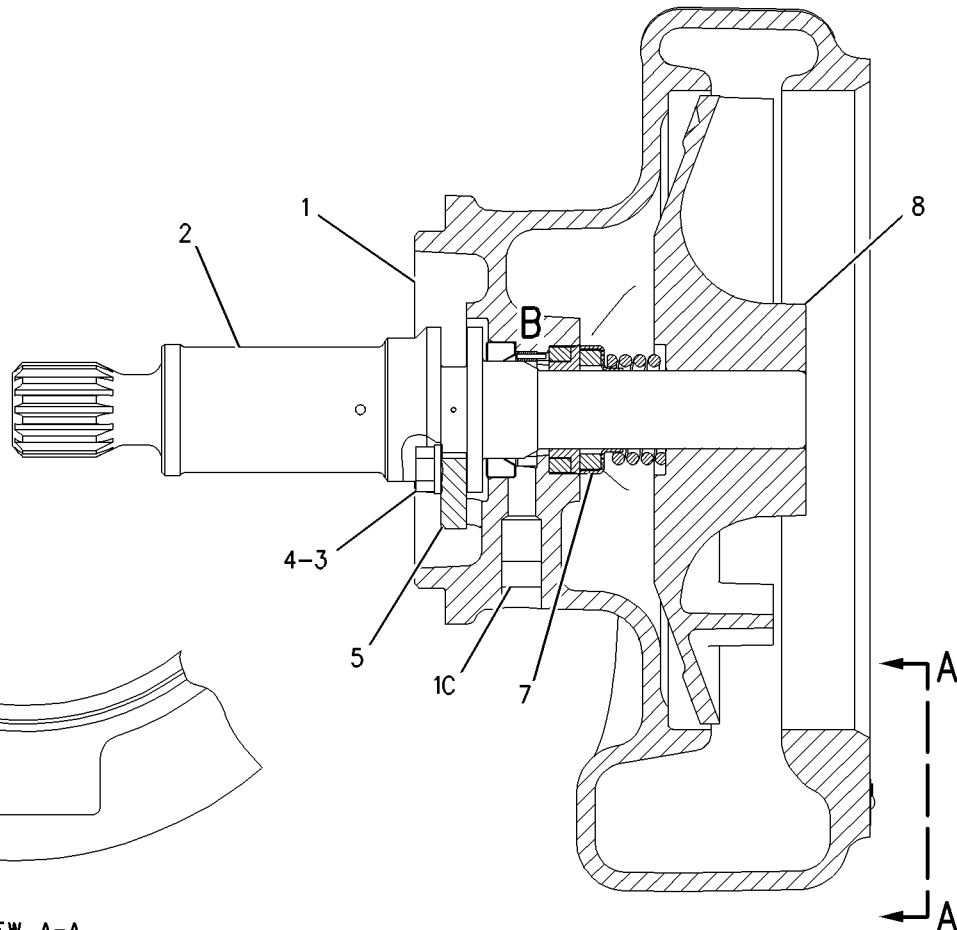
SMCS-1361

i02656735

NOTE	REF NO	GRAPHIC REF	PART NUMBER	QTY	PART NAME	1 2 3 4 5 6 (PRODUCT LEVEL)						SEE PAGE
	1	1	7N-4756	1	HOUSING AS-PUMP							
J	1A	1	3D-2824	1	SEAL-O-RING							
	1B	1	7G-8478	1	ADAPTER							
J	1C	1	4N-5834	2	FILTER-FOAM (WATER PUMP HOUSING)							
	1D	1	8T-6765	1	PLUG-PIPE							
J	2	1	212-8180	1	SHAFT							
J		1	4B-9782	1	BALL							
J	3	1	0S-1618	2	BOLT (5/16-18X1-IN)							
J	4	1	9M-1974	2	WASHER-HARD (8.8X16X2-MM THK)							
J	5	1	7N-4758	1	WASHER-THRUST							
J	6	1	8C-5236	1	SEAL-LIP TYPE							
J	7	1	166-4376	1	SEAL GP							
J	8	1	212-8184	1	IMPELLER							
J	11	1	166-4374	1	RING AS							
J		1	1L-5316	1	PIN-SPRING							
AVAILABLE REPAIR KIT(S):												
J			222-5152		KIT-REBUILD (WATER PUMP)							
J-KIT MARKED J INCLUDES PARTS MARKED J												



VIEW OF AREA B



VIEW A-A

GRAPHIC #1

<END>

g00898430



# COOLING SYSTEM

## 243-3749 RADIATOR & FAN GP

S/N: YAT1-UP

PART OF 312-5105 RADIATOR & FAN GP  
AN ATTACHMENT

SMCS-1353, 1356

i03421301

NOTE	REF NO	GRAPHIC REF	PART NUMBER	QTY	PART NAME						SEE PAGE
					1	2	3	4	5	6 (PRODUCT LEVEL)	
	1	1	244-1203	1	PLATE						
	2	1	155-8066	2	CORE AS (RADIATOR)						
	3	1	155-8001	1	TANK-COOLANT (RADIATOR) (TOP)						
	4	1	155-8003	1	TANK-COOLANT (RADIATOR) (BOTTOM)						
	5	1	155-8005	1	TANK-CENTER						
	6	1	244-1212	4	JOINT AS						
	7	1	155-8012	1	BRACKET						
	8	1	155-8014	1	BRACKET						
	9	1	153-1403	1	CAP AS-RADIATOR						
	10	1	244-1208	1	PLATE						
	11	1	155-8064	2	CORE AS (LOW TEMPERATURE AFTERCOOLER)						
	12	1	155-8026	1	TANK-TOP (AFTERCOOLER) (TOP)						
	13	1	155-8027	1	TANK-BOTTOM (AFTERCOOLER) (BOTTOM)						
	14	1	244-1216	4	JOINT AS						
	15	1	155-8028	1	TANK-CENTER						
	16	1	153-1403	1	CAP AS-RADIATOR						
	17	1	155-8032	2	BRACKET-SUPPORT						
	18	1	155-8035	2	BRACKET-SUPPORT						
	19	1	155-8033	2	BRACKET-SUPPORT						
	20	1	244-1786	2	SUPPORT						
	21	1	244-1787	2	SUPPORT						
	22	1	155-8036	2	BRACE						
	23	1	156-2879	1	COWLING						
	24	1	155-8040	1	GUARD AS-FAN						
	25	1	155-8042	1	BRACKET						
	26	1	155-8041	1	BRACKET						
	27	1	244-1219	1	BEAM						
	28	1	155-8046	2	BRACKET						
	29	1	155-8044	2	BRACE						
	30	1	244-1222	1	IDLER AS						
	31	1	244-1225	1	SHAFT AS-FAN						
	32	1	153-1416	1	GUARD						
	33	1	153-0226	1	PULLEY						
	34	1	244-1321	1	BUSHING (TAPERLOCK)						
	35	1	153-0230	1	PULLEY						
	36	1	153-1421	1	BUSHING						
	37	1	244-1233	1	FAN AS (12-BLADE)						
	38	1	244-1268	1	BRACKET						
	39	1	244-1789	1	LUBRICATION GP-BEARING						
	40	1	244-1242	1	KIT-FASTENER (FAN)						
	41	2	244-1252	1	V-BELT SET (INCLUDES 6-BELTS) (RADIATOR FAN DRIVE)						
	42	1	177-2904	2	PIPE						
	43	1	159-1732	4	HOSE						
	44	1	244-1941	8	CLAMP-BAND						
	45	1	155-8021	2	GUARD						
	46	1	155-8022	2	GUARD						
	47	1	155-8016	1	BRACKET						
	48	1	155-8018	1	BRACKET						
	49	1	155-8024	1	BRACKET						
	50	1	177-2895	1	PIPE (127-MM OD)						
	51	1	159-1733	2	HOSE						
	52	1	159-1735	4	CLAMP-HOSE						
M	53	2	8T-4908	238	BOLT (M8X1.25X25-MM)						
	54	1	9X-8256	20	WASHER (6.6X12X2-MM THK)						

# COOLING SYSTEM

243-3749 RADIATOR & FAN GP (contd.)

i03421301

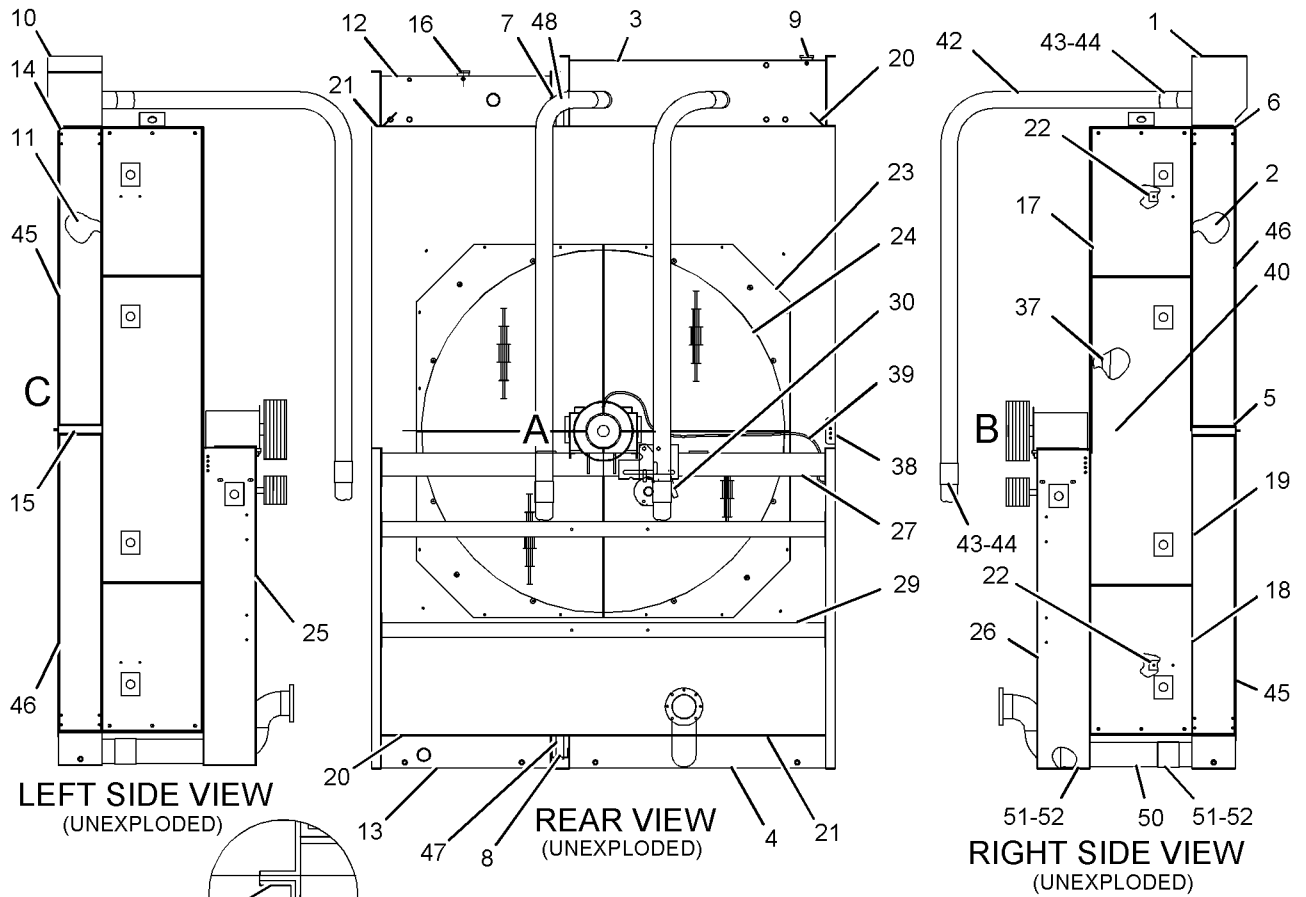
NOTE	REF NO	GRAPHIC REF	PART NUMBER	QTY	PART NAME						SEE PAGE
					1	2	3	4	5	6 (PRODUCT LEVEL)	
	55	1,2	3B-4508	14	LOCKWASHER						
M	56	1	6V-7743	28	LOCKNUT (M6X1-THD)						
M	57	2	8T-4195	8	BOLT (M10X1.5X30-MM)						
M	58	2	6V-7744	8	LOCKNUT (M10X1.5-THD)						
	59	2	8T-4121	8	WASHER-HARD (11X21X2.5-MM THK)						
M	60	2	8T-4194	50	BOLT (M12X1.75X50-MM)						
M	61	2	6V-7687	12	LOCKNUT (M12X1.75-THD)						
	62	1,2	8T-4223	14	WASHER-HARD (13.5X25.5X3-MM THK)						
M	63	2	8T-7338	2	BOLT (M16X2X45-MM)						
	64	2	9X-8257	12	WASHER (17.5X30X3.5-MM THK)						
M	65	2	8T-4778	6	LOCKNUT (M16X2-THD)						
M	66	2	7X-2556	2	BOLT (M16X2X100-MM)						
M	67	2	7X-2564	2	BOLT (M20X2.5X90-MM)						
M	68	2	6V-7688	2	LOCKNUT (M20X2.5-THD)						
	69	2	8T-4123	4	WASHER (22X35X3.5-MM THK)						
M	72	1,2	6V-7357	51	BOLT (M6X1X25-MM)						
M	73	2	8T-4193	2	BOLT (M16X2X50-MM)						
M	74	1,2	8T-4139	14	BOLT (M12X1.75X30-MM)						
	75	1	9M-8406	3	CLIP						
	76	2	4N-9170	1	CLIP						
M	77	1	8T-4244	6	NUT (M12X1.75-THD)						
	78	2	8T-4224	8	WASHER-HARD (8.8X16X2-MM THK)						
M	79	2	8T-6870	110	BOLT (M8X1.25X70-MM)						
	80	1,2	170-0516	572	NUT (M8X1.25-THD)						
	81	1	172-3783	12	NUT (M6X1-THD)						
	82	1,2	170-0514	214	BOLT AS						
M	83	1	6V-8490	12	BOLT (M6X1X25-MM)						

M-METRIC PART

# COOLING SYSTEM

243-3749 RADIATOR & FAN GP (contd.)

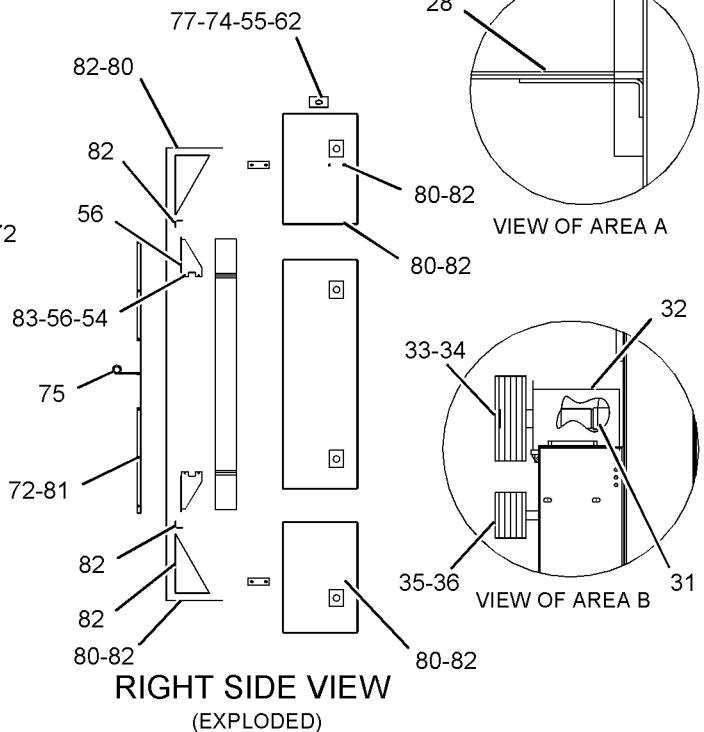
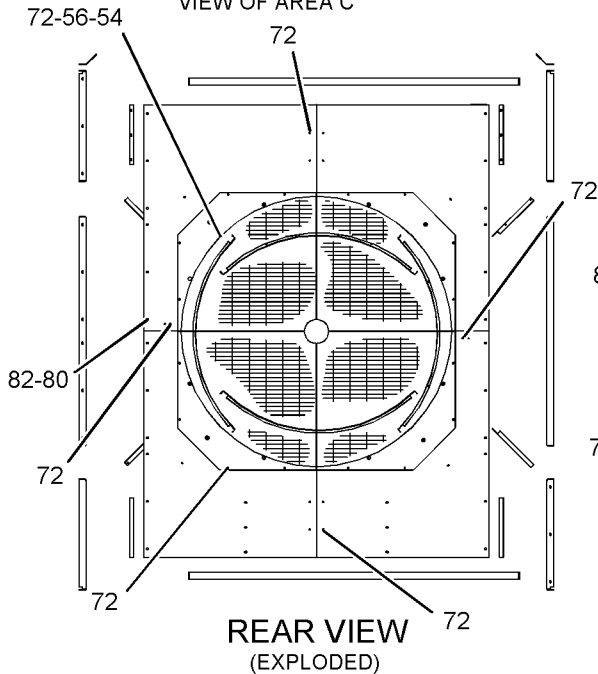
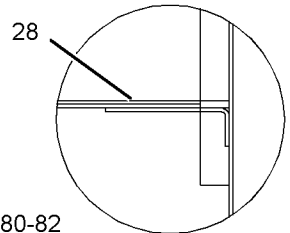
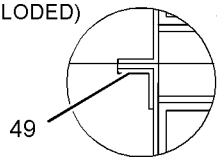
i03421301



LEFT SIDE VIEW (UNEXPLODED)

REAR VIEW (UNEXPLODED)

RIGHT SIDE VIEW (UNEXPLODED)



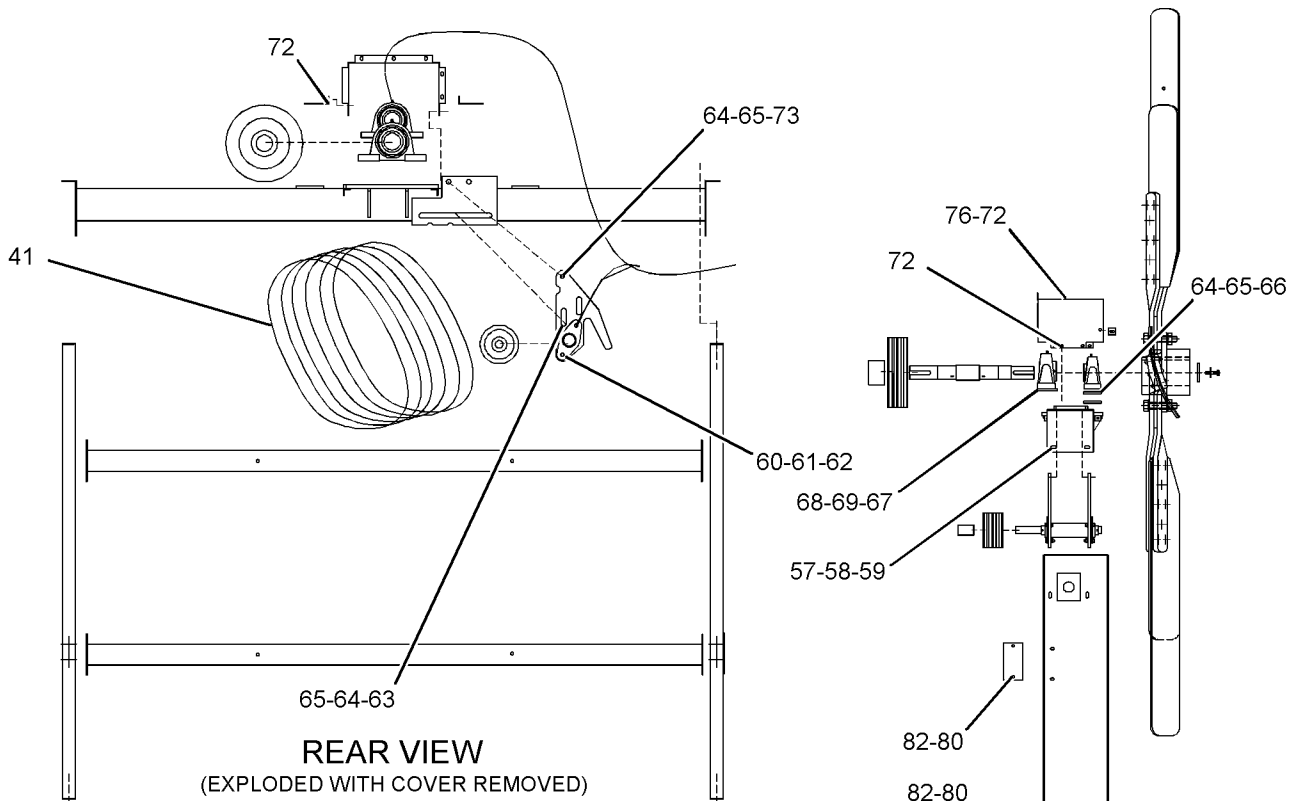
GRAPHIC #1

g01094729

# COOLING SYSTEM

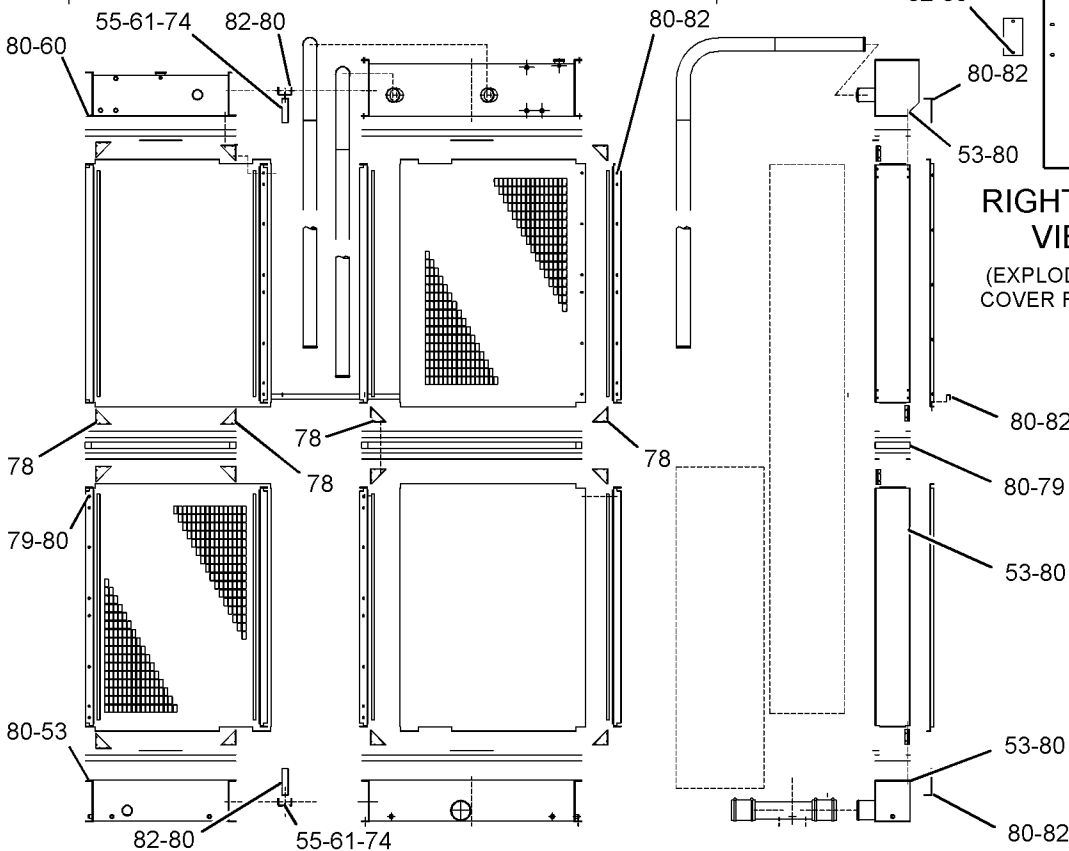
243-3749 RADIATOR & FAN GP (contd.)

i03421301



**REAR VIEW**  
(EXPLODED WITH COVER REMOVED)

**RIGHT SIDE VIEW**  
(EXPLODED WITH COVER REMOVED)



**FRONT VIEW**  
(EXPLODED)

**RIGHT SIDE VIEW**  
(EXPLODED)

GRAPHIC #2

<END>

g01094727

# COOLING SYSTEM

## 263-8039 RADIATOR & FAN GP

S/N: YAT1-UP

60-CVD, .422 FAN DRIVE RATIO

PART OF 263-8040 RADIATOR & FAN GP

AN ATTACHMENT

SMCS-1353, 1356

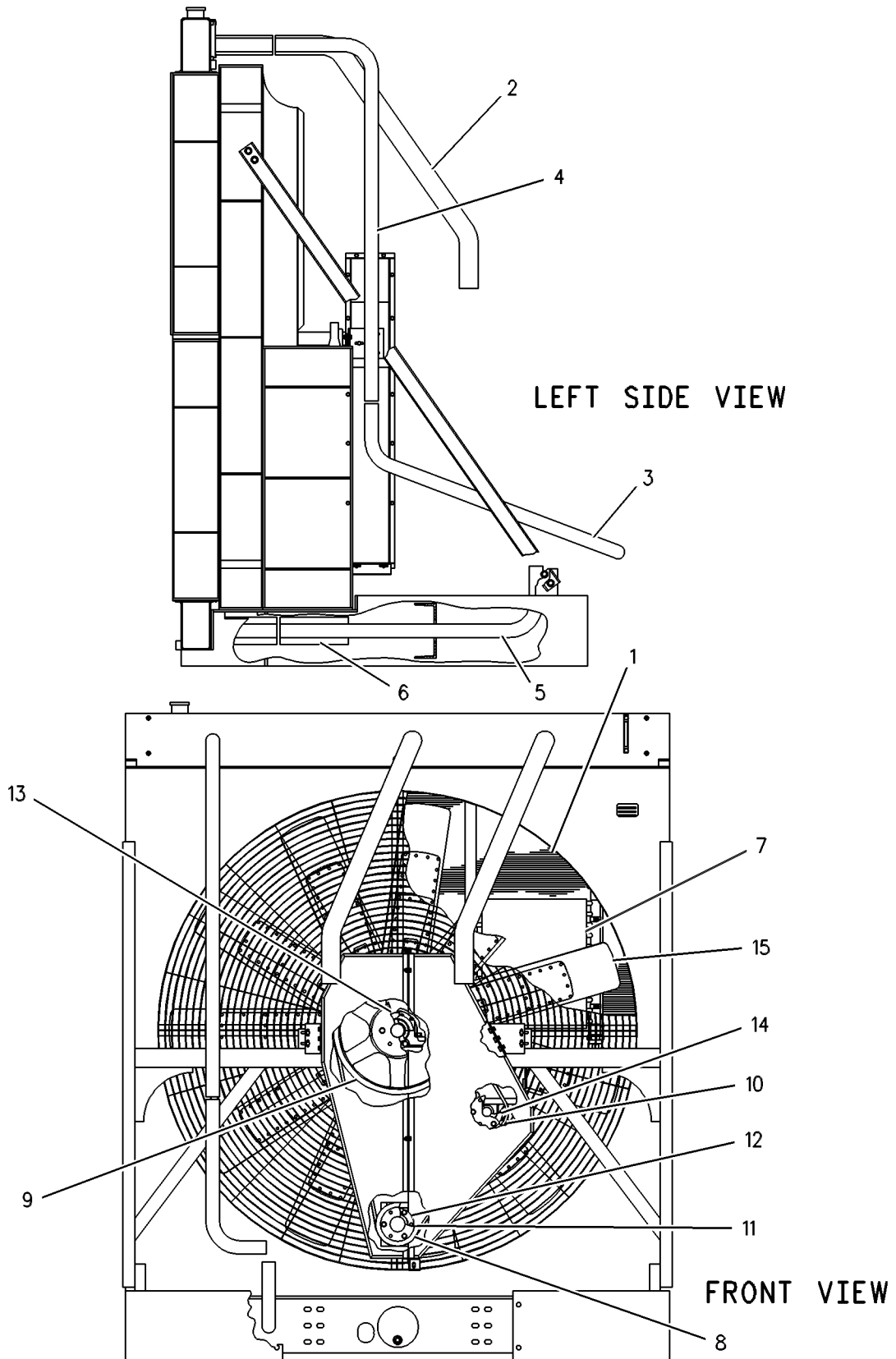
i02288164

NOTE	REF NO	GRAPHIC REF	PART NUMBER	QTY	PART NAME						SEE PAGE
					1	2	3	4	5	6 (PRODUCT LEVEL)	
	1	1	264-2759	4	CORE AS-RADIATOR						
	2	1	126-7314	2	TUBE AS						
	3	1	126-7311	1	TUBE						
	4	1	126-7312	1	TUBE						
	5	1	126-7313	1	TUBE						
	6	1	126-7320	1	TUBE						
	7	1	264-2752	1	COOLER-FUEL						
	8	1	126-8349	1	SHEAVE						
	9	1	126-8350	1	SHEAVE						
	10	1	124-0145	1	SHEAVE						
	11	1	126-8915	1	V-BELT SET (INCLUDES 5-BELTS) (FAN DRIVE)						
	12	1	124-0148	1	BUSHING						
	13	1	124-0149	1	BUSHING						
	14	1	124-0147	1	BUSHING						
	15	1	116-1409	1	FAN AS (BLOWER, 7-BLADE OR 11-BLADE)						

# COOLING SYSTEM

263-8039 RADIATOR & FAN GP (contd.)

i02288164



GRAPHIC #1

<END>

g00250172

# COOLING SYSTEM

## 263-8040 RADIATOR & FAN GP

S/N: YAT1-UP

60-CVD, .422 FAN DRIVE RATIO  
AN ATTACHMENT

SMCS-1353, 1356

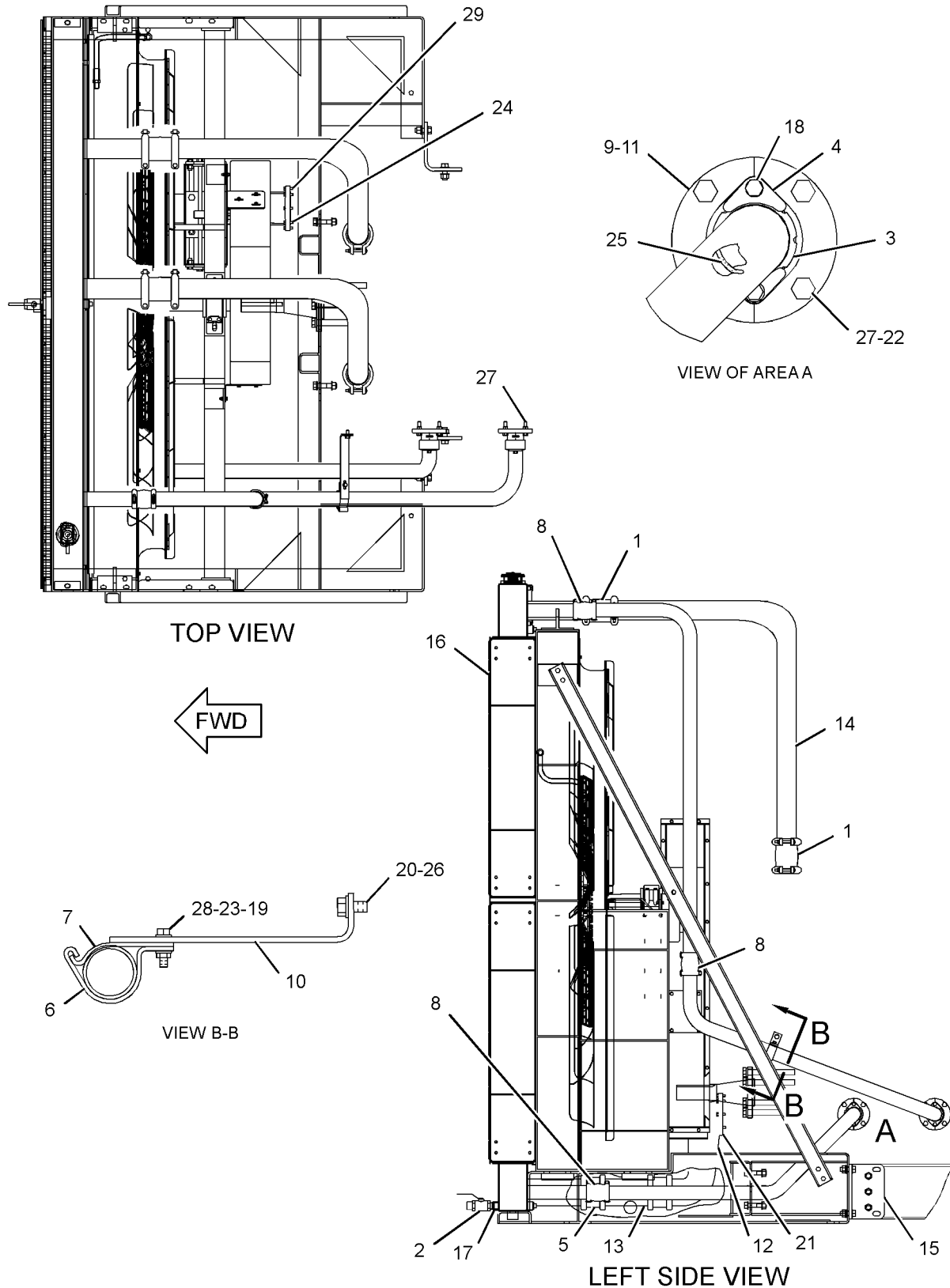
i02526955

NOTE	REF NO	GRAPHIC REF	PART NUMBER	QTY	PART NAME						SEE PAGE
					1	2	3	4	5	6 (PRODUCT LEVEL)	
	1	1	3N-2451	4	JOINT AS-TUBE						
					(EACH INCLUDES)						
		1	9X-7537	2	SEAL						
	2	1	4P-3117	1	VALVE-BALL						
	3	1	4W-0530	2	RING-RETAINING						
	4	1	4W-0531	4	RETAINER						
	5	1	5P-8154	2	JOINT AS-TUBE						
					(EACH INCLUDES)						
		1	9X-7526	2	SEAL						
	6	1	6V-1581	1	CLIP (SLOT)						
	7	1	6V-1582	1	CLIP (TAB)						
	8	1	216-2285	3	JOINT AS-TUBE						
					(EACH INCLUDES)						
		1	127-4230	1	SEAL						
	9	1	9Y-6893	2	GASKET						
	10	1	120-9678	1	BRACKET						
	11	1	126-5613	2	FLANGE						
	12	1	126-5957	1	ELBOW						
	13	1	126-7320	1	TUBE						
	14	1	207-7022	2	TUBE						
Y	15	1	249-0029	1	MOUNTING GP-RADIATOR						205
Y	16	1	263-8039	1	RADIATOR & FAN GP						217
	17	1	3B-7749	1	NIPPLE-PIPE						
	18	1	4L-6454	4	BOLT (3/8-16X1-IN)						
	19	1	4L-9337	1	BOLT (3/8-16X1.5-IN)						
	20	1	5P-2228	1	BOLT (1/2-13X1-IN)						
	21	1	6V-3835	1	SEAL-O-RING						
	22	1	6V-8188	8	NUT (1/2-13-THD)						
	23	1	6V-8801	1	NUT (3/8-16-THD)						
	24	1	7X-0300	2	BOLT (3/8-16X6.5-IN)						
	25	1	8T-1919	2	SEAL-O-RING						
	26	1	8T-4223	1	WASHER-HARD (13.5X25.5X3-MM THK)						
	27	1	8T-4835	8	BOLT (1/2-13X2-IN)						
	28	1	8T-4896	6	WASHER-HARD (10.2X18.5X2.5-MM THK)						
	29	1	9B-7237	5	BOLT (3/8-16X1.25-IN)						
Y-SEPARATE ILLUSTRATION											

# COOLING SYSTEM

263-8040 RADIATOR & FAN GP (contd.)

i02526955



GRAPHIC #1

<END>

g01271969



# COOLING SYSTEM

## 263-8041 RADIATOR & FAN GP

S/N: YAT1-UP

85-CVD, .357 FAN DRIVE RATIO

PART OF 263-8042 RADIATOR & FAN GP

AN ATTACHMENT

SMCS-1353, 1356

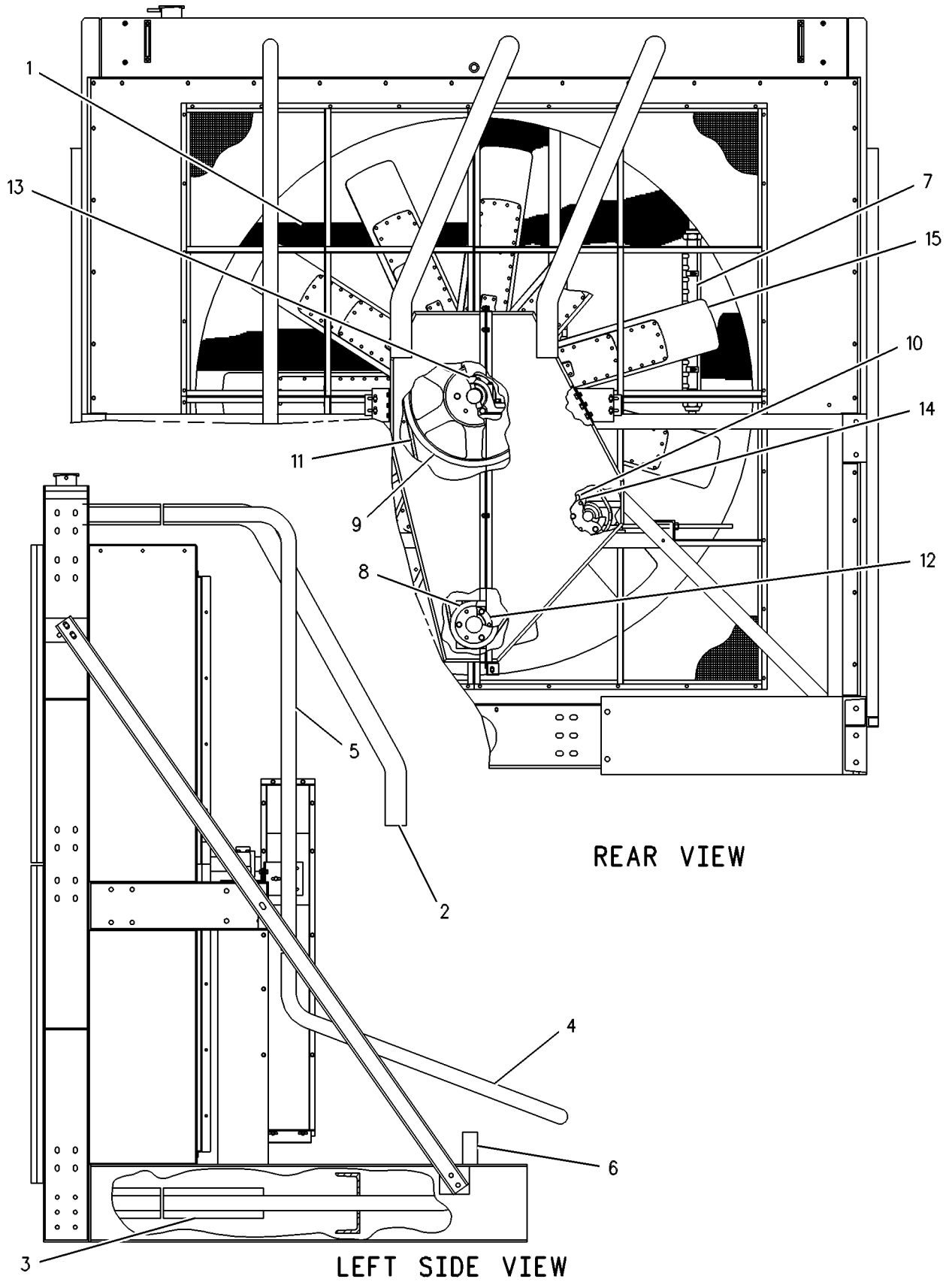
i02314542

NOTE	REF NO	GRAPHIC REF	PART NUMBER	QTY	PART NAME						SEE PAGE
					1	2	3	4	5	6 (PRODUCT LEVEL)	
	1	1	265-6584	4	CORE AS-RADIATOR						
	2	1	126-7319	2	TUBE AS						
	3	1	126-7321	1	TUBE						
	4	1	126-7311	1	TUBE						
	5	1	126-7317	1	TUBE						
	6	1	126-7318	1	TUBE						
	7	1	264-2752	1	COOLER-FUEL						
	8	1	125-6326	1	SHEAVE						
	9	1	124-0146	1	PULLEY						
	10	1	124-0145	1	SHEAVE						
	11	1	124-0150	1	V-BELT SET (INCLUDES 5-BELTS) (FAN DRIVE)						
	12	1	124-0148	1	BUSHING						
	13	1	124-0149	1	BUSHING						
	14	1	124-0147	1	BUSHING						
	15	1	116-1409	1	FAN AS (BLOWER, 7-BLADE OR 11-BLADE)						

# COOLING SYSTEM

263-8041 RADIATOR & FAN GP (contd.)

i02314542



REAR VIEW

LEFT SIDE VIEW  
<END>

GRAPHIC #1

g00250185

# COOLING SYSTEM

## 263-8042 RADIATOR & FAN GP

S/N: YAT1-UP

85-CVD, .357 FAN DRIVE RATIO  
AN ATTACHMENT

SMCS-1353, 1356

i02687091

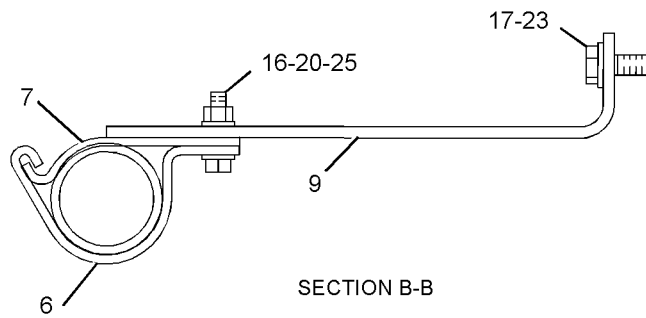
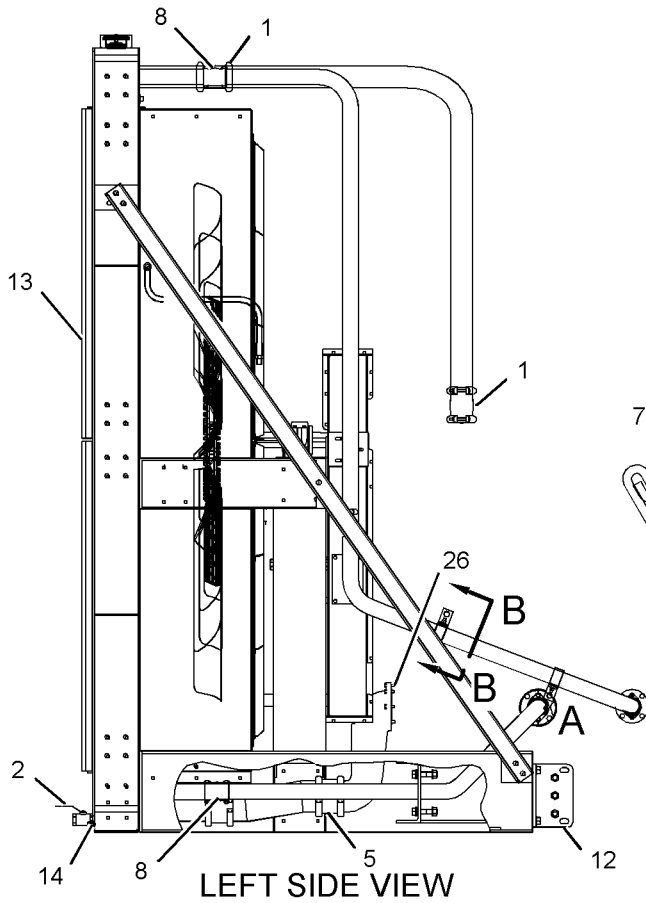
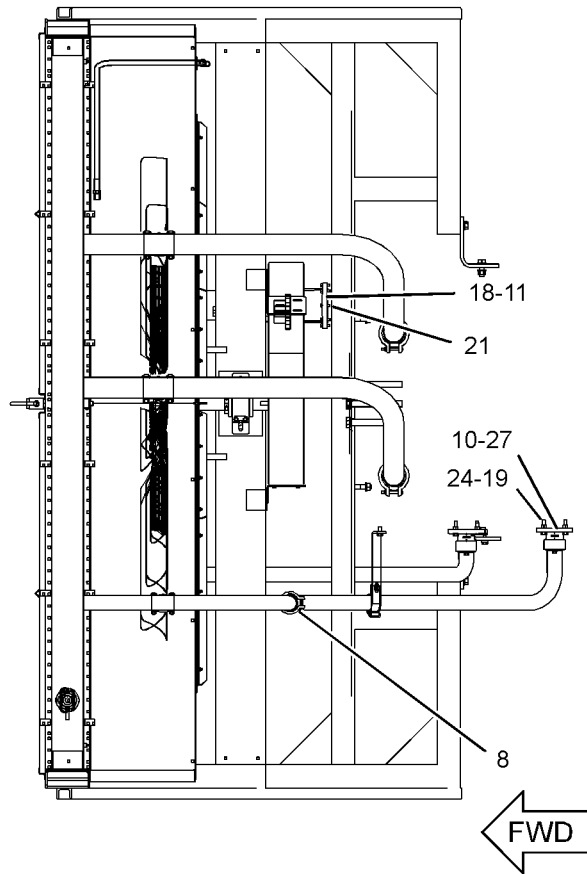
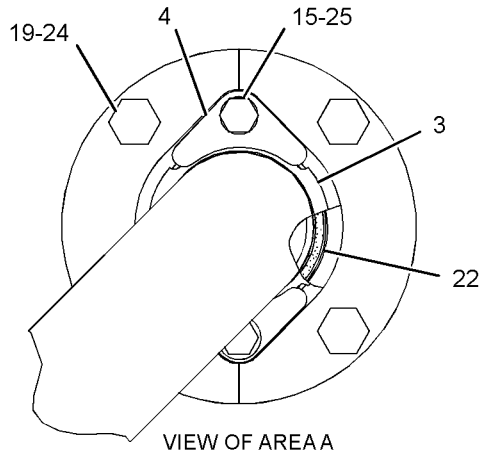
NOTE	REF NO	GRAPHIC REF	PART NUMBER	QTY	PART NAME						SEE PAGE
					1	2	3	4	5	6 (PRODUCT LEVEL)	
	1	1	3N-2451	4	JOINT AS-TUBE						
					(EACH INCLUDES)						
		1	9X-7537	2	SEAL						
	2	1	4P-3117	1	VALVE-BALL						
	3	1	4W-0530	2	RING-RETAINING						
	4	1	4W-0531	4	RETAINER						
	5	1	5P-8154	2	JOINT AS-TUBE						
					(EACH INCLUDES)						
		1	9X-7526	2	SEAL						
	6	1	6V-1581	1	CLIP (SLOT)						
	7	1	6V-1582	1	CLIP (TAB)						
C	8	1	216-2285	3	JOINT AS-TUBE						
					(EACH INCLUDES)						
		1	127-4230	2	SEAL						
	9	1	120-9678	1	BRACKET						
	10	1	126-5613	2	FLANGE						
	11	1	126-5957	1	ELBOW						
Y	12	1	249-0029	1	MOUNTING GP-RADIATOR						205
Y	13	1	263-8041	1	RADIATOR & FAN GP						221
	14	1	3B-7749	1	NIPPLE-PIPE						
	15	1	4L-6454	4	BOLT (3/8-16X1-IN)						
	16	1	4L-9337	1	BOLT (3/8-16X1.5-IN)						
	17	1	5P-2228	1	BOLT (1/2-13X1-IN)						
	18	1	6V-3835	1	SEAL-O-RING						
	19	1	6V-8188	8	NUT (1/2-13-THD)						
	20	1	6V-8801	1	NUT (3/8-16-THD)						
	21	1	7X-0300	2	BOLT (3/8-16X6.5-IN)						
	22	1	8T-1919	2	SEAL-O-RING						
	23	1	8T-4223	1	WASHER-HARD (13.5X25.5X3-MM THK)						
	24	1	8T-4835	8	BOLT (1/2-13X2-IN)						
	25	1	8T-4896	6	WASHER-HARD (10.2X18.5X2.5-MM THK)						
	26	1	9B-7237	5	BOLT (3/8-16X1.25-IN)						
	27	1	9Y-6893	2	GASKET						

C- CHANGE FROM PREVIOUS TYPE  
Y- SEPARATE ILLUSTRATION

# COOLING SYSTEM

263-8042 RADIATOR & FAN GP (contd.)

i02687091



GRAPHIC #1

<END>

g01200861

# COOLING SYSTEM

## 263-8043 RADIATOR & FAN GP

S/N: YAT1-UP

46-CVD

PART OF 263-8044 RADIATOR & FAN GP

AN ATTACHMENT

SMCS-1353, 1356

i03401080

NOTE	REF NO	GRAPHIC REF	PART NUMBER	QTY	PART NAME						SEE PAGE
					1	2	3	4	5	6 (PRODUCT LEVEL)	
	1	1	9Y-6008	1	FRAME AS-SUPPORT						
	2	1	150-4153	2	BRACE AS						
	3	1	7E-5575	1	BRACKET						
	4	1	8T-6765	4	PLUG-PIPE						
	5	1	6L-8617	1	CAP-PRESSURE (7-PSI) (RADIATOR)						
	6	1	8T-6761	4	PLUG-PIPE						
	7	1	9Y-5998	4	BRACKET-WASHER						
	8	1	9Y-5991	2	SPACER AS-CORE						
	9	1	7E-6683	2	SUPPORT AS						
	10	1	264-2752	1	COOLER-FUEL						
	11	1	9Y-5993	1	GAUGE GP-SIGHT (COOLANT LEVEL)						
	12	1	2H-3939	1	ELBOW						
	13	1	1S-1014	2	GROMMET						
	14	1	7E-5574	1	BRACKET						
I	15	1	3N-4906	1	HOSE AS						
	16	1	6B-9081	2	BUSHING-REDUCING						
	17	1	2L-8228	1	ELBOW						
I	18	1	8N-1186	1	HOSE AS						
	19	1	4P-1701	1	KIT-COOLER MOUNTING						
	20	1	9Y-6003	8	BRACKET-CORNER						
	21	1	264-2756	4	CORE AS-RADIATOR						
	22	1	9Y-6005	24	BRACKET AS-GUARD						
	23	1	9Y-5990	4	GUARD AS-CORE						
	24	1	9Y-6004	8	BRACKET-CORNER						
	25	1	9Y-5987	4	CHANNEL AS-SIDE						
	26	1	129-2315	1	TANK-TOP						
	27	1	129-2316	1	CHANNEL AS						
	28	1	7E-9507	1	PLATE-ORIFICE						
	29	1	127-8084	1	TANK-BOTTOM						
	30	1	9Y-5992	8	GASKET-RADIATOR CORE						
	31	1	9Y-5986	1	TANK AS-CENTER						
	32	1	9F-2947	4	CLIP						
	33	1	9Y-5995	4	PLATE-WASHER						
	34	1	9Y-5997	16	PLATE-WASHER						
	35	1	9Y-5994	8	PLATE-WASHER						
	36	1	9Y-5996	8	PLATE-STRAP						
	37	1	4M-6425	258	BOLT (5/16-18X1-IN)						
	38	1	7H-3937	752	LOCKWASHER						
	39	1	6V-8189	356	NUT (5/16-18-THD)						
	40	1	9B-7237	32	BOLT (3/8-16X1.25-IN)						
	41	1	8T-2561	32	WASHER-HARD (10.5X28.5X5-MM THK)						
	42	1	8T-8911	74	BOLT (5/16-18X2-IN)						
	43	1	8T-9397	4	BOLT (3/4-10X1.25-IN)						
	44	1	8T-4994	4	WASHER-HARD (20X36.5X3.5-MM THK)						
	45	1	8C-3121	2	BOLT (5/16-18X1.5-IN)						
	46	1	8T-9393	28	BOLT (5/8-11X1.5-IN)						
	47	1	8T-4122	68	WASHER-HARD (17X32X3.5-MM THK)						
	48	1	7X-0448	32	NUT (5/8-11-THD)						
	49	1	7X-0345	8	BOLT (5/8-11X1.75-IN)						
	50	1	5P-2955	2	BOLT (5/16-18X2.5-IN)						
	51	1	9Y-6007	48	WASHER-FLANGE						
	52	1	8C-6561	40	BOLT (5/16-18X1.375-IN)						
	53	1	8T-8912	28	BOLT (5/16-18X2.25-IN)						
	54	1	034-1432	3	STRAP-CABLE						

# COOLING SYSTEM

263-8043 RADIATOR & FAN GP (contd.)

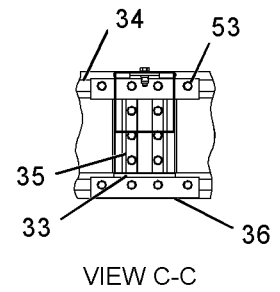
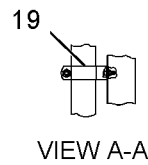
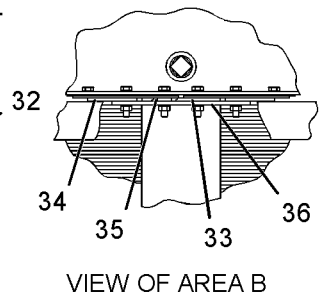
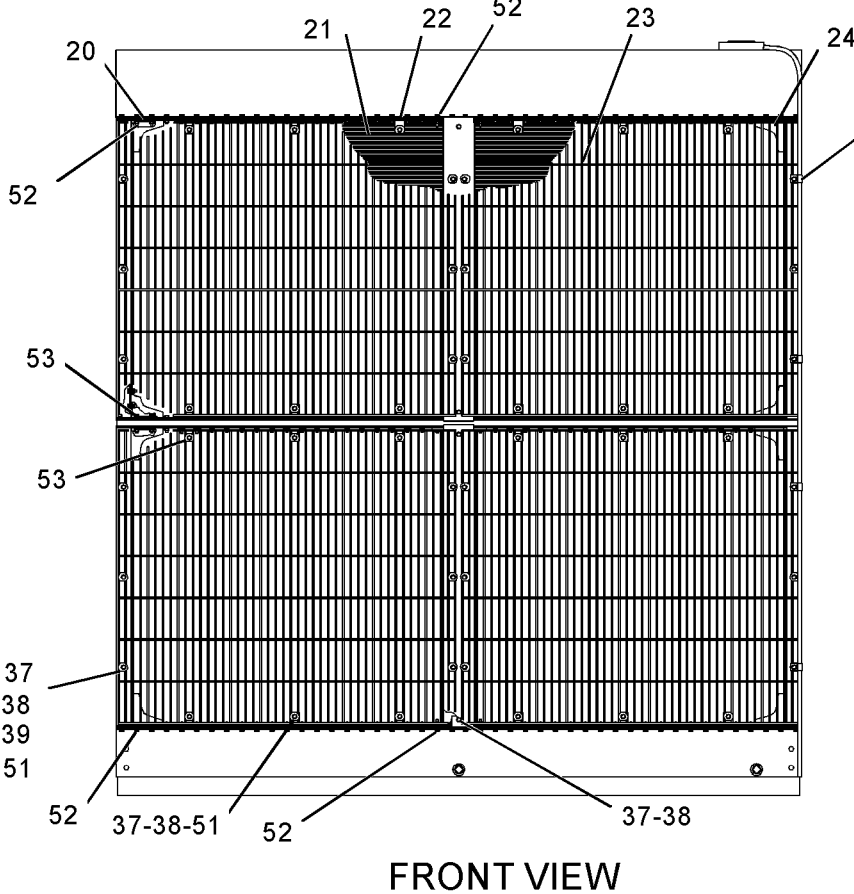
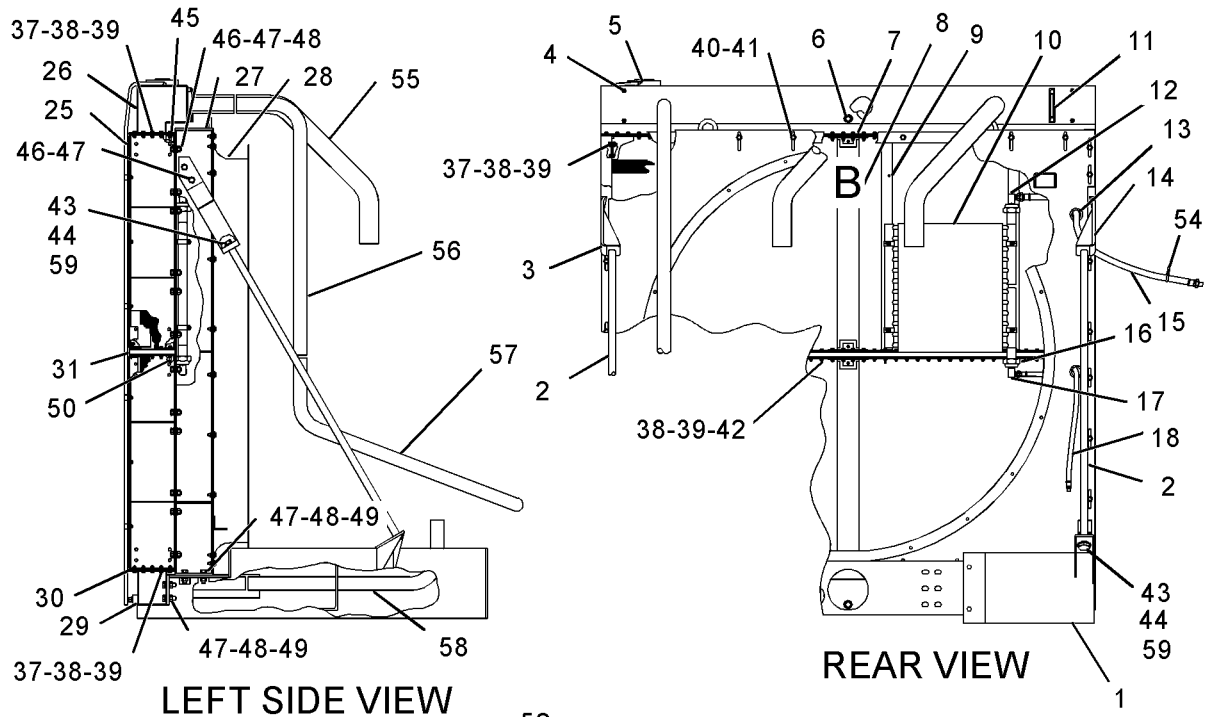
i03401080

NOTE	REF NO	GRAPHIC REF	PART NUMBER	QTY	PART NAME	SEE PAGE
					1 2 3 4 5 6 (PRODUCT LEVEL)	
	55	1	126-7310	2	TUBE AS	
	56	1	126-7309	1	TUBE	
	57	1	126-7305	1	TUBE	
	58	1	126-7307	1	TUBE	
	59	1	6V-8182	4	NUT (3/4-10-THD)	
I-REFER TO HYDRAULIC INFORMATION SYSTEM						

# COOLING SYSTEM

263-8043 RADIATOR & FAN GP (contd.)

i03401080



GRAPHIC #1

<END>

g01157202

# COOLING SYSTEM

## 263-8044 RADIATOR & FAN GP

S/N: YAT1-UP

46-CVD

AN ATTACHMENT

SMCS-1353, 1356

i02615859

NOTE	REF NO	GRAPHIC REF	PART NUMBER	QTY	PART NAME						SEE PAGE
					1	2	3	4	5	6 (PRODUCT LEVEL)	
	1	1	3N-2451	4	JOINT AS-TUBE						
					(EACH INCLUDES)						
		1	9X-7537	2	SEAL						
	2	1	4P-3117	1	VALVE-BALL						
	3	1	4W-0530	2	RING-RETAINING						
	4	1	4W-0531	4	RETAINER						
	5	1	6V-1581	2	CLIP (SLOT)						
	6	1	6V-1582	2	CLIP (TAB)						
	7	1	7W-1506	1	ELBOW						
	8	1	8T-9001	1	JOINT AS-TUBE						
		1	9X-7539	2	SEAL						
	9	1	216-2285	3	JOINT AS-TUBE						
					(EACH INCLUDES)						
		1	127-4230	1	SEAL						
	10	1	9Y-7645	2	GUARD AS-FAN						
					(EACH INCLUDES)						
		1	1F-0750	11	NUT-WELD (3/8-16-THD)						
		1	6N-8599	3	CLIP						
	11	1	120-9678	2	BRACKET						
	12	1	126-5613	2	FLANGE						
Y	13	1	249-0029	1	MOUNTING GP-RADIATOR						205
Y	14	1	263-8043	1	RADIATOR & FAN GP						225
	15	1	3B-7749	1	NIPPLE-PIPE						
	16	1	4L-6454	26	BOLT (3/8-16X1-IN)						
	17	1	4L-9337	2	BOLT (3/8-16X1.5-IN)						
	18	1	5P-1075	22	WASHER-HARD (10.2X22.5X3-MM THK)						
	19	1	5P-2228	1	BOLT (1/2-13X1-IN)						
	20	1	5P-2424	1	BOLT (1/2-13X2.25-IN)						
	21	1	6V-3835	1	SEAL-O-RING						
	22	1	6V-8188	8	NUT (1/2-13-THD)						
	23	1	6V-8801	2	NUT (3/8-16-THD)						
	24	1	8C-7323	2	BOLT (3/8-16X6-IN)						
	25	1	8T-1919	2	SEAL-O-RING						
	26	1	8T-4223	2	WASHER-HARD (13.5X25.5X3-MM THK)						
	27	1	8T-4835	7	BOLT (1/2-13X2-IN)						
	28	1	8T-4896	8	WASHER-HARD (10.2X18.5X2.5-MM THK)						
	29	1	9B-7237	5	BOLT (3/8-16X1.25-IN)						
	30	1	9Y-6893	2	GASKET						

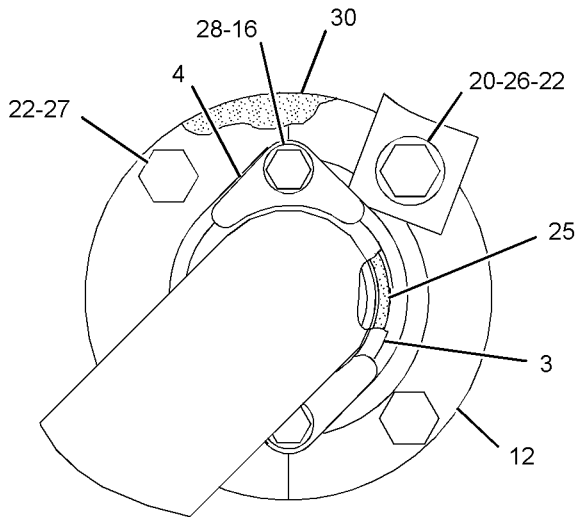
Y-SEPARATE ILLUSTRATION



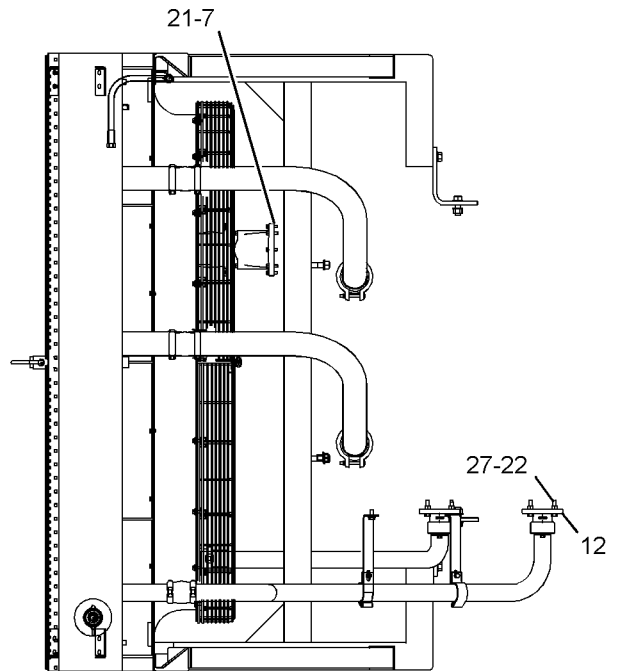
# COOLING SYSTEM

263-8044 RADIATOR & FAN GP (contd.)

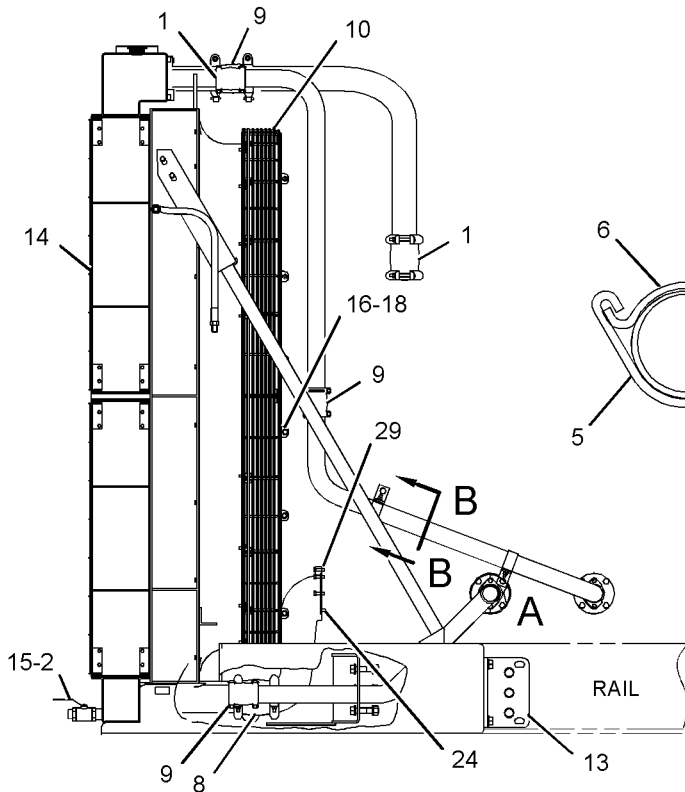
i02615859



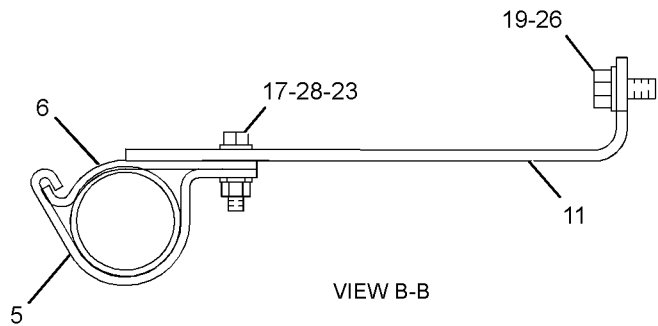
VIEW OF AREA A



TOP VIEW



LEFT SIDE VIEW



VIEW B-B

GRAPHIC #1

<END>

g01279889

# COOLING SYSTEM

## 312-5105 RADIATOR & FAN GP

S/N: YAT1-UP  
AN ATTACHMENT

SMCS-1353, 1356

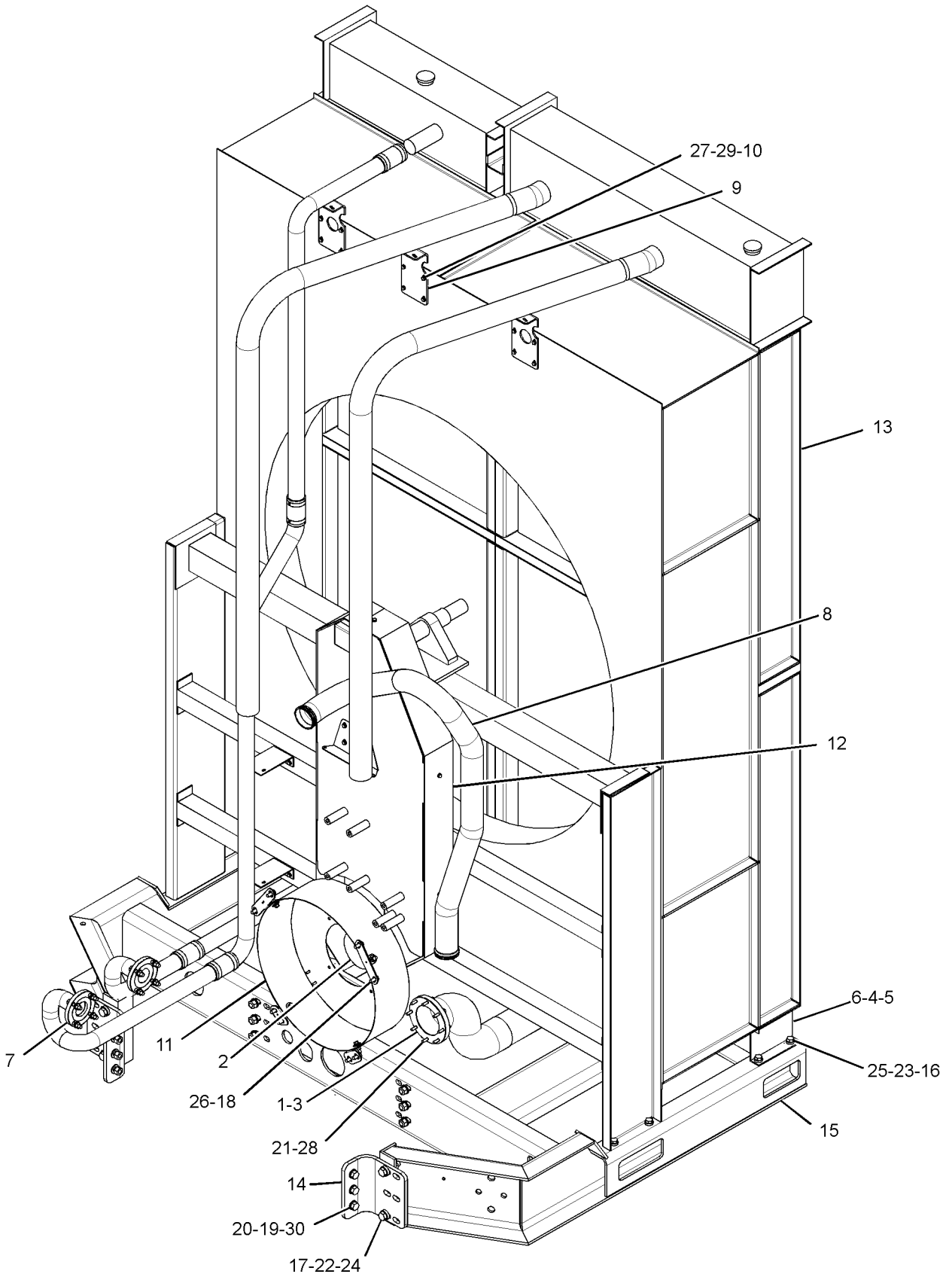
i03402362

NOTE	REF NO	GRAPHIC REF	PART NUMBER	QTY	PART NAME						SEE PAGE
					1	2	3	4	5	6 (PRODUCT LEVEL)	
	1	1	<b>1S-5772</b>	1	GASKET						
J	2	1	<b>7W-0703</b>	1	PULLEY AS-CRANKSHAFT						
	3	1	<b>153-0238</b>	1	ELBOW						
	4	1	<b>153-1880</b>	2	ADAPTER						
	5	1	<b>153-1881</b>	2	VALVE-BALL						
	6	1	<b>153-1882</b>	2	ELBOW						
Y	7	1	<i>155-5145</i>	1	LINES GP-WATER						191
	8	1	<b>160-0097</b>	1	PIPE						
	9	1	<b>166-7097</b>	2	BRACKET						
	10	1	<b>166-7098</b>	2	CLAMP						
Y	11	1	<i>173-4491</i>	1	GUARD GP-DAMPER						57
Y	12	1	<i>173-7067</i>	1	GUARD GP-PULLEY						59
Y	13	1	<b>243-3749</b>	1	RADIATOR & FAN GP						213
	14	1	<b>286-2445</b>	2	PLATE						
	15	1	<b>312-5103</b>	1	SUPPORT AS-RADIATOR						
	16	1	<b>198-4780</b>	16	WASHER-HARD (17.5X32X8-MM THK)						
	17	1	<b>198-4781</b>	8	WASHER-HARD (22X40X10-MM THK)						
	18	1	<b>5P-2228</b>	8	BOLT (1/2-13X1-IN)						
	19	1	<b>6V-8182</b>	12	NUT (3/4-10-THD)						
	20	1	<b>7X-0366</b>	12	BOLT (3/4-10X2-IN)						
	21	1	<b>8T-2501</b>	8	BOLT (3/8-16X2-IN)						
M	22	1	<b>8T-4131</b>	4	NUT (M20X2.5-THD)						
M	23	1	<b>8T-4132</b>	8	NUT (M16X2-THD)						
M	24	1	<b>8T-4187</b>	4	BOLT (M20X2.5X80-MM)						
M	25	1	<b>8T-4193</b>	8	BOLT (M16X2X50-MM)						
	26	1	<b>8T-4223</b>	8	WASHER-HARD (13.5X25.5X3-MM THK)						
	27	1	<b>8T-4224</b>	8	WASHER-HARD (8.8X16X2-MM THK)						
	28	1	<b>8T-4896</b>	8	WASHER-HARD (10.2X18.5X2.5-MM THK)						
M	29	1	<b>8T-4908</b>	8	BOLT (M8X1.25X25-MM)						
	30	1	<b>8T-4994</b>	24	WASHER-HARD (20X36.5X3.5-MM THK)						
AVAILABLE REPAIR KIT(S):											
J			<b>7W-1449</b>	1	KIT-BUSHING (CRANKSHAFT PULLEY)						
J-KIT MARKED J SERVICES PART MARKED J											
M-METRIC PART											
Y-SEPARATE ILLUSTRATION											

# COOLING SYSTEM

312-5105 RADIATOR & FAN GP (contd.)

i03402362



GRAPHIC #1

<END>

g01766954

# COOLING SYSTEM

## 235-2315 RADIATOR GP

S/N: YAT1-UP

44-CTD

PART OF 249-0301 RADIATOR GP

AN ATTACHMENT

SMCS-1353

i02419059

NOTE	REF NO	GRAPHIC REF	PART NUMBER	QTY	PART NAME						SEE PAGE
					1	2	3	4	5	6 (PRODUCT LEVEL)	
	1	2	246-8663	1	BRACKET (RH)						
	2	2	246-8664	1	BRACKET (LH)						
Y	3	1	246-8665	1	COOLER GP-FUEL						340
	4	1	246-8678	2	CLIP						
	5	2	246-8679	1	BRACE-CORNER (LH)						
	6	2	246-8680	1	BRACE-CORNER (RH)						
	7	1	247-1076	1	GAUGE AS-SIGHT (RADIATOR) (COOLANT LEVEL)						
	8	1	247-7106	1	SUPPORT GP-RADIATOR (TOP)						
	9	1	247-7107	1	CHANNEL AS (BOTTOM)						
Y	10	1	247-7108	1	GUARD GP-RADIATOR						160
	11	1	247-7115	2	GUARD (CORE)						
	12	2	252-9873	1	SUPPORT GP-RADIATOR						
Y	13	1	254-6017	1	RADIATOR GP						241
M	14	1,2	131-3540	10	LOCKNUT (M8X1.25-THD)						
M	15	2	176-5311	16	LOCKNUT (M16X2-THD)						
	16	1	4B-0418	2	CLIP						
	17	1	4D-3100	2	GROMMET						
M	18	1	7X-0818	4	BOLT (M8X1.25X45-MM)						
M	19	2	7X-2553	12	BOLT (M16X2X40-MM)						
M	20	1,2	8T-0389	29	LOCKNUT (M10X1.15-THD)						
	21	1,2	8T-4121	74	WASHER-HARD (11X21X2.5-MM THK)						
M	22	2	8T-4136	4	BOLT (M10X1.5X25-MM)						
M	23	2	8T-4193	4	BOLT (M16X2X50-MM)						
M	24	1,2	8T-4195	41	BOLT (M10X1.5X30-MM)						
	25	1,2	8T-4224	20	WASHER-HARD (8.8X16X2-MM THK)						
M	26	2	8T-7547	6	BOLT (M8X1.25X30-MM)						
	27	2	9X-8257	32	WASHER (17.5X30X3.5-MM THK)						
E	28	2	224-7698		HOSE (330-CM)						

E-ORDER BY THE CENTIMETER

M-METRIC PART

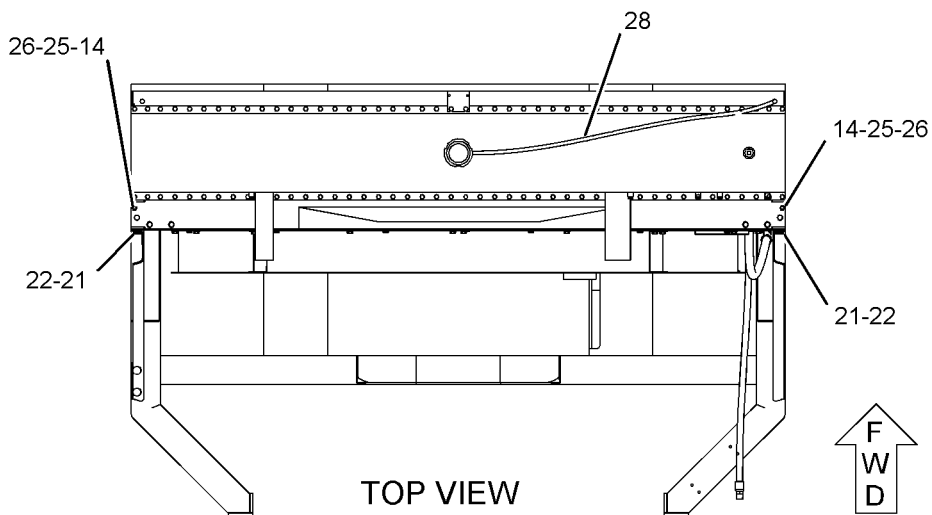
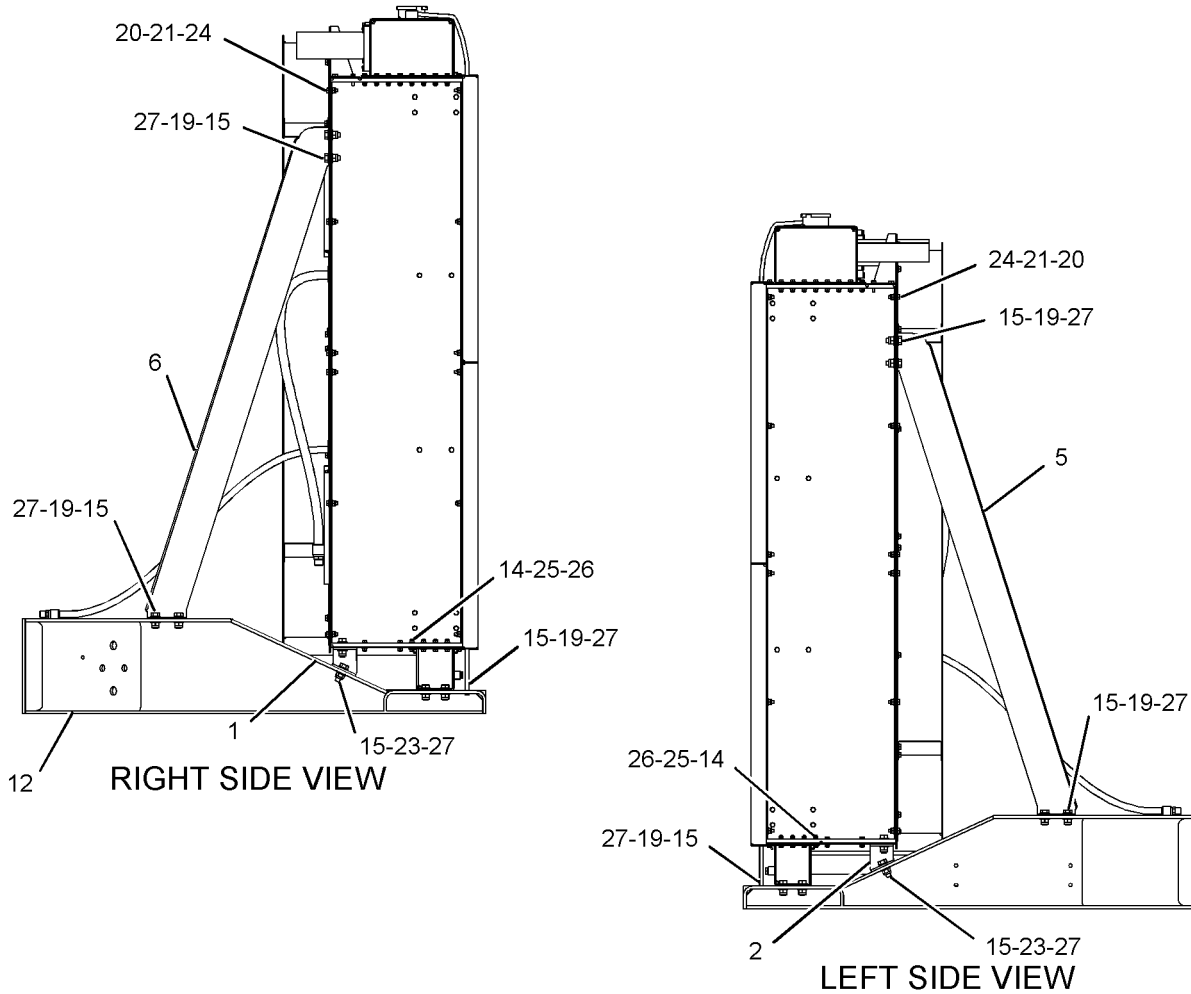
Y-SEPARATE ILLUSTRATION



# COOLING SYSTEM

235-2315 RADIATOR GP (contd.)

i02419059



GRAPHIC #2

<END>

g01137269

# COOLING SYSTEM

## 249-0301 RADIATOR GP

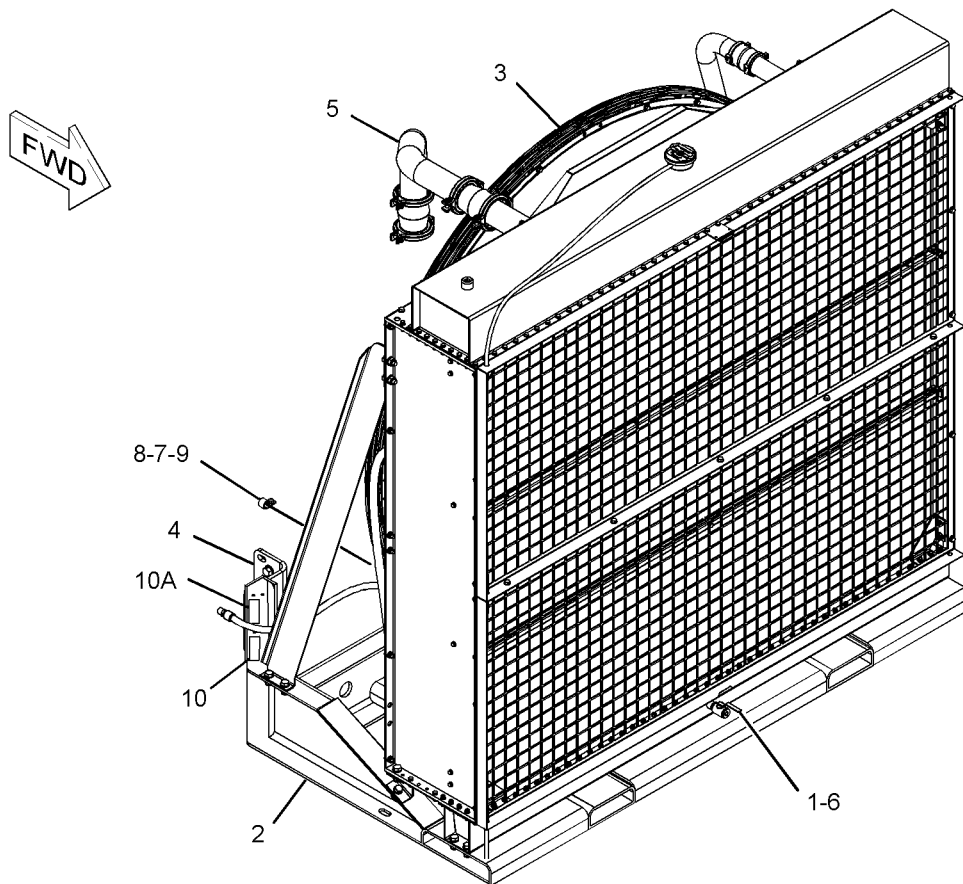
S/N: YAT1-UP  
44-CTD  
AN ATTACHMENT

SMCS-1353

i02322682

NOTE	REF NO	GRAPHIC REF	PART NUMBER	QTY	PART NAME						SEE PAGE
					1	2	3	4	5	6 (PRODUCT LEVEL)	
	1	1	<b>4R-8658</b>	1	VALVE AS-BALL						
Y	2	1	235-2315	1	RADIATOR GP						232
Y	3	1	235-2325	1	GUARD GP-FAN						158
Y	4	1	249-0029	1	MOUNTING GP-RADIATOR						205
Y	5	1	254-6207	1	LINES GP-COOLANT						179
	6	1	<b>3B-7744</b>	1	FITTING						
	7	1	<b>5P-8167</b>	1	BOLT (3/8-16X0.625-IN)						
	8	1	<b>6D-4636</b>	1	CLIP						
	9	1	<b>8T-4896</b>	1	WASHER-HARD (10.2X18.5X2.5-MM THK)						
D	10	1	<b>5P-5894</b>		COATING (ANTI-SKID) (.305-M EACH)						
D	10A	1	<b>5P-5894</b>		COATING (ANTI-SKID) (.153-M EACH)						

D-ORDER BY THE METER  
Y-SEPARATE ILLUSTRATION



GRAPHIC #1

<END>

g01188328

# COOLING SYSTEM

## 249-0309 RADIATOR GP

S/N: YAT1-UP  
F60-CTD  
AN ATTACHMENT

SMCS-1353

i02365948

NOTE	REF NO	GRAPHIC REF	PART NUMBER	QTY	PART NAME						SEE PAGE
					1	2	3	4	5	6 (PRODUCT LEVEL)	
	1	1	<b>4R-8658</b>	1	VALVE AS-BALL						
Y	2	1	249-0029	1	MOUNTING GP-RADIATOR						205
Y	3	1	249-0310	1	LINES GP-COOLANT						177
Y	4	1	252-9877	1	RADIATOR GP						238
	5	1	<b>3B-7744</b>	1	FITTING						
	6	1	<b>5P-8167</b>	1	BOLT (3/8-16X0.625-IN)						
	7	1	<b>6D-4636</b>	1	CLIP						
	8	1	<b>8T-4896</b>	1	WASHER-HARD (10.2X18.5X2.5-MM THK)						
D	9	1	<b>5P-5894</b>		COATING (ANTI-SKID) (1-M)						

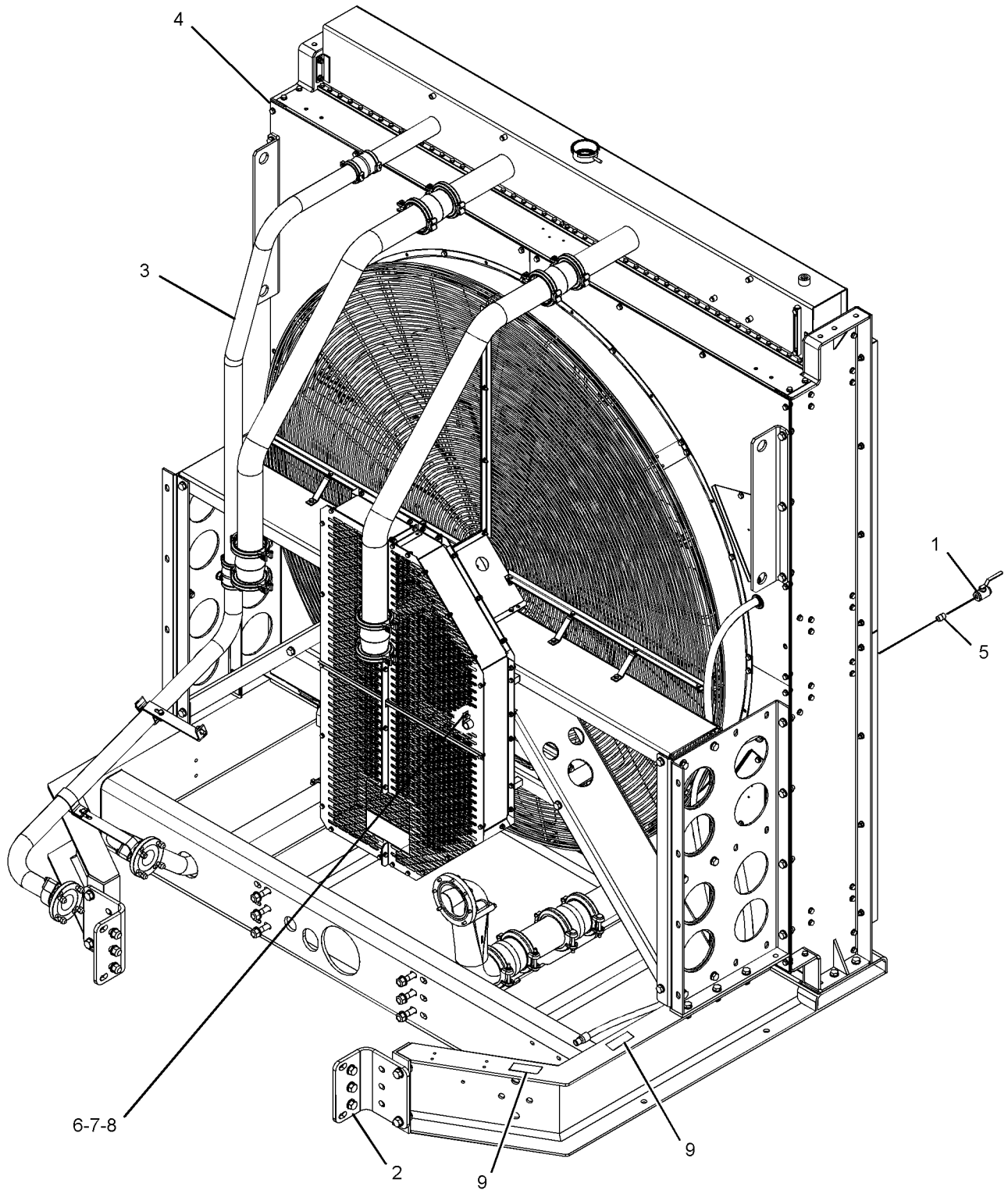
D-ORDER BY THE METER  
Y-SEPARATE ILLUSTRATION



# COOLING SYSTEM

249-0309 RADIATOR GP (contd.)

i02365948



GRAPHIC #1

<END>

g01162239

# COOLING SYSTEM

## 252-9877 RADIATOR GP

S/N: YAT1-UP

F60-CTD

PART OF 249-0309 RADIATOR GP

AN ATTACHMENT

SMCS-1353

i02365949

NOTE	REF NO	GRAPHIC REF	PART NUMBER	QTY	PART NAME						SEE PAGE
					1	2	3	4	5	6 (PRODUCT LEVEL)	
	1	2	<b>254-0007</b>	1	SUPPORT AS-RADIATOR						
	2	2	<b>254-0027</b>	2	SUPPORT						
	3	1	<b>254-0030</b>	4	BRACKET						
Y	4	1	254-0032	1	COOLER GP-FUEL						341
Y	5	1	254-0033	1	GUARD GP-RADIATOR						161
Y	6	1	254-0038	1	FAN GP-BLOWER						153
	7	2	<b>254-0039</b>	4	GUARD AS (CORE)						
	8	1	<b>254-0042</b>	2	PLATE (GUARD)						
	9	2	<b>254-0045</b>	2	BRACKET-LIFTING						
Y	10	1	254-3335	1	GUARD GP-BELT						54
	11	1	<b>254-6199</b>	1	GAUGE-SIGHT (ENGINE COOLANT)						
Y	12	2	255-4395	1	RADIATOR GP						243
Y	13	1	257-1738	1	GUARD GP-FAN						159
M	14	1	<b>131-3540</b>	12	LOCKNUT (M8X1.25-THD)						
M	15	1,2	<b>176-5311</b>	24	LOCKNUT (M16X2-THD)						
	16	2	<b>4B-0418</b>	3	CLIP						
	17	1	<b>4D-3100</b>	2	GROMMET						
M	18	1,2	<b>8T-0389</b>	50	LOCKNUT (M10X1.15-THD)						
	19	1,2	<b>8T-4121</b>	126	WASHER-HARD (11X21X2.5-MM THK)						
M	20	1,2	<b>8T-4193</b>	24	BOLT (M16X2X50-MM)						
M	21	1,2	<b>8T-4195</b>	68	BOLT (M10X1.5X30-MM)						
M	22	2	<b>8T-4196</b>	8	BOLT (M10X1.5X35-MM)						
	23	1	<b>8T-4224</b>	24	WASHER-HARD (8.8X16X2-MM THK)						
M	24	1	<b>8T-4908</b>	8	BOLT (M8X1.25X25-MM)						
M	25	1	<b>8T-6870</b>	2	BOLT (M8X1.25X70-MM)						
M	26	1	<b>8T-6912</b>	2	BOLT (M8X1.25X50-MM)						
	27	1,2	<b>9X-8257</b>	48	WASHER (17.5X30X3.5-MM THK)						
E	28	2	<b>224-7698</b>		HOSE (384-CM)						

E-ORDER BY THE CENTIMETER

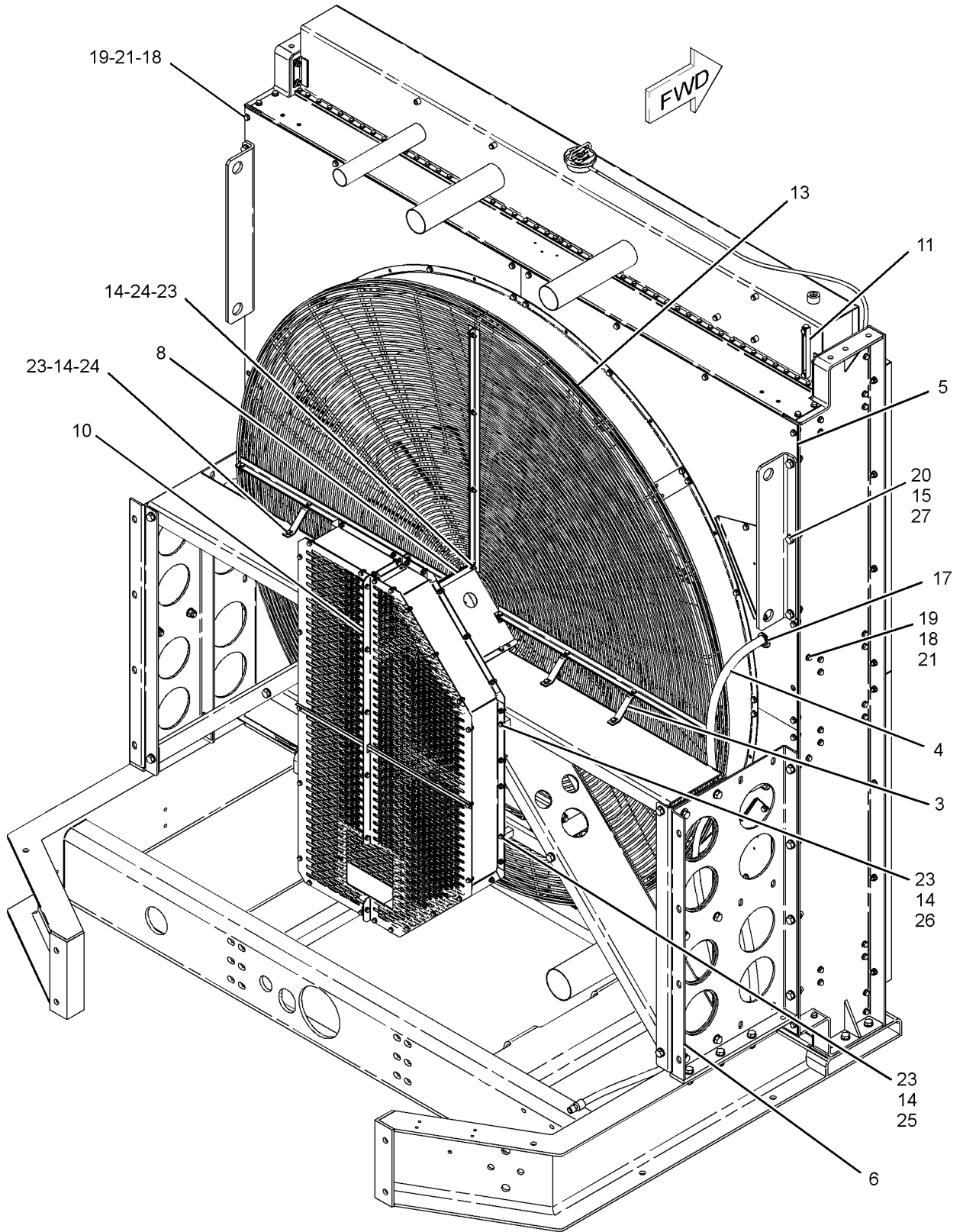
M-METRIC PART

Y-SEPARATE ILLUSTRATION

# COOLING SYSTEM

252-9877 RADIATOR GP (contd.)

i02365949



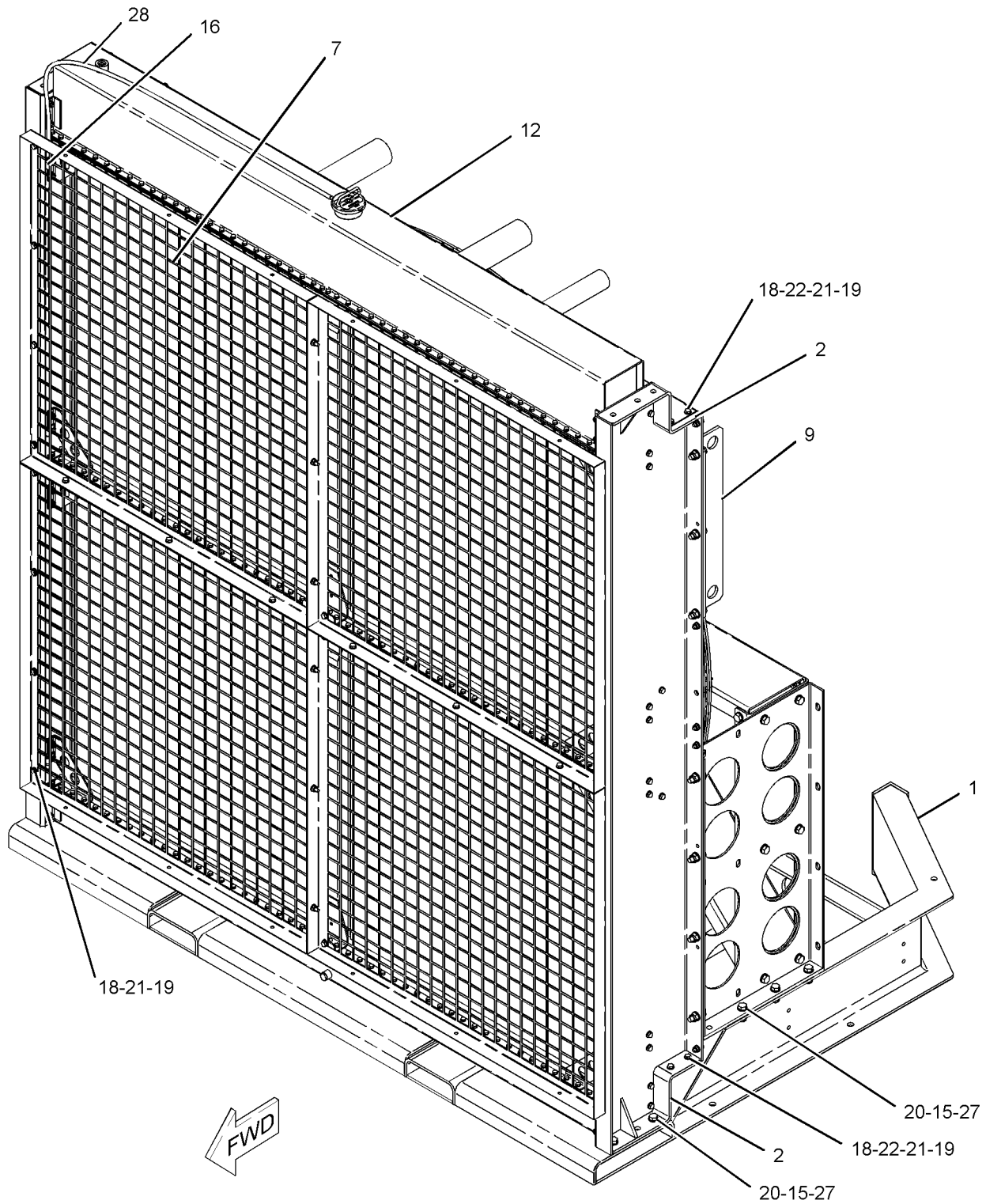
GRAPHIC #1

g01201050

# COOLING SYSTEM

252-9877 RADIATOR GP (contd.)

i02365949



GRAPHIC #2

<END>

g01201049

# COOLING SYSTEM

## 254-6017 RADIATOR GP

S/N: YAT1-UP

44-CTD

PART OF 235-2315 RADIATOR GP

AN ATTACHMENT

SMCS-1353

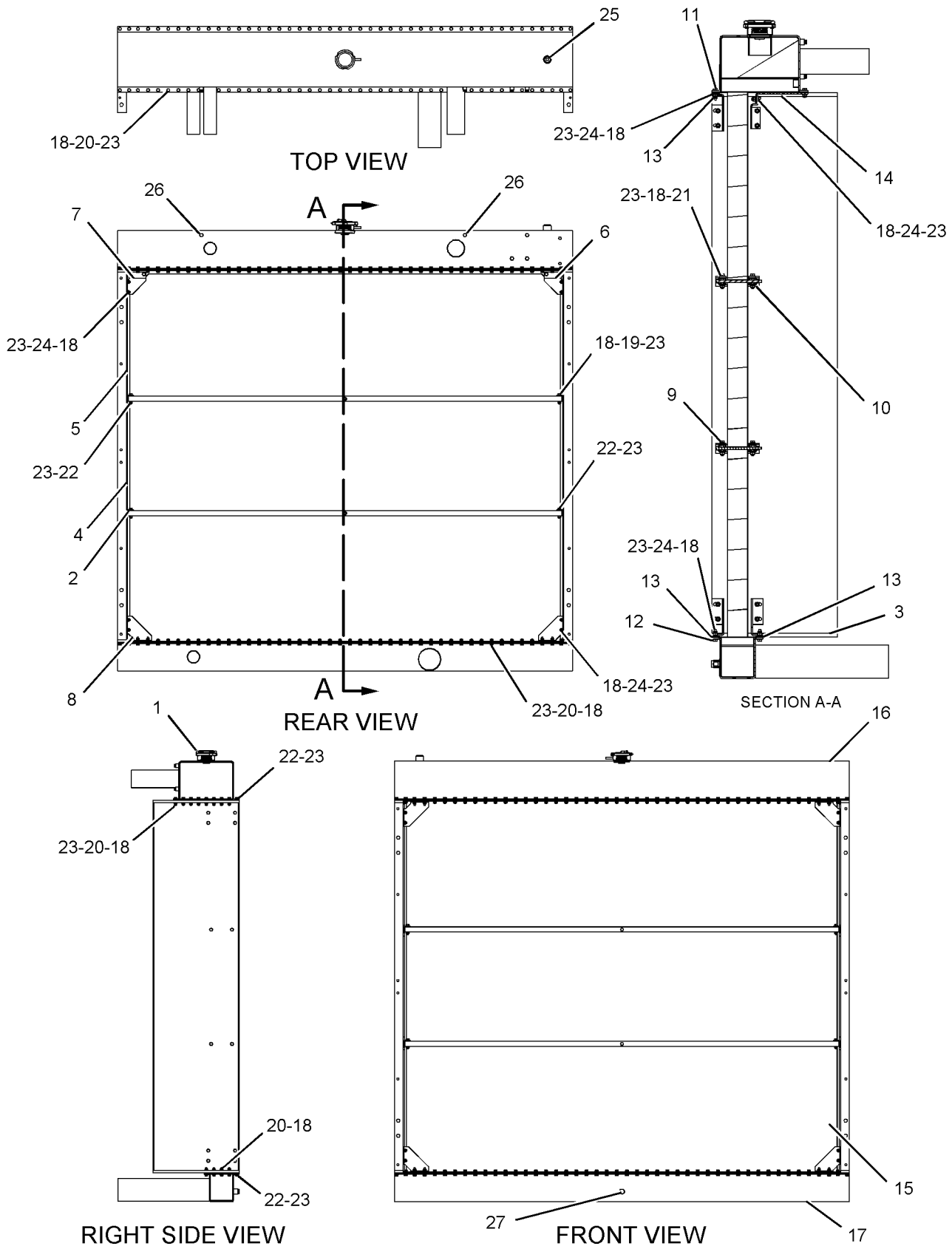
i02419060

NOTE	REF NO	GRAPHIC REF	PART NUMBER	QTY	PART NAME						SEE PAGE
					1	2	3	4	5	6 (PRODUCT LEVEL)	
	1	1	127-8660	1	CAP-PRESSURE (14-PSI) (RADIATOR)						
	2	1	246-8646	4	PLATE AS						
					(EACH INCLUDES)						
M		1	8T-3612	2	NUT-WELD (M8X1.25-THD)						
	3	1	246-8647	2	PANEL AS						
	4	1	246-8648	2	DAMPER-VIBRATION						
	5	1	246-8649	4	DAMPER-VIBRATION						
	6	1	246-8656	1	GUSSET						
	7	1	246-8657	1	GUSSET						
	8	1	246-8658	6	GUSSET						
	9	1	247-7092	4	CHANNEL						
	10	1	247-7093	8	DAMPER-VIBRATION						
	11	1	247-7094	1	GASKET-HEADER						
	12	1	247-7095	1	GASKET-HEADER						
	13	1	247-7099	3	PLATE						
	14	1	247-7101	1	CHANNEL						
	15	1	248-2075	1	CORE AS-RADIATOR						
	16	1	248-3180	1	TANK AS-COOLANT (TOP)						
	17	1	254-6209	1	TANK AS-COOLANT (BOTTOM)						
M	18	1	131-3540	230	LOCKNUT (M8X1.25-THD)						
M	19	1	7X-0818	8	BOLT (M8X1.25X45-MM)						
M	20	1	7X-2537	36	BOLT (M8X1.25X35-MM)						
M	21	1	7X-2542	2	BOLT (M8X1.25X150-MM)						
M	22	1	8T-4189	12	BOLT (M8X1.25X20-MM)						
	23	1	8T-4224	472	WASHER-HARD (8.8X16X2-MM THK)						
M	24	1	8T-4908	184	BOLT (M8X1.25X25-MM)						
	25	1	8T-6761	1	PLUG-PIPE						
	26	1	8T-6765	5	PLUG-PIPE						
	27	1	8T-6766	1	PLUG-PIPE						
M-METRIC PART											

# COOLING SYSTEM

254-6017 RADIATOR GP (contd.)

i02419060



GRAPHIC #1

<END>

g01134312

# COOLING SYSTEM

## 255-4395 RADIATOR GP

S/N: YAT1-UP

S44

PART OF 252-9877 RADIATOR GP

AN ATTACHMENT

SMCS-1353

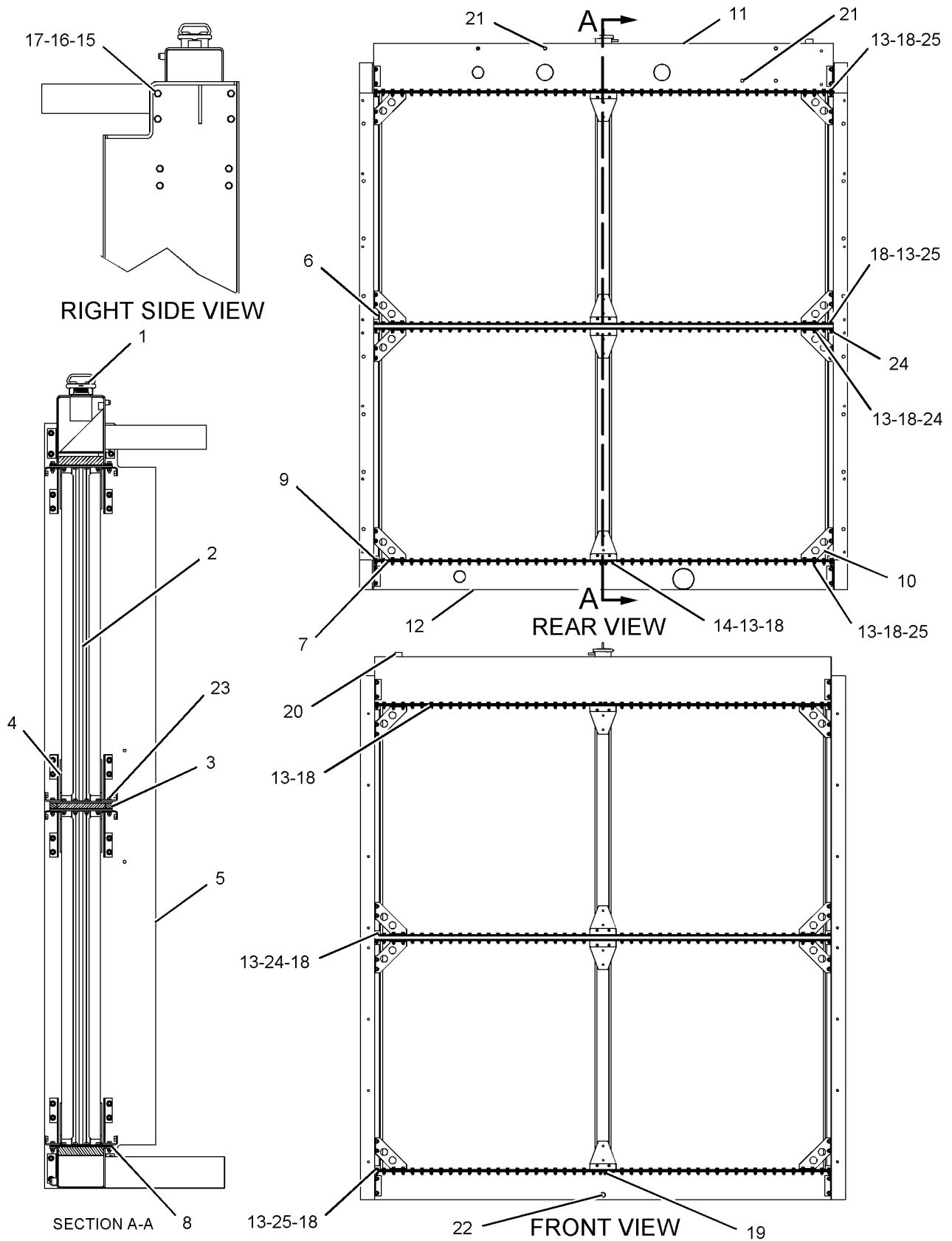
i03425642

NOTE	REF NO	GRAPHIC REF	PART NUMBER	QTY	PART NAME						SEE PAGE
					1	2	3	4	5	6 (PRODUCT LEVEL)	
J	1	1	4N-3311	1	CAP-PRESSURE (7-PSI) (RADIATOR)						
					-OR-						
L		1	127-8660	1	CAP-PRESSURE (14-PSI) (RADIATOR)						
	2	1	254-0010	4	CORE AS-RADIATOR						
	3	1	254-0011	1	PLATE AS						
	4	1	254-0013	4	CHANNEL						
	5	1	254-0014	2	CHANNEL AS-SIDE						
	6	1	254-0015	4	DAMPER						
	7	1	254-0017	8	GASKET						
	8	1	254-0021	16	PLATE						
	9	1	254-0022	16	PLATE						
	10	1	254-0025	16	GUSSET						
	11	1	255-3555	1	TANK AS-TOP						
	12	1	255-4397	1	TANK AS-BOTTOM						
		1	247-1078	1	DAMPER-VIBRATION						
M	13	1	131-3540	332	LOCKNUT (M8X1.25-THD)						
M	14	1	7X-2537	32	BOLT (M8X1.25X35-MM)						
M	15	1	8T-0389	48	LOCKNUT (M10X1.5-THD)						
	16	1	8T-4121	96	WASHER-HARD (11X21X2.5-MM THK)						
M	17	1	8T-4195	48	BOLT (M10X1.5X30-MM)						
	18	1	8T-4224	680	WASHER-HARD (8.8X16X2-MM THK)						
M	19	1	8T-4908	16	BOLT (M8X1.25X25-MM)						
	20	1	8T-6761	1	PLUG-PIPE						
	21	1	8T-6765	4	PLUG-PIPE						
	22	1	8T-6766	1	PLUG-PIPE						
M	23	1	8T-6869	16	BOLT (M8X1.25X60-MM)						
M	24	1	8T-6912	100	BOLT (M8X1.25X50-MM)						
M	25	1	8T-7547	184	BOLT (M8X1.25X30-MM)						
AVAILABLE REPAIR KIT(S):											
JL			225-4256	1	FILM-WARNING (HOT FLUID UNDER PRESSURE, U.S.)						
J			294-9052	1	KIT-RADIATOR CAP (INCLUDES RADIATOR CAP AND WARNING FILM)						
L			295-5458	1	KIT-RADIATOR CAP (INCLUDES RADIATOR CAP AND WARNING FILM)						
J-PARTS MARKED J SERVICE PART(S) MARKED J L-PARTS MARKED L SERVICE PART(S) MARKED L M-METRIC PART											

# COOLING SYSTEM

255-4395 RADIATOR GP (contd.)

i03425642



GRAPHIC #1

<END>

g01123666



# COOLING SYSTEM

## 256-6852 RADIATOR GP

S/N: YAT1-UP

S44

PART OF 257-8762 RADIATOR GP  
AN ATTACHMENT

SMCS-1353

i03145390

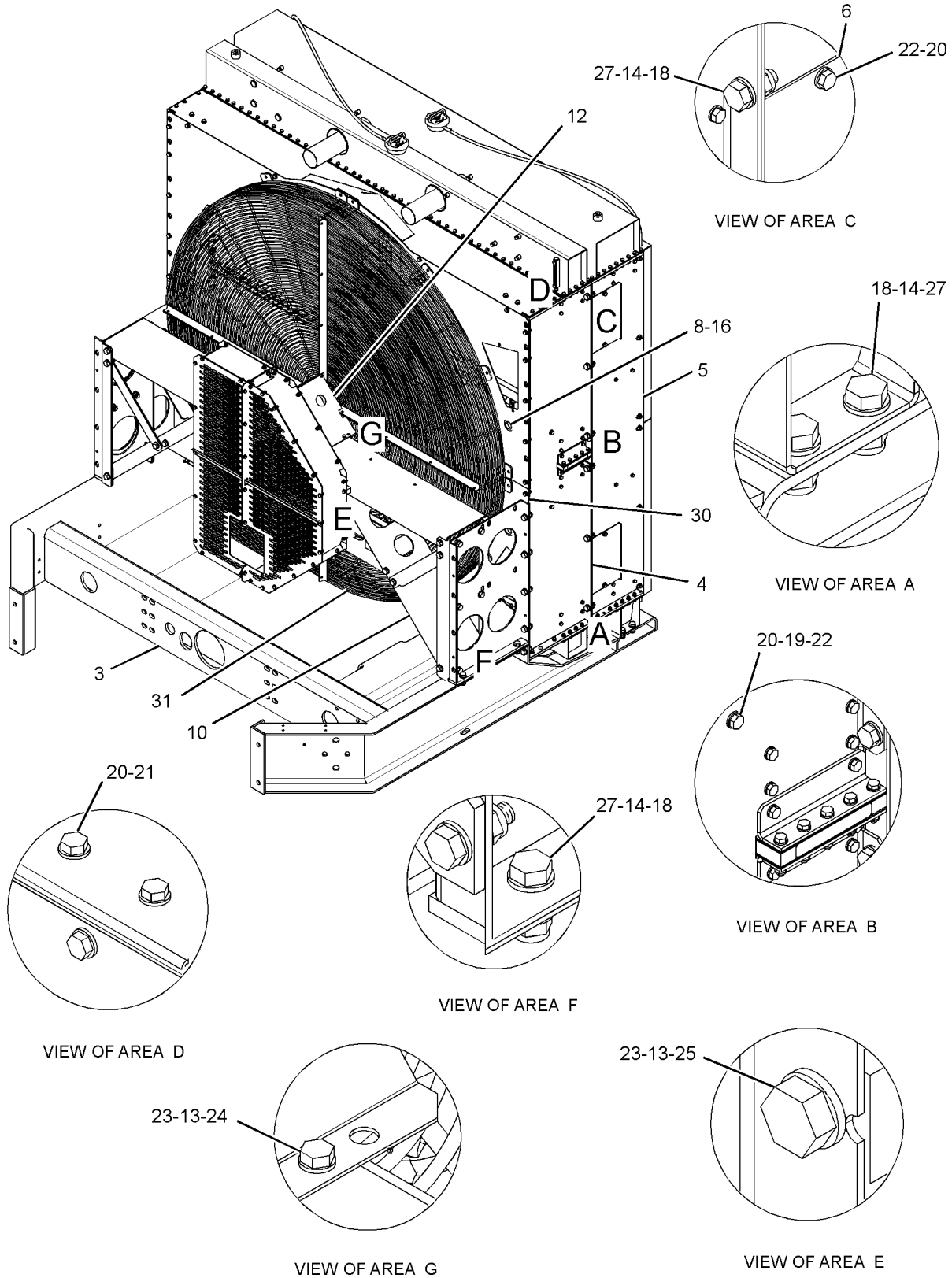
NOTE	REF NO	GRAPHIC REF	PART NUMBER	QTY	PART NAME						SEE PAGE
					1	2	3	4	5	6 (PRODUCT LEVEL)	
	1	3	246-8678	2	CLIP						
	2	3	247-7115	2	GUARD (CORE)						
	3	1	256-6854	1	SUPPORT AS-RADIATOR						
Y	4	1	256-6856	1	RADIATOR GP (REAR)						249
Y	5	1	256-6868	1	RADIATOR GP (FRONT)						252
	6	1	256-6875	4	PANEL-ACCESS						
	7	2	256-6876	1	COVER-DUST						
Y	8	1	256-6877	1	COOLER GP-FUEL						342
	9	2	256-6879	2	SUPPORT						
CY	10	1	321-8303	1	SUPPORT GP-FAN						272
Y	11	2	256-6897	1	GUARD GP-RADIATOR						162
	12	1	256-6908	2	GUARD-PULLEY						
M	13	1,2	131-3540	20	LOCKNUT (M8X1.25-THD)						
M	14	1,2	176-5311	32	LOCKNUT (M16X2-THD)						
	15	3	4B-0418	4	CLIP						
	16	1	4D-3100	2	GROMMET						
M	17	2	7X-2537	8	BOLT (M8X1.25X35-MM)						
M	18	1,2	7X-2553	32	BOLT (M16X2X40-MM)						
M	19	1,2,3	8T-0389	35	LOCKNUT (M10X1.5-THD)						
	20	1,2,3	8T-4121	90	WASHER-HARD (11X21X2.5-MM THK)						
M	21	1	8T-4136	4	BOLT (M10X1.5X25-MM)						
M	22	1,2,3	8T-4195	51	BOLT (M10X1.5X30-MM)						
	23	1,2	8T-4224	40	WASHER-HARD (8.8X16X2-MM THK)						
M	24	1	8T-4908	4	BOLT (M8X1.25X25-MM)						
M	25	1	8T-6912	4	BOLT (M8X1.25X50-MM)						
M	26	2	8T-7547	4	BOLT (M8X1.25X30-MM)						
	27	1,2	9X-8257	64	WASHER (17.5X30X3.5-MM THK)						
CE	28	3	224-7698		HOSE (648-CM)						
C	29	2	256-6894	2	SHROUD						
C	30	1,2	256-6895	2	SHROUD						
C	31	1,2	256-6896	4	GUARD AS-FAN						

C-CHANGE FROM PREVIOUS TYPE  
E-ORDER BY THE CENTIMETER  
M-METRIC PART  
Y-SEPARATE ILLUSTRATION

# COOLING SYSTEM

256-6852 RADIATOR GP (contd.)

i03145390



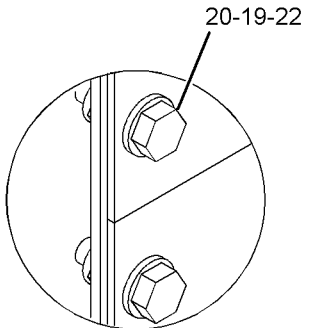
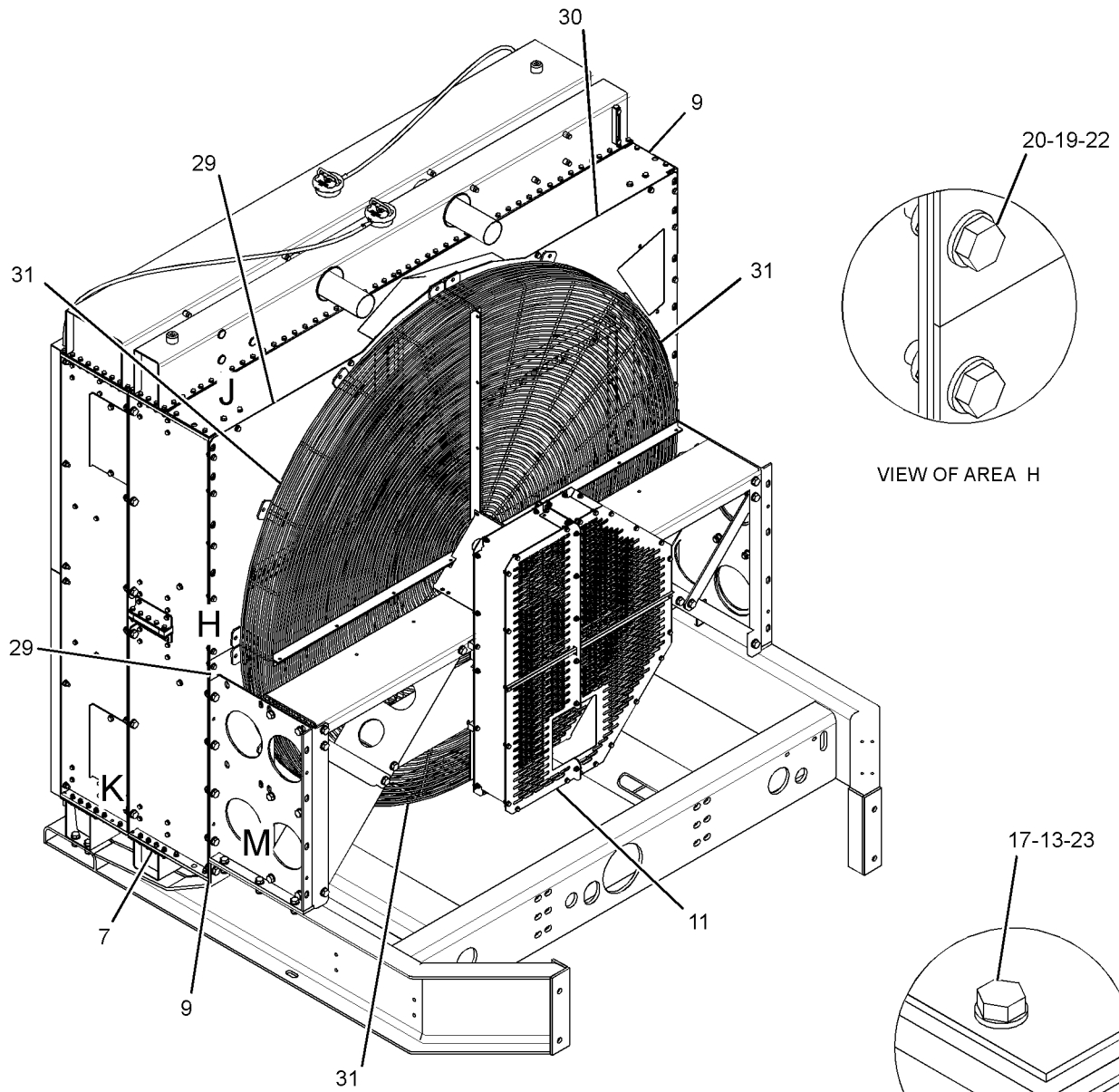
GRAPHIC #1

g01627189

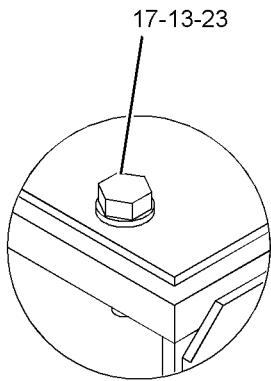
# COOLING SYSTEM

256-6852 RADIATOR GP (contd.)

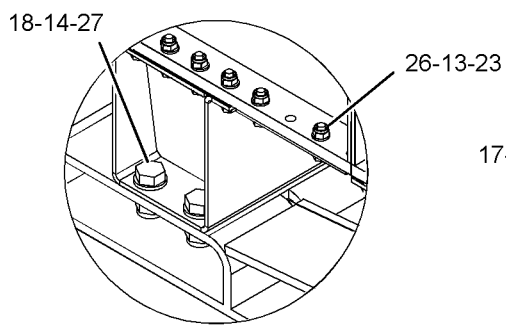
i03145390



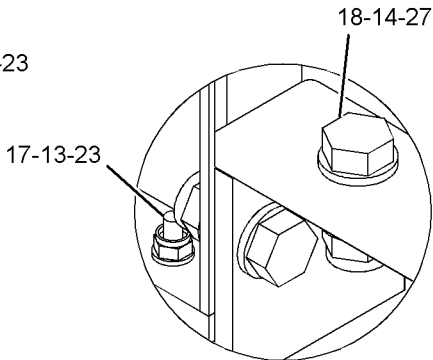
VIEW OF AREA H



VIEW OF AREA J



VIEW OF AREA K



VIEW OF AREA M

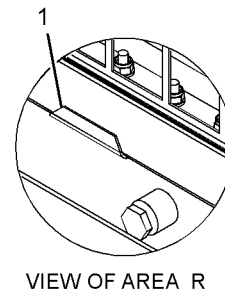
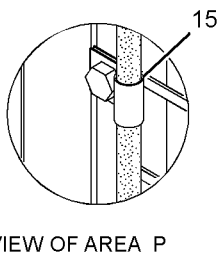
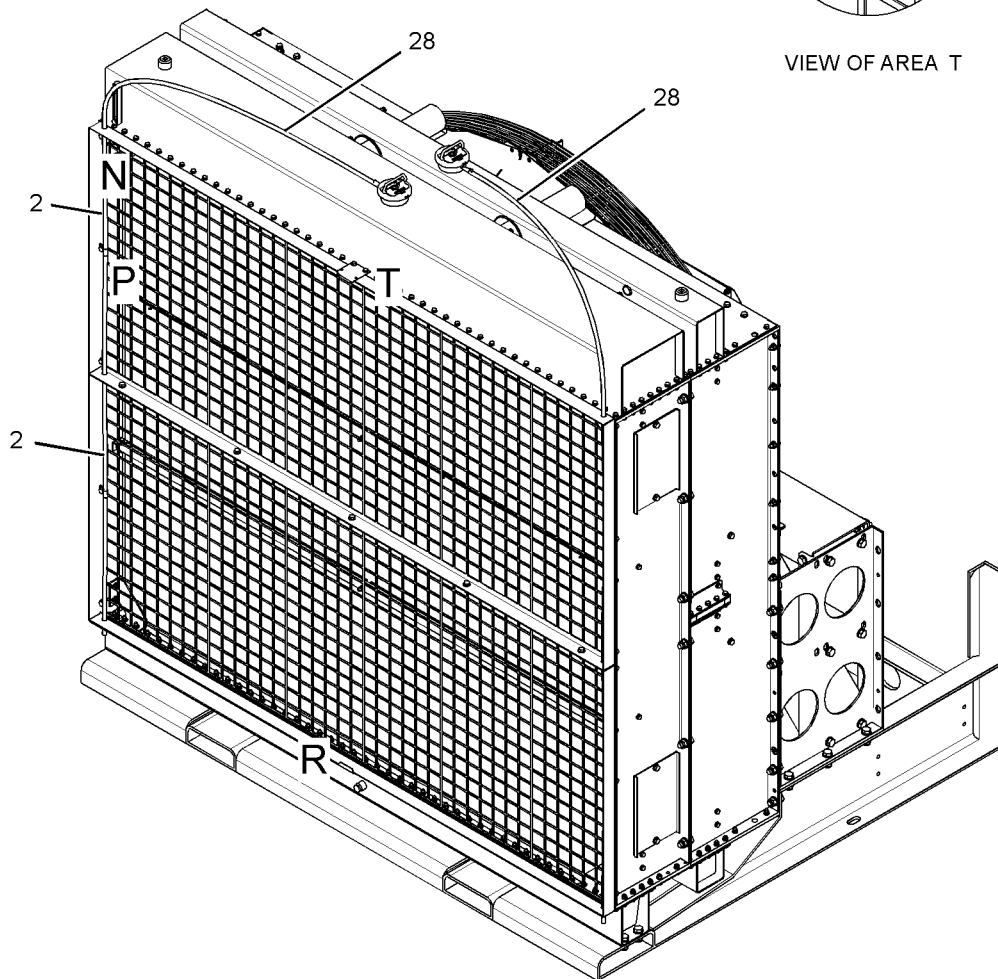
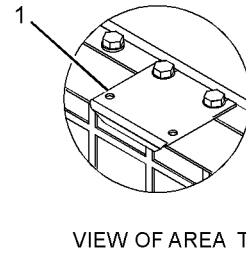
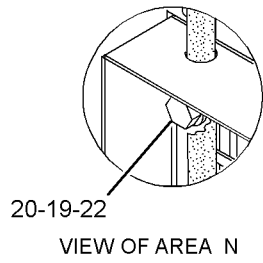
GRAPHIC #2

g01627190

# COOLING SYSTEM

256-6852 RADIATOR GP (contd.)

i03145390



GRAPHIC #3

<END>

g01627191

# COOLING SYSTEM

## 256-6856 RADIATOR GP-REAR

S/N: YAT1-UP

PART OF 256-6852 RADIATOR GP  
AN ATTACHMENT

SMCS-1353

i02630180

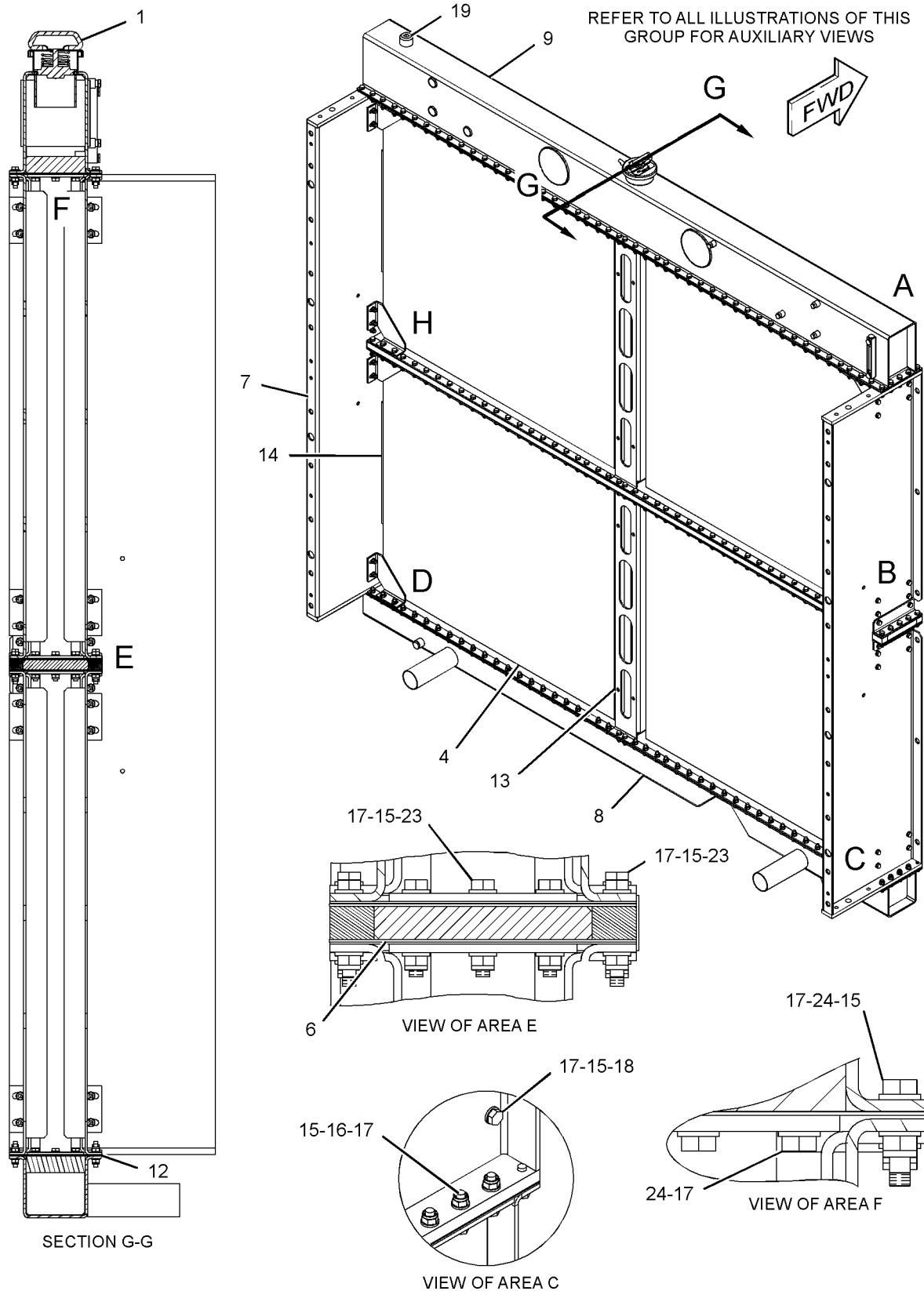
NOTE	REF NO	GRAPHIC REF	PART NUMBER	QTY	PART NAME 1 2 3 4 5 6 (PRODUCT LEVEL)	SEE PAGE
	1	1	294-9052	1	KIT-RADIATOR CAP (INCLUDES RADIATOR CAP AND WARNING FILM)	
	2	2	246-8658	16	GUSSET	
	3	2	247-1076	1	GAUGE AS-SIGHT (RADIATOR) (COOLANT LEVEL)	
	4	1	256-6857	4	CORE AS-RADIATOR	
	5	2	256-6858	8	GASKET-HEADER	
	6	1	256-6859	1	TANK AS-CENTER	
	7	1	256-6860	2	SUPPORT AS-SIDE	
	8	1	256-6861	1	TANK AS-BOTTOM	
	9	1	256-6862	1	TANK AS-COOLANT	
	10	2	256-6863	16	PLATE	
	11	2	256-6864	4	GUSSET	
	12	1	256-6865	8	PLATE	
	13	1	256-6866	4	SUPPORT	
	14	1	256-6867	4	DAMPER	
M	15	1,2	131-3540	348	LOCKNUT (M8X1.25-THD)	
M	16	1,2	7X-2537	32	BOLT (M8X1.25X35-MM)	
	17	1,2	8T-4224	712	WASHER-HARD (8.8X16X2-MM THK)	
M	18	1,2	8T-4908	44	BOLT (M8X1.25X25-MM)	
	19	1	8T-6761	1	PLUG-PIPE	
	20	2	8T-6765	4	PLUG-PIPE	
	21	2	8T-6766	2	PLUG-PIPE	
M	22	2	8T-6869	8	BOLT (M8X1.25X60-MM)	
M	23	1,2	8T-6912	100	BOLT (M8X1.25X50-MM)	
M	24	1,2	8T-7547	180	BOLT (M8X1.25X30-MM)	

M-METRIC PART

# COOLING SYSTEM

256-6856 RADIATOR GP (contd.)

i02630180



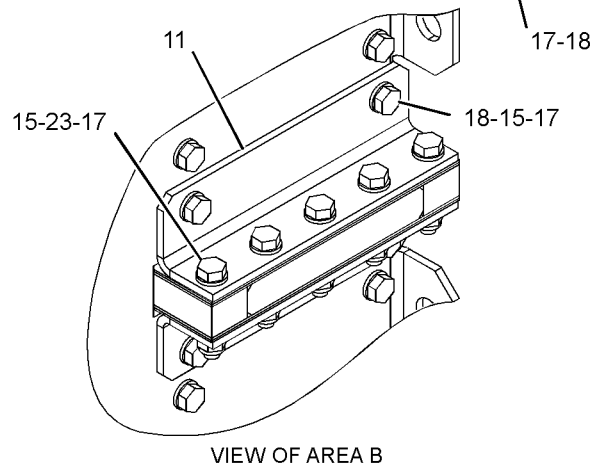
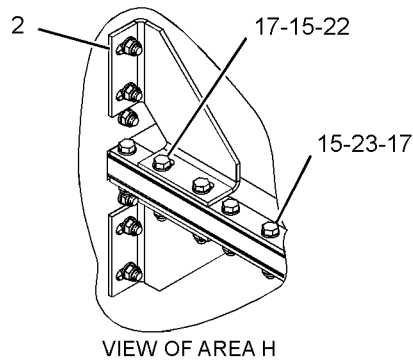
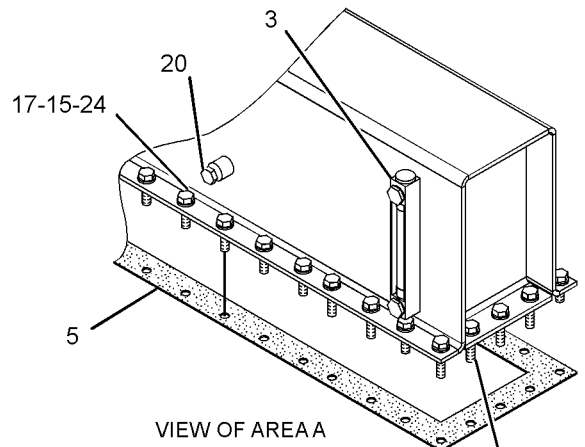
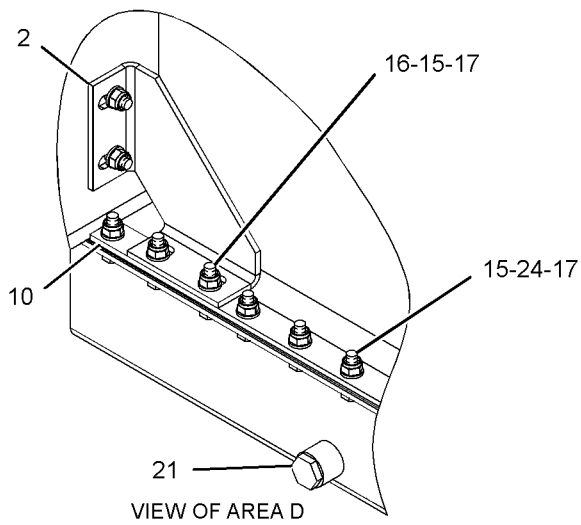
GRAPHIC #1

g01163035

# COOLING SYSTEM

256-6856 RADIATOR GP (contd.)

i02630180



GRAPHIC #2

<END>

g01163058

# COOLING SYSTEM

## 256-6868 RADIATOR GP-FRONT

S/N: YAT1-UP

PART OF 256-6852 RADIATOR GP  
AN ATTACHMENT

SMCS-1353

i02630169

NOTE	REF NO	GRAPHIC REF	PART NUMBER	QTY	PART NAME						SEE PAGE
					1	2	3	4	5	6 (PRODUCT LEVEL)	
	1	2	294-9052	1	KIT-RADIATOR CAP (INCLUDES RADIATOR CAP AND WARNING FILM)						
	2	2	246-8646	4	PLATE AS						
	3	1	246-8648	2	DAMPER-VIBRATION						
	4	1	246-8649	4	DAMPER-VIBRATION						
	5	1	246-8656	1	GUSSET						
	6	2	246-8657	1	GUSSET						
	7	2	246-8658	6	GUSSET						
	8	2	247-1076	1	GAUGE AS-SIGHT (RADIATOR) (COOLANT LEVEL)						
	9	1	247-7092	4	CHANNEL						
	10	1	247-7093	8	DAMPER-VIBRATION						
	11	2	247-7094	1	GASKET-HEADER						
	12	1	247-7095	1	GASKET-HEADER						
	13	1	247-7099	3	PLATE						
	14	1	247-7101	1	CHANNEL						
	15	1	248-2075	1	CORE AS-RADIATOR						
	16	2	256-6871	2	SUPPORT						
	17	2	256-6873	1	TANK AS-BOTTOM						
	18	2	256-6874	1	TANK AS-COOLANT						
M	19	1,2	131-3540	228	LOCKNUT (M8X1.25-THD)						
M	20	1	7X-0818	8	BOLT (M8X1.25X45-MM)						
M	21	1,2	7X-2537	34	BOLT (M8X1.25X35-MM)						
M	22	1	7X-2542	2	BOLT (M8X1.25X150-MM)						
M	23	2	8T-4189	8	BOLT (M8X1.25X20-MM)						
	24	1,2	8T-4224	470	WASHER-HARD (8.8X16X2-MM THK)						
M	25	1	8T-4908	26	BOLT (M8X1.25X25-MM)						
	26	1	8T-6761	1	PLUG-PIPE						
	27	1	8T-6765	5	PLUG-PIPE						
	28	1	8T-6766	1	PLUG-PIPE						
M	29	1	8T-7547	164	BOLT (M8X1.25X30-MM)						
M-METRIC PART											

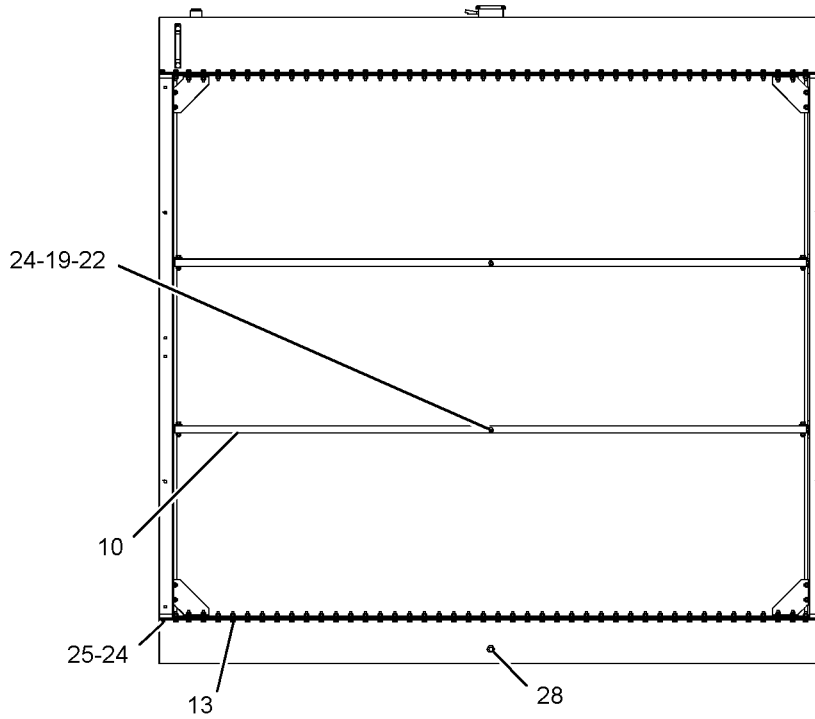


# COOLING SYSTEM

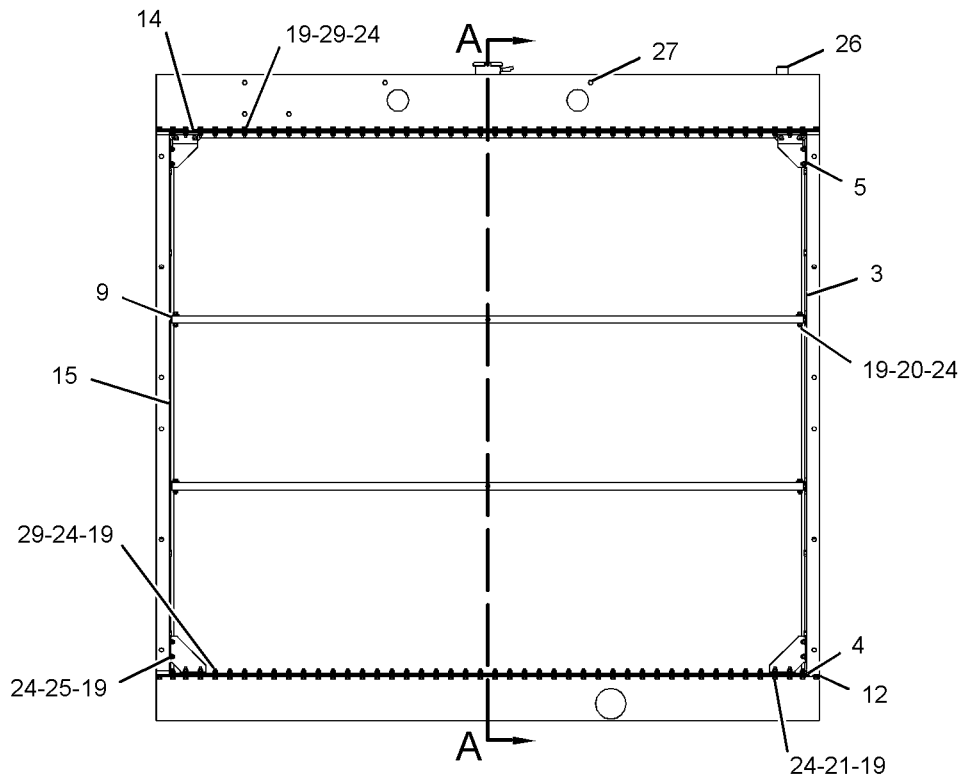
256-6868 RADIATOR GP (contd.)

i02630169

REFER TO ALL ILLUSTRATIONS OF THIS GROUP FOR AUXILIARY VIEWS



FRONT VIEW



REAR VIEW

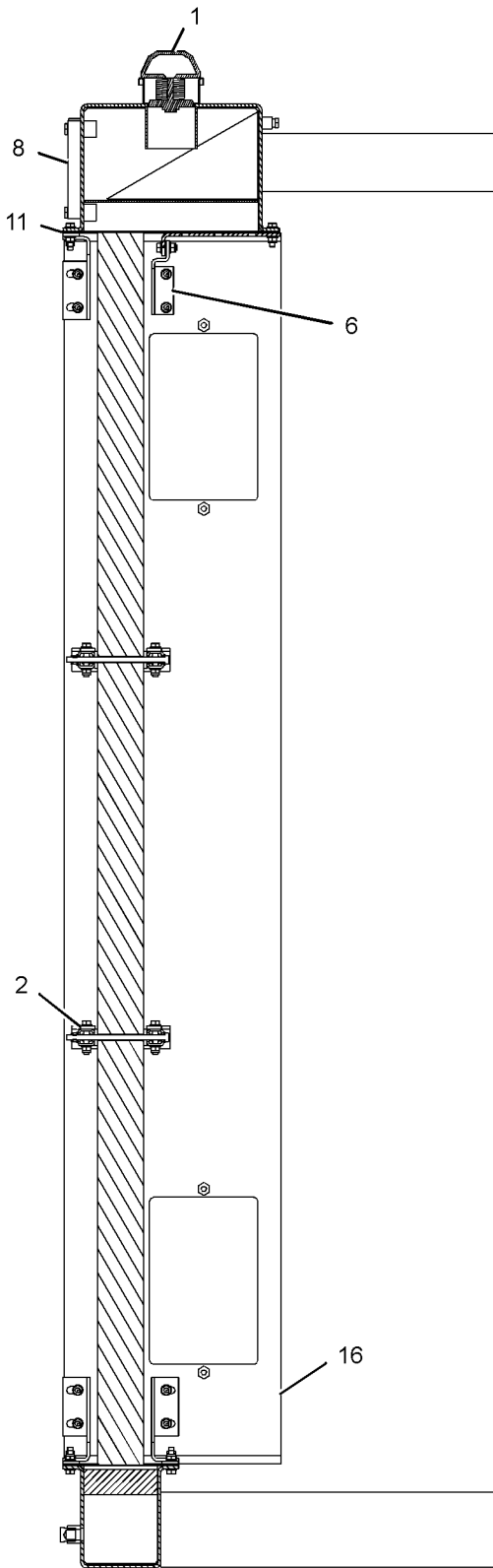
GRAPHIC #1

g01162894

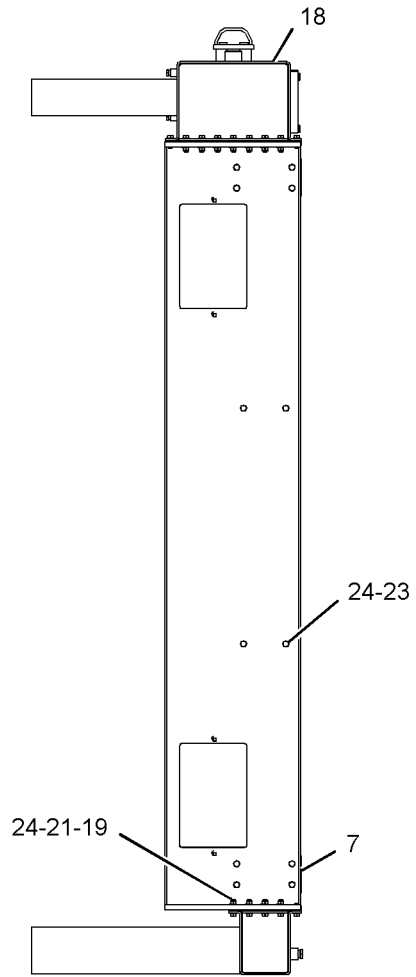
# COOLING SYSTEM

256-6868 RADIATOR GP (contd.)

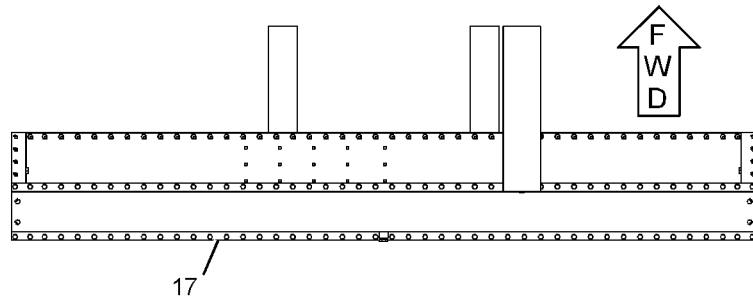
i02630169



SECTION A-A



RIGHT SIDE VIEW



BOTTOM VIEW

GRAPHIC #2

<END>

g01163034

# COOLING SYSTEM

## 257-8762 RADIATOR GP

S/N: YAT1-UP

S44

AN ATTACHMENT

SMCS-1353

i02616423

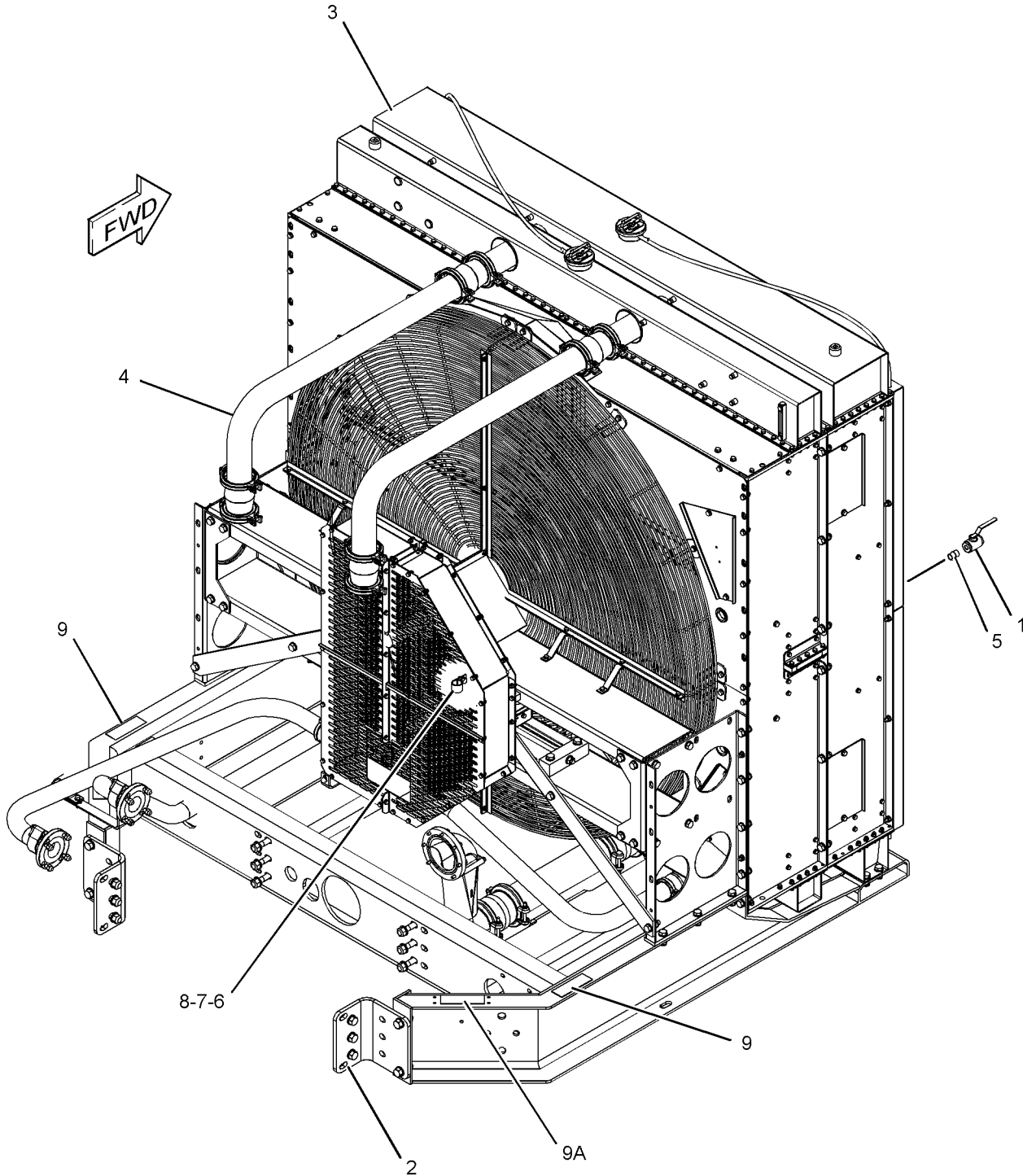
NOTE	REF NO	GRAPHIC REF	PART NUMBER	QTY	PART NAME						SEE PAGE
					1	2	3	4	5	6 (PRODUCT LEVEL)	
	1	1	<b>4R-8658</b>	3	VALVE AS-MANUAL						
Y	2	1	249-0029	1	MOUNTING GP-RADIATOR						205
Y	3	1	256-6852	1	RADIATOR GP						245
Y	4	1	257-8765	1	LINES GP-COOLANT						181
	5	1	<b>3B-7744</b>	3	FITTING						
	6	1	<b>5P-8167</b>	1	BOLT (3/8-16X0.625-IN)						
	7	1	<b>6D-4636</b>	1	CLIP						
	8	1	<b>8T-4896</b>	1	WASHER-HARD (10.2X18.5X2.5-MM THK)						
D	9	1	<b>5P-5894</b>		COATING (ANTI-SKID) (0.4-M EACH)						
D	9A	1	<b>5P-5894</b>		COATING (ANTI-SKID) (0.2-M EACH)						

D-ORDER BY THE METER  
Y-SEPARATE ILLUSTRATION

# COOLING SYSTEM

257-8762 RADIATOR GP (contd.)

i02616423



GRAPHIC #1

<END>

g01203535

# COOLING SYSTEM

## 263-8037 RADIATOR GP

S/N: YAT1-UP

60 CVD CORROSION PROTECTED

PART OF 263-8038 RADIATOR GP

AN ATTACHMENT

SMCS - 1353

i02314537

NOTE	PART NUMBER	QTY	PART NAME						SEE PAGE
			1	2	3	4	5	6 (PRODUCT LEVEL)	
	0L-1732	6	BOLT (1/2-20X3-IN)						
	4M-6425	408	BOLT (5/16-18X1-IN)						
	5P-2955	2	BOLT (5/16-18X2.5-IN)						
	6B-9081	2	BUSHING-REDUCING						
	264-2752	1	COOLER-FUEL						
	264-2759	4	CORE AS-RADIATOR						
	2H-3939	1	ELBOW						
	2L-8228	1	ELBOW						
	1S-1014	2	GROMMET						
E	5P-1420		HOSE (336-CM)						
I	3N-4906	1	HOSE AS						
	4P-1701	1	KIT-COOLER MOUNTING						
	2K-0564	6	LOCKNUT (1/2-20-THD)						
	3K-2889	4	LOCKNUT (5/8-11-THD)						
	3B-4516	6	LOCKWASHER						
	3B-0551	4	PLUG-PIPE						
	5M-6213	4	PLUG-PIPE						

E-ORDER BY THE CENTIMETER

I-REFER TO HYDRAULIC INFORMATION SYSTEM

<END>

# COOLING SYSTEM

## 263-8038 RADIATOR GP

S/N: YAT1-UP

60-CVD, .357 FAN DRIVE RATIO  
AN ATTACHMENT

SMCS-1353

i02526950

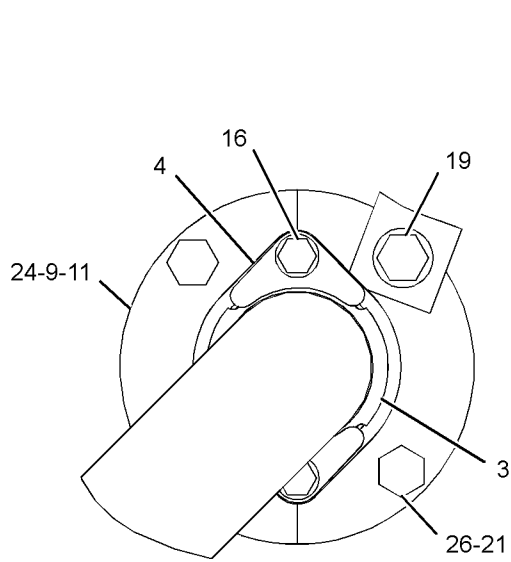
NOTE	REF NO	GRAPHIC REF	PART NUMBER	QTY	PART NAME						SEE PAGE
					1	2	3	4	5	6 (PRODUCT LEVEL)	
	1	1	3N-2451	4	JOINT AS-TUBE						
					(EACH INCLUDES)						
		1	9X-7537	2	SEAL						
	2	1	4P-3117	3	VALVE-BALL						
	3	1	4W-0530	2	RING-RETAINING						
	4	1	4W-0531	4	RETAINER						
	5	1	5P-8154	2	JOINT AS-TUBE						
					(EACH INCLUDES)						
		1	9X-7526	2	SEAL						
	6	1	6V-1581	2	CLIP (SLOT)						
	7	1	6V-1582	2	CLIP (TAB)						
	8	1	216-2285	3	JOINT AS-TUBE						
					(EACH INCLUDES)						
		1	127-4230	1	SEAL						
	9	1	9Y-6893	2	GASKET						
	10	1	120-9678	2	BRACKET						
	11	1	126-5613	2	FLANGE						
	12	1	126-5957	1	ELBOW						
Y	13	1	249-0029	1	MOUNTING GP-RADIATOR						205
Y	14	1	263-8037	1	RADIATOR GP						257
	15	1	3B-7749	3	NIPPLE-PIPE						
	16	1	4L-6454	4	BOLT (3/8-16X1-IN)						
	17	1	4L-9337	2	BOLT (3/8-16X1.5-IN)						
	18	1	5P-2228	1	BOLT (1/2-13X1-IN)						
	19	1	5P-2424	1	BOLT (1/2-13X2.25-IN)						
	20	1	6V-3835	1	SEAL-O-RING						
	21	1	6V-8188	8	NUT (1/2-13-THD)						
	22	1	6V-8801	2	NUT (3/8-16-THD)						
	23	1	7X-0300	2	BOLT (3/8-16X6.5-IN)						
	24	1	8T-1919	2	SEAL-O-RING						
	25	1	8T-4223	2	WASHER-HARD (13.5X25.5X3-MM THK)						
	26	1	8T-4835	7	BOLT (1/2-13X2-IN)						
	27	1	8T-4896	8	WASHER-HARD (10.2X18.5X2.5-MM THK)						
	28	1	9B-7237	5	BOLT (3/8-16X1.25-IN)						

Y-SEPARATE ILLUSTRATION

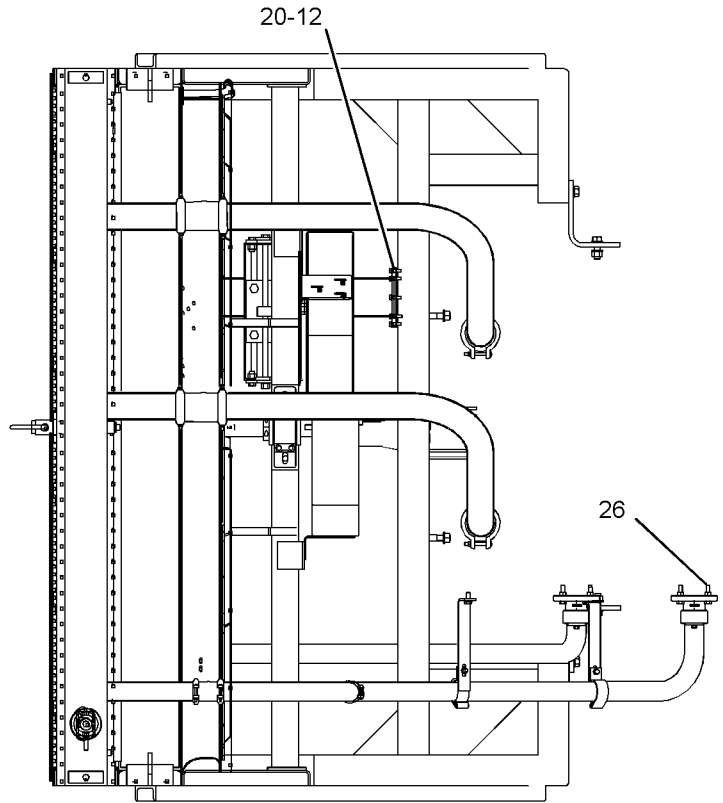
# COOLING SYSTEM

263-8038 RADIATOR GP (contd.)

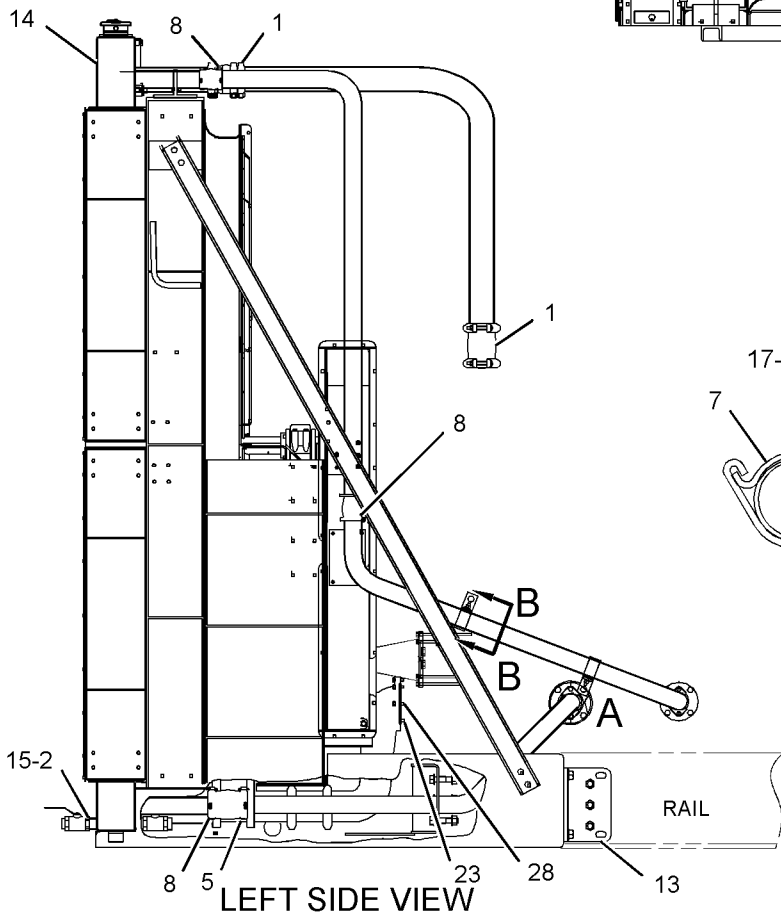
i02526950



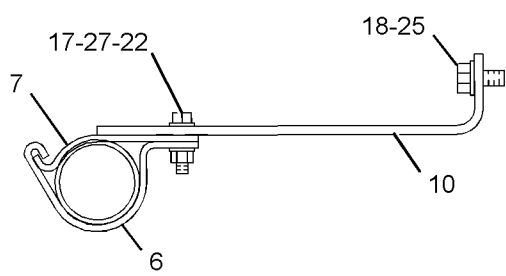
VIEW OF AREA A



TOP VIEW



LEFT SIDE VIEW



VIEW B-B

GRAPHIC #1

<END>

g01197527

# COOLING SYSTEM

## 273-3811 RADIATOR GP

S/N: YAT1-UP

PART OF 273-3812 RADIATOR GP  
FOR USE WITH STACK 60-RADIATOR  
AN ATTACHMENT

SMCS-1353

i03206590

NOTE	REF NO	GRAPHIC REF	PART NUMBER	QTY	PART NAME						SEE PAGE
					1	2	3	4	5	6 (PRODUCT LEVEL)	
	1	3	254-0027	2	SUPPORT						
	2	2	254-0030	4	BRACKET						
	3	1	254-0039	4	GUARD AS (CORE)						
	4	2	254-0042	2	PLATE (GUARD)						
	5	2	256-6875	4	PANEL-ACCESS						
	6	2	311-4616	1	SUPPORT AS-RADIATOR						
	7	3	261-1456	4	PANEL-ACCESS						
	8	3	261-1457	4	PANEL-ACCESS						
	9	1	262-9022	8	SLEEVE						
Y	10	2	274-9346	1	RADIATOR GP						265
Y	11	2	274-9349	1	RADIATOR GP						268
Y	12	1	274-9354	1	COOLER GP-FUEL						343
Y	13	1	274-9356	1	GUARD GP-RADIATOR						163
	14	1	274-9360	4	GUARD AS-FAN						
					(EACH INCLUDES)						
M		1	8T-3490	4	NUT-WELD (M10X1.5-THD)						
Y	15	2	274-9361	1	SUPPORT GP-FAN DRIVE						95
CY	16	2	303-6365	1	GUARD GP-BELT						56
M	17	1,2,3	131-3540	28	LOCKNUT (M8X1.25-THD)						
M	18	2	176-5311	34	LOCKNUT (M16X2-THD)						
M	19	2	7X-2553	12	BOLT (M16X2X40-MM)						
M	20	1,3	8T-0389	56	LOCKNUT (M10X1.5-THD)						
	21	1,2,3	8T-4121	182	WASHER-HARD (11X21X2.5-MM THK)						
M	22	2	8T-4193	22	BOLT (M16X2X50-MM)						
M	23	1,2,3	8T-4195	114	BOLT (M10X1.5X30-MM)						
M	24	3	8T-4196	12	BOLT (M10X1.5X35-MM)						
	25	1,2,3	8T-4224	56	WASHER-HARD (8.8X16X2-MM THK)						
M	26	1,3	8T-4908	24	BOLT (M8X1.25X25-MM)						
M	27	2	8T-6870	2	BOLT (M8X1.25X70-MM)						
M	28	2	8T-6912	2	BOLT (M8X1.25X50-MM)						
	29	2	9X-8257	68	WASHER (17.5X30X3.5-MM THK)						
E	30	1	274-9371		HOSE (413-CM EACH)						
	31	1	4B-0418	6	CLIP						
	32	1	4D-3100	2	GROMMET						

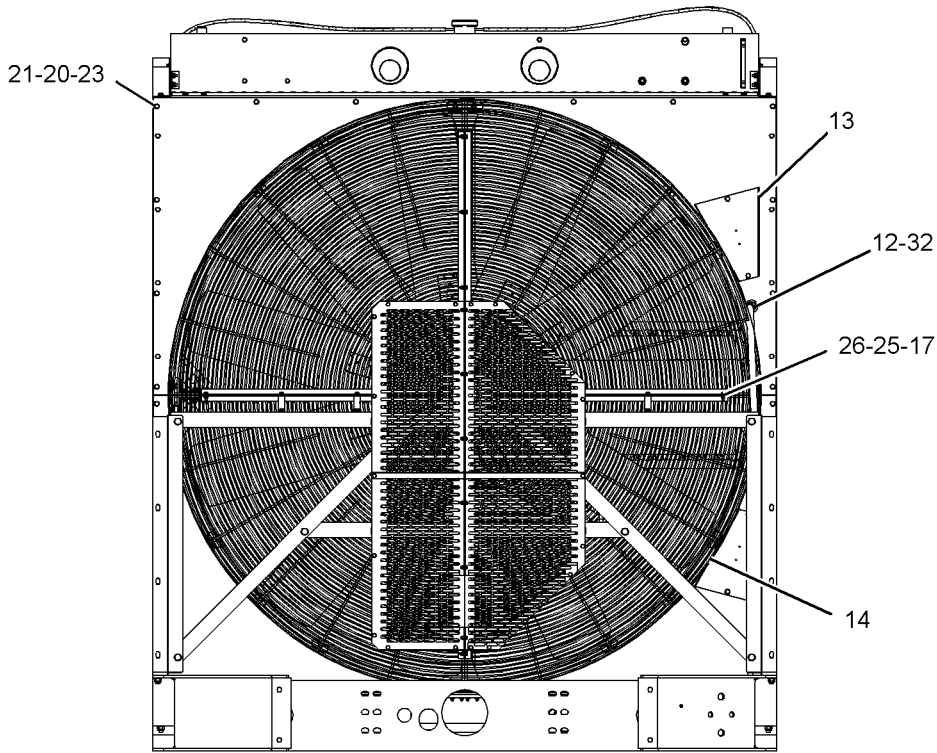
C-CHANGE FROM PREVIOUS TYPE  
E-ORDER BY THE CENTIMETER  
M-METRIC PART  
Y-SEPARATE ILLUSTRATION



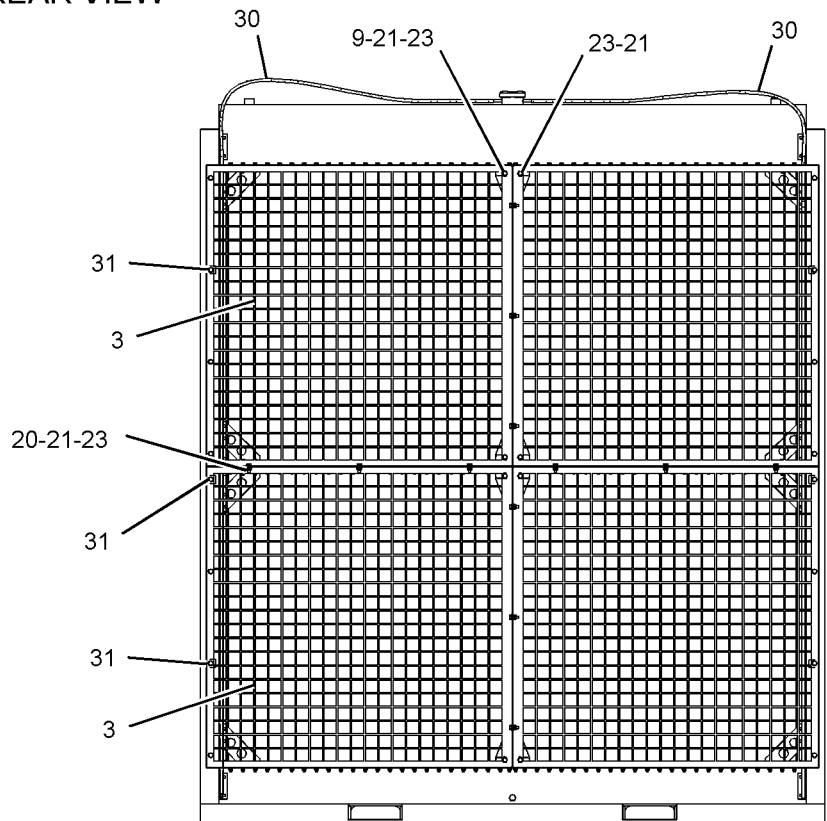
# COOLING SYSTEM

273-3811 RADIATOR GP (contd.)

i03206590



REAR VIEW



FRONT VIEW

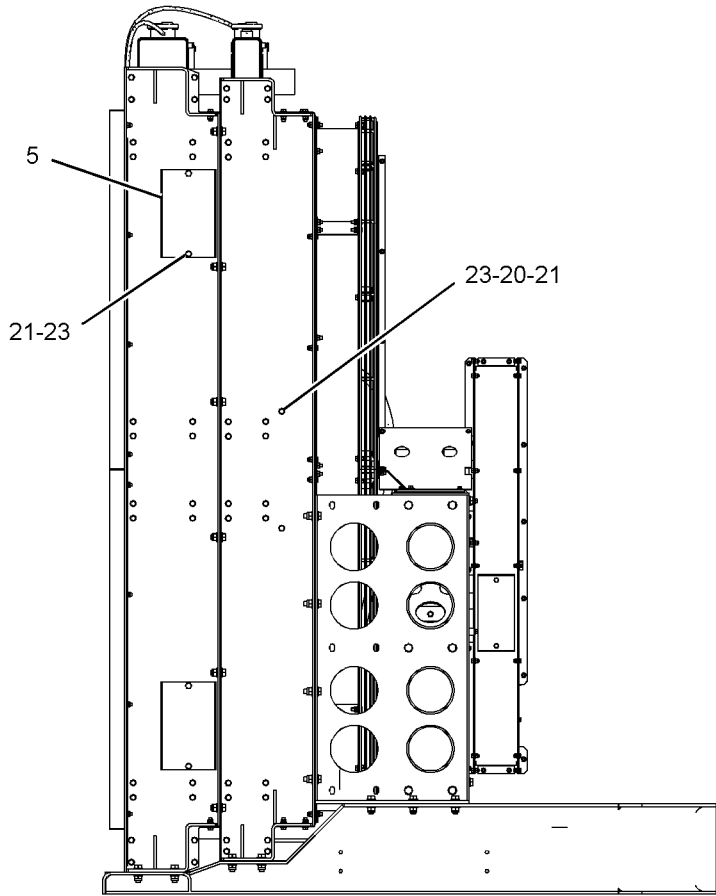
GRAPHIC #1

g01754973

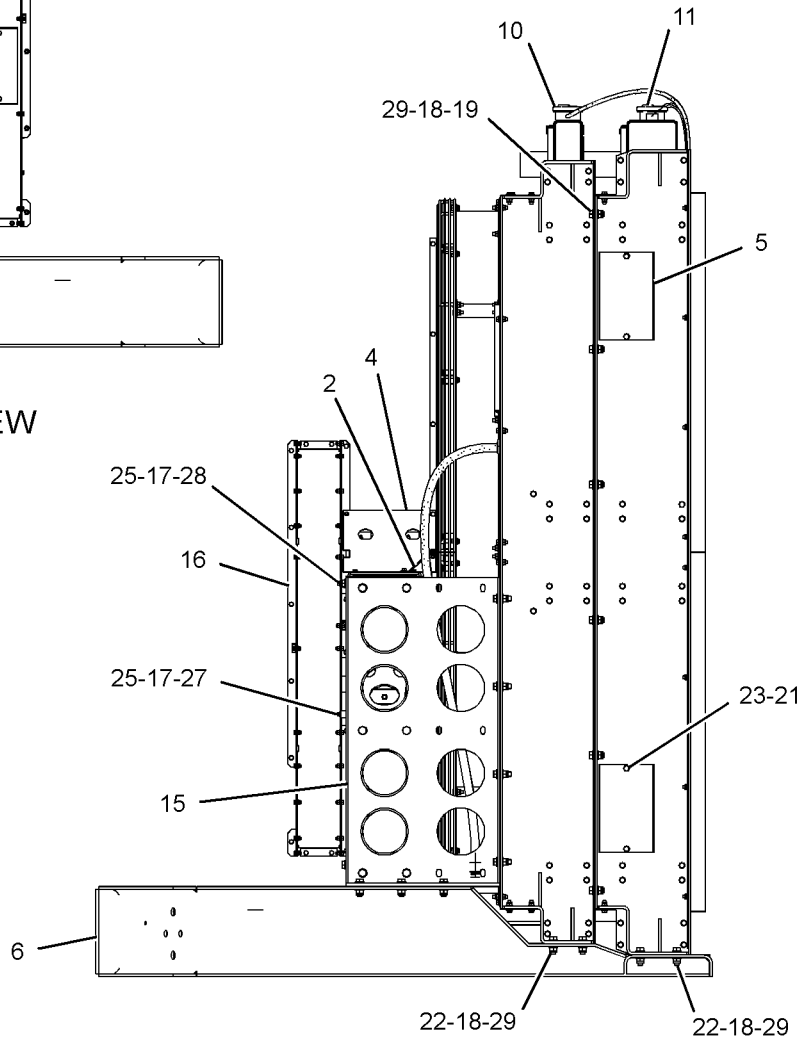
# COOLING SYSTEM

273-3811 RADIATOR GP (contd.)

i03206590



LEFT SIDE VIEW



RIGHT SIDE VIEW

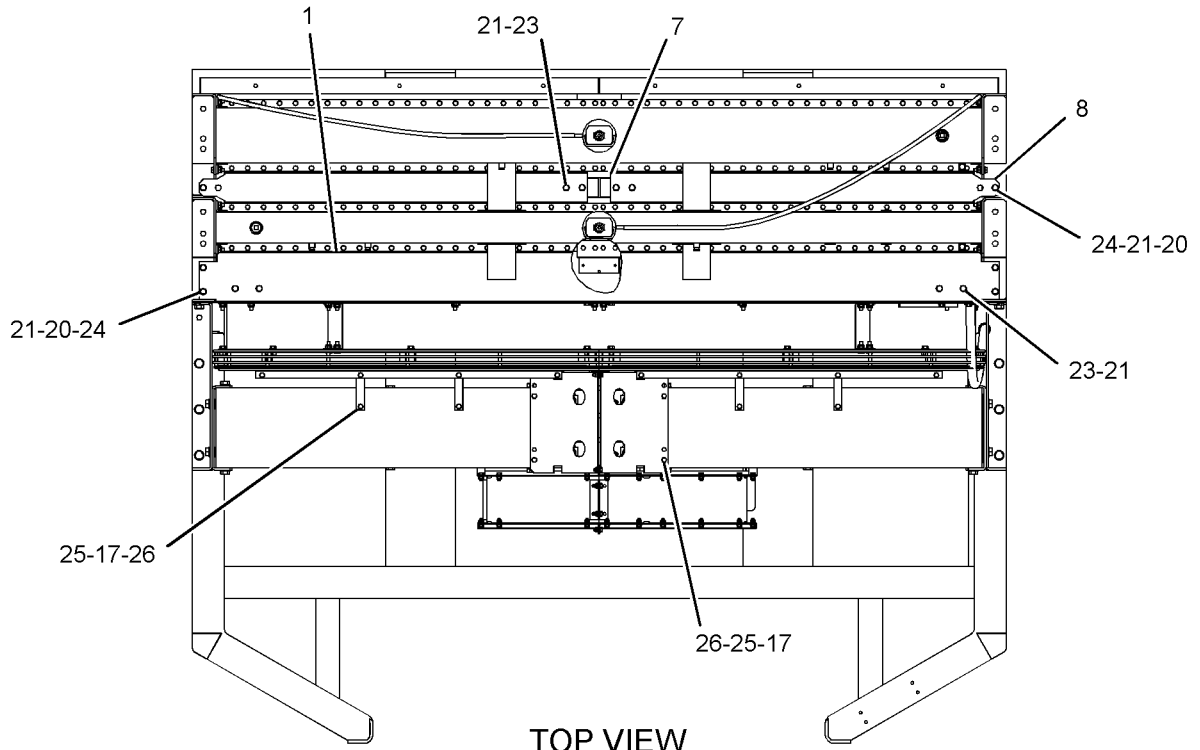
GRAPHIC #2

g01346085

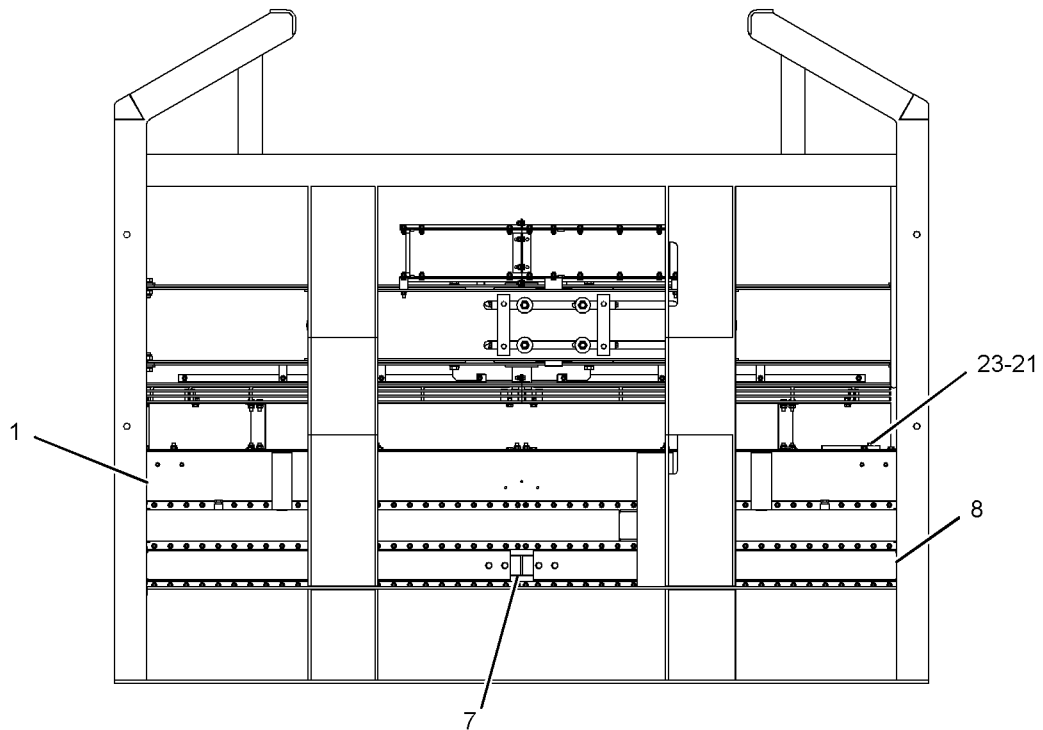
# COOLING SYSTEM

273-3811 RADIATOR GP (contd.)

i03206590



TOP VIEW



BOTTOM VIEW

GRAPHIC #3

<END>

g01346089

# COOLING SYSTEM

## 273-3812 RADIATOR GP

S/N: YAT1-UP

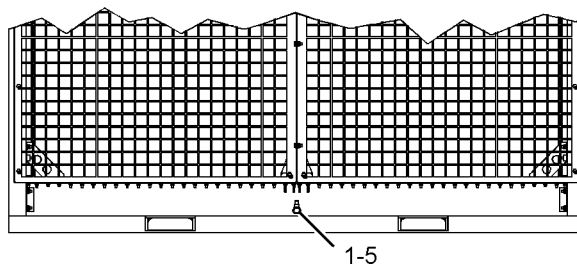
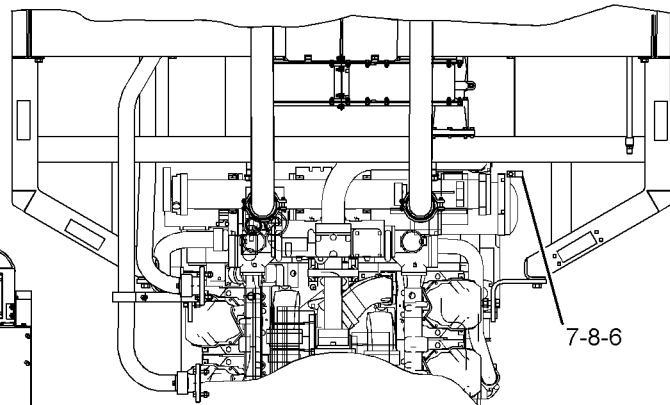
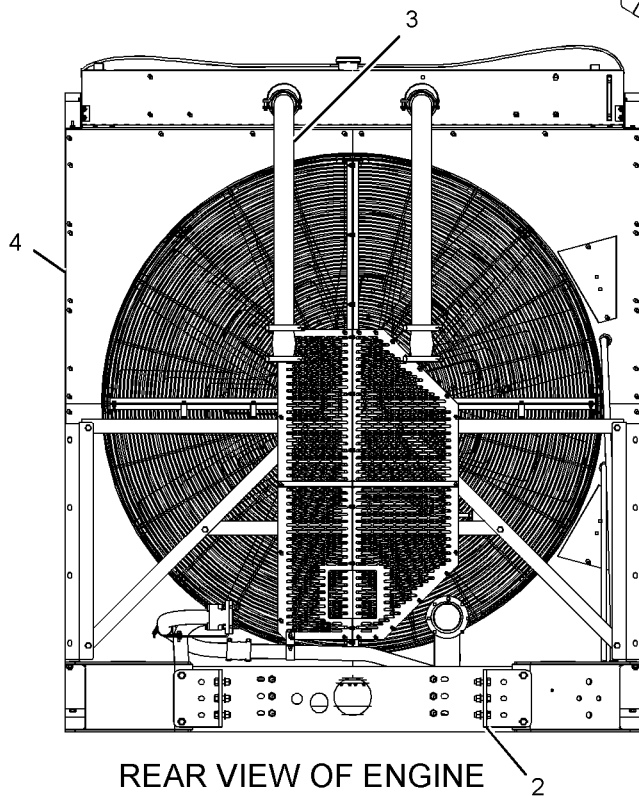
FOR USE WITH STACK 60-RADIATOR  
AN ATTACHMENT

SMCS - 1353

i03206343

NOTE	REF NO	GRAPHIC REF	PART NUMBER	QTY	PART NAME	1 2 3 4 5 6 (PRODUCT LEVEL)						SEE PAGE
	1	1	4R-8658	3	VALVE AS-MANUAL							
CY	2	1	286-2444	1	MOUNTING GP-RADIATOR							207
CY	3	1	311-2920	1	LINES GP-COOLANT							184
Y	4	1	273-3811	1	RADIATOR GP							260
	5	1	3B-7744	3	FITTING (CLOSE)							
	6	1	5P-8167	1	BOLT (3/8-16X0.625-IN)							
	7	1	6D-4636	1	CLIP							
	8	1	8T-4896	1	WASHER-HARD (10.2X18.5X2.5-MM THK)							

C-CHANGE FROM PREVIOUS TYPE  
Y-SEPARATE ILLUSTRATION



GRAPHIC #1

<END>

g01271319

# COOLING SYSTEM

## 274-9346 RADIATOR GP

S/N: YAT1-UP

PART OF 273-3811 RADIATOR GP  
AN ATTACHMENT

SMCS-1353

i02407135

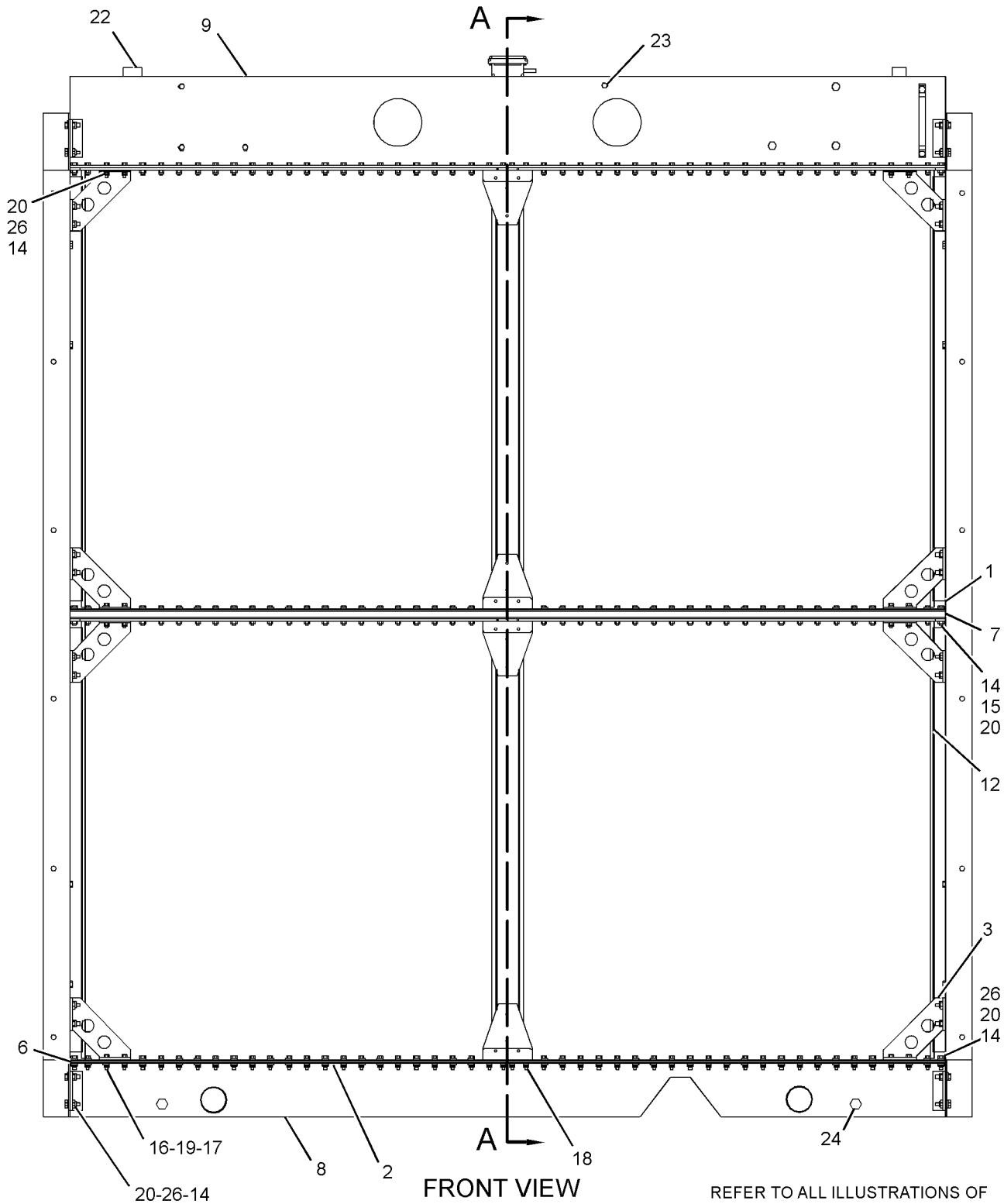
NOTE	REF NO	GRAPHIC REF	PART NUMBER	QTY	PART NAME						SEE PAGE
					1	2	3	4	5	6 (PRODUCT LEVEL)	
	1	1	254-0015	4	DAMPER						
	2	1	254-0021	16	PLATE						
	3	1	254-0025	16	GUSSET						
	4	2	254-6199	1	GAUGE-SIGHT (ENGINE COOLANT)						
	5	2	261-1444	2	SUPPORT AS-SIDE						
	6	1	261-1449	8	GASKET						
	7	1	261-1450	1	TANK AS-CENTER						
	8	1	261-1451	1	TANK AS-BOTTOM						
		1	247-1078	1	DAMPER-VIBRATION						
	9	1	261-1452	1	TANK AS-TOP						
	10	2	261-1454	16	PLATE						
	11	1,2	294-9052	1	KIT-RADIATOR CAP						
	12	1	274-9347	4	CORE AS-RADIATOR						
	13	1,2	274-9348	4	SUPPORT-CENTER						
					(EACH INCLUDES)						
M		1,2	8T-3490	4	NUT-WELD (M10X1.5-THD)						
M	14	1	131-3540	312	LOCKNUT (M8X1.25-THD)						
	15	1	260-6687	92	BOLT (M8X1.25X50-MM) (M8X1.25X50-MM)						
M	16	1	8T-0389	48	LOCKNUT (M10X1.5-THD)						
	17	1	8T-4121	96	WASHER-HARD (11X21X2.5-MM THK)						
M	18	1	8T-4154	32	BOLT (M8X1.25X35-MM)						
M	19	1	8T-4196	48	BOLT (M10X1.5X35-MM)						
	20	1	8T-4224	636	WASHER-HARD (8.8X16X2-MM THK)						
M	21	2	8T-4908	8	BOLT (M8X1.25X25-MM)						
	22	1	8T-6761	1	PLUG-PIPE						
	23	1	8T-6765	4	PLUG-PIPE						
	24	1	8T-6766	2	PLUG-PIPE						
M	25	2	8T-6869	16	BOLT (M8X1.25X60-MM)						
M	26	1	8T-7547	176	BOLT (M8X1.25X30-MM)						

M-METRIC PART

# COOLING SYSTEM

274-9346 RADIATOR GP (contd.)

i02407135



FRONT VIEW

REFER TO ALL ILLUSTRATIONS OF THIS GROUP FOR AUXILIARY VIEWS

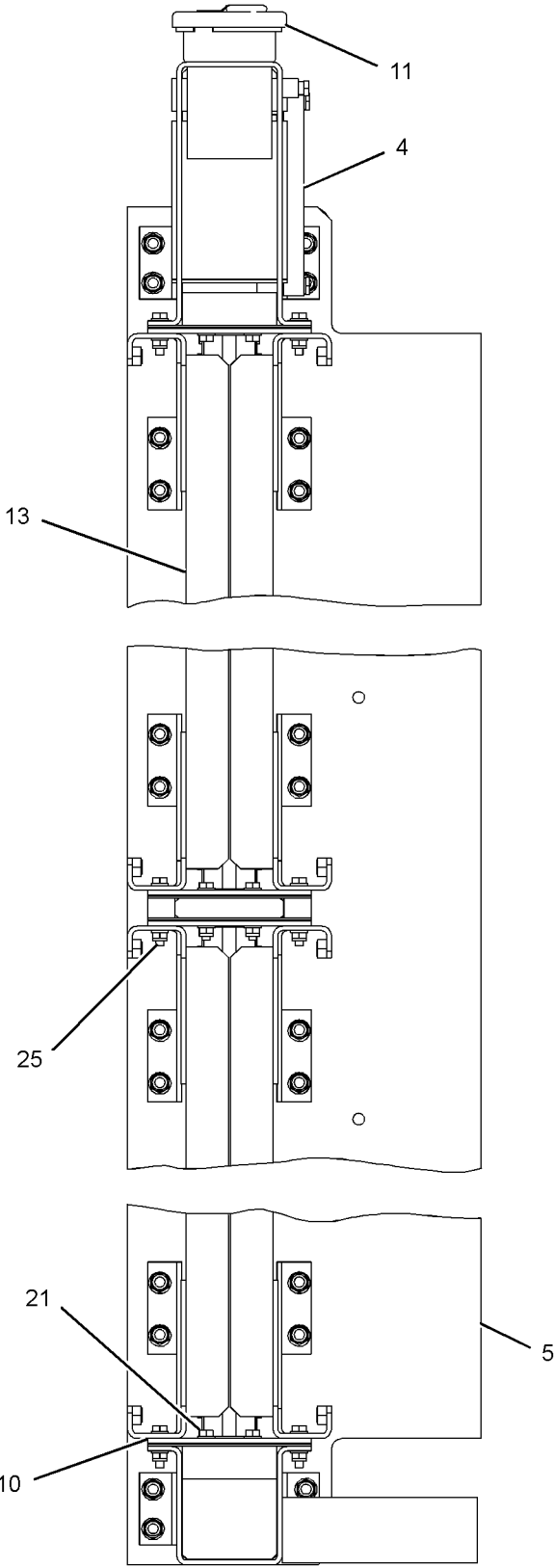
GRAPHIC #1

g01220689

# COOLING SYSTEM

274-9346 RADIATOR GP (contd.)

i02407135



SECTION A-A

<END>

GRAPHIC #2

g01220691

# COOLING SYSTEM

## 274-9349 RADIATOR GP

S/N: YAT1-UP

PART OF 273-3811 RADIATOR GP  
AN ATTACHMENT

SMCS - 1353

i02407145

NOTE	REF NO	GRAPHIC REF	PART NUMBER	QTY	PART NAME						SEE PAGE
					1	2	3	4	5	6 (PRODUCT LEVEL)	
	1	1	254-0011	1	PLATE AS (RADIATOR CORE)						
	2	1	254-0015	4	DAMPER						
	3	1	254-0017	8	GASKET						
	4	1	254-0019	1	TANK AS-BOTTOM						
		1	247-1078		DAMPER-VIBRATION						
	5	1	254-0020	1	TANK AS-TOP						
	6	1	254-0021	16	PLATE						
	7	1	254-0022	16	PLATE						
	8	1	254-0025	16	GUSSET						
	9	1	254-6199	1	GAUGE-SIGHT (ENGINE COOLANT)						
	10	2	294-9052	1	KIT-RADIATOR CAP						
	11	1	274-9350	4	CORE AS-RADIATOR						
	12	2	274-9352	4	SUPPORT-CENTER						
					(EACH INCLUDES)						
M		2	6V-8224	4	NUT-WELD (M10X1.15-THD)						
	13	1	274-9353	2	SUPPORT AS-RADIATOR						
M	14	1, 2, 3	131-3540	332	LOCKNUT (M8X1.25-THD)						
M	15	1, 2	7X-2537	32	BOLT (M8X1.25X35-MM)						
M	16	1	8T-0389	48	LOCKNUT (M10X1.5-THD)						
	17	1	8T-4121	96	WASHER-HARD (11X21X2.5-MM THK)						
M	18	1	8T-4196	48	BOLT (M10X1.5X35-MM)						
	19	1, 2, 3	8T-4224	680	WASHER-HARD (8.8X16X2-MM THK)						
M	20	3	8T-4908	16	BOLT (M8X1.25X25-MM)						
	21	2	8T-6761	1	PLUG-PIPE						
	22	1	8T-6765	4	PLUG-PIPE						
	23	2	8T-6766	1	PLUG-PIPE						
M	24	1, 3	8T-6869	16	BOLT (M8X1.25X60-MM)						
M	25	2, 3	8T-6912	100	BOLT (M8X1.25X50-MM)						
M	26	2	8T-7547	184	BOLT (M8X1.25X30-MM)						

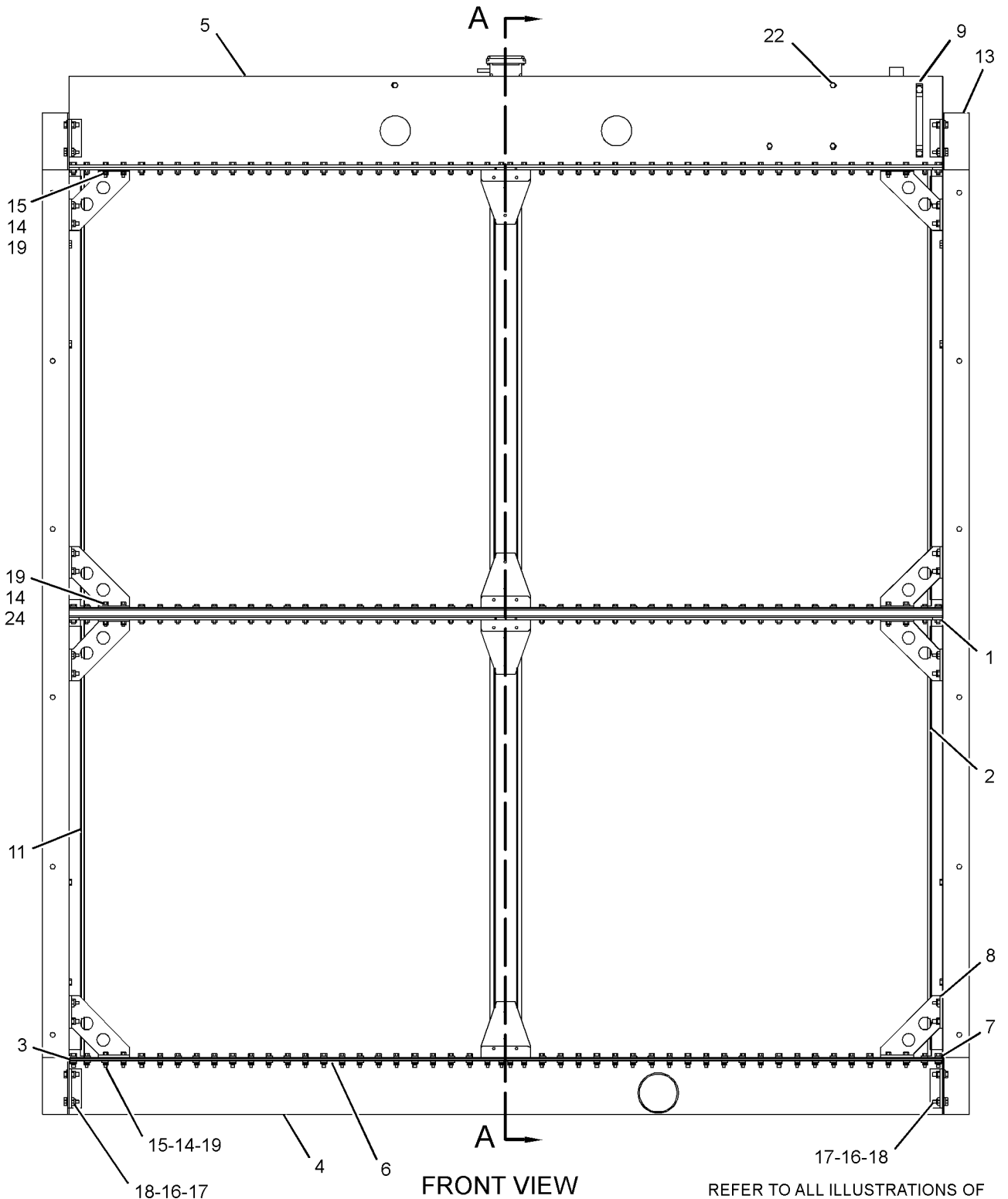
M-METRIC PART



# COOLING SYSTEM

274-9349 RADIATOR GP (contd.)

i02407145



FRONT VIEW

REFER TO ALL ILLUSTRATIONS OF THIS GROUP FOR AUXILIARY VIEWS

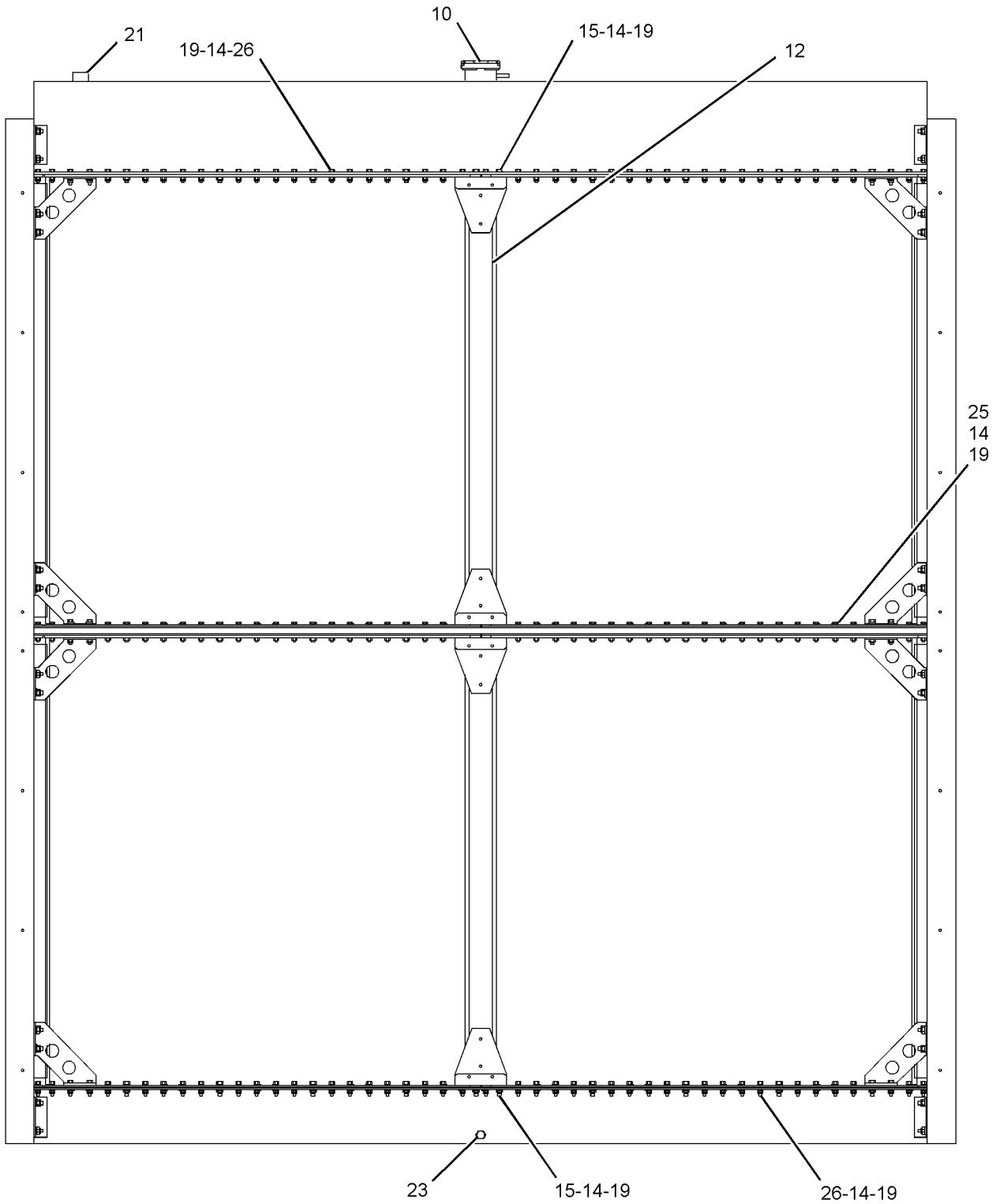
GRAPHIC #1

g01220229

# COOLING SYSTEM

274-9349 RADIATOR GP (contd.)

i02407145



REAR VIEW

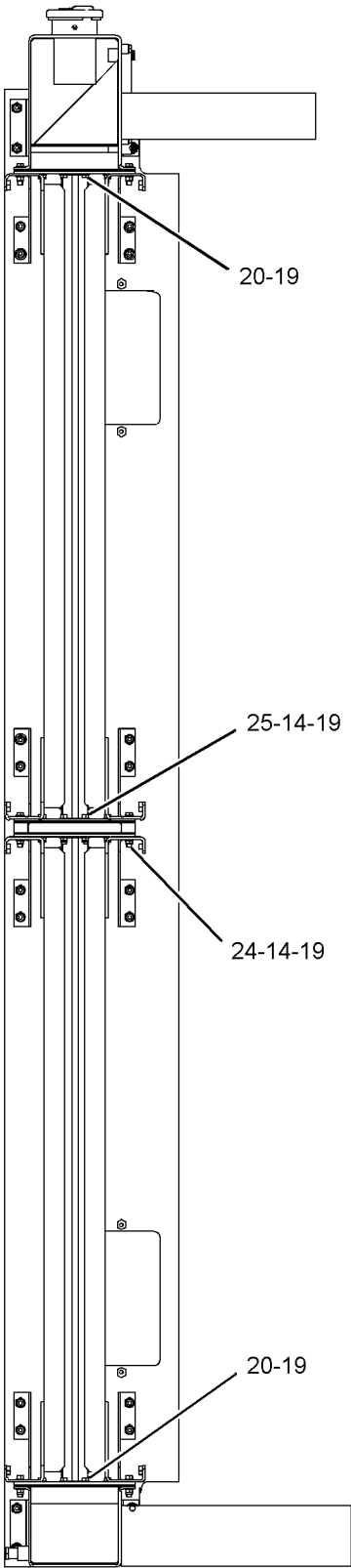
GRAPHIC #2

g01220230

# COOLING SYSTEM

274-9349 RADIATOR GP (contd.)

i02407145



SECTION A-A

<END>

GRAPHIC #3

g01220237

# COOLING SYSTEM

## 321-8303 SUPPORT GP-FAN

S/N: YAT1-UP

PART OF 256-6852 RADIATOR GP  
AN ATTACHMENT

SMCS-1356

i03146945

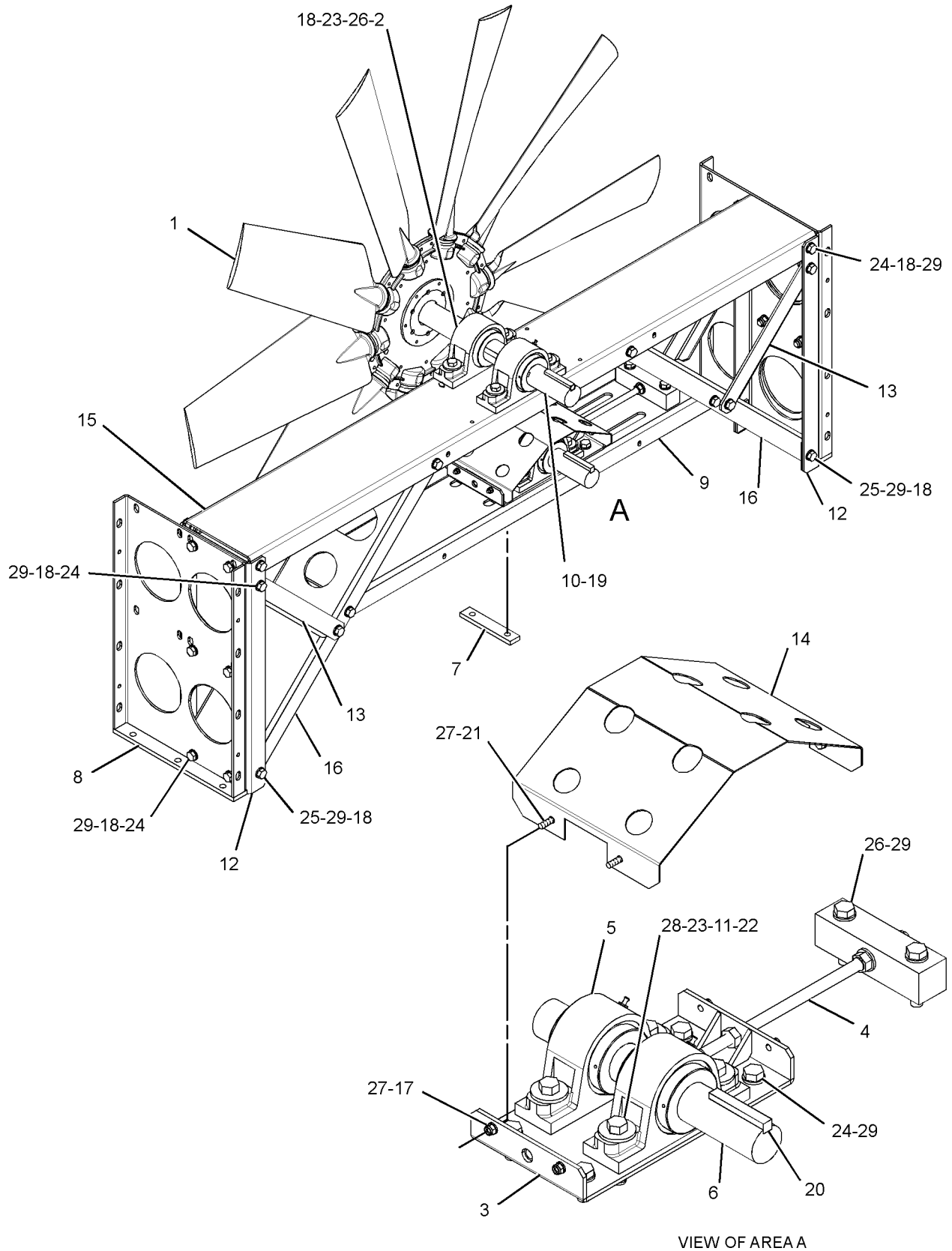
NOTE	REF NO	GRAPHIC REF	PART NUMBER	QTY	PART NAME						SEE PAGE
					1	2	3	4	5	6 (PRODUCT LEVEL)	
	1	1	242-4251	1	FAN AS (10-BLADE)						
	2	1	254-0024	2	BEARING-PILLOW						
	3	1	254-0029	1	BASE AS						
	4	1	254-0040	1	ROD AS						
	5	1	254-0044	2	BEARING-PILLOW						
	6	1	254-0046	1	SHAFT-IDLER						
	7	1	254-3333	3	BLOCK						
	8	1	256-6882	2	SUPPORT AS-SIDE						
	9	1	256-6886	1	SUPPORT-IDLER						
	10	1	256-6892	1	SHAFT-FAN						
	11	1	274-9363	4	RING						
	12	1	310-6538	2	SUPPORT AS						
	13	1	310-6540	4	SUPPORT						
	14	1	310-6555	1	GUARD-IDLER						
	15	1	310-7188	1	CHANNEL AS						
	16	1	310-7395	2	SUPPORT						
M	17	1	131-3540	4	LOCKNUT (M8X1.25-THD)						
M	18	1	176-5311	40	LOCKNUT (M16X2-THD)						
	19	1	1D-2328	2	KEY						
	20	1	1K-3341	1	KEY						
M	21	1	3E-8016	4	BOLT-SELF-LOCKING (M8X1.25X25-MM)						
	22	1	3E-9861	4	LOCKNUT (5/8-11-THD)						
	23	1	3V-9244	16	WASHER (16.5X50X5-MM THK)						
M	24	1	6V-4429	36	BOLT (M16X2X40-MM)						
M	25	1	6V-5686	4	BOLT (M16X2X50-MM)						
M	26	1	8T-0281	6	BOLT (M16X2X80-MM)						
	27	1	8T-4224	8	WASHER-HARD (8.8X16X2-MM THK)						
	28	1	8T-9396	4	BOLT (5/8-11X3.25-IN)						
	29	1	9X-8257	78	WASHER (17.5X30X3.5-MM THK)						

M-METRIC PART

# COOLING SYSTEM

321-8303 SUPPORT GP-FAN (contd.)

i03146945



GRAPHIC #1

<END>

g01707016

# COOLING SYSTEM

## 7E-9267 SWITCH GP-COOLANT LEVEL

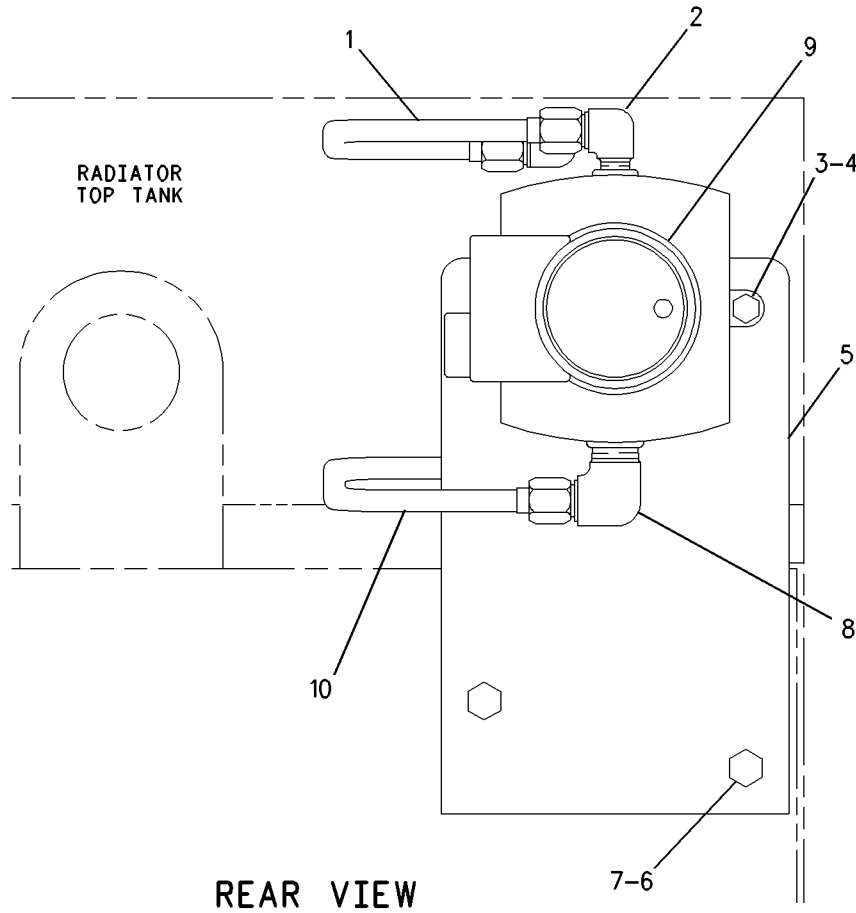
S/N: YAT1-UP

FOR USE WITH 46-CV RADIATOR  
AN ATTACHMENT

SMCS-7470

i02327528

NOTE	REF NO	GRAPHIC REF	PART NUMBER	QTY	PART NAME						SEE PAGE
					1	2	3	4	5	6 (PRODUCT LEVEL)	
	1	1	4P-0721	1	TUBE AS						
	2	1	032-1268	3	ELBOW-FLARED						
	3	1	4M-5281	2	BOLT (1/4-20X0.75-IN)						
	4	1	8T-4205	2	WASHER-HARD (7.2X14.5X2-MM THK)						
	5	1	7E-9268	1	SUPPORT AS-SWITCH						
		1	9F-6445	2	NUT-WELD (1/4-20-THD)						
	6	1	5S-7382	2	BOLT (3/8-16X1.375-IN)						
	7	1	8T-4896	2	WASHER-HARD (10.2X18.5X2.5-MM THK)						
	8	1	7D-8793	1	ELBOW-FLARED						
	9	1	2N-9768	1	SWITCH-LIQUID LEVEL (COOLANT)						
	10	1	4P-0720	1	TUBE AS						



GRAPHIC #1

<END>

g00650637

# COOLING SYSTEM

## 7N-4885 SWITCH GP-COOLANT LEVEL

S/N: YAT1-UP

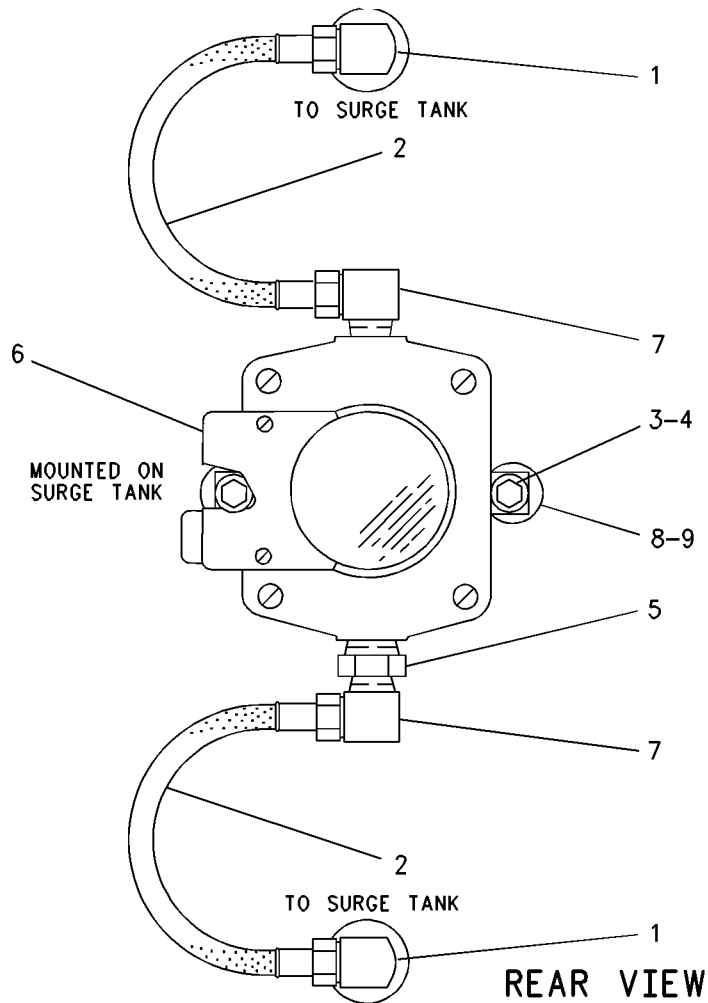
FOR USE WITH EXPANSION TANK  
AN ATTACHMENT

SMCS-7470

i02766298

NOTE	REF NO	GRAPHIC REF	PART NUMBER	QTY	PART NAME						SEE PAGE
					1	2	3	4	5	6 (PRODUCT LEVEL)	
C	1	1	6V-4245	2	ELBOW						
CI	2	1	3N-4622	2	HOSE AS						
C	3	1	2A-0762	2	BOLT (1/4-20X0.625-IN)						
	4	1	5P-0537	2	WASHER-HARD (7.2X14.5X2-MM THK)						
	5	1	6B-5072	1	BUSHING-REDUCING						
	6	1	2N-9768	1	SWITCH-LIQUID LEVEL (COOLANT)						
C	7	1	4R-8605	2	ELBOW						
C	8	1	7E-7731	2	MOUNT						
	9	1	6V-7646	2	WASHER-HARD (7.2X25X2-MM THK)						

C- CHANGE FROM PREVIOUS TYPE  
I- REFER TO HYDRAULIC INFORMATION SYSTEM



GRAPHIC #1

<END>

g00899609

# COOLING SYSTEM

## 110-5959 SWITCH GP-COOLANT LEVEL

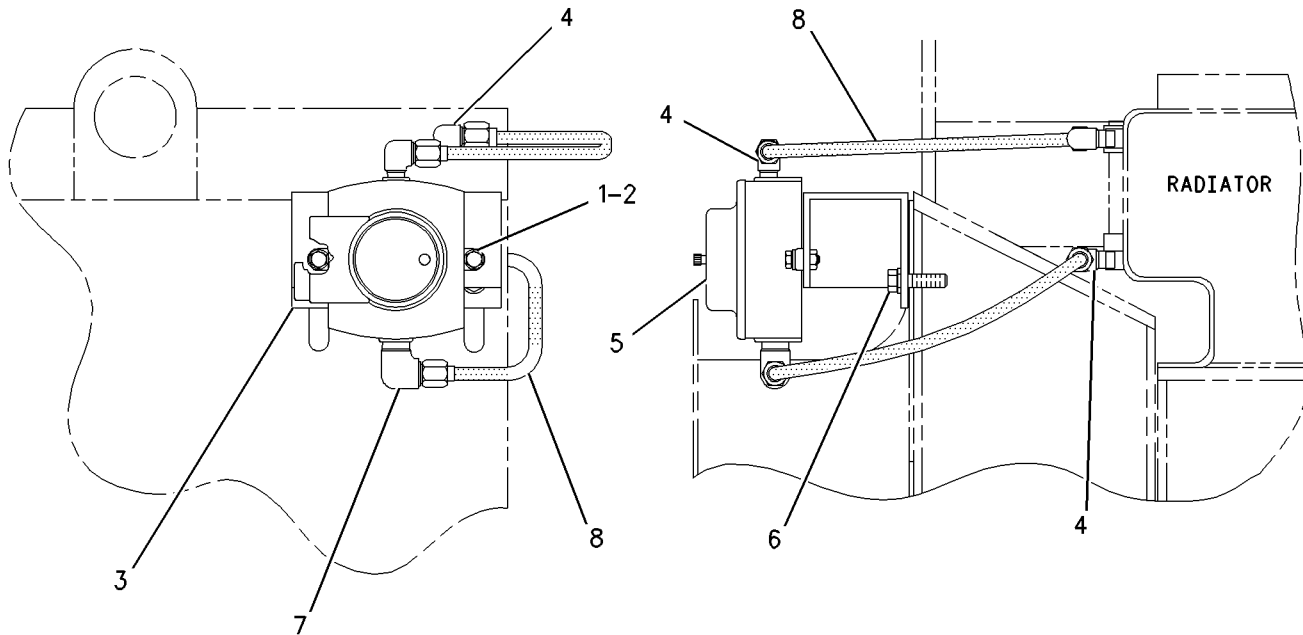
S/N: YAT1-UP  
FOR USE WITH 35-CV RADIATOR  
AN ATTACHMENT

SMCS-7470

i02040967

NOTE	REF NO	GRAPHIC REF	PART NUMBER	QTY	PART NAME						SEE PAGE
					1	2	3	4	5	6 (PRODUCT LEVEL)	
	1	1	9X-8267	2	WASHER (6.6X12X2-MM THK)						
	2	1	4M-5281	2	BOLT (1/4-20X0.75-IN)						
	3	1	110-5958	1	SUPPORT AS						
		1	9F-6445	2	NUT-WELD (1/4-20-THD)						
	4	1	032-1268	3	ELBOW-FLARED						
	5	1	2N-9768	1	SWITCH-LIQUID LEVEL (COOLANT)						
	6	1	5S-7382	2	BOLT (3/8-16X1.375-IN)						
	7	1	7D-8793	1	ELBOW-FLARED						
I	8	1	110-5957	2	HOSE AS						

I-REFER TO HYDRAULIC INFORMATION SYSTEM



REAR VIEW

RIGHT SIDE VIEW

GRAPHIC #1

<END>

g00762938



# COOLING SYSTEM

## 121-2479 SWITCH GP-COOLANT LEVEL

S/N: YAT1-UP

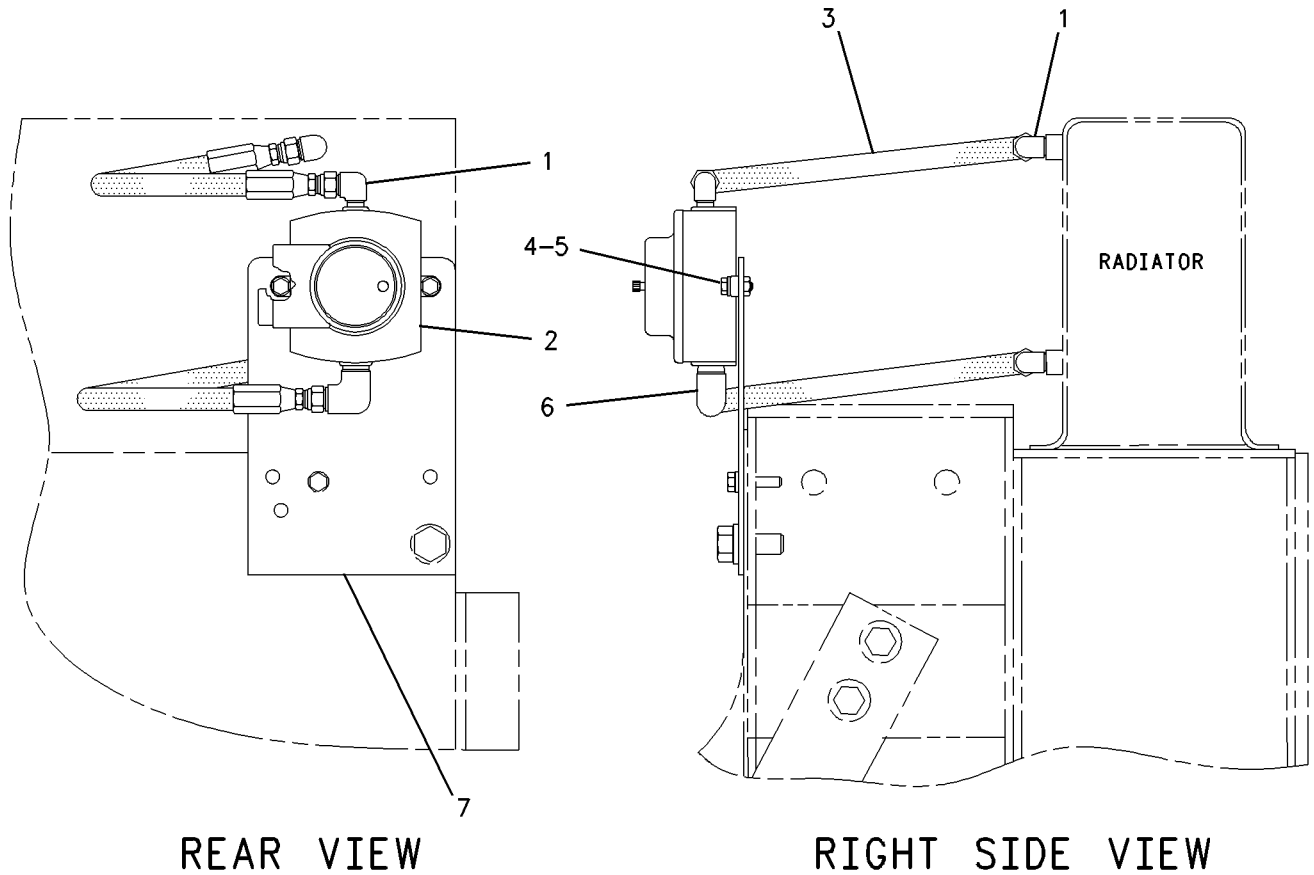
FOR USE WITH 60-CV RADIATOR  
AN ATTACHMENT

SMCS-7470

i02327527

NOTE	REF NO	GRAPHIC REF	PART NUMBER	QTY	PART NAME						SEE PAGE
					1	2	3	4	5	6 (PRODUCT LEVEL)	
	1	1	032-1268	3	ELBOW-FLARED						
	2	1	2N-9768	1	SWITCH-LIQUID LEVEL (COOLANT)						
I	3	1	9L-6961	2	HOSE AS						
	4	1	8T-4205	2	WASHER-HARD (7.2X14.5X2-MM THK)						
	5	1	4M-5281	2	BOLT (1/4-20X0.75-IN)						
	6	1	7D-8793	1	ELBOW-FLARED						
	7	1	121-2481	1	SUPPORT AS						
		1	9F-6445	2	NUT-WELD (1/4-20-THD)						

I-REFER TO HYDRAULIC INFORMATION SYSTEM



GRAPHIC #1

<END>

g00762528

# COOLING SYSTEM

## 121-2480 SWITCH GP-COOLANT LEVEL

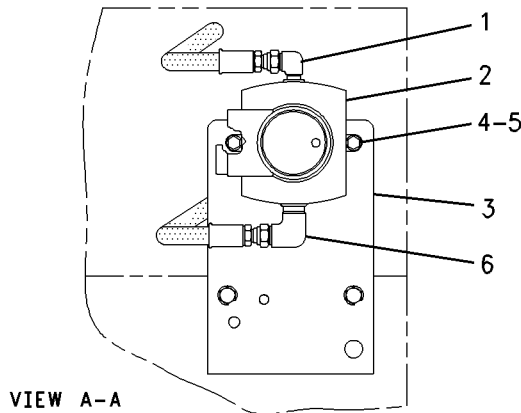
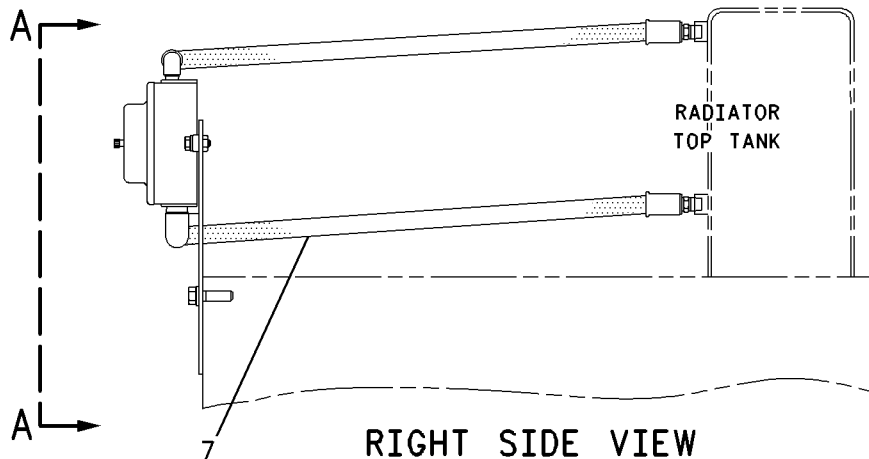
S/N: YAT1-UP  
FOR USE WITH 85-CV RADIATOR  
AN ATTACHMENT

SMCS-7470

i02327535

NOTE	REF NO	GRAPHIC REF	PART NUMBER	QTY	PART NAME						SEE PAGE
					1	2	3	4	5	6 (PRODUCT LEVEL)	
	1	1	032-1268	1	ELBOW-FLARED						
	2	1	2N-9768	1	SWITCH-LIQUID LEVEL (COOLANT)						
	3	1	121-2481	1	SUPPORT AS						
		1	9F-6445	2	NUT-WELD (1/4-20-THD)						
	4	1	8T-4205	2	WASHER-HARD (7.2X14.5X2-MM THK)						
	5	1	4M-5281	2	BOLT (1/4-20X0.75-IN)						
	6	1	7D-8793	1	ELBOW-FLARED						
I	7	1	1W-2041	2	HOSE AS						

I-REFER TO HYDRAULIC INFORMATION SYSTEM



GRAPHIC #1

<END>

g00762565

# COOLING SYSTEM

## 8N-7717 TANK GP-EXPANSION

S/N: YAT1-UP

FOR USE WITH 9Y-6064-PAGE 174, 8N-8993-PAGE 146  
AN ATTACHMENT

SMCS-1354

i03425643

NOTE	REF NO	GRAPHIC REF	PART NUMBER	QTY	PART NAME						SEE PAGE
					1	2	3	4	5	6 (PRODUCT LEVEL)	
	1	1	1S-5772	1	GASKET						
	2	1	2N-0931	4	GASKET						
	3	1	3H-5939	1	GASKET-HEAT EXCHANGER						
	4	1	3N-1341	1	ADAPTER AS-NECK						
J	5	1	4N-3311	1	CAP-PRESSURE (7-PSI) (EXPANSION TANK)						
					-OR-						
L		1	127-8660	1	CAP-PRESSURE (14-PSI) (EXPANSION TANK)						
	6	1	5D-1026	1	CLAMP-HOSE						
	7	1	7N-4927	1	GASKET-HOUSING COVER						
	8	1	7N-5120	1	FLANGE						
	9	1	7N-5123	1	TUBE						
	10	1	7N-5127	1	HOUSING AS						
		1	4W-3108	1	VALVE AS-VENT LINE						
	11	1	8B-9725	4	BOSS						
E	12	1	5P-0721		HOSE (193-CM)						
	13	1	8N-9422	1	ELBOW						
	14	1	8N-9609	4	FLANGE						
	15	1	8N-9706	2	TUBE						
C	16	1	245-2876	1	TANK AS-EXPANSION						
C	17	1	0L-1351	6	BOLT (3/8-16X0.875-IN)						
C	18	1	0S-1585	4	BOLT (1/2-13X1.5-IN)						
	19	1	0S-1590	8	BOLT (3/8-16X2-IN)						
	20	1	0S-1595	1	BOLT (1/2-13X1.25-IN)						
	21	1	0S-1621	1	BOLT (1/2-13X1-IN)						
	22	1	1A-2029	4	BOLT (3/8-16X1.125-IN)						
	23	1	1C-2251	16	BOLT (3/8-16X1.87-IN)						
	24	1	2A-1531	2	BOLT (1/2-13X6.5-IN)						
	25	1	3S-8664	2	CLIP						
	26	1	4M-2442	4	BOLT (1/2-13X12.32-IN)						
	27	1	5B-9603	10	BOLT (3/8-16X5-IN)						
C	28	1	5M-2894	24	WASHER-HARD (10.2X18.5X2.5-MM THK)						
	29	1	5P-4295	2	CLIP						
C	30	1	5P-8245	12	WASHER-HARD (13.5X25.5X3-MM THK)						
	31	1	6V-1454	4	SEAL-O-RING						
	32	1	6V-6809	1	SEAL-O-RING						
	33	1	8T-2903	2	SEAL-O-RING						
	34	1	8T-6765	5	PLUG-PIPE						
					AVAILABLE REPAIR KIT(S):						
JL			225-4256	1	FILM-WARNING (HOT FLUID UNDER PRESSURE, U.S.)						
J			294-9052	1	KIT-RADIATOR CAP (INCLUDES RADIATOR CAP AND WARNING FILM)						
L			295-5458	1	KIT-RADIATOR CAP (INCLUDES RADIATOR CAP AND WARNING FILM)						

C-CHANGE FROM PREVIOUS TYPE  
E-ORDER BY THE CENTIMETER  
J-KIT MARKED J SERVICES PARTS MARKED J  
L-KIT MARKED L SERVICES PARTS MARKED L



# AIR INLET AND EXHAUST SYSTEM

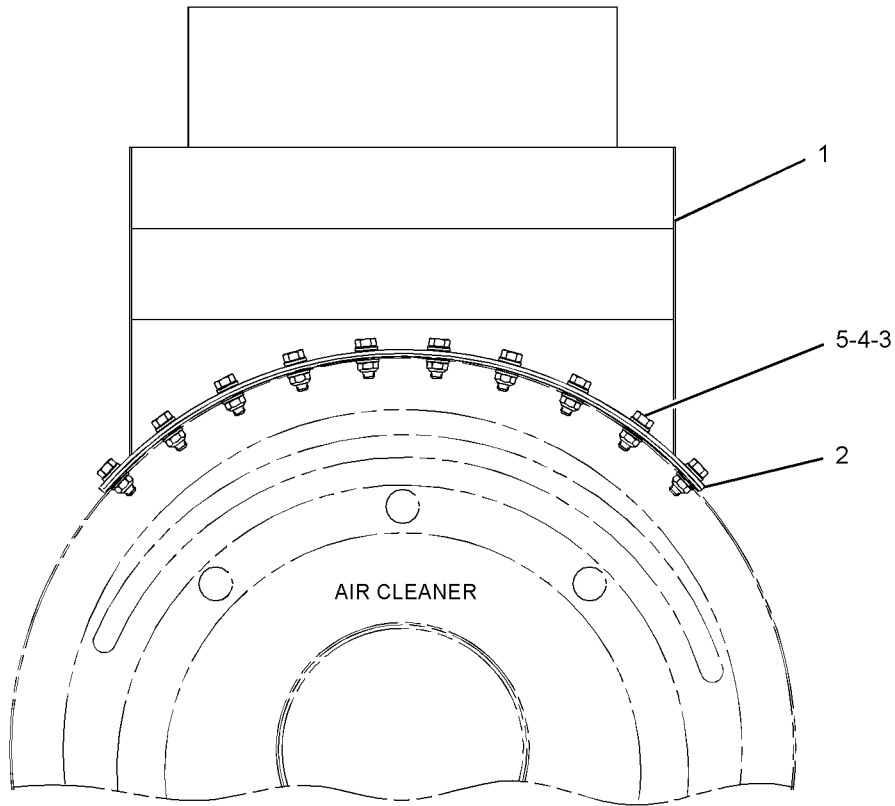
## 115-3612 ADAPTER GP-AIR CLEANER

S/N: YAT1-UP  
AN ATTACHMENT

SMCS-1051

i02497328

NOTE	REF NO	GRAPHIC REF	PART NUMBER	QTY	PART NAME						SEE PAGE
					1	2	3	4	5	6 (PRODUCT LEVEL)	
	1	1	116-8000	1	ADAPTER AS						
	2	1	116-8001	1	GASKET						
	3	1	031-4155	32	LOCKNUT (5/16-18-THD)						
	4	1	8T-4224	64	WASHER-HARD (8.8X16X2-MM THK)						
	5	1	8T-9043	32	BOLT (5/16-18X0.875-IN)						



GRAPHIC #1

<END>

g01266029

# AIR INLET AND EXHAUST SYSTEM

## 209-4453 ADAPTER GP-AIR CLEANER

S/N: YAT1-UP

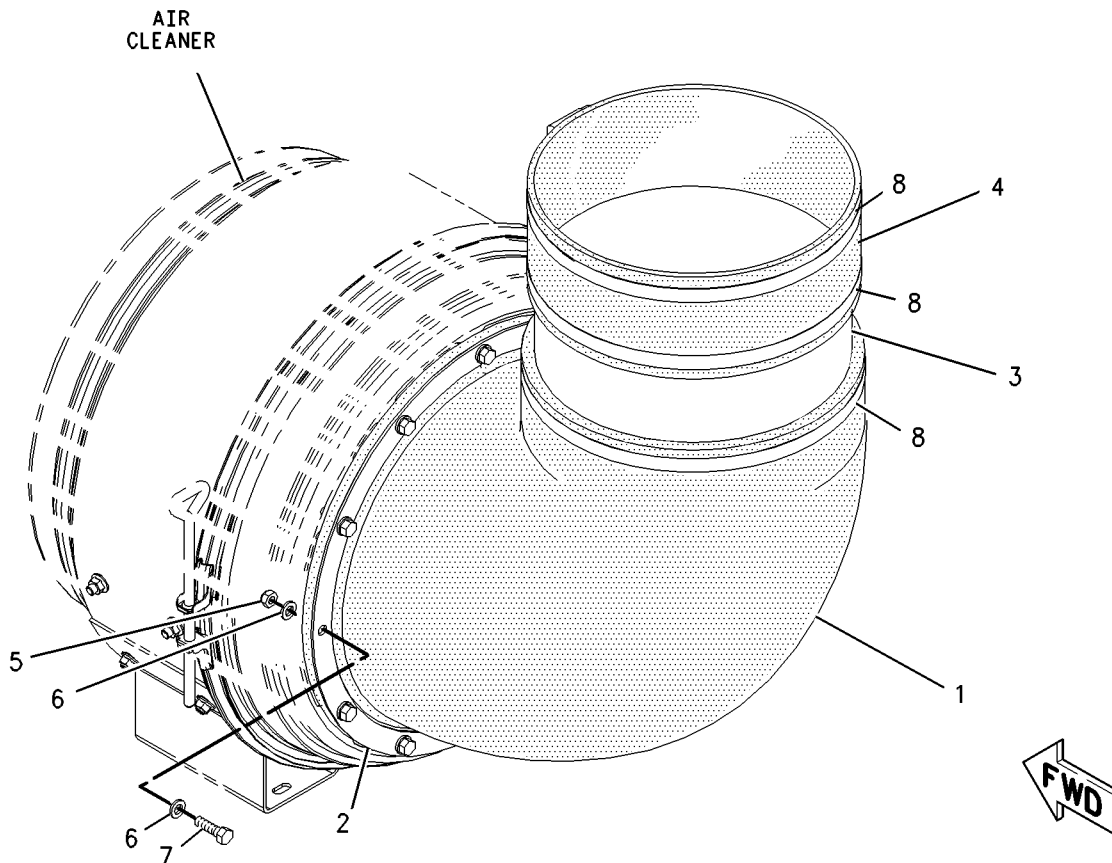
FOR USE WITH 206-0884-PAGE 288, 208-9067-PAGE 289, 213-4872-PAGE 290,  
213-4873-PAGE 291

AN ATTACHMENT

SMCS-1051

i02327542

NOTE	REF NO	GRAPHIC REF	PART NUMBER	QTY	PART NAME						SEE PAGE
					1	2	3	4	5	6 (PRODUCT LEVEL)	
	1	1	209-4455	1	ADAPTER						
	2	1	212-8188	1	STRIP						
	3	1	219-7509	1	TUBE						
	4	1	219-7510	1	HOSE						
	5	1	031-4155	12	LOCKNUT (5/16-18-THD)						
	6	1	5P-4116	24	WASHER-HARD (8.8X20.5X2-MM THK)						
	7	1	6V-8918	12	BOLT (5/16-18X1.25-IN)						
	8	1	128-0856	3	CLAMP-HOSE						



GRAPHIC #1

<END>

g00924798

# AIR INLET AND EXHAUST SYSTEM

## 209-4454 ADAPTER GP-AIR CLEANER

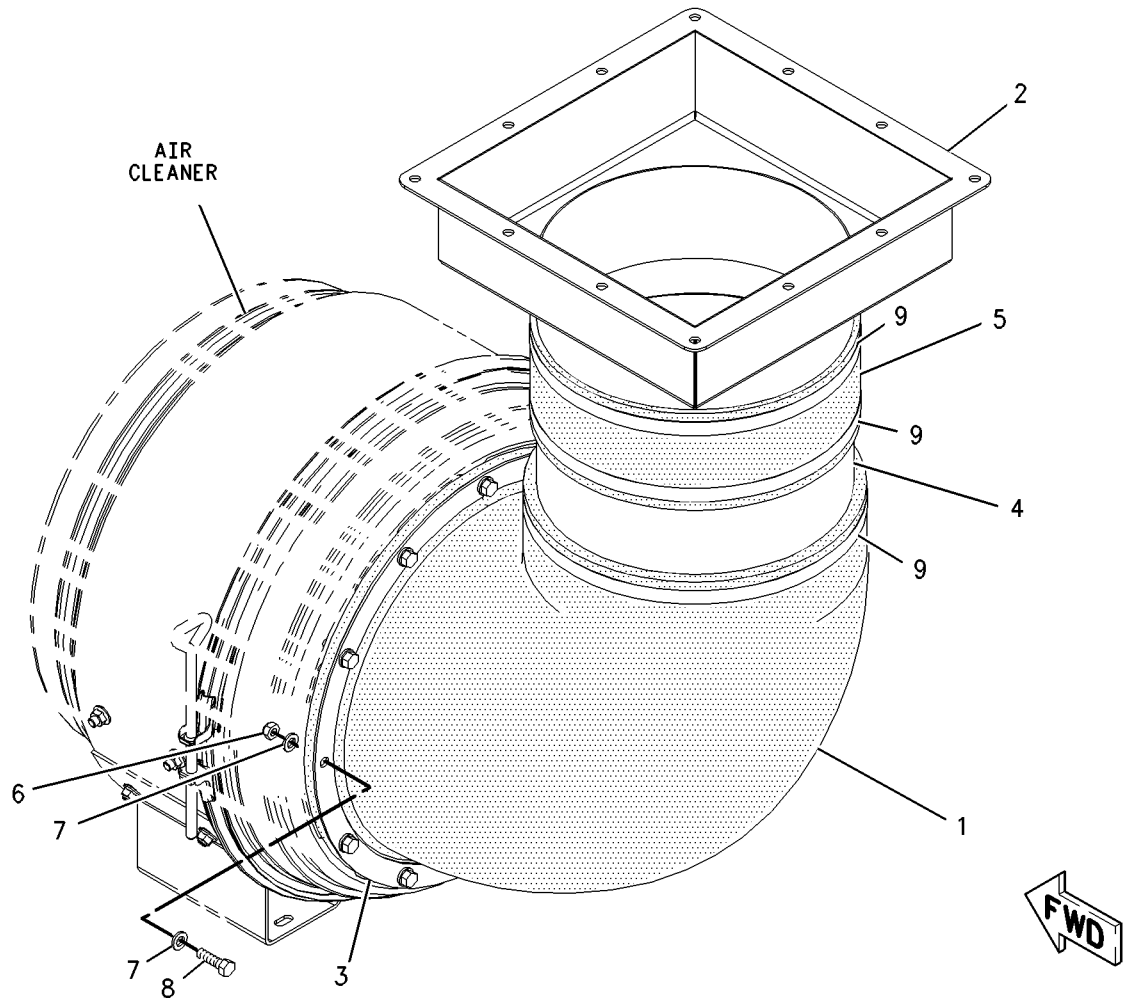
S/N: YAT1-UP

FOR USE WITH 213-4872-PAGE 290, 213-4873-PAGE 291  
AN ATTACHMENT

SMCS-1051

i02327544

NOTE	REF NO	GRAPHIC REF	PART NUMBER	QTY	PART NAME						SEE PAGE
					1	2	3	4	5	6 (PRODUCT LEVEL)	
	1	1	209-4455	1	ADAPTER						
	2	1	209-4457	1	ADAPTER AS						
	3	1	212-8188	1	STRIP						
	4	1	219-7509	1	TUBE						
	5	1	219-7510	1	HOSE						
	6	1	031-4155	12	LOCKNUT (5/16-18-THD)						
	7	1	5P-4116	24	WASHER-HARD (8.8X20.5X2-MM THK)						
	8	1	6V-8918	12	BOLT (5/16-18X1.25-IN)						
	9	1	128-0856	3	CLAMP-HOSE						



GRAPHIC #1

<END>

g00924779

# AIR INLET AND EXHAUST SYSTEM

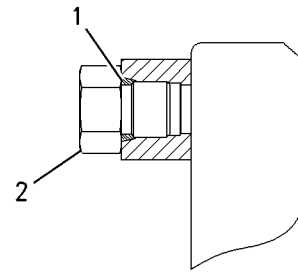
## 107-7197 AFTERCOOLER GP-TREATED WATER

S/N: YAT1-UP

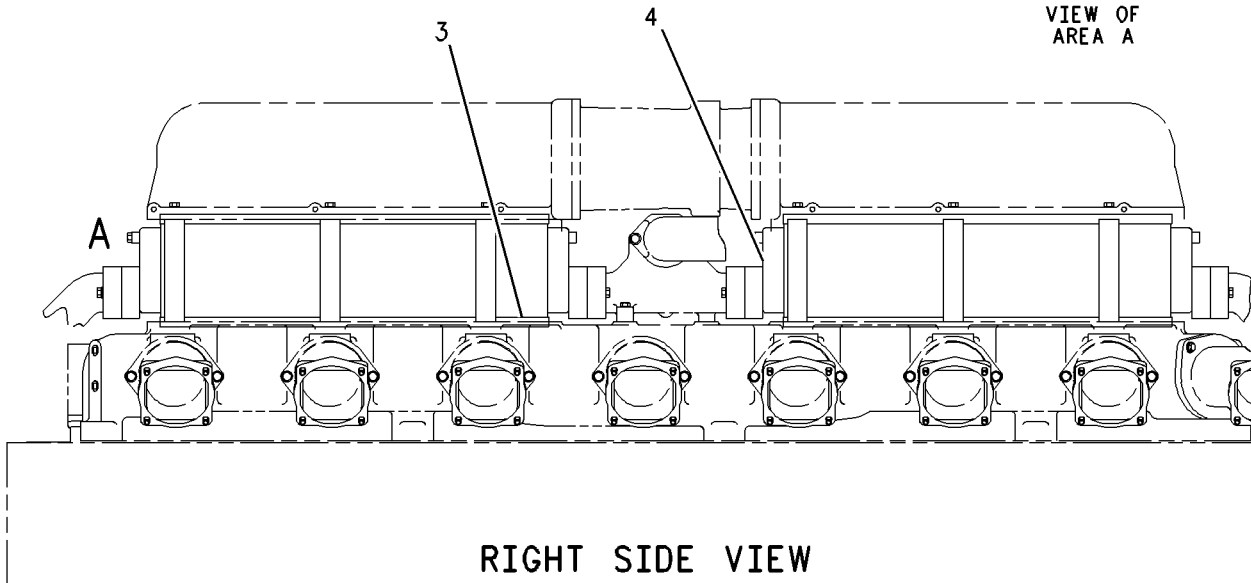
SMCS - 1063

i02013458

NOTE	REF NO	GRAPHIC REF	PART NUMBER	QTY	PART NAME						SEE PAGE
					1	2	3	4	5	6 (PRODUCT LEVEL)	
	1	1	6V-9027	1	SEAL-O-RING						
	2	1	9S-4182	1	PLUG-O RING						
	3	1	107-3758	4	SEAL (AFTERCOOLER)						
	4	1	111-5059	2	CORE AS-AFTERCOOLER						



VIEW OF  
AREA A



RIGHT SIDE VIEW

GRAPHIC #1

<END>

g00773099



# AIR INLET AND EXHAUST SYSTEM

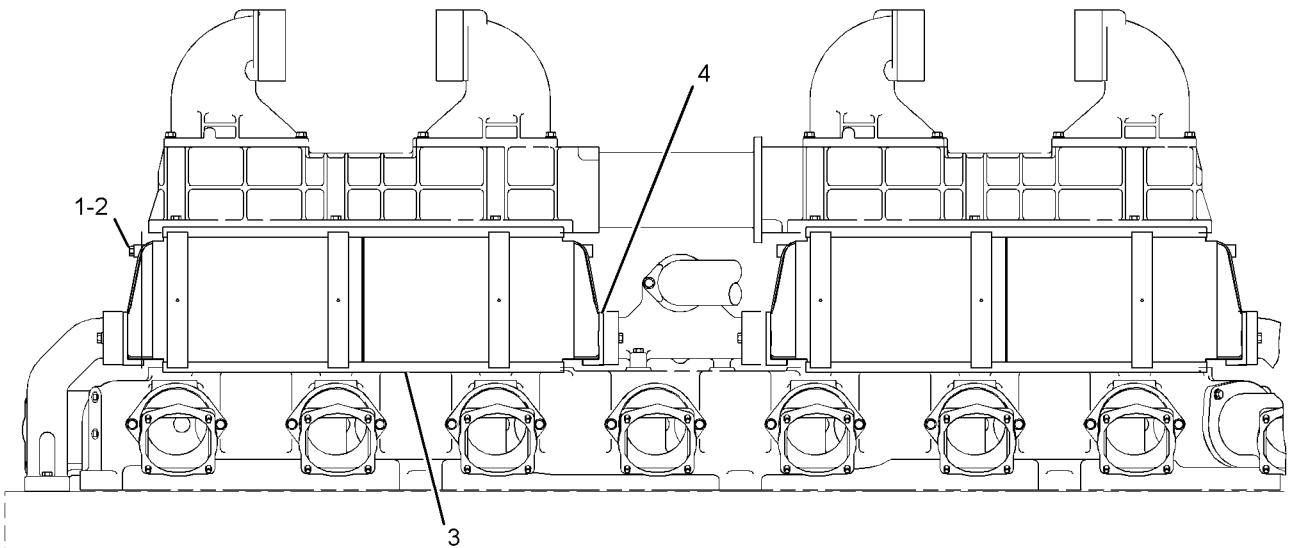
## 147-6620 AFTERCOOLER GP-WATER

S/N: YAT1-UP

SMCS-1063

i02348974

NOTE	REF NO	GRAPHIC REF	PART NUMBER	QTY	PART NAME						SEE PAGE
					1	2	3	4	5	6 (PRODUCT LEVEL)	
	1	1	<b>6V-9027</b>	1	SEAL-O-RING						
	2	1	<b>9S-4182</b>	1	PLUG-O RING						
	3	1	<b>107-3758</b>	4	SEAL (AFTERCOOLER)						
	4	1	<b>265-9105</b>	2	CORE AS-AFTERCOOLER						



RIGHT SIDE VIEW

GRAPHIC #1

<END>

g01161329

# AIR INLET AND EXHAUST SYSTEM

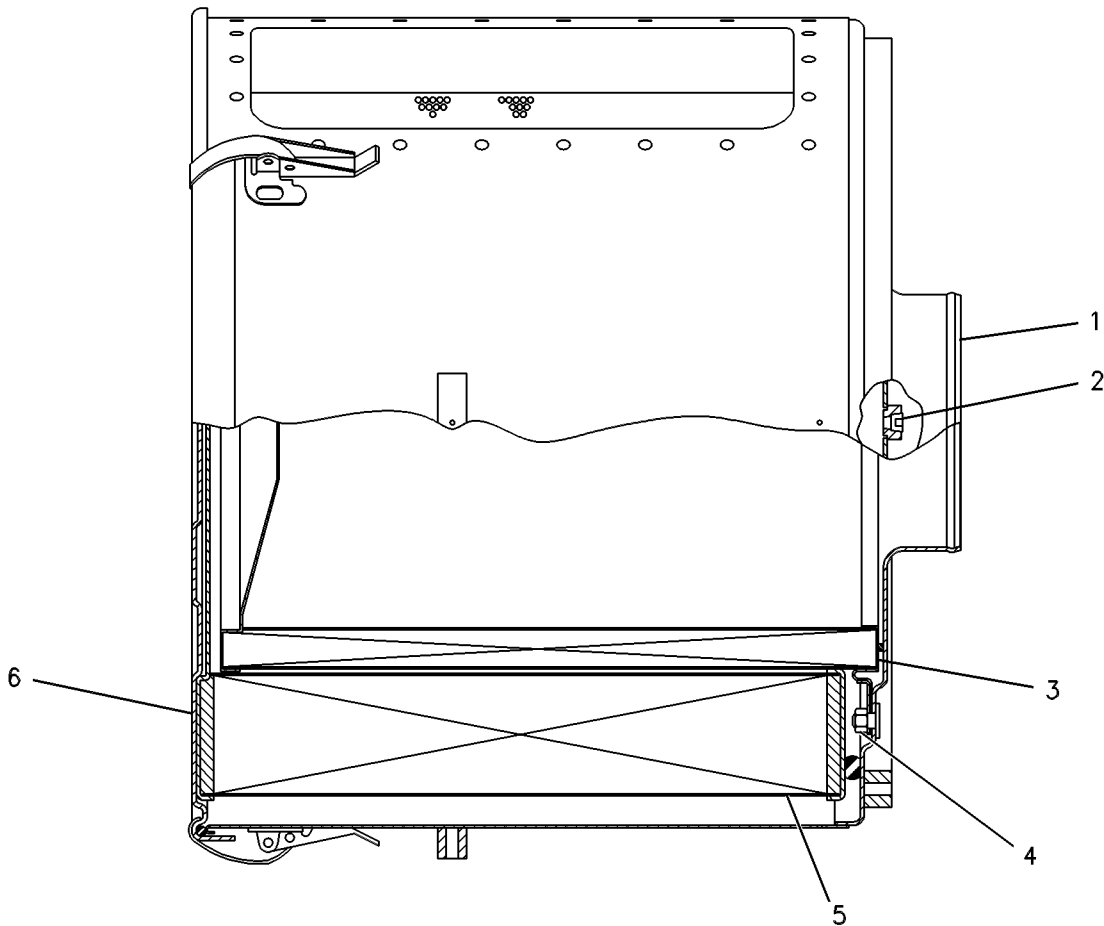
## 113-1582 AIR CLEANER GP-HEAVY-DUTY

S/N: YAT1-UP  
AN ATTACHMENT

SMCS-1051, 1054

i02786455

NOTE	REF NO	GRAPHIC REF	PART NUMBER	QTY	PART NAME						SEE PAGE
					1	2	3	4	5	6 (PRODUCT LEVEL)	
	1	1	115-3619	1	HOUSING AS-AIR CLEANER						
	2	1	9F-2247	2	PLUG-PIPE						
	3	1	113-1579	1	FILTER ELEMENT AS-AIR (SECONDARY)						
	4	1	3S-2713	8	NUT-FULL (3/8-24-THD)						
	5	1	113-1578	1	FILTER ELEMENT AS-AIR (PRIMARY)						
	6	1	8N-6534	1	COVER AS						



GRAPHIC #1

<END>

g00248853

# AIR INLET AND EXHAUST SYSTEM

## 115-3622 AIR CLEANER GP-HEAVY-DUTY

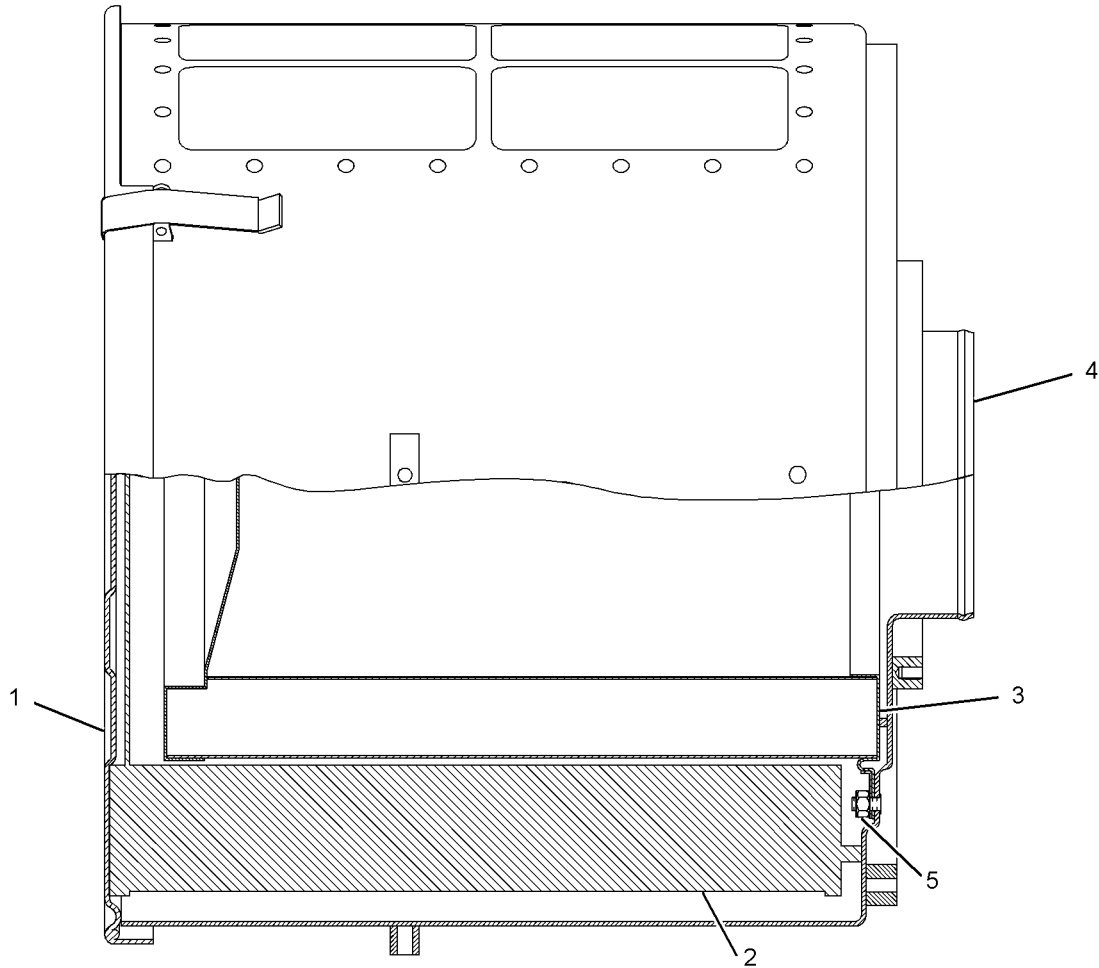
S/N: YAT1-UP  
AN ATTACHMENT

SMCS-1051, 1054

i02786460

NOTE	REF NO	GRAPHIC REF	PART NUMBER	QTY	PART NAME						SEE PAGE
					1	2	3	4	5	6 (PRODUCT LEVEL)	
	1	1	8N-6534	1	COVER AS						
		1	8N-2559	1	GASKET						
C	2	1	113-1578	1	FILTER ELEMENT AS-AIR (PRIMARY)						
C	3	1	113-1579	1	FILTER ELEMENT AS-AIR (SECONDARY)						
	4	1	115-3627	1	HOUSING AS-AIR CLEANER						
	5	1	3S-2713	8	NUT-FULL (3/8-24-THD)						

C-CHANGE FROM PREVIOUS TYPE



GRAPHIC #1

<END>

g01245084

# AIR INLET AND EXHAUST SYSTEM

## 206-0884 AIR CLEANER GP

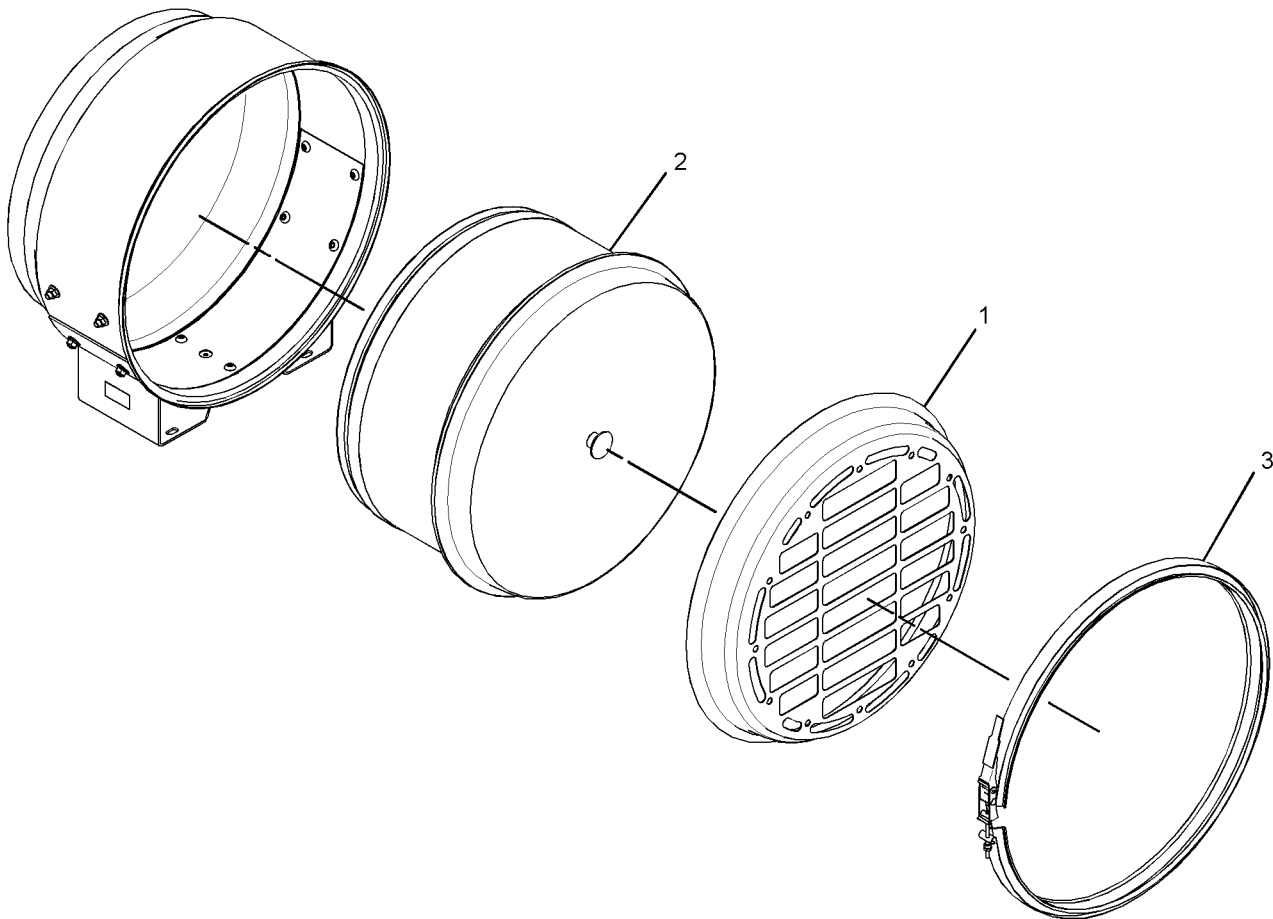
S/N: YAT1-UP

PART OF 208-0820 MOUNTING GP-AIR CLEANER  
AN ATTACHMENT

SMCS-1051, 1054

i02586894

NOTE	REF NO	GRAPHIC REF	PART NUMBER	QTY	PART NAME	SEE PAGE
					1 2 3 4 5 6 (PRODUCT LEVEL)	
	1	1	208-9064	1	COVER	
	2	1	208-9065	1	FILTER ELEMENT AS-AIR (PRIMARY)	
	3	1	293-4388	1	CLAMP AS	



GRAPHIC #1

<END>

g01310251

# AIR INLET AND EXHAUST SYSTEM

## 208-9067 AIR CLEANER GP-DUAL ELEMENT

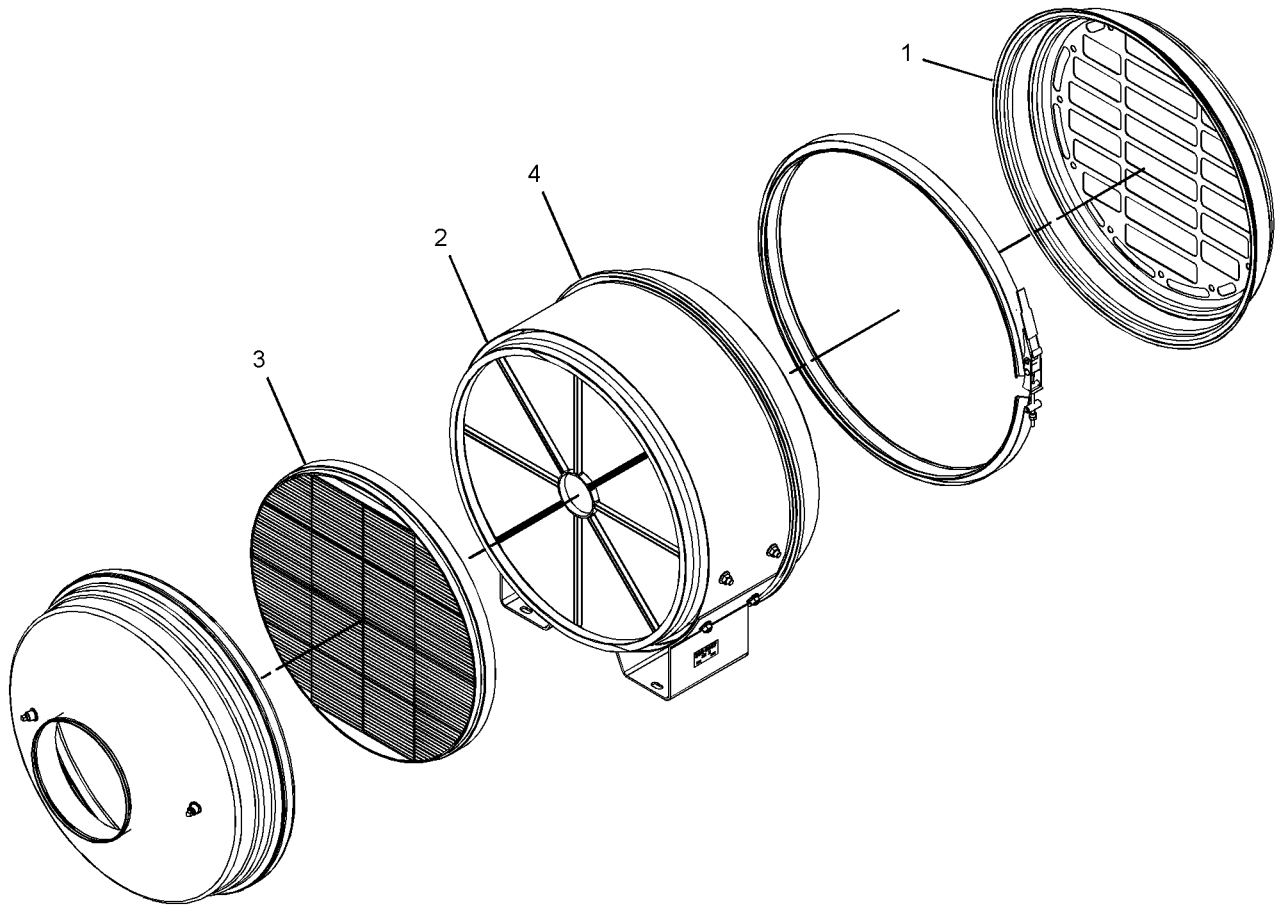
S/N: YAT1-UP

PART OF 212-4620 MOUNTING GP-AIR CLEANER  
AN ATTACHMENT

SMCS-1051, 1054

i02648973

NOTE	REF NO	GRAPHIC REF	PART NUMBER	QTY	PART NAME						SEE PAGE
					1	2	3	4	5	6 (PRODUCT LEVEL)	
	1	1	208-9064	1	COVER						
	2	1	208-9065	1	FILTER ELEMENT AS-AIR (PRIMARY)						
	3	1	208-9066	1	FILTER ELEMENT AS-AIR (SECONDARY)						
	4	1	293-4388	1	CLAMP AS						



GRAPHIC #1

<END>

g01330056

# AIR INLET AND EXHAUST SYSTEM

## 213-4872 AIR CLEANER GP-SINGLE ELEMENT

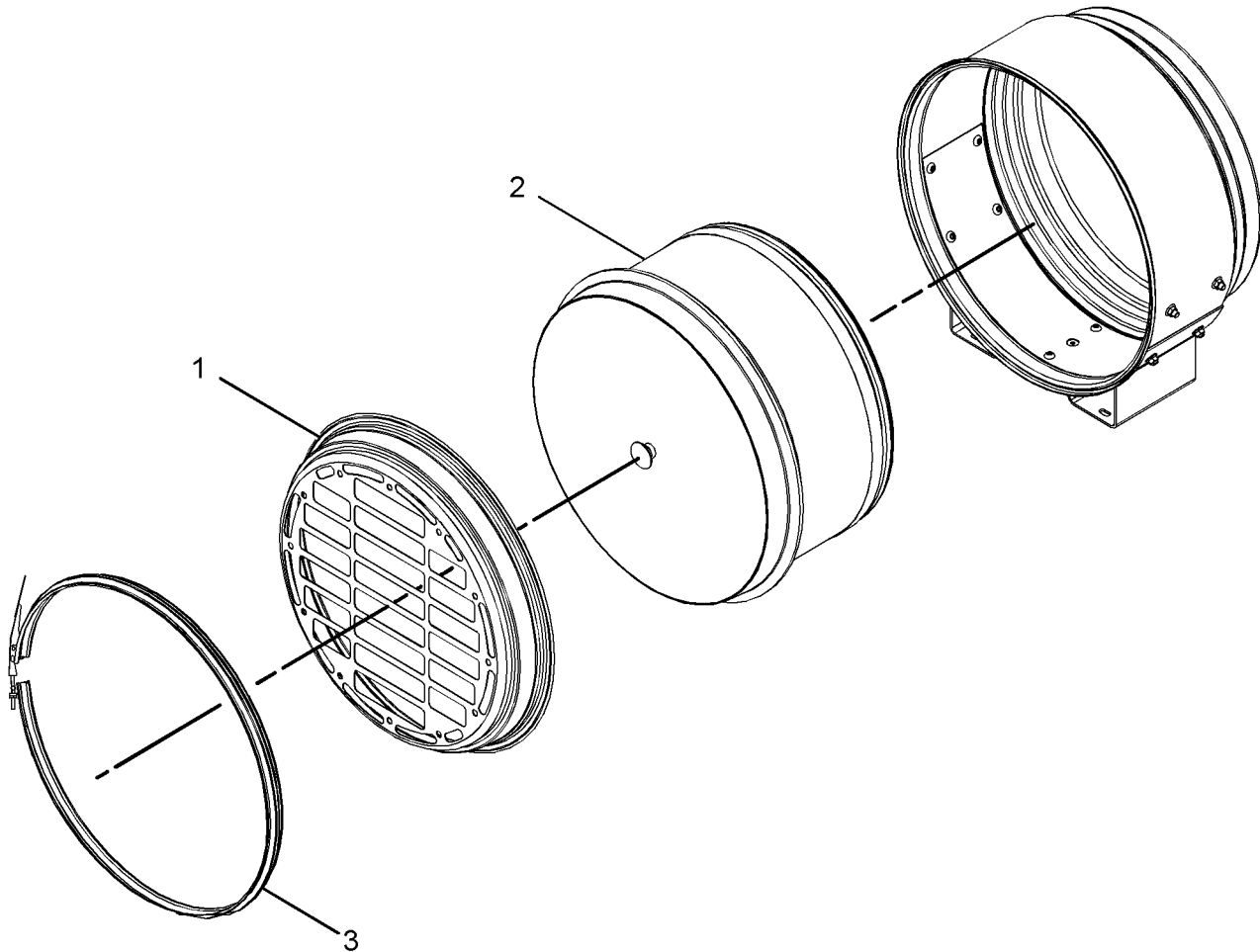
S/N: YAT1-UP

PART OF 214-1043 MOUNTING GP-AIR CLEANER  
AN ATTACHMENT

SMCS-1051, 1054

i02650592

NOTE	REF NO	GRAPHIC REF	PART NUMBER	QTY	PART NAME						SEE PAGE
					1	2	3	4	5	6 (PRODUCT LEVEL)	
	1	1	208-9064	1	COVER						
	2	1	208-9065	1	FILTER ELEMENT AS-AIR (PRIMARY)						
	3	1	293-4388	1	CLAMP AS						



GRAPHIC #1

<END>

g01331112

# AIR INLET AND EXHAUST SYSTEM

## 213-4873 AIR CLEANER GP-DUAL ELEMENT

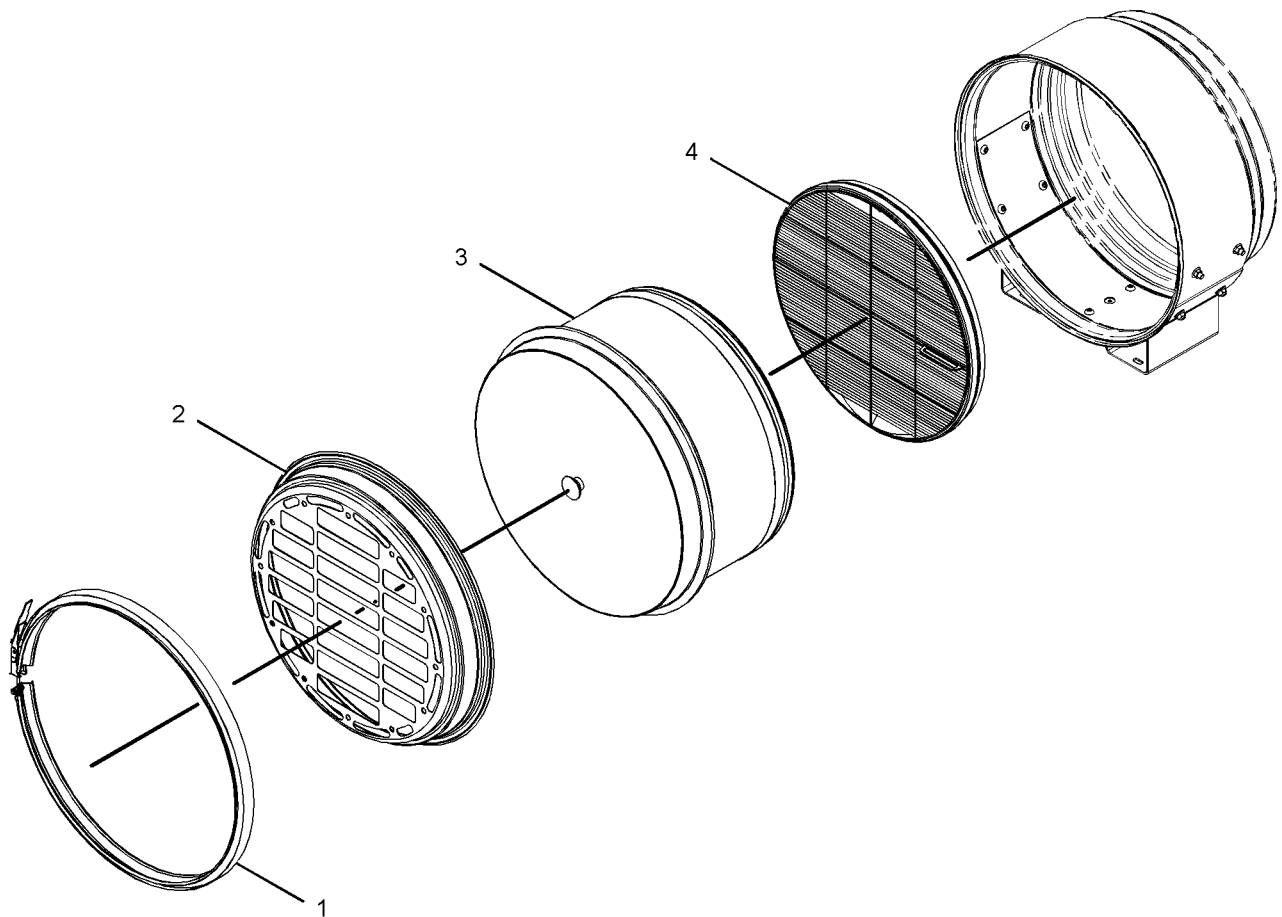
S/N: YAT1-UP

PART OF 214-1044 MOUNTING GP-AIR CLEANER  
AN ATTACHMENT

SMCS-1051, 1054

i02608724

NOTE	REF NO	GRAPHIC REF	PART NUMBER	QTY	PART NAME						SEE PAGE
					1	2	3	4	5	6 (PRODUCT LEVEL)	
	1	1	293-4388	1	CLAMP AS						
	2	1	208-9064	1	COVER						
	3	1	208-9065	1	FILTER ELEMENT AS-AIR (PRIMARY)						
	4	1	208-9066	1	FILTER ELEMENT AS-AIR (SECONDARY)						



GRAPHIC #1

<END>

g01307167

# AIR INLET AND EXHAUST SYSTEM

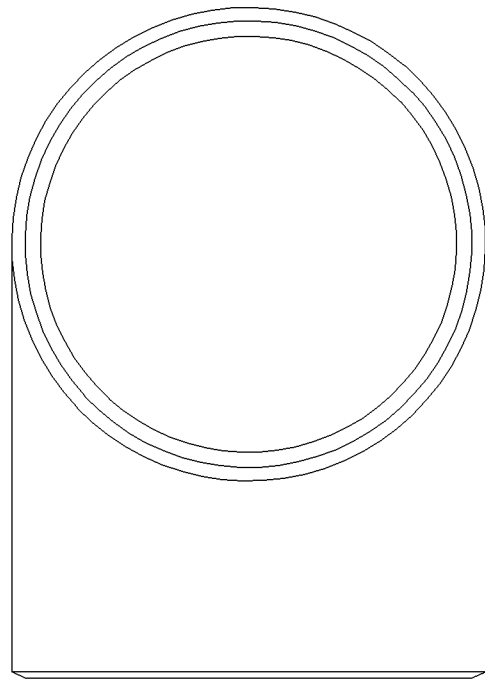
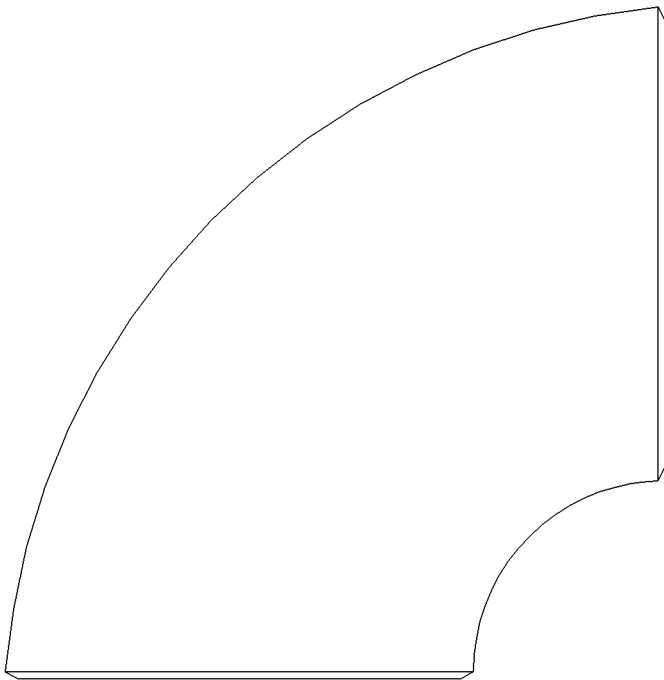
## 5L-6954 ELBOW-EXHAUST

S/N: YAT1-UP  
12-IN  
AN ATTACHMENT

SMCS-1061

i01213269

NOTE	REF NO	GRAPHIC REF	PART NUMBER	QTY	PART NAME	SEE PAGE
					1 2 3 4 5 6 (PRODUCT LEVEL)	
(NO SERVICED PARTS)						



GRAPHIC #1

<END>

g00648631



# AIR INLET AND EXHAUST SYSTEM

## 5L-7520 ELBOW-EXHAUST

S/N: YAT1-UP

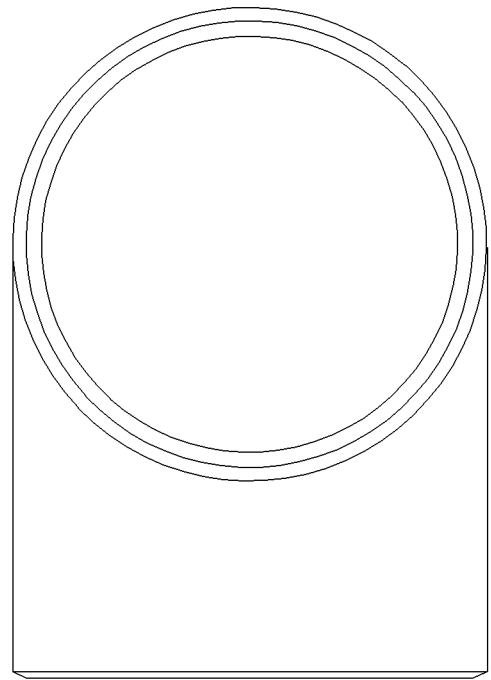
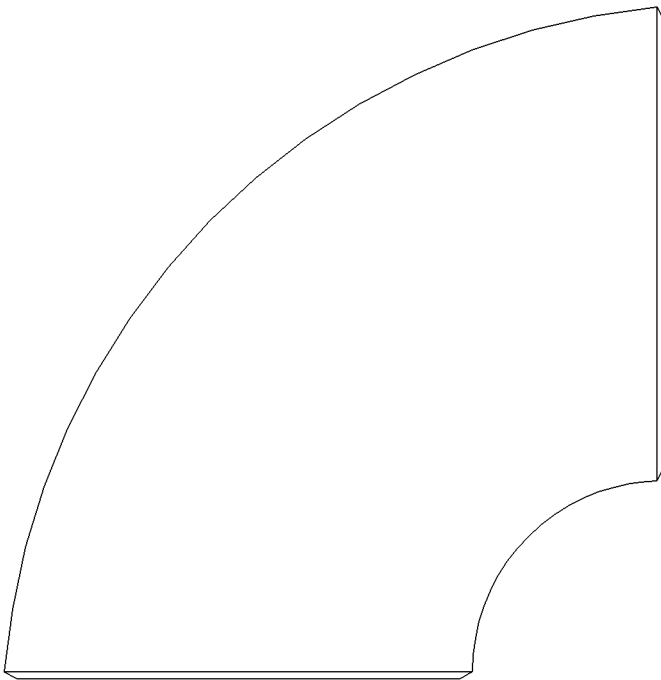
8-IN

AN ATTACHMENT

SMCS-1061

i01450469

NOTE	REF NO	GRAPHIC REF	PART NUMBER	QTY	PART NAME	SEE PAGE
					1 2 3 4 5 6 (PRODUCT LEVEL)	
(NO SERVICED PARTS)						



GRAPHIC #1

<END>

g00648631

# AIR INLET AND EXHAUST SYSTEM

## 5N-8529 ELBOW-EXHAUST

S/N: YAT1-UP

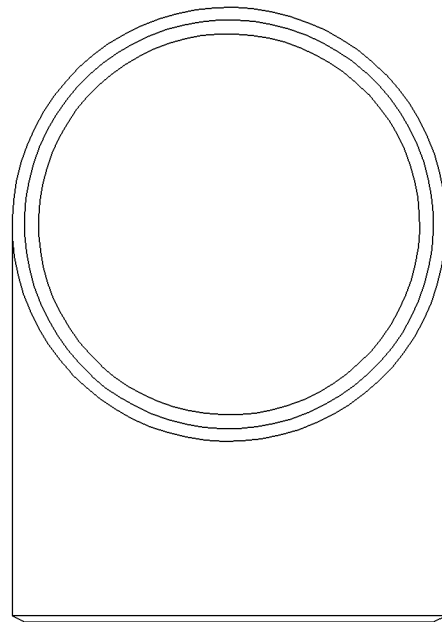
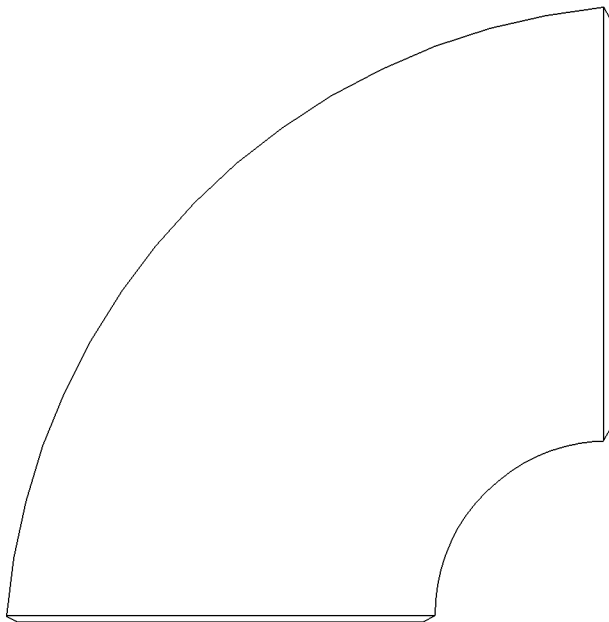
14-IN

AN ATTACHMENT

SMCS-1061

i01450754

NOTE	REF NO	GRAPHIC REF	PART NUMBER	QTY	PART NAME	SEE PAGE
					1 2 3 4 5 6 (PRODUCT LEVEL)	
(NO SERVICED PARTS)						



GRAPHIC #1

<END>

g00658604

# AIR INLET AND EXHAUST SYSTEM

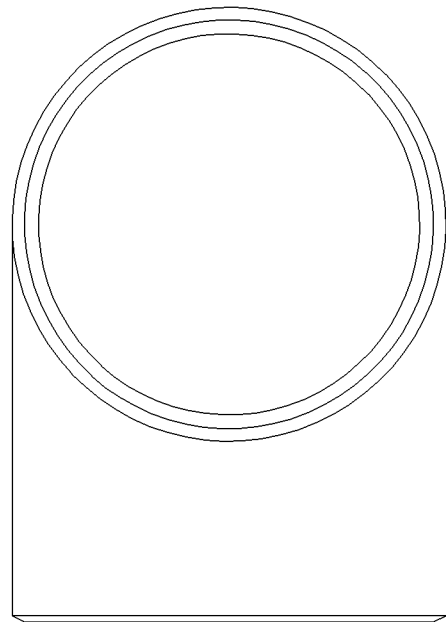
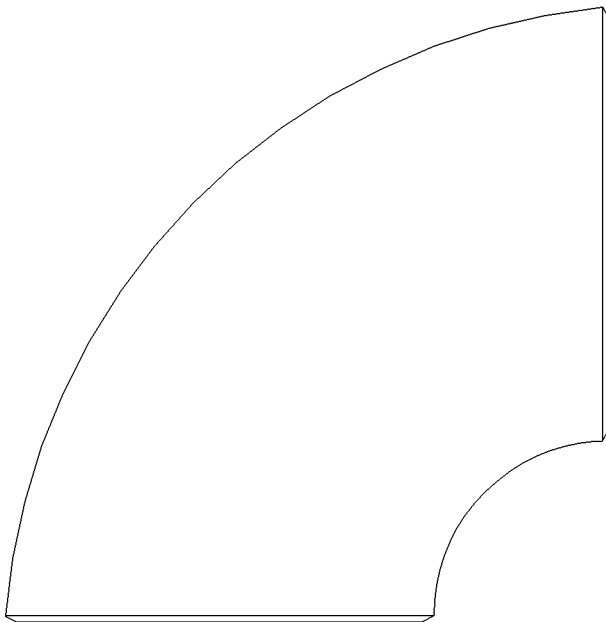
## 111-4986 ELBOW-EXHAUST

S/N: YAT1-UP  
406.4-MM ID  
AN ATTACHMENT

SMCS-1061

i01450748

NOTE	REF NO	GRAPHIC REF	PART NUMBER	QTY	PART NAME	SEE PAGE
					1 2 3 4 5 6 (PRODUCT LEVEL)	
(NO SERVICED PARTS)						



GRAPHIC #1

<END>

g00658604

# AIR INLET AND EXHAUST SYSTEM

## 5N-2457 FITTING GP-EXHAUST-FLEXIBLE

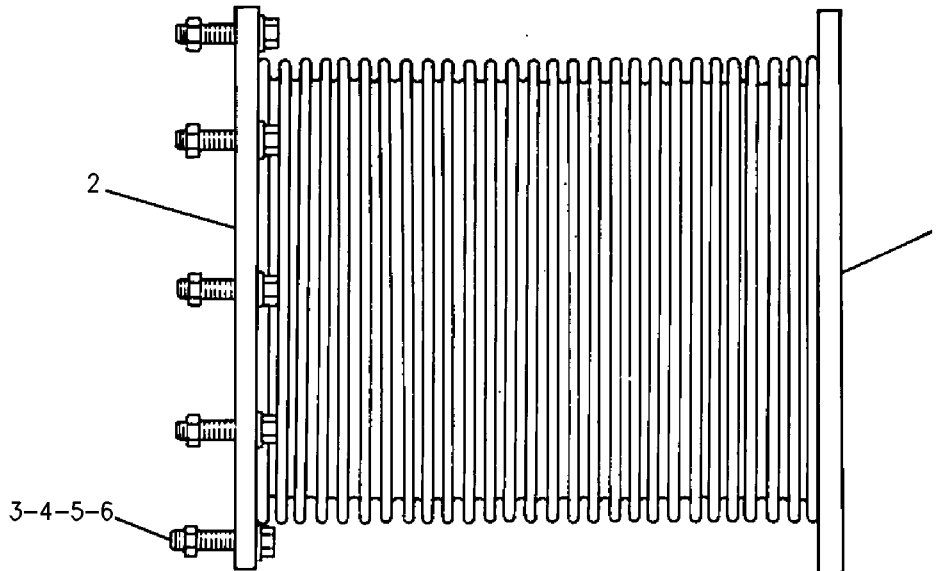
S/N: YAT1-UP  
203.2-MM  
AN ATTACHMENT

SMCS-1061

i02691220

NOTE	REF NO	GRAPHIC REF	PART NUMBER	QTY	PART NAME						SEE PAGE
					1	2	3	4	5	6 (PRODUCT LEVEL)	
	1	1	214-6045	1	BELLOWS AS						
	2	1	245-3512	1	GASKET (EXHAUST)						
	3	1	3V-3308	8	WASHER-HARD (10.2X20.5X2.5-MM THK)						
BL	4	1	0S-1588	8	BOLT (3/8-16X1.25-IN)						
BJ	5	1	0S-1571	8	BOLT (3/8-16X1.75-IN)						
BJ	6	1	9S-8752	8	NUT-FULL (3/8-16-THD)						

B-USE AS REQUIRED  
J-FOR USE WITH HOT EXHAUST  
L-FOR USE WITH WATER COOLED EXHAUST



GRAPHIC #1

<END>

g00705439

# AIR INLET AND EXHAUST SYSTEM

## 5N-9527 FITTING GP-EXHAUST-FLEXIBLE

S/N: YAT1-UP

305-MM

FOR USE WITH WATERCOOLED, HOT EXHAUST STACKS  
AN ATTACHMENT

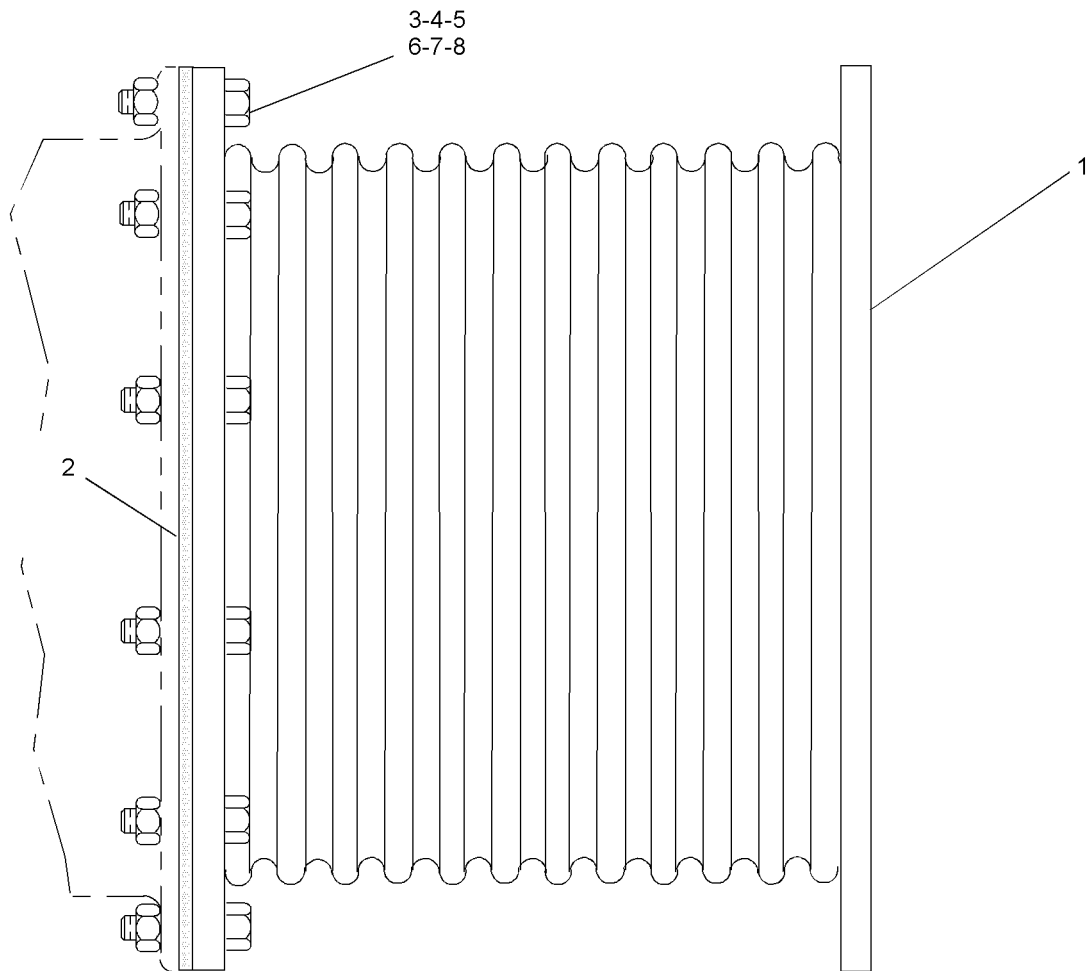
SMCS-1061

i02219329

NOTE	REF NO	GRAPHIC REF	PART NUMBER	QTY	PART NAME						SEE PAGE
					1	2	3	4	5	6 (PRODUCT LEVEL)	
	1	1	<b>207-1332</b>	1	BELLOWS AS						
	2	1	<b>2W-7873</b>	1	GASKET-EXHAUST						
B	3	1	<b>5L-4398</b>	12	BOLT (1/2-13X2.25-IN)						
B	4	1	<b>1B-5357</b>	12	NUT-FULL (1/2-13-THD)						
B	5	1	<b>5P-8245</b>	24	WASHER-HARD (13.5X25.5X3-MM THK)						
BJ	6	1	<b>0S-1571</b>	12	BOLT (3/8-16X1.75-IN)						
BJ	7	1	<b>1B-5355</b>	12	NUT-FULL (3/8-16-THD)						
BJ	8	1	<b>5M-2894</b>	12	WASHER-HARD (10.2X18.5X2.5-MM THK)						

B-USE AS REQUIRED

J-FOR USE WITH 1W5532 ELBOW OR 7N6959 ADAPTER



GRAPHIC #1

<END>

g01109652

# AIR INLET AND EXHAUST SYSTEM

## 7N-6967 FITTING GP-EXHAUST-FLEXIBLE

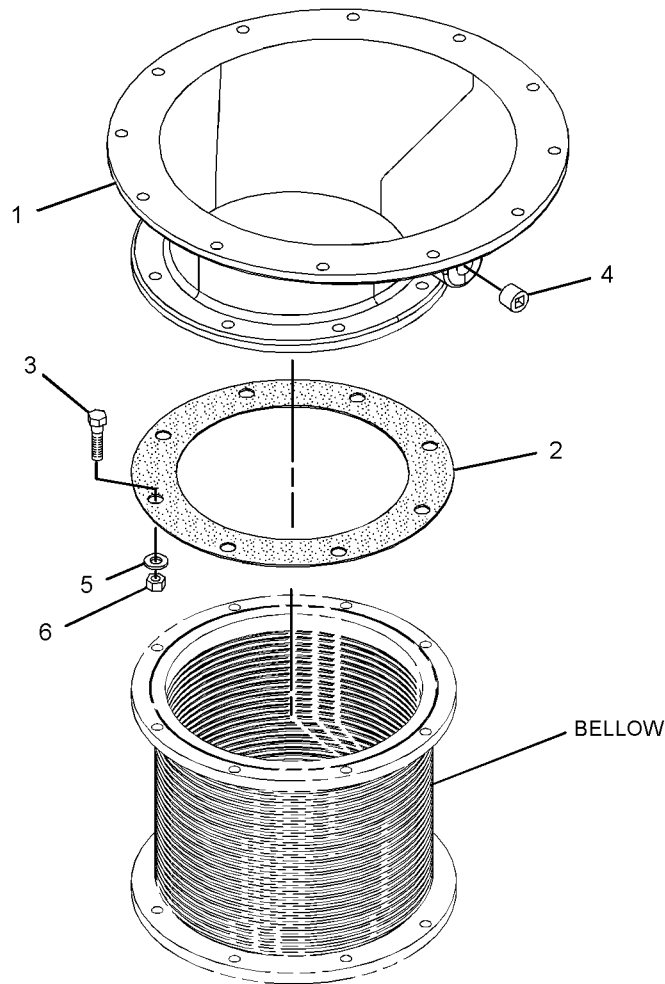
S/N: YAT1-UP  
305-MM  
AN ATTACHMENT

SMCS-1061

i03168082

NOTE	REF NO	GRAPHIC REF	PART NUMBER	QTY	PART NAME						SEE PAGE
					1	2	3	4	5	6 (PRODUCT LEVEL)	
	1	1	7N-6959	1	ADAPTER						
	2	1	245-3512	1	GASKET (EXHAUST)						
B	3	1	0S-1591	8	BOLT (3/8-16X1.5-IN)						
	4	1	2B-0858	1	PLUG-PIPE						
B	5	1	3V-3308	8	WASHER-HARD (10.2X20.5X2.5-MM THK)						
	6	1	9S-8752	8	NUT-FULL (3/8-16-THD)						

B-USE AS REQUIRED



GRAPHIC #1

<END>

g01353098

# AIR INLET AND EXHAUST SYSTEM

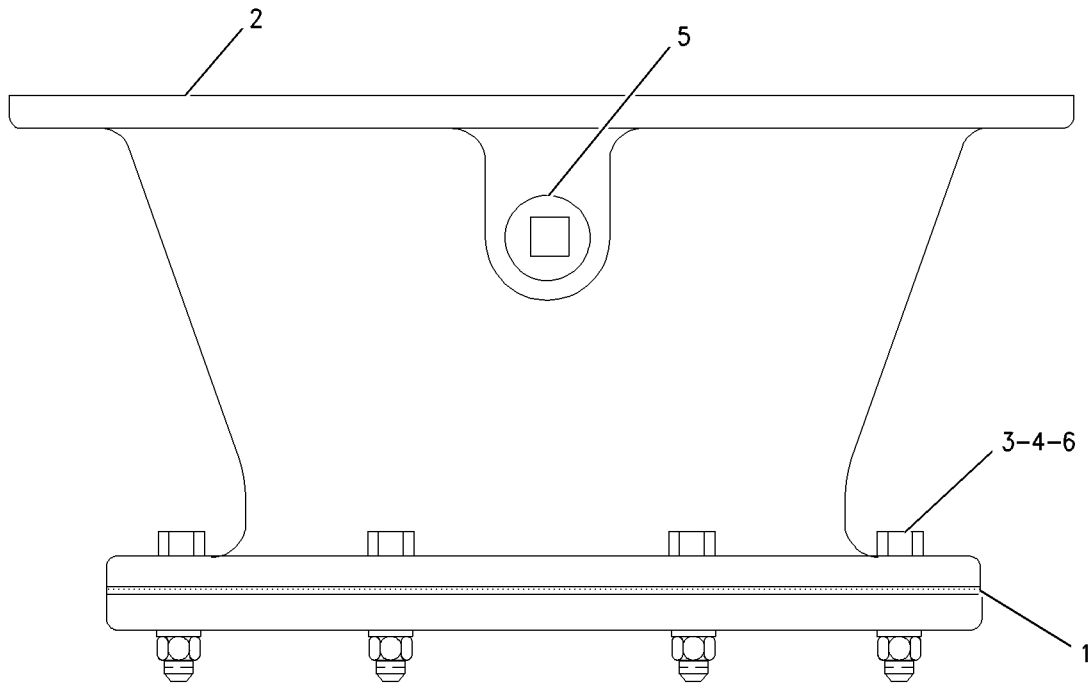
## 137-5555 FITTING GP-EXHAUST

S/N: YAT1-UP  
355.6-MM  
AN ATTACHMENT

SMCS-1061

i02179544

NOTE	REF NO	GRAPHIC REF	PART NUMBER	QTY	PART NAME						SEE PAGE
					1	2	3	4	5	6 (PRODUCT LEVEL)	
	1	1	5L-3773	1	GASKET-EXHAUST ELBOW						
	2	1	137-5555	1	ADAPTER						
	3	1	0S-1591	8	BOLT (3/8-16X1.5-IN)						
	4	1	3V-3308	8	WASHER-HARD (10.2X20.5X2.5-MM THK)						
	5	1	8T-6762	1	PLUG-PIPE						
	6	1	9S-8752	8	NUT-FULL (3/8-16-THD)						



GRAPHIC #1

<END>

g00757403

# AIR INLET AND EXHAUST SYSTEM

## 2W-7756 FLANGE GP-EXHAUST

S/N: YAT1-UP

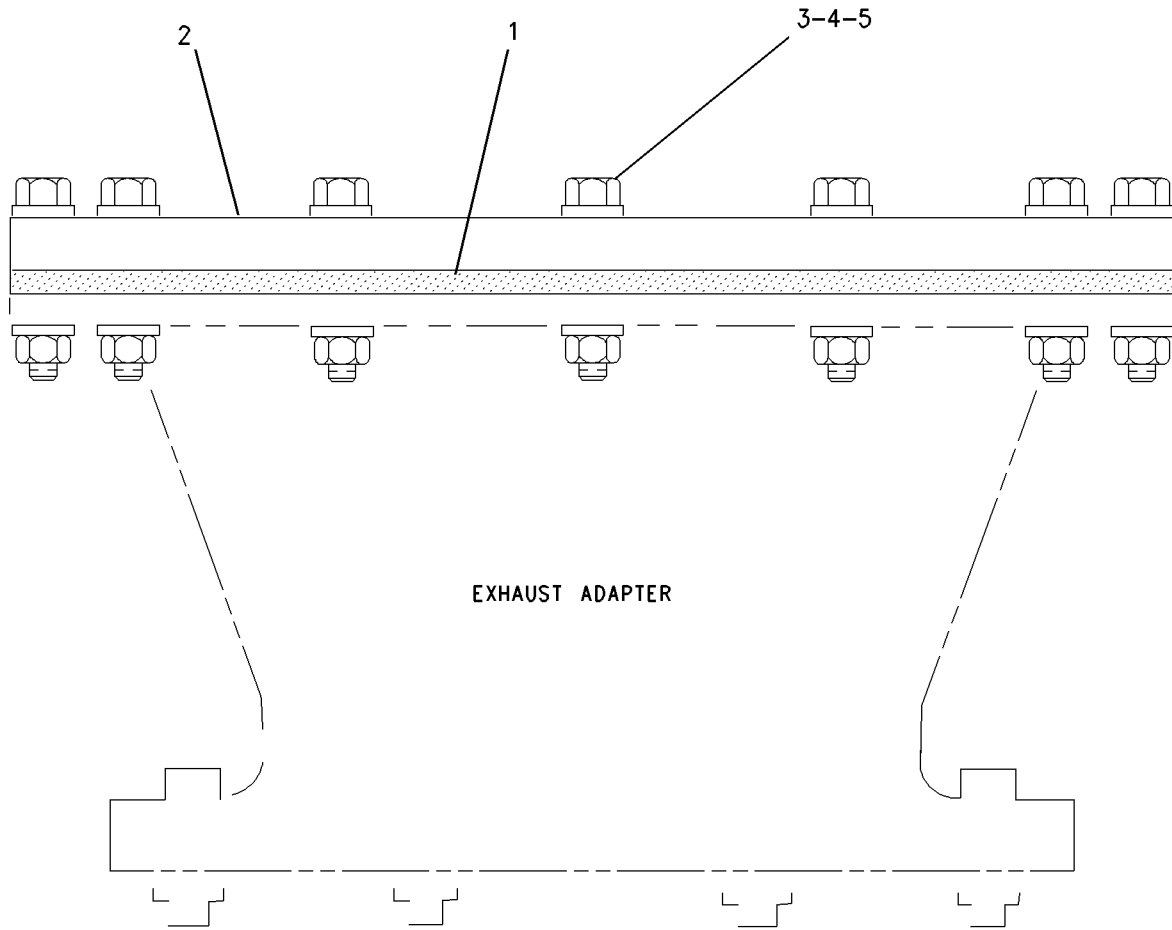
355.61-MM

PART OF 124-0108 FLANGE GP-EXHAUST  
AN ATTACHMENT

SMCS-1061

i02179545

NOTE	REF NO	GRAPHIC REF	PART NUMBER	QTY	PART NAME						SEE PAGE
					1	2	3	4	5	6 (PRODUCT LEVEL)	
	1	1	111-5822	1	GASKET - EXHAUST						
	2	1	2W-7755	1	FLANGE - EXHAUST						
	3	1	9X-8873	12	BOLT (1/2-13X2.25-IN)						
	4	1	5P-8245	24	WASHER-HARD (13.5X25.5X3-MM THK)						
	5	1	1B-5357	12	NUT-FULL (1/2-13-THD)						



GRAPHIC #1

<END>

g00788150



# AIR INLET AND EXHAUST SYSTEM

## 2W-7866 FLANGE GP-EXHAUST

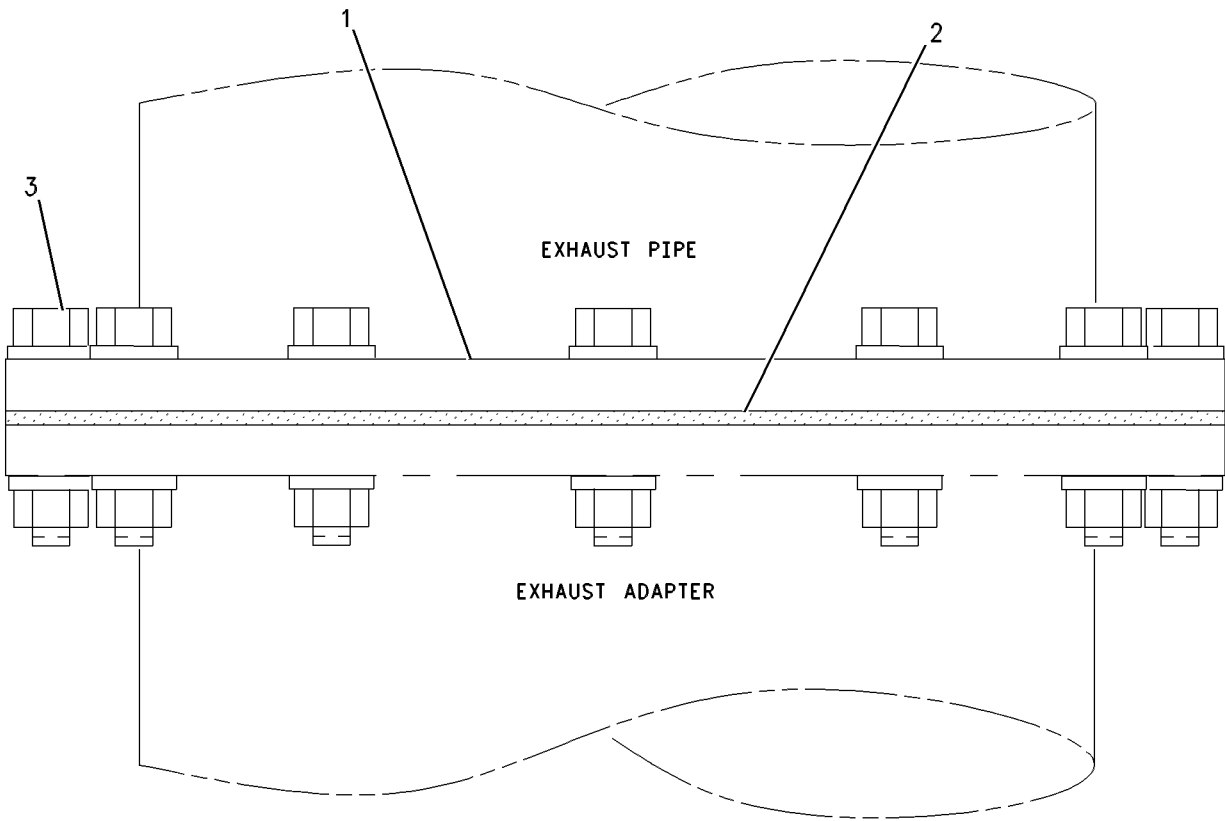
S/N: YAT1-UP

254-MM (10-INCH) DIAMETER PIPE  
AN ATTACHMENT

SMCS-1061

i02179546

NOTE	REF NO	GRAPHIC REF	PART NUMBER	QTY	PART NAME						SEE PAGE
					1	2	3	4	5	6 (PRODUCT LEVEL)	
	1	1	2W-7867	1	FLANGE - EXHAUST						
	2	1	2W-7868	1	GASKET - EXHAUST						
	3	1	5L-4398	12	BOLT (1/2-13X2.25-IN)						
		1	1B-5357	12	NUT-FULL (1/2-13-THD)						
		1	5P-8245	24	WASHER-HARD (13.5X25.5X3-MM THK)						



GRAPHIC #1

<END>

g00618627

# AIR INLET AND EXHAUST SYSTEM

## 2W-7871 FLANGE GP-EXHAUST

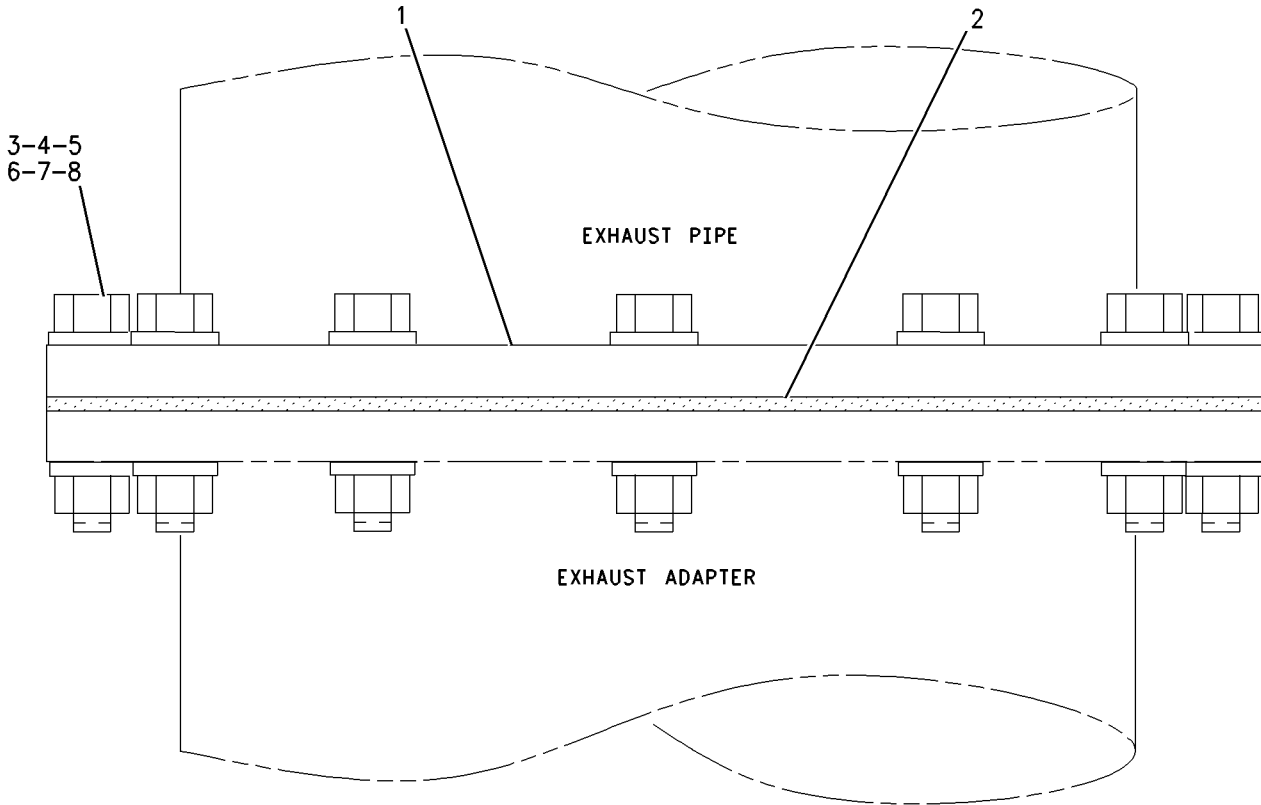
S/N: YAT1-UP  
323.9-MM  
AN ATTACHMENT

SMCS-1061

i02153824

NOTE	REF NO	GRAPHIC REF	PART NUMBER	QTY	PART NAME						SEE PAGE
					1	2	3	4	5	6 (PRODUCT LEVEL)	
	1	1	<b>2W-7872</b>	1	FLANGE - EXHAUST						
	2	1	<b>2W-7873</b>	1	GASKET - EXHAUST						
BL	3	1	<b>5L-4398</b>	12	BOLT (1/2-13X2.25-IN)						
BL	4	1	<b>1B-5357</b>	12	NUT-FULL (1/2-13-THD)						
BL	5	1	<b>5P-8245</b>	24	WASHER-HARD (13.5X25.5X3-MM THK)						
BJ	6	1	<b>0S-1571</b>	12	BOLT (3/8-16X1.75-IN)						
BJ	7	1	<b>1B-5355</b>	12	NUT-FULL (3/8-16-THD)						
BJ	8	1	<b>9L-9132</b>	24	WASHER (10.2X25.5X2.5-MM THK)						

B-USE AS REQUIRED  
J-FOR USE WITH ENGINE EXHAUST ELBOW OR EXPANDER FITTING GP  
L-FOR USE WITH FLEXIBLE FITTING GP OR MUFFLER GP



GRAPHIC #1

<END>

g00705447

# AIR INLET AND EXHAUST SYSTEM

## 7N-6961 FLANGE GP-EXHAUST

S/N: YAT1-UP

203-MM

AN ATTACHMENT

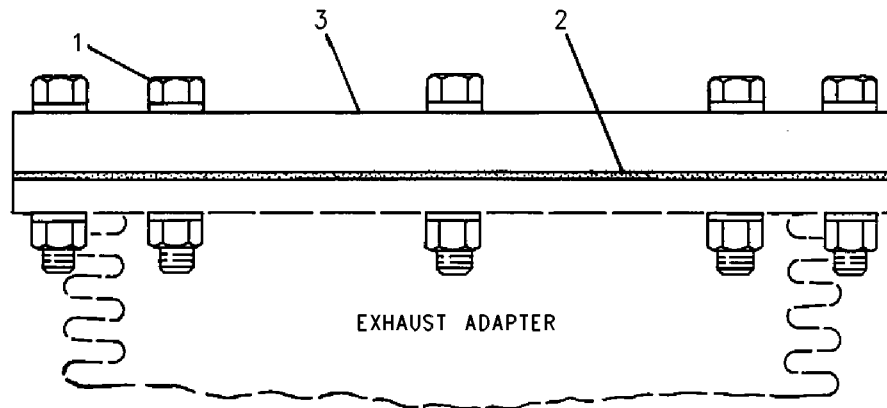
SMCS-1061

i02327546

NOTE	REF NO	GRAPHIC REF	PART NUMBER	QTY	PART NAME						SEE PAGE
					1	2	3	4	5	6 (PRODUCT LEVEL)	
B	1	1	0S-1590	8	BOLT (3/8-16X2-IN)						
		1	9S-8752	8	NUT-FULL (3/8-16-THD)						
BC	2	1	3V-3308	16	WASHER-HARD (10.2X20.5X2.5-MM THK)						
		1	5L-3773	1	GASKET-EXHAUST ELBOW						
		1	7N-6955	1	FLANGE						

B-USE AS REQUIRED

C-CHANGE FROM PREVIOUS TYPE



GRAPHIC #1

<END>

g00622100

# AIR INLET AND EXHAUST SYSTEM

## 103-6668 FLANGE GP-EXHAUST

S/N: YAT1-UP

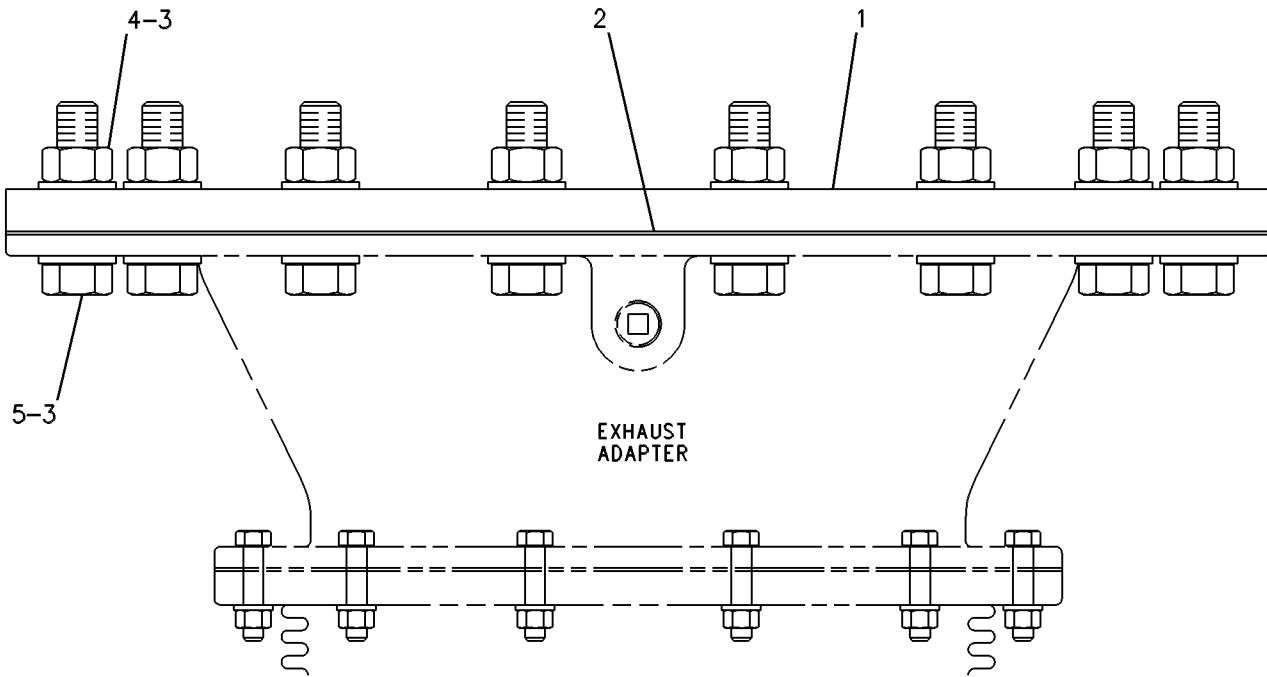
410.2-MM

PART OF 124-0104 FLANGE GP-EXHAUST  
AN ATTACHMENT

SMCS-1061

i02224074

NOTE	REF NO	GRAPHIC REF	PART NUMBER	QTY	PART NAME						SEE PAGE
					1	2	3	4	5	6 (PRODUCT LEVEL)	
	1	1	133-6479	1	FLANGE - EXHAUST						
	2	1	133-6480	1	GASKET						
	3	1	5P-8248	32	WASHER-HARD (20X36.5X3.5-MM THK)						
	4	1	2J-3506	16	NUT-FULL (3/4-10-THD)						
	5	1	9X-8887	16	BOLT (3/4-10X3-IN)						



GRAPHIC #1

<END>

g00248869

# AIR INLET AND EXHAUST SYSTEM

## 124-0104 FLANGE GP-EXHAUST

S/N: YAT1-UP

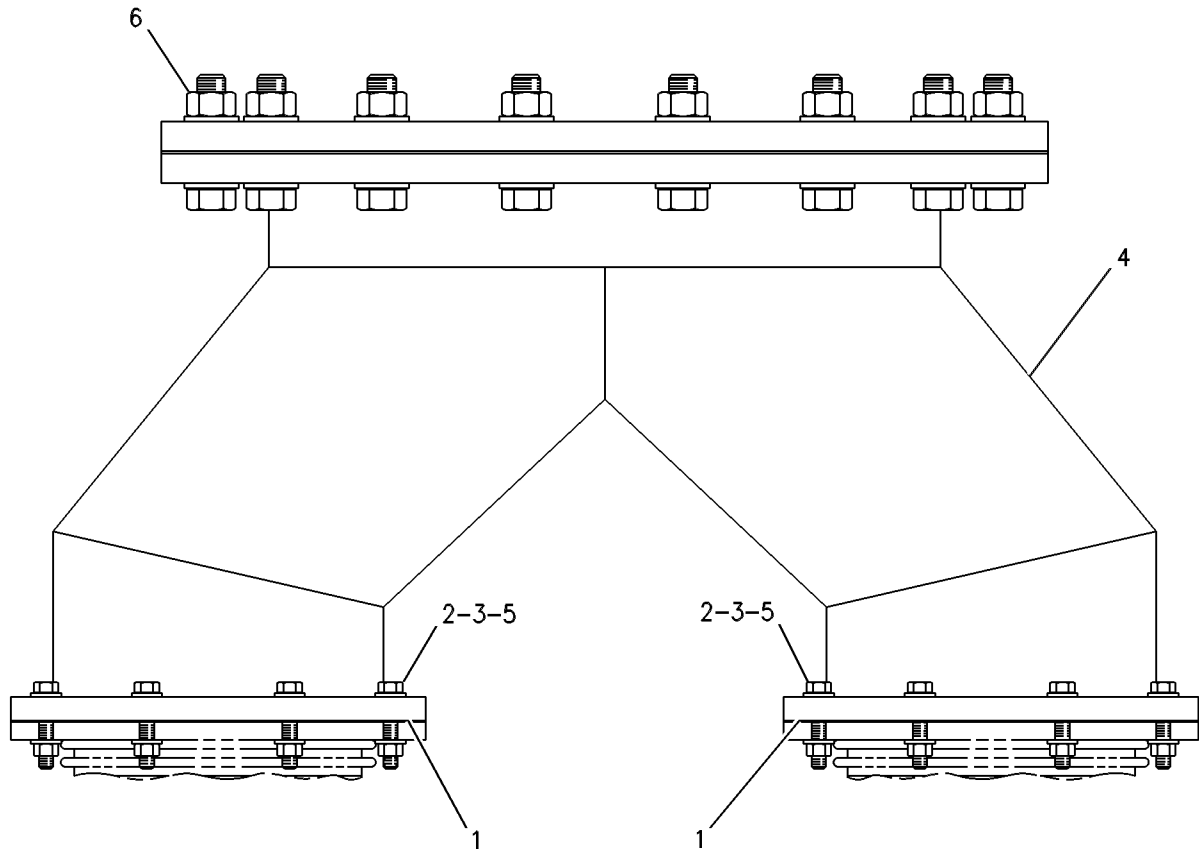
Y ADAPTER WITH 16-IN OUTLET  
AN ATTACHMENT

SMCS-1061

i02327545

NOTE	REF NO	GRAPHIC REF	PART NUMBER	QTY	PART NAME						SEE PAGE
					1	2	3	4	5	6 (PRODUCT LEVEL)	
	1	1	5L-3773	2	GASKET-EXHAUST ELBOW						
	2	1	9S-8752	16	NUT-FULL (3/8-16-THD)						
	3	1	3V-3308	32	WASHER-HARD (10.2X20.5X2.5-MM THK)						
	4	1	133-6485	1	ADAPTER AS-EXHAUST						
		1	2W-7853	2	FLANGE-EXHAUST						
		1	133-6479	1	FLANGE-EXHAUST						
	5	1	0S-1590	16	BOLT (3/8-16X2-IN)						
Y	6	1	103-6668	1	FLANGE GP-EXHAUST						304

Y-SEPARATE ILLUSTRATION



GRAPHIC #1

<END>

g00248810

# AIR INLET AND EXHAUST SYSTEM

## 124-0108 FLANGE GP-EXHAUST

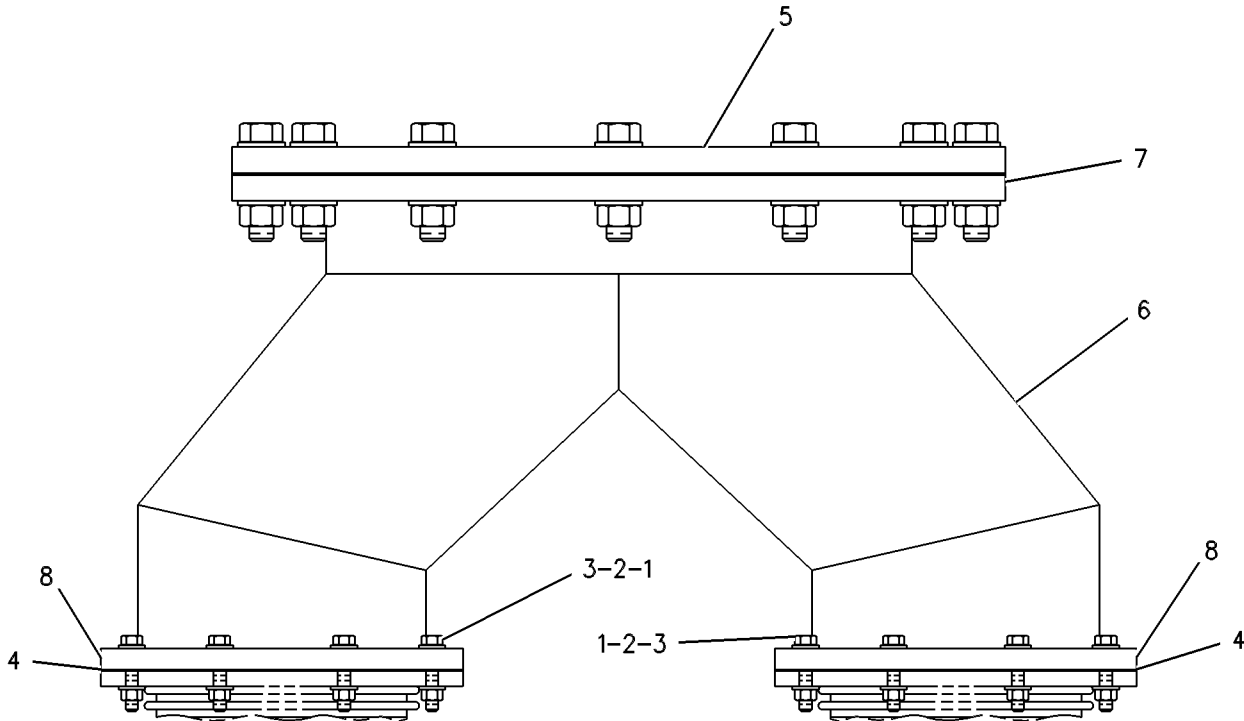
S/N: YAT1-UP  
Y ADAPTER WITH 14-IN OUTLET  
AN ATTACHMENT

SMCS-1061

i02175012

NOTE	REF NO	GRAPHIC REF	PART NUMBER	QTY	PART NAME						SEE PAGE
					1	2	3	4	5	6 (PRODUCT LEVEL)	
	1	1	9S-8752	16	NUT-FULL (3/8-16-THD)						
	2	1	3V-3308	32	WASHER-HARD (10.2X20.5X2.5-MM THK)						
	3	1	0S-1590	16	BOLT (3/8-16X2-IN)						
	4	1	5L-3773	2	GASKET-EXHAUST ELBOW						
Y	5	1	2W-7756	1	FLANGE GP-EXHAUST						300
	6	1	124-0107	1	ADAPTER AS						
	7	1	2W-7755	1	FLANGE-EXHAUST						
	8	1	2W-7853	2	FLANGE-EXHAUST						

Y-SEPARATE ILLUSTRATION



GRAPHIC #1

<END>

g00250100

# AIR INLET AND EXHAUST SYSTEM

## 7N-6782 INDICATOR GP-AIR FILTER CHANGE

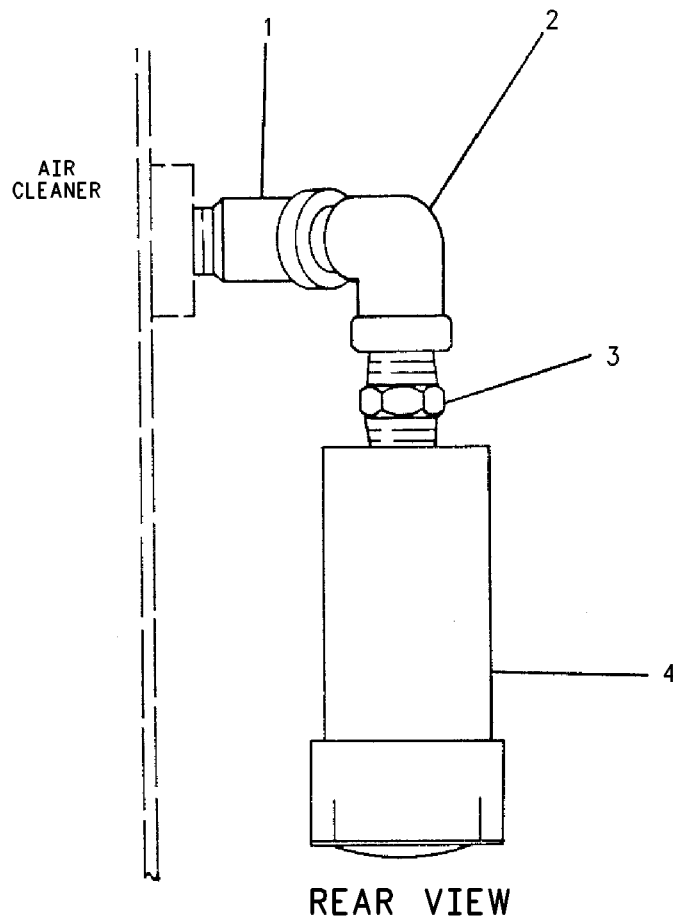
S/N: YAT1-UP

CANNOT BE USED WITH PREMIUM INSTRUMENT PANEL  
AN ATTACHMENT

SMCS-7452

i02230819

NOTE	REF NO	GRAPHIC REF	PART NUMBER	QTY	PART NAME						SEE PAGE
					1	2	3	4	5	6 (PRODUCT LEVEL)	
	1	1	8L-5008	2	ELBOW-PIPE						
	2	1	3B-6552	2	ELBOW-PIPE						
	3	1	5L-3233	2	FITTING						
	4	1	6I-2933	2	INDICATOR-AIR FILTER SERVICE						



GRAPHIC #1

<END>

g00622080

# AIR INLET AND EXHAUST SYSTEM

## 113-1326 INDICATOR GP-AIR FILTER CHANGE

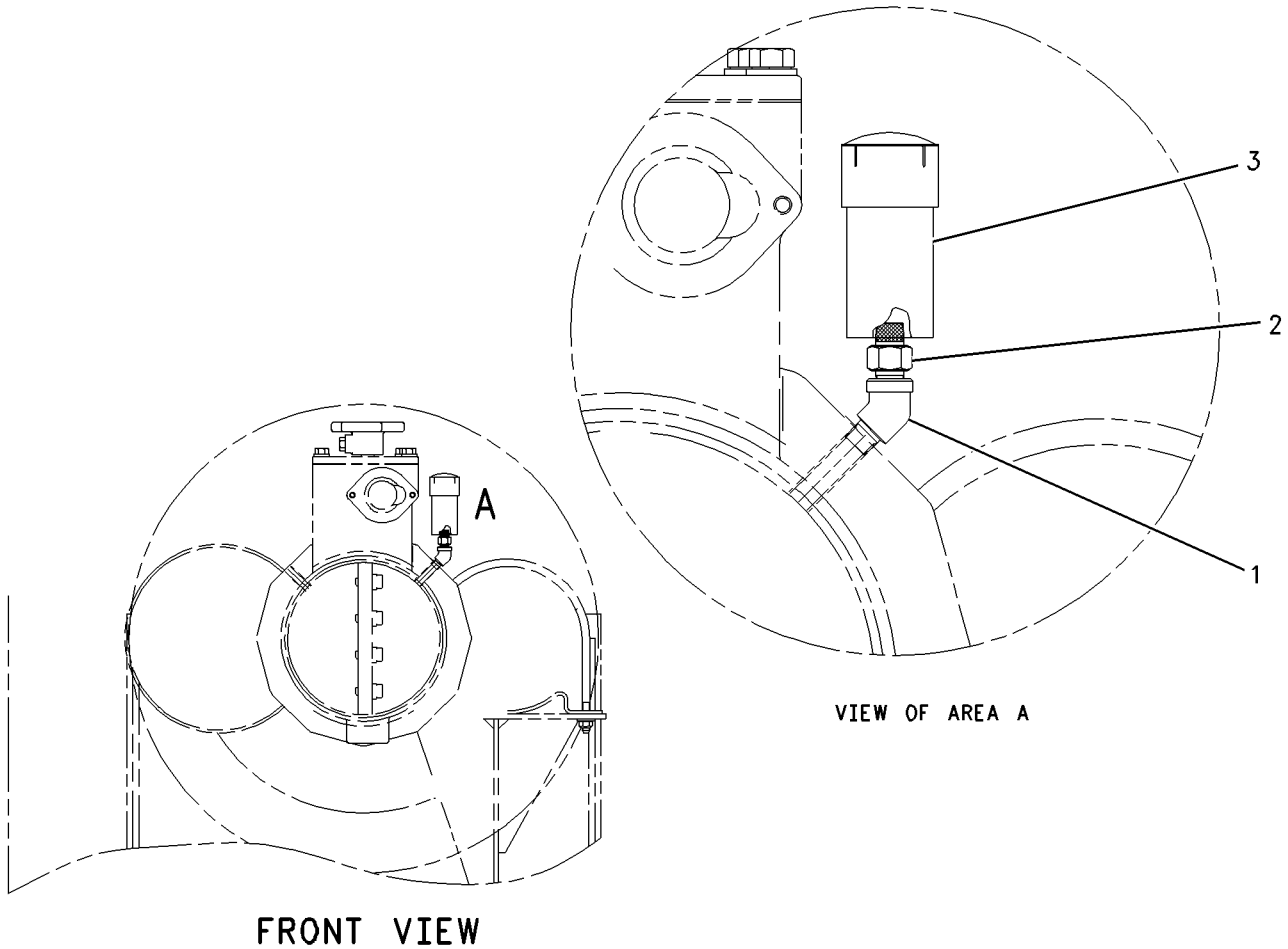
S/N: YAT1-UP

FOR USE WITH 113-1324-PAGE 326. CANNOT BE USED WITH PREMIUM INSTRUMENT PANEL AN ATTACHMENT

SMCS-7452

i02235089

NOTE	REF NO	GRAPHIC REF	PART NUMBER	QTY	PART NAME						SEE PAGE
					1	2	3	4	5	6 (PRODUCT LEVEL)	
	1	1	<b>8L-5008</b>	2	ELBOW-PIPE						
	2	1	<b>5L-3233</b>	2	FITTING						
	3	1	<b>6I-2933</b>	2	INDICATOR-AIR FILTER SERVICE						



GRAPHIC #1

<END>

g00773101



# AIR INLET AND EXHAUST SYSTEM

## 147-6619 LINES GP-AIR-AFTERCOOLER

S/N: YAT1-UP

SMCS-1071

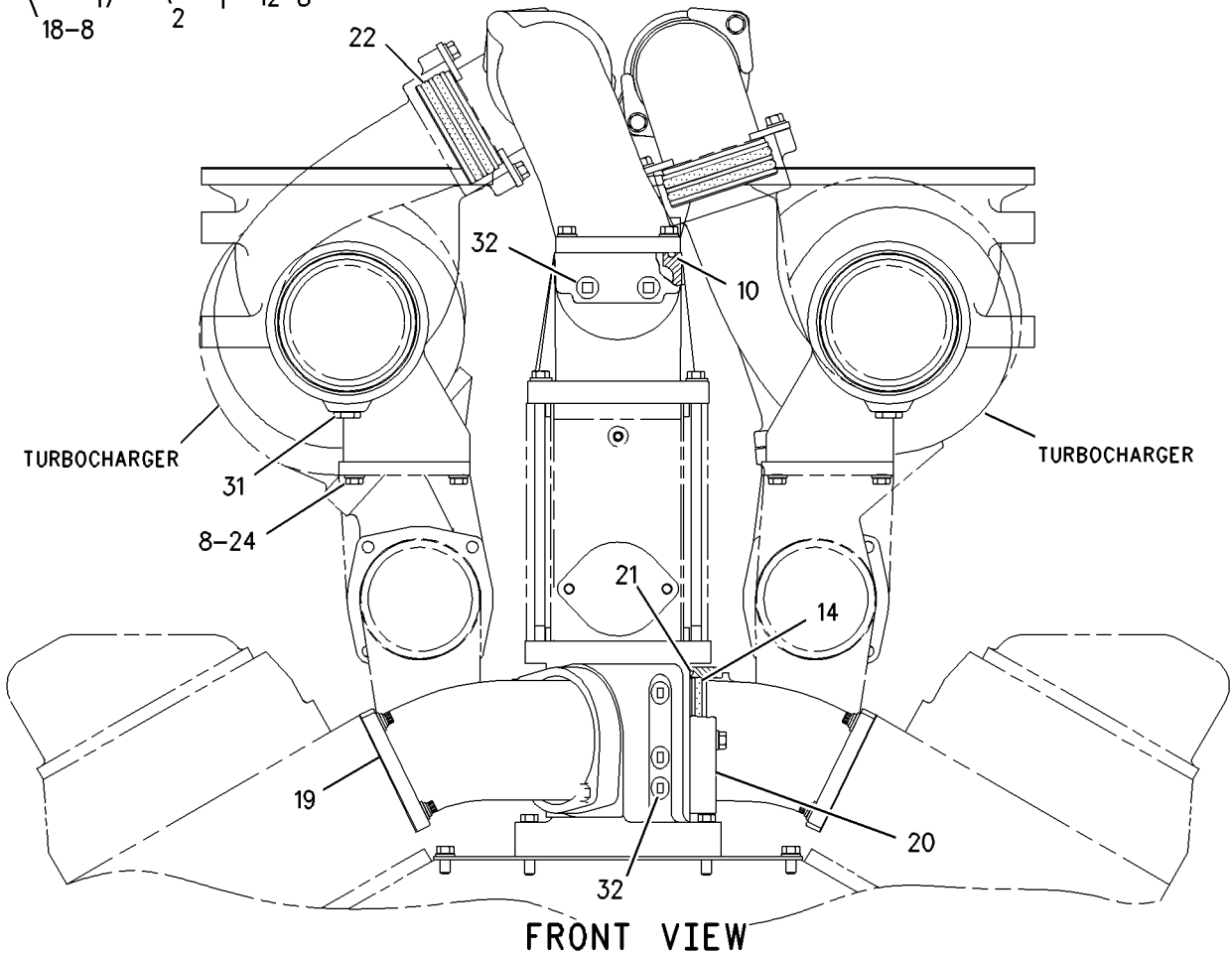
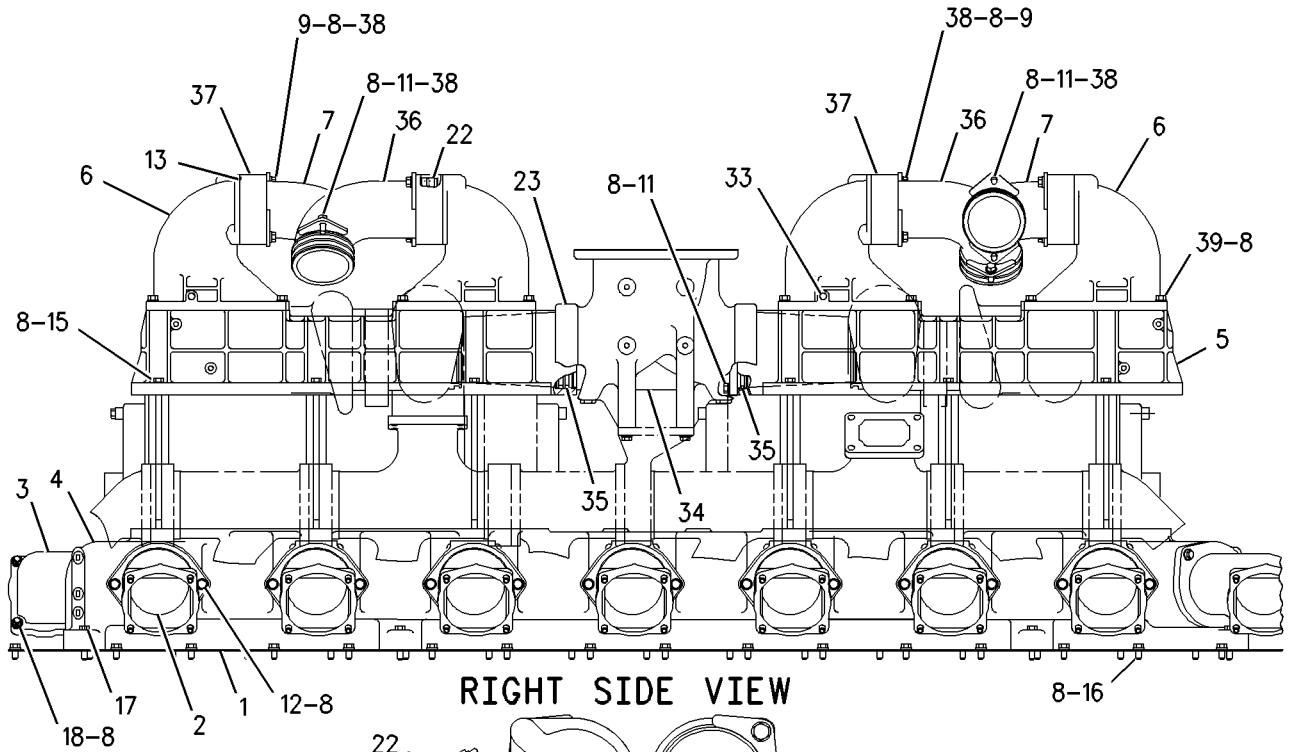
i01689149

NOTE	REF NO	GRAPHIC REF	PART NUMBER	QTY	PART NAME						SEE PAGE
					1	2	3	4	5	6 (PRODUCT LEVEL)	
	1	1	123-6915	1	PLATE						
	2	1	7C-7909	14	ELBOW (AIR INLET)						
	3	1	7C-7910	2	ELBOW (AIR INLET)						
	4	1	110-6990	1	MANIFOLD (INLET)						
	5	1	112-3591	2	COVER						
	6	1	144-5696	4	ELBOW						
	7	1	144-5690	2	ELBOW						
	8	1	5M-2894	188	WASHER-HARD (10.2X18.5X2.5-MM THK)						
	9	1	0T-0573	8	BOLT (3/8-16X2.75-IN)						
	10	1	109-7411	4	SEAL-O-RING						
	11	1	0S-1594	10	BOLT (3/8-16X1-IN)						
	12	1	2A-4639	32	BOLT (3/8-16X1.625-IN)						
	13	1	5D-5957	4	SEAL-O-RING						
	14	1	6V-5101	16	SEAL-O-RING						
	15	1	6J-0934	12	BOLT (3/8-16X10.75-IN)						
	16	1	0S-0509	38	BOLT (3/8-16X0.75-IN)						
	17	1	0S-1590	8	BOLT (3/8-16X2-IN)						
	18	1	1T-0720	64	BOLT-12 POINT HEAD (3/8-16X1.25-IN)						
	19	1	7N-5080	16	GASKET-MANIFOLD						
	20	1	7C-8199	16	FLANGE						
	21	1	4S-5898	16	SEAL-O-RING						
	22	1	6V-3917	16	SEAL-O-RING						
	23	1	116-9868	2	ELBOW-EXHAUST						
	24	1	6V-1943	8	BOLT-HIGH TEMPERATURE (3/8-16X1.125-IN)						
	31	1	3J-5389	4	PLUG						
	32	1	8T-6762	10	PLUG-PIPE						
	33	1	8T-6764	4	PLUG-PIPE						
	34	1	121-3562	1	PIPE						
	35	1	5P-8940	3	SEAL-O-RING						
	36	1	144-5691	2	ELBOW						
	37	1	144-5689	4	FLANGE						
	38	1	7W-3145	16	PLATE						
	39	1	0S-1588	16	BOLT (3/8-16X1.25-IN)						

# AIR INLET AND EXHAUST SYSTEM

147-6619 LINES GP-AIR (contd.)

i01689149



GRAPHIC #1

<END>

g00870107

# AIR INLET AND EXHAUST SYSTEM

## 208-0821 LINES GP-AIR-TURBOCHARGER

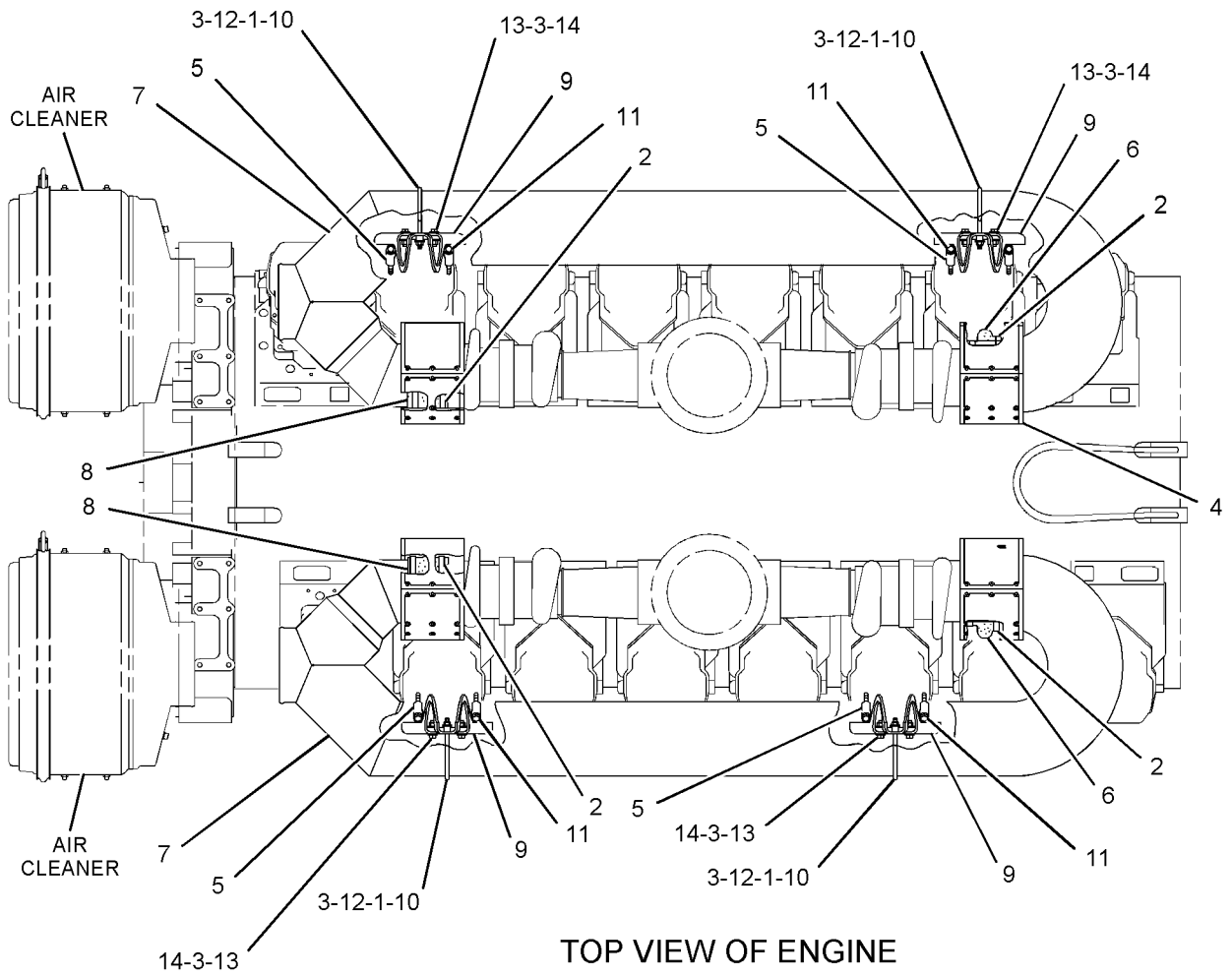
S/N: YAT1-UP

FOR USE WITH 10 INCH POWERCORE AIR CLEANER, 4-TURBOCHARGER, HIGH SPEED ENGINE  
AN ATTACHMENT

SMCS-1071

i03317703

NOTE	REF NO	GRAPHIC REF	PART NUMBER	QTY	PART NAME						SEE PAGE
					1	2	3	4	5	6 (PRODUCT LEVEL)	
	1	1	5G-4313	8	SPACER (10.34X15.88X12-MM THK)						
	2	1	5P-3860	8	CLAMP-HOSE						
	3	1	9X-6458	24	WASHER-HARD (10.2X22.5X3-MM THK)						
	4	1	321-5895	4	SHIELD AS						
	5	1	7N-6986	4	SUPPORT						
	6	1	8N-5254	2	HOSE-REDUCER						
	7	1	113-1327	2	TUBE AS						
	8	1	162-2177	2	HOSE						
	9	1	191-6015	4	BRACKET						
	10	1	197-9732	4	U-BOLT						
	11	1	0T-0055	8	BOLT (3/8-16X4.25-IN)						
	12	1	2K-4973	8	LOCKNUT (3/8-16-THD)						
	13	1	3B-1915	8	BOLT (3/8-16X1.375-IN)						
	14	1	9S-8752	8	NUT-FULL (3/8-16-THD)						



TOP VIEW OF ENGINE

<END>

GRAPHIC #1

g01524332

# AIR INLET AND EXHAUST SYSTEM

## 198-9918 LINES GP-TURBOCHARGER AIR-AFTERCOOLER

S/N: YAT1-UP

SMCS-1052, 1071

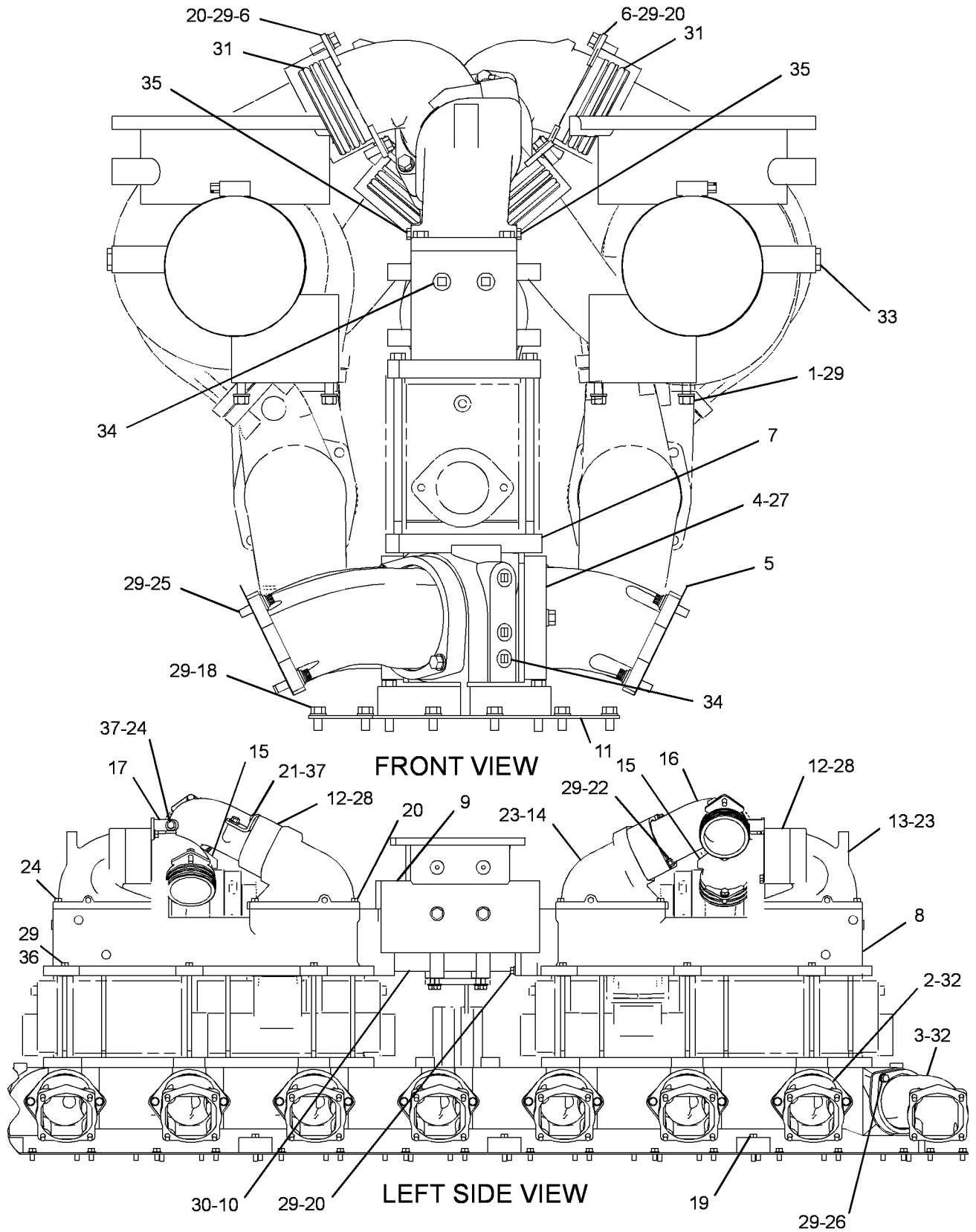
i02867192

NOTE	REF NO	GRAPHIC REF	PART NUMBER	QTY	PART NAME						SEE PAGE
					1	2	3	4	5	6 (PRODUCT LEVEL)	
	1	1	6V-1943	8	BOLT-HIGH TEMPERATURE (3/8-16X1.125-IN)						
	2	1	7C-7909	14	ELBOW (AIR INLET)						
	3	1	7C-7910	2	ELBOW (AIR INLET)						
	4	1	7C-8199	16	FLANGE						
	5	1	7N-5080	16	GASKET-MANIFOLD						
	6	1	7W-3145	8	PLATE						
	7	1	110-6990	1	MANIFOLD (INLET)						
	8	1	112-3591	2	COVER						
	9	1	116-9868	2	ELBOW-EXHAUST						
	10	1	121-3562	1	PIPE						
	11	1	123-6915	1	PLATE						
	12	1	146-7383	4	FLANGE						
	13	1	155-0540	2	ELBOW						
	14	1	155-0541	2	ELBOW						
	15	1	155-0544	2	ELBOW						
	16	1	155-0545	2	ELBOW						
	17	1	156-6261	4	BRACKET						
	18	1	0S-0509	38	BOLT (3/8-16X0.75-IN)						
	19	1	0S-1590	8	BOLT (3/8-16X2-IN)						
	20	1	0S-1594	12	BOLT (3/8-16X1-IN)						
	21	1	0S-1619	4	BOLT (3/8-16X3-IN)						
	22	1	0T-0573	4	BOLT (3/8-16X2.75-IN)						
	23	1	109-7411	4	SEAL-O-RING						
	24	1	1A-2029	18	BOLT (3/8-16X1.125-IN)						
	25	1	1T-0720	64	BOLT-12 POINT HEAD (3/8-16X1.25-IN)						
	26	1	2A-4639	32	BOLT (3/8-16X1.625-IN)						
	27	1	4S-5898	16	SEAL-O-RING						
	28	1	5D-5957	4	SEAL-O-RING						
	29	1	5M-2894	168	WASHER-HARD (10.2X18.5X2.5-MM THK)						
	30	1	5P-8940	3	SEAL-O-RING						
	31	1	6V-3917	16	SEAL-O-RING						
	32	1	6V-5101	16	SEAL-O-RING						
	33	1	3J-5389	4	PLUG						
	34	1	8T-6762	10	PLUG-PIPE						
	35	1	8T-6764	8	PLUG-PIPE						
	36	1	9F-2773	12	BOLT (3/8-16X8.5-IN)						
	37	1	9X-6458	8	WASHER-HARD (10.2X22.5X3-MM THK)						

# AIR INLET AND EXHAUST SYSTEM

198-9918 LINES GP-TURBOCHARGER AIR (contd.)

i02867192



GRAPHIC #1

<END>

g01430223

# AIR INLET AND EXHAUST SYSTEM

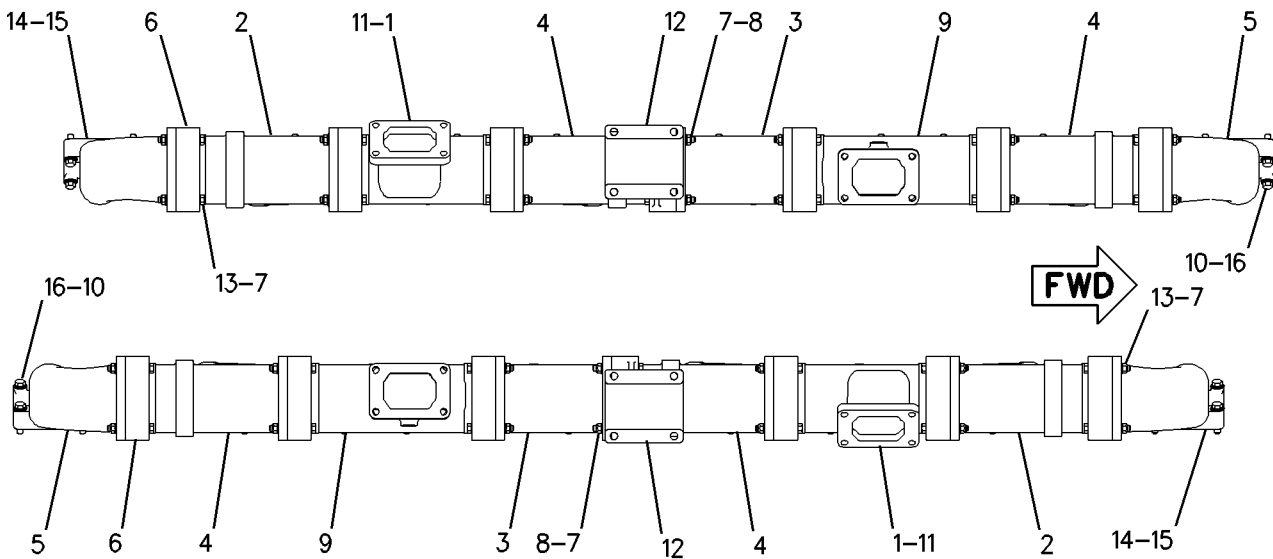
## 111-6786 MANIFOLD GP-EXHAUST

S/N: YAT1-UP

SMCS-1059

i02173070

NOTE	REF NO	GRAPHIC REF	PART NUMBER	QTY	PART NAME						SEE PAGE
					1	2	3	4	5	6 (PRODUCT LEVEL)	
	1	1	111-1832	2	MANIFOLD-EXHAUST (INTERMEDIATE)						
	2	1	7C-7791	2	MANIFOLD-EXHAUST (INTERMEDIATE)						
	3	1	111-1831	2	MANIFOLD-EXHAUST (INTERMEDIATE)						
	4	1	7C-7794	4	MANIFOLD-EXHAUST (INTERMEDIATE)						
	5	1	7C-7793	2	MANIFOLD-EXHAUST (FRONT, LH)						
	6	1	204-5455	12	SLEEVE (EXHAUST MANIFOLD)						
	7	1	2N-2766	56	LOCKNUT (3/8-16-THD)						
	8	1	5P-3345	8	BOLT (3/8-16X3-IN)						
	9	1	111-1830	2	MANIFOLD-EXHAUST (INTERMEDIATE)						
	10	1	5M-2894	64	WASHER-HARD (10.2X18.5X2.5-MM THK)						
	11	1	8T-6765	2	PLUG-PIPE						
	12	1	108-5579	2	SLEEVE-ELBOW SUPPORT						
	13	1	5P-2755	48	BOLT-HIGH TEMPERATURE (3/8-16X2.75-IN)						
	14	1	7W-8145	16	GASKET-EXHAUST MANIFOLD						
	15	1	7C-7790	2	MANIFOLD-EXHAUST (FRONT, RH)						
	16	1	9L-7373	64	BOLT-HIGH TEMPERATURE (3/8-16X2-IN)						



TOP VIEW

GRAPHIC #1

<END>

g00946666

# AIR INLET AND EXHAUST SYSTEM

## 115-3613 MOUNTING GP-AIR CLEANER

S/N: YAT1-UP

FOR USE WITH 113-1582-PAGE 286, 115-3622-PAGE 287  
AN ATTACHMENT

SMCS-1051

i02940932

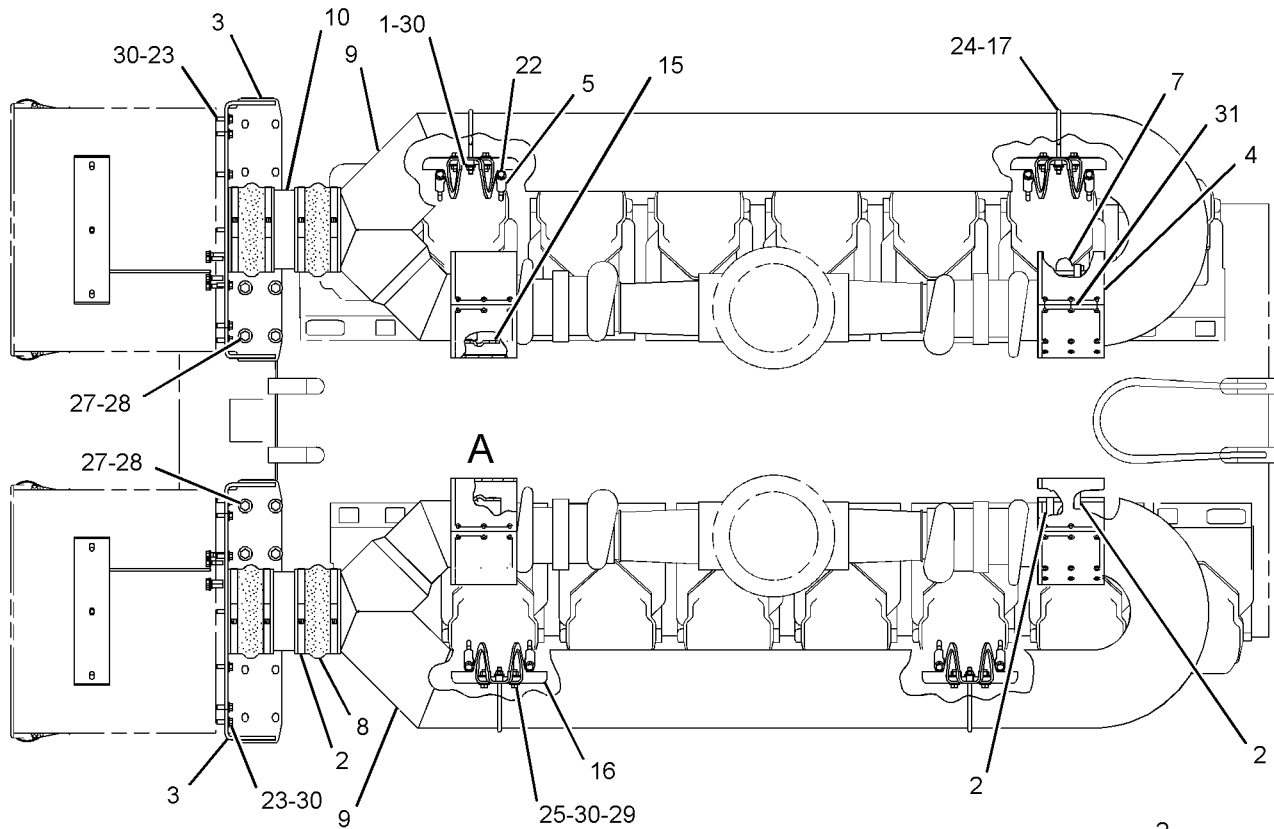
NOTE	REF NO	GRAPHIC REF	PART NUMBER	QTY	PART NAME						SEE PAGE	
					1	2	3	4	5	6 (PRODUCT LEVEL)		
C	1	1	5G-4313	8	SPACER (10.34X15.88X12-MM THK)							
	2	1	5P-4869	16	CLAMP-HOSE							
	3	1	6I-0133	2	BRACKET AS							
	4	1	6I-3147	4	SHIELD AS							
	5	1	7N-6986	4	SUPPORT							
	7	1	8N-5254	2	HOSE-REDUCER							
	8	1	8N-8741	4	HOSE							
	9	1	113-1327	2	TUBE AS							
	10	1	113-1328	2	TUBE							
	11	1	113-1570	1	BRACKET AS (LH)							
	12	1	113-1571	2	CRADLE AS							
	13	1	113-1573	1	BRACKET AS (RH)							
	15	1	162-2177	2	HOSE							
	16	1	191-6015	4	BRACKET							
	C	17	1	197-9732	4	U-BOLT						
		18	1	0L-1351	6	BOLT (3/8-16X0.875-IN)						
19		1	0S-1588	6	BOLT (3/8-16X1.25-IN)							
20		1	0S-1591	2	BOLT (3/8-16X1.5-IN)							
21		1	0S-1594	8	BOLT (3/8-16X1-IN)							
22		1	0T-0055	8	BOLT (3/8-16X4.25-IN)							
23		1	1A-2029	22	BOLT (3/8-16X1.125-IN)							
24		1	2K-4973	8	LOCKNUT (3/8-16-THD)							
25		1	3B-1915	8	BOLT (3/8-16X1.375-IN)							
26		1	5M-2894	38	WASHER-HARD (10.2X18.5X2.5-MM THK)							
27		1	6H-1717	12	BOLT (1/2-13X1.125-IN)							
28		1	7D-1649	12	WASHER-HARD (13.5X32X5-MM THK)							
29		1	9S-8752	16	NUT-FULL (3/8-16-THD)							
30		1	9X-6458	38	WASHER-HARD (10.2X22.5X3-MM THK)							
D	31	1	5P-6025		LOCKWIRE (1-M)							

C-CHANGE FROM PREVIOUS TYPE  
D-ORDER BY THE METER

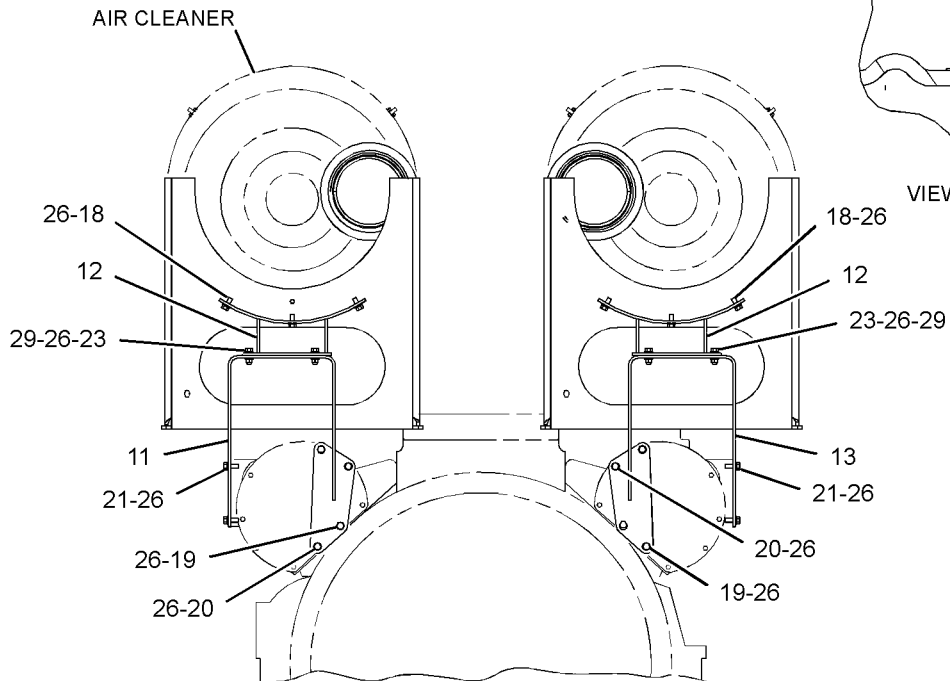
# AIR INLET AND EXHAUST SYSTEM

115-3613 MOUNTING GP-AIR CLEANER (contd.)

i02940932



TOP VIEW OF ENGINE



REAR VIEW OF ENGINE

GRAPHIC #1

<END>

g01725242



# AIR INLET AND EXHAUST SYSTEM

## 208-0820 MOUNTING GP-AIR CLEANER-SINGLE ELEMENT

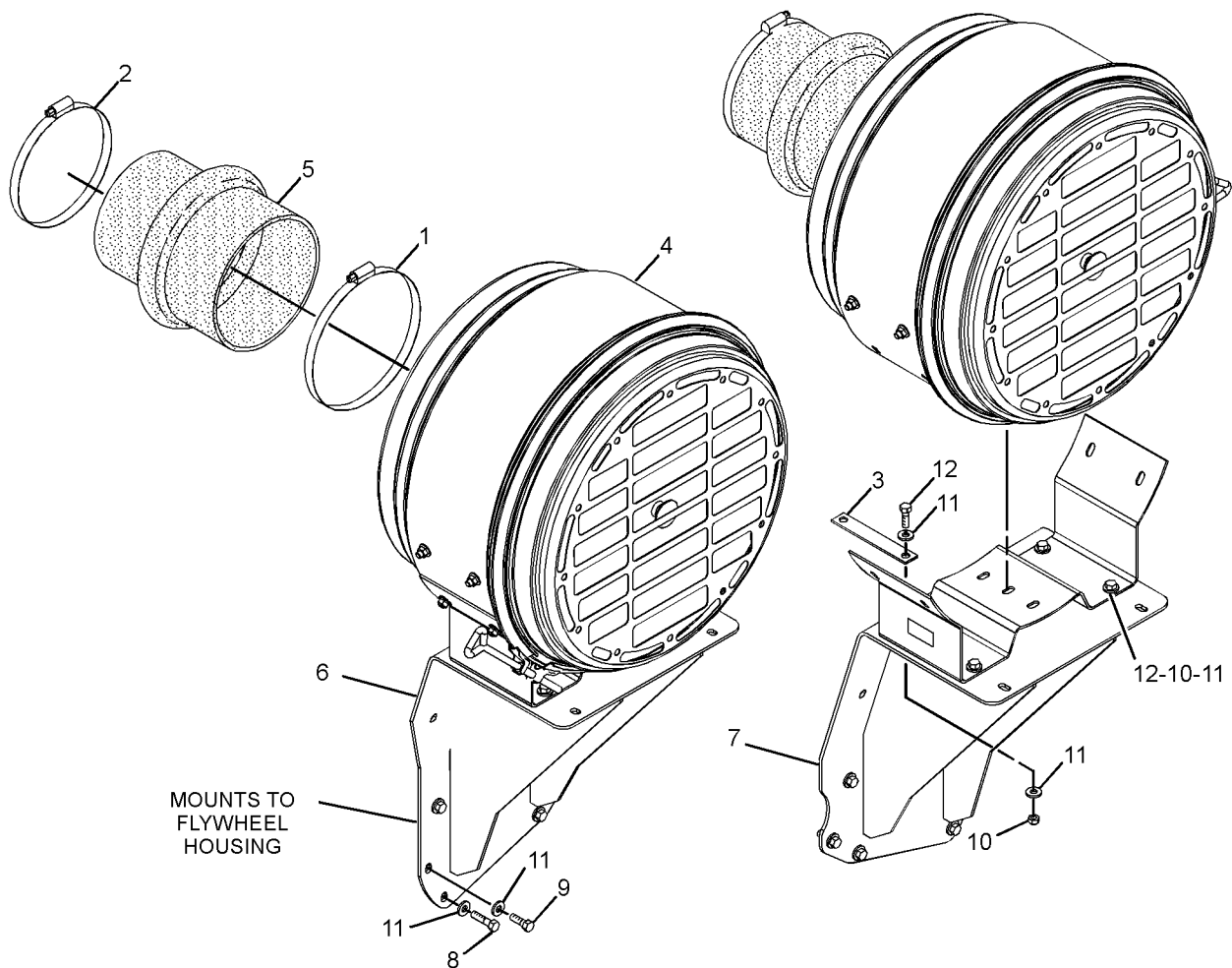
S/N: YAT1-UP  
AN ATTACHMENT

SMCS-1051

i02524535

NOTE	REF NO	GRAPHIC REF	PART NUMBER	QTY	PART NAME						SEE PAGE
					1	2	3	4	5	6 (PRODUCT LEVEL)	
	1	1	5P-0600	2	CLAMP-HOSE						
	2	1	5P-4869	2	CLAMP-HOSE						
	3	1	8X-8470	2	BRACKET						
Y	4	1	206-0884	2	AIR CLEANER GP						288
	5	1	209-4451	2	HOSE						
	6	1	281-9210	1	BRACKET AS (LH)						
	7	1	281-9211	1	BRACKET AS (RH)						
	8	1	030-8537	4	BOLT-LOCKING (3/8-16X1.5-IN)						
	9	1	034-3557	12	BOLT-LOCKING (3/8-16X1.125-IN)						
	10	1	2K-4973	8	LOCKNUT (3/8-16-THD)						
	11	1	5P-1075	32	WASHER-HARD (10.2X22.5X3-MM THK)						
	12	1	8T-2502	8	BOLT (3/8-16X1.125-IN)						

Y-SEPARATE ILLUSTRATION



GRAPHIC #1

<END>

g01265913

# AIR INLET AND EXHAUST SYSTEM

## 212-4620 MOUNTING GP-AIR CLEANER-DUAL ELEMENT

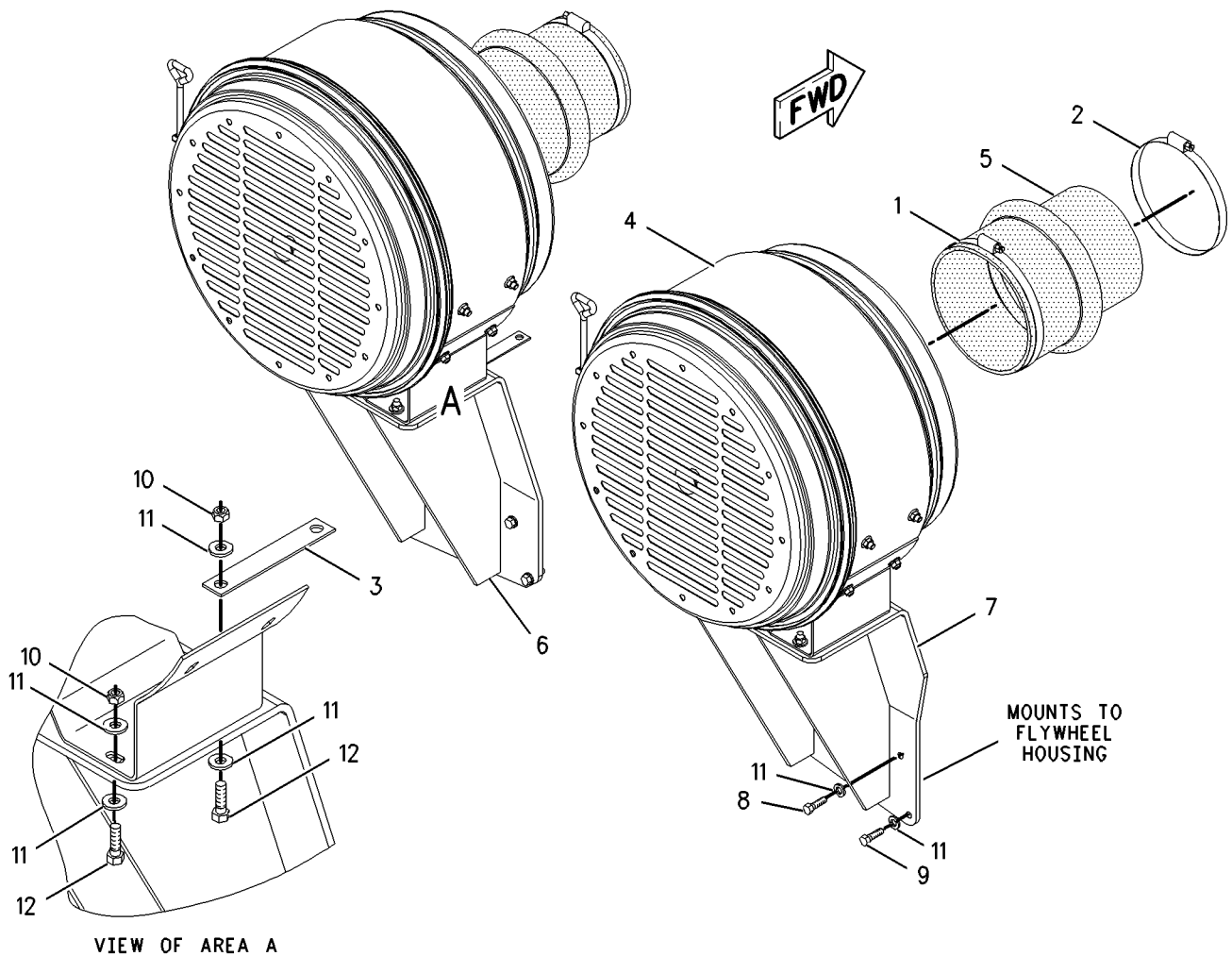
S/N: YAT1-UP  
AN ATTACHMENT

SMCS-1051

i01827835

NOTE	REF NO	GRAPHIC REF	PART NUMBER	QTY	PART NAME						SEE PAGE
					1	2	3	4	5	6 (PRODUCT LEVEL)	
	1	1	5P-0600	2	CLAMP-HOSE						
	2	1	5P-4869	2	CLAMP-HOSE						
	3	1	8X-8470	2	BRACKET						
Y	4	1	208-9067	2	AIR CLEANER GP						289
	5	1	209-4451	2	HOSE						
	6	1	221-1867	1	BRACKET AS (LH)						
	7	1	221-1868	1	BRACKET AS (RH)						
	8	1	030-8537	2	BOLT-LOCKING (3/8-16X1.5-IN)						
	9	1	034-3557	10	BOLT-LOCKING (3/8-16X1.125-IN)						
	10	1	2K-4973	8	LOCKNUT (3/8-16-THD)						
	11	1	5P-1075	28	WASHER-HARD (10.2X22.5X3-MM THK)						
	12	1	8T-2502	8	BOLT (3/8-16X1.125-IN)						

Y-SEPARATE ILLUSTRATION



GRAPHIC #1

<END>

g00932327

# AIR INLET AND EXHAUST SYSTEM

## 214-1043 MOUNTING GP-AIR CLEANER-SINGLE ELEMENT

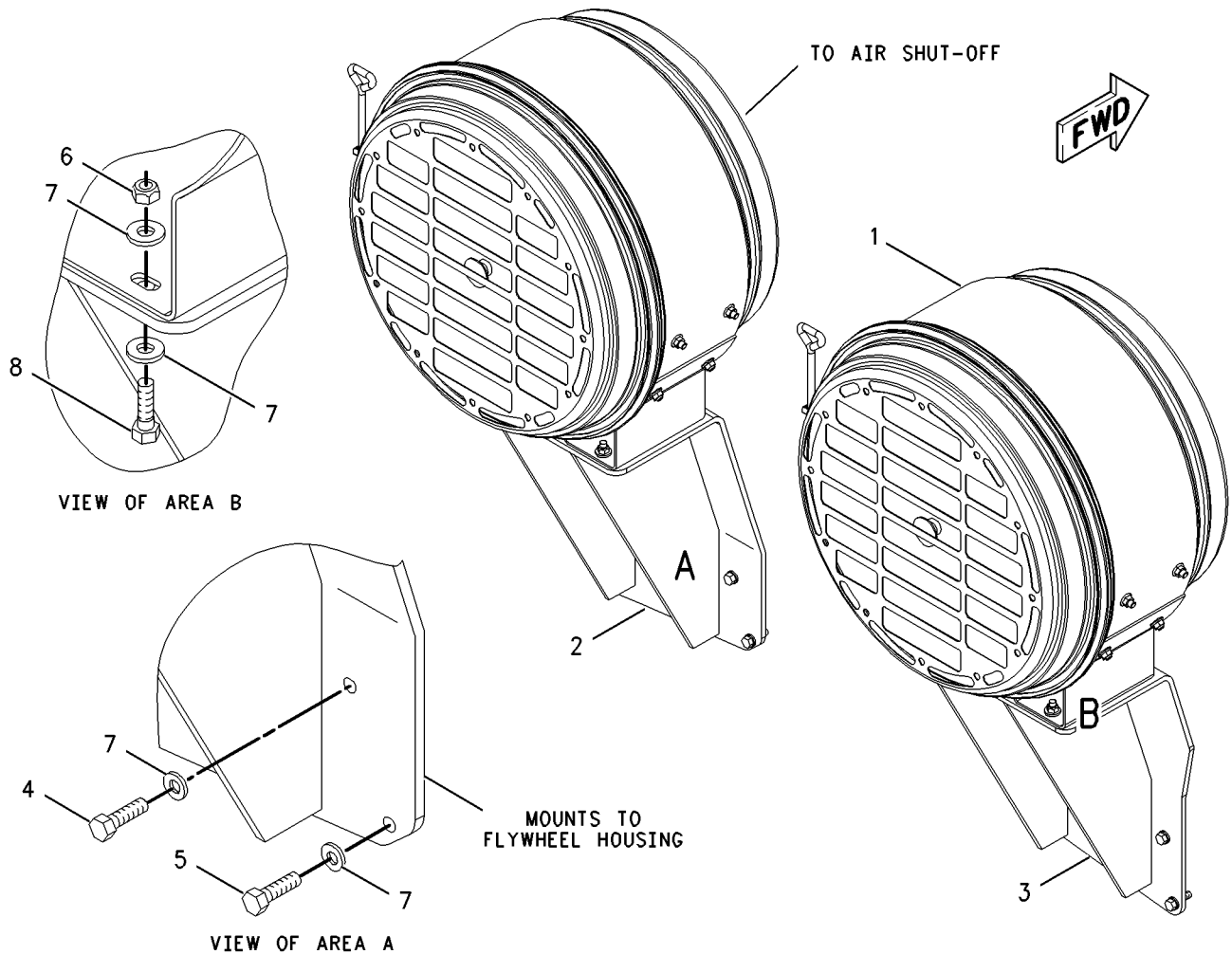
S/N: YAT1-UP  
FOR USE WITH AIR SHUT-OFF  
AN ATTACHMENT

SMCS-1051

i02327537

NOTE	REF NO	GRAPHIC REF	PART NUMBER	QTY	PART NAME						SEE PAGE
					1	2	3	4	5	6 (PRODUCT LEVEL)	
Y	1	1	213-4872	2	AIR CLEANER GP						290
	2	1	221-1867	1	BRACKET AS (LH)						
	3	1	221-1868	1	BRACKET AS (RH)						
	4	1	030-8537	2	BOLT-LOCKING (3/8-16X1.5-IN)						
	5	1	034-3557	10	BOLT-LOCKING (3/8-16X1.125-IN)						
	6	1	2K-4973	8	LOCKNUT (3/8-16-THD)						
	7	1	5P-1075	28	WASHER-HARD (10.2X22.5X3-MM THK)						
	8	1	8T-2502	8	BOLT (3/8-16X1.125-IN)						

Y-SEPARATE ILLUSTRATION



GRAPHIC #1

<END>

g00932453

# AIR INLET AND EXHAUST SYSTEM

## 214-1044 MOUNTING GP-AIR CLEANER-DUAL ELEMENT

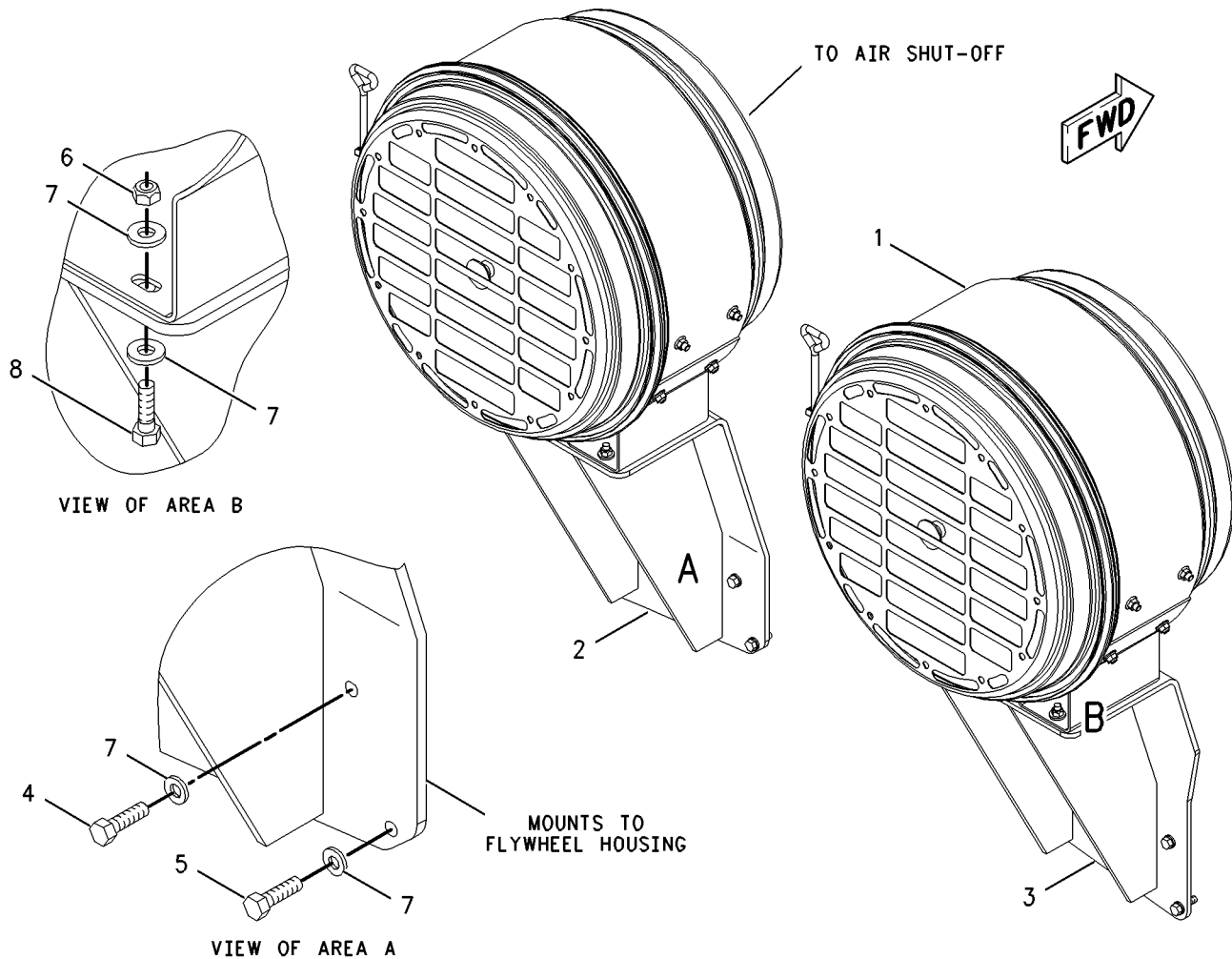
S/N: YAT1-UP  
FOR USE WITH AIR SHUT-OFF  
AN ATTACHMENT

SMCS-1051

i02327536

NOTE	REF NO	GRAPHIC REF	PART NUMBER	QTY	PART NAME						SEE PAGE
					1	2	3	4	5	6 (PRODUCT LEVEL)	
Y	1	1	213-4873	2	AIR CLEANER GP						291
	2	1	221-1867	1	BRACKET AS (LH)						
	3	1	221-1868	1	BRACKET AS (RH)						
	4	1	030-8537	2	BOLT-LOCKING (3/8-16X1.5-IN)						
	5	1	034-3557	10	BOLT-LOCKING (3/8-16X1.125-IN)						
	6	1	2K-4973	8	LOCKNUT (3/8-16-THD)						
	7	1	5P-1075	28	WASHER-HARD (10.2X22.5X3-MM THK)						
	8	1	8T-2502	8	BOLT (3/8-16X1.125-IN)						

Y-SEPARATE ILLUSTRATION



GRAPHIC #1

<END>

g00932453

# AIR INLET AND EXHAUST SYSTEM

## 2W-2680 MOUNTING GP-BELLOWS-FLEXIBLE

S/N: YAT1-UP

356-MM

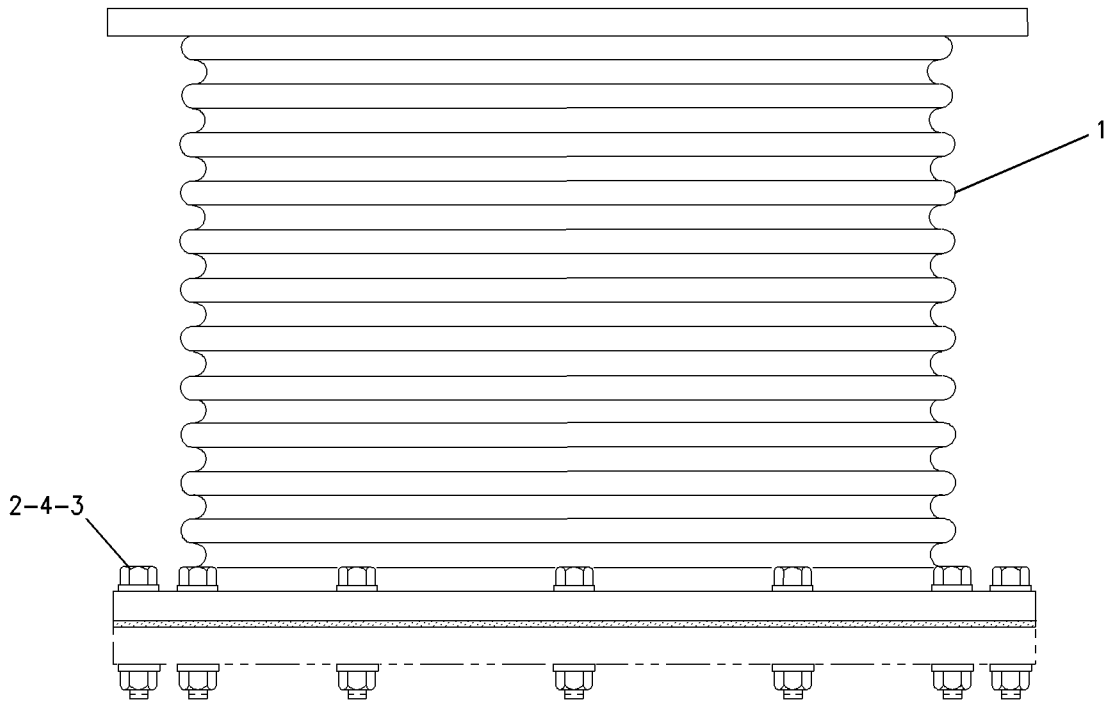
AN ATTACHMENT

SMCS-1061

i02224057

NOTE	REF NO	GRAPHIC REF	PART NUMBER	QTY	PART NAME						SEE PAGE
					1	2	3	4	5	6 (PRODUCT LEVEL)	
C	1	1	<b>207-1331</b>	1	BELLOWS AS						
	2	1	<b>9X-8873</b>	12	BOLT (1/2-13X2.25-IN)						
	3	1	<b>5P-8245</b>	24	WASHER-HARD (13.5X25.5X3-MM THK)						
	4	1	<b>1B-5357</b>	12	NUT-FULL (1/2-13-THD)						

C-CHANGE FROM PREVIOUS TYPE



MOUNTED TO TURBOCHARGER OUTLET

GRAPHIC #1

<END>

g00697221

# AIR INLET AND EXHAUST SYSTEM

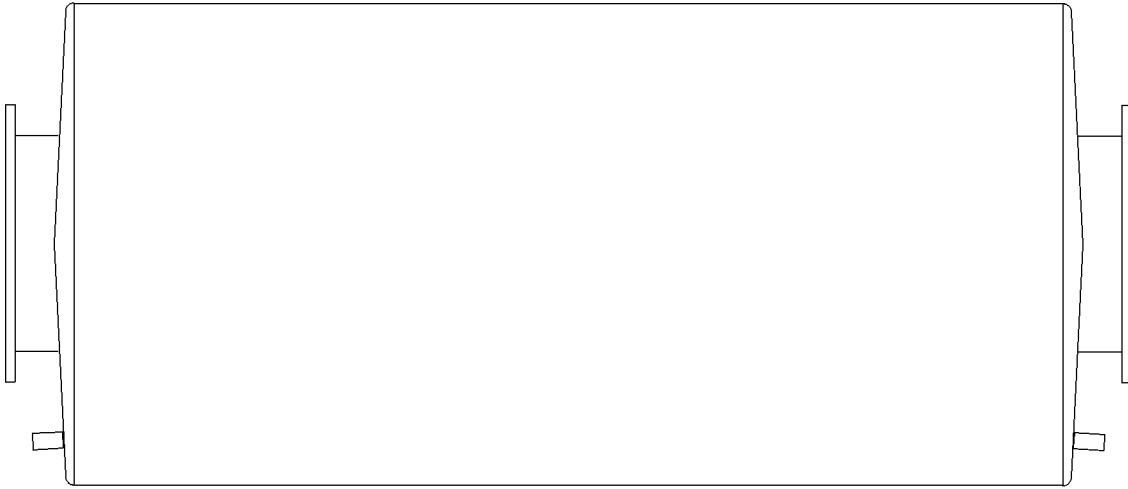
## 110-8066 MUFFLER

S/N: YAT1-UP  
406.4-MM ID, M21  
AN ATTACHMENT

SMCS-1062

i01130476

NOTE	REF NO	GRAPHIC REF	PART NUMBER	QTY	PART NAME						SEE PAGE
					1	2	3	4	5	6 (PRODUCT LEVEL)	
(NO SERVICED PARTS)											



GRAPHIC #1

<END>

g00598057

# AIR INLET AND EXHAUST SYSTEM

## 141-7047 MUFFLER

S/N: YAT1-UP  
304.8-MM ID  
AN ATTACHMENT

SMCS-1062

i01333885

NOTE	REF NO	GRAPHIC REF	PART NUMBER	QTY	PART NAME						SEE PAGE
					1	2	3	4	5	6 (PRODUCT LEVEL)	
(NO SERVICED PARTS)											



GRAPHIC #1

<END>

g00705396

# AIR INLET AND EXHAUST SYSTEM

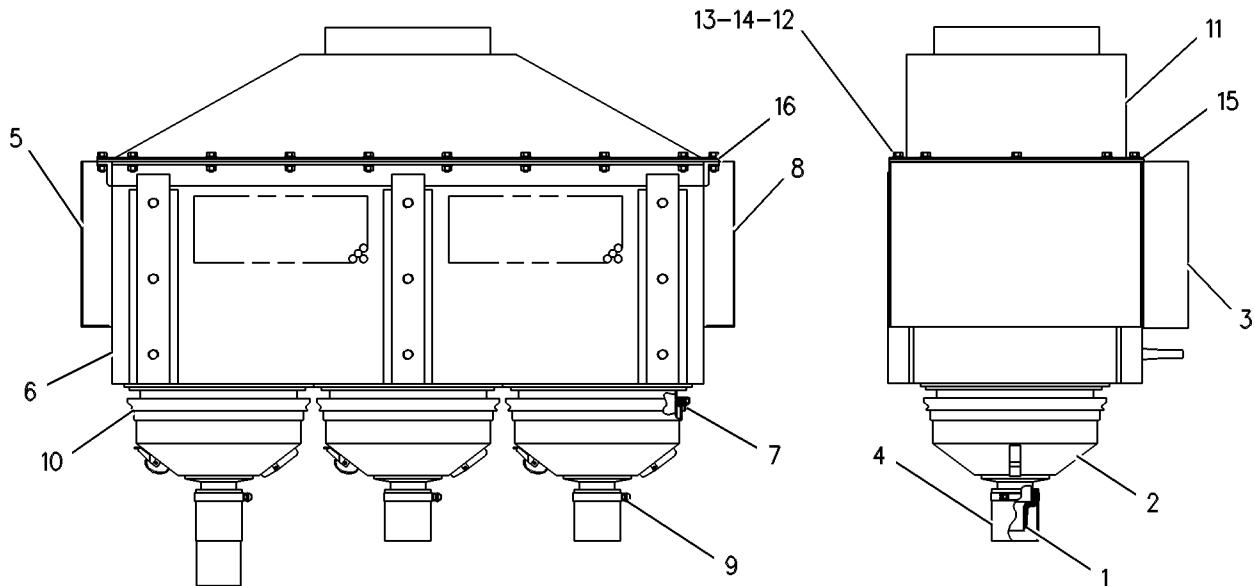
## 120-4491 PRECLEANER GP

S/N: YAT1-UP  
AN ATTACHMENT

SMCS - 1055

i02327538

NOTE	REF NO	GRAPHIC REF	PART NUMBER	QTY	PART NAME						SEE PAGE
					1	2	3	4	5	6 (PRODUCT LEVEL)	
	1	1	1S-5485	3	VALVE-AIR CLEANER DUST						
	2	1	2W-9069	3	CUP AS-PRECLEANER						
	3	1	7E-7379	1	SHIELD						
	4	1	1S-5465	3	GUARD-DUST						
	5	1	7E-7380	1	SHIELD-LH						
	6	1	7E-7376	1	BODY AS						
	7	1	2M-0879	3	SEAL-O-RING						
	8	1	7E-7378	1	SHIELD-RH						
	9	1	9M-7959	3	CLAMP-HOSE						
	10	1	5N-7834	3	CLAMP AS						
	11	1	120-4490	1	ADAPTER AS						
	12	1	8T-2502	22	BOLT (3/8-16X1.125-IN)						
	13	1	8T-4896	44	WASHER-HARD (10.2X18.5X2.5-MM THK)						
	14	1	6V-8801	22	NUT (3/8-16-THD)						
	15	1	7W-9857	2	GASKET						
	16	1	7E-7377	2	GASKET						



FRONT VIEW

RIGHT SIDE VIEW

GRAPHIC #1

<END>

g00248745



# AIR INLET AND EXHAUST SYSTEM

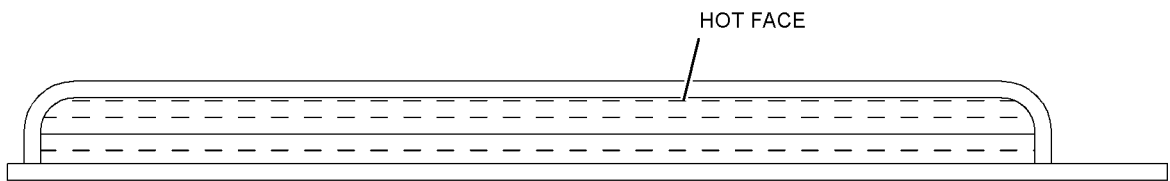
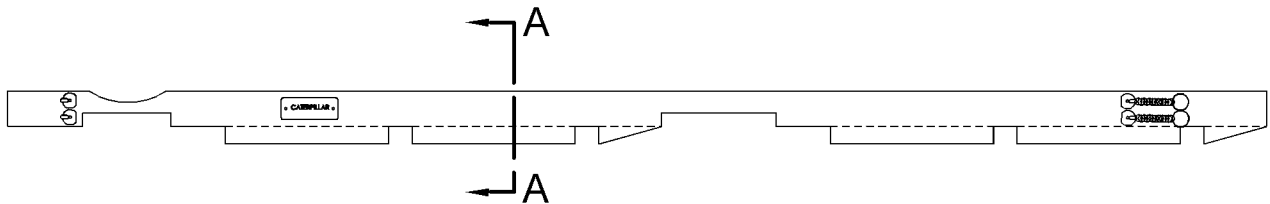
## 237-0598 SHIELD AS-HEAT

S/N: YAT1-UP

SMCS-1067

i02865877

NOTE	REF NO	GRAPHIC REF	PART NUMBER	QTY	PART NAME						SEE PAGE
					1	2	3	4	5	6 (PRODUCT LEVEL)	
(NO SERVICED PARTS)											



SECTION A-A

GRAPHIC #1

<END>

g01428714

# AIR INLET AND EXHAUST SYSTEM

## 113-1324 SHUTOFF GP-AIR

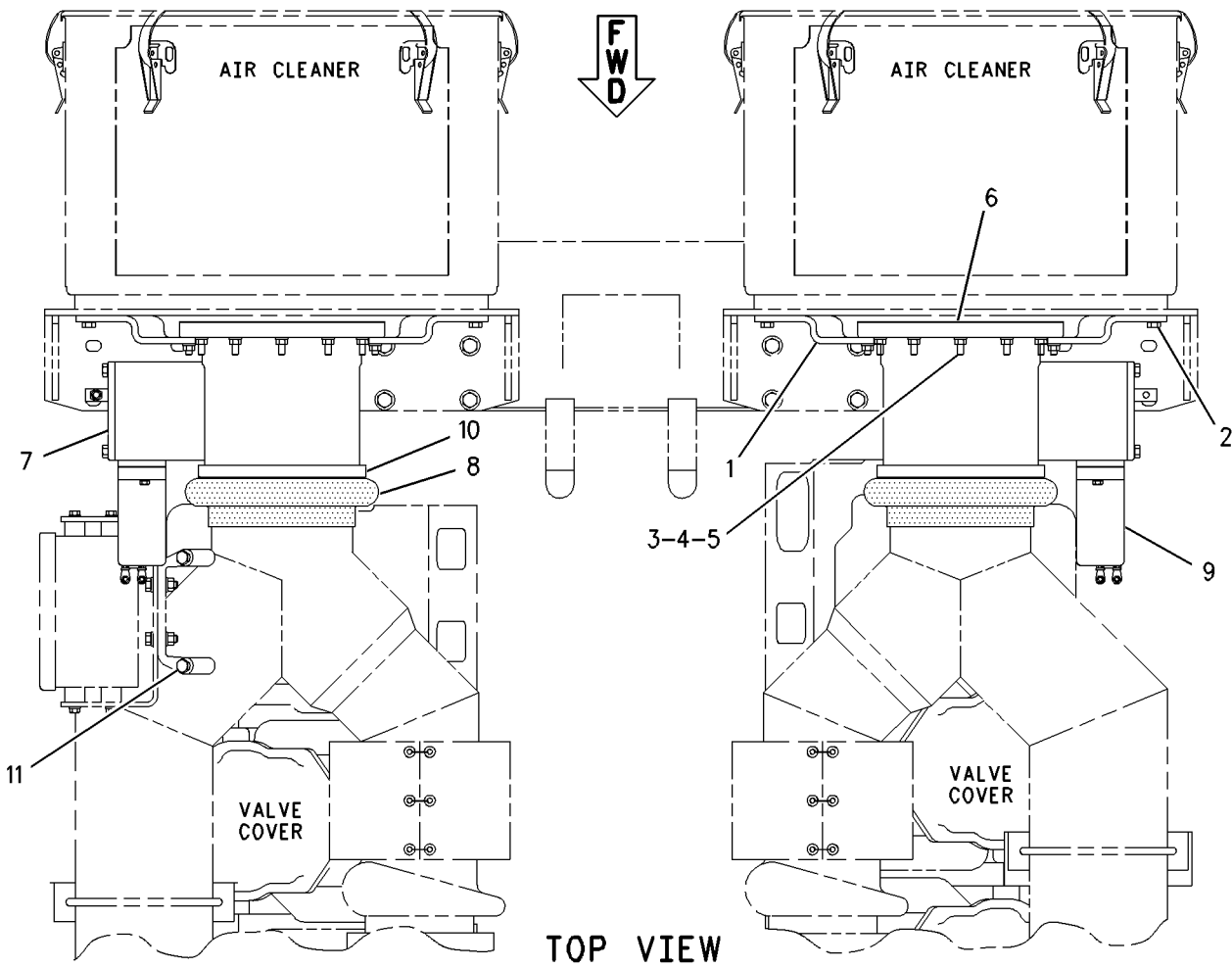
S/N: YAT1-UP  
AN ATTACHMENT

SMCS-1078

i01759490

NOTE	REF NO	GRAPHIC REF	PART NUMBER	QTY	PART NAME						SEE PAGE
					1	2	3	4	5	6 (PRODUCT LEVEL)	
	1	1	113-1329	4	BRACKET						
	2	1	3B-1915	8	BOLT (3/8-16X1.375-IN)						
	3	1	4L-7547	24	STUD-TAPERLOCK (5/16-18X2-IN)						
	4	1	5S-0003	24	NUT (5/16-18-THD)						
	5	1	9M-1974	24	WASHER-HARD (8.8X16X2-MM THK)						
	6	1	113-1323	2	GASKET						
Y	7	1	135-0180	2	SHUTOFF GP-AIR						327
	8	1	7E-8224	2	HOSE-REDUCER						
CY	9	1	141-6747	2	SOLENOID GP-SHUTOFF						668
	10	1	5P-0600	2	CLAMP-HOSE						
	11	1	0T-0055	2	BOLT (3/8-16X4.25-IN)						

C-CHANGE FROM PREVIOUS TYPE  
Y-SEPARATE ILLUSTRATION



TOP VIEW

GRAPHIC #1

<END>

g00900163

# AIR INLET AND EXHAUST SYSTEM

## 135-0180 SHUTOFF GP-AIR

S/N: YAT1-UP

PART OF 113-1324, 208-0823 SHUTOFF GP-AIR  
AN ATTACHMENT

SMCS-1078

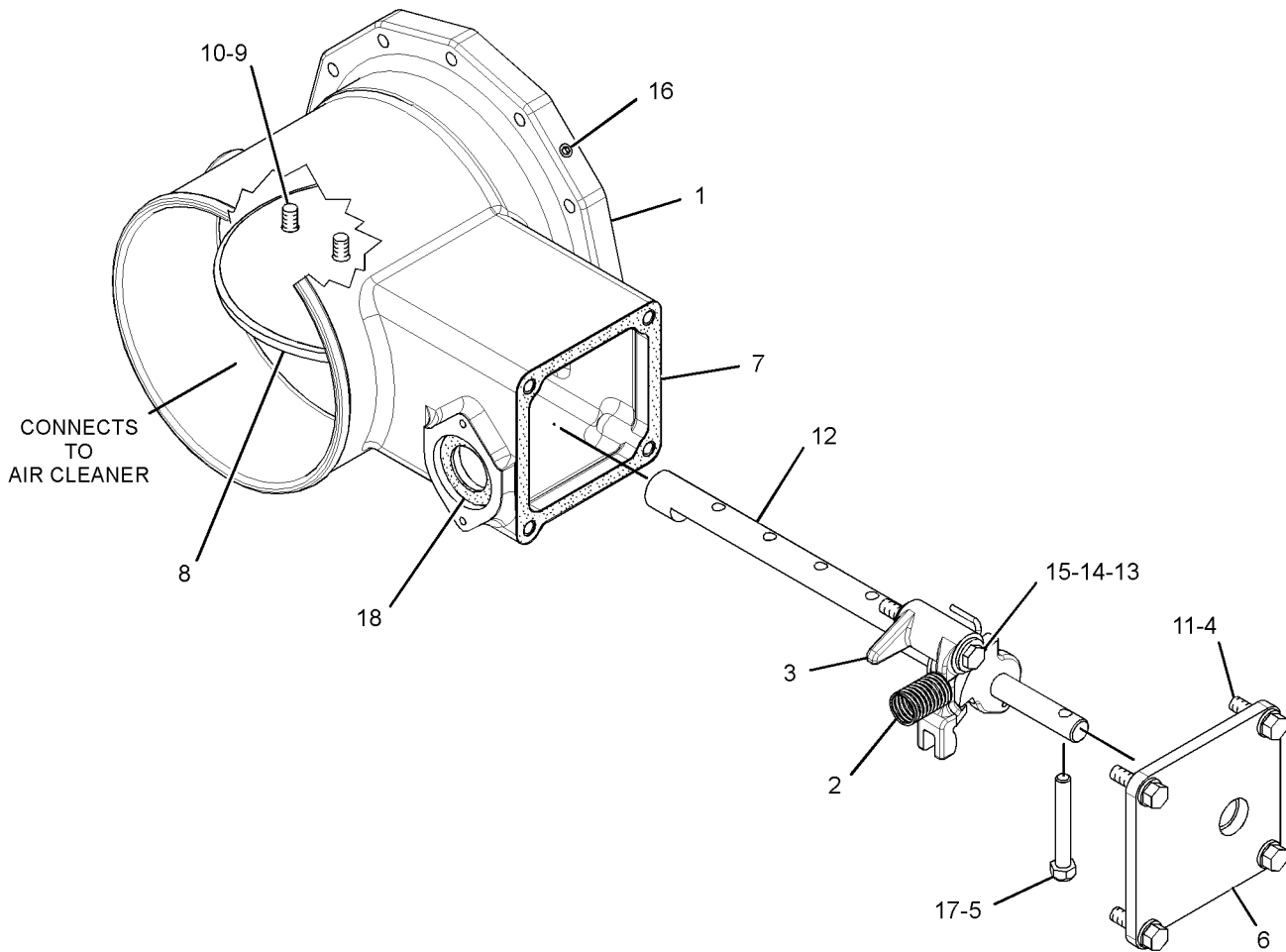
i03292009

NOTE	REF NO	GRAPHIC REF	PART NUMBER	QTY	PART NAME						SEE PAGE
					1	2	3	4	5	6 (PRODUCT LEVEL)	
	1	1	135-0179	1	HOUSING AS						
		1	1W-8975	2	BUSHING-TERMINAL						
		1	3S-8313	1	PLUG-CUP						
		1	9H-0858	1	SEAL-LIP TYPE						
	2	1	4W-7959	1	SPRING						
	3	1	7E-2891	1	LEVER AS						
		1	1W-8974	2	BUSHING-TERMINAL						
	4	1	0S-1588	4	BOLT (3/8-16X1.25-IN)						
	5	1	2K-4973	1	LOCKNUT (3/8-16-THD)						
	6	1	133-9302	1	COVER AS						
		1	5G-0400	1	BEARING						
		1	5P-6859	1	SEAL-LIP TYPE						
	7	1	1W-8393	1	GASKET						
	8	1	2W-4880	1	PLATE AS						
	9	1	0S-1594	4	BOLT (3/8-16X1-IN)						
	10	1	8D-5898	4	SPACER (0.406X0.75X0.312-IN THK)						
	11	1	5M-2894	4	WASHER-HARD (10.2X18.5X2.5-MM THK)						
	12	1	7E-2889	1	SHAFT AS						
		1	1H-9726	1	WASHER (0.656X1.62X0.12-IN)						
		1	6N-0265	1	DOWEL						
		1	4W-1954	1	SPRING						
	13	1	1T-0689	2	WASHER (9.93X22.22X2.54-MM THK)						
	14	1	1W-8378	1	SLEEVE						
	15	1	3H-6624	1	BOLT (3/8-16X3-IN)						
	16	1	8T-6757	4	PLUG-PIPE						
	17	1	5C-6819	1	ROD						
	18	1	129-3021	1	RING						

# AIR INLET AND EXHAUST SYSTEM

135-0180 SHUTOFF GP-AIR (contd.)

i03292009



GRAPHIC #1

<END>

g01690637

# AIR INLET AND EXHAUST SYSTEM

## 208-0823 SHUTOFF GP-AIR

S/N: YAT1-UP

FOR USE WITH POWERCORE AIR CLEANER  
AN ATTACHMENT

SMCS-1078

i02193544

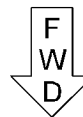
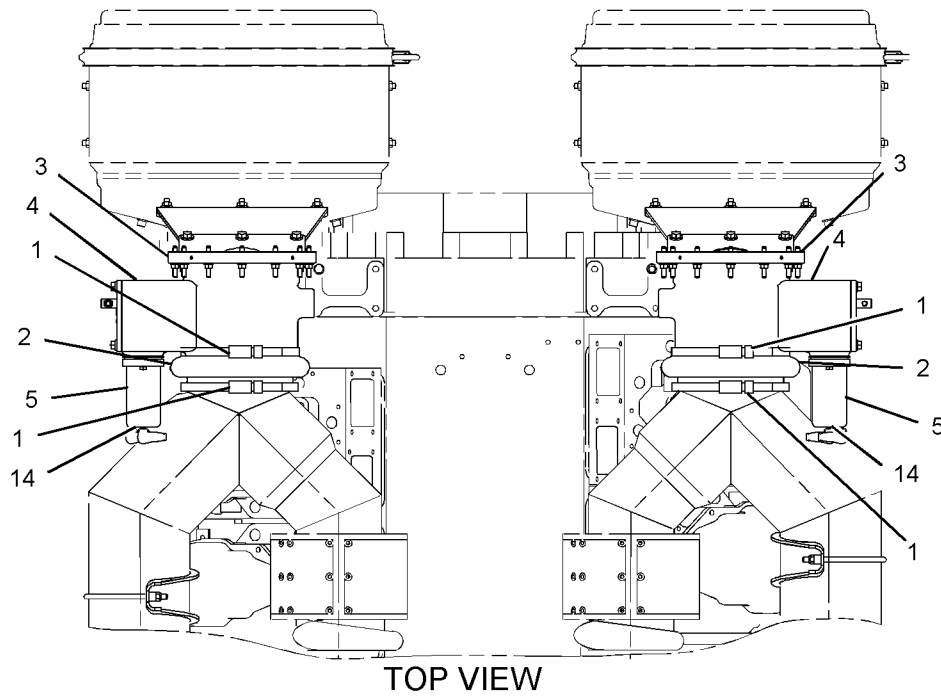
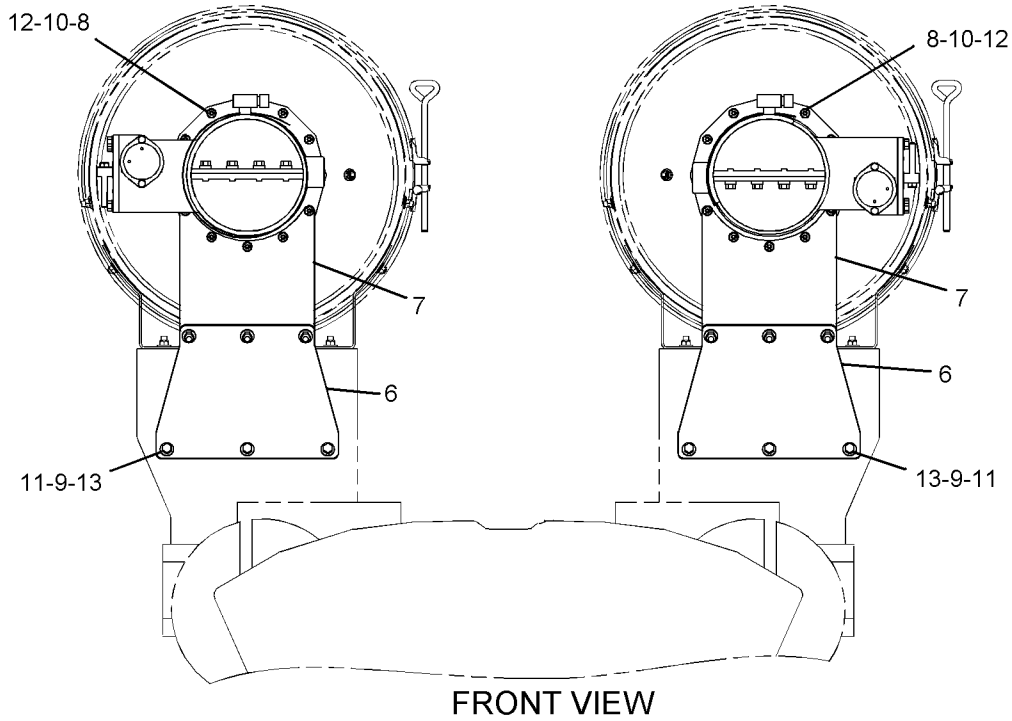
NOTE	REF NO	GRAPHIC REF	PART NUMBER	QTY	PART NAME						SEE PAGE
					1	2	3	4	5	6 (PRODUCT LEVEL)	
	1	1	<b>5P-0600</b>	4	CLAMP-HOSE						
	2	1	<b>7E-8224</b>	2	HOSE-REDUCER						
	3	1	<b>113-1323</b>	2	GASKET						
Y	4	1	<i>135-0180</i>	2	SHUTOFF GP-AIR						327
Y	5	1	<i>141-6747</i>	2	SOLENOID GP-SHUTOFF						668
	6	1	<b>219-2229</b>	2	BRACKET						
	7	1	<b>219-2230</b>	2	BRACKET						
	8	1	<b>4L-7547</b>	24	STUD-TAPERLOCK (5/16-18X2-IN)						
	9	1	<b>5P-1075</b>	24	WASHER-HARD (10.2X22.5X3-MM THK)						
	10	1	<b>6V-8189</b>	24	NUT (5/16-18-THD)						
	11	1	<b>6V-8801</b>	12	NUT (3/8-16-THD)						
	12	1	<b>8T-4224</b>	24	WASHER-HARD (8.8X16X2-MM THK)						
	13	1	<b>9B-7237</b>	12	BOLT (3/8-16X1.25-IN)						
	14	1	<b>220-6141</b>	2	PLUG AS-CONNECTOR						

Y-SEPARATE ILLUSTRATION

# AIR INLET AND EXHAUST SYSTEM

208-0823 SHUTOFF GP-AIR (contd.)

i02193544



GRAPHIC #1

<END>

g01108470

# AIR INLET AND EXHAUST SYSTEM

## 118-0400 TURBOCHARGER GP\*R

S/N: YAT1-UP

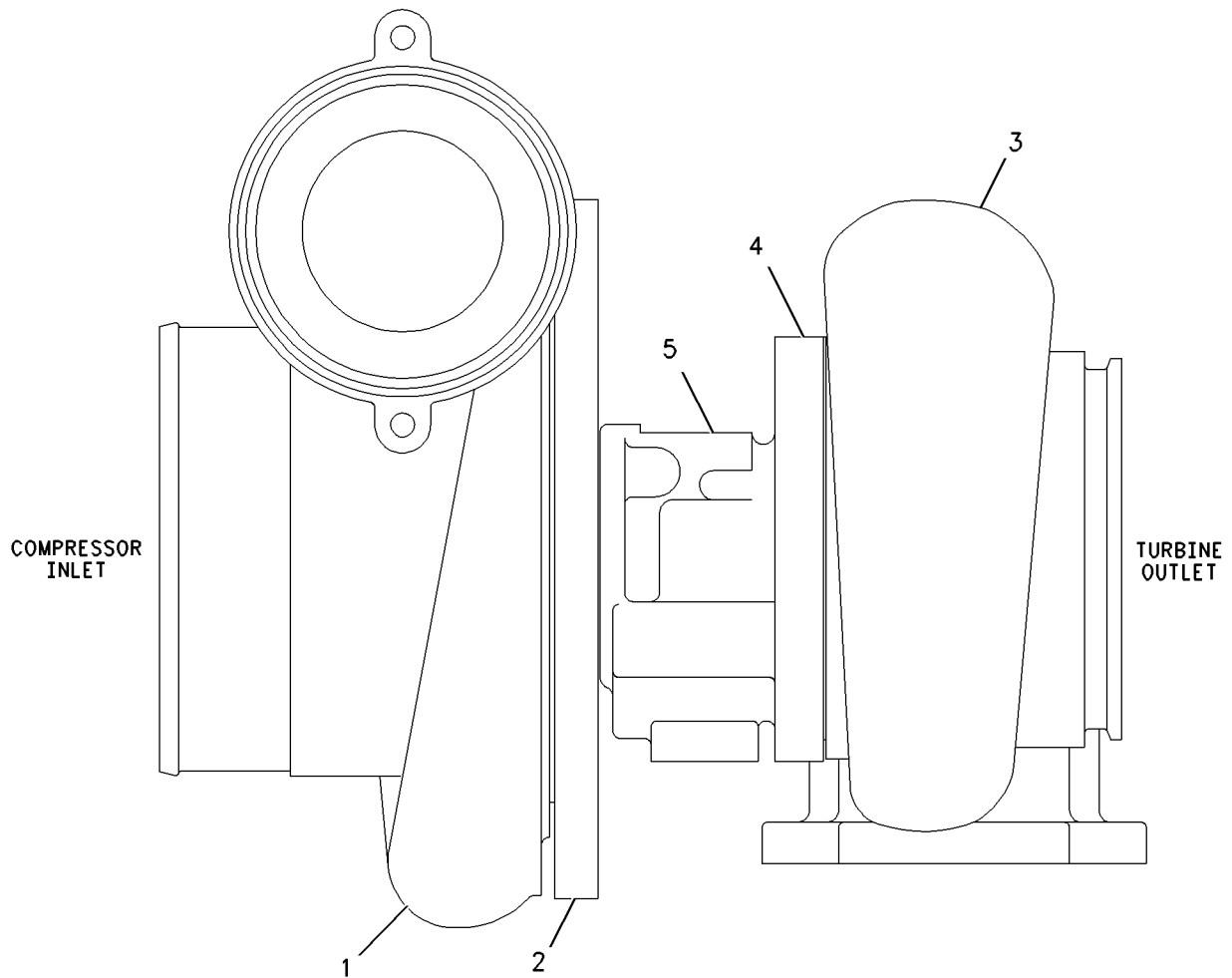
PART OF 118-5464 TURBOCHARGER GP

SMCS-1052, 1053

i03006846

NOTE	REF NO	GRAPHIC REF	PART NUMBER	QTY	PART NAME						SEE PAGE
					1	2	3	4	5	6 (PRODUCT LEVEL)	
	1	1	126-0892	1	COVER-COMPRESSOR						
	2	1	7W-2297	1	CLAMP AS (COMPRESSOR)						
	3	1	106-8934	1	HOUSING-TURBINE						
	4	1	9N-2038	1	CLAMP AS-TURBINE						
C	5	1	289-0372	1	CARTRIDGE GP-TURBOCHARGER						

C-CHANGE FROM PREVIOUS TYPE



GRAPHIC #1

<END>

g00773610

# AIR INLET AND EXHAUST SYSTEM

## 118-5463 TURBOCHARGER GP

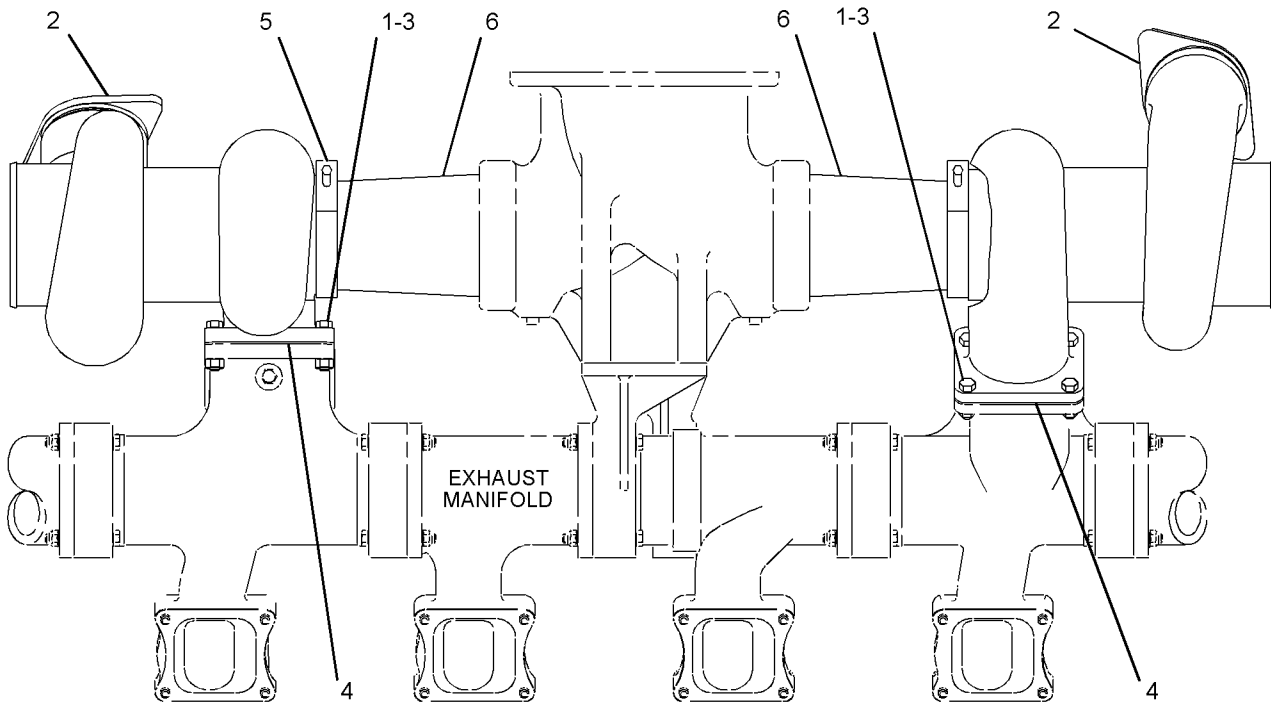
S/N: YAT1-UP

SMCS-1052, 1053

i02106624

NOTE	REF NO	GRAPHIC REF	PART NUMBER	QTY	PART NAME						SEE PAGE
					1	2	3	4	5	6 (PRODUCT LEVEL)	
	1	1	2N-2765	16	BOLT-HIGH TEMPERATURE (3/8-16X1.75-IN)						
CYR	2	1	245-4339	4	TURBOCHARGER GP						334
	3	1	2N-2766	16	LOCKNUT (3/8-16-THD) (HIGH TEMPERATURE)						
	4	1	121-5736	4	GASKET						
	5	1	6L-3005	4	CLAMP-BAND						
					(EACH INCLUDES)						
		1	8T-0122	1	NUT-FULL (1/4-28 THD)						
C	6	1	245-4409	4	COUPLING-ELBOW						

C-CHANGE FROM PREVIOUS TYPE  
R-REMG PART MAY BE AVAILABLE  
Y-SEPARATE ILLUSTRATION



RIGHT SIDE VIEW  
<END>

GRAPHIC #1

g01073730



# AIR INLET AND EXHAUST SYSTEM

## 118-5464 TURBOCHARGER GP

S/N: YAT1-UP

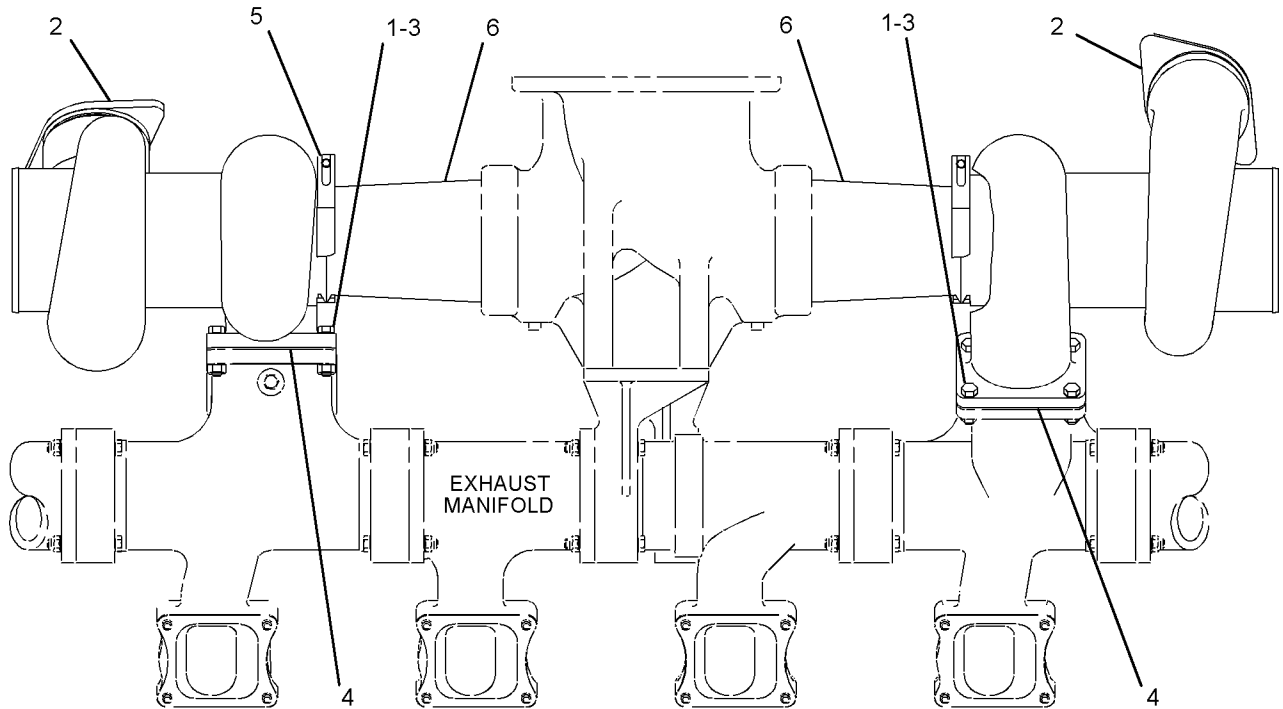
FOR USE WITH CONTINUOUS RATED 50-HZ GENERATOR

SMCS-1052, 1053

i02173088

NOTE	REF NO	GRAPHIC REF	PART NUMBER	QTY	PART NAME						SEE PAGE
					1	2	3	4	5	6 (PRODUCT LEVEL)	
	1	1	2N-2765	16	BOLT-HIGH TEMPERATURE (3/8-16X1.75-IN)						
YR	2	1	118-0400	4	TURBOCHARGER GP						331
	3	1	2N-2766	16	LOCKNUT (3/8-16-THD) (HIGH TEMPERATURE)						
	4	1	121-5736	4	GASKET						
	5	1	6L-3005	4	CLAMP-BAND						
					(EACH INCLUDES)						
		1	8T-0122	1	NUT-FULL (1/4-28-THD)						
	6	1	127-4415	4	COUPLING-ELBOW						

R-REMFG PART MAY BE AVAILABLE  
Y-SEPARATE ILLUSTRATION



RIGHT SIDE VIEW

<END>

GRAPHIC #1

g01101356

# AIR INLET AND EXHAUST SYSTEM

## 245-4339 TURBOCHARGER GP\*R

S/N: YAT1-UP

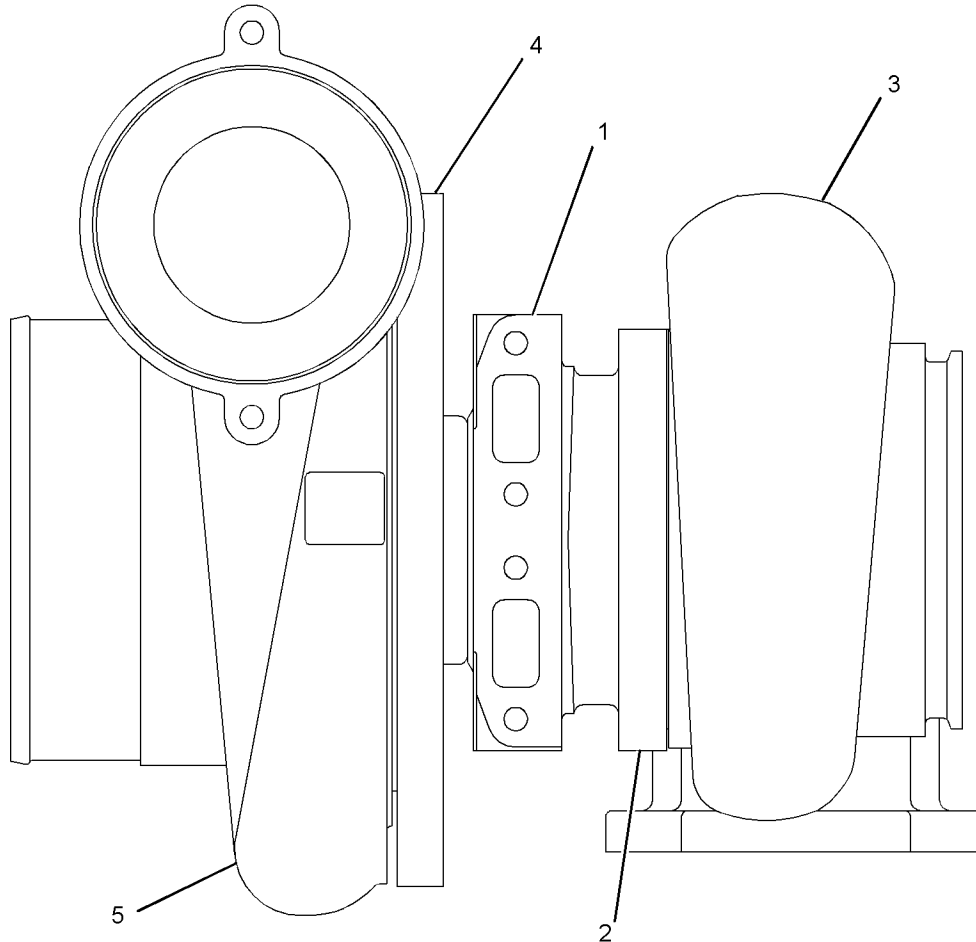
PART OF 118-5463 TURBOCHARGER GP

SMCS-1052, 1053

i02175029

NOTE	REF NO	GRAPHIC REF	PART NUMBER	QTY	PART NAME						SEE PAGE
					1	2	3	4	5	6 (PRODUCT LEVEL)	
R	1	1	246-4718	1	CARTRIDGE GP - TURBOCHARGER						
	2	1	9N-2038	1	CLAMP AS - TURBINE						
	3	1	246-4719	1	HOUSING (TURBINE)						
	4	1	7W-2297	1	CLAMP AS (COMPRESSOR)						
	5	1	207-1350	1	COVER - COMPRESSOR						

R-REMFG PART MAY BE AVAILABLE



GRAPHIC #1

<END>

g01074574

# AIR INLET AND EXHAUST SYSTEM

## 8N-8483 VALVE GP-AIR CONTROL-RH

S/N: YAT1-UP

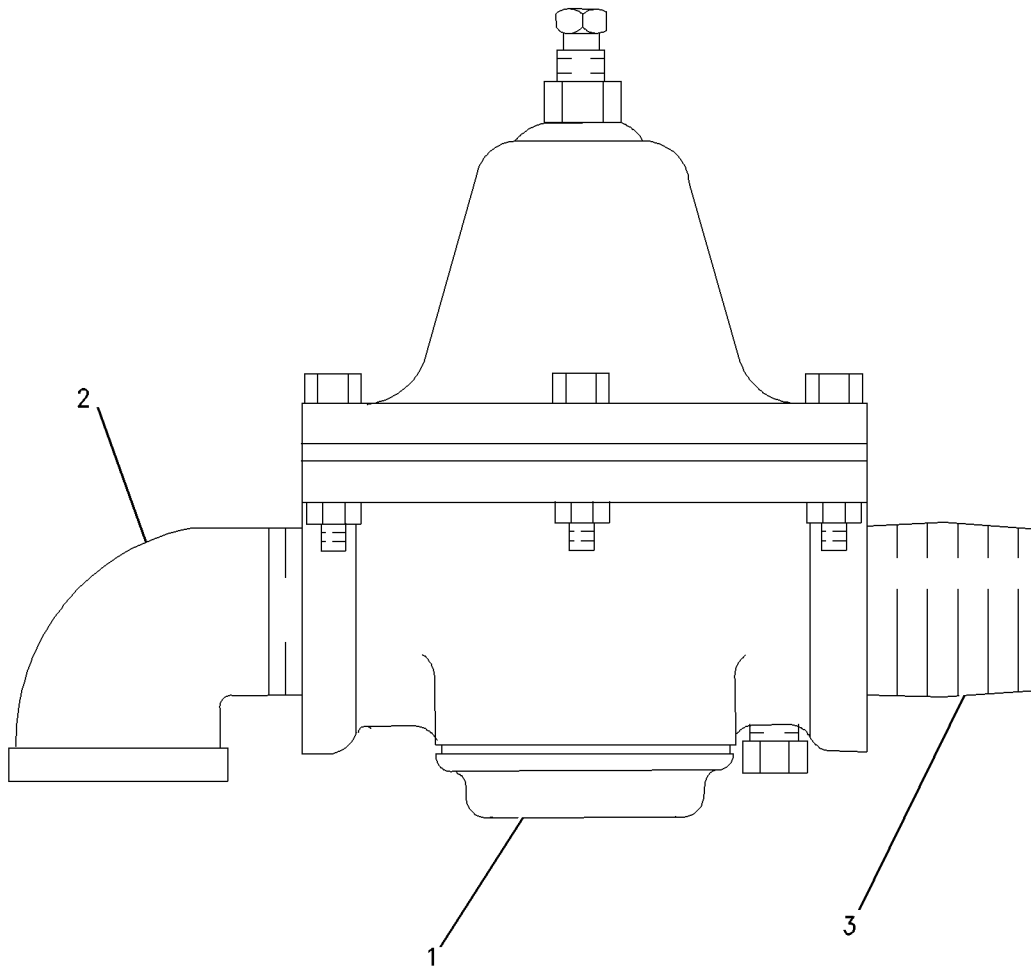
FOR USE WITH AIR START SYSTEM  
AN ATTACHMENT

SMCS-1462

i01192123

NOTE	REF NO	GRAPHIC REF	PART NUMBER	QTY	PART NAME						SEE PAGE
					1	2	3	4	5	6 (PRODUCT LEVEL)	
Y	1	1	1L-2073	1	VALVE GP-PRESSURE REDUCING						730
	2	1	5B-7666	1	ELBOW						
	3	1	3L-8993	1	NIPPLE-CLOSE						

Y-SEPARATE ILLUSTRATION



GRAPHIC #1

<END>

g00637864

# FUEL SYSTEM

## 252-7368 CONTROL GP-FUEL INJECTION

S/N: YAT1-UP  
LOW VOLTAGE  
FOR USE WITH MUI  
AN ATTACHMENT

SMCS-1265, 1298

i03301532

NOTE	REF NO	GRAPHIC REF	PART NUMBER	QTY	PART NAME						SEE PAGE
					1	2	3	4	5	6 (PRODUCT LEVEL)	
	1	1	8C-8514	2	SCREW-MACHINE (8-32X0.375-IN)						
	2	1	8T-2882	1	HANDLE-PULL						
	3	1	9F-8125	2	LOCKWASHER						
	4	2	9X-6772	1	STRAP-CABLE						
	5	2	131-5454	1	CONTROL AS-GOVERNOR						
	6	2	135-6898	2	LATCH AS						
	7	2	156-6175	1	CLIP						
	8	2	169-4481	2	HINGE AS						
	9	2	235-4451	10	BOLT-FLANGE HEAD (M6X1X16-MM)						
	10	1	242-8835	1	DOOR AS						
	11	2	287-7137	1	STRAP AS-GROUND						
		2	2L-8077	2	TERMINAL (14-GA TO 16-GA)						
Y	12	2	244-9639	1	BLOCK AS-TERMINAL						374
	13	2	244-9642	1	HARNESS AS-WIRING (VOLTAGE SENSING)						
		2	7K-1181	1	STRAP-CABLE						
		2	109-3038	5	END-WIRE (16-GA)						
		2	162-4171	3	TERMINAL AS (18-GA TO 20-GA)						
	14	1	244-9643	1	HARNESS AS-WIRING (CURRENT TRANSFORMER)						
		1	155-2271	1	KIT-CONNECTING PLUG (4-PIN) (INCLUDES PLUG AS & WEDGE)						
		1	102-8804	1	KIT-RECEPTACLE (4-PIN) (INCLUDES RECEPTACLE AS & WEDGE)						
		1	186-3735	4	PIN-CONNECTOR (16-GA TO 18-GA)						
		1	186-3736	4	SOCKET-CONNECTOR (16-GA TO 18-GA)						
		1	155-2272	1	PLUG AS-CONNECTOR (4-PIN)						
		1	162-4171	6	TERMINAL AS (18-GA TO 20-GA)						
	15	1	244-9646	1	HARNESS AS-CONTROL (LOAD SHARE)						
		1	7K-1181	2	STRAP-CABLE						
		1	186-3735	13	PIN-CONNECTOR (16-GA TO 18-GA)						
		1	8T-8737	57	PLUG-SEAL						
		1	5P-2321	6	TERMINAL (14-GA TO 16-GA, NO. 6 SCREW)						
		1	2L-8075	1	TERMINAL (14-GA TO 16-GA, NO. 8 SCREW)						
		1	133-8753	1	RECEPTACLE AS-CONNECTOR (70-PIN)						
E		1	134-6258	1	CABLE-ELECTRICAL (16-GA) (74-CM)						
		1	162-4171	6	TERMINAL AS (18-GA TO 20-GA)						
	16	2	245-0074	1	BOX GP-EXTENSION TERMINAL						
D		2	6V-9335		SEAL (2.1-M)						
J		2	244-9631		SEAL (23-DM)						
		2	244-9669	1	BOX AS						
Y	17	2	252-7365	2	TRANSFORMER GP-POTENTIAL						727
	18	1	252-7425	1	HARNESS AS-WIRING (VOLTAGE SENSING)						
		1	2L-8081	3	TERMINAL (14-GA TO 16-GA)						
		1	7K-1181	6	STRAP-CABLE						
		1	109-3038	3	END-WIRE (16-GA)						
	19	2	252-7519	2	STRAP						
M	20	2	6V-4298	6	BOLT (M5X0.8X16-MM)						
	21	2	1D-4533	2	BOLT (1/4-20X2.25-IN)						
	22	2	3B-4504	8	LOCKWASHER						
M	23	2	170-5632	4	BOLT (M4X0.7X16-MM)						
	24	2	4D-3100	4	GROMMET						
M	25	2	5C-2890	13	NUT (M6X1-THD)						
M	27	2	5C-9553	3	BOLT (M6X1X16-MM)						
	28	2	5P-0537	4	WASHER-HARD (7.2X14.5X2-MM THK)						
	30	2	9S-8750	2	NUT-FULL (1/4-20-THD)						

# FUEL SYSTEM

**252-7368 CONTROL GP-FUEL INJECTION (contd.)**

**i03301532**

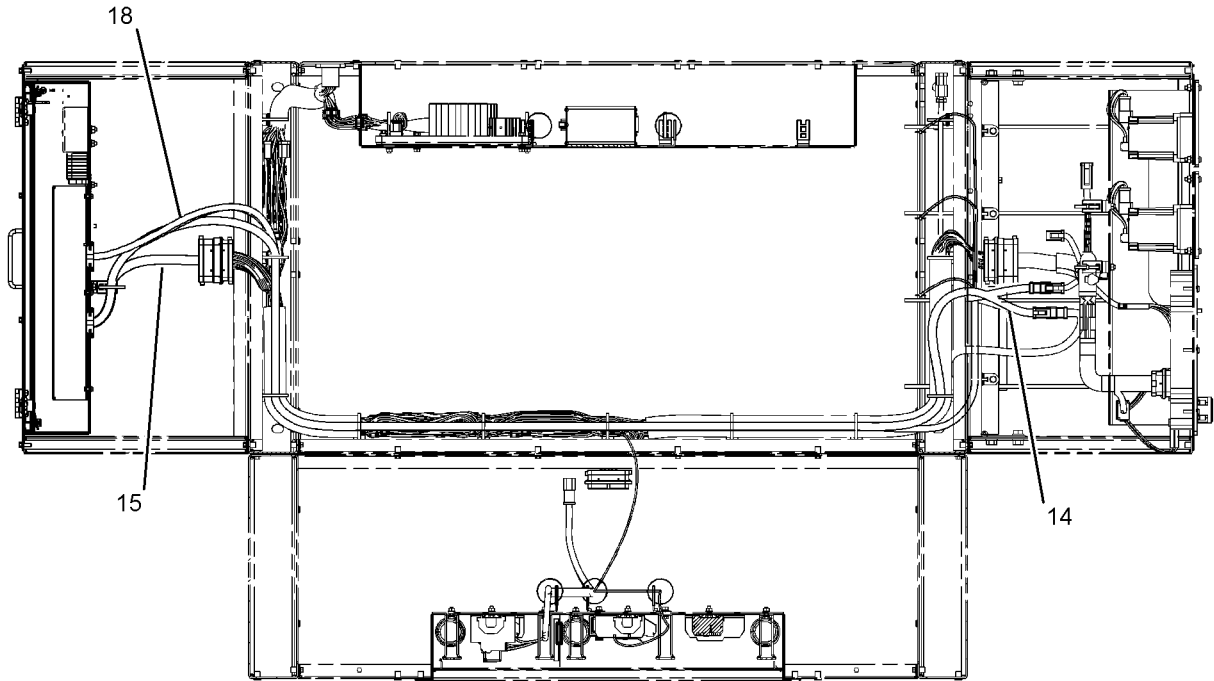
NOTE	REF NO	GRAPHIC REF	PART NUMBER	QTY	PART NAME						SEE PAGE
					1	2	3	4	5	6 (PRODUCT LEVEL)	
	31	2	<b>9X-8256</b>	8	WASHER (6.6X12X2-MM THK)						
	32	1	<b>4B-4274</b>	12	WASHER (5.5X13X1.2-MM THK)						
M	33	1	<b>5C-2874</b>	6	NUT (M5X0.8-THD)						
	34	1	<b>7X-0620</b>	8	WASHER-HARD (5.5X13X1.6-MM THK)						
	35	1	<b>260-6675</b>	4	NUT-SELF LOCKING (M4X0.7-THD)						

D-ORDER BY THE METER  
 E-ORDER BY THE CENTIMETER  
 J-ORDER BY THE DECIMETER  
 M-METRIC PART  
 Y-SEPARATE ILLUSTRATION

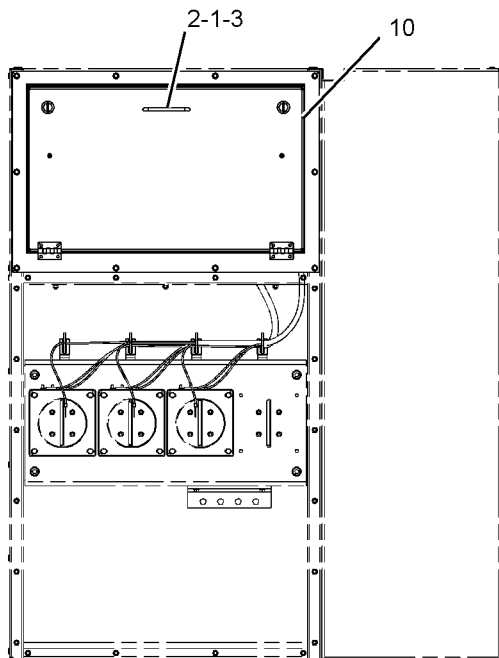
# FUEL SYSTEM

252-7368 CONTROL GP-FUEL INJECTION (contd.)

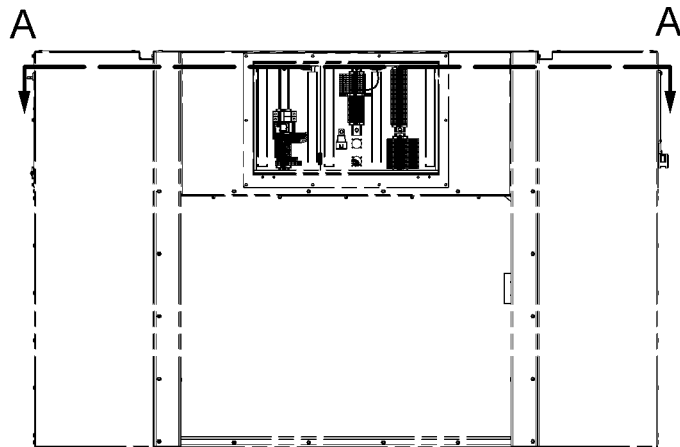
i03301532



SECTION A-A



LEFT SIDE VIEW  
(WITH DOOR)



REAR VIEW

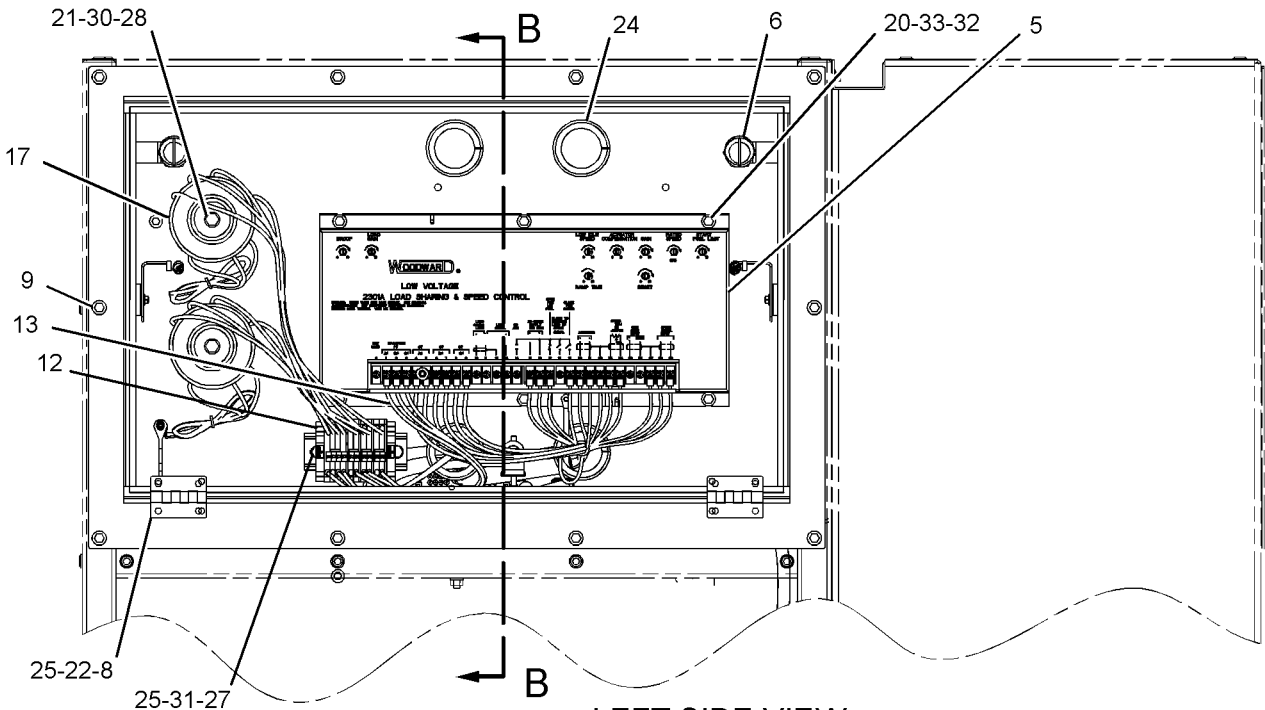
GRAPHIC #1

g01692798

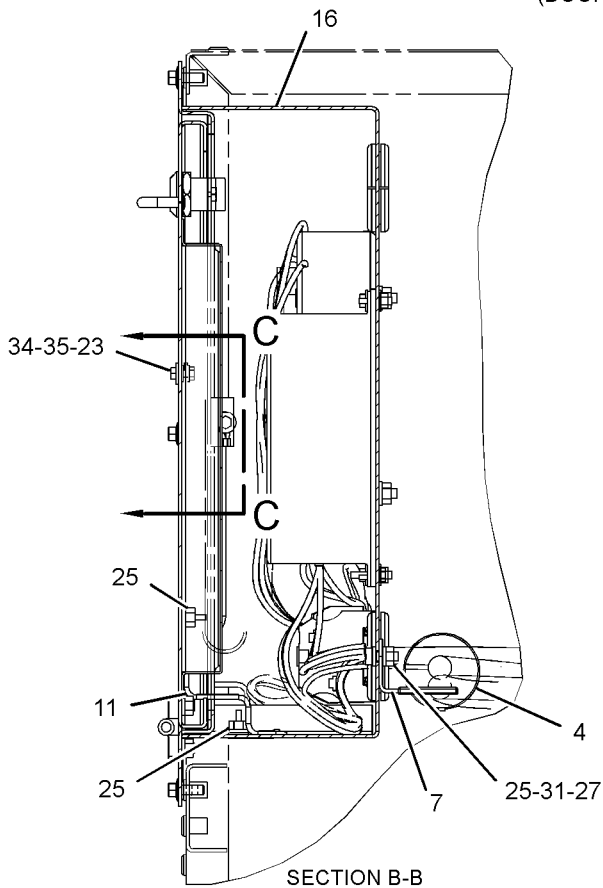
# FUEL SYSTEM

252-7368 CONTROL GP-FUEL INJECTION (contd.)

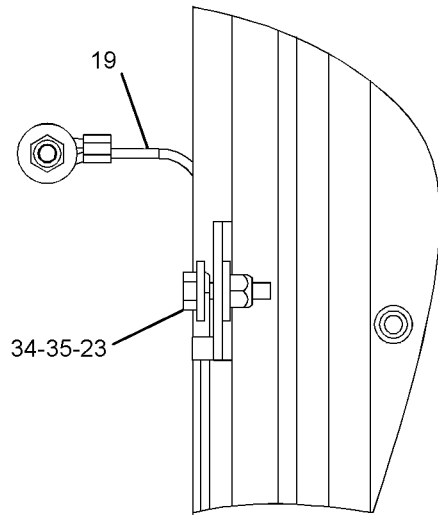
i03301532



LEFT SIDE VIEW  
(DOOR REMOVED)



SECTION B-B



SECTION C-C

GRAPHIC #2

<END>

g01692799

# FUEL SYSTEM

## 246-8665 COOLER GP-FUEL

S/N: YAT1-UP

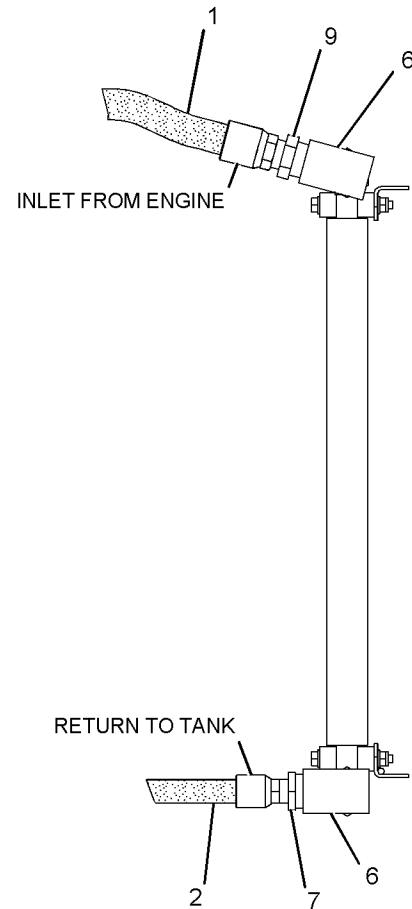
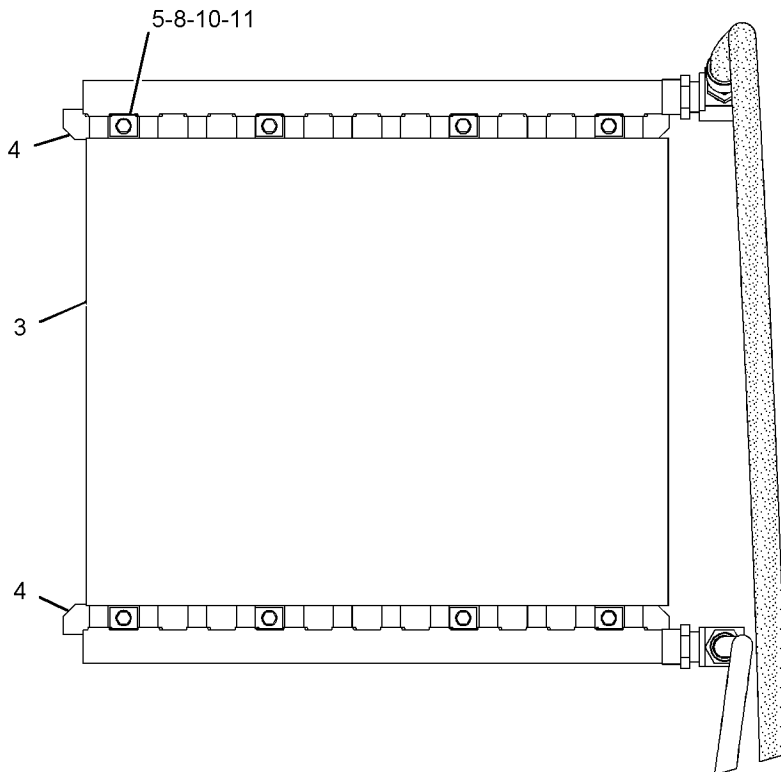
PART OF 235-2315 RADIATOR GP  
AN ATTACHMENT

SMCS-1712

i02179768

NOTE	REF NO	GRAPHIC REF	PART NUMBER	QTY	PART NAME						SEE PAGE
					1	2	3	4	5	6 (PRODUCT LEVEL)	
I	1	1	246-8666	1	HOSE AS						
I	2	1	246-8667	1	HOSE AS						
	3	1	247-1268	1	COOLER-FUEL						
	4	1	247-1269	2	BRACKET-MOUNTING						
	5	1	247-1270	8	BLOCK-MOUNTING						
	6	1	006-5707	2	ELBOW-PIPE						
	7	1	061-9593	1	BUSHING-REDUCER						
M	8	1	131-3540	8	LOCKNUT (M8X1.25 THD)						
	9	1	6B-9081	1	BUSHING-REDUCING						
	10	1	8T-4224	16	WASHER-HARD (8.8X16X2-MM THK)						
M	11	1	8T-6870	8	BOLT (M8X1.25X70-MM)						

I-REFER TO HYDRAULIC INFORMATION SYSTEM  
M-METRIC PART



GRAPHIC #1

<END>

g01103266



# FUEL SYSTEM

## 254-0032 COOLER GP-FUEL

S/N: YAT1-UP

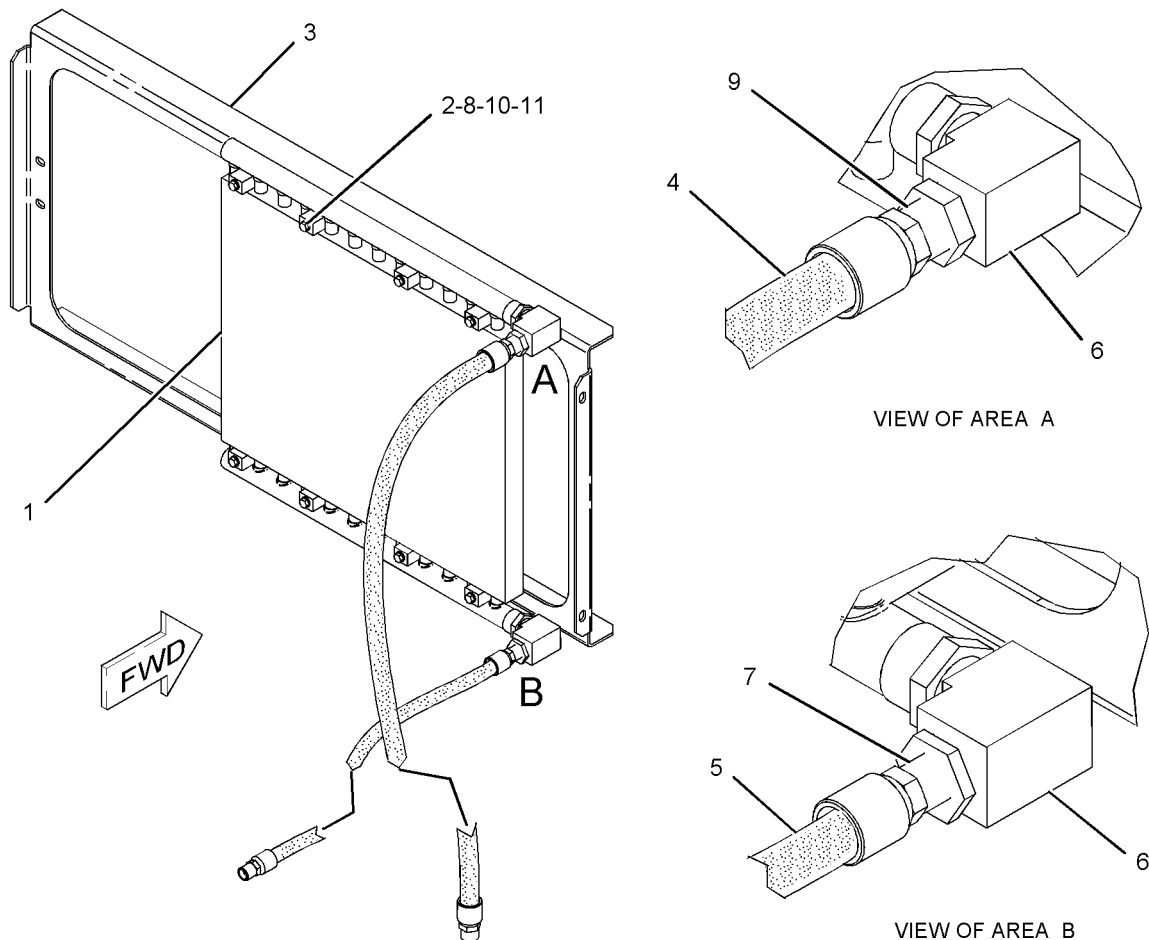
PART OF 252-9877 RADIATOR GP  
AN ATTACHMENT

SMCS-1712

i02219258

NOTE	REF NO	GRAPHIC REF	PART NUMBER	QTY	PART NAME						SEE PAGE
					1	2	3	4	5	6 (PRODUCT LEVEL)	
	1	1	247-1268	1	COOLER-FUEL						
	2	1	247-1270	8	BLOCK-MOUNTING						
	3	1	254-0031	1	BRACKET-MOUNTING						
I	4	1	259-4653	1	HOSE AS						
I	5	1	259-4654	1	HOSE AS						
	6	1	006-5707	2	ELBOW-PIPE						
	7	1	061-9593	1	BUSHING-REDUCER						
M	8	1	131-3540	8	LOCKNUT (M8X1.25 THD)						
	9	1	6B-9081	1	BUSHING-REDUCING						
	10	1	8T-4224	16	WASHER-HARD (8.8X16X2-MM THK)						
M	11	1	8T-6870	8	BOLT (M8X1.25X70-MM)						

I-REFER TO HYDRAULIC INFORMATION SYSTEM  
M-METRIC PART



GRAPHIC #1

<END>

g01123456

# FUEL SYSTEM

## 256-6877 COOLER GP-FUEL

S/N: YAT1-UP

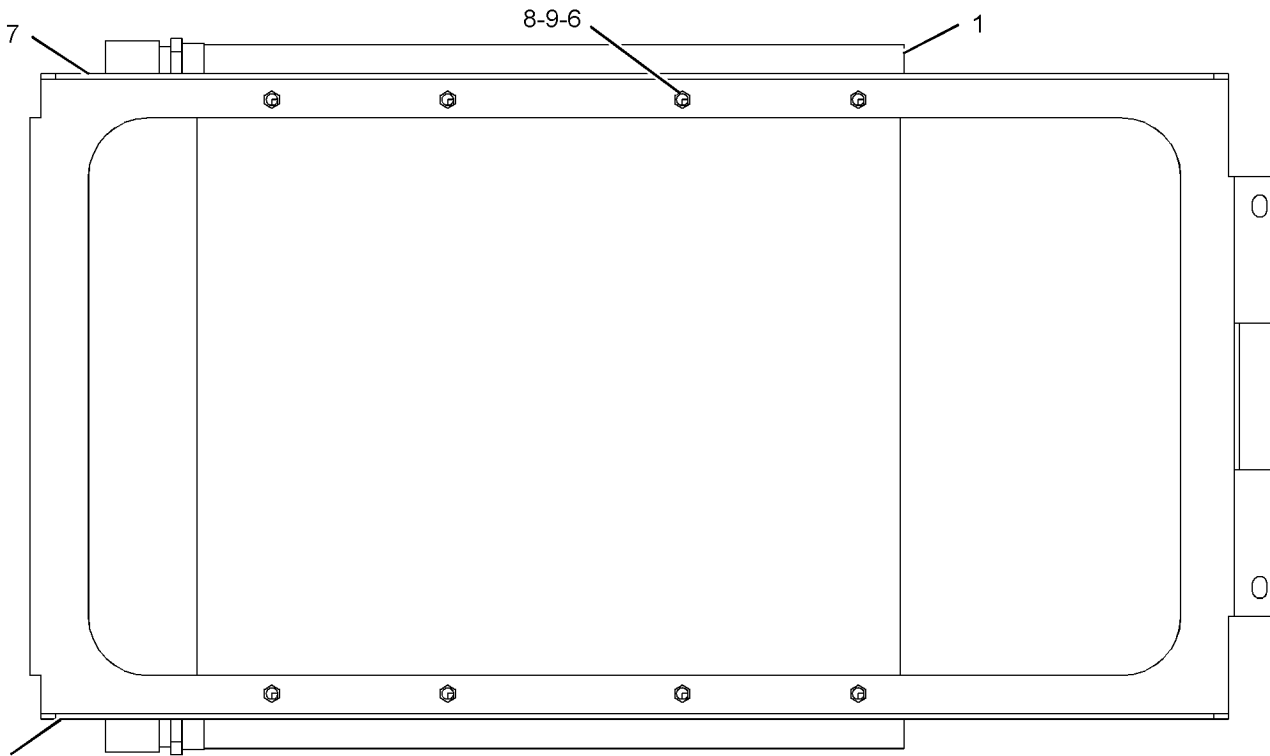
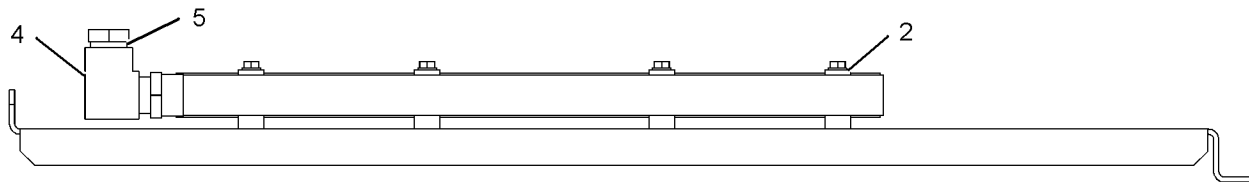
PART OF 256-6852 RADIATOR GP  
AN ATTACHMENT

SMCS-1712

i02300649

NOTE	REF NO	GRAPHIC REF	PART NUMBER	QTY	PART NAME						SEE PAGE
					1	2	3	4	5	6 (PRODUCT LEVEL)	
	1	1	247-1268	1	COOLER-FUEL						
	2	1	247-1270	8	BLOCK-MOUNTING						
	3	1	256-6878	1	BRACKET						
	4	1	006-5707	2	ELBOW-PIPE						
	5	1	061-9593	1	BUSHING-REDUCER						
M	6	1	131-3540	8	LOCKNUT (M8X1.25 THD)						
	7	1	6B-9081	1	BUSHING-REDUCING						
	8	1	8T-4224	16	WASHER-HARD (8.8X16X2-MM THK)						
M	9	1	8T-6870	8	BOLT (M8X1.25X70-MM)						

M-METRIC PART



3  
GRAPHIC #1

<END>

g01156687

# FUEL SYSTEM

## 274-9354 COOLER GP-FUEL

S/N: YAT1-UP

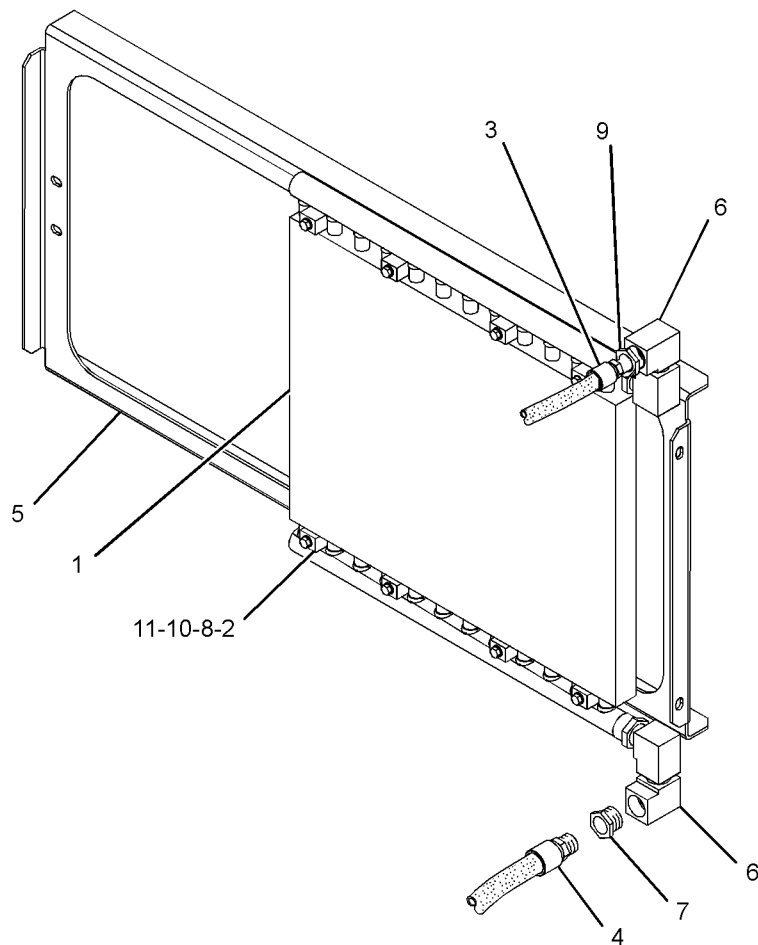
PART OF 273-3811 RADIATOR GP  
FOR USE WITH STACK 60-RADIATOR  
AN ATTACHMENT

SMCS-1712

i02402734

NOTE	REF NO	GRAPHIC REF	PART NUMBER	QTY	PART NAME						SEE PAGE
					1	2	3	4	5	6 (PRODUCT LEVEL)	
	1	1	247-1268	1	COOLER-FUEL						
	2	1	247-1270	8	BLOCK-MOUNTING						
I	3	1	259-4653	1	HOSE AS						
I	4	1	259-4654	1	HOSE AS						
	5	1	274-9355	1	BRACKET-MOUNTING						
	6	1	006-5707	4	ELBOW-PIPE						
	7	1	061-9593	1	BUSHING-REDUCER						
M	8	1	131-3540	8	LOCKNUT (M8X1.25-THD)						
	9	1	6B-9081	1	BUSHING-REDUCING						
	10	1	8T-4224	16	WASHER-HARD (8.8X16X2-MM THK)						
M	11	1	8T-6870	8	BOLT (M8X1.25X70-MM)						

I-REFER TO HYDRAULIC INFORMATION SYSTEM  
M-METRIC PART



GRAPHIC #1

<END>

g01241890

# FUEL SYSTEM

## 7W-9741 FILTER GP-FUEL-RH

S/N: YAT1-UP

SMCS-1261

i03357183

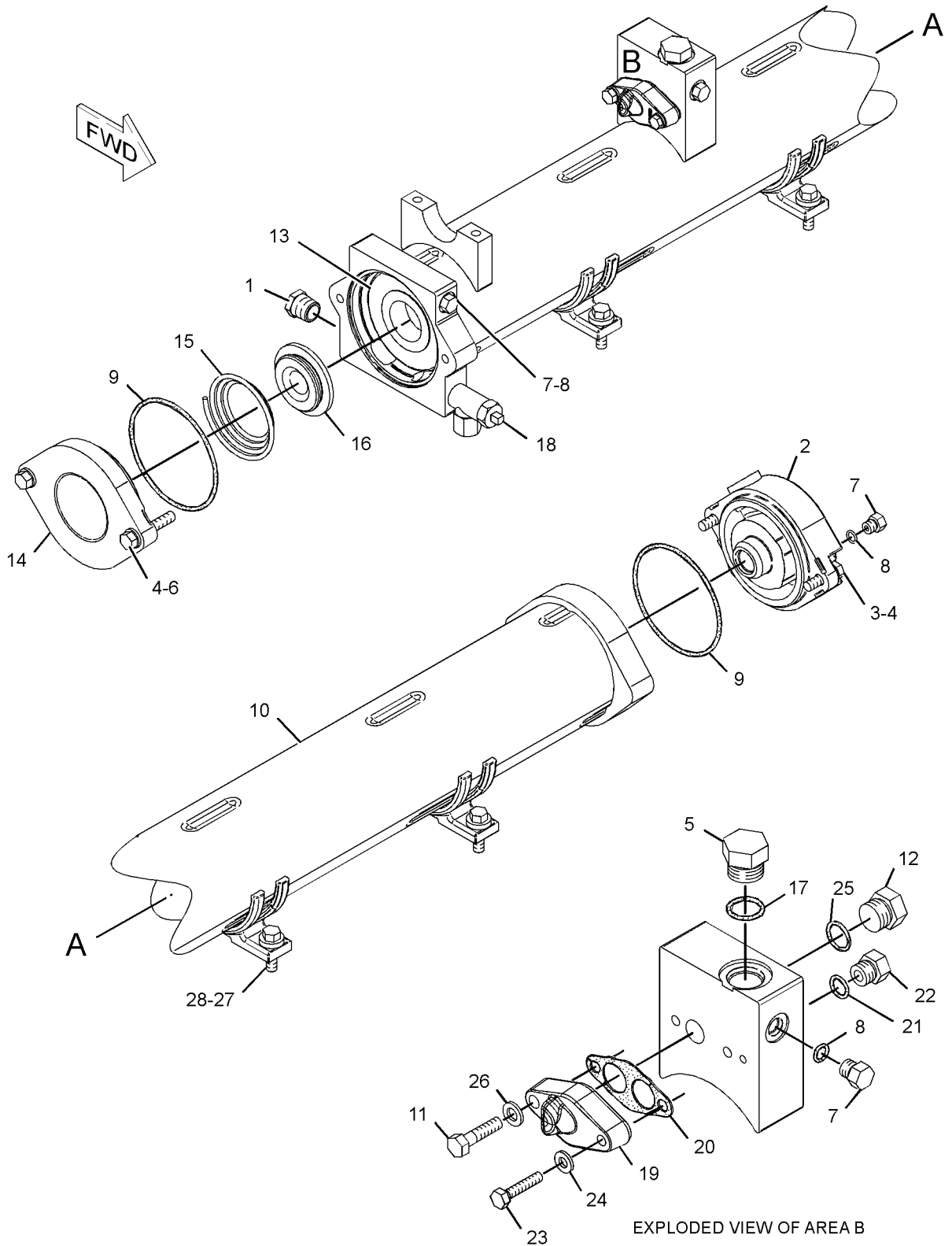
NOTE	REF NO	GRAPHIC REF	PART NUMBER	QTY	PART NAME						SEE PAGE
					1	2	3	4	5	6 (PRODUCT LEVEL)	
	1	1	<b>8T-6766</b>	1	PLUG-PIPE						
	2	1	<b>267-9689</b>	1	COVER-FILTER HOUSING						
	3	1	<b>0S-1588</b>	2	BOLT (3/8-16X1.25-IN)						
	4	1	<b>5M-2894</b>	4	WASHER-HARD (10.2X18.5X2.5-MM THK)						
	5	1	<b>9S-4190</b>	1	PLUG-O-RING						
C	6	1	<b>7F-0192</b>	2	BOLT (3/8-16X2-IN)						
	7	1	<b>9S-4182</b>	5	PLUG-O-RING						
	8	1	<b>6V-5048</b>	5	SEAL-O-RING						
	9	1	<b>5D-5957</b>	2	SEAL-O-RING						
	10	1	<b>278-1776</b>	1	HOUSING AS-FUEL FILTER						
C	11	1	<b>1B-7182</b>	1	BOLT (5/16-18X1.25-IN)						
	12	1	<b>9S-4185</b>	1	PLUG-O-RING						
	13	1	<b>1R-0756</b>	5	FILTER ELEMENT-FUEL (ADVANCED EFFICIENCY)						
	14	1	<b>2W-9300</b>	1	COVER-FILTER HOUSING						
	15	1	<b>1N-2895</b>	1	SPRING						
	16	1	<b>6I-3754</b>	1	RETAINER-FILTER						
	17	1	<b>6V-4589</b>	1	SEAL-O-RING						
	18	1	<b>2S-5100</b>	1	VALVE AS-MANUAL						
	19	1	<b>6N-4414</b>	1	COVER-FILTER BASE						
	20	1	<b>9Y-8389</b>	1	GASKET (FUEL FILTER)						
	21	1	<b>6V-5049</b>	1	SEAL-O-RING						
	22	1	<b>9S-4191</b>	1	PLUG-O-RING						
	23	1	<b>7B-2742</b>	1	BOLT (1/4-20X1.25-IN)						
	24	1	<b>5P-0537</b>	1	WASHER-HARD (7.2X14.5X2-MM THK)						
	25	1	<b>8L-2786</b>	1	SEAL-O-RING						
	26	1	<b>9M-1974</b>	1	WASHER-HARD (8.8X16X2-MM THK)						
C	27	1	<b>3B-1915</b>	8	BOLT (3/8-16X1.375-IN)						
	28	1	<b>8M-9024</b>	8	WASHER-HARD (10.2X22.5X5-MM THK)						

C-CHANGE FROM PREVIOUS TYPE

# FUEL SYSTEM

7W-9741 FILTER GP-FUEL (contd.)

i03357183



GRAPHIC #1

<END>

g01228338

# FUEL SYSTEM

## 241-2738 FILTER GP-FUEL

S/N: YAT1-UP

FOR USE WITH SERIES II FUEL INJECTION LINES GP  
AN ATTACHMENT

SMCS-1261

i03246408

NOTE	REF NO	GRAPHIC REF	PART NUMBER	QTY	PART NAME						SEE PAGE
					1	2	3	4	5	6 (PRODUCT LEVEL)	
	1	1	1N-2895	2	SPRING						
	2	1	1R-0756	7	FILTER ELEMENT-FUEL (ADVANCED EFFICIENCY)						
	3	1	2S-5100	2	VALVE AS-MANUAL (FUEL DRAIN)						
	4	1	2W-6286	1	VALVE AS-CONTROL (DUPLEX FUEL FILTER)						
		1	266-2259	1	HANDLE AS						
	5	1	2W-6287	2	VALVE AS-CHECK (FUEL)						
	6	1	267-9689	1	COVER-FILTER HOUSING						
	7	1	2W-6289	1	TUBE AS						
	8	1	2W-6290	1	TUBE AS						
	9	1	2W-6667	1	TUBE AS						
	10	1	2W-6672	1	VALVE AS-TOGGLE (FUEL)						
	11	1	2W-9300	2	COVER-FILTER HOUSING						
	12	1	4W-4444	1	ADAPTER-VALVE						
	13	1	6I-3754	2	RETAINER-FILTER						
	15	1	6N-4414	1	COVER-FILTER BASE						
	16	1	7F-0192	2	BOLT (3/8-16X2-IN)						
I	17	1	9G-2653	1	HOSE AS						
	18	1	9Y-8389	1	GASKET (FUEL FILTER)						
	19	1	121-0474	1	TUBE AS						
	20	1	121-0476	1	TUBE AS						
	21	1	278-1774	1	HOUSING AS-FUEL FILTER						
	22	1	278-1775	1	HOUSING AS-FUEL FILTER (AUXILIARY)						
	23	1	003-8581	1	TEE-UNION						
	24	1	030-7946	1	ELBOW						
	25	1	250-1498	4	ELBOW AS						
					(EACH INCLUDES)						
		1	6V-4589	1	SEAL-O-RING						
		1	250-1497	1	ELBOW						
	26	1	061-8639	4	SEAL-O-RING						
	27	1	0S-1588	4	BOLT (3/8-16X1.25-IN)						
	28	1	0S-1591	2	BOLT (3/8-16X1.5-IN)						
	29	1	0S-1594	2	BOLT (3/8-16X1-IN)						
	30	1	1B-7182	1	BOLT (5/16-18X1.25-IN)						
	31	1	1P-3861	1	CONNECTOR						
	32	1	3B-1915	10	BOLT (3/8-16X1.375-IN)						
	33	1	5D-5957	4	SEAL-O-RING						
	34	1	5M-2894	10	WASHER-HARD (10.2X18.5X2.5-MM THK)						
	35	1	5P-0537	1	WASHER-HARD (7.2X14.5X2-MM THK)						
	36	1	5P-8228	2	REDUCER-FLARED						
	37	1	6M-7476	1	ELBOW						
	38	1	6V-4589	4	SEAL-O-RING						
	39	1	6V-5048	9	SEAL-O-RING						
	40	1	6V-5049	1	SEAL-O-RING						
	41	1	7B-2742	1	BOLT (1/4-20X1.25-IN)						
	42	1	7D-4903	2	ADAPTER						
	43	1	8L-2786	1	SEAL-O-RING						
	44	1	8L-6557	1	CONNECTOR						
	45	1	8M-9024	8	WASHER-HARD (10.2X22.5X5-MM THK)						
	46	1	8T-6766	2	PLUG-PIPE						
	47	1	9M-1974	1	WASHER-HARD (8.8X16X2-MM THK)						
	48	1	9S-4182	7	PLUG-O-RING						
	49	1	9S-4185	1	PLUG-O-RING						
	50	1	9S-4190	1	PLUG-O-RING						
	51	1	9S-4191	1	PLUG-O-RING						
	52	1	9S-7381	4	BOLT-SOCKET HEAD (5/16-18X2-IN)						

# FUEL SYSTEM

241-2738 FILTER GP-FUEL (contd.)

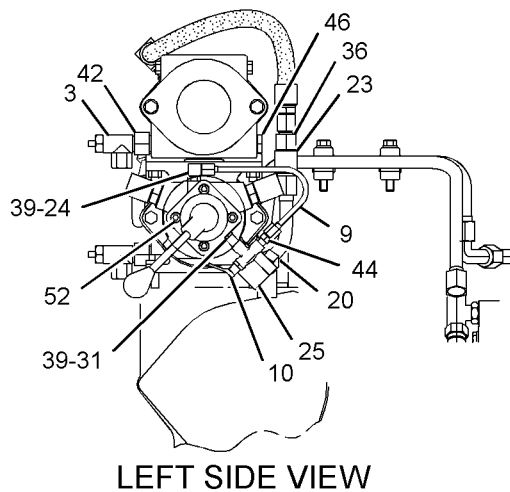
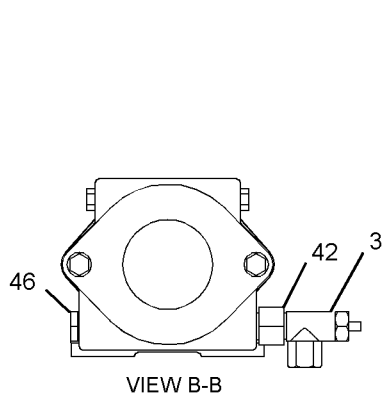
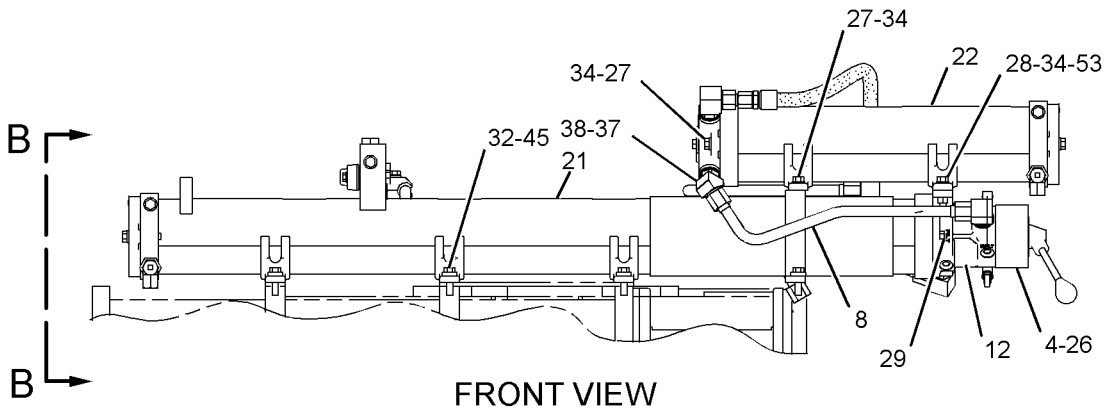
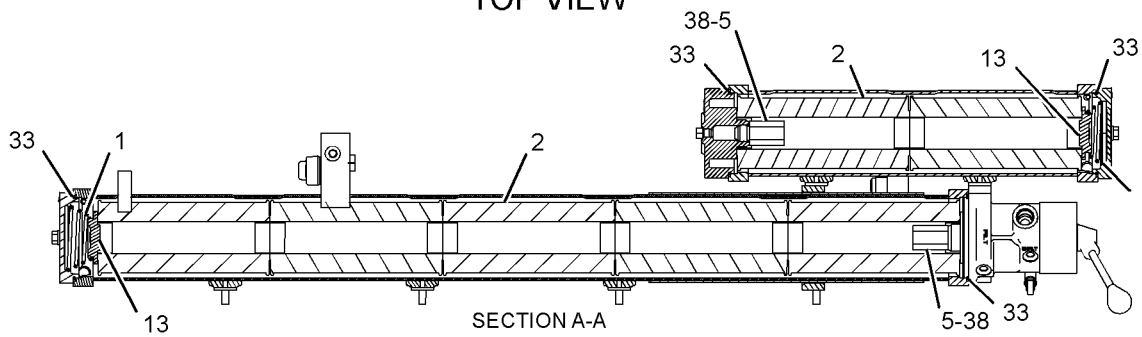
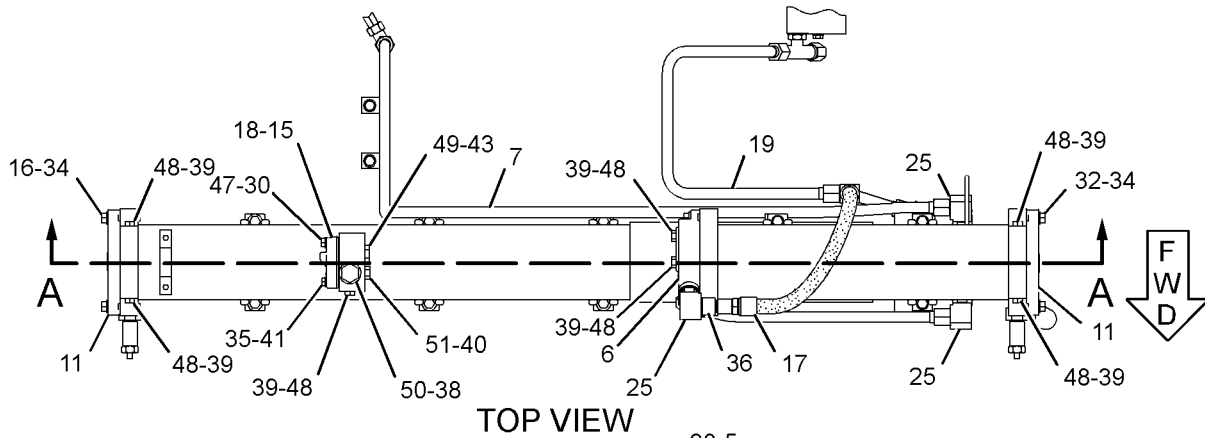
i03246408

NOTE	REF NO	GRAPHIC REF	PART NUMBER	QTY	PART NAME						SEE PAGE
					1	2	3	4	5	6 (PRODUCT LEVEL)	
	53	1	9S-8752	2	NUT-FULL (3/8-16-THD)						
I-REFER TO HYDRAULIC INFORMATION SYSTEM											

# FUEL SYSTEM

241-2738 FILTER GP-FUEL (contd.)

i03246408



GRAPHIC #1

<END>

g01324199



# FUEL SYSTEM

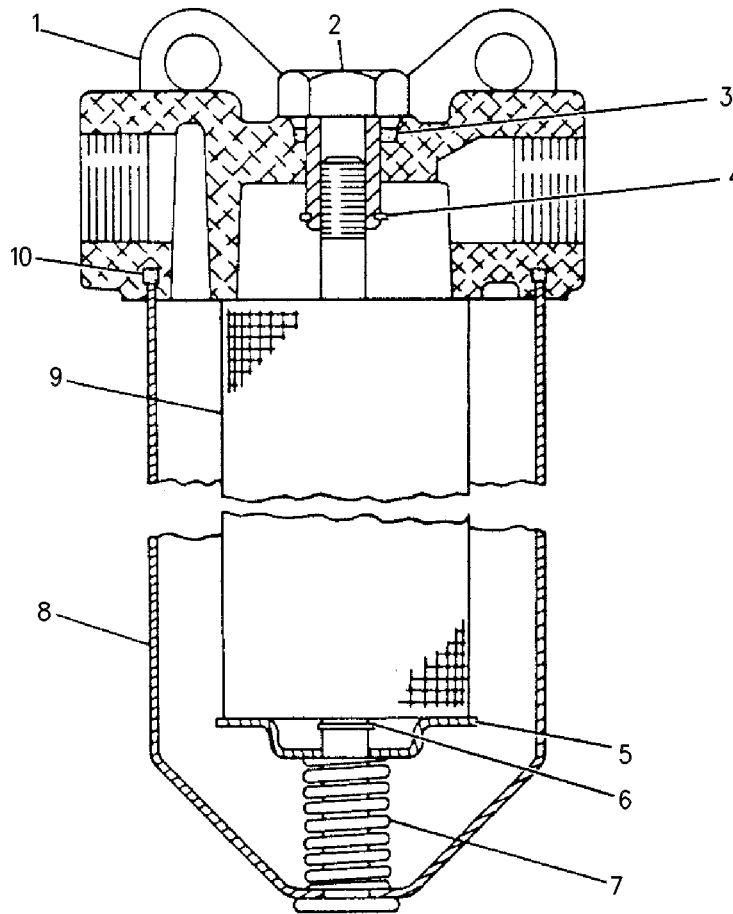
## 8N-6435 FILTER GP-PRIMARY FUEL

S/N: YAT1-UP  
AN ATTACHMENT

SMCS-1260, 1261

i02205253

NOTE	REF NO	GRAPHIC REF	PART NUMBER	QTY	PART NAME						SEE PAGE
					1	2	3	4	5	6 (PRODUCT LEVEL)	
	1	1	1W-0531	1	BASE-PRIMARY FUEL FILTER						
	2	1	7N-1628	1	NUT (3/8-24-THD)						
	3	1	2J-0157	1	SEAL-O-RING						
	4	1	1L-3769	1	RING-RETAINING						
	5	1	7H-9678	1	RETAINER-ELEMENT						
	6	1	2H-3429	1	RING-RETAINING						
	7	1	7S-9323	1	SPRING						
	8	1	8H-7202	1	CASE AS-FUEL FILTER						
	9	1	9M-2342	1	FILTER ELEMENT-FUEL (PRIMARY)						
	10	1	8H-2778	1	SEAL-RING (FUEL FILTER)						



GRAPHIC #1

<END>

g00625270

# FUEL SYSTEM

## 5N-2438 LINES GP-FLEXIBLE FUEL

S/N: YAT1-UP  
AN ATTACHMENT

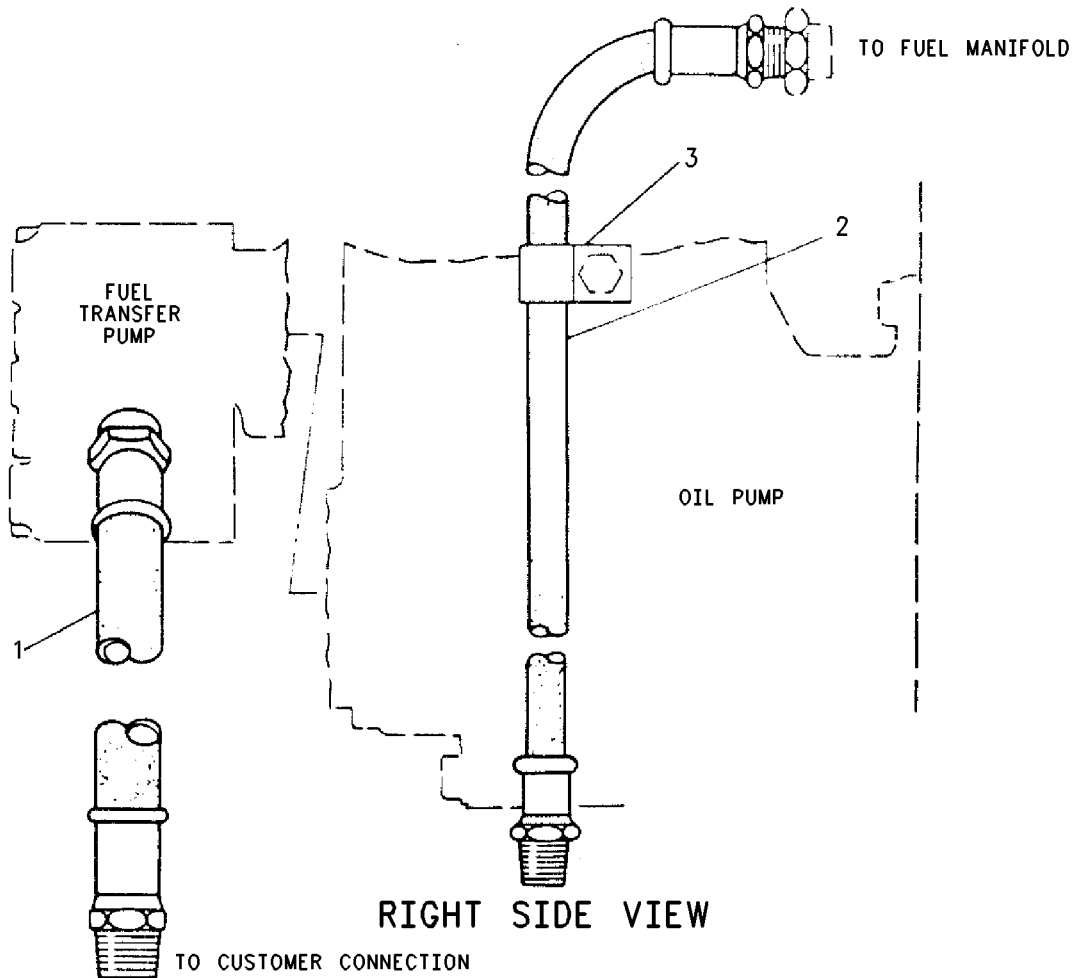
SMCS-1274

i01979418

NOTE	REF NO	GRAPHIC REF	PART NUMBER	QTY	PART NAME						SEE PAGE
					1	2	3	4	5	6 (PRODUCT LEVEL)	
I	1	1	3N-6504	1	HOSE AS						
I	2	1	8N-1186	1	HOSE AS						
B	3	1	5F-5990	2	CLIP						

B-USE AS REQUIRED

I-REFER TO HYDRAULIC INFORMATION SYSTEM



RIGHT SIDE VIEW

GRAPHIC #1

<END>

g00995187

# FUEL SYSTEM

## 262-6761 LINES GP-FUEL INJECTION

S/N: YAT1-UP

SMCS-1252, 1254

i02815358

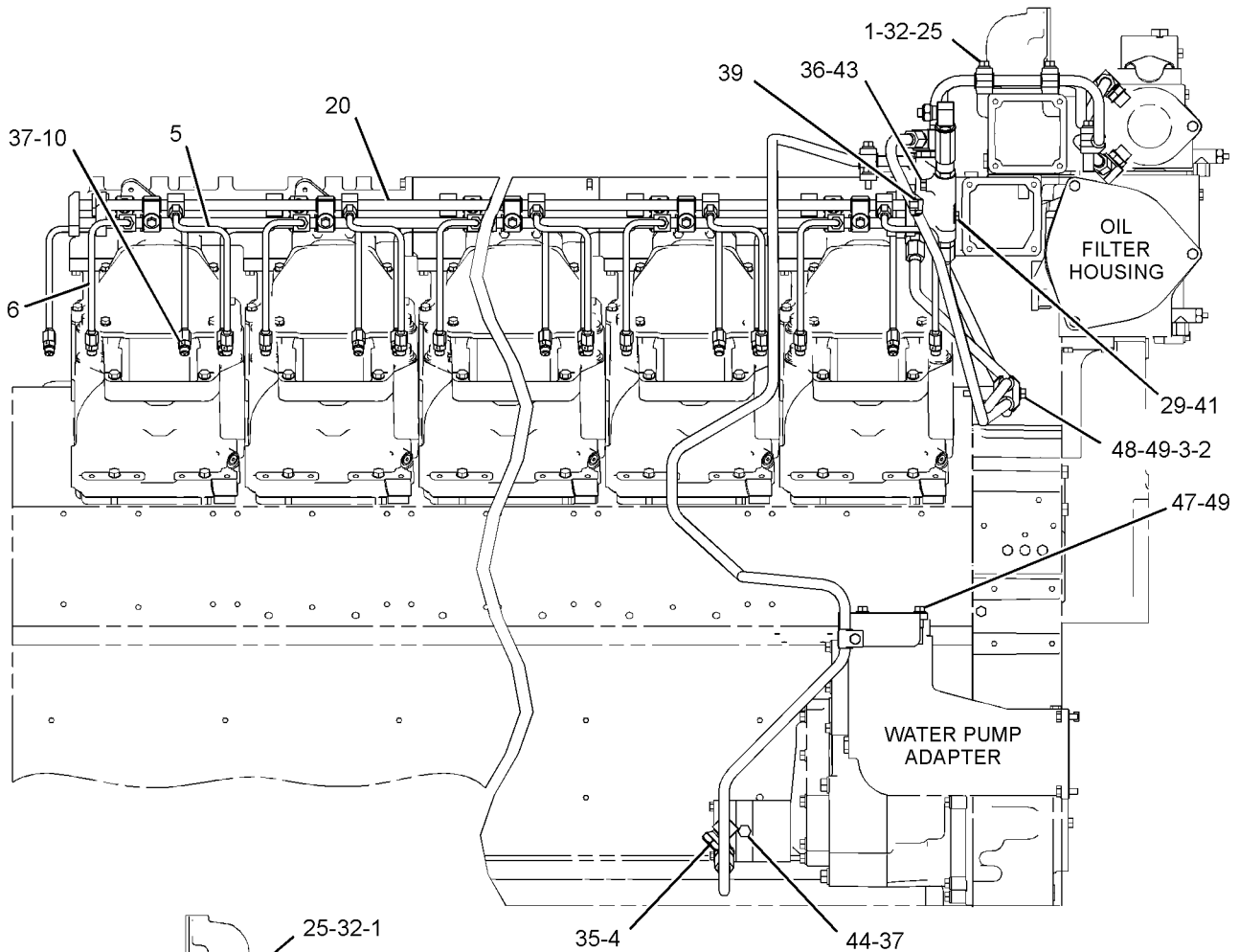
NOTE	REF NO	GRAPHIC REF	PART NUMBER	QTY	PART NAME						SEE PAGE
					1	2	3	4	5	6 (PRODUCT LEVEL)	
	1	1,2	4P-0692	16	CLAMP AS						
					(EACH INCLUDES)						
		1,2	108-1434	1	GROMMET						
	2	1	4P-0693	4	CLAMP AS						
					(EACH INCLUDES)						
		1	108-1434	2	GROMMET						
	3	1	6B-6205	2	SPACER (0.438X0.875X1.281-IN THK)						
	4	1	6V-4363	1	ELBOW						
	5	1	7C-7677	16	TUBE AS						
	6	1	7C-7678	16	TUBE AS						
	7	2	7C-7682	1	ADAPTER-FUEL MANIFOLD (RH)						
	8	2	7C-7683	1	ADAPTER-FUEL MANIFOLD (LH)						
	9	2	7E-3921	1	VALVE-CHECK						
	10	1	7W-2122	32	CONNECTOR-PORT						
	11	1	8N-6210	1	BRACKET-LINE SUPPORT						
	12	2	8N-6211	1	PLATE-LINE SUPPORT						
	13	2	8N-6326	1	TUBE AS						
	14	2	8N-6327	1	TUBE AS						
	15	2	9N-4053	1	SPRING						
	16	2	030-7977	1	ELBOW						
	17	2	111-3388	1	TUBE AS						
	18	2	111-3389	1	TUBE AS						
	19	2	114-5477	1	PLUNGER-VALVE						
Y	20	1	156-9755	1	MANIFOLD GP-FUEL (RH)						354
Y	21	2	156-9756	1	MANIFOLD GP-FUEL (LH)						355
	22	2	237-2717	1	TUBE AS						
C	23	2	250-1498	3	ELBOW AS						
					(EACH INCLUDES)						
		2	250-1497	1	ELBOW						
		2	6V-4589	1	SEAL-O-RING						
	24	2	030-7972	1	ELBOW						
	25	1,2	0L-2070	6	BOLT (3/8-16X2.25-IN)						
	26	2	0S-1594	1	BOLT (3/8-16X1-IN)						
	27	1,2	0T-0065	3	BOLT (3/8-16X3.5-IN)						
	28	2	1D-4539	1	BOLT (5/16-18X2.5-IN)						
	29	1	1D-4541	1	BOLT (5/16-18X3-IN)						
	30	1	250-1499	1	TEE						
	31	2	2P-7636	1	CONNECTOR						
	32	1,2	5M-2894	10	WASHER-HARD (10.2X18.5X2.5-MM THK)						
C	33	2	250-1496	1	ELBOW						
	34	2	5S-0003	1	NUT (5/16-18-THD)						
C	35	1,2	6V-4589	6	SEAL-O-RING						
	36	1	6V-5048	1	SEAL-O-RING						
	37	1	6V-5049	33	SEAL-O-RING						
	38	2	7K-3377	2	PIPE						
	39	1,2	7N-6806	4	SEAL-RECTANGULAR						
	40	2	8L-2786	1	SEAL-O-RING						
	41	1,2	9M-1974	3	WASHER-HARD (8.8X16X2-MM THK)						
	42	2	9M-4584	2	CONNECTOR						
	43	1	9S-4182	1	PLUG-O-RING						
	44	1	9S-4191	1	PLUG-O-RING						
B	47	1	0S-1590	2	BOLT (3/8-16X2-IN)						
B	48	1	0T-0065	1	BOLT (3/8-16X3.5-IN)						
B	49	1	5M-2894	3	WASHER-HARD (10.2X18.5X2.5-MM THK)						

B-USE AS REQUIRED  
 C-CHANGE FROM PREVIOUS TYPE  
 Y-SEPARATE ILLUSTRATION

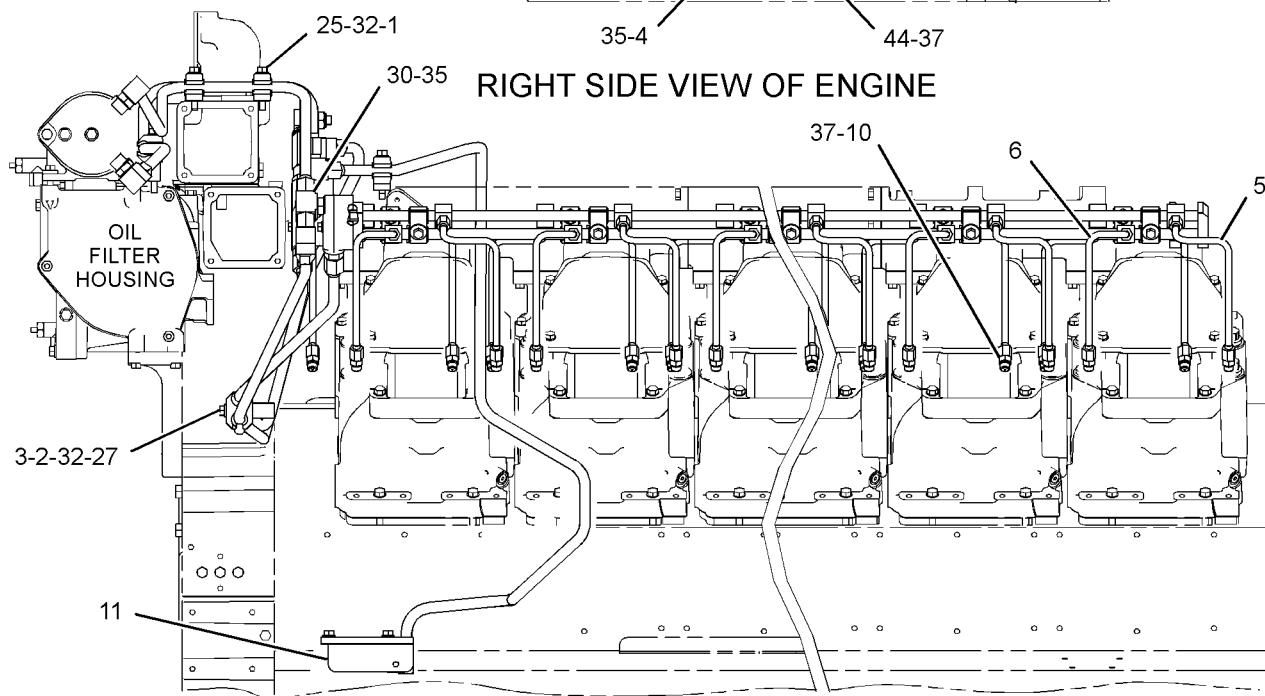
# FUEL SYSTEM

262-6761 LINES GP-FUEL INJECTION (contd.)

i02815358



RIGHT SIDE VIEW OF ENGINE



LEFT SIDE VIEW OF ENGINE

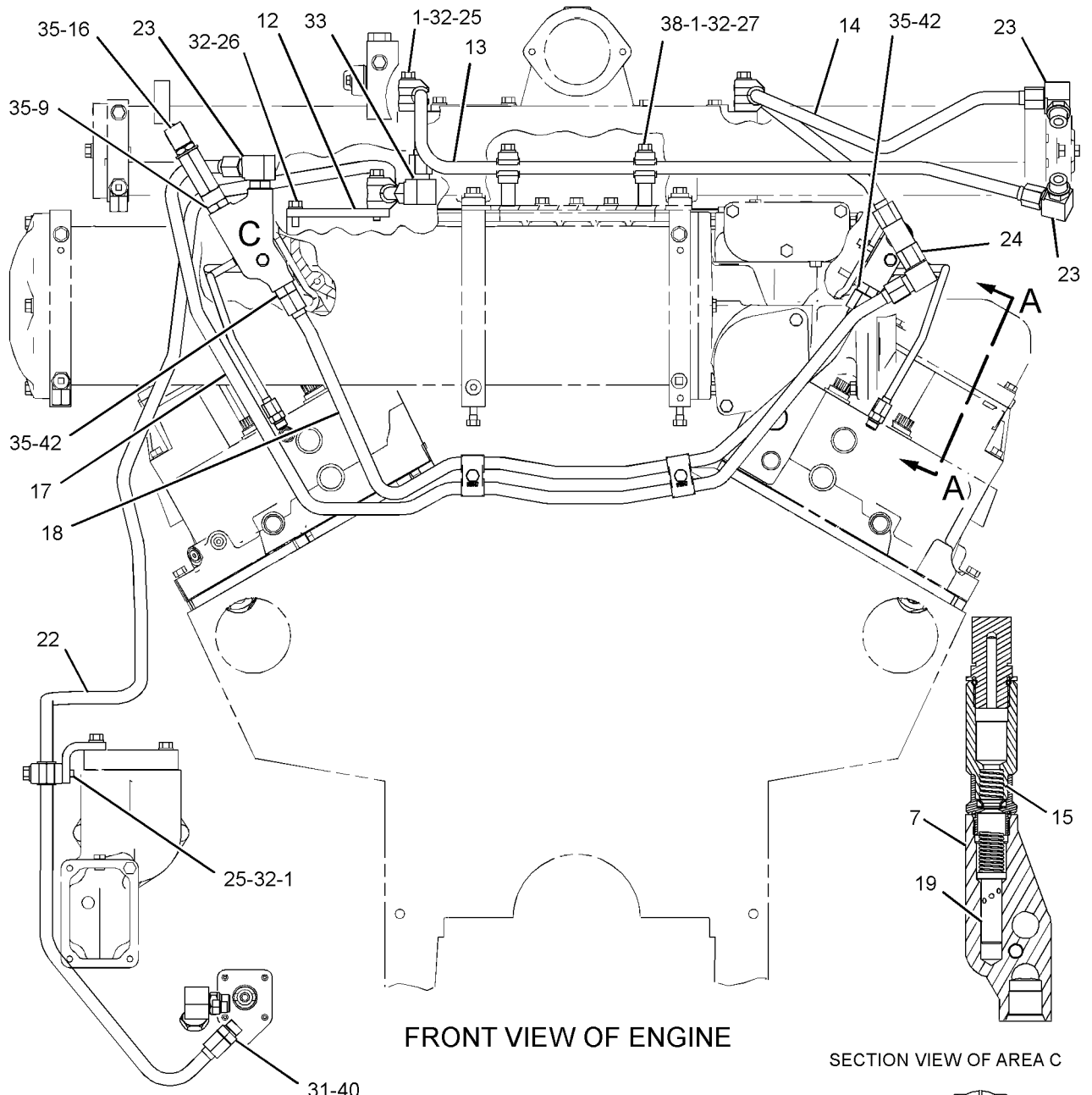
GRAPHIC #1

g01405709

# FUEL SYSTEM

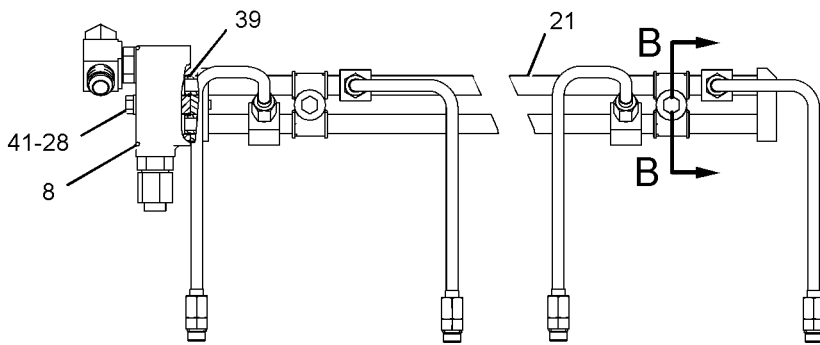
262-6761 LINES GP-FUEL INJECTION (contd.)

i02815358



FRONT VIEW OF ENGINE

SECTION VIEW OF AREA C



VIEW A-A

SECTION B-B

GRAPHIC #2

<END>

g01405710

# FUEL SYSTEM

## 156-9755 MANIFOLD GP-FUEL-RH

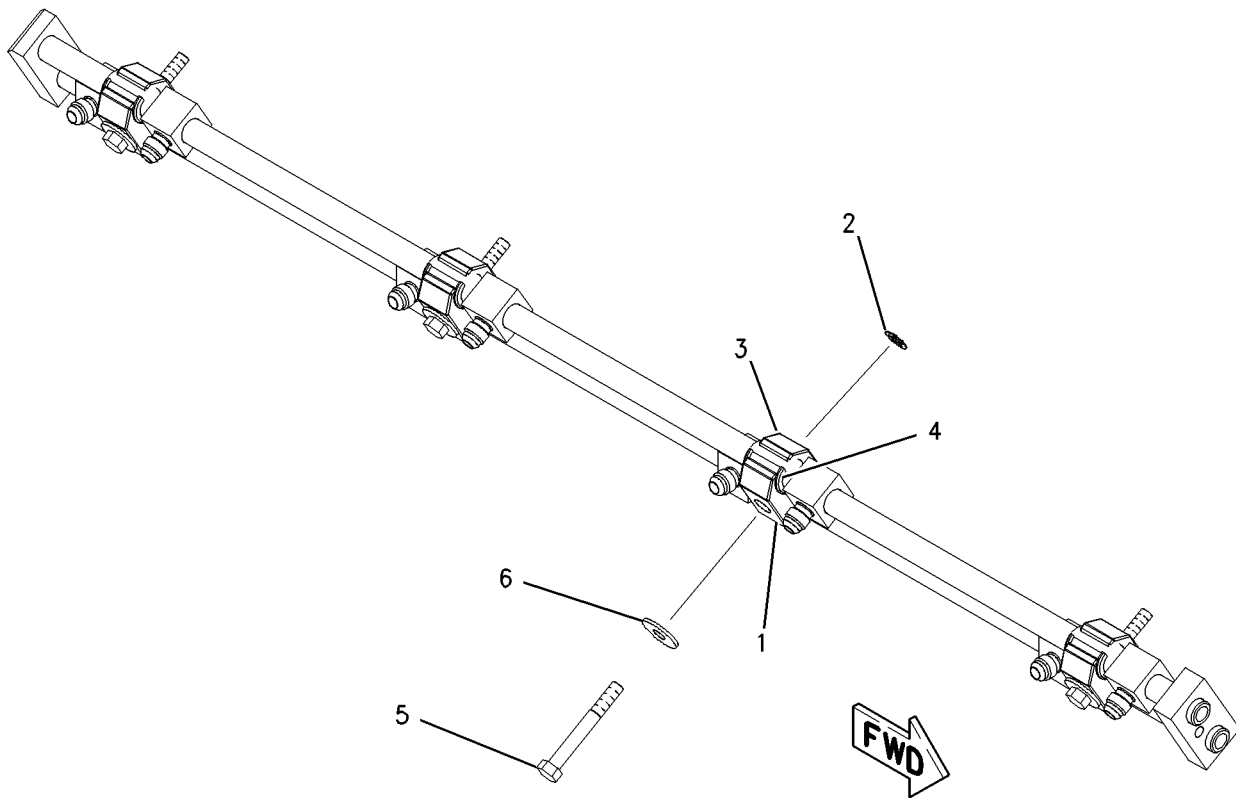
S/N: YAT1-UP

PART OF 262-6761 LINES GP-FUEL INJECTION

SMCS-1274, 1380

i02327540

NOTE	REF NO	GRAPHIC REF	PART NUMBER	QTY	PART NAME						SEE PAGE
					1	2	3	4	5	6 (PRODUCT LEVEL)	
	1	1	9Y-0047	8	CLAMP						
	2	1	147-3745	8	WASHER-RETAINING						
	3	1	156-9748	8	CLAMP						
	4	1	100-3237	16	GROMMET						
	5	1	1D-4539	8	BOLT (5/16-18X2.5-IN)						
	6	1	9N-0869	8	WASHER-HARD (8.8X25.5X2-MM THK)						



GRAPHIC #1

<END>

g00901869

# FUEL SYSTEM

## 156-9756 MANIFOLD GP-FUEL-LH

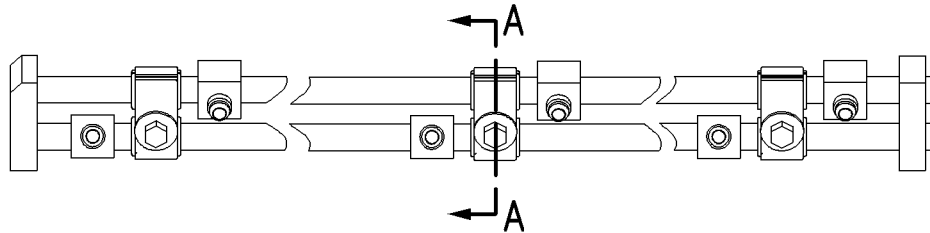
S/N: YAT1-UP

PART OF 262-6761 LINES GP-FUEL INJECTION

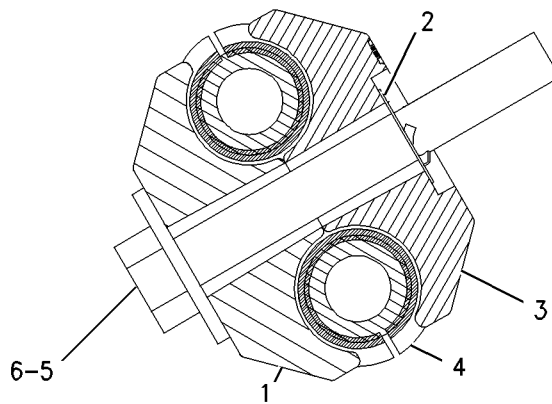
SMCS-1274, 1380

i02327539

NOTE	REF NO	GRAPHIC REF	PART NUMBER	QTY	PART NAME						SEE PAGE
					1	2	3	4	5	6 (PRODUCT LEVEL)	
	1	1	9Y-0047	8	CLAMP						
	2	1	147-3745	8	WASHER-RETAINING						
	3	1	156-9748	8	CLAMP						
	4	1	100-3237	16	GROMMET						
	5	1	1D-4539	8	BOLT (5/16-18X2.5-IN)						
	6	1	9N-0869	8	WASHER-HARD (8.8X25.5X2-MM THK)						



LEFT SIDE VIEW



SECTION A-A

GRAPHIC #1

<END>

g00901870

# FUEL SYSTEM

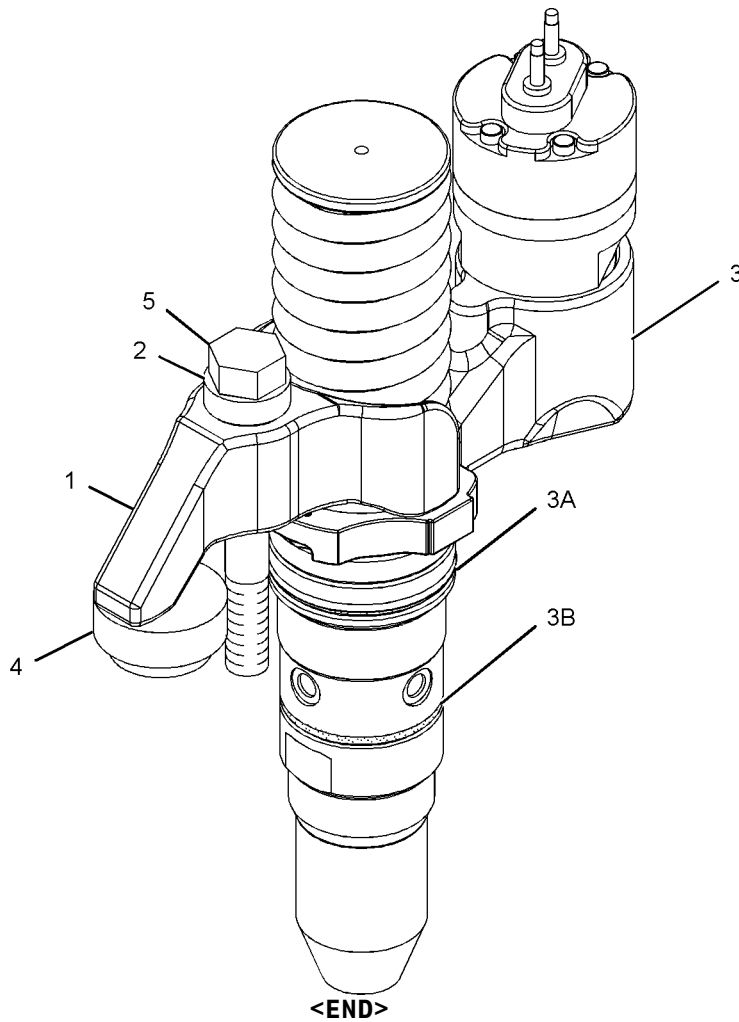
## 256-3663 PUMP GP-FUEL INJECTION

S/N: YAT1-UP

SMCS-1251, 1290

i02332209

NOTE	REF NO	GRAPHIC REF	PART NUMBER	QTY	PART NAME						SEE PAGE
					1	2	3	4	5	6 (PRODUCT LEVEL)	
	1	1	7E-2580	1	CLAMP-INJECTOR						
	2	1	7N-5487	1	WASHER (12X22X9.5-MM THK)						
	3	1	230-9457	1	INJECTOR GP-FUEL						
	3A	1	245-4908	1	SEAL-O-RING						
	3B	1	245-4907	1	SEAL-O-RING						
	4	1	234-4182	1	PLUG						
	5	1	7F-8698	1	BOLT (7/16-14X3.5-IN)						



GRAPHIC #1

g01108119



# FUEL SYSTEM

## 7N-8599 PUMP GP-FUEL PRIMING

S/N: YAT1-UP

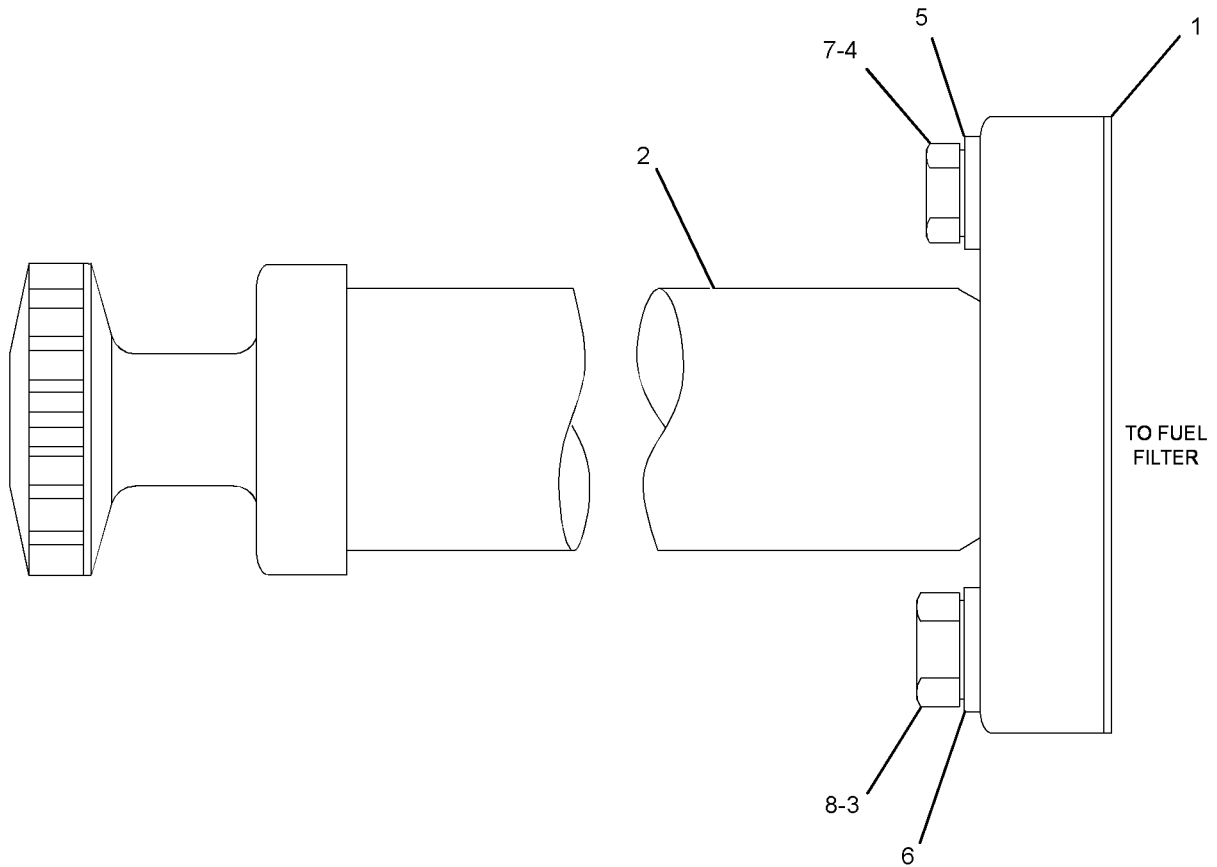
PART OF 115-1063 PUMP GP-FUEL PRIMING  
AN ATTACHMENT

SMCS-1258

i02822496

NOTE	REF NO	GRAPHIC REF	PART NUMBER	QTY	PART NAME						SEE PAGE
					1	2	3	4	5	6 (PRODUCT LEVEL)	
	1	1	9Y-8389	1	GASKET (FUEL PRIMING PUMP)						
C	2	1	162-3906	1	PUMP AS-FUEL PRIMING						
		1	061-7539	1	SEAL-O-RING						
		1	229-3218	2	VALVE AS						
B	3	1	6V-8918	1	BOLT (5/16-18X1.25-IN)						
B	4	1	7X-2501	1	BOLT (1/4-20X1.25-IN)						
	5	1	8T-4205	1	WASHER-HARD (7.2X14.5X2-MM THK)						
	6	1	8T-4224	1	WASHER-HARD (8.8X16X2-MM THK)						
BM	7	1	8T-4971	1	BOLT (M6X1X30-MM)						
BM	8	1	8T-7547	1	BOLT (M8X1.25X30-MM)						

B- USE AS REQUIRED  
C- CHANGE FROM PREVIOUS TYPE  
M- METRIC PART



GRAPHIC #1

<END>

g01258253

# FUEL SYSTEM

## 115-1063 PUMP GP-FUEL PRIMING-RH

S/N: YAT1-UP  
AN ATTACHMENT

SMCS-1258

i02636184

NOTE	REF NO	GRAPHIC REF	PART NUMBER	QTY	PART NAME						SEE PAGE
					1	2	3	4	5	6 (PRODUCT LEVEL)	
	1	1	4P-0693	10	CLAMP AS						
					(EACH INCLUDES)						
		1	108-1434	2	GROMMET						
Y	2	1	7N-8599	1	PUMP GP-FUEL PRIMING						357
	3	1	9N-1752	1	SPRING						
	4	1	237-2715	1	TUBE AS						
	5	1	237-2716	1	TUBE AS						
	6	1	250-1496	1	ELBOW						
	7	1	0L-1351	2	BOLT (3/8-16X0.875-IN)						
	8	1	0L-2070	1	BOLT (3/8-16X2.25-IN)						
	9	1	1P-7625	1	ELBOW						
	10	1	2H-9523	1	GROMMET						
	11	1	3J-1907	1	SEAL-O-RING						
	12	1	3K-0360	1	SEAL-O-RING						
	13	1	4B-9782	1	BALL						
	14	1	5M-2894	4	WASHER-HARD (10.2X18.5X2.5-MM THK)						
	15	1	6V-4362	1	CONNECTOR						
	16	1	6V-5049	1	SEAL-O-RING						
	17	1	8N-3480	1	CLIP						
	18	1	9S-4191	1	PLUG-O-RING						
	19	1	9S-8752	1	NUT-FULL (3/8-16-THD)						
Y-SEPARATE ILLUSTRATION											



# FUEL SYSTEM

## 8N-6151 PUMP GP-FUEL TRANSFER

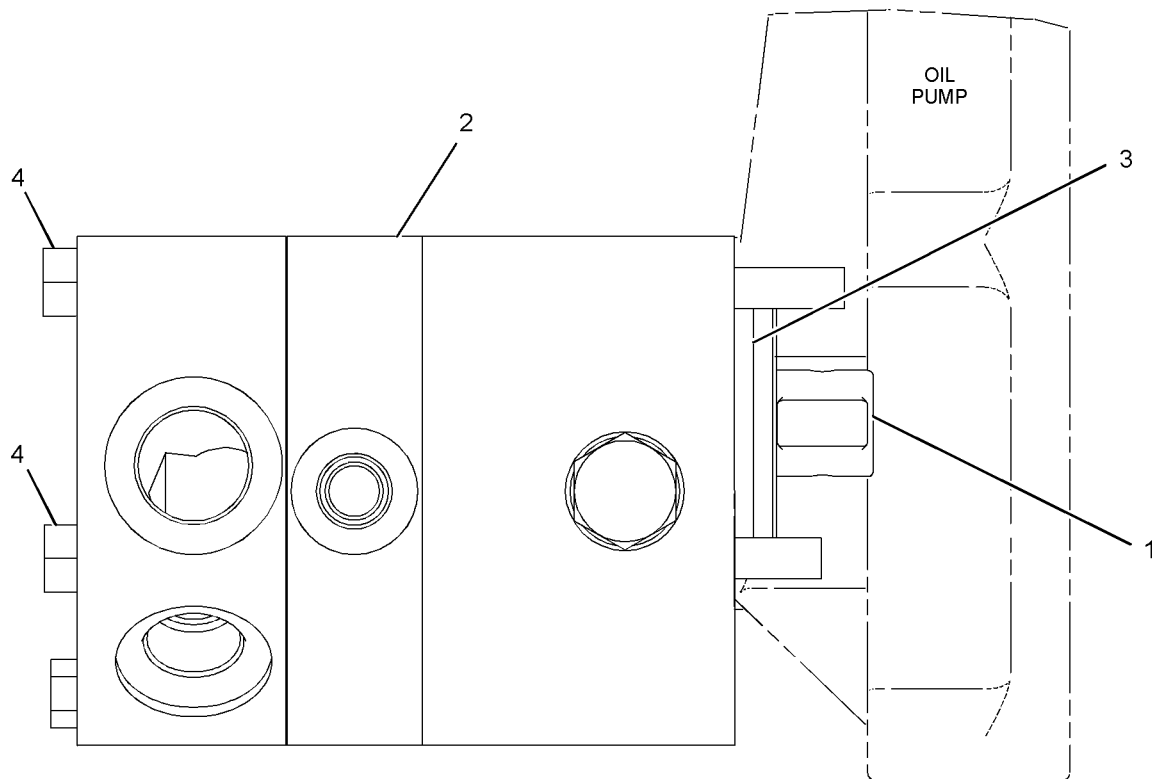
S/N: YAT1-UP  
ONE SECTION GEAR

SMCS-1256

i03323481

NOTE	REF NO	GRAPHIC REF	PART NUMBER	QTY	PART NAME	SEE PAGE
					1 2 3 4 5 6 (PRODUCT LEVEL)	
	1	1	<b>1N-4636</b>	1	COUPLING-DRIVE	
CYR	2	1	<b>313-7770</b>	1	PUMP GP-FUEL TRANSFER	361
	3	1	<b>1H-9696</b>	1	SEAL-O-RING	
C	4	1	<b>5L-1761</b>	4	BOLT (5/16-18X5.5-IN)	

C-CHANGE FROM PREVIOUS TYPE  
R-REMG PART MAY BE AVAILABLE  
Y-SEPARATE ILLUSTRATION



GRAPHIC #1

<END>

g01184091

# FUEL SYSTEM

## 313-7770 PUMP GP-FUEL TRANSFER\*R

S/N: YAT1-UP

1-SECTION GEAR

PART OF 8N-6151 PUMP GP-FUEL TRANSFER

SMCS-1256

i02915171

NOTE	PART NUMBER	QTY	PART NAME						SEE PAGE
			1	2	3	4	5	6 (PRODUCT LEVEL)	
			AVAILABLE REPAIR KIT(S):						
	255-8691	1	KIT-SEAL						
			(KIT INCLUDES GASKET AND SEALS)						
	255-8692	1	KIT-REPAIR (GEAR, SHAFT)						
			(KIT INCLUDES GEAR AS, BUSHINGS, AND SHAFT AS)						
			<b>&lt;END&gt;</b>						

# FUEL SYSTEM

## 116-7010 PUMP GP-UNIT INJECTION

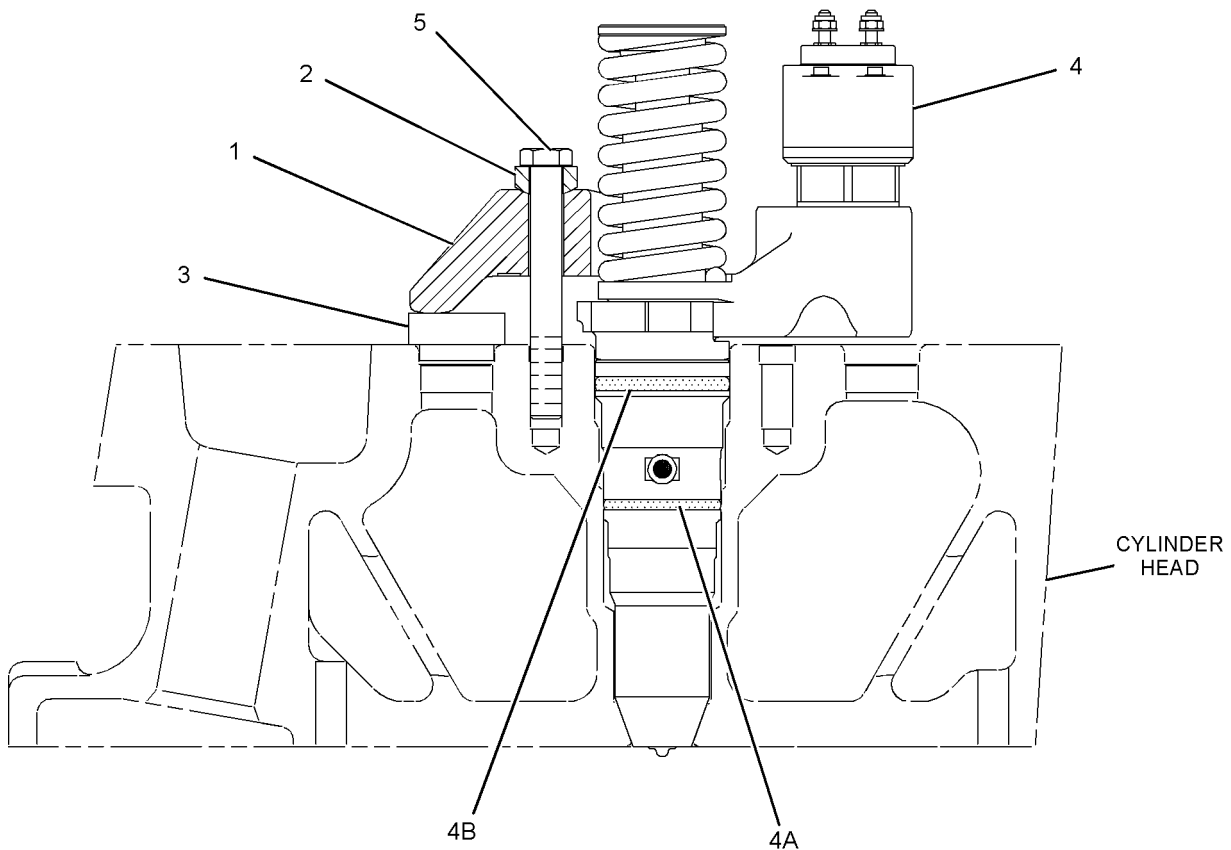
S/N: YAT1-UP

SMCS-1290

i03324023

NOTE	REF NO	GRAPHIC REF	PART NUMBER	QTY	PART NAME						SEE PAGE
					1	2	3	4	5	6 (PRODUCT LEVEL)	
	1	1	7E-2580	1	CLAMP-INJECTOR						
	2	1	7N-5487	1	WASHER (12X22X9.5-MM THK)						
	3	1	234-4182	1	PLUG						
CR	4	1	250-1306	1	INJECTOR GP-FUEL						
	4A	1	245-4907	1	SEAL-O-RING						
	4B	1	245-4908	1	SEAL-O-RING						
	5	1	7F-8698	1	BOLT (7/16-14X3.5-IN)						

C-CHANGE FROM PREVIOUS TYPE  
R-REMFG PART MAY BE AVAILABLE



GRAPHIC #1

<END>

g01099473

# FUEL SYSTEM

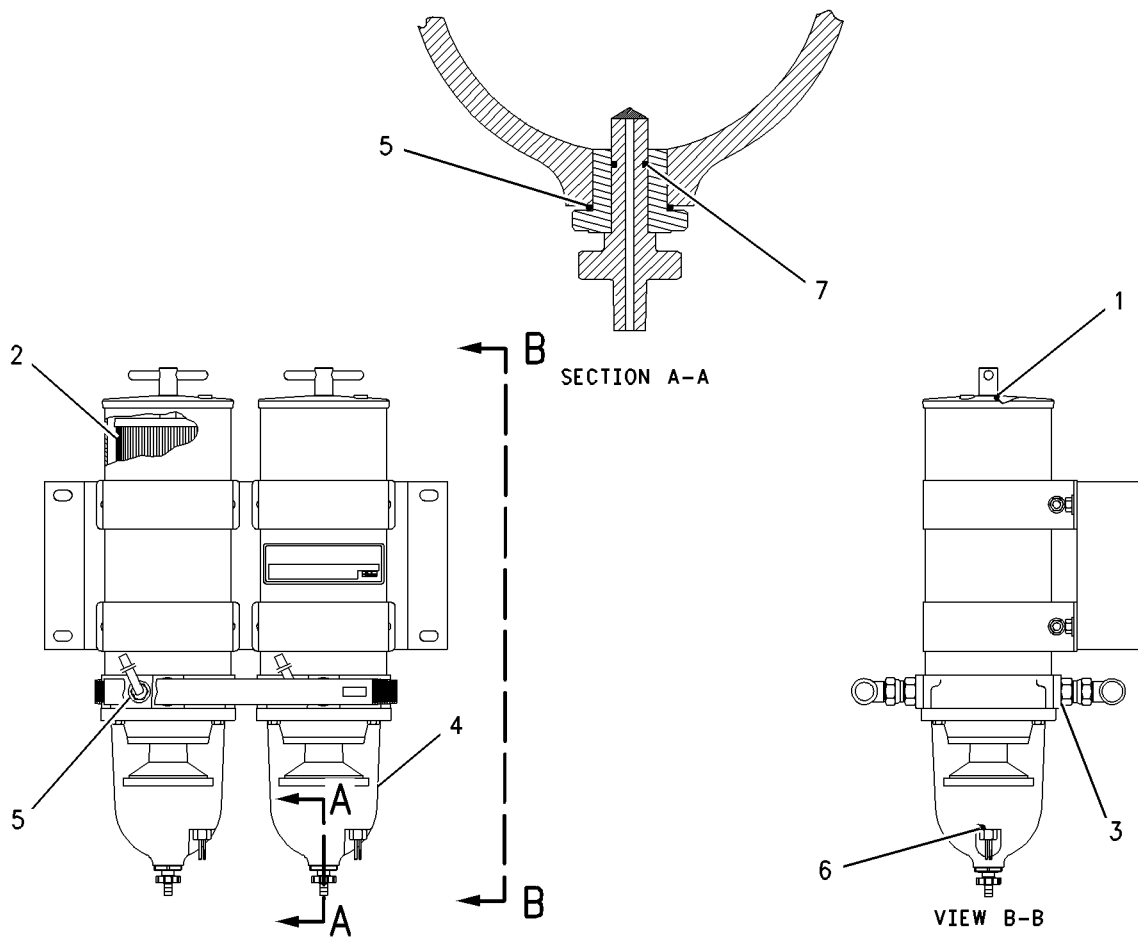
## 233-7973 SEPARATOR GP-WATER-PRIMARY FUEL FILTER

S/N: YAT1-UP  
AN ATTACHMENT

SMCS-1263

i02929430

NOTE	REF NO	GRAPHIC REF	PART NUMBER	QTY	PART NAME						SEE PAGE
					1	2	3	4	5	6 (PRODUCT LEVEL)	
	1	1	3J-1907	2	SEAL-O-RING						
	2	1	134-6307	2	FILTER ELEMENT AS-FUEL (WATER SEPARATOR)						
	3	1	4P-7383	6	GASKET						
	4	1	4P-7381	2	BOWL AS						
	5	1	2M-9780	4	SEAL-O-RING						
	6	1	1J-9671	2	SEAL-O-RING						
	7	1	4J-5477	2	SEAL-O-RING						



GRAPHIC #1

<END>

g00894701

# ELECTRICAL AND STARTING SYSTEM

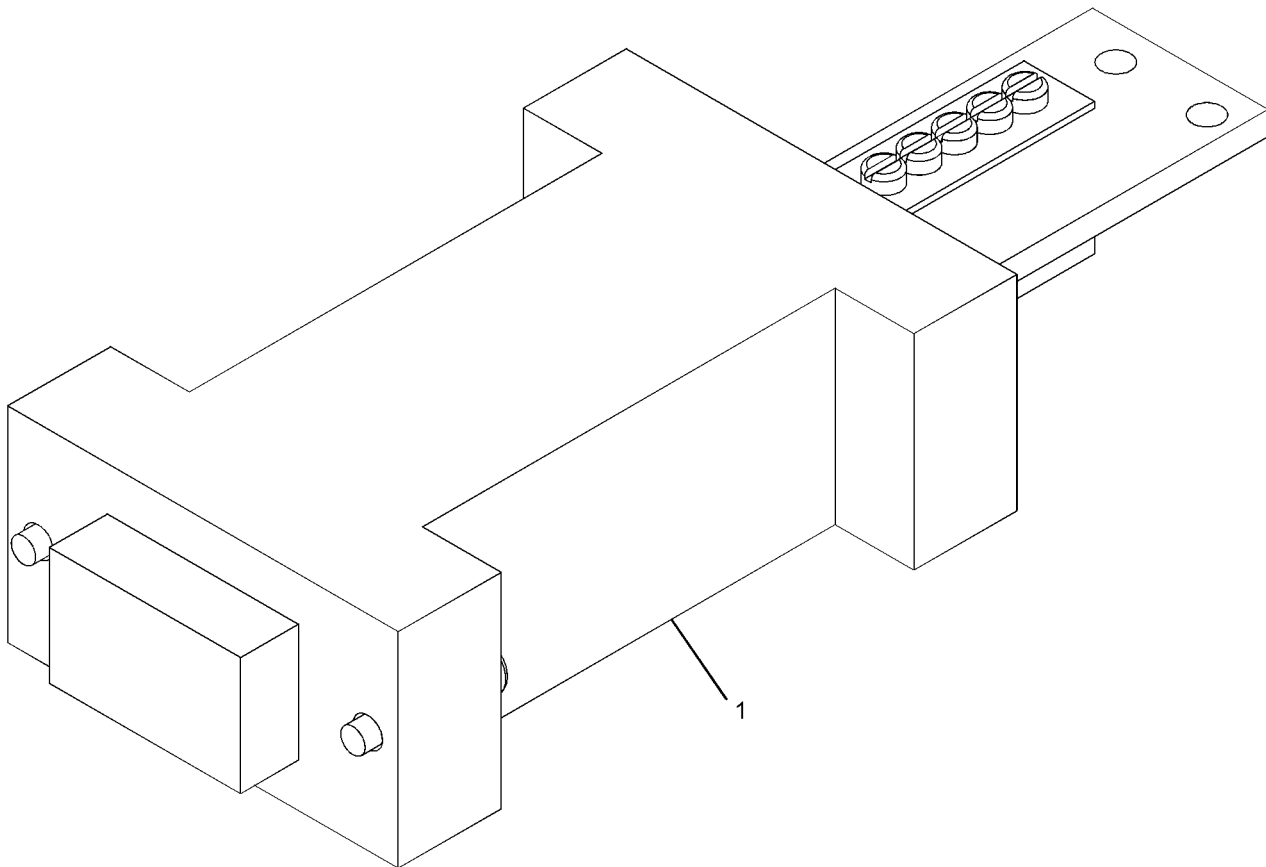
## 270-0476 ADAPTER GP-COMMUNICATION-MODBUS

S/N: YAT1-UP  
AN ATTACHMENT

SMCS-1926

i03411360

NOTE	REF NO	GRAPHIC REF	PART NUMBER	QTY	PART NAME						SEE PAGE
					1	2	3	4	5	6 (PRODUCT LEVEL)	
	1	1	270-0475	1	ADAPTER-COMMUNICATION (MODBUS)						



GRAPHIC #1

<END>

g01155425



# ELECTRICAL AND STARTING SYSTEM

## 274-1979 ADAPTER GP-COMMUNICATION

S/N: YAT1-UP  
AN ATTACHMENT

SMCS - 1926

i02353032

NOTE	PART NUMBER	QTY	PART NAME						SEE PAGE
			1	2	3	4	5	6 (PRODUCT LEVEL)	
	274-1978	1	CONVERTER AS-SIGNAL (RS232, RS422, RS485)						

<END>

# ELECTRICAL AND STARTING SYSTEM

## 5N-5692 ALTERNATOR GP-CHARGING\*R

S/N: YAT1-UP  
24-VOLT, 45-AMPERE  
AN ATTACHMENT

SMCS-1405

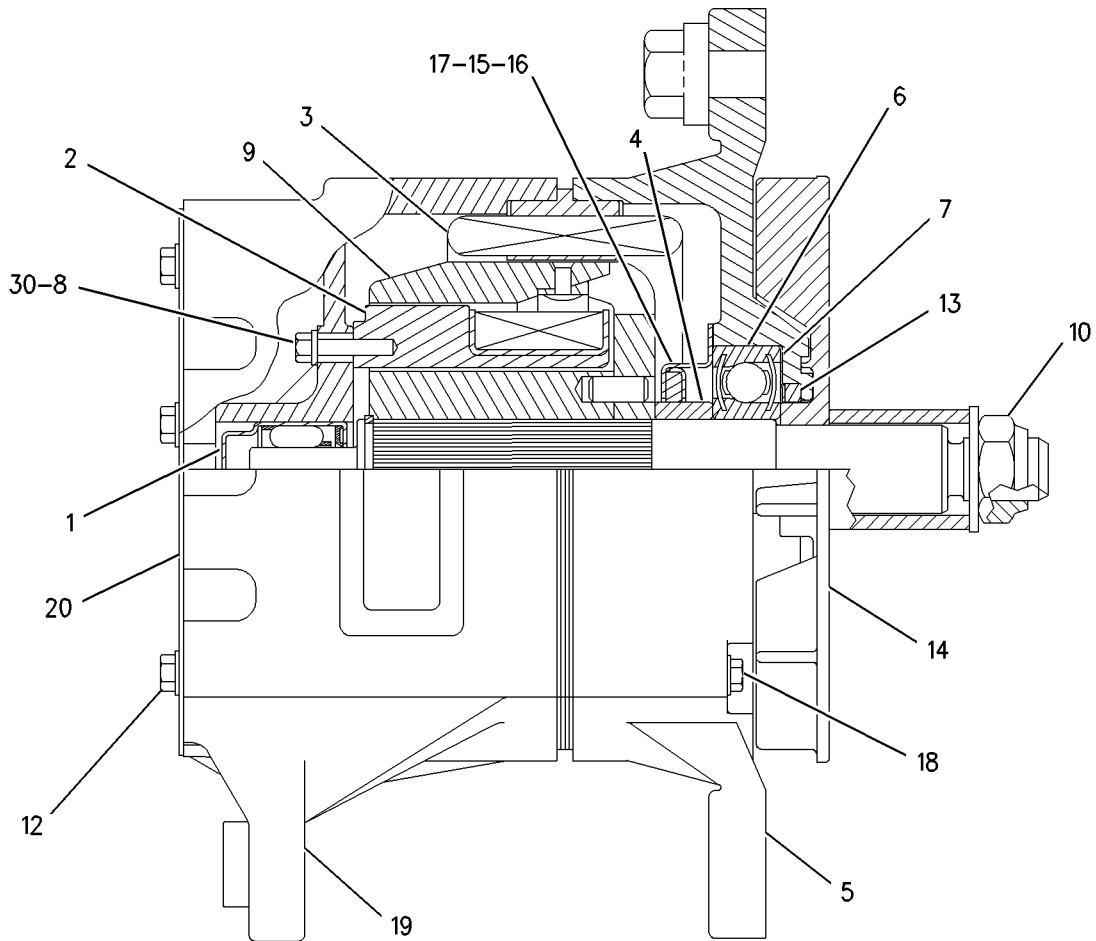
i03425644

NOTE	REF NO	GRAPHIC REF	PART NUMBER	QTY	PART NAME						SEE PAGE
					1	2	3	4	5	6 (PRODUCT LEVEL)	
	1	1	5P-6920	1	BEARING-ROLLER						
	2	1	7N-7806	1	COIL AS-FIELD						
	3	1	9G-5578	1	STATOR AS (24-VOLT)						
	4	1	7N-7795	1	COLLAR						
	5	1	7N-7810	1	FRAME AS-DRIVE END						
	6	1	6V-2202	1	BALL BEARING						
	7	1	9L-2140	1	PLATE						
	8	1	7X-3353	4	SCREW-HEX HEAD (10X24X19.05-MM)						
	9	1	7N-7800	1	ROTOR AS						
	10	1	187-2034	1	NUT-FLANGE (5/8-18-THD)						
	12	1,2	030-9612	5	SCREW-FORMING (10-24X0.5-IN)						
	13	1	9L-2139	1	WASHER-FELT (1.31X1.68X0.125-IN THK)						
	14	1	3E-5454	1	FAN-ALTERNATOR (11-BLADE)						
	15	1	9S-2437	3	SCREW-TAPPING (10-24X19.05-MM)						
	16	1	9L-2137	1	RETAINER AS						
	17	1,2	8F-1434	4	LOCKWASHER						
	18	1	7N-9024	4	BOLT (M10X24X63.5-MM)						
	19	1	7N-7805	1	HOUSING						
	20	1	7N-7809	1	PLATE						
	21	2	8T-4205	1	WASHER-HARD (7.2X14.5X2-MM THK)						
	22	2	9B-7233	6	LOCKWASHER						
	23	2	9L-6770	1	CAP-DUST						
	25	2	6N-1872	2	SCREW AS (8-32X1.25-IN)						
	26	2	7N-9023	2	SCREW AS (8-32X26.9-MM)						
	27	2	3T-6354	1	REGULATOR AS-VOLTAGE (24-VOLT) (ALTERNATOR)						
	28	2	6V-8377	4	NUT (8-32 THD)						
	29	2	7N-7811	1	CONNECTOR						
	30	1,2	8T-0328	6	WASHER-HARD (5.5X10X1-MM THK)						
	31	2	112-9119	1	DIODE AS-ALTERNATOR						
	32	2	7N-9021	1	SCREW AS (8-32X1.34-IN)						
	33	2	7N-7796	1	BUSHING-TERMINAL						
	34	2	7N-7802	1	CAPACITOR AS						
	35	2	7N-7798	1	CONNECTOR						
	36	2	7N-7801	1	CONNECTOR						
	37	2	9S-2544	2	SCREW-HEX HEAD (8-32X11.13-MM)						
	38	2	1H-3244	1	LOCKWASHER						
	39	2	6V-8187	1	NUT (1/4-28-THD)						
	40	2	206-4202	1	RECTIFIER AS						
					AVAILABLE REPAIR KIT(S):						
			7N-7807	1	KIT-OUTPUT TERMINAL (ALTERNATOR) (INCLUDES INSULATOR, SCREWS, WASHERS, LOCKWASHERS, NUTS AND ADAPTERS)						
			7N-7808	1	KIT-RELAY TERMINAL (ALTERNATOR) (INCLUDES STUDS, BUSHINGS, WASHERS AND NUT AS)						

# ELECTRICAL AND STARTING SYSTEM

5N-5692 ALTERNATOR GP-CHARGING (contd.)

i03425644



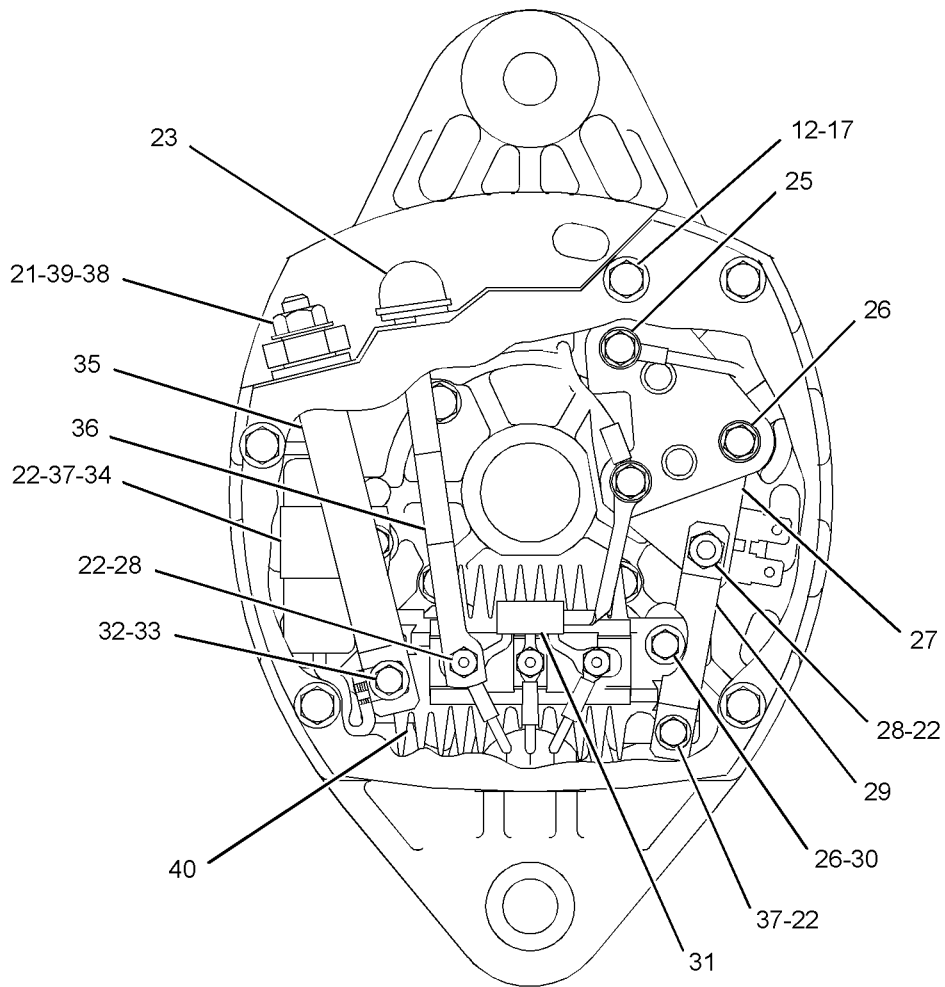
GRAPHIC #1

g01313047

# ELECTRICAL AND STARTING SYSTEM

5N-5692 ALTERNATOR GP-CHARGING (contd.)

i03425644



GRAPHIC #2

<END>

g01313052

# ELECTRICAL AND STARTING SYSTEM

## 7C-3874 BATTERY CHARGER

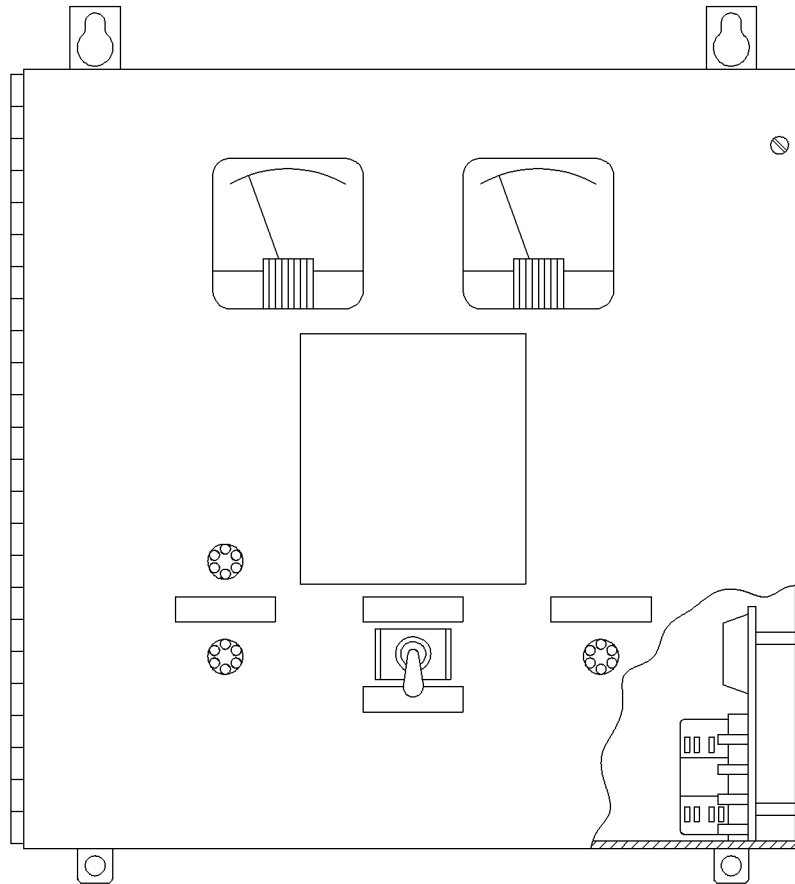
S/N: YAT1-UP

24-VOLT DC WITH FAILURE ALARM  
FOR USE WITH LEAD ACID OR NICAD BATTERIES  
AN ATTACHMENT

SMCS-1401, 1406

i01424029

NOTE	REF NO	GRAPHIC REF	PART NUMBER	QTY	PART NAME						SEE PAGE
					1	2	3	4	5	6 (PRODUCT LEVEL)	
(NO SERVICED PARTS)											



GRAPHIC #1

<END>

g00746505

# ELECTRICAL AND STARTING SYSTEM

## 7W-0408 BATTERY CHARGER

S/N: YAT1-UP

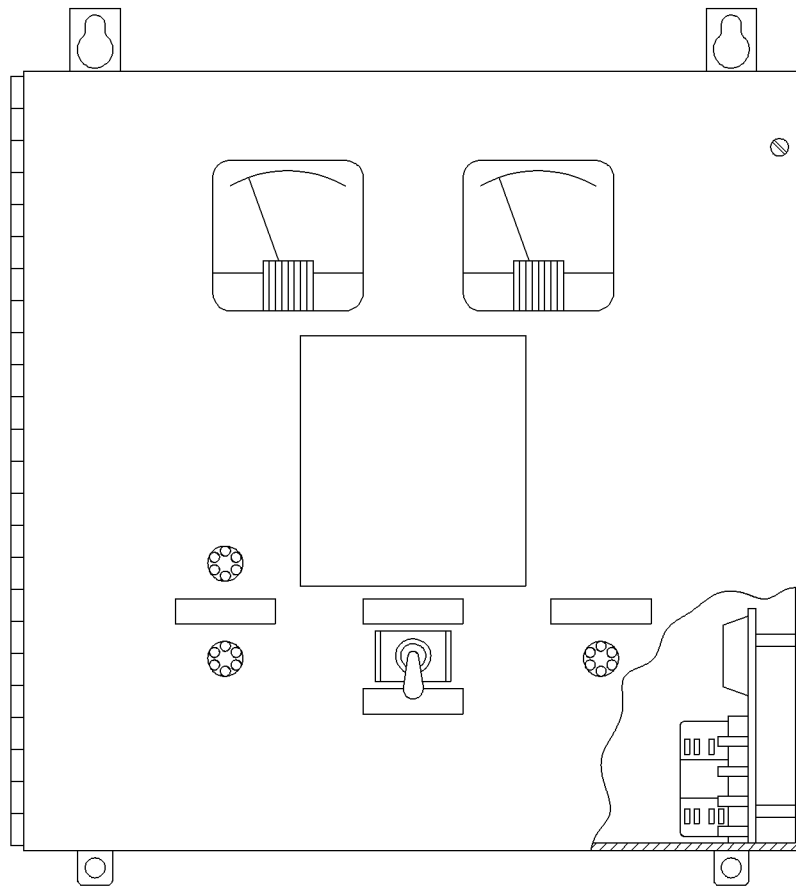
24-VOLT

FOR USE WITH LEAD ACID OR NICAD BATTERY  
AN ATTACHMENT

SMCS-1401, 1406

i01505530

NOTE	REF NO	GRAPHIC REF	PART NUMBER	QTY	PART NAME						SEE PAGE
					1	2	3	4	5	6 (PRODUCT LEVEL)	
(NO SERVICED PARTS)											



GRAPHIC #1

<END>

g00746505

# ELECTRICAL AND STARTING SYSTEM

## 7L-7871 BATTERY GP

S/N: YAT1-UP

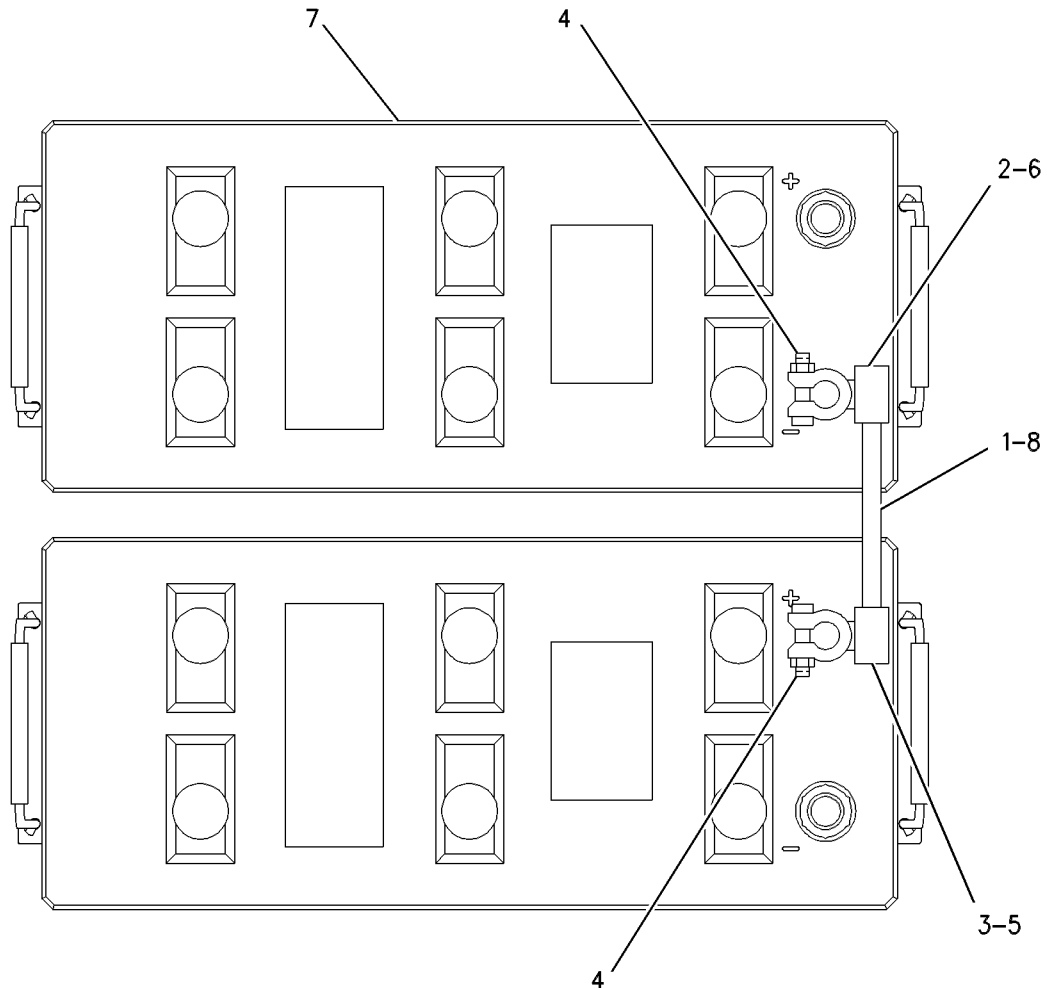
24-VOLT, 1000-COLD CRANKING AMPERE, 140-AMPERE HOUR  
AN ATTACHMENT

SMCS-1401

i02246848

NOTE	REF NO	GRAPHIC REF	PART NUMBER	QTY	PART NAME						SEE PAGE
					1	2	3	4	5	6 (PRODUCT LEVEL)	
	1	1	2V-7397	1	CABLE AS						
E		1	5P-0747		CABLE (00-GA, BLACK) (20-CM)						
	2	1	8T-9757	1	TERMINAL AS-BATTERY (NEGATIVE)						
	3	1	8C-5917	1	TERMINAL AS-BATTERY (POSITIVE)						
	4	1	1M-6119	2	BOLT (5/16-18X1.375-IN)						
		1	1M-6120	2	NUT (5/16-18-THD)						
	5	1	9G-0004	1	COVER-TERMINAL (RED)						
	6	1	9G-0003	1	COVER-TERMINAL (BLACK)						
C	7	1	9X-9720	2	BATTERY (12-VOLT)						
					(EACH INCLUDES)						
		1	7N-0060	6	VENT AS (BATTERY)						
	8	1	8L-8413	2	STRAP-CABLE						

C-CHANGE FROM PREVIOUS TYPE  
E-ORDER BY THE CENTIMETER



GRAPHIC #1

<END>

g00621897

# ELECTRICAL AND STARTING SYSTEM

## 7L-7872 BATTERY GP

S/N: YAT1-UP

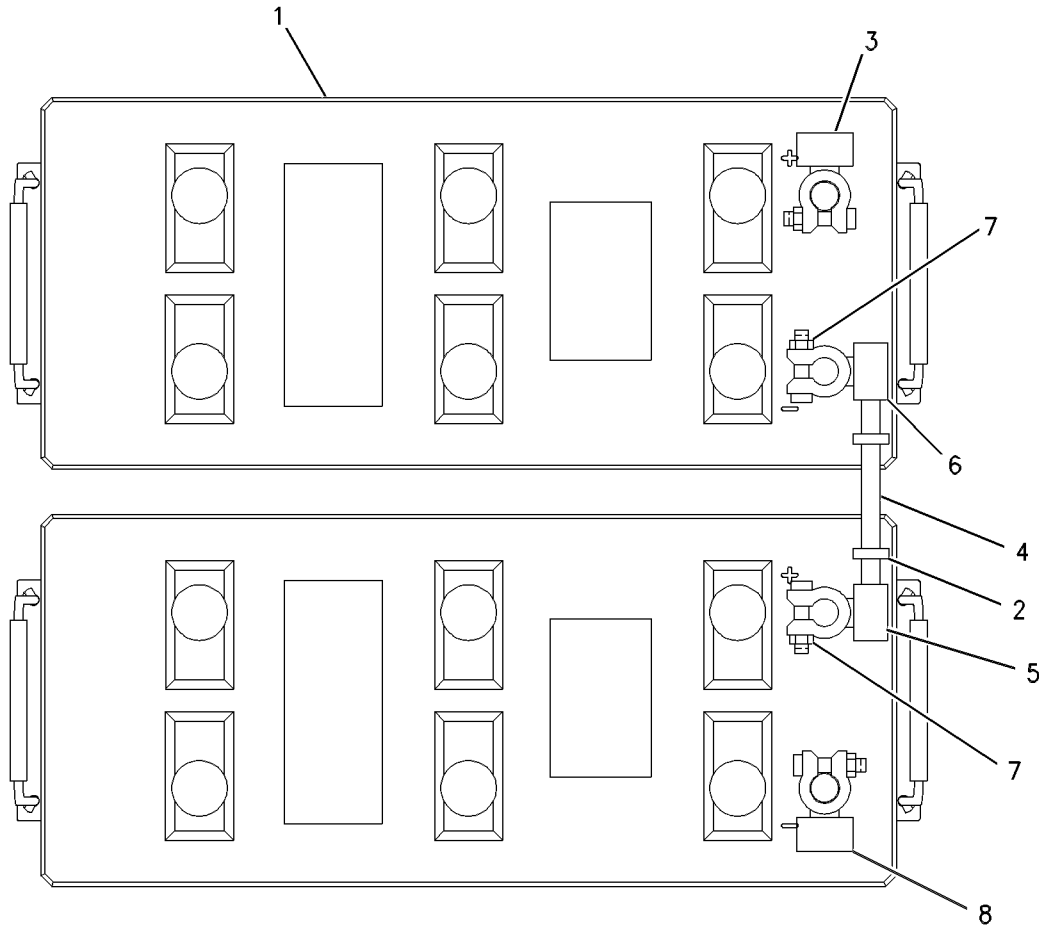
24-VOLT, 1300-COLD CRANKING AMPERE, 190-AMPERE HOUR  
AN ATTACHMENT

SMCS-1401

i02421601

NOTE	REF NO	GRAPHIC REF	PART NUMBER	QTY	PART NAME						SEE PAGE
					1	2	3	4	5	6 (PRODUCT LEVEL)	
C	1	1	9X-9730	2	BATTERY GP (12-VOLT)						
					(EACH INCLUDES)						
		1	7N-0060	6	VENT AS (BATTERY)						
C	2	1	8L-8413	2	STRAP-CABLE						
C	3	1	9G-0004	1	COVER-TERMINAL (RED)						
C	4	1	2V-7397	1	CABLE AS						
E		1	5P-0747		CABLE (00-GA, BLACK) (20-CM)						
		1	1M-6120	2	NUT (5/16-18-THD)						
	5	1	8C-5917	1	TERMINAL AS-BATTERY (POSITIVE)						
	6	1	8T-9757	1	TERMINAL AS-BATTERY (NEGATIVE)						
	7	1	1M-6119	2	BOLT (5/16-18X1.375-IN)						
C	8	1	9G-0003	1	COVER-TERMINAL (BLACK)						

C-CHANGE FROM PREVIOUS TYPE  
E-ORDER BY THE CENTIMETER



GRAPHIC #1

<END>

g00622754



# ELECTRICAL AND STARTING SYSTEM

## 244-9608 BLOCK AS-TERMINAL-DISCRETE INPUT/OUTPUT

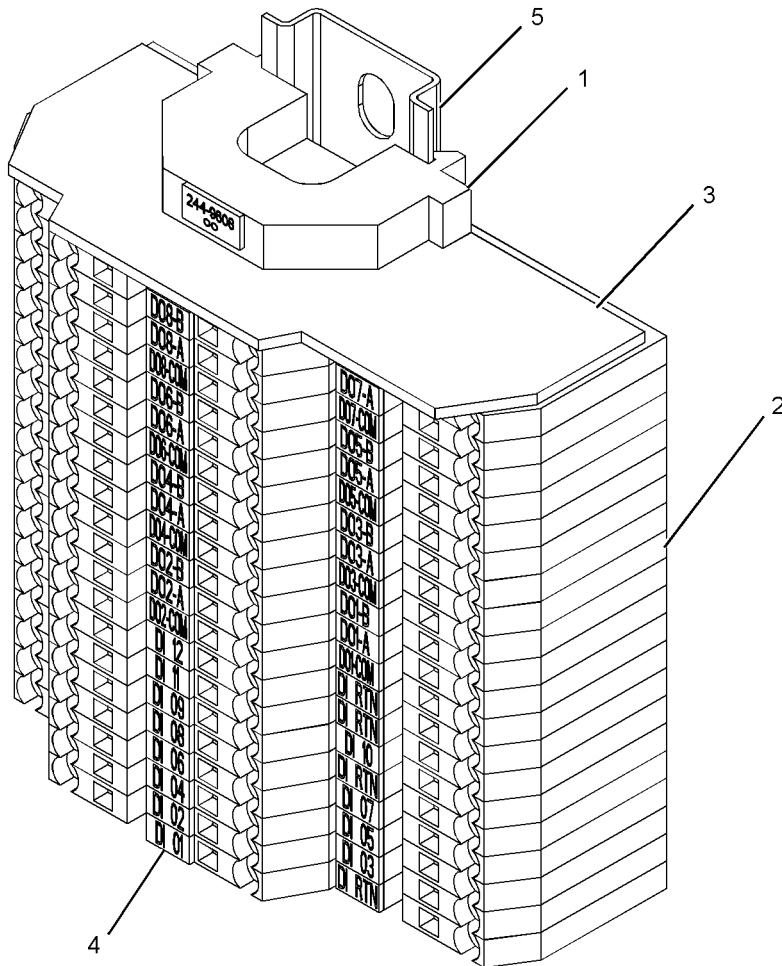
S/N: YAT1-UP

PART OF 252-7347 WIRING GP-PANEL  
AN ATTACHMENT

SMCS-4460, 7426

i02360603

NOTE	REF NO	GRAPHIC REF	PART NUMBER	QTY	PART NAME						SEE PAGE
					1	2	3	4	5	6 (PRODUCT LEVEL)	
	1	1	162-0589	2	BRACKET-END						
	2	1	192-2925	20	BLOCK-TERMINAL (20-AMPERE)						
	3	1	192-2926	1	COVER-TERMINAL						
	4	1	244-9630	1	KIT-MARKER						
	5	1	097-5921	1	RAIL-MOUNTING						



GRAPHIC #1

<END>

g01135081

# ELECTRICAL AND STARTING SYSTEM

## 244-9639 BLOCK AS-TERMINAL-LOAD SHARE

S/N: YAT1-UP

PART OF 252-7368 CONTROL GP-FUEL INJECTION, 252-7369 CONTROL GP-LOAD SHARE  
MODULE

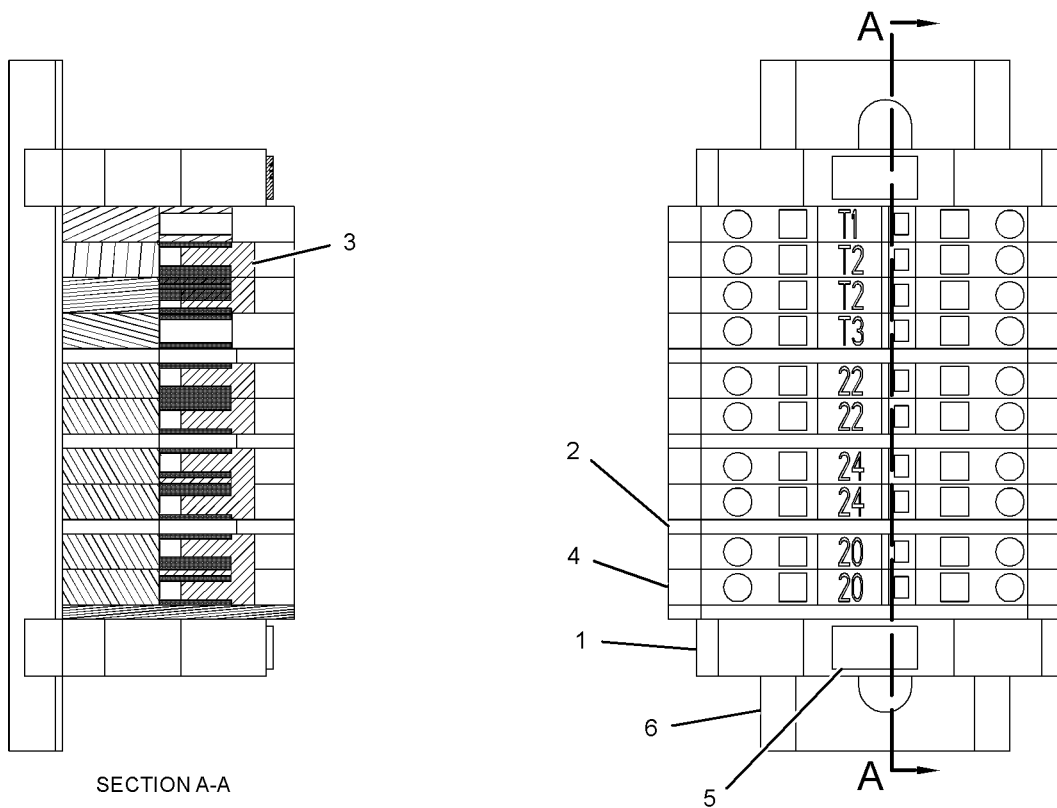
AN ATTACHMENT

SMCS-4460, 7426

i02280556

NOTE	REF NO	GRAPHIC REF	PART NUMBER	QTY	PART NAME						SEE PAGE
					1	2	3	4	5	6 (PRODUCT LEVEL)	
	1	1	162-0589	2	BRACKET-END						
	2	1	167-1617	4	COVER-TERMINAL						
B	3	1	179-8783	1	BAR						
	4	1	179-8786	10	BLOCK-TERMINAL (20-AMPERE)						
	5	1	244-9640	1	KIT-MARKER						
BE	6	1	147-1960		RAIL (14-CM)						

B-USE AS REQUIRED  
E-ORDER BY THE CENTIMETER



SECTION A-A

GRAPHIC #1

<END>

g01157978

# ELECTRICAL AND STARTING SYSTEM

## 272-8238 BLOCK AS-TERMINAL-ANNUNCIATOR

S/N: YAT1-UP

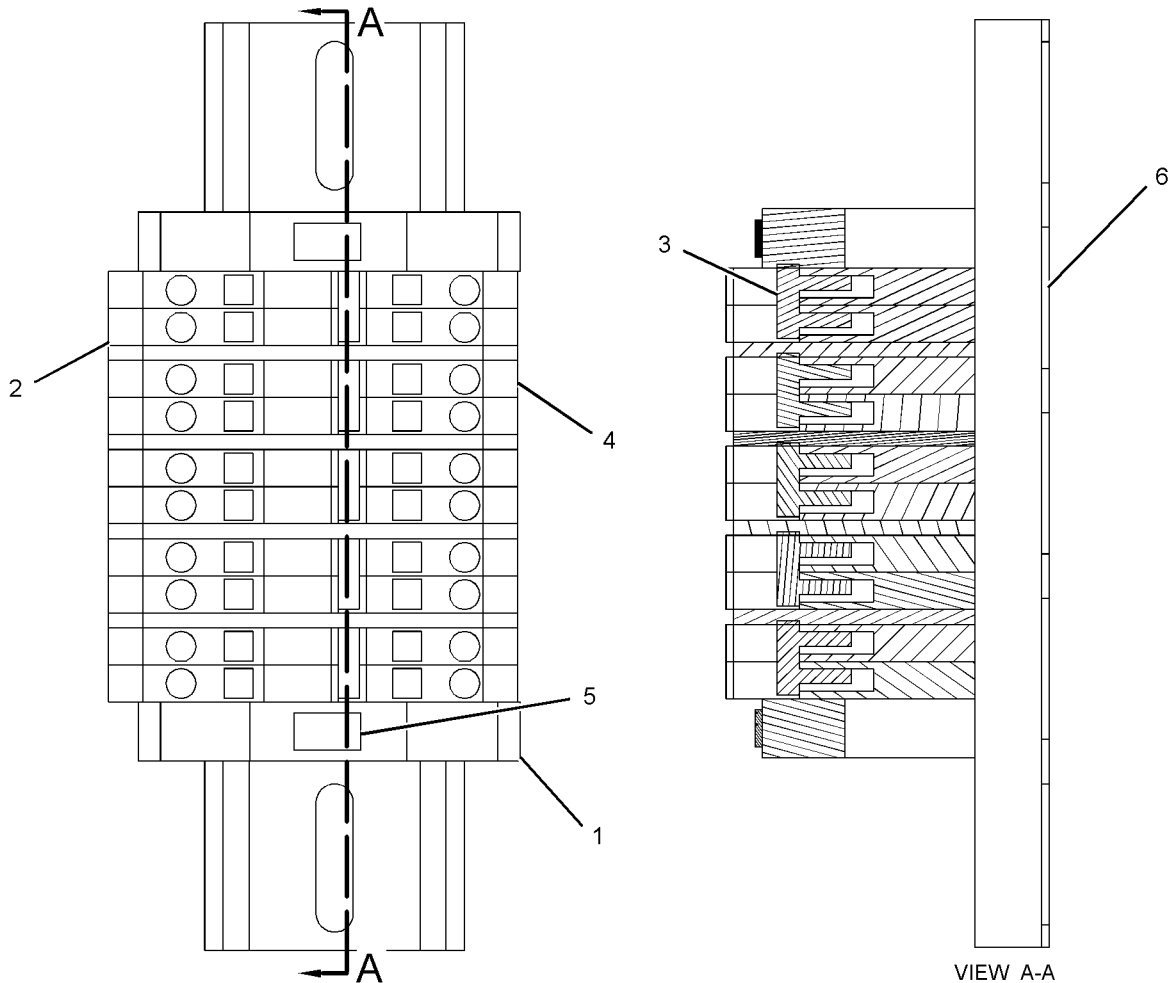
PART OF 271-5371 ALARM GP, 252-7504 CONTROL GP-ELECTRONIC  
AN ATTACHMENT

SMCS-4460, 7426

i02421191

NOTE	REF NO	GRAPHIC REF	PART NUMBER	QTY	PART NAME						SEE PAGE
					1	2	3	4	5	6 (PRODUCT LEVEL)	
B	1	1	162-0589	2	BRACKET-END						
	2	1	167-1617	4	COVER-TERMINAL						
	3	1	179-8783	1	BAR						
	4	1	179-8786	10	BLOCK-TERMINAL (20-AMPERE)						
	5	1	272-8239	1	KIT-MARKER						
E	6	1	147-1960		RAIL (13-CM)						

B-USE AS REQUIRED  
E-ORDER BY THE CENTIMETER



GRAPHIC #1

<END>

g01212081

# ELECTRICAL AND STARTING SYSTEM

## 235-6333 BOARD AS-CIRCUIT-ELECTRO MAGNETIC INTERFERENCE

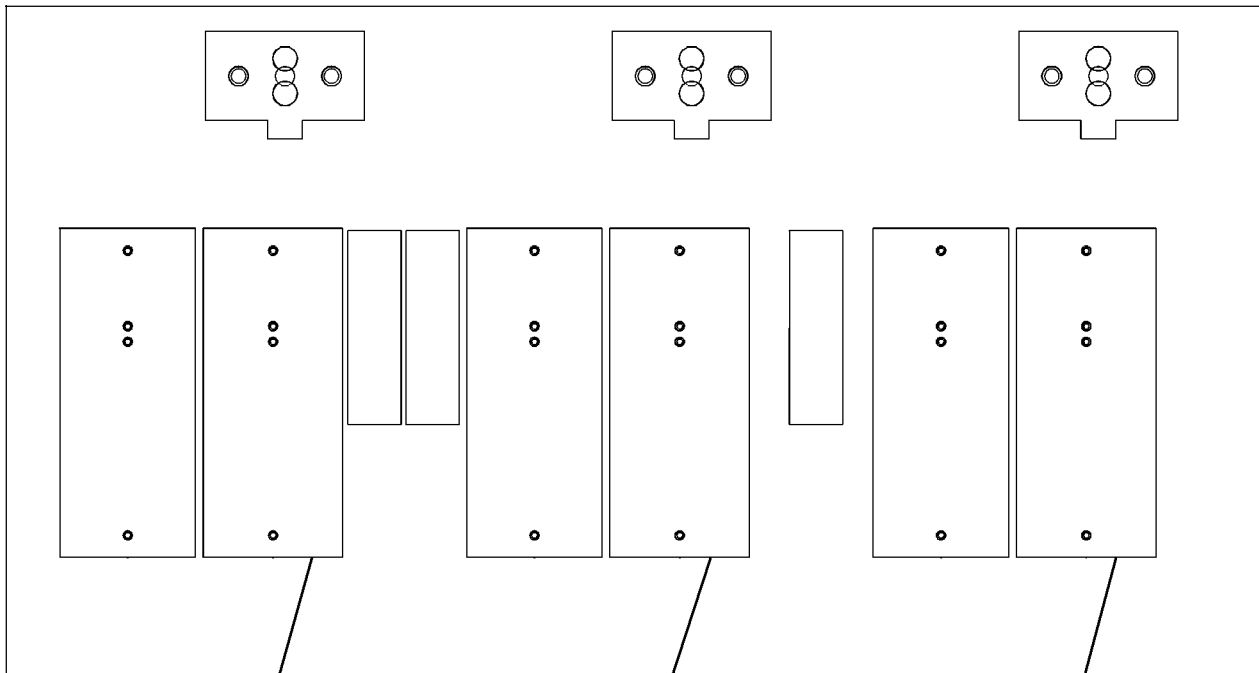
S/N: YAT1-UP

PART OF 233-7648 PANEL GP-CONTROL  
AN ATTACHMENT

SMCS-1418

i02116897

NOTE	REF NO	GRAPHIC REF	PART NUMBER	QTY	PART NAME						SEE PAGE
					1	2	3	4	5	6 (PRODUCT LEVEL)	
	1	1	235-5651	3	CAPACITOR						



GRAPHIC #1

<END>

g01095717

# ELECTRICAL AND STARTING SYSTEM

## 252-7366 BOX AS-EXTENSION-REAR SHROUD

S/N: YAT1-UP

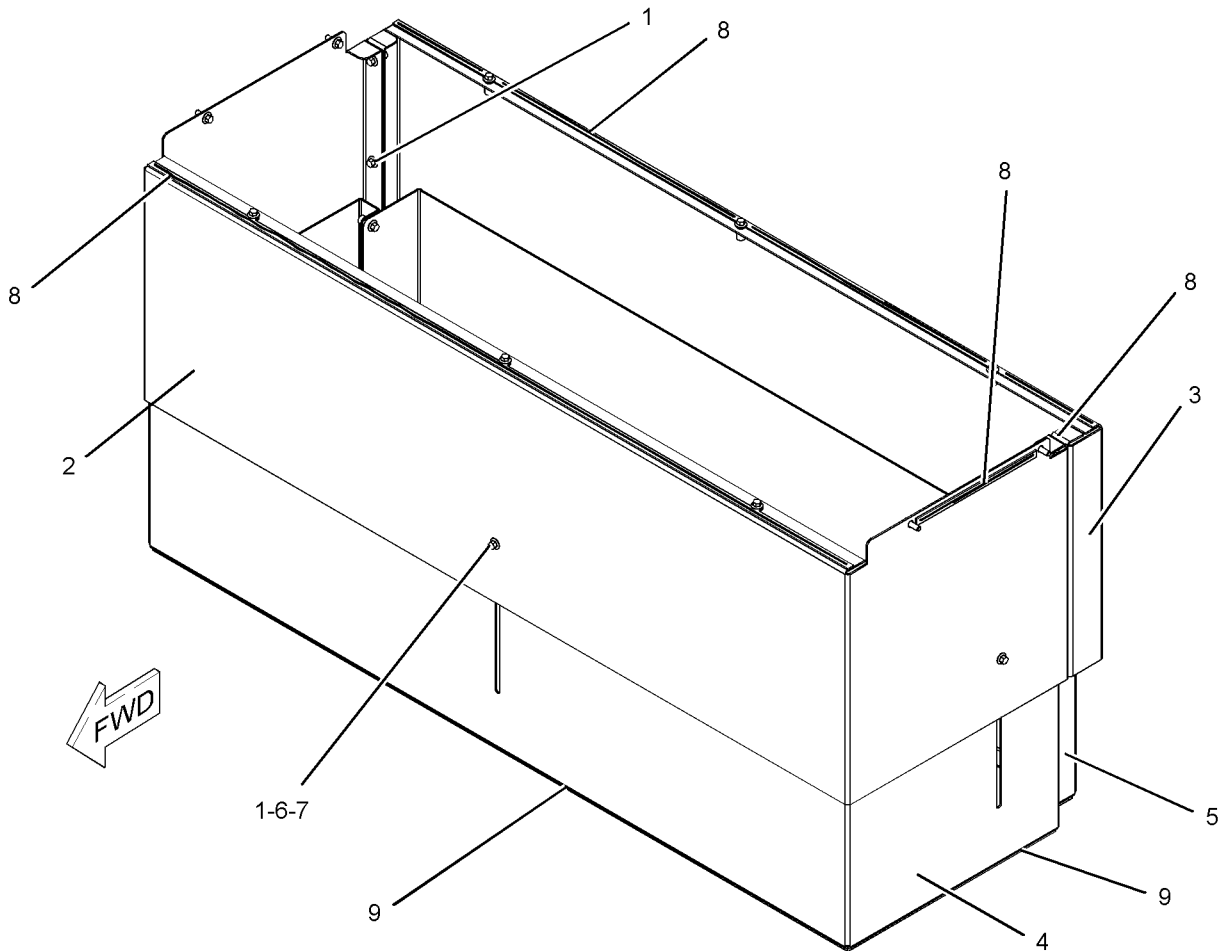
PART OF 245-0029 COVER GP-EXTENSION BOX  
AN ATTACHMENT

SMCS-4460

i03173037

NOTE	REF NO	GRAPHIC REF	PART NUMBER	QTY	PART NAME						SEE PAGE
					1	2	3	4	5	6 (PRODUCT LEVEL)	
	1	1	235-4451	15	BOLT-FLANGE HEAD (M6X1X16-MM)						
	2	1	244-9622	1	SHROUD AS						
M		1	3E-4304	3	INSERT-THREADED (M6X1-THD)						
	3	1	244-9623	1	SHROUD AS						
M		1	3E-4304	9	INSERT-THREADED (M6X1-THD)						
	4	1	244-9624	1	SLIDER AS						
M		1	3E-4304	6	INSERT-THREADED (M6X1-THD)						
	5	1	244-9625	1	SLIDER						
M	6	1	5C-2890	3	NUT (M6X1-THD)						
	7	1	9X-8256	3	WASHER (6.6X12X2-MM THK)						
BJ	8	1	244-9631		SEAL (47-DM)						
BJ	9	1	197-8039		SEAL (30-DM)						

B-USE AS REQUIRED  
J-ORDER BY THE DECIMETER  
M-METRIC PART



GRAPHIC #1

<END>

g01203772

# ELECTRICAL AND STARTING SYSTEM

## 259-0150 BOX AS-EXTENSION-SIDE SHROUD

S/N: YAT1-UP

PART OF 259-0151 COVER GP-EXTENSION BOX  
AN ATTACHMENT

SMCS-4460

i02363680

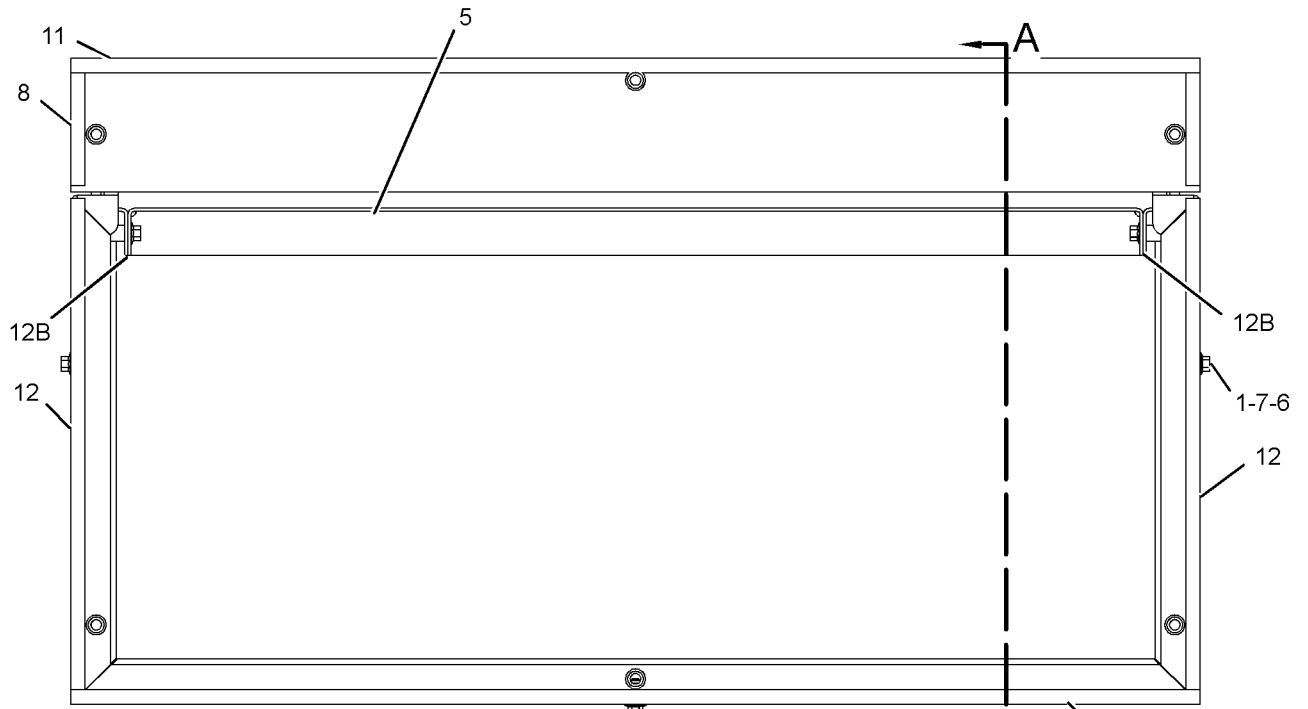
NOTE	REF NO	GRAPHIC REF	PART NUMBER	QTY	PART NAME						SEE PAGE
					1	2	3	4	5	6 (PRODUCT LEVEL)	
	1	1	235-4451	15	BOLT-FLANGE HEAD (M6X1X16-MM)						
	2	1	244-9614	1	SHROUD AS-FRONT						
M		1	3E-4304	3	INSERT-THREADED (M6X1-THD)						
	3	1	244-9616	1	SLIDER AS						
M		1	3E-4304	6	INSERT-THREADED (M6X1-THD)						
	4	1	258-9922	1	COVER AS						
M		1	3E-4304	3	INSERT-THREADED (M6X1-THD)						
	5	1	258-9923	1	COVER						
M	6	1	5C-2890	9	NUT (M6X1-THD)						
	7	1	9X-8256	9	WASHER (6.6X12X2-MM THK)						
J	8	1	244-9631		SEAL (0.71-DM EACH)						
D	9	1	6V-9335		SEAL (0.294-M EACH)						
D	10	1	6V-9335		SEAL (0.696-M)						
D	10A	1	6V-9335		SEAL (0.628-M)						
J	11	1	244-9631		SEAL (7.10-DM EACH)						
J	12	1	244-9631		SEAL (3.09-DM EACH)						
J	12A	1	244-9631		SEAL (3.17-DM EACH)						
J	12B	1	244-9631		SEAL (3.02-DM EACH)						

D-ORDER BY THE METER  
J-ORDER BY THE DECIMETER  
M-METRIC PART

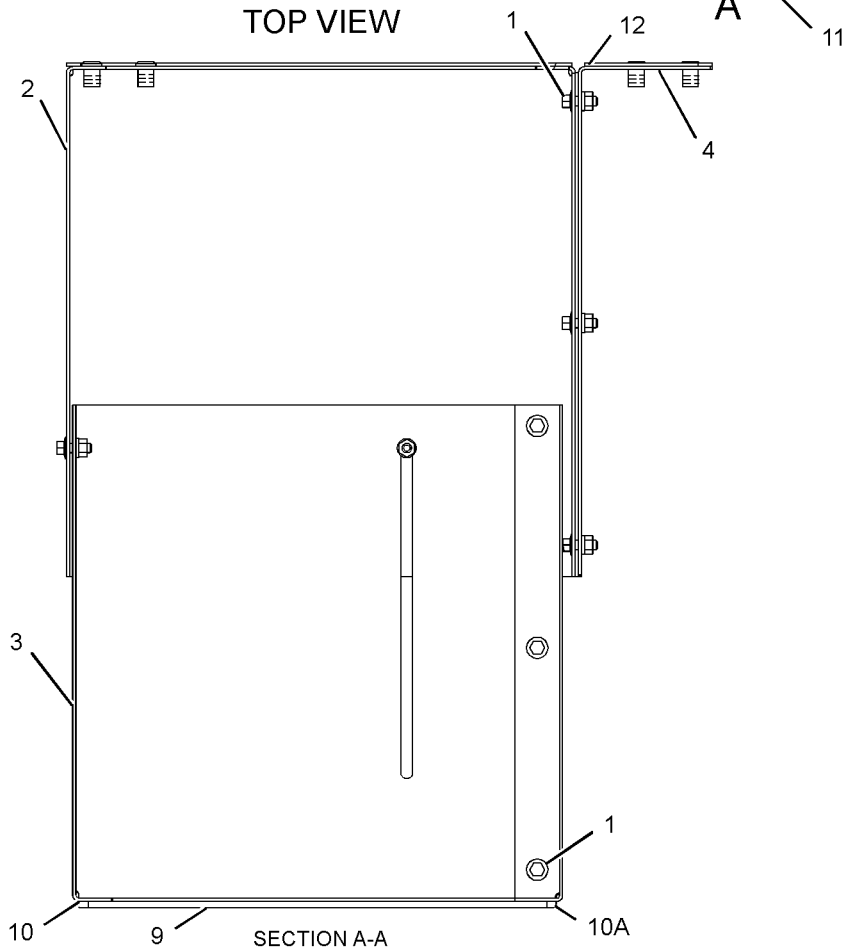
# ELECTRICAL AND STARTING SYSTEM

259-0150 BOX AS-EXTENSION (contd.)

i02363680



TOP VIEW



SECTION A-A

GRAPHIC #1

<END>

g01202445

# ELECTRICAL AND STARTING SYSTEM

## 300-3508 BOX GP-CONTROL-JACKET WATER HEATER

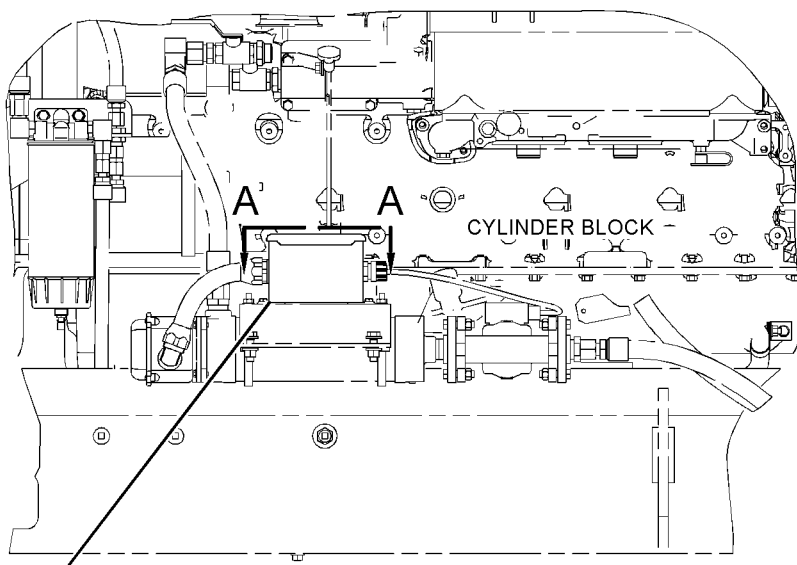
S/N: YAT1-UP

PART OF 307-3264, 307-3265, 325-6248 HEATER GP-JACKET WATER  
AN ATTACHMENT

SMCS-4460, 7426

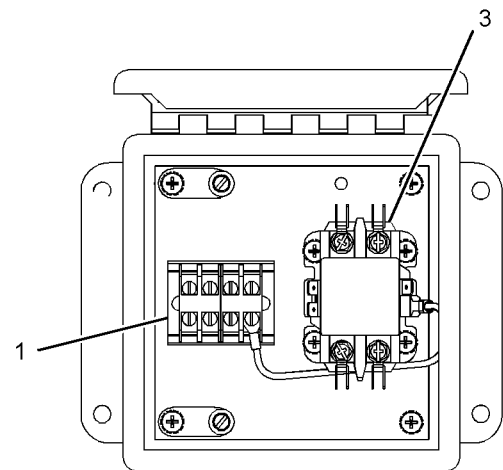
i02867779

NOTE	REF NO	GRAPHIC REF	PART NUMBER	QTY	PART NAME						SEE PAGE
					1	2	3	4	5	6 (PRODUCT LEVEL)	
	1	1	175-7409	2	BLOCK-TERMINAL						
	2	1	300-3509	1	BOX AS						
	3	1	300-3510	1	CONTACTOR						



2

RIGHT SIDE VIEW OF ENGINE



VIEW A-A  
(COVER REMOVED FOR CLARITY)

GRAPHIC #1

<END>

g01435863



# ELECTRICAL AND STARTING SYSTEM

## 245-0033 BOX GP-ELECTRONIC

S/N: YAT1-UP  
 CUSTOMER WIRING  
 FOR USE WITH MUI  
 AN ATTACHMENT

SMCS-1417

i03301536

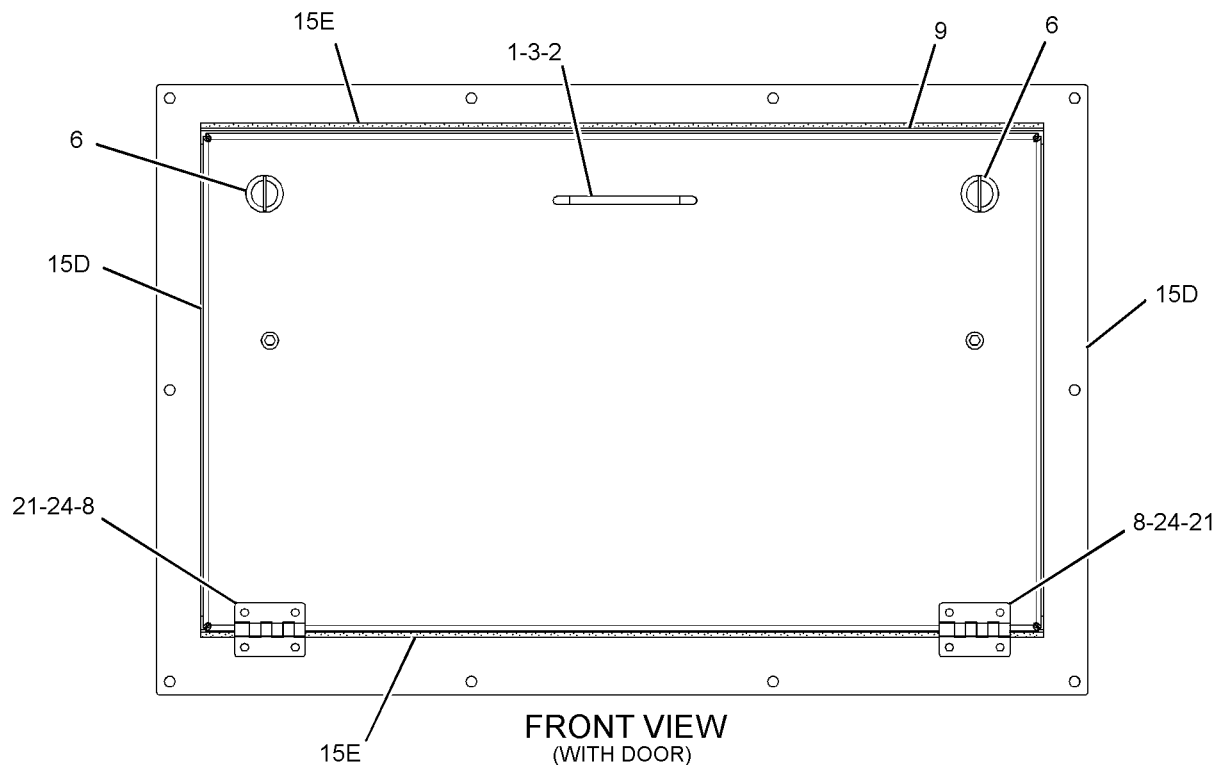
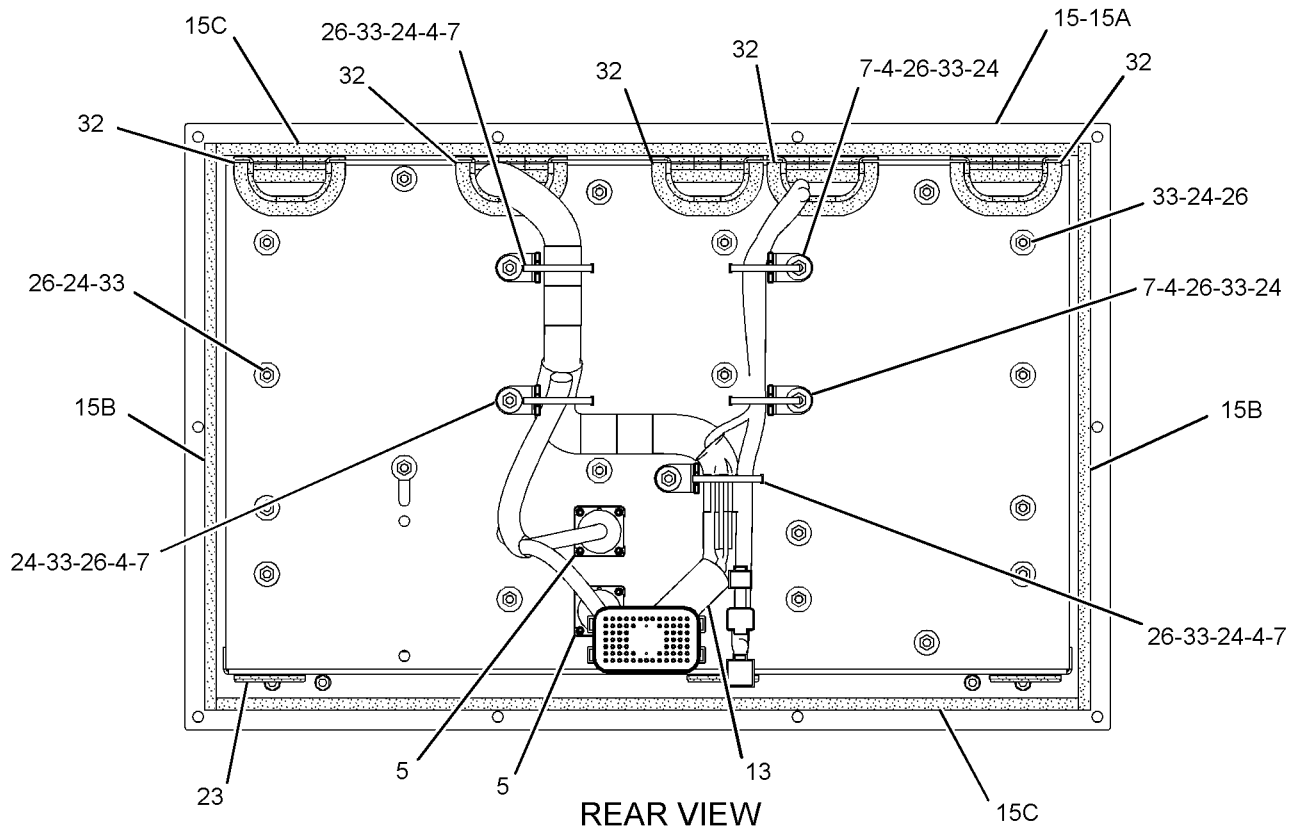
NOTE	REF NO	GRAPHIC REF	PART NUMBER	QTY	PART NAME						SEE PAGE
					1	2	3	4	5	6 (PRODUCT LEVEL)	
	1	1	8C-8514	2	SCREW-MACHINE (8-32X0.375-IN)						
	2	1	8T-2882	1	HANDLE-PULL						
	3	1	1H-4393	2	LOCKWASHER						
	4	1	9X-6772	5	STRAP-CABLE						
	5	1	132-8488	2	NUT-RING						
	6	1	135-6898	2	LATCH AS						
	7	1	156-6175	5	CLIP						
	8	1	169-4481	2	HINGE AS						
	9	1	242-8835	1	DOOR AS						
Y	10	2	244-9602	1	STRIP GP-TERMINAL (AC)						703
Y	11	2	244-9603	1	STRIP GP-TERMINAL (DC)						705
Y	12	2	244-9607	1	STRIP GP-TERMINAL (SWITCHGEAR)						706
Y	13	1	244-9634	1	HARNESS AS-PANEL (AC, DC INTERFACE)						613
	14	1,2	244-9637	1	HARNESS AS-PANEL (HEATER)						
		1,2	110-8714	6	END-WIRE (18-GA)						
		1,2	112-7497	4	END-WIRE (14-GA)						
	15	1	245-0073	1	BOX AS						
	15A	1	242-8834	1	BOX AS						
S	15B	1	244-9631		SEAL (4.3-DM EACH)						
S	15C	1	244-9631		SEAL (7-DM EACH)						
D	15D	1	6V-9335		SEAL (0.4-M EACH)						
D	15E	1	6V-9335		SEAL (0.6-M EACH)						
	16	2	246-8898	1	FILM-IDENTIFICATION (SERVICE CONNECTOR)						
	17	2	252-7455	1	HARNESS AS-PANEL (DATA LINK)						
		2	109-3038	3	END-WIRE (16-GA)						
		2	134-2540	1	RECEPTACLE AS (3-PIN)						
		2	186-3736	3	SOCKET-CONNECTOR (16-GA TO 18-GA)						
		2	174-0503	2	KIT-CONNECTING PLUG (3-PIN) (INCLUDES PLUG AS AND WEDGE)						
	18	2	252-7519	2	STRAP						
	19	2	287-7137	1	STRAP AS-GROUND						
		2	2L-8077	2	TERMINAL (14-GA TO 16-GA)						
M	20	2	170-5632	4	BOLT (M4X0.7X16-MM)						
	21	1	3B-4504	8	LOCKWASHER						
	23	1	4D-3100	3	GROMMET						
M	24	1,2	5C-2890	37	NUT (M6X1-THD)						
	25	2	260-6675	4	NUT-SELF LOCKING (M4X0.7-THD)						
M	26	1	5C-9553	27	BOLT (M6X1X16-MM)						
	27	2	293-2033	8	SCREW-LOCK						
	28	2	7X-0620	8	WASHER-HARD (5.5X13X1.6-MM THK)						
B	29	2	9X-8256	2	WASHER (6.6X12X2-MM THK)						
E	30	2	252-7426		DUCT-WIRE (32-CM EACH) (64-CM)						
T	31	2	217-7164		DUCT-WIRE (315-MM EACH)						
E	32	1	3E-6600		SEAL (10-CM EACH)						
E	32A	2	3E-6600		SEAL (13.5-CM EACH)						
	33	1	5P-4115	54	WASHER-HARD (7.2X19X2-MM THK)						

B-USE AS REQUIRED  
 D-ORDER BY THE METER  
 E-ORDER BY THE CENTIMETER  
 M-METRIC PART  
 S-ORDER BY THE DECIMETER  
 T-ORDER BY THE MILLIMETER  
 Y-SEPARATE ILLUSTRATION

# ELECTRICAL AND STARTING SYSTEM

245-0033 BOX GP-ELECTRONIC (contd.)

i03301536



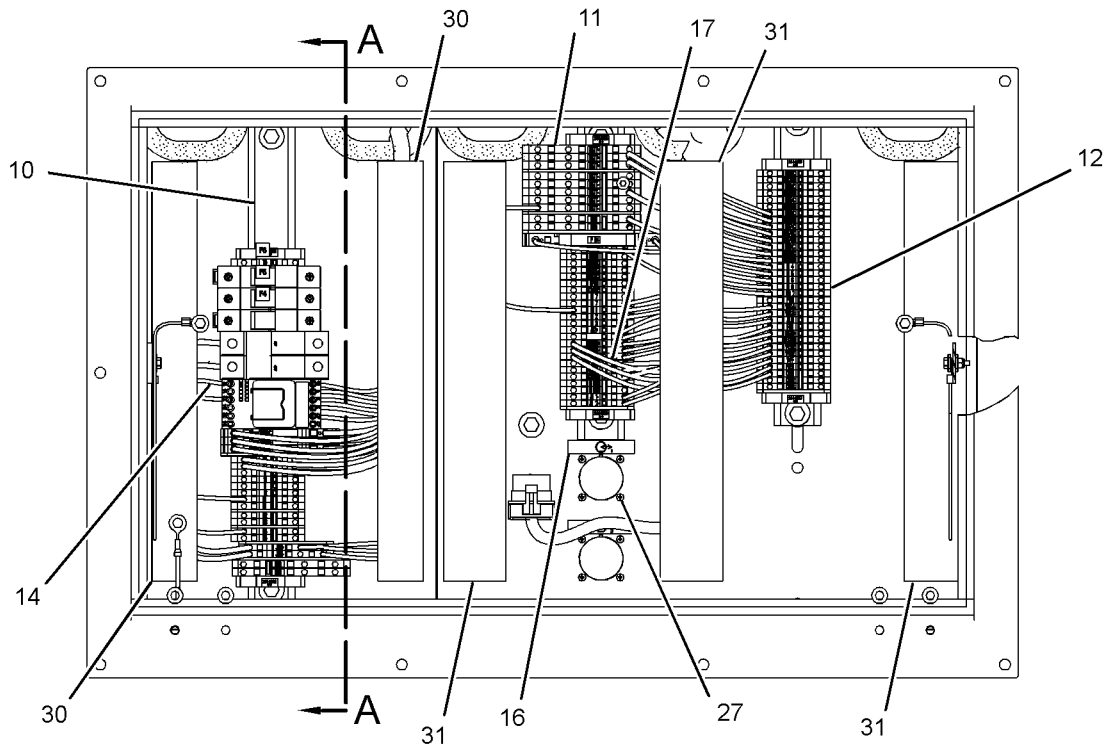
GRAPHIC #1

g01687637

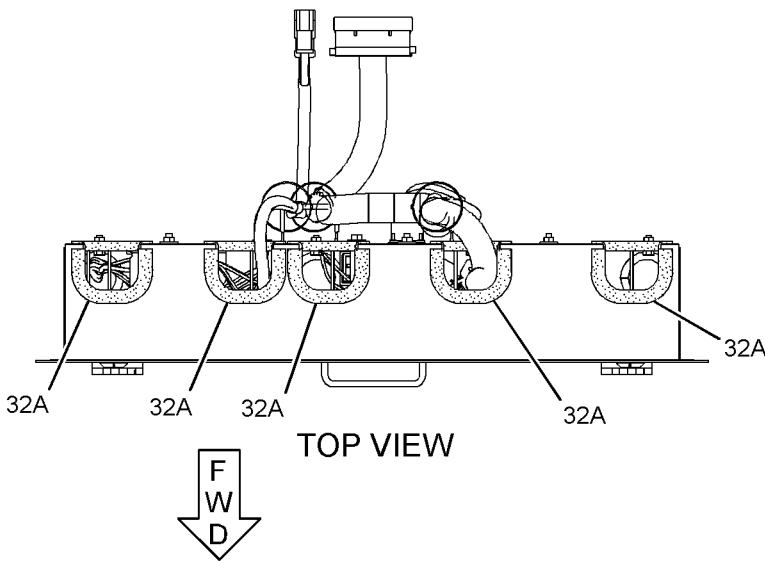
# ELECTRICAL AND STARTING SYSTEM

245-0033 BOX GP-ELECTRONIC (contd.)

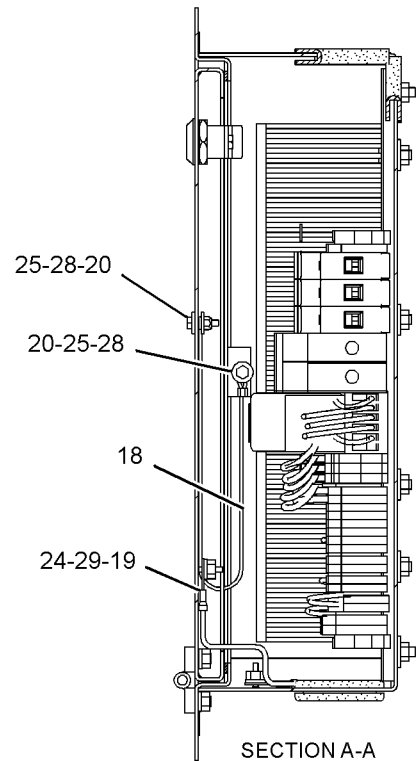
i03301536



FRONT VIEW  
(WITHOUT DOOR)



TOP VIEW



SECTION A-A

GRAPHIC #2

<END>

g01687638

# ELECTRICAL AND STARTING SYSTEM

## 245-0035 BOX GP-ELECTRONIC

S/N: YAT1-UP  
CUSTOMER WIRING  
FOR USE WITH EUI  
AN ATTACHMENT

SMCS-1417

i03301535

NOTE	REF NO	GRAPHIC REF	PART NUMBER	QTY	PART NAME						SEE PAGE
					1	2	3	4	5	6 (PRODUCT LEVEL)	
	1	1	8C-8514	2	SCREW-MACHINE (8-32X0.375-IN)						
	2	1	8T-2882	1	HANDLE-PULL						
	3	1	1H-4393	2	LOCKWASHER						
	4	1	9X-6772	5	STRAP-CABLE						
	5	2	132-8488	2	NUT-RING						
	6	1	135-6898	2	LATCH AS						
	7	1	156-6175	5	CLIP						
	8	1	169-4481	2	HINGE AS						
	9	1	242-8835	1	DOOR AS						
	10	1	244-5405	1	HARNESS AS-PANEL (AC, DC INTERFACE)						
		1	109-3038	3	END-WIRE (16-GA)						
		1	110-8714	43	END-WIRE (18-GA)						
		1	112-7497	4	END-WIRE (14-GA)						
		1	186-3735	62	PIN-CONNECTOR (16-GA TO 18-GA)						
		1	126-1767	4	PIN-CONNECTOR (14-GA)						
		1	8T-8737	22	PLUG-SEAL						
		1	9W-1951	2	RECEPTACLE-CONNECTOR (9-PIN)						
		1	133-8753	1	RECEPTACLE AS-CONNECTOR (70-PIN)						
		1	7K-1181	12	STRAP-CABLE						
E		1	125-7874		TUBE-HEAT SHRINK (5.72-MM DIA) (40-CM)						
Y	11	2	244-9602	1	STRIP GP-TERMINAL (AC)						703
Y	12	2	244-9603	1	STRIP GP-TERMINAL (DC)						705
Y	13	2	244-9607	1	STRIP GP-TERMINAL (SWITCHGEAR)						706
	14	2	244-9637	1	HARNESS AS-PANEL (HEATER)						
		2	110-8714	10	END-WIRE (18-GA)						
		2	112-7497	4	END-WIRE (14-GA)						
	15	1	245-0073	1	BOX AS						
D		1	6V-9335		SEAL (2.1-M)						
		1	242-8834	1	BOX AS						
J		1	244-9631		SEAL (23-DM)						
	16	2	246-8898	1	FILM-IDENTIFICATION (SERVICE CONNECTOR)						
	17	2	252-7455	1	HARNESS AS-PANEL (DATA LINK)						
		2	109-3038	3	END-WIRE (16-GA)						
		2	174-0503	1	KIT-CONNECTING PLUG (3-PIN) (INCLUDES PLUG AS AND WEDGE)						
		2	134-2540	1	RECEPTACLE AS (3-PIN)						
		2	186-3736	3	SOCKET-CONNECTOR (16-GA TO 18-GA)						
	18	2	252-7519	2	STRAP						
	19	2	287-7137	1	STRAP AS-GROUND						
		2	2L-8077	2	TERMINAL (14-GA TO 16-GA)						
M	20	2	170-5632	4	BOLT (M4X0.7X16-MM)						
	21	1	3B-4504	8	LOCKWASHER (1/4)						
	23	1	4D-3100	3	GROMMET						
M	24	1,2	5C-2890	37	NUT (M6X1-THD)						
	25	2	260-6675	4	NUT-SELF LOCKING (M4X0.7-THD)						
M	26	1	5C-9553	27	BOLT (M6X1X16-MM)						
	27	2	293-2033	8	SCREW-LOCK (CROSS RECESS DRIVE)						
	28	2	7X-0620	8	WASHER-HARD (5.5X13X1.6-MM THK)						
	29	2	9X-8256	2	WASHER (6.6X12X2-MM THK)						
BE	30	2	252-7426		DUCT-WIRE (32-CM EACH)						
BH	31	2	217-7164		DUCT-WIRE (315-MM EACH)						
BE	32	1	3E-6600		SEAL (13.5-CM EACH)						
BE	32A	1	3E-6600		SEAL (10-CM EACH)						
	33	1	5P-4115	54	WASHER-HARD (7.2X19X2-MM THK)						

# ELECTRICAL AND STARTING SYSTEM

245-0035 BOX GP-ELECTRONIC (contd.)

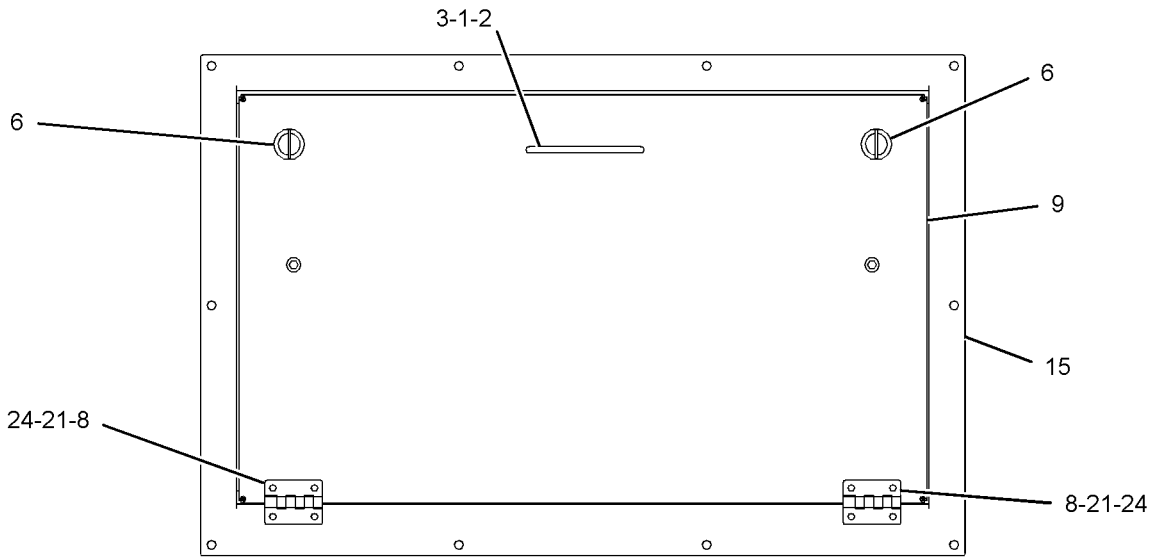
i03301535

B-USE AS REQUIRED  
D-ORDER BY THE METER  
E-ORDER BY THE CENTIMETER  
H-ORDER BY THE MILLIMETER  
J-SOLD BY THE DECIMETER  
M-METRIC PART  
Y-SEPARATE ILLUSTRATION

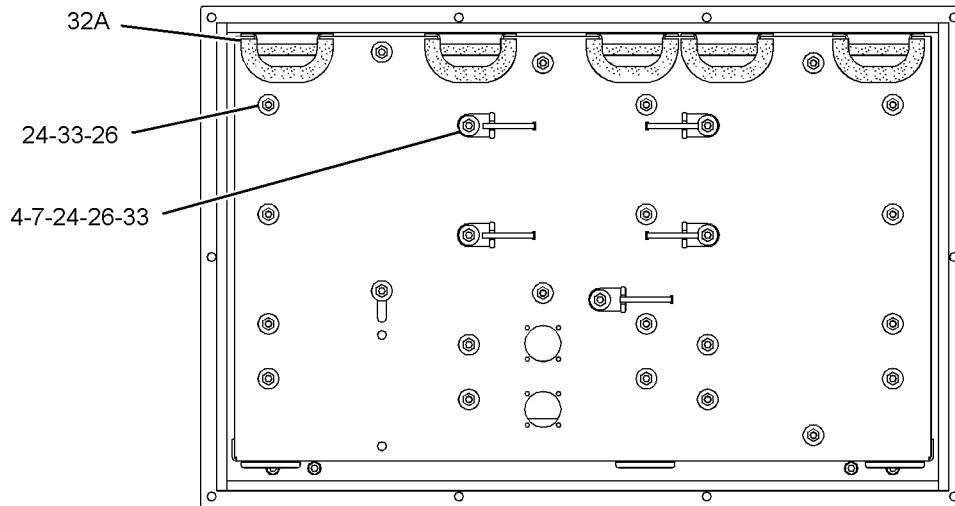
# ELECTRICAL AND STARTING SYSTEM

245-0035 BOX GP-ELECTRONIC (contd.)

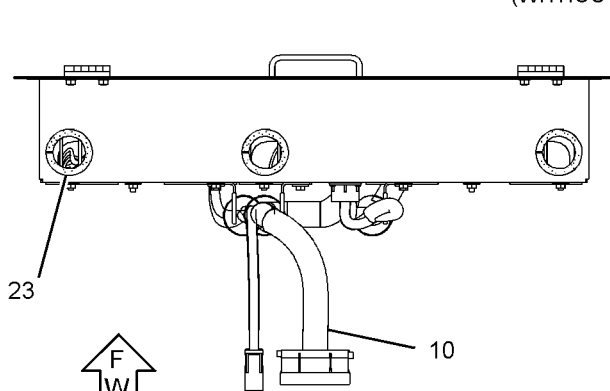
i03301535



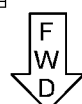
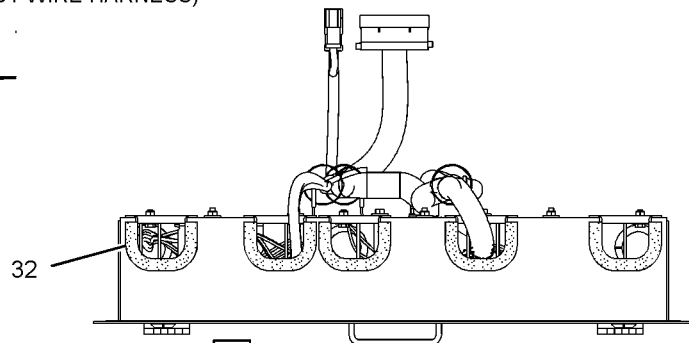
FRONT VIEW  
(WITH DOOR)



REAR VIEW  
(WITHOUT WIRE HARNESS)



BOTTOM VIEW



TOP VIEW

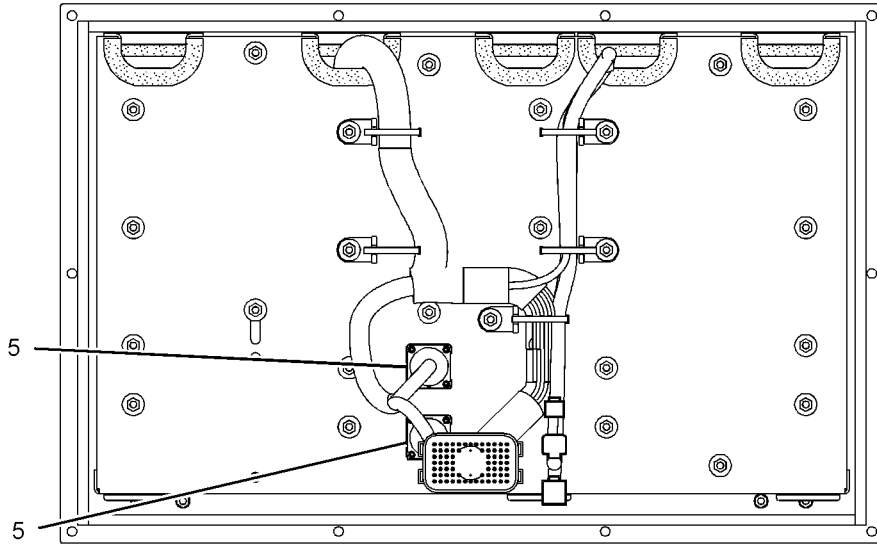
GRAPHIC #1

g01686475

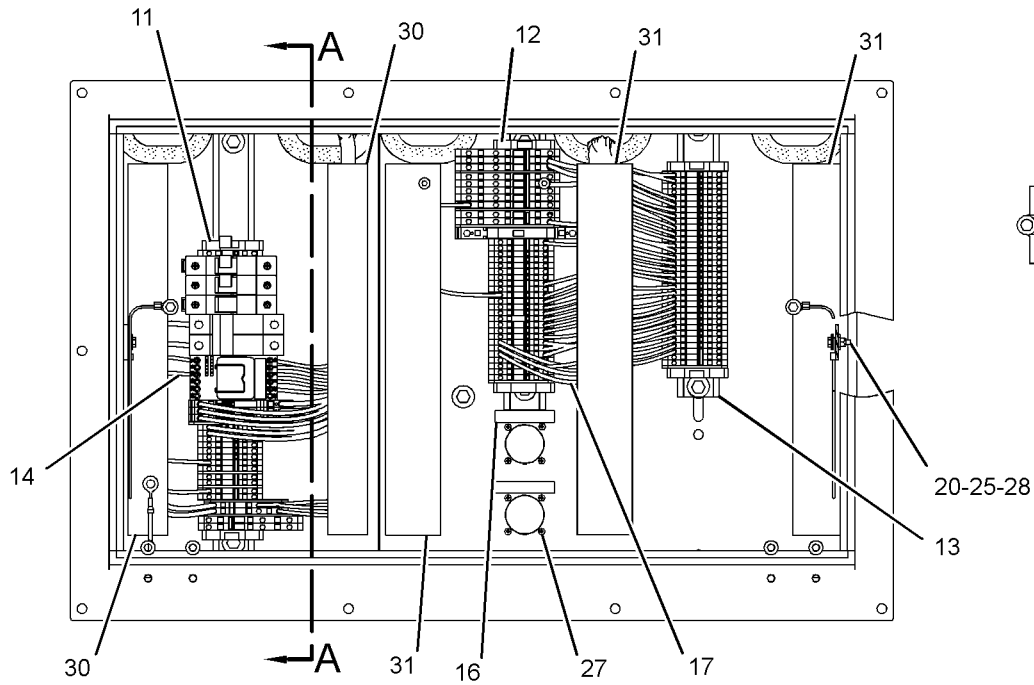
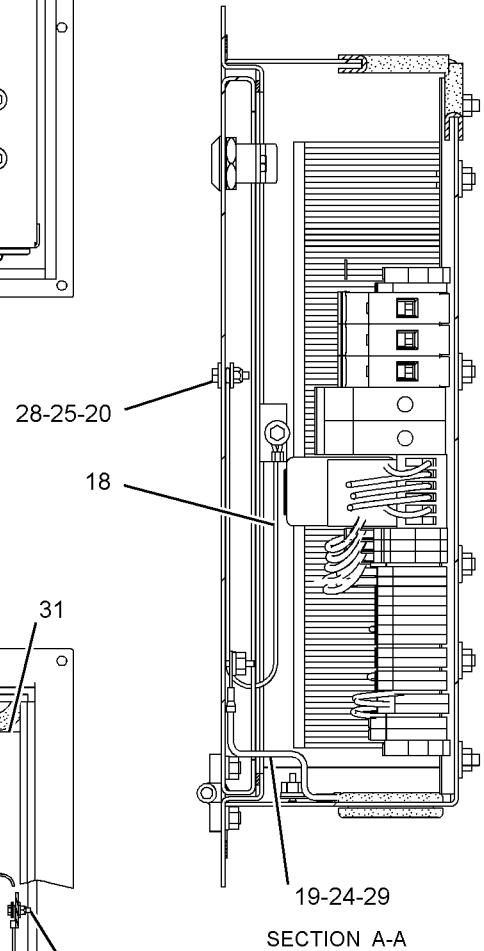
# ELECTRICAL AND STARTING SYSTEM

245-0035 BOX GP-ELECTRONIC (contd.)

i03301535



REAR VIEW  
(WITH HARNESS)



FRONT VIEW  
(WITHOUT DOOR)

GRAPHIC #2

<END>

g01686476

# ELECTRICAL AND STARTING SYSTEM

## 267-8473 BOX GP-ELECTRONIC

S/N: YAT1-UP  
FOR USE WITH EUI  
AN ATTACHMENT

SMCS-1417

i02650255

NOTE	REF NO	GRAPHIC REF	PART NUMBER	QTY	PART NAME						SEE PAGE
					1	2	3	4	5	6 (PRODUCT LEVEL)	
	1	2	8C-8514	2	SCREW-MACHINE (8-32X0.375-IN)						
	2	2	8T-2882	1	HANDLE-PULL						
	3	2	9F-8125	2	LOCKWASHER						
B	4	1	9X-6772	5	STRAP-CABLE						
C	5	1	132-8488	1	NUT-RING						
	6	2	135-6898	2	LATCH AS						
	7	1	156-6175	5	CLIP						
	8	2	169-4481	2	HINGE AS						
	9	2	242-8835	1	DOOR AS						
Y	10	2	244-9602	1	STRIP GP-TERMINAL (AC)						703
	11	2	244-9637	1	HARNESS AS-PANEL (HEATER)						
		2	110-8714	10	END-WIRE (18-GA)						
		2	112-7497	4	END-WIRE (14-GA)						
	12	2	245-0073	1	BOX AS						
		2	242-8834	1	BOX AS						
D		2	6V-9335		SEAL (2.1-M)						
J		2	244-9631		SEAL (23-DM)						
	13	3	246-8898	1	FILM-IDENTIFICATION (SERVICE CONNECTOR)						
	14	2	252-7519	2	STRAP						
	15	2	252-7697	2	WIRE AS						
Y	16	2	267-8462	1	STRIP GP-TERMINAL (SWITCHGEAR)						709
	17	1	267-8463	1	HARNESS AS-PANEL (AC, DC INTERFACE)						
		1	7K-1181	12	STRAP-CABLE						
		1	186-3735	38	PIN-CONNECTOR (16-GA TO 18-GA)						
		1	8T-8737	37	PLUG-SEAL						
		1	9W-1951	1	RECEPTACLE-CONNECTOR (9-PIN)						
		1	110-8714	27	END-WIRE (18-GA)						
		1	112-7497	4	END-WIRE (14-GA)						
E		1	125-7874		TUBE-HEAT SHRINK (5.72-MM DIA) (15-CM)						
		1	126-1767	4	PIN-CONNECTOR (14-GA)						
		1	133-8753	1	RECEPTACLE AS-CONNECTOR (70-PIN)						
Y	18	2	267-8464	1	STRIP GP-TERMINAL (DC)						710
	19	1	267-8469	1	HARNESS AS-WIRING (JUMPER)						
		1	110-8714	4	END-WIRE (18-GA)						
	20	3	287-7137	1	STRAP AS-GROUND						
		3	2L-8077	2	TERMINAL (14-GA TO 16-GA)						
C	21	3	293-2033	4	SCREW-LOCK						
M	22	3	116-6952	2	BOLT (M4X0.7X10-MM)						
M	23	3	8C-7581	2	SCREW-MACHINE (M4X0.7X8-MM)						
	24	1	4D-3100	3	GROMMET						
M	25	1,2,3	5C-2890	37	NUT (M6X1-THD)						
M	26	3	5C-8312	4	NUT (M4X0.7-THD)						
M	27	1,2	5C-9553	27	BOLT (M6X1X16-MM)						
	28	3	8T-0328	8	WASHER-HARD (5.5X10X1-MM THK)						
	29	1,2,3	9X-8256	64	WASHER (6.6X12X2-MM THK)						
E	30	2	252-7426		DUCT-WIRE (32-CM EACH) (31.5-CM)						
E	30A	2	252-7426		DUCT-WIRE (32-CM EACH) (31.5-CM)						
S	31	2	217-7164		DUCT-WIRE (317-MM)						
S	31A	2	217-7164		DUCT-WIRE (317-MM)						
S	31B	2	217-7164		DUCT-WIRE (317-MM)						
E	32	1	3E-6600		SEAL (13.5-CM)						
E	32A	1	3E-6600		SEAL (13.5-CM)						
E	32B	1	3E-6600		SEAL (13.5-CM)						
E	32C	1	3E-6600		SEAL (13.5-CM)						
E	32D	1	3E-6600		SEAL (13.5-CM)						



# ELECTRICAL AND STARTING SYSTEM

267-8473 BOX GP-ELECTRONIC (contd.)

i02650255

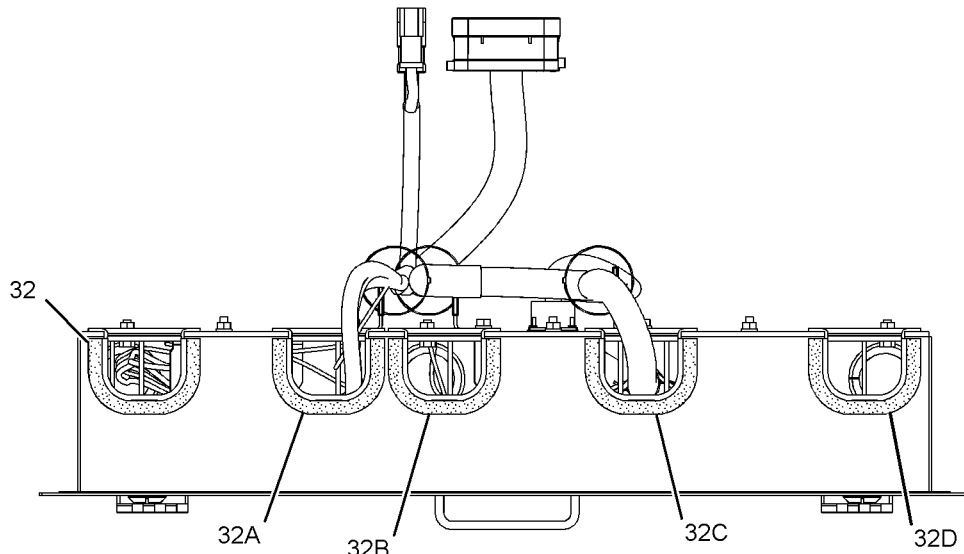
NOTE	REF NO	GRAPHIC REF	PART NUMBER	QTY	PART NAME						SEE PAGE
					1	2	3	4	5	6 (PRODUCT LEVEL)	
E	32E	1	<b>3E-6600</b>		SEAL (10-CM)						
E	32F	1	<b>3E-6600</b>		SEAL (10-CM)						
E	32G	1	<b>3E-6600</b>		SEAL (10-CM)						
E	32H	1	<b>3E-6600</b>		SEAL (10-CM)						
E	32J	1	<b>3E-6600</b>		SEAL (10-CM)						

B-USE AS REQUIRED  
 C-CHANGE FROM PREVIOUS TYPE  
 D-ORDER BY THE METER  
 E-ORDER BY THE CENTIMETER  
 J-ORDER BY THE DECIMETER  
 M-METRIC PART  
 S-ORDER BY THE MILLIMETER  
 Y-SEPARATE ILLUSTRATION

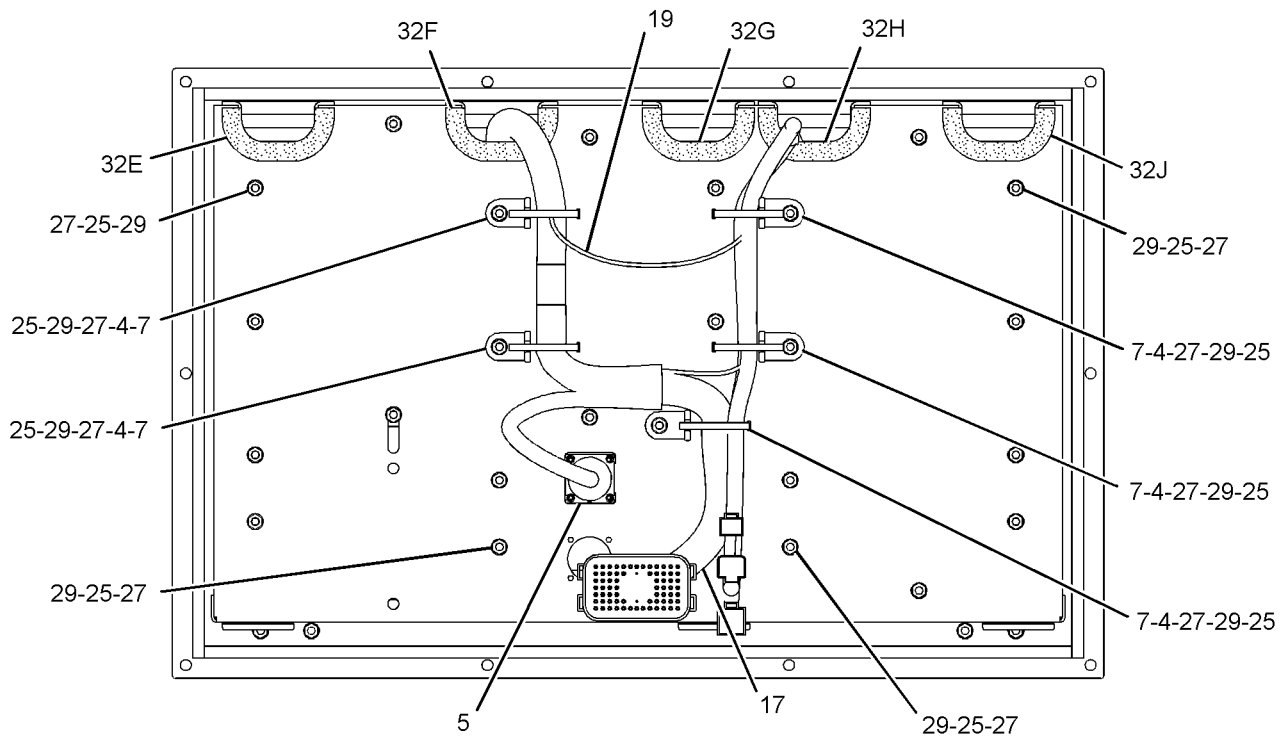
# ELECTRICAL AND STARTING SYSTEM

267-8473 BOX GP-ELECTRONIC (contd.)

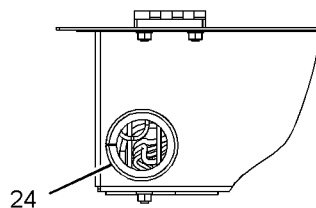
i02650255



TOP VIEW



REAR VIEW



BOTTOM VIEW

GRAPHIC #1

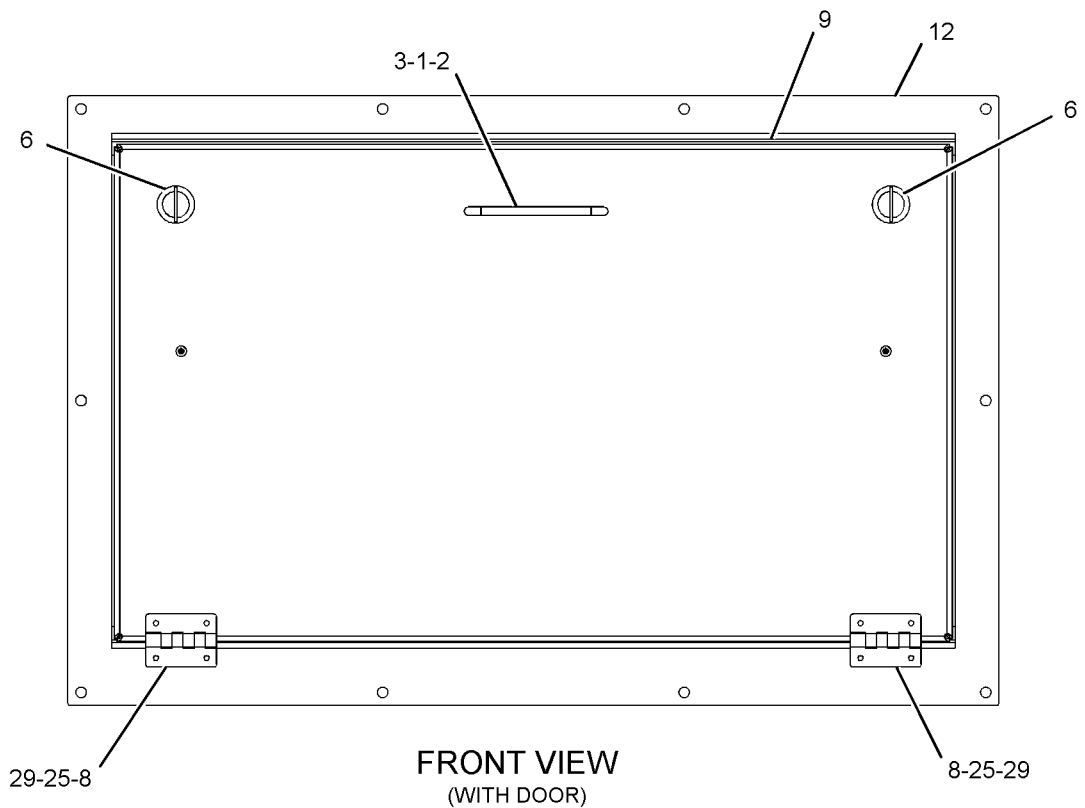
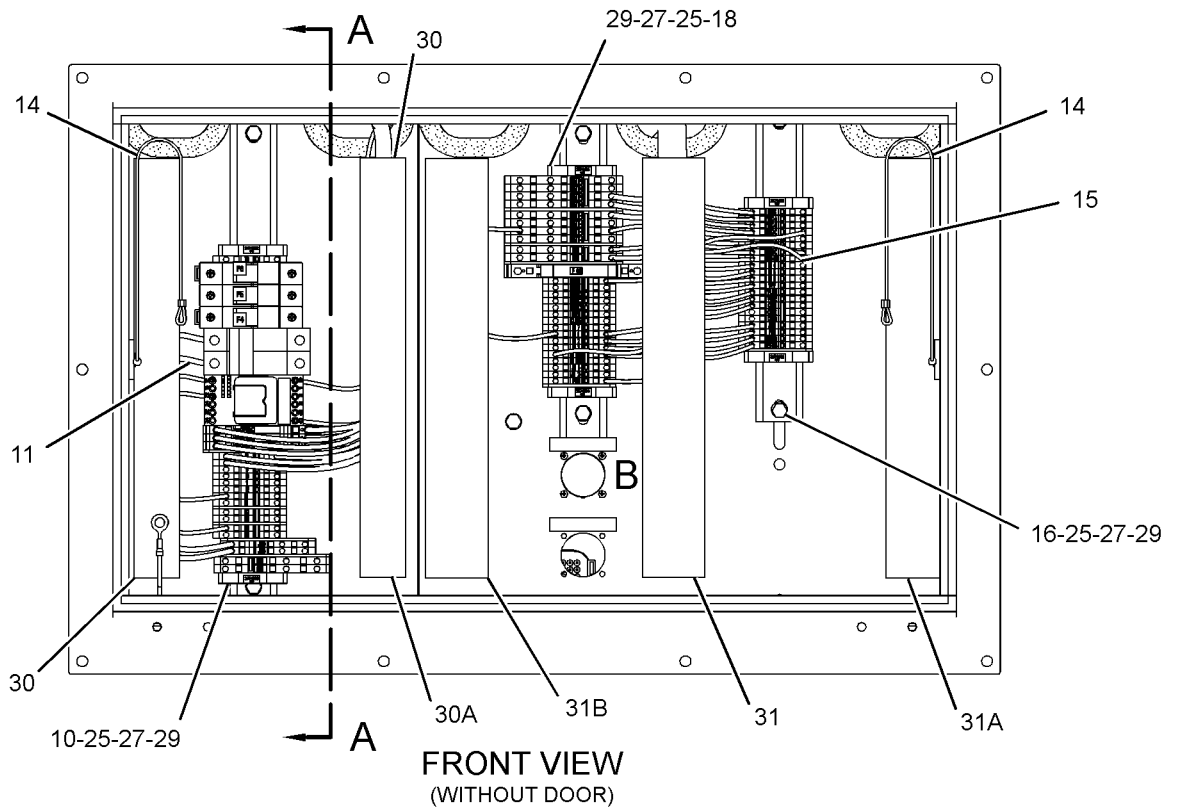
g01332657

# ELECTRICAL AND STARTING SYSTEM

267-8473 BOX GP-ELECTRONIC (contd.)

i02650255

GROUP TO ALL ILLUSTRATIONS OF THIS GROUP FOR AUXILIARY VIEWS



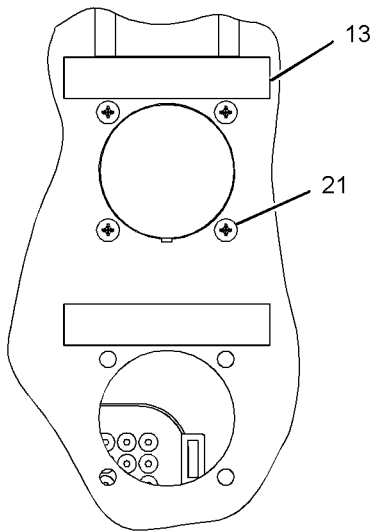
GRAPHIC #2

g01332659

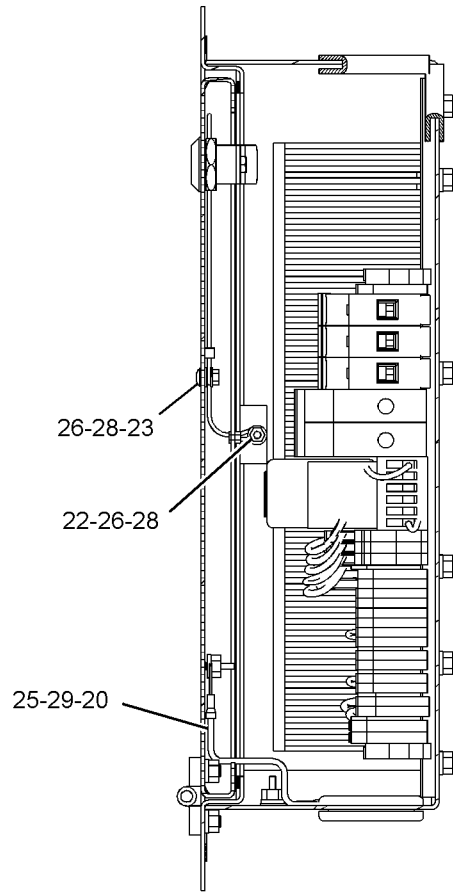
# ELECTRICAL AND STARTING SYSTEM

267-8473 BOX GP-ELECTRONIC (contd.)

i02650255



VIEW OF AREA B



SECTION A-A

GRAPHIC #3

<END>

g01332660

# ELECTRICAL AND STARTING SYSTEM

## 332-1129 BOX GP-ELECTRONIC-JACKET WATER

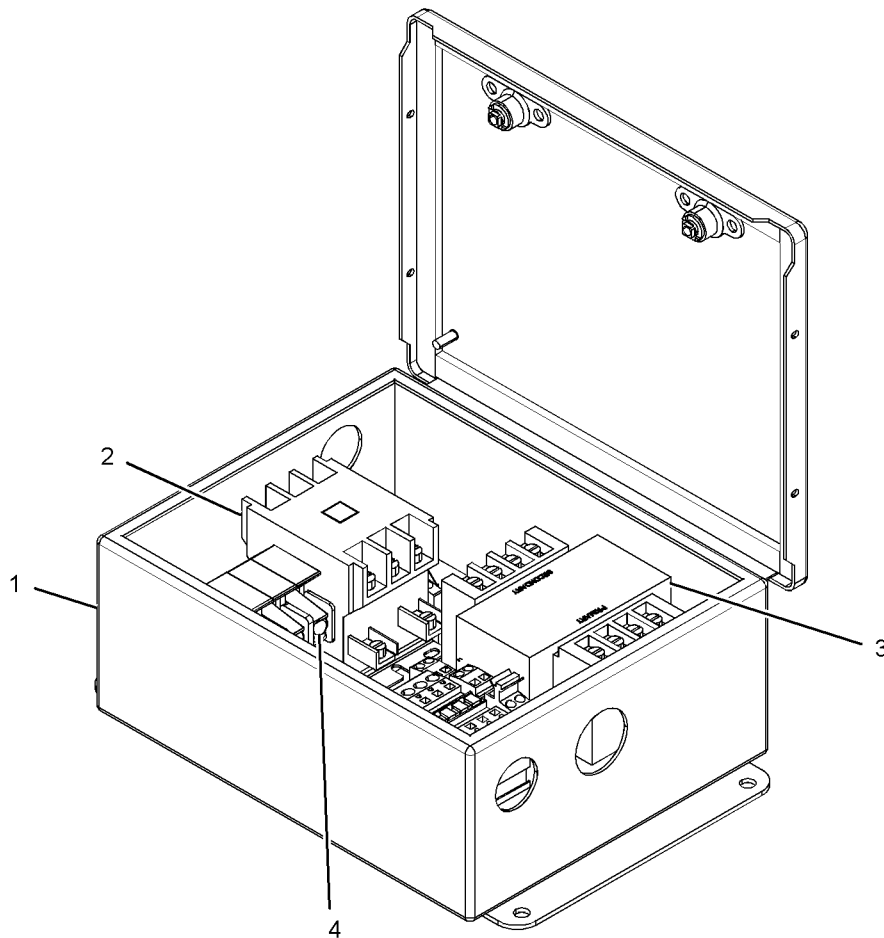
S/N: YAT1-UP

PART OF 325-6250 HEATER GP-JACKET WATER  
AN ATTACHMENT

SMCS-1417

i03370160

NOTE	REF NO	GRAPHIC REF	PART NUMBER	QTY	PART NAME						SEE PAGE
					1	2	3	4	5	6 (PRODUCT LEVEL)	
	1	1	332-1130	1	BOX AS-ELECTRICAL						
	2	1	332-1132	1	CONTACTOR						
	3	1	332-1137	1	TRANSFORMER						
	4	1	7W-0482	3	FUSE (2-AMPERE)						



GRAPHIC #1

<END>

g01751033



# ELECTRICAL AND STARTING SYSTEM

## 245-0003 BOX GP-EXTENSION TERMINAL-SIDE

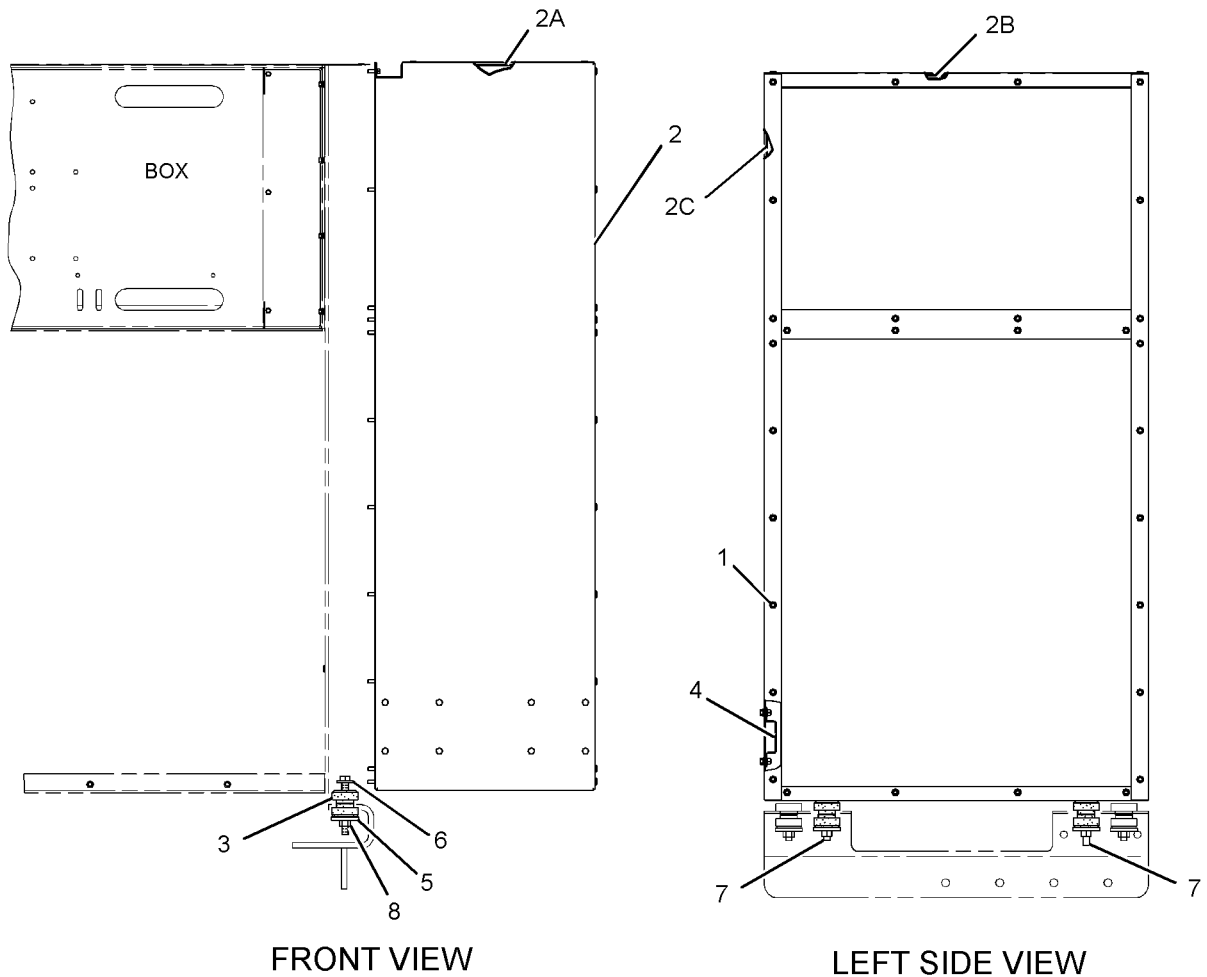
S/N: YAT1-UP  
AN ATTACHMENT

SMCS-4460

i02881555

NOTE	REF NO	GRAPHIC REF	PART NUMBER	QTY	PART NAME						SEE PAGE
					1	2	3	4	5	6 (PRODUCT LEVEL)	
	1	1	235-4451	26	BOLT-FLANGE HEAD (M6X1X16-MM)						
	2	1	242-8839	1	BOX AS (SIDE EXTENSION)						
M		1	3E-4304	34	INSERT-THREADED (M6X1-THD)						
J	2A	1	244-9631		SEAL (3.35-DM EACH)						
J	2B	1	244-9631		SEAL (7.1-DM EACH)						
J	2C	1	244-9631		SEAL (13.25-DM EACH)						
	3	1	249-3108	2	MOUNT-ISOLATION						
Y	4	1	292-8679	1	BRACKET GP-TERMINAL						398
	5	1	086-0297	2	WASHER (13X50X6-MM THK)						
	6	1	5P-1076	2	WASHER-HARD (13.5X30X4-MM THK)						
M	7	1	7X-2549	2	BOLT (M12X1.75X100-MM)						
M	8	1	8T-4244	2	NUT (M12X1.75-THD)						

J-ORDER BY THE DECIMETER  
M-METRIC PART  
Y-SEPARATE ILLUSTRATION



GRAPHIC #1

<END>

g01435083

# ELECTRICAL AND STARTING SYSTEM

## 245-0037 BOX GP-EXTENSION TERMINAL-OPTIONAL

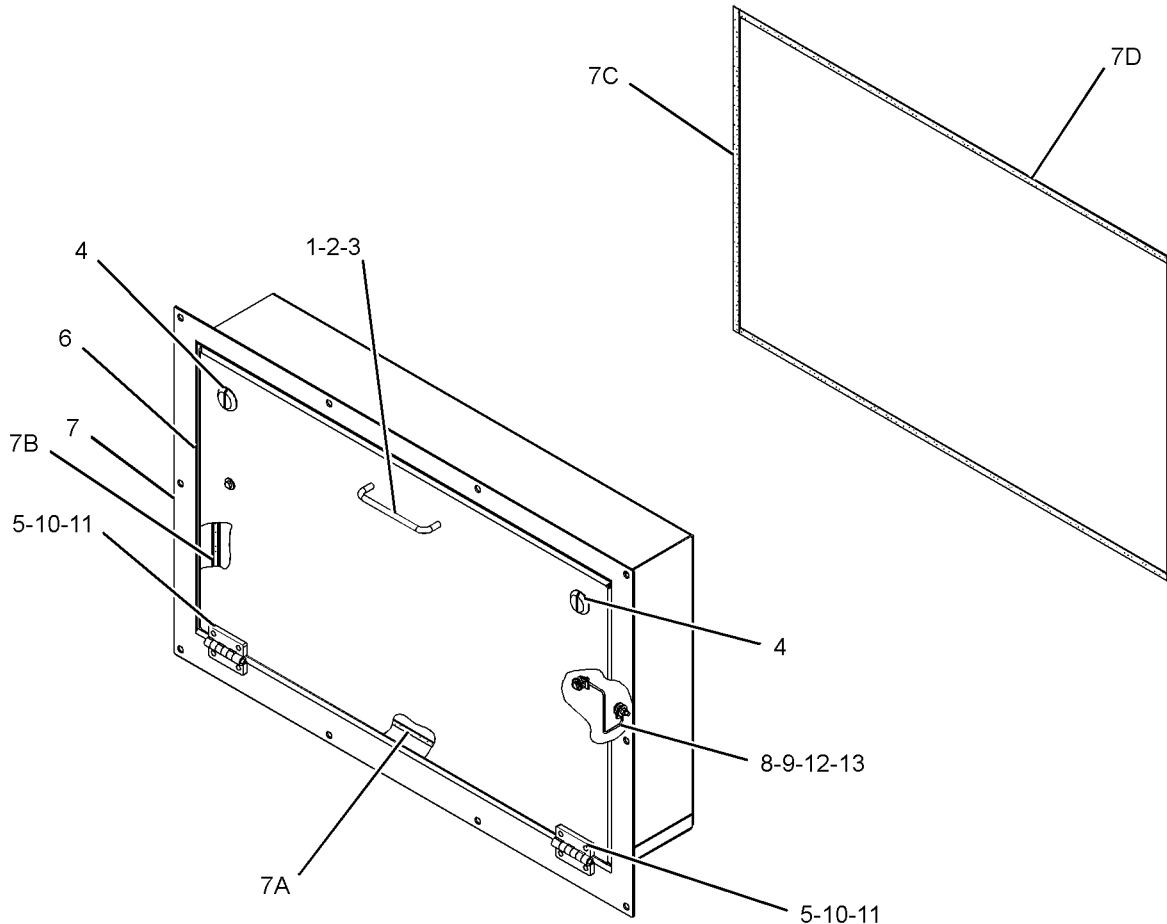
S/N: YAT1-UP  
AN ATTACHMENT

SMCS-4460

i03294624

NOTE	REF NO	GRAPHIC REF	PART NUMBER	QTY	PART NAME	1 2 3 4 5 6 (PRODUCT LEVEL)						SEE PAGE
	1	1	<b>8C-8514</b>	2	SCREW-MACHINE (8-32X0.375-IN)							
	2	1	<b>8T-2882</b>	1	HANDLE-PULL							
	3	1	<b>9F-8125</b>	2	LOCKWASHER							
	4	1	<b>135-6898</b>	2	LATCH AS							
	5	1	<b>169-4481</b>	2	HINGE AS							
	6	1	<b>242-8835</b>	1	DOOR AS							
	7	1	<b>252-7377</b>	1	BOX AS							
D	7A	1	<b>6V-9335</b>		SEAL (0.62-M EACH)							
D	7B	1	<b>6V-9335</b>		SEAL (0.35-M EACH)							
J	7C	1	<b>244-9631</b>		SEAL (4.3-DM EACH)							
J	7D	1	<b>244-9631</b>		SEAL (6.5-DM EACH)							
	8	1	<b>252-7519</b>	2	STRAP							
M	9	1	<b>170-5632</b>	4	BOLT (M4X0.7X16-MM)							
	10	1	<b>3B-4504</b>	8	LOCKWASHER							
M	11	1	<b>5C-2890</b>	8	NUT (M6X1-THD)							
	12	1	<b>260-6675</b>	4	NUT-SELF LOCKING (M4X0.7-THD)							
	13	1	<b>7X-0620</b>	8	WASHER-HARD (5.5X13X1.6-MM THK)							

D-ORDER BY THE METER  
J-ORDER BY THE DECIMETER  
M-METRIC PART



GRAPHIC #1

<END>

g01690615



# ELECTRICAL AND STARTING SYSTEM

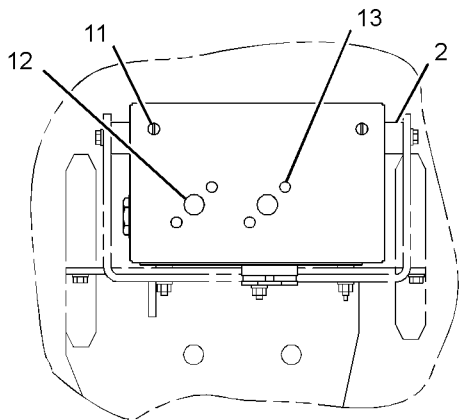
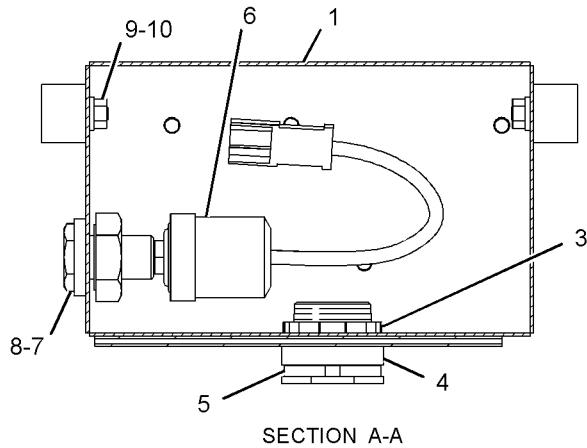
## 298-7115 BOX GP-JUNCTION

S/N: YAT1-UP  
AN ATTACHMENT

SMCS-7426

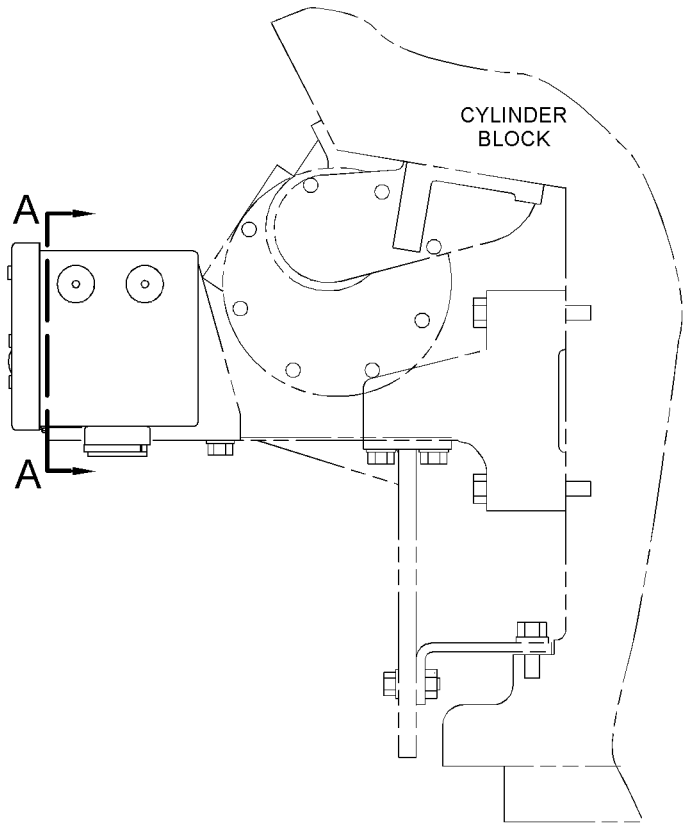
i02651679

NOTE	REF NO	GRAPHIC REF	PART NUMBER	QTY	PART NAME						SEE PAGE
					1	2	3	4	5	6 (PRODUCT LEVEL)	
	1	1	4P-5285	1	ENCLOSURE AS						
		1	3H-5366	2	STUD-WELD (1/4-20X0.625-IN)						
2		1	7E-7731	4	MOUNT						
3		1	062-5388	1	LOCKNUT (1-11-1/2-THD)						
4		1	5N-9117	1	ADAPTER						
5		1	5N-9073	1	CLIP						
6		1	150-1240	1	SWITCH AS-PRESSURE (PRELUBRICATION)						
		1	102-8802	1	KIT-RECEPTACLE (2-PIN) (INCLUDES RECEPTACLE AS AND WEDGE)						
7		1	9M-7357	1	COUPLING AS						
8		1	7X-0519	1	WASHER-HARD (20X33.5X5-MM THK)						
9		1	8T-4205	4	WASHER-HARD (7.2X14.5X2-MM THK)						
10		1	6V-8185	4	NUT (1/4-20-THD)						
11		1	9M-5520	2	SCREW-TAPPING (10-24X0.5-IN)						
12		1	3L-4566	2	PLUG-BUTTON						
13		1	6K-9591	4	PLUG-BUTTON						



RIGHT SIDE VIEW OF ENGINE

GRAPHIC #1



FRONT VIEW OF ENGINE

<END>

g01333011

# ELECTRICAL AND STARTING SYSTEM

## 292-8679 BRACKET GP-TERMINAL

S/N: YAT1-UP

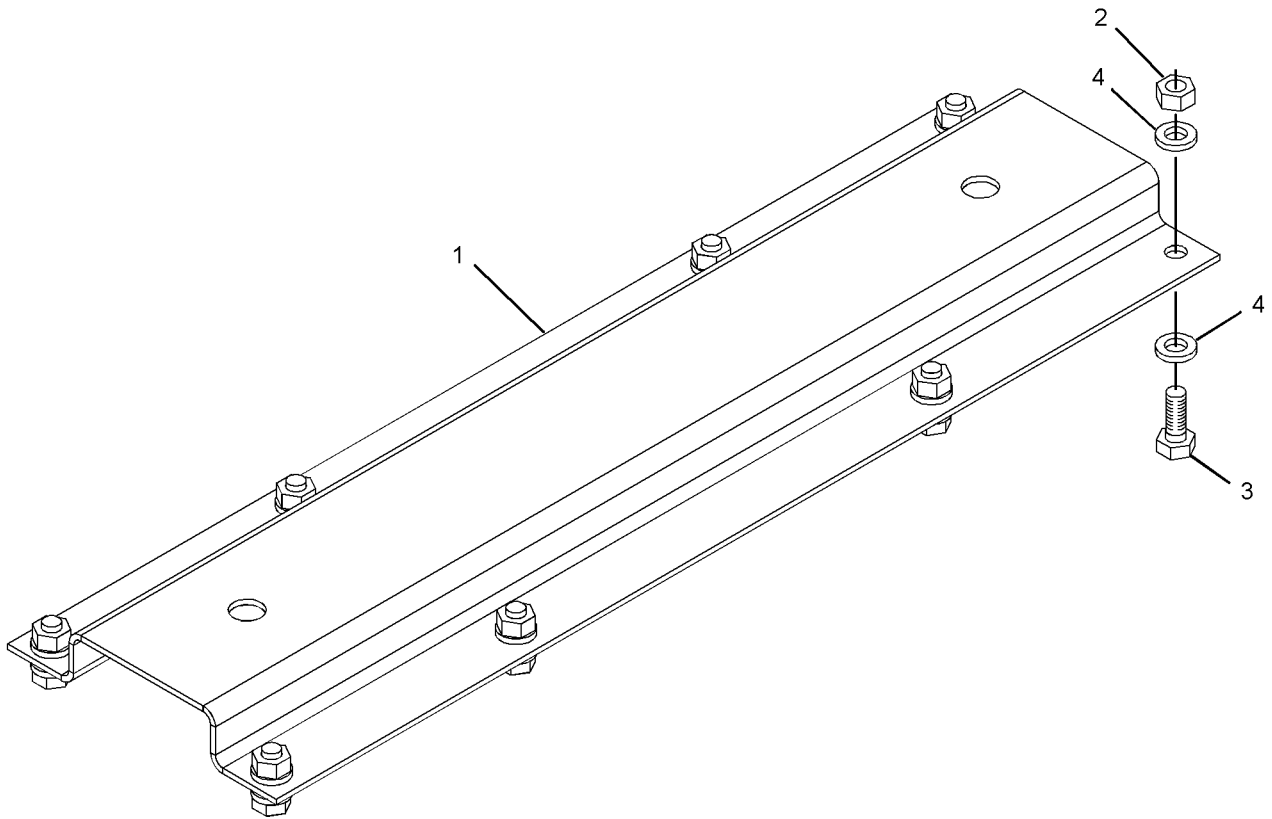
PART OF 245-0002, 245-0003 BOX GP-EXTENSION TERMINAL  
AN ATTACHMENT

SMCS-7553

i02569557

NOTE	REF NO	GRAPHIC REF	PART NUMBER	QTY	PART NAME						SEE PAGE
					1	2	3	4	5	6 (PRODUCT LEVEL)	
	1	1	244-9693	1	BRACKET						
M	2	1	5C-2890	8	NUT (M6X1-THD)						
M	3	1	5C-9553	8	BOLT (M6X1X16-MM)						
	4	1	9X-8256	16	WASHER (6.6X12X2-MM THK)						

M-METRIC PART



GRAPHIC #1

<END>

g01289165

# ELECTRICAL AND STARTING SYSTEM

## 244-9688 BUS BAR AS

S/N: YAT1-UP

UPPER

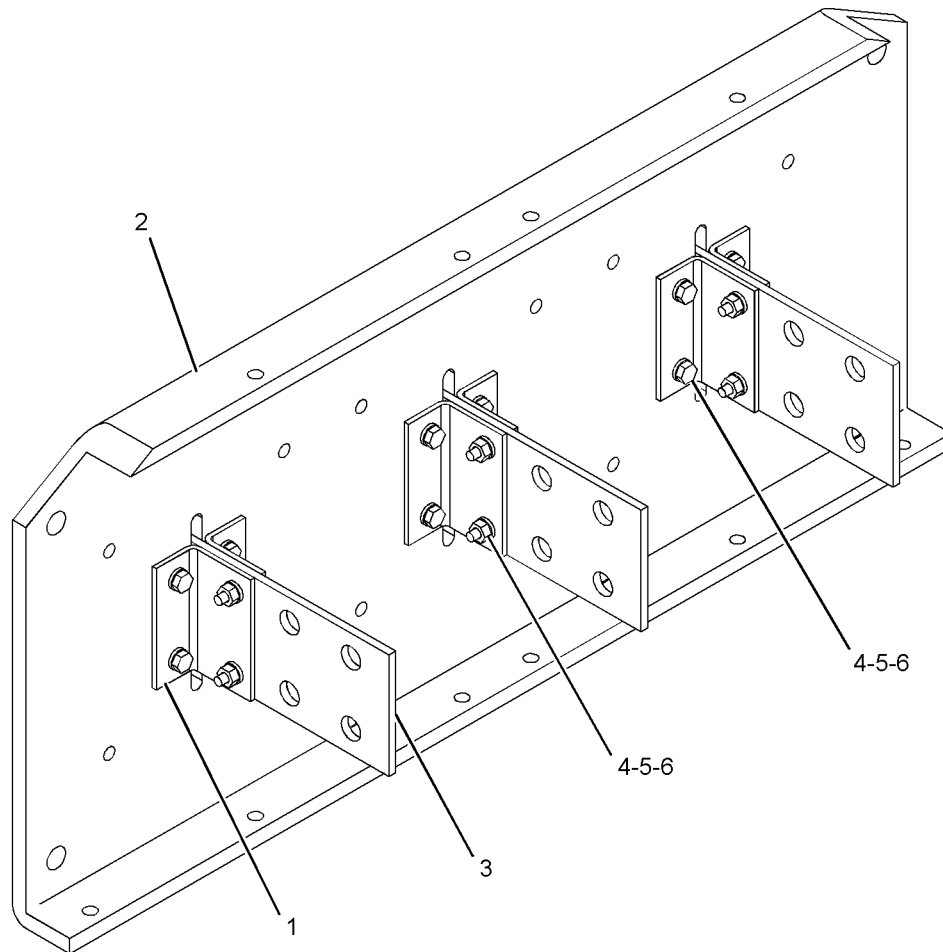
PART OF 252-7412 BUS BAR GP-BOX  
AN ATTACHMENT

SMCS-445B

i02416547

NOTE	REF NO	GRAPHIC REF	PART NUMBER	QTY	PART NAME						SEE PAGE
					1	2	3	4	5	6 (PRODUCT LEVEL)	
	1	1	135-3308	6	BRACKET-MOUNTING						
	2	1	244-9685	1	SUPPORT-BUS						
	3	1	244-9686	3	BAR-BUS (MEDIUM VOLTAGE)						
M	4	1	5C-2890	18	NUT (M6X1-THD)						
M	5	1	6V-7357	18	BOLT (M6X1X25-MM)						
	6	1	9X-8256	36	WASHER (6.6X12X2-MM THK)						

M-METRIC PART



GRAPHIC #1

<END>

g01207809

# ELECTRICAL AND STARTING SYSTEM

## 244-9689 BUS BAR AS

S/N: YAT1-UP

UPPER

PART OF 252-7413 BUS BAR GP-BOX

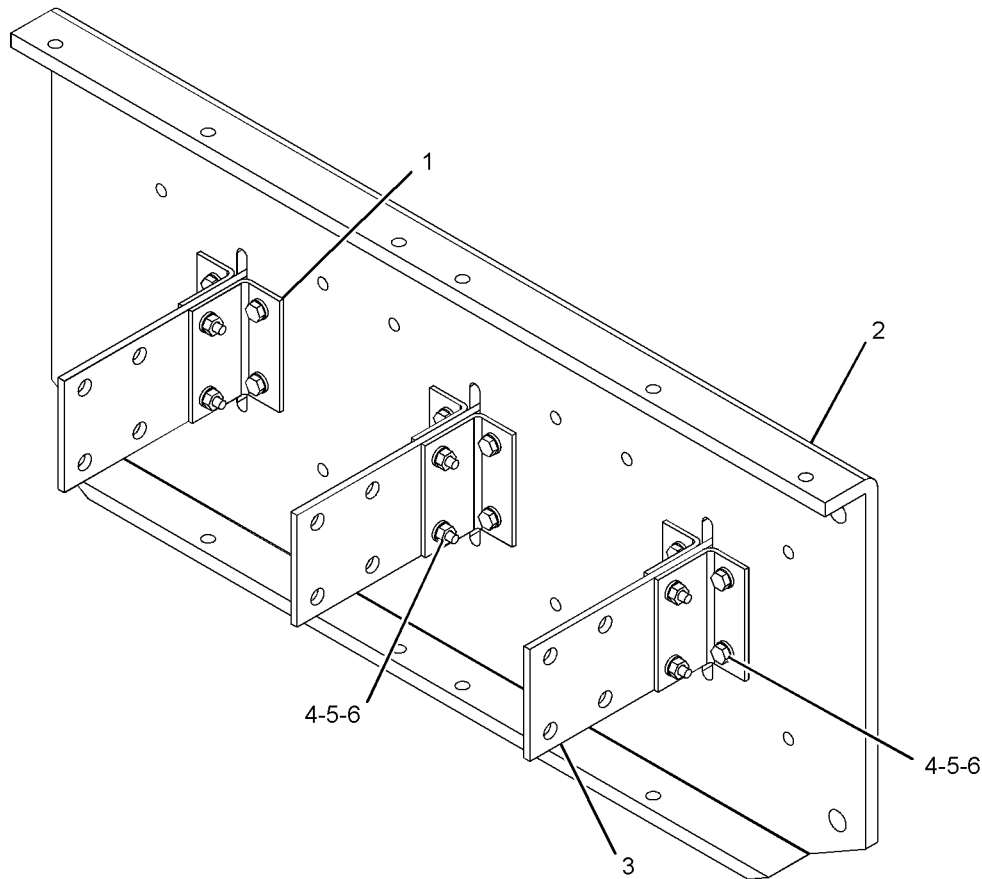
AN ATTACHMENT

SMCS-445B

i02416541

NOTE	REF NO	GRAPHIC REF	PART NUMBER	QTY	PART NAME						SEE PAGE
					1	2	3	4	5	6 (PRODUCT LEVEL)	
	1	1	135-3308	6	BRACKET-MOUNTING						
	2	1	244-9685	1	SUPPORT-BUS						
	3	1	244-9687	3	BAR-BUS (MEDIUM VOLTAGE)						
M	4	1	5C-2890	18	NUT (M6X1-THD)						
M	5	1	6V-7357	18	BOLT (M6X1X25-MM)						
	6	1	9X-8256	36	WASHER (6.6X12X2-MM THK)						

M-METRIC PART



GRAPHIC #1

<END>

g01207814

# ELECTRICAL AND STARTING SYSTEM

## 244-9690 BUS BAR AS

S/N: YAT1-UP

LOWER

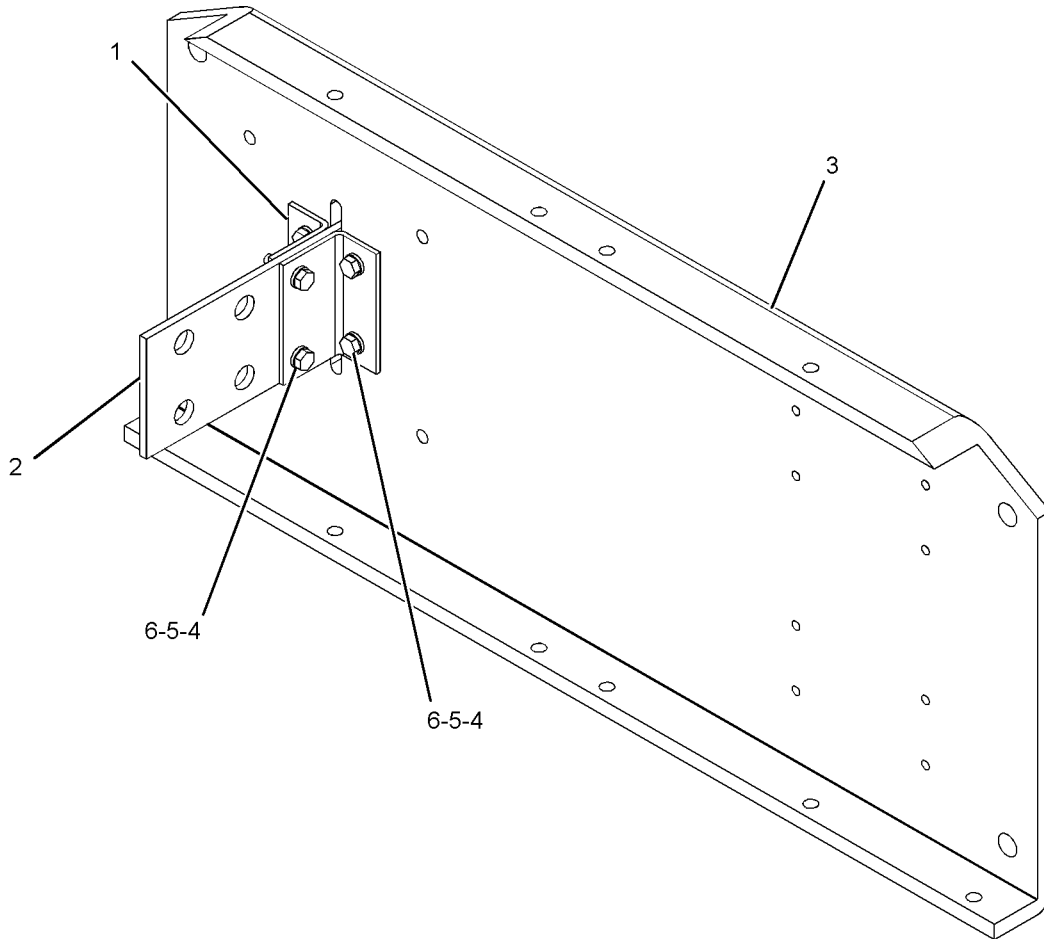
PART OF 252-7412 BUS BAR GP-BOX  
AN ATTACHMENT

SMCS-445B

i02416542

NOTE	REF NO	GRAPHIC REF	PART NUMBER	QTY	PART NAME						SEE PAGE
					1	2	3	4	5	6 (PRODUCT LEVEL)	
	1	1	135-3308	2	BRACKET-MOUNTING						
	2	1	244-9686	1	BAR-BUS (MEDIUM VOLTAGE)						
	3	1	244-9694	1	SUPPORT-BUS						
M	4	1	5C-2890	6	NUT (M6X1-THD)						
M	5	1	6V-7357	6	BOLT (M6X1X25-MM)						
	6	1	9X-8256	12	WASHER (6.6X12X2-MM THK)						

M-METRIC PART



GRAPHIC #1

<END>

g01207821

# ELECTRICAL AND STARTING SYSTEM

## 244-9691 BUS BAR AS

S/N: YAT1-UP

LOWER

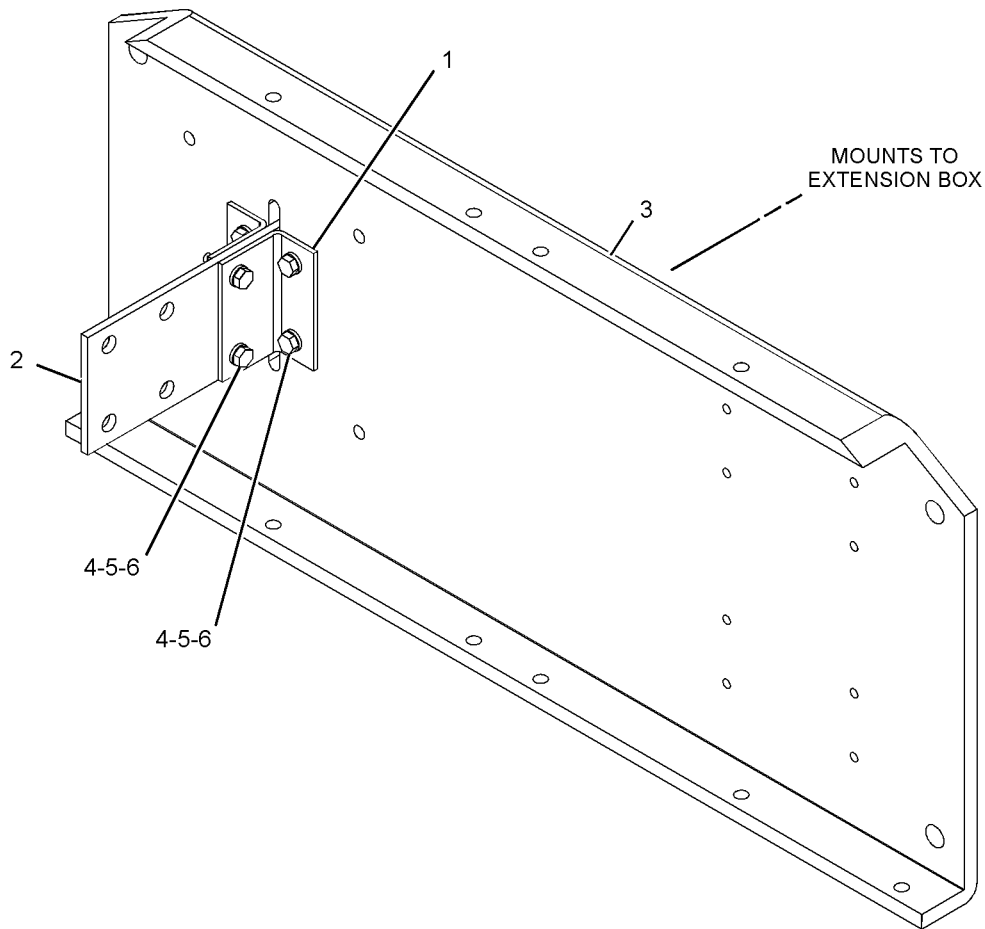
PART OF 252-7413 BUS BAR GP-BOX  
AN ATTACHMENT

SMCS-445B

i02416548

NOTE	REF NO	GRAPHIC REF	PART NUMBER	QTY	PART NAME						SEE PAGE
					1	2	3	4	5	6 (PRODUCT LEVEL)	
	1	1	135-3308	2	BRACKET-MOUNTING						
	2	1	244-9687	1	BAR-BUS (MEDIUM VOLTAGE)						
	3	1	244-9694	1	SUPPORT-BUS (INSULATOR)						
M	4	1	5C-2890	6	NUT (M6X1-THD)						
M	5	1	6V-7357	6	BOLT (M6X1X25-MM)						
	6	1	9X-8256	12	WASHER (6.6X12X2-MM THK)						

M-METRIC PART



GRAPHIC #1

<END>

g01207823

# ELECTRICAL AND STARTING SYSTEM

## 252-7463 BUS BAR AS

S/N: YAT1-UP

NEUTRAL

FOR USE WITH NT/NW-FRAME

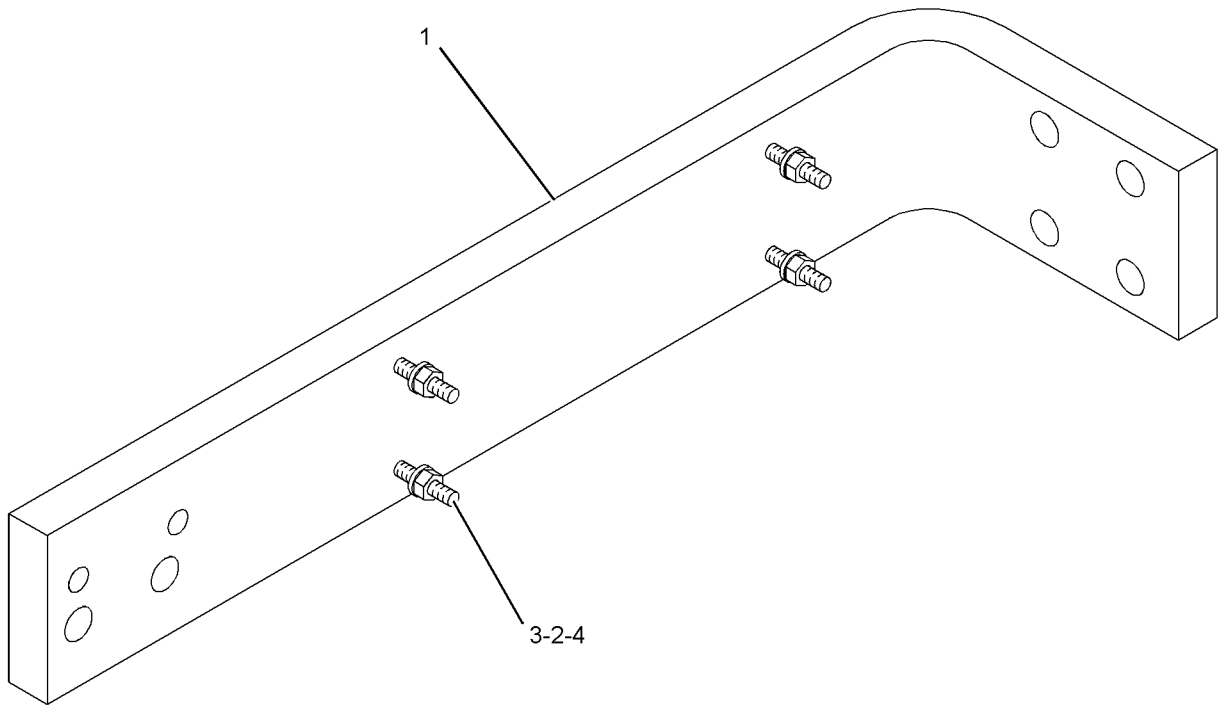
AN ATTACHMENT

SMCS-445B

i02400013

NOTE	REF NO	GRAPHIC REF	PART NUMBER	QTY	PART NAME						SEE PAGE
					1	2	3	4	5	6 (PRODUCT LEVEL)	
	1	1	252-7459	1	BAR-NEUTRAL						
M	2	1	5C-2890	4	NUT (M6X1-THD)						
M	3	1	7X-2534	4	BOLT (M6X1X50-MM)						
	4	1	9X-8256	8	WASHER (6.6X12X2-MM THK)						

M-METRIC PART



GRAPHIC #1

<END>

g01199085

# ELECTRICAL AND STARTING SYSTEM

## 252-7567 BUS BAR AS

S/N: YAT1-UP

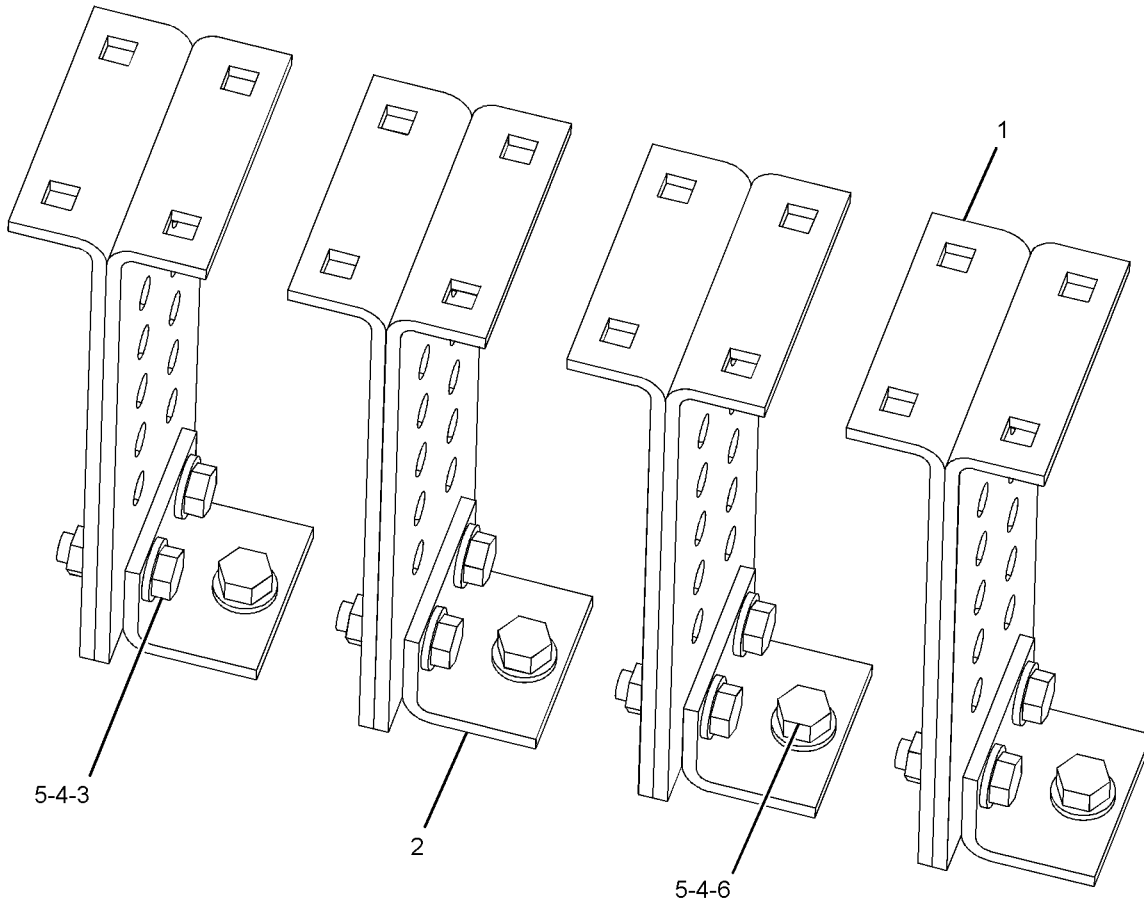
PART OF 252-7518, 252-7614 BUS BAR GP-CIRCUIT BREAKER  
FOR USE WITH R-FRAME  
AN ATTACHMENT

SMCS-445B

i02354424

NOTE	REF NO	GRAPHIC REF	PART NUMBER	QTY	PART NAME						SEE PAGE
					1	2	3	4	5	6 (PRODUCT LEVEL)	
	1		252-7658	8	PLATE						
	2	1	272-6638	4	BRACKET						
M	3	1	8T-4183	8	BOLT (M12X1.75X40-MM)						
	4	1	8T-4223	24	WASHER-HARD (13.5X25.5X3-MM THK)						
M	5	1	8T-4244	12	NUT (M12X1.75-THD)						
M	6	1	8T-4956	4	BOLT (M12X1.75X35-MM)						

M-METRIC PART



GRAPHIC #1

<END>

g01195775



# ELECTRICAL AND STARTING SYSTEM

## 252-7605 BUS BAR AS

S/N: YAT1-UP

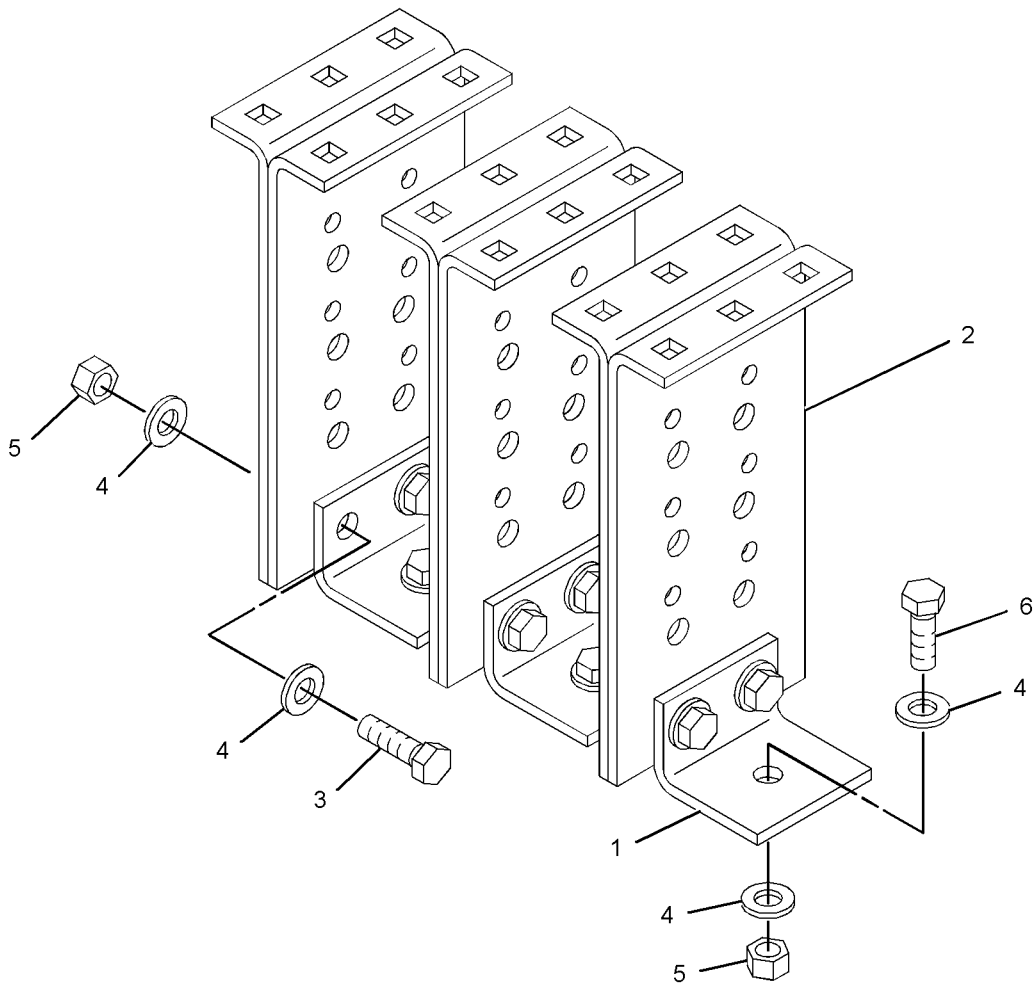
PART OF 252-7473, 252-7598 BUS BAR GP-CIRCUIT BREAKER  
AN ATTACHMENT

SMCS-445B

i02397128

NOTE	REF NO	GRAPHIC REF	PART NUMBER	QTY	PART NAME						SEE PAGE
					1	2	3	4	5	6 (PRODUCT LEVEL)	
	1	1	272-6638	3	BRACKET						
	2	1	278-8879	6	PLATE						
M	3	1	8T-4183	6	BOLT (M12X1.75X40-MM)						
	4	1	8T-4223	18	WASHER-HARD (13.5X25.5X3-MM THK)						
M	5	1	8T-4244	9	NUT (M12X1.75-THD)						
M	6	1	8T-4956	3	BOLT (M12X1.75X35-MM)						

M-METRIC PART



GRAPHIC #1

<END>

g01197545

# ELECTRICAL AND STARTING SYSTEM

## 252-7611 BUS BAR AS

S/N: YAT1-UP

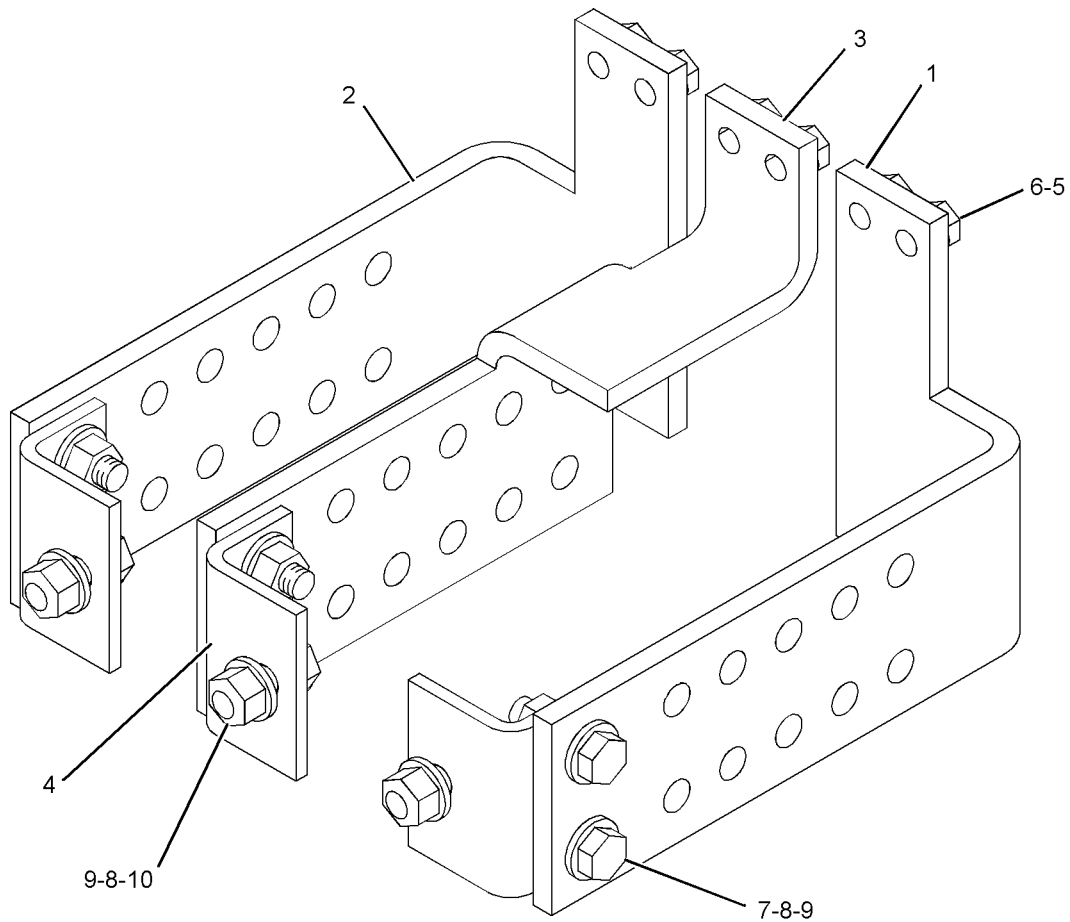
PART OF 252-7606, 252-7608 BUS BAR GP-CIRCUIT BREAKER  
AN ATTACHMENT

SMCS-445B

i02412723

NOTE	REF NO	GRAPHIC REF	PART NUMBER	QTY	PART NAME						SEE PAGE
					1	2	3	4	5	6 (PRODUCT LEVEL)	
	1	1	252-7619	1	PLATE						
	2	1	252-7620	1	PLATE						
	3	1	252-7622	1	PLATE						
	4	1	272-6638	3	BRACKET						
	5	1	8T-4121	6	WASHER-HARD (11X21X2.5-MM THK)						
M	6	1	8T-4133	6	NUT (M10X1.5-THD)						
M	7	1	8T-4183	6	BOLT (M12X1.75X40-MM)						
	8	1	8T-4223	18	WASHER-HARD (13.5X25.5X3-MM THK)						
M	9	1	8T-4244	9	NUT (M12X1.75-THD)						
M	10	1	8T-4956	3	BOLT (M12X1.75X35-MM)						

M-METRIC PART



GRAPHIC #1

<END>

g01205946

# ELECTRICAL AND STARTING SYSTEM

## 252-7613 BUS BAR AS

S/N: YAT1-UP

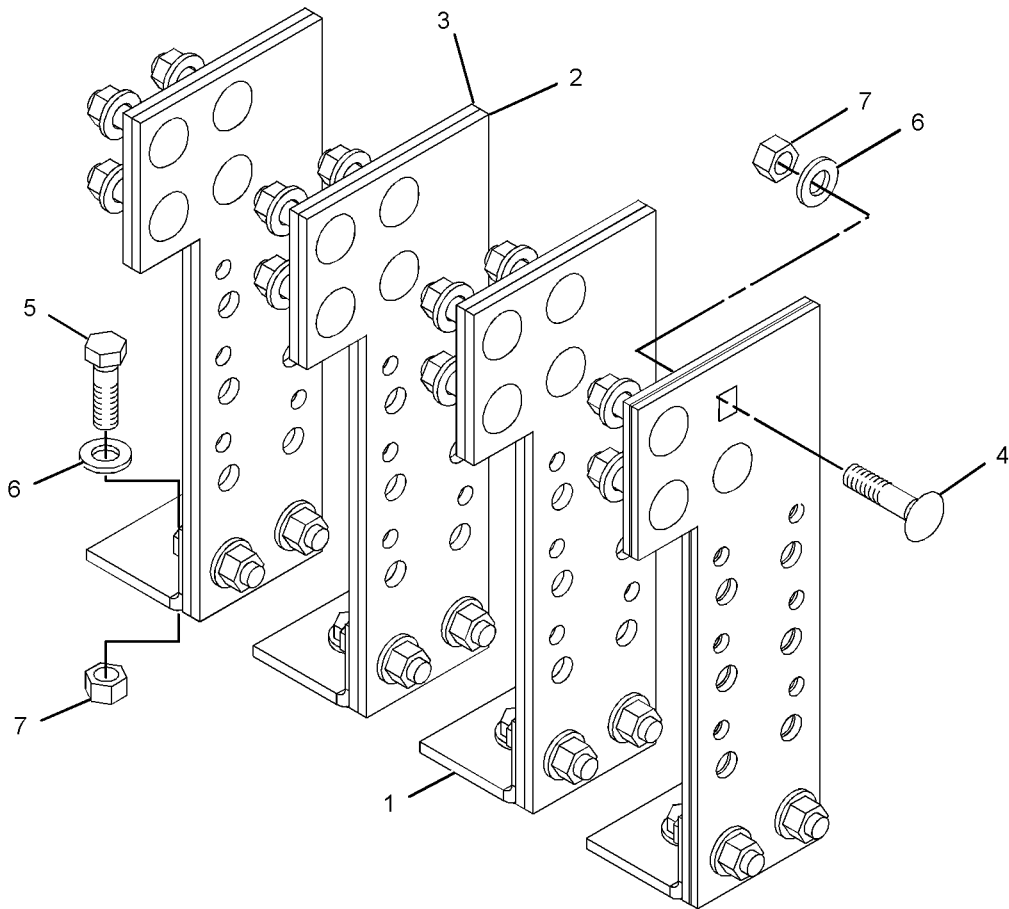
PART OF 252-7610 BUS BAR GP-CIRCUIT BREAKER  
AN ATTACHMENT

SMCS-445B

i02439252

NOTE	REF NO	GRAPHIC REF	PART NUMBER	QTY	PART NAME						SEE PAGE
					1	2	3	4	5	6 (PRODUCT LEVEL)	
	1	1	272-6638	4	BRACKET						
	2	1	272-8416	4	PLATE						
	3	1	272-8417	4	PLATE						
	4	1	206-5143	16	BOLT (M12X1.75-THD)						
M	5	1	8T-4183	12	BOLT (M12X1.75X40-MM)						
	6	1	8T-4223	40	WASHER-HARD (13.5X25.5X3-MM THK)						
M	7	1	8T-4244	28	NUT (M12X1.75-THD)						

M-METRIC PART



GRAPHIC #1

<END>

g01234407

# ELECTRICAL AND STARTING SYSTEM

## 252-7661 BUS BAR AS

S/N: YAT1-UP

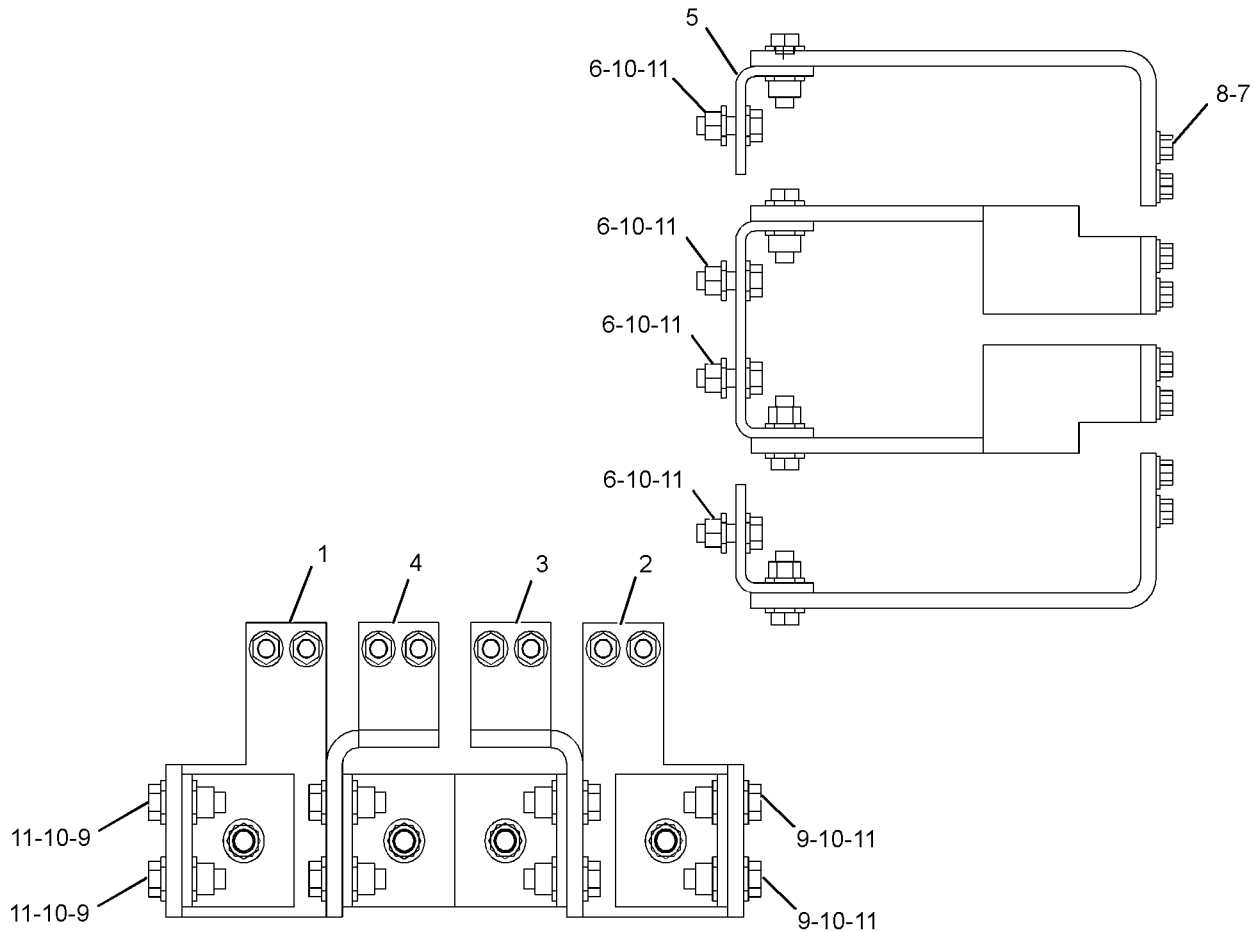
PART OF 252-7603, 252-7621 BUS BAR GP-CIRCUIT BREAKER  
AN ATTACHMENT

SMCS-445B

i02420512

NOTE	REF NO	GRAPHIC REF	PART NUMBER	QTY	PART NAME						SEE PAGE
					1	2	3	4	5	6 (PRODUCT LEVEL)	
	1	1	252-7619	1	PLATE						
	2	1	252-7620	1	PLATE						
	3	1	252-7622	1	PLATE						
	4	1	252-7662	1	PLATE						
	5	1	272-6638	4	BRACKET						
M	6	1	8T-4956	4	BOLT (M12X1.75X35-MM)						
	7	1	8T-4121	8	WASHER-HARD (11X21X2.5-MM THK)						
M	8	1	8T-4133	8	NUT (M10X1.5-THD)						
M	9	1	8T-4183	8	BOLT (M12X1.75X40-MM)						
	10	1	8T-4223	24	WASHER-HARD (13.5X25.5X3-MM THK)						
M	11	1	8T-4244	12	NUT (M12X1.75-THD)						

M-METRIC PART



GRAPHIC #1

<END>

g01209516

# ELECTRICAL AND STARTING SYSTEM

## 272-8414 BUS BAR AS

S/N: YAT1-UP

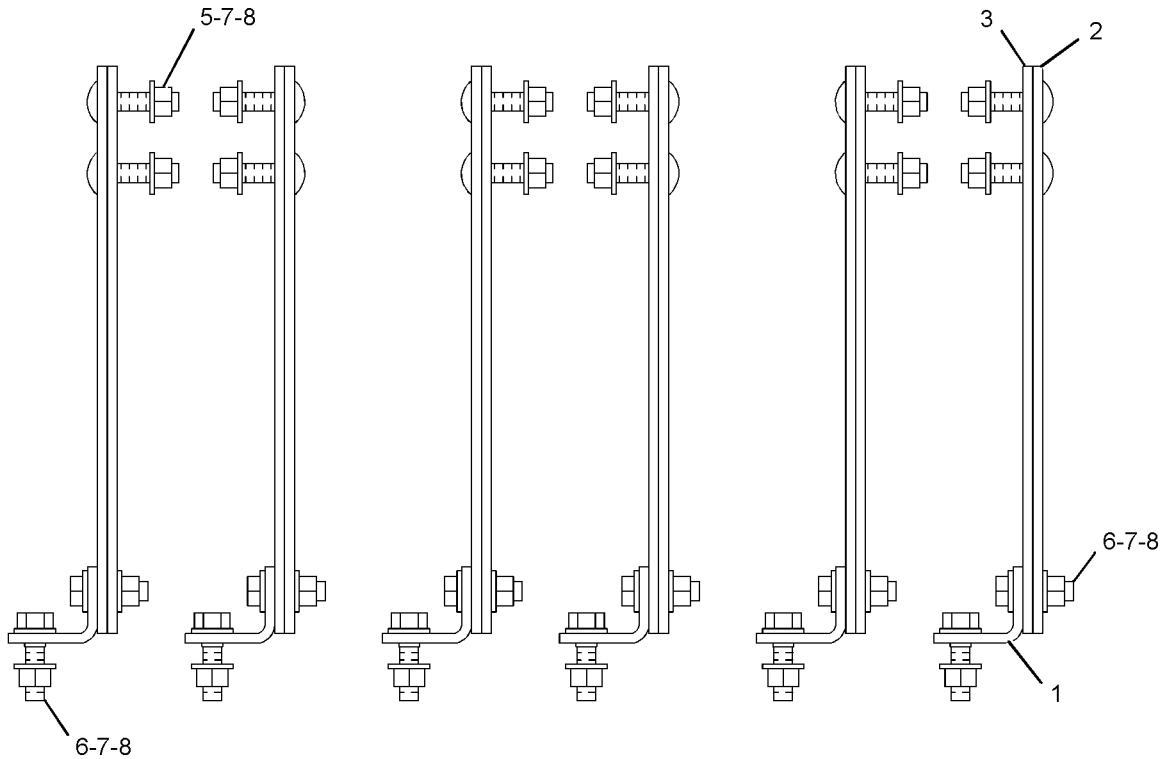
PART OF 272-8413 BUS BAR GP-CIRCUIT BREAKER  
AN ATTACHMENT

SMCS-445B

i02420513

NOTE	REF NO	GRAPHIC REF	PART NUMBER	QTY	PART NAME						SEE PAGE
					1	2	3	4	5	6 (PRODUCT LEVEL)	
	1	1	272-6638	6	BRACKET						
	2	1	272-8424	6	PLATE						
	3	1	272-8425	6	PLATE						
	5	1	206-5143	24	BOLT (M12X1.75-THD)						
M	6	1	8T-4183	18	BOLT (M12X1.75X40-MM)						
	7	1	8T-4223	60	WASHER-HARD (13.5X25.5X3-MM THK)						
M	8	1	8T-4244	42	NUT (M12X1.75-THD)						

M-METRIC PART



GRAPHIC #1

<END>

g01211297

# ELECTRICAL AND STARTING SYSTEM

## 272-8431 BUS BAR AS

S/N: YAT1-UP

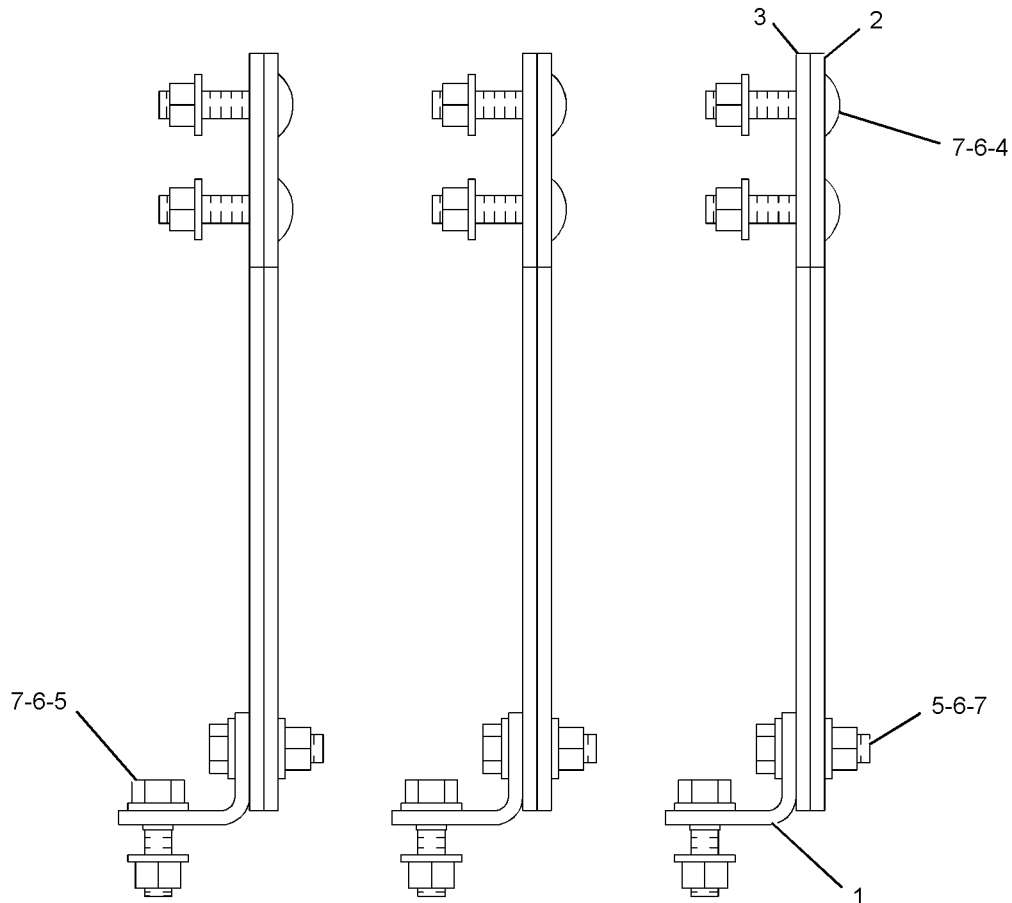
PART OF 272-8430 BUS BAR GP-CIRCUIT BREAKER  
AN ATTACHMENT

SMCS-445B

i02421049

NOTE	REF NO	GRAPHIC REF	PART NUMBER	QTY	PART NAME						SEE PAGE
					1	2	3	4	5	6 (PRODUCT LEVEL)	
	1	1	272-6638	3	BRACKET						
	2	1	272-8416	3	PLATE						
	3	1	272-8417	3	PLATE						
	4	1	206-5143	12	BOLT (M12X1.75-THD)						
M	5	1	8T-4183	9	BOLT (M12X1.75X40-MM)						
	6	1	8T-4223	30	WASHER-HARD (13.5X25.5X3-MM THK)						
M	7	1	8T-4244	21	NUT (M12X1.75-THD)						

M-METRIC PART



GRAPHIC #1

<END>

g01209703

# ELECTRICAL AND STARTING SYSTEM

## 278-4970 BUS BAR AS

S/N: YAT1-UP

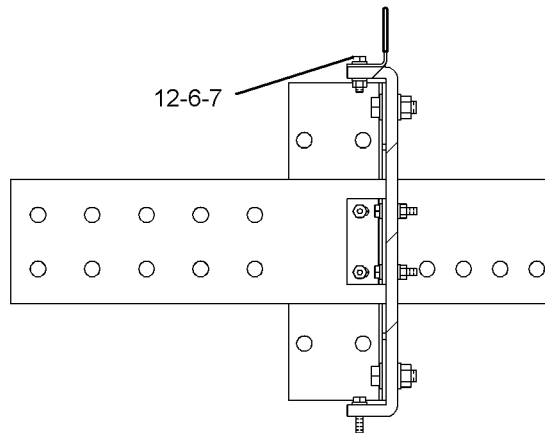
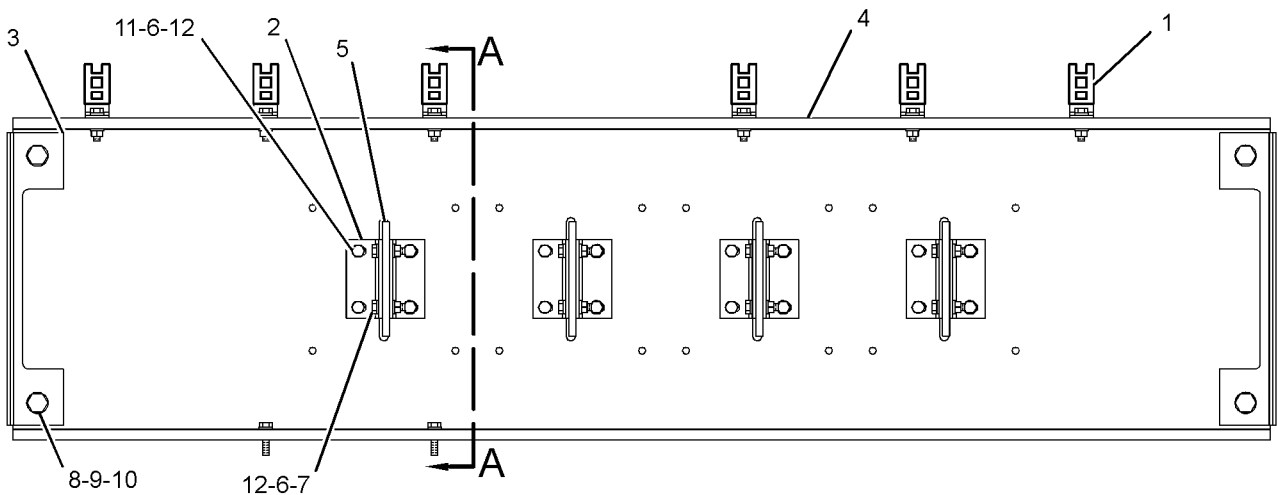
PART OF 278-4972 BUS BAR GP-BOX  
AN ATTACHMENT

SMCS-445B

i02416543

NOTE	REF NO	GRAPHIC REF	PART NUMBER	QTY	PART NAME						SEE PAGE
					1	2	3	4	5	6 (PRODUCT LEVEL)	
	1	1	156-6175	6	CLIP						
	2	1	244-9661	8	BRACKET						
	3	1	244-9662	2	BRACKET						
	4	1	278-4546	1	SUPPORT-BUS						
	5	1	278-4547	4	BUS BAR AS						
M	6	1	5C-2890	30	NUT (M6X1-THD)						
M	7	1	6V-7357	16	BOLT (M6X1X25-MM)						
	8	1	8T-4121	8	WASHER-HARD (11X21X2.5-MM THK)						
M	9	1	8T-4133	4	NUT (M10X1.5-THD)						
M	10	1	8T-4195	4	BOLT (M10X1.5X30-MM)						
M	11	1	8T-4971	16	BOLT (M6X1X30-MM)						
	12	1	9X-8256	62	WASHER (6.6X12X2-MM THK)						

M-METRIC PART



SECTION A-A  
<END>

GRAPHIC #1

g01207825

# ELECTRICAL AND STARTING SYSTEM

## 278-4971 BUS BAR AS

S/N: YAT1-UP

PART OF 278-4973 BUS BAR GP-BOX  
AN ATTACHMENT

SMCS-445B

i02416565

NOTE	REF NO	GRAPHIC REF	PART NUMBER	QTY	PART NAME						SEE PAGE
					1	2	3	4	5	6 (PRODUCT LEVEL)	
	1	1	156-6175	4	CLIP						
	2	1	244-9660	1	SUPPORT-BUS						
	3	1	244-9661	8	BRACKET						
	4	1	244-9662	2	BRACKET						
	5	1	278-4547	4	BUS BAR AS						
M	6	1	5C-2890	28	NUT (M6X1-THD)						
M	7	1	6V-7357	14	BOLT (M6X1X25-MM)						
	8	1	8T-4121	8	WASHER-HARD (11X21X2.5-MM THK)						
M	9	1	8T-4133	4	NUT (M10X1.5-THD)						
M	10	1	8T-4195	4	BOLT (M10X1.5X30-MM)						
M	11	1	8T-4971	16	BOLT (M6X1X30-MM)						
	12	1	9X-8256	58	WASHER (6.6X12X2-MM THK)						

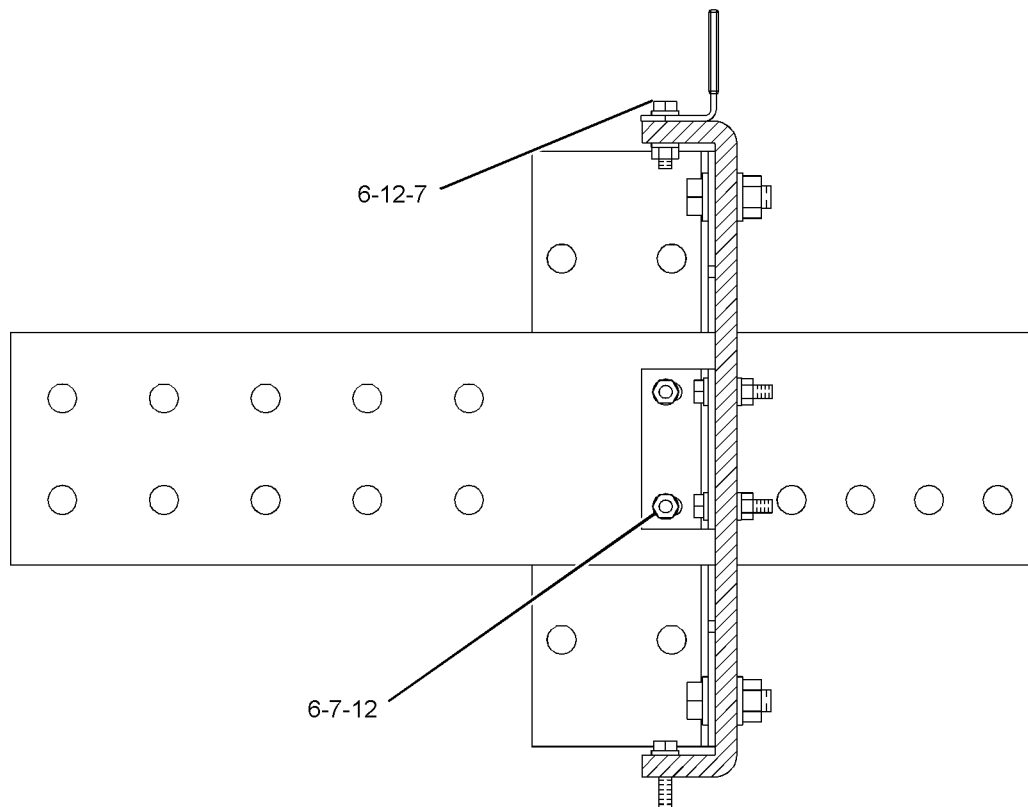
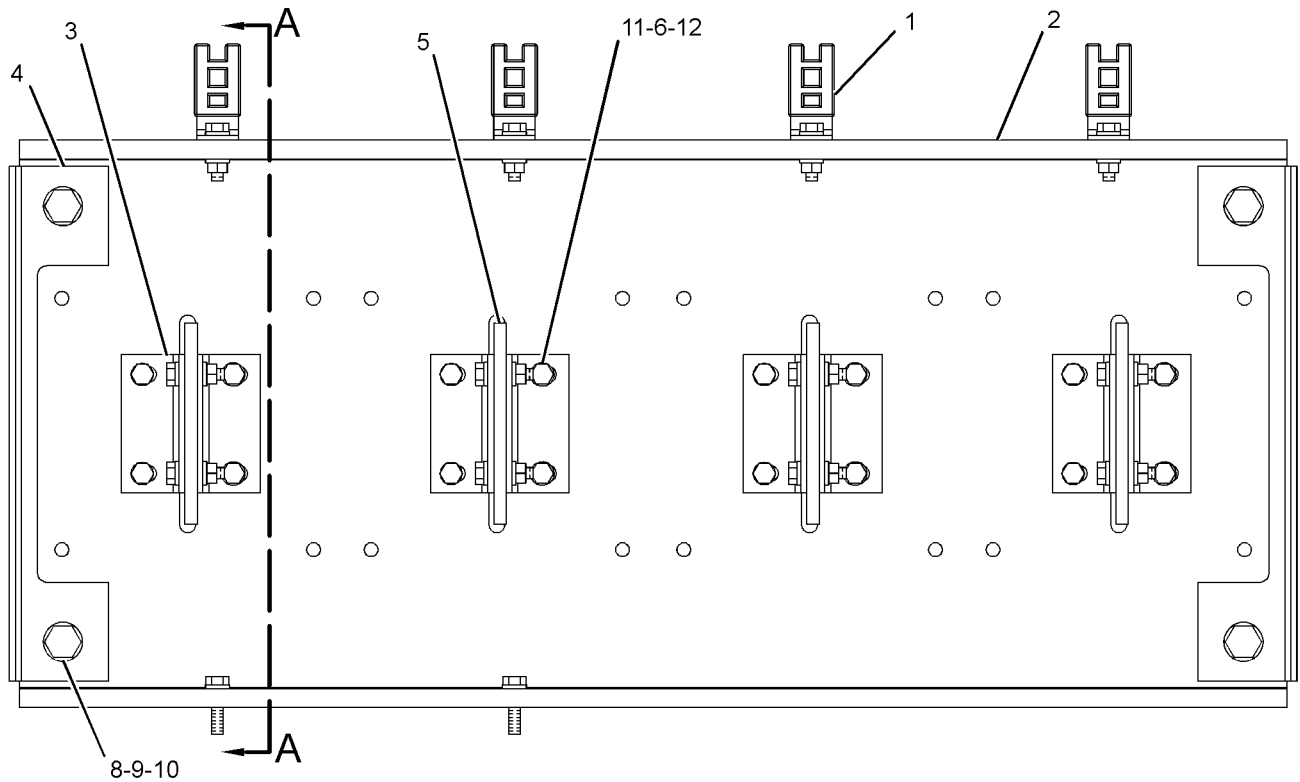
M-METRIC PART



# ELECTRICAL AND STARTING SYSTEM

278-4971 BUS BAR AS (contd.)

i02416565



SECTION A-A  
<END>

GRAPHIC #1

g01207834

# ELECTRICAL AND STARTING SYSTEM

## 278-8382 BUS BAR AS

S/N: YAT1-UP

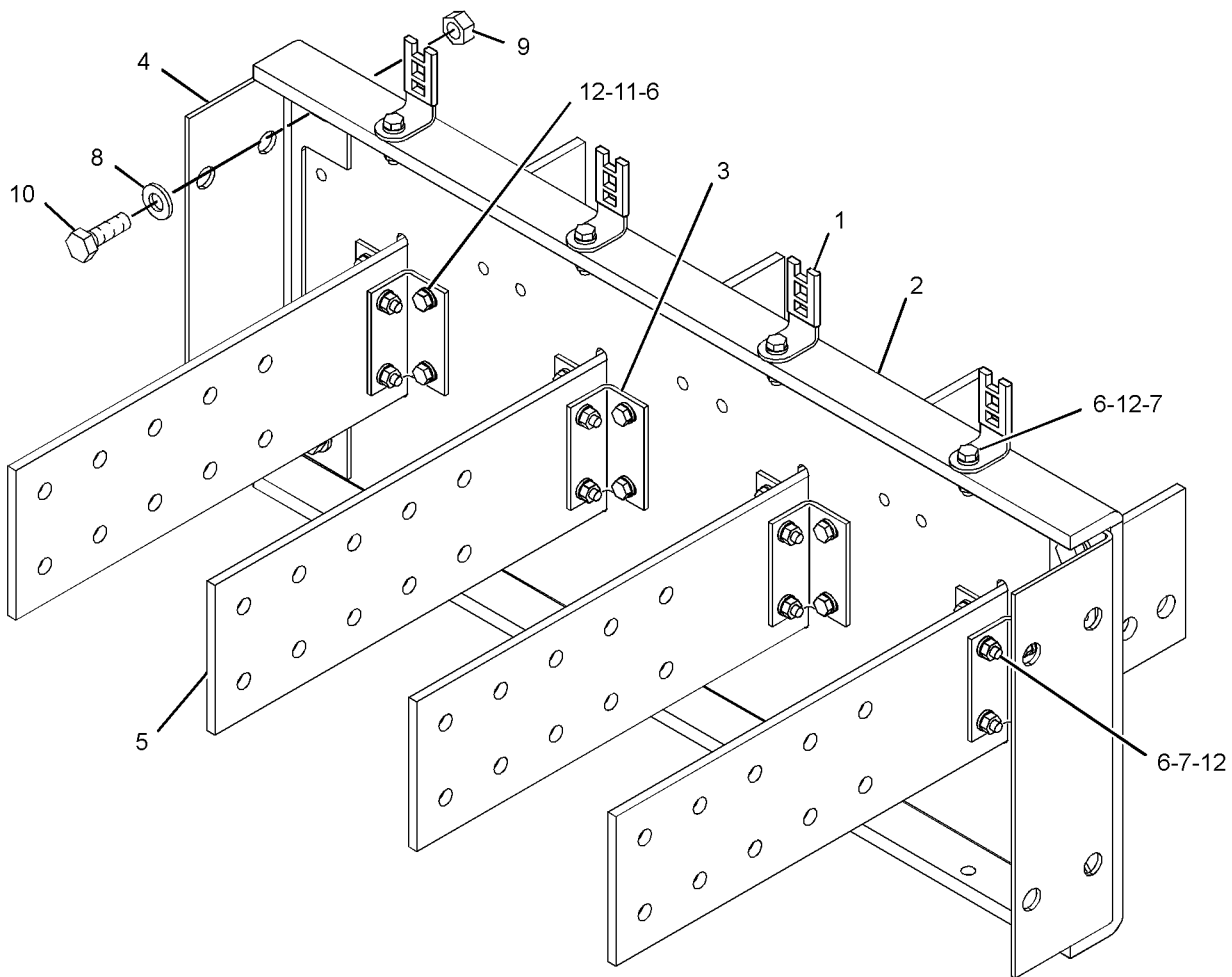
PART OF 278-8383 BUS BAR GP-BOX  
AN ATTACHMENT

SMCS-445B

i02392801

NOTE	REF NO	GRAPHIC REF	PART NUMBER	QTY	PART NAME						SEE PAGE
					1	2	3	4	5	6 (PRODUCT LEVEL)	
	1	1	156-6175	4	CLIP						
	2	1	244-9660	1	SUPPORT-BUS						
	3	1	244-9661	8	BRACKET						
	4	1	244-9662	2	BRACKET						
	5	1	278-8381	4	BUS BAR AS						
M	6	1	5C-2890	28	NUT (M6X1-THD)						
M	7	1	6V-7357	12	BOLT (M6X1X25-MM)						
	8	1	8T-4121	8	WASHER-HARD (11X21X2.5-MM THK)						
M	9	1	8T-4133	4	NUT (M10X1.5-THD)						
M	10	1	8T-4195	4	BOLT (M10X1.5X30-MM)						
M	11	1	8T-4971	16	BOLT (M6X1X30-MM)						
	12	1	9X-8256	56	WASHER (6.6X12X2-MM THK)						

M-METRIC PART



GRAPHIC #1

<END>

g01198718

# ELECTRICAL AND STARTING SYSTEM

## 278-8384 BUS BAR AS

S/N: YAT1-UP

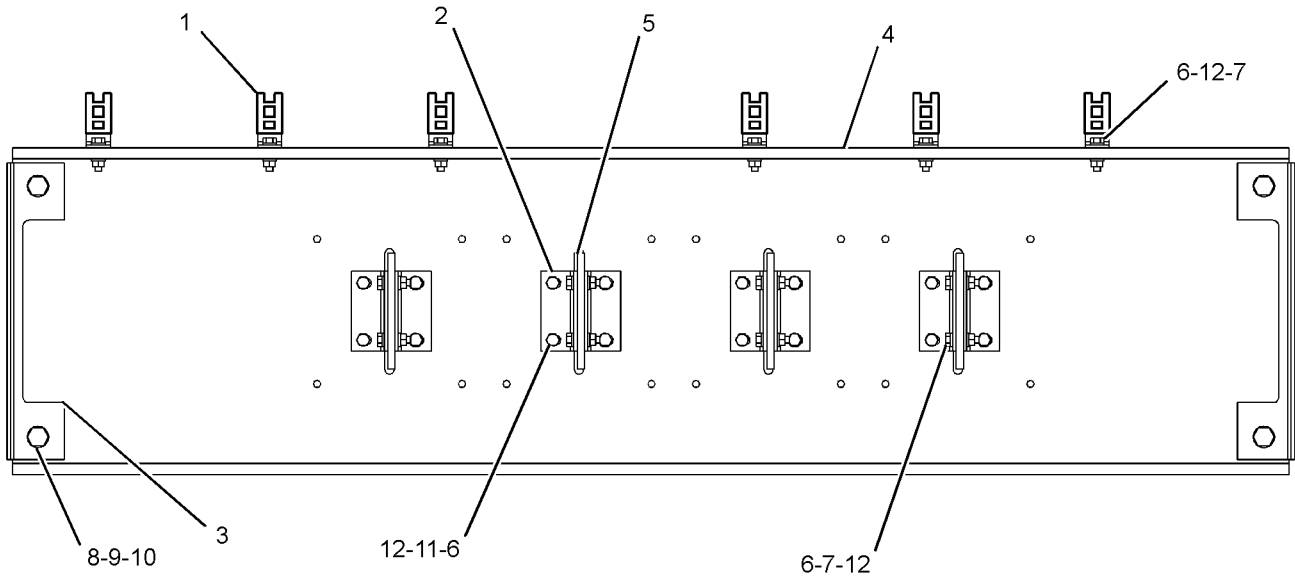
PART OF 278-8385 BUS BAR GP-BOX  
AN ATTACHMENT

SMCS-445B

i02416544

NOTE	REF NO	GRAPHIC REF	PART NUMBER	QTY	PART NAME						SEE PAGE
					1	2	3	4	5	6 (PRODUCT LEVEL)	
	1	1	156-6175	6	CLIP						
	2	1	244-9661	8	BRACKET						
	3	1	244-9662	2	BRACKET						
	4	1	278-4546	1	SUPPORT-BUS						
	5	1	278-8381	4	BUS BAR AS						
M	6	1	5C-2890	30	NUT (M6X1-THD)						
M	7	1	6V-7357	14	BOLT (M6X1X25-MM)						
	8	1	8T-4121	8	WASHER-HARD (11X21X2.5-MM THK)						
M	9	1	8T-4133	4	NUT (M10X1.5-THD)						
M	10	1	8T-4195	4	BOLT (M10X1.5X30-MM)						
M	11	1	8T-4971	16	BOLT (M6X1X30-MM)						
	12	1	9X-8256	60	WASHER (6.6X12X2-MM THK)						

M-METRIC PART



GRAPHIC #1

<END>

g01207829

# ELECTRICAL AND STARTING SYSTEM

## 252-7412 BUS BAR GP-BOX-SIDE EXTENSION, NEMA

S/N: YAT1-UP

FOR USE WITH SR4B, MEDIUM VOLTAGE  
AN ATTACHMENT

SMCS-445B

i02386535

NOTE	REF NO	GRAPHIC REF	PART NUMBER	QTY	PART NAME						SEE PAGE
					1	2	3	4	5	6 (PRODUCT LEVEL)	
	1	1	9Y-4275	1	FILM (TERMINAL STRIP)						
	2	1	132-5789	6	CLIP						
	3	1	156-6175	4	CLIP						
	4	1	244-9683	1	BRACKET (RH)						
	5	1	244-9684	1	BRACKET (LH)						
Y	6	1	244-9688	1	BUS BAR AS (UPPER)						399
Y	7	1	244-9690	1	BUS BAR AS (LOWER)						401
M	8	1	5C-2890	4	NUT (M6X1-THD)						
M	9	1	6V-7357	4	BOLT (M6X1X25-MM)						
	10	1	8T-4121	32	WASHER-HARD (11X21X2.5-MM THK)						
M	11	1	8T-4133	16	NUT (M10X1.5-THD)						
M	12	1	8T-4137	8	BOLT (M10X1.5X20-MM)						
M	13	1	8T-4195	8	BOLT (M10X1.5X30-MM)						
	14	1	9X-8256	8	WASHER (6.6X12X2-MM THK)						

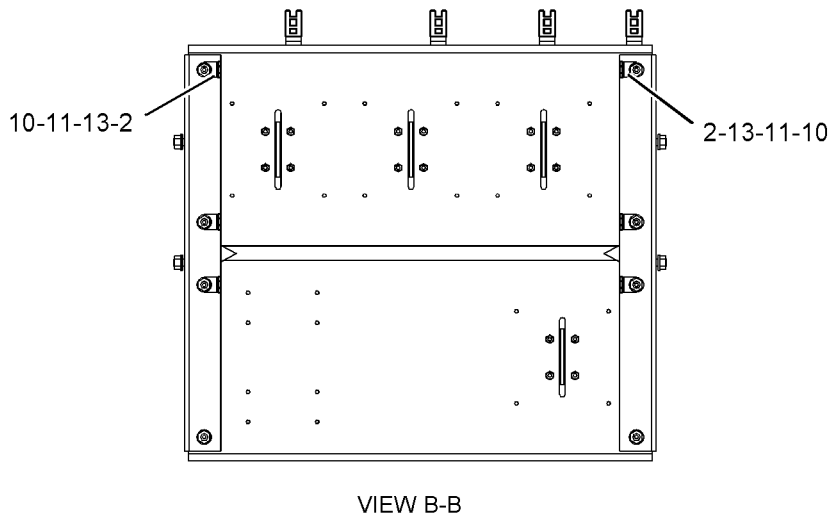
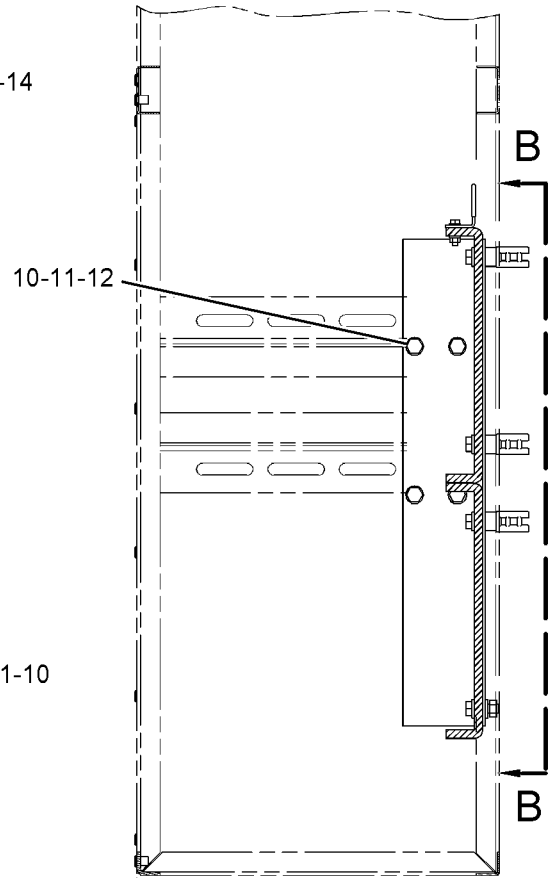
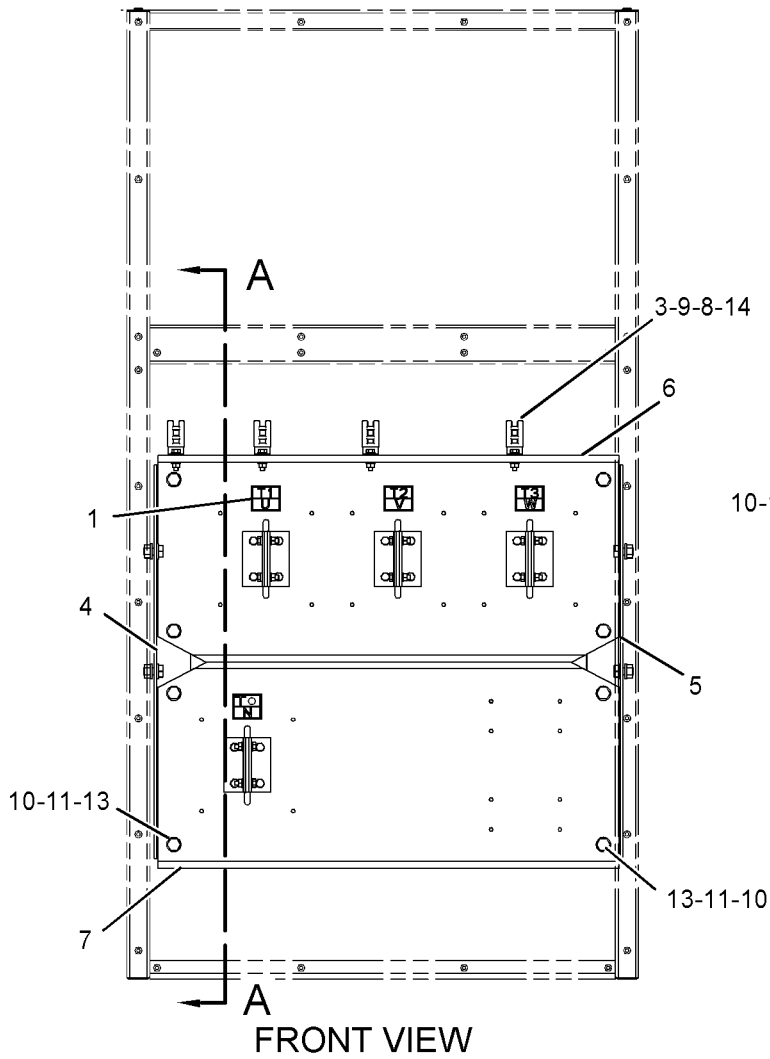
M-METRIC PART

Y-SEPARATE ILLUSTRATION

# ELECTRICAL AND STARTING SYSTEM

252-7412 BUS BAR GP-BOX (contd.)

i02386535



GRAPHIC #1

<END>

g01199149

# ELECTRICAL AND STARTING SYSTEM

## 252-7413 BUS BAR GP-BOX-SIDE EXTENSION, IEC

S/N: YAT1-UP

FOR USE WITH SR4B, MEDIUM VOLTAGE  
AN ATTACHMENT

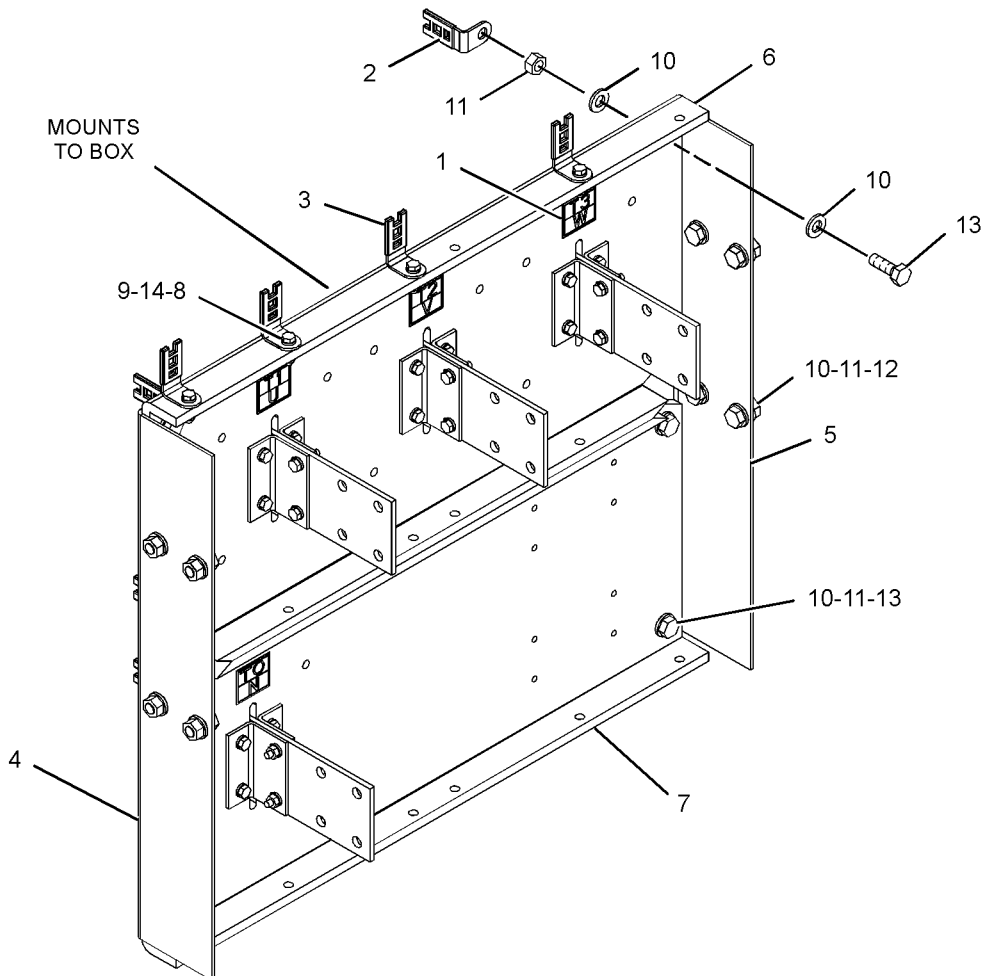
SMCS-445B

i02378040

NOTE	REF NO	GRAPHIC REF	PART NUMBER	QTY	PART NAME						SEE PAGE
					1	2	3	4	5	6 (PRODUCT LEVEL)	
	1	1	9Y-4275	1	FILM (TERMINAL STRIP)						
	2	1	132-5789	6	CLIP						
	3	1	156-6175	4	CLIP						
	4	1	244-9683	1	BRACKET						
	5	1	244-9684	1	BRACKET						
Y	6	1	244-9689	1	BUS BAR AS						400
Y	7	1	244-9691	1	BUS BAR AS						402
M	8	1	5C-2890	4	NUT (M6X1-THD)						
M	9	1	6V-7357	4	BOLT (M6X1X25-MM)						
	10	1	8T-4121	32	WASHER-HARD (11X21X2.5-MM THK)						
M	11	1	8T-4133	16	NUT (M10X1.5-THD)						
M	12	1	8T-4137	8	BOLT (M10X1.5X20-MM)						
M	13	1	8T-4195	8	BOLT (M10X1.5X30-MM)						
	14	1	9X-8256	8	WASHER (6.6X12X2-MM THK)						

M-METRIC PART

Y-SEPARATE ILLUSTRATION



GRAPHIC #1

<END>

g01203908

# ELECTRICAL AND STARTING SYSTEM

## 278-4972 BUS BAR GP-BOX-REAR EXTENSION, NEMA

S/N: YAT1-UP

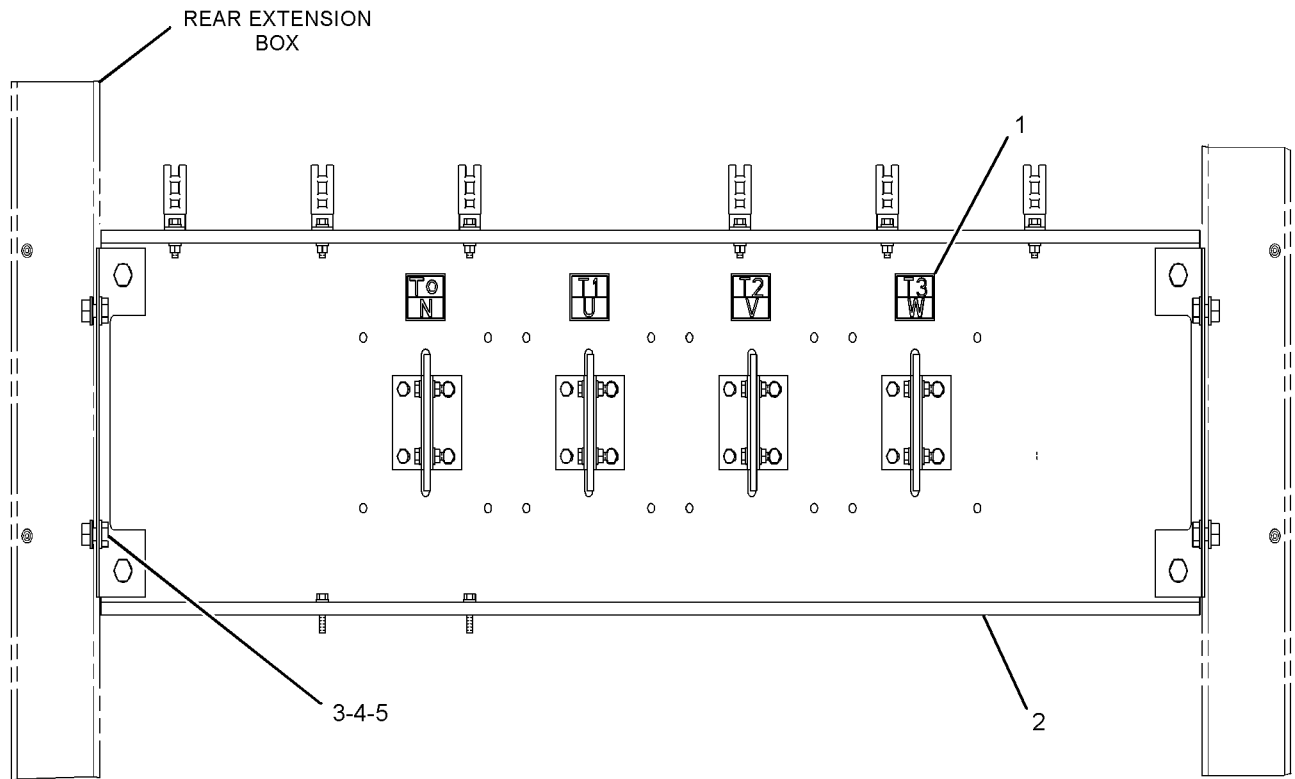
FOR USE WITH SR5, LOW VOLTAGE  
AN ATTACHMENT

SMCS-445B

i02404059

NOTE	REF NO	GRAPHIC REF	PART NUMBER	QTY	PART NAME						SEE PAGE
					1	2	3	4	5	6 (PRODUCT LEVEL)	
	1	1	9Y-4275	1	FILM (TERMINAL STRIP)						
Y	2	1	278-4970	1	BUS BAR AS						411
	3	1	8T-4121	16	WASHER-HARD (11X21X2.5-MM THK)						
M	4	1	8T-4133	8	NUT (M10X1.5-THD)						
M	5	1	8T-4137	8	BOLT (M10X1.5X20-MM)						

M-METRIC PART  
Y-SEPARATE ILLUSTRATION



FRONT VIEW

GRAPHIC #1

<END>

g01200668

# ELECTRICAL AND STARTING SYSTEM

## 278-4973 BUS BAR GP-BOX-SIDE EXTENSION, NEMA

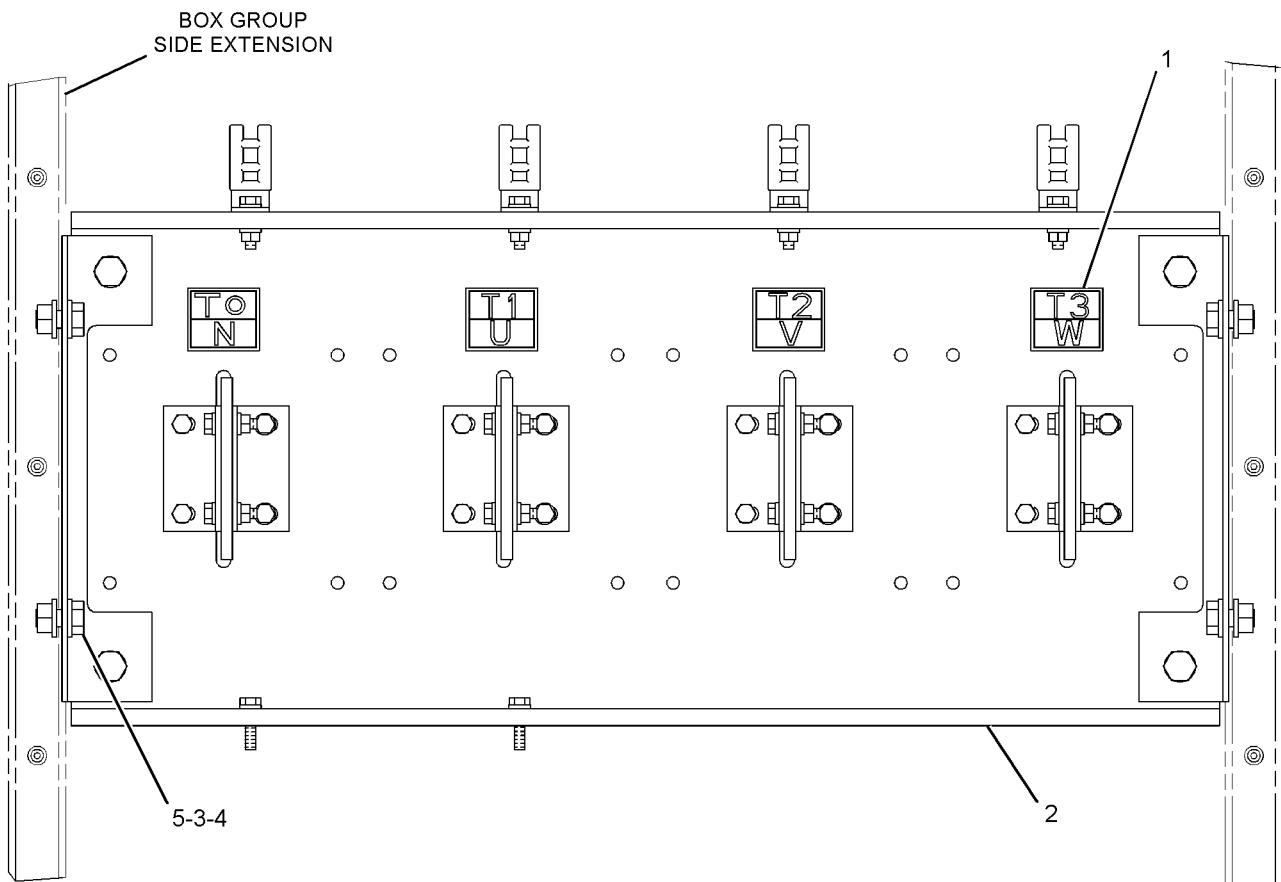
S/N: YAT1-UP  
FOR USE WITH SR5, LOW VOLTAGE  
AN ATTACHMENT

SMCS-445B

i02404106

NOTE	REF NO	GRAPHIC REF	PART NUMBER	QTY	PART NAME	1 2 3 4 5 6 (PRODUCT LEVEL)						SEE PAGE
	1	1	9Y-4275	1	FILM (TERMINAL STRIP)							
Y	2	1	278-4971	1	BUS BAR AS							412
	3	1	8T-4121	16	WASHER-HARD (11X21X2.5-MM THK)							
M	4	1	8T-4133	8	NUT (M10X1.5-THD)							
M	5	1	8T-4137	8	BOLT (M10X1.5X20-MM)							

M-METRIC PART  
Y-SEPARATE ILLUSTRATION



RIGHT SIDE VIEW

<END>

GRAPHIC #1

g01200739



# ELECTRICAL AND STARTING SYSTEM

## 278-8383 BUS BAR GP-BOX-SIDE EXTENSION, IEC

S/N: YAT1-UP

FOR USE WITH SR5, LOW VOLTAGE  
AN ATTACHMENT

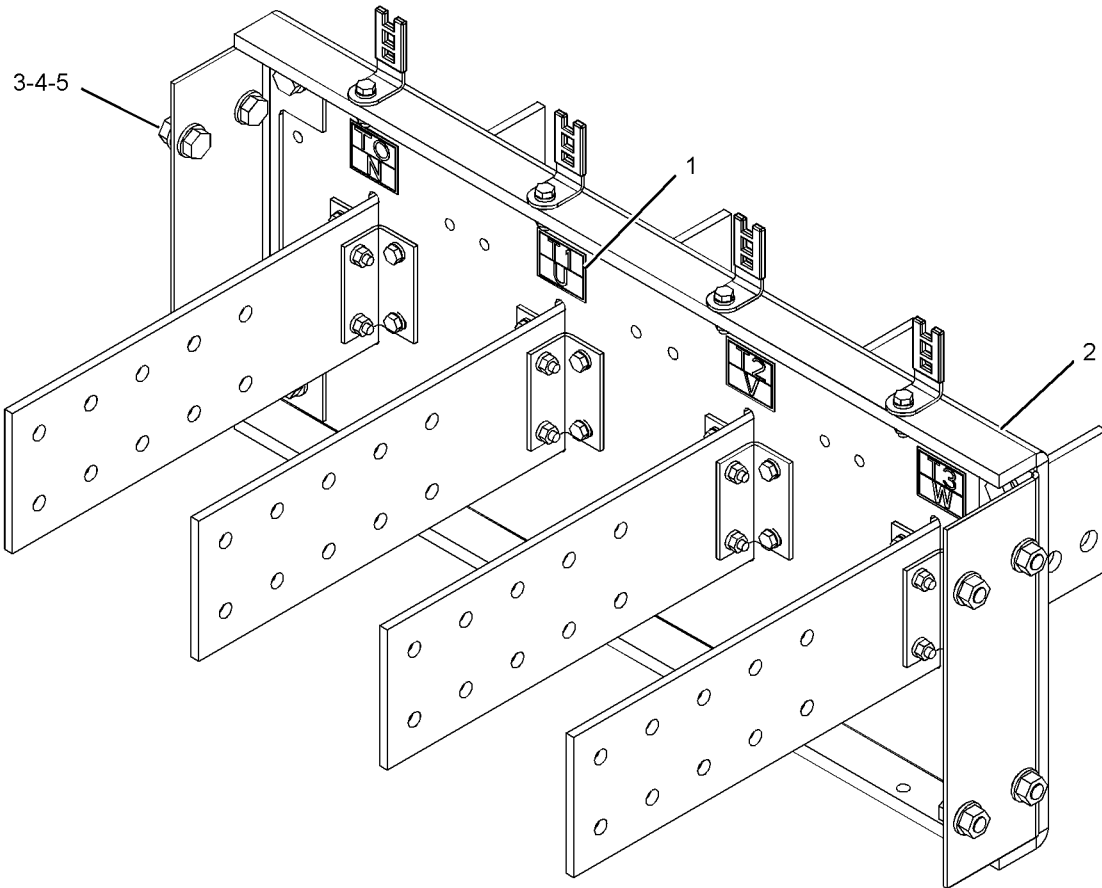
SMCS-445B

i02392840

NOTE	REF NO	GRAPHIC REF	PART NUMBER	QTY	PART NAME						SEE PAGE
					1	2	3	4	5	6 (PRODUCT LEVEL)	
	1	1	9Y-4275	1	FILM (TERMINAL STRIP)						
Y	2	1	278-8382	1	BUS BAR AS						414
	3	1	8T-4121	16	WASHER-HARD (11X21X2.5-MM THK)						
M	4	1	8T-4133	8	NUT (M10X1.5-THD)						
M	5	1	8T-4137	8	BOLT (M10X1.5X20-MM)						

M-METRIC PART

Y-SEPARATE ILLUSTRATION



GRAPHIC #1

<END>

g01199091

# ELECTRICAL AND STARTING SYSTEM

## 278-8385 BUS BAR GP-BOX-REAR EXTENSION, IEC

S/N: YAT1-UP

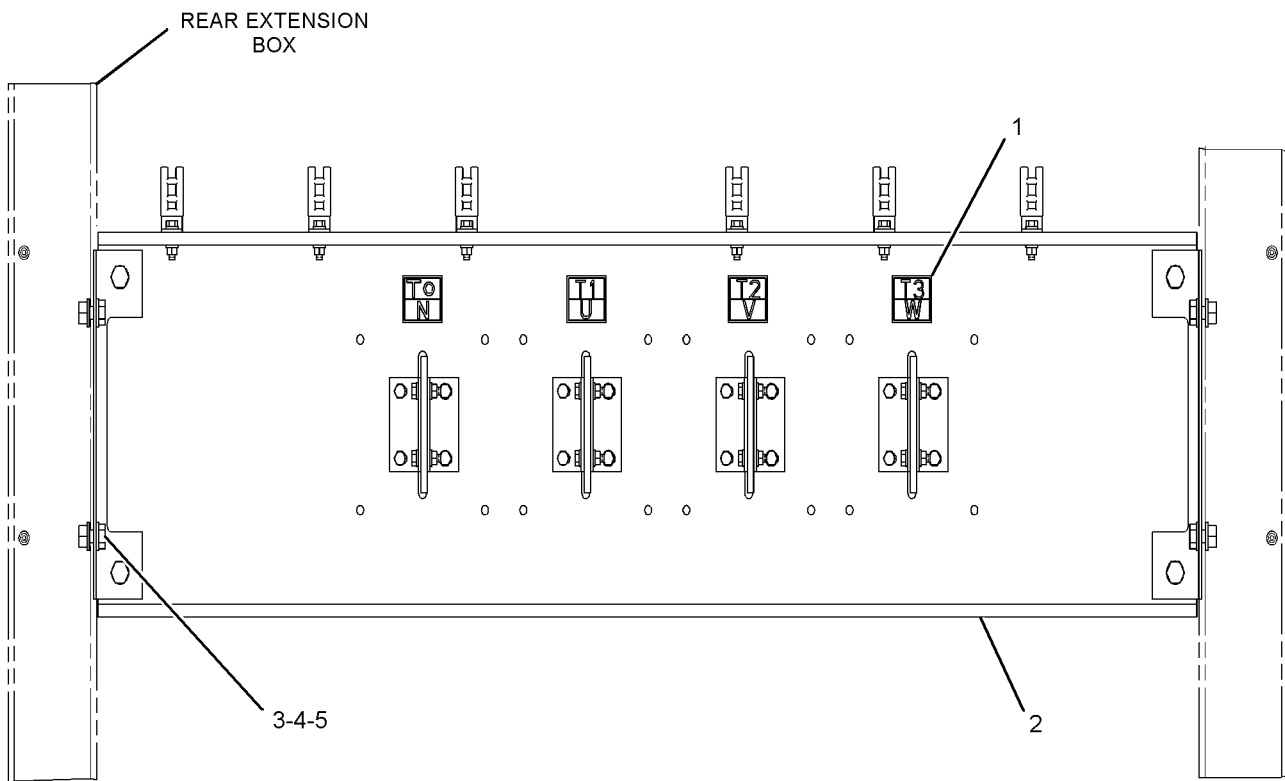
FOR USE WITH SR5, LOW VOLTAGE  
AN ATTACHMENT

SMCS-445B

i02392893

NOTE	REF NO	GRAPHIC REF	PART NUMBER	QTY	PART NAME						SEE PAGE
					1	2	3	4	5	6 (PRODUCT LEVEL)	
	1	1	9Y-4275	1	FILM (TERMINAL STRIP)						
Y	2	1	278-8384	1	BUS BAR AS						415
	3	1	8T-4121	16	WASHER-HARD (11X21X2.5-MM THK)						
M	4	1	8T-4133	8	NUT (M10X1.5-THD)						
M	5	1	8T-4137	8	BOLT (M10X1.5X20-MM)						

M-METRIC PART  
Y-SEPARATE ILLUSTRATION



FRONT VIEW

GRAPHIC #1

<END>

g01200674

# ELECTRICAL AND STARTING SYSTEM

## 252-7473 BUS BAR GP-CIRCUIT BREAKER-REAR EXTENSION

S/N: YAT1-UP

3-POLE

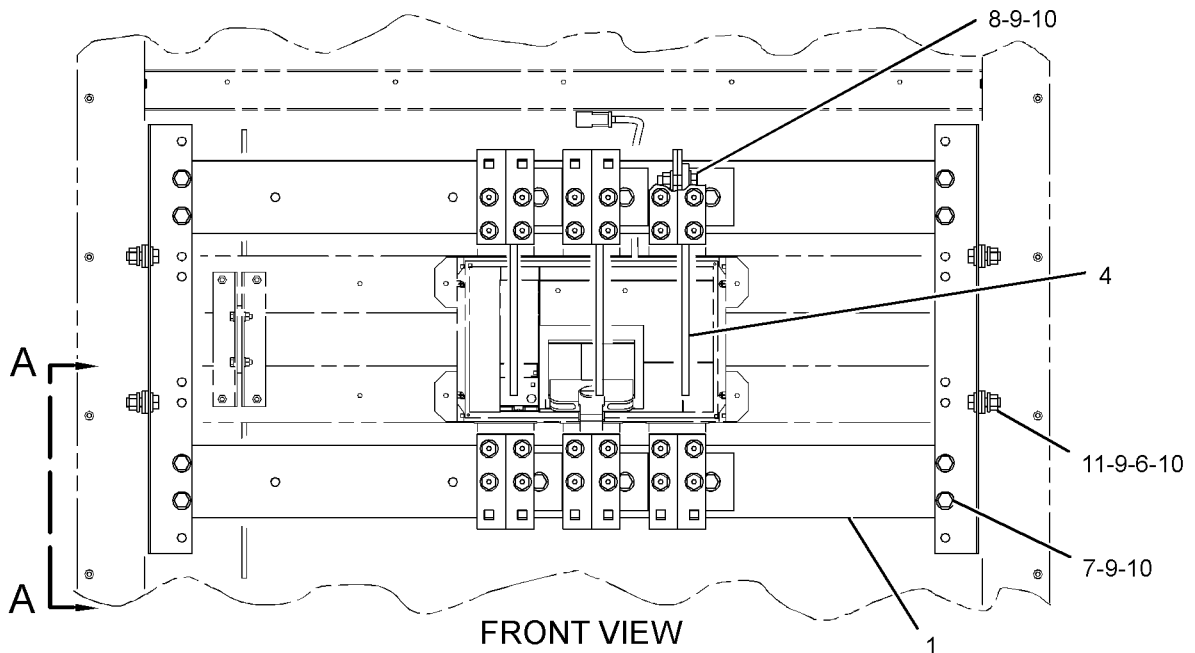
FOR USE WITH SR4B, R-FRAME CIRCUIT BREAKER  
AN ATTACHMENT

SMCS-1420, 445B

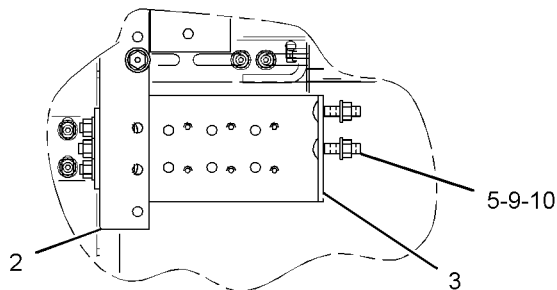
i02397687

NOTE	REF NO	GRAPHIC REF	PART NUMBER	QTY	PART NAME						SEE PAGE
					1	2	3	4	5	6 (PRODUCT LEVEL)	
	1	1	252-7472	2	PLATE						
	2	1	252-7481	2	SUPPORT						
Y	3	1	252-7605	2	BUS BAR AS						405
	4	1	252-7623	3	PLATE						
	5	1	206-5143	24	BOLT (M12X1.75-THD)						
	6	1	5P-1076	8	WASHER-HARD (13.5X30X4-MM THK)						
M	7	1	8T-4139	8	BOLT (M12X1.75X30-MM)						
M	8	1	8T-4184	12	BOLT (M12X1.75X45-MM)						
	9	1	8T-4223	72	WASHER-HARD (13.5X25.5X3-MM THK)						
M	10	1	8T-4244	48	NUT (M12X1.75-THD)						
M	11	1	8T-4956	4	BOLT (M12X1.75X35-MM)						

M-METRIC PART  
Y-SEPARATE ILLUSTRATION



FRONT VIEW



VIEW A-A

<END>

GRAPHIC #1

g01200054

# ELECTRICAL AND STARTING SYSTEM

## 252-7518 BUS BAR GP-CIRCUIT BREAKER-SIDE EXTENSION

S/N: YAT1-UP

4-POLE

FOR USE WITH SR4B, R-FRAME CIRCUIT BREAKER  
AN ATTACHMENT

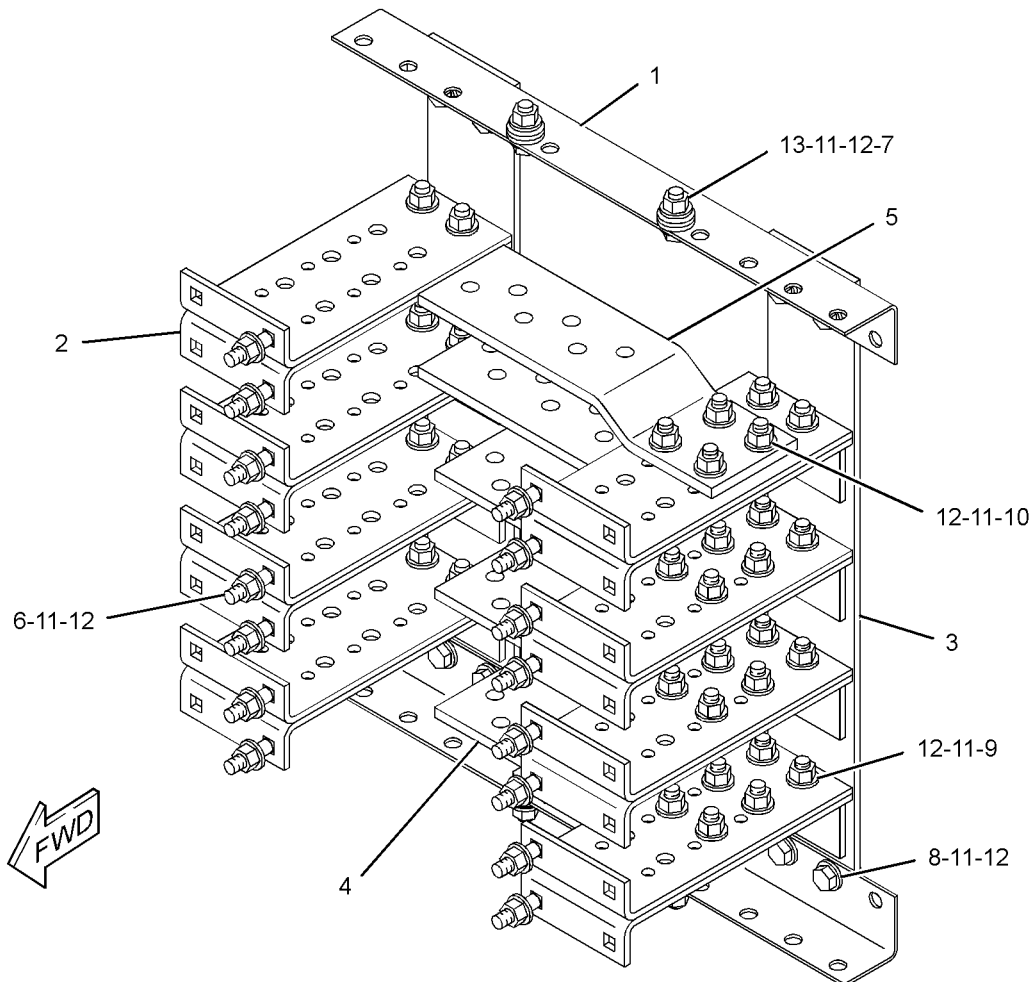
SMCS-1420, 445B

i02634846

NOTE	REF NO	GRAPHIC REF	PART NUMBER	QTY	PART NAME						SEE PAGE
					1	2	3	4	5	6 (PRODUCT LEVEL)	
	1	1	252-7481	2	SUPPORT						
Y	2	1	252-7567	2	BUS BAR AS						404
	3	1	252-7597	2	PLATE						
	4	1	252-7623	3	PLATE						
	5	1	252-7655	2	PLATE						
	6	1	206-5143	16	BOLT (M12X1.75-THD)						
	7	1	5P-1076	8	WASHER-HARD (13.5X30X4-MM THK)						
M	8	1	8T-4139	8	BOLT (M12X1.75X30-MM)						
M	9	1	8T-4184	12	BOLT (M12X1.75X45-MM)						
M	10	1	8T-4910	4	BOLT (M12X1.75X60-MM)						
	11	1	8T-4223	72	WASHER-HARD (13.5X25.5X3-MM THK)						
M	12	1	8T-4244	44	NUT (M12X1.75-THD)						
M	13	1	8T-4956	4	BOLT (M12X1.75X35-MM)						

M-METRIC PART

Y-SEPARATE ILLUSTRATION



GRAPHIC #1

<END>

g01332434

# ELECTRICAL AND STARTING SYSTEM

## 252-7598 BUS BAR GP-CIRCUIT BREAKER-SIDE EXTENSION

S/N: YAT1-UP

3-POLE

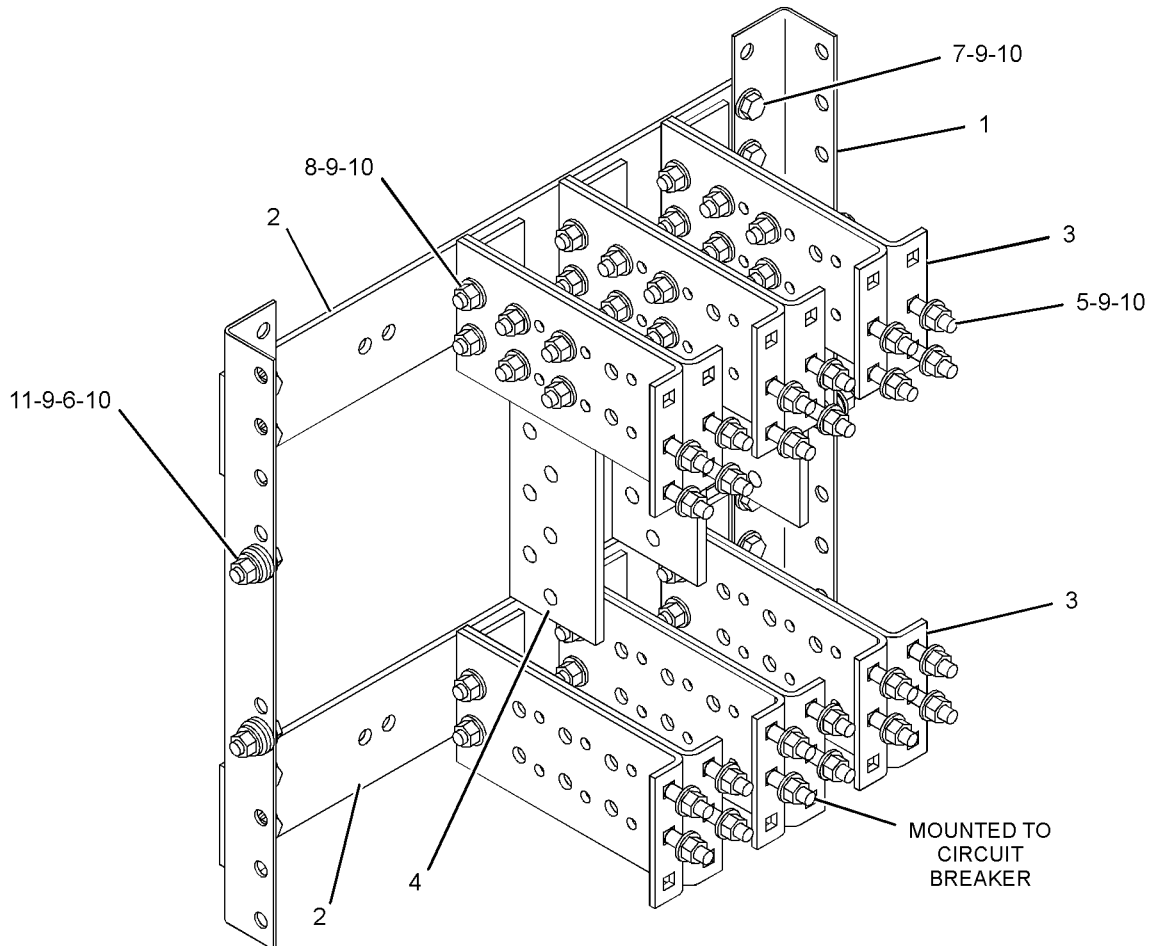
FOR USE WITH SR4B, R-FRAME CIRCUIT BREAKER  
AN ATTACHMENT

SMCS-1420, 445B

i02400018

NOTE	REF NO	GRAPHIC REF	PART NUMBER	QTY	PART NAME						SEE PAGE
					1	2	3	4	5	6 (PRODUCT LEVEL)	
	1	1	252-7481	2	SUPPORT						
	2	1	252-7597	2	PLATE						
Y	3	1	252-7605	2	BUS BAR AS						405
	4	1	252-7623	3	PLATE						
	5	1	206-5143	24	BOLT (M12X1.75-THD)						
	6	1	5P-1076	8	WASHER-HARD (13.5X30X4-MM THK)						
M	7	1	8T-4139	8	BOLT (M12X1.75X30-MM)						
M	8	1	8T-4184	12	BOLT (M12X1.75X45-MM)						
	9	1	8T-4223	72	WASHER-HARD (13.5X25.5X3-MM THK)						
M	10	1	8T-4244	48	NUT (M12X1.75-THD)						
M	11	1	8T-4956	4	BOLT (M12X1.75X35-MM)						

M-METRIC PART  
Y-SEPARATE ILLUSTRATION



GRAPHIC #1

<END>

g01199103

# ELECTRICAL AND STARTING SYSTEM

## 252-7603 BUS BAR GP-CIRCUIT BREAKER-REAR EXTENSION

S/N: YAT1-UP

4-POLE

FOR USE WITH SR4B, P-FRAME CIRCUIT BREAKER  
AN ATTACHMENT

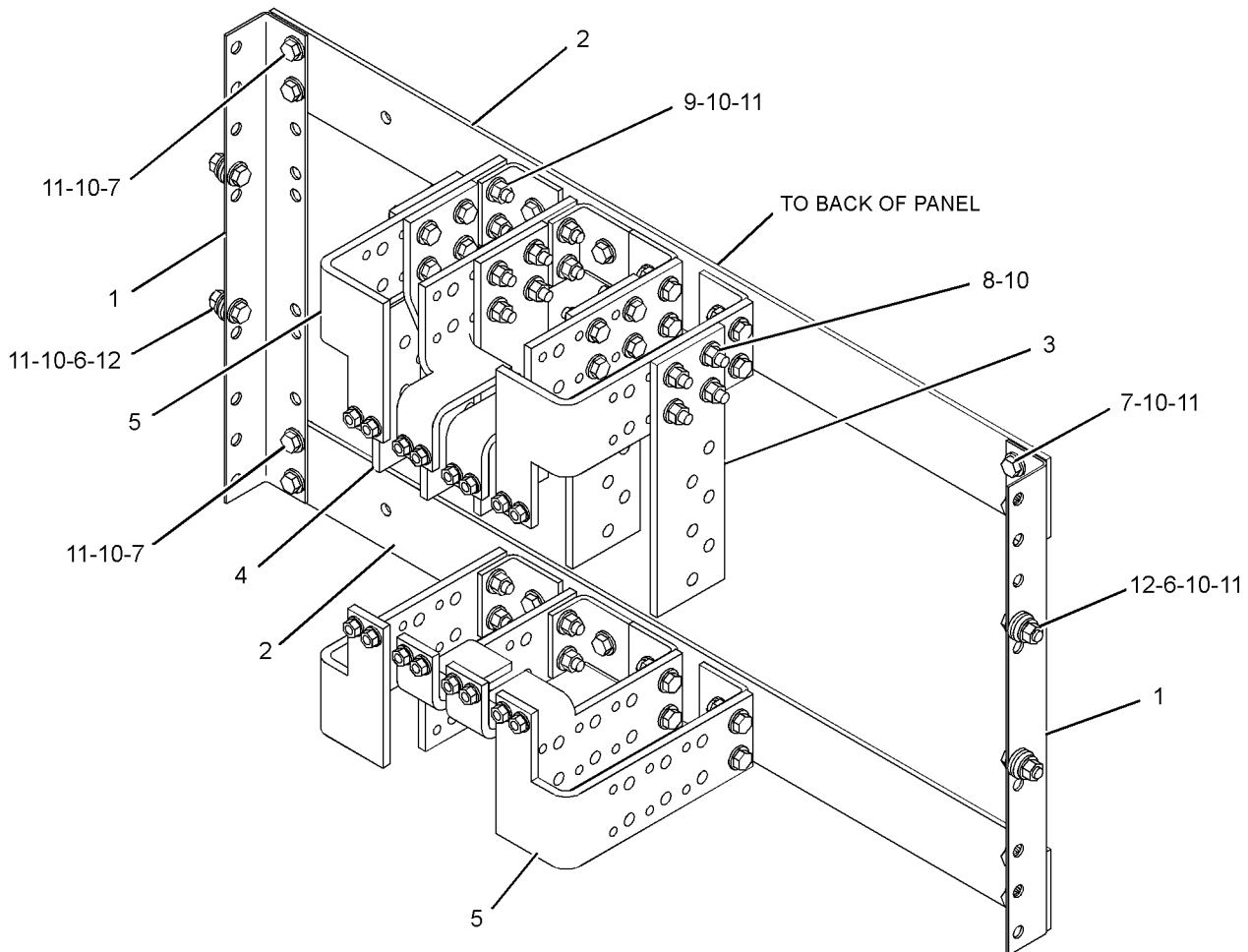
SMCS-1420, 445B

i02400025

NOTE	REF NO	GRAPHIC REF	PART NUMBER	QTY	PART NAME						SEE PAGE
					1	2	3	4	5	6 (PRODUCT LEVEL)	
	1	1	252-7481	2	SUPPORT						
	2	1	252-7607	2	PLATE						
	3	1	252-7623	3	PLATE						
	4	1	252-7655	2	PLATE						
Y	5	1	252-7661	2	BUS BAR AS						408
	6	1	5P-1076	8	WASHER-HARD (13.5X30X4-MM THK)						
M	7	1	8T-4139	8	BOLT (M12X1.75X30-MM)						
M	8	1	8T-4184	12	BOLT (M12X1.75X45-MM)						
M	9	1	8T-4194	4	BOLT (M12X1.75X50-MM)						
	10	1	8T-4223	56	WASHER-HARD (13.5X25.5X3-MM THK)						
M	11	1	8T-4244	28	NUT (M12X1.75-THD)						
M	12	1	8T-4956	4	BOLT (M12X1.75X35-MM)						

M-METRIC PART

Y-SEPARATE ILLUSTRATION



GRAPHIC #1

<END>

g01199190

# ELECTRICAL AND STARTING SYSTEM

## 252-7606 BUS BAR GP-CIRCUIT BREAKER-REAR EXTENSION

S/N: YAT1-UP

3-POLE

FOR USE WITH SR4B, P-FRAME CIRCUIT BREAKER  
AN ATTACHMENT

SMCS-1420, 445B

i02386734

NOTE	REF NO	GRAPHIC REF	PART NUMBER	QTY	PART NAME						SEE PAGE
					1	2	3	4	5	6 (PRODUCT LEVEL)	
	1	1	<b>252-7481</b>	2	SUPPORT						
	2	1	<b>252-7607</b>	2	PLATE						
Y	3	1	<i>252-7611</i>	2	BUS BAR AS						406
	4	1	<b>252-7623</b>	3	PLATE						
	5	1	<b>5P-1076</b>	8	WASHER-HARD (13.5X30X4-MM THK)						
M	6	1	<b>8T-4139</b>	8	BOLT (M12X1.75X30-MM)						
M	7	1	<b>8T-4184</b>	12	BOLT (M12X1.75X45-MM)						
	8	1	<b>8T-4223</b>	48	WASHER-HARD (13.5X25.5X3-MM THK)						
M	9	1	<b>8T-4244</b>	24	NUT (M12X1.75-THD)						
M	10	1	<b>8T-4956</b>	4	BOLT (M12X1.75X35-MM)						

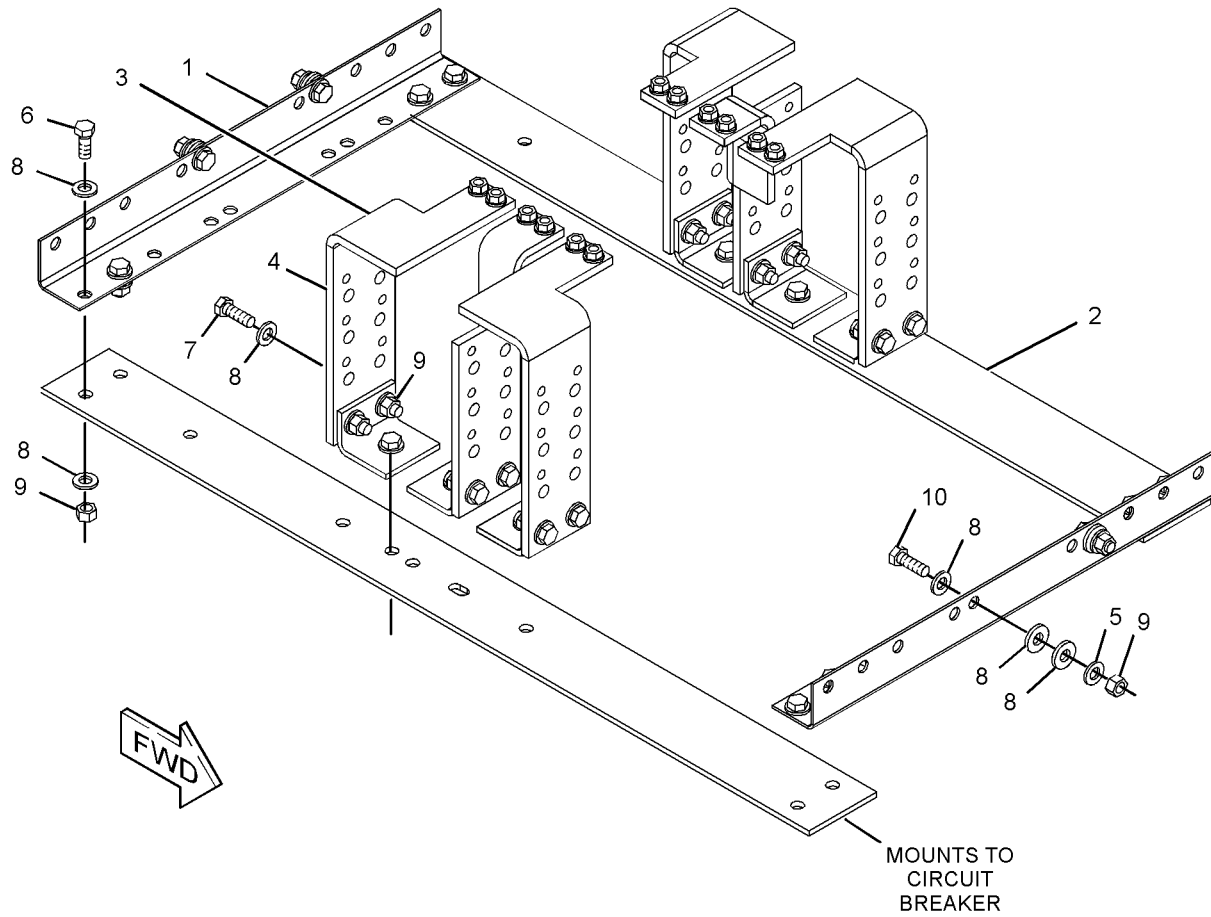
M-METRIC PART

Y-SEPARATE ILLUSTRATION

# ELECTRICAL AND STARTING SYSTEM

252-7606 BUS BAR GP-CIRCUIT BREAKER (contd.)

i02386734



GRAPHIC #1

<END>

g01200926



# ELECTRICAL AND STARTING SYSTEM

## 252-7608 BUS BAR GP-CIRCUIT BREAKER-SIDE EXTENSION

S/N: YAT1-UP

3-POLE

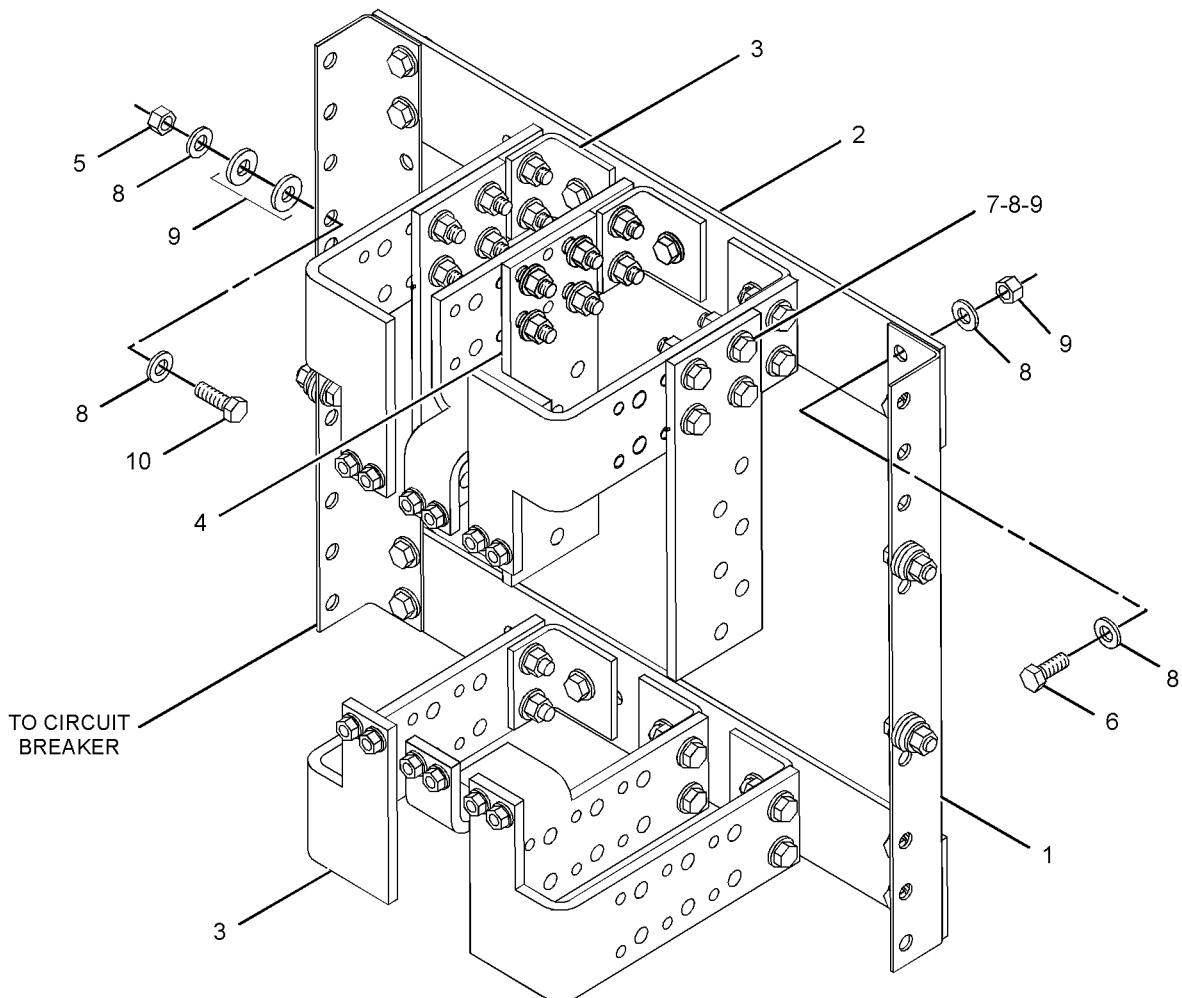
FOR USE WITH SR4B, P-FRAME CIRCUIT BREAKER  
AN ATTACHMENT

SMCS-1420, 445B

i02386742

NOTE	REF NO	GRAPHIC REF	PART NUMBER	QTY	PART NAME						SEE PAGE
					1	2	3	4	5	6 (PRODUCT LEVEL)	
	1	1	252-7481	2	SUPPORT						
	2	1	252-7609	2	PLATE						
Y	3	1	252-7611	2	BUS BAR AS						406
	4	1	252-7623	3	PLATE						
	5	1	5P-1076	8	WASHER-HARD (13.5X30X4-MM THK)						
M	6	1	8T-4139	8	BOLT (M12X1.75X30-MM)						
M	7	1	8T-4184	12	BOLT (M12X1.75X45-MM)						
	8	1	8T-4223	48	WASHER-HARD (13.5X25.5X3-MM THK)						
M	9	1	8T-4244	24	NUT (M12X1.75-THD)						
M	10	1	8T-4956	4	BOLT (M12X1.75X35-MM)						

M-METRIC PART  
Y-SEPARATE ILLUSTRATION



GRAPHIC #1

<END>

g01199212

# ELECTRICAL AND STARTING SYSTEM

## 252-7610 BUS BAR GP-CIRCUIT BREAKER-REAR EXTENSION

S/N: YAT1-UP

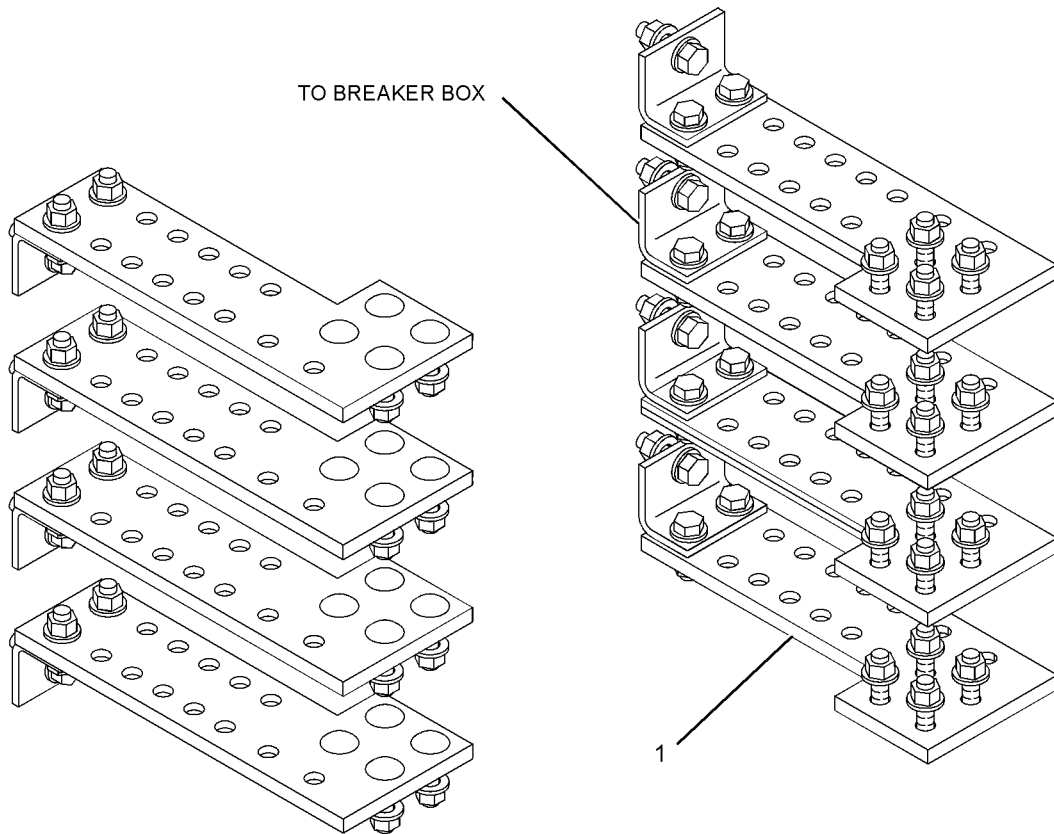
4-POLE

FOR USE WITH SR4B, NW-FRAME CIRCUIT BREAKER  
AN ATTACHMENT

SMCS-1420, 445B

i02386749

NOTE	REF NO	GRAPHIC REF	PART NUMBER	QTY	PART NAME						SEE PAGE
					1	2	3	4	5	6 (PRODUCT LEVEL)	
Y	1	1	252-7613	2	BUS BAR AS						407
Y-SEPARATE ILLUSTRATION											



GRAPHIC #1

<END>

g01200979

# ELECTRICAL AND STARTING SYSTEM

## 252-7614 BUS BAR GP-CIRCUIT BREAKER-REAR EXTENSION

S/N: YAT1-UP

4-POLE

FOR USE WITH SR4B, R-FRAME CIRCUIT BREAKER  
AN ATTACHMENT

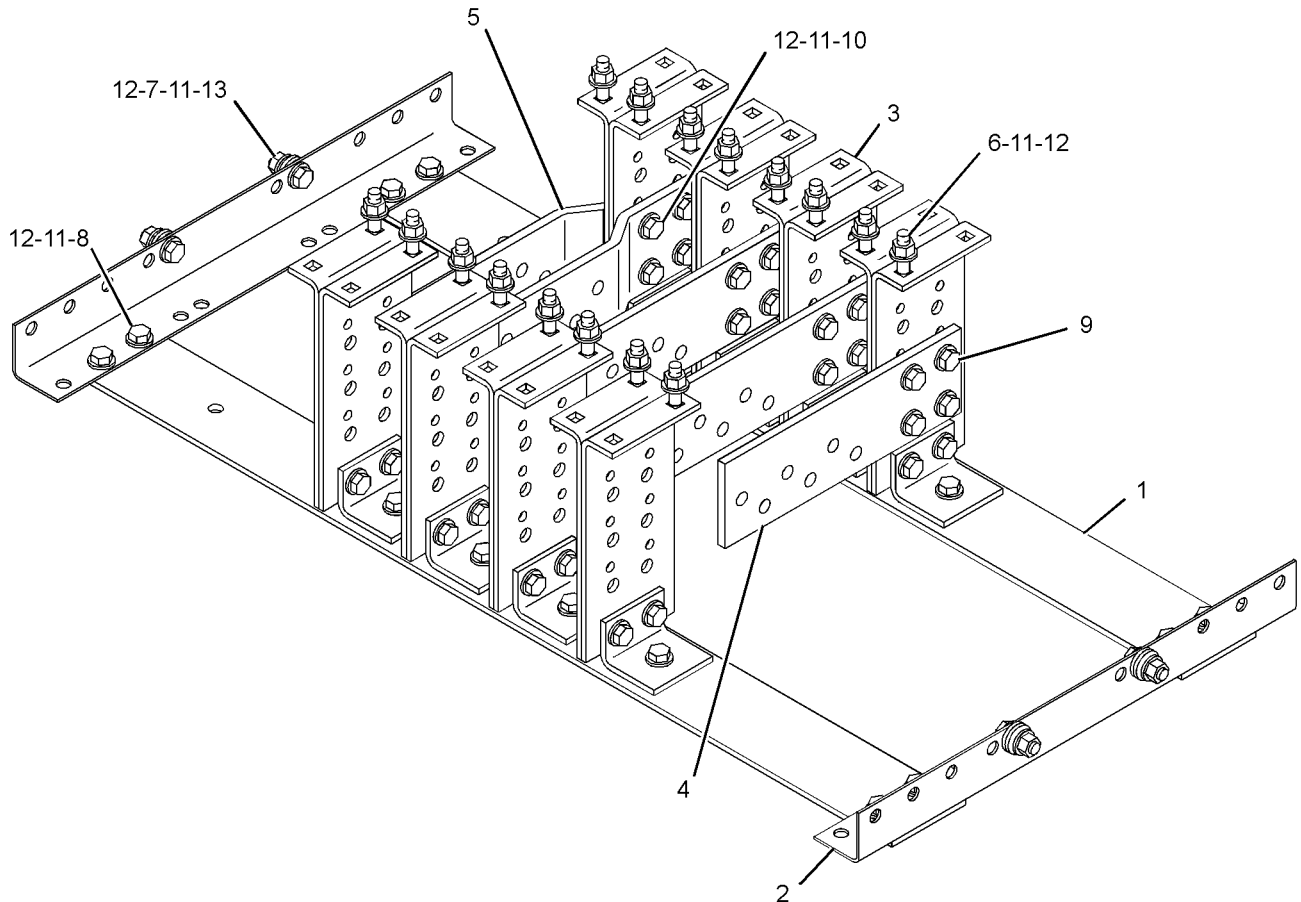
SMCS-1420, 445B

i02400105

NOTE	REF NO	GRAPHIC REF	PART NUMBER	QTY	PART NAME						SEE PAGE
					1	2	3	4	5	6 (PRODUCT LEVEL)	
	1	1	252-7472	2	PLATE						
	2	1	252-7481	2	SUPPORT						
Y	3	1	252-7567	2	BUS BAR AS						404
	4	1	252-7623	3	PLATE						
	5	1	252-7655	2	PLATE						
	6	1	206-5143	16	BOLT (M12X1.75-THD)						
	7	1	5P-1076	8	WASHER-HARD (13.5X30X4-MM THK)						
M	8	1	8T-4139	8	BOLT (M12X1.75X30-MM)						
M	9	1	8T-4184	12	BOLT (M12X1.75X45-MM)						
M	10	1	8T-4194	4	BOLT (M12X1.75X50-MM)						
	11	1	8T-4223	72	WASHER-HARD (13.5X25.5X3-MM THK)						
M	12	1	8T-4244	44	NUT (M12X1.75-THD)						
M	13	1	8T-4956	4	BOLT (M12X1.75X35-MM)						

M-METRIC PART

Y-SEPARATE ILLUSTRATION



GRAPHIC #1

<END>

g01198907

# ELECTRICAL AND STARTING SYSTEM

## 252-7621 BUS BAR GP-CIRCUIT BREAKER-SIDE EXTENSION

S/N: YAT1-UP

4-POLE

FOR USE WITH SR4B, P-FRAME CIRCUIT BREAKERS  
AN ATTACHMENT

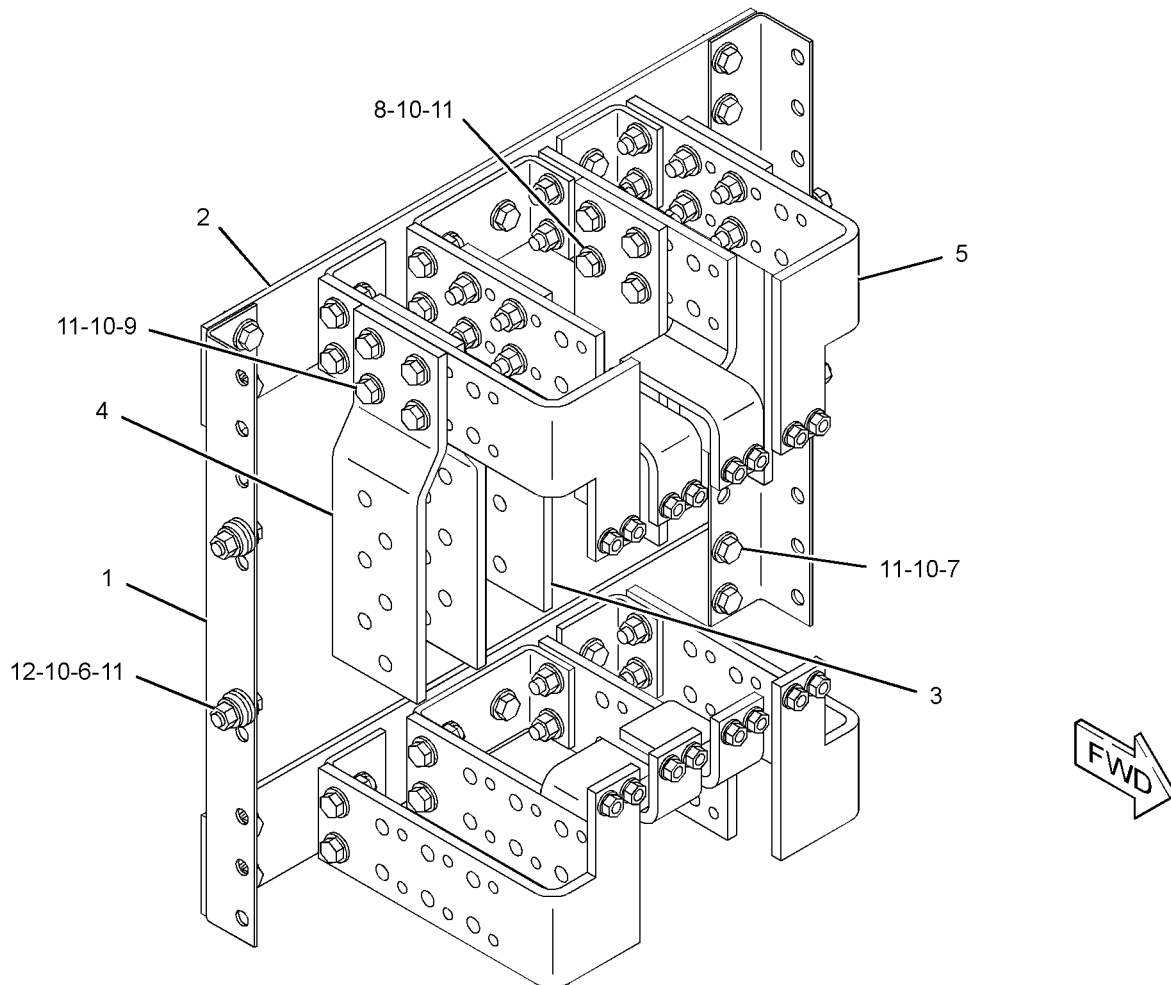
SMCS-1420, 445B

i02400028

NOTE	REF NO	GRAPHIC REF	PART NUMBER	QTY	PART NAME						SEE PAGE
					1	2	3	4	5	6 (PRODUCT LEVEL)	
	1	1	252-7481	2	SUPPORT						
	2	1	252-7609	2	PLATE						
	3	1	252-7623	3	PLATE						
	4	1	252-7655	2	PLATE						
Y	5	1	252-7661	2	BUS BAR AS						408
	6	1	5P-1076	8	WASHER-HARD (13.5X30X4-MM THK)						
M	7	1	8T-4139	8	BOLT (M12X1.75X30-MM)						
M	8	1	8T-4184	12	BOLT (M12X1.75X45-MM)						
M	9	1	8T-4194	4	BOLT (M12X1.75X50-MM)						
	10	1	8T-4223	56	WASHER-HARD (13.5X25.5X3-MM THK)						
M	11	1	8T-4244	28	NUT (M12X1.75-THD)						
M	12	1	8T-4956	4	BOLT (M12X1.75X35-MM)						

M-METRIC PART

Y-SEPARATE ILLUSTRATION



GRAPHIC #1

<END>

g01199067

# ELECTRICAL AND STARTING SYSTEM

## 252-7657 BUS BAR GP-CIRCUIT BREAKER-REAR EXTENSION

S/N: YAT1-UP

NEUTRAL

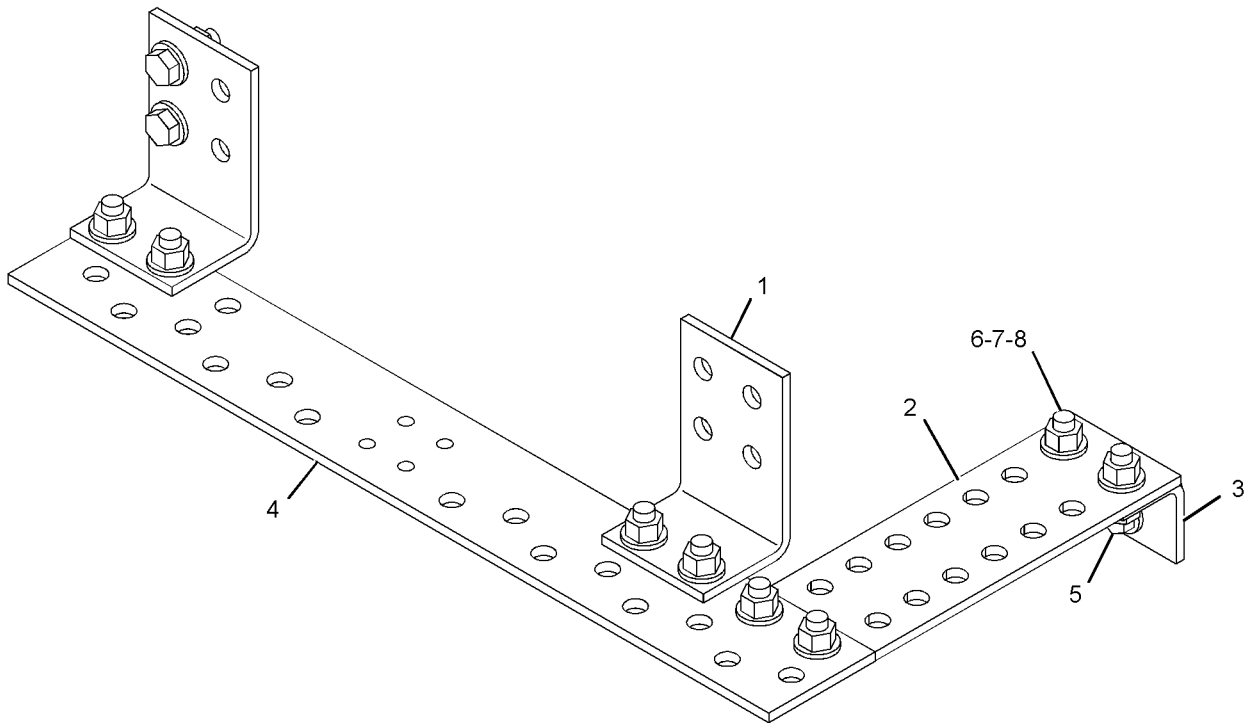
FOR USE WITH SR4B, NW-FRAME CIRCUIT BREAKER

AN ATTACHMENT

SMCS-1420, 445B

i02397154

NOTE	REF NO	GRAPHIC REF	PART NUMBER	QTY	PART NAME						SEE PAGE
					1	2	3	4	5	6 (PRODUCT LEVEL)	
	1	1	252-7604	2	PLATE						
	2	1	252-7656	1	PLATE						
	3	1	272-6638	1	BRACKET						
	4	1	274-7194	1	BAR-BUS						
M	5	1	8T-4183	1	BOLT (M12X1.75X40-MM)						
	6	1	8T-4223	20	WASHER-HARD (13.5X25.5X3-MM THK)						
M	7	1	8T-4244	10	NUT (M12X1.75-THD)						
M	8	1	8T-4956	9	BOLT (M12X1.75X35-MM)						
M-METRIC PART											



GRAPHIC #1

<END>

g01178925

# ELECTRICAL AND STARTING SYSTEM

## 272-8413 BUS BAR GP-CIRCUIT BREAKER-REAR EXTENSION

S/N: YAT1-UP

6-POLE

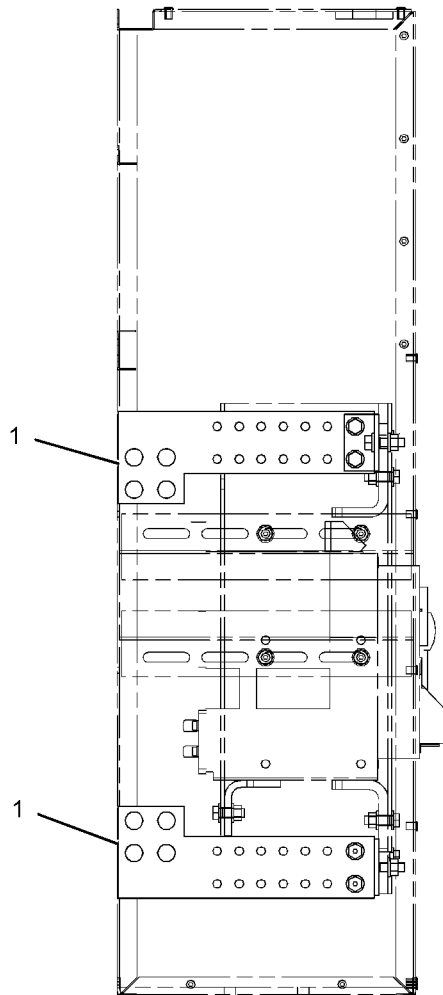
FOR USE WITH SR5, NW-FRAME CIRCUIT BREAKER  
AN ATTACHMENT

SMCS-1420, 445B

i02380420

NOTE	REF NO	GRAPHIC REF	PART NUMBER	QTY	PART NAME						SEE PAGE
					1	2	3	4	5	6 (PRODUCT LEVEL)	
Y	1	1	272-8414	2	BUS BAR AS						409

Y-SEPARATE ILLUSTRATION



GRAPHIC #1

<END>

g01190856

# ELECTRICAL AND STARTING SYSTEM

## 272-8430 BUS BAR GP-CIRCUIT BREAKER-REAR EXTENSION

S/N: YAT1-UP

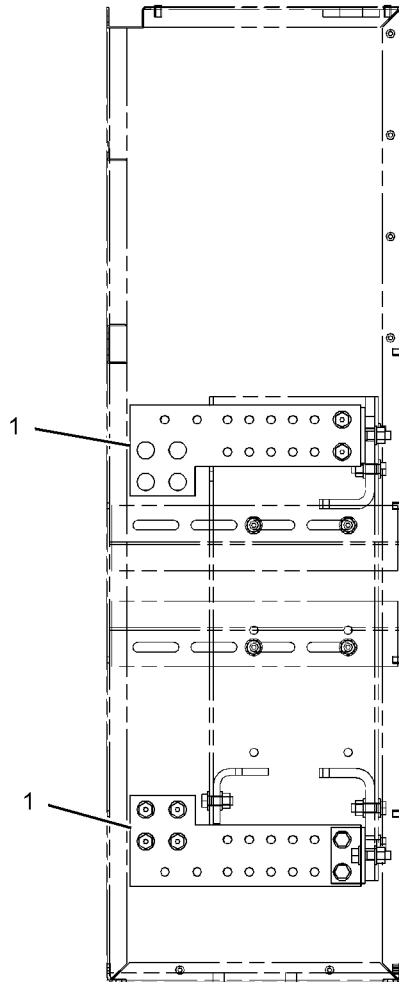
3-POLE

FOR USE WITH SR4B, NW-FRAME CIRCUIT BREAKER  
AN ATTACHMENT

SMCS-1420, 445B

i02381165

NOTE	REF NO	GRAPHIC REF	PART NUMBER	QTY	PART NAME						SEE PAGE
					1	2	3	4	5	6 (PRODUCT LEVEL)	
Y	1	1	272-8431	2	BUS BAR AS						410
Y-SEPARATE ILLUSTRATION											



GRAPHIC #1

<END>

g01190208

# ELECTRICAL AND STARTING SYSTEM

## 274-7196 BUS BAR GP-CIRCUIT BREAKER-SIDE EXTENSION

S/N: YAT1-UP

NEUTRAL

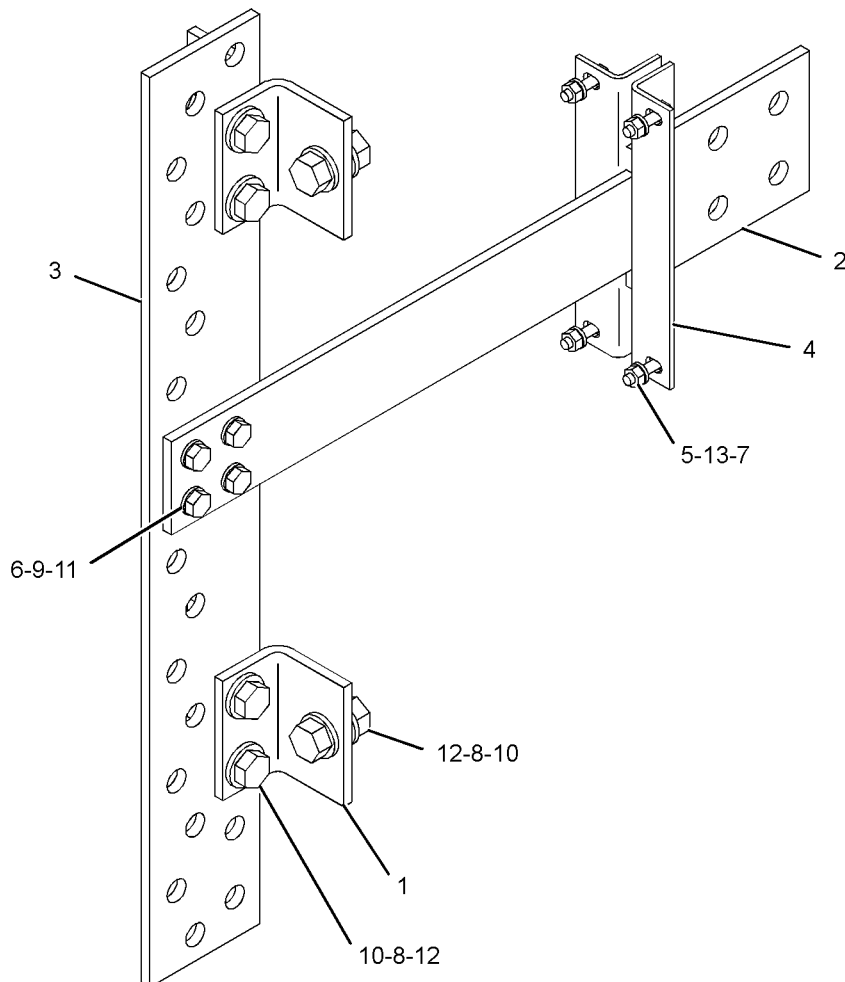
FOR USE WITH R-FRAME CIRCUIT BREAKER  
AN ATTACHMENT

SMCS-1420, 445B

i02412716

NOTE	REF NO	GRAPHIC REF	PART NUMBER	QTY	PART NAME						SEE PAGE
					1	2	3	4	5	6 (PRODUCT LEVEL)	
	1	1	272-6638	2	BRACKET						
	2	1	274-7193	1	BAR-BUS						
	3	1	274-7194	1	BAR-BUS						
	4	1	274-7195	2	BRACKET						
M	5	1	5C-2890	6	NUT (M6X1-THD)						
M	6	1	5C-7261	4	NUT (M8X1.25-THD)						
M	7	1	6V-7357	6	BOLT (M6X1X25-MM)						
	8	1	8T-4223	12	WASHER-HARD (13.5X25.5X3-MM THK)						
	9	1	8T-4224	8	WASHER-HARD (8.8X16X2-MM THK)						
M	10	1	8T-4244	6	NUT (M12X1.75-THD)						
M	11	1	8T-4908	4	BOLT (M8X1.25X25-MM)						
M	12	1	8T-4956	6	BOLT (M12X1.75X35-MM)						
	13	1	9X-8256	12	WASHER (6.6X12X2-MM THK)						

M-METRIC PART



GRAPHIC #1

<END>

g01206008



# ELECTRICAL AND STARTING SYSTEM

## 278-7694 BUS BAR GP-GENERATOR-GENERATOR BRACKET

S/N: G2B1-UP; G3C1-UP; G2E1-UP; G2F1-UP; G2G1-UP; G3G1-UP; G2S1-UP; G1W1-UP;  
G2W1-UP; G1Y1-UP

FOR USE WITH SR5, 1600-FRAME, 1800-FRAME, WITH EXTENSION BOX  
AN ATTACHMENT

SMCS-445B

i02603562

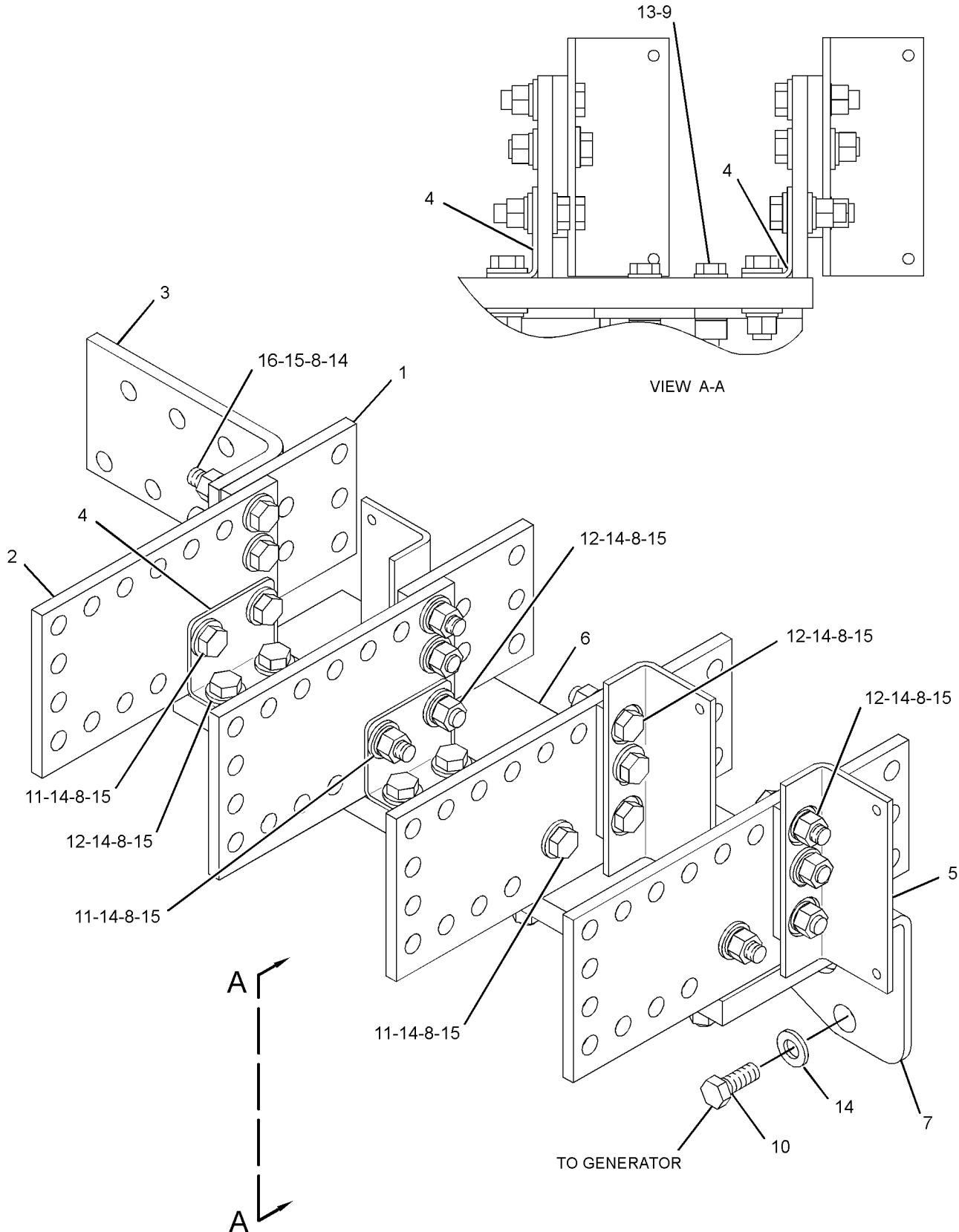
NOTE	REF NO	GRAPHIC REF	PART NUMBER	QTY	PART NAME						SEE PAGE
					1	2	3	4	5	6 (PRODUCT LEVEL)	
	1	1	279-0828	4	BRACKET						
	2	1	279-0829	4	BAR-BUS						
	3	1	289-7584	1	BAR-BUS						
	4	1	295-5506	4	BRACKET						
	5	1	296-6673	3	BRACKET						
	6	1	297-4268	1	PLATE						
	7	1	297-6369	1	BRACKET AS						
	8	1	3E-4988	24	LOCKWASHER						
	9	1	8T-4121	6	WASHER-HARD (11X21X2.5-MM THK)						
M	10	1	8T-4139	4	BOLT (M12X1.75X30-MM)						
M	11	1	8T-4183	4	BOLT (M12X1.75X40-MM)						
M	12	1	8T-4184	17	BOLT (M12X1.75X45-MM)						
M	13	1	8T-4185	6	BOLT (M10X1.5X50-MM)						
	14	1	8T-4223	52	WASHER-HARD (13.5X25.5X3-MM THK)						
M	15	1	8T-4244	24	NUT (M12X1.75-THD)						
M	16	1	8T-4910	3	BOLT (M12X1.75X60-MM)						

M-METRIC PART

# ELECTRICAL AND STARTING SYSTEM

278-7694 BUS BAR GP-GENERATOR (contd.)

i02603562



GRAPHIC #1

<END>

g01302459

# ELECTRICAL AND STARTING SYSTEM

## 279-2282 BUS BAR GP-GENERATOR-GENERATOR BRACKET, NEMA S/N: G2E1-UP; G2F1-UP FOR USE WITH SR5, 1600-FRAME, 1800-FRAME AN ATTACHMENT

SMCS-445B

i02392939

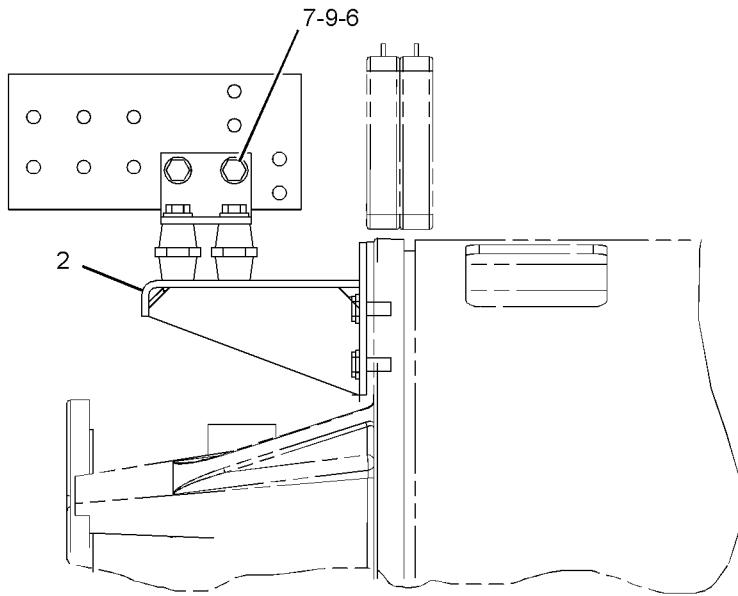
NOTE	REF NO	GRAPHIC REF	PART NUMBER	QTY	PART NAME						SEE PAGE
					1	2	3	4	5	6 (PRODUCT LEVEL)	
	1	1	253-9928	16	INSULATOR						
	2	1	278-9001	1	BRACKET AS						
	3	1	279-0828	8	BRACKET						
	4	1	279-3636	4	BAR-BUS						
	5	1	3B-4508	20	LOCKWASHER						
M	6	1	6V-7687	8	LOCKNUT (M12X1.75-THD)						
M	7	1	8T-4184	8	BOLT (M12X1.75X45-MM)						
M	8	1	8T-4192	32	BOLT (M12X1.75X25-MM)						
	9	1	8T-4223	52	WASHER-HARD (13.5X25.5X3-MM THK)						
M	10	1	8T-4956	4	BOLT (M12X1.75X35-MM)						

M-METRIC PART

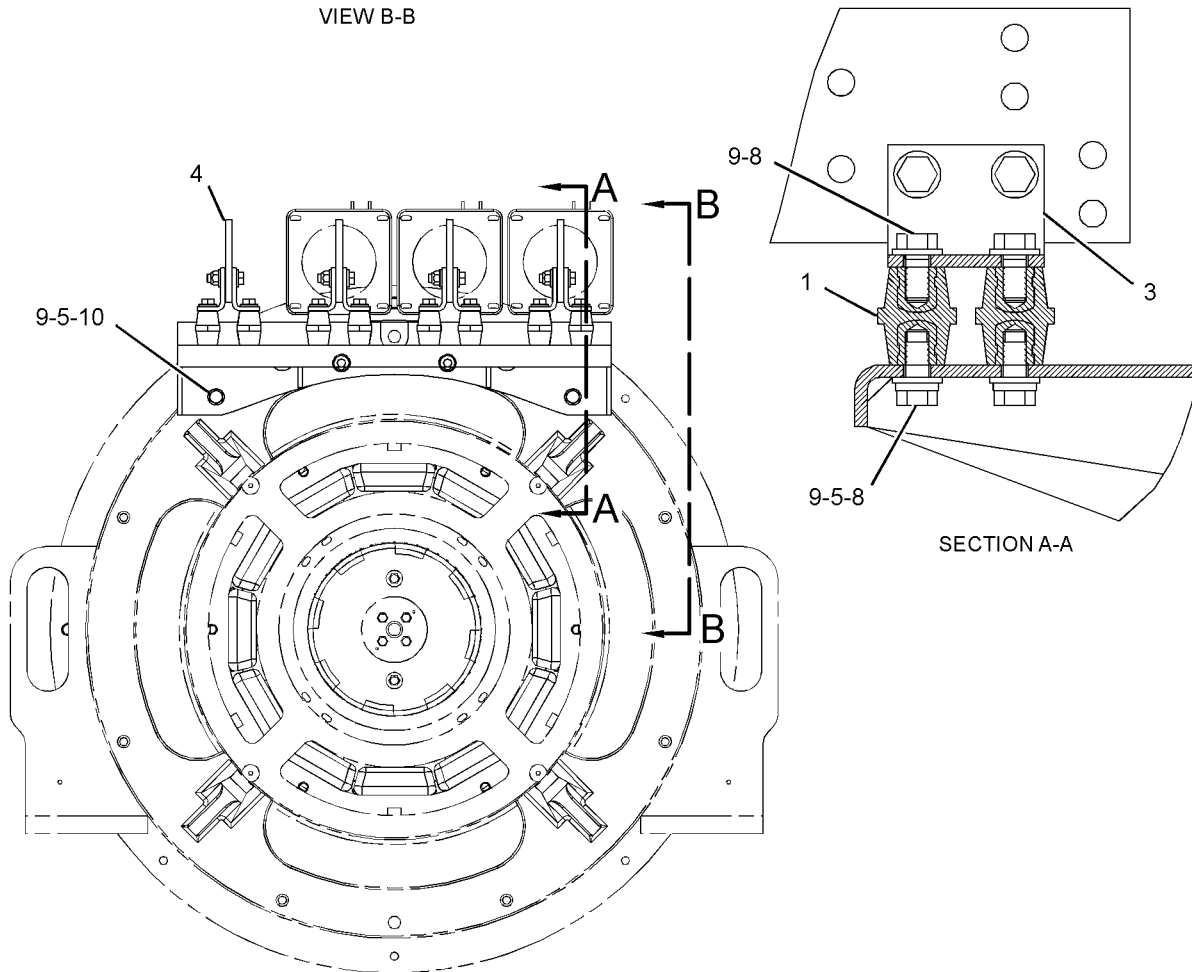
# ELECTRICAL AND STARTING SYSTEM

279-2282 BUS BAR GP-GENERATOR (contd.)

i02392939



VIEW B-B



SECTION A-A

GRAPHIC #1

<END>

g01199075

# ELECTRICAL AND STARTING SYSTEM

## 279-2282 BUS BAR GP-GENERATOR-GENERATOR BRACKET, NEMA

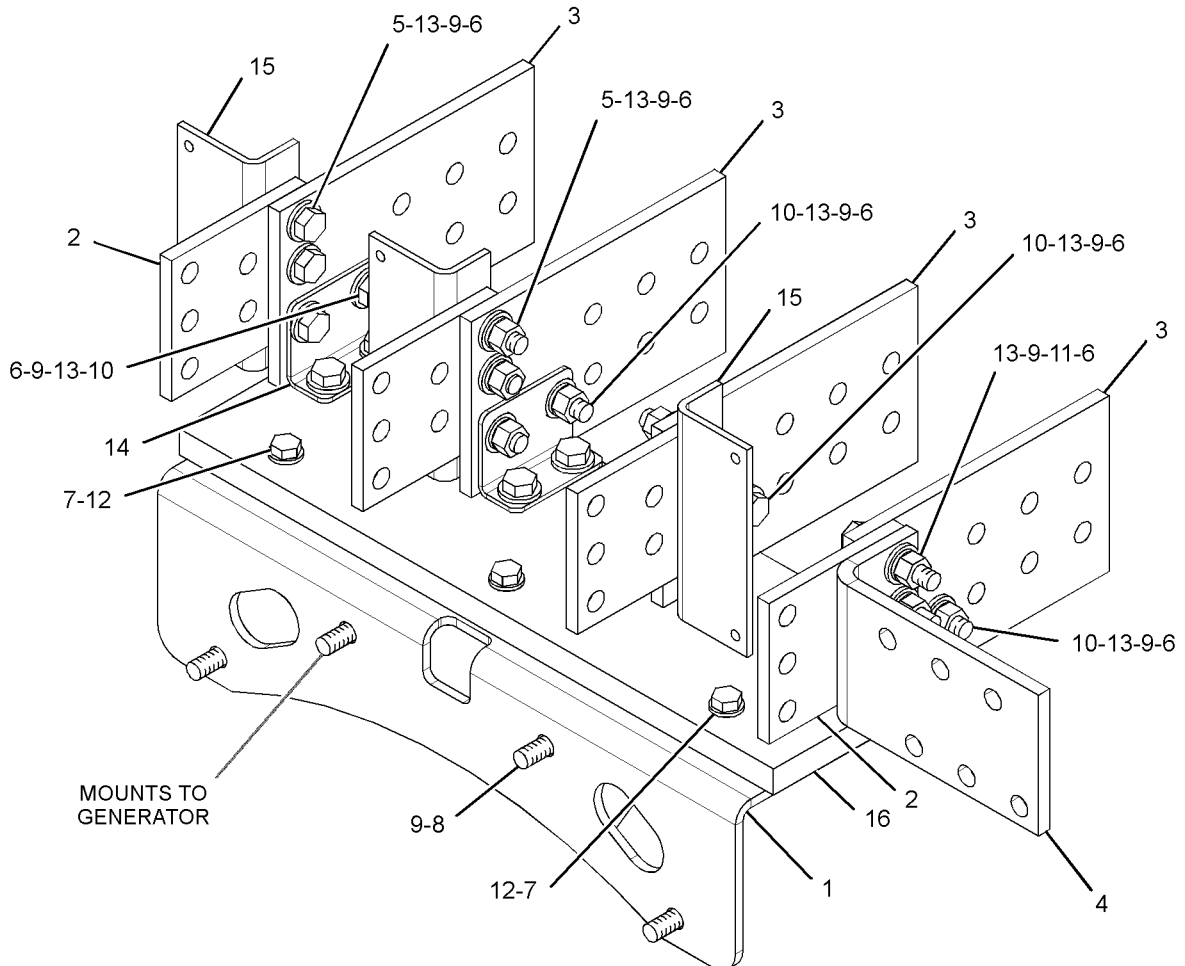
S/N: G2B1-UP; G3C1-UP; G2E1-UP; G2F1-UP; G7F1-UP; G2G1-UP; G3G1-UP; G2S1-UP;  
G1W1-UP; G2W1-UP; G1Y1-UP  
FOR USE WITH SR5, 1600-FRAME, 1800-FRAME  
AN ATTACHMENT

SMCS-445B

i02742177

NOTE	REF NO	GRAPHIC REF	PART NUMBER	QTY	PART NAME						SEE PAGE
					1	2	3	4	5	6 (PRODUCT LEVEL)	
C	1	1	297-6369	1	BRACKET AS						
	2	1	279-0828	4	BRACKET						
	3	1	279-3636	4	BAR-BUS						
	4	1	289-7584	1	BAR-BUS (NEUTRAL)						
CM	5	1	8T-4184	17	BOLT (M12X1.75X45-MM)						
C	6	1	3E-4988	24	LOCKWASHER						
C	7	1	8T-4121	6	WASHER-HARD (11X21X2.5-MM THK)						
CM	8	1	8T-4139	4	BOLT (M12X1.75X30-MM)						
C	9	1	8T-4223	52	WASHER-HARD (13.5X25.5X3-MM THK)						
CM	10	1	8T-4183	4	BOLT (M12X1.75X40-MM)						
M	11	1	8T-4910	3	BOLT (M12X1.75X60-MM)						
CM	12	1	8T-4185	6	BOLT (M10X1.5X50-MM)						
CM	13	1	8T-4244	24	NUT (M12X1.75-THD)						
C	14	1	295-5506	4	BRACKET						
C	15	1	296-6673	3	BRACKET						
C	16	1	297-4268	1	PLATE						

C- CHANGE FROM PREVIOUS TYPE  
M- METRIC PART



GRAPHIC #1

<END>

g01343982

# ELECTRICAL AND STARTING SYSTEM

**282-4040 BUS BAR GP-GENERATOR-GENERATOR BRACKET, IEC**  
**S/N: G2B1-UP; G3C1-UP; G2E1-UP; G2F1-UP; G2G1-UP; G3G1-UP; G2S1-UP; G1W1-UP;**  
**G2W1-UP; G1Y1-UP**  
**FOR USE WITH SR5, 1600-FRAME, 1800-FRAME, WITHOUT EXTENSION BOX**  
**AN ATTACHMENT**

SMCS-445B

i02551890

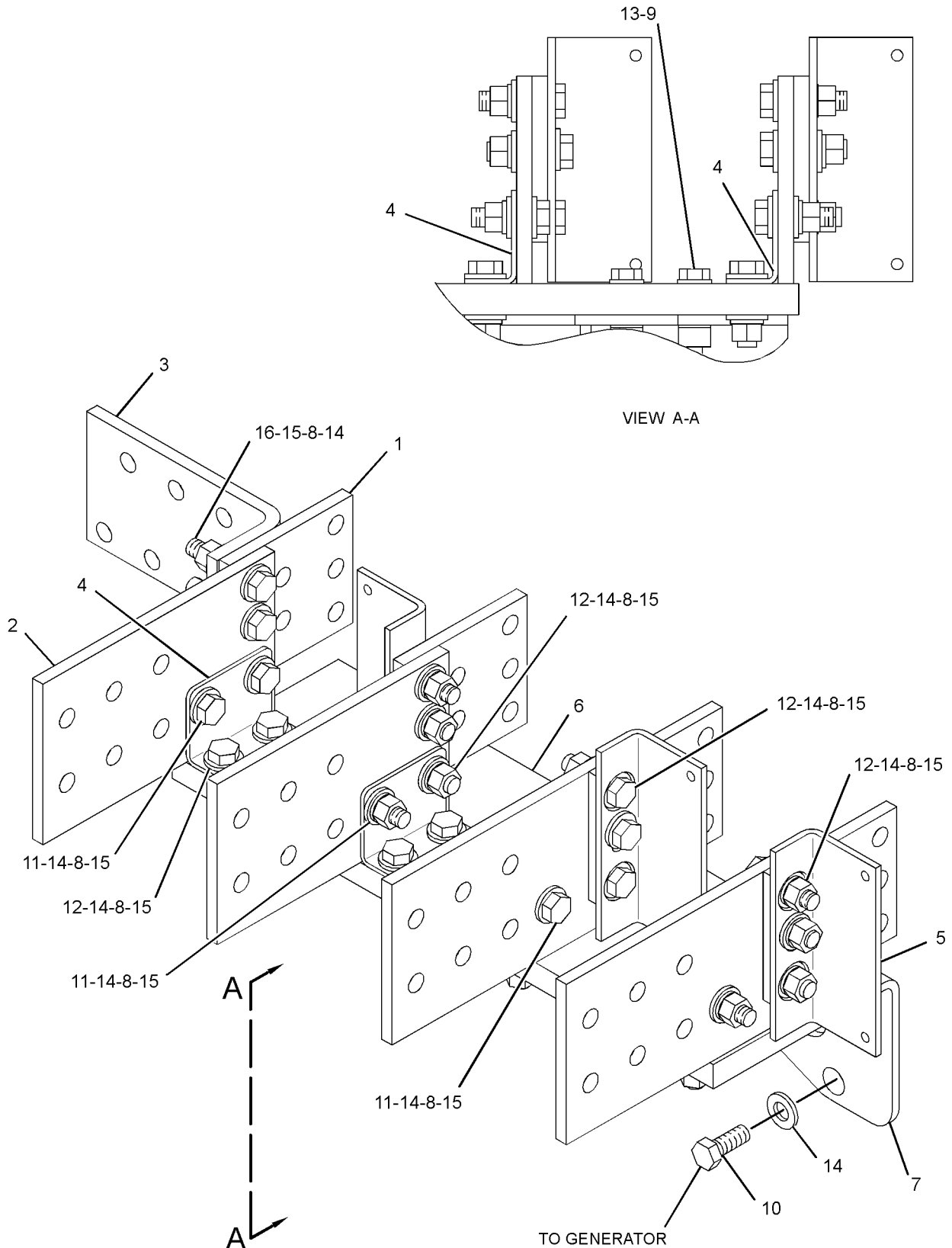
NOTE	REF NO	GRAPHIC REF	PART NUMBER	QTY	PART NAME						SEE PAGE
					1	2	3	4	5	6 (PRODUCT LEVEL)	
	1	1	279-0828	4	BRACKET						
	2	1	282-4037	4	BAR-BUS						
	3	1	289-7584	1	BAR-BUS						
	4	1	295-5506	4	BRACKET						
	5	1	296-6673	3	BRACKET						
	6	1	297-4268	1	PLATE						
	7	1	297-6369	1	BRACKET AS						
	8	1	3E-4988	24	LOCKWASHER						
	9	1	8T-4121	6	WASHER-HARD (11X21X2.5-MM THK)						
M	10	1	8T-4139	4	BOLT (M12X1.75X30-MM)						
M	11	1	8T-4183	4	BOLT (M12X1.75X40-MM)						
M	12	1	8T-4184	17	BOLT (M12X1.75X45-MM)						
M	13	1	8T-4185	6	BOLT (M10X1.5X50-MM)						
	14	1	8T-4223	52	WASHER-HARD (13.5X25.5X3-MM THK)						
M	15	1	8T-4244	24	NUT (M12X1.75-THD)						
M	16	1	8T-4910	3	BOLT (M12X1.75X60-MM)						

M-METRIC PART

# ELECTRICAL AND STARTING SYSTEM

282-4040 BUS BAR GP-GENERATOR (contd.)

i02551890



GRAPHIC #1

<END>

g01302162

# ELECTRICAL AND STARTING SYSTEM

## 311-0272 BUS BAR GP-GENERATOR-BRACKET

S/N: G2B1-UP; G2S1-UP; G1W1-UP; G2W1-UP; G1Y1-UP

PART OF 252-3843, 252-3845, 252-3847, 252-3849, 252-3859, 252-3861,  
252-3863, 252-3865, 252-3875, 252-3877, 252-3879, 252-3881, 252-3935,  
252-3939, 252-4049, 252-4051, 252-4053, 252-4055, 252-4057, 252-4059,  
252-4061, 252-4063, 252-4153, 252-4155, 252-4157, 252-4159, 252-4161,  
252-4163, 252-4165, 252-4167, 252-4169, 252-4171, 252-4173, 252-4175

GENERATOR GP

FOR USE WITH 1600-FRAME GENERATOR

ALSO AN ATTACHMENT

SMCS-445B

i02862068

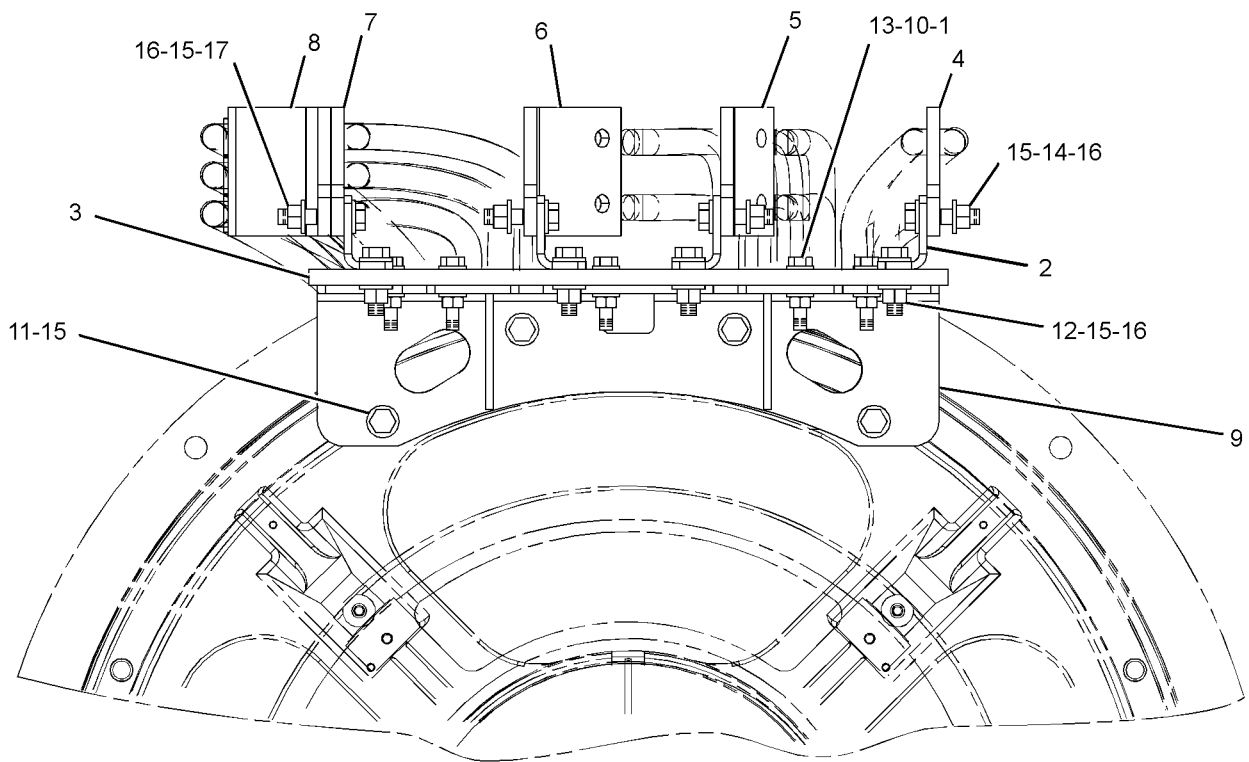
NOTE	REF NO	GRAPHIC REF	PART NUMBER	QTY	PART NAME						SEE PAGE
					1	2	3	4	5	6 (PRODUCT LEVEL)	
M	1	1	8T-4133	5	NUT (M10X1.5-THD)						
	2	1	311-0264	4	BRACKET						
	3	1	311-0265	1	PLATE						
	4	1	311-0266	1	BAR-BUS						
	5	1	311-0267	1	BAR-BUS						
	6	1	311-0268	1	BAR-BUS						
	7	1	311-0269	1	BAR-BUS						
	8	1	311-0270	1	BAR-BUS						
	9	1	311-0271	1	BRACKET AS						
	10	1	8T-4121	10	WASHER-HARD (11X21X2.5-MM THK)						
M	11	1	8T-4139	4	BOLT (M12X1.75X30-MM)						
M	12	1	8T-4184	8	BOLT (M12X1.75X45-MM)						
M	13	1	8T-4185	5	BOLT (M10X1.5X50-MM)						
M	14	1	8T-4194	6	BOLT (M12X1.75X50-MM)						
	15	1	8T-4223	36	WASHER-HARD (13.5X25.5X3-MM THK)						
M	16	1	8T-4244	16	NUT (M12X1.75-THD)						
M	17	1	8T-4910	2	BOLT (M12X1.75X60-MM)						
M-METRIC PART											



# ELECTRICAL AND STARTING SYSTEM

311-0272 BUS BAR GP-GENERATOR (contd.)

i02862068



GRAPHIC #1

<END>

g01429722

# ELECTRICAL AND STARTING SYSTEM

## 311-2821 BUS BAR GP-GENERATOR

S/N: G2E1-UP; G2F1-UP; G7F1-UP; G2G1-UP; G3G1-UP; G7G1-UP; G7H1-UP; G7J1-UP

PART OF 252-3891, 252-3893, 252-3895, 252-3897, 252-3899, 252-3901,  
 252-3903, 252-3905, 252-3907, 252-3909, 252-3911, 252-3913, 252-4065,  
 252-4067, 252-4069, 252-4071, 252-4073, 252-4075, 252-4077, 252-4079,  
 252-4177, 252-4179, 252-4181, 252-4183, 252-4185, 252-4187, 252-4189,  
 252-4191, 252-4193, 252-4195, 252-4197, 252-4199, 252-4201, 252-4203,  
 252-4205, 252-4207, 262-8315, 262-8317, 262-8319, 262-8321, 294-0935,  
 311-1137, 311-1139, 311-1141, 311-1143, 311-1145, 311-1147, 311-1149,

311-1151 GENERATOR GP

FOR USE WITH 1800-FRAME GENERATOR

SMCS-445B

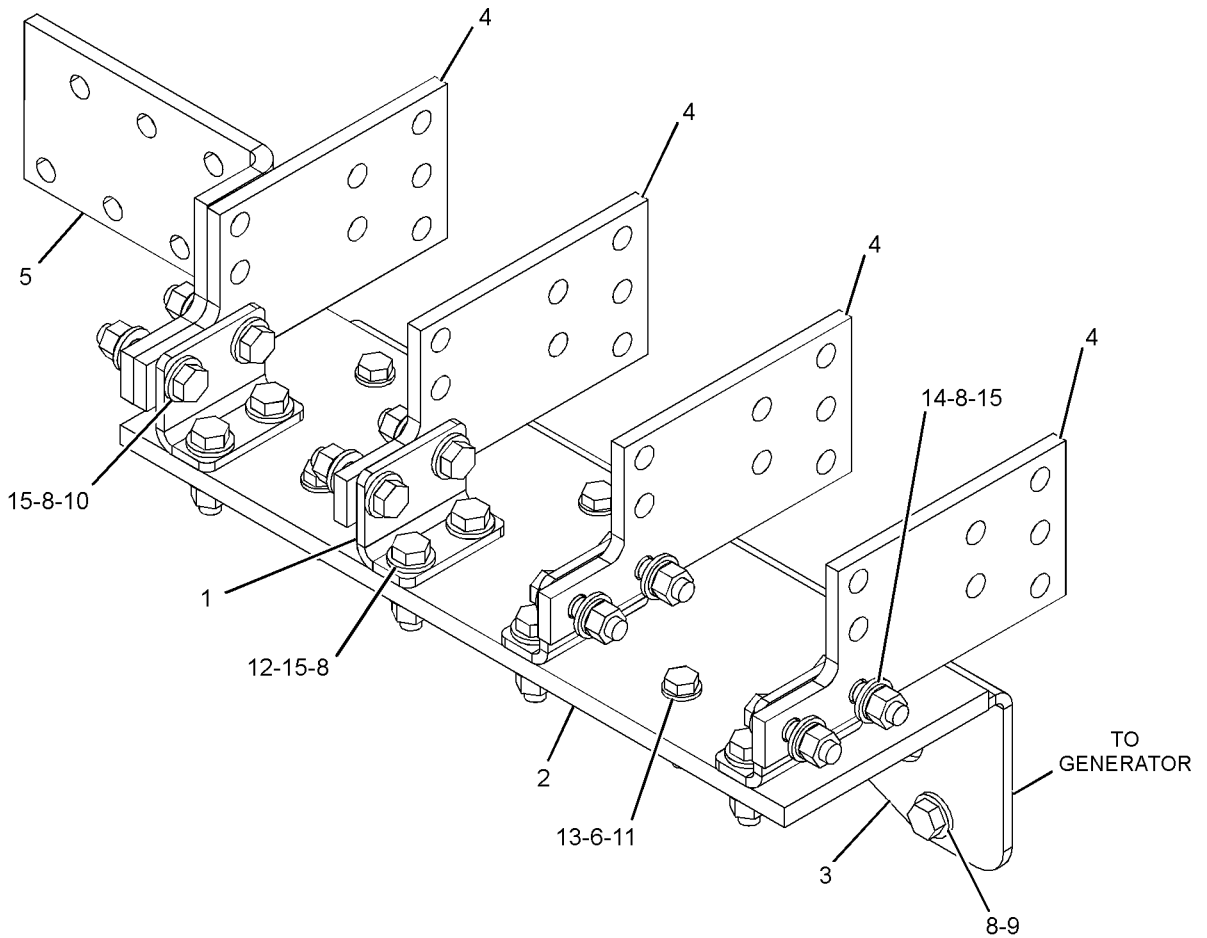
i02849597

NOTE	REF NO	GRAPHIC REF	PART NUMBER	QTY	PART NAME						SEE PAGE
					1	2	3	4	5	6 (PRODUCT LEVEL)	
	1	1	311-0264	4	BRACKET						
	2	1	311-0265	1	PLATE						
	3	1	311-0271	1	BRACKET AS						
	4	1	311-2973	4	BAR-BUS						
	5	1	311-2974	1	BAR-BUS						
M	6	1	8T-4133	5	NUT (M10X1.5-THD)						
	8	1	8T-4223	36	WASHER-HARD (13.5X25.5X3-MM THK)						
M	9	1	8T-4139	4	BOLT (M12X1.75X30-MM)						
M	10	1	8T-4910	2	BOLT (M12X1.75X60-MM)						
M	11	1	8T-4185	5	BOLT (M10X1.5X50-MM)						
M	12	1	8T-4184	8	BOLT (M12X1.75X45-MM)						
	13	1	8T-4121	10	WASHER-HARD (11X21X2.5-MM THK)						
M	14	1	8T-4194	6	BOLT (M12X1.75X50-MM)						
M	15	1	8T-4244	16	NUT (M12X1.75-THD)						
M-METRIC PART											

# ELECTRICAL AND STARTING SYSTEM

311-2821 BUS BAR GP-GENERATOR (contd.)

i02849597



GRAPHIC #1

<END>

g01420589

# ELECTRICAL AND STARTING SYSTEM

## 311-7115 BUS BAR GP-GENERATOR-NEMA

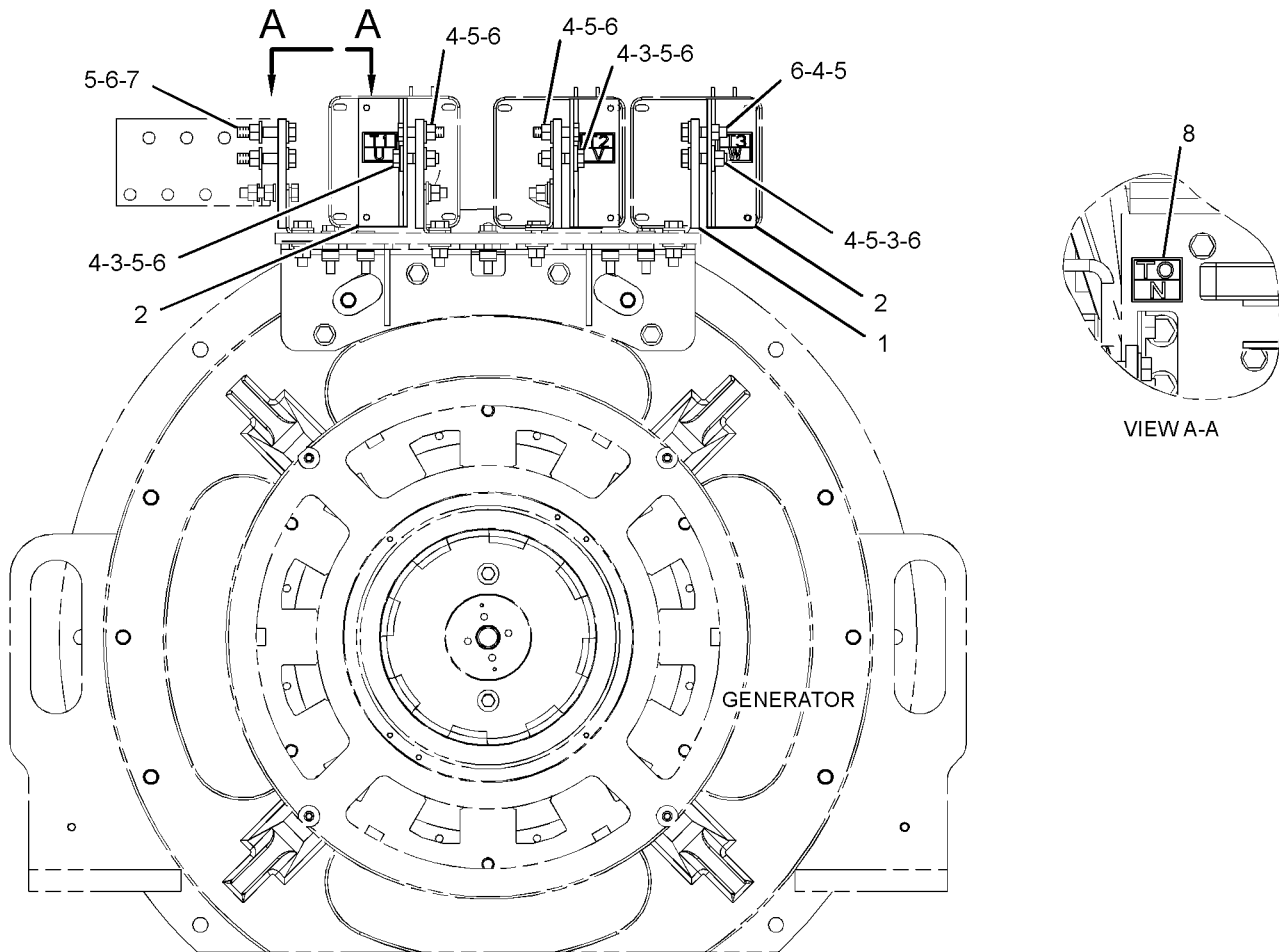
S/N: G2B1-UP; G3C1-UP; G2E1-UP; G2F1-UP; G7F1-UP; G2G1-UP; G3G1-UP; G7G1-UP;  
 G7H1-UP; G7J1-UP; G2S1-UP; G1W1-UP; G2W1-UP; G1Y1-UP  
 FOR USE WITH SR5, 1600-FRAME, 1800-FRAME  
 AN ATTACHMENT

SMCS-445B

i03384345

NOTE	REF NO	GRAPHIC REF	PART NUMBER	QTY	PART NAME						SEE PAGE
					1	2	3	4	5	6 (PRODUCT LEVEL)	
	1	1	279-3636	4	BAR-BUS (CUSTOMER CONNECTION)						
	2	1	296-6673	3	BRACKET						
	3	1	5P-1076	3	WASHER-HARD (13.5X30X4-MM THK)						
M	4	1	8T-4184	6	BOLT (M12X1.75X45-MM)						
	5	1	8T-4223	13	WASHER-HARD (13.5X25.5X3-MM THK)						
M	6	1	8T-4244	8	NUT (M12X1.75-THD)						
M	7	1	8T-4910	2	BOLT (M12X1.75X60-MM)						
	8	1	9Y-4275	1	FILM (TERMINAL STRIP)						

M-METRIC PART



REAR VIEW

GRAPHIC #1

<END>

g01760273

# ELECTRICAL AND STARTING SYSTEM

## 311-7116 BUS BAR GP-GENERATOR

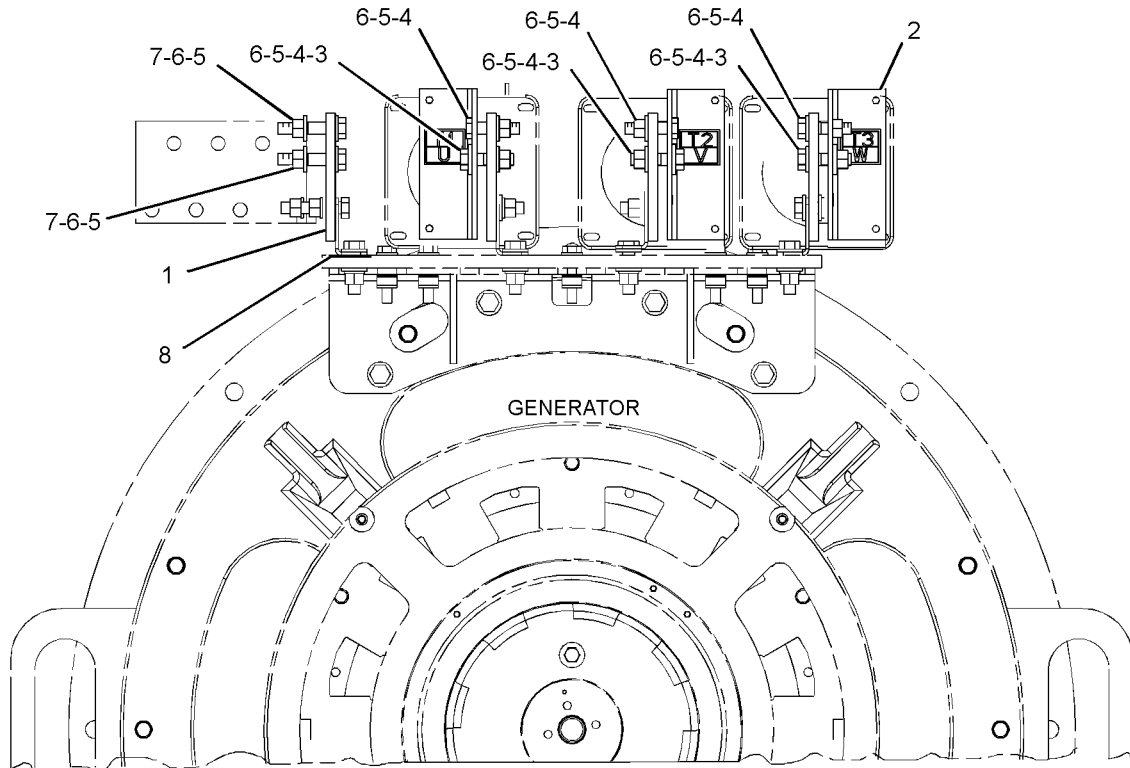
S/N: G2B1-UP; G3C1-UP; G2E1-UP; G2F1-UP; G7F1-UP; G2G1-UP; G3G1-UP; G7G1-UP;  
 G7H1-UP; G7J1-UP; G2S1-UP; G1W1-UP; G2W1-UP; G1Y1-UP  
 FOR USE WITH SR5, 1600-FRAME, 1800-FRAME  
 AN ATTACHMENT

SMCS-445B

i03384347

NOTE	REF NO	GRAPHIC REF	PART NUMBER	QTY	PART NAME						SEE PAGE
					1	2	3	4	5	6 (PRODUCT LEVEL)	
	1	1	279-0829	4	BAR-BUS						
	2	1	296-6673	3	BRACKET						
	3	1	5P-1076	3	WASHER-HARD (13.5X30X4-MM THK)						
M	4	1	8T-4184	6	BOLT (M12X1.75X45-MM)						
	5	1	8T-4223	13	WASHER-HARD (13.5X25.5X3-MM THK)						
M	6	1	8T-4244	8	NUT (M12X1.75-THD)						
M	7	1	8T-4910	2	BOLT (M12X1.75X60-MM)						
	8	1	9Y-4275	1	FILM (TERMINAL STRIP)						

M-METRIC PART



GRAPHIC #1

<END>

g01760276

# ELECTRICAL AND STARTING SYSTEM

## 311-7117 BUS BAR GP-GENERATOR-GENERATOR BRACKET, IEC

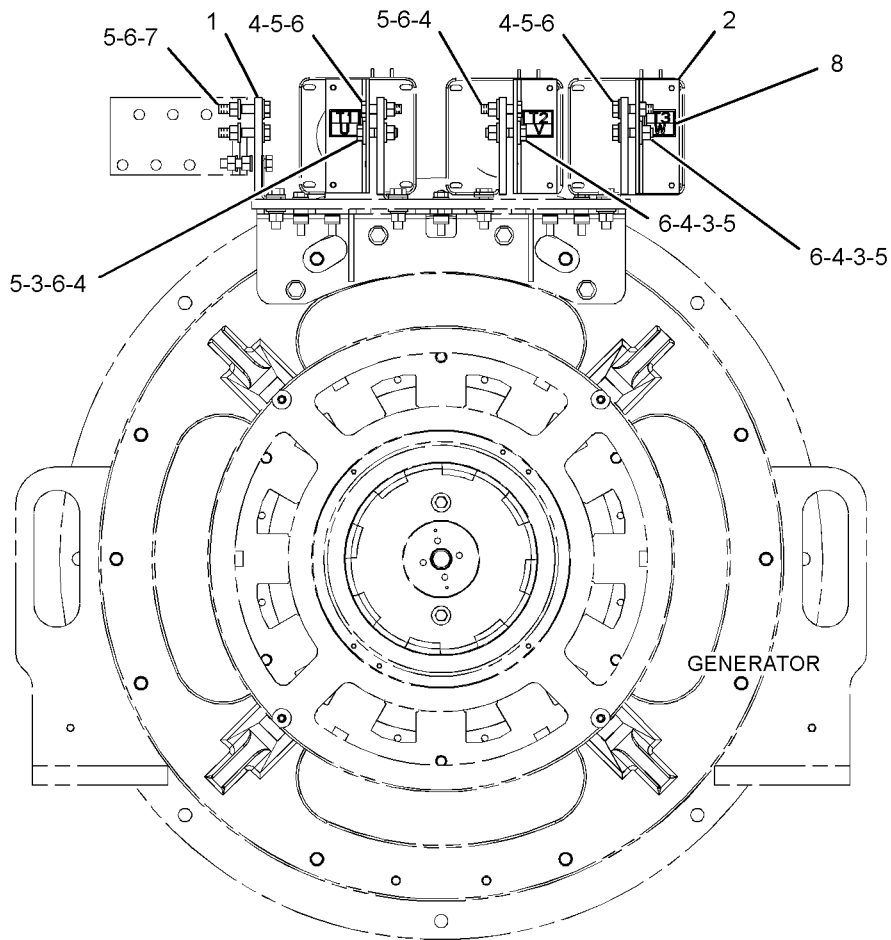
S/N: G2B1-UP; G3C1-UP; G2E1-UP; G2F1-UP; G7F1-UP; G2G1-UP; G3G1-UP; G7G1-UP;  
 G7H1-UP; G7J1-UP; G2S1-UP; G1W1-UP; G2W1-UP; G1Y1-UP  
 FOR USE WITH SR5, 1600-FRAME, 1800-FRAME  
 AN ATTACHMENT

SMCS-445B

i03384349

NOTE	REF NO	GRAPHIC REF	PART NUMBER	QTY	PART NAME						SEE PAGE
					1	2	3	4	5	6 (PRODUCT LEVEL)	
	1	1	282-4037	4	BAR-BUS						
	2	1	296-6673	3	BRACKET						
	3	1	5P-1076	3	WASHER-HARD (13.5X30X4-MM THK)						
M	4	1	8T-4184	6	BOLT (M12X1.75X45-MM)						
	5	1	8T-4223	13	WASHER-HARD (13.5X25.5X3-MM THK)						
M	6	1	8T-4244	8	NUT (M12X1.75-THD)						
M	7	1	8T-4910	2	BOLT (M12X1.75X60-MM)						
	8	1	9Y-4275	1	FILM (TERMINAL STRIP)						

M-METRIC PART



REAR VIEW

<END>

GRAPHIC #1

g01759774

# ELECTRICAL AND STARTING SYSTEM

## 277-0326 CABLE AS

S/N: YAT1-UP

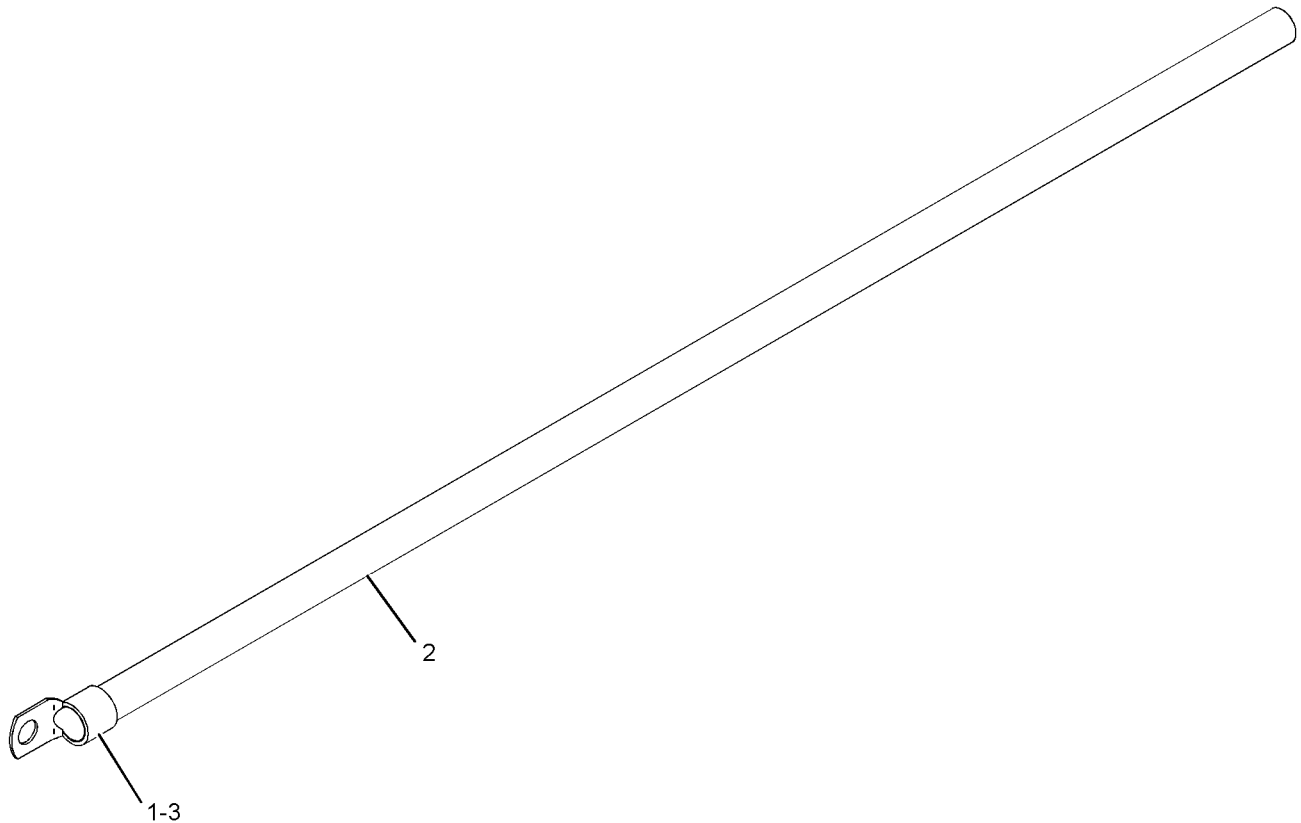
PART OF 278-7964 CONNECTION GP-GENERATOR LEADS  
AN ATTACHMENT

SMCS-1408

i02883118

NOTE	REF NO	GRAPHIC REF	PART NUMBER	QTY	PART NAME						SEE PAGE
					1	2	3	4	5	6 (PRODUCT LEVEL)	
	1	1	<b>3L-7634</b>	1	TERMINAL-RING (0000-GA, 0.5-IN)						
E	2	1	<b>314-6905</b>		CABLE (00-GA, BLACK) (95-CM)						
E	3	1	<b>114-8843</b>		SLEEVE-PLASTIC (5-CM)						

E-ORDER BY THE CENTIMETER



GRAPHIC #1

<END>

g01210341

# ELECTRICAL AND STARTING SYSTEM

## 7W-0825 CABLE GP-BATTERY

S/N: YAT1-UP

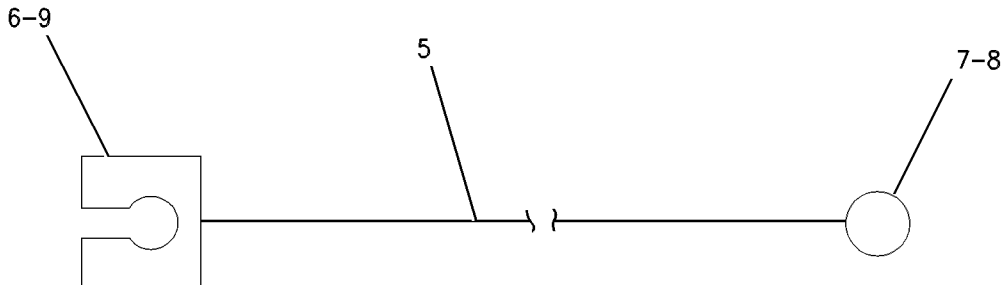
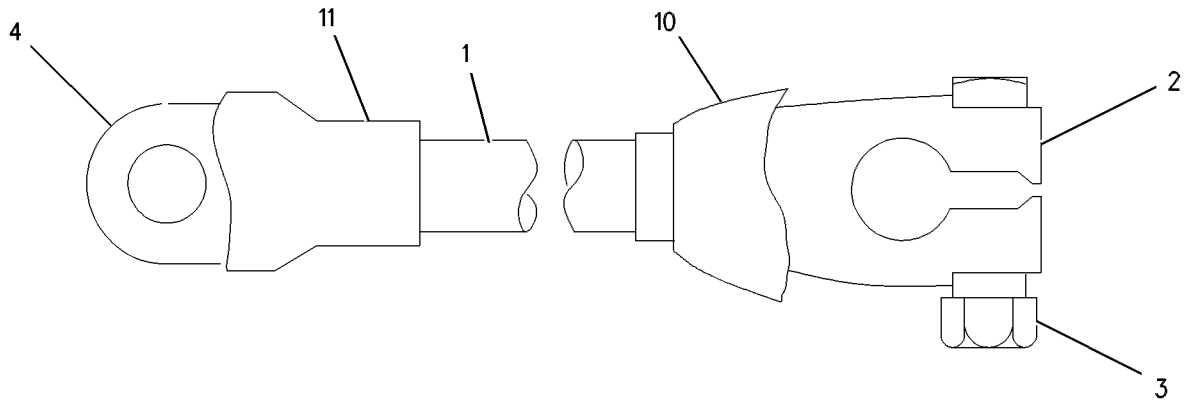
PROVIDES A POSITIVE AND A NEGATIVE CABLE ASSEMBLY  
AN ATTACHMENT

SMCS-1402

i02118505

NOTE	REF NO	GRAPHIC REF	PART NUMBER	QTY	PART NAME						SEE PAGE
					1	2	3	4	5	6 (PRODUCT LEVEL)	
	1	1	3K-1715	1	CABLE AS (BATTERY)						
	2	1	3S-6050	1	TERMINAL AS-BATTERY (NEGATIVE)						
	3	1	1M-6119	1	BOLT (5/16-18X1.375-IN)						
		1	1M-6120	1	NUT (5/16-18-THD)						
	4	1	1S-7251	1	TERMINAL-CABLE (00-GA, 1/2-IN BOLT)						
	5	1	3V-6785	1	CABLE AS (BATTERY)						
E		1	5P-0761		CABLE (00-GA, RED) (188-CM)						
	6	1	3S-6049	1	TERMINAL AS-BATTERY (POSITIVE)						
		1	1M-6119	1	BOLT (5/16-18X1.375-IN)						
		1	1M-6120	1	NUT (5/16-18-THD)						
	7	1	1S-7251	1	TERMINAL-CABLE (00-GA, 1/2-IN BOLT)						
	8	1	7N-5274	1	COVER-TERMINAL (BLACK) (BATTERY)						
	9	1	8N-0869	1	COVER-TERMINAL (RED) (RING)						
	10	1	8N-1725	1	COVER-TERMINAL (RED) (BATTERY)						
	11	1	9G-8909	1	COVER-TERMINAL (BLACK) (RING)						

E-ORDER BY THE CENTIMETER



GRAPHIC #1

<END>

g00623828



# ELECTRICAL AND STARTING SYSTEM

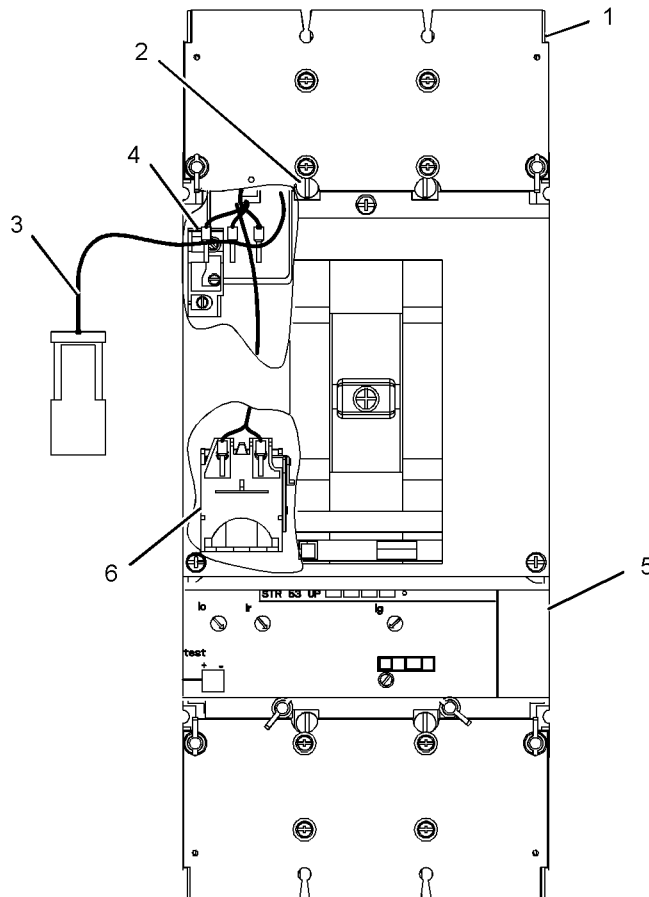
## 244-9704 CIRCUIT BREAKER AS-UL, MCCB, LSI

S/N: YAT1-UP  
400-AMPERE  
AN ATTACHMENT

SMCS-1420, 4461

i02422478

NOTE	REF NO	GRAPHIC REF	PART NUMBER	QTY	PART NAME						SEE PAGE
					1	2	3	4	5	6 (PRODUCT LEVEL)	
	1	1	169-1855	2	TERMINAL						
	2	1	244-9726	1	KIT-BOLT (BREAKER) (INCLUDES 4 BOLTS)						
	3	1	244-9750	1	HARNESS AS-WIRING (CIRCUIT BREAKER) (8-PIN)						
	4	1	244-9824	1	SWITCH-AUXILIARY (SINGLE POLE, DUAL THROW)						
	5	1	244-9836	1	TRIP UNIT						
	6	1	244-9862	1	SHUNT-TRIP						



GRAPHIC #1

<END>

g01201416

# ELECTRICAL AND STARTING SYSTEM

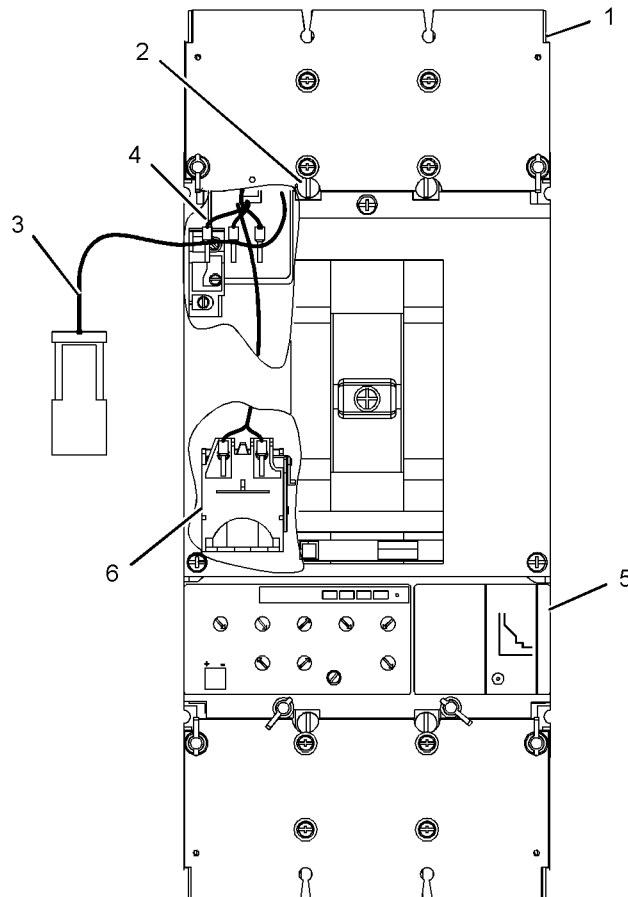
## 244-9706 CIRCUIT BREAKER AS-UL, MCCB, LSIG

S/N: YAT1-UP  
400-AMPERE  
AN ATTACHMENT

SMCS-1420, 4461

i02422480

NOTE	REF NO	GRAPHIC REF	PART NUMBER	QTY	PART NAME						SEE PAGE
					1	2	3	4	5	6 (PRODUCT LEVEL)	
	1	1	169-1855	2	TERMINAL						
	2	1	244-9726	1	KIT-BOLT (BREAKER) (INCLUDES 4 BOLTS)						
	3	1	244-9750	1	HARNESS AS-WIRING (CIRCUIT BREAKER) (8-PIN)						
	4	1	244-9824	1	SWITCH-AUXILIARY (SINGLE POLE, DUAL THROW)						
	5	1	244-9838	1	TRIP UNIT						
	6	1	244-9862	1	SHUNT-TRIP						



GRAPHIC #1

<END>

g01202361

# ELECTRICAL AND STARTING SYSTEM

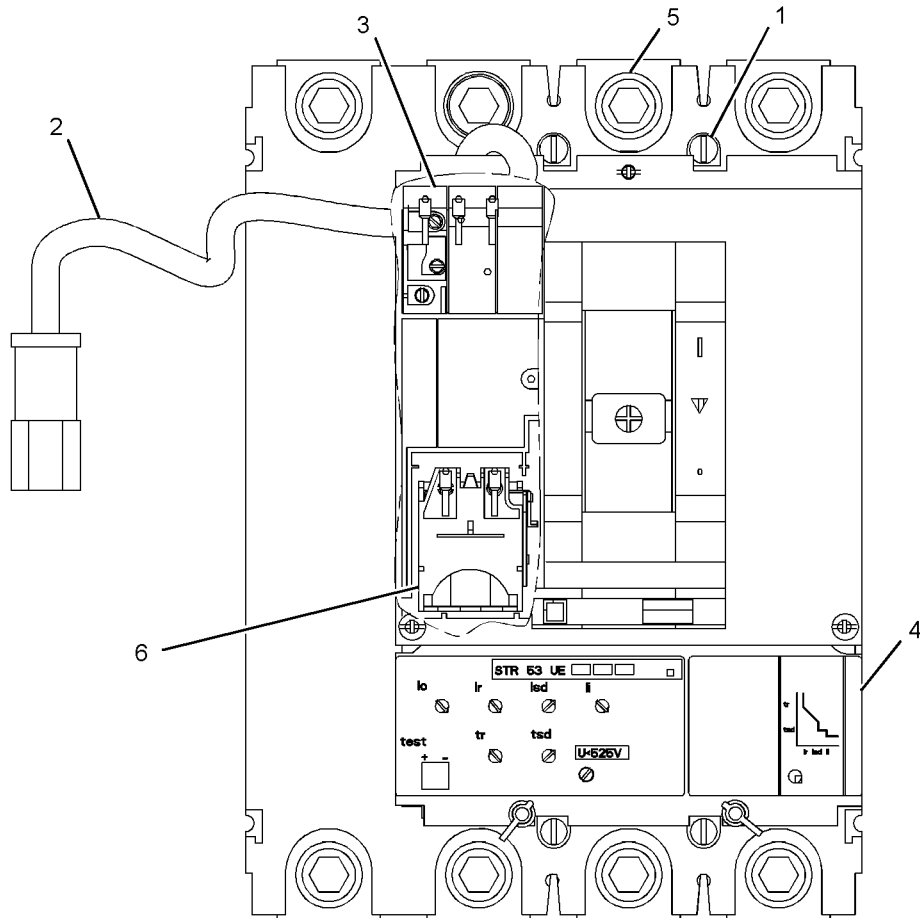
## 244-9710 CIRCUIT BREAKER AS-IEC, MCCB, LSIG

S/N: YAT1-UP  
400-AMPERE  
AN ATTACHMENT

SMCS-1420, 4461

i02422487

NOTE	REF NO	GRAPHIC REF	PART NUMBER	QTY	PART NAME						SEE PAGE
					1	2	3	4	5	6 (PRODUCT LEVEL)	
	1	1	244-9726	1	KIT-BOLT (BREAKER) (INCLUDES 4 BOLTS)						
	2	1	244-9750	1	HARNESS AS-WIRING (CIRCUIT BREAKER) (8-PIN)						
	3	1	244-9824	1	SWITCH-AUXILIARY (SINGLE POLE, DUAL THROW)						
	4	1	244-9832	1	TRIP UNIT						
	5	1	244-9852	2	LUG AS						
	6	1	244-9862	1	SHUNT-TRIP						



GRAPHIC #1

<END>

g01196613

# ELECTRICAL AND STARTING SYSTEM

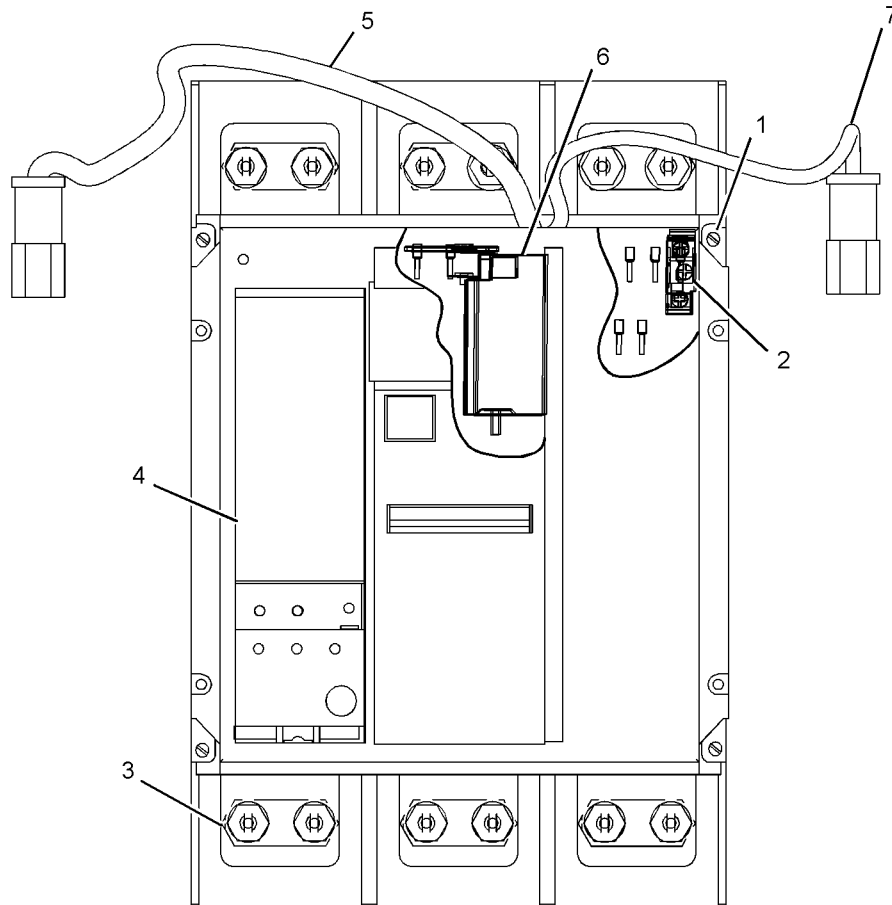
## 244-9742 CIRCUIT BREAKER AS-UL, MCCB, LSI

S/N: YAT1-UP  
1200-AMPERE  
AN ATTACHMENT

SMCS-1420, 4461

i02245883

NOTE	REF NO	GRAPHIC REF	PART NUMBER	QTY	PART NAME						SEE PAGE
					1	2	3	4	5	6 (PRODUCT LEVEL)	
	1	1	244-9730	1	KIT-BOLT (CIRCUIT BREAKER) (INCLUDES 4 BOLTS)						
	2	1	244-9825	1	SWITCH-AUXILIARY (SINGLE POLE, DUAL THROW)						
	3	1	244-9827	6	BUS BAR AS						
	4	1	244-9837	1	TRIP UNIT						
	5	1	244-9841	1	HARNES AS-WIRING (CIRCUIT BREAKER) (4-PIN)						
	6	1	244-9861	1	SHUNT-TRIP						
	7	1	244-9839	1	HARNES AS-WIRING (CIRCUIT BREAKER) (8-PIN)						



GRAPHIC #1

<END>

g01204066

# ELECTRICAL AND STARTING SYSTEM

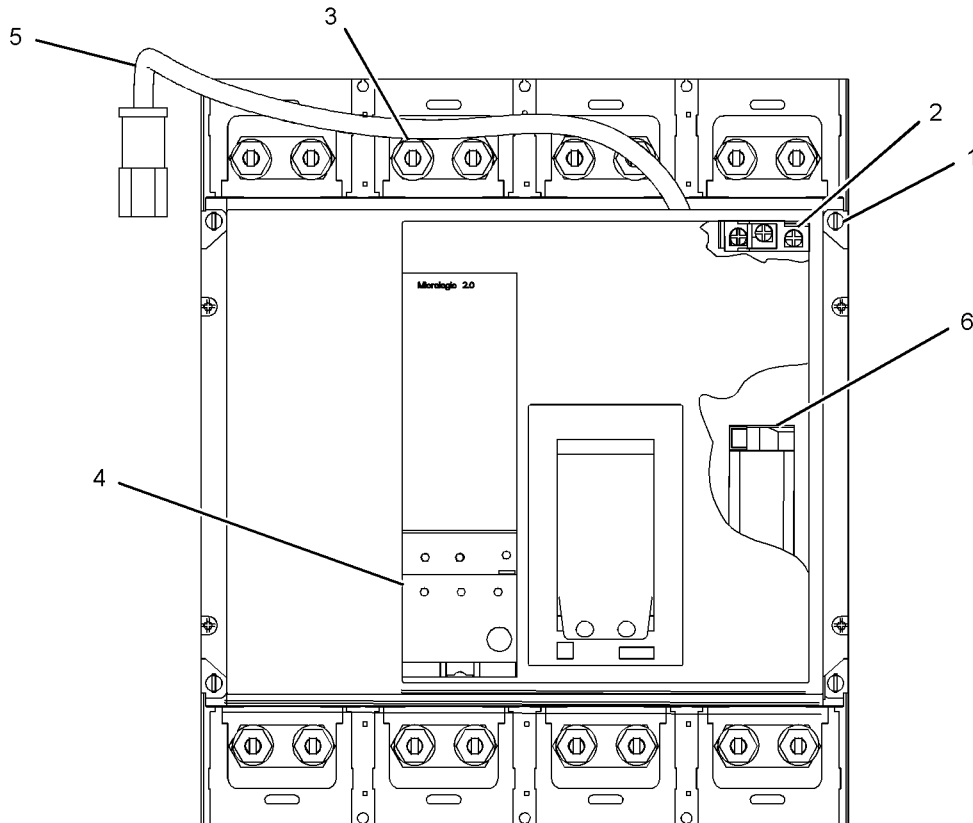
## 244-9744 CIRCUIT BREAKER AS-IEC, MCCB, LSI

S/N: YAT1-UP  
800-AMPERE  
AN ATTACHMENT

SMCS-1420, 4461

i02245880

NOTE	REF NO	GRAPHIC REF	PART NUMBER	QTY	PART NAME						SEE PAGE
					1	2	3	4	5	6 (PRODUCT LEVEL)	
	1	1	244-9730	1	KIT-BOLT (CIRCUIT BREAKER) (INCLUDES 4 BOLTS)						
	2	1	244-9825	1	SWITCH-AUXILIARY (SINGLE POLE, DUAL THROW)						
	3	1	244-9827	8	BUS BAR AS						
	4	1	244-9831	1	TRIP UNIT						
	5	1	244-9839	1	HARNES AS-WIRING (CIRCUIT BREAKER) (8-PIN)						
	6	1	244-9861	1	SHUNT-TRIP						



GRAPHIC #1

<END>

g01204071

# ELECTRICAL AND STARTING SYSTEM

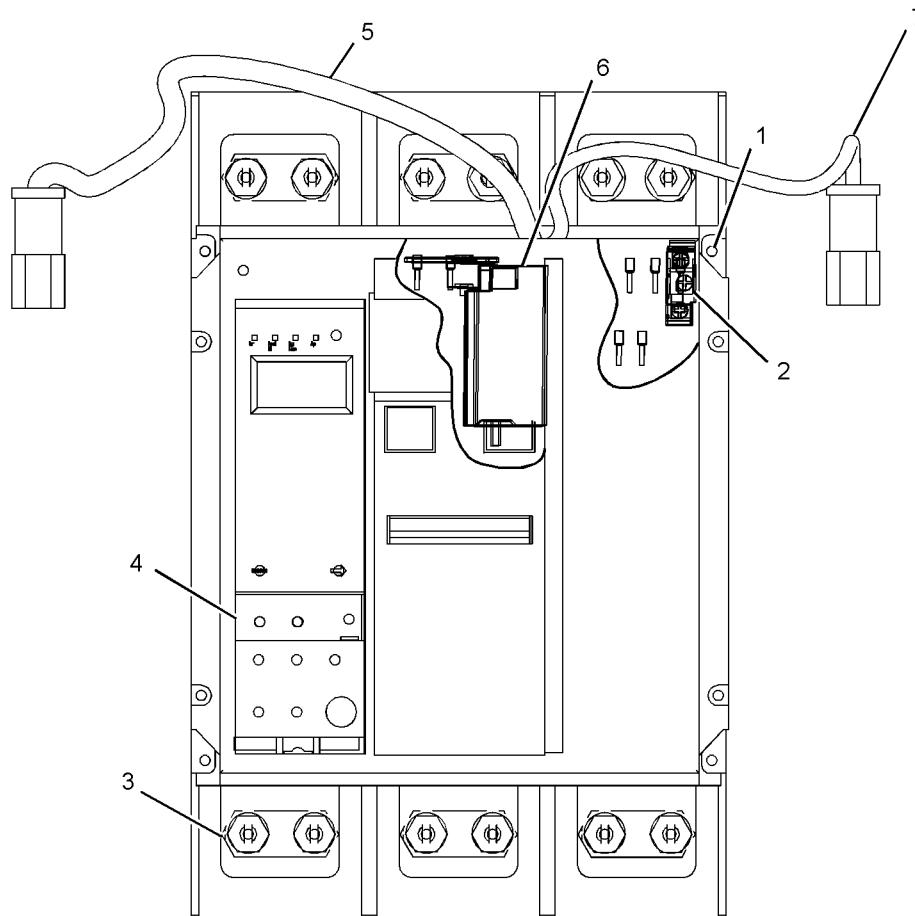
## 244-9746 CIRCUIT BREAKER AS-UL, MCCB, LSIG

S/N: YAT1-UP  
1200-AMPERE  
AN ATTACHMENT

SMCS-1420, 4461

i02413263

NOTE	REF NO	GRAPHIC REF	PART NUMBER	QTY	PART NAME						SEE PAGE
					1	2	3	4	5	6 (PRODUCT LEVEL)	
	1	1	244-9730	1	KIT-BOLT (CIRCUIT BREAKER) (INCLUDES 4 BOLTS)						
	2	1	244-9825	1	SWITCH-AUXILIARY (SINGLE POLE, DUAL THROW)						
	3	1	244-9827	6	BUS BAR AS						
	4	1	244-9833	1	TRIP UNIT						
	5	1	244-9841	1	HARNES AS-WIRING (CIRCUIT BREAKER) (4-PIN)						
	6	1	244-9861	1	SHUNT-TRIP						
	7	1	244-9839	1	HARNES AS-WIRING (CIRCUIT BREAKER) (8-PIN)						



GRAPHIC #1

<END>

g01204010

# ELECTRICAL AND STARTING SYSTEM

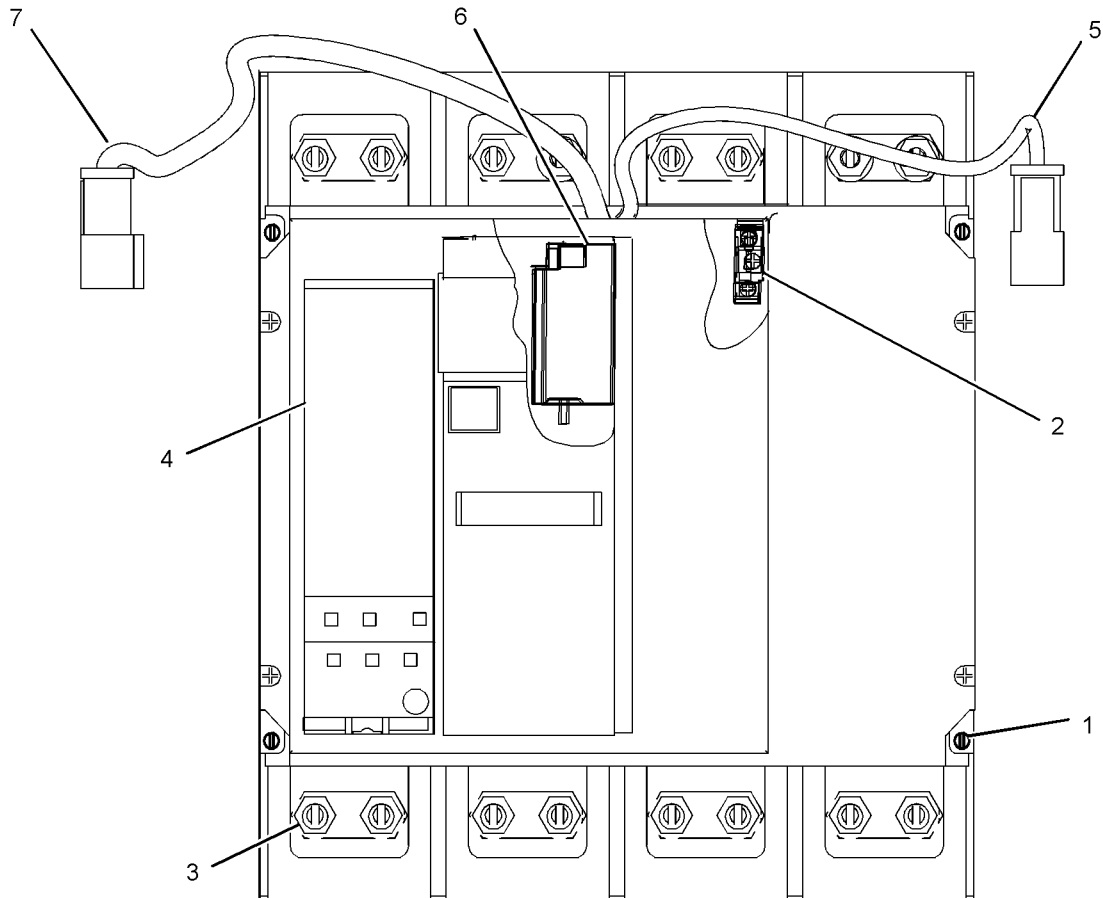
## 244-9764 CIRCUIT BREAKER AS-IEC, MCCB, LSI

S/N: YAT1-UP  
1250-AMPERE  
AN ATTACHMENT

SMCS-1420, 4461

i02265230

NOTE	REF NO	GRAPHIC REF	PART NUMBER	QTY	PART NAME						SEE PAGE
					1	2	3	4	5	6 (PRODUCT LEVEL)	
	1	1	244-9730	1	KIT-BOLT (CIRCUIT BREAKER) (INCLUDES 4 BOLTS)						
	2	1	244-9825	1	SWITCH-AUXILIARY (SINGLE POLE, DUAL THROW)						
	3	1	244-9827	8	BUS BAR AS						
	4	1	244-9831	1	TRIP UNIT						
	5	1	244-9841	1	HARNES AS-WIRING (CIRCUIT BREAKER) (4-PIN)						
	6	1	244-9861	1	SHUNT-TRIP						
	7	1	244-9839	1	HARNES AS-WIRING (CIRCUIT BREAKER) (8-PIN)						



GRAPHIC #1

<END>

g01199934

# ELECTRICAL AND STARTING SYSTEM

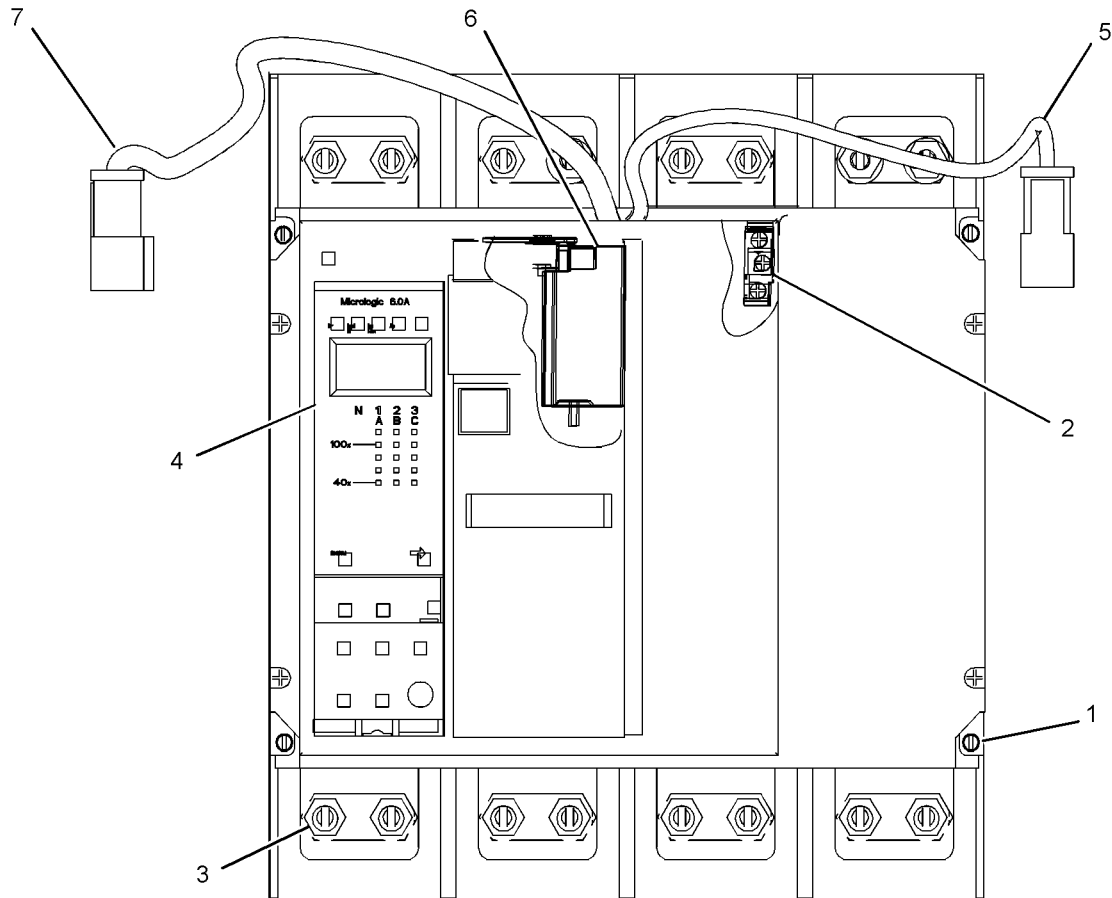
## 244-9765 CIRCUIT BREAKER AS-IEC, MCCB, LSIG

S/N: YAT1-UP  
1250-AMPERE  
AN ATTACHMENT

SMCS-1420, 4461

i02265239

NOTE	REF NO	GRAPHIC REF	PART NUMBER	QTY	PART NAME						SEE PAGE
					1	2	3	4	5	6 (PRODUCT LEVEL)	
	1	1	244-9730	1	KIT-BOLT (CIRCUIT BREAKER) (INCLUDES 4 BOLTS)						
	2	1	244-9825	1	SWITCH-AUXILIARY (SINGLE POLE, DUAL THROW)						
	3	1	244-9827	8	BUS BAR AS						
	4	1	244-9833	1	TRIP UNIT						
	5	1	244-9841	1	HARNESS AS-WIRING (CIRCUIT BREAKER) (4-PIN)						
	6	1	244-9861	1	SHUNT-TRIP						
	7	1	244-9839	1	HARNESS AS-WIRING (CIRCUIT BREAKER) (8-PIN)						



GRAPHIC #1

<END>

g01204743



# ELECTRICAL AND STARTING SYSTEM

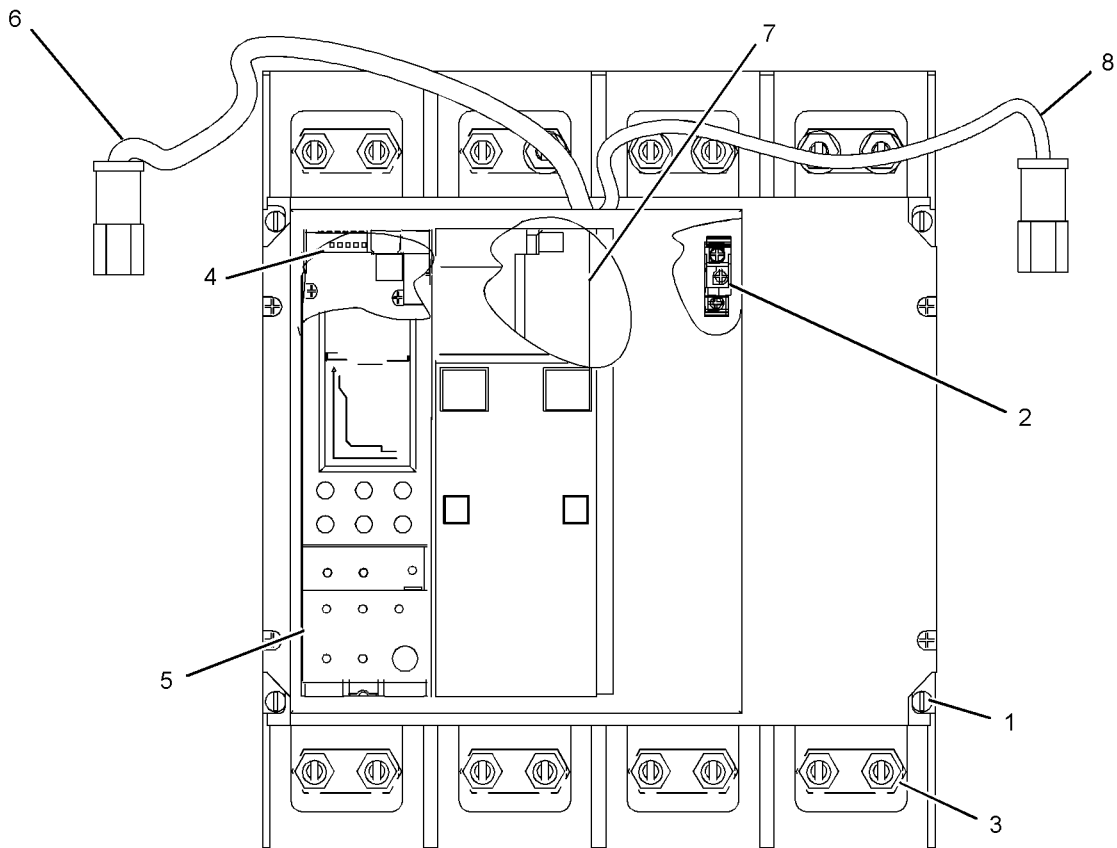
## 244-9767 CIRCUIT BREAKER AS-IEC, MCCB, LSIG-P

S/N: YAT1-UP  
1250-AMPERE  
AN ATTACHMENT

SMCS-1420, 4461

i02265253

NOTE	REF NO	GRAPHIC REF	PART NUMBER	QTY	PART NAME						SEE PAGE
					1	2	3	4	5	6 (PRODUCT LEVEL)	
	1	1	244-9730	1	KIT-BOLT (CIRCUIT BREAKER) (INCLUDES 4 BOLTS)						
	2	1	244-9825	1	SWITCH-AUXILIARY (SINGLE POLE, DUAL THROW)						
	3	1	244-9827	8	BUS BAR AS						
	4	1	244-9834	1	MODULE (MODBUS COMMUNICATION)						
	5	1	244-9835	1	TRIP UNIT						
	6	1	244-9841	1	HARNESS AS-WIRING (CIRCUIT BREAKER) (4-PIN)						
	7	1	244-9861	1	SHUNT-TRIP						
	8	1	244-9839	1	HARNESS AS-WIRING (CIRCUIT BREAKER) (8-PIN)						



GRAPHIC #1

<END>

g01204755

# ELECTRICAL AND STARTING SYSTEM

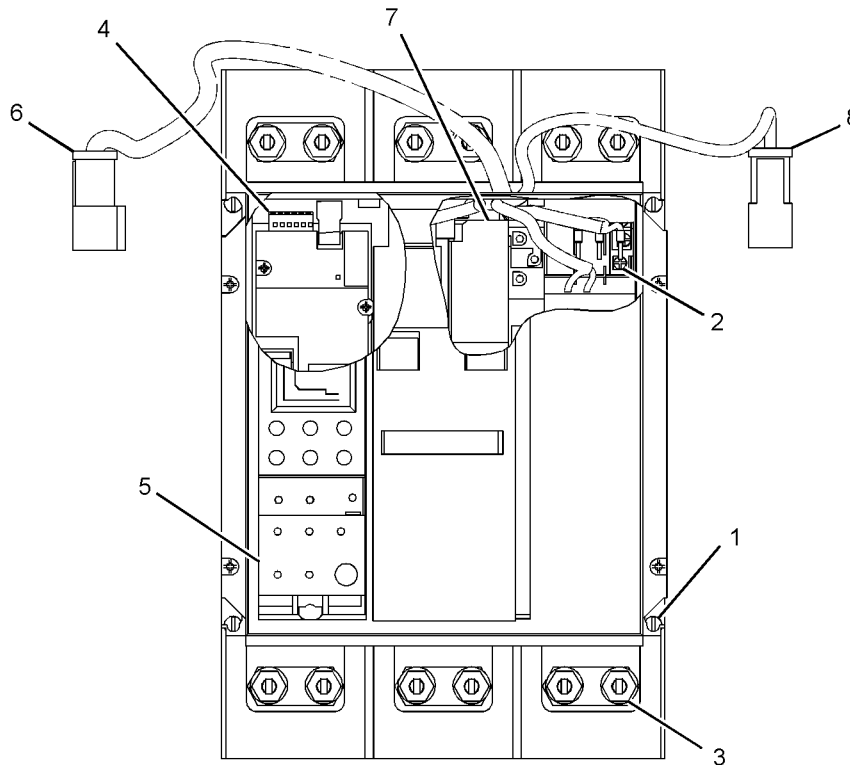
## 244-9770 CIRCUIT BREAKER AS-UL, MCCB, LSIG-P

S/N: YAT1-UP  
1200-AMPERE  
AN ATTACHMENT

SMCS-1420, 4461

i02265266

NOTE	REF NO	GRAPHIC REF	PART NUMBER	QTY	PART NAME						SEE PAGE
					1	2	3	4	5	6 (PRODUCT LEVEL)	
	1	1	244-9730	1	KIT-BOLT (CIRCUIT BREAKER) (INCLUDES 4 BOLTS)						
	2	1	244-9825	1	SWITCH-AUXILIARY (SINGLE POLE, DUAL THROW)						
	3	1	244-9827	6	BUS BAR AS						
	4	1	244-9834	1	MODULE (MODBUS COMMUNICATION)						
	5	1	244-9835	1	TRIP UNIT						
	6	1	244-9841	1	HARNESS AS-WIRING (CIRCUIT BREAKER) (4-PIN)						
	7	1	244-9861	1	SHUNT-TRIP						
	8	1	244-9839	1	HARNESS AS-WIRING (CIRCUIT BREAKER) (8-PIN)						



GRAPHIC #1

<END>

g01204491

# ELECTRICAL AND STARTING SYSTEM

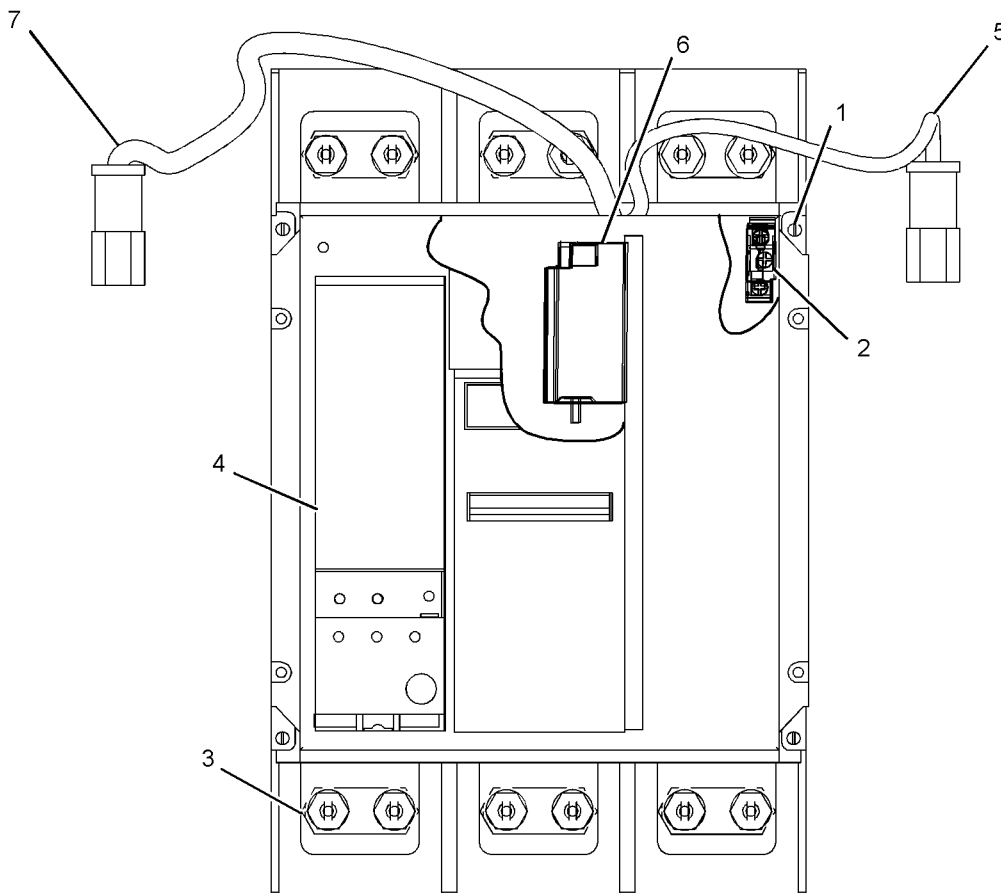
## 244-9772 CIRCUIT BREAKER AS-IEC, MCCB, LSI

S/N: YAT1-UP  
1600-AMPERE  
AN ATTACHMENT

SMCS-1420, 4461

i02265268

NOTE	REF NO	GRAPHIC REF	PART NUMBER	QTY	PART NAME						SEE PAGE
					1	2	3	4	5	6 (PRODUCT LEVEL)	
	1	1	244-9730	1	KIT-BOLT (CIRCUIT BREAKER) (INCLUDES 4 BOLTS)						
	2	1	244-9825	1	SWITCH-AUXILIARY (SINGLE POLE, DUAL THROW)						
	3	1	244-9827	6	BUS BAR AS						
	4	1	244-9831	1	TRIP UNIT						
	5	1	244-9841	1	HARNES AS-WIRING (CIRCUIT BREAKER) (4-PIN)						
	6	1	244-9861	1	SHUNT-TRIP						
	7	1	244-9839	1	HARNES AS-WIRING (CIRCUIT BREAKER) (8-PIN)						



GRAPHIC #1

<END>

g01204865

# ELECTRICAL AND STARTING SYSTEM

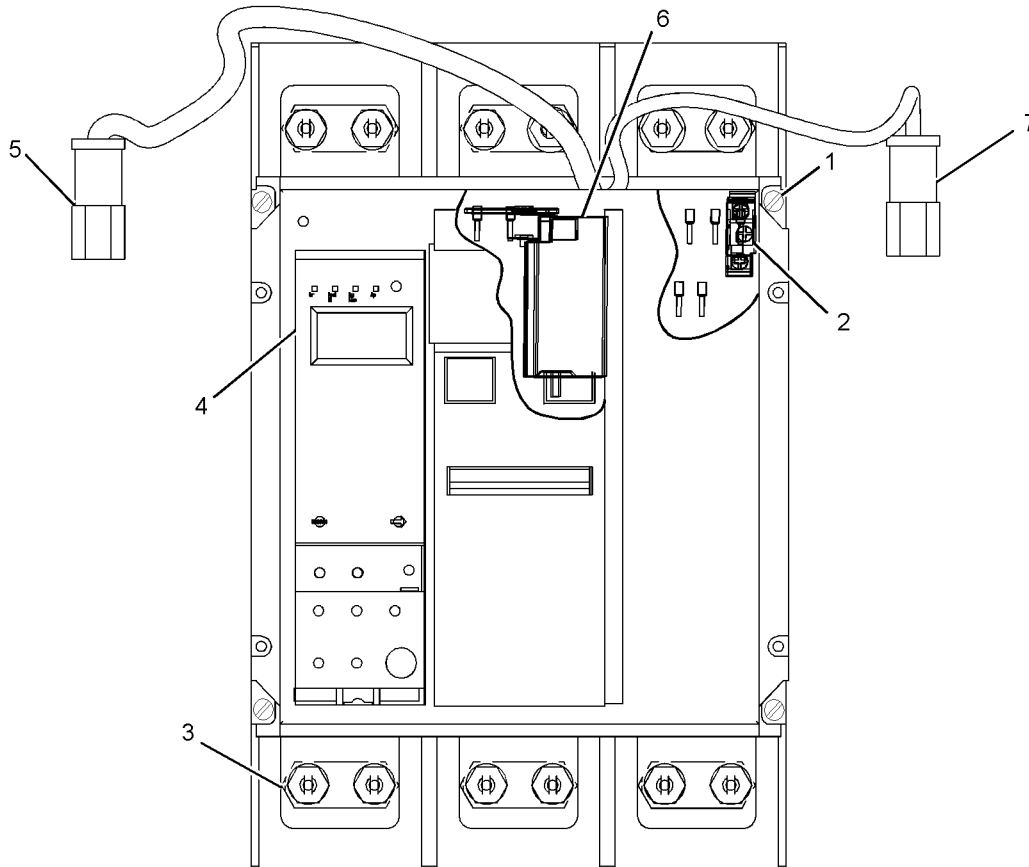
## 244-9773 CIRCUIT BREAKER AS-IEC, MCCB, LSIG

S/N: YAT1-UP  
1600-AMPERE  
AN ATTACHMENT

SMCS-1420, 4461

i02265271

NOTE	REF NO	GRAPHIC REF	PART NUMBER	QTY	PART NAME						SEE PAGE
					1	2	3	4	5	6 (PRODUCT LEVEL)	
	1	1	244-9730	1	KIT-BOLT (CIRCUIT BREAKER) (INCLUDES 4 BOLTS)						
	2	1	244-9825	1	SWITCH-AUXILIARY (SINGLE POLE, DUAL THROW)						
	3	1	244-9827	6	BUS BAR AS						
	4	1	244-9833	1	TRIP UNIT						
	5	1	244-9841	1	HARNES AS-WIRING (CIRCUIT BREAKER) (4-PIN)						
	6	1	244-9861	1	SHUNT-TRIP						
	7	1	244-9839	1	HARNES AS-WIRING (CIRCUIT BREAKER) (8-PIN)						



GRAPHIC #1

<END>

g01204733

# ELECTRICAL AND STARTING SYSTEM

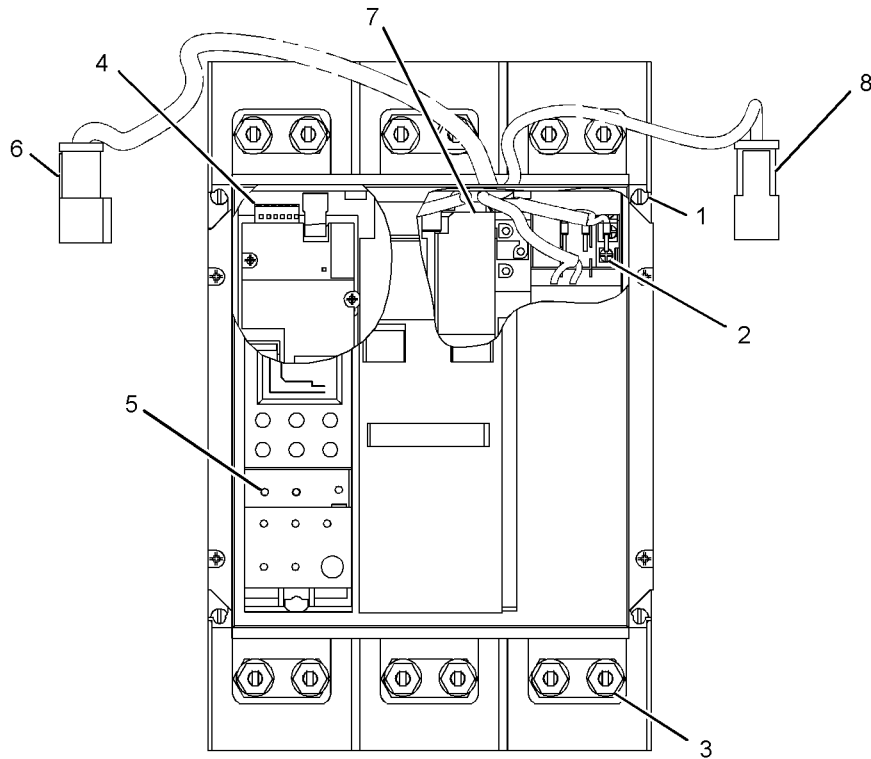
## 244-9775 CIRCUIT BREAKER AS-IEC, MCCB, LSIG-P

S/N: YAT1-UP  
1600-AMPERE  
AN ATTACHMENT

SMCS-1420, 4461

i02515032

NOTE	REF NO	GRAPHIC REF	PART NUMBER	QTY	PART NAME						SEE PAGE
					1	2	3	4	5	6 (PRODUCT LEVEL)	
	1	1	244-9730	1	KIT-BOLT (CIRCUIT BREAKER) (INCLUDES 4 BOLTS)						
	2	1	244-9825	1	SWITCH-AUXILIARY (SINGLE POLE, DUAL THROW)						
	3	1	244-9827	6	BUS BAR AS						
	4	1	244-9834	1	MODULE (MODBUS COMMUNICATION)						
	5	1	244-9835	1	TRIP UNIT						
	6	1	244-9841	1	HARNESS AS-WIRING (CIRCUIT BREAKER) (4-PIN)						
	7	1	244-9861	1	SHUNT-TRIP						
	8	1	244-9839	1	HARNESS AS-WIRING (CIRCUIT BREAKER) (8-PIN)						



GRAPHIC #1

<END>

g01204889

# ELECTRICAL AND STARTING SYSTEM

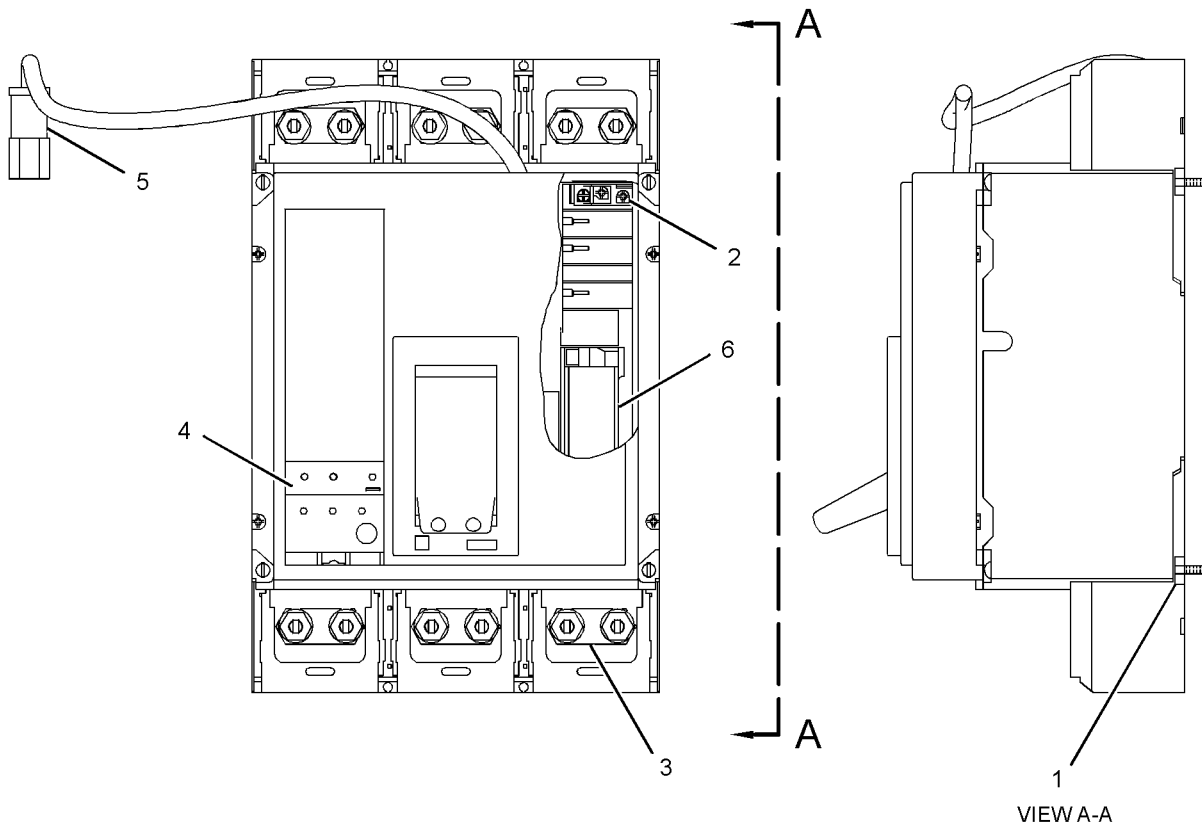
## 244-9776 CIRCUIT BREAKER AS-IEC, MCCB, LSI

S/N: YAT1-UP  
1600-AMPERE  
AN ATTACHMENT

SMCS-1420, 4461

i02265275

NOTE	REF NO	GRAPHIC REF	PART NUMBER	QTY	PART NAME						SEE PAGE
					1	2	3	4	5	6 (PRODUCT LEVEL)	
	1	1	244-9730	1	KIT-BOLT (CIRCUIT BREAKER) (INCLUDES 4 BOLTS)						
	2	1	244-9825	1	SWITCH-AUXILIARY (SINGLE POLE, DUAL THROW)						
	3	1	244-9827	6	BUS BAR AS						
	4	1	244-9831	1	TRIP UNIT						
	5	1	244-9839	1	HARNASS AS-WIRING (CIRCUIT BREAKER) (8-PIN)						
	6	1	244-9861	1	SHUNT-TRIP						



GRAPHIC #1

<END>

g01204761

# ELECTRICAL AND STARTING SYSTEM

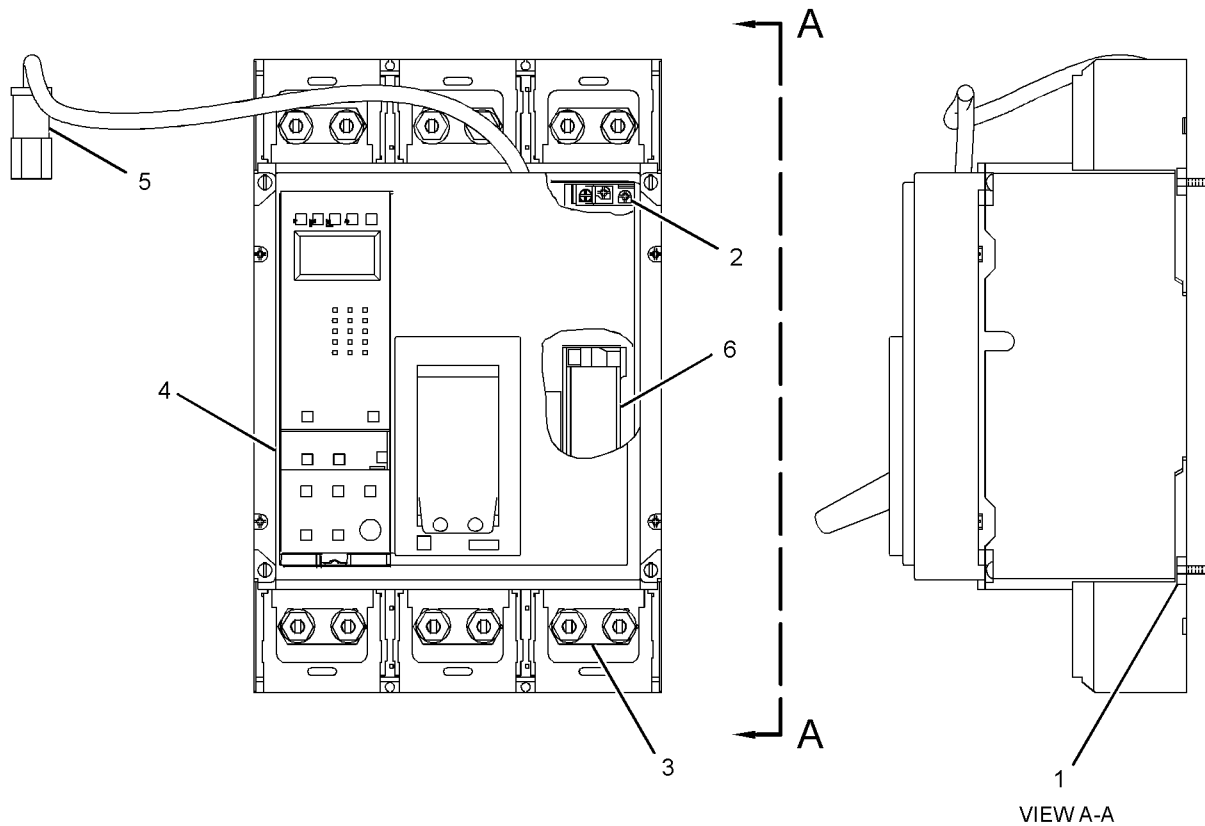
## 244-9777 CIRCUIT BREAKER AS-IEC, MCCB, LSIG

S/N: YAT1-UP  
1600-AMPERE  
AN ATTACHMENT

SMCS-1420, 4461

i02265278

NOTE	REF NO	GRAPHIC REF	PART NUMBER	QTY	PART NAME						SEE PAGE
					1	2	3	4	5	6 (PRODUCT LEVEL)	
	1	1	244-9730	1	KIT-BOLT (CIRCUIT BREAKER) (INCLUDES 4 BOLTS)						
	2	1	244-9825	1	SWITCH-AUXILIARY (SINGLE POLE, DUAL THROW)						
	3	1	244-9827	6	BUS BAR AS						
	4	1	244-9833	1	TRIP UNIT						
	5	1	244-9839	1	HARNES AS-WIRING (CIRCUIT BREAKER) (8-PIN)						
	6	1	244-9861	1	SHUNT-TRIP						



GRAPHIC #1

<END>

g01204738

# ELECTRICAL AND STARTING SYSTEM

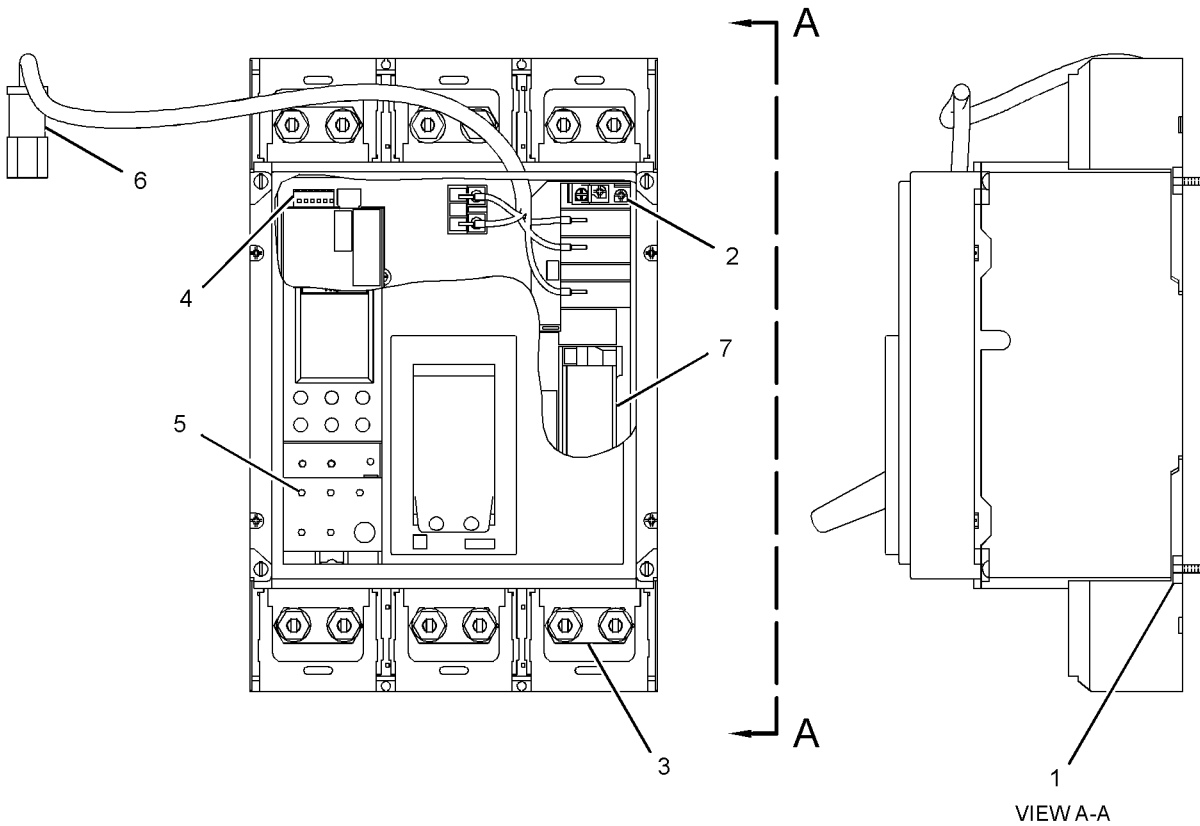
## 244-9779 CIRCUIT BREAKER AS-IEC, MCCB, LSIG-P

S/N: YAT1-UP  
1600-AMPERE  
AN ATTACHMENT

SMCS-1420, 4461

i02396598

NOTE	REF NO	GRAPHIC REF	PART NUMBER	QTY	PART NAME						SEE PAGE
					1	2	3	4	5	6 (PRODUCT LEVEL)	
	1	1	244-9730	1	KIT-BOLT (CIRCUIT BREAKER) (INCLUDES 4 BOLTS)						
	2	1	244-9825	1	SWITCH-AUXILIARY (SINGLE POLE, DUAL THROW)						
	3	1	244-9827	6	BUS BAR AS						
	4	1	244-9834	1	MODULE (MODBUS COMMUNICATION)						
	5	1	244-9835	1	TRIP UNIT						
	6	1	244-9839	1	HARNESS AS-WIRING (CIRCUIT BREAKER) (8-PIN)						
	7	1	244-9861	1	SHUNT-TRIP						



GRAPHIC #1

<END>

g01205175



# ELECTRICAL AND STARTING SYSTEM

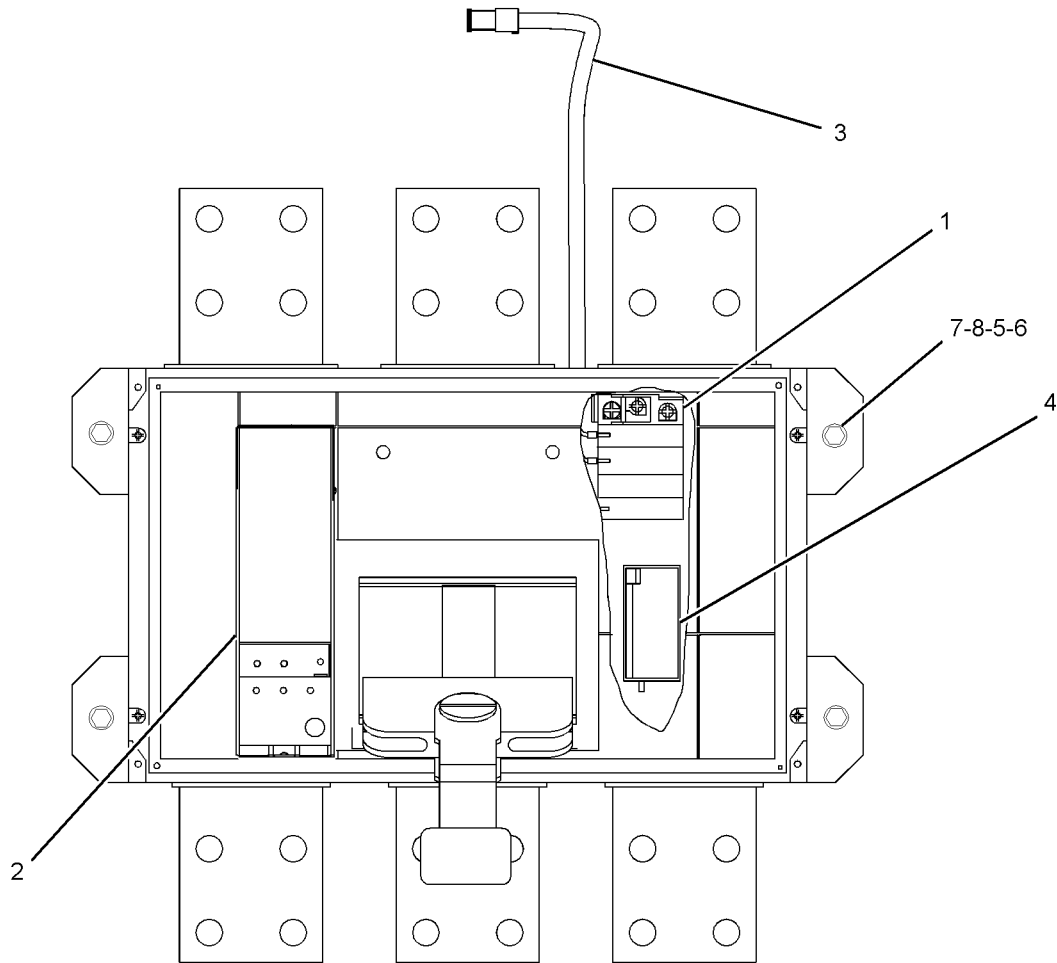
## 244-9780 CIRCUIT BREAKER AS-UL, MCCB, LSI

S/N: YAT1-UP  
1600-AMPERE  
AN ATTACHMENT

SMCS-1420, 4461

i02424508

NOTE	REF NO	GRAPHIC REF	PART NUMBER	QTY	PART NAME						SEE PAGE
					1	2	3	4	5	6 (PRODUCT LEVEL)	
	1	1	244-9825	1	SWITCH-AUXILIARY (SINGLE POLE, DUAL THROW)						
	2	1	244-9837	1	TRIP UNIT						
	3	1	244-9841	1	HARNESS AS-WIRING (CIRCUIT BREAKER) (4-PIN)						
	4	1	244-9861	1	SHUNT-TRIP						
	5	1	3B-4506	4	LOCKWASHER						
	6	1	4L-6459	4	BOLT (3/8-16X2.5-IN)						
	7	1	6V-8801	4	NUT (3/8-16-THD)						
	8	1	8T-4896	8	WASHER-HARD (10.2X18.5X2.5-MM THK)						



GRAPHIC #1

<END>

g01227942

# ELECTRICAL AND STARTING SYSTEM

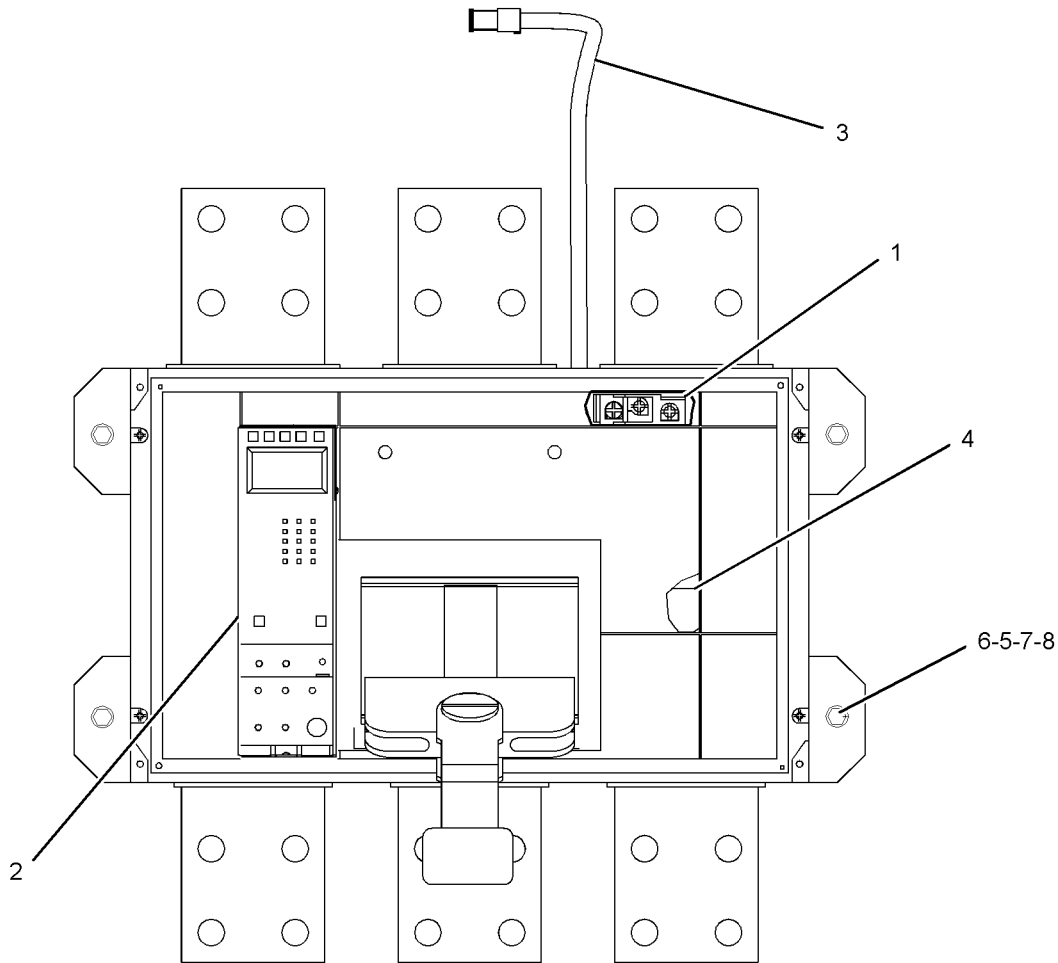
## 244-9781 CIRCUIT BREAKER AS-UL, MCCB, LSIG

S/N: YAT1-UP  
1600-AMPERE  
AN ATTACHMENT

SMCS-1420, 4461

i02422523

NOTE	REF NO	GRAPHIC REF	PART NUMBER	QTY	PART NAME						SEE PAGE
					1	2	3	4	5	6 (PRODUCT LEVEL)	
	1	1	244-9825	1	SWITCH-AUXILIARY (SINGLE POLE, DUAL THROW)						
	2	1	244-9833	1	TRIP UNIT						
	3	1	244-9841	1	HARNESS AS-WIRING (CIRCUIT BREAKER) (4-PIN)						
	4	1	244-9861	1	SHUNT-TRIP						
	5	1	3B-4506	4	LOCKWASHER						
	6	1	4L-6459	4	BOLT (3/8-16X2.5-IN)						
	7	1	6V-8801	4	NUT (3/8-16-THD)						
	8	1	8T-4896	8	WASHER-HARD (10.2X18.5X2.5-MM THK)						



GRAPHIC #1

<END>

g01197918

# ELECTRICAL AND STARTING SYSTEM

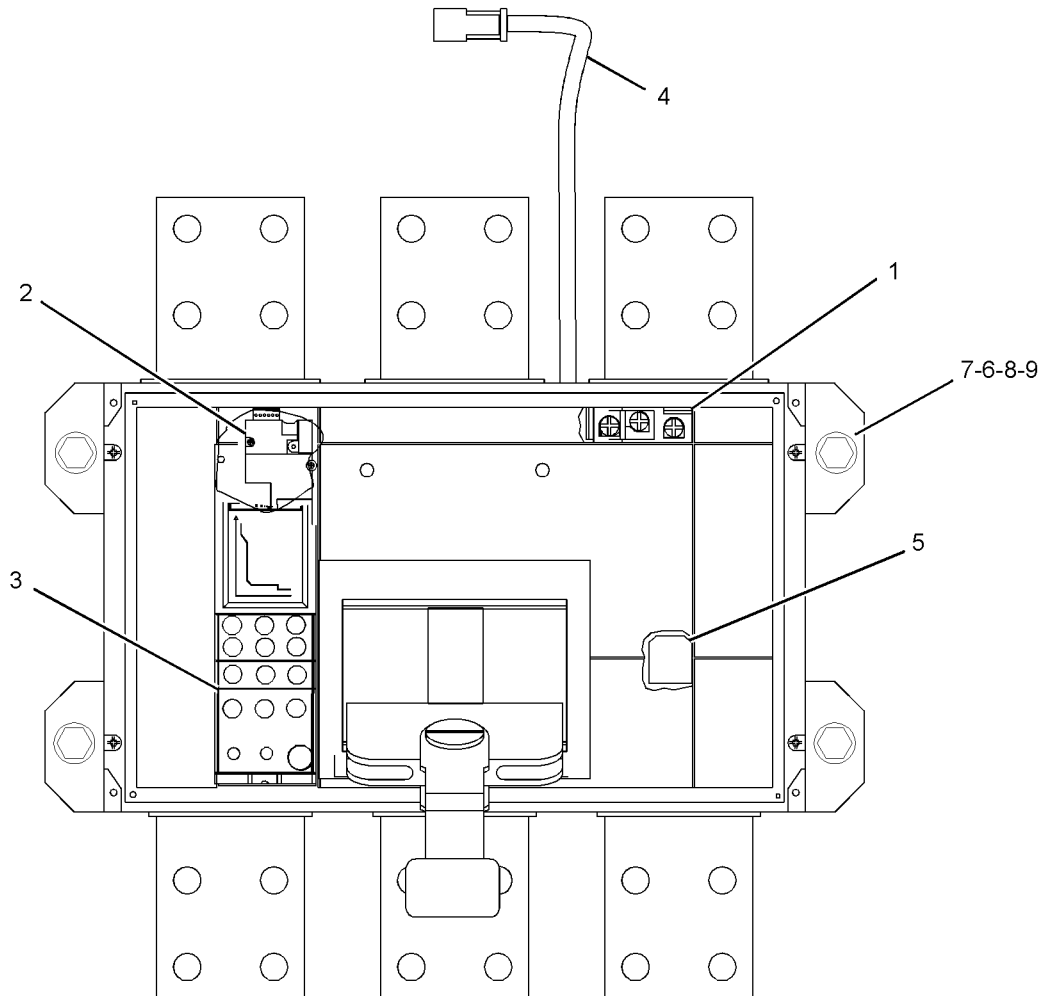
## 244-9782 CIRCUIT BREAKER AS-UL, MCCB, LSIG-H

S/N: YAT1-UP  
1600-AMPERE  
AN ATTACHMENT

SMCS-1420, 4461

i02422529

NOTE	REF NO	GRAPHIC REF	PART NUMBER	QTY	PART NAME						SEE PAGE
					1	2	3	4	5	6 (PRODUCT LEVEL)	
	1	1	244-9825	1	SWITCH-AUXILIARY (SINGLE POLE, DUAL THROW)						
	2	1	244-9834	1	MODULE (MODBUS COMMUNICATION)						
	3	1	244-9840	1	TRIP UNIT						
	4	1	244-9841	1	HARNESS AS-WIRING (CIRCUIT BREAKER) (4-PIN)						
	5	1	244-9861	1	SHUNT-TRIP						
	6	1	3B-4506	4	LOCKWASHER						
	7	1	4L-6459	4	BOLT (3/8-16X2.5-IN)						
	8	1	6V-8801	4	NUT (3/8-16-THD)						
	9	1	8T-4896	8	WASHER-HARD (10.2X18.5X2.5-MM THK)						



GRAPHIC #1

<END>

g01201157

# ELECTRICAL AND STARTING SYSTEM

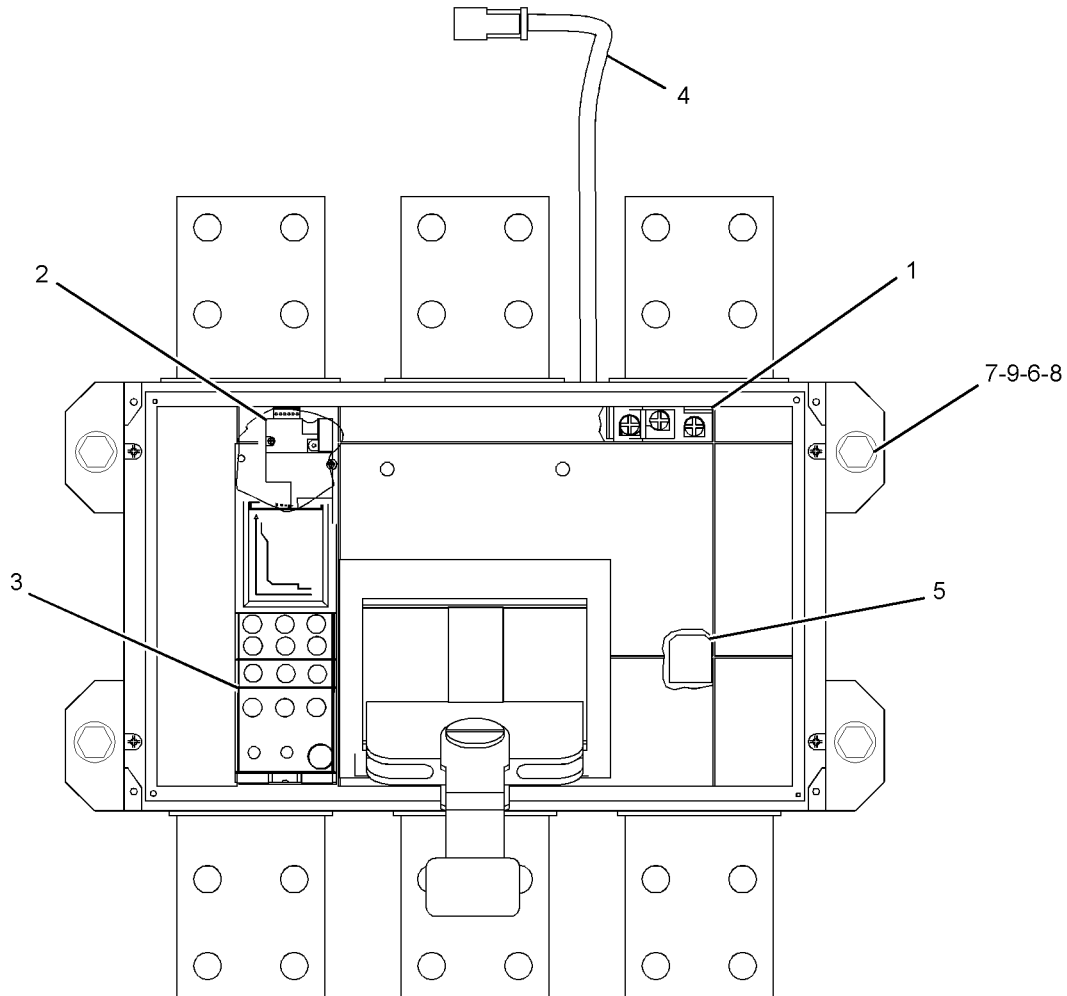
## 244-9783 CIRCUIT BREAKER AS-UL, MCCB, LSIG-P

S/N: YAT1-UP  
1600-AMPERE  
AN ATTACHMENT

SMCS-1420, 4461

i02422544

NOTE	REF NO	GRAPHIC REF	PART NUMBER	QTY	PART NAME						SEE PAGE
					1	2	3	4	5	6 (PRODUCT LEVEL)	
	1	1	244-9825	1	SWITCH-AUXILIARY (SINGLE POLE, DUAL THROW)						
	2	1	244-9834	1	MODULE (MODBUS COMMUNICATION)						
	3	1	244-9835	1	TRIP UNIT						
	4	1	244-9841	1	HARNESS AS-WIRING (CIRCUIT BREAKER) (4-PIN)						
	5	1	244-9861	1	SHUNT-TRIP						
	6	1	3B-4506	4	LOCKWASHER						
	7	1	4L-6459	4	BOLT (3/8-16X2.5-IN)						
	8	1	6V-8801	4	NUT (3/8-16-THD)						
	9	1	8T-4896	8	WASHER-HARD (10.2X18.5X2.5-MM THK)						



GRAPHIC #1

<END>

g01201160

# ELECTRICAL AND STARTING SYSTEM

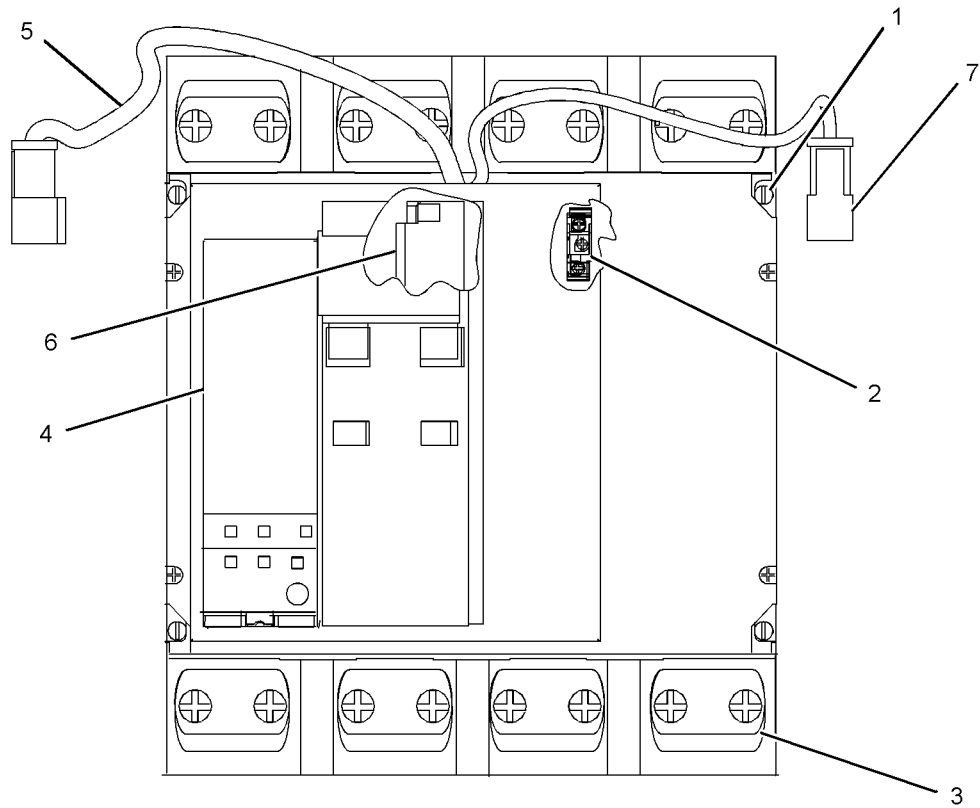
## 244-9784 CIRCUIT BREAKER AS-IEC, MCCB, LSI

S/N: YAT1-UP  
1600-AMPERE  
AN ATTACHMENT

SMCS-1420, 4461

i02265292

NOTE	REF NO	GRAPHIC REF	PART NUMBER	QTY	PART NAME						SEE PAGE
					1	2	3	4	5	6 (PRODUCT LEVEL)	
	1	1	244-9730	1	KIT-BOLT (CIRCUIT BREAKER) (INCLUDES 4 BOLTS)						
	2	1	244-9825	1	SWITCH-AUXILIARY (SINGLE POLE, DUAL THROW)						
	3	1	244-9827	8	BUS BAR AS						
	4	1	244-9831	1	TRIP UNIT						
	5	1	244-9841	1	HARNES AS-WIRING (CIRCUIT BREAKER) (4-PIN)						
	6	1	244-9861	1	SHUNT-TRIP						
	7	1	244-9839	1	HARNES AS-WIRING (CIRCUIT BREAKER) (8-PIN)						



GRAPHIC #1

<END>

g01197555

# ELECTRICAL AND STARTING SYSTEM

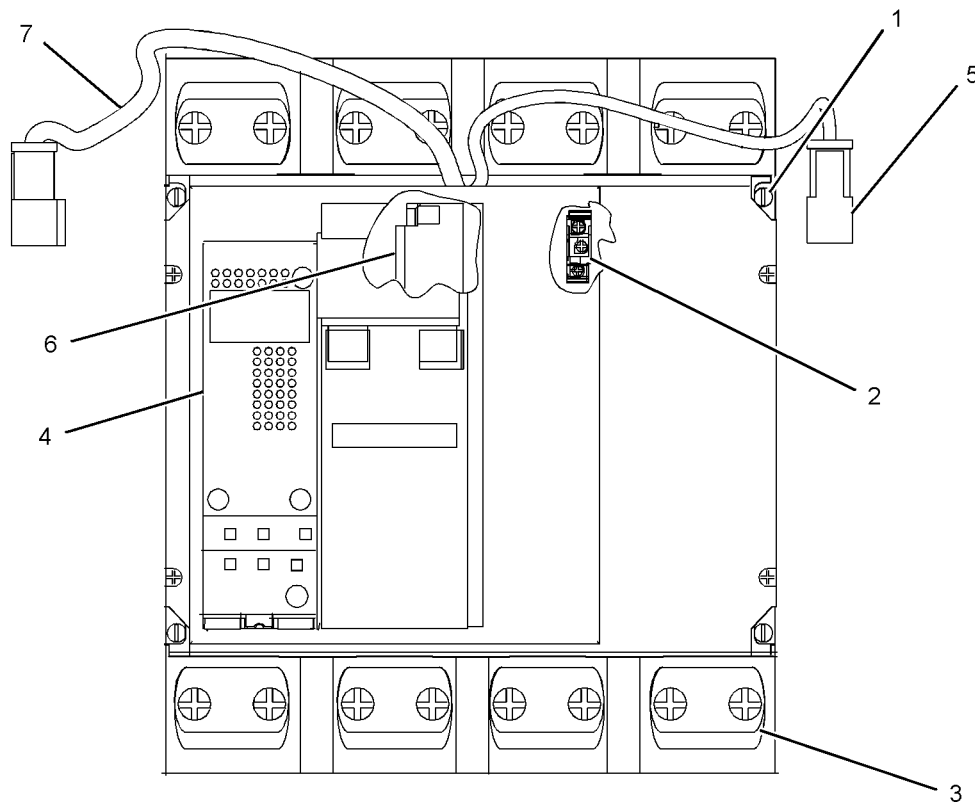
## 244-9785 CIRCUIT BREAKER AS-IEC, MCCB, LSIG

S/N: YAT1-UP  
1600-AMPERE  
AN ATTACHMENT

SMCS-1420, 4461

i02265413

NOTE	REF NO	GRAPHIC REF	PART NUMBER	QTY	PART NAME						SEE PAGE
					1	2	3	4	5	6 (PRODUCT LEVEL)	
	1	1	244-9730	1	KIT-BOLT (CIRCUIT BREAKER) (INCLUDES 4 BOLTS)						
	2	1	244-9825	1	SWITCH-AUXILIARY (SINGLE POLE, DUAL THROW)						
	3	1	244-9827	8	BUS BAR AS						
	4	1	244-9833	1	TRIP UNIT (4-PIN)						
	5	1	244-9841	1	HARNESS AS-WIRING (CIRCUIT BREAKER) (4-PIN)						
	6	1	244-9861	1	SHUNT-TRIP						
	7	1	244-9839	1	HARNESS AS-WIRING (CIRCUIT BREAKER) (8-PIN)						



GRAPHIC #1

<END>

g01205160

# ELECTRICAL AND STARTING SYSTEM

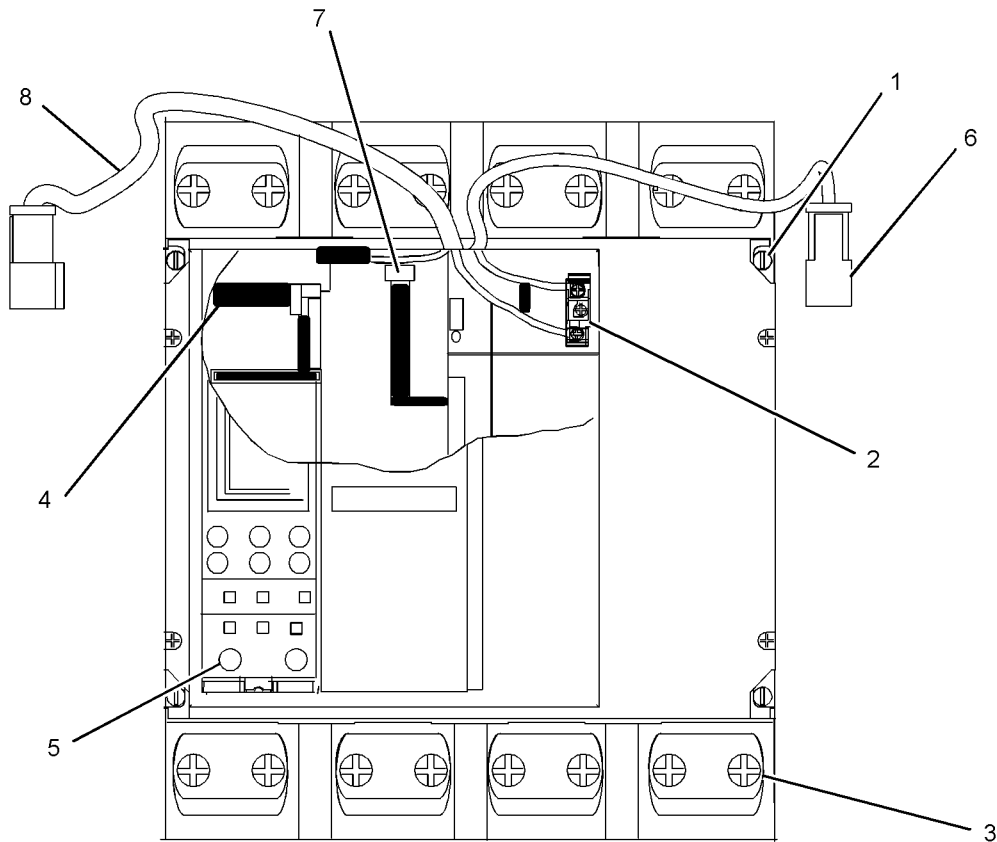
## 244-9787 CIRCUIT BREAKER AS-IEC, MCCB, LSIG-P

S/N: YAT1-UP  
1600-AMPERE  
AN ATTACHMENT

SMCS-1420, 4461

i02485325

NOTE	REF NO	GRAPHIC REF	PART NUMBER	QTY	PART NAME						SEE PAGE
					1	2	3	4	5	6 (PRODUCT LEVEL)	
	1	1	244-9730	1	KIT-BOLT (CIRCUIT BREAKER) (INCLUDES 4-BOLTS)						
	2	1	244-9825	1	SWITCH-AUXILIARY (SINGLE POLE, DUAL THROW)						
	3	1	244-9827	8	BUS BAR AS						
	4	1	244-9834	1	MODULE (MODBUS COMMUNICATION)						
	5	1	244-9835	1	TRIP UNIT						
	6	1	244-9841	1	HARNESS AS-WIRING (CIRCUIT BREAKER) (4-PIN)						
	7	1	244-9861	1	SHUNT-TRIP						
	8	1	244-9839	1	HARNESS AS-WIRING (CIRCUIT BREAKER) (8-PIN)						



GRAPHIC #1

<END>

g01240938

# ELECTRICAL AND STARTING SYSTEM

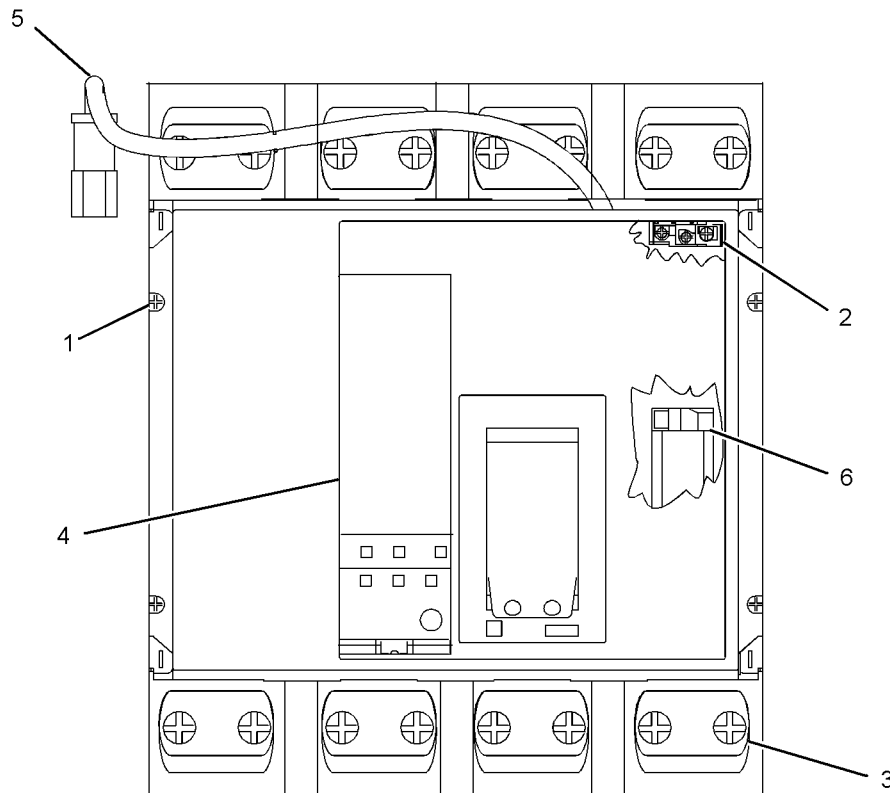
## 244-9788 CIRCUIT BREAKER AS-IEC, MCCB, LSI

S/N: YAT1-UP  
1600-AMPERE  
AN ATTACHMENT

SMCS-1420, 4461

i02265424

NOTE	REF NO	GRAPHIC REF	PART NUMBER	QTY	PART NAME						SEE PAGE
					1	2	3	4	5	6 (PRODUCT LEVEL)	
	1	1	244-9730	1	KIT-BOLT (CIRCUIT BREAKER) (INCLUDES 4 BOLTS)						
	2	1	244-9825	1	SWITCH-AUXILIARY (SINGLE POLE, DUAL THROW)						
	3	1	244-9827	8	BUS BAR AS						
	4	1	244-9831	1	TRIP UNIT						
	5	1	244-9839	1	HARNESS AS-WIRING (CIRCUIT BREAKER) (8-PIN)						
	6	1	244-9861	1	SHUNT-TRIP						



GRAPHIC #1

<END>

g01198110



# ELECTRICAL AND STARTING SYSTEM

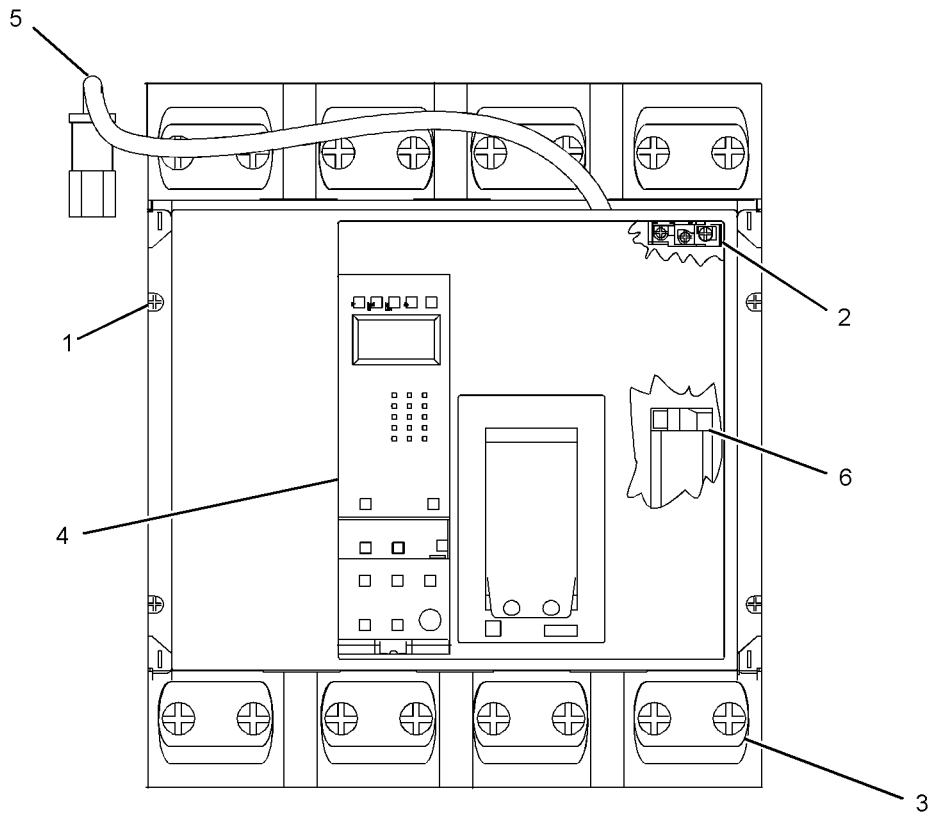
## 244-9789 CIRCUIT BREAKER AS-IEC, MCCB, LSIG

S/N: YAT1-UP  
1600-AMPERE  
AN ATTACHMENT

SMCS-1420, 4461

i02265430

NOTE	REF NO	GRAPHIC REF	PART NUMBER	QTY	PART NAME						SEE PAGE
					1	2	3	4	5	6 (PRODUCT LEVEL)	
	1	1	244-9730	1	KIT-BOLT (CIRCUIT BREAKER) (INCLUDES 4 BOLTS)						
	2	1	244-9825	1	SWITCH-AUXILIARY (SINGLE POLE, DUAL THROW)						
	3	1	244-9827	8	BUS BAR AS						
	4	1	244-9833	1	TRIP UNIT						
	5	1	244-9839	1	HARNESS AS-WIRING (CIRCUIT BREAKER) (8-PIN)						
	6	1	244-9861	1	SHUNT-TRIP						



GRAPHIC #1

<END>

g01205330

# ELECTRICAL AND STARTING SYSTEM

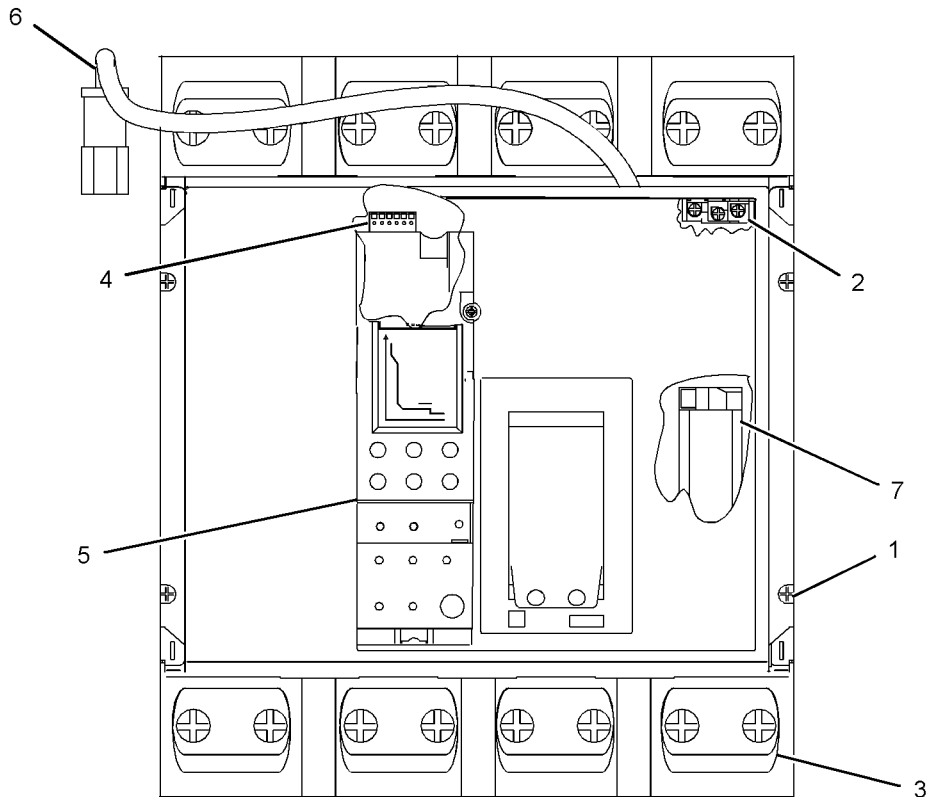
## 244-9791 CIRCUIT BREAKER AS-IEC, MCCB, LSIG-P

S/N: YAT1-UP  
1600-AMPERE  
AN ATTACHMENT

SMCS-1420, 4461

i02265443

NOTE	REF NO	GRAPHIC REF	PART NUMBER	QTY	PART NAME						SEE PAGE
					1	2	3	4	5	6 (PRODUCT LEVEL)	
	1	1	244-9730	1	KIT-BOLT (CIRCUIT BREAKER) (INCLUDES 4 BOLTS)						
	2	1	244-9825	1	SWITCH-AUXILIARY (SINGLE POLE, DUAL THROW)						
	3	1	244-9827	8	BUS BAR AS						
	4	1	244-9834	1	MODULE (MODBUS COMMUNICATION)						
	5	1	244-9835	1	TRIP UNIT						
	6	1	244-9839	1	HARNESS AS-WIRING (CIRCUIT BREAKER) (8-PIN)						
	7	1	244-9861	1	SHUNT-TRIP						



GRAPHIC #1

<END>

g01205336

# ELECTRICAL AND STARTING SYSTEM

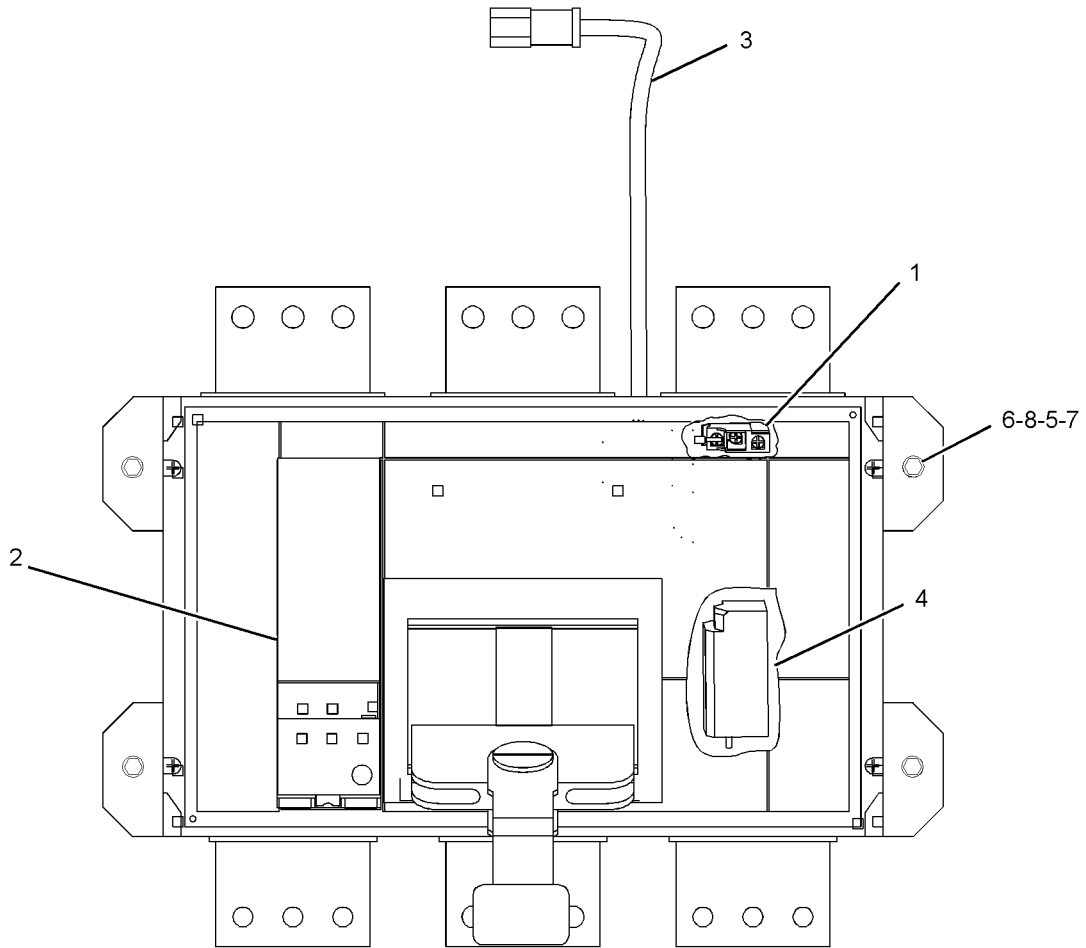
## 244-9792 CIRCUIT BREAKER AS-IEC, MCCB, LSI

S/N: YAT1-UP  
2000-AMPERE  
AN ATTACHMENT

SMCS-1420, 4461

i02490811

NOTE	REF NO	GRAPHIC REF	PART NUMBER	QTY	PART NAME						SEE PAGE
					1	2	3	4	5	6 (PRODUCT LEVEL)	
	1	1	244-9825	1	SWITCH-AUXILIARY (SINGLE POLE, DUAL THROW)						
	2	1	244-9831	1	TRIP UNIT						
	3	1	244-9841	1	HARNESS AS-WIRING (CIRCUIT BREAKER) (4-PIN)						
	4	1	244-9861	1	SHUNT-TRIP						
	5	1	3B-4506	4	LOCKWASHER						
	6	1	4L-6459	4	BOLT (3/8-16X2.5-IN)						
	7	1	6V-8801	4	NUT (3/8-16-THD)						
	8	1	8T-4896	8	WASHER-HARD (10.2X18.5X2.5-MM THK)						



GRAPHIC #1

<END>

g01244609

# ELECTRICAL AND STARTING SYSTEM

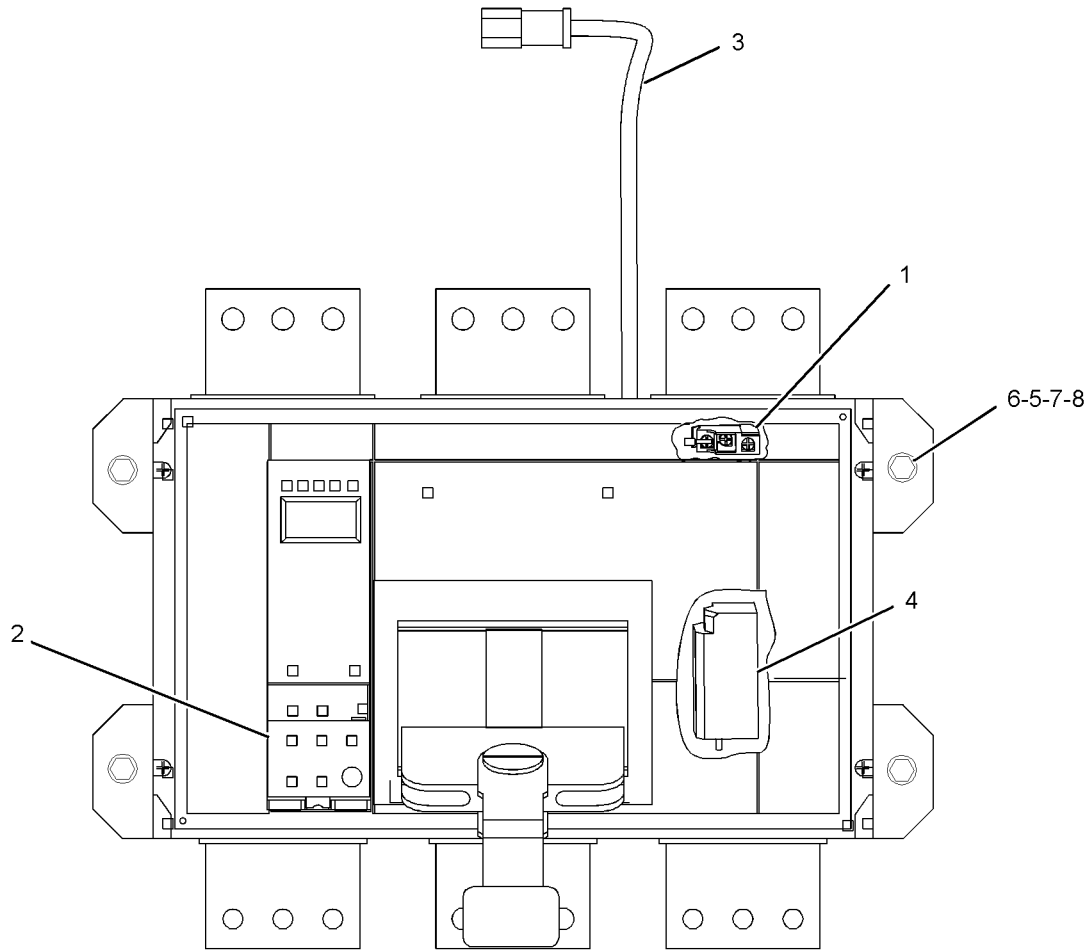
## 244-9793 CIRCUIT BREAKER AS-IEC, MCCB, LSIG

S/N: YAT1-UP  
2000-AMPERE  
AN ATTACHMENT

SMCS-1420, 4461

i02490812

NOTE	REF NO	GRAPHIC REF	PART NUMBER	QTY	PART NAME						SEE PAGE
					1	2	3	4	5	6 (PRODUCT LEVEL)	
	1	1	244-9825	1	SWITCH-AUXILIARY (SINGLE POLE, DUAL THROW)						
	2	1	244-9833	1	TRIP UNIT						
	3	1	244-9841	1	HARNESS AS-WIRING (CIRCUIT BREAKER) (4-PIN)						
	4	1	244-9861	1	SHUNT-TRIP						
	5	1	3B-4506	4	LOCKWASHER						
	6	1	4L-6459	4	BOLT (3/8-16X2.5-IN)						
	7	1	6V-8801	4	NUT (3/8-16-THD)						
	8	1	8T-4896	8	WASHER-HARD (10.2X18.5X2.5-MM THK)						



GRAPHIC #1

<END>

g01244620

# ELECTRICAL AND STARTING SYSTEM

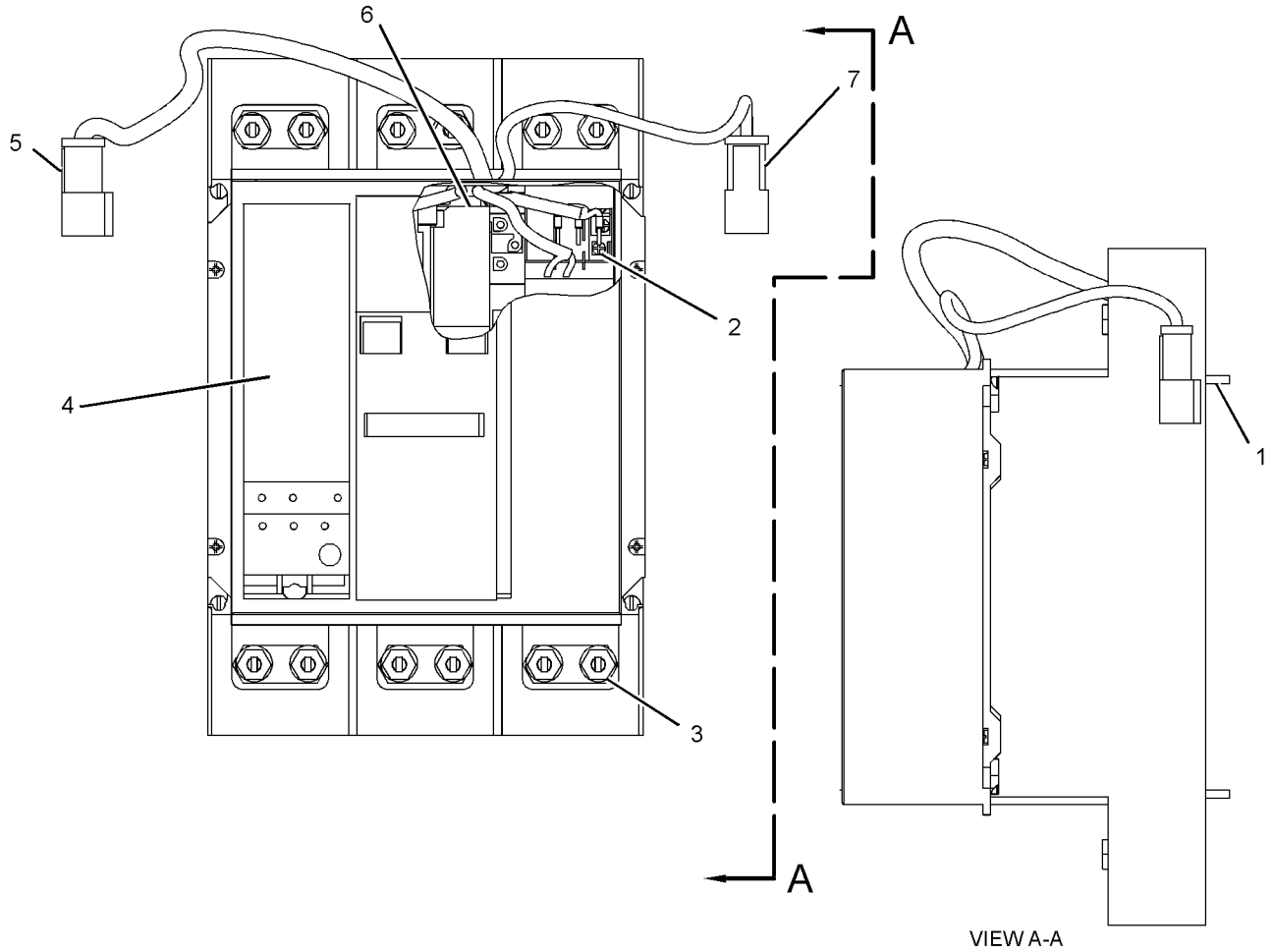
## 244-9794 CIRCUIT BREAKER AS-UL, MCCB, LSI

S/N: YAT1-UP  
800-AMPERE  
AN ATTACHMENT

SMCS-1420, 4461

i02265591

NOTE	REF NO	GRAPHIC REF	PART NUMBER	QTY	PART NAME						SEE PAGE
					1	2	3	4	5	6 (PRODUCT LEVEL)	
	1	1	244-9730	1	KIT-BOLT (CIRCUIT BREAKER) (INCLUDES 4 BOLTS)						
	2	1	244-9825	1	SWITCH-AUXILIARY (SINGLE POLE, DUAL THROW)						
	3	1	244-9827	6	BUS BAR AS						
	4	1	244-9837	1	TRIP UNIT						
	5	1	244-9841	1	HARNESS AS-WIRING (CIRCUIT BREAKER) (4-PIN)						
	6	1	244-9861	1	SHUNT-TRIP						
	7	1	244-9839	1	HARNESS AS-WIRING (CIRCUIT BREAKER) (8-PIN)						



GRAPHIC #1

<END>

g01205163

# ELECTRICAL AND STARTING SYSTEM

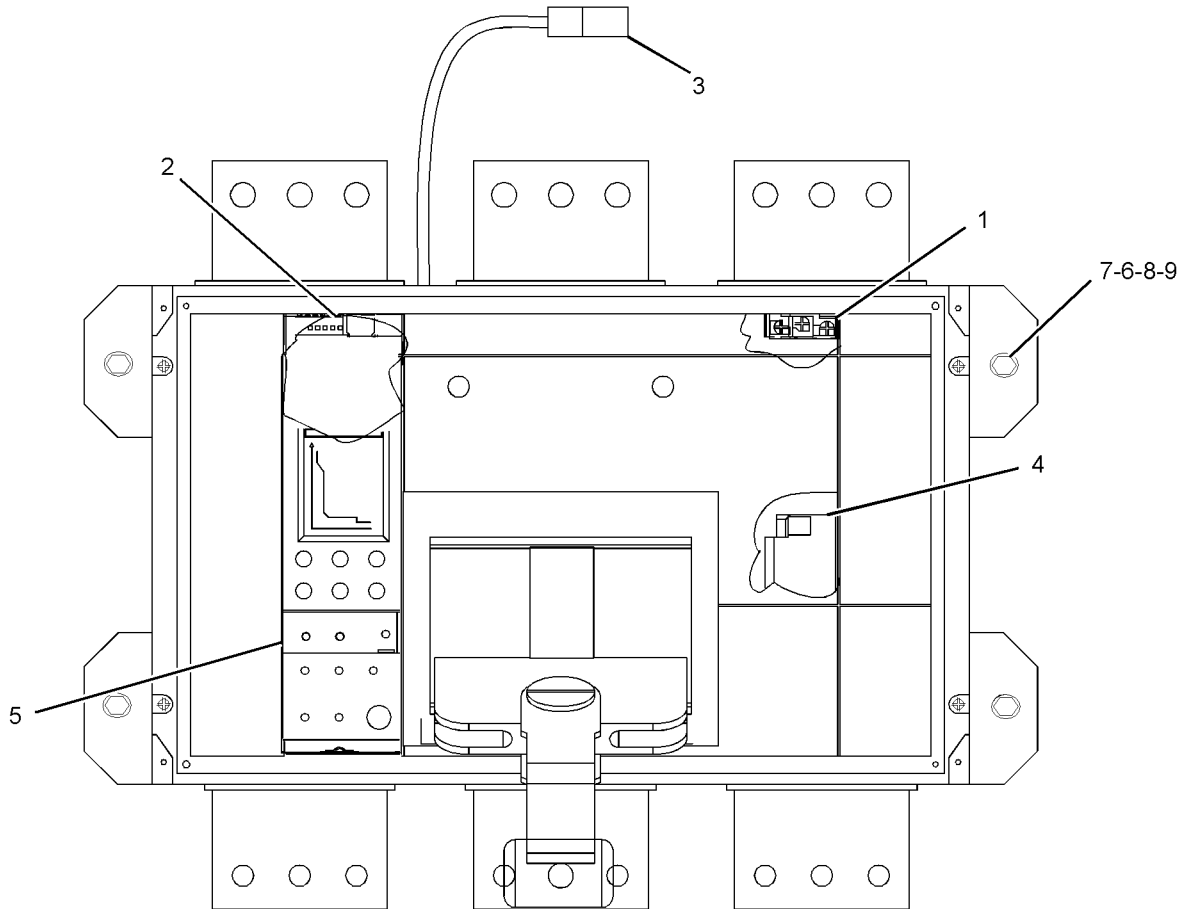
## 244-9795 CIRCUIT BREAKER AS-IEC, MCCB, LSIG-P

S/N: YAT1-UP  
2000-AMPERE  
AN ATTACHMENT

SMCS-1420, 4461

i02422571

NOTE	REF NO	GRAPHIC REF	PART NUMBER	QTY	PART NAME						SEE PAGE
					1	2	3	4	5	6 (PRODUCT LEVEL)	
	1	1	244-9825	1	SWITCH-AUXILIARY (SINGLE POLE, DUAL THROW)						
	2	1	244-9834	1	MODULE (MODBUS COMMUNICATION)						
	3	1	244-9841	1	HARNESS AS-WIRING (CIRCUIT BREAKER) (4-PIN)						
	4	1	244-9861	1	SHUNT-TRIP						
	5	1	244-9835	1	TRIP UNIT						
	6	1	3B-4506	4	LOCKWASHER						
	7	1	4L-6459	4	BOLT (3/8-16X2.5-IN)						
	8	1	6V-8801	4	NUT (3/8-16-THD)						
	9	1	8T-4896	8	WASHER-HARD (10.2X18.5X2.5-MM THK)						



GRAPHIC #1

<END>

g01201096

# ELECTRICAL AND STARTING SYSTEM

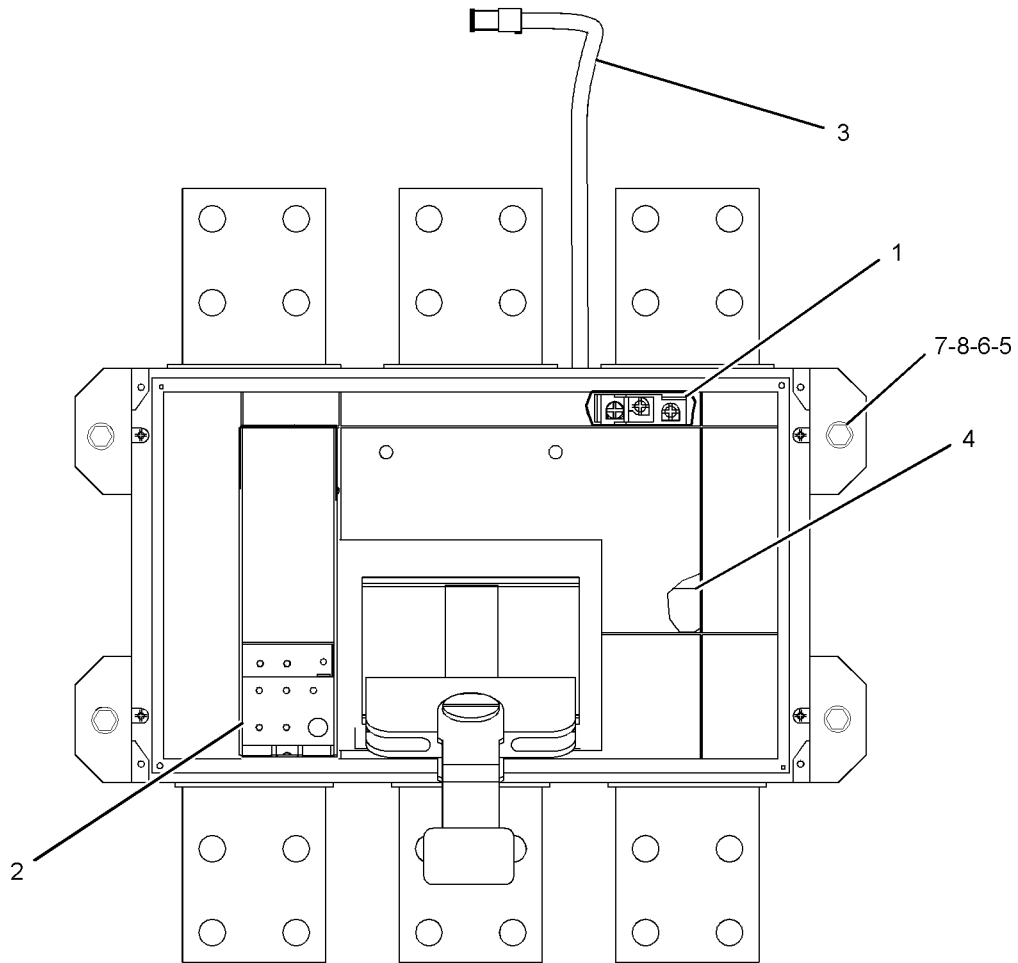
## 244-9796 CIRCUIT BREAKER AS-UL, MCCB, LSI

S/N: YAT1-UP  
2000-AMPERE  
AN ATTACHMENT

SMCS-1420, 4461

i02422575

NOTE	REF NO	GRAPHIC REF	PART NUMBER	QTY	PART NAME						SEE PAGE
					1	2	3	4	5	6 (PRODUCT LEVEL)	
	1	1	244-9825	1	SWITCH-AUXILIARY (SINGLE POLE, DUAL THROW)						
	2	1	244-9837	1	TRIP UNIT						
	3	1	244-9841	1	HARNESS AS-WIRING (CIRCUIT BREAKER) (4-PIN)						
	4	1	244-9861	1	SHUNT-TRIP						
	5	1	3B-4506	4	LOCKWASHER						
	6	1	4L-6459	4	BOLT (3/8-16X2.5-IN)						
	7	1	6V-8801	4	NUT (3/8-16-THD)						
	8	1	8T-4896	8	WASHER-HARD (10.2X18.5X2.5-MM THK)						



GRAPHIC #1

<END>

g01201793

# ELECTRICAL AND STARTING SYSTEM

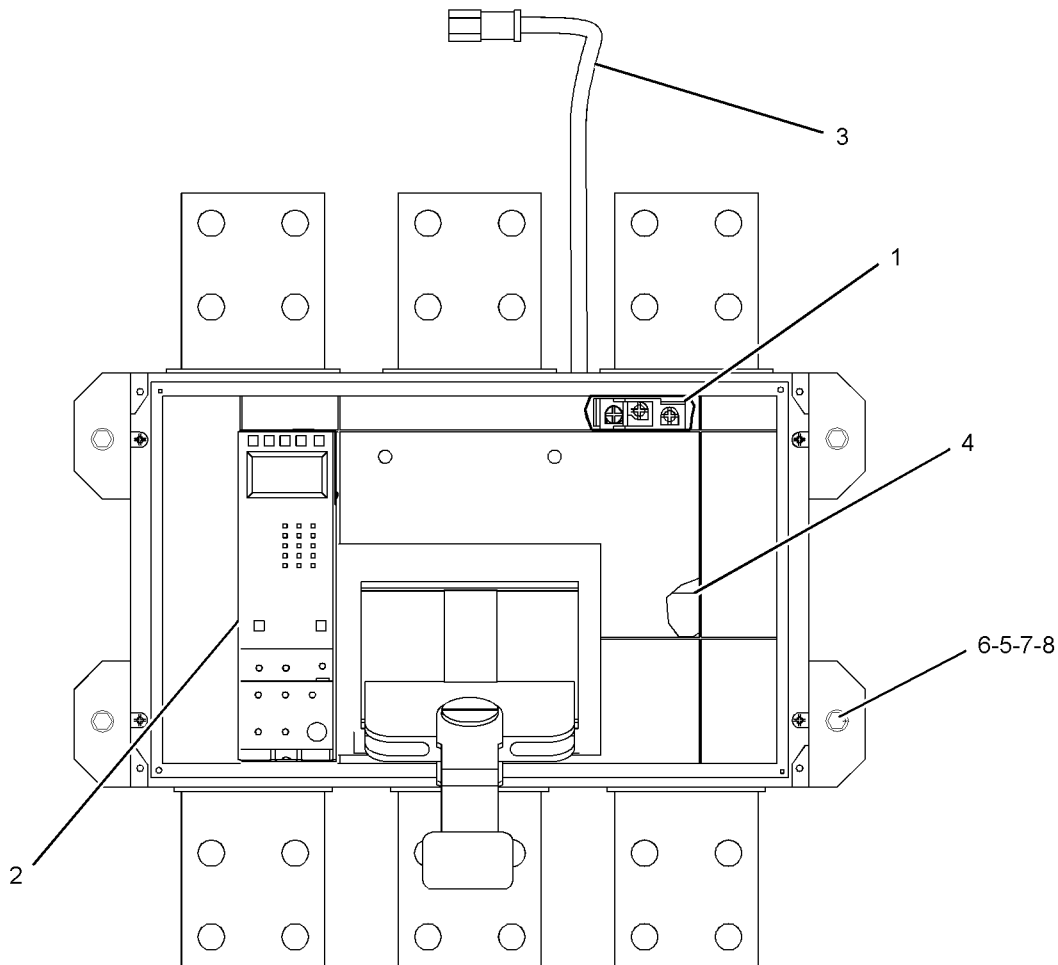
## 244-9797 CIRCUIT BREAKER AS-UL, MCCB, LSIG

S/N: YAT1-UP  
2000-AMPERE  
AN ATTACHMENT

SMCS-1420, 4461

i02490813

NOTE	REF NO	GRAPHIC REF	PART NUMBER	QTY	PART NAME						SEE PAGE
					1	2	3	4	5	6 (PRODUCT LEVEL)	
	1	1	244-9825	1	SWITCH-AUXILIARY (SINGLE POLE, DUAL THROW)						
	2	1	244-9833	1	TRIP UNIT						
	3	1	244-9841	1	HARNESS AS-WIRING (CIRCUIT BREAKER) (4-PIN)						
	4	1	244-9861	1	SHUNT-TRIP						
	5	1	3B-4506	4	LOCKWASHER						
	6	1	4L-6459	4	BOLT (3/8-16X2.5-IN)						
	7	1	6V-8801	4	NUT (3/8-16-THD)						
	8	1	8T-4896	8	WASHER-HARD (10.2X18.5X2.5-MM THK)						



GRAPHIC #1

<END>

g01244583



# ELECTRICAL AND STARTING SYSTEM

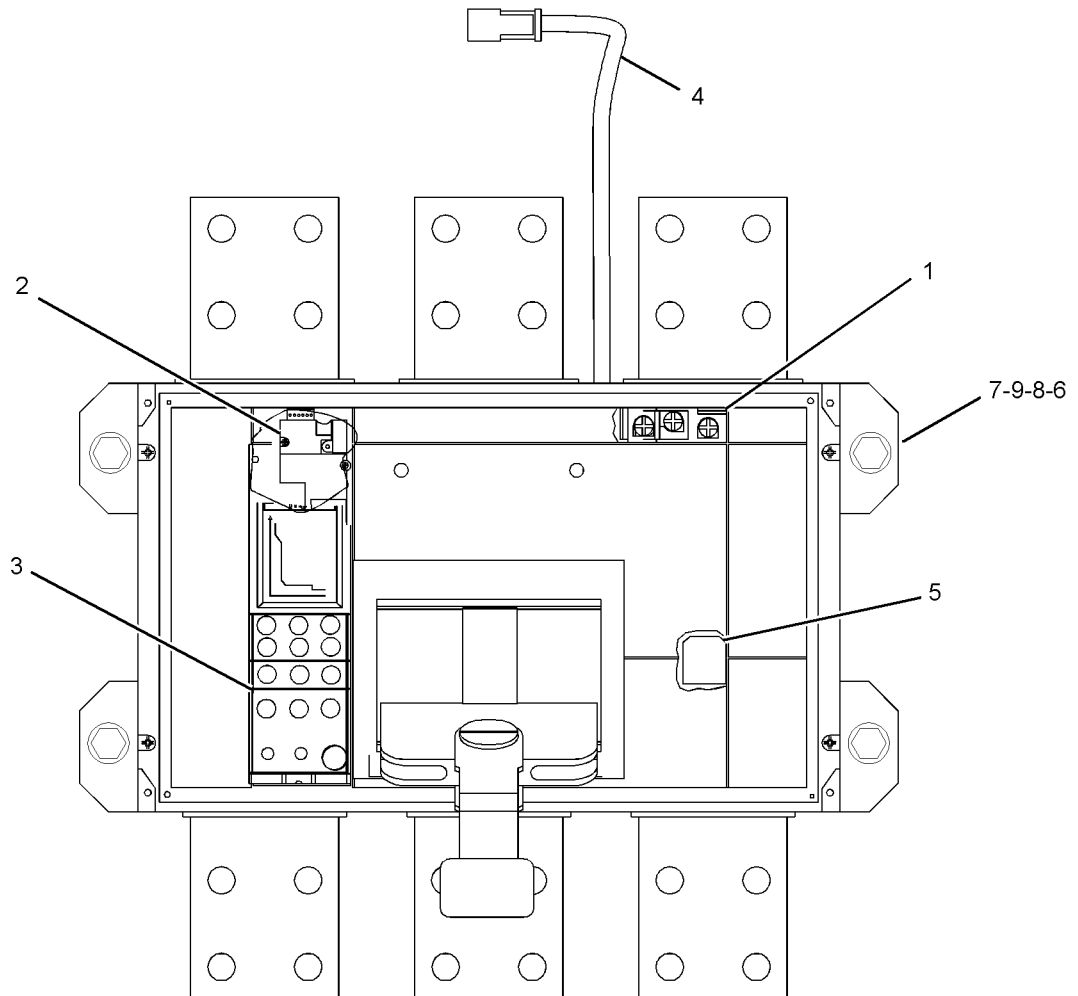
## 244-9798 CIRCUIT BREAKER AS-UL, MCCB, LSIG-H

S/N: YAT1-UP  
2000-AMPERE  
AN ATTACHMENT

SMCS-1420, 4461

i02422581

NOTE	REF NO	GRAPHIC REF	PART NUMBER	QTY	PART NAME						SEE PAGE
					1	2	3	4	5	6 (PRODUCT LEVEL)	
	1	1	244-9825	1	SWITCH-AUXILIARY (SINGLE POLE, DUAL THROW)						
	2	1	244-9834	1	MODULE (MODBUS COMMUNICATION)						
	3	1	244-9840	1	TRIP UNIT						
	4	1	244-9841	1	HARNESS AS-WIRING (CIRCUIT BREAKER) (4-PIN)						
	5	1	244-9861	1	SHUNT-TRIP						
	6	1	3B-4506	4	LOCKWASHER						
	7	1	4L-6459	4	BOLT (3/8-16X2.5-IN)						
	8	1	6V-8801	4	NUT (3/8-16-THD)						
	9	1	8T-4896	8	WASHER-HARD (10.2X18.5X2.5-MM THK)						



GRAPHIC #1

<END>

g01201245

# ELECTRICAL AND STARTING SYSTEM

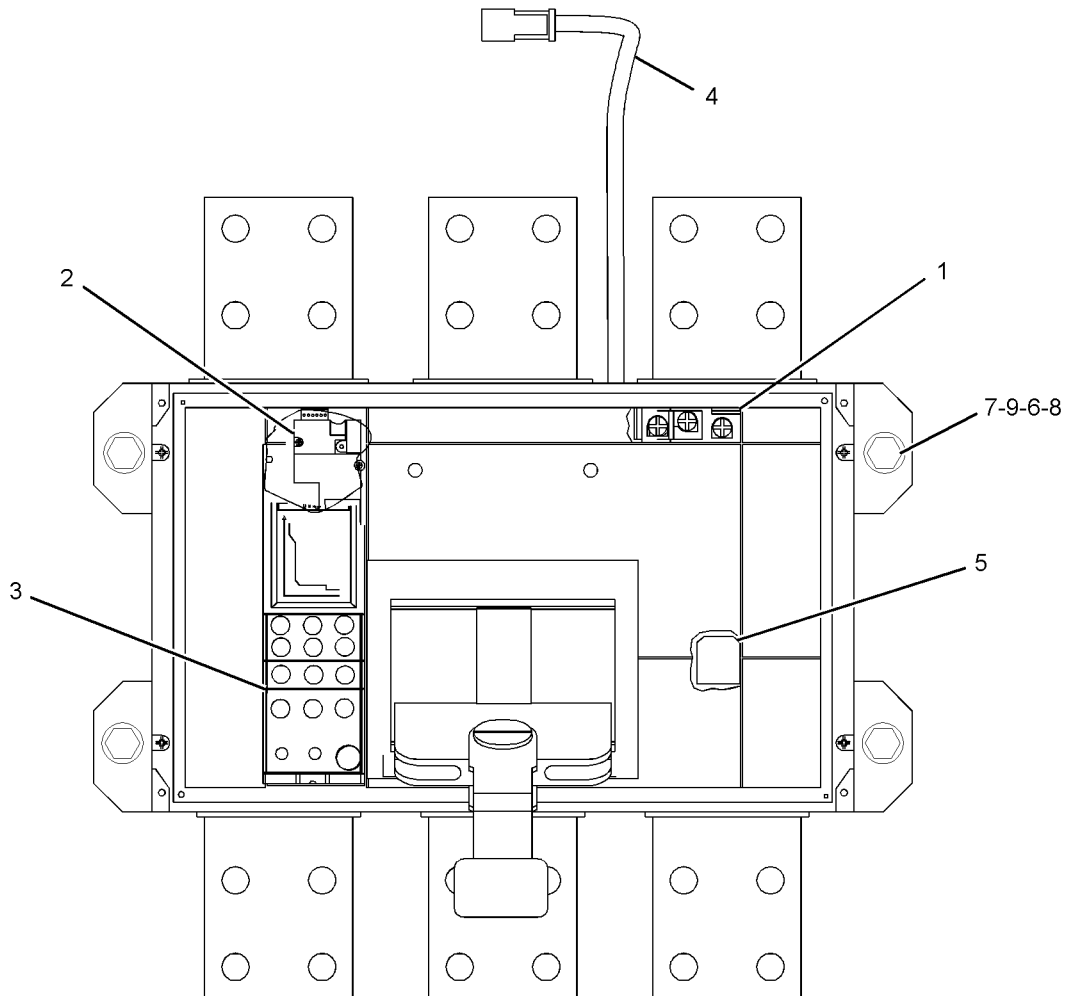
## 244-9799 CIRCUIT BREAKER AS-UL, MCCB, LSIG-P

S/N: YAT1-UP  
2000-AMPERE  
AN ATTACHMENT

SMCS-1420, 4461

i02422588

NOTE	REF NO	GRAPHIC REF	PART NUMBER	QTY	PART NAME						SEE PAGE
					1	2	3	4	5	6 (PRODUCT LEVEL)	
	1	1	244-9825	1	SWITCH-AUXILIARY (SINGLE POLE, DUAL THROW)						
	2	1	244-9834	1	MODULE (MODBUS COMMUNICATION)						
	3	1	244-9835	1	TRIP UNIT						
	4	1	244-9841	1	HARNESS AS-WIRING (CIRCUIT BREAKER) (4-PIN)						
	5	1	244-9861	1	SHUNT-TRIP						
	6	1	3B-4506	4	LOCKWASHER						
	7	1	4L-6459	4	BOLT (3/8-16X2.5-IN)						
	8	1	6V-8801	4	NUT (3/8-16-THD)						
	9	1	8T-4896	8	WASHER-HARD (10.2X18.5X2.5-MM THK)						



GRAPHIC #1

<END>

g01201166

# ELECTRICAL AND STARTING SYSTEM

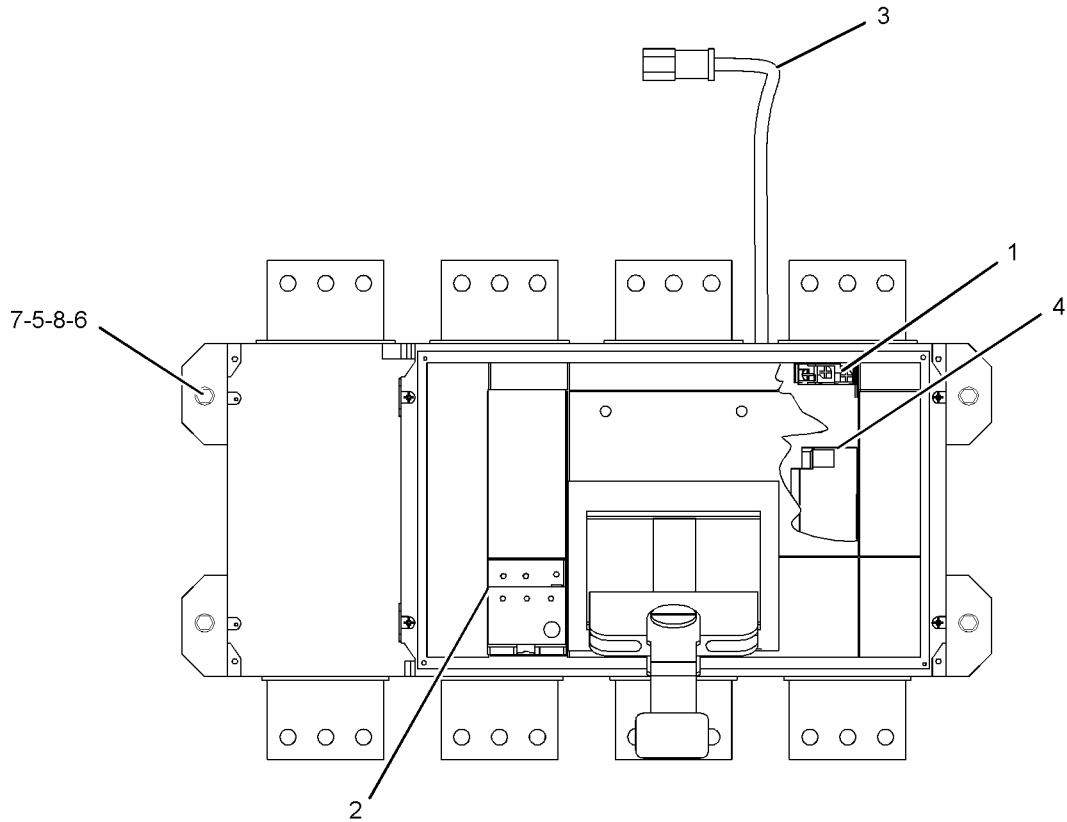
## 244-9800 CIRCUIT BREAKER AS-IEC, MCCB, LSI

S/N: YAT1-UP  
2000-AMPERE  
AN ATTACHMENT

SMCS-1420, 4461

i02422610

NOTE	REF NO	GRAPHIC REF	PART NUMBER	QTY	PART NAME						SEE PAGE
					1	2	3	4	5	6 (PRODUCT LEVEL)	
	1	1	244-9825	1	SWITCH-AUXILIARY (SINGLE POLE, DUAL THROW)						
	2	1	244-9831	1	TRIP UNIT						
	3	1	244-9841	1	HARNESS AS-WIRING (CIRCUIT BREAKER) (4-PIN)						
	4	1	244-9861	1	SHUNT-TRIP						
	5	1	3B-4506	4	LOCKWASHER						
	6	1	4L-6459	4	BOLT (3/8-16X2.5-IN)						
	7	1	6V-8801	4	NUT (3/8-16-THD)						
	8	1	8T-4896	8	WASHER-HARD (10.2X18.5X2.5-MM THK)						



GRAPHIC #1

<END>

g01201124

# ELECTRICAL AND STARTING SYSTEM

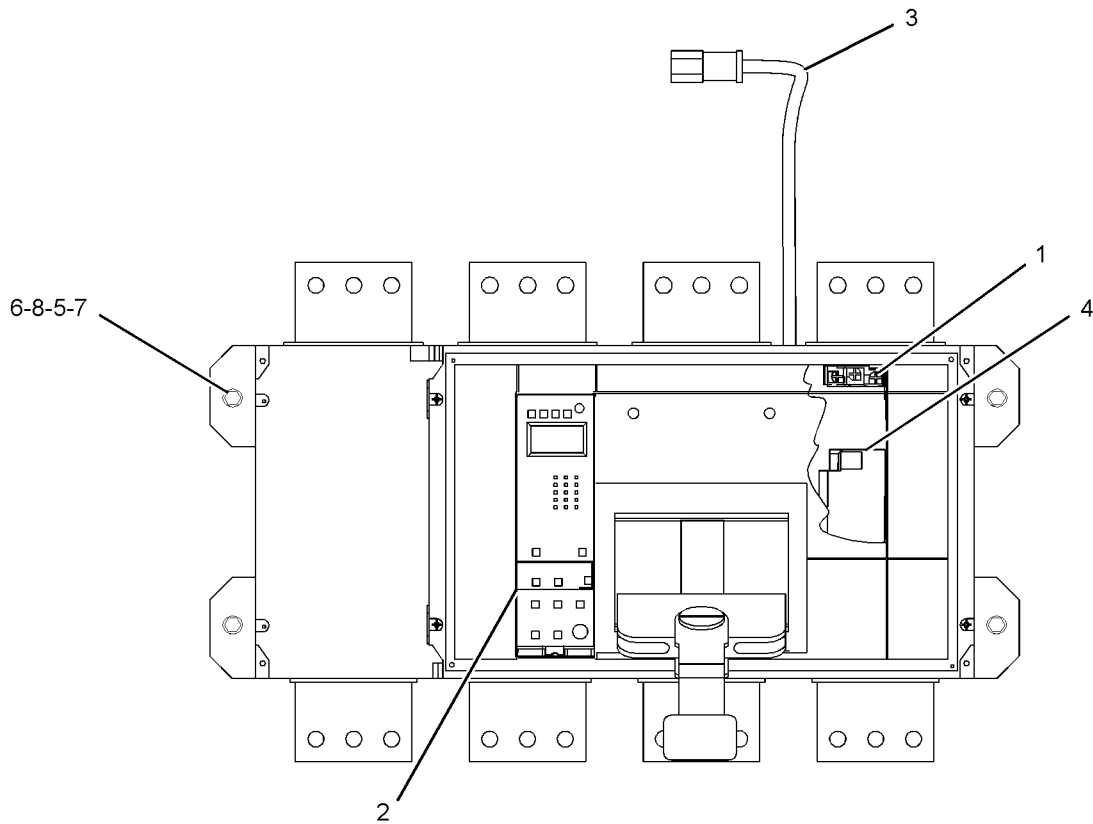
## 244-9801 CIRCUIT BREAKER AS-IEC, MCCB, LSIG

S/N: YAT1-UP  
2000-AMPERE  
AN ATTACHMENT

SMCS-1420, 4461

i02422630

NOTE	REF NO	GRAPHIC REF	PART NUMBER	QTY	PART NAME						SEE PAGE
					1	2	3	4	5	6 (PRODUCT LEVEL)	
	1	1	244-9825	1	SWITCH-AUXILIARY (SINGLE POLE, DUAL THROW)						
	2	1	244-9833	1	TRIP UNIT						
	3	1	244-9845	1	HARNESS AS-WIRING (CIRCUIT BREAKER) (4-PIN)						
	4	1	244-9861	1	SHUNT-TRIP						
	5	1	3B-4506	4	LOCKWASHER						
	6	1	4L-6459	4	BOLT (3/8-16X2.5-IN)						
	7	1	6V-8801	4	NUT (3/8-16-THD)						
	8	1	8T-4896	8	WASHER-HARD (10.2X18.5X2.5-MM THK)						



GRAPHIC #1

<END>

g01201112

# ELECTRICAL AND STARTING SYSTEM

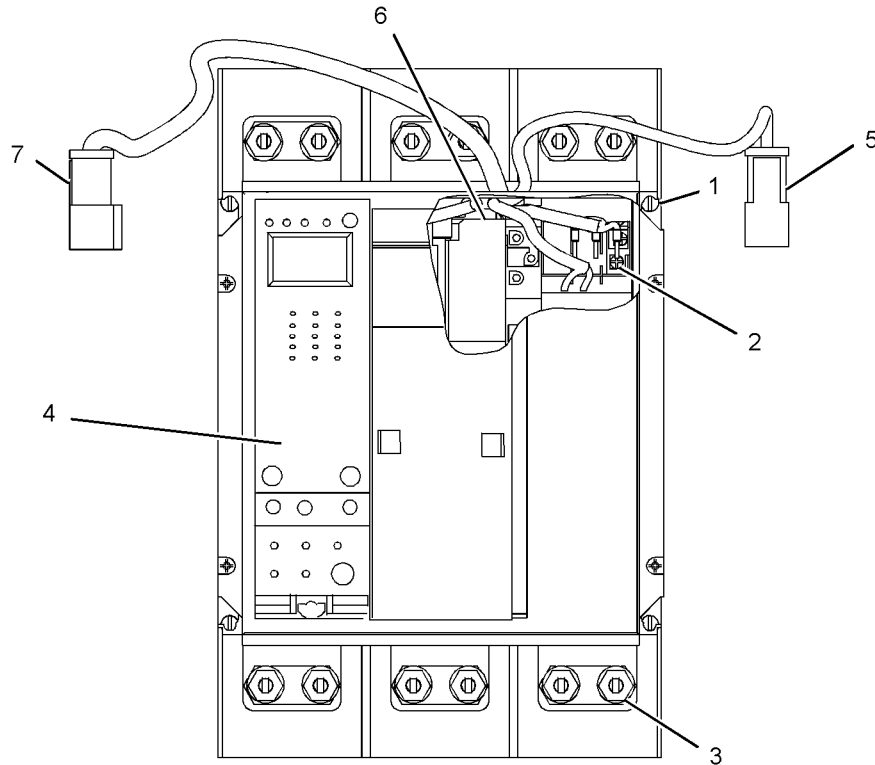
## 244-9802 CIRCUIT BREAKER AS-UL, MCCB, LSIG

S/N: YAT1-UP  
800-AMPERE  
AN ATTACHMENT

SMCS-1420, 4461

i02291223

NOTE	REF NO	GRAPHIC REF	PART NUMBER	QTY	PART NAME						SEE PAGE
					1	2	3	4	5	6 (PRODUCT LEVEL)	
	1	1	244-9730	1	KIT-BOLT (CIRCUIT BREAKER) (INCLUDES 4 BOLTS)						
	2	1	244-9825	1	SWITCH-AUXILIARY (SINGLE POLE, DUAL THROW)						
	3	1	244-9827	6	BUS BAR AS						
	4	1	244-9833	1	TRIP UNIT						
	5	1	244-9841	1	HARNES AS-WIRING (CIRCUIT BREAKER) (4-PIN)						
	6	1	244-9861	1	SHUNT-TRIP						
	7	1	244-9839	1	HARNES AS-WIRING (CIRCUIT BREAKER) (8-PIN)						



GRAPHIC #1

<END>

g01205362

# ELECTRICAL AND STARTING SYSTEM

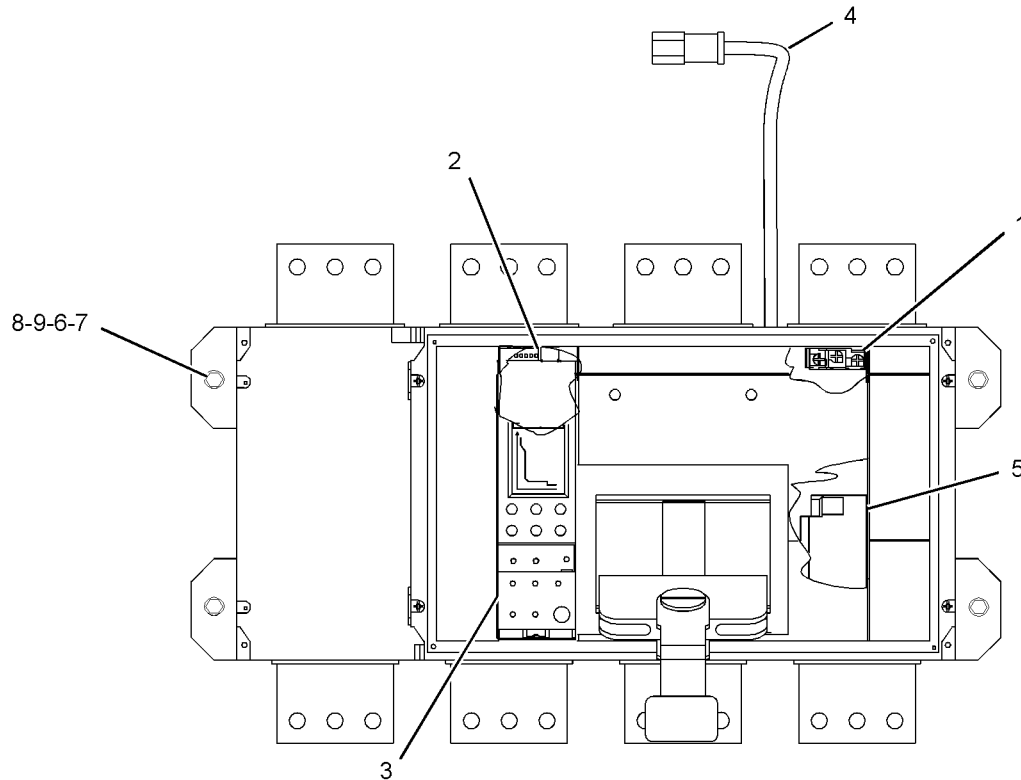
## 244-9803 CIRCUIT BREAKER AS-IEC, MCCB, LSIG-P

S/N: YAT1-UP  
2000-AMPERE  
AN ATTACHMENT

SMCS-1420, 4461

i02422648

NOTE	REF NO	GRAPHIC REF	PART NUMBER	QTY	PART NAME						SEE PAGE
					1	2	3	4	5	6 (PRODUCT LEVEL)	
	1	1	244-9825	1	SWITCH-AUXILIARY (SINGLE POLE, DUAL THROW)						
	2	1	244-9834	1	MODULE (MODBUS COMMUNICATION)						
	3	1	244-9835	1	TRIP UNIT						
	4	1	244-9841	1	HARNESS AS-WIRING (CIRCUIT BREAKER) (4-PIN)						
	5	1	244-9861	1	SHUNT-TRIP						
	6	1	3B-4506	4	LOCKWASHER						
	7	1	4L-6459	4	BOLT (3/8-16X2.5-IN)						
	8	1	6V-8801	4	NUT (3/8-16-THD)						
	9	1	8T-4896	8	WASHER-HARD (10.2X18.5X2.5-MM THK)						



GRAPHIC #1

<END>

g01201132

# ELECTRICAL AND STARTING SYSTEM

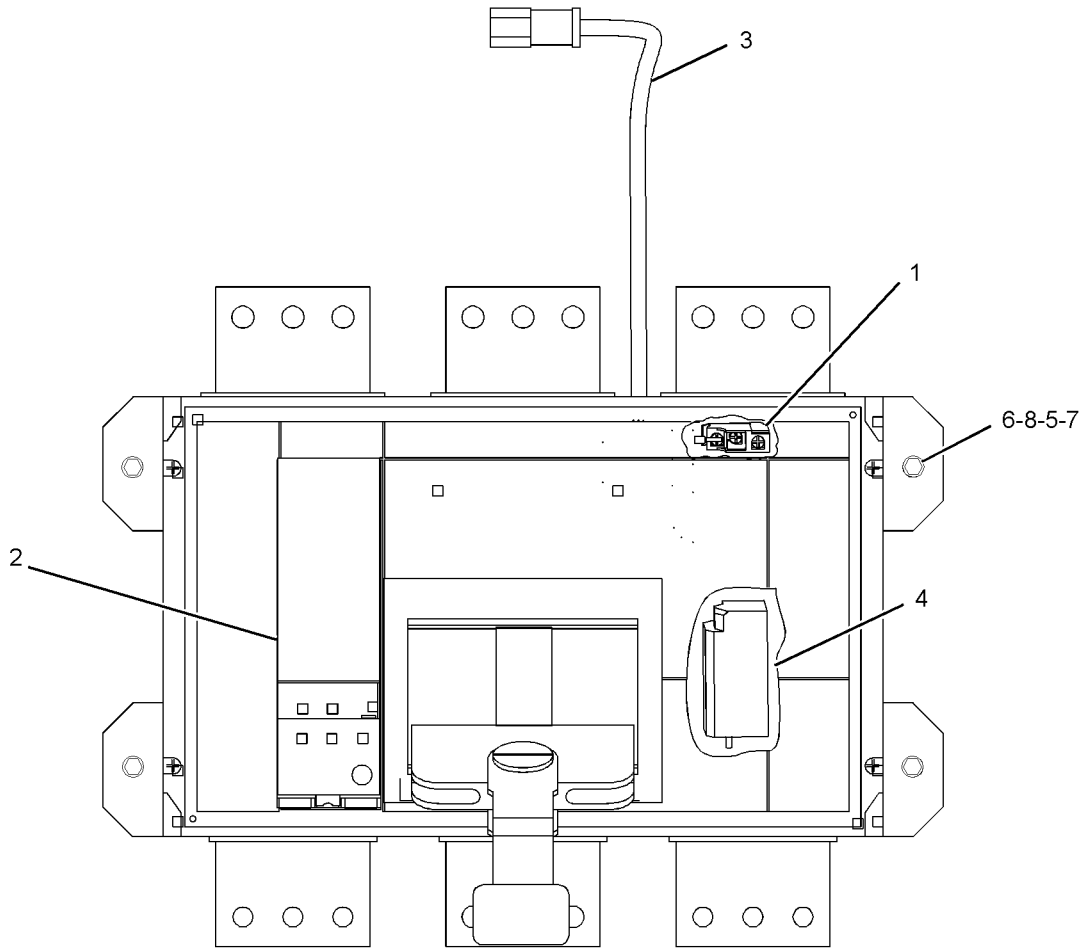
## 244-9804 CIRCUIT BREAKER AS-IEC, MCCB, LSI

S/N: YAT1-UP  
2500-AMPERE  
AN ATTACHMENT

SMCS-1420, 4461

i02490814

NOTE	REF NO	GRAPHIC REF	PART NUMBER	QTY	PART NAME						SEE PAGE
					1	2	3	4	5	6 (PRODUCT LEVEL)	
	1	1	244-9825	1	SWITCH-AUXILIARY (SINGLE POLE, DUAL THROW)						
	2	1	244-9831	1	TRIP UNIT						
	3	1	244-9841	1	HARNESS AS-WIRING (CIRCUIT BREAKER) (4-PIN)						
	4	1	244-9861	1	SHUNT-TRIP						
	5	1	3B-4506	4	LOCKWASHER						
	6	1	4L-6459	4	BOLT (3/8-16X2.5-IN)						
	7	1	6V-8801	4	NUT (3/8-16-THD)						
	8	1	8T-4896	8	WASHER-HARD (10.2X18.5X2.5-MM THK)						



GRAPHIC #1

<END>

g01244609

# ELECTRICAL AND STARTING SYSTEM

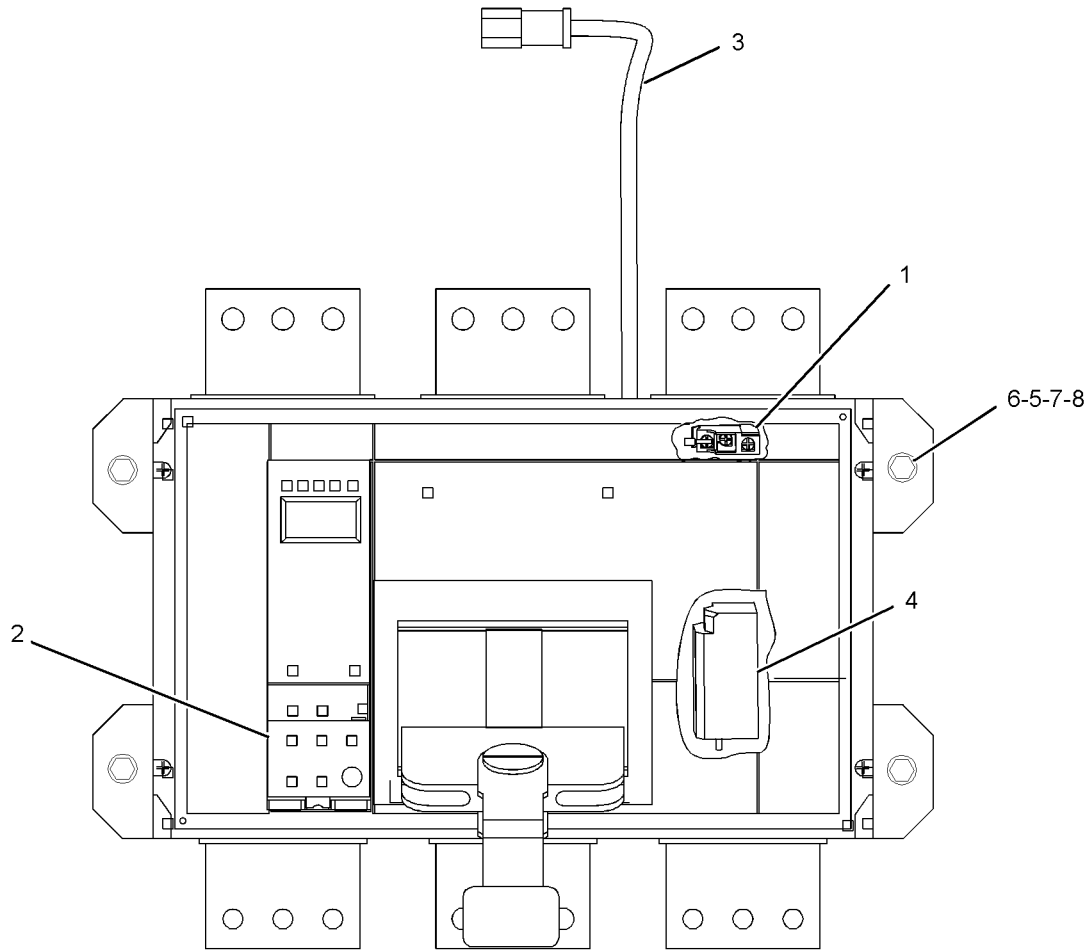
## 244-9805 CIRCUIT BREAKER AS-IEC, MCCB, LSIG

S/N: YAT1-UP  
2500-AMPERE  
AN ATTACHMENT

SMCS-1420, 4461

i02490817

NOTE	REF NO	GRAPHIC REF	PART NUMBER	QTY	PART NAME						SEE PAGE
					1	2	3	4	5	6 (PRODUCT LEVEL)	
	1	1	244-9825	1	SWITCH-AUXILIARY (SINGLE POLE, DUAL THROW)						
	2	1	244-9833	1	TRIP UNIT						
	3	1	244-9841	1	HARNESS AS-WIRING (CIRCUIT BREAKER) (4-PIN)						
	4	1	244-9861	1	SHUNT-TRIP						
	5	1	3B-4506	4	LOCKWASHER						
	6	1	4L-6459	4	BOLT (3/8-16X2.5-IN)						
	7	1	6V-8801	4	NUT (3/8-16-THD)						
	8	1	8T-4896	8	WASHER-HARD (10.2X18.5X2.5-MM THK)						



GRAPHIC #1

<END>

g01244620



# ELECTRICAL AND STARTING SYSTEM

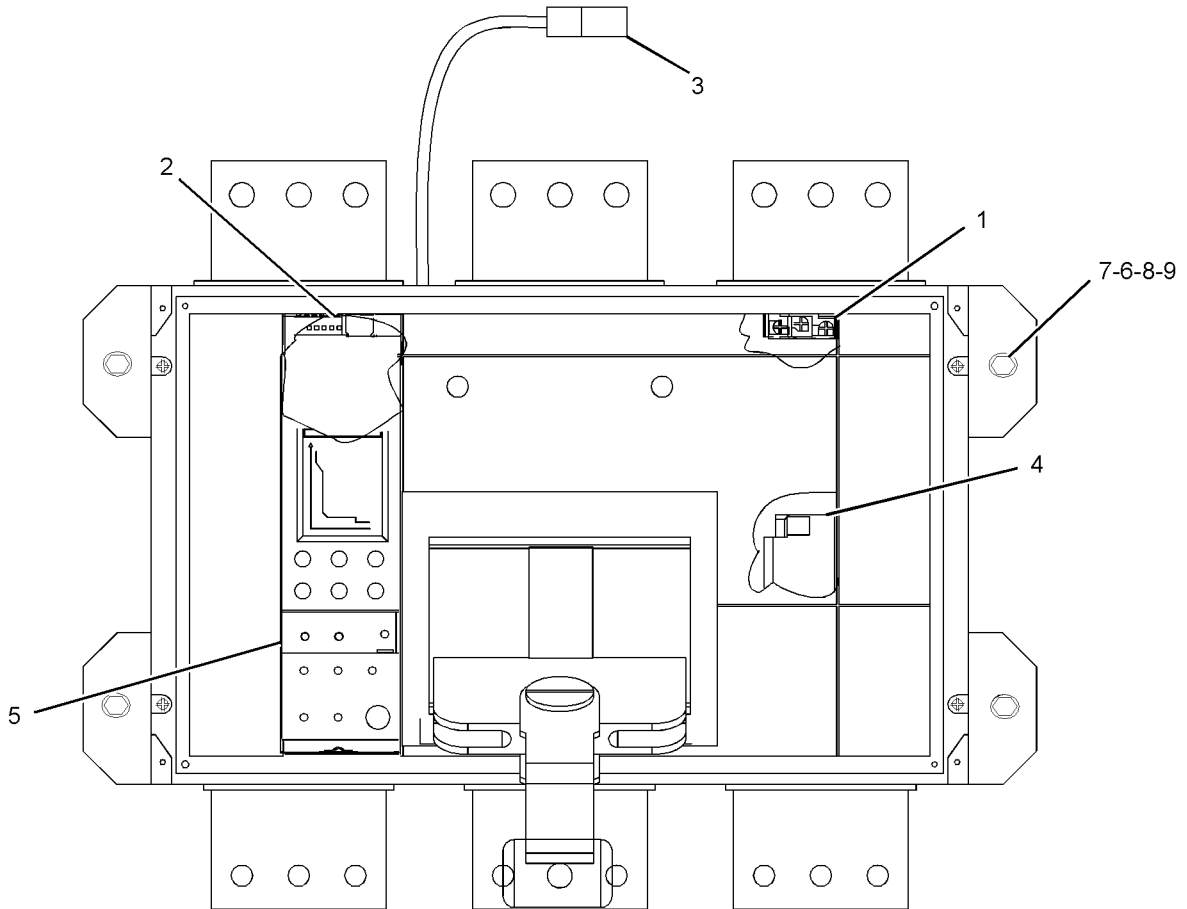
## 244-9807 CIRCUIT BREAKER AS-IEC, MCCB, LSIG-P

S/N: YAT1-UP  
2500-AMPERE  
AN ATTACHMENT

SMCS-1420, 4461

i02422678

NOTE	REF NO	GRAPHIC REF	PART NUMBER	QTY	PART NAME						SEE PAGE
					1	2	3	4	5	6 (PRODUCT LEVEL)	
	1	1	244-9825	1	SWITCH-AUXILIARY (SINGLE POLE, DUAL THROW)						
	2	1	244-9834	1	MODULE (MODBUS COMMUNICATION)						
	3	1	244-9841	1	HARNESS AS-WIRING (CIRCUIT BREAKER) (4-PIN)						
	4	1	244-9861	1	SHUNT-TRIP						
	5	1	244-9835	1	TRIP UNIT						
	6	1	3B-4506	4	LOCKWASHER						
	7	1	4L-6459	4	BOLT (3/8-16X2.5-IN)						
	8	1	6V-8801	4	NUT (3/8-16-THD)						
	9	1	8T-4896	8	WASHER-HARD (10.2X18.5X2.5-MM THK)						



GRAPHIC #1

<END>

g01201096

# ELECTRICAL AND STARTING SYSTEM

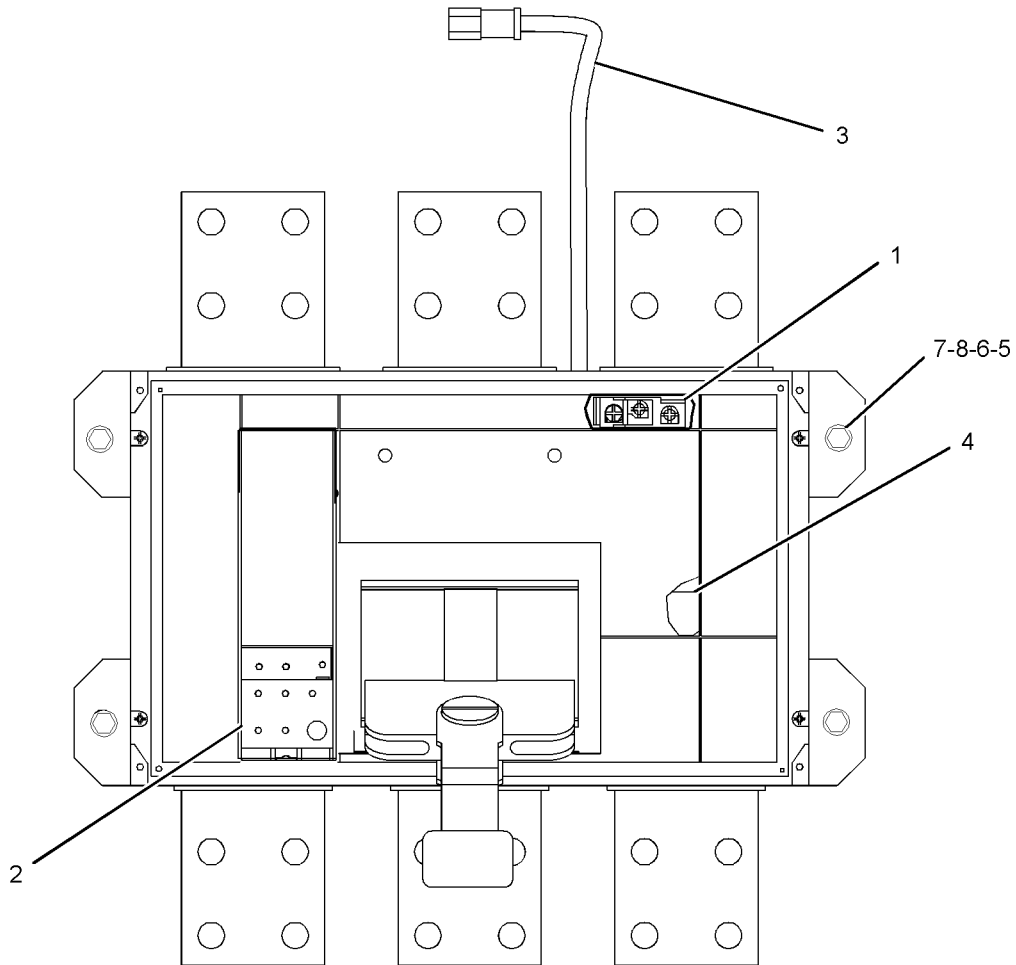
## 244-9808 CIRCUIT BREAKER AS-UL, MCCB, LSI

S/N: YAT1-UP  
2500-AMPERE  
AN ATTACHMENT

SMCS-1420, 4461

i02490815

NOTE	REF NO	GRAPHIC REF	PART NUMBER	QTY	PART NAME						SEE PAGE
					1	2	3	4	5	6 (PRODUCT LEVEL)	
	1	1	244-9825	1	SWITCH-AUXILIARY (SINGLE POLE, DUAL THROW)						
	2	1	244-9837	1	TRIP UNIT						
	3	1	244-9841	1	HARNESS AS-WIRING (CIRCUIT BREAKER) (4-PIN)						
	4	1	244-9861	1	SHUNT-TRIP						
	5	1	3B-4506	4	LOCKWASHER						
	6	1	4L-6459	4	BOLT (3/8-16X2.5-IN)						
	7	1	6V-8801	4	NUT (3/8-16-THD)						
	8	1	8T-4896	8	WASHER-HARD (10.2X18.5X2.5-MM THK)						



GRAPHIC #1

<END>

g01244633

# ELECTRICAL AND STARTING SYSTEM

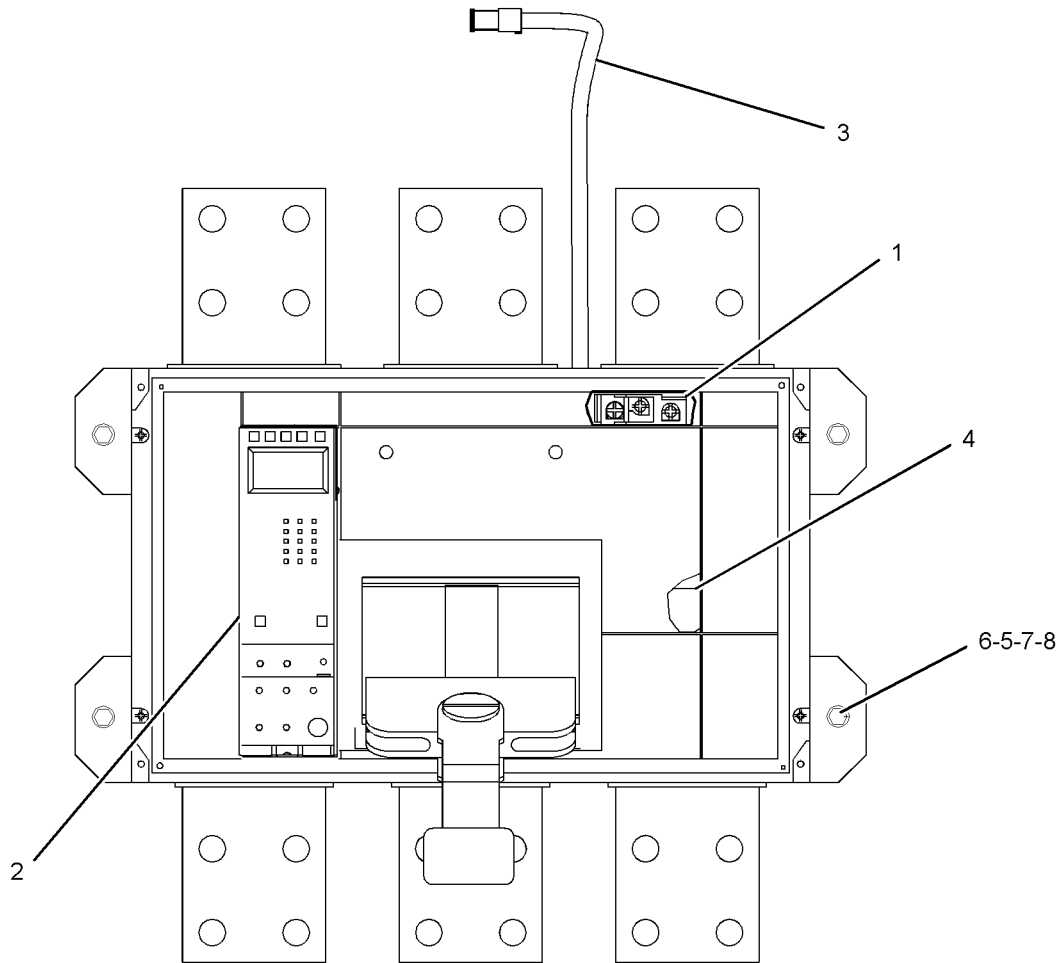
## 244-9809 CIRCUIT BREAKER AS-UL, MCCB, LSIG

S/N: YAT1-UP  
2500-AMPERE  
AN ATTACHMENT

SMCS-1420, 4461

i02422703

NOTE	REF NO	GRAPHIC REF	PART NUMBER	QTY	PART NAME						SEE PAGE
					1	2	3	4	5	6 (PRODUCT LEVEL)	
	1	1	244-9825	1	SWITCH-AUXILIARY (SINGLE POLE, DUAL THROW)						
	2	1	244-9833	1	TRIP UNIT						
	3	1	244-9841	1	HARNESS AS-WIRING (CIRCUIT BREAKER) (4-PIN)						
	4	1	244-9861	1	SHUNT-TRIP						
	5	1	3B-4506	4	LOCKWASHER						
	6	1	4L-6459	4	BOLT (3/8-16X2.5-IN)						
	7	1	6V-8801	4	NUT (3/8-16-THD)						
	8	1	8T-4896	8	WASHER-HARD (10.2X18.5X2.5-MM THK)						



GRAPHIC #1

<END>

g01197918

# ELECTRICAL AND STARTING SYSTEM

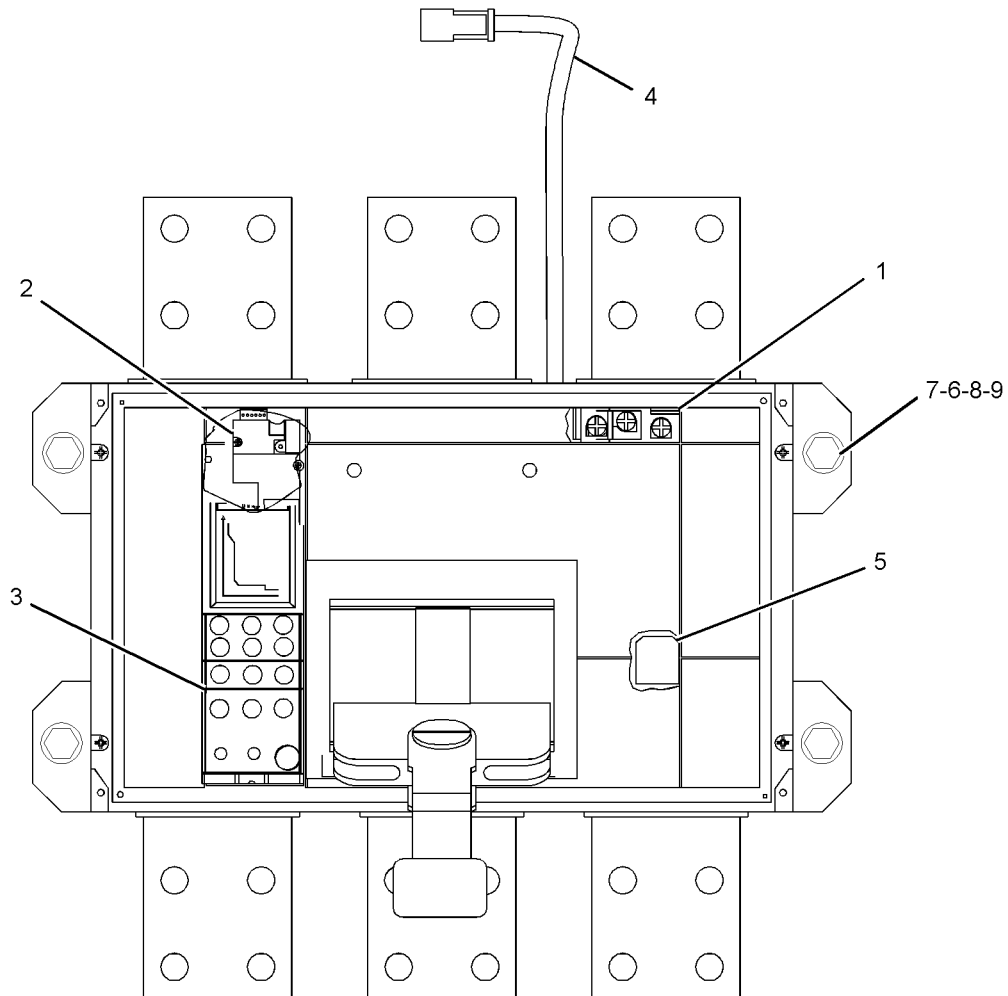
## 244-9810 CIRCUIT BREAKER AS-UL, MCCB, LSIG-H

S/N: YAT1-UP  
2500-AMPERE  
AN ATTACHMENT

SMCS-1420, 4461

i02422707

NOTE	REF NO	GRAPHIC REF	PART NUMBER	QTY	PART NAME						SEE PAGE
					1	2	3	4	5	6 (PRODUCT LEVEL)	
	1	1	244-9825	1	SWITCH-AUXILIARY (SINGLE POLE, DUAL THROW)						
	2	1	244-9834	1	MODULE (MODBUS COMMUNICATION)						
	3	1	244-9840	1	TRIP UNIT						
	4	1	244-9841	1	HARNESS AS-WIRING (CIRCUIT BREAKER) (4-PIN)						
	5	1	244-9861	1	SHUNT-TRIP						
	6	1	3B-4506	4	LOCKWASHER						
	7	1	4L-6459	4	BOLT (3/8-16X2.5-IN)						
	8	1	6V-8801	4	NUT (3/8-16-THD)						
	9	1	8T-4896	8	WASHER-HARD (10.2X18.5X2.5-MM THK)						



GRAPHIC #1

<END>

g01201168

# ELECTRICAL AND STARTING SYSTEM

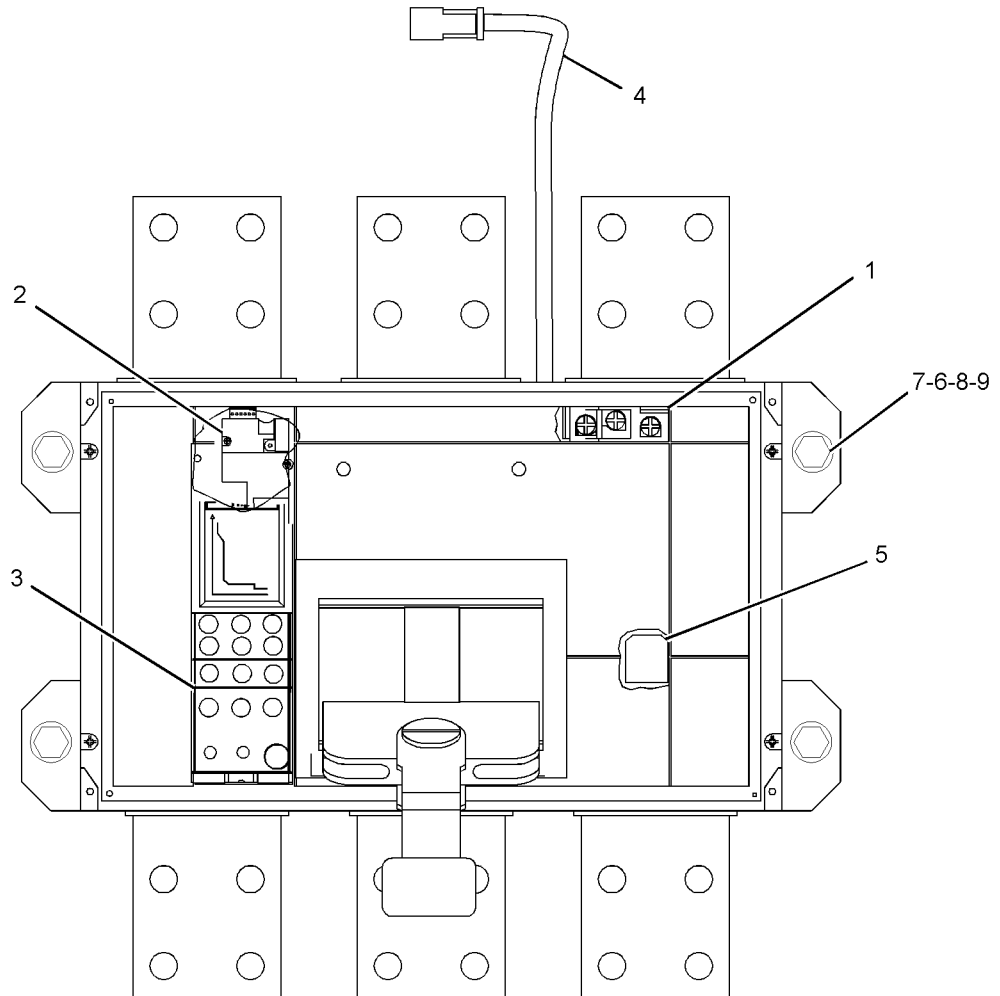
## 244-9811 CIRCUIT BREAKER AS-UL, MCCB, LSIG-P

S/N: YAT1-UP  
2500-AMPERE  
AN ATTACHMENT

SMCS-1420, 4461

i02422719

NOTE	REF NO	GRAPHIC REF	PART NUMBER	QTY	PART NAME						SEE PAGE
					1	2	3	4	5	6 (PRODUCT LEVEL)	
	1	1	244-9825	1	SWITCH-AUXILIARY (SINGLE POLE, DUAL THROW)						
	2	1	244-9834	1	MODULE (MODBUS COMMUNICATION)						
	3	1	244-9835	1	TRIP UNIT						
	4	1	244-9841	1	HARNESS AS-WIRING (CIRCUIT BREAKER) (4-PIN)						
	5	1	244-9861	1	SHUNT-TRIP						
	6	1	3B-4506	4	LOCKWASHER						
	7	1	4L-6459	4	BOLT (3/8-16X2.5-IN)						
	8	1	6V-8801	4	NUT (3/8-16-THD)						
	9	1	8T-4896	8	WASHER-HARD (10.2X18.5X2.5-MM THK)						



GRAPHIC #1

<END>

g01201242

# ELECTRICAL AND STARTING SYSTEM

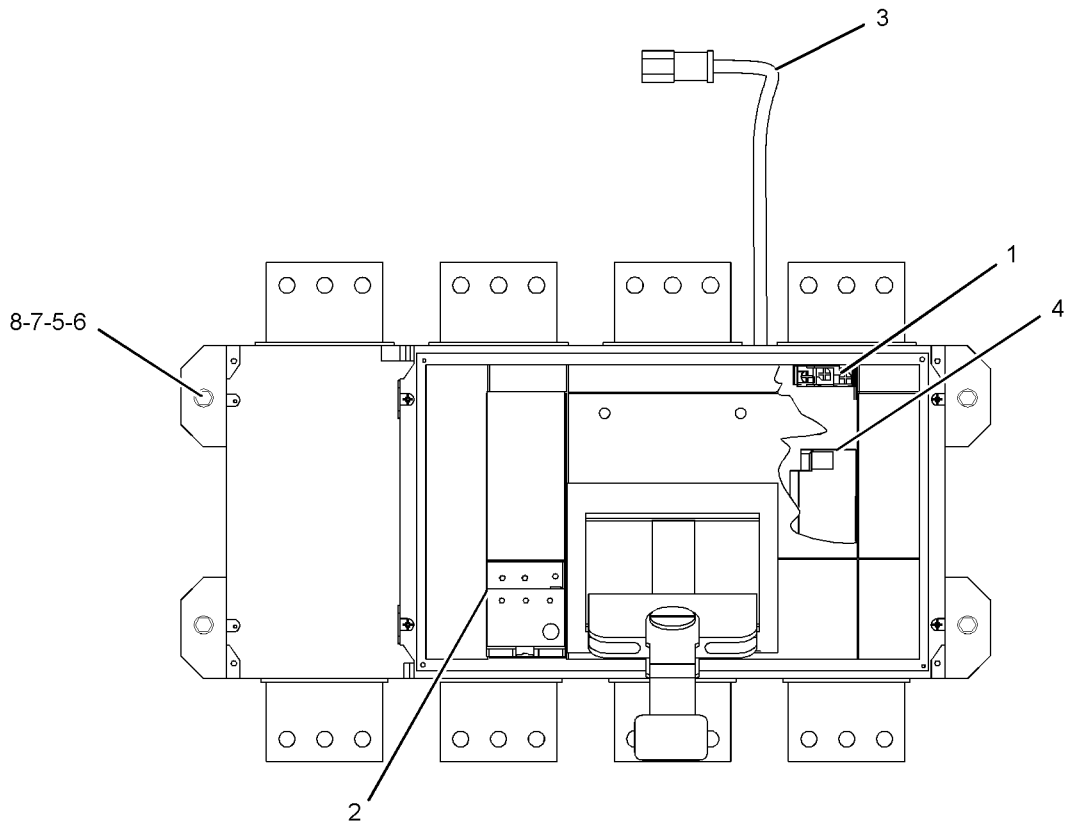
## 244-9812 CIRCUIT BREAKER AS-IEC, MCCB, LSI

S/N: YAT1-UP  
2500-AMPERE  
AN ATTACHMENT

SMCS-1420, 4461

i02422725

NOTE	REF NO	GRAPHIC REF	PART NUMBER	QTY	PART NAME						SEE PAGE
					1	2	3	4	5	6 (PRODUCT LEVEL)	
	1	1	244-9825	1	SWITCH-AUXILIARY (SINGLE POLE, DUAL THROW)						
	2	1	244-9831	1	TRIP UNIT						
	3	1	244-9841	1	HARNESS AS-WIRING (CIRCUIT BREAKER) (4-PIN)						
	4	1	244-9861	1	SHUNT-TRIP						
	5	1	3B-4506	4	LOCKWASHER						
	6	1	4L-6459	4	BOLT (3/8-16X2.5-IN)						
	7	1	6V-8801	4	NUT (3/8-16-THD)						
	8	1	8T-4896	8	WASHER-HARD (10.2X18.5X2.5-MM THK)						



GRAPHIC #1

<END>

g01201117

# ELECTRICAL AND STARTING SYSTEM

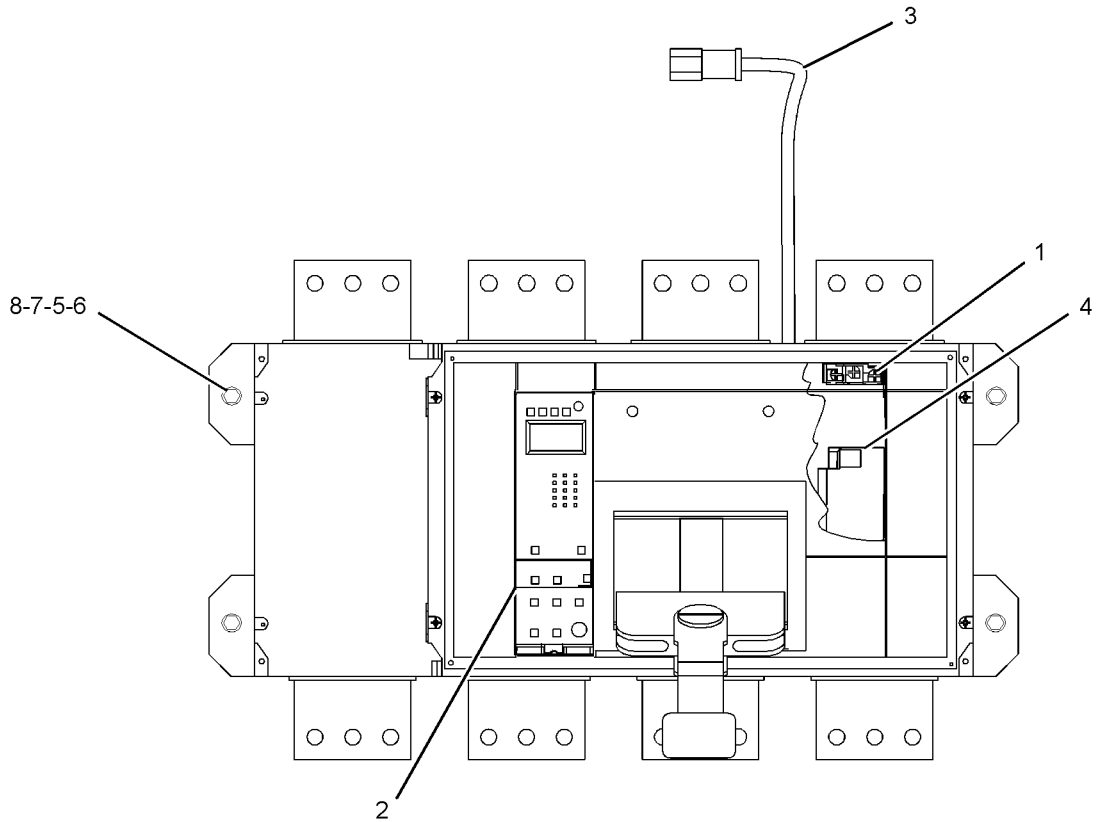
## 244-9813 CIRCUIT BREAKER AS-IEC, MCCB, LSIG

S/N: YAT1-UP  
2500-AMPERE  
AN ATTACHMENT

SMCS-1420, 4461

i02422731

NOTE	REF NO	GRAPHIC REF	PART NUMBER	QTY	PART NAME						SEE PAGE
					1	2	3	4	5	6 (PRODUCT LEVEL)	
	1	1	244-9825	1	SWITCH-AUXILIARY (SINGLE POLE, DUAL THROW)						
	2	1	244-9833	1	TRIP UNIT						
	3	1	244-9841	1	HARNESS AS-WIRING (CIRCUIT BREAKER) (4-PIN)						
	4	1	244-9861	1	SHUNT-TRIP						
	5	1	3B-4506	4	LOCKWASHER						
	6	1	4L-6459	4	BOLT (3/8-16X2.5-IN)						
	7	1	6V-8801	4	NUT (3/8-16-THD)						
	8	1	8T-4896	8	WASHER-HARD (10.2X18.5X2.5-MM THK)						



GRAPHIC #1

<END>

g01201101

# ELECTRICAL AND STARTING SYSTEM

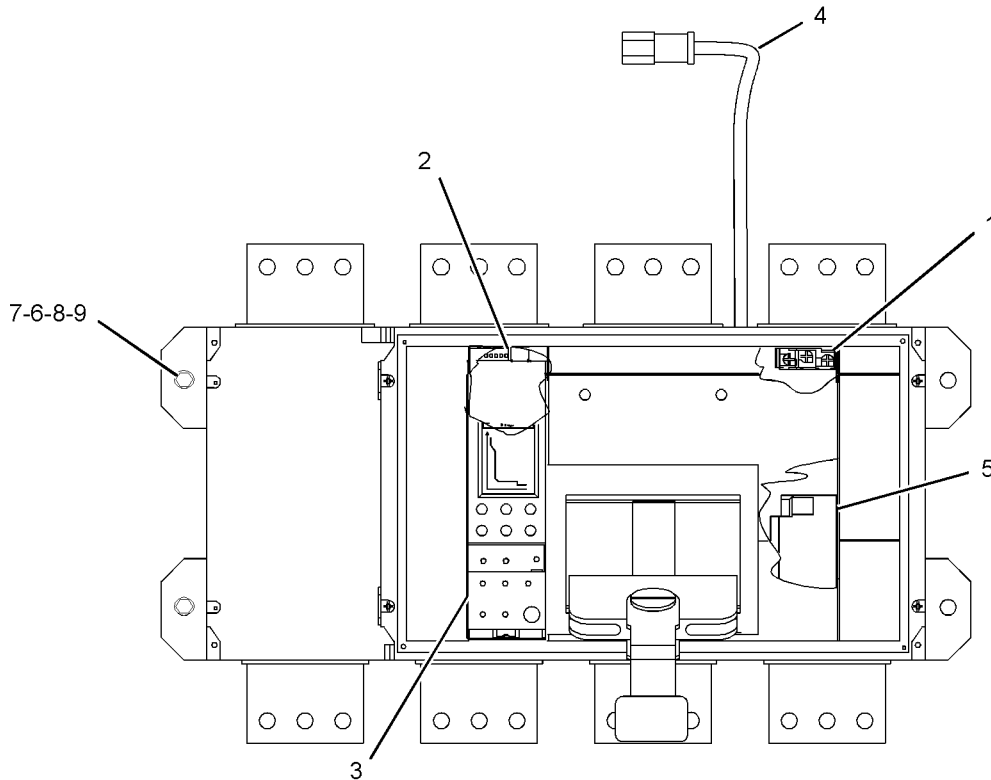
## 244-9815 CIRCUIT BREAKER AS-IEC, MCCB, LSIG-P

S/N: YAT1-UP  
2500-AMPERE  
AN ATTACHMENT

SMCS-1420, 4461

i02422738

NOTE	REF NO	GRAPHIC REF	PART NUMBER	QTY	PART NAME						SEE PAGE
					1	2	3	4	5	6 (PRODUCT LEVEL)	
	1	1	244-9825	1	SWITCH-AUXILIARY (SINGLE POLE, DUAL THROW)						
	2	1	244-9834	1	MODULE (MODBUS COMMUNICATION)						
	3	1	244-9835	1	TRIP UNIT						
	4	1	244-9841	1	HARNESS AS-WIRING (CIRCUIT BREAKER) (4-PIN)						
	5	1	244-9861	1	SHUNT-TRIP						
	6	1	3B-4506	4	LOCKWASHER						
	7	1	4L-6459	4	BOLT (3/8-16X2.5-IN)						
	8	1	6V-8801	4	NUT (3/8-16-THD)						
	9	1	8T-4896	8	WASHER-HARD (10.2X18.5X2.5-MM THK)						



GRAPHIC #1

<END>

g01201125



# ELECTRICAL AND STARTING SYSTEM

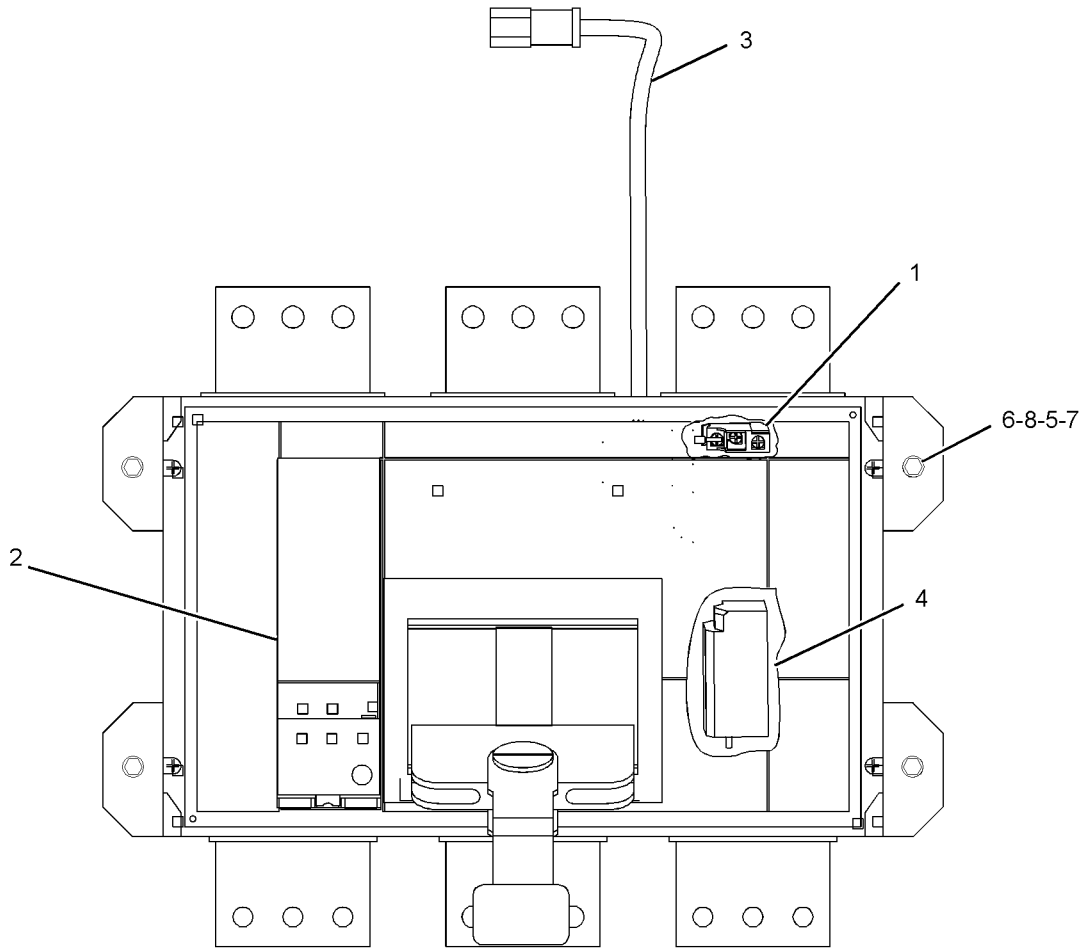
## 244-9816 CIRCUIT BREAKER AS-IEC, MCCB, LSI

S/N: YAT1-UP  
3200-AMPERE  
AN ATTACHMENT

SMCS-1420, 4461

i02490816

NOTE	REF NO	GRAPHIC REF	PART NUMBER	QTY	PART NAME						SEE PAGE
					1	2	3	4	5	6 (PRODUCT LEVEL)	
	1	1	244-9825	1	SWITCH-AUXILIARY (SINGLE POLE, DUAL THROW)						
	2	1	244-9831	1	TRIP UNIT						
	3	1	244-9841	1	HARNESS AS-WIRING (CIRCUIT BREAKER) (4-PIN)						
	4	1	244-9861	1	SHUNT-TRIP						
	5	1	3B-4506	4	LOCKWASHER						
	6	1	4L-6459	4	BOLT (3/8-16X2.5-IN)						
	7	1	6V-8801	4	NUT (3/8-16-THD)						
	8	1	8T-4896	8	WASHER-HARD (10.2X18.5X2.5-MM THK)						



GRAPHIC #1

<END>

g01244609

# ELECTRICAL AND STARTING SYSTEM

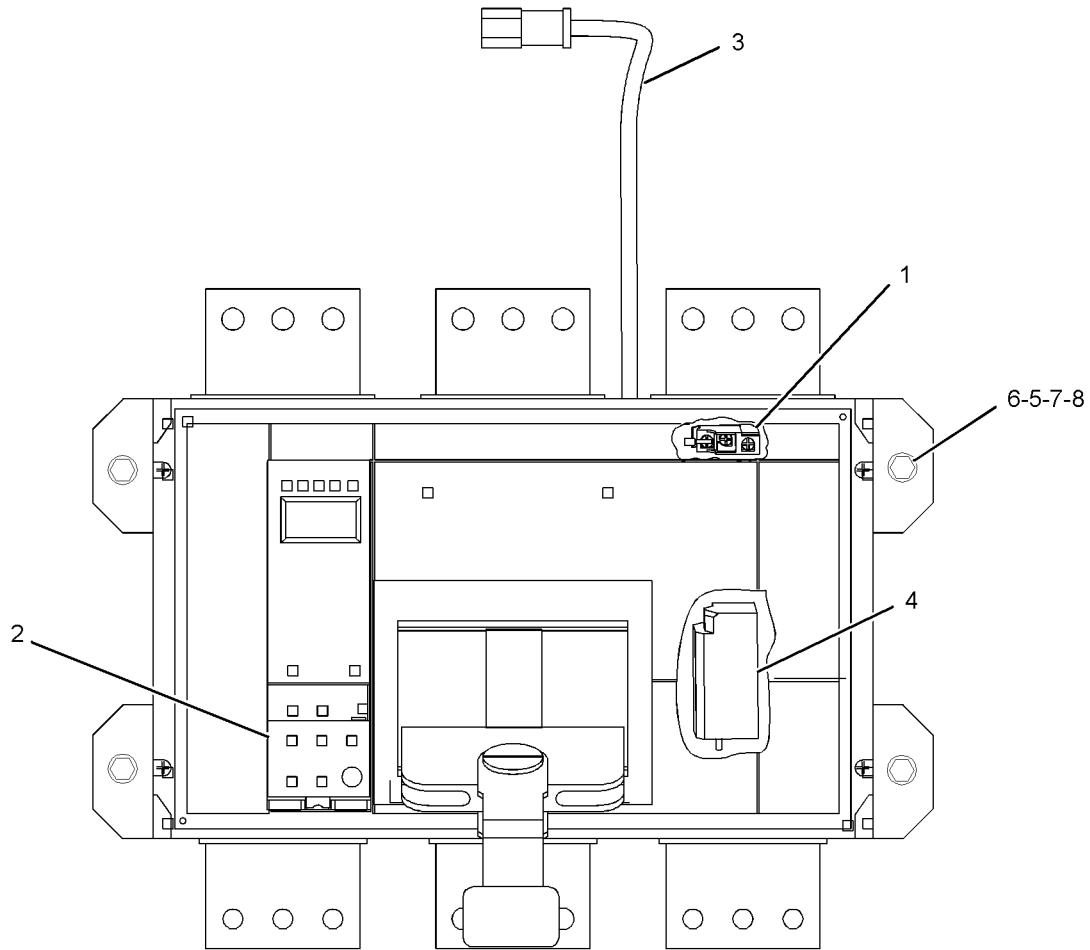
## 244-9817 CIRCUIT BREAKER AS-IEC, MCCB, LSIG

S/N: YAT1-UP  
3200-AMPERE  
AN ATTACHMENT

SMCS-1420, 4461

i02490818

NOTE	REF NO	GRAPHIC REF	PART NUMBER	QTY	PART NAME						SEE PAGE
					1	2	3	4	5	6 (PRODUCT LEVEL)	
	1	1	244-9825	1	SWITCH-AUXILIARY (SINGLE POLE, DUAL THROW)						
	2	1	244-9833	1	TRIP UNIT						
	3	1	244-9841	1	HARNESS AS-WIRING (CIRCUIT BREAKER) (4-PIN)						
	4	1	244-9861	1	SHUNT-TRIP						
	5	1	3B-4506	4	LOCKWASHER						
	6	1	4L-6459	4	BOLT (3/8-16X2.5-IN)						
	7	1	6V-8801	4	NUT (3/8-16-THD)						
	8	1	8T-4896	8	WASHER-HARD (10.2X18.5X2.5-MM THK)						



GRAPHIC #1

<END>

g01244620

# ELECTRICAL AND STARTING SYSTEM

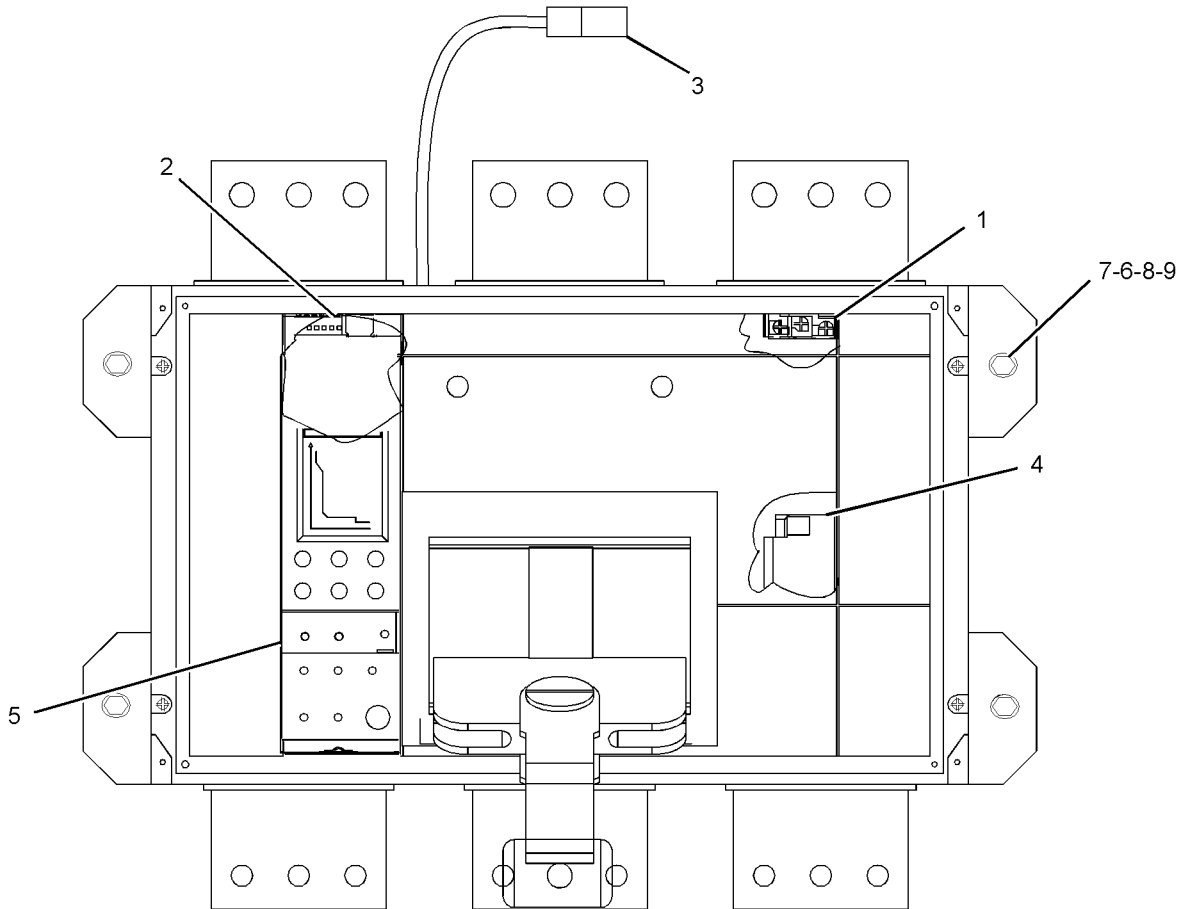
## 244-9819 CIRCUIT BREAKER AS-IEC, MCCB, LSIG-P

S/N: YAT1-UP  
3200-AMPERE  
AN ATTACHMENT

SMCS-1420, 4461

i02422744

NOTE	REF NO	GRAPHIC REF	PART NUMBER	QTY	PART NAME						SEE PAGE
					1	2	3	4	5	6 (PRODUCT LEVEL)	
	1	1	244-9825	1	SWITCH-AUXILIARY (SINGLE POLE, DUAL THROW)						
	2	1	244-9834	1	MODULE (MODBUS COMMUNICATION)						
	3	1	244-9841	1	HARNESS AS-WIRING (CIRCUIT BREAKER) (4-PIN)						
	4	1	244-9861	1	SHUNT-TRIP						
	5	1	244-9835	1	TRIP UNIT						
	6	1	3B-4506	4	LOCKWASHER						
	7	1	4L-6459	4	BOLT (3/8-16X2.5-IN)						
	8	1	6V-8801	4	NUT (3/8-16-THD)						
	9	1	8T-4896	8	WASHER-HARD (10.2X18.5X2.5-MM THK)						



GRAPHIC #1

<END>

g01201096

# ELECTRICAL AND STARTING SYSTEM

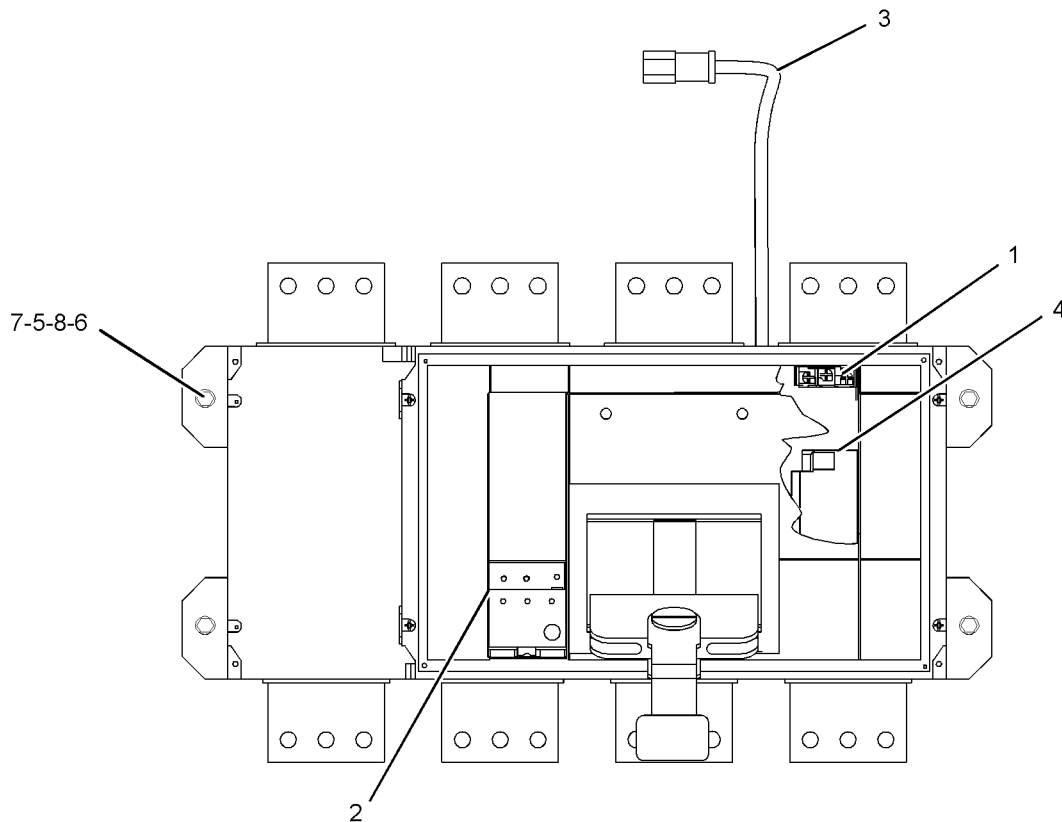
## 244-9820 CIRCUIT BREAKER AS-IEC, MCCB, LSI

S/N: YAT1-UP  
3200-AMPERE  
AN ATTACHMENT

SMCS-1420, 4461

i02422749

NOTE	REF NO	GRAPHIC REF	PART NUMBER	QTY	PART NAME						SEE PAGE
					1	2	3	4	5	6 (PRODUCT LEVEL)	
	1	1	244-9825	1	SWITCH-AUXILIARY (SINGLE POLE, DUAL THROW)						
	2	1	244-9831	1	TRIP UNIT						
	3	1	244-9841	1	HARNESS AS-WIRING (CIRCUIT BREAKER) (4-PIN)						
	4	1	244-9861	1	SHUNT-TRIP						
	5	1	3B-4506	4	LOCKWASHER						
	6	1	4L-6459	4	BOLT (3/8-16X2.5-IN)						
	7	1	6V-8801	4	NUT (3/8-16-THD)						
	8	1	8T-4896	8	WASHER-HARD (10.2X18.5X2.5-MM THK)						



GRAPHIC #1

<END>

g01201115

# ELECTRICAL AND STARTING SYSTEM

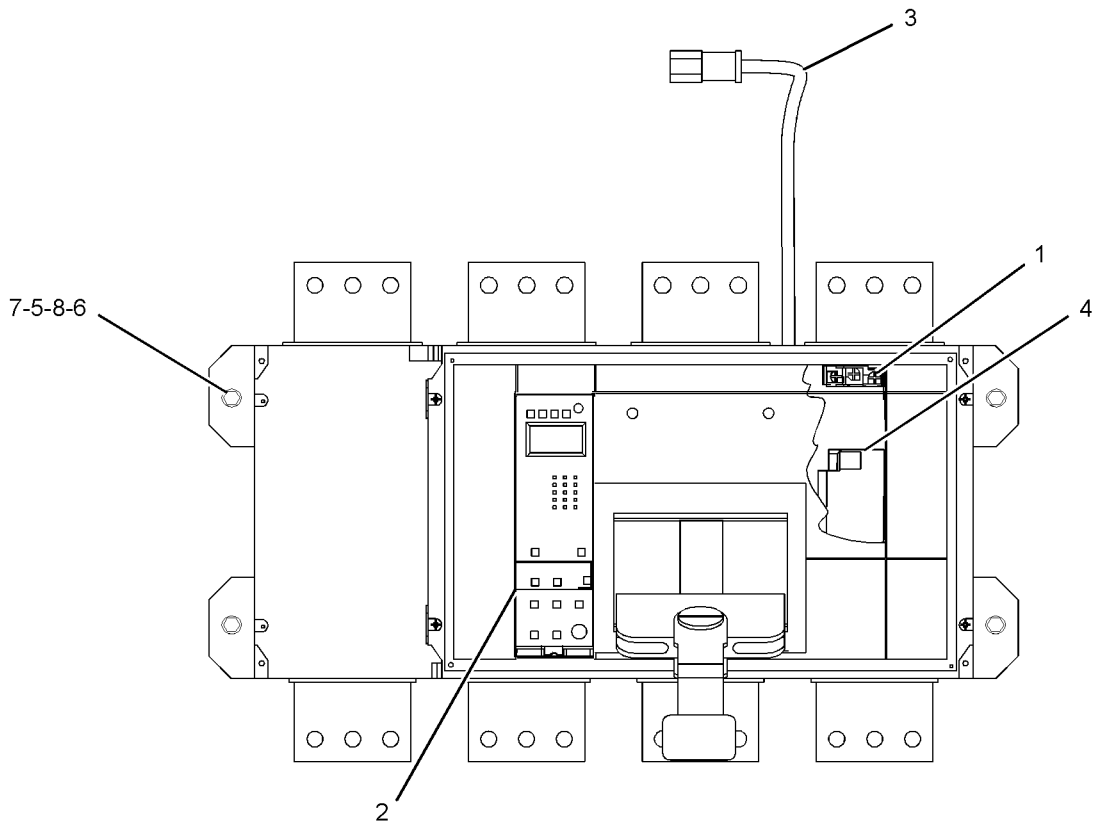
## 244-9821 CIRCUIT BREAKER AS-IEC, MCCB, LSIG

S/N: YAT1-UP  
3200-AMPERE  
AN ATTACHMENT

SMCS-1420, 4461

i02422760

NOTE	REF NO	GRAPHIC REF	PART NUMBER	QTY	PART NAME						SEE PAGE
					1	2	3	4	5	6 (PRODUCT LEVEL)	
	1	1	244-9825	1	SWITCH-AUXILIARY (SINGLE POLE, DUAL THROW)						
	2	1	244-9833	1	TRIP UNIT						
	3	1	244-9841	1	HARNESS AS-WIRING (CIRCUIT BREAKER) (4-PIN)						
	4	1	244-9861	1	SHUNT-TRIP						
	5	1	3B-4506	4	LOCKWASHER						
	6	1	4L-6459	4	BOLT (3/8-16X2.5-IN)						
	7	1	6V-8801	4	NUT (3/8-16-THD)						
	8	1	8T-4896	8	WASHER-HARD (10.2X18.5X2.5-MM THK)						



GRAPHIC #1

<END>

g01201098

# ELECTRICAL AND STARTING SYSTEM

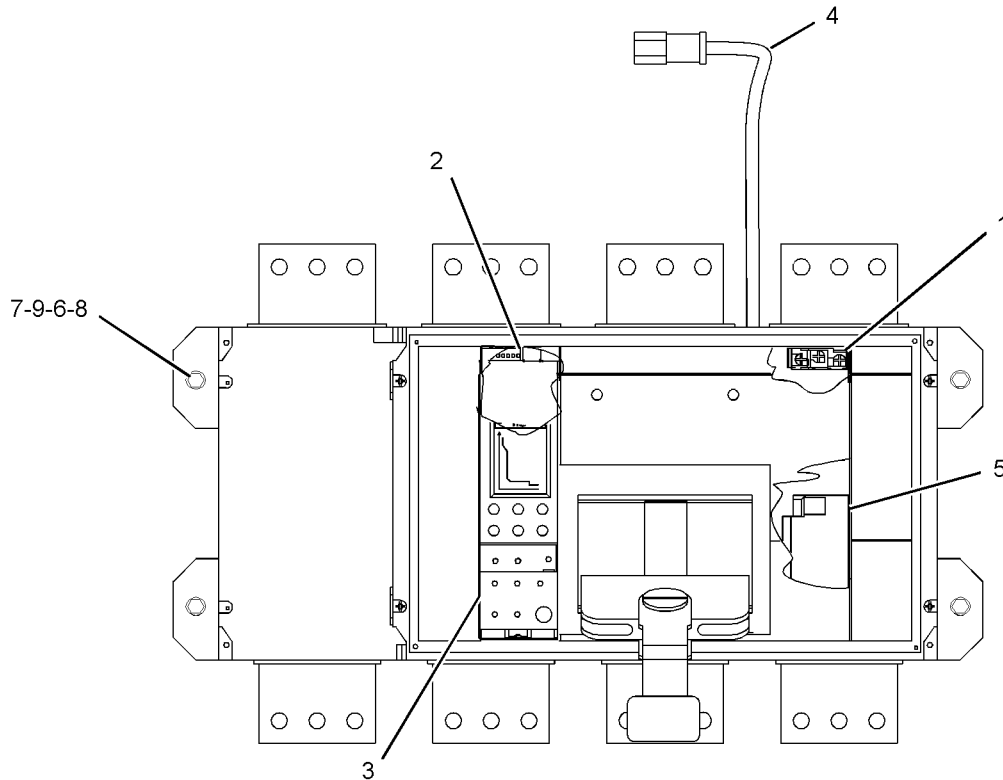
## 244-9823 CIRCUIT BREAKER AS-IEC, MCCB, LSIG-P

S/N: YAT1-UP  
3200-AMPERE  
AN ATTACHMENT

SMCS-1420, 4461

i02422761

NOTE	REF NO	GRAPHIC REF	PART NUMBER	QTY	PART NAME						SEE PAGE
					1	2	3	4	5	6 (PRODUCT LEVEL)	
	1	1	244-9825	1	SWITCH-AUXILIARY (SINGLE POLE, DUAL THROW)						
	2	1	244-9834	1	MODULE (MODBUS COMMUNICATION)						
	3	1	244-9835	1	TRIP UNIT						
	4	1	244-9841	1	HARNESS AS-WIRING (CIRCUIT BREAKER) (4-PIN)						
	5	1	244-9861	1	SHUNT-TRIP						
	6	1	3B-4506	4	LOCKWASHER						
	7	1	4L-6459	4	BOLT (3/8-16X2.5-IN)						
	8	1	6V-8801	4	NUT (3/8-16-THD)						
	9	1	8T-4896	8	WASHER-HARD (10.2X18.5X2.5-MM THK)						



GRAPHIC #1

<END>

g01201129

# ELECTRICAL AND STARTING SYSTEM

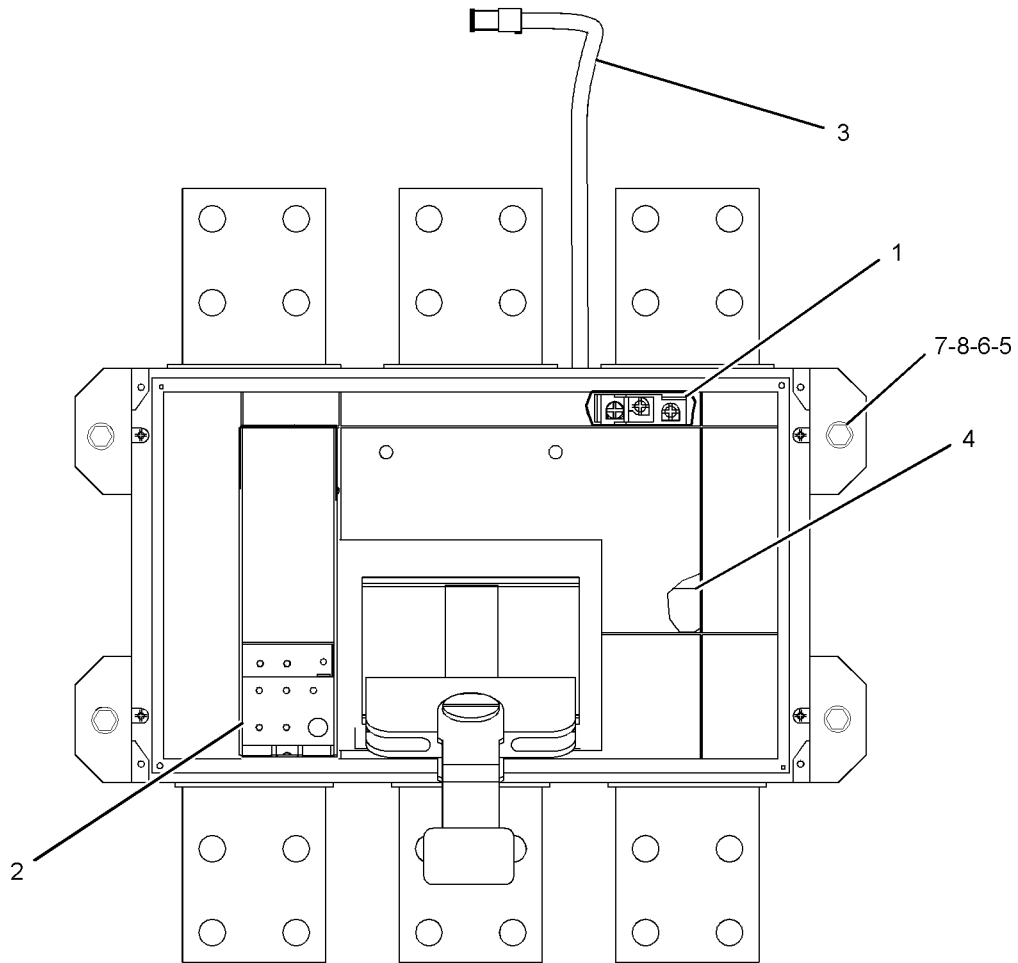
## 244-9864 CIRCUIT BREAKER AS-UL, MCCB, LSI

S/N: YAT1-UP  
1600-AMPERE  
AN ATTACHMENT

SMCS-1420, 4461

i02422768

NOTE	REF NO	GRAPHIC REF	PART NUMBER	QTY	PART NAME						SEE PAGE
					1	2	3	4	5	6 (PRODUCT LEVEL)	
	1	1	244-9825	1	SWITCH-AUXILIARY (SINGLE POLE, DUAL THROW)						
	2	1	244-9837	1	TRIP UNIT						
	3	1	244-9841	1	HARNESS AS-WIRING (CIRCUIT BREAKER) (4-PIN)						
	4	1	244-9861	1	SHUNT-TRIP						
	5	1	3B-4506	4	LOCKWASHER						
	6	1	4L-6459	4	BOLT (3/8-16X2.5-IN)						
	7	1	6V-8801	4	NUT (3/8-16-THD)						
	8	1	8T-4896	8	WASHER-HARD (10.2X18.5X2.5-MM THK)						



GRAPHIC #1

<END>

g01201793

# ELECTRICAL AND STARTING SYSTEM

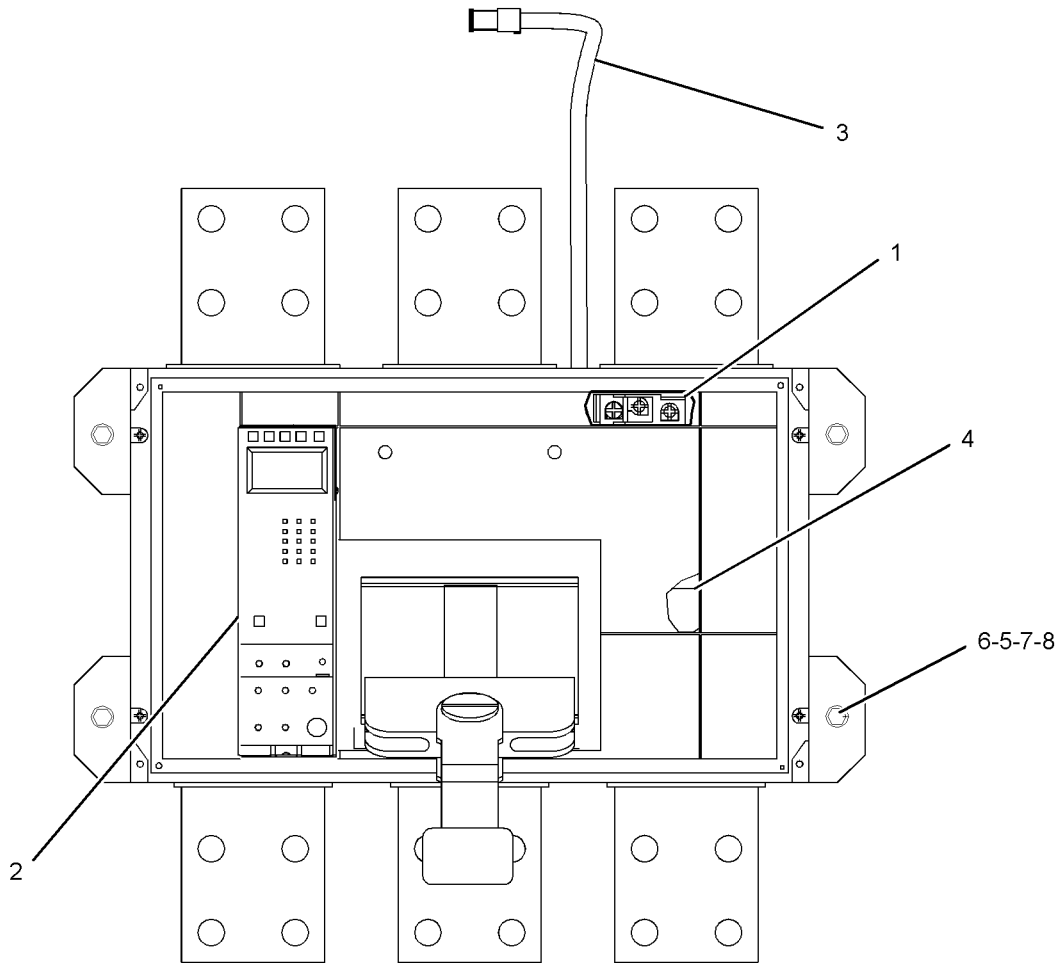
## 244-9865 CIRCUIT BREAKER AS-UL, MCCB, LSIG

S/N: YAT1-UP  
1600-AMPERE  
AN ATTACHMENT

SMCS-1420, 4461

i02422769

NOTE	REF NO	GRAPHIC REF	PART NUMBER	QTY	PART NAME						SEE PAGE
					1	2	3	4	5	6 (PRODUCT LEVEL)	
	1	1	244-9825	1	SWITCH-AUXILIARY (SINGLE POLE, DUAL THROW)						
	2	1	244-9833	1	TRIP UNIT						
	3	1	244-9841	1	HARNESS AS-WIRING (CIRCUIT BREAKER) (4-PIN)						
	4	1	244-9861	1	SHUNT-TRIP						
	5	1	3B-4506	4	LOCKWASHER						
	6	1	4L-6459	4	BOLT (3/8-16X2.5-IN)						
	7	1	6V-8801	4	NUT (3/8-16-THD)						
	8	1	8T-4896	8	WASHER-HARD (10.2X18.5X2.5-MM THK)						



GRAPHIC #1

<END>

g01197918



# ELECTRICAL AND STARTING SYSTEM

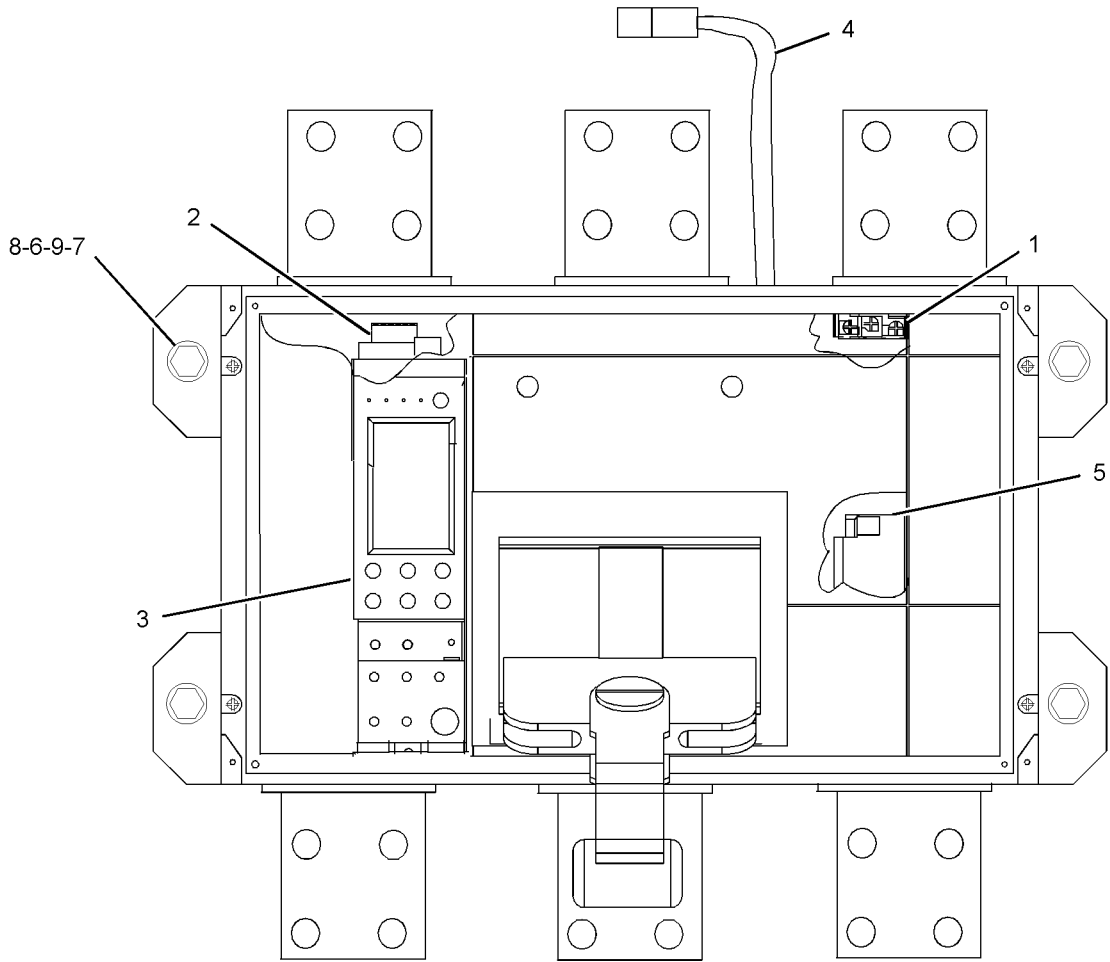
## 244-9866 CIRCUIT BREAKER AS-UL, MCCB, LSIG-H

S/N: YAT1-UP  
1600-AMPERE  
AN ATTACHMENT

SMCS-1420, 4461

i02422771

NOTE	REF NO	GRAPHIC REF	PART NUMBER	QTY	PART NAME						SEE PAGE
					1	2	3	4	5	6 (PRODUCT LEVEL)	
	1	1	244-9825	1	SWITCH-AUXILIARY (SINGLE POLE, DUAL THROW)						
	2	1	244-9834	1	MODULE (MODBUS COMMUNICATION)						
	3	1	244-9840	1	TRIP UNIT						
	4	1	244-9841	1	HARNESS AS-WIRING (CIRCUIT BREAKER) (4-PIN)						
	5	1	244-9861	1	SHUNT-TRIP						
	6	1	3B-4506	4	LOCKWASHER						
	7	1	4L-6459	4	BOLT (3/8-16X2.5-IN)						
	8	1	6V-8801	4	NUT (3/8-16-THD)						
	9	1	8T-4896	8	WASHER-HARD (10.2X18.5X2.5-MM THK)						



GRAPHIC #1

<END>

g01199812

# ELECTRICAL AND STARTING SYSTEM

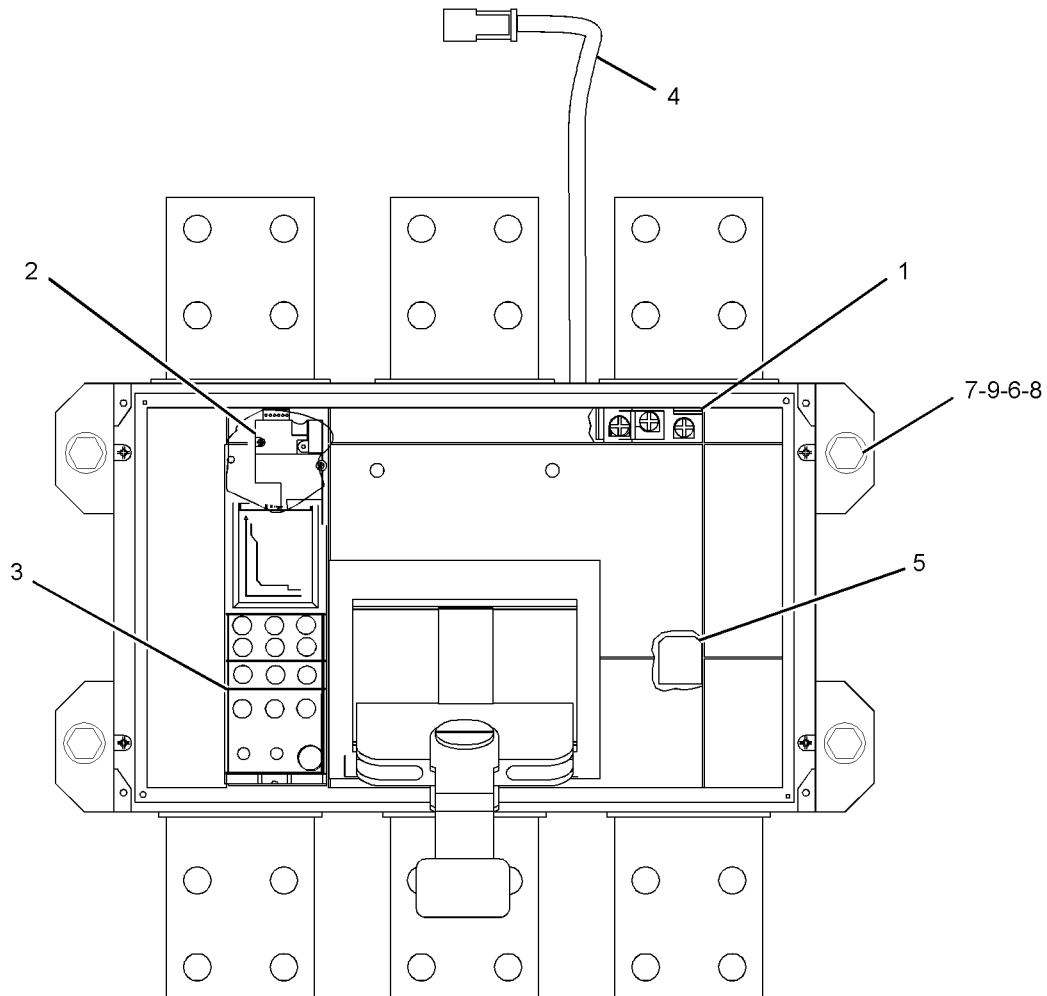
## 244-9867 CIRCUIT BREAKER AS-UL, MCCB, LSIG-P

S/N: YAT1-UP  
1600-AMPERE  
AN ATTACHMENT

SMCS-1420, 4461

i02422784

NOTE	REF NO	GRAPHIC REF	PART NUMBER	QTY	PART NAME						SEE PAGE
					1	2	3	4	5	6 (PRODUCT LEVEL)	
	1	1	244-9825	1	SWITCH-AUXILIARY (SINGLE POLE, DUAL THROW)						
	2	1	244-9834	1	MODULE (MODBUS COMMUNICATION)						
	3	1	244-9835	1	TRIP UNIT						
	4	1	244-9841	1	HARNESS AS-WIRING (CIRCUIT BREAKER) (4-PIN)						
	5	1	244-9861	1	SHUNT-TRIP						
	6	1	3B-4506	4	LOCKWASHER						
	7	1	4L-6459	4	BOLT (3/8-16X2.5-IN)						
	8	1	6V-8801	4	NUT (3/8-16-THD)						
	9	1	8T-4896	8	WASHER-HARD (10.2X18.5X2.5-MM THK)						



GRAPHIC #1

<END>

g01201276

# ELECTRICAL AND STARTING SYSTEM

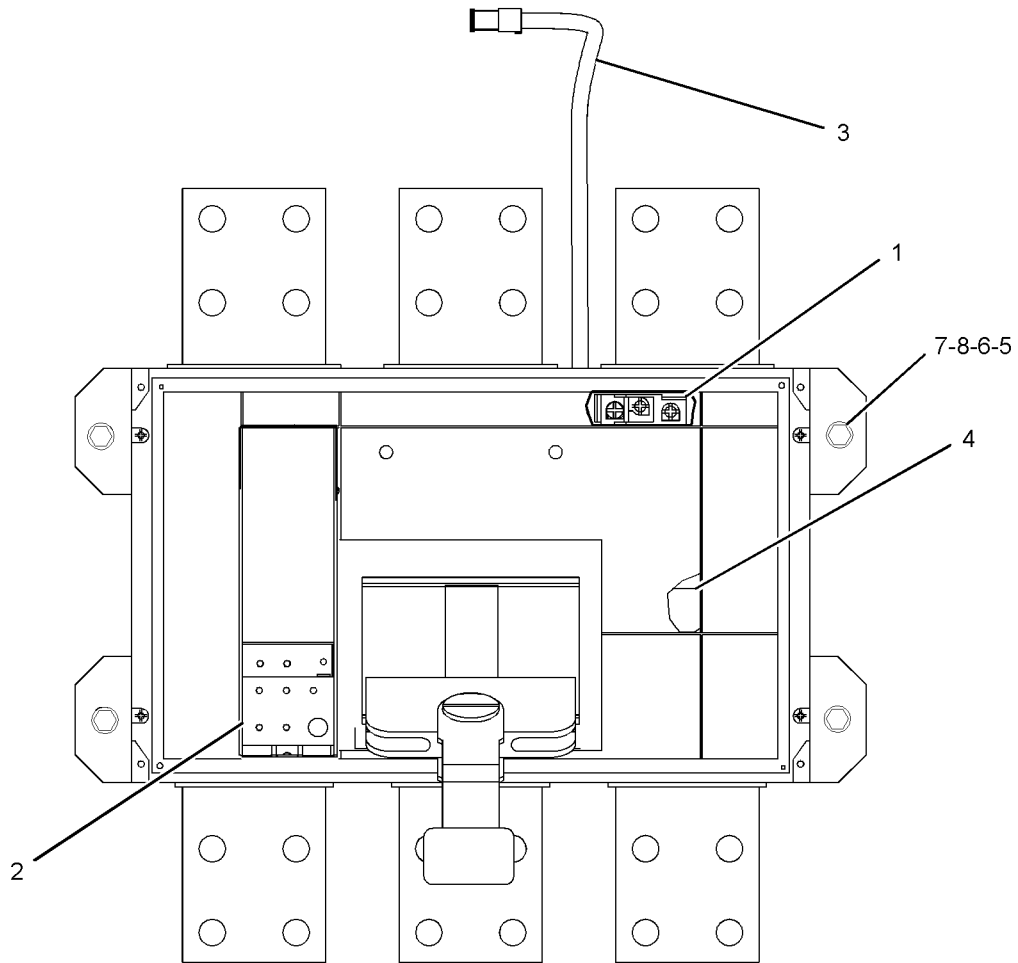
## 244-9868 CIRCUIT BREAKER AS-UL, MCCB, LSI

S/N: YAT1-UP  
2000-AMPERE  
AN ATTACHMENT

SMCS-1420, 4461

i02422788

NOTE	REF NO	GRAPHIC REF	PART NUMBER	QTY	PART NAME						SEE PAGE
					1	2	3	4	5	6 (PRODUCT LEVEL)	
	1	1	244-9825	1	SWITCH-AUXILIARY (SINGLE POLE, DUAL THROW)						
	2	1	244-9837	1	TRIP UNIT						
	3	1	244-9841	1	HARNESS AS-WIRING (CIRCUIT BREAKER) (4-PIN)						
	4	1	244-9861	1	SHUNT-TRIP						
	5	1	3B-4506	4	LOCKWASHER						
	6	1	4L-6459	4	BOLT (3/8-16X2.5-IN)						
	7	1	6V-8801	4	NUT (3/8-16-THD)						
	8	1	8T-4896	8	WASHER-HARD (10.2X18.5X2.5-MM THK)						



GRAPHIC #1

<END>

g01201793

# ELECTRICAL AND STARTING SYSTEM

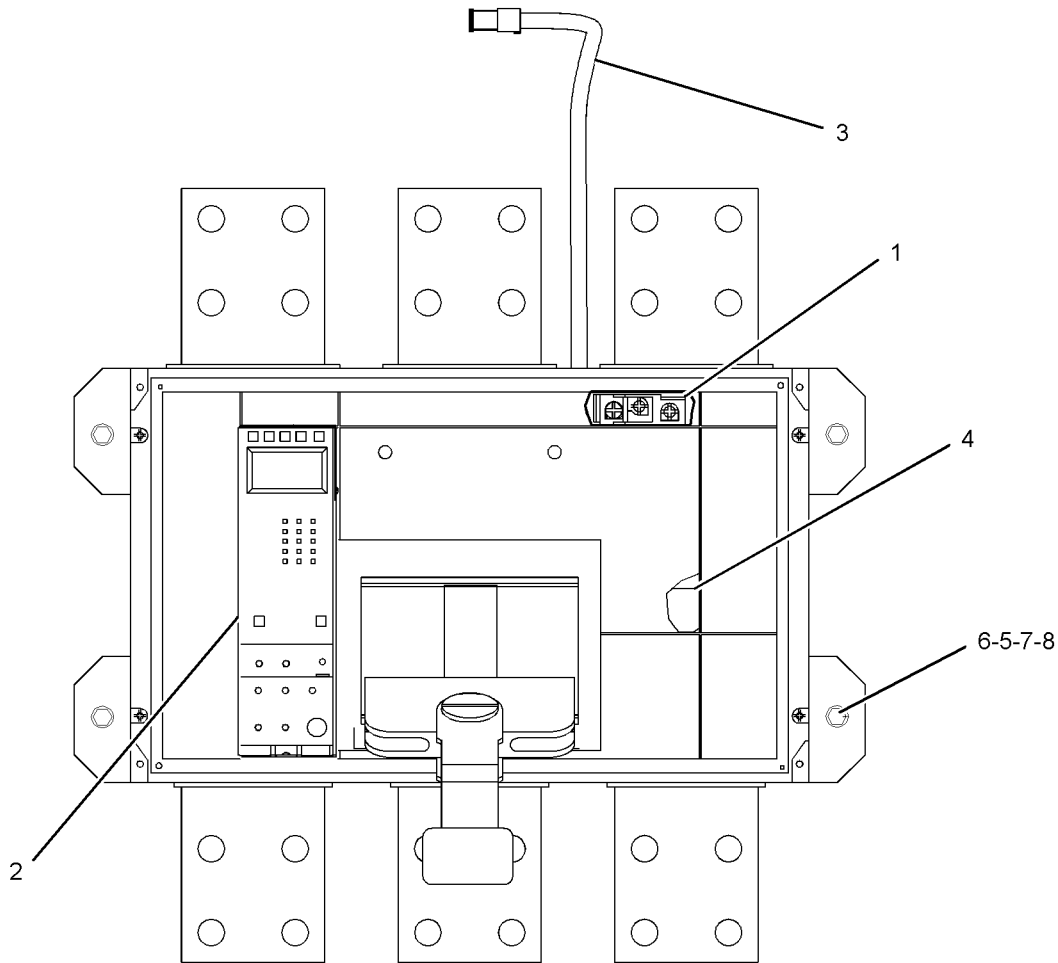
## 244-9869 CIRCUIT BREAKER AS-IEC, MCCB, LSIG

S/N: YAT1-UP  
2000-AMPERE  
AN ATTACHMENT

SMCS-1420, 4461

i02422790

NOTE	REF NO	GRAPHIC REF	PART NUMBER	QTY	PART NAME						SEE PAGE
					1	2	3	4	5	6 (PRODUCT LEVEL)	
	1	1	244-9825	1	SWITCH-AUXILIARY (SINGLE POLE, DUAL THROW)						
	2	1	244-9833	1	TRIP UNIT						
	3	1	244-9841	1	HARNESS AS-WIRING (CIRCUIT BREAKER) (4-PIN)						
	4	1	244-9861	1	SHUNT-TRIP						
	5	1	3B-4506	4	LOCKWASHER						
	6	1	4L-6459	4	BOLT (3/8-16X2.5-IN)						
	7	1	6V-8801	4	NUT (3/8-16-THD)						
	8	1	8T-4896	8	WASHER-HARD (10.2X18.5X2.5-MM THK)						



GRAPHIC #1

<END>

g01197918

# ELECTRICAL AND STARTING SYSTEM

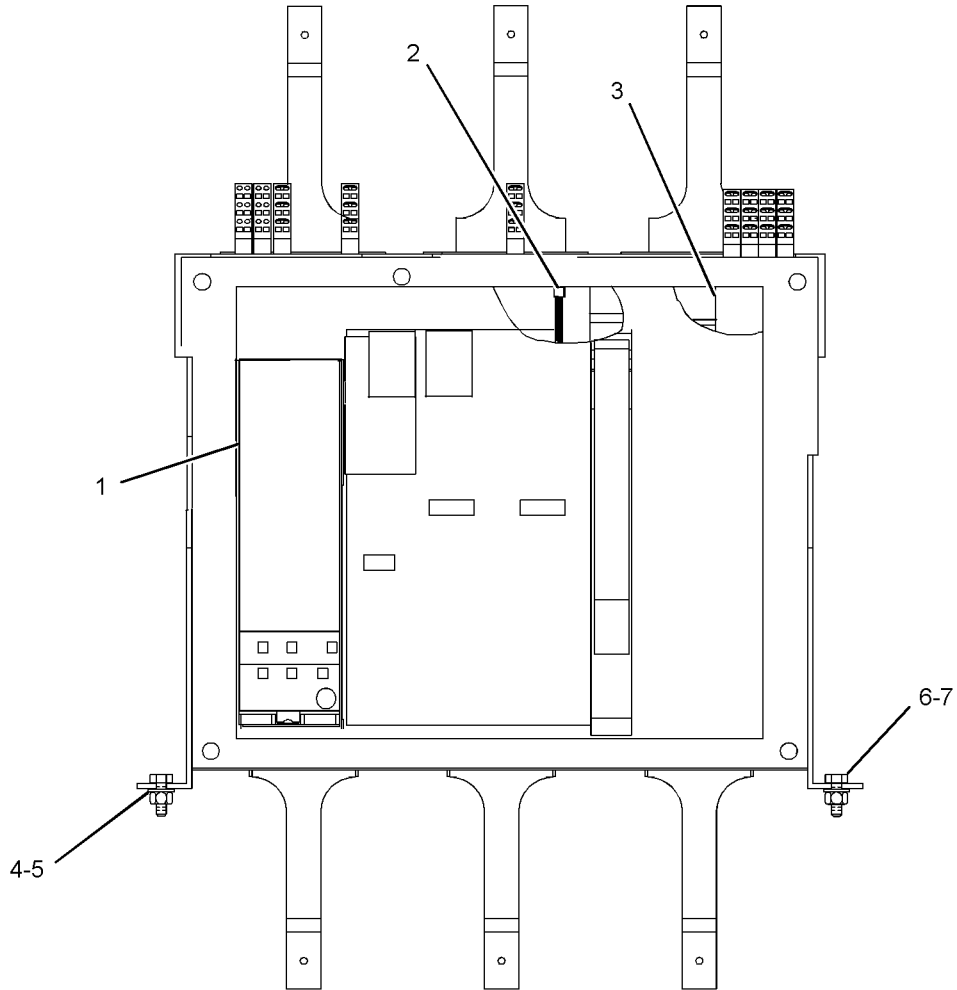
## 244-9870 CIRCUIT BREAKER AS-UL, ICCB, LSI

S/N: YAT1-UP  
1600-AMPERE  
AN ATTACHMENT

SMCS-1420, 4461

i02496182

NOTE	REF NO	GRAPHIC REF	PART NUMBER	QTY	PART NAME						SEE PAGE
					1	2	3	4	5	6 (PRODUCT LEVEL)	
	1	1	244-9837	1	TRIP UNIT						
	2	1	244-9858	1	SHUNT-TRIP						
	3	1	244-9973	1	SWITCH-AUXILIARY (SINGLE POLE, DUAL THROW)						
	4	1	3B-4506	4	LOCKWASHER						
	5	1	6V-8801	4	NUT (3/8-16-THD)						
	6	1	8T-4896	4	WASHER-HARD (10.2X18.5X2.5-MM THK)						
	7	1	9B-7237	4	BOLT (3/8-16X1.25-IN)						



GRAPHIC #1

<END>

g01248119

# ELECTRICAL AND STARTING SYSTEM

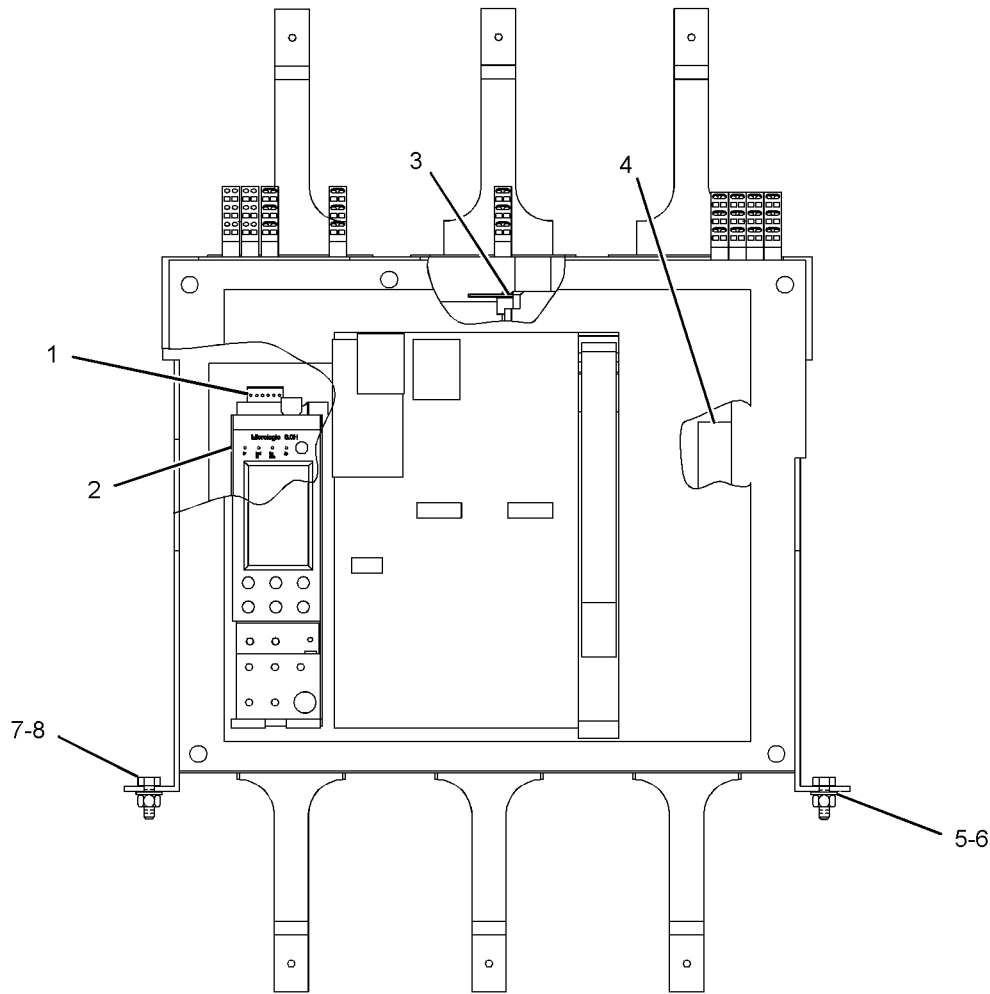
## 244-9873 CIRCUIT BREAKER AS-UL, ICCB, LSIG-P

S/N: YAT1-UP  
1600-AMPERE  
AN ATTACHMENT

SMCS-1420, 4461

i02292247

NOTE	REF NO	GRAPHIC REF	PART NUMBER	QTY	PART NAME						SEE PAGE
					1	2	3	4	5	6 (PRODUCT LEVEL)	
	1	1	244-9834	1	MODULE (MODBUS COMMUNICATION)						
	2	1	244-9835	1	TRIP UNIT						
	3	1	244-9858	1	SHUNT-TRIP						
	4	1	244-9973	1	SWITCH-AUXILIARY (SINGLE POLE, DUAL THROW)						
	5	1	3B-4506	4	LOCKWASHER						
	6	1	6V-8801	4	NUT (3/8-16-THD)						
	7	1	8T-4896	4	WASHER-HARD (10.2X18.5X2.5-MM THK)						
	8	1	9B-7237	4	BOLT (3/8-16X1.25-IN)						



GRAPHIC #1

<END>

g01205127

# ELECTRICAL AND STARTING SYSTEM

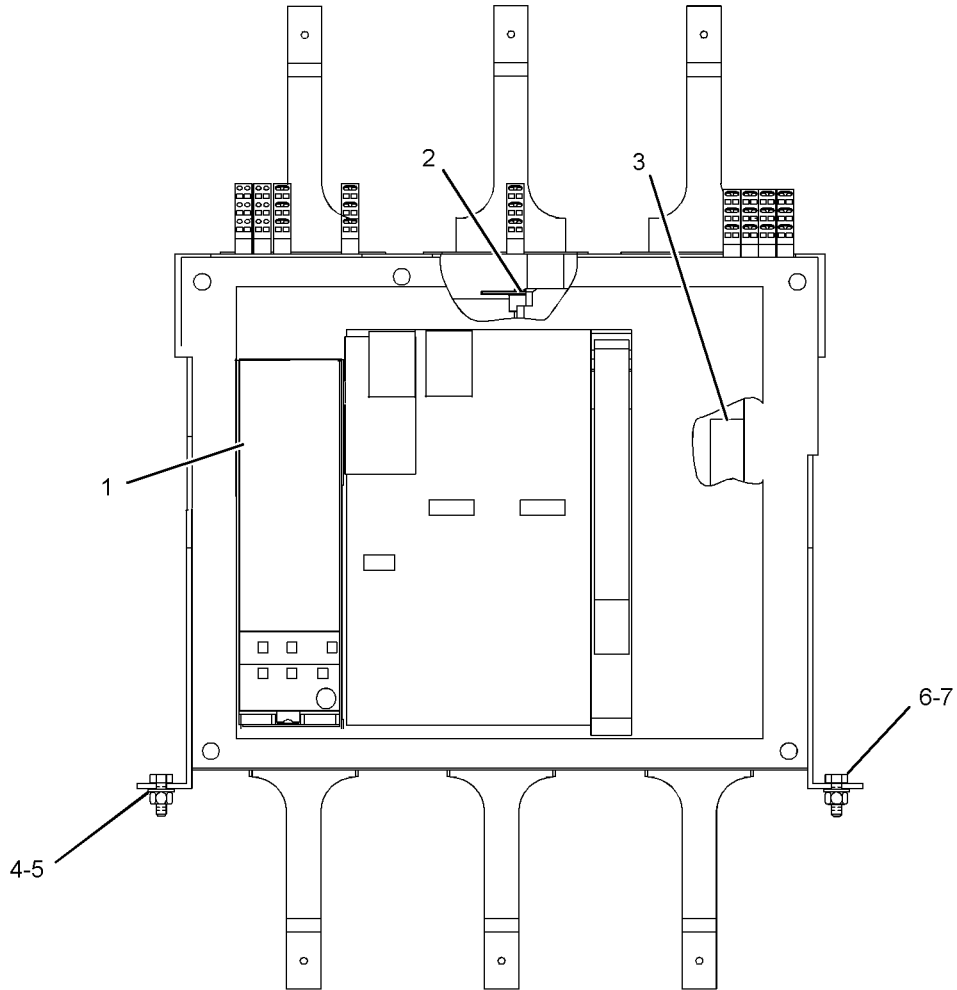
## 244-9874 CIRCUIT BREAKER AS-IEC, ICCB, LSI

S/N: YAT1-UP  
2000-AMPERE  
AN ATTACHMENT

SMCS-1420, 4461

i02292249

NOTE	REF NO	GRAPHIC REF	PART NUMBER	QTY	PART NAME						SEE PAGE
					1	2	3	4	5	6 (PRODUCT LEVEL)	
	1	1	244-9831	1	TRIP UNIT						
	2	1	244-9858	1	SHUNT-TRIP						
	3	1	244-9973	1	SWITCH-AUXILIARY (SINGLE POLE, DUAL THROW)						
	4	1	3B-4506	4	LOCKWASHER						
	5	1	6V-8801	4	NUT (3/8-16-THD)						
	6	1	8T-4896	4	WASHER-HARD (10.2X18.5X2.5-MM THK)						
	7	1	9B-7237	4	BOLT (3/8-16X1.25-IN)						



GRAPHIC #1

<END>

g01204904

# ELECTRICAL AND STARTING SYSTEM

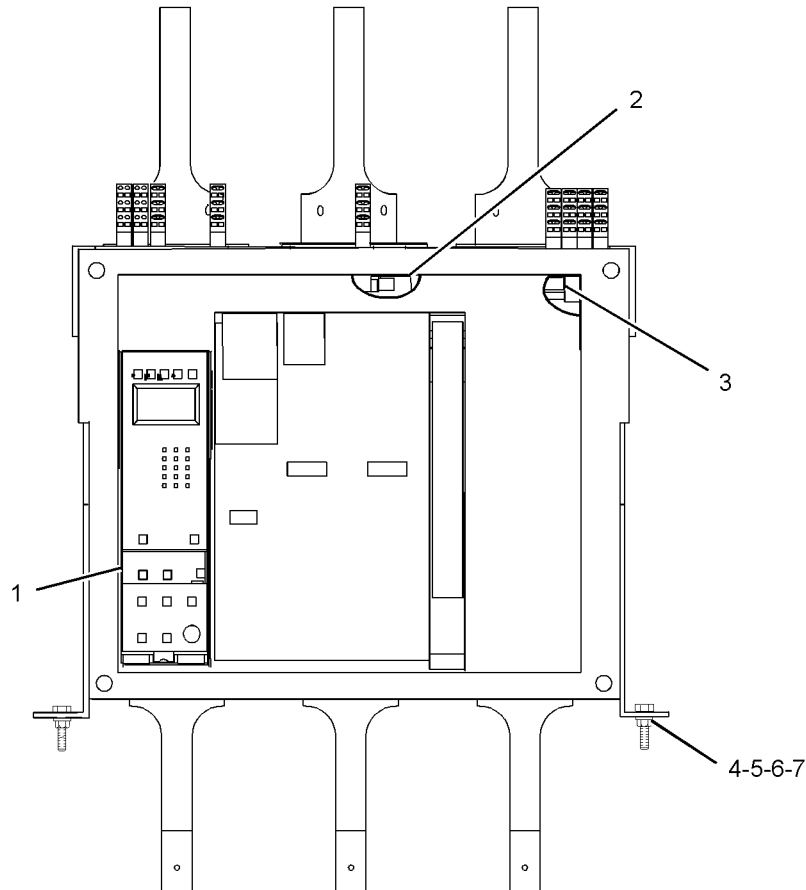
## 244-9875 CIRCUIT BREAKER AS-IEC, ICCB, LSIG

S/N: YAT1-UP  
2000-AMPERE  
AN ATTACHMENT

SMCS-1420, 4461

i02292256

NOTE	REF NO	GRAPHIC REF	PART NUMBER	QTY	PART NAME						SEE PAGE
					1	2	3	4	5	6 (PRODUCT LEVEL)	
	1	1	244-9833	1	TRIP UNIT						
	2	1	244-9858	1	SHUNT-TRIP						
	3	1	244-9973	1	SWITCH-AUXILIARY (SINGLE POLE, DUAL THROW)						
	4	1	3B-4506	4	LOCKWASHER						
	5	1	6V-8801	4	NUT (3/8-16-THD)						
	6	1	8T-4896	4	WASHER-HARD (10.2X18.5X2.5-MM THK)						
	7	1	9B-7237	4	BOLT (3/8-16X1.25-IN)						



GRAPHIC #1

<END>

g01205434



# ELECTRICAL AND STARTING SYSTEM

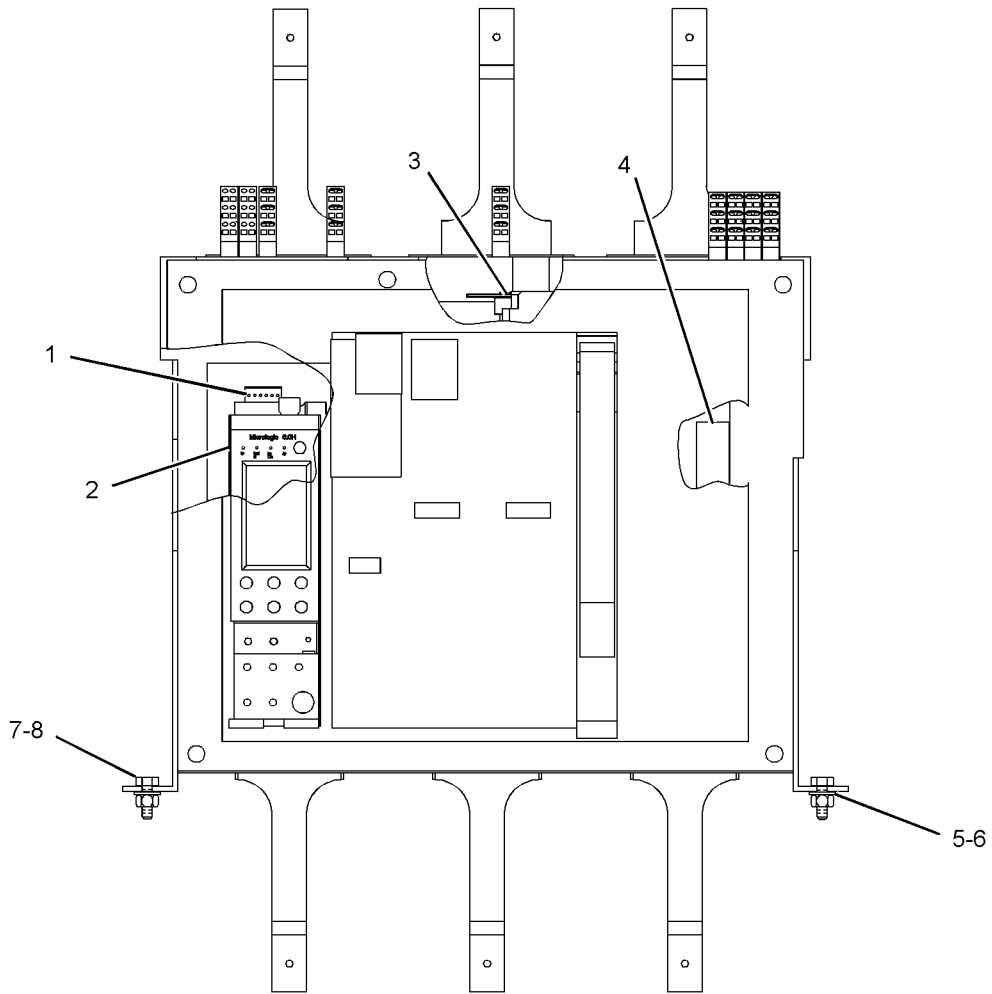
## 244-9876 CIRCUIT BREAKER AS-IEC, ICCB, LSIG-P

S/N: YAT1-UP  
2000-AMPERE  
AN ATTACHMENT

SMCS-1420, 4461

i02292258

NOTE	REF NO	GRAPHIC REF	PART NUMBER	QTY	PART NAME						SEE PAGE
					1	2	3	4	5	6 (PRODUCT LEVEL)	
	1	1	244-9834	1	MODULE (MODBUS COMMUNICATION)						
	2	1	244-9835	1	TRIP UNIT						
	3	1	244-9858	1	SHUNT-TRIP						
	4	1	244-9973	1	SWITCH-AUXILIARY (SINGLE POLE, DUAL THROW)						
	5	1	3B-4506	4	LOCKWASHER						
	6	1	6V-8801	4	NUT (3/8-16-THD)						
	7	1	8T-4896	4	WASHER-HARD (10.2X18.5X2.5-MM THK)						
	8	1	9B-7237	4	BOLT (3/8-16X1.25-IN)						



GRAPHIC #1

<END>

g01205128

# ELECTRICAL AND STARTING SYSTEM

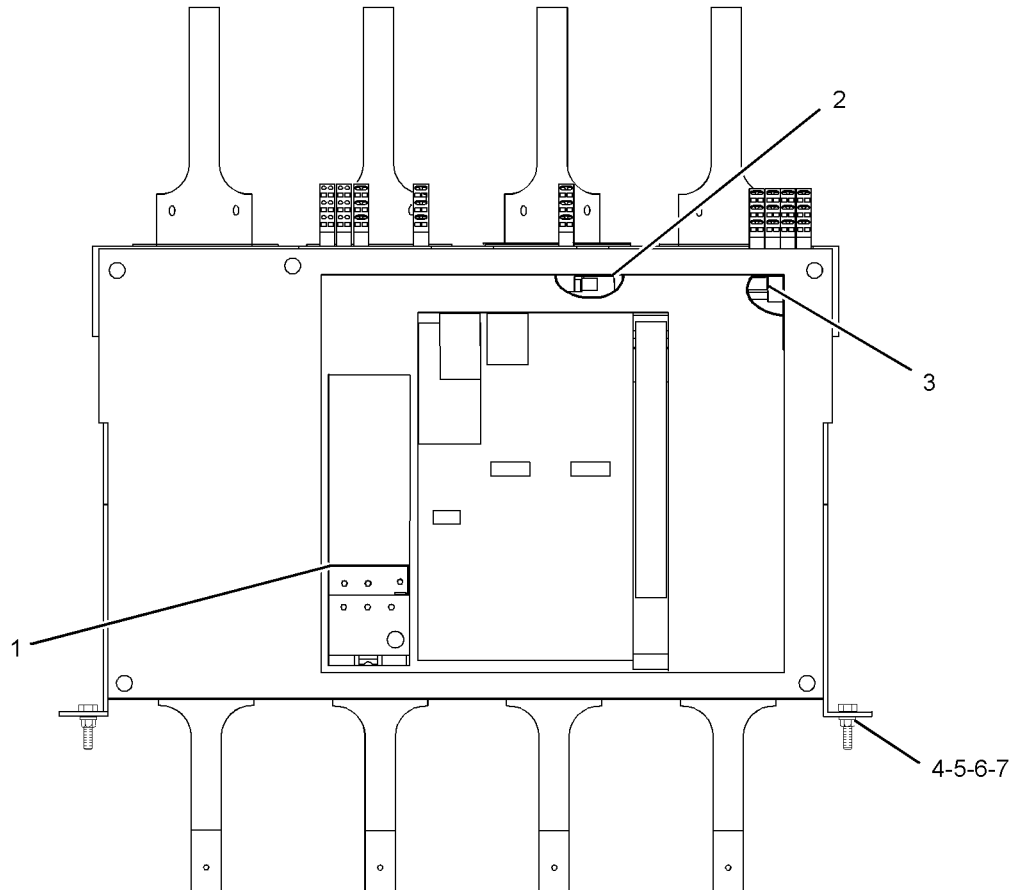
## 244-9877 CIRCUIT BREAKER AS-IEC, ICCB, LSI

S/N: YAT1-UP  
2000-AMPERE  
AN ATTACHMENT

SMCS-1420, 4461

i02292259

NOTE	REF NO	GRAPHIC REF	PART NUMBER	QTY	PART NAME						SEE PAGE
					1	2	3	4	5	6 (PRODUCT LEVEL)	
	1	1	244-9831	1	TRIP UNIT						
	2	1	244-9858	1	SHUNT-TRIP						
	3	1	244-9973	1	SWITCH-AUXILIARY (SINGLE POLE, DUAL THROW)						
	4	1	3B-4506	4	LOCKWASHER						
	5	1	6V-8801	4	NUT (3/8-16-THD)						
	6	1	8T-4896	4	WASHER-HARD (10.2X18.5X2.5-MM THK)						
	7	1	9B-7237	4	BOLT (3/8-16X1.25-IN)						



GRAPHIC #1

<END>

g01205016

# ELECTRICAL AND STARTING SYSTEM

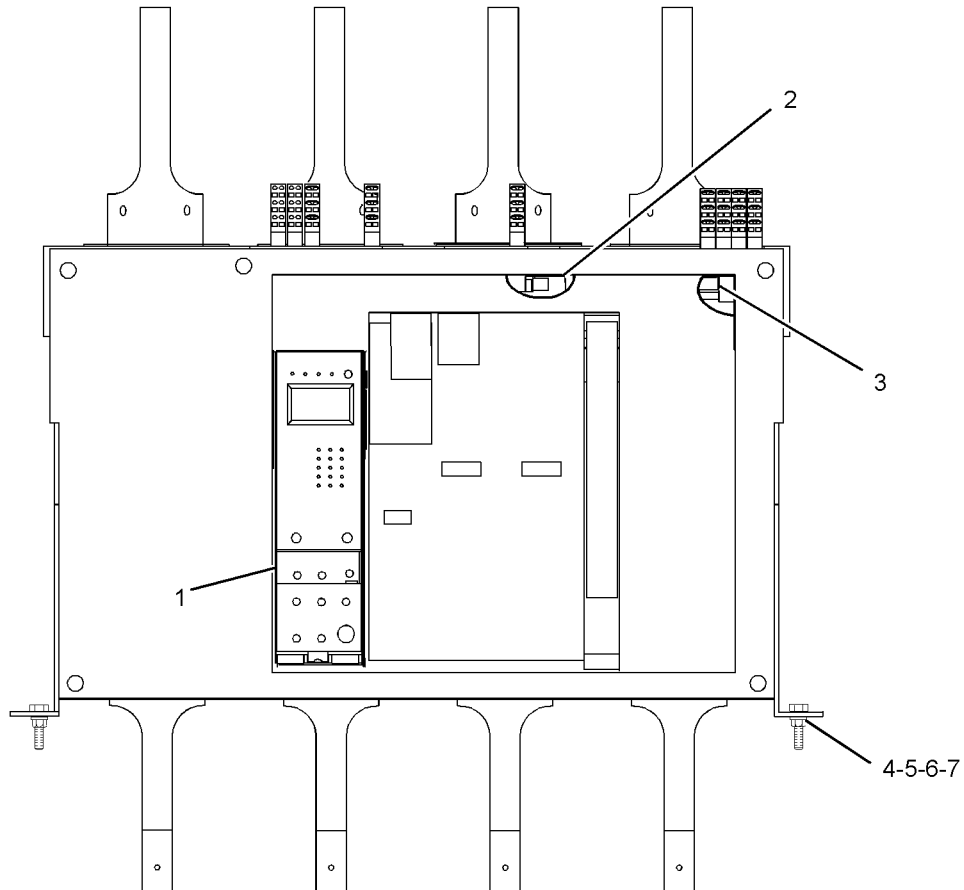
## 244-9878 CIRCUIT BREAKER AS-IEC, ICCB, LSIG

S/N: YAT1-UP  
2000-AMPERE  
AN ATTACHMENT

SMCS-1420, 4461

i02292260

NOTE	REF NO	GRAPHIC REF	PART NUMBER	QTY	PART NAME						SEE PAGE
					1	2	3	4	5	6 (PRODUCT LEVEL)	
	1	1	244-9833	1	TRIP UNIT						
	2	1	244-9858	1	SHUNT-TRIP						
	3	1	244-9973	1	SWITCH-AUXILIARY (SINGLE POLE, DUAL THROW)						
	4	1	3B-4506	4	LOCKWASHER						
	5	1	6V-8801	4	NUT (3/8-16-THD)						
	6	1	8T-4896	4	WASHER-HARD (10.2X18.5X2.5-MM THK)						
	7	1	9B-7237	4	BOLT (3/8-16X1.25-IN)						



GRAPHIC #1

<END>

g01198022

# ELECTRICAL AND STARTING SYSTEM

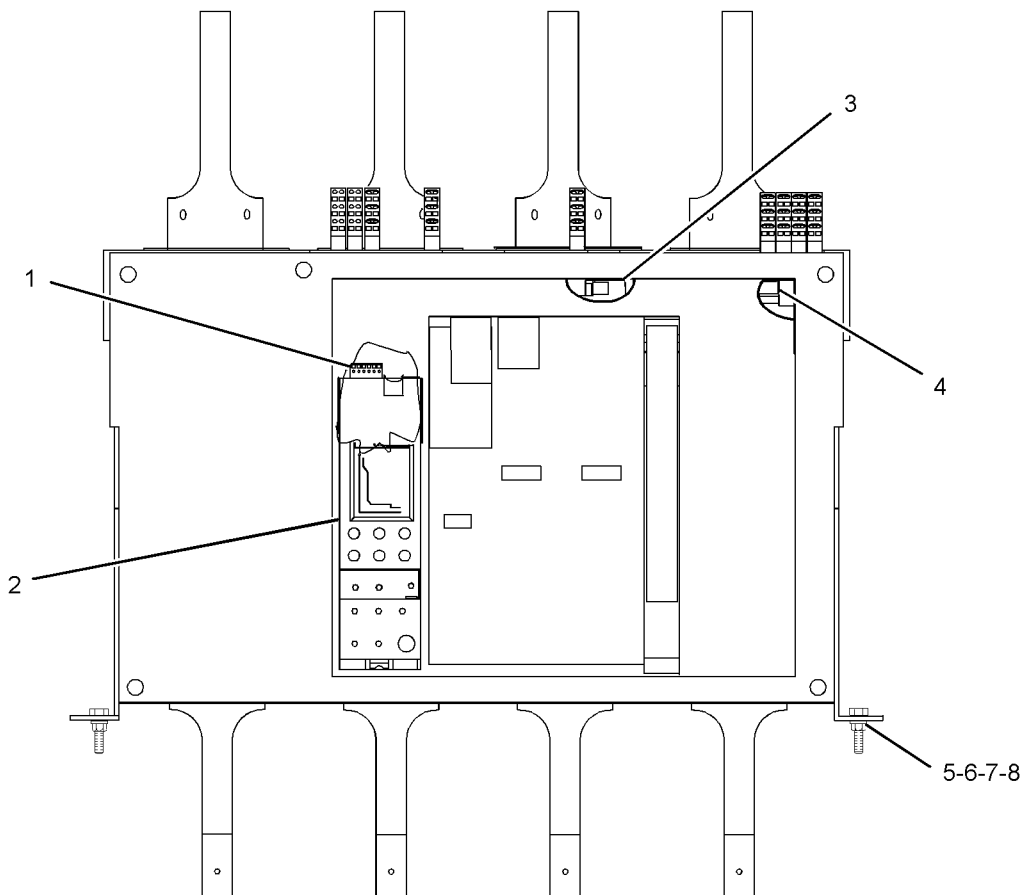
## 244-9879 CIRCUIT BREAKER AS-IEC, ICCB, LSIG-P

S/N: YAT1-UP  
2000-AMPERE  
AN ATTACHMENT

SMCS-1420, 4461

i02292262

NOTE	REF NO	GRAPHIC REF	PART NUMBER	QTY	PART NAME						SEE PAGE
					1	2	3	4	5	6 (PRODUCT LEVEL)	
	1	1	244-9834	1	MODULE (MODBUS COMMUNICATION)						
	2	1	244-9835	1	TRIP UNIT						
	3	1	244-9858	1	SHUNT-TRIP						
	4	1	244-9973	1	SWITCH-AUXILIARY (SINGLE POLE, DUAL THROW)						
	5	1	3B-4506	4	LOCKWASHER						
	6	1	6V-8801	4	NUT (3/8-16-THD)						
	7	1	8T-4896	4	WASHER-HARD (10.2X18.5X2.5-MM THK)						
	8	1	9B-7237	4	BOLT (3/8-16X1.25-IN)						



GRAPHIC #1

<END>

g01204957

# ELECTRICAL AND STARTING SYSTEM

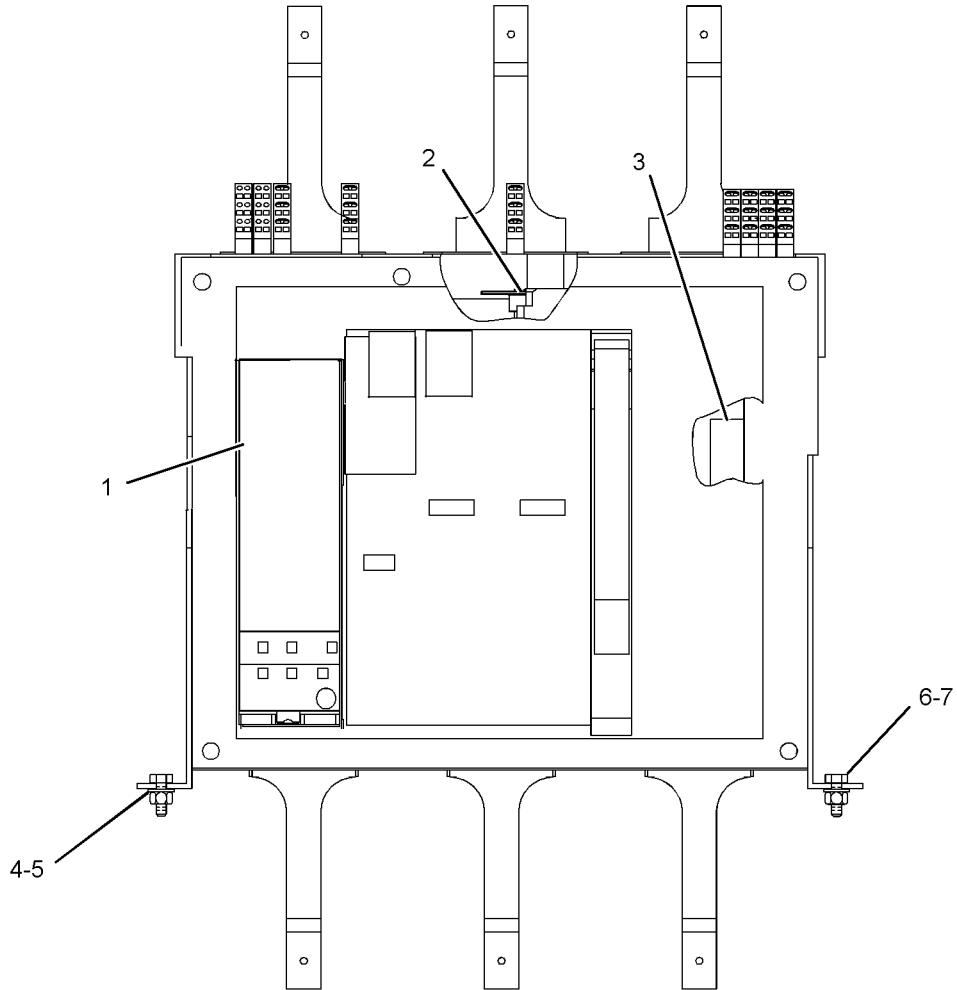
## 244-9880 CIRCUIT BREAKER AS-UL, ICCB, LSI

S/N: YAT1-UP  
2000-AMPERE  
AN ATTACHMENT

SMCS-1420, 4461

i02292264

NOTE	REF NO	GRAPHIC REF	PART NUMBER	QTY	PART NAME						SEE PAGE
					1	2	3	4	5	6 (PRODUCT LEVEL)	
	1	1	244-9837	1	TRIP UNIT						
	2	1	244-9858	1	SHUNT-TRIP						
	3	1	244-9973	1	SWITCH-AUXILIARY (SINGLE POLE, DUAL THROW)						
	4	1	3B-4506	4	LOCKWASHER						
	5	1	6V-8801	4	NUT (3/8-16-THD)						
	6	1	8T-4896	4	WASHER-HARD (10.2X18.5X2.5-MM THK)						
	7	1	9B-7237	4	BOLT (3/8-16X1.25-IN)						



GRAPHIC #1

<END>

g01204904

# ELECTRICAL AND STARTING SYSTEM

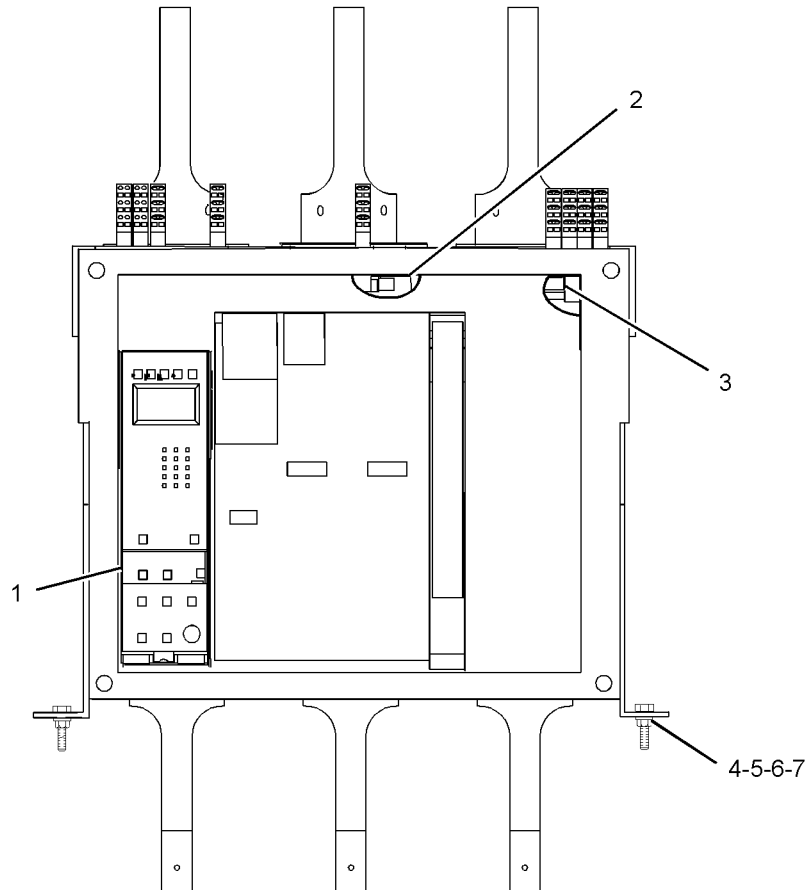
## 244-9881 CIRCUIT BREAKER AS-UL, ICCB, LSIG

S/N: YAT1-UP  
2000-AMPERE  
AN ATTACHMENT

SMCS-1420, 4461

i02292265

NOTE	REF NO	GRAPHIC REF	PART NUMBER	QTY	PART NAME						SEE PAGE
					1	2	3	4	5	6 (PRODUCT LEVEL)	
	1	1	244-9833	1	TRIP UNIT						
	2	1	244-9858	1	SHUNT-TRIP						
	3	1	244-9973	1	SWITCH-AUXILIARY (SINGLE POLE, DUAL THROW)						
	4	1	3B-4506	4	LOCKWASHER						
	5	1	6V-8801	4	NUT (3/8-16-THD)						
	6	1	8T-4896	4	WASHER-HARD (10.2X18.5X2.5-MM THK)						
	7	1	9B-7237	4	BOLT (3/8-16X1.25-IN)						



GRAPHIC #1

<END>

g01205434

# ELECTRICAL AND STARTING SYSTEM

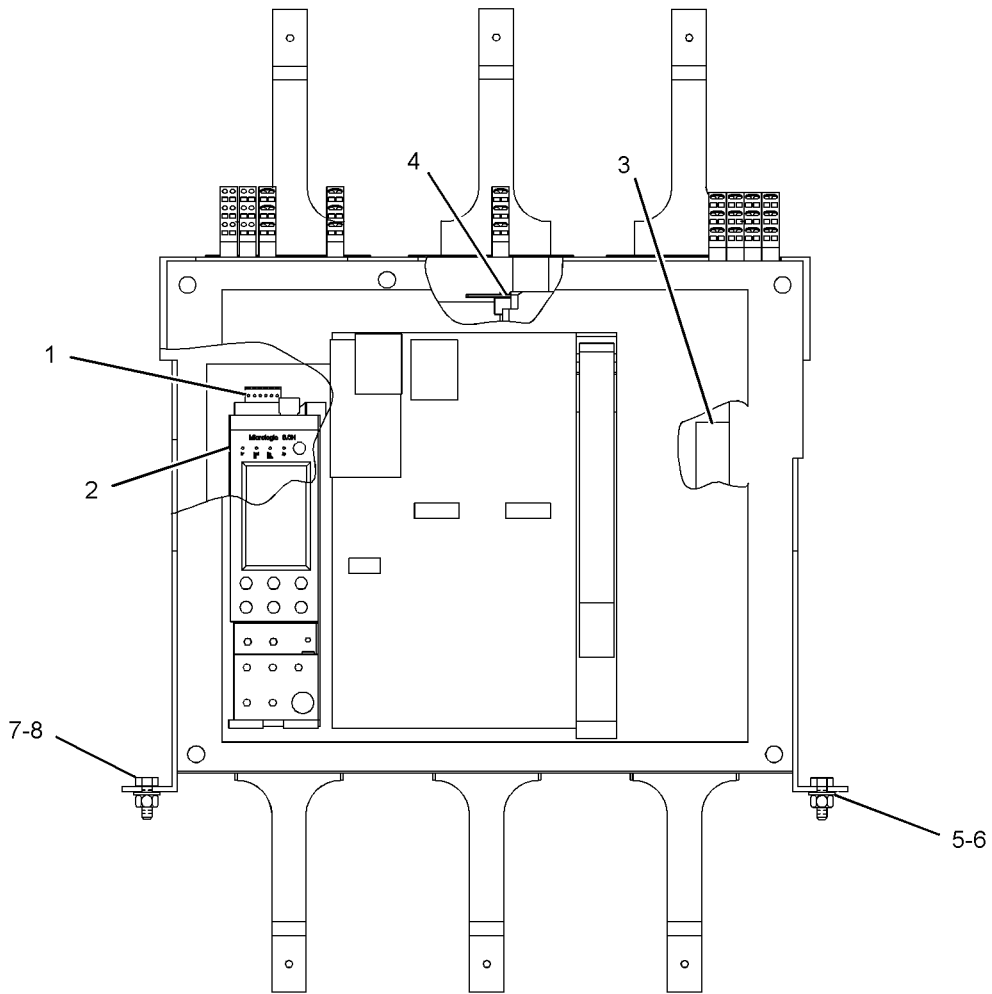
## 244-9883 CIRCUIT BREAKER AS-UL, ICCB, LSIG-P

S/N: YAT1-UP  
2000-AMPERE  
AN ATTACHMENT

SMCS-1420, 4461

i02411315

NOTE	REF NO	GRAPHIC REF	PART NUMBER	QTY	PART NAME						SEE PAGE
					1	2	3	4	5	6 (PRODUCT LEVEL)	
	1	1	244-9834	1	MODULE (MODBUS COMMUNICATION)						
	2	1	244-9835	1	TRIP UNIT						
	3	1	244-9973	1	SWITCH-AUXILIARY (SINGLE POLE, DUAL THROW)						
	4	1	244-9858	1	SHUNT-TRIP						
	5	1	3B-4506	4	LOCKWASHER						
	6	1	6V-8801	4	NUT (3/8-16-THD)						
	7	1	8T-4896	4	WASHER-HARD (10.2X18.5X2.5-MM THK)						
	8	1	9B-7237	4	BOLT (3/8-16X1.25-IN)						



GRAPHIC #1

<END>

g01205131

# ELECTRICAL AND STARTING SYSTEM

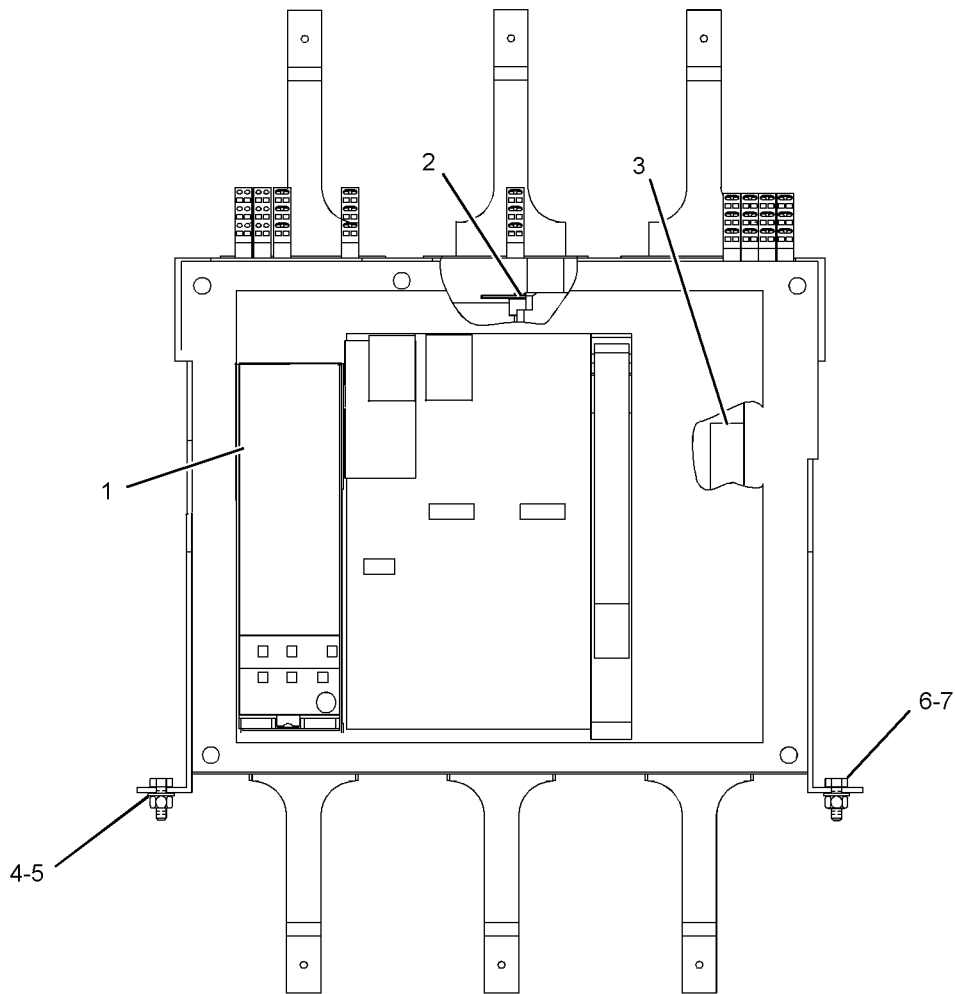
## 244-9884 CIRCUIT BREAKER AS-IEC, ICCB, LSI

S/N: YAT1-UP  
2500-AMPERE  
AN ATTACHMENT

SMCS-1420, 4461

i02292268

NOTE	REF NO	GRAPHIC REF	PART NUMBER	QTY	PART NAME						SEE PAGE
					1	2	3	4	5	6 (PRODUCT LEVEL)	
	1	1	244-9831	1	TRIP UNIT						
	2	1	244-9858	1	SHUNT-TRIP						
	3	1	244-9973	1	SWITCH-AUXILIARY (SINGLE POLE, DUAL THROW)						
	4	1	3B-4506	4	LOCKWASHER						
	5	1	6V-8801	4	NUT (3/8-16-THD)						
	6	1	8T-4896	4	WASHER-HARD (10.2X18.5X2.5-MM THK)						
	7	1	9B-7237	4	BOLT (3/8-16X1.25-IN)						



GRAPHIC #1

<END>

g01204904



# ELECTRICAL AND STARTING SYSTEM

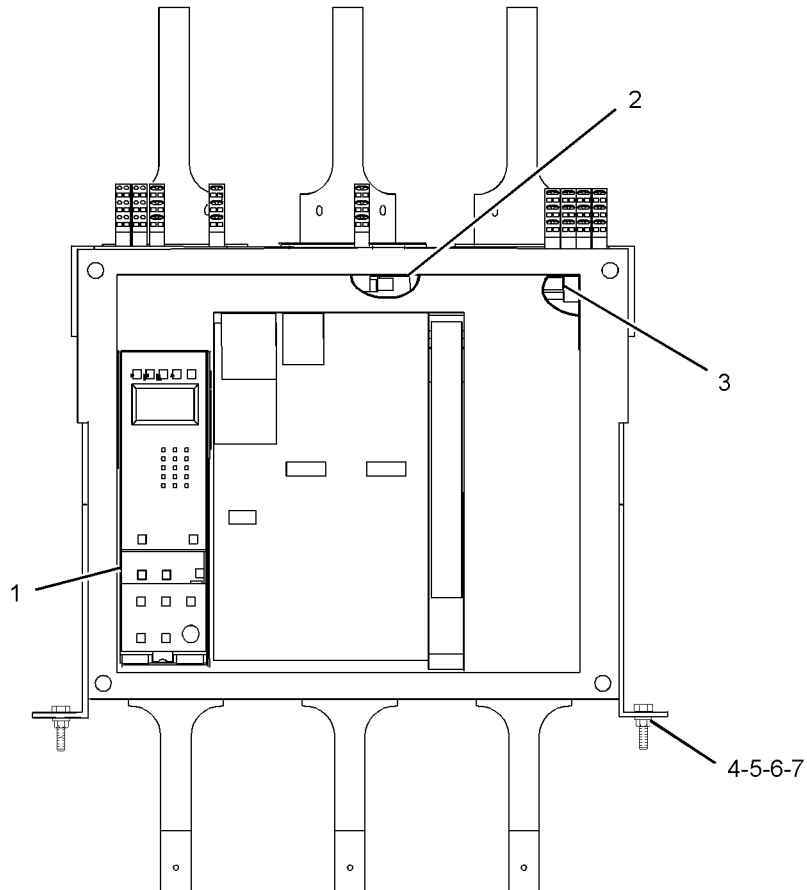
## 244-9885 CIRCUIT BREAKER AS-IEC, ICCB, LSIG

S/N: YAT1-UP  
2500-AMPERE  
AN ATTACHMENT

SMCS-1420, 4461

i02398813

NOTE	REF NO	GRAPHIC REF	PART NUMBER	QTY	PART NAME						SEE PAGE
					1	2	3	4	5	6 (PRODUCT LEVEL)	
	1	1	244-9833	1	TRIP UNIT						
	2	1	244-9858	1	SHUNT-TRIP						
	3	1	244-9973	1	SWITCH-AUXILIARY (SINGLE POLE, DUAL THROW)						
	4	1	3B-4506	4	LOCKWASHER						
	5	1	6V-8801	4	NUT (3/8-16-THD)						
	6	1	8T-4896	4	WASHER-HARD (10.2X18.5X2.5-MM THK)						
	7	1	9B-7237	4	BOLT (3/8-16X1.25-IN)						



GRAPHIC #1

<END>

g01205434

# ELECTRICAL AND STARTING SYSTEM

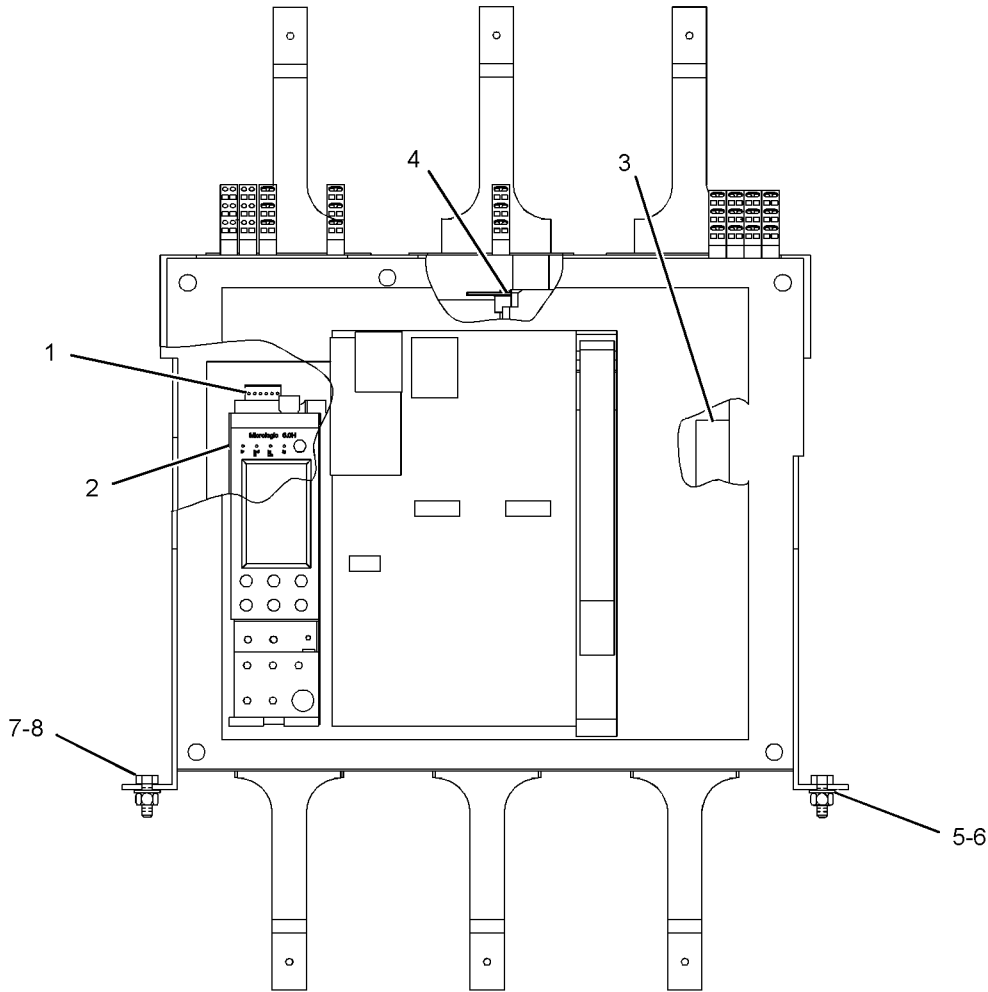
## 244-9886 CIRCUIT BREAKER AS-IEC, ICCB, LSIG-P

S/N: YAT1-UP  
2500-AMPERE  
AN ATTACHMENT

SMCS-1420, 4461

i02411317

NOTE	REF NO	GRAPHIC REF	PART NUMBER	QTY	PART NAME						SEE PAGE
					1	2	3	4	5	6 (PRODUCT LEVEL)	
	1	1	244-9834	1	MODULE (MODBUS COMMUNICATION)						
	2	1	244-9835	1	TRIP UNIT						
	3	1	244-9973	1	SWITCH-AUXILIARY (SINGLE POLE, DUAL THROW)						
	4	1	244-9858	1	SHUNT-TRIP						
	5	1	3B-4506	4	LOCKWASHER						
	6	1	6V-8801	4	NUT (3/8-16-THD)						
	7	1	8T-4896	4	WASHER-HARD (10.2X18.5X2.5-MM THK)						
	8	1	9B-7237	4	BOLT (3/8-16X1.25-IN)						



GRAPHIC #1

<END>

g01205133

# ELECTRICAL AND STARTING SYSTEM

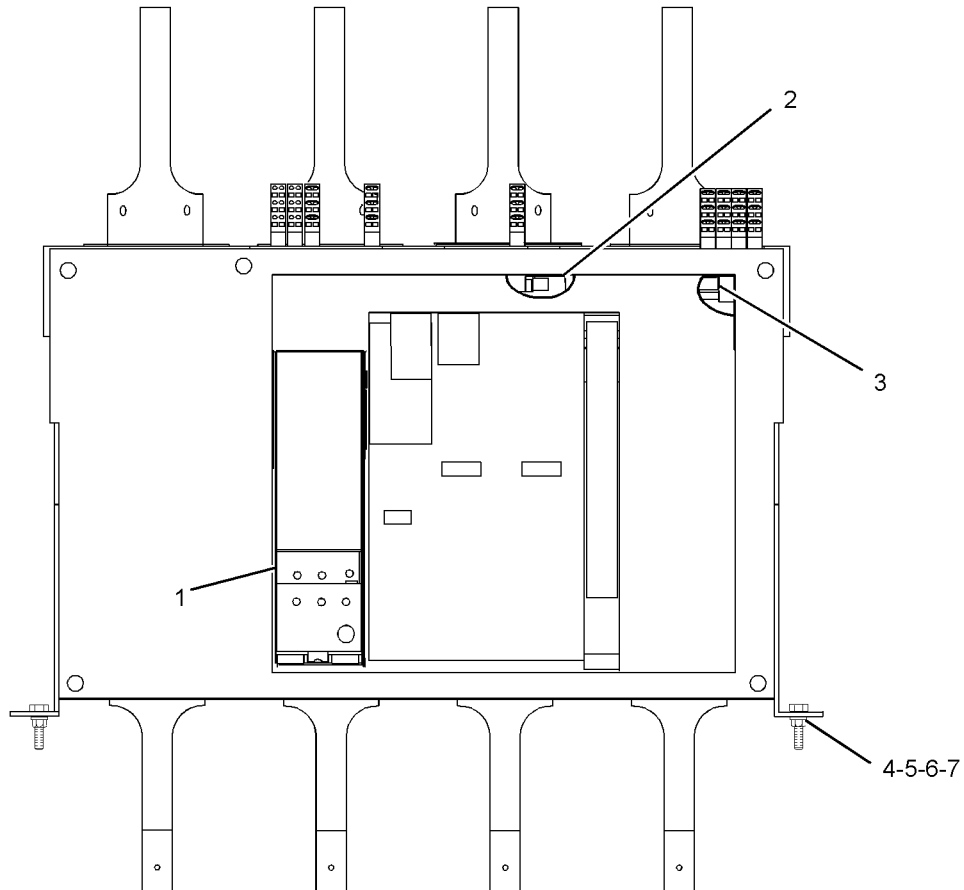
## 244-9887 CIRCUIT BREAKER AS-IEC, ICCB, LSI

S/N: YAT1-UP  
2500-AMPERE  
AN ATTACHMENT

SMCS-1420, 4461

i02292273

NOTE	REF NO	GRAPHIC REF	PART NUMBER	QTY	PART NAME						SEE PAGE
					1	2	3	4	5	6 (PRODUCT LEVEL)	
	1	1	244-9831	1	TRIP UNIT						
	2	1	244-9858	1	SHUNT-TRIP						
	3	1	244-9973	1	SWITCH-AUXILIARY (SINGLE POLE, DUAL THROW)						
	4	1	3B-4506	4	LOCKWASHER						
	5	1	6V-8801	4	NUT (3/8-16-THD)						
	6	1	8T-4896	4	WASHER-HARD (10.2X18.5X2.5-MM THK)						
	7	1	9B-7237	4	BOLT (3/8-16X1.25-IN)						



GRAPHIC #1

<END>

g01205167

# ELECTRICAL AND STARTING SYSTEM

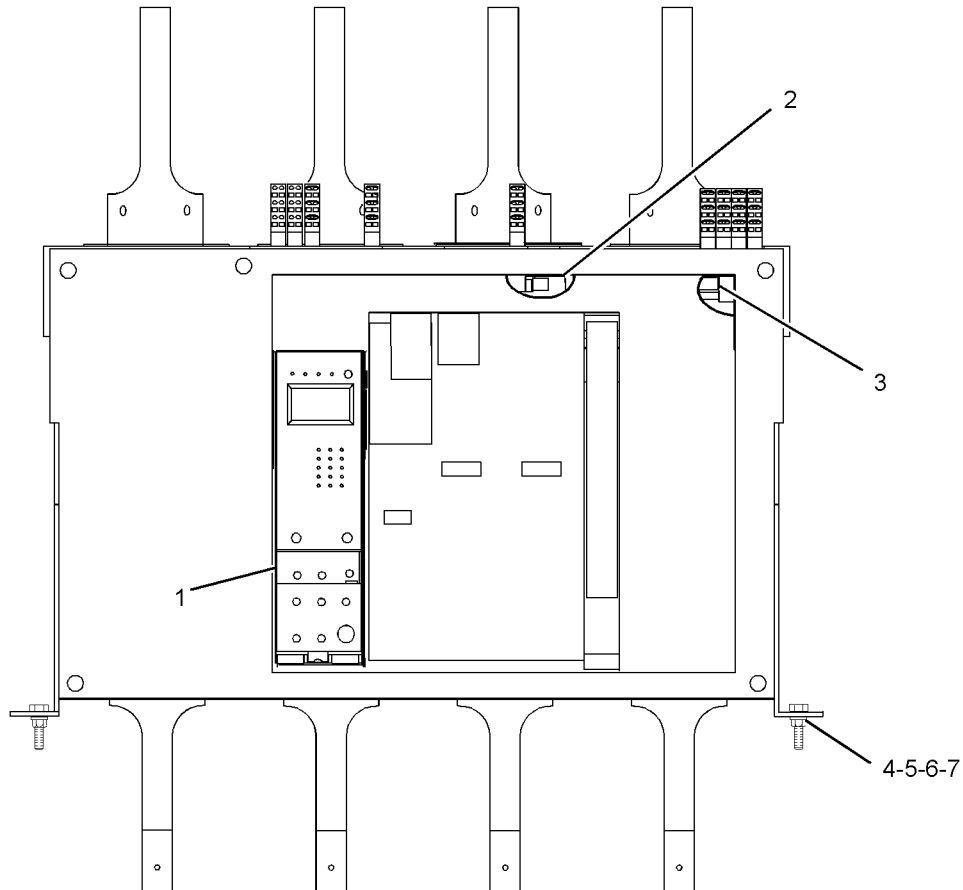
## 244-9888 CIRCUIT BREAKER AS-IEC, ICCB, LSIG

S/N: YAT1-UP  
2500-AMPERE  
AN ATTACHMENT

SMCS-1420, 4461

i02292274

NOTE	REF NO	GRAPHIC REF	PART NUMBER	QTY	PART NAME						SEE PAGE
					1	2	3	4	5	6 (PRODUCT LEVEL)	
	1	1	244-9833	1	TRIP UNIT						
	2	1	244-9858	1	SHUNT-TRIP						
	3	1	244-9973	1	SWITCH-AUXILIARY (SINGLE POLE, DUAL THROW)						
	4	1	3B-4506	4	LOCKWASHER						
	5	1	6V-8801	4	NUT (3/8-16-THD)						
	6	1	8T-4896	4	WASHER-HARD (10.2X18.5X2.5-MM THK)						
	7	1	9B-7237	4	BOLT (3/8-16X1.25-IN)						



GRAPHIC #1

<END>

g01198022

# ELECTRICAL AND STARTING SYSTEM

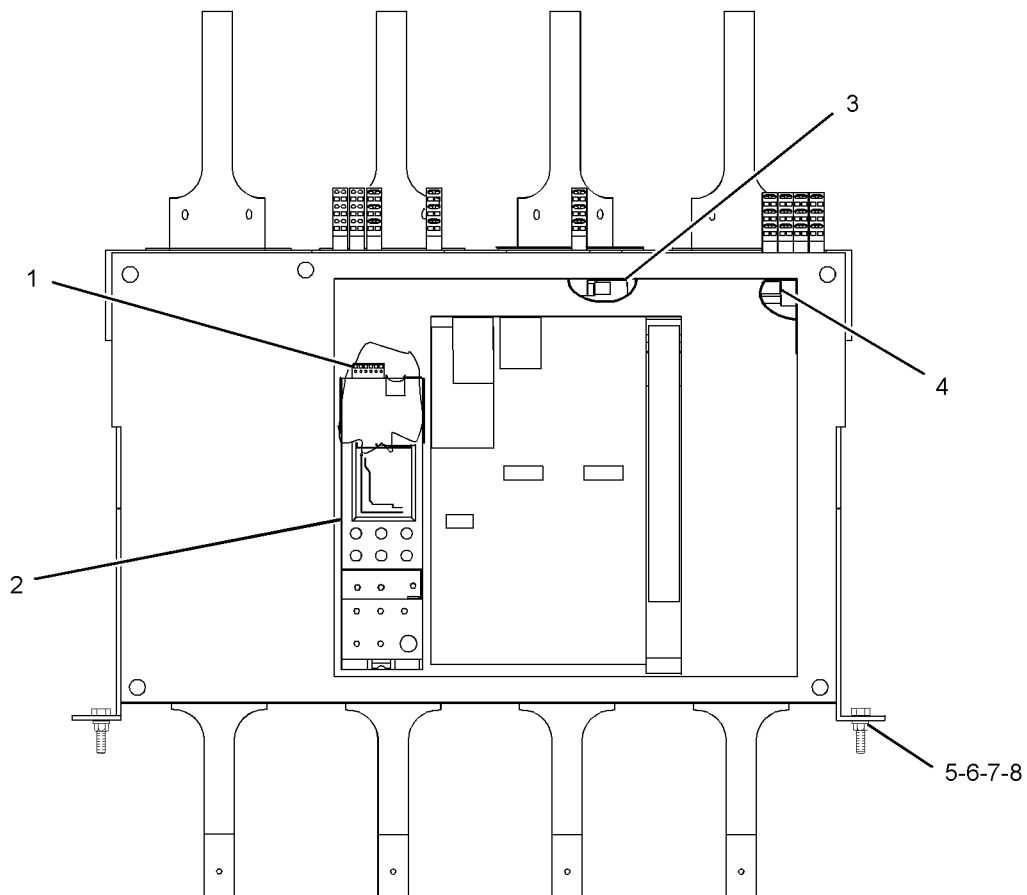
## 244-9889 CIRCUIT BREAKER AS-IEC, ICCB, LSIG-P

S/N: YAT1-UP  
2500-AMPERE  
AN ATTACHMENT

SMCS-1420, 4461

i02292275

NOTE	REF NO	GRAPHIC REF	PART NUMBER	QTY	PART NAME						SEE PAGE
					1	2	3	4	5	6 (PRODUCT LEVEL)	
	1	1	244-9834	1	MODULE (MODBUS COMMUNICATION)						
	2	1	244-9835	1	TRIP UNIT						
	3	1	244-9858	1	SHUNT-TRIP						
	4	1	244-9973	1	SWITCH-AUXILIARY (SINGLE POLE, DUAL THROW)						
	5	1	3B-4506	4	LOCKWASHER						
	6	1	6V-8801	4	NUT (3/8-16-THD)						
	7	1	8T-4896	4	WASHER-HARD (10.2X18.5X2.5-MM THK)						
	8	1	9B-7237	4	BOLT (3/8-16X1.25-IN)						



GRAPHIC #1

<END>

g01205004

# ELECTRICAL AND STARTING SYSTEM

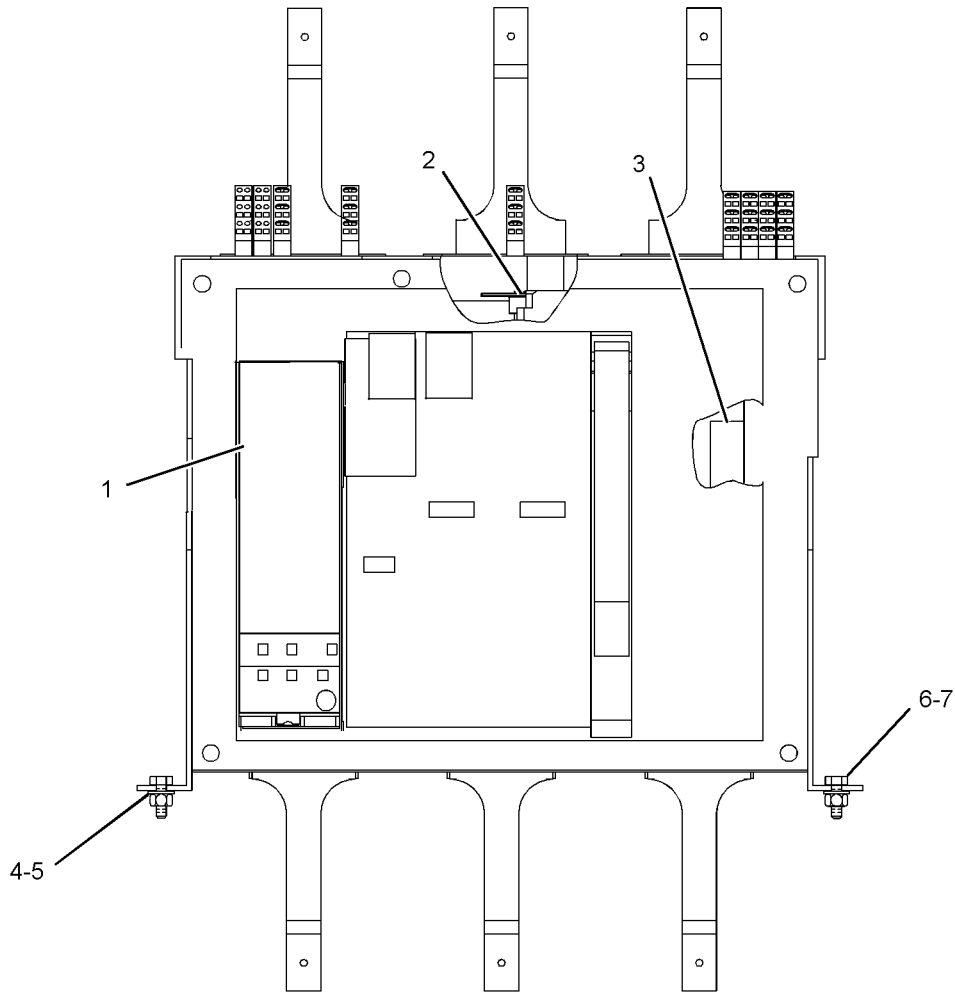
## 244-9890 CIRCUIT BREAKER AS-UL, ICCB, LSI

S/N: YAT1-UP  
2500-AMPERE  
AN ATTACHMENT

SMCS-1420, 4461

i02292277

NOTE	REF NO	GRAPHIC REF	PART NUMBER	QTY	PART NAME						SEE PAGE
					1	2	3	4	5	6 (PRODUCT LEVEL)	
	1	1	244-9837	1	TRIP UNIT						
	2	1	244-9858	1	SHUNT-TRIP						
	3	1	244-9973	1	SWITCH-AUXILIARY (SINGLE POLE, DUAL THROW)						
	4	1	3B-4506	4	LOCKWASHER						
	5	1	6V-8801	4	NUT (3/8-16-THD)						
	6	1	8T-4896	4	WASHER-HARD (10.2X18.5X2.5-MM THK)						
	7	1	9B-7237	4	BOLT (3/8-16X1.25-IN)						



GRAPHIC #1

<END>

g01204904

# ELECTRICAL AND STARTING SYSTEM

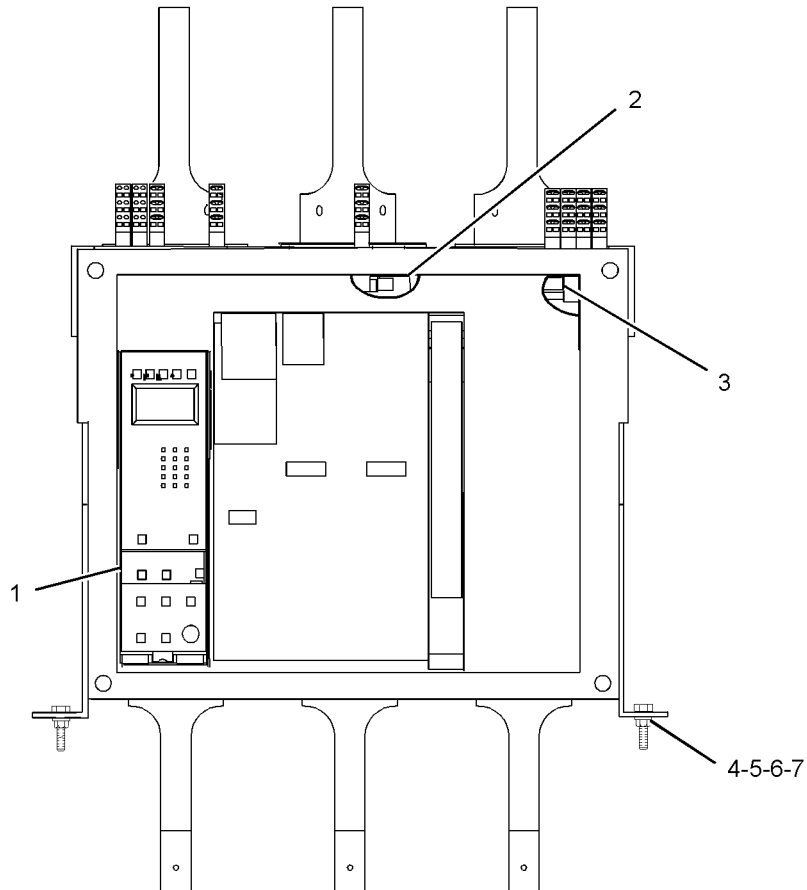
## 244-9891 CIRCUIT BREAKER AS-UL, ICCB, LSIG

S/N: YAT1-UP  
2500-AMPERE  
AN ATTACHMENT

SMCS-1420, 4461

i02292278

NOTE	REF NO	GRAPHIC REF	PART NUMBER	QTY	PART NAME						SEE PAGE
					1	2	3	4	5	6 (PRODUCT LEVEL)	
	1	1	244-9833	1	TRIP UNIT						
	2	1	244-9858	1	SHUNT-TRIP						
	3	1	244-9973	1	SWITCH-AUXILIARY (SINGLE POLE, DUAL THROW)						
	4	1	3B-4506	4	LOCKWASHER						
	5	1	6V-8801	4	NUT (3/8-16-THD)						
	6	1	8T-4896	4	WASHER-HARD (10.2X18.5X2.5-MM THK)						
	7	1	9B-7237	4	BOLT (3/8-16X1.25-IN)						



GRAPHIC #1

<END>

g01205434

# ELECTRICAL AND STARTING SYSTEM

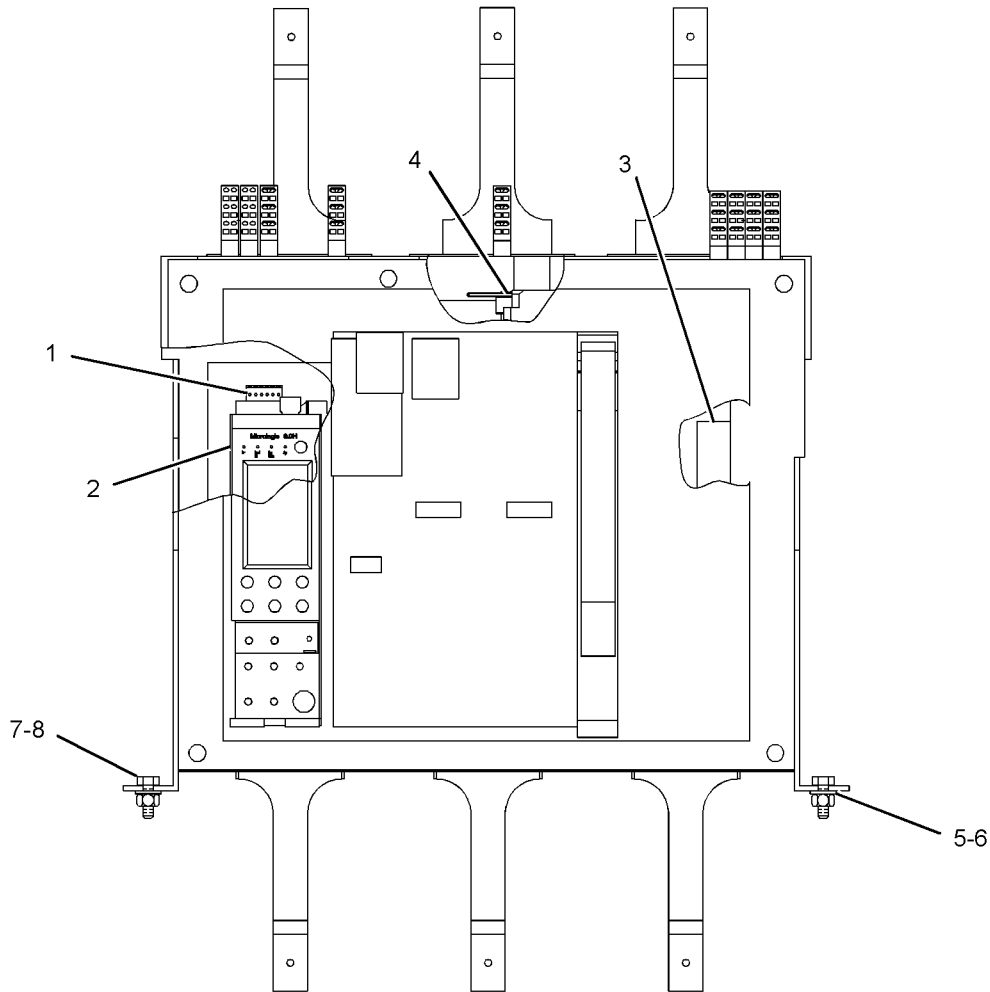
## 244-9893 CIRCUIT BREAKER AS-UL, ICCB, LSIG-P

S/N: YAT1-UP  
2500-AMPERE  
AN ATTACHMENT

SMCS-1420, 4461

i02292281

NOTE	REF NO	GRAPHIC REF	PART NUMBER	QTY	PART NAME						SEE PAGE
					1	2	3	4	5	6 (PRODUCT LEVEL)	
	1	1	244-9834	1	MODULE (MODBUS COMMUNICATION)						
	2	1	244-9835	1	TRIP UNIT						
	3	1	244-9973	1	SWITCH-AUXILIARY (SINGLE POLE, DUAL THROW)						
	4	1	244-9858	1	SHUNT-TRIP						
	5	1	3B-4506	4	LOCKWASHER						
	6	1	6V-8801	4	NUT (3/8-16-THD)						
	7	1	8T-4896	4	WASHER-HARD (10.2X18.5X2.5-MM THK)						
	8	1	9B-7237	4	BOLT (3/8-16X1.25-IN)						



GRAPHIC #1

<END>

g01205135



# ELECTRICAL AND STARTING SYSTEM

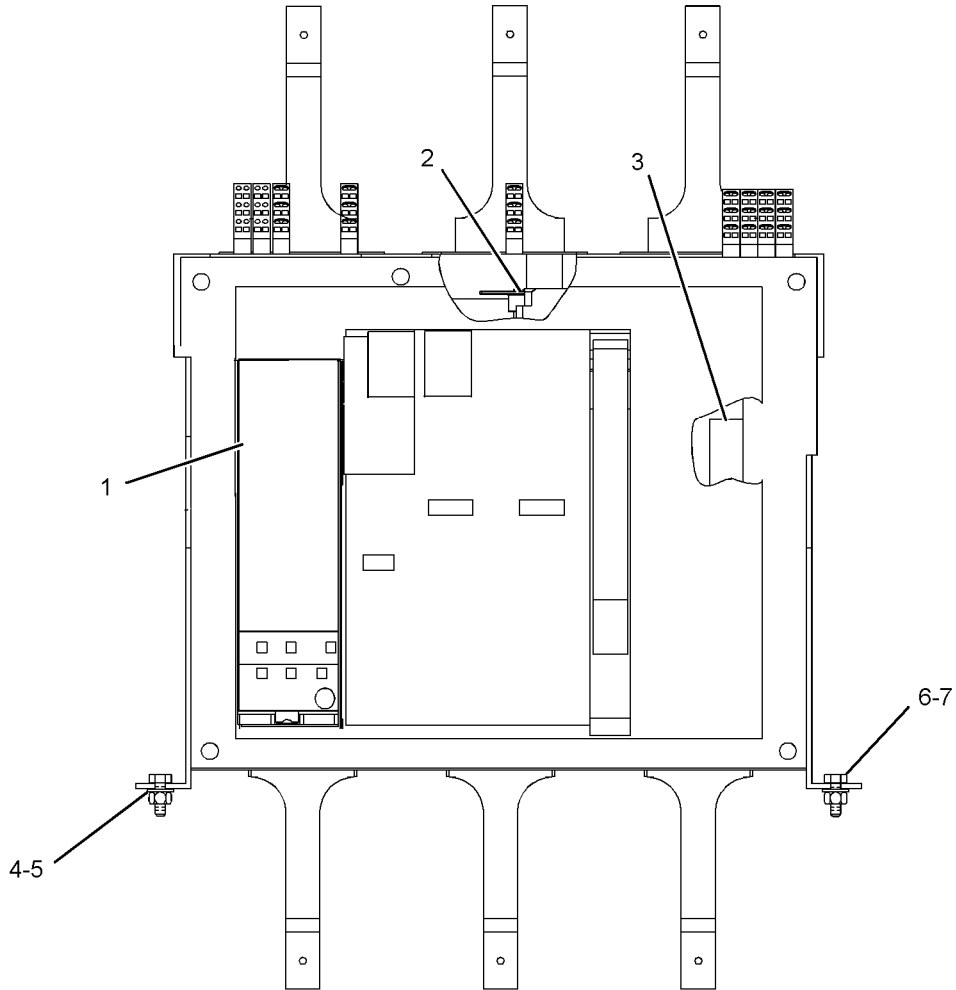
## 244-9894 CIRCUIT BREAKER AS-IEC, ICCB, LSI

S/N: YAT1-UP  
3200-AMPERE  
AN ATTACHMENT

SMCS-1420, 4461

i02292282

NOTE	REF NO	GRAPHIC REF	PART NUMBER	QTY	PART NAME						SEE PAGE
					1	2	3	4	5	6 (PRODUCT LEVEL)	
	1	1	244-9831	1	TRIP UNIT						
	2	1	244-9858	1	SHUNT-TRIP						
	3	1	244-9973	1	SWITCH-AUXILIARY (SINGLE POLE, DUAL THROW)						
	4	1	3B-4506	4	LOCKWASHER						
	5	1	6V-8801	4	NUT (3/8-16-THD)						
	6	1	8T-4896	4	WASHER-HARD (10.2X18.5X2.5-MM THK)						
	7	1	9B-7237	4	BOLT (3/8-16X1.25-IN)						



GRAPHIC #1

<END>

g01197597

# ELECTRICAL AND STARTING SYSTEM

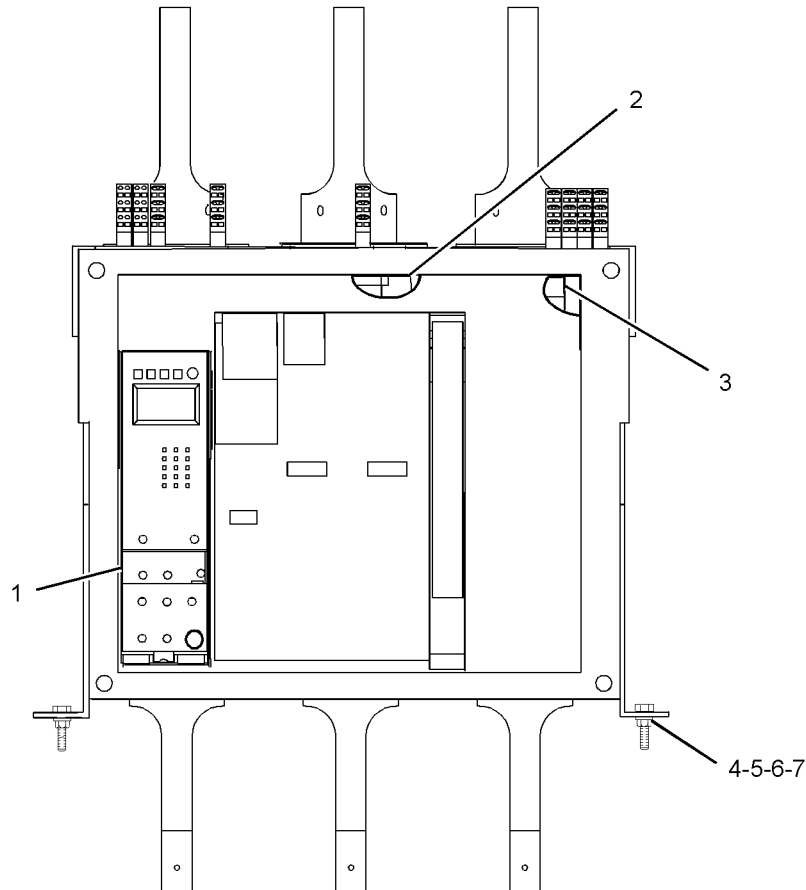
## 244-9895 CIRCUIT BREAKER AS-IEC, ICCB, LSIG

S/N: YAT1-UP  
3200-AMPERE  
AN ATTACHMENT

SMCS-1420, 4461

i02398806

NOTE	REF NO	GRAPHIC REF	PART NUMBER	QTY	PART NAME						SEE PAGE
					1	2	3	4	5	6 (PRODUCT LEVEL)	
	1	1	244-9833	1	TRIP UNIT						
	2	1	244-9858	1	SHUNT-TRIP						
	3	1	244-9973	1	SWITCH-AUXILIARY (SINGLE POLE, DUAL THROW)						
	4	1	3B-4506	4	LOCKWASHER						
	5	1	6V-8801	4	NUT (3/8-16-THD)						
	6	1	8T-4896	4	WASHER-HARD (10.2X18.5X2.5-MM THK)						
	7	1	9B-7237	4	BOLT (3/8-16X1.25-IN)						



GRAPHIC #1

<END>

g01205088

# ELECTRICAL AND STARTING SYSTEM

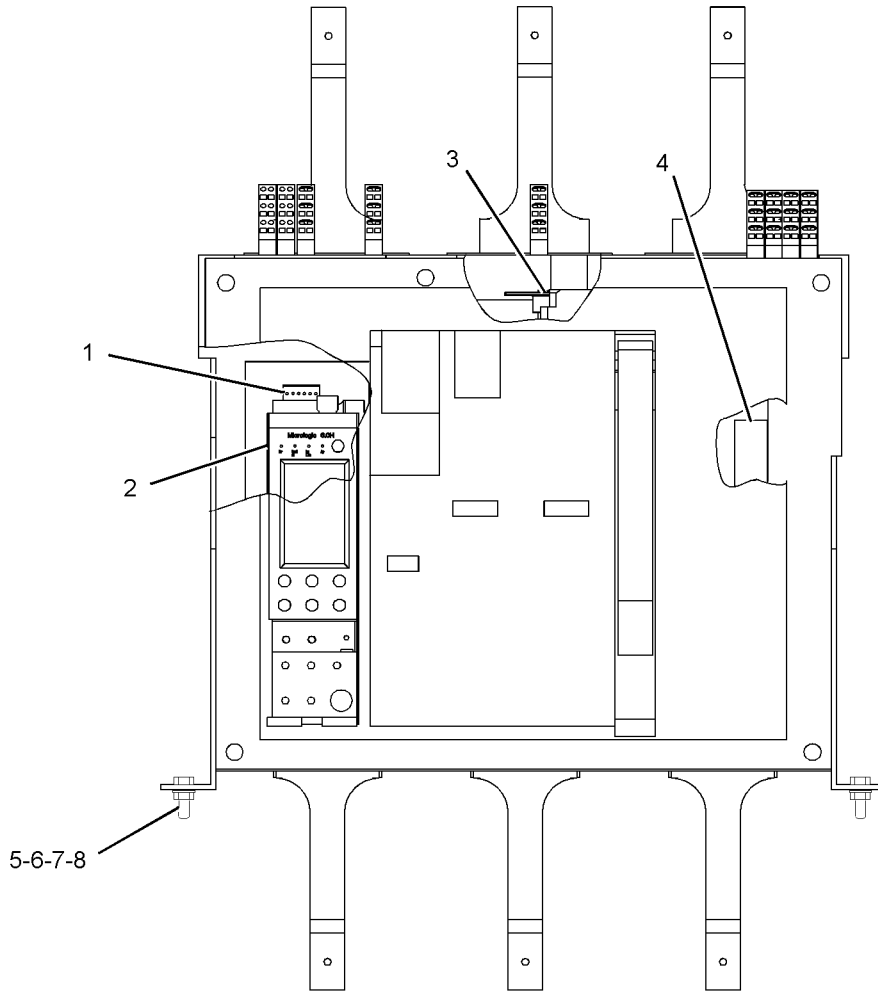
## 244-9896 CIRCUIT BREAKER AS-IEC, ICCB, LSIG-P

S/N: YAT1-UP  
3200-AMPERE  
AN ATTACHMENT

SMCS-1420, 4461

i02292287

NOTE	REF NO	GRAPHIC REF	PART NUMBER	QTY	PART NAME						SEE PAGE
					1	2	3	4	5	6 (PRODUCT LEVEL)	
	1	1	244-9834	1	MODULE (MODBUS COMMUNICATION)						
	2	1	244-9835	1	TRIP UNIT						
	3	1	244-9858	1	SHUNT-TRIP						
	4	1	244-9973	1	SWITCH-AUXILIARY (SINGLE POLE, DUAL THROW)						
	5	1	3B-4506	4	LOCKWASHER						
	6	1	6V-8801	4	NUT (3/8-16-THD)						
	7	1	8T-4896	4	WASHER-HARD (10.2X18.5X2.5-MM THK)						
	8	1	9B-7237	4	BOLT (3/8-16X1.25-IN)						



GRAPHIC #1

<END>

g01205142

# ELECTRICAL AND STARTING SYSTEM

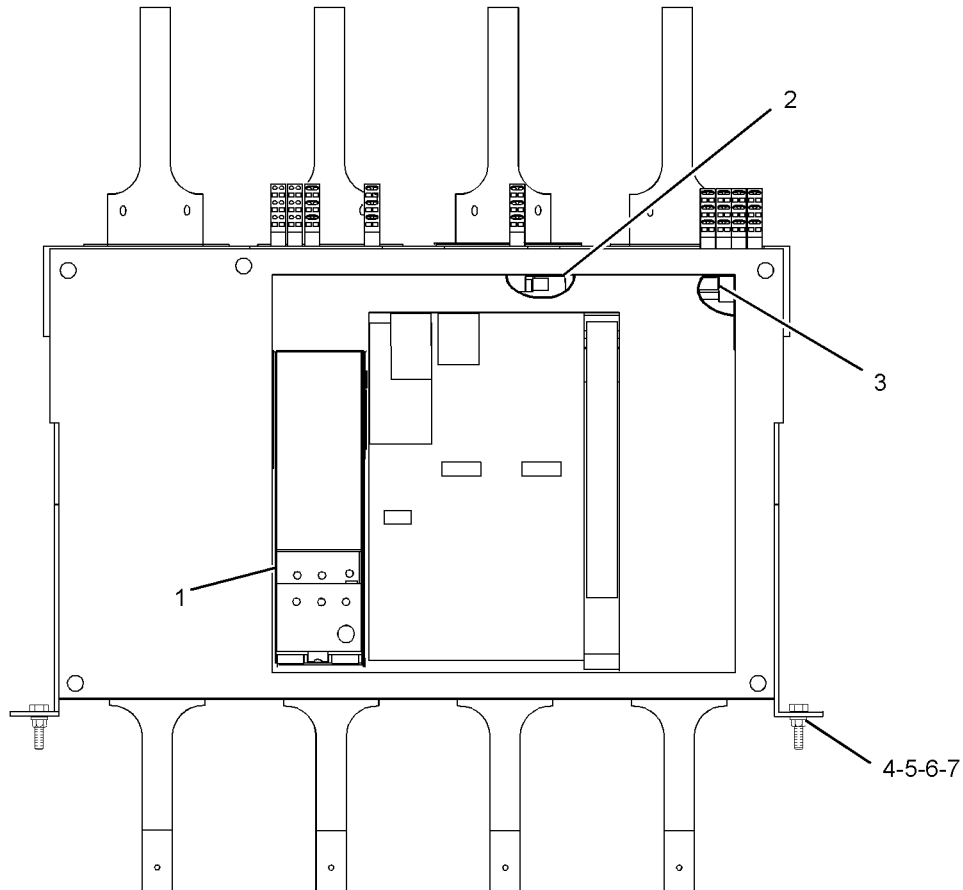
## 244-9897 CIRCUIT BREAKER AS-IEC, ICCB, LSI

S/N: YAT1-UP  
3200-AMPERE  
AN ATTACHMENT

SMCS-1420, 4461

i02291128

NOTE	REF NO	GRAPHIC REF	PART NUMBER	QTY	PART NAME						SEE PAGE
					1	2	3	4	5	6 (PRODUCT LEVEL)	
	1	1	244-9831	1	TRIP UNIT						
	2	1	244-9858	1	SHUNT-TRIP						
	3	1	244-9973	1	SWITCH-AUXILIARY (SINGLE POLE, DUAL THROW)						
	4	1	3B-4506	4	LOCKWASHER						
	5	1	6V-8801	4	NUT (3/8-16-THD)						
	6	1	8T-4896	4	WASHER-HARD (10.2X18.5X2.5-MM THK)						
	7	1	9B-7237	4	BOLT (3/8-16X1.25-IN)						



GRAPHIC #1

<END>

g01205167

# ELECTRICAL AND STARTING SYSTEM

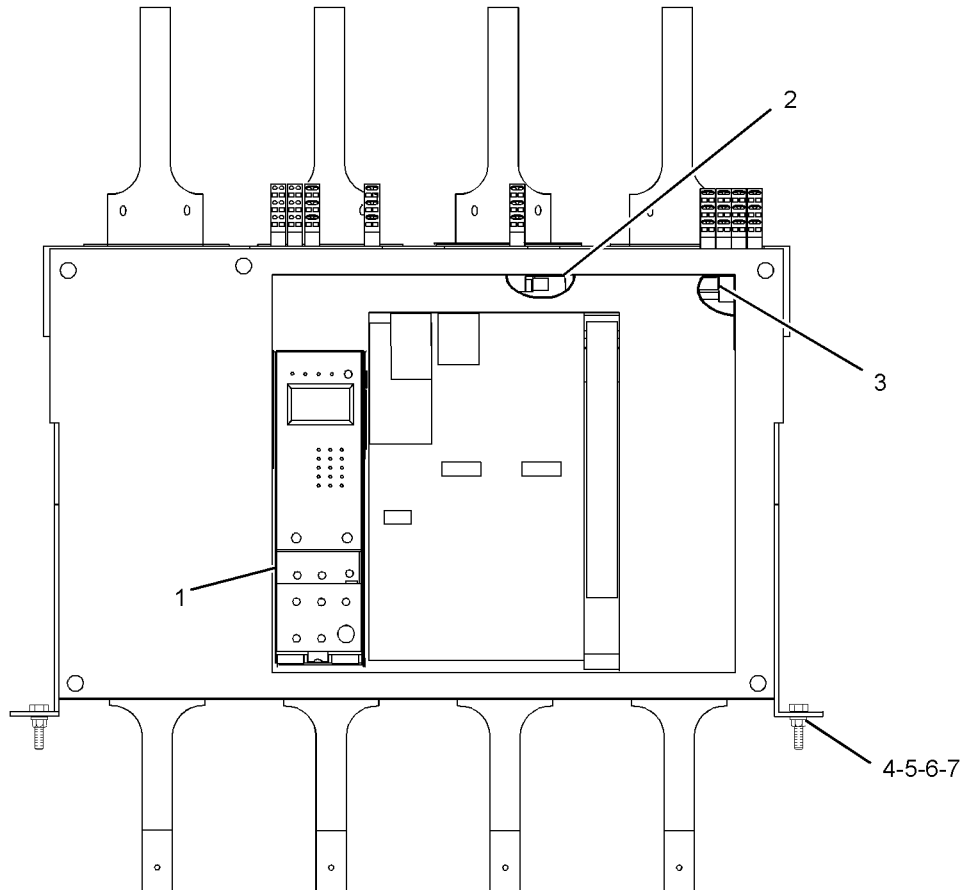
## 244-9898 CIRCUIT BREAKER AS-IEC, ICCB, LSIG

S/N: YAT1-UP  
3200-AMPERE  
AN ATTACHMENT

SMCS-1420, 4461

i02291120

NOTE	REF NO	GRAPHIC REF	PART NUMBER	QTY	PART NAME						SEE PAGE
					1	2	3	4	5	6 (PRODUCT LEVEL)	
	1	1	244-9833	1	TRIP UNIT						
	2	1	244-9858	1	SHUNT-TRIP						
	3	1	244-9973	1	SWITCH-AUXILIARY (SINGLE POLE, DUAL THROW)						
	4	1	3B-4506	4	LOCKWASHER						
	5	1	6V-8801	4	NUT (3/8-16-THD)						
	6	1	8T-4896	4	WASHER-HARD (10.2X18.5X2.5-MM THK)						
	7	1	9B-7237	4	BOLT (3/8-16X1.25-IN)						



GRAPHIC #1

<END>

g01205165

# ELECTRICAL AND STARTING SYSTEM

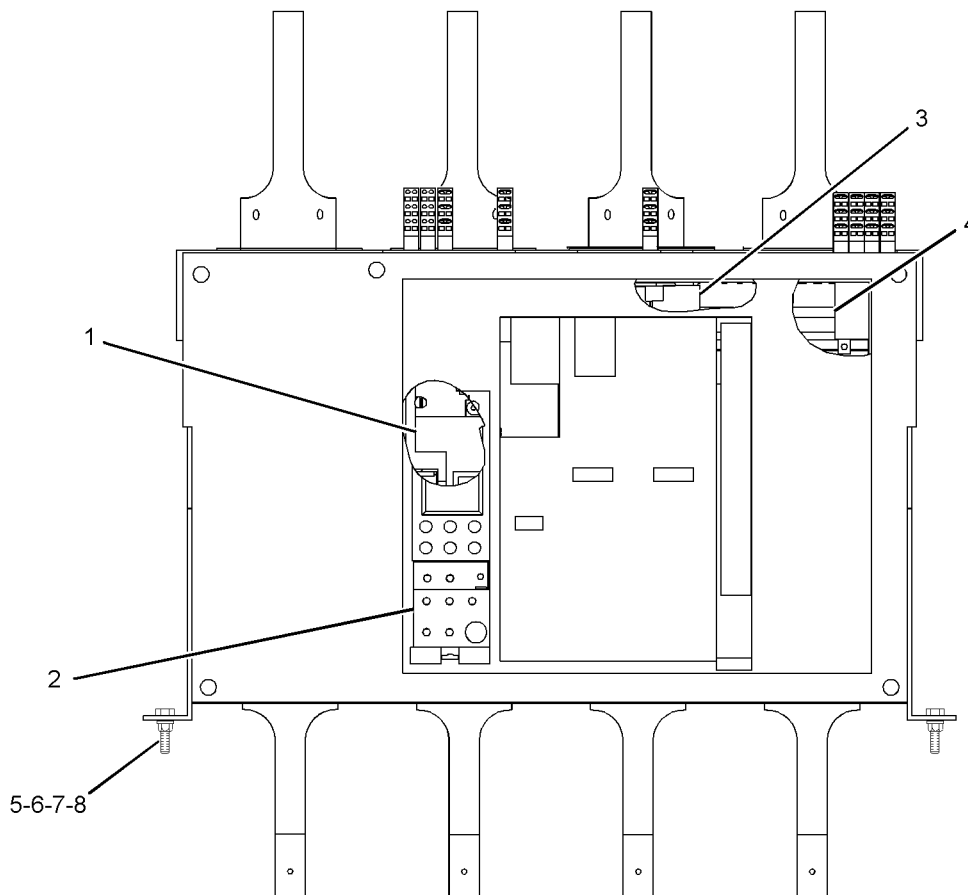
## 244-9899 CIRCUIT BREAKER AS-IEC, ICCB, LSIG-P

S/N: YAT1-UP  
3200-AMPERE  
AN ATTACHMENT

SMCS-1420, 4461

i02492314

NOTE	REF NO	GRAPHIC REF	PART NUMBER	QTY	PART NAME						SEE PAGE
					1	2	3	4	5	6 (PRODUCT LEVEL)	
	1	1	244-9834	1	MODULE (MODBUS COMMUNICATION)						
	2	1	244-9835	1	TRIP UNIT						
	3	1	244-9858	1	SHUNT-TRIP						
	4	1	244-9973	1	SWITCH-AUXILIARY (SINGLE POLE, DUAL THROW)						
	5	1	3B-4506	4	LOCKWASHER						
	6	1	6V-8801	4	NUT (3/8-16-THD)						
	7	1	8T-4896	4	WASHER-HARD (10.2X18.5X2.5-MM THK)						
	8	1	9B-7237	4	BOLT (3/8-16X1.25-IN)						



GRAPHIC #1

<END>

g01246676

# ELECTRICAL AND STARTING SYSTEM

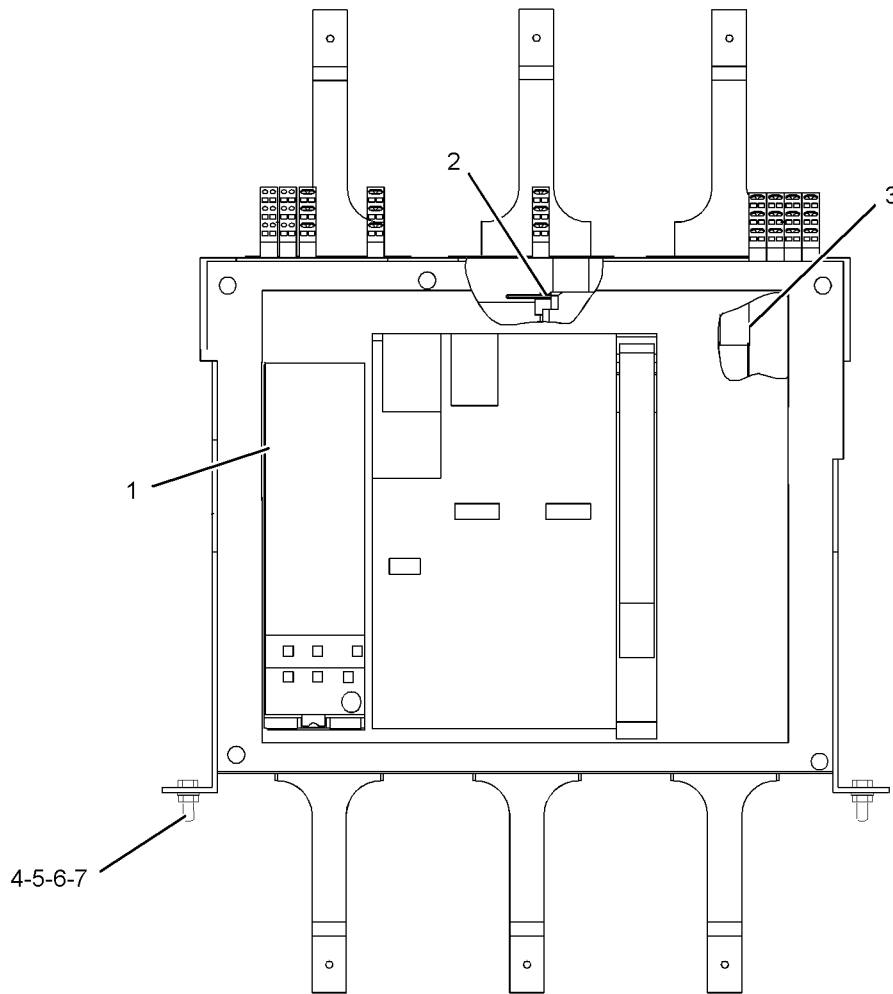
## 244-9900 CIRCUIT BREAKER AS-UL, ICCB, LSI

S/N: YAT1-UP  
3000-AMPERE  
AN ATTACHMENT

SMCS-1420, 4461

i02291130

NOTE	REF NO	GRAPHIC REF	PART NUMBER	QTY	PART NAME						SEE PAGE
					1	2	3	4	5	6 (PRODUCT LEVEL)	
	1	1	244-9837	1	TRIP UNIT						
	2	1	244-9858	1	SHUNT-TRIP						
	3	1	244-9973	1	SWITCH-AUXILIARY (SINGLE POLE, DUAL THROW)						
	4	1	3B-4506	4	LOCKWASHER						
	5	1	6V-8801	4	NUT (3/8-16-THD)						
	6	1	8T-4896	4	WASHER-HARD (10.2X18.5X2.5-MM THK)						
	7	1	9B-7237	4	BOLT (3/8-16X1.25-IN)						



4-5-6-7

1

2

3

GRAPHIC #1

<END>

g01197609

# ELECTRICAL AND STARTING SYSTEM

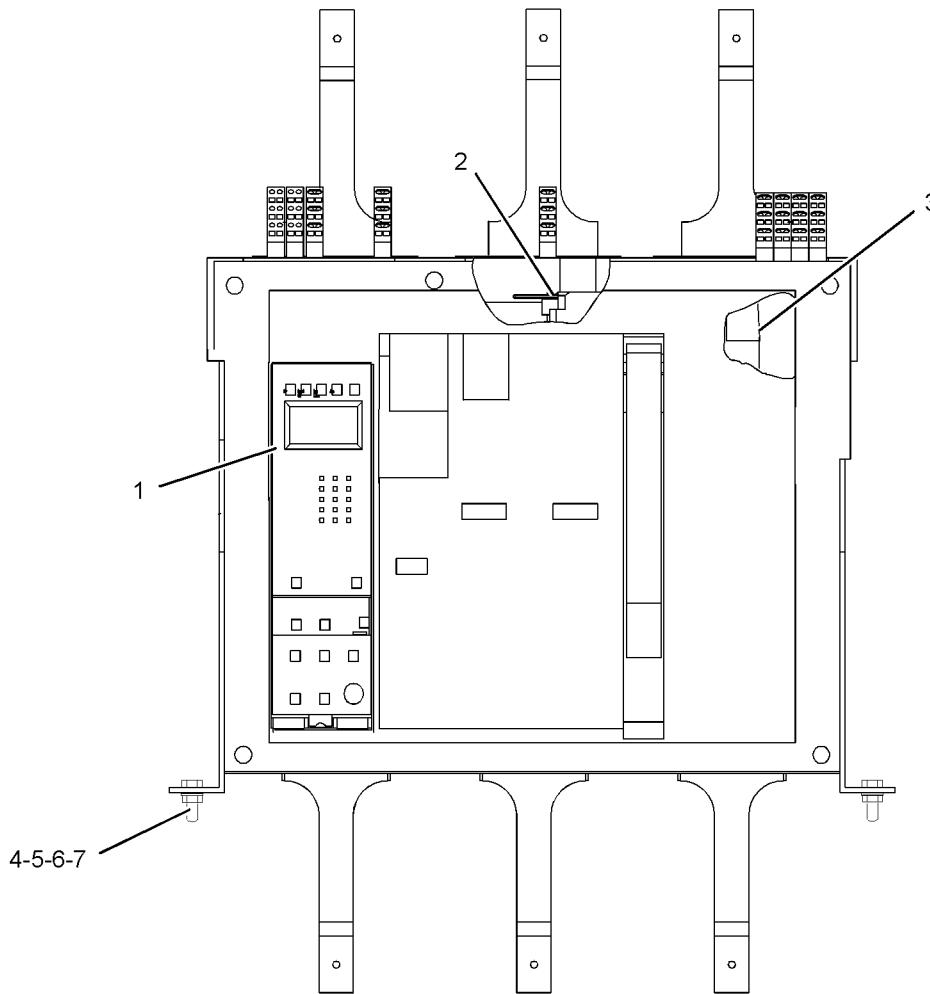
## 244-9901 CIRCUIT BREAKER AS-UL, ICCB, LSIG

S/N: YAT1-UP  
3000-AMPERE  
AN ATTACHMENT

SMCS-1420, 4461

i02291158

NOTE	REF NO	GRAPHIC REF	PART NUMBER	QTY	PART NAME						SEE PAGE
					1	2	3	4	5	6 (PRODUCT LEVEL)	
	1	1	244-9833	1	TRIP UNIT						
	2	1	244-9858	1	SHUNT-TRIP						
	3	1	244-9973	1	SWITCH-AUXILIARY (SINGLE POLE, DUAL THROW)						
	4	1	3B-4506	4	LOCKWASHER						
	5	1	6V-8801	4	NUT (3/8-16-THD)						
	6	1	8T-4896	4	WASHER-HARD (10.2X18.5X2.5-MM THK)						
	7	1	9B-7237	4	BOLT (3/8-16X1.25-IN)						



GRAPHIC #1

<END>

g01205161



# ELECTRICAL AND STARTING SYSTEM

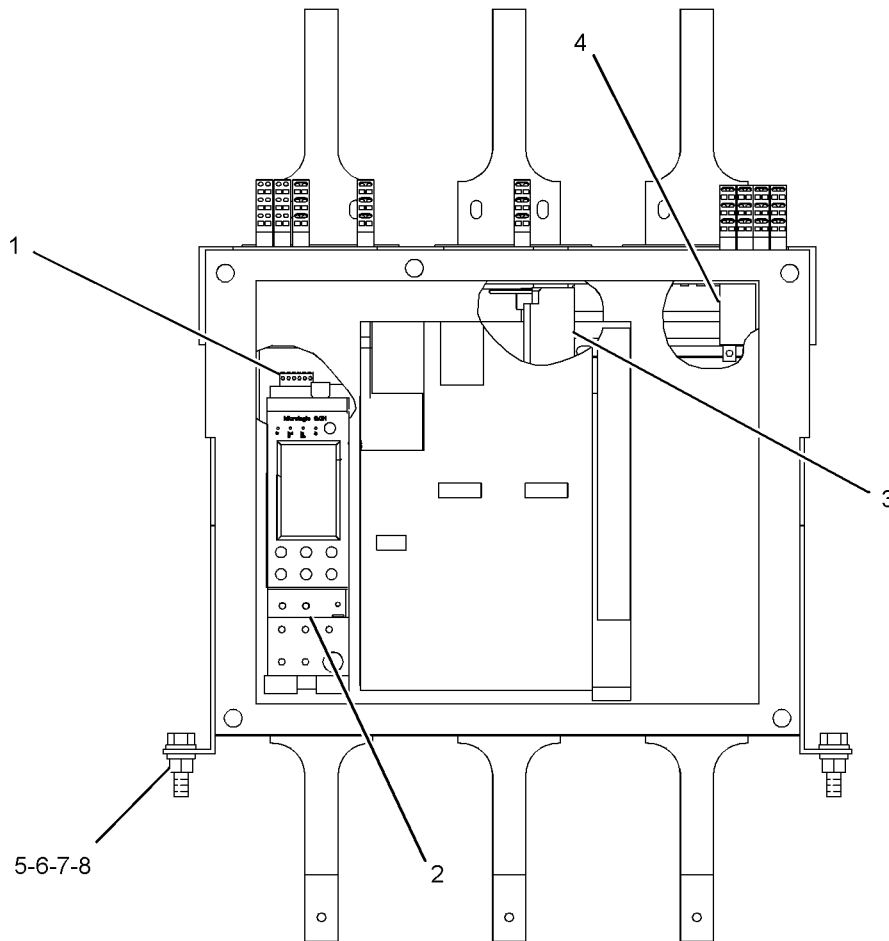
## 244-9903 CIRCUIT BREAKER AS-UL, ICCB, LSIG-P

S/N: YAT1-UP  
3000-AMPERE  
AN ATTACHMENT

SMCS-1420, 4461

i02492312

NOTE	REF NO	GRAPHIC REF	PART NUMBER	QTY	PART NAME						SEE PAGE
					1	2	3	4	5	6 (PRODUCT LEVEL)	
	1	1	244-9834	1	MODULE (MODBUS COMMUNICATION)						
	2	1	244-9835	1	TRIP UNIT						
	3	1	244-9858	1	SHUNT-TRIP						
	4	1	244-9973	1	SWITCH-AUXILIARY (SINGLE POLE, DUAL THROW)						
	5	1	3B-4506	4	LOCKWASHER						
	6	1	6V-8801	4	NUT (3/8-16-THD)						
	7	1	8T-4896	4	WASHER-HARD (10.2X18.5X2.5-MM THK)						
	8	1	9B-7237	4	BOLT (3/8-16X1.25-IN)						



GRAPHIC #1

<END>

g01246384

# ELECTRICAL AND STARTING SYSTEM

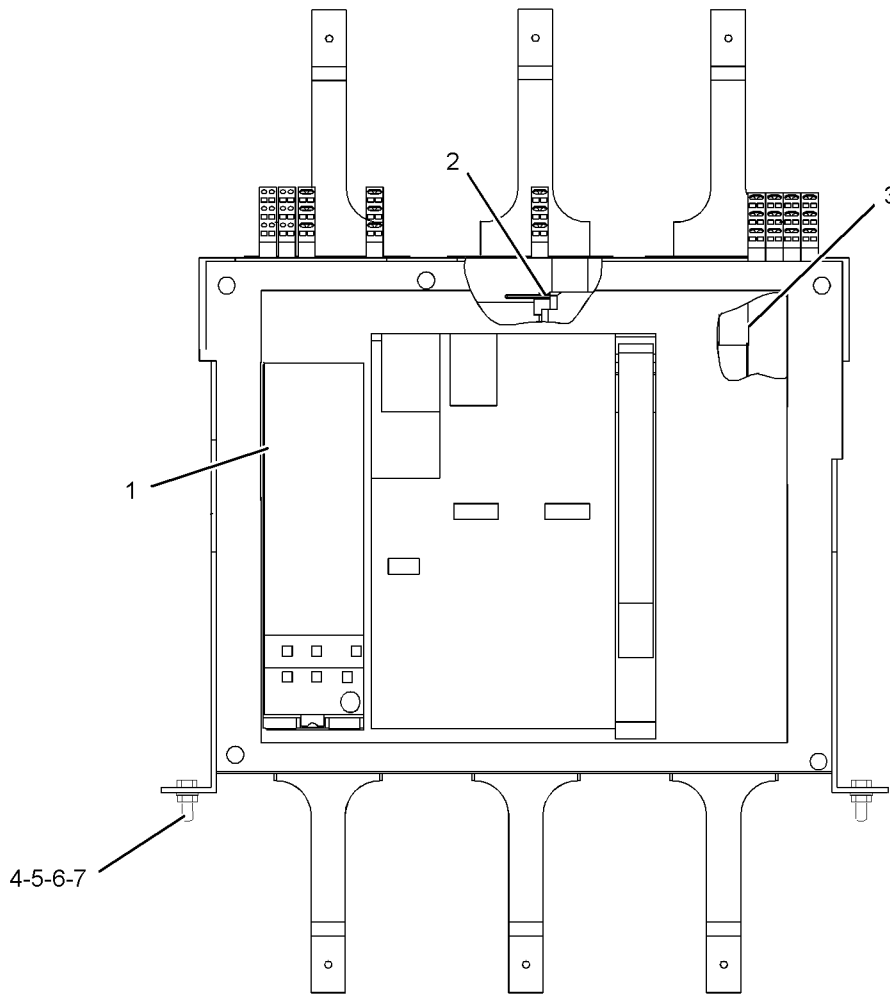
## 244-9904 CIRCUIT BREAKER AS-IEC, ICCB, LSI

S/N: YAT1-UP  
4000-AMPERE  
AN ATTACHMENT

SMCS-1420, 4461

i02292290

NOTE	REF NO	GRAPHIC REF	PART NUMBER	QTY	PART NAME						SEE PAGE
					1	2	3	4	5	6 (PRODUCT LEVEL)	
	1	1	244-9831	1	TRIP UNIT						
	2	1	244-9858	1	SHUNT-TRIP						
	3	1	244-9973	1	SWITCH-AUXILIARY (SINGLE POLE, DUAL THROW)						
	4	1	3B-4506	4	LOCKWASHER						
	5	1	6V-8801	4	NUT (3/8-16-THD)						
	6	1	8T-4896	4	WASHER-HARD (10.2X18.5X2.5-MM THK)						
	7	1	9B-7237	4	BOLT (3/8-16X1.25-IN)						



GRAPHIC #1

<END>

g01197609

# ELECTRICAL AND STARTING SYSTEM

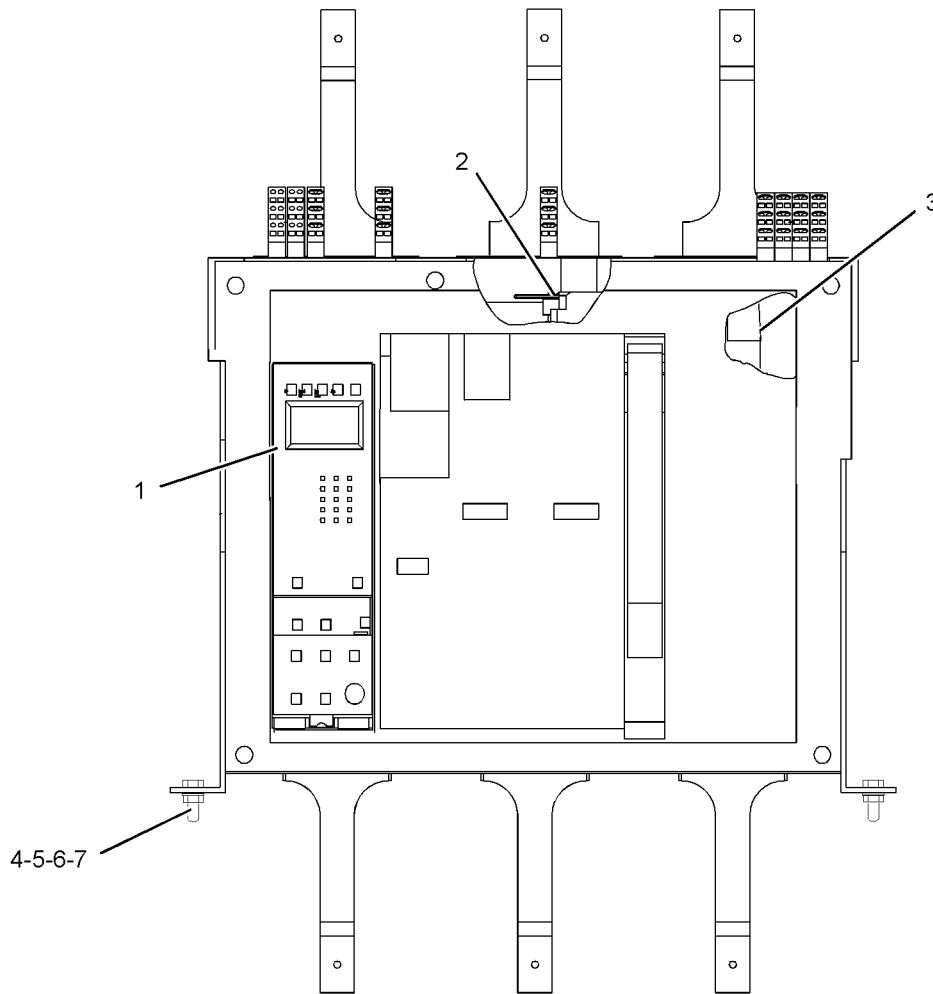
## 244-9905 CIRCUIT BREAKER AS-IEC, ICCB, LSIG

S/N: YAT1-UP  
4000-AMPERE  
AN ATTACHMENT

SMCS-1420, 4461

i02472861

NOTE	REF NO	GRAPHIC REF	PART NUMBER	QTY	PART NAME						SEE PAGE
					1	2	3	4	5	6 (PRODUCT LEVEL)	
	1	1	244-9833	1	TRIP UNIT						
	2	1	244-9858	1	SHUNT-TRIP						
	3	1	244-9973	1	SWITCH-AUXILIARY (SINGLE POLE, DUAL THROW)						
	4	1	3B-4506	4	LOCKWASHER						
	5	1	6V-8801	4	NUT (3/8-16-THD)						
	6	1	8T-4896	4	WASHER-HARD (10.2X18.5X2.5-MM THK)						
	7	1	9B-7237	4	BOLT (3/8-16X1.25-IN)						



GRAPHIC #1

<END>

g01205161

# ELECTRICAL AND STARTING SYSTEM

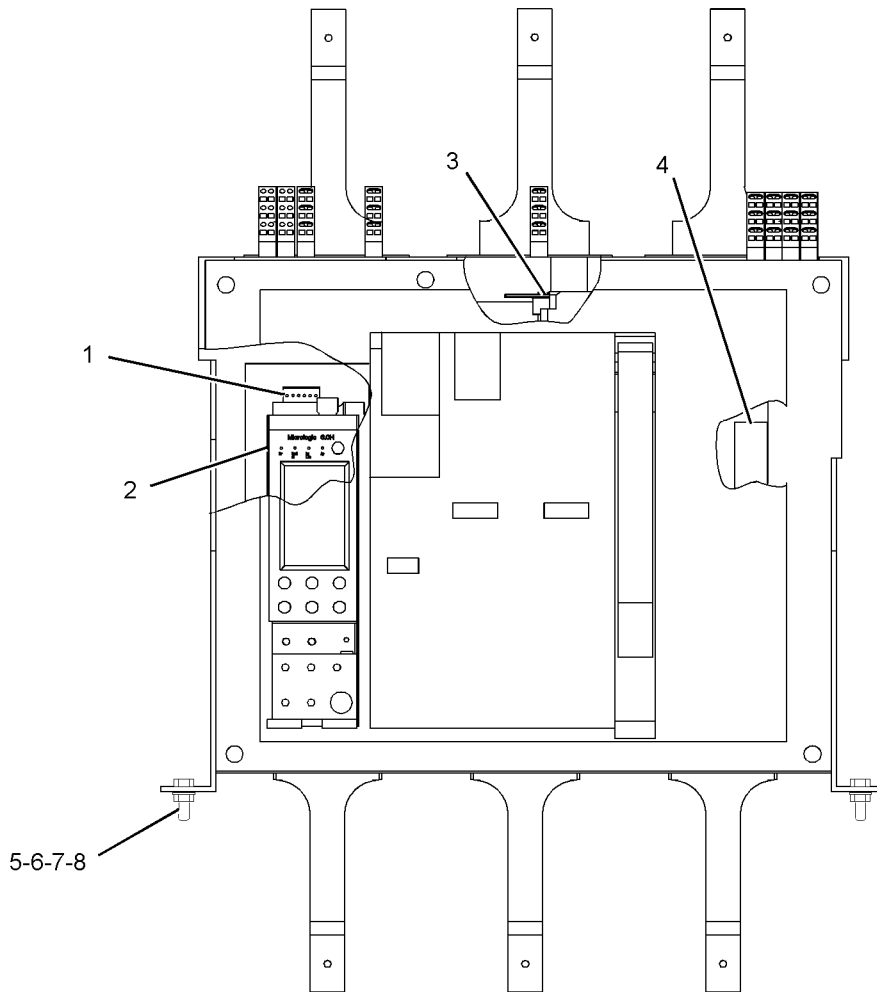
## 244-9906 CIRCUIT BREAKER AS-IEC, ICCB, LSIG-P

S/N: YAT1-UP  
4000-AMPERE  
AN ATTACHMENT

SMCS-1420, 4461

i02292294

NOTE	REF NO	GRAPHIC REF	PART NUMBER	QTY	PART NAME						SEE PAGE
					1	2	3	4	5	6 (PRODUCT LEVEL)	
	1	1	244-9834	1	MODULE (MODBUS COMMUNICATION)						
	2	1	244-9835	1	TRIP UNIT						
	3	1	244-9858	1	SHUNT-TRIP						
	4	1	244-9973	1	SWITCH-AUXILIARY (SINGLE POLE, DUAL THROW)						
	5	1	3B-4506	4	LOCKWASHER						
	6	1	6V-8801	4	NUT (3/8-16-THD)						
	7	1	8T-4896	4	WASHER-HARD (10.2X18.5X2.5-MM THK)						
	8	1	9B-7237	4	BOLT (3/8-16X1.25-IN)						



GRAPHIC #1

<END>

g01205142

# ELECTRICAL AND STARTING SYSTEM

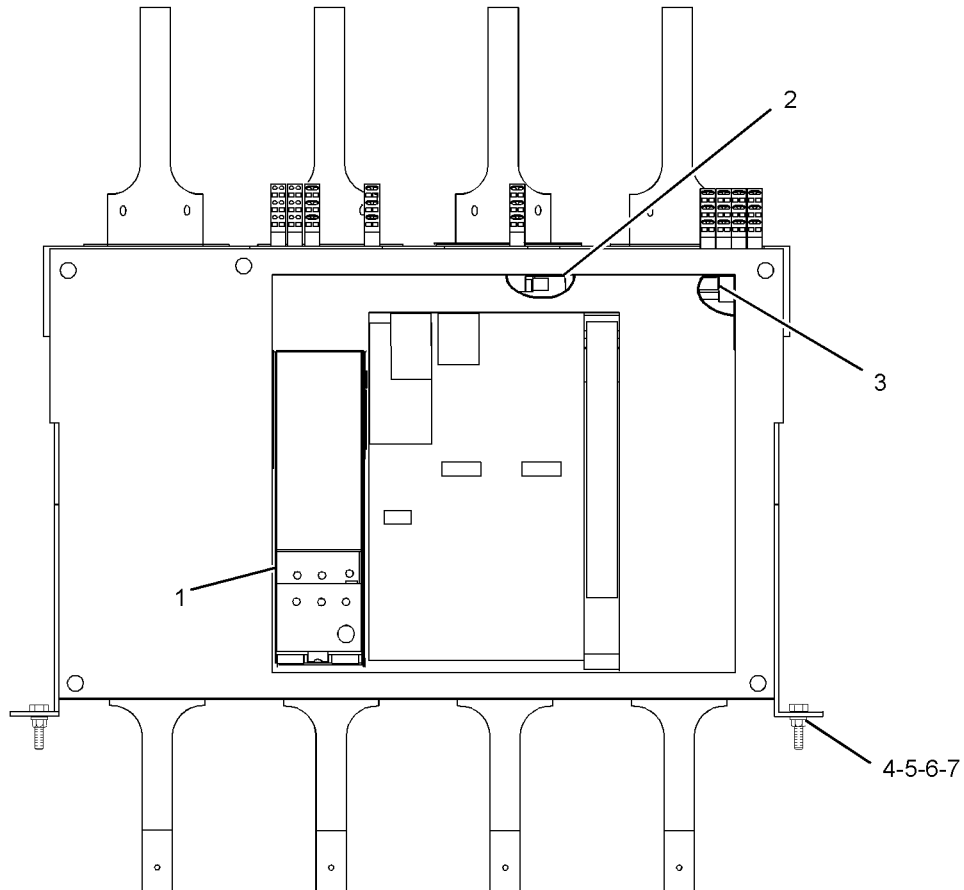
## 244-9907 CIRCUIT BREAKER AS-IEC, ICCB, LSI

S/N: YAT1-UP  
4000-AMPERE  
AN ATTACHMENT

SMCS-1420, 4461

i02292295

NOTE	REF NO	GRAPHIC REF	PART NUMBER	QTY	PART NAME						SEE PAGE
					1	2	3	4	5	6 (PRODUCT LEVEL)	
	1	1	244-9831	1	TRIP UNIT						
	2	1	244-9858	1	SHUNT-TRIP						
	3	1	244-9973	1	SWITCH-AUXILIARY (SINGLE POLE, DUAL THROW)						
	4	1	3B-4506	4	LOCKWASHER						
	5	1	6V-8801	4	NUT (3/8-16-THD)						
	6	1	8T-4896	4	WASHER-HARD (10.2X18.5X2.5-MM THK)						
	7	1	9B-7237	4	BOLT (3/8-16X1.25-IN)						



GRAPHIC #1

<END>

g01205719

# ELECTRICAL AND STARTING SYSTEM

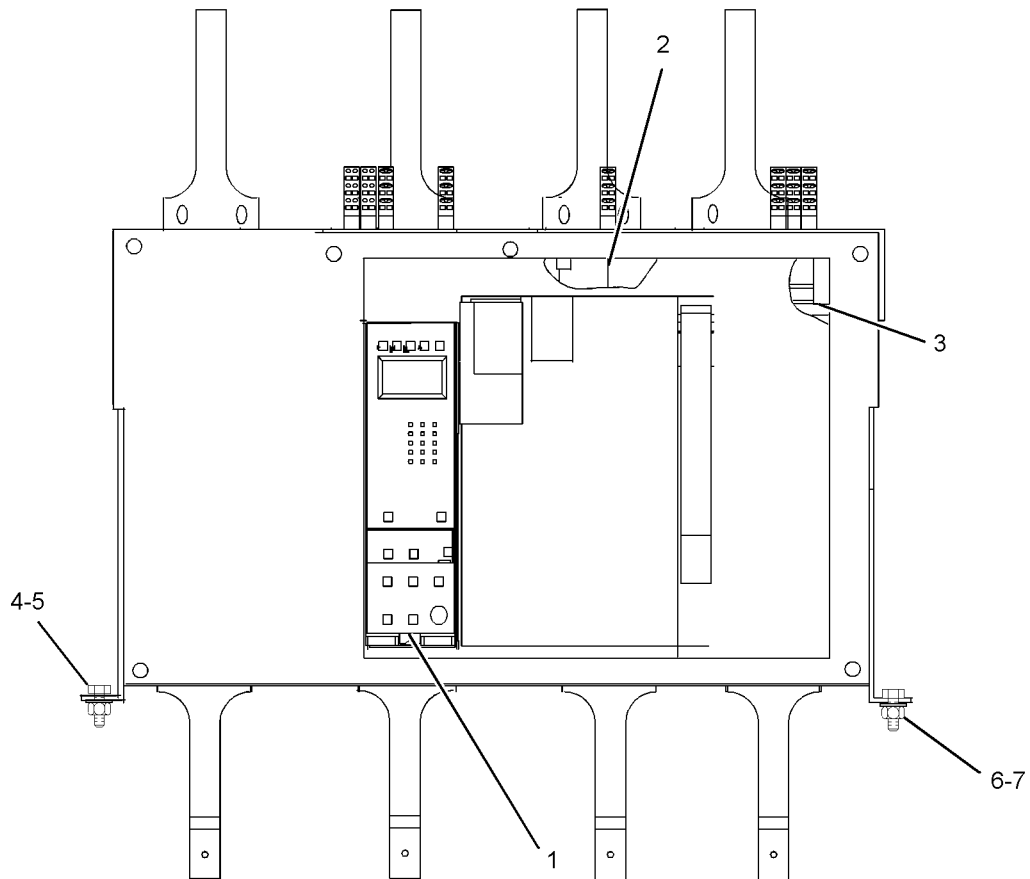
## 244-9908 CIRCUIT BREAKER AS-IEC, ICCB, LSIG

S/N: YAT1-UP  
4000-AMPERE  
AN ATTACHMENT

SMCS-1420, 4461

i02292297

NOTE	REF NO	GRAPHIC REF	PART NUMBER	QTY	PART NAME						SEE PAGE
					1	2	3	4	5	6 (PRODUCT LEVEL)	
	1	1	244-9833	1	TRIP UNIT						
	2	1	244-9858	1	SHUNT-TRIP						
	3	1	244-9973	1	SWITCH-AUXILIARY (SINGLE POLE, DUAL THROW)						
	4	1	3B-4506	4	LOCKWASHER						
	5	1	6V-8801	4	NUT (3/8-16-THD)						
	6	1	8T-4896	4	WASHER-HARD (10.2X18.5X2.5-MM THK)						
	7	1	9B-7237	4	BOLT (3/8-16X1.25-IN)						



GRAPHIC #1

<END>

g01205499

# ELECTRICAL AND STARTING SYSTEM

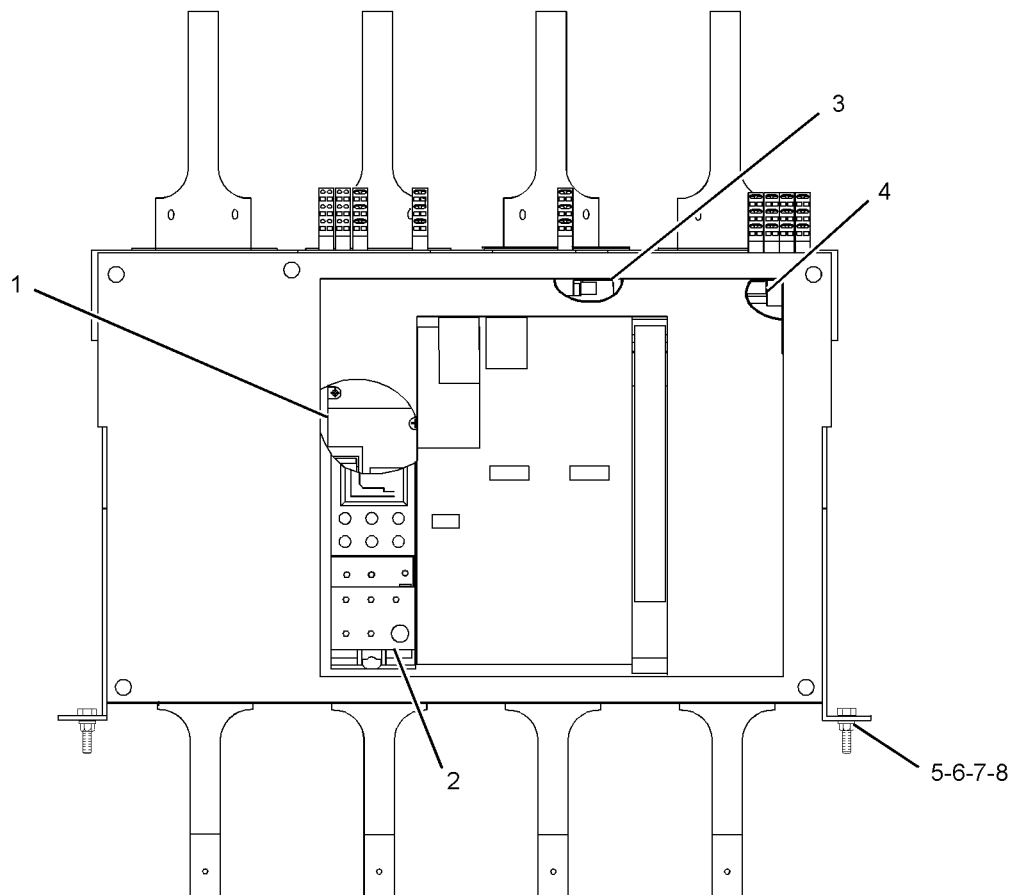
## 244-9909 CIRCUIT BREAKER AS-IEC, ICCB, LSIG-P

S/N: YAT1-UP  
4000-AMPERE  
AN ATTACHMENT

SMCS-1420, 4461

i02292299

NOTE	REF NO	GRAPHIC REF	PART NUMBER	QTY	PART NAME						SEE PAGE
					1	2	3	4	5	6 (PRODUCT LEVEL)	
	1	1	244-9834	1	MODULE (MODBUS COMMUNICATION)						
	2	1	244-9835	1	TRIP UNIT						
	3	1	244-9858	1	SHUNT-TRIP						
	4	1	244-9973	1	SWITCH-AUXILIARY (SINGLE POLE, DUAL THROW)						
	5	1	3B-4506	4	LOCKWASHER						
	6	1	6V-8801	4	NUT (3/8-16-THD)						
	7	1	8T-4896	4	WASHER-HARD (10.2X18.5X2.5-MM THK)						
	8	1	9B-7237	4	BOLT (3/8-16X1.25-IN)						



GRAPHIC #1

<END>

g01205474

# ELECTRICAL AND STARTING SYSTEM

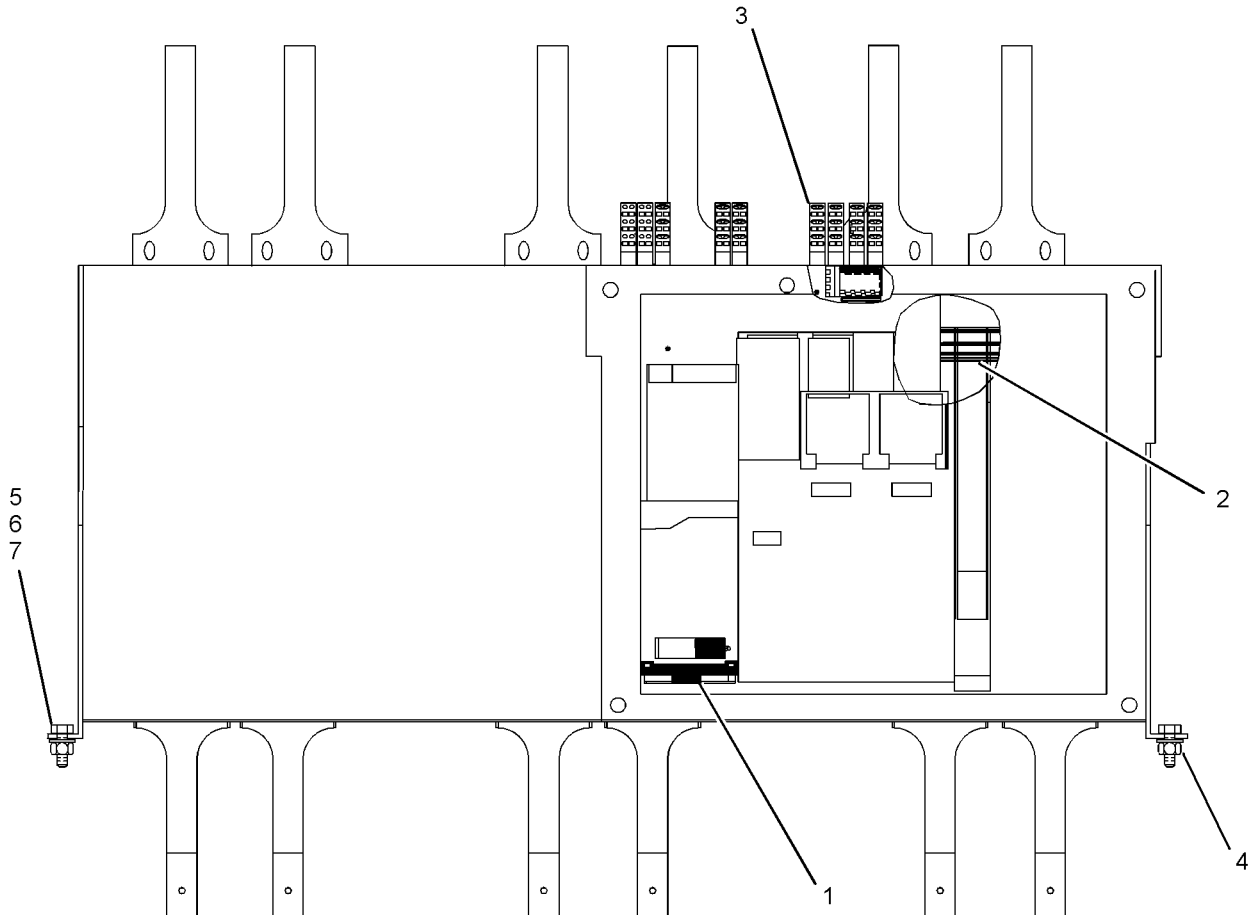
## 244-9910 CIRCUIT BREAKER AS-UL, ICCB, LSI

S/N: YAT1-UP  
4000-AMPERE  
AN ATTACHMENT

SMCS-1420, 4461

i02292301

NOTE	REF NO	GRAPHIC REF	PART NUMBER	QTY	PART NAME						SEE PAGE
					1	2	3	4	5	6 (PRODUCT LEVEL)	
	1	1	244-9837	1	TRIP UNIT						
	2	1	244-9858	1	SHUNT-TRIP						
	3	1	244-9973	1	SWITCH-AUXILIARY (SINGLE POLE, DUAL THROW)						
	4	1	3B-4506	4	LOCKWASHER						
	5	1	6V-8801	4	NUT (3/8-16-THD)						
	6	1	8T-4896	4	WASHER-HARD (10.2X18.5X2.5-MM THK)						
	7	1	9B-7237	4	BOLT (3/8-16X1.25-IN)						



GRAPHIC #1

<END>

g01205683



# ELECTRICAL AND STARTING SYSTEM

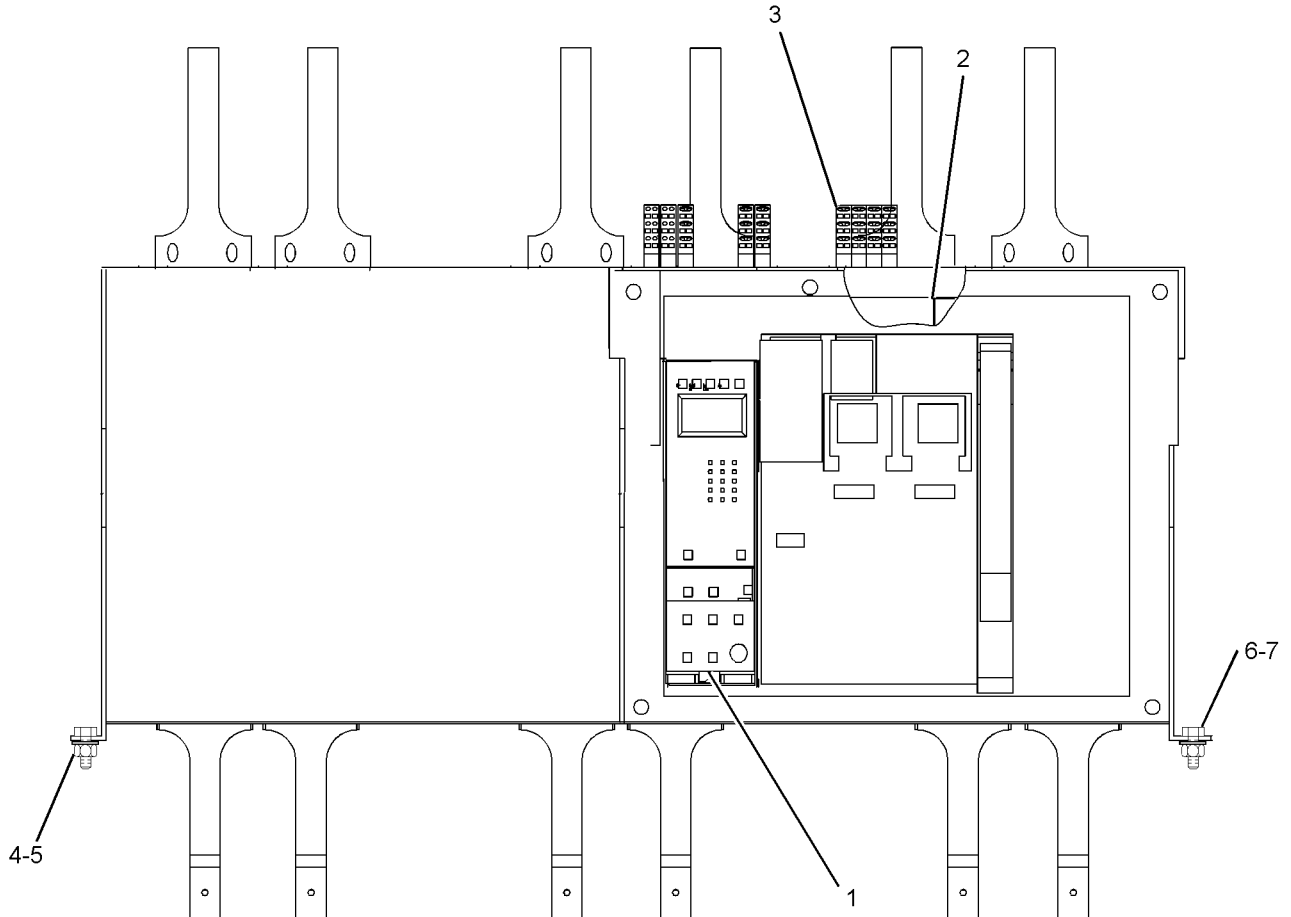
## 244-9911 CIRCUIT BREAKER AS-UL, ICCB, LSIG

S/N: YAT1-UP  
4000-AMPERE  
AN ATTACHMENT

SMCS-1420, 4461

i02292302

NOTE	REF NO	GRAPHIC REF	PART NUMBER	QTY	PART NAME						SEE PAGE
					1	2	3	4	5	6 (PRODUCT LEVEL)	
	1	1	244-9833	1	TRIP UNIT						
	2	1	244-9858	1	SHUNT-TRIP						
	3	1	244-9973	1	SWITCH-AUXILIARY (SINGLE POLE, DUAL THROW)						
	4	1	3B-4506	4	LOCKWASHER						
	5	1	6V-8801	4	NUT (3/8-16-THD)						
	6	1	8T-4896	4	WASHER-HARD (10.2X18.5X2.5-MM THK)						
	7	1	9B-7237	4	BOLT (3/8-16X1.25-IN)						



GRAPHIC #1

<END>

g01205484

# ELECTRICAL AND STARTING SYSTEM

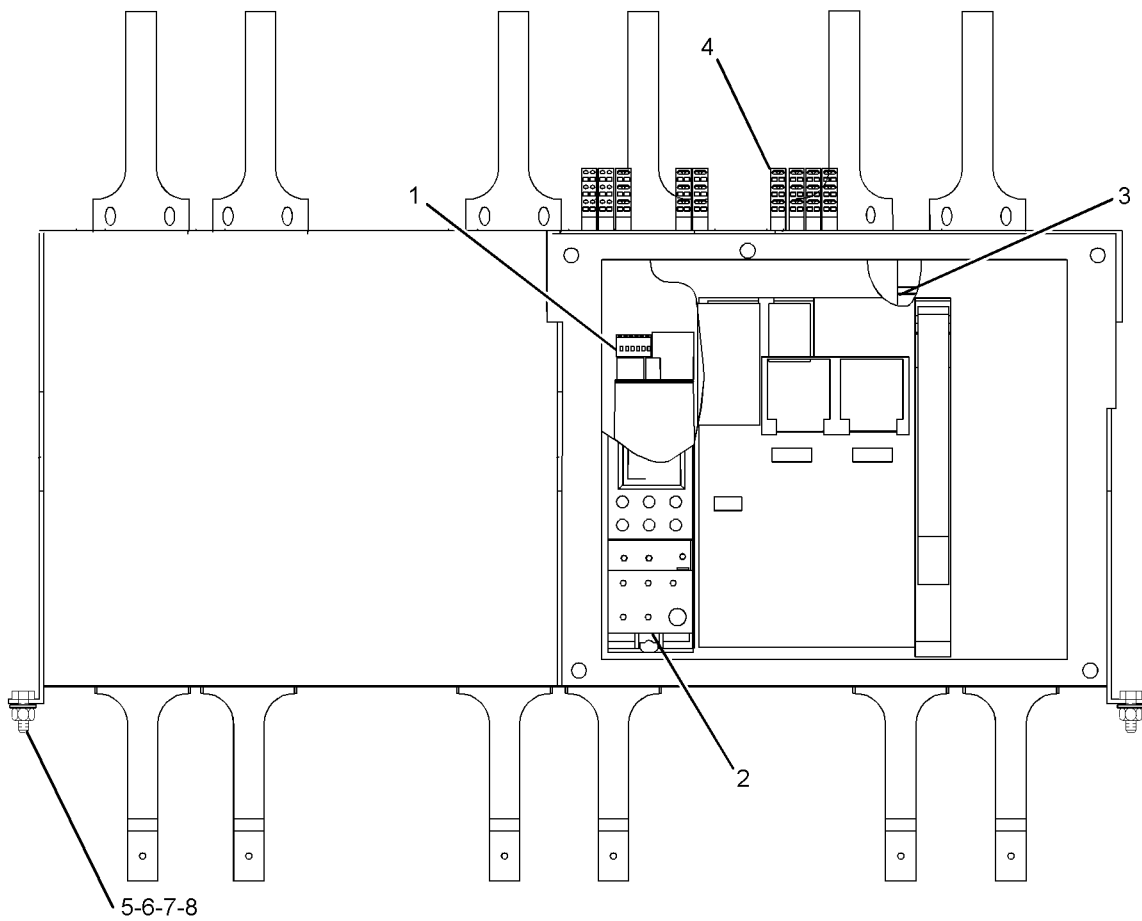
## 244-9913 CIRCUIT BREAKER AS-UL, ICCB, LSIG-P

S/N: YAT1-UP  
4000-AMPERE  
AN ATTACHMENT

SMCS-1420, 4461

i02292305

NOTE	REF NO	GRAPHIC REF	PART NUMBER	QTY	PART NAME						SEE PAGE
					1	2	3	4	5	6 (PRODUCT LEVEL)	
	1	1	244-9834	1	MODULE (MODBUS COMMUNICATION)						
	2	1	244-9835	1	TRIP UNIT						
	3	1	244-9858	1	SHUNT-TRIP						
	4	1	244-9973	1	SWITCH-AUXILIARY (SINGLE POLE, DUAL THROW)						
	5	1	3B-4506	4	LOCKWASHER						
	6	1	6V-8801	4	NUT (3/8-16-THD)						
	7	1	8T-4896	4	WASHER-HARD (10.2X18.5X2.5-MM THK)						
	8	1	9B-7237	1	BOLT (3/8-16X1.25-IN)						



GRAPHIC #1

<END>

g01205668

# ELECTRICAL AND STARTING SYSTEM

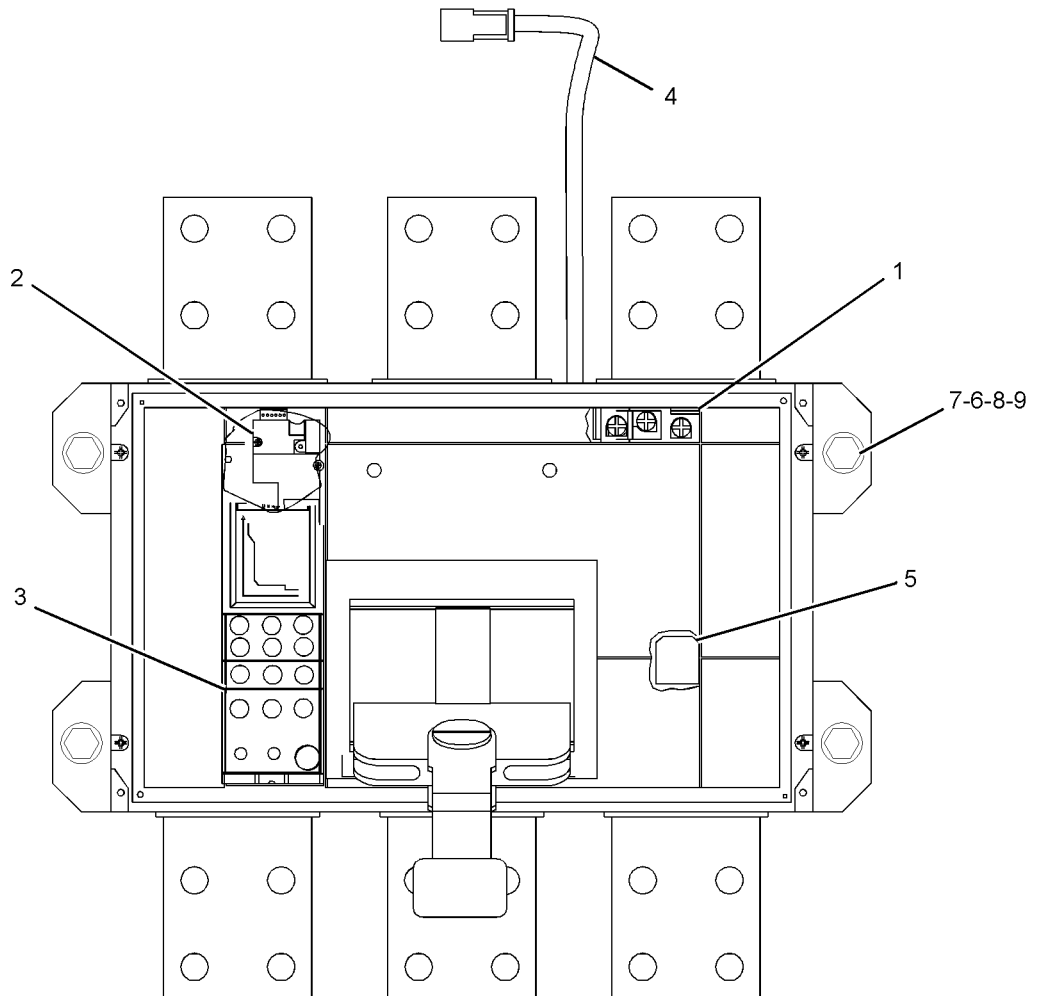
## 244-9917 CIRCUIT BREAKER AS-UL, MCCB, LSIG-H

S/N: YAT1-UP  
2000-AMPERE  
AN ATTACHMENT

SMCS-1420, 4461

i03005926

NOTE	REF NO	GRAPHIC REF	PART NUMBER	QTY	PART NAME						SEE PAGE
					1	2	3	4	5	6 (PRODUCT LEVEL)	
	1	1	244-9825	1	SWITCH-AUXILIARY (SINGLE POLE, DUAL THROW)						
	2	1	244-9834	1	MODULE (MODBUS COMMUNICATION)						
	3	1	244-9840	1	TRIP UNIT						
	4	1	244-9841	1	HARNESS AS-WIRING (CIRCUIT BREAKER) (4-PIN)						
	5	1	244-9861	1	SHUNT-TRIP						
	6	1	3B-4506	4	LOCKWASHER						
	7	1	4L-6459	4	BOLT (3/8-16X2.5-IN)						
	8	1	6V-8801	4	NUT (3/8-16-THD)						
	9	1	8T-4896	8	WASHER-HARD (10.2X18.5X2.5-MM THK)						



GRAPHIC #1

<END>

g01201165

# ELECTRICAL AND STARTING SYSTEM

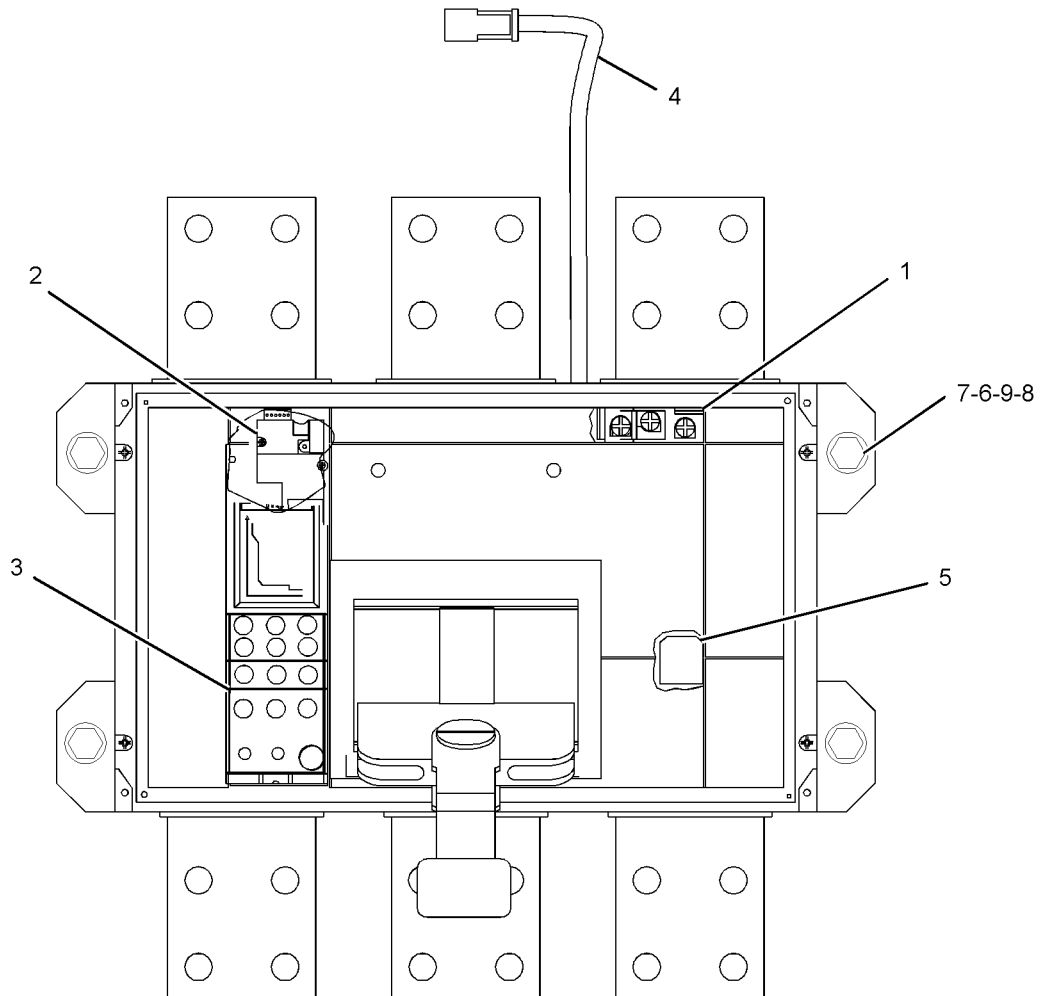
## 244-9918 CIRCUIT BREAKER AS-UL, MCCB, LSIG-P

S/N: YAT1-UP  
2000-AMPERE  
AN ATTACHMENT

SMCS-1420, 4461

i03005927

NOTE	REF NO	GRAPHIC REF	PART NUMBER	QTY	PART NAME						SEE PAGE
					1	2	3	4	5	6 (PRODUCT LEVEL)	
	1	1	244-9825	1	SWITCH-AUXILIARY (SINGLE POLE, DUAL THROW)						
	2	1	244-9834	1	MODULE (MODBUS COMMUNICATION)						
	3	1	244-9835	1	TRIP UNIT						
	4	1	244-9841	1	HARNESS AS-WIRING (CIRCUIT BREAKER) (4-PIN)						
	5	1	244-9861	1	SHUNT-TRIP						
	6	1	3B-4506	4	LOCKWASHER						
	7	1	4L-6459	4	BOLT (3/8-16X2.5-IN)						
	8	1	6V-8801	4	NUT (3/8-16-THD)						
	9	1	8T-4896	8	WASHER-HARD (10.2X18.5X2.5-MM THK)						



GRAPHIC #1

<END>

g01201162

# ELECTRICAL AND STARTING SYSTEM

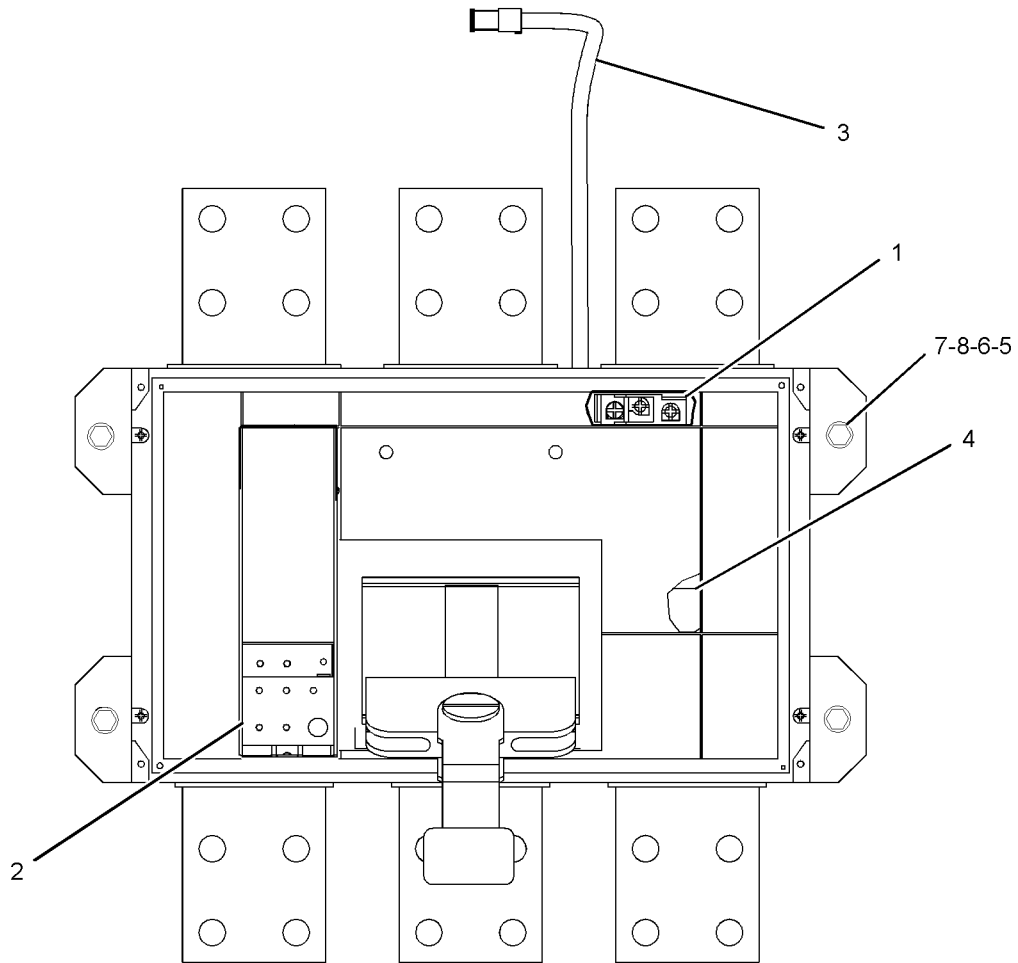
## 244-9919 CIRCUIT BREAKER AS-UL, MCCB, LSI

S/N: YAT1-UP  
2500-AMPERE  
AN ATTACHMENT

SMCS-1420, 4461

i03005928

NOTE	REF NO	GRAPHIC REF	PART NUMBER	QTY	PART NAME						SEE PAGE
					1	2	3	4	5	6 (PRODUCT LEVEL)	
	1	1	244-9825	1	SWITCH-AUXILIARY (SINGLE POLE, DUAL THROW)						
	2	1	244-9837	1	TRIP UNIT						
	3	1	244-9841	1	HARNESS AS-WIRING (CIRCUIT BREAKER) (4-PIN)						
	4	1	244-9861	1	SHUNT-TRIP						
	5	1	3B-4506	4	LOCKWASHER						
	6	1	4L-6459	4	BOLT (3/8-16X2.5-IN)						
	7	1	6V-8801	4	NUT (3/8-16-THD)						
	8	1	8T-4896	8	WASHER-HARD (10.2X18.5X2.5-MM THK)						



GRAPHIC #1

<END>

g01201793

# ELECTRICAL AND STARTING SYSTEM

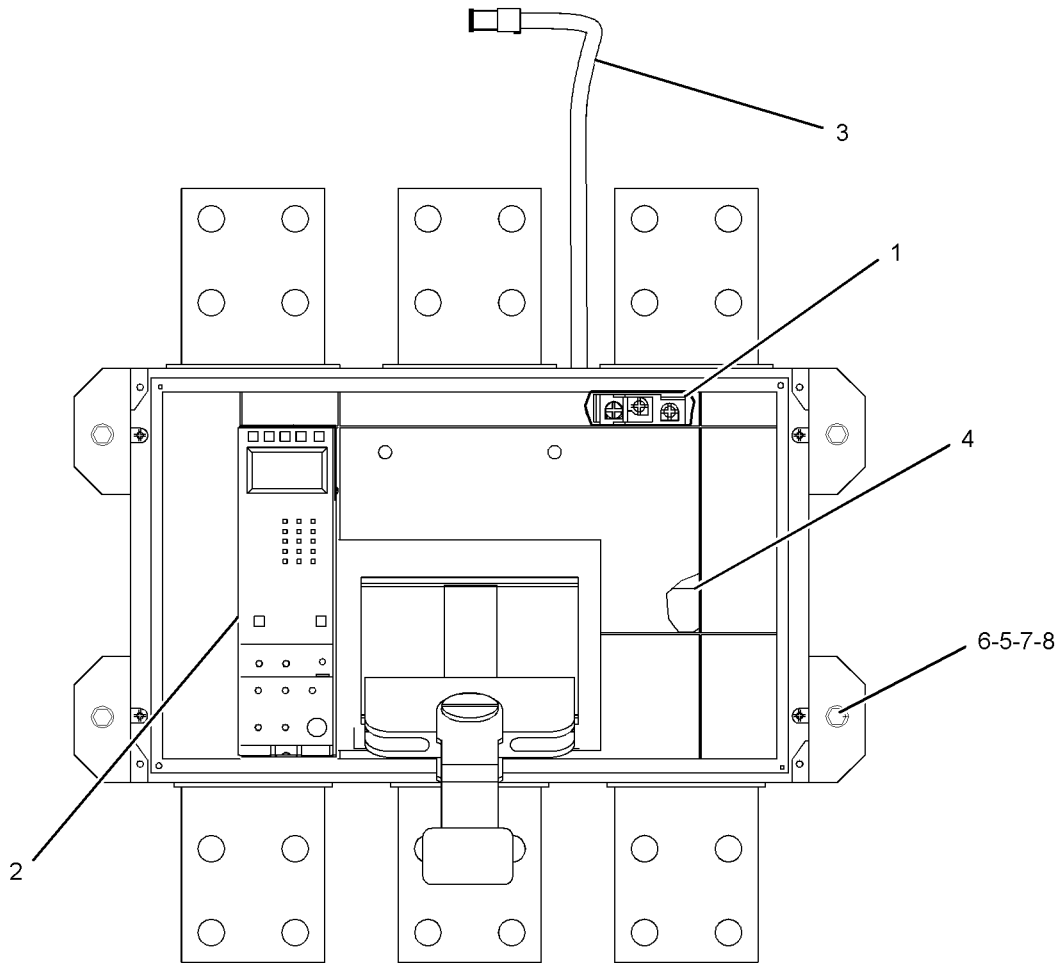
## 244-9920 CIRCUIT BREAKER AS-UL, MCCB, LSIG

S/N: YAT1-UP  
2500-AMPERE  
AN ATTACHMENT

SMCS-1420, 4461

i02422791

NOTE	REF NO	GRAPHIC REF	PART NUMBER	QTY	PART NAME						SEE PAGE
					1	2	3	4	5	6 (PRODUCT LEVEL)	
	1	1	244-9825	1	SWITCH-AUXILIARY (SINGLE POLE, DUAL THROW)						
	2	1	244-9833	1	TRIP UNIT						
	3	1	244-9845	1	HARNESS AS-WIRING (CIRCUIT BREAKER) (4-PIN)						
	4	1	244-9861	1	SHUNT-TRIP						
	5	1	3B-4506	4	LOCKWASHER						
	6	1	4L-6459	4	BOLT (3/8-16X2.5-IN)						
	7	1	6V-8801	4	NUT (3/8-16-THD)						
	8	1	8T-4896	8	WASHER-HARD (10.2X18.5X2.5-MM THK)						



GRAPHIC #1

<END>

g01197918

# ELECTRICAL AND STARTING SYSTEM

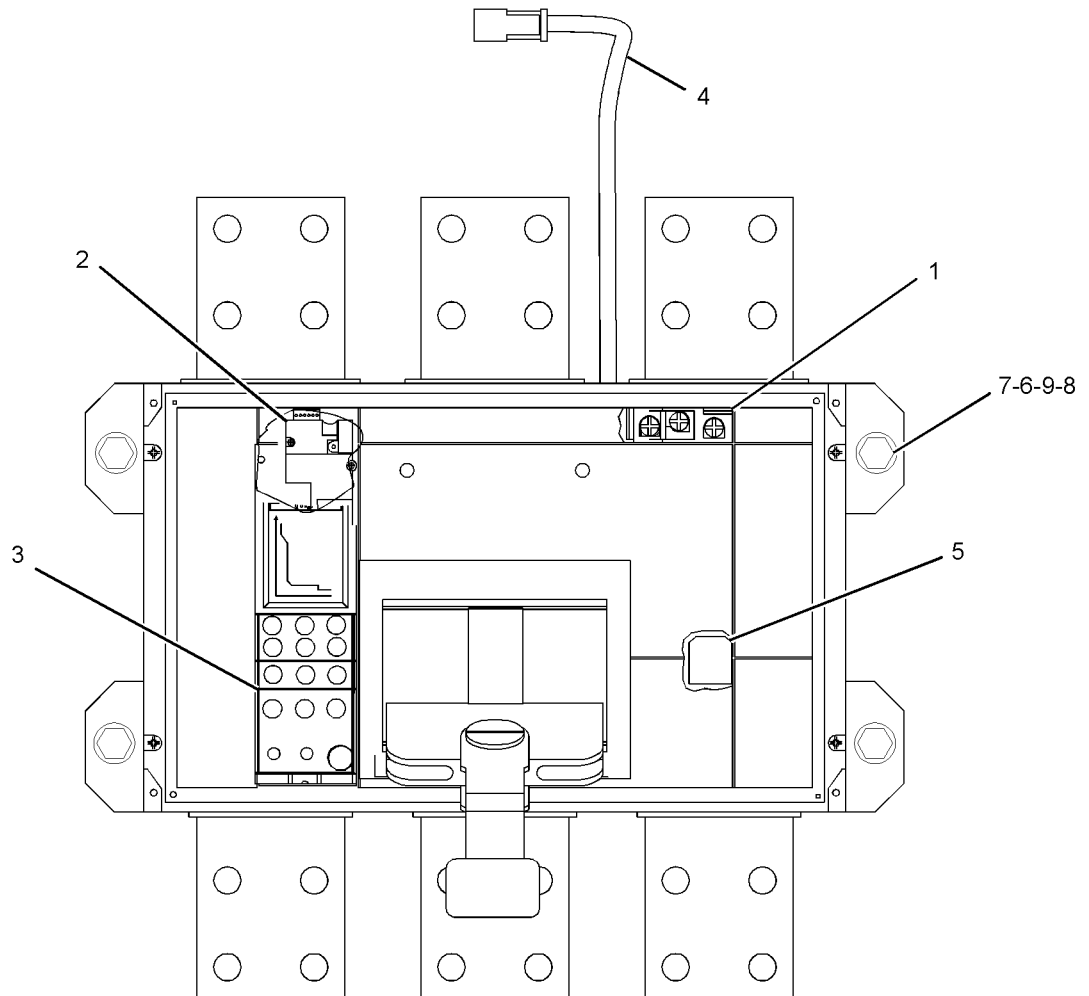
## 244-9921 CIRCUIT BREAKER AS-UL, MCCB, LSIG-H

S/N: YAT1-UP  
2500-AMPERE  
AN ATTACHMENT

SMCS-1420, 4461

i02422795

NOTE	REF NO	GRAPHIC REF	PART NUMBER	QTY	PART NAME						SEE PAGE
					1	2	3	4	5	6 (PRODUCT LEVEL)	
	1	1	244-9825	1	SWITCH-AUXILIARY (SINGLE POLE, DUAL THROW)						
	2	1	244-9834	1	MODULE (MODBUS COMMUNICATION)						
	3	1	244-9840	1	TRIP UNIT						
	4	1	244-9841	1	HARNESS AS-WIRING (CIRCUIT BREAKER) (4-PIN)						
	5	1	244-9861	1	SHUNT-TRIP						
	6	1	3B-4506	4	LOCKWASHER						
	7	1	4L-6459	4	BOLT (3/8-16X2.5-IN)						
	8	1	6V-8801	4	NUT (3/8-16-THD)						
	9	1	8T-4896	8	WASHER-HARD (10.2X18.5X2.5-MM THK)						



GRAPHIC #1

<END>

g01201161

# ELECTRICAL AND STARTING SYSTEM

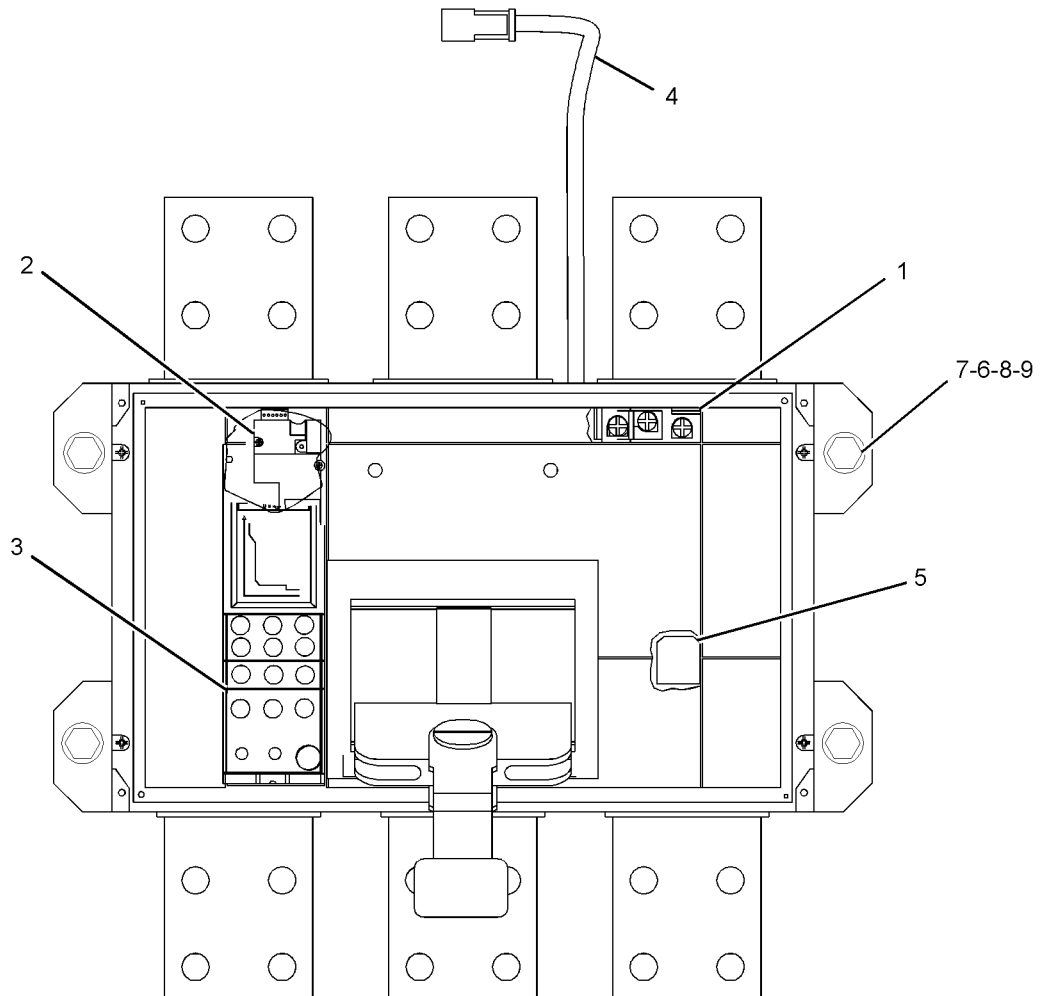
## 244-9922 CIRCUIT BREAKER AS-UL, MCCB, LSIG-P

S/N: YAT1-UP  
2500-AMPERE  
AN ATTACHMENT

SMCS-1420, 4461

i02422797

NOTE	REF NO	GRAPHIC REF	PART NUMBER	QTY	PART NAME						SEE PAGE
					1	2	3	4	5	6 (PRODUCT LEVEL)	
	1	1	244-9825	1	SWITCH-AUXILIARY (SINGLE POLE, DUAL THROW)						
	2	1	244-9834	1	MODULE (MODBUS COMMUNICATION)						
	3	1	244-9835	1	TRIP UNIT						
	4	1	244-9841	1	HARNESS AS-WIRING (CIRCUIT BREAKER) (4-PIN)						
	5	1	244-9861	1	SHUNT-TRIP						
	6	1	3B-4506	4	LOCKWASHER						
	7	1	4L-6459	4	BOLT (3/8-16X2.5-IN)						
	8	1	6V-8801	4	NUT (3/8-16-THD)						
	9	1	8T-4896	8	WASHER-HARD (10.2X18.5X2.5-MM THK)						



GRAPHIC #1

<END>

g01201159



# ELECTRICAL AND STARTING SYSTEM

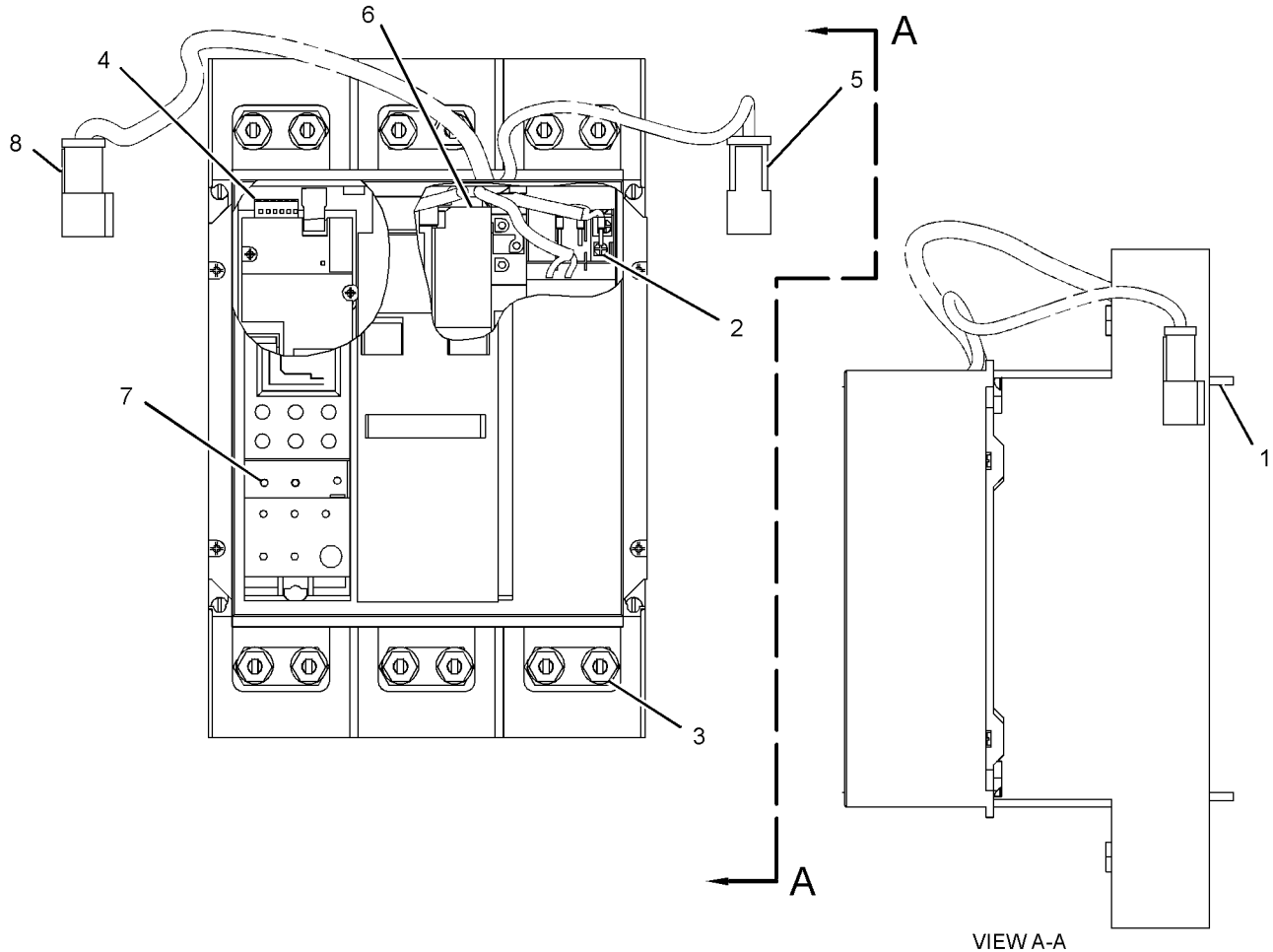
## 244-9984 CIRCUIT BREAKER AS-UL, MCCB, LSI-P

S/N: YAT1-UP  
800-AMPERE  
AN ATTACHMENT

SMCS-1420, 4461

i02351765

NOTE	REF NO	GRAPHIC REF	PART NUMBER	QTY	PART NAME						SEE PAGE
					1	2	3	4	5	6 (PRODUCT LEVEL)	
	1	1	244-9730	1	KIT-BOLT (CIRCUIT BREAKER) (INCLUDES 4 BOLTS)						
	2	1	244-9825	1	SWITCH-AUXILIARY (SINGLE POLE, DUAL THROW)						
	3	1	244-9827	6	BUS BAR AS						
	4	1	244-9834	1	MODULE (MODBUS COMMUNICATION)						
	5	1	244-9841	1	HARNESS AS-WIRING (CIRCUIT BREAKER) (4-PIN)						
	6	1	244-9861	1	SHUNT-TRIP						
	7	1	252-7386	1	TRIP UNIT						
	8	1	244-9839	1	HARNESS AS-WIRING (CIRCUIT BREAKER) (8-PIN)						



GRAPHIC #1

<END>

g01205146

# ELECTRICAL AND STARTING SYSTEM

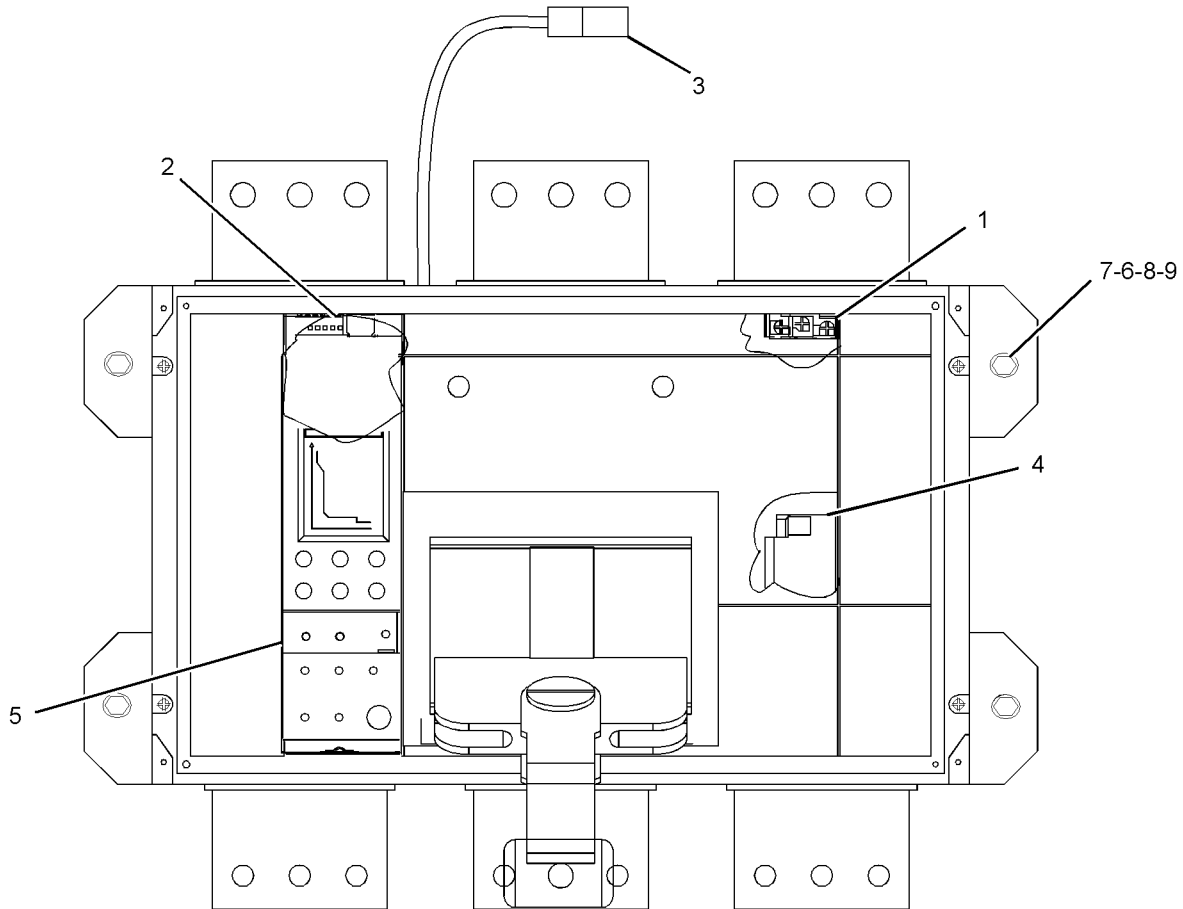
## 244-9990 CIRCUIT BREAKER AS-UL, MCCB, LSI-P

S/N: YAT1-UP  
1600-AMPERE  
AN ATTACHMENT

SMCS-1420, 4461

i02422802

NOTE	REF NO	GRAPHIC REF	PART NUMBER	QTY	PART NAME						SEE PAGE
					1	2	3	4	5	6 (PRODUCT LEVEL)	
	1	1	244-9825	1	SWITCH-AUXILIARY (SINGLE POLE, DUAL THROW)						
	2	1	244-9834	1	MODULE (MODBUS COMMUNICATION)						
	3	1	244-9841	1	HARNESS AS-WIRING (CIRCUIT BREAKER) (4-PIN)						
	4	1	244-9861	1	SHUNT-TRIP						
	5	1	252-7386	1	TRIP UNIT						
	6	1	3B-4506	4	LOCKWASHER						
	7	1	4L-6459	4	BOLT (3/8-16X2.5-IN)						
	8	1	6V-8801	4	NUT (3/8-16-THD)						
	9	1	8T-4896	8	WASHER-HARD (10.2X18.5X2.5-MM THK)						



GRAPHIC #1

<END>

g01201096

# ELECTRICAL AND STARTING SYSTEM

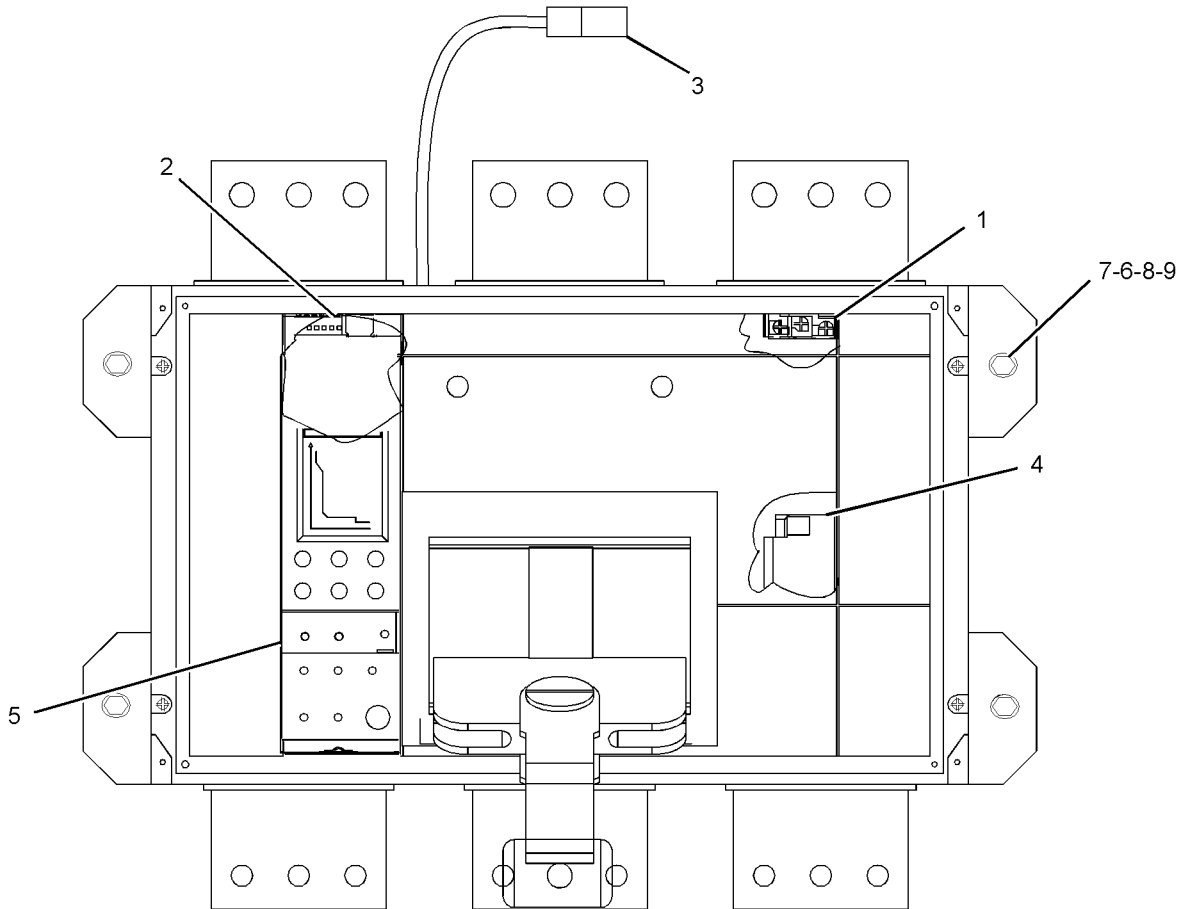
## 244-9991 CIRCUIT BREAKER AS-UL, MCCB, LSI-P

S/N: YAT1-UP  
1600-AMPERE  
AN ATTACHMENT

SMCS-1420, 4461

i02422803

NOTE	REF NO	GRAPHIC REF	PART NUMBER	QTY	PART NAME						SEE PAGE
					1	2	3	4	5	6 (PRODUCT LEVEL)	
	1	1	244-9825	1	SWITCH-AUXILIARY (SINGLE POLE, DUAL THROW)						
	2	1	244-9834	1	MODULE (MODBUS COMMUNICATION)						
	3	1	244-9841	1	HARNESS AS-WIRING (CIRCUIT BREAKER) (4-PIN)						
	4	1	244-9861	1	SHUNT-TRIP						
	5	1	252-7386	1	TRIP UNIT						
	6	1	3B-4506	4	LOCKWASHER						
	7	1	4L-6459	4	BOLT (3/8-16X2.5-IN)						
	8	1	6V-8801	4	NUT (3/8-16-THD)						
	9	1	8T-4896	8	WASHER-HARD (10.2X18.5X2.5-MM THK)						



GRAPHIC #1

<END>

g01201096

# ELECTRICAL AND STARTING SYSTEM

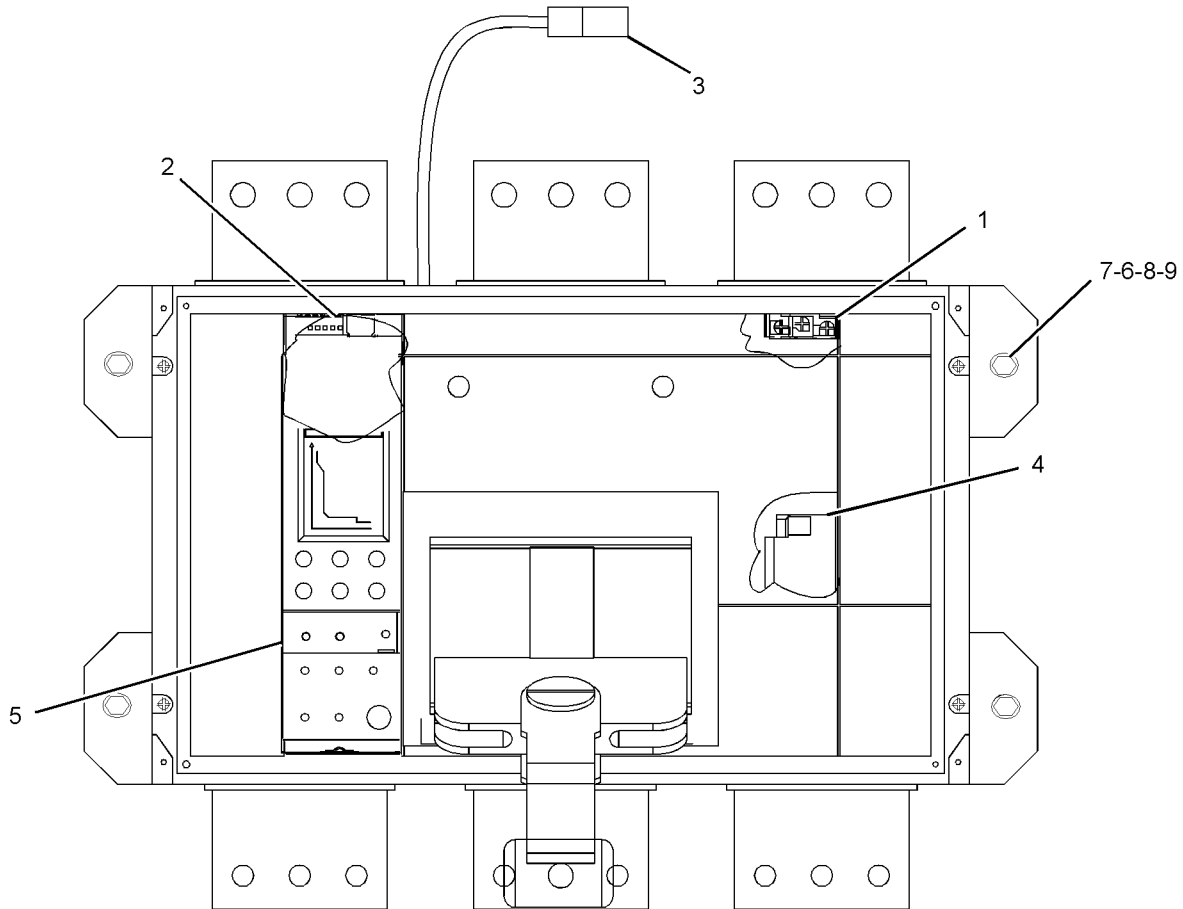
## 244-9992 CIRCUIT BREAKER AS-UL, MCCB, LSI-P

S/N: YAT1-UP  
2000-AMPERE  
AN ATTACHMENT

SMCS-1420, 4461

i02422804

NOTE	REF NO	GRAPHIC REF	PART NUMBER	QTY	PART NAME						SEE PAGE
					1	2	3	4	5	6 (PRODUCT LEVEL)	
	1	1	244-9825	1	SWITCH-AUXILIARY (SINGLE POLE, DUAL THROW)						
	2	1	244-9834	1	MODULE (MODBUS COMMUNICATION)						
	3	1	244-9841	1	HARNESS AS-WIRING (CIRCUIT BREAKER) (4-PIN)						
	4	1	244-9861	1	SHUNT-TRIP						
	5	1	252-7386	1	TRIP UNIT						
	6	1	3B-4506	4	LOCKWASHER						
	7	1	4L-6459	4	BOLT (3/8-16X2.5-IN)						
	8	1	6V-8801	4	NUT (3/8-16-THD)						
	9	1	8T-4896	8	WASHER-HARD (10.2X18.5X2.5-MM THK)						



GRAPHIC #1

<END>

g01201096

# ELECTRICAL AND STARTING SYSTEM

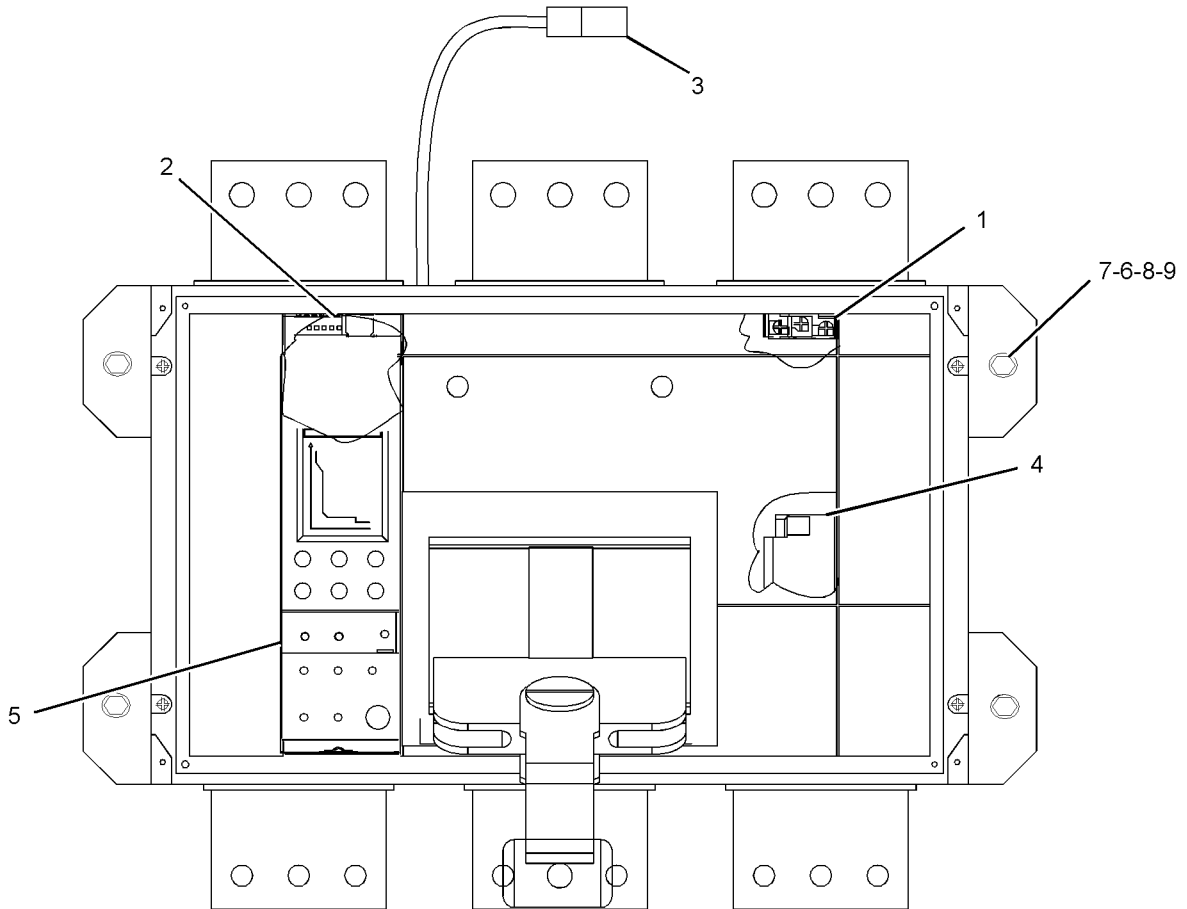
## 244-9993 CIRCUIT BREAKER AS-UL, MCCB, LSI-P

S/N: YAT1-UP  
2000-AMPERE  
AN ATTACHMENT

SMCS-1420, 4461

i02422806

NOTE	REF NO	GRAPHIC REF	PART NUMBER	QTY	PART NAME						SEE PAGE
					1	2	3	4	5	6 (PRODUCT LEVEL)	
	1	1	244-9825	1	SWITCH-AUXILIARY (SINGLE POLE, DUAL THROW)						
	2	1	244-9834	1	MODULE (MODBUS COMMUNICATION)						
	3	1	244-9841	1	HARNESS AS-WIRING (CIRCUIT BREAKER) (4-PIN)						
	4	1	244-9861	1	SHUNT-TRIP						
	5	1	252-7386	1	TRIP UNIT						
	6	1	3B-4506	4	LOCKWASHER						
	7	1	4L-6459	4	BOLT (3/8-16X2.5-IN)						
	8	1	6V-8801	4	NUT (3/8-16-THD)						
	9	1	8T-4896	8	WASHER-HARD (10.2X18.5X2.5-MM THK)						



GRAPHIC #1

<END>

g01201096

# ELECTRICAL AND STARTING SYSTEM

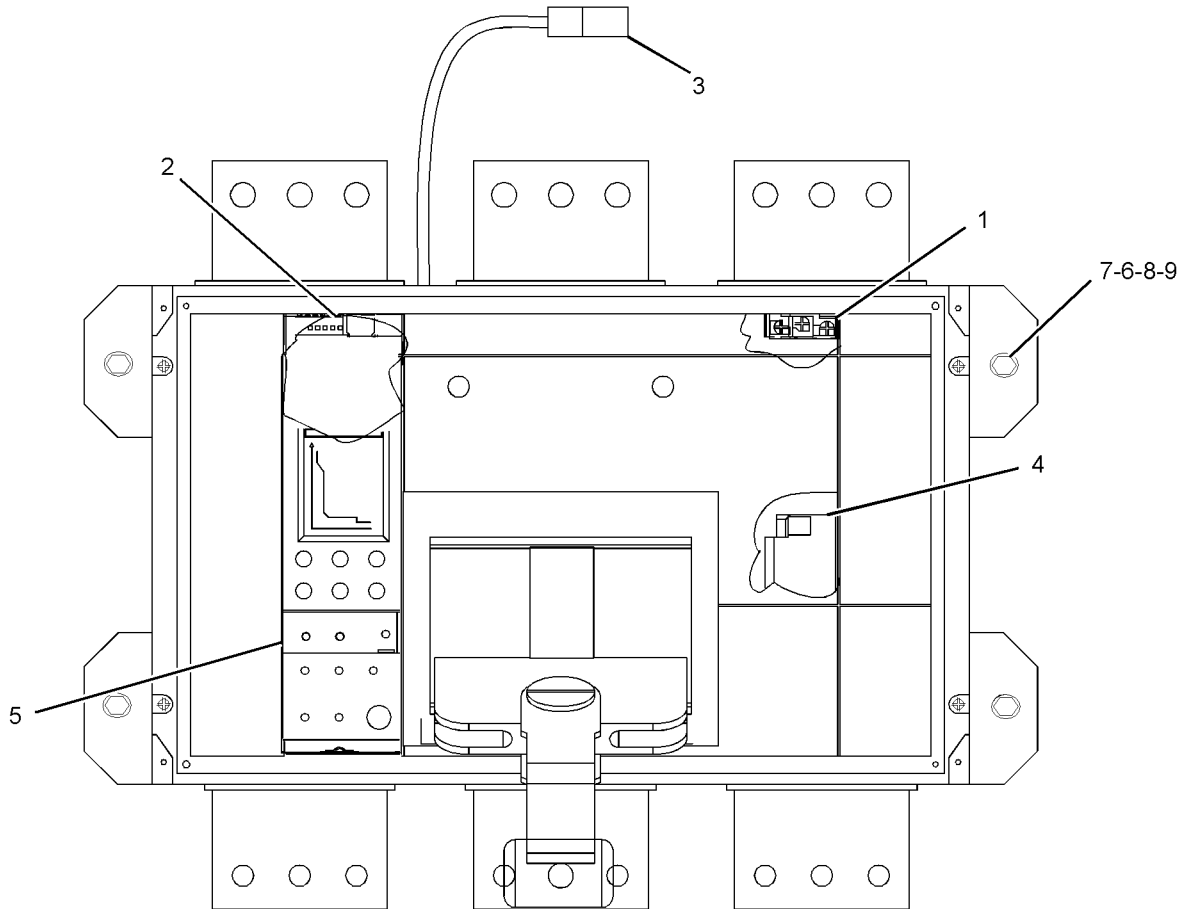
## 244-9994 CIRCUIT BREAKER AS-UL, MCCB, LSI-P

S/N: YAT1-UP  
2500-AMPERE  
AN ATTACHMENT

SMCS-1420, 4461

i02422810

NOTE	REF NO	GRAPHIC REF	PART NUMBER	QTY	PART NAME						SEE PAGE
					1	2	3	4	5	6 (PRODUCT LEVEL)	
	1	1	244-9825	1	SWITCH-AUXILIARY (SINGLE POLE, DUAL THROW)						
	2	1	244-9834	1	MODULE (MODBUS COMMUNICATION)						
	3	1	244-9841	1	HARNESS AS-WIRING (CIRCUIT BREAKER) (4-PIN)						
	4	1	244-9861	1	SHUNT-TRIP						
	5	1	252-7386	1	TRIP UNIT						
	6	1	3B-4506	4	LOCKWASHER						
	7	1	4L-6459	4	BOLT (3/8-16X2.5-IN)						
	8	1	6V-8801	4	NUT (3/8-16-THD)						
	9	1	8T-4896	8	WASHER-HARD (10.2X18.5X2.5-MM THK)						



GRAPHIC #1

<END>

g01201096

# ELECTRICAL AND STARTING SYSTEM

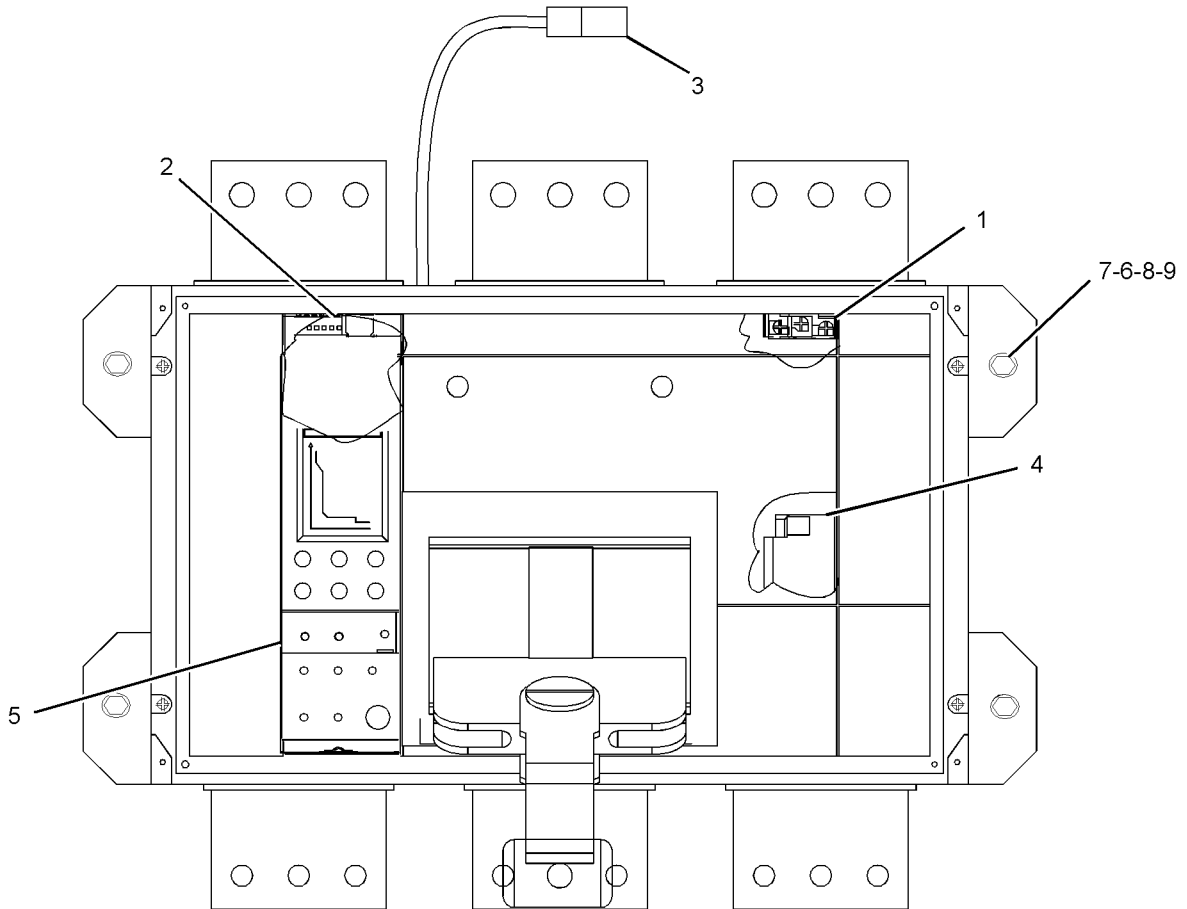
## 244-9995 CIRCUIT BREAKER AS-UL, MCCB, LSI-P

S/N: YAT1-UP  
2500-AMPERE  
AN ATTACHMENT

SMCS-1420, 4461

i02422811

NOTE	REF NO	GRAPHIC REF	PART NUMBER	QTY	PART NAME						SEE PAGE
					1	2	3	4	5	6 (PRODUCT LEVEL)	
	1	1	244-9825	1	SWITCH-AUXILIARY (SINGLE POLE, DUAL THROW)						
	2	1	244-9834	1	MODULE (MODBUS COMMUNICATION)						
	3	1	244-9841	1	HARNESS AS-WIRING (CIRCUIT BREAKER) (4-PIN)						
	4	1	244-9861	1	SHUNT-TRIP						
	5	1	252-7386	1	TRIP UNIT						
	6	1	3B-4506	4	LOCKWASHER						
	7	1	4L-6459	4	BOLT (3/8-16X2.5-IN)						
	8	1	6V-8801	4	NUT (3/8-16-THD)						
	9	1	8T-4896	8	WASHER-HARD (10.2X18.5X2.5-MM THK)						



GRAPHIC #1

<END>

g01201096

# ELECTRICAL AND STARTING SYSTEM

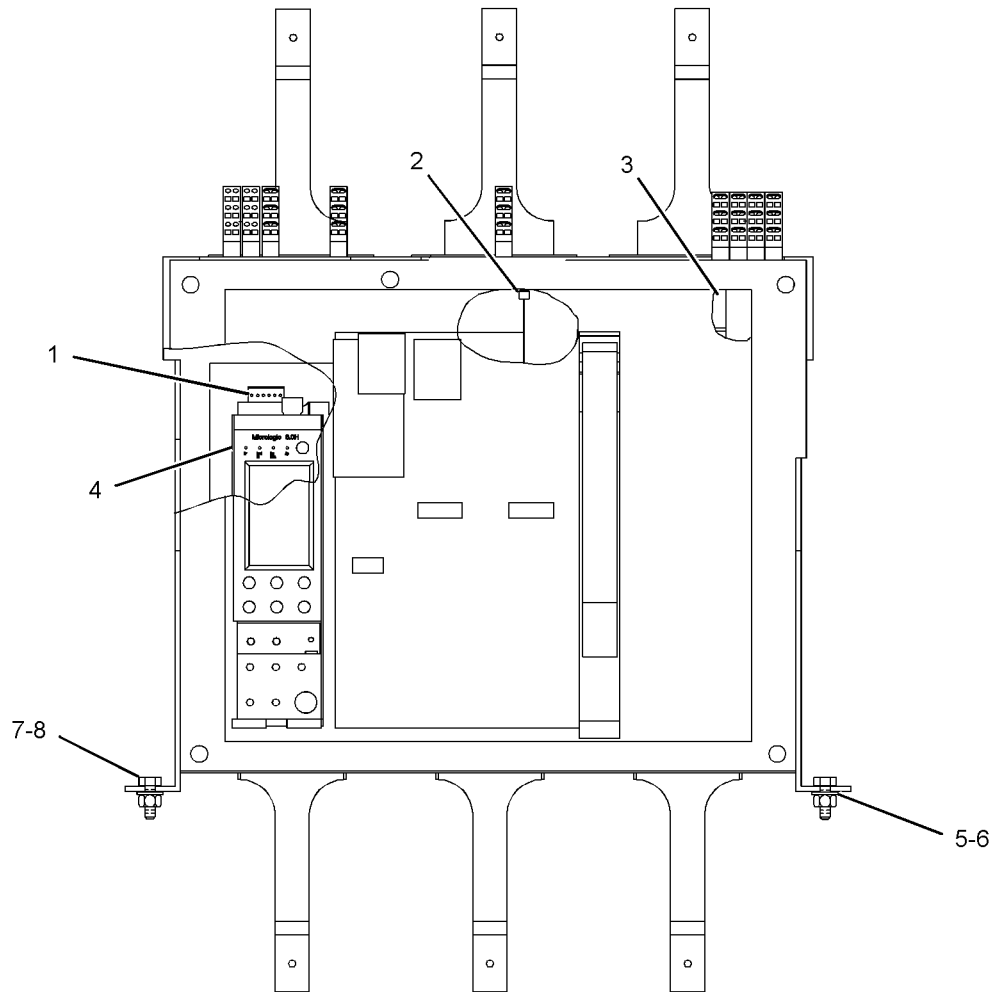
## 244-9996 CIRCUIT BREAKER AS-UL, ICCB, LSI-P

S/N: YAT1-UP  
1600-AMPERE  
AN ATTACHMENT

SMCS-1420, 4461

i02473205

NOTE	REF NO	GRAPHIC REF	PART NUMBER	QTY	PART NAME						SEE PAGE
					1	2	3	4	5	6 (PRODUCT LEVEL)	
	1	1	244-9834	1	MODULE (MODBUS COMMUNICATION)						
	2	1	244-9858	1	SHUNT-TRIP						
	3	1	244-9973	1	SWITCH-AUXILIARY (SINGLE POLE, DUAL THROW)						
	4	1	252-7386	1	TRIP UNIT						
	5	1	3B-4506	4	LOCKWASHER						
	6	1	6V-8801	4	NUT (3/8-16-THD)						
	7	1	8T-4896	4	WASHER-HARD (10.2X18.5X2.5-MM THK)						
	8	1	9B-7237	4	BOLT (3/8-16X1.25-IN)						



GRAPHIC #1

<END>

g01233532



# ELECTRICAL AND STARTING SYSTEM

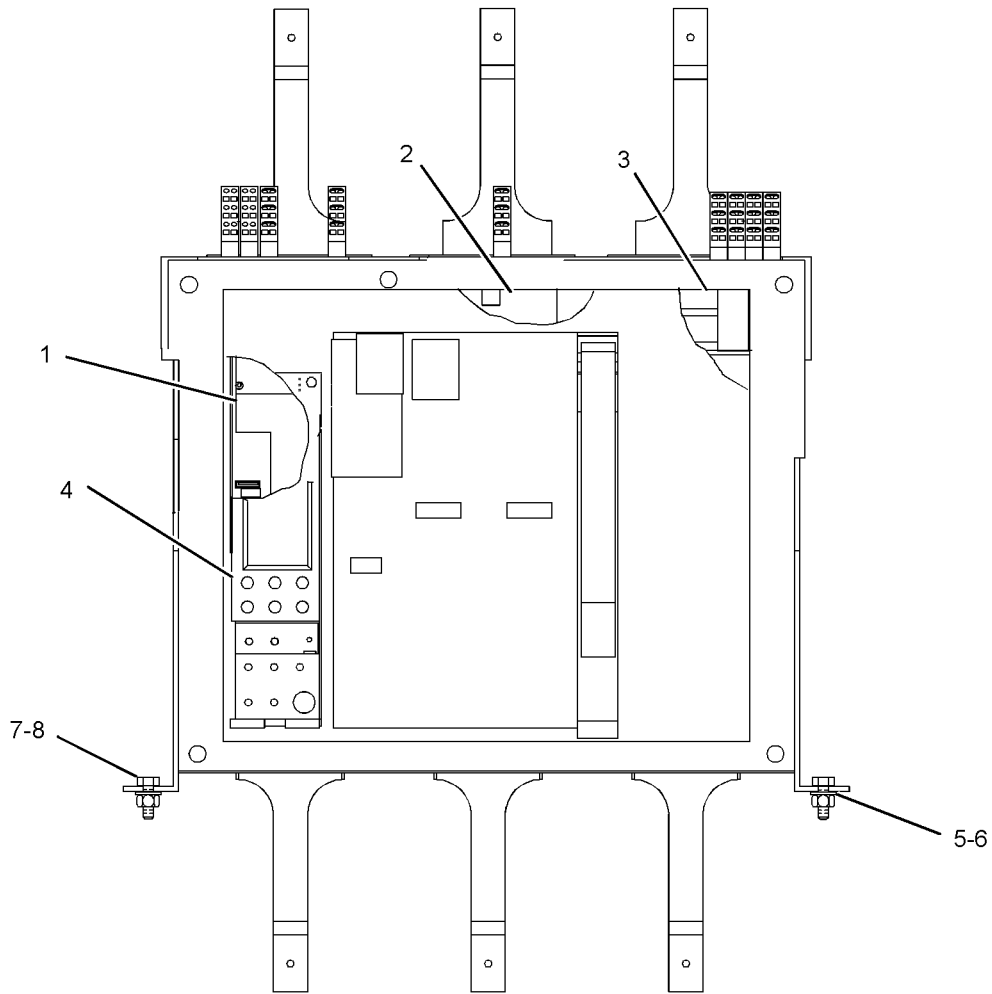
## 244-9997 CIRCUIT BREAKER AS-UL, ICCB, LSI-P

S/N: YAT1-UP  
2000-AMPERE  
AN ATTACHMENT

SMCS-1420, 4461

i02473225

NOTE	REF NO	GRAPHIC REF	PART NUMBER	QTY	PART NAME						SEE PAGE
					1	2	3	4	5	6 (PRODUCT LEVEL)	
	1	1	244-9834	1	MODULE (MODBUS COMMUNICATION)						
	2	1	244-9858	1	SHUNT-TRIP						
	3	1	244-9973	1	SWITCH-AUXILIARY (SINGLE POLE, DUAL THROW)						
	4	1	252-7386	1	TRIP UNIT						
	5	1	3B-4506	4	LOCKWASHER						
	6	1	6V-8801	4	NUT (3/8-16-THD)						
	7	1	8T-4896	4	WASHER-HARD (10.2X18.5X2.5-MM THK)						
	8	1	9B-7237	4	BOLT (3/8-16X1.25-IN)						



GRAPHIC #1

<END>

g01233534

# ELECTRICAL AND STARTING SYSTEM

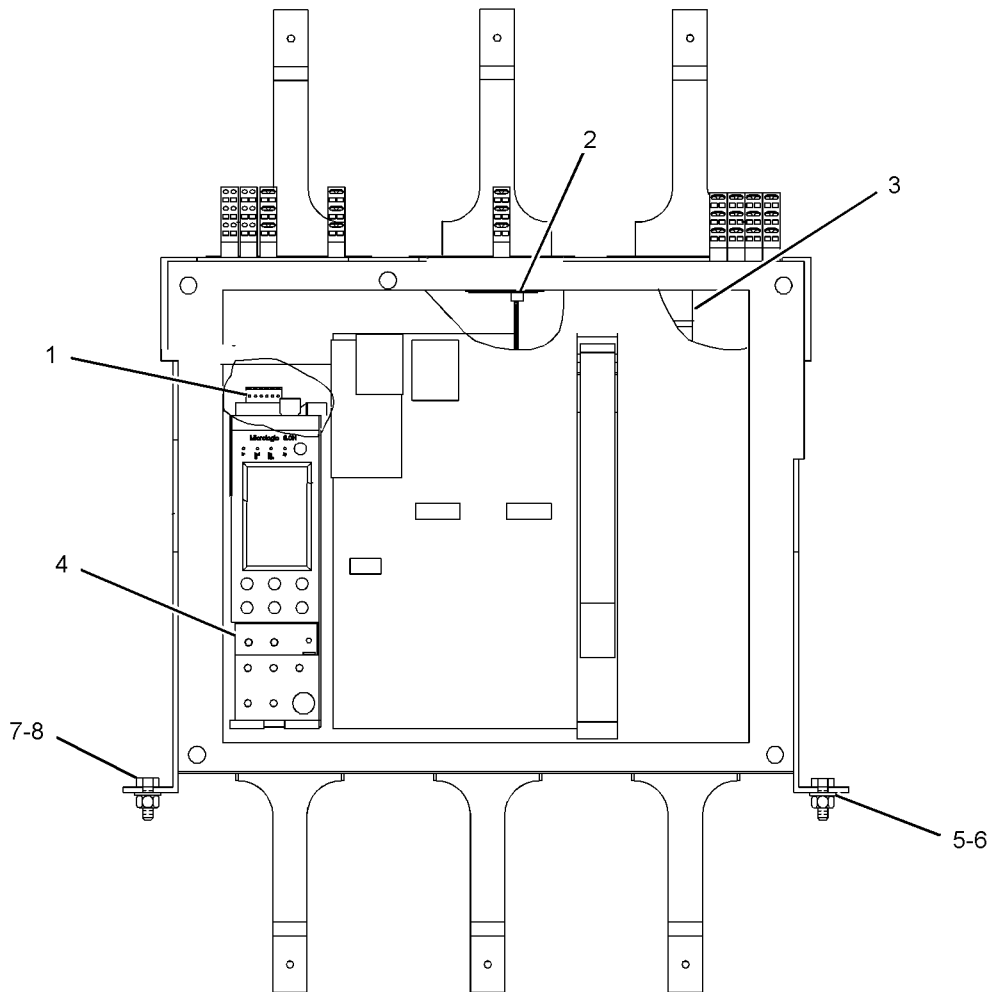
## 244-9998 CIRCUIT BREAKER AS-UL, ICCB, LSI-P

S/N: YAT1-UP  
2500-AMPERE  
AN ATTACHMENT

SMCS-1420, 4461

i03005935

NOTE	REF NO	GRAPHIC REF	PART NUMBER	QTY	PART NAME						SEE PAGE
					1	2	3	4	5	6 (PRODUCT LEVEL)	
	1	1	244-9834	1	MODULE (MODBUS COMMUNICATION)						
	2	1	244-9858	1	SHUNT-TRIP						
	3	1	244-9973	1	SWITCH-AUXILIARY (SINGLE POLE, DUAL THROW)						
	4	1	252-7386	1	TRIP UNIT						
	5	1	3B-4506	4	LOCKWASHER						
	6	1	6V-8801	4	NUT (3/8-16-THD)						
	7	1	8T-4896	4	WASHER-HARD (10.2X18.5X2.5-MM THK)						
	8	1	9B-7237	4	BOLT (3/8-16X1.25-IN)						



GRAPHIC #1

<END>

g01522745

# ELECTRICAL AND STARTING SYSTEM

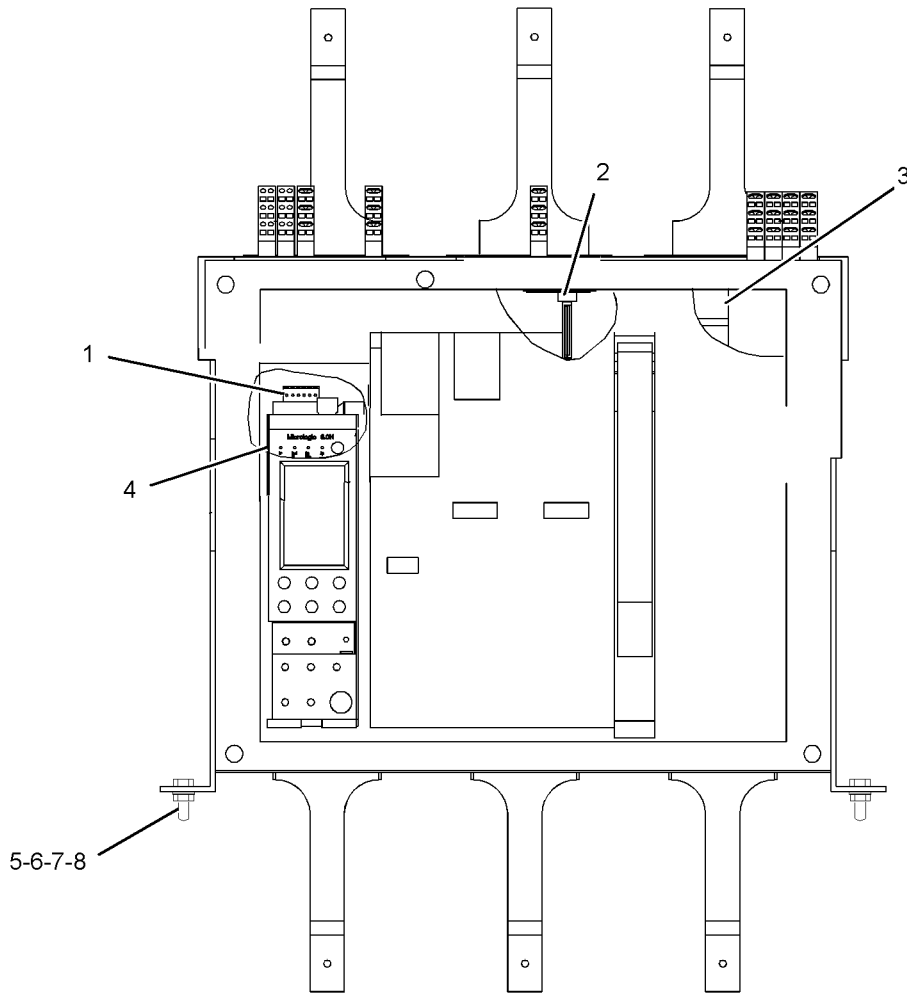
## 244-9999 CIRCUIT BREAKER AS-UL, ICCB, LSI-P

S/N: YAT1-UP  
3000-AMPERE  
AN ATTACHMENT

SMCS-1420, 4461

i02496215

NOTE	REF NO	GRAPHIC REF	PART NUMBER	QTY	PART NAME						SEE PAGE
					1	2	3	4	5	6 (PRODUCT LEVEL)	
	1	1	244-9834	1	MODULE (MODBUS COMMUNICATION)						
	2	1	244-9858	1	SHUNT-TRIP						
	3	1	244-9973	1	SWITCH-AUXILIARY (SINGLE POLE, DUAL THROW)						
	4	1	252-7386	1	TRIP UNIT						
	5	1	3B-4506	4	LOCKWASHER						
	6	1	6V-8801	4	NUT (3/8-16-THD)						
	7	1	8T-4896	4	WASHER-HARD (10.2X18.5X2.5-MM THK)						
	8	1	9B-7237	4	BOLT (3/8-16X1.25-IN)						



GRAPHIC #1

<END>

g01248217

# ELECTRICAL AND STARTING SYSTEM

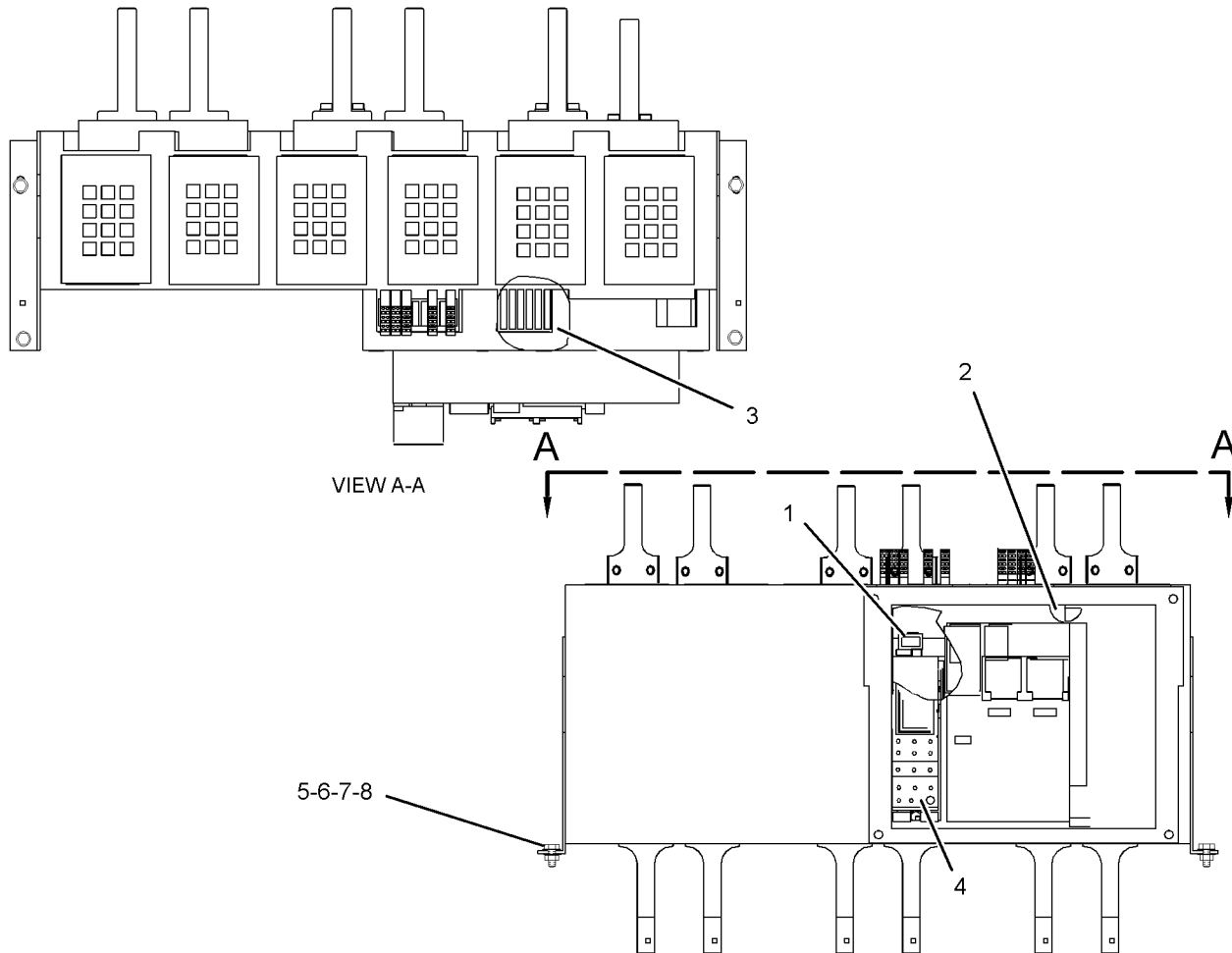
## 252-7378 CIRCUIT BREAKER AS-UL, ICCB, LSI-P

S/N: YAT1-UP  
4000-AMPERE  
AN ATTACHMENT

SMCS-1420, 4461

i02356406

NOTE	REF NO	GRAPHIC REF	PART NUMBER	QTY	PART NAME						SEE PAGE
					1	2	3	4	5	6 (PRODUCT LEVEL)	
	1	1	244-9834	1	MODULE (MODBUS COMMUNICATION)						
	2	1	244-9858	1	SHUNT-TRIP						
	3	1	244-9973	1	SWITCH-AUXILIARY (SINGLE POLE, DUAL THROW)						
	4	1	252-7386	1	TRIP UNIT						
	5	1	3B-4506	4	LOCKWASHER						
	6	1	6V-8801	4	NUT (3/8-16-THD)						
	7	1	8T-4896	4	WASHER-HARD (10.2X18.5X2.5-MM THK)						
	8	1	9B-7237	4	BOLT (3/8-16X1.25-IN)						



GRAPHIC #1

<END>

g01205715

# ELECTRICAL AND STARTING SYSTEM

## 312-5084 CONDUIT GP-ELECTRICAL-JACKET WATER HEATER

S/N: YAT1-UP

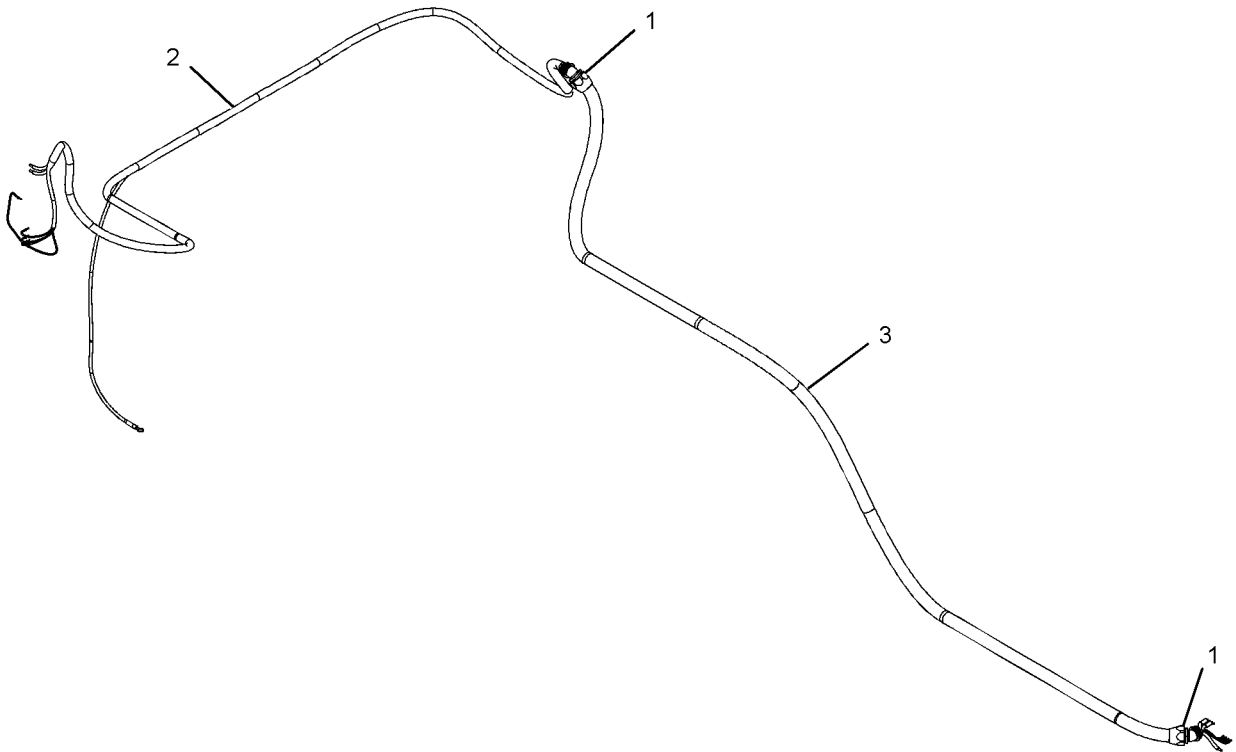
PART OF 312-5085 WIRING GP-JACKET WATER HEATER  
AN ATTACHMENT

SMCS-7553

i03409530

NOTE	REF NO	GRAPHIC REF	PART NUMBER	QTY	PART NAME						SEE PAGE
					1	2	3	4	5	6 (PRODUCT LEVEL)	
	1	1	252-7454	2	CONNECTOR						
	2	1	312-5083	1	HARNES AS-WIRING (JACKET WATER HEATER)						
E	3	1	252-7452		CONDUIT (291-CM)						

E-ORDER BY THE CENTIMETER



GRAPHIC #1

<END>

g01459597

# ELECTRICAL AND STARTING SYSTEM

## 312-5093 CONDUIT GP-ELECTRICAL-JACKET WATER HEATER

S/N: YAT1-UP

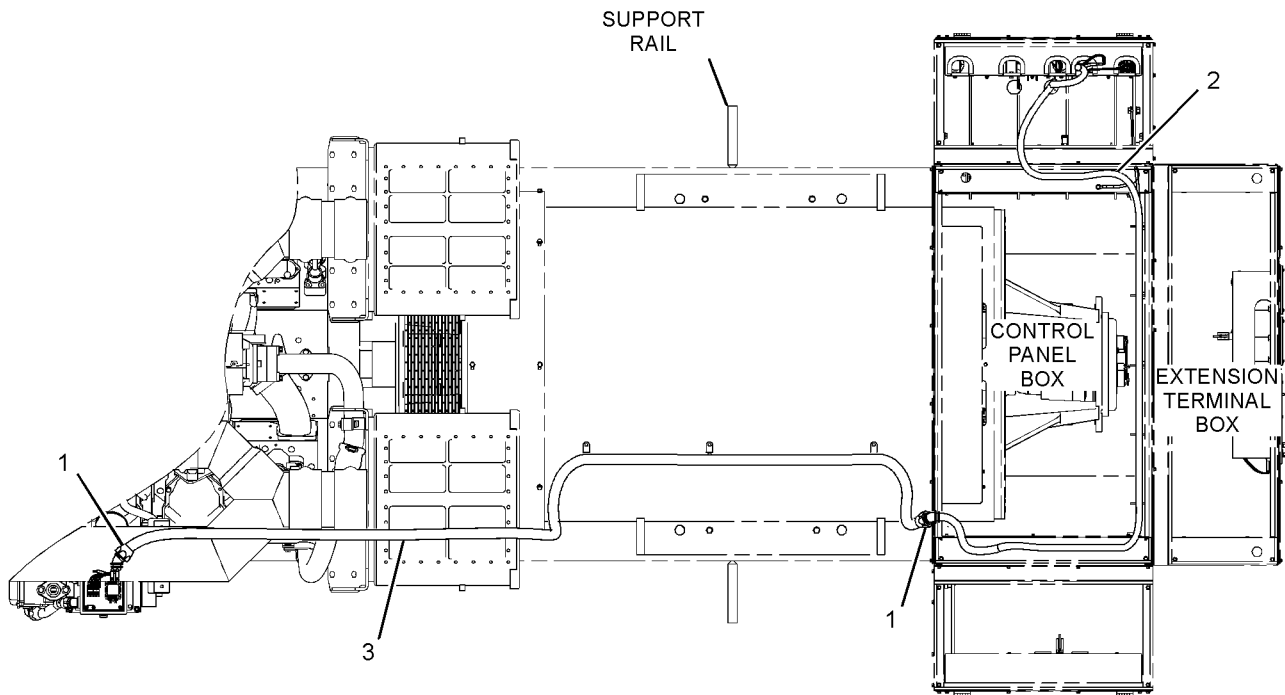
PART OF 312-5094 WIRING GP-JACKET WATER HEATER  
AN ATTACHMENT

SMCS-7553

i02862125

NOTE	REF NO	GRAPHIC REF	PART NUMBER	QTY	PART NAME						SEE PAGE
					1	2	3	4	5	6 (PRODUCT LEVEL)	
	1	1	252-7454	2	CONNECTOR						
	2	1	312-5092	1	HARNESS AS-WIRING (JACKET WATER HEATER)						
E	3	1	252-7452		CONDUIT (363-CM)						

E-ORDER BY THE CENTIMETER



TOP VIEW OF ENGINE

GRAPHIC #1

<END>

g01431928

# ELECTRICAL AND STARTING SYSTEM

## 323-8693 CONDUIT GP-ELECTRICAL-JACKET WATER HEATER

S/N: YAT1-UP

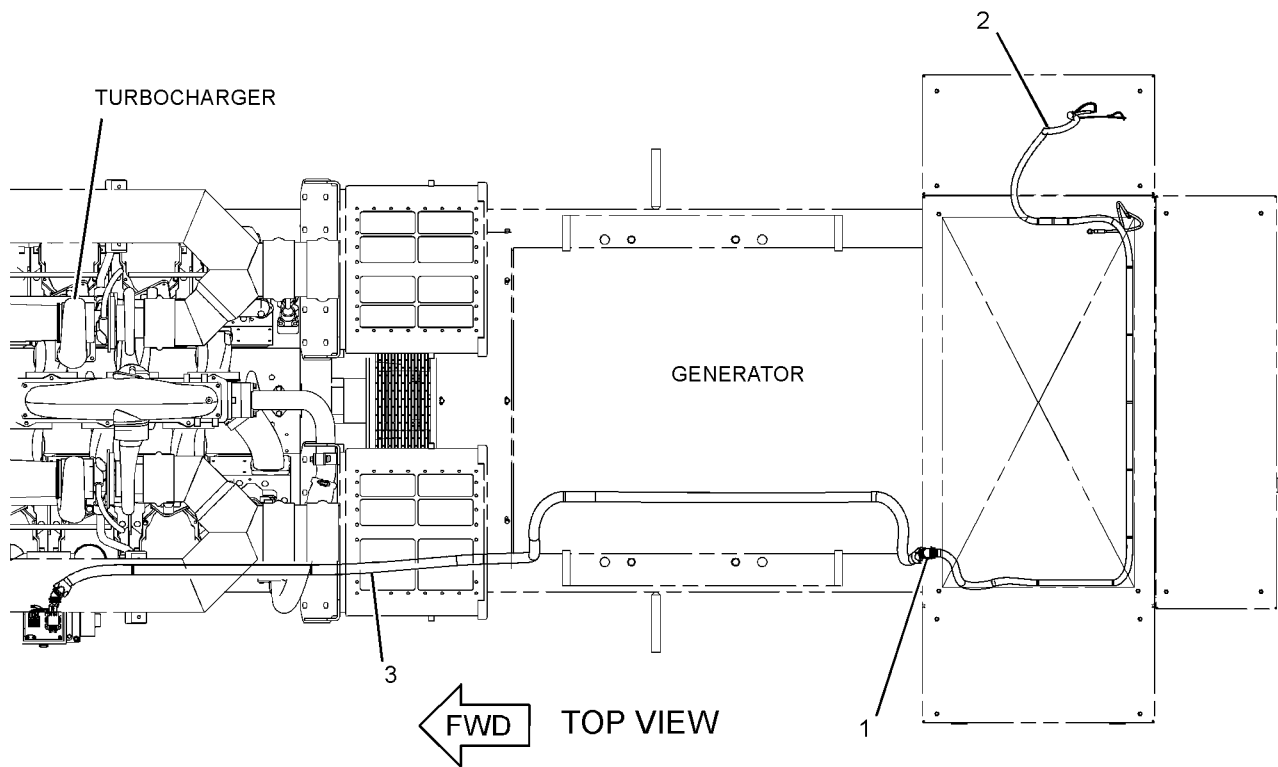
PART OF 323-8696 WIRING GP-JACKET WATER HEATER  
AN ATTACHMENT

SMCS-7553

i03409533

NOTE	REF NO	GRAPHIC REF	PART NUMBER	QTY	PART NAME						SEE PAGE
					1	2	3	4	5	6 (PRODUCT LEVEL)	
	1	1	252-7454	2	CONNECTOR						
	2	1	323-8691	1	HARNESS AS-WIRING (JACKET WATER HEATER)						
E	3	1	252-7452		CONDUIT (363-CM)						

E-ORDER BY THE CENTIMETER



GRAPHIC #1

<END>

g01647956

# ELECTRICAL AND STARTING SYSTEM

## 328-3417 CONDUIT GP-ELECTRICAL-JACKET WATER HEATER

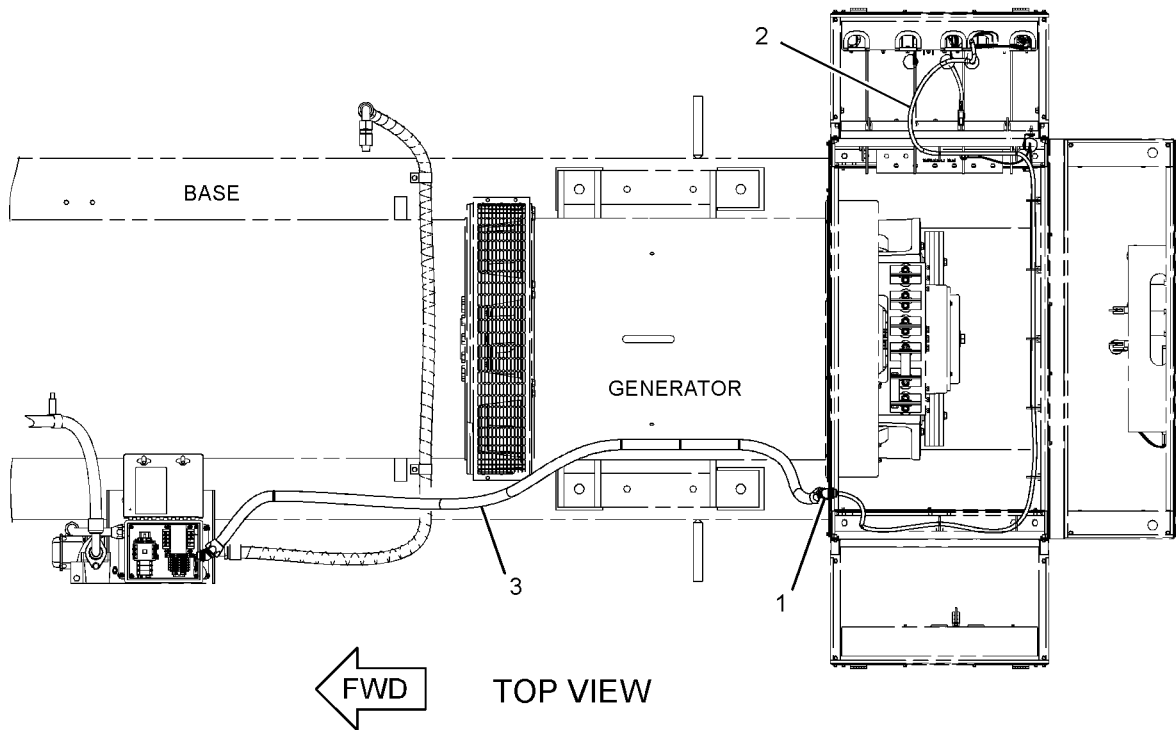
S/N: YAT1-UP

PART OF 328-3418 WIRING GP-JACKET WATER HEATER  
AN ATTACHMENT

SMCS-7553

i03409536

NOTE	REF NO	GRAPHIC REF	PART NUMBER	QTY	PART NAME						SEE PAGE
					1	2	3	4	5	6 (PRODUCT LEVEL)	
	1	1	252-7454	2	CONNECTOR						
	2	1	328-3416	1	HARNESS AS-WIRING (JACKET WATER HEATER)						
	3	1	252-7452		CONDUIT (272-CM)						



GRAPHIC #1

<END>

g01648122



# ELECTRICAL AND STARTING SYSTEM

## 328-3420 CONDUIT GP-ELECTRICAL-JACKET WATER HEATER

S/N: YAT1-UP

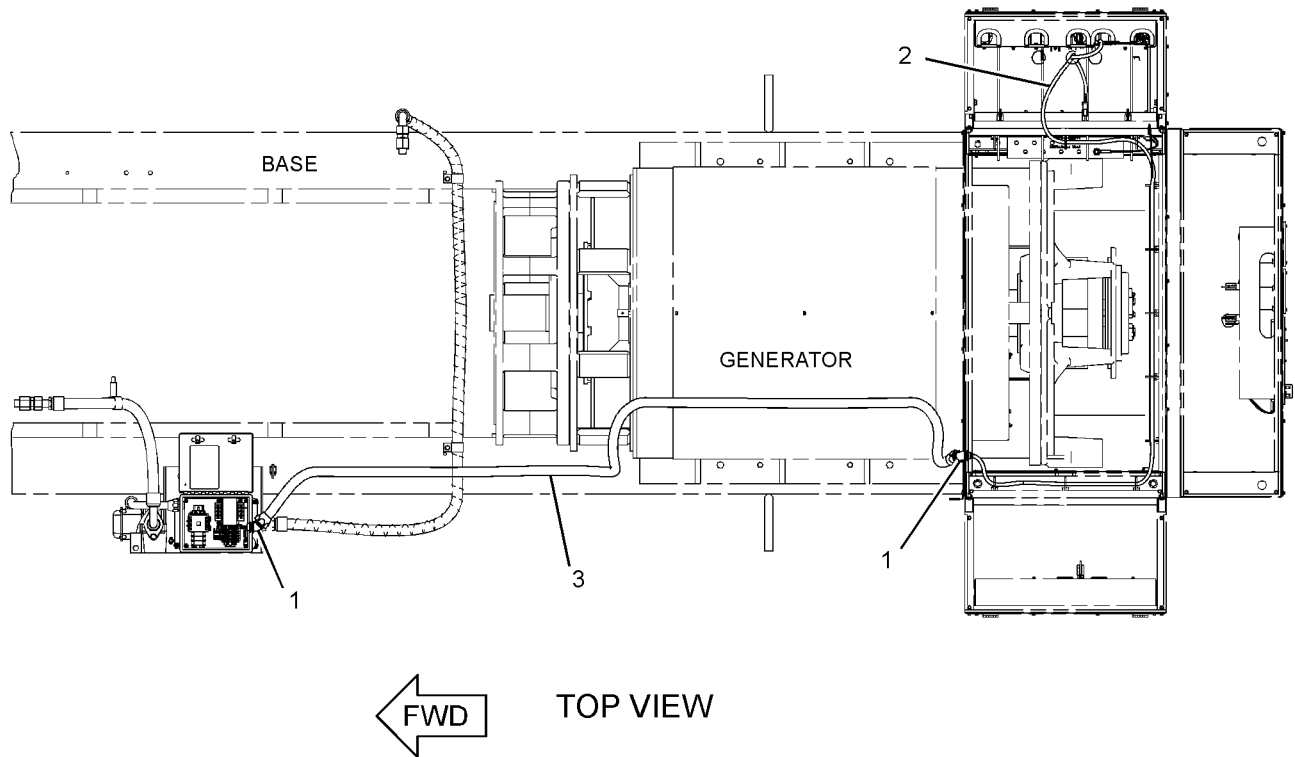
PART OF 328-3423 WIRING GP-JACKET WATER HEATER  
AN ATTACHMENT

SMCS-7553

i03411468

NOTE	REF NO	GRAPHIC REF	PART NUMBER	QTY	PART NAME						SEE PAGE
					1	2	3	4	5	6 (PRODUCT LEVEL)	
	1	1	252-7454	2	CONNECTOR						
	2	1	328-3419	1	HARNESS AS-WIRING (JACKET WATER HEATER)						
E	3	1	252-7452		CONDUIT (357-CM)						

E-ORDER BY THE CENTIMETER



GRAPHIC #1

<END>

g01648254

# ELECTRICAL AND STARTING SYSTEM

## 328-3425 CONDUIT GP-ELECTRICAL-JACKET WATER HEATER

S/N: YAT1-UP

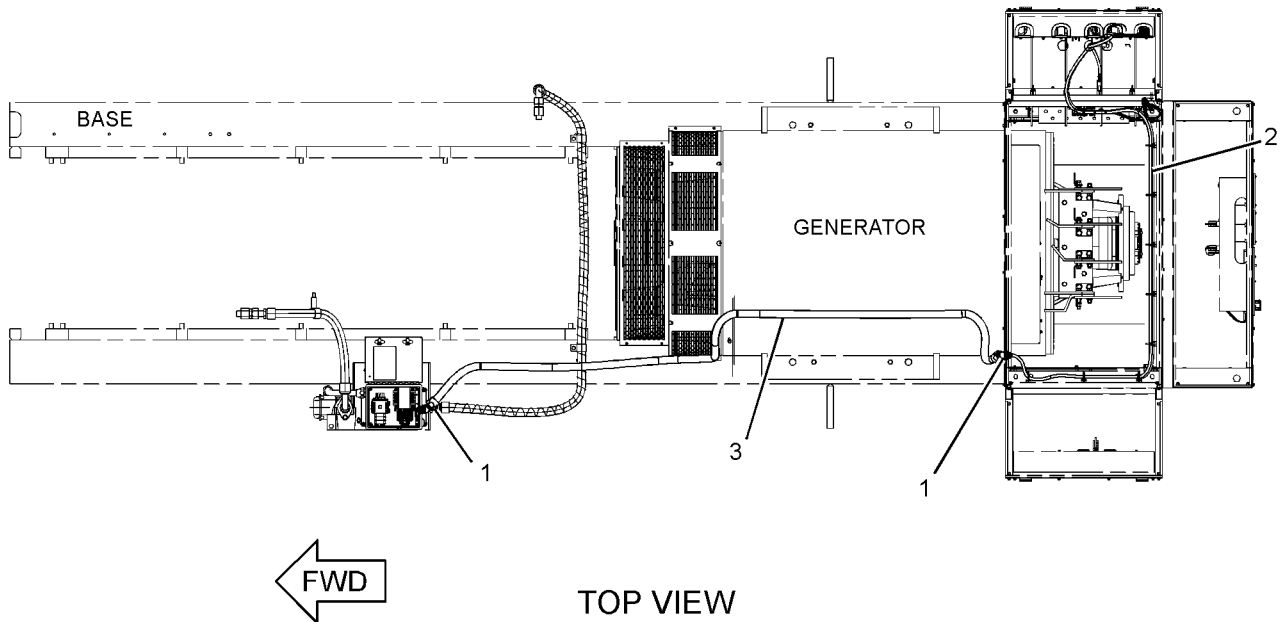
PART OF 328-3426 WIRING GP-JACKET WATER HEATER  
AN ATTACHMENT

SMCS-7553

i03411660

NOTE	REF NO	GRAPHIC REF	PART NUMBER	QTY	PART NAME						SEE PAGE
					1	2	3	4	5	6 (PRODUCT LEVEL)	
	1	1	252-7454	2	CONNECTOR						
	2	1	328-3424	1	HARNESS AS-WIRING (JACKET WATER HEATER)						
E	3	1	252-7452		CONDUIT (367-CM)						

E-ORDER BY THE CENTIMETER



TOP VIEW

GRAPHIC #1

<END>

g01648459

# ELECTRICAL AND STARTING SYSTEM

## 249-7649 CONNECTOR AS-RESISTIVE TEMPERATURE DEVICE

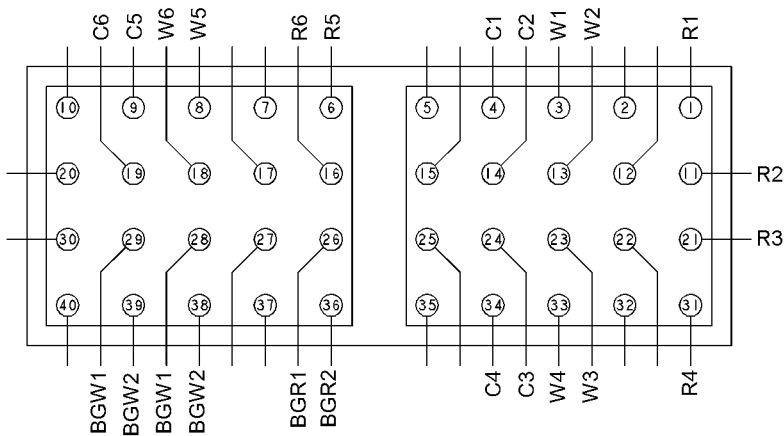
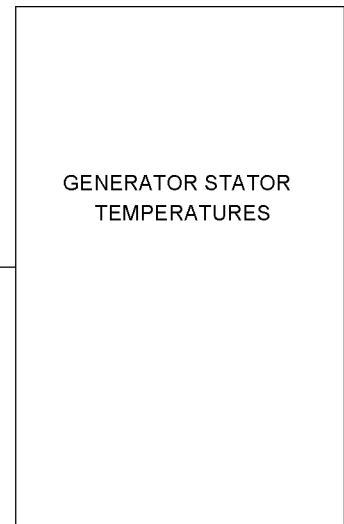
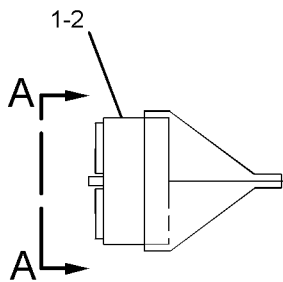
S/N: G2B1-UP; G3C1-UP; G2E1-UP; G2F1-UP; G7F1-UP; G2G1-UP; G3G1-UP; G7G1-UP;  
G7H1-UP; G7J1-UP; G2S1-UP; G1W1-UP; G2W1-UP; G1Y1-UP  
AN ATTACHMENT

SMCS-7553

i02105186

NOTE	REF NO	GRAPHIC REF	PART NUMBER	QTY	PART NAME						SEE PAGE
					1	2	3	4	5	6 (PRODUCT LEVEL)	
	1	1	<b>9X-0141</b>	1	PLUG AS-CONNECTOR (40-PIN)						
		1	<b>3E-4367</b>	1	RING-RETAINING						
M		1	<b>3E-8557</b>	1	BOLT (M5X0.8X39.37-MM)						
		1	<b>9X-3490</b>	2	SEAL-CONNECTOR						
	2	1	<b>186-3736</b>	24	SOCKET-CONNECTOR						

M-METRIC PART



SCALE 2:1

VIEW A-A

GRAPHIC #1

<END>

g01072703

# ELECTRICAL AND STARTING SYSTEM

## 220-2677 CONTROL & MTG GP-ENGINE ELEK-PRIMARY

S/N: YAT1-UP

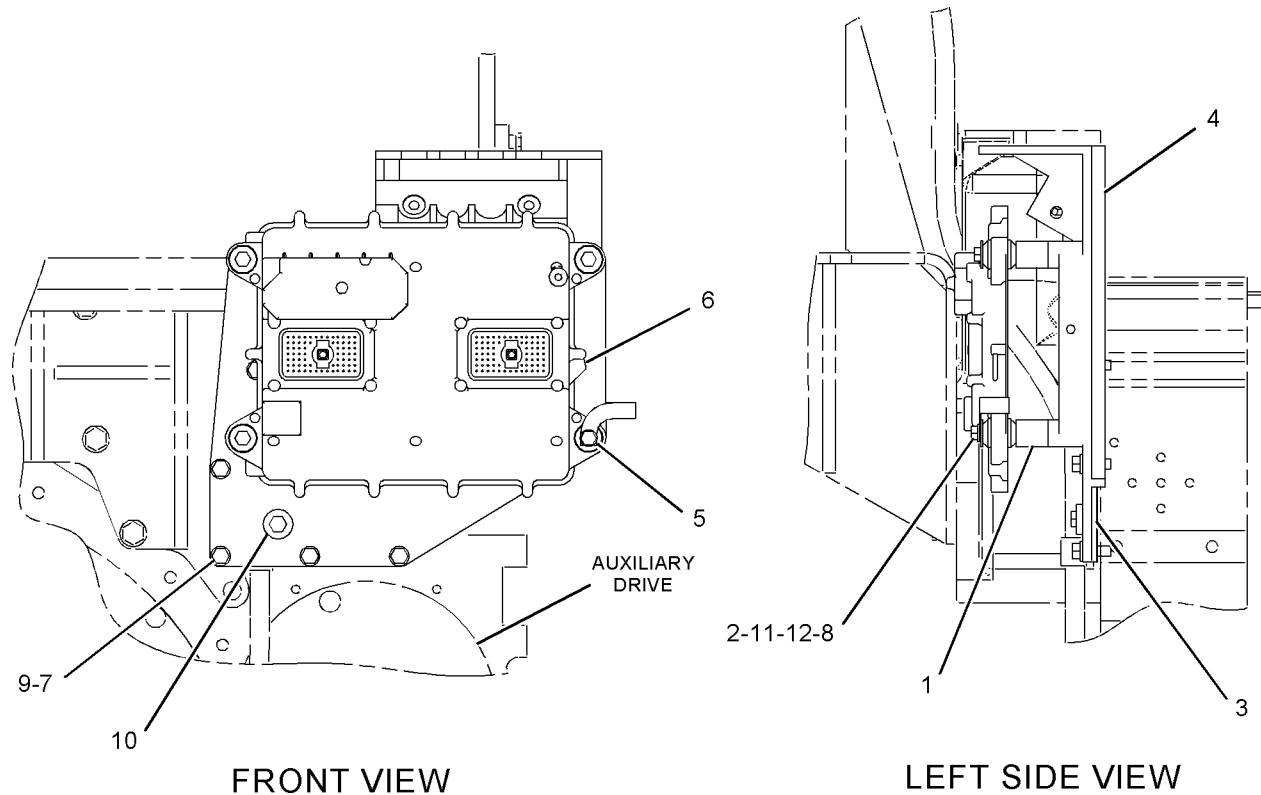
FOR USE WITH AIR COOLED ADEM III

SMCS-1900, 1901

i02219850

NOTE	REF NO	GRAPHIC REF	PART NUMBER	QTY	PART NAME						SEE PAGE
					1	2	3	4	5	6 (PRODUCT LEVEL)	
	1	1	2V-4387	4	SPACER (10.312X25.4X23.11-MM THK)						
	2	1	6I-1418	4	SPACER (8.2X12.7X28.7-MM THK)						
	3	1	8N-9885	1	GASKET-COVER						
	4	1	111-0349	1	BRACKET-MODULE						
	5	1	155-0576	8	MOUNT-ISOLATION						
Y	6	1	206-2710	1	CONTROL GP-ENGINE ELECTRONIC						581
	7	1	1A-2029	7	BOLT (3/8-16X1.125-IN)						
	8	1	1D-4540	4	BOLT (5/16-18X2.75-IN)						
	9	1	5M-2894	7	WASHER-HARD (10.2X18.5X2.5-MM THK)						
	10	1	8T-6765	1	PLUG-PIPE						
	11	1	9M-1974	1	WASHER-HARD (8.8X16X2-MM THK)						
	12	1	9N-0869	4	WASHER-HARD (8.8X25.5X2-MM THK)						

Y-SEPARATE ILLUSTRATION



FRONT VIEW

LEFT SIDE VIEW

GRAPHIC #1

<END>

g01120936

# ELECTRICAL AND STARTING SYSTEM

## 7C-0330 CONTROL GP-AIR STARTING

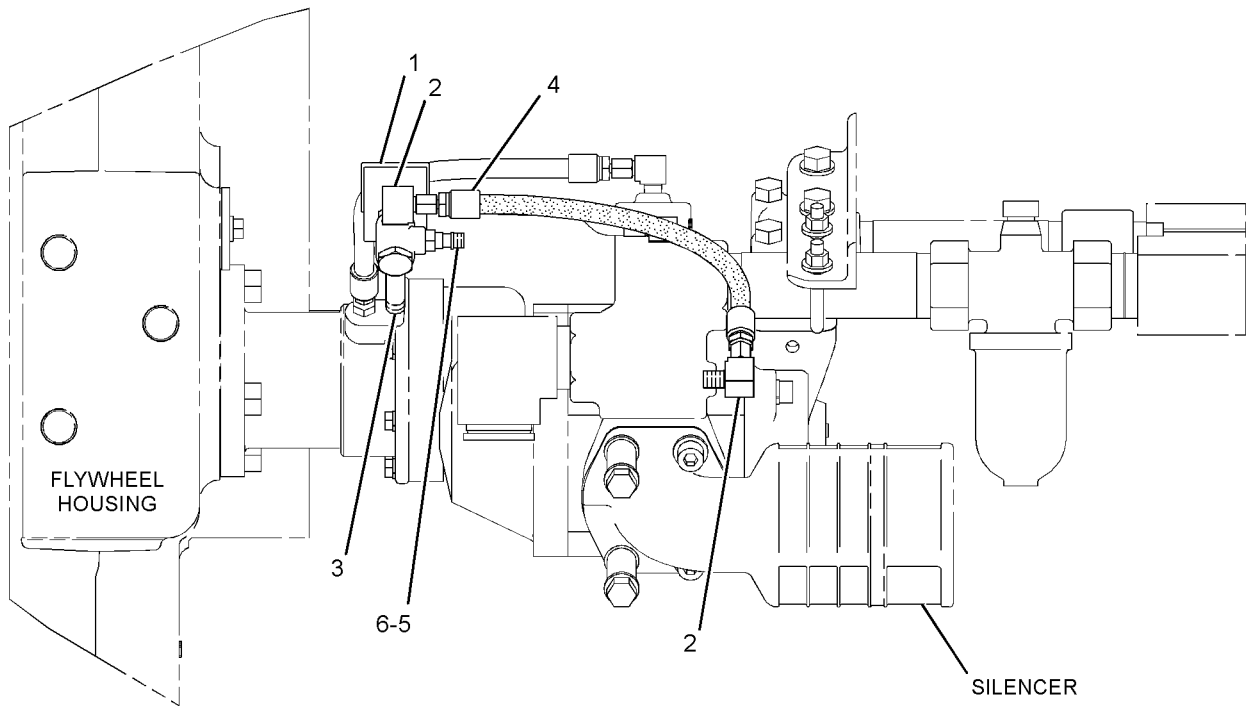
S/N: YAT1-UP  
24/32-VOLT  
AN ATTACHMENT

SMCS-1462

i02548870

NOTE	REF NO	GRAPHIC REF	PART NUMBER	QTY	PART NAME						SEE PAGE
					1	2	3	4	5	6 (PRODUCT LEVEL)	
Y	1	1	5N-8980	1	VALVE AS-SOLENOID (AIR START)						728
C	2	1	6K-1972	2	ELBOW-FLARED						
	3	1	5H-7598	1	NIPPLE-PIPE						
CI	4	1	2V-5956	1	HOSE AS						
	5	1	4M-5317	1	BUSHING-REDUCING						
	6	1	5F-5434	1	VALVE AS-VENT						

C-CHANGE FROM PREVIOUS TYPE  
I-REFER TO HYDRAULIC INFORMATION SYSTEM  
Y-SEPARATE ILLUSTRATION



GRAPHIC #1

<END>

g01279185

# ELECTRICAL AND STARTING SYSTEM

## 252-7437 CONTROL GP-ELECTRONIC-GOVERNOR

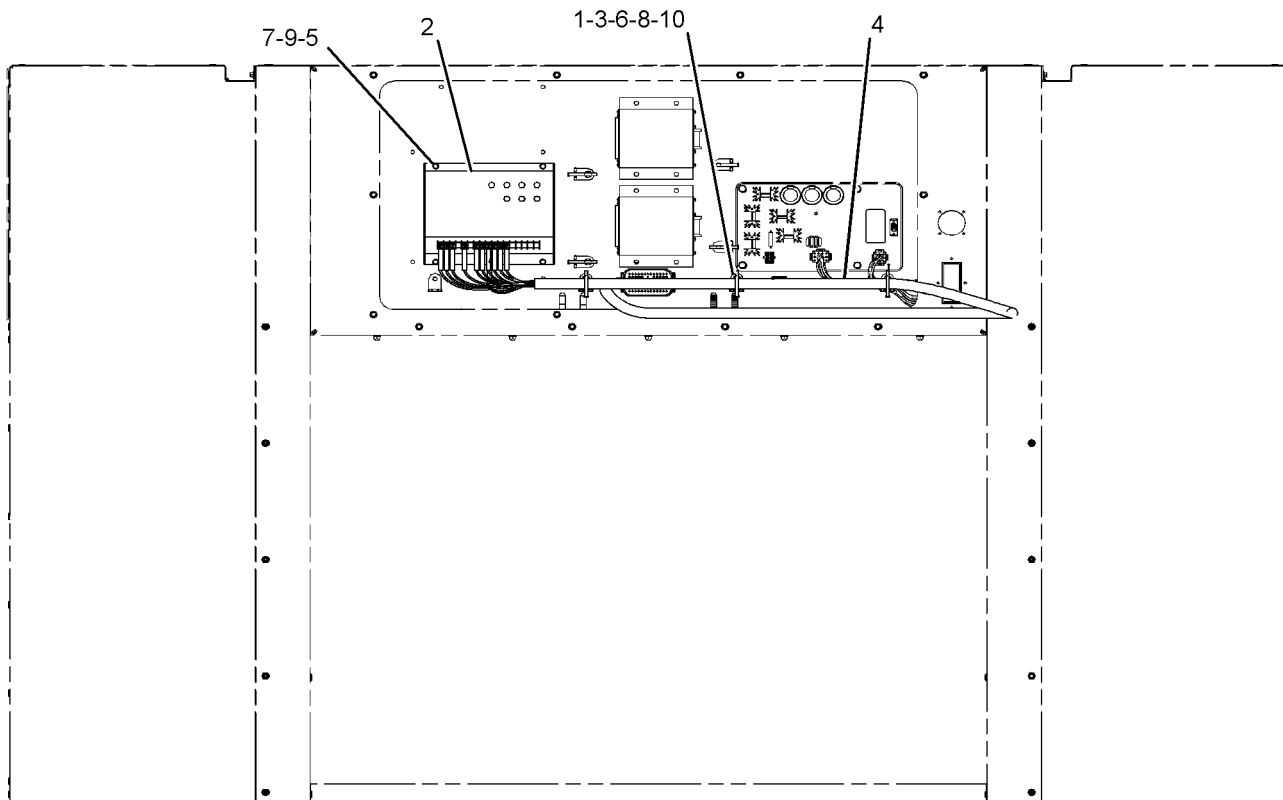
S/N: YAT1-UP  
FOR USE WITH MUI  
AN ATTACHMENT

SMCS-1917, 1924

i02427637

NOTE	REF NO	GRAPHIC REF	PART NUMBER	QTY	PART NAME						SEE PAGE
					1	2	3	4	5	6 (PRODUCT LEVEL)	
	1	1	9X-6772	2	STRAP-CABLE						
	2	1	131-5453	1	CONTROL AS-GOVERNOR						
	3	1	156-6175	2	CLIP						
	4	1	252-7436	1	HARNESS AS-POWER (GOVERNOR)						
		1	8T-8737	57	PLUG-SEAL						
E		1	114-8843	1	SLEEVE-PLASTIC (260-CM)						
		1	133-8753	1	RECEPTACLE AS-CONNECTOR (70-PIN)						
		1	162-4171	13	TERMINAL AS (18-GA TO 20-GA)						
M	5	1	116-6952	4	BOLT (M4X0.7X10-MM)						
M	6	1	5C-2890	2	NUT (M6X1-THD)						
M	7	1	5C-8312	4	NUT (M4X0.7-THD)						
M	8	1	5C-9553	2	BOLT (M6X1X16-MM)						
	9	1	8T-0328	8	WASHER-HARD (5.5X10X1-MM THK)						
	10	1	9X-8256	4	WASHER (6.6X12X2-MM THK)						

E-ORDER BY THE CENTIMETER  
M-METRIC PART



FRONT VIEW

GRAPHIC #1

<END>

g01137633

# ELECTRICAL AND STARTING SYSTEM

## 252-7504 CONTROL GP-ELECTRONIC-ANNUNCIATOR

S/N: YAT1-UP  
AN ATTACHMENT

SMCS-1917, 1924

i03197980

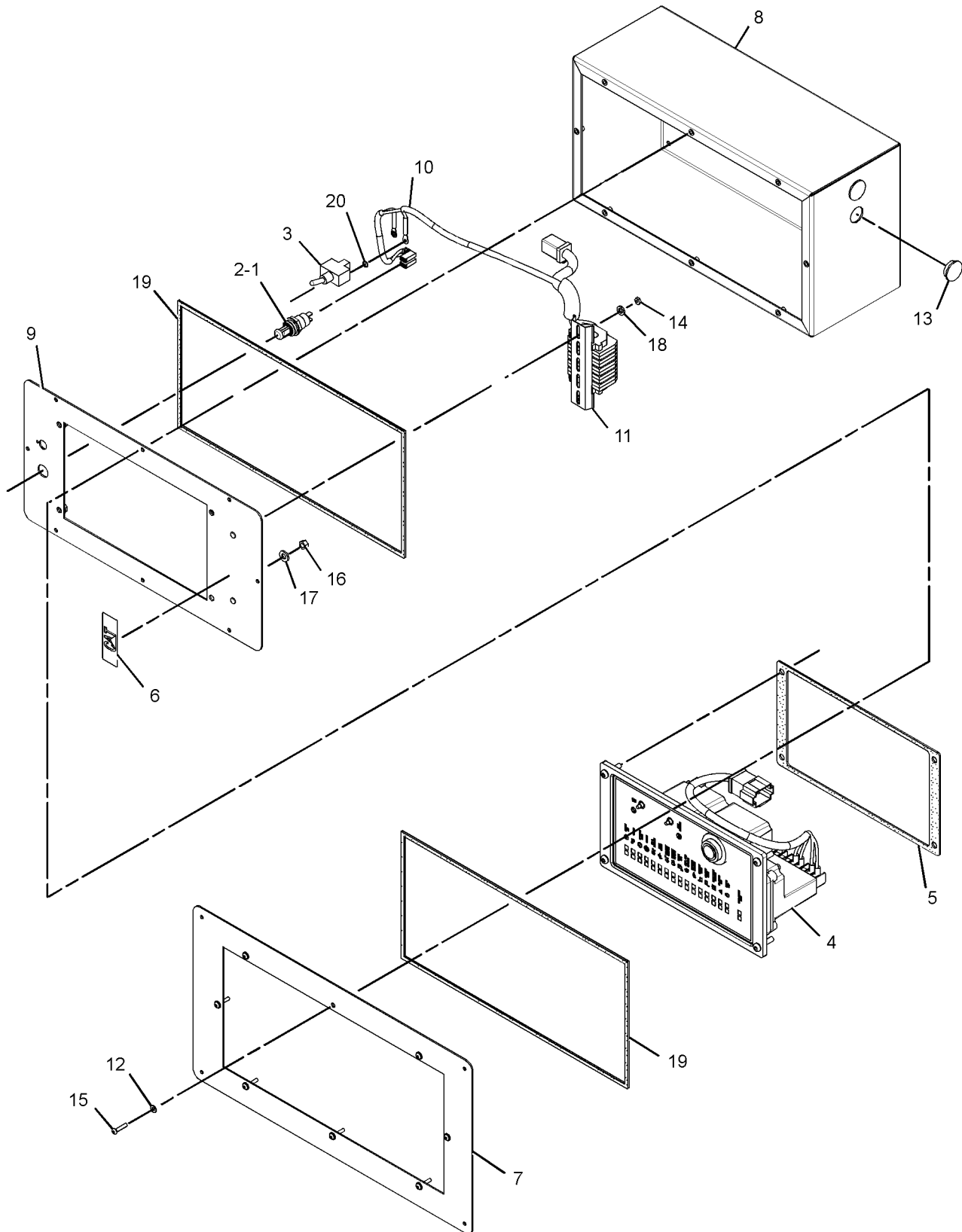
NOTE	REF NO	GRAPHIC REF	PART NUMBER	QTY	PART NAME						SEE PAGE
					1	2	3	4	5	6 (PRODUCT LEVEL)	
	1	1	7G-9730	1	SOCKET AS-LAMP (CLEAR)						
		1	6V-8367	1	LOCKWASHER						
		1	6V-8382	1	NUT-HEX (11/16-27-THD)						
	2	1	7N-5876	1	LAMP (24-VOLT, 5.6-WATT) (CLEAR)						
	3	1	8D-2676	1	SWITCH AS-TOGGLE (ALARM)						
		1	3L-8187	2	LOCKWASHER						
		1	6T-3631	2	NUT-HEX (15/32-32-THD)						
		1	6T-3632	1	LOCKWASHER						
		1	6T-3633	1	RING-LOCKING						
		1	6V-8374	2	SCREW-MACHINE (6-32X0.25-IN)						
Y	4	1	236-1159	1	CONTROL GP-GENERATOR SET (ANNUNCIATOR)						799
	5	1	244-9613	1	GASKET						
	6	1	245-2987	1	FILM-IDENTIFICATION (CATERPILLAR)						
	7	1	272-1065	1	PLATE						
	8	1	272-1077	1	BOX						
	9	1	272-1079	1	LID						
	10	1	272-5936	1	HARNESS AS-ALARM						
Y	11	1	272-8238	1	BLOCK AS-TERMINAL (ANNUNCIATOR)						375
	12	1	151-4977	8	WASHER (4.445X9.525X1.092-MM THK)						
	13	1	5H-4871	2	PLUG						
	14	1	4B-2041	2	NUT (6-32-THD)						
M	15	1	123-0707	8	SCREW-HEX SOCKET (M4X0.7X20-MM)						
M	16	1	6V-8225	4	NUT (M6X1-THD)						
	17	1	8T-4205	4	WASHER-HARD (7.2X14.5X2-MM THK)						
	18	1	9X-8256	2	WASHER (6.6X12X2-MM THK)						
E	19	1	8C-7524		SEAL (115.5-CM EACH)						
	20	1	9B-7233	2	LOCKWASHER						

E-ORDER BY THE CENTIMETER  
M-METRIC PART  
Y-SEPARATE ILLUSTRATION

# ELECTRICAL AND STARTING SYSTEM

252-7504 CONTROL GP-ELECTRONIC (contd.)

i03197980



GRAPHIC #1

<END>

g01659416



# ELECTRICAL AND STARTING SYSTEM

## 206-2710 CONTROL GP-ENGINE ELECTRONIC

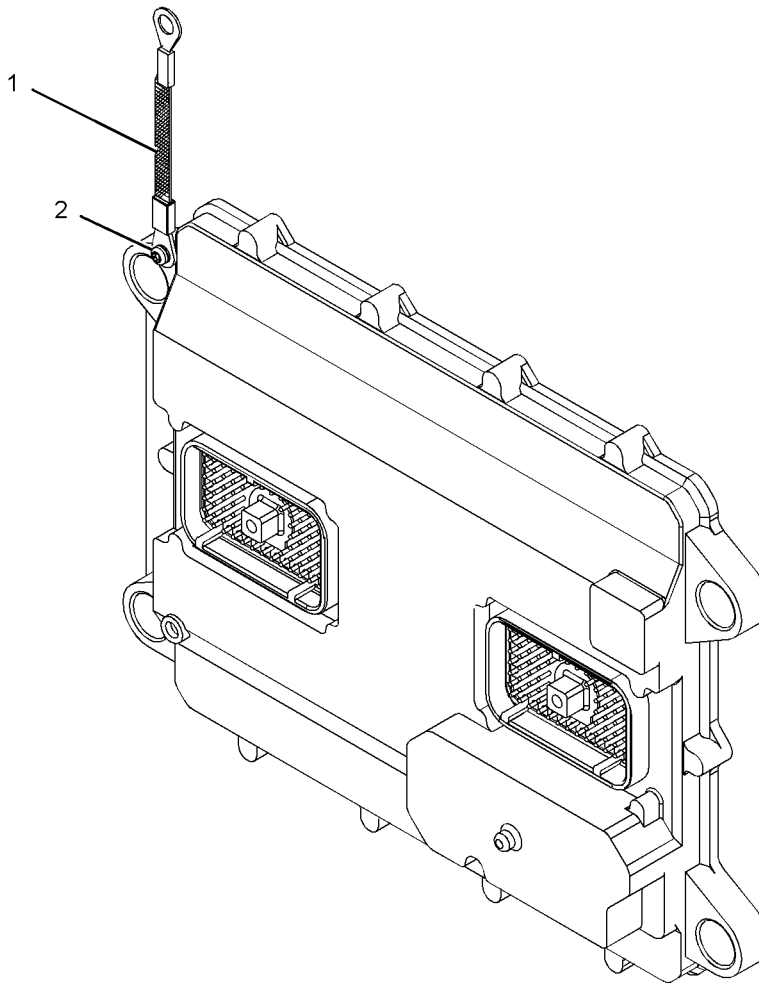
S/N: YAT1-UP

PART OF 220-2677 CONTROL & MTG GP-ENGINE ELEK

SMCS-1901

i02362911

NOTE	REF NO	GRAPHIC REF	PART NUMBER	QTY	PART NAME						SEE PAGE
					1	2	3	4	5	6 (PRODUCT LEVEL)	
	1	1	7X-6315	1	STRAP AS-GROUND						
	2	1	184-2472	1	SCREW-PAN HEAD (NO 8-32X9.52-MM)						



GRAPHIC #1

<END>

g01180180

# ELECTRICAL AND STARTING SYSTEM

## 245-0081 CONTROL GP-VOLTAGE

S/N: YAT1-UP  
MEDIUM VOLTAGE  
AN ATTACHMENT

SMCS-4467

i02659917

NOTE	REF NO	GRAPHIC REF	PART NUMBER	QTY	PART NAME						SEE PAGE
					1	2	3	4	5	6 (PRODUCT LEVEL)	
	1	2	9X-6772	2	STRAP-CABLE						
	2	2	156-6175	2	CLIP						
	3	2	244-9612	1	HARNESS AS-WIRING (PERMANENT MAGNET)						
		2	186-3736	5	SOCKET-CONNECTOR (16-GA TO 18-GA)						
		2	8T-8737	1	PLUG-SEAL						
		2	109-3038	1	END-WIRE (16-GA)						
		2	155-2263	1	WEDGE-PLUG LOCK (6-PIN)						
		2	234-1856	1	PLUG-CONNECTOR (6-PIN)						
		2	244-0452	6	END-WIRE						
		2	155-2274	1	KIT-CONNECTING PLUG (6-PIN) (INCLUDES PLUG AS AND WEDGE)						
	4	2	252-7353	1	HARNESS AS-WIRING (VOLTAGE SENSING)						
		2	7K-1181	1	STRAP-CABLE						
		2	186-3735	3	PIN-CONNECTOR (16-GA TO 18-GA)						
		2	109-3038	3	END-WIRE (16-GA)						
		2	102-8803	1	KIT-RECEPTACLE (3-PIN) (INCLUDES RECEPTACLE AS AND WEDGE)						
	5	2	252-7354	1	HARNESS AS-WIRING (CURRENT SENSING)						
		2	186-3735	2	PIN-CONNECTOR (16-GA TO 18-GA)						
E	2	2	114-8843		SLEEVE-PLASTIC (40-CM)						
		2	102-8802	1	KIT-RECEPTACLE (2-PIN) (INCLUDES RECEPTACLE AS AND WEDGE)						
M	6	2	5C-2890	2	NUT (M6X1-THD)						
M	7	2	5C-9553	2	BOLT (M6X1X16-MM)						
	8	2	9X-8256	4	WASHER (6.6X12X2-MM THK)						

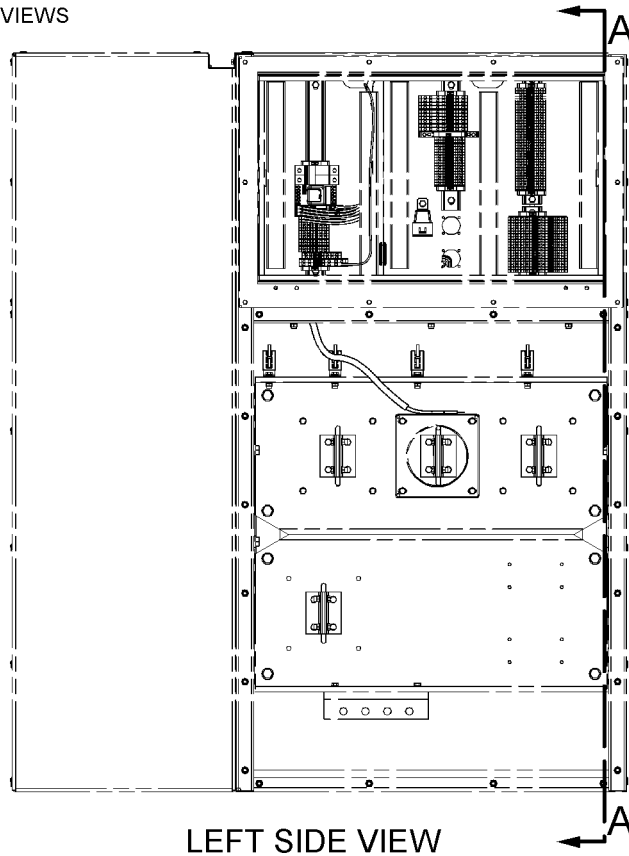
E-ORDER BY THE CENTIMETER  
M-METRIC PART

# ELECTRICAL AND STARTING SYSTEM

245-0081 CONTROL GP - VOLTAGE (contd.)

i02659917

REFER TO ALL ILLUSTRATIONS OF THIS GROUP FOR AUXILIARY VIEWS



LEFT SIDE VIEW

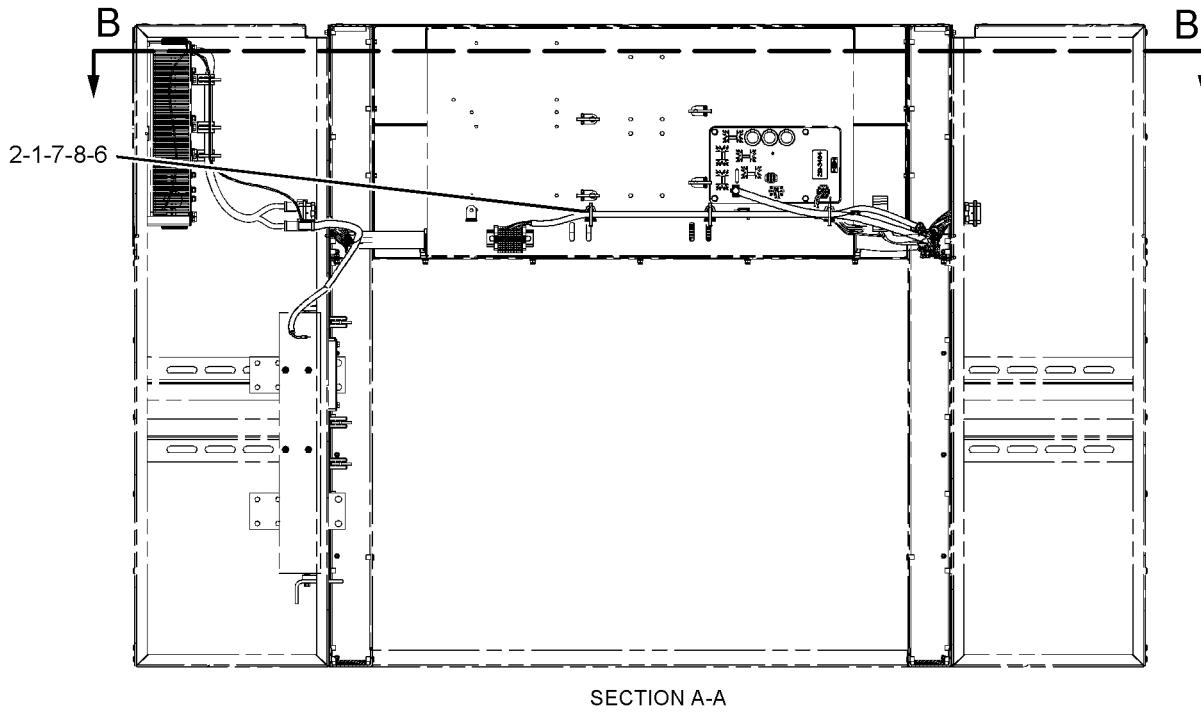
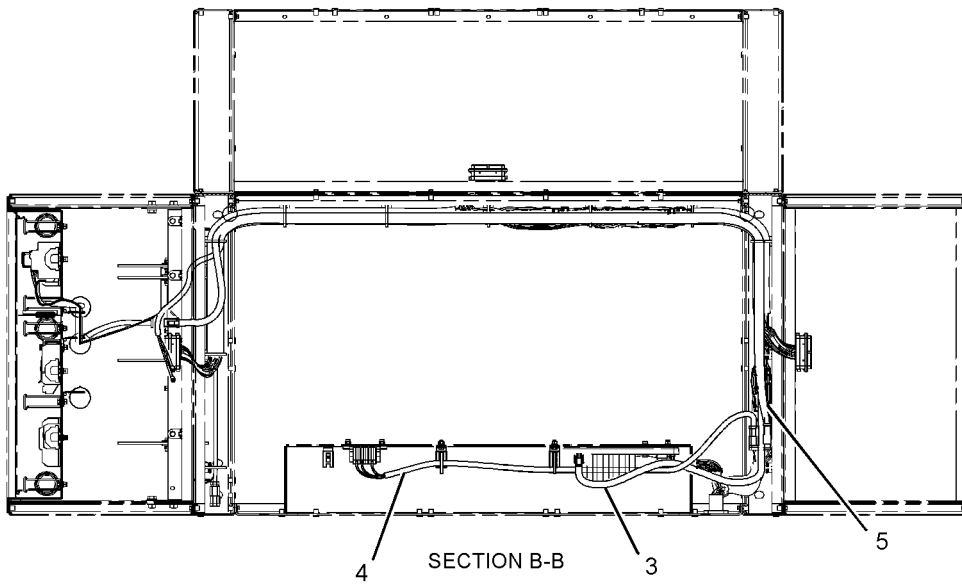
GRAPHIC #1

g01135301

# ELECTRICAL AND STARTING SYSTEM

245-0081 CONTROL GP - VOLTAGE (contd.)

i02659917



GRAPHIC #2

<END>

g01135327

# ELECTRICAL AND STARTING SYSTEM

## 9X-9591 CONVERTER GP-ELECTRICAL

S/N: YAT1-UP

PULSE WIDTH MODULATED

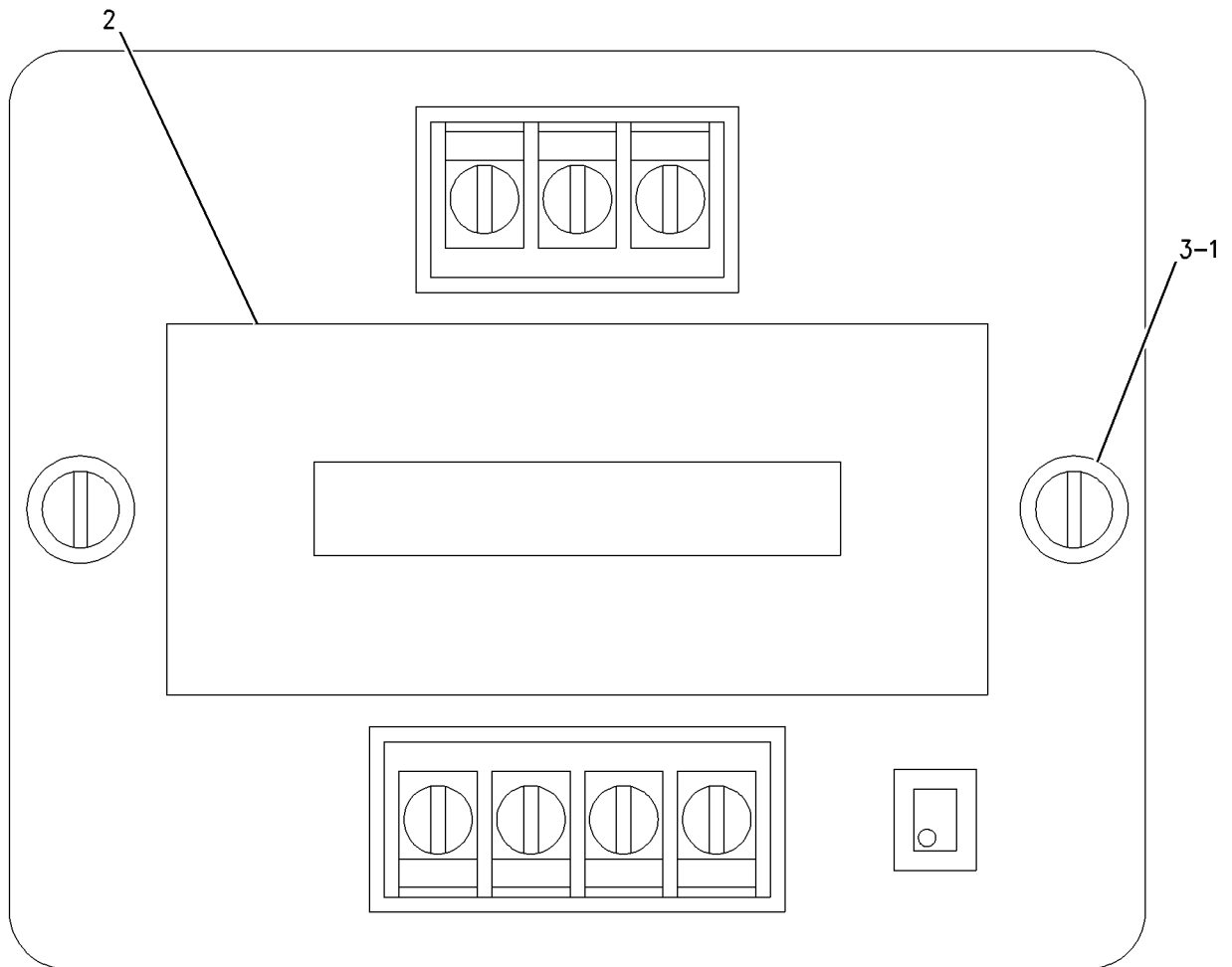
PART OF 269-7024 WIRING GP-ENGINE ELECTRONIC

AN ATTACHMENT

SMCS-1421

i02183032

NOTE	REF NO	GRAPHIC REF	PART NUMBER	QTY	PART NAME						SEE PAGE
					1	2	3	4	5	6 (PRODUCT LEVEL)	
	1	1	4B-4863	2	WASHER (4.7X11X1.2-MM THK)						
	2	1	9X-9857	1	FILM-IDENTIFICATION (ELECTRICAL CONVERTER)						
	3	1	3K-8106	2	SCREW-MACHINE (8-32X1-IN)						



GRAPHIC #1

<END>

g00774430

# ELECTRICAL AND STARTING SYSTEM

## 252-7643 COVER GP-CIRCUIT BREAKER

S/N: YAT1-UP

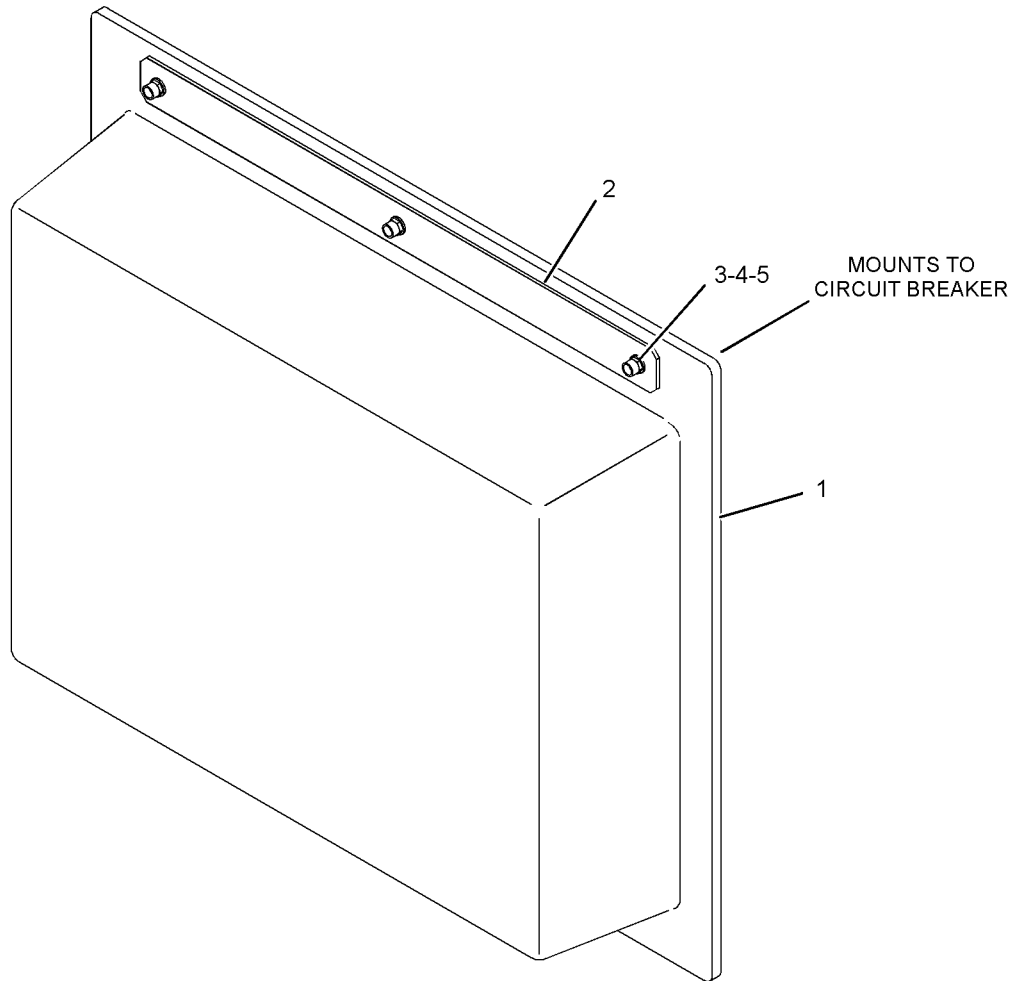
FOR USE WITH R-FRAME AND NW-FRAME CIRCUIT BREAKERS  
AN ATTACHMENT

SMCS-1420, 4461

i02320508

NOTE	REF NO	GRAPHIC REF	PART NUMBER	QTY	PART NAME						SEE PAGE
					1	2	3	4	5	6 (PRODUCT LEVEL)	
	1	1	<b>252-7644</b>	1	BOOT						
	2	1	<b>252-7645</b>	1	STRIP						
M	3	1	<b>096-3772</b>	3	SCREW-MACHINE (M4X0.7X16-MM)						
	4	1	<b>096-6166</b>	3	WASHER-HARD (4.5X9X1-MM THK)						
M	5	1	<b>8T-2659</b>	3	LOCKNUT (M4X0.7-THD)						

M-METRIC PART



GRAPHIC #1

<END>

g01160698

# ELECTRICAL AND STARTING SYSTEM

## 252-7646 COVER GP-CIRCUIT BREAKER

S/N: YAT1-UP

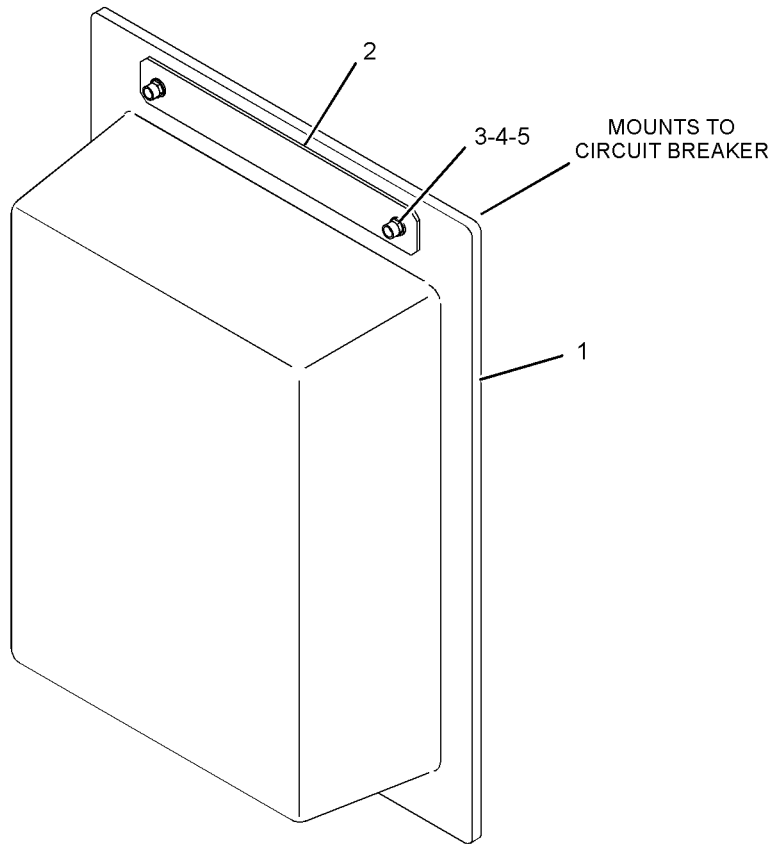
FOR USE WITH P-FRAME AND NSJ-FRAME CIRCUIT BREAKERS  
AN ATTACHMENT

SMCS-1420, 4461

i02320509

NOTE	REF NO	GRAPHIC REF	PART NUMBER	QTY	PART NAME						SEE PAGE
					1	2	3	4	5	6 (PRODUCT LEVEL)	
	1	1	<b>252-7647</b>	1	BOOT						
	2	1	<b>252-7648</b>	1	STRIP						
M	3	1	<b>096-3772</b>	2	SCREW-MACHINE (M4X0.7X16-MM)						
	4	1	<b>096-6166</b>	2	WASHER-HARD (4.5X9X1-MM THK)						
M	5	1	<b>8T-2659</b>	2	LOCKNUT (M4X0.7-THD)						

M-METRIC PART



GRAPHIC #1

<END>

g01160700

# ELECTRICAL AND STARTING SYSTEM

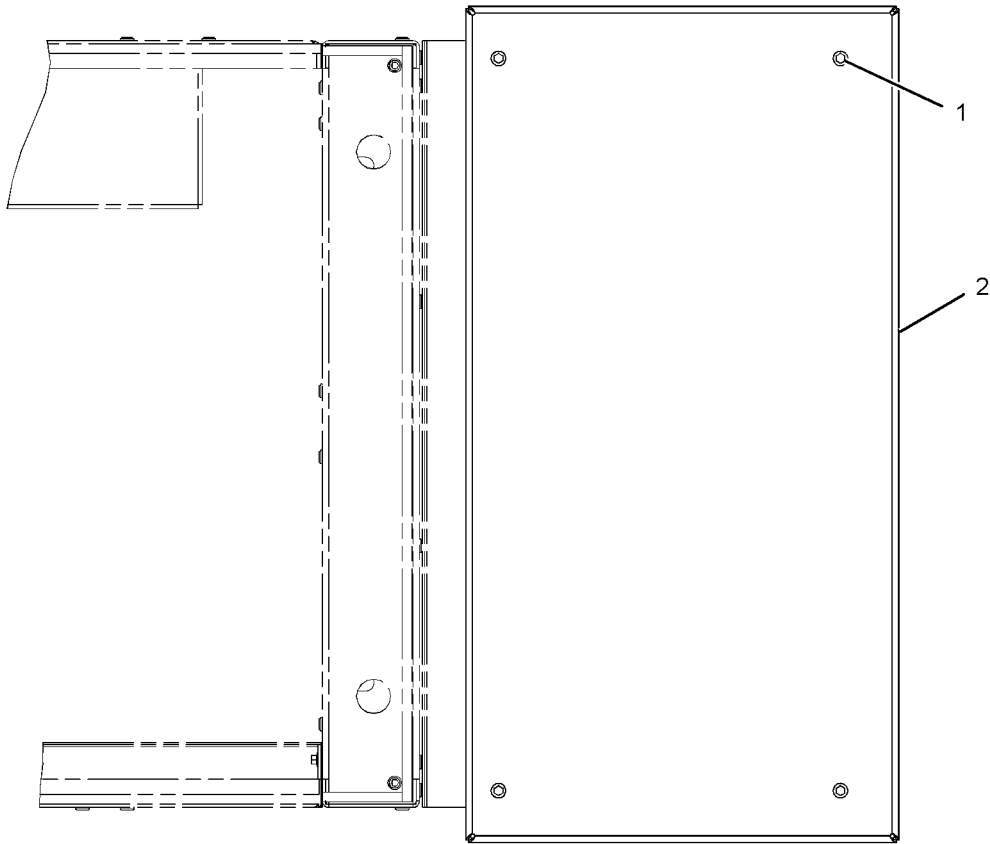
## 245-0025 COVER GP-EXTENSION BOX-TOP

S/N: YAT1-UP  
FOR USE WITH SIDE EXTENSION BOX  
AN ATTACHMENT

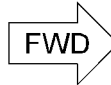
SMCS-4460

i02238838

NOTE	REF NO	GRAPHIC REF	PART NUMBER	QTY	PART NAME						SEE PAGE
					1	2	3	4	5	6 (PRODUCT LEVEL)	
	1	1	235-4451	4	BOLT-FLANGE HEAD (M6X1X16-MM)						
	2	1	242-8840	1	ROOF (SIDE)						



TOP VIEW



GRAPHIC #1

<END>

g01135218



# ELECTRICAL AND STARTING SYSTEM

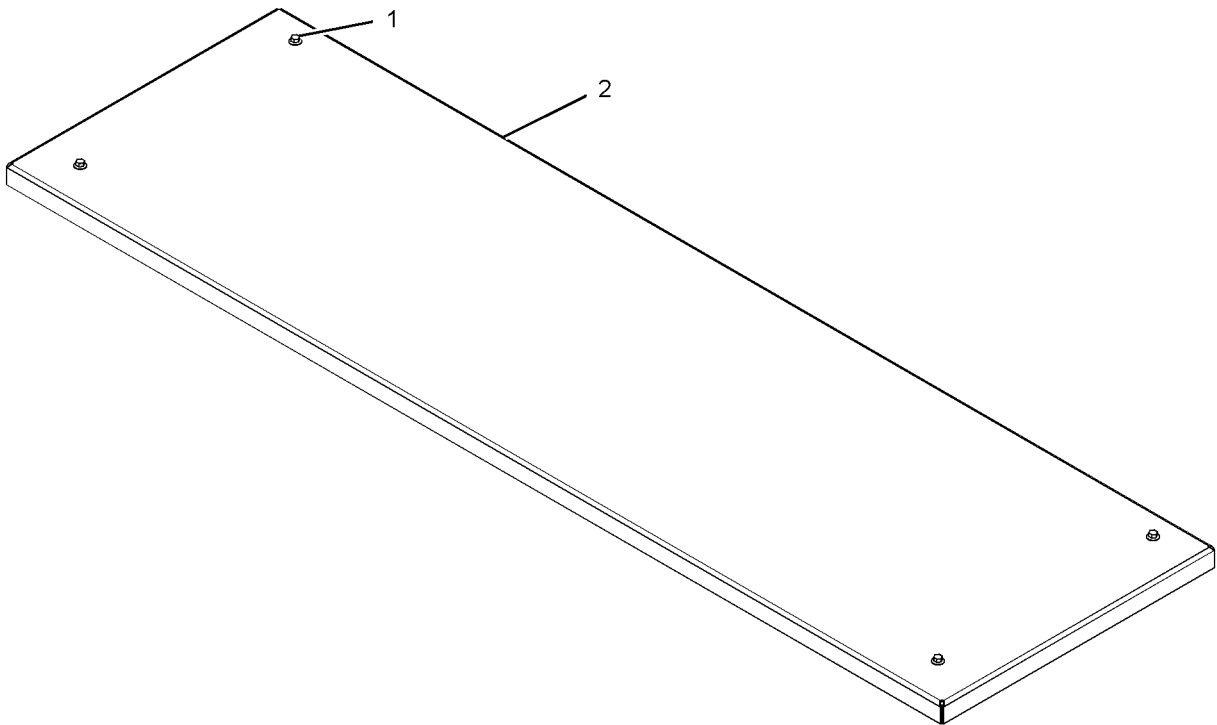
## 245-0026 COVER GP-EXTENSION BOX-TOP

S/N: YAT1-UP  
FOR USE WITH REAR EXTENTION BOX  
AN ATTACHMENT

SMCS-4460

i02330833

NOTE	REF NO	GRAPHIC REF	PART NUMBER	QTY	PART NAME						SEE PAGE
					1	2	3	4	5	6 (PRODUCT LEVEL)	
	1	1	235-4451	4	BOLT-FLANGE HEAD (M6X1X16-MM)						
	2	1	242-8838	1	ROOF (REAR)						



GRAPHIC #1

<END>

g01164776

# ELECTRICAL AND STARTING SYSTEM

## 245-0029 COVER GP-EXTENSION BOX-REAR SHROUD

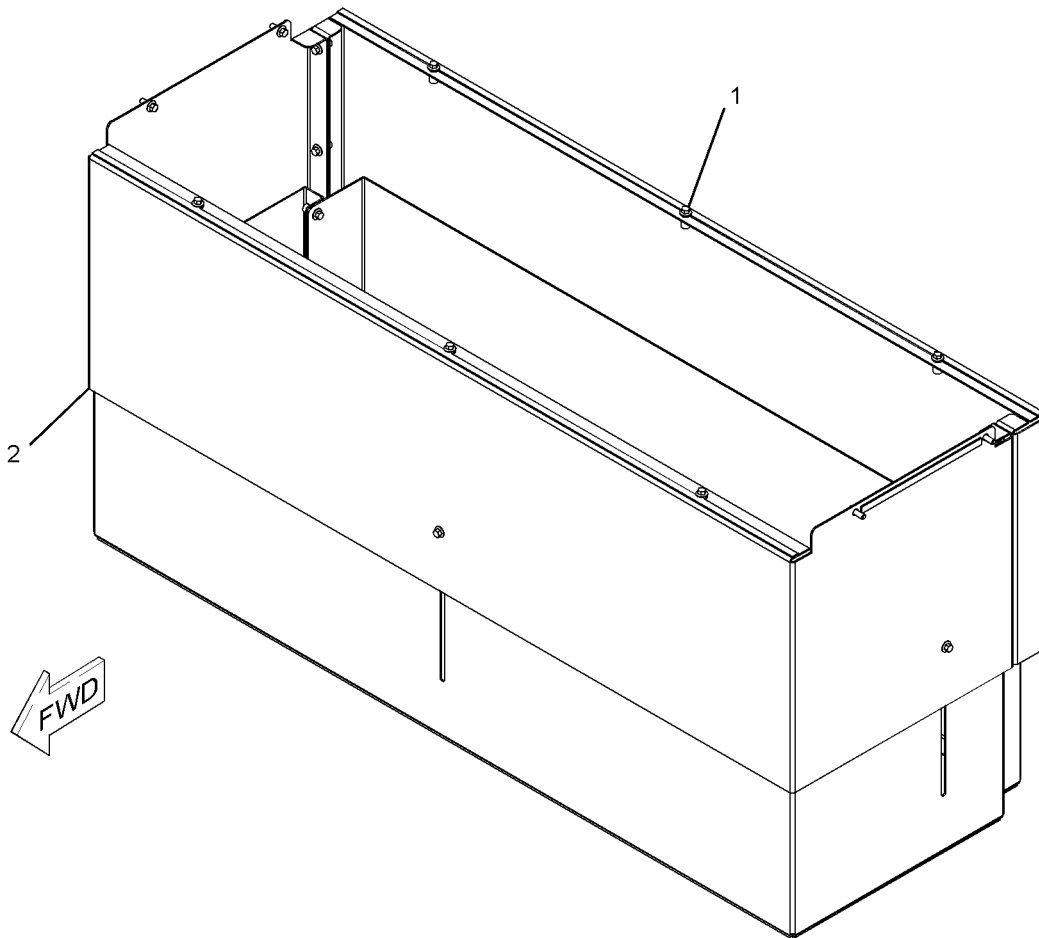
S/N: YAT1-UP  
FOR USE WITH REAR EXTENSION BOX  
AN ATTACHMENT

SMCS-4460

i02259780

NOTE	REF NO	GRAPHIC REF	PART NUMBER	QTY	PART NAME						SEE PAGE
					1	2	3	4	5	6 (PRODUCT LEVEL)	
	1	1	235-4451	10	BOLT-FLANGE HEAD (M6X1X16-MM)						
Y	2	1	252-7366	1	BOX AS-EXTENSION (REAR SHROUD)						377

Y-SEPARATE ILLUSTRATION



GRAPHIC #1

<END>

g01137287

# ELECTRICAL AND STARTING SYSTEM

## 245-0096 COVER GP-EXTENSION BOX-BOTTOM

S/N: YAT1-UP

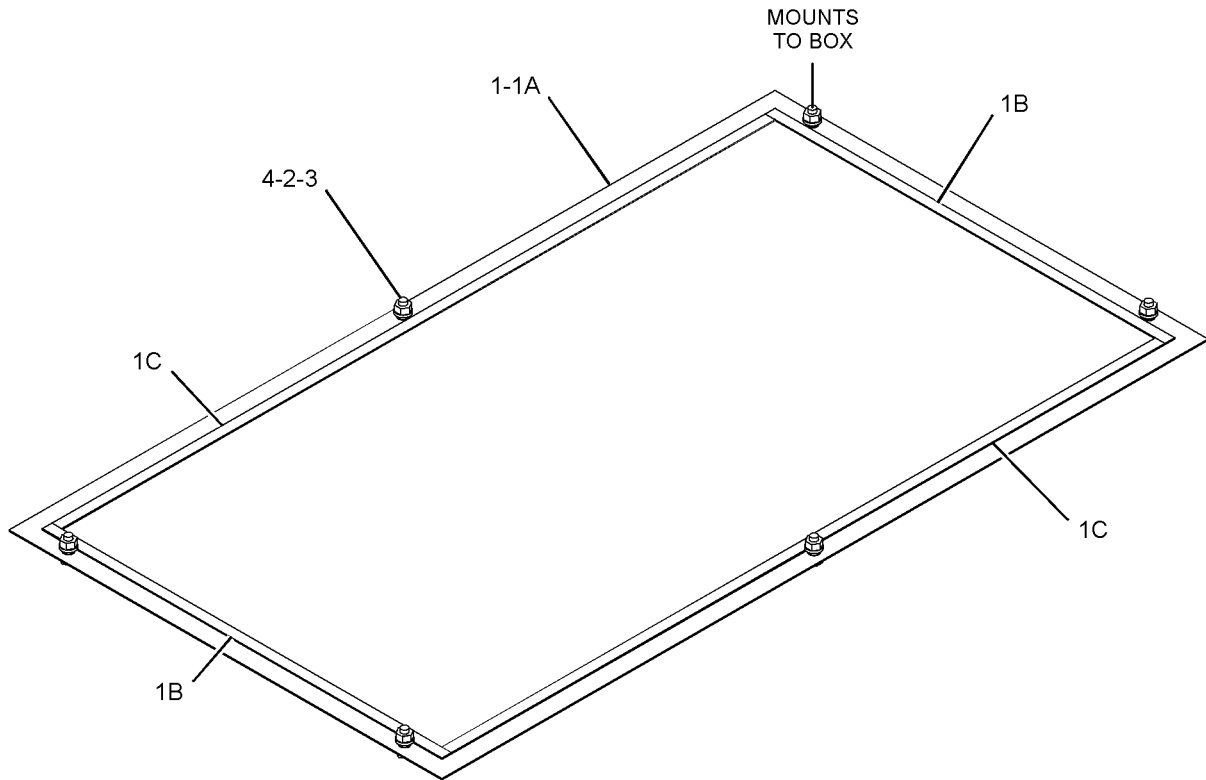
FOR USE WITH SIDE EXTENSION BOX  
AN ATTACHMENT

SMCS-4460

i03024141

NOTE	REF NO	GRAPHIC REF	PART NUMBER	QTY	PART NAME						SEE PAGE
					1	2	3	4	5	6 (PRODUCT LEVEL)	
	1	1	252-7351	1	COVER AS						
	1A	1	252-7352	1	PLATE-COVER						
J	1B	1	244-9631		SEAL (4-DM EACH)						
J	1C	1	244-9631		SEAL (7-DM EACH)						
M	2	1	5C-2890	6	NUT (M6X1-THD)						
M	3	1	5C-9553	6	BOLT (M6X1X16-MM)						
	4	1	9X-8256	12	WASHER (6.6X12X2-MM THK)						

J-ORDER BY DECIMETER  
M-METRIC PART



GRAPHIC #1

<END>

g01529338

# ELECTRICAL AND STARTING SYSTEM

## 245-0097 COVER GP-EXTENSION BOX-BOTTOM

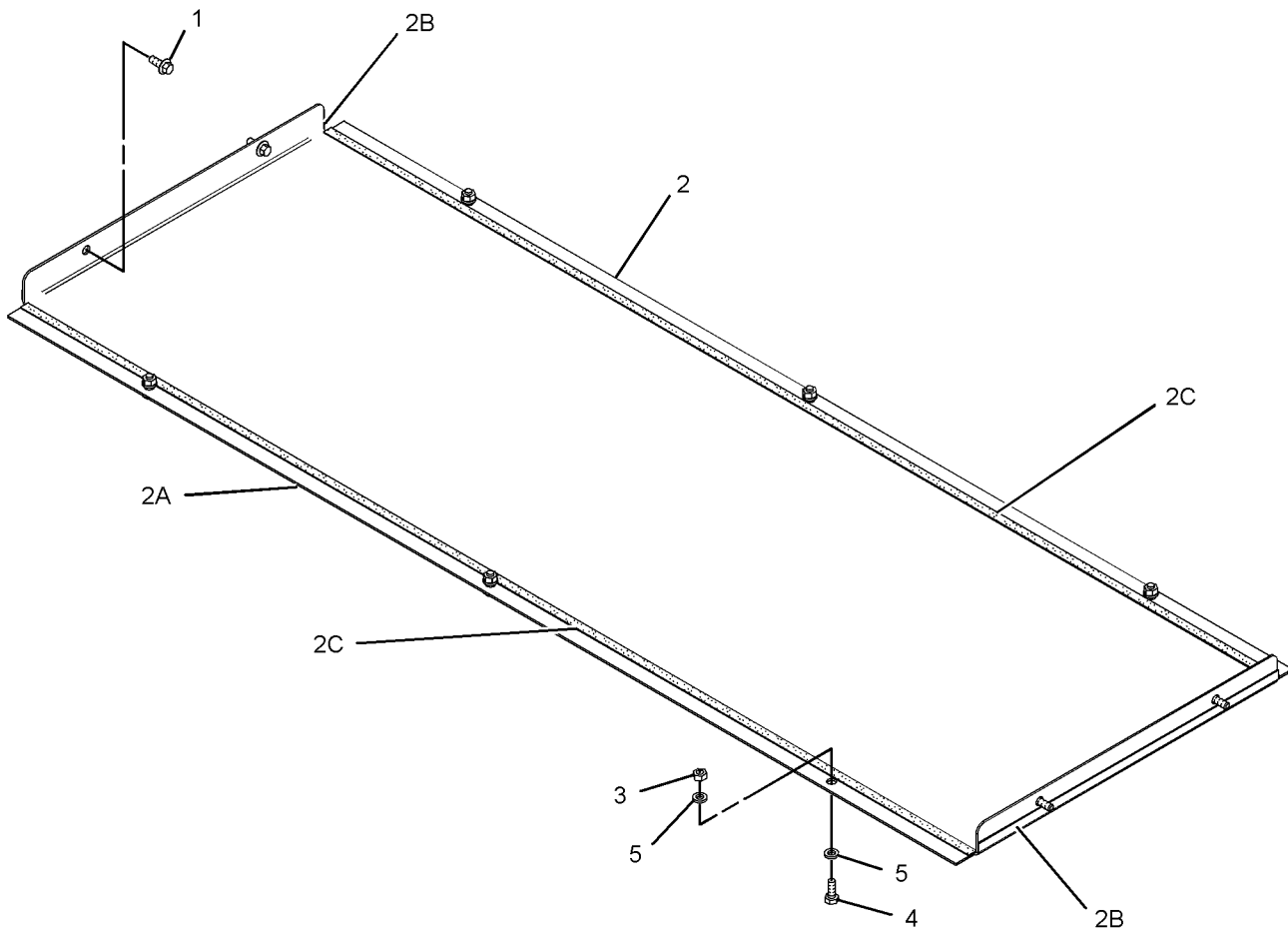
S/N: YAT1-UP  
FOR USE WITH REAR EXTENSION BOX  
AN ATTACHMENT

SMCS-4460

i03024160

NOTE	REF NO	GRAPHIC REF	PART NUMBER	QTY	PART NAME						SEE PAGE
					1	2	3	4	5	6 (PRODUCT LEVEL)	
	1	1	235-4451	4	BOLT-FLANGE HEAD (M6X1X16-MM)						
	2	1	252-7499	1	COVER AS						
	2A	1	252-7498	1	PLATE-COVER						
J	2B	1	244-9631		SEAL (3.5-DM EACH)						
J	2C	1	244-9631		SEAL (11.5-DM EACH)						
M	3	1	5C-2890	6	NUT (M6X1-THD)						
M	4	1	5C-9553	6	BOLT (M6X1X16-MM)						
	5	1	9X-8256	12	WASHER (6.6X12X2-MM THK)						

J-ORDER BY DECIMETER  
M-METRIC PART



GRAPHIC #1

<END>

g01529354

# ELECTRICAL AND STARTING SYSTEM

## 252-7407 COVER GP-EXTENSION BOX-SIDE

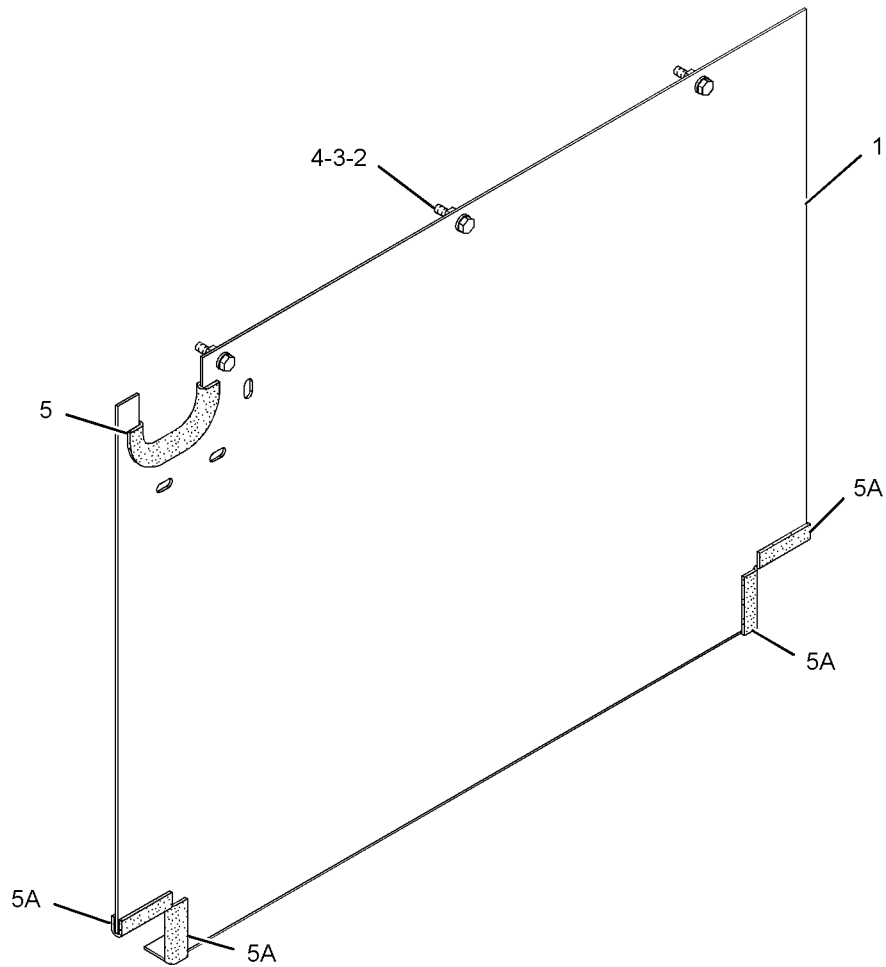
S/N: YAT1-UP  
MEDIUM VOLTAGE  
AN ATTACHMENT

SMCS-4460

i02553895

NOTE	REF NO	GRAPHIC REF	PART NUMBER	QTY	PART NAME						SEE PAGE
					1	2	3	4	5	6 (PRODUCT LEVEL)	
	1	1	<b>292-5098</b>	1	PLATE-COVER (MEDIUM VOLTAGE, SEPARATOR SIDE)						
M	2	1	<b>5C-2890</b>	3	NUT (M6X1-THD)						
M	3	1	<b>6V-7357</b>	3	BOLT (M6X1X25-MM)						
	4	1	<b>9X-8256</b>	6	WASHER (6.6X12X2-MM THK)						
E	5	1	<b>3E-6600</b>		SEAL (9.9-CM)						
E	5A	1	<b>3E-6600</b>		SEAL (4.8-CM EACH)						

E-ORDER BY THE CENTIMETER  
M-METRIC PART



GRAPHIC #1

<END>

g01296845

# ELECTRICAL AND STARTING SYSTEM

## 252-7468 COVER GP-EXTENSION BOX-REAR

S/N: YAT1-UP

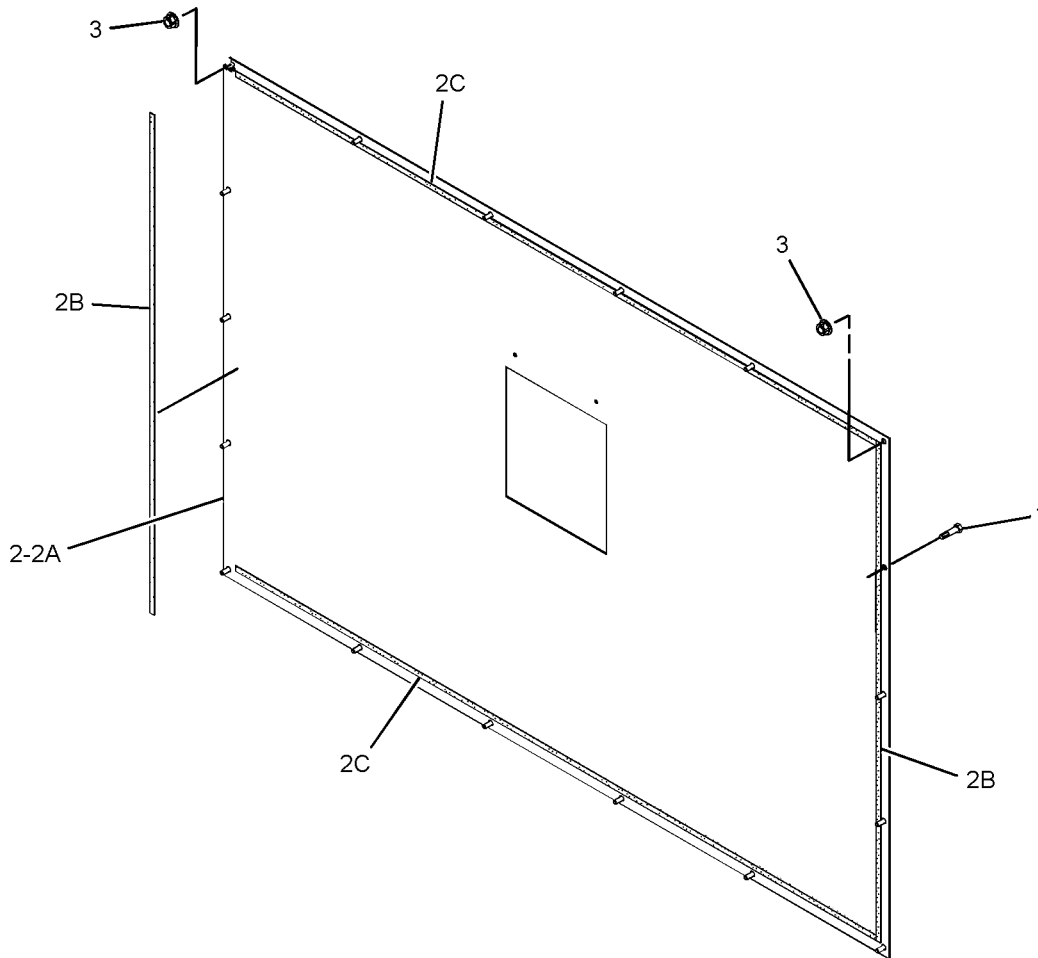
FOR USE WITH REAR EXTENSION BOX, P-FRAME CIRCUIT BREAKER  
AN ATTACHMENT

SMCS-4460

i03411382

NOTE	REF NO	GRAPHIC REF	PART NUMBER	QTY	PART NAME						SEE PAGE
					1	2	3	4	5	6 (PRODUCT LEVEL)	
	1	1	235-4451	16	BOLT-FLANGE HEAD (M6X1X16-MM)						
	2	1	252-7465	1	COVER AS (REAR)						
	2A	1	252-7464	1	PLATE-COVER						
J	2B	1	244-9631		SEAL (8.5-DM EACH)						
J	2C	1	244-9631		SEAL (12.5-DM EACH)						
	3	1	243-5027	2	NUT AS (M6X1-THD)						

J-ORDER BY DECIMETER



GRAPHIC #1

<END>

g01652613

# ELECTRICAL AND STARTING SYSTEM

## 252-7470 COVER GP-EXTENSION BOX-REAR

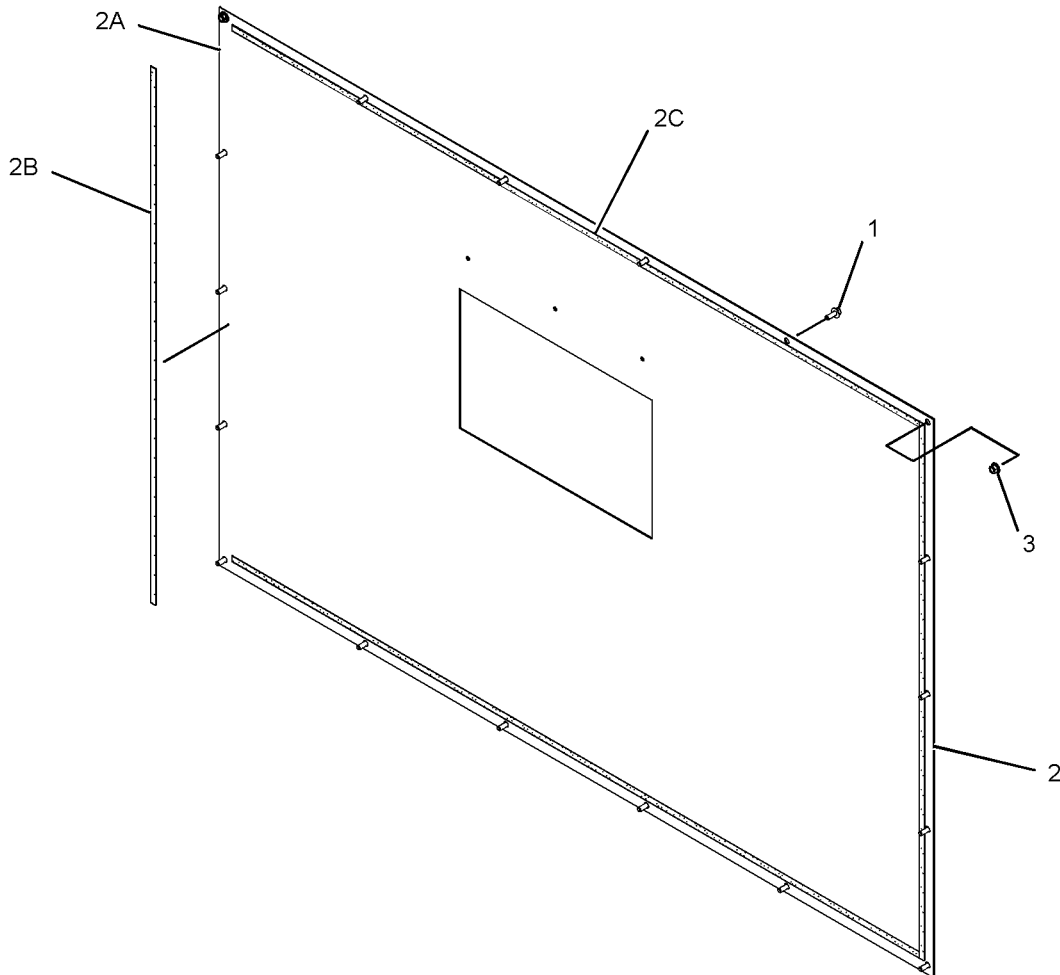
S/N: YAT1-UP  
FOR USE WITH REAR EXTENSION BOX  
AN ATTACHMENT

SMCS-4460

i03411385

NOTE	REF NO	GRAPHIC REF	PART NUMBER	QTY	PART NAME						SEE PAGE
					1	2	3	4	5	6 (PRODUCT LEVEL)	
	1	1	235-4451	16	BOLT-FLANGE HEAD (M6X1X16-MM)						
	2	1	252-7461	1	COVER AS (REAR)						
	2A	1	252-7490	1	PLATE-COVER						
J	2B	1	244-9631		SEAL (8.5-DM EACH)						
J	2C	1	244-9631		SEAL (12.5-DM EACH)						
	3	1	243-5027	2	NUT AS (M6X1-THD)						

J-ORDER BY DECIMETER



GRAPHIC #1

<END>

g01686393

# ELECTRICAL AND STARTING SYSTEM

## 252-7477 COVER GP-EXTENSION BOX-SIDE

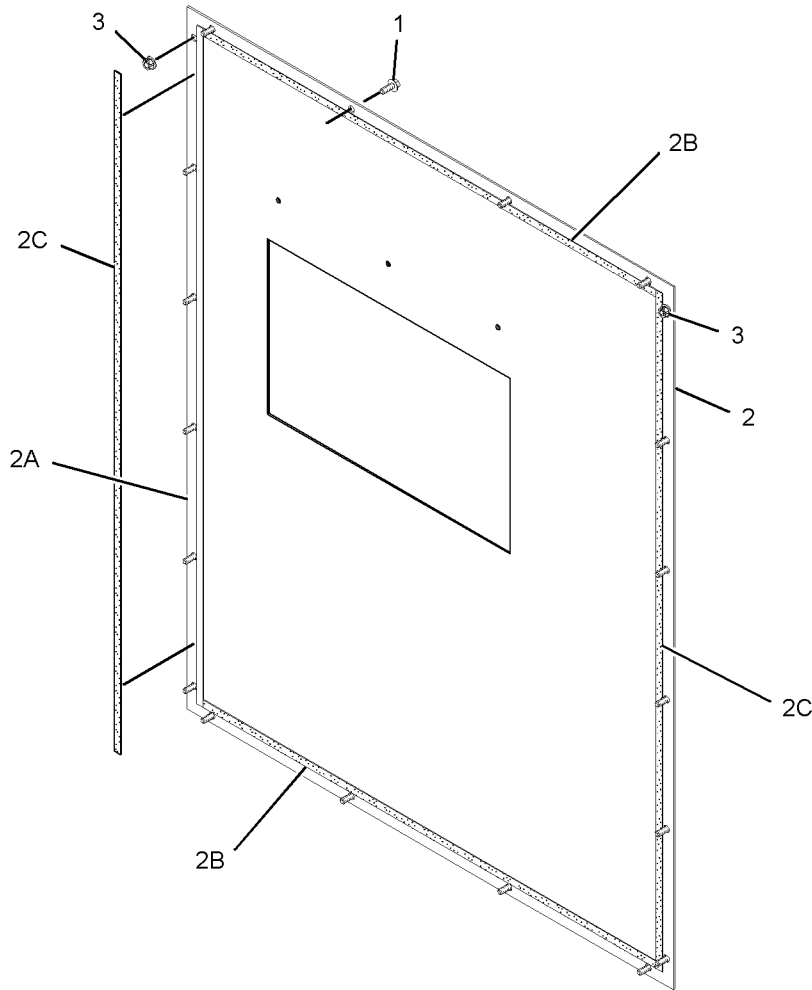
S/N: YAT1-UP  
FOR USE WITH SIDE EXTENSION BOX  
AN ATTACHMENT

SMCS-4460

i03232057

NOTE	REF NO	GRAPHIC REF	PART NUMBER	QTY	PART NAME						SEE PAGE
					1	2	3	4	5	6 (PRODUCT LEVEL)	
	1	1	235-4451	18	BOLT-FLANGE HEAD (M6X1X16-MM)						
	2	1	252-7478	1	SEAL AS (SIDE COVER)						
	2A	1	252-7479	1	PLATE-COVER						
J	2B	1	244-9631		SEAL (6.5-DM EACH)						
J	2C	1	244-9631		SEAL (8.5-DM EACH)						
	3	1	243-5027	2	NUT AS (M6X1-THD)						

J-ORDER BY DECIMETER



GRAPHIC #1

<END>

g01653296



# ELECTRICAL AND STARTING SYSTEM

## 252-7485 COVER GP-EXTENSION BOX-SIDE

S/N: YAT1-UP

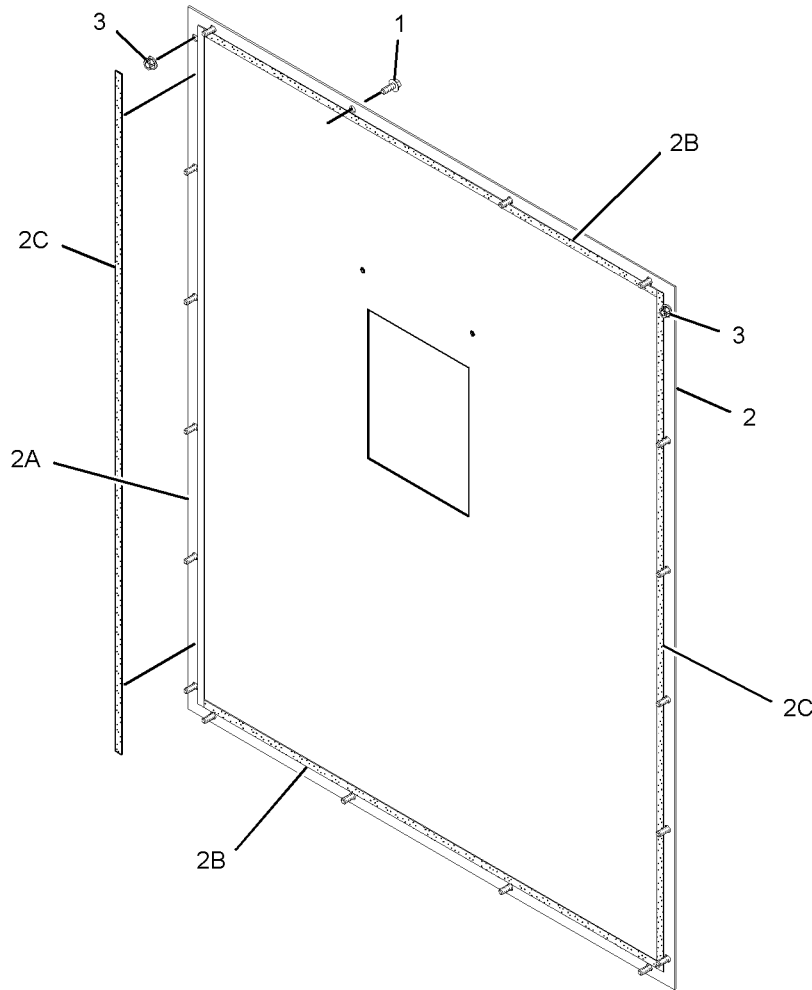
FOR USE WITH SIDE EXTENSION BOX  
AN ATTACHMENT

SMCS-4460

i03232053

NOTE	REF NO	GRAPHIC REF	PART NUMBER	QTY	PART NAME						SEE PAGE
					1	2	3	4	5	6 (PRODUCT LEVEL)	
	1	1	235-4451	18	BOLT-FLANGE HEAD (M6X1X16-MM)						
	2	1	252-7484	1	SEAL AS (SIDE COVER)						
	2A	1	252-7482	1	PLATE-COVER						
J	2B	1	244-9631		SEAL (6.5-DM EACH)						
J	2C	1	244-9631		SEAL (8.5-DM EACH)						
	3	1	243-5027	2	NUT AS (M6X1-THD)						

J-ORDER BY DECIMETER



GRAPHIC #1

<END>

g01653233

# ELECTRICAL AND STARTING SYSTEM

## 252-7491 COVER GP-EXTENSION BOX-SIDE

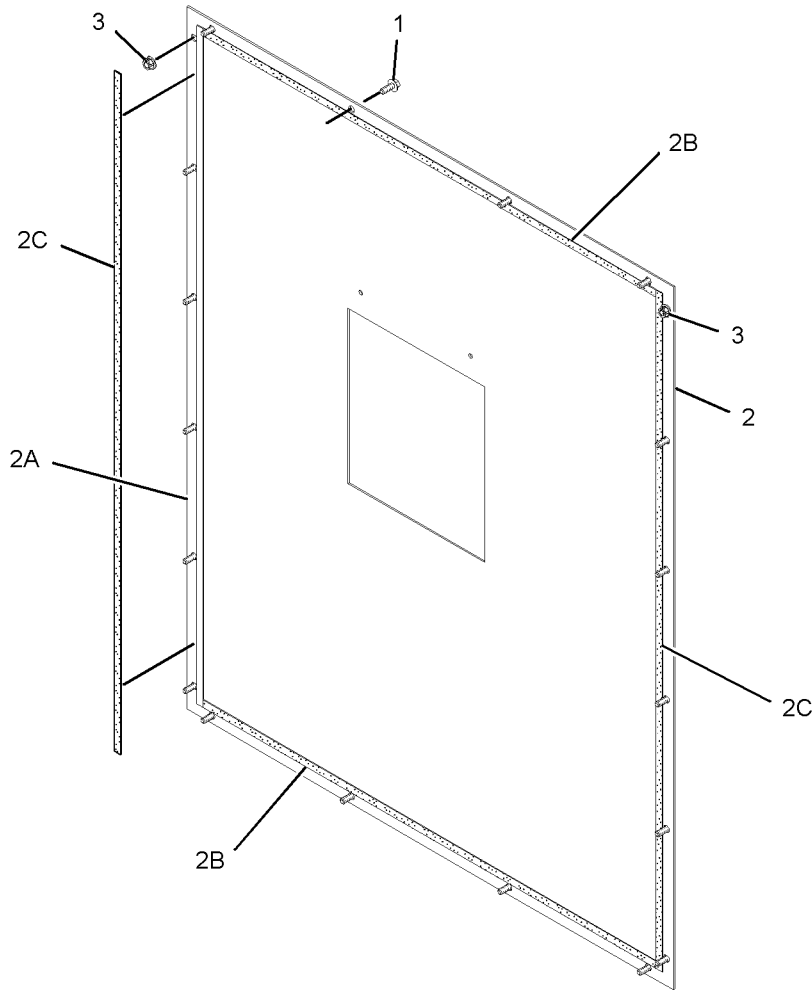
S/N: YAT1-UP  
FOR USE WITH SIDE EXTENSION BOX  
AN ATTACHMENT

SMCS-4460

i03232049

NOTE	REF NO	GRAPHIC REF	PART NUMBER	QTY	PART NAME						SEE PAGE
					1	2	3	4	5	6 (PRODUCT LEVEL)	
	1	1	235-4451	18	BOLT-FLANGE HEAD (M6X1X16-MM)						
	2	1	252-7488	1	SEAL AS (SIDE COVER)						
	2A	1	252-7487	1	PLATE-COVER						
J	2B	1	244-9631		SEAL (6.5 DM EACH)						
J	2C	1	244-9631		SEAL (8.5-DM EACH)						
	3	1	243-5027	2	NUT AS (M6X1-THD)						

J-ORDER BY DECIMETER



GRAPHIC #1

<END>

g01653014

# ELECTRICAL AND STARTING SYSTEM

## 259-0151 COVER GP-EXTENSION BOX-SIDE SHROUD

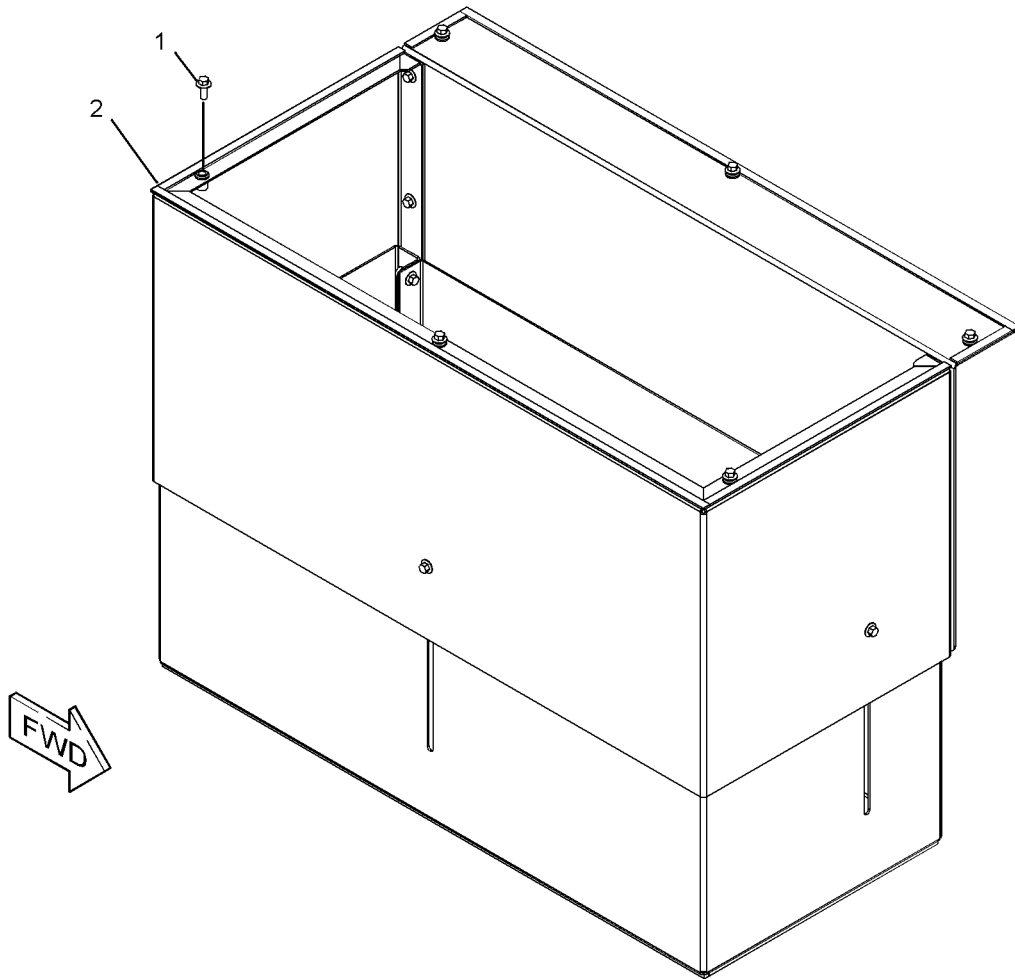
S/N: YAT1-UP  
FOR USE WITH SIDE EXTENSION BOX  
AN ATTACHMENT

SMCS-4460

i02363678

NOTE	REF NO	GRAPHIC REF	PART NUMBER	QTY	PART NAME						SEE PAGE
					1	2	3	4	5	6 (PRODUCT LEVEL)	
	1	1	235-4451	6	BOLT-FLANGE HEAD (M6X1X16-MM)						
Y	2	1	259-0150	1	BOX AS-EXTENSION (SIDE SHROUD)						378

Y-SEPARATE ILLUSTRATION



GRAPHIC #1

<END>

g01200870

# ELECTRICAL AND STARTING SYSTEM

## 232-4670 COVER GP-MODULE CONNECTOR

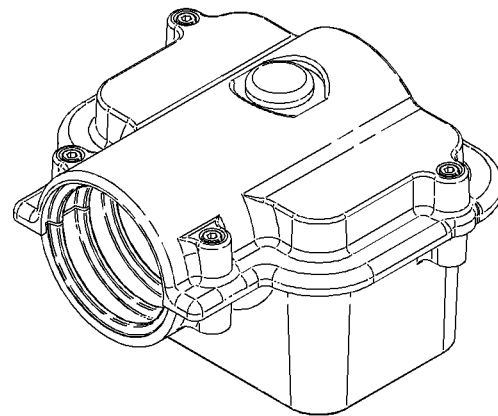
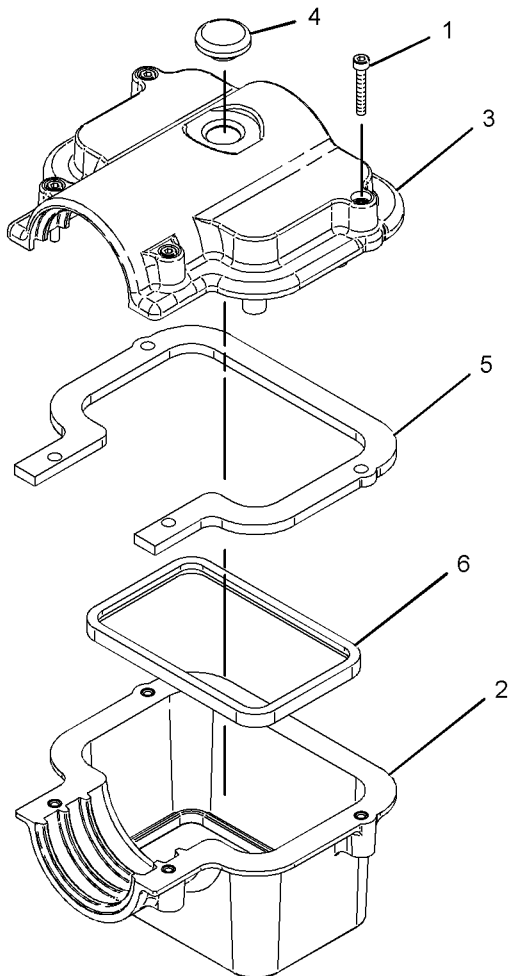
S/N: YAT1-UP

PART OF 237-9017 WIRING GP-ENGINE

SMCS-1901

i02844928

NOTE	REF NO	GRAPHIC REF	PART NUMBER	QTY	PART NAME						SEE PAGE
					1	2	3	4	5	6 (PRODUCT LEVEL)	
	1	1	311-3922	4	BOLT-SOCKET HEAD (M3X0.5X20-MM)						
	2	1	232-4671	1	CONNECTOR AS (BOTTOM)						
	3	1	232-4672	1	CONNECTOR AS (TOP)						
	4	1	232-4673	1	PLUG						
	5	1	232-4674	1	SEAL-CONNECTOR						
	6	1	232-4675	1	SEAL-CONNECTOR						



UNEXPLODED VIEW

GRAPHIC #1

<END>

g01210314

# ELECTRICAL AND STARTING SYSTEM

## 296-0645 ELEMENT GP-JACKET WATER HEATER

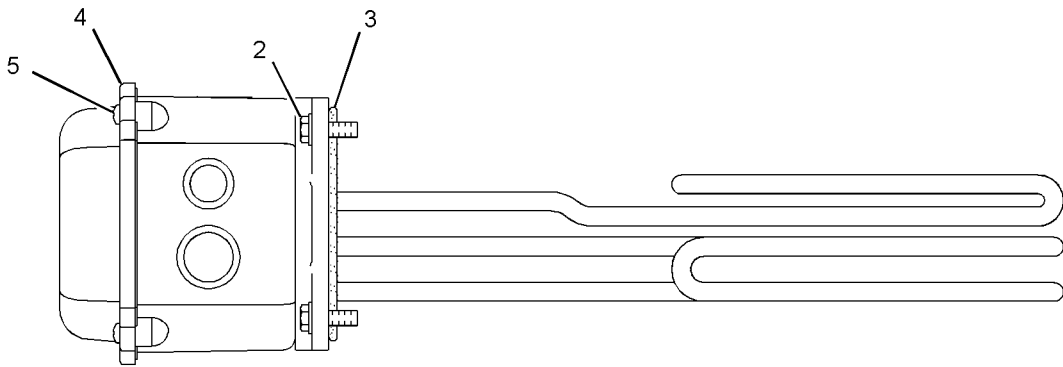
S/N: YAT1-UP

PART OF 325-6250 HEATER GP-JACKET WATER  
AN ATTACHMENT

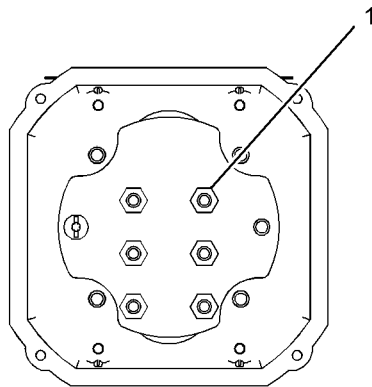
SMCS-1383

i03126502

NOTE	REF NO	GRAPHIC REF	PART NUMBER	QTY	PART NAME						SEE PAGE
					1	2	3	4	5	6 (PRODUCT LEVEL)	
	1	1	<b>4B-2043</b>	6	NUT (8-32-THD)						
	2	1	<b>5P-7921</b>	4	SCREW-WASHER HEAD (1/4-20X0.75-IN)						
	3	1	<b>169-2182</b>	1	SEAL						
	4	1	<b>308-2363</b>	1	KIT-COVER						
					(INCLUDES COVER & GASKET)						
	5	1	<b>212-3416</b>	4	SCREW-PAN HEAD (8-16X0.5-IN)						



RIGHT SIDE VIEW



FRONT VIEW

(COVER REMOVED)

GRAPHIC #1

<END>

g01686254

# ELECTRICAL AND STARTING SYSTEM

## 307-3275 ELEMENT GP-JACKET WATER HEATER

S/N: YAT1-UP

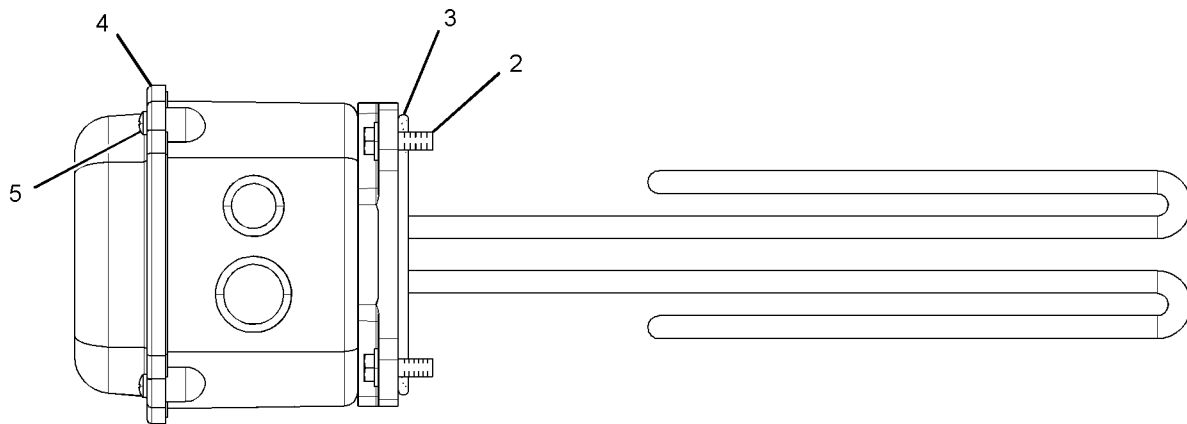
220-VOLT, 9000-WATT

PART OF 307-3265 HEATER GP-JACKET WATER  
AN ATTACHMENT

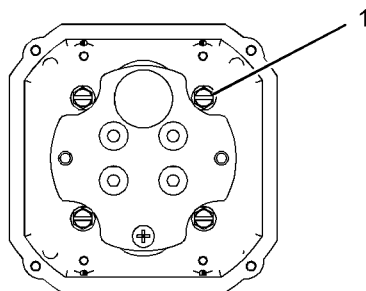
SMCS-1383

i02911328

NOTE	REF NO	GRAPHIC REF	PART NUMBER	QTY	PART NAME						SEE PAGE
					1	2	3	4	5	6 (PRODUCT LEVEL)	
	1	1	<b>4B-2043</b>	4	NUT (8-32-THD)						
	2	1	<b>5P-7921</b>	4	SCREW-WASHER HEAD (1/4-20X0.75-IN)						
	3	1	<b>169-2182</b>	1	SEAL						
	4	1	<b>308-2363</b>	1	KIT-COVER						
					(INCLUDES COVER & GASKET)						
	5	1	<b>212-3416</b>	4	SCREW-PAN HEAD (8-16X0.5-IN)						



RIGHT SIDE VIEW



FRONT VIEW  
(COVER REMOVED)

GRAPHIC #1

<END>

g01450119

# ELECTRICAL AND STARTING SYSTEM

## 307-3276 ELEMENT GP-JACKET WATER HEATER

S/N: YAT1-UP

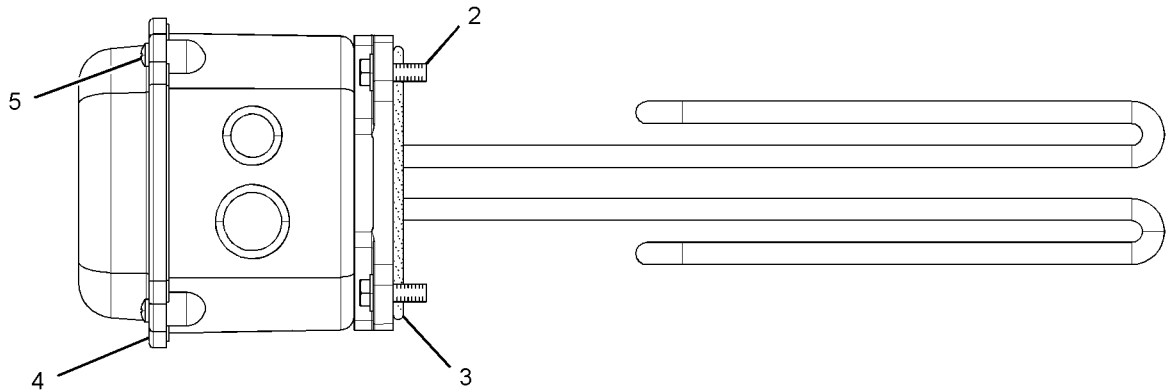
240-VOLT, 9000-WATT

PART OF 307-3264 HEATER GP-JACKET WATER  
AN ATTACHMENT

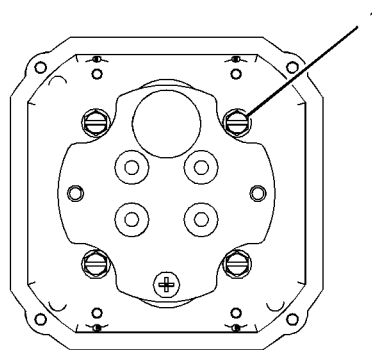
SMCS-1383

i02911323

NOTE	REF NO	GRAPHIC REF	PART NUMBER	QTY	PART NAME						SEE PAGE
					1	2	3	4	5	6 (PRODUCT LEVEL)	
	1	1	<b>4B-2043</b>	4	NUT (8-32-THD)						
	2	1	<b>5P-7921</b>	4	SCREW-WASHER HEAD (1/4-20X0.75-IN)						
	3	1	<b>169-2182</b>	1	SEAL						
	4	1	<b>308-2363</b>	1	KIT-COVER						
					(INCLUDES COVER & GASKET)						
	5	1	<b>212-3416</b>	4	SCREW-PAN HEAD (8-16X0.5-IN)						



RIGHT SIDE VIEW



FRONT VIEW  
(COVER REMOVED)

GRAPHIC #1

<END>

g01450125

# ELECTRICAL AND STARTING SYSTEM

## 325-6246 ELEMENT GP-JACKET WATER HEATER

S/N: YAT1-UP

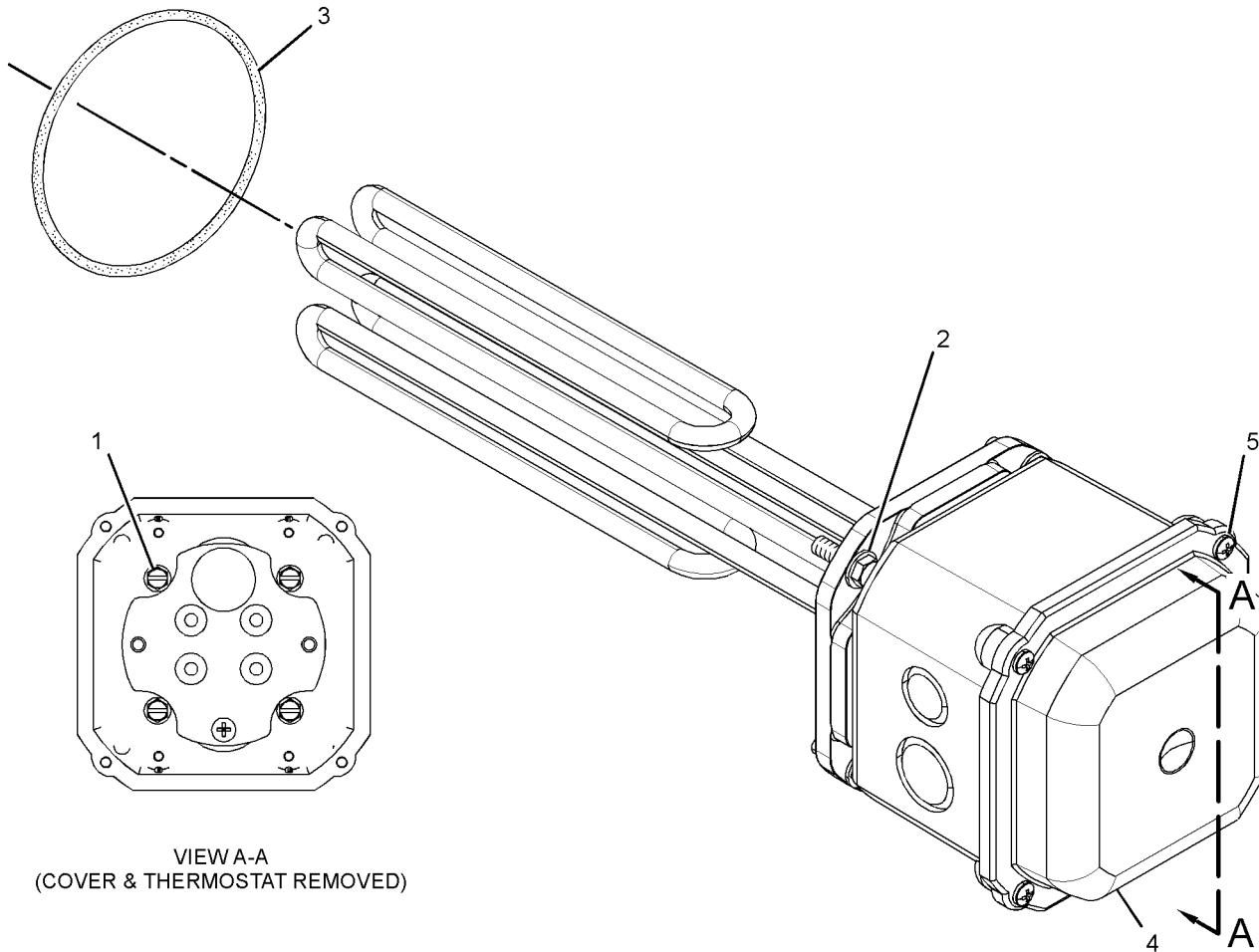
208-VOLT, 9000-WATT

PART OF 325-6248, 330-3345 HEATER GP-JACKET WATER  
AN ATTACHMENT

SMCS-1383

i03145388

NOTE	REF NO	GRAPHIC REF	PART NUMBER	QTY	PART NAME						SEE PAGE
					1	2	3	4	5	6 (PRODUCT LEVEL)	
	1	1	<b>4B-2043</b>	4	NUT (8-32-THD)						
	2	1	<b>5P-7921</b>	4	SCREW-WASHER HEAD (1/4-20X0.75-IN)						
	3	1	<b>169-2182</b>	1	SEAL						
	4	1	<b>308-2363</b>	1	KIT-COVER						
	5	1	<b>212-3416</b>	4	SCREW-PAN HEAD (8-16X0.5-IN)						



VIEW A-A  
(COVER & THERMOSTAT REMOVED)

GRAPHIC #1

<END>

g01647654



# ELECTRICAL AND STARTING SYSTEM

## 252-7409 FASTENER GP-WIRING HARNESS-LOW VOLTAGE

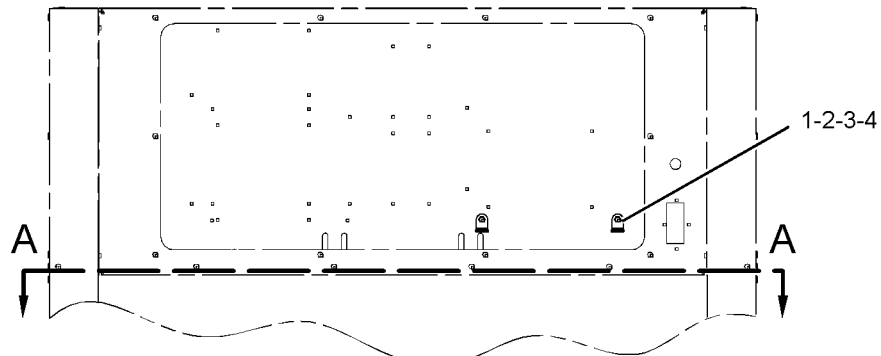
S/N: YAT1-UP  
 MAIN HARNESS ROUTING  
 AN ATTACHMENT

SMCS-1408

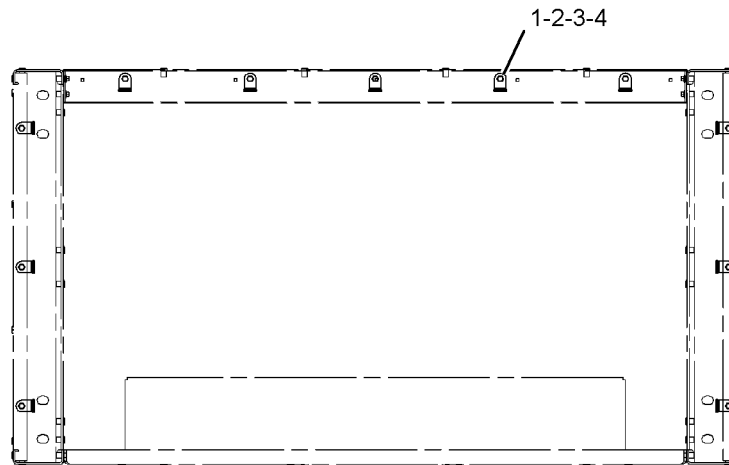
i02332741

NOTE	REF NO	GRAPHIC REF	PART NUMBER	QTY	PART NAME						SEE PAGE
					1	2	3	4	5	6 (PRODUCT LEVEL)	
	1	1	156-6175	13	CLIP						
M	2	1	5C-2890	13	NUT (M6X1-THD)						
M	3	1	5C-9553	13	BOLT (M6X1X16-MM)						
	4	1	9X-8256	26	WASHER (6.6X12X2-MM THK)						

M-METRIC PART



REAR VIEW



SECTION A-A

GRAPHIC #1

<END>

g01164464

# ELECTRICAL AND STARTING SYSTEM

## 252-7410 FASTENER GP-WIRING HARNESS-MEDIUM VOLTAGE

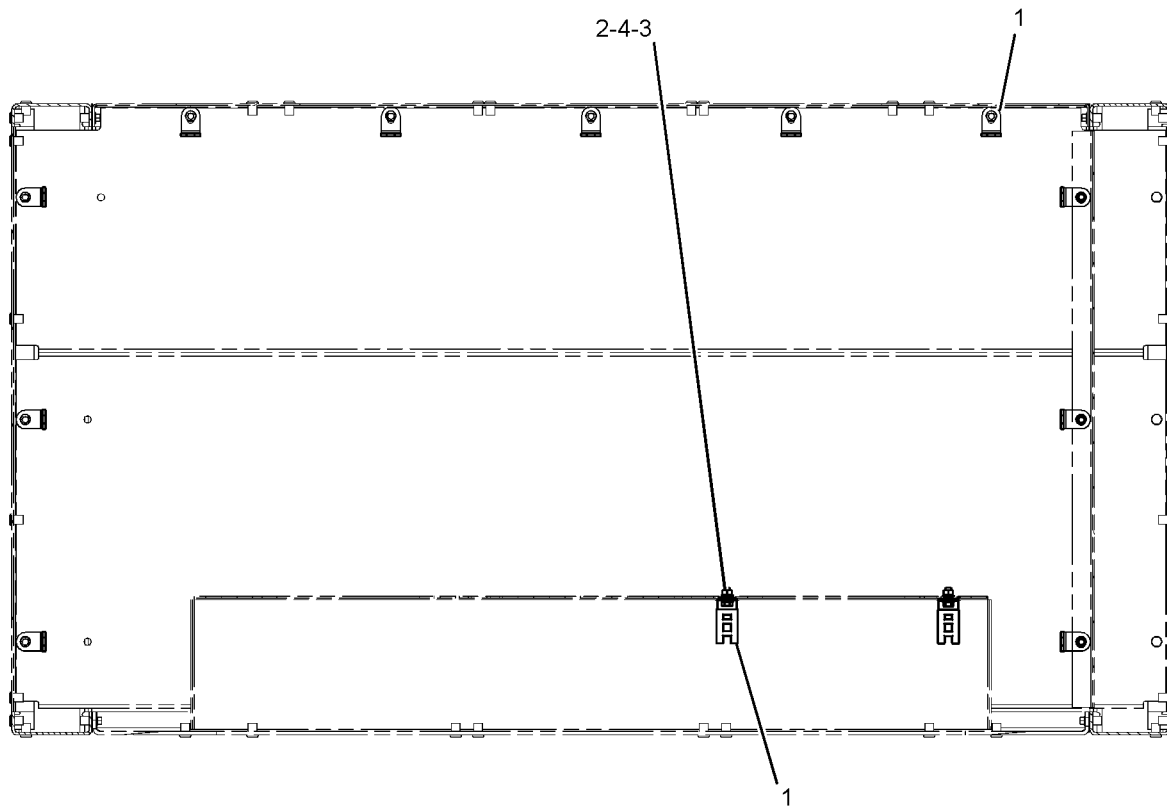
S/N: YAT1-UP  
AN ATTACHMENT

SMCS-1408

i03167543

NOTE	REF NO	GRAPHIC REF	PART NUMBER	QTY	PART NAME						SEE PAGE
					1	2	3	4	5	6 (PRODUCT LEVEL)	
	1	1	156-6175	13	CLIP						
M	2	1	5C-2890	2	NUT (M6X1-THD)						
M	3	1	5C-9553	2	BOLT (M6X1X16-MM)						
	4	1	9X-8256	4	WASHER (6.6X12X2-MM THK)						

M-METRIC PART



TOP VIEW

<END>

GRAPHIC #1

g01431556

# ELECTRICAL AND STARTING SYSTEM

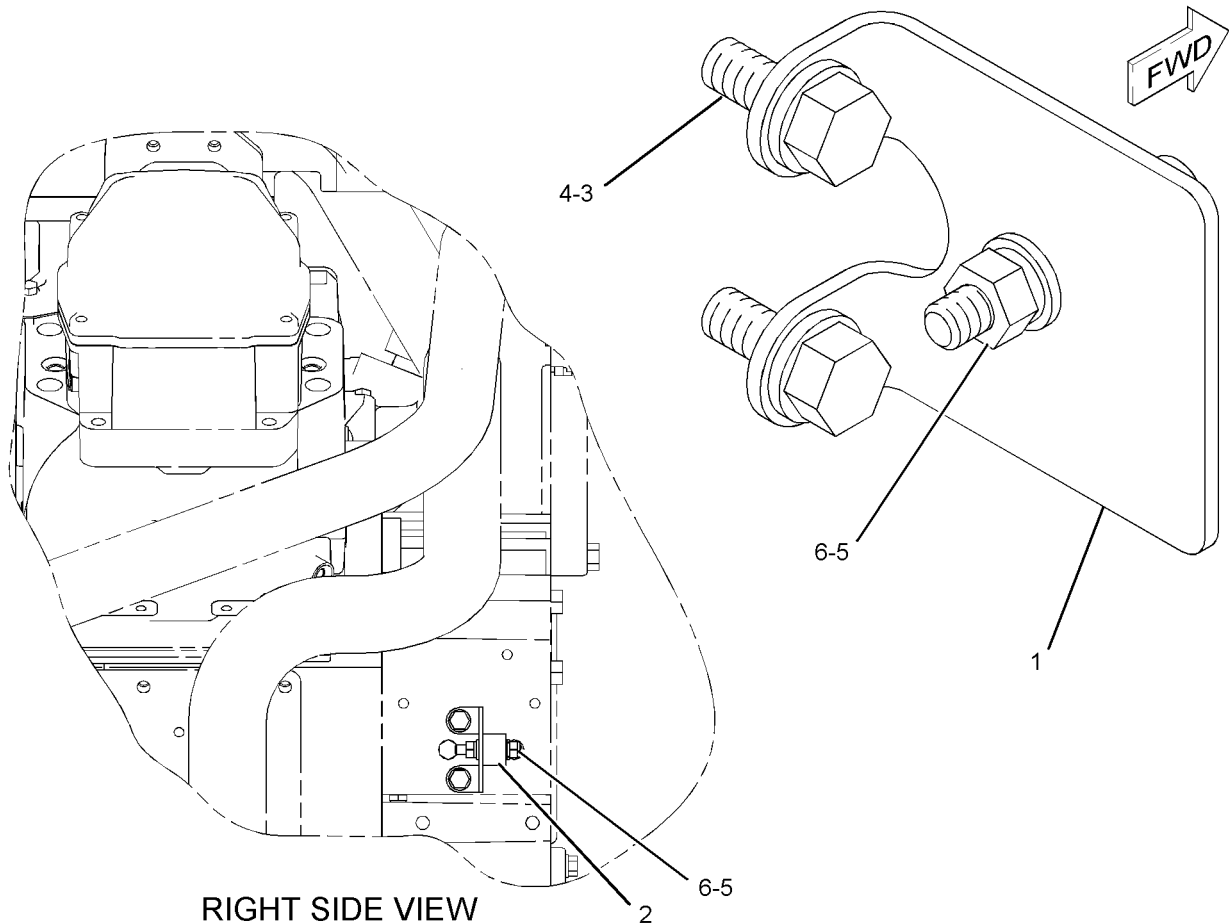
## 126-9191 GROUND GP-ELECTRICAL-ALTERNATOR

S/N: YAT1-UP  
AN ATTACHMENT

SMCS-1405

i02246577

NOTE	REF NO	GRAPHIC REF	PART NUMBER	QTY	PART NAME						SEE PAGE
					1	2	3	4	5	6 (PRODUCT LEVEL)	
	1	1	126-9188	1	BRACKET						
	2	1	126-9187	1	MOUNT-FLEXIBLE						
	3	1	5M-2894	2	WASHER-HARD (10.2X18.5X2.5-MM THK)						
	4	1	0L-1351	2	BOLT (3/8-16X0.875-IN)						
	5	1	9M-1974	2	WASHER-HARD (8.8X16X2-MM THK)						
	6	1	3E-9860	2	LOCKNUT (5/16-18-THD)						



GRAPHIC #1

<END>

g01132300

# ELECTRICAL AND STARTING SYSTEM

## 312-6114 GROUND GP-ELECTRICAL

S/N: YAT1-UP

FOR USE WITH SR5, 1600-FRAME, 1800-FRAME  
AN ATTACHMENT

SMCS-1405

i03167485

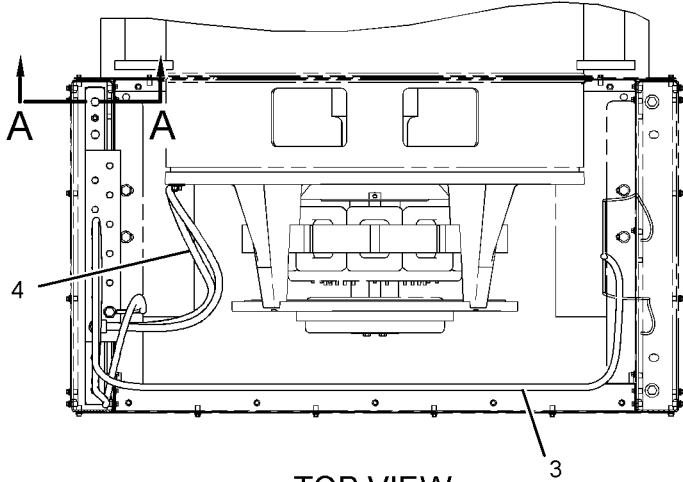
NOTE	REF NO	GRAPHIC REF	PART NUMBER	QTY	PART NAME						SEE PAGE
					1	2	3	4	5	6 (PRODUCT LEVEL)	
	1	1	<b>7K-1181</b>	8	STRAP-CABLE						
	2	1	<b>228-4798</b>	1	FILM-GROUND (EARTH)						
	3	1	<b>252-7513</b>	1	HARNESS AS-WIRING (GROUND)						
	4	1	<b>301-0561</b>	2	CABLE AS						
					(EACH INCLUDES)						
		1	<b>5P-2600</b>	2	RING-TERMINAL (FOR 1/2-IN BOLT)						
E		1	<b>188-3111</b>		CABLE (0000-GA, DARK GREEN) (65-CM)						
	5	1	<b>307-3521</b>	1	BRACKET						
M	6	1	<b>5P-7970</b>	1	NUT (M8X1.25-THD)						
M	7	1	<b>8T-4183</b>	2	BOLT (M12X1.75X40-MM)						
	8	1	<b>8T-4223</b>	4	WASHER-HARD (13.5X25.5X3-MM THK)						
M	9	1	<b>8T-4244</b>	2	NUT (M12X1.75-THD)						

E-ORDER BY THE CENTIMETER  
M-METRIC PART

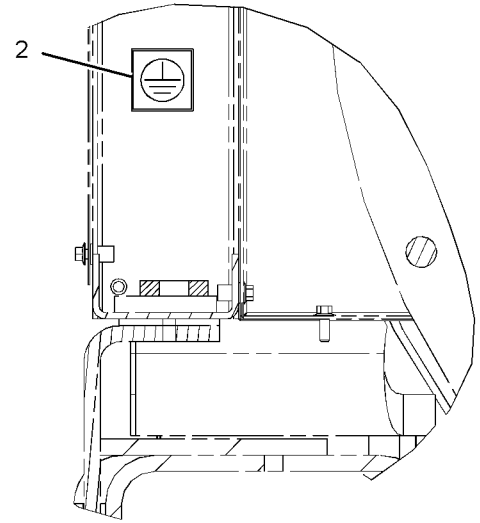
# ELECTRICAL AND STARTING SYSTEM

312-6114 GROUND GP-ELECTRICAL (contd.)

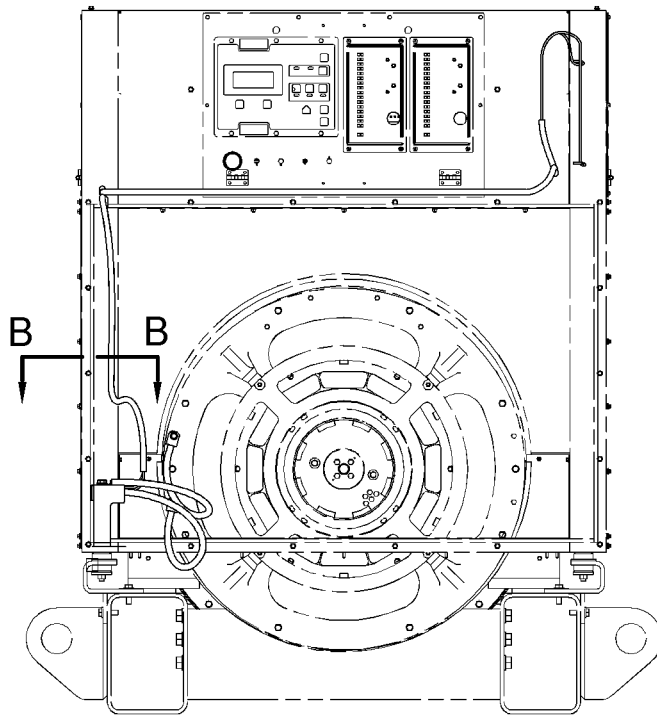
i03167485



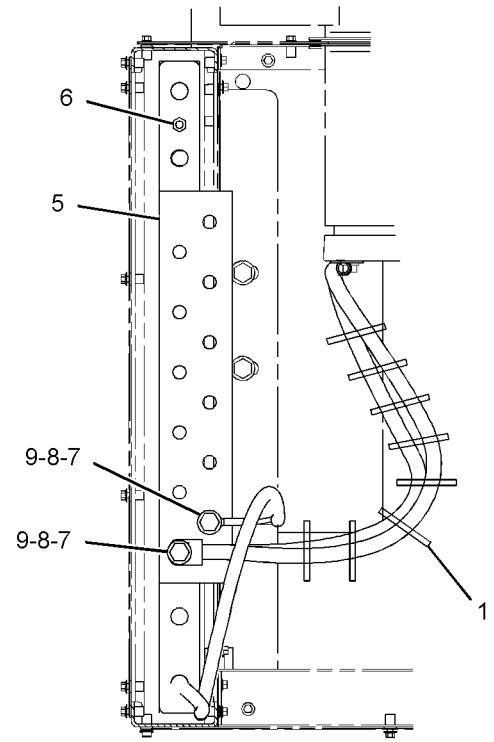
TOP VIEW



SECTION A-A



REAR VIEW



SECTION B-B

GRAPHIC #1

<END>

g01431876

# ELECTRICAL AND STARTING SYSTEM

## 267-8461 HARNESS AS-CONTROL

S/N: YAT1-UP

PART OF 267-8472 PANEL GP-CONTROL  
AN ATTACHMENT

SMCS-1408

i02613064

NOTE	PART NUMBER	QTY	PART NAME						SEE PAGE
			1	2	3	4	5	6 (PRODUCT LEVEL)	
	199-3062	18	FILM (WIRE) (LABEL)						
	155-2255	2	KIT-CONNECTING PLUG (12-PIN)						
	155-2265	2	KIT-CONNECTING PLUG (8-PIN)						
	155-2271	1	KIT-CONNECTING PLUG (4-PIN)						
	155-2274	1	KIT-CONNECTING PLUG (6-PIN)						
			(EACH PLUG KIT INCLUDES PLUG AS AND WEDGE)						
	186-3735	34	PIN-CONNECTOR (16-GA TO 18-GA)						
	126-1767	1	PIN-CONNECTOR (14-GA)						
	155-2272	1	PLUG AS-CONNECTOR (4-PIN)						
	155-2271		KIT-CONNECTING PLUG (4-PIN)						
			(INCLUDES PLUG AS AND WEDGE)						
	160-7689	1	PLUG AS-CONNECTOR (70-PIN)						
	159-9322	1	SEAL-O-RING						
	133-8753	1	RECEPTACLE AS-CONNECTOR (70-PIN)						
	7K-1181	5	STRAP-CABLE						
	128-5669	1	TERMINAL (14-GA TO 16-GA WIRE)						
	2L-8074	1	TERMINAL (14-GA TO 16-GA, NO. 6 SCREW)						
	2L-8075	1	TERMINAL (14-GA TO 16-GA, NO. 8 SCREW)						
	162-4171	2	TERMINAL AS (18-GA TO 20-GA)						
			(EACH INCLUDES)						
	5P-1475	1	TERMINAL-BLADE (14-GA TO 16-GA, NO. 8 SCREW)						
E	125-7874		TUBE-HEAT SHRINK (5.72-MM DIA) (85-CM)						
E	125-7875		TUBE-HEAT SHRINK (7.44-MM DIA) (25-CM)						
E	8T-6342		TUBE-HEAT SHRINK (3.2-MM DIA) (60-CM)						

E-ORDER BY THE CENTIMETER

<END>

# ELECTRICAL AND STARTING SYSTEM

## 237-9018 HARNESS AS-ENGINE

S/N: YAT1-UP

PART OF 237-9017 WIRING GP-ENGINE

SMCS-1408

i02530323

NOTE	PART NUMBER	QTY	PART NAME						SEE PAGE
			1	2	3	4	5	6 (PRODUCT LEVEL)	
	6I-4348	1	BOOT (40-PIN)						
	9W-3497	2	BOOT						
	8C-6354	1	CAP-RECEPTACLE						
	3T-3048	1	CLIP AS						
	7K-4475	8	CONNECTOR AS						
	3B-3638	4	FITTING						
	7N-9737	1	HOUSING-PLUG (14-GA TO 18-GA)						
	7N-9738	1	HOUSING-RECEPTACLE (14-GA TO 18-GA)						
	155-2270	23	KIT-CONNECTING PLUG (2-PIN)						
	155-2260	16	KIT-CONNECTING PLUG (3-PIN)						
	155-2274	2	KIT-CONNECTING PLUG (6-PIN)						
	155-2265	1	KIT-CONNECTING PLUG (8-PIN)						
			(EACH INCLUDES PLUG AS AND WEDGE)						
	102-8802	6	KIT-RECEPTACLE (2-PIN)						
	102-8803	1	KIT-RECEPTACLE (3-PIN)						
	102-8805	1	KIT-RECEPTACLE (6-PIN)						
	102-8806	1	KIT-RECEPTACLE (8-PIN)						
			(EACH INCLUDES RECEPTACLE AS AND WEDGE)						
	9G-3695	55	PLUG						
	174-3016	1	PLUG AS-CONNECTOR (3-PIN)						
	8T-9834	1	PLUG AS-CONNECTOR (40-PIN)						
	3E-4367	1	RING-RETAINING						
M	3E-8557	1	BOLT (M5X0.8X39.37-MM)						
	9X-3132	2	SEAL-CONNECTOR (40-PIN)						
	147-1443	1	PLUG AS-CONNECTOR (70-PIN)						
	159-9322	1	SEAL-O-RING						
	155-2272	1	PLUG AS-CONNECTOR (4-PIN)						
	155-2271	1	KIT-CONNECTING PLUG (4-PIN)						
			(INCLUDES PLUG AS & WEDGE)						
	160-7690	1	PLUG AS-CONNECTOR (70-PIN)						
	159-9322	1	SEAL-O-RING						
	133-0970	1	RECEPTACLE AS (TEE)						
	8T-8736	1	RECEPTACLE-CONNECTOR (9-PIN)						
E	114-8843		SLEEVE-PLASTIC (130-CM)						
	090-4715	2	TERMINAL (18-GA TO 22-GA, 16-MM)						
	2L-8057	2	TERMINAL (8-GA, NO.10 SCREW)						
	2L-8052	2	TERMINAL (6-GA, 3/8-IN)						
	2L-8065	4	TERMINAL (10-GA TO 12-GA)						
	2L-8067	4	TERMINAL (10-GA TO 12-GA)						
	2L-8069	3	TERMINAL (2-GA TO 10-GA)						
	2L-8050	3	TERMINAL-RING (6-GA, 1/4-IN)						
E	125-7875		TUBE-HEAT SHRINK (7.44-MM DIA) (20-CM)						
E	119-3662		TUBE-HEAT SHRINK (10.85-MM DIA) (20-CM)						
E	125-7874		TUBE-HEAT SHRINK (5.72-MM DIA) (55-CM)						
E	8T-6342		TUBE-HEAT SHRINK (3.2-MM DIA) (50-CM)						

E-ORDER BY THE CENTIMETER  
M-METRIC PART

**<END>**

# ELECTRICAL AND STARTING SYSTEM

## 121-4112 HARNESS AS-PANEL-PYROMETER INTERCONNECT

S/N: YAT1-UP  
25-FT LENGTH  
AN ATTACHMENT

SMCS-1408, 7451

i01304825

NOTE	PART NUMBER	QTY	PART NAME 1 2 3 4 5 6 (PRODUCT LEVEL)	SEE PAGE
(NO SERVICED PARTS)				
<END>				

## 244-5404 HARNESS AS-PANEL-INTERFACE

S/N: YAT1-UP  
PART OF 269-7009 CONTROL GP-EMCP ELECTRONIC, 245-0030 PANEL GP-CONTROL  
FOR USE WITH EMCP 3, EUI  
AN ATTACHMENT

SMCS-1408, 7451

i02775691

NOTE	PART NUMBER	QTY	PART NAME 1 2 3 4 5 6 (PRODUCT LEVEL)	SEE PAGE
E	134-6258		CABLE-ELECTRICAL (16-GA) (82-CM)	
E	153-2707		CABLE-ELECTRICAL (19-GA) (232-CM)	
	199-3062	42	FILM (WIRE)	
	155-2255	1	KIT-CONNECTING PLUG (12-PIN)	
	155-2265	1	KIT-CONNECTING PLUG (8-PIN)	
	155-2271	1	KIT-CONNECTING PLUG (4-PIN)	
	155-2274	1	KIT-CONNECTING PLUG (6-PIN)	
	174-0503	1	KIT-CONNECTING PLUG (3-PIN)	
			(EACH PLUG KIT INCLUDES PLUG ASSEMBLY, WEDGE & INTERFACE SEAL)	
	160-7689	1	PLUG AS-CONNECTOR (70-PIN)	
	159-9322	1	SEAL-O-RING	
	134-2540	1	RECEPTACLE AS (3-PIN)	
	133-8753	1	RECEPTACLE AS-CONNECTOR (70-PIN)	
	7K-1181	5	STRAP-CABLE	
E	125-7874		TUBE-HEAT SHRINK (5.72-MM DIA) (110-CM)	
E	125-7875		TUBE-HEAT SHRINK (7.44-MM DIA) (70-CM)	
E	8T-6342		TUBE-HEAT SHRINK (3.2-MM DIA) (140-CM)	
E-ORDER BY THE CENTIMETER				
<END>				



# ELECTRICAL AND STARTING SYSTEM

## 244-9633 HARNESS AS-PANEL-INTERFACE

S/N: YAT1-UP

PART OF 252-7370, 269-7010 PANEL GP-CONTROL

FOR USE WITH EMCP 3, MUI

AN ATTACHMENT

SMCS-1408, 7451

i03411260

NOTE	PART NUMBER	QTY	PART NAME						SEE PAGE
			1	2	3	4	5	6 (PRODUCT LEVEL)	
E	134-6258		CABLE-ELECTRICAL (16-GA) (79-CM)						
E	153-2707		CABLE-ELECTRICAL (19-GA) (217-CM)						
	199-3062	42	FILM (WIRE)						
	155-2271	1	KIT-CONNECTING PLUG (4-PIN)						
	155-2274	2	KIT-CONNECTING PLUG (6-PIN)						
	155-2265	1	KIT-CONNECTING PLUG (8-PIN)						
	155-2255	1	KIT-CONNECTING PLUG (12-PIN)						
			(EACH KIT INCLUDES PLUG AS,WEDGE & INTERFACE SEAL)						
	174-0503	2	KIT-CONNECTING PLUG (3-PIN)						
			(EACH INCLUDES PLUG AS,WEDGES & INTERFACE SEAL)						
	160-7689	1	PLUG AS-CONNECTOR (70-PIN)						
	159-9322	1	SEAL-O-RING						
	4W-5971	1	POTENTIOMETER (100-OHM) (SPEED ADJUST)						
	134-2540	1	RECEPTACLE AS (3-PIN)						
	133-8753	1	RECEPTACLE AS-CONNECTOR (70-PIN)						
	7K-1181	22	STRAP-CABLE						
E	125-7874		TUBE-HEAT SHRINK (5.72-MM DIA) (95-CM)						
E	125-7875		TUBE-HEAT SHRINK (7.44-MM DIA) (15-CM)						
E	8T-6342		TUBE-HEAT SHRINK (3.2-MM DIA) (140-CM)						

E-ORDER BY THE CENTIMETER

<END>

## 244-9634 HARNESS AS-PANEL-INTERFACE

S/N: YAT1-UP

AC/DC

PART OF 245-0033 BOX GP-ELECTRONIC

FOR USE WITH MUI

AN ATTACHMENT

SMCS-1408, 7451

i02357531

NOTE	PART NUMBER	QTY	PART NAME						SEE PAGE
			1	2	3	4	5	6 (PRODUCT LEVEL)	
E	153-2707		CABLE-ELECTRICAL (19-GA) (204-CM)						
	109-3038	3	END-WIRE (16-GA)						
	110-8714	40	END-WIRE (18-GA)						
	112-7497	5	END-WIRE (14-GA)						
	186-3735	56	PIN-CONNECTOR (16-GA TO 18-GA)						
	126-1767	6	PIN-CONNECTOR (14-GA)						
	9X-1054	1	PLUG AS-CONNECTOR (4-PIN)						
	8T-8737	26	PLUG-SEAL						
	9W-1951	2	RECEPTACLE-CONNECTOR (9-PIN)						
	133-8753	1	RECEPTACLE AS-CONNECTOR (70-PIN)						
B	7K-1181	13	STRAP-CABLE						
	9X-1055	2	TERMINAL-RECEPTACLE						
	100-5041	2	TERMINAL-RECEPTACLE						
E	125-7874		TUBE-HEAT SHRINK (5.72-MM DIA) (50-CM)						

B-USE AS REQUIRED

E-ORDER BY THE CENTIMETER

<END>

# ELECTRICAL AND STARTING SYSTEM

## 252-7692 HARNESS AS-SWITCH-EMERGENCY STOP

S/N: YAT1-UP

PART OF 252-7693 WIRING GP-SHUTOFF  
AN ATTACHMENT

SMCS-1408

i03246430

NOTE	PART NUMBER	QTY	PART NAME						SEE PAGE
			1	2	3	4	5	6 (PRODUCT LEVEL)	
	102-8801	1	KIT-RECEPTACLE (12-PIN)						
			(INCLUDES RECEPTACLE AS & WEDGE)						
B	9X-6772	3	STRAP-CABLE						
B-USE AS REQUIRED									
<END>									

## 244-5403 HARNESS AS-WIRING-GENERATOR

S/N: YAT1-UP

PART OF 245-0092 WIRING GP-GENERATOR  
FOR USE WITH EUI  
AN ATTACHMENT

SMCS-1408

i02363284

NOTE	PART NUMBER	QTY	PART NAME						SEE PAGE
			1	2	3	4	5	6 (PRODUCT LEVEL)	
E	134-6258		CABLE-ELECTRICAL (16-GA) (393-CM)						
E	153-2707		CABLE-ELECTRICAL (19-GA) (1159-CM)						
	244-0452	21	END-WIRE						
	155-2274	1	KIT-CONNECTING PLUG (6-PIN)						
			(INCLUDES PLUG AS AND WEDGE)						
	155-2270	2	KIT-CONNECTING PLUG (2-PIN)						
			(EACH INCLUDES PLUG AS AND WEDGE)						
	155-2260	2	KIT-CONNECTING PLUG (3-PIN)						
			(EACH INCLUDES PLUG AS AND WEDGE)						
	174-0503	1	KIT-CONNECTING PLUG (3-PIN)						
			(INCLUDES PLUG AS AND WEDGE)						
	126-1767	4	PIN-CONNECTOR (14-GA)						
	186-3735	16	PIN-CONNECTOR (16-GA TO 18-GA)						
	160-7689	3	PLUG AS-CONNECTOR (70-PIN)						
			(EACH INCLUDES)						
	159-9322	1	SEAL-O-RING						
	234-1857	1	PLUG-CONNECTOR (9-PIN)						
	234-1858	1	PLUG-CONNECTOR (12-PIN)						
	8T-8737	24	PLUG-SEAL						
	9X-1343	1	RECEPTACLE AS-CONNECTOR (40-PIN)						
	134-2540	1	RECEPTACLE AS (3-PIN)						
	246-7014	1	SEAL (9-POSITION)						
	246-7015	1	SEAL (12-POSITION)						
	126-1768	15	SOCKET-CONNECTOR (14-GA)						
	186-3736	205	SOCKET-CONNECTOR (16-GA TO 18-GA)						
	7K-1181	7	STRAP-CABLE						
E	125-7874		TUBE-HEAT SHRINK (5.72-MM DIA) (565-CM)						
	155-2266	1	WEDGE-PLUG LOCK (3-PIN)						
	155-2263	1	WEDGE-PLUG LOCK (6-PIN)						
E-ORDER BY THE CENTIMETER									
<END>									

# ELECTRICAL AND STARTING SYSTEM

## 200-6504 HEATER GP-JACKET WATER

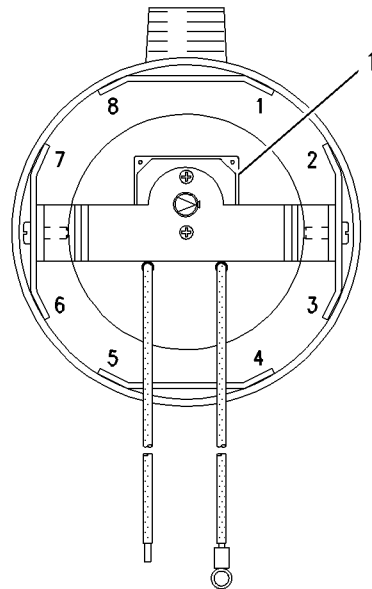
S/N: YAT1-UP  
240-VOLT TO 480-VOLT AC, 6-KILOWATT  
AN ATTACHMENT

SMCS-1383

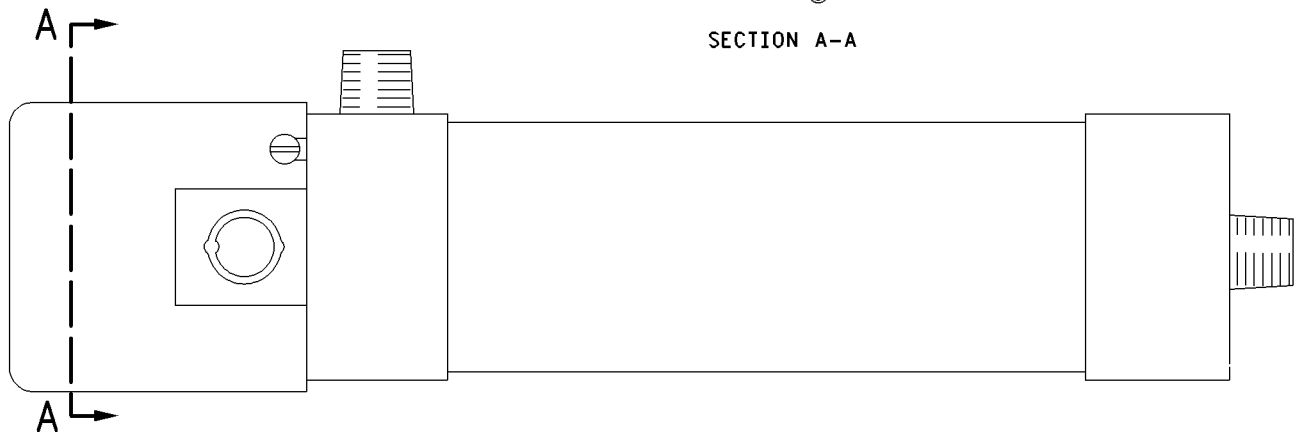
i03167554

NOTE	REF NO	GRAPHIC REF	PART NUMBER	QTY	PART NAME						SEE PAGE
					1	2	3	4	5	6 (PRODUCT LEVEL)	
C	1	1	109-8932	1	THERMOSTAT (60 DEG F TO 160 DEG F) (JACKET WATER HEATER)						

C-CHANGE FROM PREVIOUS TYPE



SECTION A-A



GRAPHIC #1

<END>

g01000471

# ELECTRICAL AND STARTING SYSTEM

## 307-3264 HEATER GP-JACKET WATER

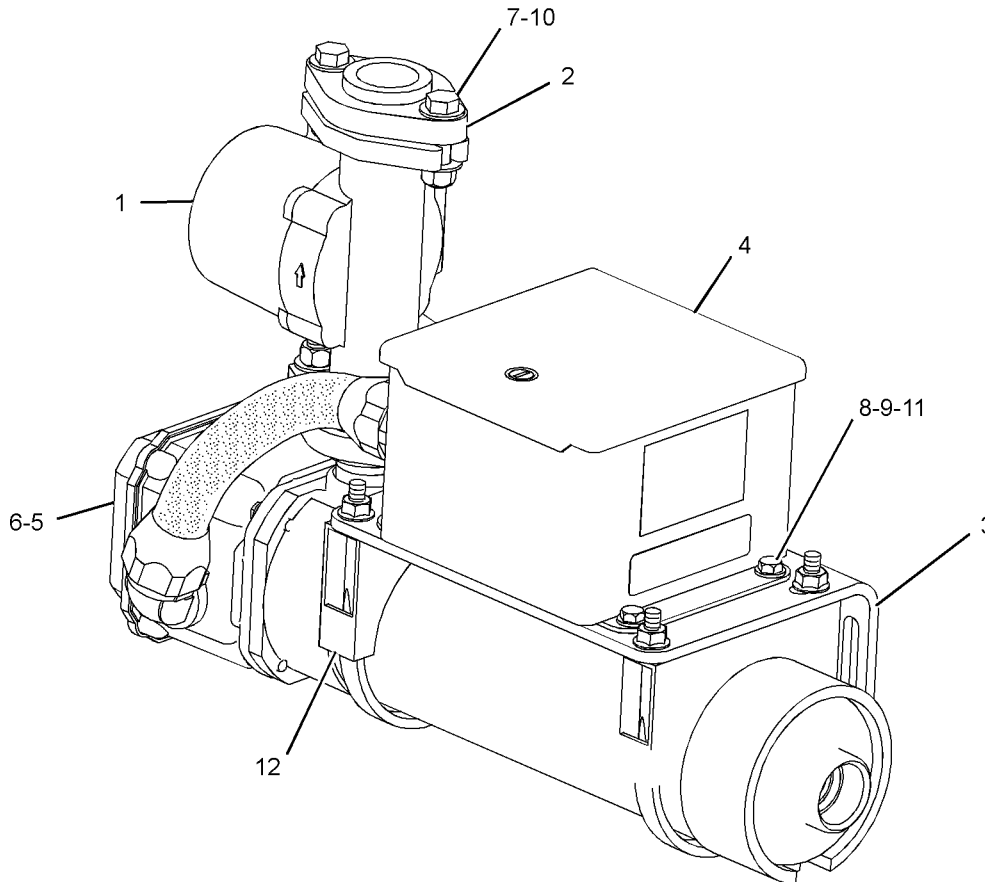
S/N: YAT1-UP  
240-VOLT AC, 9-KILOWATT  
AN ATTACHMENT

SMCS - 1383

i03167496

NOTE	REF NO	GRAPHIC REF	PART NUMBER	QTY	PART NAME						SEE PAGE
					1	2	3	4	5	6 (PRODUCT LEVEL)	
	1	1	149-2285	1	PUMP (CIRCULATION)						
	2	1	300-3506	1	FLANGE						
	3	1	300-3507	1	BRACKET-MOUNTING						
Y	4	1	300-3508	1	BOX GP-CONTROL (JACKET WATER HEATER)						380
	5	1	300-4967	1	THERMOSTAT (90 DEG F TO 130 DEG F)						
Y	6	1	307-3276	1	ELEMENT GP-JACKET WATER HEATER (240-VOLT, 9000-WATT)						603
	7	1	4L-9337	4	BOLT (3/8-16X1.5-IN)						
	8	1	4M-5281	4	BOLT (1/4-20X0.75-IN)						
	9	1	6V-8185	4	NUT (1/4-20-THD)						
	10	1	6V-8801	4	NUT (3/8-16-THD)						
	11	1	8T-4205	8	WASHER-HARD (7.2X14.5X2-MM THK)						
	12	1	196-2343	1	KIT-CLAMP						

Y-SEPARATE ILLUSTRATION



GRAPHIC #1

<END>

g01435720

# ELECTRICAL AND STARTING SYSTEM

## 307-3265 HEATER GP-JACKET WATER

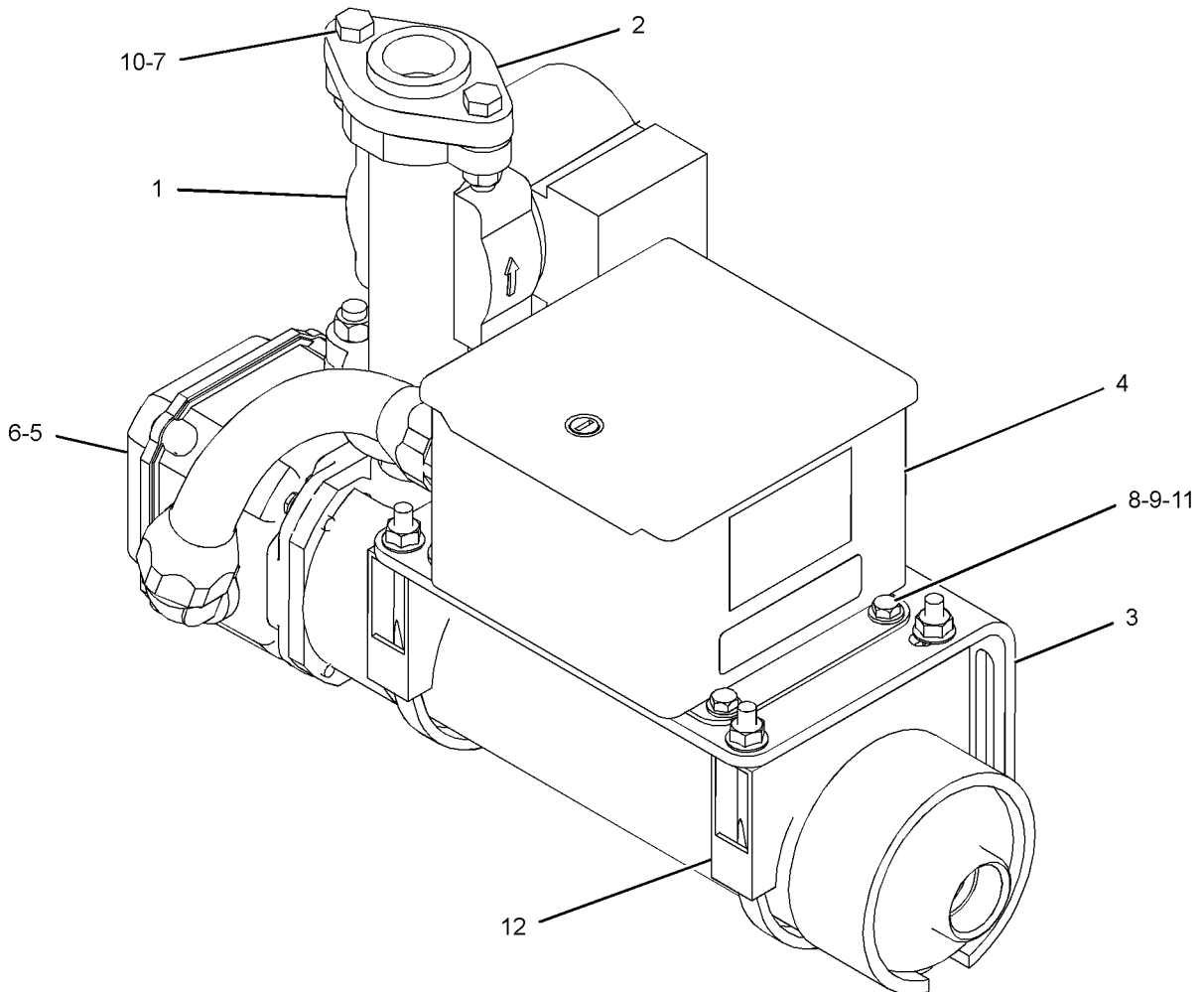
S/N: YAT1-UP  
220-VOLT AC, 9-KILOWATT  
AN ATTACHMENT

SMCS-1383

i03167495

NOTE	REF NO	GRAPHIC REF	PART NUMBER	QTY	PART NAME						SEE PAGE
					1	2	3	4	5	6 (PRODUCT LEVEL)	
	1	1	291-5103	1	PUMP (CIRCULATION)						
	2	1	300-3506	1	FLANGE						
	3	1	300-3507	1	BRACKET-MOUNTING						
Y	4	1	300-3508	1	BOX GP-CONTROL (JACKET WATER HEATER)						380
	5	1	300-4967	1	THERMOSTAT (90 DEG F TO 130 DEG F)						
Y	6	1	307-3275	1	ELEMENT GP-JACKET WATER HEATER (220-VOLT, 9000-WATT)						602
	7	1	4L-9337	4	BOLT (3/8-16X1.5-IN)						
	8	1	4M-5281	4	BOLT (1/4-20X0.75-IN)						
	9	1	6V-8185	4	NUT (1/4-20-THD)						
	10	1	6V-8801	4	NUT (3/8-16-THD)						
	11	1	8T-4205	8	WASHER-HARD (7.2X14.5X2-MM THK)						
	12	1	196-2343	1	KIT-CLAMP						
(INCLUDES CLAMPS)											

Y-SEPARATE ILLUSTRATION



GRAPHIC #1

<END>

g01436678

# ELECTRICAL AND STARTING SYSTEM

## 325-6248 HEATER GP-JACKET WATER

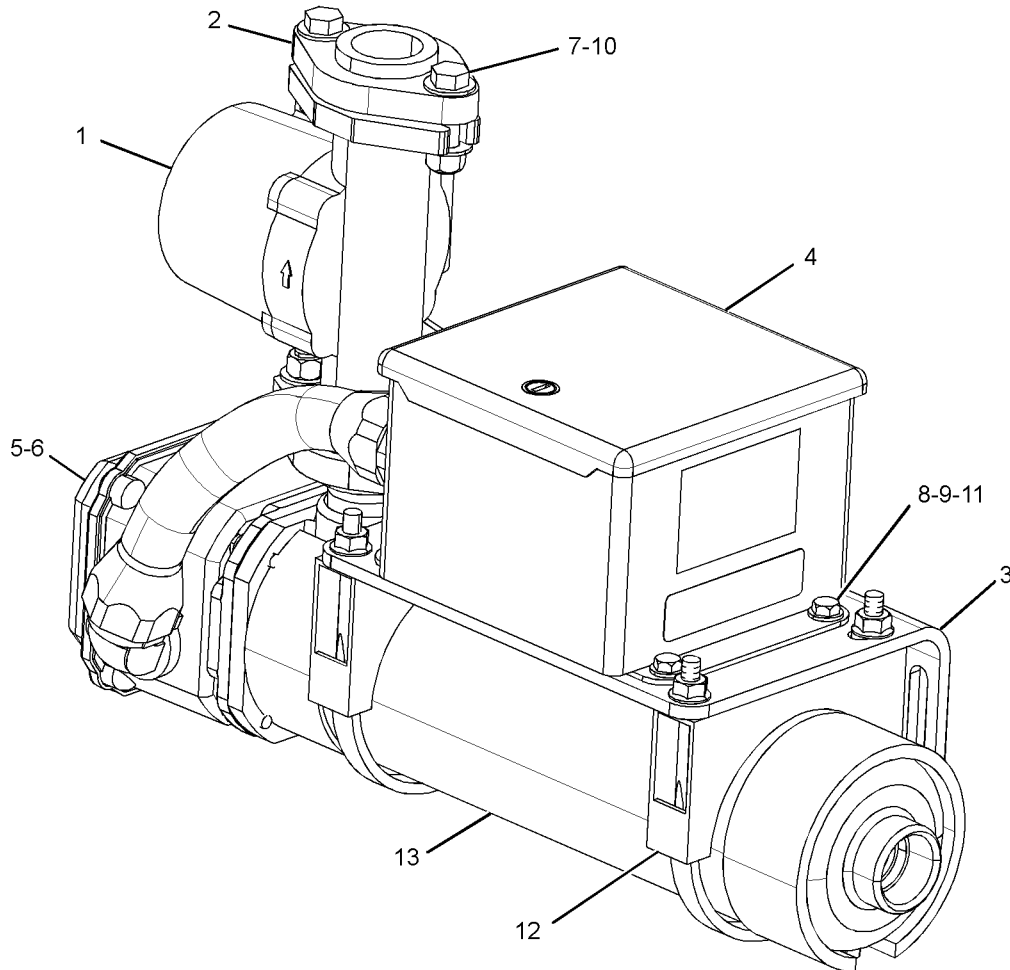
S/N: YAT1-UP  
240-VOLT AC, 9-KILOWATT  
AN ATTACHMENT

SMCS-1383

i03140904

NOTE	REF NO	GRAPHIC REF	PART NUMBER	QTY	PART NAME						SEE PAGE
					1	2	3	4	5	6 (PRODUCT LEVEL)	
	1	1	149-2285	1	PUMP (CIRCULATION)						
	2	1	300-3506	1	FLANGE						
	3	1	300-3507	1	BRACKET-MOUNTING						
Y	4	1	300-3508	1	BOX GP-CONTROL (JACKET WATER HEATER)						380
	5	1	300-4967	1	THERMOSTAT (90 DEG F TO 130 DEG F)						
Y	6	1	325-6246	1	ELEMENT GP-JACKET WATER HEATER						604
	7	1	8T-8916	4	BOLT (7/16-14X1.5-IN)						
	8	1	4M-5281	4	BOLT (1/4-20X0.75-IN)						
	9	1	6V-8185	4	NUT (1/4-20-THD)						
	10	1	6V-5729	4	LOCKNUT (7/16-14-THD)						
	11	1	8T-4205	8	WASHER-HARD (7.2X14.5X2-MM THK)						
	12	1	196-2343	1	KIT-CLAMP						
	13	1	326-9502	1	KIT-RESERVOIR (INCLUDES PLUG, SCREWS, & SEAL)						

Y-SEPARATE ILLUSTRATION



GRAPHIC #1

<END>

g01618882

# ELECTRICAL AND STARTING SYSTEM

## 325-6250 HEATER GP-JACKET WATER

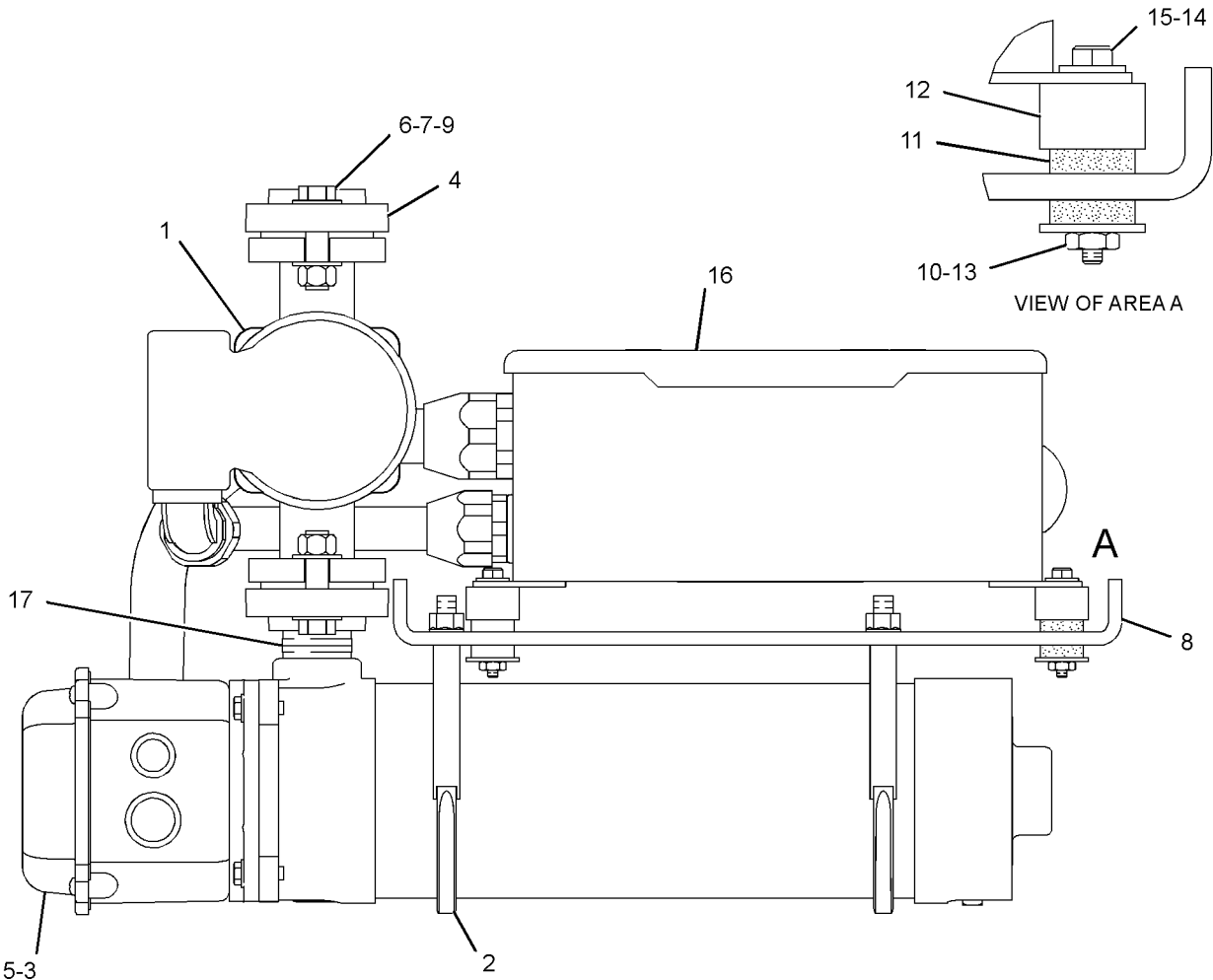
S/N: YAT1-UP  
480-VOLT AC  
AN ATTACHMENT

SMCS-1383

i03370140

NOTE	REF NO	GRAPHIC REF	PART NUMBER	QTY	PART NAME						SEE PAGE
					1	2	3	4	5	6 (PRODUCT LEVEL)	
	1	1	149-2285	1	PUMP (CIRCULATION)						
	2	1	196-2343	1	KIT-CLAMP						
Y	3	1	296-0645	1	ELEMENT GP-JACKET WATER HEATER						601
	4	1	300-3506	1	FLANGE						
	5	1	300-4967	1	THERMOSTAT (90 DEG F TO 130 DEG F)						
	6	1	7X-0310	4	BOLT (7/16-14X2-IN)						
	7	1	9M-5048	4	LOCKNUT (7/16-14-THD)						
	8	1	323-9338	1	BRACKET						
	9	1	7X-0546	8	WASHER-HARD (12X25.5X2-MM THK)						
	10	1	089-7960	4	WASHER (5.3X25X1.6-MM THK)						
	11	1	332-1133	4	KIT-ISOLATOR SPRING (INCLUDES BUSHING & RING)						
	12	1	332-1134	4	MOUNT-ISOLATOR						
	13	1	4L-1250	4	NUT (10X32-THD)						
	14	1	5P-4115	4	WASHER-HARD (7.2X19X2-MM THK)						
	15	1	5S-7349	4	BOLT (1/4-20X0.5-IN)						
Y	16	1	332-1129	1	BOX GP-ELECTRONIC						393
	17	1	3B-7749	1	NIPPLE-PIPE						

Y-SEPARATE ILLUSTRATION



5-3  
GRAPHIC #1

<END>

g01752373

# ELECTRICAL AND STARTING SYSTEM

## 330-3345 HEATER GP-JACKET WATER

S/N: YAT1-UP  
AN ATTACHMENT

SMCS-1383

i03402222

NOTE	REF NO	GRAPHIC REF	PART NUMBER	QTY	PART NAME						SEE PAGE
					1	2	3	4	5	6 (PRODUCT LEVEL)	
	1	1	<b>089-7960</b>	4	WASHER (5.3X25X1.6-MM THK)						
	2	1	<b>149-2285</b>	1	PUMP (CIRCULATION)						
	3	1	<b>196-2343</b>	1	KIT-CLAMP (INCLUDES CLAMPS)						
	4	1	<b>300-3506</b>	1	FLANGE						
	5	1	<b>300-4967</b>	1	THERMOSTAT (90 DEG F TO 130 DEG F)						
Y	6	1	<b>325-6246</b>	1	ELEMENT GP-JACKET WATER HEATER						604
	7	1	<b>323-9338</b>	1	BRACKET						
	8	1	<b>326-9502</b>	1	KIT-RESERVOIR (INCLUDES PLUG, SCREW, & SEAL)						
	9	1	<b>332-1128</b>	1	BOX GP-ELECTRONIC						
		1	<b>162-0589</b>	1	BRACKET-END						
		1	<b>332-1130</b>	1	BOX AS-ELECTRICAL						
	10	1	<b>332-1133</b>	4	KIT-ISOLATOR SPRING (INCLUDES BUSHING & RING)						
	11	1	<b>332-1134</b>	4	MOUNT-ISOLATOR						
	12	1	<b>3B-7749</b>	1	NIPPLE-PIPE						
	13	1	<b>4L-1250</b>	4	NUT (10X32-THD)						
	14	1	<b>5P-4115</b>	4	WASHER-HARD (7.2X19X2-MM THK)						
	15	1	<b>5S-7349</b>	4	BOLT (1/4-20X0.5-IN)						
	16	1	<b>7X-0310</b>	4	BOLT (7/16-14X2-IN)						
	17	1	<b>7X-0546</b>	8	WASHER-HARD (12X25.5X2-MM THK)						
	18	1	<b>9M-5048</b>	4	LOCKNUT (7/16-14-THD)						

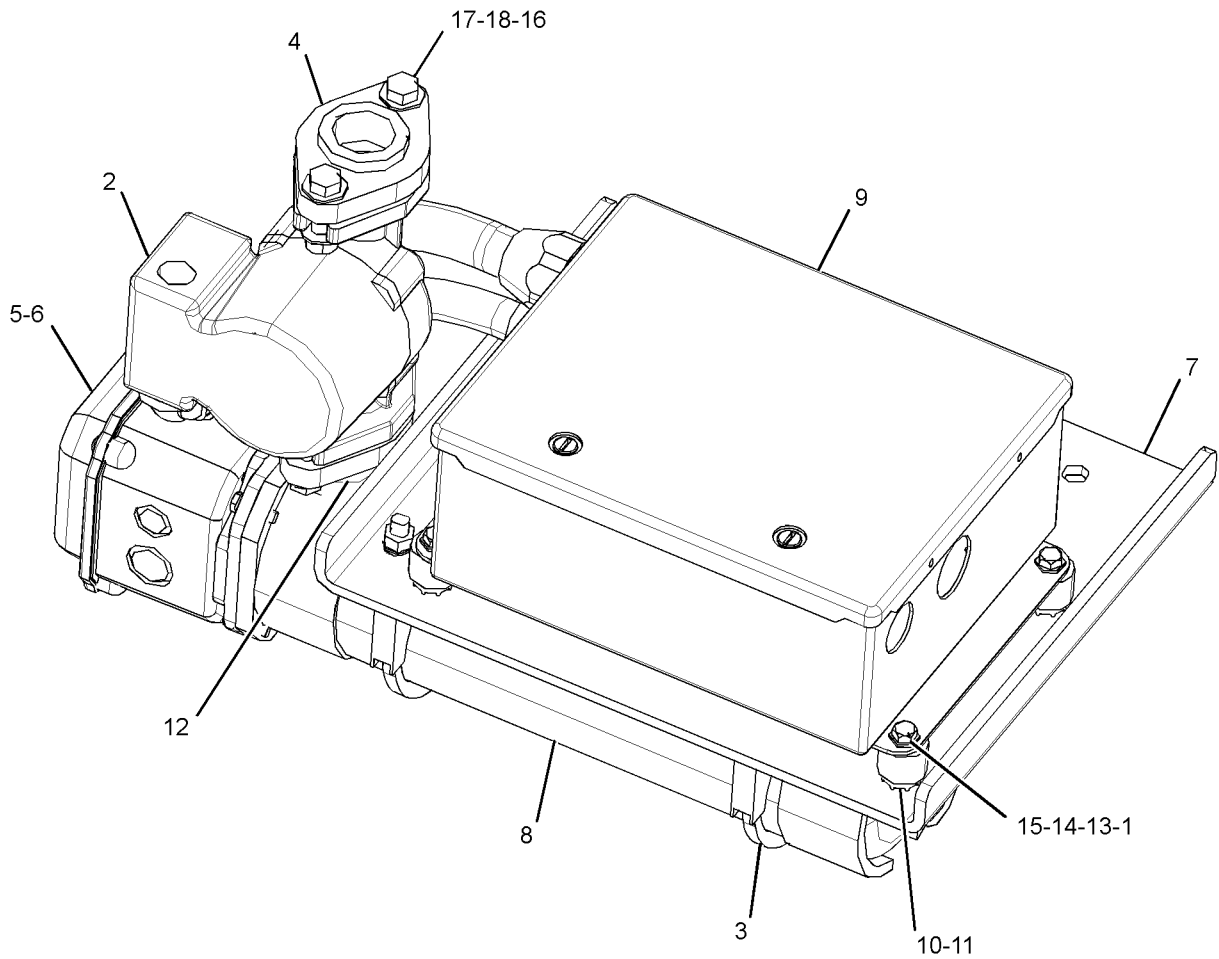
Y-SEPARATE ILLUSTRATION



# ELECTRICAL AND STARTING SYSTEM

330-3345 HEATER GP-JACKET WATER (contd.)

i03402222



GRAPHIC #1

<END>

g01782876

# ELECTRICAL AND STARTING SYSTEM

## 269-7022 LIGHTING GP-GENERATOR-PANEL LIGHTS

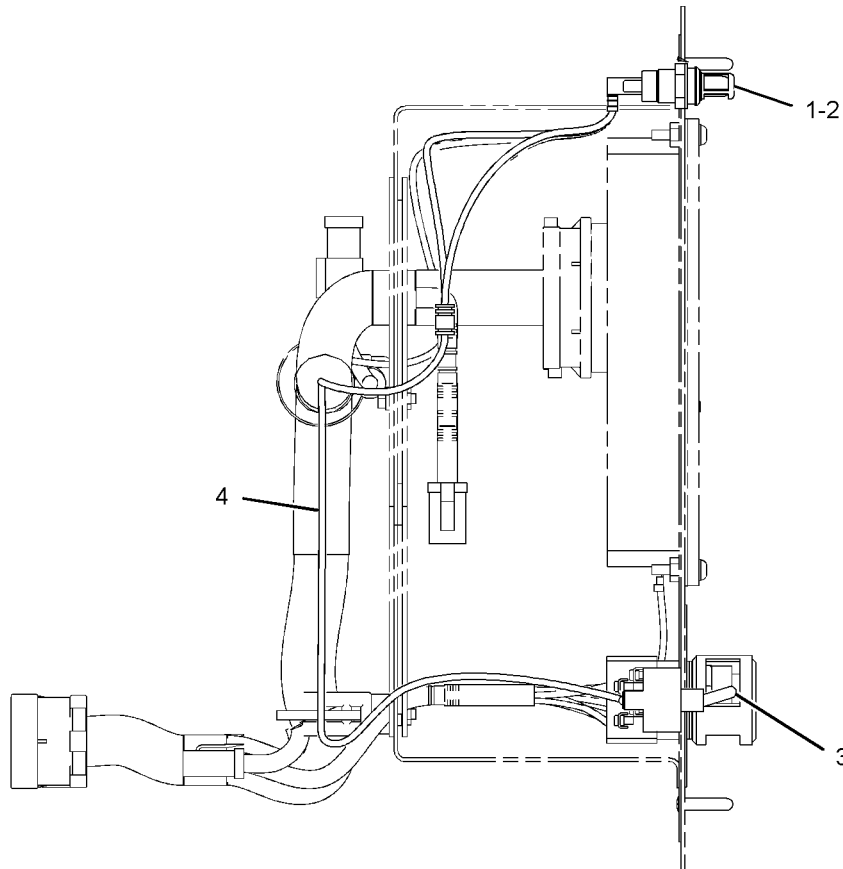
S/N: YAT1-UP  
AN ATTACHMENT

SMCS-1429

i03167526

NOTE	REF NO	GRAPHIC REF	PART NUMBER	QTY	PART NAME						SEE PAGE
					1	2	3	4	5	6 (PRODUCT LEVEL)	
	1	1	7G-9730	2	SOCKET AS-LAMP						
					(EACH INCLUDES)						
		1	6V-8367	1	LOCKWASHER						
		1	6V-8382	1	NUT-HEX (11/16-27-THD)						
	2	1	7N-5876	2	LAMP (24-VOLT, 5.6-WATT) (PANEL)						
	3	1	8D-2676	1	SWITCH AS-TOGGLE (PANEL LIGHT)						
		1	3L-8187	2	LOCKWASHER						
		1	6T-3631	2	NUT-HEX (15/32-32-THD)						
		1	6T-3632	1	LOCKWASHER						
		1	6T-3633	1	RING-LOCKING						
		1	6V-8374	2	SCREW-MACHINE (6-32X0.25-IN)						
	4	1	269-7026	1	HARNESS AS-LIGHTING						
E		1	125-7874		TUBE-HEAT SHRINK (5.72-MM DIA) (5-CM)						
		1	128-5669	2	TERMINAL (14-GA TO 16-GA WIRE)						
		1	2L-8074	1	TERMINAL (14-GA TO 16-GA, NO. 6 SCREW)						

E-ORDER BY THE CENTIMETER



GRAPHIC #1

<END>

g01167388

# ELECTRICAL AND STARTING SYSTEM

## 207-4476 LINES GP-AIR STARTING-RH

S/N: YAT1-UP  
AN ATTACHMENT

SMCS-1451

i03323762

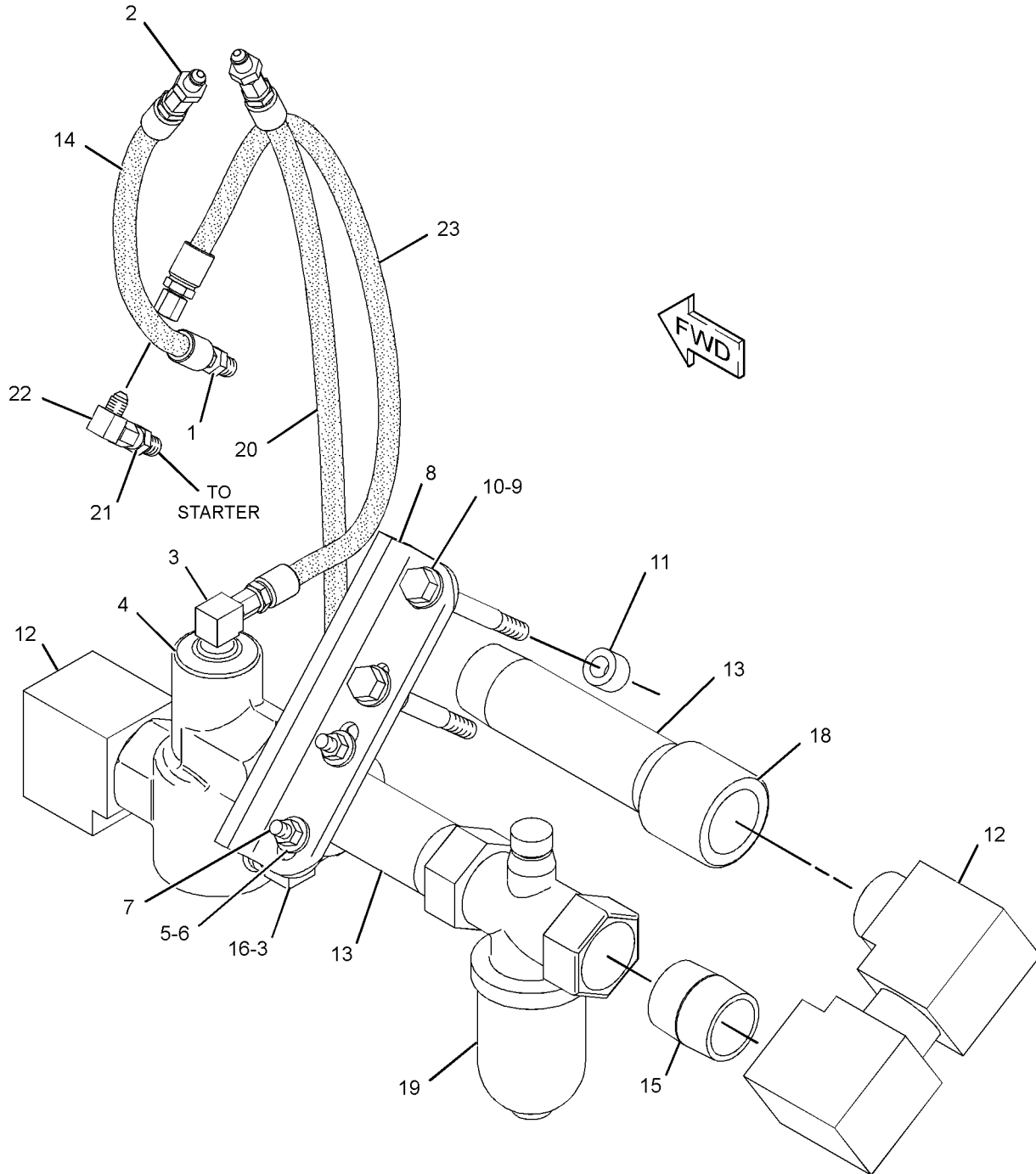
NOTE	REF NO	GRAPHIC REF	PART NUMBER	QTY	PART NAME						SEE PAGE
					1	2	3	4	5	6 (PRODUCT LEVEL)	
C	1	1	4M-5317	1	BUSHING-REDUCING						
	2	1	3J-7355	2	UNION-FLARED						
	3	1	6K-1972	2	ELBOW-FLARED						
J	4	1	4N-3411	1	VALVE GP-RELAY (AIR STARTING)						
	5	1	5P-1075	2	WASHER-HARD (10.2X22.5X3-MM THK)						
	6	1	9S-8752	2	NUT-FULL (3/8-16-THD)						
	7	1	5L-2534	1	U-BOLT						
	8	1	7C-2946	1	BRACKET						
	9	1	8S-9089	2	BOLT (1/2-13X4.5-IN)						
	10	1	5P-8245	2	WASHER-HARD (13.5X25.5X3-MM THK)						
	11	1	9S-9238	2	SPACER (13.49X23.88X16.13-MM THK)						
	12	1	5B-7666	3	ELBOW						
	13	1	2L-2811	2	FITTING						
	I	14	1	3N-4622	1	HOSE AS					
15		1	3L-8993	1	FITTING						
16		1	030-7961	1	ELBOW						
	18	1	3B-6492	1	COUPLING-PIPE						
Y	19	1	119-6284	1	LUBRICATOR GP-AIR MOTOR						627
I	20	1	2V-5956	1	HOSE AS						
C	21	1	4S-6399	1	CONNECTOR						
C	22	1	7K-9197	1	ELBOW						
CI	23	1	7V-0916	1	HOSE AS						
					AVAILABLE REPAIR KIT(S):						
J			7C-5105	1	KIT-VALVE SEAL (AIR STARTING) (INCLUDES SEALS, RETAINER, & BUMPER)						

C-CHANGE FROM PREVIOUS TYPE  
I-REFER TO HYDRAULIC INFORMATION SYSTEM  
J-KIT MARKED J SERVICES PART MARKED J  
Y-SEPARATE ILLUSTRATION

# ELECTRICAL AND STARTING SYSTEM

207-4476 LINES GP-AIR STARTING (contd.)

i03323762



GRAPHIC #1

<END>

g01158562

# ELECTRICAL AND STARTING SYSTEM

## 119-6282 LUBRICATOR GP-AIR MOTOR

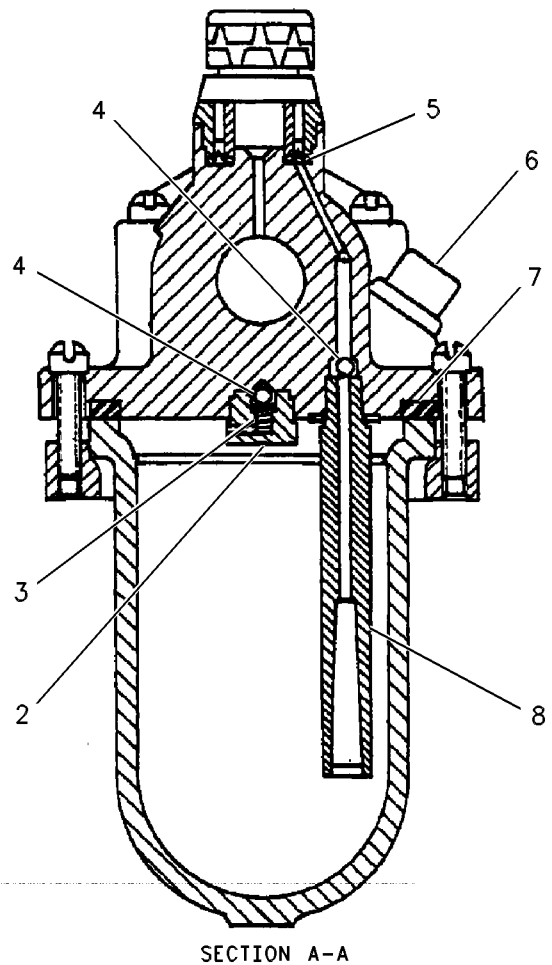
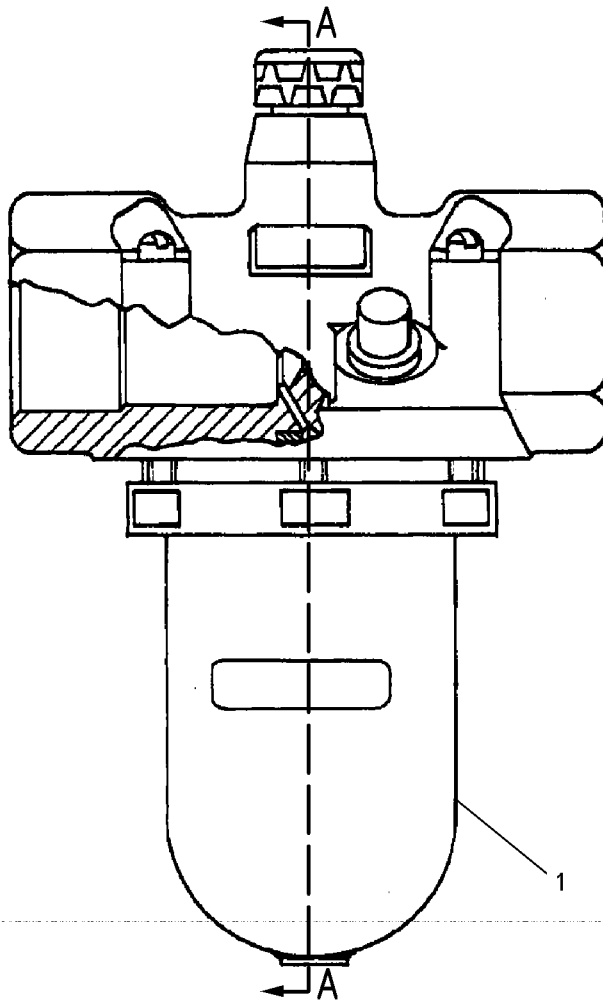
S/N: YAT1-UP

PART OF 119-6284 LUBRICATOR GP-AIR MOTOR  
FIELD REPLACEMENT ORDER 119-6284—PAGE 627  
AN ATTACHMENT

SMCS-1451

i01889307

NOTE	REF NO	GRAPHIC REF	PART NUMBER	QTY	PART NAME						SEE PAGE
					1	2	3	4	5	6 (PRODUCT LEVEL)	
	1	1	6N-2192	1	BOWL						
	2	1	6N-2191	1	SEAT						
	3	1	6N-2190	1	SPRING						
	4	1	6N-2188	2	BALL						
	5	1	7C-4429	1	SEAL						
	6	1	6N-2185	2	PLUG-FILLER						
	7	1	6N-2184	1	GASKET						
	8	1	6N-2193	1	TUBE-SIPHON						



GRAPHIC #1

<END>

g00103878

# ELECTRICAL AND STARTING SYSTEM

## 119-6283 LUBRICATOR GP-AIR MOTOR

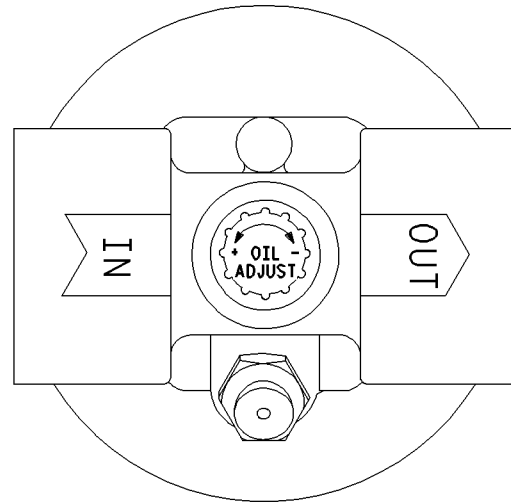
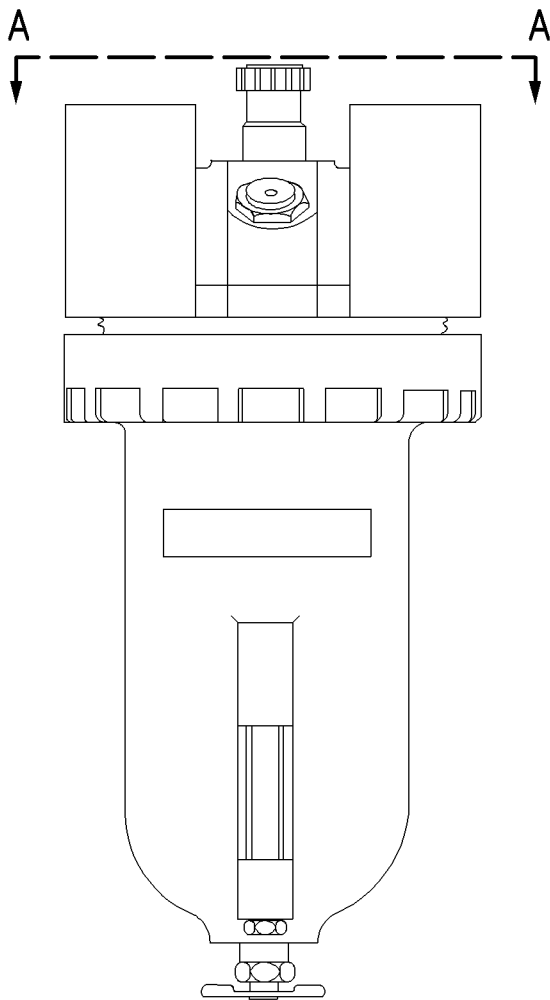
S/N: YAT1-UP

PART OF 119-6284 LUBRICATOR GP-AIR MOTOR  
 FIELD REPLACEMENT ORDER 119-6284—PAGE 627  
 AN ATTACHMENT

SMCS-1451

i01491135

NOTE	REF NO	GRAPHIC REF	PART NUMBER	QTY	PART NAME	SEE PAGE
					1 2 3 4 5 6 (PRODUCT LEVEL)	
(NO SERVICED PARTS)						



VIEW A-A

GRAPHIC #1

<END>

g00774411

# ELECTRICAL AND STARTING SYSTEM

## 119-6284 LUBRICATOR GP-AIR MOTOR

S/N: YAT1-UP

PART OF 207-4476 LINES GP-AIR STARTING

FIELD REPLACEMENT FOR 119-6282-PAGE 625: FOR 119-6283-PAGE 626  
AN ATTACHMENT

SMCS-1451

i01168549

NOTE	PART NUMBER	QTY	PART NAME						SEE PAGE
			1	2	3	4	5	6 (PRODUCT LEVEL)	
Y	119-6282	1	LUBRICATOR GP-AIR MOTOR						625
			-OR-						
Y	119-6283	1	LUBRICATOR GP-AIR MOTOR						626
Y-SEPARATE ILLUSTRATION									

<END>

# ELECTRICAL AND STARTING SYSTEM

## 252-7350 MOUNTING GP-BOX-REAR

S/N: YAT1-UP  
AN ATTACHMENT

SMCS-7426

i02250404

NOTE	REF NO	GRAPHIC REF	PART NUMBER	QTY	PART NAME						SEE PAGE
					1	2	3	4	5	6 (PRODUCT LEVEL)	
	1	1	244-0472	1	SUPPORT AS (RH)						
M		1	8T-3490	2	NUT-WELD (M10X1.5-THD)						
	2	1	244-0473	1	SUPPORT AS (LH)						
M		1	8T-3490	2	NUT-WELD (M10X1.5-THD)						
	3	1	249-3108	4	MOUNT-ISOLATION						
	4	1	086-0297	4	WASHER (13X50X6-MM THK)						
	5	1	5P-1076	4	WASHER-HARD (13.5X30X4-MM THK)						
	6	1	7X-7729	4	WASHER (11X25X3-MM THK)						
M	7	1	8T-4176	4	BOLT (M12X1.75X90-MM)						
M	8	1	8T-4196	4	BOLT (M10X1.5X35-MM)						
M	9	1	8T-4244	4	NUT (M12X1.75-THD)						

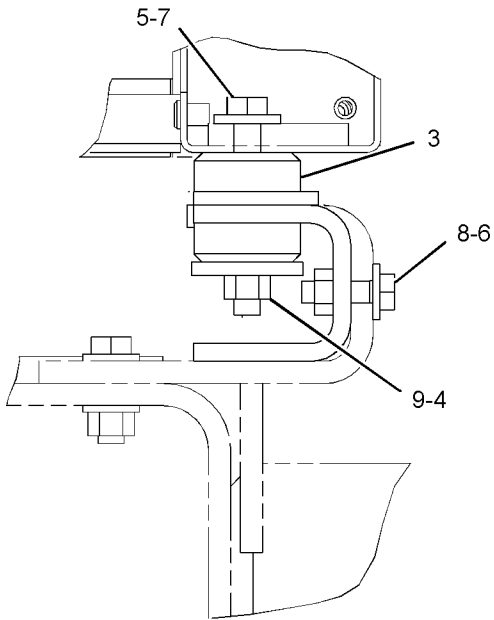
M-METRIC PART



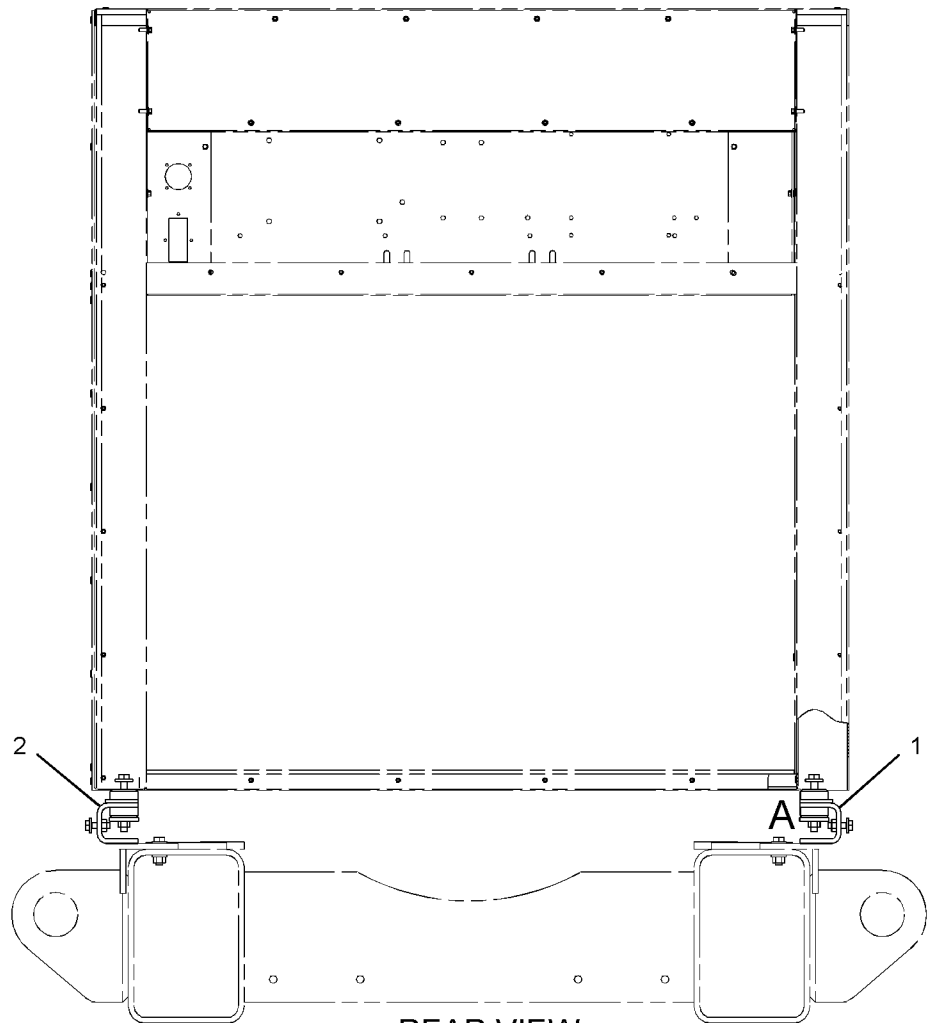
# ELECTRICAL AND STARTING SYSTEM

252-7350 MOUNTING GP-BOX (contd.)

i02250404



VIEW OF AREA A



REAR VIEW

GRAPHIC #1

<END>

g01136814

# ELECTRICAL AND STARTING SYSTEM

## 279-0867 MOUNTING GP-ELECTRONIC CONTROL-POINTGUARD

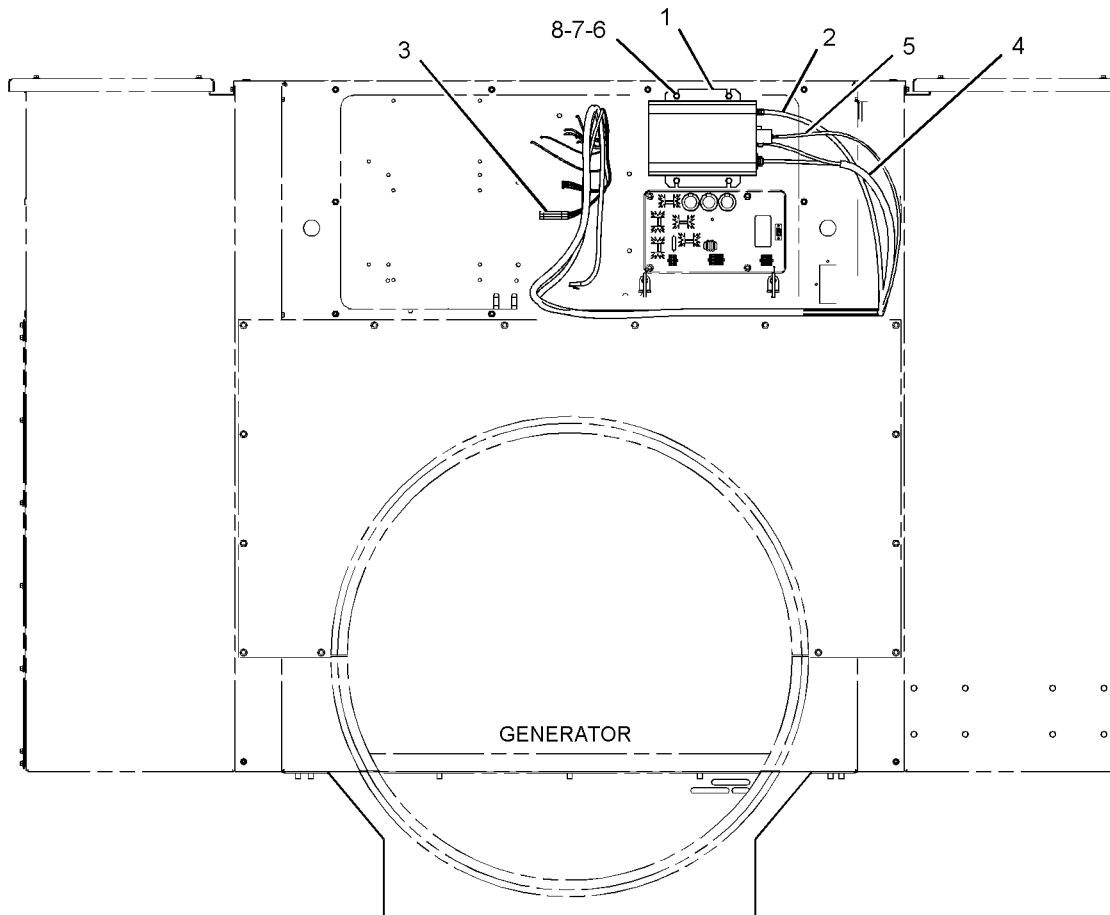
S/N: YAT1-UP  
AN ATTACHMENT

SMCS-1901

i02672152

NOTE	REF NO	GRAPHIC REF	PART NUMBER	QTY	PART NAME						SEE PAGE
					1	2	3	4	5	6 (PRODUCT LEVEL)	
	1	1	279-0864	1	CONTROL AS-MONITORING (POINTGUARD, M300)						
	2	1	279-0865	1	CABLE AS						
	3	1	279-0866	1	TERMINAL BLOCK AS						
		1	179-8786	3	BLOCK-TERMINAL (20-AMPERE)						
		1	279-0870	1	KIT-MARKER						
	4	1	279-0871	1	HARNESS AS-CONTROL (POINTGUARD)						
		1	9X-6772	3	STRAP-CABLE						
		1	109-3038	7	END-WIRE (16-GA)						
		1	110-8714	8	END-WIRE (18-GA)						
	5	1	305-0762	1	CABLE AS						
M	6	1	6V-8214	4	BOLT (M6X1X20-MM)						
	7	1	9X-8256	8	WASHER (6.6X12X2-MM THK)						
M	8	1	5C-2890	4	NUT (M6X1-THD)						

M-METRIC PART



GRAPHIC #1

<END>

g01355319

# ELECTRICAL AND STARTING SYSTEM

## 134-3160 MOUNTING GP-JACKET WTR HEATER-LH

S/N: YAT1-UP

CANNOT BE USED WITH HEAVY DUTY AIR CLEANER, RH SUMP PUMP OR RH  
PRELUBRICATION CONVERSION  
AN ATTACHMENT

SMCS-1383

i03045813

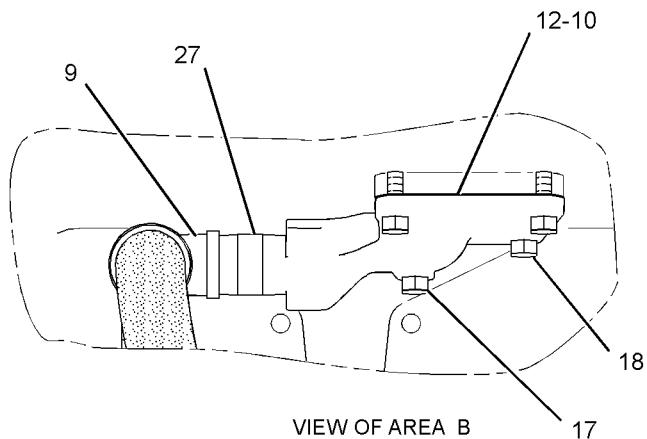
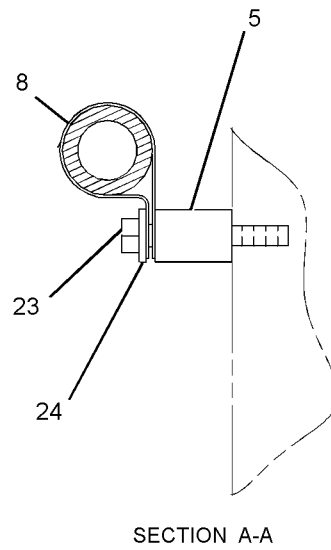
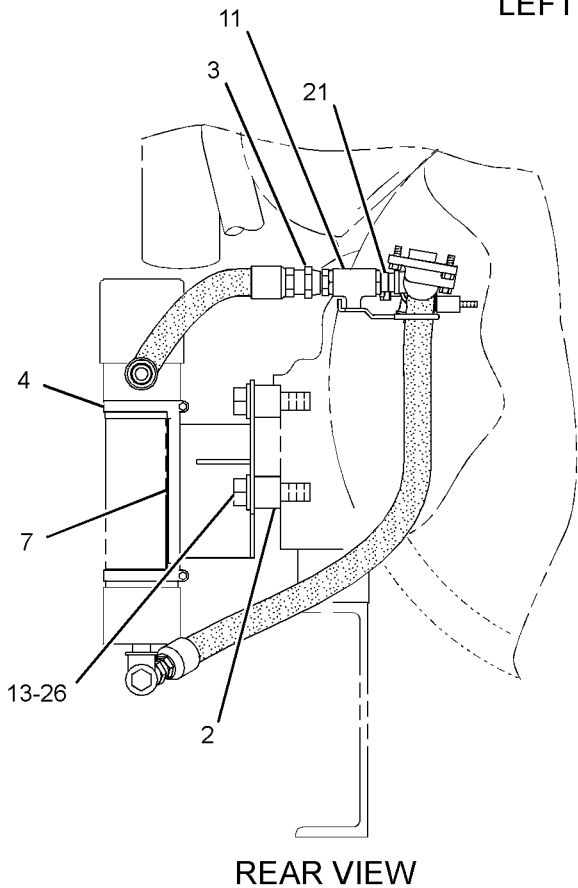
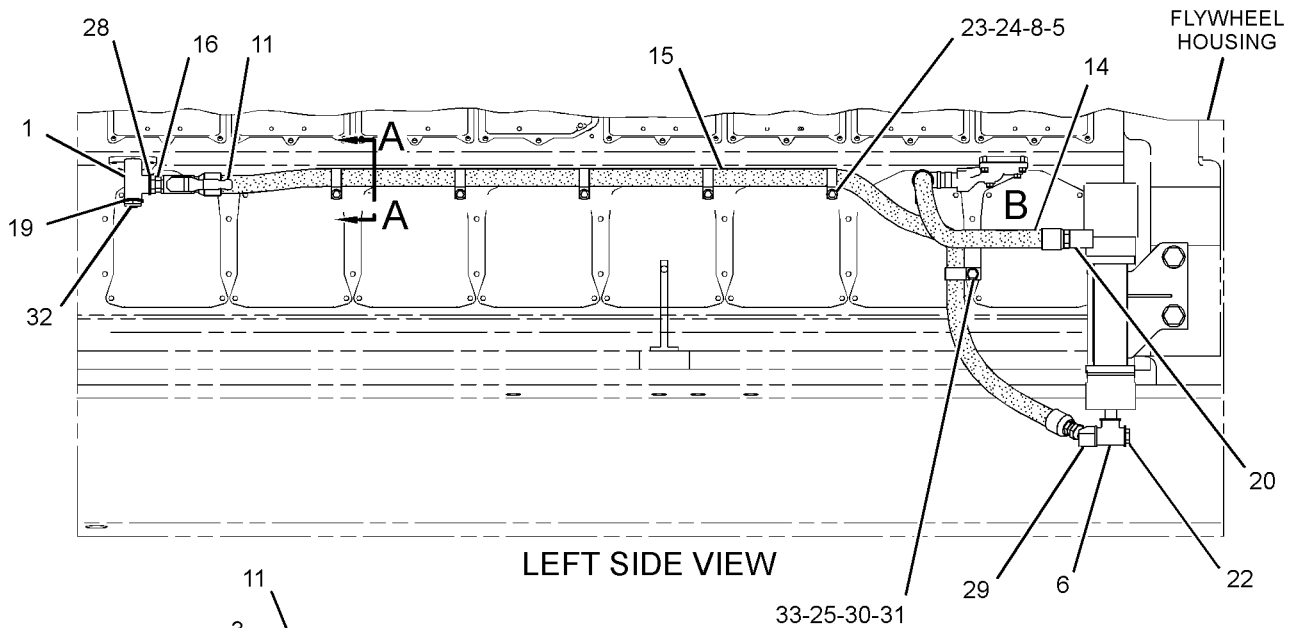
NOTE	REF NO	GRAPHIC REF	PART NUMBER	QTY	PART NAME						SEE PAGE
					1	2	3	4	5	6 (PRODUCT LEVEL)	
	1	1	1L-4031	1	TEE-SERVICE						
	2	1	1S-2303	2	SPACER (1.062X1.75X1.44-IN THK)						
	3	1	2N-7308	1	CONNECTOR-PIPE						
	4	1	5P-0598	2	CLAMP-HOSE						
	5	1	6B-6205	5	SPACER (0.438X0.875X1.281-IN THK)						
	6	1	6F-0496	1	TEE-PIPE						
	7	1	7C-1707	1	BRACKET AS						
		1	5P-2251	1	GUSSET						
	8	1	7D-7233	5	CLIP						
C	9	1	7L-8074	1	ELBOW-REDUCING						
	10	1	7N-4945	1	GASKET						
	11	1	8C-1358	2	VALVE-BALL (ISOLATION)						
	12	1	8N-8550	1	ELBOW						
	13	1	9S-1368	2	BOLT (1-14X3.5-IN)						
CI	14	1	177-9116	1	HOSE AS						
C	15	1	183-5973	1	HOSE AS						
	16	1	004-7270	1	FITTING-PIPE						
	17	1	0S-1571	1	BOLT (3/8-16X1.75-IN)						
	18	1	0S-1594	3	BOLT (3/8-16X1-IN)						
C	19	1	118-1656	1	BUSHING-REDUCER						
	20	1	3B-6491	1	COUPLING-PIPE						
	21	1	3B-7270	1	NIPPLE-PIPE						
	22	1	3E-7430	1	PLUG-PIPE						
	23	1	4L-6459	5	BOLT (3/8-16X2.5-IN)						
	24	1	5P-1075	5	WASHER-HARD (10.2X22.5X3-MM THK)						
C	25	1	5P-8245	1	WASHER-HARD (13.5X25.5X3-MM THK)						
	26	1	5P-8250	2	WASHER (28X49X5-MM THK)						
	27	1	6B-8128	1	NIPPLE-PIPE						
	28	1	6B-9081	1	BUSHING-REDUCING						
	29	1	6H-8297	1	ELBOW						
C	30	1	7D-4092	1	CLIP						
C	31	1	8S-5107	1	SPACER (0.622X0.84X2-IN THK)						
	32	1	8T-6762	1	PLUG-PIPE						
C	33	1	9X-8874	1	BOLT (1/2-13X3-IN)						

C-CHANGE FROM PREVIOUS TYPE  
I-REFER TO HYDRAULIC INFORMATION SYSTEM

# ELECTRICAL AND STARTING SYSTEM

134-3160 MOUNTING GP-JACKET WTR HEATER (contd.)

i03045813



GRAPHIC #1

<END>

g01230189

# ELECTRICAL AND STARTING SYSTEM

## 166-6652 MOUNTING GP-JACKET WTR HEATER-RH

S/N: YAT1-UP

CANNOT BE USED WITH HEAVY DUTY AIR CLEANER, RH SUMP PUMP, OR RH  
PRELUBRICATION CONVERSION  
AN ATTACHMENT

SMCS-1383

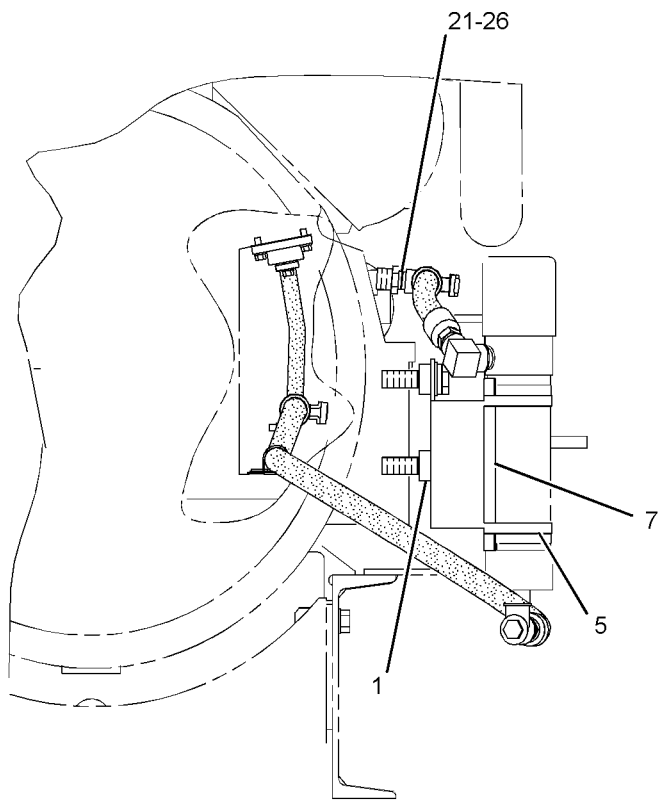
i03257535

NOTE	REF NO	GRAPHIC REF	PART NUMBER	QTY	PART NAME						SEE PAGE
					1	2	3	4	5	6 (PRODUCT LEVEL)	
	1	1	1S-2303	2	SPACER (1.062X1.75X1.44-IN THK)						
	2	1	2N-7308	1	CONNECTOR-PIPE						
	3	1	4W-2109	2	RETAINER						
	4	1	4W-2110	1	RING-RETAINING						
	5	1	5P-0598	2	CLAMP-HOSE						
	6	1	6F-0496	1	TEE-PIPE						
	7	1	7C-1707	1	BRACKET AS						
		1	5P-2251	1	GUSSET						
	8	1	7N-4945	1	GASKET						
	9	1	8C-1358	2	VALVE-BALL (ISOLATION)						
	10	1	9S-1368	2	BOLT (1-14X3.5-IN)						
	11	1	9Y-3108	1	BRACKET						
	12	1	134-3100	1	FLANGE						
I	13	1	166-8067	1	HOSE AS						
	14	1	253-7759	1	HOSE AS						
	15	1	258-8952	1	TUBE AS						
	16	1	003-9163	1	ELBOW						
	17	1	030-8307	1	CONNECTOR						
	18	1	0S-1588	1	BOLT (3/8-16X1.25-IN)						
	19	1	0S-1594	6	BOLT (3/8-16X1-IN)						
	20	1	3B-6498	1	ELBOW						
	21	1	3B-7745	1	NIPPLE-PIPE						
	22	1	3E-7430	1	PLUG-PIPE						
	23	1	5F-6371	1	CONNECTOR						
	24	1	5M-2894	4	WASHER-HARD (10.2X18.5X2.5-MM THK)						
	25	1	5P-8250	2	WASHER (28X49X5-MM THK)						
	26	1	6B-9081	1	BUSHING-REDUCING						
	27	1	7C-4354	1	CLIP						
	28	1	7D-7233	2	CLIP						
	29	1	9L-9132	1	WASHER (10.2X25.5X2.5-MM THK)						
	30	1	9M-4849	1	SEAL-O-RING						
	31	1	9S-8752	1	NUT-FULL (3/8-16-THD)						
I-REFER TO HYDRAULIC INFORMATION SYSTEM											

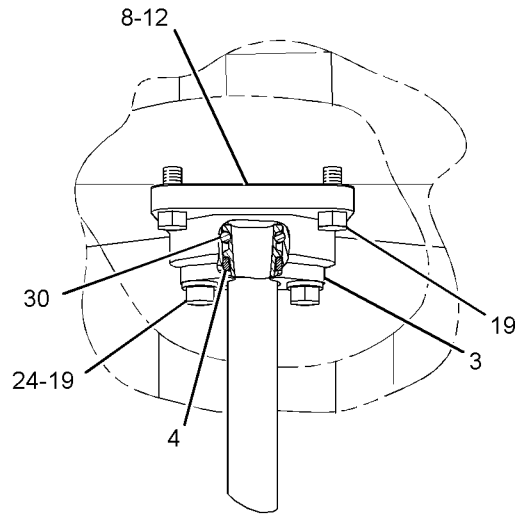
# ELECTRICAL AND STARTING SYSTEM

166-6652 MOUNTING GP-JACKET WTR HEATER (contd.)

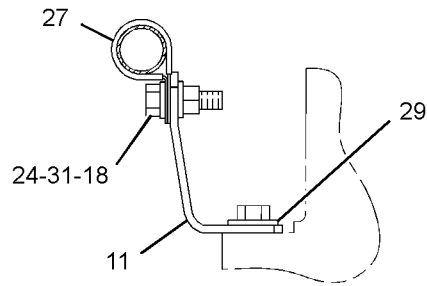
i03257535



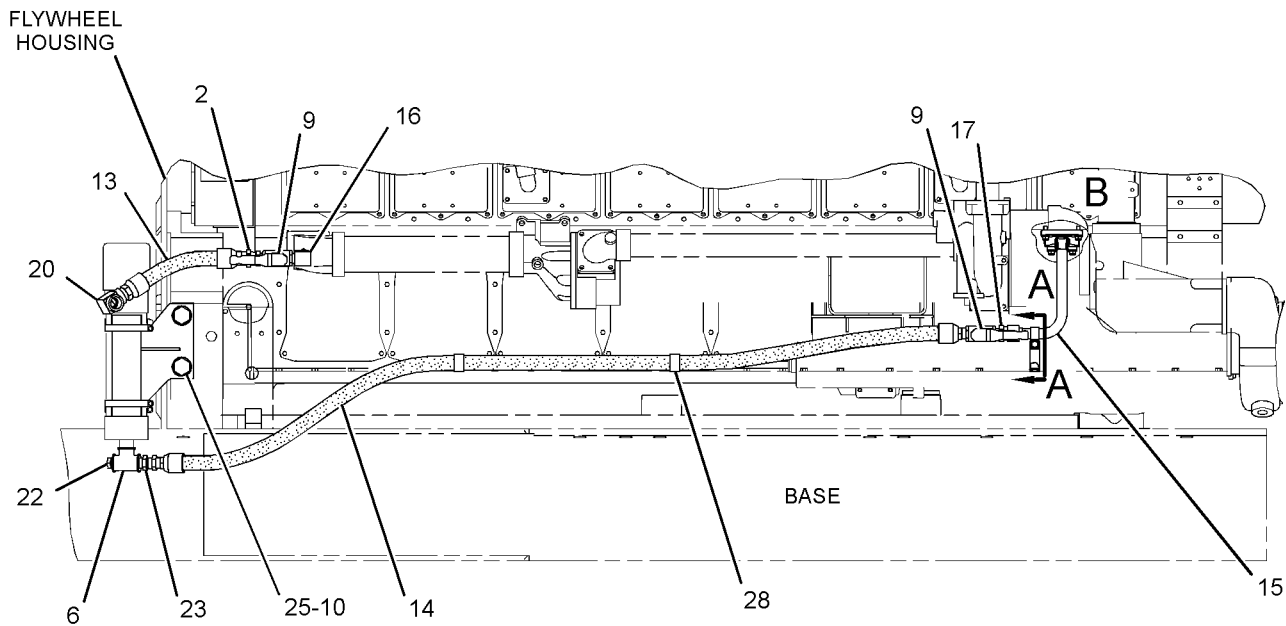
REAR VIEW OF ENGINE



VIEW OF AREA B



SECTION A-A



RIGHT SIDE VIEW OF ENGINE

GRAPHIC #1

<END>

g01724402

# ELECTRICAL AND STARTING SYSTEM

## 269-3352 MOUNTING GP-JACKET WTR HEATER-LH

S/N: YAT1-UP  
AN ATTACHMENT

SMCS-1383

i02323163

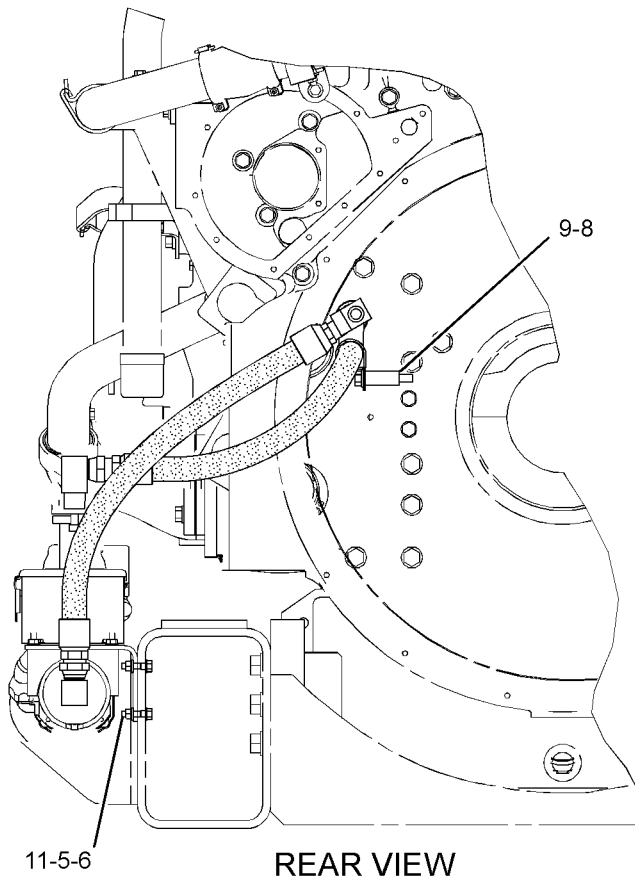
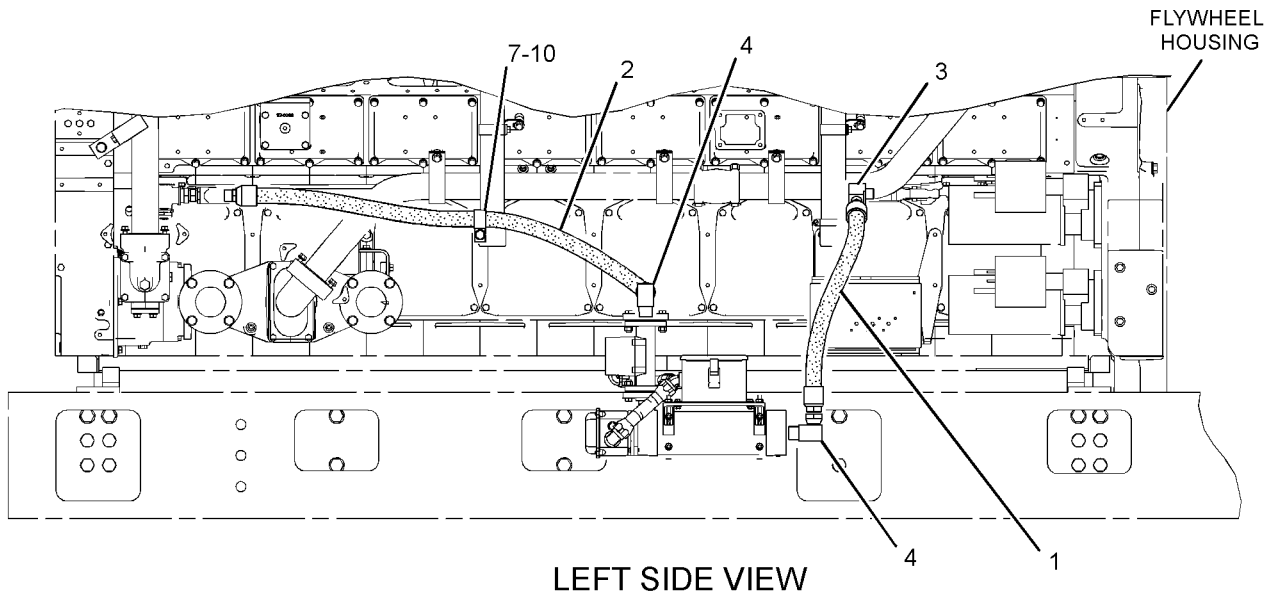
NOTE	REF NO	GRAPHIC REF	PART NUMBER	QTY	PART NAME						SEE PAGE
					1	2	3	4	5	6 (PRODUCT LEVEL)	
I	1	1	<b>269-5195</b>	1	HOSE AS						
I	2	1	<b>269-5196</b>	1	HOSE AS						
	3	1	<b>003-9163</b>	1	ELBOW						
	4	1	<b>3H-9690</b>	2	ELBOW						
	5	1	<b>4L-9337</b>	4	BOLT (3/8-16X1.5-IN)						
	6	1	<b>6V-8801</b>	4	NUT (3/8-16-THD)						
	7	1	<b>7D-4092</b>	1	CLIP						
	8	1	<b>7X-0326</b>	1	BOLT (1/2-13X3-IN)						
	9	1	<b>8S-5107</b>	1	SPACER (0.622X0.84X2-IN THK)						
	10	1	<b>8T-4223</b>	1	WASHER-HARD (13.5X25.5X3-MM THK)						
	11	1	<b>8T-4896</b>	8	WASHER-HARD (10.2X18.5X2.5-MM THK)						

I-REFER TO HYDRAULIC INFORMATION SYSTEM

# ELECTRICAL AND STARTING SYSTEM

269-3352 MOUNTING GP-JACKET WTR HEATER (contd.)

i02323163



GRAPHIC #1

<END>

g01161374



# ELECTRICAL AND STARTING SYSTEM

## 307-8458 MOUNTING GP-JACKET WTR HEATER

S/N: YAT1-UP

LH

AN ATTACHMENT

SMCS-1383

i03402342

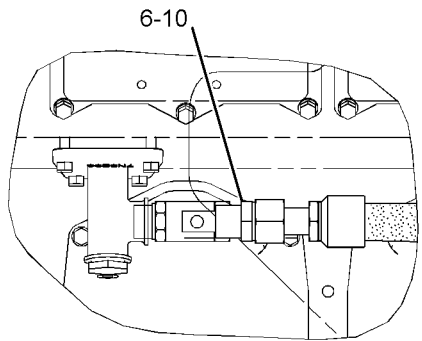
NOTE	REF NO	GRAPHIC REF	PART NUMBER	QTY	PART NAME						SEE PAGE
					1	2	3	4	5	6 (PRODUCT LEVEL)	
I	1	1	<b>307-8764</b>	1	HOSE AS						
I	2	1	<b>307-9372</b>	1	HOSE AS						
	3	1	<b>184-7211</b>	2	CLIP						
	4	1	<b>2B-0941</b>	2	SPACER (10.5X19X19-MM THK)						
M	5	1	<b>5C-7261</b>	2	NUT (M8X1.25-THD)						
	6	1	<b>5K-9090</b>	4	SEAL-O-RING						
	7	1	<b>5P-1076</b>	4	WASHER-HARD (13.5X30X4-MM THK)						
	8	1	<b>7D-4092</b>	1	CLIP						
	9	1	<b>7X-0326</b>	1	BOLT (1/2-13X3-IN)						
	10	1	<b>8C-6875</b>	4	CONNECTOR						
	11	1	<b>8S-5107</b>	1	SPACER (0.622X0.84X2-IN THK)						
M	12	1	<b>8T-4194</b>	2	BOLT (M12X1.75X50-MM)						
	13	1	<b>8T-4223</b>	1	WASHER-HARD (13.5X25.5X3-MM THK)						
	14	1	<b>8T-4224</b>	4	WASHER-HARD (8.8X16X2-MM THK)						
M	15	1	<b>8T-4244</b>	2	NUT (M12X1.75-THD)						
M	16	1	<b>8T-6912</b>	2	BOLT (M8X1.25X50-MM)						

I-REFER TO HYDRAULIC INFORMATION SYSTEM  
M-METRIC PART

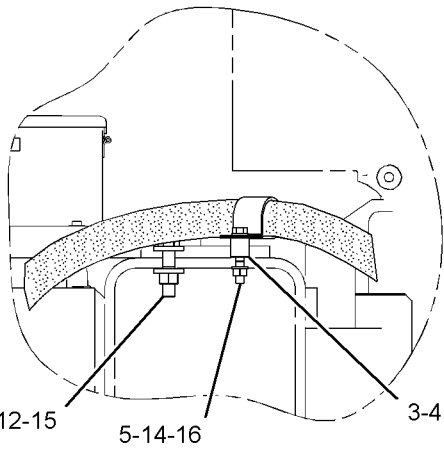
# ELECTRICAL AND STARTING SYSTEM

307-8458 MOUNTING GP-JACKET WTR HEATER (contd.)

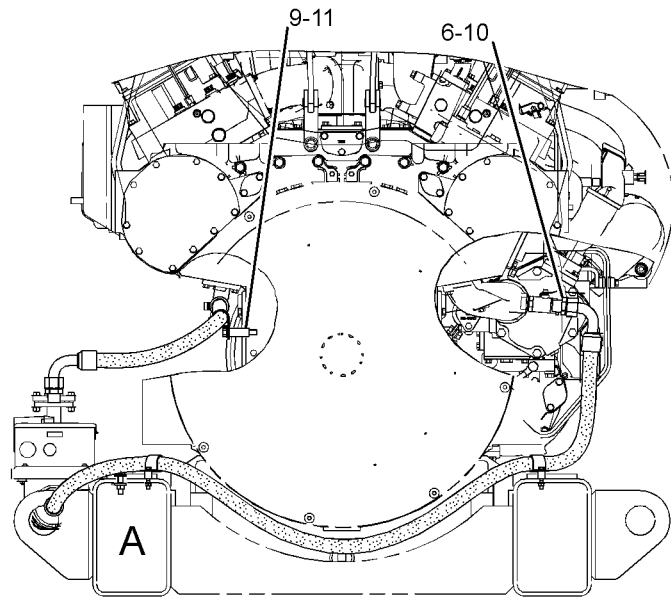
i03402342



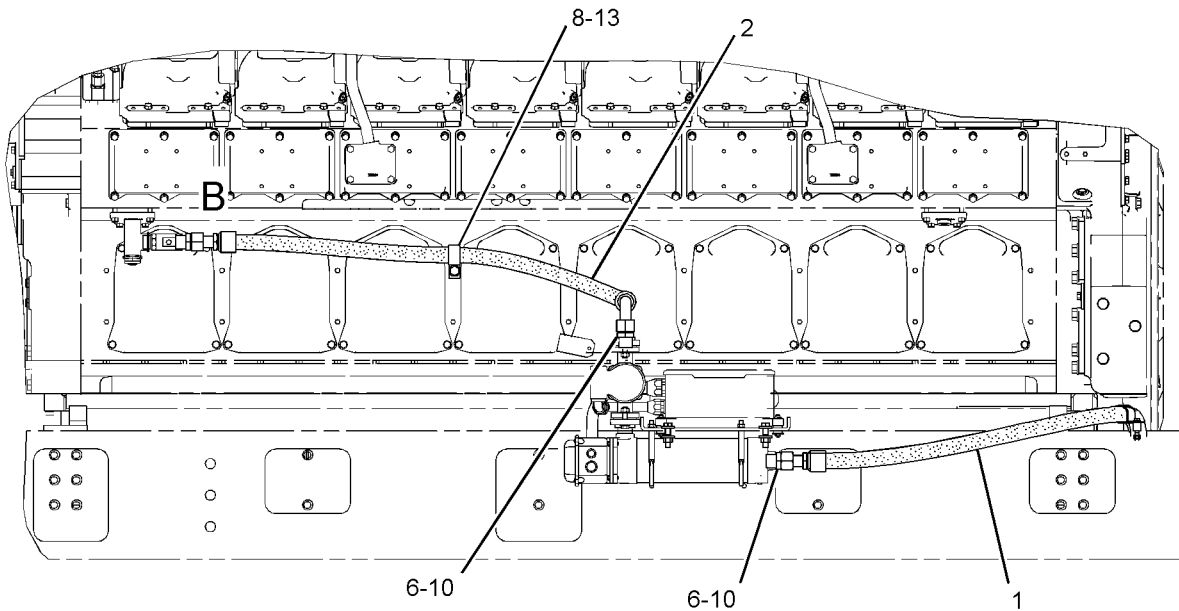
VIEW OF AREA B



VIEW OF AREA A



REAR VIEW OF ENGINE



LEFT SIDE VIEW OF ENGINE

GRAPHIC #1

<END>

g01766795

# ELECTRICAL AND STARTING SYSTEM

## 245-0001 MOUNTING GP-PANEL-REAR

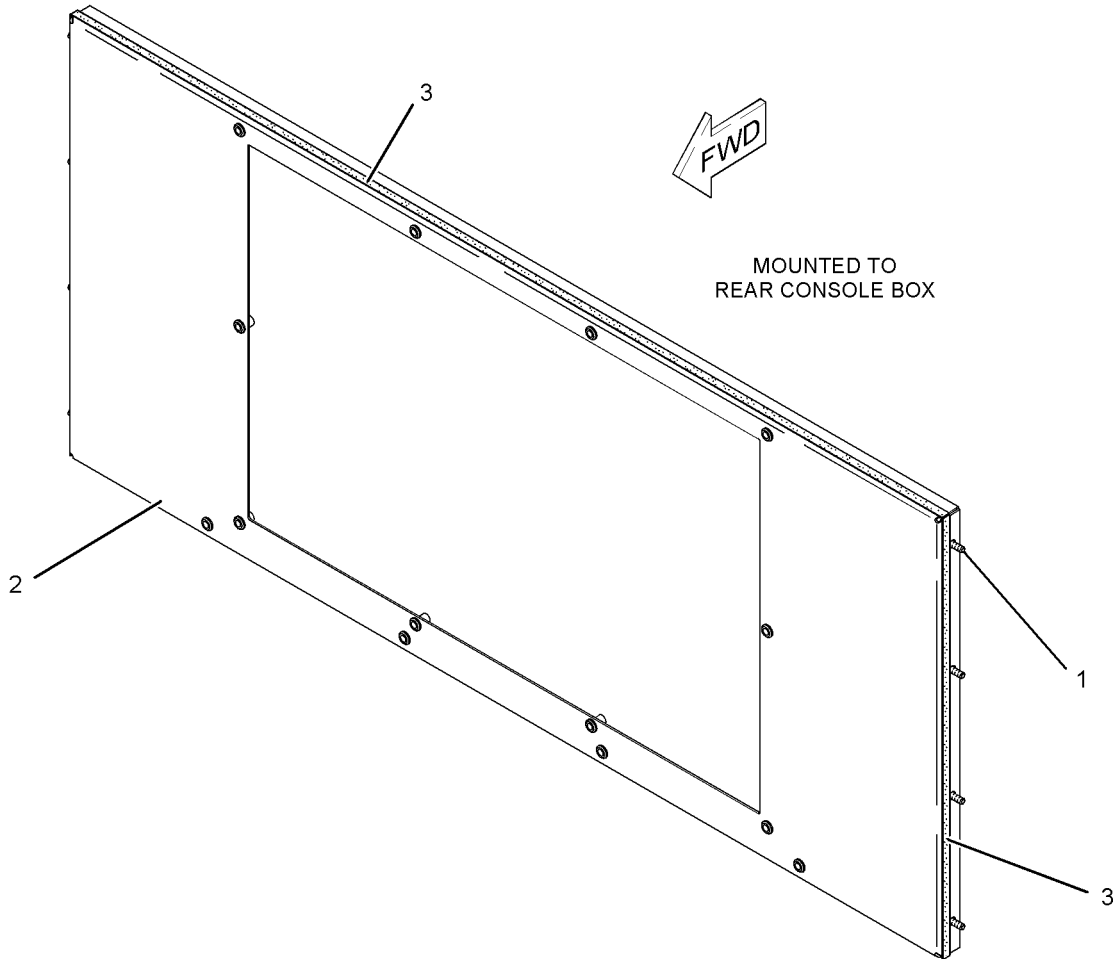
S/N: YAT1-UP  
AN ATTACHMENT

SMCS-1609

i02239728

NOTE	REF NO	GRAPHIC REF	PART NUMBER	QTY	PART NAME						SEE PAGE
					1	2	3	4	5	6 (PRODUCT LEVEL)	
	1	1	235-4451	8	BOLT-FLANGE HEAD (M6X1X16-MM)						
	2	1	242-8833	1	BRACE AS						
M		1	3E-4304	14	INSERT-THREADED (M6X1-THD)						
BJ	3	1	244-9631		SEAL (17-DM)						

B-USE AS REQUIRED  
J-ORDER BY THE DECIMETER  
M-METRIC PART



GRAPHIC #1

<END>

g01137021

# ELECTRICAL AND STARTING SYSTEM

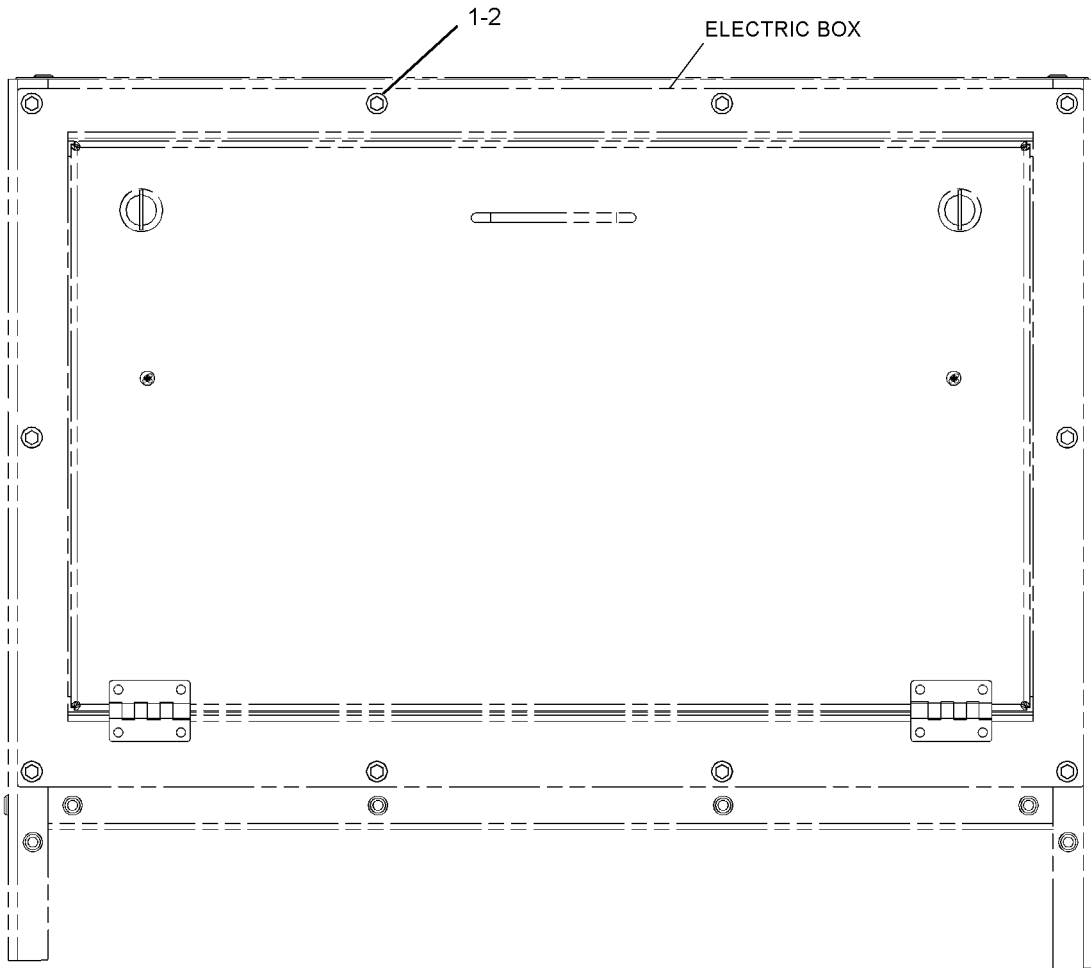
## 252-7367 MOUNTING GP-PANEL-INTERFACE MODULE

S/N: YAT1-UP  
AN ATTACHMENT

SMCS-1609

i02634948

NOTE	REF NO	GRAPHIC REF	PART NUMBER	QTY	PART NAME						SEE PAGE
					1	2	3	4	5	6 (PRODUCT LEVEL)	
	1	1	235-4451	10	BOLT-FLANGE HEAD (M6X1X16-MM)						
	2	1	095-0827	10	LOCKWASHER						



GRAPHIC #1

<END>

g01320812

# ELECTRICAL AND STARTING SYSTEM

## 252-7361 MOUNTING GP-TERMINAL STRIP-LOAD SHARE

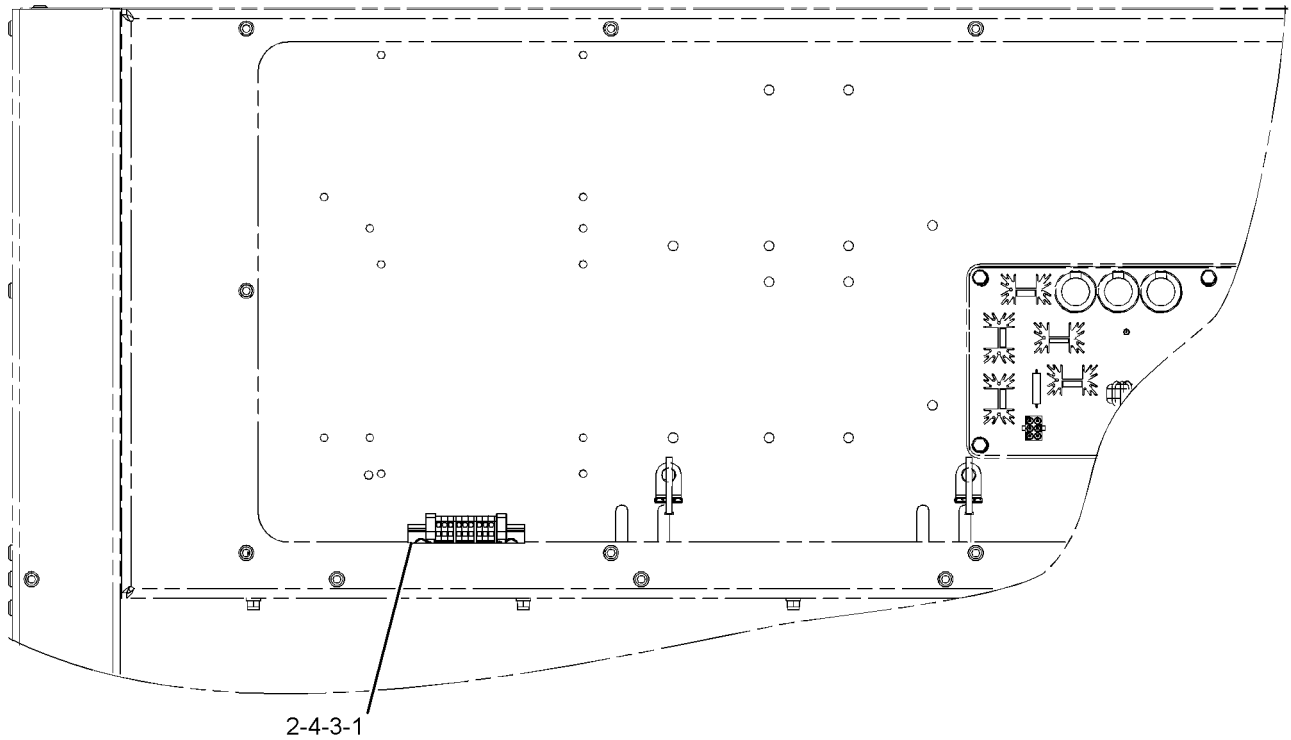
S/N: YAT1-UP  
MEDIUM VOLTAGE  
AN ATTACHMENT

SMCS-4460, 7426

i02267094

NOTE	REF NO	GRAPHIC REF	PART NUMBER	QTY	PART NAME						SEE PAGE
					1	2	3	4	5	6 (PRODUCT LEVEL)	
Y	1	1	252-7357	1	STRIP GP-TERMINAL (LOAD SHARE)						708
M	2	1	5C-2890	2	NUT (M6X1-THD)						
M	3	1	5C-9553	2	BOLT (M6X1X16-MM)						
	4	1	9X-8256	4	WASHER (6.6X12X2-MM THK)						

M-METRIC PART  
Y-SEPARATE ILLUSTRATION



FRONT VIEW

GRAPHIC #1

<END>

g01138368

# ELECTRICAL AND STARTING SYSTEM

## 252-7374 MOUNTING GP-TRANSFORMER-POTENTIAL

S/N: YAT1-UP  
FOR USE WITH LOW AND MEDIUM VOLTAGE  
AN ATTACHMENT

SMCS-4476

i02592965

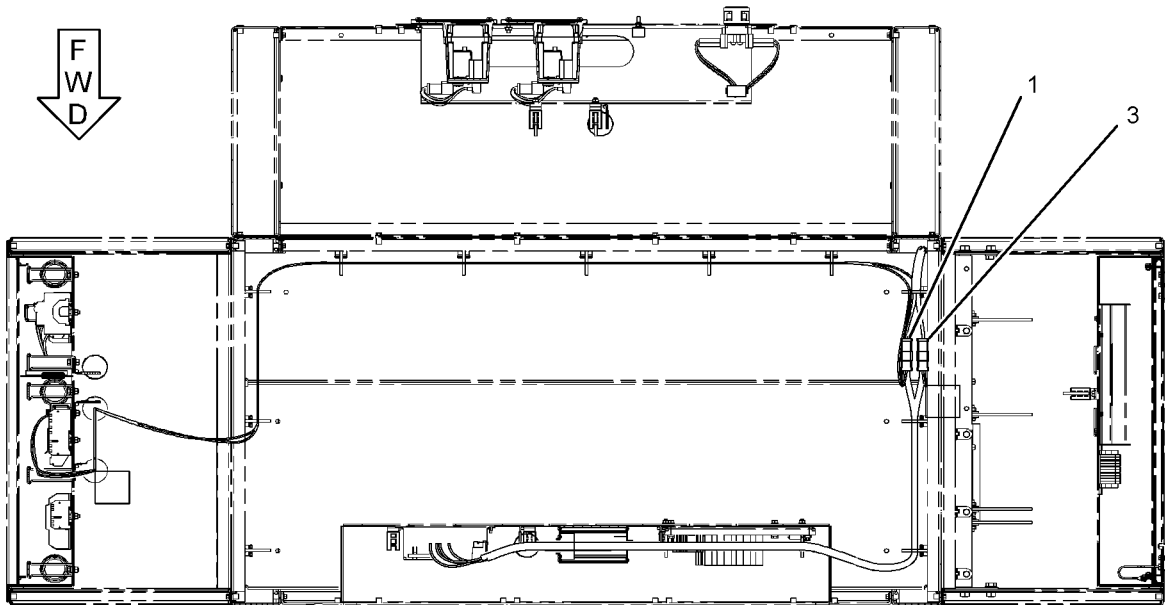
NOTE	REF NO	GRAPHIC REF	PART NUMBER	QTY	PART NAME						SEE PAGE
					1	2	3	4	5	6 (PRODUCT LEVEL)	
	1	1	<b>252-7359</b>	1	HARNESS AS-WIRING (POTENTIAL TRANSFORMER)						
		1	<b>3E-3377</b>	1	WEDGE-RECEPTACLE LOCK (4-PIN)						
		1	<b>102-8804</b>	2	KIT-RECEPTACLE (4-PIN)						
					(EACH INCLUDES RECEPTACLE AS AND WEDGE)						
		1	<b>8T-8737</b>	1	PLUG-SEAL						
		1	<b>186-3735</b>	3	PIN-CONNECTOR (16-GA TO 18-GA)						
		1	<b>109-3038</b>	3	END-WIRE (16-GA)						
Y	2	1	<i>289-0656</i>	2	TRANSFORMER GP-CURRENT						726
	3	1	<b>252-7446</b>	1	HARNESS AS-WIRING (POTENTIAL TRANSFORMER)						
		1	<b>186-3735</b>	3	PIN-CONNECTOR (16-GA TO 18-GA)						
		1	<b>102-8804</b>	1	KIT-RECEPTACLE (4-PIN)						
					(INCLUDES RECEPTACLE AS AND WEDGE)						
		1	<b>8T-8737</b>	1	PLUG-SEAL						
		1	<b>3E-3377</b>	1	WEDGE-RECEPTACLE LOCK (4-PIN)						
		1	<b>109-3038</b>	3	END-WIRE (16-GA)						
	4	1	<b>4B-2043</b>	8	NUT (8-32-THD)						
	5	1	<b>4B-4863</b>	16	WASHER (4.7X11X1.2-MM THK)						
	6	1	<b>9X-8486</b>	8	SCREW-MACHINE (8-32X0.75-IN)						
	7	1	<b>9X-6772</b>	6	STRAP-CABLE						

Y-SEPARATE ILLUSTRATION

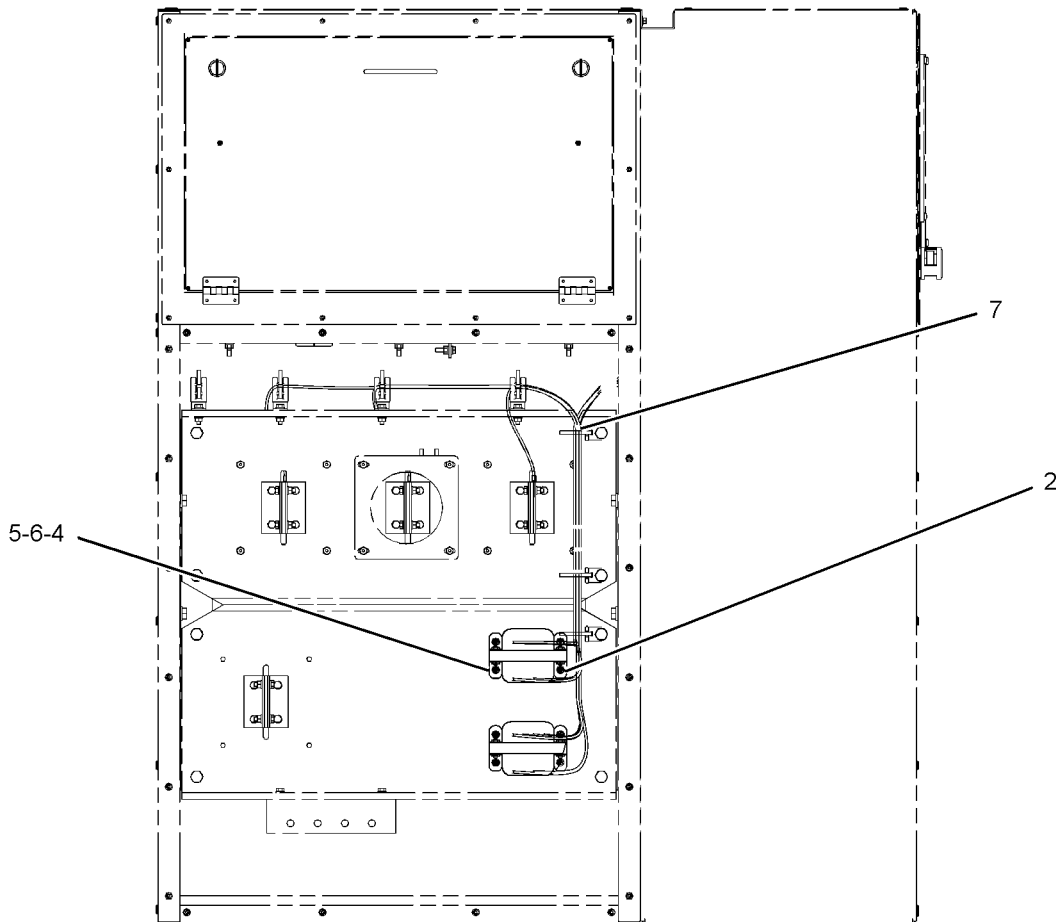
# ELECTRICAL AND STARTING SYSTEM

252-7374 MOUNTING GP-TRANSFORMER (contd.)

i02592965



TOP VIEW



RIGHT SIDE VIEW

GRAPHIC #1

<END>

g01289238

# ELECTRICAL AND STARTING SYSTEM

## 269-7011 MOUNTING GP-TRANSFORMER

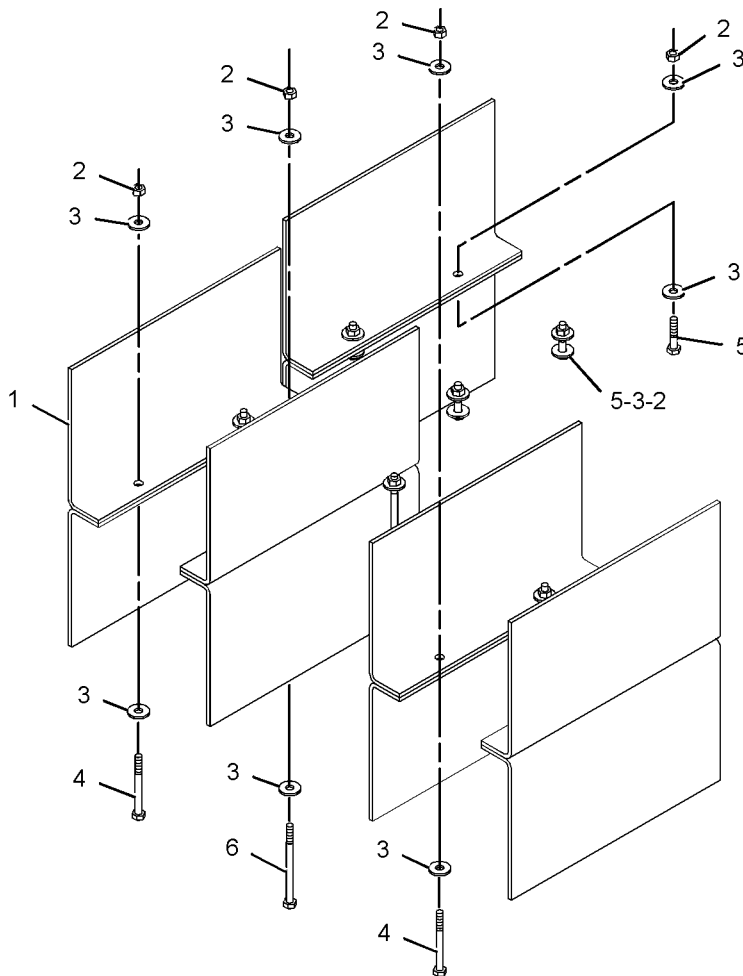
S/N: YAT1-UP  
AN ATTACHMENT

SMCS-4476

i02634007

NOTE	REF NO	GRAPHIC REF	PART NUMBER	QTY	PART NAME						SEE PAGE
					1	2	3	4	5	6 (PRODUCT LEVEL)	
	1	1	<b>284-9561</b>	10	PLATE-PROTECTION						
M	2	1	<b>5C-2890</b>	16	NUT (M6X1-THD)						
	3	1	<b>5P-4115</b>	32	WASHER-HARD (7.2X19X2-MM THK)						
M	4	1	<b>7X-2535</b>	8	BOLT (M6X1X60-MM)						
M	5	1	<b>8T-4971</b>	4	BOLT (M6X1X30-MM)						
M	6	1	<b>8T-6974</b>	4	BOLT (M6X1X80-MM)						

M-METRIC PART



GRAPHIC #1

<END>

g01352009



# ELECTRICAL AND STARTING SYSTEM

## 237-8999 PANEL GP-CIRCUIT BREAKER-POWER DISTRIBUTION

S/N: YAT1-UP

PART OF 237-9017 WIRING GP-ENGINE

SMCS-1417, 1420, 4461

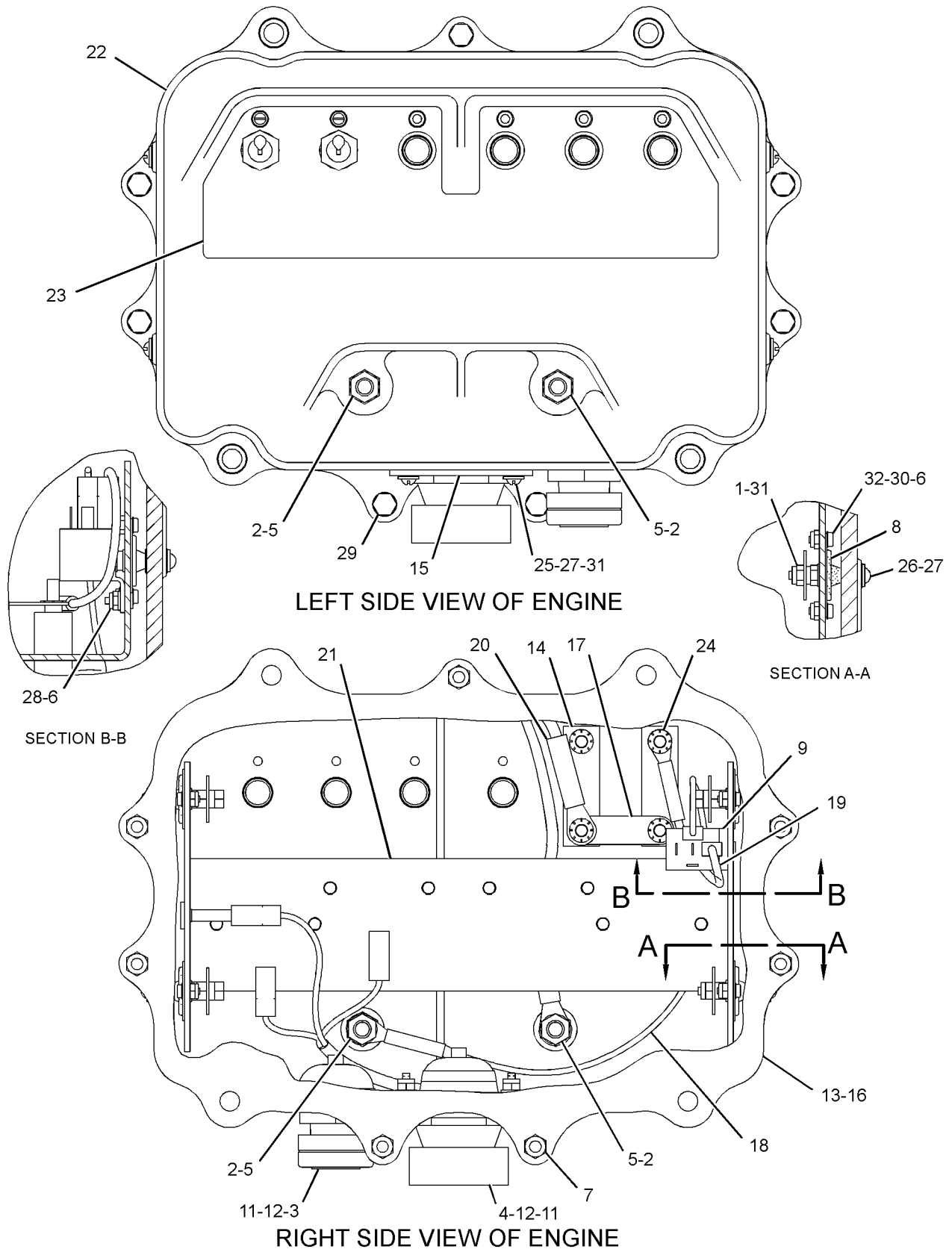
i03362960

NOTE	REF NO	GRAPHIC REF	PART NUMBER	QTY	PART NAME						SEE PAGE
					1	2	3	4	5	6 (PRODUCT LEVEL)	
	1	1	1F-2622	4	WASHER (0.156X0.97X0.049-IN THK)						
	2	1	3L-7314	4	WASHER (0.406X0.62X0.032-IN THK)						
	3	1	4P-1539	1	BUSHING-TERMINAL						
	4	1	4P-6748	1	BUSHING-TERMINAL						
	5	1	5P-7751	4	NUT-BRONZE (3/8-16-THD)						
	6	1	7D-6922	9	LOCKNUT (6-32-THD)						
	7	1	7H-8909	7	LOCKNUT (1/4-20-THD)						
	8	1	8N-9300	4	MOUNT AS						
	9	1	9Y-2921	1	RELAY (24-VOLT) (ECM ENERGIZE)						
	11	1	062-5388	2	LOCKNUT (1-11-1/2-THD)						
	12	1	110-6170	2	BUSHING (CAPPED)						
	13	1	202-2099	1	PLATE						
	14	1	203-8989	2	CIRCUIT BREAKER AS (20-AMPERE)						
	15	1	207-2551	1	PLATE						
	16	1	207-8271	1	SEAL						
	17	1	242-7061	1	STRAP						
	18	1	242-7063	1	WIRE AS						
	19	1	242-7064	1	WIRE AS						
	20	1	242-7065	1	WIRE AS						
	21	1	242-7067	1	BRACKET AS						
	22	1	242-7391	1	BOX AS						
	23	1	244-8705	1	FILM-CIRCUIT BREAKER						
	24	1	1H-3338	4	LOCKWASHER						
	25	1	3K-8106	4	SCREW-MACHINE (8-32X1-IN)						
	26	1	4B-1224	4	SCREW-MACHINE (8-32X1.5-IN)						
	27	1	4B-4863	16	WASHER (4.7X11X1.2-MM THK)						
	28	1	4B-5324	1	WASHER (3.9X9.6X1.2-MM THK)						
	29	1	4M-5282	7	BOLT (1/4-20X1.5-IN)						
	30	1	5H-6555	8	LOCKWASHER						
	31	1	6D-5801	12	LOCKNUT (8-32-THD)						
	32	1	9X-6259	8	SCREW-MACHINE (6-32X0.375-IN)						

# ELECTRICAL AND STARTING SYSTEM

237-8999 PANEL GP-CIRCUIT BREAKER (contd.)

i03362960



GRAPHIC #1

<END>

g01749956

# ELECTRICAL AND STARTING SYSTEM

## 252-7342 PANEL GP-CIRCUIT BREAKER-SIDE

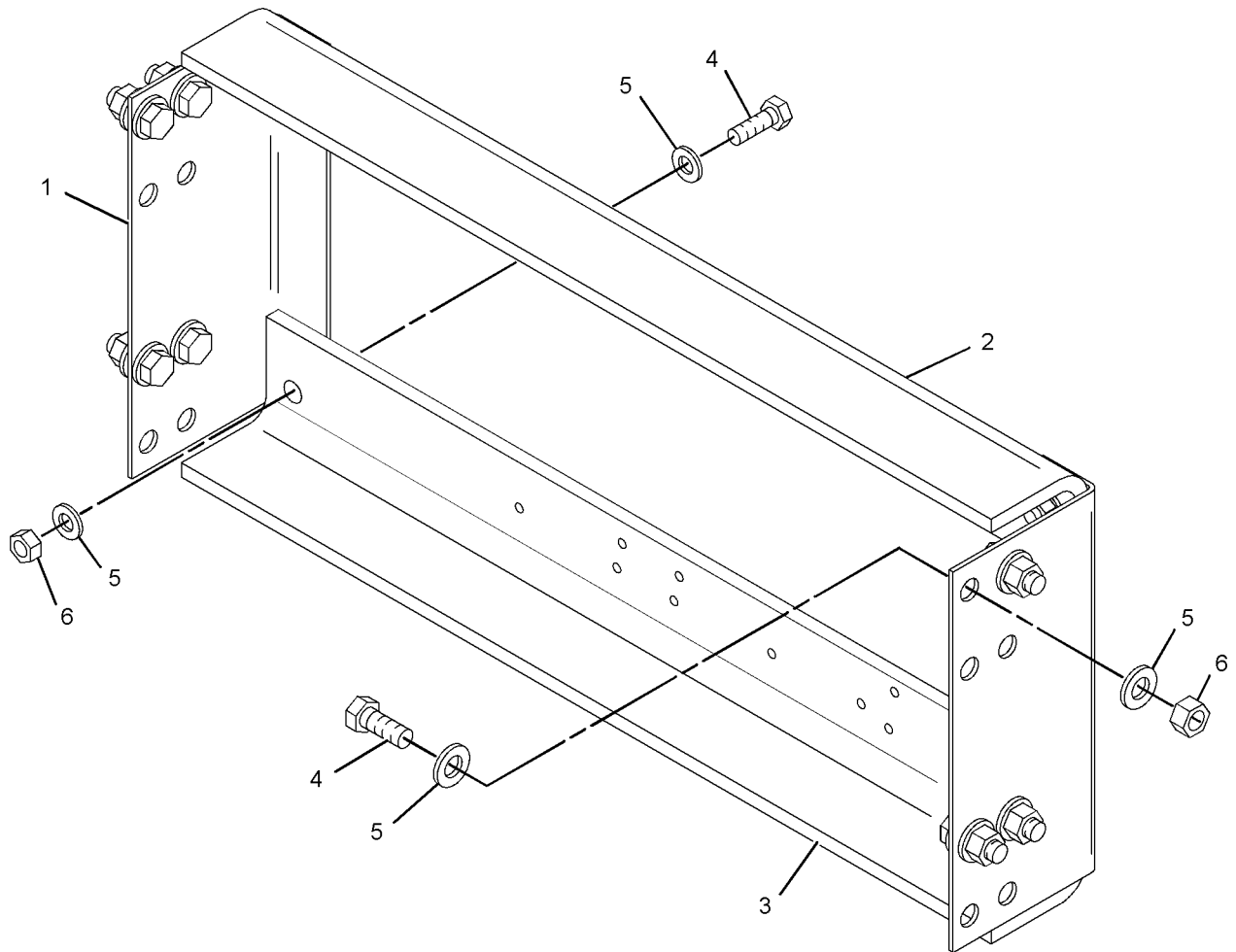
S/N: YAT1-UP  
P-FRAME, 3-POLE  
AN ATTACHMENT

SMCS-1417, 1420, 4461

i02570050

NOTE	REF NO	GRAPHIC REF	PART NUMBER	QTY	PART NAME						SEE PAGE
					1	2	3	4	5	6 (PRODUCT LEVEL)	
	1	1	252-7492	2	SUPPORT						
	2	1	296-5554	1	SUPPORT						
	3	1	296-5555	1	SUPPORT						
M	4	1	8T-4139	12	BOLT (M12X1.75X30-MM)						
	5	1	8T-4223	24	WASHER-HARD (13.5X25.5X3-MM THK)						
M	6	1	8T-4244	12	NUT (M12X1.75-THD)						

M-METRIC PART



GRAPHIC #1

<END>

g01288145

# ELECTRICAL AND STARTING SYSTEM

## 252-7449 PANEL GP-CIRCUIT BREAKER-SIDE

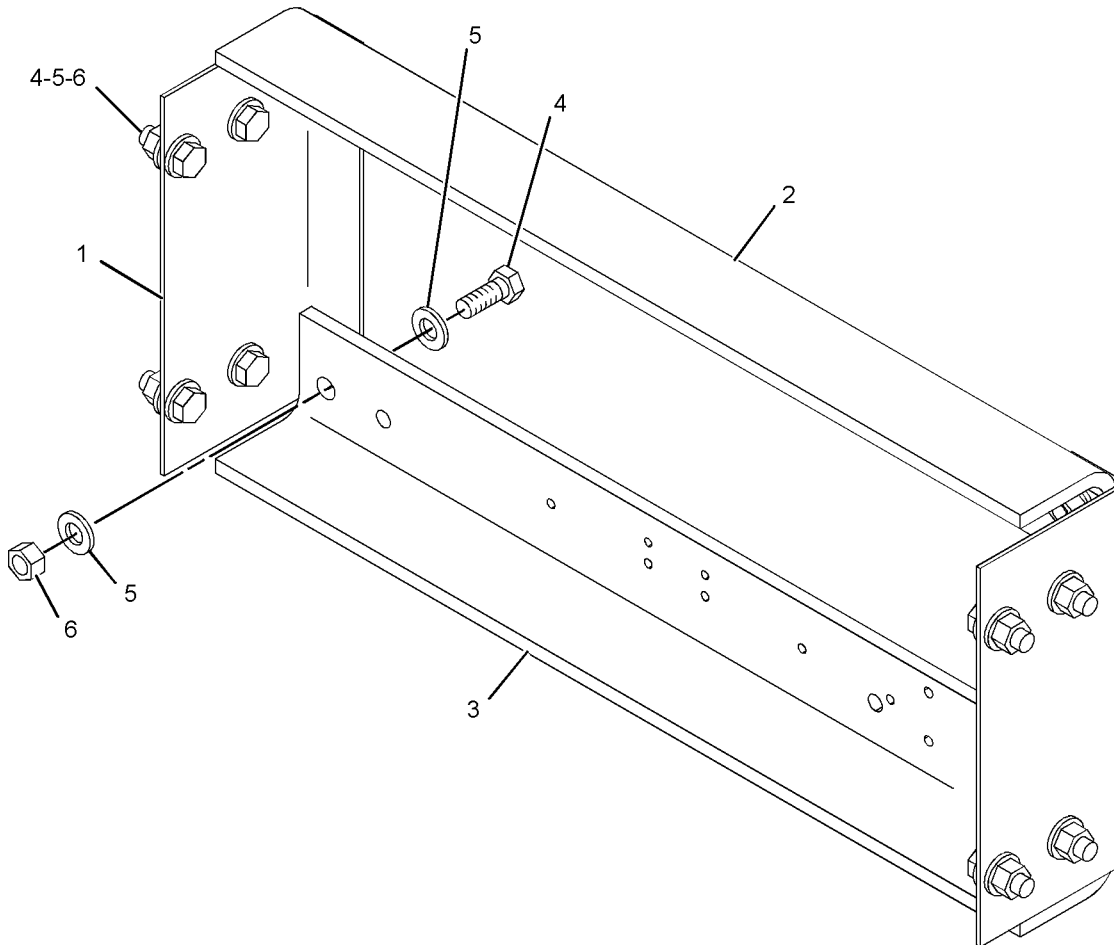
S/N: YAT1-UP  
FOR USE WITH NSJ-FRAME  
AN ATTACHMENT

SMCS-1417, 1420, 4461

i02570175

NOTE	REF NO	GRAPHIC REF	PART NUMBER	QTY	PART NAME						SEE PAGE
					1	2	3	4	5	6 (PRODUCT LEVEL)	
	1	1	252-7489	2	SUPPORT						
	2	1	296-5554	1	SUPPORT						
	3	1	296-5555	1	SUPPORT						
M	4	1	8T-4139	12	BOLT (M12X1.75X30-MM)						
	5	1	8T-4223	24	WASHER-HARD (13.5X25.5X3-MM THK)						
M	6	1	8T-4244	12	NUT (M12X1.75-THD)						

M-METRIC PART



GRAPHIC #1

<END>

g01296507

# ELECTRICAL AND STARTING SYSTEM

## 252-7476 PANEL GP-CIRCUIT BREAKER-SIDE

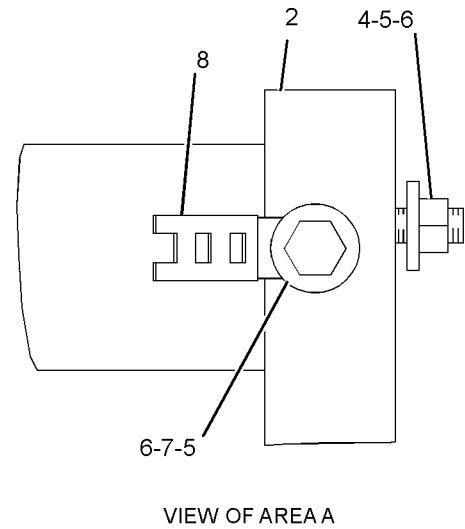
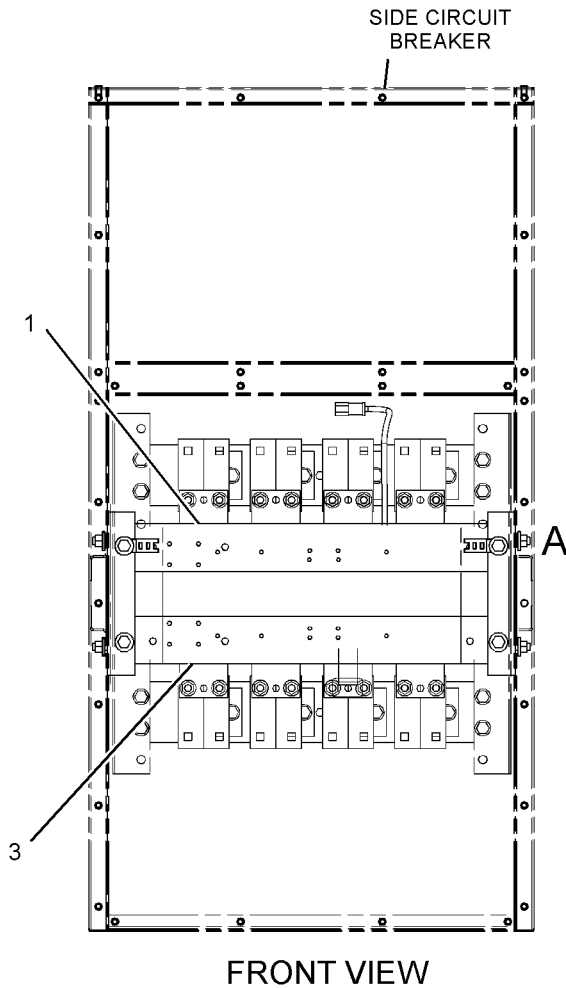
S/N: YAT1-UP  
FOR USE WITH R-FRAME  
AN ATTACHMENT

SMCS-1417, 1420, 4461

i03301526

NOTE	REF NO	GRAPHIC REF	PART NUMBER	QTY	PART NAME						SEE PAGE
					1	2	3	4	5	6 (PRODUCT LEVEL)	
	1	1	252-7450	1	SUPPORT						
	2	1	252-7493	2	SUPPORT						
	3	1	252-7596	1	SUPPORT						
M	4	1	8T-4139	8	BOLT (M12X1.75X30-MM)						
	5	1	5P-1076	24	WASHER-HARD (13.5X30X4-MM THK)						
M	6	1	8T-4244	12	NUT (M12X1.75-THD)						
M	7	1	8T-4183	4	BOLT (M12X1.75X40-MM)						
	8	1	4P-7428	1	CLIP						

M-METRIC PART



GRAPHIC #1

<END>

g01688918

# ELECTRICAL AND STARTING SYSTEM

## 252-7494 PANEL GP-CIRCUIT BREAKER-REAR

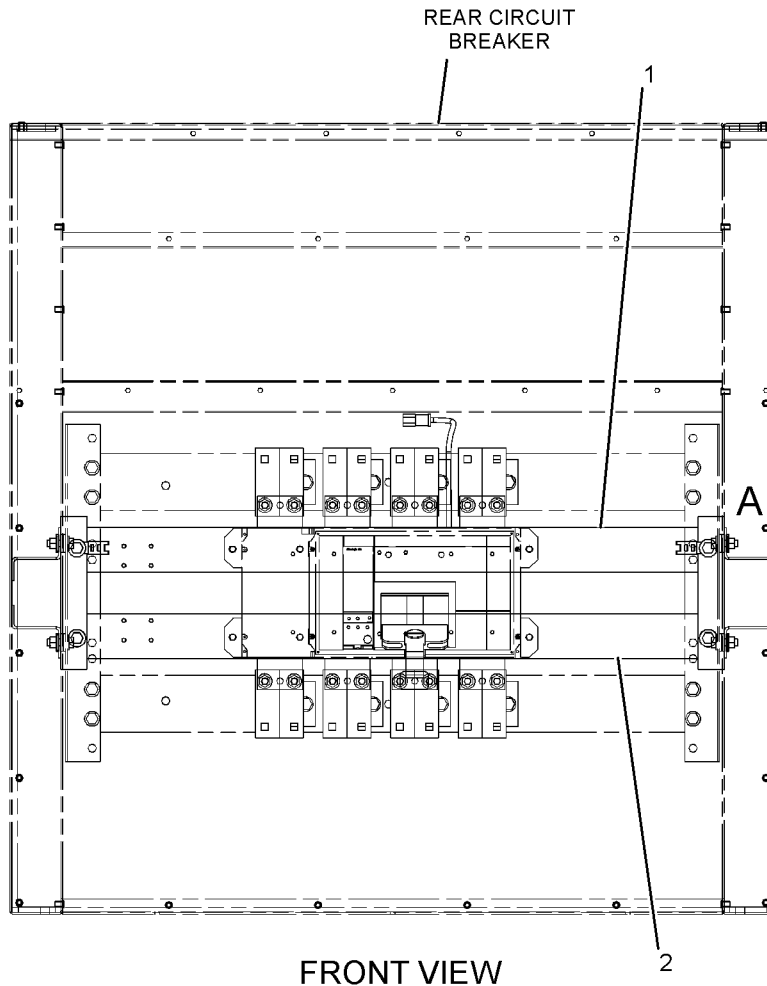
S/N: YAT1-UP  
FOR USE WITH R-FRAME  
AN ATTACHMENT

SMCS-1417, 1420, 4461

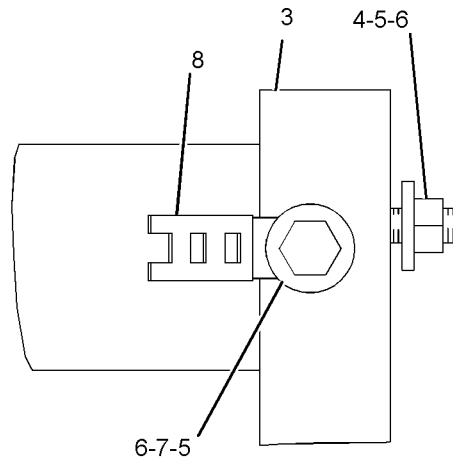
i03301525

NOTE	REF NO	GRAPHIC REF	PART NUMBER	QTY	PART NAME						SEE PAGE
					1	2	3	4	5	6 (PRODUCT LEVEL)	
	1	1	252-7451	1	SUPPORT						
	2	1	252-7486	1	SUPPORT						
	3	1	252-7493	2	SUPPORT						
M	4	1	8T-4139	8	BOLT (M12X1.75X30-MM)						
	5	1	5P-1076	24	WASHER-HARD (13.5X30X4-MM THK)						
M	6	1	8T-4244	12	NUT (M12X1.75-THD)						
M	7	1	8T-4183	4	BOLT (M12X1.75X40-MM)						
	8	1	4P-7428	1	CLIP						

M-METRIC PART



FRONT VIEW



VIEW OF AREA A

GRAPHIC #1

<END>

g01688784

# ELECTRICAL AND STARTING SYSTEM

## 252-7495 PANEL GP-CIRCUIT BREAKER-REAR

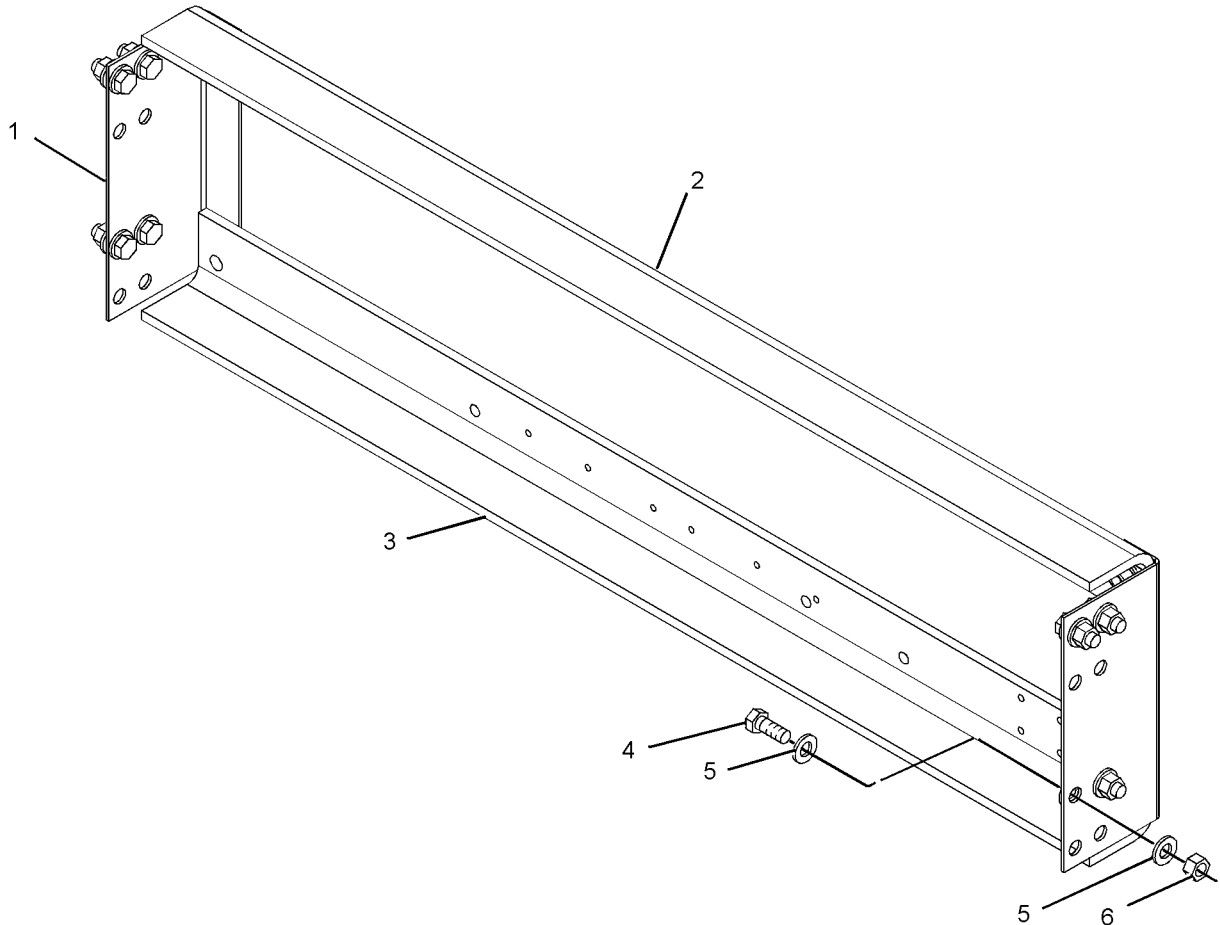
S/N: YAT1-UP  
FOR USE WITH P-FRAME  
AN ATTACHMENT

SMCS-1417, 1420, 4461

i02570479

NOTE	REF NO	GRAPHIC REF	PART NUMBER	QTY	PART NAME						SEE PAGE
					1	2	3	4	5	6 (PRODUCT LEVEL)	
	1	1	252-7492	2	SUPPORT						
	2	1	296-5556	1	SUPPORT						
	3	1	296-5557	1	SUPPORT						
M	4	1	8T-4139	12	BOLT (M12X1.75X30-MM)						
	5	1	8T-4223	24	WASHER-HARD (13.5X25.5X3-MM THK)						
M	6	1	8T-4244	12	NUT (M12X1.75-THD)						

M-METRIC PART



GRAPHIC #1

<END>

g01296496

# ELECTRICAL AND STARTING SYSTEM

## 272-8412 PANEL GP-CIRCUIT BREAKER

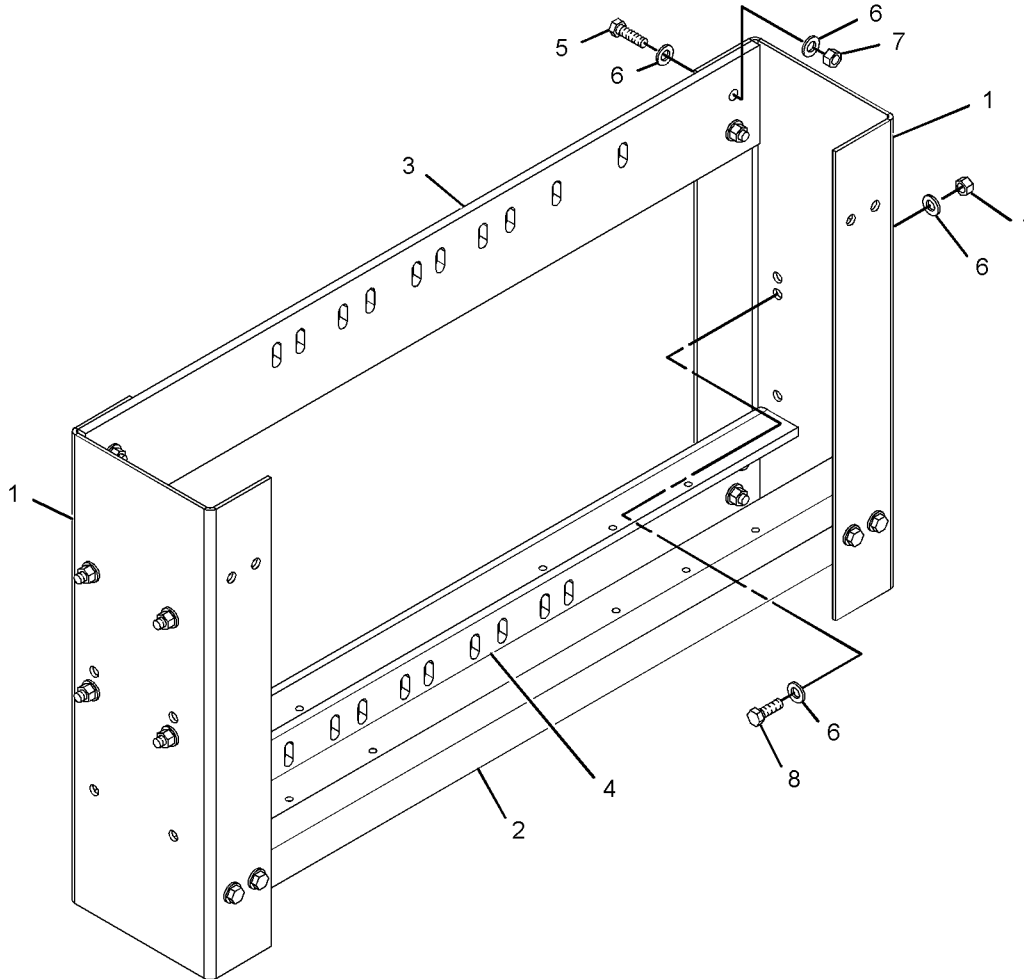
S/N: YAT1-UP  
FOR USE WITH NW-FRAME, 6-POLE  
AN ATTACHMENT

SMCS-1417, 1420, 4461

i03376004

NOTE	REF NO	GRAPHIC REF	PART NUMBER	QTY	PART NAME						SEE PAGE
					1	2	3	4	5	6 (PRODUCT LEVEL)	
	1	1	<b>252-7616</b>	2	SUPPORT						
	2	1	<b>252-7618</b>	1	SUPPORT						
	3	1	<b>252-7630</b>	1	PLATE						
	4	1	<b>272-8415</b>	1	PLATE						
M	5	1	<b>8T-4183</b>	12	BOLT (M12X1.75X40-MM)						
	6	1	<b>8T-4223</b>	40	WASHER-HARD (13.5X25.5X3-MM THK)						
M	7	1	<b>8T-4244</b>	20	NUT (M12X1.75-THD)						
M	8	1	<b>8T-4956</b>	8	BOLT (M12X1.75X35-MM)						

M-METRIC PART



GRAPHIC #1

<END>

g01279930



# ELECTRICAL AND STARTING SYSTEM

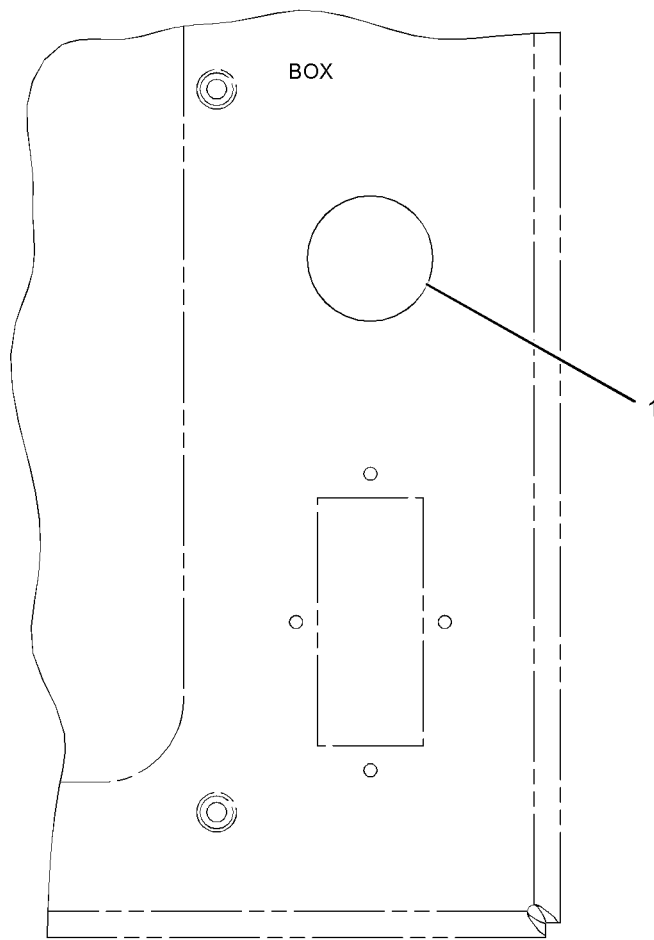
## 252-7438 PLUG GP-BOX-JACKET WATER HEATER

S/N: YAT1-UP  
AN ATTACHMENT

SMCS-7426

i02551943

NOTE	REF NO	GRAPHIC REF	PART NUMBER	QTY	PART NAME						SEE PAGE
					1	2	3	4	5	6 (PRODUCT LEVEL)	
	1	1	4F-8711	1	BUTTON-PLUG						



REAR VIEW

<END>

GRAPHIC #1

g01157137

# ELECTRICAL AND STARTING SYSTEM

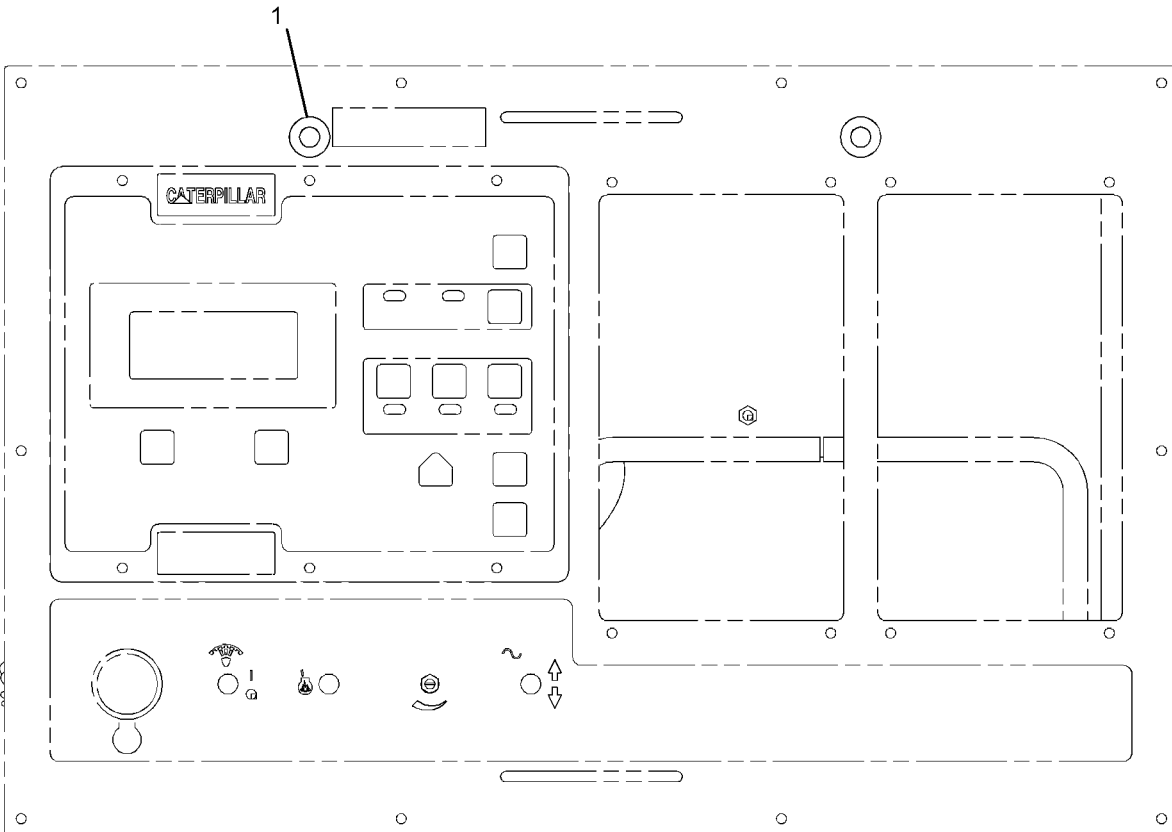
## 252 - 7700 PLUG GP-BOX-PANEL LIGHTS

S/N: YAT1-UP  
AN ATTACHMENT

SMCS - 7426

i02330181

NOTE	REF NO	GRAPHIC REF	PART NUMBER	QTY	PART NAME						SEE PAGE
					1	2	3	4	5	6 (PRODUCT LEVEL)	
	1	1	5P-4935	2	PLUG-BUTTON						



GRAPHIC #1

<END>

g01164850

# ELECTRICAL AND STARTING SYSTEM

## 270-7644 PLUG GP-CONNECTOR-EXCITER

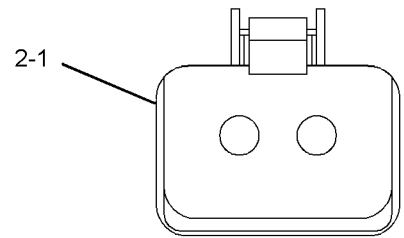
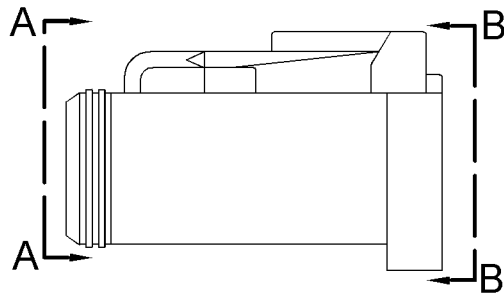
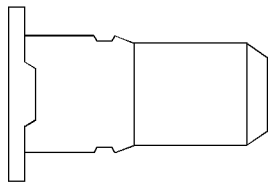
S/N: G6R1-UP

PART OF 262-8139 GENERATOR GP

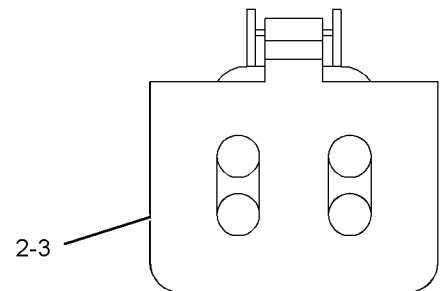
SMCS-1408

i03038661

NOTE	REF NO	GRAPHIC REF	PART NUMBER	QTY	PART NAME						SEE PAGE
					1	2	3	4	5	6 (PRODUCT LEVEL)	
	1	1	155-2270	1	KIT-CONNECTING PLUG (2-PIN)						
					(INCLUDES PLUG AS & WEDGE)						
	2	1	9W-0844	5	SOCKET-CONNECTOR (14-GA)						
	3	1	155-2271	1	KIT-CONNECTING PLUG (4-PIN)						
					(INCLUDES PLUG AS & WEDGE)						



VIEW A-A



VIEW B-B

GRAPHIC #1

<END>

g01548593

# ELECTRICAL AND STARTING SYSTEM

## 121-3354 SENSOR & MTG GP-RADIATOR

S/N: YAT1-UP

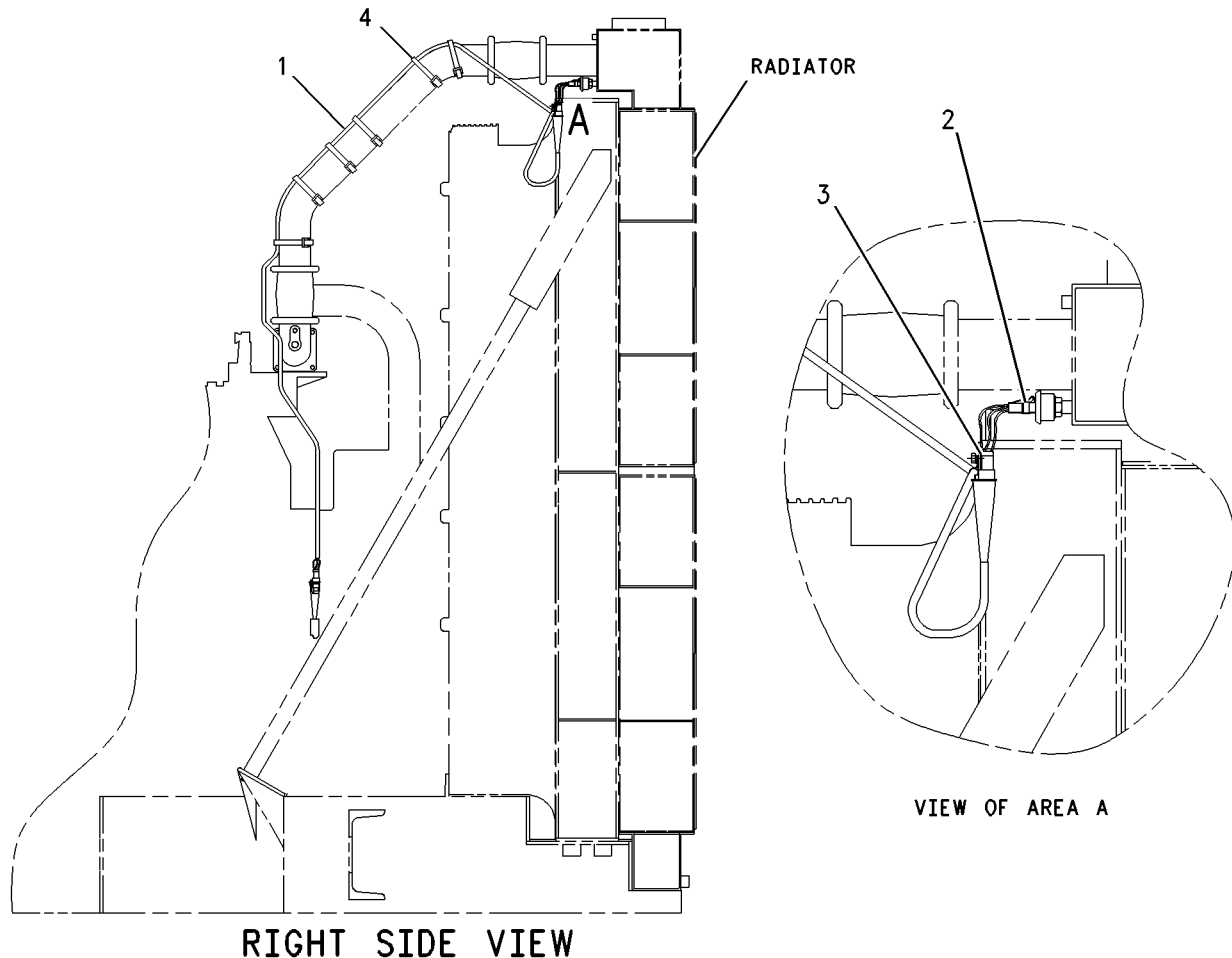
FOR USE WITH SIZE 46 CONVENTIONAL DUAL RADIATORS  
AN ATTACHMENT

SMCS-1353, 7400

i02706468

NOTE	REF NO	GRAPHIC REF	PART NUMBER	QTY	PART NAME						SEE PAGE
					1	2	3	4	5	6 (PRODUCT LEVEL)	
	1	1	121-3355	1	HARNESS AS-SENSOR (COOLANT LEVEL)						
		1	3E-3371	1	WEDGE-RECEPTACLE LOCK (3-PIN)						
		1	155-2260	2	KIT-CONNECTING PLUG (3-PIN) (EACH INCLUDES PLUG AS AND WEDGE)						
		1	102-8803	1	KIT-RECEPTACLE (3-PIN) (INCLUDES RECEPTACLE AS AND WEDGE)						
		1	6I-4347	1	BOOT (4-PIN)						
		1	186-3735	3	PIN-CONNECTOR (16-GA TO 18-GA)						
		1	186-3736	3	SOCKET-CONNECTOR (16-GA TO 18-GA)						
		1	8T-8737	3	PLUG-SEAL						
CY	2	1	204-2518	1	SENSOR GP-COOLANT LEVEL						659
	3	1	4D-7794	2	CLIP						
	4	1	7K-1181	6	STRAP-CABLE						

C-CHANGE FROM PREVIOUS TYPE  
Y-SEPARATE ILLUSTRATION



GRAPHIC #1

<END>

g00757518

# ELECTRICAL AND STARTING SYSTEM

## 121-3356 SENSOR & MTG GP-RADIATOR

S/N: YAT1-UP

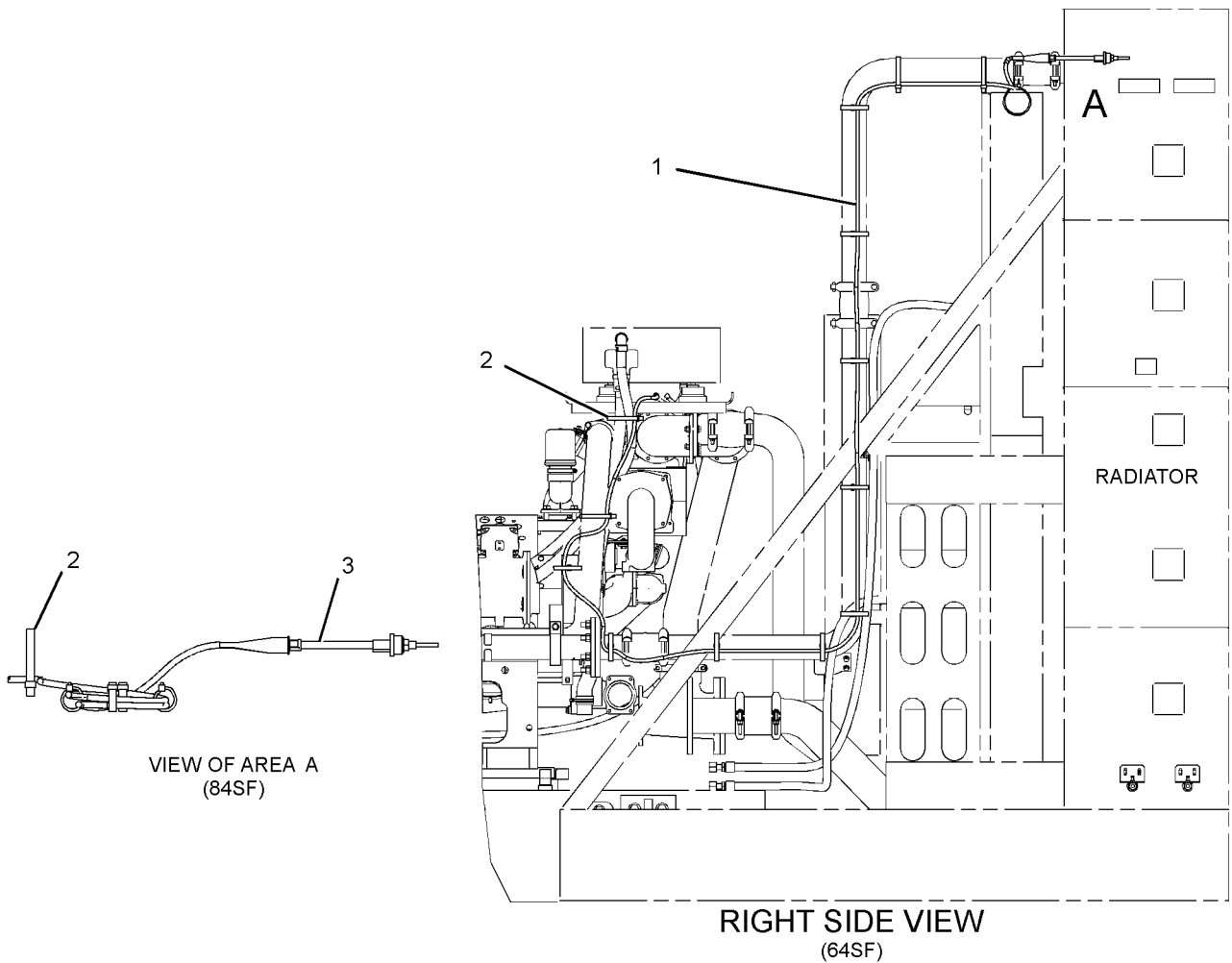
FOR USE WITH SIZE 60 CONVENTIONAL DUAL RADIATORS  
AN ATTACHMENT

SMCS-1353, 7400

i03300500

NOTE	REF NO	GRAPHIC REF	PART NUMBER	QTY	PART NAME						SEE PAGE
					1	2	3	4	5	6 (PRODUCT LEVEL)	
C	1	1	323-1261	1	HARNES AS-SENSOR						
	2	1	7K-1181	7	STRAP-CABLE						
Y	3	1	204-2518	1	SENSOR GP-COOLANT LEVEL						659

C- CHANGE FROM PREVIOUS TYPE  
Y- SEPARATE ILLUSTRATION



GRAPHIC #1

<END>

g01686933

# ELECTRICAL AND STARTING SYSTEM

## 121-3364 SENSOR & MTG GP-RADIATOR

S/N: YAT1-UP

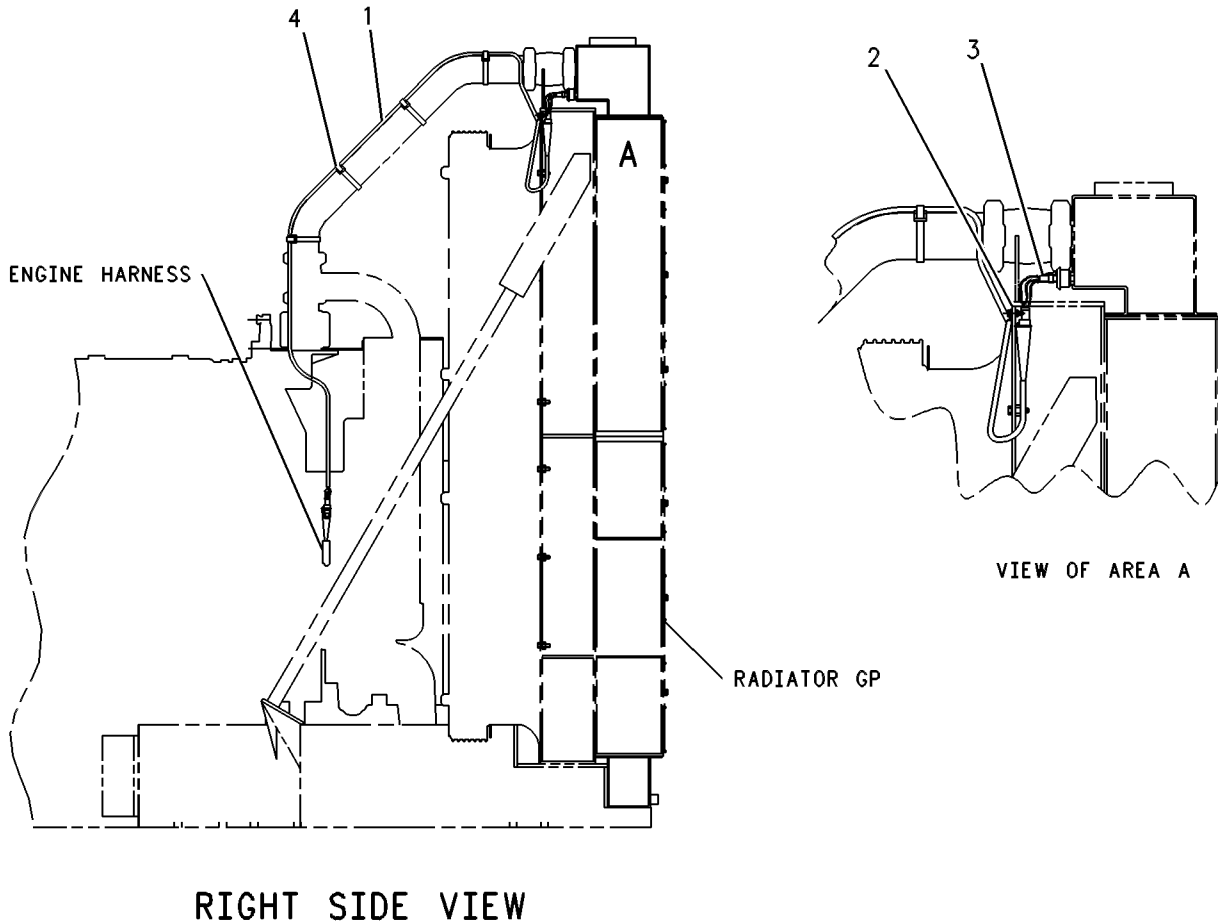
FOR USE WITH SIZE 46 CONVENTIONAL RADIATORS  
AN ATTACHMENT

SMCS-1353, 7400

i02706476

NOTE	REF NO	GRAPHIC REF	PART NUMBER	QTY	PART NAME						SEE PAGE
					1	2	3	4	5	6 (PRODUCT LEVEL)	
	1	1	121-3365	1	HARNES AS-SENSOR (COOLANT LEVEL)						
		1	3E-3371	1	WEDGE-RECEPTACLE LOCK (3-PIN)						
		1	155-2260	2	KIT-CONNECTING PLUG (3-PIN) (EACH INCLUDES PLUG AS AND WEDGE)						
		1	102-8803	1	KIT-RECEPTACLE (3-PIN) (INCLUDES RECEPTACLE AS AND WEDGE)						
		1	6I-4347	1	BOOT (4-PIN)						
		1	186-3735	3	PIN-CONNECTOR (16-GA TO 18-GA)						
		1	186-3736	3	SOCKET-CONNECTOR (16-GA TO 18-GA)						
		1	8T-8737	3	PLUG-SEAL						
	2	1	4D-7794	2	CLIP						
CY	3	1	204-2518	1	SENSOR GP-COOLANT LEVEL						659
	4	1	7K-1181	4	STRAP-CABLE						

C-CHANGE FROM PREVIOUS TYPE  
Y-SEPARATE ILLUSTRATION



RIGHT SIDE VIEW

VIEW OF AREA A

GRAPHIC #1

<END>

g00248757

# ELECTRICAL AND STARTING SYSTEM

## 204-2518 SENSOR GP-COOLANT LEVEL

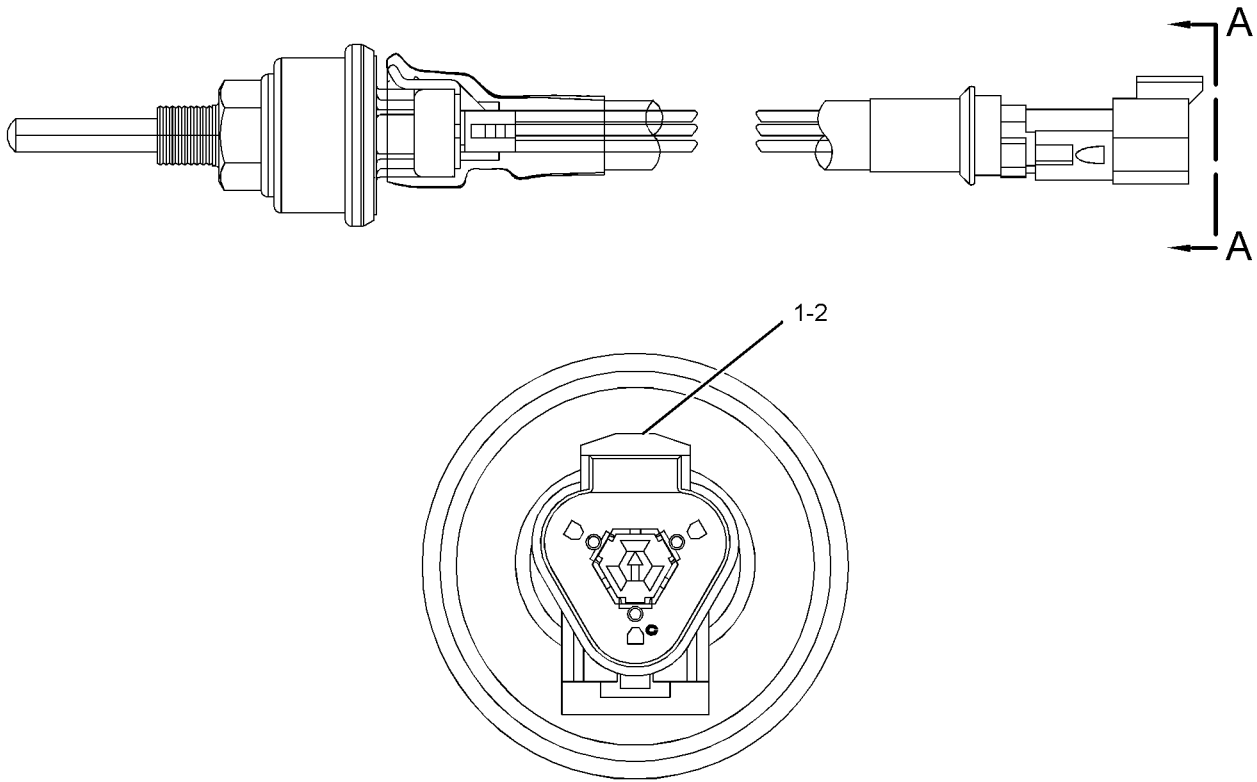
S/N: YAT1-UP

PART OF 121-3354, 121-3356, 121-3364 SENSOR & MTG GP-RADIATOR  
AN ATTACHMENT

SMCS-7422

i02585904

NOTE	REF NO	GRAPHIC REF	PART NUMBER	QTY	PART NAME						SEE PAGE
					1	2	3	4	5	6 (PRODUCT LEVEL)	
	1	1	186-3735	3	PIN-CONNECTOR (16-GA TO 18-GA)						
	2	1	102-8803	1	KIT-RECEPTACLE (3-PIN)						
(INCLUDES RECEPTACLE AS & WEDGE)											



VIEW A-A

GRAPHIC #1

<END>

g01203130

# ELECTRICAL AND STARTING SYSTEM

## 189-5746 SENSOR GP-SPEED

S/N: YAT1-UP

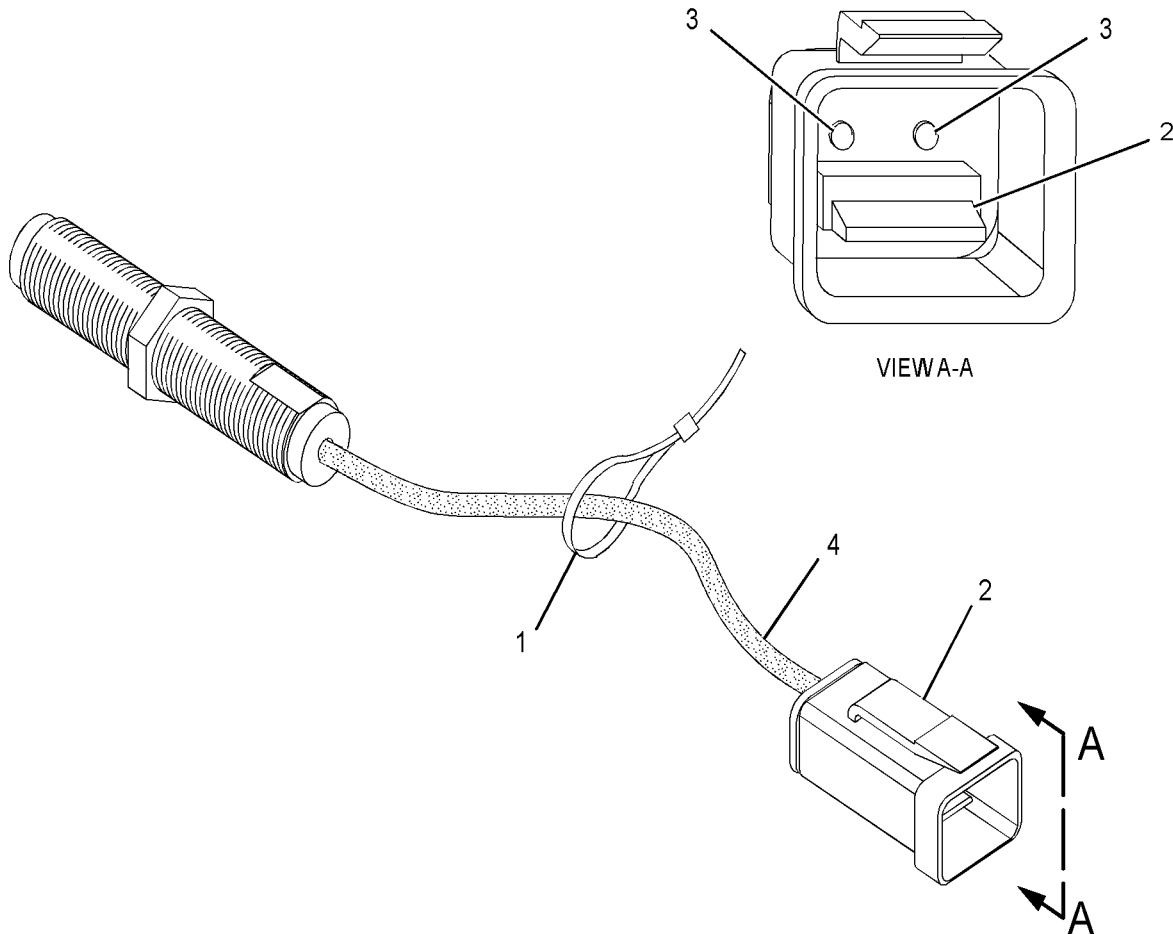
PART OF 237-9016 WIRING GP-ENGINE

SMCS-1907

i03276881

NOTE	REF NO	GRAPHIC REF	PART NUMBER	QTY	PART NAME						SEE PAGE
					1	2	3	4	5	6 (PRODUCT LEVEL)	
	1	1	171-5349	1	STRAP-MARKER						
	2	1	102-8802	1	KIT-RECEPTACLE (2-PIN) (INCLUDES RECEPTACLE AS & WEDGE)						
	3	1	144-1636	2	PIN-CONNECTOR (14-GA TO 18-GA)						
E	4	1	9X-1386		SLEEVE (14-CM)						

E-ORDER BY THE CENTIMETER



GRAPHIC #1

<END>

g01353977



# ELECTRICAL AND STARTING SYSTEM

## 273-5041 SENSOR GP-SPEED

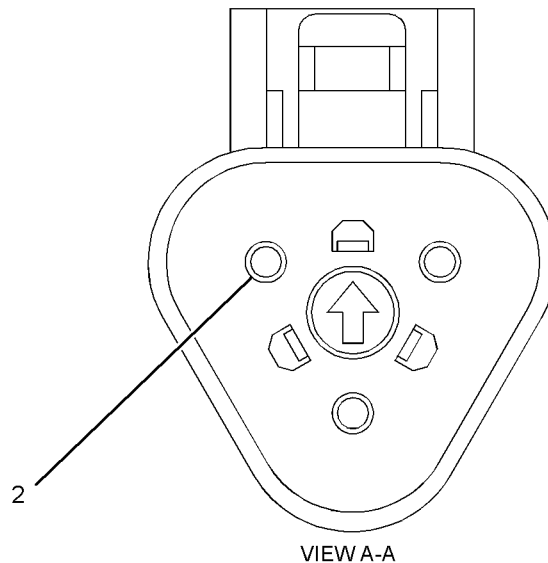
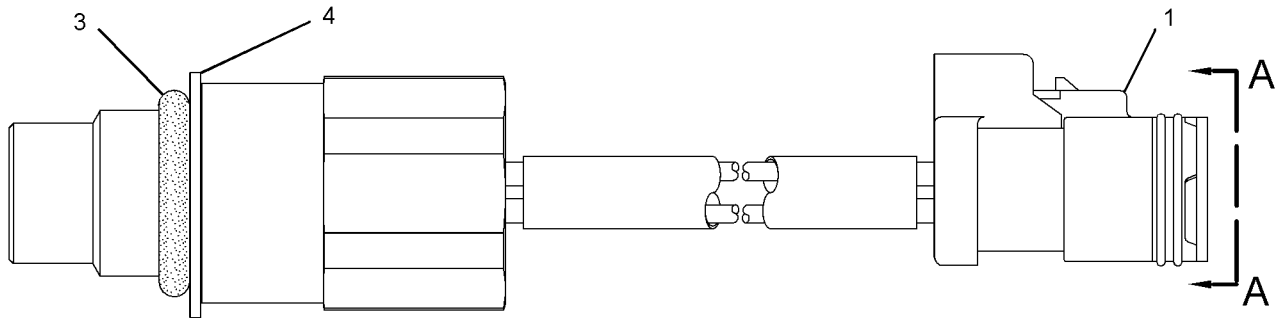
S/N: YAT1-UP

PART OF 237-9016 WIRING GP-ENGINE

SMCS-1907

i02645905

NOTE	REF NO	GRAPHIC REF	PART NUMBER	QTY	PART NAME						SEE PAGE
					1	2	3	4	5	6 (PRODUCT LEVEL)	
	1	1	155-2260	1	KIT-CONNECTING PLUG (3-PIN)						
					(INCLUDES PLUG AS AND WEDGE)						
	2	1	180-9340	3	SOCKET-CONNECTOR (14-GA TO 18-GA)						
	3	1	117-8766	1	SEAL-O-RING						
	4	1	133-1207	1	WASHER (21.1X28.1X0.9-MM THK)						



VIEW A-A

GRAPHIC #1

<END>

g01281337

# ELECTRICAL AND STARTING SYSTEM

## 195-2150 SENSOR GP-TEMPERATURE

S/N: YAT1-UP

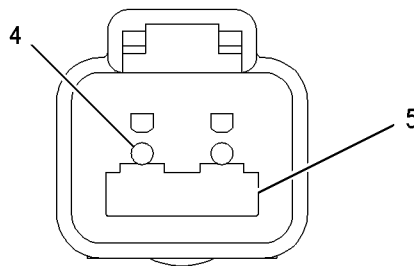
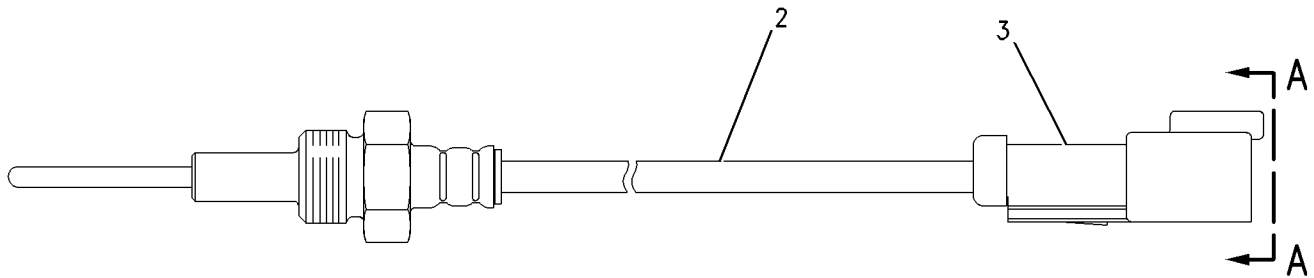
PART OF 259-2168 SENSOR GP-TEMPERATURE  
AN ATTACHMENT

SMCS-1906, 1919, 1921, 1922, 1928, 1929

i02231071

NOTE	REF NO	GRAPHIC REF	PART NUMBER	QTY	PART NAME						SEE PAGE
					1	2	3	4	5	6 (PRODUCT LEVEL)	
BH	2	1	153-5043		SLEEVE (4-DM)						
	3	1	102-8802	1	KIT-RECEPTACLE (2-PIN) (INCLUDES RECEPTACLE AS AND WEDGE)						
	4	1	186-3735	2	PIN-CONNECTOR (16-GA TO 18-GA)						
	5	1	3E-3365	1	WEDGE-RECEPTACLE LOCK (2-PIN)						

B-USE AS REQUIRED  
H-ORDER BY THE DECIMETER



VIEW A-A

GRAPHIC #1

<END>

g00857794

# ELECTRICAL AND STARTING SYSTEM

## 259-2168 SENSOR GP-TEMPERATURE-ENGINE OIL

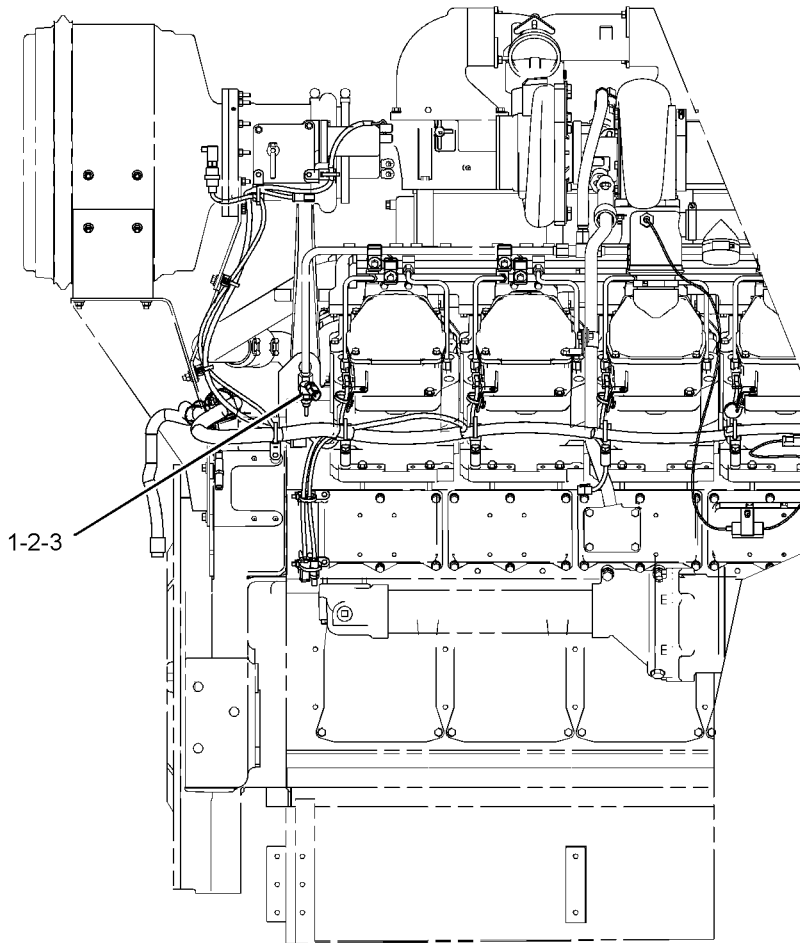
S/N: YAT1-UP  
AN ATTACHMENT

SMCS-1906, 1919, 1921, 1922, 1928, 1929

i02296039

NOTE	REF NO	GRAPHIC REF	PART NUMBER	QTY	PART NAME						SEE PAGE
					1	2	3	4	5	6 (PRODUCT LEVEL)	
	1	1	6V-5049	1	SEAL-O-RING						
	2	1	9X-3271	1	ADAPTER (1/2-14-NPTF-THD)						
Y	3	1	195-2150	1	SENSOR GP-TEMPERATURE (ENGINE OIL)						662

Y-SEPARATE ILLUSTRATION



RIGHT SIDE VIEW

<END>

GRAPHIC #1

g01159945

# ELECTRICAL AND STARTING SYSTEM

## 271-0185 SENSOR GP-TEMPERATURE-GENERATOR BEARING

S/N: G7F1-UP

FOR USE WITH 2-BEARING GENERATOR, 690-FRAME, 820-FRAME  
AN ATTACHMENT

SMCS-1906, 1919, 1921, 1922, 1928, 1929

i02718136

NOTE	PART NUMBER	QTY	PART NAME						SEE PAGE
			1	2	3	4	5	6 (PRODUCT LEVEL)	
	271-0188	1	KIT-WIRING (BEARING TEMPERATURE SENSOR)						
	271-0187	2	SENSOR-TEMPERATURE (GENERATOR BEARING)						
<b>&lt;END&gt;</b>									

# ELECTRICAL AND STARTING SYSTEM

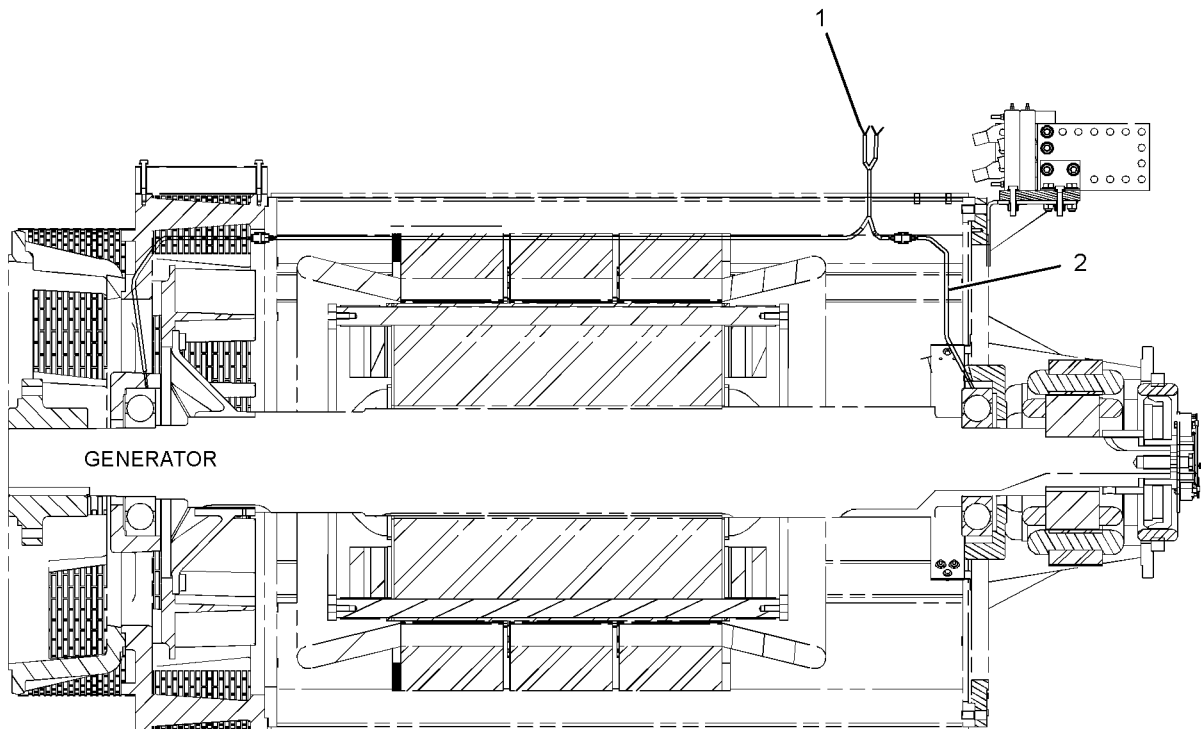
## 326-8058 SENSOR GP-TEMPERATURE-GENERATOR BEARING

S/N: G2E1-UP; G2F1-UP; G7F1-UP; G2G1-UP; G3G1-UP; G7G1-UP; G7H1-UP; G7J1-UP  
 FOR USE WITH 2-BEARING GENERATOR, 1600-FRAME, 1800-FRAME  
 AN ATTACHMENT

SMCS-1906, 1919, 1921, 1922, 1928, 1929

i03401093

NOTE	REF NO	GRAPHIC REF	PART NUMBER	QTY	PART NAME						SEE PAGE
					1	2	3	4	5	6 (PRODUCT LEVEL)	
	1	1	271-0188	1	KIT-WIRING (BEARING TEMPERATURE SENSOR)						
	2	1	326-8060	2	SENSOR-TEMPERATURE (BEARING)						



GRAPHIC #1

<END>

g01649433

# ELECTRICAL AND STARTING SYSTEM

## 326-8059 SENSOR GP-TEMPERATURE-GENERATOR BEARING

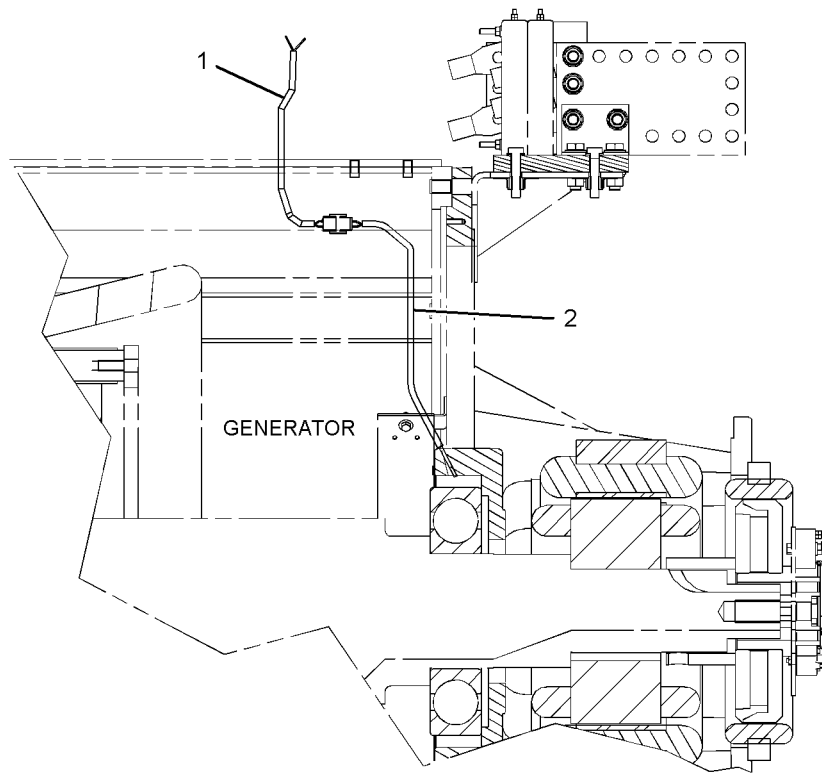
S/N: G2B1-UP; G3C1-UP; G2S1-UP; G1W1-UP; G2W1-UP; G1Y1-UP

FOR USE WITH 1-BEARING GENERATOR, 1600-FRAME  
AN ATTACHMENT

SMCS-1906, 1919, 1921, 1922, 1928, 1929

i03401094

NOTE	REF NO	GRAPHIC REF	PART NUMBER	QTY	PART NAME						SEE PAGE
					1	2	3	4	5	6 (PRODUCT LEVEL)	
	1	1	270-8376	1	KIT-WIRING (BEARING TEMPERATURE SENSOR)						
	2	1	326-8060	1	SENSOR-TEMPERATURE (BEARING)						



RIGHT SIDE VIEW

GRAPHIC #1

<END>

g01660033

# ELECTRICAL AND STARTING SYSTEM

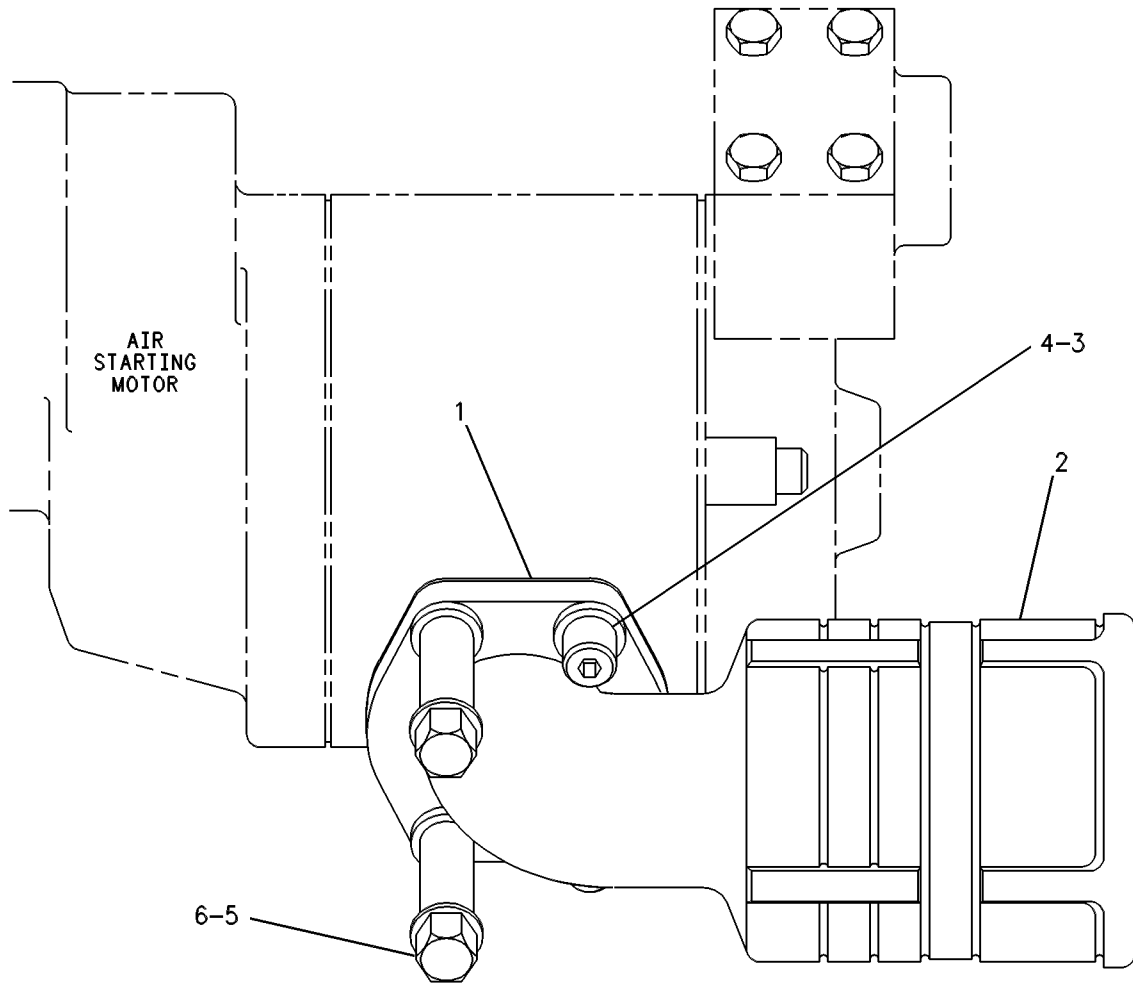
## 112-6597 SILENCER GP-AIR STARTING

S/N: YAT1-UP  
AN ATTACHMENT

SMCS-1468

i02183290

NOTE	REF NO	GRAPHIC REF	PART NUMBER	QTY	PART NAME						SEE PAGE
					1	2	3	4	5	6 (PRODUCT LEVEL)	
	1	1	8N-8452	1	GASKET						
	2	1	107-8769	1	SILENCER-AIR STARTING						
	3	1	5P-8245	6	WASHER-HARD (13.5X25.5X3-MM THK)						
	4	1	141-8596	2	BOLT-SOCKET HEAD (1/2-13X1.25-IN)						
	5	1	1D-4566	2	BOLT (1/2-13X3.5-IN)						
	6	1	1V-7753	2	SPACER (0.546X0.841X1.75-IN THK)						



GRAPHIC #1

<END>

g00261122

# ELECTRICAL AND STARTING SYSTEM

## 141-6747 SOLENOID GP-SHUTOFF-AIR

S/N: YAT1-UP

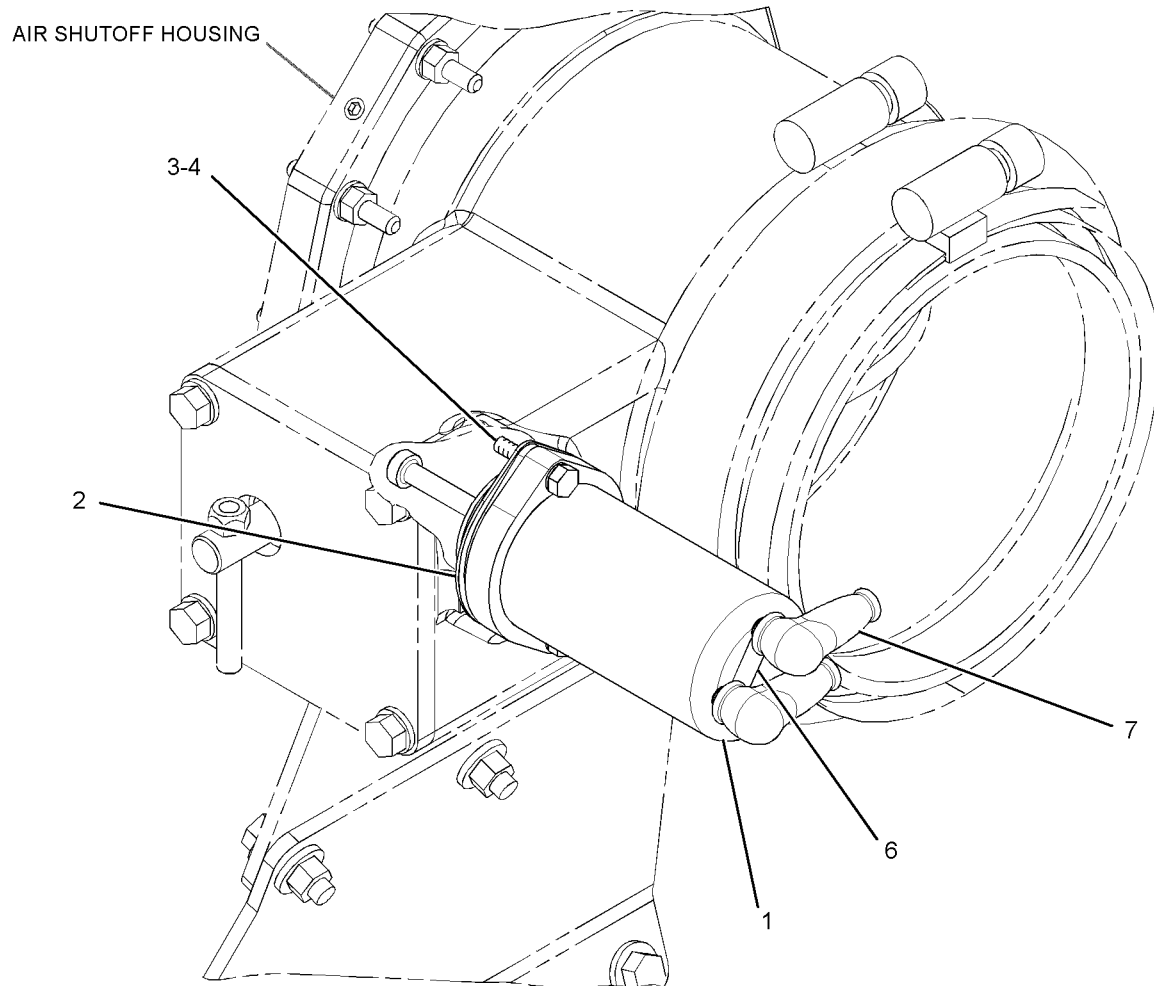
24-VOLT TO 32-VOLT DC

PART OF 113-1324, 208-0823 SHUTOFF GP-AIR  
AN ATTACHMENT

SMCS - 1259

i03292019

NOTE	REF NO	GRAPHIC REF	PART NUMBER	QTY	PART NAME						SEE PAGE
					1	2	3	4	5	6 (PRODUCT LEVEL)	
	1	1	139-1568	1	SOLENOID AS (SHUTOFF)						
		1	2W-6382	1	SHAFT-SOLENOID						
		1	6V-8377	2	NUT (8-32 THD)						
		1	9B-7233	2	LOCKWASHER						
	2	1	8L-3873	1	GASKET						
	3	1	4E-5724	2	WASHER (7X12X1-MM THK)						
	4	1	7B-2742	2	BOLT (1/4-20X1.25-IN)						
	6	1	1W-9070	1	DIODE AS						
	7	1	1H-4560	2	BOOT-SPARK PLUG						



GRAPHIC #1

<END>

g01679737



# ELECTRICAL AND STARTING SYSTEM

## 121-4718 STARTING AID GP-RELAY, SWITCH

S/N: YAT1-UP  
AN ATTACHMENT

SMCS - 1090

i02323263

NOTE	PART NUMBER	QTY	PART NAME	SEE PAGE
			1 2 3 4 5 6 (PRODUCT LEVEL)	
	9D-3721	1	SWITCH-TOGGLE (ETHER STARTING AID)	

<END>

# ELECTRICAL AND STARTING SYSTEM

## 241-1725 STARTING AID GP-ETHER

S/N: YAT1-UP  
AN ATTACHMENT

SMCS-1456

i02193551

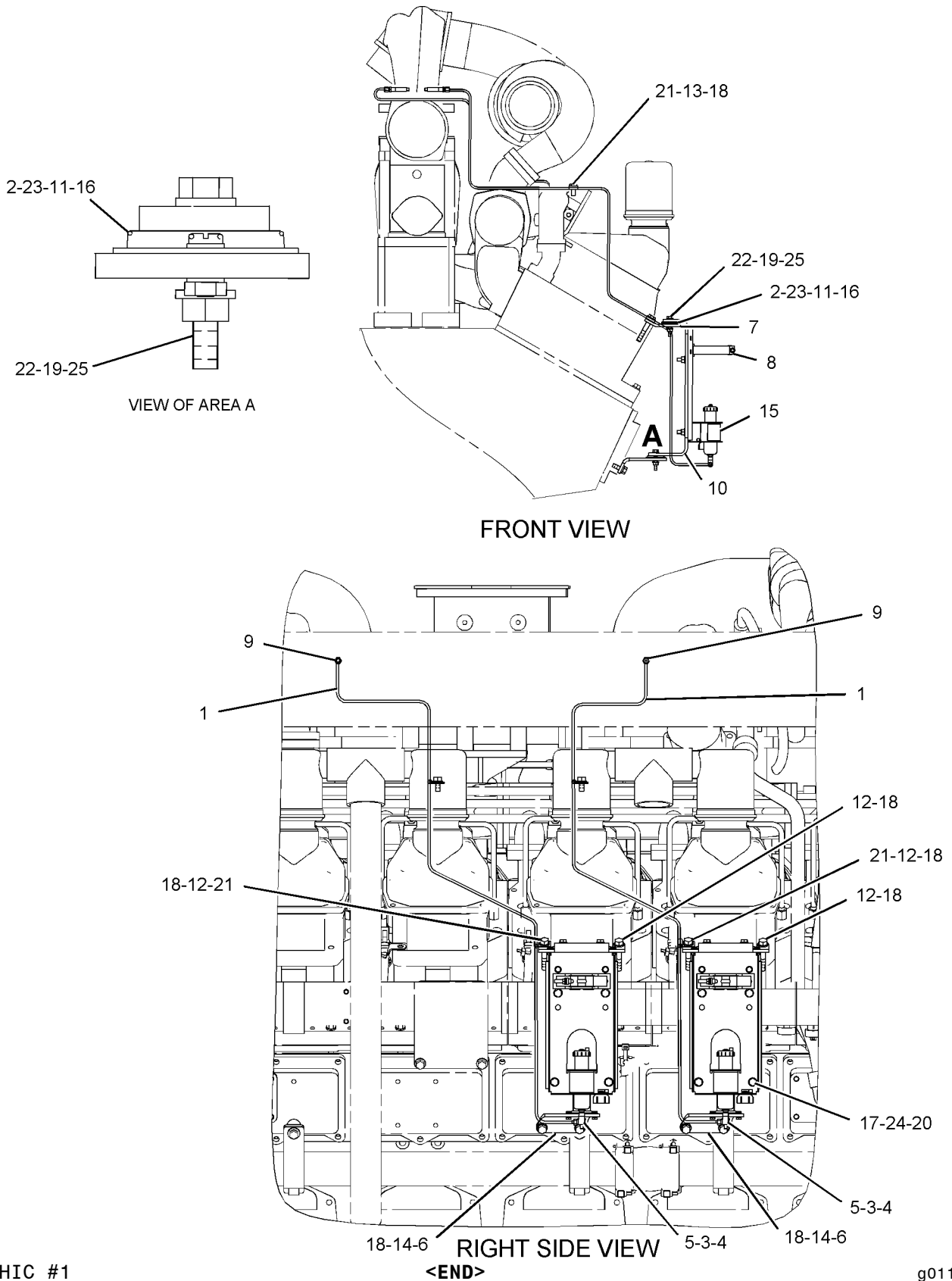
NOTE	REF NO	GRAPHIC REF	PART NUMBER	QTY	PART NAME						SEE PAGE
					1	2	3	4	5	6 (PRODUCT LEVEL)	
	1	1	1N-3416	2	TUBE-STEEL						
	2	1	5N-6645	6	MOUNT-FLEXIBLE						
	3	1	5P-6313	2	NUT (5/16-24-THD)						
	4	1	5P-6314	2	SLEEVE						
	5	1	5P-6315	2	ELBOW-FLARELESS (ETHER)						
	6	1	7C-0347	2	BRACKET						
	7	1	7C-0348	2	BRACKET						
	8	1	7N-2059	2	CLAMP AS						
	9	1	7X-1078	2	NOZZLE AS-ETHER						
	10	1	241-1727	2	BRACKET						
	11	1	096-6166	24	WASHER-HARD (4.5X9X1-MM THK)						
	12	1	0L-2070	4	BOLT (3/8-16X2.25-IN)						
	13	1	0S-0509	2	BOLT (3/8-16X0.75-IN)						
	14	1	0S-1594	4	BOLT (3/8-16X1-IN)						
Y	15	1	235-8824	2	VALVE GP-ETHER STARTING						729
	16	1	4B-2043	12	NUT (8-32-THD)						
	17	1	4B-3388	8	BOLT (5/16-18X1.125-IN)						
	18	1	5M-2894	10	WASHER-HARD (10.2X18.5X2.5-MM THK)						
	19	1	5P-0537	12	WASHER-HARD (7.2X14.5X2-MM THK)						
	20	1	5S-0003	8	NUT (5/16-18-THD)						
	21	1	6V-2686	4	CLIP						
	22	1	7B-8167	6	BOLT (1/4-20X1.625-IN)						
	23	1	7S-1197	12	SCREW-MACHINE (8-32X0.5-IN)						
	24	1	9M-1974	16	WASHER-HARD (8.8X16X2-MM THK)						
	25	1	9S-8750	6	NUT-FULL (1/4-20-THD)						
AF			7X-1062	2	CYLINDER AS-ETHER						

A-NOT PART OF THIS GROUP  
F-NOT SHOWN  
Y-SEPARATE ILLUSTRATION

# ELECTRICAL AND STARTING SYSTEM

241-1725 STARTING AID GP-ETHER (contd.)

i02193551



GRAPHIC #1

<END>

g01110894

# ELECTRICAL AND STARTING SYSTEM

## 7C-3371 STARTING MOTOR GP-AIR-SINGLE

S/N: YAT1-UP

STANDARD ENGINE ROTATION

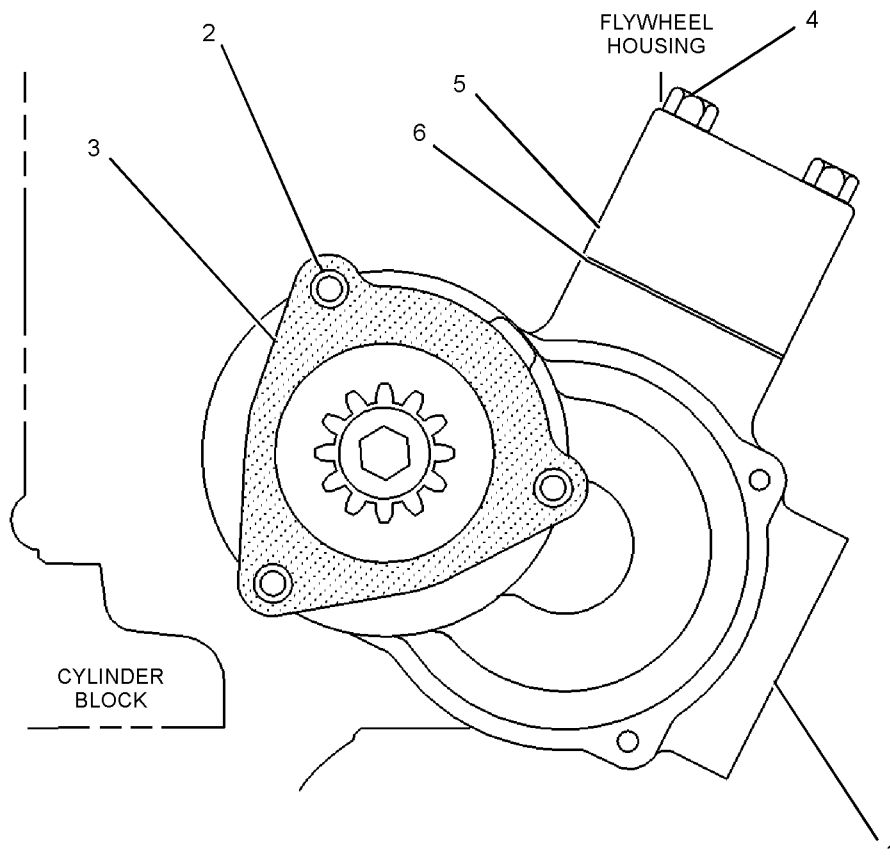
FOR USE WITH SAE "00" FLYWHEEL HOUSING  
AN ATTACHMENT

SMCS-1451

i02436750

NOTE	REF NO	GRAPHIC REF	PART NUMBER	QTY	PART NAME						SEE PAGE
					1	2	3	4	5	6 (PRODUCT LEVEL)	
YR	1	1	<b>7C-3372</b>	1	STARTING MOTOR GP-AIR						673
	2	1	<b>0S-1566</b>	3	BOLT (5/8-11X1.5-IN)						
	3	1	<b>4H-7869</b>	1	GASKET						
	4	1	<b>1D-4566</b>	4	BOLT (1/2-13X3.5-IN)						
	5	1	<b>8N-8446</b>	1	ELBOW						
	6	1	<b>8N-8451</b>	1	GASKET						

R-REMFG PART MAY BE AVAILABLE  
Y-SEPARATE ILLUSTRATION



REAR VIEW

GRAPHIC #1

<END>

g01217301

# ELECTRICAL AND STARTING SYSTEM

## 7C-3372 STARTING MOTOR GP-AIR\*R

S/N: YAT1-UP

PART OF 7C-3371 STARTING MOTOR GP-AIR  
AN ATTACHMENT

SMCS-1451

i03401096

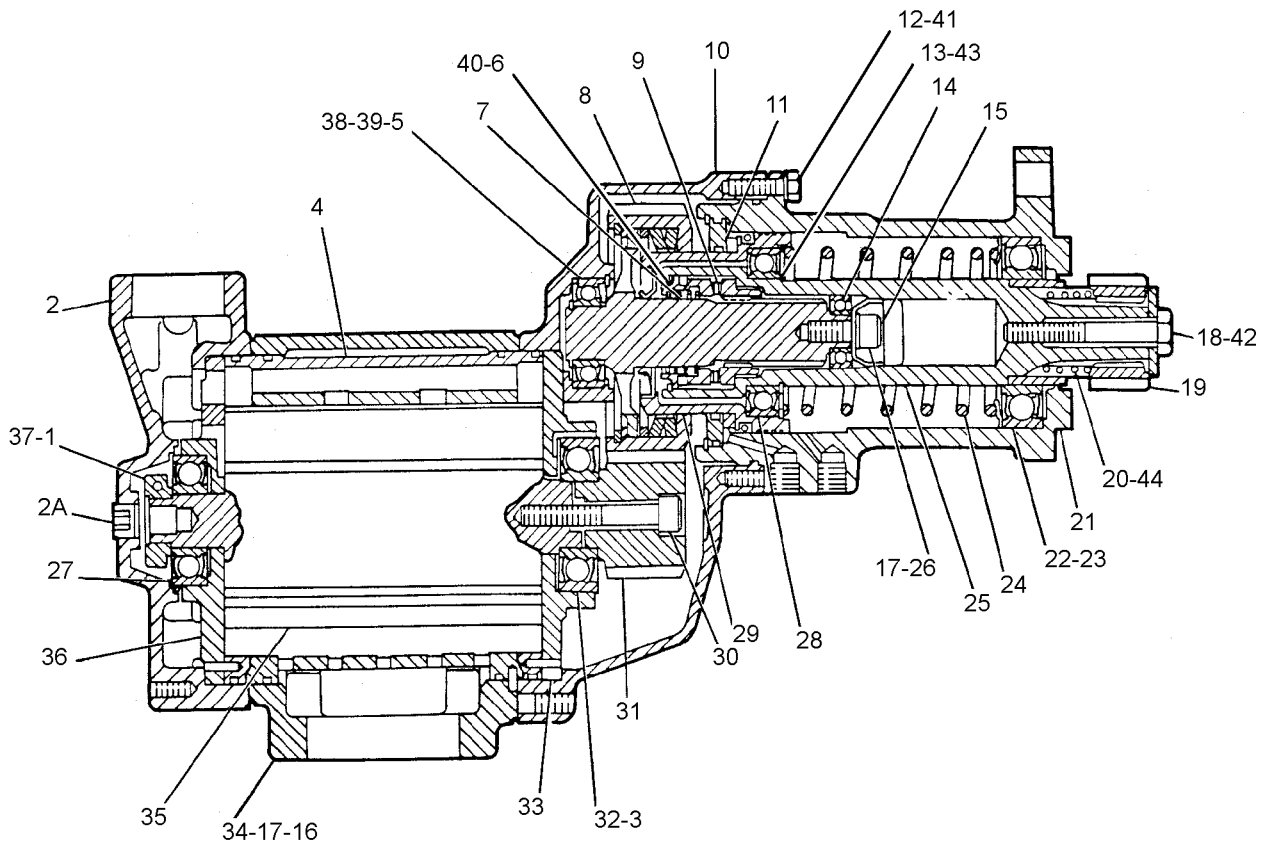
NOTE	REF NO	GRAPHIC REF	PART NUMBER	QTY	PART NAME						SEE PAGE
					1	2	3	4	5	6 (PRODUCT LEVEL)	
M	1	1	096-4833	1	BOLT-SOCKET HEAD (M5X0.8X20-MM)						
	2	1	5N-8363	1	COVER AS						
	2A	1	4D-3118	3	PLUG-PIPE						
	3	1	039-4317	2	WASHER-SPRING						
	4	1	5N-8383	1	CYLINDER						
	5	1	6V-3916	1	BALL BEARING						
	6	1	5N-8375	1	CUP-SPRING						
	7	1	5N-8381	1	SPRING-CLUTCH						
	8	1	2W-6081	1	GEAR AS-DRIVE (37-TEETH)						
	9	1	5N-9574	1	JAW AS-CLUTCH						
	10	1	5N-8387	1	CASE-GEAR						
	11	1	5N-8424	1	BULKHEAD						
M	12	1	6V-3940	8	BOLT (M8X1.25X25-MM)						
	13	1	3J-7719	1	RING-RETAINING (INNER)						
	14	1	7F-8671	1	BALL BEARING						
	15	1	5N-8428	1	WASHER-GEAR (10.1X34X15.5-MM THK)						
M	16	1	5N-8427	4	BOLT-MOTOR (M10X1.5X180-MM)						
	17	1	6V-3959	5	LOCKWASHER						
M	18	1	5N-8403	1	SCREW-PINION (M12X1.25X70-MM)						
	19	1	2W-6078	1	PINION-DRIVE (12-TEETH)						
	20	1	5N-8380	1	SPRING-PINION						
	21	1	2W-6082	1	KIT-DRIVE (AIR STARTING MOTOR)						
					(INCLUDES O-RING, HOUSING, BEARING, SEAL & VENT)						
	22	1	8B-7624	1	BALL BEARING						
	23	1	5N-8379	1	SEAT-SPRING						
	24	1	5N-8372	1	SPRING-RETURN						
	25	1	5N-8384	1	SHAFT-DRIVE						
M	26	1	6V-3938	1	BOLT (M10X1.5X20-MM)						
	27	1	5P-9514	1	BALL BEARING						
	28	1	5N-8377	1	BEARING-DRIVE SHAFT						
	29	1	5N-8373	1	PISTON						
M	30	1	6V-3939	1	BOLT (M12X1.75X60-MM)						
	31	1	5N-8368	1	PINION-ROTOR (17-TEETH)						
	32	1	6V-1394	1	BALL BEARING						
	33	1	5N-8365	1	PLATE-FRONT END						
	34	1	111-4399	1	HOUSING-MOTOR						
	35	1	5N-8388	1	ROTOR						
	36	1	5N-8367	1	PLATE-REAR END						
	37	1	5N-8378	1	NUT-ROTOR CLAMP (M5X0.8-THD)						
	38	1	1L-8497	1	RING-SNAP						
	39	1	6J-7855	1	RING-LOCK						
	40	1	6V-3935	1	RING-RETAINING						
	41	1	3B-4505	8	LOCKWASHER						
	42	1	5N-8425	1	WASHER (12.2X41.5X4.5-MM THK)						
	43	1	6V-3971	1	RING-RETAINING (OUTER)						
	44	1	5N-8374	1	SLEEVE-SPRING						
					AVAILABLE REPAIR KIT(S):						
			5N-8390	1	KIT-SEAL & VANE (AIR STARTING MOTOR)						
					(INCLUDES PINS, O-RINGS, SEALS, VANE, RETAINER & PISTON BUMPERS)						

M-METRIC PART

# ELECTRICAL AND STARTING SYSTEM

7C-3372 STARTING MOTOR GP-AIR (contd.)

i03401096



GRAPHIC #1

<END>

g01454609

# ELECTRICAL AND STARTING SYSTEM

## 3T-2646 STARTING MOTOR GP-ELECTRIC

S/N: YAT1-UP

24-VOLT

PART OF 7C-0527 STARTING MOTOR GP-ELECTRIC

FIELD REPLACEMENT ORDER 6N-1889-PAGE 675

AN ATTACHMENT

SMCS-1453

i00883571

NOTE	PART NUMBER	QTY	PART NAME						SEE PAGE
			1	2	3	4	5	6 (PRODUCT LEVEL)	
Y	3T-4704	1	SOLENOID AS-STARTING MOTOR						
Y	7T-0797	1	STARTING MOTOR GP-ELECTRIC						685
			-OR-						
Y	8C-3645	1	STARTING MOTOR GP-ELECTRIC						690
Y-SEPARATE ILLUSTRATION									

<END>

## 6N-1889 STARTING MOTOR GP-ELECTRIC\*R

S/N: YAT1-UP

24-VOLT

FIELD REPLACEMENT ORDER 6V-5539-PAGE 679. FIELD REPLACEMENT FOR

3T-2646-PAGE 675

SMCS-1453

i01068440

NOTE	PART NUMBER	QTY	PART NAME						SEE PAGE
			1	2	3	4	5	6 (PRODUCT LEVEL)	
Y	8C-3644	1	STARTING MOTOR GP-ELECTRIC						687
			-OR-						
Y	7T-0794	1	STARTING MOTOR GP-ELECTRIC						683
			-OR-						
Y	9X-4452	1	STARTING MOTOR GP-ELECTRIC						694
Y-SEPARATE ILLUSTRATION									

<END>

# ELECTRICAL AND STARTING SYSTEM

## 6V-0927 STARTING MOTOR GP-ELECTRIC

S/N: YAT1-UP

24-VOLT

PART OF 8N-3896 STARTING MOTOR GP-ELECTRIC

FIELD REPLACEMENT ORDER 237-1962-PAGE 700

AN ATTACHMENT

SMCS-1453

i02881131

NOTE	REF NO	GRAPHIC REF	PART NUMBER	QTY	PART NAME						SEE PAGE
					1	2	3	4	5	6 (PRODUCT LEVEL)	
	1	1	7M-0326	1	CONNECTOR						
	2	1	9H-3757	2	WASHER (0.516X1X0.094-IN THK)						
	3	1	1S-7446	3	SCREW-MACHINE (8-32X0.437-IN)						
	4	1	8C-9660	3	WASHER (4.6X7.9X0.8-MM THK)						
	5	1	9S-2544	9	SCREW-HEX HEAD (8-32X11.13-MM)						
	6	1	7M-0327	1	WASHER-THRUST (17.4X25.4X1.6-MM THK)						
	7	1	3T-3418	1	FRAME AS-END						
		1	3T-3423	1	CUP						
		1	9G-4101	1	BUSHING-END						
		1	3T-3424	1	PLUG-FELT						
	8	1	3T-9525	1	PLATE AS-BRUSH						
	8A	1	6T-0371	1	INSULATOR						
	8B	1	5P-6298	12	SCREW-MACHINE (10-32X0.5-IN)						
		1	9F-5599	12	LOCKWASHER						
	8C	1	7F-3525	6	WASHER-BUSHING (0.207X0.39X0.09-IN THK)						
	8D	1	6T-0372	1	PLATE						
	8E	1	3T-4709	3	PLATE						
	8F	1	2L-6679	3	PLATE-INSULATOR						
	8G	1	3T-4710	3	PLATE						
	8H	1	6T-0363	6	HOLDER AS-BRUSH (STARTING MOTOR)						
					(EACH INCLUDES)						
	8J	1	3T-9494	1	SPRING (STARTING MOTOR BRUSH)						
	9	1	7F-3491	2	WASHER (0.516X1X0.094-IN THK)						
	10	1	3T-3422	1	WIRE AS						
	11	1	2J-8163	2	SEAL-O-RING						
	12	1	7X-3373	1	BOLT (5/16-18X0.88-IN)						
B	13	1	3T-3434	6	PLUG						
	14	1	5J-5314	5	BOLT (5/16-18X1.5-IN)						
	15	1	3L-3380	1	BUSHING-TERMINAL						
	16	1	036-9821	1	WASHER						
	17	1	4M-1828	1	RETAINER-SPRING						
	18	1	306-3998	1	BOOT-RUBBER						
	19	1	4M-1827	1	RETAINER-SPRING						
	20	1	9M-7609	1	SPRING (SHIFT LEVER)						
	21	1	8C-3089	1	SEAL-O-RING						
	22	1	4M-1853	1	LEVER AS-SHIFT						
	23	1	5M-3034	1	LOCKNUT (5/16-24-THD)						
	24	1	7L-2894	4	GASKET						
	25	1	4M-1831	4	PLUG-LEVER HOUSING						
	26	1	4M-1854	1	SHAFT-LEVER						
	27	1	1H-1023	1	SEAL-O-RING						
	28	1	2D-6392	1	SEAL-O-RING						
	29	1	7T-3974	1	HOUSING AS-DRIVE						
	30	1	6N-3826	1	DRIVE AS-MOTOR						
	31	1	2H-3429	2	RING-RETAINING (EXTERNAL)						
	32	1	6V-1322	4	BOLT (1/4-20X0.375-IN)						
	33	1	8T-4205	4	WASHER-HARD (7.2X14.5X2-MM THK)						
	34	1	6N-3279	1	INSULATOR						
	35	1	036-9823	13	BOLT (1/4-28X1-IN)						
	36	1	1M-9971	1	SPACER (0.835X1.72X0.188-IN THK)						
	37	1	1H-2629	3	STRIP-INSULATION						
	38	1	7M-0324	1	COIL AS-FIELD						
	39	1	3R-8797	12	SCREW & WASHER AS (3/8-24X0.72-IN)						



# ELECTRICAL AND STARTING SYSTEM

6V-0927 STARTING MOTOR GP-ELECTRIC (contd.)

i02881131

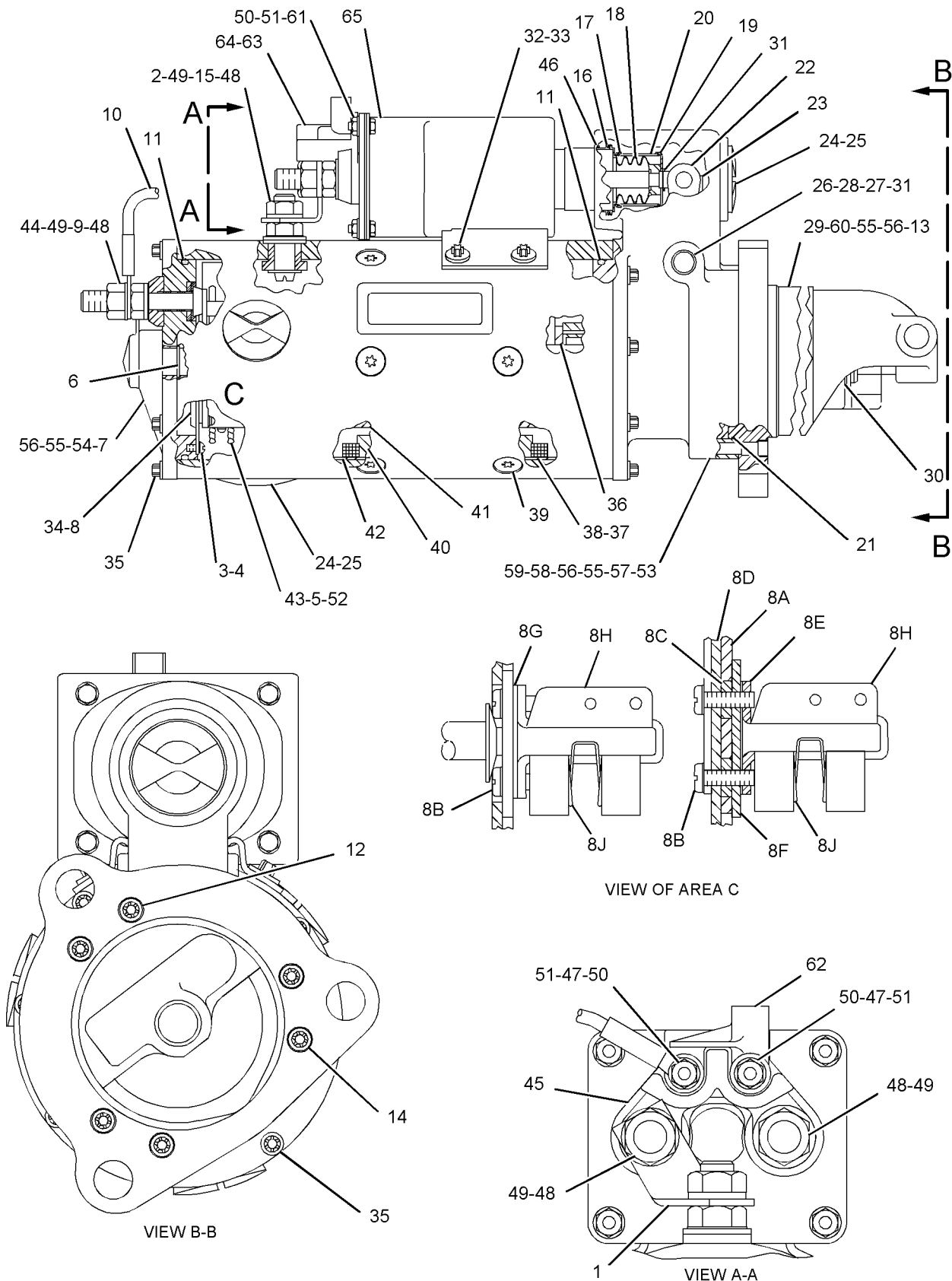
NOTE	REF NO	GRAPHIC REF	PART NUMBER	QTY	PART NAME						SEE PAGE
					1	2	3	4	5	6 (PRODUCT LEVEL)	
	40	1	7F-3488	6	SHOE-POLE						
	41	1	7M-8651	1	ARMATURE AS						
	42	1	7M-0325	1	INSULATOR						
	43	1	3T-9524	6	BRUSH AS (STARTING MOTOR)						
	44	1	3N-3763	1	KIT-TERMINAL (STARTING MOTOR)						
					(INCLUDES INSULATOR, BUSHINGS AND WASHER)						
	45	1	125-6537	1	INSULATOR						
	46	1	3R-8801	1	CLAMP						
	47	1	8F-1434	2	LOCKWASHER						
	48	1	6V-8188	6	NUT (1/2-13-THD)						
	49	1	7X-0562	6	WASHER-HARD (13.5X19X0.8-MM THK)						
	50	1	4B-2049	6	NUT (10-32-THD)						
	51	1	8T-0328	10	WASHER-HARD (5.5X10X1-MM THK)						
	52	1	3T-9494	6	SPRING (STARTING MOTOR BRUSH)						
	53	1	3E-7771	1	HOUSING AS (STARTING MOTOR)						
	54	1	9G-4101	1	BUSHING-END						
	55	1	3T-3424	3	PLUG-FELT						
	56	1	3T-3423	3	CUP						
	57	1	1M-9968	1	BUSHING						
	58	1	2F-6678	1	SEAL-LIP TYPE						
	59	1	4L-2729	1	WASHER (0.844X1.9X0.188-IN THK)						
	60	1	4M-1896	1	BUSHING-TERMINAL						
	61	1	045-4065	4	SCREW-MACHINE (10-32X0.75-IN)						
	62	1	125-6535	1	COVER-STARTING MOTOR						
	63	1	7T-9123	1	GASKET-PLATE						
	64	1	125-6536	1	TERMINAL AS						
	65	1	318-2082	1	SOLENOID AS-STARTING MOTOR (24-VOLT)						

B-USE AS REQUIRED

# ELECTRICAL AND STARTING SYSTEM

6V-0927 STARTING MOTOR GP-ELECTRIC (contd.)

i02881131



GRAPHIC #1

<END>

g01092038

# ELECTRICAL AND STARTING SYSTEM

## 6V-5539 STARTING MOTOR GP-ELECTRIC

S/N: YAT1-UP

24-VOLT

FIELD REPLACEMENT ORDER 207-1556-PAGE 698. FIELD REPLACEMENT FOR  
3T-2646-PAGE 675: FOR 6N-1889-PAGE 675: FOR 8C-3644-PAGE 687: FOR  
7T-0794-PAGE 683

SMCS-1453

i01625397

NOTE	PART NUMBER	QTY	PART NAME						SEE PAGE
			1	2	3	4	5	6 (PRODUCT LEVEL)	
Y	6V-5582	1	STARTING MOTOR GP-ELECTRIC						680
			-OR-						
YR	106-8554	1	STARTING MOTOR GP-ELECTRIC						696
R-REMG PART MAY BE AVAILABLE									
Y-SEPARATE ILLUSTRATION									

<END>

# ELECTRICAL AND STARTING SYSTEM

## 6V-5582 STARTING MOTOR GP-ELECTRIC

S/N: YAT1-UP

24-VOLT

PART OF 6V-5539 STARTING MOTOR GP-ELECTRIC

FIELD REPLACEMENT ORDER 207-1556-PAGE 698

SMCS-1453

i02656360

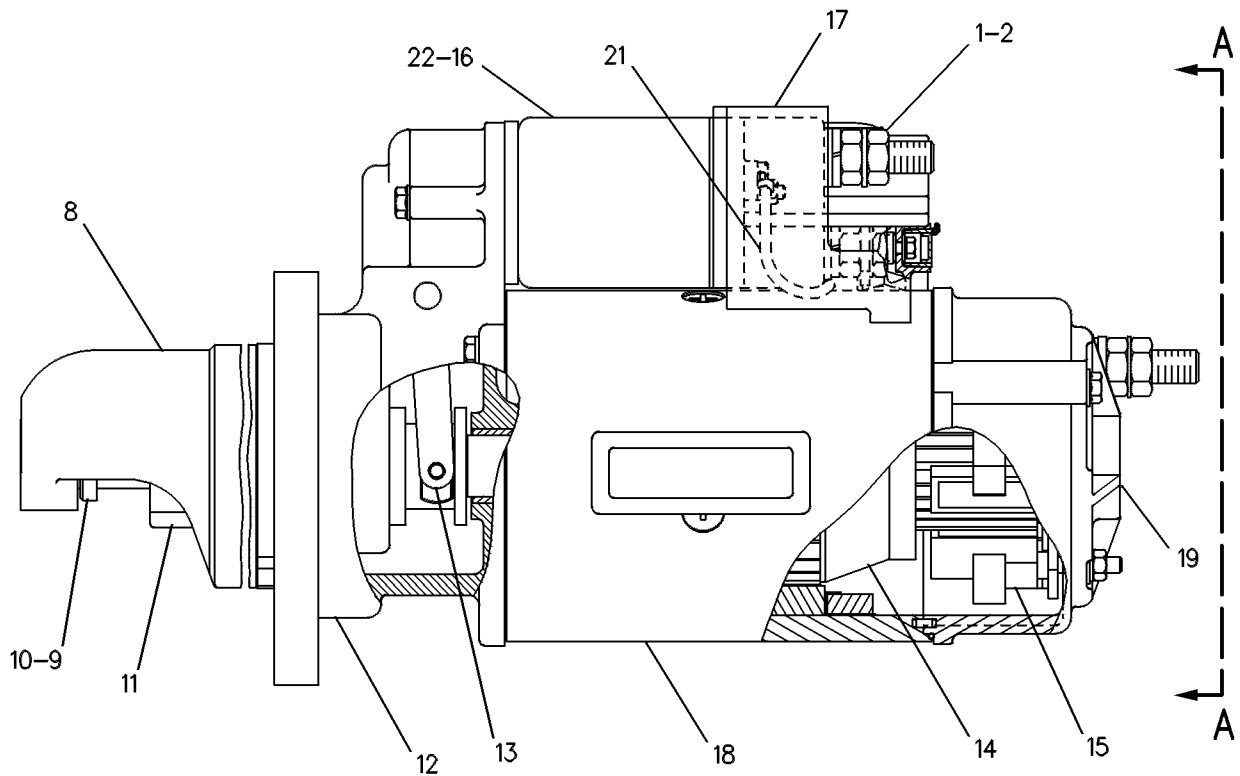
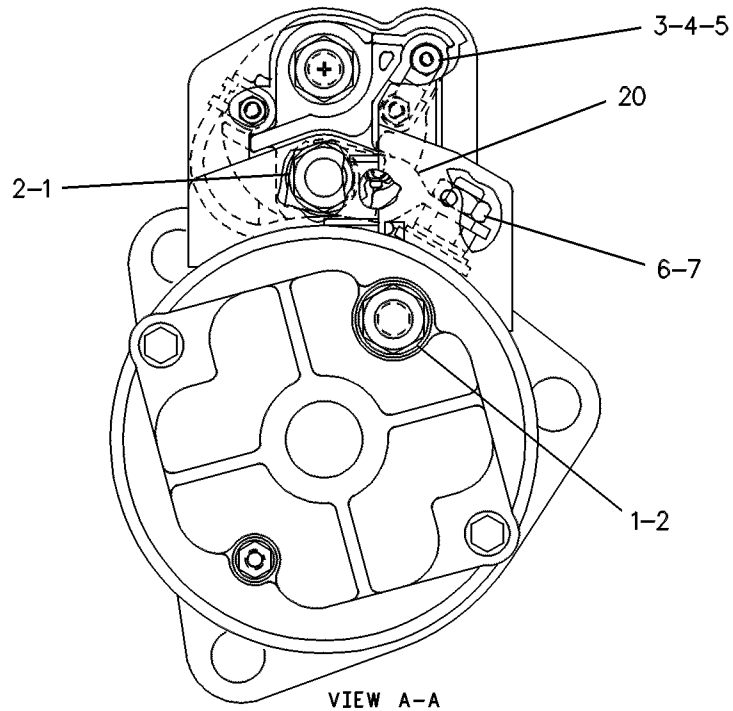
NOTE	REF NO	GRAPHIC REF	PART NUMBER	QTY	PART NAME						SEE PAGE
					1	2	3	4	5	6 (PRODUCT LEVEL)	
	1	1	6V-8188	3	NUT (1/2-13-THD)						
	2	1	7X-0562	3	WASHER-HARD (13.5X19X0.8-MM THK)						
	3	1	4B-2049	1	NUT (10-32-THD)						
	4	1	8F-1434	1	LOCKWASHER						
	5	1	8T-0328	1	WASHER-HARD (5.5X10X1-MM THK)						
M	6	1	8T-4133	1	NUT (M10X1.5-THD)						
	7	1	8T-4121	1	WASHER-HARD (11X21X2.5-MM THK)						
	8	1	3E-0142	1	HOUSING AS						
	9	1	3E-0141	1	STOP-STARTING MOTOR						
	10	1	4N-7521	1	RING-LOCK						
	11	1	3E-0146	1	DRIVE AS-STARTING MOTOR						
	12	1	3E-0144	1	HOUSING AS						
	13	1	3E-0140	1	LEVER AS-STARTING MOTOR						
	14	1	3E-0138	1	ARMATURE AS (24-VOLT)						
	15	1	3E-0137	1	HOLDER AS-BRUSH (STARTING MOTOR)						
	16	1	3E-0135	1	SOLENOID AS (24-VOLT) (STARTING MOTOR)						
	17	1	3E-0125	1	COVER AS-STARTING MOTOR						
	18	1	3E-0139	1	HOUSING AS						
	19	1	3E-0136	1	HOUSING AS						
	20	1	3E-0132	1	CONNECTOR						
	21	1	3E-0133	1	WIRE AS-STARTING MOTOR						
	22	1	3E-0134	1	COVER-PLUNGER						
					AVAILABLE REPAIR KIT(S):						
			3E-0127	1	KIT-BEARING (STARTING MOTOR) (INCLUDES BEARINGS, SEAL & BUSHING)						
			3E-0128	1	KIT-BRUSH (STARTING MOTOR) (INCLUDES O-RINGS, SCREW, SPRING & BRUSH)						
			3E-0129	1	KIT-HARDWARE (STARTING MOTOR) (INCLUDES WASHERS, BOLTS, LOCKWASHERS, NUTS, BUSHINGS & PLATE)						
			3E-0145	1	KIT-STARTING MOTOR PIN (INCLUDES O-RINGS, SHAFT & RING)						
			3E-0130	1	KIT-STARTING MOTOR SEAL (INCLUDES SEAL & O-RINGS)						
			3E-0131	1	KIT-WASHER (STARTING MOTOR) (INCLUDES WASHERS)						

M-METRIC PART

# ELECTRICAL AND STARTING SYSTEM

6V-5582 STARTING MOTOR GP-ELECTRIC (contd.)

i02656360



GRAPHIC #1

<END>

g00084516

# ELECTRICAL AND STARTING SYSTEM

## 7C-0527 STARTING MOTOR GP-ELECTRIC-DUAL

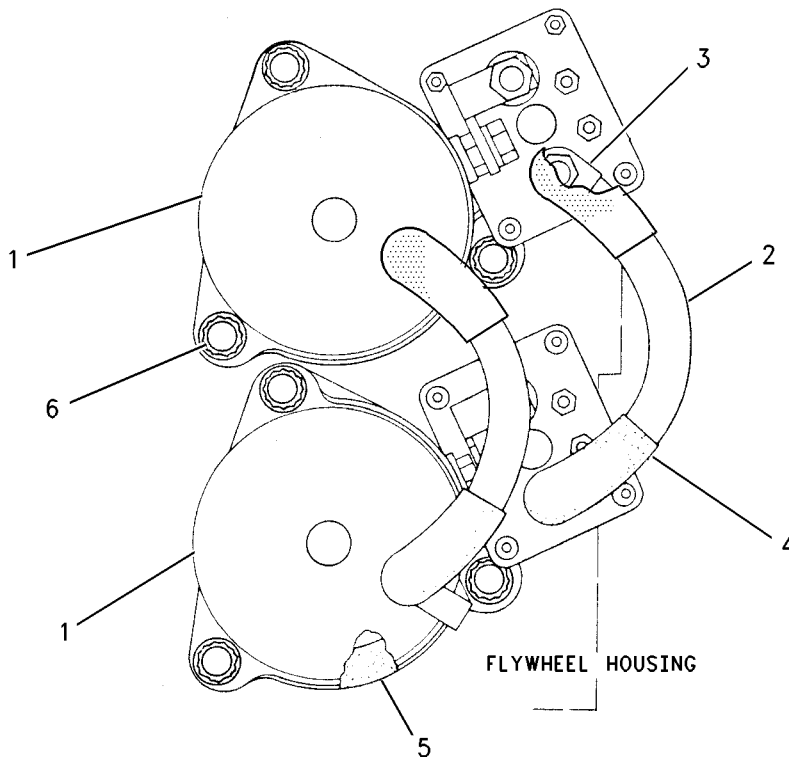
S/N: YAT1-UP  
24-VOLT  
AN ATTACHMENT

SMCS-1453

i01818594

NOTE	REF NO	GRAPHIC REF	PART NUMBER	QTY	PART NAME						SEE PAGE
					1	2	3	4	5	6 (PRODUCT LEVEL)	
Y	1	1	3T-2646	2	STARTING MOTOR GP-ELECTRIC						675
	2	1	7L-5887	2	CABLE AS (0000-GA) (EACH INCLUDES)						
BE		1	5P-0745		CABLE (0000-GA)						
	3	1	3L-7634	2	TERMINAL-RING (0000-GA, 0.5-IN)						
	4	1	3L-7604	4	SHIELD-TERMINAL						
	5	1	4N-1059	2	GASKET						
	6	1	7J-8902	6	BOLT-12 POINT HEAD (5/8-11X1.5-IN)						

B-USE AS REQUIRED  
E-ORDER BY THE CENTIMETER  
Y-SEPARATE ILLUSTRATION



FRONT VIEW

GRAPHIC #1

<END>

g00928305

# ELECTRICAL AND STARTING SYSTEM

## 7T-0794 STARTING MOTOR GP-ELECTRIC

S/N: YAT1-UP

24-VOLT

PART OF 6N-1889 STARTING MOTOR GP-ELECTRIC

FIELD REPLACEMENT ORDER 6V-5539-PAGE 679

SMCS-1453

i02463068

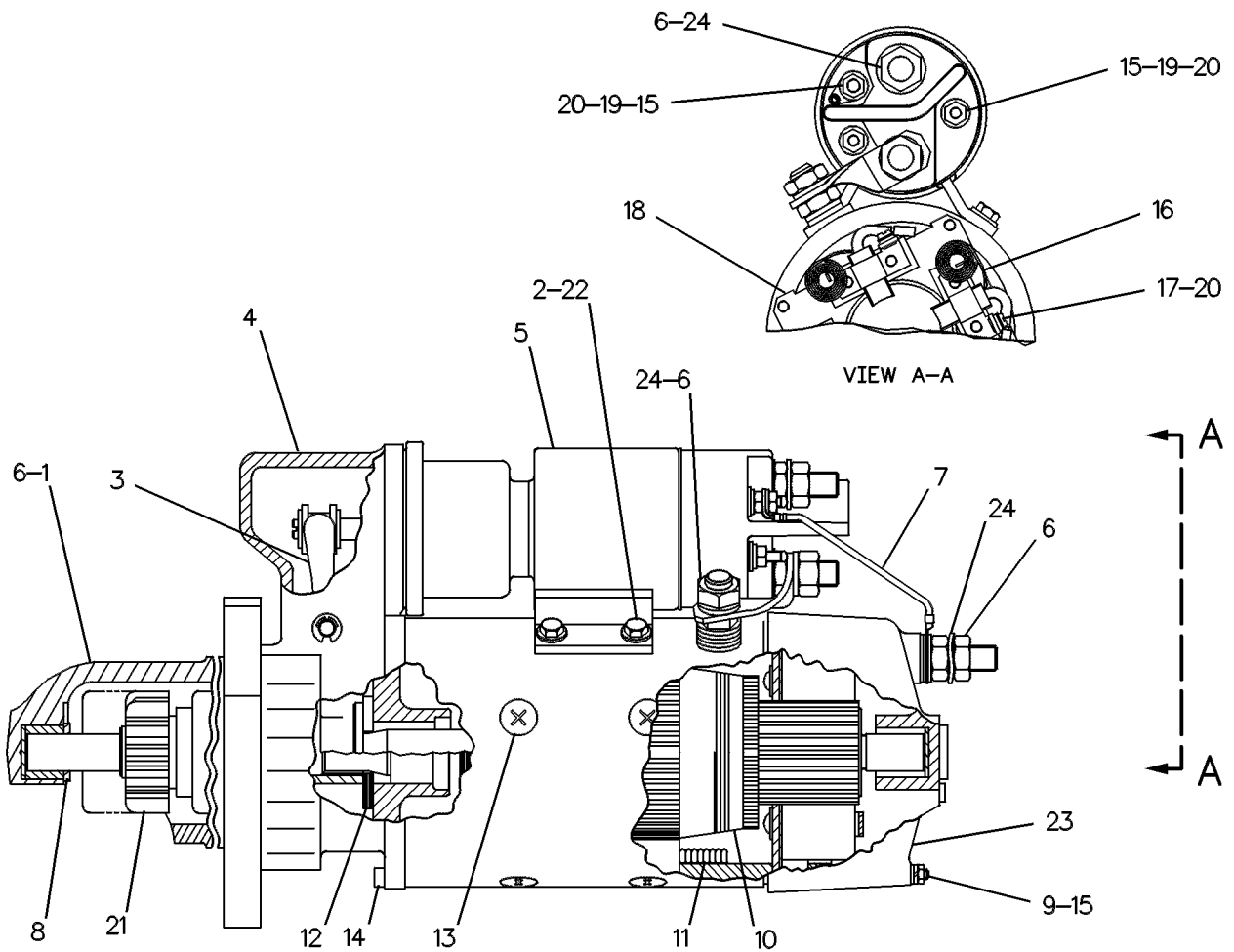
NOTE	REF NO	GRAPHIC REF	PART NUMBER	QTY	PART NAME						SEE PAGE
					1	2	3	4	5	6 (PRODUCT LEVEL)	
	1	1	3T-7022	1	HOUSING AS-DRIVE						
	2	1	8T-4205	4	WASHER-HARD (7.2X14.5X2-MM THK)						
	3	1	3T-0863	1	LEVER-SHIFT						
	4	1	3T-0864	1	HOUSING AS-LEVER						
		1	3T-0842	1	BEARING AS						
	5	1	9X-0332	1	KIT-SOLENOID (STARTING MOTOR) (INCLUDES SOLENOID AS, WIRE, BAR, NUT & LOCKWASHERS)						
M	6	1	8T-4244	4	NUT (M12X1.75-THD)						
	7	1	3T-4716	1	WIRE AS						
	8	1	3T-7020	1	WASHER (19.5X30X1.5-MM THK)						
	9	1	3T-0847	4	SCREW (M5X10-THD, M5X13-THD)						
	10	1	3T-0867	1	ARMATURE AS						
	11	1	3T-0865	1	COIL AS-FIELD						
	12	1	3T-7021	1	PLATE-BRAKE						
M	13	1	3T-0850	8	SCREW (M10X1.5-THD)						
M	14	1	3T-0849	12	BOLT-SOCKET HEAD (M6X1X25-MM)						
M	15	1	5C-2874	6	NUT (M5X0.8-THD)						
	16	1	3T-0858	4	SPRING						
M	17	1	6V-9673	4	SCREW-MACHINE (M5X0.8X12-MM)						
	18	1	3T-0862	1	PLATE AS-BRUSH						
	19	1	8F-1434	2	LOCKWASHER						
	20	1	8T-0328	6	WASHER-HARD (5.5X10X1-MM THK)						
	21	1	4N-4405	1	CLUTCH AS-DRIVE						
M	22	1	8T-4970	4	BOLT (M6X1X14-MM)						
	23	1	3T-7025	1	COVER-END						
	24	1	7X-0562	4	WASHER-HARD (13.5X19X0.8-MM THK)						
					AVAILABLE REPAIR KIT(S):						
			3T-0844	1	KIT-BRUSH (STARTING MOTOR) (INCLUDES BRUSHES)						
			3T-2768	1	KIT-SEAL (STARTING MOTOR) (INCLUDES SEALS & RINGS)						
			3T-2769	1	KIT-HARDWARE (STARTING MOTOR) (INCLUDES WIRE AS, NUTS, WASHERS, LOCKWASHERS, BUSHING & BAR)						
			3T-7017	1	KIT-BEARING (STARTING MOTOR) (INCLUDES BEARINGS, SEAL, & SPACERS)						
			7T-2339	1	KIT-LEVER (STARTING MOTOR) (INCLUDES LEVER, CLIP & SEALS)						

M-METRIC PART

# ELECTRICAL AND STARTING SYSTEM

7T-0794 STARTING MOTOR GP-ELECTRIC (contd.)

i02463068



GRAPHIC #1

<END>

g00114670



# ELECTRICAL AND STARTING SYSTEM

## 7T-0797 STARTING MOTOR GP-ELECTRIC

S/N: YAT1-UP

PART OF 3T-2646 STARTING MOTOR GP-ELECTRIC  
AN ATTACHMENT

SMCS-1453

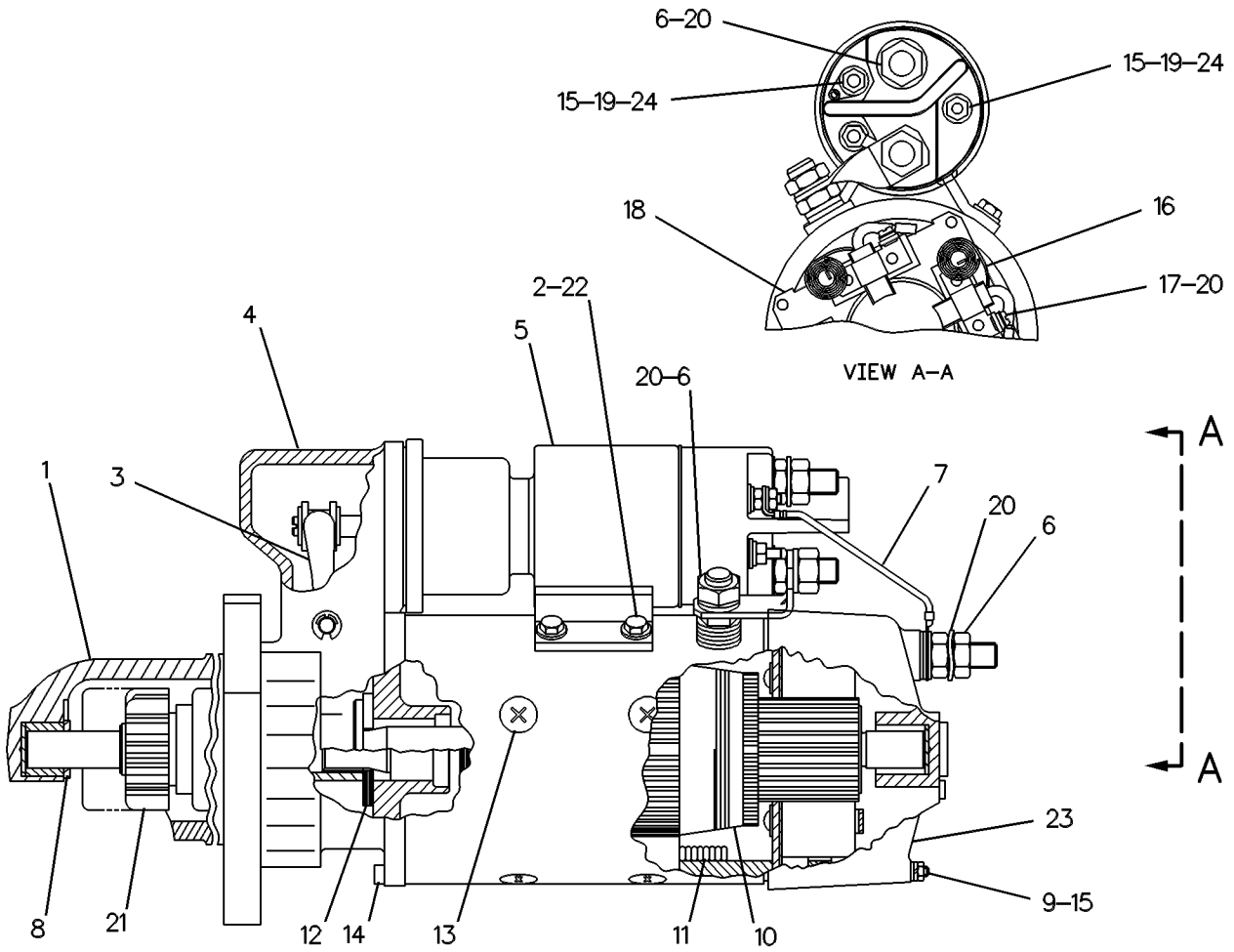
i00651580

NOTE	REF NO	GRAPHIC REF	PART NUMBER	QTY	PART NAME						SEE PAGE
					1	2	3	4	5	6 (PRODUCT LEVEL)	
	1	1	3T-7022	1	HOUSING AS-DRIVE						
	2	1	8T-4205	4	WASHER-HARD (7.2X14.5X2-MM THK)						
	3	1	3T-0863	1	LEVER-SHIFT						
	4	1	3T-0864	1	HOUSING AS-LEVER						
		1	3T-0842	1	BEARING AS						
	5	1	9X-0332	1	KIT-SOLENOID						
M	6	1	8T-4244	4	NUT (M12X1.75-THD)						
	7	1	3T-4716	1	WIRE AS						
	8	1	3T-7020	1	WASHER (19.5X30X1.5-MM THK)						
	9	1	3T-0847	4	SCREW (M5X10-THD, M5X13-THD)						
	10	1	3T-0867	1	ARMATURE AS						
	11	1	3T-0865	1	COIL AS-FIELD						
	12	1	3T-7021	1	PLATE-BRAKE						
M	13	1	3T-0850	8	SCREW (M10X1.5-THD)						
M	14	1	3T-0849	12	BOLT-SOCKET HEAD (M6X1X25-MM)						
M	15	1	5C-2874	6	NUT (M5X0.8-THD)						
	16	1	3T-0858	4	SPRING						
M	17	1	6V-9673	4	SCREW-MACHINE (M5X0.8X12-MM)						
	18	1	3T-0862	1	PLATE AS-BRUSH						
	19	1	8T-0328	6	WASHER-HARD (5.5X10X1-MM THK)						
	20	1	7X-0562	4	WASHER-HARD (13.5X19X0.8-MM THK)						
	21	1	4N-4405	1	CLUTCH AS-DRIVE						
M	22	1	8T-4970	4	BOLT (M6X1X14-MM)						
	23	1	3T-7025	1	COVER-END						
	24	1	8F-1434	2	LOCKWASHER						
					AVAILABLE REPAIR KIT(S):						
			3T-0844	1	KIT-BRUSH (INCLUDES BRUSHES)						
			3T-2768	1	KIT-SEAL (INCLUDES SEALS & RINGS)						
			3T-2769	1	KIT-HARDWARE (STARTING MOTOR)						
					(INCLUDES WIRE AS, NUTS, WASHERS, LOCKWASHERS, BUSHING & BAR)						
			3T-7017	1	KIT-BEARING						
					(INCLUDES BEARINGS, SEAL, & SPACERS)						
			7T-2339	1	KIT-LEVER (INCLUDES LEVER, CLIP & SEALS)						
M-METRIC PART											

# ELECTRICAL AND STARTING SYSTEM

7T-0797 STARTING MOTOR GP-ELECTRIC (contd.)

i00651580



GRAPHIC #1

<END>

g00238681

# ELECTRICAL AND STARTING SYSTEM

## 8C-3644 STARTING MOTOR GP-ELECTRIC

S/N: YAT1-UP

24-VOLT

PART OF 6N-1889 STARTING MOTOR GP-ELECTRIC

FIELD REPLACEMENT ORDER 6V-5539-PAGE 679

SMCS-1453

i02096100

NOTE	REF NO	GRAPHIC REF	PART NUMBER	QTY	PART NAME						SEE PAGE
					1	2	3	4	5	6 (PRODUCT LEVEL)	
	1	1	5S-7349	4	BOLT (1/4-20X0.5-IN)						
	2	1	7L-2894	1	GASKET						
	3	1	2H-3429	1	RING-RETAINING						
	4	1	4B-2049	2	NUT (10-32-THD)						
	5	1	8F-1434	2	LOCKWASHER						
	6	1	7T-3271	1	CONNECTOR						
	7	1	8T-4205	4	WASHER-HARD (7.2X14.5X2-MM THK)						
	8	1	036-9823	5	BOLT (1/4-28X1-IN)						
	9	1	7T-3277	1	COIL AS-FIELD						
	10	1	3F-0379	8	SCREW-POLE SHOE (3/8-24-THD)						
	11	1	7T-3276	1	ARMATURE AS (24-VOLT)						
	12	1	8H-1141	4	SHOE-POLE						
	13	1	7T-3454	1	INSULATOR						
	14	1	7T-3279	1	HOUSING AS						
	15	1	7T-3278	1	HOLDER AS-BRUSH (STARTING MOTOR)						
	16	1	3T-3422	1	WIRE AS						
	17	1	8T-8566	1	TERMINAL AS						
	18	1	3T-3434	6	PLUG						
	19	1	6V-8188	4	NUT (1/2-13-THD)						
	20	1	7X-0562	4	WASHER-HARD (13.5X19X0.8-MM THK)						
	21	1	8T-0328	2	WASHER-HARD (5.5X10X1-MM THK)						
	22	1	7T-3451	1	KIT-INSULATOR (TERMINAL)						
	23	1	8T-8569	1	INSULATOR-TERMINAL						
	24	1	9X-9511	1	SOLENOID AS (24-VOLT) (STARTING MOTOR)						
	25	1	036-9821	1	WASHER						
	26	1	7T-3269	1	BOOT						
	27	1	7T-3270	1	PLUNGER AS						
	28	1	9M-7609	1	SPRING (SHIFT LEVER)						
	29	1	4M-1828	1	RETAINER-SPRING						
	30	1	4M-1827	1	RETAINER-SPRING						
	31	1	4M-1831	1	PLUG-LEVER HOUSING						
	32	1	7T-3973	1	HOUSING AS-LEVER						
	33	1	7T-3974	1	HOUSING AS-DRIVE						
	34	1	7X-3373	6	BOLT (5/16-18X0.88-IN)						
	35	1	6N-3826	1	DRIVE AS-MOTOR						
Z	36	1		1	HOUSING						
JZ	37	1		4	SPRING						
JZ	38	1		4	BRUSH						
JZ	39	1		4	SCREW						
JPZ	40	1		6	SCREW AS						
JPZ	41	1		1	SEAL (O-RING)						
LZ	42	1		3	INSULATOR						
LZ		1		1	BUSHING						
NZ	43	1		1	LEVER AS						
NZ	44	1		1	LEVER AS						
NPZ	45	1		1	NUT						
NPZ	46	1		1	SEAL (O-RING)						
PZ	47	1		1	SEAL (O-RING)						
NZ	48	1		1	RETAINER						
PZ	49	1		1	GASKET (WASHER)						
PZ	50	1		1	BUSHING						
PZ	51	1		2	CUP (PLUG)						
PZ	52	1		1	CUP (PLUG)						
PZ	53	1		1	PLUG						

# ELECTRICAL AND STARTING SYSTEM

**8C-3644 STARTING MOTOR GP-ELECTRIC (contd.)**

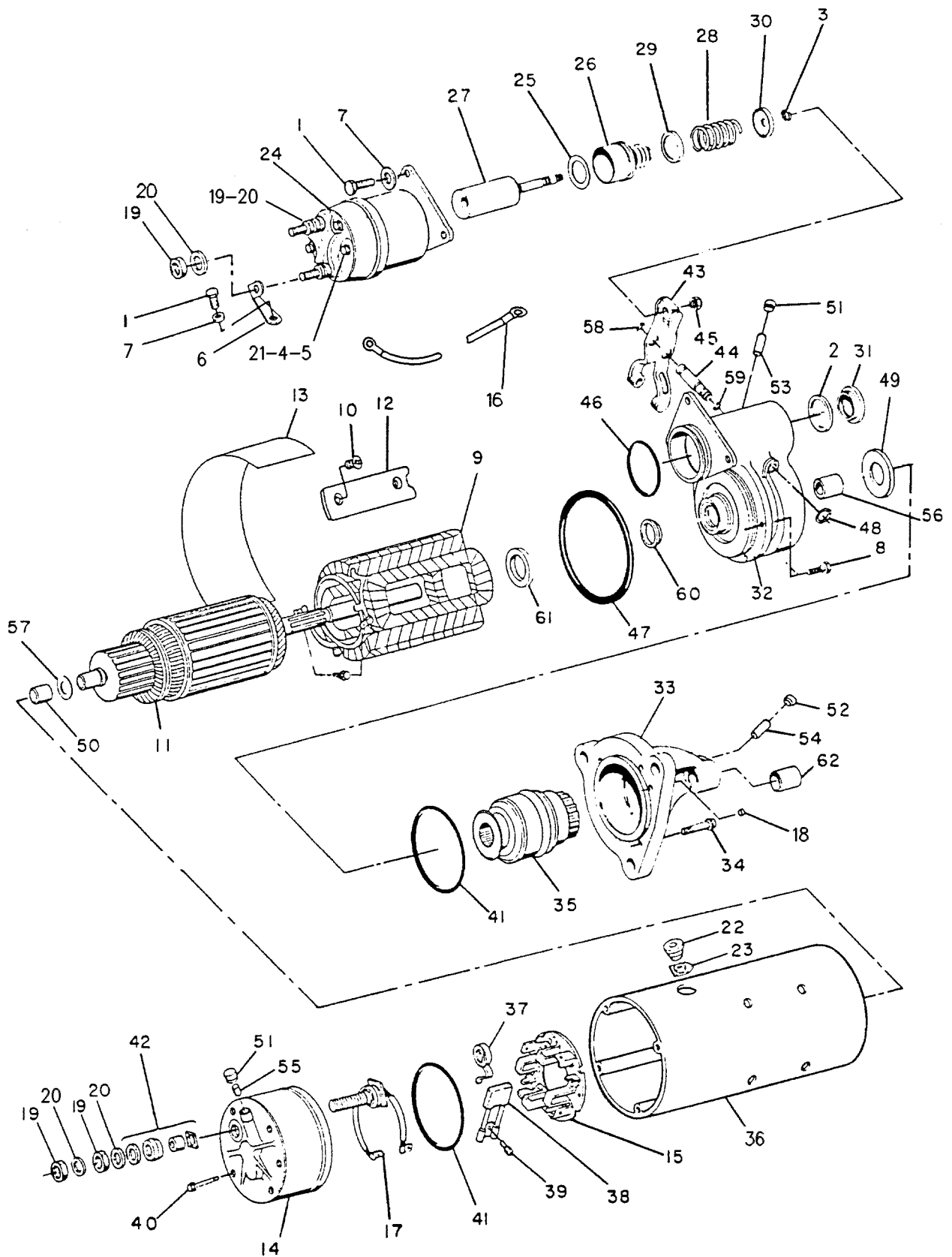
**i02096100**

NOTE	REF NO	GRAPHIC REF	PART NUMBER	QTY	PART NAME						SEE PAGE
					1	2	3	4	5	6 (PRODUCT LEVEL)	
PZ	54	1		1	PLUG						
PZ	55	1		1	PLUG						
PZ	56	1		1	BUSHING						
PZ	57	1		1	WASHER						
NZ	58	1		1	SEAL (O-RING)						
NZ	59	1		1	SEAL (O-RING)						
PZ	60	1		1	RETAINER (SEAL)						
PZ	61	1		1	SPACER						
PZ	62	1		1	BUSHING						
AVAILABLE REPAIR KIT(S):											
J			<b>8C-3655</b>	1	KIT-BRUSH (STARTING MOTOR) (INCLUDES SEAL, BRUSHES, SPRINGS AND SCREWS)						
P			<b>7T-3267</b>	1	KIT-BUSHING (STARTING MOTOR) (INCLUDES BUSHINGS, SEALS, GASKET, CUP, WICKS AND SPACER)						
N			<b>7T-3268</b>	1	KIT-LEVER (STARTING MOTOR) (INCLUDES LEVER ASSEMBLIES, SEALS, GASKET, NUT AND RETAINER)						
L			<b>8T-9884</b>	1	KIT-INSULATOR (STARTING MOTOR) (INCLUDES INSULATORS AND BUSHING)						
J-KIT MARKED J INCLUDES PART(S) MARKED J L-KIT MARKED L INCLUDES PART(S) MARKED L N-KIT MARKED N INCLUDES PART(S) MARKED N P-KIT MARKED P INCLUDES PART(S) MARKED P Z-NOT SERVICED SEPARATELY											

# ELECTRICAL AND STARTING SYSTEM

8C-3644 STARTING MOTOR GP-ELECTRIC (contd.)

i02096100



GRAPHIC #1

<END>

g00114671

# ELECTRICAL AND STARTING SYSTEM

## 8C-3645 STARTING MOTOR GP-ELECTRIC

S/N: YAT1-UP

24-VOLT

PART OF 3T-2646 STARTING MOTOR GP-ELECTRIC

AN ATTACHMENT

SMCS-1453

i01829200

NOTE	REF NO	GRAPHIC REF	PART NUMBER	QTY	PART NAME						SEE PAGE
					1	2	3	4	5	6 (PRODUCT LEVEL)	
	1	1	5S-7349	4	BOLT (1/4-20X0.5-IN)						
	2	1	7L-2894	1	GASKET						
	3	1	2H-3429	1	RING-RETAINING						
	4	1	4B-2049	2	NUT (10-32-THD)						
	5	1	8F-1434	2	LOCKWASHER						
	6	1	7T-3271	1	CONNECTOR						
	7	1	8T-4205	4	WASHER-HARD (7.2X14.5X2-MM THK)						
	8	1	036-9823	5	BOLT (1/4-28X1-IN)						
	9	1	7T-3277	1	COIL AS-FIELD						
	10	1	3F-0379	8	SCREW-POLE SHOE (3/8-24-THD)						
	11	1	7T-3276	1	ARMATURE AS (24-VOLT)						
	12	1	8H-1141	4	SHOE-POLE						
	13	1	7T-3454	1	INSULATOR						
	14	1	7T-3279	1	HOUSING AS						
	15	1	7T-3278	1	HOLDER AS-BRUSH (STARTING MOTOR)						
	16	1	3T-3422	1	WIRE AS						
	17	1	8T-8566	1	TERMINAL AS						
	18	1	8T-0328	2	WASHER-HARD (5.5X10X1-MM THK)						
	19	1	6V-8188	4	NUT (1/2-13-THD)						
	20	1	7X-0562	4	WASHER-HARD (13.5X19X0.8-MM THK)						
	21	1	7X-3373	6	BOLT (5/16-18X0.88-IN)						
	22	1	7T-3451	1	KIT-INSULATOR (TERMINAL)						
	23	1	8T-8569	1	INSULATOR-TERMINAL						
	24	1	9X-9511	1	SOLENOID AS (24-VOLT) (STARTING MOTOR)						
	25	1	036-9821	1	WASHER						
	26	1	7T-3269	1	BOOT						
	27	1	7T-3270	1	PLUNGER AS						
	28	1	9M-7609	1	SPRING (SHIFT LEVER)						
	29	1	4M-1828	1	RETAINER-SPRING						
	30	1	4M-1827	1	RETAINER-SPRING						
	31	1	4M-1831	1	PLUG-LEVER HOUSING						
	32	1	7T-3973	1	HOUSING AS-LEVER						
	33	1	7T-3974	1	HOUSING AS-DRIVE						
	34	1	3T-3434	6	PLUG						
	35	1	6N-3826	1	DRIVE AS-MOTOR						
Z		1			HOUSING						
JZ	37	1		4	SPRING						
JZ	38	1		4	BRUSH						
JZ	39	1		4	SCREW						
JPZ	40	1		6	SCREW AS						
JPZ	41	1		1	SEAL (O-RING)						
LZ	42	1		3	INSULATOR						
LZ		1		1	BUSHING						
NZ	43	1		1	LEVER AS						
NZ	44	1		1	LEVER AS						
NPZ	45	1		1	NUT						
NPZ	46	1		1	SEAL (O-RING)						
PZ	47	1		1	SEAL (O-RING)						
NZ	48	1		1	RETAINER						
PZ	49	1		1	GASKET (WASHER)						
PZ	50	1		1	BUSHING						
PZ	51	1		2	CUP (PLUG)						
PZ	52	1		1	CUP (PLUG)						
PZ	53	1		1	PLUG						

# ELECTRICAL AND STARTING SYSTEM

**8C-3645 STARTING MOTOR GP-ELECTRIC (contd.)**

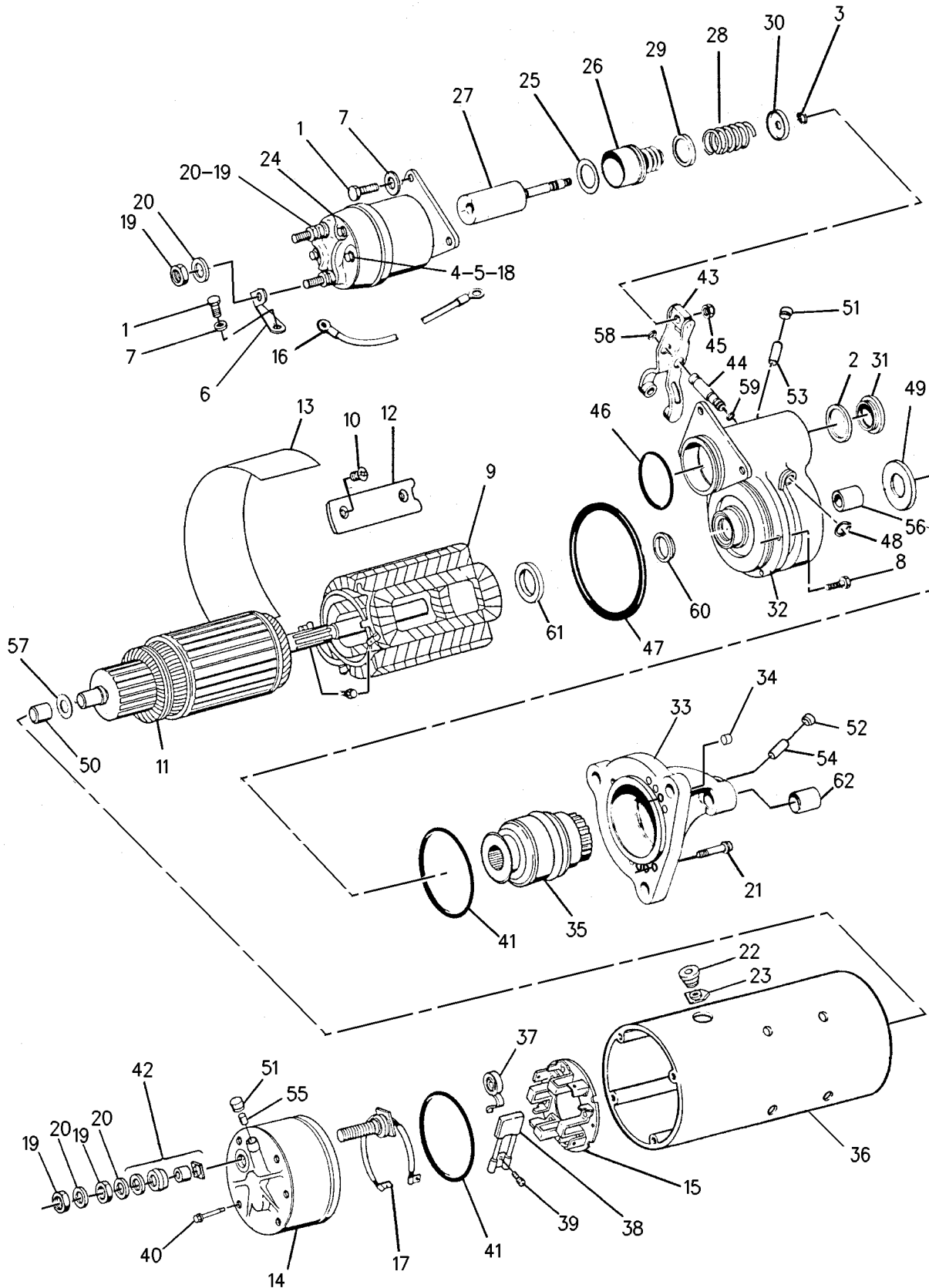
**i01829200**

NOTE	REF NO	GRAPHIC REF	PART NUMBER	QTY	PART NAME						SEE PAGE
					1	2	3	4	5	6 (PRODUCT LEVEL)	
PZ	54	1		1	PLUG						
PZ	55	1		1	PLUG						
PZ	56	1		1	BUSHING						
PZ	57	1		1	WASHER						
NZ	58	1		1	SEAL (O-RING)						
NZ	59	1		1	SEAL (O-RING)						
PZ	60	1		1	RETAINER (SEAL)						
PZ	61	1		1	SPACER						
PZ	62	1		1	BUSHING						
					AVAILABLE REPAIR KIT(S):						
J			<b>8C-3655</b>	1	KIT-BRUSH (STARTING MOTOR) (INCLUDES SPRINGS, BRUSHES, SEAL, SCREWS AND SCREW ASSEMBLIES)						
L			<b>8T-9884</b>	1	KIT-INSULATOR (STARTING MOTOR) (INCLUDES INSULATORS AND BUSHING)						
N			<b>7T-3268</b>	1	KIT-LEVER (STARTING MOTOR) (INCLUDES LEVER ASSEMBLIES, NUT, SEALS, RETAINER AND GASKET)						
P			<b>7T-3267</b>	1	KIT-BUSHING (STARTING MOTOR) (INCLUDES SEALS, GASKET, BUSHINGS, SPACERS, CUPS (PLUG), WASHERS, SCREW ASSEMBLIES, WICKS, AND NUT)						
J-KIT MARKED J INCLUDES PARTS MARKED J L-KIT MARKED L INCLUDES PARTS MARKED L N-KIT MARKED N INCLUDES PARTS MARKED N P-KIT MARKED P INCLUDES PARTS MARKED P Z-NOT SERVICED SEPARATELY											

# ELECTRICAL AND STARTING SYSTEM

8C-3645 STARTING MOTOR GP-ELECTRIC (contd.)

i01829200



GRAPHIC #1

<END>

g00903142



# ELECTRICAL AND STARTING SYSTEM

## 8N-3896 STARTING MOTOR GP-ELECTRIC-DUAL

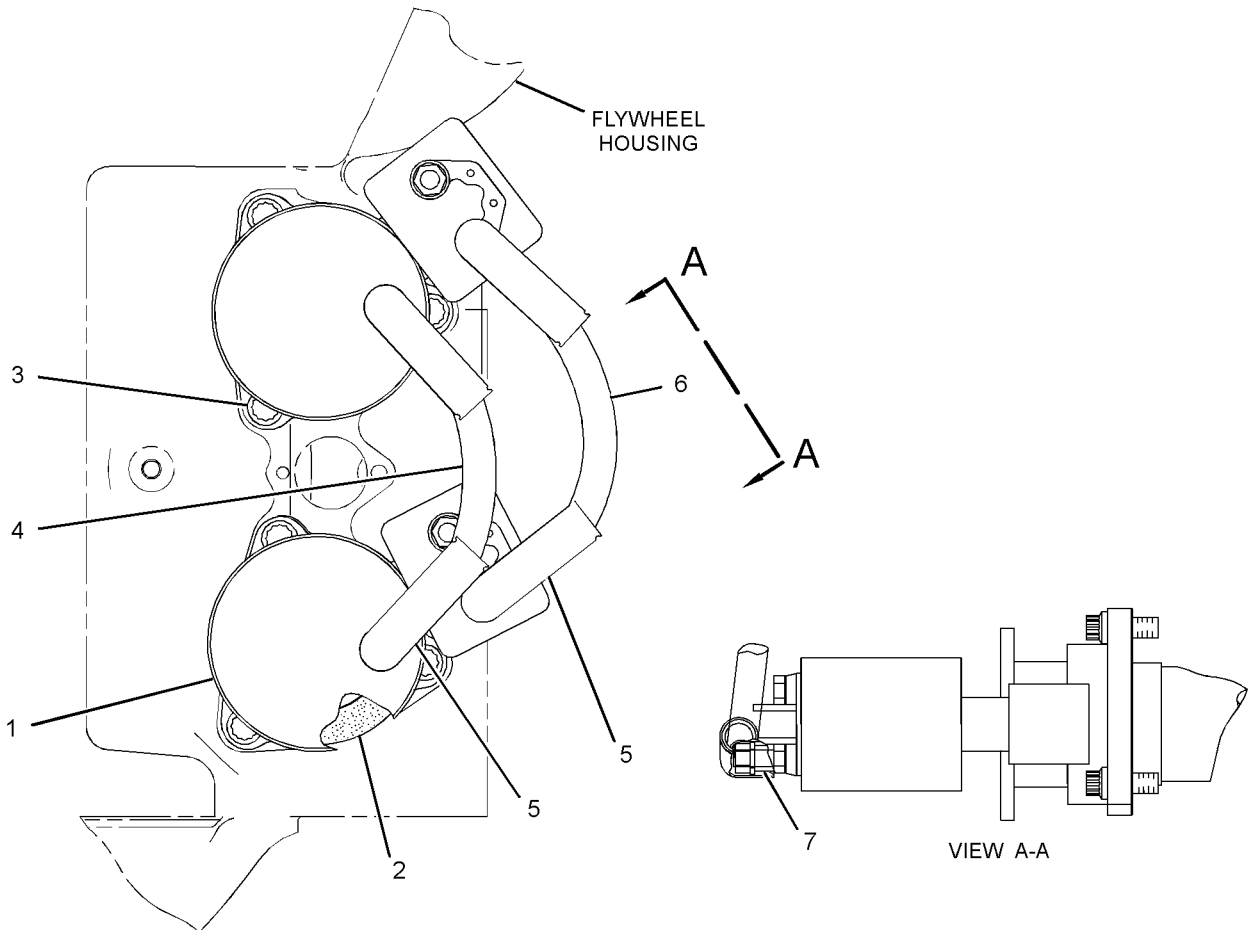
S/N: YAT1-UP  
24-VOLT  
AN ATTACHMENT

SMCS-1453

i03033540

NOTE	REF NO	GRAPHIC REF	PART NUMBER	QTY	PART NAME						SEE PAGE
					1	2	3	4	5	6 (PRODUCT LEVEL)	
Y	1	1	6V-0927	2	STARTING MOTOR GP-ELECTRIC						676
C	2	1	9Y-6089	2	GASKET						
	3	1	7J-8902	6	BOLT-12 POINT HEAD (5/8-11X1.5-IN)						
	4	1	7L-5887	1	CABLE AS (0000-GA)						
					CABLE (0000-GA)						
BE		1	5P-0745		CABLE (0000-GA)						
		1	3L-7634	2	TERMINAL-RING (0000-GA, 0.5-IN)						
	5	1	3L-7604	4	SHIELD-TERMINAL						
	6	1	4L-6155	1	CABLE AS (0000-GA)						
BE		1	5P-0745		CABLE (0000-GA)						
		1	3L-7634	2	TERMINAL-RING (0000-GA, 0.5-IN)						
	7	1	3L-6836	1	SPACER (0.5X0.75X0.56-IN THK)						

B-USE AS REQUIRED  
C-CHANGE FROM PREVIOUS TYPE  
E-ORDER BY THE CENTIMETER  
Y-SEPARATE ILLUSTRATION



GRAPHIC #1

<END>

g01539094

# ELECTRICAL AND STARTING SYSTEM

## 9X-4452 STARTING MOTOR GP-ELECTRIC

S/N: YAT1-UP

24-VOLT

PART OF 6N-1889 STARTING MOTOR GP-ELECTRIC

FIELD REPLACEMENT ORDER 6V-5539-PAGE 679

SMCS-1453

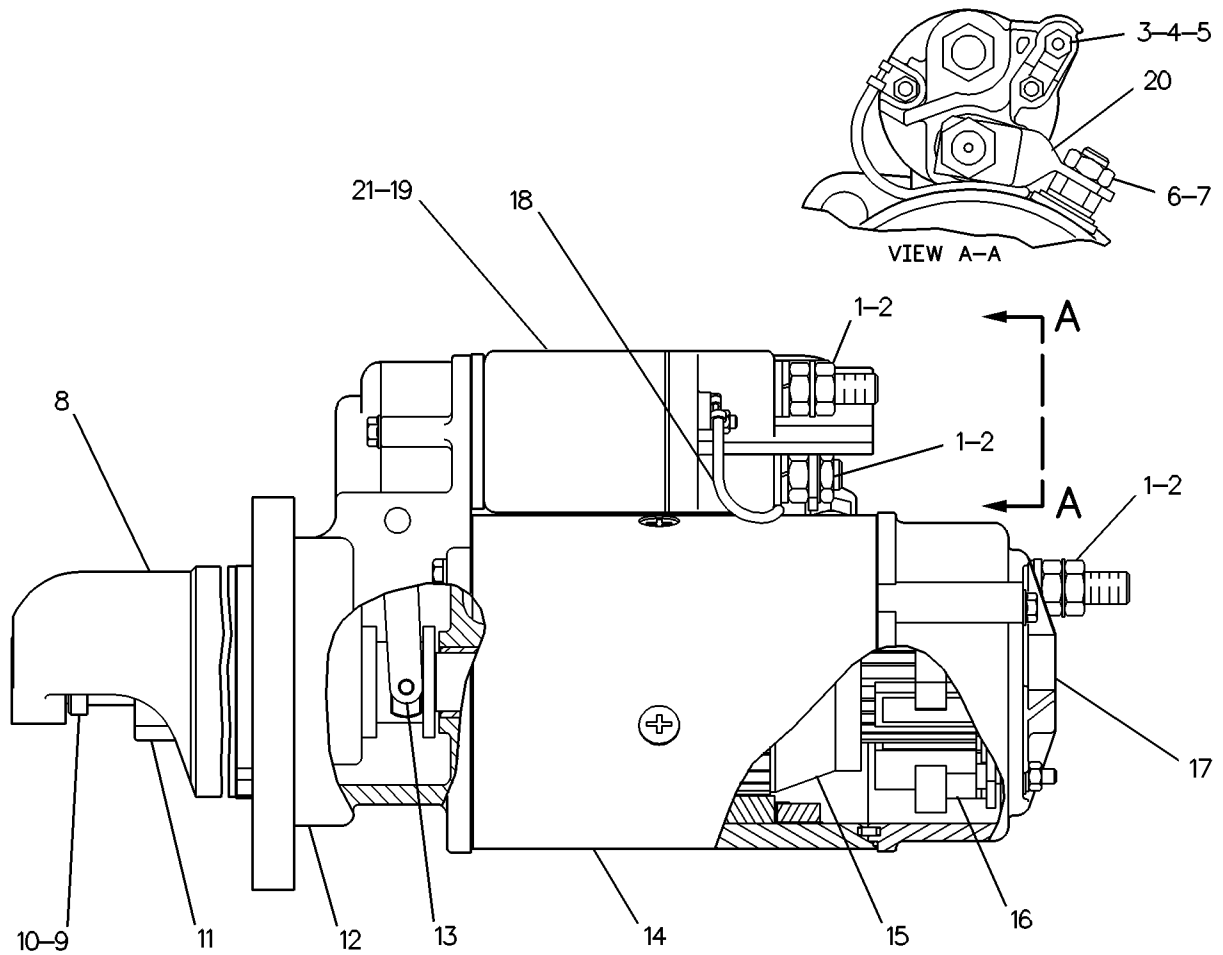
i02096101

NOTE	REF NO	GRAPHIC REF	PART NUMBER	QTY	PART NAME						SEE PAGE
					1	2	3	4	5	6 (PRODUCT LEVEL)	
	1	1	6V-8188	3	NUT (1/2-13-THD)						
	2	1	7X-0562	3	WASHER-HARD (13.5X19X0.8-MM THK)						
	3	1	4B-2049	1	NUT (10-32-THD)						
	4	1	8F-1434	1	LOCKWASHER						
	5	1	8T-0328	1	WASHER-HARD (5.5X10X1-MM THK)						
M	6	1	8T-4133	1	NUT (M10X1.5-THD)						
	7	1	8T-4121	1	WASHER-HARD (11X21X2.5-MM THK)						
	8	1	3E-0142	1	HOUSING AS (DRIVE)						
	9	1	3E-0141	1	STOP-STARTING MOTOR						
	10	1	4N-7521	1	RING-LOCK						
	11	1	3E-0146	1	DRIVE AS-STARTING MOTOR						
	12	1	3E-0144	1	HOUSING AS						
	13	1	3E-0140	1	LEVER AS-STARTING MOTOR						
	14	1	3E-0139	1	HOUSING AS						
	15	1	3E-0138	1	ARMATURE AS (24-VOLT)						
	16	1	3E-0137	1	HOLDER AS-BRUSH (STARTING MOTOR)						
	17	1	3E-0136	1	HOUSING AS						
	18	1	3E-0133	1	WIRE AS-STARTING MOTOR						
	19	1	3E-0135	1	SOLENOID AS (24-VOLT) (STARTING MOTOR)						
	20	1	3E-0132	1	CONNECTOR						
	21	1	3E-0134	1	COVER-PLUNGER						
					AVAILABLE REPAIR KIT(S):						
			3E-0127	1	KIT-BEARING (STARTING MOTOR) (INCLUDES SEAL, BUSHING & BEARING AS.)						
			3E-0128	1	KIT-BRUSH (STARTING MOTOR) (INCLUDES O-RINGS, SCREWS, SPRINGS, & BRUSHES)						
			3E-0129	1	KIT-HARDWARE (STARTING MOTOR) (INCLUDES BOLTS, NUTS, WASHERS, BUSHINGS & PLATE)						
			3E-0130	1	KIT-STARTING MOTOR SEAL (INCLUDES SEAL & O-RINGS)						
			3E-0131	1	KIT-WASHER (STARTING MOTOR) (INCLUDES WASHERS)						
			3E-0145	1	KIT-STARTING MOTOR PIN (INCLUDES SHAFT, RING AND O-RINGS)						
M-METRIC PART											

# ELECTRICAL AND STARTING SYSTEM

9X-4452 STARTING MOTOR GP-ELECTRIC (contd.)

i02096101



GRAPHIC #1

<END>

g00114331

# ELECTRICAL AND STARTING SYSTEM

## 106-8554 STARTING MOTOR GP-ELECTRIC\*R

S/N: YAT1-UP

24-VOLT

PART OF 6V-5539 STARTING MOTOR GP-ELECTRIC

SMCS-1453

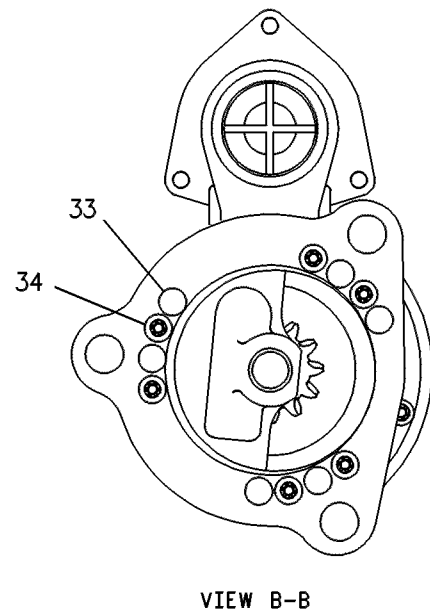
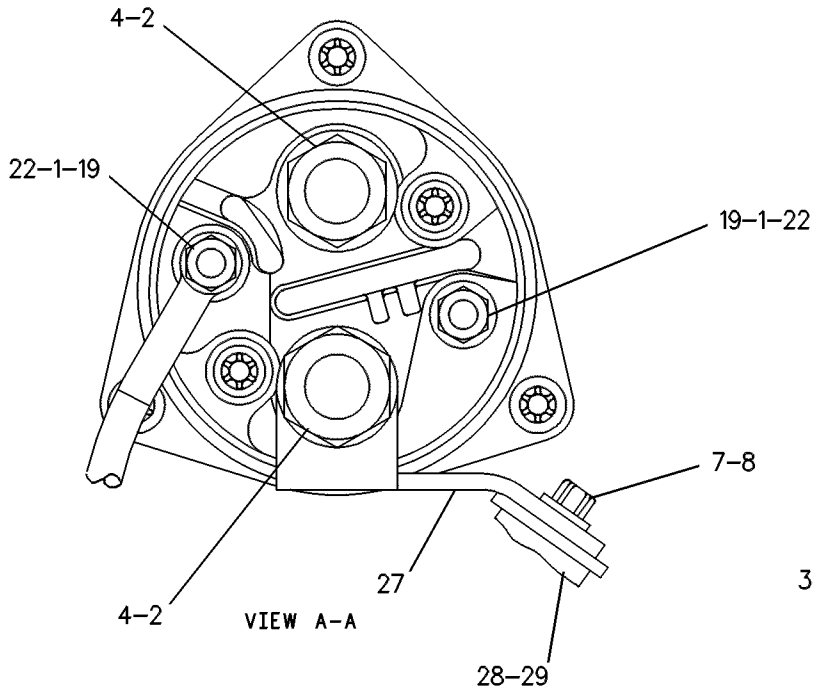
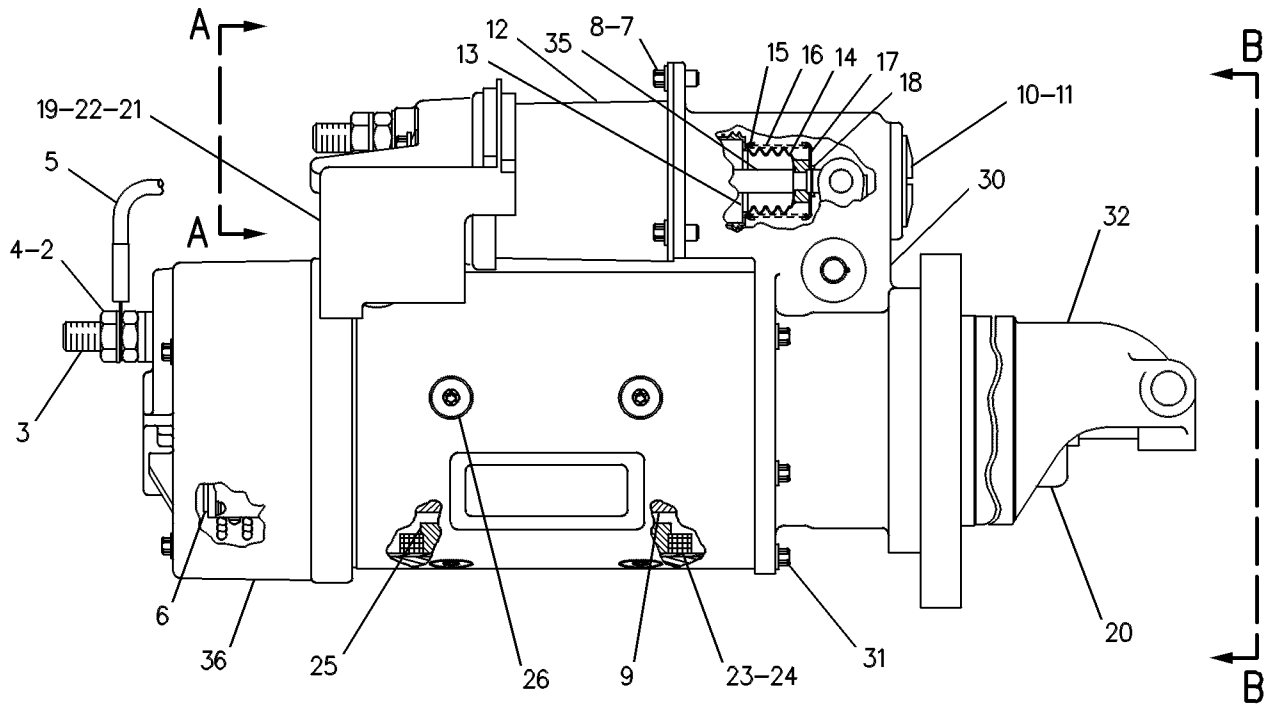
i03164622

NOTE	REF NO	GRAPHIC REF	PART NUMBER	QTY	PART NAME						SEE PAGE
					1	2	3	4	5	6 (PRODUCT LEVEL)	
	1	1	8F-1434	2	LOCKWASHER						
	2	1	6V-8188	4	NUT (1/2-13-THD)						
	3	1	8T-8566	1	TERMINAL AS						
	4	1	7X-0562	4	WASHER-HARD (13.5X19X0.8-MM THK)						
	5	1	3T-3422	1	WIRE AS						
	6	1	7T-3278	1	HOLDER AS-BRUSH						
	7	1	5S-7349	4	BOLT (1/4-20X0.5-IN)						
	8	1	8T-4205	4	WASHER-HARD (7.2X14.5X2-MM THK)						
	9	1	7T-3276	1	ARMATURE AS (24-VOLT)						
	10	1	4M-1831	1	PLUG-LEVER HOUSING						
	11	1	7L-2894	1	GASKET						
	12	1	9X-9511	1	SOLENOID AS (24-VOLT) (STARTING MOTOR)						
	13	1	036-9821	1	WASHER						
	14	1	7T-3269	1	BOOT						
	15	1	4M-1828	1	RETAINER-SPRING						
	16	1	9M-7609	1	SPRING (SHIFT LEVER)						
	17	1	4M-1827	1	RETAINER-SPRING						
	18	1	2H-3429	1	RING-RETAINING						
	19	1	4B-2049	3	NUT (10-32-THD)						
	20	1	6N-3826	1	DRIVE AS-MOTOR						
	21	1	9X-4824	1	COVER-STARTING MOTOR						
	22	1	8T-0328	3	WASHER-HARD (5.5X10X1-MM THK)						
	23	1	7T-3277	1	COIL AS-FIELD						
	24	1	7T-3454	1	INSULATOR						
	25	1	8H-1141	4	SHOE-POLE						
	26	1	3F-0379	8	SCREW-POLE SHOE (3/8-24-THD)						
	27	1	7T-3271	1	CONNECTOR						
	28	1	8T-8569	1	INSULATOR-TERMINAL						
	29	1	7T-3451	1	KIT-INSULATOR (TERMINAL)						
	30	1	3E-7775	1	HOUSING AS						
	31	1	036-9823	5	BOLT (1/4-28X1-IN)						
	32	1	7T-3974	1	HOUSING AS-DRIVE						
	33	1	3T-3434	6	PLUG						
	34	1	7X-3373	6	BOLT (5/16-18X0.88-IN)						
	35	1	7T-3270	1	PLUNGER AS						
	36	1	7T-3279	1	HOUSING AS						
					AVAILABLE REPAIR KIT(S):						
			8C-3655	1	KIT-BRUSH (STARTING MOTOR) (INCLUDES SPRINGS, BRUSH ASSEMBLIES & SCREWS)						
			7T-3267	1	KIT-BUSHING (STARTING MOTOR) (INCLUDES NUT, SPACER, GASKET, BUSHINGS, WICKS, CUPS, SEALS & SCREW ASSEMBLIES)						
			7T-3268	1	KIT-LEVER (STARTING MOTOR) (INCLUDES RETAINER, LEVER ASSEMBLIES, NUT & SEALS)						
			8T-9884	1	KIT-INSULATOR (STARTING MOTOR) (INCLUDES BUSHING & INSULATORS)						

# ELECTRICAL AND STARTING SYSTEM

106-8554 STARTING MOTOR GP-ELECTRIC (contd.)

i03164622



GRAPHIC #1

<END>

g00084518

# ELECTRICAL AND STARTING SYSTEM

## 207-1556 STARTING MOTOR GP-ELECTRIC\*R

S/N: YAT1-UP

24-VOLT

FIELD REPLACEMENT ORDER 237-1962-PAGE 700. FIELD REPLACEMENT FOR  
6V-5539-PAGE 679: FOR 6V-5582-PAGE 680

SMCS-1453

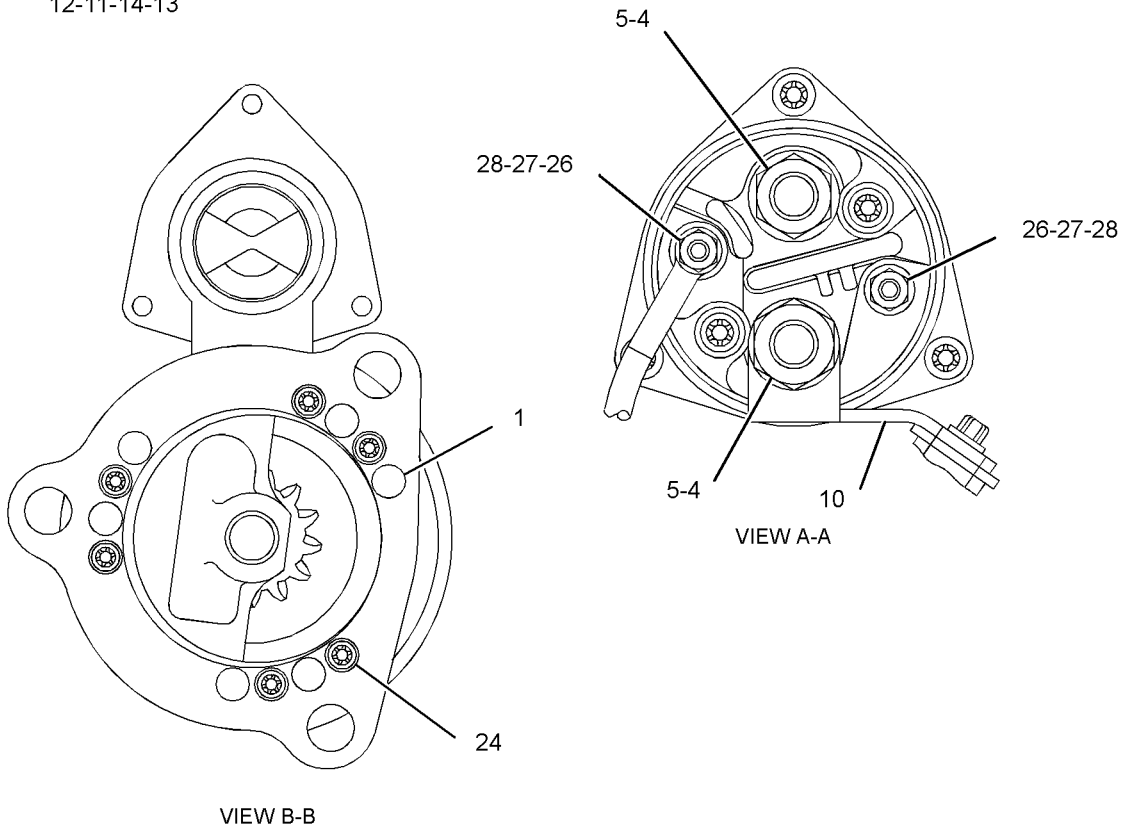
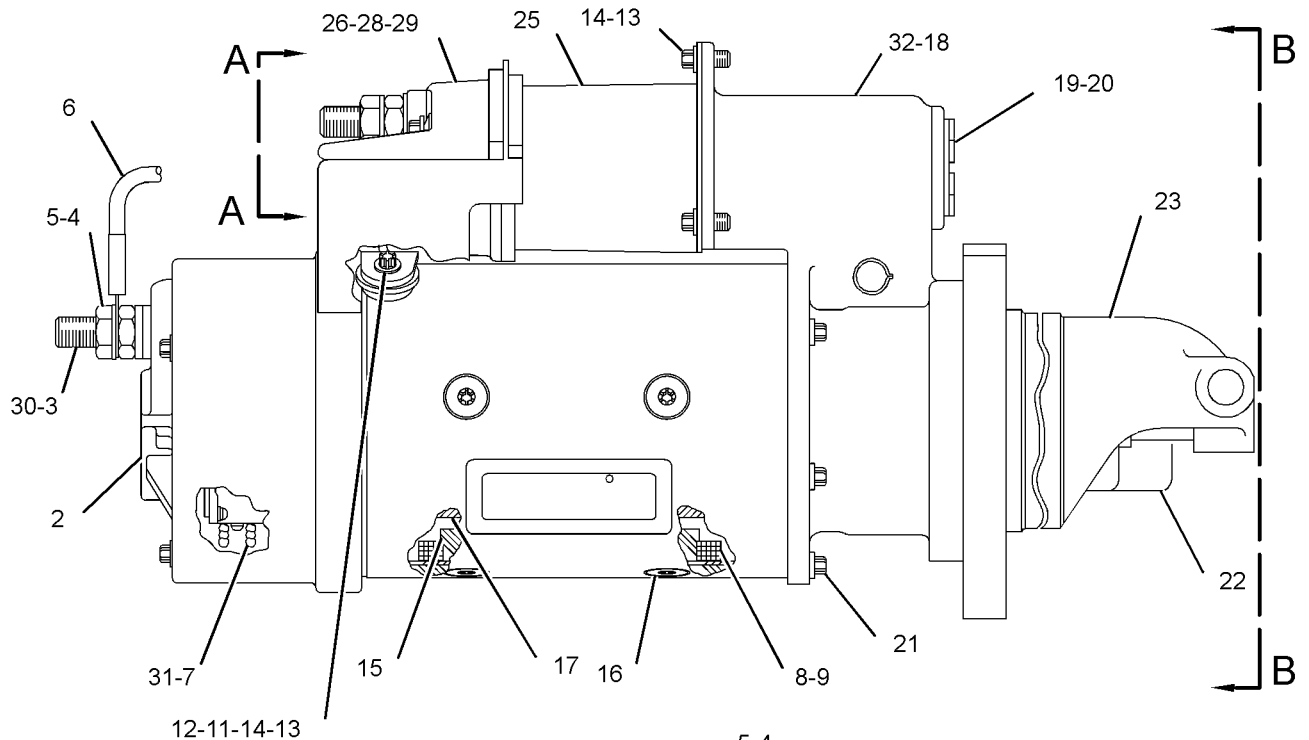
i02946823

NOTE	REF NO	GRAPHIC REF	PART NUMBER	QTY	PART NAME						SEE PAGE
					1	2	3	4	5	6 (PRODUCT LEVEL)	
	1	1	<b>3T-3434</b>	6	PLUG						
	2	1	<b>7T-3279</b>	1	HOUSING AS						
	3	1	<b>8T-8566</b>	1	TERMINAL AS						
	4	1	<b>6V-8188</b>	4	NUT (1/2-13-THD)						
	5	1	<b>7X-0562</b>	4	WASHER-HARD (13.5X19X0.8-MM THK)						
	6	1	<b>3T-3422</b>	1	WIRE AS						
	7	1	<b>7T-3278</b>	1	HOLDER AS-BRUSH						
	8	1	<b>7T-3277</b>	1	COIL AS-FIELD						
	9	1	<b>7T-3454</b>	1	INSULATOR						
	10	1	<b>283-1107</b>	1	KIT-CONNECTOR (STARTING MOTOR) (INCLUDES CONNECTORS, BOLT & TERMINAL-STARTER)						
	11	1	<b>7T-3451</b>	1	KIT-INSULATOR (TERMINAL)						
	12	1	<b>8T-8569</b>	1	INSULATOR-TERMINAL						
	13	1	<b>5S-7349</b>	4	BOLT (1/4-20X0.5-IN)						
	14	1	<b>8T-4205</b>	4	WASHER-HARD (7.2X14.5X2-MM THK)						
	15	1	<b>8H-1141</b>	4	SHOE-POLE						
	16	1	<b>3R-8797</b>	8	SCREW & WASHER AS (3/8-24X0.72-IN)						
	17	1	<b>7T-3276</b>	1	ARMATURE AS (24-VOLT)						
	18	1	<b>3E-7775</b>	1	HOUSING AS						
	19	1	<b>4M-1831</b>	1	PLUG-LEVER HOUSING						
	20	1	<b>7L-2894</b>	1	GASKET						
	21	1	<b>036-9823</b>	5	BOLT (1/4-28X1-IN)						
	22	1	<b>6N-3826</b>	1	DRIVE AS-MOTOR						
	23	1	<b>7T-3974</b>	1	HOUSING AS-DRIVE						
	24	1	<b>7X-3373</b>	6	BOLT (5/16-18X0.88-IN)						
	25	1	<b>250-8279</b>	1	KIT-SOLENOID (STARTING MOTOR) (INCLUDES SOLENOID AS, BOLT, NUTS, COVER & CONNECTORS)						
	26	1	<b>6V-8378</b>	3	NUT (10-32-THD)						
	27	1	<b>8F-1434</b>	2	LOCKWASHER						
	28	1	<b>8T-0328</b>	3	WASHER-HARD (5.5X10X1-MM THK)						
	29	1	<b>9X-4824</b>	1	COVER-STARTING MOTOR						
	30	1	<b>8T-9884</b>	1	KIT-INSULATOR (STARTING MOTOR) (INCLUDES INSULATORS & BUSHING)						
	31	1	<b>8C-3655</b>	1	KIT-BRUSH (STARTING MOTOR) (INCLUDES BRUSHES, SPRINGS, SCREWS, SCREW ASSEMBLIES & SEAL)						
	32	1	<b>7T-3268</b>	1	KIT-LEVER (STARTING MOTOR) (INCLUDES LEVER ASSEMBLIES, SEAL, NUT, GASKET & RETAINER)						
					AVAILABLE REPAIR KIT(S):						
			<b>7T-3267</b>	1	KIT-BUSHING (STARTING MOTOR) (INCLUDES BUSHINGS, WICKS, CUPS, SEALS, GASKET, SCREW AS, WASHERS, SPACER & NUT)						

# ELECTRICAL AND STARTING SYSTEM

207-1556 STARTING MOTOR GP-ELECTRIC (contd.)

i02946823



GRAPHIC #1

<END>

g01478692

# ELECTRICAL AND STARTING SYSTEM

## 237-1962 STARTING MOTOR GP-ELECTRIC\*R

S/N: YAT1-UP

24-VOLT

FIELD REPLACEMENT FOR 6V-0927-PAGE 676: FOR 207-1556-PAGE 698

SMCS-1453

i02927711

NOTE	REF NO	GRAPHIC REF	PART NUMBER	QTY	PART NAME						SEE PAGE
					1	2	3	4	5	6 (PRODUCT LEVEL)	
	1	1	7M-0326	1	CONNECTOR						
	2	1	9H-3757	2	WASHER (0.516X1X0.094-IN THK)						
	3	1	1S-7446	3	SCREW-MACHINE (8-32X0.437-IN)						
	4	1	8C-9660	3	WASHER (4.6X7.9X0.8-MM THK)						
	5	1	9S-2544	9	SCREW-HEX HEAD (8-32X11.13-MM)						
	6	1	7M-0327	1	WASHER-THRUST (17.4X25.4X1.6-MM THK)						
	7	1	3T-3418	1	FRAME AS-END						
		1	3T-3423	1	CUP						
		1	3T-3424	1	PLUG-FELT						
		1	9G-4101	1	BUSHING-END						
	8	1	3T-9525	1	PLATE AS-BRUSH						
	8A	1	6T-0371	1	INSULATOR						
	8B	1	5P-6298	12	SCREW-MACHINE (10-32X0.5-IN)						
		1	9F-5599	12	LOCKWASHER						
	8C	1	7F-3525	6	WASHER-BUSHING (0.207X0.39X0.09-IN THK)						
	8D	1	6T-0372	1	PLATE						
	8E	1	3T-4709	3	PLATE						
	8F	1	2L-6679	3	PLATE-INSULATOR						
	8G	1	3T-4710	3	PLATE						
	8H	1	6T-0363	6	HOLDER AS-BRUSH (STARTING MOTOR)						
					(EACH INCLUDES)						
	8J	1	3T-9494	1	SPRING						
	9	1	7F-3491	2	WASHER (0.516X1X0.094-IN THK)						
	10	1	3T-3422	1	WIRE AS (STARTING MOTOR)						
	11	1	2J-8163	2	SEAL-O-RING						
	12	1	7X-3373	1	BOLT (5/16-18X0.88-IN)						
	13	1	3T-3434	6	PLUG						
	14	1	5J-5314	5	BOLT (5/16-18X1.5-IN)						
	15	1	3L-3380	1	BUSHING-TERMINAL						
	16	1	036-9821	1	WASHER						
	17	1	4M-1828	1	RETAINER-SPRING						
	18	1	306-3998	1	BOOT-RUBBER						
	19	1	9M-7609	1	SPRING (SHIFT LEVER)						
	20	1	4M-1827	1	RETAINER-SPRING						
	21	1	8C-3089	1	SEAL-O-RING						
	22	1	4M-1853	1	LEVER AS-SHIFT						
	23	1	5M-3034	1	LOCKNUT (5/16-24-THD)						
	24	1	7L-2894	4	GASKET						
	25	1	4M-1831	4	PLUG-LEVER HOUSING						
	26	1	4M-1854	1	SHAFT-LEVER						
	27	1	1H-1023	1	SEAL-O-RING						
	28	1	2D-6392	1	SEAL-O-RING						
	29	1	7T-3974	1	HOUSING AS-DRIVE						
	30	1	6N-3826	1	DRIVE AS-MOTOR						
	31	1	2H-3429	2	RING-RETAINING						
	32	1	6V-1322	4	BOLT (1/4-20X0.375-IN)						
	33	1	8T-4205	4	WASHER-HARD (7.2X14.5X2-MM THK)						
	34	1	6N-3279	1	INSULATOR						
	35	1	036-9823	13	BOLT (1/4-28X1-IN)						
	36	1	1M-9971	1	SPACER (0.835X1.72X0.188-IN THK)						
	37	1	1H-2629	3	STRIP-INSULATION						
	38	1	7M-0324	1	COIL AS-FIELD						
	39	1	3R-8797	12	SCREW & WASHER AS (3/8-24X0.72-IN)						
	40	1	7F-3488	6	SHOE-POLE						
	41	1	7M-8651	1	ARMATURE AS						



# ELECTRICAL AND STARTING SYSTEM

237-1962 STARTING MOTOR GP-ELECTRIC (contd.)

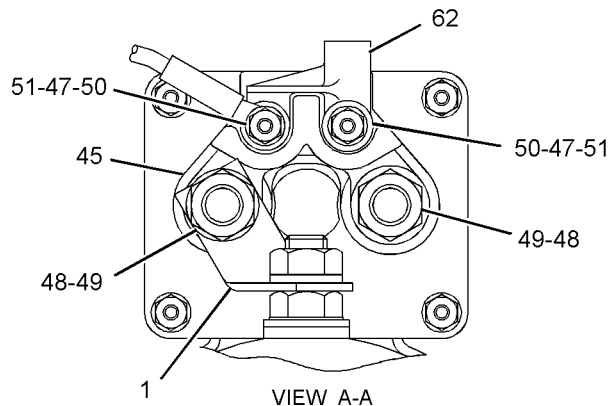
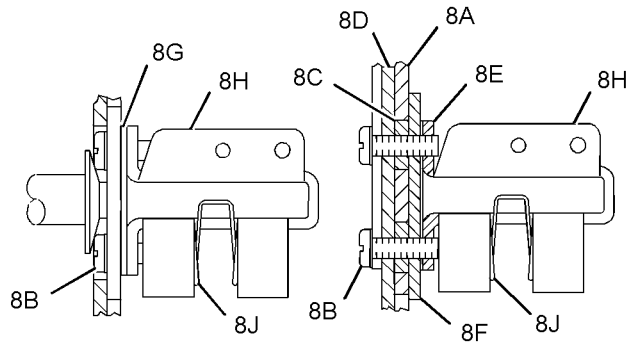
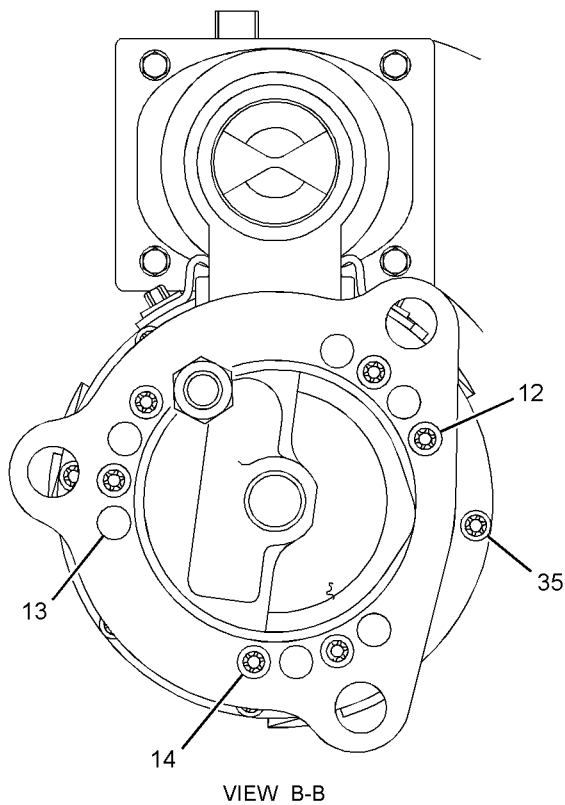
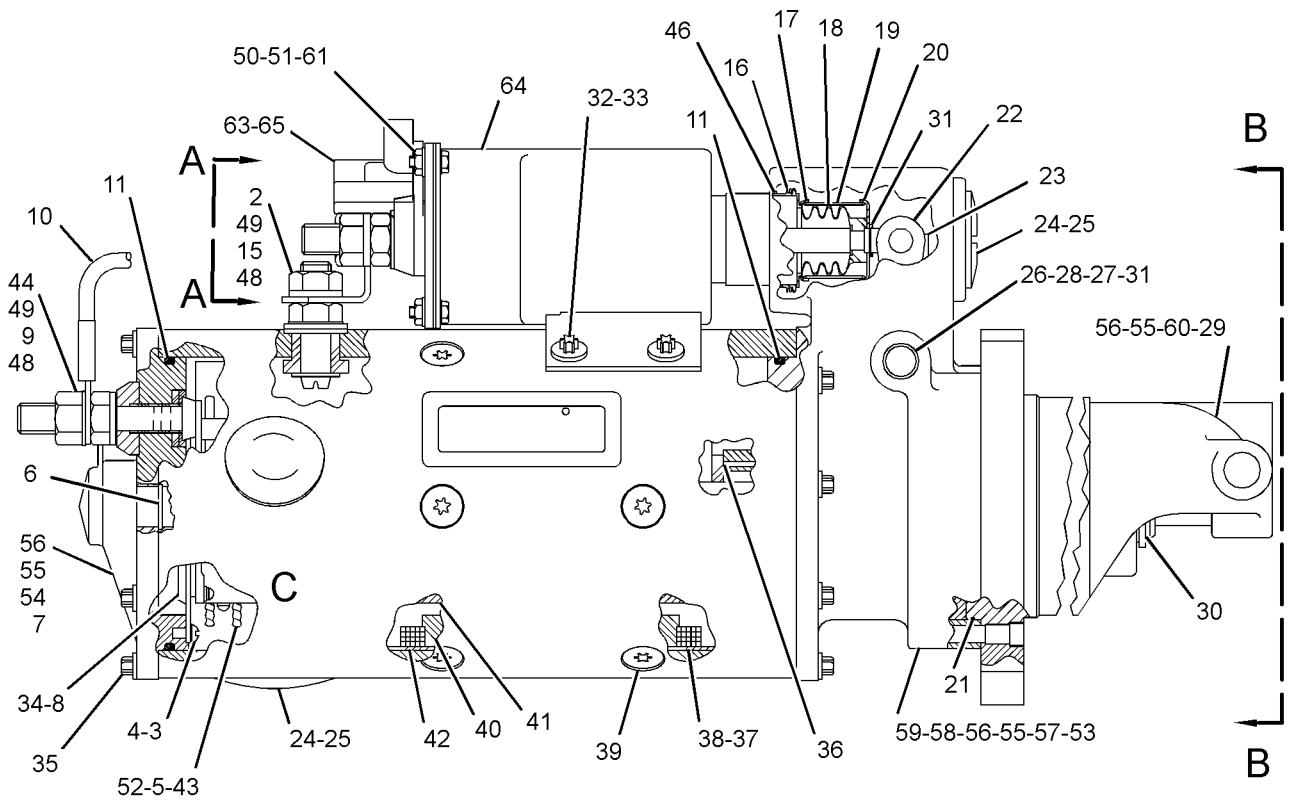
i02927711

NOTE	REF NO	GRAPHIC REF	PART NUMBER	QTY	PART NAME						SEE PAGE
					1	2	3	4	5	6 (PRODUCT LEVEL)	
	42	1	7M-0325	1	INSULATOR						
	43	1	3T-9524	6	BRUSH AS						
	44	1	3N-3763	1	KIT-TERMINAL (STARTING MOTOR) (INCLUDES BUSHINGS & WASHERS)						
	45	1	125-6537	1	INSULATOR						
	46	1	3R-8801	1	CLAMP						
	47	1	8F-1434	2	LOCKWASHER						
	48	1	6V-8188	6	NUT (1/2-13-THD)						
	49	1	7X-0562	6	WASHER-HARD (13.5X19X0.8-MM THK)						
	50	1	4B-2049	6	NUT (10-32-THD)						
	51	1	8T-0328	10	WASHER-HARD (5.5X10X1-MM THK)						
	52	1	3T-9494	6	SPRING (STARTING MOTOR)						
	53	1	3E-7771	1	HOUSING AS (STARTING MOTOR)						
	54	1	9G-4101	1	BUSHING-END						
	55	1	3T-3424	3	PLUG-FELT						
	56	1	3T-3423	3	CUP						
	57	1	1M-9968	1	BUSHING						
	58	1	2F-6678	1	SEAL-LIP TYPE						
	59	1	4L-2729	1	WASHER (0.844X1.9X0.188-IN THK)						
	60	1	4M-1896	1	BUSHING-TERMINAL						
	61	1	045-4065	4	SCREW-MACHINE (10-32X0.75-IN)						
	62	1	125-6535	1	COVER-STARTING MOTOR						
	63	1	7T-9123	1	GASKET-PLATE						
	64	1	318-2082	1	SOLENOID AS-STARTING MOTOR (24-VOLT)						
	65	1	125-6536	1	TERMINAL AS						

# ELECTRICAL AND STARTING SYSTEM

237-1962 STARTING MOTOR GP-ELECTRIC (contd.)

i02927711



GRAPHIC #1

<END>

g01453239

# ELECTRICAL AND STARTING SYSTEM

## 244-9602 STRIP GP-TERMINAL-AC

S/N: YAT1-UP

PART OF 245-0033, 245-0035, 267-8473 BOX GP-ELECTRONIC  
AN ATTACHMENT

SMCS-4460, 7426

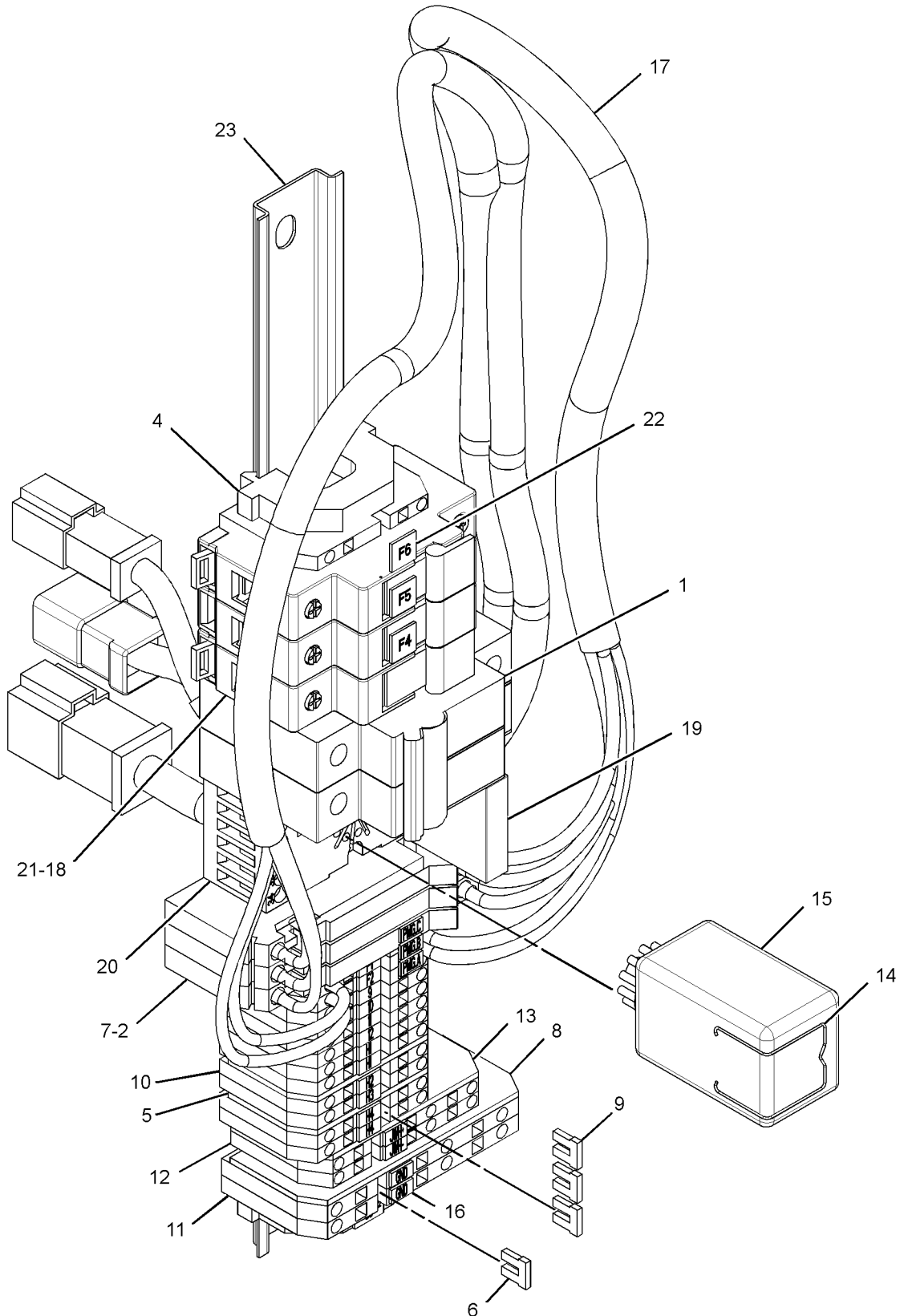
i03167550

NOTE	REF NO	GRAPHIC REF	PART NUMBER	QTY	PART NAME						SEE PAGE
					1	2	3	4	5	6 (PRODUCT LEVEL)	
	1	1	128-8065	1	CIRCUIT BREAKER AS (10-AMPERE)						
					(NACD MARKETS)						
					-OR-						
		1	307-2056	1	CIRCUIT BREAKER (10-AMPERE)						
					(ALL MARKETS OUTSIDE NACD)						
	2	1	155-8755	3	FUSE (10-AMPERE)						
	4	1	162-0589	2	BRACKET-END						
	5	1	167-1617	3	COVER-TERMINAL						
	6	1	171-6256	1	BAR						
	7	1	321-2524	3	BLOCK-TERMINAL						
	8	1	171-6260	1	COVER-END						
	9	1	179-8783	1	BAR						
	10	1	179-8786	13	BLOCK-TERMINAL (20-AMPERE)						
	11	1	192-2924	2	BLOCK-TERMINAL (30-AMPERE)						
	12	1	192-3829	2	BLOCK-TERMINAL (20-AMPERE)						
	13	1	192-3830	1	COVER-TERMINAL						
	14	1	211-0640	1	SPRING (RELAY)						
	15	1	223-6470	1	RELAY (10-AMPERE, 24-VOLT)						
	16	1	244-9627	1	KIT-MARKER						
					(INCLUDES MARKER)						
	17	1	244-9657	1	HARNESS AS-WIRING (TERMINAL BLOCK)						
		1	112-7497	5	END-WIRE (14-GA)						
		1	109-3038	5	END-WIRE (16-GA)						
		1	102-8802	1	KIT-RECEPTACLE (2-PIN)						
		1	102-8804	1	KIT-RECEPTACLE (4-PIN)						
		1	102-8805	1	KIT-RECEPTACLE (6-PIN)						
					(EACH KIT INCLUDES RECEPTACLE AS & WEDGE)						
		1	6K-0806	9	STRAP-CABLE						
		1	8T-8737	1	PLUG-SEAL						
	18	1	246-9818	1	HOLDER-FUSE						
	19	1	252-1731	1	MODULE-DIODE						
	20	1	252-1732	1	BASE-RELAY						
	21	1	272-5835	3	FUSE (0.5-AMPERE)						
	22	1	252-7497	1	FILM (FUSE BLOCK)						
	23	1	097-5921	1	RAIL-MOUNTING						

# ELECTRICAL AND STARTING SYSTEM

244-9602 STRIP GP-TERMINAL (contd.)

i03167550



GRAPHIC #1

<END>

g01458825

# ELECTRICAL AND STARTING SYSTEM

## 244-9603 STRIP GP-TERMINAL-DC

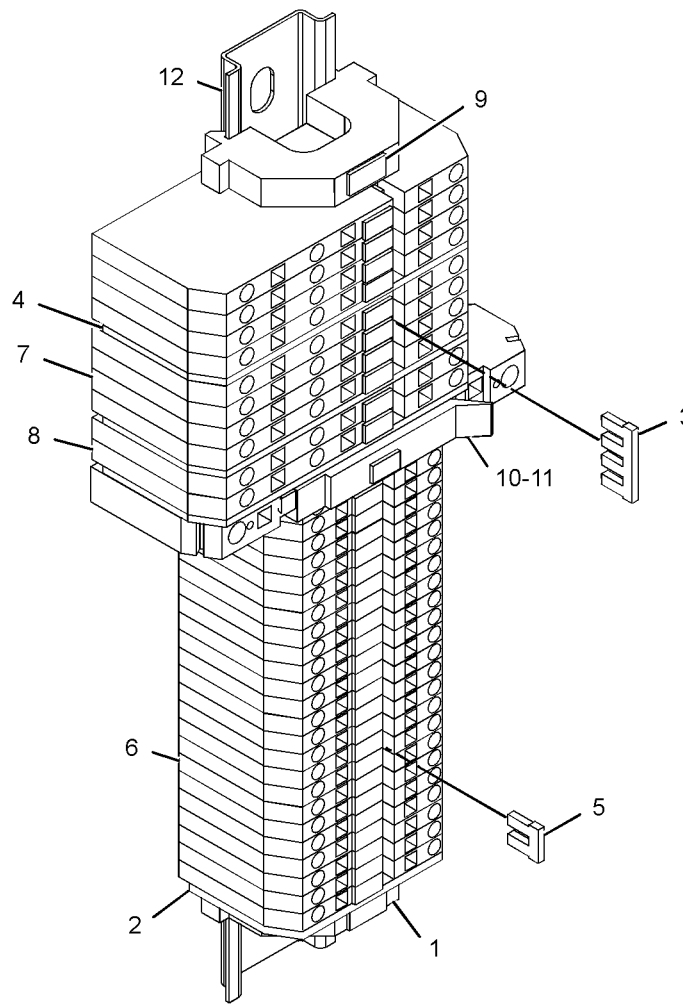
S/N: YAT1-UP

PART OF 245-0033, 245-0035 BOX GP-ELECTRONIC  
AN ATTACHMENT

SMCS-4460, 7426

i02360601

NOTE	REF NO	GRAPHIC REF	PART NUMBER	QTY	PART NAME						SEE PAGE
					1	2	3	4	5	6 (PRODUCT LEVEL)	
	1	1	162-0589	2	BRACKET-END						
	2	1	167-1617	1	COVER-TERMINAL						
	3	1	171-6256	3	BAR						
	4	1	171-6260	3	COVER-END						
	5	1	179-8783	1	BAR						
	6	1	179-8786	24	BLOCK-TERMINAL (20-AMPERE)						
	7	1	192-2922	8	BLOCK-TERMINAL (30-AMPERE)						
	8	1	192-2924	2	BLOCK-TERMINAL (30-AMPERE)						
	9	1	244-9628	1	KIT-MARKER						
	10	1	197-4051	1	BLOCK-TERMINAL (6-AMPERE)						
	11	1	8D-8724	1	FUSE (2-AMPERE)						
	12	1	097-5921	1	RAIL-MOUNTING						



GRAPHIC #1

<END>

g01201288

# ELECTRICAL AND STARTING SYSTEM

## 244-9607 STRIP GP-TERMINAL-SWITCHGEAR

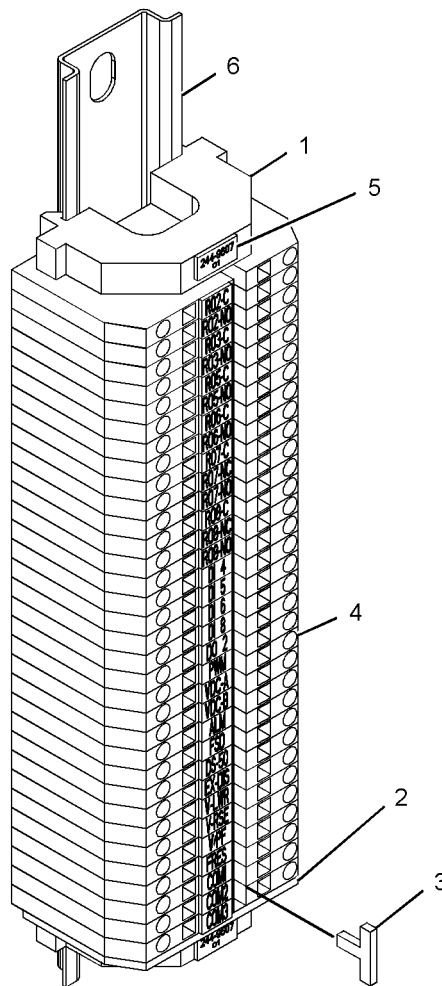
S/N: YAT1-UP

PART OF 245-0033, 245-0035 BOX GP-ELECTRONIC  
AN ATTACHMENT

SMCS-4460, 7426

i02360602

NOTE	REF NO	GRAPHIC REF	PART NUMBER	QTY	PART NAME						SEE PAGE
					1	2	3	4	5	6 (PRODUCT LEVEL)	
	1	1	162-0589	2	BRACKET-END						
	2	1	167-1617	1	COVER-TERMINAL						
	3	1	179-8783	1	BAR						
	4	1	179-8786	33	BLOCK-TERMINAL (20-AMPERE)						
	5	1	244-9629	1	KIT-MARKER						
	6	1	097-5921	1	RAIL-MOUNTING						



GRAPHIC #1

<END>

g01132200

# ELECTRICAL AND STARTING SYSTEM

## 246-8090 STRIP GP-TERMINAL-DISCRETE INPUT/OUTPUT

S/N: YAT1-UP

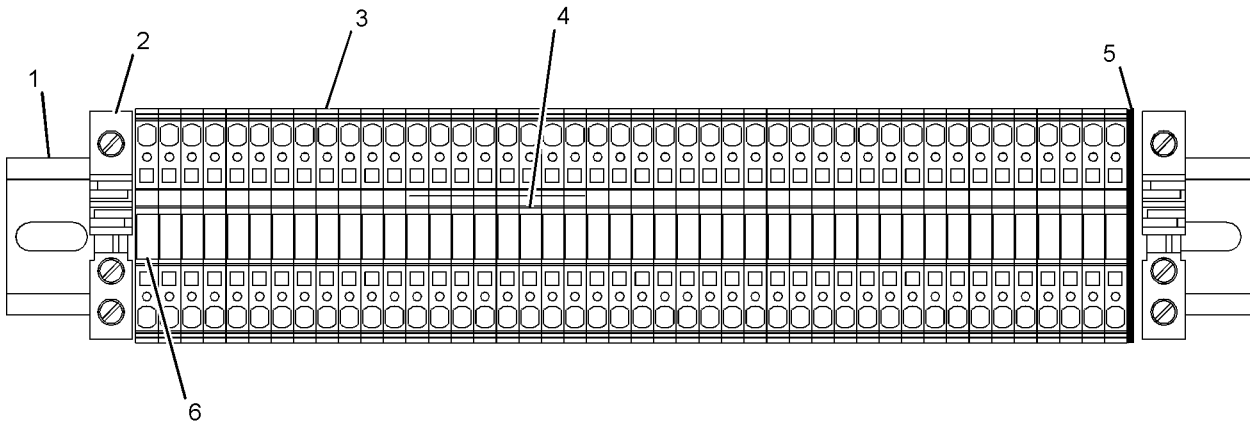
PART OF 333-4940 STRIP GP-TERMINAL  
AN ATTACHMENT

SMCS-4460, 7426

i02108233

NOTE	REF NO	GRAPHIC REF	PART NUMBER	QTY	PART NAME						SEE PAGE
					1	2	3	4	5	6 (PRODUCT LEVEL)	
E	1	1	147-1960		RAIL (33-CM)						
	2	1	162-0589	2	BRACKET-END						
	3	1	179-8786	44	BLOCK-TERMINAL (20-AMPERE)						
	4	1	179-8783	1	BAR (FIXED BRIDGE)						
	5	1	167-1617	1	COVER-TERMINAL						
	6	1	246-8106	1	MARKER						

E-ORDER BY THE CENTIMETER



GRAPHIC #1

<END>

g01074068

# ELECTRICAL AND STARTING SYSTEM

## 252-7357 STRIP GP-TERMINAL-LOAD SHARE

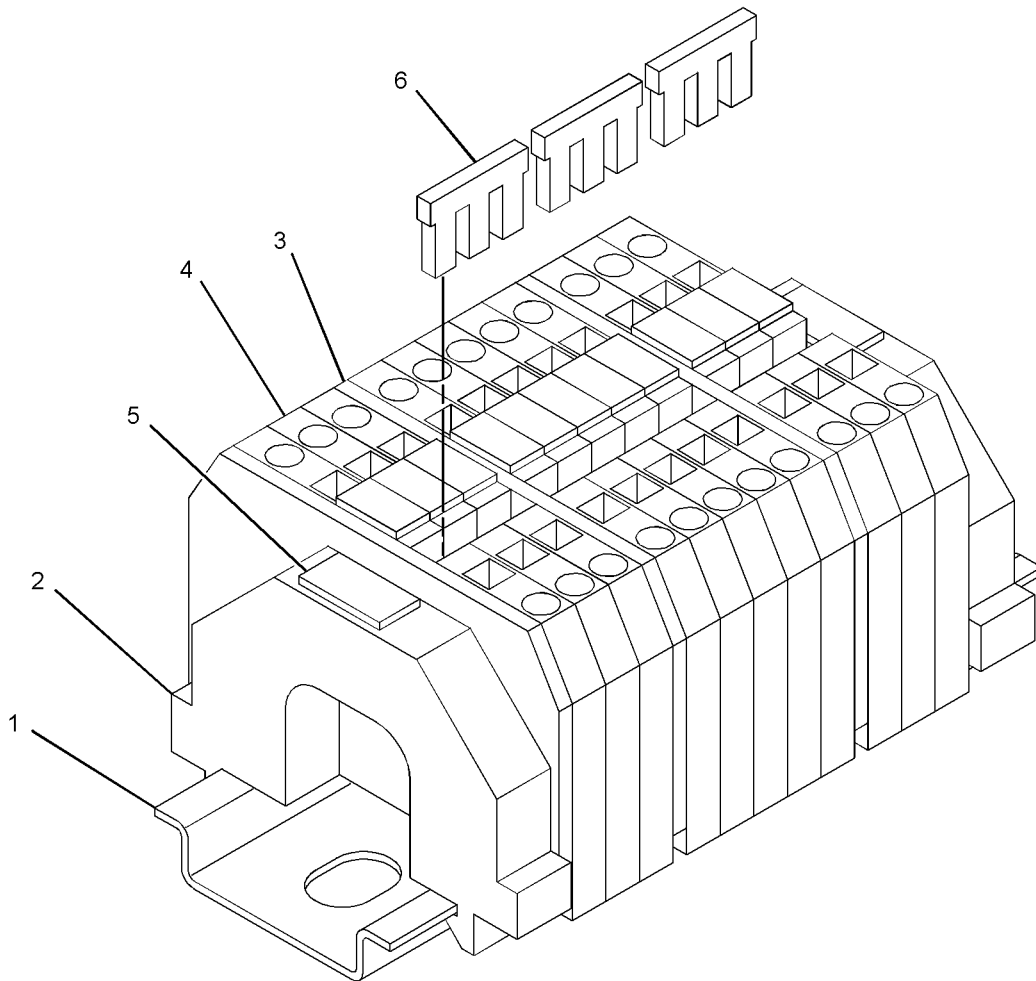
S/N: YAT1-UP

PART OF 252-7361 MOUNTING GP-TERMINAL STRIP  
AN ATTACHMENT

SMCS-4460, 7426

i02450652

NOTE	REF NO	GRAPHIC REF	PART NUMBER	QTY	PART NAME						SEE PAGE
					1	2	3	4	5	6 (PRODUCT LEVEL)	
	1	1	097-5921	1	RAIL-MOUNTING						
	2	1	162-0589	2	BRACKET-END						
	3	1	167-1617	3	COVER-TERMINAL						
	4	1	179-8786	11	BLOCK-TERMINAL (20-AMPERE)						
	5	1	252-7444	1	KIT-MARKER						
	6	1	179-8783	2	BAR						



GRAPHIC #1

<END>

g01228294



# ELECTRICAL AND STARTING SYSTEM

## 267-8462 STRIP GP-TERMINAL-SWITCHGEAR

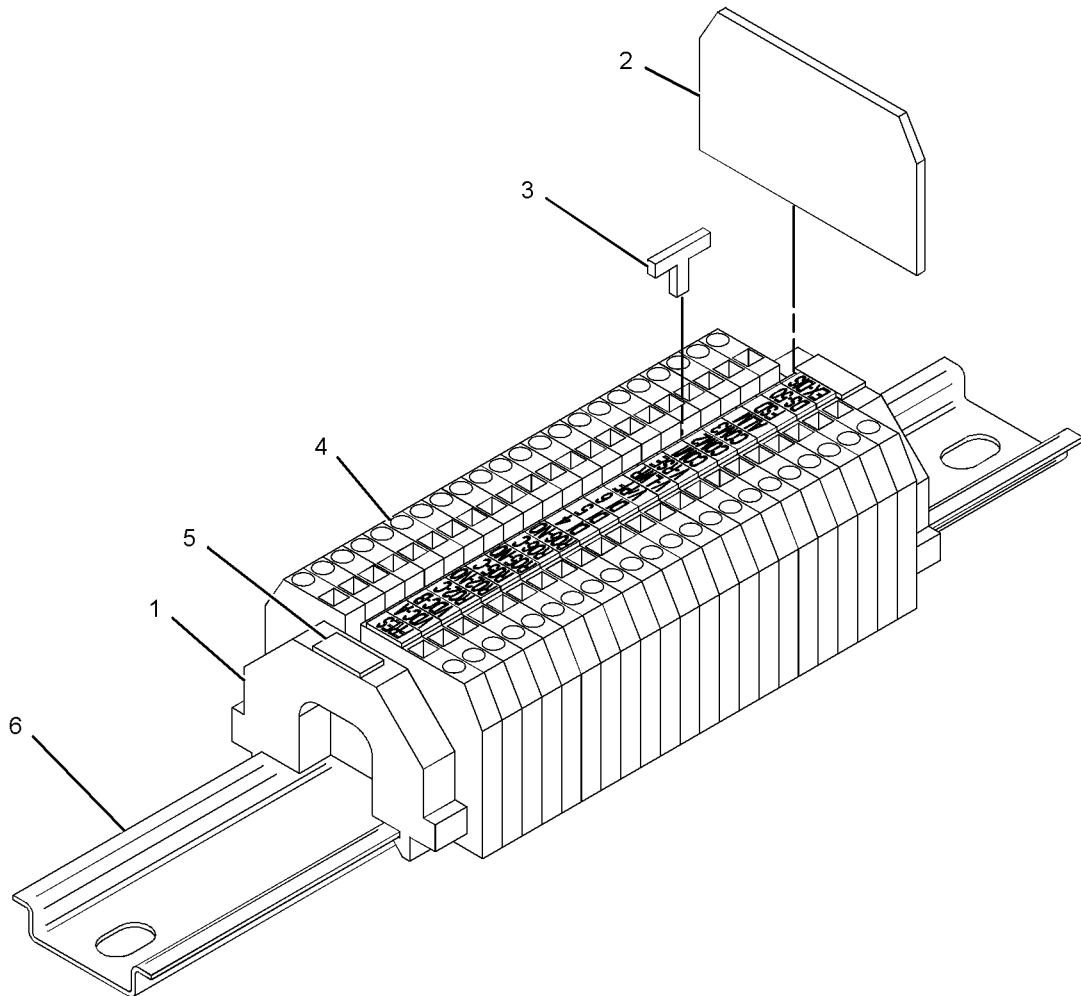
S/N: YAT1-UP

PART OF 267-8473 BOX GP-ELECTRONIC  
AN ATTACHMENT

SMCS-4460, 7426

i02360616

NOTE	REF NO	GRAPHIC REF	PART NUMBER	QTY	PART NAME						SEE PAGE
					1	2	3	4	5	6 (PRODUCT LEVEL)	
	1	1	162-0589	2	BRACKET-END						
	2	1	167-1617	1	COVER-TERMINAL						
	3	1	179-8783	1	BAR						
	4	1	179-8786	21	BLOCK-TERMINAL (20-AMPERE)						
	5	1	267-8465	1	KIT-MARKER						
	6	1	097-5921	1	RAIL-MOUNTING						



GRAPHIC #1

<END>

g01161947

# ELECTRICAL AND STARTING SYSTEM

## 267-8464 STRIP GP-TERMINAL-DC

S/N: YAT1-UP

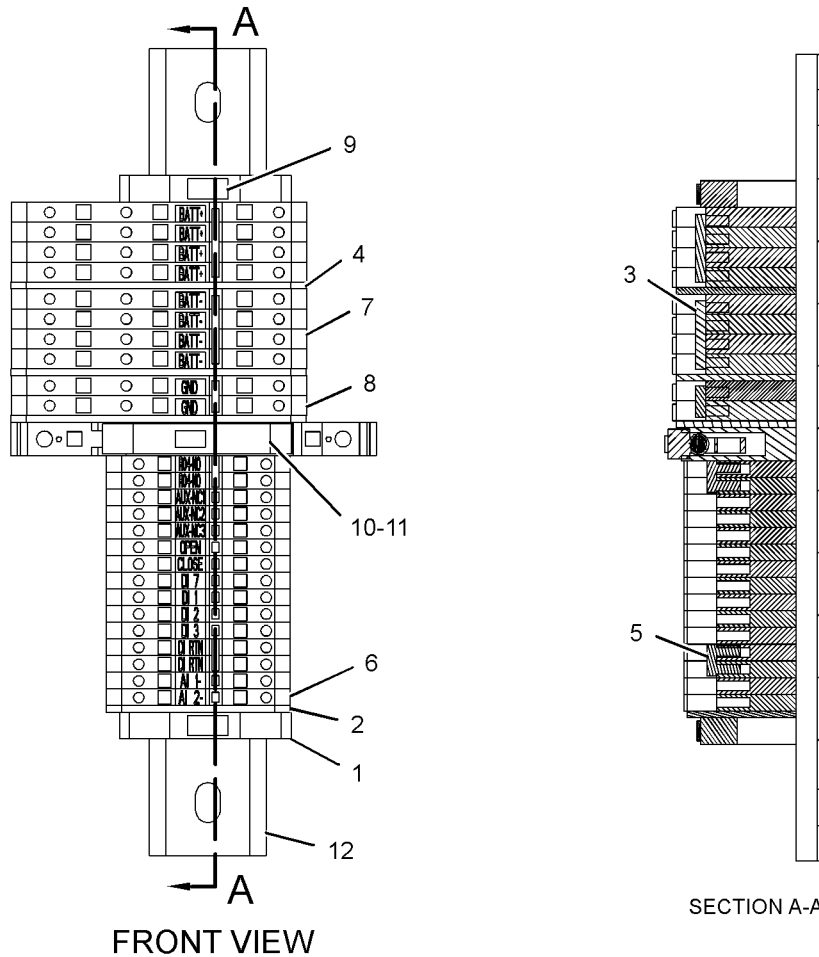
PART OF 267-8473 BOX GP-ELECTRONIC  
AN ATTACHMENT

SMCS-4460, 7426

i02314687

NOTE	REF NO	GRAPHIC REF	PART NUMBER	QTY	PART NAME						SEE PAGE
					1	2	3	4	5	6 (PRODUCT LEVEL)	
	1	1	162-0589	2	BRACKET-END						
	2	1	167-1617	1	COVER-TERMINAL						
	3	1	171-6256	3	BAR (FIXED BRIDGE)						
	4	1	171-6260	3	COVER-END						
	5	1	179-8783	2	BAR (FIXED BRIDGE)						
	6	1	179-8786	16	BLOCK-TERMINAL (20-AMPERE)						
	7	1	192-2922	8	BLOCK-TERMINAL (30-AMPERE)						
	8	1	192-2924	2	BLOCK-TERMINAL (30-AMPERE)						
	9	1	267-8466	1	KIT-MARKER (SWITCH GEAR)						
	10	1	197-4051	1	BLOCK-TERMINAL (6-AMPERE)						
	11	1	8D-8724	1	FUSE (2-AMPERE)						
E	12	1	147-1960		RAIL (25-CM)						

E-ORDER BY THE CENTIMETER



GRAPHIC #1

<END>

g01161946

# ELECTRICAL AND STARTING SYSTEM

## 333-4940 STRIP GP-TERMINAL

S/N: YAT1-UP

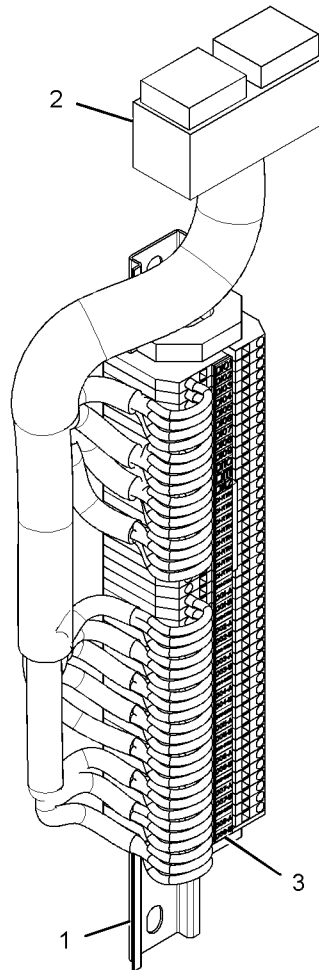
PART OF 259-5805 WIRING GP-PANEL  
AN ATTACHMENT

SMCS-4460, 7426

i03300549

NOTE	REF NO	GRAPHIC REF	PART NUMBER	QTY	PART NAME						SEE PAGE
					1	2	3	4	5	6 (PRODUCT LEVEL)	
Y	1	1	246-8090	1	STRIP GP-TERMINAL						707
	2	1	279-4247	1	HARNESS AS-PANEL						
	3	1	308-3029	1	KIT-MARKER						

Y-SEPARATE ILLUSTRATION



GRAPHIC #1

<END>

g01688633

# ELECTRICAL AND STARTING SYSTEM

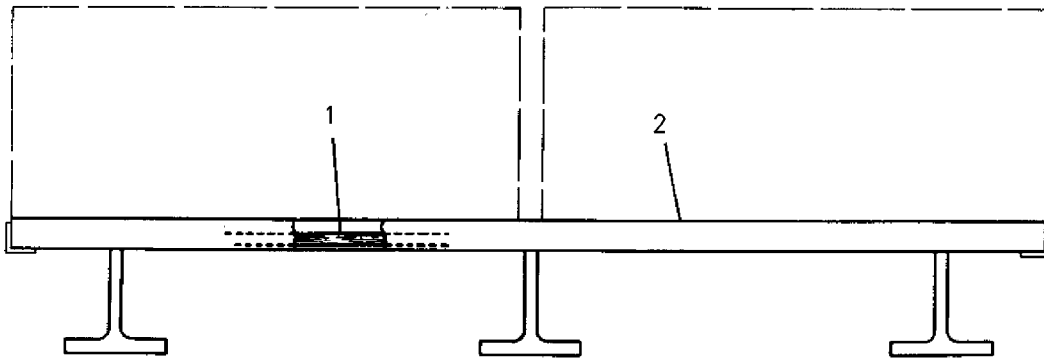
## 3N-7056 SUPPORT GP-BATTERY

S/N: YAT1-UP  
FLOOR TYPE, 2-BATTERY  
AN ATTACHMENT

SMCS-7257

i01380951

NOTE	REF NO	GRAPHIC REF	PART NUMBER	QTY	PART NAME						SEE PAGE
					1	2	3	4	5	6 (PRODUCT LEVEL)	
	1	1	3N-7055	1	BOARD						
	2	1	3N-7054	1	SUPPORT AS-BATTERY						



GRAPHIC #1

<END>

g00729953

# ELECTRICAL AND STARTING SYSTEM

## 336-7111 SUPPORT GP-CABLE

S/N: YAT1-UP  
AN ATTACHMENT

SMCS-0635, 4459

i03386785

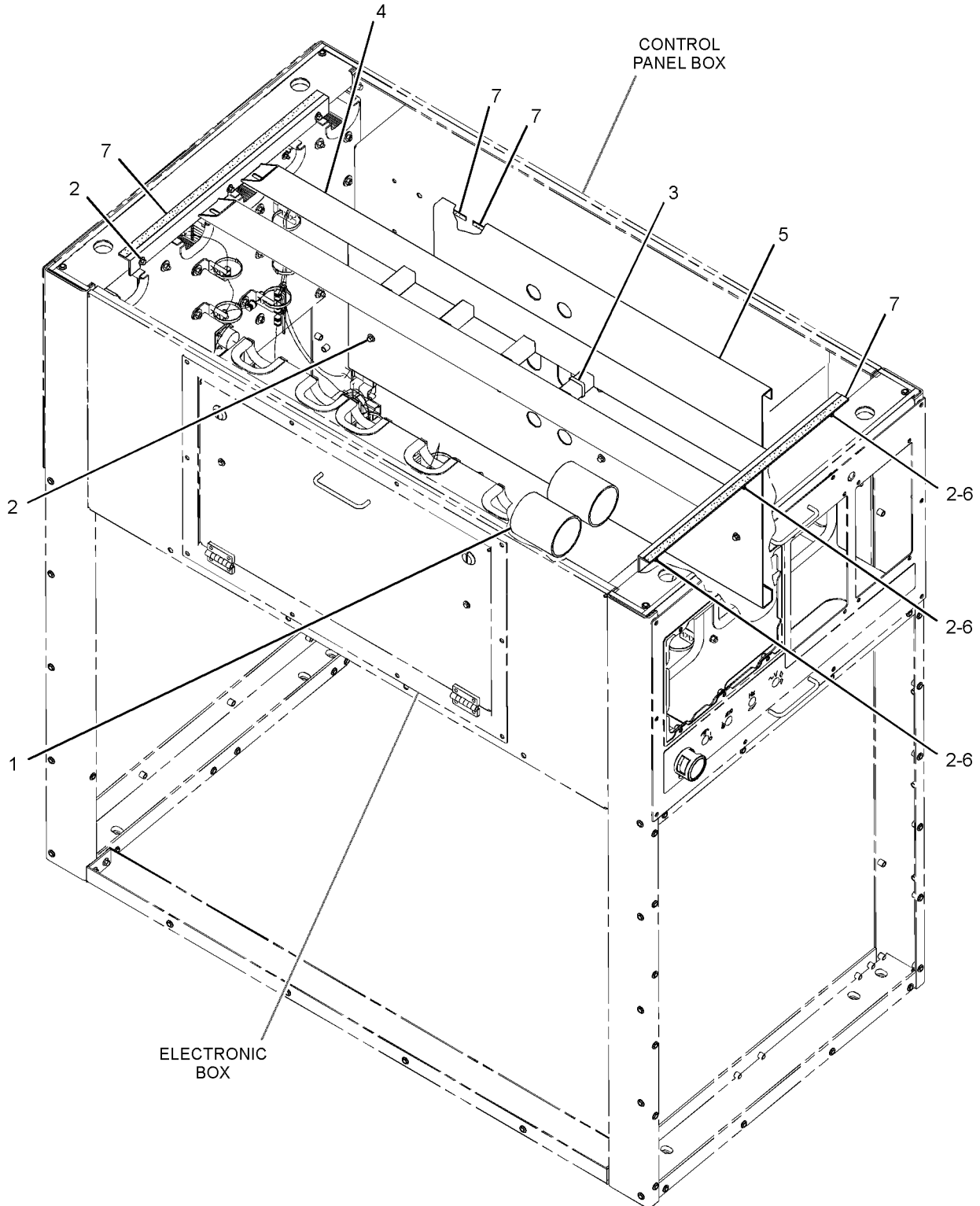
NOTE	REF NO	GRAPHIC REF	PART NUMBER	QTY	PART NAME						SEE PAGE
					1	2	3	4	5	6 (PRODUCT LEVEL)	
	1	1	7H-8213	4	MAT						
	2	1	235-4451	13	BOLT-FLANGE HEAD (M6X1X16-MM)						
	3	1	329-1293	12	STRAP-CABLE						
	4	1	330-5566	1	SUPPORT AS						
	5	1	332-5866	1	COVER AS						
	6	1	9X-2038	6	WASHER (7X19X2-MM THK)						
X	7	1	244-9631		SEAL (27-DM)						

X-ORDER BY THE DECIMETER

# ELECTRICAL AND STARTING SYSTEM

336-7111 SUPPORT GP-CABLE (contd.)

i03386785



GRAPHIC #1

<END>

g01760084

# ELECTRICAL AND STARTING SYSTEM

## 7N-0718 SWITCH GP-DISCONNECT-BATTERY

S/N: YAT1-UP

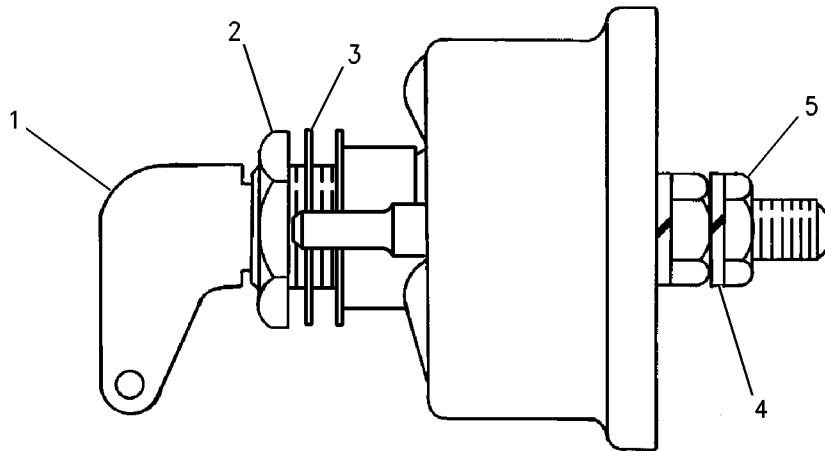
12-VOLT

PART OF 240-0740 SWITCH GP-DISCONNECT  
AN ATTACHMENT

SMCS-1411

i02459121

NOTE	REF NO	GRAPHIC REF	PART NUMBER	QTY	PART NAME						SEE PAGE
					1	2	3	4	5	6 (PRODUCT LEVEL)	
	1	1	<b>8H-5306</b>	1	KEY (BATTERY DISCONNECT)						
	2	1	<b>8H-5303</b>	1	NUT (3/4-16-THD)						
	3	1	<b>2H-3922</b>	2	LOCKWASHER						
	4	1	<b>9F-5644</b>	2	LOCKWASHER						
	5	1	<b>6F-7045</b>	2	NUT-FULL (3/8-24-THD)						



GRAPHIC #1

<END>

g00715584

# ELECTRICAL AND STARTING SYSTEM

## 240-0740 SWITCH GP-DISCONNECT-BATTERY

S/N: YAT1-UP

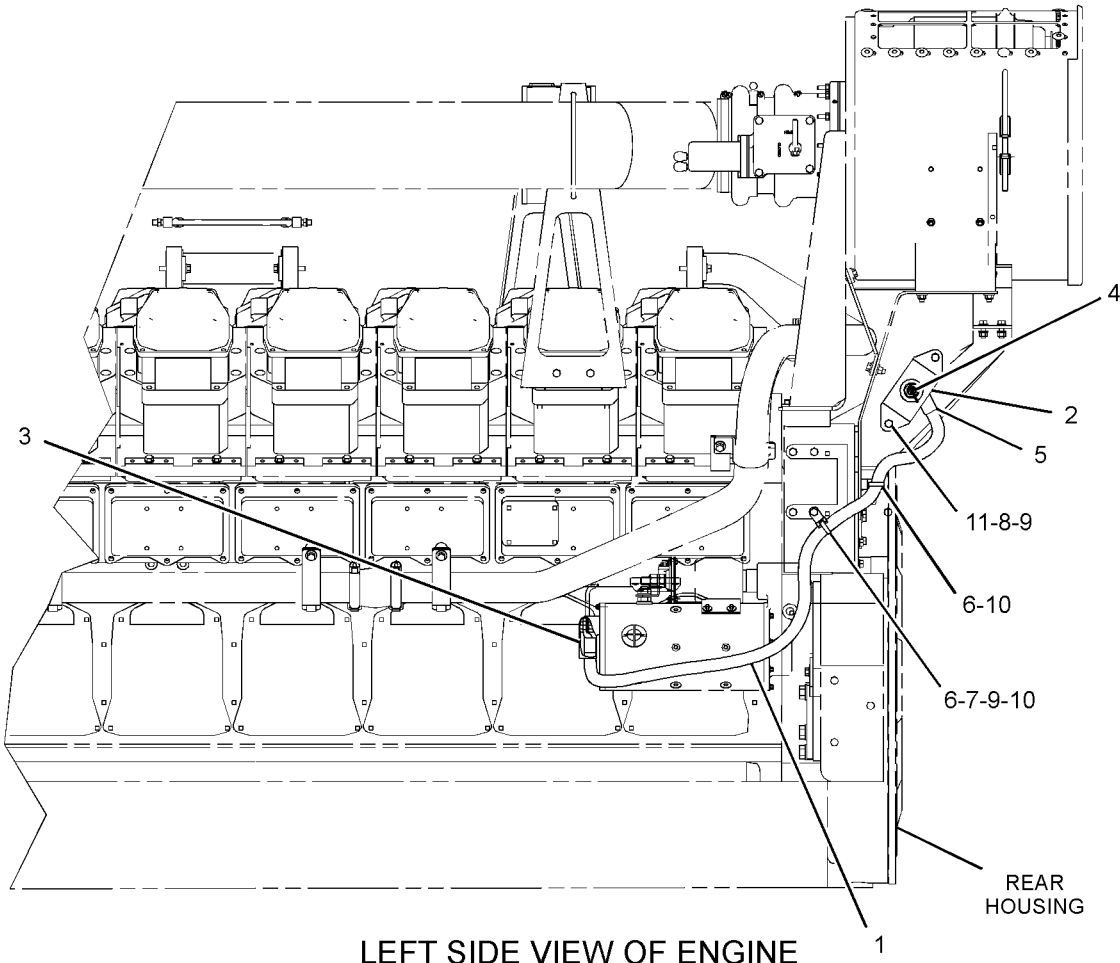
FOR USE WITH POWERCORE AIR CLEANER  
AN ATTACHMENT

SMCS-1411

i02911662

NOTE	REF NO	GRAPHIC REF	PART NUMBER	QTY	PART NAME						SEE PAGE
					1	2	3	4	5	6 (PRODUCT LEVEL)	
	1	1	108-5574	1	CABLE AS						
		1	3L-7634	1	TERMINAL-RING (0000-GA, 0.5-IN)						
E		1	5P-0745		CABLE (0000-GA) (97-CM)						
		1	031-9295	1	TERMINAL-RING (0000-GA, 0.375-IN)						
	2	1	108-5562	1	BRACKET						
B	3	1	3L-7604	1	SHIELD-TERMINAL						
Y	4	1	7N-0718	1	SWITCH GP-DISCONNECT						715
	5	1	3L-7604	1	SHIELD-TERMINAL						
	6	1	3S-2093	2	STRAP-CABLE						
	7	1	0S-0509	1	BOLT (3/8-16X0.75-IN)						
	8	1	9S-8752	2	NUT-FULL (3/8-16-THD)						
	9	1	5M-2894	5	WASHER-HARD (10.2X18.5X2.5-MM THK)						
	10	1	4P-8134	2	CLIP						
	11	1	0S-1594	2	BOLT (3/8-16X1-IN)						

B-USE AS REQUIRED  
E-ORDER BY THE CENTIMETER  
Y-SEPARATE ILLUSTRATION



LEFT SIDE VIEW OF ENGINE  
<END>

GRAPHIC #1

g01455734



# ELECTRICAL AND STARTING SYSTEM

## 244-9638 SWITCH GP-PUSH BUTTON-EMERGENCY STOP

S/N: YAT1-UP

PART OF 252-7370, 269-7010 PANEL GP-CONTROL  
AN ATTACHMENT

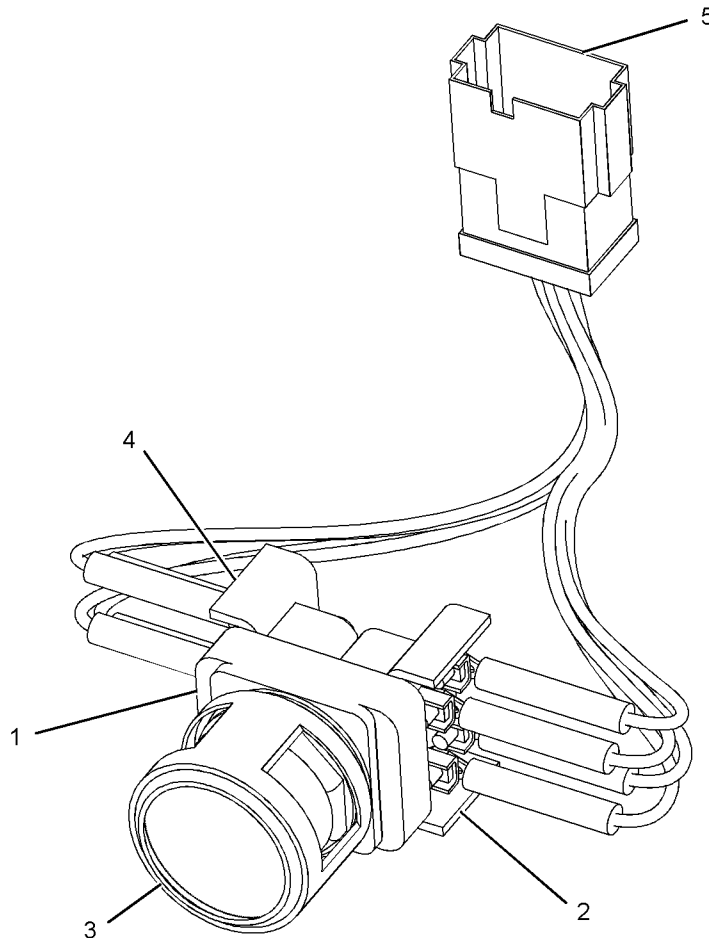
SMCS-1435, 7332

i02418626

NOTE	REF NO	GRAPHIC REF	PART NUMBER	QTY	PART NAME						SEE PAGE
					1	2	3	4	5	6 (PRODUCT LEVEL)	
	1	1	109-6507	1	SWITCH AS-PUSH BUTTON (EMERGENCY STOP)						
	2	1	111-1325	1	BLOCK-CONTACT (2-POLE)						
	3	1	124-3176	1	COVER						
	4	1	138-8367	1	BLOCK-CONTACT (NORMALLY CLOSED)						
	5	1	244-9636	1	HARNESS AS-SWITCH (EMERGENCY STOP)						
		1	9X-6772	3	STRAP-CABLE						
		1	102-8801	1	KIT-RECEPTACLE (12-PIN) (KIT INCLUDES RECEPTACLE AS & WEDGE)						
BE		1	114-8843		SLEEVE-PLASTIC						
		1	162-4171	8	TERMINAL AS (18-GA TO 20-GA) (EACH INCLUDES)						
BE		1	125-7875		TUBE-HEAT SHRINK (7.44-MM DIA)						

B-USE AS REQUIRED

E-ORDER BY THE CENTIMETER



GRAPHIC #1

<END>

g01095623

# ELECTRICAL AND STARTING SYSTEM

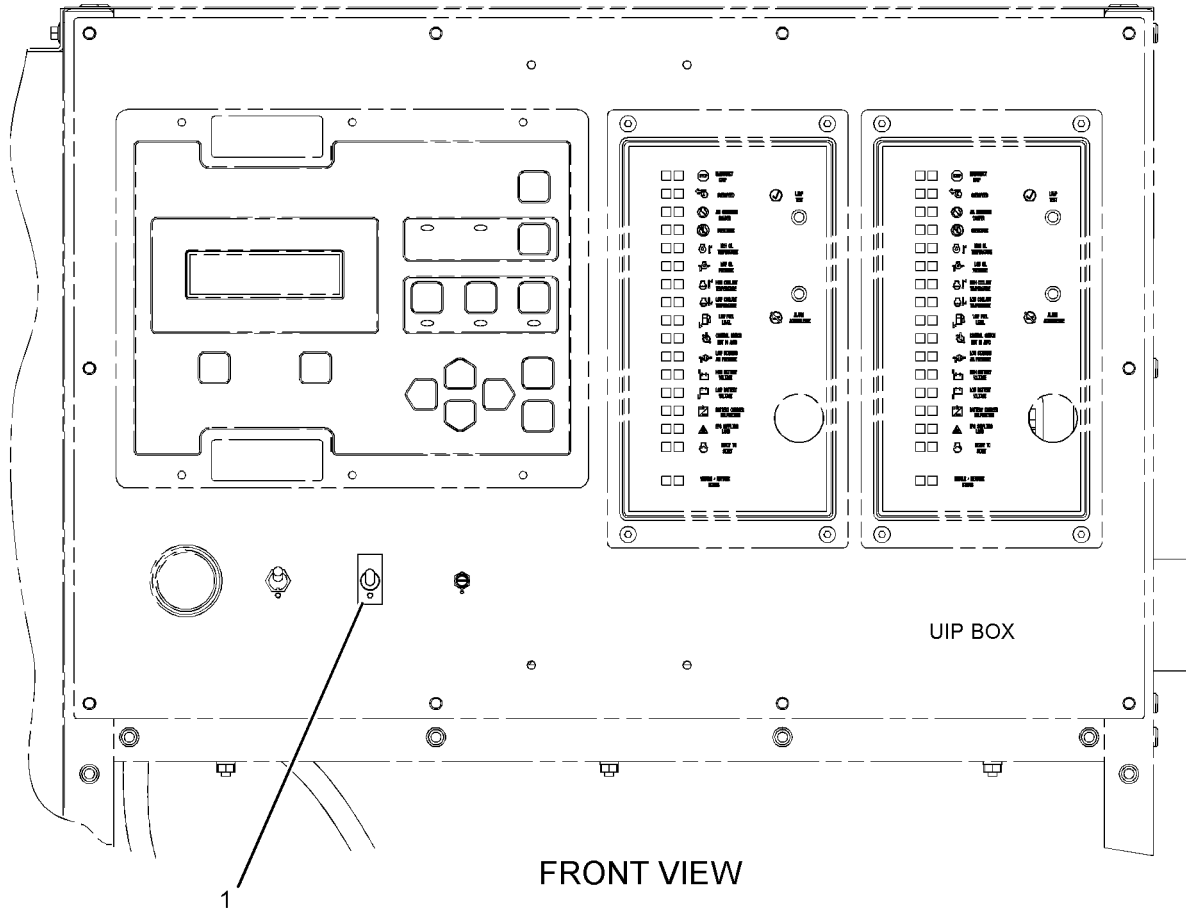
## 252-7424 SWITCH GP-STARTING AID

S/N: YAT1-UP  
FOR USE WITH EUI  
AN ATTACHMENT

SMCS-1090, 1456

i02239752

NOTE	REF NO	GRAPHIC REF	PART NUMBER	QTY	PART NAME						SEE PAGE
					1	2	3	4	5	6 (PRODUCT LEVEL)	
	1	1	9D-3721	1	SWITCH-TOGGLE (STARTING AID)						



GRAPHIC #1

<END>

g01137261

# ELECTRICAL AND STARTING SYSTEM

## 120-4498 THERMOCOUPLE GP

S/N: YAT1-UP

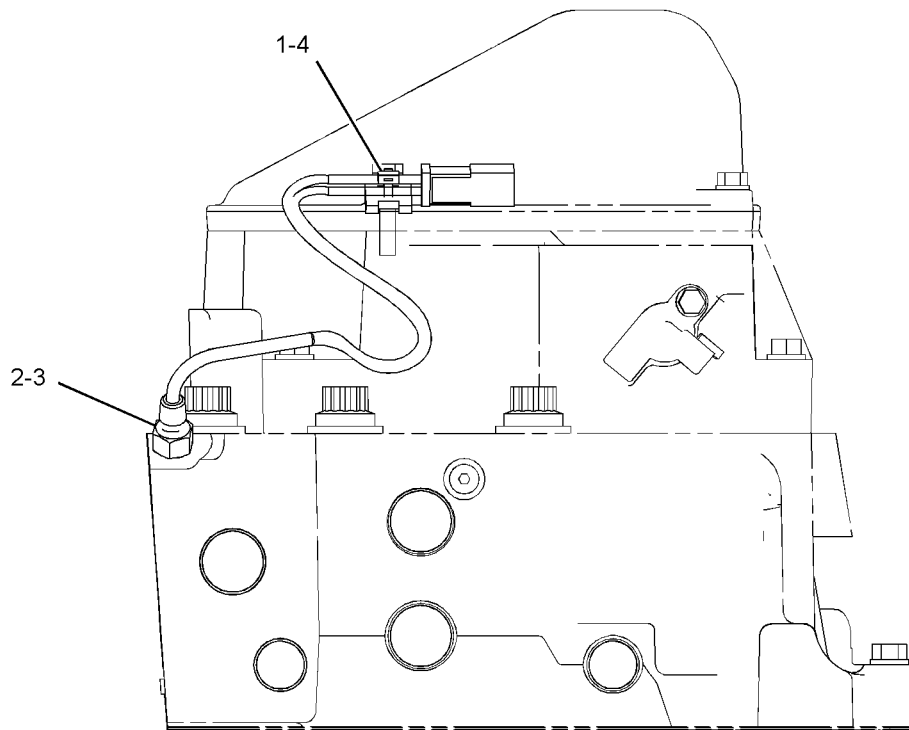
PART OF 292-8602 WIRING GP-SENSOR

FOR USE WITH MONITORING SYSTEM PANEL AND PYROMETER GROUP  
AN ATTACHMENT

SMCS-7498

i03396201

NOTE	REF NO	GRAPHIC REF	PART NUMBER	QTY	PART NAME						SEE PAGE
					1	2	3	4	5	6 (PRODUCT LEVEL)	
	1	1	3S-2093	1	STRAP-CABLE						
	2	1	5N-2126	1	ADAPTER (THERMOCOUPLE)						
	3	1	243-5752	1	SENSOR GP-TEMPERATURE (CYLINDER EXHAUST)						
		1	186-3735	2	PIN-CONNECTOR (16-GA TO 18-GA)						
		1	102-8802	2	KIT-RECEPTACLE (2-PIN)						
					(EACH INCLUDES RECEPTACLE AS AND WEDGE)						
	4	1	4P-7581	1	CLIP						



FRONT VIEW

GRAPHIC #1

<END>

g01277880

# ELECTRICAL AND STARTING SYSTEM

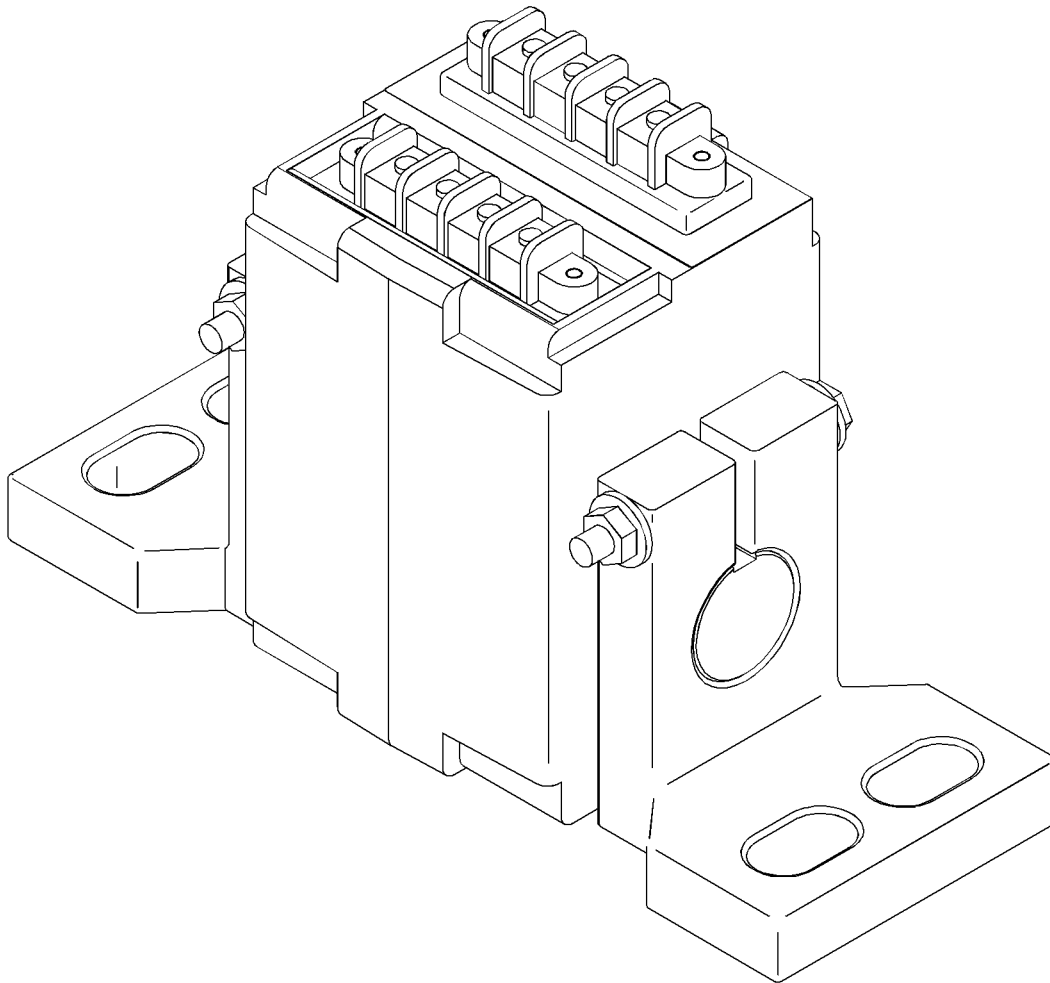
## 244-9842 TRANSFORMER AS-CURRENT-NEUTRAL SENSING

S/N: YAT1-UP  
FOR USE WITH P-FRAME  
AN ATTACHMENT

SMCS-4476

i03167547

NOTE	REF NO	GRAPHIC REF	PART NUMBER	QTY	PART NAME						SEE PAGE
					1	2	3	4	5	6 (PRODUCT LEVEL)	
(NO SERVICED PARTS)											



GRAPHIC #1

<END>

g01190889

# ELECTRICAL AND STARTING SYSTEM

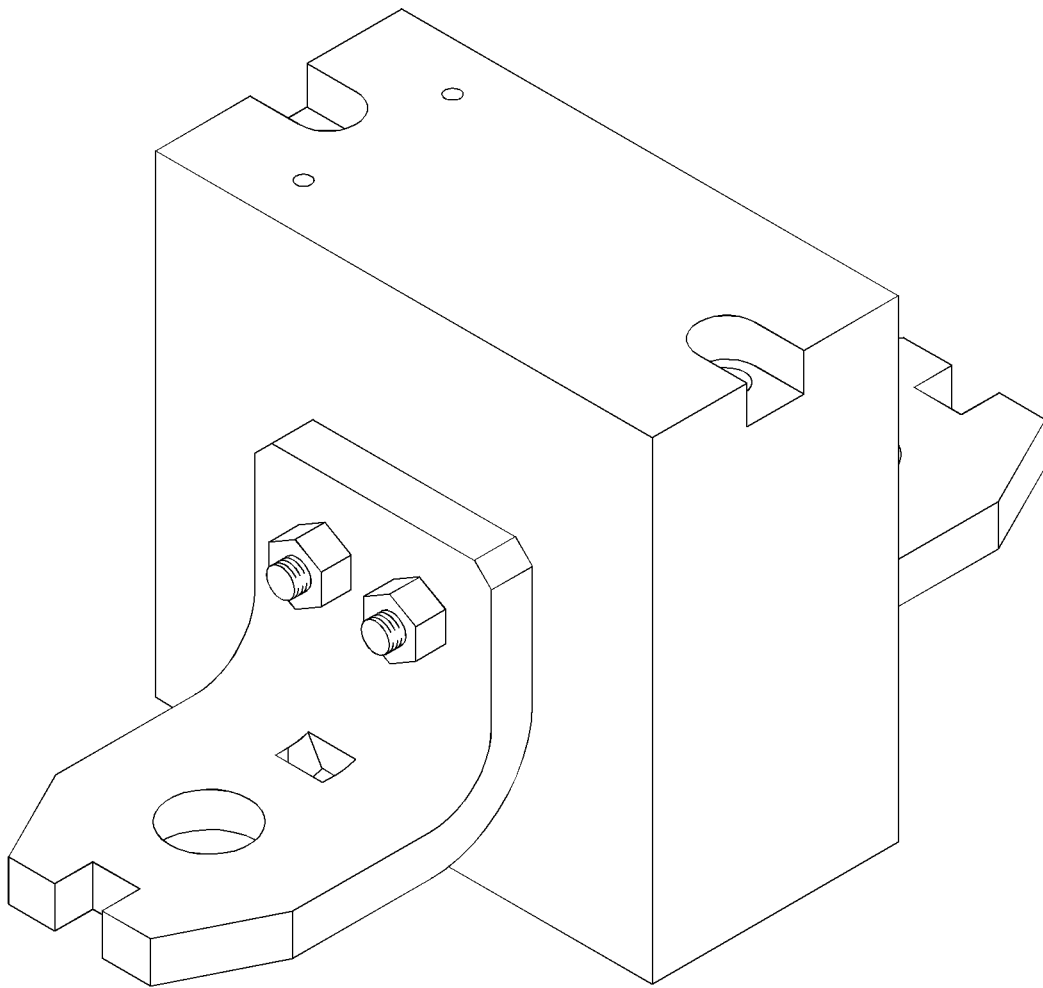
## 244-9843 TRANSFORMER AS-CURRENT-NEUTRAL SENSING

S/N: YAT1-UP  
400-AMPERE  
AN ATTACHMENT

SMCS-4476

i02560882

NOTE	REF NO	GRAPHIC REF	PART NUMBER	QTY	PART NAME						SEE PAGE
					1	2	3	4	5	6 (PRODUCT LEVEL)	
(NO SERVICED PARTS)											



GRAPHIC #1

<END>

g01283107

# ELECTRICAL AND STARTING SYSTEM

## 252-7561 TRANSFORMER AS-CURRENT

S/N: YAT1-UP

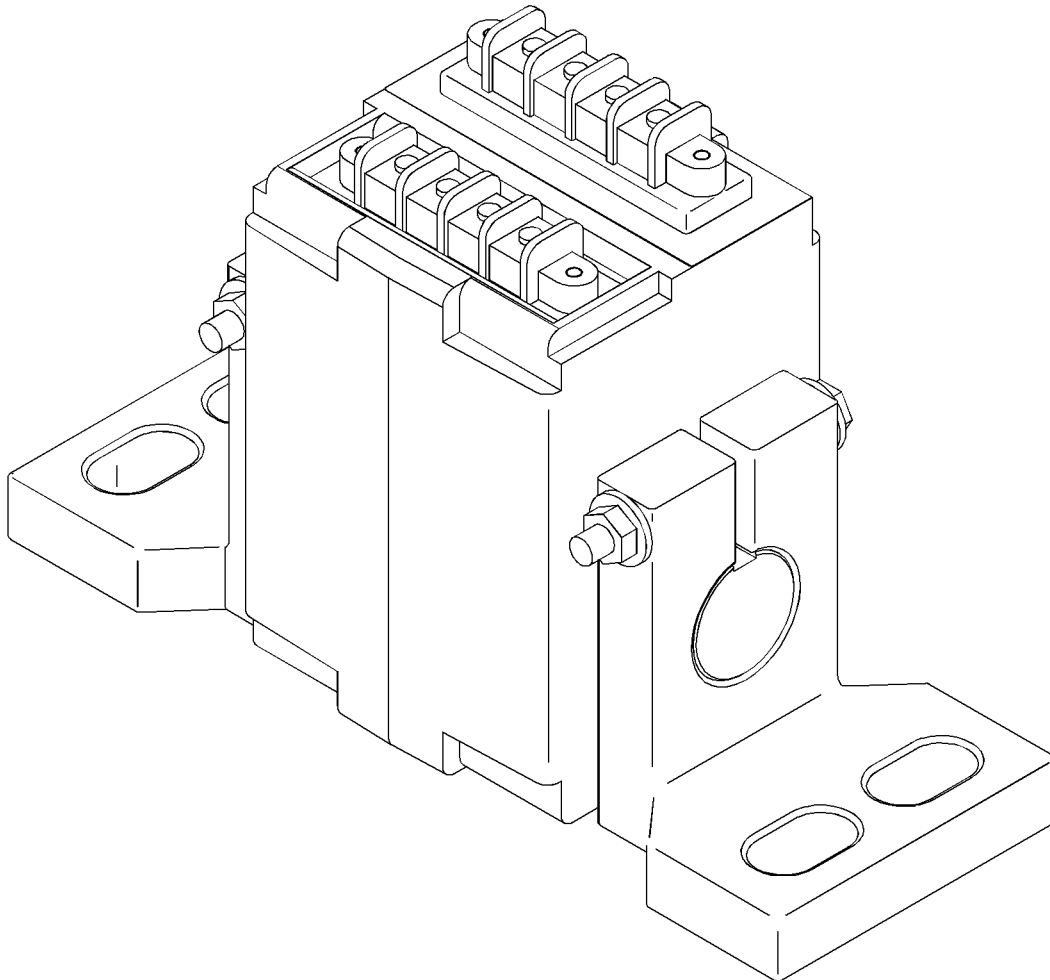
1600-AMPERE

FOR USE WITH R-FRAME, NW-FRAME  
AN ATTACHMENT

SMCS-4476

i02386158

NOTE	REF NO	GRAPHIC REF	PART NUMBER	QTY	PART NAME						SEE PAGE
					1	2	3	4	5	6 (PRODUCT LEVEL)	
(NO SERVICED PARTS)											



GRAPHIC #1

<END>

g01190889

# ELECTRICAL AND STARTING SYSTEM

## 252-7562 TRANSFORMER AS-CURRENT

S/N: YAT1-UP

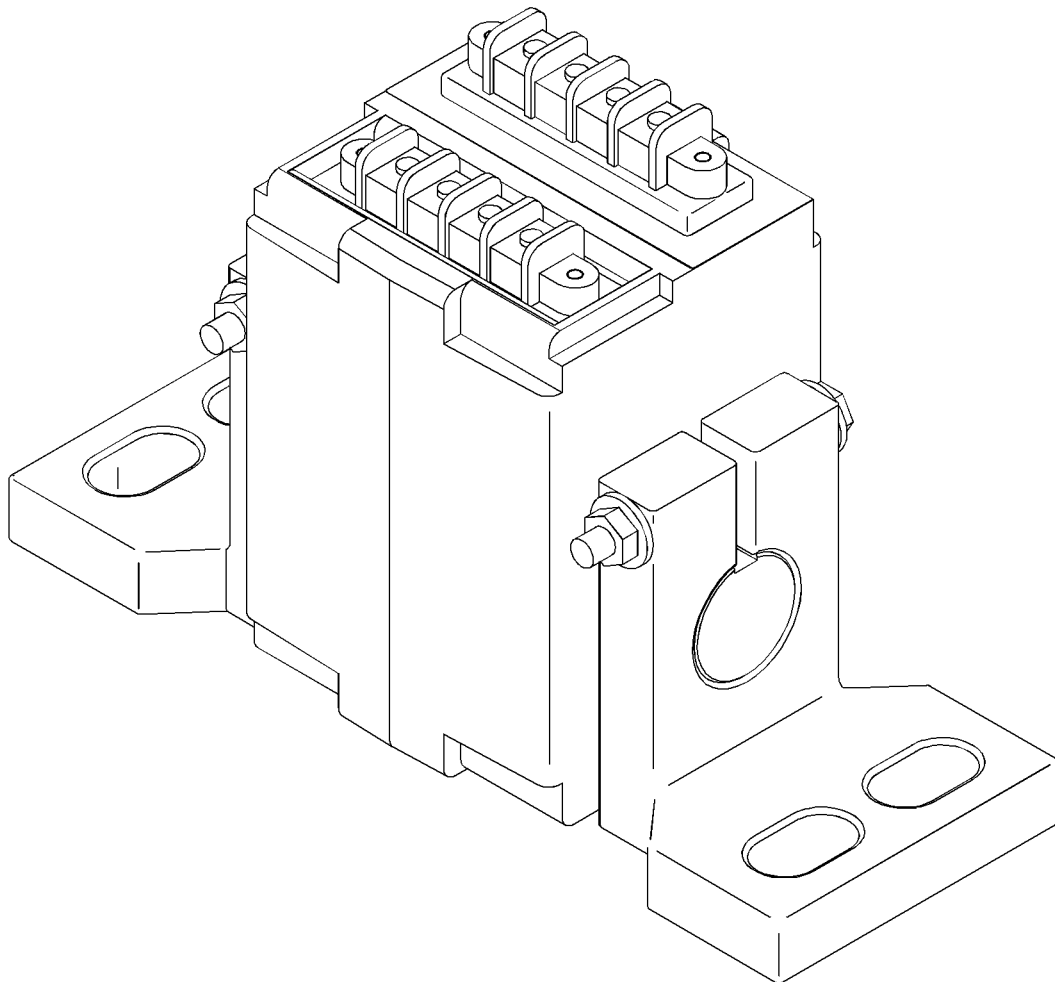
2000-AMPERE

FOR USE WITH R-FRAME, NW-FRAME CIRCUIT BREAKER  
AN ATTACHMENT

SMCS-4476

i02386060

NOTE	REF NO	GRAPHIC REF	PART NUMBER	QTY	PART NAME						SEE PAGE
					1	2	3	4	5	6 (PRODUCT LEVEL)	
(NO SERVICED PARTS)											



GRAPHIC #1

<END>

g01190889

# ELECTRICAL AND STARTING SYSTEM

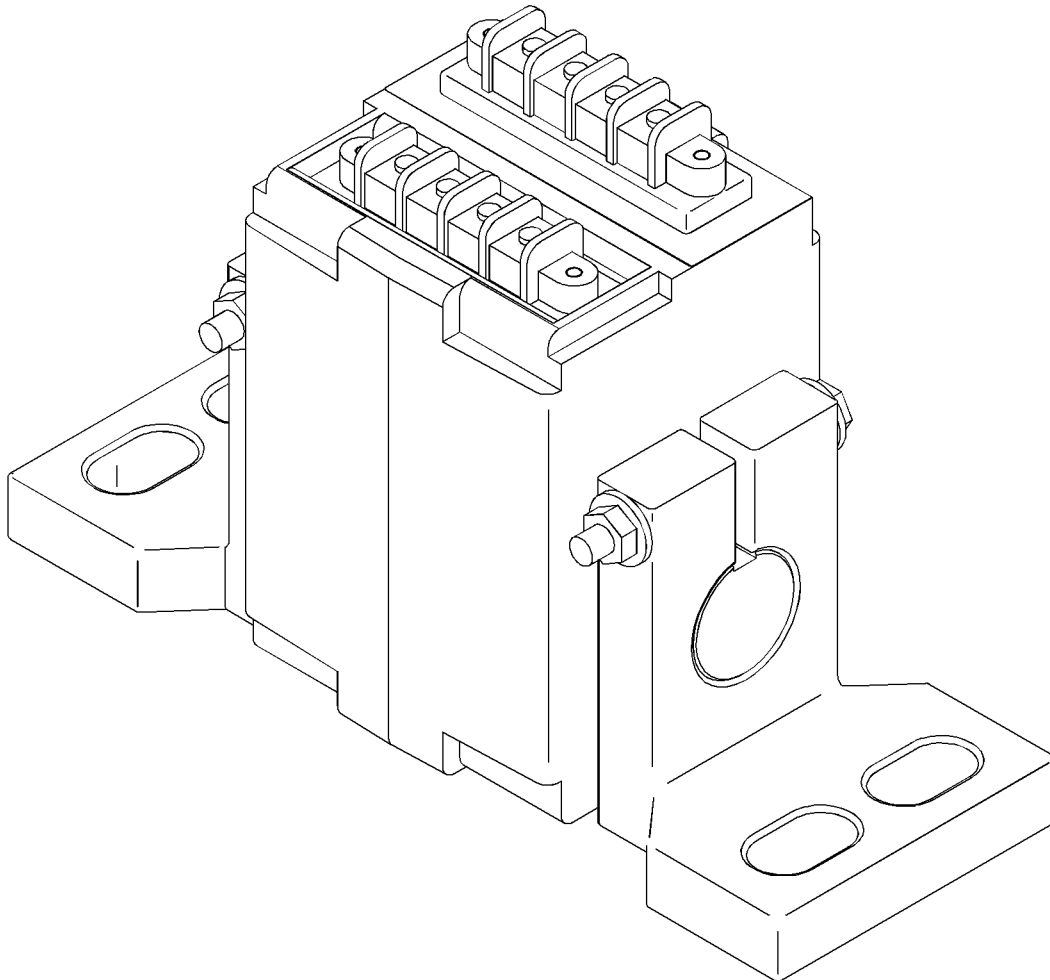
## 252 - 7563 TRANSFORMER AS-CURRENT

S/N: YAT1-UP  
2500-AMPERE TO 3200-AMPERE  
FOR USE WITH R-FRAME, NW-FRAME  
AN ATTACHMENT

SMCS-4476

i02385802

NOTE	REF NO	GRAPHIC REF	PART NUMBER	QTY	PART NAME						SEE PAGE
					1	2	3	4	5	6 (PRODUCT LEVEL)	
(NO SERVICED PARTS)											



GRAPHIC #1

<END>

g01190889



# ELECTRICAL AND STARTING SYSTEM

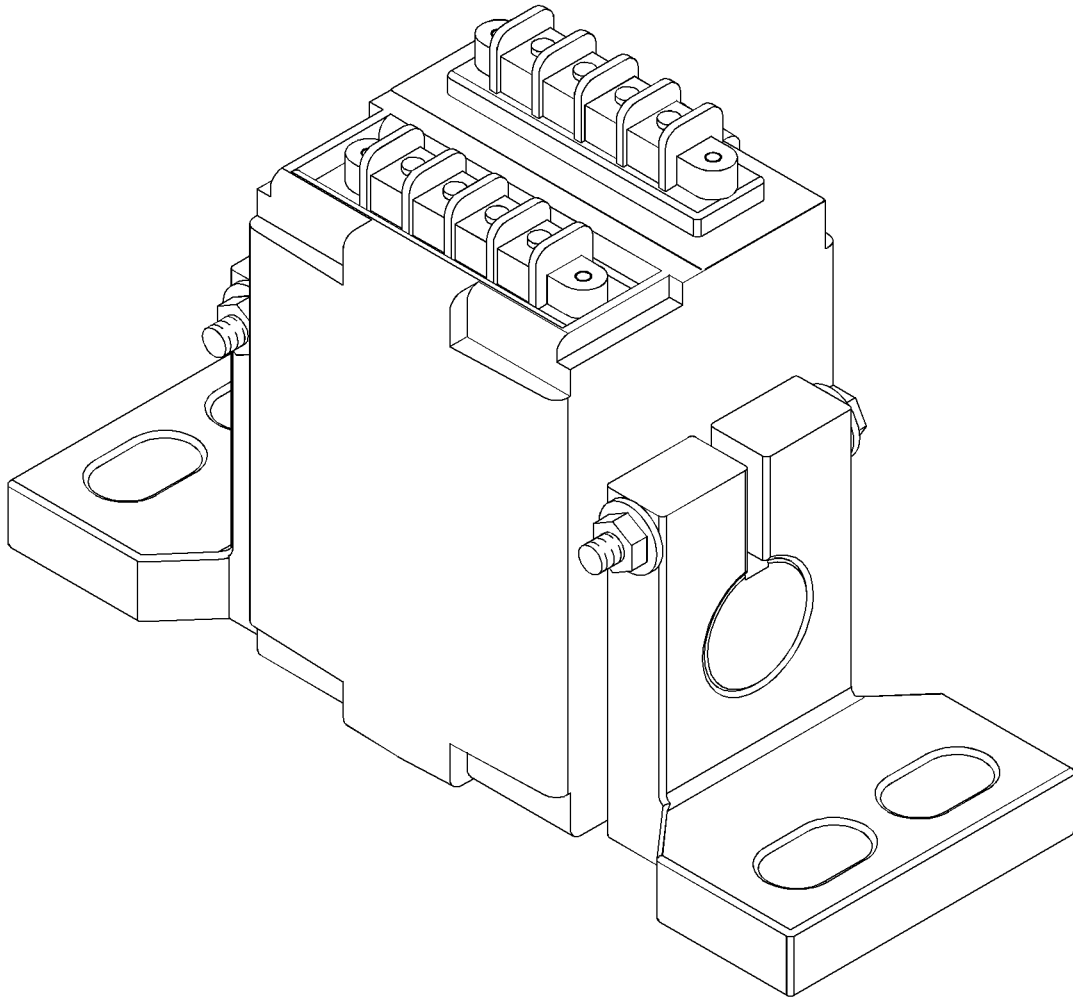
## 252-7564 TRANSFORMER AS-CURRENT

S/N: YAT1-UP  
4000-AMPERE TO 5000-AMPERE  
FOR USE WITH NW-FRAME  
AN ATTACHMENT

SMCS-4476

i02385755

NOTE	REF NO	GRAPHIC REF	PART NUMBER	QTY	PART NAME						SEE PAGE
					1	2	3	4	5	6 (PRODUCT LEVEL)	
(NO SERVICED PARTS)											



GRAPHIC #1

<END>

g01194910

# ELECTRICAL AND STARTING SYSTEM

## 289-0656 TRANSFORMER GP-CURRENT-MEDIUM VOLTAGE

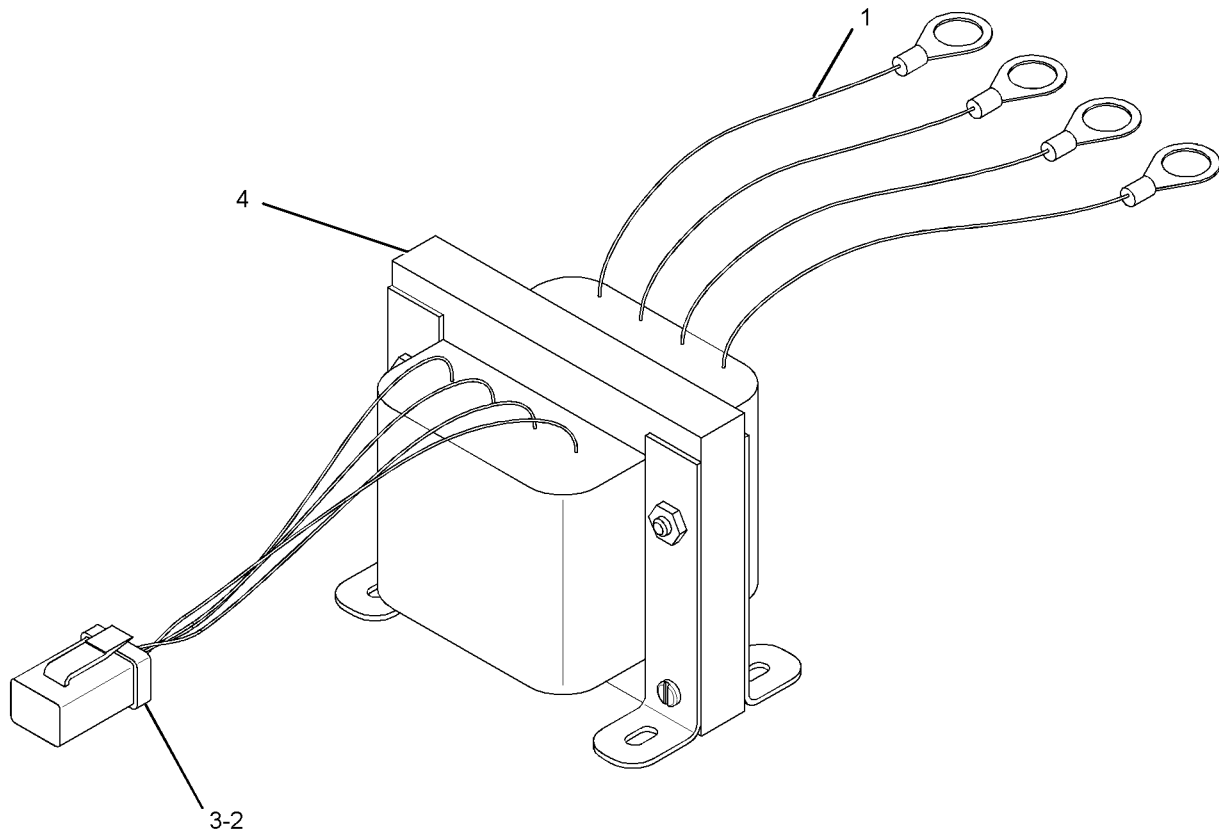
S/N: YAT1-UP

PART OF 252-7374 MOUNTING GP-TRANSFORMER  
AN ATTACHMENT

SMCS-4476

i02539634

NOTE	REF NO	GRAPHIC REF	PART NUMBER	QTY	PART NAME						SEE PAGE
					1	2	3	4	5	6 (PRODUCT LEVEL)	
	1	1	2L-8081	4	TERMINAL (14-GA TO 16-GA)						
	2	1	186-3736	4	SOCKET-CONNECTOR (16-GA TO 18-GA)						
	3	1	155-2271	1	KIT-CONNECTING PLUG (4-PIN) (INCLUDES PLUG AS AND WEDGE)						
	4	1	207-2018	1	TRANSFORMER AS						



GRAPHIC #1

<END>

g01296394

# ELECTRICAL AND STARTING SYSTEM

## 252-7365 TRANSFORMER GP-POTENTIAL

S/N: YAT1-UP

LOW VOLTAGE

PART OF 252-7368 CONTROL GP-FUEL INJECTION, 252-7369 CONTROL GP-LOAD SHARE  
MODULE

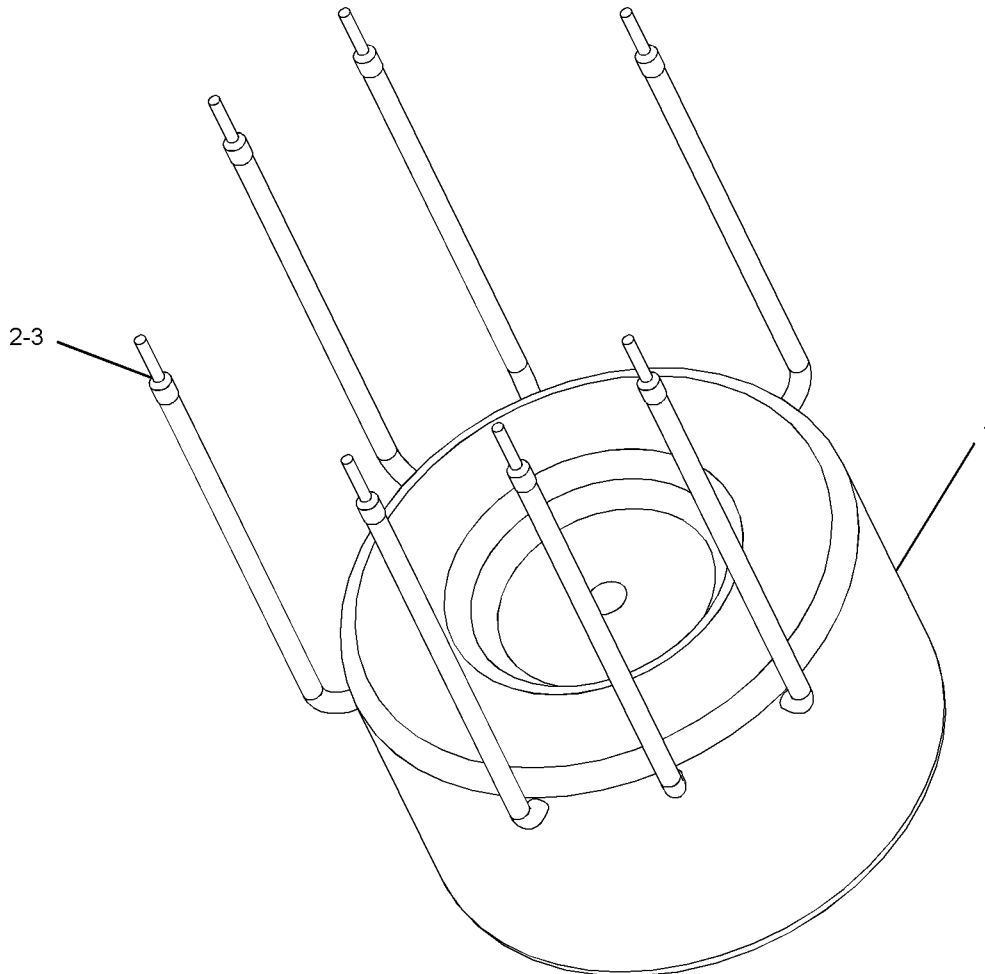
AN ATTACHMENT

SMCS-1409

i02718310

NOTE	REF NO	GRAPHIC REF	PART NUMBER	QTY	PART NAME						SEE PAGE
					1	2	3	4	5	6 (PRODUCT LEVEL)	
	1	1	154-3488	1	TRANSFORMER AS						
E	2	1	114-8843		SLEEVE-PLASTIC (20-CM EACH)						
	3	1	110-8714	7	END-WIRE (18-GA)						

E-ORDER BY THE CENTIMETER



GRAPHIC #1

<END>

g01289949

# ELECTRICAL AND STARTING SYSTEM

## 5N-8980 VALVE AS-SOLENOID-AIR START

S/N: YAT1-UP

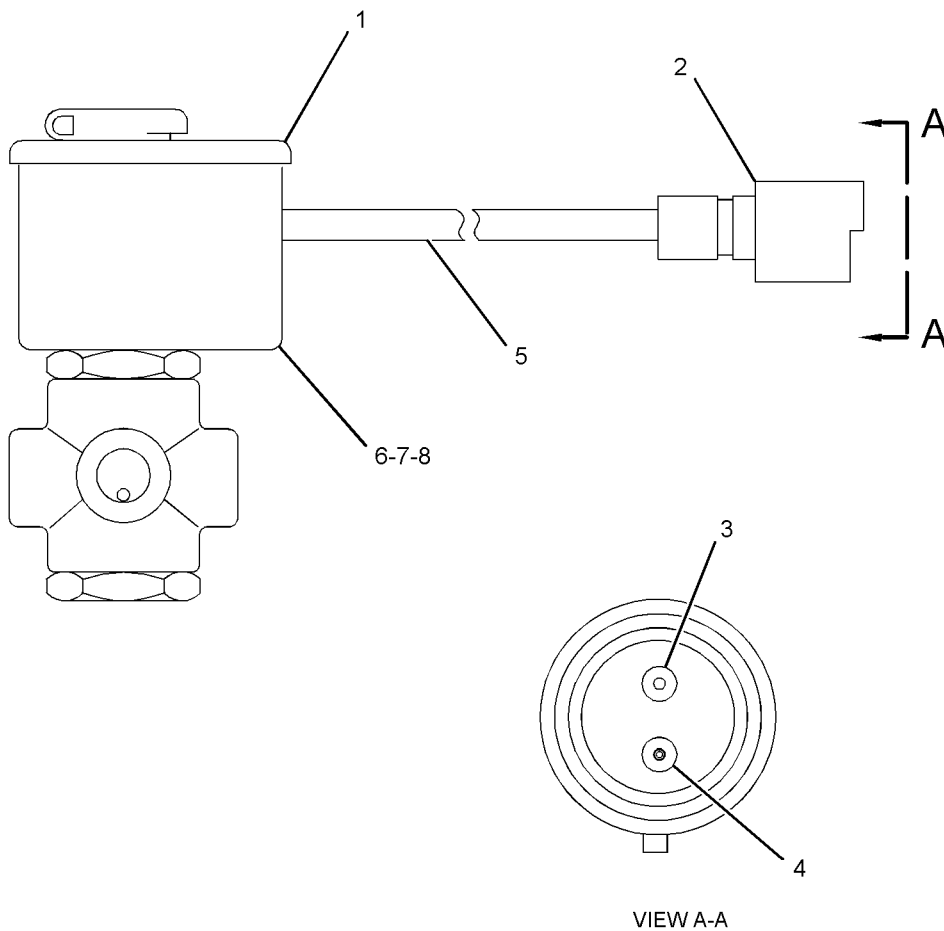
PART OF 7C-0330 CONTROL GP-AIR STARTING  
AN ATTACHMENT

SMCS-5479

i02871444

NOTE	REF NO	GRAPHIC REF	PART NUMBER	QTY	PART NAME						SEE PAGE
					1	2	3	4	5	6 (PRODUCT LEVEL)	
	1	1	<b>7G-8765</b>	1	VALVE-SOLENOID						
	2	1	<b>7N-9738</b>	1	HOUSING-RECEPTACLE (14-GA TO 18-GA)						
	3	1	<b>7N-7779</b>	1	SOCKET-CONNECTOR (14-GA TO 18-GA)						
	4	1	<b>7N-7780</b>	1	PIN-CONNECTOR (14-GA TO 18-GA)						
E	5	1	<b>9X-1813</b>		SLEEVE (21-CM)						
	6	1	<b>5N-9073</b>	1	CLIP						
	7	1	<b>3F-2065</b>	1	LOCKNUT (1/2-14-NPTF-THD)						
	8	1	<b>5N-8943</b>	1	ADAPTER						

E-ORDER BY THE CENTIMETER



GRAPHIC #1

<END>

g01441571

# ELECTRICAL AND STARTING SYSTEM

## 235-8824 VALVE GP-ETHER STARTING

S/N: YAT1-UP

CONTINUOUS FLOW

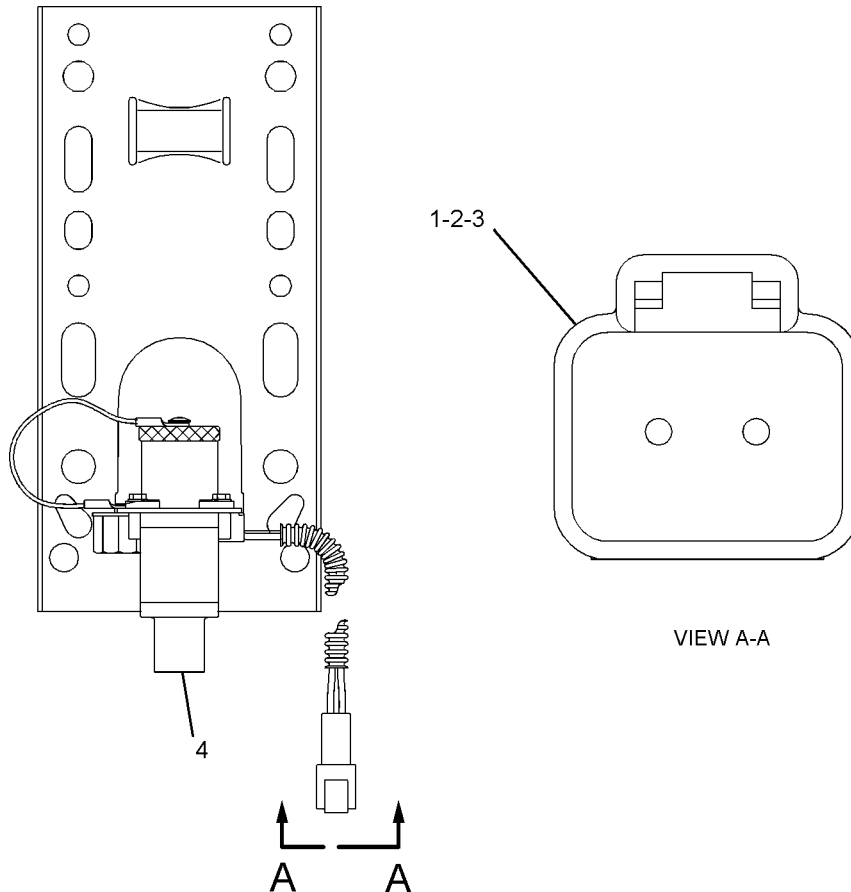
PART OF 241-1725 STARTING AID GP-ETHER

AN ATTACHMENT

SMCS-1456

i02231094

NOTE	REF NO	GRAPHIC REF	PART NUMBER	QTY	PART NAME						SEE PAGE
					1	2	3	4	5	6 (PRODUCT LEVEL)	
	1	1	102-8802	1	KIT-RECEPTACLE (2-PIN)						
					(INCLUDES RECEPTACLE AS AND WEDGE)						
	2	1	3E-3365	1	WEDGE-RECEPTACLE LOCK (2-PIN)						
	3	1	186-3735	2	PIN-CONNECTOR (16-GA TO 18-GA)						
	4	1	235-8827	1	ORIFICE (ETHER STARTING)						



GRAPHIC #1

<END>

g01023774

# ELECTRICAL AND STARTING SYSTEM

## 1L-2073 VALVE GP-PRESSURE REDUCING-RH

S/N: YAT1-UP

AIR CONTROL

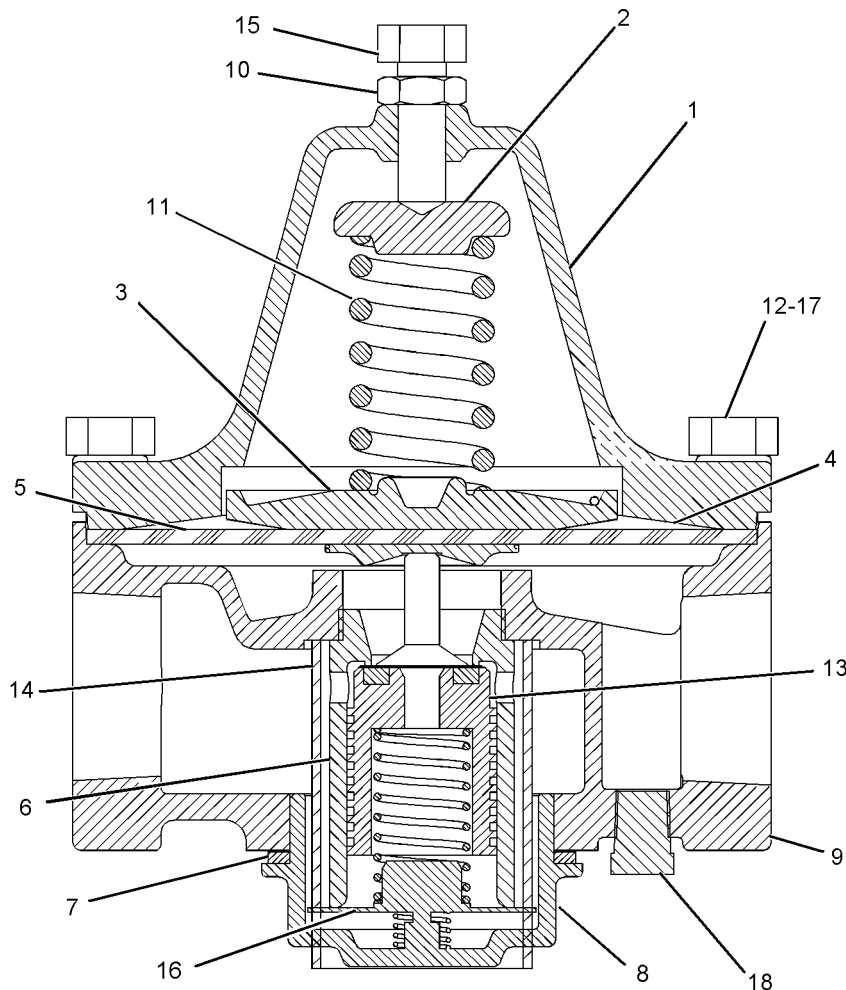
PART OF 8N-8483 VALVE GP-AIR CONTROL

AN ATTACHMENT

SMCS-1462

i02698945

NOTE	REF NO	GRAPHIC REF	PART NUMBER	QTY	PART NAME						SEE PAGE
					1	2	3	4	5	6 (PRODUCT LEVEL)	
	1	1	1H-9570	1	CHAMBER						
	2	1	1H-9569	1	BUTTON-SPRING						
	3	1	1H-9572	1	PLATE-PRESSURE						
	4	1	1H-9573	1	DIAPHRAGM						
	5	1	1H-9574	1	BUTTON						
	6	1	1H-9575	1	CYLINDER						
	7	1	1H-9580	1	GASKET-PLUG						
	8	1	1H-9581	1	PLUG AS						
	9	1	1L-2072	1	BODY-VALVE						
	10	1	1L-9048	1	NUT-PLATED JAM (7/16-14-THD)						
	11	1	1L-9049	1	SPRING-PRESSURE						
	12	1	1L-9079	6	NUT-PLATED FULL (7/16-20-THD)						
	13	1	5N-6942	1	PISTON AS						
	14	1	252-9298	1	SCREEN-STRAINER (PRESSURE REDUCING VALVE)						
	15	1	0T-0320	1	BOLT (7/16-14X1.25-IN)						
	16	1	1H-9578	1	SPRING-PISTON						
	17	1	1L-9080	6	BOLT (7/16-20X1.5-IN)						
	18	1	5B-7890	1	PLUG-PIPE						



GRAPHIC #1

<END>

g01069160

# ELECTRICAL AND STARTING SYSTEM

## 133-6468 WIRE AS-GROUND

S/N: YAT1-UP

FOR USE WITH 35-AMPERE ALTERNATOR  
AN ATTACHMENT

SMCS-1408

i01331777

NOTE	PART NUMBER	QTY	PART NAME	SEE PAGE
			1 2 3 4 5 6 (PRODUCT LEVEL)	
			(NO SERVICED PARTS)	
			<END>	

# ELECTRICAL AND STARTING SYSTEM

## 241-0243 WIRING GP-ALTERNATOR

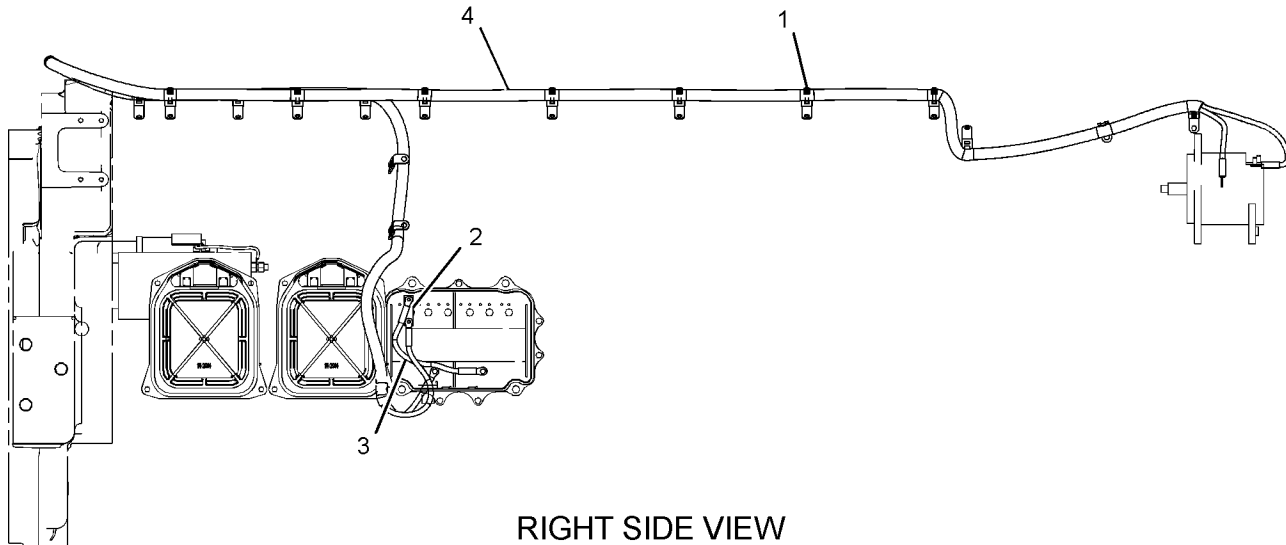
S/N: YAT1-UP  
AN ATTACHMENT

SMCS-1405, 1408

i02144167

NOTE	REF NO	GRAPHIC REF	PART NUMBER	QTY	PART NAME						SEE PAGE
					1	2	3	4	5	6 (PRODUCT LEVEL)	
B	1	1	7K-1181	7	STRAP-CABLE						
	2	1	203-8986	1	CIRCUIT BREAKER AS (70-AMPERE) (ALTERNATOR)						
	3	1	241-0244	1	WIRE AS						
	4	1	242-7398	1	HARNESS AS-POWER (ALTERNATOR)						

B-USE AS REQUIRED



GRAPHIC #1

RIGHT SIDE VIEW

<END>

g01088363



# ELECTRICAL AND STARTING SYSTEM

## 241-0235 WIRING GP-ELECTRIC STARTING

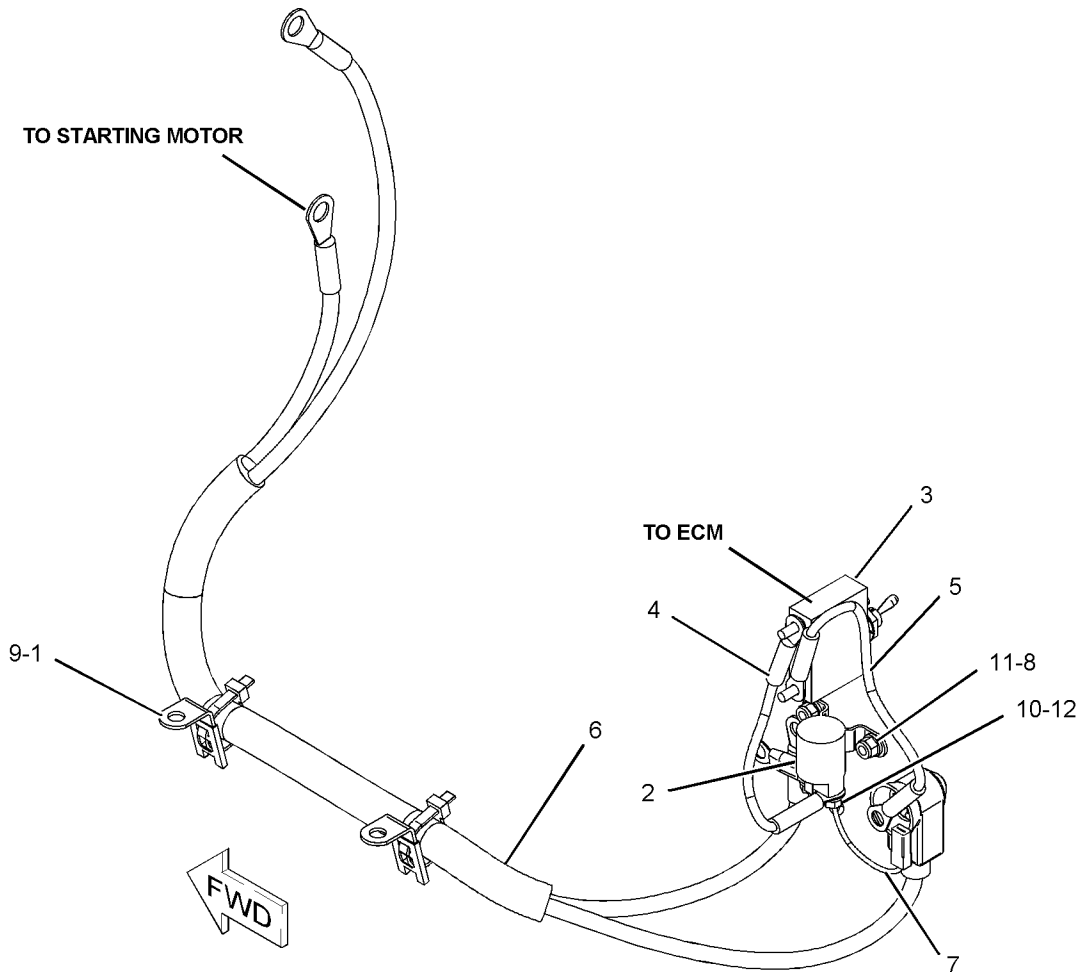
S/N: YAT1-UP  
FOR USE WITH SINGLE MOTOR  
AN ATTACHMENT

SMCS-1408, 1453

i02418623

NOTE	REF NO	GRAPHIC REF	PART NUMBER	QTY	PART NAME						SEE PAGE
					1	2	3	4	5	6 (PRODUCT LEVEL)	
	1	1	7K-1181	2	STRAP-CABLE						
	2	1	9X-8124	1	SWITCH AS-MAGNETIC (24-VOLT) (STARTING MOTOR)						
	3	1	203-8987	1	CIRCUIT BREAKER AS (40-AMPERE)						
	4	1	241-0236	1	WIRE AS						
	5	1	242-7065	1	WIRE AS						
	6	1	242-7397	1	HARNESS AS-MOTOR (STARTING)						
	7	1	250-8472	1	WIRE AS						
	8	1	3E-9865	2	LOCKNUT (1/4-20-THD)						
	9	1	4P-8134	2	CLIP						
M	10	1	5C-2890	2	NUT (M6X1-THD)						
	11	1	8T-4205	2	WASHER-HARD (7.2X14.5X2-MM THK)						
	12	1	9X-8256	2	WASHER (6.6X12X2-MM THK)						

M-METRIC PART



GRAPHIC #1

<END>

g01083435

# ELECTRICAL AND STARTING SYSTEM

## 242-7068 WIRING GP-ELECTRIC STARTING- DUAL STARTING MOTOR

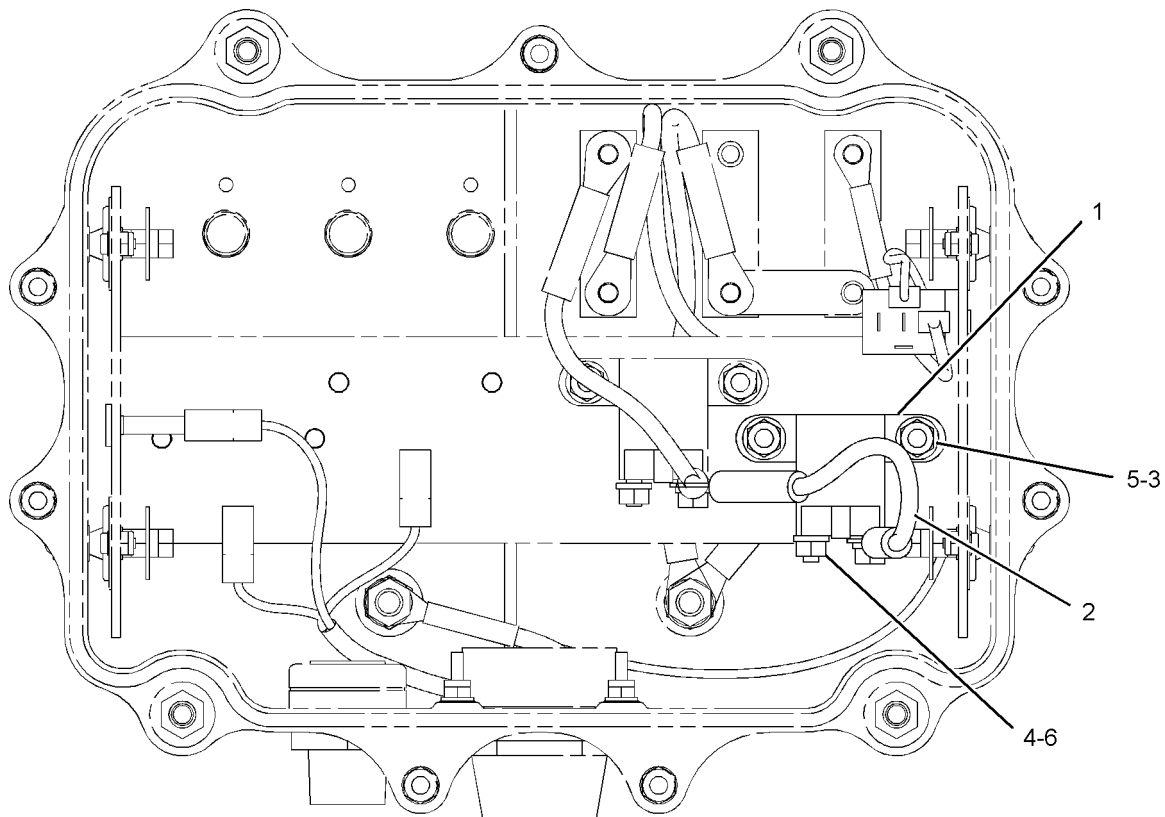
S/N: YAT1-UP  
AN ATTACHMENT

SMCS-1408, 1453

i02418624

NOTE	REF NO	GRAPHIC REF	PART NUMBER	QTY	PART NAME						SEE PAGE
					1	2	3	4	5	6 (PRODUCT LEVEL)	
	1	1	9X-8124	1	SWITCH AS-MAGNETIC (24-VOLT) (STARTING MOTOR)						
	2	1	242-7062	1	WIRE AS						
	3	1	3E-9865	2	LOCKNUT (1/4-20-THD)						
M	4	1	5C-2890	2	NUT (M6X1-THD)						
	5	1	8T-4205	2	WASHER-HARD (7.2X14.5X2-MM THK)						
	6	1	9X-8256	2	WASHER (6.6X12X2-MM THK)						

M-METRIC PART



GRAPHIC #1

<END>

g01084094

# ELECTRICAL AND STARTING SYSTEM

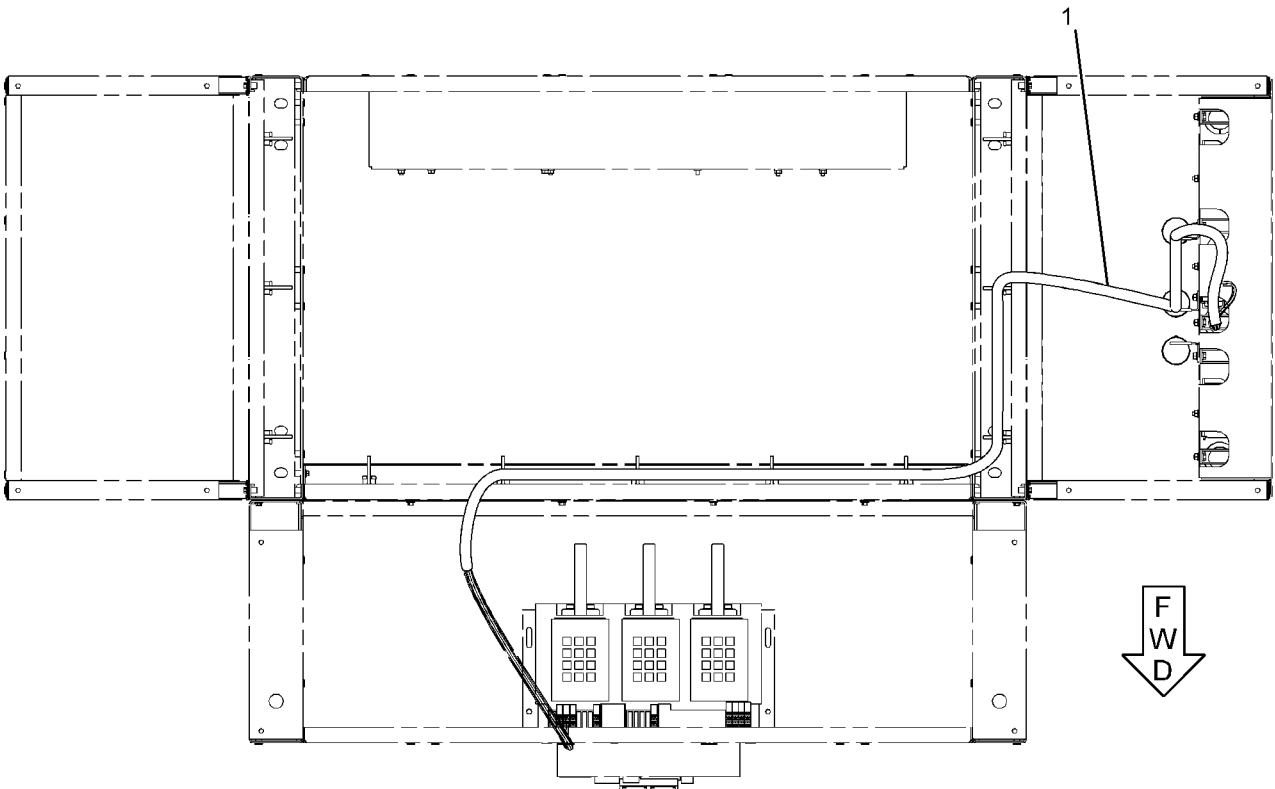
## 244-9856 WIRING GP-ELECTRONIC CONTROL- CIRCUIT BREAKERS

S/N: YAT1-UP  
AN ATTACHMENT

SMCS-1408, 1900

i02609206

NOTE	REF NO	GRAPHIC REF	PART NUMBER	QTY	PART NAME						SEE PAGE
					1	2	3	4	5	6 (PRODUCT LEVEL)	
	1	1	244-9857	1	HARNESS AS-PANEL (CIRCUIT BREAKER)						
		1	6K-0806	6	STRAP-CABLE						
		1	109-3038	24	END-WIRE (16-GA)						



TOP VIEW

GRAPHIC #1

<END>

g01162480

# ELECTRICAL AND STARTING SYSTEM

## 237-9016 WIRING GP-ENGINE

S/N: YAT1-UP

SMCS-1000, 1408

i02578558

NOTE	REF NO	GRAPHIC REF	PART NUMBER	QTY	PART NAME						SEE PAGE
					1	2	3	4	5	6 (PRODUCT LEVEL)	
	1	2	4P-7068	1	BRACKET						
	2	2	4S-5719	4	SPACER (10.31X25X12.7-MM THK)						
	3	2	6V-9330	2	ELBOW						
	4	2	6W-6672	1	SPACER (10.5X20X38-MM THK)						
	5	1,2	7K-1181	79	STRAP-CABLE						
	6	1	8T-2353	1	ADAPTER						
	7	1	9X-0262	1	ADAPTER						
	8	1	102-2240	1	SENSOR GP-TEMPERATURE (ENGINE COOLANT)						
		1	102-8803	1	KIT-RECEPTACLE (3-PIN) (INCLUDES RECEPTACLE AS AND WEDGE)						
		1	186-3735	3	PIN-CONNECTOR (16-GA TO 18-GA)						
E		1	9X-1813		SLEEVE (31-CM)						
	8A	1	102-2240	1	SENSOR GP-TEMPERATURE (AFTERCOOLER)						
		1	102-8803	1	KIT-RECEPTACLE (3-PIN) (INCLUDES RECEPTACLE AS AND WEDGE)						
		1	186-3735	3	PIN-CONNECTOR (16-GA TO 18-GA)						
E		1	9X-1813		SLEEVE (31-CM)						
	9	2	111-3684	1	HOSE AS						
	10	1,2	117-0067	4	ELBOW						
CY	11	2	273-5041	1	SENSOR GP-SPEED (ENGINE TIMING)						661
	12	1	161-1703	1	SENSOR GP-PRESSURE (CRANKCASE)						
	12A	1	161-1703	1	SENSOR GP-PRESSURE (ATMOSPHERIC AIR)						
	12B	2	161-1703	1	SENSOR GP-PRESSURE (TURBOCHARGER INLET, LH)						
	12C	2	161-1703	1	SENSOR GP-PRESSURE (TURBOCHARGER INLET, RH)						
	13	1	161-1704	1	SENSOR GP-PRESSURE (TURBOCHARGER OUTLET)						
	14	1	161-1705	1	SENSOR AS-PRESSURE (FILTERED ENGINE OIL)						
	14A	2	161-1705	1	SENSOR AS-PRESSURE (FILTERED FUEL)						
	14B	2	161-1705	1	SENSOR AS-PRESSURE (UNFILTERED FUEL)						
	14C	2	161-1705	1	SENSOR AS-PRESSURE (UNFILTERED ENGINE OIL)						
	15	1	163-7882	1	SENSOR GP-EXHAUST TEMPERATURE (TURBOCHARGER INLET, RH)						
		1	261-6847	1	ADAPTER						
	15A	2	163-7882	1	SENSOR GP-EXHAUST TEMPERATURE (TURBOCHARGER INLET, LH)						
		2	261-6847	1	ADAPTER						
Y	16	2	189-5746	1	SENSOR GP-SPEED (ENGINE)						660
Y	17	2	237-9017	1	WIRING GP-ENGINE						740
	18	2	242-7392	1	HARNES AS-SENSOR (SPEED TIMING)						
		2	102-8803	1	KIT-RECEPTACLE (3-PIN) (INCLUDES RECEPTACLE AS AND WEDGE)						
		2	102-8804	1	KIT-RECEPTACLE (4-PIN) (INCLUDES RECEPTACLE AS AND WEDGE)						
		2	9X-3401	6	PIN-CONNECTOR (16-GA TO 18-GA)						
		2	8T-8737	1	PLUG-SEAL						
E		2	114-8843		SLEEVE-PLASTIC (40-CM)						
	19	2	001-9440	1	CONNECTOR						
	20	2	0L-1143	1	BOLT (3/8-16X2.5-IN)						
	21	1,2	0S-1591	17	BOLT (3/8-16X1.5-IN)						
	22	1,2	0S-1594	2	BOLT (3/8-16X1-IN)						
	23	1	135-9941	1	ADAPTER						
	24	1,2	3A-3692	2	CLIP						
	25	1	3K-0360	2	SEAL-O-RING						
	26	2	4P-7428	4	CLIP						
	27	2	4P-7429	3	CLIP						
	28	1,2	4P-7581	16	CLIP						
	29	1,2	4P-8134	56	CLIP						
	30	1,2	5M-2894	11	WASHER-HARD (10.2X18.5X2.5-MM THK)						

# ELECTRICAL AND STARTING SYSTEM

237-9016 WIRING GP-ENGINE (contd.)

i02578558

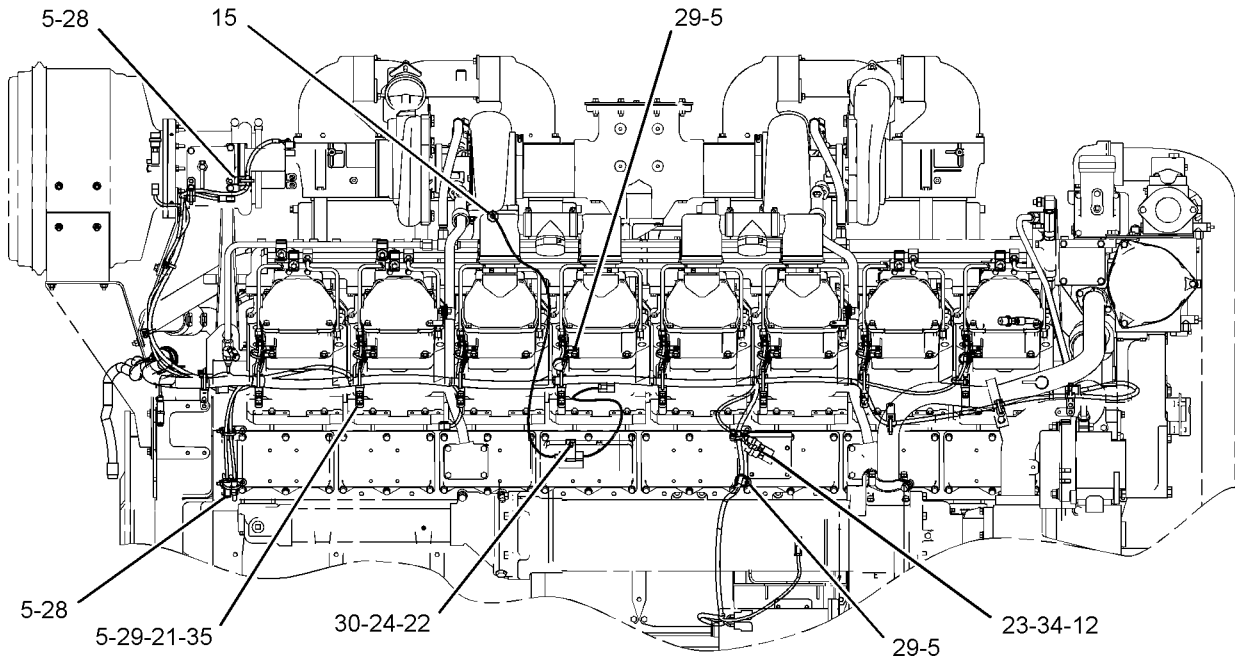
NOTE	REF NO	GRAPHIC REF	PART NUMBER	QTY	PART NAME						SEE PAGE
					1	2	3	4	5	6 (PRODUCT LEVEL)	
	31	2	5P-3426	1	ELBOW						
	32	2	6L-4428	4	STUD-TAPERLOCK (3/8-16X4.01-IN)						
	33	1,2	6V-5048	12	SEAL-O-RING						
	34	1,2	6V-5049	5	SEAL-O-RING						
	35	1,2	9C-5344	17	SPACER (10.5X20X18-MM THK)						
	36	2	9S-8752	8	NUT-FULL (3/8-16-THD)						

C-CHANGE FROM PREVIOUS TYPE  
 E-ORDER BY THE CENTIMETER  
 Y-SEPARATE ILLUSTRATION

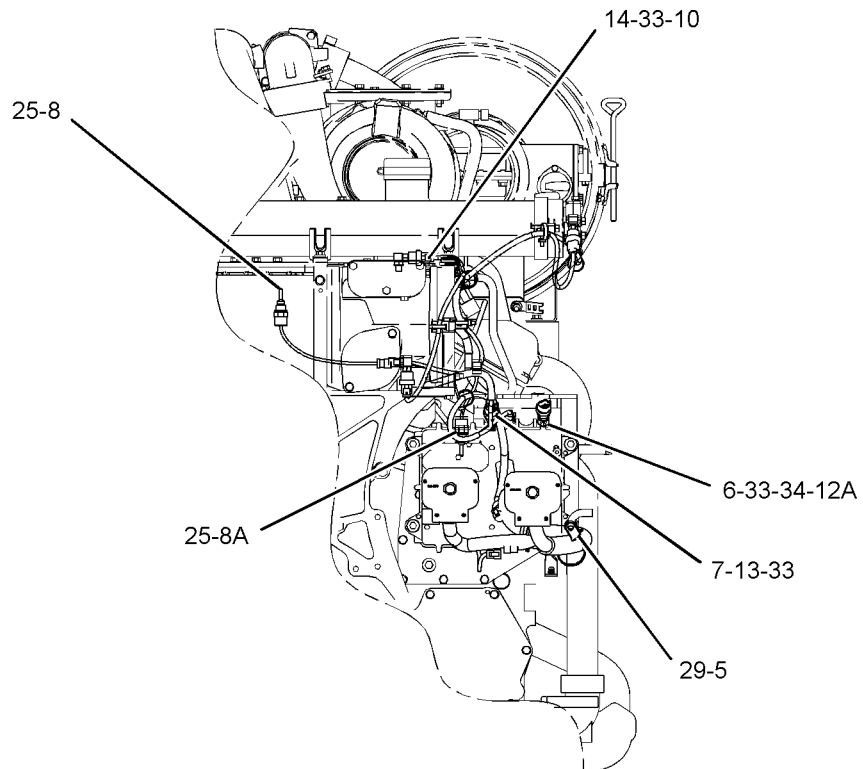
# ELECTRICAL AND STARTING SYSTEM

237-9016 WIRING GP-ENGINE (contd.)

i02578558



RIGHT SIDE VIEW OF ENGINE



FRONT VIEW OF ENGINE

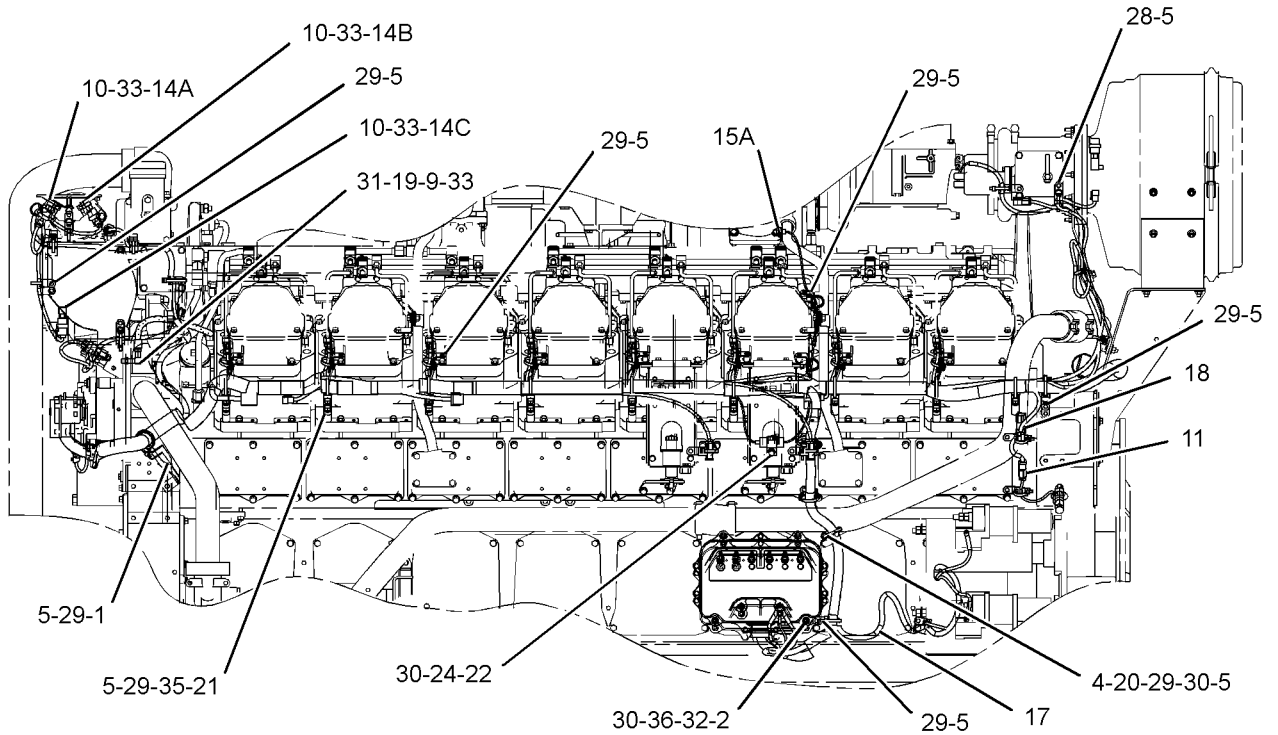
GRAPHIC #1

g01293639

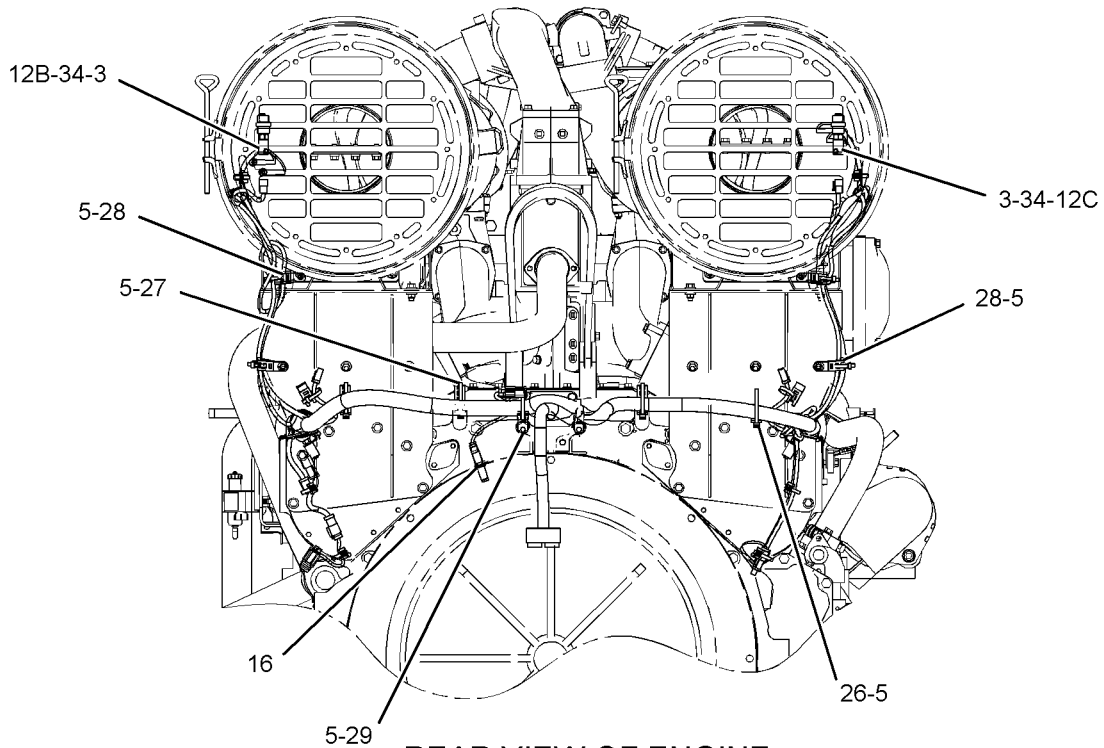
# ELECTRICAL AND STARTING SYSTEM

237-9016 WIRING GP-ENGINE (contd.)

i02578558



LEFT SIDE VIEW OF ENGINE



REAR VIEW OF ENGINE

GRAPHIC #2

<END>

g01293640

# ELECTRICAL AND STARTING SYSTEM

## 237-9017 WIRING GP-ENGINE

S/N: YAT1-UP

PART OF 237-9016 WIRING GP-ENGINE

SMCS-1000, 1408

i02421188

NOTE	REF NO	GRAPHIC REF	PART NUMBER	QTY	PART NAME						SEE PAGE
					1	2	3	4	5	6 (PRODUCT LEVEL)	
Y	1	1	232-4670	2	COVER GP-MODULE CONNECTOR						600
	2	1	<b>237-4357</b>	2	ADAPTER						
Y	3	1	237-8999	1	PANEL GP-CIRCUIT BREAKER (POWER DISTRIBUTION)						645
Y	4	1	<b>237-9018</b>	1	HARNESS AS-ENGINE						611

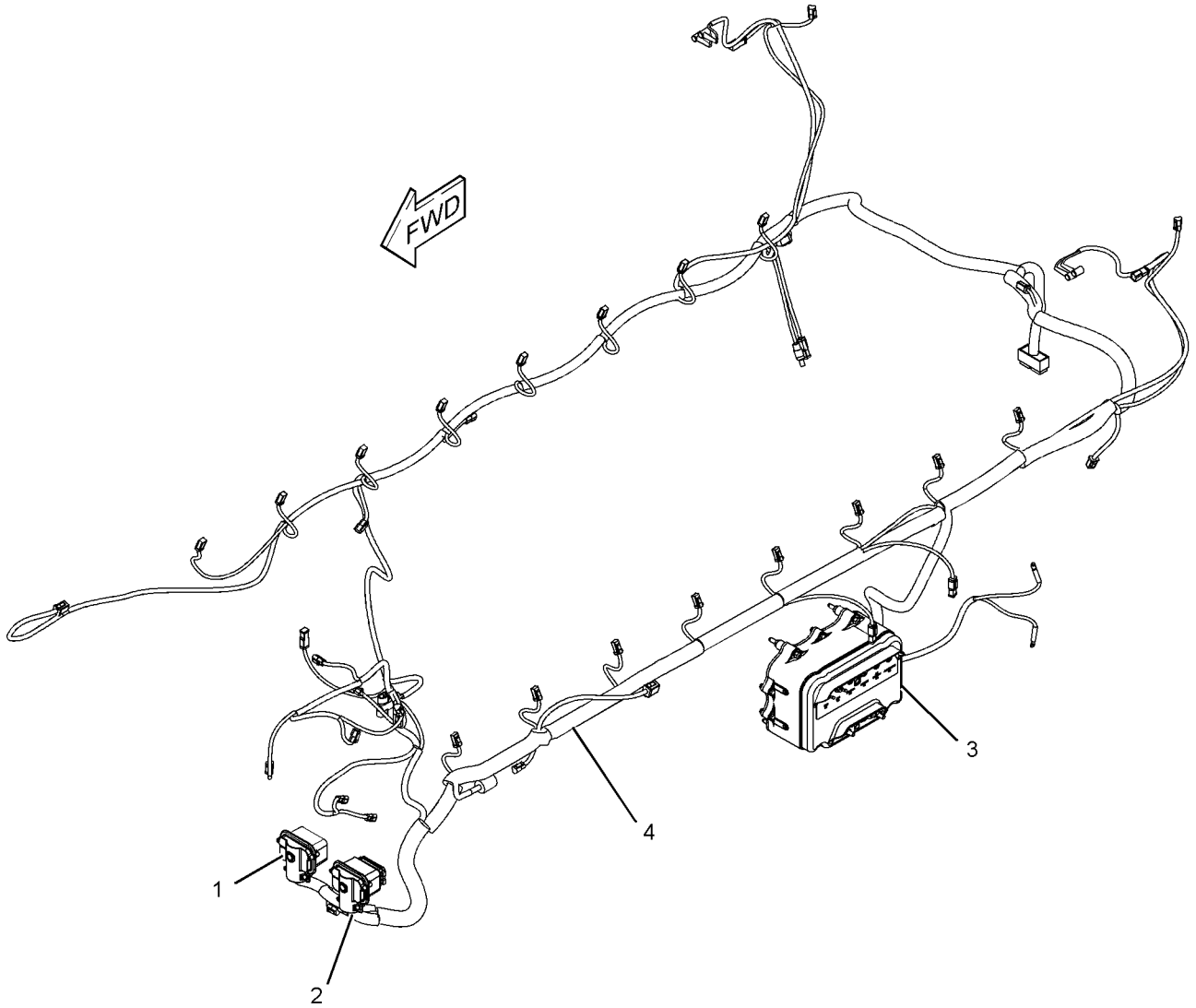
Y-SEPARATE ILLUSTRATION



# ELECTRICAL AND STARTING SYSTEM

237-9017 WIRING GP-ENGINE (contd.)

i02421188



GRAPHIC #1

<END>

g01210057

# ELECTRICAL AND STARTING SYSTEM

## 312-5082 WIRING GP-ENGINE-ENGINE INTERCONNECT

S/N: YAT1-UP

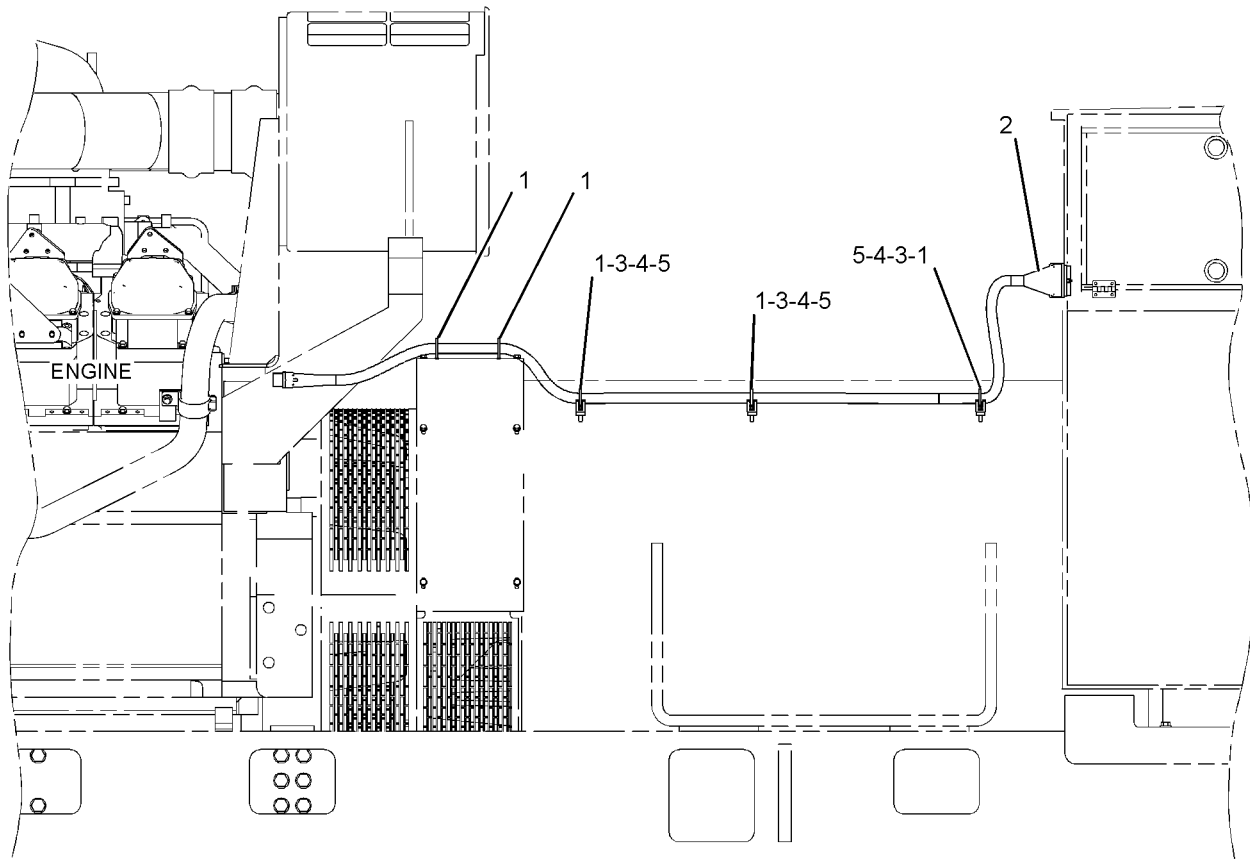
FOR USE WITH EUI, SOLID SHELL GENERATORS  
AN ATTACHMENT

SMCS-1000, 1408

i03129843

NOTE	REF NO	GRAPHIC REF	PART NUMBER	QTY	PART NAME						SEE PAGE
					1	2	3	4	5	6 (PRODUCT LEVEL)	
	1	1	9X-6772	5	STRAP - CABLE						
	2	1	312-5081	1	HARNESS AS-ENGINE						
	3	1	4P-8134	3	CLIP						
	4	1	5P-4116	3	WASHER-HARD (8.8X20.5X2-MM THK)						
M	5	1	8T-7547	3	BOLT (M8X1.25X30-MM)						

M-METRIC PART



LEFT SIDE VIEW

GRAPHIC #1

<END>

g01645365

# ELECTRICAL AND STARTING SYSTEM

## 269-7024 WIRING GP-ENGINE ELECTRONIC-SPEED ADJUST

S/N: YAT1-UP  
FOR USE WITH EUI  
AN ATTACHMENT

SMCS-1408, 1900

i03167524

NOTE	PART NUMBER	QTY	PART NAME						SEE PAGE
			1	2	3	4	5	6 (PRODUCT LEVEL)	
Y	9X-9591	1	CONVERTER GP-ELECTRICAL (PULSE WIDTH MODULATED)						585
	4W-5972	1	KNOB						
	127-9069	1	POTENTIOMETER (2000-OHM, 2-WATT) (SPEED ADJUST)						
	7C-4550	1	SEAL						
	5L-5180	1	WASHER (0.49X0.875X0.05-IN THK)						

Y-SEPARATE ILLUSTRATION

<END>

# ELECTRICAL AND STARTING SYSTEM

## 245-0092 WIRING GP-GENERATOR-MAIN

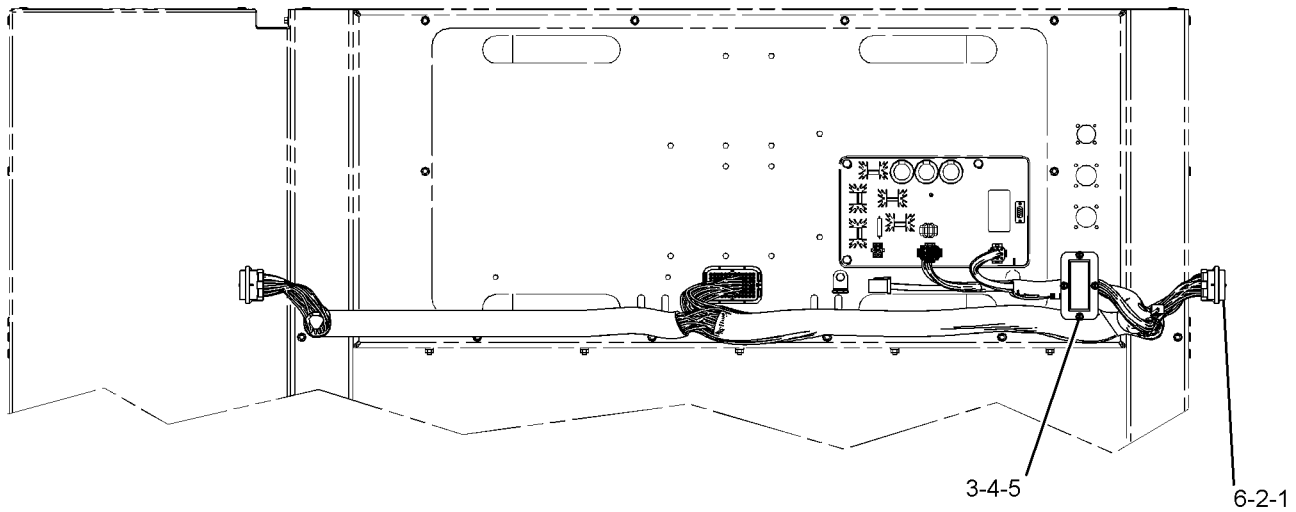
S/N: YAT1-UP  
FOR USE WITH EUI  
AN ATTACHMENT

SMCS-1404, 1408, 4459

i03167544

NOTE	REF NO	GRAPHIC REF	PART NUMBER	QTY	PART NAME						SEE PAGE
					1	2	3	4	5	6 (PRODUCT LEVEL)	
B	1	1	9X-6772	12	STRAP-CABLE						
Y	2	1	244-5403	1	HARNESS AS-WIRING (MAIN)						614
	3	1	3K-8106	4	SCREW-MACHINE (8-32X1-IN)						
	4	1	4B-2043	4	NUT (8-32-THD)						
	5	1	4B-4863	8	WASHER (4.7X11X1.2-MM THK)						
B	6	1	126-1771	1	CAP-DUST						

B-USE AS REQUIRED  
Y-SEPARATE ILLUSTRATION



REAR VIEW

GRAPHIC #1

<END>

g01254822

# ELECTRICAL AND STARTING SYSTEM

## 252-7419 WIRING GP-GENERATOR-VOLTAGE SENSING

S/N: YAT1-UP  
AN ATTACHMENT

SMCS-1404, 1408, 4459

i02471226

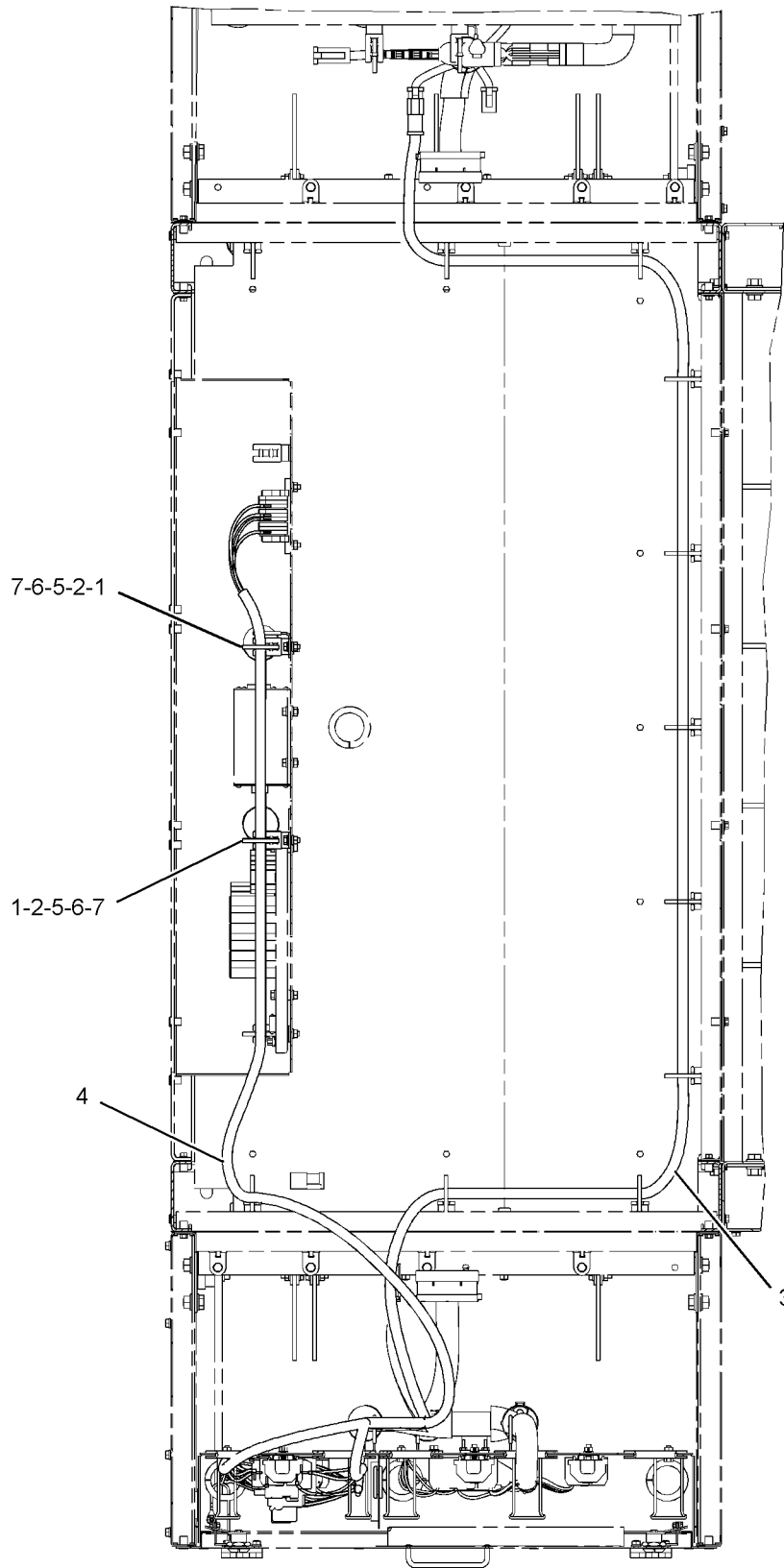
NOTE	REF NO	GRAPHIC REF	PART NUMBER	QTY	PART NAME						SEE PAGE
					1	2	3	4	5	6 (PRODUCT LEVEL)	
	1	1	9X-6772	2	STRAP-CABLE						
	2	1	156-6175	2	CLIP						
	3	1	244-9599	1	HARNESS AS-WIRING (EMCP 3)						
		1	102-8805	1	KIT-RECEPTACLE (6-PIN)						
					(INCLUDES RECEPTACLE AS & WEDGE)						
		1	3E-3383	1	WEDGE-RECEPTACLE LOCK (6-PIN)						
		1	7K-1181	8	STRAP-CABLE						
	4	1	252-7356	1	HARNESS AS-WIRING (VOLTAGE REGULATOR)						
			109-3038	8	END-WIRE (16-GA)						
M	5	1	5C-2890	2	NUT (M6X1-THD)						
M	6	1	5C-9553	2	BOLT (M6X1X16-MM)						
	7	1	9X-8256	4	WASHER (6.6X12X2-MM THK)						

M-METRIC PART

# ELECTRICAL AND STARTING SYSTEM

252-7419 WIRING GP-GENERATOR (contd.)

i02471226



TOP VIEW

GRAPHIC #1

<END>

g01228273

# ELECTRICAL AND STARTING SYSTEM

## 252-7427 WIRING GP-GENERATOR-CURRENT TRANSFORMER

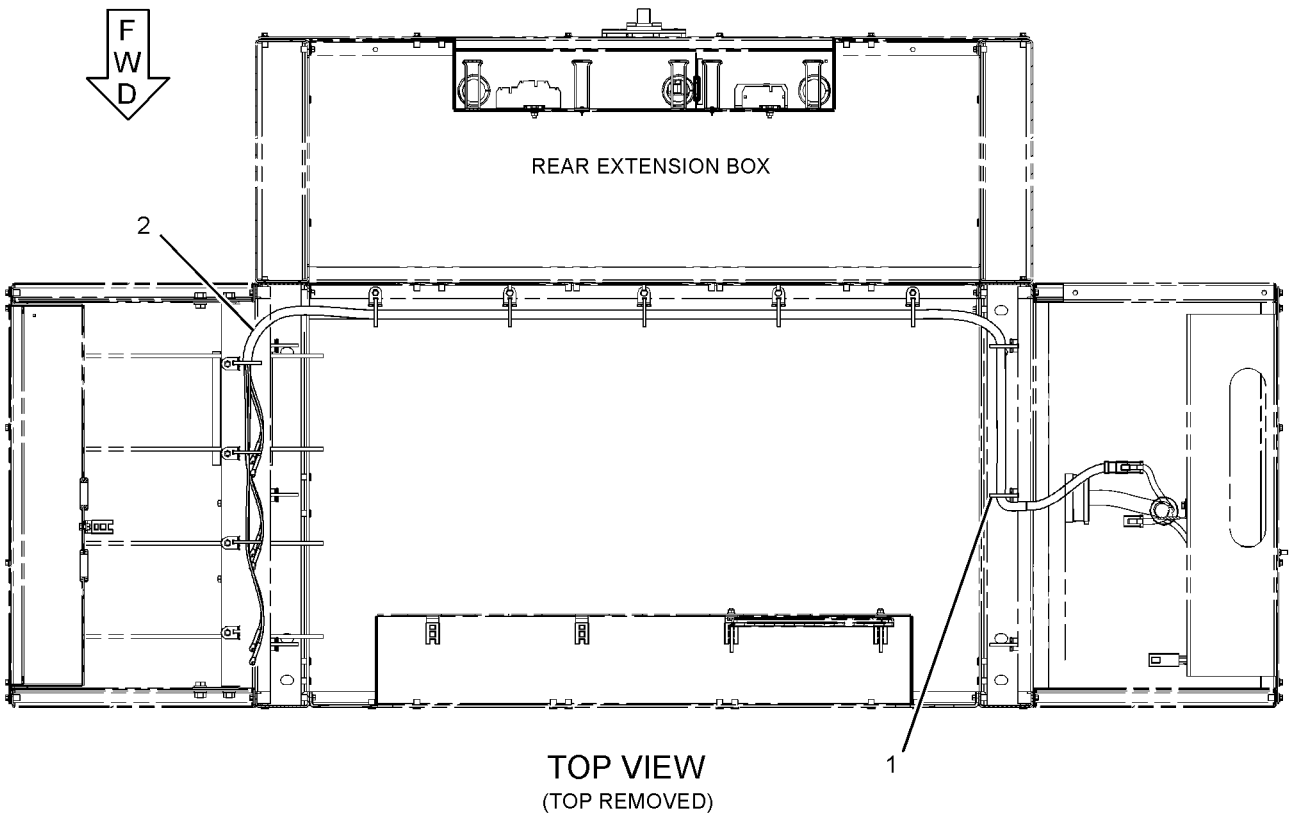
S/N: YAT1-UP  
AN ATTACHMENT

SMCS-1404, 1408, 4459

i02378084

NOTE	REF NO	GRAPHIC REF	PART NUMBER	QTY	PART NAME						SEE PAGE
					1	2	3	4	5	6 (PRODUCT LEVEL)	
B	1	1	9X-6772	10	STRAP-CABLE						
	2	1	252-7355	1	HARNESS AS-WIRING (CURRENT TRANSFORMER)						
		1	102-8804	1	KIT-RECEPTACLE (4-PIN) (INCLUDES RECEPTACLE AS & WEDGE)						
		1	2L-8075	6	TERMINAL (14-GA TO 16-GA, NO. 8 SCREW)						
		1	7K-1181	6	STRAP-CABLE						
E	1		125-7875		TUBE-HEAT SHRINK (7.44-MM DIA) (5-CM)						

B-USE AS REQUIRED  
E-ORDER BY THE CENTIMETER



GRAPHIC #1

<END>

g01163040

# ELECTRICAL AND STARTING SYSTEM

## 252-7480 WIRING GP-GENERATOR-ANNUNCIATOR HARNESS

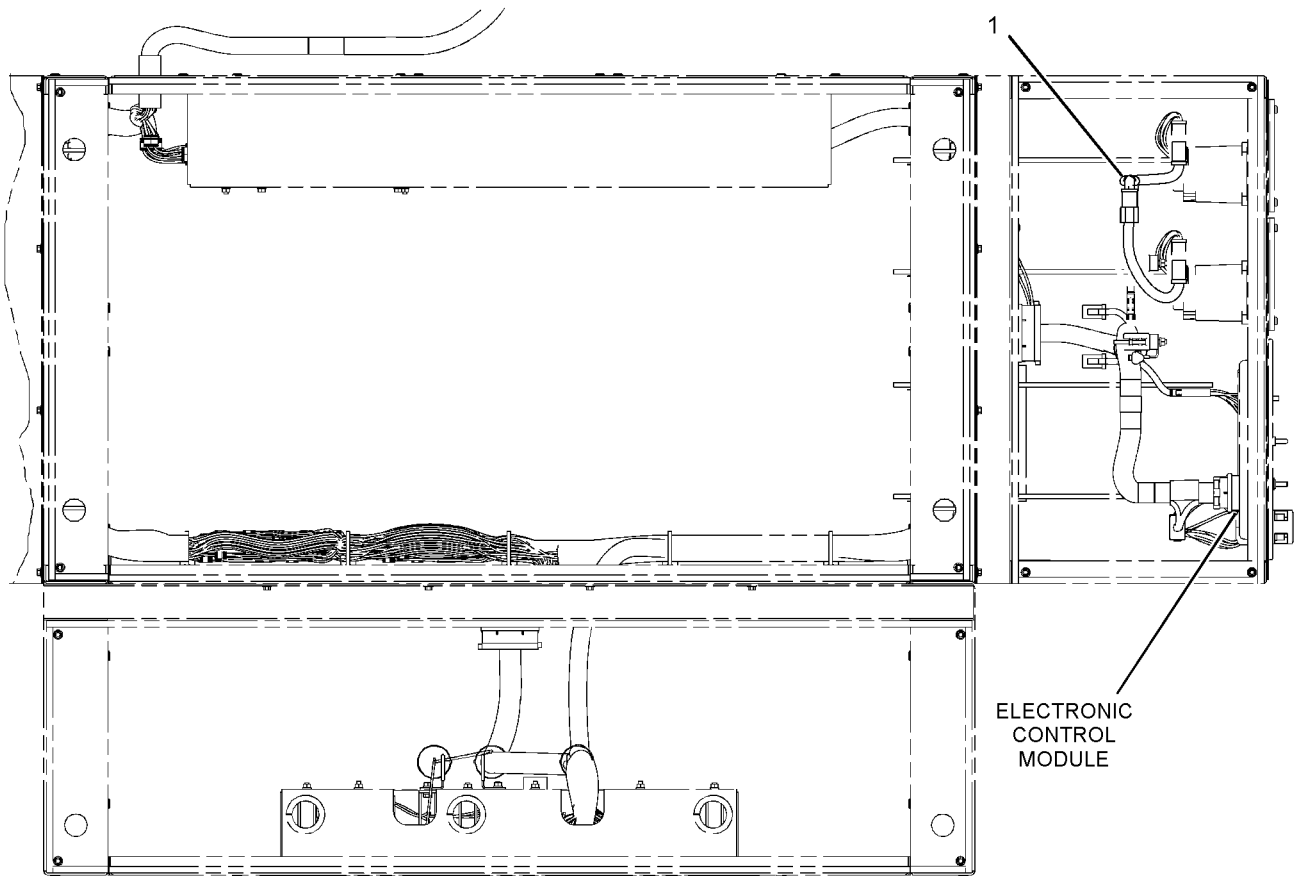
S/N: YAT1-UP  
AN ATTACHMENT

SMCS-1404, 1408, 4459

i02661719

NOTE	REF NO	GRAPHIC REF	PART NUMBER	QTY	PART NAME						SEE PAGE
					1	2	3	4	5	6 (PRODUCT LEVEL)	
	1	1	244-9600	1	HARNESS AS-WIRING (ANNUNCIATOR)						
		1	102-8806	1	KIT-RECEPTACLE (8-PIN) (INCLUDES RECEPTACLE AS AND WEDGE)						
E		1	153-2707		CABLE-ELECTRICAL (19-GA) (76-CM)						
E		1	125-7874		TUBE-HEAT SHRINK (5.72-MM DIA) (25-CM)						
		1	155-2274	2	KIT-CONNECTING PLUG (6-PIN) (EACH INCLUDES PLUG AS, INTERFACE SEAL, AND WEDGE)						

E-ORDER BY THE CENTIMETER



TOP VIEW

GRAPHIC #1

<END>

g01260203



# ELECTRICAL AND STARTING SYSTEM

## 267-8475 WIRING GP-GENERATOR-VOLTAGE ADJUST SWITCH

S/N: YAT1-UP  
AN ATTACHMENT

SMCS-1404, 1408, 4459

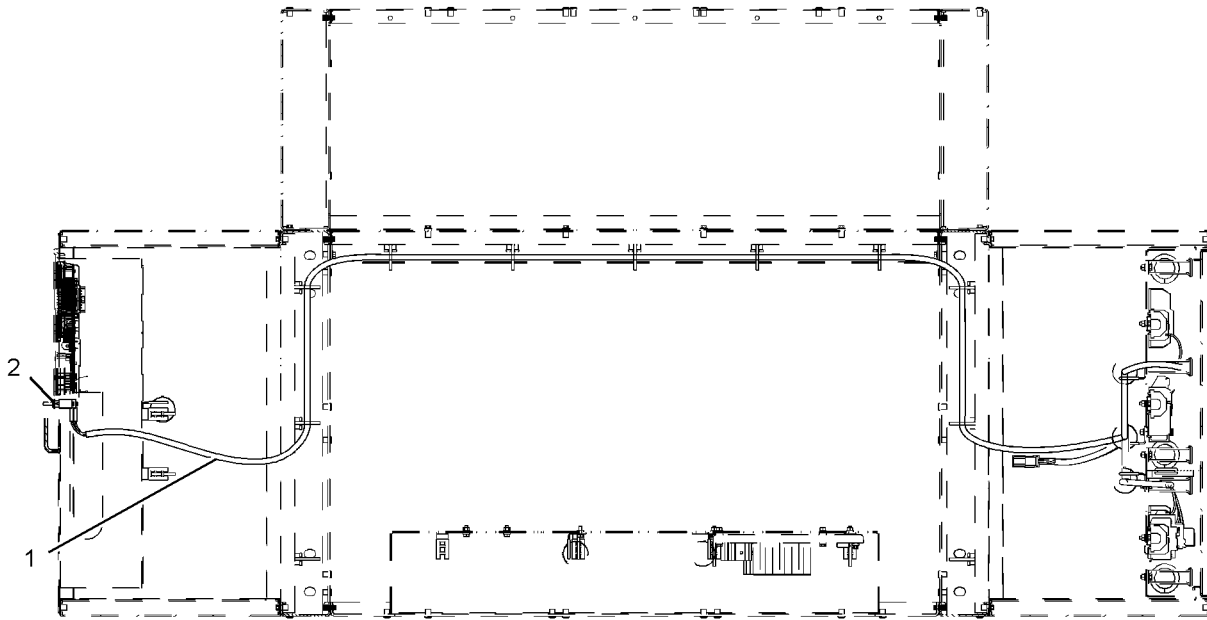
i02418635

NOTE	REF NO	GRAPHIC REF	PART NUMBER	QTY	PART NAME						SEE PAGE
					1	2	3	4	5	6 (PRODUCT LEVEL)	
	1	1	<b>267-8467</b>	1	HARNESS AS-SWITCH (VOLTAGE ADJUST)						
		1	<b>7K-1181</b>	6	STRAP-CABLE						
		1	<b>110-8714</b>	3	END-WIRE (18-GA)						
		1	<b>5P-2766</b>	1	TERMINAL (18-GA)						
	2	1	<b>110-7884</b>	1	SWITCH AS-TOGGLE (MOMENTARY) (VOLTAGE ADJUSTMENT)						
		1	<b>3L-8187</b>	3	LOCKWASHER						
		1	<b>6T-3631</b>	2	NUT-HEX (15/32-32-THD)						
		1	<b>6T-3632</b>	1	LOCKWASHER						
		1	<b>6T-3633</b>	1	RING-LOCKING						
		1	<b>6V-8374</b>	3	SCREW-MACHINE (6-32X0.25-IN)						

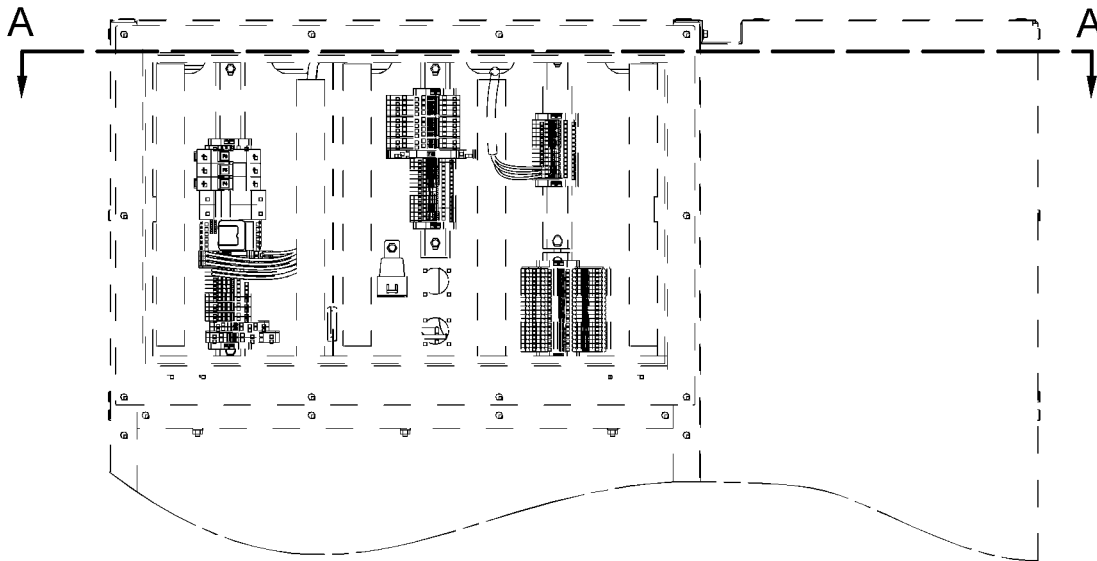
# ELECTRICAL AND STARTING SYSTEM

267-8475 WIRING GP-GENERATOR (contd.)

i02418635



SECTION A-A



LEFT SIDE VIEW

GRAPHIC #1

<END>

g01162011

# ELECTRICAL AND STARTING SYSTEM

## 278-4895 WIRING GP-GENERATOR-CURRENT TRANSFORMER

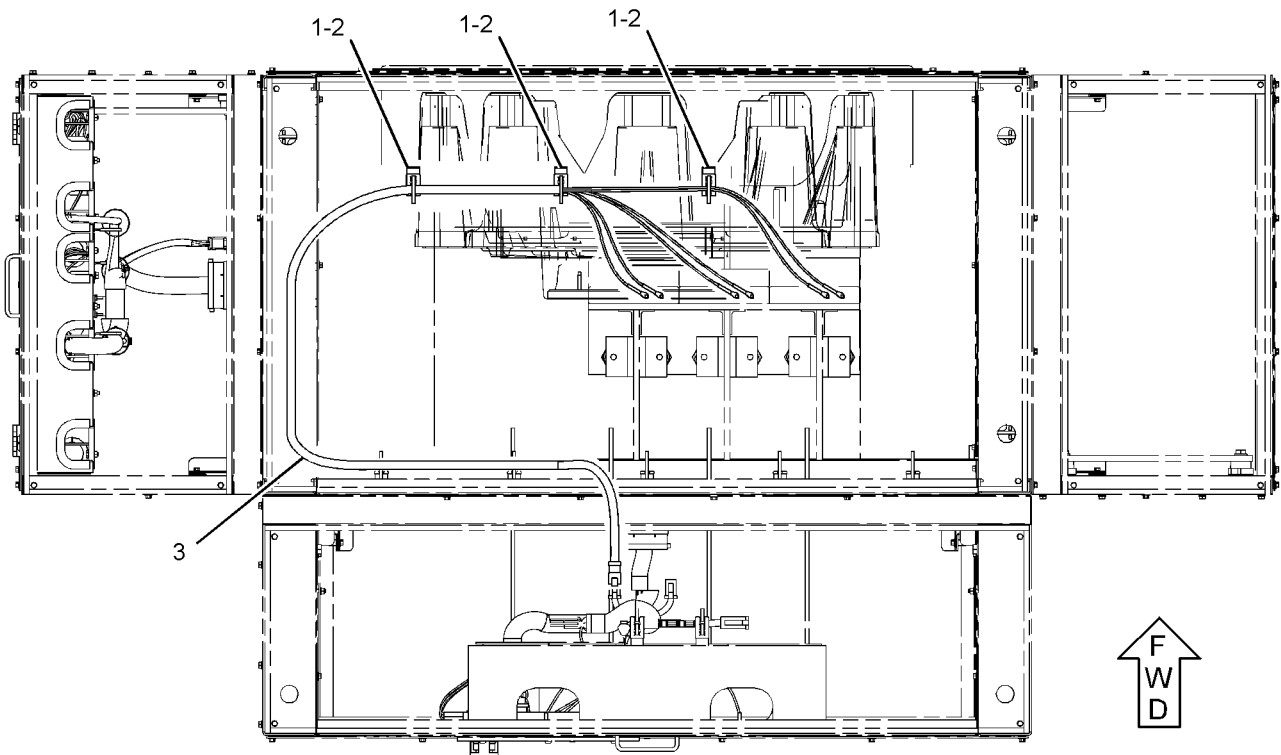
S/N: YAT1-UP  
FOR USE WITH LOW VOLTAGE  
AN ATTACHMENT

SMCS-1404, 1408, 4459

i02399624

NOTE	REF NO	GRAPHIC REF	PART NUMBER	QTY	PART NAME						SEE PAGE
					1	2	3	4	5	6 (PRODUCT LEVEL)	
	1	1	9X-6772	3	STRAP-CABLE						
	2	1	156-6175	3	CLIP						
	3	1	278-4896	1	HARNESS AS-WIRING (CURRENT TRANSFORMER)						
		1	102-8804	2	KIT-RECEPTACLE (4-PIN)						
					(EACH INCLUDES RECEPTACLE ASSEMBLY AND WEDGE)						
		1	7K-1181	16	STRAP-CABLE						
		1	186-3735	4	PIN-CONNECTOR (16-GA TO 18-GA)						
E		1	125-7874		TUBE-HEAT SHRINK (5.72-MM DIA) (5-CM)						

E-ORDER BY THE CENTIMETER



**TOP VIEW**  
(TOP REMOVED FOR CLARITY)

GRAPHIC #1

<END>

g01198914

# ELECTRICAL AND STARTING SYSTEM

## 278-4897 WIRING GP-GENERATOR-VOLTAGE SENSING

S/N: YAT1-UP

FOR USE WITH LOW VOLTAGE  
AN ATTACHMENT

SMCS-1404, 1408, 4459

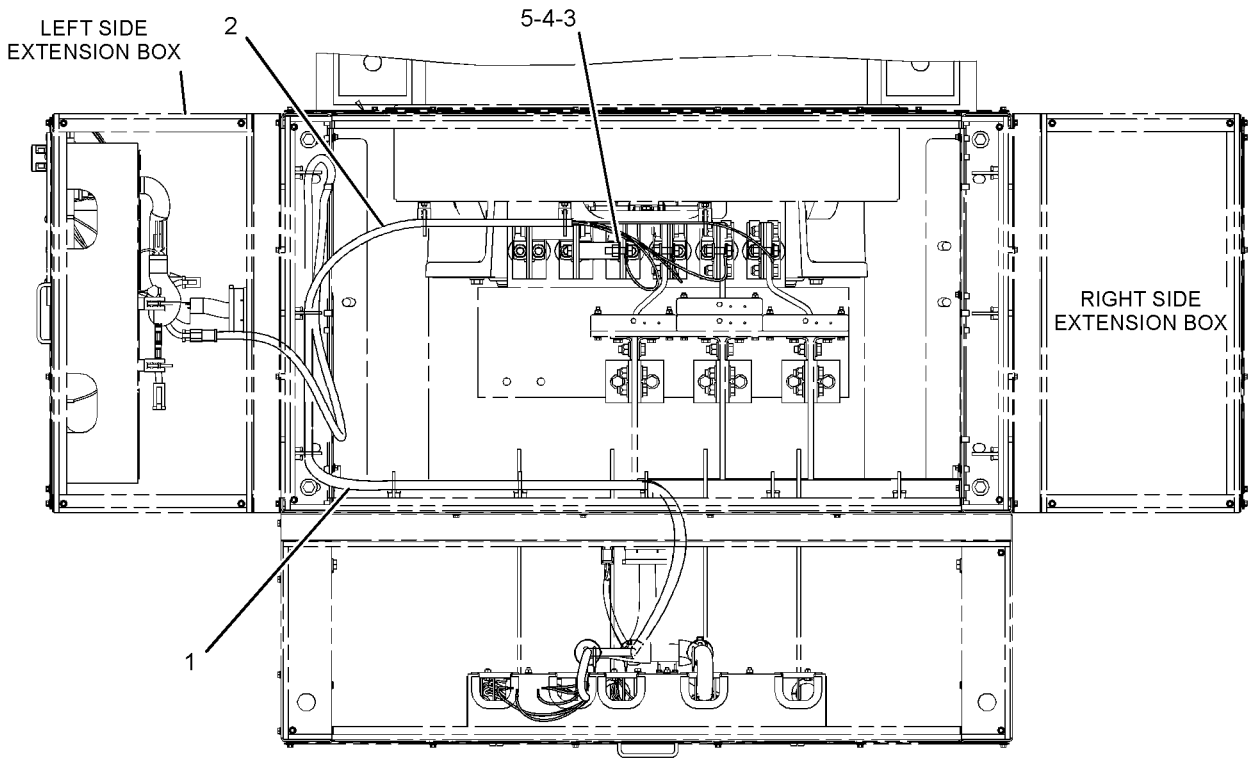
i02862077

NOTE	REF NO	GRAPHIC REF	PART NUMBER	QTY	PART NAME						SEE PAGE
					1	2	3	4	5	6 (PRODUCT LEVEL)	
	1	1	244-9599	1	HARNESS AS-WIRING (EMCP 3)						
		1	102-8805	2	KIT-RECEPTACLE (6-PIN)						
					(EACH INCLUDES RECEPTACLE ASSEMBLY AND WEDGE)						
		1	7K-1181	8	STRAP-CABLE						
		1	186-3735	1	PIN-CONNECTOR (16-GA TO 18-GA)						
		1	8T-8737	2	PLUG-SEAL						
		1	109-3038	4	END-WIRE (16-GA)						
	2	1	278-4898	1	HARNESS AS-WIRING (VOLTAGE SENSING)						
		1	2L-8081	1	TERMINAL (14-GA TO 16-GA)						
		1	7K-1181	8	STRAP-CABLE						
		1	109-3038	4	END-WIRE (16-GA)						
M	3	1	8T-4183	4	BOLT (M12X1.75X40-MM)						
	4	1	8T-4223	8	WASHER-HARD (13.5X25.5X3-MM THK)						
M	5	1	8T-4244	4	NUT (M12X1.75-THD)						
M-METRIC PART											

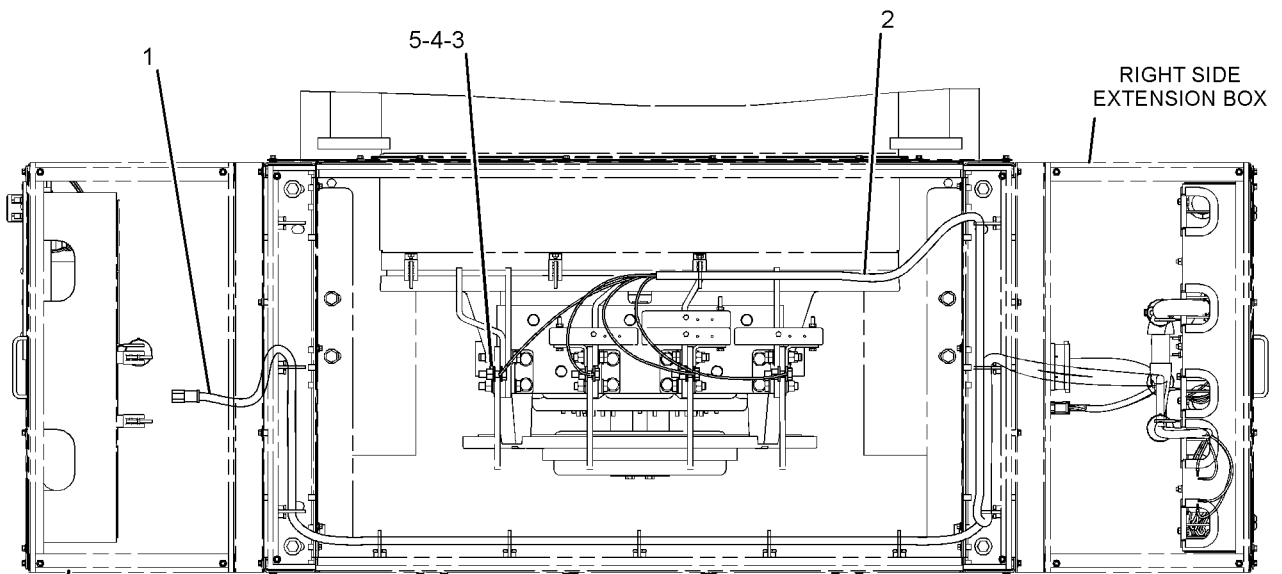
# ELECTRICAL AND STARTING SYSTEM

278-4897 WIRING GP-GENERATOR (contd.)

i02862077



TOP VIEW  
(1400 FRAME)



TOP VIEW  
(1600/1800 FRAME)

GRAPHIC #1

<END>

g01428855

# ELECTRICAL AND STARTING SYSTEM

## 278-4899 WIRING GP-GENERATOR-VOLTAGE REGULATOR

S/N: YAT1-UP

FOR USE WITH LOW VOLTAGE  
AN ATTACHMENT

SMCS-1404, 1408, 4459

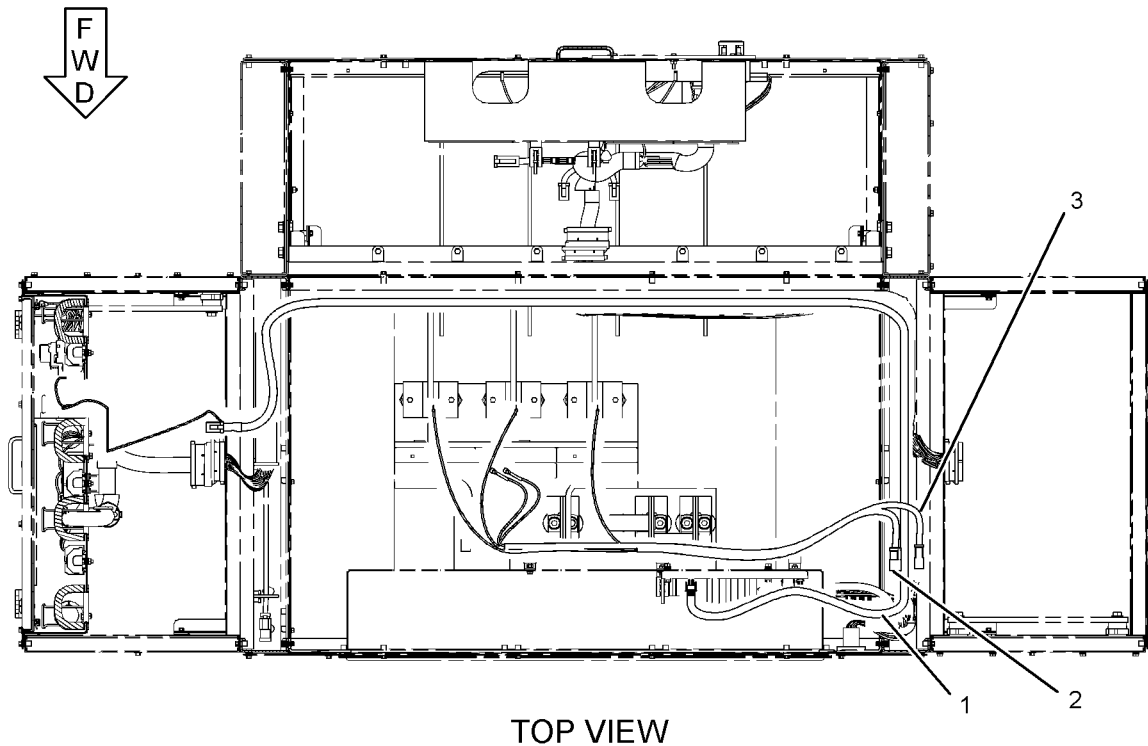
i02659932

NOTE	REF NO	GRAPHIC REF	PART NUMBER	QTY	PART NAME						SEE PAGE
					1	2	3	4	5	6 (PRODUCT LEVEL)	
	1	1	244-9612	1	HARNESS AS-WIRING (PERMANENT MAGNET)						
		1	186-3736	5	SOCKET-CONNECTOR (16-GA TO 18-GA)						
		1	8T-8737	1	PLUG-SEAL						
		1	109-3038	1	END-WIRE (16-GA)						
		1	155-2263	1	WEDGE-PLUG LOCK (6-PIN)						
		1	155-2274	1	KIT-CONNECTING PLUG (6-PIN) (INCLUDES PLUG ASSEMBLY AND WEDGE)						
		1	234-1856	1	PLUG-CONNECTOR (6-PIN)						
		1	244-0452	6	END-WIRE						
		1	246-7013	1	SEAL (6-POSITION)						
	2	1	278-4901	1	HARNESS AS-WIRING (VOLTAGE SENSING)						
		1	102-8803	2	KIT-RECEPTACLE (3-PIN) (EACH INCLUDES RECEPTACLE ASSEMBLY AND WEDGE)						
		1	2L-8081	3	TERMINAL (14-GA TO 16-GA)						
		1	7K-1181	4	STRAP-CABLE						
		1	186-3735	3	PIN-CONNECTOR (16-GA TO 18-GA)						
	3	1	278-4902	1	HARNESS AS-WIRING (CURRENT TRANSFORMER)						
		1	102-8802	2	KIT-RECEPTACLE (2-PIN) (EACH INCLUDES RECEPTACLE ASSEMBLY AND WEDGE)						
		1	7K-1181	4	STRAP-CABLE						
		1	186-3735	2	PIN-CONNECTOR (16-GA TO 18-GA)						

# ELECTRICAL AND STARTING SYSTEM

278-4899 WIRING GP-GENERATOR (contd.)

i02659932



TOP VIEW

GRAPHIC #1

<END>

g01199376

# ELECTRICAL AND STARTING SYSTEM

## 330-3453 WIRING GP-GENERATOR-VOLTAGE SENSING

S/N: YAT1-UP  
AN ATTACHMENT

SMCS-1404, 1408, 4459

i03385920

NOTE	REF NO	GRAPHIC REF	PART NUMBER	QTY	PART NAME	SEE PAGE
					1 2 3 4 5 6 (PRODUCT LEVEL)	
	1	1	278-4898	1	HARNESS AS-WIRING (VOLTAGE SENSING)	
	2	1	324-5608	1	HARNESS AS-WIRING (VOLTAGE SENSING)	
M	3	1	8T-4183	4	BOLT (M12X1.75X40-MM)	
	4	1	8T-4223	8	WASHER-HARD (13.5X25.5X3-MM THK)	
M	5	1	8T-4244	4	NUT (M12X1.75-THD)	

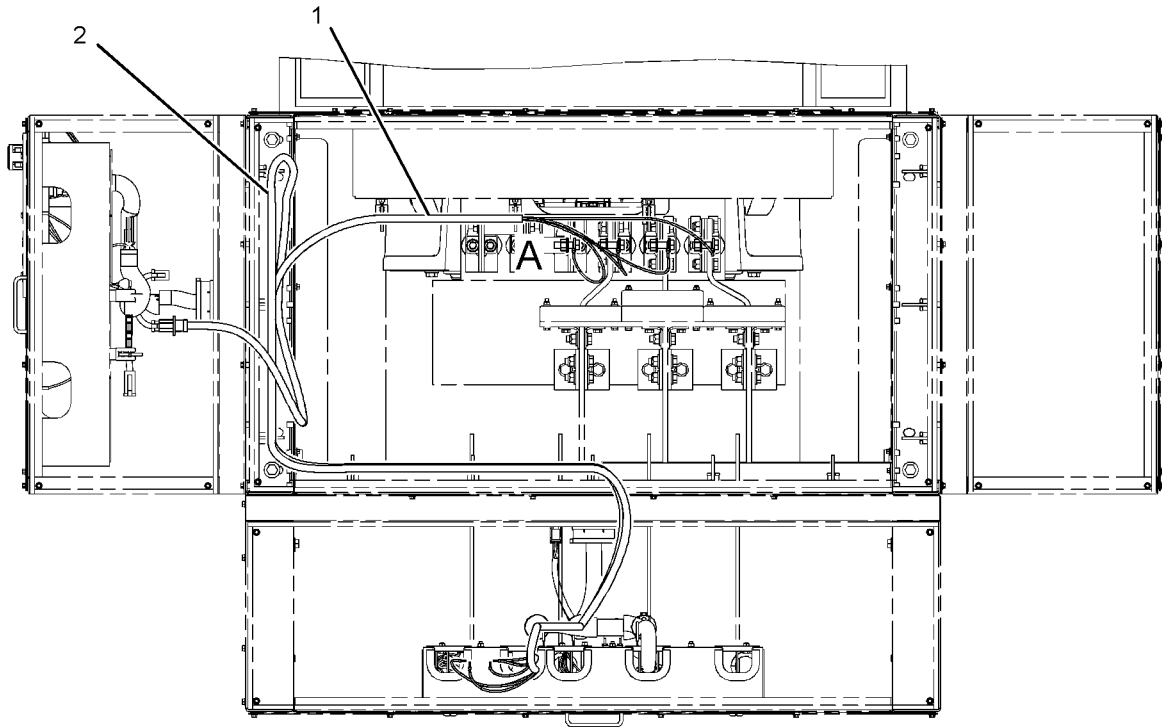
M-METRIC PART



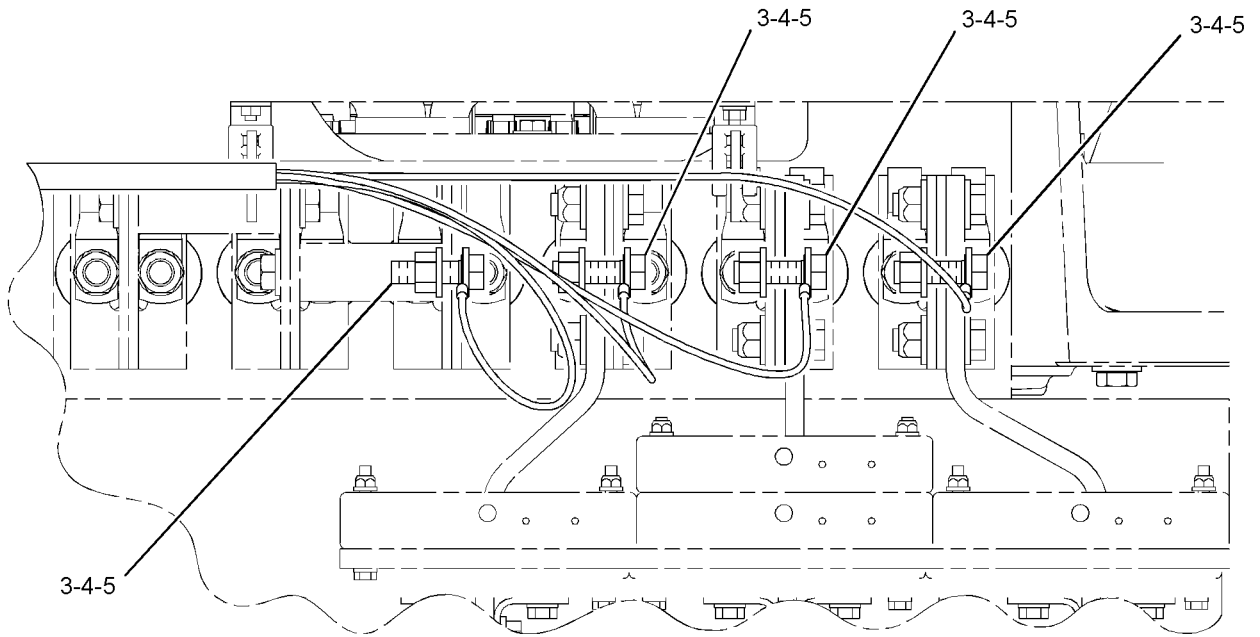
# ELECTRICAL AND STARTING SYSTEM

330-3453 WIRING GP-GENERATOR (contd.)

i03385920



TOP VIEW



VIEW OF AREA A

GRAPHIC #1

<END>

g01760075

# ELECTRICAL AND STARTING SYSTEM

## 330-3455 WIRING GP-GENERATOR-VOLTAGE SENSING

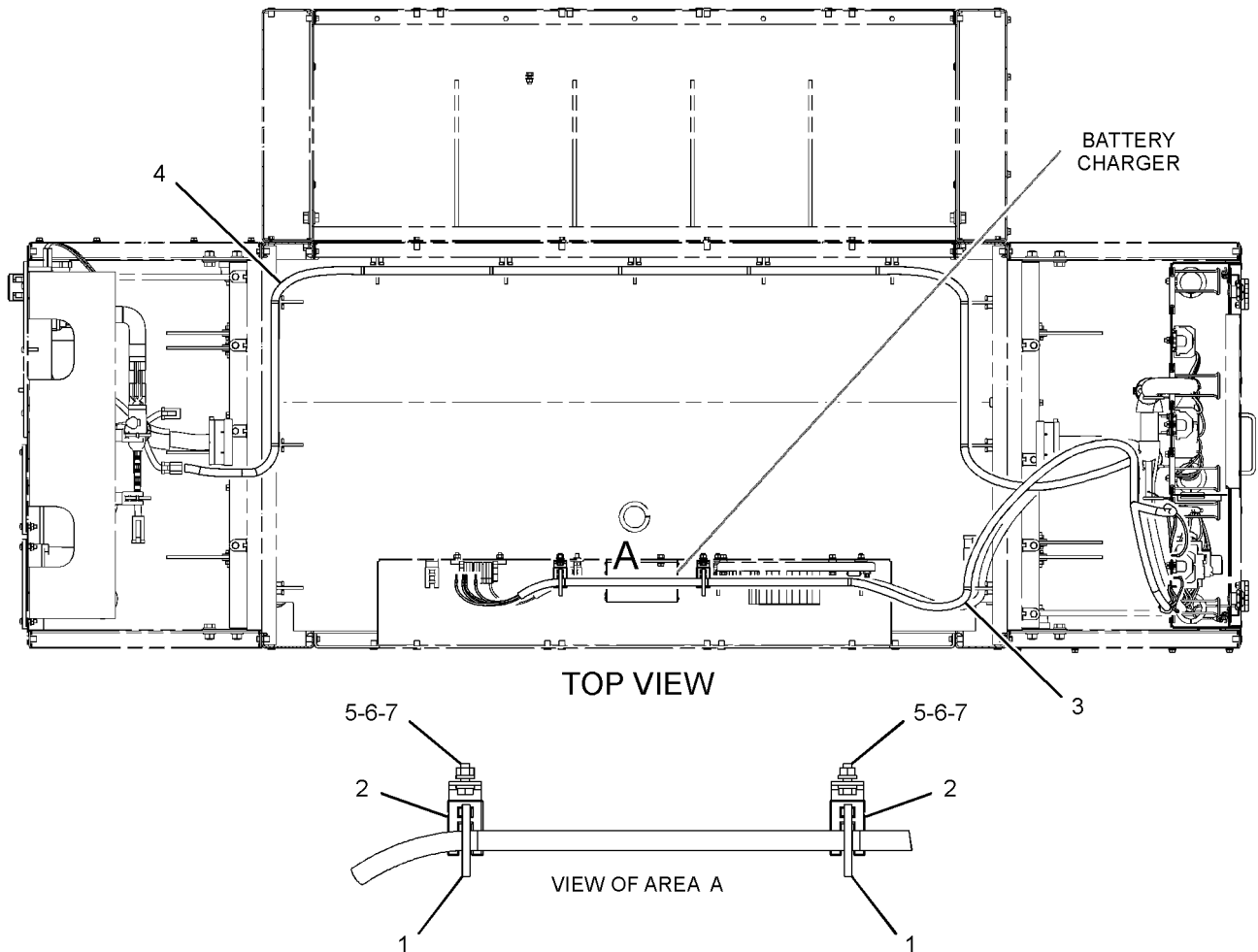
S/N: YAT1-UP  
AN ATTACHMENT

SMCS-1404, 1408, 4459

i03413920

NOTE	REF NO	GRAPHIC REF	PART NUMBER	QTY	PART NAME						SEE PAGE
					1	2	3	4	5	6 (PRODUCT LEVEL)	
	1	1	<b>9X-6772</b>	2	STRAP - CABLE						
	2	1	<b>156-6175</b>	2	CLIP						
	3	1	<b>252-7356</b>	1	HARNESS AS-WIRING (VOLTAGE REGULATOR)						
	4	1	<b>324-5608</b>	1	HARNESS AS-WIRING (VOLTAGE SENSING)						
M	5	1	<b>5C-2890</b>	2	NUT (M6X1-THD)						
M	6	1	<b>5C-9553</b>	2	BOLT (M6X1X16-MM)						
	7	1	<b>9X-8256</b>	4	WASHER (6.6X12X2-MM THK)						

M-METRIC PART



GRAPHIC #1

<END>

g01772754

# ELECTRICAL AND STARTING SYSTEM

## 312-5085 WIRING GP-JACKET WATER HEATER

S/N: YAT1-UP

FOR USE WITH SOLID SHELL GENERATORS  
AN ATTACHMENT

SMCS-1383

i03202467

NOTE	REF NO	GRAPHIC REF	PART NUMBER	QTY	PART NAME	SEE PAGE
					1 2 3 4 5 6 (PRODUCT LEVEL)	
	1	1	<b>9X-6772</b>	7	STRAP-CABLE	
	2	1	<b>156-6175</b>	4	CLIP	
	3	1	<b>244-9641</b>	1	HARNESS AS-WIRING (JACKET WATER HEATER)	
	4	1	<b>194-4449</b>	1	CIRCUIT BREAKER (50-AMPERE)	
					(NACD MARKET)	
					-OR-	
			<b>286-4751</b>	1	CIRCUIT BREAKER (50-AMPERE)	
					(ALL MARKETS OUTSIDE NACD)	
Y	5	1	<i>312-5084</i>	1	CONDUIT GP-ELECTRICAL (JACKET WATER HEATER)	569
M	6	1	<b>5C-2890</b>	4	NUT (M6X1-THD)	
M	7	1	<b>8T-4139</b>	1	BOLT (M12X1.75X30-MM)	
	8	1	<b>8T-4223</b>	2	WASHER-HARD (13.5X25.5X3-MM THK)	
M	9	1	<b>8T-4244</b>	1	NUT (M12X1.75-THD)	
M	10	1	<b>8T-4971</b>	4	BOLT (M6X1X30-MM)	
	11	1	<b>5P-4116</b>	8	WASHER-HARD (8.8X20.5X2-MM THK)	

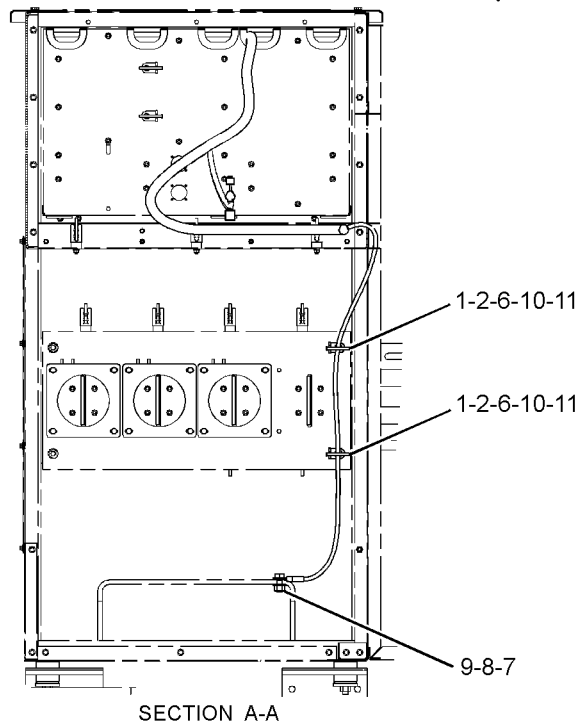
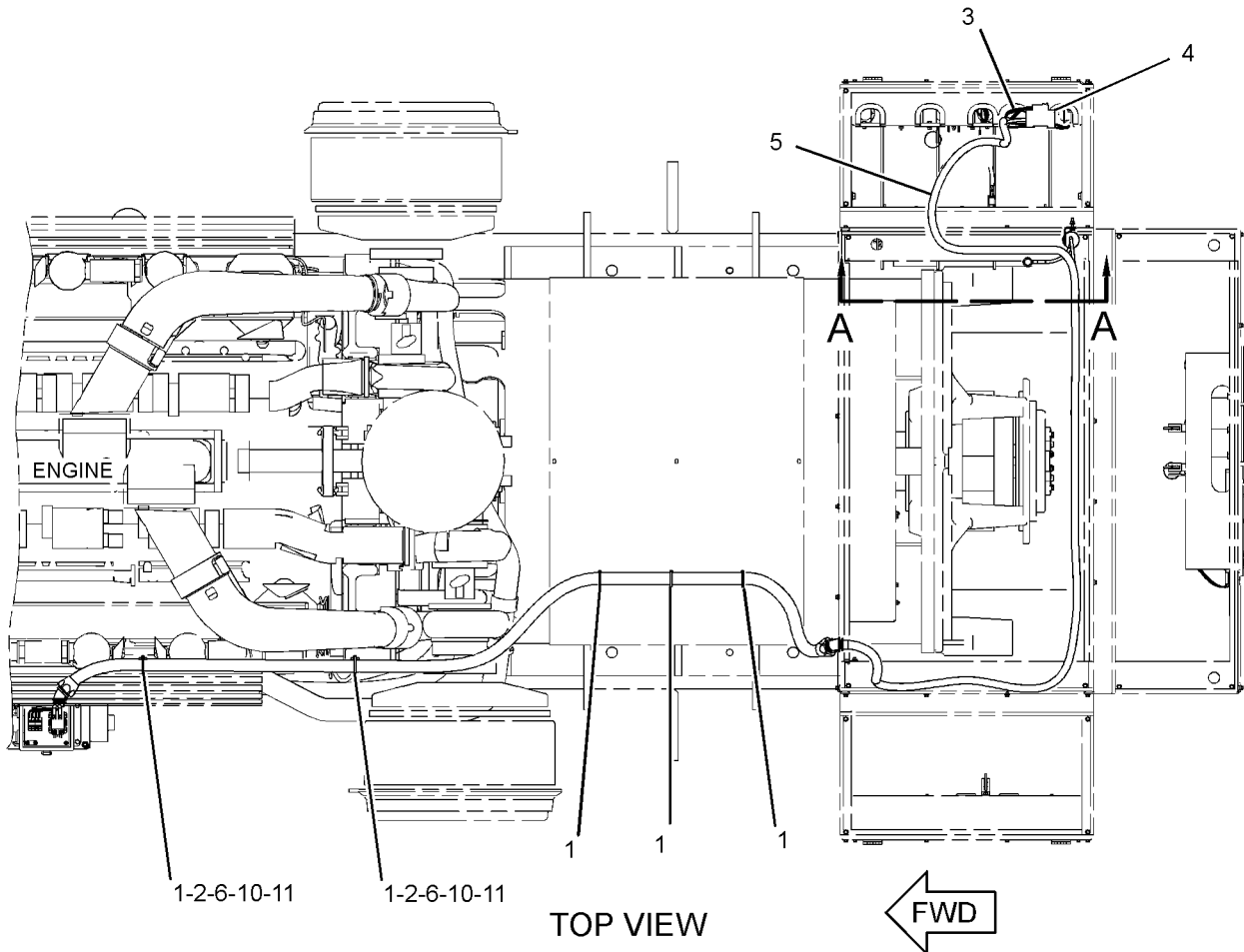
M-METRIC PART

Y-SEPARATE ILLUSTRATION

# ELECTRICAL AND STARTING SYSTEM

312-5085 WIRING GP-JACKET WATER HEATER (contd.)

i03202467



SECTION A-A

<END>

GRAPHIC #1

g01649280

# ELECTRICAL AND STARTING SYSTEM

## 312-5094 WIRING GP-JACKET WATER HEATER

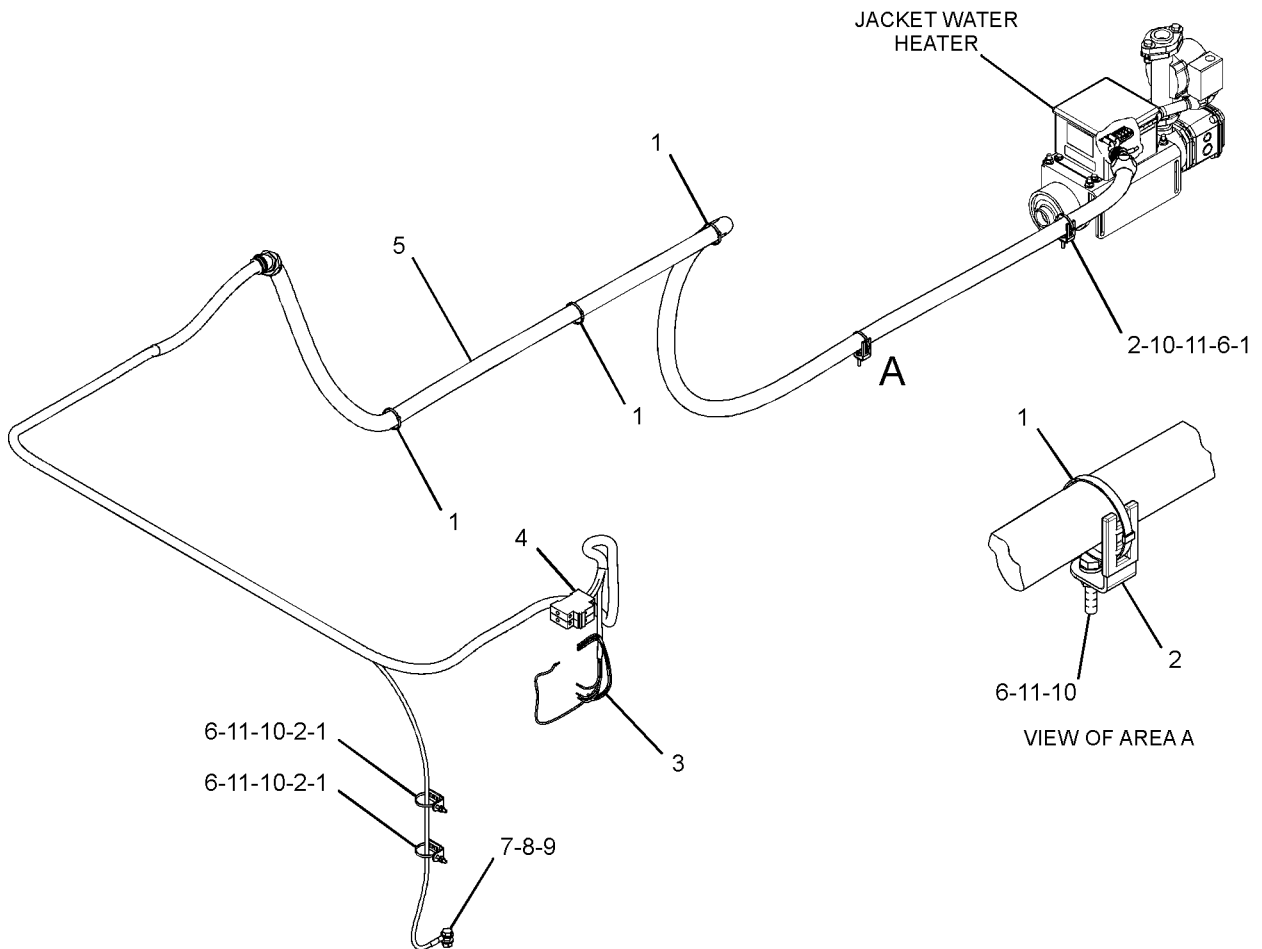
S/N: YAT1-UP  
FOR USE WITH SOLID SHELL GENERATORS  
AN ATTACHMENT

SMCS-1383

i03167486

NOTE	REF NO	GRAPHIC REF	PART NUMBER	QTY	PART NAME						SEE PAGE
					1	2	3	4	5	6 (PRODUCT LEVEL)	
	1	1	9X-6772	7	STRAP-CABLE						
	2	1	156-6175	4	CLIP						
	3	1	244-9641	1	HARNESS AS-WIRING (JACKET WATER HEATER) (JUMPER)						
	4	1	194-4449	1	CIRCUIT BREAKER (50-AMPERE) (NACD MARKET)						
					-OR-						
		1	286-4751	1	CIRCUIT BREAKER (50-AMPERE) (ALL MARKETS EXCEPT NACD)						
Y	5	1	312-5093	1	CONDUIT GP-ELECTRICAL						570
M	6	1	5C-2890	4	NUT (M6X1-THD)						
M	7	1	8T-4139	1	BOLT (M12X1.75X30-MM)						
	8	1	8T-4223	2	WASHER-HARD (13.5X25.5X3-MM THK)						
M	9	1	8T-4244	1	NUT (M12X1.75-THD)						
M	10	1	8T-4971	4	BOLT (M6X1X30-MM)						
	11	1	5P-4116	8	WASHER-HARD (8.8X20.5X2-MM THK)						

M-METRIC PART  
Y-SEPARATE ILLUSTRATION



GRAPHIC #1

<END>

g01434388

# ELECTRICAL AND STARTING SYSTEM

## 323-8696 WIRING GP-JACKET WATER HEATER

S/N: YAT1-UP  
AN ATTACHMENT

SMCS-1383

i03409542

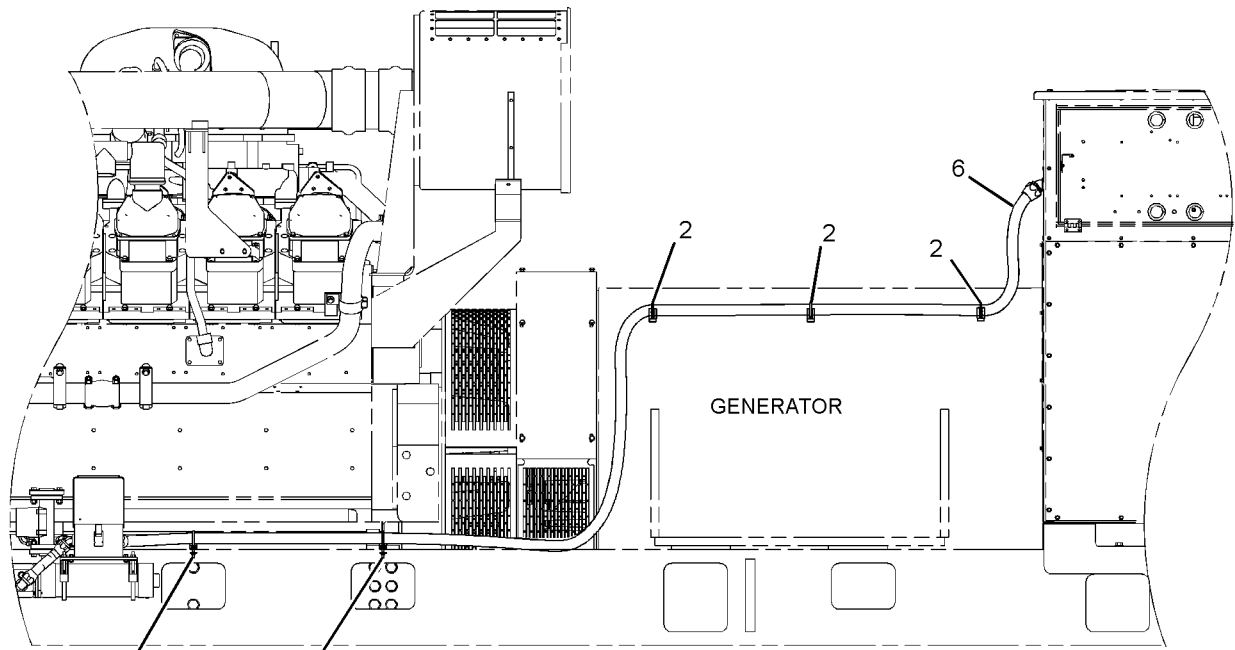
NOTE	REF NO	GRAPHIC REF	PART NUMBER	QTY	PART NAME						SEE PAGE
					1	2	3	4	5	6 (PRODUCT LEVEL)	
	1	1	<b>5P-4116</b>	8	WASHER-HARD (8.8X20.5X2-MM THK)						
	2	1	<b>9X-6772</b>	7	STRAP-CABLE						
	3	1	<b>156-6175</b>	4	CLIP						
	4	1	<b>244-9641</b>	1	HARNESS AS-WIRING (JACKET WATER HEATER)						
	5	1	<b>194-4449</b>	1	CIRCUIT BREAKER (50-AMPERE)						
					(NACD MARKET)						
					-OR-						
		1	<b>286-4751</b>	1	CIRCUIT BREAKER (50-AMPERE)						
					(ALL MARKETS EXCEPT NACD)						
Y	6	1	<b>323-8693</b>	1	CONDUIT GP-ELECTRICAL						571
M	7	1	<b>5C-2890</b>	4	NUT (M6X1-THD)						
M	8	1	<b>8T-4139</b>	1	BOLT (M12X1.75X30-MM)						
	9	1	<b>8T-4223</b>	2	WASHER-HARD (13.5X25.5X3-MM THK)						
M	10	1	<b>8T-4244</b>	1	NUT (M12X1.75-THD)						
M	11	1	<b>8T-4971</b>	4	BOLT (M6X1X30-MM)						

M-METRIC PART  
Y-SEPARATE ILLUSTRATION

# ELECTRICAL AND STARTING SYSTEM

323-8696 WIRING GP-JACKET WATER HEATER (contd.)

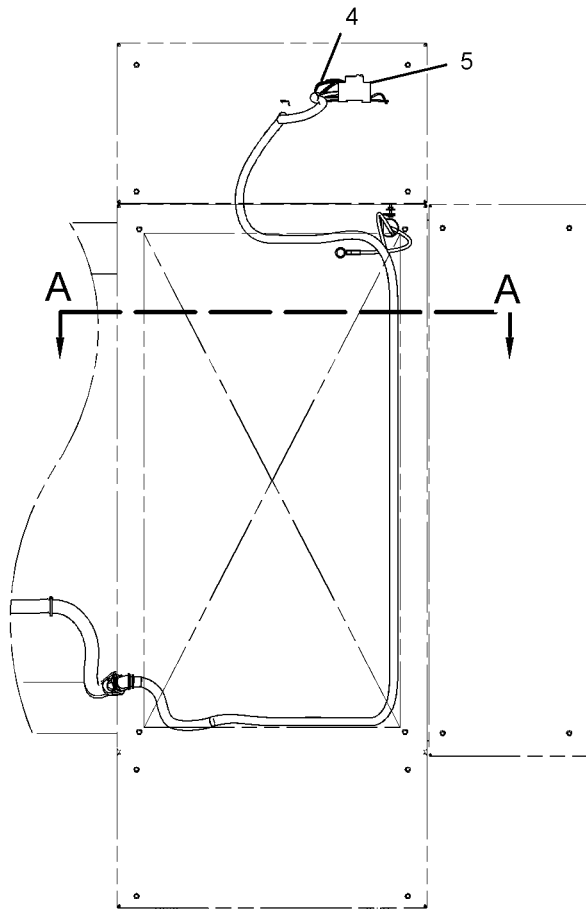
i03409542



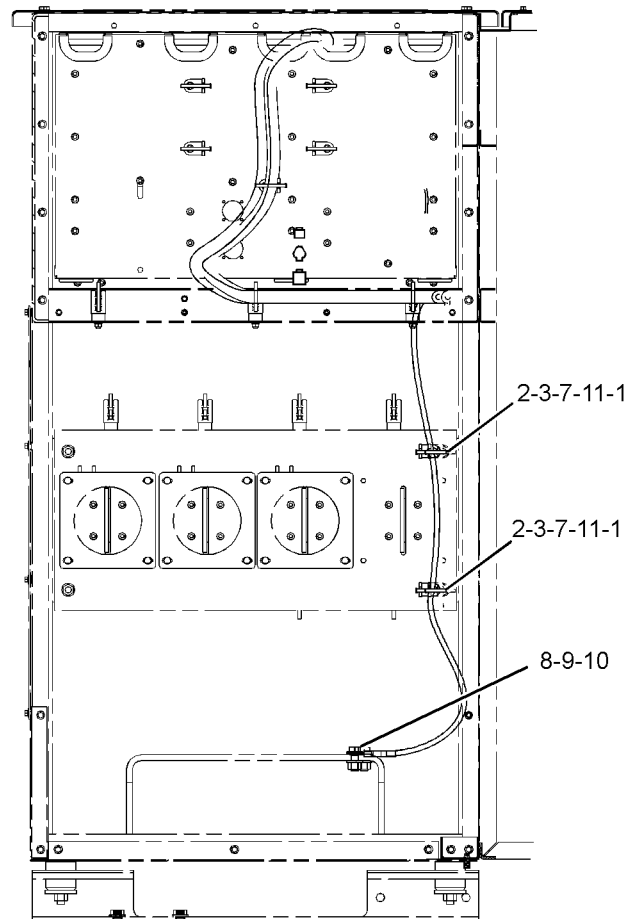
2-7-11-1-3

2-7-11-1-3

LEFT SIDE VIEW OF ENGINE



TOP VIEW OF ENGINE



SECTION A-A

GRAPHIC #1

<END>

g01618620

# ELECTRICAL AND STARTING SYSTEM

## 328-3418 WIRING GP-JACKET WATER HEATER

S/N: YAT1-UP

FOR USE WITH 480 VOLT 3-PHASE OPTION  
AN ATTACHMENT

SMCS-1383

i03401100

NOTE	REF NO	GRAPHIC REF	PART NUMBER	QTY	PART NAME						SEE PAGE
					1	2	3	4	5	6 (PRODUCT LEVEL)	
	1	1	<b>5P-4116</b>	6	WASHER-HARD (8.8X20.5X2-MM THK)						
	2	1	<b>9X-6772</b>	6	STRAP-CABLE						
	3	1	<b>156-6175</b>	3	CLIP						
	4	1	<b>328-3414</b>	1	HARNESS AS-WIRING (JACKET WATER HEATER)						
Y	5	1	<i>328-3417</i>	1	CONDUIT GP-ELECTRICAL						572
M	6	1	<b>5C-2890</b>	3	NUT (M6X1-THD)						
M	7	1	<b>8T-4139</b>	1	BOLT (M12X1.75X30-MM)						
	8	1	<b>8T-4223</b>	2	WASHER-HARD (13.5X25.5X3-MM THK)						
M	9	1	<b>8T-4244</b>	1	NUT (M12X1.75-THD)						
M	10	1	<b>8T-4971</b>	3	BOLT (M6X1X30-MM)						

M-METRIC PART

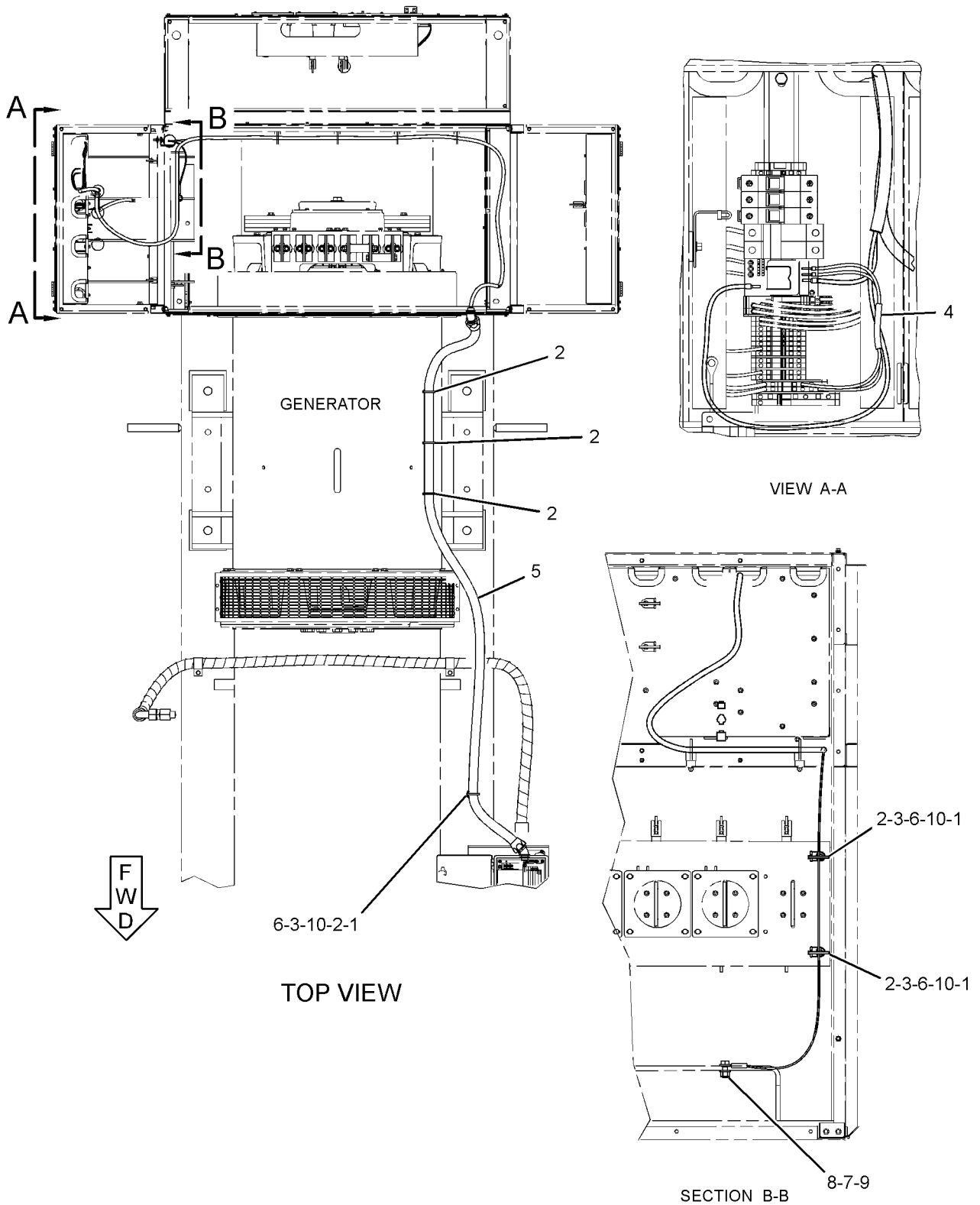
Y-SEPARATE ILLUSTRATION



# ELECTRICAL AND STARTING SYSTEM

328-3418 WIRING GP-JACKET WATER HEATER (contd.)

i03401100



GRAPHIC #1

<END>

g01619089

# ELECTRICAL AND STARTING SYSTEM

## 328-3423 WIRING GP-JACKET WATER HEATER

S/N: YAT1-UP

FOR USE WITH 480 VOLT 3-PHASE OPTION  
AN ATTACHMENT

SMCS-1383

i03401101

NOTE	REF NO	GRAPHIC REF	PART NUMBER	QTY	PART NAME						SEE PAGE
					1	2	3	4	5	6 (PRODUCT LEVEL)	
	1	1	<b>5P-4116</b>	6	WASHER-HARD (8.8X20.5X2-MM THK)						
	2	1	<b>9X-6772</b>	6	STRAP-CABLE						
	3	1	<b>156-6175</b>	3	CLIP						
	4	1	<b>328-3414</b>	1	HARNESS AS-WIRING (JACKET WATER HEATER)						
Y	5	1	<b>328-3420</b>	1	CONDUIT GP-ELECTRICAL						573
M	6	1	<b>5C-2890</b>	3	NUT (M6X1-THD)						
M	7	1	<b>8T-4139</b>	1	BOLT (M12X1.75X30-MM)						
	8	1	<b>8T-4223</b>	2	WASHER-HARD (13.5X25.5X3-MM THK)						
M	9	1	<b>8T-4244</b>	1	NUT (M12X1.75-THD)						
M	10	1	<b>8T-4971</b>	3	BOLT (M6X1X30-MM)						

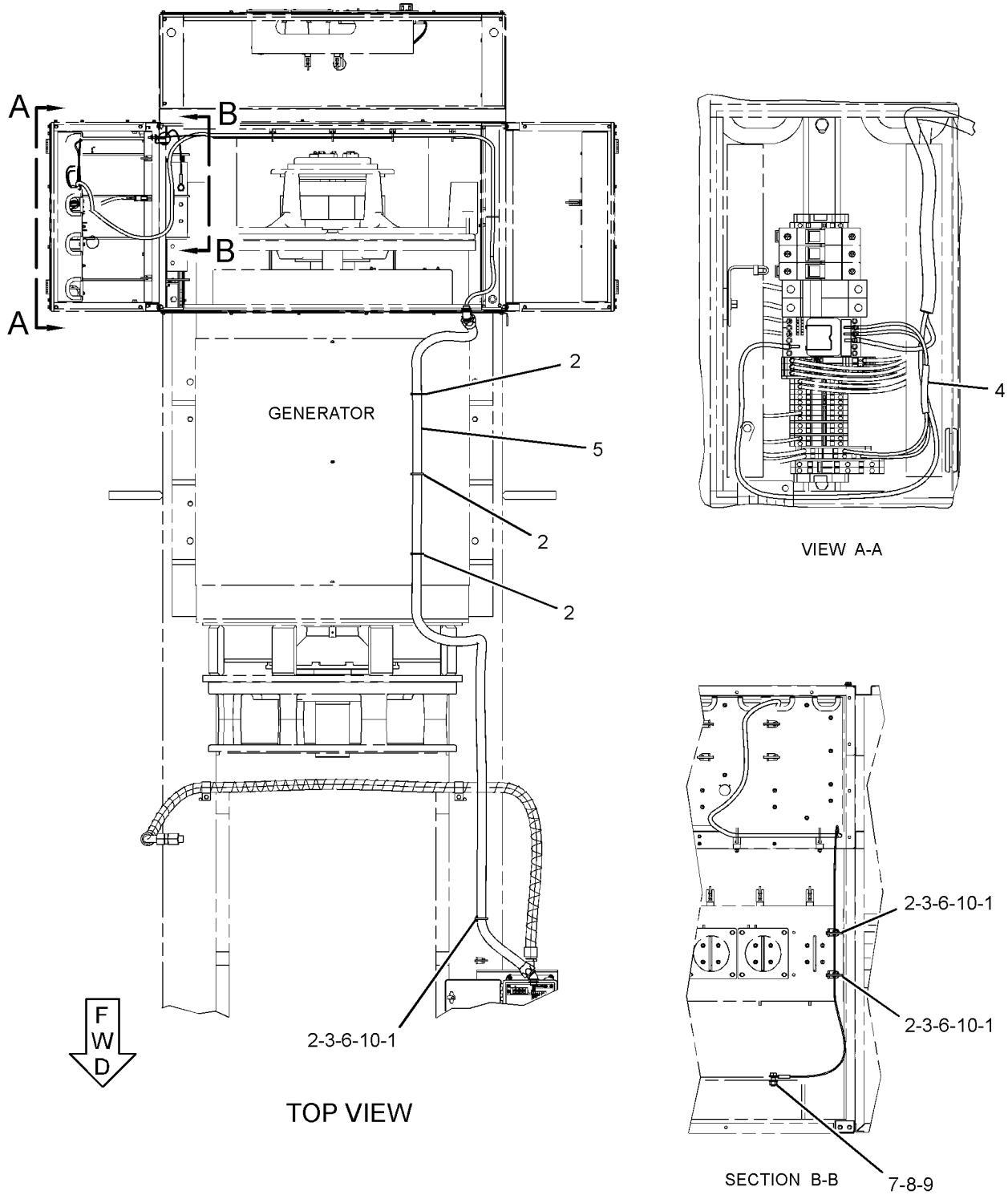
M-METRIC PART

Y-SEPARATE ILLUSTRATION

# ELECTRICAL AND STARTING SYSTEM

328-3423 WIRING GP-JACKET WATER HEATER (contd.)

i03401101



GRAPHIC #1

<END>

g01619005

# ELECTRICAL AND STARTING SYSTEM

## 328-3426 WIRING GP-JACKET WATER HEATER

S/N: YAT1-UP  
AN ATTACHMENT

SMCS-1383

i03401102

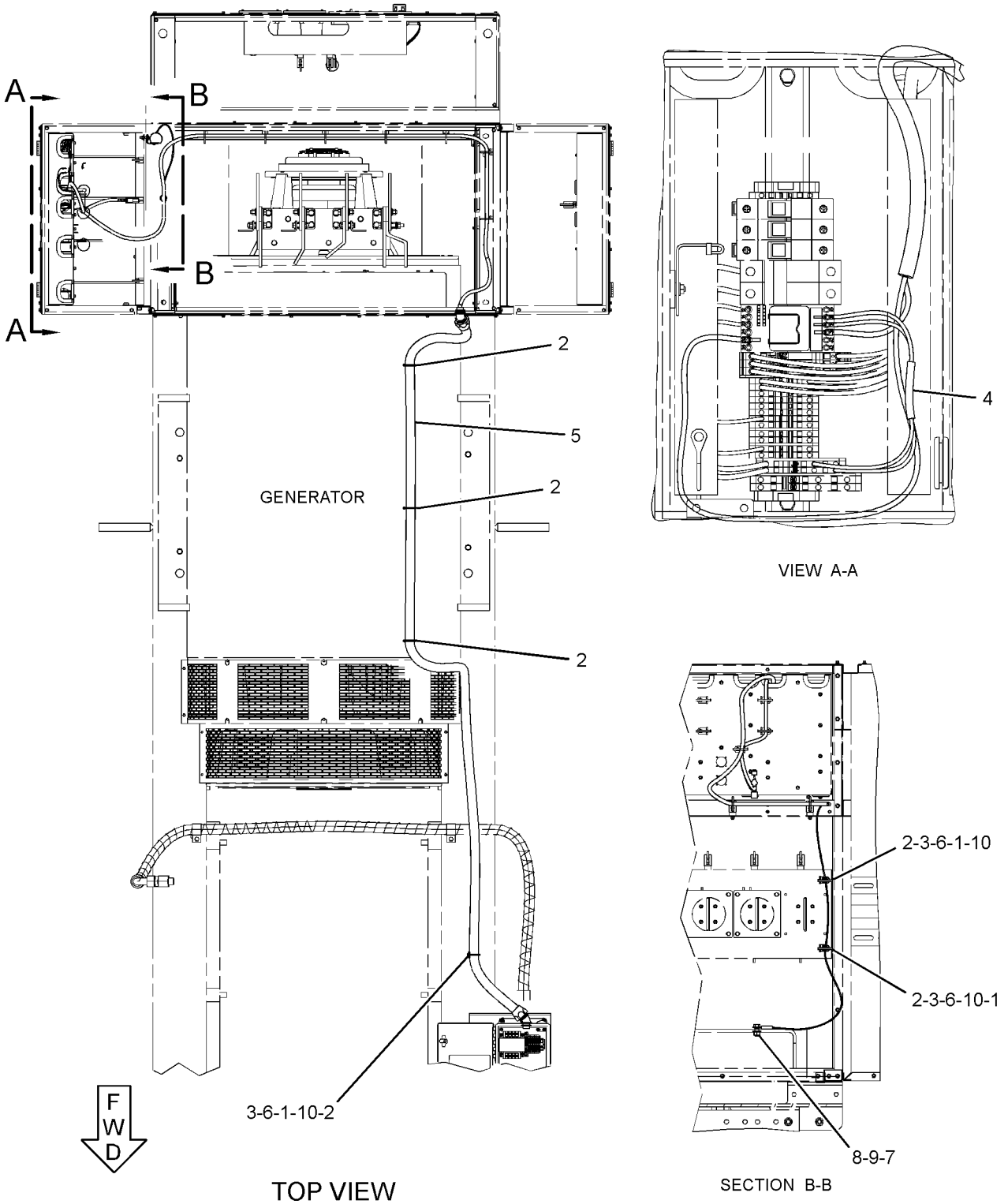
NOTE	REF NO	GRAPHIC REF	PART NUMBER	QTY	PART NAME						SEE PAGE
					1	2	3	4	5	6 (PRODUCT LEVEL)	
	1	1	<b>5P-4116</b>	6	WASHER-HARD (8.8X20.5X2-MM THK)						
	2	1	<b>9X-6772</b>	6	STRAP-CABLE						
	3	1	<b>156-6175</b>	3	CLIP						
	4	1	<b>328-3414</b>	1	HARNESS AS-WIRING (JACKET WATER HEATER)						
Y	5	1	<b>328-3425</b>	1	CONDUIT GP-ELECTRICAL						574
M	6	1	<b>5C-2890</b>	3	NUT (M6X1-THD)						
M	7	1	<b>8T-4139</b>	1	BOLT (M12X1.75X30-MM)						
	8	1	<b>8T-4223</b>	2	WASHER-HARD (13.5X25.5X3-MM THK)						
M	9	1	<b>8T-4244</b>	1	NUT (M12X1.75-THD)						
M	10	1	<b>8T-4971</b>	3	BOLT (M6X1X30-MM)						

M-METRIC PART  
Y-SEPARATE ILLUSTRATION

# ELECTRICAL AND STARTING SYSTEM

328-3426 WIRING GP-JACKET WATER HEATER (contd.)

i03401102



GRAPHIC #1

<END>

g01618905

# ELECTRICAL AND STARTING SYSTEM

## 241-0231 WIRING GP-PANEL-PRELUBRICATION

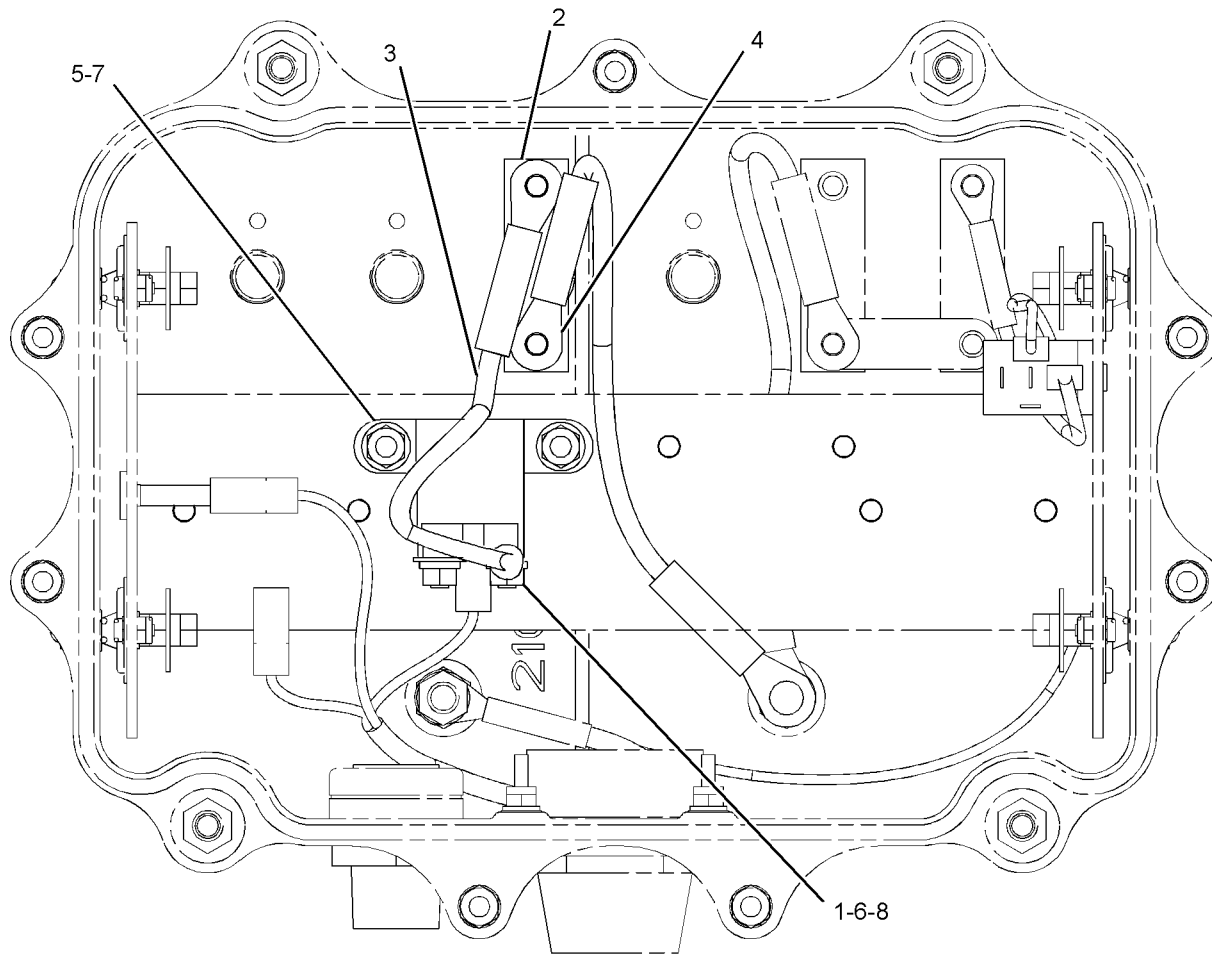
S/N: YAT1-UP  
AN ATTACHMENT

SMCS-4459

i02418621

NOTE	REF NO	GRAPHIC REF	PART NUMBER	QTY	PART NAME	1 2 3 4 5 6 (PRODUCT LEVEL)						SEE PAGE
	1	1	9X-8124	1	SWITCH AS-MAGNETIC (24-VOLT) (PRELUBRICATION PUMP)							
	2	1	203-8987	1	CIRCUIT BREAKER AS (40-AMPERE)							
	3	1	241-0236	1	WIRE AS							
	4	1	242-7065	1	WIRE AS							
	5	1	3E-9865	2	LOCKNUT (1/4-20-THD)							
M	6	1	5C-2890	2	NUT (M6X1-THD)							
	7	1	8T-4205	2	WASHER-HARD (7.2X14.5X2-MM THK)							
	8	1	9X-8256	2	WASHER (6.6X12X2-MM THK)							

M-METRIC PART



GRAPHIC #1

<END>

g01122023

# ELECTRICAL AND STARTING SYSTEM

## 241-0233 WIRING GP-PANEL-AIR SHUTOFF

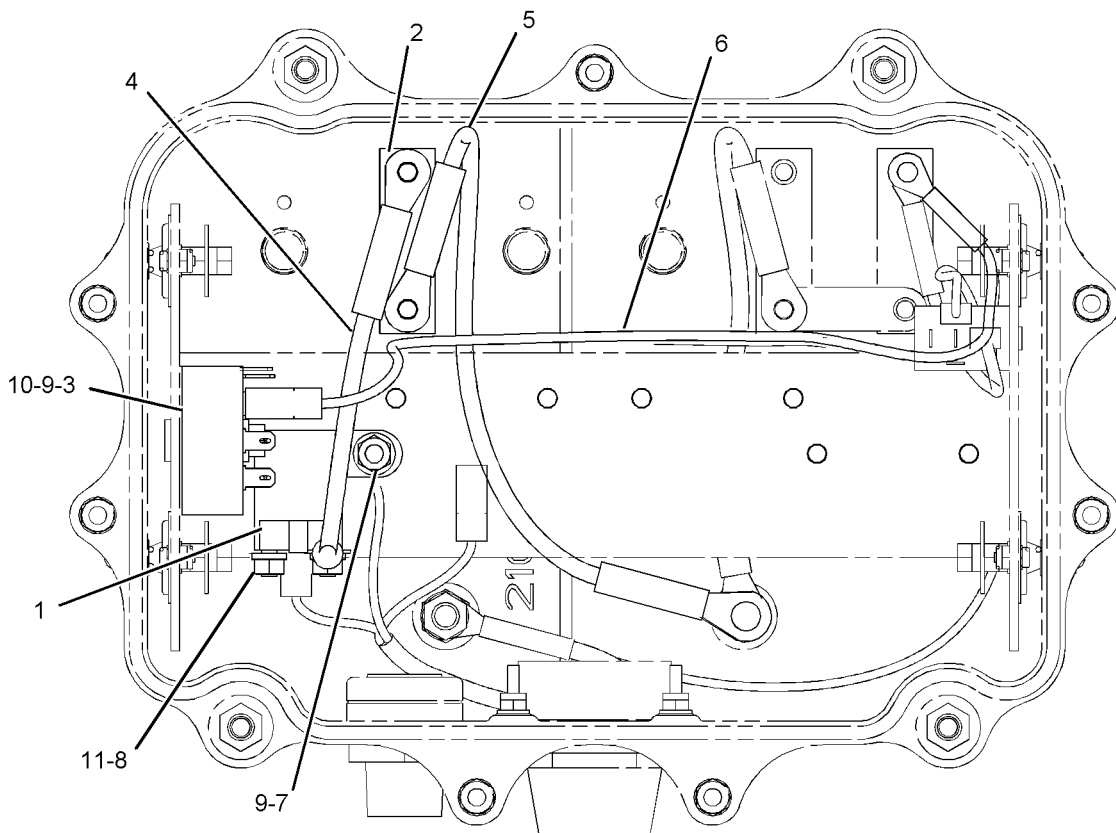
S/N: YAT1-UP  
AN ATTACHMENT

SMCS-4459

i02418622

NOTE	REF NO	GRAPHIC REF	PART NUMBER	QTY	PART NAME						SEE PAGE
					1	2	3	4	5	6 (PRODUCT LEVEL)	
	1	1	9X-8124	1	SWITCH AS-MAGNETIC (24-VOLT) (AIR SHUTOFF)						
	2	1	203-8987	1	CIRCUIT BREAKER AS (40-AMPERE)						
	3	1	239-5794	1	TIMER						
	4	1	241-0232	1	WIRE AS						
	5	1	241-0234	1	WIRE AS						
	6	1	242-7390	1	WIRE AS						
	7	1	3E-9865	2	LOCKNUT (1/4-20-THD)						
M	8	1	5C-2890	2	NUT (M6X1-THD)						
	9	1	8T-4205	3	WASHER-HARD (7.2X14.5X2-MM THK)						
	10	1	9S-8750	1	NUT-FULL (1/4-20-THD)						
	11	1	9X-8256	2	WASHER (6.6X12X2-MM THK)						

M-METRIC PART



GRAPHIC #1

<END>

g01083856

# ELECTRICAL AND STARTING SYSTEM

## 252 - 7345 WIRING GP-PANEL-RTD MODULE

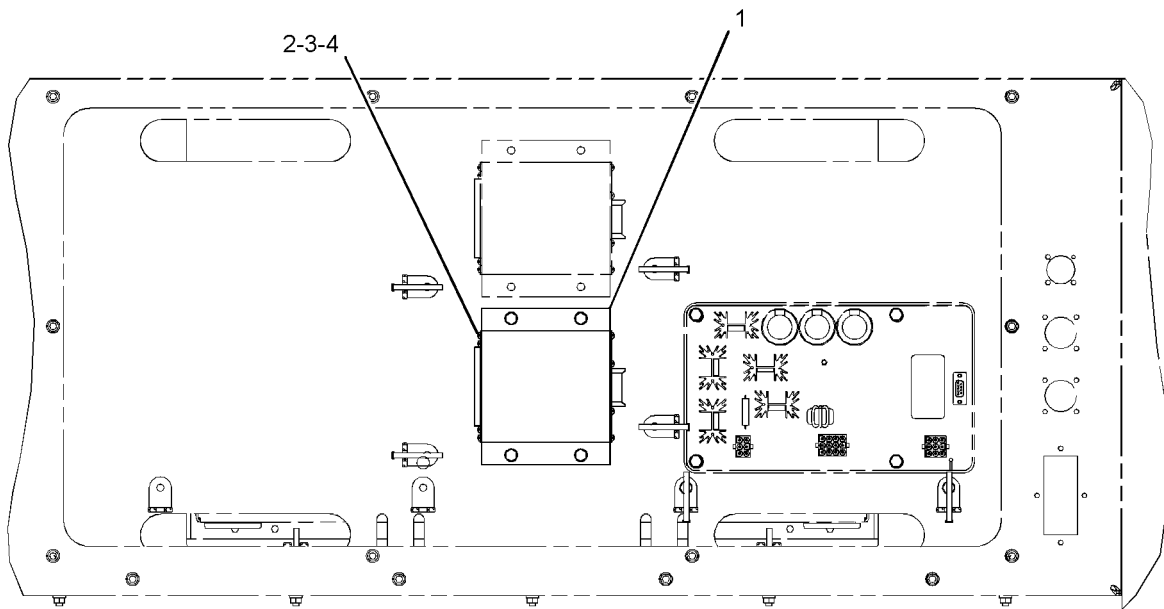
S/N: YAT1-UP  
AN ATTACHMENT

SMCS-4459

i02225949

NOTE	REF NO	GRAPHIC REF	PART NUMBER	QTY	PART NAME						SEE PAGE
					1	2	3	4	5	6 (PRODUCT LEVEL)	
Y	1	1	237-0125	1	CONTROL GP-ENGINE MONITORING (RESISTIVE TEMPERATURE DEVICE)						796
M	2	1	5C-2890	4	NUT (M6X1-THD)						
M	3	1	5C-9553	4	BOLT (M6X1X16-MM)						
	4	1	9X-8256	8	WASHER (6.6X12X2-MM THK)						

M-METRIC PART  
Y-SEPARATE ILLUSTRATION



REAR VIEW

GRAPHIC #1

<END>

g01134431



# ELECTRICAL AND STARTING SYSTEM

## 252-7347 WIRING GP-PANEL-DISCRETE INPUT/OUTPUT MODULE

S/N: YAT1-UP  
AN ATTACHMENT

SMCS-4459

i02225948

NOTE	REF NO	GRAPHIC REF	PART NUMBER	QTY	PART NAME	SEE PAGE
					1 2 3 4 5 6 (PRODUCT LEVEL)	
	1	1	<b>244-9606</b>	1	HARNES AS-MONITOR (DISCRETE INPUT/OUTPUT)	
		1	<b>186-3736</b>	40	SOCKET-CONNECTOR (16-GA TO 18-GA)	
		1	<b>8T-9834</b>	1	PLUG AS-CONNECTOR (40-PIN)	
		1	<b>110-8714</b>	40	END-WIRE (18-GA)	
Y	2	1	244-9608	1	BLOCK AS-TERMINAL	373
	3	1	<b>234-0275</b>	1	CONTROL GP-ENGINE MONITORING (DISCRETE INPUT/OUTPUT)	
M	4	1	<b>5C-2890</b>	6	NUT (M6X1-THD)	
M	5	1	<b>5C-9553</b>	6	BOLT (M6X1X16-MM)	
	6	1	<b>9X-8256</b>	12	WASHER (6.6X12X2-MM THK)	

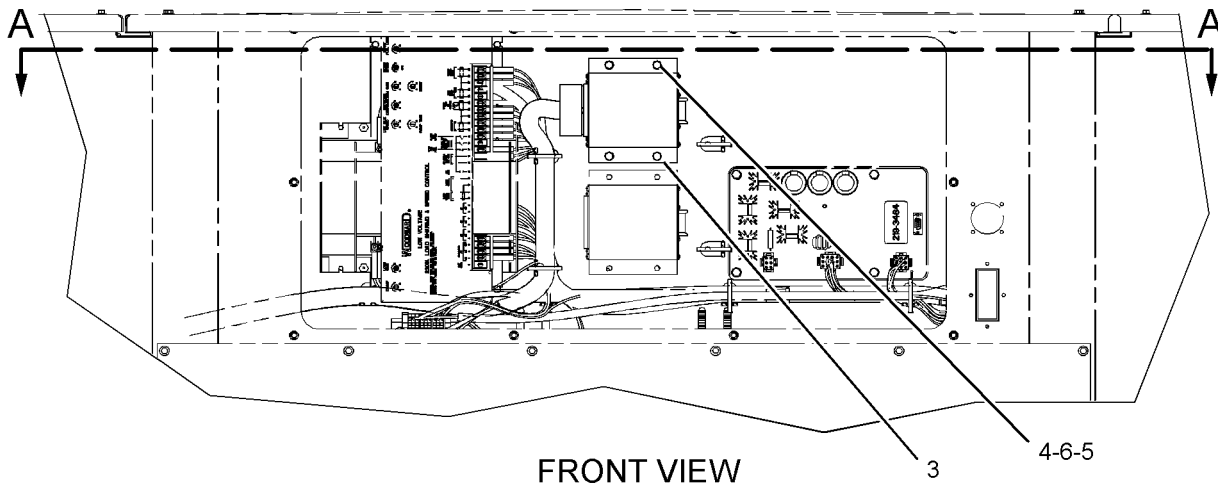
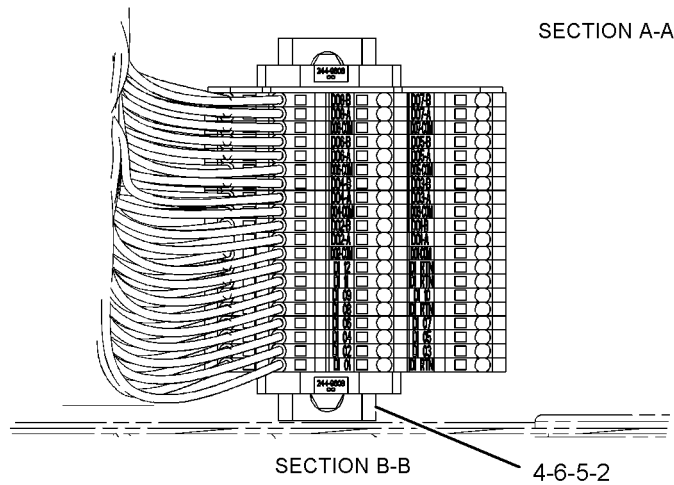
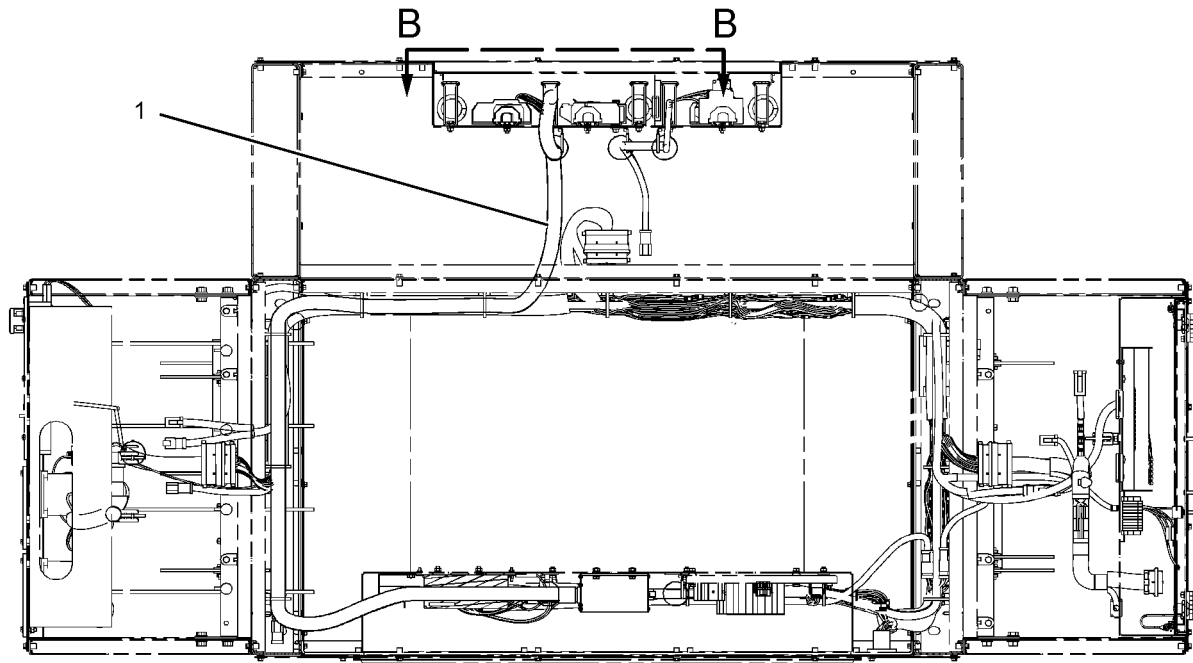
M-METRIC PART

Y-SEPARATE ILLUSTRATION

# ELECTRICAL AND STARTING SYSTEM

252-7347 WIRING GP-PANEL (contd.)

i02225948



GRAPHIC #1

<END>

g01134693

# ELECTRICAL AND STARTING SYSTEM

## 252-7362 WIRING GP-PANEL-DISCRETE I/O, RTD

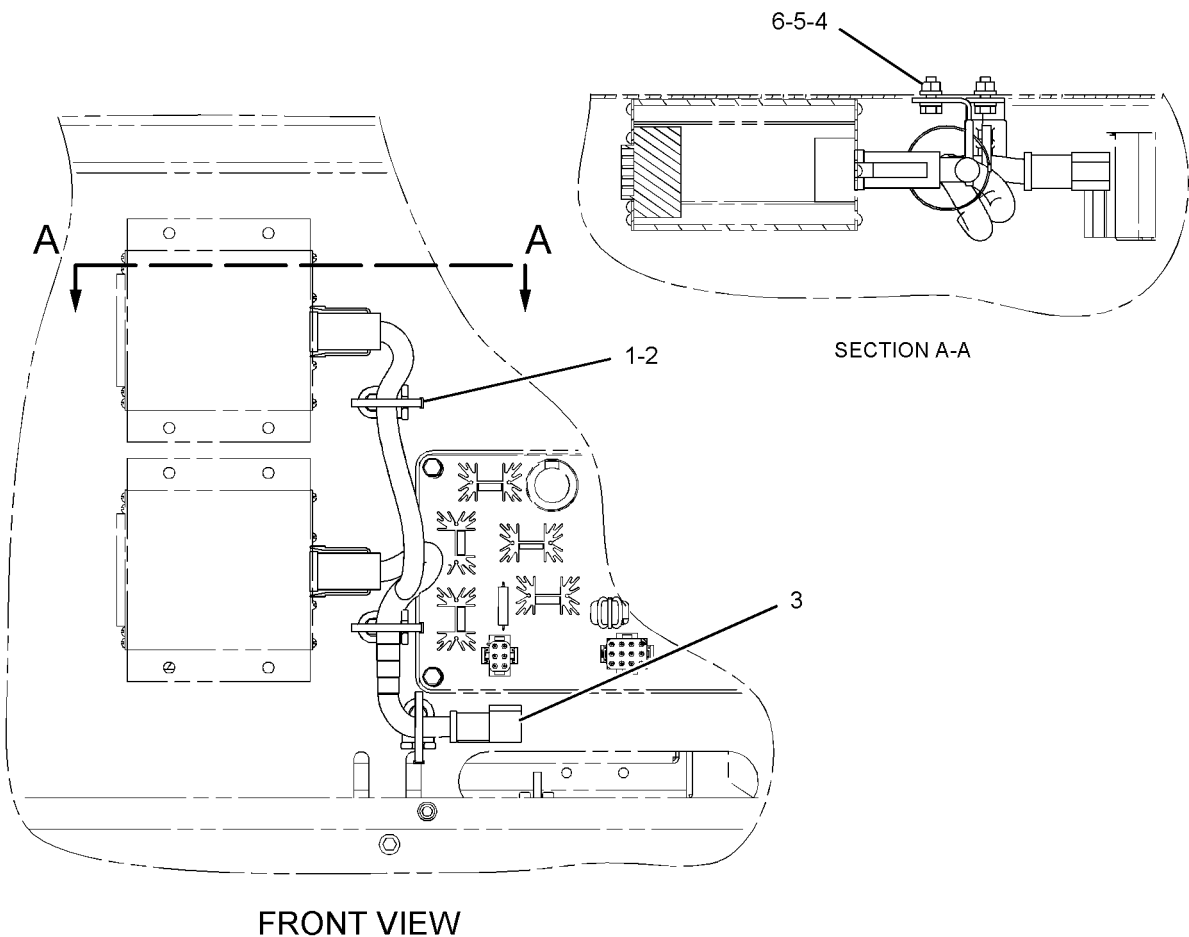
S/N: YAT1-UP  
AN ATTACHMENT

SMCS-4459

i02471225

NOTE	REF NO	GRAPHIC REF	PART NUMBER	QTY	PART NAME						SEE PAGE
					1	2	3	4	5	6 (PRODUCT LEVEL)	
	1	1	9X-6772	3	STRAP-CABLE						
	2	1	156-6175	3	CLIP						
	3	1	244-9601	1	HARNESS AS-CONTROL (DISCRETE I/O, RTD)						
		1	186-3735	5	PIN-CONNECTOR (16-GA TO 18-GA)						
		1	186-3736	10	SOCKET-CONNECTOR (16-GA TO 18-GA)						
E		1	125-7874		TUBE-HEAT SHRINK (5.72-MM DIA) (25-CM)						
		1	8T-8737	7	PLUG-SEAL						
		1	102-8805	1	KIT-RECEPTACLE (6-PIN) (INCLUDES RECEPTACLE ASSEMBLY AND WEDGE)						
		1	155-2265	2	KIT-CONNECTING PLUG (8-PIN) (EACH INCLUDES PLUG ASSEMBLY AND WEDGE)						
M	4	1	5C-2890	3	NUT (M6X1-THD)						
M	5	1	5C-9553	3	BOLT (M6X1X16-MM)						
	6	1	9X-8256	6	WASHER (6.6X12X2-MM THK)						

E-ORDER BY THE CENTIMETER  
M-METRIC PART



GRAPHIC #1

<END>

g01137228

# ELECTRICAL AND STARTING SYSTEM

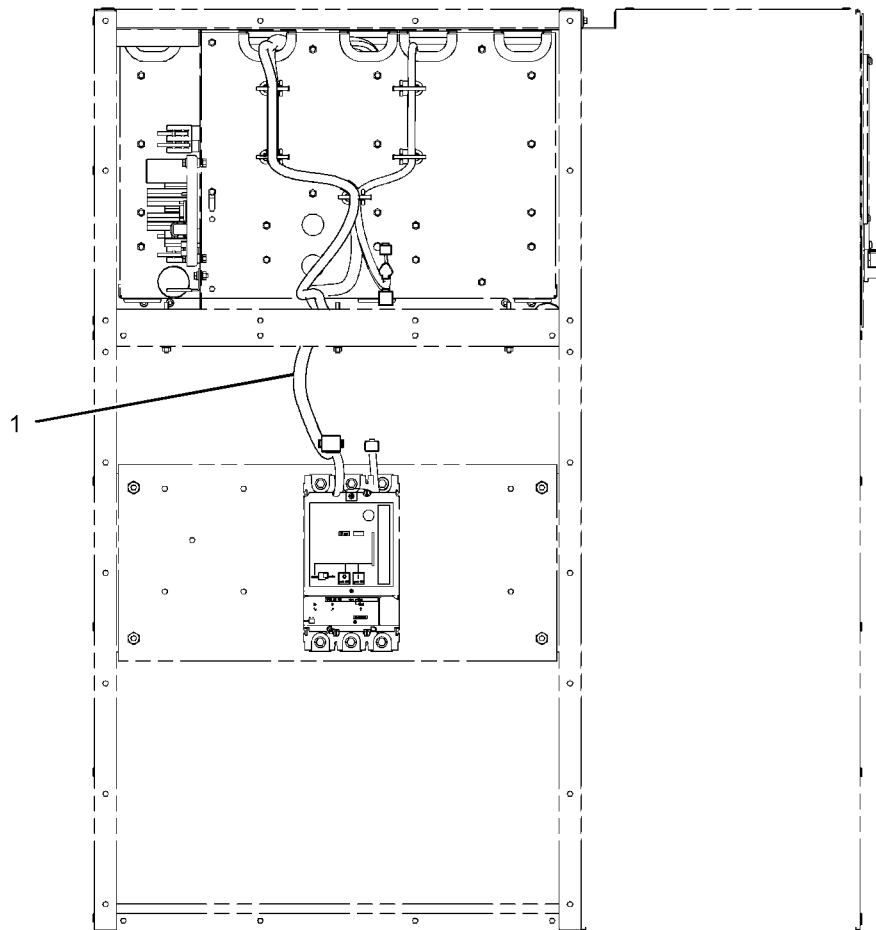
## 252-7554 WIRING GP-PANEL-CIRCUIT BREAKER

S/N: YAT1-UP  
AN ATTACHMENT

SMCS-4459

i02262592

NOTE	REF NO	GRAPHIC REF	PART NUMBER	QTY	PART NAME						SEE PAGE
					1	2	3	4	5	6 (PRODUCT LEVEL)	
	1	1	252-7430	1	HARNES AS-BOX						
		1	109-3038	7	END-WIRE (16-GA)						
		1	155-2265	1	KIT-CONNECTING PLUG (8-PIN) (INCLUDES PLUG AS & WEDGE)						
		1	7K-1181	2	STRAP-CABLE						
		1	8T-8737	1	PLUG-SEAL						
		1	186-3736	7	SOCKET-CONNECTOR (16-GA TO 18-GA)						



RIGHT SIDE VIEW

<END>

GRAPHIC #1

g01167131

# ELECTRICAL AND STARTING SYSTEM

## 252-7555 WIRING GP-PANEL-CIRCUIT BREAKER

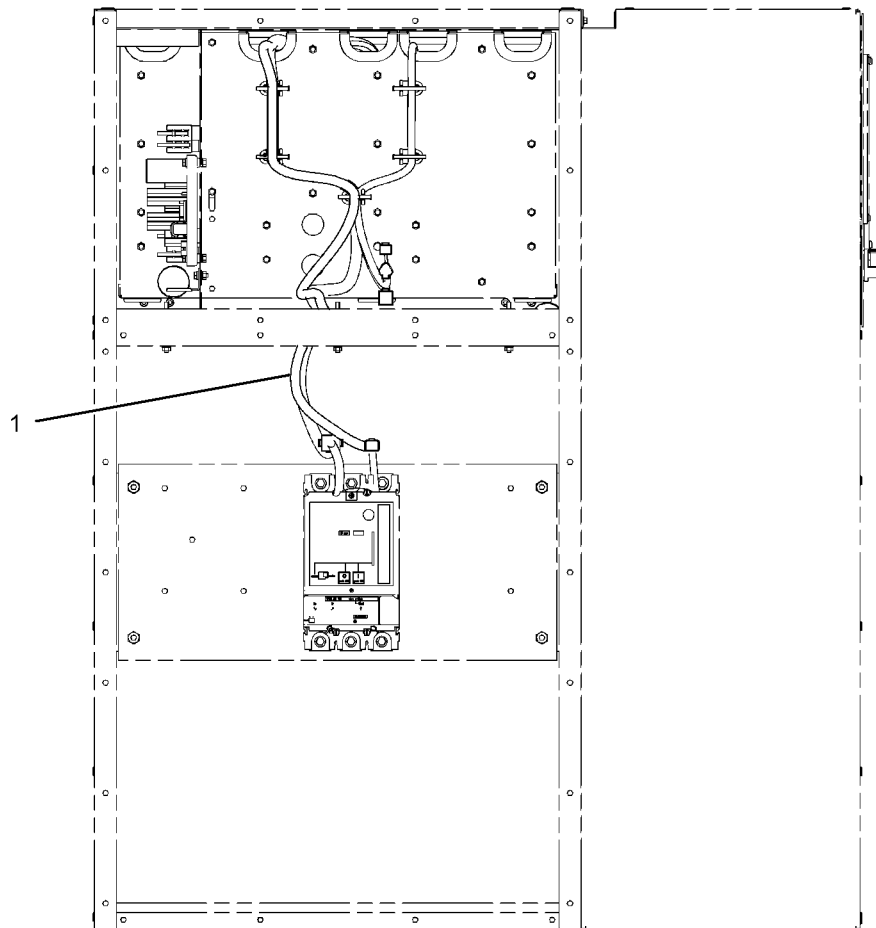
S/N: YAT1-UP  
AN ATTACHMENT

SMCS-4459

i02344712

NOTE	REF NO	GRAPHIC REF	PART NUMBER	QTY	PART NAME						SEE PAGE
					1	2	3	4	5	6 (PRODUCT LEVEL)	
	1	1	252-7429	1	HARNES AS-BOX						
		1	109-3038	4	END-WIRE (16-GA)						
		1	155-2271	1	KIT-CONNECTING PLUG (4-PIN) (INCLUDES PLUG AS & WEDGE)						
		1	155-2272	1	PLUG AS-CONNECTOR (4-PIN)						
		1	186-3736	4	SOCKET-CONNECTOR (16-GA TO 18-GA)						
B		1	7K-1181	2	STRAP-CABLE						

B-USE AS REQUIRED



RIGHT SIDE VIEW

<END>

GRAPHIC #1

g01167126

# ELECTRICAL AND STARTING SYSTEM

## 259-5805 WIRING GP-PANEL-INPUT/OUTPUT

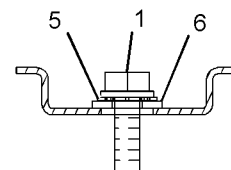
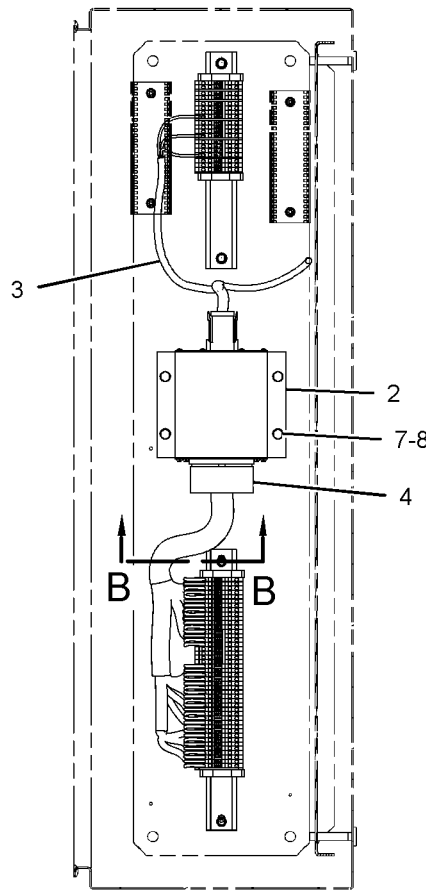
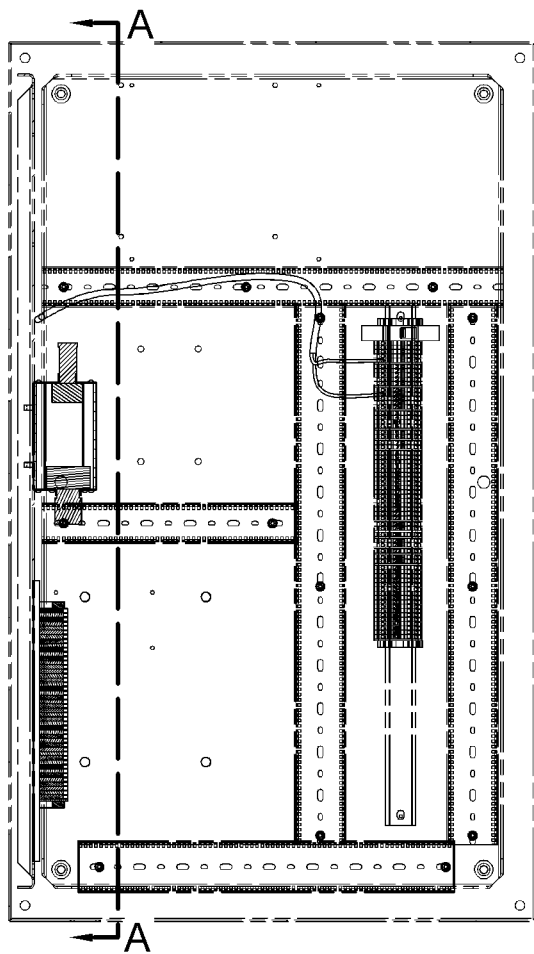
S/N: YAT1-UP  
AN ATTACHMENT

SMCS-4459

i03301523

NOTE	REF NO	GRAPHIC REF	PART NUMBER	QTY	PART NAME	1 2 3 4 5 6 (PRODUCT LEVEL)						SEE PAGE
C	1	1	195-2637	2	SCREW (8-32X1/2-IN)							
Y	2	1	249-1174	1	CONTROL GP-ENGINE MONITORING (DISCRETE INPUT/OUTPUT)							797
C	3	1	276-1250	1	HARNESS AS-ALARM							
Y	4	1	333-4940	1	STRIP GP-TERMINAL							711
C	5	1	1H-4393	2	LOCKWASHER							
C	6	1	4B-4863	2	WASHER (4.7X11X1.2-MM THK)							
M	7	1	5C-9553	4	BOLT (M6X1X16-MM)							
	8	1	9X-8256	4	WASHER (6.6X12X2-MM THK)							

C-CHANGE FROM PREVIOUS TYPE  
M-METRIC PART  
Y-SEPARATE ILLUSTRATION



GRAPHIC #1

<END>

g01688714

# ELECTRICAL AND STARTING SYSTEM

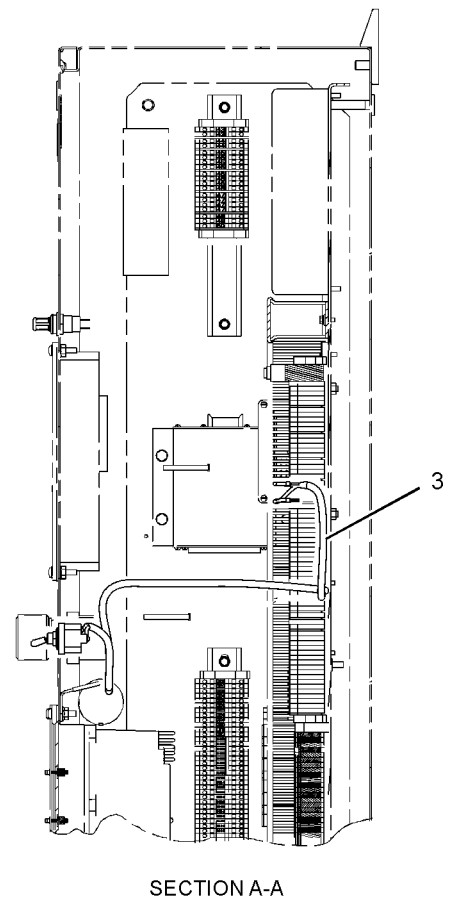
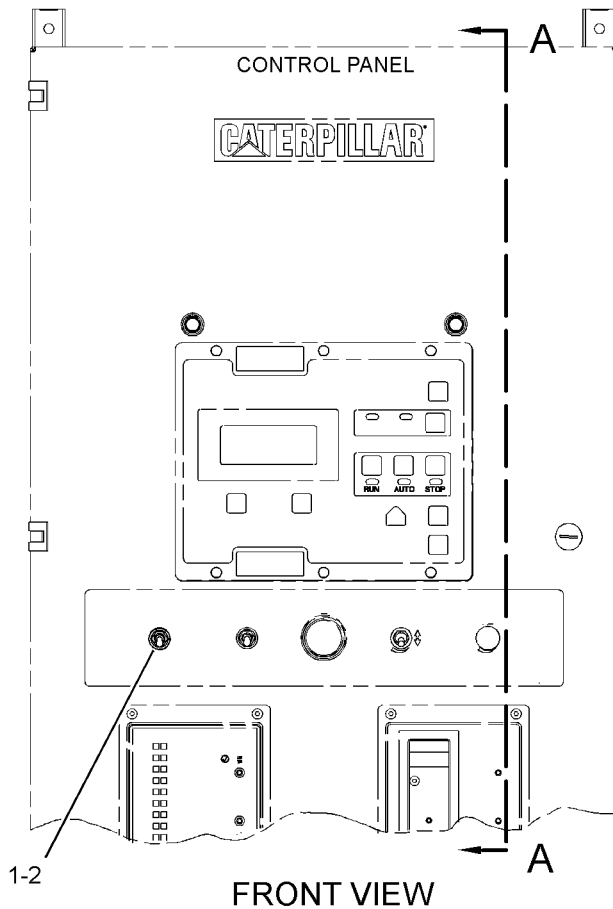
## 259-7026 WIRING GP-PANEL-STARTING AID

S/N: YAT1-UP  
FOR USE WITH EUI  
AN ATTACHMENT

SMCS-4459

i02624913

NOTE	REF NO	GRAPHIC REF	PART NUMBER	QTY	PART NAME						SEE PAGE
					1	2	3	4	5	6 (PRODUCT LEVEL)	
	1	1	5R-7137	1	WASHER-SEALING						
	2	1	9D-3721	1	SWITCH-TOGGLE (STARTING AID)						
	3	1	259-5820	1	HARNESS AS-SWITCH (STARTING AID)						
		1	5P-2321	2	TERMINAL (14-GA TO 16-GA, NO. 6 SCREW)						
		1	109-3038	2	END-WIRE (16-GA)						
		1	6K-0806	10	STRAP-CABLE						



GRAPHIC #1

<END>

g01316054

# ELECTRICAL AND STARTING SYSTEM

## 120-4492 WIRING GP-PYROMETER

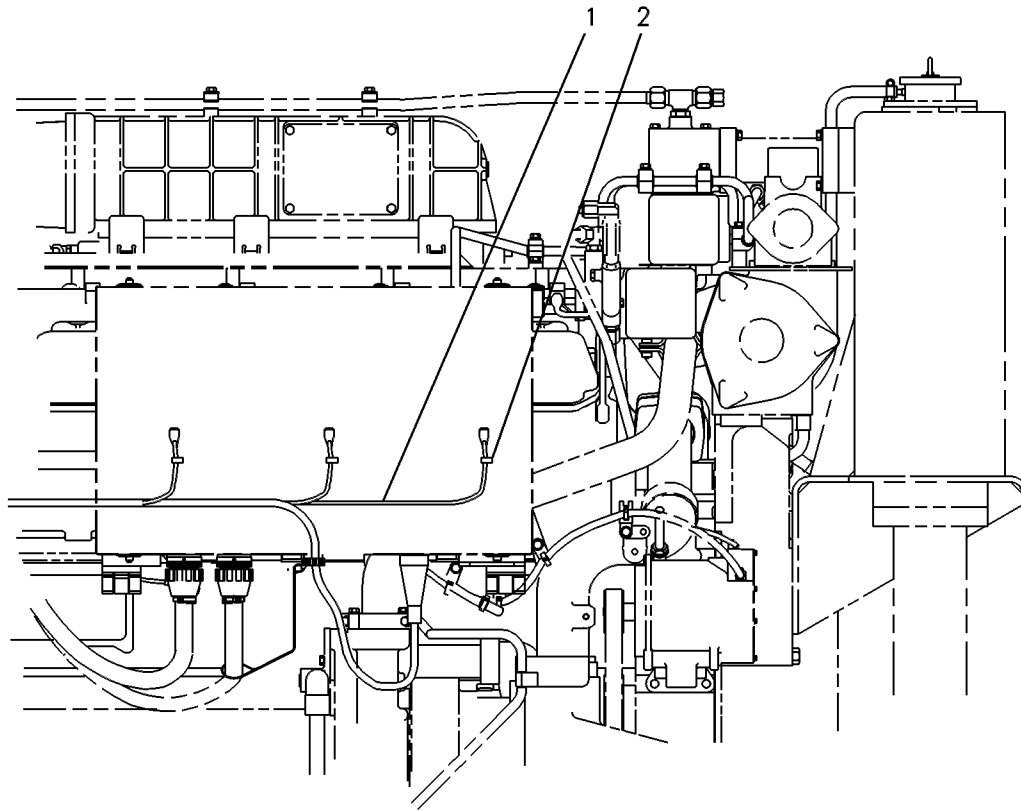
S/N: YAT1-UP  
AN ATTACHMENT

SMCS-1408, 7466

i02231128

NOTE	REF NO	GRAPHIC REF	PART NUMBER	QTY	PART NAME						SEE PAGE
					1	2	3	4	5	6 (PRODUCT LEVEL)	
	1	1	120-0567	1	HARNES AS-WIRING (PYROMETER)						
B	2	1	3S-2093	16	STRAP-CABLE						

B-USE AS REQUIRED



GRAPHIC #1

<END>

g00249226



# ELECTRICAL AND STARTING SYSTEM

## 246-9375 WIRING GP-SENSOR- COOLANT LEVEL, OIL TEMPERATURE

S/N: YAT1-UP  
FOR USE WITH EMCP 3  
ALSO AN ATTACHMENT

SMCS-1408, 1900

i02775812

NOTE	PART NUMBER	QTY	PART NAME						SEE PAGE
			1	2	3	4	5	6 (PRODUCT LEVEL)	
	245-1150	1	HARNESS AS-SENSOR (COOLANT LEVEL)						
	9G-3695	3	PLUG						
	155-2260	1	KIT-CONNECTING PLUG (3-PIN) (INCLUDES PLUG AS AND WEDGE)						
	102-8805	1	KIT-RECEPTACLE (6-PIN) (INCLUDES RECEPTACLE AS AND WEDGE)						
	253-1888	1	HARNESS AS-SENSOR (ENGINE OIL TEMPERATURE)						
	9G-3695	4	PLUG						
	155-2270	1	KIT-CONNECTING PLUG (2-PIN) (INCLUDES PLUG AS AND WEDGE)						
	102-8805	1	KIT-RECEPTACLE (6-PIN) (INCLUDES RECEPTACLE AS AND WEDGE)						
<b>&lt;END&gt;</b>									

## 246-9376 WIRING GP-SENSOR- COOLANT LEVEL, OIL TEMPERATURE

S/N: YAT1-UP  
FOR USE WITH EMCP II

SMCS-1408, 1900

i02775820

NOTE	PART NUMBER	QTY	PART NAME						SEE PAGE
			1	2	3	4	5	6 (PRODUCT LEVEL)	
	245-1149	1	HARNESS AS-SENSOR (COOLANT LEVEL)						
	102-8805	1	KIT-RECEPTACLE (6-PIN) (INCLUDES RECEPTACLE AS AND WEDGE)						
	9G-3695	3	PLUG						
	155-2260	1	KIT-CONNECTING PLUG (3-PIN) (INCLUDES PLUG AS AND WEDGE)						
	245-1149	1	HARNESS AS-SENSOR (ENGINE OIL TEMPERATURE)						
	102-8805	1	KIT-RECEPTACLE (6-PIN) (INCLUDES RECEPTACLE AS AND WEDGE)						
	9G-3695	3	PLUG						
	155-2260	1	KIT-CONNECTING PLUG (3-PIN) (INCLUDES PLUG AS AND WEDGE)						
<b>&lt;END&gt;</b>									

# ELECTRICAL AND STARTING SYSTEM

## 292-8602 WIRING GP-SENSOR-THERMOCOUPLE

S/N: YAT1-UP  
AN ATTACHMENT

SMCS-1408, 1900

i02775813

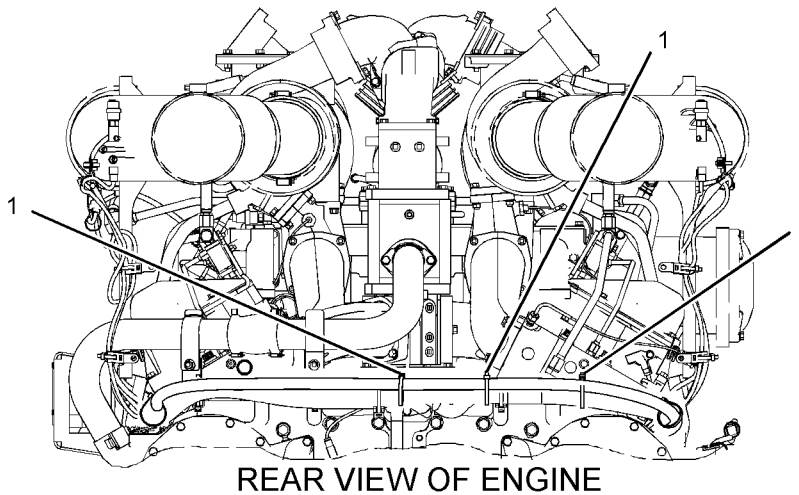
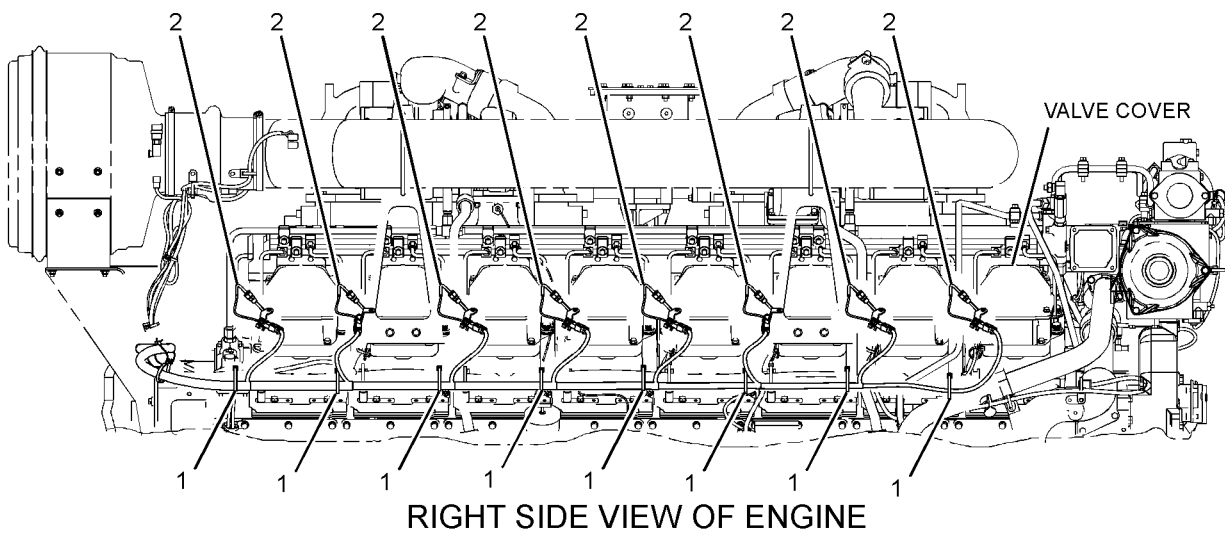
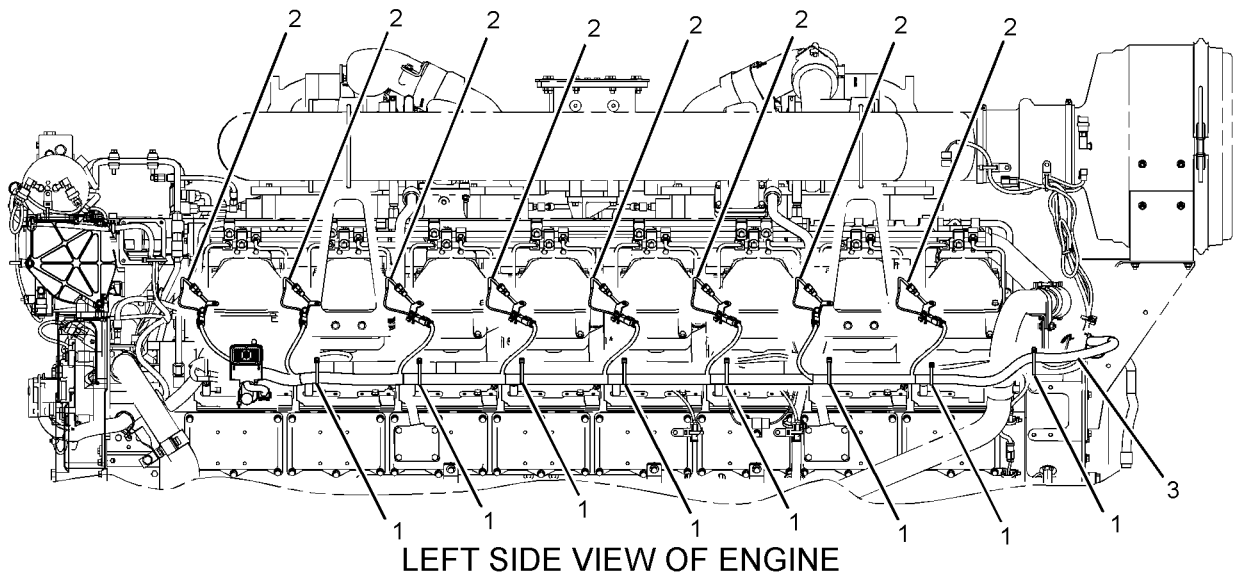
NOTE	REF NO	GRAPHIC REF	PART NUMBER	QTY	PART NAME						SEE PAGE
					1	2	3	4	5	6 (PRODUCT LEVEL)	
B	1	1	<b>9X-6772</b>	22	STRAP-CABLE						
Y	2	1	120-4498	16	THERMOCOUPLE GP						719
	3	1	<b>292-8603</b>	1	HARNESS AS-SENSOR (THERMOCOUPLE)						
		1	<b>237-0336</b>	1	COVER						
		1	<b>102-8806</b>	1	KIT-RECEPTACLE (8-PIN) (INCLUDES RECEPTACLE AS AND WEDGE)						
		1	<b>3E-3389</b>	1	WEDGE-RECEPTACLE LOCK						
E	1	1	<b>8T-6342</b>		TUBE-HEAT SHRINK (3.2-MM DIA) (64-CM)						
		1	<b>186-3736</b>	90	SOCKET-CONNECTOR (16-GA TO 18-GA)						
		1	<b>8T-8737</b>	20	PLUG-SEAL						
		1	<b>9X-6772</b>	2	STRAP-CABLE						
		1	<b>126-1774</b>	1	COVER-CONNECTOR						
		1	<b>155-2270</b>	16	KIT-CONNECTING PLUG (2-PIN) (INCLUDES PLUG AS AND WEDGE)						
		1	<b>160-7689</b>	1	PLUG AS-CONNECTOR (70-PIN)						
		1	<b>159-9322</b>	1	SEAL-O-RING						

B-USE AS REQUIRED  
E-ORDER BY THE CENTIMETER  
Y-SEPARATE ILLUSTRATION

# ELECTRICAL AND STARTING SYSTEM

292-8602 WIRING GP-SENSOR (contd.)

i02775813



GRAPHIC #1

<END>

g01300248

# ELECTRICAL AND STARTING SYSTEM

## 252-7558 WIRING GP-SHUTOFF-EMERGENCY STOP

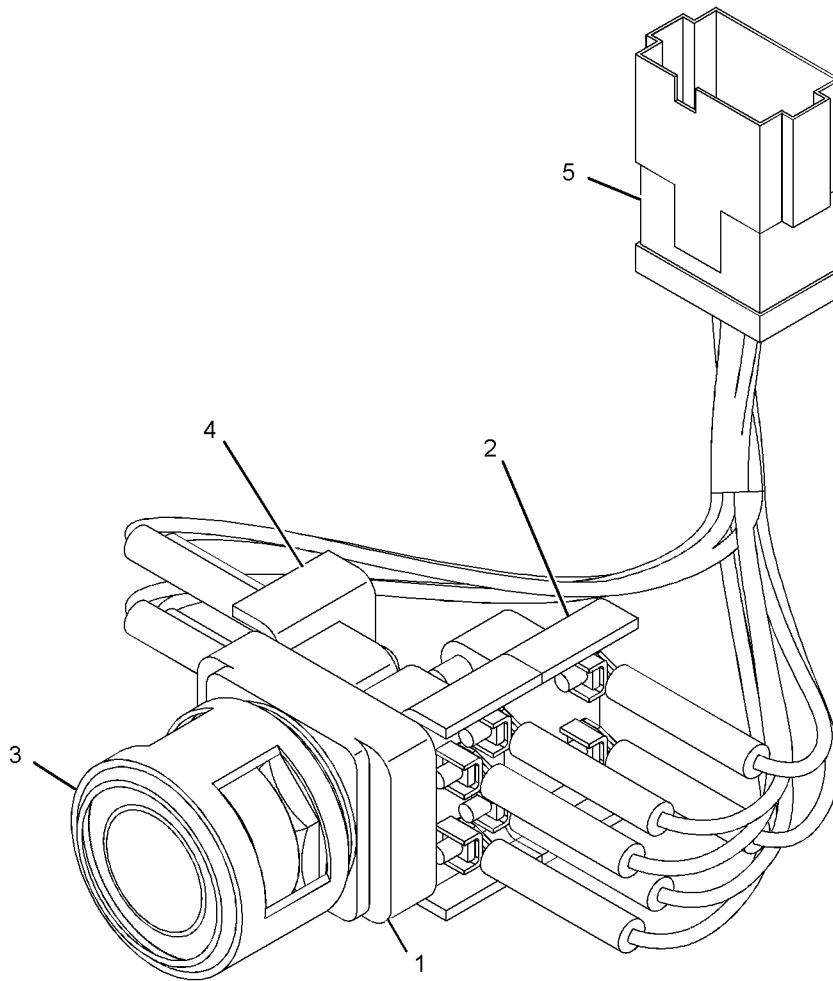
S/N: YAT1-UP

PART OF 269-7009 CONTROL GP-EMCP ELECTRONIC, 245-0030 PANEL GP-CONTROL  
FOR USE WITH EUI  
AN ATTACHMENT

SMCS-1408, 7418

i02471192

NOTE	REF NO	GRAPHIC REF	PART NUMBER	QTY	PART NAME						SEE PAGE
					1	2	3	4	5	6 (PRODUCT LEVEL)	
	1	1	109-6507	1	SWITCH AS-PUSH BUTTON (EMERGENCY STOP)						
	2	1	111-1323	1	BLOCK-CONTACT						
	3	1	124-3176	1	COVER						
	4	1	138-8367	2	BLOCK-CONTACT						
	5	1	252-7557	1	HARNESS AS-SWITCH (EMERGENCY STOP)						
		1	162-4171	10	TERMINAL AS (18-GA TO 20-GA)						
		1	186-3735	10	PIN-CONNECTOR (16-GA TO 18-GA)						
		1	8T-8737	2	PLUG-SEAL						
		1	9X-6772	3	STRAP-CABLE						
		1	102-8801	2	KIT-RECEPTACLE (12-PIN)						
(EACH INCLUDES RECEPTACLE ASSEMBLY AND WEDGE)											



GRAPHIC #1

<END>

g01164345

# ELECTRICAL AND STARTING SYSTEM

## 252-7693 WIRING GP-SHUTOFF-EMERGENCY STOP

S/N: YAT1-UP

PART OF 267-8472 PANEL GP-CONTROL

FOR USE WITH EUI

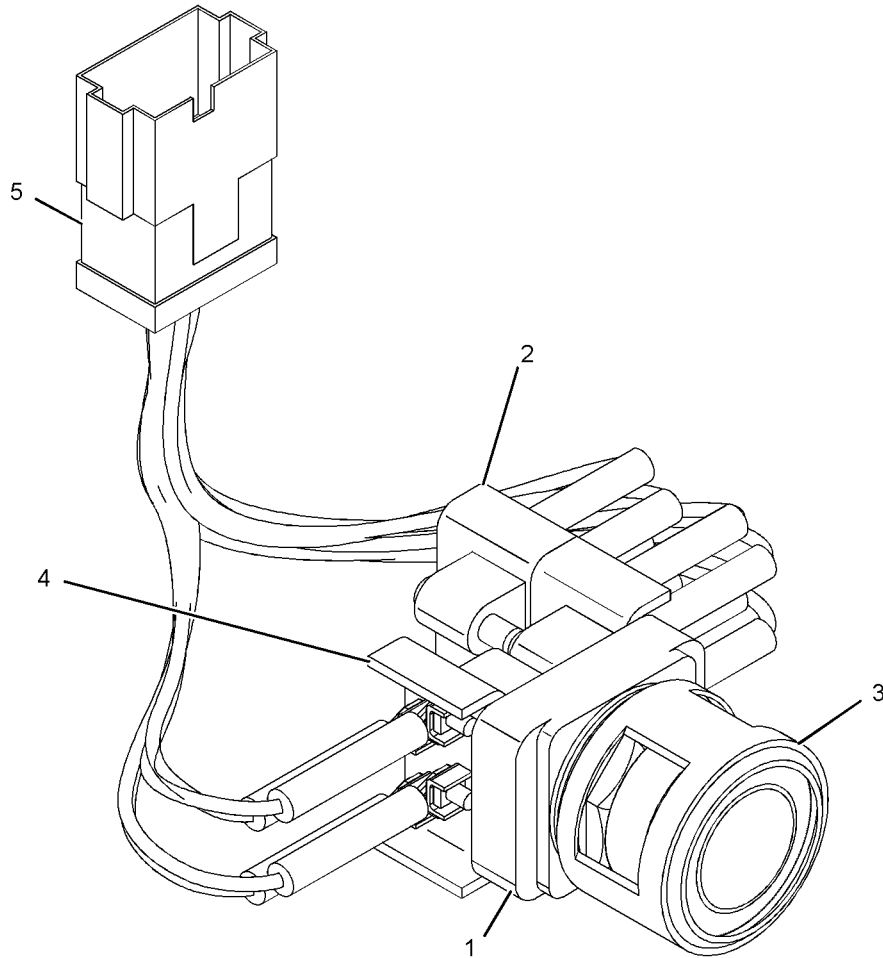
AN ATTACHMENT

SMCS-1408, 7418

i02509484

NOTE	REF NO	GRAPHIC REF	PART NUMBER	QTY	PART NAME						SEE PAGE
					1	2	3	4	5	6 (PRODUCT LEVEL)	
	1	1	<b>109-6507</b>	1	SWITCH AS-PUSH BUTTON (EMERGENCY STOP)						
	2	1	<b>111-1325</b>	1	BLOCK-CONTACT (2-POLE)						
	3	1	<b>124-3176</b>	1	COVER						
	4	1	<b>138-8367</b>	2	BLOCK-CONTACT						
Y	5	1	<b>252-7692</b>	1	HARNESS AS-SWITCH (EMERGENCY STOP)						614

Y-SEPARATE ILLUSTRATION



GRAPHIC #1

<END>

g01280773

# MEMORANDA

# PART NUMBER INDEX

Part	Page	Part	Page	Part	Page	Part	Page
<b>0</b>							
			70		115		129
			131		118		133
OL-1143 . . . . .	106		133		126		136
	115		136		129		139
	118		147		133	OS-1618 . . . . .	187
	141		189		136		212
	186		193		145	OS-1619 . . . . .	104
	736		279		193		106
OL-1351 . . . . .	10	OS-1587 . . . . .	61		200		112
	11		1366		298		189
	41	OS-1588 . . . . .	15		299		312
	49		43		315	OS-1621 . . . . .	51
	68		66		346		58
	70		67		736		199
	104		68		840		279
	106		70		1144	OT-0055 . . . . .	39
	126		103	OS-1592 . . . . .	39		47
	129		104	OS-1594 . . . . .	15		311
	133		106		17		315
	136		115		41		326
	193		118		47	OT-0065 . . . . .	66
	199		121		68		67
	279		126		70		115
	315		129		106		118
	358		133		112		121
	607		136		113		126
	840		139		114		129
OL-1352 . . . . .	17		174		115		133
	115		189		118		136
	118		199		121		189
OL-1732 . . . . .	257		296		126		193
OL-2070 . . . . .	66		309		129		199
	67		315		133		351
	98		327		136	OT-0102 . . . . .	72
	141		344		141	OT-0320 . . . . .	164
	186		346		145		167
	193		633		146		170
	199		860		147		730
	351	OS-1590 . . . . .	47		173	OT-0573 . . . . .	104
	358		63		174		106
	670		68		175		107
OS-0509 . . . . .	10		70		186		121
	11		98		187		309
	51		112		189		312
	62		115		193	OT-0768 . . . . .	164
	199		118		199		167
	309		131		208		170
	312		133		309		
	670		136		312		
	716		145		315		
OS-1566 . . . . .	672		146		327		
OS-1571 . . . . .	43		147		346		
	104		150		351	1A-0168 . . . . .	63
	106		193		631	1A-1460 . . . . .	63
	115		199		633	1A-2029 . . . . .	14
	118		209		670		15
	143		279		716		19
	172		303		736		25
	296		305	OS-1595 . . . . .	15		34
	297		306		25		35
	302		309		189		68
	631		312		279		70
	863		351	OS-1615 . . . . .	98		112
OS-1585 . . . . .	43	OS-1591 . . . . .	17		1349		150
	68		58	OS-1617 . . . . .	126		176

# 1

# PART NUMBER INDEX

Part	Page	Part	Page	Part	Page	Part	Page
	193		700	1N-3416 . . . . .	670	1W-4257 . . . . .	126
	199	1H-1200 . . . . .	164	1N-3482 . . . . .	33		129
	279		167		36		133
	312		170	1N-3872 . . . . .	126		136
	315	1H-2629 . . . . .	676		129	1W-4820 . . . . .	129
	576		700		133		133
1A-5183 . . . . .	174	1H-3244 . . . . .	366		136	1W-4821 . . . . .	126
1A-5822 . . . . .	43	1H-3338 . . . . .	645		193		136
	126	1H-4393 . . . . .	381		199	1W-6005 . . . . .	131
	129		384	1N-4087 . . . . .	189	1W-8188 . . . . .	126
	133		778	1N-4636 . . . . .	360		129
	136	1H-4560 . . . . .	668	1N-4637 . . . . .	131		133
	193	1H-5959 . . . . .	139	1P-3861 . . . . .	346		136
	199	1H-9569 . . . . .	730	1P-5274 . . . . .	124	1W-8378 . . . . .	327
1A-5964 . . . . .	840	1H-9570 . . . . .	730		126	1W-8393 . . . . .	327
1A-8063 . . . . .	172	1H-9572 . . . . .	730		129	1W-8974 . . . . .	327
1A-9252 . . . . .	106	1H-9573 . . . . .	730		133	1W-8975 . . . . .	327
1A-9579 . . . . .	20	1H-9574 . . . . .	730		136	1W-9070 . . . . .	668
	100	1H-9575 . . . . .	730	1P-6313 . . . . .	153		
1B-2790 . . . . .	72	1H-9578 . . . . .	730	1P-7115 . . . . .	58		
1B-3573 . . . . .	132	1H-9580 . . . . .	730	1P-7625 . . . . .	358		
1B-4218 . . . . .	61	1H-9581 . . . . .	730	1R-0726 . . . . .	104		
1B-4367 . . . . .	49	1H-9696 . . . . .	360		106	2A-0762 . . . . .	140
1B-5355 . . . . .	297	1H-9726 . . . . .	327	1R-0756 . . . . .	344		275
	302	1J-4034 . . . . .	43		346	2A-1531 . . . . .	279
1B-5357 . . . . .	297	1J-9671 . . . . .	363	1S-1014 . . . . .	225	2A-4429 . . . . .	31
	300	1K-3341 . . . . .	153		257	2A-4639 . . . . .	51
	301		272	1S-2303 . . . . .	631		189
	302	1K-6872 . . . . .	68		633		309
	321		70	1S-4810 . . . . .	121		312
1B-7182 . . . . .	187	1L-2072 . . . . .	730	1S-5465 . . . . .	324	2A-5220 . . . . .	61
	344	1L-2073 . . . . .	335	1S-5485 . . . . .	324	2B-0858 . . . . .	298
	346		▶730	1S-5772 . . . . .	145	2B-0941 . . . . .	124
1B-8706 . . . . .	106	1L-3769 . . . . .	349		146		637
1B-9575 . . . . .	1354	1L-4031 . . . . .	148		186	2B-2694 . . . . .	121
1C-2251 . . . . .	193		149		230		126
	199		631		279		129
	279	1L-5316 . . . . .	212	1S-7251 . . . . .	452		133
1D-2328 . . . . .	95	1L-8444 . . . . .	124	1S-7446 . . . . .	676		136
	272	1L-8497 . . . . .	673		700	2B-2695 . . . . .	39
1D-4533 . . . . .	336	1L-9048 . . . . .	730	1T-0689 . . . . .	327		126
	810	1L-9049 . . . . .	730	1T-0720 . . . . .	309		129
1D-4538 . . . . .	121	1L-9079 . . . . .	730		312		133
1D-4539 . . . . .	351	1L-9080 . . . . .	730	1T-0765 . . . . .	39		136
	354	1M-0644 . . . . .	104		208	2D-6392 . . . . .	676
	355		106	1V-7753 . . . . .	667		700
1D-4540 . . . . .	576	1M-3381 . . . . .	126	1V-8638 . . . . .	58	2F-6678 . . . . .	677
	852		129	1W-0531 . . . . .	349		701
1D-4541 . . . . .	351		133	1W-1564 . . . . .	68	2G-6303 . . . . .	126
1D-4566 . . . . .	667		136		70		129
	672	1M-6119 . . . . .	371	1W-2041 . . . . .	278		133
1D-4574 . . . . .	104		372	1W-2639 . . . . .	145		136
	106		452		146	2G-6304 . . . . .	126
1D-4586 . . . . .	63	1M-6120 . . . . .	371	1W-3942 . . . . .	126		129
1D-4590 . . . . .	60		372		129		133
1D-4593 . . . . .	61		452		133		136
1F-0750 . . . . .	141	1M-9968 . . . . .	677		136	2H-3429 . . . . .	349
	158		701	1W-3943 . . . . .	126		676
	228	1M-9971 . . . . .	676		129		687
1F-2622 . . . . .	645		700		133		690
1F-7958 . . . . .	63	1N-2895 . . . . .	344		136		696
	193		346	1W-3944 . . . . .	126		700
	199	1N-2914 . . . . .	15		129	2H-3755 . . . . .	51
1F-7960 . . . . .	43	1N-3333 . . . . .	115		133	2H-3896 . . . . .	1351
1H-1023 . . . . .	676		118		136	2H-3922 . . . . .	715



# PART NUMBER INDEX

Part	Page	Part	Page	Part	Page	Part	Page
2H-3939 . . . . .	225		169	2W-6078 . . . . .	673		167
	257		172	2W-6081 . . . . .	673		170
2H-9523 . . . . .	358	2N-8928 . . . . .	111	2W-6082 . . . . .	673		469
2J-0157 . . . . .	349	2N-9768 . . . . .	156	2W-6286 . . . . .	346		470
2J-3506 . . . . .	63		157	2W-6287 . . . . .	346		471
	172		274	2W-6289 . . . . .	346		472
	304		275	2W-6290 . . . . .	346		479
2J-8163 . . . . .	676		276	2W-6382 . . . . .	668		480
	700		277	2W-6667 . . . . .	346		482
2K-0564 . . . . .	257		278	2W-6672 . . . . .	346		483
2K-4973 . . . . .	311	2P-1284 . . . . .	38	2W-7226 . . . . .	115		484
	315		101		118		485
	317		102	2W-7755 . . . . .	300		486
	318	2P-1293 . . . . .	38		306		487
	319		101	2W-7756 . . . . .	▶300		488
	320		102		306		490
	327	2P-2772 . . . . .	17	2W-7853 . . . . .	305		491
2L-2811 . . . . .	623	2P-7636 . . . . .	121		306		492
2L-6679 . . . . .	676		351	2W-7866 . . . . .	▶301		493
	700	2R-6806 . . . . .	126	2W-7867 . . . . .	301		494
2L-8050 . . . . .	611		129	2W-7868 . . . . .	301		495
2L-8052 . . . . .	611	2S-5100 . . . . .	104	2W-7871 . . . . .	▶302		496
2L-8057 . . . . .	611		106	2W-7872 . . . . .	302		497
2L-8065 . . . . .	611		344	2W-7873 . . . . .	297		498
2L-8067 . . . . .	611		346		302		499
2L-8069 . . . . .	611	2S-7056 . . . . .	41	2W-9069 . . . . .	324		500
2L-8074 . . . . .	610	2V-4387 . . . . .	193	2W-9209 . . . . .	106		501
	622		199	2W-9210 . . . . .	143		502
	790		576	2W-9300 . . . . .	344		503
2L-8075 . . . . .	336	2V-5956 . . . . .	577		346		504
	610		623	2W-9729 . . . . .	3		505
	747	2V-7397 . . . . .	371		4		506
2L-8077 . . . . .	336		372		5		507
	381	2W-0013 . . . . .	143		6		508
	384	2W-0694 . . . . .	126		▶211		509
	388		129	2Y-7975 . . . . .	95		510
	810		133				511
2L-8081 . . . . .	336		136				512
	726	2W-0752 . . . . .	15				513
	752		103				514
	754		121	3A-3692 . . . . .	736		515
2L-8228 . . . . .	225	2W-1053 . . . . .	115	3B-0551 . . . . .	257		516
	257	2W-1635 . . . . .	104	3B-0623 . . . . .	27		517
2L-9653 . . . . .	133		106	3B-0645 . . . . .	27		518
	136		115	3B-1915 . . . . .	43		519
2M-0849 . . . . .	193		118		115		520
	199	2W-1969 . . . . .	104		118		521
2M-0879 . . . . .	324		106		193		522
2M-4453 . . . . .	43		115		199		523
2M-9780 . . . . .	363		118		211		524
2N-0931 . . . . .	279	2W-2288 . . . . .	21		311		525
2N-2765 . . . . .	332	2W-2680 . . . . .	▶321		315		526
	333	2W-2895 . . . . .	47		326		527
2N-2766 . . . . .	314	2W-2940 . . . . .	24		344		528
	332		25		346		529
	333	2W-3146 . . . . .	187	3B-2968 . . . . .	43		530
2N-3476 . . . . .	842	2W-3584 . . . . .	97	3B-3638 . . . . .	611		531
2N-7308 . . . . .	631	2W-4334 . . . . .	147	3B-4504 . . . . .	336		532
	633	2W-4875 . . . . .	164		381		533
2N-7520 . . . . .	139		167		384		534
2N-7521 . . . . .	139		170		396		535
2N-7523 . . . . .	139	2W-4880 . . . . .	327		810		536
2N-7524 . . . . .	139	2W-5225 . . . . .	193		842		537
2N-8037 . . . . .	141		199	3B-4505 . . . . .	673		538
2N-8263 . . . . .	166	2W-5285 . . . . .	19	3B-4506 . . . . .	164		539

**3**

# PART NUMBER INDEX

Part	Page	Part	Page	Part	Page	Part	Page
	540	3D-2824 . . . . .	212	3E-6600 . . . . .	381		744
	541	3D-9777 . . . . .	106		384	3L-3380 . . . . .	676
	542	3E-0125 . . . . .	680		388		700
	543	3E-0127 . . . . .	680		389	3L-4566 . . . . .	397
	544		694		593	3L-5389 . . . . .	106
	545	3E-0128 . . . . .	680		794	3L-6008 . . . . .	141
	546		694		830	3L-6836 . . . . .	693
	547	3E-0129 . . . . .	680		833	3L-7314 . . . . .	645
	548		694		835	3L-7604 . . . . .	682
	549	3E-0130 . . . . .	680		838		693
	550		694		841		716
	551	3E-0131 . . . . .	680	3E-7430 . . . . .	631	3L-7634 . . . . .	451
	552		694		633		682
	553	3E-0132 . . . . .	680	3E-7771 . . . . .	677		693
	554		694		701		716
	555	3E-0133 . . . . .	680	3E-7775 . . . . .	696		873
	556		694		698		875
	558	3E-0134 . . . . .	680	3E-8016 . . . . .	272		876
	559		694	3E-8557 . . . . .	575		878
	560	3E-0135 . . . . .	680		611		880
	561		694	3E-9860 . . . . .	607		882
	562	3E-0136 . . . . .	680	3E-9861 . . . . .	272		884
	563		694	3E-9865 . . . . .	16		886
	564	3E-0137 . . . . .	680		733		888
	565		694		734		890
	566	3E-0138 . . . . .	680		770		892
	567		694		771		894
	568	3E-0139 . . . . .	680	3F-0379 . . . . .	687		896
3B-4507 . . . . .	164		694		690		898
	167	3E-0140 . . . . .	680		696		900
	170		694	3F-1417 . . . . .	58		902
3B-4508 . . . . .	214	3E-0141 . . . . .	680	3F-2065 . . . . .	126		904
	439		694		129		906
3B-4516 . . . . .	257	3E-0142 . . . . .	680		133		908
3B-4615 . . . . .	106		694		136		910
3B-6491 . . . . .	631	3E-0144 . . . . .	680		728		912
3B-6492 . . . . .	623		694	3H-2617 . . . . .	143		914
3B-6498 . . . . .	633	3E-0145 . . . . .	680	3H-3433 . . . . .	124		916
3B-6552 . . . . .	307		694	3H-5366 . . . . .	397		918
3B-7255 . . . . .	141	3E-0146 . . . . .	680	3H-5939 . . . . .	279		920
3B-7270 . . . . .	37		694	3H-6624 . . . . .	327		922
	38	3E-3365 . . . . .	662	3H-7131 . . . . .	115		924
	631		729		118		926
3B-7329 . . . . .	143	3E-3371 . . . . .	656	3H-9690 . . . . .	635		928
3B-7728 . . . . .	124		658	3J-1907 . . . . .	209		929
3B-7741 . . . . .	141		787		358		931
3B-7744 . . . . .	235	3E-3377 . . . . .	642		363		933
	236	3E-3383 . . . . .	745	3J-5389 . . . . .	309		935
	255	3E-3389 . . . . .	782		312		937
	264	3E-4304 . . . . .	377	3J-7354 . . . . .	27		939
3B-7745 . . . . .	37		378		193		941
	38		394		199		943
	124		395		204		945
	633		639	3J-7355 . . . . .	623		947
3B-7749 . . . . .	219		793	3J-7719 . . . . .	673		949
	223		845	3J-9173 . . . . .	106		951
	228		1376	3J-9196 . . . . .	98		952
	258	3E-4323 . . . . .	1375	3K-0360 . . . . .	176		954
	619		1380		358		956
	620	3E-4367 . . . . .	575		736		958
3B-8453 . . . . .	208		611	3K-1715 . . . . .	452		960
3B-8489 . . . . .	43	3E-4988 . . . . .	437	3K-2889 . . . . .	63		962
3B-8686 . . . . .	43		441		257		964
	51		442	3K-8106 . . . . .	585		966
3B-8822 . . . . .	51	3E-5454 . . . . .	366		645		968

# PART NUMBER INDEX

Part	Page	Part	Page	Part	Page	Part	Page
	970		1112		1172	3N-8892 . . . . .	▶170
	972		1114		1174		172
	974		1116		1175	3N-8893 . . . . .	▶172
	976		1118		1176	3N-9606 . . . . .	164
	978		1120		1177		167
	980		1122		1178		170
	982		1124		1179	3N-9610 . . . . .	164
	984		1126		1180		167
	986		1130		1181		170
	988		1135		1182	3N-9626 . . . . .	164
	990		1137		1183	3N-9629 . . . . .	167
	992	3L-8187 . . . . .	579		1184	3P-0654 . . . . .	66
	994		622		1185		67
	996		749		1186		68
	998		790		1187		70
1000		3L-8993 . . . . .	335		1188	3P-0655 . . . . .	115
1002			623		1189		118
1004		3N-1341 . . . . .	279		1190	3P-1896 . . . . .	19
1006		3N-2451 . . . . .	177		1191	3P-6061 . . . . .	193
1008			181		1192		199
1010			219		1193	3R-1937 . . . . .	8
1012			223		1194	3R-8797 . . . . .	676
1014			228		1195		698
1016			258		1196		700
1018		3N-3297 . . . . .	140		1197	3R-8801 . . . . .	677
1020		3N-3299 . . . . .	140		1198		701
1022		3N-3300 . . . . .	140		1199	3S-1307 . . . . .	47
1024		3N-3763 . . . . .	677		1200		49
1026			701		1201	3S-2093 . . . . .	716
1028		3N-3790 . . . . .	1442		1202		719
1030		3N-4622 . . . . .	51		1203		780
1032			275		1204		1133
1034			623		1205	3S-2713 . . . . .	286
1036		3N-4906 . . . . .	225		1206		287
1038			257		1207	3S-6049 . . . . .	452
1040		3N-6504 . . . . .	350		1208	3S-6050 . . . . .	452
1042		3N-7054 . . . . .	712		1209	3S-8313 . . . . .	327
1044		3N-7055 . . . . .	712		1210	3S-8664 . . . . .	279
1046		3N-7056 . . . . .	▶712		1211	3S-9643 . . . . .	173
1050		3N-8591 . . . . .	1146		1212		174
1052			1147		1213		175
1054			1148		1214		176
1056			1149		1215	3T-0842 . . . . .	683
1058			1150		1216		685
1060			1151		1217	3T-0844 . . . . .	683
1061			1152		1218		685
1063			1153		1219	3T-0847 . . . . .	683
1065			1154		1220		685
1067			1155		1221	3T-0849 . . . . .	683
1069			1156		1222		685
1071			1157		1223	3T-0850 . . . . .	683
1073			1158		1224		685
1075			1159		1225	3T-0858 . . . . .	683
1079			1160		1226		685
1081			1161		1227	3T-0862 . . . . .	683
1083			1162		1228		685
1086			1163		1229	3T-0863 . . . . .	683
1090			1164	3N-8593 . . . . .	16		685
1094			1165	3N-8594 . . . . .	▶16	3T-0864 . . . . .	683
1098			1166	3N-8888 . . . . .	▶164		685
1102			1167		166	3T-0865 . . . . .	683
1104			1168	3N-8889 . . . . .	▶166		685
1106			1169	3N-8890 . . . . .	▶167	3T-0867 . . . . .	683
1108			1170		169		685
1110			1171	3N-8891 . . . . .	▶169	3T-2646 . . . . .	▶675

# PART NUMBER INDEX

Part	Page	Part	Page	Part	Page	Part	Page
	682	3V-9244 . . . . .	95		384		502
3T-2768 . . . . .	683		153		388		503
	685		272		810		504
3T-2769 . . . . .	683			4D-3118 . . . . .	673		505
	685			4D-7794 . . . . .	656		506
3T-3048 . . . . .	611	<b>4</b>			658		507
3T-3418 . . . . .	676			4E-5724 . . . . .	668		508
	700	4B-0418 . . . . .	232	4F-7387 . . . . .	193		509
3T-3422 . . . . .	676		238		199		510
	687		245	4F-8711 . . . . .	653		511
	690		260	4H-6996 . . . . .	143		512
	696	4B-1224 . . . . .	645	4H-7869 . . . . .	8		551
	698	4B-2041 . . . . .	579		17		552
	700		790		672		553
3T-3423 . . . . .	676		842	4J-5477 . . . . .	204		554
	677	4B-2043 . . . . .	601		363		555
	700		602	4K-9097 . . . . .	51		556
	701		603		126		558
3T-3424 . . . . .	676		604		129		559
	677		642		133		560
	700		670		136		561
	701		744	4L-1250 . . . . .	619		562
3T-3434 . . . . .	676	4B-2049 . . . . .	677		620		563
	687		680	4L-2729 . . . . .	677		631
	690		687		701	4L-7547 . . . . .	326
	696		690	4L-3862 . . . . .	166		329
	698		694		169	4L-9337 . . . . .	57
	700		696	4L-6155 . . . . .	693		177
3T-4704 . . . . .	675		701	4L-6454 . . . . .	124		179
3T-4709 . . . . .	676	4B-2363 . . . . .	68		148		181
	700		70		158		184
3T-4710 . . . . .	676	4B-3140 . . . . .	68		177		219
	700		70		179		223
3T-4716 . . . . .	683		113		181		228
	685		114		184		258
3T-6354 . . . . .	366		115		204		616
3T-7017 . . . . .	683		118		219		617
	685	4B-3388 . . . . .	47		223		635
3T-7020 . . . . .	683		670		228	4M-0061 . . . . .	95
	685	4B-4043 . . . . .	17		258		153
3T-7021 . . . . .	683	4B-4274 . . . . .	337	4L-6459 . . . . .	469	4M-1827 . . . . .	676
	685	4B-4278 . . . . .	172		470		687
3T-7022 . . . . .	683	4B-4550 . . . . .	43		471		690
	685		51		472		696
3T-7025 . . . . .	683	4B-4863 . . . . .	585		479		700
	685		642		480	4M-1828 . . . . .	676
3T-9494 . . . . .	676		645		482		687
	677		744		483		690
	700		778		484		696
	701		842		485		700
3T-9524 . . . . .	677	4B-5324 . . . . .	645		486	4M-1831 . . . . .	676
	701	4B-5984 . . . . .	37		487		687
3T-9525 . . . . .	676		38		488		690
	700	4B-8407 . . . . .	17		490		696
3V-2431 . . . . .	34		189		491		698
	35	4B-9782 . . . . .	212		492		700
3V-3308 . . . . .	193		358		493	4M-1853 . . . . .	676
	199	4D-0449 . . . . .	34		494		700
	296		35		495	4M-1854 . . . . .	676
	298	4D-3100 . . . . .	232		496		700
	299		238		497	4M-1896 . . . . .	677
	303		245		498		701
	305		260		499	4M-2442 . . . . .	43
	306		336		500		279
3V-6785 . . . . .	452		381		501	4M-3248 . . . . .	131

# PART NUMBER INDEX

Part	Page	Part	Page	Part	Page	Part	Page
4M-5281 . . . . .	274		736	4W-2110 . . . . .	633	5C-2874 . . . . .	337
	276	4P-7429 . . . . .	736	4W-3027 . . . . .	100		683
	277	4P-7581 . . . . .	126	4W-3034 . . . . .	100		685
	278		129	4W-3100 . . . . .	173		842
	616		719		175	5C-2890 . . . . .	336
	617		736	4W-3108 . . . . .	173		377
	618		870		279		378
4M-5282 . . . . .	645	4P-8097 . . . . .	112	4W-4313 . . . . .	115		381
	1142	4P-8134 . . . . .	716		118		384
4M-5317 . . . . .	577		733	4W-4444 . . . . .	346		388
	623		736	4W-4586 . . . . .	49		396
4M-6425 . . . . .	225		742	4W-4677 . . . . .	115		398
	257		869		118		399
4N-0683 . . . . .	25	4R-8605 . . . . .	275	4W-4813 . . . . .	22		400
4N-1059 . . . . .	682	4R-8658 . . . . .	235		23		401
4N-1114 . . . . .	17		236	4W-5015 . . . . .	15		402
4N-1320 . . . . .	189		255	4W-5405 . . . . .	150		403
4N-1650 . . . . .	10		264	4W-5592 . . . . .	104		411
	11	4S-5719 . . . . .	736		106		412
4N-3311 . . . . .	243	4S-5882 . . . . .	104	4W-5596 . . . . .	115		414
	279		106		118		415
4N-3411 . . . . .	623	4S-5898 . . . . .	309	4W-5597 . . . . .	115		416
4N-4405 . . . . .	683		312		118		418
	685	4S-6399 . . . . .	623	4W-5891 . . . . .	3		436
4N-5834 . . . . .	212	4S-6678 . . . . .	124		4		578
4N-7521 . . . . .	680	4V-7412 . . . . .	104		5		582
	694		106		6		591
4N-9170 . . . . .	214	4W-0090 . . . . .	106		▶150		592
4N-9720 . . . . .	166	4W-0096 . . . . .	106	4W-5971 . . . . .	613		593
	169	4W-0288 . . . . .	106	4W-5972 . . . . .	743		605
4P-0692 . . . . .	351	4W-0289 . . . . .	106		810		606
4P-0693 . . . . .	351	4W-0290 . . . . .	106		815		630
	358	4W-0334 . . . . .	106		833		641
4P-0720 . . . . .	274	4W-0335 . . . . .	74		838		644
4P-0721 . . . . .	274		75	4W-6387 . . . . .	104		733
4P-1539 . . . . .	645		76	4W-6664 . . . . .	10		734
4P-1701 . . . . .	225		77		11		745
	257		78	4W-6960 . . . . .	104		758
4P-3117 . . . . .	219		79	4W-7959 . . . . .	327		759
	223		80	4W-8459 . . . . .	104		761
	228		85	4W-8505 . . . . .	81		762
	258		88	4W-8507 . . . . .	82		764
4P-3153 . . . . .	1354	4W-0343 . . . . .	106	4W-9149 . . . . .	133		766
4P-3784 . . . . .	113	4W-0530 . . . . .	177		136		768
4P-3896 . . . . .	187		179	4W-9890 . . . . .	17		770
4P-3897 . . . . .	187		181				771
4P-4642 . . . . .	62		184				772
4P-4927 . . . . .	126		193				773
	129		199				775
	63		219	5A-8578 . . . . .	912		794
4P-5211 . . . . .	63		223	5B-0213 . . . . .	30		810
4P-5285 . . . . .	397		228	5B-0841 . . . . .	193		813
4P-5426 . . . . .	3		258		199		815
	4	4W-0531 . . . . .	177	5B-2638 . . . . .	193		830
	5		179		199		833
	6		181	5B-4399 . . . . .	193		835
	▶61		184		199		838
4P-6399 . . . . .	1225		193	5B-5821 . . . . .	10		841
4P-6410 . . . . .	1225		199		11		869
4P-6748 . . . . .	645		219	5B-7666 . . . . .	335		870
4P-7068 . . . . .	736		223		623		1350
4P-7072 . . . . .	▶145		228	5B-7890 . . . . .	30	5C-6819 . . . . .	327
4P-7381 . . . . .	363		258		730	5C-7261 . . . . .	436
4P-7383 . . . . .	363		327	5B-9079 . . . . .	106		637
4P-7428 . . . . .	649	4W-1954 . . . . .	633	5B-9603 . . . . .	279		870
	650	4W-2109 . . . . .					

**5**

# PART NUMBER INDEX

Part	Page	Part	Page	Part	Page	Part	Page
5C-8312 . . . . .	388		303		344	5N-8980 . . . . .	577
	578		305		346		▶728
	813		306		351	5N-9073 . . . . .	126
	815	5L-4398 . . . . .	297		358		129
5C-9553 . . . . .	336		301		576		133
	381		302		607		136
	384	5L-5180 . . . . .	743		633		397
	388		810		670		728
	398		815		716	5N-9117 . . . . .	397
	578		833		736	5N-9527 . . . . .	▶297
	582		838		840	5N-9574 . . . . .	673
	591	5L-6954 . . . . .	▶292		860	5P-0054 . . . . .	179
	592	5L-7520 . . . . .	▶293		863		184
	605	5L-9128 . . . . .	167		1144	5P-0076 . . . . .	10
	606	5M-2894 . . . . .	10	5M-3034 . . . . .	676		11
	641		11		700	5P-0537 . . . . .	98
	745		14	5M-6213 . . . . .	257		275
	758		15	5M-6214 . . . . .	139		336
	772		17	5N-1939 . . . . .	208		344
	773		19	5N-1940 . . . . .	208		346
	775		25	5N-2126 . . . . .	719		670
	778		30	5N-2438 . . . . .	▶350		810
	794		39	5N-2457 . . . . .	▶296		1144
	810		47	5N-4383 . . . . .	209		1349
	813		58	5N-4659 . . . . .	▶141	5P-0597 . . . . .	100
	815		66	5N-4685 . . . . .	1133		111
	830		67	5N-4686 . . . . .	870	5P-0598 . . . . .	631
	833		68		1133		633
	835		70	5N-5692 . . . . .	▶366	5P-0600 . . . . .	317
	838		72	5N-6237 . . . . .	124		318
	869		98		▶140		326
	870		103	5N-6255 . . . . .	140		329
5D-1026 . . . . .	279		104	5N-6645 . . . . .	670	5P-0721 . . . . .	279
5D-5957 . . . . .	104		106	5N-6668 . . . . .	139	5P-0745 . . . . .	682
	143		107	5N-6942 . . . . .	730		693
	309		113	5N-7834 . . . . .	324		716
	312		114	5N-8363 . . . . .	673	5P-0747 . . . . .	371
	344		115	5N-8365 . . . . .	673		372
	346		118	5N-8367 . . . . .	673	5P-0761 . . . . .	452
5F-0304 . . . . .	17		126	5N-8368 . . . . .	673	5P-0840 . . . . .	14
5F-3144 . . . . .	43		129	5N-8372 . . . . .	673		19
5F-4899 . . . . .	115		131	5N-8373 . . . . .	673		25
	118		133	5N-8374 . . . . .	673		39
5F-5434 . . . . .	577		136	5N-8375 . . . . .	673		41
5F-5990 . . . . .	350		141	5N-8377 . . . . .	673	5P-1075 . . . . .	43
5F-6371 . . . . .	633		143	5N-8378 . . . . .	673		51
5F-9657 . . . . .	24		145	5N-8379 . . . . .	673		58
	25		146	5N-8380 . . . . .	673		62
5G-0400 . . . . .	327		147	5N-8381 . . . . .	673		158
5G-4313 . . . . .	311		172	5N-8383 . . . . .	673		179
	315		173	5N-8384 . . . . .	673		184
5H-4871 . . . . .	579		175	5N-8387 . . . . .	673		228
	790		186	5N-8388 . . . . .	673		317
5H-6555 . . . . .	645		187	5N-8390 . . . . .	673		318
5H-6734 . . . . .	211		189	5N-8403 . . . . .	673		319
5H-7225 . . . . .	143		193	5N-8424 . . . . .	673		320
5H-7598 . . . . .	577		199	5N-8425 . . . . .	673		329
5J-5314 . . . . .	676		208	5N-8427 . . . . .	673		623
	700		279	5N-8428 . . . . .	673		631
5K-9090 . . . . .	637		297	5N-8529 . . . . .	▶294		840
5L-1761 . . . . .	360		309	5N-8943 . . . . .	126		1133
5L-2534 . . . . .	623		312		129	5P-1076 . . . . .	51
5L-3233 . . . . .	307		314		133		147
	308		315		136		179
5L-3773 . . . . .	299		327		728		395

# PART NUMBER INDEX

Part	Page	Part	Page	Part	Page	Part	Page
	423		761		47	5S-0003 . . . . .	121
	424		762		58		326
	425		764		60		351
	426		766		63		670
	427		768		68	5S-7349 . . . . .	133
	429	5P-4295 . . . . .	279		70		136
	431	5P-4624 . . . . .	104		106		619
	432		106		132		620
	448	5P-4868 . . . . .	191		133		687
	449	5P-4869 . . . . .	315		136		690
	450		317		189		696
	628		318		193		698
	637	5P-4892 . . . . .	104		199	5S-7382 . . . . .	274
	649		106		279		276
	650		115		297	5S-7383 . . . . .	148
	824		118		300		166
5P-1175 . . . . .	1442	5P-4935 . . . . .	654		301		169
5P-1420 . . . . .	257	5P-5421 . . . . .	104		302		
5P-1472 . . . . .	111		106		321		
5P-1475 . . . . .	610	5P-5846 . . . . .	115		623		
5P-2228 . . . . .	57		118		631		
	177		124		667	6B-0933 . . . . .	116
	179		126		863		118
	219		129		1366	6B-3224 . . . . .	43
	223		133	5P-8247 . . . . .	17	6B-5072 . . . . .	275
	228		136		39	6B-6205 . . . . .	351
	230	5P-5894 . . . . .	235		60		631
	258		236		63	6B-8128 . . . . .	631
5P-2251 . . . . .	631		255		860	6B-9081 . . . . .	148
	633	5P-6025 . . . . .	315		863		225
5P-2321 . . . . .	336	5P-6298 . . . . .	676	5P-8248 . . . . .	43		257
	779		700		49		340
5P-2424 . . . . .	177	5P-6302 . . . . .	186		62		341
	179	5P-6313 . . . . .	670		63		342
	181	5P-6314 . . . . .	670		172		343
	191	5P-6315 . . . . .	670		304		631
	228	5P-6859 . . . . .	327	5P-8249 . . . . .	22		633
	258	5P-6920 . . . . .	366		23	6B-9202 . . . . .	115
5P-2566 . . . . .	53	5P-7197 . . . . .	65	5P-8250 . . . . .	33		118
	124		206		36	6D-3910 . . . . .	139
5P-2600 . . . . .	608	5P-7530 . . . . .	98		42	6D-4636 . . . . .	235
	869	5P-7751 . . . . .	645		45		236
	1134	5P-7817 . . . . .	115		79		255
5P-2645 . . . . .	133		118		631		264
	136	5P-7818 . . . . .	68		633	6D-5729 . . . . .	841
	193		70	5P-8291 . . . . .	62	6D-5801 . . . . .	645
	199	5P-7854 . . . . .	124	5P-8839 . . . . .	46	6E-5102 . . . . .	840
5P-2755 . . . . .	314	5P-7921 . . . . .	601	5P-8872 . . . . .	68	6F-0496 . . . . .	631
5P-2766 . . . . .	749		602		70		633
5P-2955 . . . . .	225		603	5P-8940 . . . . .	309	6F-4868 . . . . .	37
	257		604		312		38
5P-3345 . . . . .	314	5P-7970 . . . . .	608	5P-9514 . . . . .	673		68
5P-3426 . . . . .	737	5P-8154 . . . . .	219	5P-9617 . . . . .	133		70
5P-3860 . . . . .	311		223		136	6F-7045 . . . . .	715
5P-4115 . . . . .	381		258	5P-9890 . . . . .	121	6H-1717 . . . . .	193
	384	5P-8167 . . . . .	235		126		199
	619		236		129		315
	620		255		133	6H-6698 . . . . .	193
	644		264		136		199
5P-4116 . . . . .	51	5P-8210 . . . . .	25	5R-7136 . . . . .	39	6H-8297 . . . . .	631
	155	5P-8228 . . . . .	346		47	6I-0133 . . . . .	315
	282	5P-8245 . . . . .	15	5R-7137 . . . . .	39	6I-0744 . . . . .	133
	283		25		47		136
	742		39		779	6I-1392 . . . . .	3
	759		43	5R-7425 . . . . .	►8		4

6

# PART NUMBER INDEX

Part	Page	Part	Page	Part	Page	Part	Page
	5		687		25		312
	6		690		41	6V-5539 . . . . .	▶679
	▶14		696		47	6V-5582 . . . . .	679
6I-1418 . . . . .	576		698	6V-3537 . . . . .	72		▶680
6I-2933 . . . . .	307		700	6V-3835 . . . . .	177	6V-5686 . . . . .	272
	308	6N-4414 . . . . .	344		179	6V-5729 . . . . .	618
6I-3147 . . . . .	315		346		181	6V-6228 . . . . .	9
6I-3754 . . . . .	344	6N-5595 . . . . .	139		184	6V-6609 . . . . .	189
	346	6N-8599 . . . . .	158		219	6V-6809 . . . . .	186
6I-4347 . . . . .	656		228		223		279
	658	6T-0363 . . . . .	676		228	6V-7357 . . . . .	214
6I-4348 . . . . .	611		700		258		399
6I-4950 . . . . .	173	6T-0371 . . . . .	676	6V-3907 . . . . .	104		400
	174		700		106		401
	175	6T-0372 . . . . .	676	6V-3908 . . . . .	115		402
6J-0934 . . . . .	309		700		118		411
6J-2245 . . . . .	98	6T-3631 . . . . .	579	6V-3916 . . . . .	673		412
6J-2680 . . . . .	193		622	6V-3917 . . . . .	309		414
	199		749		312		415
6J-7855 . . . . .	673		790	6V-3935 . . . . .	673		416
6K-0806 . . . . .	703	6T-3632 . . . . .	579	6V-3938 . . . . .	673		418
	735		622	6V-3939 . . . . .	673		436
	779		749	6V-3940 . . . . .	673		593
	787		790	6V-3959 . . . . .	673		841
	1133	6T-3633 . . . . .	579	6V-3971 . . . . .	673	6V-7646 . . . . .	275
6K-1972 . . . . .	577		622	6V-4245 . . . . .	275	6V-7687 . . . . .	214
	623		749	6V-4298 . . . . .	336		439
6K-3771 . . . . .	39		790	6V-4362 . . . . .	358	6V-7688 . . . . .	214
	47	6V-0267 . . . . .	112	6V-4363 . . . . .	351	6V-7743 . . . . .	214
6K-5535 . . . . .	121		115	6V-4429 . . . . .	272	6V-7744 . . . . .	214
6K-5536 . . . . .	121		118	6V-4432 . . . . .	59	6V-7978 . . . . .	840
6K-9194 . . . . .	106	6V-0268 . . . . .	112	6V-4589 . . . . .	115	6V-7991 . . . . .	34
6K-9591 . . . . .	397		115		118		35
6L-2279 . . . . .	164		118		121	6V-8001 . . . . .	104
	167	6V-0927 . . . . .	▶676		344		107
	170		693		346	6V-8002 . . . . .	107
6L-2282 . . . . .	164	6V-1322 . . . . .	676		351	6V-8182 . . . . .	205
	167		700	6V-5048 . . . . .	104		207
	170	6V-1394 . . . . .	673		107		226
6L-2284 . . . . .	164	6V-1454 . . . . .	176		115		230
	167		189		118	6V-8185 . . . . .	156
	170		279		133		157
6L-2286 . . . . .	164	6V-1581 . . . . .	177		136		397
	167		179		143		616
	170		181		344		617
6L-3005 . . . . .	332		184		346		618
	333		219		351	6V-8187 . . . . .	366
6L-4428 . . . . .	737		223		737	6V-8188 . . . . .	124
6L-4502 . . . . .	▶1442		228	6V-5049 . . . . .	344		177
6L-8617 . . . . .	225		258		346		179
6M-7476 . . . . .	346	6V-1582 . . . . .	177		351		181
6M-9613 . . . . .	132		179		358		184
6N-0265 . . . . .	327		181		663		191
6N-1872 . . . . .	366		184		737		219
6N-1889 . . . . .	▶675		219	6V-5066 . . . . .	186		223
6N-2184 . . . . .	625		223		189		228
6N-2185 . . . . .	625		228	6V-5100 . . . . .	126		258
6N-2188 . . . . .	625		258		129		677
6N-2190 . . . . .	625	6V-1943 . . . . .	309		133		680
6N-2191 . . . . .	625		312		136		687
6N-2192 . . . . .	625	6V-2202 . . . . .	366	6V-5101 . . . . .	66		690
6N-2193 . . . . .	625	6V-2686 . . . . .	670		67		694
6N-3279 . . . . .	676	6V-3348 . . . . .	14		68		696
	700		19		70		698
6N-3826 . . . . .	676		24		309		701



# PART NUMBER INDEX

Part	Page	Part	Page	Part	Page	Part	Page
	912		498		564	7C-3372 . . . . .	672
	1134		499		565		►673
6V-8189 . . . . .	155		500		566	7C-3874 . . . . .	►369
	225		501		567	7C-4165 . . . . .	41
	329		502		568	7C-4342 . . . . .	191
6V-8190 . . . . .	7		503		616	7C-4354 . . . . .	633
	1351		504		617	7C-4429 . . . . .	625
6V-8214 . . . . .	630		505		635	7C-4550 . . . . .	743
6V-8224 . . . . .	268		506		1133		810
6V-8225 . . . . .	579		507	6V-8823 . . . . .	107		815
	790		508	6V-8918 . . . . .	282		833
6V-8367 . . . . .	579		509		283		838
	622		510		357	7C-4711 . . . . .	3
	790		511	6V-9027 . . . . .	173		4
6V-8374 . . . . .	579		512		174		5
	622		513		175		6
	749		514		187		►66
	790		515		191	7C-4715 . . . . .	68
6V-8377 . . . . .	366		516		194		70
	668		517		199	7C-5105 . . . . .	623
6V-8378 . . . . .	698		518		204	7C-5990 . . . . .	1225
6V-8382 . . . . .	579		519		284	7C-6209 . . . . .	21
	622		520		285	7C-6366 . . . . .	3
	790		521	6V-9330 . . . . .	736		4
6V-8490 . . . . .	214		522	6V-9335 . . . . .	336		5
6V-8628 . . . . .	204		523		378		6
6V-8801 . . . . .	57		524		381		►113
	59		525		384	7C-7178 . . . . .	►67
	111		526		388	7C-7677 . . . . .	351
	124		527		396	7C-7678 . . . . .	351
	166		528		810	7C-7682 . . . . .	351
	169		529	6V-9673 . . . . .	683	7C-7683 . . . . .	351
	170		530		685	7C-7790 . . . . .	314
	177		531	6V-9769 . . . . .	187	7C-7791 . . . . .	314
	179		532	6V-9995 . . . . .	62	7C-7793 . . . . .	314
	181		533	6W-6672 . . . . .	112	7C-7794 . . . . .	314
	184		534		736	7C-7909 . . . . .	309
	204		535	6Y-7651 . . . . .	43		312
	219		536			7C-7910 . . . . .	309
	223		537				312
	228		538			7C-8122 . . . . .	3
	258		539				4
	324		540	7B-2742 . . . . .	344		5
	329		541		346		6
	469		542		668		►186
	470		543	7B-3028 . . . . .	1442	7C-8124 . . . . .	►173
	471		544	7B-3235 . . . . .	63	7C-8199 . . . . .	309
	472		545	7B-8167 . . . . .	670		312
	479		546	7C-0330 . . . . .	►577	7C-8535 . . . . .	186
	480		547	7C-0347 . . . . .	670	7C-8536 . . . . .	173
	482		548	7C-0348 . . . . .	670	7C-9217 . . . . .	115
	483		549	7C-0527 . . . . .	►682		118
	484		550	7C-0551 . . . . .	51	7C-9597 . . . . .	193
	485		551	7C-1461 . . . . .	51		199
	486		552	7C-1464 . . . . .	51	7C-9784 . . . . .	►114
	487		553	7C-1465 . . . . .	51	7C-9786 . . . . .	114
	488		554	7C-1707 . . . . .	631	7D-1649 . . . . .	315
	490		555		633	7D-4092 . . . . .	631
	491		556	7C-2277 . . . . .	187		635
	492		558	7C-2946 . . . . .	623		637
	493		559	7C-3258 . . . . .	39	7D-4903 . . . . .	346
	494		560		47	7D-6922 . . . . .	645
	495		561	7C-3260 . . . . .	39	7D-7233 . . . . .	631
	496		562		47		633
	497		563	7C-3371 . . . . .	►672	7D-8793 . . . . .	107

## 7

# PART NUMBER INDEX

Part	Page	Part	Page	Part	Page	Part	Page
	141		6		745		1012
	156		▶62		747		1014
	157	7E-7376 . . . . .	324		749		1016
	274	7E-7377 . . . . .	324		751		1018
	276	7E-7378 . . . . .	324		752		1020
	277	7E-7379 . . . . .	324		754		1022
	278	7E-7380 . . . . .	324		776		1032
7D-9766 . . . . .	63	7E-7647 . . . . .	3		777		1034
7E-0275 . . . . .	39		4		790		1036
	47		5		813		1038
7E-0467 . . . . .	113		6		870		1040
	114		▶39		873		1042
7E-2580 . . . . .	356	7E-7731 . . . . .	275		875		1044
	362		397		876		1046
7E-2632 . . . . .	66	7E-8224 . . . . .	326		878		1050
	67		329		880		1052
7E-2748 . . . . .	175	7E-9267 . . . . .	▶274		882		1054
7E-2889 . . . . .	327	7E-9268 . . . . .	274		884		1056
7E-2891 . . . . .	327	7E-9507 . . . . .	225		886		1058
7E-3087 . . . . .	1362	7F-0192 . . . . .	104		888		1060
	1363		106		898		1063
	1365		344		900		1065
	1366		346		902		1067
	1367	7F-1866 . . . . .	131		904		1069
	1368	7F-3425 . . . . .	173		906		1071
	1369		175		908		1073
	1374	7F-3488 . . . . .	677		910		1075
7E-3088 . . . . .	1362		700		912		1079
	1363	7F-3491 . . . . .	676		914		1081
	1364		700		916		1083
	1365	7F-3525 . . . . .	676		918		1086
	1366		700		920		1090
	1367	7F-8671 . . . . .	673		922		1094
	1368	7F-8698 . . . . .	356		924		1098
	1369		362		926		1110
	1374	7G-8478 . . . . .	212		928		1112
7E-3921 . . . . .	351	7G-8765 . . . . .	728		939		1114
7E-4202 . . . . .	43	7G-9730 . . . . .	579		941		1116
7E-4475 . . . . .	851		622		943		1118
	852		790		945		1120
7E-4836 . . . . .	▶63	7H-3937 . . . . .	155		947		1122
7E-4839 . . . . .	63		225		949		1124
7E-5324 . . . . .	49	7H-8213 . . . . .	713		951		1126
7E-5574 . . . . .	225		870		958		1130
7E-5575 . . . . .	225	7H-8909 . . . . .	645		960		1133
7E-6016 . . . . .	145	7H-9678 . . . . .	349		962		1135
	146	7J-8902 . . . . .	682		964		1137
	147		693		966	7K-3377 . . . . .	351
7E-6017 . . . . .	1	7K-1181 . . . . .	126		968	7K-4370 . . . . .	43
	145		129		970	7K-4475 . . . . .	611
	146		336		972	7K-9197 . . . . .	623
	147		384		974	7L-0486 . . . . .	164
7E-6334 . . . . .	147		388		976		167
7E-6432 . . . . .	3		582		978		170
	4		608		980	7L-0487 . . . . .	164
	5		610		982		167
	6		612		984		170
	▶17		613		986	7L-0811 . . . . .	126
7E-6466 . . . . .	174		614		998		129
7E-6508 . . . . .	98		656		1000		133
7E-6513 . . . . .	98		657		1002		136
7E-6683 . . . . .	225		658		1004	7L-2894 . . . . .	676
7E-6872 . . . . .	3		732		1006		687
	4		733		1008		690
	5		736		1010		696

# PART NUMBER INDEX

Part	Page	Part	Page	Part	Page	Part	Page
	698	7N-4782 . . . . .	98	7N-6986 . . . . .	311		696
	700	7N-4851 . . . . .	3		315		698
7L-4447 . . . . .	103		4		840	7T-3269 . . . . .	687
7L-5887 . . . . .	682		5	7N-7009 . . . . .	145		690
	693		6		146		696
7L-7871 . . . . .	▶371		▶46	7N-7057 . . . . .	42	7T-3270 . . . . .	687
7L-7872 . . . . .	▶372	7N-4885 . . . . .	▶275		79		690
7L-8074 . . . . .	631	7N-4927 . . . . .	173	7N-7539 . . . . .	39		696
7M-0324 . . . . .	676		174	7N-7660 . . . . .	▶42	7T-3271 . . . . .	687
	700		175		74		690
7M-0325 . . . . .	677		279		75		696
	701	7N-4928 . . . . .	173		76	7T-3276 . . . . .	687
7M-0326 . . . . .	676		175		77		690
	700	7N-4930 . . . . .	147		78		696
7M-0327 . . . . .	676	7N-4932 . . . . .	189		80		698
	700	7N-4941 . . . . .	189		81	7T-3277 . . . . .	687
7M-1808 . . . . .	115	7N-4944 . . . . .	189		82		690
	118	7N-4945 . . . . .	15		83		696
7M-5130 . . . . .	860		148		84		698
	863		189		85	7T-3278 . . . . .	687
7M-8651 . . . . .	677		631		86		690
	700		633		87		696
7N-0060 . . . . .	371	7N-4951 . . . . .	14		88		698
	372		19	7N-7697 . . . . .	115	7T-3279 . . . . .	687
7N-0718 . . . . .	▶715	7N-4952 . . . . .	14		118		690
	716		19	7N-7779 . . . . .	728		696
7N-1628 . . . . .	349	7N-5057 . . . . .	131	7N-7780 . . . . .	728		698
7N-1875 . . . . .	3	7N-5080 . . . . .	309	7N-7795 . . . . .	366	7T-3451 . . . . .	687
	4		312	7N-7796 . . . . .	366		690
	5	7N-5094 . . . . .	121	7N-7798 . . . . .	366		696
	6	7N-5120 . . . . .	279	7N-7800 . . . . .	366		698
	▶103	7N-5123 . . . . .	279	7N-7801 . . . . .	366	7T-3454 . . . . .	687
7N-1902 . . . . .	28	7N-5127 . . . . .	279	7N-7802 . . . . .	366		690
7N-1961 . . . . .	30	7N-5239 . . . . .	47	7N-7805 . . . . .	366		696
7N-2003 . . . . .	21	7N-5244 . . . . .	41	7N-7806 . . . . .	366		698
7N-2043 . . . . .	72	7N-5245 . . . . .	47	7N-7807 . . . . .	366	7T-3973 . . . . .	687
	104	7N-5246 . . . . .	47	7N-7808 . . . . .	366		690
	106	7N-5274 . . . . .	452	7N-7809 . . . . .	366	7T-3974 . . . . .	676
	131	7N-5336 . . . . .	103	7N-7810 . . . . .	366		687
	143	7N-5413 . . . . .	115	7N-7811 . . . . .	366		690
7N-2044 . . . . .	25		118	7N-8374 . . . . .	39		696
7N-2046 . . . . .	22	7N-5416 . . . . .	115	7N-8599 . . . . .	▶357		698
7N-2047 . . . . .	25		118		358		700
	39	7N-5449 . . . . .	131	7N-9021 . . . . .	366	7T-9123 . . . . .	677
	47	7N-5487 . . . . .	356	7N-9023 . . . . .	366		701
7N-2059 . . . . .	670		362	7N-9024 . . . . .	366	7V-0916 . . . . .	623
7N-2326 . . . . .	62	7N-5641 . . . . .	24	7N-9045 . . . . .	189	7W-0050 . . . . .	131
7N-2328 . . . . .	62		25	7N-9737 . . . . .	611	7W-0129 . . . . .	66
7N-2405 . . . . .	72	7N-5801 . . . . .	1	7N-9738 . . . . .	611		67
7N-2597 . . . . .	63		2		728		68
7N-3049 . . . . .	61	7N-5874 . . . . .	39	7S-1197 . . . . .	670		70
7N-3216 . . . . .	10	7N-5876 . . . . .	579	7S-2245 . . . . .	143	7W-0408 . . . . .	▶370
	11		622	7S-9323 . . . . .	349	7W-0482 . . . . .	393
7N-3218 . . . . .	10		790	7T-0794 . . . . .	675	7W-0703 . . . . .	83
	11	7N-6460 . . . . .	126		▶683		84
7N-3297 . . . . .	187		129	7T-0797 . . . . .	675		86
7N-3298 . . . . .	15	7N-6511 . . . . .	37		▶685		87
7N-3368 . . . . .	187		38	7T-2339 . . . . .	683		230
7N-4106 . . . . .	75	7N-6570 . . . . .	124		685	7W-0825 . . . . .	▶452
	85	7N-6782 . . . . .	▶307	7T-3267 . . . . .	688	7W-1449 . . . . .	81
7N-4148 . . . . .	81	7N-6806 . . . . .	351		691		82
7N-4319 . . . . .	17	7N-6955 . . . . .	303		696		83
7N-4320 . . . . .	17	7N-6959 . . . . .	298		698		84
7N-4756 . . . . .	212	7N-6961 . . . . .	▶303	7T-3268 . . . . .	688		86
7N-4758 . . . . .	212	7N-6967 . . . . .	▶298		691		87

# PART NUMBER INDEX

Part	Page	Part	Page	Part	Page	Part	Page
	230	7W-7590 . . . . .	43		357		700
7W-1506 . . . . .	177	7W-8135 . . . . .	85	7X-2533 . . . . .	800	8C-3121 . . . . .	225
	179	7W-8137 . . . . .	86		1378	8C-3445 . . . . .	115
	181	7W-8138 . . . . .	▶83	7X-2534 . . . . .	403		118
	184	7W-8140 . . . . .	85	7X-2535 . . . . .	644		144
	228		86	7X-2537 . . . . .	241	8C-3446 . . . . .	115
7W-1930 . . . . .	150		87		243		118
7W-2122 . . . . .	351	7W-8141 . . . . .	▶84		245	8C-3644 . . . . .	675
7W-2297 . . . . .	331	7W-8143 . . . . .	▶85		249		▶687
	334	7W-8144 . . . . .	▶86		252	8C-3645 . . . . .	675
7W-3031 . . . . .	58	7W-8145 . . . . .	314		268		▶690
7W-3032 . . . . .	58	7W-8876 . . . . .	1349	7X-2542 . . . . .	241	8C-3655 . . . . .	688
7W-3145 . . . . .	309		1350		252		691
	312	7W-9741 . . . . .	3	7X-2549 . . . . .	395		696
7W-3464 . . . . .	43		4		824		698
7W-3813 . . . . .	3		5	7X-2553 . . . . .	95	8C-5236 . . . . .	212
	4		6		153	8C-5917 . . . . .	371
	5		▶344		232		372
	6	7W-9857 . . . . .	324		245	8C-6024 . . . . .	842
	▶94	7X-0279 . . . . .	1141		260	8C-6354 . . . . .	611
7W-3816 . . . . .	106	7X-0300 . . . . .	219	7X-2554 . . . . .	866	8C-6561 . . . . .	155
	▶143		223		867		225
7W-3953 . . . . .	▶43		258		868	8C-6790 . . . . .	184
7W-4979 . . . . .	141	7X-0310 . . . . .	619	7X-2555 . . . . .	95	8C-6866 . . . . .	204
7W-5108 . . . . .	79		620		153	8C-6875 . . . . .	637
	84	7X-0326 . . . . .	635	7X-2556 . . . . .	214	8C-7323 . . . . .	177
7W-5109 . . . . .	74		637	7X-2563 . . . . .	1351		179
	78	7X-0345 . . . . .	225	7X-2564 . . . . .	214		181
	83	7X-0361 . . . . .	1351	7X-2577 . . . . .	13		184
	88	7X-0366 . . . . .	230	7X-3353 . . . . .	366		228
7W-5223 . . . . .	▶74	7X-0369 . . . . .	207	7X-3373 . . . . .	676	8C-7524 . . . . .	579
7W-5224 . . . . .	▶75	7X-0370 . . . . .	858		687		790
7W-5225 . . . . .	▶76	7X-0371 . . . . .	207		690	8C-7581 . . . . .	388
7W-5226 . . . . .	▶77	7X-0410 . . . . .	7		696		830
7W-5227 . . . . .	▶78		1351		698	8C-8514 . . . . .	336
7W-5228 . . . . .	75	7X-0448 . . . . .	225		700		381
	83	7X-0519 . . . . .	397	7X-3387 . . . . .	144		384
7W-5229 . . . . .	79	7X-0546 . . . . .	619	7X-4805 . . . . .	25		388
	80		620	7X-6315 . . . . .	581		396
7W-5230 . . . . .	▶79	7X-0562 . . . . .	677	7X-7729 . . . . .	628		794
7W-5232 . . . . .	▶80		680	7X-7731 . . . . .	24		810
7W-5252 . . . . .	▶81		683		25		830
7W-5253 . . . . .	▶82		685		37		833
7W-5258 . . . . .	82		687		124		835
7W-5639 . . . . .	▶151		690		126		838
7W-5893 . . . . .	1225		694		129	8C-9660 . . . . .	676
7W-6110 . . . . .	43		696		133		700
7W-6370 . . . . .	43		698		136	8D-2676 . . . . .	579
7W-6470 . . . . .	75		701	7X-7925 . . . . .	22		622
	76	7X-0582 . . . . .	207		23		790
	77	7X-0613 . . . . .	853	7Y-7389 . . . . .	842	8D-5898 . . . . .	327
	80	7X-0620 . . . . .	337			8D-7942 . . . . .	98
7W-6472 . . . . .	79		381			8D-8724 . . . . .	705
7W-6492 . . . . .	173		384				710
	175		396			8F-1434 . . . . .	366
	186		810	8B-7624 . . . . .	673		677
	194	7X-0772 . . . . .	57	8B-9725 . . . . .	189		680
	200	7X-0818 . . . . .	232		279		683
	209		241	8C-1358 . . . . .	37		685
7W-6755 . . . . .	43		252		38		687
7W-6866 . . . . .	81	7X-1062 . . . . .	670		124		690
7W-6867 . . . . .	82	7X-1078 . . . . .	670		148		694
7W-7214 . . . . .	▶51	7X-1547 . . . . .	68		631		696
7W-7216 . . . . .	51		70		633		698
7W-7218 . . . . .	51	7X-2501 . . . . .	124	8C-3089 . . . . .	676		701

# PART NUMBER INDEX

Part	Page	Part	Page	Part	Page	Part	Page
	840		118	8N-9300 . . . . .	645		230
8F-2347 . . . . .	172	8N-2559 . . . . .	287	8N-9422 . . . . .	279	8T-2502 . . . . .	317
8H-1141 . . . . .	687	8N-2929 . . . . .	115	8N-9482 . . . . .	104		318
	690		118		106		319
	696	8N-3480 . . . . .	358	8N-9609 . . . . .	279		320
	698	8N-3639 . . . . .	186	8N-9624 . . . . .	174		324
8H-2778 . . . . .	349	8N-3640 . . . . .	186	8N-9706 . . . . .	279	8T-2561 . . . . .	225
8H-3128 . . . . .	209	8N-3896 . . . . .	▶693	8N-9885 . . . . .	19	8T-2659 . . . . .	586
8H-5303 . . . . .	715	8N-4707 . . . . .	22		576		587
8H-5306 . . . . .	715	8N-5254 . . . . .	311	8N-9992 . . . . .	15	8T-2882 . . . . .	336
8H-7202 . . . . .	349		315	8N-9993 . . . . .	15		381
8H-8769 . . . . .	1143	8N-6151 . . . . .	3	8S-2331 . . . . .	49		384
8H-9788 . . . . .	121		4	8S-4757 . . . . .	33		388
8J-8919 . . . . .	58		5		36		396
8L-2786 . . . . .	121		6	8S-5107 . . . . .	631		794
	150		▶360		635		810
	344	8N-6210 . . . . .	351		637		830
	346	8N-6211 . . . . .	351	8S-9089 . . . . .	60		833
	351	8N-6326 . . . . .	351		623		835
8L-3873 . . . . .	668	8N-6327 . . . . .	351	8S-9191 . . . . .	150		838
8L-4952 . . . . .	164	8N-6406 . . . . .	186	8T-0099 . . . . .	25	8T-2903 . . . . .	279
	167	8N-6423 . . . . .	211	8T-0122 . . . . .	332	8T-2928 . . . . .	22
	170	8N-6432 . . . . .	186		333		23
8L-4955 . . . . .	164	8N-6435 . . . . .	▶349	8T-0281 . . . . .	272	8T-2929 . . . . .	22
	167	8N-6534 . . . . .	286	8T-0328 . . . . .	366		23
	170		287		388	8T-3490 . . . . .	260
8L-5008 . . . . .	307	8N-6564 . . . . .	74		578		265
	308		88		677		628
8L-5066 . . . . .	170	8N-6567 . . . . .	76		680	8T-3612 . . . . .	241
8L-6557 . . . . .	51		78		683	8T-4121 . . . . .	159
	346	8N-6569 . . . . .	80		685		160
8L-8413 . . . . .	371	8N-6571 . . . . .	77		687		161
	372	8N-6700 . . . . .	74		690		163
	842		91		694		214
8L-9137 . . . . .	38	8N-6702 . . . . .	84		696		232
	101	8N-6705 . . . . .	76		698		238
	102	8N-6711 . . . . .	77		701		243
			78		813		245
8L-9765 . . . . .	1442		3		815		260
8L-9767 . . . . .	164	8N-7174 . . . . .	4	8T-0348 . . . . .	864		265
	167		5		865		268
	170		6	8T-0389 . . . . .	160		406
8M-2530 . . . . .	49		▶47		161		408
8M-2773 . . . . .	141		98		163		411
8M-2933 . . . . .	209	8N-7197 . . . . .	187		232		412
8M-9024 . . . . .	68	8N-7639 . . . . .	189		238		414
	70	8N-7641 . . . . .	▶279		243		415
	344	8N-7717 . . . . .	25		245		416
	346	8N-8056 . . . . .	39		260		418
8N-0337 . . . . .	3	8N-8210 . . . . .	186		265		419
	4	8N-8380 . . . . .	672		268		420
	5	8N-8446 . . . . .	672	8T-1919 . . . . .	177		421
	6	8N-8451 . . . . .	667		179		422
	▶21	8N-8452 . . . . .	▶335		181		437
8N-0339 . . . . .	3	8N-8483 . . . . .	97		184		441
	4	8N-8509 . . . . .	▶97		194		442
	▶33	8N-8510 . . . . .	148		200		444
8N-0386 . . . . .	189	8N-8550 . . . . .	631		219		446
8N-0869 . . . . .	452		315		223		680
8N-1186 . . . . .	225	8N-8741 . . . . .	▶146		228		694
	350	8N-8993 . . . . .	3		258		864
8N-1725 . . . . .	452	8N-9161 . . . . .	4	8T-2153 . . . . .	47		865
8N-1989 . . . . .	189		5	8T-2353 . . . . .	736		866
8N-1991 . . . . .	115		6	8T-2501 . . . . .	53		868
	118		▶147		124	8T-4122 . . . . .	7
8N-1992 . . . . .	115						

# PART NUMBER INDEX

Part	Page	Part	Page	Part	Page	Part	Page
	225		1417		649		958
	864		1418		650		960
	865		1419		652		962
	866		1420		752		964
	867		1421		756		966
	868		1422		854		968
8T-4123 . . . . .	214		1423		855		970
8T-4131 . . . . .	230		1424		869		972
	856		1425	8T-4184 . . . . .	423		974
8T-4132 . . . . .	230		1426		424		976
8T-4133 . . . . .	406		1427		425		978
	408		1428		426		980
	411		1429		427		982
	412		1430		429		984
	414		1431		431		986
	415		1432		432		988
	416		1434		437		990
	418		1435		439		992
	419		1436		441		998
	420		1437		442		1000
	421		1438		444		1002
	422		1439		446		1004
	444		1440		448		1006
	446		1441		449		1008
	680	8T-4139 . . . . .	214		450		1010
	694		423		873		1012
8T-4136 . . . . .	160		424		875		1014
	232		425		876		1016
	245		426		878		1018
8T-4137 . . . . .	416		427		880		1020
	418		429		882		1022
	419		431		884		1024
	420		432		886		1026
	421		437		888		1028
	422		441		890		1030
8T-4138 . . . . .	1341		442		892		1032
	1345		444		894		1034
	1350		446		896		1036
	1381		647		898		1038
	1382		648		900		1040
	1392		649		902		1042
	1393		650		904		1044
	1394		651		906		1046
	1395		759		908		1050
	1396		761		910		1052
	1397		762		914		1054
	1398		764		916		1056
	1399		766		918		1058
	1400		768		920		1061
	1401		870		922		1063
	1402	8T-4154 . . . . .	265		924		1065
	1403	8T-4167 . . . . .	13		926		1067
	1404	8T-4176 . . . . .	628		929		1069
	1405	8T-4183 . . . . .	404		931		1071
	1406		405		933		1073
	1407		406		939		1075
	1408		407		941		1079
	1409		408		943		1081
	1410		409		945		1083
	1411		410		947		1086
	1412		433		949		1090
	1413		437		951		1094
	1414		441		952		1098
	1415		442		954		1102
	1416		608		956		1104

# PART NUMBER INDEX

Part	Page	Part	Page	Part	Page	Part	Page
	1110		870		439		947
	1112	8T-4205 . . . . .	124		441		949
	1114		133		442		951
	1116		136		444		952
	1118		156		446		954
	1120		157		448		956
	1122		274		449		958
	1124		277		450		960
	1126		278		608		962
	1130		357		635		964
	1135		366		637		966
	1137		397		647		968
8T-4185 . . . . .	437		579		648		970
	441		616		651		972
	442		617		652		974
	444		618		752		976
	446		676		756		978
	864		683		759		980
	865		685		761		982
	866		687		762		984
	868		690		764		986
8T-4187 . . . . .	230		696		766		988
8T-4189 . . . . .	54		698		768		990
	56		700		854		992
	162		733		855		994
	241		734		861		996
	252		770		869		998
8T-4192 . . . . .	439		771		870		1000
8T-4193 . . . . .	95		790		873		1002
	153		1142		875		1004
	214	8T-4223 . . . . .	7		876		1006
	230		53		878		1008
	232		57		880		1010
	238		59		882		1012
	260		124		884		1014
8T-4194 . . . . .	214		151		886		1016
	426		152		888		1018
	431		169		890		1020
	432		177		892		1022
	444		181		894		1024
	446		191		896		1026
	637		214		898		1028
8T-4195 . . . . .	159		219		900		1030
	161		223		902		1032
	163		228		904		1034
	214		230		906		1036
	232		258		908		1038
	238		404		910		1040
	243		405		912		1042
	245		406		914		1044
	260		407		916		1046
	411		408		918		1050
	412		409		920		1052
	414		410		922		1054
	415		423		924		1056
	416		424		926		1058
	418		425		929		1061
8T-4196 . . . . .	238		426		931		1063
	260		427		933		1065
	265		429		935		1067
	268		431		937		1069
	628		432		939		1071
	866		433		941		1073
8T-4197 . . . . .	1370		436		943		1075
8T-4200 . . . . .	59		437		945		1079

# PART NUMBER INDEX

Part	Page	Part	Page	Part	Page	Part	Page
	1081		408		914		1044
	1083		409		916		1046
	1086		410		918		1050
	1090		423		920		1052
	1094		424		922		1054
	1098		425		924		1056
	1102		426		926		1058
	1104		427		929		1060
	1106		429		931		1063
	1108		431		933		1065
	1110		432		935		1067
	1112		433		937		1069
	1114		436		939		1071
	1116		437		941		1073
	1118		441		943		1075
	1120		442		945		1079
	1122		444		947		1081
	1124		446		949		1083
	1126		448		951		1086
	1130		449		952		1090
	1134		450		954		1094
	1135		608		956		1098
	1137		628		958		1102
	1351		637		960		1104
8T-4224 . . . . .	54		647		962		1106
	56		648		964		1108
	59		649		966		1110
	95		650		968		1112
	153		651		970		1114
	159		652		972		1116
	162		683		974		1118
	191		685		976		1120
	214		752		978		1122
	230		756		980		1124
	232		759		982		1126
	238		761		984		1130
	241		762		986		1135
	243		764		988		1137
	245		766		990	8T-4778 . . . . .	214
	249		768		992	8T-4835 . . . . .	7
	252		824		994		151
	260		854		996		152
	265		855		998		177
	268		869		1000		179
	272		870		1002		181
	281		873		1004		184
	329		875		1006		219
	340		876		1008		223
	341		878		1010		228
	342		880		1012		258
	343		882		1014		1351
	357		884		1016	8T-4896 . . . . .	53
	436		886		1018		57
	637		888		1020		59
	851		890		1022		111
	870		892		1024		124
	1141		894		1026		166
	1145		896		1028		169
	1370		898		1030		177
8T-4244 . . . . .	214		900		1032		179
	395		902		1034		181
	404		904		1036		184
	405		906		1038		204
	406		908		1040		219
	407		910		1042		223



# PART NUMBER INDEX

Part	Page	Part	Page	Part	Page	Part	Page
	228		533		408		41
	230		534		423		209
	235		535		424	8T-6760 . . . . .	186
	236		536		425	8T-6761 . . . . .	15
	255		537		426		17
	258		538		427		187
	264		539		429		189
	274		540		431		225
	324		541		432		241
	469		542		433		243
	470		543		436		249
	471		544		439		252
	472		545		652		265
	479		546		869		268
	480		547		931	8T-6762 . . . . .	24
	482		548		933		25
	483		549		935		61
	484		550		937		68
	485		551		990		70
	486		552		992		104
	487		553		994		115
	488		554		996		145
	490		555		1102		146
	491		556		1104		147
	492		558		1106		148
	493		559		1108		149
	494		560	8T-4970 . . . . .	683		174
	495		561		685		187
	496		562	8T-4971 . . . . .	357		299
	497		563		411		309
	498		564		412		312
	499		565		414		631
	500		566		415	8T-6763 . . . . .	24
	501		567		644		25
	502		568		759	8T-6764 . . . . .	209
	503		635		761		309
	504		840		762		312
	505		1142		764	8T-6765 . . . . .	17
	506	8T-4908 . . . . .	59		766		61
	507		159		768		115
	508		191		1379		118
	509		213	8T-4994 . . . . .	205		147
	510		230		225		186
	511		238		230		187
	512		241		857		189
	513		243		858		212
	514		245		859		225
	515		249	8T-5361 . . . . .	7		241
	516		252		1351		243
	517		260	8T-5439 . . . . .	1351		249
	518		265	8T-6342 . . . . .	610		252
	519		268		611		265
	520		436		612		268
	521	8T-4910 . . . . .	424		613		279
	522		437		782		314
	523		441		787		576
	524		442	8T-6757 . . . . .	29	8T-6766 . . . . .	241
	525		444		41		243
	526		446		327		249
	527		448	8T-6758 . . . . .	61		252
	528		449		145		265
	529		450		146		268
	530	8T-4956 . . . . .	404	8T-6759 . . . . .	28		344
	531		405		31		346
	532		406		39	8T-6869 . . . . .	243

# PART NUMBER INDEX

Part	Page	Part	Page	Part	Page	Part	Page
	249	8T-8917 . . . . .	912		528	9G-4101 . . . . .	676
	265		1134		529		677
8T-6870 . . . . .	268	8T-9001 . . . . .	177		530		700
	214		181		531		701
	238		228		532	9G-5578 . . . . .	366
	260	8T-9043 . . . . .	281		533	9G-8909 . . . . .	452
	340	8T-9368 . . . . .	16		534	9H-0858 . . . . .	327
	341	8T-9378 . . . . .	1142		535	9H-2367 . . . . .	124
	342	8T-9393 . . . . .	7		536		126
	343		225		537		129
8T-6912 . . . . .	851	8T-9396 . . . . .	272		538		133
	853	8T-9397 . . . . .	225		539		136
	238	8T-9398 . . . . .	857		540	9H-3757 . . . . .	676
	243		859		541		700
	245	8T-9757 . . . . .	371		542	9H-6673 . . . . .	107
	249		372		543	9H-8260 . . . . .	61
	260	8T-9834 . . . . .	611		544	9K-6540 . . . . .	106
	268		773		545	9L-0672 . . . . .	124
	637	8T-9884 . . . . .	688		546		126
8T-6974 . . . . .	644		691		547		129
8T-7338 . . . . .	214		696		548		133
8T-7547 . . . . .	232		698		549		136
	243	8X-8470 . . . . .	317		550	9L-1480 . . . . .	68
	245		318		564		70
	249				565		113
	252				566		114
	265	<b>9</b>			567	9L-2137 . . . . .	366
	268				568	9L-2139 . . . . .	366
	357	9B-0701 . . . . .	126		1133	9L-2140 . . . . .	366
	742		129	9C-5344 . . . . .	737	9L-6770 . . . . .	366
8T-8442 . . . . .	1377		133	9C-7045 . . . . .	853	9L-6961 . . . . .	277
8T-8566 . . . . .	687		136	9D-3721 . . . . .	669	9L-7373 . . . . .	314
	690	9B-7233 . . . . .	366		718	9L-9132 . . . . .	58
	696		579		779		121
	698		668	9F-2247 . . . . .	286		302
8T-8569 . . . . .	687		790	9F-2773 . . . . .	312		633
	690	9B-7237 . . . . .	59	9F-2947 . . . . .	225	9M-1289 . . . . .	166
	696		111	9F-5599 . . . . .	676		169
	698		166		700		172
8T-8736 . . . . .	611		169	9F-5644 . . . . .	715	9M-1974 . . . . .	20
8T-8737 . . . . .	336		177	9F-6445 . . . . .	274		39
	384		179		276		47
	388		181		277		72
	578		184		278		100
	582		219	9F-7022 . . . . .	1144		126
	613		223	9F-7707 . . . . .	98		129
	614		225	9F-8122 . . . . .	42		133
	642		228		45		136
	656		258		79		187
	658		329	9F-8125 . . . . .	336		212
	703		513		388		326
	736		514		396		344
	752		515		794		346
	754		516		810		351
	775		517		830		576
	776		518		833		607
	782		519		835		670
	784		520		838		852
	787		521	9G-0003 . . . . .	371		1143
	790		522		372	9M-2151 . . . . .	211
8T-8908 . . . . .	156		523	9G-0004 . . . . .	371	9M-2342 . . . . .	349
	157		524		372	9M-2610 . . . . .	143
	225		525	9G-2653 . . . . .	346	9M-3786 . . . . .	209
8T-8911 . . . . .	225		526	9G-3695 . . . . .	611	9M-4202 . . . . .	189
8T-8912 . . . . .	225		527		781	9M-4355 . . . . .	132
8T-8916 . . . . .	618						

# PART NUMBER INDEX

Part	Page	Part	Page	Part	Page	Part	Page
9M-4584 . . . . .	121		351		736		228
	351		358	9X-2038 . . . . .	713		258
9M-4594 . . . . .	112	9S-7381 . . . . .	346	9X-3132 . . . . .	611	9X-7539 . . . . .	177
9M-4849 . . . . .	633	9S-8002 . . . . .	27	9X-3271 . . . . .	663		181
9M-5048 . . . . .	619	9S-8005 . . . . .	176	9X-3401 . . . . .	736		184
	620	9S-8750 . . . . .	336	9X-3490 . . . . .	575		228
9M-5520 . . . . .	397		670	9X-4452 . . . . .	675	9X-8124 . . . . .	733
9M-7269 . . . . .	60		771		▶694		734
9M-7357 . . . . .	126		810	9X-4594 . . . . .	209		770
	129		1349	9X-4824 . . . . .	696		771
	397	9S-8752 . . . . .	58		698	9X-8256 . . . . .	213
9M-7609 . . . . .	676		104	9X-6259 . . . . .	645		337
	687		107	9X-6458 . . . . .	112		377
	690		112		194		378
	696		121		200		381
	700		126		311		384
9M-7959 . . . . .	324		129		312		388
9M-8406 . . . . .	214		133		315		398
9N-0869 . . . . .	121		136	9X-6772 . . . . .	336		399
	354		145		381		400
	355		146		384		401
	576		164		388		402
9N-1752 . . . . .	358		167		578		403
9N-2038 . . . . .	331		172		582		411
	334		194		614		412
9N-2061 . . . . .	1348		200		630		414
9N-4053 . . . . .	351		211		642		415
9R-2595 . . . . .	820		296		717		416
9S-1366 . . . . .	863		298		742		418
9S-1368 . . . . .	631		299		744		436
	633		303		745		578
9S-1374 . . . . .	60		305		747		579
9S-2437 . . . . .	366		306		751		582
9S-2544 . . . . .	366		311		758		591
	676		315		759		592
	700		347		761		593
9S-4182 . . . . .	104		358		762		605
	107		623		764		606
	115		633		766		630
	118		716		768		641
	143		737		775		733
	173		840		782		734
	174	9S-8893 . . . . .	46		784		745
	175	9S-9238 . . . . .	623		794		758
	187	9S-9635 . . . . .	181		810		770
	191		193		813		771
	204		199		815		772
	284	9W-0844 . . . . .	655		830		773
	285	9W-1951 . . . . .	384		833		775
	344		388		835		778
	346		613		838		790
	351	9W-3497 . . . . .	611		869		794
9S-4185 . . . . .	150	9X-0141 . . . . .	575	9X-7340 . . . . .	179		800
	189	9X-0262 . . . . .	736		184		810
	344	9X-0332 . . . . .	683	9X-7371 . . . . .	39		813
	346		685	9X-7523 . . . . .	181		815
9S-4190 . . . . .	115	9X-0352 . . . . .	98		193		830
	118	9X-1054 . . . . .	613		199		833
	344	9X-1055 . . . . .	613	9X-7526 . . . . .	219		835
	346	9X-1343 . . . . .	614		223		838
9S-4191 . . . . .	24		842		258		841
	25	9X-1386 . . . . .	660	9X-7537 . . . . .	177		869
	209	9X-1813 . . . . .	126		181		870
	344		129		219		1145
	346		728		223		1341

# PART NUMBER INDEX

Part	Page	Part	Page	Part	Page	Part	Page
	1345	9X-8486 . . . . .	642		914		1044
	1350	9X-8872 . . . . .	15		916		1046
	1377	9X-8873 . . . . .	60		918		1050
	1378		189		920		1052
	1379		194		922		1054
	1381		200		924		1056
	1382		300		926		1058
	1392		321		928		1060
	1393	9X-8874 . . . . .	631		931		1063
	1394	9X-8875 . . . . .	60		933		1065
	1395	9X-8879 . . . . .	39		935		1067
	1396		47		937		1069
	1397	9X-8882 . . . . .	860		939		1071
	1398		863		941		1073
	1399	9X-8887 . . . . .	49		943		1075
	1400		304		945		1079
	1401	9X-9511 . . . . .	687		947		1081
	1402		690		949		1083
	1403		696		951		1086
	1404	9X-9591 . . . . .	▶585		952		1090
	1405		743		954		1094
	1406	9X-9720 . . . . .	371		956		1098
	1407	9X-9730 . . . . .	372		958		1102
	1408	9X-9857 . . . . .	585		960		1104
	1409	9Y-0047 . . . . .	121		962		1106
	1410		354		964		1108
	1411		355		966		1110
	1412	9Y-0635 . . . . .	30		968		1112
	1413	9Y-2647 . . . . .	43		970		1114
	1414	9Y-2921 . . . . .	645		972		1116
	1415	9Y-3082 . . . . .	66		974		1118
	1416		▶68		976		1120
	1417	9Y-3085 . . . . .	67		978		1122
	1418		▶70		980		1124
	1419	9Y-3108 . . . . .	633		982		1126
	1420	9Y-4275 . . . . .	416		984		1130
	1421		418		986		1135
	1422		419		988		1137
	1423		420		990	9Y-5563 . . . . .	▶111
	1424		421		992	9Y-5986 . . . . .	225
	1425		422		994	9Y-5987 . . . . .	225
	1426		448		996	9Y-5990 . . . . .	225
	1427		449		998	9Y-5991 . . . . .	225
	1428		450		1000	9Y-5992 . . . . .	225
	1429		873		1002	9Y-5993 . . . . .	225
	1430		875		1004	9Y-5994 . . . . .	225
	1431		876		1006	9Y-5995 . . . . .	225
	1432		878		1008	9Y-5996 . . . . .	225
	1434		880		1010	9Y-5997 . . . . .	225
	1435		882		1012	9Y-5998 . . . . .	225
	1436		884		1014	9Y-6003 . . . . .	225
	1437		886		1016	9Y-6004 . . . . .	225
	1438		888		1018	9Y-6005 . . . . .	225
	1439		890		1020	9Y-6007 . . . . .	225
	1440		892		1022	9Y-6008 . . . . .	225
	1441		894		1024	9Y-6064 . . . . .	▶174
9X-8257 . . . . .	95		896		1026	9Y-6089 . . . . .	693
	153		898		1028	9Y-6893 . . . . .	177
	214		900		1030		179
	232		902		1032		181
	238		904		1034		184
	245		906		1036		191
	260		908		1038		194
	272		910		1040		200
9X-8267 . . . . .	276		912		1042		219

# PART NUMBER INDEX

Part	Page	Part	Page	Part	Page	Part	Page
	223		157		355		658
	228		274	100-3877 . . . . .	98		659
	258		276	100-3878 . . . . .	98		736
9Y-7645 . . . . .	228		277	100-3879 . . . . .	98		754
9Y-7822 . . . . .	▶155		278	100-3880 . . . . .	98		787
9Y-7823 . . . . .	155	033-6031 . . . . .	100	100-5041 . . . . .	613	102-8804 . . . . .	336
9Y-8067 . . . . .	209	033-6042 . . . . .	24	100-8075 . . . . .	115		642
9Y-8175 . . . . .	3		136		118		703
	4	034-1432 . . . . .	225	101-0242 . . . . .	49		736
	5		988	101-0830 . . . . .	3		747
	6	034-3557 . . . . .	317		4		751
	▶208		318		5		813
9Y-8389 . . . . .	344		319		6	102-8805 . . . . .	611
	346		320		▶30		703
	357	036-9821 . . . . .	676	101-0831 . . . . .	3		745
9Y-9171 . . . . .	3		687		4		752
	4		690		5		775
	5		696		6		781
	6		700		▶20	102-8806 . . . . .	611
	▶175	036-9823 . . . . .	676	101-0835 . . . . .	3		748
			687		4		782
			690		5	103-6272 . . . . .	794
			696		6		801
			698		▶49		802
			700	101-0852 . . . . .	807		830
001-6301 . . . . .	124		673		808		833
001-9440 . . . . .	736	039-4317 . . . . .	673		809		835
002-6453 . . . . .	106	045-4065 . . . . .	677		▶22		838
003-8581 . . . . .	121		701	101-1173 . . . . .	25	103-6668 . . . . .	▶304
	346	061-7539 . . . . .	357		25		305
003-9163 . . . . .	633	061-8639 . . . . .	346	101-1198 . . . . .	25		842
	635	061-9456 . . . . .	115	101-1364 . . . . .	49	105-3480 . . . . .	842
004-7270 . . . . .	124		118	101-1365 . . . . .	49	106-2780 . . . . .	▶23
	148	061-9593 . . . . .	340	101-1366 . . . . .	49		24
	631		341	101-1367 . . . . .	49	106-3512 . . . . .	174
006-5707 . . . . .	340		342	101-1368 . . . . .	49	106-4595 . . . . .	3
	341		343	101-1369 . . . . .	49		4
	342	062-5388 . . . . .	397	101-1370 . . . . .	49		▶10
	343		645	101-1372 . . . . .	49	106-8554 . . . . .	679
008-8694 . . . . .	139	067-2551 . . . . .	204	101-4197 . . . . .	20		▶696
030-3978 . . . . .	193	086-0297 . . . . .	395	101-4199 . . . . .	100	106-8934 . . . . .	331
	199		628	101-8679 . . . . .	172	106-9867 . . . . .	131
030-7946 . . . . .	346		824	102-2240 . . . . .	736	106-9869 . . . . .	131
030-7961 . . . . .	623	089-7889 . . . . .	191	102-3516 . . . . .	3	106-9871 . . . . .	131
030-7972 . . . . .	351	089-7960 . . . . .	619		4	106-9872 . . . . .	▶131
030-7977 . . . . .	351		620		5		132
030-8307 . . . . .	633	090-4715 . . . . .	611		6	106-9873 . . . . .	3
030-8535 . . . . .	58	095-0827 . . . . .	640		▶187		4
030-8537 . . . . .	317	096-3772 . . . . .	586	102-8634 . . . . .	61		5
	318		587	102-8801 . . . . .	614		6
	319	096-4833 . . . . .	673		717		▶132
	320	096-6166 . . . . .	586		784	107-0466 . . . . .	41
030-9612 . . . . .	366		587	102-8802 . . . . .	126	107-3758 . . . . .	284
031-0243 . . . . .	1433		670		129		285
031-4155 . . . . .	281	097-5921 . . . . .	373		397	107-7175 . . . . .	131
	282		703		582	107-7197 . . . . .	3
	283		705		611		4
031-9295 . . . . .	716		706		660		▶284
032-1267 . . . . .	126		708		662	107-7326 . . . . .	131
	129		709		703	107-7330 . . . . .	72
	133				719	107-7331 . . . . .	72
	136				729	107-7332 . . . . .	72
	141				754	107-7333 . . . . .	72
	156				582	107-7334 . . . . .	72
	157	100-3237 . . . . .	121	102-8803 . . . . .	611	107-7335 . . . . .	72
032-1268 . . . . .	156		354		656	107-7361 . . . . .	▶41

# PART NUMBER INDEX

Part	Page	Part	Page	Part	Page	Part	Page
107-7362 . . . . .	41		199	113-1570 . . . . .	315		951
107-8769 . . . . .	667	111-0349 . . . . .	576	113-1571 . . . . .	315		952
108-1434 . . . . .	351	111-1323 . . . . .	784	113-1573 . . . . .	315		954
	358	111-1325 . . . . .	717	113-1578 . . . . .	286		956
108-1761 . . . . .	1357		785		287		958
	1358	111-1349 . . . . .	131	113-1579 . . . . .	286		960
	1359	111-1830 . . . . .	314		287		962
	1370	111-1831 . . . . .	314	113-1582 . . . . .	▶286		964
108-5562 . . . . .	716	111-1832 . . . . .	314	113-8432 . . . . .	94		966
108-5574 . . . . .	716	111-2081 . . . . .	68	113-8433 . . . . .	94		968
108-5579 . . . . .	314		70	113-9001 . . . . .	141		970
108-5749 . . . . .	1144	111-3388 . . . . .	351	114-2040 . . . . .	193		972
	1145	111-3389 . . . . .	351		199		974
	1368	111-3424 . . . . .	3	114-2410 . . . . .	842		976
	1369		4	114-2413 . . . . .	70		978
109-2332 . . . . .	115		5	114-2414 . . . . .	68		980
	118		6	114-3372 . . . . .	49		982
	150		▶121	114-5477 . . . . .	351		984
109-3038 . . . . .	336	111-3684 . . . . .	736	114-8843 . . . . .	451		986
	381	111-3820 . . . . .	115		578		988
	384		118		582		990
	582	111-4374 . . . . .	175		611		992
	613	111-4399 . . . . .	673		717		994
	630	111-4986 . . . . .	▶295		727		996
	642	111-5052 . . . . .	193		736		998
	703		199		873		1000
	735	111-5056 . . . . .	193		875		1002
	745		199		876		1004
	752	111-5059 . . . . .	284		878		1006
	754	111-5822 . . . . .	300		880		1008
	776	111-6786 . . . . .	3		882		1010
	777		4		884		1012
	779		5		886		1014
	790		6		888		1016
	813		▶314		890		1018
109-6507 . . . . .	717	111-8639 . . . . .	104		892		1020
	784		106		894		1022
	785	111-8906 . . . . .	121		896		1024
109-6951 . . . . .	1375	111-8909 . . . . .	121		898		1026
109-7411 . . . . .	309	111-8916 . . . . .	121		900		1028
	312	111-9375 . . . . .	187		902		1030
109-8932 . . . . .	615	112-3591 . . . . .	309		904		1032
110-4172 . . . . .	1354		312		906		1034
110-5957 . . . . .	276	112-4921 . . . . .	3		908		1036
110-5958 . . . . .	276		4		910		1038
110-5959 . . . . .	▶276		5		912		1040
110-6170 . . . . .	645		6		914		1042
110-6608 . . . . .	1225		▶104		916		1044
110-6990 . . . . .	309	112-6597 . . . . .	▶667		918		1046
	312	112-7497 . . . . .	381		920		1050
110-6991 . . . . .	30		384		922		1052
110-6994 . . . . .	25		388		924		1054
110-6995 . . . . .	193		613		926		1056
	199		703		928		1058
110-7884 . . . . .	749	112-8372 . . . . .	813		929		1060
110-8066 . . . . .	▶322		815		931		1061
110-8714 . . . . .	381	112-9119 . . . . .	366		933		1063
	384	113-1323 . . . . .	326		935		1065
	388		329		937		1067
	613	113-1324 . . . . .	▶326		939		1069
	630	113-1326 . . . . .	▶308		941		1071
	727	113-1327 . . . . .	311		943		1073
	749		315		945		1075
	773	113-1328 . . . . .	315		947		1079
110-9538 . . . . .	193	113-1329 . . . . .	326		949		1081

# PART NUMBER INDEX

Part	Page	Part	Page	Part	Page	Part	Page
	1083		333		▶627	124-5513 . . . . .	3
	1086	118-1655 . . . . .	72	120-0567 . . . . .	780		4
	1090	118-1656 . . . . .	148	120-4339 . . . . .	9		5
	1094		149	120-4490 . . . . .	324		6
	1098		631	120-4491 . . . . .	▶324		▶100
	1102	118-4614 . . . . .	112	120-4492 . . . . .	▶780	125-2781 . . . . .	193
	1104	118-5463 . . . . .	4	120-4498 . . . . .	▶719	125-6326 . . . . .	221
	1106		5		782	125-6535 . . . . .	677
	1108		6	120-4501 . . . . .	▶106		701
	1110		▶332	120-5867 . . . . .	204	125-6536 . . . . .	677
	1112	118-5464 . . . . .	3	120-7421 . . . . .	189		701
	1114		▶333	120-9678 . . . . .	177	125-6537 . . . . .	677
	1116	118-8452 . . . . .	1146		179		701
	1118		1147		181	125-7874 . . . . .	384
	1120		1148		219		388
	1122		1149		223		610
	1124		1172		228		611
	1126		1175		258		612
	1127		1176	120-9818 . . . . .	▶112		613
	1130		1180	121-0474 . . . . .	346		614
	1135		1181	121-0476 . . . . .	346		622
	1137		1182	121-2479 . . . . .	▶277		748
115-1063 . . . . .	▶358		1183	121-2480 . . . . .	▶278		751
115-1783 . . . . .	151		1188	121-2481 . . . . .	277		775
115-3499 . . . . .	121		1189		278		787
115-3612 . . . . .	▶281		1190	121-3354 . . . . .	▶656	125-7875 . . . . .	610
115-3613 . . . . .	▶315		1191	121-3355 . . . . .	656		611
115-3619 . . . . .	286		1196	121-3356 . . . . .	▶657		612
115-3622 . . . . .	▶287		1197	121-3364 . . . . .	▶658		613
115-3627 . . . . .	287		1198	121-3365 . . . . .	658		717
115-5160 . . . . .	▶24		1199	121-3551 . . . . .	3		747
115-5852 . . . . .	1442		1204		4	125-9751 . . . . .	49
115-7850 . . . . .	3		1205		5	125-9794 . . . . .	68
	4		1206		6		70
	5		1207		▶15	126-0892 . . . . .	331
	6		1208	121-3562 . . . . .	309	126-1767 . . . . .	384
	▶189		1209		312		388
115-7854 . . . . .	193		1210	121-4102 . . . . .	842		610
	199		1211	121-4112 . . . . .	▶612		613
115-7860 . . . . .	5		1226	121-4718 . . . . .	▶669		614
	▶115		1227	121-5736 . . . . .	332	126-1768 . . . . .	614
116-1352 . . . . .	115		1228		333	126-1771 . . . . .	744
	118		1229	122-8856 . . . . .	174	126-1774 . . . . .	782
116-1409 . . . . .	217		1230		187	126-5613 . . . . .	177
	221		1231	123-0707 . . . . .	579		179
116-3255 . . . . .	193		1232		790		181
116-3259 . . . . .	193		1234	123-6915 . . . . .	309		184
116-3266 . . . . .	121		1235		312		219
116-6952 . . . . .	388		1236	124-0104 . . . . .	▶305		223
	578		1237	124-0107 . . . . .	306		228
116-7003 . . . . .	193		1238	124-0108 . . . . .	▶306		258
	199		1239	124-0145 . . . . .	217	126-5957 . . . . .	219
116-7010 . . . . .	3		1240		221		223
	▶362		1241	124-0146 . . . . .	221		258
116-7477 . . . . .	868		1242	124-0147 . . . . .	217	126-7305 . . . . .	179
116-8000 . . . . .	281		1244		221		226
116-8001 . . . . .	281		1245	124-0148 . . . . .	217	126-7307 . . . . .	226
116-9868 . . . . .	309	119-0838 . . . . .	9		221	126-7309 . . . . .	226
	312	119-0839 . . . . .	9	124-0149 . . . . .	217	126-7310 . . . . .	226
117-0017 . . . . .	1144	119-3662 . . . . .	611		221	126-7311 . . . . .	177
117-0066 . . . . .	15	119-6282 . . . . .	▶625	124-0150 . . . . .	221		217
117-0067 . . . . .	736		627	124-0284 . . . . .	98		221
117-8268 . . . . .	866	119-6283 . . . . .	▶626	124-3176 . . . . .	717	126-7312 . . . . .	217
117-8766 . . . . .	661		627		784	126-7313 . . . . .	217
118-0400 . . . . .	▶331	119-6284 . . . . .	623		785	126-7314 . . . . .	217

# PART NUMBER INDEX

Part	Page	Part	Page	Part	Page	Part	Page
126-7317	221		249	135-0179	327	147-1443	611
126-7318	221		252	135-0180	326	147-1960	374
126-7319	221		260		▶327		375
126-7320	217		265		329		707
	219		268	135-3308	399		710
126-7321	221		272		400	147-3182	3
126-8349	217		340		401		4
126-8350	217		341		402		5
126-8915	217		342	135-6898	336		6
126-9187	607		343		381		▶19
126-9188	607	131-5453	578		384	147-3738	▶144
126-9191	▶607	131-5454	336		388	147-3745	354
127-2176	187		813		396		355
127-4230	177	132-5789	416		810	147-6619	5
	179		418	135-9941	736		6
	184	132-6469	98	137-5555	▶299		▶309
	219	132-8488	381	137-5556	299	147-6620	5
	223		384	137-8533	7		6
	228		388		1351		▶285
	258	133-0970	611		▶1446	149-1981	27
127-4374	860	133-1207	661	137-8534	1446	149-1982	28
	863	133-4081	10	137-8535	1446		29
127-4415	333	133-6468	▶731	137-8536	1446		31
127-5400	39	133-6479	304	137-8537	1446	149-2285	616
	47		305	137-8538	1446		618
	209	133-6480	304	137-8539	1446		619
127-8084	225	133-6485	305	137-8540	1446		620
127-8260	10	133-7301	1362	137-8541	1446	149-5462	211
127-8261	10		1363	137-8542	1446	149-6031	21
127-8262	10		1364	137-8543	1446	149-6032	21
127-8660	241		1365	137-8544	1446	149-6033	21
	243		1366	137-8545	1446	149-6034	21
	279		1367	137-8546	1446	149-6035	21
127-8958	1433		1368	138-8367	717	149-9298	68
127-9069	743		1369		784		70
127-9070	810		1374		785	150-1240	126
	815	133-8382	187	139-1568	668		129
128-0856	282	133-8753	336	140-9597	39		397
	283		384		47	150-4153	225
128-4845	21		388	141-6747	326	151-4977	579
128-5669	610		578		329		790
	622		610		▶668	151-9228	▶53
	790		612	141-7047	▶323	151-9263	34
128-6788	21		613	141-7116	63		35
128-8065	703		813	141-8596	667	152-5179	▶863
129-2288	45	133-9302	327	141-9285	189		1326
129-2315	225	133-9306	28	142-6868	845	152-5181	863
129-2316	225		29		847	152-5183	860
129-3021	327		31		1376		863
129-3082	193	133-9313	104	143-0856	191		864
	199		106	144-0725	72		865
130-2607	27	134-2540	381	144-1636	660	152-5338	863
130-2608	27		384	144-5689	309		864
130-3654	863		612	144-5690	309	153-0226	213
131-0420	30		613	144-5691	309	153-0230	213
131-0421	30		614	144-5692	25	153-0238	230
131-3540	54	134-3100	633	144-5695	72	153-1392	191
	56	134-3160	▶631	144-5696	309	153-1394	191
	159	134-6258	336	144-8263	39	153-1403	213
	162		612		47	153-1416	213
	232		613	145-6002	1326	153-1421	213
	238		614		▶1375	153-1880	230
	241		813	146-3740	33	153-1881	230
	243	134-6307	363		▶34	153-1882	230
	245	135-0175	187	146-7383	312	153-2707	612



# PART NUMBER INDEX

Part	Page	Part	Page	Part	Page	Part	Page
	613	155-2271 . . . . .	336		414		709
	614		610		415		710
	748		611		416	162-2177 . . . . .	311
153-3864 . . . . .	65		612		418		315
153-3865 . . . . .	206		613		578	162-3906 . . . . .	357
153-4906 . . . . .	25		655		582	162-4171 . . . . .	336
	126		726		605		578
	129		777		606		610
	133	155-2272 . . . . .	336		745		717
153-5043 . . . . .	662		610		751		784
154-1581 . . . . .	104		611		758		813
	106		777		759	163-7882 . . . . .	736
154-1612 . . . . .	▶27		813		761	165-3931 . . . . .	104
	28	155-2274 . . . . .	582		762		106
	31		610		764	166-3777 . . . . .	787
154-1616 . . . . .	187		611		766		789
154-1617 . . . . .	187		612		768		790
154-3032 . . . . .	1362		613		775		799
	1364		614		794		807
	1366		748		810		808
	1367		754		813		809
	1368		787		815	166-4374 . . . . .	212
	1369		790		830	166-4376 . . . . .	212
	1374	155-4094 . . . . .	98		833	166-5944 . . . . .	28
154-3413 . . . . .	▶860	155-5130 . . . . .	191		835	166-5945 . . . . .	27
	1326	155-5135 . . . . .	191		838	166-6652 . . . . .	▶633
154-3414 . . . . .	860	155-5136 . . . . .	191	156-6261 . . . . .	312	166-7097 . . . . .	230
154-3488 . . . . .	727	155-5145 . . . . .	▶191	156-9748 . . . . .	354	166-7098 . . . . .	230
154-6389 . . . . .	98		230		355	166-8067 . . . . .	633
155-0540 . . . . .	312	155-5146 . . . . .	191	156-9755 . . . . .	351	167-1617 . . . . .	374
155-0541 . . . . .	312	155-5147 . . . . .	191		▶354		375
155-0544 . . . . .	312	155-5148 . . . . .	191	156-9756 . . . . .	351		703
155-0545 . . . . .	312	155-5149 . . . . .	191		▶355		705
155-0576 . . . . .	576	155-8001 . . . . .	213	157-0443 . . . . .	104		706
155-0726 . . . . .	62	155-8003 . . . . .	213		106		707
155-1690 . . . . .	104	155-8005 . . . . .	213	159-1732 . . . . .	213		708
	106	155-8012 . . . . .	213	159-1733 . . . . .	213		709
155-2255 . . . . .	610	155-8014 . . . . .	213	159-1735 . . . . .	213		710
	612	155-8016 . . . . .	213	159-9322 . . . . .	610	168-7790 . . . . .	856
	613	155-8018 . . . . .	213		611	169-0299 . . . . .	1134
155-2260 . . . . .	611	155-8021 . . . . .	213		612	169-0300 . . . . .	869
	614	155-8022 . . . . .	213		613	169-1855 . . . . .	453
	656	155-8024 . . . . .	213		614		454
	658	155-8026 . . . . .	213		782	169-2182 . . . . .	601
	661	155-8027 . . . . .	213	160-0092 . . . . .	191		602
	781	155-8028 . . . . .	213	160-0097 . . . . .	230		603
	787	155-8032 . . . . .	213	160-7689 . . . . .	610		604
155-2263 . . . . .	582	155-8033 . . . . .	213		612	169-4481 . . . . .	336
	614	155-8035 . . . . .	213		613		381
	754	155-8036 . . . . .	213		614		384
	790	155-8040 . . . . .	213		782		388
155-2265 . . . . .	610	155-8041 . . . . .	213	160-7690 . . . . .	611		396
	611	155-8042 . . . . .	213	161-1703 . . . . .	736		810
	612	155-8044 . . . . .	213	161-1704 . . . . .	736	169-7326 . . . . .	141
	613	155-8046 . . . . .	213	161-1705 . . . . .	736	170-0514 . . . . .	214
	775	155-8064 . . . . .	213	161-2508 . . . . .	▶28	170-0516 . . . . .	214
	776	155-8066 . . . . .	213	162-0589 . . . . .	373	170-5632 . . . . .	336
155-2266 . . . . .	614	155-8755 . . . . .	703		374		381
155-2270 . . . . .	98	156-2879 . . . . .	213		375		384
	611	156-6175 . . . . .	336		620		396
	614		381		703		810
	655		384		705	171-1359 . . . . .	53
	781		388		706	171-5349 . . . . .	660
	782		411		707	171-6256 . . . . .	703
	787		412		708		705

# PART NUMBER INDEX

Part	Page	Part	Page	Part	Page	Part	Page
	710	183-5973 . . . . .	631	192-2925 . . . . .	373	202-2099 . . . . .	645
171-6260 . . . . .	703	184-2472 . . . . .	581	192-2926 . . . . .	373	203-8986 . . . . .	732
	705	184-3229 . . . . .	121	192-3829 . . . . .	703	203-8987 . . . . .	733
	710	184-7211 . . . . .	637	192-3830 . . . . .	703		770
172-3783 . . . . .	214	186-1658 . . . . .	820	193-3282 . . . . .	72		771
172-9966 . . . . .	861	186-3735 . . . . .	126	193-3286 . . . . .	62	203-8989 . . . . .	645
173-3617 . . . . .	59		129	194-4449 . . . . .	759	204-2518 . . . . .	656
173-4491 . . . . .	▶57		336		761		657
	230		384		762		658
173-4492 . . . . .	57		388	194-4897 . . . . .	31		▶659
173-4493 . . . . .	57		582	194-4902 . . . . .	31	204-5426 . . . . .	30
173-4494 . . . . .	57		610	195-2150 . . . . .	▶662	204-5427 . . . . .	30
173-4495 . . . . .	57		613		663	204-5447 . . . . .	72
173-4497 . . . . .	57		614	195-2637 . . . . .	778	204-5455 . . . . .	314
173-4499 . . . . .	57		642	196-2343 . . . . .	616	205-7860 . . . . .	▶1443
173-7067 . . . . .	▶59		656		617	206-0884 . . . . .	▶288
	230		658		618		317
173-7069 . . . . .	59		659		619	206-2710 . . . . .	576
173-7070 . . . . .	59		662		620		▶581
173-7181 . . . . .	820		719	196-5052 . . . . .	193	206-4202 . . . . .	366
173-7618 . . . . .	57		729		199	206-5143 . . . . .	407
173-7619 . . . . .	59		736	196-5053 . . . . .	193		409
174-0503 . . . . .	381		751		199		410
	384		752	196-9420 . . . . .	149		423
	612		754	196-9531 . . . . .	21		424
	613		775	197-4051 . . . . .	705		425
	614		784		710		431
174-3016 . . . . .	611		787	197-6995 . . . . .	29	206-5967 . . . . .	1326
175-7409 . . . . .	380		842		31	206-6219 . . . . .	1246
176-5311 . . . . .	95	186-3736 . . . . .	98	197-7006 . . . . .	31		1247
	153		336	197-7008 . . . . .	25		1250
	232		381	197-7055 . . . . .	31		1251
	238		384	197-7062 . . . . .	31		1254
	245		575	197-7063 . . . . .	31		1255
	260		582	197-7082 . . . . .	▶124		1258
	272		614	197-8039 . . . . .	377		1259
177-1452 . . . . .	856		656	197-9051 . . . . .	58		1262
177-2895 . . . . .	213		658	197-9052 . . . . .	▶58		1263
177-2904 . . . . .	213		726	197-9064 . . . . .	▶193		1266
177-9116 . . . . .	631		754	197-9732 . . . . .	311		1267
179-6855 . . . . .	59		773		315		1281
179-6856 . . . . .	59		775	198-4780 . . . . .	230		1282
179-6857 . . . . .	59		776	198-4781 . . . . .	230		1285
179-6858 . . . . .	59		777	198-4782 . . . . .	207		1286
179-8783 . . . . .	374		782	198-9918 . . . . .	3		1289
	375		787		4		1290
	703		790		▶312		1293
	705	187-2034 . . . . .	366	199-3062 . . . . .	610		1294
	706	187-4607 . . . . .	193		612		1297
	707		199		613		1298
	708	187-4608 . . . . .	193		787		1301
	709		199				1302
	710	187-7738 . . . . .	30				1305
179-8786 . . . . .	374	188-3111 . . . . .	608				1306
	375		869				1309
	630		1134	200-2003 . . . . .	98		1310
	703	189-5746 . . . . .	▶660	200-6504 . . . . .	▶615		1313
	705		736	200-8272 . . . . .	124		1314
	706	191-6015 . . . . .	311	201-0549 . . . . .	▶37		1317
	707		315	201-0578 . . . . .	124		1318
	708	192-2922 . . . . .	705	201-0966 . . . . .	124		1321
	709		710	201-1163 . . . . .	124		1322
	710	192-2924 . . . . .	703	201-2184 . . . . .	205		1328
180-3007 . . . . .	100		705	201-4257 . . . . .	30		1329
180-9340 . . . . .	661		710		▶31	206-6224 . . . . .	1143

# PART NUMBER INDEX

Part	Page	Part	Page	Part	Page	Part	Page
207-1331	321	214-0728	176		1160		1226
207-1332	297	214-0729	176		1161		1227
207-1350	334	214-0731	193		1162		1228
207-1556	▶698		199		1163		1229
207-2018	726	214-1043	▶319		1164	224-7698	232
207-2551	645	214-1044	▶320		1165		238
207-4476	▶623	214-3091	141		1166		245
207-7022	219	214-6045	296		1167	224-8476	158
207-8271	645	214-6066	72		1168	224-9828	1146
208-0820	▶317	215-2559	▶842		1169		1147
208-0821	▶311	216-2285	177		1170		1148
208-0822	3		179		1171		1157
	4		184		1172		1158
	5		219		1174		1159
	6		223		1175		1160
	▶199		228		1176		1161
208-0823	▶329		258		1177		1162
208-0824	199	216-6217	▶176		1178		1163
208-0825	199		193		1179		1164
208-0826	199		199		1180		1165
208-9064	288	216-8359	141		1181		1166
	289	217-6692	100		1182		1167
	290	217-6916	43		1183		1168
	291	217-7164	381		1184		1172
208-9065	288		384		1185		1175
	289		388		1186		1176
	290	219-2229	329		1187		1177
	291	219-2230	329		1188		1178
208-9066	289	219-3240	176		1189		1179
	291	219-7509	282		1190		1180
208-9067	▶289		283		1191		1181
	318	219-7510	282		1192		1182
209-0962	31		283		1193		1183
209-4449	199	220-2677	3		1194		1188
209-4451	317		4		1195		1189
	318		5		1196		1190
209-4453	▶282		6		1197		1191
209-4454	▶283		▶576		1198		1192
209-4455	282	220-6141	329		1199		1193
	283	221-1867	318		1200		1194
209-4457	283		319		1201		1195
209-5296	43		320		1202		1196
210-2542	31	221-1868	318		1203		1197
211-0640	703		319		1204		1198
211-5941	55		320		1205		1199
211-7826	22	222-5152	212		1206		1204
212-3416	601	222-9920	60		1207		1205
	602	223-1696	22		1208		1206
	603		23		1209		1207
	604	223-6361	72		1210		1208
212-4620	▶318	223-6470	703		1211		1209
212-4694	▶45	224-7684	1146		1212		1210
212-8177	211		1147		1213		1211
	▶212		1148		1214		1212
212-8179	209		1149		1215		1213
212-8180	212		1150		1216		1214
212-8183	209		1151		1217		1215
212-8184	212		1152		1218		1216
212-8188	282		1153		1219		1217
	283		1154		1220		1218
213-4872	▶290		1155		1221		1219
	319		1156		1222		1220
213-4873	▶291		1157		1223		1221
	320		1158		1224		1222
213-6133	141		1159		1225		1223

# PART NUMBER INDEX

Part	Page	Part	Page	Part	Page	Part	Page
	1226		1202		1168		1234
	1227		1203		1169		1235
	1228		1204		1170		1236
	1229		1205		1171		1237
224-9869 . . . . .	3		1206		1172		1238
	4		1207		1173		1239
	5		1208		1174		1240
	6		1209		1175		1241
	►98		1210		1176		1242
225-3224 . . . . .	1146		1211		1177		1244
	1147		1212		1178		1245
	1148		1213		1179		1442
	1149		1214		1180	225-3232 . . . . .	1146
	1150		1215		1181		1147
	1151		1216		1182		1148
	1152		1217		1183		1157
	1153		1218		1184		1158
	1154		1219		1185		1159
	1155		1220		1186		1160
	1156		1221		1187		1161
	1157		1222		1188		1162
	1158		1223		1189		1163
	1159		1224		1190		1164
	1160		1225		1191		1165
	1161		1226		1192		1166
	1162		1227		1193		1167
	1163		1228		1194		1168
	1164		1229		1195		1172
	1165		1230		1196		1175
	1166		1231		1197		1176
	1167		1232		1198		1177
	1168		1234		1199		1178
	1169		1235		1200		1179
	1170		1236		1201		1180
	1171		1237		1202		1181
	1172		1238		1203		1182
	1173		1239		1204		1183
	1174		1240		1205		1188
	1175		1241		1206		1189
	1176		1242		1207		1190
	1177		1244		1208		1191
	1178		1245		1209		1192
	1179	225-3226 . . . . .	1442		1210		1193
	1180	225-3227 . . . . .	1146		1211		1194
	1181		1147		1212		1195
	1182		1148		1213		1196
	1183		1149		1214		1197
	1184		1150		1215		1198
	1185		1151		1216		1199
	1186		1152		1217		1204
	1187		1153		1218		1205
	1188		1154		1219		1206
	1189		1155		1220		1207
	1190		1156		1221		1208
	1191		1157		1222		1209
	1192		1158		1223		1210
	1193		1159		1224		1211
	1194		1160		1225		1212
	1195		1161		1226		1213
	1196		1162		1227		1214
	1197		1163		1228		1215
	1198		1164		1229		1216
	1199		1165		1230		1217
	1200		1166		1231		1218
	1201		1167		1232		1219

# PART NUMBER INDEX

Part	Page	Part	Page	Part	Page	Part	Page
	1220		1218		1201		1162
	1221		1219		1202		1163
	1222		1220		1203		1164
	1223		1221		1204		1165
	1226		1222		1205		1166
	1227		1223		1206		1167
	1228		1226		1207		1168
	1229		1227		1208		1169
225-4256 . . . . .	243		1228		1209		1170
	279		1229		1210		1171
225-8574 . . . . .	121	228-4798 . . . . .	608		1211		1172
227-3801 . . . . .	34		1146		1212		1173
	35		1147		1213		1174
228-3369 . . . . .	1442		1148		1214		1175
228-3581 . . . . .	1146		1149		1215		1176
	1147		1150		1216		1177
	1148		1151		1217		1178
	1157		1152		1218		1179
	1158		1153		1219		1180
	1159		1154		1220		1181
	1160		1155		1221		1182
	1161		1156		1222		1183
	1162		1157		1223		1184
	1163		1158		1224		1185
	1164		1159		1225		1186
	1165		1160		1226		1187
	1166		1161		1227		1188
	1167		1162		1228		1189
	1168		1163		1229		1190
	1172		1164		1230		1191
	1175		1165		1231		1192
	1176		1166		1232		1193
	1177		1167		1234		1194
	1178		1168		1235		1195
	1179		1169		1236		1196
	1180		1170		1237		1197
	1181		1171		1238		1198
	1182		1172		1239		1199
	1183		1174		1240		1200
	1188		1175		1241		1201
	1189		1176		1242		1202
	1190		1177		1244		1203
	1191		1178		1245		1204
	1192		1179	228-8925 . . . . .	68		1205
	1193		1180		70		1206
	1194		1181	228-8926 . . . . .	68		1207
	1195		1182		70		1208
	1196		1183	228-8928 . . . . .	68		1209
	1197		1184	229-3218 . . . . .	357		1210
	1198		1185	229-5047 . . . . .	1146		1211
	1199		1186		1147		1212
	1204		1187		1148		1213
	1205		1188		1149		1214
	1206		1189		1150		1215
	1207		1190		1151		1216
	1208		1191		1152		1217
	1209		1192		1153		1218
	1210		1193		1154		1219
	1211		1194		1155		1220
	1212		1195		1156		1221
	1213		1196		1157		1222
	1214		1197		1158		1223
	1215		1198		1159		1224
	1216		1199		1160		1225
	1217		1200		1161		1226

# PART NUMBER INDEX

Part	Page	Part	Page	Part	Page	Part	Page
	1227	234-1856 . . . . .	582	235-8130 . . . . .	1362	241-0236 . . . . .	733
	1228		754		1363		770
	1229	234-1857 . . . . .	614		1364	241-0243 . . . . .	▶732
	1230	234-1858 . . . . .	614		1365	241-0244 . . . . .	732
	1231	234-4182 . . . . .	356		1366	241-1725 . . . . .	▶670
	1232		362		1367	241-1727 . . . . .	670
	1234	234-7920 . . . . .	827		1368	241-2738 . . . . .	▶346
	1235	234-8937 . . . . .	17		1369	241-5928 . . . . .	187
	1236	235-2315 . . . . .	▶232		1374	242-4251 . . . . .	152
	1237		235	235-8824 . . . . .	670		272
	1238	235-2320 . . . . .	179		▶729	242-5328 . . . . .	▶29
	1239	235-2324 . . . . .	▶152	235-8827 . . . . .	729	242-7061 . . . . .	645
	1240	235-2325 . . . . .	▶158	236-1158 . . . . .	787	242-7062 . . . . .	734
	1241		235		789	242-7063 . . . . .	645
	1243	235-2484 . . . . .	63		790	242-7064 . . . . .	645
	1244	235-3546 . . . . .	14		799	242-7065 . . . . .	645
	1245		19	236-1159 . . . . .	579		733
229-8391 . . . . .	70		41		▶799		770
230-1072 . . . . .	189		47		823	242-7067 . . . . .	645
	193		208	236-1507 . . . . .	857	242-7068 . . . . .	▶734
	199	235-3548 . . . . .	14	236-1508 . . . . .	858	242-7390 . . . . .	771
230-2619 . . . . .	98		19	236-1515 . . . . .	859	242-7391 . . . . .	645
230-2620 . . . . .	98		39	236-8821 . . . . .	▶148	242-7392 . . . . .	736
230-2621 . . . . .	98		41	237-0125 . . . . .	772	242-7397 . . . . .	733
230-2633 . . . . .	98		47		▶796	242-7398 . . . . .	732
230-9457 . . . . .	356	235-4451 . . . . .	336	237-0336 . . . . .	782	242-8828 . . . . .	793
231-5867 . . . . .	68		377	237-0598 . . . . .	3	242-8829 . . . . .	794
	70		378		4		830
231-9123 . . . . .	5		394		5		833
	6		395		6		835
	▶11		588		▶325		838
231-9124 . . . . .	11		589	237-1962 . . . . .	▶700	242-8831 . . . . .	793
231-9125 . . . . .	11		590	237-2715 . . . . .	358	242-8832 . . . . .	793
231-9126 . . . . .	11		592	237-2716 . . . . .	358	242-8833 . . . . .	639
231-9127 . . . . .	11		594	237-2717 . . . . .	351	242-8834 . . . . .	381
232-4670 . . . . .	▶600		595	237-4357 . . . . .	740		384
	740		596	237-8999 . . . . .	▶645		388
232-4671 . . . . .	600		597		740	242-8835 . . . . .	336
232-4672 . . . . .	600		598	237-9016 . . . . .	3		381
232-4673 . . . . .	600		599		4		384
232-4674 . . . . .	600		639		5		388
232-4675 . . . . .	600		640		6		396
233-0643 . . . . .	46		713		▶736		810
233-7648 . . . . .	825		793	237-9017 . . . . .	736	242-8836 . . . . .	843
	826		810		▶740	242-8837 . . . . .	394
	▶827		818	237-9018 . . . . .	▶611	242-8838 . . . . .	589
233-7653 . . . . .	827		819		740	242-8839 . . . . .	395
233-7657 . . . . .	827		843	239-5794 . . . . .	771	242-8840 . . . . .	588
233-7659 . . . . .	827		844	239-6986 . . . . .	1443	242-8841 . . . . .	844
233-7660 . . . . .	827		845	240-0740 . . . . .	▶716	242-8845 . . . . .	850
233-7661 . . . . .	827		847	240-6653 . . . . .	3	242-8846 . . . . .	849
233-7742 . . . . .	794		849		4	243-1513 . . . . .	12
	833		850		5	243-1520 . . . . .	▶12
	835		1348		6		1351
	838	235-5650 . . . . .	825		▶25	243-1888 . . . . .	819
233-7973 . . . . .	▶363		826	240-7032 . . . . .	98	243-1894 . . . . .	394
234-0275 . . . . .	773	235-5651 . . . . .	376	240-8703 . . . . .	789	243-1895 . . . . .	845
	797	235-5656 . . . . .	827		799	243-1896 . . . . .	845
	798	235-5657 . . . . .	827	241-0158 . . . . .	806	243-1897 . . . . .	845
234-1373 . . . . .	794	235-5658 . . . . .	827		1355	243-1898 . . . . .	845
	830	235-5659 . . . . .	827	241-0231 . . . . .	▶770	243-1899 . . . . .	847
	833	235-5660 . . . . .	827	241-0232 . . . . .	771	243-1900 . . . . .	847
	835	235-6333 . . . . .	▶376	241-0233 . . . . .	▶771	243-1901 . . . . .	847
	838		827	241-0234 . . . . .	771	243-1902 . . . . .	1376
234-1645 . . . . .	796	235-8128 . . . . .	1356	241-0235 . . . . .	▶733	243-2288 . . . . .	187

# PART NUMBER INDEX

Part	Page	Part	Page	Part	Page	Part	Page
243-3216	46	244-9603	381	244-9636	717		454
243-3749	▶213		384	244-9637	381		455
	230		▶705		384	244-9730	456
243-5027	594	244-9606	773		388		457
	595	244-9607	381	244-9638	▶717		458
	596		384		833		459
	597		▶706		838		460
	598	244-9608	▶373	244-9639	336		461
	787		773		▶374		462
	789	244-9612	582		810		463
	794		754	244-9640	374		464
	801	244-9613	579	244-9641	759		465
	802		787		761		466
	818		789		762		467
	823		790	244-9642	336		468
	830		820		810		473
	833		823	244-9643	336		474
	835	244-9614	378		810		475
	838	244-9616	378		813		476
	845	244-9622	377		815		477
	849	244-9623	377	244-9644	810		478
	850	244-9624	377	244-9646	336		481
	1348	244-9625	377	244-9657	703		489
	1353	244-9627	703	244-9660	412		557
243-5752	719	244-9628	705		414	244-9742	▶456
244-0452	582	244-9629	706	244-9661	411	244-9744	▶457
	614	244-9630	373		412	244-9746	▶458
	754	244-9631	336		414	244-9750	453
244-0472	628		377		415		454
244-0473	628		378	244-9662	411		455
244-1203	213		381		412	244-9764	▶459
244-1208	213		384		414	244-9765	▶460
244-1212	213		388		415	244-9767	▶461
244-1216	213		394	244-9669	336	244-9770	▶462
244-1219	213		395		810	244-9772	▶463
244-1222	213		396	244-9673	794	244-9773	▶464
244-1225	213		591		830	244-9775	▶465
244-1233	213		592		835	244-9776	▶466
244-1242	213		594	244-9674	833	244-9777	▶467
244-1252	213		595		838	244-9779	▶468
244-1268	213		596	244-9683	416	244-9780	▶469
244-1321	213		597		418	244-9781	▶470
244-1535	▶126		598	244-9684	416	244-9782	▶471
244-1546	126		639		418	244-9783	▶472
	129		713	244-9685	399	244-9784	▶473
244-1786	213		793		400	244-9785	▶474
244-1787	213		794	244-9686	399	244-9787	▶475
244-1789	213		810		401	244-9788	▶476
244-1941	213		818	244-9687	400	244-9789	▶477
244-5403	▶614		819		402	244-9791	▶478
	744		830	244-9688	▶399	244-9792	▶479
244-5404	▶612		833		416	244-9793	▶480
	794		835	244-9689	▶400	244-9794	▶481
	830		838		418	244-9795	▶482
244-5405	384		844	244-9690	▶401	244-9796	▶483
244-7191	12		845		416	244-9797	▶484
244-8705	645		847	244-9691	▶402	244-9798	▶485
244-9599	745		849		418	244-9799	▶486
	752		850	244-9693	398	244-9800	▶487
244-9600	748		1376	244-9694	401	244-9801	▶488
244-9601	775	244-9633	▶613		402	244-9802	▶489
244-9602	381		833	244-9704	▶453	244-9803	▶490
	384		838	244-9706	▶454	244-9804	▶491
	388	244-9634	381	244-9710	▶455	244-9805	▶492
	▶703		▶613	244-9726	453	244-9807	▶493

# PART NUMBER INDEX

Part	Page	Part	Page	Part	Page	Part	Page
244-9808 . . . . .	▶494		505		460		555
244-9809 . . . . .	▶495		506		464		556
244-9810 . . . . .	▶496		507		467		557
244-9811 . . . . .	▶497		508		470		558
244-9812 . . . . .	▶498		509		474		559
244-9813 . . . . .	▶499		510		477		560
244-9815 . . . . .	▶500		511		480		561
244-9816 . . . . .	▶501		512		484		562
244-9817 . . . . .	▶502		551		488		563
244-9819 . . . . .	▶503		552		489		564
244-9820 . . . . .	▶504		553		492		565
244-9821 . . . . .	▶505		554		495		566
244-9823 . . . . .	▶506		555		499		567
244-9824 . . . . .	453		556		502		568
	454		557		505	244-9835 . . . . .	461
	455		558		508		462
244-9825 . . . . .	456		559		512		465
	457		560		516		468
	458		561		519		472
	459		562		522		475
	460		563		525		478
	461	244-9827 . . . . .	456		528		482
	462		457		531		486
	463		458		534		490
	464		459		537		493
	465		460		540		497
	466		461		543		500
	467		462		546		503
	468		463		549		506
	469		464		554		510
	470		465	244-9834 . . . . .	461		514
	471		466		462		517
	472		467		465		520
	473		468		468		523
	474		473		471		526
	475		474		472		529
	476		475		475		532
	477		476		478		535
	478		477		482		538
	479		478		485		541
	480		481		486		544
	481		489		490		547
	482		557		493		550
	483	244-9831 . . . . .	457		496		552
	484		459		497		556
	485		463		500	244-9836 . . . . .	453
	486		466		503	244-9837 . . . . .	456
	487		473		506		469
	488		476		509		481
	489		479		510		483
	490		487		514		494
	491		491		517		507
	492		498		520		511
	493		501		523		513
	494		504		526		521
	495		515		529		530
	496		518		532		539
	497		524		535		548
	498		527		538		553
	499		533		541	244-9838 . . . . .	454
	500		536		544	244-9839 . . . . .	456
	501		542		547		457
	502		545		550		458
	503	244-9832 . . . . .	455		551		459
	504	244-9833 . . . . .	458		552		460



# PART NUMBER INDEX

Part	Page	Part	Page	Part	Page	Part	Page
	461		506		565		555
	462		507		566		556
	463		508		567		557
	464		509		568		558
	465		510	244-9861 . . . . .	456		559
	466		511		457		560
	467		512		458		561
	468		551		459		562
	473		552		460		563
	474		553		461	244-9862 . . . . .	453
	475		555		462		454
	476		556		463		455
	477		557		464	244-9864 . . . . .	▶507
	478		558		465	244-9865 . . . . .	▶508
	481		559		466	244-9866 . . . . .	▶509
	489		560		467	244-9867 . . . . .	▶510
	557		561		468	244-9868 . . . . .	▶511
244-9840 . . . . .	471		562		469	244-9869 . . . . .	▶512
	485		563		470	244-9870 . . . . .	▶513
	496	244-9842 . . . . .	▶720		471	244-9873 . . . . .	▶514
	509	244-9843 . . . . .	▶721		472	244-9874 . . . . .	▶515
	551	244-9845 . . . . .	488		473	244-9875 . . . . .	▶516
	555		554		474	244-9876 . . . . .	▶517
244-9841 . . . . .	456	244-9852 . . . . .	455		475	244-9877 . . . . .	▶518
	458	244-9856 . . . . .	▶735		476	244-9878 . . . . .	▶519
	459	244-9857 . . . . .	735		477	244-9879 . . . . .	▶520
	460	244-9858 . . . . .	513		478	244-9880 . . . . .	▶521
	461		514		479	244-9881 . . . . .	▶522
	462		515		480	244-9883 . . . . .	▶523
	463		516		481	244-9884 . . . . .	▶524
	464		517		482	244-9885 . . . . .	▶525
	465		518		483	244-9886 . . . . .	▶526
	469		519		484	244-9887 . . . . .	▶527
	470		520		485	244-9888 . . . . .	▶528
	471		521		486	244-9889 . . . . .	▶529
	472		522		487	244-9890 . . . . .	▶530
	473		523		488	244-9891 . . . . .	▶531
	474		524		489	244-9893 . . . . .	▶532
	475		525		490	244-9894 . . . . .	▶533
	479		526		491	244-9895 . . . . .	▶534
	480		527		492	244-9896 . . . . .	▶535
	481		528		493	244-9897 . . . . .	▶536
	482		529		494	244-9898 . . . . .	▶537
	483		530		495	244-9899 . . . . .	▶538
	484		531		496	244-9900 . . . . .	▶539
	485		532		497	244-9901 . . . . .	▶540
	486		533		498	244-9903 . . . . .	▶541
	487		534		499	244-9904 . . . . .	▶542
	489		535		500	244-9905 . . . . .	▶543
	490		536		501	244-9906 . . . . .	▶544
	491		537		502	244-9907 . . . . .	▶545
	492		538		503	244-9908 . . . . .	▶546
	493		539		504	244-9909 . . . . .	▶547
	494		540		505	244-9910 . . . . .	▶548
	495		541		506	244-9911 . . . . .	▶549
	496		542		507	244-9913 . . . . .	▶550
	497		543		508	244-9917 . . . . .	▶551
	498		544		509	244-9918 . . . . .	▶552
	499		545		510	244-9919 . . . . .	▶553
	500		546		511	244-9920 . . . . .	▶554
	501		547		512	244-9921 . . . . .	▶555
	502		548		551	244-9922 . . . . .	▶556
	503		549		552	244-9973 . . . . .	513
	504		550		553		514
	505		564		554		515

# PART NUMBER INDEX

Part	Page	Part	Page	Part	Page	Part	Page
	516	245-0030 . . . . .	▶830		711		875
	517	245-0033 . . . . .	▶381	246-8106 . . . . .	707		876
	518	245-0035 . . . . .	▶384	246-8646 . . . . .	241		878
	519	245-0037 . . . . .	▶396		252		880
	520	245-0049 . . . . .	845	246-8647 . . . . .	241		882
	521	245-0050 . . . . .	845	246-8648 . . . . .	241		884
	522	245-0051 . . . . .	845		252		886
	523	245-0052 . . . . .	845	246-8649 . . . . .	241		888
	524	245-0053 . . . . .	847		252		890
	525	245-0054 . . . . .	847	246-8656 . . . . .	241		892
	526	245-0055 . . . . .	847		252		894
	527	245-0056 . . . . .	847	246-8657 . . . . .	241		896
	528		▶1376		252		898
	529	245-0057 . . . . .	849	246-8658 . . . . .	241		900
	530	245-0073 . . . . .	381		249		902
	531		384		252		904
	532		388	246-8663 . . . . .	232		906
	533	245-0074 . . . . .	336	246-8664 . . . . .	232		908
	534		810	246-8665 . . . . .	232		910
	535	245-0075 . . . . .	850		▶340		912
	536	245-0080 . . . . .	819	246-8666 . . . . .	340		914
	537	245-0081 . . . . .	▶582	246-8667 . . . . .	340		916
	538	245-0082 . . . . .	▶800	246-8674 . . . . .	160		918
	539	245-0086 . . . . .	▶854		161		920
	540	245-0087 . . . . .	▶824		163		922
	541	245-0092 . . . . .	▶744	246-8675 . . . . .	160		924
	542	245-0096 . . . . .	▶591		161		926
	543	245-0097 . . . . .	▶592		163		928
	544	245-0098 . . . . .	841	246-8678 . . . . .	232		931
	545	245-0099 . . . . .	841		245		933
	546	245-1149 . . . . .	781	246-8679 . . . . .	232		935
	547	245-1150 . . . . .	781	246-8680 . . . . .	232		937
	548	245-2876 . . . . .	279	246-8898 . . . . .	381		939
	549	245-2987 . . . . .	579		384		941
	550		790		388		943
	564		794	246-9375 . . . . .	3		945
	565		802		4		947
	566		830		▶781		949
	567		833	246-9376 . . . . .	5		951
	568		835		6		952
			838		▶781		954
244-9984 . . . . .	▶557		835	246-9809 . . . . .	854		956
244-9990 . . . . .	▶558	245-2989 . . . . .	835	246-9810 . . . . .	854		958
244-9991 . . . . .	▶559	245-2991 . . . . .	794	246-9811 . . . . .	855		960
244-9992 . . . . .	▶560		838	246-9812 . . . . .	855		962
244-9993 . . . . .	▶561	245-2992 . . . . .	802	246-9818 . . . . .	703		964
244-9994 . . . . .	▶562		830	247-0845 . . . . .	▶35		966
244-9995 . . . . .	▶563		833		36		968
244-9996 . . . . .	▶564	245-3512 . . . . .	296		232		970
244-9997 . . . . .	▶565		298	247-1076 . . . . .	249		972
244-9998 . . . . .	▶566	245-4339 . . . . .	332		252		974
244-9999 . . . . .	▶567		▶334		243		976
245-0000 . . . . .	▶793	245-4409 . . . . .	332	247-1078 . . . . .	265		978
245-0001 . . . . .	▶639	245-4907 . . . . .	356		268		980
245-0002 . . . . .	▶394		362		340		982
245-0003 . . . . .	▶395	245-4908 . . . . .	356	247-1268 . . . . .	341		984
245-0005 . . . . .	▶845		362		342		986
245-0006 . . . . .	▶847	245-8736 . . . . .	▶857		343		988
245-0007 . . . . .	▶849	245-8737 . . . . .	▶858		340		990
245-0013 . . . . .	▶850	245-8744 . . . . .	▶859	247-1269 . . . . .	340		992
245-0023 . . . . .	▶819	246-4718 . . . . .	334	247-1270 . . . . .	341		994
245-0024 . . . . .	▶843	246-4719 . . . . .	334		342		996
245-0025 . . . . .	▶588	246-7013 . . . . .	754		343		998
245-0026 . . . . .	▶589	246-7014 . . . . .	614		150		1000
245-0027 . . . . .	▶844	246-7015 . . . . .	614	247-3796 . . . . .	873		1002
245-0029 . . . . .	▶590	246-8090 . . . . .	▶707	247-5509 . . . . .			

# PART NUMBER INDEX

Part	Page	Part	Page	Part	Page	Part	Page	
	1004		252		207	252-3905 . . . . .	1164	
	1006	247-7099 . . . . .	241	251-7645 . . . . .	43		▶1265	
	1008		252	251-7648 . . . . .	43	252-3906 . . . . .	▶1164	
	1010	247-7101 . . . . .	241	251-9430 . . . . .	840	252-3907 . . . . .	1165	
	1012		252	251-9436 . . . . .	126		▶1266	
	1014	247-7106 . . . . .	232		129	252-3908 . . . . .	▶1165	
	1016	247-7107 . . . . .	232	252-1731 . . . . .	703	252-3909 . . . . .	1166	
	1018	247-7108 . . . . .	▶160	252-1732 . . . . .	703		▶1267	
	1020		232	252-3843 . . . . .	1146	252-3910 . . . . .	▶1166	
	1022	247-7109 . . . . .	160		▶1246	252-3911 . . . . .	1167	
	1024	247-7110 . . . . .	160	252-3844 . . . . .	▶1146		▶1268	
	1026	247-7111 . . . . .	160	252-3845 . . . . .	1147	252-3912 . . . . .	▶1167	
	1028	247-7112 . . . . .	160		▶1247	252-3913 . . . . .	1168	
	1030	247-7113 . . . . .	160	252-3846 . . . . .	▶1147		▶1269	
	1032	247-7115 . . . . .	232	252-3847 . . . . .	1148	252-3914 . . . . .	▶1168	
	1034		245		▶1248	252-3935 . . . . .	1169	
	1036	247-8340 . . . . .	9	252-3848 . . . . .	▶1148		▶1270	
	1038	247-8341 . . . . .	▶9	252-3849 . . . . .	1149	252-3936 . . . . .	▶1169	
	1040		98		▶1249	252-3939 . . . . .	1170	
	1042	247-8652 . . . . .	827	252-3850 . . . . .	▶1149		▶1271	
	1044	247-9970 . . . . .	204	252-3859 . . . . .	1150	252-3940 . . . . .	▶1170	
	1046	248-0197 . . . . .	5		▶1250	252-3943 . . . . .	1171	
	1050		6	252-3860 . . . . .	▶1150		▶1272	
	1052		▶36	252-3861 . . . . .	1151	252-3944 . . . . .	▶1171	
	1054	248-0382 . . . . .	179		▶1251	252-3945 . . . . .	1172	
	1056	248-2075 . . . . .	241	252-3862 . . . . .	▶1151		▶1273	
	1058		252	252-3863 . . . . .	1152	252-3946 . . . . .	▶1172	
	1060	248-2432 . . . . .	12		▶1252	252-3947 . . . . .	1172	
	1063	248-3180 . . . . .	241	252-3864 . . . . .	▶1152		▶1274	
	1065	249-0029 . . . . .	▶205	252-3865 . . . . .	1153	252-3948 . . . . .	▶1172	
	1067		219		▶1253	252-3949 . . . . .	1174	
	1069		223	252-3866 . . . . .	▶1153		▶1275	
	1071		228	252-3875 . . . . .	1154	252-3950 . . . . .	▶1174	
	1073		235		▶1254	252-3965 . . . . .	1175	
	1075		236	252-3876 . . . . .	▶1154		▶1276	
	1079		255	252-3877 . . . . .	1154	252-3966 . . . . .	▶1175	
	1081		258		▶1255	252-3969 . . . . .	1176	
	1083	249-0030 . . . . .	205	252-3878 . . . . .	▶1154		▶1277	
	1086	249-0301 . . . . .	▶235	252-3879 . . . . .	1155	252-3970 . . . . .	▶1176	
	1090	249-0309 . . . . .	▶236		▶1256	252-3971 . . . . .	1177	
	1094	249-0310 . . . . .	▶177	252-3880 . . . . .	▶1155		▶1278	
	1098		236	252-3881 . . . . .	1156	252-3972 . . . . .	▶1177	
	1102	249-1174 . . . . .	778		▶1257	252-3973 . . . . .	1178	
	1104		▶797	252-3882 . . . . .	▶1156		▶1279	
	1106	249-3108 . . . . .	395	252-3891 . . . . .	1157	252-3974 . . . . .	▶1178	
	1108		628		▶1258	252-3975 . . . . .	1179	
	1110		824	252-3892 . . . . .	▶1157		▶1280	
	1112	249-5262 . . . . .	▶129	252-3893 . . . . .	1158	252-3976 . . . . .	▶1179	
	1114	249-7649 . . . . .	▶575		▶1259	252-4049 . . . . .	1180	
	1116	250-1306 . . . . .	362	252-3894 . . . . .	▶1158		▶1281	
	1118	250-1496 . . . . .	121	252-3895 . . . . .	1159	252-4050 . . . . .	▶1180	
	1120		351		▶1260	252-4051 . . . . .	1181	
	1122		358	252-3896 . . . . .	▶1159		▶1282	
	1124	250-1497 . . . . .	346	252-3897 . . . . .	1160	252-4052 . . . . .	▶1181	
	1126		351		▶1261	252-4053 . . . . .	1182	
	1130	250-1498 . . . . .	121	252-3898 . . . . .	▶1160		▶1283	
	1135		346	252-3899 . . . . .	1161	252-4054 . . . . .	▶1182	
	1137		351		▶1262	252-4055 . . . . .	1183	
247-7092 . . . . .	241	250-1499 . . . . .	351	252-3900 . . . . .	▶1161		▶1284	
		252	250-3444 . . . . .	1442	252-3901 . . . . .	1162	252-4056 . . . . .	▶1183
247-7093 . . . . .	241	250-8279 . . . . .	698		▶1263	252-4057 . . . . .	1184	
		252	250-8472 . . . . .	733	252-3902 . . . . .	▶1162	▶1285	
247-7094 . . . . .	241	250-9694 . . . . .	▶2	252-3903 . . . . .	1163	252-4058 . . . . .	▶1184	
		252	251-3091 . . . . .	▶1	▶1264	252-4059 . . . . .	1185	
247-7095 . . . . .	241	251-5715 . . . . .	205	252-3904 . . . . .	▶1163		▶1286	

# PART NUMBER INDEX

Part	Page	Part	Page	Part	Page	Part	Page
252-4060	▶1185		▶1308	252-7358	813		570
252-4061	1186	252-4176	▶1207		815		571
	▶1287	252-4177	1208	252-7359	642		572
252-4062	▶1186		▶1309	252-7361	▶641		573
252-4063	1187	252-4178	▶1208	252-7362	▶775		574
	▶1288	252-4179	1209	252-7365	336	252-7455	381
252-4064	▶1187		▶1310		▶727		384
252-4065	1188	252-4180	▶1209		810	252-7459	403
	▶1289	252-4181	1210	252-7366	▶377	252-7461	595
252-4066	▶1188		▶1311		590	252-7463	▶403
252-4067	1189	252-4182	▶1210	252-7367	▶640	252-7464	594
	▶1290	252-4183	1211	252-7368	▶336	252-7465	594
252-4068	▶1189		▶1312	252-7369	▶810	252-7468	▶594
252-4069	1190	252-4184	▶1211	252-7370	▶833	252-7470	▶595
	▶1291	252-4185	1212	252-7371	▶855	252-7472	423
252-4070	▶1190		▶1313	252-7374	▶642		431
252-4071	1191	252-4186	▶1212	252-7377	396	252-7473	▶423
	▶1292	252-4187	1213	252-7378	▶568	252-7476	▶649
252-4072	▶1191		▶1314	252-7386	557	252-7477	▶596
252-4073	1192	252-4188	▶1213		558	252-7478	596
	▶1293	252-4189	1214		559	252-7479	596
252-4074	▶1192		▶1315		560	252-7480	▶748
252-4075	1193	252-4190	▶1214		561	252-7481	423
	▶1294	252-4191	1215		562		424
252-4076	▶1193		▶1316		563		425
252-4077	1194	252-4192	▶1215		564		426
	▶1295	252-4193	1216		565		427
252-4078	▶1194		▶1317		566		429
252-4079	1195	252-4194	▶1216		567		431
	▶1296	252-4195	1217		568		432
252-4080	▶1195		▶1318	252-7406	▶841	252-7482	597
252-4153	1196	252-4196	▶1217	252-7407	▶593	252-7484	597
	▶1297	252-4197	1218	252-7409	▶605	252-7485	▶597
252-4154	▶1196		▶1319	252-7410	▶606	252-7486	650
252-4155	1197	252-4198	▶1218	252-7412	▶416	252-7487	598
	▶1298	252-4199	1219	252-7413	▶418	252-7488	598
252-4156	▶1197		▶1320	252-7416	▶813	252-7489	648
252-4157	1198	252-4200	▶1219	252-7417	▶815	252-7490	595
	▶1299	252-4201	1220	252-7419	▶745	252-7491	▶598
252-4158	▶1198		▶1321	252-7424	▶718	252-7492	647
252-4159	1199	252-4202	▶1220	252-7425	336		651
	▶1300	252-4203	1221		810	252-7493	649
252-4160	▶1199		▶1322	252-7426	381		650
252-4161	1200	252-4204	▶1221		384	252-7494	▶650
	▶1301	252-4205	1222		388	252-7495	▶651
252-4162	▶1200		▶1323	252-7427	▶747	252-7497	703
252-4163	1201	252-4206	▶1222	252-7429	777	252-7498	592
	▶1302	252-4207	1223	252-7430	776	252-7499	592
252-4164	▶1201		▶1324	252-7434	813	252-7504	▶579
252-4165	1202	252-4208	▶1223	252-7435	815	252-7505	▶798
	▶1303	252-6464	63	252-7436	578	252-7513	608
252-4166	▶1202	252-6498	63	252-7437	▶578	252-7518	▶424
252-4167	1203	252-7342	▶647	252-7438	▶653	252-7519	336
	▶1304	252-7345	▶772	252-7444	708		381
252-4168	▶1203	252-7347	▶773	252-7446	642		384
252-4169	1204	252-7350	▶628	252-7449	▶648		388
	▶1305	252-7351	591	252-7450	649		396
252-4170	▶1204	252-7352	591	252-7451	650		810
252-4171	1205	252-7353	582	252-7452	569	252-7553	▶823
	▶1306	252-7354	582		570	252-7554	▶776
252-4172	▶1205	252-7355	747		571	252-7555	▶777
252-4173	1206	252-7356	745		572	252-7556	▶820
	▶1307		758		573	252-7557	784
252-4174	▶1206	252-7357	641		574	252-7558	▶784
252-4175	1207		▶708	252-7454	569		794

# PART NUMBER INDEX

Part	Page	Part	Page	Part	Page	Part	Page
	830		432		1321		1322
252-7561 . . . . .	▶722	252-7662 . . . . .	408		1322		1323
252-7562 . . . . .	▶723	252-7692 . . . . .	▶614		1323		1324
252-7563 . . . . .	▶724		785		1324		1328
252-7564 . . . . .	▶725	252-7693 . . . . .	▶785		1328		1329
252-7567 . . . . .	▶404		835		1329		1330
	424	252-7697 . . . . .	388		1330		1331
	431	252-7700 . . . . .	▶654		1331		1332
252-7596 . . . . .	649	252-8374 . . . . .	17		1332		1333
252-7597 . . . . .	424	252-8801 . . . . .	▶156		1333		1334
	425	252-8802 . . . . .	▶157		1334		1335
252-7598 . . . . .	▶425	252-8803 . . . . .	156		1335		1336
252-7601 . . . . .	992		157		1336		1337
252-7602 . . . . .	998	252-8842 . . . . .	156		1337		1339
252-7603 . . . . .	▶426		157		1339		1340
252-7604 . . . . .	433	252-9298 . . . . .	730		1340		1341
252-7605 . . . . .	▶405	252-9873 . . . . .	232		1341		1342
	423	252-9877 . . . . .	236		1342		1343
	425		▶238		1343		1344
252-7606 . . . . .	▶427	253-1238 . . . . .	72		1344		1345
252-7607 . . . . .	426	253-1888 . . . . .	781		1345		1346
	427	253-1947 . . . . .	1224		1346		1347
252-7608 . . . . .	▶429		▶1325		1347		▶1377
252-7609 . . . . .	429	253-1948 . . . . .	▶1224	253-3501 . . . . .	851	253-3504 . . . . .	1377
	432	253-3500 . . . . .	▶851	253-3502 . . . . .	1258	253-3505 . . . . .	1377
252-7610 . . . . .	▶430		1258		1259	253-3508 . . . . .	1341
252-7611 . . . . .	▶406		1259		1260		1345
	427		1260		1261		1381
	429		1261		1262		1382
252-7613 . . . . .	▶407		1262		1263		1392
	430		1263		1264		1393
252-7614 . . . . .	▶431		1264		1265		1394
252-7616 . . . . .	652		1265		1266		1395
252-7618 . . . . .	652		1266		1267		1396
252-7619 . . . . .	406		1267		1268		1397
	408		1268		1269		1398
252-7620 . . . . .	406		1269		1272		1399
	408		1272		1273		1400
252-7621 . . . . .	▶432		1273		1274		1401
252-7622 . . . . .	406		1274		1275		1402
	408		1275		1277		1403
252-7623 . . . . .	423		1277		1278		1404
	424		1278		1279		1405
	425		1279		1280		1406
	426		1280		1289		1407
	427		1289		1290		1408
	429		1290		1291		1409
	431		1291		1292		1410
	432		1292		1293		1411
252-7630 . . . . .	652		1293		1294		1412
252-7643 . . . . .	▶586		1294		1295		1413
252-7644 . . . . .	586		1295		1296		1414
252-7645 . . . . .	586		1296		1309		1415
252-7646 . . . . .	▶587		1309		1310		1416
252-7647 . . . . .	587		1310		1311		1417
252-7648 . . . . .	587		1311		1312		1418
252-7655 . . . . .	424		1312		1313		1419
	426		1313		1314		1420
	431		1314		1315		1421
	432		1315		1316		1422
252-7656 . . . . .	433		1316		1317		1423
252-7657 . . . . .	▶433		1317		1318		1424
252-7658 . . . . .	404		1318		1319		1425
252-7661 . . . . .	▶408		1319		1320		1426
	426		1320		1321		1427

# PART NUMBER INDEX

Part	Page	Part	Page	Part	Page	Part	Page
	1428		1335		1335		1335
	1429		1336		1336		1336
	1430		1337		1337		1337
	1431		1339		1339		1339
	1432		1340		1340		1340
	1434		1341		1341		1341
	1435		1342		1342		1342
	1436		1343		1343		1343
	1437		1344		1344		1344
	1438		1345		1345		1345
	1439		1346		1346		1346
	1440		1347		1347		1347
	1441	253-3511 . . . . .	864	253-3514 . . . . .	▶861	253-3515 . . . . .	861
253-3510 . . . . .	▶864	253-3512 . . . . .	▶865		1258	253-3516 . . . . .	▶1141
	1258		1258		1259		1258
	1259		1259		1260		1259
	1260		1260		1261		1260
	1261		1261		1262		1261
	1262		1262		1263		1262
	1263		1263		1264		1263
	1264		1264		1265		1264
	1265		1265		1266		1265
	1266		1266		1267		1266
	1267		1267		1268		1267
	1268		1268		1269		1268
	1269		1269		1272		1269
	1272		1272		1273		1272
	1273		1273		1274		1273
	1274		1274		1275		1274
	1275		1275		1277		1275
	1277		1277		1278		1277
	1278		1278		1279		1278
	1279		1279		1280		1279
	1280		1280		1289		1280
	1289		1289		1290		1289
	1290		1290		1291		1290
	1291		1291		1292		1291
	1292		1292		1293		1292
	1293		1293		1294		1293
	1294		1294		1295		1294
	1295		1295		1296		1295
	1296		1296		1309		1296
	1309		1309		1310		1309
	1310		1310		1311		1310
	1311		1311		1312		1311
	1312		1312		1313		1312
	1313		1313		1314		1313
	1314		1314		1315		1314
	1315		1315		1316		1315
	1316		1316		1317		1316
	1317		1317		1318		1317
	1318		1318		1319		1318
	1319		1319		1320		1319
	1320		1320		1321		1320
	1321		1321		1322		1321
	1322		1322		1323		1322
	1323		1323		1324		1323
	1324		1324		1325		1324
	1328		1328		1328		1328
	1329		1329		1329		1329
	1330		1330		1330		1330
	1331		1331		1331		1331
	1332		1332		1332		1332
	1333		1333		1333		1333
	1334		1334		1334		1334

# PART NUMBER INDEX

Part	Page	Part	Page	Part	Page	Part	Page
	1335		1344	253-3527 . . . . .	1258	253-4089 . . . . .	177
	1336		1345		1259	253-4090 . . . . .	177
	1337		1346		1260	253-4091 . . . . .	177
	1339		1347		1261	253-4775 . . . . .	115
	1340	253-3522 . . . . .	1142		1262		118
	1341	253-3523 . . . . .	1246		1263	253-7759 . . . . .	633
	1342		1247		1264	253-9803 . . . . .	▶1353
	1343		1248		1265		1356
	1344		1249		1266		1357
	1345		1250		1267		1358
	1346		1251		1268		1359
	1347		1252		1269		1360
253-3517 . . . . .	1141		1253		1272		1361
253-3519 . . . . .	1362		1254		1273		1370
	1363		1255		1274	253-9808 . . . . .	1353
	1364		1256		1275	253-9810 . . . . .	1353
	1365		1257		1277	253-9821 . . . . .	▶1348
	1367		1258		1278	253-9826 . . . . .	▶862
	1368		1259		1279	253-9928 . . . . .	439
	1369		1262		1280	254-0007 . . . . .	238
	1374		1263		1289	254-0010 . . . . .	243
253-3520 . . . . .	1367		1266		1290	254-0011 . . . . .	243
	1368		1267		1291		268
	1369		1270		1292	254-0012 . . . . .	95
	1374		1271		1293		153
253-3521 . . . . .	▶1142		1276		1294	254-0013 . . . . .	243
	1260		1281		1295	254-0014 . . . . .	243
	1261		1282		1296	254-0015 . . . . .	243
	1264		1283		1309		265
	1265		1284		1310		268
	1268		1285		1311	254-0016 . . . . .	95
	1269		1286		1312		153
	1272		1287		1313	254-0017 . . . . .	243
	1273		1288		1314		268
	1274		1289		1315	254-0018 . . . . .	95
	1275		1290		1316		153
	1277		1293		1317	254-0019 . . . . .	268
	1278		1294		1318	254-0020 . . . . .	268
	1279		1297		1319	254-0021 . . . . .	243
	1280		1298		1320		265
	1291		1299		1321		268
	1292		1300		1322	254-0022 . . . . .	243
	1295		1301		1323		268
	1296		1302		1324	254-0023 . . . . .	95
	1311		1303		1328		153
	1312		1304		1329	254-0024 . . . . .	95
	1315		1305		1330		153
	1316		1306		1331		272
	1319		1307		1332	254-0025 . . . . .	243
	1320		1308		1333		265
	1323		1309		1334		268
	1324		1310		1335	254-0026 . . . . .	95
	1330		1313		1336		153
	1331		1314		1337	254-0027 . . . . .	238
	1332		1317		1340		260
	1333		1318		1341	254-0028 . . . . .	54
	1334		1321		1342	254-0029 . . . . .	95
	1335		1322		1343		153
	1336		1325		1344		272
	1337		1328		1345	254-0030 . . . . .	238
	1339		1329		1346		260
	1340		1368		1347	254-0031 . . . . .	341
	1341		1369	253-3528 . . . . .	1326	254-0032 . . . . .	238
	1342	253-3525 . . . . .	1142		▶1349		▶341
	1343		1145	253-3533 . . . . .	865	254-0033 . . . . .	▶161

# PART NUMBER INDEX

Part	Page	Part	Page	Part	Page	Part	Page
	238		▶1385		▶1389	254-8717 . . . . .	1363
254-0034 . . . . .	161	254-8416 . . . . .	1255	254-8569 . . . . .	1302	254-8718 . . . . .	1364
254-0035 . . . . .	161		▶1385		▶1389	255-3555 . . . . .	243
254-0036 . . . . .	161	254-8417 . . . . .	1256	254-8570 . . . . .	1303	255-4395 . . . . .	238
254-0038 . . . . .	▶153		▶1385		▶1390		▶243
	238	254-8418 . . . . .	1257	254-8571 . . . . .	1304	255-4397 . . . . .	243
254-0039 . . . . .	238		▶1385		▶1390	255-5166 . . . . .	873
	260	254-8423 . . . . .	1381	254-8572 . . . . .	1305		875
254-0040 . . . . .	95	254-8424 . . . . .	1396		▶1390		876
	153	254-8425 . . . . .	1382	254-8573 . . . . .	1306		878
	272	254-8426 . . . . .	1414		▶1390		880
254-0042 . . . . .	238	254-8427 . . . . .	1401	254-8574 . . . . .	1307		882
	260	254-8428 . . . . .	1402		▶1391		884
254-0043 . . . . .	159	254-8429 . . . . .	1421	254-8575 . . . . .	1308		886
254-0044 . . . . .	95	254-8430 . . . . .	1422		▶1391		888
	153	254-8431 . . . . .	1405	254-8576 . . . . .	1394		890
	272	254-8433 . . . . .	1427	254-8577 . . . . .	1395		892
254-0045 . . . . .	238	254-8434 . . . . .	1428	254-8578 . . . . .	1412		894
254-0046 . . . . .	95	254-8447 . . . . .	1270	254-8579 . . . . .	1413		896
	153		▶1385	254-8580 . . . . .	1399		898
	272	254-8449 . . . . .	1271	254-8581 . . . . .	1400		900
254-0047 . . . . .	54		▶1386	254-8582 . . . . .	1419		902
254-0048 . . . . .	54	254-8451 . . . . .	1408	254-8583 . . . . .	1420		904
254-0050 . . . . .	153	254-8452 . . . . .	1415	254-8584 . . . . .	1403		906
254-0051 . . . . .	153	254-8453 . . . . .	1423	254-8585 . . . . .	1404		908
254-2203 . . . . .	▶87	254-8454 . . . . .	1429	254-8586 . . . . .	1425		910
254-2204 . . . . .	▶88	254-8462 . . . . .	1276	254-8651 . . . . .	1426		912
254-3333 . . . . .	95		▶1386	254-8652 . . . . .	1406		914
	153	254-8464 . . . . .	1409	254-8653 . . . . .	1407		916
	272	254-8465 . . . . .	1416	254-8654 . . . . .	1431		918
254-3334 . . . . .	153	254-8466 . . . . .	1424	254-8655 . . . . .	1432		920
254-3335 . . . . .	▶54	254-8467 . . . . .	1430	254-8670 . . . . .	1325		922
	238	254-8510 . . . . .	1281		▶1391		924
254-3336 . . . . .	54		▶1386	254-8700 . . . . .	1325		926
254-3337 . . . . .	54	254-8511 . . . . .	1282		▶1356		928
254-3338 . . . . .	54		▶1386	254-8705 . . . . .	1270		931
254-3339 . . . . .	54	254-8512 . . . . .	1283		▶1357		933
254-3526 . . . . .	88		▶1387	254-8707 . . . . .	1250		935
254-3861 . . . . .	87	254-8513 . . . . .	1284		1251		937
254-6017 . . . . .	232		▶1387		1252		939
	▶241	254-8514 . . . . .	1285		1253		941
254-6199 . . . . .	238		▶1387		1285		943
	265	254-8515 . . . . .	1286		1286		945
	268		▶1387		1287		947
254-6207 . . . . .	▶179	254-8516 . . . . .	1287		1288		949
	235		▶1388		1301		951
254-6209 . . . . .	241	254-8517 . . . . .	1288		1302		952
254-6883 . . . . .	179		▶1388		1303		954
254-8399 . . . . .	1246	254-8518 . . . . .	1392		1304		956
	▶1383	254-8519 . . . . .	1393		▶1358		958
254-8400 . . . . .	1247	254-8520 . . . . .	1410	254-8709 . . . . .	1271		960
	▶1383	254-8521 . . . . .	1411		▶1359		962
254-8401 . . . . .	1248	254-8522 . . . . .	1397	254-8711 . . . . .	1276		964
	▶1383	254-8523 . . . . .	1398		▶1360		966
254-8402 . . . . .	1249	254-8524 . . . . .	1417	254-8713 . . . . .	1254		968
	▶1383	254-8525 . . . . .	1418		1255		970
254-8407 . . . . .	1250	254-8563 . . . . .	1297		1256		972
	▶1384		▶1388		1257		974
254-8408 . . . . .	1251	254-8564 . . . . .	1298		1305		976
	▶1384		▶1388		1306		978
254-8409 . . . . .	1252	254-8565 . . . . .	1299		1307		980
	▶1384		▶1389		1308		982
254-8410 . . . . .	1253	254-8567 . . . . .	1300		▶1361		984
	▶1384		▶1389	254-8715 . . . . .	1362		986
254-8415 . . . . .	1254	254-8568 . . . . .	1301	254-8716 . . . . .	1365		988



# PART NUMBER INDEX

Part	Page	Part	Page	Part	Page	Part	Page
	990	255-5167 . . . . .	873		1002		884
	992		875		1004		886
	994		876		1006		888
	996		878		1008		890
	998		880		1010		892
	1000		882		1012		894
	1002		884		1014		896
	1004		886		1016		898
	1006		888		1018		900
	1008		890		1020		902
	1010		892		1022		904
	1012		894		1024		906
	1014		896		1026		908
	1016		898		1028		910
	1018		900		1030		912
	1020		902		1032		914
	1022		904		1034		916
	1024		906		1036		918
	1026		908		1038		920
	1028		910		1040		922
	1030		912		1042		924
	1032		914		1044		926
	1034		916		1046		928
	1036		918		1050		931
	1038		920		1052		933
	1040		922		1054		935
	1042		924		1056		937
	1044		926		1058		939
	1046		928		1060		941
	1050		931		1063		943
	1052		933		1065		945
	1054		935		1067		947
	1056		937		1069		949
	1058		939		1071		951
	1060		941		1073		952
	1063		943		1075		954
	1065		945		1079		956
	1067		947		1081		958
	1069		949		1083		960
	1071		951		1086		962
	1073		952		1090		964
	1075		954		1094		966
	1079		956		1098		968
	1081		958		1102		970
	1083		960		1104		972
	1086		962		1106		974
	1090		964		1108		976
	1094		966		1110		978
	1098		968		1112		980
	1102		970		1114		982
	1104		972		1116		984
	1106		974		1118		986
	1108		976		1120		988
	1110		978		1122		990
	1112		980		1124		992
	1114		982		1126		994
	1116		984		1130		996
	1118		986		1135		998
	1120		988		1137		1000
	1122		990	255-5168 . . . . .	873		1002
	1124		992		875		1004
	1126		994		876		1006
	1130		996		878		1008
	1135		998		880		1010
	1137		1000		882		1012

# PART NUMBER INDEX

Part	Page	Part	Page	Part	Page	Part	Page
	1014		896		1026		90
	1016		898		1028		91
	1018		900		1030		92
	1020		902		1032	256-3248 . . . . .	89
	1022		904		1034		90
	1024		906		1036		91
	1026		908		1038		92
	1028		910		1040	256-3610 . . . . .	89
	1030		912		1042		90
	1032		914		1044		93
	1034		916		1046	256-3663 . . . . .	4
	1036		918		1050		5
	1038		920		1052		6
	1040		922		1054		▶356
	1042		924		1056	256-4196 . . . . .	1289
	1044		926		1058		▶1392
	1046		928		1060	256-4197 . . . . .	1290
	1050		931		1063		▶1393
	1052		933		1065	256-4198 . . . . .	1309
	1054		935		1067		▶1394
	1056		937		1069	256-4199 . . . . .	1310
	1058		939		1071		▶1395
	1060		941		1073	256-4200 . . . . .	1258
	1063		943		1075		▶1381
	1065		945		1079	256-4201 . . . . .	1259
	1067		947		1081		▶1396
	1069		949		1083	256-4202 . . . . .	1267
	1071		951		1090		1293
	1073		952		1094		▶1397
	1075		954		1098	256-4203 . . . . .	1294
	1079		956		1102		▶1398
	1081		958		1104	256-4204 . . . . .	1313
	1083		960		1106		▶1399
	1086		962		1108	256-4205 . . . . .	1314
	1090		964		1110		▶1400
	1094		966		1112	256-4206 . . . . .	1262
	1098		968		1114		▶1401
	1102		970		1116	256-4207 . . . . .	1263
	1104		972		1118		▶1402
	1106		974		1120	256-4208 . . . . .	1317
	1108		976		1122		▶1403
	1110		978		1124	256-4209 . . . . .	1318
	1112		980		1126		▶1404
	1114		982		1130	256-4210 . . . . .	1266
	1116		984		1135		▶1405
	1118		986		1137	256-4212 . . . . .	1321
	1120		988	255-7915 . . . . .	177		▶1406
	1122		990	255-8691 . . . . .	361	256-4213 . . . . .	1322
	1124		992	255-8692 . . . . .	361		▶1407
	1126		994	256-0625 . . . . .	▶89	256-4214 . . . . .	1272
	1130		996	256-0628 . . . . .	▶90		1336
	1135		998	256-2703 . . . . .	92		▶1408
	1137		1000	256-2704 . . . . .	91	256-4215 . . . . .	1277
255-5169 . . . . .	873		1002	256-2705 . . . . .	89		▶1409
	875		1004		90	256-4216 . . . . .	1291
	876		1006	256-2707 . . . . .	89		▶1410
	878		1008	256-2708 . . . . .	92	256-4217 . . . . .	1292
	880		1010	256-2710 . . . . .	90		▶1411
	882		1012	256-3168 . . . . .	▶65	256-4218 . . . . .	1311
	884		1014	256-3170 . . . . .	▶206		▶1412
	886		1016	256-3172 . . . . .	▶206	256-4219 . . . . .	1312
	888		1018	256-3243 . . . . .	89		▶1413
	890		1020		90	256-4220 . . . . .	1260
	892		1022	256-3246 . . . . .	89		▶1382
	894		1024	256-3247 . . . . .	89	256-4221 . . . . .	1261

# PART NUMBER INDEX

Part	Page	Part	Page	Part	Page	Part	Page
	▶1414		1321	256-6907 . . . . .	162		4
256-4222 . . . . .	1273		1322	256-6908 . . . . .	245		5
	▶1415		1323	256-9606 . . . . .	▶7		6
256-4223 . . . . .	1278		1324	257-1738 . . . . .	▶159		▶351
	▶1416		▶1364		238	262-8139 . . . . .	1225
256-4224 . . . . .	1295	256-4245 . . . . .	1258	257-8762 . . . . .	▶255		▶1326
	▶1417		1259	257-8765 . . . . .	▶181	262-8140 . . . . .	▶1225
256-4225 . . . . .	1296		1260		255	262-8315 . . . . .	1226
	▶1418		1261	258-6653 . . . . .	133		▶1328
256-4226 . . . . .	1315		1267		136	262-8316 . . . . .	▶1226
	▶1419		1278	258-7997 . . . . .	133	262-8317 . . . . .	1227
256-4227 . . . . .	1316		1293		136		▶1329
	▶1420		1294	258-8952 . . . . .	633	262-8318 . . . . .	▶1227
256-4228 . . . . .	1264		1295	258-9922 . . . . .	378	262-8319 . . . . .	1228
	▶1421		1296	258-9923 . . . . .	378		▶1330
256-4229 . . . . .	1265		1313	259-0150 . . . . .	▶378	262-8320 . . . . .	▶1228
	▶1422		1314		599	262-8321 . . . . .	1229
256-4230 . . . . .	1274		1315	259-0151 . . . . .	▶599		▶1331
	▶1423		1316	259-2168 . . . . .	▶663	262-8322 . . . . .	▶1229
256-4231 . . . . .	1279		▶1365	259-2174 . . . . .	856	262-9022 . . . . .	260
	▶1424	256-4285 . . . . .	998	259-2503 . . . . .	65	263-5057 . . . . .	807
256-4232 . . . . .	1319		1102		206		808
	▶1425	256-6852 . . . . .	▶245		▶856		809
256-4233 . . . . .	1320		255	259-4653 . . . . .	341	263-6674 . . . . .	98
	▶1426	256-6854 . . . . .	245		343	263-8037 . . . . .	▶257
256-4234 . . . . .	1268	256-6856 . . . . .	245	259-4654 . . . . .	341		258
	▶1427		▶249		343	263-8038 . . . . .	▶258
256-4235 . . . . .	1269	256-6857 . . . . .	249	259-5805 . . . . .	▶778	263-8039 . . . . .	▶217
	▶1428	256-6858 . . . . .	249	259-5820 . . . . .	779		219
256-4236 . . . . .	1275	256-6859 . . . . .	249	259-7026 . . . . .	▶779	263-8040 . . . . .	▶219
	▶1429	256-6860 . . . . .	249	260-0217 . . . . .	7	263-8041 . . . . .	▶221
256-4237 . . . . .	1280	256-6861 . . . . .	249		1351		223
	▶1430	256-6862 . . . . .	249	260-6595 . . . . .	789	263-8042 . . . . .	▶223
256-4238 . . . . .	1323	256-6863 . . . . .	249	260-6665 . . . . .	▶870	263-8043 . . . . .	▶225
	▶1431	256-6864 . . . . .	249	260-6675 . . . . .	337		228
256-4239 . . . . .	1324	256-6865 . . . . .	249		381	263-8044 . . . . .	▶228
	▶1432	256-6866 . . . . .	249		384	263-8955 . . . . .	72
256-4240 . . . . .	1277	256-6867 . . . . .	249		396	264-0450 . . . . .	115
	1289	256-6868 . . . . .	245		810		118
	1290		▶252	260-6687 . . . . .	265	264-2752 . . . . .	217
	1291	256-6871 . . . . .	252	260-6898 . . . . .	1446		221
	1292	256-6873 . . . . .	252	261-0195 . . . . .	9		225
	1309	256-6874 . . . . .	252	261-1444 . . . . .	265		257
	1310	256-6875 . . . . .	245	261-1449 . . . . .	265	264-2756 . . . . .	225
	1311		260	261-1450 . . . . .	265	264-2759 . . . . .	217
	1312	256-6876 . . . . .	245	261-1451 . . . . .	265		257
	1328	256-6877 . . . . .	245	261-1452 . . . . .	265	264-6607 . . . . .	184
	1329		▶342	261-1454 . . . . .	265	265-5623 . . . . .	184
	1330	256-6878 . . . . .	342	261-1456 . . . . .	260	265-6584 . . . . .	221
	1331	256-6879 . . . . .	245	261-1457 . . . . .	260	265-7537 . . . . .	98
	▶1362	256-6882 . . . . .	272	261-1854 . . . . .	133	265-7538 . . . . .	98
256-4242 . . . . .	1262	256-6886 . . . . .	272		136	265-9105 . . . . .	285
	1263	256-6892 . . . . .	272	261-6795 . . . . .	▶133	266-2259 . . . . .	346
	1264	256-6893 . . . . .	95	261-6796 . . . . .	133	267-8461 . . . . .	▶610
	1265	256-6894 . . . . .	245		136		835
	1279	256-6895 . . . . .	245	261-6847 . . . . .	736	267-8462 . . . . .	388
	1317	256-6896 . . . . .	245	261-8693 . . . . .	181		▶709
	1318	256-6897 . . . . .	▶162	261-8694 . . . . .	181	267-8463 . . . . .	388
	1319		245	261-8695 . . . . .	181	267-8464 . . . . .	388
	1320	256-6898 . . . . .	162		184		▶710
	▶1363	256-6899 . . . . .	162	261-8696 . . . . .	181	267-8465 . . . . .	709
256-4243 . . . . .	1266	256-6902 . . . . .	162	261-8697 . . . . .	181	267-8466 . . . . .	710
	1268	256-6903 . . . . .	162		184	267-8467 . . . . .	749
	1269	256-6905 . . . . .	162	262-4378 . . . . .	209	267-8469 . . . . .	388
	1280	256-6906 . . . . .	162	262-6761 . . . . .	3	267-8472 . . . . .	▶835

# PART NUMBER INDEX

Part	Page	Part	Page	Part	Page	Part	Page
267-8473	▶388		790	274-9348	265		106
267-8475	▶749	272-5835	703	274-9349	260	278-1083	106
267-9689	344	272-5936	579		▶268	278-1774	346
	346		790	274-9350	268	278-1775	346
268-4442	▶38	272-6575	▶1133	274-9352	268	278-1776	344
268-5727	55	272-6638	404	274-9353	268	278-4287	47
268-9728	1143		405	274-9354	260	278-4363	1328
268-9732	1349		406		▶343		▶1434
	1350		407	274-9355	343	278-4364	1329
268-9735	▶1143		408	274-9356	▶163		▶1434
	1326		409		260	278-4365	1330
268-9737	▶1144		410	274-9357	163		▶1435
	1326		433	274-9358	163	278-4366	1331
268-9752	1326		436	274-9359	163		▶1436
	▶1433	272-8238	▶375	274-9360	260	278-4367	1434
269-2436	821		579	274-9361	▶95	278-4368	1434
269-2437	821		790		260	278-4369	1435
269-3352	▶635	272-8239	375	274-9362	95	278-4370	1436
269-3993	1144	272-8412	▶652	274-9363	95	278-4462	▶1351
269-5195	635	272-8413	▶434		272	278-4546	411
269-5196	635	272-8414	▶409	274-9364	95		415
269-7009	▶794		434	274-9365	95	278-4547	411
269-7010	▶838	272-8415	652	274-9371	260		412
269-7011	▶644	272-8416	407	276-0002	▶65	278-4895	▶751
269-7022	▶622		410	276-0003	▶206	278-4896	751
269-7024	▶743	272-8417	407	276-0004	▶206	278-4897	▶752
269-7026	622		410	276-1250	778	278-4898	752
269-7040	91	272-8424	409	276-2658	807		756
269-7042	91	272-8425	409	276-2665	808	278-4899	▶754
	92	272-8426	818	276-2672	809	278-4901	754
269-7043	91	272-8427	▶818	276-3875	29	278-4902	754
	92	272-8428	818		31	278-4970	▶411
269-7201	▶91	272-8430	▶435	276-3876	29		419
269-7202	▶92	272-8431	▶410		31	278-4971	▶412
269-8609	▶821		435	277-0322	▶873		420
	822	273-3553	29	277-0324	1026	278-4972	▶419
	364		31		1030	278-4973	▶420
270-0475	▶364	273-3554	29		1104	278-6169	1364
270-0476	92		31	277-0325	1024	278-7617	1246
270-2639	▶655	273-3811	▶260		1028		1247
270-7644	1326		264		1102		1248
	666	273-3812	▶264		1108		1249
270-8376	▶664	273-5041	▶661	277-0326	▶451		1250
271-0185	664		736		1102		1251
271-0187	664	273-7401	▶869		1106		1252
271-0188	665	274-1978	365	277-0327	937		1253
	1326	274-1979	▶365		1106		1254
271-0485	▶1366	274-7193	436	277-0328	896		1255
	▶787	274-7194	433		956		1256
271-1776	▶789		436		992		1257
271-2168	▶790	274-7195	436		996		1270
271-5371	▶801	274-7196	▶436		1030		1271
271-5425	▶802	274-8516	▶803	277-0329	937		1276
271-5426	▶1446		835	277-0330	933		1281
271-7376	▶55	274-8517	794		956		1282
271-9270	15		▶804		992		1283
272-0758	15		838		996		1284
272-0759	97	274-8518	▶805		1028		1285
	20		830	277-0331	892		1286
272-0760	100		833		894		1287
	579	274-8521	800		896		1288
272-1065	790		▶806		935		1297
	579	274-9346	260	278-0539	189		1298
272-1077	790		▶265	278-0540	189		1299
	579	274-9347	265	278-1082	104		1300

# PART NUMBER INDEX

Part	Page	Part	Page	Part	Page	Part	Page
	1301		1282		1253		1270
	1302		1283		1254		1271
	1303		1284		1255		1276
	1304		1285		1256		1283
	1305		1286		1257		1284
	1306		1287		1270		1287
	1307		1288		1271		1288
	1308		1297		1276		1299
	▶1378		1298		1281		1300
278-7618 . . . . .	1378		1299		1282		1303
278-7619 . . . . .	▶866		1300		1283		1304
	1246		1301		1284		1307
	1247		1302		1285		1308
	1248		1303		1286		1325
	1249		1304		1287	278-7683 . . . . .	1357
	1250		1305		1288		1358
	1251		1306		1297		1359
	1252		1307		1298		1360
	1253		1308		1299		1361
	1254	278-7622 . . . . .	867		1300		1370
	1255	278-7628 . . . . .	▶13		1301	278-7684 . . . . .	1145
	1256		1246		1302	278-7694 . . . . .	▶437
	1257		1247		1303	278-7802 . . . . .	▶875
	1270		1248		1304	278-7803 . . . . .	▶876
	1271		1249		1305	278-7804 . . . . .	▶878
	1276		1250		1306	278-7805 . . . . .	▶880
	1281		1251		1307	278-7806 . . . . .	▶882
	1282		1252		1308	278-7807 . . . . .	▶884
	1283		1253		1325	278-7808 . . . . .	▶886
	1284		1254	278-7676 . . . . .	1145	278-7810 . . . . .	▶888
	1285		1255	278-7677 . . . . .	1145	278-7811 . . . . .	▶890
	1286		1256		1356	278-7812 . . . . .	▶892
	1287		1257		1357	278-7814 . . . . .	▶894
	1288		1270		1358	278-7815 . . . . .	▶896
	1297		1271		1359	278-7820 . . . . .	▶898
	1298		1276		1360	278-7821 . . . . .	▶900
	1299		1281		1361	278-7822 . . . . .	▶902
	1300		1282		1370	278-7823 . . . . .	▶904
	1301		1283	278-7679 . . . . .	1357	278-7824 . . . . .	▶906
	1302		1284		1358	278-7826 . . . . .	▶908
	1303		1285		1359	278-7827 . . . . .	▶910
	1304		1286		1370	278-7837 . . . . .	▶912
	1305		1287		1371	278-7838 . . . . .	▶914
	1306		1288		1372	278-7839 . . . . .	▶916
	1307		1297		1373	278-7840 . . . . .	▶918
	1308		1298	278-7680 . . . . .	1357	278-7841 . . . . .	▶920
	1325		1299		1358	278-7842 . . . . .	▶922
278-7620 . . . . .	866		1300		1359	278-7843 . . . . .	▶924
278-7621 . . . . .	▶867		1301		1370	278-7844 . . . . .	▶926
	1246		1302		1371	278-7845 . . . . .	▶928
	1247		1303		1372	278-7846 . . . . .	▶931
	1248		1304	278-7681 . . . . .	1357	278-7847 . . . . .	▶933
	1249		1305		1358	278-7848 . . . . .	▶935
	1250		1306		1359	278-7849 . . . . .	▶937
	1251		1307		1370	278-7854 . . . . .	▶939
	1252		1308		1371	278-7855 . . . . .	▶941
	1253	278-7649 . . . . .	13		1372	278-7856 . . . . .	▶943
	1254	278-7665 . . . . .	▶1145		1373	278-7857 . . . . .	▶945
	1255		1246	278-7682 . . . . .	▶1145	278-7858 . . . . .	▶947
	1256		1247		1248	278-7859 . . . . .	▶949
	1257		1248		1249	278-7860 . . . . .	▶951
	1270		1249		1252	278-7861 . . . . .	▶952
	1271		1250		1253	278-7863 . . . . .	▶954
	1276		1251		1256	278-7864 . . . . .	▶956
	1281		1252		1257	278-7872 . . . . .	▶958

# PART NUMBER INDEX

Part	Page	Part	Page	Part	Page	Part	Page
278-7873	▶960	278-7965	▶1104		1122		1094
278-7874	▶962	278-7966	▶1106		1124		1114
278-7875	▶964	278-7967	▶1108		1137		1126
278-7876	▶966	278-7973	▶1110	278-7995	880		1130
278-7877	▶968	278-7974	▶1112		1042	278-8001	880
278-7878	▶970	278-7975	▶1114		1046		1022
278-7887	▶972	278-7976	▶1116		1060		1032
278-7888	▶974	278-7977	▶1118		1073		1036
278-7889	▶976	278-7978	▶1120		1079		1050
278-7890	▶978	278-7979	▶1122		1116		1054
278-7891	▶980	278-7980	▶1124		1120		1058
278-7892	▶982	278-7981	▶1126		1130		1071
278-7893	▶984	278-7982	▶1130		1137		1075
278-7894	▶986	278-7988	875	278-7996	876		1081
278-7895	▶988		1052		1040		1086
278-7896	▶990		1056		1044		1094
278-7897	▶992		1060		1083		1110
278-7898	▶994		1098		1090		1126
278-7899	▶996	278-7989	873		1098		1135
278-7903	▶998		1052		1112	278-8002	878
278-7904	▶1000		1056		1116		882
278-7905	▶1002		1060		1118		1022
278-7906	▶1004		1130		1122		1058
278-7907	▶1006	278-7990	1042		1130		1063
278-7908	▶1008		1046	278-7997	1034		1065
278-7909	▶1010		1052		1038		1067
278-7910	▶1012		1056		1040		1069
278-7911	▶1014		1060		1044		1071
278-7912	▶1016		1098		1060		1075
278-7913	▶1018		1130		1073		1086
278-7914	▶1020		1137		1079		1110
278-7915	▶1022	278-7991	1060		1112		1114
278-7916	▶1024		1120		1116		1126
278-7917	▶1026	278-7992	1042		1118		1135
278-7918	▶1028		1046		1120	278-8003	882
278-7919	▶1030		1060	278-7998	876		908
278-7924	▶1032		1065		880		1022
278-7925	▶1034		1098		1050		1042
278-7926	▶1036		1122		1054		1058
278-7927	▶1038		1124		1058		1063
278-7928	▶1040		1130		1083		1067
278-7929	▶1042	278-7993	1040		1090		1071
278-7930	▶1044		1044		1098		1075
278-7931	▶1046		1052		1122		1081
278-7932	▶1050		1056		1124		1086
278-7933	▶1052		1060		1130		1094
278-7934	▶1054		1065		1137		1126
278-7935	▶1056		1112	278-7999	876	278-8004	878
278-7936	▶1058		1118		880		882
278-7937	▶1060		1120		1022		900
278-7948	▶1063		1122		1060		1042
278-7949	▶1065		1130		1065		1063
278-7950	▶1067	278-7994	876		1069		1067
278-7951	▶1069		1034		1073		1086
278-7952	▶1071		1038		1079		1094
278-7953	▶1073		1060		1083		1126
278-7954	▶1075		1073		1098		1135
278-7955	▶1079		1079		1118	278-8005	882
278-7956	▶1081		1083		1122		1022
278-7957	▶1083		1090		1137		1034
278-7959	▶1086		1098	278-8000	1032		1042
278-7960	▶1090		1112		1036		1046
278-7962	▶1094		1116		1058		1081
278-7963	▶1098		1118		1083		1094
278-7964	▶1102		1120		1090		1104

# PART NUMBER INDEX

Part	Page	Part	Page	Part	Page	Part	Page
	1126		947		988		926
	1135		949		1006		928
278-8006 . . . . .	888		960		1008		943
	914		968		1010		945
	922		1012		1012		947
	1046		1016		1018		949
	1081	278-8013 . . . . .	900		1020		972
	1094		904		1044		976
	1126		906		1050		980
	1135		910		1058		984
278-8007 . . . . .	878		914	278-8016 . . . . .	886		986
	945		918		900		988
	1038		928		902		992
	1046		941		904		1000
	1081		945		908		1004
	1094		949		920		1006
	1126		960		922		1008
	1135		964		924		1010
278-8008 . . . . .	878		974		926		1012
	892		982		928		1020
	910		988		966	278-8019 . . . . .	890
	945		1000		968		914
	1052		1006		970		918
	1056		1008		972		920
	1061		1010		976		924
	1126		1014		978		928
	1135		1044		980		939
278-8009 . . . . .	884	278-8014 . . . . .	888		984		962
	904		906		988		988
	918		920		1002		998
	928		924		1012		1002
	933		928		1014		1006
	1008		945		1016		1008
	1014		947		1018		1010
	1016		949		1020		1014
	1026		951	278-8017 . . . . .	884		1024
	1036		960		888	278-8020 . . . . .	898
	1108		964		898		900
278-8010 . . . . .	926		966		902		902
	928		968		906		904
	941		970		910		906
	943		974		912		908
	1014		978		914		912
	1040		982		916		916
	1054		986		918		943
278-8011 . . . . .	888		988		928		947
	902		1004		941		978
	910		1014		943		984
	943		1018		945		1006
	949		1020		947		1008
	974		1044		949		1010
	978		1102		958		1014
	988	278-8015 . . . . .	886		962		1016
	1000		902		964	278-8021 . . . . .	884
	1004		912		974		886
	1008		916		980		898
	1012		928		984		902
	1032		939		988		943
	1040		958		998		945
278-8012 . . . . .	884		962		1012		947
	898		966		1014		966
	908		968		1018		976
	922		970	278-8018 . . . . .	898		1006
	926		982		902		1008
	928		986		922		1010

# PART NUMBER INDEX

Part	Page	Part	Page	Part	Page	Part	Page
278-8022	916		894	280-0145	1360	289-7584	437
	920	279-0810	931		▶1371		441
	924		935	280-0146	1361		442
	931		994		▶1372	289-9082	1326
	939	279-0828	437	280-0147	1370		▶1380
	945		439	280-4108	▶136	289-9101	1380
	1000		441	281-6139	3	290-8070	870
	1002		442		4	291-3895	1230
	1006	279-0829	437		5		▶1332
278-8023	912		449		6	291-3896	▶1230
	949	279-0864	630		▶72	291-3897	1230
	958	279-0865	630	281-6157	31		▶1333
278-8024	886	279-0866	630	281-6159	98	291-3898	▶1230
	941	279-0867	▶630	281-6349	101	291-3899	1232
	949	279-0870	630	281-6350	38		▶1334
	1004	279-0871	630		102	291-3900	▶1232
	1012	279-2282	▶439	281-9210	317	291-3901	1233
278-8026	952		▶441	281-9211	317		▶1335
	998	279-2622	1272	282-2516	1373	291-3902	▶1233
278-8028	939		1332	282-2542	1325	291-3903	1332
	943		1340		▶1379		▶1437
	947		1341	282-2548	1379	291-3904	1437
	1002		▶1367	282-2551	1379	291-3905	1333
278-8381	414	279-2624	1273	282-2565	▶868		▶1437
	415		1333		1325	291-3906	1437
278-8382	▶414		1342	282-2569	868	291-3907	1334
	421		1343	282-4037	442		▶1437
278-8383	▶421		▶1367		450	291-3908	1437
278-8384	▶415	279-2625	1274	282-4040	▶442	291-3909	1335
	422		1334	282-4336	1356		▶1437
278-8385	▶422		1344		▶1373	291-3910	1437
278-8879	405		1345	282-6521	1134	291-4309	209
278-9001	439		▶1368	282-7944	98	291-4311	208
279-0805	937	279-2626	1275	283-1107	698		▶209
	952		1335	283-1368	▶1134	291-5103	617
	954		1346	283-5151	787	292-5098	593
	956		1347	284-1054	121	292-8600	▶840
	990		▶1369	284-1056	121	292-8601	840
	994	279-2627	1367	284-9561	644	292-8602	▶782
	996	279-2628	1367	286-2444	▶207	292-8603	782
279-0806	890	279-2629	1368		264	292-8679	394
	892	279-2630	1369	286-2445	207		395
	894	279-3444	▶822		230		▶398
	896	279-3486	1246	286-4751	759	293-0007	164
	931		1247		761	293-0008	167
	933		1248		762	293-0009	170
	937		1249	287-7137	336	293-2033	381
	952		1281		381		384
	954		1282		384		388
279-0807	933		1283		388	293-4388	288
	935		1284		810		289
	952		1297	287-8583	93		290
	954		1298	287-8587	93		291
	990		1299	288-6174	55	294-0935	1234
	994		1300	289-0222	207		▶1336
	996		▶1370	289-0223	207	294-0936	▶1234
279-0808	890	279-3636	439	289-0272	207	294-0943	1234
	892		441	289-0372	331		▶1337
	894		448	289-0442	▶852	294-0944	▶1234
	896	279-4247	711		1326	294-0945	1236
	931	279-6763	▶1140	289-0443	852		▶1339
	935	279-6764	▶1352	289-0445	1349	294-0946	▶1236
	954	280-0141	1357		1350	294-9052	243
	990	280-0142	1358	289-0656	642		249
279-0809	890	280-0144	1359		▶726		252



# PART NUMBER INDEX

Part	Page	Part	Page	Part	Page	Part	Page
	265		618		1244		1251
	268	300-3508 . . . . .	▶380		1245		1252
	279		616	303-6365 . . . . .	▶56		1253
295-5458 . . . . .	243		617		260		1254
	279		618	304-4230 . . . . .	1357		1255
295-5506 . . . . .	437	300-3509 . . . . .	380		1358		1256
	441	300-3510 . . . . .	380		1359		1257
	442	300-4967 . . . . .	616		1360		1270
296-0645 . . . . .	▶601		617		1361		1271
	619		618		1370		1281
296-5554 . . . . .	647		619	304-4636 . . . . .	56		1282
	648		620	304-4637 . . . . .	56		1283
296-5555 . . . . .	647	300-7645 . . . . .	803	304-4640 . . . . .	56		1284
	648		▶807	304-4641 . . . . .	56		1285
296-5556 . . . . .	651	300-7646 . . . . .	801	304-4642 . . . . .	56		1286
296-5557 . . . . .	651		804	304-4643 . . . . .	56		1287
296-6673 . . . . .	437		▶808	304-4644 . . . . .	56		1288
	441	300-7647 . . . . .	802	304-4645 . . . . .	56		1297
	442		805	305-0762 . . . . .	630		1298
	448		▶809	306-3998 . . . . .	676		1299
	449	300-8567 . . . . .	63		700		1300
	450	300-8569 . . . . .	63	307-2056 . . . . .	703		1301
297-4268 . . . . .	437	300-8570 . . . . .	63	307-2616 . . . . .	▶825		1302
	441	301-0561 . . . . .	608	307-2617 . . . . .	▶826		1303
	442	301-7503 . . . . .	▶93	307-3264 . . . . .	▶616		1304
297-6369 . . . . .	437	301-7504 . . . . .	93	307-3265 . . . . .	▶617		1305
	441	301-7505 . . . . .	93	307-3275 . . . . .	▶602		1306
	442	301-7506 . . . . .	93		617		1307
297-7000 . . . . .	3	301-7510 . . . . .	93	307-3276 . . . . .	▶603		1308
	4	301-9248 . . . . .	29		616	311-0843 . . . . .	1363
	5		31	307-3521 . . . . .	608		1365
	6	302-8728 . . . . .	139	307-8458 . . . . .	▶637	311-0844 . . . . .	1371
	▶60	302-8729 . . . . .	126	307-8764 . . . . .	637		1372
298-3648 . . . . .	1354		129	307-9372 . . . . .	637		1373
298-3817 . . . . .	1326		133	308-2363 . . . . .	601	311-1137 . . . . .	1237
	▶1354		136		602		▶1340
	1362		▶139		603	311-1138 . . . . .	▶1237
	1363	303-3433 . . . . .	1173		604	311-1139 . . . . .	1238
	1364		1230	308-3029 . . . . .	711		▶1341
	1365		1231	308-6226 . . . . .	1336	311-1140 . . . . .	▶1238
	1367		1232		▶1374	311-1141 . . . . .	1238
	1368		1234	309-1583 . . . . .	810		▶1342
	1369		1235		815	311-1142 . . . . .	▶1238
	1374		1236	310-6538 . . . . .	272	311-1143 . . . . .	1240
298-5544 . . . . .	90		1237	310-6540 . . . . .	272		▶1343
298-5631 . . . . .	1442		1238	310-6555 . . . . .	272	311-1144 . . . . .	▶1240
298-6387 . . . . .	132		1239	310-7188 . . . . .	272	311-1145 . . . . .	1241
298-7115 . . . . .	▶397		1240	310-7395 . . . . .	272		▶1344
299-0753 . . . . .	827		1241	311-0264 . . . . .	444	311-1146 . . . . .	▶1241
299-0754 . . . . .	827		1242		446	311-1147 . . . . .	1242
299-0755 . . . . .	827		1244	311-0265 . . . . .	444		▶1345
299-2196 . . . . .	827		1245		446	311-1148 . . . . .	▶1242
299-2197 . . . . .	827	303-3440 . . . . .	1173	311-0266 . . . . .	444	311-1149 . . . . .	1244
299-5204 . . . . .	72		1230	311-0267 . . . . .	444		▶1346
			1231	311-0268 . . . . .	444	311-1150 . . . . .	▶1244
			1232	311-0269 . . . . .	444	311-1151 . . . . .	1244
			1234	311-0270 . . . . .	444		▶1347
			1235	311-0271 . . . . .	444	311-1152 . . . . .	▶1244
			1236		446	311-2821 . . . . .	▶446
300-3506 . . . . .	616		1237	311-0272 . . . . .	▶444		1258
	617		1238		1246		1259
	618		1239		1247		1260
	619		1240		1248		1261
300-3507 . . . . .	616		1241		1249		1262
	617		1242		1250		1263

**3**

# PART NUMBER INDEX

Part	Page	Part	Page	Part	Page	Part	Page
	1264	312-5103 . . . . .	230		970		1114
	1265	312-5105 . . . . .	▶230		972		1116
	1266	312-6114 . . . . .	▶608		974		1118
	1267	313-2043 . . . . .	943		976		1120
	1268		947		978		1122
	1269		1010		980		1124
	1289	313-5252 . . . . .	▶149		982		1126
	1290	313-7770 . . . . .	360		984		1127
	1291		▶361		986		1130
	1292	314-2384 . . . . .	1374		988		1135
	1293	314-6062 . . . . .	3		990		1137
	1294		4		992	314-7755 . . . . .	806
	1295		6		994		▶1355
	1296		▶118		996	315-4173 . . . . .	1347
	1309	314-6905 . . . . .	451		998		▶1438
	1310		873		1000	315-4174 . . . . .	1438
	1311		875		1002	315-4175 . . . . .	1345
	1312		876		1004	315-4176 . . . . .	1345
	1313		878		1006	315-4177 . . . . .	1343
	1314		880		1008		▶1438
	1315		882		1010	315-4178 . . . . .	1438
	1316		884		1012	315-4179 . . . . .	1341
	1317		886		1014	315-4180 . . . . .	1341
	1318		888		1016	315-4181 . . . . .	1346
	1319		890		1018		▶1438
	1320		892		1020	315-4182 . . . . .	1438
	1321		894		1022	315-4183 . . . . .	1344
	1322		896		1024		▶1439
	1323		898		1026	315-4184 . . . . .	1439
	1324		900		1028	315-4185 . . . . .	1340
	1328		902		1030		▶1440
	1329		904		1032	315-4186 . . . . .	1440
	1330		906		1034	315-4187 . . . . .	1342
	1331		908		1036		▶1441
	1336		910		1038	315-4188 . . . . .	1441
	1340		912		1040	317-1121 . . . . .	98
	1341		914		1042	318-2082 . . . . .	677
	1342		916		1044		701
	1343		918		1046	319-5889 . . . . .	179
	1344		920		1050	319-5890 . . . . .	179
	1345		922		1052	321-2524 . . . . .	703
	1346		924		1054	321-5895 . . . . .	311
	1347		926		1056	321-8303 . . . . .	245
			928		1058		▶272
311-2919 . . . . .	184		929		1060	322-3173 . . . . .	▶1350
311-2920 . . . . .	▶184		931		1061	323-1261 . . . . .	657
	264		933		1063	323-8691 . . . . .	571
311-2973 . . . . .	446		935		1065	323-8693 . . . . .	▶571
311-2974 . . . . .	446		937		1067		762
311-3922 . . . . .	600		939		1069	323-8696 . . . . .	▶762
311-4615 . . . . .	184		941		1071	323-9338 . . . . .	619
311-4616 . . . . .	260		943		1073		620
311-7115 . . . . .	▶448		945		1075	324-5608 . . . . .	756
311-7116 . . . . .	▶449		947		1079		758
311-7117 . . . . .	▶450		949		1081	325-6244 . . . . .	▶101
311-9057 . . . . .	990		951		1083	325-6245 . . . . .	▶102
312-5081 . . . . .	742		952		1086	325-6246 . . . . .	▶604
312-5082 . . . . .	▶742		954		1090		618
312-5083 . . . . .	569		956		1094		620
312-5084 . . . . .	▶569		958		1098	325-6248 . . . . .	▶618
	759		960		1104	325-6250 . . . . .	▶619
312-5085 . . . . .	▶759		962		1106	325-9342 . . . . .	▶3
312-5092 . . . . .	570		964		1108	325-9343 . . . . .	▶4
312-5093 . . . . .	▶570		966		1110	325-9344 . . . . .	▶5
	761		968		1112	326-8058 . . . . .	▶665
312-5094 . . . . .	▶761						

# PART NUMBER INDEX

Part	Page	Part	Page	Part	Page	Part	Page
326-8059	▶666						
326-8060	665						
	666						
326-9502	618						
	620						
327-7135	1348						
327-7136	1348						
328-2059	▶6						
328-3414	764						
	766						
	768						
328-3416	572						
328-3417	▶572						
	764						
328-3418	▶764						
328-3419	573						
328-3420	▶573						
	766						
328-3423	▶766						
328-3424	574						
328-3425	▶574						
	768						
328-3426	▶768						
329-1293	713						
329-5566	1348						
330-3345	▶620						
330-3453	▶756						
330-3455	▶758						
330-5566	713						
331-1694	▶1135						
331-1696	▶1137						
332-1128	620						
332-1129	▶393						
	619						
332-1130	393						
	620						
332-1132	393						
332-1133	619						
	620						
332-1134	619						
	620						
332-1137	393						
332-5866	713						
333-4940	▶711						
	778						
336-7111	▶713						
337-6517	▶204						
339-4783	853						
339-4784	▶853						

# MEMORANDA





**SEBP5405  
VOLUME I  
Pages 1-786**

**3516B Generator Set**

**G1W1-Up**

